



Illustrated Parts Manual

Models
1644
7013H

PVC
2305

P/N
31221597

October 9, 2023 - Rev C



An Oshkosh Corporation Company

EFFECTIVITY PAGE

May 1, 2023 - A - Original Issue of Manual (Edited to 1001195000 Revision AN)

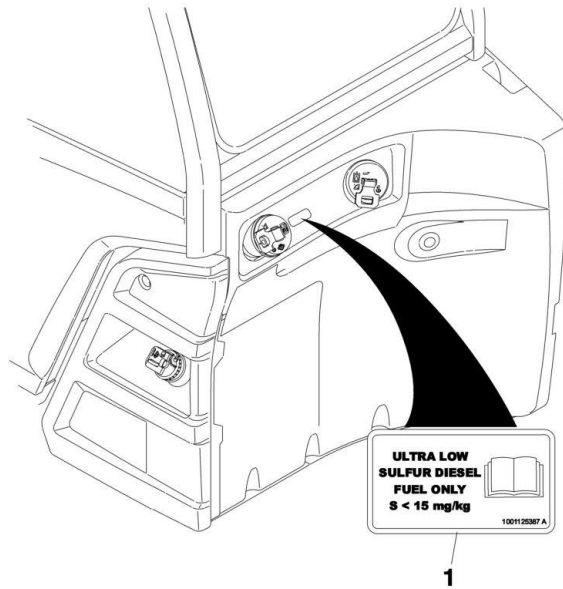
June 15, 2023 - B - Revised Manual (Edited to 1001195000 Revision AN)

October 9, 2023 - C - Revised Manual (Edited to 1001195000 Revision AO)

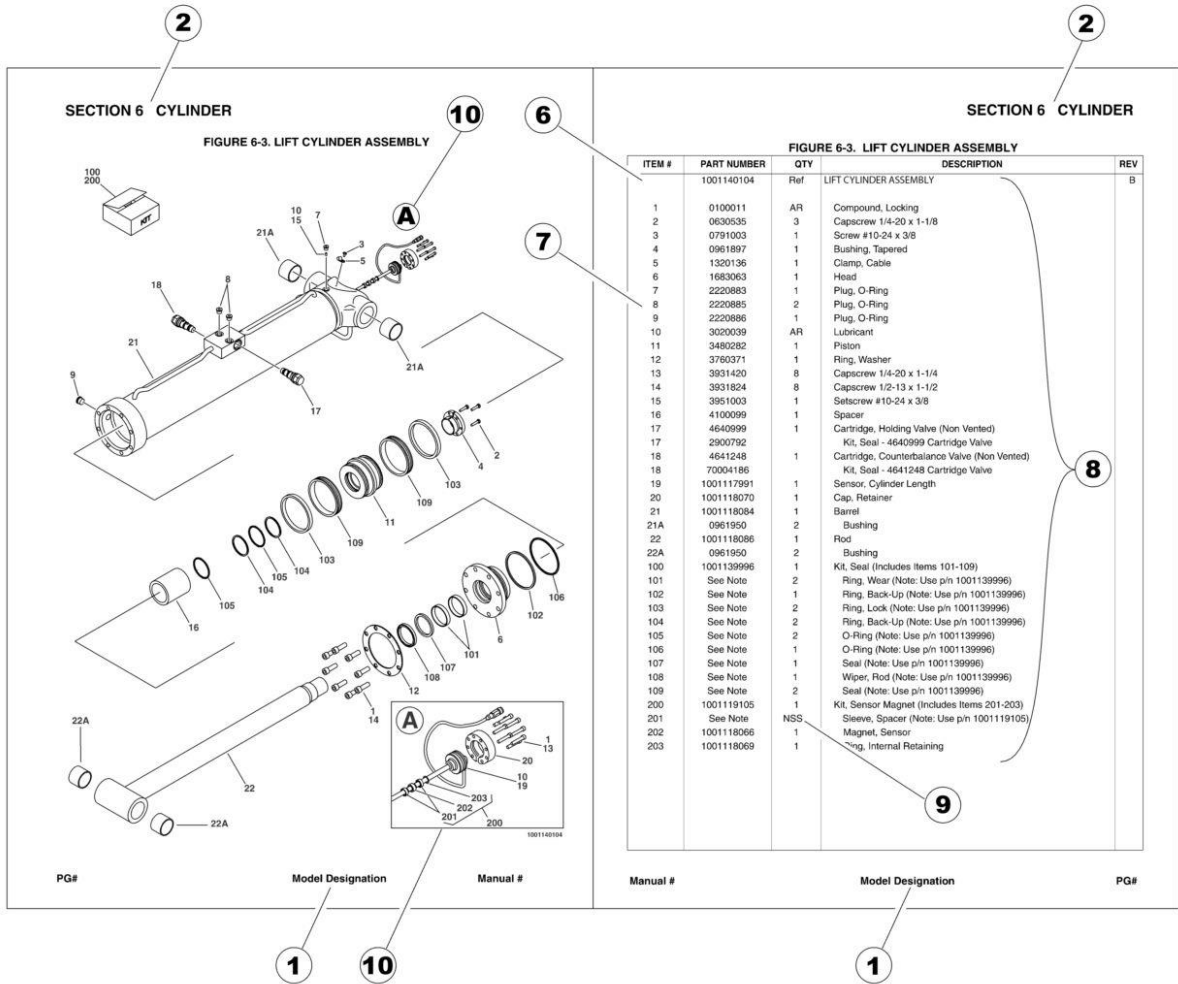
Machine Configuration

Two configurations of each machine are included in this manual. Determine if machine is equipped with Ultra Sulfur Fuel Decal (1) as indicated below.

- If equipped with the Ultra Low Sulfur decal, all specific references to this machine configuration will be referred to as Ultra Low Sulfur (ULS) from this point forward.
- If not equipped with the Ultra Low Sulfur decal, all specific references to this machine configuration will be referred to as Low Sulfur (LS) from this point forward.



GENERAL INFORMATION



1) MACHINE IDENTIFICATION

Machines are identified by model and in some cases a combination of models, serial number (SN) or regional standard (i.e ANSI, CE, CSA). Components may also be identified by SN or manufacturer. Common components that may be identified by these characteristics are engines and hydraulic components.

2) PARTS MANUAL ORGANIZATION

Product information in this manual is organized under section titles. Frame, Cylinder, Hydraulic and Electrical are a few examples. Each section is organized by figure and page number. The information within the Figure is then organized by item number, part number, description and corresponding illustration (s).

3) TABLE OF CONTENTS (NOT SHOWN)

A table of contents is found toward the beginning of the manual. Figure number, description and page number are provided for quick reference to the page containing the related information.

4) RECOMMENDED SPARE PARTS (NOT SHOWN)

The Recommended Spare Parts List, located near the end of the manual, reference most frequently used maintenance parts.

5) PART NUMBER INDEX (NOT SHOWN)

A numerical index listing all part numbers and the corresponding page number(s) appears at the back of the manual.

GENERAL INFORMATION

6) NON-SERVICED PARTS

In some instances, it is necessary to display non-serviced parts, assemblies or installations. In the case of assemblies and installations there will be a Ref in the Qty. column. In case of parts that are not available for service within assemblies or components, there will be a NSS (Not Sold Separately) or NLA (No Longer Available) listed in the Qty. column of the manual.

7) PARTS LIST ITEM NUMBERS

Numbers shown in the item# column correspond to numbers used in the associated illustration (s). Item numbers which are missing from the sequence in the parts list are not used on that page.

8) INDENTED PARTS DESCRIPTION

An indented part description is included in the item under which it is indented.

9) ABBREVIATION AND SYMBOLS

AC.....	Alternating Current	L.....	Liter
ADE.....	Advanced Design Electronics	LB(LBS).....	Pounds
AG.....	Agricultural	LCD.....	Liquid Crystal Display
ANSI.....	American National Standards Institute	LED.....	Light Emitting Diodes
AR.....	As Required	LH.....	Left Hand
ASSY.....	Assembly	LRC.....	Low Rated Countries
AUS.....	Australia	LSS.....	Load Sensing System
AUX.....	Auxiliary	M(m).....	Metric/Meter
AWG.....	American Wire Gauge	MM(mm).....	Milimeter
B/M.....	Bill of Material	mA.....	Miliamps
CAC.....	Charge Air Cooler	NLA.....	No Longer Available
CE.....	European Conformity	NPT.....	National Pipe Threads
CCW.....	Counter Clockwise	NSS.....	Not Sold Separately
CM.....	Centimeter	OD.....	Outside Diameter
CW.....	Clockwise	ORB.....	O-Ring Boss
CSA.....	Canadian Standards Association	ORFS.....	O-Ring Face Seal
CYL.....	Cylinder	OZ (oz).....	Ounces
DIA.....	Diameter	PG.....	Page
DC.....	Direct Current	PN.....	Part Number
DEF.....	Diesel Exhaust Fluid	QT(qt.).....	Quarts
EMS.....	Emergency Stop	QTY.....	Quantity
ENG.....	Engine	REF.....	Reference
FT(ft).....	Feet	REV.....	Revision Level
GA(Ga).....	Gauge	RH.....	Right Hand
HRC.....	High Rated Countries	SAE.....	Society of Automotive Engineers
HVAC.....	Heating, Ventilating, and Air Conditioning	SN.....	Serial Number
HYD.....	Hydraulic	SPEC(S).....	Specifications
Hz.....	Hertz	T/T.....	Turntable
ID.....	Inside Diameter	UGM.....	Universal Ground Module
IN.....	inches	V.....	Volts
ISO.....	International Organization for Standards	W.....	Watts
JIC.....	Joint Industry Council	#.....	Number
KG.....	Kilogram		

10) ILLUSTRATION REFERENCE LETTERS

When necessary, illustrations may contain reference letters that are intended to track information (i. e. hoses, harnesses) from one point to another or to track visual enlargement of components to show details that may be located in another area on the illustration.

Note: Due to continuous product improvements, JLG Industries, Inc. reserves the right to make specification changes without prior notification. Contact JLG Industries, Inc. for updated information.

TABLE OF CONTENTS

SECTION 1 - FRAME AND ATTACHING PARTS.....	19
FIGURE 1-1. GROMMETS INSTALLATION	20
FIGURE 1-2. TANKS INSTALLATION.....	22
FIGURE 1-3. HYDRAULIC TANK INSTALLATION	24
FIGURE 1-4. HYDRAULIC TANK ASSEMBLY.....	26
FIGURE 1-5. FUEL TANK INSTALLATION.....	28
FIGURE 1-6. FUEL TANK ASSEMBLY	30
FIGURE 1-7. TANK SUPPORT INSTALLATION.....	32
FIGURE 1-8. LOCKING FUEL CAP	34
FIGURE 1-9. PAD LOCK.....	36
FIGURE 1-10. ENGINE ENCLOSURE & HOOD INSTALLATION (1644)	38
FIGURE 1-11. ENGINE ENCLOSURE & HOOD INSTALLATION (7013)	40
FIGURE 1-12. ENGINE HOOD ASSEMBLY (1644).....	42
FIGURE 1-13. ENGINE HOOD ASSEMBLY (7013).....	44
FIGURE 1-14. ENGINE HOOD INSULATION INSTALLATION.....	46
FIGURE 1-15. ENGINE ENCLOSURE ASSEMBLY	48
FIGURE 1-16. COVER INSTALLATION (ULS).....	50
FIGURE 1-17. COVER INSTALLATION (LS)	52
FIGURE 1-18. FRAME COVER INSTALLATION	54
FIGURE 1-19. FRONT LOWER COVER INSTALLATION	56
FIGURE 1-20. MIRRORS INSTALLATION (1644)	58
FIGURE 1-21. MIRRORS INSTALLATION (7013)	60
FIGURE 1-22. REFLECTORS INSTALLATION	62
FIGURE 1-23. WHEEL CHOCKS INSTALLATION.....	64
SECTION 2 - BOOM	67
FIGURE 2-1. BOOM INSTALLATION.....	68
FIGURE 2-2. BOOM ASSEMBLY	70
FIGURE 2-3. FIRST BOOM SECTION ASSEMBLY.....	72
FIGURE 2-4. SECOND BOOM SECTION ASSEMBLY.....	74
FIGURE 2-5. THIRD BOOM SECTION ASSEMBLY	76
FIGURE 2-6. COUPLER INSTALLATION (MANUAL).....	78
FIGURE 2-7. COUPLER INSTALLATION (HYDRAULIC)	80
FIGURE 2-8. COUPLING LOCKING VALVE & CYLINDER ASSEMBLY	82
FIGURE 2-9. MANUAL COUPLER PIN HOLDER INSTALLATION.....	84
FIGURE 2-10. BOOM PROP INSTALLATION	86
FIGURE 2-11. BOOM PROP BRACKET ASSEMBLY	88
FIGURE 2-12. BOOM BRUSHES INSTALLATION	90
FIGURE 2-13. BOOM ANGLE INDICATOR INSTALLATION.....	92
SECTION 3 - ATTACHMENTS	95
FIGURE 3-1. ATTACHMENT RECOGNITION INSTALLATION - COMPLETE	96
FIGURE 3-2. ATTACHMENT RECOGNITION INSTALLATION.....	98
FIGURE 3-3. ATTACHMENT RECOGNITION RECEIVER (FCC)	100
FIGURE 3-4. ATTACHMENT RECOGNITION RECEIVER (EU).....	102

TABLE OF CONTENTS

FIGURE 3-5. ATTACHMENT RECOGNITION ANTENNA (FCC)	104
FIGURE 3-6. ATTACHMENT RECOGNITION ANTENNA (EU)	106
FIGURE 3-7. BALE HANDLER (ROUND BALES)	108
FIGURE 3-8. BALE HANDLER (SQUARE BALES)	112
FIGURE 3-9. BASKET, PERSONNEL (1.2MX2.4M) (DOMESTIC)	114
FIGURE 3-10. BASKET, PERSONNEL (1.2MX2.4M) (FRENCH LANGUAGE).....	116
FIGURE 3-11. BASKET, PERSONNEL (1.2MX2.4M) (ISO)	118
FIGURE 3-12. BASKET ASSEMBLY - FORK MOUNTED	120
FIGURE 3-13. BASKET DOCKING STATION	122
FIGURE 3-14. BOOM - TRUSS (3.6TON FORK MOUNTED)	124
FIGURE 3-15. BOOM - TRUSS (7.6 TON)	126
FIGURE 3-16. BUCKET (2.6 YD ³ /2.0M ³)	128
FIGURE 3-17. BUCKET (5.23 YD ³).....	130
FIGURE 3-18. BUCKET - 4 IN 1 (1.3 YD ³ /1.0M ³).....	132
FIGURE 3-19. BUCKET - GRAPPLE (1.7 YD ³ /1.3M ³)	134
FIGURE 3-20. BUCKET - FORK MOUNTED (1.0M ³)	136
FIGURE 3-21. CARRIAGE ASSEMBLY (60IN/1524MM).....	138
FIGURE 3-22. CARRIAGE ASSEMBLY (72IN/1829MM).....	140
FIGURE 3-23. CARRIAGE ASSEMBLY (87IN/2290MM).....	142
FIGURE 3-24. CARRIAGE ASSEMBLY - DUAL FORK POSITIONING CARRIAGE (72IN/1829MM)	144
FIGURE 3-25. CARRIAGE ASSEMBLY - DUAL FORK POSITIONING SIDE SHIFT CARRIAGE (75IN/1899MM)	146
FIGURE 3-26. CARRIAGE ASSEMBLY - LOG HANDLER CARRIAGE	148
FIGURE 3-27. CARRIAGE ASSEMBLY - PIPE HANDLER CARRIAGE.....	152
FIGURE 3-28. CARRIAGE ASSEMBLY - STEEL COIL HANDLER CARRIAGE	156
FIGURE 3-29. FORK - PALLET (2.25X6X48).....	158
FIGURE 3-30. FORK - PALLET (2.25X6X60).....	160
FIGURE 3-31. FORK - PALLET (2.25X6X72).....	162
FIGURE 3-32. FORK - PALLET (2.25X6X96).....	164
FIGURE 3-33. FORK RETENTION INSTALLATION.....	166
FIGURE 3-34. HOOK - CRANK (7.6 TON)	168
FIGURE 3-35. HOOK - FORK MOUNTED.....	170
FIGURE 3-36. HOPPER - TRASH	172
FIGURE 3-37. WINCH - COUPLER MOUNTED.....	174
SECTION 4 - ENGINE AND ATTACHING PARTS.....	177
FIGURE 4-1. ENGINE POD COMPONENT INSTALLATION (ULS)	178
FIGURE 4-2. ENGINE POD COMPONENT INSTALLATION (LS).....	180
FIGURE 4-3. ENGINE POD COMPONENT INSTALLATION (LS HIGH AMBIENT).....	182
FIGURE 4-4. ENGINE POD COMPONENT INSTALLATION (MINING) (ULS).....	184
FIGURE 4-5. ENGINE POD COMPONENT INSTALLATION (MINING) (LS)	186
FIGURE 4-6. ENGINE POD COMPONENT INSTALLATION (MINING) (LS HIGH AMBIENT).....	188
FIGURE 4-7. ENGINE INSTALLATION (ULS)	190
FIGURE 4-8. ENGINE ASSEMBLY (ULS)	192
FIGURE 4-9. ENGINE ASSEMBLY (LS).....	196
FIGURE 4-10. ENGINE MOUNT INSTALLATION	198
FIGURE 4-11. AIR INTAKE INSTALLATION (ULS).....	200

TABLE OF CONTENTS

FIGURE 4-12. AIR INTAKE INSTALLATION (LS).....	202
FIGURE 4-13. AIR CLEANER INSTALLATION.....	204
FIGURE 4-14. AIR CLEANER ASSEMBLY.....	206
FIGURE 4-15. AIR INTAKE DUCT INSTALLATION.....	208
FIGURE 4-16. PRIMARY FUEL FILTER INSTALLATION (ULS)	210
FIGURE 4-17. PRIMARY FUEL FILTER INSTALLATION (LS)	212
FIGURE 4-18. REMOTE FUEL PUMP INSTALLATION.....	214
FIGURE 4-19. FUEL LINES INSTALLATION (ULS).....	216
FIGURE 4-20. FUEL LINES INSTALLATION (LS)	218
FIGURE 4-21. FUEL LINES INSTALLATION (LS HIGH AMBIENT).....	220
FIGURE 4-22. HYDROSTATIC ADAPTOR INSTALLATION.....	222
FIGURE 4-23. DUAL DRIVE SUPPORT ASSEMBLY	224
FIGURE 4-24. HYDROSTATIC DRIVE PUMP INSTALLATION.....	226
FIGURE 4-25. HYDROSTATIC DRIVE PUMP ASSEMBLY	228
FIGURE 4-26. IMPLEMENT PUMP INSTALLATION	230
FIGURE 4-27. IMPLEMENT PUMP ASSEMBLY.....	232
FIGURE 4-28. DEF COOLANT LINES INSTALLATION (ULS)	234
FIGURE 4-29. COOLING PACKAGE INSTALLATION (NO HIGH AMBIENT)	236
FIGURE 4-30. COOLING PACKAGE INSTALLATION (HIGH AMBIENT).....	238
FIGURE 4-31. COOLING PACKAGE INSTALLATION (ASOV)	240
FIGURE 4-32. RADIATOR - COOLING PACKAGE.....	244
FIGURE 4-33. RADIATOR LINES INSTALLATION (ALL EXCEPT ASOV)	246
FIGURE 4-34. RADIATOR LINES INSTALLATION (ASOV)	248
FIGURE 4-35. COOLANT LINES INSTALLATION.....	250
FIGURE 4-36. SURGE TANK INSTALLATION	252
FIGURE 4-37. TRANSMISION OIL COOLER LINES INSTALLATION.....	254
FIGURE 4-38. FAN GUARD INSTALLATION	256
FIGURE 4-39. FAN GUARD (REVERSING) INSTALLATION	258
FIGURE 4-40. COOLING FAN INSTALLATION.....	260
FIGURE 4-41. COOLING FAN INSTALLATION (HIGH AMBIENT).....	262
FIGURE 4-42. COOLING FAN (REVERSING) INSTALLATION	264
FIGURE 4-43. COOLING FAN COVER (REVERSING) INSTALLATION.....	266
FIGURE 4-44. EXHAUST INSTALLATION (LS).....	268
FIGURE 4-45. MUFFLER INSTALLATION (LS).....	270
FIGURE 4-46. EXHAUST INSTALLATION (ULS)	272
FIGURE 4-47. DEF TANK INSTALLATION.....	274
FIGURE 4-48. DEF TANK ASSEMBLY	276
FIGURE 4-49. DEF LINES INSTALLATION	278
FIGURE 4-50. DEF CONTROL MODULE INSTALLATION.....	280
FIGURE 4-51. HEATER LINES INSTALLATION (ULS)	282
FIGURE 4-52. HEATER LINES INSTALLATION (LS).....	284
FIGURE 4-53. A/C PUMP INSTALLATION	286
FIGURE 4-54. A/C LINES INSTALLATION	288
FIGURE 4-55. BLOCK HEATER INSTALLATION (115V) (ULS).....	290
FIGURE 4-56. BLOCK HEATER INSTALLATION (115V) (LS)	292

TABLE OF CONTENTS

FIGURE 4-57. BLOCK HEATER INSTALLATION (240V) (LS)	294
FIGURE 4-58. HEATED BREATHER TUBE INSTALLATION.....	296
FIGURE 4-59. QUICK DRAIN OIL VALVE INSTALLATION	298
SECTION 5 - RIVE TRAIN.....	301
FIGURE 5-1. DRIVETRAIN INSTALLATION	302
FIGURE 5-2. HYDROSTATIC MOTOR INSTALLATION	304
FIGURE 5-3. HYDROSTATIC MOTOR ASSEMBLY	306
FIGURE 5-4. GEARBOX INSTALLATION	308
FIGURE 5-5. GEAR BOX.....	310
FIGURE 5-6. DRIVE SHAFT INSTALLATION	314
FIGURE 5-7. FRONT AXLE INSTALLATION.....	316
FIGURE 5-8. FRONT AXLE MOUNTING INSTALLATION	318
FIGURE 5-9. FRONT AXLE.....	320
FIGURE 5-10. FRONT AXLE, CENTRAL HOUSING.....	322
FIGURE 5-11. FRONT AXLE, DIFFERENTIAL.....	324
FIGURE 5-12. DIFFERENTIAL KIT.....	326
FIGURE 5-13. FRONT AXLE, HUB REDUCTION	328
FIGURE 5-14. FRONT AXLE, BRAKES.....	330
FIGURE 5-15. FRONT AXLE, STEERING.....	332
FIGURE 5-16. FRONT AXLE, TRUNION.....	334
FIGURE 5-17. FRONT AXLE LINES INSTALLATION	336
FIGURE 5-18. REAR AXLE INSTALLATION	338
FIGURE 5-19. REAR AXLE MOUNTING INSTALLATION.....	340
FIGURE 5-20. REAR AXLE, BRAKES.....	342
FIGURE 5-21. REAR AXLE, STEERING	344
FIGURE 5-22. REAR AXLE	346
FIGURE 5-23. REAR AXLE, CENTRAL HOUSING	348
FIGURE 5-24. REAR AXLE, DIFFERENTIAL	350
FIGURE 5-25. DIFFERENTIAL KIT.....	352
FIGURE 5-26. REAR AXLE, HUB REDUCTION.....	354
FIGURE 5-27. TEERING CASE KIT (LF, RR).....	356
FIGURE 5-28. STEERING CASE KIT (RF, LR)	358
FIGURE 5-29. REAR AXLE, TRUNION	360
FIGURE 5-30. TRUNION KIT.....	362
FIGURE 5-31. RING GEAR SUPPORT KIT.....	364
FIGURE 5-32. REDUCTION BUSHING KIT	366
FIGURE 5-33. PLANET GEAR CARRIER KIT	368
FIGURE 5-34. REAR AXLE LINES INSTALLATION.....	370
FIGURE 5-35. TIRE/WHEEL SET (AIR 17.5-25 - 20 PLY)	372
FIGURE 5-36. TIRE/WHEEL SET (FOAM 17.5-25 - 20 PLY).....	374
FIGURE 5-37. TIRE/WHEEL SET (AIR 17.5-25 - 22 PLY)	376
FIGURE 5-38. TIRE/WHEEL SET (AIR 17.5 R25 - RADIAL).....	378
FIGURE 5-39. FENDER INSTALLATION	380
FIGURE 5-40. RH FENDER ASSEMBLY	382
FIGURE 5-41. LH FENDER ASSEMBLY.....	384

TABLE OF CONTENTS

SECTION 6 - CAB.....	387
FIGURE 6-1. CAB MOUNTING INSTALLATION.....	388
FIGURE 6-2. FRONT CAB MOUNT BRACKET INSTALLATION.....	390
FIGURE 6-3. CAB MOUNTS INSTALLATION.....	392
FIGURE 6-4. CAB COMPONENTS INSTALLATION.....	394
FIGURE 6-5. CAB INSTALLATION.....	396
FIGURE 6-6. CAB ASSEMBLY.....	398
FIGURE 6-7. DOOR INSTALLATION.....	400
FIGURE 6-8. DOOR ASSEMBLY.....	402
FIGURE 6-9. CAB DOOR.....	404
FIGURE 6-10. DOOR UPPER GLASS ASSEMBLY.....	406
FIGURE 6-11. CAB LATCH ASSEMBLY.....	408
FIGURE 6-12. CAB DOOR TRIGGER ASSEMBLY.....	410
FIGURE 6-13. DOOR STRAP INSTALLATION.....	412
FIGURE 6-14. CAB PLUG GROUP.....	414
FIGURE 6-15. REAR WINDOW INSTALLATION.....	416
FIGURE 6-16. REAR WINDOW GROUP.....	418
FIGURE 6-17. BASIC MIRROR INSTALLATION.....	420
FIGURE 6-18. FRONT COVER INSTALLATION.....	422
FIGURE 6-19. FRONT DUCT COVER.....	424
FIGURE 6-20. FILTER TRAY PANEL.....	426
FIGURE 6-21. FRONT WIPER INSTALLATION.....	428
FIGURE 6-22. LEVEL INDICATOR INSTALLATION.....	430
FIGURE 6-23. REAR WINDOW EXIT DECAL INSTALLATION.....	432
FIGURE 6-24. REAR WIPER INSTALLATION.....	434
FIGURE 6-25. WASHER TANK INSTALLATION.....	436
FIGURE 6-26. WASHER BOTTLE.....	438
FIGURE 6-27. A/C RECEIVER DRIER.....	440
FIGURE 6-28. CONDENSER.....	442
FIGURE 6-29. CAB GUARD INSTALLATION (FRONT).....	444
FIGURE 6-30. CAB GUARD INSTALLATION (TOP AND FRONT).....	446
FIGURE 6-31. CAB GUARD INSTALLATION (TOP).....	448
FIGURE 6-32. CAB TRIM INSTALLATION.....	450
FIGURE 6-33. ADJUSTABLE ARMREST INSTALLTION.....	454
FIGURE 6-34. ARMREST.....	456
FIGURE 6-35. FIXED ARMREST BRACKET.....	458
FIGURE 6-36. MOVING ARMREST BRACKET.....	460
FIGURE 6-37. DASH COVER ASSEMBLY.....	462
FIGURE 6-38. REAR PANEL COVER ASSEMBLY.....	464
FIGURE 6-39. ENCLOSED CAB FRONT COVER INSTALLATION.....	466
FIGURE 6-40. FLOOR MAT INSTALLATION.....	468
FIGURE 6-41. HEADLINER INSTALLATION.....	470
FIGURE 6-42. HEADLINER/RADIO READY PACKAGE INSTALLATION.....	472
FIGURE 6-43. HEATER AND A/C INSTALLATION (CAB PARTS).....	474
FIGURE 6-44. CAB CONDENSER ASSEMBLY.....	478

TABLE OF CONTENTS

FIGURE 6-45. HEATER AND A/C ASSEMBLY	480
FIGURE 6-46. HEATER AND A/C ASSEMBLY	482
FIGURE 6-47. HEATER INSTALLATION.....	484
FIGURE 6-48. HEATER ASSEMBLY.....	486
FIGURE 6-49. CAB HEATER ASSEMBLY	488
FIGURE 6-50. INTERNAL MIRROR INSTALLATION	490
FIGURE 6-51. MULTIFUNCTION DISPLAY INSTALLATION.....	492
FIGURE 6-52. REAR WINDOW RELEASE INSTALLATION (ANSI - ENGLISH)	494
FIGURE 6-53. REAR WINDOW RELEASE INSTALLATION (ENGLISH/FREMCH).....	496
FIGURE 6-54. REAR WINDOW RELEASE INSTALLATION (ISO)	498
FIGURE 6-55. RETRACTABLE SUNSCREEN INSTALLATION.....	500
FIGURE 6-56. ROOF CAP INSTALLATION (A/C).....	502
FIGURE 6-57. ROOF CAP INSTALLATION (NO A/C).....	504
FIGURE 6-58. ROOF WIPER INSTALLATION	506
FIGURE 6-59. SEAT INSTALLATION (CLOTH)	508
FIGURE 6-60. SEAT ASSEMBLY	510
FIGURE 6-61. SEAT INSTALLATION (AIR SUSPENSION - STANDARD)	512
FIGURE 6-62. SEAT ASSEMBLY (AIR SUSPENSION - STANDARD)	514
FIGURE 6-63. UPPER SEAT ASSEMBLY.....	516
FIGURE 6-64. SUSPENSION KIT	518
FIGURE 6-65. SEAT INSTALLATION (AIR SUSPENSION - PREMIUM).....	520
FIGURE 6-66. SEAT INSTALLATION (CLOTH) (SEAOP).....	522
FIGURE 6-67. SEAT ASSEMBLY (AIR SUSPENSION - PREMIUM)	524
FIGURE 6-68. SEAT BELT INSTALLATION (2IN).....	526
FIGURE 6-69. SEAT BELT INSTALLATION (3IN).....	528
SECTION 7 - CONTROLS.....	531
FIGURE 7-1. ACCELERATOR PEDAL INSTALLATION.....	532
FIGURE 7-2. ACCELERATOR PEDAL	534
FIGURE 7-3. BRAKE PEDAL INSTALLATION	536
FIGURE 7-4. BRAKE PEDAL ASSEMBLY	538
FIGURE 7-5. BRAKE SENSOR INSTALLATION.....	540
FIGURE 7-6. SWITCH PLATE ASSEMBLY	542
FIGURE 7-7. PARK BRAKE INSTALLATION	544
FIGURE 7-8. TILT STEERING COLUMN INSTALLATION	546
FIGURE 7-9. TILT STEERING COLUMN	548
FIGURE 7-10. COLUMN SHIFT INSTALLATION (2 SPEED).....	550
FIGURE 7-11. COLUMN SHIFT INSTALLATION (0 SPEED).....	552
FIGURE 7-12. STEERING WHEEL INSTALLATION	554
FIGURE 7-13. STEERING WHEEL.....	556
FIGURE 7-14. HORN BUTTON INSTALLATION.....	558
FIGURE 7-15. JOYSTICK INSTALLATION (2 SPEED)	560
FIGURE 7-16. JOYSTICK INSTALLATION.....	562
FIGURE 7-17. WIPER-TURN SWITCH INSTALLATION	564
SECTION 8 - HYDRAULIC CIRCUITS.....	567

TABLE OF CONTENTS

FIGURE 8-1. MAIN HYDRAULIC INSTALLATION.....	568
FIGURE 8-2. BOOM HYDRAULIC LINES INSTALLATION.....	570
FIGURE 8-3. BOOM HYDRAULIC INSTALLATION.....	572
FIGURE 8-4. BOOM AUX HYDRAULIC INSTALLATION (MANUAL - SINGLE).....	574
FIGURE 8-5. BOOM AUX HYDRAULIC INSTALLATION (MANUAL - TWIN).....	576
FIGURE 8-6. BOOM AUX DIVERTER VALVE/FITINGS ASSEMBLY (MANUAL - TWIN).....	578
FIGURE 8-7. BOOM AUX HYDRAULIC INSTALLATION (HYDRAULIC - SINGLE).....	580
FIGURE 8-8. BOOM AUX DIVERTER VALVE/FITINGS ASSEMBLY (HYDRAULIC - SINGLE).....	582
FIGURE 8-9. BOOM AUX HYDRAULIC INSTALLATION (HYDRAULIC - TWIN).....	584
FIGURE 8-10. BOOM AUX DIVERTER VALVE/FITINGS ASSEMBLY (HYDRAULIC - TWIN).....	586
FIGURE 8-11. BOOM RAISE HOSE INSTALLATION (NO RIDE CONTROL).....	588
FIGURE 8-12. BOOM RAISE COUNTERBALANCE VALVE/FITTINGS ASSEMBLY (NO RIDE CONTROL).....	590
FIGURE 8-13. BOOM RAISE HOSE INSTALLATION (RIDE CONTROL).....	592
FIGURE 8-14. BOOM RAISE RIDE & FLOAT VALVE/FITTING ASSEMBLY (RIDE CONTROL).....	594
FIGURE 8-15. CAB HYDRUALIC INSTALLATION.....	596
FIGURE 8-16. CAB HYDRUALICS CHECK VALVE INSTALLATION.....	598
FIGURE 8-17. CAB HYDRAULICS SOLENOID INSTALLATION.....	600
FIGURE 8-18. CAB HYDRAULICS SOLENOID FITTINGS INSTALLATION.....	602
FIGURE 8-19. CHARGE FILTER LINES INSTALLATION.....	604
FIGURE 8-20. CHARGE FILTER INSTALLATION.....	606
FIGURE 8-21. CHARGE FILTER ASSEMBLY.....	608
FIGURE 8-22. ENGINE BAY HYDRAULIC INSTALLATION.....	610
FIGURE 8-23. ENGINE BAY INCHING VALVE INSTALLATION.....	612
FIGURE 8-24. ENGINE BAY INCHING VALVE/FITINGS ASSEMBLY.....	614
FIGURE 8-25. FRAME HYDRAULIC INSTALLATION.....	616
FIGURE 8-26. FRAME MANIFOLD INSTALLATION.....	618
FIGURE 8-27. FRAME MANIFOLD/FITTINGS ASSEMBLY.....	620
FIGURE 8-28. FRAME LEVEL INSTALLATION.....	622
FIGURE 8-29. FRAME LEVEL CYLINDER INSTALLATION.....	624
FIGURE 8-30. FRAME LEVEL COUNTERBALANCE VALVE/FITTINGS ASSEMBLY.....	626
FIGURE 8-31. FRAME LEVEL CONTROL VALVE INSTALLATION.....	628
FIGURE 8-32. FRAME LEVEL CONTROL VALVE/FITTINGS ASSEMBLY.....	630
FIGURE 8-33. MAIN CONTROL VALVE INSTALLATION.....	632
FIGURE 8-34. MAIN CONTROL VALVE/FITTINGS ASSEMBLY.....	634
FIGURE 8-35. MANUAL PUMP (LIFT/TELE) INSTALLATION - REMOTE CONTROL EMERGENCY LOWERING.....	636
FIGURE 8-36. MANUAL LIFT/TELE VALVE & FITTING ASSEMBLY.....	638
FIGURE 8-37. MANUAL LIFT/TELEVALVE ASSEMBLY.....	640
FIGURE 8-38. PRIORITY VALVE INSTALLATION.....	642
FIGURE 8-39. PRIORITY VALVE/FITTINGS ASSEMBLY.....	644
FIGURE 8-40. REMOTE GREASE INSTALLATION.....	646
FIGURE 8-41. SPEED CONTROL VALVE INSTALLATION.....	648
FIGURE 8-42. SPEED CONTROL VALVE/FITTINGS ASSEMBLY.....	650
FIGURE 8-43. STEERING SELECT VALVE INSTALLATION.....	652
FIGURE 8-44. STEERING SELECT VALVE/FITTINGS ASSEMBLY.....	654
SECTION 9 - HYDRAULIC COMPONENTS.....	657

TABLE OF CONTENTS

FIGURE 9-1. CYLINDER INSTALLATION - BOOM LIFT & COMPENSATION CYLINDER	658
FIGURE 9-2. CYLINDER INSTALLATION - BOOM LIFT.....	660
FIGURE 9-3. CYLINDER ASSEMBLY - BOOM LIFT.....	662
FIGURE 9-4. CYLINDER INSTALLATION - BOOM COMPENSATION	664
FIGURE 9-5. CYLINDER ASSEMBLY - BOOM COMPENSATION	666
FIGURE 9-6. CYLINDER INSTALLATION - BOOM EXTEND/RETRACT CYLINDER.....	668
FIGURE 9-7. CYLINDER ASSEMBLY - BOOM EXTEND/RETRACT CYLINDER.....	670
FIGURE 9-8. CYLINDER ASSEMBLY - BOOM TILT.....	674
FIGURE 9-9. CYLINDER ASSEMBLY - BUCKET (4 IN 1 BUCKET).....	676
FIGURE 9-10. CYLINDER ASSEMBLY - BUCKET (GRAPPLE BUCKET).....	678
FIGURE 9-11. CYLINDER ASSEMBLY - CARRIAGE (LOG HANDLER CYLINDER)	680
FIGURE 9-12. CYLINDER ASSEMBLY - COUPLER LOCKING.....	682
FIGURE 9-13. CYLINDER ASSEMBLY - FORK POSITIONING.....	684
FIGURE 9-14. CYLINDER INSTALLATION - FORK POSITIONING SIDE SHIFT.....	686
FIGURE 9-15. CYLINDER ASSEMBLY - FRAME LEVEL	688
FIGURE 9-16. CYLINDER ASSEMBLY - PIPE HANDLER CARRIAGE (UPPER)	690
FIGURE 9-17. CYLINDER ASSEMBLY - PIPE HANDLER CARRIAGE (LOWER).....	692
FIGURE 9-18. MOTOR ASSEMBLY - HYDROSTATIC	694
FIGURE 9-19. PUMP ASSEMBLY - HYDROSTATIC	696
FIGURE 9-20. PUMP ASSEMBLY - IMPLEMENT	698
FIGURE 9-21. VALVE ASSEMBLY - BOOM AUX DIVERTER VALVE (HYDRAULIC - SINGLE & TWIN).....	700
FIGURE 9-22. VALVE ASSEMBLY - BOOM AUX DIVERTER VALVE (MANUAL & HYDRAULIC -TWIN)	702
FIGURE 9-23. VALVE ASSEMBLY - BOOM RAISE COUNTERBALANCE VALVE (NO RIDE CONTROL)	704
FIGURE 9-24. VALVE ASSEMBLY - BOOM RAISE RIDE & FLOAT VALVE (RIDE CONTROL).....	706
FIGURE 9-25. VALVE ASSEMBLY - BUCKET (5.23 YD ³ /4.0M ³)	708
FIGURE 9-26. VALVE ASSEMBLY - CAB HYDRAULICS CHECK VALVE	710
FIGURE 9-27. VALVE ASSEMBLY - CAB HYDRAULICS SOLENOID VALVE	712
FIGURE 9-28. VALVE ASSEMBLY - ENGINE BAY INCHING VALVE	714
FIGURE 9-29. VALVE ASSEMBLY - FRAME LEVEL CONTROL	716
FIGURE 9-30. VALVE ASSEMBLY - FRAME LEVEL COUNTERBALANCE.....	718
FIGURE 9-31. VALVE ASSEMBLY - MAIN CONTROL	720
FIGURE 9-32. VALVE ASSEMBLY - PRIORITY VALVE	722
FIGURE 9-33. VALVE ASSEMBLY - RADIATOR HOSE SHUT-OFF VALVE	724
FIGURE 9-34. VALVE ASSEMBLY - RADIATOR HOSE ASO VALVE	726
FIGURE 9-35. VALVE ASSEMBLY - SPEED CONTROL.....	728
FIGURE 9-36. VALVE ASSEMBLY - STEER.....	730
FIGURE 9-37. VALVE ASSEMBLY - STEERING SELECT VALVE	732
SECTION 10 - ELECTRICAL.....	735
FIGURE 10-1. MAIN ELECTRICAL INSTALLATION (ULS).....	736
FIGURE 10-2. MAIN ELECTRICAL INSTALLATION (LS)	738
FIGURE 10-3. MAIN ELECTRICAL INSTALLATION, MINING (ULS).....	740
FIGURE 10-4. MAIN ELECTRICAL INSTALLATION, MINING (LS)	742
FIGURE 10-5. ALARM INSTALLATION - BACK UP.....	744
FIGURE 10-6. ALARM INSTALLATION (BACK UP - WHITE NOISE).....	746
FIGURE 10-7. BATTERY INSTALLATION.....	748

TABLE OF CONTENTS

FIGURE 10-8. BATTERY (DUAL) INSTALLATION	750
FIGURE 10-9. BATTERY (ARCTIC) PACKAGE INSTALLATION (115V)	752
FIGURE 10-10. BATTERY (ARCTIC) PACKAGE INSTALLATION (230V)	754
FIGURE 10-11. BATTERIES (ARCTIC) INSTALLATION (115V)	756
FIGURE 10-12. BATTERY (ARCTIC) INSTALLATION (230V).....	758
FIGURE 10-13. BOOM HARNESS INSTALLATION	760
FIGURE 10-14. BOOM HARNESS.....	762
FIGURE 10-15. BOOM HARNESS INSTALLATION	764
FIGURE 10-16. BOOM HARNESS.....	766
FIGURE 10-17. BOOM ANGLE SENSOR INSTALLATION (NO LMIS)	768
FIGURE 10-18. BOOM AUX HARNESS INSTALLATION	770
FIGURE 10-19. BOOM AUX HARNESS	772
FIGURE 10-20. BOOM RETRACT SENSOR INSTALLATION.....	774
FIGURE 10-21. BOOM RETRACT PROXIMITY SENSOR HARNESS	776
FIGURE 10-22. CAB ELECTRICAL INSTALLATION	778
FIGURE 10-23. CAB HARNESS	780
FIGURE 10-24. CAB HARNESS	782
FIGURE 10-25. CAB - STANDARD ELECTRICAL BOARD ASSEMBLY.....	790
FIGURE 10-26. CAB - OPTION 1 ELECTRICAL BOARD ASSEMBLY.....	792
FIGURE 10-27. CAB - OPTION 2 ELECTRICAL BOARD ASSEMBLY.....	794
FIGURE 10-28. CAB OPTION HARNESS.....	796
FIGURE 10-29. CAB - A/C OPTION HARNESS	798
FIGURE 10-30. CAB - DASH ELECTRICAL INSTALLATION (1644).....	800
FIGURE 10-31. CAB - DASH ELECTRICAL INSTALLATION (7013) (ULS)	802
FIGURE 10-32. CAB - DASH ELECTRICAL INSTALLATION (7013) (LS).....	804
FIGURE 10-33. CAB - IGNITION SWITCH HARNESS	806
FIGURE 10-34. CAB - LIGHT SWITCH INSTALLATION	808
FIGURE 10-35. CAB - SEAT ADAPTOR HARNESS.....	810
FIGURE 10-36. CAB - EXTERNAL EMERGENCY STOP INSTALLATION	812
FIGURE 10-37. CAB SEAT BELT ALARM HARNESS.....	814
FIGURE 10-38. CLEARSKY INSTALLATION	816
FIGURE 10-39. CLEARSKY HARNESS.....	818
FIGURE 10-40. ENGINE - ENGINE BAY ELECTRICAL INSTALLATION (ULS)	820
FIGURE 10-41. ENGINE - ENGINE BAY ELECTRICAL INSTALLATION (LS).....	822
FIGURE 10-42. ENGINE - ENGINE POD ELECTRICAL INSTALLATION (ULS).....	824
FIGURE 10-43. ENGINE - ENGINE POD ELECTRICAL INSTALLATION (LS)	826
FIGURE 10-44. ENGINE - DEF PURGE LIGHT HARNESS	828
FIGURE 10-45. ENGINE - FAN (REVERSE COOLING) INSTALLATION.....	830
FIGURE 10-46. ENGINE - FAN (REVERSE COOLING) HARNESS.....	832
FIGURE 10-47. ENGINE WIRING INSTALLATION (ULS)	834
FIGURE 10-48. ENGINE WIRING INSTALLATION (LS).....	836
FIGURE 10-49. ENGINE WIRING INSTALLATION (MINING) (ULS).....	838
FIGURE 10-50. ENGINE WIRING INSTALLATION (MINING) (LS).....	840
FIGURE 10-51. ENGINE HARNESS (ULS).....	842
FIGURE 10-52. ENGINE HARNESS (LS)	848

TABLE OF CONTENTS

FIGURE 10-53. ENGINE HARNESS (MINING) (ULS)	852
FIGURE 10-54. ENGINE HARNESS (MINING) (LS).....	858
FIGURE 10-55. ENGINE - FUEL PUMP HARNESS	862
FIGURE 10-56. ENGINE - FUEL PUMP HARNESS (MINING) (ULS)	864
FIGURE 10-57. ENGINE - GLOW PLUG RELAY HARNESS	866
FIGURE 10-58. ENGINE - GLOW PLUG RELAY HARNESS (MINING) (ULS)	868
FIGURE 10-59. ENGINE ECU INSTALLATION.....	870
FIGURE 10-60. ENGINE - AIR SHUTOFF VALVE HARNESS	872
FIGURE 10-61. ENGINE - AIR SHUT OFF VALVE HARNESS (ENGINE)	874
FIGURE 10-62. FRAME ELECTRICAL INSTALLATION.....	878
FIGURE 10-63. FRAME - POWER DISTRIBUTION ELECTRICAL BOX.....	880
FIGURE 10-64. FRAME - REAR FRAME MODULE INSTALLATION.....	882
FIGURE 10-65. FRAME WIRING INSTALLATION	884
FIGURE 10-66. FRAME WIRING INSTALLATION, MINING (ULS)	886
FIGURE 10-67. FRAME - FRONT FRAME HARNESS.....	888
FIGURE 10-68. FRAME - FRONT FRAME HARNESS, MINING	894
FIGURE 10-69. FRAME - REAR FRAME HARNESS	900
FIGURE 10-70. FRAME - REAR FRAME HARNESS, MINING	904
FIGURE 10-71. HVAC ACTUATOR HARNESS.....	908
FIGURE 10-72. LICENSE LIGHT HARNESS	910
FIGURE 10-73. LIGHTS - BOOM WORK LIGHTS (LED)	912
FIGURE 10-74. LIGHTS - BOOM WORK LIGHT INSTALLATION (LED)	914
FIGURE 10-75. LIGHTS - BOOM WORKLIGHTS HARNESS	916
FIGURE 10-76. LIGHTS - CAB WORKLIGHTS INSTALLATION (NO A/C - LED).....	918
FIGURE 10-77. LIGHTS - CAB WORKLIGHTS INSTALLATION (A/C - LED)	920
FIGURE 10-78. LIGHTS - DRIVING LIGHT INSTALLATION (RH DIP)	922
FIGURE 10-79. LIGHTS - DRIVING LIGHT BRACKET ASSEMBLY (RH DIP)	924
FIGURE 10-80. LIGHTS - DRIVING HEADLIGHT HARNESS.....	926
FIGURE 10-81. LIGHTS - DRIVING LIGHT INSTALLATION (LED) (RH DIP) (1644).....	928
FIGURE 10-82. LIGHTS - DRIVING LIGHT INSTALLATION (LED) (LH DIP) (7013).....	930
FIGURE 10-83. LIGHTS - LICENSE PLATE LIGHT INSTALLATION (7013).....	932
FIGURE 10-84. LMIS CONTROL PACKAGE INSTALLATION	934
FIGURE 10-85. LMIS TILT SENSOR INSTALLATION	936
FIGURE 10-86. LMIS - PLATFORM READY HARNESS.....	938
FIGURE 10-87. LMIS WIRING INSTALLATION	940
FIGURE 10-88. LMIS CHASSIS OPTION HARNESS.....	942
FIGURE 10-89. LMIS BOOM HARNESS	946
FIGURE 10-90. LMIS CONTROLLER INSTALLATION	948
FIGURE 10-91. LMIS CABLE REEL INSTALLATION.....	950
FIGURE 10-92. LMIS INSTALLATION (HIGH END DISPLAY).....	952
FIGURE 10-93. LMIS BOOM ANGLE SENSOR INSTALLATION.....	954
FIGURE 10-94. LMIS BEACON LIGHT INSTALLATION	956
FIGURE 10-95. LMIS BEACON OPTION HARNESS	958
FIGURE 10-96. LSI INSTALLATION.....	960
FIGURE 10-97. LSI DISPLAY INSTALLATION.....	962

TABLE OF CONTENTS

FIGURE 10-98. LSI SENSOR INSTALLATION	964
FIGURE 10-99. RALP PLATFORM HARNESS	966
FIGURE 10-100. REMOTE CONTROL (BOOM)	968
FIGURE 10-101. REMOTE CONTROL EMERGENCY STOP SWITCH INSTALLATION	970
FIGURE 10-102. REMOTE CONTROL KEY HARNESS	972
FIGURE 10-103. REMOTE CONTROL POWER HARNESS	974
FIGURE 10-104. REMOTE CONTROL EMERGENCY LOWERING HARNESS	976
FIGURE 10-105. REVERSE CAMERA INSTALLATION	978
FIGURE 10-106. MULTI VIEW CAMERA INSTALLATION (SN 0160124387 to Present)	980
FIGURE 10-107. REVERSE SENSOR INSTALLATION	982
FIGURE 10-108. REVERSE SENSOR HARNESS.....	984
FIGURE 10-109. RIDE CONTROL WIRING INSTALLATION	986
FIGURE 10-110. RIDE CONTROL HARNESS (BOOM)	988
FIGURE 10-111. SPEED HARNESS (VEHICLE SPEED).....	990
FIGURE 10-112. TANK HEATER INSTALLATION - HYDRAULIC TANK (115V)	992
FIGURE 10-113. TANK HEATER INSTALLATION - HYDRAULIC TANK (230V)	994
FIGURE 10-114. TELEMATICS GATEWAY INSTALLATION	996
FIGURE 10-115. TELEMATICS GATEWAY PLUS	998
FIGURE 10-116. TELEMATICS GATEWAY HARNESS	1000
FIGURE 10-117. TELEMATICS READY INSTALLATION.....	1002
FIGURE 10-118. TELEMATICS READY HARNESS.....	1004
SECTION 11 - DECALS.....	1007
FIGURE 11-1. DECAL INSTALLATION (1644)	1008
FIGURE 11-2. DECAL INSTALLATION (7013)	1010
FIGURE 11-3. DECAL INSTALLATION (ENGLISH).....	1012
FIGURE 11-4. DECAL INSTALLATION (ENGLISH/FRENCH).....	1016
FIGURE 11-5. DECAL INSTALLATION (ISO) (ULS).....	1020
FIGURE 11-6. DECAL INSTALLATION (ISO) (LS)	1024
FIGURE 11-7. DECAL INSTALLATION (AUSTRALIAN).....	1028
FIGURE 11-8. DECAL INSTALLATION (RUSSIAN CIS)	1032
FIGURE 11-9. CAPACITY LOADCHARTS (1644)	1036
FIGURE 11-10. CAPACITY LOADCHARTS (7013)	1038
FIGURE 11-11. CAPACITY LOADCHARTS - REMOTE BOOM CHART (1644).....	1040
FIGURE 11-12. CAPACITY LOADCHARTS - REMOTE BOOM CHART (7013).....	1042
FIGURE 11-13. CAPACITY CHART HOLDER INSTALLATION	1044
FIGURE 11-14. CLEARSKY DECAL INSTALLATION.....	1046
FIGURE 11-15. REVERSE SENSOR SYSTEM DECAL (ENGLISH)	1048
FIGURE 11-16. REVERSE SENSING SYSTEM DECAL (ENGLISH/FRENCH)	1050
FIGURE 11-17. REVERSE SENSOR SYSTEM DECAL (ISO).....	1052
SECTION 12 - RECOMMENDED SERVICE PARTS STOCK	1055
FIGURE 12-1. RECOMMENDED SERVICE PARTS STOCK	1056
SECTION 13 - SPECIAL OPTIONS/ACCESSORIES/KITS	1059
FIGURE 13-1. SPECIAL OPTIONS/ACCESSORIES/KITS.....	1060

TABLE OF CONTENTS

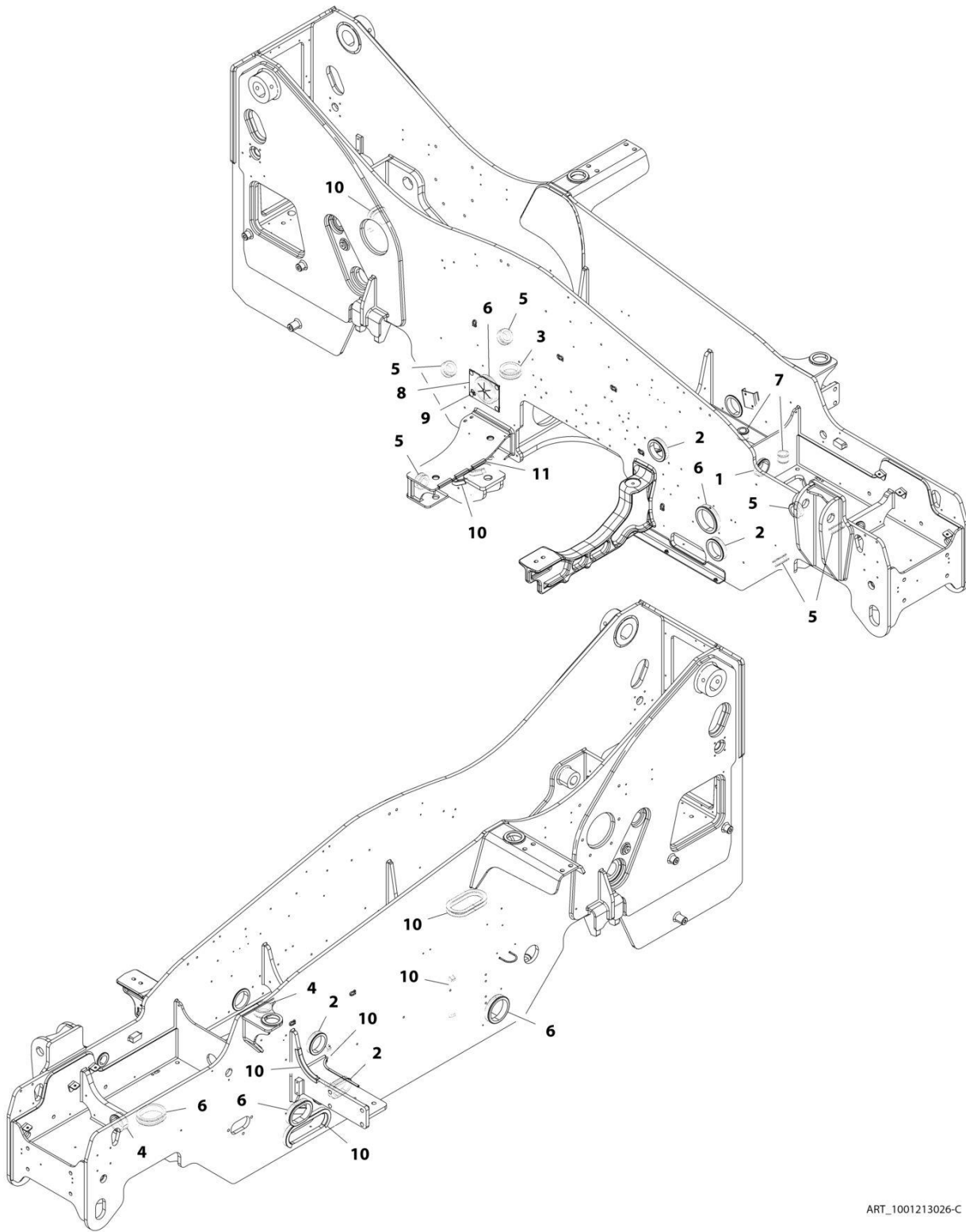
PART NUMBER INDEX..... 1063

SECTION 1 - FRAME AND ATTACHING PARTS

SECTION 1 - FRAME AND ATTACHING PARTS

SECTION 1 - FRAME AND ATTACHING PARTS

FIGURE 1-1. GROMMETS INSTALLATION



ART_1001213026-C

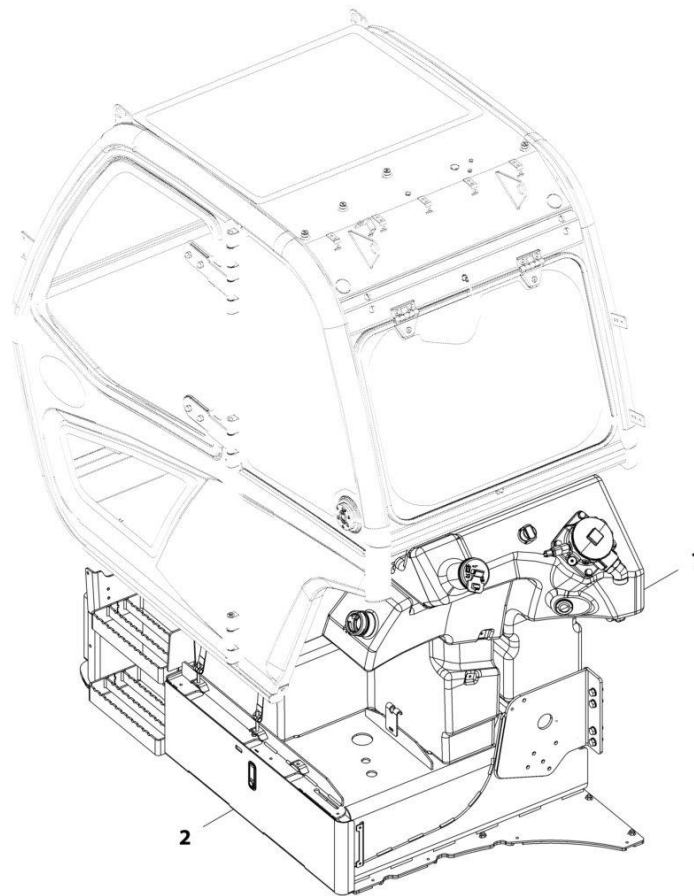
SECTION 1 - FRAME AND ATTACHING PARTS

FIGURE 1-1. GROMMETS INSTALLATION

ITEM	PART NUMBER	QTY	DESCRIPTION	REV
	1001213026	Ref	Grommets Installation	C
1	1001009018	1	Grommet	
2	1001028264	4	Grommet	
3	1001028291	1	Grommet	
4	1001028306	2	Grommet	
5	1001028308	6	Grommet	
6	1001028377	5	Grommet	
7	1001028400	2	Grommet	
8	1001175347	1	Grommet	
9	1001180306	4	Screw	
10	4060919	2030 mm	Trim,Hose Protection	
11	90206202	270 mm	Trim Lock	

SECTION 1 - FRAME AND ATTACHING PARTS

FIGURE 1-2. TANKS INSTALLATION



ART_1001185927-C

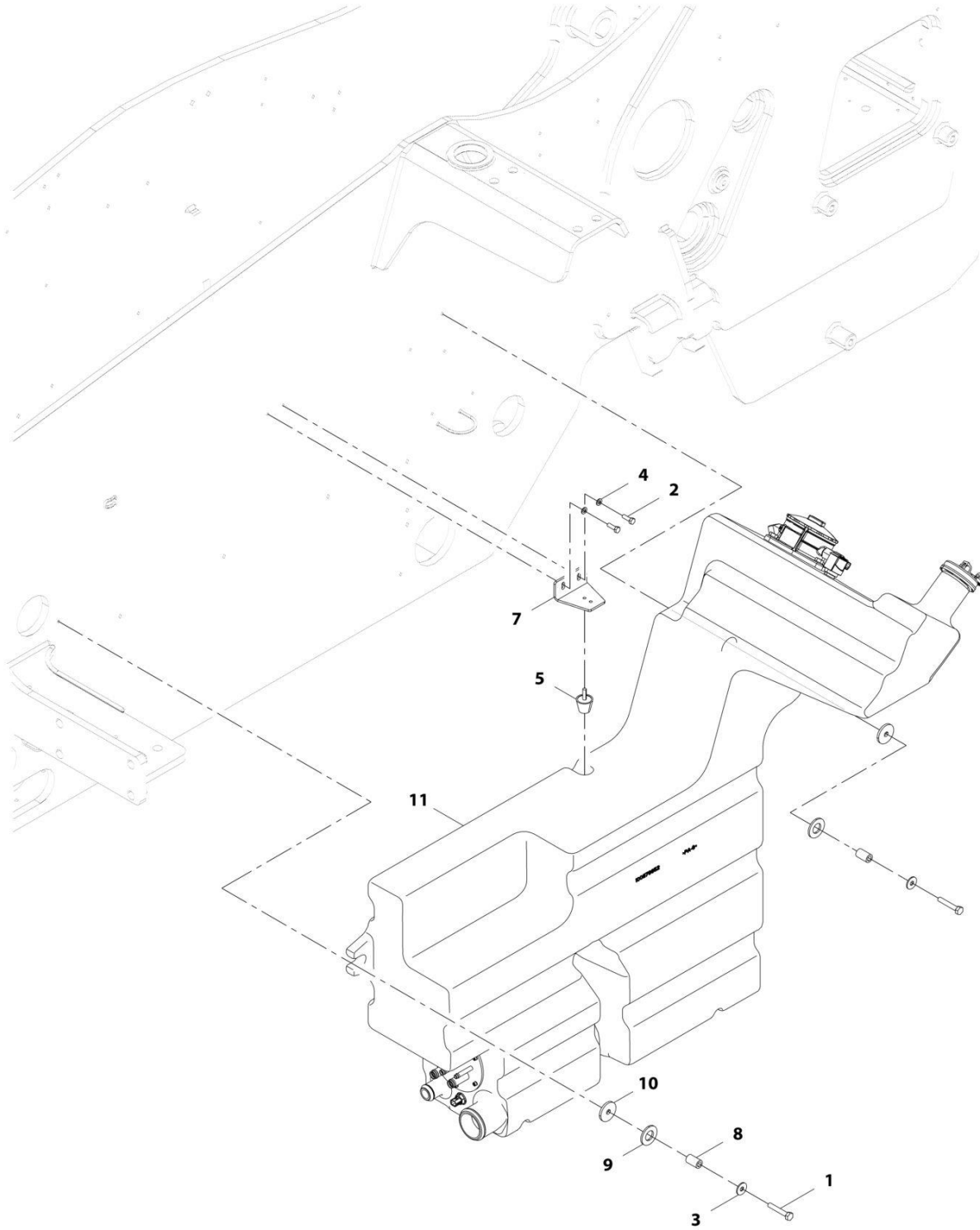
SECTION 1 - FRAME AND ATTACHING PARTS

FIGURE 1-2. TANKS INSTALLATION

ITEM	PART NUMBER	QTY	DESCRIPTION	REV
1	1001185927	Ref	Tank Installation	C
	1001179850	Ref	Installation, Hydraulic Tank (See Separate Breakdown in this Section)	
2	1001185929	Ref	Installation, Fuel Tank (See Separate Breakdown in this Section)	

SECTION 1 - FRAME AND ATTACHING PARTS

FIGURE 1-3. HYDRAULIC TANK INSTALLATION



ART_1001179850-C

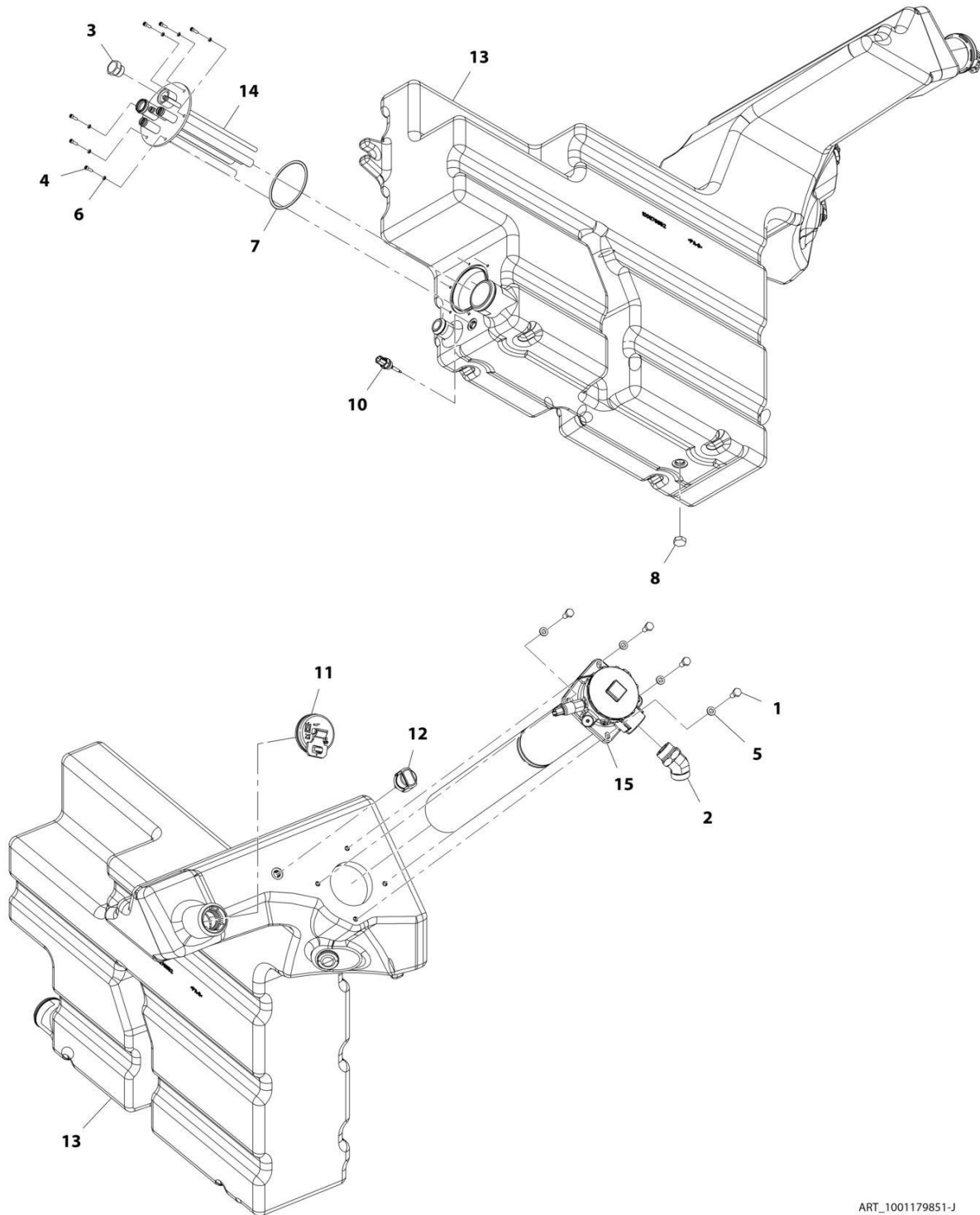
SECTION 1 - FRAME AND ATTACHING PARTS

FIGURE 1-3. HYDRAULIC TANK INSTALLATION

ITEM	PART NUMBER	QTY	DESCRIPTION	REV
	1001179850	Ref	Hydraulic Tank Installation	C
1	0701020	2	Bolt, M10X60	
2	0760812	2	Bolt, M8X25	
3	4812002	2	Washer, M10	
4	4811900	2	Washer, M8	
5	1001008575	1	Bumper, Conical	
7	1001177082	1	Bracket	
8	1001171179	2	Spacer	
9	1001172146	2	Washer, Rubber	
10	1001172147	2	Washer, M10	
11	1001179851	1	Assembly, Hydraulic Tank (See Separate Breakdown in this Section)	

SECTION 1 - FRAME AND ATTACHING PARTS

FIGURE 1-4. HYDRAULIC TANK ASSEMBLY



ART_1001179851-J

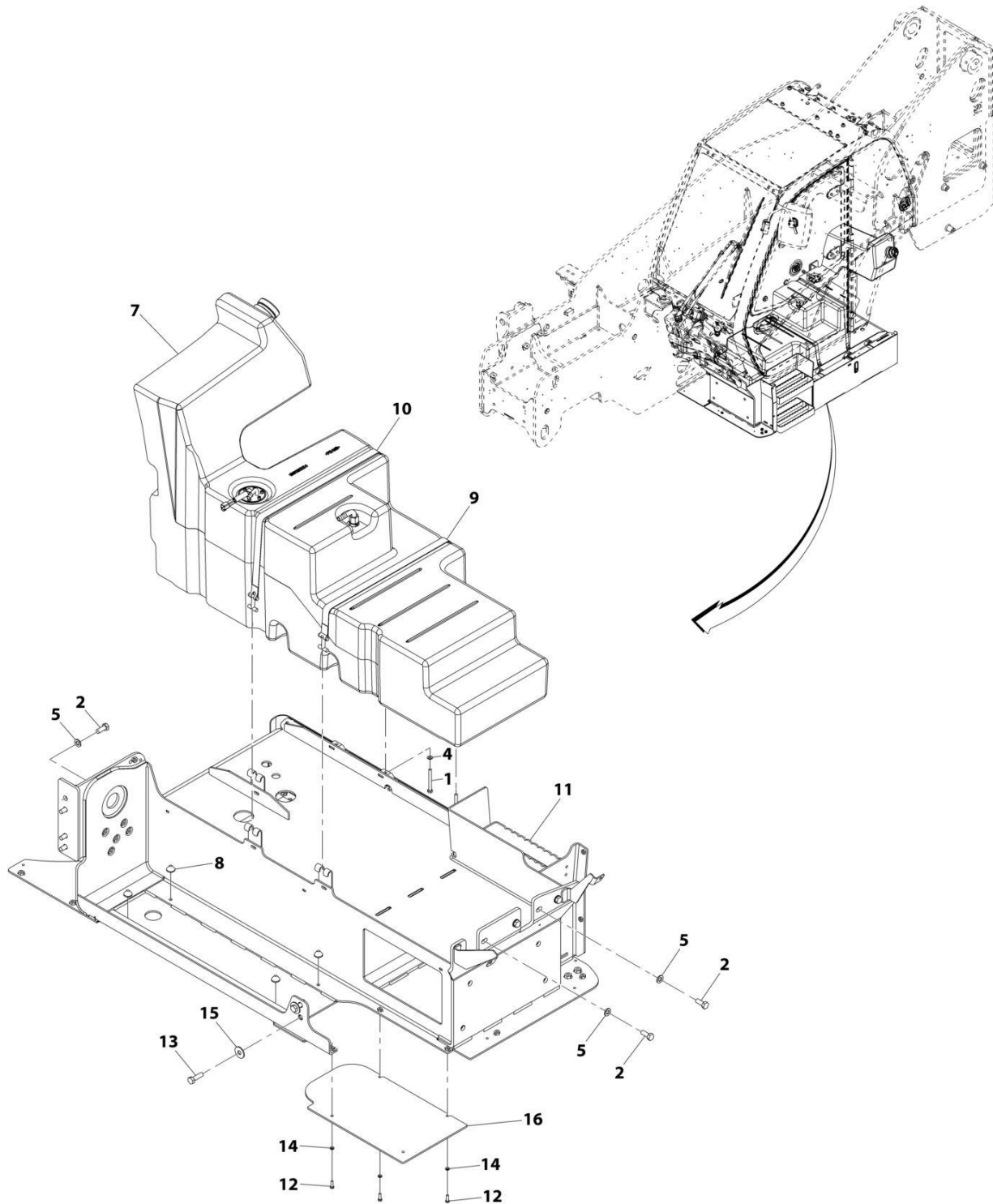
SECTION 1 - FRAME AND ATTACHING PARTS

FIGURE 1-4. HYDRAULIC TANK ASSEMBLY

ITEM	PART NUMBER	QTY	DESCRIPTION	REV
	1001179851	Ref	Hydraulic Tank Assembly	J
1	0761012	4	Bolt, M10X25	
2	2152020	1	Fitting, 45 ORFS	
3	2220240	1	Fitting, Straight	
4	4031607	6	Bolt, M5-.8X16	
5	4812000	4	Washer, M10	
6	4831600	6	Washer, Lock M5	
7	1001003301	1	Seal O-Ring	
8	2220239	1	Plug	
10	1001128478	1	Sensor	
11	1001194981	1	Cap, Hydraulic	
12	1001162662	1	Filter, Breather	
13	1001179852	1	Tank, Hydraulic	
14	1001191157	1	Manifold, Hydraulic Return	
15	1001191163	1	Filter	
15	1001191685	1	Element, Filter	

SECTION 1 - FRAME AND ATTACHING PARTS

FIGURE 1-5. FUEL TANK INSTALLATION



ART_1001185929-G

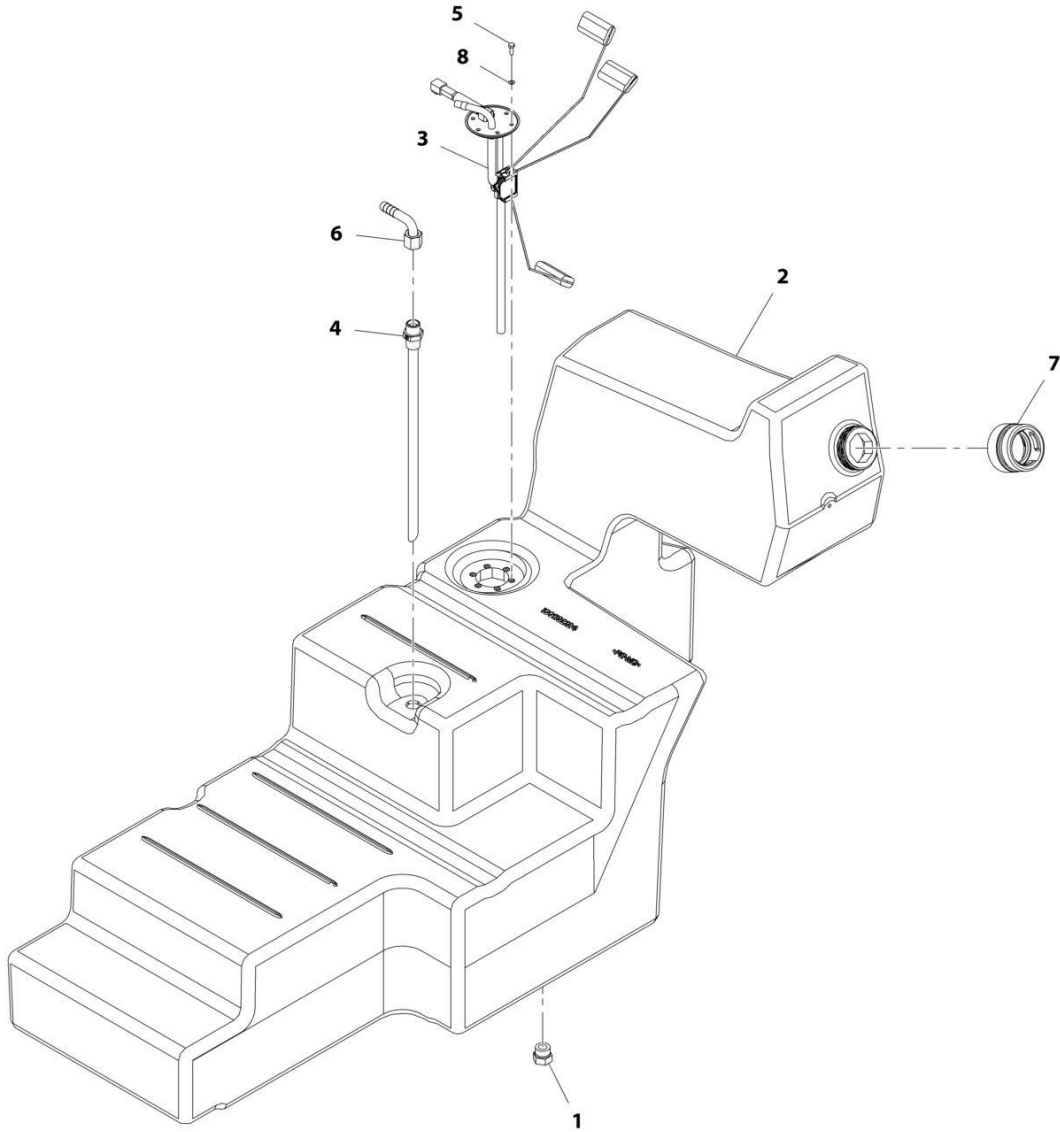
SECTION 1 - FRAME AND ATTACHING PARTS

FIGURE 1-5. FUEL TANK INSTALLATION

ITEM	PART NUMBER	QTY	DESCRIPTION	REV
	1001185929	Ref	Fuel Tank Installation	G
1	0760823	2	Bolt, M8X75	
2	0761214	8	Bolt, M12X30	
4	4811900	2	Washer, M8	
5	4812100	8	Washer, M12	
7	1001192125	1	Assembly, Fuel Tank (See Separate Breakdown in this Section)	
8	1001169454	4	Buffer	
9	1001178474	1	Strap	
10	1001178693	1	Strap	
11	1001185930	1	Installation, Tank Support (See Separate Breakdown in this Section)	
12	0700610	3	Bolt, M6X20	
13	0701216	2	Bolt, M12X40	
14	4811700	3	Washer, M6	
15	4812102	2	Washer, M12	
16	1001197480	1	Plate	

SECTION 1 - FRAME AND ATTACHING PARTS

FIGURE 1-6. FUEL TANK ASSEMBLY



ART_1001192125-C

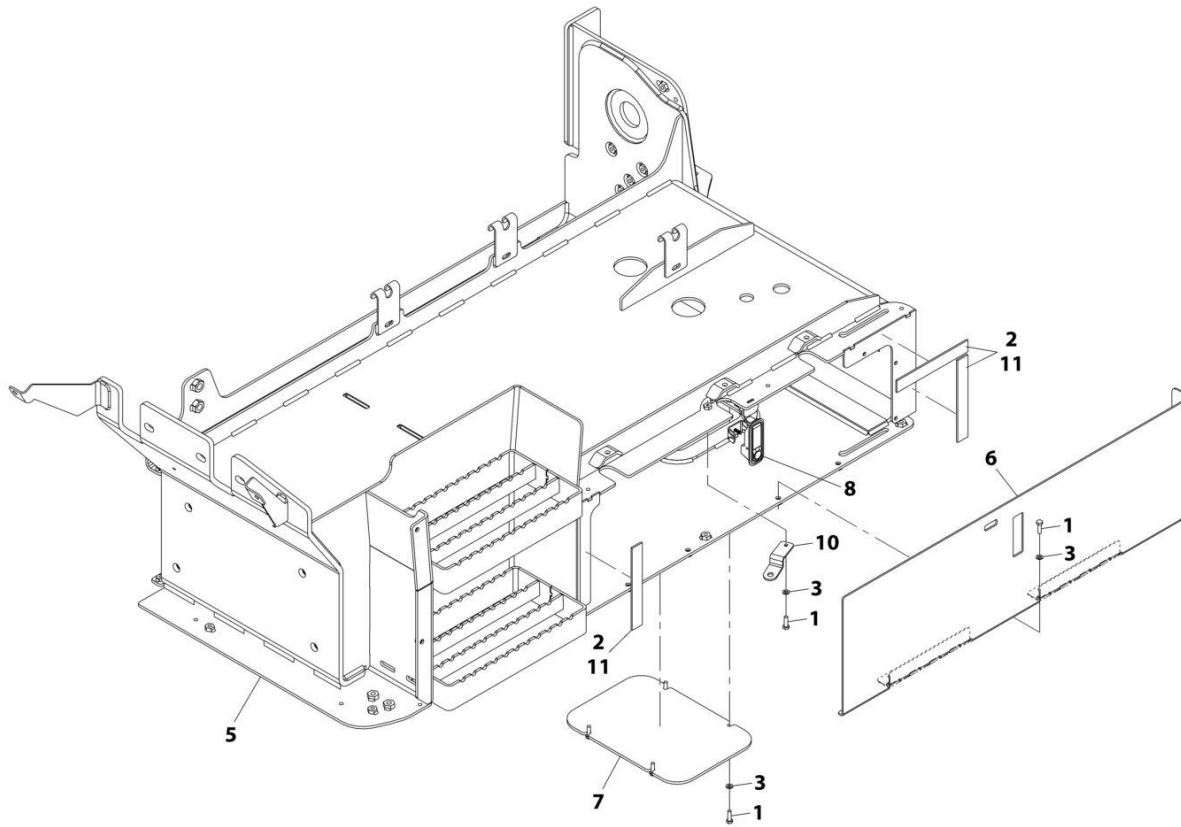
SECTION 1 - FRAME AND ATTACHING PARTS

FIGURE 1-6. FUEL TANK ASSEMBLY

ITEM	PART NUMBER	QTY	DESCRIPTION	REV
	1001192125	Ref	FUEL TANK ASSEMBLY	C
1	1001003427	1	Plug	
2	1001192124	1	Tank, Fuel	
3	1001222188	1	Pump, Fuel	
4	1001170106	1	Pipe, Fuel Supply	
5	4031607	6	Bolt, M5X16	
6	1001172693	1	Fitting, 90	
7	1001192392	1	Adapter	
8	1001222190	6	Washer	

SECTION 1 - FRAME AND ATTACHING PARTS

FIGURE 1-7. TANK SUPPORT INSTALLATION



ART_1001185930-K

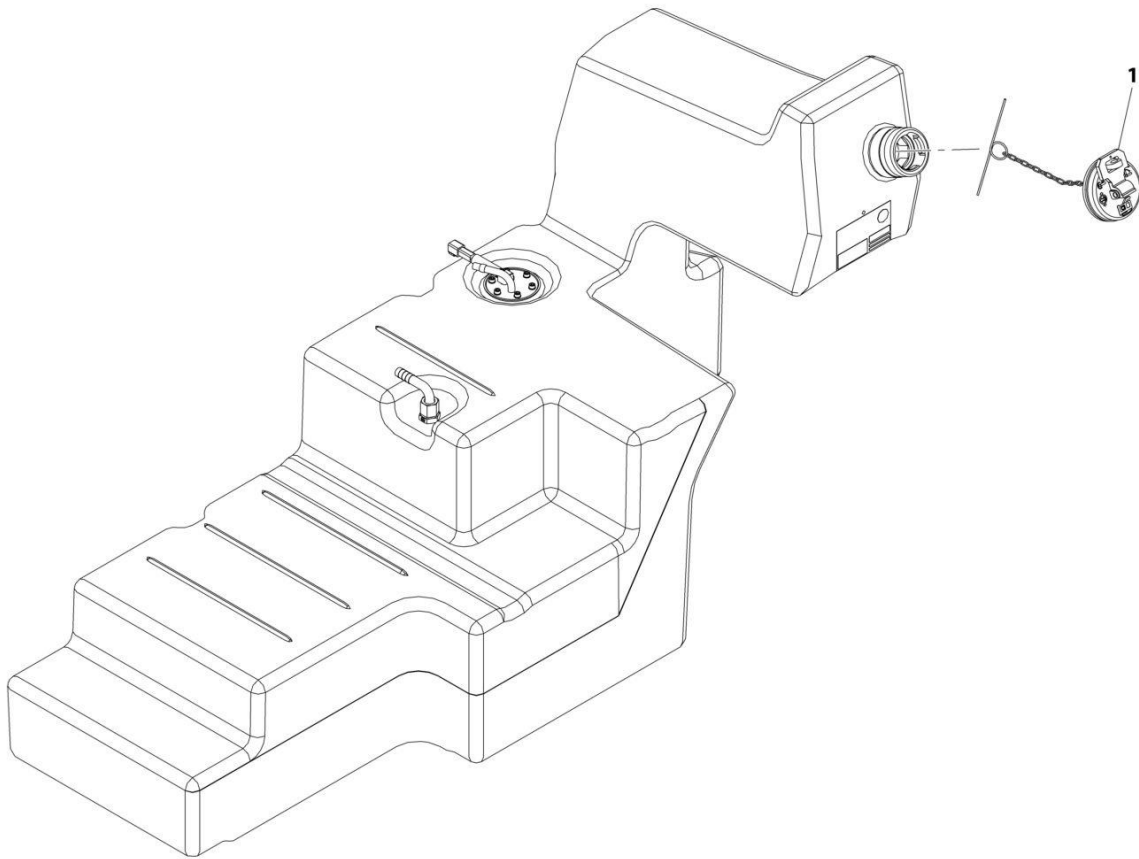
SECTION 1 - FRAME AND ATTACHING PARTS

FIGURE 1-7. TANK SUPPORT INSTALLATION

ITEM	PART NUMBER	QTY	DESCRIPTION	REV
	1001185930	Ref	Tank Support Installation	K
1	0700610	9	Bolt, M6X20	
2	4280307	3	Strip	
3	4811700	9	Washer, M6	
5	1001185931	1	Plate, Support	
6	1001185933	1	Cover	
7	1001185935	1	Cover	
8	1001189246	1	Latch, Locking	
10	1001197481	1	Plate	
11	0100081	AR	Compound, Locking	

SECTION 1 - FRAME AND ATTACHING PARTS

FIGURE 1-8. LOCKING FUEL CAP



ART_1001194980

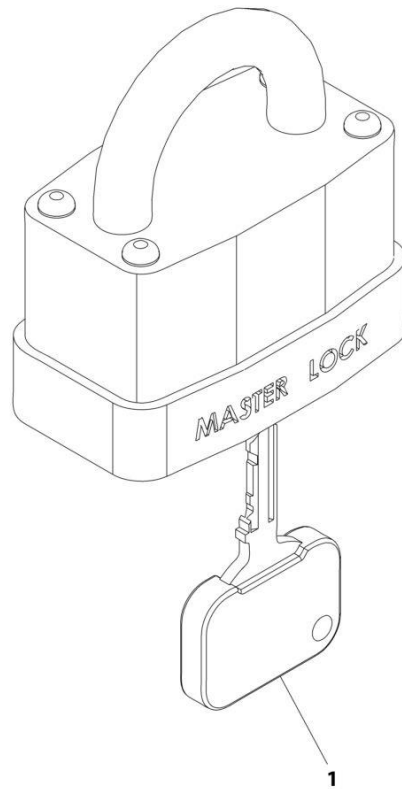
SECTION 1 - FRAME AND ATTACHING PARTS

FIGURE 1-8. LOCKING FUEL CAP

ITEM	PART NUMBER	QTY	DESCRIPTION	REV
1	1001194980	Ref	Locking Fuel Cap	A

SECTION 1 - FRAME AND ATTACHING PARTS

FIGURE 1-9. PAD LOCK



ART_1001102157-A

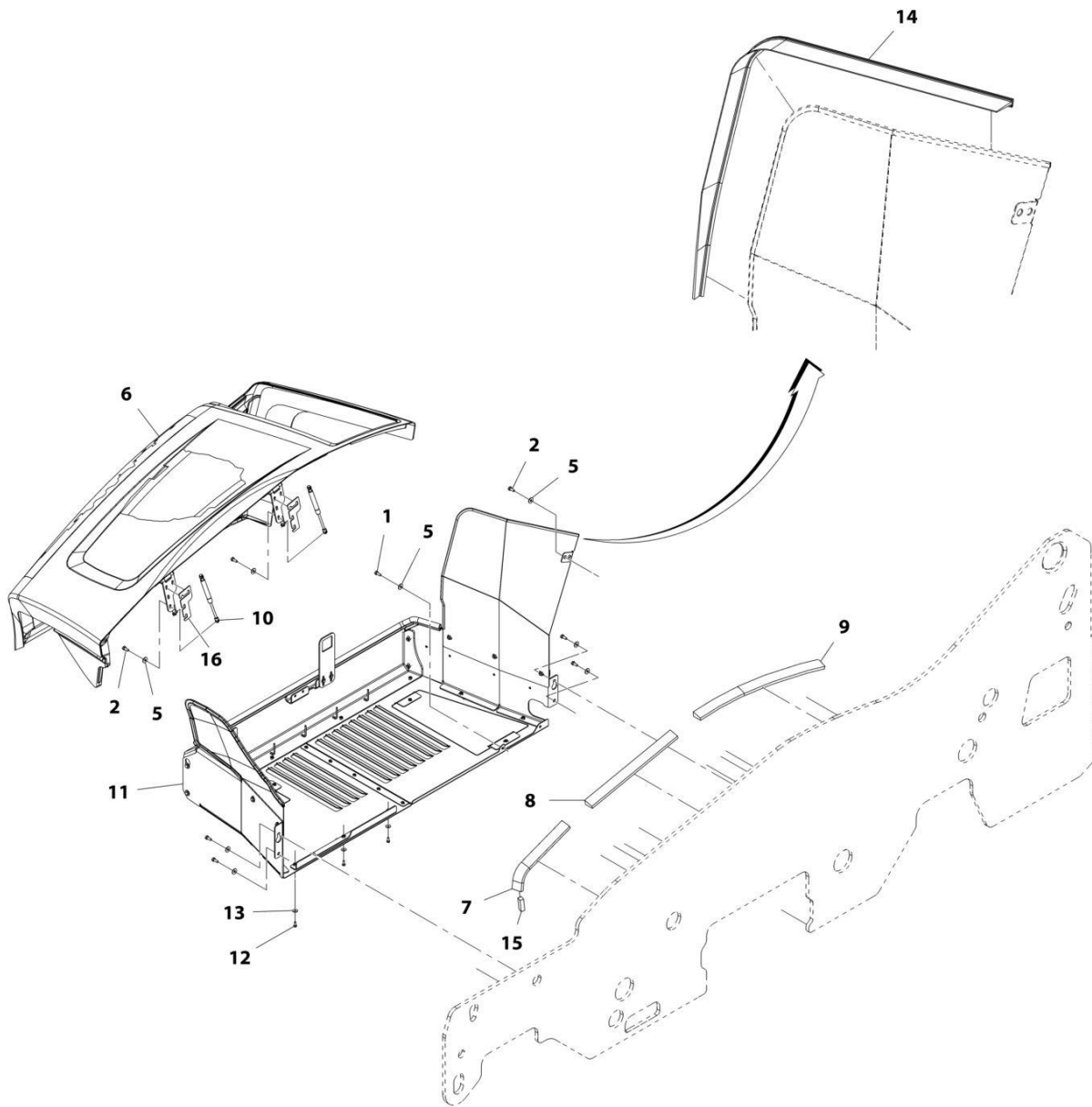
SECTION 1 - FRAME AND ATTACHING PARTS

FIGURE 1-9. PAD LOCK

ITEM	PART NUMBER	QTY	DESCRIPTION	REV
1	1001102157 8342813	Ref 1	Pad Lock Key	A

SECTION 1 - FRAME AND ATTACHING PARTS

FIGURE 1-10. ENGINE ENCLOSURE & HOOD INSTALLATION (1644)



ART_1001192320-J

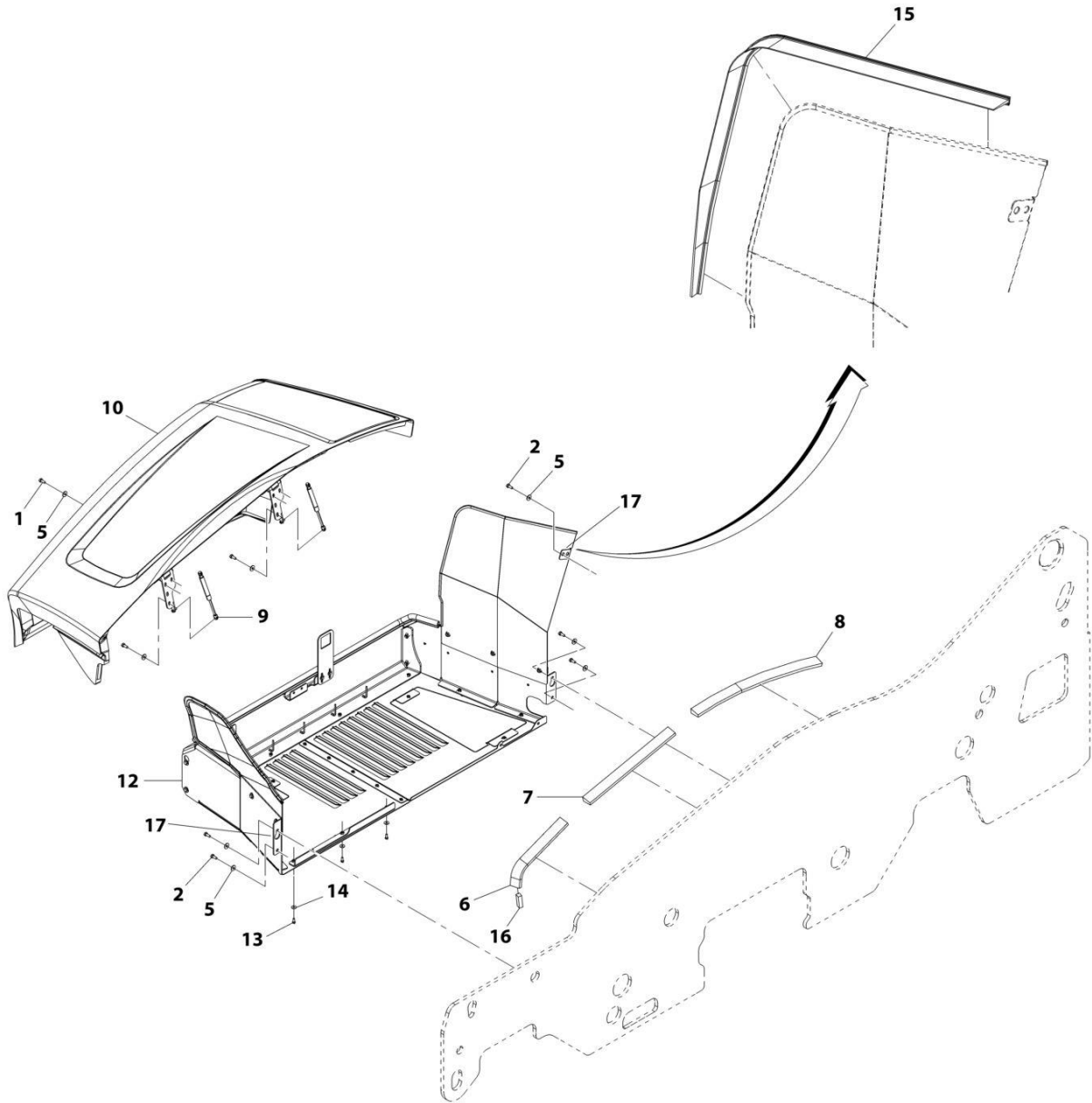
SECTION 1 - FRAME AND ATTACHING PARTS

FIGURE 1-10. ENGINE ENCLOSURE & HOOD INSTALLATION (1644)

ITEM	PART NUMBER	QTY	DESCRIPTION	REV
	1001192320	Ref	Engine Enclosure Installation	J
1	0761010	1	Bolt, M10X20	
2	0761012	11	Bolt, M10X25	
5	4812002	12	Washer, M10	
6	1001235963	1	Assembly, Hood (See Separate Breakdown in this Section)	
7	1001203932	1	Seal	
8	1001203933	1	Seal	
9	1001203934	1	Seal	
10	1001171885	2	Spring, Gas	
11	1001192622	1	Assembly, Engine Enclosure (See Separate Breakdown in this Section)	
12	0760810	3	Bolt, M8X20	
13	4811902	3	Washer, M8	
14	1001197339	1	Seal	
15	1001229609	1	Seal, Foam Gasket	
16	1001241836	AR	Shim	

SECTION 1 - FRAME AND ATTACHING PARTS

FIGURE 1-11. ENGINE ENCLOSURE & HOOD INSTALLATION (7013)



ART_1001192318-K

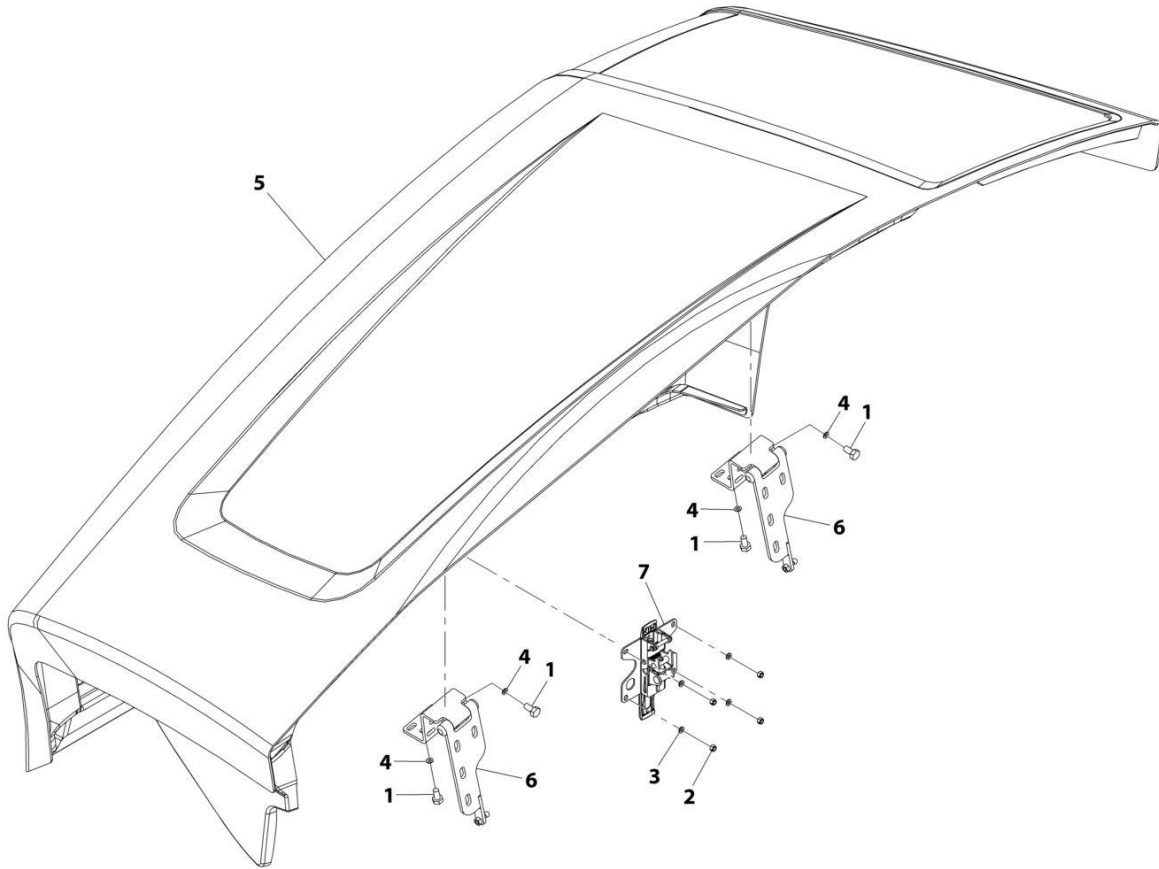
SECTION 1 - FRAME AND ATTACHING PARTS

FIGURE 1-11. ENGINE ENCLOSURE & HOOD INSTALLATION (7013)

ITEM	PART NUMBER	QTY	DESCRIPTION	REV
	1001192318	Ref	Engine Enclosure Installation	K
1	0761010	1	Bolt, M10X20	
2	0761012	11	Bolt, M10X25	
5	4812002	12	Washer, M10	
6	1001203932	1	Seal	
7	1001203933	1	Seal	
8	1001203934	1	Seal	
9	1001171885	2	Spring, Gas	
10	1001235965	1	Assembly, Engine Hood (See Separate Breakdown in this Section)	
12	1001192622	1	Assembly, Engine Enclosure (See Separate Breakdown in this Section)	
13	0760810	3	Bolt, M8X20	
14	4811902	3	Washer, M8	
15	1001197339	1	Seal	
16	1001229609	1	Seal, Foam Gasket	
17	1001241836	AR	Shim	

SECTION 1 - FRAME AND ATTACHING PARTS

FIGURE 1-12. ENGINE HOOD ASSEMBLY (1644)



ART_1001235963-B

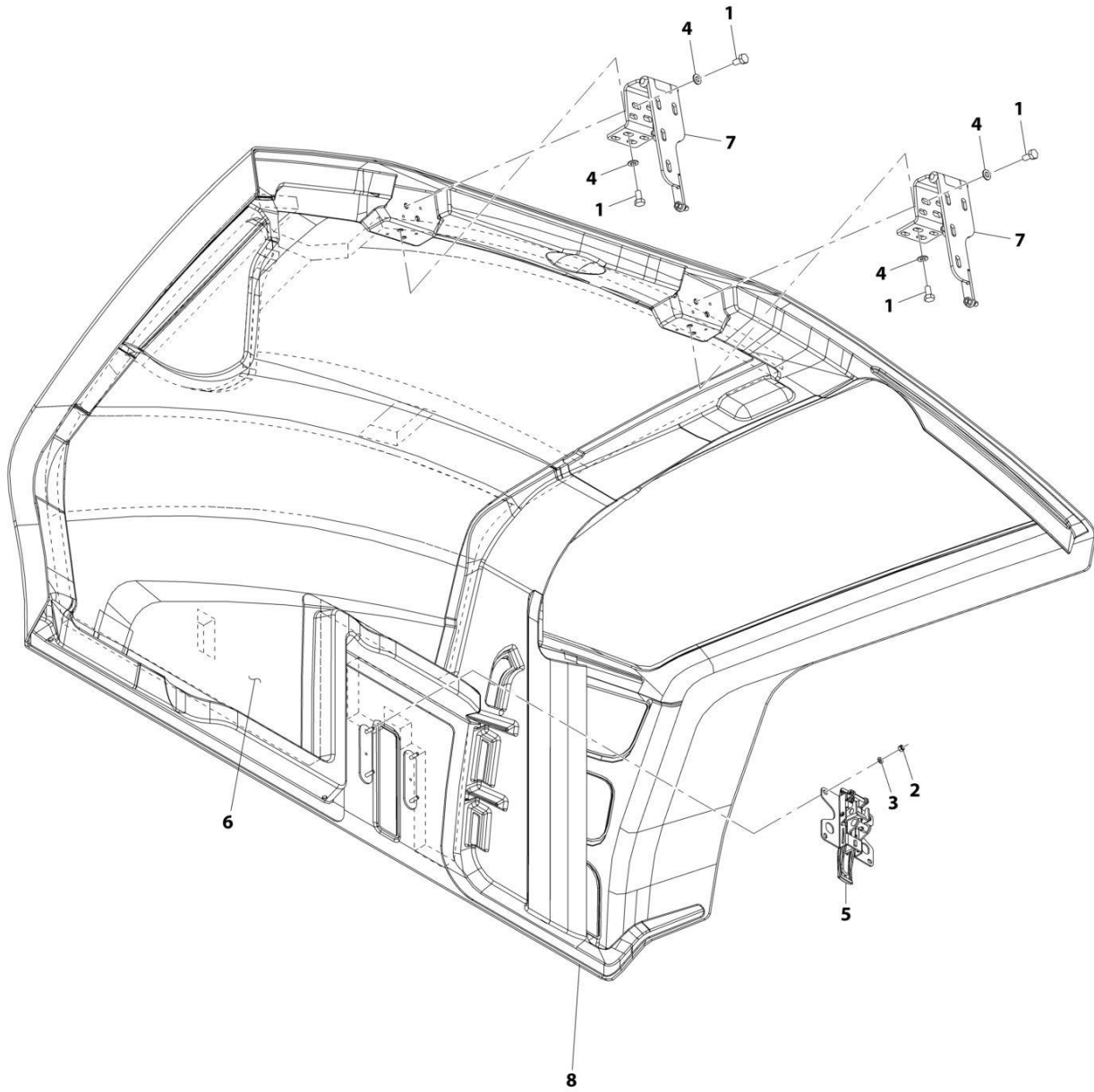
SECTION 1 - FRAME AND ATTACHING PARTS

FIGURE 1-12. ENGINE HOOD ASSEMBLY (1644)

ITEM	PART NUMBER	QTY	DESCRIPTION	REV
	1001235963	Ref	Hood Assembly	B
1	0761010	8	Bolt, M10X20	
2	3290605	4	Nut, Lock M6X1	
3	4811700	4	Washer, M6	
4	4812000	8	Washer, M10	
5	1001234455	1	Hood	
6	1001209387	2	Hinge, Hood	
7	1001132168	1	Latch, Hood	

SECTION 1 - FRAME AND ATTACHING PARTS

FIGURE 1-13. ENGINE HOOD ASSEMBLY (7013)



ART_1001235965-A

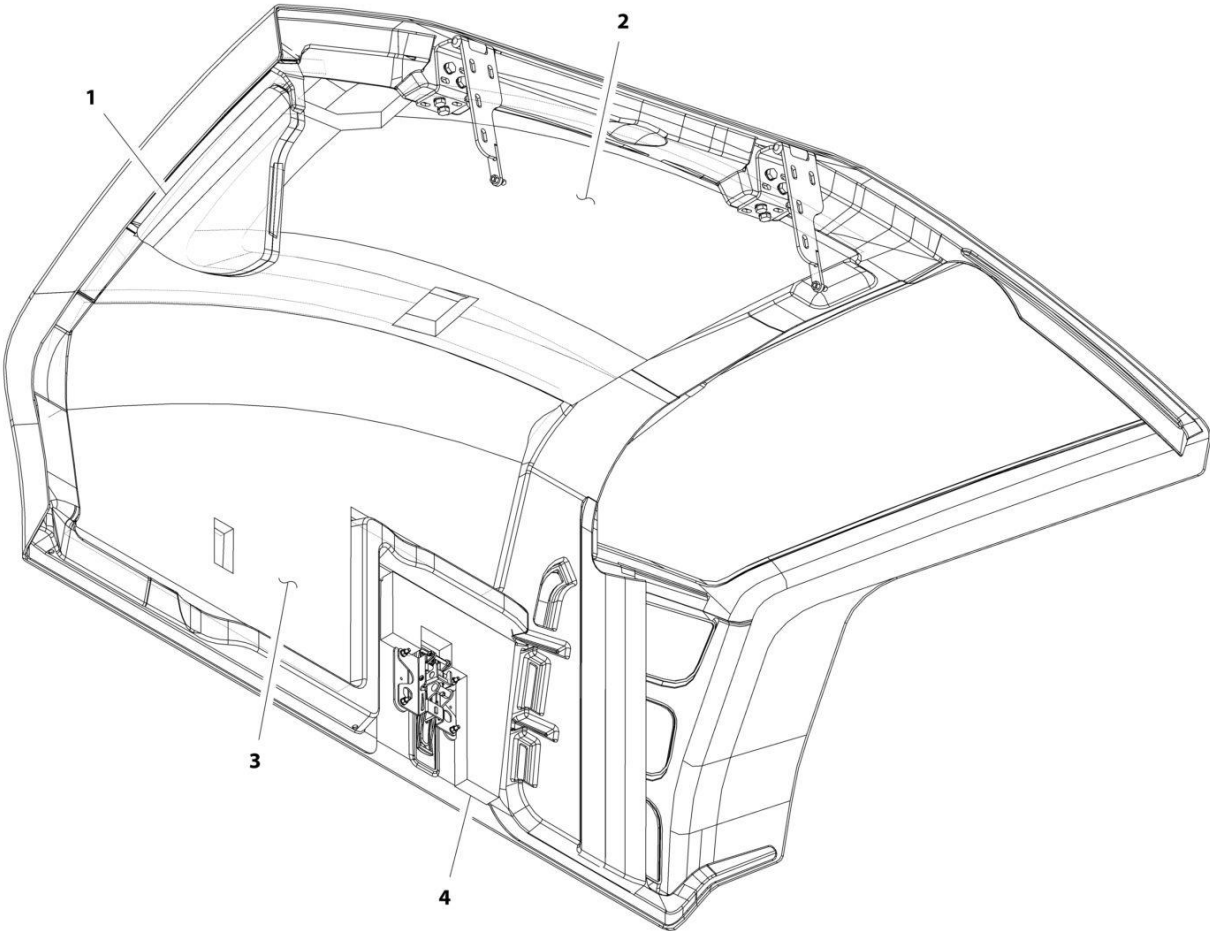
SECTION 1 - FRAME AND ATTACHING PARTS

FIGURE 1-13. ENGINE HOOD ASSEMBLY (7013)

ITEM	PART NUMBER	QTY	DESCRIPTION	REV
	1001235965	Ref	Engine Hood Assembly	A
1	0761010	8	Bolt, M10X20	
2	3290605	4	Nut, Lock M6X1	
3	4811700	4	Washer, M6	
4	4812000	8	Washer, M10	
5	1001132168	1	Latch, Hood	
6	1001172110	1	Installation, Engine Hood Insulation (See Separate Breakdown in this Section)	
7	1001209387	2	Hinge	
8	1001234455	1	Hood	

SECTION 1 - FRAME AND ATTACHING PARTS

FIGURE 1-14. ENGINE HOOD INSULATION INSTALLATION



ART_1001172110-G

SECTION 1 - FRAME AND ATTACHING PARTS

FIGURE 1-14. ENGINE HOOD INSULATION INSTALLATION

ITEM	PART NUMBER	QTY	DESCRIPTION	REV
	1001172110	Ref	Engine Hood Insulation Installation	G
1	1001172112	1	Insulation, Front	
2	1001172113	1	Insulation, Top	
3	1001172114	1	Insulation, Side	
4	1001172115	1	Insulation, Hood Latch	

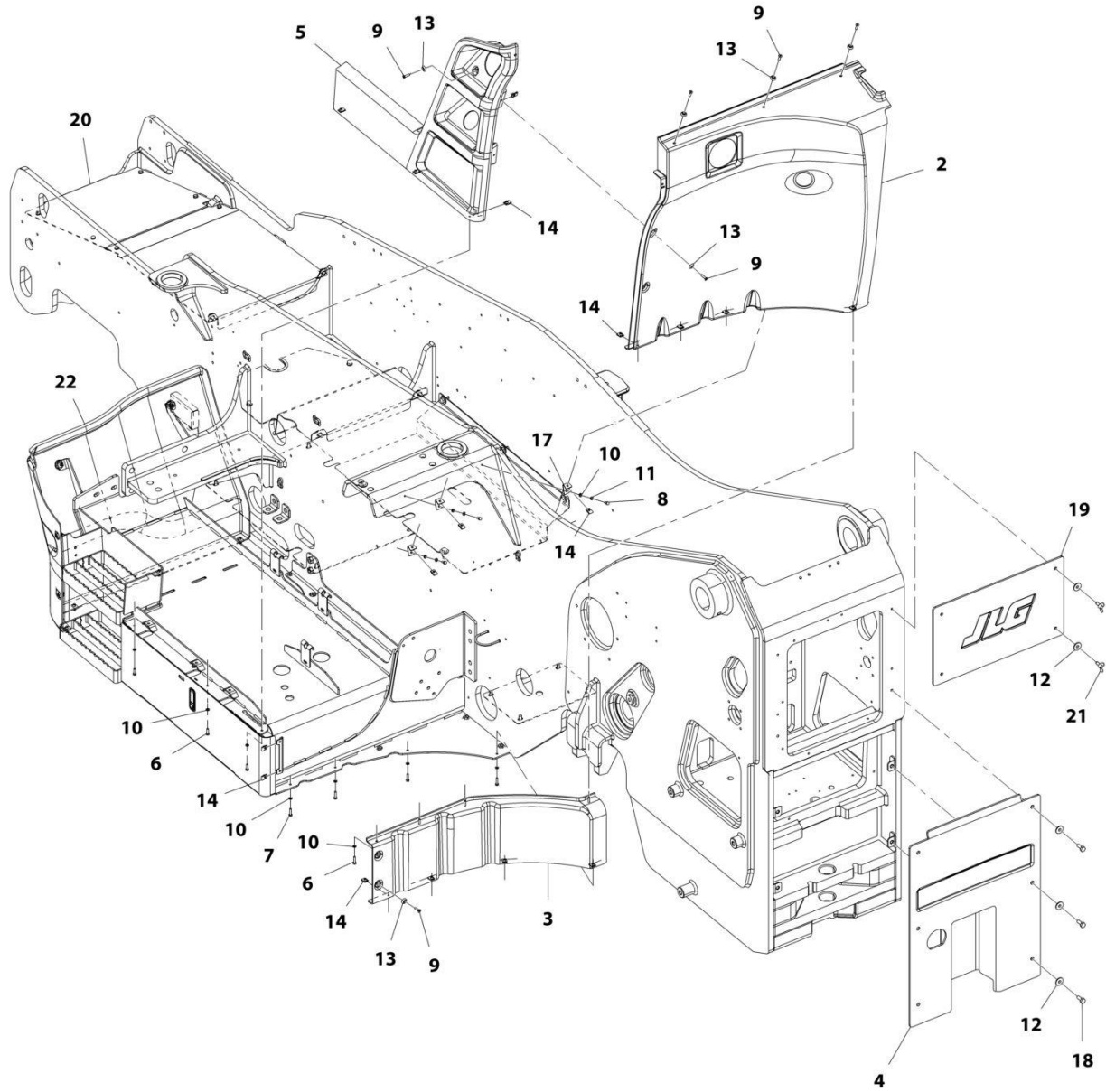
SECTION 1 - FRAME AND ATTACHING PARTS

FIGURE 1-15. ENGINE ENCLOSURE ASSEMBLY

ITEM	PART NUMBER	QTY	DESCRIPTION	REV
	1001192622	Ref	Engine Enclosure Assembly	I
1	0700814	2	Bolt, M8X30	
2	0701014	4	Bolt, M10X30	
3	0760807	5	Bolt, M8X14	
4	0761010	6	Bolt, M10X20	
5	4811902	19	Washer, M8	
7	1001003227	1573 mm	Seal	
8	1001204486	1785 mm	Seal	
9	1001209388	1	Latch, Hood	
10	1001169265	1	Plate, Access Panel	
11	1001219115	1	Panel, Front Wheel	
12	1001192627	1	Panel, Rear Cover	
19	0760808	12	Bolt, M8X16	
20	4812002	10	Washer, M10	
21	1001008999	1381 mm	Trim, Edge	
101	1001192631	1	Panel, Bottom Cover	
102	1001194969	1	Panel, Access	
103	1001219250	1	Panel, Bottom Front Cover	
201	1001192623J	1	Panel, Side Skirt	
202	1001224450J	1	Panel, Rear Skirt	
203	1001219113J	1	Panel, Front Skirt	

SECTION 1 - FRAME AND ATTACHING PARTS

FIGURE 1-16. COVER INSTALLATION (ULS)



ART_1001184869-J

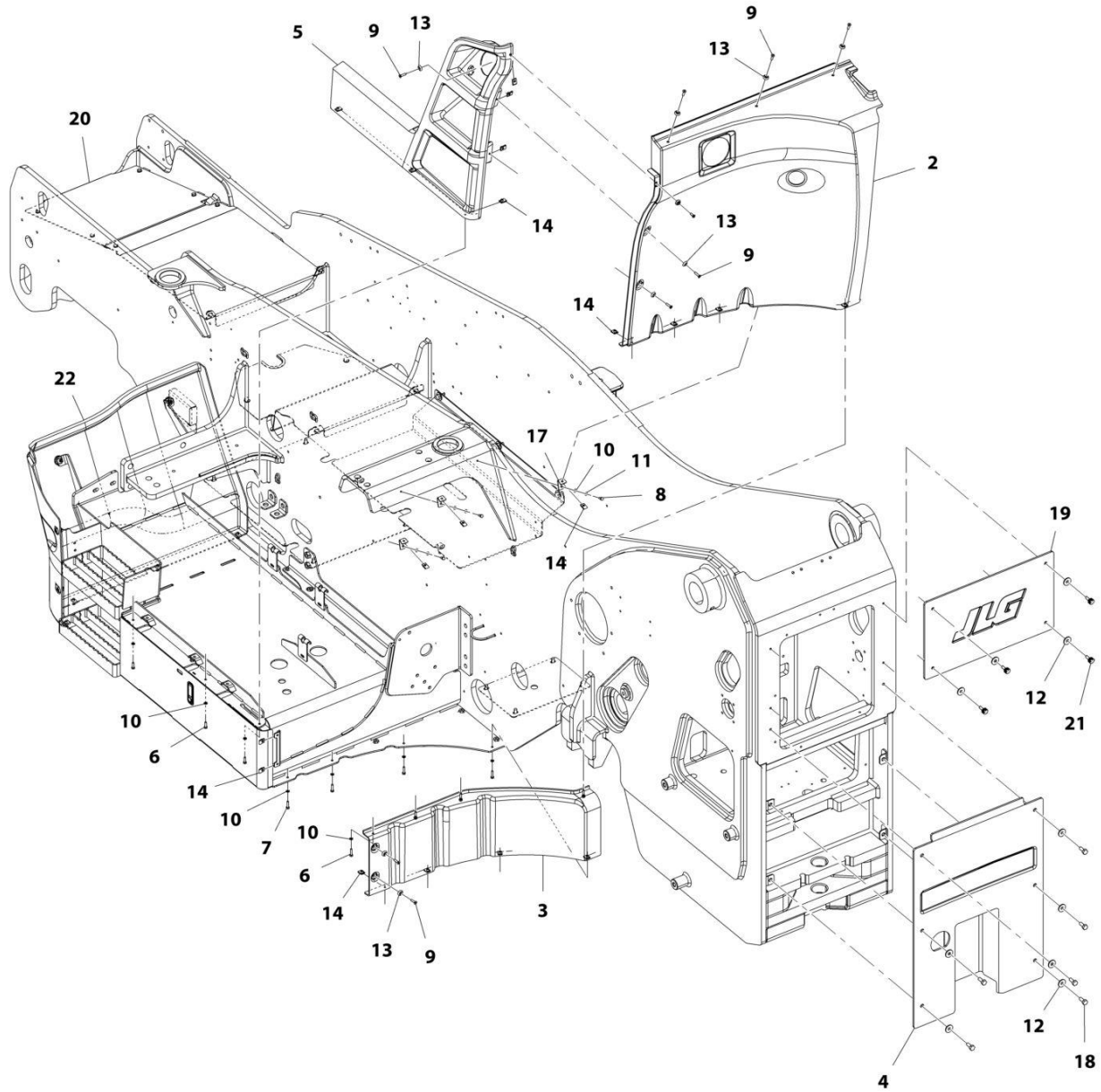
SECTION 1 - FRAME AND ATTACHING PARTS

FIGURE 1-16. COVER INSTALLATION (ULS)

ITEM	PART NUMBER	QTY	DESCRIPTION	REV
	1001184869	Ref	Cover Installation (ULS)	J
2	1001184872	1	Cover, Rear Tank	
3	1001184874	1	Cover, Lower Rear Tank	
4	1001213834	1	Cover, Rear Frame	
5	1001168758	1	Cover, Side Tank	
6	0700610	7	Bolt, M6X20	
7	0700612	4	Bolt, M6X25	
8	0760607	3	Bolt, M6X14	
9	0630576	9	Screw, M6X20	
10	4811700	14	Washer, M6	
11	4831700	3	Washer, Lock M6	
12	4812002	10	Washer, M10	
13	1001097540	9	Washer, M6	
14	1001130220	19	Nut, M6	
17	1001231385	3	Plate, Angle Mount	
18	0761012	6	Bolt, M10X25	
19	1001213833	1	Cover, Rear Frame	
20	1001198307	1	Installation, Frame Cover (See Separate Breakdown in this Section)	
21	1001250708	4	Bolt, M8X20	
22	1001201848	1	Installation, Front Lower Cover (See Separate Breakdown in this Section)	

SECTION 1 - FRAME AND ATTACHING PARTS

FIGURE 1-17. COVER INSTALLATION (LS)



ART_1001184870-I

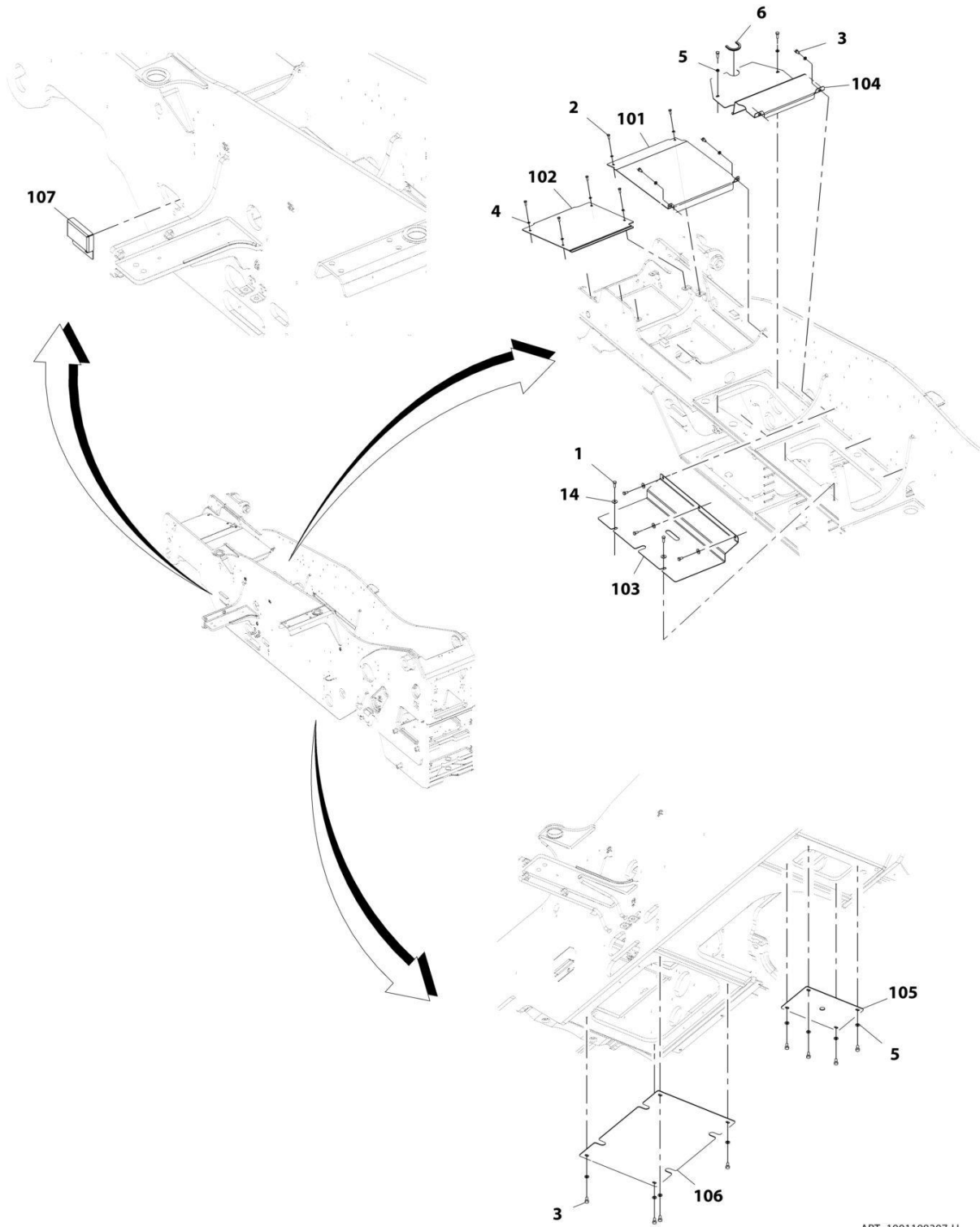
SECTION 1 - FRAME AND ATTACHING PARTS

FIGURE 1-17. COVER INSTALLATION (LS)

ITEM	PART NUMBER	QTY	DESCRIPTION	REV
	1001184870	Ref	Cover Installation (LS)	J
2	1001184872	1	Cover, Rear Tank	
3	1001184874	1	Cover, Lower Rear Tank	
4	1001213834	1	Cover, Rear Frame	
5	1001172829	1	Cover, Side Tank	
6	0700610	7	Bolt, M6X20	
7	0700612	4	Bolt, M6X25	
8	0760607	3	Bolt, M6X14	
9	0630576	9	Screw, M6X20	
10	4811700	14	Washer, M6	
11	4831700	3	Washer, Lock M6	
12	4812002	10	Washer, M10	
13	1001097540	9	Washer, M6	
14	1001130220	19	Nut, M6	
17	1001231385	3	Plate, Angle Mount	
18	0761012	6	Bolt, M10X25	
19	1001213833	1	Cover, Rear Frame	
20	1001198307	Ref	Installation, Frame Cover (See Separate Breakdown in this Section)	
21	1001250708	4	Bolt M8 x 20	
22	1001201848	Ref	Installation, Front Lower Cover (See Separate Breakdown in this Section)	

SECTION 1 - FRAME AND ATTACHING PARTS

FIGURE 1-18. FRAME COVER INSTALLATION



ART_1001198307-H

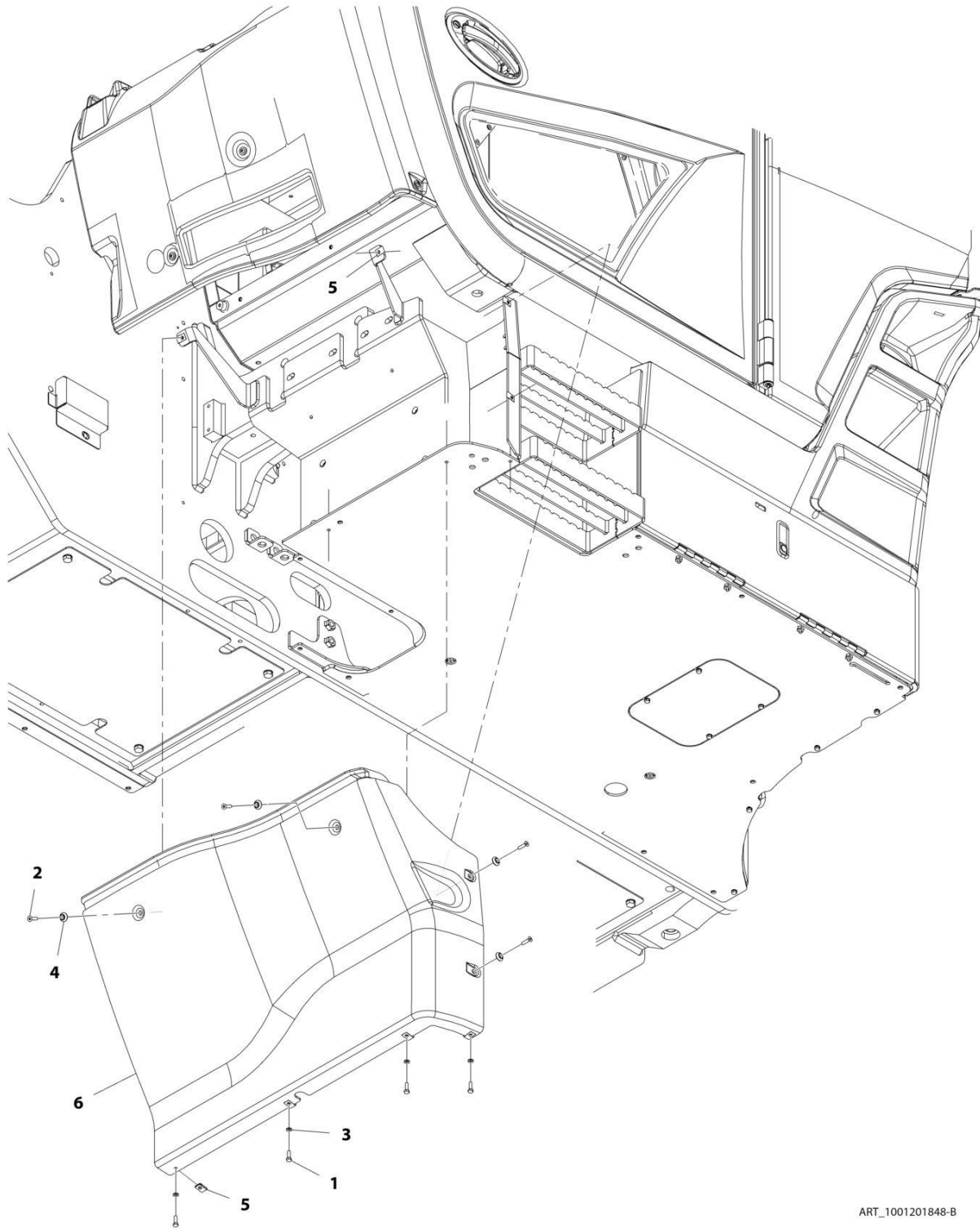
SECTION 1 - FRAME AND ATTACHING PARTS

FIGURE 1-18. FRAME COVER INSTALLATION

ITEM	PART NUMBER	QTY	DESCRIPTION	REV
	1001198307	Ref	Frame Cover Installation	H
1	0701014	4	Bolt, M10X30	
2	0760810	6	Bolt, M8X20	
3	0761010	15	Bolt, M10X20	
4	4811900	6	Washer, M8	
5	4812000	14	Washer, M10	
6	90206196	0.15 m	Gasket	
14	4812002	5	Washer, M10	
101	1001197056	1	Cover, Battery	
102	1001197057	1	Plate, Valve Cover	
103	1001197733	1	Plate, Frame Cover	
104	1001197734	1	Plate, Frame Cover	
105	1001211899	1	Plate, Frame Cover	
106	1001211900	1	Plate, Frame Cover	
107	1001218694	1	Cover	

SECTION 1 - FRAME AND ATTACHING PARTS

FIGURE 1-19. FRONT LOWER COVER INSTALLATION



ART_1001201848-B

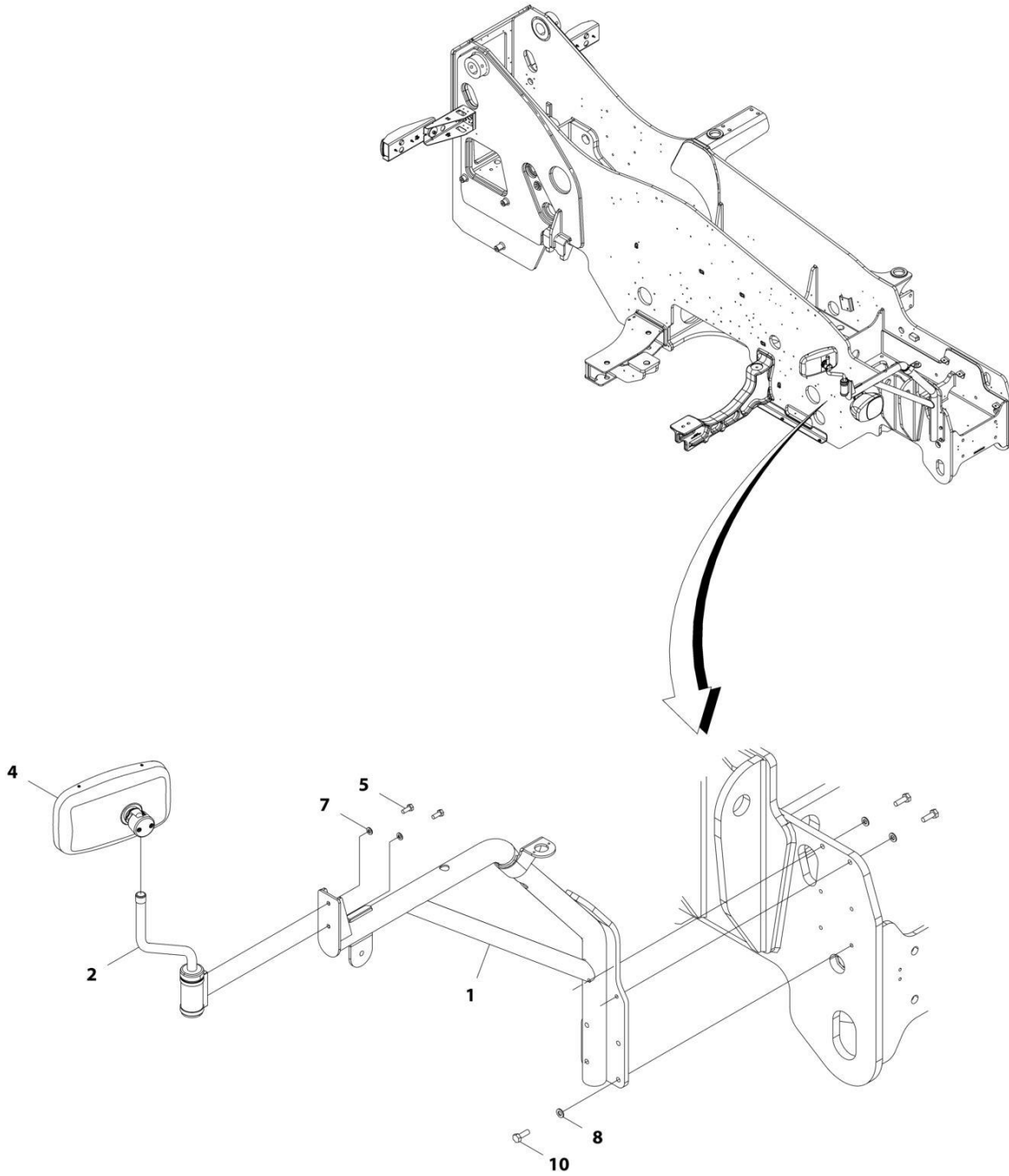
SECTION 1 - FRAME AND ATTACHING PARTS

FIGURE 1-19. FRONT LOWER COVER INSTALLATION

ITEM	PART NUMBER	QTY	DESCRIPTION	REV
	1001201848	Ref	Front Lower Cover Installation	B
1	0700610	4	Bolt, M6X20	
2	3900379	4	Screw, M6-1.00X25	
3	4811700	4	Washer, M6	
4	1001097540	4	Washer, M6	
5	1001130220	6	Nut, M6	
6	1001184871	1	Cover, Front Lower	

SECTION 1 - FRAME AND ATTACHING PARTS

FIGURE 1-20. MIRRORS INSTALLATION (1644)



ART_1001192324_F

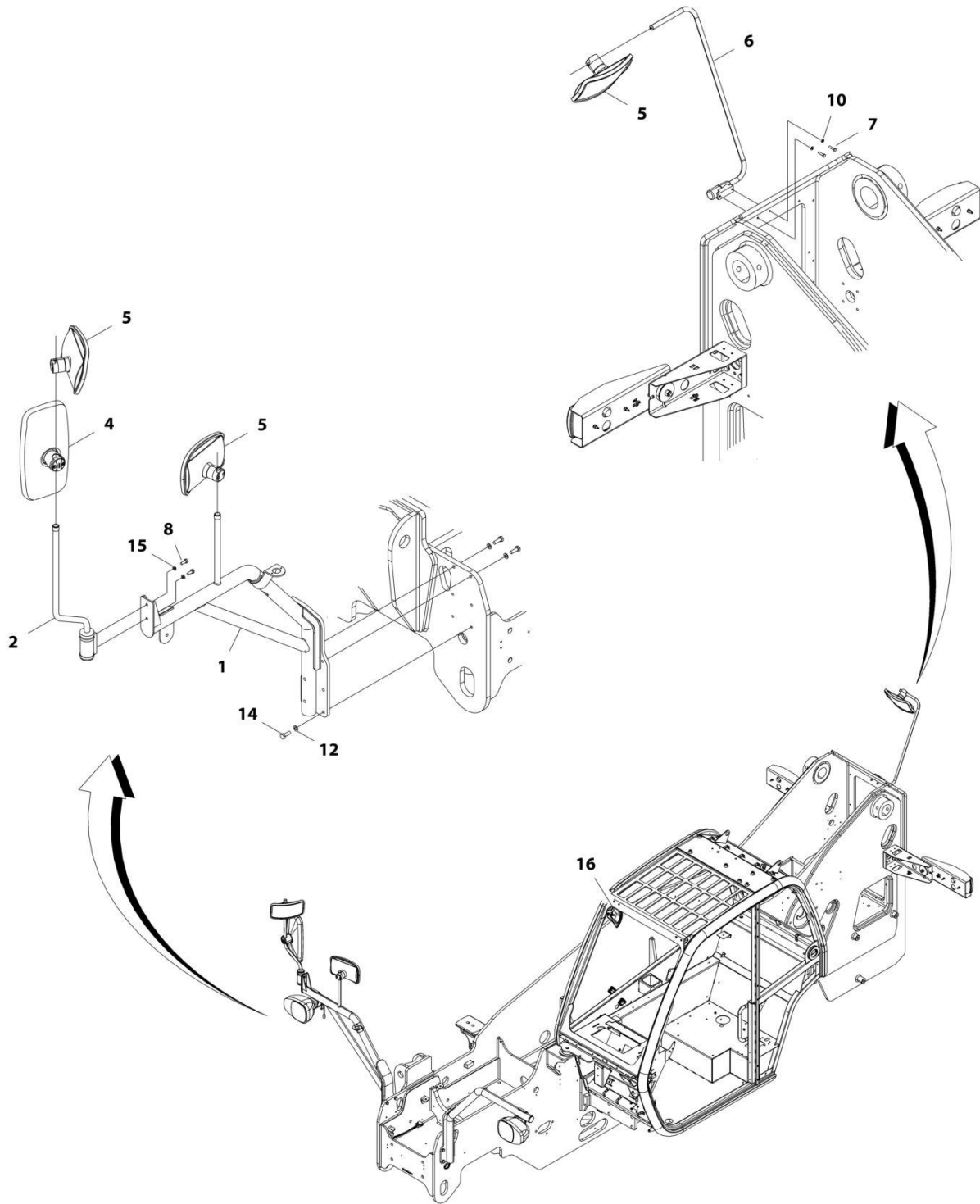
SECTION 1 - FRAME AND ATTACHING PARTS

FIGURE 1-20. MIRRORS INSTALLATION (1644)

ITEM	PART NUMBER	QTY	DESCRIPTION	REV
	1001192324	Ref	Mirror Installation	F
1	1001265344	1	Bracket	
2	1001209346	1	Bracket	
4	1001191635	1	Mirror, Convex	
5	0760810	2	Bolt, M8X20	
7	4811900	2	Bolt, M8X20	
8	4812000	6	Washer, M10	
10	0701014	6	Bolt, M10X30	

SECTION 1 - FRAME AND ATTACHING PARTS

FIGURE 1-21. MIRRORS INSTALLATION (7013)



ART_1001186881_G

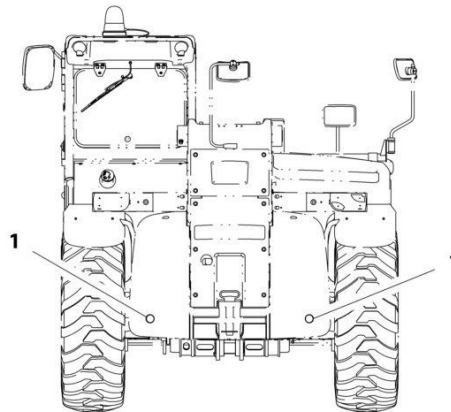
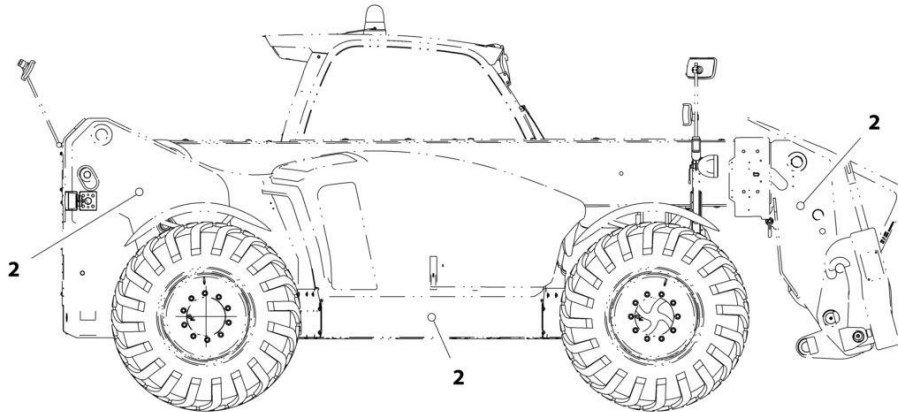
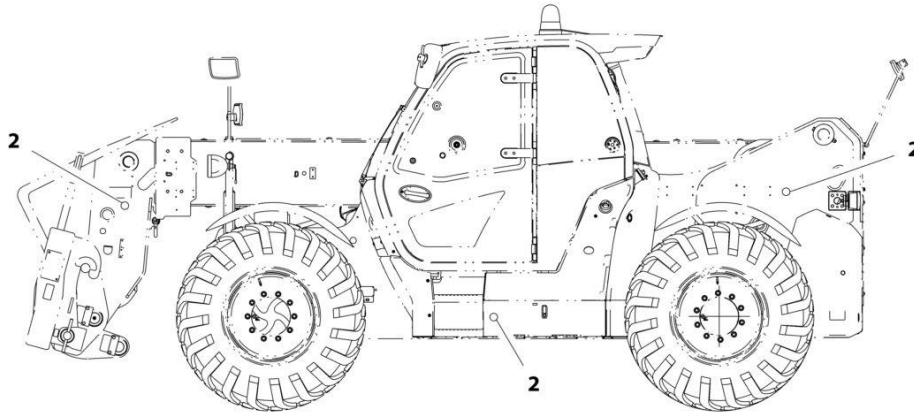
SECTION 1 - FRAME AND ATTACHING PARTS

FIGURE 1-21. MIRRORS INSTALLATION (7013)

ITEM	PART NUMBER	QTY	DESCRIPTION	REV
	1001186881	Ref	Mirror Installation	G
1	1001265346	1	Bracket	
2	1001209345	1	Bracket	
4	1001175812	1	Mirror, Dual Lens	
5	1001142724	3	Mirror, Convex	
6	1001168429	1	Support, Arm	
7	0700612	2	Bolt, M6X25	
8	0760810	2	Bolt, M8X20	
10	4811700	2	Washer, M6	
12	4812000	6	Washer, M10	
14	0701014	6	Bolt, M10X30	
15	4811900	2	Washer, M8	
16	1001166192	1	Installation, Internal Mirror (See Separate Breakdown in CAB Section)	

SECTION 1 - FRAME AND ATTACHING PARTS

FIGURE 1-22. REFLECTORS INSTALLATION



ART_1001200344-D

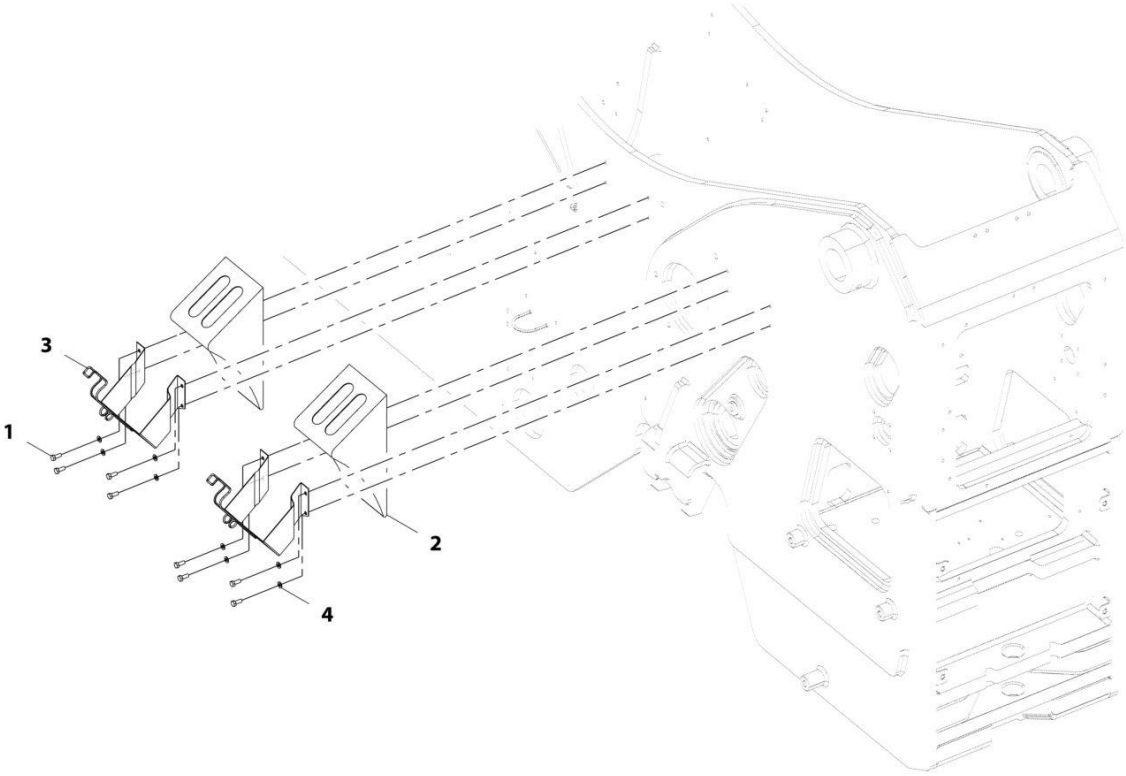
SECTION 1 - FRAME AND ATTACHING PARTS

FIGURE 1-22. REFLECTORS INSTALLATION

ITEM	PART NUMBER	QTY	DESCRIPTION	REV
	1001200344	Ref	Reflectors Installation	D
1	3700015	2	Reflector, Rear	
2	3700016	6	Reflector, Side	

SECTION 1 - FRAME AND ATTACHING PARTS

FIGURE 1-23. WHEEL CHOCKS INSTALLATION



ART_1001192336-B

SECTION 1 - FRAME AND ATTACHING PARTS

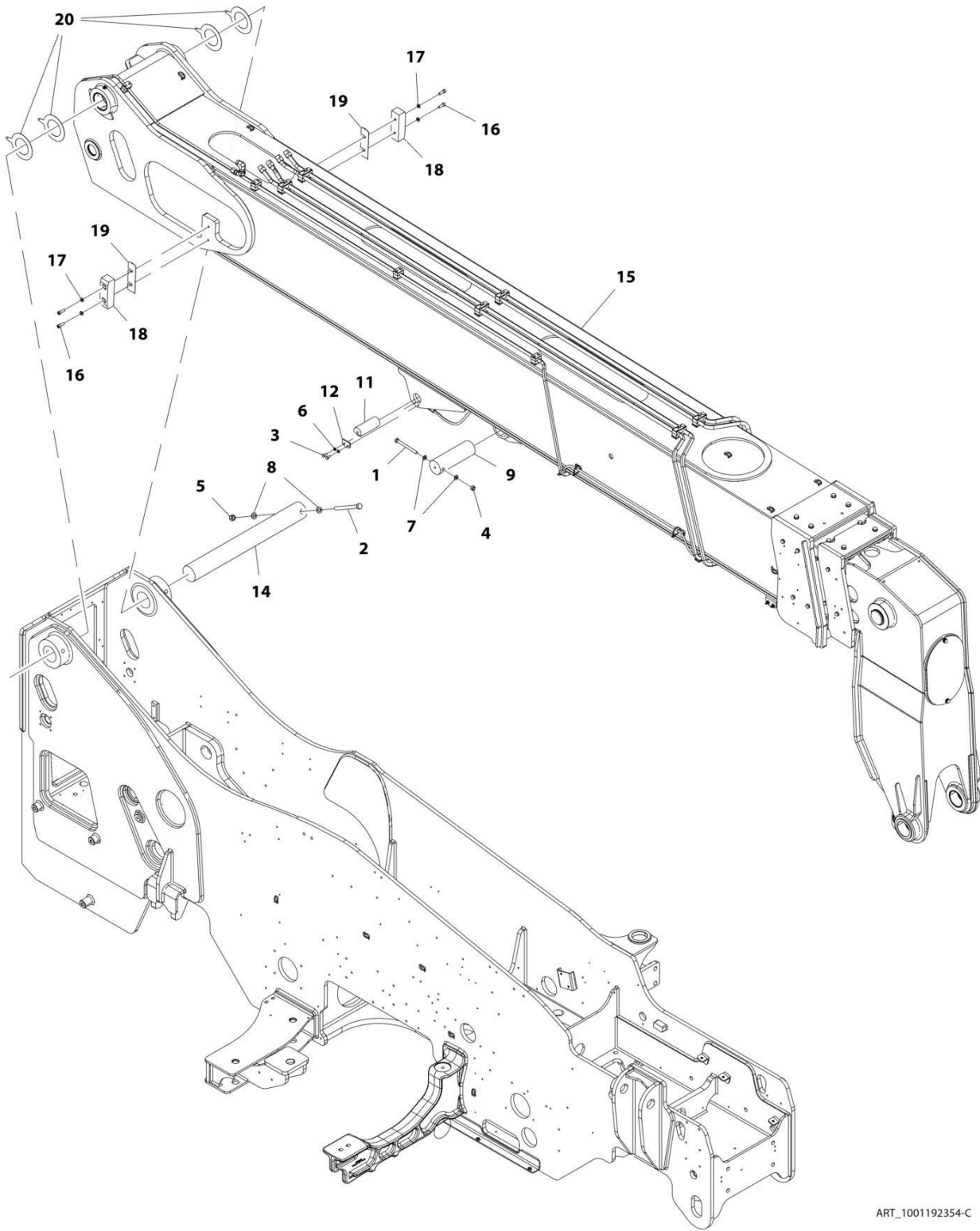
FIGURE 1-23. WHEEL CHOCKS INSTALLATION

ITEM	PART NUMBER	QTY	DESCRIPTION	REV
	1001192336	Ref	Wheel Chock Installation	B
1	0760810	8	Bolt, M8X20	
2	806253	2	Wedge	
3	806264	2	Holder, Wedge	
4	4811900	8	Washer, M8	

SECTION 2 - BOOM

SECTION 2 - BOOM

FIGURE 2-1. BOOM INSTALLATION



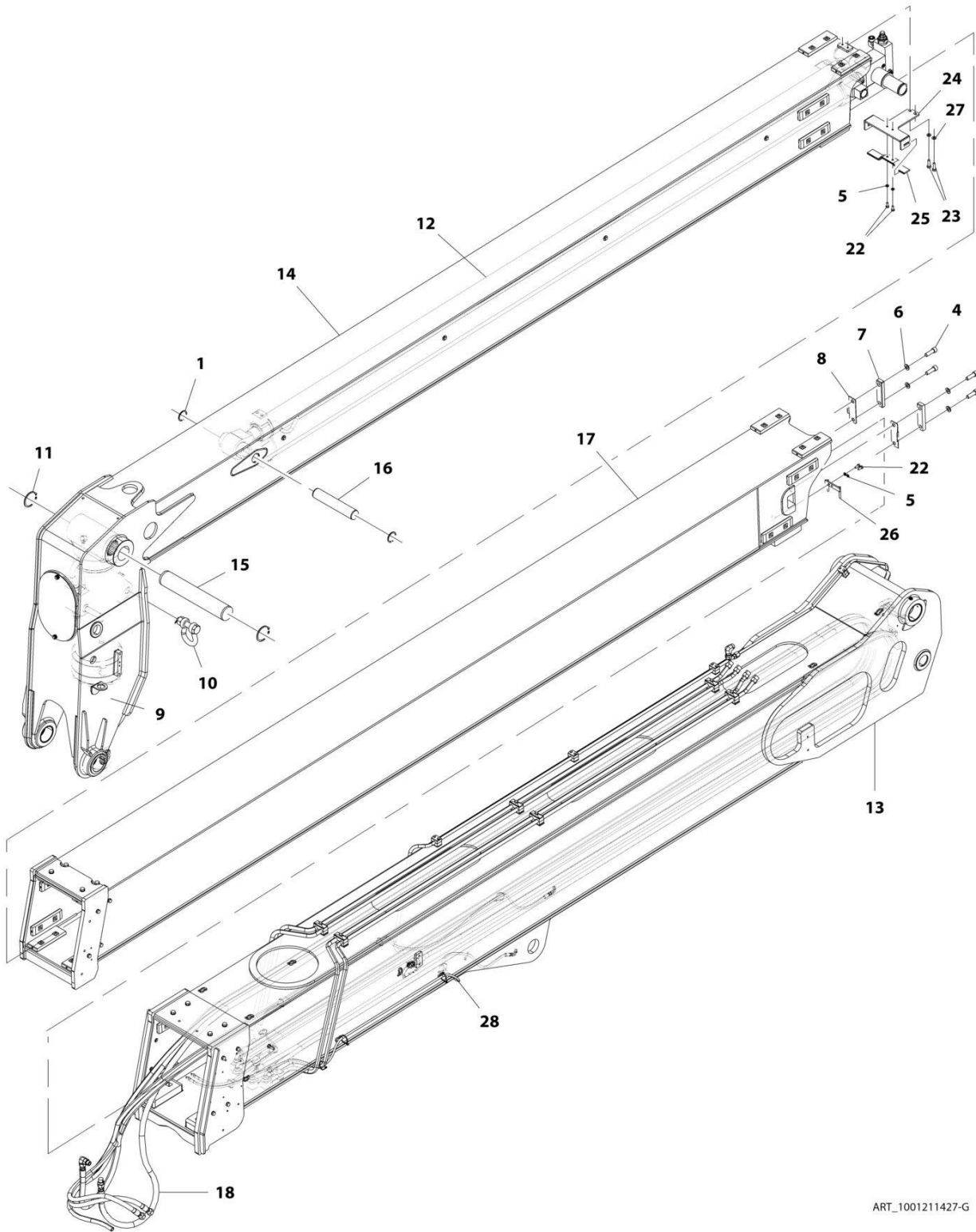
ART_1001192354-C

FIGURE 2-1. BOOM INSTALLATION

ITEM	PART NUMBER	QTY	DESCRIPTION	REV
	1001192354	Ref	Boom Installation	C
1	0711230	1	Bolt, M12X130	
2	0711635	1	Bolt, M16X180	
3	0760810	2	Bolt, M8X20	
4	3291205	1	Nut, Lock M12X1.75	
5	3291605	1	Nut, Lock M16X2	
6	4811900	2	Washer, M8	
7	4812100	2	Washer, M12	
8	4812300	2	Washer, M16	
9	1001190254	1	Pin, Lift Cylinder	
11	1001190256	1	Pin, Compensation Cylinder	
12	1001190257	1	Plate, Pin Retainer	
14	1001190260	1	Pin, Boom Pivot	
15	1001211427	1	Assembly, Boom (See Separate Breakdown in this Section)	
16	4032010	4	Bolt, M10X30	
17	4812000	4	Washer, M10	
18	1001195655	2	Pad, M44X50X160	
19	1001219905	AR	Shim, M50X169X1	
20	1001219953	AR	Shim, Boom Pivot	

SECTION 2 - BOOM

FIGURE 2-2. BOOM ASSEMBLY



ART_1001211427-G

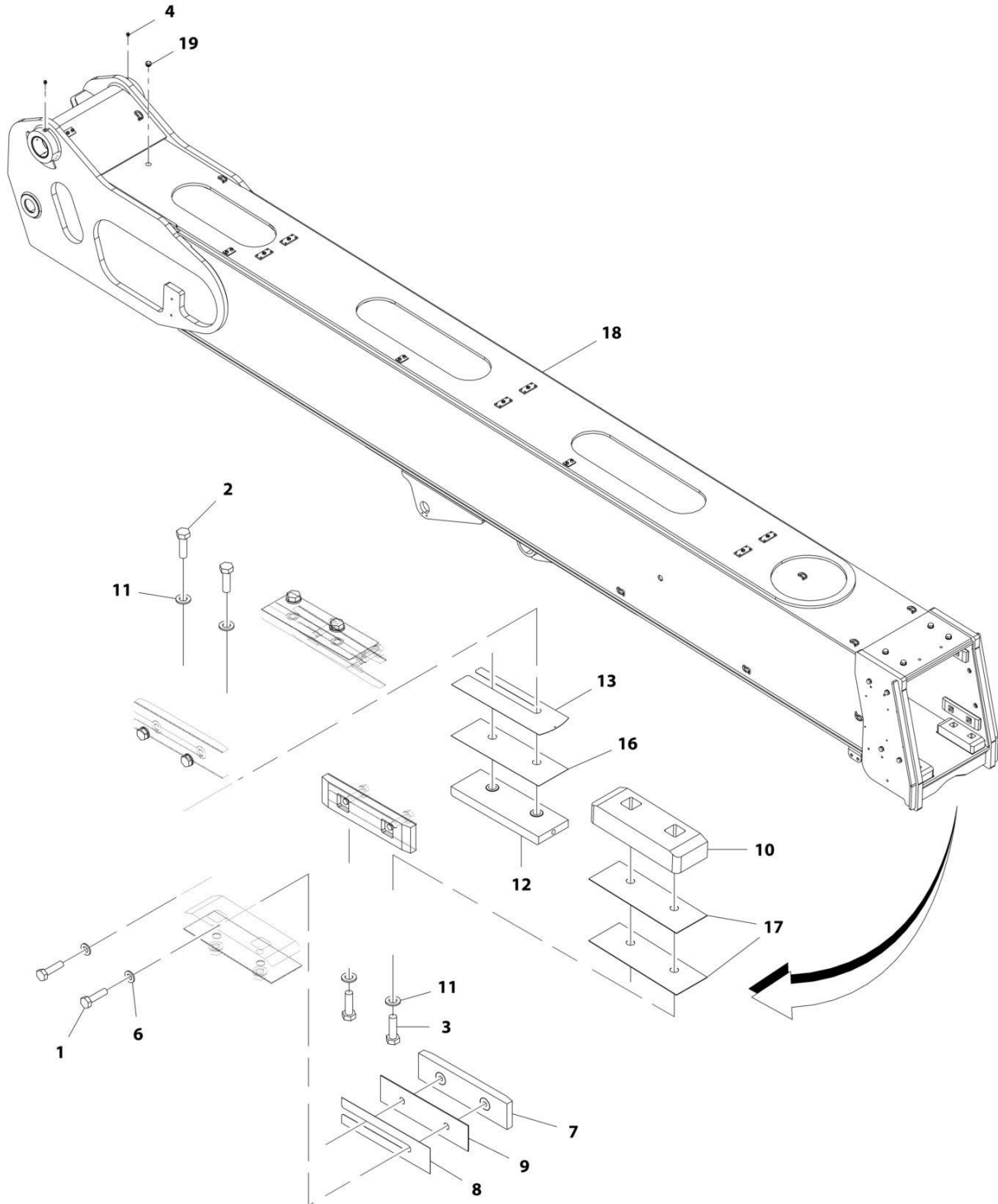
SECTION 2 - BOOM

FIGURE 2-2. BOOM ASSEMBLY

ITEM	PART NUMBER	QTY	DESCRIPTION	REV
	1001211427	Ref	Boom Assembly	G
1	314689	2	Ring, Retaining M50	
4	4032314	4	Bolt, M16X50	
5	4811900	4	Washer, M8	
6	4812300	4	Washer, M16	
7	1001213959	2	Plate, Clamp	
8	1001213961	2	Plate, Trunion Block Guide	
9	1001174812	1	Cylinder, Tilt (See Separate Breakdown in Hydraulic Components Section)	
10	1001191110	1	Shackle	
11	1001197262	2	Ring, Snap M75	
12	1001199325	Ref	Installation, Extend/Retract Cylinder (See Separate Breakdown in Hydraulic Components Section)	
13	1001201266	1	Assembly, First Boom Section (See Separate Breakdown in this Section)	
14	1001203985	1	Assembly, Third Boom Section (See Separate Breakdown in this Section)	
15	1001203989	1	Pin, Tilt	
16	1001203990	1	Pin, Extend/Retract	
17	1001204177	1	Assembly, Second Boom Section (See Separate Breakdown in this Section)	
18	1001205375	Ref	Installation, Boom Hydraulic (See Separate Breakdown in Hydraulic Circuit Section)	
22	0760810	4	Bolt, M8X20	
23	0711015	2	Bolt, M10X35	
24	1001230986	1	Support, Hose	
25	1001230967	1	Plate, Support	
26	1001213462	1	Support, Hose	
27	4812000	2	Washer, M10	
28	1001217353	Ref	Installation, Remote Grease (See Separate Breakdown in Hydraulic Circuit Section)	

SECTION 2 - BOOM

FIGURE 2-3. FIRST BOOM SECTION ASSEMBLY



ART_1001201266-G

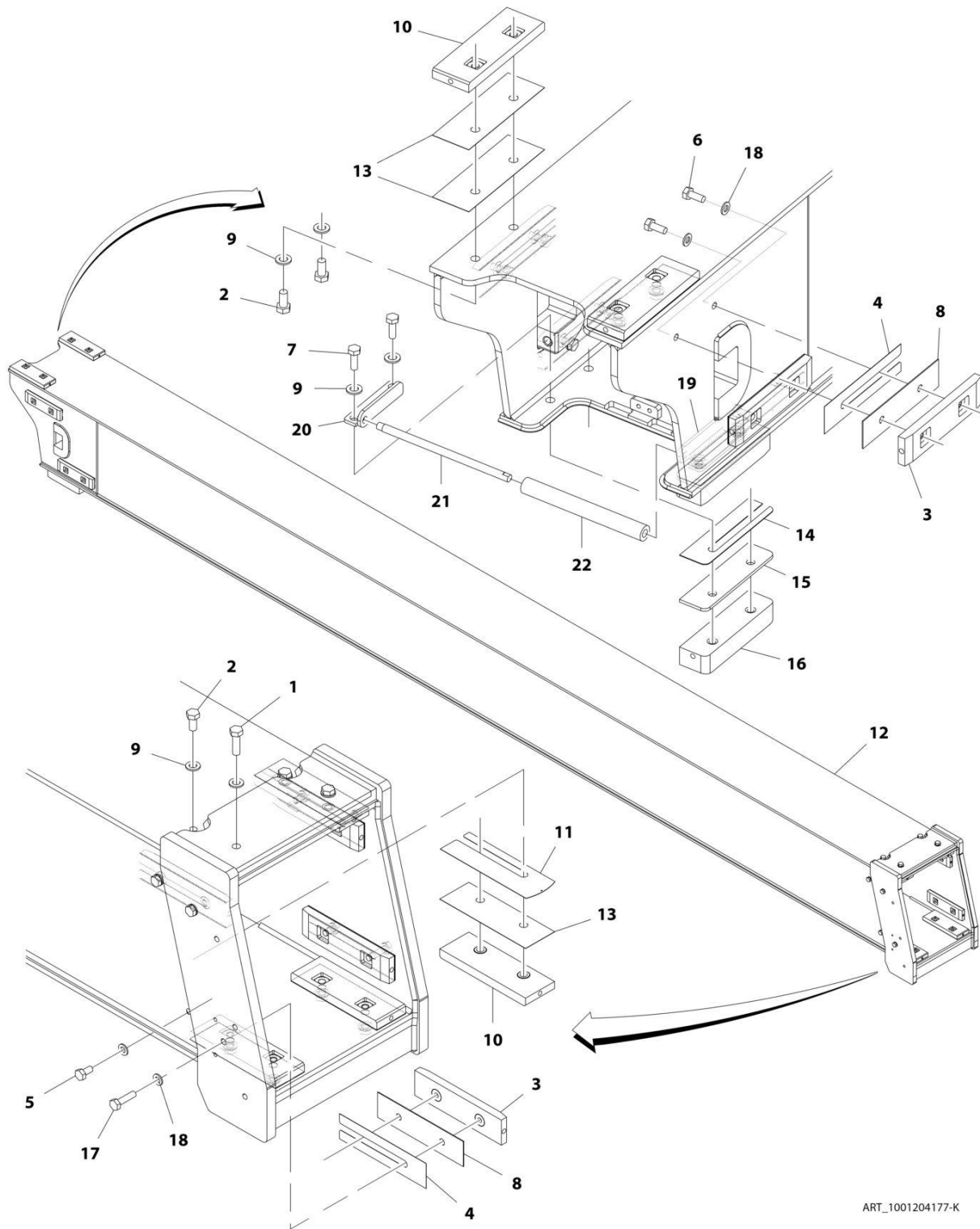
SECTION 2 - BOOM

FIGURE 2-3. FIRST BOOM SECTION ASSEMBLY

ITEM	PART NUMBER	QTY	DESCRIPTION	REV
	1001201266	Ref	First Boom Section Assembly	G
1	0711017	8	Bolt, M10X45	
2	0711216	4	Bolt, M12X40	
3	0711217	4	Bolt, M12X45	
4	2160016	2	Fitting, Grease	
6	4812000	AR	Washer, M10	
7	8002200	4	Pad, M15X50X200	
8	8008640	AR	Shim, M50X200X0.5	
9	1001003031	4	Shim, M50X198X1.5	
10	1001227337	2	Pad, M70X200X39	
11	1001125117	AR	Washer, M12	
12	1001227334	2	Pad, Wear	
13	1001195194	AR	Shim, M67X204X0.5	
16	1001195737	2	Shim	
17	1001201269	AR	Shim, M70X200X1	
18	1001201267J	1	Weldment, Boom	
19	3520193	1	Plug	

SECTION 2 - BOOM

FIGURE 2-4. SECOND BOOM SECTION ASSEMBLY



ART_1001204177-K

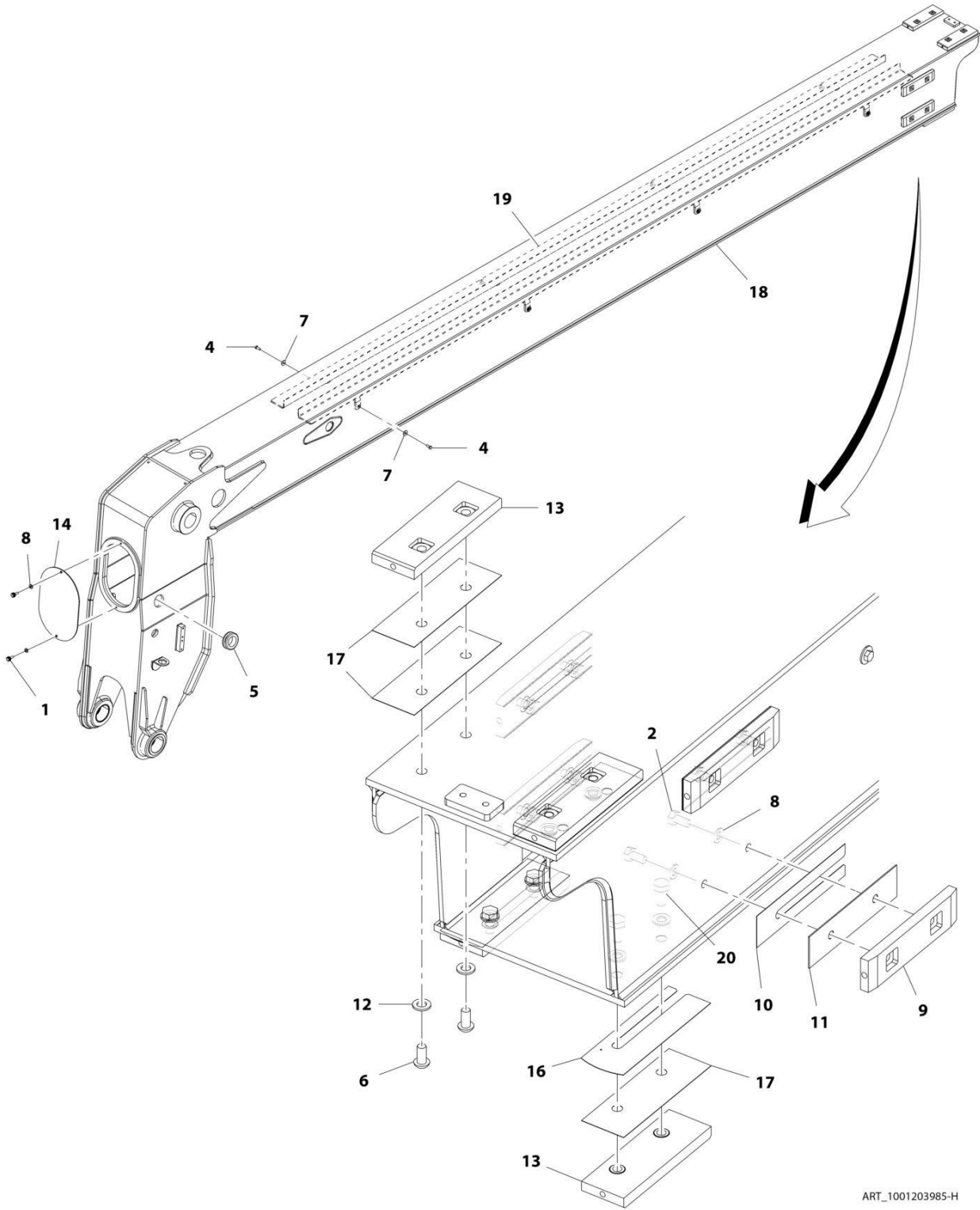
SECTION 2 - BOOM

FIGURE 2-4. SECOND BOOM SECTION ASSEMBLY

ITEM	PART NUMBER	QTY	DESCRIPTION	REV
	1001204177	Ref	Second Boom Section Assembly	K
1	0711216	4	Bolt, M12X40 Grade 10.9	
2	0771212	8	Bolt, M12X25 Grade 10.9	
3	8002200	8	Pad, M15X50X200	
4	8008640	AR	Shim, M50X200X0.5	
5	0771010	4	Bolt, M10X20 Grade 10.9	
6	0771012	8	Bolt, M10X25 Grade 10.9	
7	0711215	4	Bolt, M12X35 Grade 10.9	
8	1001003031	8	Shim, M50X198X1.5	
9	1001125117	AR	Washer, M12	
10	1001227334	6	Pad, M34X54X165	
11	1001195194	AR	Shim, M0.5X67X204	
12	1001204178	1	Boom, Second	
13	1001195737	AR	Shim	
14	1001204198	AR	Shim, M1X49X181	
15	1001204199	2	Shim, M49X181X5	
16	1001204200	2	Pad, M35X49X181	
17	0711016	4	Bolt, M10X40 Grade 10.9	
18	4812000	AR	Washer, M10	
19	1001223902	1	Bracket, RH	
20	1001223920	1	Bracket, LH	
21	1001223948	1	Pin	
22	1001223983	1	Roller	

SECTION 2 - BOOM

FIGURE 2-5. THIRD BOOM SECTION ASSEMBLY



ART_1001203985-H

SECTION 2 - BOOM

FIGURE 2-5. THIRD BOOM SECTION ASSEMBLY

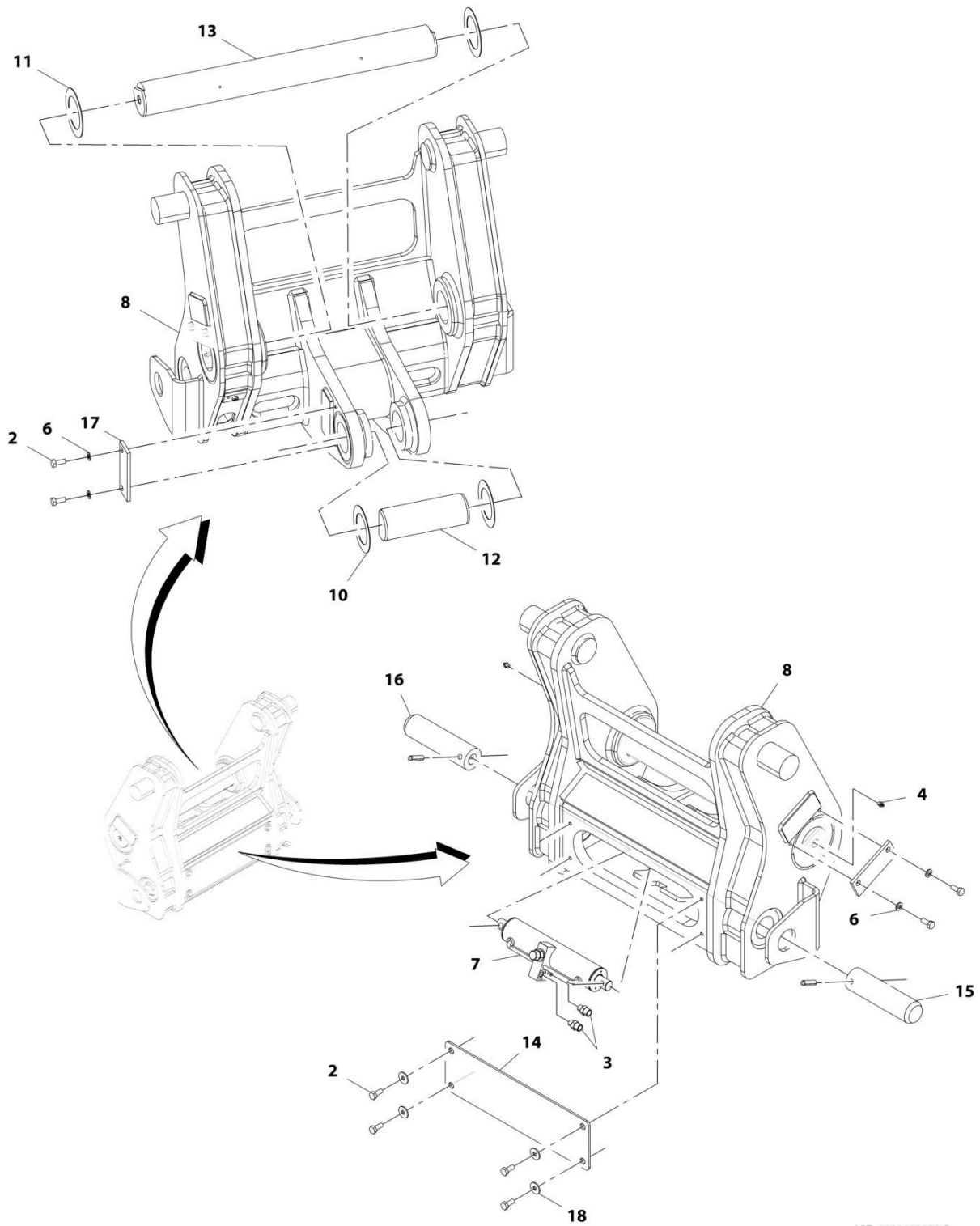
ITEM	PART NUMBER	QTY	DESCRIPTION	REV
	1001203985	Ref	Third Boom Section Assembly	1
1	1001250708	1	Bolt M8 x 20	
2	0771010	8	Bolt, M10X20 Grade 10.9	
4	0760810	8	Bolt, M8X20	
5	1001188971	1	Grommet	
6	1001229057	4	Screw, M12X25	
7	4811902	8	Washer, M8	
8	4812000	AR	Washer, M10	
9	8002200	4	Pad, M15X50X200	
10	8008640	AR	Shim, M50X200X0.5	
11	1001003031	4	Shim, M50X198X1.5	
12	1001125117	AR	Washer, M12	
13	1001227334	4	Pad	
14	1001191789	1	Plate, Boom Front Cover	
16	1001195194	AR	Shim, M0.5X67X204	
17	1001195737	AR	Shim	
18	1001203986	1	Weldment, Third Boom Section	
19	1001203987	2	Bracket, Hose Support Tray	
20	0771212	4	Bolt, M12X25	

FIGURE 2-6. COUPLER INSTALLATION (MANUAL)

ITEM	PART NUMBER	QTY	DESCRIPTION	REV
	1001174104	Ref	Coupler Installation (Manual)	G
2	2160016	2	Fitting, Grease	
5	1001187820	1	Coupling, Manual	
6	1001187821	1	Pin	
8	1001187847	AR	Shim	
9	1001187848	AR	Shim	
10	1001190250	1	Pin, Tilt	
11	1001190264	1	Pin	
12	0761012	8	Bolt, M10X25	
13	4812000	4	Washer, M10	
14	1001200393	1	Plate, Front Cover	
15	1001210326	2	Plate	
16	1001003803	1	Pin	
17	4812002	4	Washer, M10	

SECTION 2 - BOOM

FIGURE 2-7. COUPLER INSTALLATION (HYDRAULIC)



ART_1001192358-D

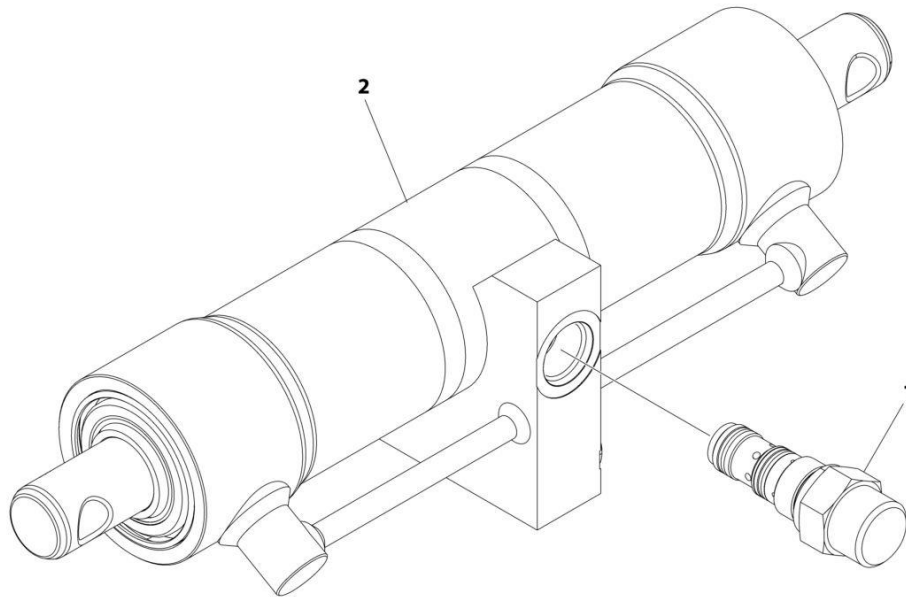
SECTION 2 - BOOM

FIGURE 2-7. COUPLER INSTALLATION (HYDRAULIC)

ITEM	PART NUMBER	QTY	DESCRIPTION	REV
	1001192358	Ref	Coupler Installation (Hydraulic)	D
2	0761012	8	Bolt, M10X25	
3	2110606	2	Fitting, Straight ORFS	
4	2160016	2	Fitting, Grease	
6	4812000	4	Washer, M10	
7	1001145391	1	Assembly, Coupler Locking Cylinder (See Separate Breakdown in this Section)	
8	1001187820	1	Carriage	
10	1001187847	AR	Shim, M76X115X1.5	
11	1001187848	AR	Shim, M81X120X1.5	
12	1001190250	1	Pin, Tilt	
13	1001190264	1	Pin, Coupler	
14	1001200393	1	Plate, Front Cover	
15	1001200395	2	Pin	
16	1001184610	2	Pin	
17	1001210326	2	Plate, Pin Retention	
18	4812002	4	Washer, M10	

SECTION 2 - BOOM

FIGURE 2-8. COUPLING LOCKING VALVE & CYLINDER ASSEMBLY



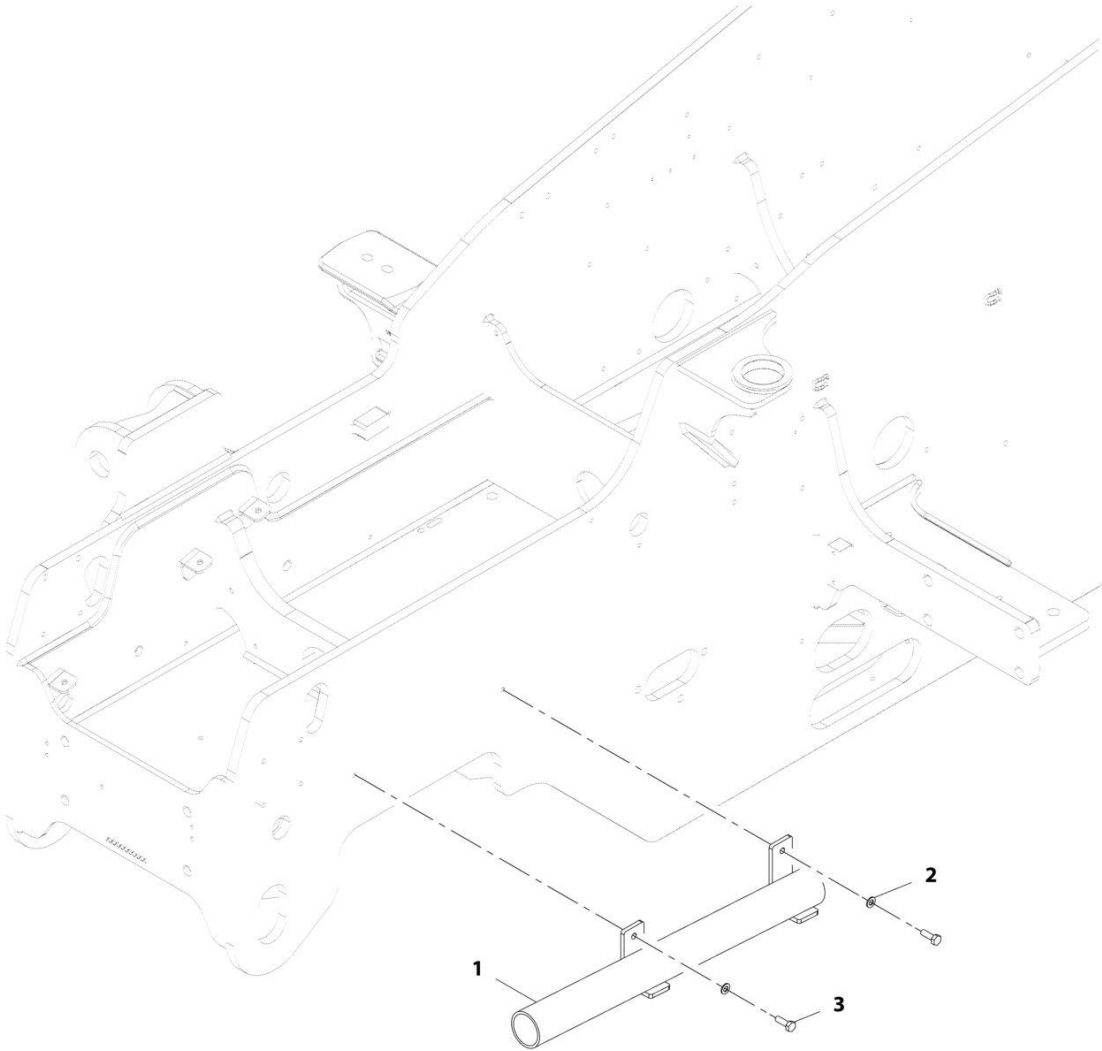
ART_1001145391_B

FIGURE 2-8. COUPLING LOCKING VALVE & CYLINDER ASSEMBLY

ITEM	PART NUMBER	QTY	DESCRIPTION	REV
	1001145391	Ref	FRAME LEVEL CYLINDER INSTALLATION	B
1	1001007056	1	Valve, Check	
2	1001267977	1	Cylinder, Coupler Locking (See Separate Breakdown in HYDRAULIC COMPONENTS Section)	

SECTION 2 - BOOM

FIGURE 2-9. MANUAL COUPLER PIN HOLDER INSTALLATION



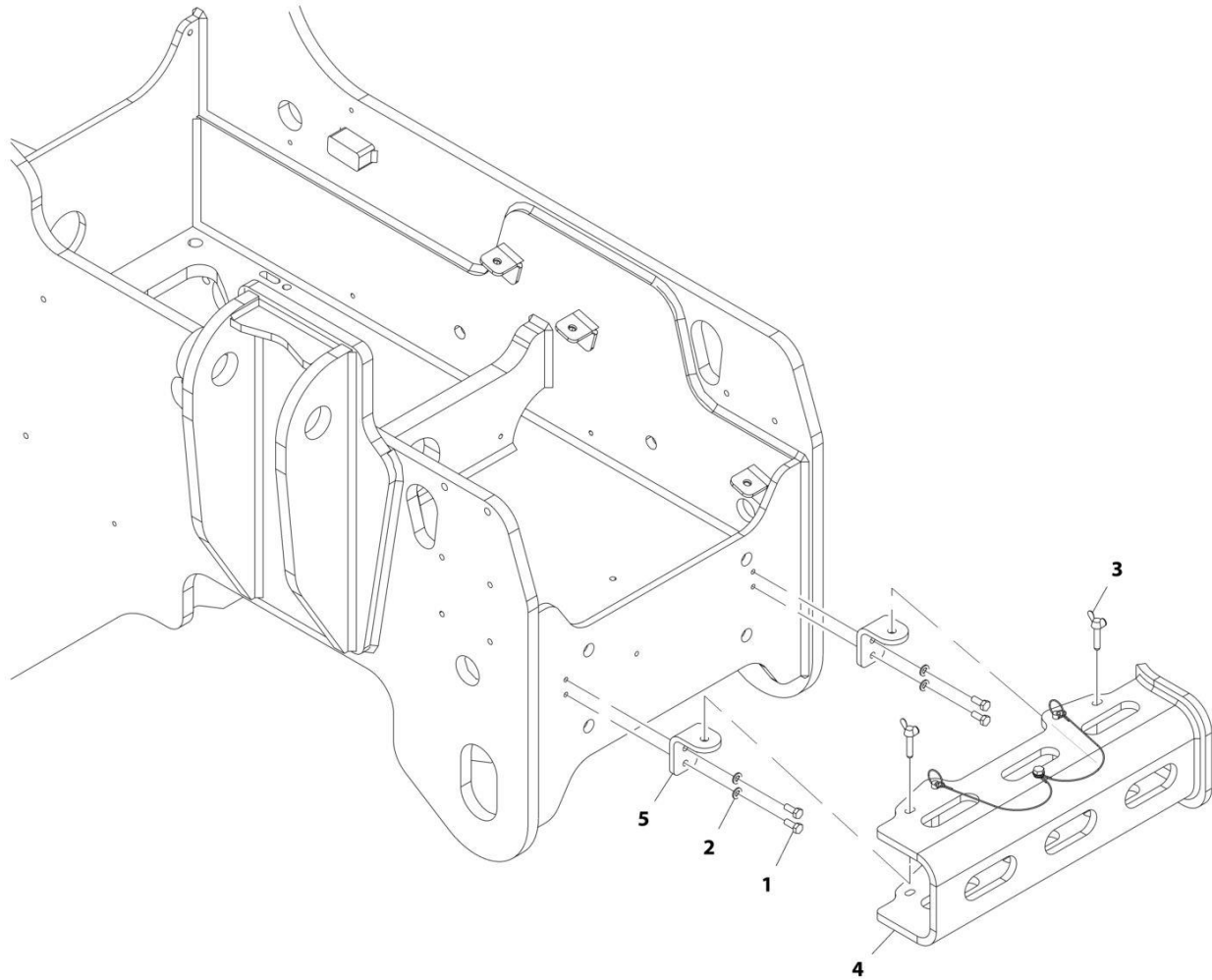
ART_1001220641-A

FIGURE 2-9. MANUAL COUPLER PIN HOLDER INSTALLATION

ITEM	PART NUMBER	QTY	DESCRIPTION	REV
	1001220641	Ref	Manual Coupler Pin Holder Installation	A
1	1001220248	1	Bracket, Pin Holder	
2	4812000	2	Washer, M10	
3	0701014	2	Bolt, M10X30	

SECTION 2 - BOOM

FIGURE 2-10. BOOM PROP INSTALLATION



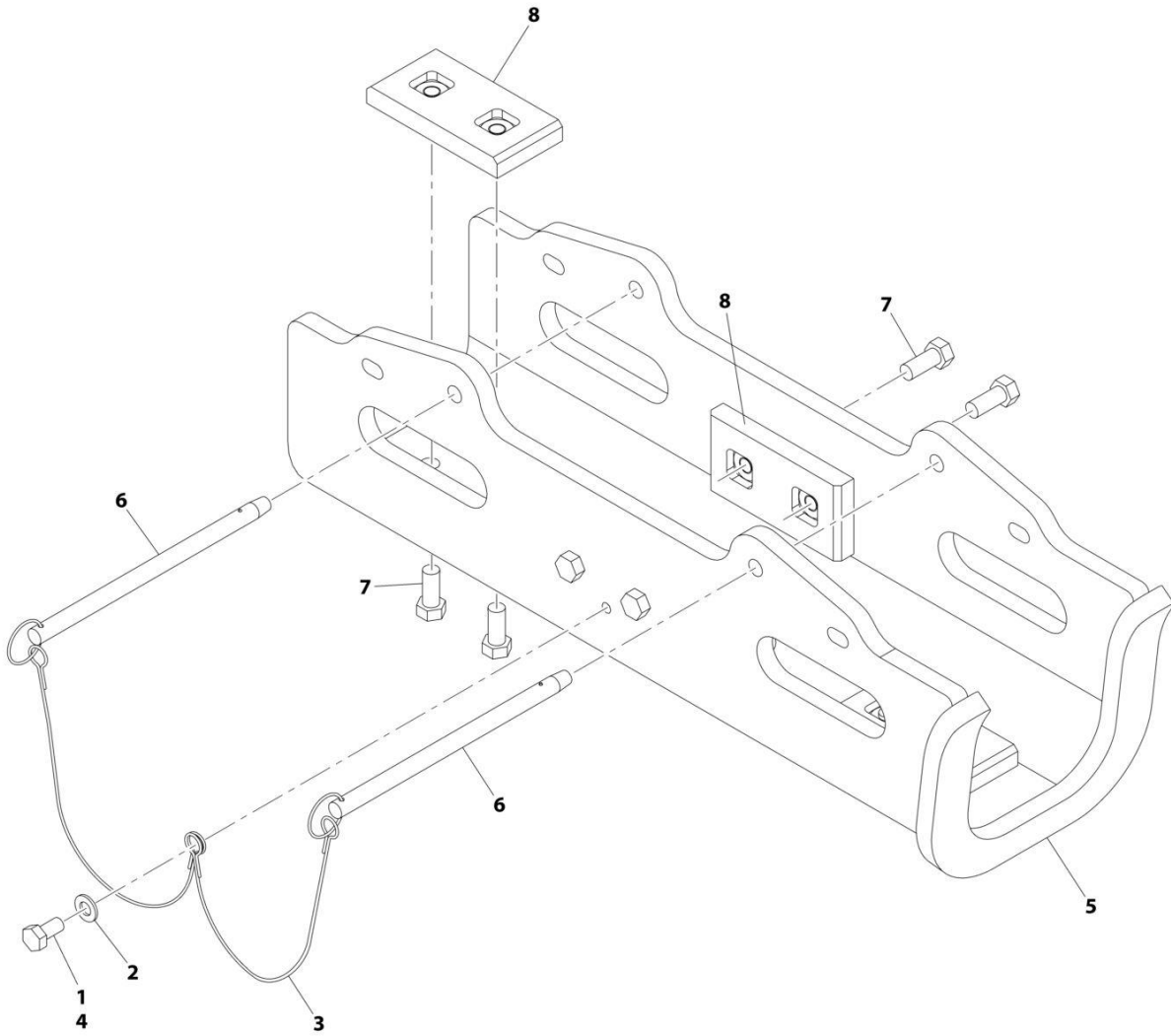
ART_1001174419-C

FIGURE 2-10. BOOM PROP INSTALLATION

ITEM	PART NUMBER	QTY	DESCRIPTION	REV
	1001174419	Ref	Boom Prop Installation	C
1	0760810	4	Bolt, M8X20	
2	4811900	4	Washer, M8	
3	1001228860	2	Bolt, Wing M8X30	
4	1001191035	1	Bracket, Boom Prop (See Separate Breakdown in this Section)	
5	1001193887	2	Bracket	

SECTION 2 - BOOM

FIGURE 2-11. BOOM PROP BRACKET ASSEMBLY



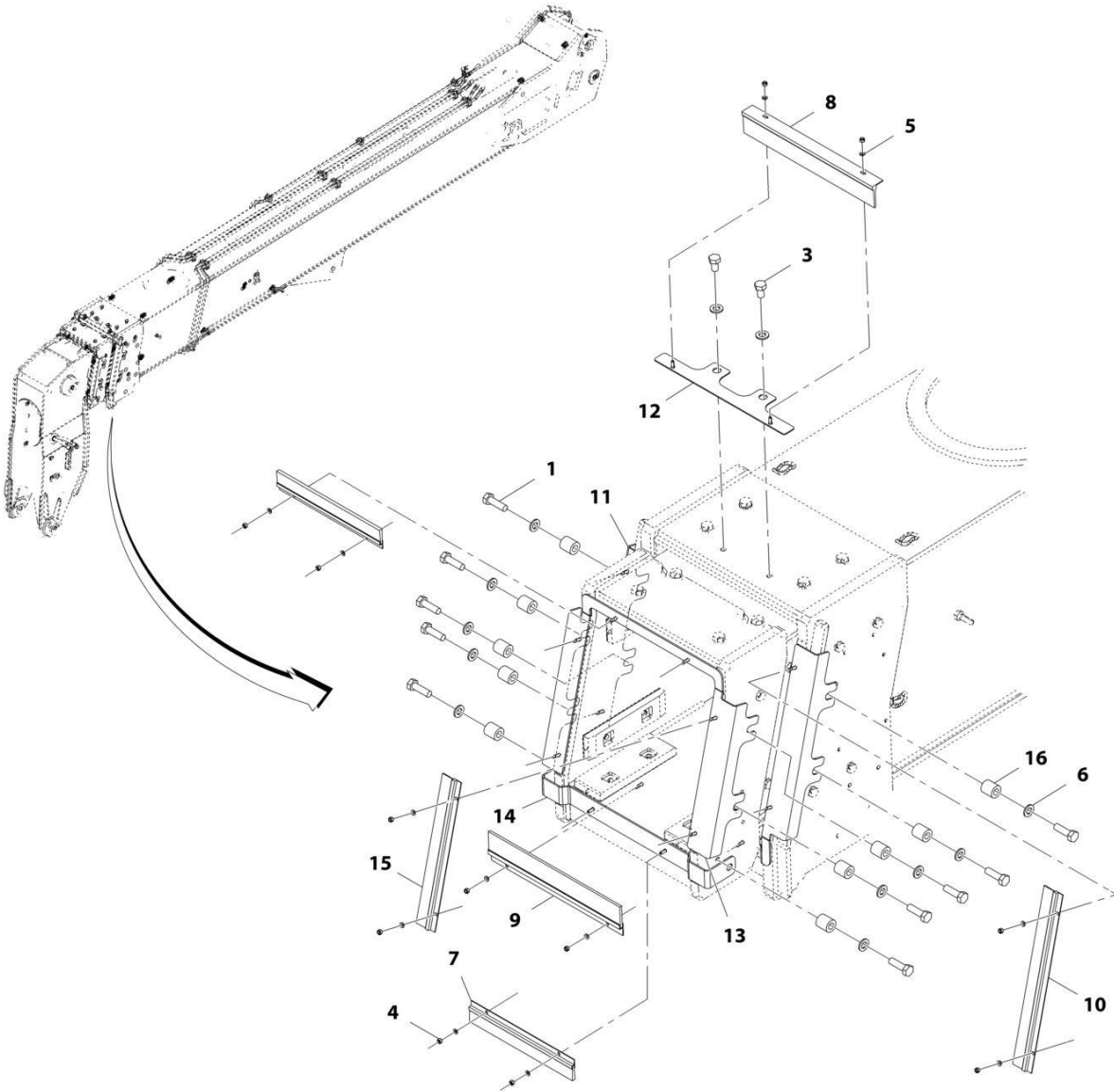
ART_1001191035-B

SECTION 2 - BOOM**FIGURE 2-11. BOOM PROP BRACKET ASSEMBLY**

ITEM	PART NUMBER	QTY	DESCRIPTION	REV
	1001191035	Ref	Boom Prop Bracket Assembly	B
1	0760808	1	Bolt, M8X16	
2	4811900	1	Washer, M8	
3	1001164183	2	Lanyard, Boom Prop	
4	1001095650	AR	Adhesive, Loctite	
5	1001191036	1	Support, Boom Prop	
6	1001191039	2	Pin	
7	0651607	8	Bolt, 3/8-24 X 7/8	
8	91403530	4	Bearing	

SECTION 2 - BOOM

FIGURE 2-12. BOOM BRUSHES INSTALLATION



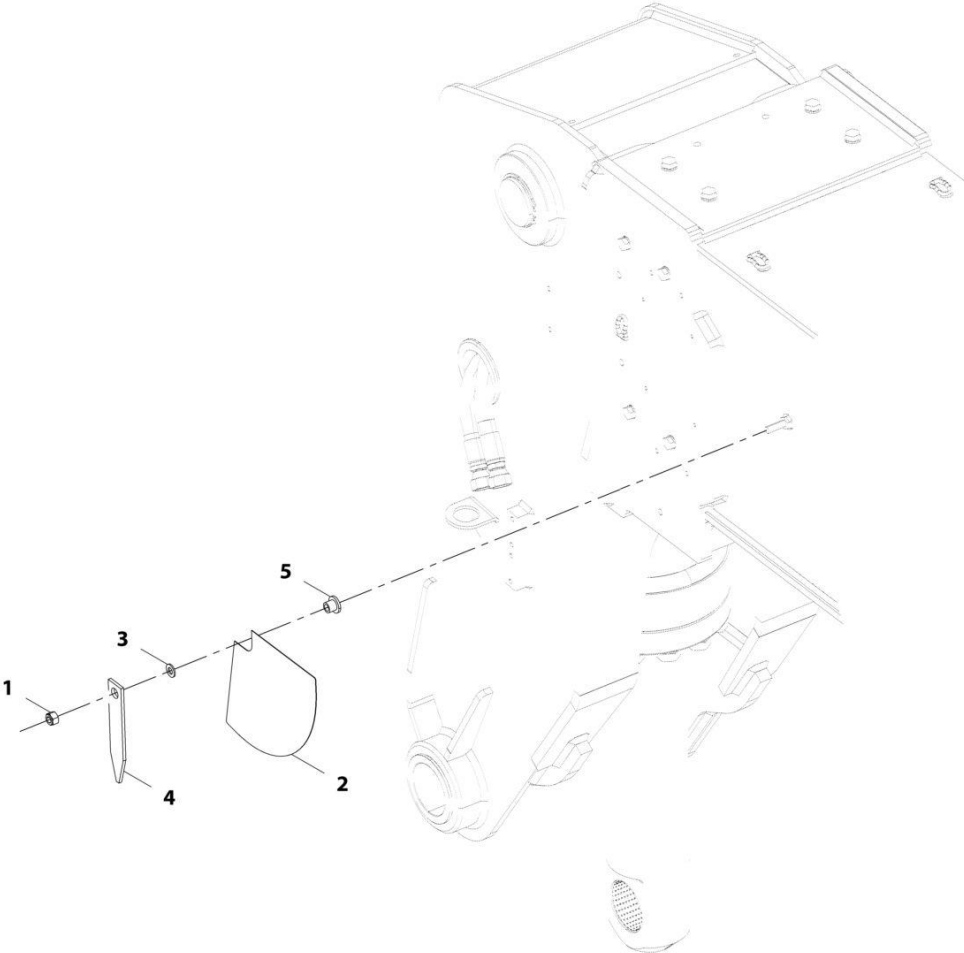
ART_1001201432-C

FIGURE 2-12. BOOM BRUSHES INSTALLATION

ITEM	PART NUMBER	QTY	DESCRIPTION	REV
	1001201432	Ref	Boom Brushes Installation	C
1	0701216	10	Bolt, M12X40	
3	0761210	2	Bolt, M12X20	
4	3290505	16	Nut, Lock M5X0.8	
5	4811600	16	Washer, M5	
6	1001125117	12	Washer, M12	
7	1001172995	2	Brush, Boom	
8	1001172999	1	Brush, Boom	
9	1001173679	1	Brush, Boom	
10	1001173739	2	Brush, Boom	
11	1001205619	1	Bracket, Boom Brush	
12	1001196879	1	Bracket, Boom Brush	
13	1001205621	1	Bracket, Boom Brush	
14	1001205622	1	Bracket, Boom Brush	
15	1001205627	2	Brush, Boom	
16	1001220286	10	Spacer	

SECTION 2 - BOOM

FIGURE 2-13. BOOM ANGLE INDICATOR INSTALLATION



ART_1001192364-A

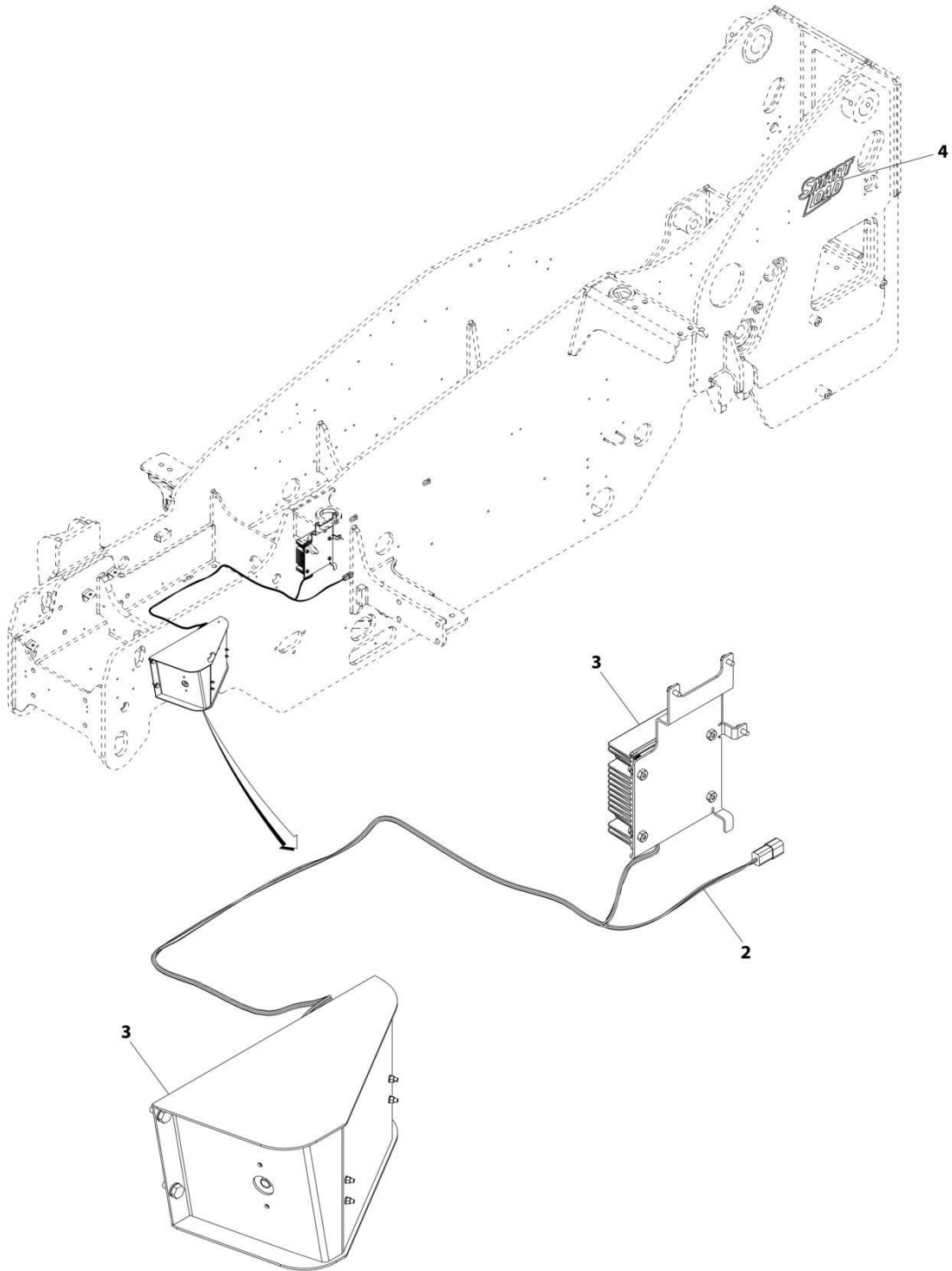
FIGURE 2-13. BOOM ANGLE INDICATOR INSTALLATION

ITEM	PART NUMBER	QTY	DESCRIPTION	REV
	1001192364	Ref	Boom Angle Indicator Installation	A
1	3291005	1	Nut, Lock M10X1.5	
2	4105262	1	Decal, Boom Angle Indicator	
3	4812000	1	Washer, M10	
4	1001098769	1	Plate, Boom Angle Indicator	
5	1001171808	1	Spacer	

SECTION 3 - ATTACHMENTS

SECTION 3 - ATTACHMENTS

FIGURE 3-1. ATTACHMENT RECOGNITION INSTALLATION - COMPLETE



ART_1001195881

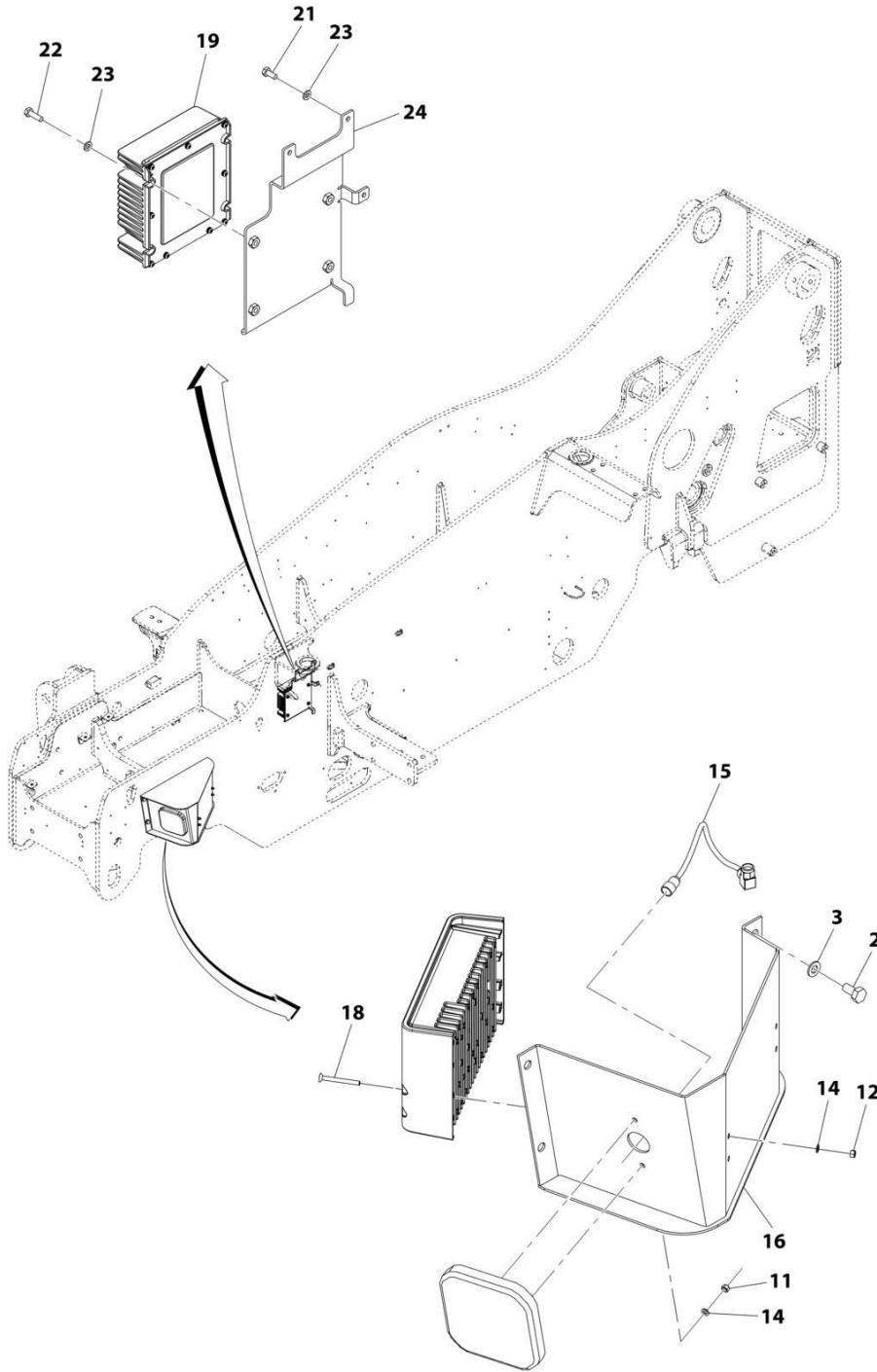
SECTION 3 - ATTACHMENTS

FIGURE 3-1. ATTACHMENT RECOGNITION INSTALLATION - COMPLETE

ITEM	PART NUMBER	QTY	DESCRIPTION	REV
	1001195881	Ref	Attachment Recognition Installation	F
2	1001249251	1	Cable	
3	1001207866	1	Installation, Components Attachment Recognition (See Separate Breakdown in this Section)	
4	1001250276	2	Decal, Smart Load	

SECTION 3 - ATTACHMENTS

FIGURE 3-2. ATTACHMENT RECOGNITION INSTALLATION



ART_1001207866_G

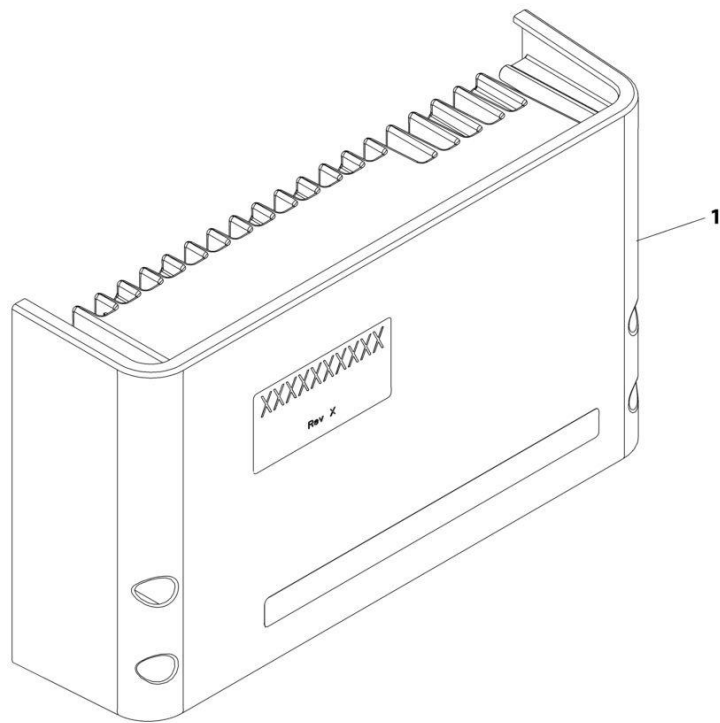
SECTION 3 - ATTACHMENTS

FIGURE 3-2. ATTACHMENT RECOGNITION INSTALLATION

ITEM	PART NUMBER	QTY	DESCRIPTION	REV
	1001207866	Ref	Components Attachment Recognition Installation	G
2	0761010	4	Bolt, M10X20	
3	4812000	4	Washer, M10	
11	3290505	2	Nut, Lock M5X0.8 Grade 8	
12	3290507	4	Nut, Lock M5X0.8	
14	4811600	6	Washer, M5	
15	1001206725	1	Cable	
16	1001232988	1	Bracket, Attachment Recognition	
18	1001234395	4	Screw, M5X50	
19	1001249078	1	Control, Voltage	
21	0760607	3	Bolt, M6X14	
22	0700610	4	Bolt, M6X20	
23	4811700	7	Washer M6	
24	1001249249	1	Bracket, Converter Support	

SECTION 3 - ATTACHMENTS

FIGURE 3-3. ATTACHMENT RECOGNITION RECEIVER (FCC)



ART_1001250475-B

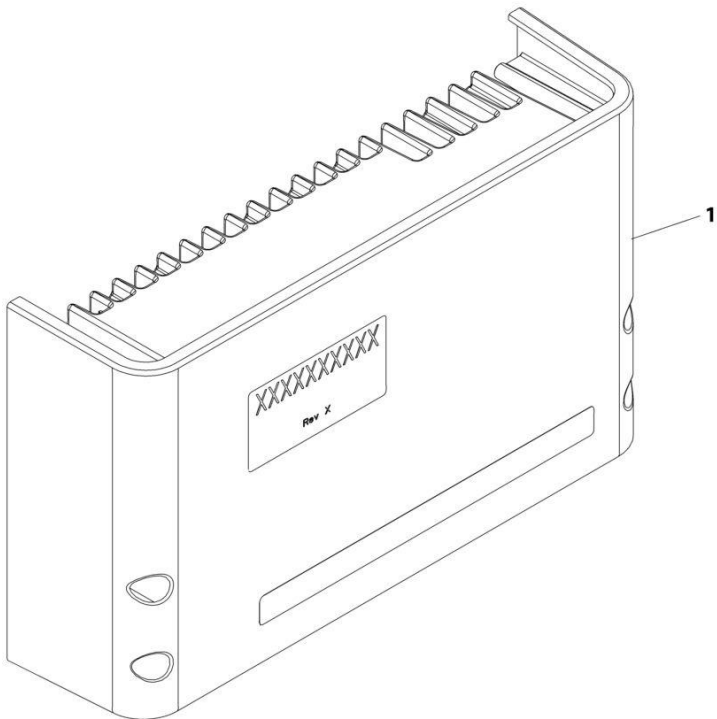
SECTION 3 - ATTACHMENTS

FIGURE 3-3. ATTACHMENT RECOGNITION RECEIVER (FCC)

ITEM	PART NUMBER	QTY	DESCRIPTION	REV
	1001250475	1 Ref	ATTACHMENT RECOGNITION RECEIVER (FCC) No Serviceable Parts. Purchase complete assembly	B

SECTION 3 - ATTACHMENTS

FIGURE 3-4. ATTACHMENT RECOGNITION RECEIVER (EU)



ART_1001250476-B

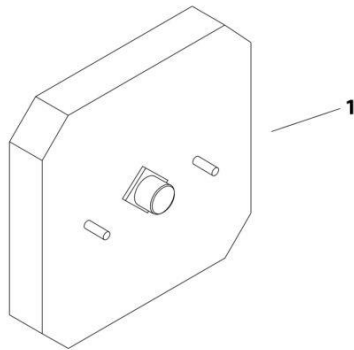
SECTION 3 - ATTACHMENTS

FIGURE 3-4. ATTACHMENT RECOGNITION RECEIVER (EU)

ITEM	PART NUMBER	QTY	DESCRIPTION	REV
	1001250476	1 Ref	ATTACHMENT RECOGNITION RECEIVER (EU) No Serviceable Parts. Purchase complete assembly	B

SECTION 3 - ATTACHMENTS

FIGURE 3-5. ATTACHMENT RECOGNITION ANTENNA (FCC)



ART_1001202730

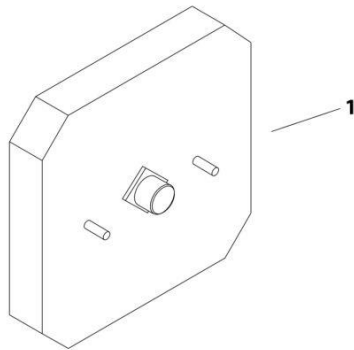
SECTION 3 - ATTACHMENTS

FIGURE 3-5. ATTACHMENT RECOGNITION ANTENNA (FCC)

ITEM	PART NUMBER	QTY	DESCRIPTION	REV
	1001202730	1	ATTACHMENT RECOGNITION ANTENNA (FCC)	

SECTION 3 - ATTACHMENTS

FIGURE 3-6. ATTACHMENT RECOGNITION ANTENNA (EU)



ART_1001237738

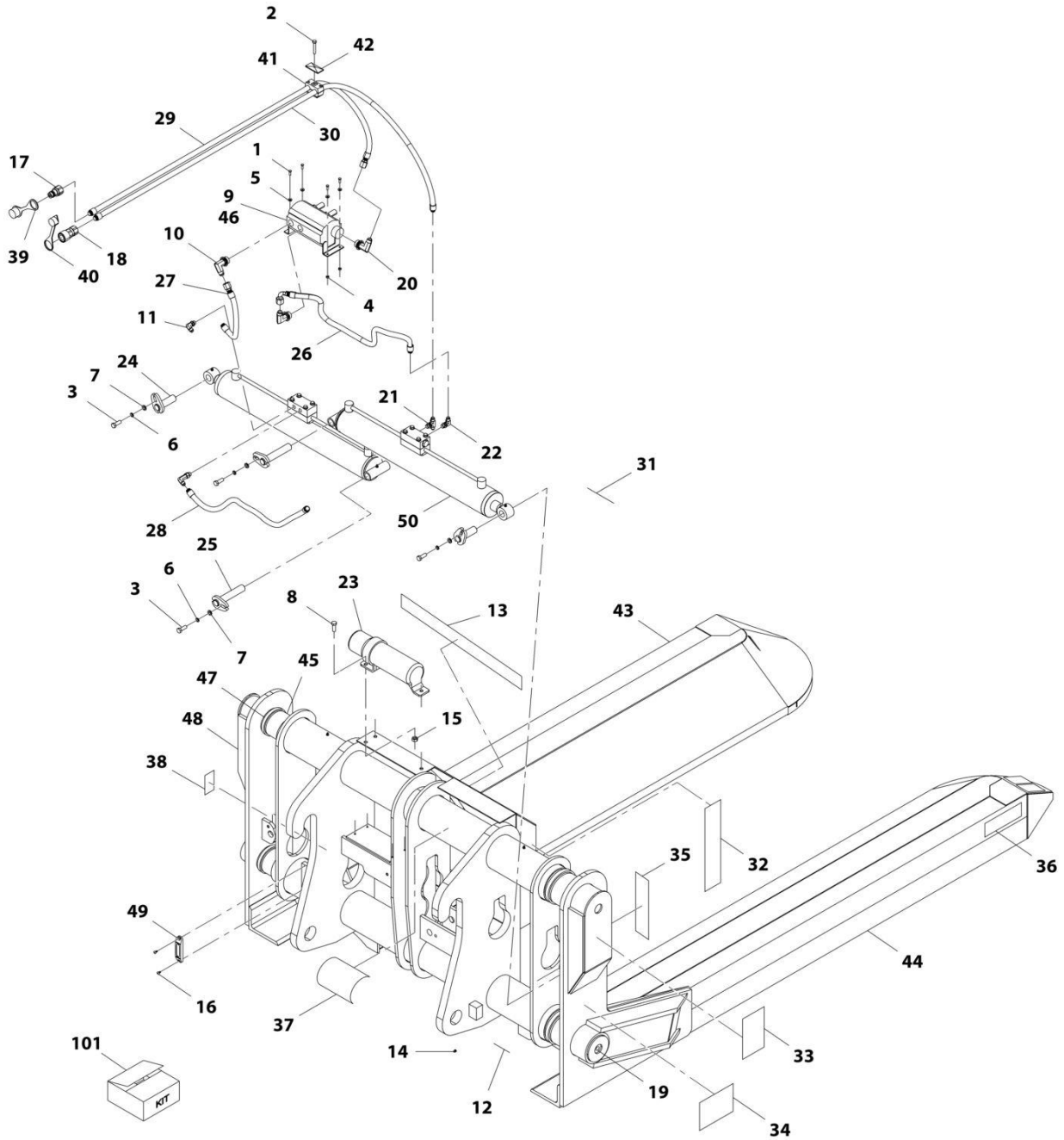
SECTION 3 - ATTACHMENTS

FIGURE 3-6. ATTACHMENT RECOGNITION ANTENNA (EU)

ITEM	PART NUMBER	QTY	DESCRIPTION	REV
	1001202730	1	ATTACHMENT RECOGNITION ANTENNA (FCC)	

SECTION 3 - ATTACHMENTS

FIGURE 3-7. BALE HANDLER (ROUND BALES)



ART_1001192649-D

SECTION 3 - ATTACHMENTS

FIGURE 3-7. BALE HANDLER (ROUND BALES)

ITEM	PART NUMBER	QTY	DESCRIPTION	REV
	1001192649	Ref	Bale Handler (round)	E
1	70027773	4	Bolt	
2	70028485	1	Screw	
3	70021349	4	Bolt, 3/8X1	
4	90554066	4	Nut	
5	90554067	4	Washer, Lock	
6	90554042	4	Washer, Lock	
7	70021350	4	Washer	
8	70028635	3	Bolt	
9	70028636	1	Plug w/O-Ring	
10	70028637	2	Fitting, 90	
11	90554065	1	Fitting, 90	
12	7029712	4	Decal, Grease	
13	70028638	1	Decal, Stand Clear Warning	
14	90554045	4	Fitting, Grease	
15	70028615	3	Nut	
16	70028554	2	Screw	
17	1001101041	1	Adapter, Male Quick Disconnect	
18	70028616	1	Fitting, Straight	
19	70028617	4	Plug	
20	70028618	1	Fitting, 90	
21	70028619	1	Fitting, Tee	
22	70028620	1	Fitting, 90	
23	1001101042	1	Adapter, Female Quick Disconnect	
24	70028489	2	Pin	
25	70028490	2	Pin	
26	70028621	1	Hose	
27	70028622	1	Hose	
28	70028623	1	Hose	
29	70028624	1	Hose	
30	7029709	1	Hose	
31	7029711	1	Decal, High Pressure Warning	
32	70028625	2	Decal, Pinch Point	
33	70028626	1	Decal, Transport Warning	
34	70028627	1	Decal, Safety Warning	
35	70028628	6	Decal, Red Reflexite	
36	70028629	6	Decal, Amber Reflexite	
37	70028630	1	Decal, Module Staging	
38	N.S.S.	1	Plate, Serial Number	
39	8420053	1	Cap, Dust	
40	8420055	1	Cap, Dust	
41	70028495	1	Clamp	
42	70028496	1	Plate, Clamp	
43	N.S.S.	1	Arm, RH	
44	N.S.S.	1	Arm, LH	
45	70028631	4	Wrap	
46	70028632	1	Valve, Flow Divider	
47	70028633	8	Clamp	
48	N.S.S.	1	Weldment	
49	1001227670	1	Tag, RFID	

SECTION 3 - ATTACHMENTS

ITEM	PART NUMBER	QTY	DESCRIPTION	REV
50	70028634	2	Assembly, Cylinder	
101	Kit	1	Kit, Seal	

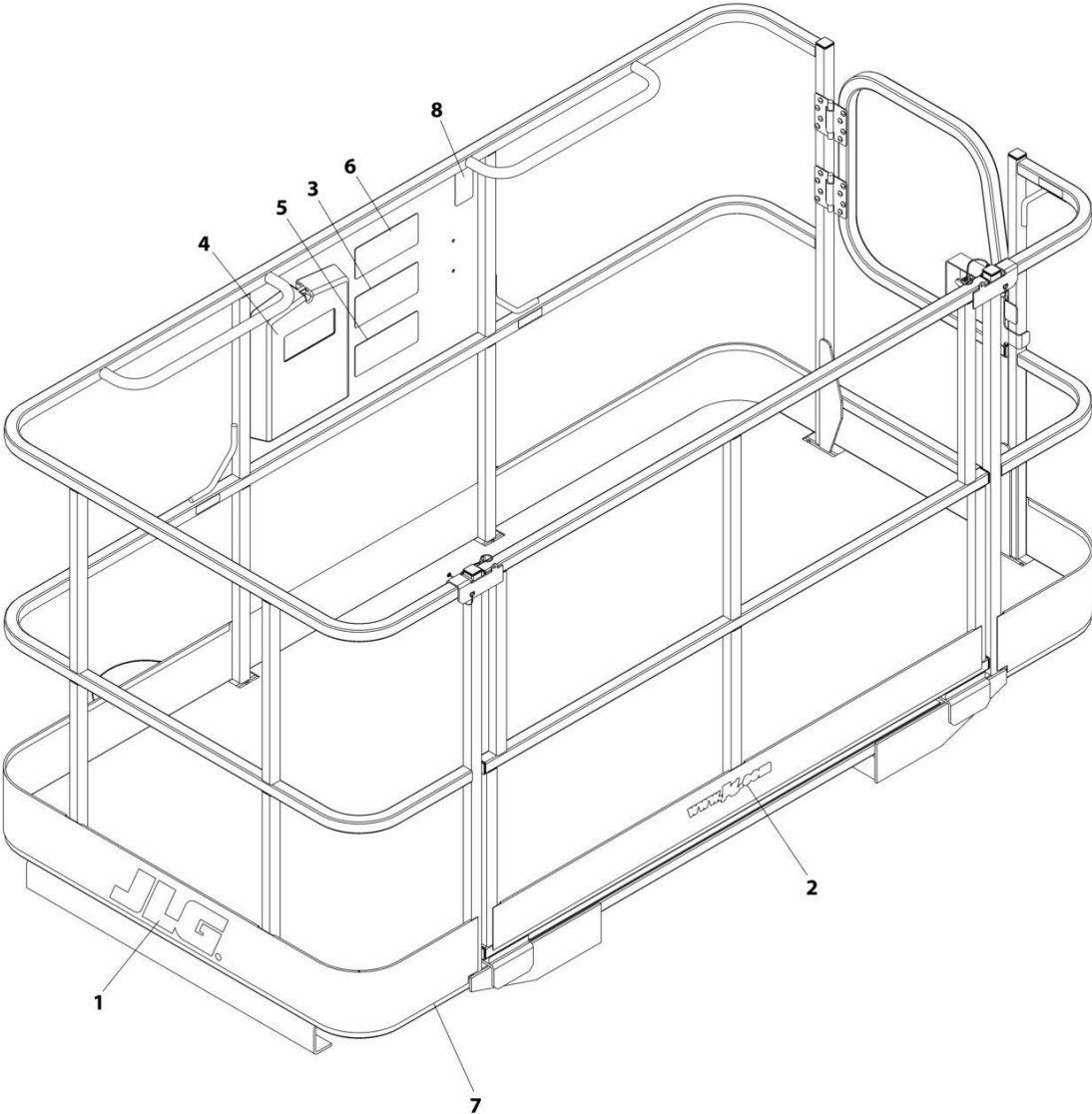
SECTION 3 - ATTACHMENTS

FIGURE 3-8. BALE HANDLER (SQUARE BALES)

ITEM	PART NUMBER	QTY	DESCRIPTION	REV
	1001192650	Ref	Bale Handler (square)	F
1	70028499	2	Spear	
2	70028500	2	Decal, Pinch Point	
3	70028485	2	Screw	
4	70021349	4	Bolt, 3/8X1	
5	70021422	2	Screw	
6	90554042	4	Washer, Lock 3/8	
7	70021350	4	Washer, Flat	
8	70021367	2	Nut, Lock 3/8	
9	90554045	4	Fitting, Grease	
10	N.S.S.	1	Weldment, Main Frame	
11	1001101041	1	Coupler, Male Hydraulic	
12	1001101042	1	Coupler, Female Hydraulic	
13	70028486	4	Fitting	
14	70028488	2	Fitting	
15	70028489	2	Pin	
16	70028490	2	Pin	
17	N.S.S.	1	Weldment, Left Bale Arm	
18	N.S.S.	1	Weldment, Right Bale Arm	
19	70028491	2	Hose	
20	7029711	1	Decal, High Pressure Warning	
21	N.S.S.	1	Plate, Serial Number	
22	8420053	1	Cap, Dust	
23	8420055	1	Cap, Dust	
25	70028495	2	Clamp	
26	70028496	2	Plate, Clamp	
28	70028497	2	Assembly, Cylinder	
29	70028498	1	Decal, Read Manual	
31	70028501	2	Decal, Falling Load	
32	70028487	2	Fitting, Tee	
33	70028492	1	Hose	
34	70028493	1	Hose	
101	70028494	1	Kit, Seal	

SECTION 3 - ATTACHMENTS

FIGURE 3-9. BASKET, PERSONNEL (1.2MX2.4M) (DOMESTIC)



ART_1001238653-A

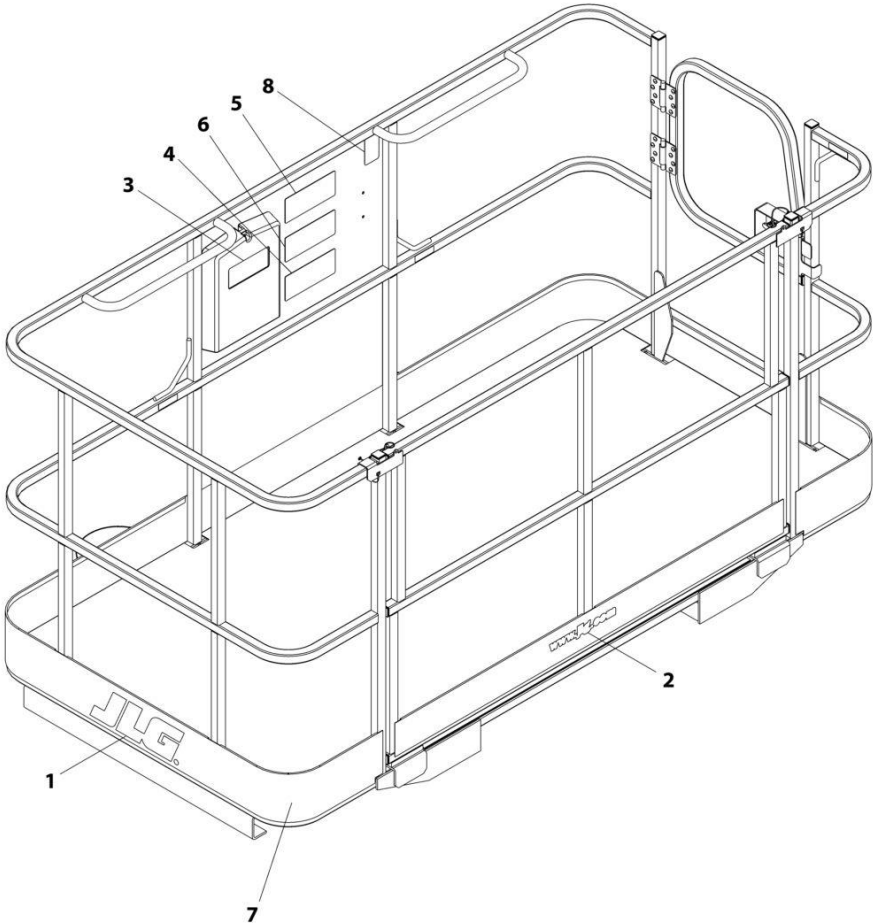
SECTION 3 - ATTACHMENTS

FIGURE 3-9. BASKET, PERSONNEL (1.2MX2.4M) (DOMESTIC)

ITEM	PART NUMBER	QTY	DESCRIPTION	REV
	1001238653	Ref	FORK MOUNTED PLATFORM	B
1	1702773	2	Decal, JLG	
2	1704885	1	Decal, Website	
3	1706892	1	Decal, Platform Warning	
4	31200160	1	Manual, Personnel Work Platform Operation and Safety	
5	1001092481	1	Decal, Warning Attachment	
6	1001092482	1	Decal, Platform Capacity	
7	1001238565	1	Platform, Fork Mounted (See Separate Breakdown in this Section)	
8	See Note	NSS	SN Plate (Note: Stamped Part - Not Available for Purchase)	

SECTION 3 - ATTACHMENTS

FIGURE 3-10. BASKET, PERSONNEL (1.2MX2.4M) (FRENCH LANGUAGE)



ART_1001238655-A

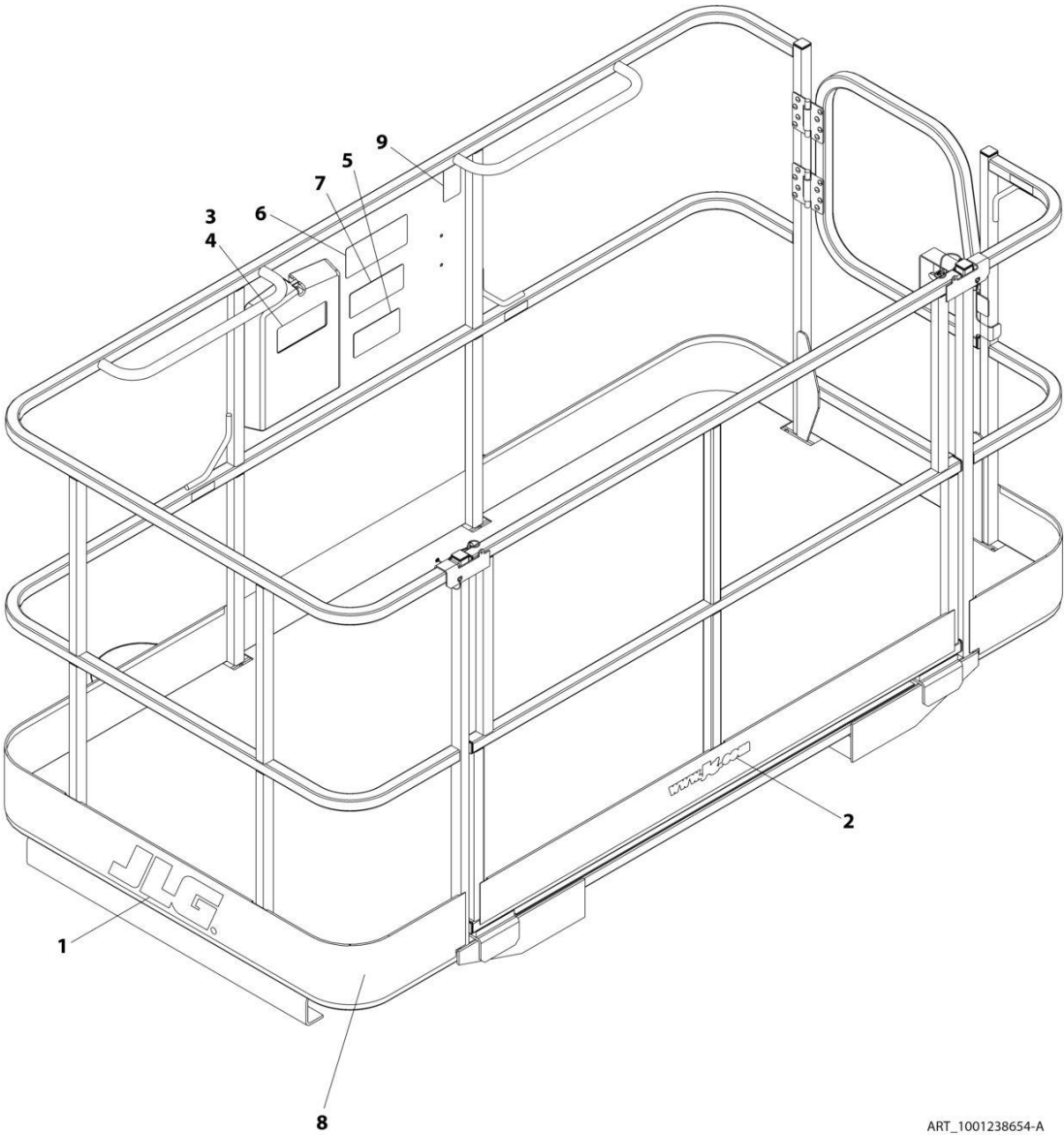
SECTION 3 - ATTACHMENTS

FIGURE 3-10. BASKET, PERSONNEL (1.2MX2.4M) (FRENCH LANGUAGE)

ITEM	PART NUMBER	QTY	DESCRIPTION	REV
	1001238655	Ref	BASKET, PERSONNEL	B
1	1702773	2	Decal, JLG	
2	1704885	1	Decal, Website	
3	31200386	1	Manual, Operation and Safety (French)	
4	1001096019	1	Decal, Warning Attachment (French)	
5	1001096020	1	Decal, Platform Capacity (French)	
6	1001096024	1	Decal, Platform Warning (French)	
7	1001238565	1	Platform, Fork Mounted (ANSI) (See Separate Breakdown in this Section)	
8	See Note	NSS	SN Plate (Note: Stamped Part - Not Available for Purchase)	

SECTION 3 - ATTACHMENTS

FIGURE 3-11. BASKET, PERSONNEL (1.2MX2.4M) (ISO)



ART_1001238654-A

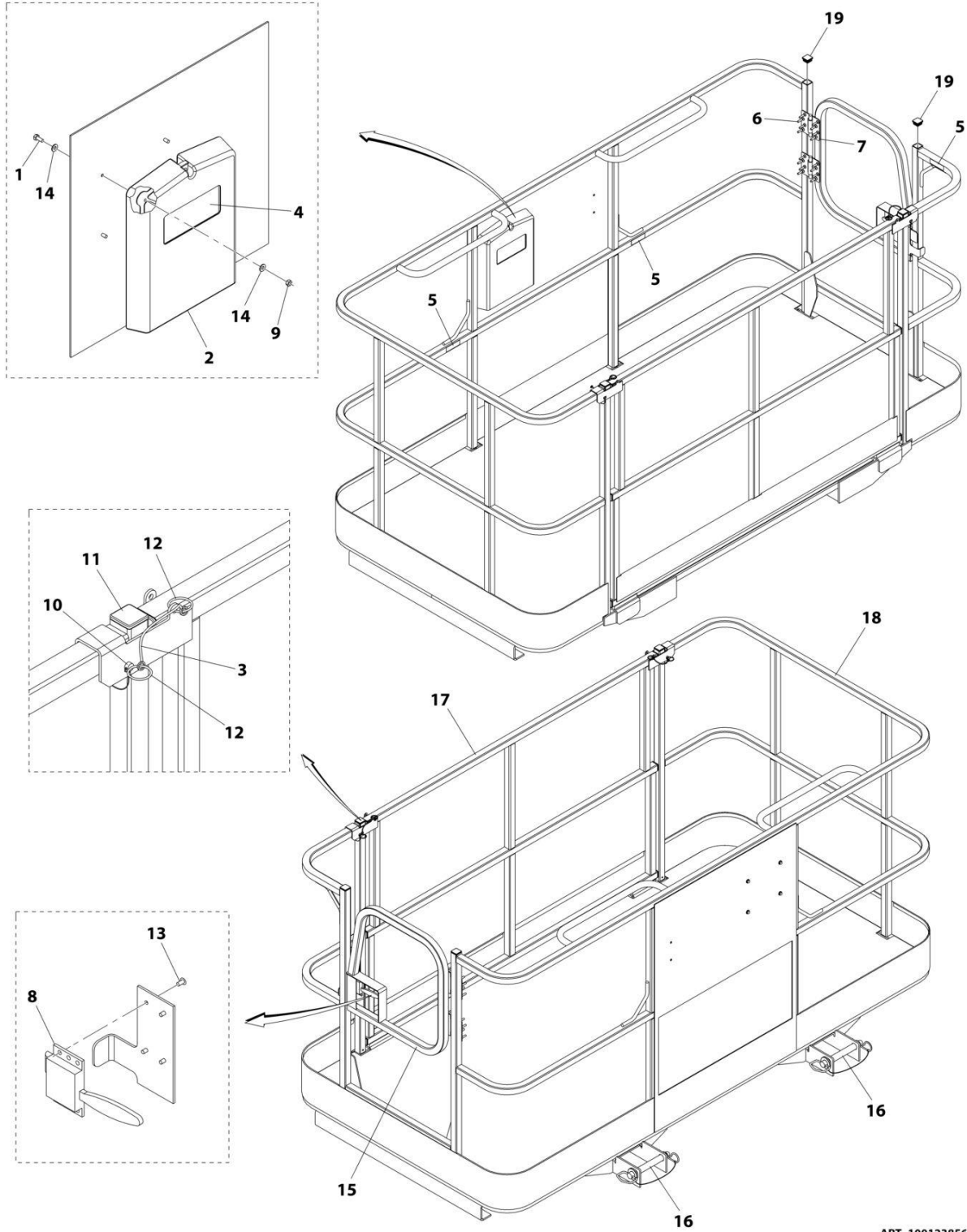
SECTION 3 - ATTACHMENTS

FIGURE 3-11. BASKET, PERSONNEL (1.2MX2.4M) (ISO)

ITEM	PART NUMBER	QTY	DESCRIPTION	REV
	1001238654	Ref	BASKET, PERSONNEL	B
1	1702773	2	Decal, JLG	
2	1704885	1	Decal, Website	
3	31200387	1	Manual, Operation and Safety, Spanish	
4	31200388	1	Manual, Operation and Safety, Portuguese	
5	1001096021	1	Decal, Warning Attachment	
6	1001096023	1	Decal, Platform Capacity	
7	1001096025	1	Decal, Platform Warning	
8	1001238565	1	Platform, Fork Mounted (ANSI) (See Separate Breakdown in this Section)	
9	See Note	NSS	SN Plate (Note: Stamped Part - Not Available for Purchase)	

SECTION 3 - ATTACHMENTS

FIGURE 3-12. BASKET ASSEMBLY - FORK MOUNTED



ART_1001238565

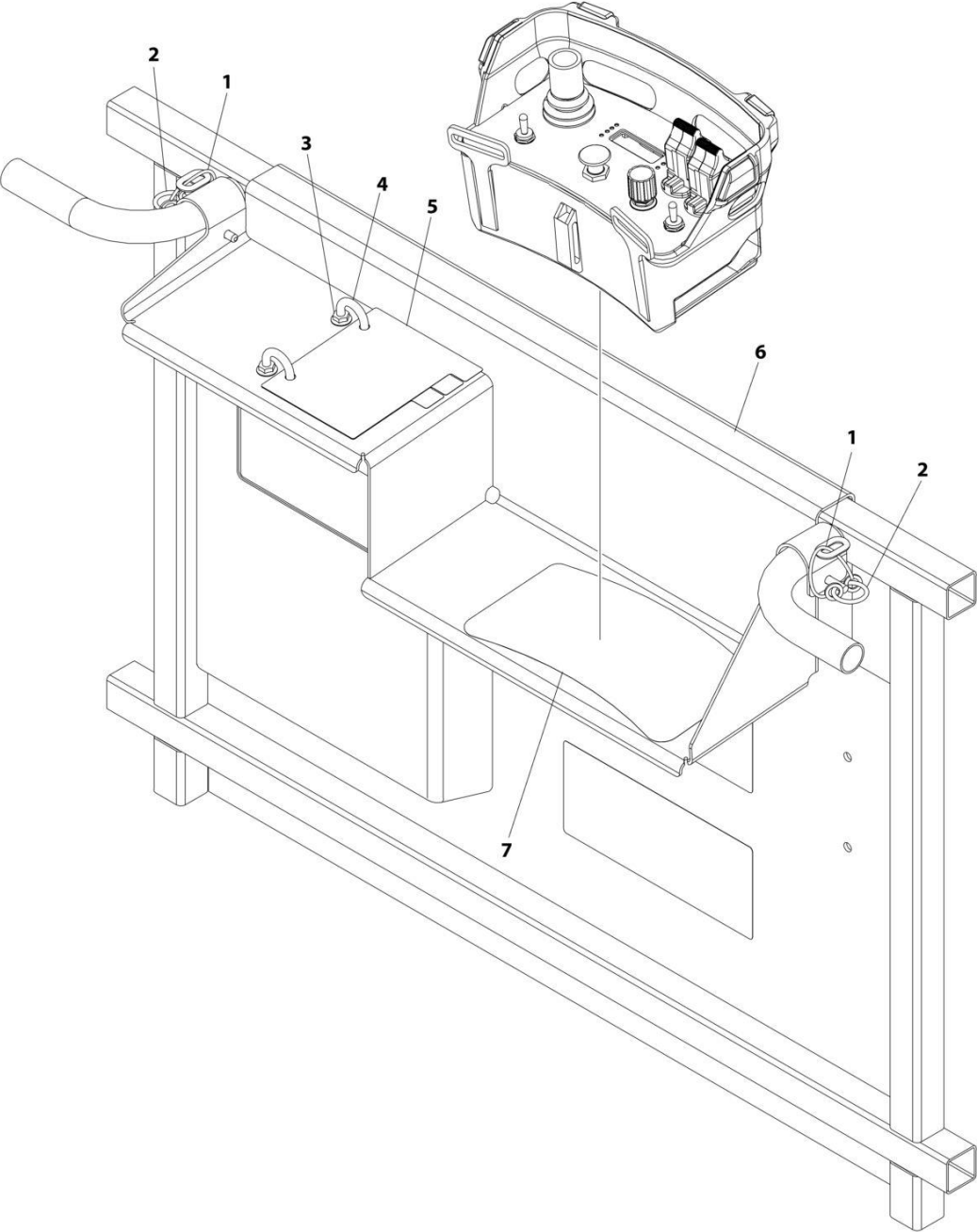
SECTION 3 - ATTACHMENTS

FIGURE 3-12. BASKET ASSEMBLY - FORK MOUNTED

ITEM	PART NUMBER	QTY	DESCRIPTION	REV
	1001238565	Ref	FORK MOUNTED PLATFORM ASSEMBLY	F
1	0641405	4	Bolt 1/4 x 5/8	
2	0860520	1	Box, Manual Storage	
3	1060379	2	Cable, Lanyard	
4	1701509	1	Decal, Manual	
5	1704277	3	Decal, Lanyard Attach	
6	2080040	16	Fastener	
7	2600281	2	Hinge	
8	2940074	1	Latch	
9	3311405	4	Nut 1/4	
10	3421453	2	Pin	
11	3520072	7	Plug	
12	3760170	4	Ring	
13	3820020	4	Rivet	
14	4711400	8	Washer 1/4	
15	1001144629J	1	Gate	
16	1001238560	2	Pin, Hitch	
17	1001095810	1	Gate	
18	See Note	NSS	Platform, Fork Mounted	
19	3520198	4	Plug	

SECTION 3 - ATTACHMENTS

FIGURE 3-13. BASKET DOCKING STATION



ART_1001258664

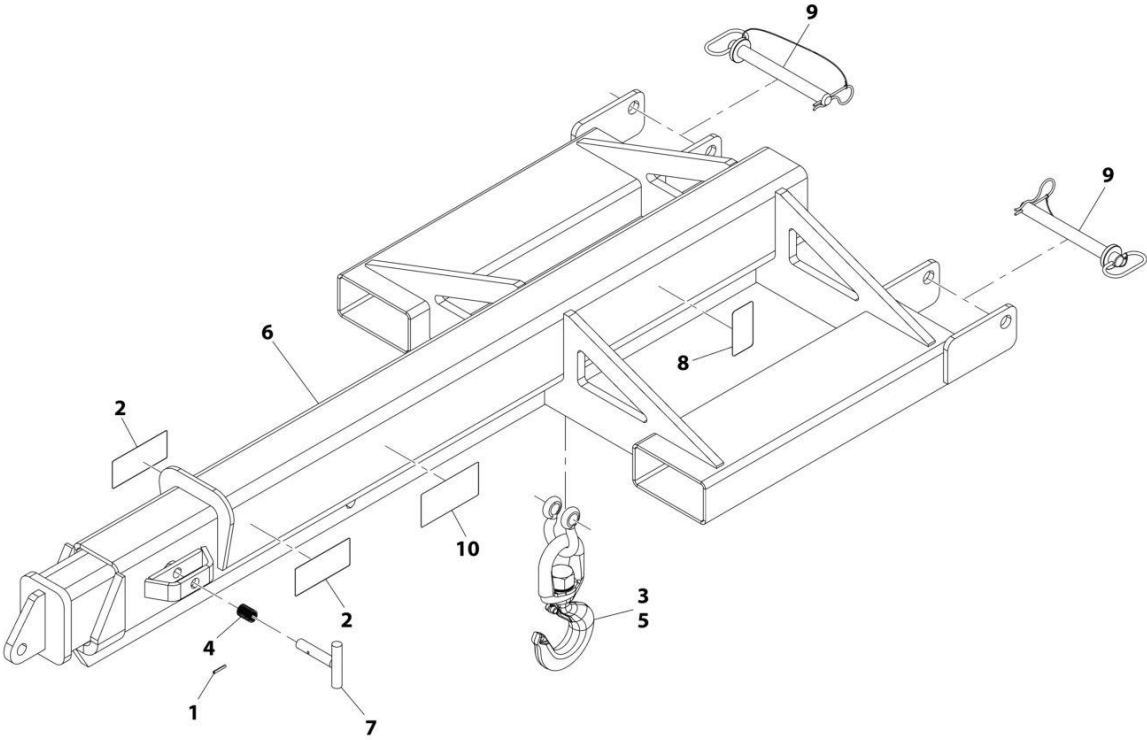
SECTION 3 - ATTACHMENTS

FIGURE 3-13. BASKET DOCKING STATION

ITEM	PART NUMBER	QTY	DESCRIPTION	REV
	1001258664	Ref	Basket Docking Station	A
1	1060379	2	Cable, Lanyard	
2	3422661	2	Pin, Quick Release	
3	8310382	8	Nut 1/4	
4	1001102844	2	U-Bolt 1/4X1-1/4	
5	1001258512	1	Load, Booklet Fork Platform	
6	1001259214	1	Bracket, Control Mount Weld	
7	1001259225	1	Decal, Remote Control	

SECTION 3 - ATTACHMENTS

FIGURE 3-14. BOOM - TRUSS (3.6TON FORK MOUNTED)



ART_1001230241-H

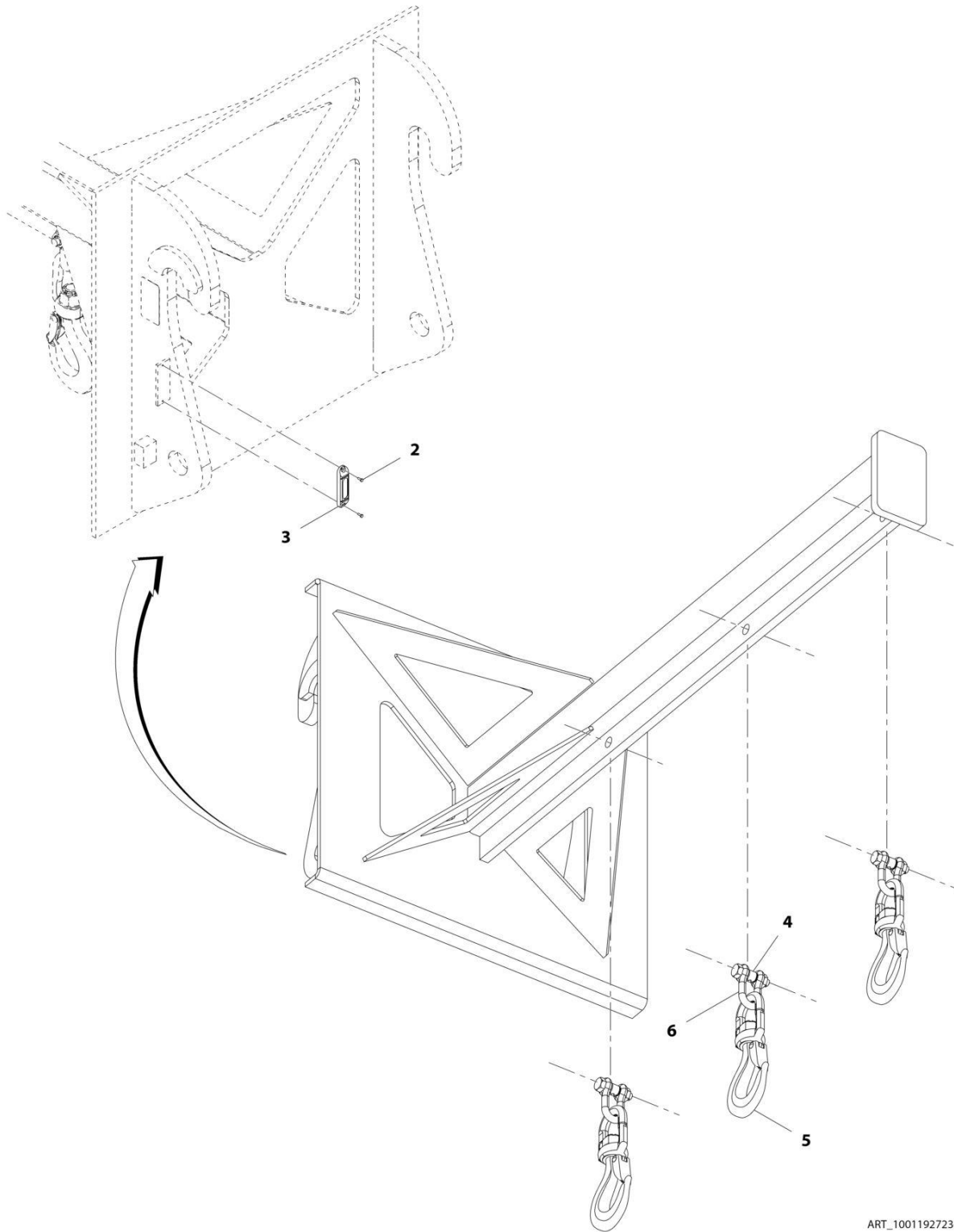
SECTION 3 - ATTACHMENTS

FIGURE 3-14. BOOM - TRUSS (3.6TON FORK MOUNTED)

ITEM	PART NUMBER	QTY	DESCRIPTION	REV
	1001230241	Ref	Adjustable Truss Boom Installation (Fork Mounted)	J
1	3440620	1	Pin	
2	4110422	2	Decal, Danger Swinging Loads	
3	91403448	1	Hook, Swivel	
4	1001128890	1	Spring	
5	1001146160	1	Shackle	
6	See Note	NSS	Boom, Truss - Adjustable (Note: Purchase Complete Assembly)	
7	1001230239	1	Pin	
8	See Note	NSS	SN Plate (Note:Stamped Part - Not Available for Purchase)	
9	1001231692	2	Pin	
10	1001232500	1	Decal, Load Capacities	

SECTION 3 - ATTACHMENTS

FIGURE 3-15. BOOM - TRUSS (7.6 TON)



ART_1001192723-F

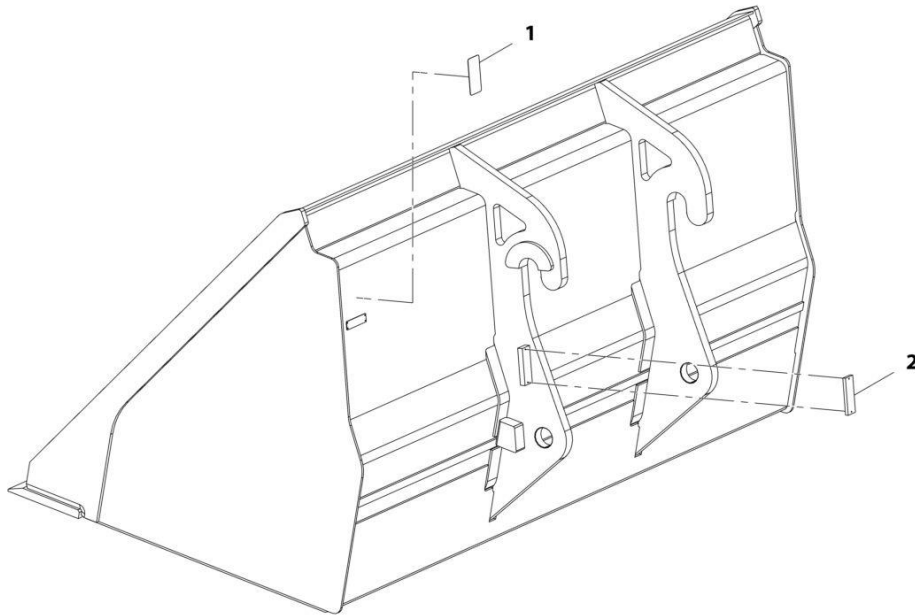
SECTION 3 - ATTACHMENTS

FIGURE 3-15. BOOM - TRUSS (7.6 TON)

ITEM	PART NUMBER	QTY	DESCRIPTION	REV
	1001192723	1	Truss Boom (7.6 ton)	G
2	70028554	2	Screw	
3	1001227670	1	Tag, RFID	
4	70020555	3	Bushing	
5	70026745	3	Hook	
6	70026746	3	Shackle, Chain	

SECTION 3 - ATTACHMENTS

FIGURE 3-16. BUCKET (2.6 YD³/2.0M³)



ART_1001192615-F

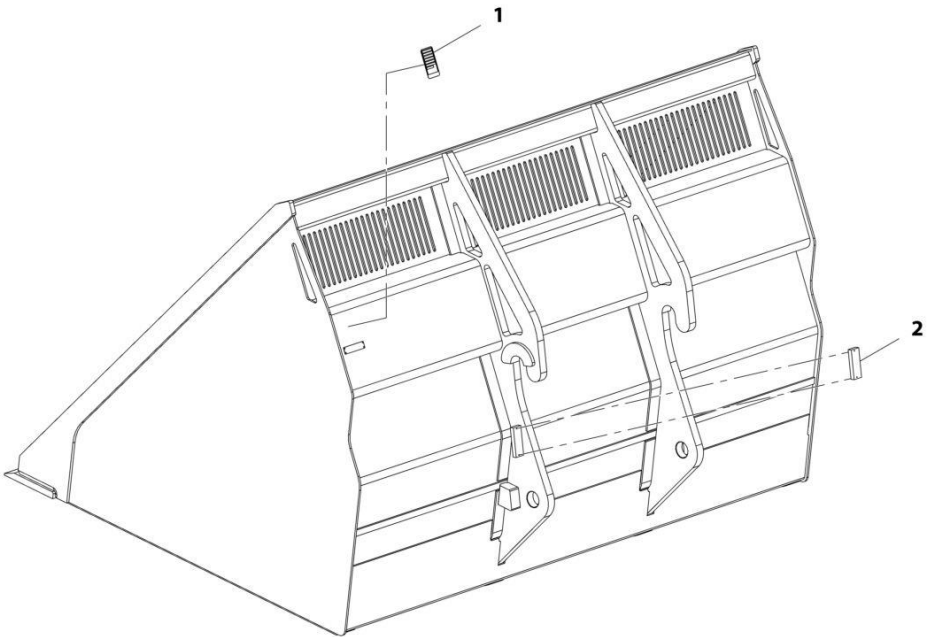
SECTION 3 - ATTACHMENTS

FIGURE 3-16. BUCKET (2.6 YD³/2.0M³)

ITEM	PART NUMBER	QTY	DESCRIPTION	REV
	1001192615	Ref	Bucket (2.6 yd ³ /2.0m ³)	G
1	N.S.S.	1	S/N Plate	
2	1001227670	1	Tag, RFID	

SECTION 3 - ATTACHMENTS

FIGURE 3-17. BUCKET (5.23 YD³)



ART_1001192616-E

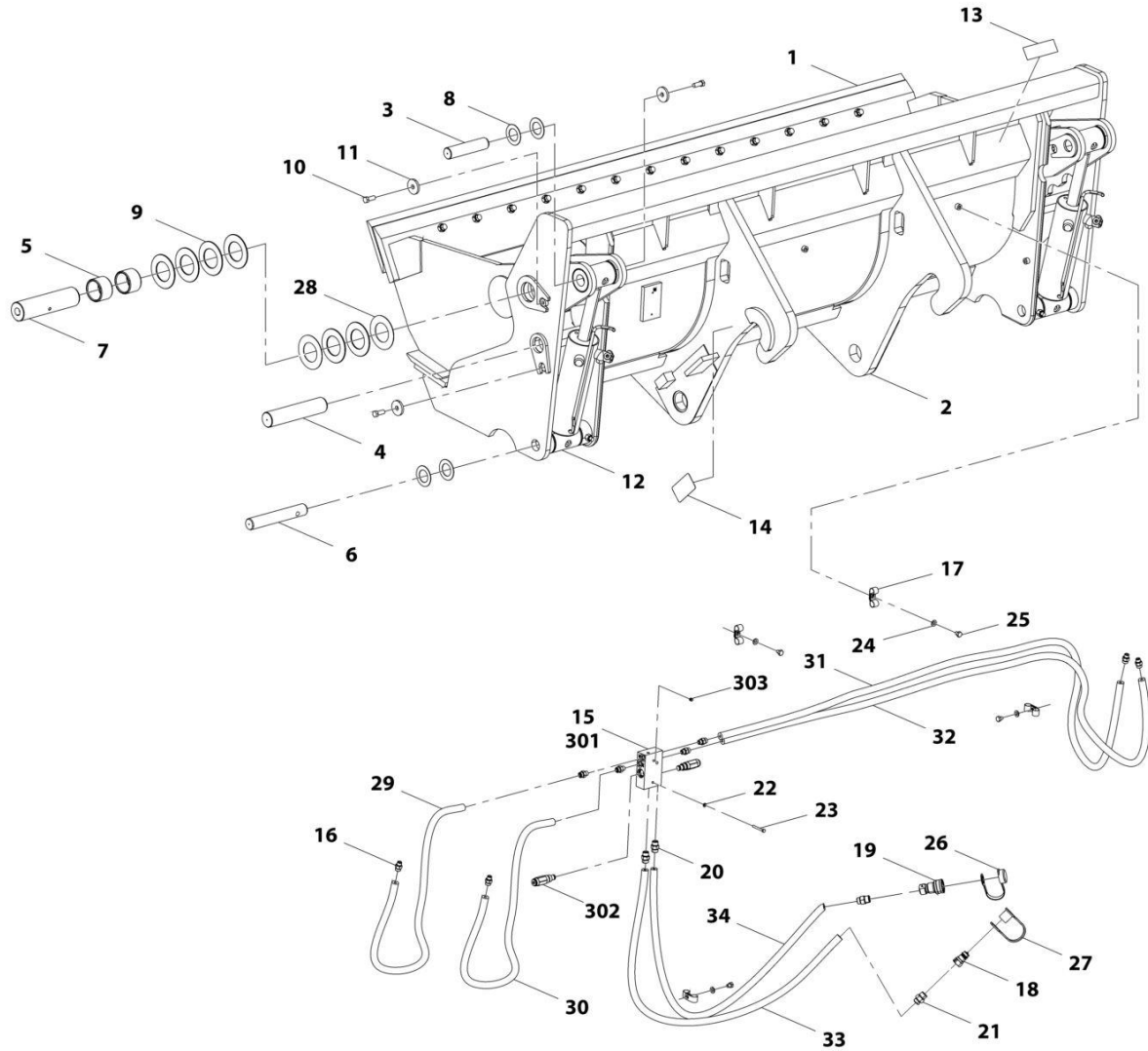
SECTION 3 - ATTACHMENTS

FIGURE 3-17. BUCKET (5.23 YD³)

ITEM	PART NUMBER	QTY	DESCRIPTION	REV
	1001192616	Ref	Bucket (5.23 yd ³ /4.0m ³)	F
1	N.S.S.	1	S/N Plate	
2	1001227670	1	Tag, RFID	

SECTION 3 - ATTACHMENTS

FIGURE 3-18. BUCKET - 4 IN 1 (1.3 YD³/1.0M³)



ART_1001228427-B

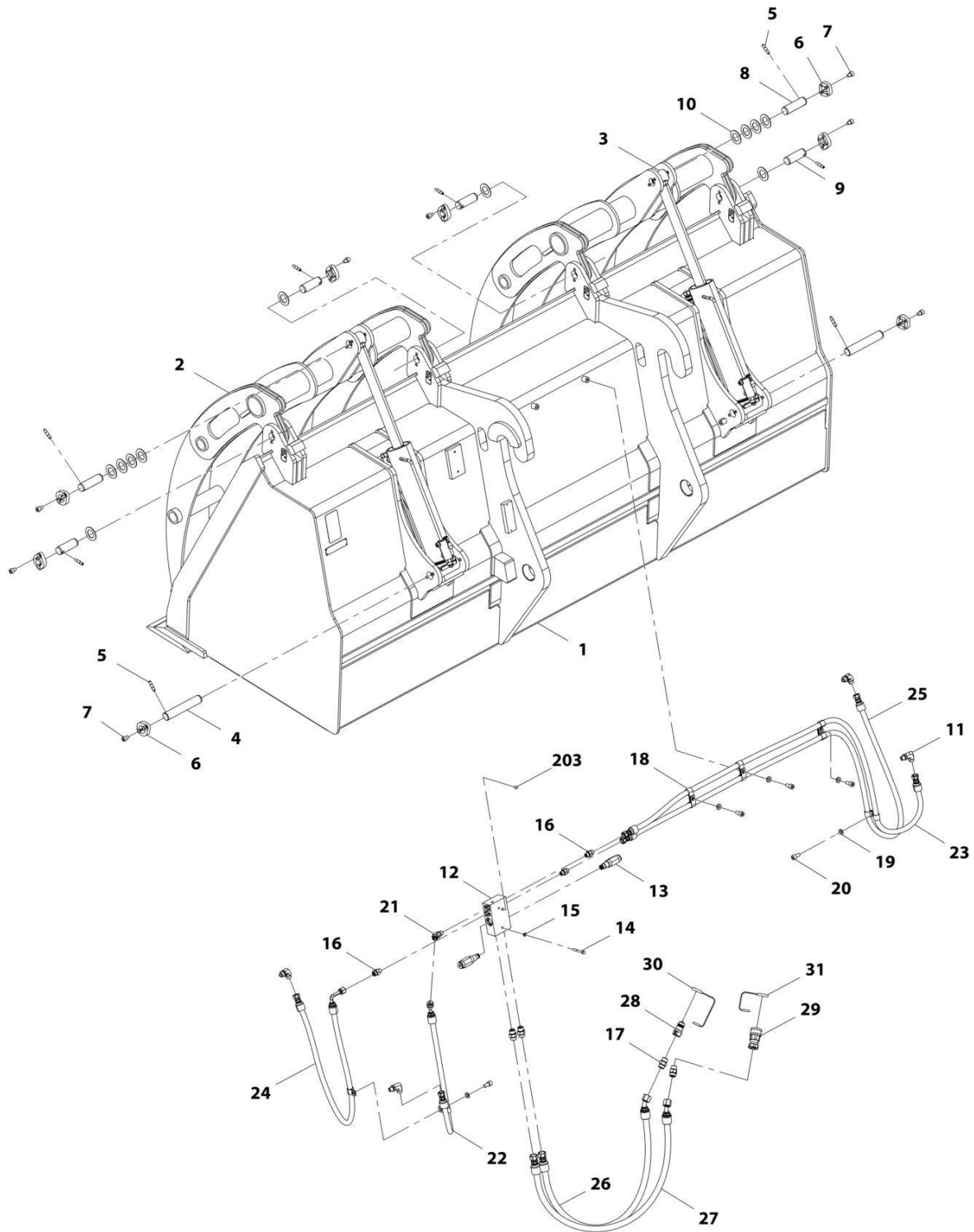
SECTION 3 - ATTACHMENTS

FIGURE 3-18. BUCKET - 4 IN 1 (1.3 YD³/1.0M³)

ITEM	PART NUMBER	QTY	DESCRIPTION	REV
	1001228427	Ref	4 in 1 Bucket (1.3 yd ³ /1.0m ³)	C
1	N.S.S.	1	Assembly, Front Bucket	
2	N.S.S.	1	Assembly, Back Bucket	
3	70028563	2	Pin	
4	70028564	2	Pin	
5	70028565	4	Bushing	
6	70028566	2	Pin	
7	70028567	2	Pin	
8	70028568	8	Shim	
9	70028569	6	Shim	
10	70028570	6	Capscrew	
11	70028571	6	Washer	
12	70028572	2	Assembly, 4 In 1 Bucket Cylinder (5.23 yd ³ /4.0m ³) (See Separate Breakdown in HYDRAULIC COMPONENTS Section)	
13	N.S.S.	1	Plate, Name	
14	N.S.S.	1	Plate, Serial Number	
15	70028573	1	Assembly, 4 In 1 Bucket Valve (5.23 yd ³ /4.0m ³)	
16	70024130	8	Fitting, Straight	
17	70026481	8	Clamp, Hose	
18	1001101041	1	Adapter, Male Quick Disconnect	
19	1001101042	1	Adapter, Female Quick Disconnect	
20	70022938	2	Fitting, Straight	
21	70028263	2	Fitting, Straight	
22	70026480	2	Washer, M6	
23	70026479	2	Bolt, M6X50	
24	70026482	4	Washer, M10	
25	70026483	4	Bolt, M10X16	
26	8420055	1	Plug, Dust	
27	8420053	1	Plug, Cap	
28	70028574	12	Shim	
29	70028575	1	Hose	
30	70028576	1	Hose	
31	70028577	1	Hose	
32	70028578	1	Hose	
33	70028579	1	Hose	
34	70028580	1	Hose	
301	70026477	1	Manifold	
302	70028589	2	Cartridge, Relief	
303	70026614	2	Plug	

SECTION 3 - ATTACHMENTS

FIGURE 3-19. BUCKET - GRAPPLE (1.7 YD³/1.3M³)



ART_1001223435-C

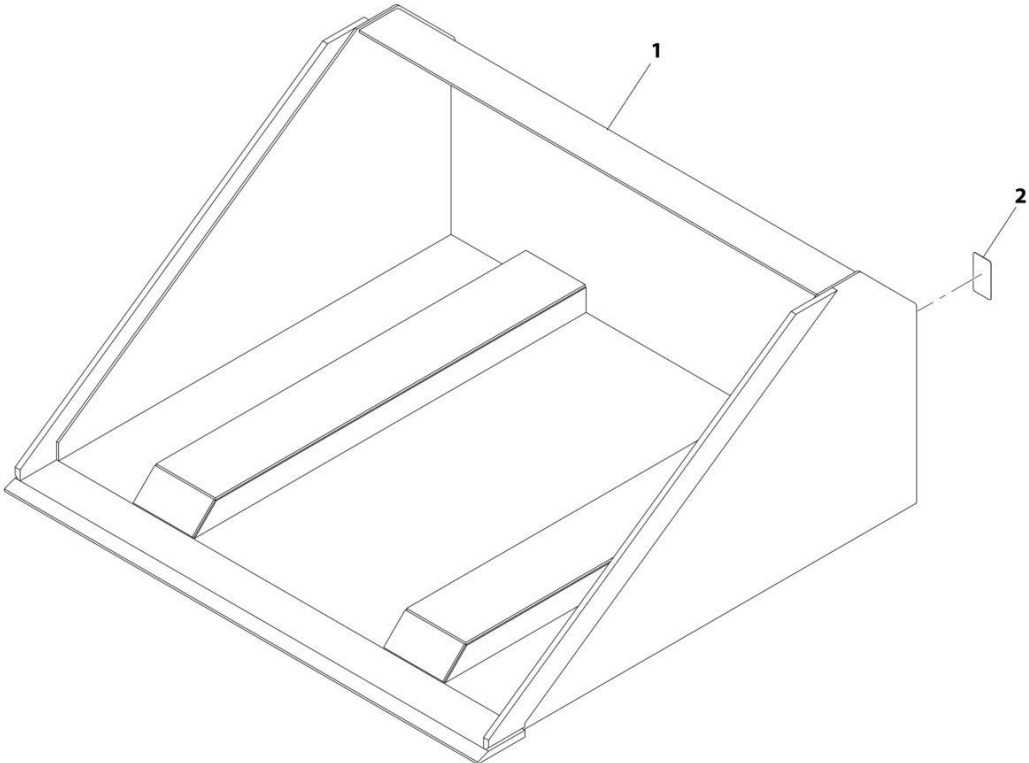
SECTION 3 - ATTACHMENTS

FIGURE 3-19. BUCKET - GRAPPLE (1.7 YD³/1.3M³)

ITEM	PART NUMBER	QTY	DESCRIPTION	REV
	1001223435	Ref	Grapple Bucket (1.7 yd ³ /1.3m ³)	D
1	N.S.S.	1	Bucket	
2	N.S.S.	1	Grapple	
3	70026469	2	Assembly, Cylinder, (See Separate Breakdown in HYDRAULIC COMPONENTS Section)	
4	70026470	2	Pin	
5	70026471	8	Pin Drive - Lock	
6	70026472	8	Retainer	
7	70026473	16	Capscrew, M10X12	
8	70026474	2	Pin	
9	70026475	4	Pin	
10	70026476	32	Shim	
11	70024123	4	Fitting, 90	
12	70026477	1	Manifold	
13	70026478	2	Cartridge, Relief Valve	
14	70026479	2	Bolt, M6X50	
15	70026480	2	Washer, M6	
16	70024130	3	Fitting, Straight	
17	70022938	4	Fitting, Straight	
18	70026481	10	Clamp, Hose	
19	70026482	5	Washer, M10	
20	70028672	5	Bolt, M10X20	
21	70026616	1	Fitting, 45	
22	70028749	1	Hose	
23	70028750	1	Hose	
24	70028751	1	Hose	
25	70028752	1	Hose	
26	70028753	1	Hose	
27	70028697	1	Hose	
28	1001101041	1	Adapter, Male Quick Disconnect	
29	1001101042	1	Adapter, Female Quick Disconnect	
30	8420053	1	Cap, Dust	
31	8420055	1	Plug, Dust	
203	70026614	2	Plug	

SECTION 3 - ATTACHMENTS

FIGURE 3-20. BUCKET - FORK MOUNTED (1.0M³)



ART_1001195970-D

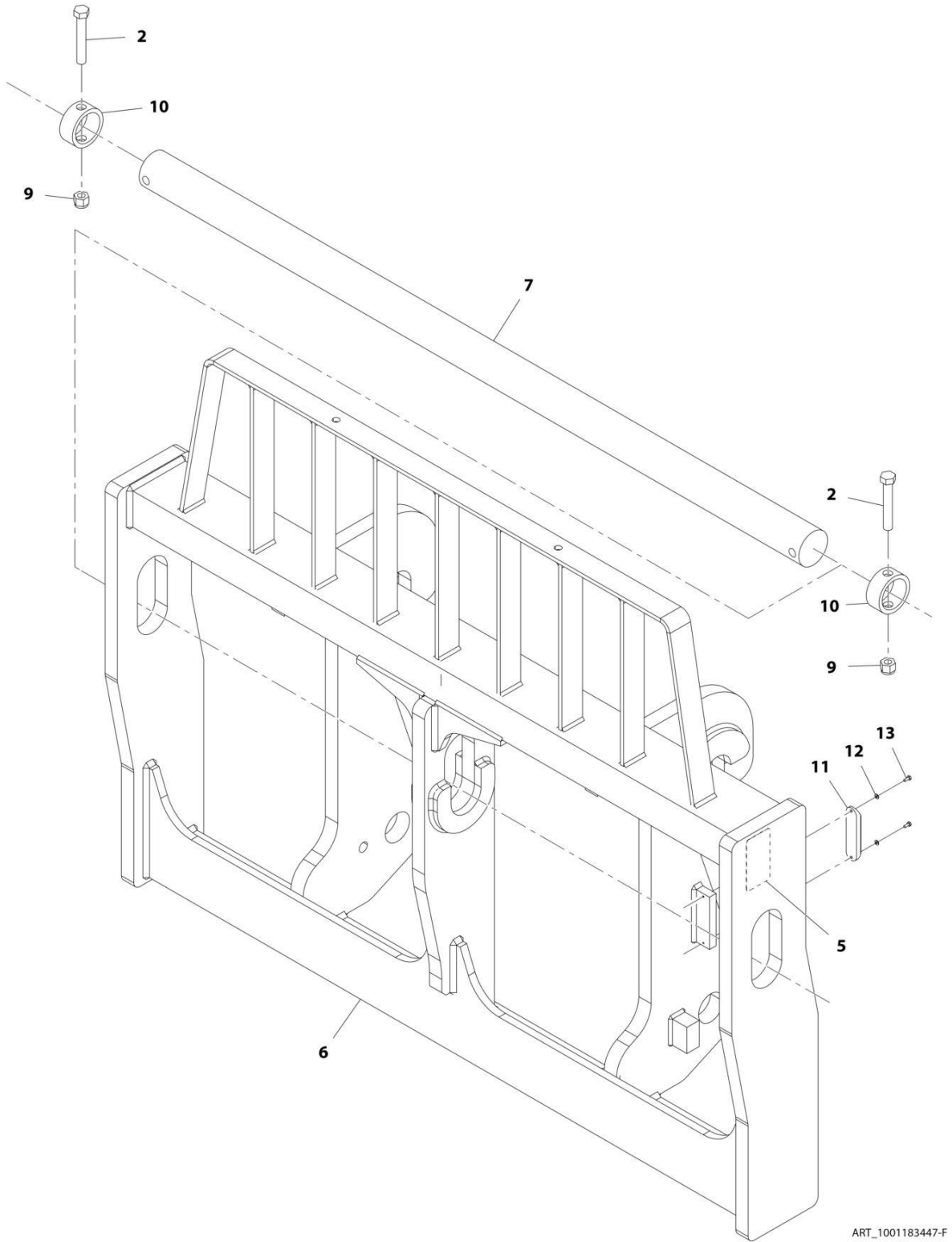
SECTION 3 - ATTACHMENTS

FIGURE 3-20. BUCKET - FORK MOUNTED (1.0M³)

ITEM	PART NUMBER	QTY	DESCRIPTION	REV
1	1001195970	Ref	Bucket 1.0 m ³ (Fork Mounted)	E
2	See Note	NSS	S/N Plate (Note: Stamped Part - Not Available for Purchase)	

SECTION 3 - ATTACHMENTS

FIGURE 3-21. CARRIAGE ASSEMBLY (60IN/1524MM)



ART_1001183447-F

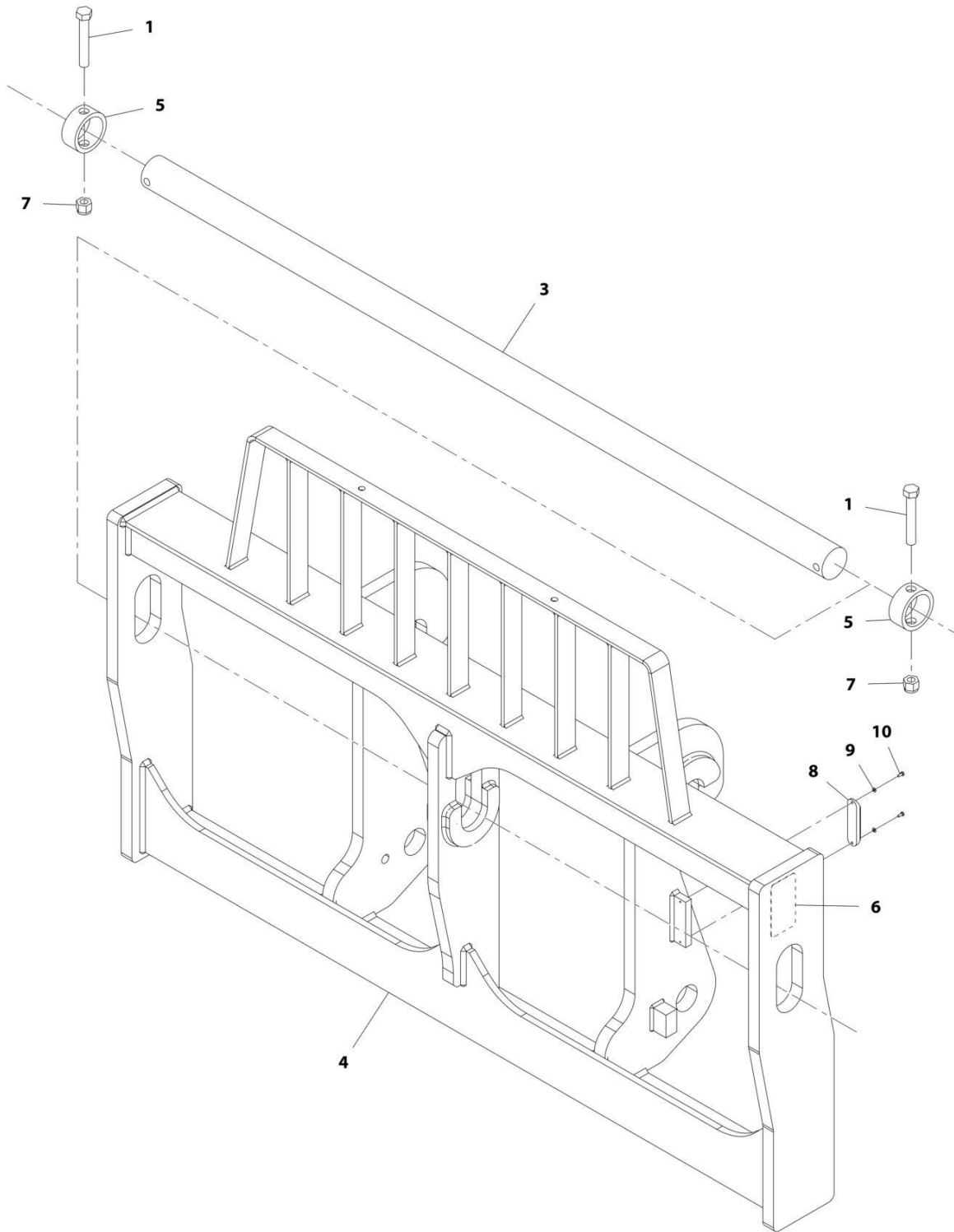
SECTION 3 - ATTACHMENTS

FIGURE 3-21. CARRIAGE ASSEMBLY (60IN/1524MM)

ITEM	PART NUMBER	QTY	DESCRIPTION	REV
	1001183447	1	Carriage Assembly (60in/1524mm)	F
2	0701628	2	Bolt, M16X110	
5	N.S.S.	1	S/N Plate	
6	N.S.S.	1	Weldment, Carriage	
7	1001191108	1	Pin	
9	3291605	2	Nut, Lock M16X2 Grade 8	
10	1001218755	2	Collar, Shaft	
11	1001227670	1	Tag, RFID	
12	4811400	2	Washer, M4	
13	0760405	2	Bolt, M4X10	

SECTION 3 - ATTACHMENTS

FIGURE 3-22. CARRIAGE ASSEMBLY (72IN/1829MM)



ART_1001214415-E

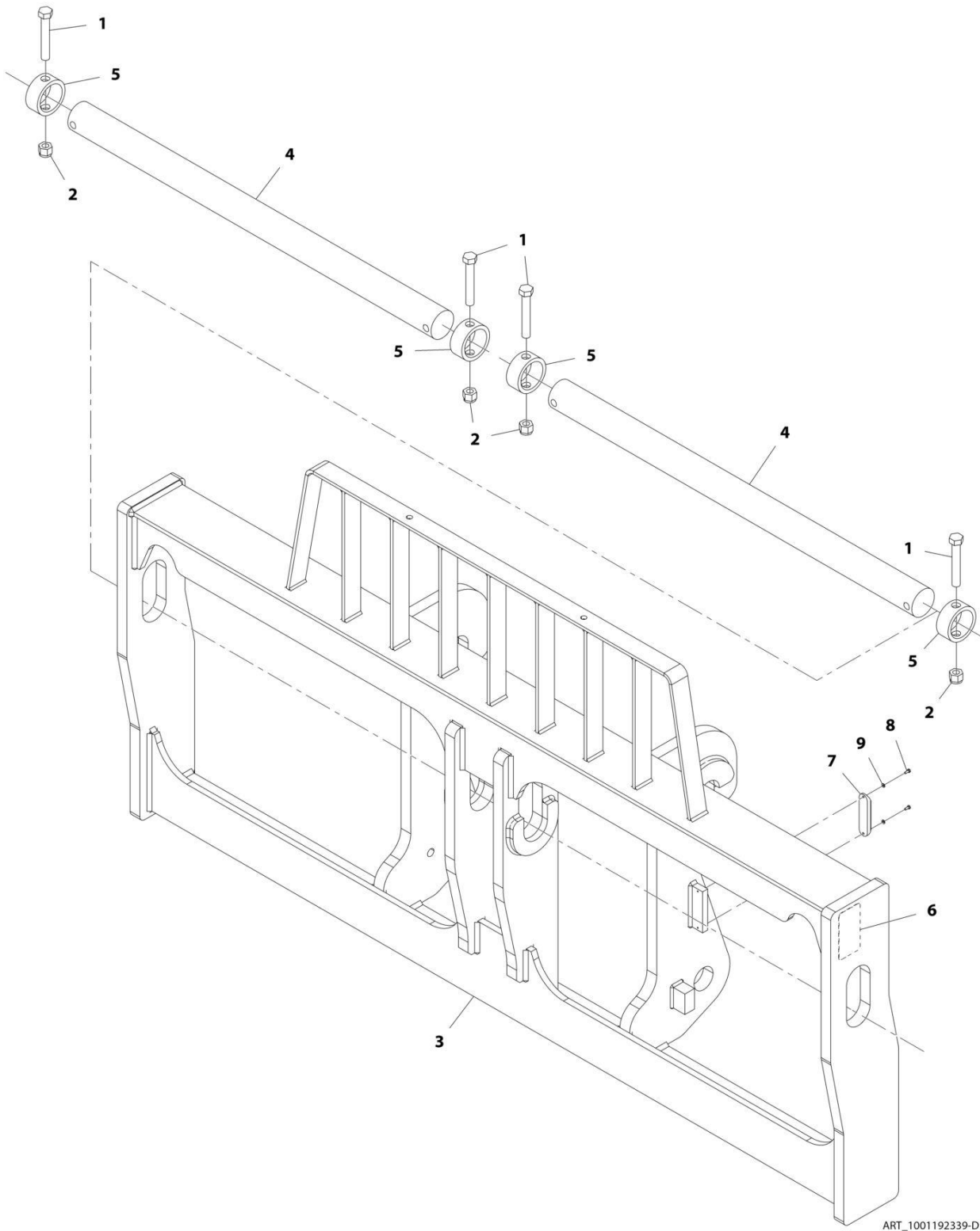
SECTION 3 - ATTACHMENTS

FIGURE 3-22. CARRIAGE ASSEMBLY (72IN/1829MM)

ITEM	PART NUMBER	QTY	DESCRIPTION	REV
	1001214415	Ref	Carriage Assembly (72in/1829mm)	E
1	0701628	2	Bolt, M16X110	
3	1001214254	1	Pin	
4	N.S.S.	1	Weldment, Carriage	
5	1001218755	2	Collar, Shaft	
6	N.S.S.	1	Plate, Serial Number	
7	3291605	2	Nut, Lock M16X2 Grade 8	
8	1001227670	1	Tag, RFID	
9	4811400	2	Washer, M4	
10	0760405	2	Bolt, M4X10	

SECTION 3 - ATTACHMENTS

FIGURE 3-23. CARRIAGE ASSEMBLY (87IN/2290MM)



ART_1001192339-D

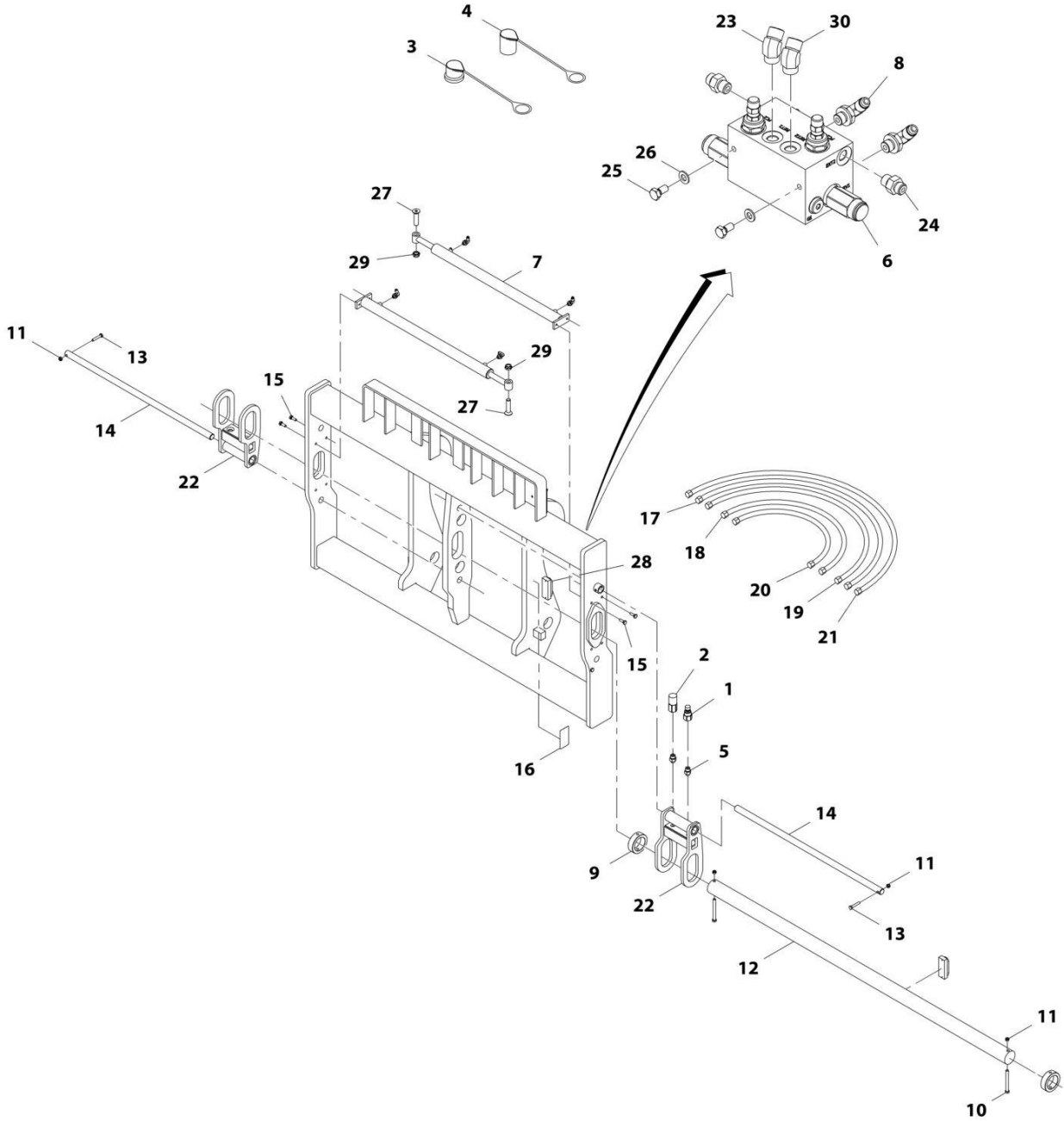
SECTION 3 - ATTACHMENTS

FIGURE 3-23. CARRIAGE ASSEMBLY (87IN/2290MM)

ITEM	PART NUMBER	QTY	DESCRIPTION	REV
	1001192339	1	Carriage Assembly (87in/2290mm)	D
1	0701628	4	Bolt, M16X110	
2	3291605	4	Nut, Lock M16X2 Grade 8	
3	N.S.S.	1	Weldment, Carriage	
4	1001218754	2	Pin	
5	1001218755	4	Collar, Shaft	
6	N.S.S.	1	Plate, Serial Number	
7	1001227670	1	Tag, RFID	
8	0760405	2	Bolt, M4X10	
9	4811400	2	Washer, M4	

SECTION 3 - ATTACHMENTS

FIGURE 3-24. CARRIAGE ASSEMBLY - DUAL FORK POSITIONING CARRIAGE (72IN/1829MM)



ART_1001192342-E

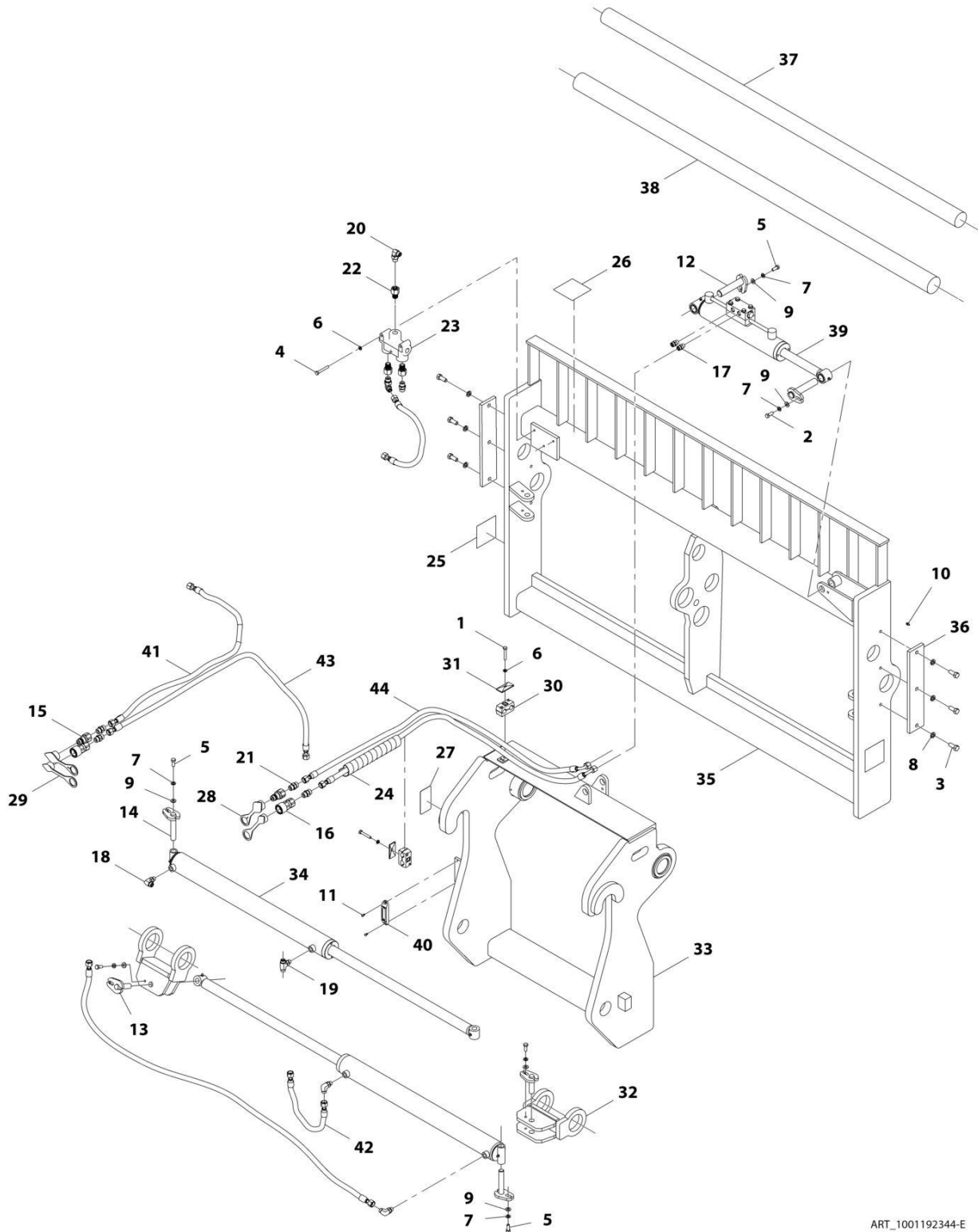
SECTION 3 - ATTACHMENTS

FIGURE 3-24. CARRIAGE ASSEMBLY - DUAL FORK POSITIONING CARRIAGE (72IN/1829MM)

ITEM	PART NUMBER	QTY	DESCRIPTION	REV
	1001192342	1	Dual Fork Positioning Carriage (72in/1829mm)	E
1	1001101041	1	Coupler, Male Hydraulic	
2	1001101042	1	Coupler, Female Hydraulic	
3	8420053	1	Cap	
4	8420055	1	Cap	
5	1001008834	2	Fitting, Straight	
6	70027896	1	Valve	
7	70028505	2	Cylinder, Forkpositioner	
8	2150606	4	Fitting, 45 ORFS	
9	70028506	2	Collar	
10	70027889	2	Bolt, M10x120	
11	70027890	4	Nut M10	
12	70028507	1	Shaft, Floating	
13	70027881	2	Bolt, M10x55	
14	70028508	2	Shaft, Forkpositioner	
15	70027880	4	Bolt, M10x30	
16	N.S.S.	1	S/N Plate	
17	70028509	1	Hose	
18	70028510	1	Hose	
19	70028511	1	Hose	
20	70028512	1	Hose	
21	70027899	2	Hose	
22	70028513	2	Cage, Fork	
23	2150606	1	Fitting, 45 ORFS	
24	2110606	2	Fitting, Straight ORFS	
25	70027882	2	Bolt, M8X16	
26	70027879	2	Washer	
27	70027888	3	Screw, Countersunk M20x80	
28	1001227670	1	Tag, RFID	
29	70027887	2	Nut, M20	
30	2170206	1	Fitting, 90 ORFS	

SECTION 3 - ATTACHMENTS

FIGURE 3-25. CARRIAGE ASSEMBLY - DUAL FORK POSITIONING SIDE SHIFT CARRIAGE (75IN/1899MM)



ART_1001192344-E

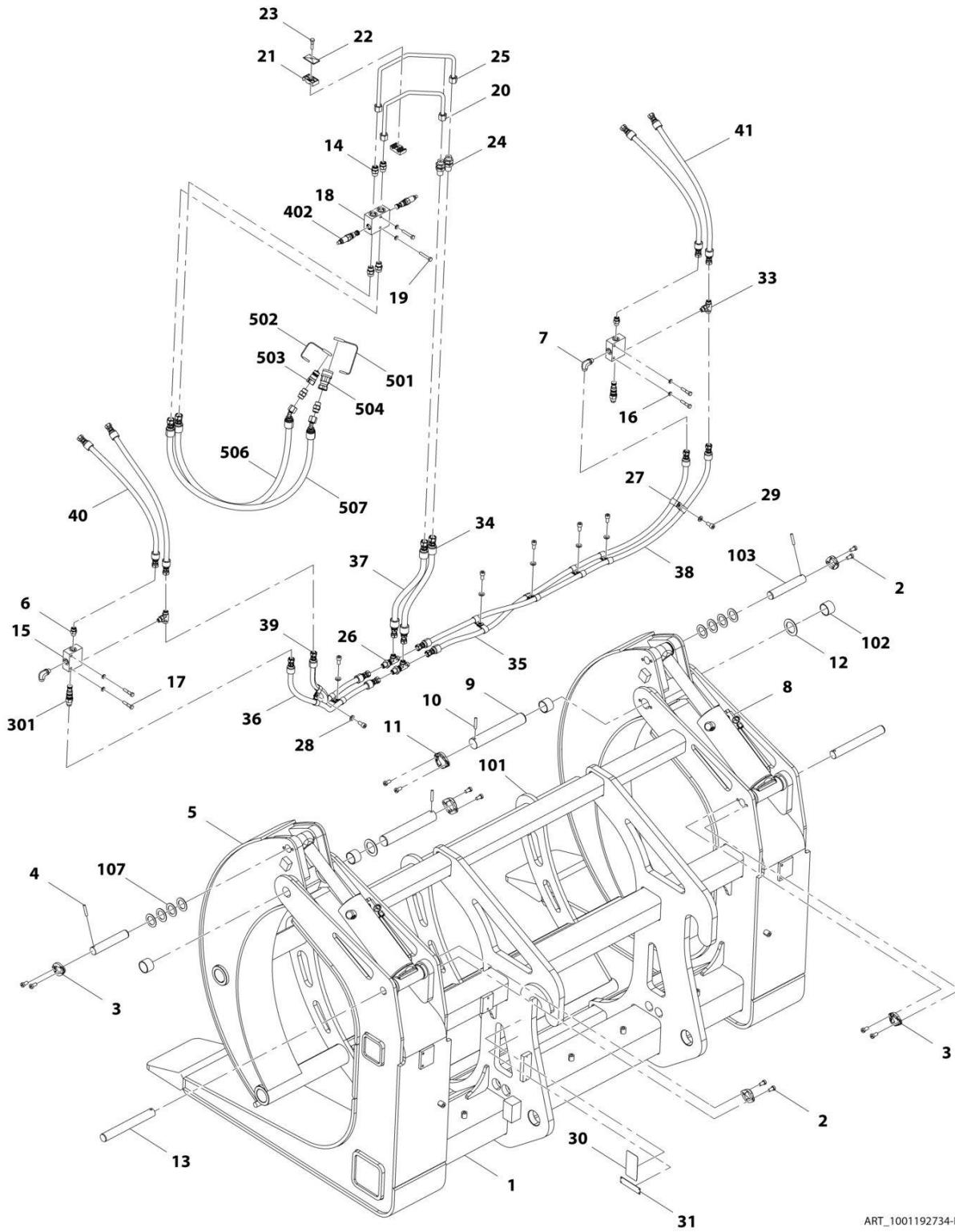
SECTION 3 - ATTACHMENTS

**FIGURE 3-25. CARRIAGE ASSEMBLY - DUAL FORK POSITIONING SIDE SHIFT CARRIAGE
(75IN/1899MM)**

ITEM	PART NUMBER	QTY	DESCRIPTION	REV
	1001192344	1	Dual Fork Positioning Side Shift Carriage (75in/1899mm)	F
1	70028485	2	Bolt	
2	70021349	1	Bolt, 3/8X1	
3	70027989	6	Bolt	
4	70028591	3	Bolt	
5	7029704	5	Bolt, 3/8-24X1	
6	90554067	5	Washer, Lock 5/16	
7	90554042	6	Washer, Lock 3/8	
8	90554020	6	Washer, Lock 1/2	
9	7029703	6	Washer, Flat	
10	90554045	1	Zerk, Grease	
11	70028554	2	Screw	
12	7029702	2	Pin	
13	70028592	2	Pin	
14	70028593	2	Pin	
15	1001101041	2	Adapter, Male Quick Disconnect	
16	1001101042	2	Adapter, Female Quick Disconnect	
17	70028486	2	Fitting	
18	70028525	3	Elbow, 90	
19	70028594	1	Fitting	
20	70028526	2	Elbow, 90	
21	70028488	5	Fitting	
22	70028595	3	Fitting	
23	70028596	1	Valve	
24	70028597	1	Protector, Hose	
25	90554017	2	Decal, Danger Pinch Point	
26	7029711	1	Decal, High Pressure	
27	N.S.S.	1	S/N Plate	
28	8420053	2	Plug, Dust	
29	8420055	2	Plug, Dust	
30	70028495	2	Clamp	
31	70028496	2	Plate, Clamp	
32	70028598	2	Clevis	
33	N.S.S.	1	Weldment	
34	70028599	2	Assembly, Fork Positioning Cylinder (See Separate Breakdown in HYDRAULIC COMPONENTS Section)	
35	N.S.S.	1	Weldment	
36	70028600	2	Pin	
37	70028601	1	Pin	
38	70028602	1	Pin	
39	70028603	1	Assembly, Side Shift Cylinder (See Separate Breakdown in HYDRAULIC COMPONENTS Section)	
40	1001227670	1	Tag, RFID	
41	70028604	2	Hose	
42	70028605	2	Hose	
43	70028606	1	Hose	
44	70028607	2	Hose	

SECTION 3 - ATTACHMENTS

FIGURE 3-26. CARRIAGE ASSEMBLY - LOG HANDLER CARRIAGE



ART_1001192734-D

SECTION 3 - ATTACHMENTS

FIGURE 3-26. CARRIAGE ASSEMBLY - LOG HANDLER CARRIAGE

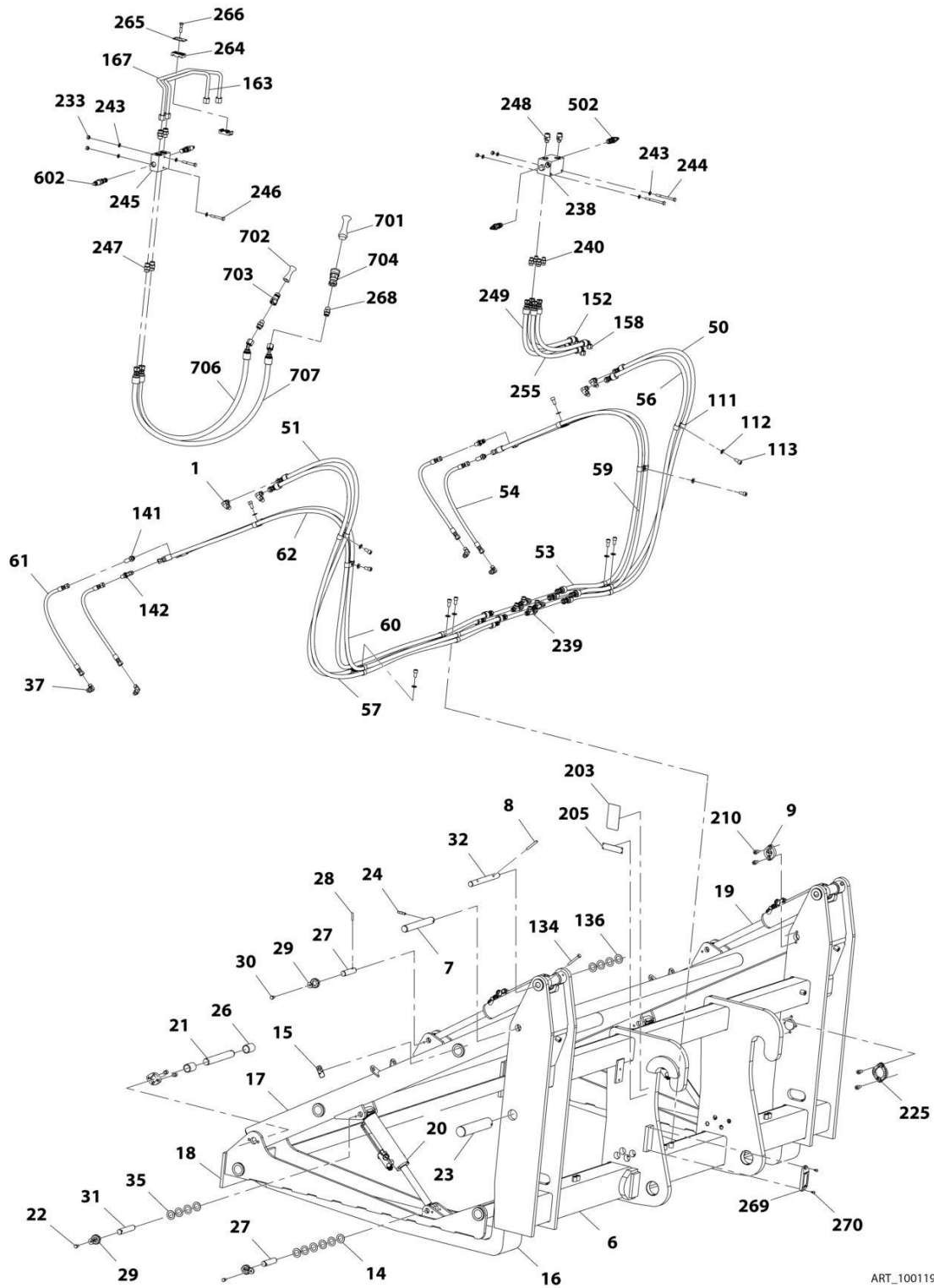
ITEM	PART NUMBER	QTY	DESCRIPTION	REV
	1001192734	Ref	Log Handler Carriage	E
1	N.S.S.	1	Frame	
2	70028701	8	Capscrew, M10X20	
3	70028702	2	Retainer	
4	70028703	4	Pin	
5	N.S.S.	1	Grapple	
6	70024130	2	Fitting, Straight	
7	70024123	2	Fitting, 90	
8	70028704	2	Assembly, Log Handler Carriage Cylinder (See Separate Breakdown in HYDRAULIC COMPONENTS Section)	
9	70028705	2	Pin	
10	70028706	2	Pin	
11	70028707	2	Retainer	
12	70028708	2	Shim	
13	70028709	2	Pin	
14	70022938	4	Fitting, Straight	
15	N.S.S.	2	Valve	
16	70024721	6	Washer, M8	
17	70028710	4	Capscrew	
18	N.S.S.	1	Valve, Relief	
19	70028711	2	Capscrew	
20	70028712	1	Pipe	
21	70028687	1	Clamp	
22	70028688	1	Plate, Cover	
23	70028689	1	Bolt, M8X35	
24	70028713	2	Fitting, Straight	
25	70028714	1	Pipe	
26	70028267	2	Fitting, Tee	
27	70026481	14	Clamp, Hose	
28	70026482	7	Washer, M10	
29	70028672	7	Bolt, M10X20	
30	N.S.S.	1	Plate, Serial Number	
31	N.S.S.	1	Plate, Name	
33	70028715	2	Fitting, Tee	
34	70028716	1	Hose	
35	70028717	1	Hose	
36	70028718	1	Hose	
37	70028719	1	Hose	
38	70028720	1	Hose	
39	70028721	1	Hose	
40	70028722	2	Hose	
41	70028723	2	Hose	
101	70028724	1	Arm	
102	70028725	4	Bearing	
103	70028726	2	Pin	
107	70028727	8	Shim	
301	70026504	2	Valve, Counterbalance	
402	70024772	2	Valve, Relief	
501	8420055	1	Plug, Dust	
502	8420053	1	Plug, Cap	

SECTION 3 - ATTACHMENTS

ITEM	PART NUMBER	QTY	DESCRIPTION	REV
503	1001101041	1	Adapter, Male Quick Disconnect	
504	1001101042	1	Adapter, Female Quick Disconnect	
506	70028734	1	Hose	
507	70028697	1	Hose	

SECTION 3 - ATTACHMENTS

FIGURE 3-27. CARRIAGE ASSEMBLY - PIPE HANDLER CARRIAGE



SECTION 3 - ATTACHMENTS

FIGURE 3-27. CARRIAGE ASSEMBLY - PIPE HANDLER CARRIAGE

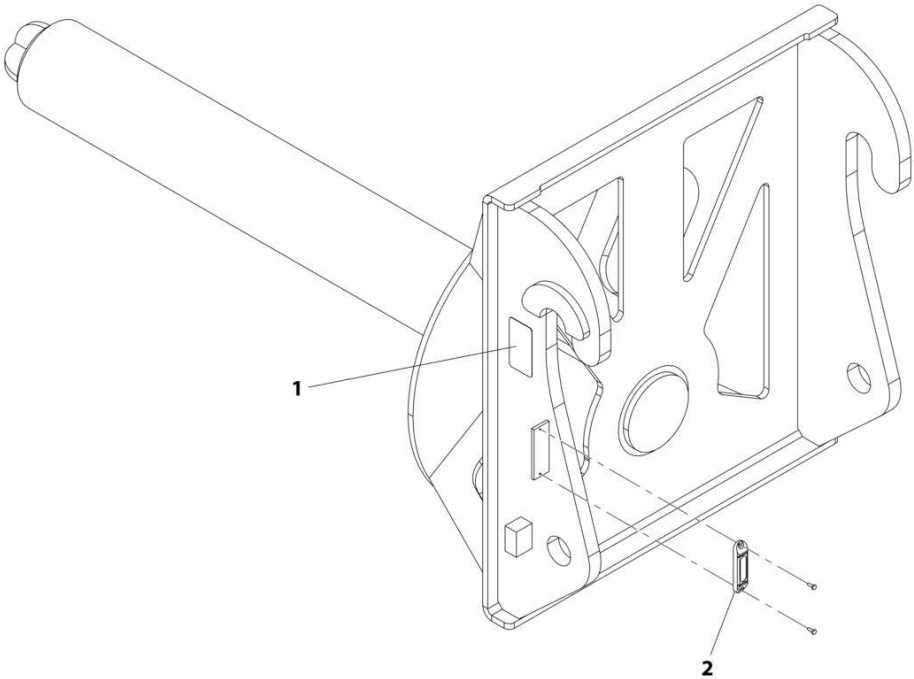
ITEM	PART NUMBER	QTY	DESCRIPTION	REV
	1001192722	Ref	Pipe Handler Carriage	F
1	70024123	4	Adapter, 90 (includes o-ring)	
6	N.S.S.	1	Carriage	
7	70028648	2	Pin	
8	70026471	4	Pin	
9	70026472	4	Retainer	
14	70026476	12	Shim	
15	70024538	2	Decal, Pinch Point	
16	70028649	2	Fork	
17	70028650	1	Arm	
18	70028651	1	Pad, Contact	
19	70028652	1	Assembly, Upper Cylinder (See Separate Breakdown in HYDRAULIC COMPONENTS Section)	
20	70028653	1	Assembly, Lower Cylinder (See Separate Breakdown in HYDRAULIC COMPONENTS Section)	
21	70028654	2	Pin	
22	70026473	4	Capscrew, M10X12	
23	70028655	2	Pin	
24	70028405	2	Pin	
26	70026501	8	Bushing	
27	70028656	4	Pin	
28	70028253	6	Pin	
29	70028262	6	Retainer	
30	70028657	6	Bolt, M8X16	
31	70028658	2	Pin	
32	70028659	2	Pin	
35	70028660	8	Shim	
37	70028661	4	Fittin, 90	
50	70028662	1	Hose	
51	70028663	1	Hose	
53	70028664	1	Hose	
54	70028665	2	Hose	
56	70028666	1	Hose	
57	70028667	1	Hose	
59	70028668	1	Hose	
60	70028669	1	Hose	
61	70028670	2	Hose	
62	70028671	1	Hose	
111	70026481	24	Clamp, Hose	
112	70026482	12	Washer	
113	70028672	12	Bolt, M10X20	
134	70028406	2	Capscrew	
136	70028767	4	Shim	
141	70028768	2	Fitting, Straight	
142	70028673	2	Fitting, 45	
152	70028674	1	Hose	
158	70028675	1	Hose	
163	70028676	1	Pipe	
167	70028677	1	Pipe	
203	N.S.S.	1	Plate, Serial Number	

SECTION 3 - ATTACHMENTS

ITEM	PART NUMBER	QTY	DESCRIPTION	REV
205	N.S.S.	1	Plate, Name	
210	70028678	8	Bolt	
225	70028679	2	Retainer	
233	70028680	6	Nut, M8	
238	N.S.S.	1	Valve	
239	70028267	4	Fitting, Straight	
240	70024130	4	Fitting, Straight	
243	70024721	8	Washer, M8	
244	70028681	2	Bolt, M8X90	
245	N.S.S.	1	Valve, Relief	
246	70028682	2	Bolt, M8X60	
247	70028683	2	Fitting, Straight	
248	70028684	2	Fitting, Straight	
249	70028685	1	Hose	
255	70028686	1	Hose	
264	70028687	1	Clamp	
265	70028688	1	Cover	
266	70028689	1	Bolt, M8X35	
268	70022938	4	Fitting, Straight	
269	1001227670	1	Tag, RFID	
270	70028690	2	Bolt, M4X16	
501	N.S.S.	1	Valve, Relief	
502	70024772	2	Valve, Cartridge	
601	N.S.S.	1	Valve, Sequence	
602	70028695	2	Valve, Cartridge	
701	8420055	1	Plug, Dust	
702	8420053	1	Plug, Cap	
703	1001101041	1	Adapter, Male Quick Disconnect	
704	1001101042	1	Adapter, Female Quick Disconnect	
706	70028696	1	Hose	
707	70028697	1	Hose	

SECTION 3 - ATTACHMENTS

FIGURE 3-28. CARRIAGE ASSEMBLY - STEEL COIL HANDLER CARRIAGE



ART_1001192735-F

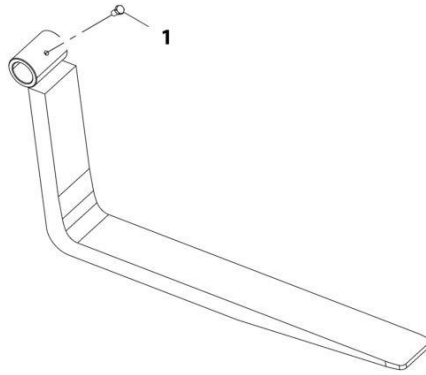
SECTION 3 - ATTACHMENTS

FIGURE 3-28. CARRIAGE ASSEMBLY - STEEL COIL HANDLER CARRIAGE

ITEM	PART NUMBER	QTY	DESCRIPTION	REV
	1001192735	1	Steel Coil Handler Carriage	G
1	N.S.S.	1	Plate, Serial Number	
2	1001227670	1	Tag, RFID	

SECTION 3 - ATTACHMENTS

FIGURE 3-29. FORK - PALLET (2.25X6X48)



ART_1001196952-B

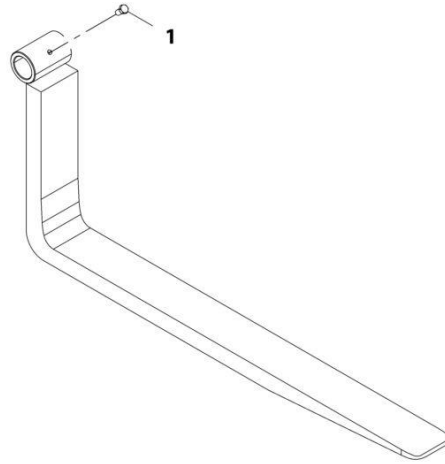
SECTION 3 - ATTACHMENTS

FIGURE 3-29. FORK - PALLET (2.25X6X48)

ITEM	PART NUMBER	QTY	DESCRIPTION	REV
1	1001196952	1	Pallet Fork (2.25X6X48)	B
	70027180	1	Screw, M16X30	
	Note	Ref	<p>FORKS RATED LESS THAN THE ATTACHMENT OR MACHINE'S CAPACITY DECREASES CAPACITY OF THE ATTACHMENT OR MACHINE TO THAT OF THE FORKS. FORKS RATED MORE THAN THE ATTACHMENT OR MACHINE'S CAPACITY DO NOT INCREASE ATTACHMENT OR MACHINE'S CAPACITY.</p>	
	Note	Ref	<p>PLEASE CONSULT JLG PARTS DEPARTMENT TO DETERMINE THE CORRECT FORKS APPLICABLE TO YOUR SPECIFIC CARRIAGE ASSEMBLY AND APPLICATION.</p>	

SECTION 3 - ATTACHMENTS

FIGURE 3-30. FORK - PALLET (2.25X6X60)



ART_1001196951-B

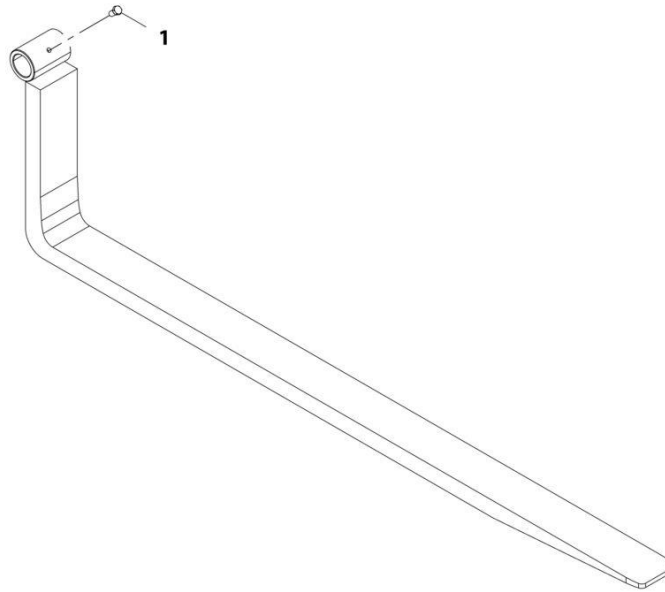
SECTION 3 - ATTACHMENTS

FIGURE 3-30. FORK - PALLET (2.25X6X60)

ITEM	PART NUMBER	QTY	DESCRIPTION	REV
1	1001196951	1	Pallet Fork (2.25X6X60)	B
	70027180	1	Screw, M16X30	
	Note	Ref	<p>FORKS RATED LESS THAN THE ATTACHMENT OR MACHINE'S CAPACITY DECREASES CAPACITY OF THE ATTACHMENT OR MACHINE TO THAT OF THE FORKS. FORKS RATED MORE THAN THE ATTACHMENT OR MACHINE'S CAPACITY DO NOT INCREASE ATTACHMENT OR MACHINE'S CAPACITY.</p>	
	Note	Ref	<p>PLEASE CONSULT JLG PARTS DEPARTMENT TO DETERMINE THE CORRECT FORKS APPLICABLE TO YOUR SPECIFIC CARRIAGE ASSEMBLY AND APPLICATION.</p>	

SECTION 3 - ATTACHMENTS

FIGURE 3-31. FORK - PALLET (2.25X6X72)



ART_1001196950-B

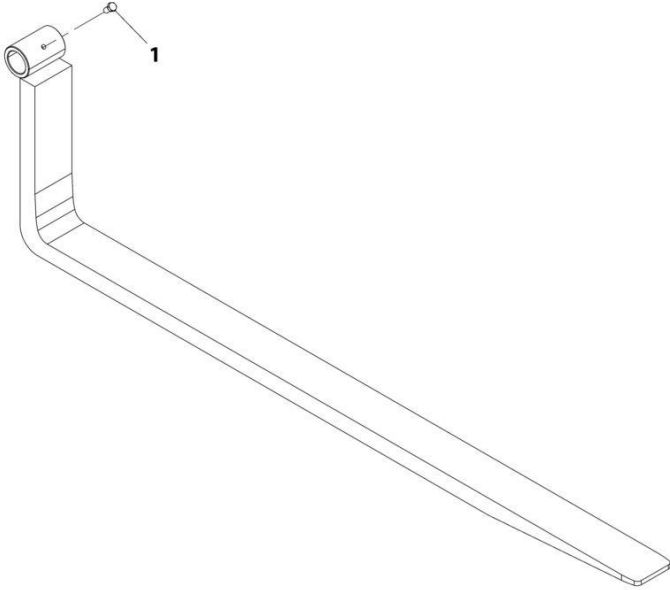
SECTION 3 - ATTACHMENTS

FIGURE 3-31. FORK - PALLET (2.25X6X72)

ITEM	PART NUMBER	QTY	DESCRIPTION	REV
1	1001196950	1	Pallet Fork (2.25X6X72)	B
	70027180	1 2	Screw, M16X30	
	Note	Ref	<p>FORKS RATED LESS THAN THE ATTACHMENT OR MACHINE'S CAPACITY DECREASES CAPACITY OF THE ATTACHMENT OR MACHINE TO THAT OF THE FORKS. FORKS RATED MORE THAN THE ATTACHMENT OR MACHINE'S CAPACITY DO NOT INCREASE ATTACHMENT OR MACHINE'S CAPACITY.</p>	
	Note	Ref	<p>PLEASE CONSULT JLG PARTS DEPARTMENT TO DETERMINE THE CORRECT FORKS APPLICABLE TO YOUR SPECIFIC CARRIAGE ASSEMBLY AND APPLICATION.</p>	

SECTION 3 - ATTACHMENTS

FIGURE 3-32. FORK - PALLET (2.25X6X96)



ART_1001196949-B

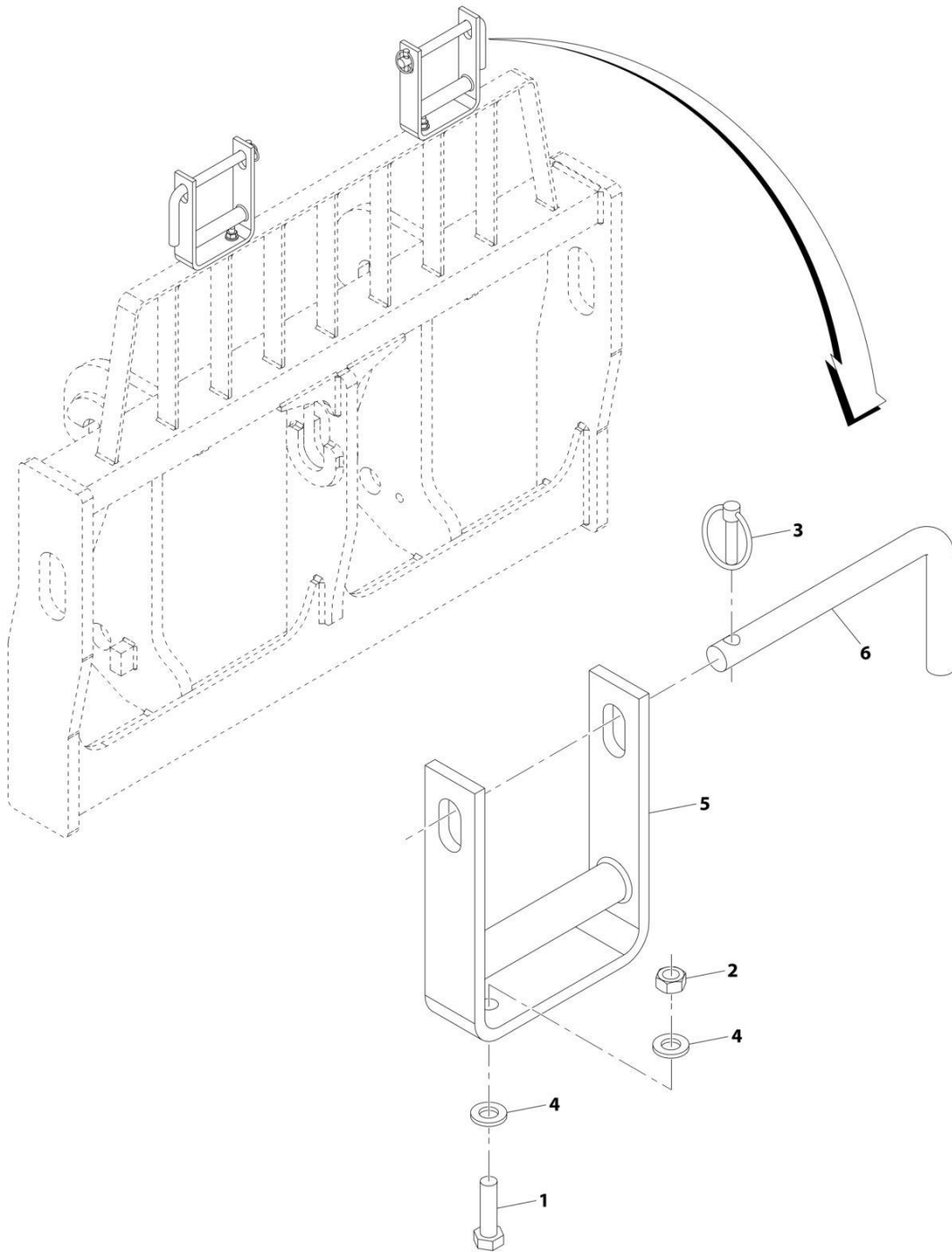
SECTION 3 - ATTACHMENTS

FIGURE 3-32. FORK - PALLET (2.25X6X96)

ITEM	PART NUMBER	QTY	DESCRIPTION	REV
1	1001196949	1	Pallet Fork (2.25X6X96)	B
	70027180	1 2	Screw, M16X30	
	Note	Ref	<p>FORKS RATED LESS THAN THE ATTACHMENT OR MACHINE'S CAPACITY DECREASES CAPACITY OF THE ATTACHMENT OR MACHINE TO THAT OF THE FORKS. FORKS RATED MORE THAN THE ATTACHMENT OR MACHINE'S CAPACITY DO NOT INCREASE ATTACHMENT OR MACHINE'S CAPACITY.</p>	
	Note	Ref	<p>PLEASE CONSULT JLG PARTS DEPARTMENT TO DETERMINE THE CORRECT FORKS APPLICABLE TO YOUR SPECIFIC CARRIAGE ASSEMBLY AND APPLICATION.</p>	

SECTION 3 - ATTACHMENTS

FIGURE 3-33. FORK RETENTION INSTALLATION



ART_1001196778-C

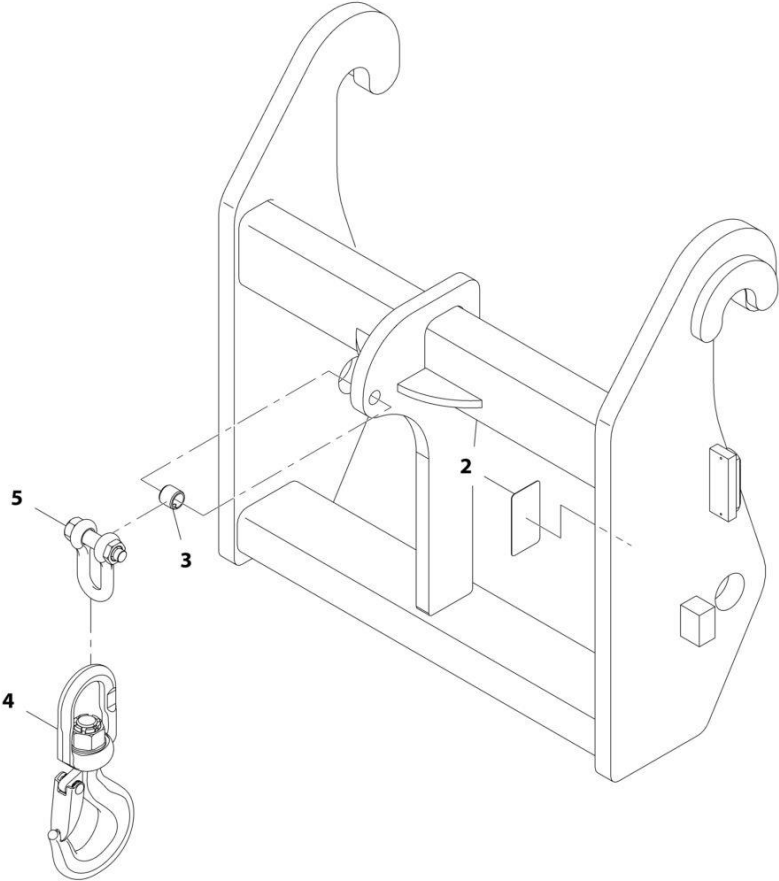
SECTION 3 - ATTACHMENTS

FIGURE 3-33. FORK RETENTION INSTALLATION

ITEM	PART NUMBER	QTY	DESCRIPTION	REV
	1001196778	Ref	Fork Retention Installation	C
1	0761217	1	Bolt, M12X45	
2	3291201	1	Nut, M12X1.75	
3	1001109387	1	Pin, Linch	
4	5241200	2	Washer, M12	
5	1001196779	1	Bracket, Fork Retention	
6	1001196782	1	Pin, Fork Retention	

SECTION 3 - ATTACHMENTS

FIGURE 3-34. HOOK - CRANK (7.6 TON)



ART_1001192700-E

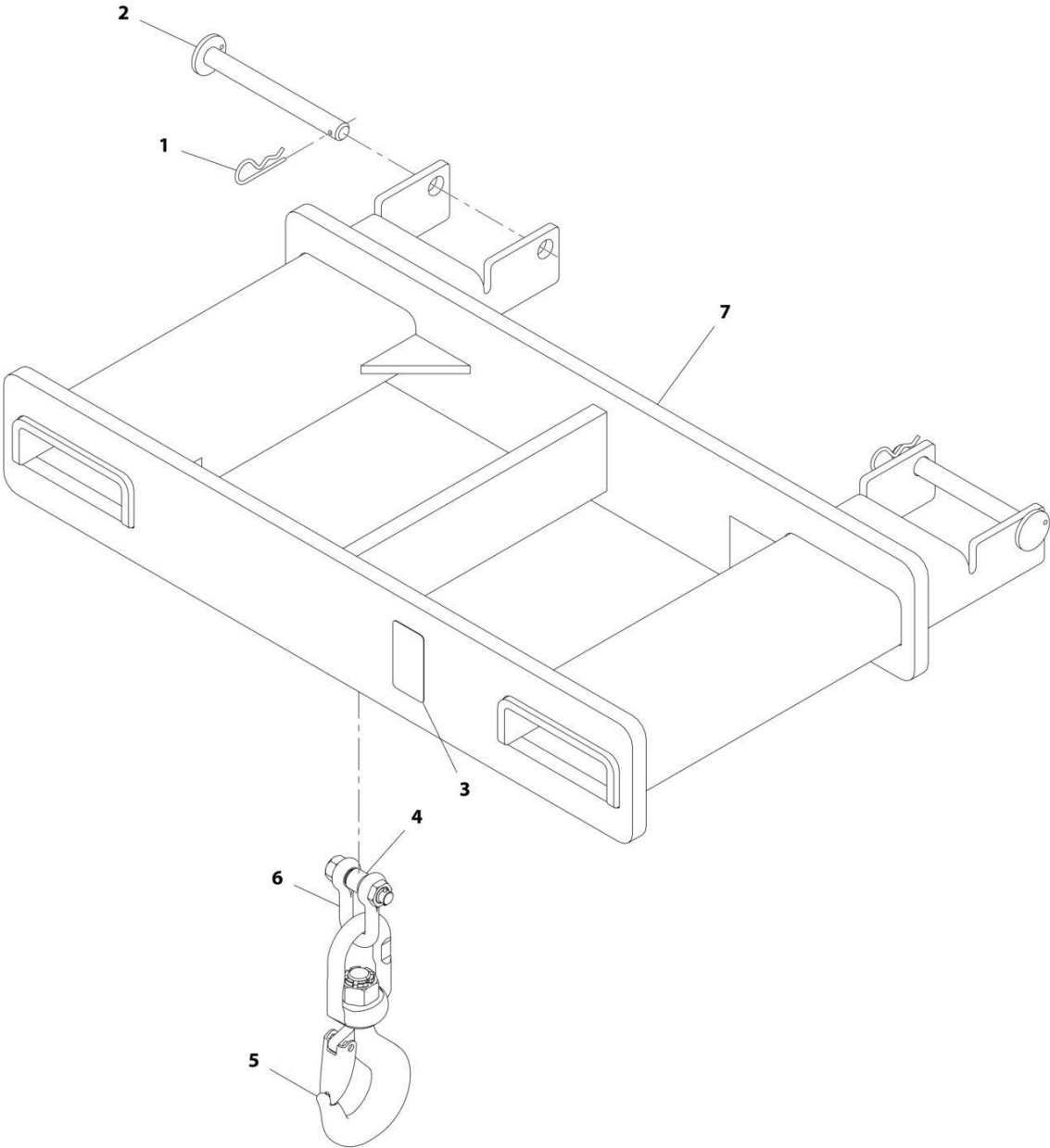
SECTION 3 - ATTACHMENTS

FIGURE 3-34. HOOK - CRANK (7.6 TON)

ITEM	PART NUMBER	QTY	DESCRIPTION	REV
	1001192700	1	Crane Hook (7.6 ton)	F
2	90554016	1	Decal, Made in USA	
3	70020555	1	Bushing	
4	70026745	1	Hook, Swivel	
5	70026746	1	Shackle, Chain	

SECTION 3 - ATTACHMENTS

FIGURE 3-35. HOOK - FORK MOUNTED



ART_1001193803-C

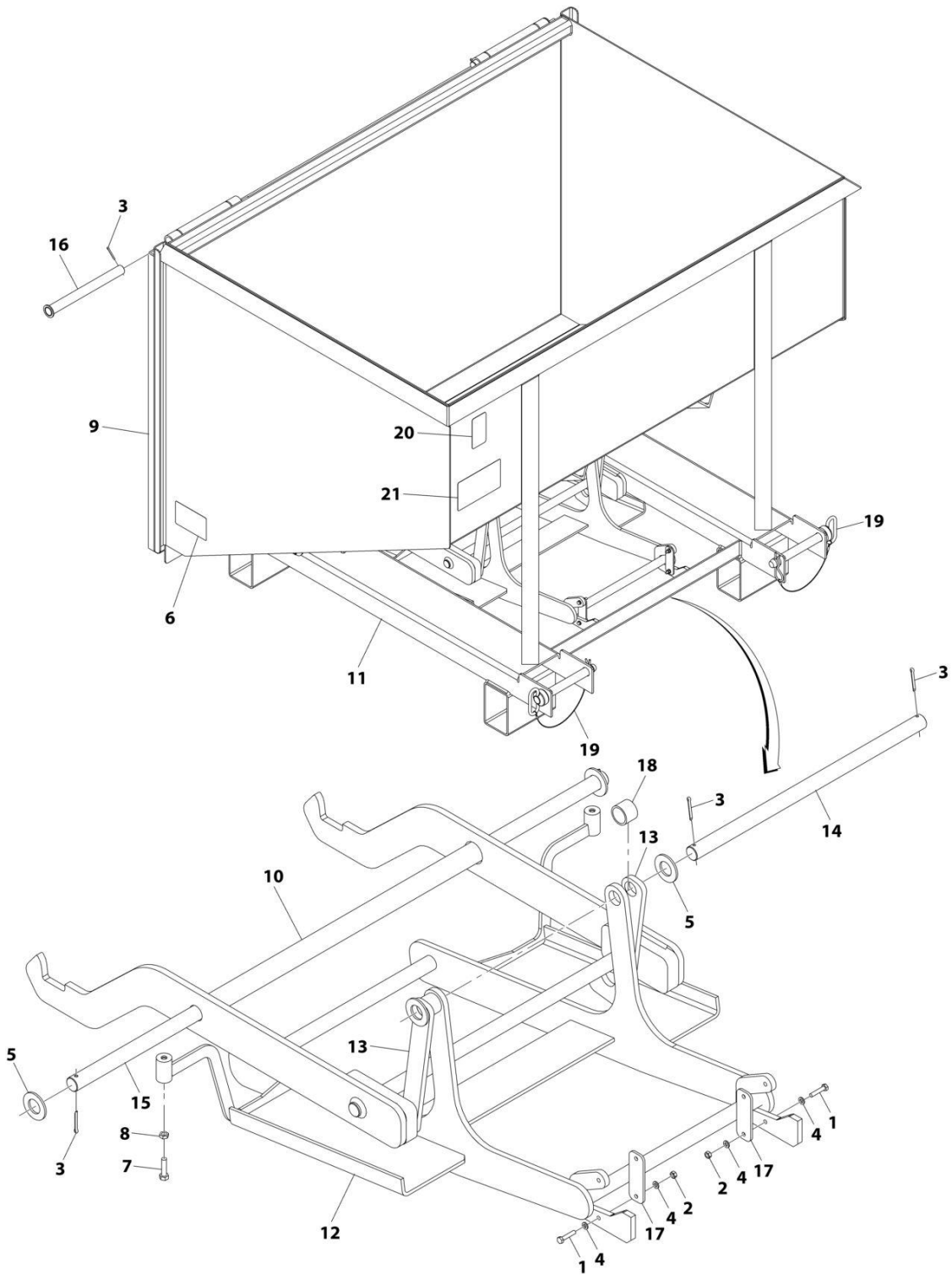
SECTION 3 - ATTACHMENTS

FIGURE 3-35. HOOK - FORK MOUNTED

ITEM	PART NUMBER	QTY	DESCRIPTION	REV
	1001193803	Ref	Hook Attach, Fork Mounted	D
1	7029520	2	Pin, Cotter	
2	1001093171	2	Pin	
3	N.S.S.	1	S/N Plate	
4	70020555	1	Bushing	
5	70026745	1	Hook	
6	70026746	1	Shackle, Chain	
7	N.S.S.	1	Weldment, Crane Hook	

SECTION 3 - ATTACHMENTS

FIGURE 3-36. HOPPER - TRASH



ART_1001238566-B

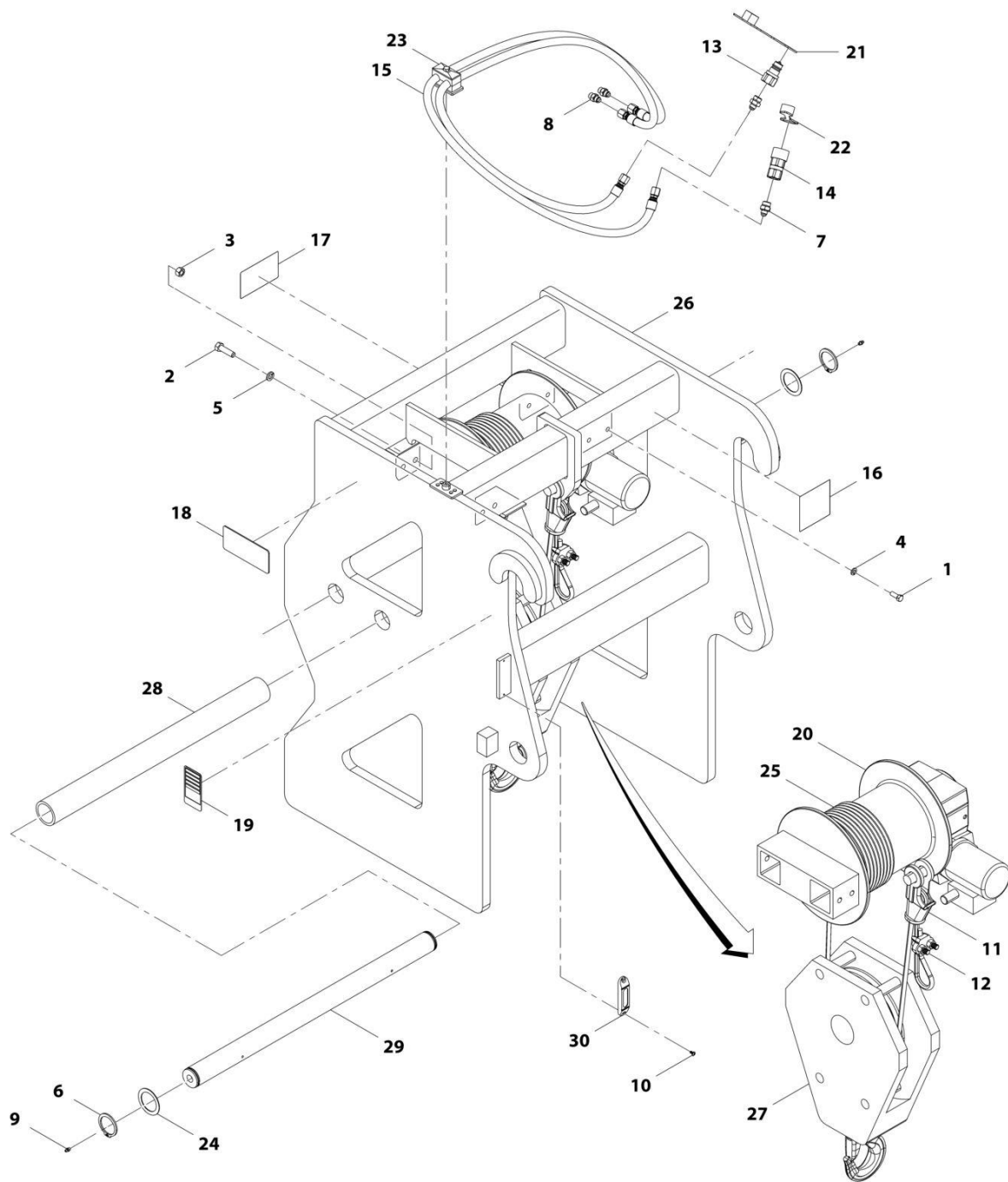
SECTION 3 - ATTACHMENTS

FIGURE 3-36. HOPPER - TRASH

ITEM	PART NUMBER	QTY	DESCRIPTION	REV
	1001238566	Ref	FORK MOUNTED TRASH HOPPER	C
1	0700614	4	Bolt M6 x 30	
2	3290601	4	Nut M6 x 1	
3	3391410	6	Pin	
4	4811700	8	Washer M6	
5	5242400	4	Washer M24	
6	1706302	2	Decal, Pinch Point	
7	0641510	2	Bolt 5/16 x 1-1/4	
8	3311502	2	Nut 5/16	
9	1001192711	1	Door Assembly	
10	1001192720	1	Hook Assembly	
11	See Note	NSS	Hopper, Trash (Note: Purchase Complete Assembly)	
12	1001192875	1	Tray Assembly	
13	1001192876	2	Arm, Swing	
14	1001192877	1	Rod, Swing	
15	1001238570	1	Bar	
16	1001193540	2	Pin	
17	1001193729	2	Plate	
18	1001198355	2	Spacer	
19	1001238560	2	Pin	
20	See Note	NSS	SN Plate (Note: Stamped Part - Not Available for Purchase)	
21	1001203503	1	Decal, Trash Hopper Operation	

SECTION 3 - ATTACHMENTS

FIGURE 3-37. WINCH - COUPLER MOUNTED



ART_1001192702-C

SECTION 3 - ATTACHMENTS

FIGURE 3-37. WINCH - COUPLER MOUNTED

ITEM	PART NUMBER	QTY	DESCRIPTION	REV
	1001192702	Ref	Coupler Mounted Winch	D
1	70021349	4	Bolt, 3/8X1	
2	70024059	4	Bolt, 1/2X1-3/4	
3	90554054	4	Nut, 1/2	
4	90554042	4	Washer, Lock 3/8	
5	90554020	4	Washer, Lock 1/2	
6	70028860	4	Ring, Snap	
7	70021397	2	Fitting, Straight	
8	70021415	2	Fitting, Straight	
9	90554045	4	Grease, Fitting	
10	70028554	2	Screw	
11	70021979	1	Assembly, Socket (includes pin and cotter pin)	
12	70022528	1	Clamp	
13	91403414	1	Adapter, Male Quick Disconnect	
14	91403413	1	Adapter, Female Quick Disconnect	
15	70028861	2	Hose	
16	7029711	1	Decal, High Pressure	
17	70024064	1	Decal, Do Not Tow	
18	4110422	2	Decal, Warning Swinging Loads	
19	N.S.S.	1	Plate, Serial Number	
20	70028862	1	Winch	
21	8420053	1	Cap, Dust	
22	8420055	1	Cap, Dust	
23	70021387	1	Clamp, Hose	
24	70028863	4	Washer	
25	70028864	1	Cable	
26	N.S.S.	1	Weldment, Frame	
27	70028865	1	Hook	
28	70028866	2	Roller Tube, Winch	
29	70028867	2	Roller Bar, Winch	
30	1001227670	1	Tag, RFID	

SECTION 4 - ENGINE AND ATTACHING PARTS

SECTION 4 - ENGINE AND ATTACHING PARTS

SECTION 4 - ENGINE AND ATTACHING PARTS

FIGURE 4-1. ENGINE POD COMPONENT INSTALLATION (ULS)



ART_1001200443-D

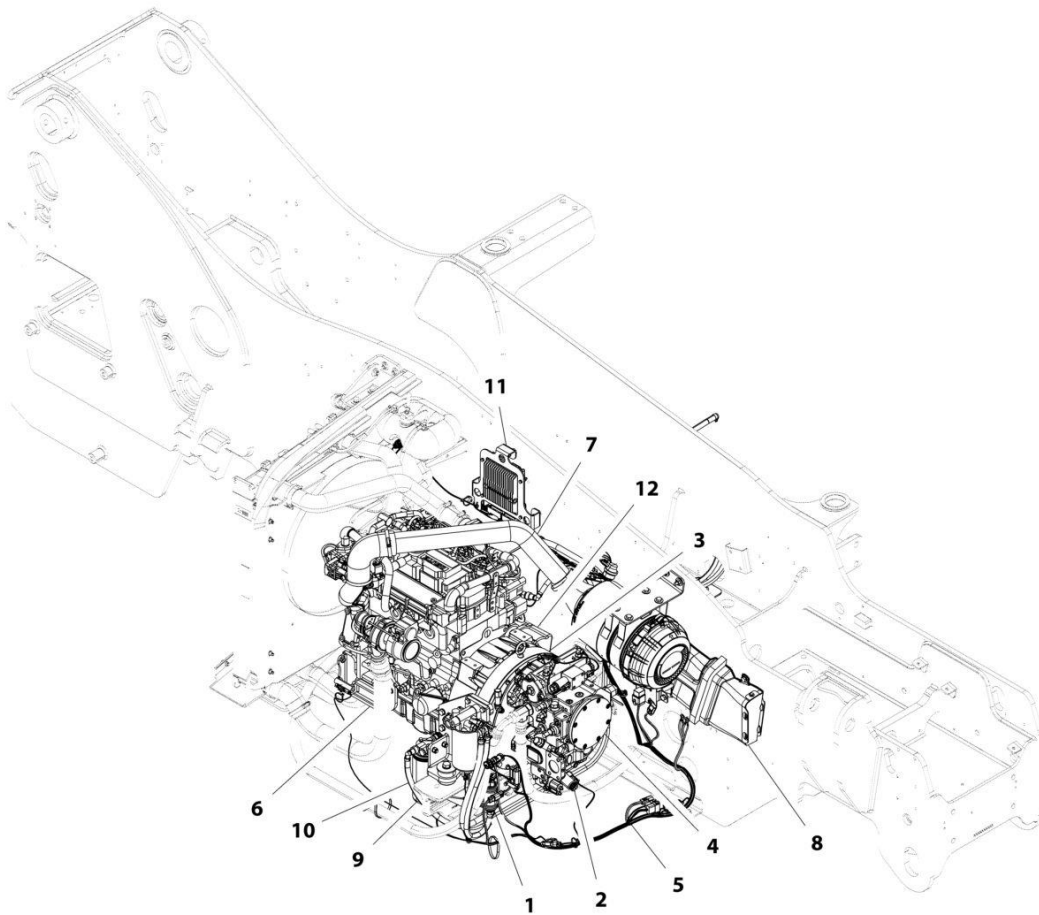
SECTION 4 - ENGINE AND ATTACHING PARTS

FIGURE 4-1. ENGINE POD COMPONENT INSTALLATION (ULS)

ITEM	PART NUMBER	QTY	DESCRIPTION	REV
	1001200443	Ref	Engine Pod Component Installation (ULS)	E
2	1001221041	1	Installation, Remote Fuel Pump (See Separate Breakdown in this Section)	
4	1001193393	1	Installation, Implement Pump (See Separate Breakdown in this Section)	
5	1001193703	1	Installation, Hydrostatic Adaptor (See Separate Breakdown in this Section)	
6	1001193704	1	Installation, Hydrostatic Drive Pump (See Separate Breakdown in this Section)	
7	1001200106	1	Installation, Engine Wiring (See Separate Breakdown in ELECTRICAL Section)	
8	1001200862	1	Installation, Engine Mount (See Separate Breakdown in this Section)	
9	1001200863	1	Installation, Air Intake (See Separate Breakdown in this Section)	
10	1001200864	1	Installation, Air Cleaner (See Separate Breakdown in this Section)	
11	1001200865	1	Installation, Primary Fuel Filter (See Separate Breakdown in this Section)	
12	1001200866	1	Installation, Fuel Lines (See Separate Breakdown in this Section)	
13	1001284538	1	Installation, Engine ECU (See Separate Breakdown in ELECTRICAL Section)	
14	1001293070	1	Installation, DEF Coolant Lines (See Separate Breakdown in this Section)	
15	1001201425	1	Installation, Engine (See Separate Breakdown in this Section)	

SECTION 4 - ENGINE AND ATTACHING PARTS

FIGURE 4-2. ENGINE POD COMPONENT INSTALLATION (LS)



ART_1001200444-A

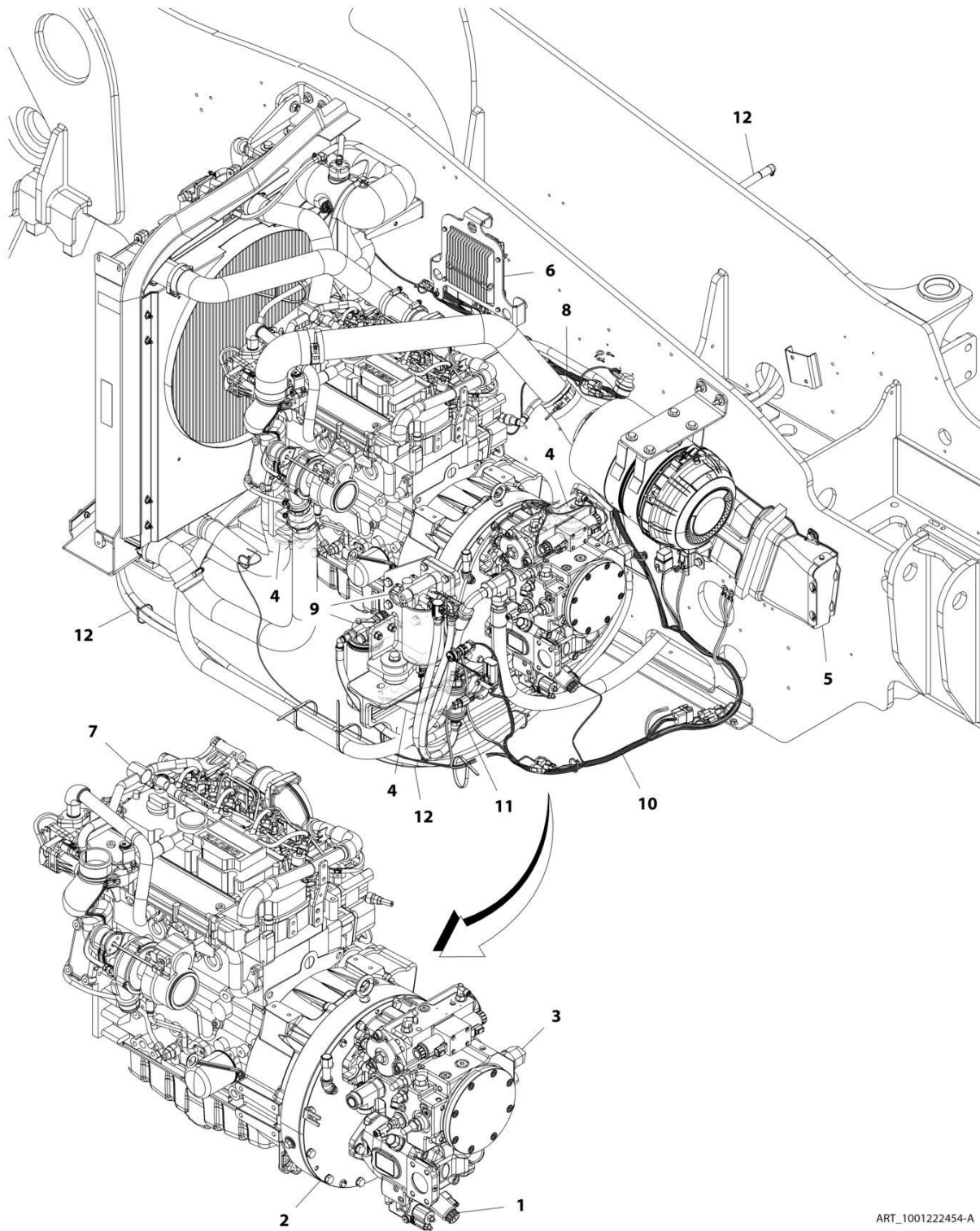
SECTION 4 - ENGINE AND ATTACHING PARTS

FIGURE 4-2. ENGINE POD COMPONENT INSTALLATION (LS)

ITEM	PART NUMBER	QTY	DESCRIPTION	REV
	1001200444	Ref	Engine Pod Component Installation (LS - no High Ambient)	B
1	1001221041	1	Installation, Remote Fuel Pump (See Separate Breakdown in this Section)	
2	1001193393	1	Installation, Implement Pump (See Separate Breakdown in this Section)	
3	1001193703	1	Installation, Hydrostatic Adaptor (See Separate Breakdown in this Section)	
4	1001193704	1	Installation, Hydrostatic Drive Pump (See Separate Breakdown in this Section)	
5	1001217752	1	Installation, Engine Wiring (See Separate Breakdown in Electrical Section)	
6	1001200862	1	Installation, Engine Mount (See Separate Breakdown in this Section)	
7	1001210600	1	Installation, Air Intake (See Separate Breakdown in this Section)	
8	1001200864	1	Installation, Air Cleaner (See Separate Breakdown in this Section)	
9	1001210602	1	Installation, Primary Fuel Filter (See Separate Breakdown in this Section)	
10	1001210601	1	Installation, Fuel Lines (See Separate Breakdown in this Section)	
11	1001284538	1	Installation, Engine ECU (See Separate Breakdown in Electrical Section)	
12	1001284532	1	Installation, Engine (See Separate Breakdown in this Section)	

SECTION 4 - ENGINE AND ATTACHING PARTS

FIGURE 4-3. ENGINE POD COMPONENT INSTALLATION (LS HIGH AMBIENT)



ART_1001222454-A

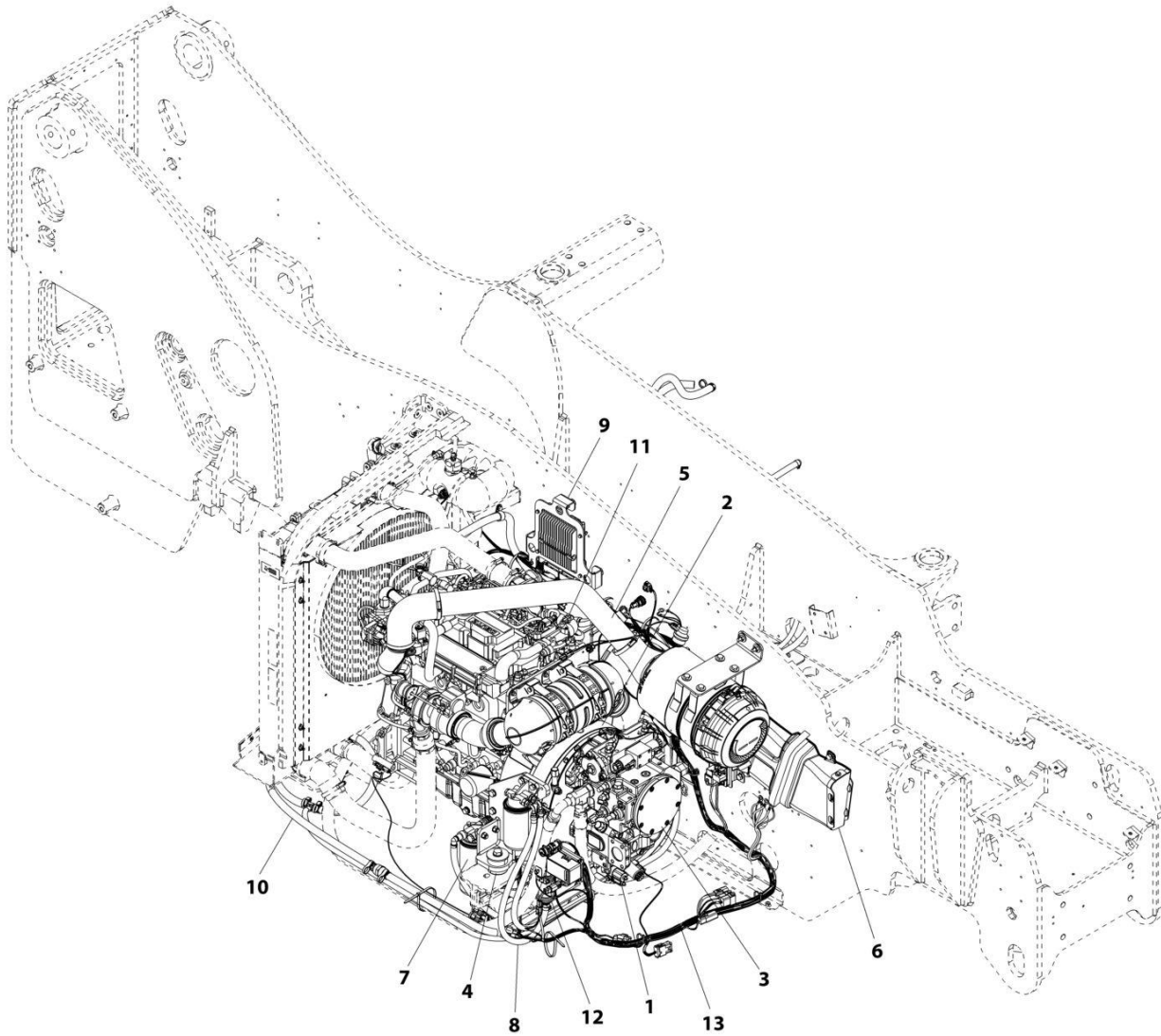
SECTION 4 - ENGINE AND ATTACHING PARTS

FIGURE 4-3. ENGINE POD COMPONENT INSTALLATION (LS HIGH AMBIENT)

ITEM	PART NUMBER	QTY	DESCRIPTION	REV
1	1001222454	Ref	Engine Installation (LS)	B
	1001193393	Ref	Installation, Main Hydraulic Pump (See Separate Breakdown in Hydraulic Circuits Section)	
2	1001193703	Ref	Installation, Transmission Hydrostatic Adapter (See Separate Breakdown in this Section)	
3	1001193704	Ref	Installation, Transmission Hydrostatic Drive Pump (See Separate Breakdown in this Section)	
4	1001200862	Ref	Installation, Engine Mounting (See Separate Breakdown in this Section)	
5	1001200864	Ref	Installation, Air Cleaner (See Separate Breakdown in this Section)	
6	1001284538	Ref	Installation, Engine ECU (See Separate Breakdown in Electrical Section)	
7	1001284532	Ref	Engine (LS) (See Separate Breakdown in this Section)	
8	1001210600	Ref	Installation, Air Intake Lines (LS) (See Separate Breakdown in this Section)	
9	1001210602	Ref	Installation, Primary Fuel Filter (LS) (See Separate Breakdown in this Section)	
10	1001217752	Ref	Installation, Engine Wiring (LS) (See Separate Breakdown in Electrical Section)	
11	1001221041	Ref	Installation, Remote Fuel Pump (See Separate Breakdown in this Section)	
12	1001222163	Ref	Installation, Fuel Lines (See Separate Breakdown in this Section)	

SECTION 4 - ENGINE AND ATTACHING PARTS

FIGURE 4-4. ENGINE POD COMPONENT INSTALLATION (MINING) (ULS)



ART_1001228727-A

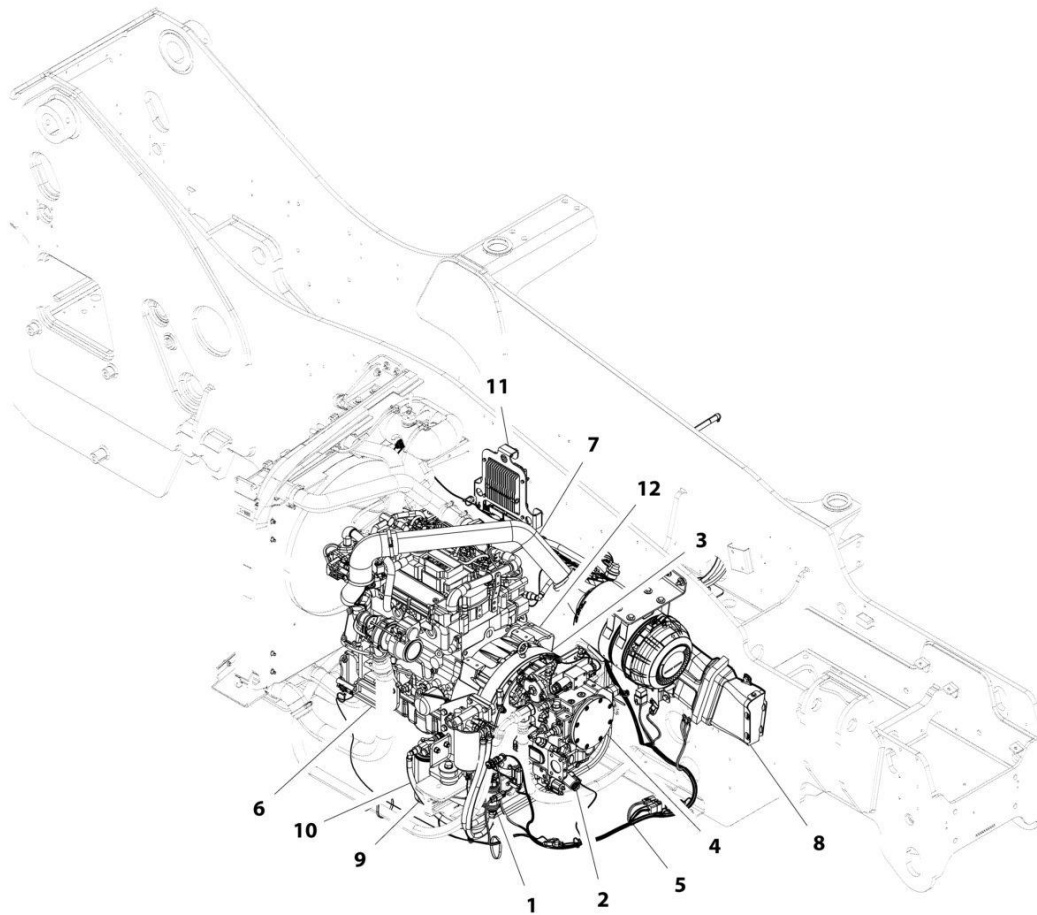
SECTION 4 - ENGINE AND ATTACHING PARTS

FIGURE 4-4. ENGINE POD COMPONENT INSTALLATION (MINING) (ULS)

ITEM	PART NUMBER	QTY	DESCRIPTION	REV
	1001228727	Ref	Engine Pod Component Installation (Mining) (ULS)	B
1	1001193393	1	Installation, Implement Pump (See Separate Breakdown in this Section)	
2	1001193703	1	Installation, Hydrostatic Adaptor (See Separate Breakdown in this Section)	
3	1001193704	1	Installation, Hydrostatic Drive Pump (See Separate Breakdown in this Section)	
4	1001200862	1	Installation, Engine Mount (See Separate Breakdown in this Section)	
5	1001200863	1	Installation, Air Intake (See Separate Breakdown in this Section)	
6	1001200864	1	Installation, Air Cleaner (See Separate Breakdown in this Section)	
7	1001200865	1	Installation, Primary Fuel Filter (See Separate Breakdown in this Section)	
8	1001200866	1	Installation, Fuel Lines (See Separate Breakdown in this Section)	
9	1001284538	1	Installation, Engine ECU (See Separate Breakdown in ELECTRICAL Section)	
10	1001293070	1	Installation, DEF Coolant Lines (See Separate Breakdown in this Section)	
11	1001201425	1	Installation, Engine (See Separate Breakdown in this Section)	
12	1001221041	1	Installation, Remote Fuel Pump (See Separate Breakdown in this Section)	
13	1001228728	1	Installation, Engine Wiring (See Separate Breakdown in ELECTRICAL Section)	

SECTION 4 - ENGINE AND ATTACHING PARTS

FIGURE 4-5. ENGINE POD COMPONENT INSTALLATION (MINING) (LS)



ART_1001228734-A

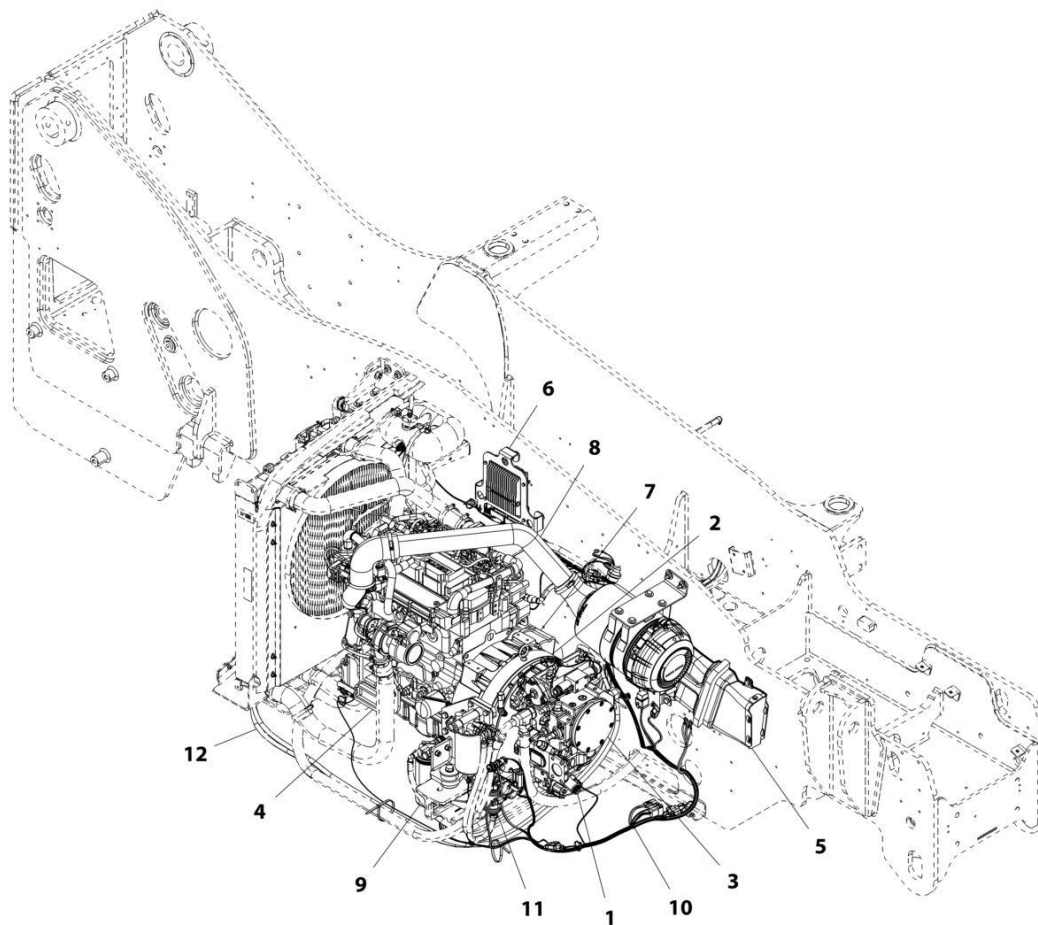
SECTION 4 - ENGINE AND ATTACHING PARTS

FIGURE 4-5. ENGINE POD COMPONENT INSTALLATION (MINING) (LS)

ITEM	PART NUMBER	QTY	DESCRIPTION	REV
	1001228734	Ref	Engine Pod Component Installation (Mining) (LS)	B
1	1001221041	1	Installation, Remote Fuel Pump (See Separate Breakdown in this Section)	
2	1001193393	1	Installation, Implement Pump (See Separate Breakdown in this Section)	
3	1001193703	1	Installation, Hydrostatic Adaptor (See Separate Breakdown in this Section)	
4	1001193704	1	Installation, Hydrostatic Drive Pump (See Separate Breakdown in this Section)	
5	1001228735	1	Installation, Engine Wiring (See Separate Breakdown in Electrical Section)	
6	1001200862	1	Installation, Engine Mount (See Separate Breakdown in this Section)	
7	1001210600	1	Installation, Air Intake (See Separate Breakdown in this Section)	
8	1001200864	1	Installation, Air Cleaner (See Separate Breakdown in this Section)	
9	1001210602	1	Installation, Primary Fuel Filter (See Separate Breakdown in this Section)	
10	1001210601	1	Installation, Fuel Lines (See Separate Breakdown in this Section)	
11	1001284538	1	Installation, Engine ECU (See Separate Breakdown in Electrical Section)	
12	1001284532	1	Installation, Engine (See Separate Breakdown in this Section)	

SECTION 4 - ENGINE AND ATTACHING PARTS

FIGURE 4-6. ENGINE POD COMPONENT INSTALLATION (MINING) (LS HIGH AMBIENT)



ART_1001228737-A

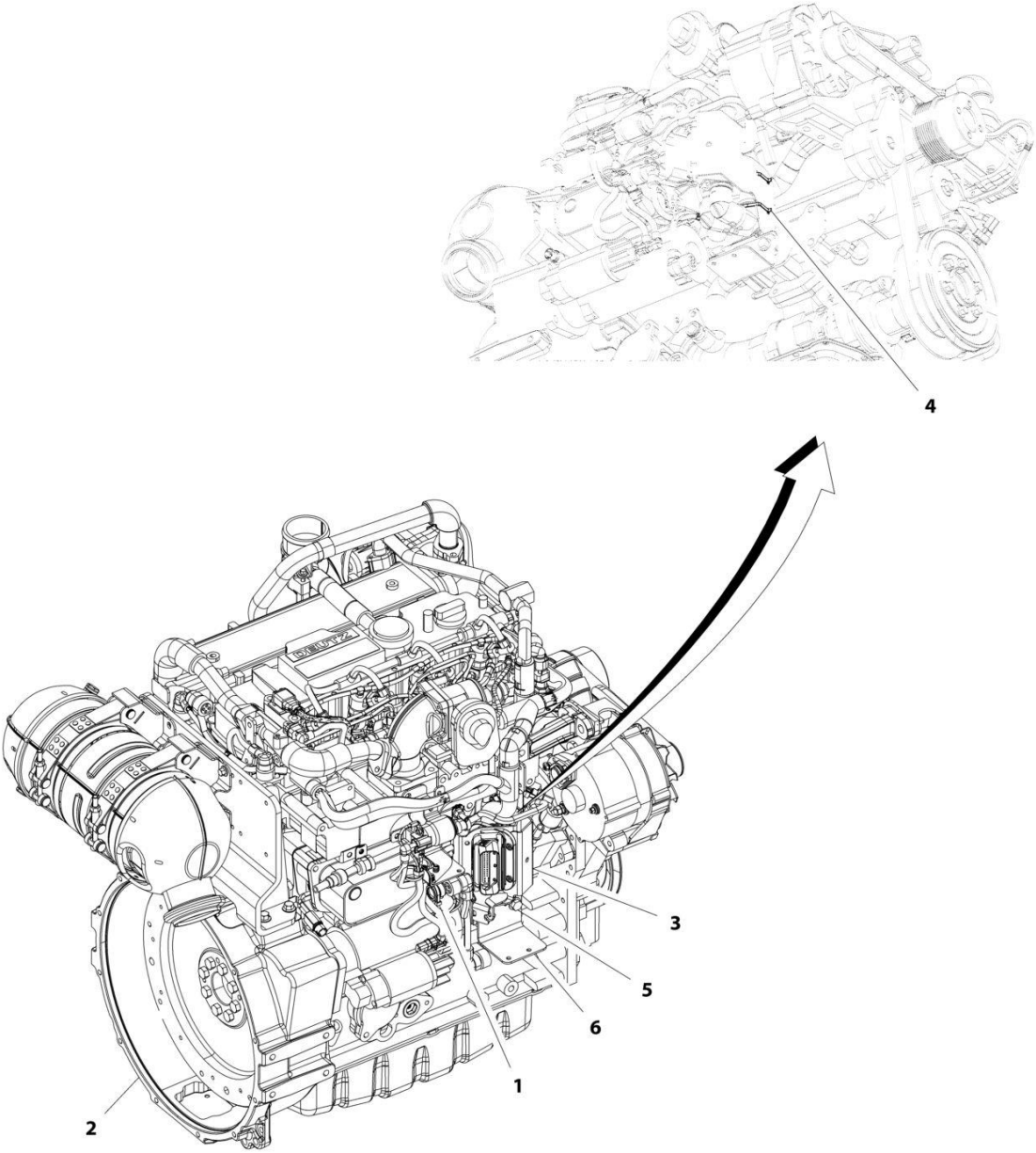
SECTION 4 - ENGINE AND ATTACHING PARTS

FIGURE 4-6. ENGINE POD COMPONENT INSTALLATION (MINING) (LS HIGH AMBIENT)

ITEM	PART NUMBER	QTY	DESCRIPTION	REV
1	1001228737 1001193393	Ref 1	Engine Pod Component Installation (LS - High Ambient) Installation, Implement Pump (See Separate Breakdown in this Section)	B
2	1001193703	1	Installation, Hydrostatic Adaptor (See Separate Breakdown in this Section)	
3	1001193704	1	Installation, Hydrostatic Drive Pump (See Separate Breakdown in this Section)	
4	1001200862	1	Installation, Engine Mount (See Separate Breakdown in this Section)	
5	1001200864	1	Installation, Air Cleaner (See Separate Breakdown in this Section)	
6	1001284538	1	Installation, Engine ECU (See Separate Breakdown in Electrical Section)	
7	1001284532	1	Installation, Engine (See Separate Breakdown in this Section)	
8	1001210600	1	Installation, Air Intake (See Separate Breakdown in this Section)	
9	1001210602	1	Installation, Primary Fuel Filter (See Separate Breakdown in this Section)	
10	1001228735	1	Installation, Engine Wiring (See Separate Breakdown in Electrical Section)	
11	1001221041	1	Installation, Remote Fuel Pump (See Separate Breakdown in this Section)	
12	1001222163	1	Installation, Fuel Lines (See Separate Breakdown in this Section)	

SECTION 4 - ENGINE AND ATTACHING PARTS

FIGURE 4-7. ENGINE INSTALLATION (ULS)



ART_1001201425-D

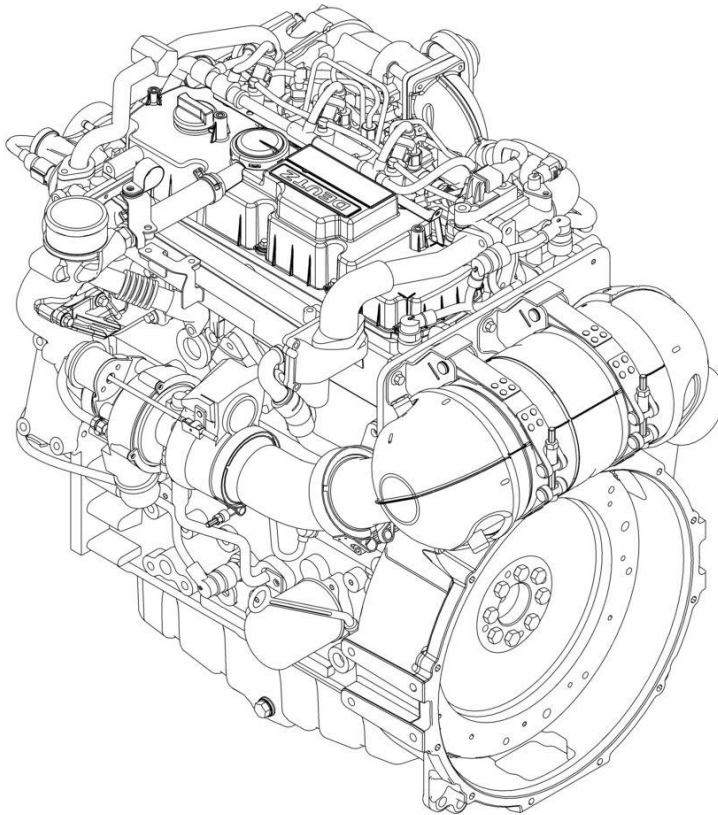
SECTION 4 - ENGINE AND ATTACHING PARTS

FIGURE 4-7. ENGINE INSTALLATION (ULS)

ITEM	PART NUMBER	QTY	DESCRIPTION	REV
	1001201425	Ref	Engine Installation (ULS)	F
1	1001004720	4	Strap, Cable	
2	1001284531	1	Engine (See Separate breakdown in this Section)	
3	1001202901	1	Bracket, ECU Connector	
4	1001008559	2	Strap, Cable	
5	5251012	2	Bolt, M10X25	
6	1001222460	1	Bracket, Fuel Supply	

SECTION 4 - ENGINE AND ATTACHING PARTS

FIGURE 4-8. ENGINE ASSEMBLY (ULS)



ART_1001197414_O

SECTION 4 - ENGINE AND ATTACHING PARTS

FIGURE 4-8. ENGINE ASSEMBLY (ULS)

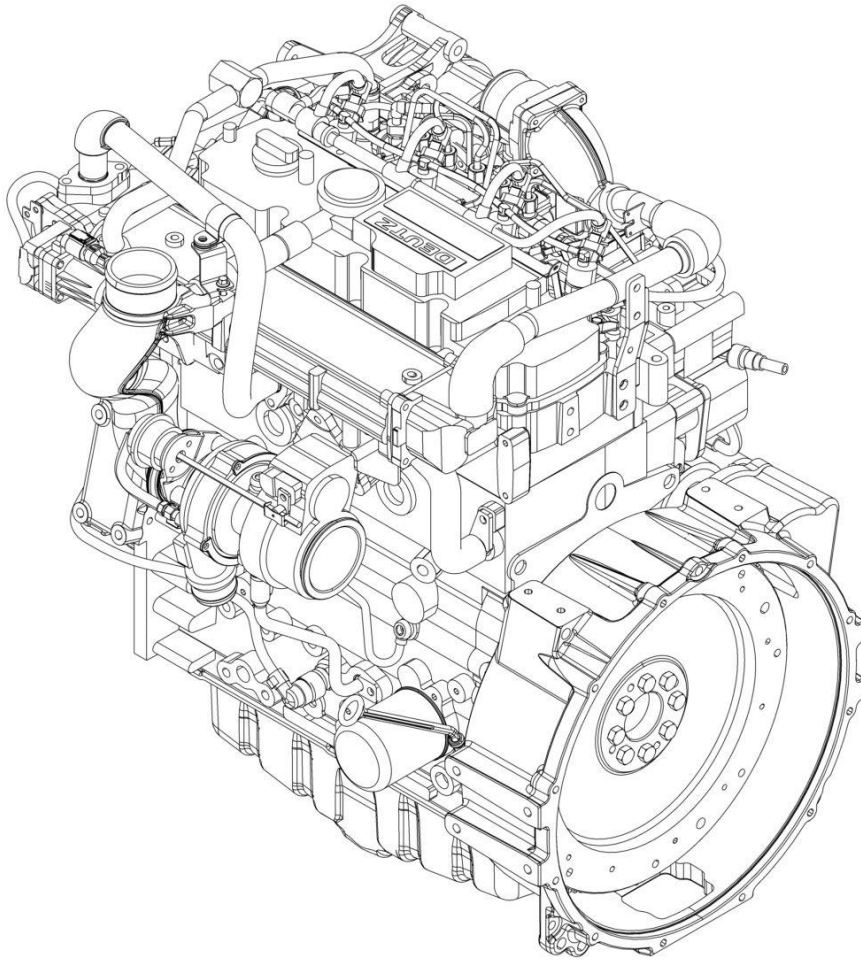
ITEM	PART NUMBER	QTY	DESCRIPTION	REV
	1001197414	Ref	ENGINE (100kW - ULS)	O
	70027657	1	Dipstick	
	7020442	1	O-Ring	
	70025755	1	Tube, Dipstick	
	70025765	1	Pan, Oil	
	70025786	1	Plug	
	70025757	1	Flywheel	
	7020208	1	Gear, Ring	
	70126616	1	Bearing	
	70027567	1	Belt	
	70025737	1	Sensor, Wheel	
	70025743	1	Pulley, V-Groove	
	70124445	1	Crankcase	
	70025763	1	Pump, Oil	
	70024494	1	Cooler, Oil	
	70024495	1	Gasket	
	7016331	1	Filter, Oil	
	70024504	1	Sensor, Pressure	
	70024489	1	Line, Lube	
	70005490	1	Line, Return	
	70005730	1	Pipe, Transfer	
	70025722	1	Line, Oil Suction	
	70024487	1	Pump, Fuel Injector	
	70027417	1	Filter, Fuel (Secondary)	
	70004512	1	Element, Fuel Filter (Secondary)	
	70024961	1	Filter, Fuel (Primary)	
	70025153	1	Element, Fuel Filter (Primary)	
	70006144	1	Pump, Fuel	
	70024507	1	Sensor, Pressure	
	70005492	1	Valve, Throttle	
	70025772	1	Manifold, Air Charge	
	70027420	1	Module, ECU	
	70026011	1	Pump, Water	
	70025775	1	Pulley, V-Ribbed Belt	
	70024918	1	Sensor, Temperature	
	70024493	1	Gasket	
	70005504	1	Sensor, Pressure	
	70005505	1	O-Ring	
	70027405	2	Sensor, Temperature	
	70005507	2	O-Ring	
	70005510	1	Manifold, Exhaust	
	70005511	1	Gasket	
	70027426	1	Module, EGR	
	70005513	1	Valve, Control	
	70025768	1	Valve, Shuttle	
	70028417	1	Turbocharger	
	70024484	1	Roller, Idler	
	70028418	1	Tensioner, Belt	
	70028419	1	Belt, V-Ribbed	
	70031088	1	Alternator	

SECTION 4 - ENGINE AND ATTACHING PARTS

ITEM	PART NUMBER	QTY	DESCRIPTION	REV
	70025535	1	Starter	
	70025780	1	Relay	
	70026210	1	Sensor, Speed	
	70005191	1	O-Ring	
	70025761	1	Connector	
	70024474	1	Plug, Glow	
	70025760	1	Rail, Connecting	
	70005544	1	Unit, Metering	
	70005548	1	Pump, DEF Supply	
	70005549	1	Filter, DEF	
	70005523	1	Sensor, Pressure	
	70024505	1	Sensor, Temperature	
	70005556	1	Sensor, Temperature	
	70005522	1	Sensor	
	70005524	1	Sensor	
	70005559	1	Sensor, Temperature	
	70005507	1	O-Ring	
	70005557	1	Pipe	
	70005558	1	Clip	
	70025877	3	Clamp	
	70025242	3	Gasket	
	70025707	1	Set, Gasket	

SECTION 4 - ENGINE AND ATTACHING PARTS

FIGURE 4-9. ENGINE ASSEMBLY (LS)



ART_1001209585-G

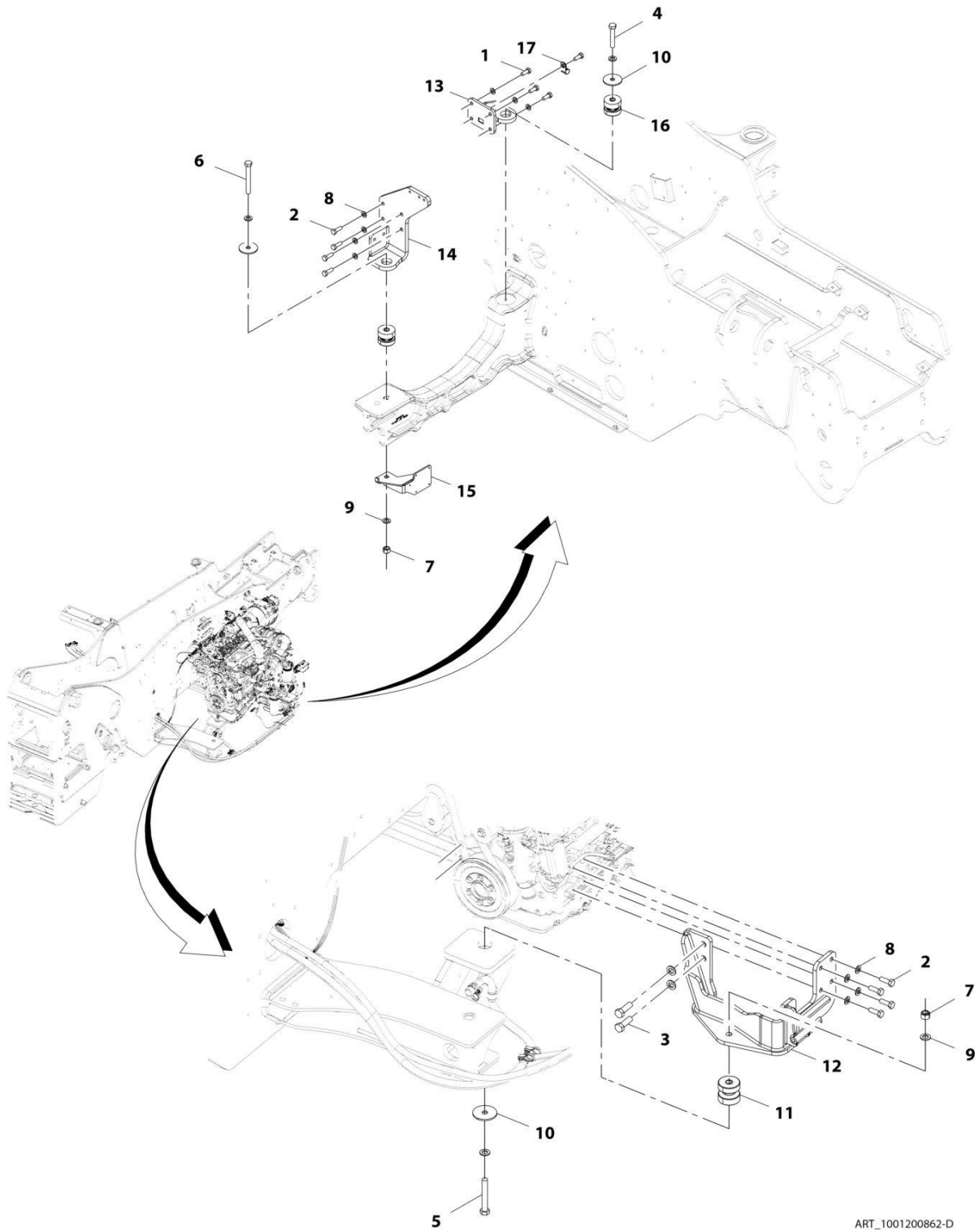
SECTION 4 - ENGINE AND ATTACHING PARTS

FIGURE 4-9. ENGINE ASSEMBLY (LS)

ITEM	PART NUMBER	QTY	DESCRIPTION	REV
	1001209585	Ref	Engine (100kW - LS)	H
	70004512	1	Fuel Filter - Use 1001225432	
	70005174	1	Pump, Fuel - Use 1001226098	
	70005490	1	Line, Oil Return	
	70005492	1	Valve, Throttle	
	70005495	1	Unit, Control Programmed To Sn	
	70005504	1	Sensor, Pressure	
	70005505	1	Ring, Sealing	
	70005507	2	O-Seal	
	70024487	1	Fuel Inject Pump	
	70024489	1	Lubrication Oil Line	
	70024493	1	Gasket	
	70024494	1	Oil Cooler	
	70024495	1	Gasket	
	70024504	1	Oil Pressure Sensor - Use 70028538	
	70024507	1	Air Temperature Sensor	
	70024918	1	Temperature Sensor, Coolnt - Use 70028540	
	70024961	1	Fuel Prefilt Assembly, Prim (No Br)	
	70025153	1	Fuel Element Prime - Use 1001225430	
	70025722	1	Oil Suction Line	
	70025730	1	Transfer Pipe	
	70025737	1	Sensor Wheel	
	70025743	1	V-Grooved Pulley	
	70025755	1	Guide Tube	
	70025757	1	Flywheel - Use 70028764	
	70025763	1	Oil Pump	
	70025765	1	Oil Pan	
	70025768	1	Shuttle Valve - Use 70028928	
	70025772	1	Charge Air Pipe - Use 70028927	
	70025775	1	V-Belt Pulley	
	70025786	24	Screw Plug	
	70026011	1	Water Pump	
	70027405	2	Temperature Sensor	
	70027417	1	Fuel Filter Assembly	
	70027567	1	Belt Pulley	
	70027657	1	Dipstick	
	70124445	1	Crankshaft - Use 70029365	
	70126616	1	Bearing Bush	
	7016331	1	Filter, Oil	
	7020208	1	Ring Gear (129 Teeth)	
	7020442	1	Dipstick O-Ring	

SECTION 4 - ENGINE AND ATTACHING PARTS

FIGURE 4-10. ENGINE MOUNT INSTALLATION



ART_1001200862-D

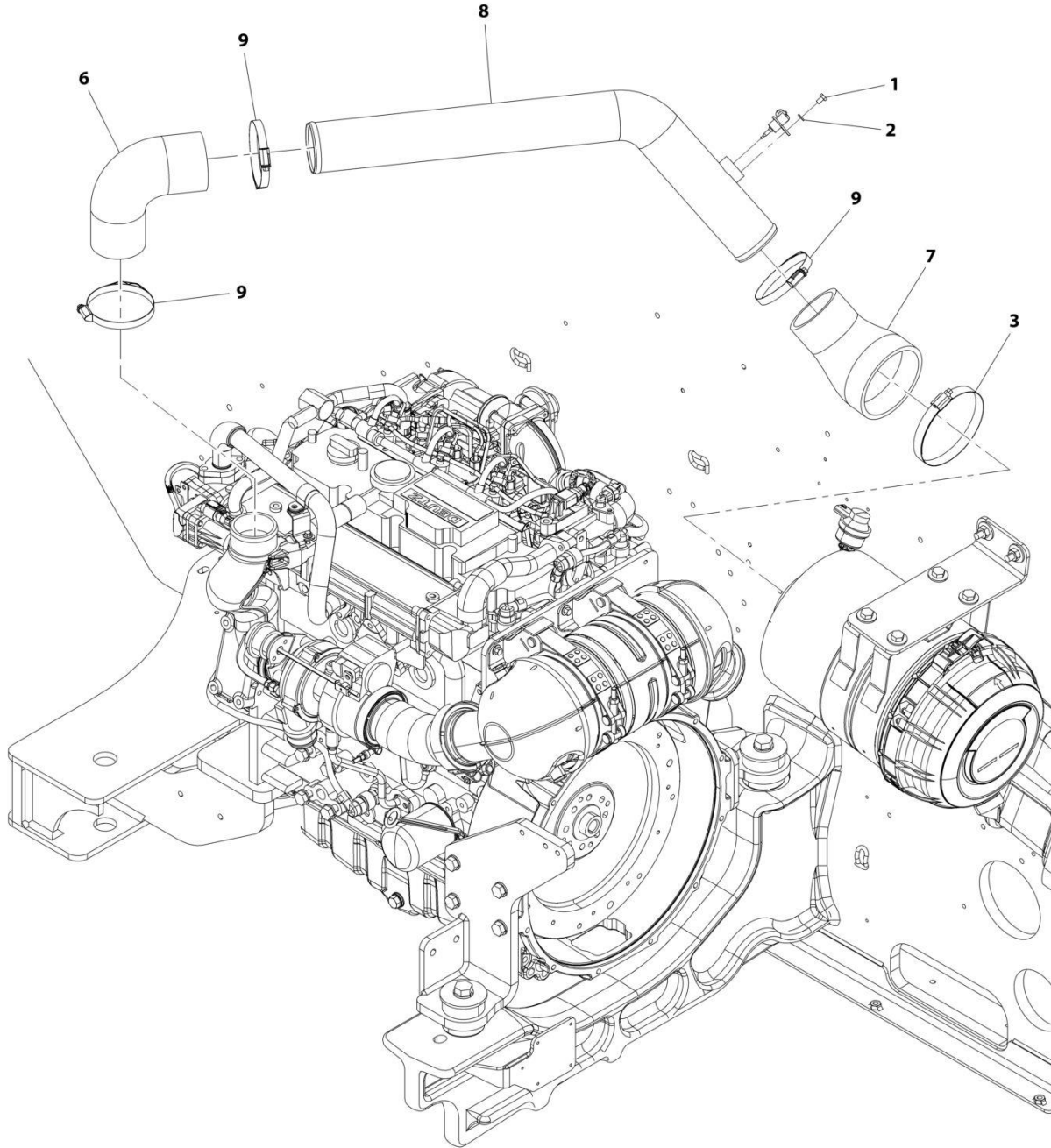
SECTION 4 - ENGINE AND ATTACHING PARTS

FIGURE 4-10. ENGINE MOUNT INSTALLATION

ITEM	PART NUMBER	QTY	DESCRIPTION	REV
	1001200862	Ref	Engine Mount Installation	D
1	0761214	4	Bolt, M12X30	
2	0761215	8	Bolt, M12X35	
3	0701618	2	Bolt M16 X 50	
4	0701626	1	Bolt, M16X90	
5	0701628	1	Bolt, M16X110	
6	0701630	1	Bolt, M16X130	
7	3291605	2	Nut, Lock M16X2	
8	4812100	11	Washer, M12	
9	4812300	7	Washer, M16	
10	7300435	3	Washer	
11	1001188757	1	Mount, Engine	
12	1001200871	1	Bracket, Engine Mount	
13	1001200872	1	Bracket, Engine Mount	
14	1001200873	1	Bracket, Engine Mount	
15	1001200874	1	Bracket, Fuel Pump	
16	1001197072	2	Mount, Engine	
17	8406105	1	Clip, Tube	

SECTION 4 - ENGINE AND ATTACHING PARTS

FIGURE 4-11. AIR INTAKE INSTALLATION (ULS)



ART_1001200863-B

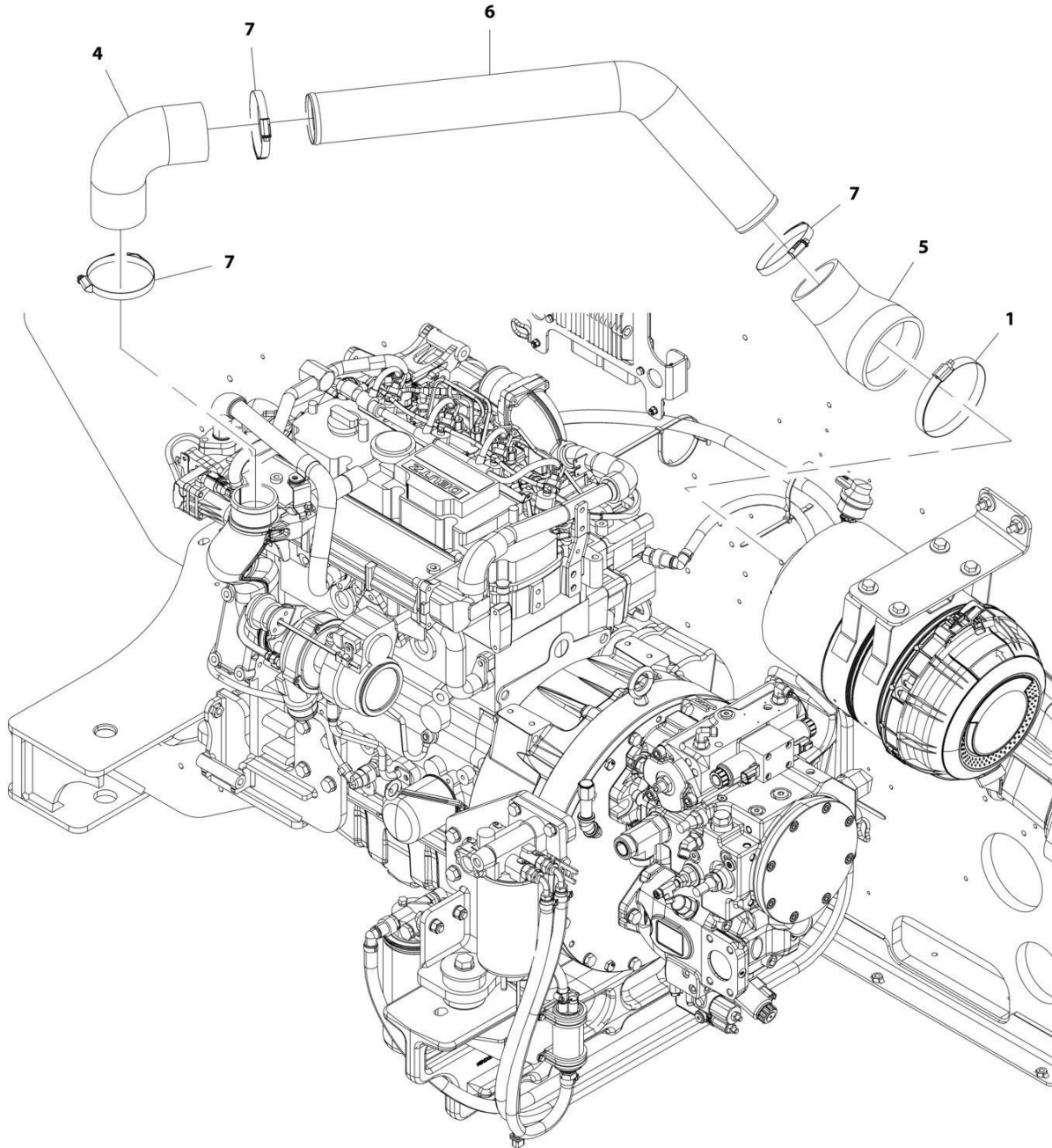
SECTION 4 - ENGINE AND ATTACHING PARTS

FIGURE 4-11. AIR INTAKE INSTALLATION (ULS)

ITEM	PART NUMBER	QTY	DESCRIPTION	REV
	1001200863	Ref	Air Intake Installation (ULS)	B
1	0760605	1	Bolt, M6X10	
2	4811700	1	Washer, M6	
3	8405402	1	Clamp	
6	1001182881	1	Hose	
7	1001200885	1	Hose	
8	1001200886	1	Tube	
9	1001226523	3	Clamp	

SECTION 4 - ENGINE AND ATTACHING PARTS

FIGURE 4-12. AIR INTAKE INSTALLATION (LS)



ART_1001210600-B

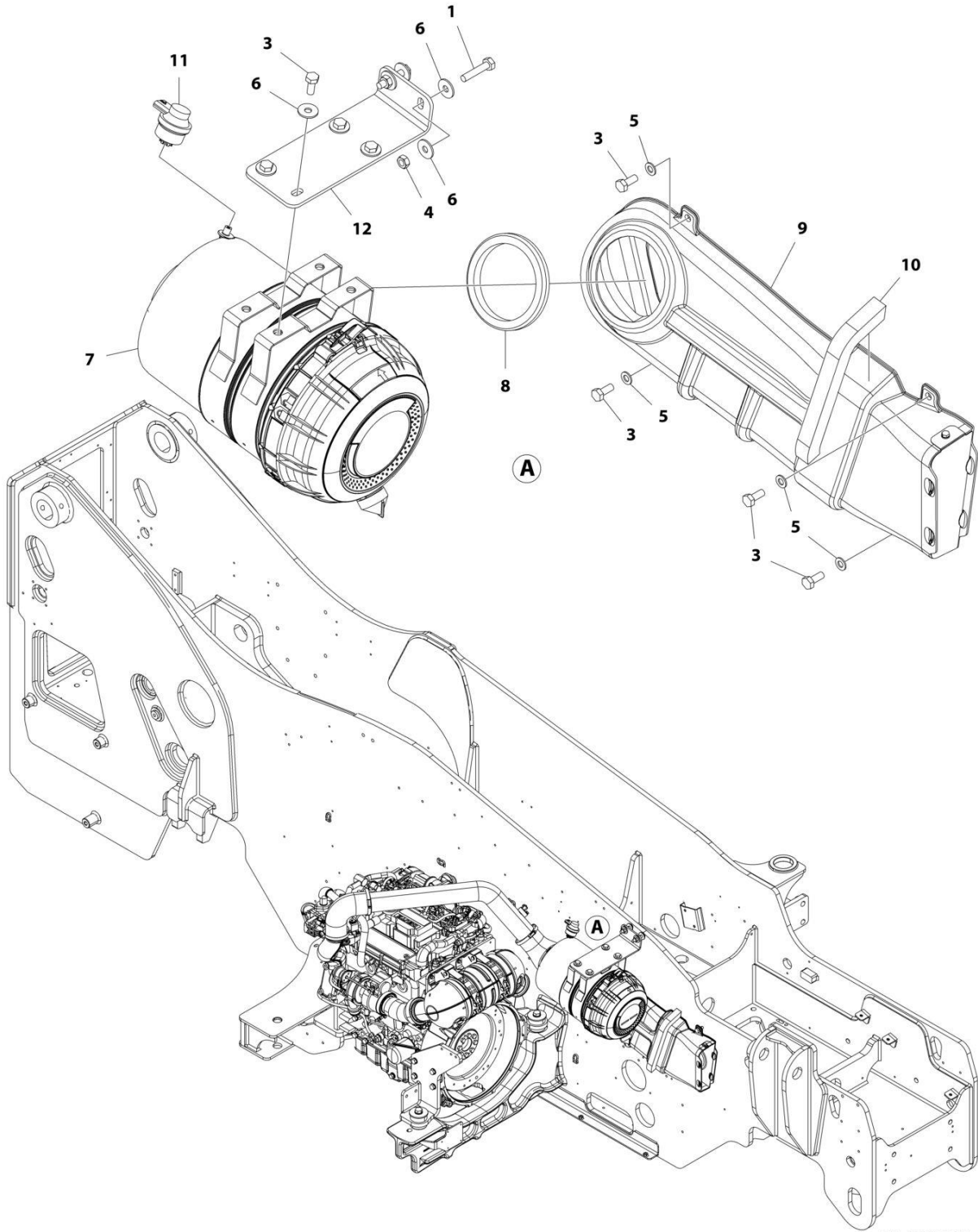
SECTION 4 - ENGINE AND ATTACHING PARTS

FIGURE 4-12. AIR INTAKE INSTALLATION (LS)

ITEM	PART NUMBER	QTY	DESCRIPTION	REV
	1001210600	Ref	Air Intake Installation (LS)	B
1	8405402	1	Clamp	
4	1001182881	1	Hose	
5	1001200885	1	Hose	
6	1001210603	1	Pipe	
7	1001226523	3	Clamp	

SECTION 4 - ENGINE AND ATTACHING PARTS

FIGURE 4-13. AIR CLEANER INSTALLATION



ART_1001200864

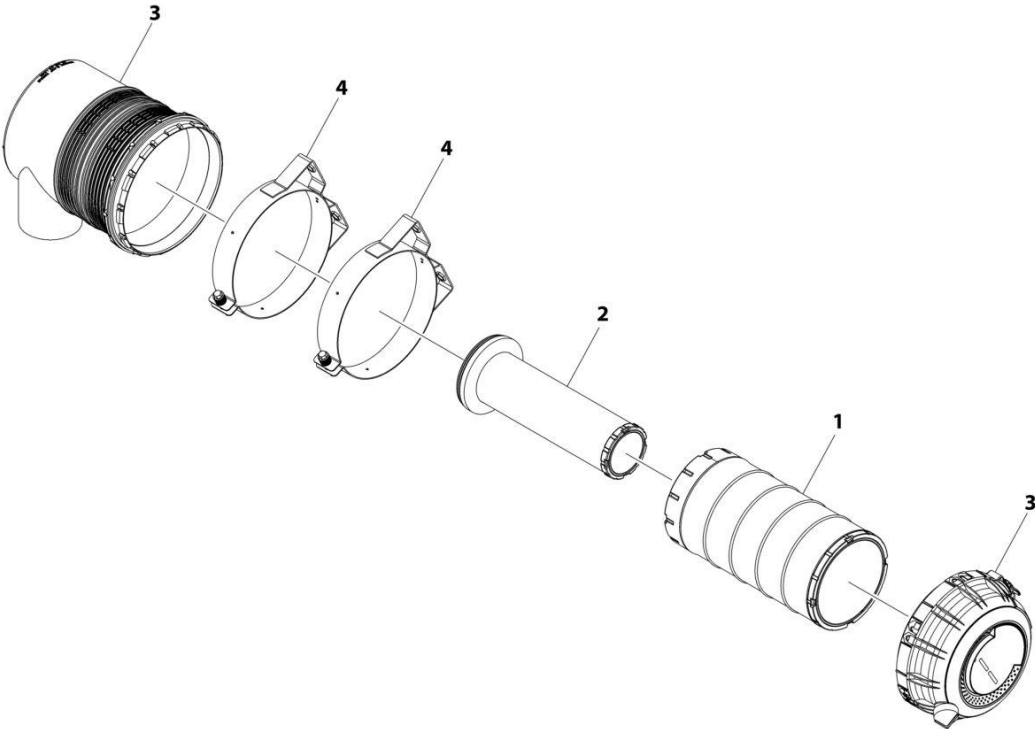
SECTION 4 - ENGINE AND ATTACHING PARTS

FIGURE 4-13. AIR CLEANER INSTALLATION

ITEM	PART NUMBER	QTY	DESCRIPTION	REV
	1001200864	Ref	AIR CLEANER INSTALLATION	D
1	0701018	2	Bolt M10 x 50	
3	0761012	8	Bolt M10 x 25	
4	3291001	2	Nut M10 x 1.5	
5	4812000	4	Washer M10	
6	4812002	8	Washer M10	
7	1001166565	1	Filter, Air Cleaner (See Separate Breakdown in this Section)	
8	1001183831	1	Grommet	
9	1001183835	1	Air Intake Duct Installation (See Separate Breakdown in this Section)	
10	1001186898	1	Seal	
11	1001166715	1	Indicator	
12	1001194534	1	Bracket, Air Cleaner Mount	

SECTION 4 - ENGINE AND ATTACHING PARTS

FIGURE 4-14. AIR CLEANER ASSEMBLY



ART_1001166565

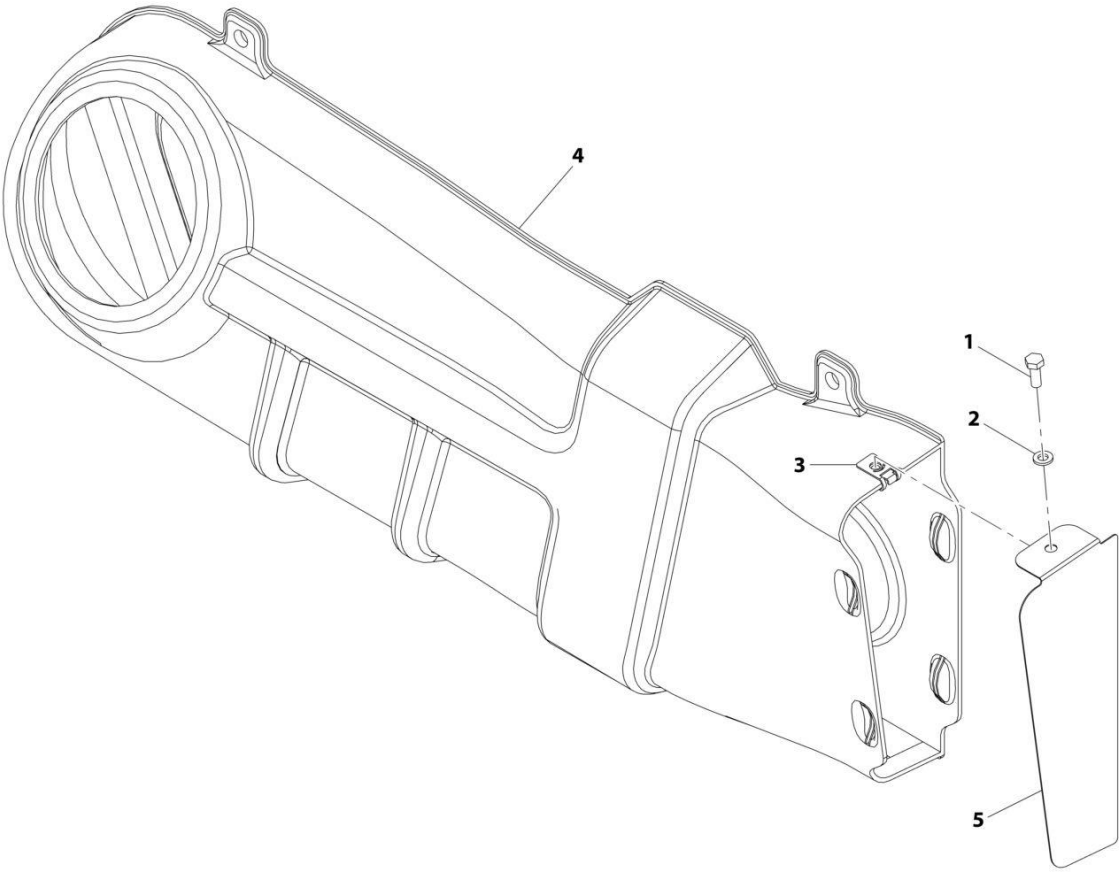
SECTION 4 - ENGINE AND ATTACHING PARTS

FIGURE 4-14. AIR CLEANER ASSEMBLY

ITEM	PART NUMBER	QTY	DESCRIPTION	REV
	1001166565	Ref	AIR FILTER ASSEMBLY (90/100KW)	F
1	70025850	1	Filter, Cylindrical Air Primary	
2	70025851	1	Filter, Cylindrical Air Secondary	
3	70026395	1	Cover	
4	70026396	2	Bracket	

SECTION 4 - ENGINE AND ATTACHING PARTS

FIGURE 4-15. AIR INTAKE DUCT INSTALLATION



ART_1001183835-C

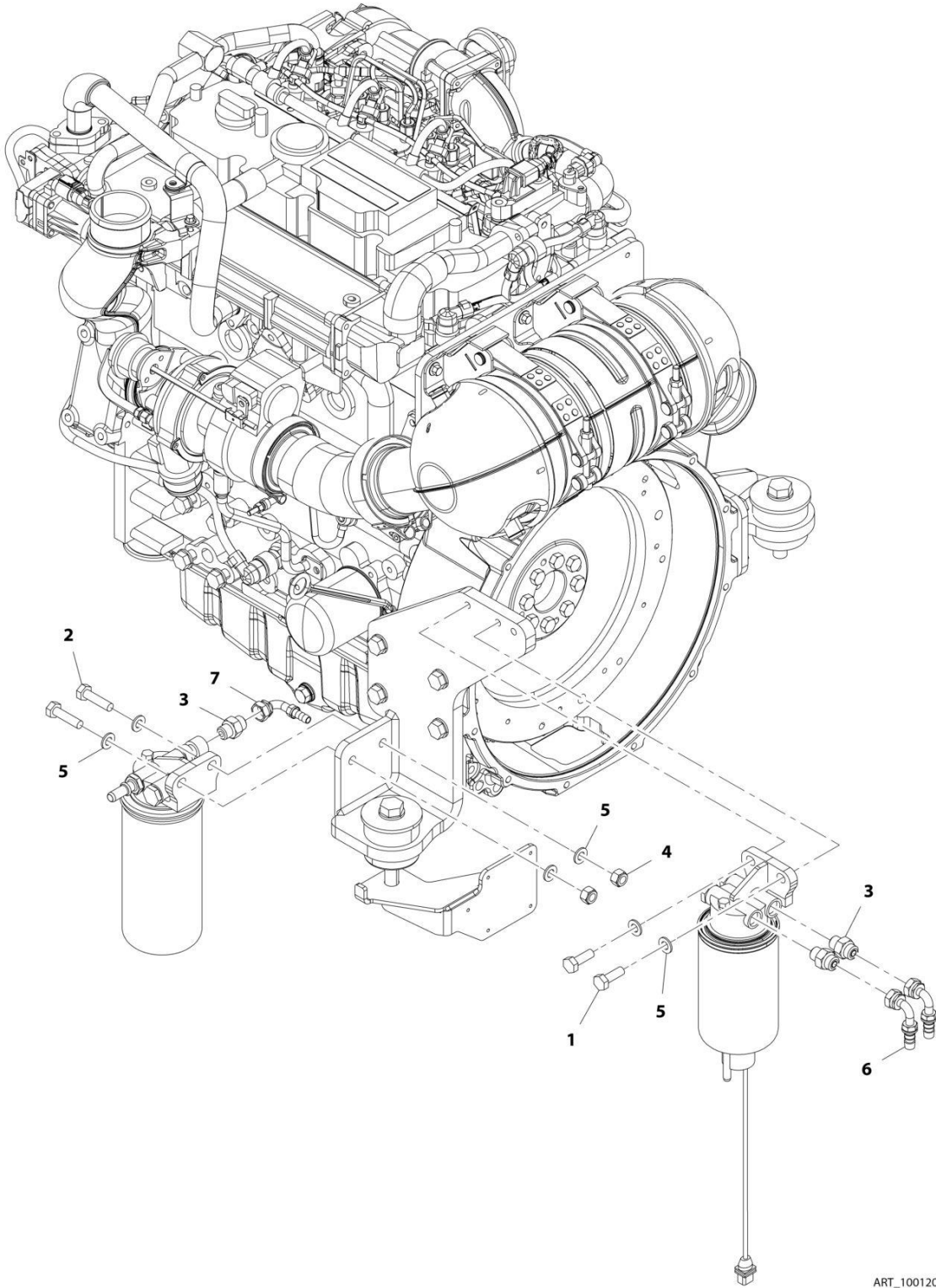
SECTION 4 - ENGINE AND ATTACHING PARTS

FIGURE 4-15. AIR INTAKE DUCT INSTALLATION

ITEM	PART NUMBER	QTY	DESCRIPTION	REV
	1001183835	Ref	Air Intake Duct Installation	C
1	0760608	1	Bolt, M6X16	
2	4811702	1	Washer, M6	
3	8305919	1	Nut	
4	1001183827	1	Duct	
5	1001183829	1	Plate	

SECTION 4 - ENGINE AND ATTACHING PARTS

FIGURE 4-16. PRIMARY FUEL FILTER INSTALLATION (ULS)



ART_1001200865-C

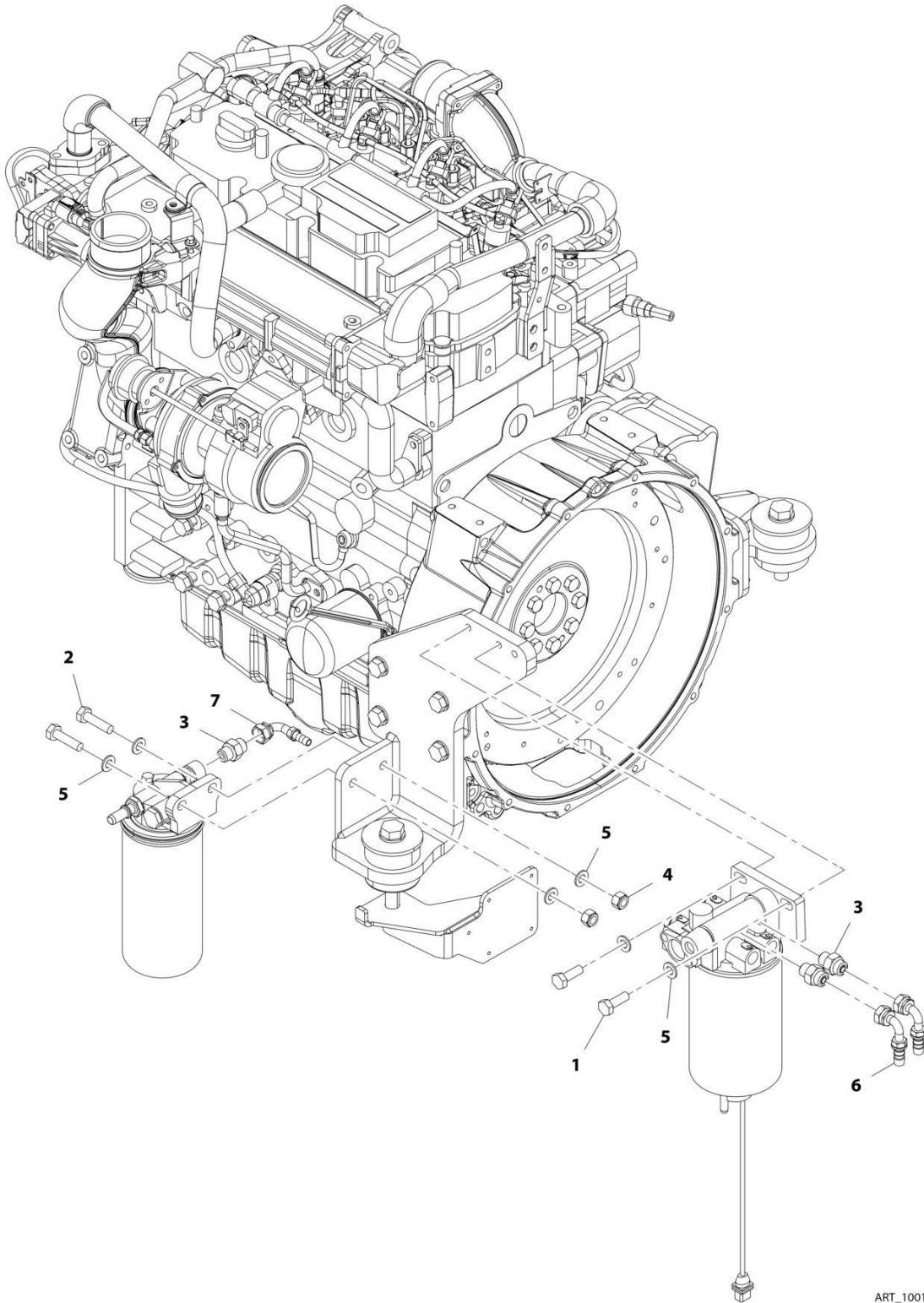
SECTION 4 - ENGINE AND ATTACHING PARTS

FIGURE 4-16. PRIMARY FUEL FILTER INSTALLATION (ULS)

ITEM	PART NUMBER	QTY	DESCRIPTION	REV
	1001200865	Ref	Primary Fuel Filter Installation	C
1	0701014	2	Bolt, M10X30	
2	0701016	2	Bolt, M10X40	
3	2144606	3	Fitting, Straight ORFS	
4	3291005	2	Nut, Lock M10X1.5	
5	4812000	6	Washer, M10	
6	1001095301	2	Fitting, 90 ORFS	
7	1001133793	1	Fitting, 90 ORFS	

SECTION 4 - ENGINE AND ATTACHING PARTS

FIGURE 4-17. PRIMARY FUEL FILTER INSTALLATION (LS)



ART_1001210602-B

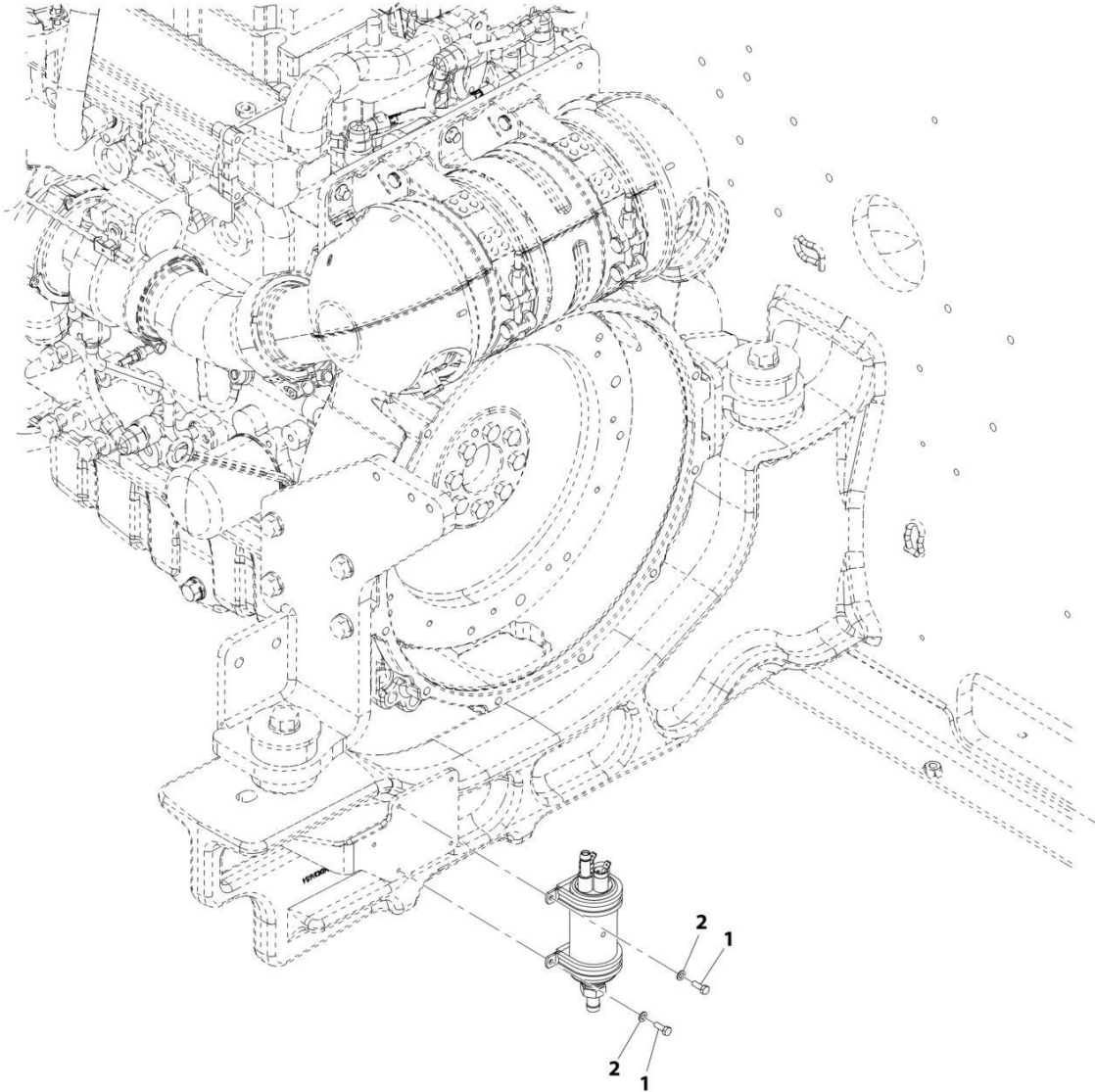
SECTION 4 - ENGINE AND ATTACHING PARTS

FIGURE 4-17. PRIMARY FUEL FILTER INSTALLATION (LS)

ITEM	PART NUMBER	QTY	DESCRIPTION	REV
	1001210602	Ref	Primary Fuel Filter Installation (LS)	B
1	0701014	2	Bolt, M10X30	
2	0701016	2	Bolt, M10X40	
3	2144606	3	Fitting, 90 ORFS	
4	3291005	2	Nut, Lock M10X1.5	
5	4812000	6	Washer, M10	
6	1001095301	2	Fitting, 90 ORFS	
7	1001133793	1	Fitting, 90 ORFS	

SECTION 4 - ENGINE AND ATTACHING PARTS

FIGURE 4-18. REMOTE FUEL PUMP INSTALLATION



ART_1001221041-B

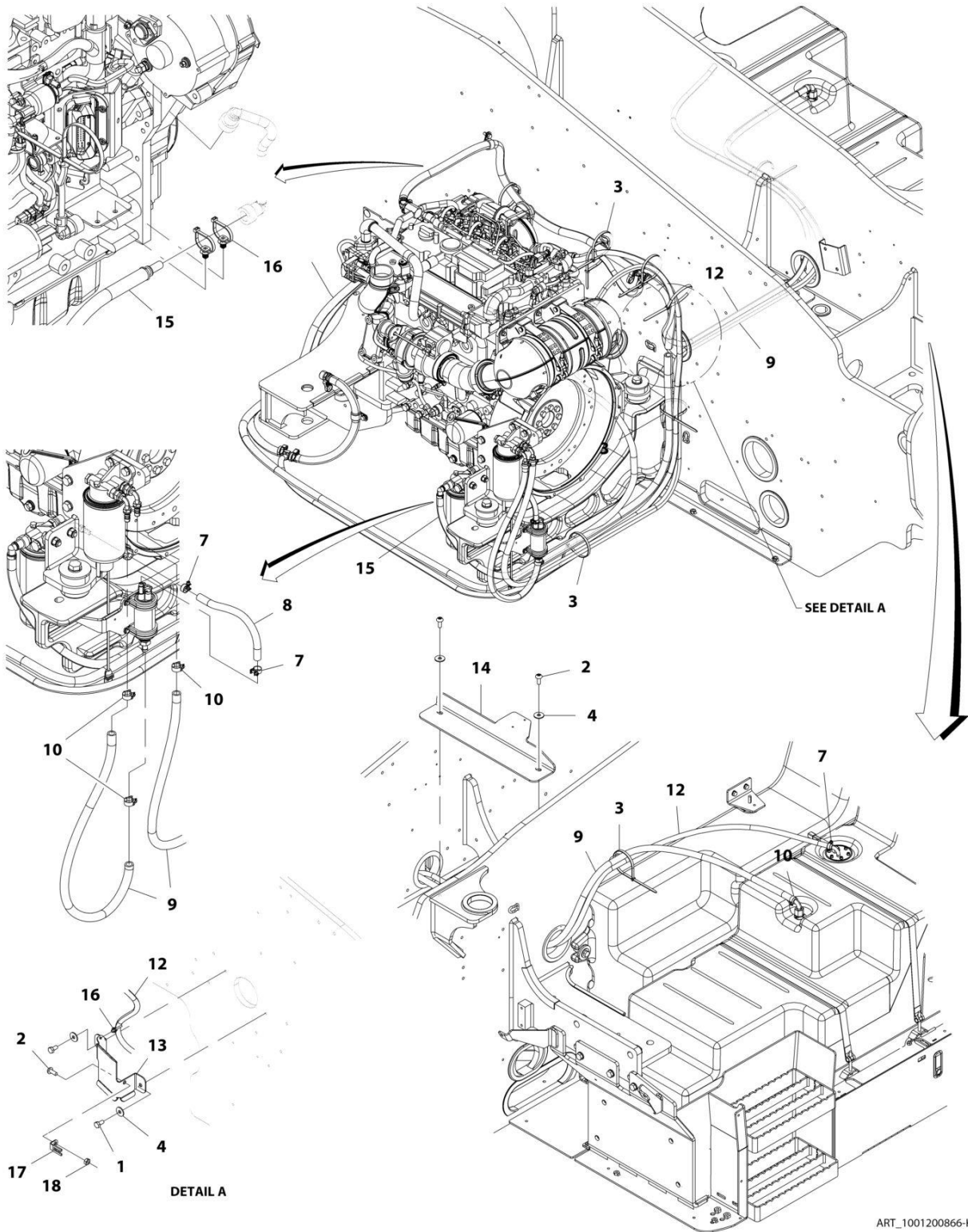
SECTION 4 - ENGINE AND ATTACHING PARTS

FIGURE 4-18. REMOTE FUEL PUMP INSTALLATION

ITEM	PART NUMBER	QTY	DESCRIPTION	REV
	1001221041	Ref	Remote Fuel Pump Installation	B
1	0760507	4	Bolt, M5X14	
2	4811600	4	Washer, M5	

SECTION 4 - ENGINE AND ATTACHING PARTS

FIGURE 4-19. FUEL LINES INSTALLATION (ULS)



ART_1001200866-K

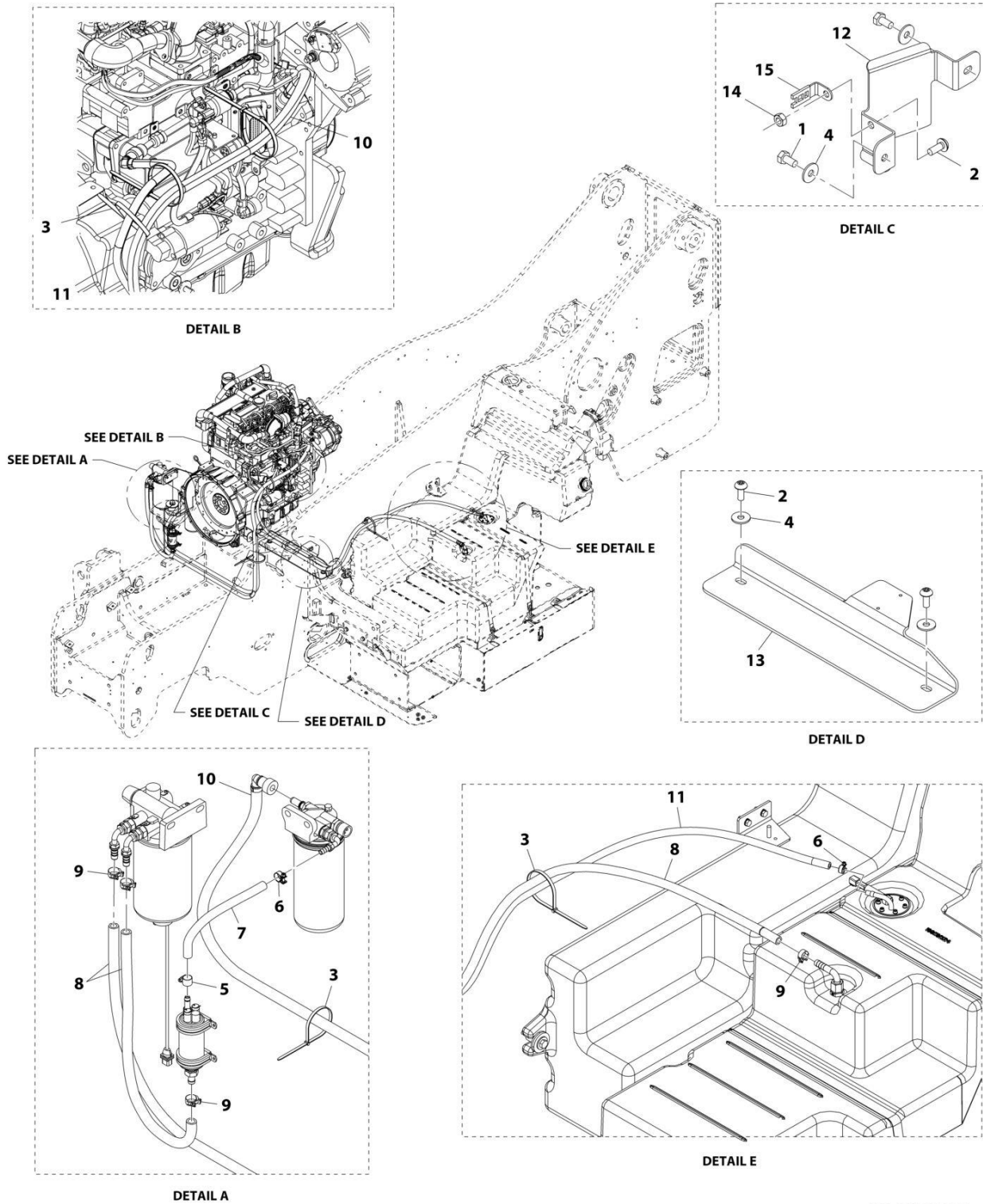
SECTION 4 - ENGINE AND ATTACHING PARTS

FIGURE 4-19. FUEL LINES INSTALLATION (ULS)

ITEM	PART NUMBER	QTY	DESCRIPTION	REV
	1001200866	Ref	Fuel Lines Installation	K
1	0761010	2	Bolt, M10X20	
2	1001009325	3	Screw	
3	1062255	6	Strap, Tie	
4	4812002	4	Washer, M10	
7	1001136975	3	Clamp	
8	1001165035	260 mm	Hose	
9	1001172755	4060 mm	Hose	
10	1001175568	4	Clip	
12	1001228248	1	Hose	
13	1001210870	1	Plate	
14	1001221868	1	Channel, Frame	
15	1001232850	1	Hose	
16	1001146588	3	Strap, Tie	
17	1001003305	1	Clip	
18	3291001	1	Nut, M10X1.5 Grade 8	

SECTION 4 - ENGINE AND ATTACHING PARTS

FIGURE 4-20. FUEL LINES INSTALLATION (LS)



ART_1001210601-C

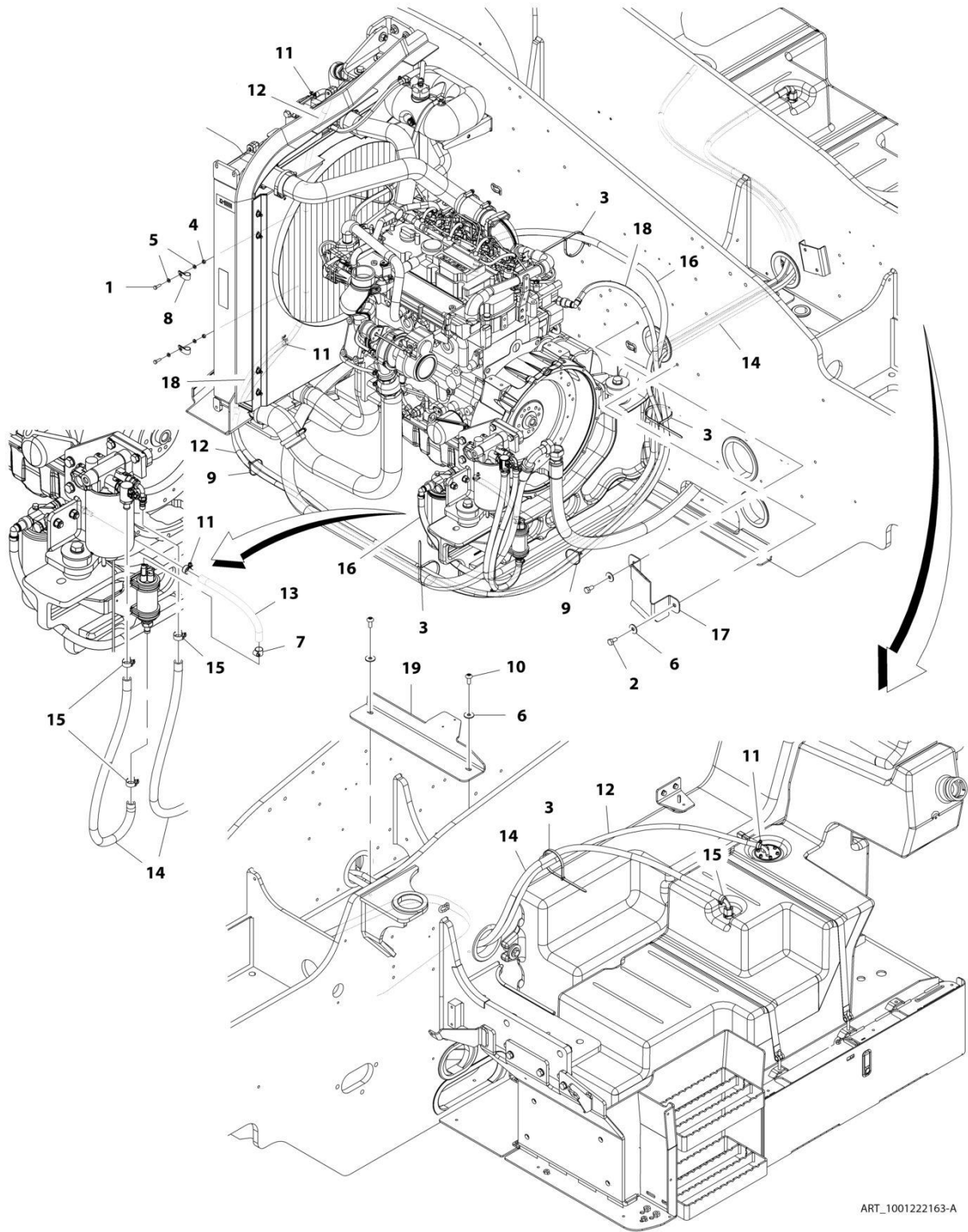
SECTION 4 - ENGINE AND ATTACHING PARTS

FIGURE 4-20. FUEL LINES INSTALLATION (LS)

ITEM	PART NUMBER	QTY	DESCRIPTION	REV
	1001210601	Ref	Fuel Line Installation	C
1	0761010	2	Bolt, M10X20	
2	1001009325	3	Screw, Torx Hd	
3	1062255	5	Strap, Tie	
4	4812002	4	Washer, M10	
5	8405006	1	Clamp	
6	1001136975	2	Clamp	
7	1001165035	235 mm	Hose	
8	1001172755	3946 mm	Hose	
9	1001175568	4	Clip	
10	1001200887	1	Hose	
11	1001228248	1	Hose	
12	1001210870	1	Plate	
13	1001221868	1	Channel, Hose	
14	3291001	1	Nut, M10X1.5 Grade 8	
15	1001003305	1	Clip	

SECTION 4 - ENGINE AND ATTACHING PARTS

FIGURE 4-21. FUEL LINES INSTALLATION (LS HIGH AMBIENT)



ART_1001222163-A

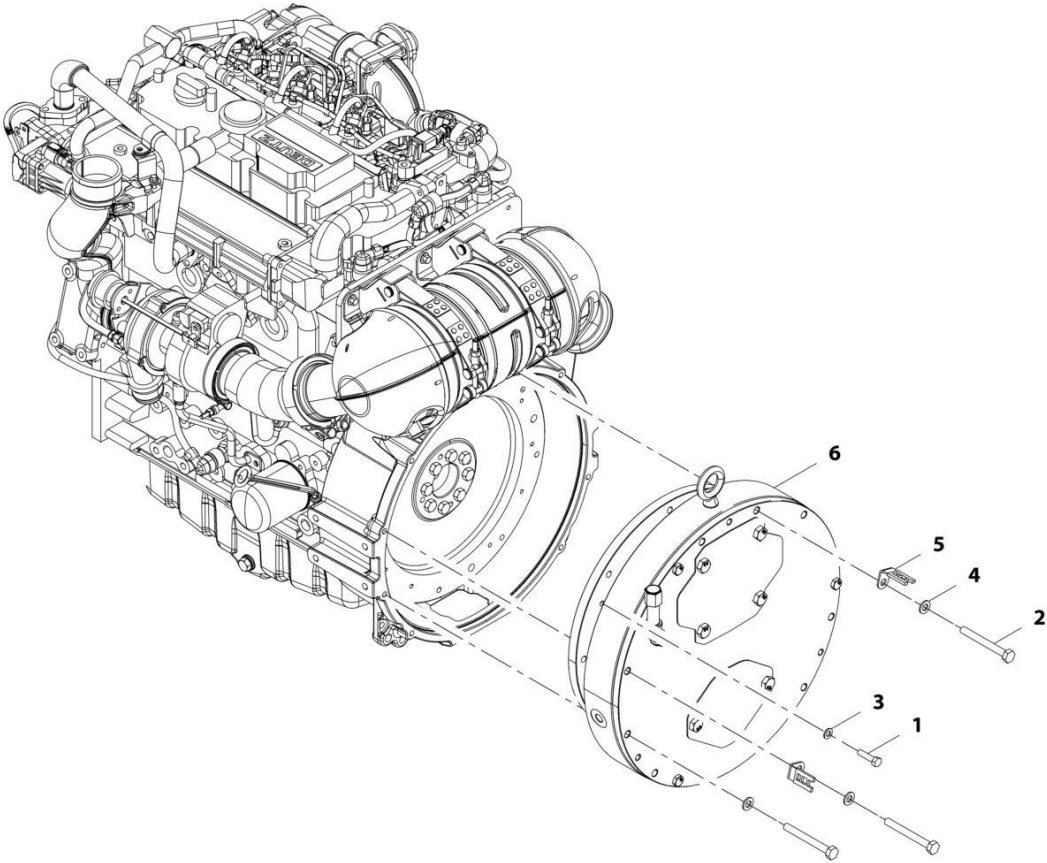
SECTION 4 - ENGINE AND ATTACHING PARTS

FIGURE 4-21. FUEL LINES INSTALLATION (LS HIGH AMBIENT)

ITEM	PART NUMBER	QTY	DESCRIPTION	REV
	1001222163	Ref	Fuel Lines Installation	A
1	0700610	2	Bolt, M6X20	
2	0761010	2	Bolt, M10X20	
3	1062255	4	Strap, Tie	
4	3290601	2	Nut, M6X1 Grade 8	
5	4811700	4	Washer, M6	
6	4812002	4	Washer, M10	
7	8405006	1	Clamp, Gear	
8	8406112	2	Clip, Tube	
9	1001008559	2	Strap, Cable	
10	1001009325	2	Screw	
11	1001136975	4	Clamp	
12	1001141400	5376 mm	Hose	
13	1001165035	235 mm	Hose	
14	1001172755	3946 mm	Hose	
15	1001175568	4	Clip	
16	1001200887	1	Hose	
17	1001210870	1	Plate, Hose Shield	
18	1001221702	1	Hose	
19	1001221868	1	Channel, Engine Lines	

SECTION 4 - ENGINE AND ATTACHING PARTS

FIGURE 4-22. HYDROSTATIC ADAPTOR INSTALLATION



ART_1001193703-D

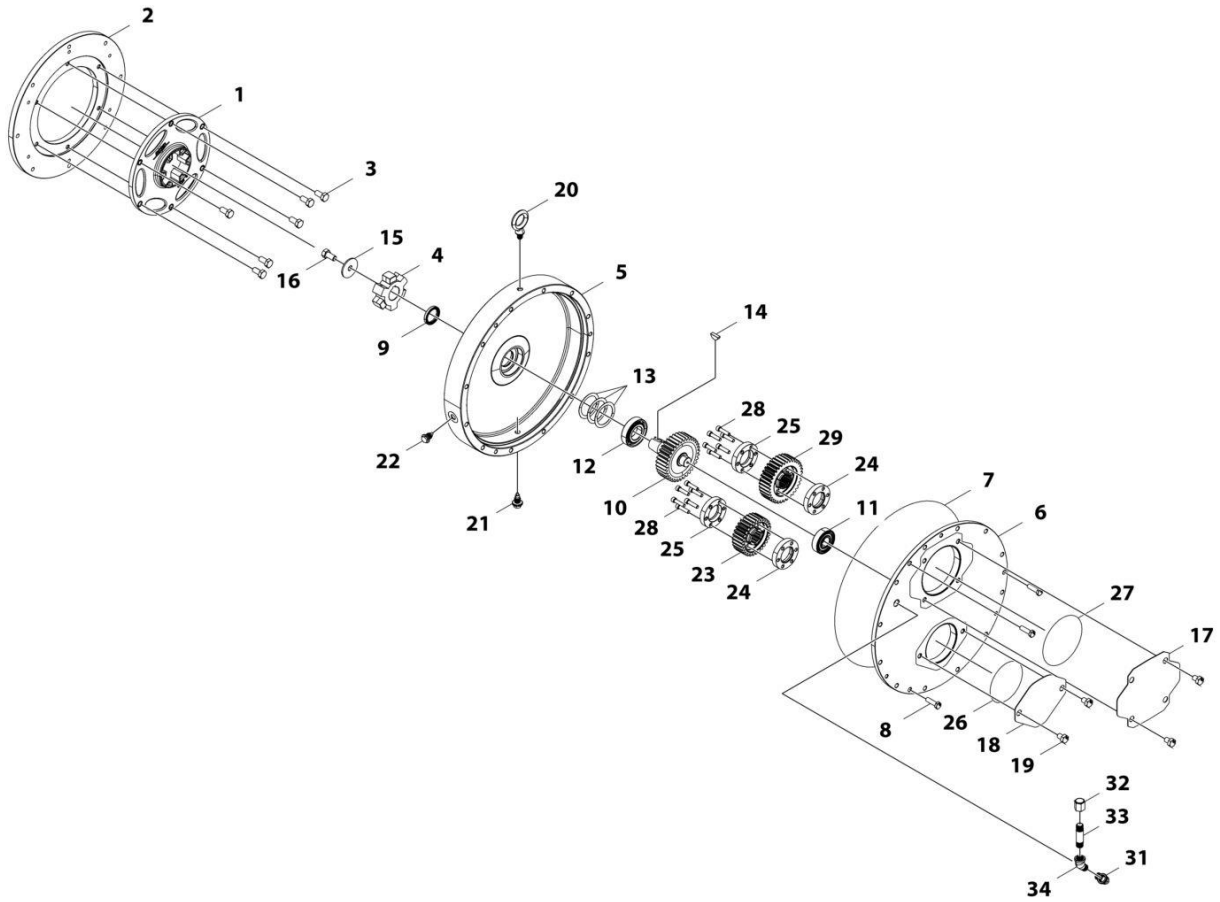
SECTION 4 - ENGINE AND ATTACHING PARTS

FIGURE 4-22. HYDROSTATIC ADAPTOR INSTALLATION

ITEM	PART NUMBER	QTY	DESCRIPTION	REV
	1001193703	Ref	Hydrostatic Adaptor Installation	D
1	0641510	6	Bolt, 5/16-18X1.25	
2	0701026	12	Bolt, M10X90	
3	4811900	6	Washer, M8	
4	4812000	10	Washer, M10	
5	1001003305	2	Clip	
6	1001193705	1	Assembly, Dual Drive Support (See Separate Breakdown in this Section)	

SECTION 4 - ENGINE AND ATTACHING PARTS

FIGURE 4-23. DUAL DRIVE SUPPORT ASSEMBLY



ART_1001193705

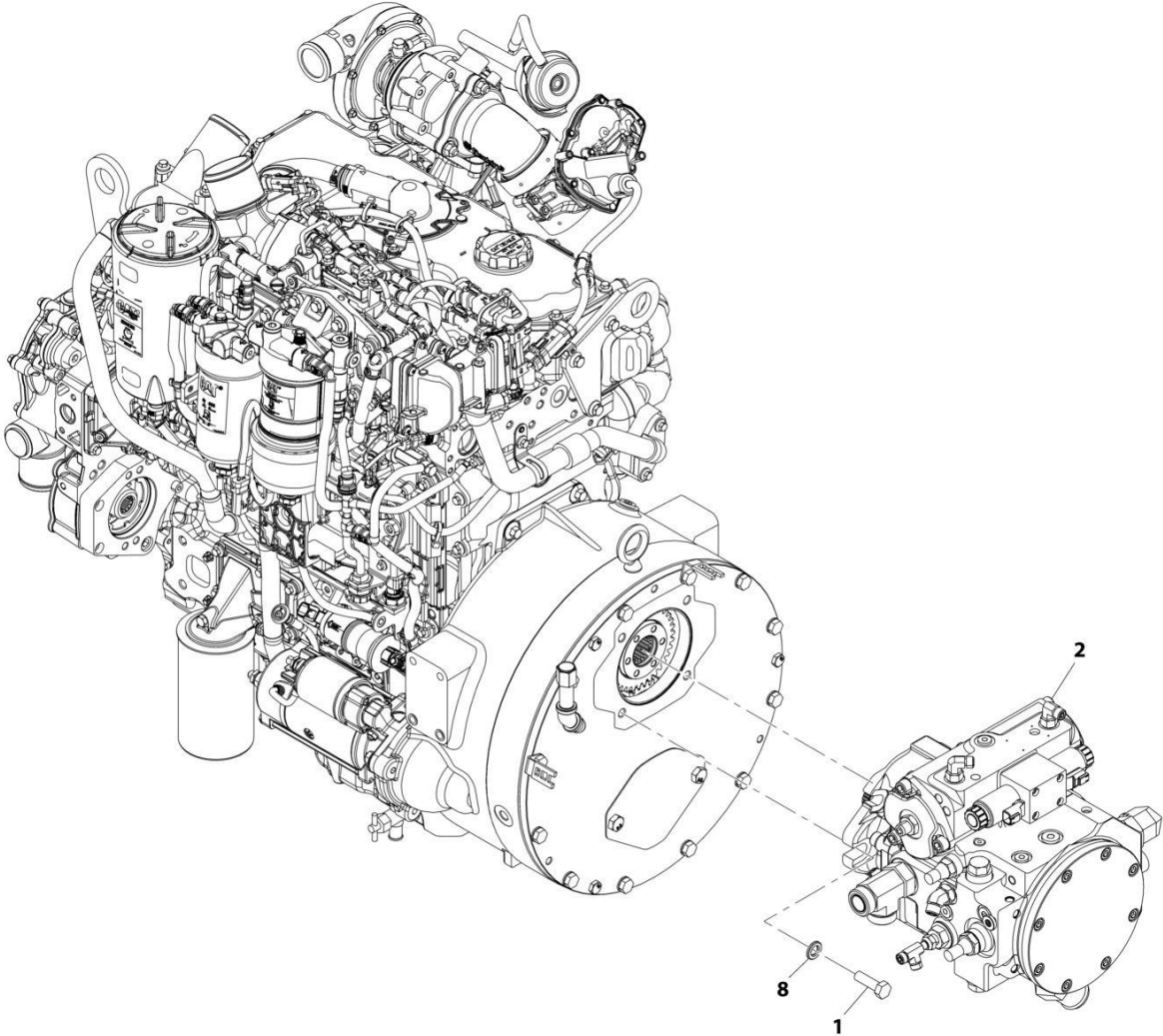
SECTION 4 - ENGINE AND ATTACHING PARTS

FIGURE 4-23. DUAL DRIVE SUPPORT ASSEMBLY

ITEM	PART NUMBER	QTY	DESCRIPTION	REV
	1001193705	Ref	Dual Drive Support Assembly	E
1	70028327	1	Plate, Flex	
2	70028328	1	Plate, Flywheel Adapter	
3	70028329	6	Bolt	
4	70028330	1	Hub, Flex	
5	70028331	1	Gear Box Half, Input Side	
6	70028332	1	Gear Box Half, Output Side	
7	70028333	1	O-Ring	
8	70028334	3	Bolt	
9	70028335	1	Seal, Shaft	
10	70028336	1	Gear, Input Shaft	
11	70028337	1	Bearing, Angular Contact	
12	70028338	1	Bearing, Angular Contact	
13	70028339	3	Washer	
14	70028340	1	Key	
15	70028341	1	Washer	
16	70028342	1	Bolt	
17	70028343	1	Cover, Pump Mount Implement	
18	70028344	1	Cover, Pump Mount Hydrastat	
19	70028345	6	Bolt	
20	70028346	1	Eyebolt, Modified	
21	70028347	1	Plug	
22	70028348	1	Plug	
23	70028349	1	Pump, Gear,30 Tooth	
24	70028350	2	Locking Ring, Tapered	
25	70028351	2	Locking Ring, Tapered	
26	70028352	1	O-Ring	
27	70028353	1	O-Ring	
28	70028354	12	Bolt	
29	70028355	1	Pump, Gear, 35 Tooth	
31	70028357	1	Adapter, 90	
32	70028358	1	Breather	
33	70028359	1	Nipple	
34	70028360	1	Adapter, 45	

SECTION 4 - ENGINE AND ATTACHING PARTS

FIGURE 4-24. HYDROSTATIC DRIVE PUMP INSTALLATION



ART-1001193704-D

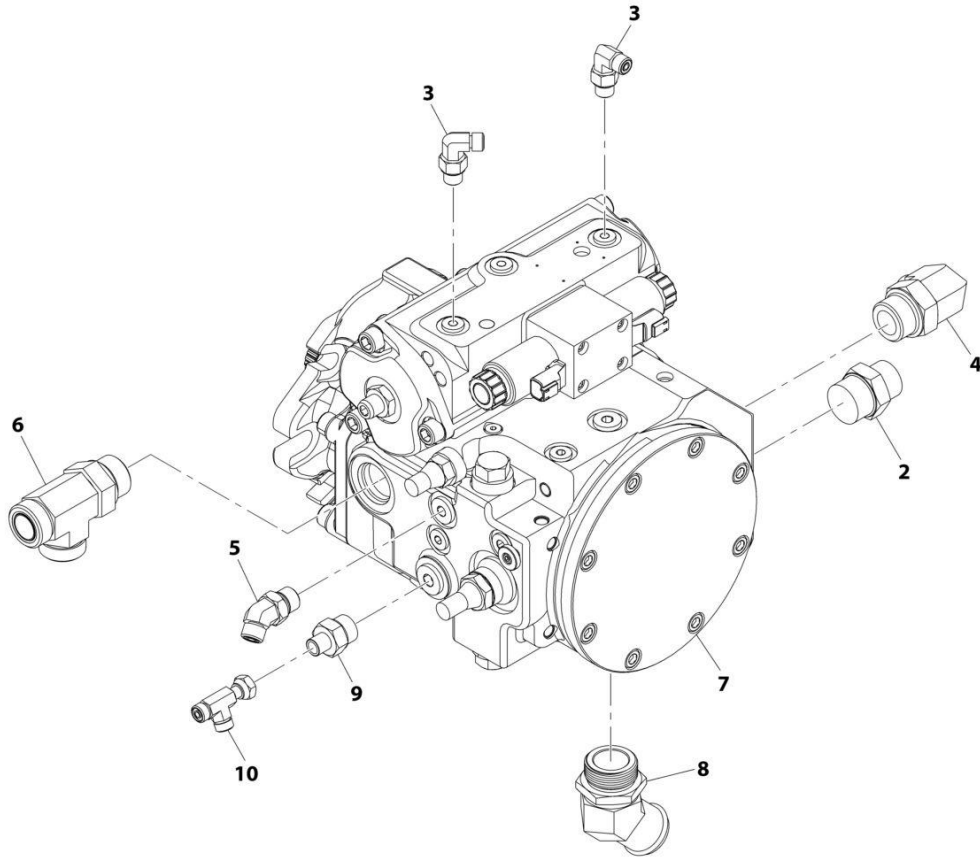
SECTION 4 - ENGINE AND ATTACHING PARTS

FIGURE 4-24. HYDROSTATIC DRIVE PUMP INSTALLATION

ITEM	PART NUMBER	QTY	DESCRIPTION	REV
	1001193704	Ref	Hydrostatic Drive Pump Installation	D
1	0711216	4	Bolt, M12X40	
2	1001210771	1	Assembly, Hydrostatic Drive Pump (See Separate Breakdown in this Section)	
8	4740532	4	Washer, M12	

SECTION 4 - ENGINE AND ATTACHING PARTS

FIGURE 4-25. HYDROSTATIC DRIVE PUMP ASSEMBLY



ART_1001210771-C

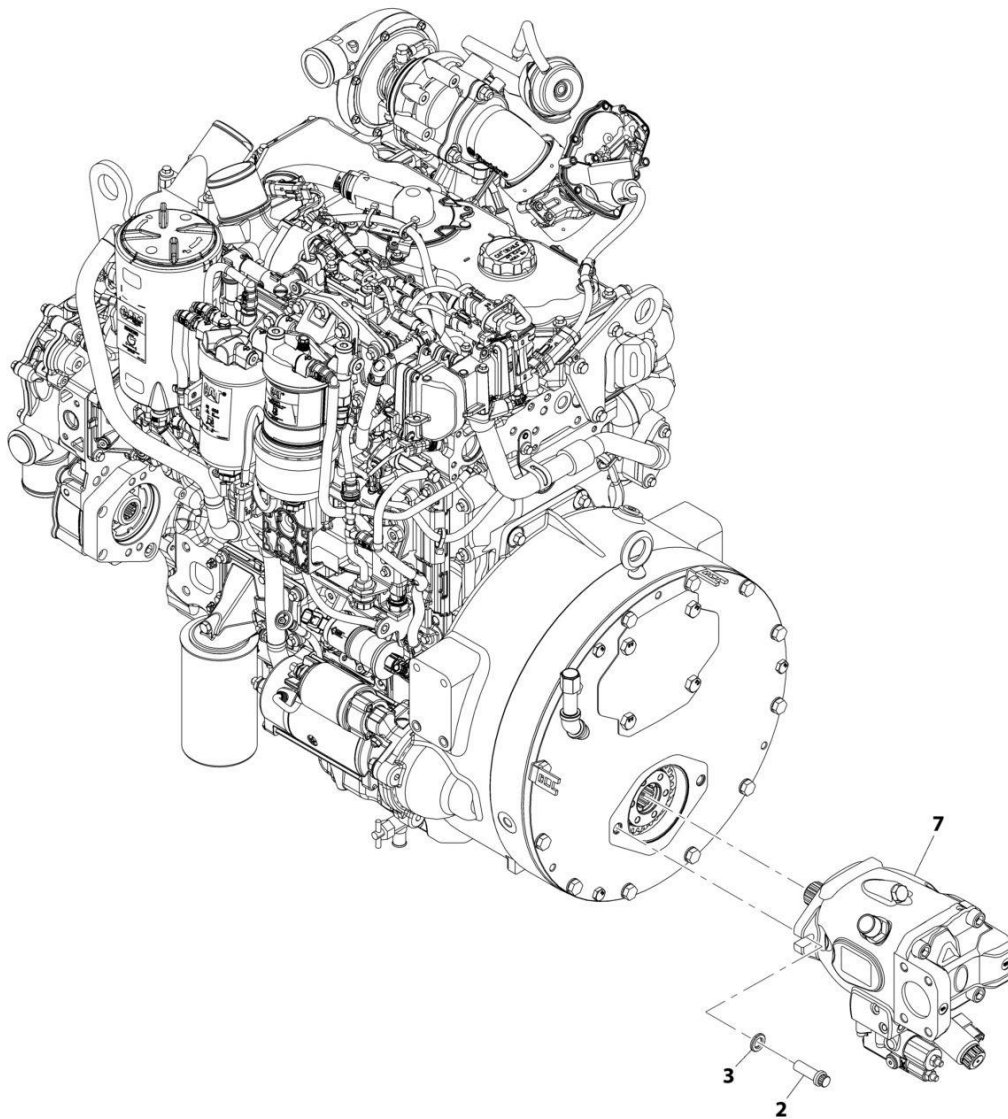
SECTION 4 - ENGINE AND ATTACHING PARTS

FIGURE 4-25. HYDROSTATIC DRIVE PUMP ASSEMBLY

ITEM	PART NUMBER	QTY	DESCRIPTION	REV
	1001210771	Ref	Hydrostatic Drive Pump Assembly	C
2	2111216	1	Fitting, Straight ORFS	
3	2130406	2	Fitting, 90 ORFS	
4	2131216	1	Fitting, 90 ORFS	
5	2150608	1	Fitting, 45 ORFS	
6	2170316	1	Fitting, TEE ORFS	
7	1001193307	1	Pump, Hydrostatic Drive (See Separate Breakdown in HYDRAULIC COMPONENTS Section)	
8	1001196664	1	Fitting, 45	
9	2110410	1	Fitting, Straight ORFS	
10	2170704	1	Fitting, Tee ORFS	

SECTION 4 - ENGINE AND ATTACHING PARTS

FIGURE 4-26. IMPLEMENT PUMP INSTALLATION



ART_1001193393-E

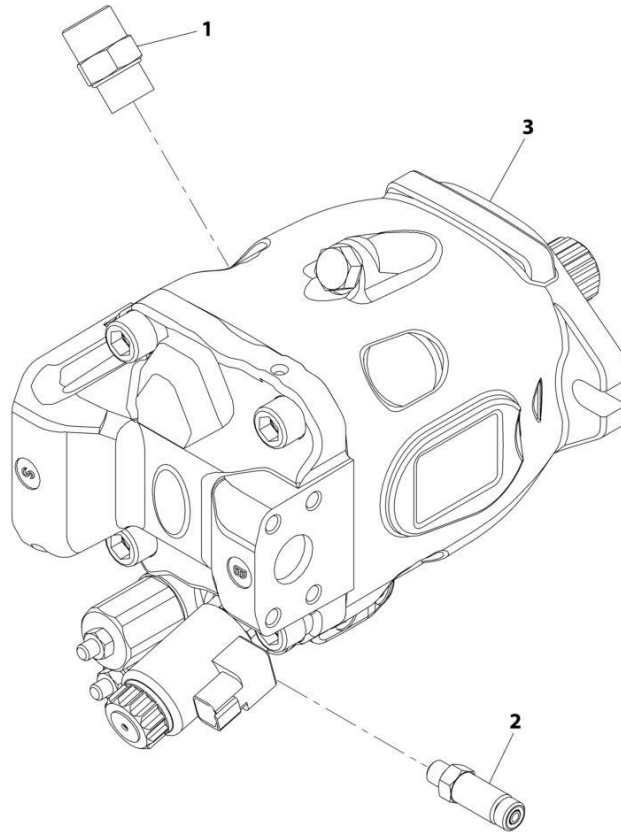
SECTION 4 - ENGINE AND ATTACHING PARTS

FIGURE 4-26. IMPLEMENT PUMP INSTALLATION

ITEM	PART NUMBER	QTY	DESCRIPTION	REV
	1001193393	Ref	Implement Pump Installation	E
2	1001238781	2	Screw Flange	
3	4740532	2	Washer	
7	1001212739	1	Assembly, Implement Pump (See Separate Breakdown in this Section)	

SECTION 4 - ENGINE AND ATTACHING PARTS

FIGURE 4-27. IMPLEMENT PUMP ASSEMBLY



ART_1001212739-A

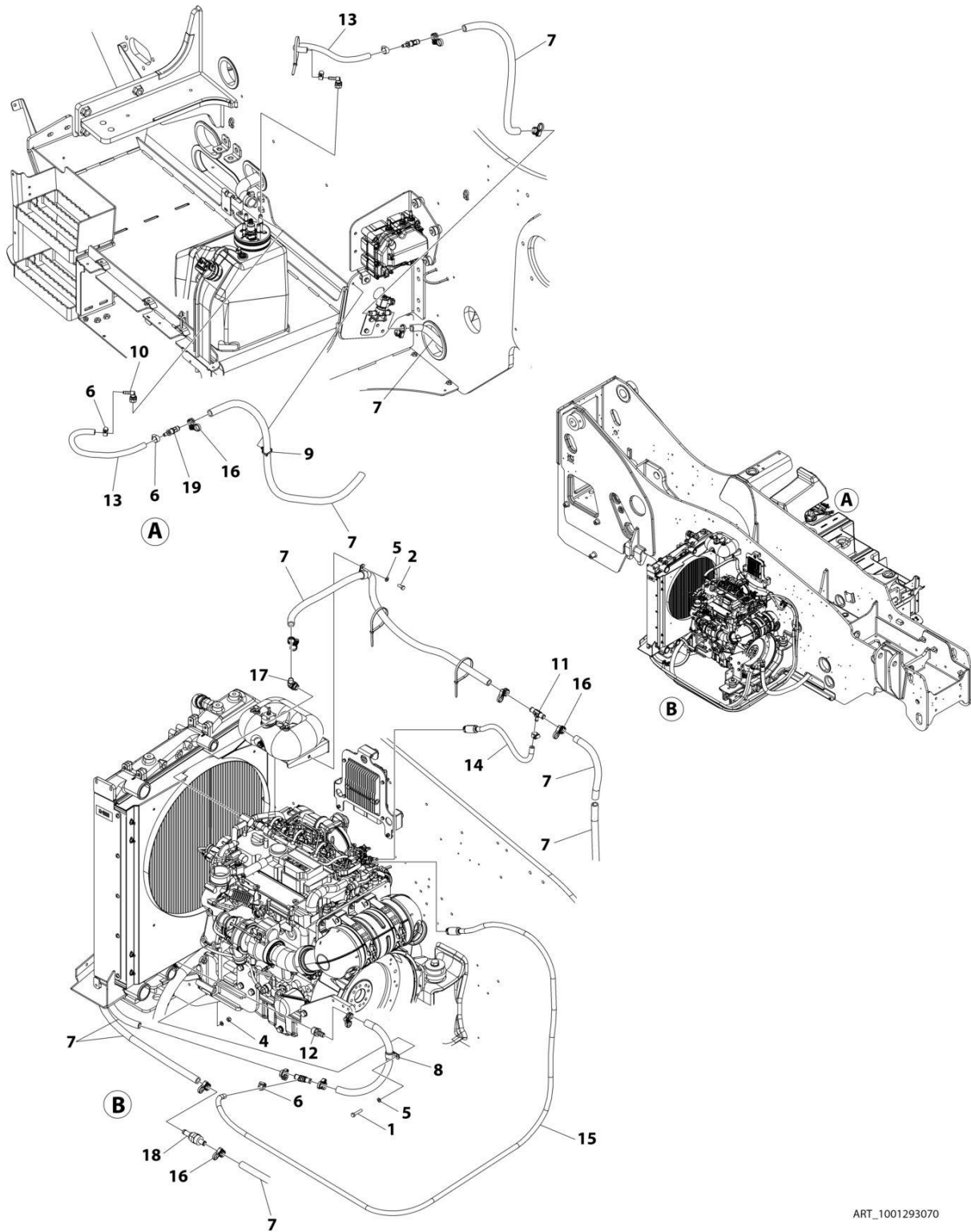
SECTION 4 - ENGINE AND ATTACHING PARTS

FIGURE 4-27. IMPLEMENT PUMP ASSEMBLY

ITEM	PART NUMBER	QTY	DESCRIPTION	REV
	1001212739	Ref	Implement Pump Assembly	A
1	2111010	1	Fitting, Straight ORFS	
2	2170104	1	Fitting, Straight ORFS	
3	1001180070	1	Pump, Implement (See Separate Breakdown in HYDRAULIC COMPONENTS Section)	

SECTION 4 - ENGINE AND ATTACHING PARTS

FIGURE 4-28. DEF COOLANT LINES INSTALLATION (ULS)



ART_1001293070

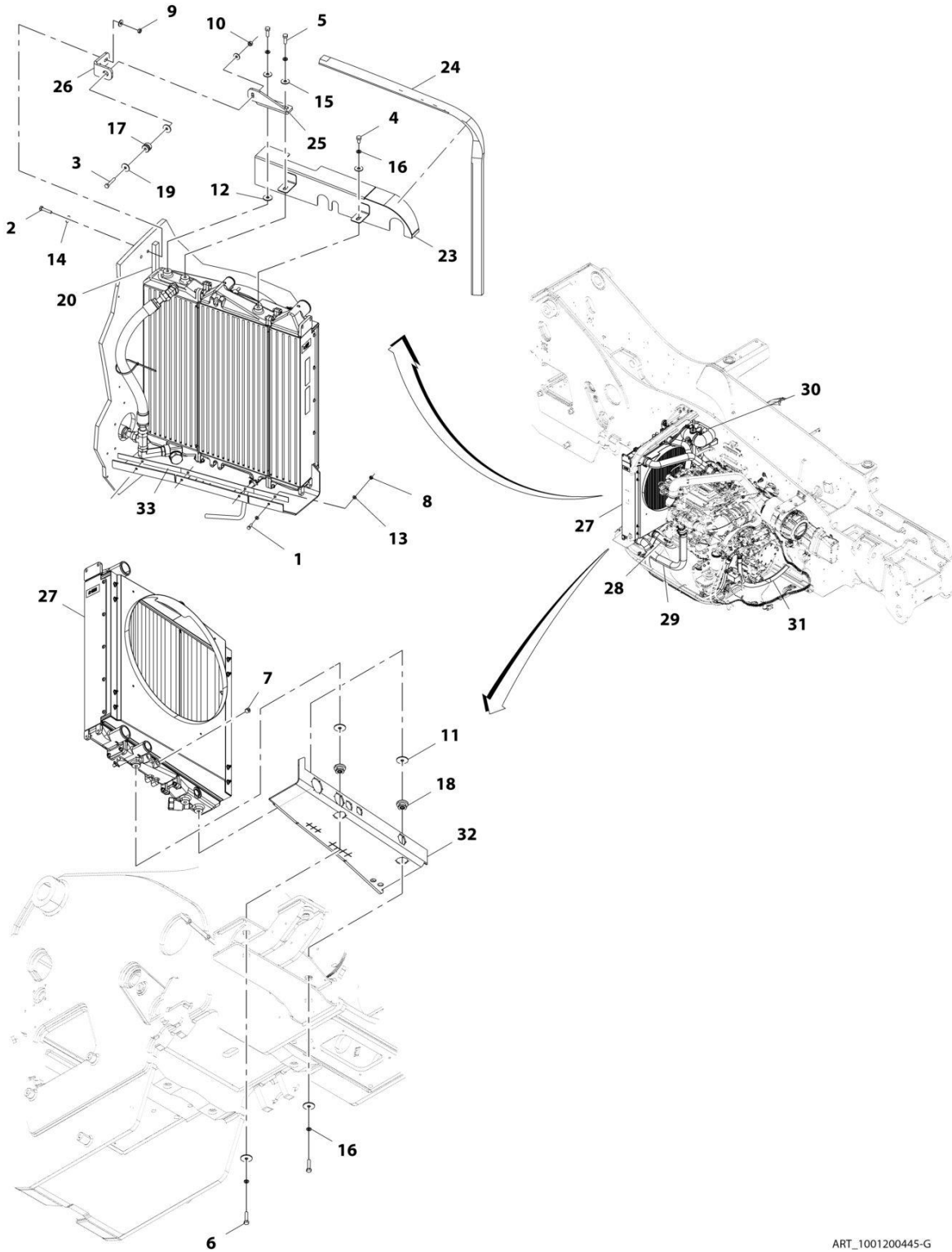
SECTION 4 - ENGINE AND ATTACHING PARTS

FIGURE 4-28. DEF COOLANT LINES INSTALLATION (ULS)

ITEM	PART NUMBER	QTY	DESCRIPTION	REV
	1001293070	Ref	DEF COOLANT LINES INSTALLATION (ULS)	A
1	0700816	1	Bolt M8 x 40	
2	0760810	1	Bolt M8 x 20	
3	1062255	AR	Tie-Strap (Not Shown)	
4	3290805	1	Nut M8	
5	4811900	3	Washer M8	
6	8410013	6	Clamp	
7	82033995	31 ft /10 m	Hose	
8	1001100319	2	Clip	
9	1001146588	1	Tie-Strap, Fir Tree	
10	1001155823	2	Coupling	
11	1001162212	2	Pipe	
12	1001167409	1	Pipe	
13	1001181625	35 in /87 cm	Hose	
14	1001201299	1	Hose	
15	1001201300	1	Hose	
16	1001202526	12	Clamp	
17	1001203005	1	Fitting, 45	
18	1001228872	1	Filter	
19	1001238470	2	Adapter	

SECTION 4 - ENGINE AND ATTACHING PARTS

FIGURE 4-29. COOLING PACKAGE INSTALLATION (NO HIGH AMBIENT)



ART_1001200445-G

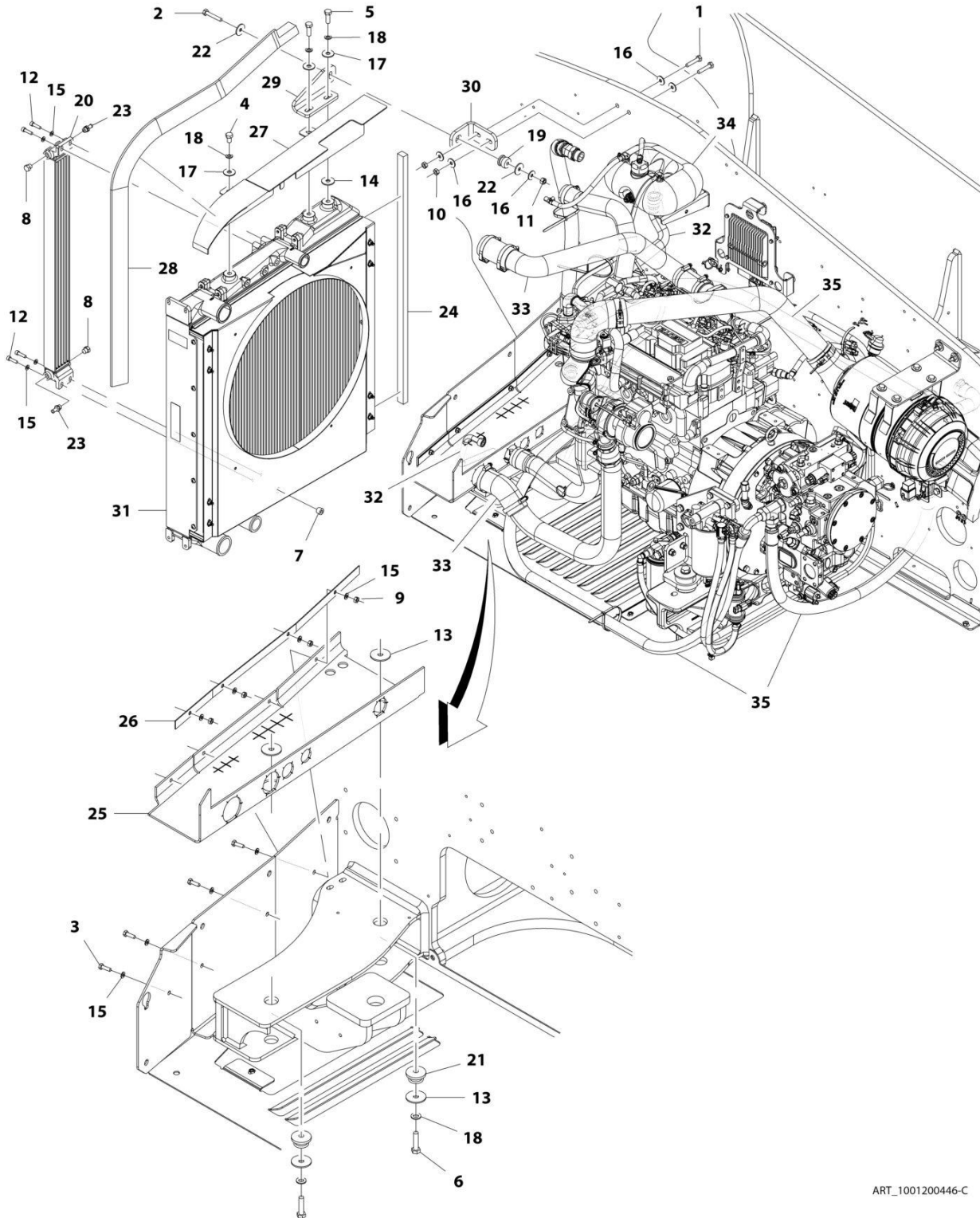
SECTION 4 - ENGINE AND ATTACHING PARTS

FIGURE 4-29. COOLING PACKAGE INSTALLATION (NO HIGH AMBIENT)

ITEM	PART NUMBER	QTY	DESCRIPTION	REV
	1001200445	Ref	Cooling Package Installation	G
1	0760812	4	Bolt,M8X25	
2	0701018	2	Bolt, M10X50	
3	0701020	1	Bolt, M10X60	
4	0761210	1	Bolt, M12X20	
5	0761215	2	Bolt, M12X35	
6	0761218	2	Bolt, M12X50	
7	2200223	1	Plug	
8	3290801	4	Nut, M8X1.25	
9	3291001	2	Nut, M10X1.5	
10	3291005	1	Nut, Lock M10X1.5	
11	4740274	4	Washer	
12	4740550	1	Washer, M12	
13	4811900	8	Washer, M8	
14	4812002	5	Washer, M10	
15	4812102	3	Washer, M12	
16	4832100	5	Washer, Lock M12	
17	8278020	1	Mount	
18	1001114803	2	Mount	
19	1001155540	2	Washer	
20	1001173457	1	Seal	
23	1001196191	1	Bracket, Air Baffle	
24	1001173452	1	Seal	
25	1001200498	1	Bracket, Radiator	
26	1001200499	1	Bracket, Frame	
27	1001201301	1	Radiator, (See Separate Breakdown in this Section)	
28	1001201302	Ref	Installation, Coolant Lines (See Separate Breakdown in this Section)	
29	1001201303	Ref	Installation, Radiator Lines (See Separate Breakdown in this Section)	
30	1001201304	Ref	Installation, Surge Tank (See Separate Breakdown in this Section)	
31	1001201305	Ref	Installation, Transmission Oil Cooler Lines (See Separate Breakdown in this Section)	
32	1001203947	1	Panel, Air Dam	
33	1001203948	1	Plate, Air Dam	

SECTION 4 - ENGINE AND ATTACHING PARTS

FIGURE 4-30. COOLING PACKAGE INSTALLATION (HIGH AMBIENT)



ART_1001200446-C

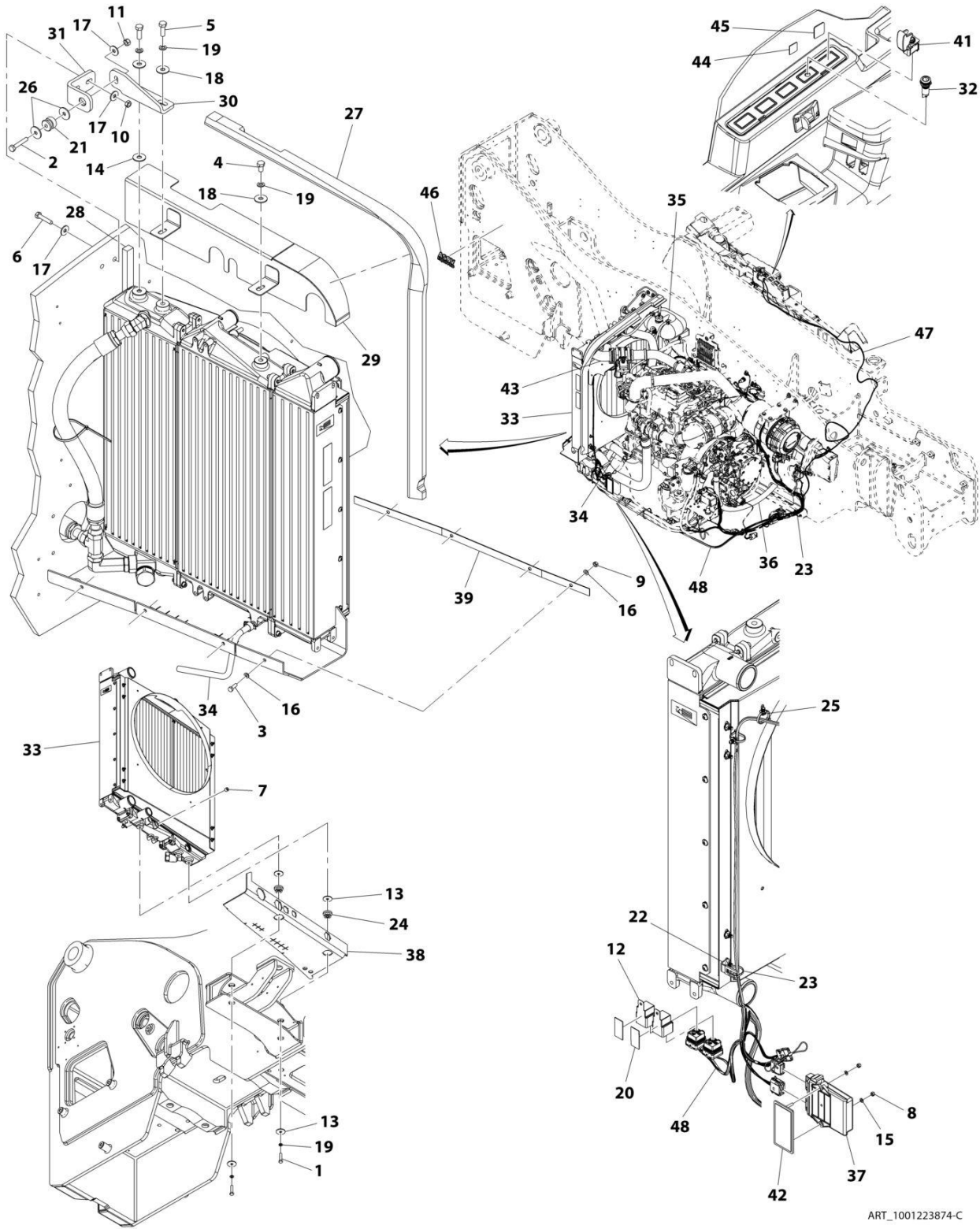
SECTION 4 - ENGINE AND ATTACHING PARTS

FIGURE 4-30. COOLING PACKAGE INSTALLATION (HIGH AMBIENT)

ITEM	PART NUMBER	QTY	DESCRIPTION	REV
	1001200446	Ref	Cooling Package Installation (LS)	C
1	0701018	2	Bolt, M8X50	
2	0701020	1	Bolt, M10X60	
3	0760812	4	Bolt, M8X25	
4	0761210	1	Bolt, M12X20	
5	0761215	2	Bolt, M12X35	
6	0761218	2	Bolt, M12X50	
7	2200223	1	Plug	
8	2220237	2	Plug	
9	3290801	4	Nut, M8X1.25 Grade 8	
10	3291001	2	Nut, M10X1.5 Grade 8	
11	3291005	1	Nut, Lock M0X1.5 Grade 8	
12	4031910	4	Bolt, M8X30	
13	4740274	4	Washer	
14	4740550	1	Washer, M12	
15	4811900	12	Washer, M8	
16	4812002	5	Washer, M10	
17	4812102	3	Washer, M12	
18	4832100	5	Washer, Lock M12	
19	8278020	1	Mount	
20	1001220337	1	Radiator, Fuel Cooler	
21	1001114803	2	Mount, Isolator	
22	1001155540	2	Washer	
23	1001168030	2	Barb, Hose	
24	1001173457	1	Seal, Foam Gasket	
25	1001203947	1	Panel	
26	1001203948	1	Plate	
27	1001196191	1	Bracket	
28	1001196193	1	Seal, Foam Gasket	
29	1001200498	1	Bracket	
30	1001200499	1	Bracket	
31	1001201301	1	Radiator, Cooling Package (See Separate Breakdown in this Section)	
32	1001201302	1	Installation, Coolant Lines (ULS) (See Separate Breakdown in this Section)	
33	1001201303	1	Installation, CAC Lines (See Separate Breakdown in this Section)	
34	1001201304	1	Installation, Surge Tank (See Separate Breakdown in this Section)	
35	1001201305	1	Installation, TOC Lines (See Separate Breakdown in this Section)	

SECTION 4 - ENGINE AND ATTACHING PARTS

FIGURE 4-31. COOLING PACKAGE INSTALLATION (ASOV)



ART_1001223874-C

SECTION 4 - ENGINE AND ATTACHING PARTS

FIGURE 4-31. COOLING PACKAGE INSTALLATION (ASOV)

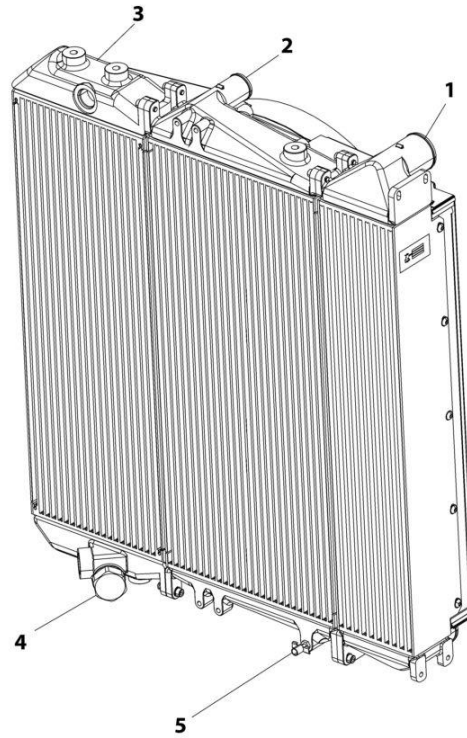
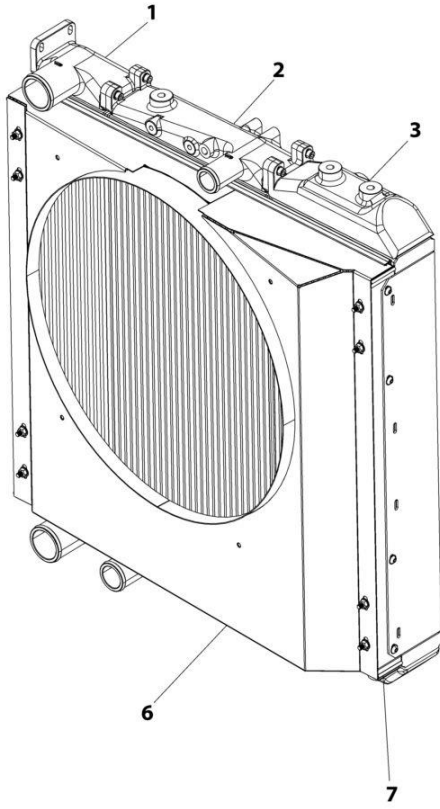
ITEM	PART NUMBER	QTY	DESCRIPTION	REV
	1001223874	Ref	Cooling Package Installation	C
1	0701018	2	Bolt, M10X50	
2	0701020	1	Bolt, M10X60	
3	0760812	4	Bolt, M8X25	
4	0761210	1	Bolt, M12X20	
5	0761215	2	Bolt, M12X35	
6	0761218	2	Bolt, M12X50	
7	2200223	1	Plug	
8	3290505	2	Nut, M5X0.8	
9	3290801	4	Nut, M8X1.25	
10	3291001	2	Nut, M10X1.5	
11	3291005	1	Nut, Lock M10X1.5	
12	3740080	2	Relay	
13	4740274	4	Washer	
14	4740550	1	Washer, M12	
15	4811600	2	Washer, M5	
16	4811900	8	Washer, M8	
17	4812002	5	Washer, M10	
18	4812102	3	Washer, M12	
19	4832100	5	Washer, Lock M12	
20	7169541	AR	Tape	
21	8278020	1	Mount	
22	1001003305	1	Clip	
23	1001008559	4	Strap, Cable	
24	1001114803	2	Mount	
25	1001146588	2	Strap, Cable	
26	1001155540	2	Washer	
27	1001173452	1	Seal, Foam Gasket	
28	1001173457	1	Seal	
29	1001196191	1	Bracket, Air Baffle	
30	1001200498	1	Bracket, Radiator	
31	1001200499	1	Bracket, Frame	
32	1001200631	1	Lamp, LED Indicator	
33	1001201301	1	Radiator, (See Separate Breakdown in this Section)	
34	1001201302	Ref	Installation, Coolant Lines (See Separate Breakdown in this Section)	
35	1001201304	Ref	Installation, Surge Tank (See Separate Breakdown in this Section)	
36	1001201305	Ref	Installation, Transmission Oil Cooler Lines (See Separate Breakdown in this Section)	
37	1001203181	1	Accessory, Control	
38	1001203947	1	Panel, Air Dam	
39	1001203948	1	Plate, Air Dam	
41	1001215941	1	Switch	
42	1001219082	1	Bracket	
43	1001223869	1	Installation, Radiator Lines (See Separate Breakdown in this Section)	
44	1001227077	1	Decal, Air Shut Off	
45	1001227964	1	Decal, ASOV Test	
46	1001228643	1	Decal, ASOV Equipped	

SECTION 4 - ENGINE AND ATTACHING PARTS

ITEM	PART NUMBER	QTY	DESCRIPTION	REV
47	1001231407	1	Harness, POSI Air Shutoff (See Separate Breakdown in Electrical Section)	
48	1001231483	1	Harness, POSI Air Shutoff (See Separate Breakdown in Electrical Section)	

SECTION 4 - ENGINE AND ATTACHING PARTS

FIGURE 4-32. RADIATOR - COOLING PACKAGE



ART_1001201301

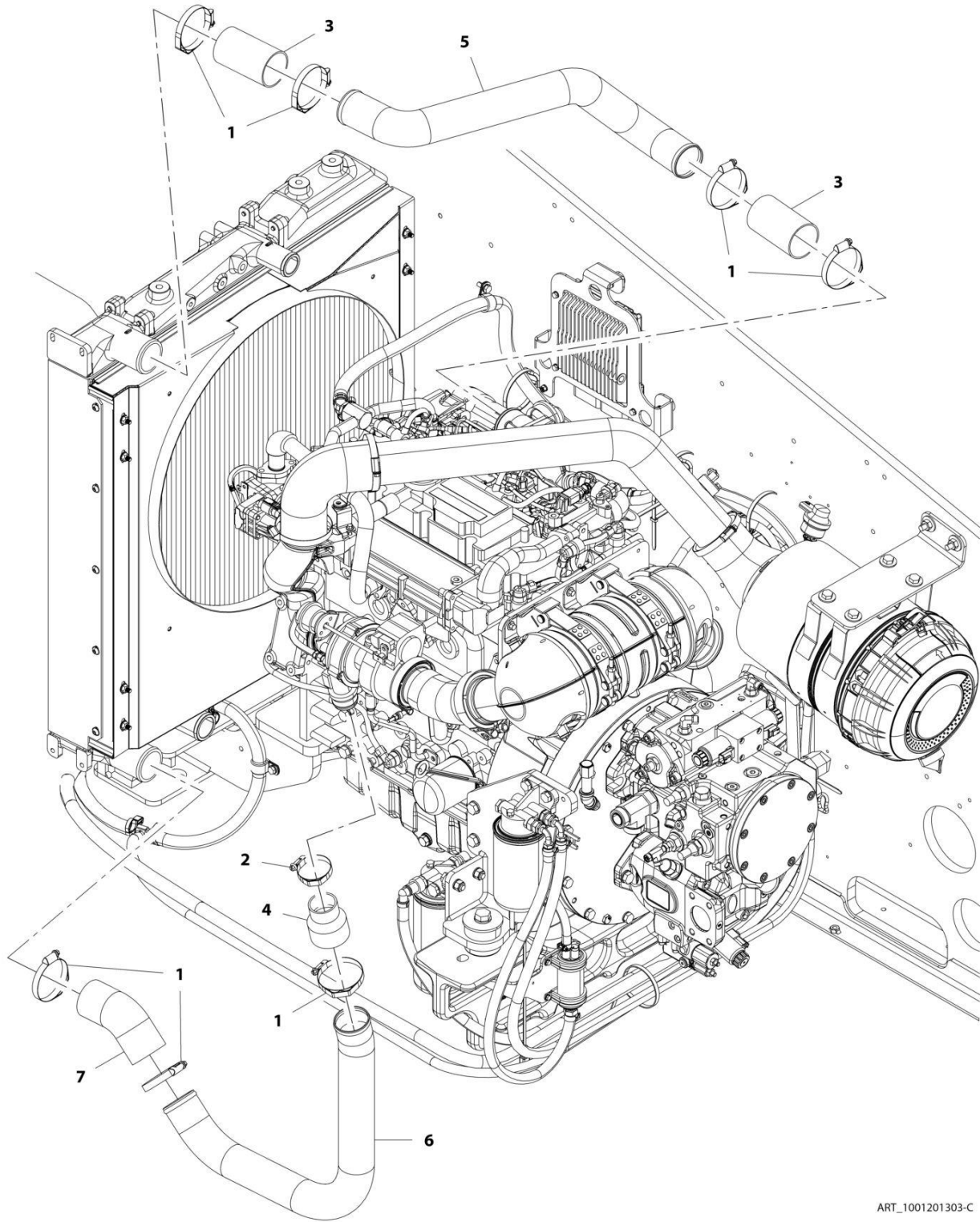
SECTION 4 - ENGINE AND ATTACHING PARTS

FIGURE 4-32. RADIATOR - COOLING PACKAGE

ITEM	PART NUMBER	QTY	DESCRIPTION	REV
	1001201301	Ref	RADIATOR COOLLING PACKAGE	D
1	70026353	1	Cooler, Air Charge	
2	70026354	1	Radiator	
3	70028550	1	Cooler, Hydraulic Oil	
4	70028548	1	Valve, Bypass	
5	70026081	1	Petcock	
6	70028549	1	Shroud	
7	70026359	2	Bracket, Shroud Mounting	

SECTION 4 - ENGINE AND ATTACHING PARTS

FIGURE 4-33. RADIATOR LINES INSTALLATION (ALL EXCEPT ASOV)



ART_1001201303-C

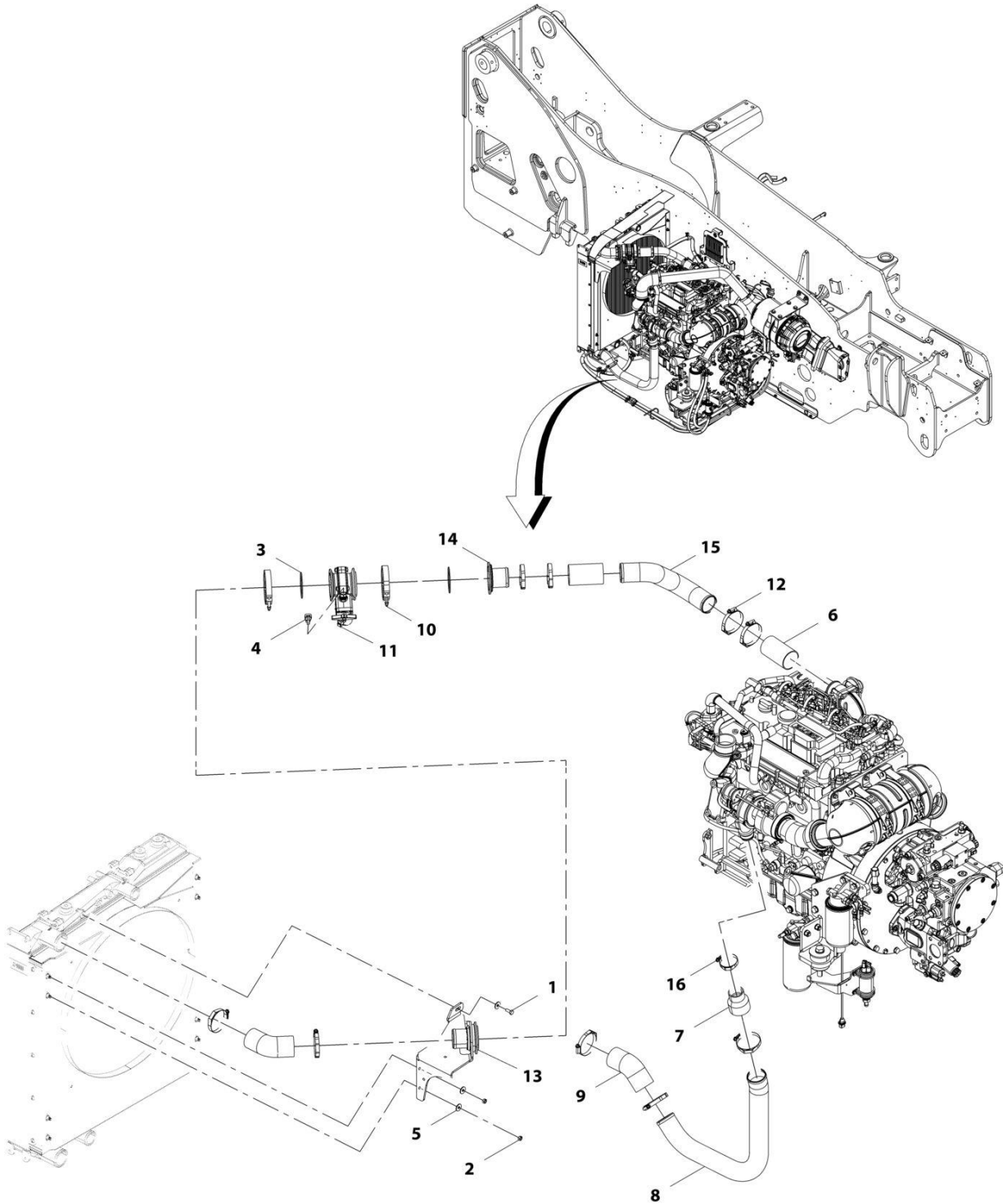
SECTION 4 - ENGINE AND ATTACHING PARTS

FIGURE 4-33. RADIATOR LINES INSTALLATION (ALL EXCEPT ASOV)

ITEM	PART NUMBER	QTY	DESCRIPTION	REV
	1001201303	Ref	Radiator Lines Installation	C
1	1001215022	7	Clamp	
2	1001215024	1	Clamp	
3	1001114495	2	Hose	
4	1001173528	1	Coupling, Reducer	
5	1001201314	1	Pipe	
6	1001201315	1	Pipe	
7	1001201316	1	Elbow, 45	

SECTION 4 - ENGINE AND ATTACHING PARTS

FIGURE 4-34. RADIATOR LINES INSTALLATION (ASOV)



ART_1001223869-B

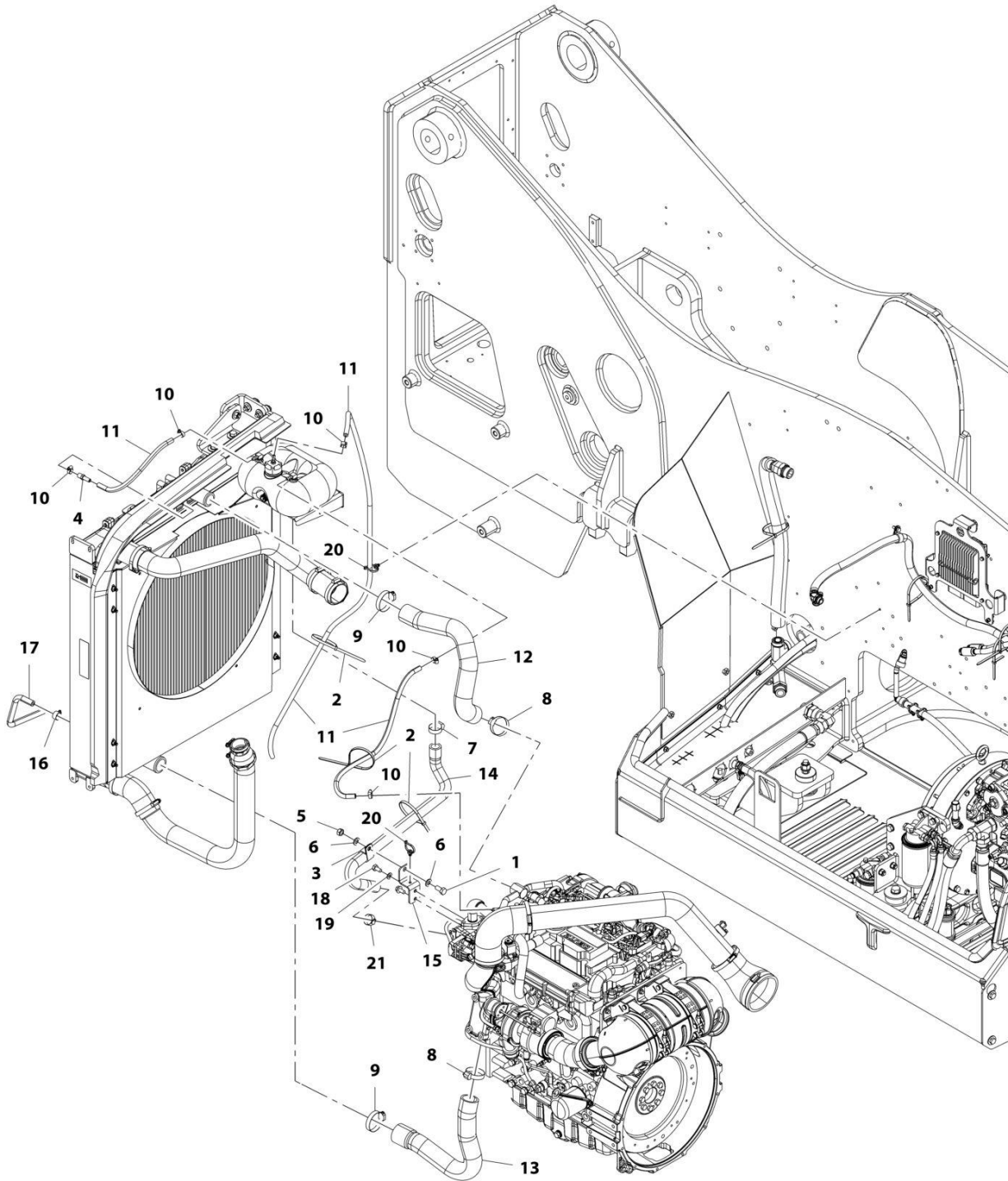
SECTION 4 - ENGINE AND ATTACHING PARTS

FIGURE 4-34. RADIATOR LINES INSTALLATION (ASOV)

ITEM	PART NUMBER	QTY	DESCRIPTION	REV
	1001223869	Ref	CAC Lines Installation	B
1	0760810	1	Bolt, M8X20	
2	3290801	2	Nut, M8X1.25	
3	3790152	2	Ring	
4	4460742	1	Connector	
5	4811902	3	Washer, M8	
6	1001114495	2	Hose	
7	1001173528	1	Fitting, Straight	
8	1001201315	1	Pipe	
9	1001201316	2	Hose	
10	1001202247	2	Clamp	
11	1001204032	1	Valve, Shut Off (See Separate Breakdown in HYDRAULIC COMPONENTS Section)	
12	1001215022	9	Clamp	
13	1001223618	1	Valve, ASO (See Separate Breakdown in HYDRAULIC COMPONENTS Section)	
14	1001223628	1	Valve, ASO	
15	1001223645	1	Pipe	
16	1001215024	1	Clamp	

SECTION 4 - ENGINE AND ATTACHING PARTS

FIGURE 4-35. COOLANT LINES INSTALLATION



ART_1001201302-E

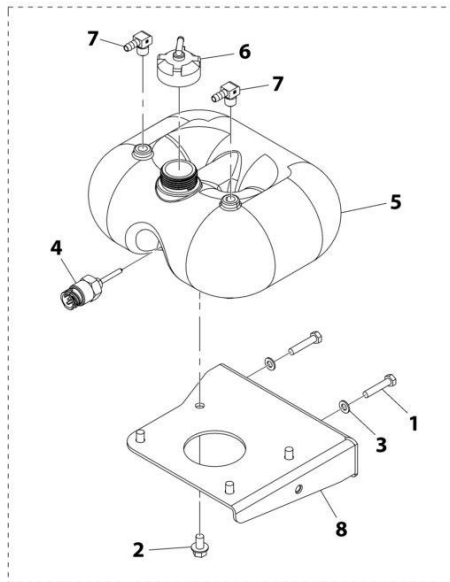
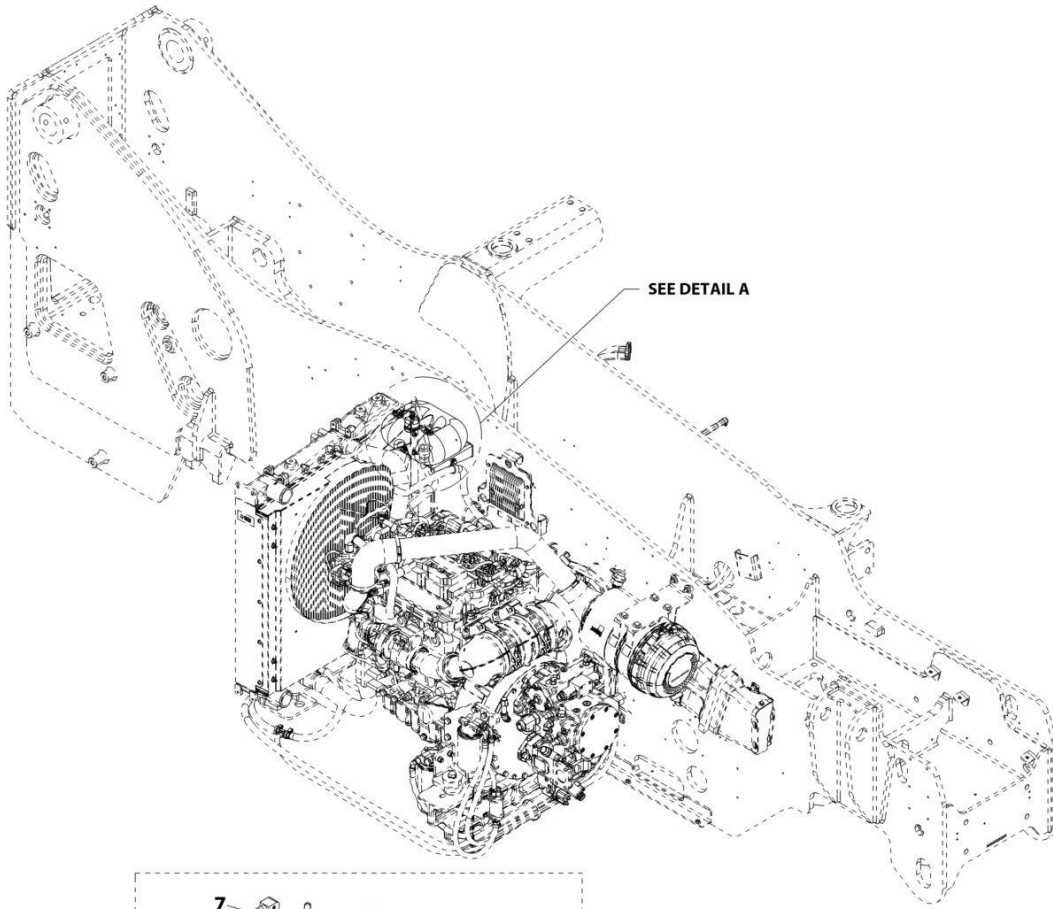
SECTION 4 - ENGINE AND ATTACHING PARTS

FIGURE 4-35. COOLANT LINES INSTALLATION

ITEM	PART NUMBER	QTY	DESCRIPTION	REV
	1001201302	Ref	Coolant Lines Installation	E
1	0761212	1	Bolt, M12X25	
2	1062255	3	Strap, Tie	
3	1320060	1	Clamp, Hose	
4	2220767	1	Fitting	
5	3291201	1	Nut, M12	
6	4812100	2	Washer, M12	
7	8405101	1	Clamp, Gear	
8	8405104	2	Clamp, Gear	
9	8405201	2	Clamp, Gear	
10	8405009	5	Clamp, Gear	
11	1001180542	2465 mm	Hose	
12	1001217762	1	Hose	
13	1001201309	1	Hose	
14	1001217763	1	Hose	
15	1001217761	1	Bracket	
16	8405006	1	Clamp, Gear	
17	1001180553	370 mm	Hose	
18	0761010	1	Bolt, M12X20	
19	4812000	1	Washer, M10	
20	1001146588	2	Strap, Tie	
21	8405007	1	Clamp, Gear	

SECTION 4 - ENGINE AND ATTACHING PARTS

FIGURE 4-36. SURGE TANK INSTALLATION



DETAIL A

ART_1001201304-B

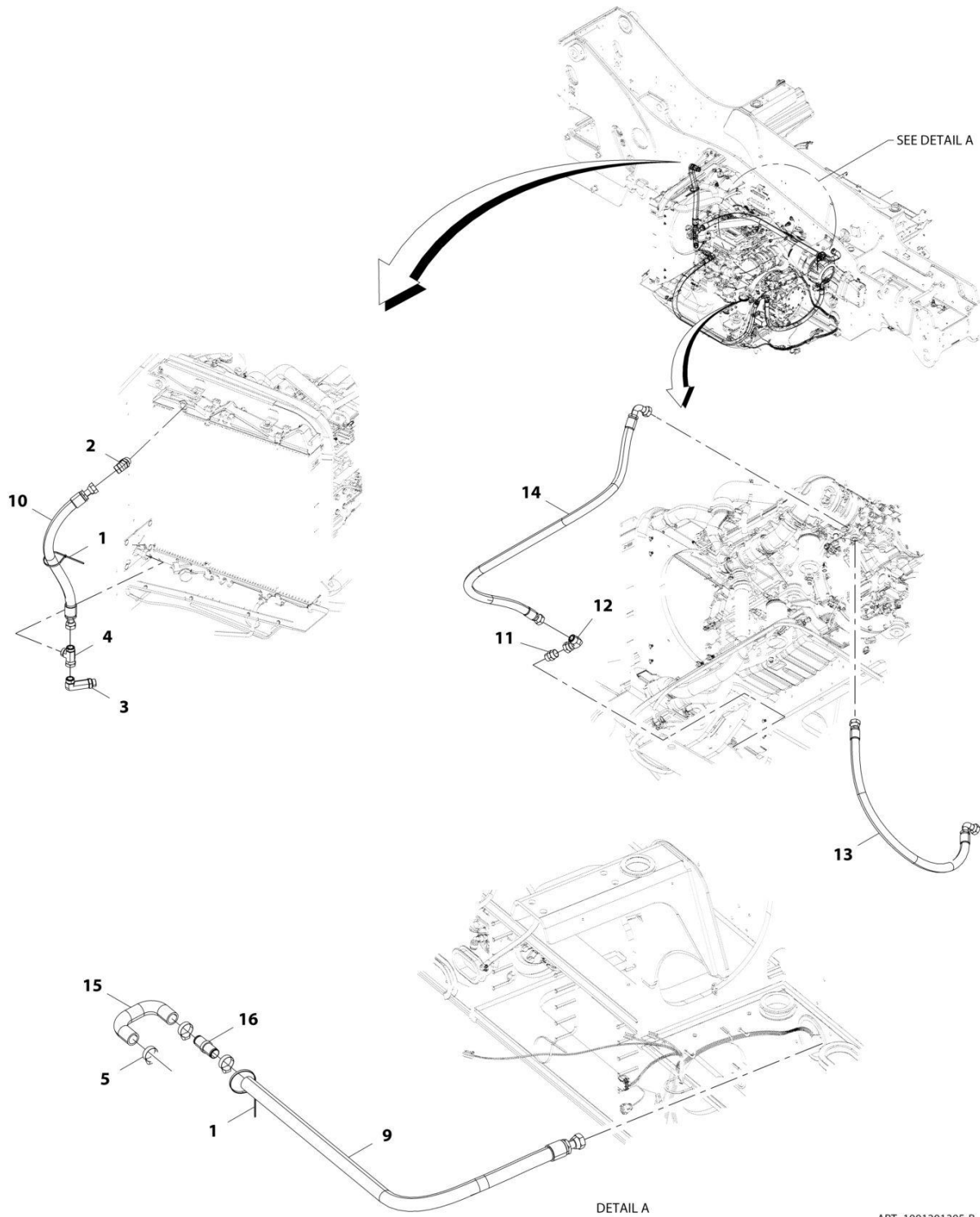
SECTION 4 - ENGINE AND ATTACHING PARTS

FIGURE 4-36. SURGE TANK INSTALLATION

ITEM	PART NUMBER	QTY	DESCRIPTION	REV
	1001201304	Ref	Surge Tank Installation	B
1	0700816	2	Bolt, M8X40	
2	0791605	4	Screw	
3	4811900	2	Washer, M8	
4	1001138827	1	Sensor, Coolant Level	
5	1001128144	1	Tank, Coolant	
6	1001128341	1	Cap	
7	1001169368	2	Fitting, Hose Barb	
8	1001201317	1	Bracket, Coolant Tank	

SECTION 4 - ENGINE AND ATTACHING PARTS

FIGURE 4-37. TRANSMISION OIL COOLER LINES INSTALLATION



DETAIL A

ART_1001201305-B

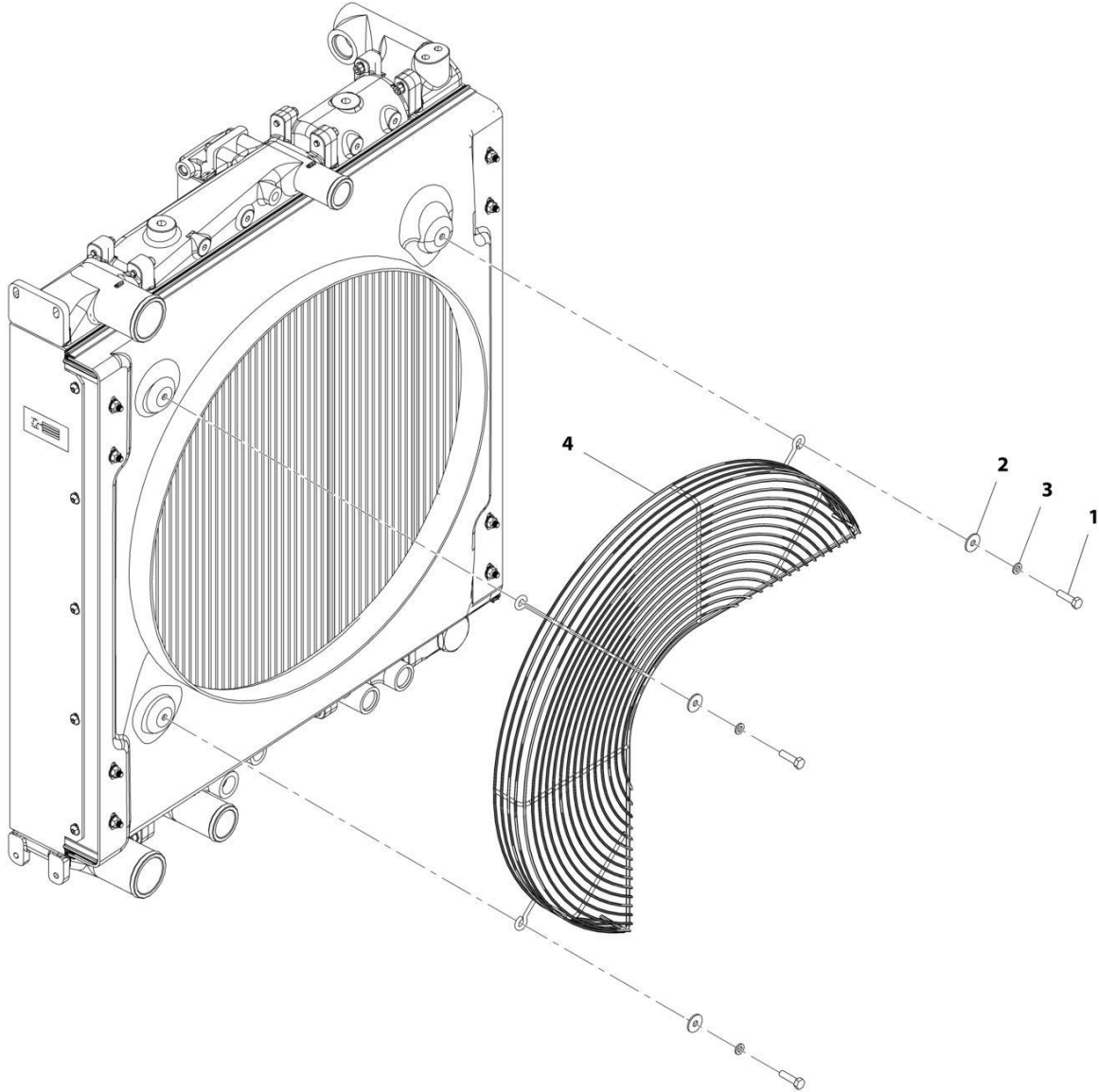
SECTION 4 - ENGINE AND ATTACHING PARTS

FIGURE 4-37. TRANSMISION OIL COOLER LINES INSTALLATION

ITEM	PART NUMBER	QTY	DESCRIPTION	REV
	1001201305	Ref	Transmission Oil Cooler Lines Installation	B
1	1062255	AR	Strap, Tie	
2	2151616	1	Fitting, 45 ORFS	
3	2170216	1	Fitting, 90 ORFS	
4	2170716	1	Fitting, Tee ORFS	
5	8405102	3	Clamp, Gear	
9	1001205564	1	Hose	
10	1001205565	1	Hose	
11	2111616	1	Fitting, Straight ORFS	
12	2172116	1	Fitting, 90 ORFS	
13	1001211616	1	Hose	
14	1001211617	1	Hose	
15	1001212920	1	Hose	
16	1001212921	1	Fitting, Straight	

SECTION 4 - ENGINE AND ATTACHING PARTS

FIGURE 4-38. FAN GUARD INSTALLATION



ART_1001160420-D

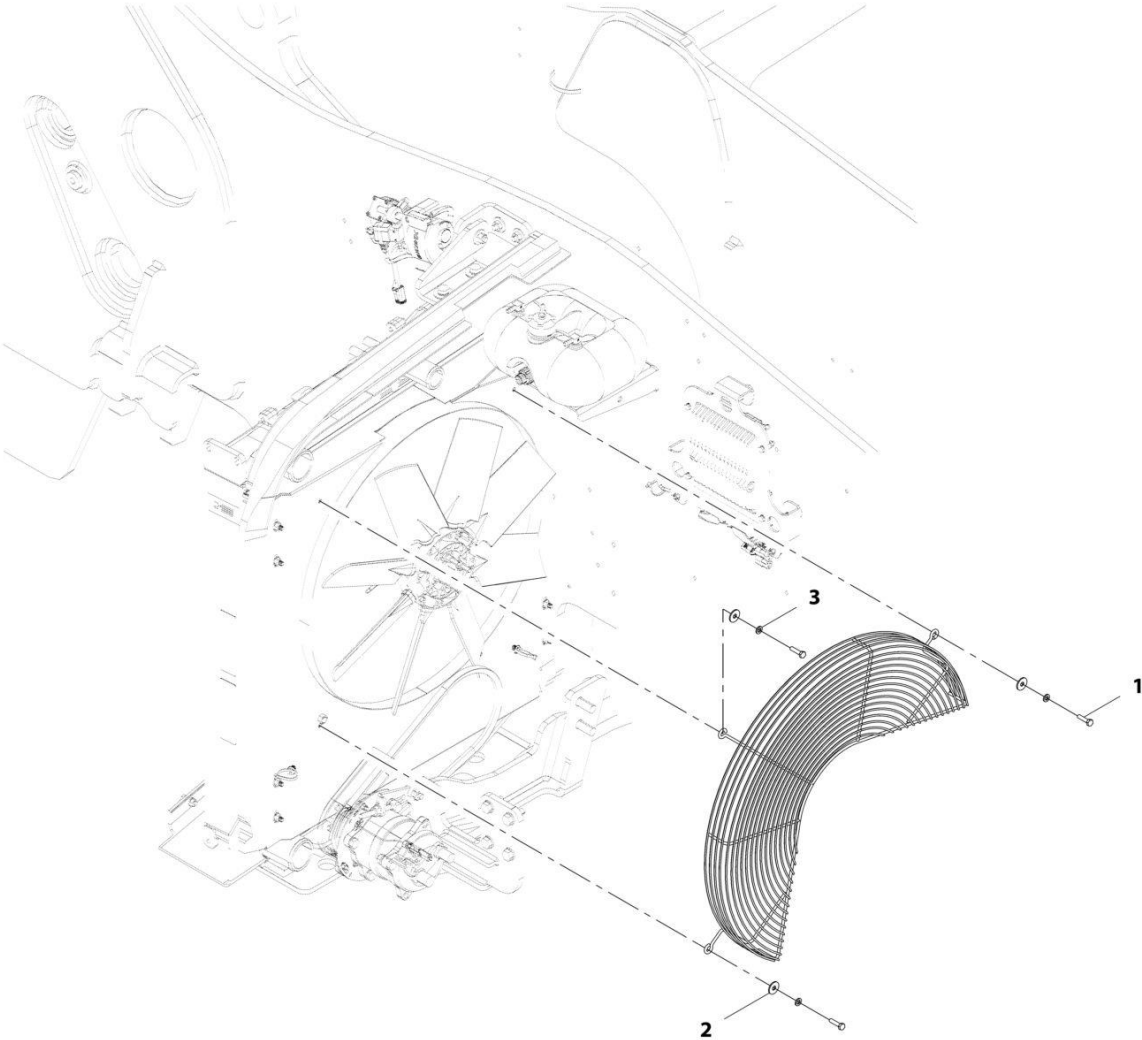
SECTION 4 - ENGINE AND ATTACHING PARTS

FIGURE 4-38. FAN GUARD INSTALLATION

ITEM	PART NUMBER	QTY	DESCRIPTION	REV
	1001160420	Ref	Fan Guard Installation	D
1	0700814	3	Bolt, M8X30	
2	4811902	3	Washer, M8	
3	4831900	3	Washer, Lock M8	
4	1001167186	1	Grill	

SECTION 4 - ENGINE AND ATTACHING PARTS

FIGURE 4-39. FAN GUARD (REVERSING) INSTALLATION



ART_1001217754-B

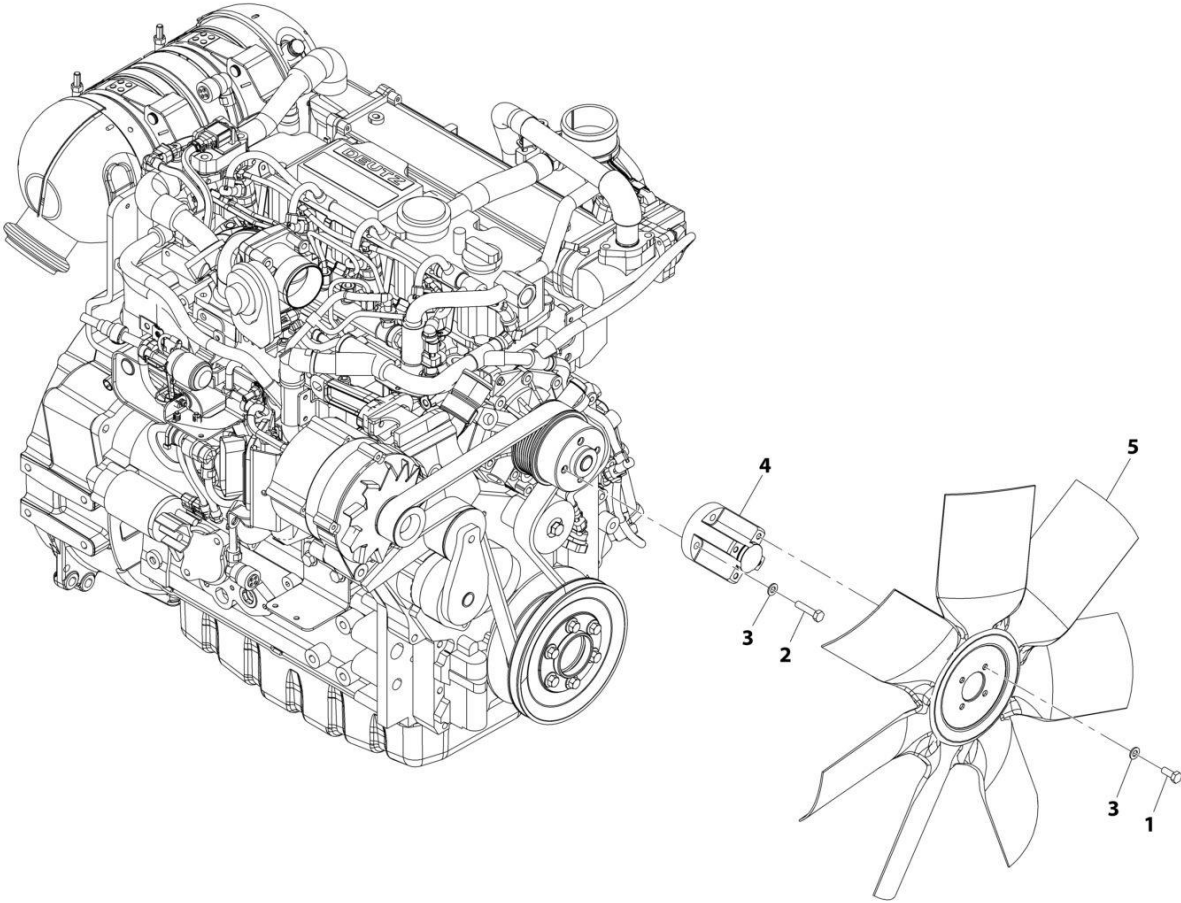
SECTION 4 - ENGINE AND ATTACHING PARTS

FIGURE 4-39. FAN GUARD (REVERSING) INSTALLATION

ITEM	PART NUMBER	QTY	DESCRIPTION	REV
	1001217754	1	Fan Guard (Reversing) Installation	B
1	0700814	3	Bolt, M8X30	
2	4811902	3	Washer, M8	
3	4831900	3	Washer, Lock M8	
4	1001217755	1	Grill	

SECTION 4 - ENGINE AND ATTACHING PARTS

FIGURE 4-40. COOLING FAN INSTALLATION



ART_1001214123-A

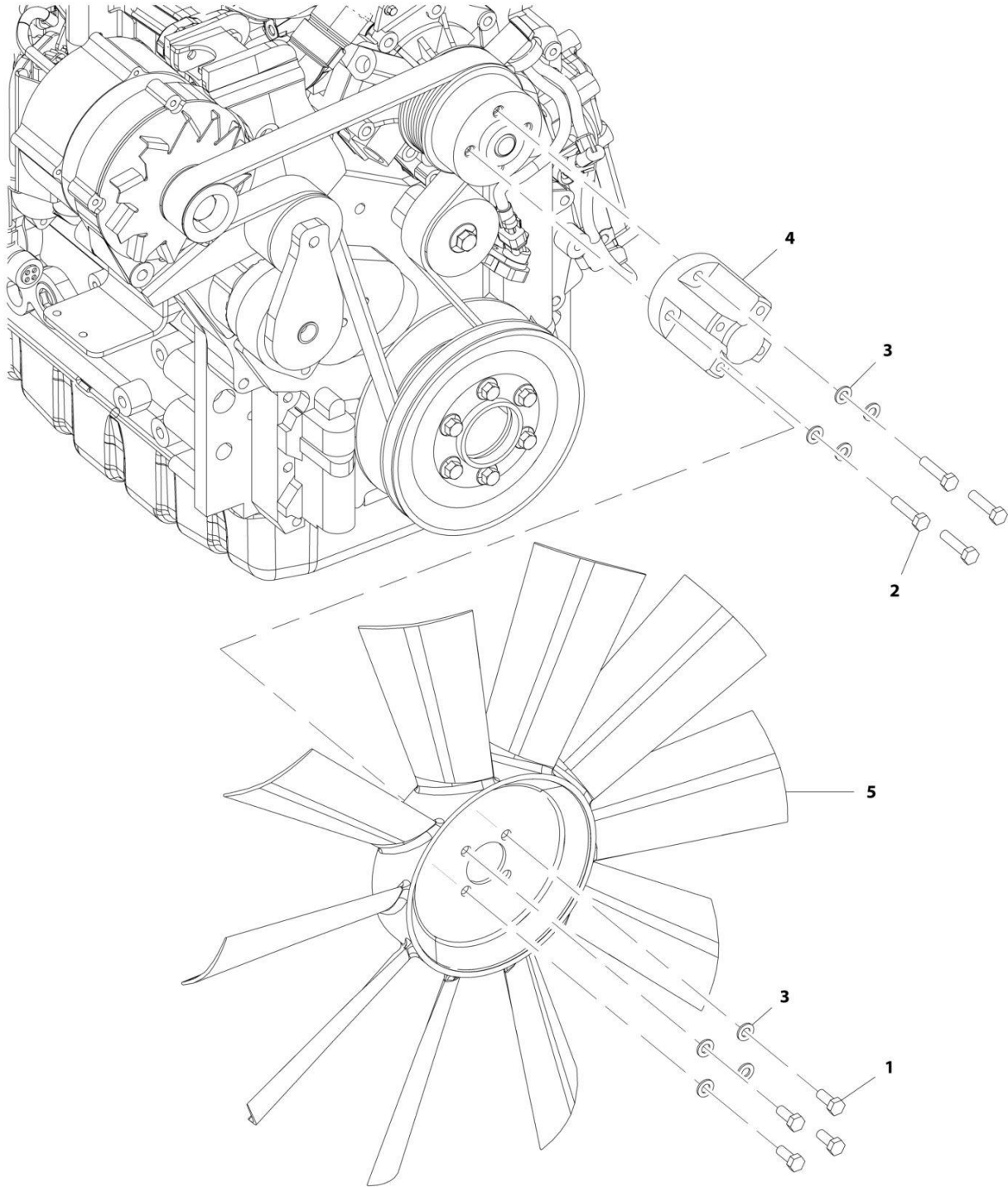
SECTION 4 - ENGINE AND ATTACHING PARTS

FIGURE 4-40. COOLING FAN INSTALLATION

ITEM	PART NUMBER	QTY	DESCRIPTION	REV
	1001214123	Ref	Cooling Fan Installation	A
1	0760810	4	Bolt, M8X20	
2	0770815	4	Bolt, M8X35 Grade 10.9	
3	4811900	8	Washer, M8	
4	1001170311	1	Adapter, Fan	
5	1001185026	1	Fan	

SECTION 4 - ENGINE AND ATTACHING PARTS

FIGURE 4-41. COOLING FAN INSTALLATION (HIGH AMBIENT)



ART_1001221918-A

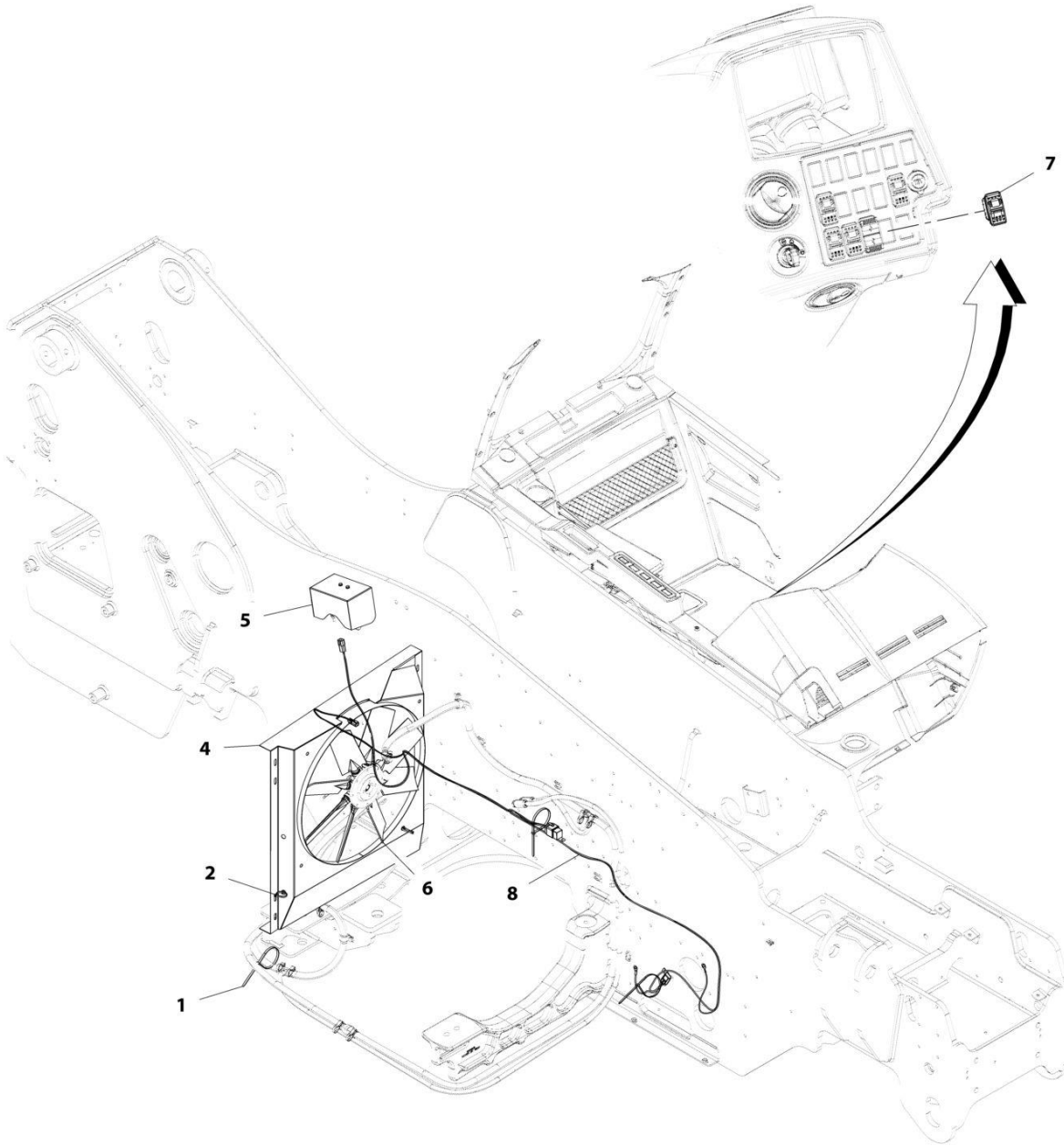
SECTION 4 - ENGINE AND ATTACHING PARTS

FIGURE 4-41. COOLING FAN INSTALLATION (HIGH AMBIENT)

ITEM	PART NUMBER	QTY	DESCRIPTION	REV
	1001221918	Ref	Cooling Fan Installation	A
1	0760810	4	Bolt, M8X20	
2	0770815	4	Bolt, M8X35 Grade 10.9	
3	4811900	8	Washer, M8	
4	1001170311	1	Adapter, Fan Hub	
5	1001148307	1	Fan, 23IN	

SECTION 4 - ENGINE AND ATTACHING PARTS

FIGURE 4-42. COOLING FAN (REVERSING) INSTALLATION



ART_1001217753-C

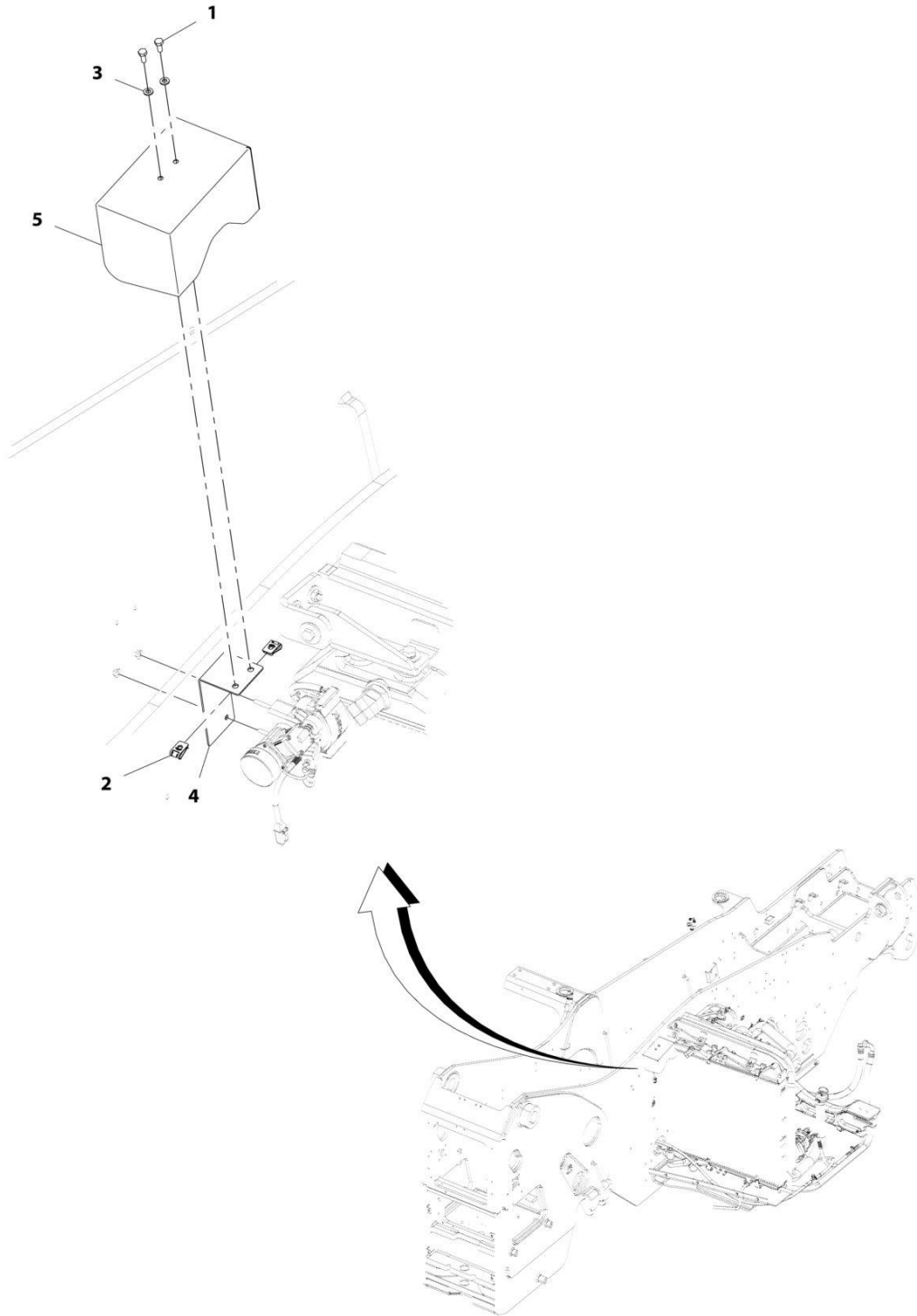
SECTION 4 - ENGINE AND ATTACHING PARTS

FIGURE 4-42. COOLING FAN (REVERSING) INSTALLATION

ITEM	PART NUMBER	QTY	DESCRIPTION	REV
	1001217753	Ref	Reverse Cooling Fan Installation	C
1	1062255	3	Strap, Tie	
2	1001146588	2	Strap, Fir Tree Cable Tie	
4	1001217756	1	Shroud	
5	1001217757	1	Installation, Cover (See Separate Breakdown in this Section)	
6	1001217760	1	Kit, Reversing Fan	
6	70030353	1	Pneumatic Line	
6	70030355	1	Fan, Reverse	
6	70030356	1	Compressor	
7	1001145204	1	Switch	
8	1001221493	1	Harness, Reversing Fan (See Separate Breakdown in ELECTRICAL Section)	

SECTION 4 - ENGINE AND ATTACHING PARTS

FIGURE 4-43. COOLING FAN COVER (REVERSING) INSTALLATION



ART_1001217757-A

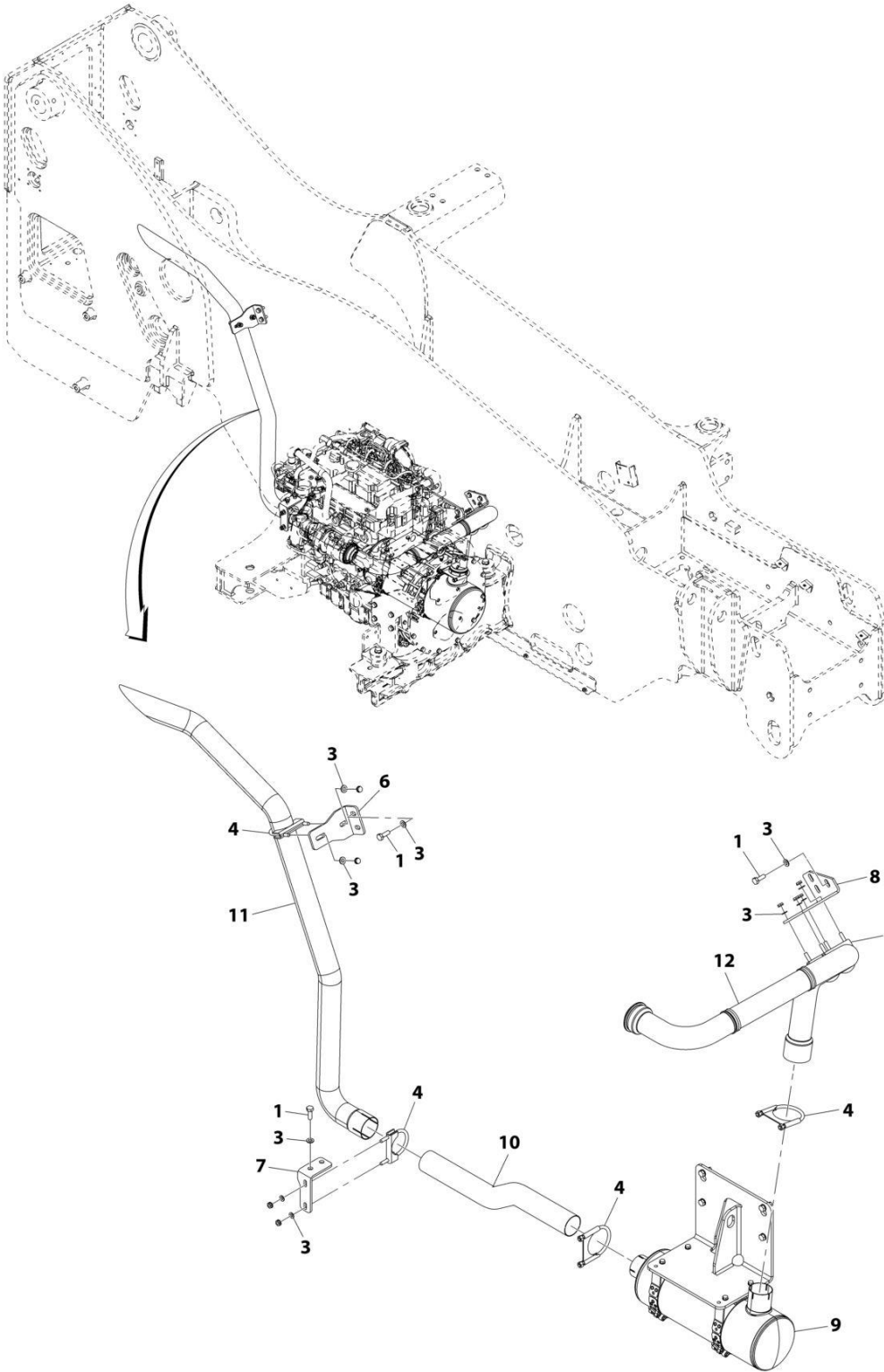
SECTION 4 - ENGINE AND ATTACHING PARTS

FIGURE 4-43. COOLING FAN COVER (REVERSING) INSTALLATION

ITEM	PART NUMBER	QTY	DESCRIPTION	REV
	1001217757	Ref	Compressor Cover Installation	A
1	0760607	2	Bolt, M6X14	
2	8305919	2	Nut, M6	
3	8307219	2	Washer, M6	
4	1001217758	1	Bracket	
5	1001217759	1	Cover	

SECTION 4 - ENGINE AND ATTACHING PARTS

FIGURE 4-44. EXHAUST INSTALLATION (LS)



ART_1001200448-E

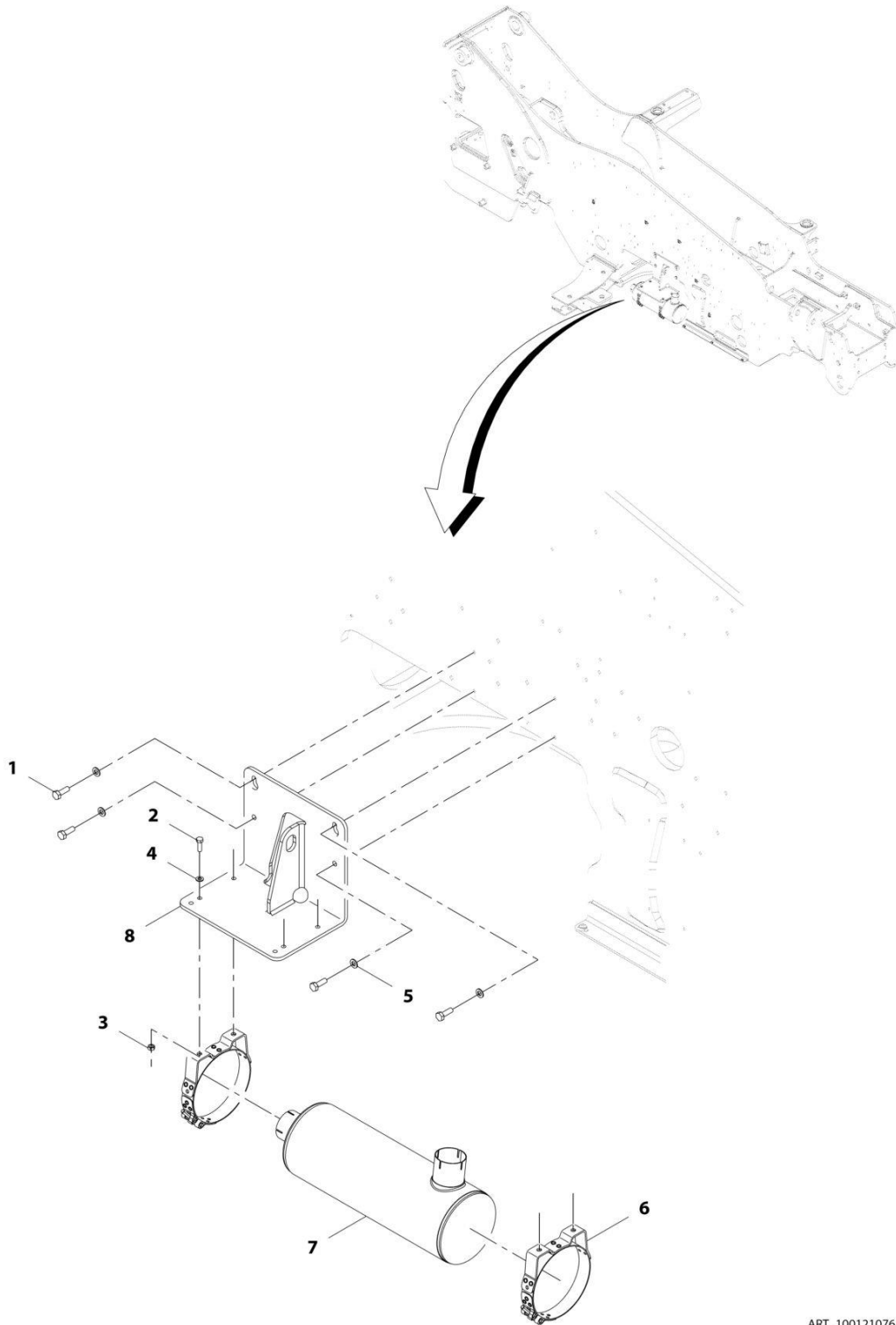
SECTION 4 - ENGINE AND ATTACHING PARTS

FIGURE 4-44. EXHAUST INSTALLATION (LS)

ITEM	PART NUMBER	QTY	DESCRIPTION	REV
	1001200448	Ref	Exhaust Installation (LS)	E
1	0701014	6	Bolt, M10X30	
3	4812000	14	Washer, M10	
4	8275212	4	Clamp	
6	1001182824	1	Bracket	
7	1001194155	1	Bracket	
8	1001214439	1	Bracket	
9	1001210761	1	Installation, Muffler (See Separate Breakdown in this Section)	
10	1001214441	1	Pipe	
11	1001228174	1	Pipe, Tail	
12	1001214440	1	Pipe	

SECTION 4 - ENGINE AND ATTACHING PARTS

FIGURE 4-45. MUFFLER INSTALLATION (LS)



ART_1001210761-A

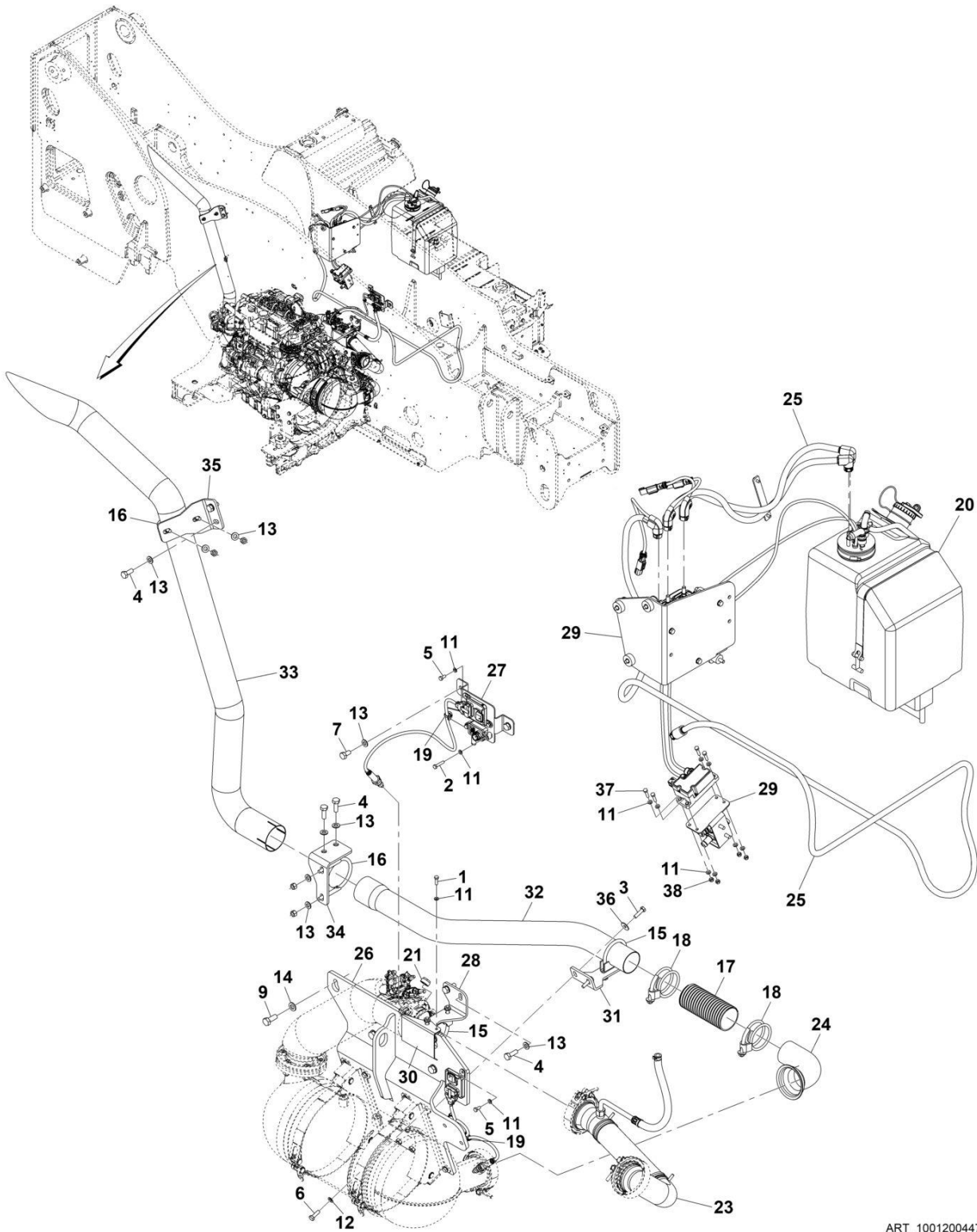
SECTION 4 - ENGINE AND ATTACHING PARTS

FIGURE 4-45. MUFFLER INSTALLATION (LS)

ITEM	PART NUMBER	QTY	DESCRIPTION	REV
	1001210761	Ref	Muffler Installation (LS)	A
1	0701014	4	Bolt, M10X30	
2	0760812	4	Bolt, M8X25	
3	3290801	4	Nut, M8X1.25 Grade 8	
4	4811900	8	Washer, M8	
5	4812000	4	Washer, M10	
6	1001119727	2	Clamp	
7	1001140671	1	Muffler	
8	1001214438	1	Bracket	

SECTION 4 - ENGINE AND ATTACHING PARTS

FIGURE 4-46. EXHAUST INSTALLATION (ULS)



ART_1001200447-I

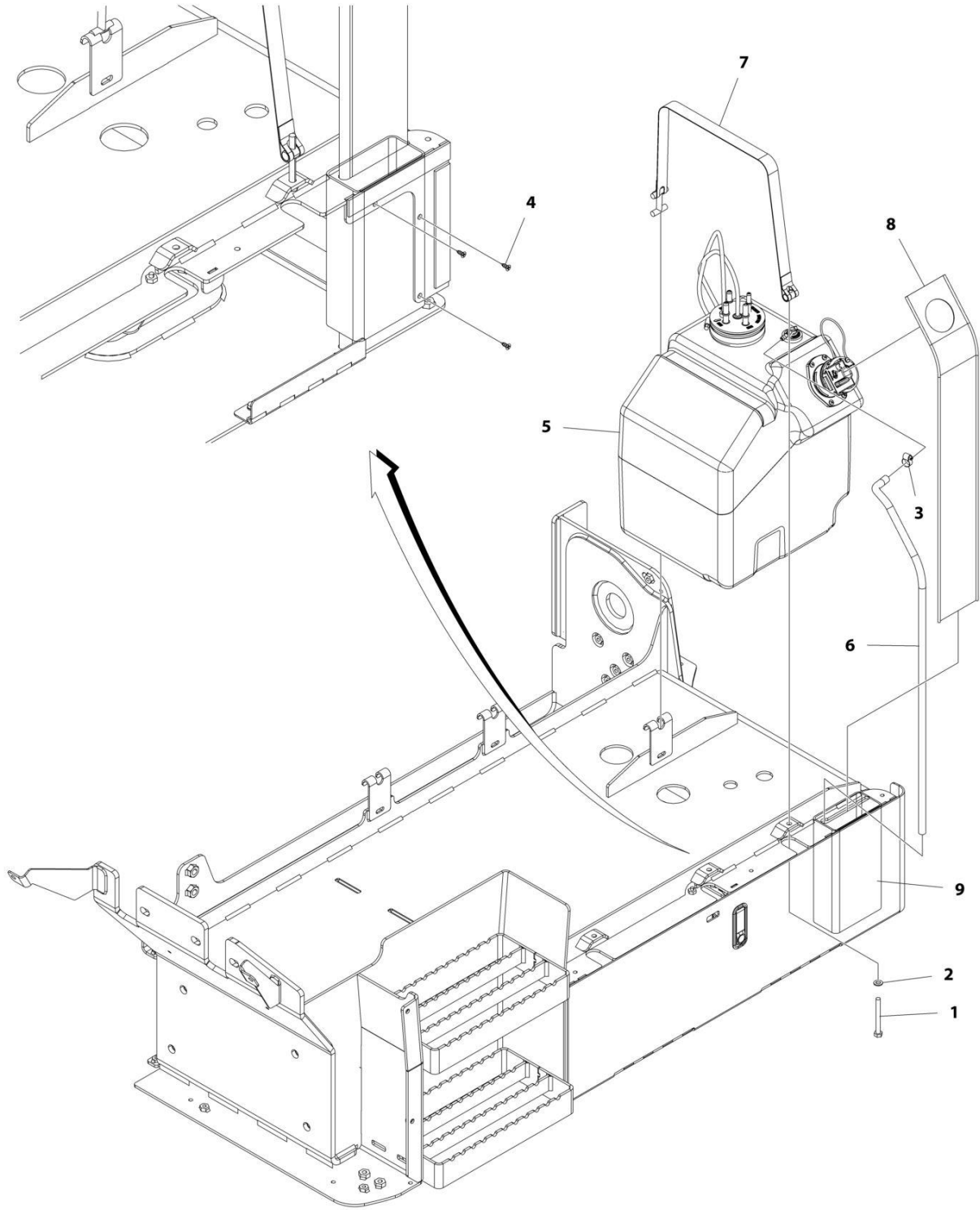
SECTION 4 - ENGINE AND ATTACHING PARTS

FIGURE 4-46. EXHAUST INSTALLATION (ULS)

ITEM	PART NUMBER	QTY	DESCRIPTION	REV
	1001200447	Ref	EXHAUST INSTALLATION (ULS)	K
1	0700610	1	Bolt M6 x 20	
2	0700614	1	Bolt M6 x 30	
3	0700814	2	Bolt M8 x 30	
4	0701014	6	Bolt M10 x 30	
5	0760607	4	Bolt M6 x 14	
6	0760812	8	Bolt M8 x 25	
7	0761010	2	Bolt M10 x 20	
9	0761214	4	Bolt M12 x 30	
11	4811700	6	Washer M6	
12	4811900	8	Washer M8	
13	4812000	12	Washer M10	
14	4812100	4	Washer M12	
15	8275212	2	Clamp	
16	24921332	2	Clamp	
17	77213042	1	Tube, Flexible	
18	91163268	2	Clamp	
19	1001146588	3	Tie-Strap	
20	1001293067	Ref	Installation, DEF Tank (See Separate Breakdown in this Section)	
23	1001199902	1	Pipe	
24	1001200249	1	Pipe	
25	1001293068	Ref	Installation, DEF Lines (See Separate Breakdown in this Section)	
26	1001201856	1	Bracket	
27	1001284536	1	Bracket	
28	1001201858	1	Support	
29	1001202018	Ref	Installation, DEF Control Module (See Separate Breakdown in this Section)	
30	1001202021	1	Plate	
31	1001202899	1	Bracket	
32	1001204411	1	Pipe	
33	1001226797	1	Pipe, Tail	
34	1001204413	1	Bracket	
35	1001204414	1	Bracket	
36	4811902	2	Washer M8	
39	1001004720	AR	Tie-Strap	

SECTION 4 - ENGINE AND ATTACHING PARTS

FIGURE 4-47. DEF TANK INSTALLATION



ART_1001212923_G

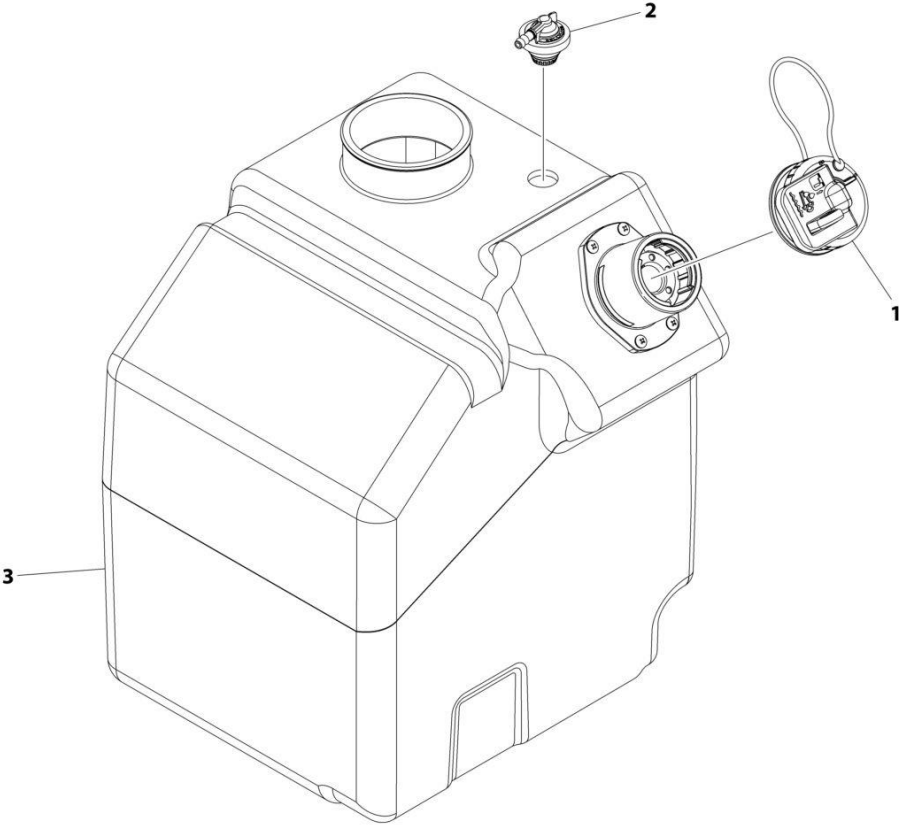
SECTION 4 - ENGINE AND ATTACHING PARTS

FIGURE 4-47. DEF TANK INSTALLATION

ITEM	PART NUMBER	QTY	DESCRIPTION	REV
	1001212923	Ref	DEF TANK INSTALLATION	G
1	0760823	1	Bolt M8 x 75	
2	4811900	1	Washer M8	
3	8405009	1	Clamp	
4	1001226681	3	Screw	
5	1001289563	1	Assembly, DEF Tank (See Separate Breakdown in this Section)	
6	1001175201	813 mm	Hose	
7	1001178791	1	Strap, Tank	
8	1001212924	1	Guard, Spill	
9	1001212925	1	Tube, Drain	

SECTION 4 - ENGINE AND ATTACHING PARTS

FIGURE 4-48. DEF TANK ASSEMBLY



ART_1001289563

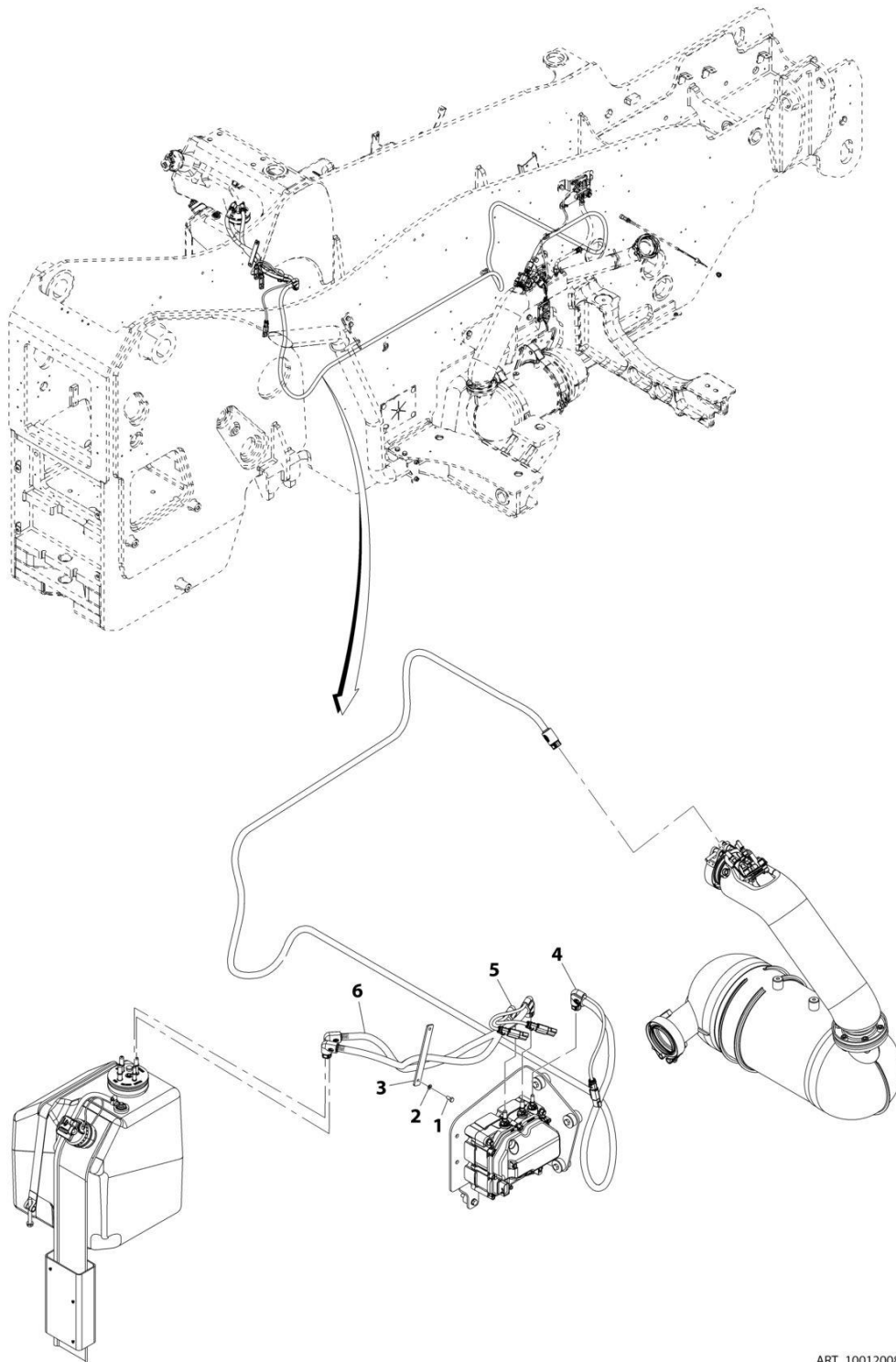
SECTION 4 - ENGINE AND ATTACHING PARTS

FIGURE 4-48. DEF TANK ASSEMBLY

ITEM	PART NUMBER	QTY	DESCRIPTION	REV
	1001289563	Ref	DEF TANK ASSEMBLY	A
1	1001174795	1	Reutter Cap Assembly	
2	1001215319	1	DEF Breather Valve	
3	1001289562	1	DEF Tank	

SECTION 4 - ENGINE AND ATTACHING PARTS

FIGURE 4-49. DEF LINES INSTALLATION



ART_1001200867-E

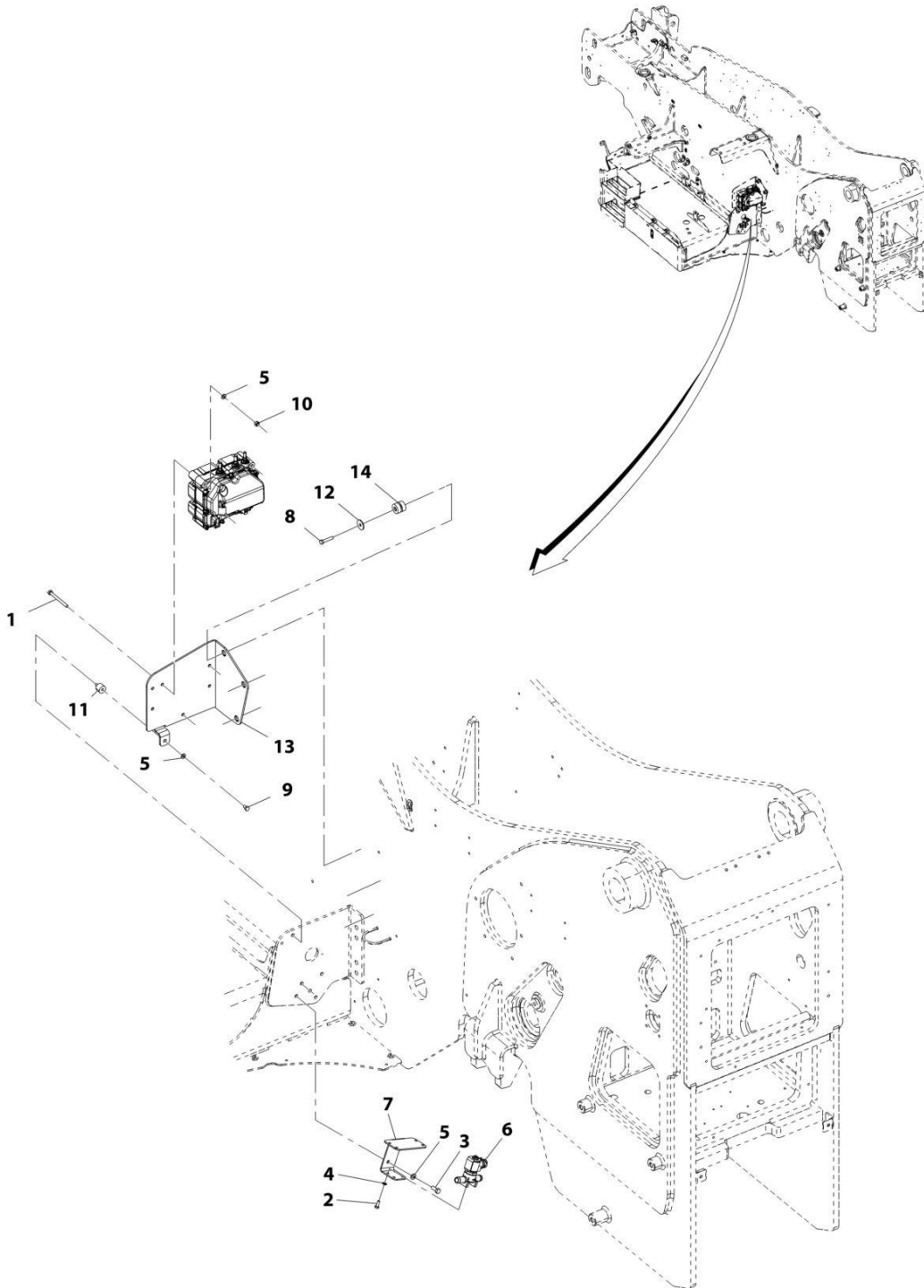
SECTION 4 - ENGINE AND ATTACHING PARTS

FIGURE 4-49. DEF LINES INSTALLATION

ITEM	PART NUMBER	QTY	DESCRIPTION	REV
	1001200867	Ref	DEF Lines Installation	E
1	0760607	2	Bolt, M6X14	
2	4831700	2	Washer, Lock M6	
3	1001173873	1	Plate	
4	1001180437	1	Hose	
5	1001239879	1	Hose	
6	1001239878	1	Hose	

SECTION 4 - ENGINE AND ATTACHING PARTS

FIGURE 4-50. DEF CONTROL MODULE INSTALLATION



ART_1001202018-F

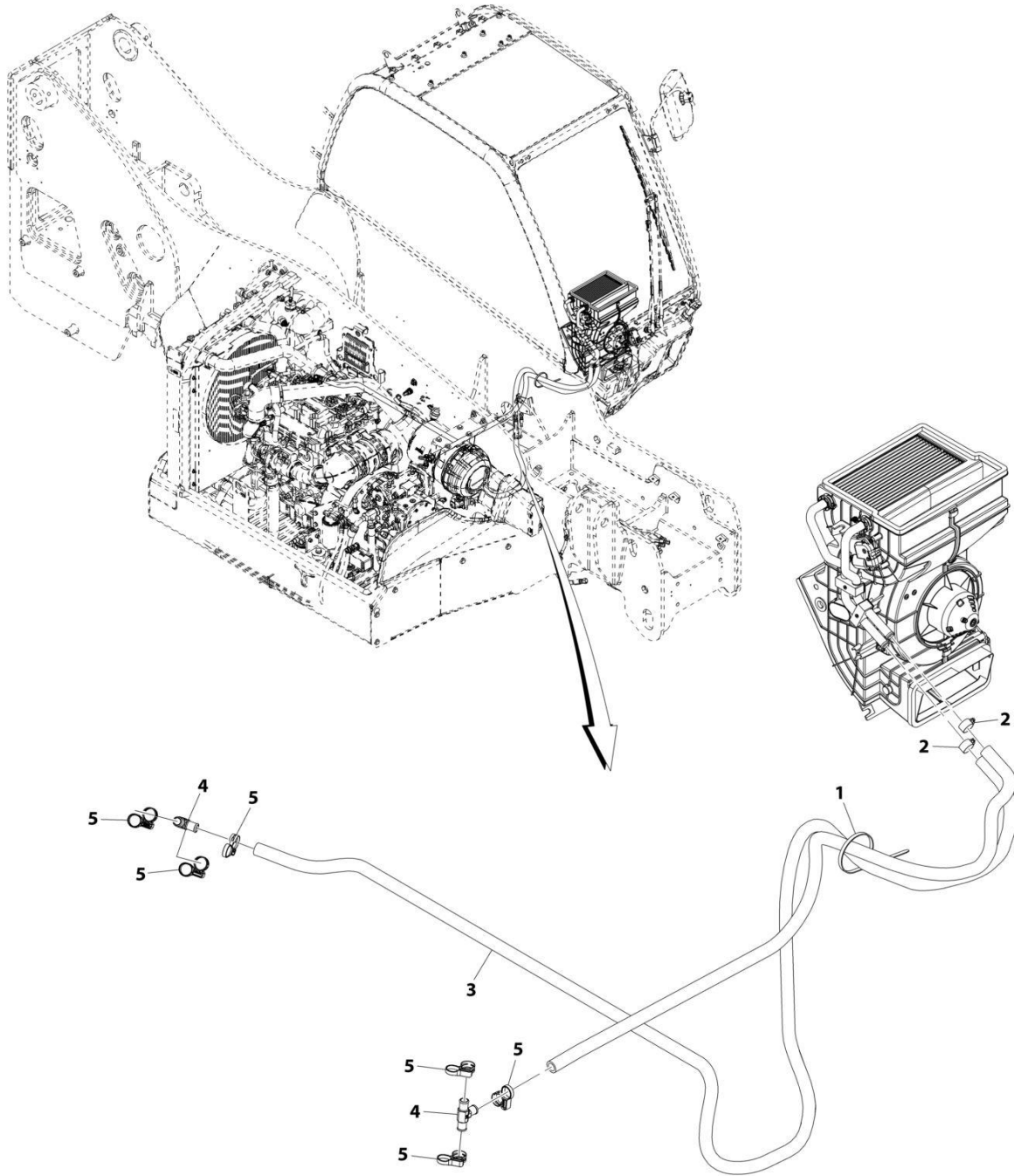
SECTION 4 - ENGINE AND ATTACHING PARTS

FIGURE 4-50. DEF CONTROL MODULE INSTALLATION

ITEM	PART NUMBER	QTY	DESCRIPTION	REV
	1001202018	Ref	DEF Control Module Installation	F
1	0700826	3	Bolt, M8X90	
2	0760608	4	Bolt, M6X16	
3	0760810	2	Bolt, M8X20	
4	4811700	4	Washer, M6	
5	4811900	9	Washer, M8	
6	1001199670	1	Valve, DEF Tank Coolant Flow	
7	1001247184	1	Bracket	
8	0700816	3	Bolt, M8X40	
9	0760806	1	Bolt, M8X12	
10	3290805	3	Nut, Lock M8X1.25 Grade 8	
11	1001179907	1	Mount, Isolator	
12	1001195089	3	Washer	
13	1001221349	1	Bracket	
14	1001221383	3	Mount, Isolator	

SECTION 4 - ENGINE AND ATTACHING PARTS

FIGURE 4-51. HEATER LINES INSTALLATION (ULS)



ART_1001200451-D

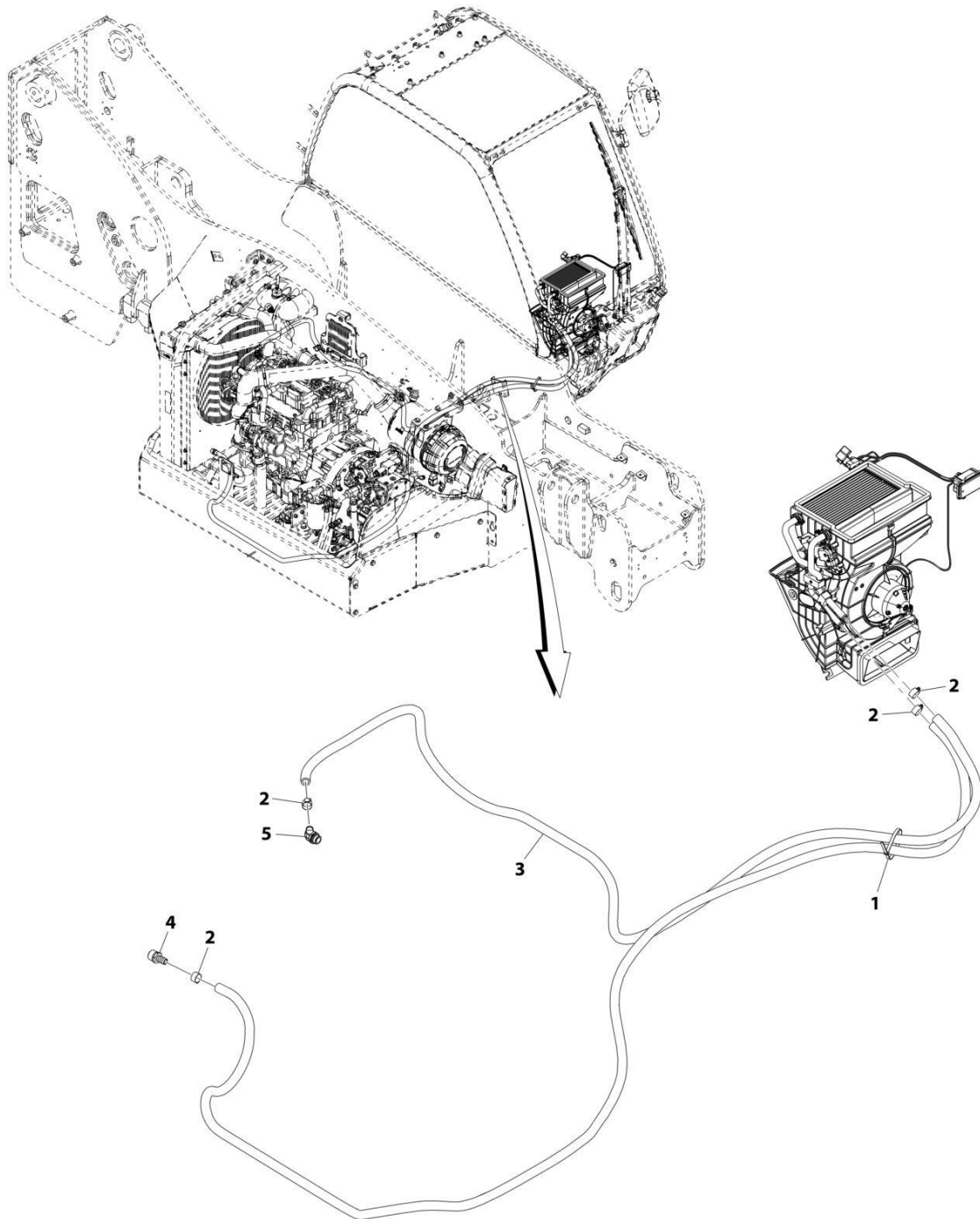
SECTION 4 - ENGINE AND ATTACHING PARTS

FIGURE 4-51. HEATER LINES INSTALLATION (ULS)

ITEM	PART NUMBER	QTY	DESCRIPTION	REV
	1001200451	Ref	Heater Lines Installation (ULS)	D
1	1062255	AR	Strap, Tie	
2	8410009	2	Clamp	
3	82033995	4620 mm	Hose	
4	1001170432	2	Fitting, Tee	
5	1001202526	6	Clamp	

SECTION 4 - ENGINE AND ATTACHING PARTS

FIGURE 4-52. HEATER LINES INSTALLATION (LS)



ART_1001200452-A

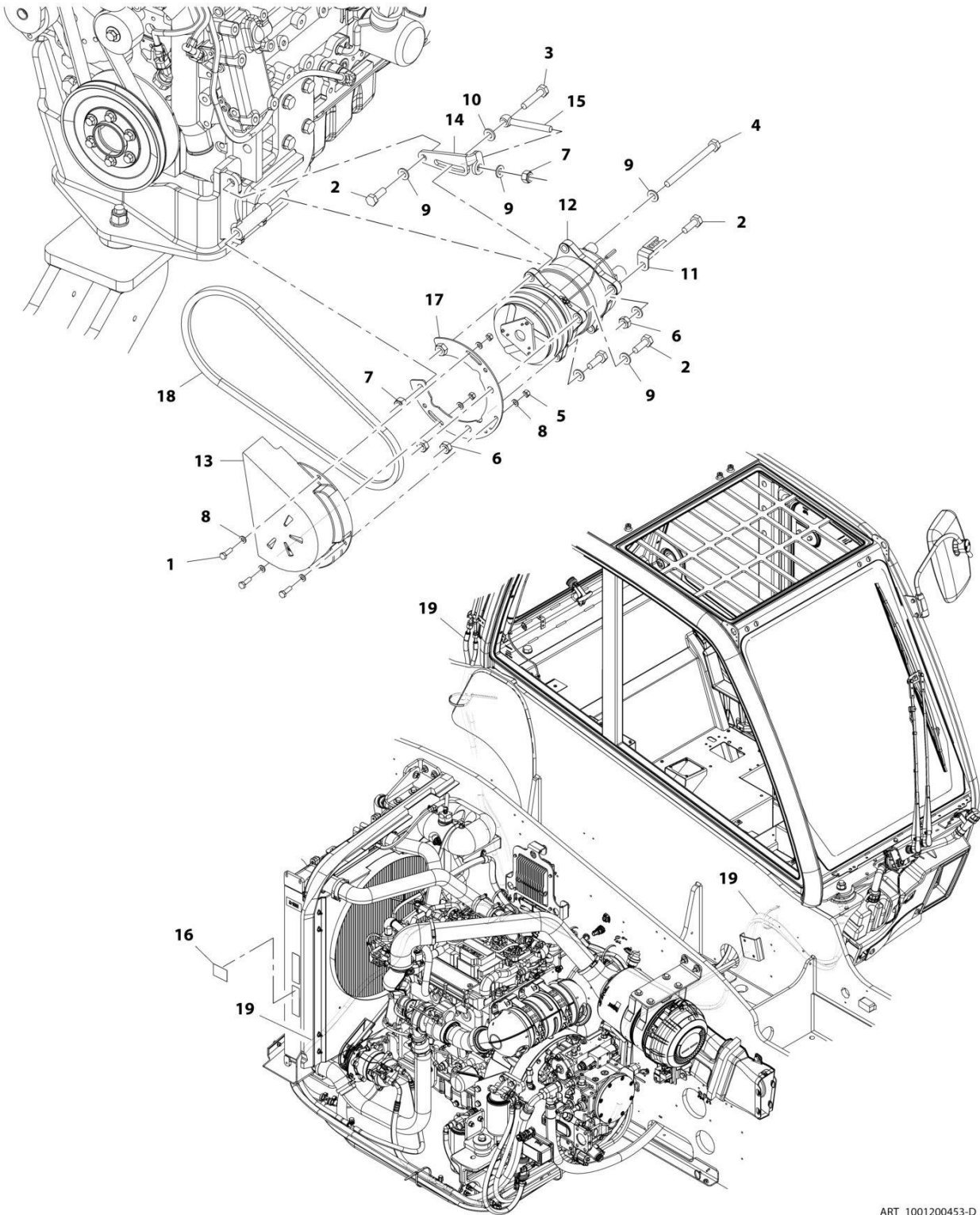
SECTION 4 - ENGINE AND ATTACHING PARTS

FIGURE 4-52. HEATER LINES INSTALLATION (LS)

ITEM	PART NUMBER	QTY	DESCRIPTION	REV
	1001200452	Ref	Heater Lines Installation (LS)	A
1	1062255	1	Strap, Tie	
2	8410009	4	Clamp	
3	82033995	6897 mm	Hose	
4	1001167409	1	Fitting, Straight	
5	1001203005	1	Fitting, 45	

SECTION 4 - ENGINE AND ATTACHING PARTS

FIGURE 4-53. A/C PUMP INSTALLATION



ART_1001200453-D

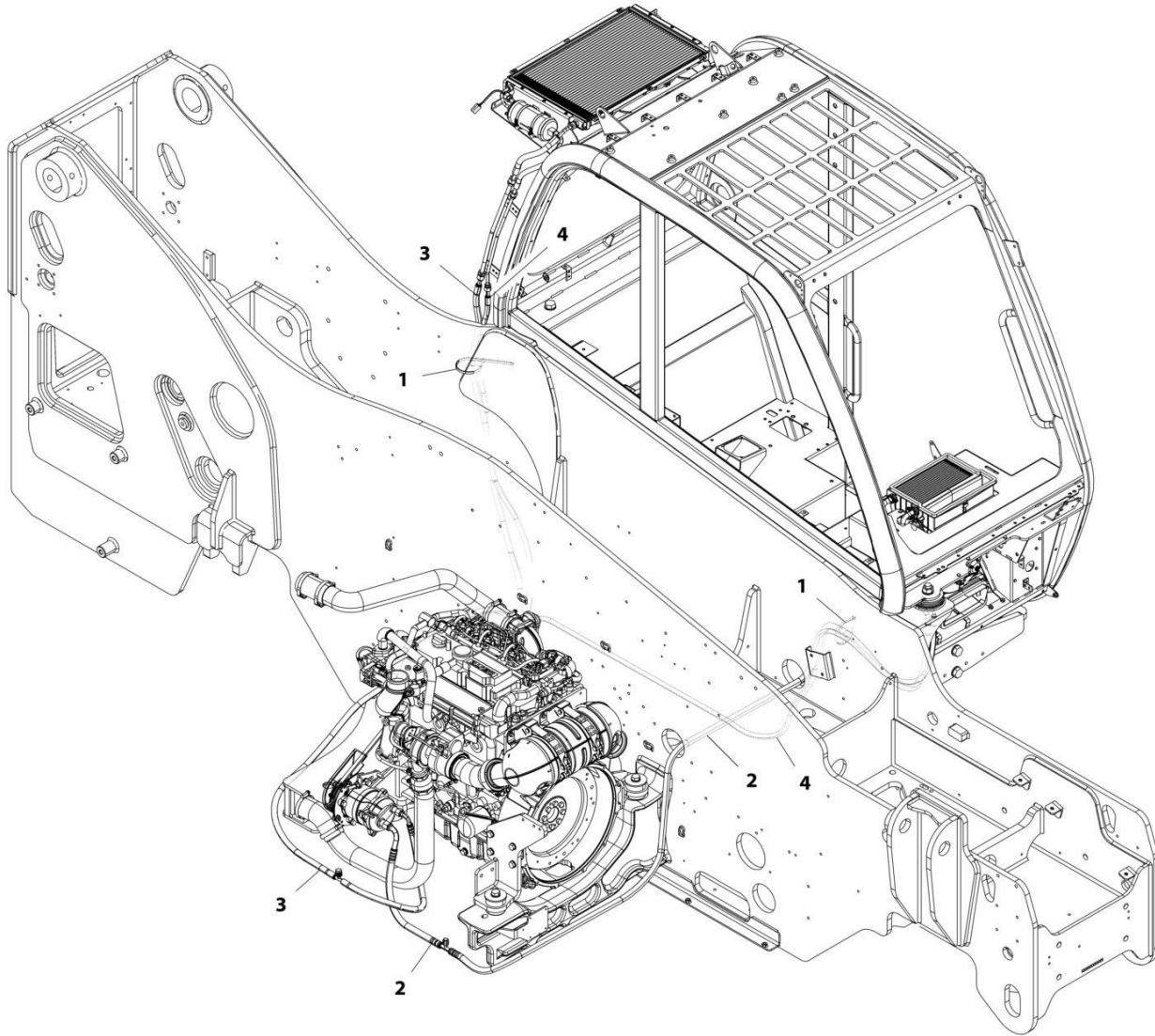
SECTION 4 - ENGINE AND ATTACHING PARTS

FIGURE 4-53. A/C PUMP INSTALLATION

ITEM	PART NUMBER	QTY	DESCRIPTION	REV
	1001200453	Ref	A/C Pump Installation	D
1	0700610	3	Bolt, M6X20	
2	0701014	4	Bolt, M10X30	
3	0701018	1	Bolt, M10X50	
4	0711030	1	Bolt, M10X130 Grade 10.9	
5	3290605	3	Nut, Lock M6X1	
6	3291001	3	Nut, M10X1.5	
7	3291005	2	Nut, lock M10X1.5	
8	4811700	6	Washer, M6	
9	4812000	6	Washer, M10	
10	5241000	1	Washer, M10	
11	1001003305	1	Clip	
12	1001107339	1	Compressor, A/C Clutch	
13	1001138945	1	Cover, Compressor	
14	1001188855	1	Plate, A/C Belt Tensioner	
15	1001188856	1	Rod, Tensioner	
16	1001227090	1	Decal, A/C Installation	
17	1001193797	1	Support, Cover	
18	1001200701	1	Belt, Drive	
19	1001202321	1	A/C Lines Installation (See Separate Breakdown in this Section)	

SECTION 4 - ENGINE AND ATTACHING PARTS

FIGURE 4-54. A/C LINES INSTALLATION



ART_1001202321-D

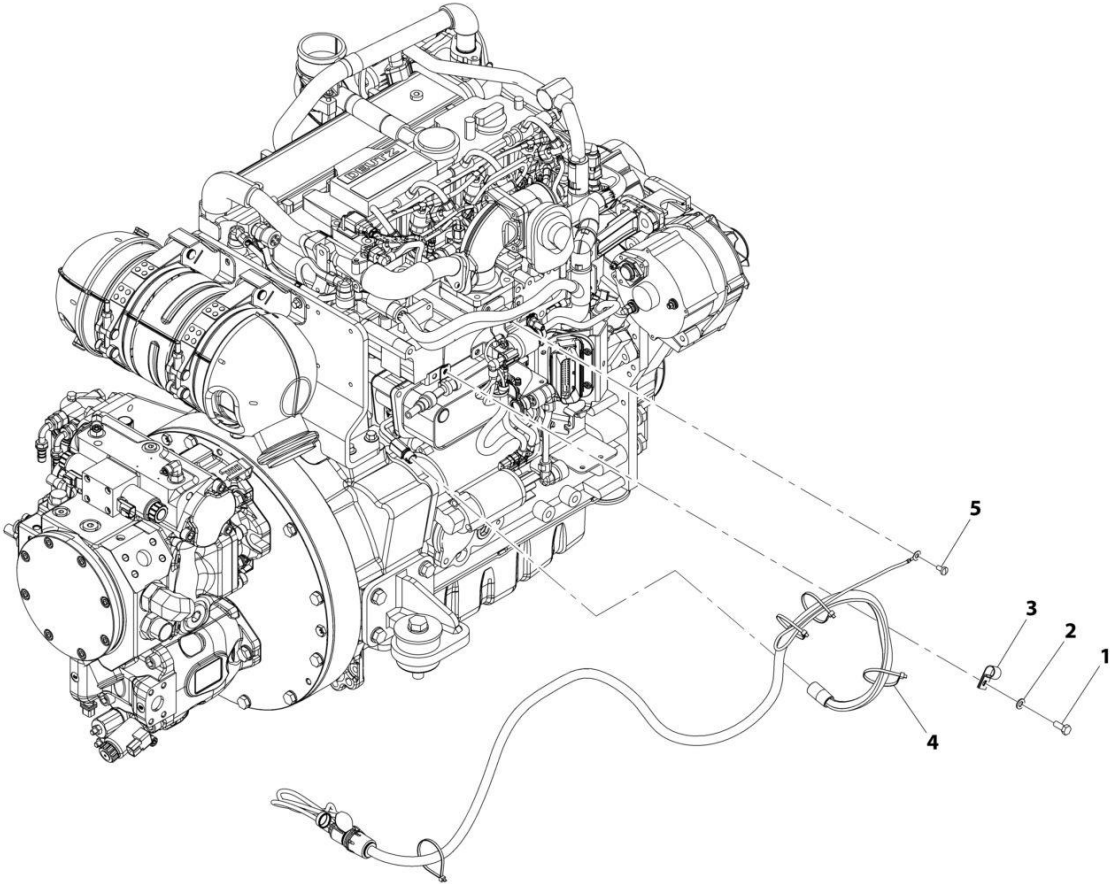
SECTION 4 - ENGINE AND ATTACHING PARTS

FIGURE 4-54. A/C LINES INSTALLATION

ITEM	PART NUMBER	QTY	DESCRIPTION	REV
	1001202321	Ref	A/C Lines Installation	D
1	1062255	2	Strap, Tie	
2	1001216798	1	Hose	
3	1001216799	1	Hose	
4	1001202325	1	Hose	

SECTION 4 - ENGINE AND ATTACHING PARTS

FIGURE 4-55. BLOCK HEATER INSTALLATION (115V) (ULS)



ART_1001214349-C

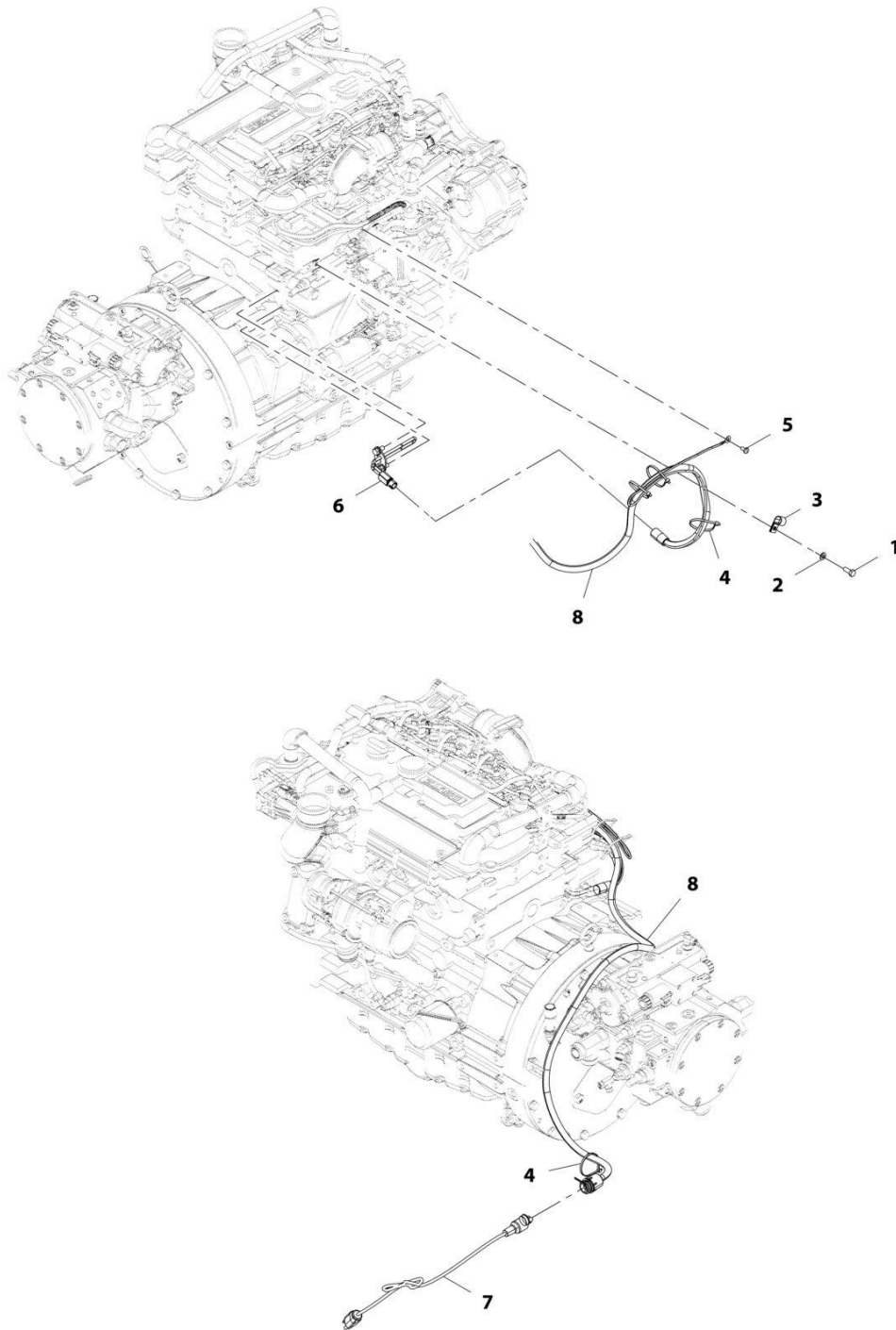
SECTION 4 - ENGINE AND ATTACHING PARTS

FIGURE 4-55. BLOCK HEATER INSTALLATION (115V) (ULS)

ITEM	PART NUMBER	QTY	DESCRIPTION	REV
	1001214349	Ref	Block Heater Installation (115V) (ULS)	C
1	0760810	1	Bolt, M8X20	
2	4811900	1	Washer, M8	
3	8406112	1	Clip	
4	1001008559	4	Strap, Cable	
5	1001099566	1	Screw, M6-1X12	

SECTION 4 - ENGINE AND ATTACHING PARTS

FIGURE 4-56. BLOCK HEATER INSTALLATION (115V) (LS)



ART_1001201428-B

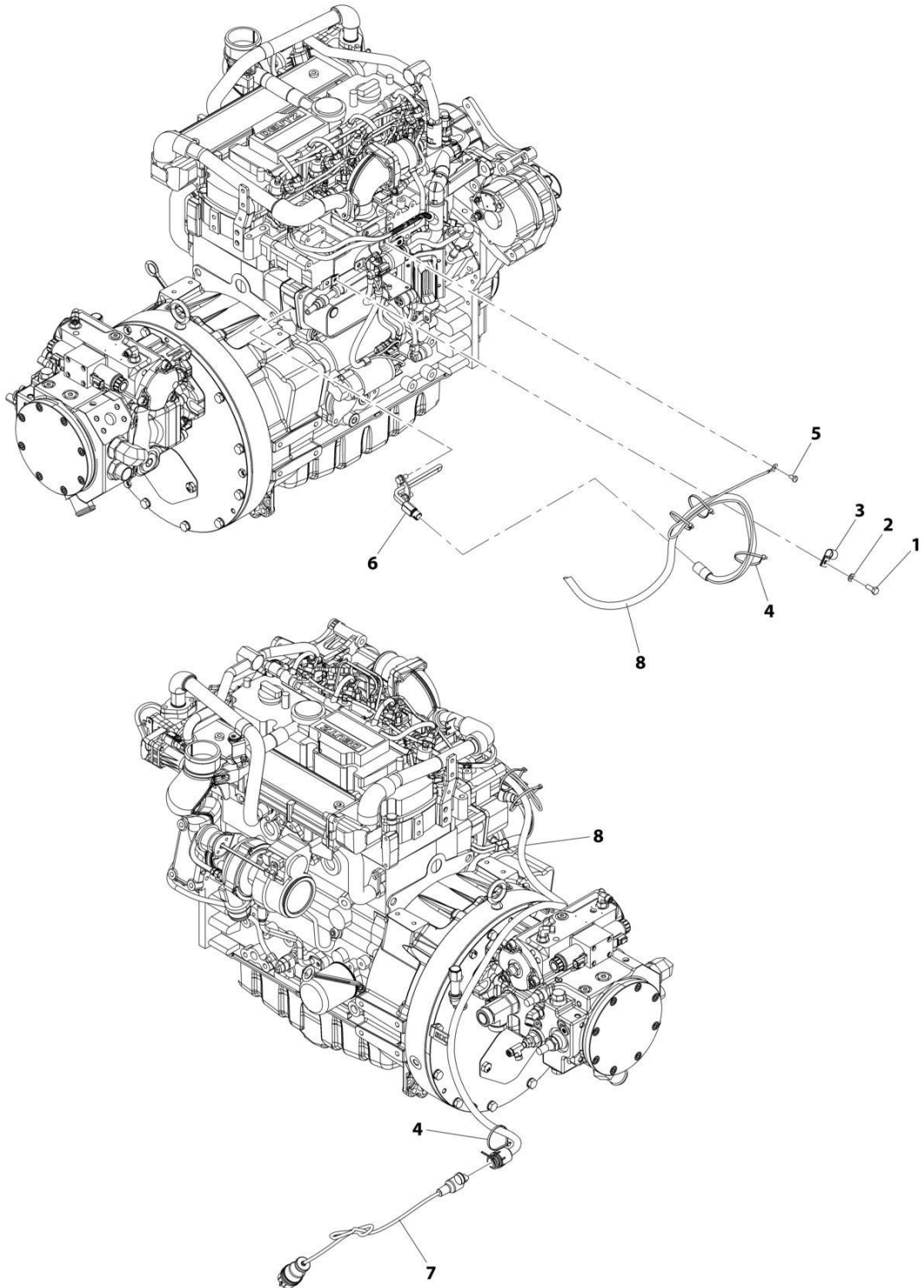
SECTION 4 - ENGINE AND ATTACHING PARTS

FIGURE 4-56. BLOCK HEATER INSTALLATION (115V) (LS)

ITEM	PART NUMBER	QTY	DESCRIPTION	REV
	1001201428	Ref	Block Heater Installation (115V) (LS)	B
1	0760810	1	Bolt, M8X20	
2	4811900	1	Washer, M8	
3	8406112	1	Clip	
4	1001008559	4	Cable, Strap	
5	1001099566	1	Screw, M6-1X12	
6	1001211570	1	Heater, Engine (115V)	
7	1001212013	1	Cord, Heater	
8	1001212054	1	Cord, Heater	

SECTION 4 - ENGINE AND ATTACHING PARTS

FIGURE 4-57. BLOCK HEATER INSTALLATION (240V) (LS)



ART_1001201427-B

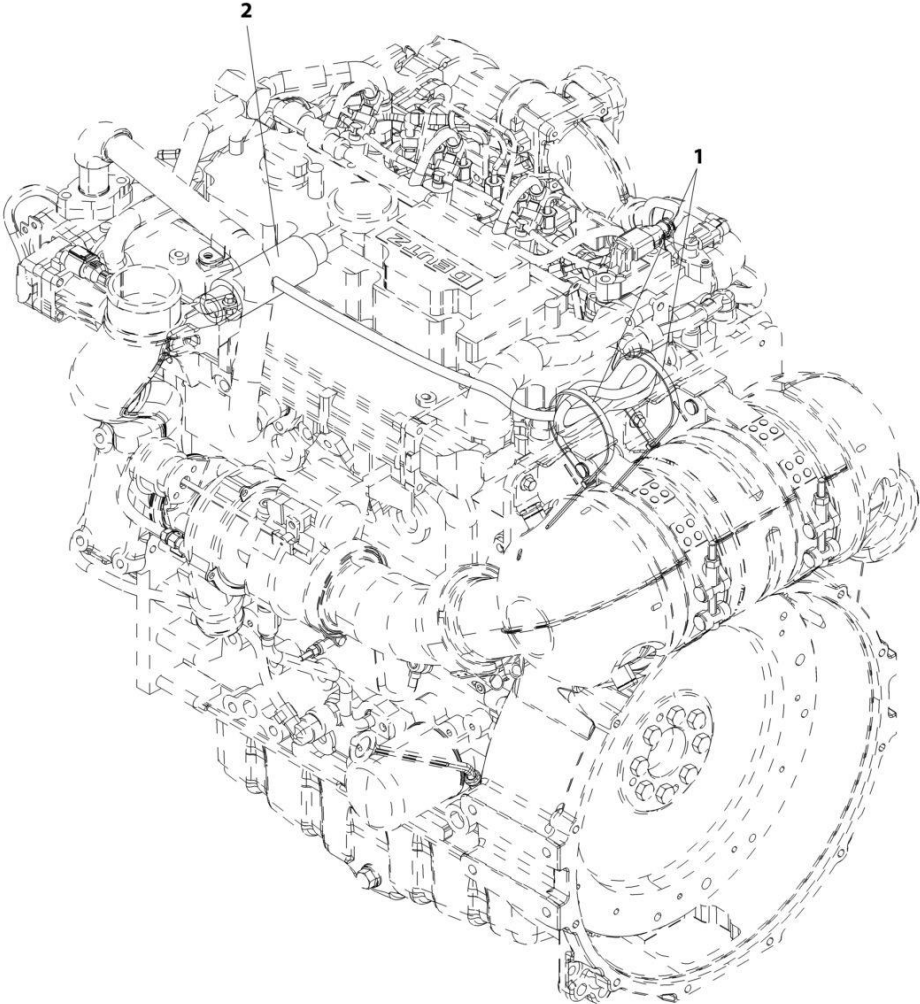
SECTION 4 - ENGINE AND ATTACHING PARTS

FIGURE 4-57. BLOCK HEATER INSTALLATION (240V) (LS)

ITEM	PART NUMBER	QTY	DESCRIPTION	REV
	1001201427	Ref	Block Heater Installation (230V) (LS)	B
1	0760810	1	Bolt, M8X20	
2	4811900	1	Washer, M8	
3	8406112	1	Clip	
4	1001008559	4	Strap, Cable	
5	1001099566	1	Screw, M6-1X12	
6	1001211571	1	Heater, Engine (230V)	
7	1001212014	1	Cord, Heater	
8	1001212055	1	Cord, Heater	

SECTION 4 - ENGINE AND ATTACHING PARTS

FIGURE 4-58. HEATED BREATHER TUBE INSTALLATION



ART_1001233024-A

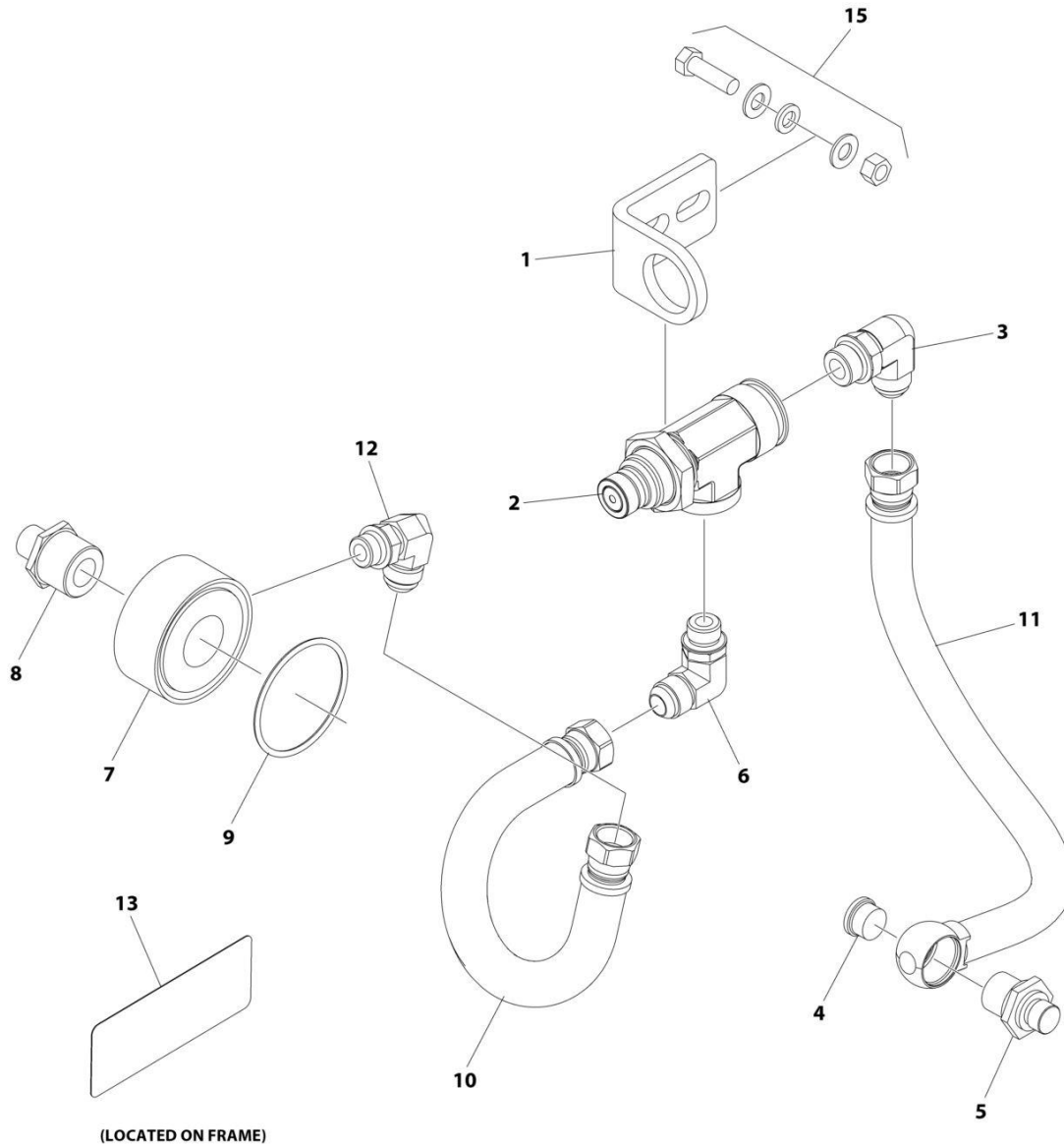
SECTION 4 - ENGINE AND ATTACHING PARTS

FIGURE 4-58. HEATED BREATHER TUBE INSTALLATION

ITEM	PART NUMBER	QTY	DESCRIPTION	REV
	1001233024	Ref	Heated Breather Tube Installation	A
1	1062255	2	Strap, Tie	
2	1001232509	1	Hose	

SECTION 4 - ENGINE AND ATTACHING PARTS

FIGURE 4-59. QUICK DRAIN OIL VALVE INSTALLATION



ART_1001281473

SECTION 4 - ENGINE AND ATTACHING PARTS

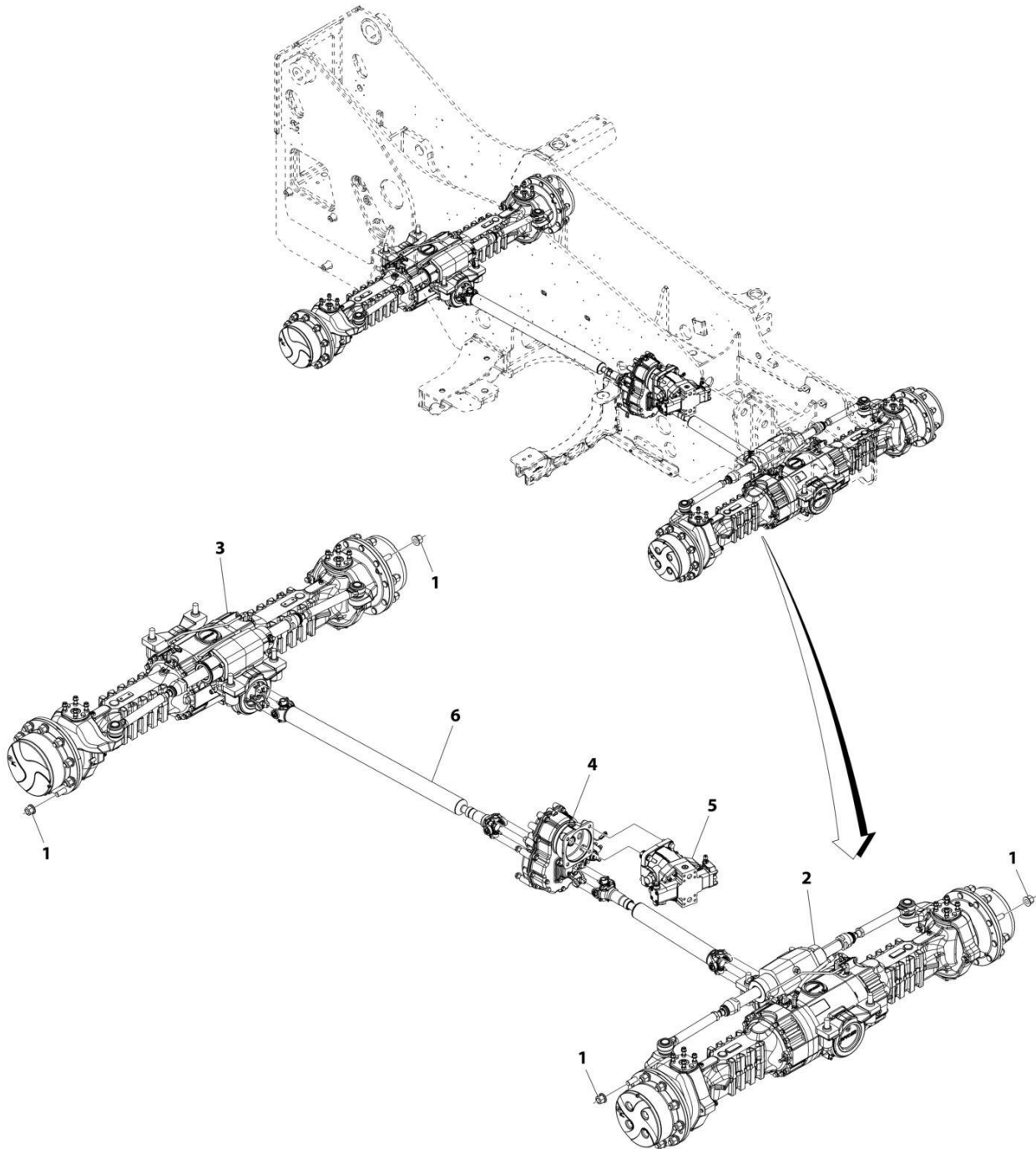
FIGURE 4-59. QUICK DRAIN OIL VALVE INSTALLATION

ITEM	PART NUMBER	QTY	DESCRIPTION	REV
	1001281473	Ref	QUICK DRAIN OIL VALVE INSTALLATION	A
1	1001281297	1	Bracket	
2	1001281298	1	Valve, Small Quickfit	
3	1001281301	1	Fitting, 90	
4	1001281304	1	Plug, Quickfit	
5	1001281305	1	Fitting, Straight Quickfit	
6	1001281307	1	Fitting, 90	
7	1001281309	1	Filter, Ring	
8	1001281310	1	Fitting, Straight	
9	1001281311	1	O-Ring	
10	1001283991	1	Hose	
11	1001283992	1	Hose	
12	1001281359	1	Fitting, 90	
13	1001281360	1	Decal - RPM Quickfit	
14	1001281656	1	Tie-Strap (Not Shown)	
15	1001281888	2	Bolt 3/8-16 x 1-1/4	

SECTION 5 - RIVE TRAIN

SECTION 5 - RIVE TRAIN

FIGURE 5-1. DRIVETRAIN INSTALLATION



ART_1001184976-B

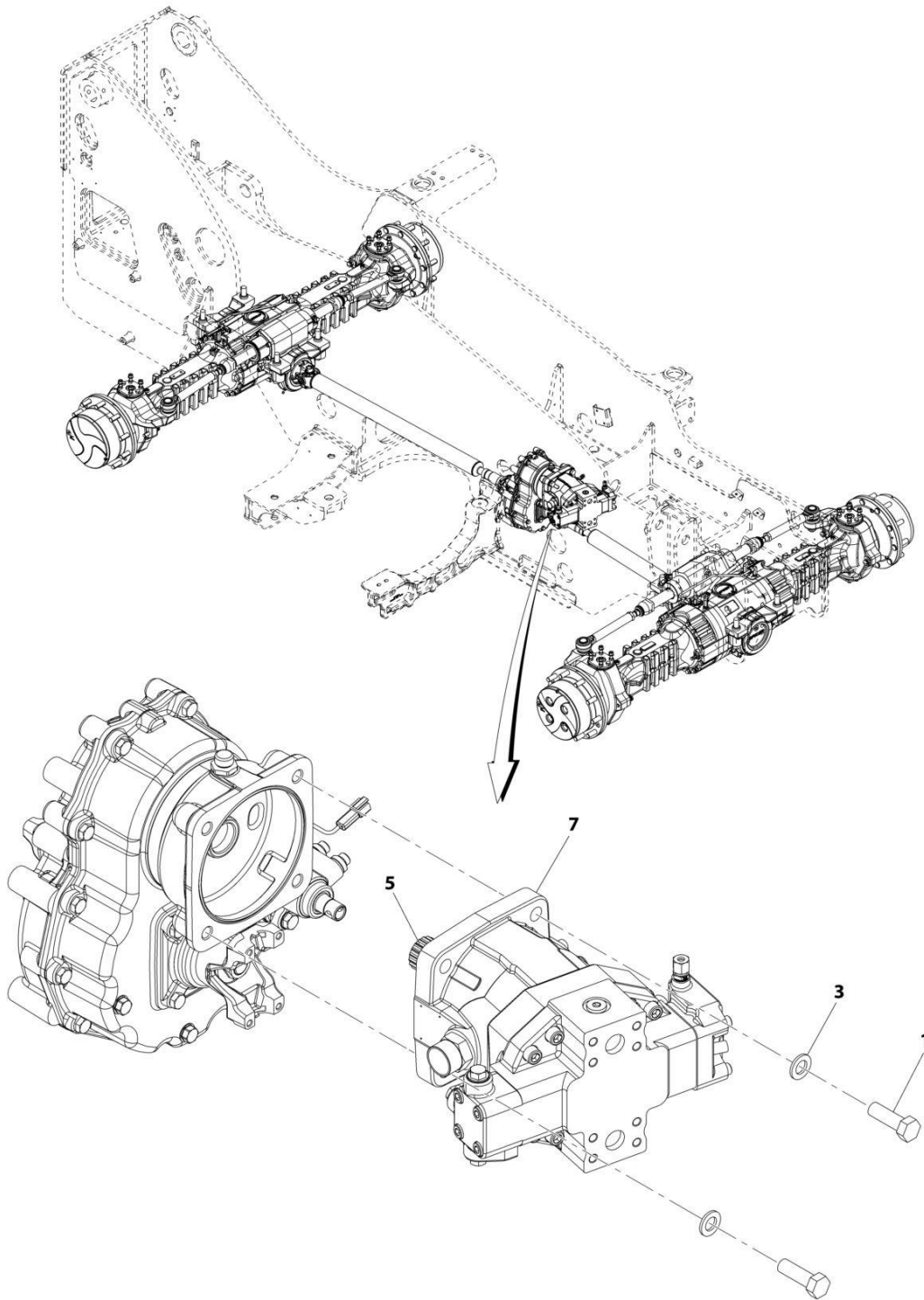
SECTION 5 - RIVE TRAIN

FIGURE 5-1. DRIVETRAIN INSTALLATION

ITEM	PART NUMBER	QTY	DESCRIPTION	REV
	1001184976	Ref	Drivetrain Installation	B
1	91403193	40	Nut, Lug M22X1.5	
2	1001184977	Ref	Installation, Front Axle (See Separate Breakdown in this Section)	
3	1001184978	Ref	Installation, Rear Axle (See Separate Breakdown in this Section)	
4	1001184979	Ref	Installation, Gearbox (See Separate Breakdown in this Section)	
5	1001184980	Ref	Installation, Hydrostatic Motor (See Separate Breakdown in this Section)	
6	1001184981	Ref	Installation, Drive Shaft (See Separate Breakdown in this Section)	

SECTION 5 - RIVE TRAIN

FIGURE 5-2. HYDROSTATIC MOTOR INSTALLATION



ART_1001184980-D

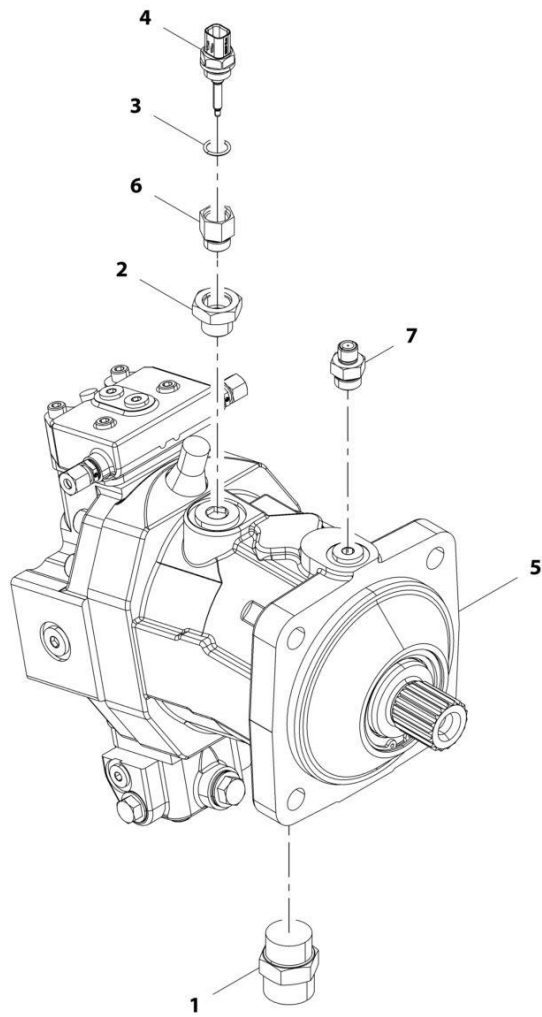
SECTION 5 - RIVE TRAIN

FIGURE 5-2. HYDROSTATIC MOTOR INSTALLATION

ITEM	PART NUMBER	QTY	DESCRIPTION	REV
	1001184980	Ref	Hydrostatic Motor Installation	D
1	0771618	4	Bolt, M16X50	
3	4812300	4	Washer, M16	
5	3020037	AR	Lube, Grease	
7	1001217620	1	Assembly, Hydrostatic Drive Motor (See Separate Breakdown in this Section)	

SECTION 5 - RIVE TRAIN

FIGURE 5-3. HYDROSTATIC MOTOR ASSEMBLY



ART_1001217620-B

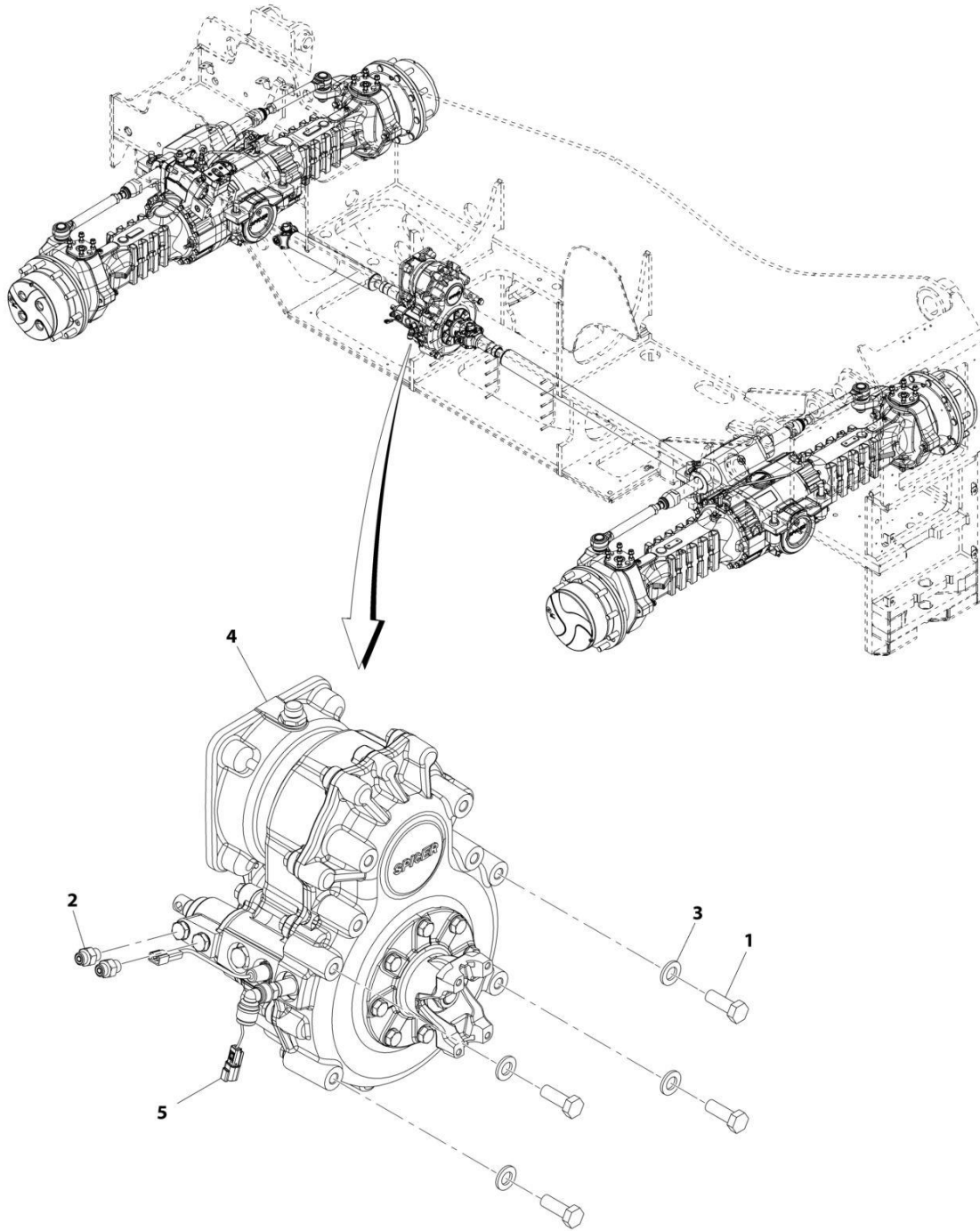
SECTION 5 - RIVE TRAIN

FIGURE 5-3. HYDROSTATIC MOTOR ASSEMBLY

ITEM	PART NUMBER	QTY	DESCRIPTION	REV
	1001217620	Ref	Hydrostatic Motor Assembly	B
1	2111616	1	Fitting, Straight ORFS	
2	2220811	1	Fitting, Straight	
3	1001009163	1	O-Ring	
4	1001128478	1	Sensor	
5	1001193308	1	Motor, Hydrostatic (See Separate Breakdown in HYDRAULIC COMPONENTS Section)	
6	1001220760	1	Fitting, Straight	
7	1001217669	1	Fitting, Straight	

SECTION 5 - RIVE TRAIN

FIGURE 5-4. GEARBOX INSTALLATION



ART_1001184979-E

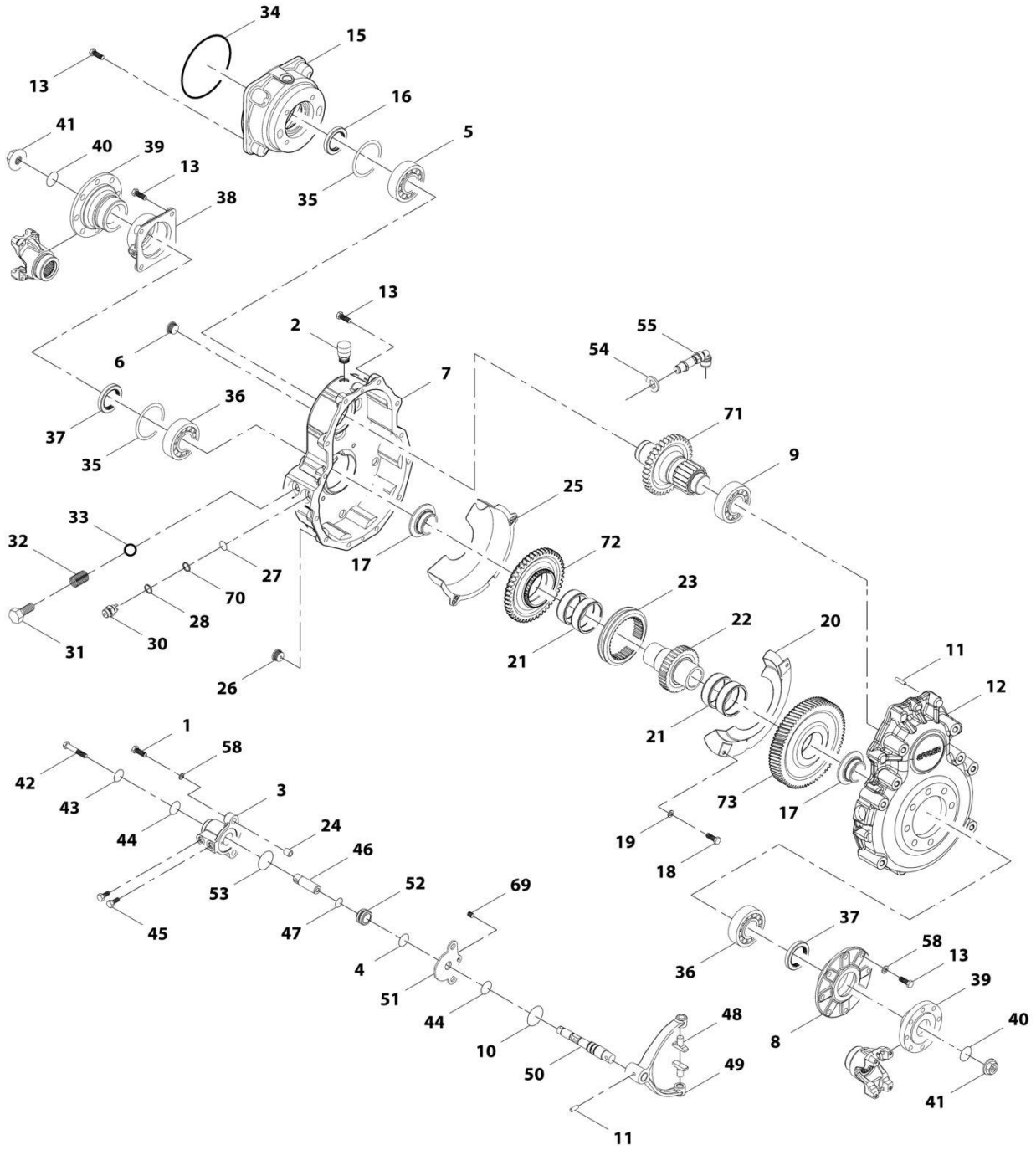
SECTION 5 - RIVE TRAIN

FIGURE 5-4. GEARBOX INSTALLATION

ITEM	PART NUMBER	QTY	DESCRIPTION	REV
	1001184979	Ref	Gearbox Installation	E
1	0771416	4	Bolt, M14-2X40 Grade 10.9	
2	2144603	1	Fitting, Straight ORFS	
3	5241400	4	Washer, M14	
4	1001184986	1	Gearbox (See Separate Breakdown in this Section)	
5	1001229981	1	Harness, Vehicle Speed Pigtail (See Separate Breakdown in ELECTRICAL Section)	

SECTION 5 - RIVE TRAIN

FIGURE 5-5. GEAR BOX



ART_1001184986-D

SECTION 5 - RIVE TRAIN

FIGURE 5-5. GEAR BOX

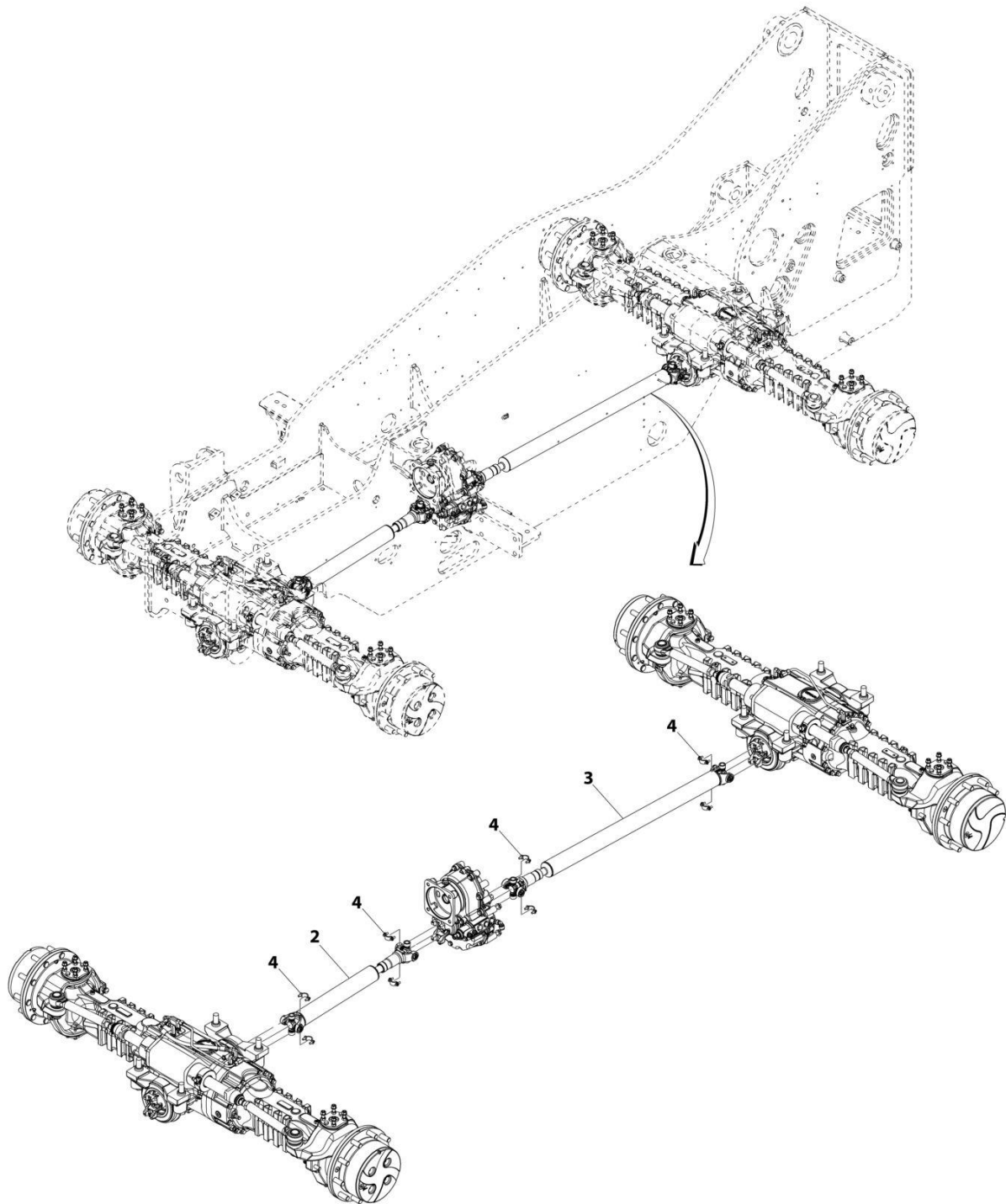
ITEM	PART NUMBER	QTY	DESCRIPTION	REV
	1001184986	Ref	Gear box	D
1	70028817	2	Bolt	
2	70028818	1	Plug	
3	70028819	1	Cylinder	
4	70028820	1	O-Ring	
5	91514146	1	Bearing, Ball	
6	80204016	1	Plug	
7	70028821	1	Housing	
8	70028822	1	Cover	
9	70026904	1	Bearing, Ball	
10	3986405	1	O-Ring	
11	70026892	3	Dowel	
12	70028823	1	Housing	
13	70026911	28	Bolt	
15	70026897	1	Cover	
16	70026896	1	Seal	
17	70028824	2	Spacer	
18	70026909	2	Bolt	
19	70027110	2	Washer, Lock	
20	70028825	1	Plate, Cover	
21	70028826	4	Bearing	
22	70028827	1	Shaft	
23	70028828	1	Sleeve	
24	70028829	2	Pin	
25	70026908	1	Sheet	
26	80204007	1	Plug	
27	1001081085	1	O-Ring	
28	80203020	1	Washer	
30	70028830	1	Switch	
31	70028831	1	Bolt	
32	80203021	1	Spring	
33	70020276	1	Ball, Detend	
34	80204176	1	O-Ring	
35	70027862	2	Kit, Shim	
36	91474364	2	Bearing, Ball	
37	70026901	2	Seal	
38	70028832	1	Cover	
39	70026898	2	Flange	
40	80204215	2	O-Ring	
41	70026631	2	Nut	
42	70028833	1	Bolt	
43	70028834	1	O-Ring	
44	70028835	2	Sleeve	
45	91514154	2	Bolt	
46	70028836	1	Bar	
47	70027109	1	O-Ring	
48	70028837	2	Pin	
49	70028838	1	Fork, Selector	
50	70028839	1	Shaft	
51	70028840	1	Plate, Cover	

SECTION 5 - RIVE TRAIN

ITEM	PART NUMBER	QTY	DESCRIPTION	REV
52	70028841	1	Piston	
53	70028842	1	O-Ring	
54	70028844	1	Washer	
55	70028801	1	Sensor, Speed	
58	70028843	10	Washer	
69	70028845	1	Bolt	
70	70026927	1	Washer, Seal	
71	70028846	1	Shaft, Input	
72	70028847	1	Gear	
73	70028848	1	Gear	

SECTION 5 - RIVE TRAIN

FIGURE 5-6. DRIVE SHAFT INSTALLATION



ART_1001184981-B

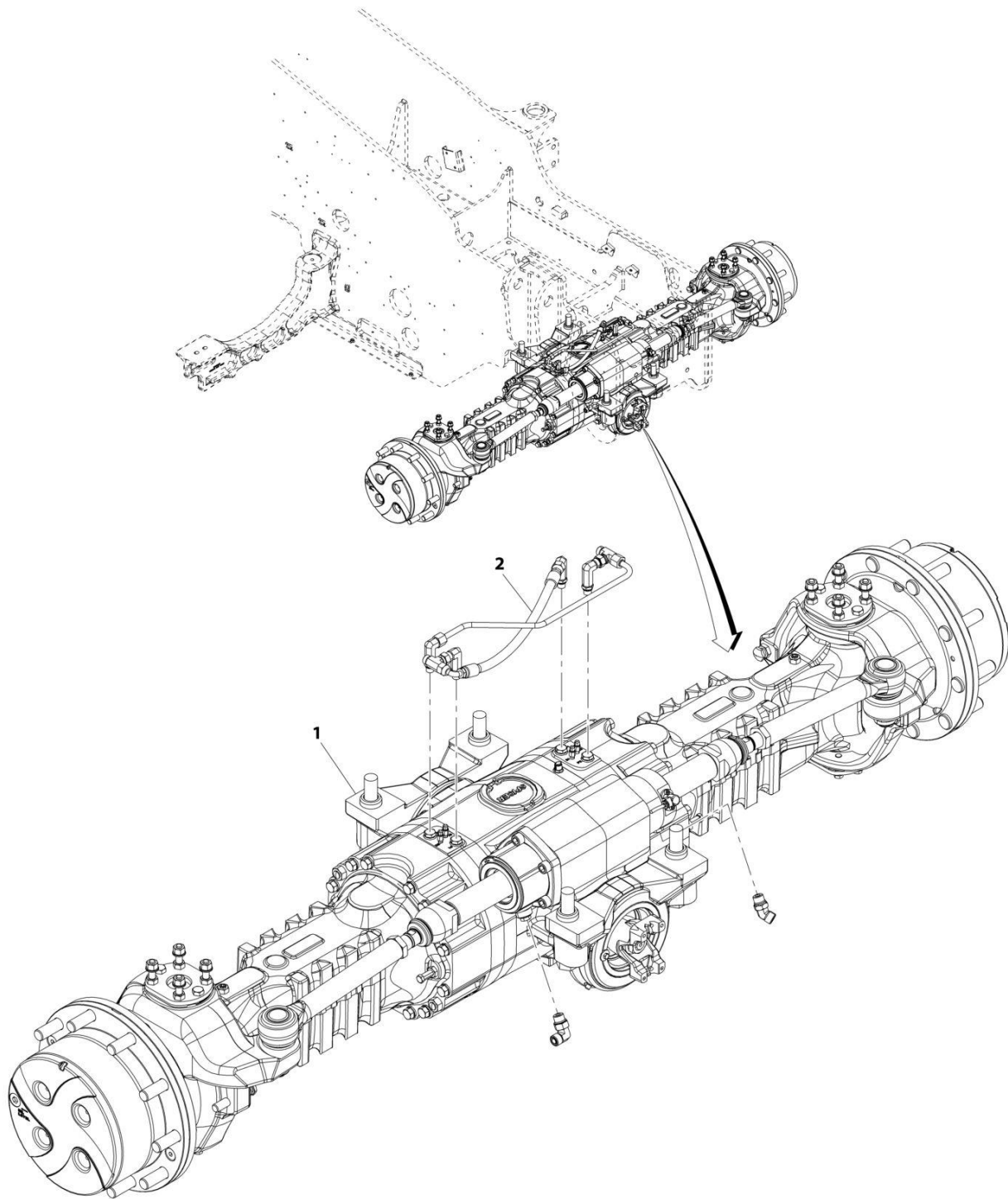
SECTION 5 - RIVE TRAIN

FIGURE 5-6. DRIVE SHAFT INSTALLATION

ITEM	PART NUMBER	QTY	DESCRIPTION	REV
	1001184981	Ref	Drive Shaft Installation	B
2	1001184987	1	Assembly, Drive Shaft	
3	1001184988	1	Assembly, Drive Shaft	
4	8880219-OM	4	Kit, Strap	

SECTION 5 - RIVE TRAIN

FIGURE 5-7. FRONT AXLE INSTALLATION



ART_1001184977-B

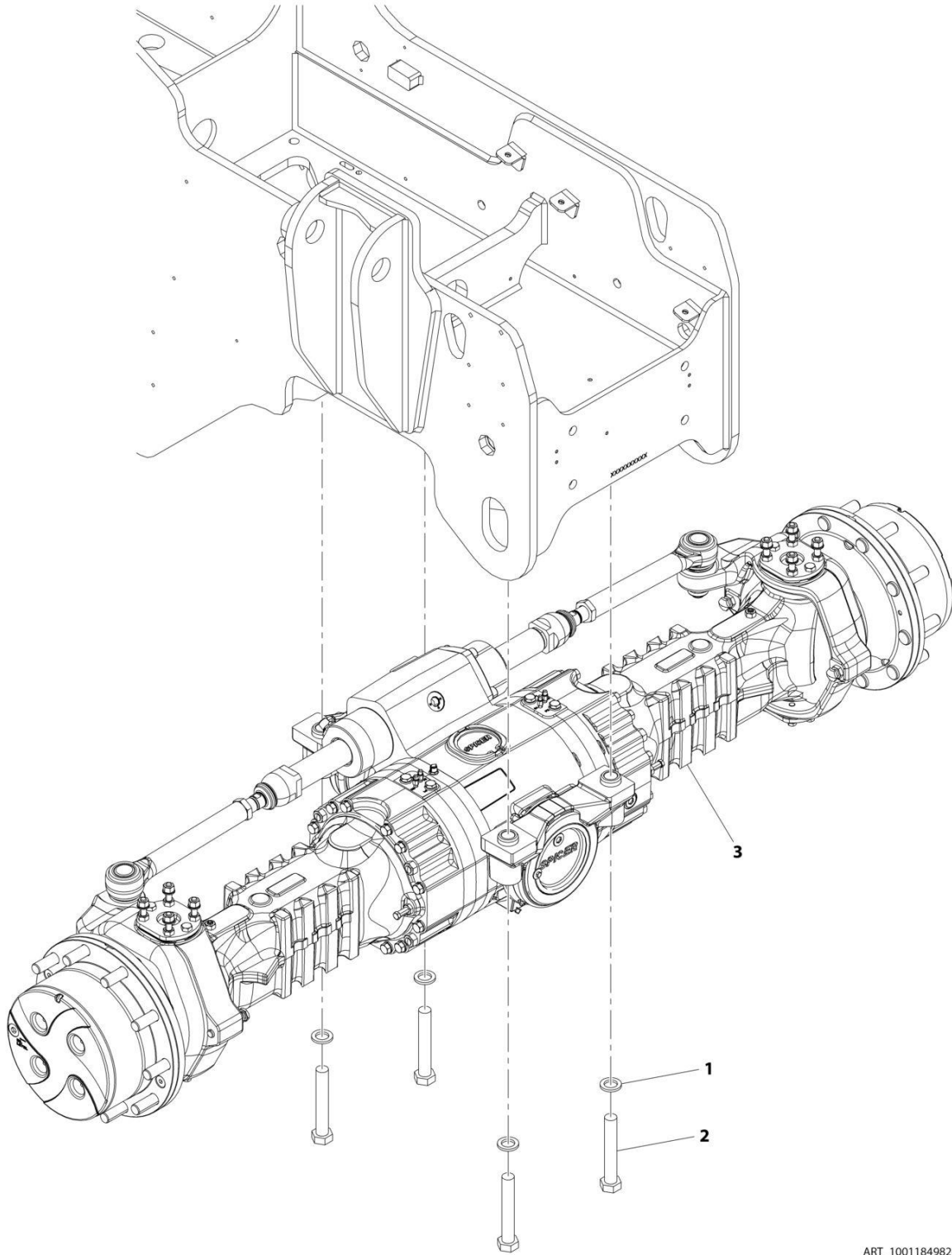
SECTION 5 - RIVE TRAIN

FIGURE 5-7. FRONT AXLE INSTALLATION

ITEM	PART NUMBER	QTY	DESCRIPTION	REV
1	1001184977	Ref	Front Axle Installation	B
	1001184982	Ref	Installation, Front Axle Mounting (See Separate Breakdown in this Section)	
2	1001207898	Ref	Installation, Front Axle Lines (See Separate Breakdown in this Section)	

SECTION 5 - RIVE TRAIN

FIGURE 5-8. FRONT AXLE MOUNTING INSTALLATION



ART_1001184982-B

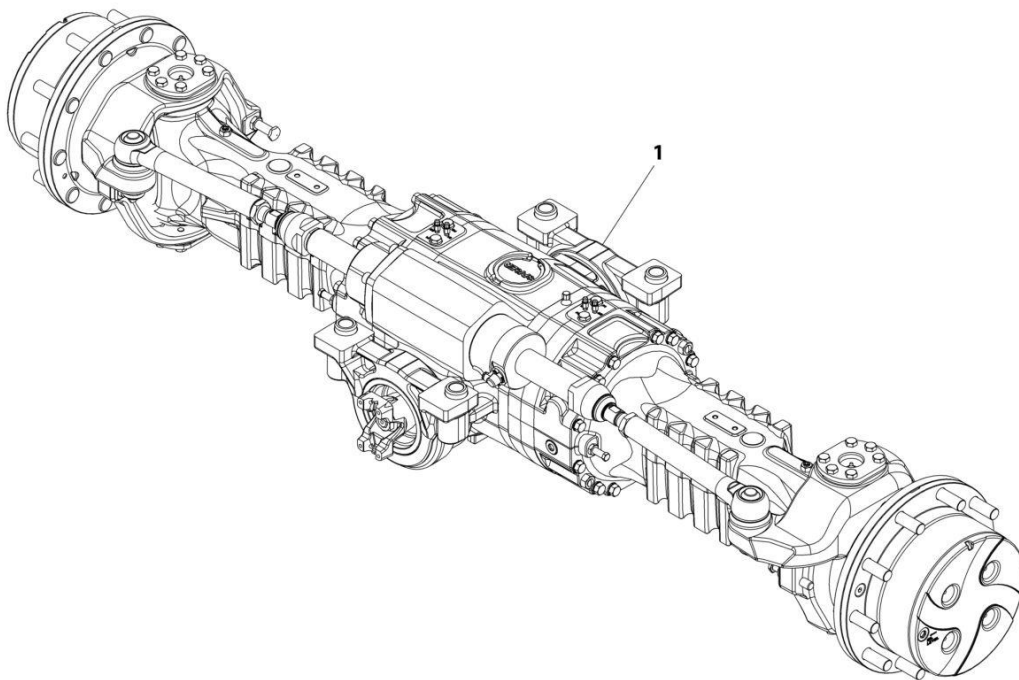
SECTION 5 - RIVE TRAIN

FIGURE 5-8. FRONT AXLE MOUNTING INSTALLATION

ITEM	PART NUMBER	QTY	DESCRIPTION	REV
	1001184982	Ref	Front Axle Mounting Installation	B
1	4892600	4	Washer	
2	1001097587	4	Bolt, M24-3X150 Grade 10.9	
3	1001184984	1	Axle, Front (See Separate Breakdown in this Section)	

SECTION 5 - RIVE TRAIN

FIGURE 5-9. FRONT AXLE



ART_1001184984-F

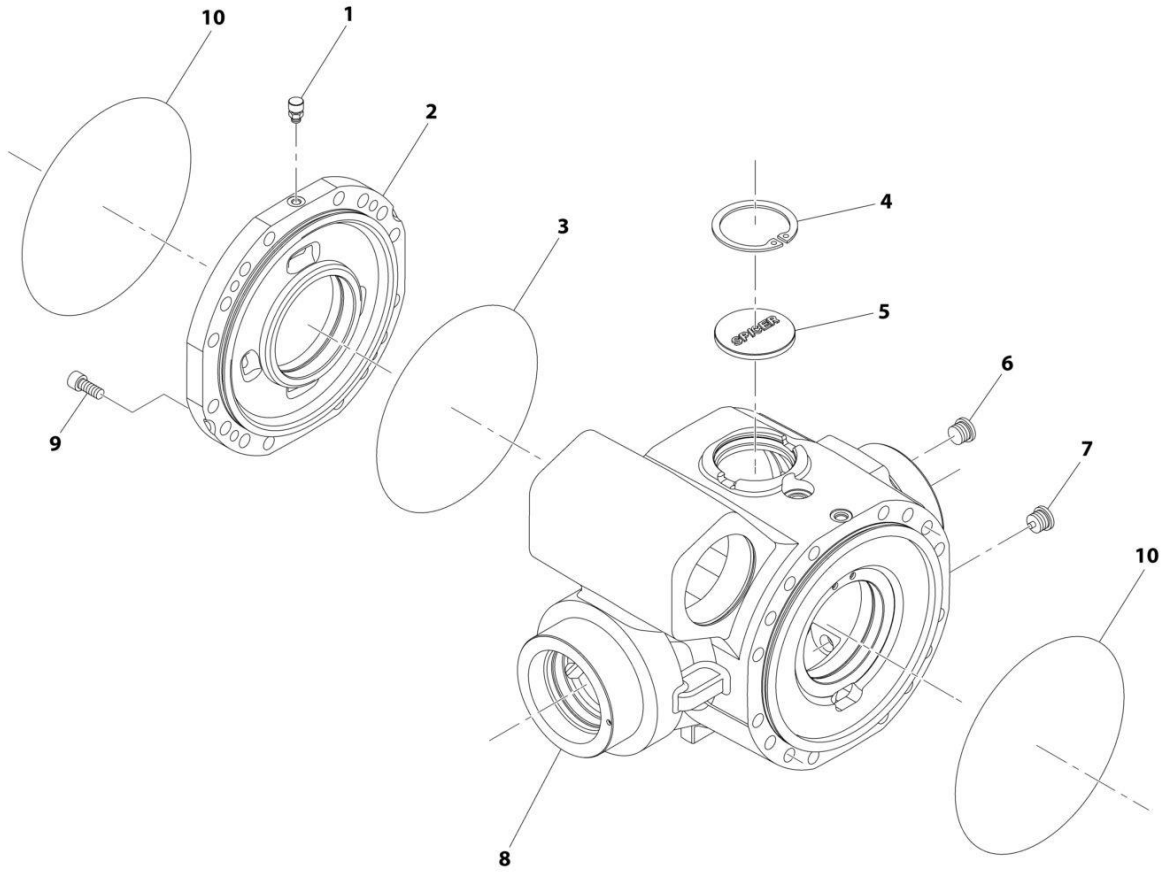
SECTION 5 - RIVE TRAIN

FIGURE 5-9. FRONT AXLE

ITEM	PART NUMBER	QTY	DESCRIPTION	REV
	1001184984	Ref	Front Axle	F
		Ref	Front Axle, Central Housing (See Separate Breakdown in this Section)	
		Ref	Front Axle, Differential (See Separate Breakdown in this Section)	
		Ref	Front Axle, Hub Reduction (See Separate Breakdown in this Section)	
		Ref	Front Axle, Brakes (See Separate Breakdown in this Section)	
		Ref	Front Axle, Steering (See Separate Breakdown in this Section)	
		Ref	Front Axle, Trunnion (See Separate Breakdown in this Section)	

SECTION 5 - RIVE TRAIN

FIGURE 5-10. FRONT AXLE, CENTRAL HOUSING



ART_1001184984_1-F

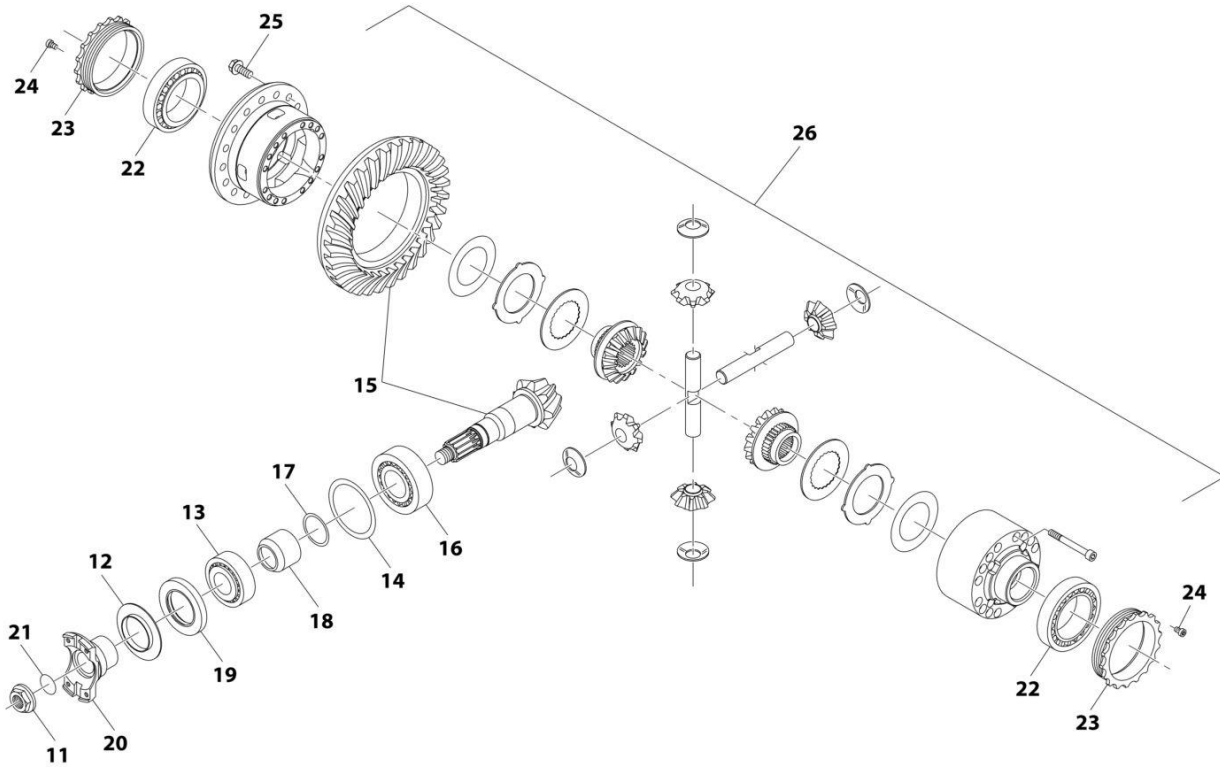
SECTION 5 - RIVE TRAIN

FIGURE 5-10. FRONT AXLE, CENTRAL HOUSING

ITEM	PART NUMBER	QTY	DESCRIPTION	REV
	1001184984	Ref	Front Axle, Central Housing	F
1	91474512	1	Vent	
2	7029288	1	Cover, Intermediate	
3	80204002	1	O-Ring	
4	80204005	1	Circlip	
5	91514098	1	Plug	
6	70028389	1	Plug	
7	70028388	1	Plug	
8	70025335	1	Housing	
9	91514101	4	Bolt	
10	91514089	2	O-Ring	

SECTION 5 - RIVE TRAIN

FIGURE 5-11. FRONT AXLE, DIFFERENTIAL



ART_1001184984_2-F

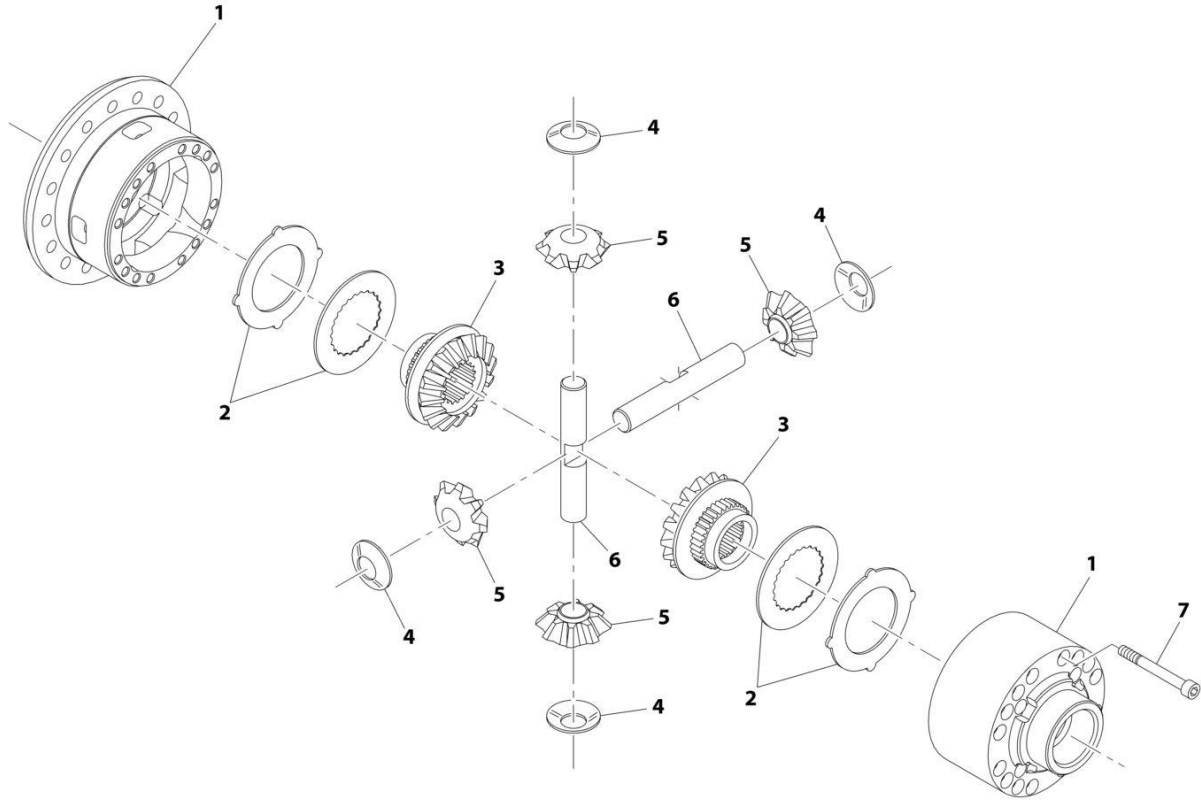
SECTION 5 - RIVE TRAIN

FIGURE 5-11. FRONT AXLE, DIFFERENTIAL

ITEM	PART NUMBER	QTY	DESCRIPTION	REV
	1001184984	Ref	Front Axle, Differential	F
11	80204043	1	Nut	
12	91514130	1	Plate, Cover	
13	80204048	1	Bearing, Tape Roller	
14	70023469	1	Shim	
15	70028391	1	Gear, Bevel Set	
16	80204035	1	Bearing, Tape Roller	
17	70023494	1	Ring	
18	70022140	1	Spacer	
19	70025887	1	Seal	
20	70028401	1	Flange	
21	10725554	1	O-Ring	
22	80204033	2	Bearing, Tape Roller	
23	91514133	2	Nut, Ring	
24	91514134	2	Bolt	
25	91514123	16	Bolt	
26	70028390	1	Kit, Differential (See Separate Breakdown in this Section)	

SECTION 5 - RIVE TRAIN

FIGURE 5-12. DIFFERENTIAL KIT



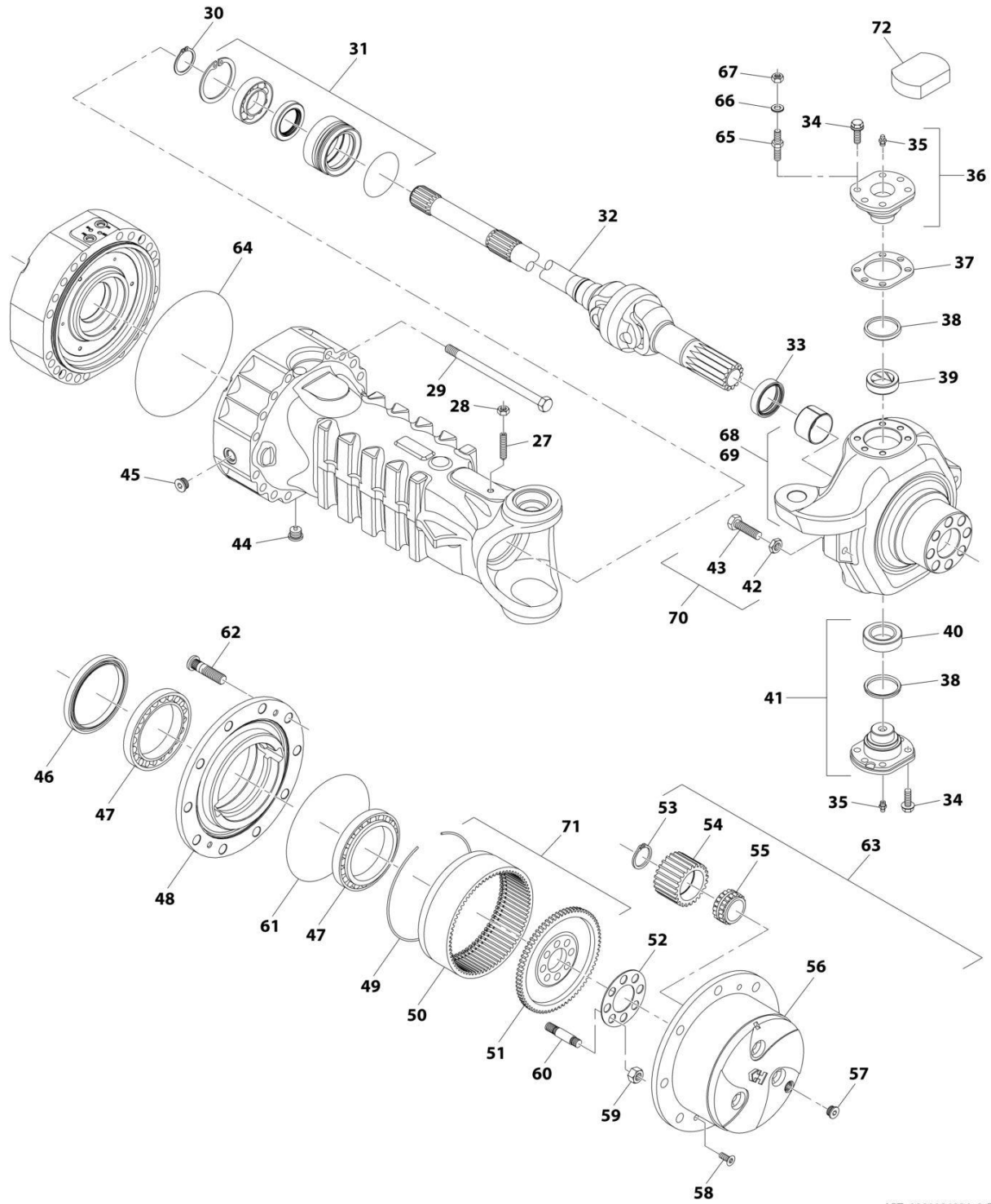
ART_70028390

FIGURE 5-12. DIFFERENTIAL KIT

ITEM	PART NUMBER	QTY	DESCRIPTION	REV
	70028390	Ref	Differential Kit	
1	70024004	2	Carrier, Differential	
2	70026750	2	Disc, Clutch	
3	70025856	2	Gear, Differential Side	
4	70027105	4	Washer, Friction	
5	70025339	4	Pinion, Differential	
6	70023490	2	Shaft, Differential	
7	91514143	15	Bolt	

SECTION 5 - RIVE TRAIN

FIGURE 5-13. FRONT AXLE, HUB REDUCTION



ART_1001184984_3-F

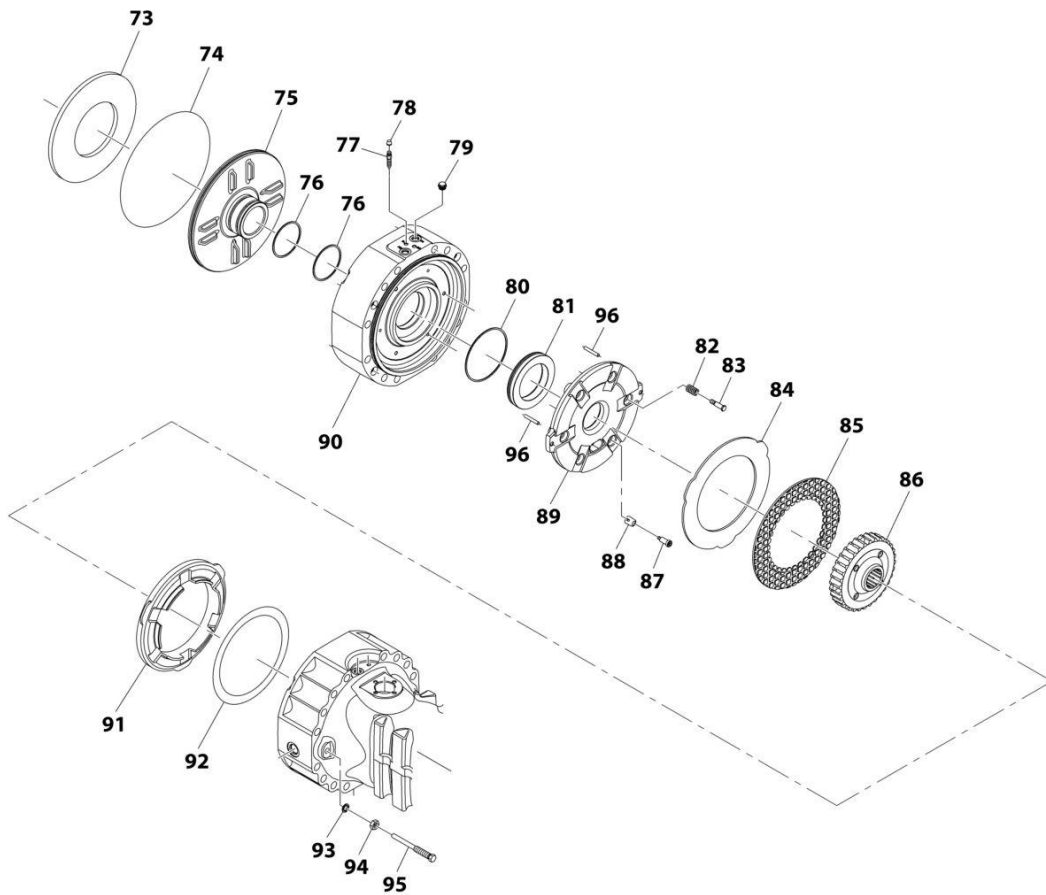
SECTION 5 - RIVE TRAIN

FIGURE 5-13. FRONT AXLE, HUB REDUCTION

ITEM	PART NUMBER	QTY	DESCRIPTION	REV
	1001184984	Ref	Front Axle, Hub Reduction	F
27	91514081	2	Bolt	
28	91514082	2	Nut	
29	70025012	24	Bolt	
30	80204071	2	Circlip	
31	91514149	2	Kit, Reduction Bushing (See Separate Breakdown in this Section)	
32	70028396	2	Joint, Double Universal	
33	70026238	2	Seal	
34	70025562	20	Bolt	
35	70024881	2	Fitting, Grease	
36	91514112	2	Pin	
37	70025561	1	Shim	
38	7028716	2	Seal, Dust	
39	7028714	2	Bushing	
40	91514095	2	Bearing	
41	7028715	2	Pin	
42	80204065	4	Nut	
43	91514117	4	Bolt	
44	70028388	2	Plug	
45	70028389	2	Plug	
46	70026002	2	Seal	
47	80204076	4	Bearing, Taper Roller	
48	91514174	2	Hub, Wheel	
49	91514175	2	Circlip	
50	70024147	2	Gear, Ring	
51	91514177	2	Support, Ring Gear	
52	91514178	2	Plate	
53	91514184	8	Circlip	
54	91514185	8	Gear, Planet	
55	91514186	8	Bearing	
56	7029317	2	Carrier, Planet Gear	
57	70028387	2	Plug	
58	91514189	4	Bolt, Countersunk	
59	91514179	16	Nut	
60	91514180	16	Stud	
61	91514181	2	O-Ring	
62	80214120	20	Stud	
63	7029743	2	Kit, Planet Gear Carrier	
64	91514089	2	O-Ring	
65	70025014	8	Stud	
66	91514084	8	Washer	
67	91514083	8	Nut	
68	70026260	1	Kit, Steering Case (left) (See Separate Breakdown in this Section)	
69	70026261	1	Kit, Steering Case (right) (See Separate Breakdown in this Section)	
70	7028733	4	Bolt, Steering Adjust	
71	70024146	2	Kit, Ring Gear Support (See Separate Breakdown in this Section)	
72	70028392	2	Cover	

SECTION 5 - RIVE TRAIN

FIGURE 5-14. FRONT AXLE, BRAKES



ART_1001184984_4-F

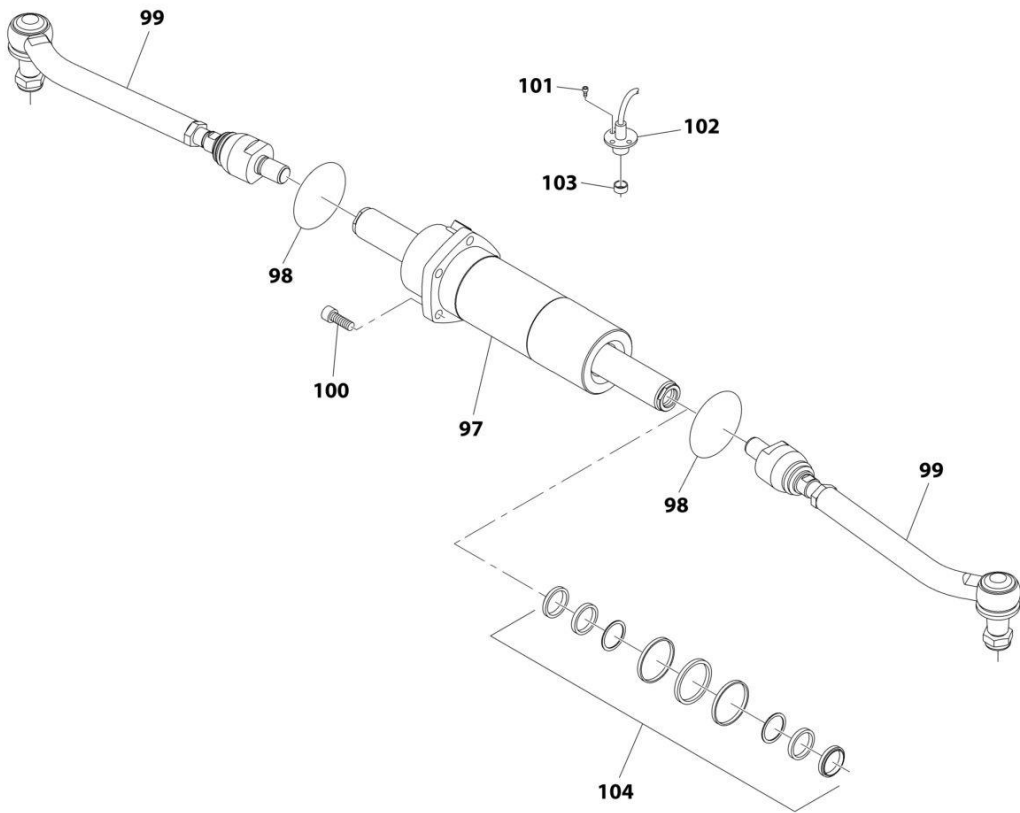
SECTION 5 - RIVE TRAIN

FIGURE 5-14. FRONT AXLE, BRAKES

ITEM	PART NUMBER	QTY	DESCRIPTION	REV
	1001184984	Ref	Front Axle, Brakes	F
73	91514151	2	Washer	
74	91514089	2	O-Ring	
75	70027092	2	Piston	
76	70026262	4	Seal	
77	80204281	4	Bolt, Bleeding	
78	80204117	4	Plug	
79	91514154	4	Plug	
80	70026263	2	Seal	
81	70027796	2	Piston	
82	91514159	6	Spring	
83	70024210	6	Bolt, Adjusting	
84	70027022	6	Disc, Intermediate Brake	
85	7029735	6	Disc, Brake	
86	7029734	2	Bushing, Reduction	
87	7029787	6	Bolt, Adjusting	
88	70027317	6	Spring	
89	70024849	2	Disc, Intermediate Brake	
90	70024848	2	Cover	
91	70026264	2	Spacer	
92	70025970	1	Shim	
93	80204108	4	Washer, Lock	
94	80204060	4	Nut	
95	70024213	4	Bolt	
96	70024215	4	Dowel	

SECTION 5 - RIVE TRAIN

FIGURE 5-15. FRONT AXLE, STEERING



ART_1001184984_5-F

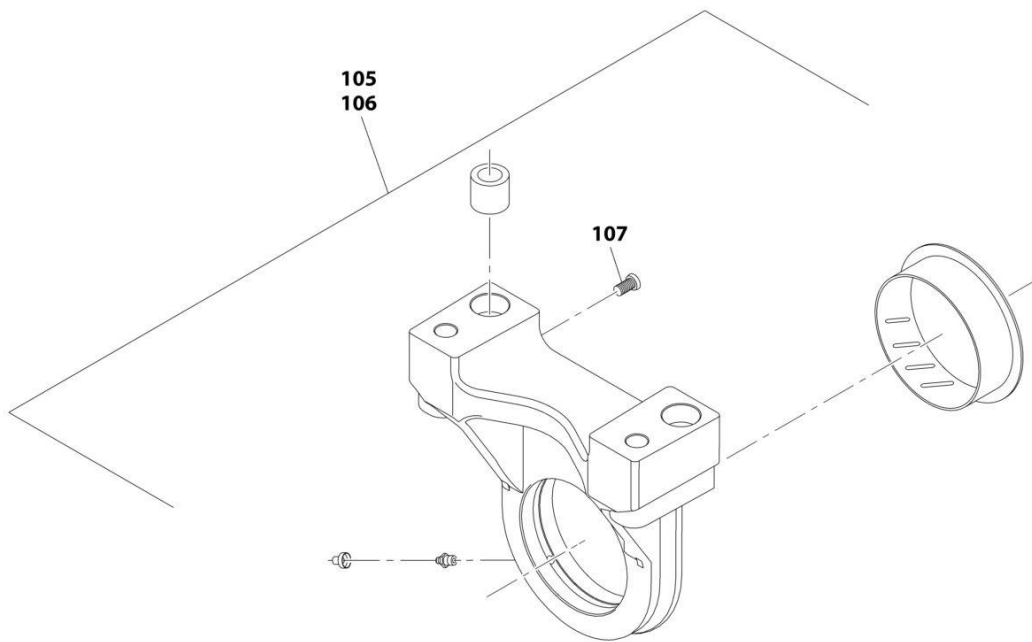
SECTION 5 - RIVE TRAIN

FIGURE 5-15. FRONT AXLE, STEERING

ITEM	PART NUMBER	QTY	DESCRIPTION	REV
	1001184984	Ref	Front Axle, Steering	F
97	70028393	1	Cylinder	
98	80204143	2	O-Ring	
99	70028394	2	Rod, Articulated Tie	
99	70022773	2	Nut	
100	80204144	5	Bolt	
101	8008175	2	Bolt	
102	70027986	1	Optical Sensor	
103	7029307	1	Plug	
104	7029127	1	Kit, Seal	

SECTION 5 - RIVE TRAIN

FIGURE 5-16. FRONT AXLE, TRUNION



ART_1001184984_6-F

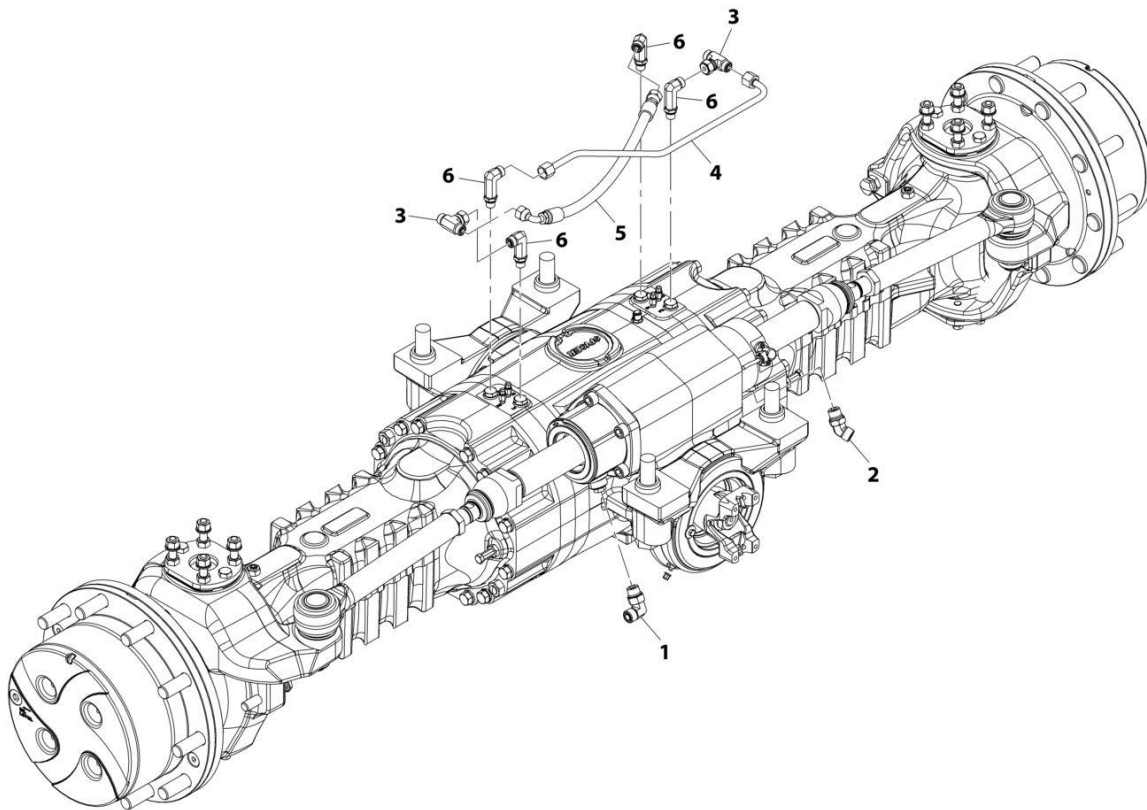
SECTION 5 - RIVE TRAIN

FIGURE 5-16. FRONT AXLE, TRUNION

ITEM	PART NUMBER	QTY	DESCRIPTION	REV
	1001184984	Ref	Front Axle, Trunion	F
105	70026266	1	Kit, Trunion (See Separate Breakdown in this Section)	
106	70026265	1	Support	
107	70025884	1	Bolt	

SECTION 5 - RIVE TRAIN

FIGURE 5-17. FRONT AXLE LINES INSTALLATION



ART_1001207898-C

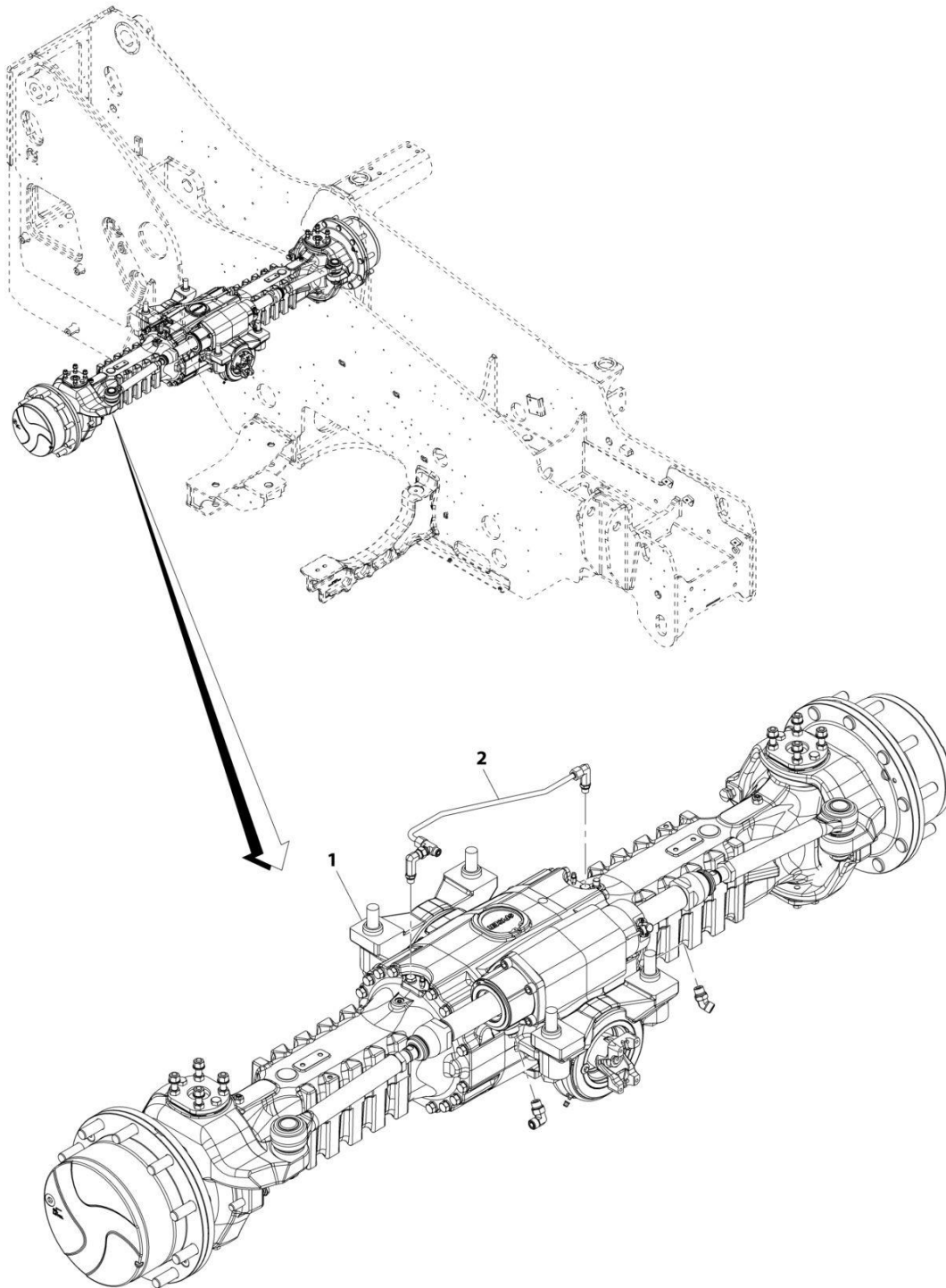
SECTION 5 - RIVE TRAIN

FIGURE 5-17. FRONT AXLE LINES INSTALLATION

ITEM	PART NUMBER	QTY	DESCRIPTION	REV
	1001207898	Ref	Front Axle Lines Installation	C
1	2130808	1	Fitting, 90 ORFS	
2	2150808	1	Fitting, 45 ORFS	
3	2170806	2	Fitting, Tee ORFS	
4	1001224598	1	Tube	
5	1001210281	1	Hose	
6	1001210769	4	Fitting, 90 ORFS	

SECTION 5 - RIVE TRAIN

FIGURE 5-18. REAR AXLE INSTALLATION



ART_1001184978-B

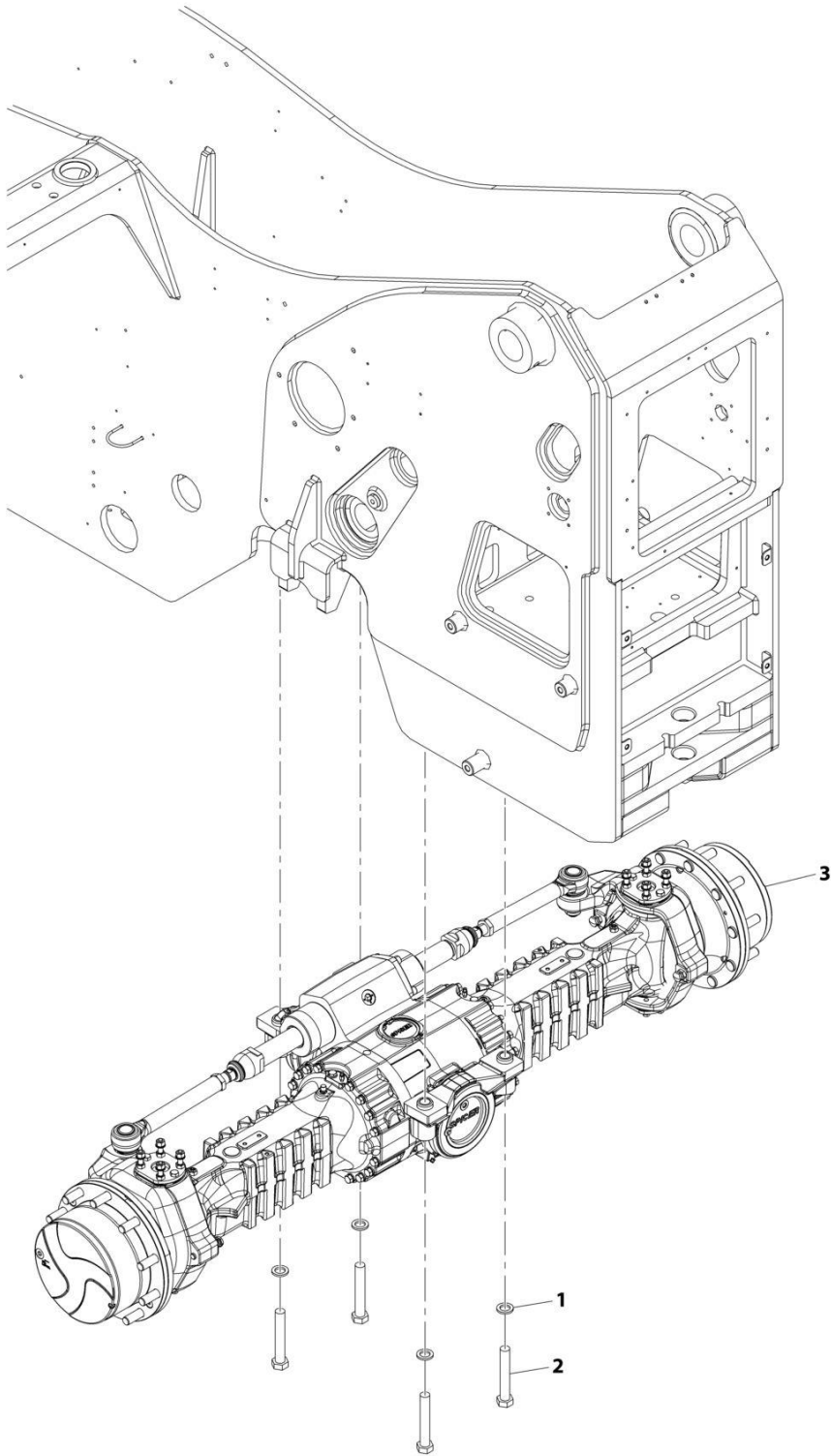
SECTION 5 - RIVE TRAIN

FIGURE 5-18. REAR AXLE INSTALLATION

ITEM	PART NUMBER	QTY	DESCRIPTION	REV
1	1001184978	Ref	Rear Axle Installation	B
	1001184983	Ref	Installation, Rear Axle Mounting (See Separate Breakdown in this Section)	
2	1001207899	Ref	Installation, Rear Axle Lines (See Separate Breakdown in this Section)	

SECTION 5 - RIVE TRAIN

FIGURE 5-19. REAR AXLE MOUNTING INSTALLATION



ART_1001184983-B

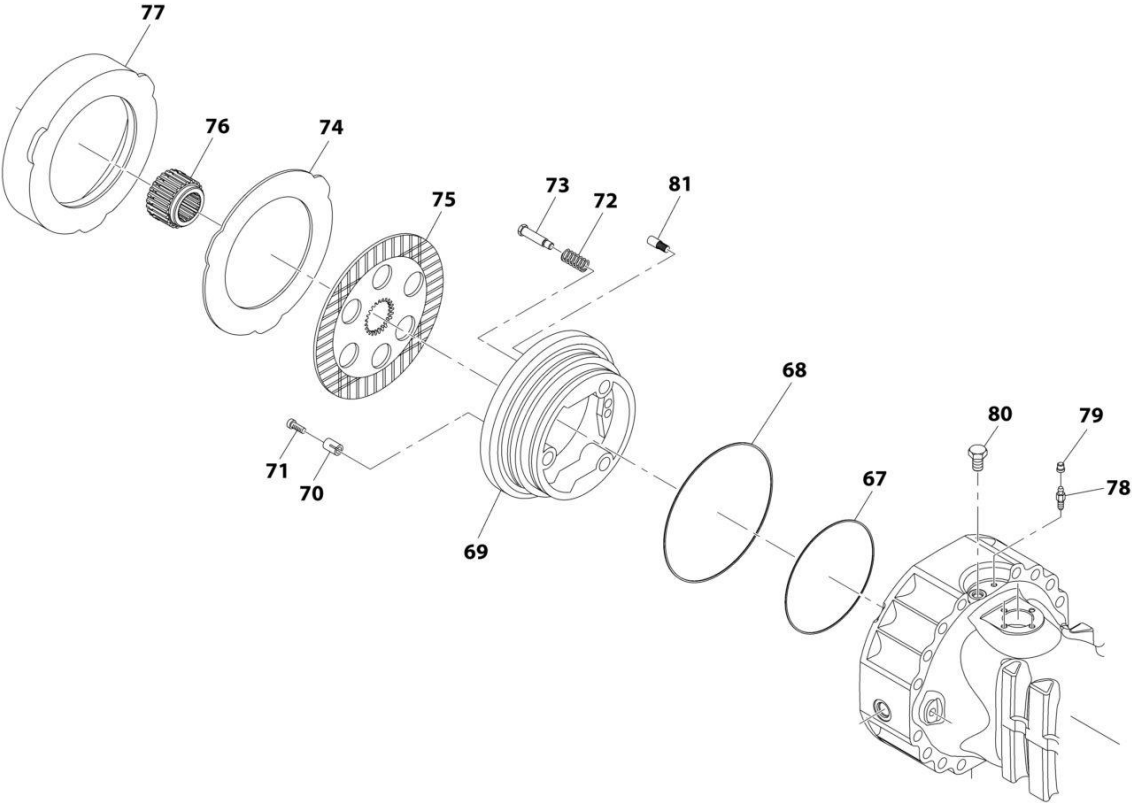
SECTION 5 - RIVE TRAIN

FIGURE 5-19. REAR AXLE MOUNTING INSTALLATION

ITEM	PART NUMBER	QTY	DESCRIPTION	REV
	1001184983	Ref	Rear Axle Mounting Installation	B
1	4892600	4	Washer	
2	1001097587	4	Bolt, M24-3X150 Grade 10.9	
3	1001184985	Ref	Axle, Rear (See Separate Breakdown in this Section)	

SECTION 5 - RIVE TRAIN

FIGURE 5-20. REAR AXLE, BRAKES



ART_1001184985_4-F

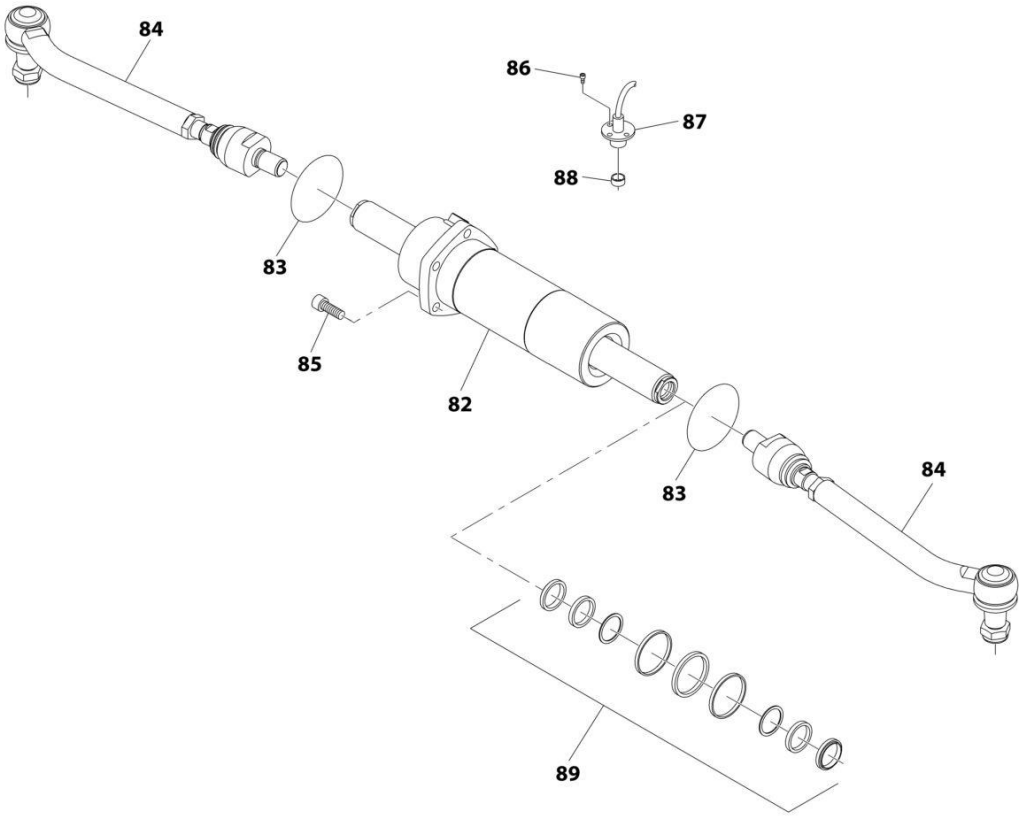
SECTION 5 - RIVE TRAIN

FIGURE 5-20. REAR AXLE, BRAKES

ITEM	PART NUMBER	QTY	DESCRIPTION	REV
	1001184985	Ref	Rear Axle, Brakes	F
67	70026747	2	Seal	
68	70026748	2	Seal	
69	70024216	2	Piston	
70	70027317	6	Spring	
71	7029785	6	Bolt, Adjusting	
72	91514159	6	Spring	
73	70024210	6	Bolt, Adjusting	
74	70027022	6	Disc, Intermediate Brake	
75	7029735	6	Disc, Brake	
76	7029734	2	Bushing, Reduction	
77	70021606	2	Spacer	
78	80204281	2	Bolt, Bleeding	
79	80204117	2	Plug	
80	91514154	2	Bolt	
81	70021613	2	Bolt, Pilot	

SECTION 5 - RIVE TRAIN

FIGURE 5-21. REAR AXLE, STEERING



ART_1001184985_5-F

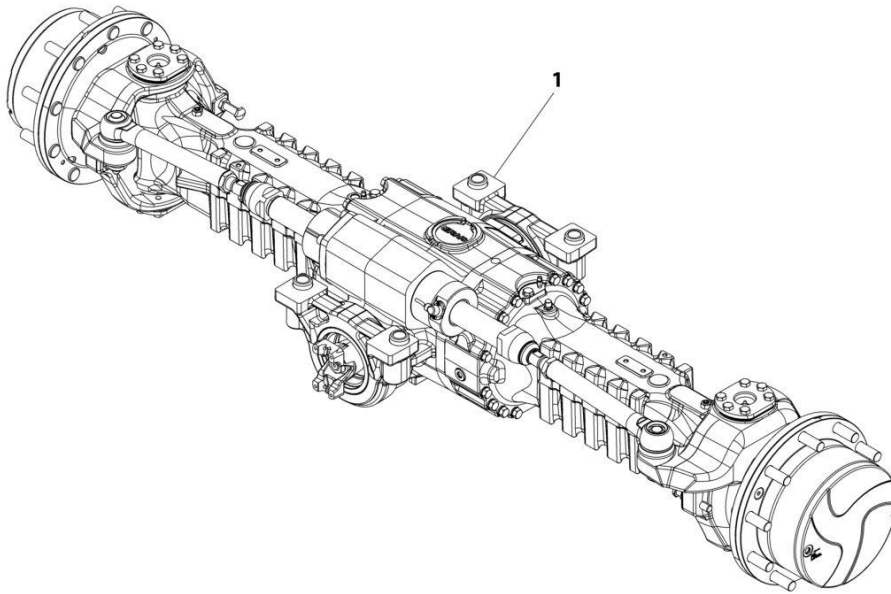
SECTION 5 - RIVE TRAIN

FIGURE 5-21. REAR AXLE, STEERING

ITEM	PART NUMBER	QTY	DESCRIPTION	REV
	1001184985	Ref	Rear Axle, Steering	F
82	70028393	1	Cylinder	
83	80204143	2	O-Ring	
84	70028394	2	Rod, Articulated Tie	
84	70022773	2	Nut	
85	80204144	5	Bolt	
86	8008175	2	Bolt	
87	70027986	1	Sensor, Optical	
88	7029307	1	Plug	
89	7029127	1	Kit, Seal	

SECTION 5 - RIVE TRAIN

FIGURE 5-22. REAR AXLE



ART_1001184985-F

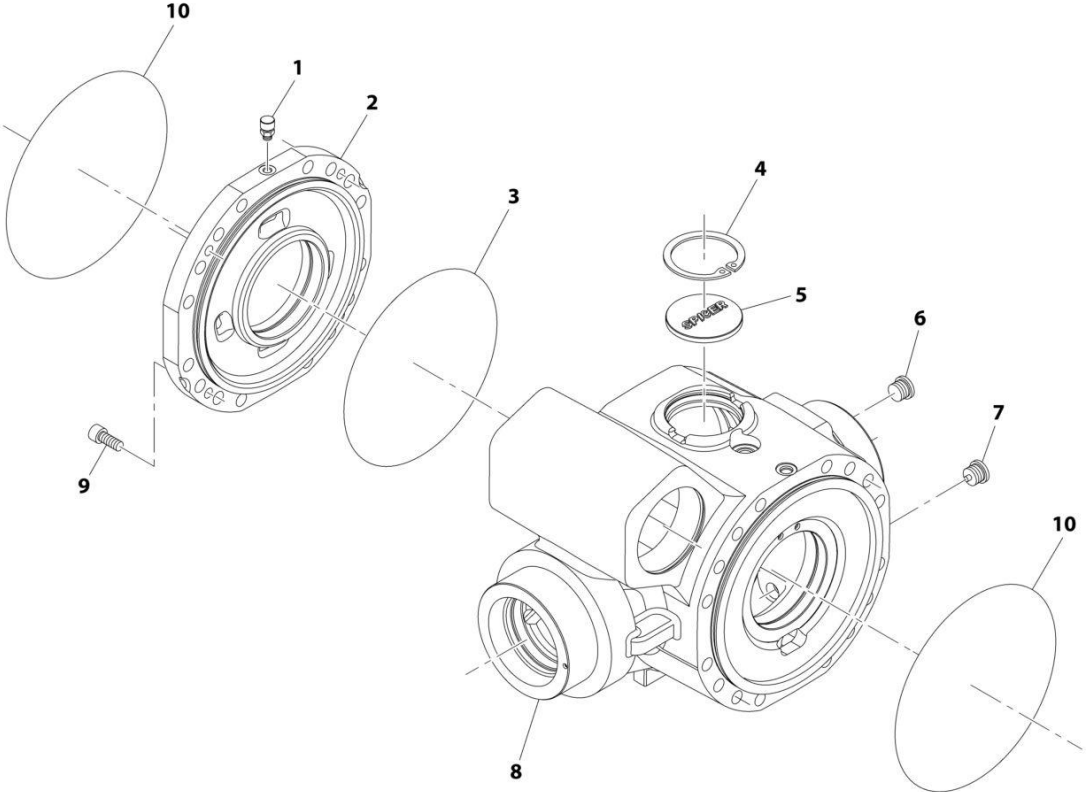
SECTION 5 - RIVE TRAIN

FIGURE 5-22. REAR AXLE

ITEM	PART NUMBER	QTY	DESCRIPTION	REV
1	1001184985	Ref	Rear Axle	F
		Ref	Rear Axle, Central Housing (See Separate Breakdown in this Section)	
		Ref	Rear Axle, Differential (See Separate Breakdown in this Section)	
		Ref	Rear Axle, Hub Reduction (See Separate Breakdown in this Section)	
		Ref	Rear Axle, Brakes (See Separate Breakdown in this Section)	
		Ref	Rear Axle, Steering (See Separate Breakdown in this Section)	
		Ref	Rear Axle, Trunnion (See Separate Breakdown in this Section)	

SECTION 5 - RIVE TRAIN

FIGURE 5-23. REAR AXLE, CENTRAL HOUSING



ART_1001184985_1-F

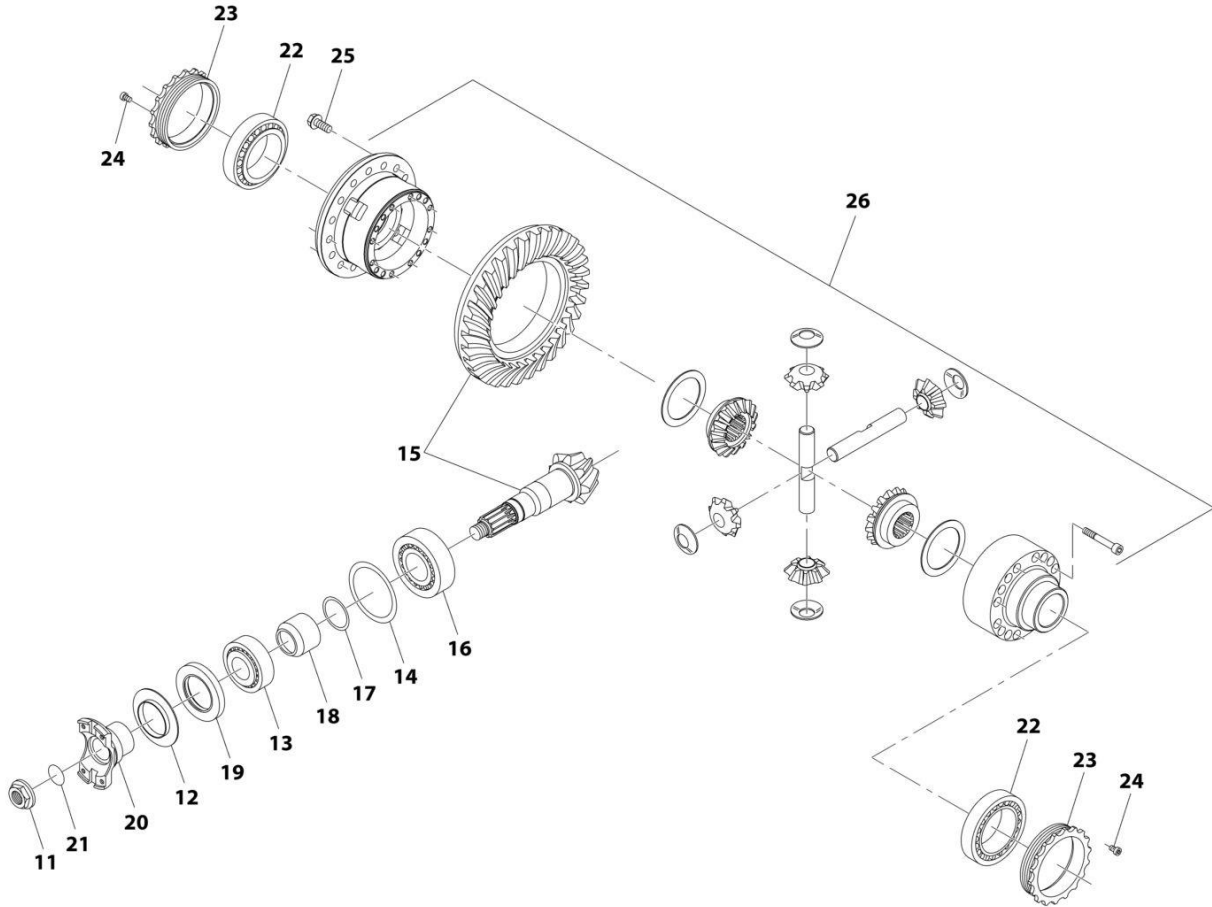
SECTION 5 - RIVE TRAIN

FIGURE 5-23. REAR AXLE, CENTRAL HOUSING

ITEM	PART NUMBER	QTY	DESCRIPTION	REV
	1001184985	Ref	Rear Axle, Central Housing	F
1	91474512	1	Vent	
2	7029288	1	Cover, Intermediate	
3	80204002	1	O-Ring	
4	80204005	1	Circlip	
5	91514098	1	Plug	
6	70028389	1	Plug	
7	70028388	1	Plug	
8	70025335	1	Housing	
9	91514101	4	Bolt	
10	91514089	2	O-Ring	

SECTION 5 - RIVE TRAIN

FIGURE 5-24. REAR AXLE, DIFFERENTIAL



ART_1001184985_2-F

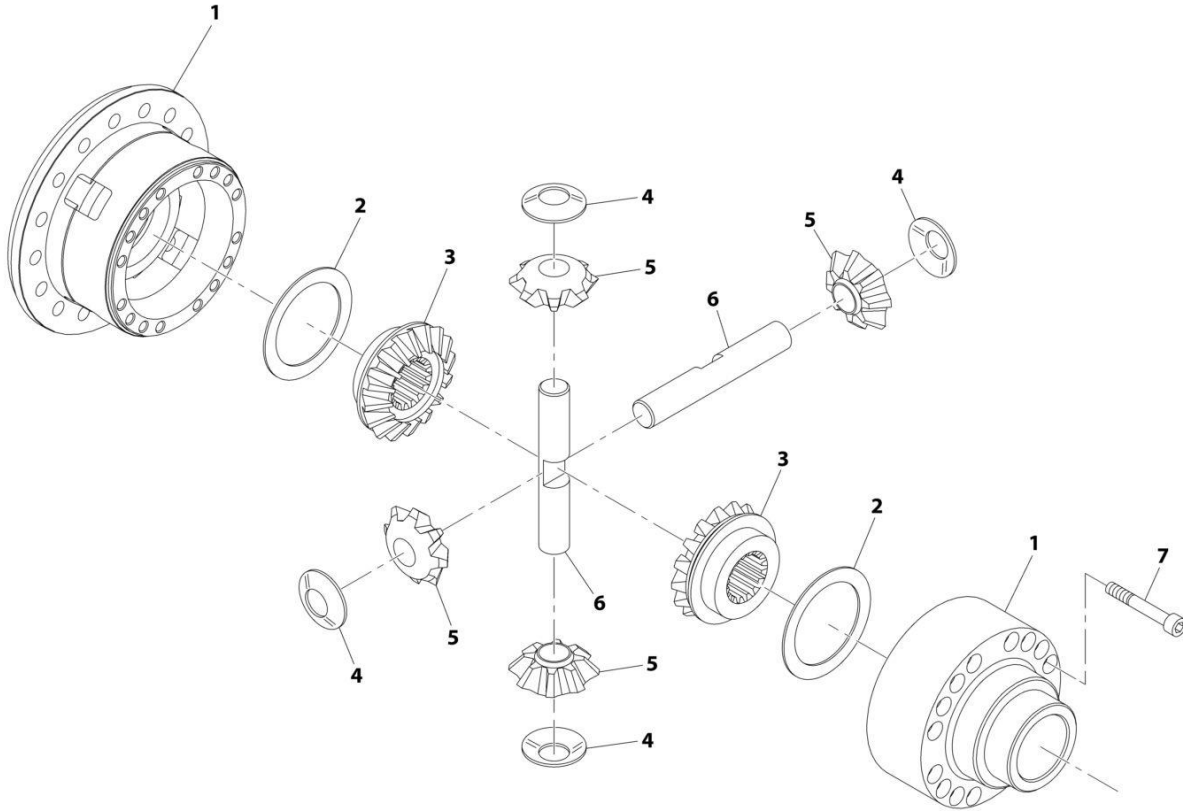
SECTION 5 - RIVE TRAIN

FIGURE 5-24. REAR AXLE, DIFFERENTIAL

ITEM	PART NUMBER	QTY	DESCRIPTION	REV
	1001184985	Ref	Rear Axle, Differential	F
11	80204043	1	Nut	
12	91514130	1	Plate, Cover	
13	80204048	1	Bearing, Taper Roller	
14	70023469	1	Shim	
15	70028399	1	Gear, Bevel Set	
16	80204035	1	Bearing, Taper Roller	
17	70023494	1	Ring	
18	70022140	1	Spacer	
19	70025887	1	Seal	
20	70028401	1	Flange	
21	10725554	1	O-Ring	
22	80204033	2	Bearing, Taper Roller	
23	91514133	2	Nut, Ring	
24	91514134	2	Bolt	
25	39844923	16	Bolt	
26	70028398	1	Kit, Differential (See Separate Breakdown in this Section)	

SECTION 5 - RIVE TRAIN

FIGURE 5-25. DIFFERENTIAL KIT



ART_70028398

FIGURE 5-25. DIFFERENTIAL KIT

ITEM	PART NUMBER	QTY	DESCRIPTION	REV
	70028398	Ref	Differential Kit	
1	70025337	1	Carrier, Differential	
2	70023493	2	Washer, Friction	
3	70025338	2	Gear, Differential Side	
4	70027105	4	Washer, Friction	
5	70025339	4	Pinion, Differential	
6	70023490	2	Shaft, Differential	
7	70023489	15	Bolt	

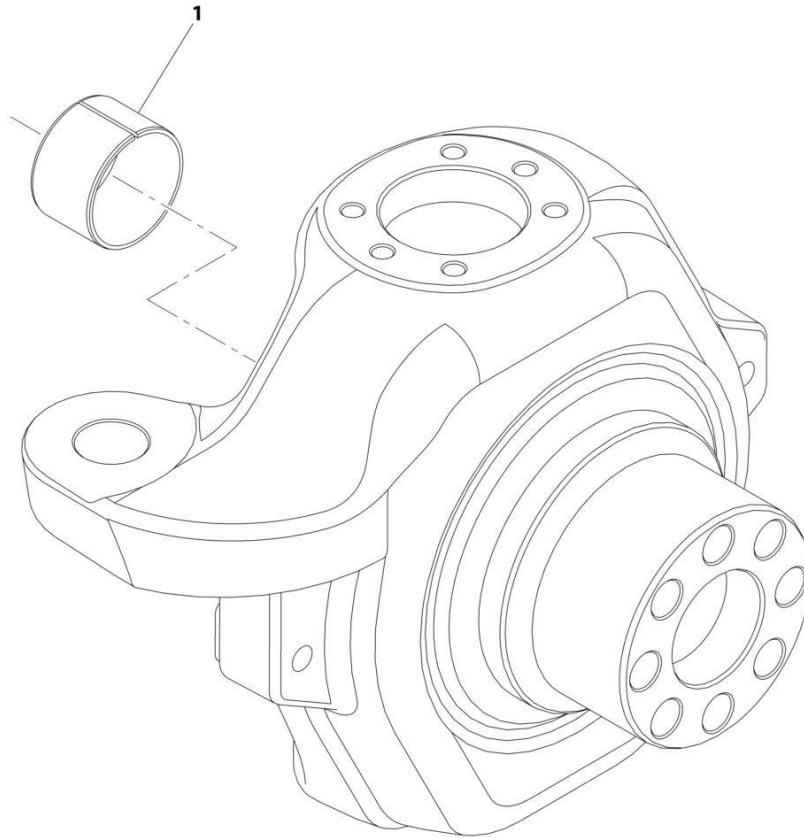
SECTION 5 - RIVE TRAIN

FIGURE 5-26. REAR AXLE, HUB REDUCTION

ITEM	PART NUMBER	QTY	DESCRIPTION	REV
	1001184985	Ref	Rear Axle, Hub Reduction	F
27	70028400	2	Case, Axle	
28	91514081	2	Bolt	
29	91514082	2	Nut	
30	70028397	32	Bolt	
31	80204071	2	Circlip	
32	91514149	2	Kit, Reduction Bushing (See Separate Breakdown in this Section)	
33	70028396	2	Joint, Double Universal	
34	70026238	2	Seal	
35	70025562	20	Bolt	
36	70024881	2	Fitting, Grease	
37	91514112	2	Pin	
38	70025561	1	Shim	
39	7028716	2	Seal, Dust	
40	7028714	2	Bushing	
41	91514095	2	Bearing	
42	7028715	2	Pin	
43	80204065	4	Nut	
44	91514117	4	Bolt	
45	70028388	2	Plug	
46	70028387	2	Plug	
47	70026002	2	Seal	
48	80204076	4	Bearing, Taper Roller	
49	91514174	2	Hub, Wheel	
50	91514175	2	Circlip	
51	70024147	2	Gear, Ring	
52	91514177	2	Gear, Ring Support	
53	91514178	2	Plate, Locking	
54	70028389	2	Plug	
55	91514189	4	Bolt, Countersunk	
56	91514179	16	Nut	
57	91514180	16	Stud	
58	91514181	2	O-Ring	
59	80214120	20	Stud	
60	7029733	2	Kit, Planet Gear Carrier (See Separate Breakdown in this Section)	
61	70026260	1	Kit, Steering Case (Left) (See Separate Breakdown in this Section)	
62	70026261	1	Kit, Steering Case (Right) (See Separate Breakdown in this Section)	
63	7028733	4	Bolt, Steering Adjust	
64	70024146	2	Kit, Ring Gear Support (See Separate Breakdown in this Section)	
65	80204012	2	Plug	
66	70028392	2	Cover	

SECTION 5 - RIVE TRAIN

FIGURE 5-27. TEERING CASE KIT (LF, RR)



ART_70026260

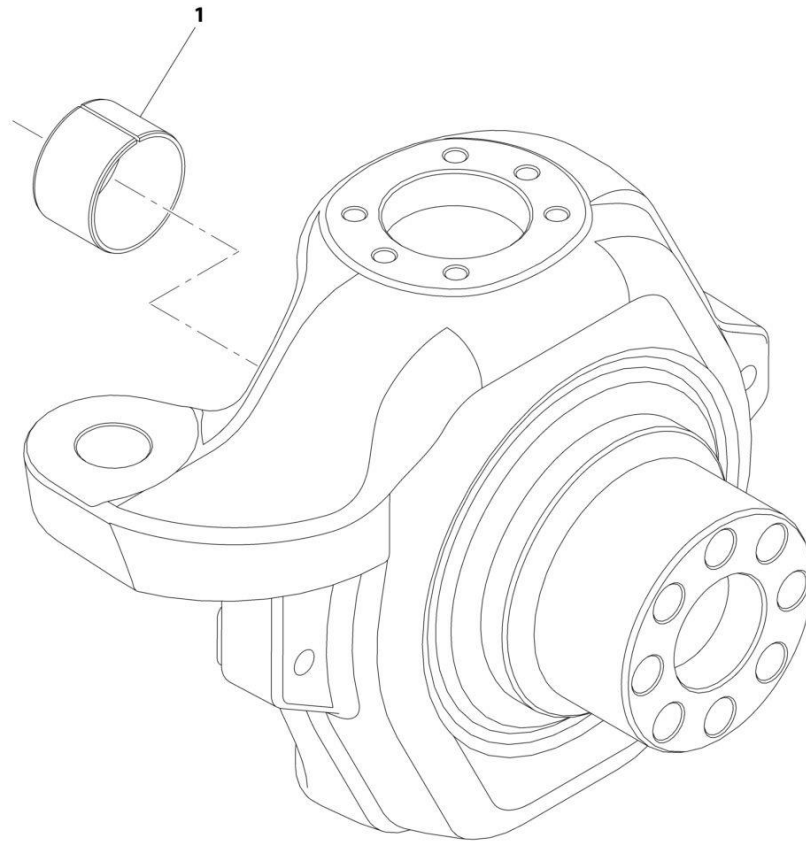
SECTION 5 - RIVE TRAIN

FIGURE 5-27. TEERING CASE KIT (LF, RR)

ITEM	PART NUMBER	QTY	DESCRIPTION	REV
1	70026260 91514111	Ref 1	Steering Case Kit (LF, RR) Bushing, Thrust	

SECTION 5 - RIVE TRAIN

FIGURE 5-28. STEERING CASE KIT (RF, LR)



ART_70026261

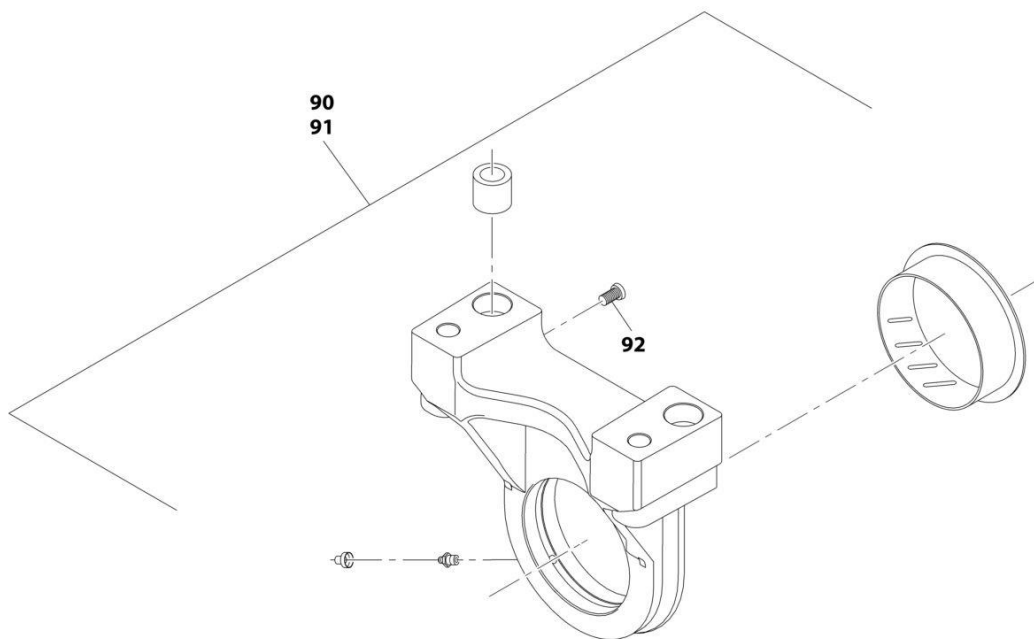
SECTION 5 - RIVE TRAIN

FIGURE 5-28. STEERING CASE KIT (RF, LR)

ITEM	PART NUMBER	QTY	DESCRIPTION	REV
1	70026261 91514111	Ref 1	Steering Case Kit (RF, LR) Bushing, Thrust	

SECTION 5 - RIVE TRAIN

FIGURE 5-29. REAR AXLE, TRUNION



ART_1001184985_6-F

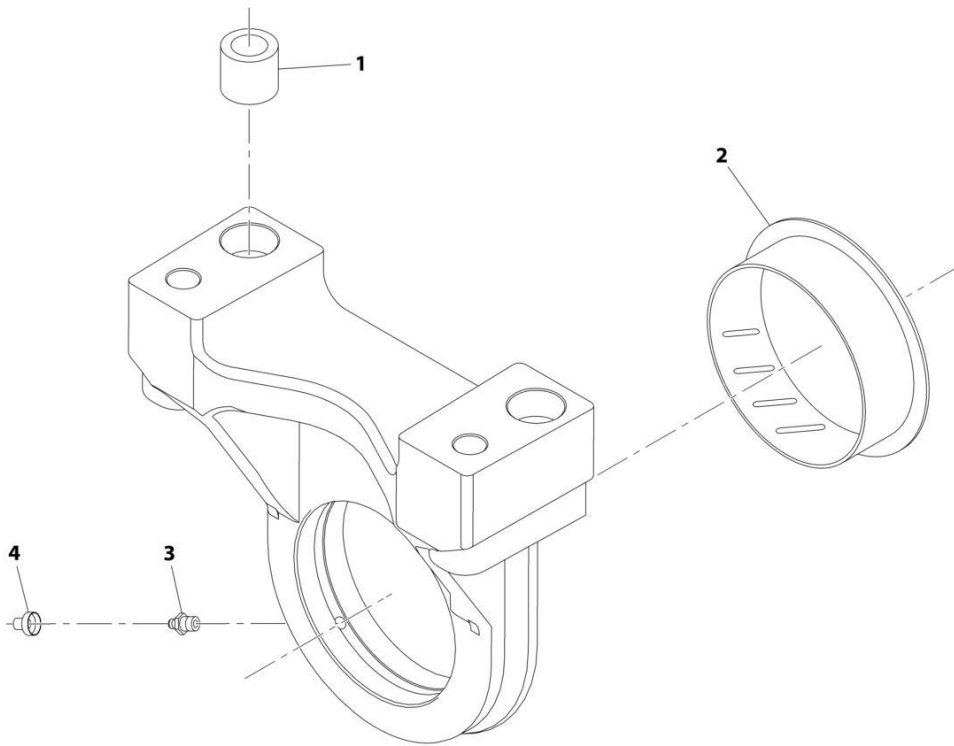
SECTION 5 - RIVE TRAIN

FIGURE 5-29. REAR AXLE, TRUNION

ITEM	PART NUMBER	QTY	DESCRIPTION	REV
	1001184985	Ref	Rear Axle, Trunion	F
90	70026266	1	Kit, Trunion (See Separate Breakdown in this Section)	
91	70026265	1	Support	
92	70025884	1	Bolt	

SECTION 5 - RIVE TRAIN

FIGURE 5-30. TRUNION KIT



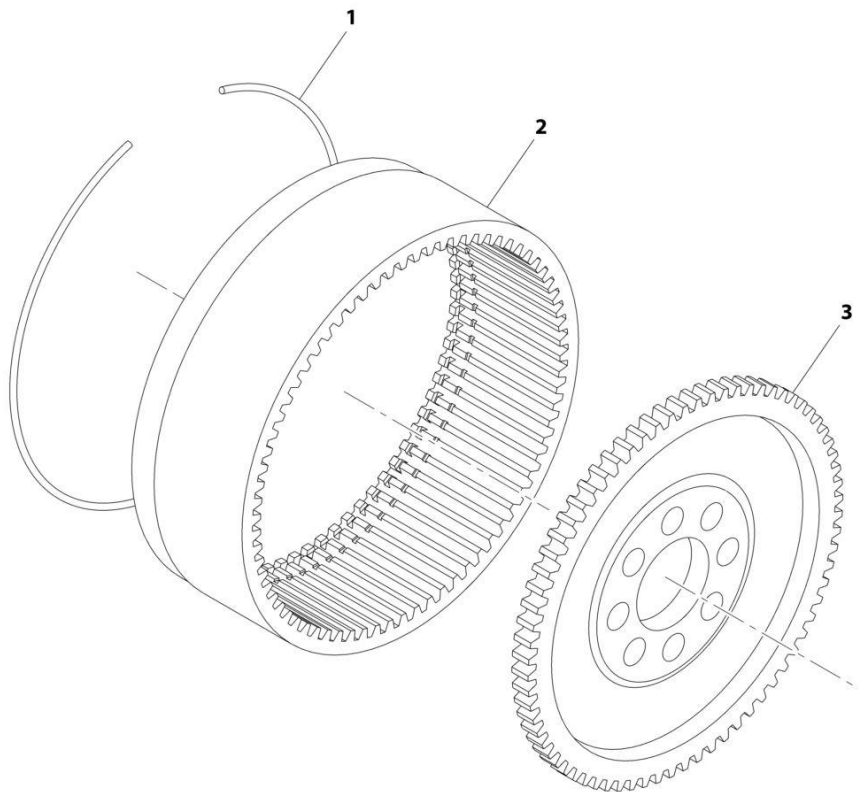
ART_70026266

FIGURE 5-30. TRUNION KIT

ITEM	PART NUMBER	QTY	DESCRIPTION	REV
	70026266	Ref	Trunion Kit	
1	7029290	2	Bushing, Reduction	
2	91514090	1	Bushing, Thrust	
3	70024881	1	Fitting, Grease	
4	80204117	1	Plug	

SECTION 5 - RIVE TRAIN

FIGURE 5-31. RING GEAR SUPPORT KIT



ART_70024146

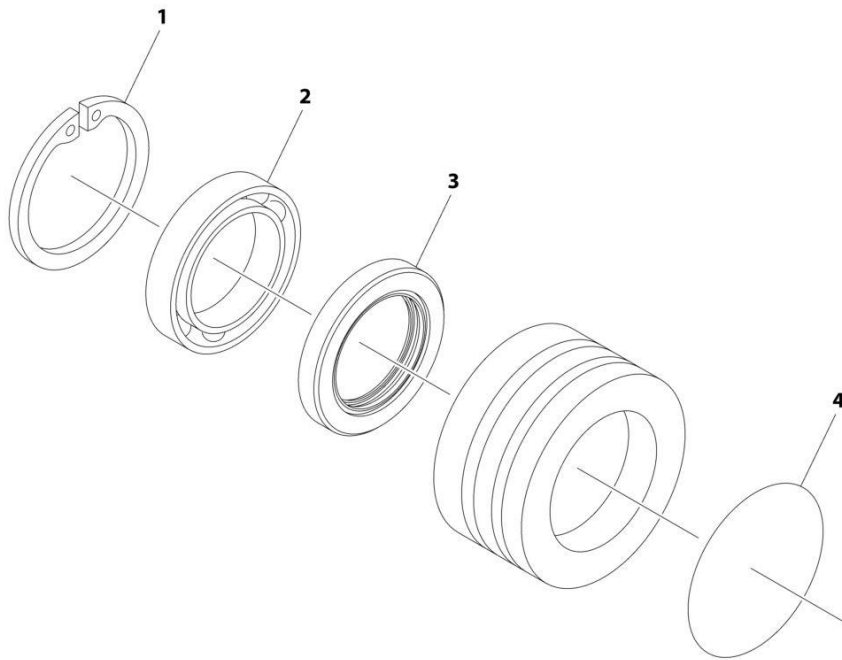
SECTION 5 - RIVE TRAIN

FIGURE 5-31. RING GEAR SUPPORT KIT

ITEM	PART NUMBER	QTY	DESCRIPTION	REV
	70024146	Ref	Ring Gear Support Kit	
1	91514175	1	Circlip	
2	70024147	1	Gear, Ring	
3	91514177	1	Gear, Ring Support	

SECTION 5 - RIVE TRAIN

FIGURE 5-32. REDUCTION BUSHING KIT



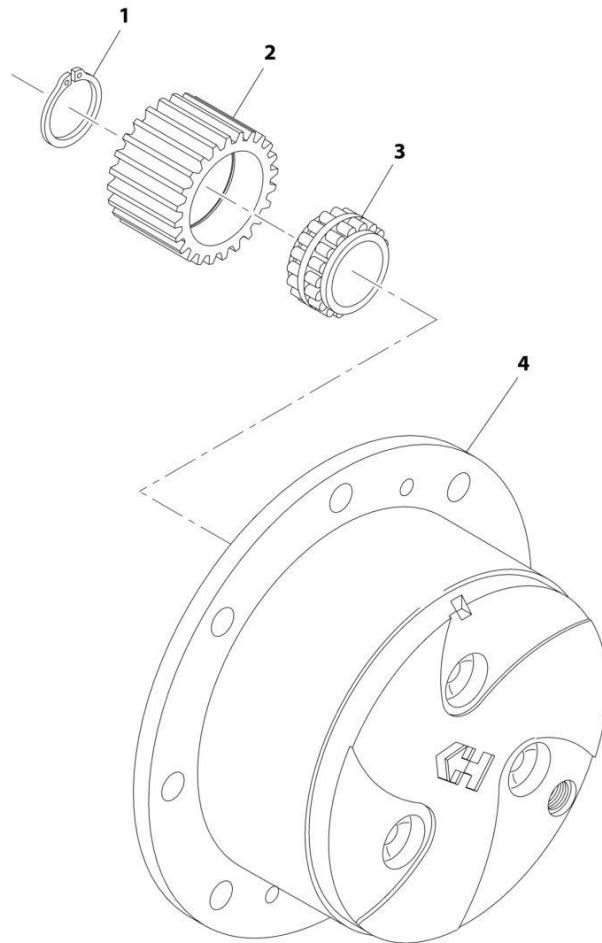
ART_91514149

FIGURE 5-32. REDUCTION BUSHING KIT

ITEM	PART NUMBER	QTY	DESCRIPTION	REV
	91514149	Ref	Reduction Bushing Kit	
1	80204005	2	Circlip	
2	91514146	2	Bearing, Ball	
3	91514147	2	Seal	
4	91514148	2	O-Ring	

SECTION 5 - RIVE TRAIN

FIGURE 5-33. PLANET GEAR CARRIER KIT



ART_7029733

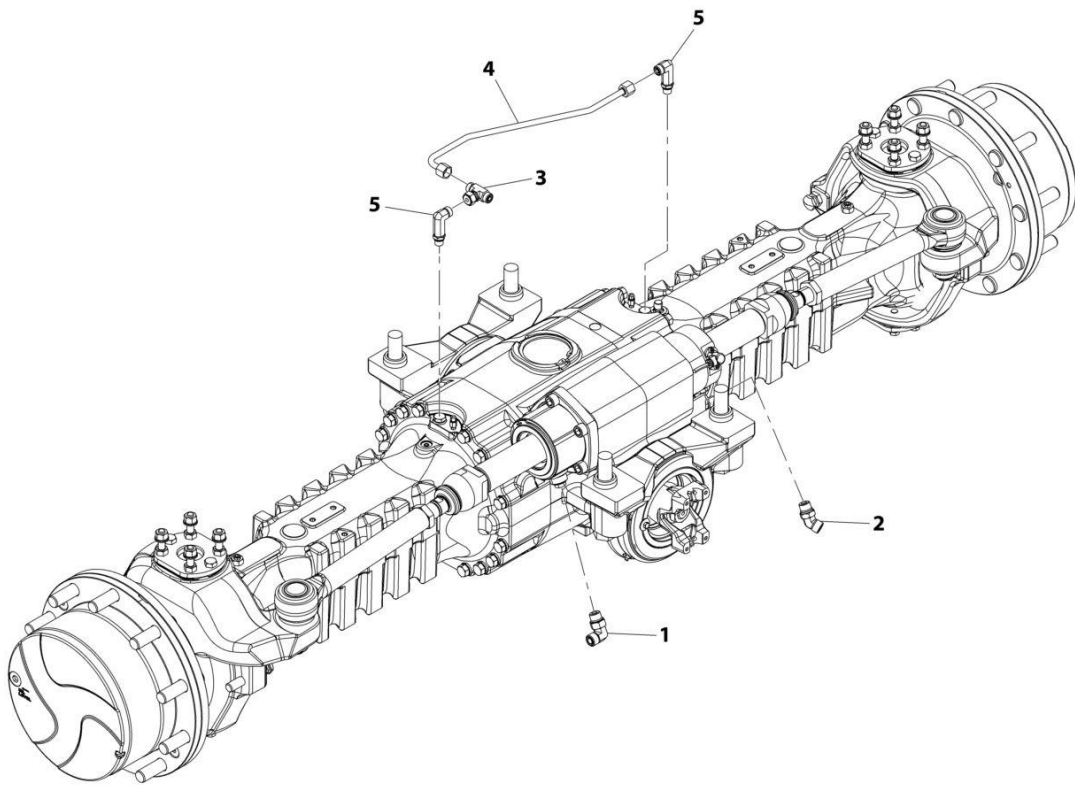
SECTION 5 - RIVE TRAIN

FIGURE 5-33. PLANET GEAR CARRIER KIT

ITEM	PART NUMBER	QTY	DESCRIPTION	REV
	7029733	Ref	Planet Gear Carrier Kit	
1	91514184	3	Circlip	
2	91514185	6	Gear, Planet	
3	91514186	6	Bearing	
4	7026731	1	Carrier, Planet Gear	

SECTION 5 - RIVE TRAIN

FIGURE 5-34. REAR AXLE LINES INSTALLATION



ART_1001207899-C

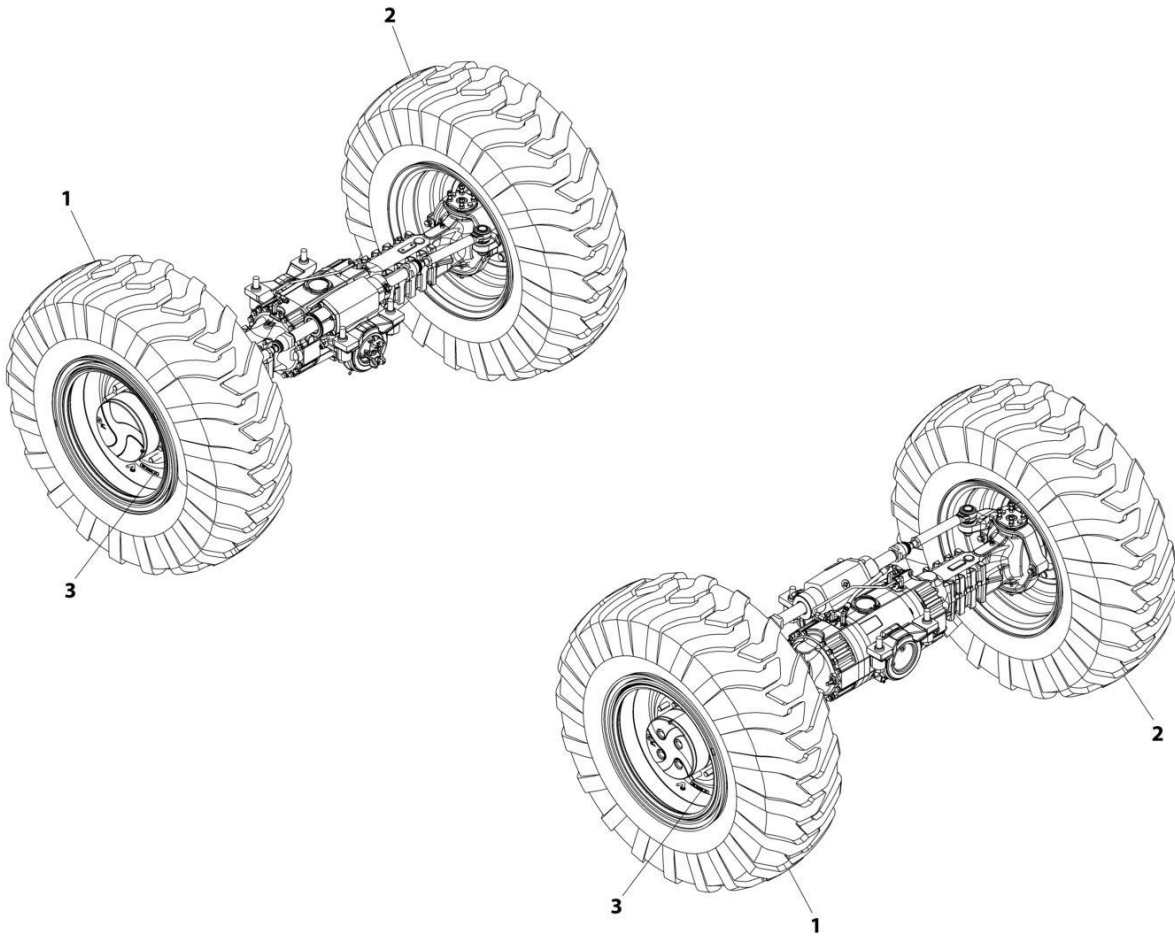
SECTION 5 - RIVE TRAIN

FIGURE 5-34. REAR AXLE LINES INSTALLATION

ITEM	PART NUMBER	QTY	DESCRIPTION	REV
	1001207899	Ref	Rear Axle Lines Installation	C
1	2130808	1	Fitting, 90 ORFS	
2	2150808	1	Fitting, 45 ORFS	
3	2170806	1	Fitting, Tee ORFS	
4	1001224938	1	Tube	
5	1001210769	2	Fitting, 90 ORFS	

SECTION 5 - RIVE TRAIN

FIGURE 5-35. TIRE/WHEEL SET (AIR 17.5-25 - 20 PLY)



ART_1001192168-C

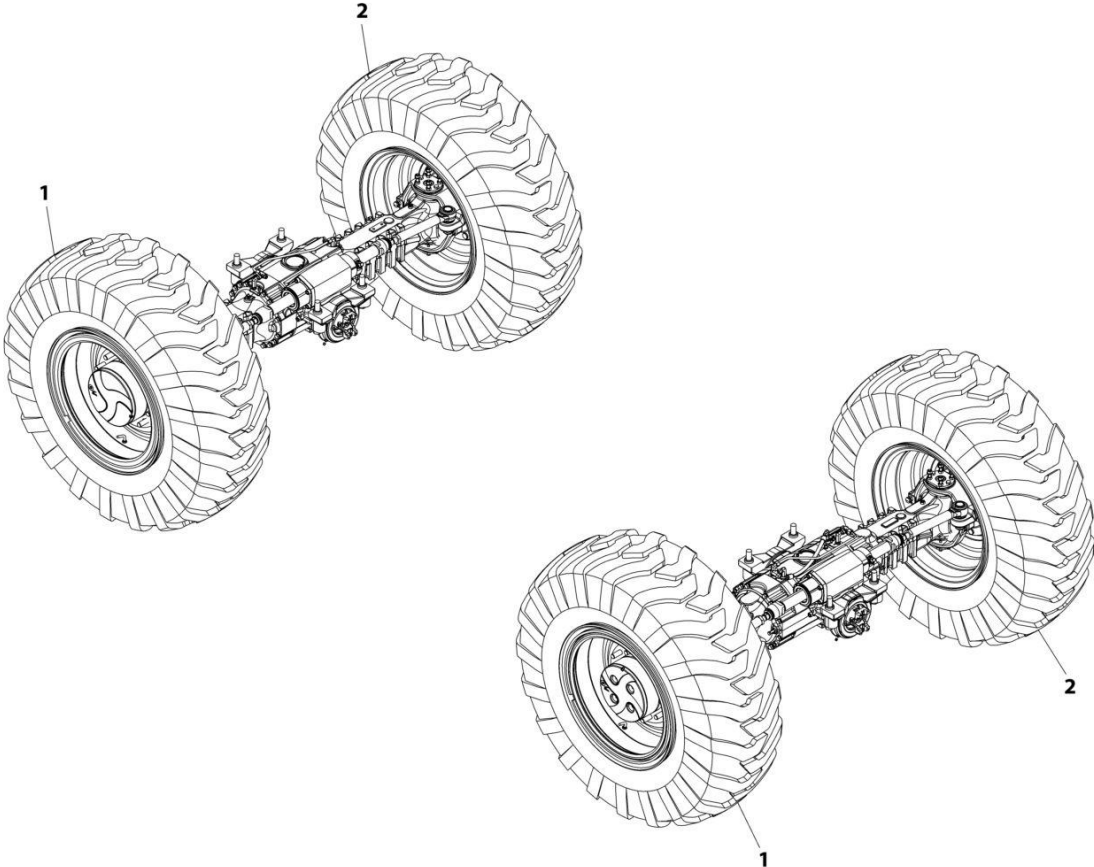
SECTION 5 - RIVE TRAIN

FIGURE 5-35. TIRE/WHEEL SET (AIR 17.5-25 - 20 PLY)

ITEM	PART NUMBER	QTY	DESCRIPTION	REV
	1001192168	1	Tire/Wheel Set (Air 17.5-25 - 20 PLY)	C
1	1001192177	2	Assembly, Right Tire/Wheel (Air 17.5-25 - 20 PLY)	
1	8786549	1	Valve, Stem	
1	1001187423	1	Tire, 17.5-25 20 PLY	
1	1001189288J	1	Wheel, 25X14.0 DTU 10 Hole	
2	1001192178	2	Assembly, Left Tire/Wheel (Air 17.5-25 - 20 PLY)	
2	8786549	1	Valve, Stem	
2	1001187423	1	Tire, 17.5-25 20 PLY	
2	1001189288J	1	Wheel, 25X14.0 DTU 10 Hole	
3	1001229201	4	Decal	

SECTION 5 - RIVE TRAIN

FIGURE 5-36. TIRE/WHEEL SET (FOAM 17.5-25 - 20 PLY)



ART_1001192170-A

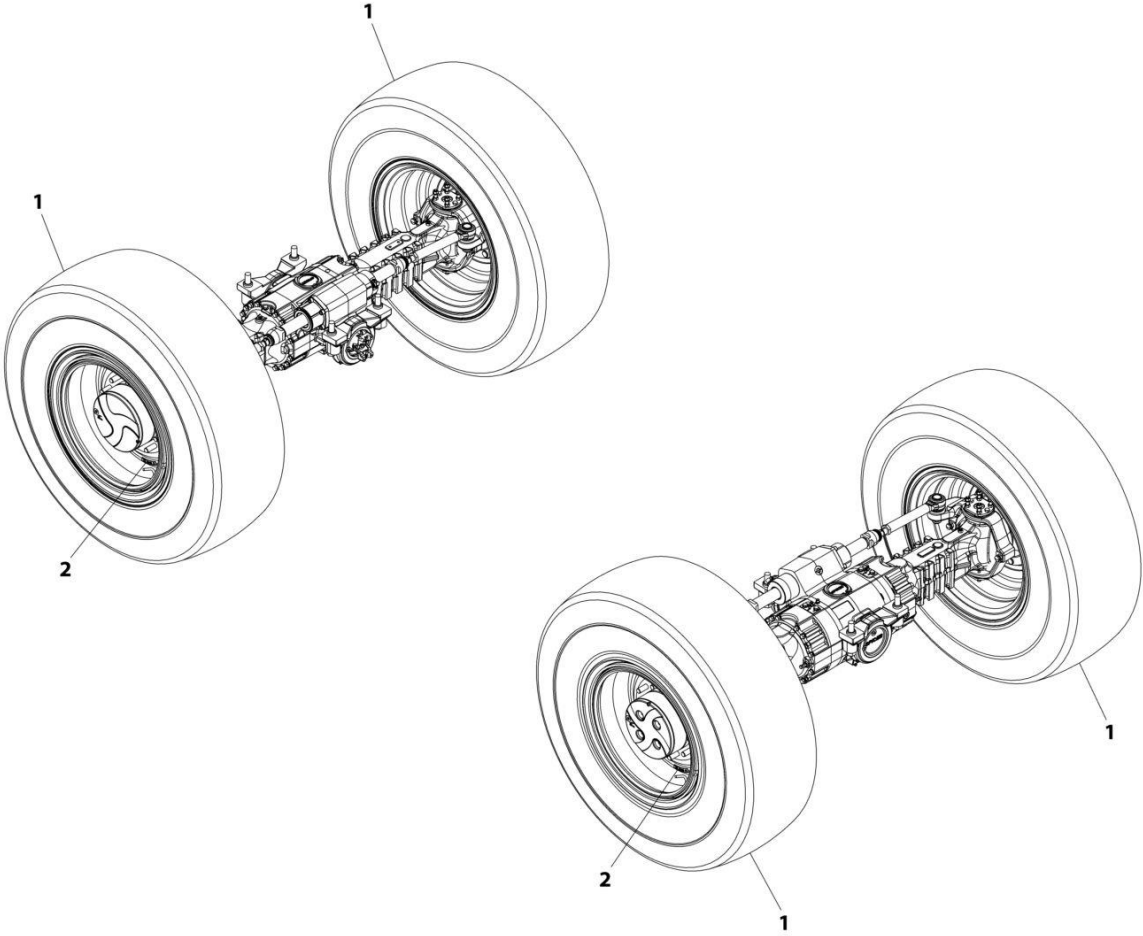
SECTION 5 - RIVE TRAIN

FIGURE 5-36. TIRE/WHEEL SET (FOAM 17.5-25 - 20 PLY)

ITEM	PART NUMBER	QTY	DESCRIPTION	REV
	1001192170	1	Tire/Wheel Set (Foam 17.5-25 - 20 PLY)	A
		Ref	Note: Requires ballast/foam filling to manufacturer's specifications prior to installing on a machine. Refer to Service and Maintenance Manuals. Purchase individual tire and/or rim only if able to foam fill tire and wheel assembly, otherwise, purchase complete.	
1	1001192180	2	Assembly, Right Tire/Wheel (Foam 17.5-25 - 20 PLY)	
1	8786549	1	Valve, Stem	
1	1001187423	1	Tire, 17.5-25 20 PLY	
1	1001189288J	1	Wheel, 25X14.0 DTU 10 Hole	
2	1001192181	2	Assembly, Left Tire/Wheel (Foam 17.5-25 - 20 PLY)	
2	8786549	1	Valve, Stem	
2	1001187423	1	Tire, 17.5-25 20 PLY	
2	1001189288J	1	Wheel, 25X14.0 DTU 10 Hole	

SECTION 5 - RIVE TRAIN

FIGURE 5-37. TIRE/WHEEL SET (AIR 17.5-25 - 22 PLY)



ART_1001221695-B

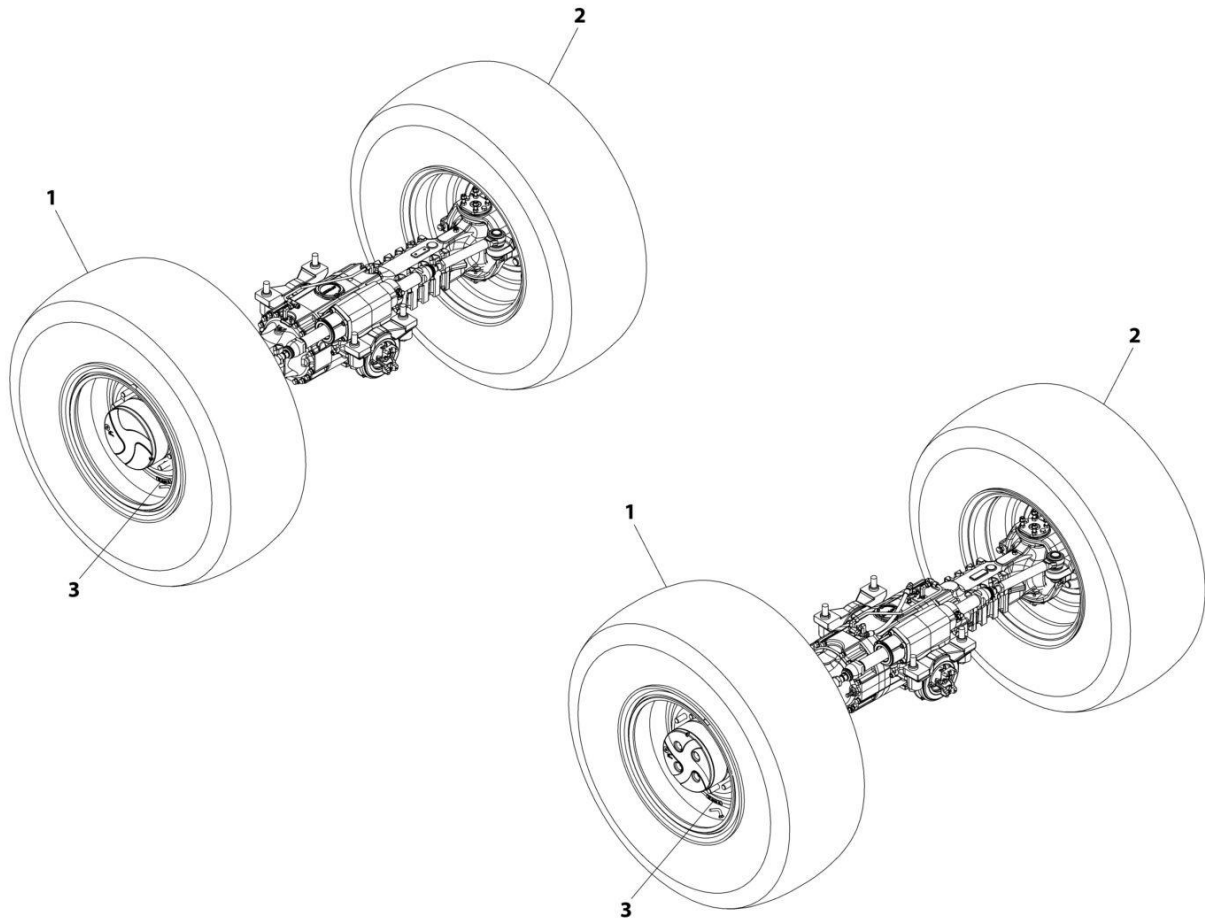
SECTION 5 - RIVE TRAIN

FIGURE 5-37. TIRE/WHEEL SET (AIR 17.5-25 - 22 PLY)

ITEM	PART NUMBER	QTY	DESCRIPTION	REV
	1001221695	Ref	Tire/Wheel Set (Air 17.5-25 - 22 PLY)	B
1	1001221554	4	Assembly, Tire/Wheel (Air 17.5-25 - 22 PLY)	
1	8786549	1	Valve, Stem	
1	1001221553	1	Tire, 17.5-25 EM60 22 PLY	
1	1001189288J	1	Wheel, 25X14.0 DTU 10 Hole	
2	1001229201	4	Decal	

SECTION 5 - RIVE TRAIN

FIGURE 5-38. TIRE/WHEEL SET (AIR 17.5 R25 - RADIAL)



ART_1001221270-A

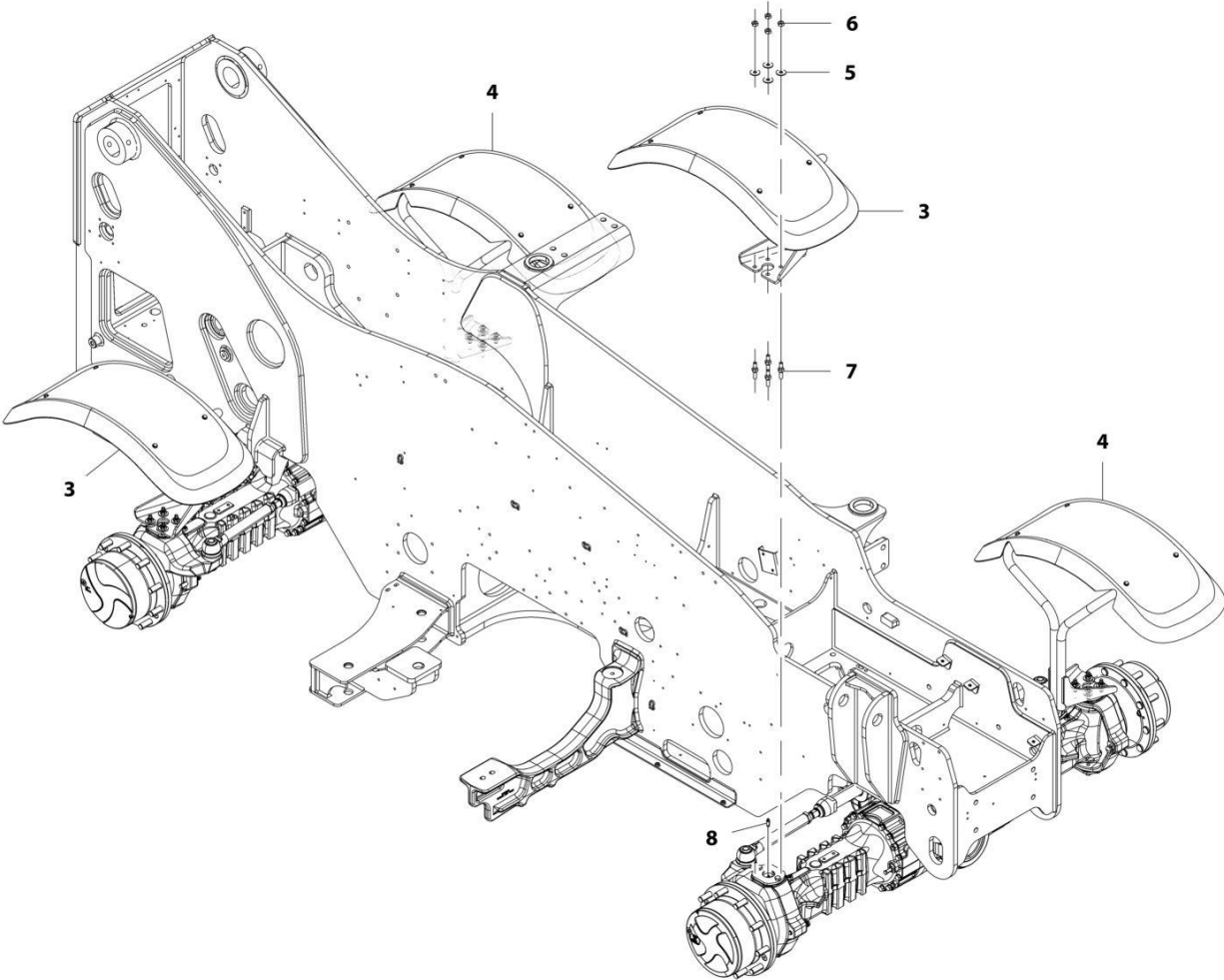
SECTION 5 - RIVE TRAIN

FIGURE 5-38. TIRE/WHEEL SET (AIR 17.5 R25 - RADIAL)

ITEM	PART NUMBER	QTY	DESCRIPTION	REV
	1001221270	1	Tire/Wheel Set (Air 17.5 R25 - Radial)	A
1	1001221157	2	Assembly, Right Tire/Wheel (Air 17.5 R25 - Radial)	
1	8786549	1	Valve, Stem	
1	1001221087	1	Tire, 17.5 R25 Radial	
1	1001189288J	1	Wheel, 25X14.0 DTU 10 Hole	
2	1001221321	2	Assembly, Left Tire/Wheel (Air 17.5 R25 - Radial)	
2	8786549	1	Valve, Stem	
2	1001221087	1	Tire, 17.5 R25 Radial	
2	1001189288J	1	Wheel, 25X14.0 DTU 10 Hole	
3	1001221734	4	Decal	

SECTION 5 - RIVE TRAIN

FIGURE 5-39. FENDER INSTALLATION



ART_1001174129-E

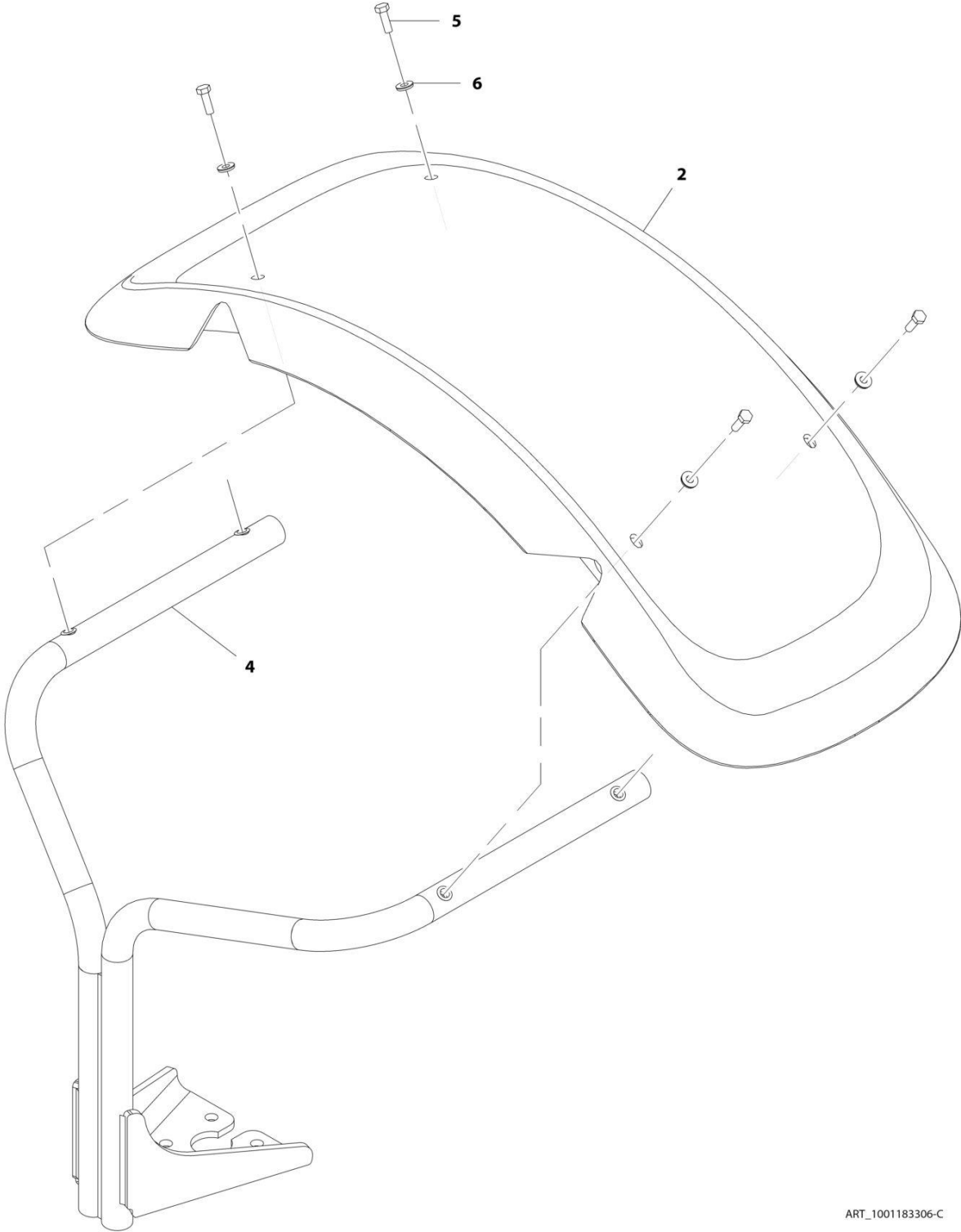
SECTION 5 - RIVE TRAIN

FIGURE 5-39. FENDER INSTALLATION

ITEM	PART NUMBER	QTY	DESCRIPTION	REV
	1001174129	Ref	Fender Installation	E
3	1001183306	2	Assembly, RH Fender (See Separate Breakdown in this Section)	
4	1001183307	2	Assembly, LH Fender (See Separate Breakdown in this Section)	
5	4812102	16	Washer, M12	
6	91513266	16	Nut, M12X1.25	
7	91514118	16	Stud, Fender	
8	1001225317	4	Fitting, Grease	

SECTION 5 - RIVE TRAIN

FIGURE 5-40. RH FENDER ASSEMBLY



ART_1001183306-C

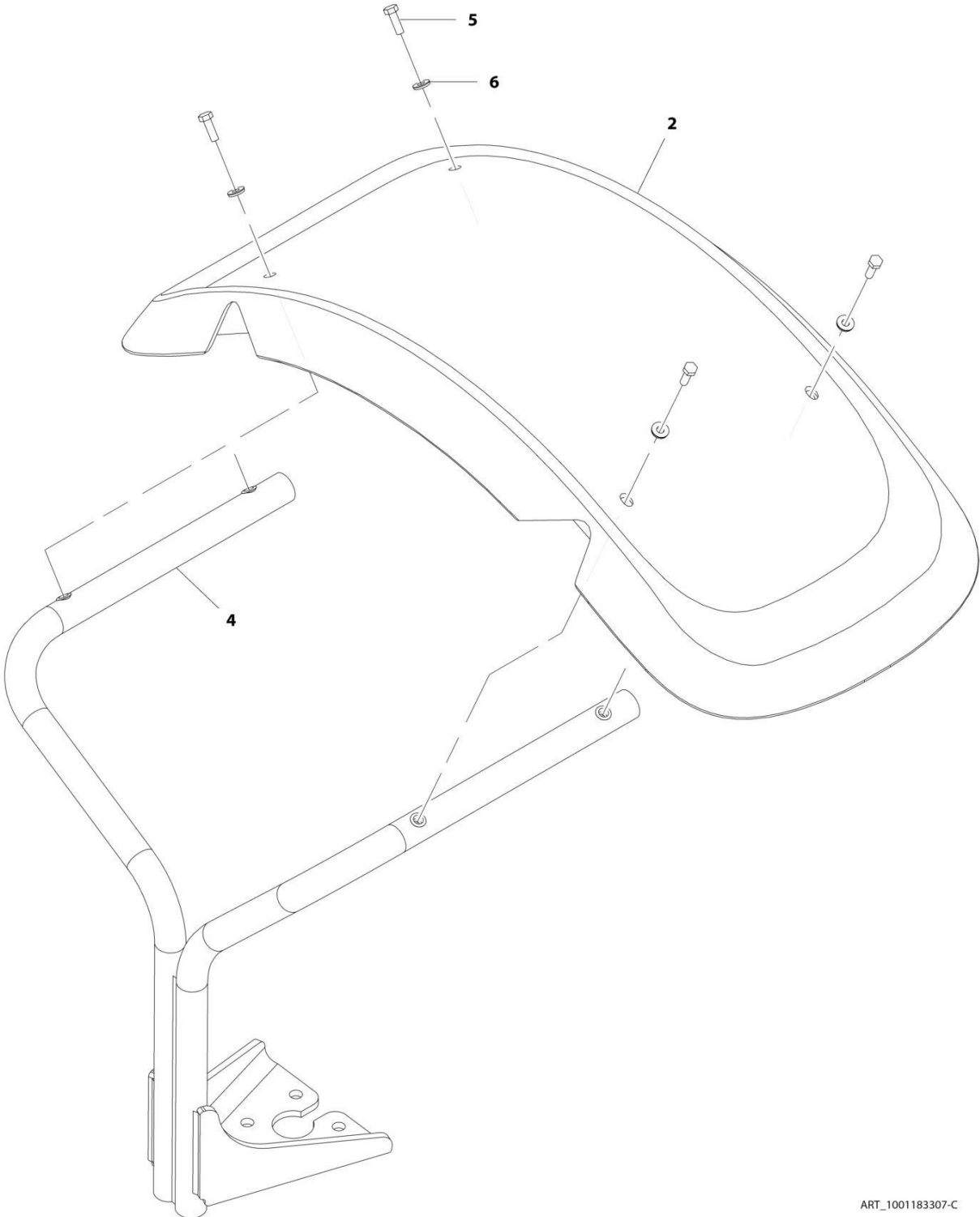
SECTION 5 - RIVE TRAIN

FIGURE 5-40. RH FENDER ASSEMBLY

ITEM	PART NUMBER	QTY	DESCRIPTION	REV
	1001183306	Ref	RH Fender Assembly	C
2	1001168264	1	Fender	
4	1001183308	1	Bracket	
5	0760812	4	Bolt, M8X25	
6	1001202786	4	Washer	

SECTION 5 - RIVE TRAIN

FIGURE 5-41. LH FENDER ASSEMBLY



ART_1001183307-C

SECTION 5 - RIVE TRAIN

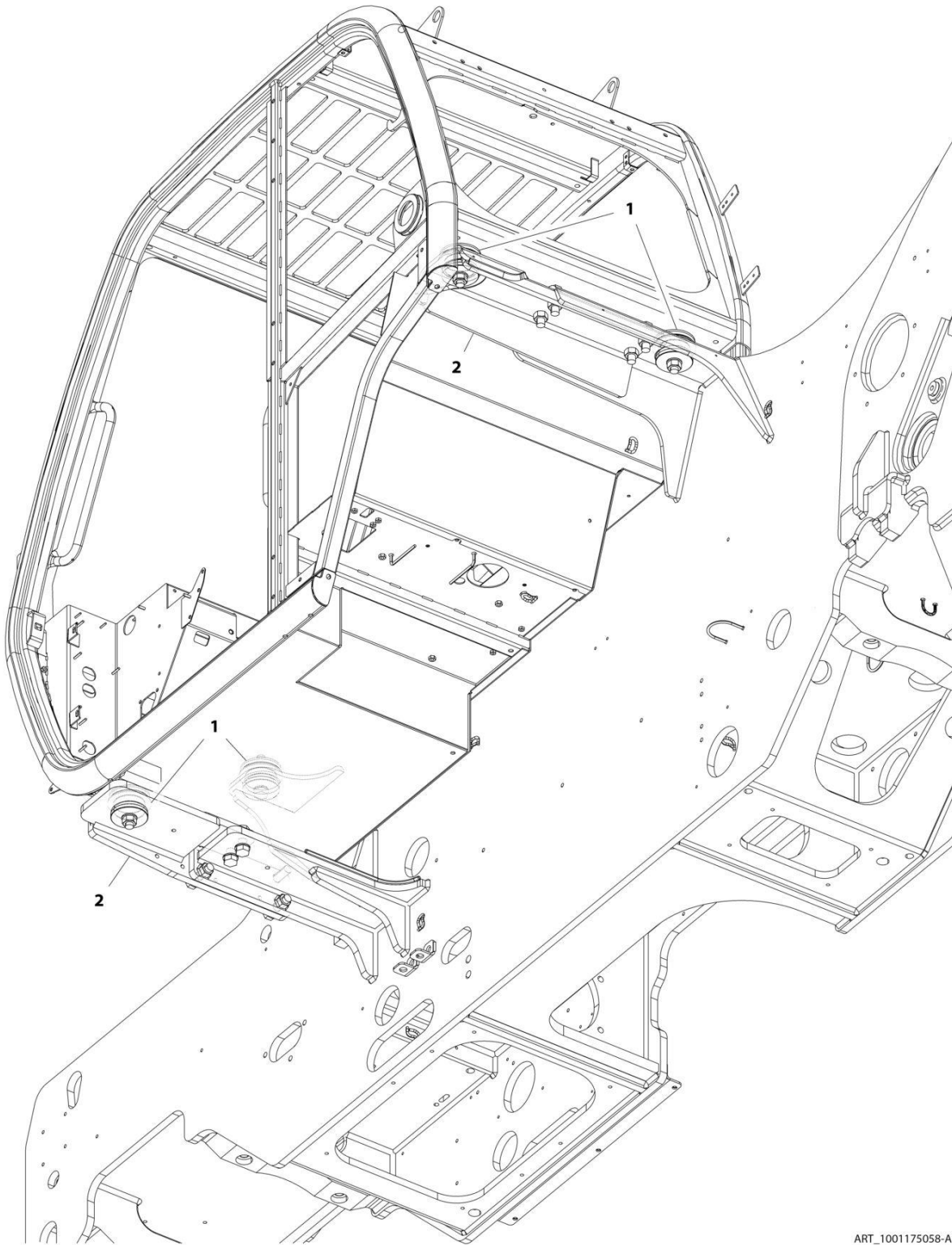
FIGURE 5-41. LH FENDER ASSEMBLY

ITEM	PART NUMBER	QTY	DESCRIPTION	REV
	1001183307	Ref	LH Fender Assembly	C
2	1001168264	1	Fender	
4	1001183309	1	Bracket	
5	0760812	4	Bolt, M8X25	
6	1001202786	4	Washer	

SECTION 6 - CAB

SECTION 6 - CAB

FIGURE 6-1. CAB MOUNTING INSTALLATION



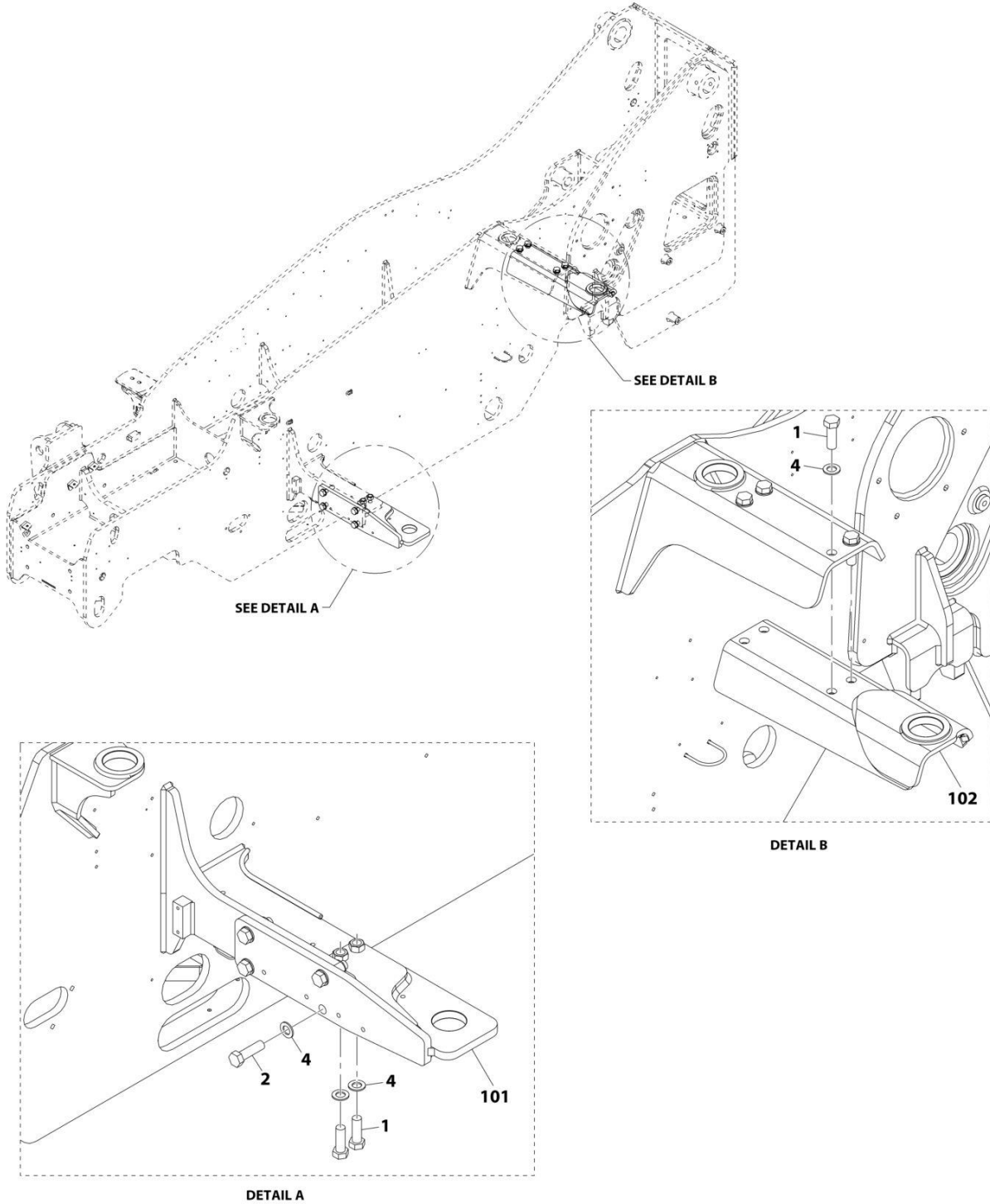
ART_1001175058-A

FIGURE 6-1. CAB MOUNTING INSTALLATION

ITEM	PART NUMBER	QTY	DESCRIPTION	REV
1	1001175058	Ref	Cab Mounting Installation	A
	1001155446	Ref	Installation, Cab Mount (See Separate Breakdown in this Section)	
	1001191255	Ref	Installation, Front Cab Mount Bracket (See Separate Breakdown in this Section)	

SECTION 6 - CAB

FIGURE 6-2. FRONT CAB MOUNT BRACKET INSTALLATION



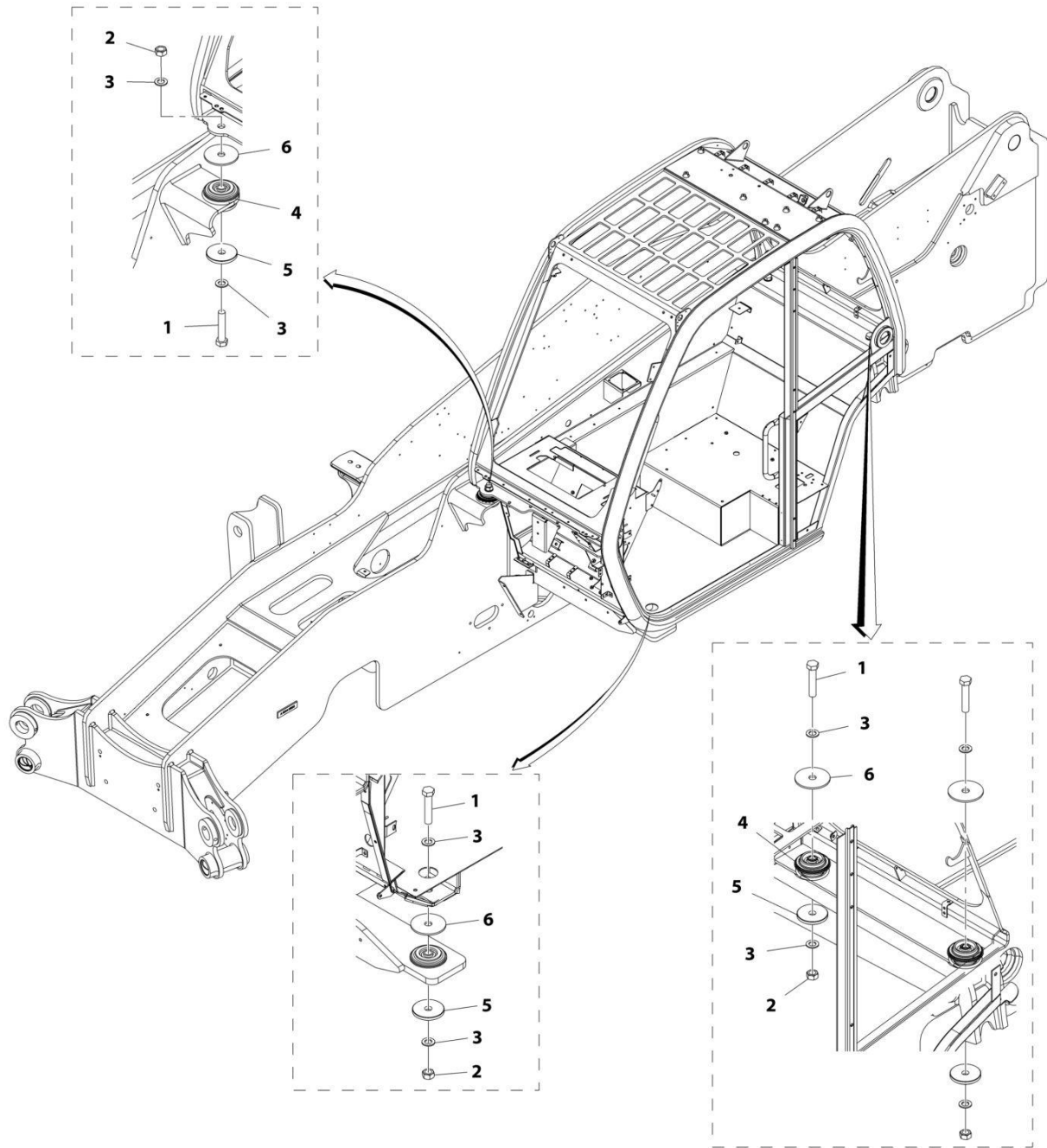
ART_1001191255-E

FIGURE 6-2. FRONT CAB MOUNT BRACKET INSTALLATION

ITEM	PART NUMBER	QTY	DESCRIPTION	REV
	1001191255	Ref	Front Cab Mount Bracket Installation	E
1	0712020	6	Bolt, M20X60	
2	0712022	4	Bolt, M20X70	
4	4812500	10	Washer, M20	
101	1001191256	1	Bracket	
102	1001191257	1	Bracket	

SECTION 6 - CAB

FIGURE 6-3. CAB MOUNTS INSTALLATION



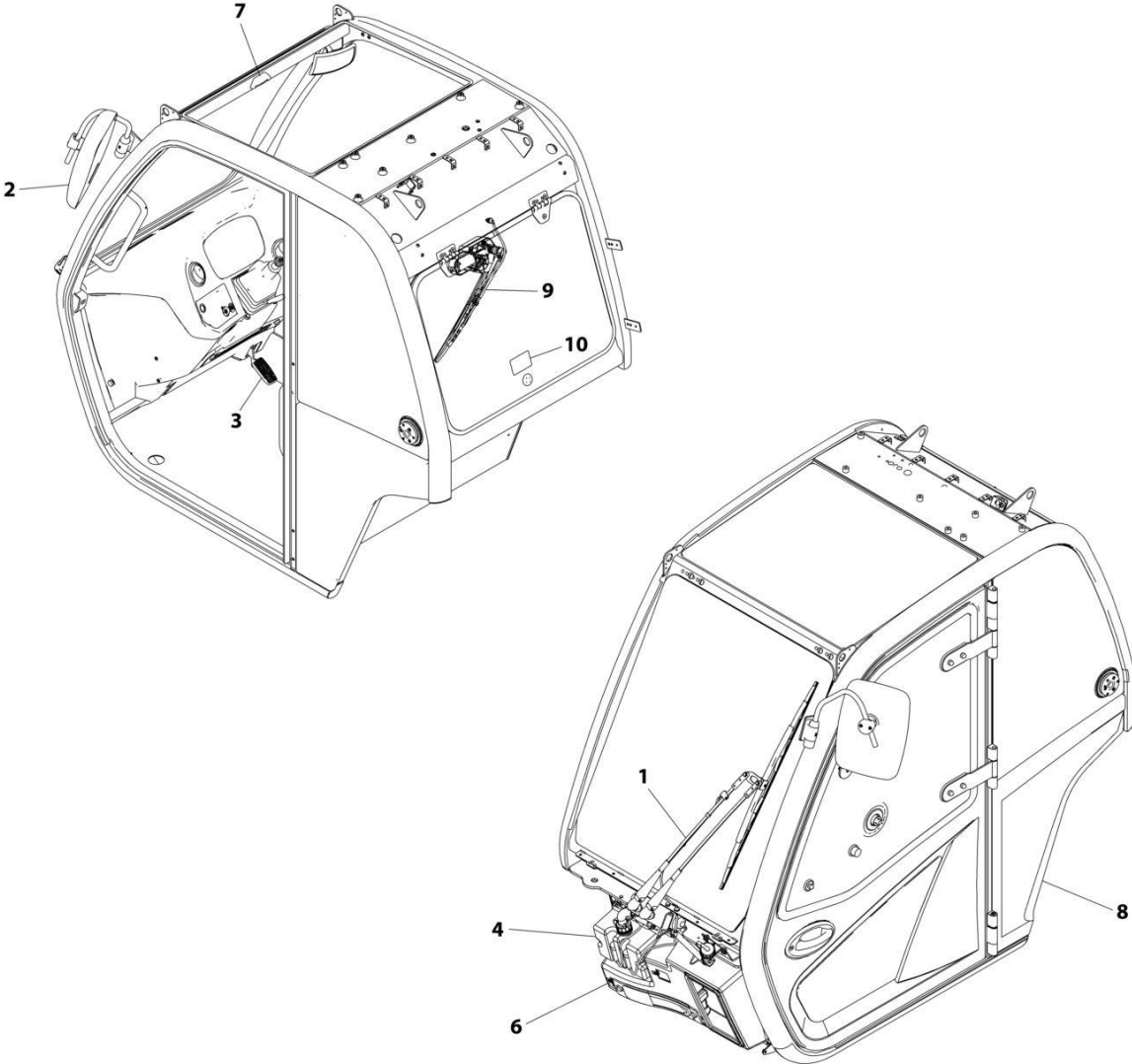
ART_1001155446-E

FIGURE 6-3. CAB MOUNTS INSTALLATION

ITEM	PART NUMBER	QTY	DESCRIPTION	REV
	1001155446	Ref	Cab Mounts Installation	E
1	0712027	4	Bolt, M20X100	
2	3332011	4	Nut, M20X2.5	
3	4812500	8	Washer, M20	
4	1001166754	4	Mount, Cab Isolation	
5	1001166755	4	Washer, Cab Rebound	
6	1001220540	4	Washer, Cab Mount	

SECTION 6 - CAB

FIGURE 6-4. CAB COMPONENTS INSTALLATION



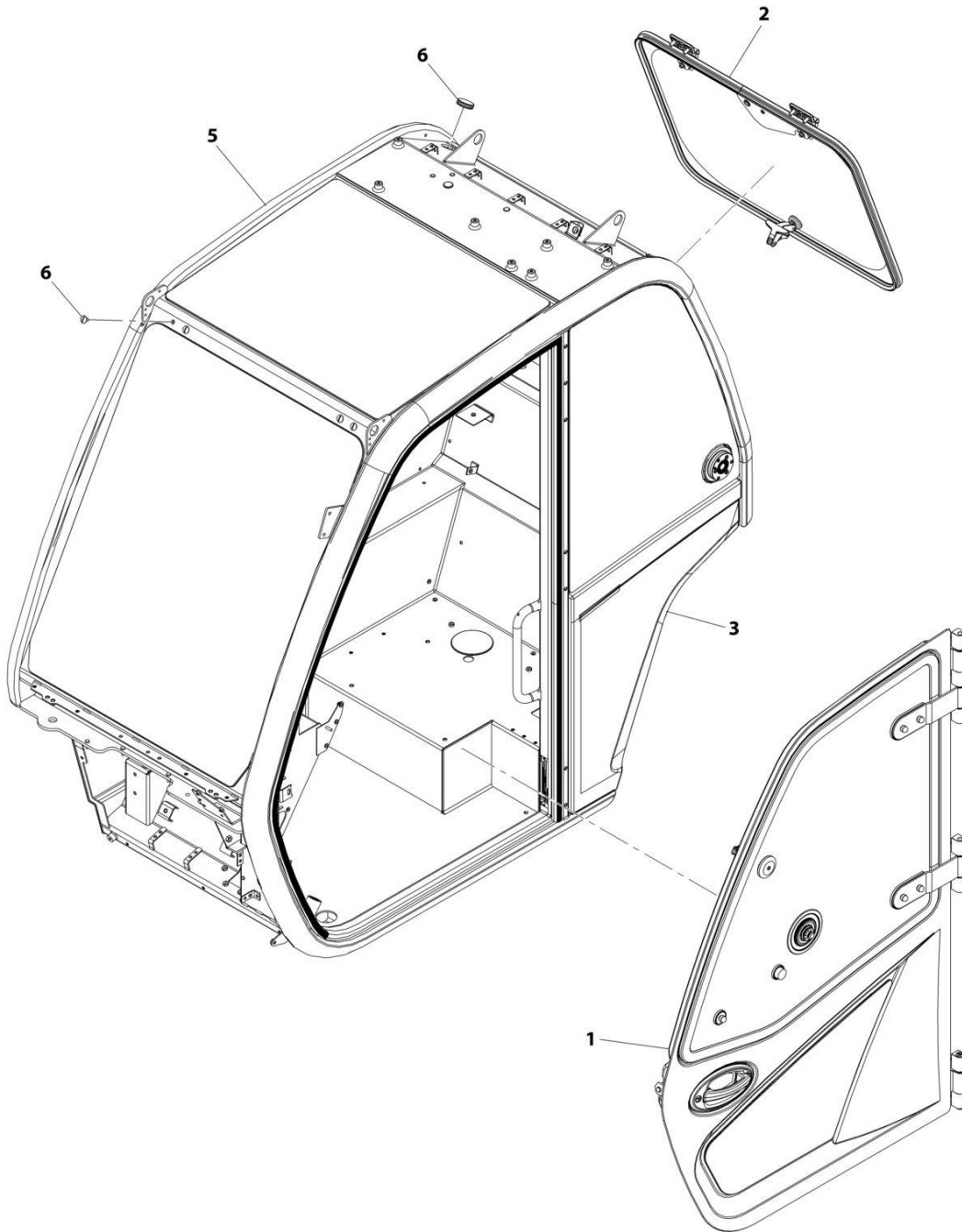
ART_1001194698_H

FIGURE 6-4. CAB COMPONENTS INSTALLATION

ITEM	PART NUMBER	QTY	DESCRIPTION	REV
	1001194698	Ref	CAB COMPONENTS INSTALLATION	H
1	1001155447	Ref	Installation, Front Wiper (See Separate Breakdown in this Section)	
2	1001160508	Ref	Installation, Basic Mirror (See Separate Breakdown in this Section)	
3	1001161499	Ref	Installation, Accelerator Pedal (See Separate Breakdown in CONTROLS Section)	
4	1001162789	Ref	Installation, Washer Tank (See Separate Breakdown in this Section)	
6	1001170366	Ref	Installation, Front Cover (See Separate Breakdown in this Section)	
7	1001172401	Ref	Installation, Level Indicator (See Separate Breakdown in this Section)	
8	1001194699	Ref	Installation, Cab (See Separate Breakdown in this Section)	
9	1001220329	Ref	Installation, Rear Wiper (See Separate Breakdown in this Section)	
10	1001204598	Ref	Installation, Rear Window Exit Decal (See Separate Breakdown in this Section)	

SECTION 6 - CAB

FIGURE 6-5. CAB INSTALLATION



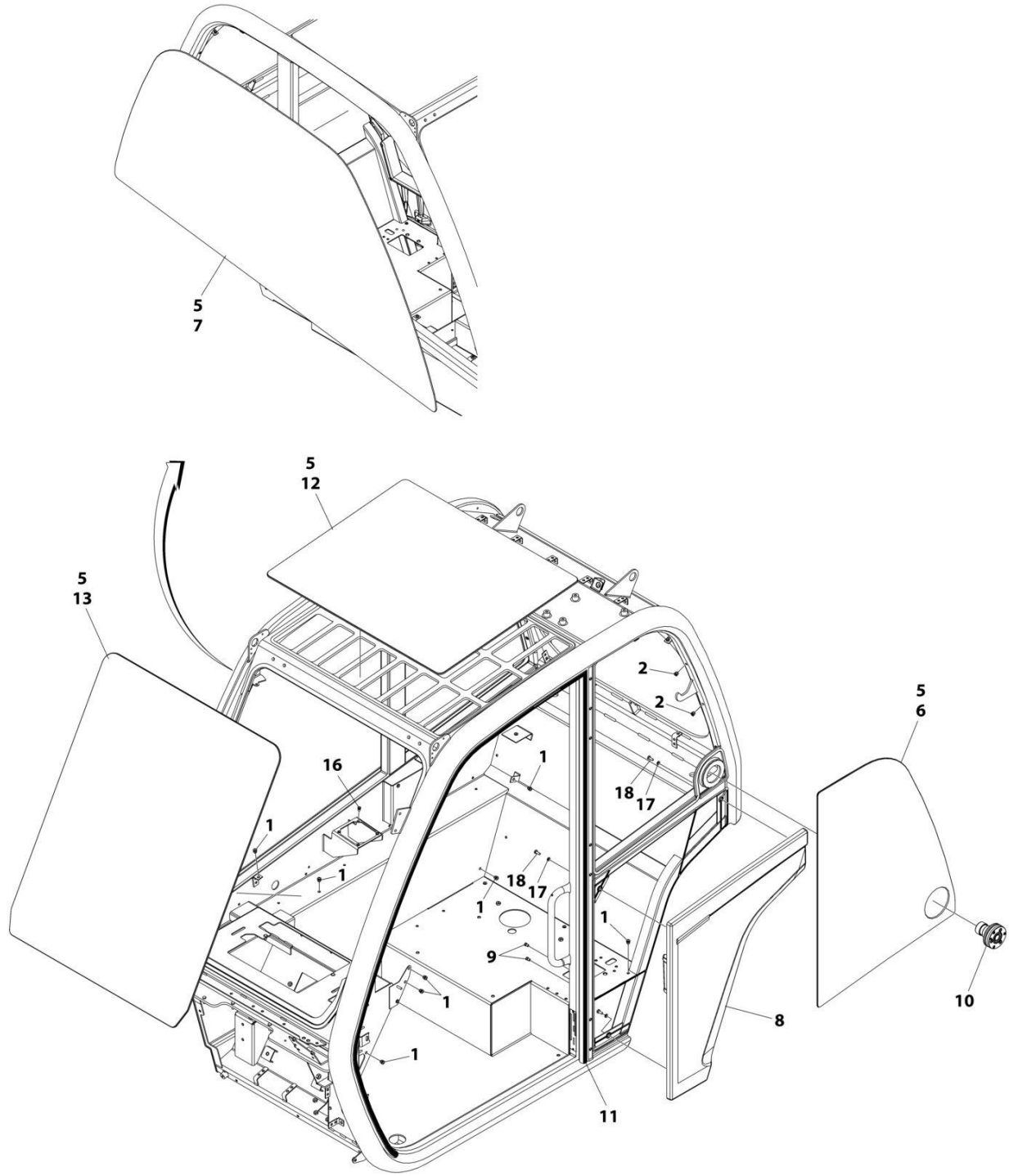
ART_1001194699

FIGURE 6-5. CAB INSTALLATION

ITEM	PART NUMBER	QTY	DESCRIPTION	REV
	1001194699	Ref	Cab Installation	L
1	1001155228	1	Installation, Cab Door (See Separate Breakdown in this Section)	
2	1001220339	1	Installation, Rear Window (See Separate Breakdown in this Section)	
3	1001194700	1	Assembly, Cab Group (See Separate Breakdown in this Section)	
5	N.S.S.	1	Weldment, Cab	
6	1001195814	1	Group, Cab Plug (See Separate Breakdown in this Section)	

SECTION 6 - CAB

FIGURE 6-6. CAB ASSEMBLY



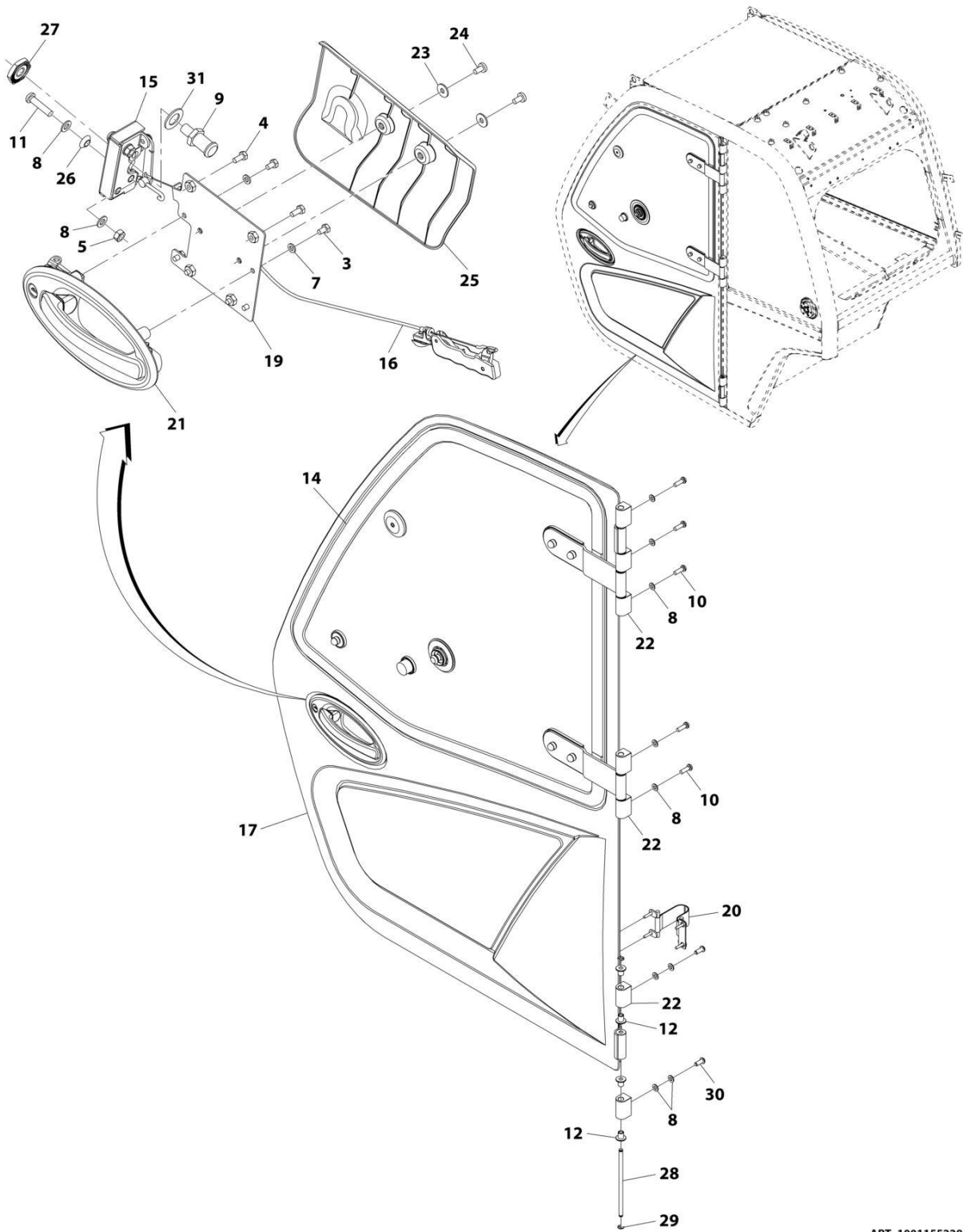
ART_1001194700_G

FIGURE 6-6. CAB ASSEMBLY

ITEM	PART NUMBER	QTY	DESCRIPTION	REV
	1001194700	Ref	Cab Assembly	G
1	2080086	25	Rivnut M6 x 1	
2	2080087	16	Rivnut M8 x 1.25	
5	1001111317	AR	Compound, Locking	
6	1001152915	1	Glass, LH Screen	
7	1001152947	1	Glass, RH Screen	
8	1001256073	1	Panel, Cab Quarter	
9	1001172193	2	Rivnut M5 x 0.8	
10	1001174320	1	Latch, Top Window	
11	1001227186	1	Seal, Cab Door	
12	1001178159	1	Glass, Roof Laminated	
13	1001178160	1	Glass, Front Laminated	
16	1001195878	4	Rivnut M5 x 0.8	
17	4811700	3	Washer M6	
18	4010608002	3	Screw M6 x 16	

SECTION 6 - CAB

FIGURE 6-7. DOOR INSTALLATION



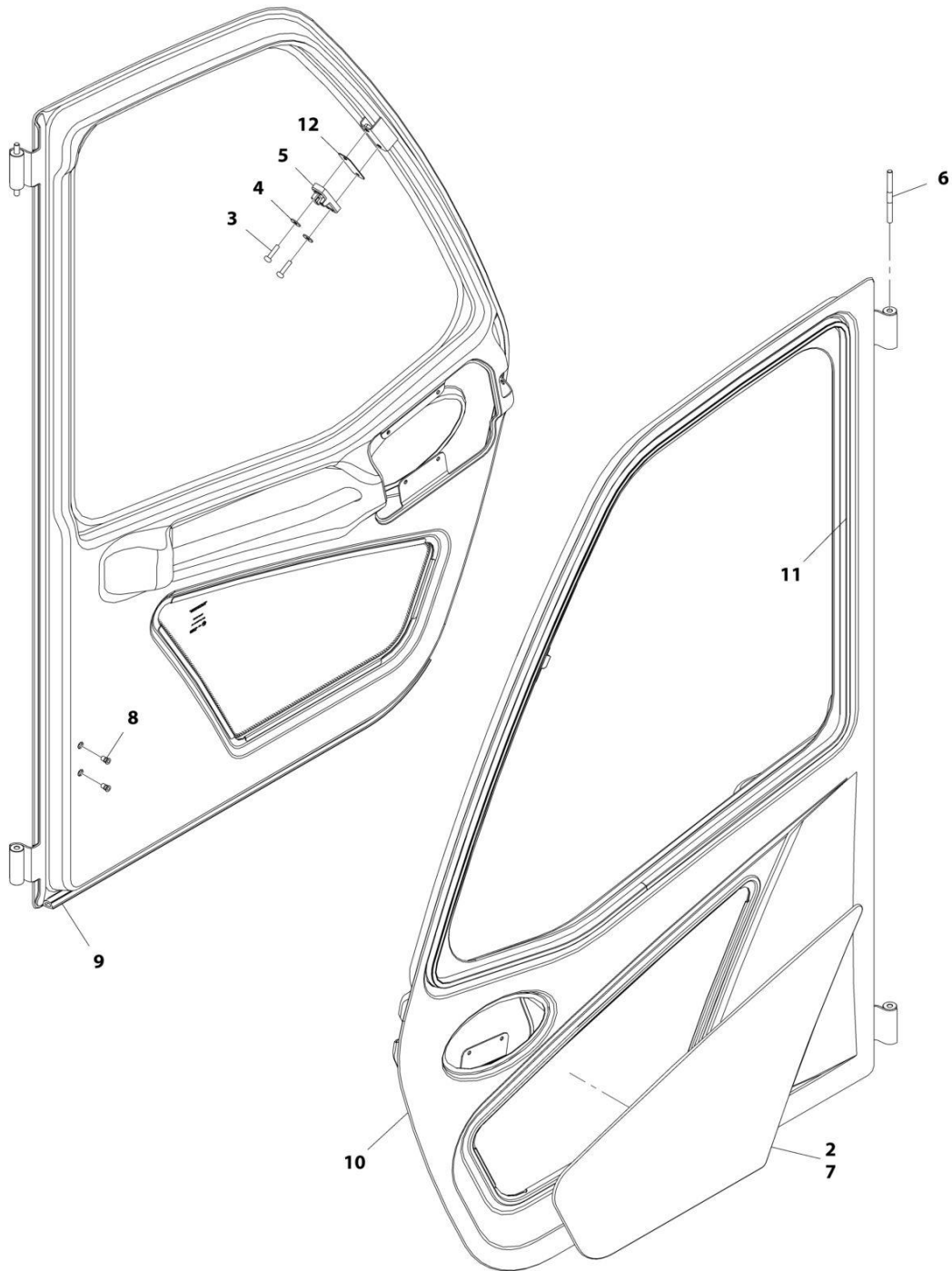
ART_1001155228

FIGURE 6-7. DOOR INSTALLATION

ITEM	PART NUMBER	QTY	DESCRIPTION	REV
	1001155228	Ref	Door Installation	Q
3	0760605	4	Bolt, M6X10	
4	0760607	4	Bolt, M6X14	
5	3290801	2	Nut, M8X1.25 Grade 8	
7	4811700	4	Washer, M6	
8	4811900	13	Washer, M8	
9	8000803	1	Pin, Door Striker	
10	1001008988	5	Screw M8X25	
11	1001047062	2	Screw, M8X35	
12	1001107192	10	Sleeve, Hinge	
14	1001205532	1	Assembly, Door Upper Glass (See Separate Breakdown in this Section)	
15	1001192766	1	Assembly, Cab Latch (See Separate Breakdown in this Section)	
16	1001167958	1	Assembly, Cab Door Trigger (See Separate Breakdown in this Section)	
17	1001170114	1	Assembly, Door (See Separate Breakdown in this Section)	
19	1001173298	1	Bracket	
20	1001174295	1	Installation, Door Strap (See Separate Breakdown in this Section)	
21	1001192646	1	Handle, Exterior Door	
22	1001229543	7	Block, Hinge (Rounded Top/Bottom Edge)	
22	1001170601J	7	Block, Hinge (Square Top/Bottom Edge)	
23	4811702001	2	Washer, M6	
24	4010608002	2	Screw, Posi-Drive, M6X16	
25	1001175477	1	Cover, Cab Door Interior	
26	1001184439	2	Bushing	
27	1001192309	1	Nut, M12X1	
28	1001213791	1	Pin	
29	0498748	2	Washer, Lock M7	
30	1001164726	2	Bolt, M8X20	
31	1001227802	1	Washer	

SECTION 6 - CAB

FIGURE 6-8. DOOR ASSEMBLY



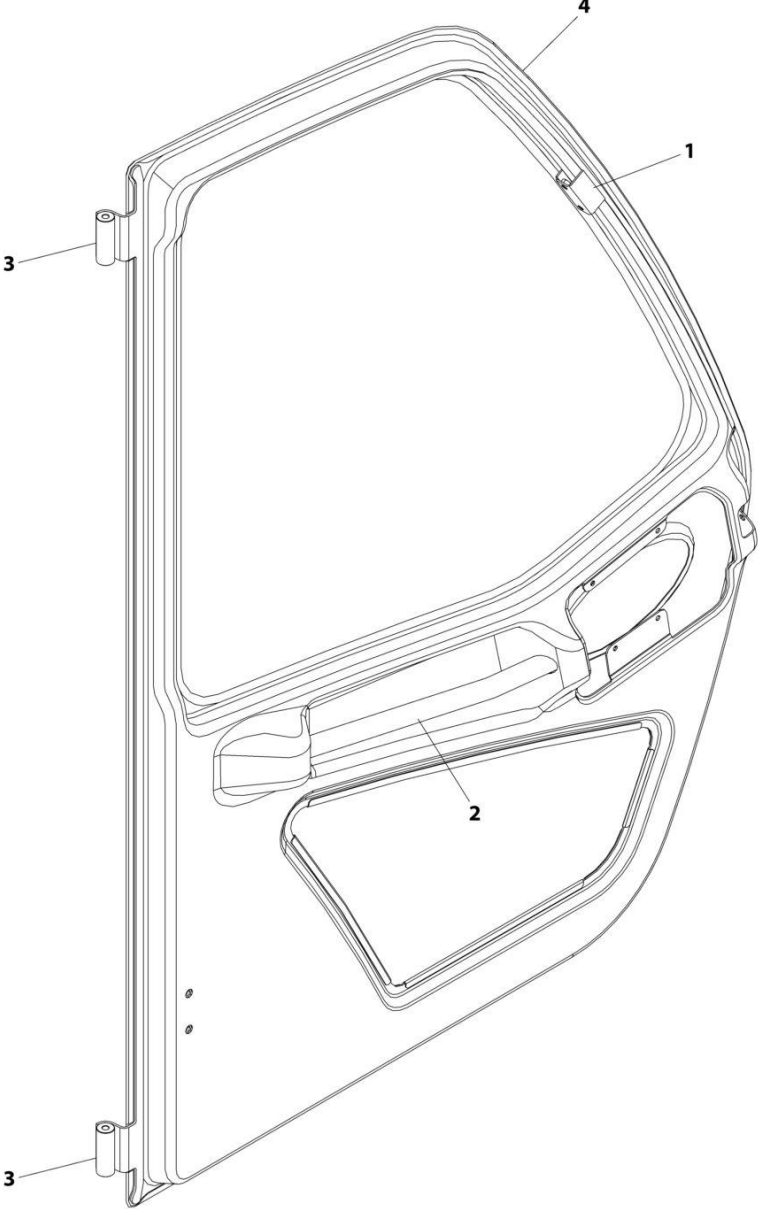
ART_1001170114

FIGURE 6-8. DOOR ASSEMBLY

ITEM	PART NUMBER	QTY	DESCRIPTION	REV
	1001170114	Ref	Door Assembly	K
2	1001111317	AR	Compound, Locking	
3	4010612002	2	Screw, M6X25	
4	4811702001	2	Washer, M6	
5	1001165276	1	Plate, Window Latch Striker	
6	1001166634	1	Pin, Hinge	
7	1001169880	1	Window, Lower Glass	
8	1001172193	2	Rivnut, M5X0.8	
9	1001227188	1	Seal, Cab Door	
10	1001170113J	1	Door, Cab (See Separate Breakdown in this Section)	
11	1001227187	1	Seal, Cab Door Window	
12	1001193210	AR	Shim, Window Latch	

SECTION 6 - CAB

FIGURE 6-9. CAB DOOR



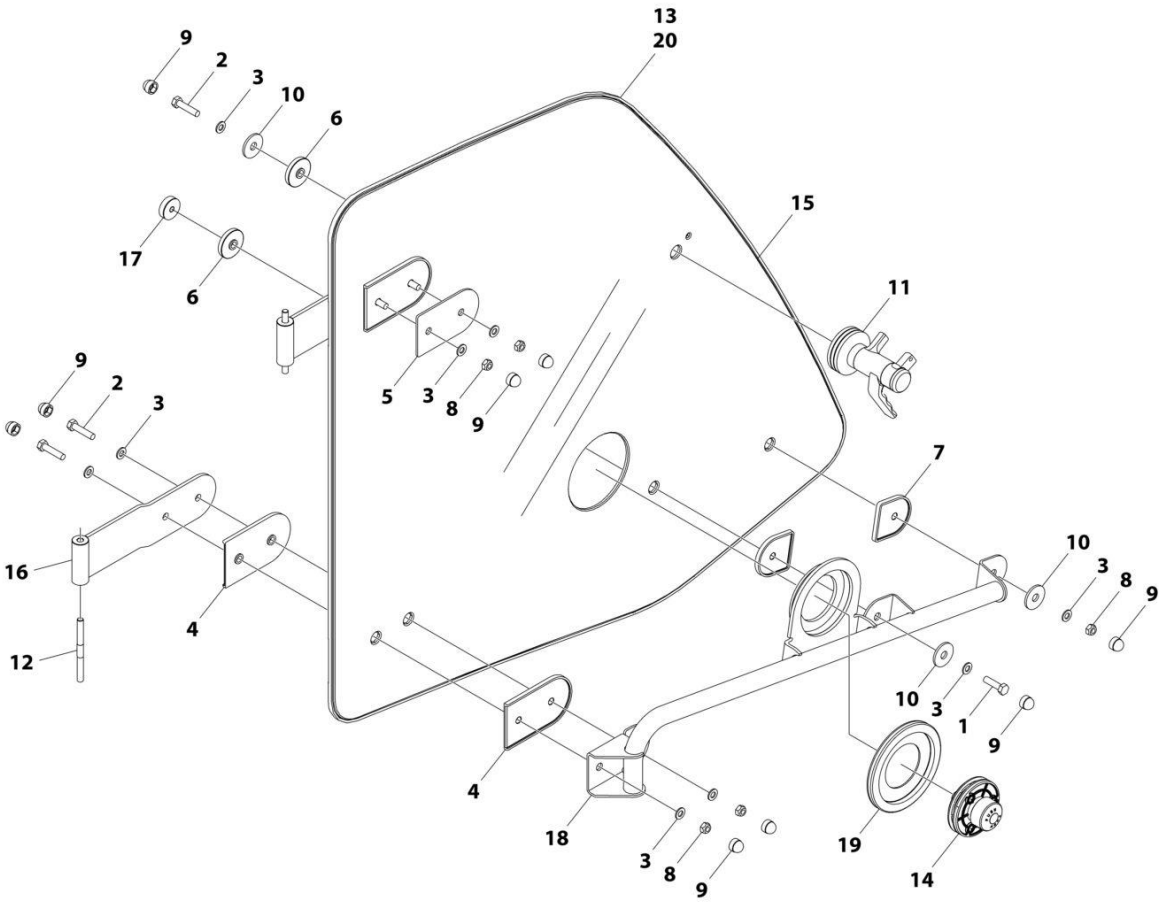
ART_1001170113J-E

FIGURE 6-9. CAB DOOR

ITEM	PART NUMBER	QTY	DESCRIPTION	REV
	1001170113J	Ref	Cab Door	E
1	1001169883	1	Bracket, Window Latch	
2	1001169885	1	Handle, Interior Door	
3	1001171037	1	Plate, Hinge	
4	1001171635	1	Frame, Door	

SECTION 6 - CAB

FIGURE 6-10. DOOR UPPER GLASS ASSEMBLY



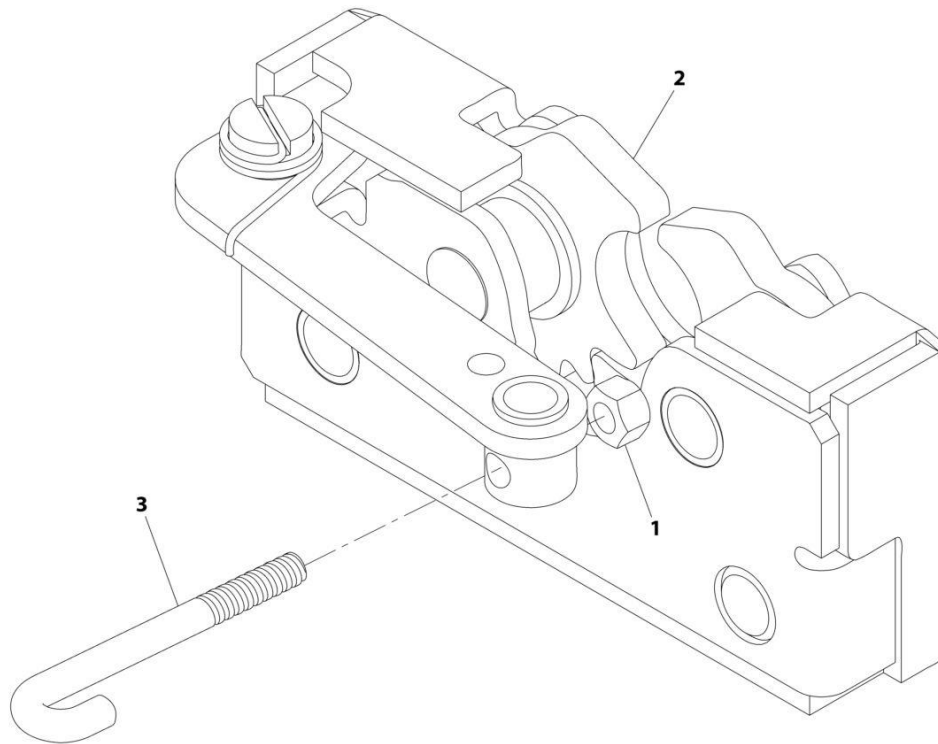
ART_1001205532

FIGURE 6-10. DOOR UPPER GLASS ASSEMBLY

ITEM	PART NUMBER	QTY	DESCRIPTION	REV
	1001205532	Ref	Door Upper Glass Assembly	G
1	0760812	1	Bolt, M8X25	
2	0760815	5	Bolt, M8X35	
3	4811900	11	Washer, 8MM	
4	1001002946	4	Mount, Hinge	
5	1001002947	1	Mount, Hinge	
6	1001002953	2	Mount, Rubber	
7	1001002957	2	Mount, Latch	
8	1001008857	5	Nut, Lock	
9	1001096365	11	Cap, M8	
10	1001141246	3	Mount, Rubber	
11	1001165275	1	Latch, Window	
12	1001166634	2	Pin, Hinge	
13	1001170944	1	Panel, Window Surround	
14	1001174321	1	Striker, Top Window	
15	1001204066	1	Glass, Window	
16	1001204115	2	Hinge	
17	1001222741	1	Buffer, Cab	
18	1001204120	1	Handle	
19	1001213331	1	Gasket	
20	1001215531	AR	Adhesive	

SECTION 6 - CAB

FIGURE 6-11. CAB LATCH ASSEMBLY



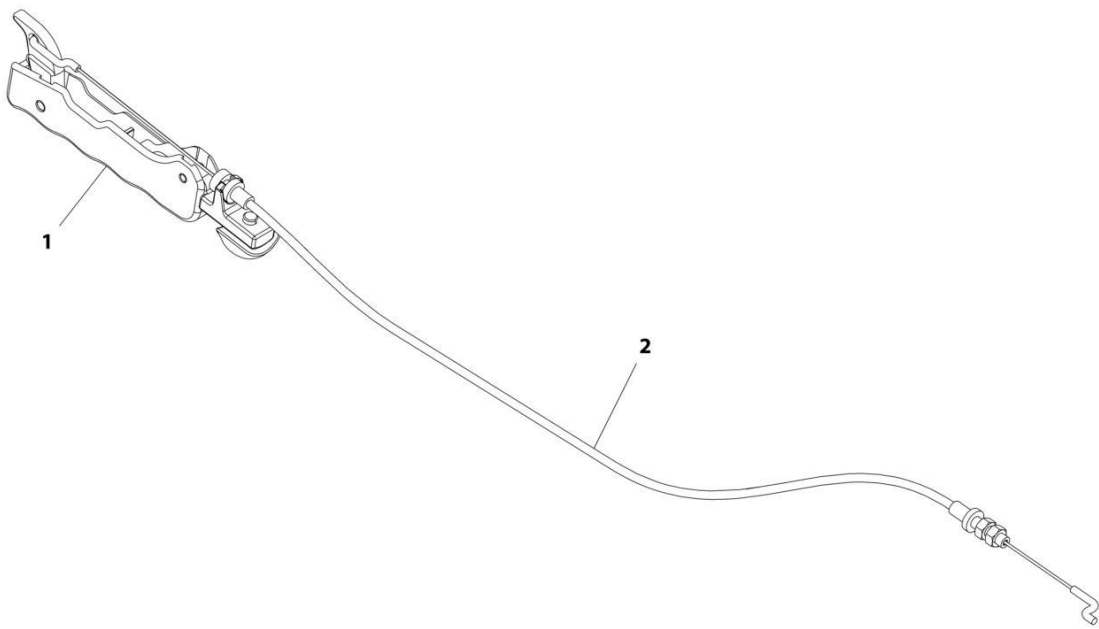
ART_1001192766_C

FIGURE 6-11. CAB LATCH ASSEMBLY

ITEM	PART NUMBER	QTY	DESCRIPTION	REV
	1001192766	Ref	Cab Latch Assembly	C
1	3290405	1	Nut, M4X0.7 Grade 8	
2	1001192643	1	Latch	
3	1001241308	1	Link, Door Handle	

SECTION 6 - CAB

FIGURE 6-12. CAB DOOR TRIGGER ASSEMBLY



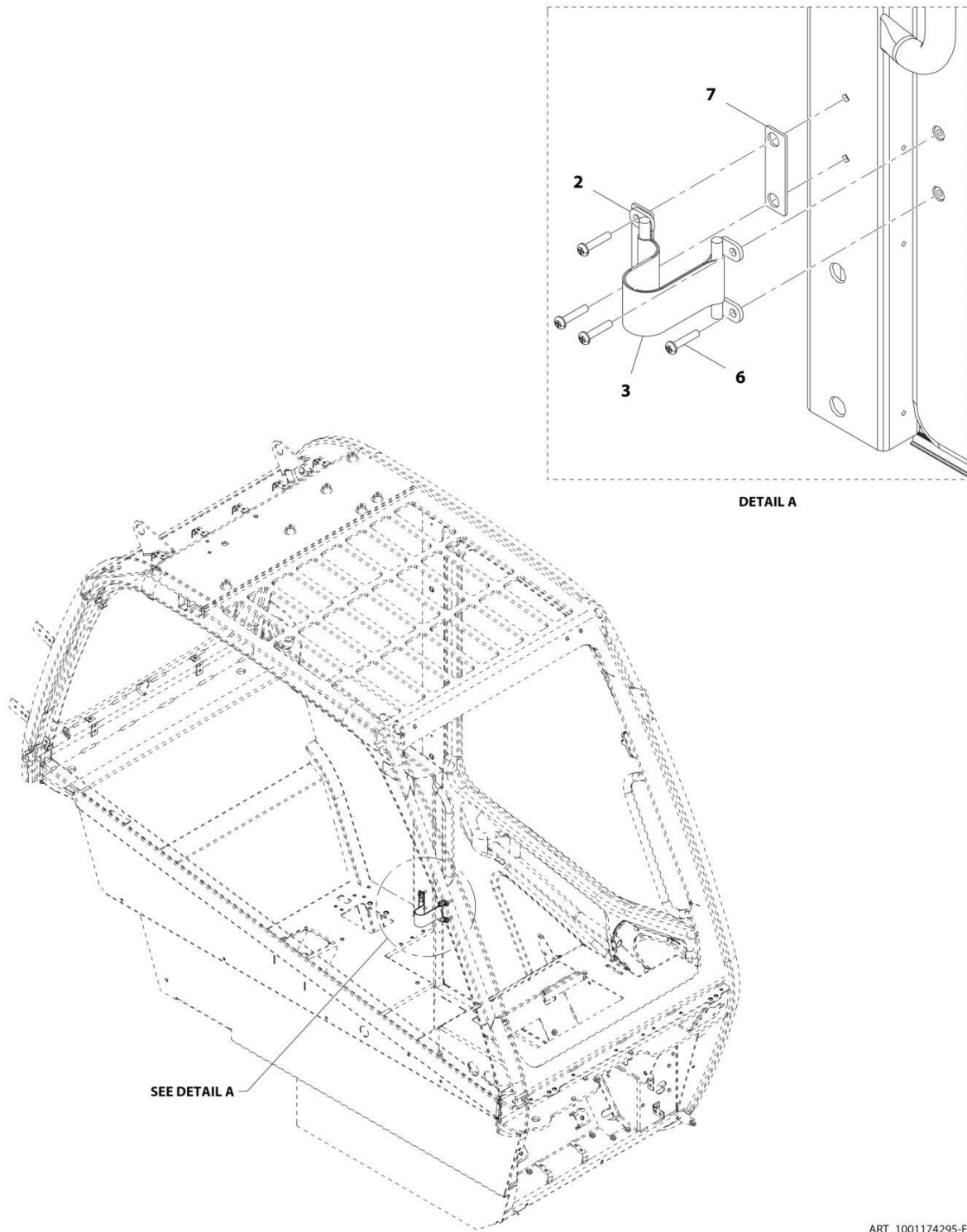
ART_1001167958-E

FIGURE 6-12. CAB DOOR TRIGGER ASSEMBLY

ITEM	PART NUMBER	QTY	DESCRIPTION	REV
	1001167958	Ref	Cab Door Trigger Assembly	E
1	1001167937	1	Trigger, Cab Interior Release	
2	1001192644	1	Cable, Cab Latch Release	

SECTION 6 - CAB

FIGURE 6-13. DOOR STRAP INSTALLATION



SEE DETAIL A

DETAIL A

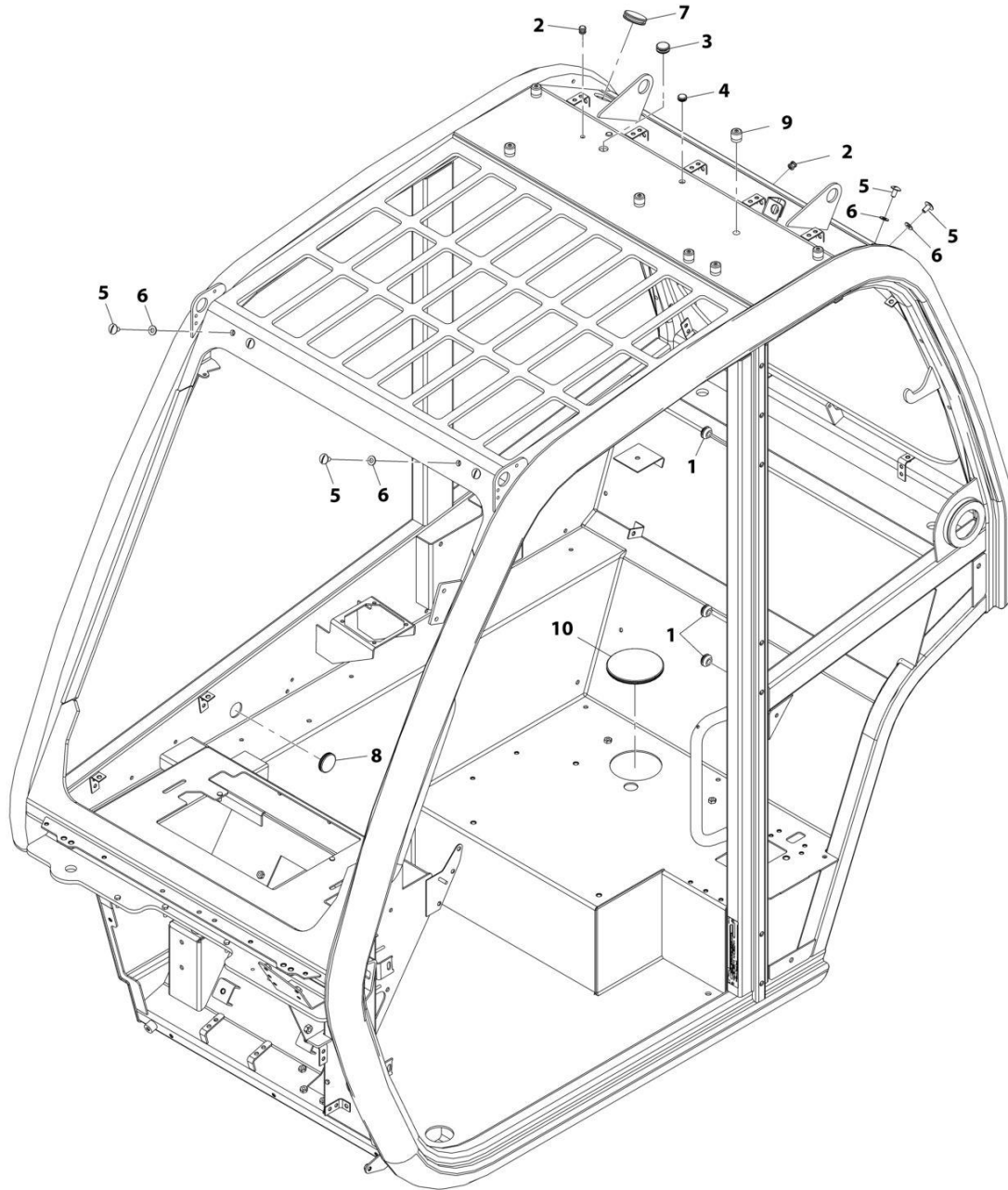
ART_1001174295-F

FIGURE 6-13. DOOR STRAP INSTALLATION

ITEM	PART NUMBER	QTY	DESCRIPTION	REV
	1001174295	Ref	Door Strap Installation	F
2	1001230163	2	Bracket, Strap Holder	
3	1001212011	1	Strap, Door Hold Open	
6	8310559	4	Screw	
7	1001191091	1	Plate, Cab Door Strap	

SECTION 6 - CAB

FIGURE 6-14. CAB PLUG GROUP



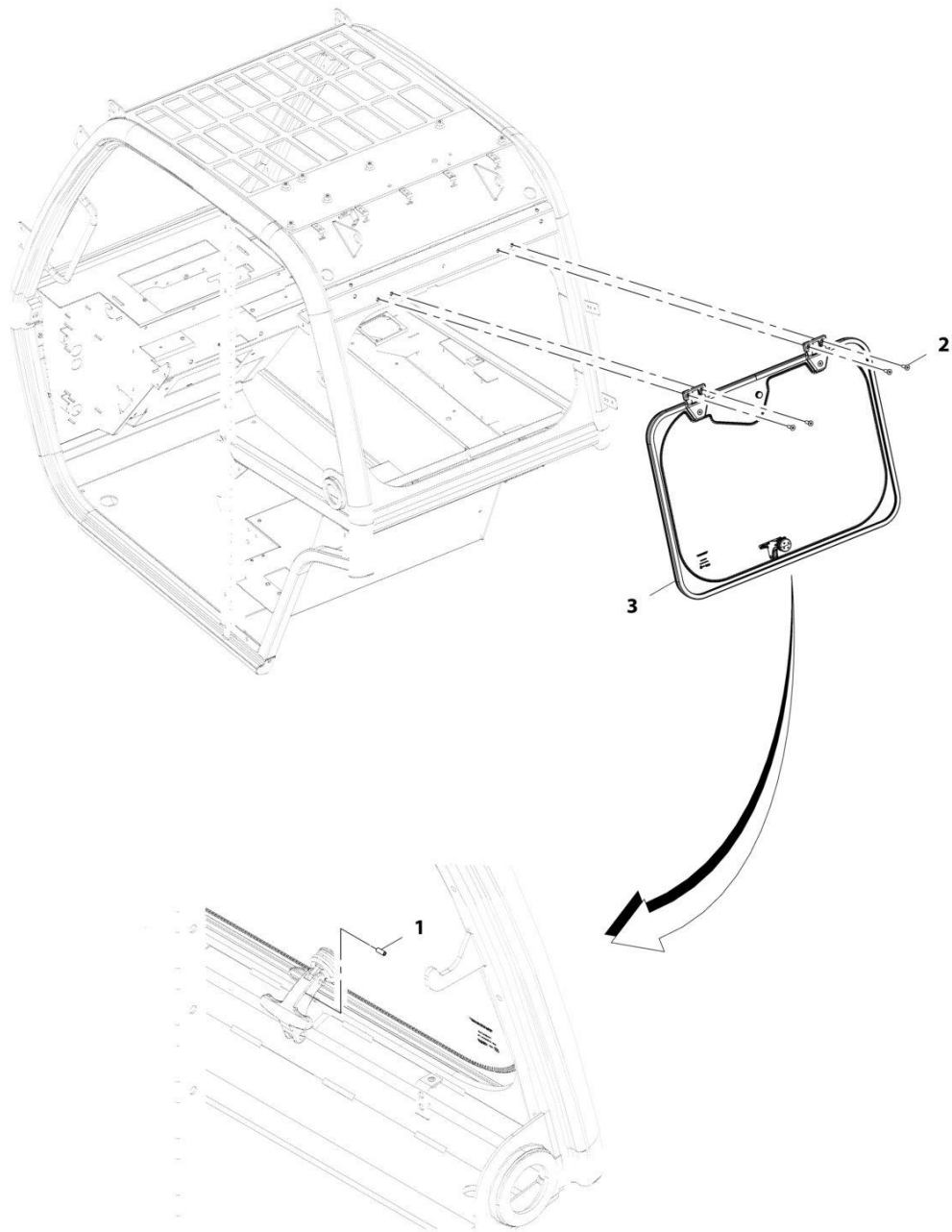
ART_1001195814-C

FIGURE 6-14. CAB PLUG GROUP

ITEM	PART NUMBER	QTY	DESCRIPTION	REV
	1001195814	Ref	Cab Plug Group	C
1	1001143200	7	Plug	
2	1001176272	3	Plug	
3	1001176273	1	Plug	
4	1001176626	1	Plug	
5	1001181920	8	Screw, Nylon M8X16	
6	1001181921	8	Washer, Rubber M8	
7	1001182123	2	Plug	
8	1001182139	1	Plug	
9	1001219220	7	Plug	
10	1001209899	1	Plug	

SECTION 6 - CAB

FIGURE 6-15. REAR WINDOW INSTALLATION



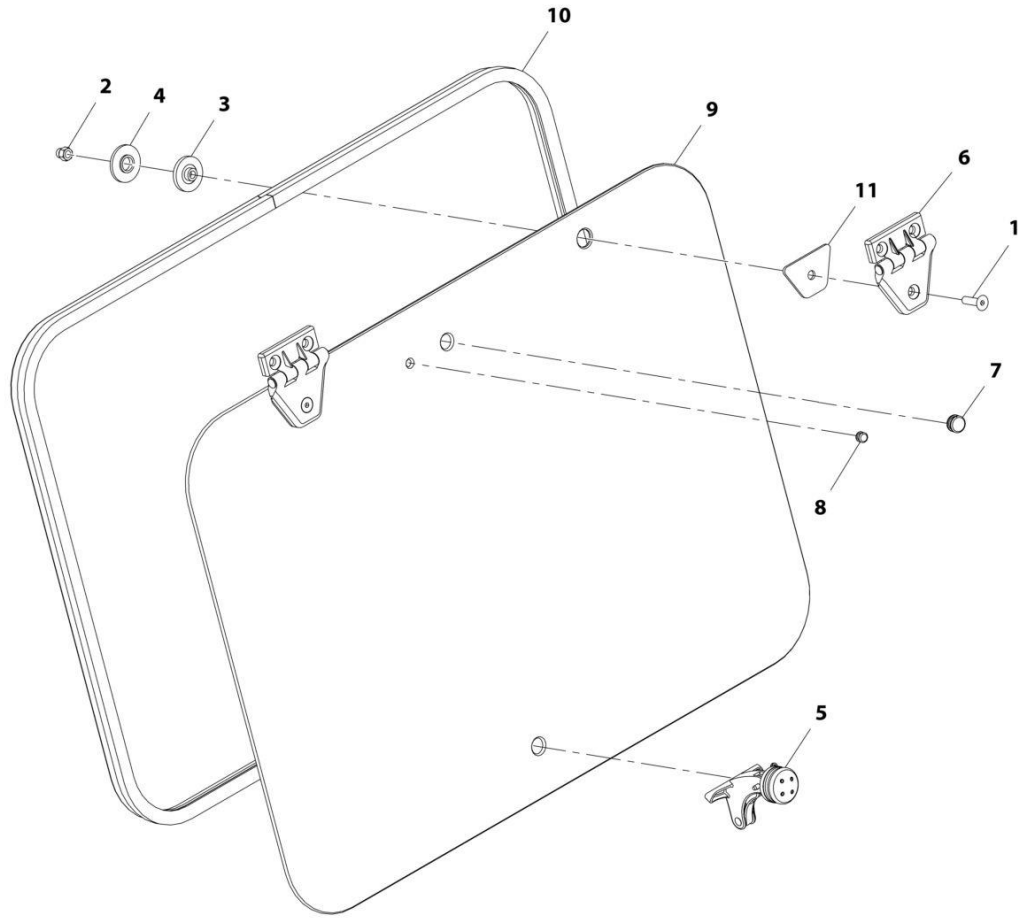
ART_1001220339-A

FIGURE 6-15. REAR WINDOW INSTALLATION

ITEM	PART NUMBER	QTY	DESCRIPTION	REV
	1001220339	Ref	Rear Window Installation	A
1	1001003043	1	Pin, Spring	
2	1001097586	4	Screw, M8X1.25	
3	1001220338	1	Assembly, Rear Window (See Separate Breakdown in this Section)	

SECTION 6 - CAB

FIGURE 6-16. REAR WINDOW GROUP



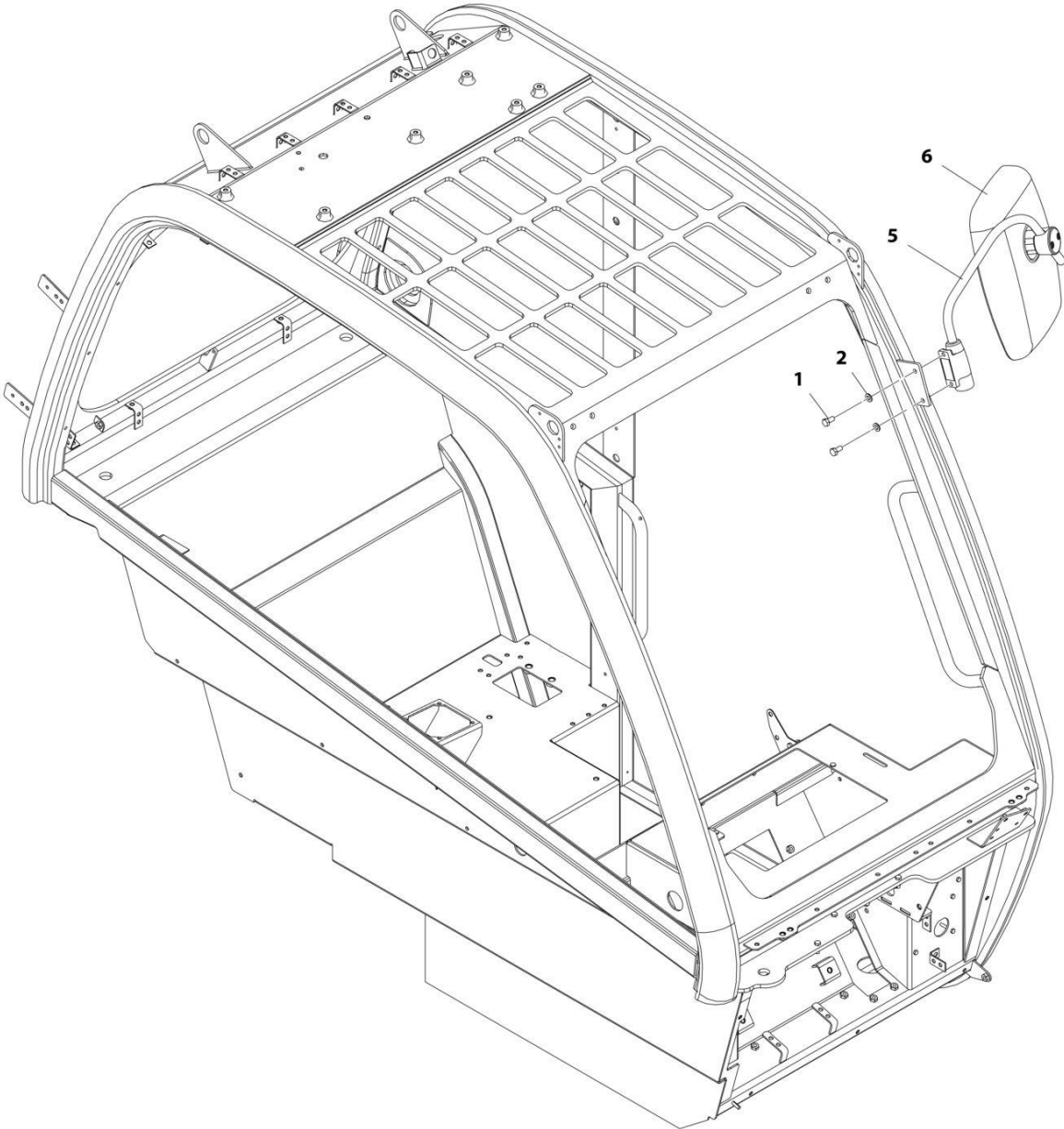
ART_1001220338-A

FIGURE 6-16. REAR WINDOW GROUP

ITEM	PART NUMBER	QTY	DESCRIPTION	REV
	1001220338	Ref	Rear Window Group	A
1	2080078	2	Fastener, M8X30	
2	3290806	2	Nut, M8X1.25 Grade 8	
3	8000759	2	Spacer	
4	8004398	2	Spacer	
5	1001005368	1	Latch, Window	
6	1001139568	2	Hinge	
7	1001171182	1	Grommet	
8	1001171183	1	Grommet	
9	1001178680	1	Glass, Rear Window	
10	1001178681	1	Seal	
11	1001181411	2	Gasket, Rear Window Hinge	

SECTION 6 - CAB

FIGURE 6-17. BASIC MIRROR INSTALLATION



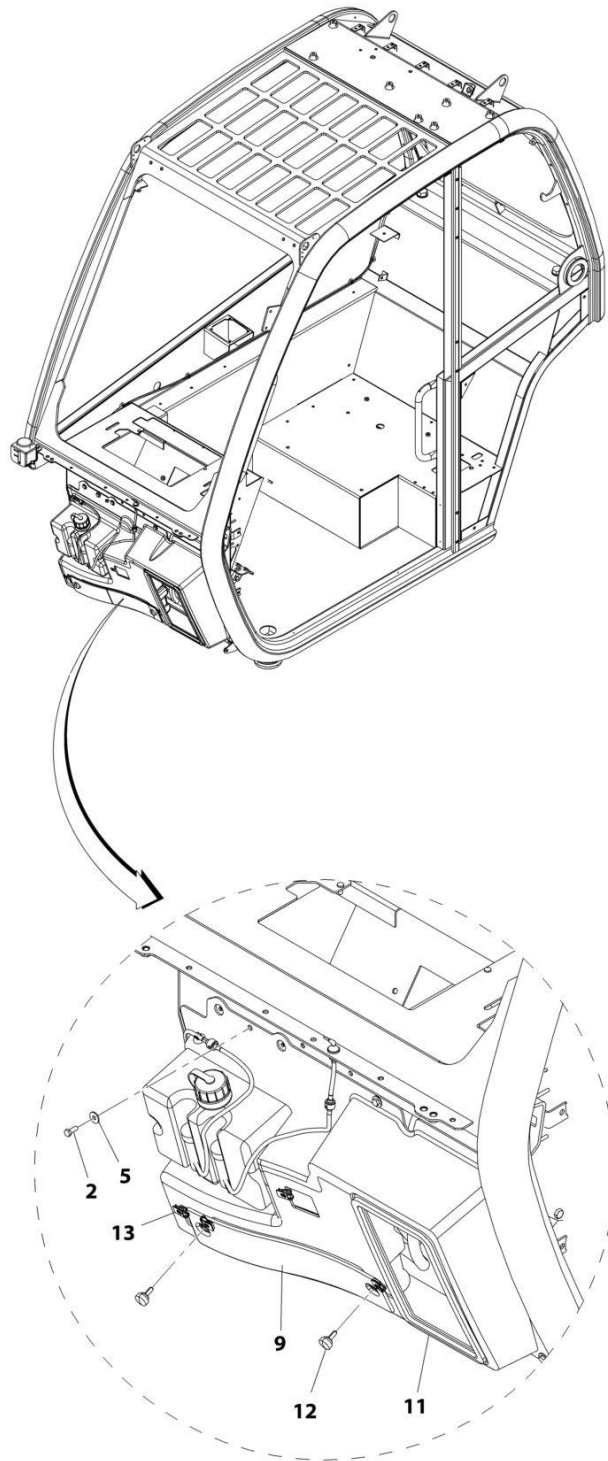
ART_1001160508-E

FIGURE 6-17. BASIC MIRROR INSTALLATION

ITEM	PART NUMBER	QTY	DESCRIPTION	REV
	1001160508	Ref	Basic Mirror Installation	E
1	0760808	2	Bolt, M8X16	
2	4811900	2	Washer, M8	
5	1001164655	1	Bracket	
6	80363195	1	Mirror	

SECTION 6 - CAB

FIGURE 6-18. FRONT COVER INSTALLATION



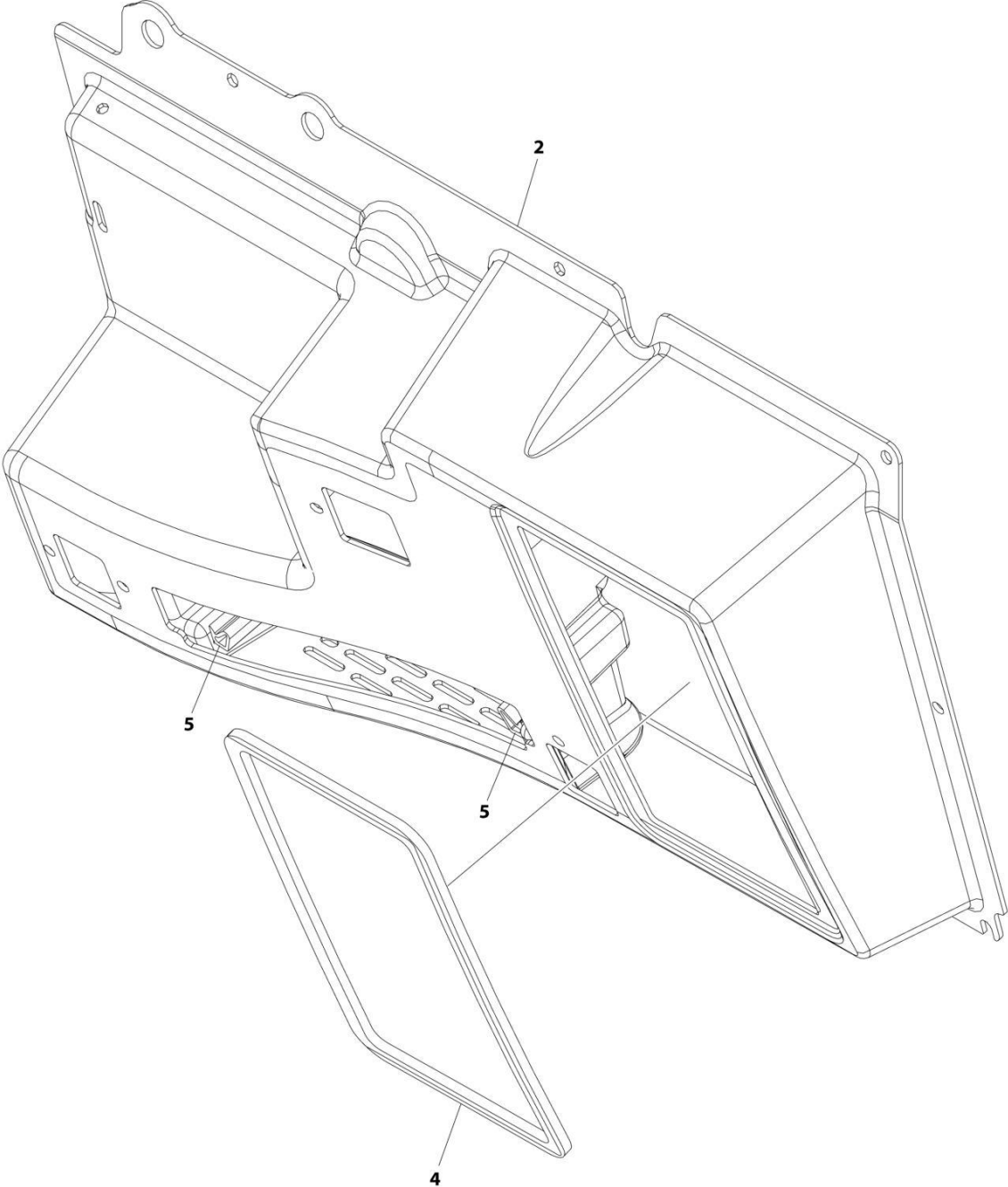
ART_1001170366-G

FIGURE 6-18. FRONT COVER INSTALLATION

ITEM	PART NUMBER	QTY	DESCRIPTION	REV
	1001170366	Ref	Front Cover Installation	G
2	0760608	7	Bolt, M6X16	
5	4811702	7	Washer, M6	
9	1001175471	1	Panel, Filter Tray (See Separate Breakdown in this Section)	
11	1001176121	1	Cover, Front Duct (See Separate Breakdown in this Section)	
12	2080092	2	Thumb Screw, M6X16	
13	8305919	4	Nut, M6	

SECTION 6 - CAB

FIGURE 6-19. FRONT DUCT COVER



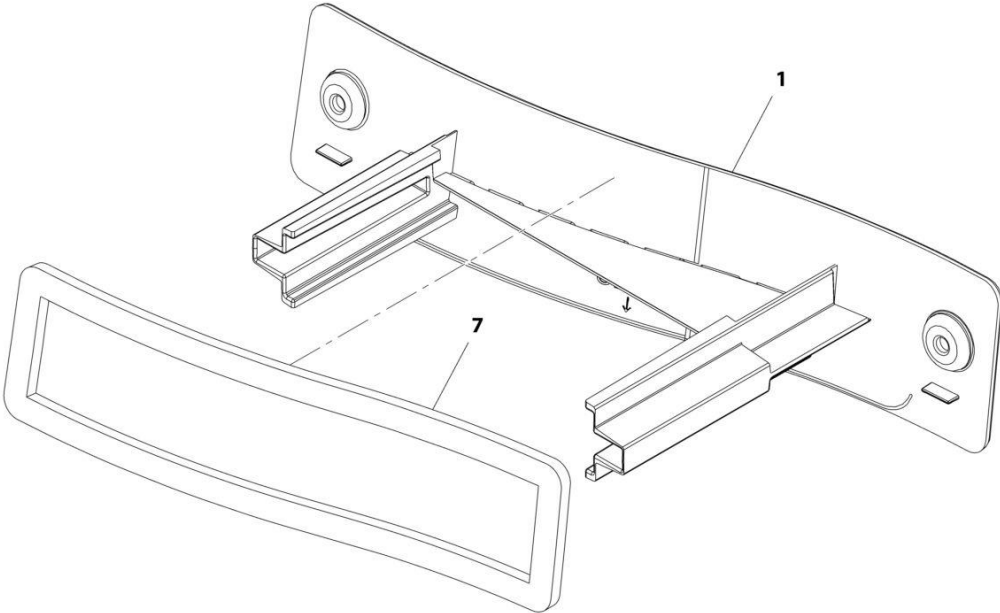
ART_1001176121

FIGURE 6-19. FRONT DUCT COVER

ITEM	PART NUMBER	QTY	DESCRIPTION	REV
	1001176121	Ref	FRONT DUCT COVER	H
2	1001170326	1	Cover, Front	
4	1001175470	1	Seal, Front Cab Panel	
5	1001270117	AR	Seal, Bulb	

SECTION 6 - CAB

FIGURE 6-20. FILTER TRAY PANEL



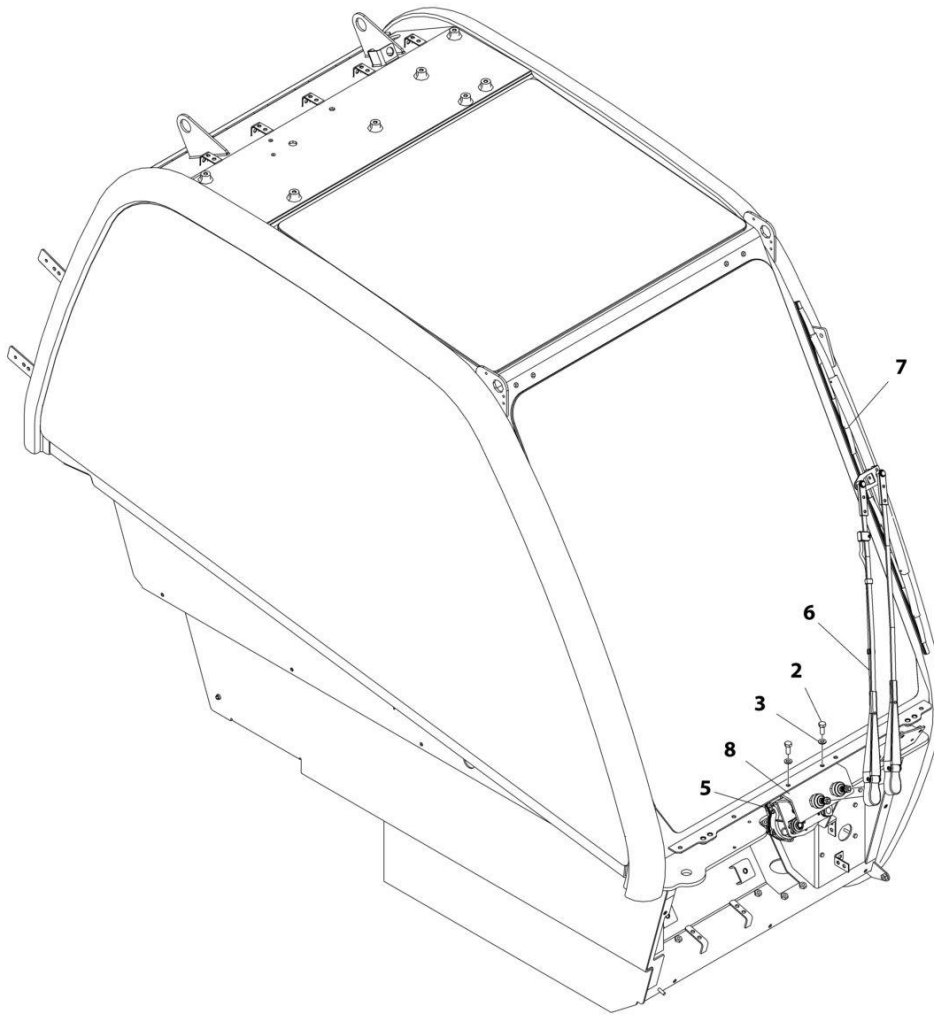
ART_1001175471-D

FIGURE 6-20. FILTER TRAY PANEL

ITEM	PART NUMBER	QTY	DESCRIPTION	REV
	1001175471	Ref	Filter Tray Panel	D
1	1001170993	1	Panel, Front Inlet	
7	1001171767	1	Cab, Front Panel Seal	

SECTION 6 - CAB

FIGURE 6-21. FRONT WIPER INSTALLATION



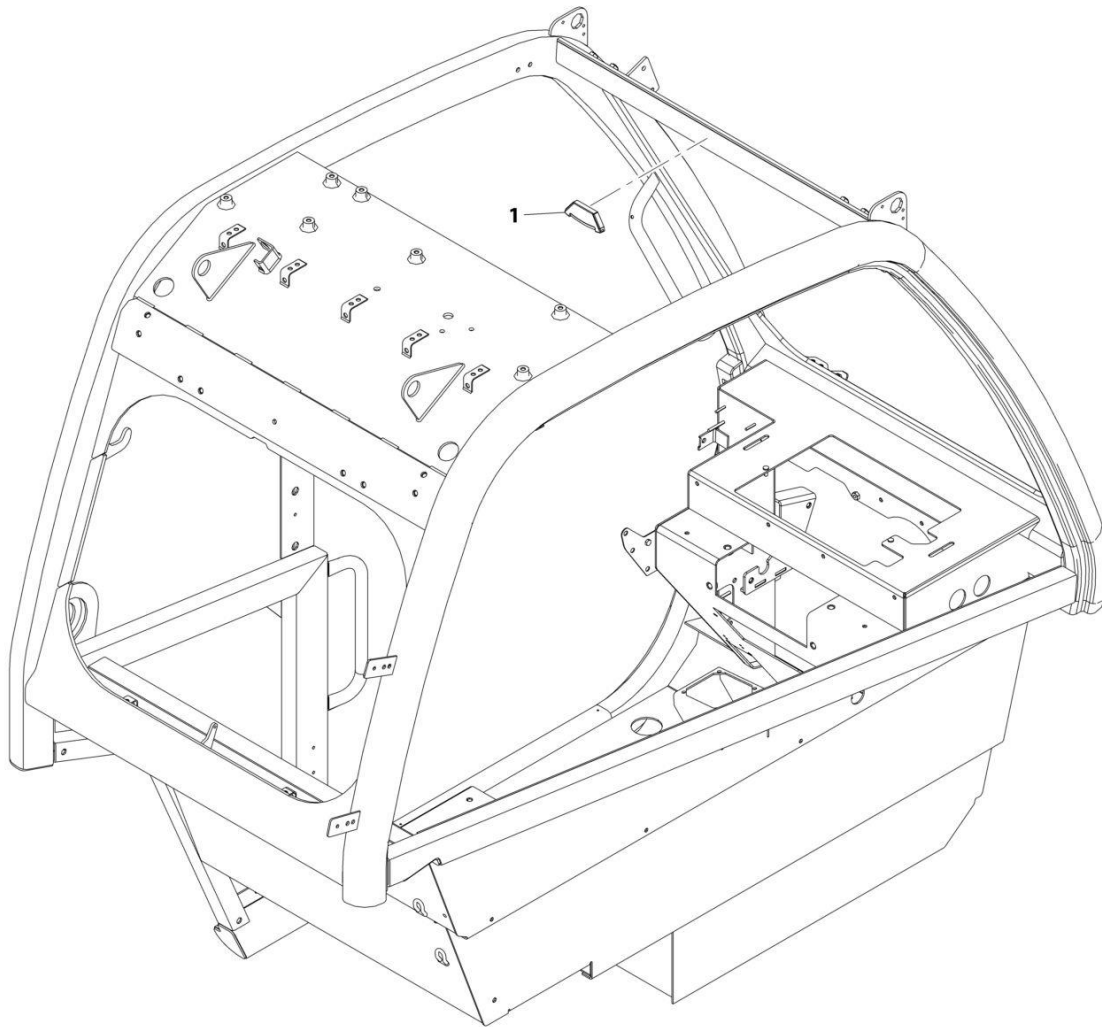
ART_1001155447-G

FIGURE 6-21. FRONT WIPER INSTALLATION

ITEM	PART NUMBER	QTY	DESCRIPTION	REV
	1001155447	Ref	Front Wiper Installation	G
2	0760810	2	Bolt, M8X20	
3	4811900	2	Washer, M8	
5	1001214092	1	Motor, Front Wiper	
6	1001212369	1	Arm, Front Wiper	
7	1001141281	1	Blade, Wiper	
8	1001165637	1	Bracket	

SECTION 6 - CAB

FIGURE 6-22. LEVEL INDICATOR INSTALLATION



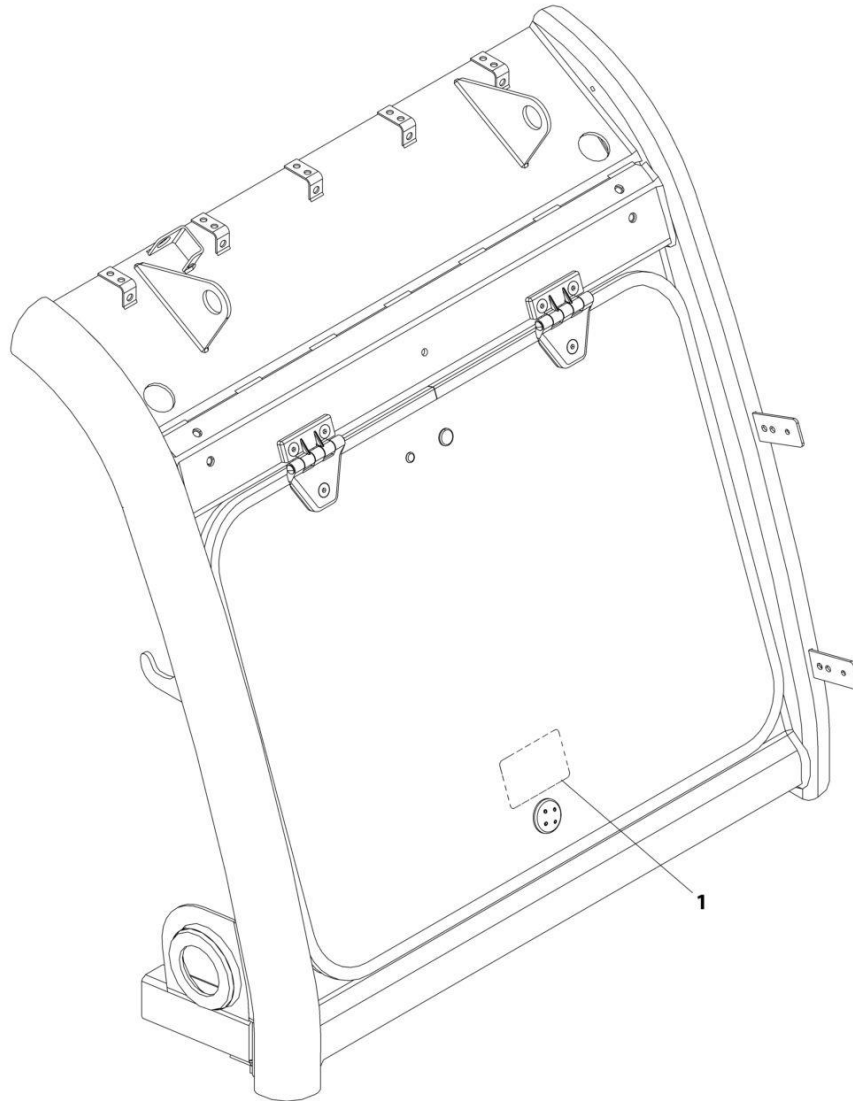
ART_1001172401-C

FIGURE 6-22. LEVEL INDICATOR INSTALLATION

ITEM	PART NUMBER	QTY	DESCRIPTION	REV
1	1001172401 8466306	Ref 1	Level Indicator Installation Gauge, Tilt Angle	C

SECTION 6 - CAB

FIGURE 6-23. REAR WINDOW EXIT DECAL INSTALLATION



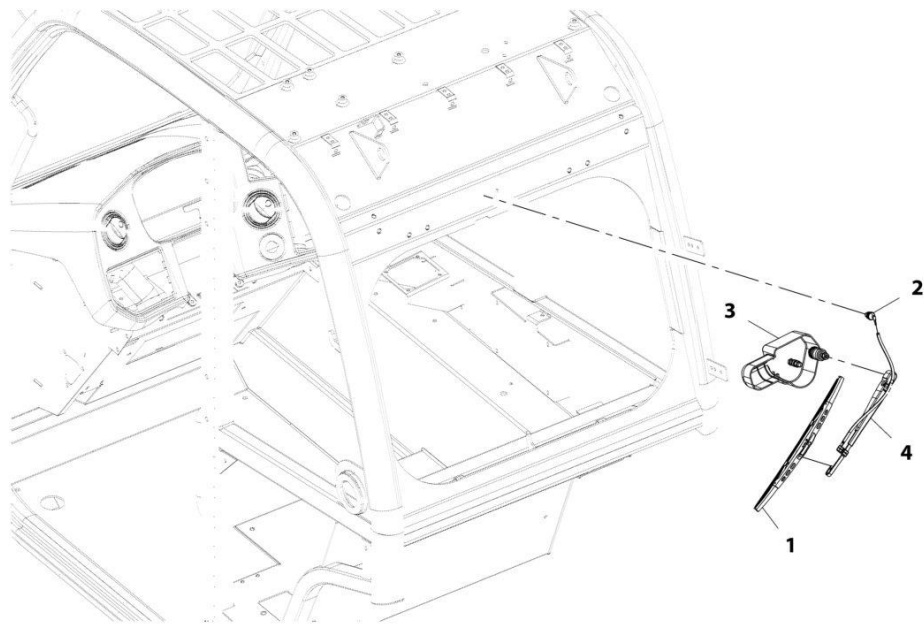
ART_1001204598

FIGURE 6-23. REAR WINDOW EXIT DECAL INSTALLATION

ITEM	PART NUMBER	QTY	DESCRIPTION	REV
1	1001204598 8005870	Ref 1	Rear Window Exit Decal Installation Decal, Emergency Exit	B

SECTION 6 - CAB

FIGURE 6-24. REAR WIPER INSTALLATION



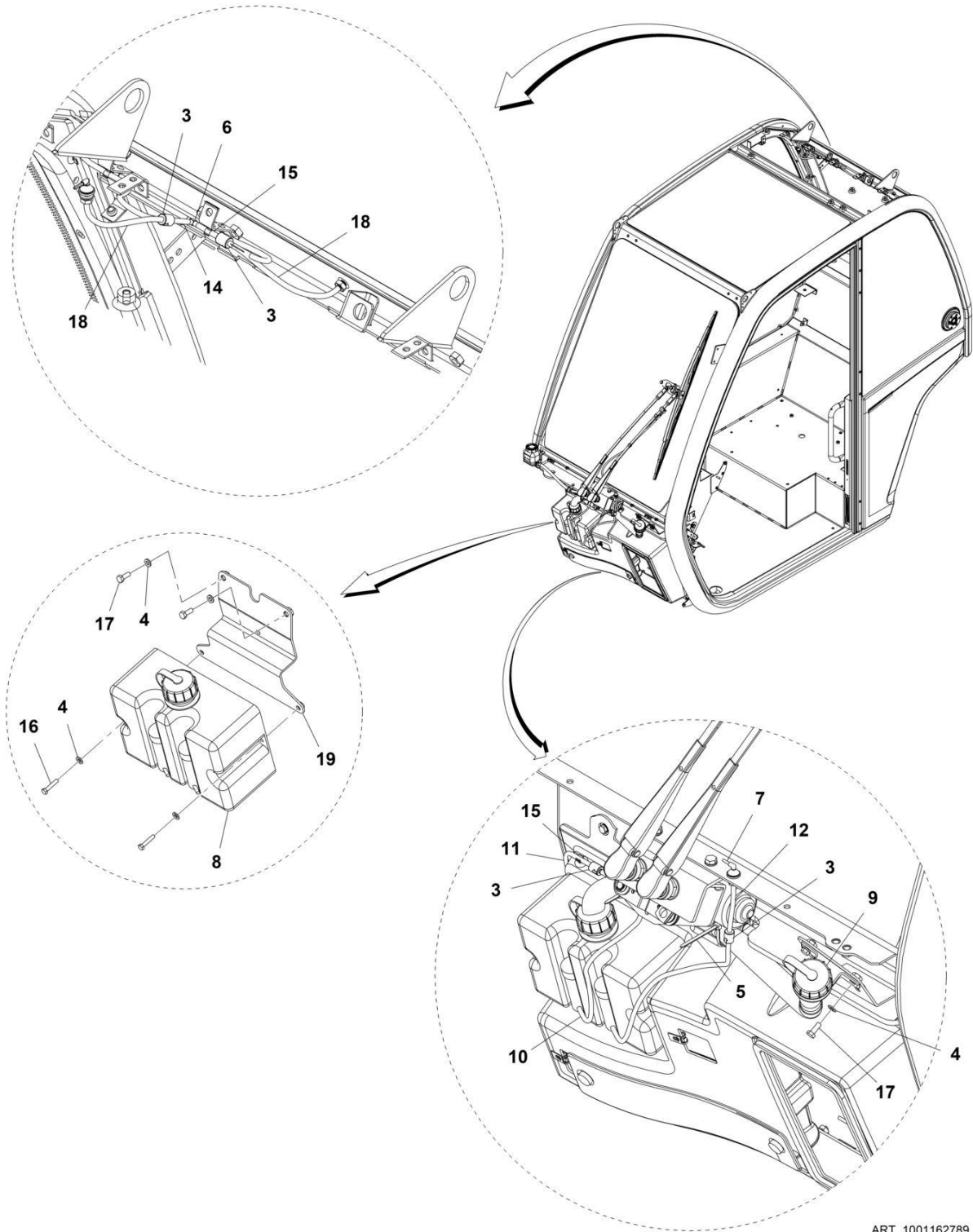
ART_1001220329-A

FIGURE 6-24. REAR WIPER INSTALLATION

ITEM	PART NUMBER	QTY	DESCRIPTION	REV
	1001220329	Ref	Rear Wiper Installation	A
1	4807718	1	Wiper Blade, Oslv Italia	
2	1001090343	1	Connector	
3	1001139552	1	Motor, Wiper, Rear Window	
4	1001141312	1	Blade, Arm, Rear Window	

SECTION 6 - CAB

FIGURE 6-25. WASHER TANK INSTALLATION



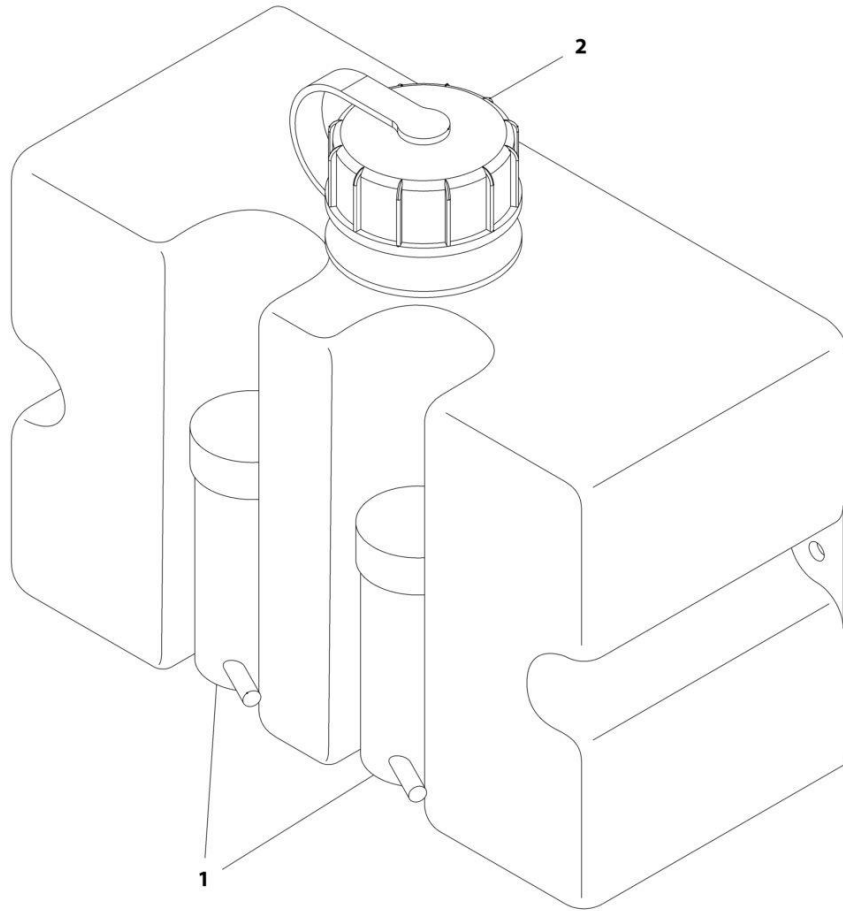
ART_1001162789

FIGURE 6-25. WASHER TANK INSTALLATION

ITEM	PART NUMBER	QTY	DESCRIPTION	REV
	1001162789	Ref	Washer Tank Installation	M
3	1001201331	4	Valve, Check	
4	4811700	6	Washer, M6	
5	471678	2	Strap, Tie	
6	1001008742	1	Coupling, Tee	
8	1001165269	1	Bottle, Washer (See Separate Breakdown in this Section)	
9	1001165270	1	Hose, Washer Filler	
10	1001165351	2	Hose	
11	1001165407	1	Hose	
12	1001165416	1	Hose	
14	1001165455	2	Hose	
15	1001165458	16	Hose	
16	0760512	2	Bolt M5X25	
17	0760608	4	Bolt, M6X16	
18	1001178123	2	Hose	
19	1001171756	1	Bracket	

SECTION 6 - CAB

FIGURE 6-26. WASHER BOTTLE



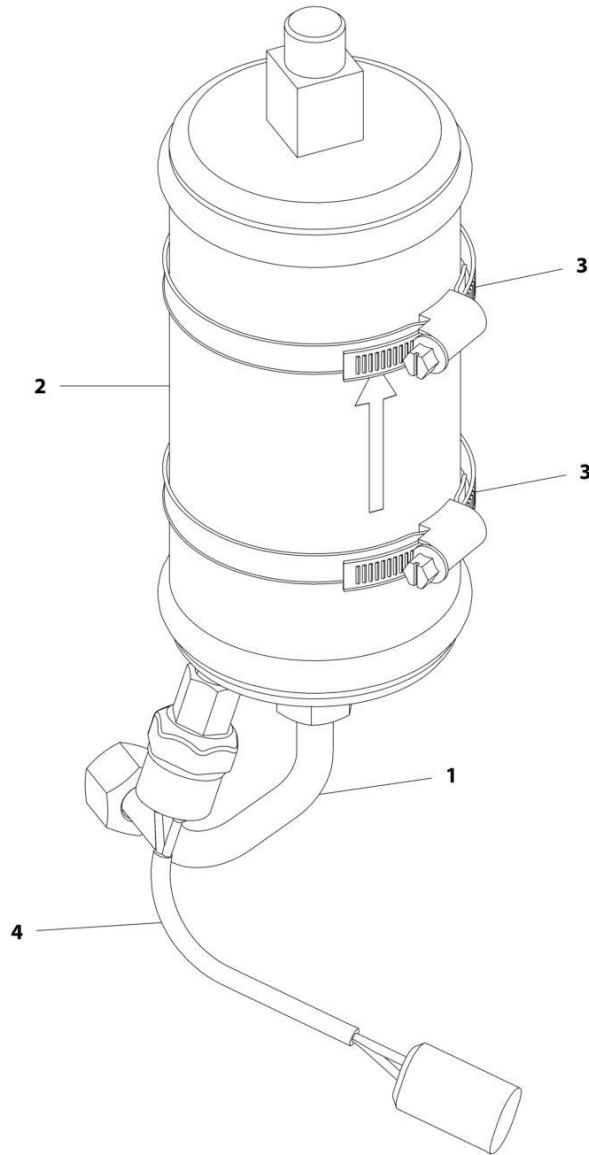
ART_1001165269-B

FIGURE 6-26. WASHER BOTTLE

ITEM	PART NUMBER	QTY	DESCRIPTION	REV
	1001165269	Ref	Washer Bottle	B
1	1001165327	2	Pump, Washer	
2	1001165273	1	Cap, Washer	

SECTION 6 - CAB

FIGURE 6-27. A/C RECEIVER DRIER



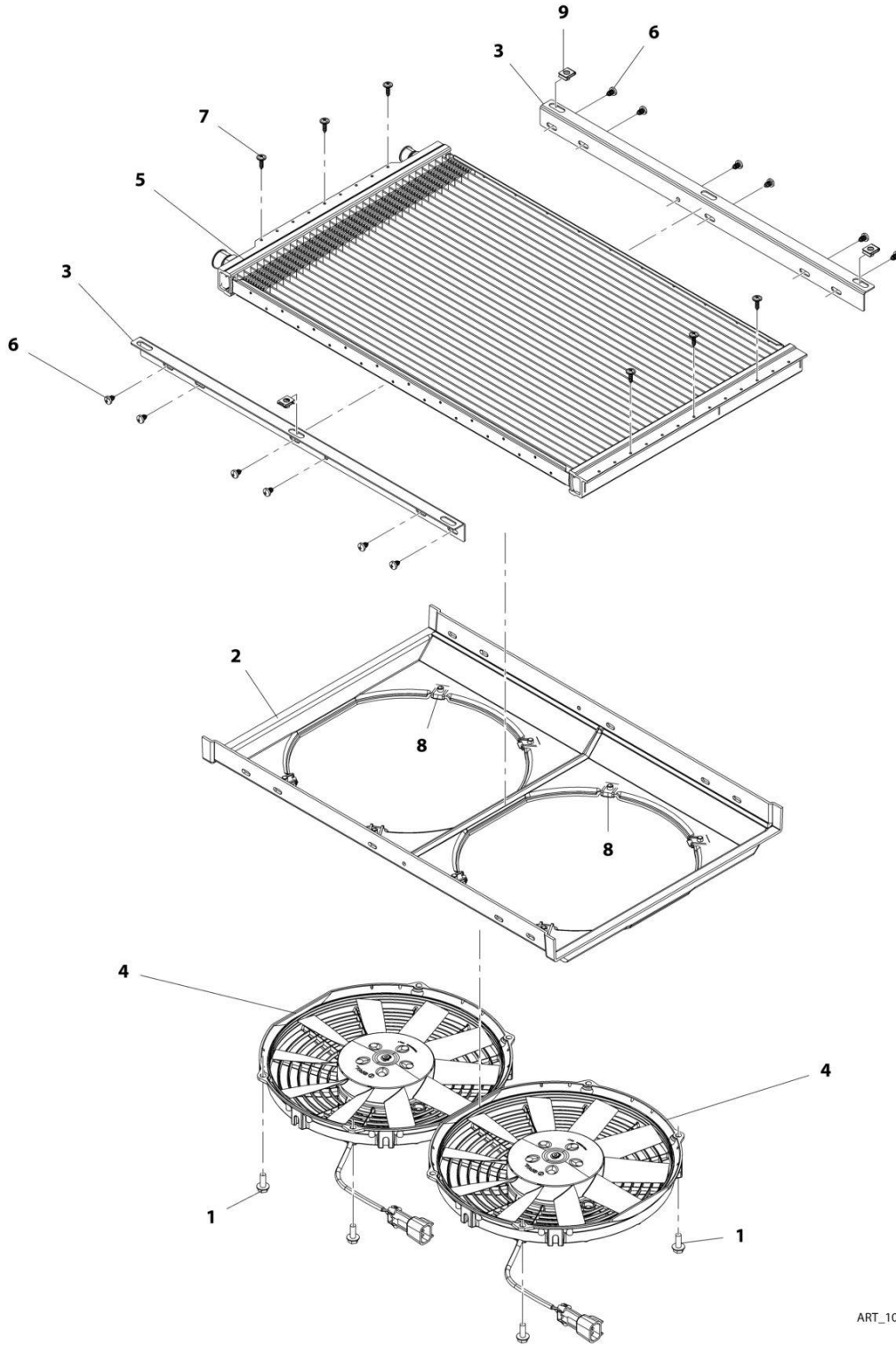
ART_1001179130-B

FIGURE 6-27. A/C RECEIVER DRIER

ITEM	PART NUMBER	QTY	DESCRIPTION	REV
	1001179130	Ref	A/C Receiver Drier	B
1	1001184403	1	Tube, Heater	
2	1001184404	1	Receiver, Heater Drier	
3	1001184405	2	Clamp	
4	1001184406	1	Connector, Heater	

SECTION 6 - CAB

FIGURE 6-28. CONDENSER



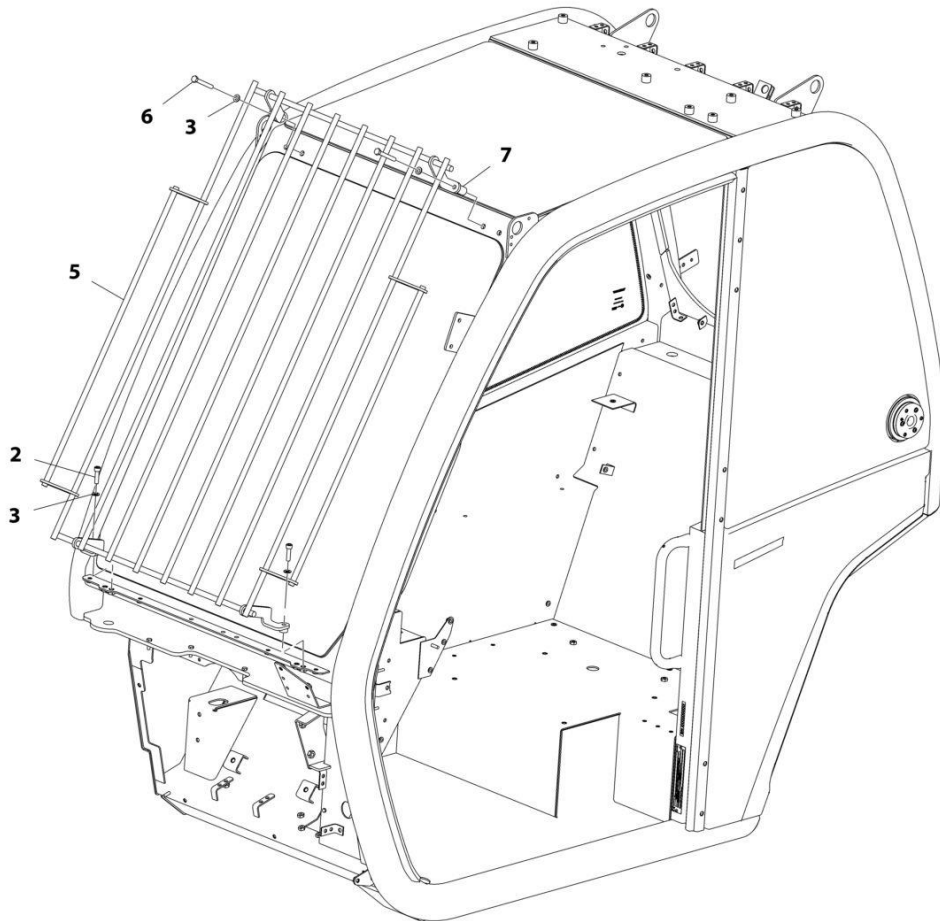
ART_1001167266-C

FIGURE 6-28. CONDENSER

ITEM	PART NUMBER	QTY	DESCRIPTION	REV
	1001167266	Ref	Condenser	C
1	5250608	8	Bolt, M6X16	
2	1001195342	1	Bracket, Condenser Fan Mount	
3	1001195343	2	Support, Condenser	
4	1001195345	2	Fan, Condenser	
5	1001195346	1	Condenser	
6	1001195385	12	Screw, M3.9X9.5	
7	1001195386	6	Screw, M4.2X16	
8	1001195437	8	Clip, M6X1	
9	1001195438	3	Clip, M6X1	

SECTION 6 - CAB

FIGURE 6-29. CAB GUARD INSTALLATION (FRONT)



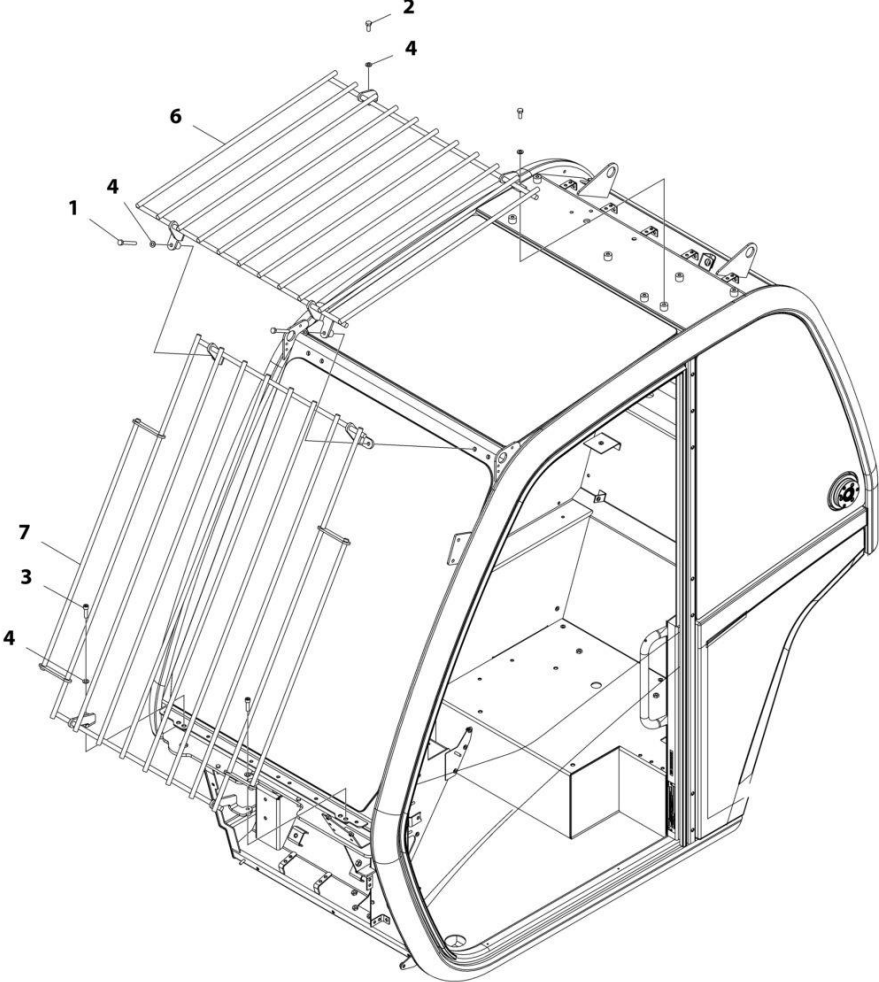
ART_1001160506-G

FIGURE 6-29. CAB GUARD INSTALLATION (FRONT)

ITEM	PART NUMBER	QTY	DESCRIPTION	REV
	1001160506	Ref	Cab Guard Installation (Front)	G
2	4031910	2	Bolt, M8X30	
3	4811900	4	Washer, M8	
5	1001180263	1	Guard, Front Screen	
6	0700820	2	Bolt, M8X60	
7	1001173257	2	Spacer	

SECTION 6 - CAB

FIGURE 6-30. CAB GUARD INSTALLATION (TOP AND FRONT)



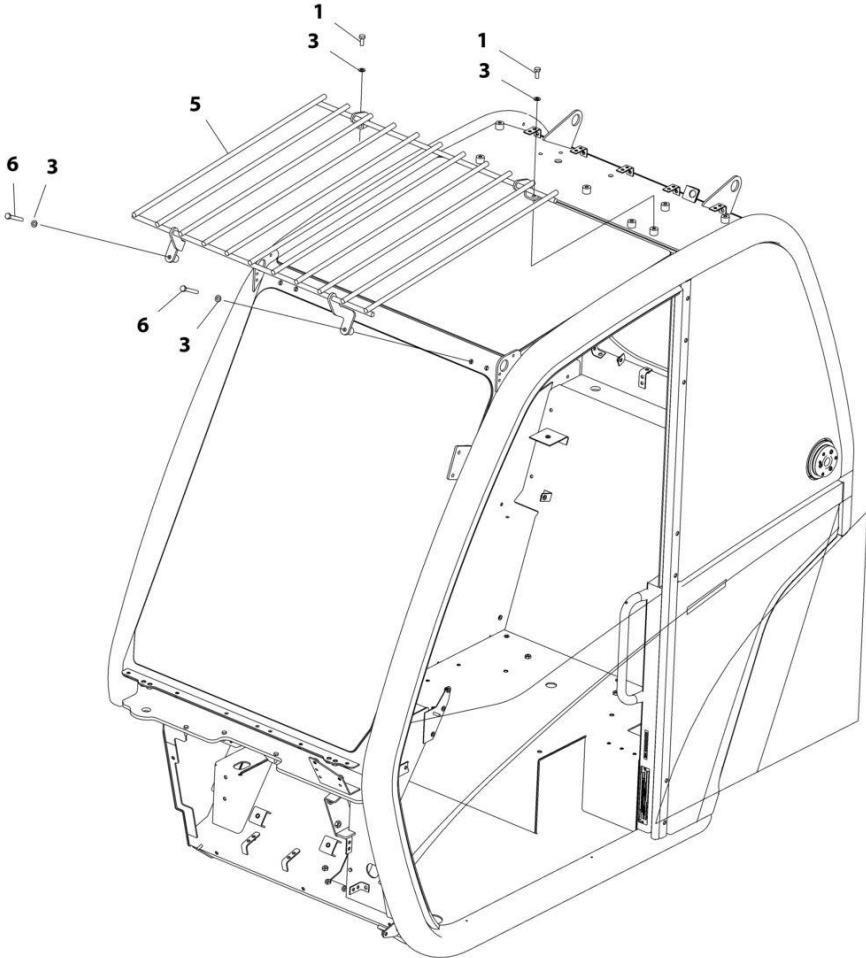
ART_1001172774

FIGURE 6-30. CAB GUARD INSTALLATION (TOP AND FRONT)

ITEM	PART NUMBER	QTY	DESCRIPTION	REV
	1001172774	Ref	CAB GUARD INSTALLATION (TOP AND FRONT)	G
1	0700820	2	Bolt M8 x 60	
2	0760810	2	Bolt M8 x 20	
3	4031910	2	Bolt M8 x 30	
4	4811900	6	Washer M8	
6	1001160503	1	Guard, Top Screen	
7	1001180263	1	Guard, Front Screen	

SECTION 6 - CAB

FIGURE 6-31. CAB GUARD INSTALLATION (TOP)



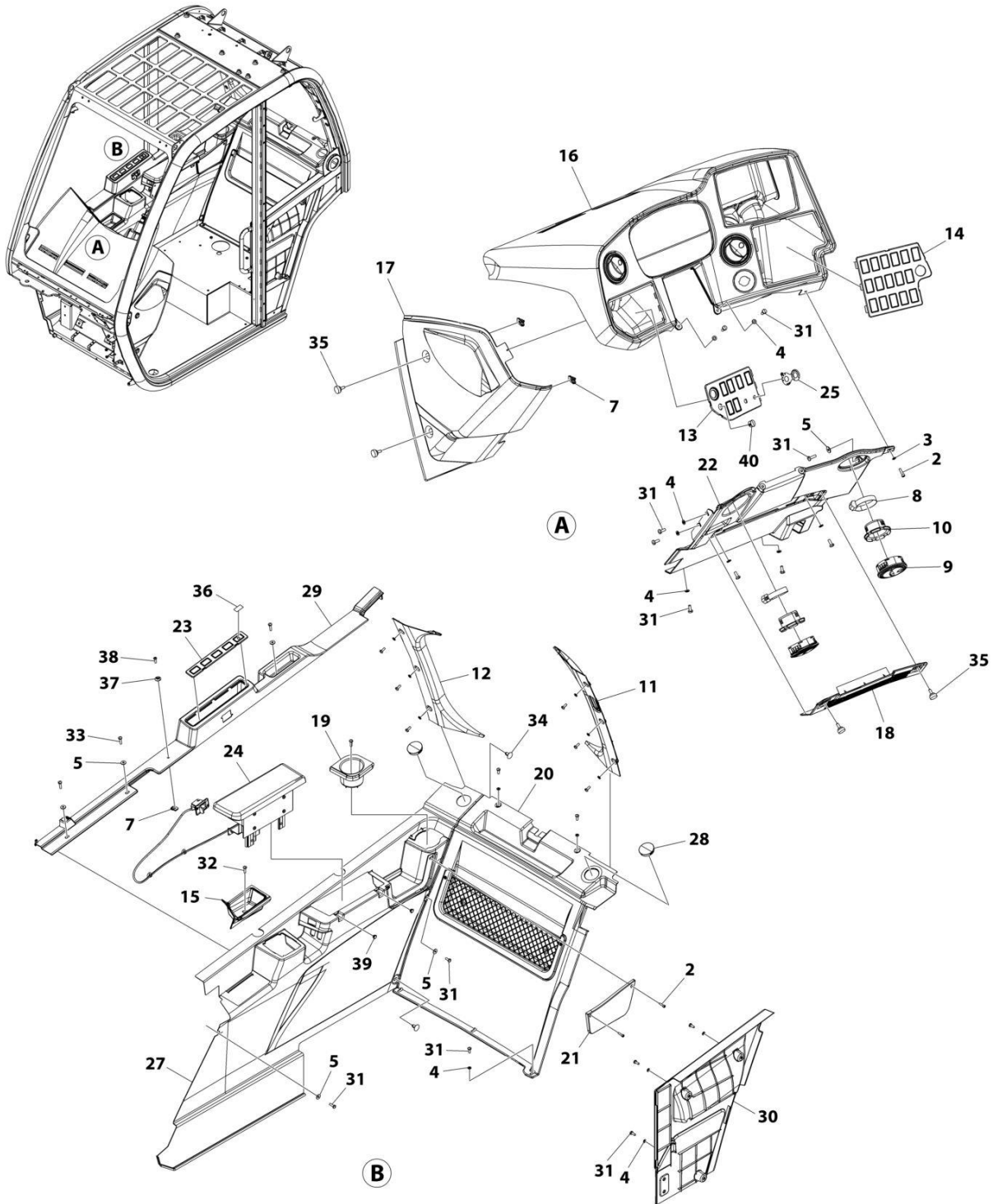
ART_1001160496

FIGURE 6-31. CAB GUARD INSTALLATION (TOP)

ITEM	PART NUMBER	QTY	DESCRIPTION	REV
	1001160496	Ref	Cab Guard Installation (Top)	G
1	0760810	2	Bolt, M8X20	
3	4811900	4	Washer, M8	
5	1001160503	1	Guard, Top Screen	
6	0700820	2	Bolt, M8X60	

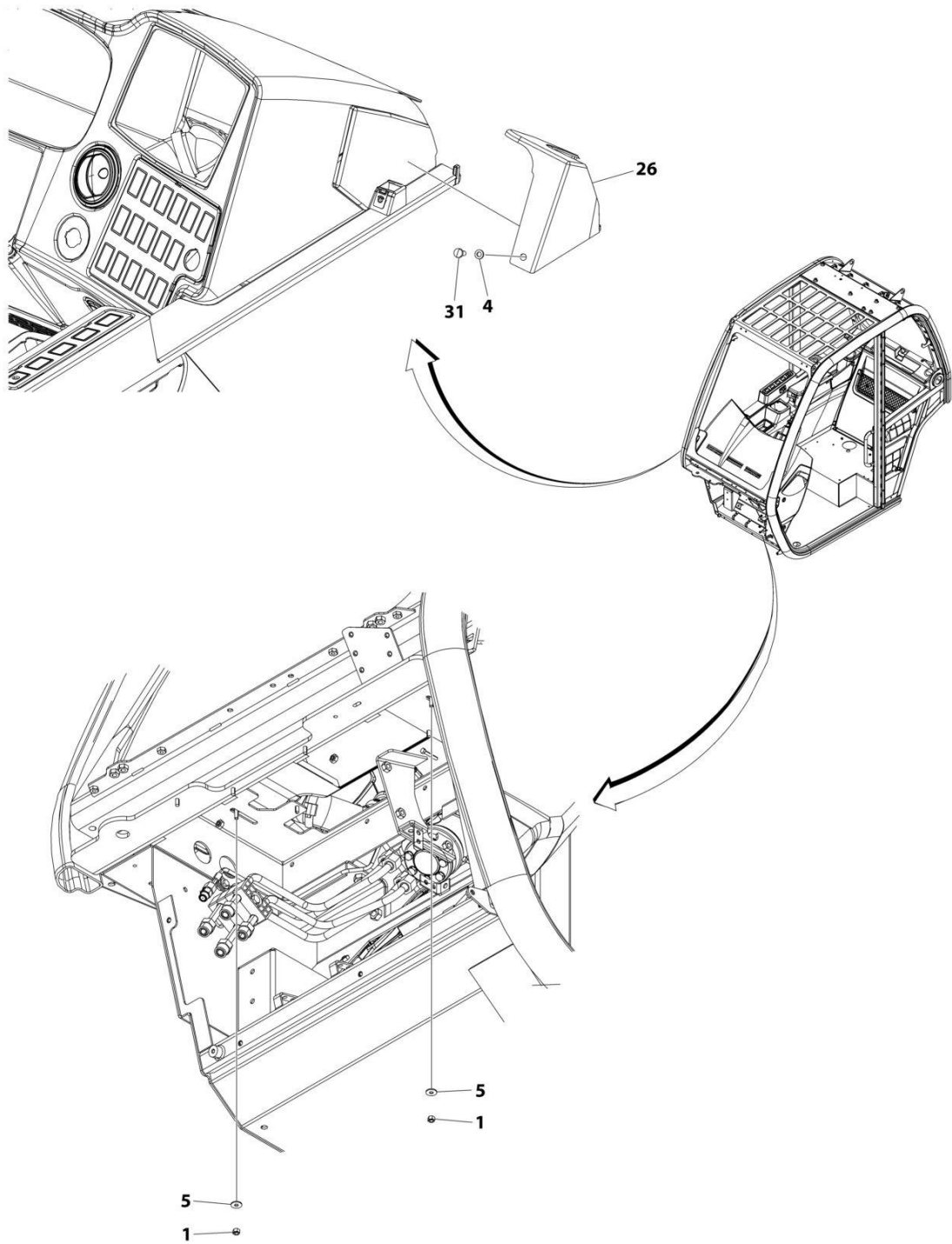
SECTION 6 - CAB

FIGURE 6-32. CAB TRIM INSTALLATION



ART_1001195816_J_10F2

SECTION 6 - CAB



ART_1001195816_J_2OF2

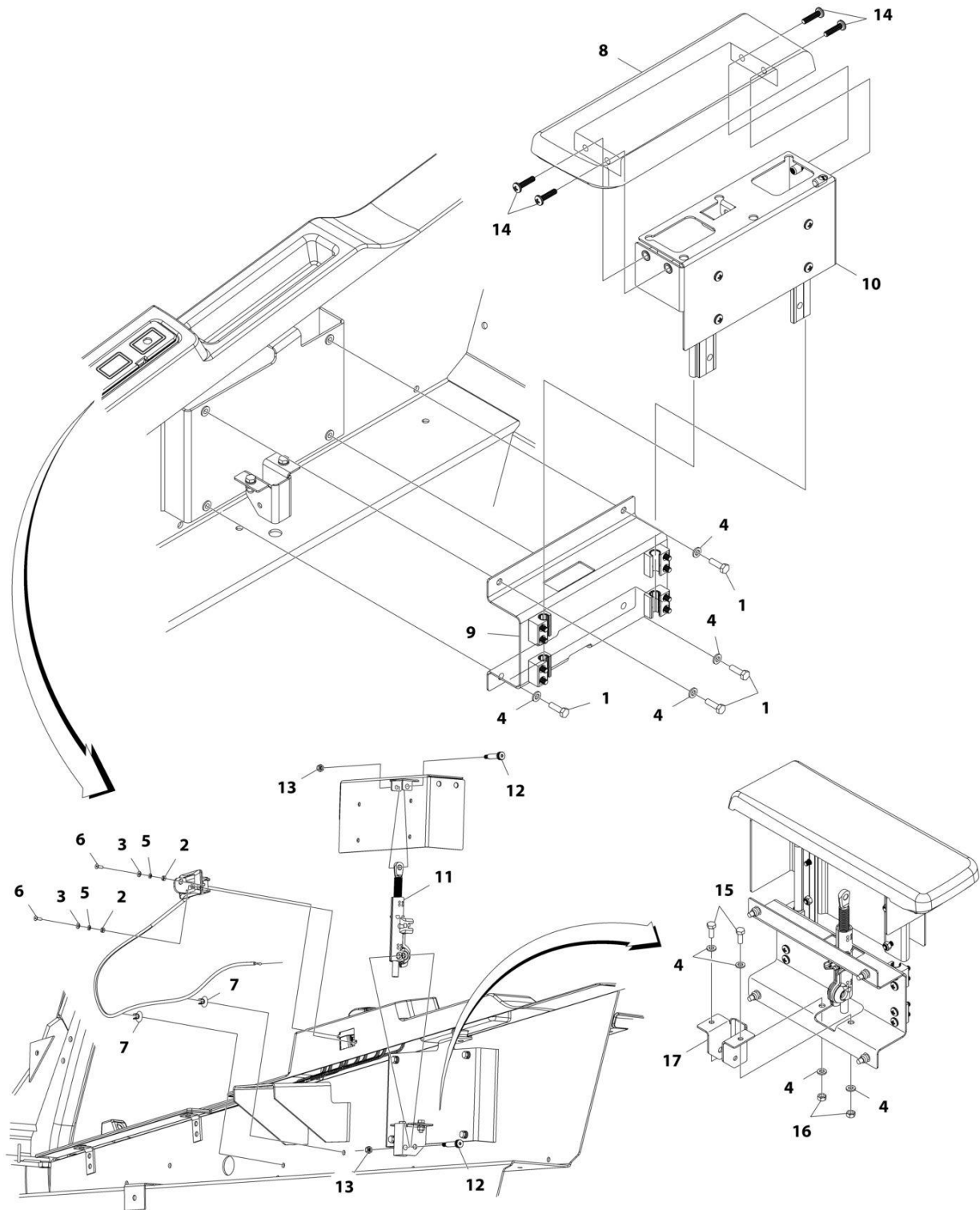
SECTION 6 - CAB

FIGURE 6-32. CAB TRIM INSTALLATION

ITEM	PART NUMBER	QTY	DESCRIPTION	REV
	1001195816	Ref	CAB TRIM INSTALLATION	J
1	3290605	2	Nut, Lock M6 x 1	
2	4031608001	3	Screw M5 x 20	
3	4811600	1	Washer M5	
4	4811700001	23	Washer M6	
5	4811702001	7	Washer M6	
7	8305919	2	Nut M6	
8	8405201	2	Clamp	
9	1001147449	2	Vent	
10	1001149278	2	Connector, Vent	
11	1001161252	1	Cover, LH C-Post	
12	1001161253	1	Cover, RH C-Post	
13	1001268846	1	Plate, Switch	
14	1001219865	1	Plate, Switch	
15	1001169603	1	Tray	
16	1001169604	1	Assembly, Dash Cover (See Separate Breakdown in this Section)	
17	1001161855	1	Cover, Side Dash	
18	1001170504	1	Cover, Recirculation Grille	
19	1001170518	1	Holder, Cup	
20	1001170519	1	Assembly, Rear Panel Cover (See Separate Breakdown in this Section)	
21	1001173965	1	Bezel, Net	
22	1001175903	1	Cover, Lower Dash	
23	1001219863	1	Plate, Switch	
24	1001181726	1	Installation, Armrest (See Separate Breakdown in this Section)	
25	1001184975	1	Decal, HVAC	
26	1001185870	1	Cover, Lower A-Post	
27	1001189182	1	Cover, RH Side	
28	1001223265	2	Grommet	
29	1001195817	1	Cover, RH Extension	
30	1001195818	1	Panel, LH Side	
31	4010608002	26	Screw M6 x 16	
32	4010610002	1	Screw M6 x 20	
33	4010612002	3	Screw M6 x 25	
34	1001211907	2	Screw	
35	1001208308	4	Thumb Screw M6 x 15	
36	1001226481	1	Decal, Blank	
37	1001098150	1	Washer M6	
38	1001132564	1	Screw M6 x 20	
39	1001227133	2	Grommet	
40	1001207963	1	Plug	

SECTION 6 - CAB

FIGURE 6-33. ADJUSTABLE ARMREST INSTALLTION



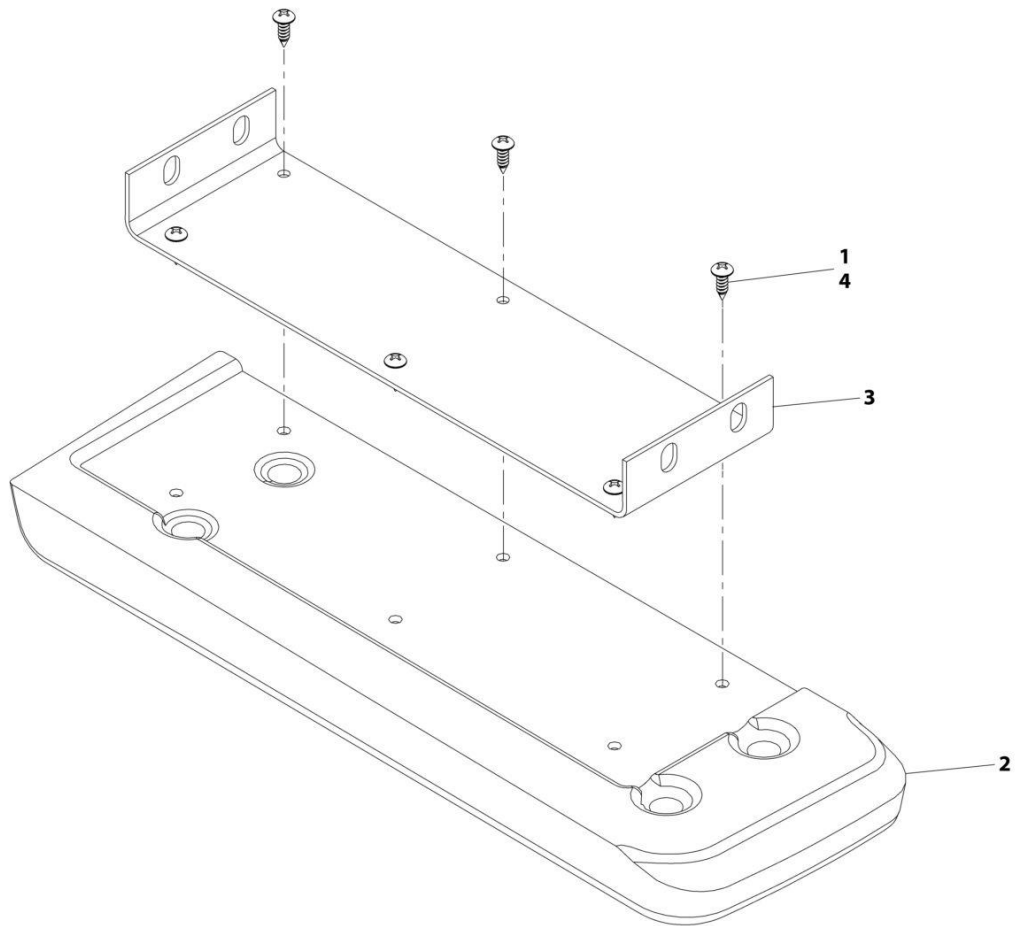
ART_1001181726_G

FIGURE 6-33. ADJUSTABLE ARMREST INSTALLTION

ITEM	PART NUMBER	QTY	DESCRIPTION	REV
	1001181726	Ref	ADJUSTABLE ARMREST INSTALLTION	G
1	0700610	4	Bolt, M6X20	
2	3290401	2	Nut, M4X0.7	
3	4811400	2	Washer, M4	
4	4811700	8	Washer, M6	
5	4831400	2	Washer, Lock M4	
6	1001097244	2	Screw, M4X12	
7	1001165458	2	Hose	
8	1001191281	1	Armrest (See Separate Breakdown in this Section)	
9	1001191283	1	Bracket, Fixed Armrest (See Separate Breakdown in this Section)	
10	1001191284	1	Bracket, Moving Armrest (See Separate Breakdown in this Section)	
11	1001283175	1	Spring	
12	1001191370	2	Screw, M6	
13	3290605	2	Nut, M6X1 Grade 8	
14	4010612002	4	Screw, M6X25	
15	0760608	2	Bolt, M6X16	
16	3290601	2	Nut, M6X1	
17	1001212468	1	Bracket, Locking Spring Mount	

SECTION 6 - CAB

FIGURE 6-34. ARMREST



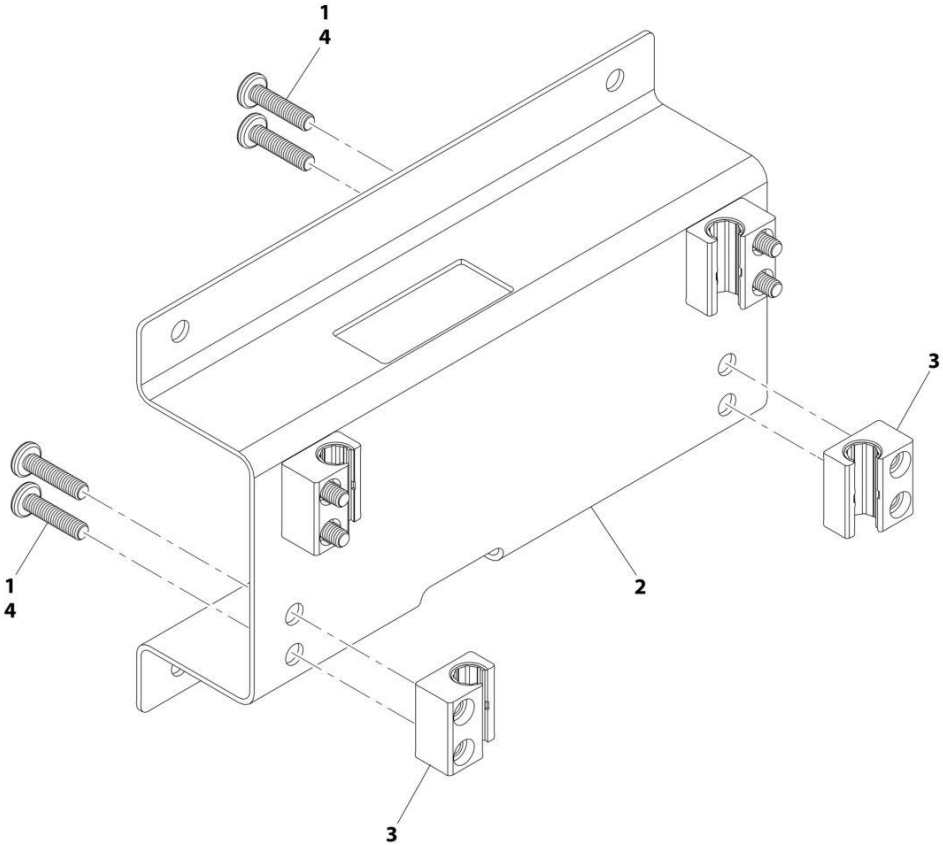
ART_1001191281

FIGURE 6-34. ARMREST

ITEM	PART NUMBER	QTY	DESCRIPTION	REV
	1001191281	Ref	Armrest	E
1	1001095650	AR	Adhesive	
2	1001179484	1	Armrest, Cab	
3	1001191282	1	Bracket, Armrest Pad	
4	1001192240	6	Screw	

SECTION 6 - CAB

FIGURE 6-35. FIXED ARMREST BRACKET



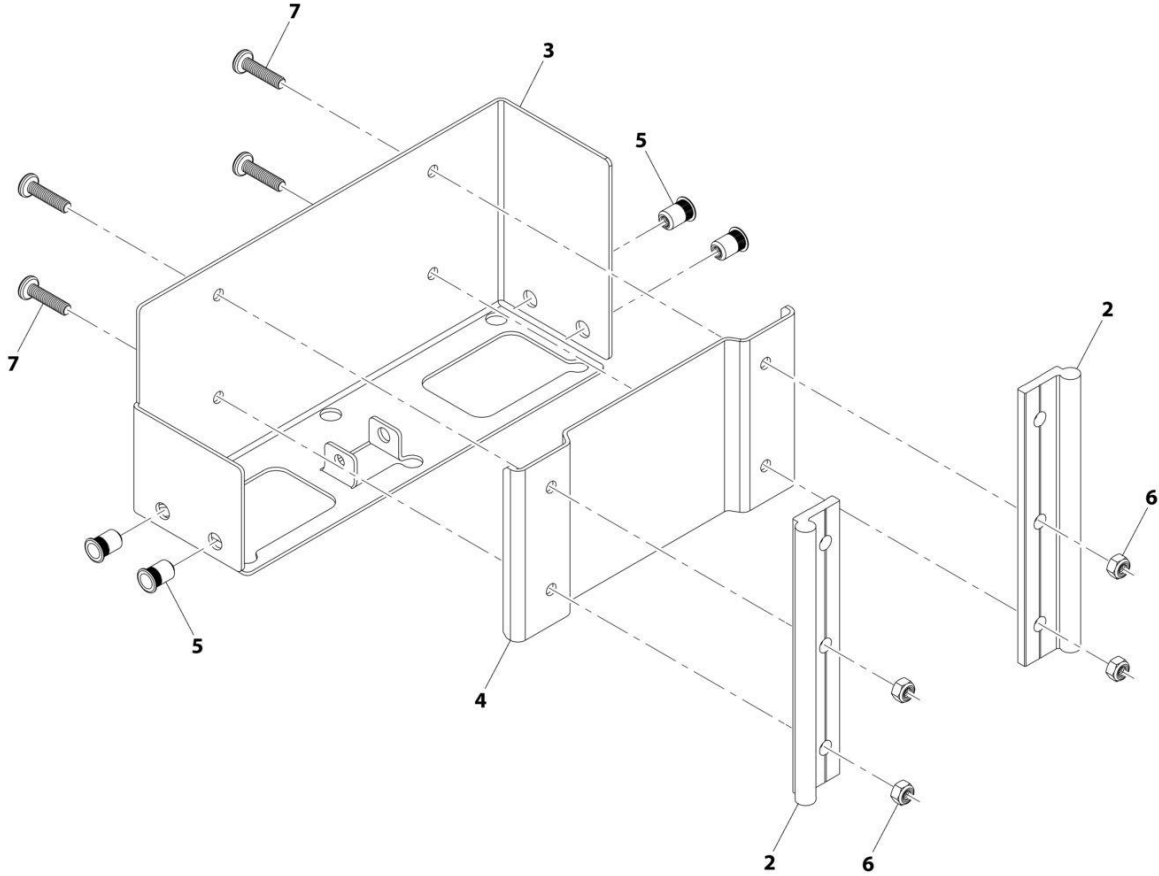
ART_1001191283-B

FIGURE 6-35. FIXED ARMREST BRACKET

ITEM	PART NUMBER	QTY	DESCRIPTION	REV
	1001191283	Ref	Fixed Armrest Bracket	B
1	1001095650	AR	Adhesive	
2	1001183597	1	Armrest Bracket	
3	1001191310	4	Slide Block	
4	4010612002	8	Screw	

SECTION 6 - CAB

FIGURE 6-36. MOVING ARMREST BRACKET



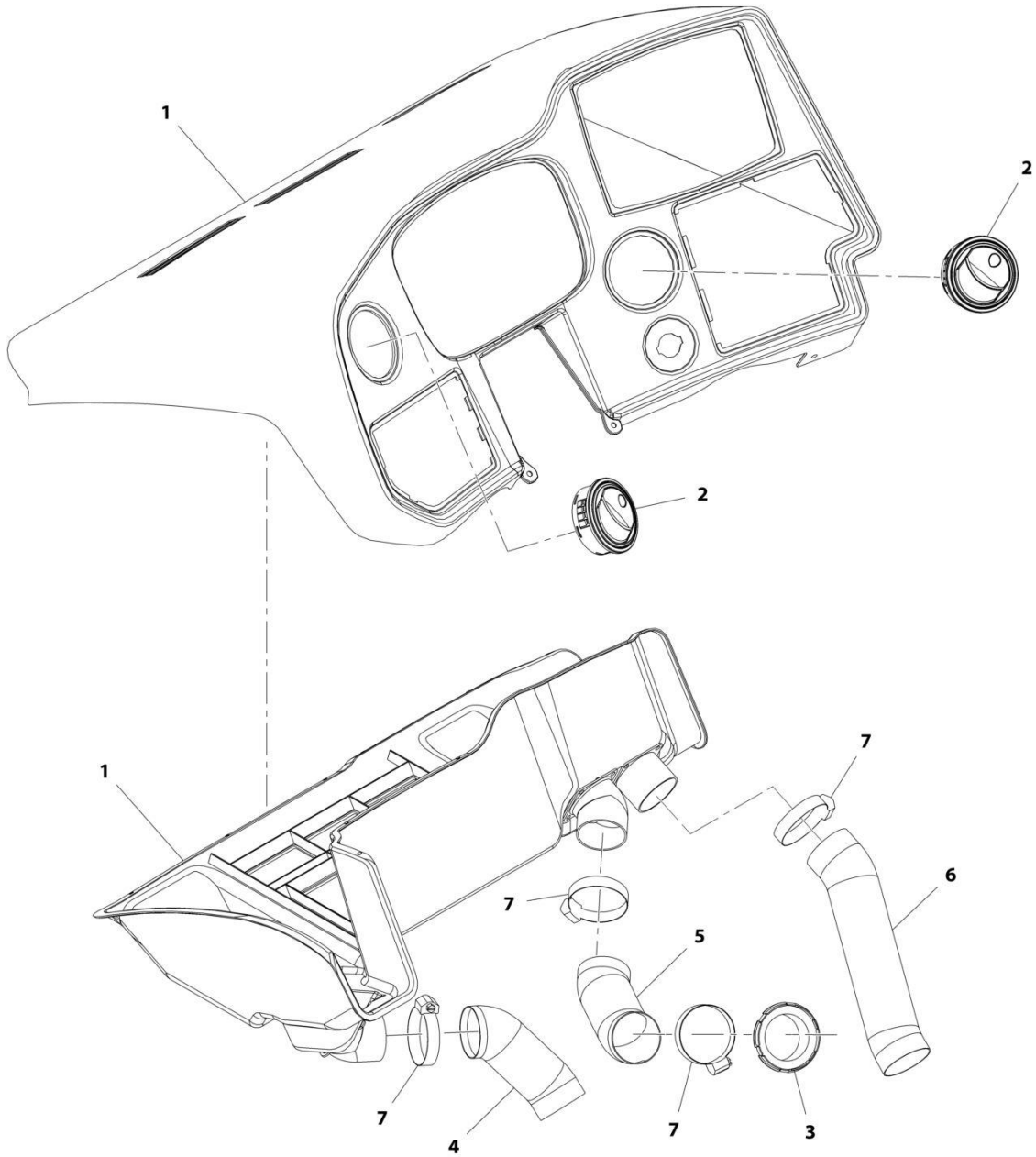
ART_1001191284-B

FIGURE 6-36. MOVING ARMREST BRACKET

ITEM	PART NUMBER	QTY	DESCRIPTION	REV
	1001191284	Ref	Moving Armrest Bracket	B
2	1001191311	2	Side Rail	
3	1001191312	1	Armrest Mount Bracket	
4	1001191313	1	Spacer Block Plate	
5	1001191959	4	Rivenut M6 X 1	
6	3290605	4	Nut, Lock M6X1	
7	4010612002	4	Screw, M6X25	

SECTION 6 - CAB

FIGURE 6-37. DASH COVER ASSEMBLY



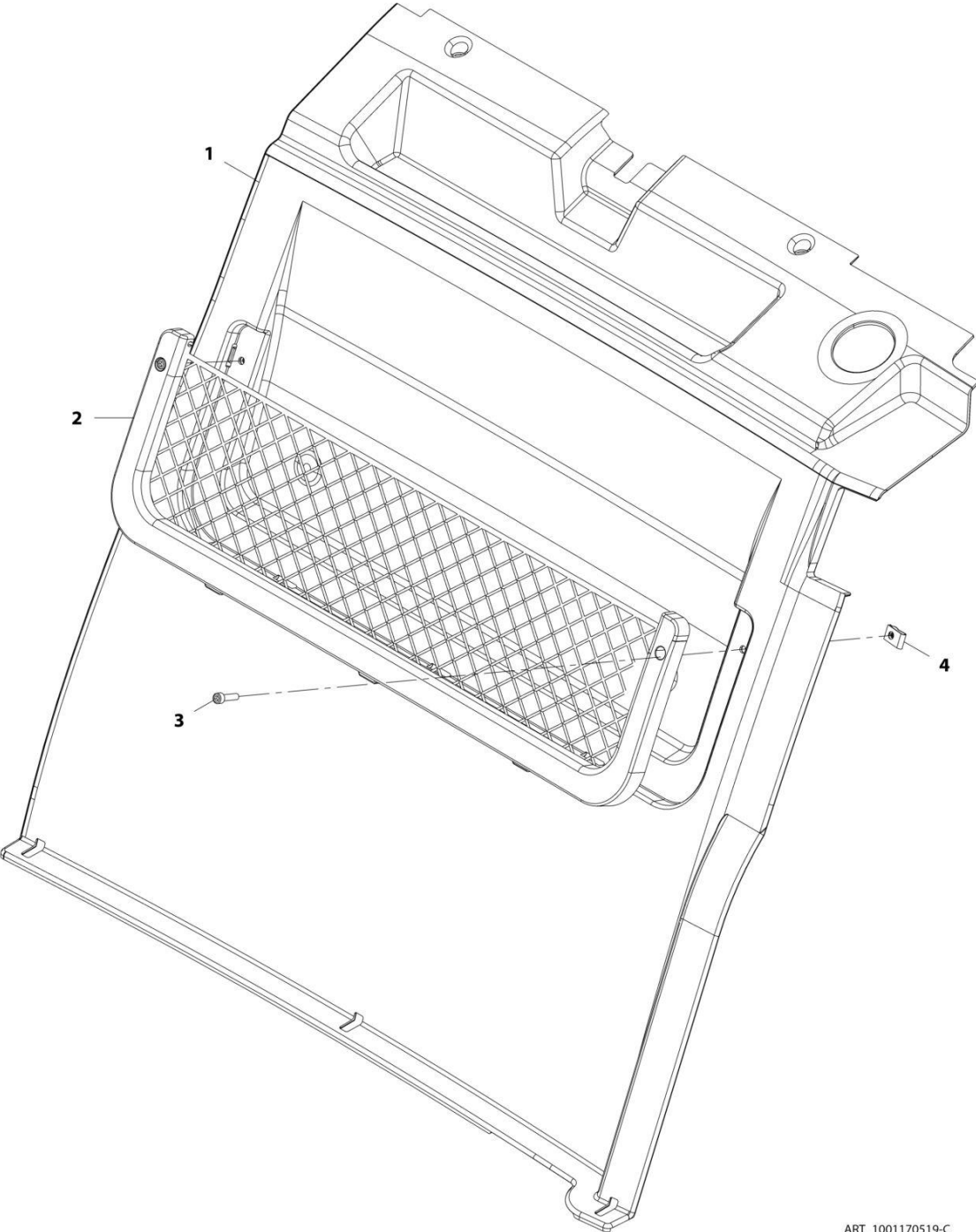
ART_1001169604-B

FIGURE 6-37. DASH COVER ASSEMBLY

ITEM	PART NUMBER	QTY	DESCRIPTION	REV
	1001169604	Ref	Dash Cover Assembly (Construction)	B
1	1001161851	1	Panel, Top Dash	
2	1001147449	2	Vent, Air	
3	1001149278	1	Vent, Connector	
4	1001174652	1	Hose	
5	1001174653	1	Hose	
6	1001174655	1	Hose	
7	8405201	4	Clamp, Gear	

SECTION 6 - CAB

FIGURE 6-38. REAR PANEL COVER ASSEMBLY



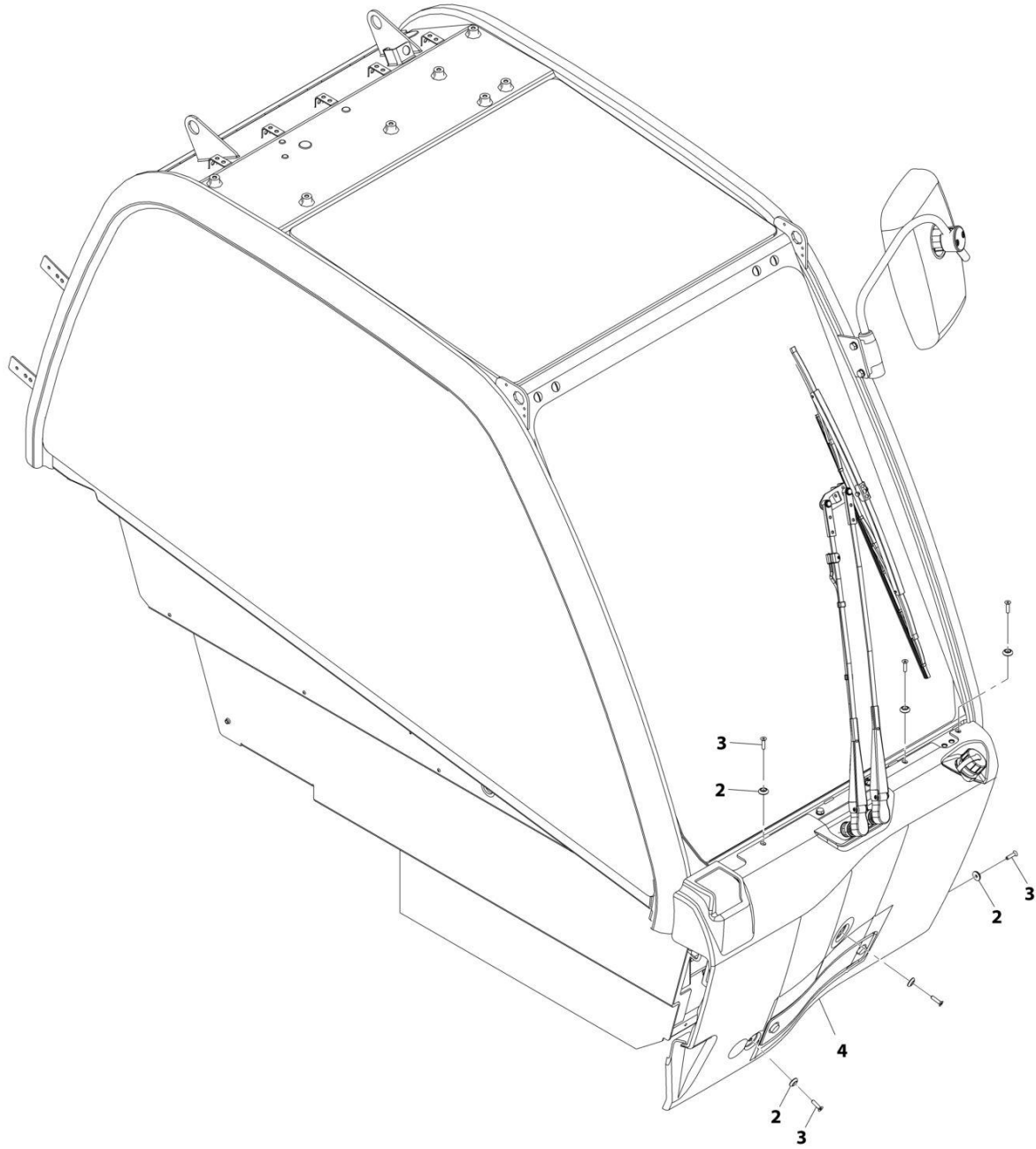
ART_1001170519-C

FIGURE 6-38. REAR PANEL COVER ASSEMBLY

ITEM	PART NUMBER	QTY	DESCRIPTION	REV
	1001170519	Ref	Rear Panel Cover Assembly	C
1	1001161067	1	Panel, Rear	
2	1001170514	1	Storage Net, Rear Panel	
3	4031608	2	Bolt, M5X20	
4	1001183550	2	Nut, Cage M5	

SECTION 6 - CAB

FIGURE 6-39. ENCLOSED CAB FRONT COVER INSTALLATION



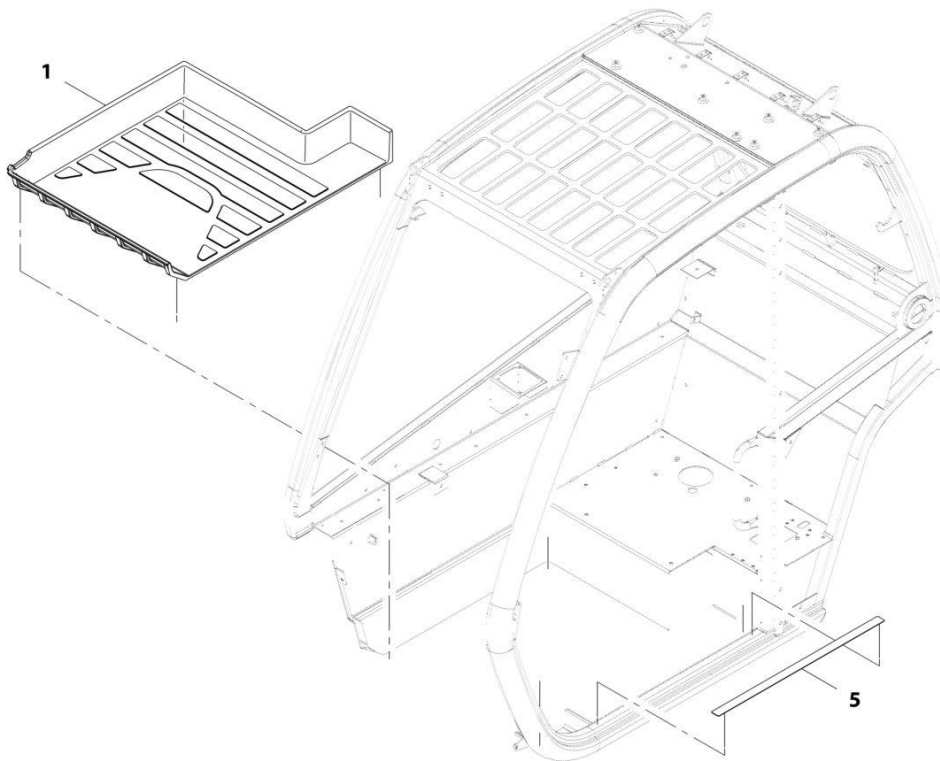
ART_1001179592-G

FIGURE 6-39. ENCLOSED CAB FRONT COVER INSTALLATION

ITEM	PART NUMBER	QTY	DESCRIPTION	REV
	1001179592	Ref	Enclosed Cab Front Cover Installation	G
2	1001097540	6	Washer, M6	
3	3900379	6	Screw, M6-1X25 Grade 10.9	
4	1001170325	1	Cover, Front	

SECTION 6 - CAB

FIGURE 6-40. FLOOR MAT INSTALLATION



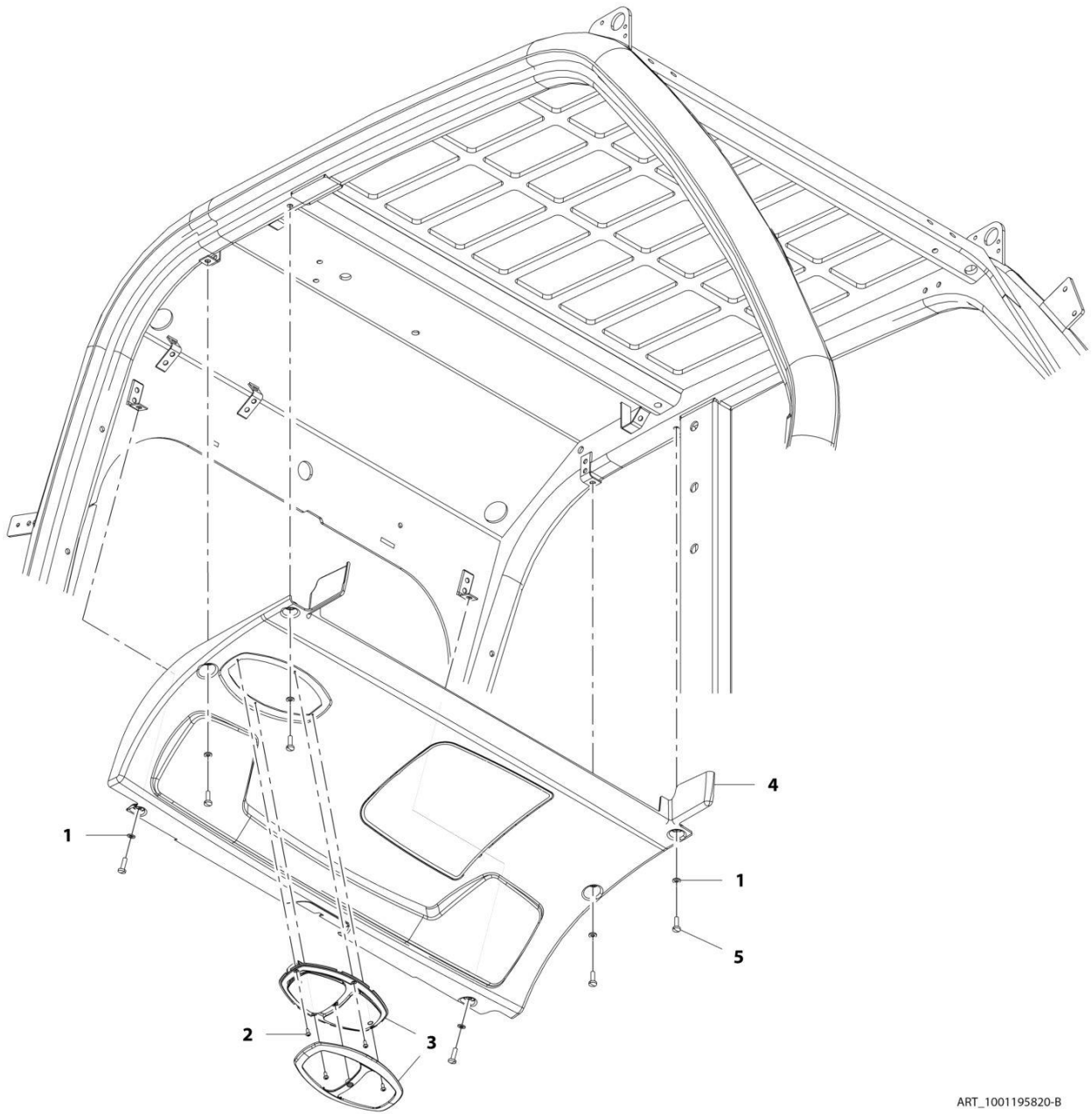
ART_1001161080-E

FIGURE 6-40. FLOOR MAT INSTALLATION

ITEM	PART NUMBER	QTY	DESCRIPTION	REV
	1001161080	Ref	Floor Mat Installation	E
1	1001161078	1	Cab, Floor Mat	
5	1001197259	1	Tape, Frame Non Skid	

SECTION 6 - CAB

FIGURE 6-41. HEADLINER INSTALLATION



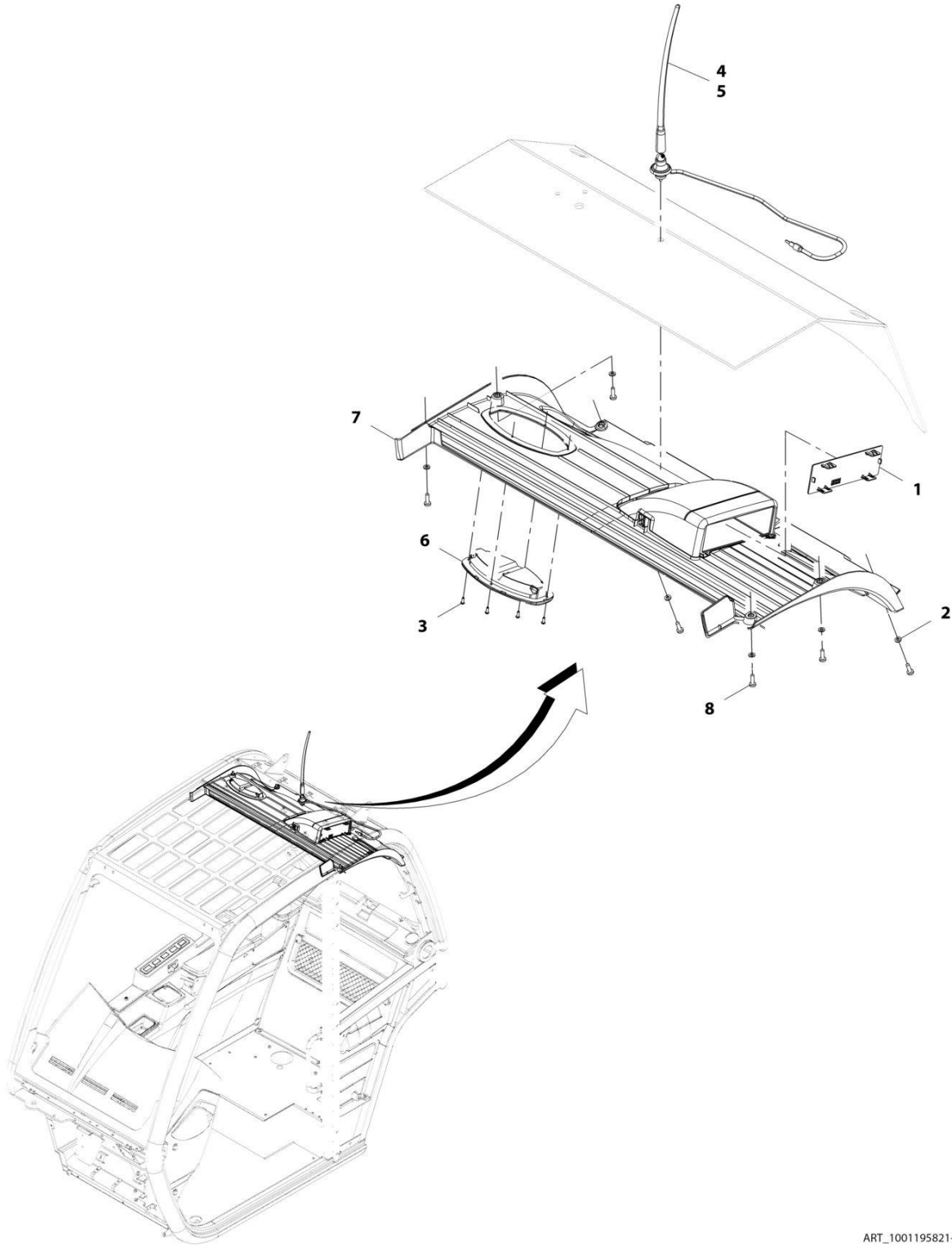
ART_1001195820-B

FIGURE 6-41. HEADLINER INSTALLATION

ITEM	PART NUMBER	QTY	DESCRIPTION	REV
	1001195820	Ref	Headliner Installation	C
1	4811700	6	Washer, M6	
2	7029486	4	Screw	
3	1001167015	1	Lamp, Dome	
4	1001195822	1	Panel, Headliner	
5	4031708001	1	Cap Screw M6 x 20	

SECTION 6 - CAB

FIGURE 6-42. HEADLINER/RADIO READY PACKAGE INSTALLATION



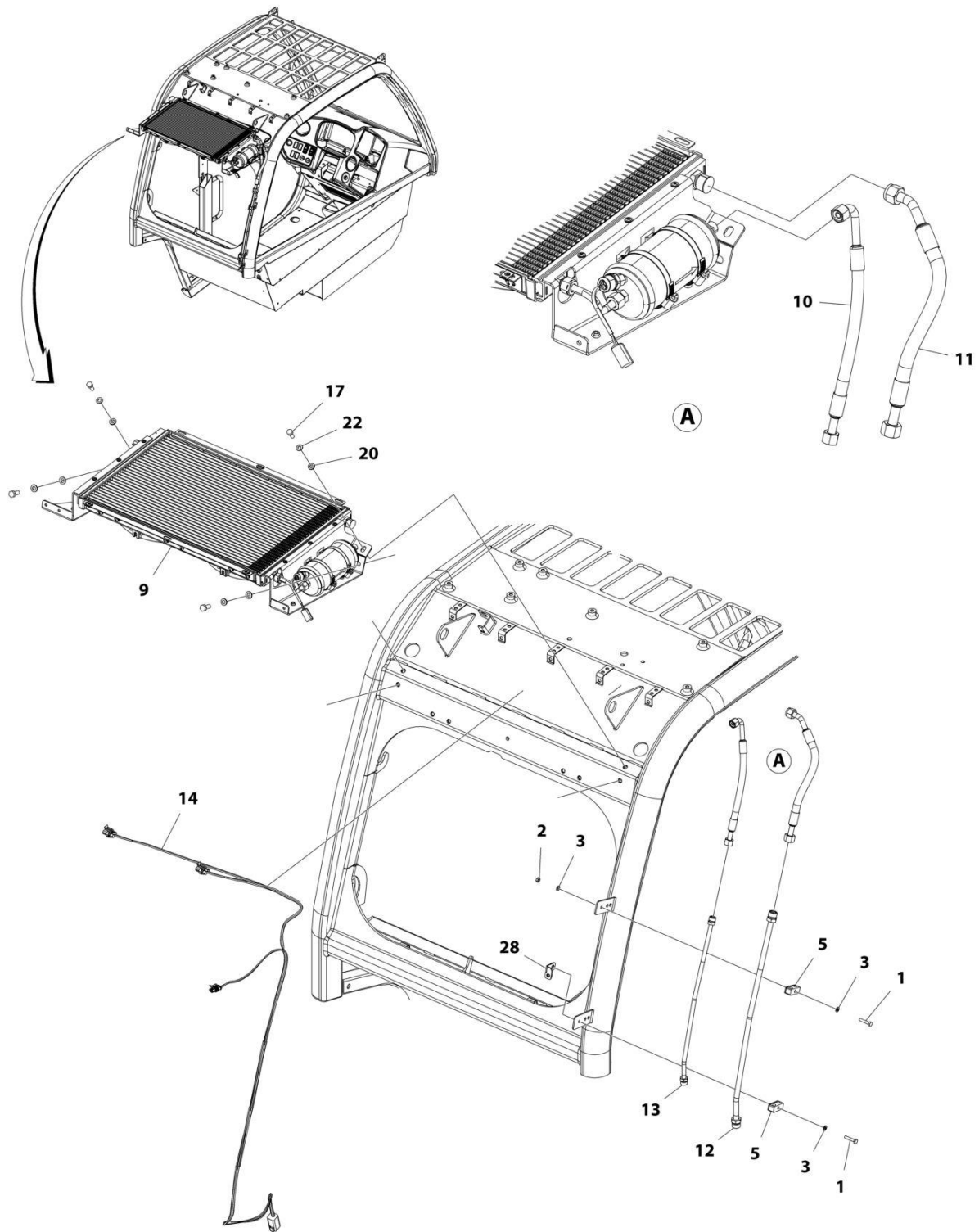
ART_1001195821-B

FIGURE 6-42. HEADLINER/RADIO READY PACKAGE INSTALLATION

ITEM	PART NUMBER	QTY	DESCRIPTION	REV
	1001195821	Ref	Headliner/Radio Ready Package Installation	B
1	1001200968	1	Plate	
2	4811700	6	Washer, 6M	
3	7029486	4	Screw	
4	8005901	1	Antenna	
5	1001116128	AR	Sealant, Polysiloxane	
6	1001167015	1	Lamp	
7	1001195823	1	Cover, Headliner	
8	4010610002	6	Screw, M6X20	

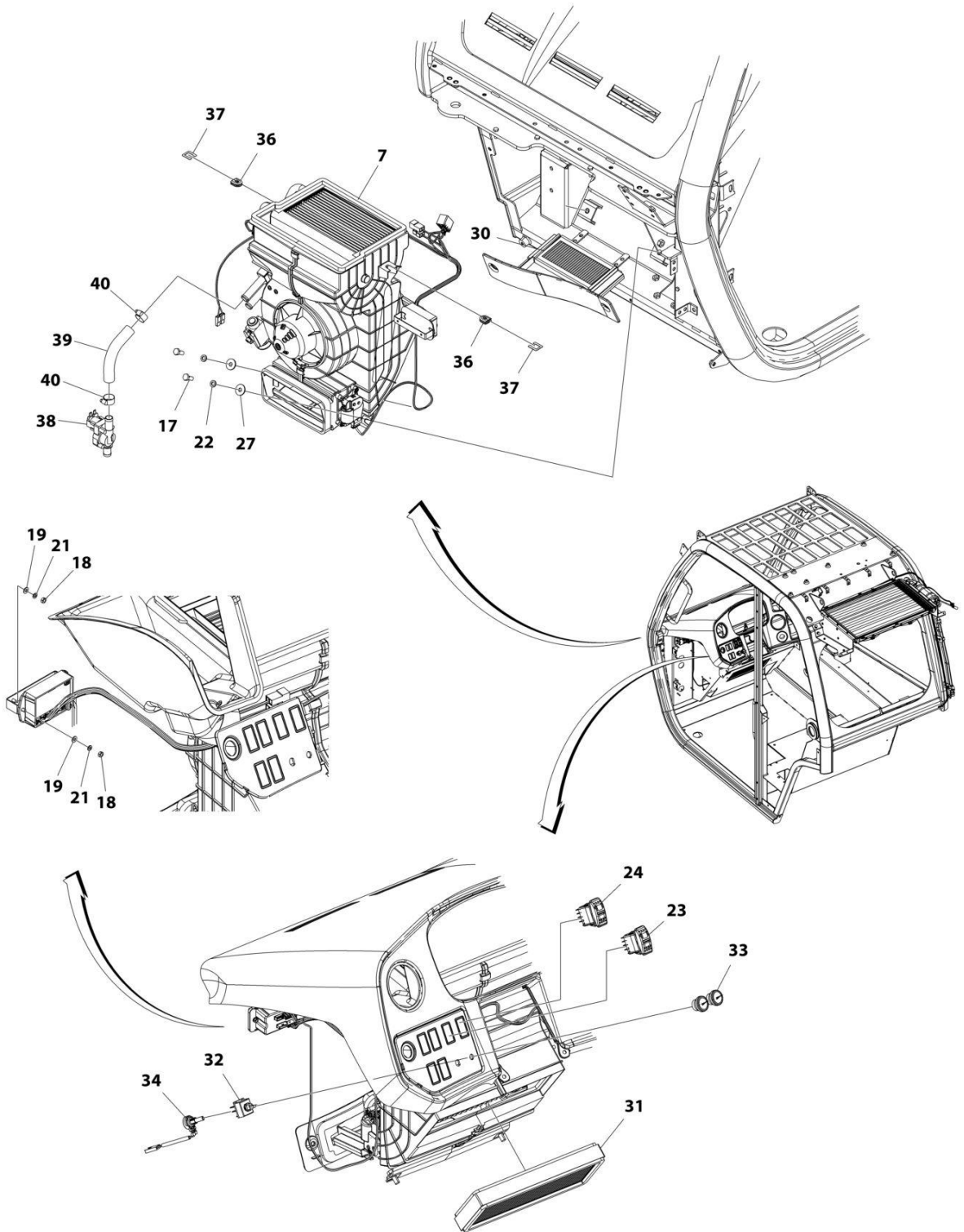
SECTION 6 - CAB

FIGURE 6-43. HEATER AND A/C INSTALLATION (CAB PARTS)



ART_1001160042_O_10F2

SECTION 6 - CAB



ART_1001160042_O_20F2

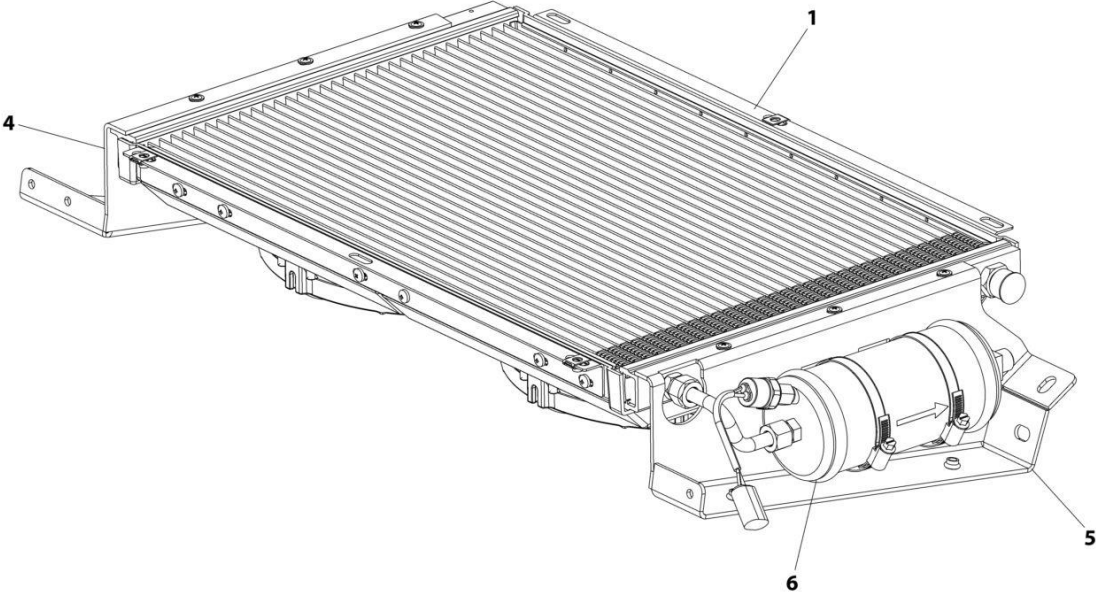
SECTION 6 - CAB

FIGURE 6-43. HEATER AND A/C INSTALLATION (CAB PARTS)

ITEM	PART NUMBER	QTY	DESCRIPTION	REV
	1001160042	Ref	HEATER AND A/C INSTALLATION (CAB PARTS)	O
1	0700614	2	Bolt M6 x 30	
2	3290601	1	Nut M6	
3	4811700	3	Washer M6	
5	1001145539	2	Support, Pipe	
7	1001268831	1	Assembly, Heater and A/C (See Separate Breakdown in this Section)	
9	1001162953	1	Assembly, Cab Condenser (See Separate Breakdown in this Section)	
10	1001168327	1	Hose	
11	1001168330	1	Hose	
12	1001168331	1	Tube	
13	1001168456	1	Tube	
14	1001169151	1	Harness, A/C Option (See Separate Breakdown in ELECTRICAL Section)	
17	0760810	6	Bolt M8 x 20 GR8.8	
18	3290401	4	Nut M4	
19	4811400	4	Washer M4	
20	4811900	4	Washer M8	
21	4831400	4	Washer M4	
22	4831900	6	Washer M8	
23	1001159925	1	Switch, HVAC Recycle	
24	1001160326	1	Switch, HVAC On/Off	
27	4811902	2	Washer M8	
28	1001178170	1	Bracket	
30	1001218996	1	Filter, HVAC Fresh Air	
31	1001172553	1	Filter, HVAC Air Recirculation	
32	1001172547	1	Switch, HVAC Rotary 3 Speed	
33	1001172550	2	Knob, HVAC Control	
34	1001270976	1	Cable, HVAC	
35	1320022	1	Clamp	
36	1001188590	2	Grommet	
37	1001218542	2	Shim	
38	1001221059	1	Valve, Water	
39	1001221295	1	Hose	
40	8410009	2	Clamp	

SECTION 6 - CAB

FIGURE 6-44. CAB CONDENSER ASSEMBLY



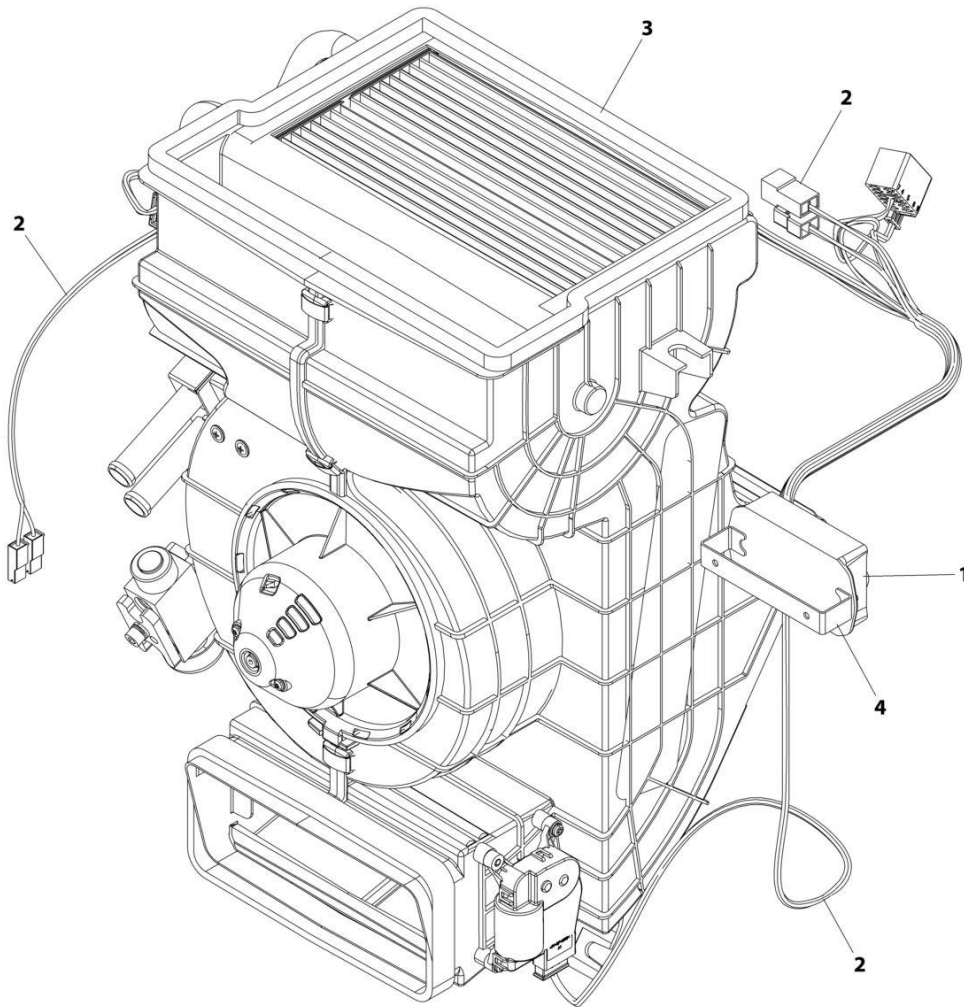
ART_1001162953

FIGURE 6-44. CAB CONDENSER ASSEMBLY

ITEM	PART NUMBER	QTY	DESCRIPTION	REV
	1001162953	Ref	Cab Condenser Assembly	G
1	1001167266	1	Condenser (See Separate Breakdown in this Section)	
4	1001179080	1	Bracket	
5	1001179081	1	Bracket	
6	1001179130	1	Drier, A/C Receiver (See Separate Breakdown in this Section)	

SECTION 6 - CAB

FIGURE 6-45. HEATER AND A/C ASSEMBLY



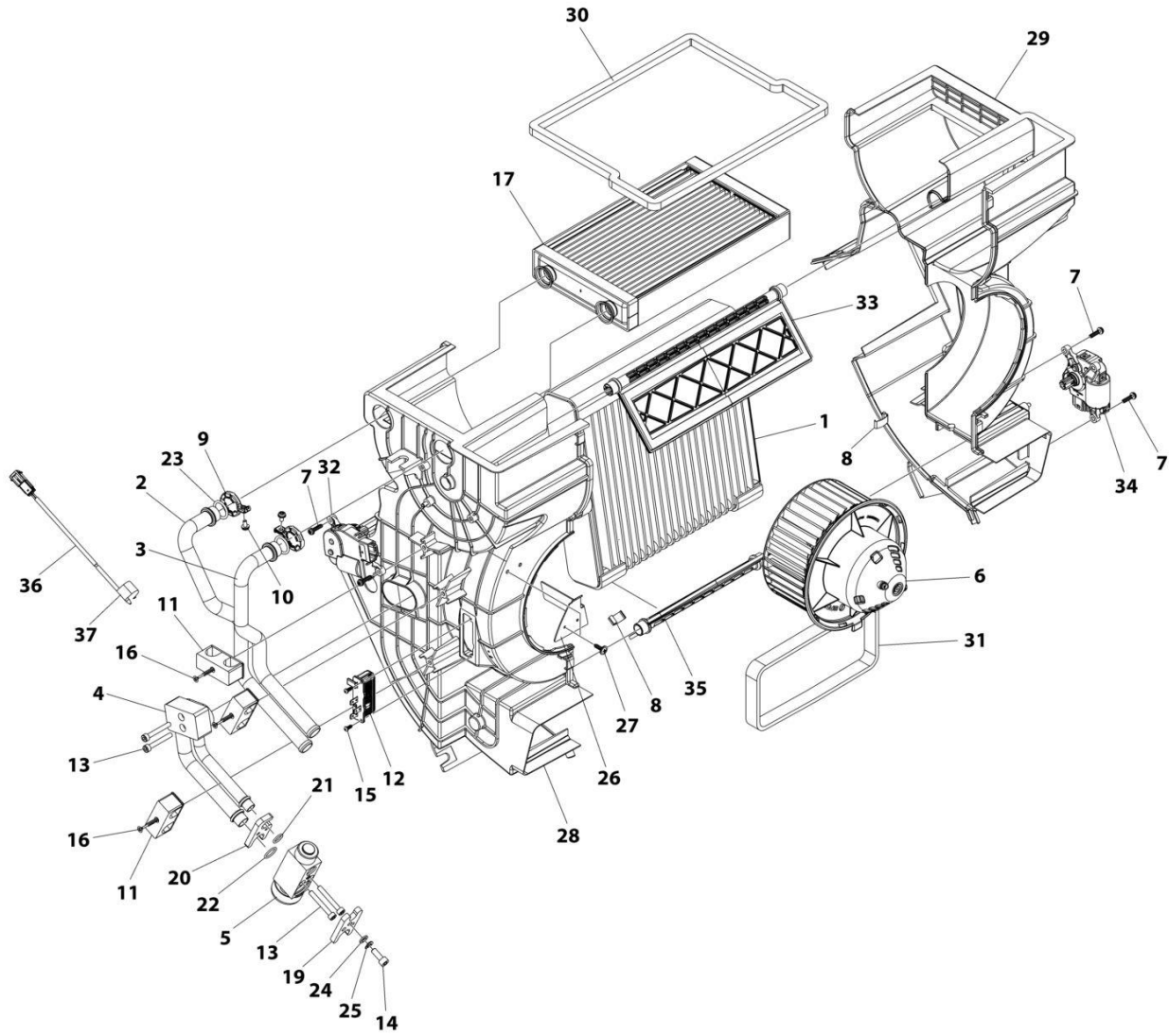
ART_1001268831

FIGURE 6-45. HEATER AND A/C ASSEMBLY

ITEM	PART NUMBER	QTY	DESCRIPTION	REV
	1001268831	Ref	HEATER AND A/C ASSEMBLY	B
1	1001268829	1	Actuator, HVAC Cab	
2	1001268830	1	Harness, HVAC Actuator (See Separate Breakdown in this Section)	
3	1001268832	1	Heater and A/C (See Separate Breakdown in this Section)	
4	1001264976	1	Bracket	

SECTION 6 - CAB

FIGURE 6-46. HEATER AND A/C ASSEMBLY



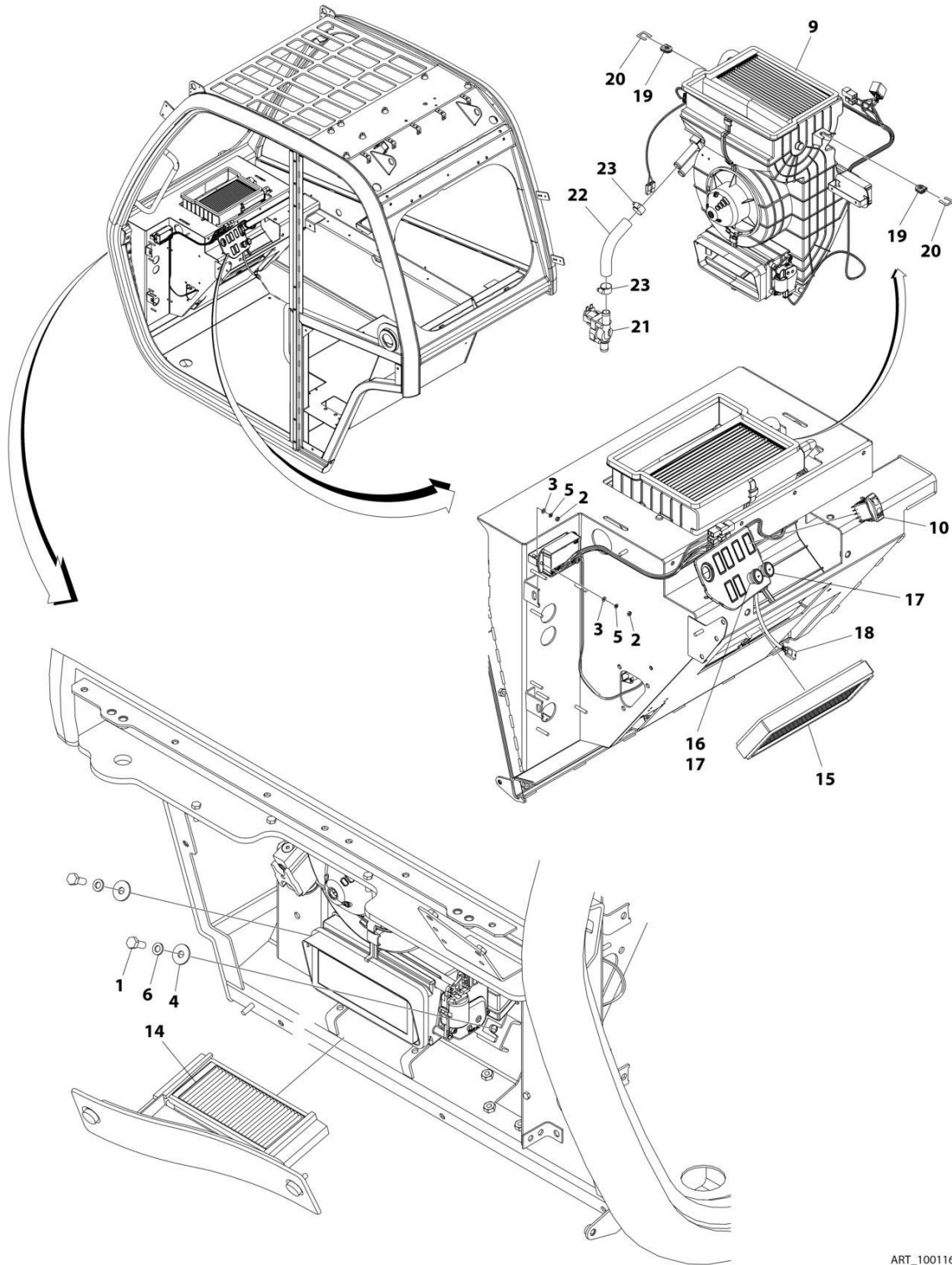
ART_1001268832

FIGURE 6-46. HEATER AND A/C ASSEMBLY

ITEM	PART NUMBER	QTY	DESCRIPTION	REV
	1001268832	Ref	HEATER AND A/C	B
1	1001184280	1	Evaporator, Heater	
2	1001184296	1	Pipe, Heater Water	
3	1001184297	1	Pipe, Heater Water	
4	1001184427	1	Pipe, Heater	
5	1001188592	1	Valve, HVAC Expansion	
6	1001188594	1	Fan, HVAC Centrifugal 12V	
7	1001188602	4	Screw M4	
8	1001188603	9	Clamp, HVAC Case	
9	1001188604	2	Clamp, HVAC Pipe	
10	1001188610	2	Screw M4	
11	1001188612	3	Clamp, Pipe	
12	1001188614	1	Resistor	
13	1001188618	4	Screw M5	
14	1001188619	1	Screw M6	
15	1001188720	2	Screw M2.9 x 9.5	
16	1001188725	3	Screw M4 x 35	
17	1001188729	1	Radiator, Heater Core	
19	1001188817	1	Clamp, Hose	
20	1001188818	1	Clamp, HVAC EVAP/Valve	
21	1001189023	1	O-Ring	
22	1001189024	1	O-Ring	
23	1001189025	2	O-Ring	
24	1001189048	1	Washer	
25	1001189054	1	Washer, Spring	
26	1001221057	1	Plate	
27	1001221058	2	Screw	
28	1001269555	1	Housing, HVAC RH	
29	1001269556	1	Housing, HVAC LH	
30	1001269558	1	Seal, Heater Outlet Foam	
31	1001269559	1	Seal, Air Inlet Foam	
32	1001269560	1	Actuator, Hot/Cold Mixing	
33	1001269561	1	Foam, Heater Mixing Flap	
34	1001269563	1	Actuator, Fresh/Recirculation Air	
35	1001269564	1	Foam, Heater Mixing Flap	
36	1001269578	1	Temperature Sensor	
37	1001269579	1	Clamp, Temperature Sensor	

SECTION 6 - CAB

FIGURE 6-47. HEATER INSTALLATION



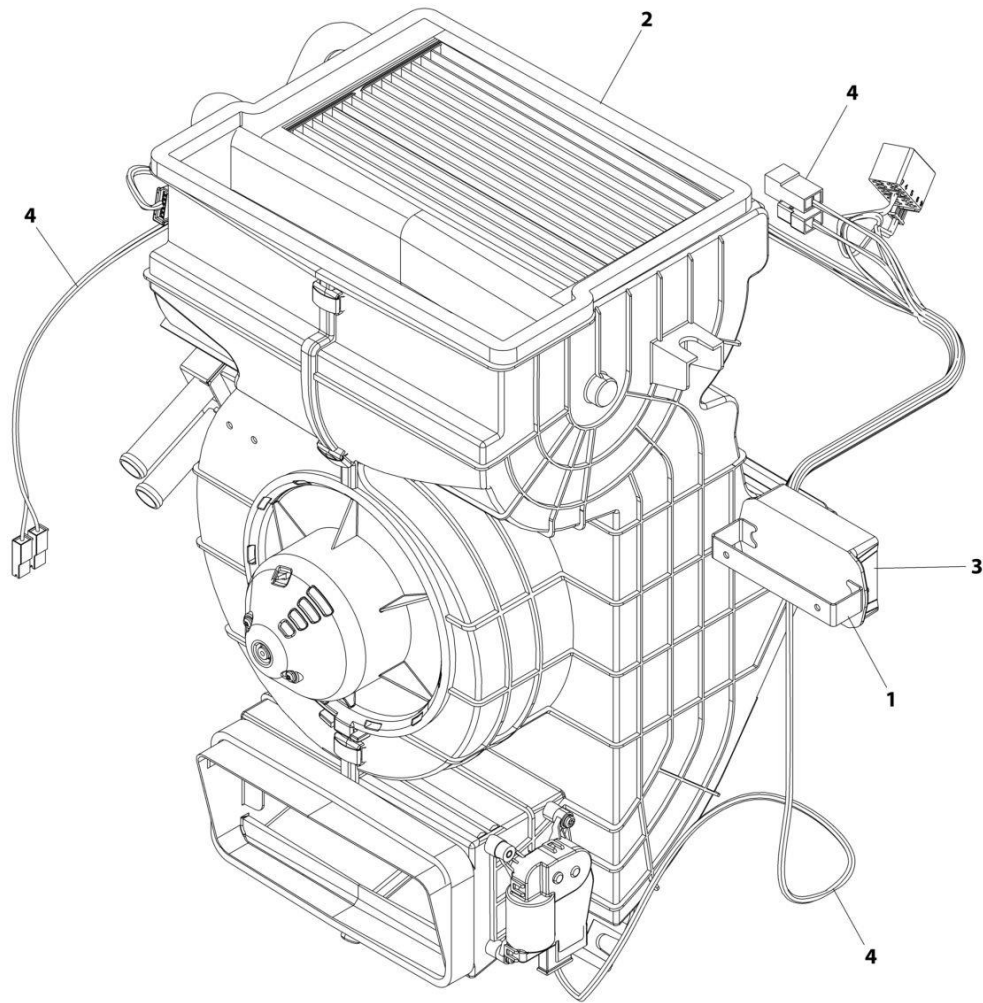
ART_1001160043-L

FIGURE 6-47. HEATER INSTALLATION

ITEM	PART NUMBER	QTY	DESCRIPTION	REV
	1001160043	Ref	HEATER INSTALLATION	L
1	0760810	2	Bolt M8 x 20	
2	3290401	4	Nut M4	
3	4811400	4	Washer M4	
4	4811902	2	Washer M8	
5	4831400	4	Washer M4	
6	4831900	2	Washer M8	
9	1001268827	1	Assembly, Heater (See Separate Breakdown in this Section)	
10	1001159925	1	Switch, HVAC Recycle	
14	1001218996	1	Filter, HVAC Air	
15	1001172553	1	Filter, HVAC Recirculation Air	
16	1001172547	1	Switch, HVAC Rotary 3 Speed	
17	1001172550	2	Knob, HVAC Control	
18	1001270976	1	Cable, HVAC	
19	1001188590	2	Grommet	
20	1001218542	2	Shim	
21	1001221059	1	Valve, Water	
22	1001221295	1	House	
23	8410009	2	Clamp	

SECTION 6 - CAB

FIGURE 6-48. HEATER ASSEMBLY



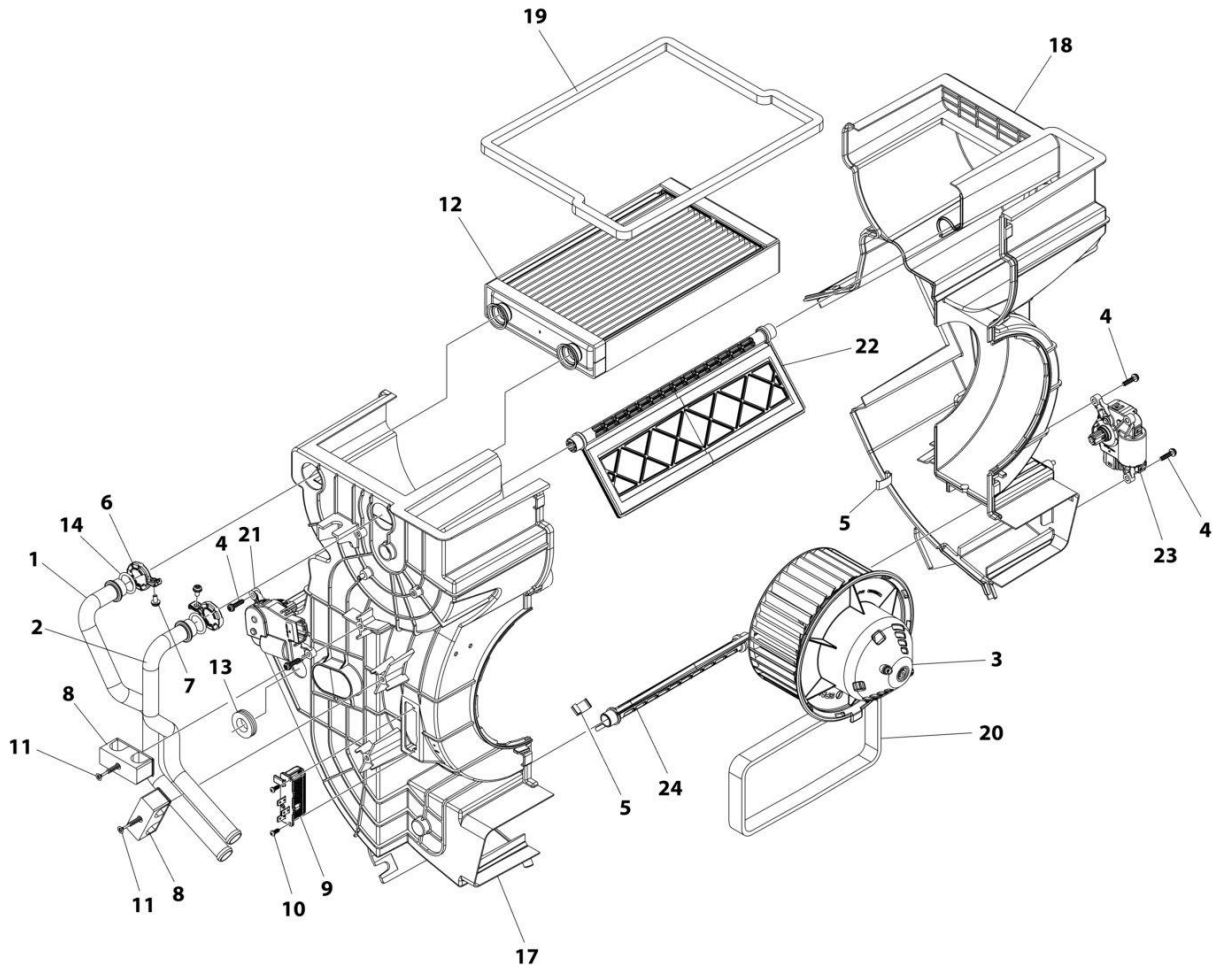
ART_1001268827

FIGURE 6-48. HEATER ASSEMBLY

ITEM	PART NUMBER	QTY	DESCRIPTION	REV
	1001268827	Ref	HEATER ASSEMBLY	B
1	1001264976	1	Bracket	
2	1001268828	1	Heater, Cab (See Separate Breakdown in this Section)	
3	1001268829	1	Actuator, HVAC Cab	
4	1001268830	1	Harness, HVAC Actuator (See Separate Breakdown in ELECTRICAL Section)	

SECTION 6 - CAB

FIGURE 6-49. CAB HEATER ASSEMBLY



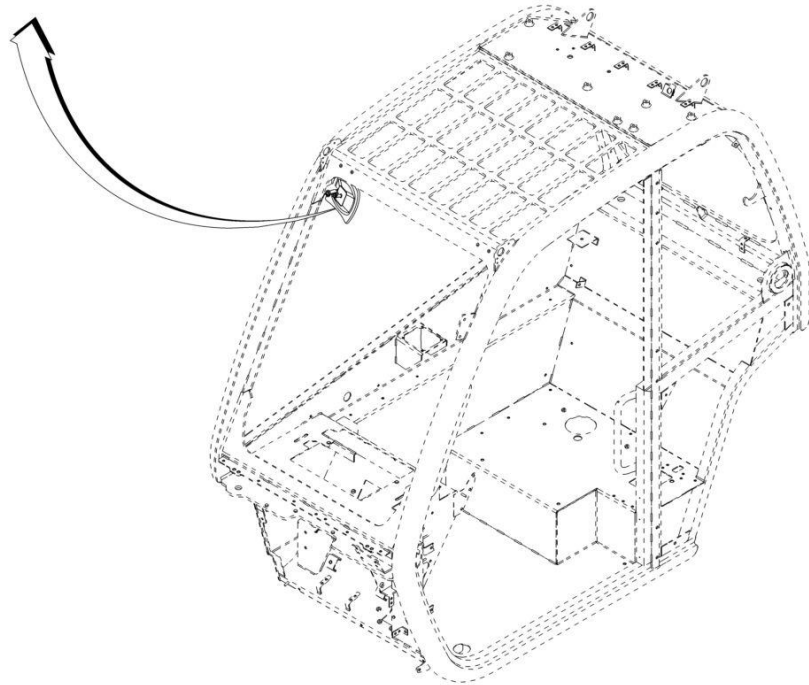
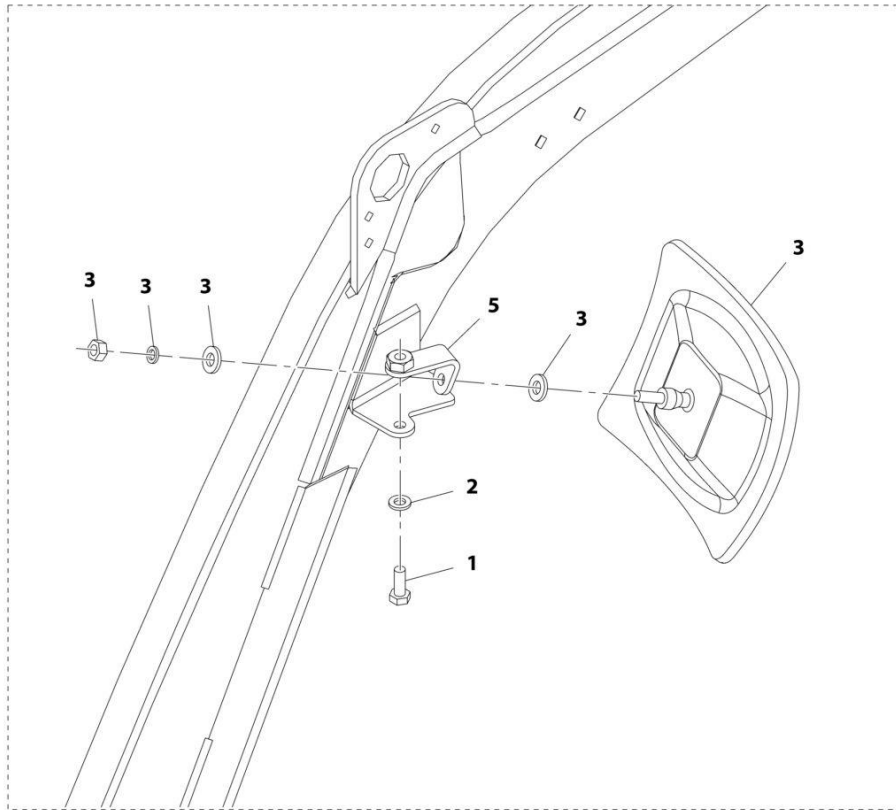
ART_1001268828

FIGURE 6-49. CAB HEATER ASSEMBLY

ITEM	PART NUMBER	QTY	DESCRIPTION	REV
	1001268828	Ref	HEATER	B
1	1001184296	1	Pipe, Water	
2	1001184297	1	Pipe, Water	
3	1001188594	1	Fan, 12V	
4	1001188602	4	Screw	
5	1001188603	9	Clamp	
6	1001188604	2	Clamp	
7	1001188610	2	Screw	
8	1001188612	2	Clamp	
9	1001188614	1	Resistor	
10	1001188720	2	Screw	
11	1001188725	2	Screw	
12	1001188729	1	Radiator, Heater Core	
13	1001188733	1	Grommet	
14	1001189025	2	O-Ring	
17	1001269555	1	Housing, RH	
18	1001269556	1	Housing, LH	
19	1001269558	1	Foam, Air Outlet	
20	1001269559	1	Foam, Air Inlet	
21	1001269560	1	Actuator, Fresh/Recirculation Air	
22	1001269561	1	Flap, Mixing	
23	1001269563	1	Actuator, Fresh/Recirculation Air	
24	1001269564	1	Flap, HVAC Fresh	

SECTION 6 - CAB

FIGURE 6-50. INTERNAL MIRROR INSTALLATION



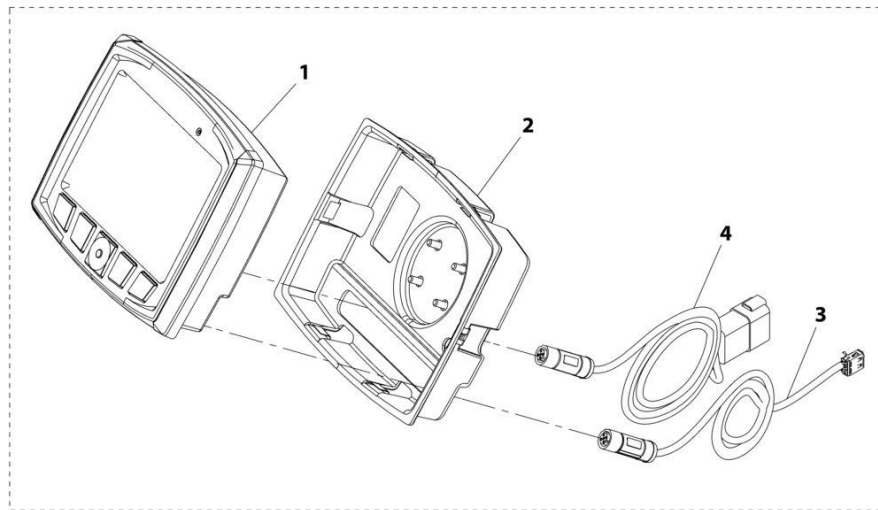
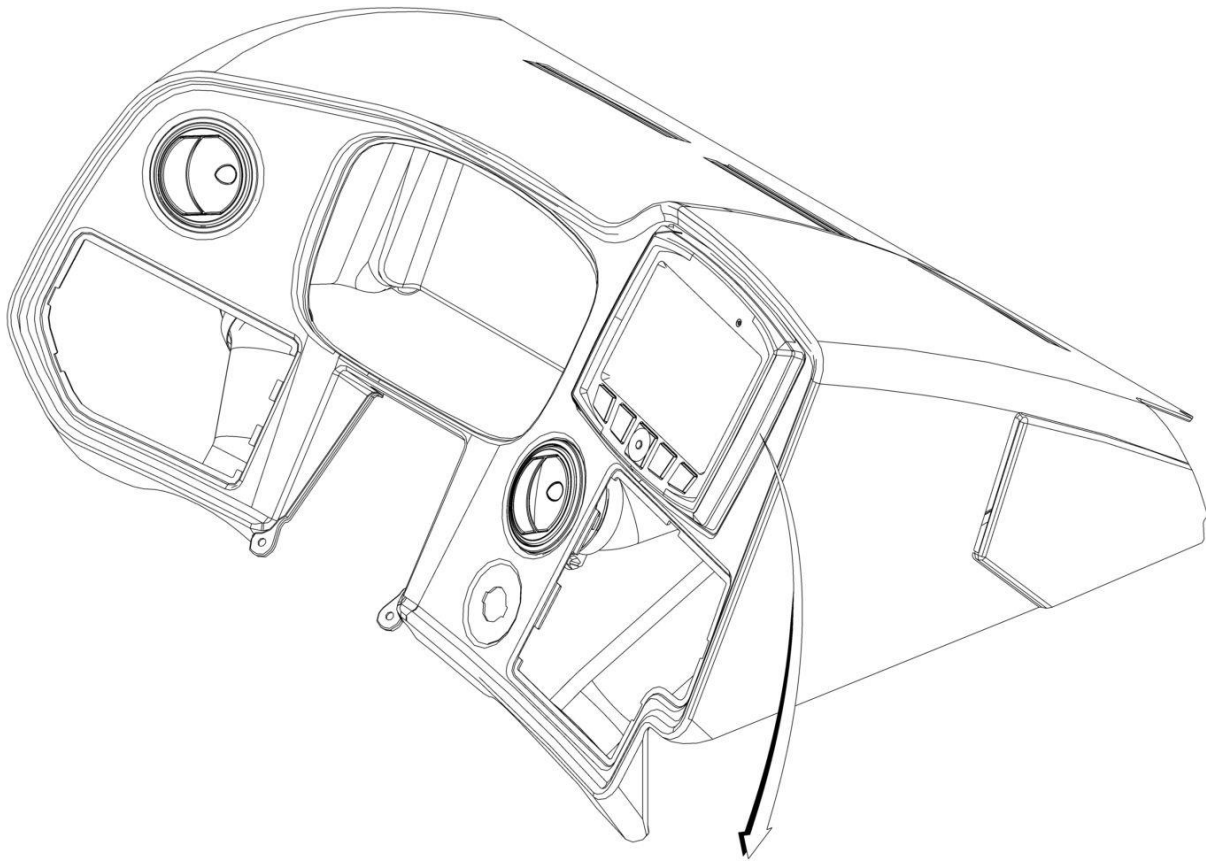
ART_1001166192-C

FIGURE 6-50. INTERNAL MIRROR INSTALLATION

ITEM	PART NUMBER	QTY	DESCRIPTION	REV
	1001166192	Ref	Interior Mirror Installation	C
1	0760608	1	Bolt, M6X16	
2	4811700	1	Washer, M6	
3	1001007641	1	Mirror, Interior (See Separate Breakdown in this Section)	
5	1001166191	1	Bracket	

SECTION 6 - CAB

FIGURE 6-51. MULTIFUNCTION DISPLAY INSTALLATION



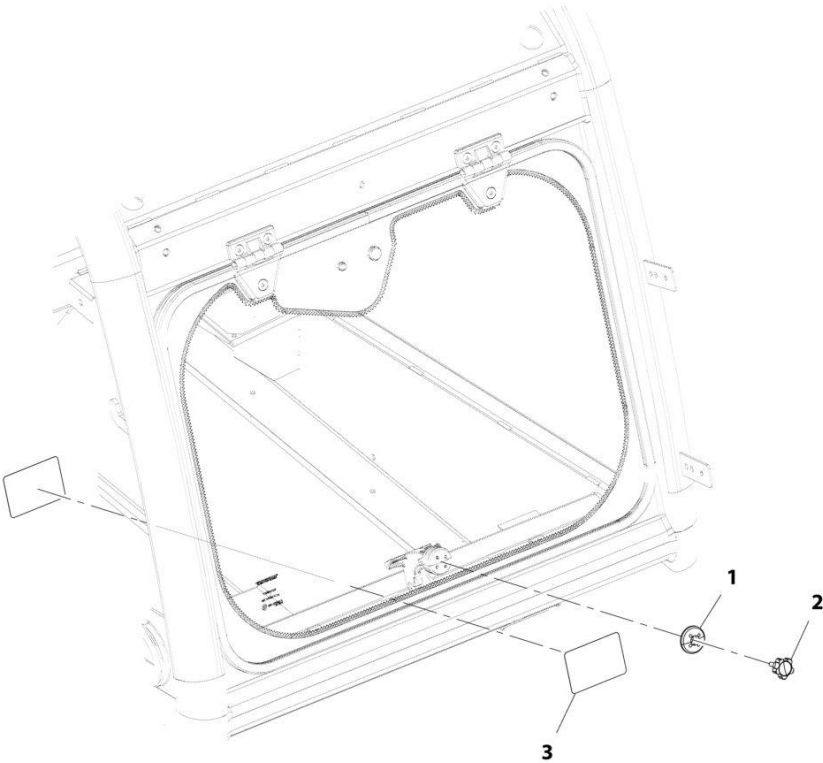
ART_1001176338-C

FIGURE 6-51. MULTIFUNCTION DISPLAY INSTALLATION

ITEM	PART NUMBER	QTY	DESCRIPTION	REV
	1001176338	Ref	Multifunction Display Installation	C
1	1001250161	1	Display	
2	1001178783	1	Bezel	
3	1001180682	1	Cable	
4	1001180683	1	Cable, Video	

SECTION 6 - CAB

FIGURE 6-52. REAR WINDOW RELEASE INSTALLATION (ANSI - ENGLISH)



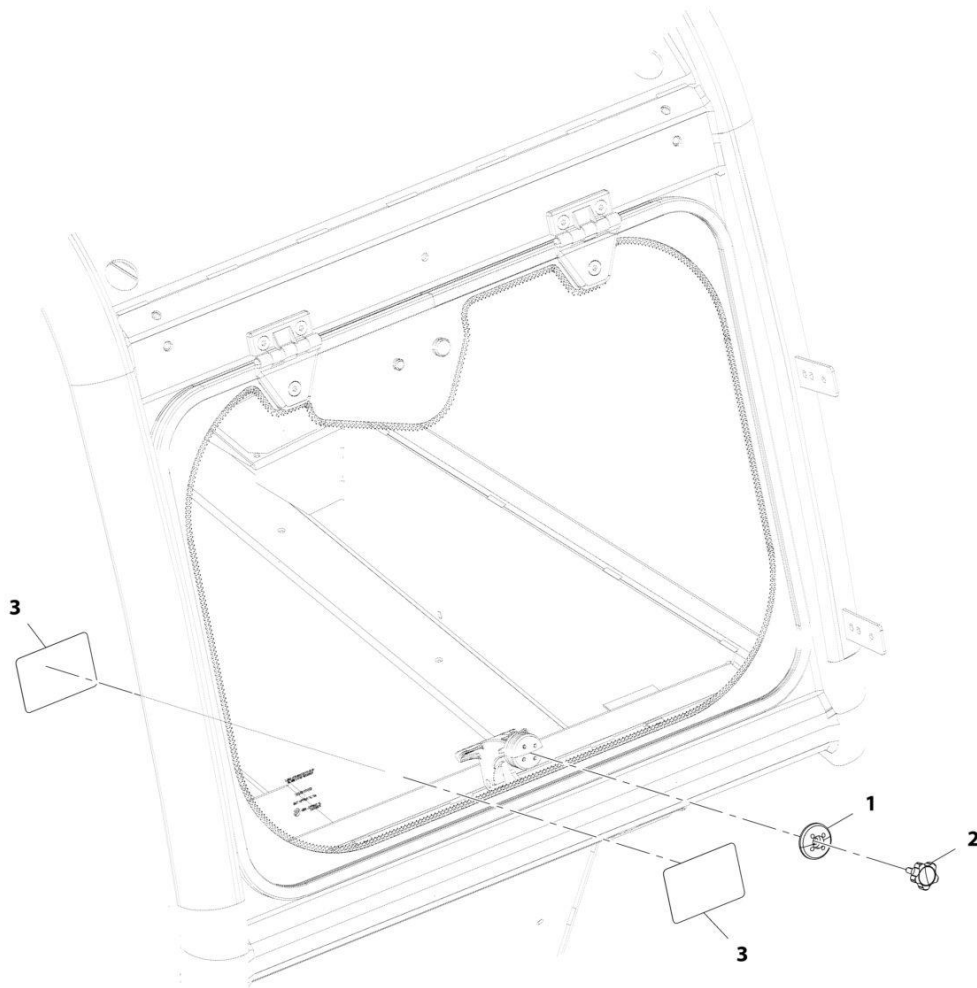
ART_1001212047-A

FIGURE 6-52. REAR WINDOW RELEASE INSTALLATION (ANSI - ENGLISH)

ITEM	PART NUMBER	QTY	DESCRIPTION	REV
	1001212047	Ref	External Window Release Installation (ANSI)	A
1	1001179008	1	Cap, Latch Window	
2	1001179009	1	Cap, Knob M6	
3	1001212049	2	Decal, Emergency Exit	

SECTION 6 - CAB

FIGURE 6-53. REAR WINDOW RELEASE INSTALLATION (ENGLISH/FRENCH)



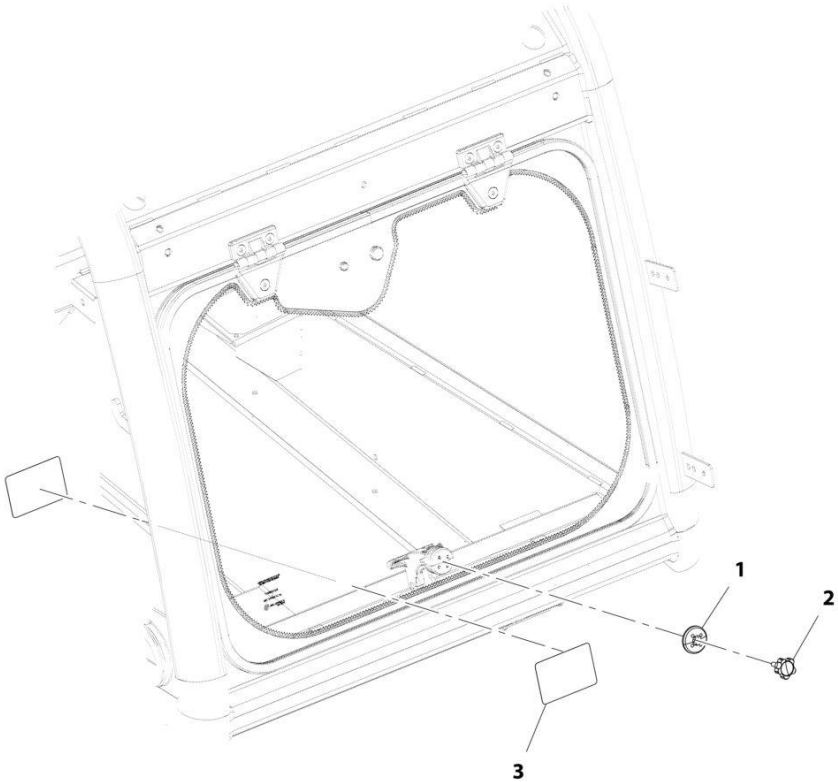
ART_1001178826-C

FIGURE 6-53. REAR WINDOW RELEASE INSTALLATION (ENGLISH/FRENCH)

ITEM	PART NUMBER	QTY	DESCRIPTION	REV
	1001178826	Ref	External Window Release Installation (English/French)	C
1	1001179008	1	Cap, Latch Window	
2	1001179009	1	Knob	
3	1001204709	2	Decal, Emergency Exit (English/French)	

SECTION 6 - CAB

FIGURE 6-54. REAR WINDOW RELEASE INSTALLATION (ISO)



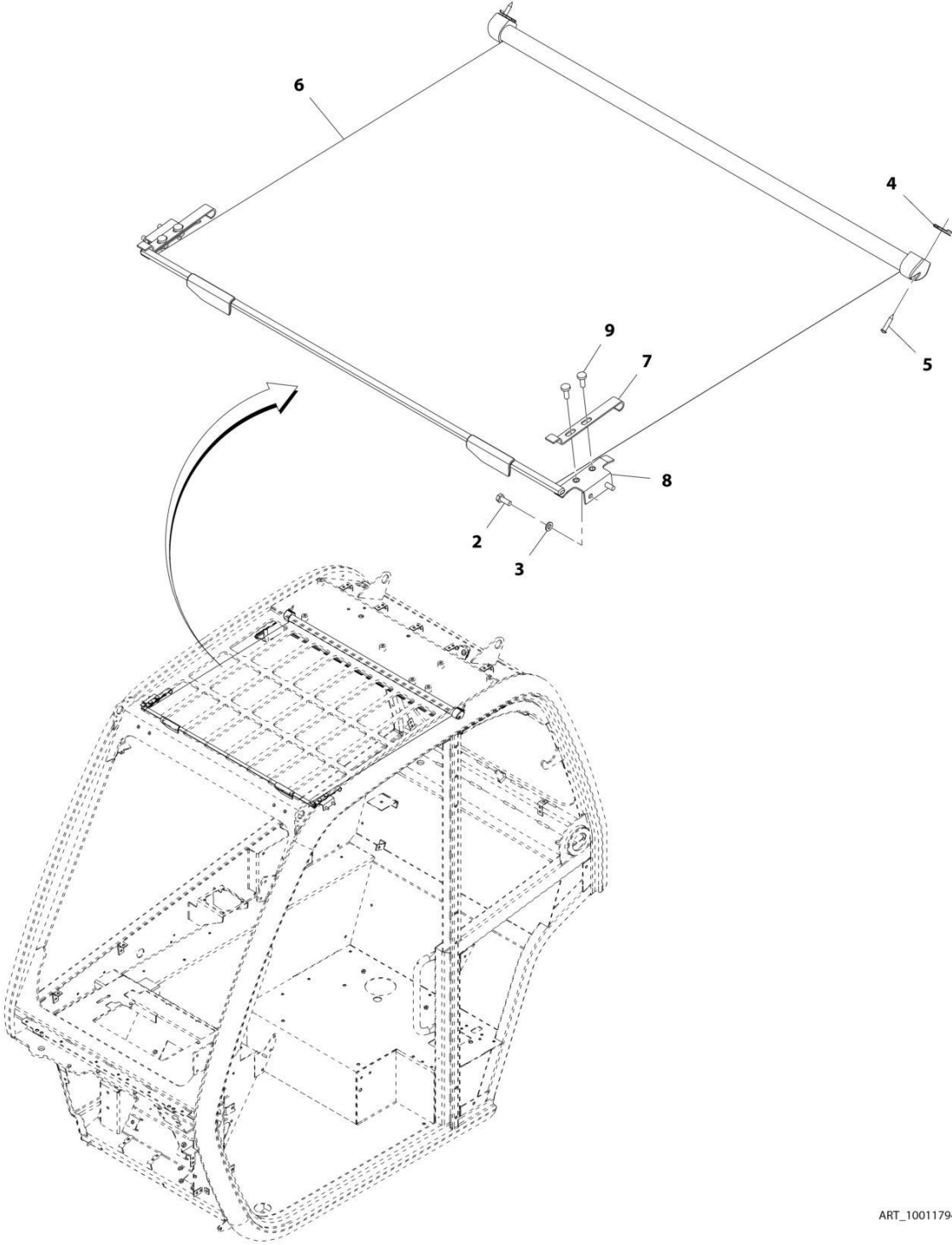
ART_1001212048-A

FIGURE 6-54. REAR WINDOW RELEASE INSTALLATION (ISO)

ITEM	PART NUMBER	QTY	DESCRIPTION	REV
	1001212048	Ref	Rear Window Installation (WO/Wiper) (ISO)	A
1	1001179008	1	Cap, Latch Window	
2	1001179009	1	Cap, Knob M6	
3	1001212050	2	Decal, Emergency Exit	

SECTION 6 - CAB

FIGURE 6-55. RETRACTABLE SUNSCREEN INSTALLATION



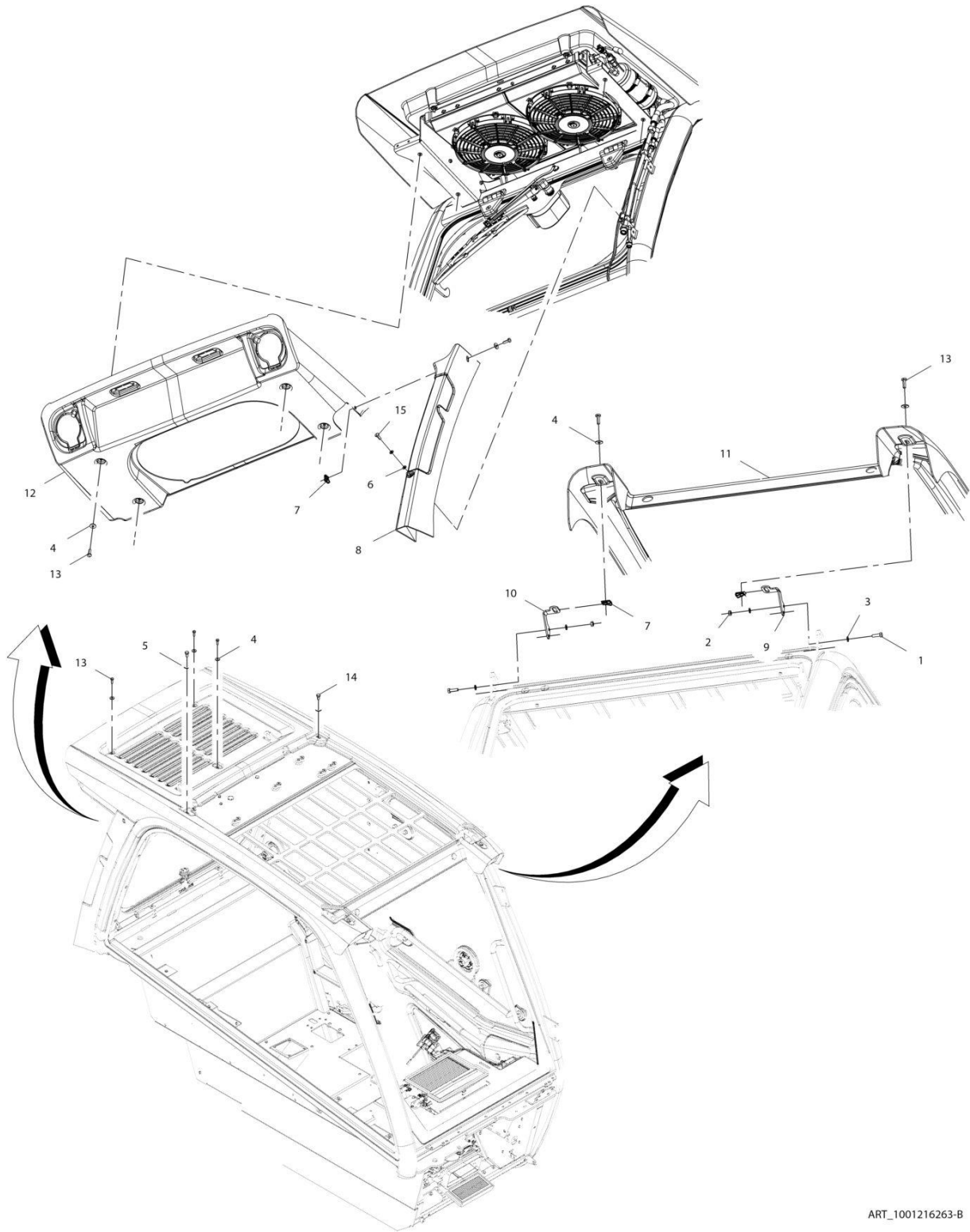
ART_1001179482-D

FIGURE 6-55. RETRACTABLE SUNSCREEN INSTALLATION

ITEM	PART NUMBER	QTY	DESCRIPTION	REV
	1001179482	Ref	Retractable Sunscreen Installation	D
2	0760608	4	Bolt, M6X16	
3	4811700	4	Washer, M6	
4	1001111076	2	Nut, Spire	
5	1001111147	2	Screw, Self Tapping	
6	1001179483	1	Cab, Sun Blind	
7	1001209463	2	Bracket	
8	1001166385	2	Bracket	
9	4010608002	4	Screw, Posi-Drive M6X16	

SECTION 6 - CAB

FIGURE 6-56. ROOF CAP INSTALLATION (A/C)



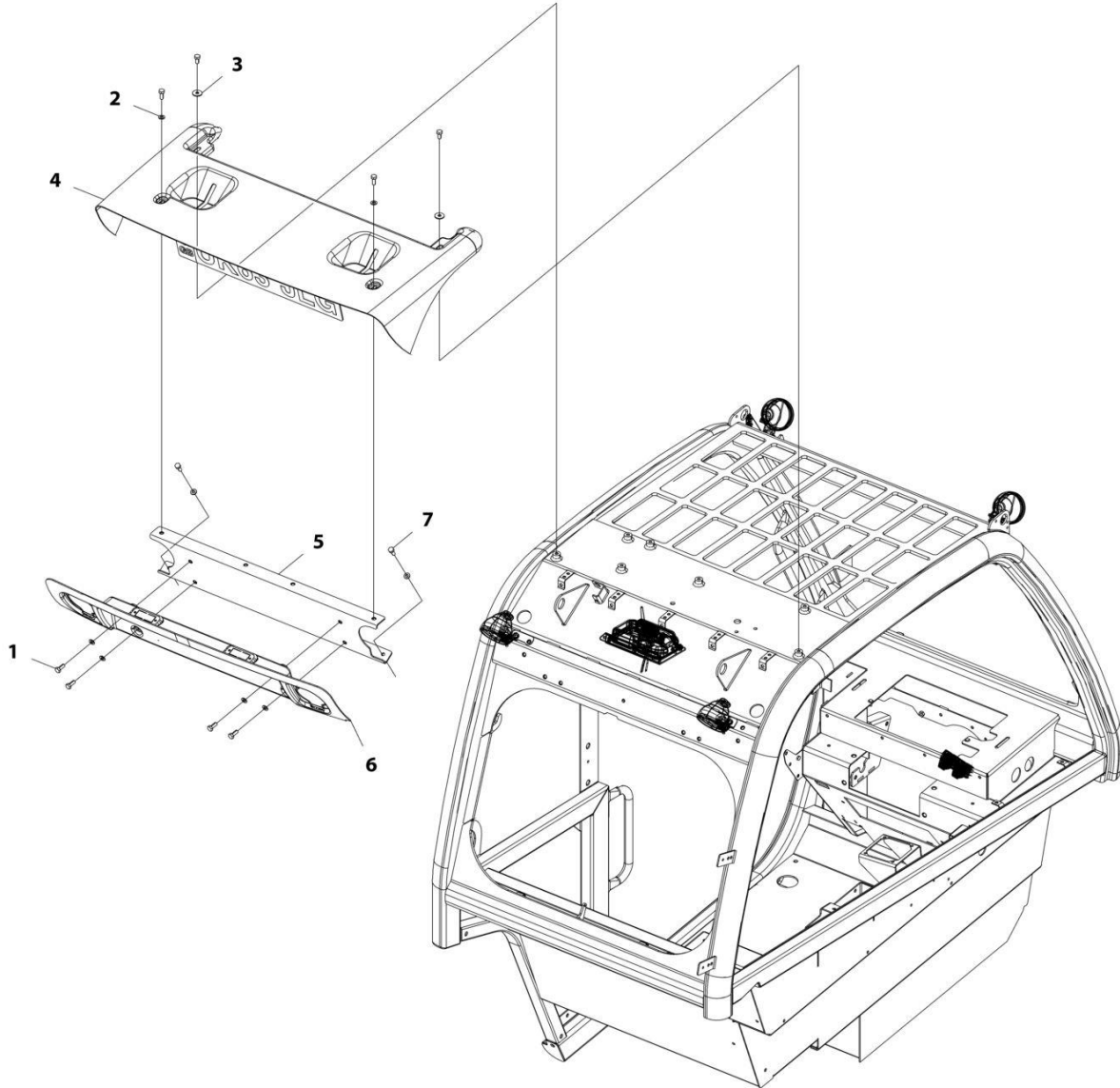
ART_1001216263-B

FIGURE 6-56. ROOF CAP INSTALLATION (A/C)

ITEM	PART NUMBER	QTY	DESCRIPTION	REV
	1001216263	Ref	Roof Cap (A/C) Installation	B
1	0700610	4	Bolt, M6X20	
2	3290601	4	Nut, M6X1	
3	4811700	9	Washer, M6	
4	4811702	10	Washer, M6	
5	4811902	2	Washer, M8	
6	4831700	1	Washer, Lock M6	
7	8305919	3	Nut, M6	
8	1001174741	1	Cover	
9	1001174800	1	Bracket	
10	1001174801	1	Bracket	
11	1001216267	1	Cover, Upper Roof Cap	
12	1001216269	1	Cover, Lower Roof Cap	
13	4010610002	10	Screw, Posi-Drive M6X20	
14	0760808	2	Bolt, M8X16	
15	4010608002	1	Screw, M6X16	

SECTION 6 - CAB

FIGURE 6-57. ROOF CAP INSTALLATION (NO A/C)



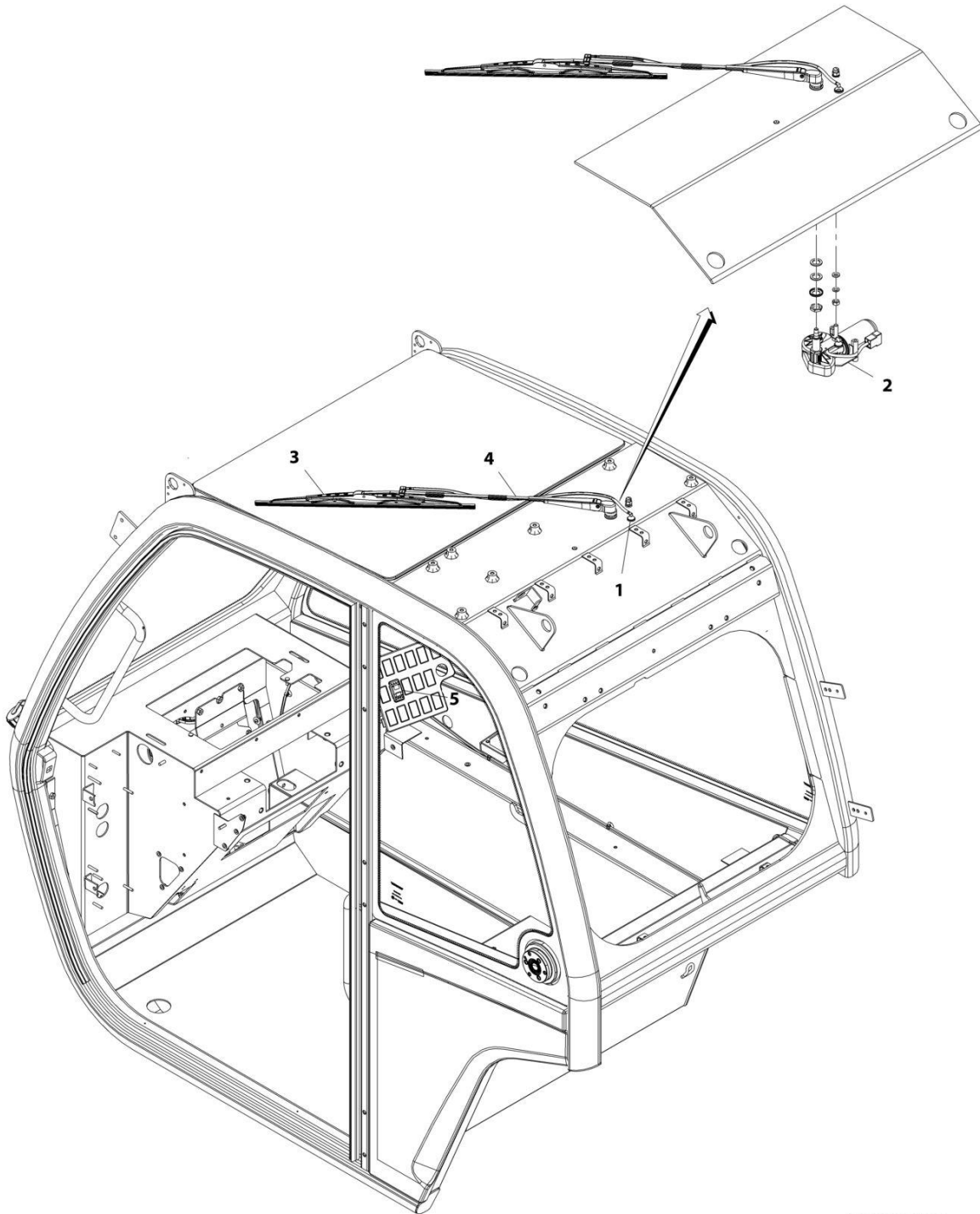
ART_1001216265

FIGURE 6-57. ROOF CAP INSTALLATION (NO A/C)

ITEM	PART NUMBER	QTY	DESCRIPTION	REV
	1001216265	Ref	Roof Cap Installation (No A/C)	B
1	0760810	8	Bolt, M8X20	
2	4811900	8	Washer, M8	
3	4811902	2	Washer, M8	
4	1001182330	1	Cover, Short Upper Roof Cap	
5	1001185633	1	Bracket, Roof Cap Mount	
6	1001216270	1	Cover, Short Lower Roof Cap	
7	0760808	2	Bolt, M8X16	

SECTION 6 - CAB

FIGURE 6-58. ROOF WIPER INSTALLATION



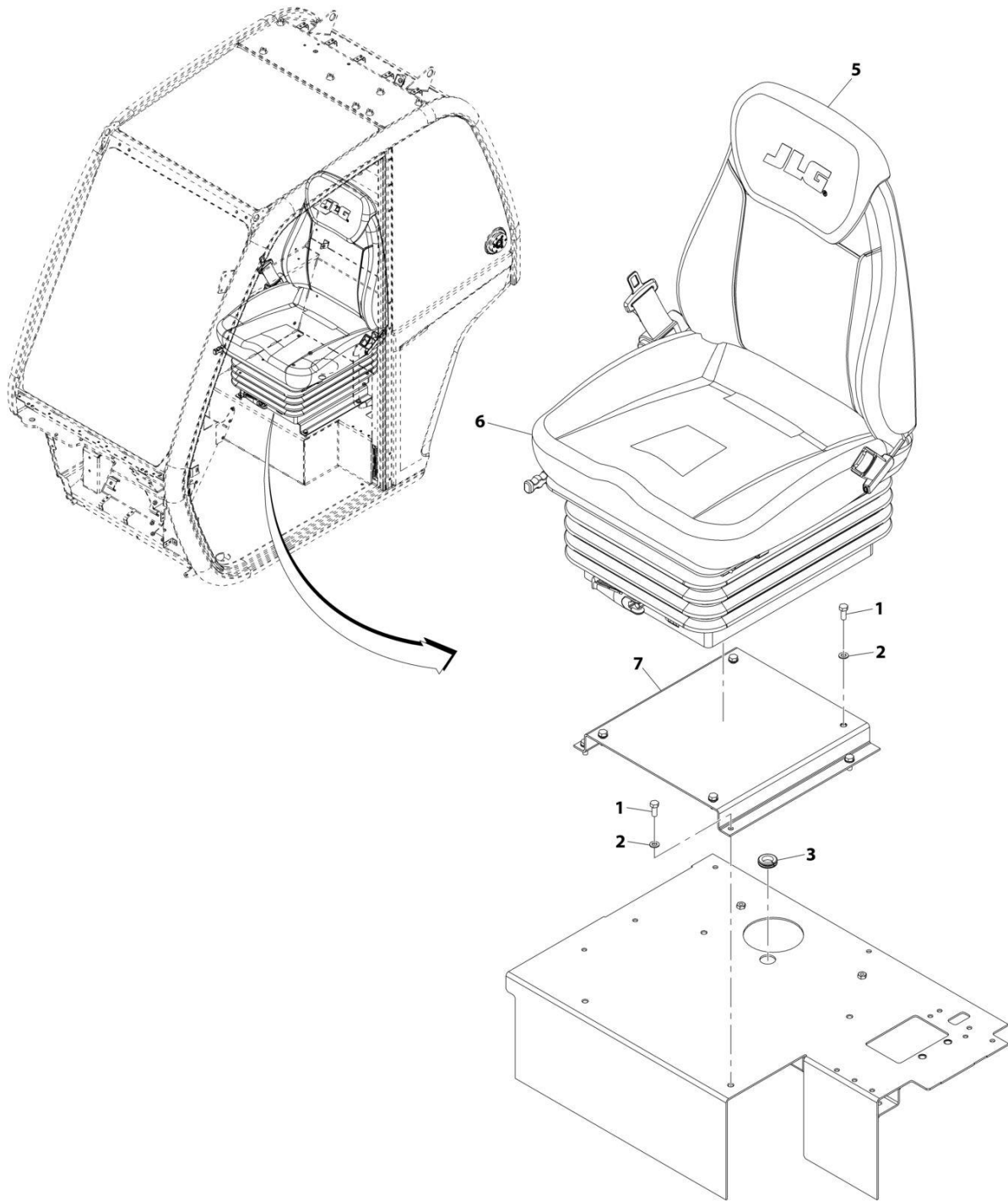
ART_1001155486-B

FIGURE 6-58. ROOF WIPER INSTALLATION

ITEM	PART NUMBER	QTY	DESCRIPTION	REV
	1001155486	Ref	Roof Wiper Installation	B
1	1001090343	1	Connector	
2	1001139551	1	Motor, Roof Wiper	
3	1001141313	1	Blade, Roof Wiper	
4	1001141311	1	Arm, Roof Wiper Blade	
5	1001159736	1	Switch, Roof Wiper	

SECTION 6 - CAB

FIGURE 6-59. SEAT INSTALLATION (CLOTH)



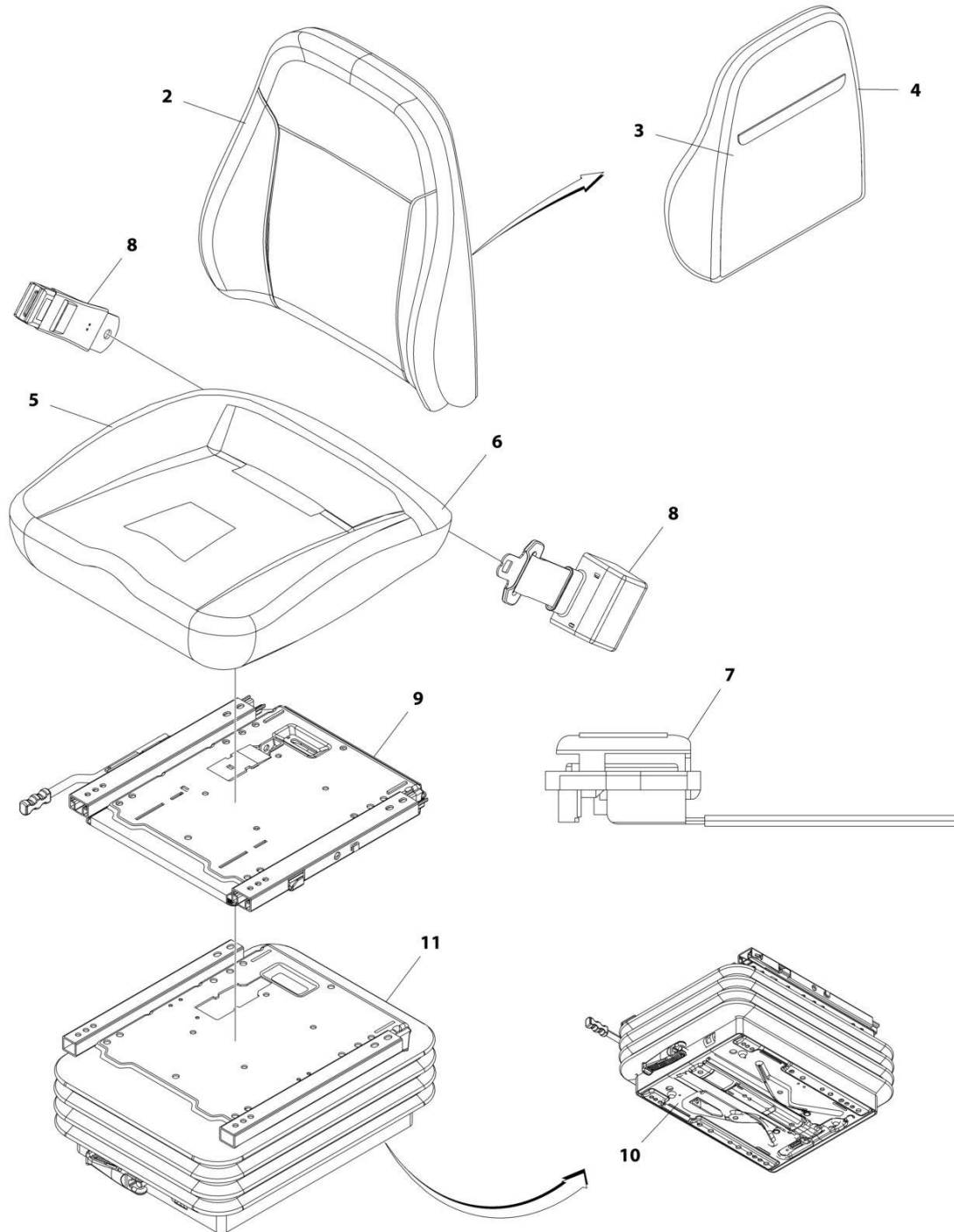
ART_1001158601-D

FIGURE 6-59. SEAT INSTALLATION (CLOTH)

ITEM	PART NUMBER	QTY	DESCRIPTION	REV
	1001158601	Ref	Seat Installation (Cloth)	E
1	0760810	8	Bolt, M8X20	
2	4811900	8	Washer, M8	
3	1001216974	1	Grommet	
5	1001119467	1	Headrest, Cloth	
6	1001288070	1	Assembly, Seat (See Separate Breakdown in this Section)	
7	1001158738C	1	Plinth, Seat	

SECTION 6 - CAB

FIGURE 6-60. SEAT ASSEMBLY



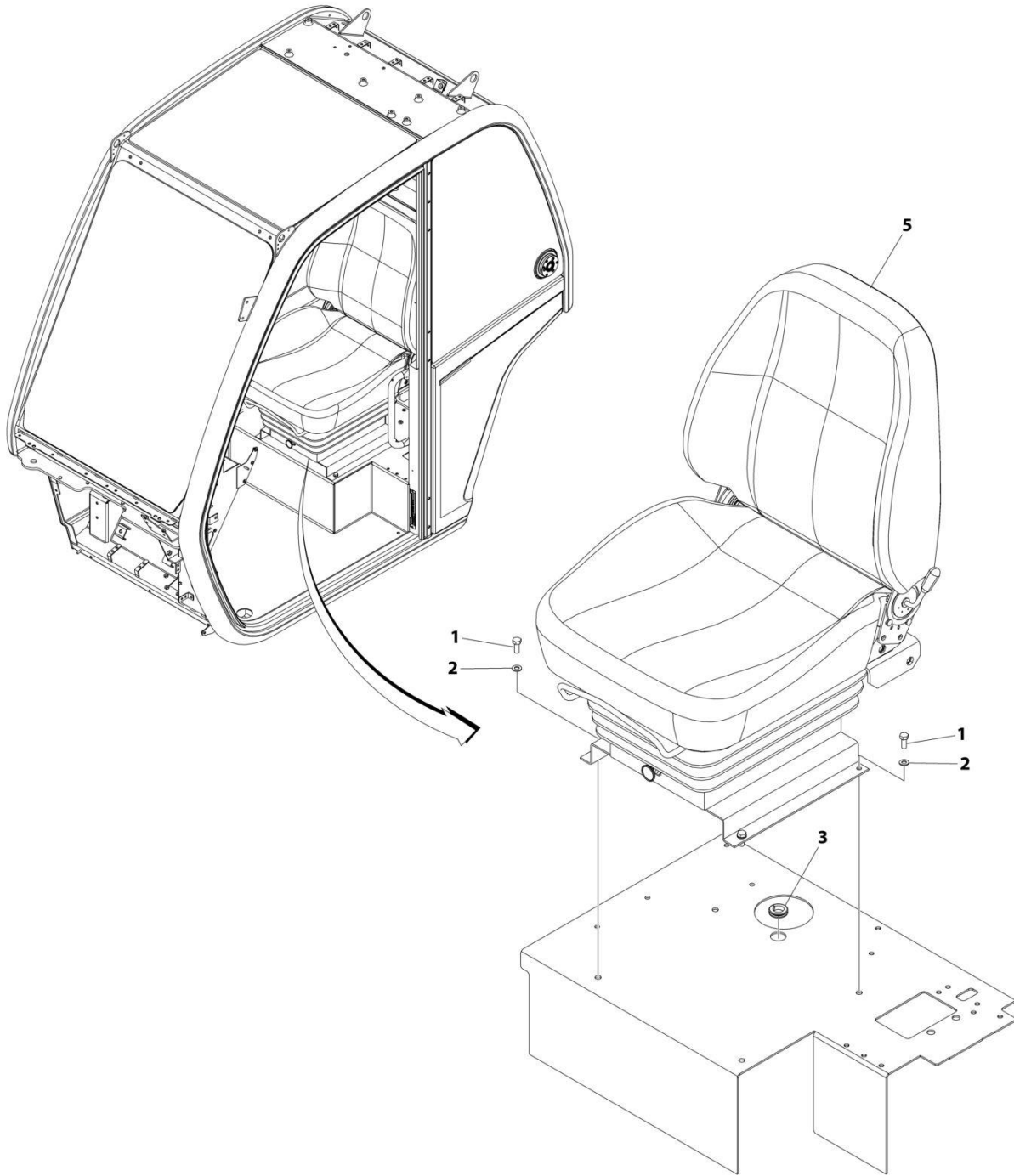
ART_1001150294

FIGURE 6-60. SEAT ASSEMBLY

ITEM	PART NUMBER	QTY	DESCRIPTION	REV
	1001150294	Ref	CLOTH SEAT	F
2	70025489	1	Fabric, Upper Seat	
3	70025490	1	Cover, Back	
4	70025483	1	Foam, Back	
5	70025491	1	Cover, Seat	
6	70025485	1	Foam, Seat	
7	70025486	1	Switch, Contact	
8	7029767	1	Belt, Seat	
9	70021252	1	Rail, Slide	
10	70021251	1	Unit, Suspension	
11	70022034	1	Cover, Rubber	

SECTION 6 - CAB

FIGURE 6-61. SEAT INSTALLATION (AIR SUSPENSION - STANDARD)



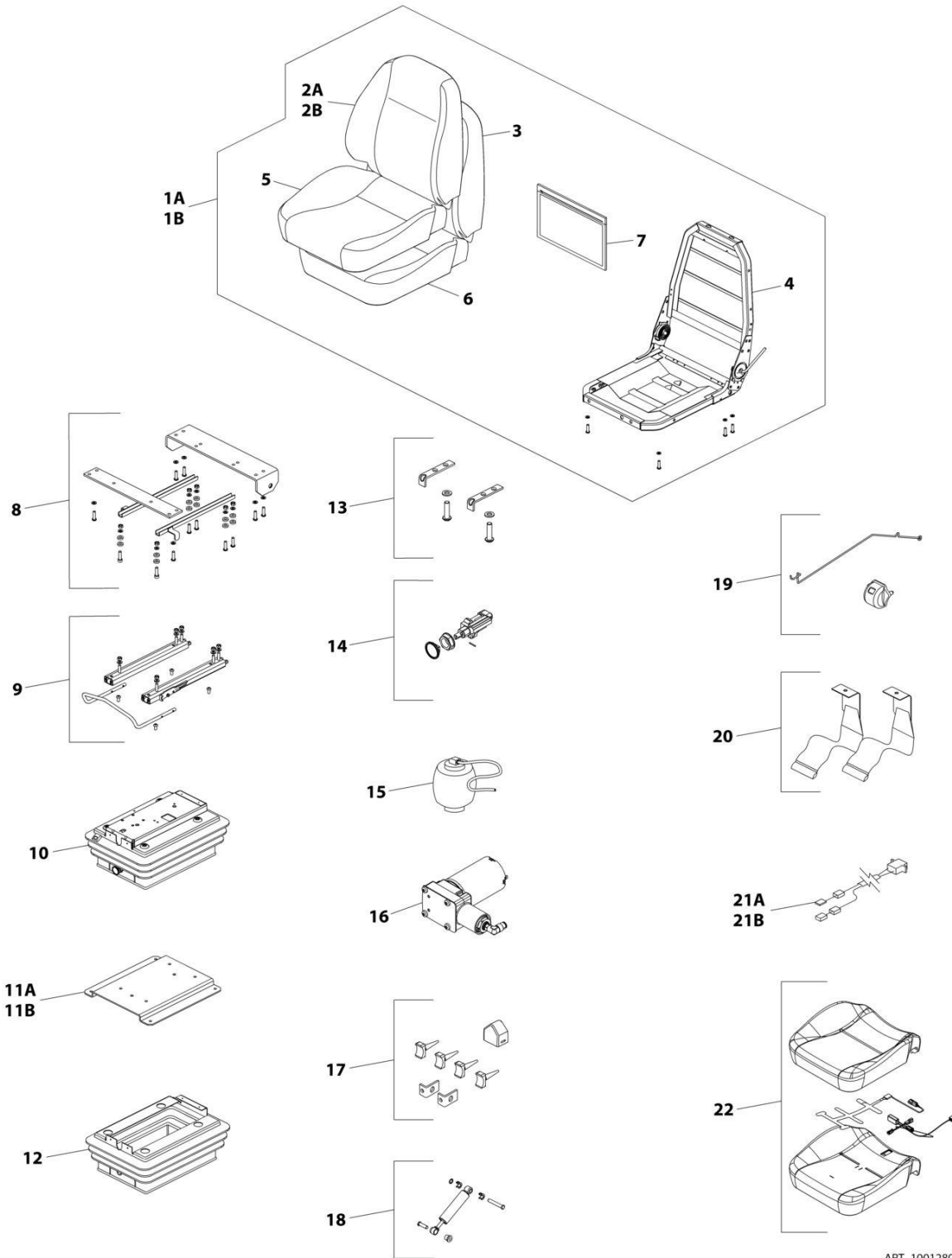
ART_1001158596_E

FIGURE 6-61. SEAT INSTALLATION (AIR SUSPENSION - STANDARD)

ITEM	PART NUMBER	QTY	DESCRIPTION	REV
	1001158596	Ref	SEAT INSTALLATION (AIR SUSPENSION - STANDARD)	E
1	0760810	4	Bolt, M8X20	
2	4811900	4	Washer, M8	
3	1001216974	1	Grommet	
5	1001280471	1	Seat Assembly (See Separate Breakdown in this Section)	

SECTION 6 - CAB

FIGURE 6-62. SEAT ASSEMBLY (AIR SUSPENSION - STANDARD)



ART_1001280471

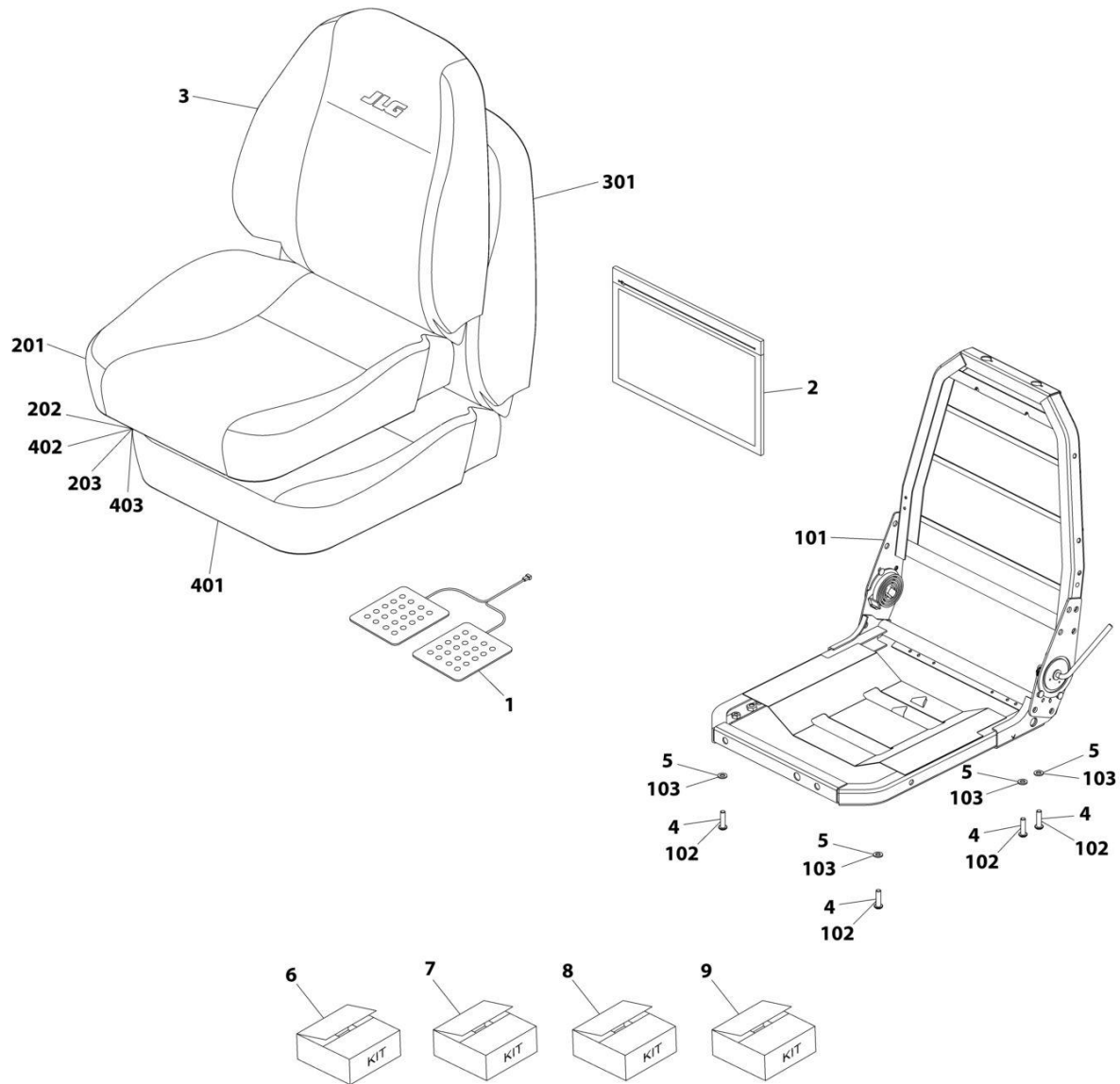
SECTION 6 - CAB

FIGURE 6-62. SEAT ASSEMBLY (AIR SUSPENSION - STANDARD)

ITEM	PART NUMBER	QTY	DESCRIPTION	REV
	1001280471	Ref	SEAT ASSEMBLY (AIR SUSPENSION - STANDARD)	A
1A	70031050	1	Cushion and Frame Assembly (Without Sensor) (Includes Items 2-7)	
1B	70031051	1	Cushion and Frame Assembly (With Sensor) (Includes Items 2-7)	
2A	70027399	1	Fabric, Seat Back (Without Sensor)	
2B	70031052	1	Fabric, Seat Back (With Sensor)	
3	80264002	1	Foam, Seat Back	
4	70021314	1	Frame, Seat Bottom and Back	
5	70027394	1	Fabric, Seat Bottom	
6	80264004	1	Foam, Seat Bottom	
7	70021316	1	Document Bag Kit	
8	70021317	1	Frame Mount Kit	
9	70021318	1	Fore/Aft Side Adjustment Kit	
10	70021319	1	Suspension Kit	
11A	70021320	1	Mounting Plate Kit (16.5mm Height)	
11B	70027395	1	Mounting Plate Kit (44.5mm Height)	
12	70021321	1	Cover, Suspension	
13	70021322	1	Side Rail Stop Kit	
14	70021323	1	Air Valve Kit	
15	70021324	1	Air Spring Kit	
16	70021325	1	Compressor Kit	
17	70021326	1	Limit Switches Kit	
18	70021327	1	Damper Kit	
19	70021328	1	Ride Indicator Kit	
20	70021329	1	Seatbelts Kit	
21A	70021330	1	Seat Adapter Harness (Without Sensor)	
21B	70031053	1	Seat Adapter Harness (With Sensor)	
22	70031054	1	Cover/Foam/Sensor Kit (Includes Items 5 & 6)	

SECTION 6 - CAB

FIGURE 6-63. UPPER SEAT ASSEMBLY



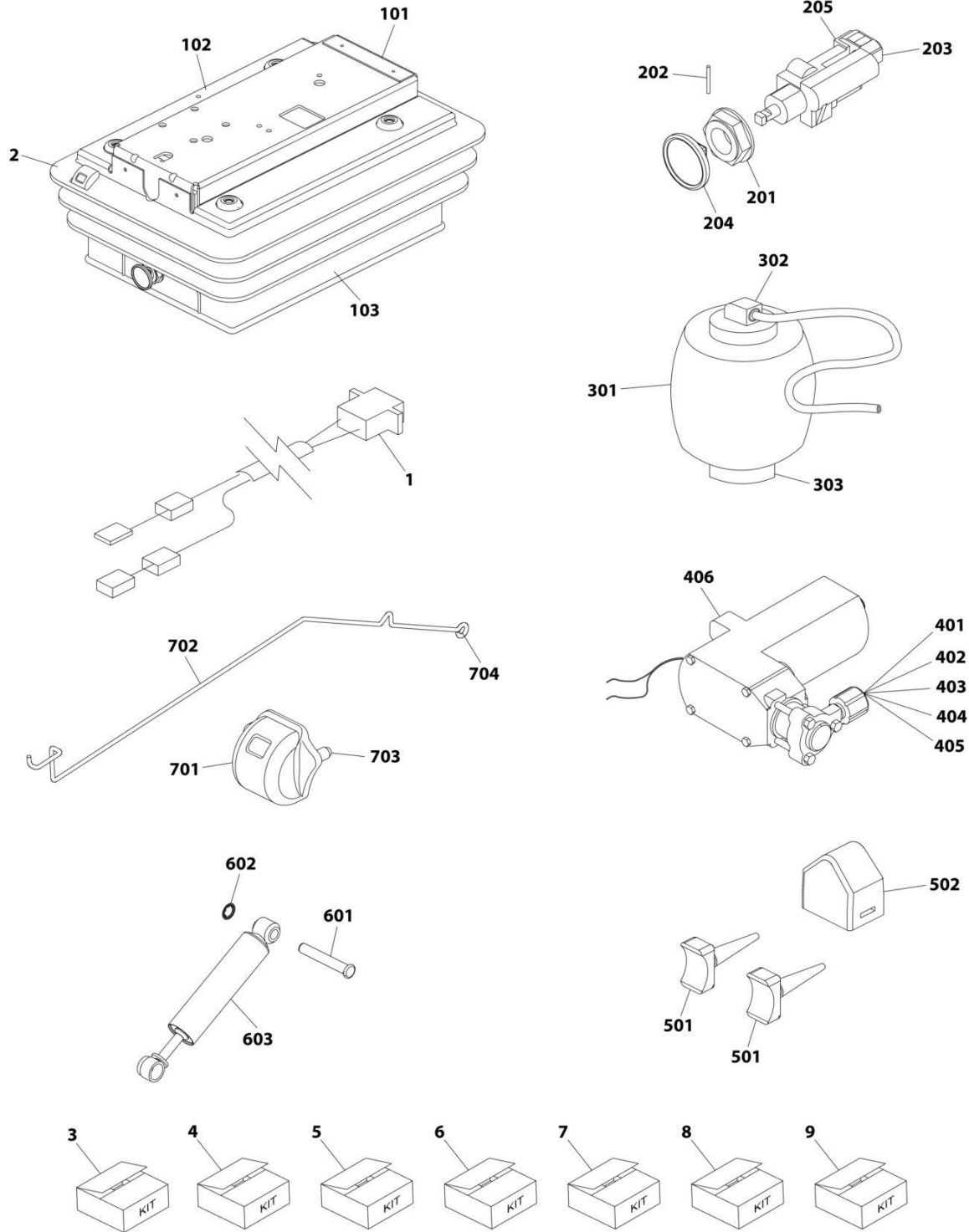
ART_70027392

FIGURE 6-63. UPPER SEAT ASSEMBLY

ITEM	PART NUMBER	QTY	DESCRIPTION	REV
	70027392	Ref	Upper Seat Assembly	
1	70025539	1	Pad, Sensor	
2	70021316	1	Bag	
3	70027393	1	Cover, Back	
4	N.S.S.	4	Bolt, M8X25	
5	N.S.S.	4	Washer	
6	70021314	1	Kit, Frame (includes items 101 thru 103)	
7	70027394	1	Kit, Bottom Seat Cover (includes items 201 thru 203)	
8	80264002	1	Kit, Back Foam (includes items 301 thru 303)	
9	80264004	1	Kit, Seat Foam (includes items 401 thru 403)	
101	N.S.S.	1	Frame, Seat	
102	N.S.S.	4	Bolt, M8X25	
103	N.S.S.	4	Washer	
201	N.S.S.	1	Cover, Seat	
202	N.S.S.	2	Clip	
203	N.S.S.	17	Clip	
301	N.S.S.	1	Foam, Back	
302	N.S.S.	3	Bar, Trim	
303	N.S.S.	4	Ring	
401	N.S.S.	1	Foam, Seat	
402	N.S.S.	2	Clip	
403	N.S.S.	17	Clip	

SECTION 6 - CAB

FIGURE 6-64. SUSPENSION KIT



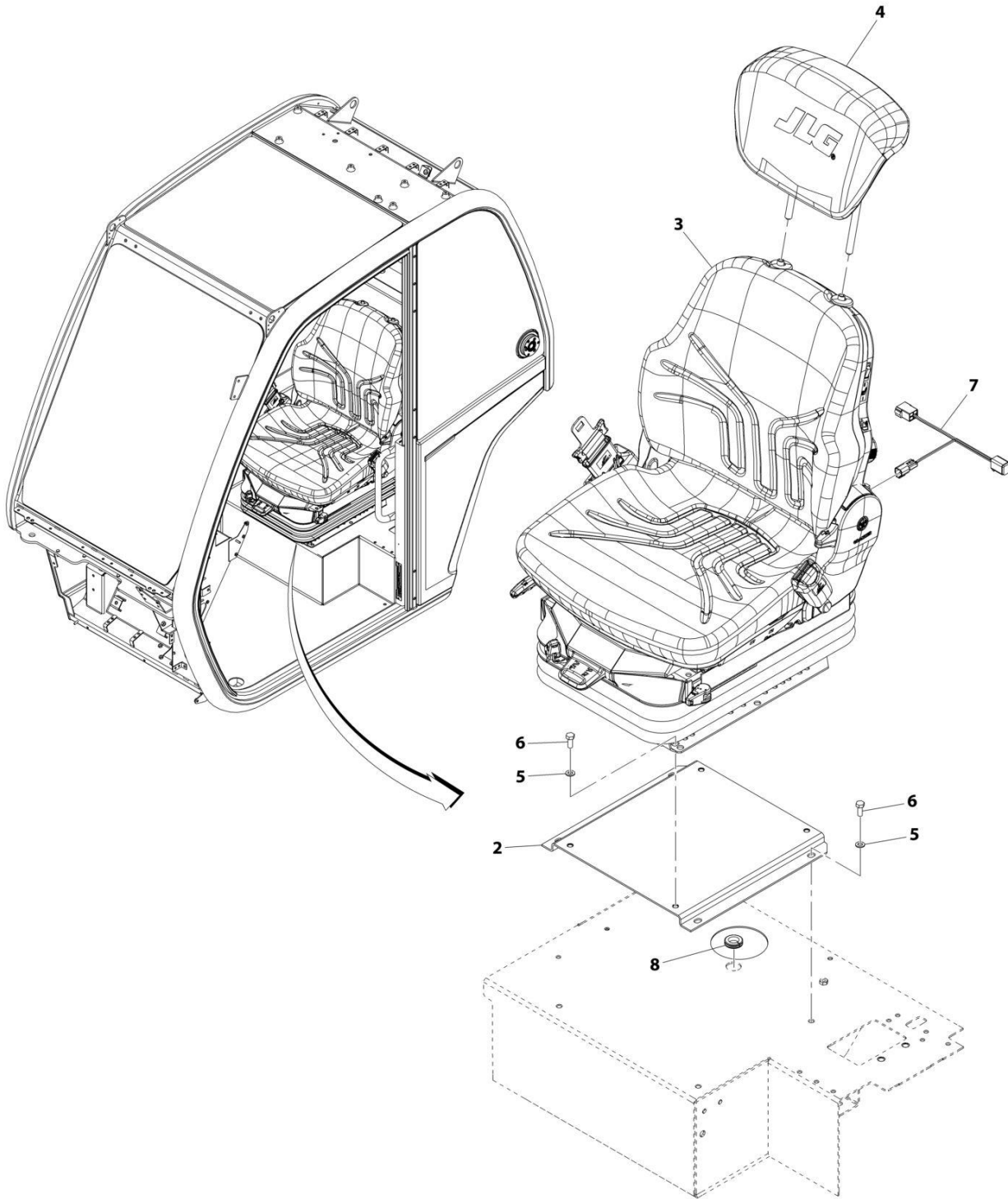
ART_70021319

FIGURE 6-64. SUSPENSION KIT

ITEM	PART NUMBER	QTY	DESCRIPTION	REV
	70021319	Ref	Suspension Kit	
1	70021330	1	Lead, Fly	
2	N.S.S.	1	Suspension	
3	70021321	1	Kit, Suspension Cover (includes items 101 thru 103)	
4	70021323	1	Kit, Air Valve (includes items 201 thru 205)	
5	70021324	1	Kit, Air Spring (includes items 301 thru 303)	
6	70021325	1	Kit, Compressor (includes items 401 thru 406)	
7	70021326	1	Kit, Upstop/Bumpstop (includes items 501 & 502)	
8	70021327	1	Kit, Damper (includes items 601 thru 603)	
9	70021328	1	Kit, Ride Indicator (includes items 701 thru 704)	
101	N.S.S.	6	Clip, Cover	
102	N.S.S.	1	Cover, Suspension	
103	N.S.S.	5	Clip, Cover	
201	N.S.S.	1	Nut, Air Valve	
202	N.S.S.	1	Pin, Retaining	
203	N.S.S.	1	Valve, Combination	
204	N.S.S.	1	Knob	
205	N.S.S.	2	Tie, Plastic	
301	N.S.S.	1	Spring, Air	
302	N.S.S.	1	Clip	
303	N.S.S.	1	Screw, Countersunk Self Tapping	
401	N.S.S.	1	Clip	
402	N.S.S.	1	Pad	
403	N.S.S.	1	Loom	
404	N.S.S.	2	Tie, Cable	
405	N.S.S.	3	Tie, Plastic	
406	N.S.S.	1	Compressor (with Elbow)	
501	N.S.S.	2	Upstop	
502	N.S.S.	1	Bumpstop	
601	N.S.S.	2	Pin	
602	N.S.S.	2	Washer, Starlock	
603	N.S.S.	1	Damper	
701	N.S.S.	1	Indicator, Ride	
702	N.S.S.	1	Wire, Ride Indicator	
703	N.S.S.	2	Washer, Starlock	
704	N.S.S.	1	Washer, Grip M4	

SECTION 6 - CAB

FIGURE 6-65. SEAT INSTALLATION (AIR SUSPENSION - PREMIUM)



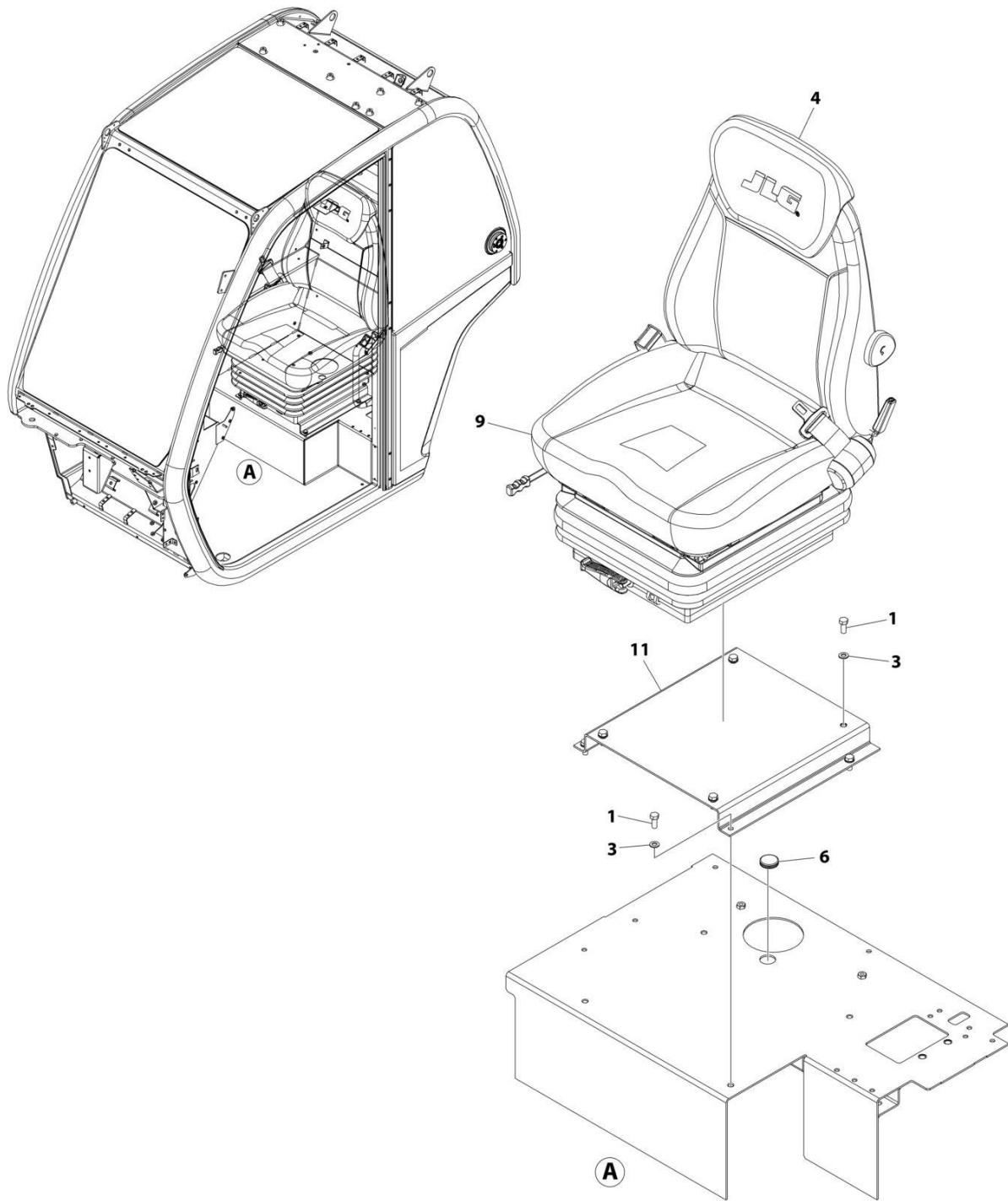
ART_1001182530-F

FIGURE 6-65. SEAT INSTALLATION (AIR SUSPENSION - PREMIUM)

ITEM	PART NUMBER	QTY	DESCRIPTION	REV
	1001182530	Ref	Seat Installation (Air Suspension - Premium)	F
2	1001158736C	1	Plinth, Seat	
3	1001169135	1	Assembly, Seat (See Separate Breakdown in this Section)	
4	1001182529	1	Headrest	
5	4811900	8	Washer, M8	
6	0760810	8	Bolt, M8X20	
7	1001168531	1	Harness, Seat Adaptor (See Separate Breakdown in ELECTRICAL Section)	
8	1001216974	1	Grommet	

SECTION 6 - CAB

FIGURE 6-66. SEAT INSTALLATION (CLOTH) (SEAOP)



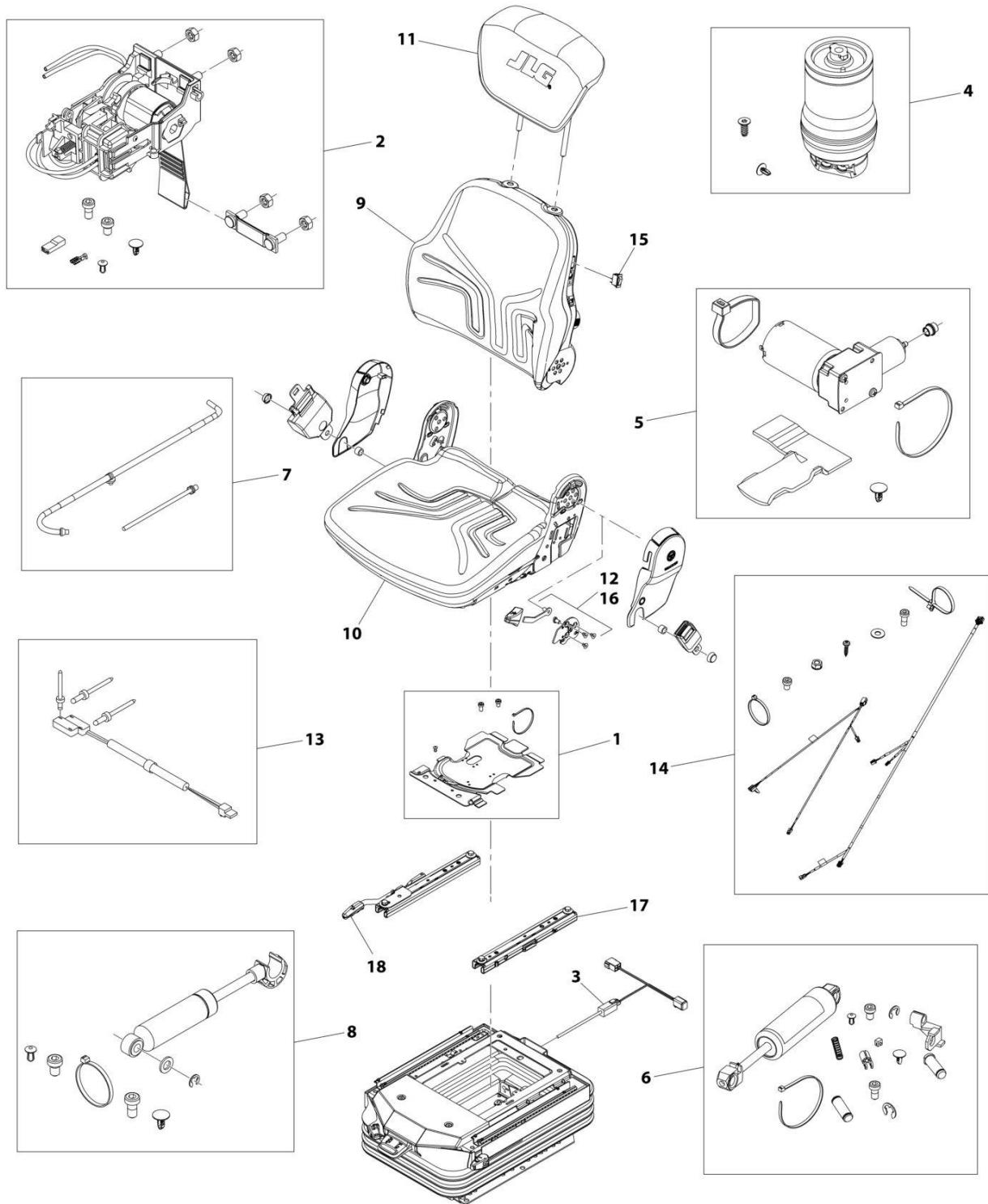
ART_1001288098

FIGURE 6-66. SEAT INSTALLATION (CLOTH) (SEAOP)

ITEM	PART NUMBER	QTY	DESCRIPTION	REV
	1001288098	Ref	SEAT INSTALLATION (CLOTH) (SEAOP)	A
1	0760810	8	Bolt M8 x 20	
3	4811900	8	Washer M8	
4	1001119467	1	Headrest, Cloth	
6	1001196076	1	Cap	
7	1001266488	1	Lamp, LED (Red) (Not Shown)	
8	1001268744	1	Seat Belt Alarm Harness (See Separate Breakdown in ELECTRICAL Section) (Not Shown)	
9	1001288070	1	Seat Assembly (See Separate Breakdown in this Section)	
11	1001158738C	1	Plinth, Seat	

SECTION 6 - CAB

FIGURE 6-67. SEAT ASSEMBLY (AIR SUSPENSION - PREMIUM)



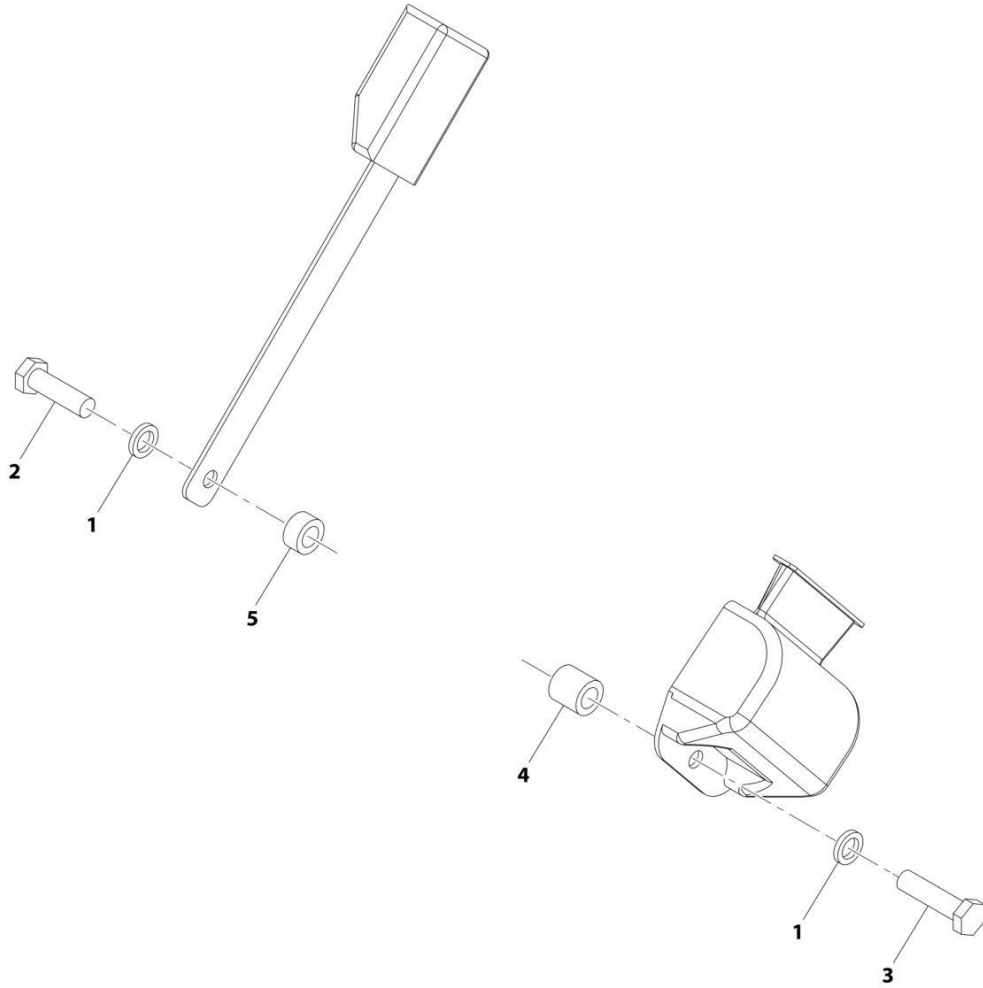
ART_1001169135-B

FIGURE 6-67. SEAT ASSEMBLY (AIR SUSPENSION - PREMIUM)

ITEM	PART NUMBER	QTY	DESCRIPTION	REV
	1001169135	Ref	Seat Assembly (Air Suspension - Premium)	B
1	70024856	1	Cover	
2	70023182	1	Control Level Kit	
3	70023186	1	Wiring Harness, Air/Safeswitch	
4	70023184	1	Air Spring Kit	
5	70024857	1	Compressor, 12V	
6	70023181	1	Shock Absorber Kit	
7	70024459	1	Air Tubes Kit	
8	70023189	2	Shock Absorber Kit	
9	70023179	1	Back Cushion Kit	
10	70024858	1	Seat Cushion Kit	
11	1001182529	1	Headrest, Cloth	
12	70024859	1	Backrest Actuator	
13	70028326	1	Switch	
14	70024861	1	Wiring Harness	
15	70024107	1	Switch, Heater	
16	7028621	1	Handle, Backrest Angle Adjust	
17	3986643	1	Adjust Slide Kit	
18	3986610	1	Handle	

SECTION 6 - CAB

FIGURE 6-68. SEAT BELT INSTALLATION (2IN)



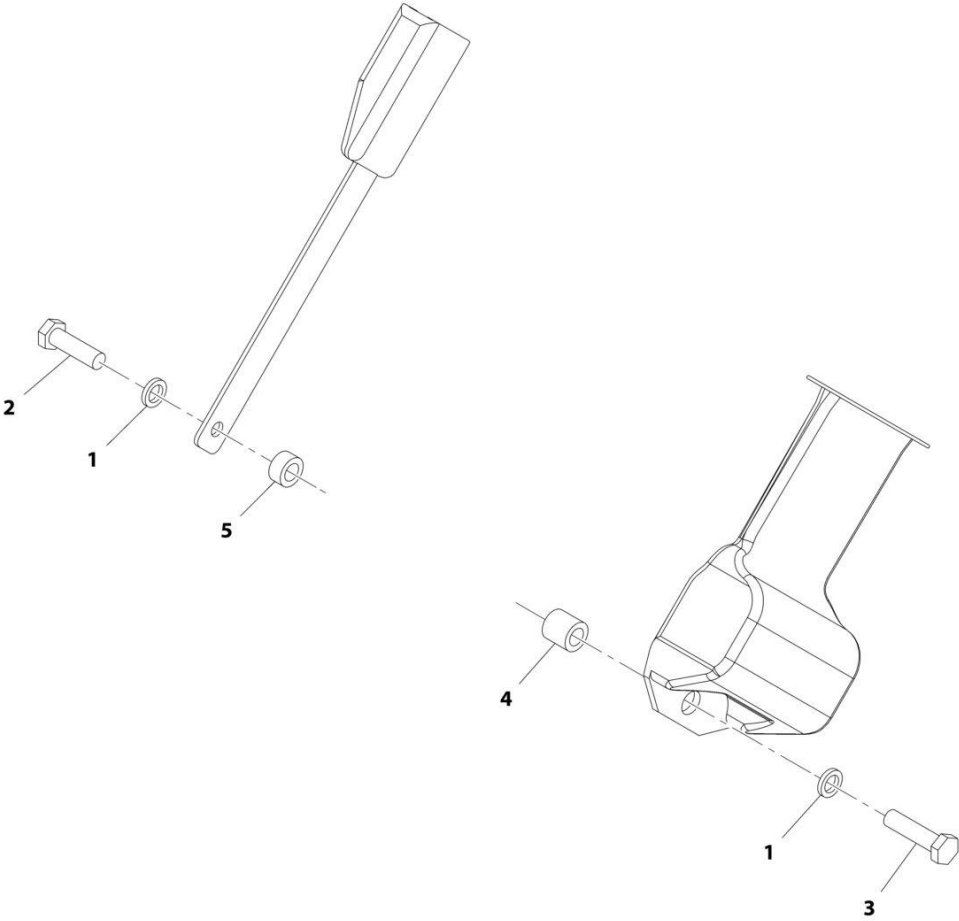
ART_1001006730

FIGURE 6-68. SEAT BELT INSTALLATION (2IN)

ITEM	PART NUMBER	QTY	DESCRIPTION	REV
	1001006730	Ref	Seat Belt Installation (2IN)	H
1	1001010646	2	Washer	
2	1001010647	1	Bolt	
3	1001010648	1	Bolt	
4	1001010649	1	Spacer, Shim	
5	1001010650	1	Spacer, Shim	

SECTION 6 - CAB

FIGURE 6-69. SEAT BELT INSTALLATION (3IN)



ART_1001006731-B

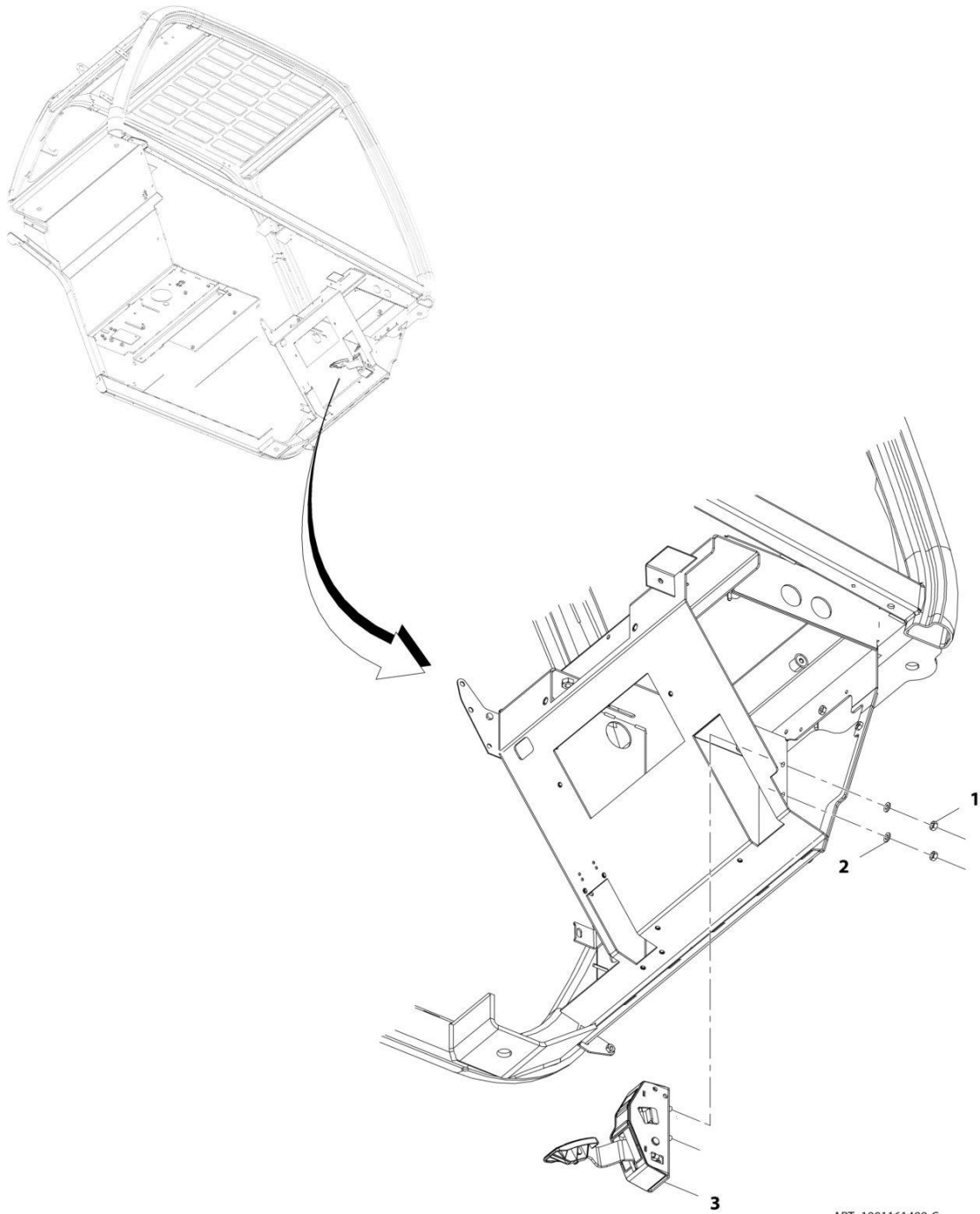
FIGURE 6-69. SEAT BELT INSTALLATION (3IN)

ITEM	PART NUMBER	QTY	DESCRIPTION	REV
	1001006731	Ref	Seat Belt Installation (3IN)	B
1	1001010646	2	Washer	
2	1001010647	1	Bolt	
3	1001010648	1	Bolt	
4	1001010649	1	Spacer	
5	1001010650	1	Spacer	

SECTION 7 - CONTROLS

SECTION 7 - CONTROLS

FIGURE 7-1. ACCELERATOR PEDAL INSTALLATION



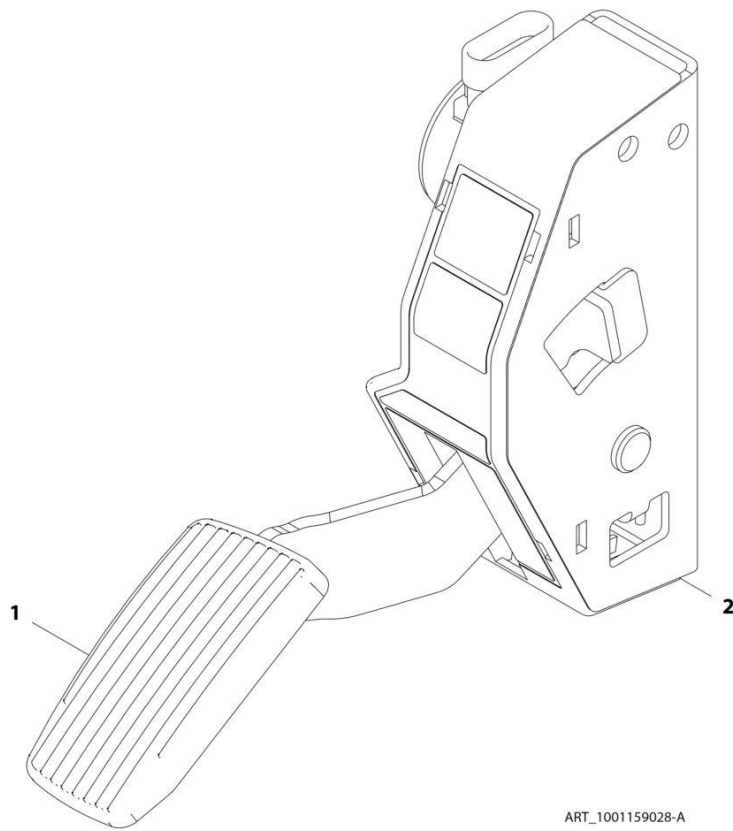
SECTION 7 - CONTROLS

FIGURE 7-1. ACCELERATOR PEDAL INSTALLATION

ITEM	PART NUMBER	QTY	DESCRIPTION	REV
	1001161499	Ref	Accelerator Pedal Installation	C
1	3290801	2	Nut, M8X1.25	
2	4811900	2	Washer, M8	
3	1001159028	1	Pedal, Accelerator (See Separate Breakdown in this Section)	

SECTION 7 - CONTROLS

FIGURE 7-2. ACCELERATOR PEDAL



ART_1001159028-A

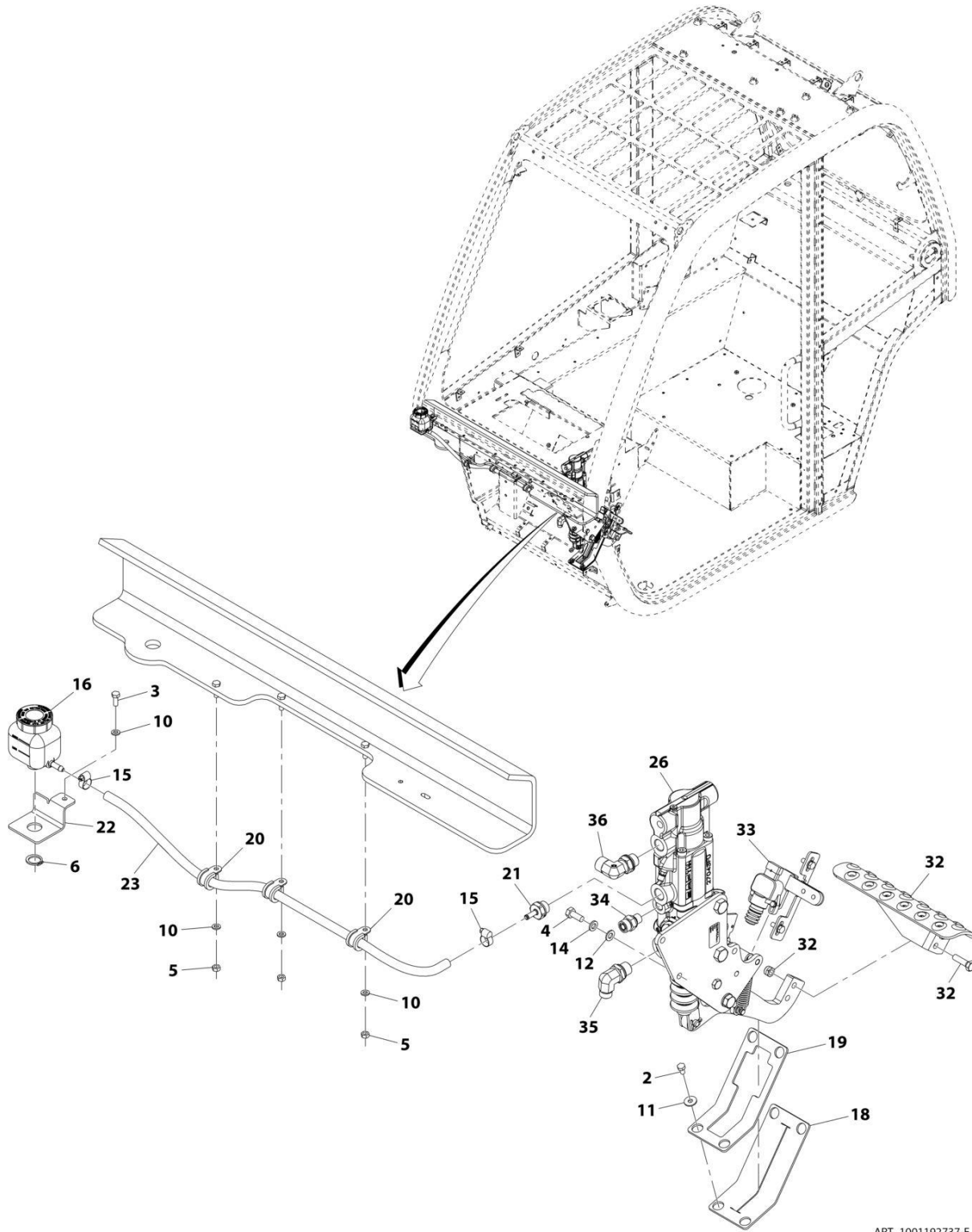
SECTION 7 - CONTROLS

FIGURE 7-2. ACCELERATOR PEDAL

ITEM	PART NUMBER	QTY	DESCRIPTION	REV
	1001159028	Ref	Accelerator Pedal	A
1	70025816	1	Pad, Rubber	
2	70025817	1	Cover, Rubber	

SECTION 7 - CONTROLS

FIGURE 7-3. BRAKE PEDAL INSTALLATION



ART_1001192737-E

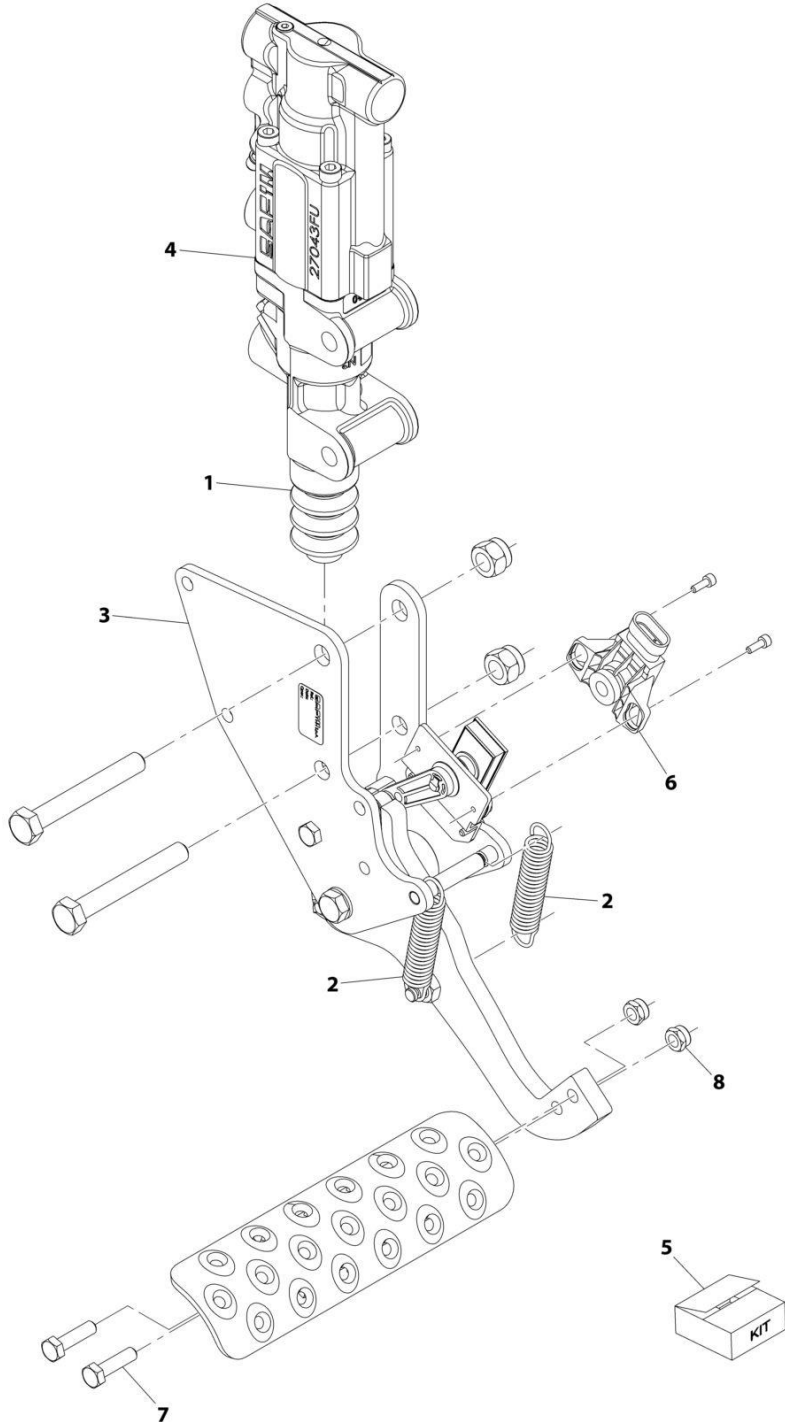
SECTION 7 - CONTROLS

FIGURE 7-3. BRAKE PEDAL INSTALLATION

ITEM	PART NUMBER	QTY	DESCRIPTION	REV
	1001192737	Ref	Brake Pedal Installation	E
2	0760605	4	Bolt, M6X10	
3	0760608	1	Bolt, M6X16	
4	0760810	3	Bolt, M8X20	
5	3290601	3	Nut, M6X1	
6	3760348	1	Ring, Retaining	
10	4811700	4	Washer, M6	
11	4811702	4	Washer, M6	
12	4811900	3	Washer, M8	
14	4831900	3	Washer, Lock M8	
15	8405009	2	Clamp	
16	1001214220	1	Reservoir, Brake	
18	1001162920	1	Seal	
19	1001162922	1	Plate	
20	1001170231	3	Clip	
21	1001171874	1	Fitting, Straight	
22	1001172088	1	Bracket	
23	1001172094	1	Hose	
26	1001213265	1	Assembly, Brake Pedal (See Separate Breakdown in this Section)	
32	1001197139	1	Plate, Brake Pedal	
33	1001205061	Ref	Installation, Brake Sensor (See Separate Breakdown in this Section)	
34	80233218	1	Fitting, Straight ORFS	
35	80333151	1	Fitting, 90 ORFS	
36	1001168054	1	Fitting, 90 ORFS	

SECTION 7 - CONTROLS

FIGURE 7-4. BRAKE PEDAL ASSEMBLY



ART_1001213265-A

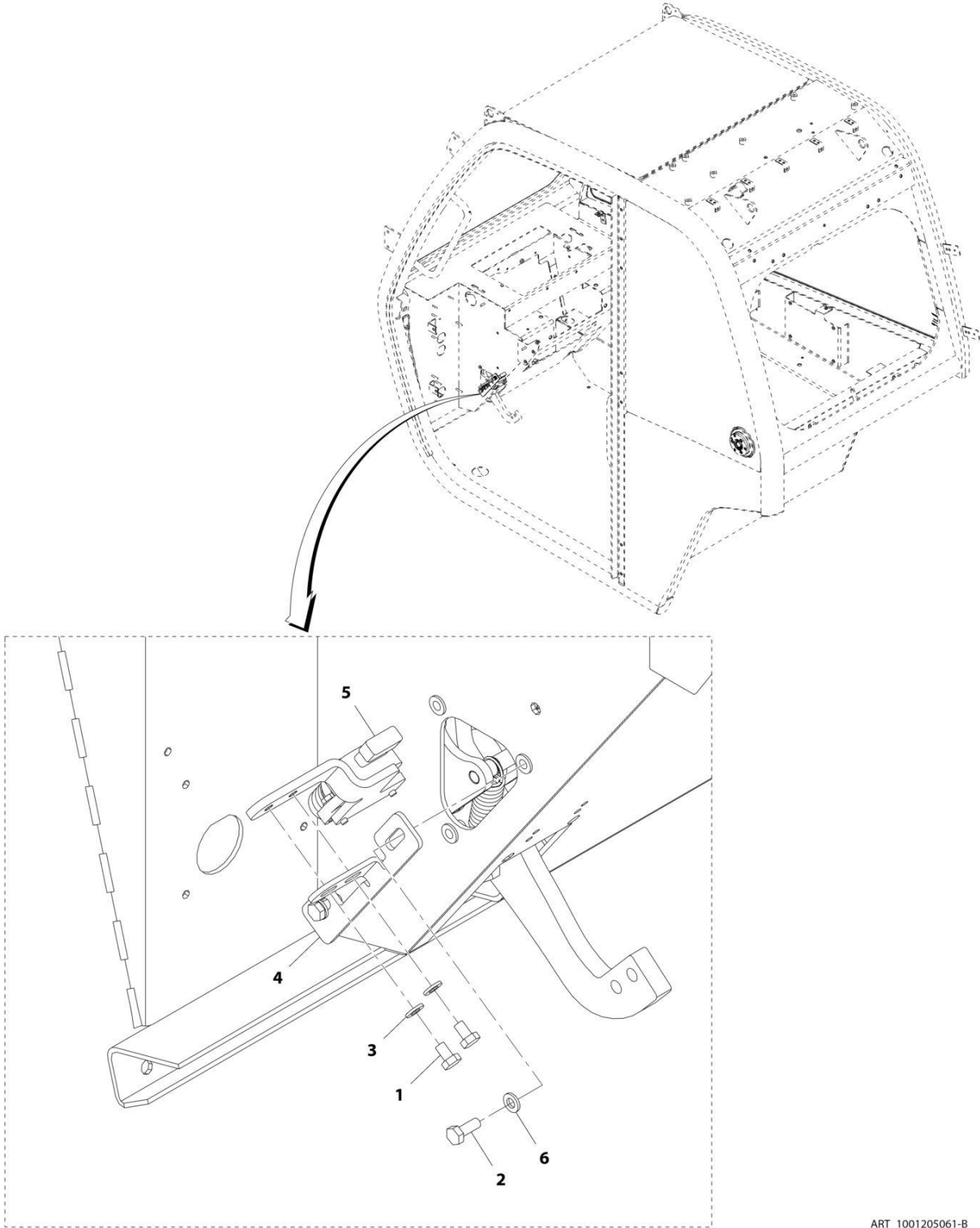
SECTION 7 - CONTROLS

FIGURE 7-4. BRAKE PEDAL ASSEMBLY

ITEM	PART NUMBER	QTY	DESCRIPTION	REV
	1001213265	Ref	Brake Pedal Assembly	A
1	70025859	1	Cover, Dust	
2	70025860	2	Spring, Return	
3	70028381	1	Support, Pedal	
4	70028382	1	Cylinder, Master	
5	70026434	1	Kit, Seal	
6	70028383	1	Sensor, Angle	
7	0770814	2	Bolt, M8X30 Grade 10.9	
8	3290805	2	Nut, Lock M8X1.25 Grade 8	

SECTION 7 - CONTROLS

FIGURE 7-5. BRAKE SENSOR INSTALLATION



ART_1001205061-B

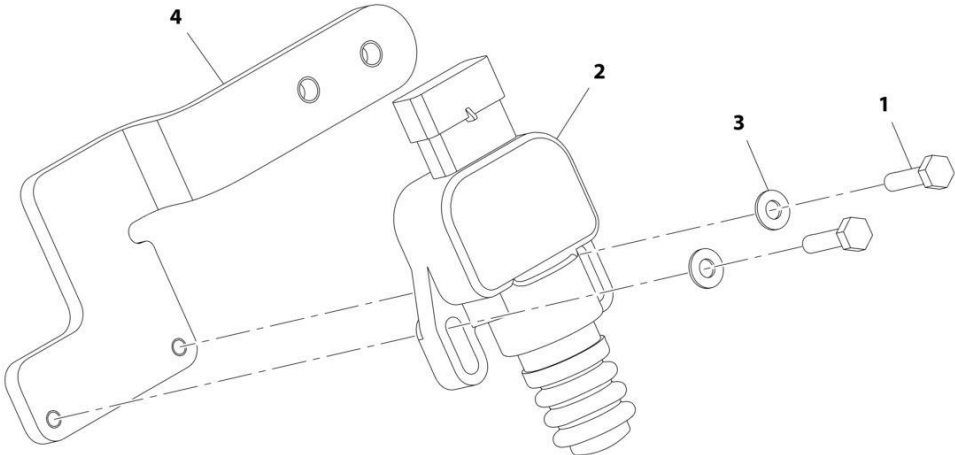
SECTION 7 - CONTROLS

FIGURE 7-5. BRAKE SENSOR INSTALLATION

ITEM	PART NUMBER	QTY	DESCRIPTION	REV
	1001205061	Ref	Brake Sensor Installation	B
1	0760605	2	Bolt, M6X10	
2	0760608	2	Bolt, M6X16	
3	4811700	2	Washer, M6	
4	1001201499	1	Plate, Switch Adjustment	
5	1001201501	1	Assembly, Switch Plate (See Separate Breakdown in this Section)	
6	4811702	2	Washer, M6	

SECTION 7 - CONTROLS

FIGURE 7-6. SWITCH PLATE ASSEMBLY



ART_1001201501-A

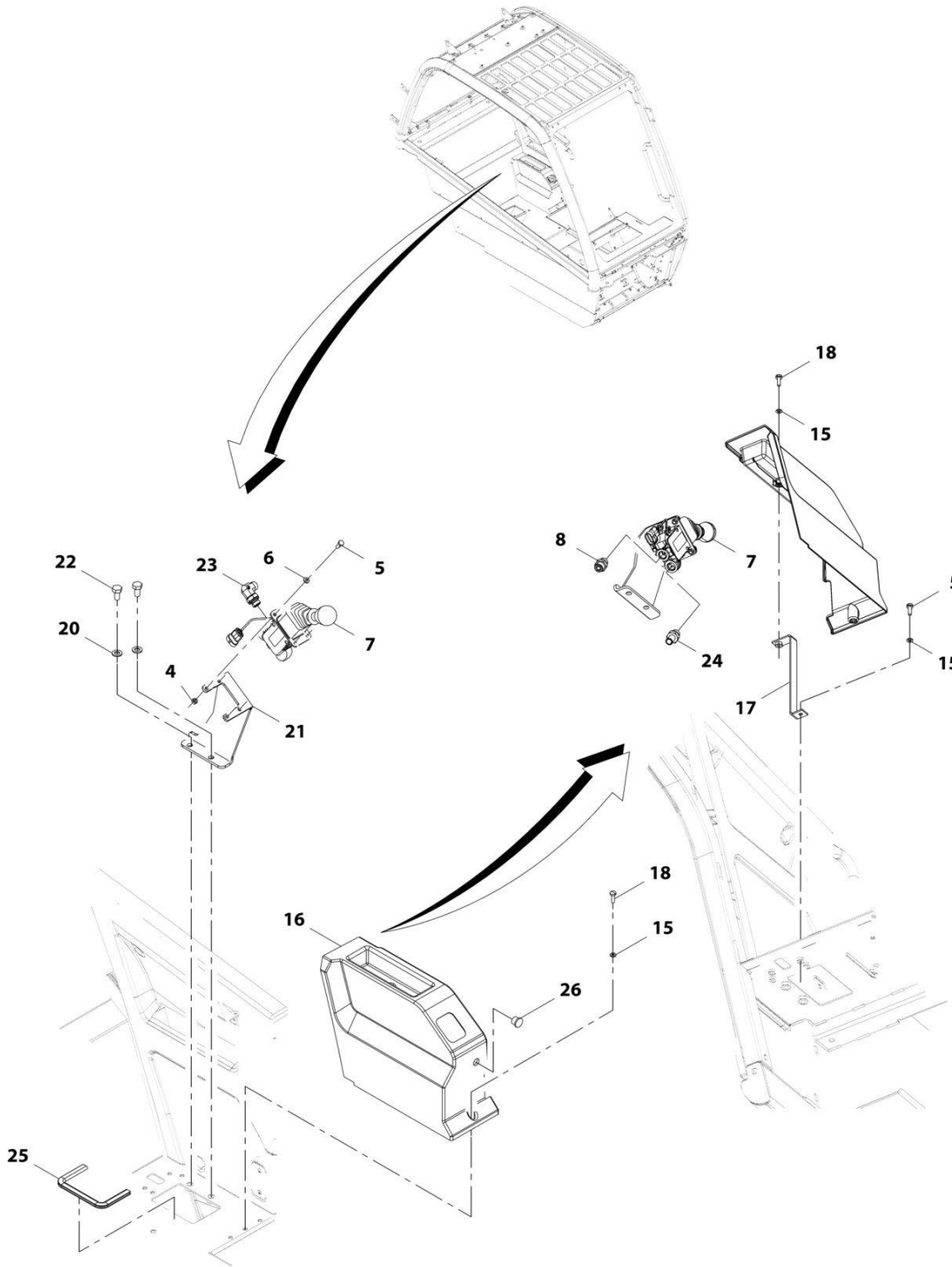
SECTION 7 - CONTROLS

FIGURE 7-6. SWITCH PLATE ASSEMBLY

ITEM	PART NUMBER	QTY	DESCRIPTION	REV
	1001201501	Ref	Switch Plate Assembly	A
1	0700408	2	Bolt, M4X16	
2	4360658	1	Sensor, Brake	
3	4811400	2	Washer, M4	
4	1001201500	1	Plate	

SECTION 7 - CONTROLS

FIGURE 7-7. PARK BRAKE INSTALLATION



ART_1001162062-M

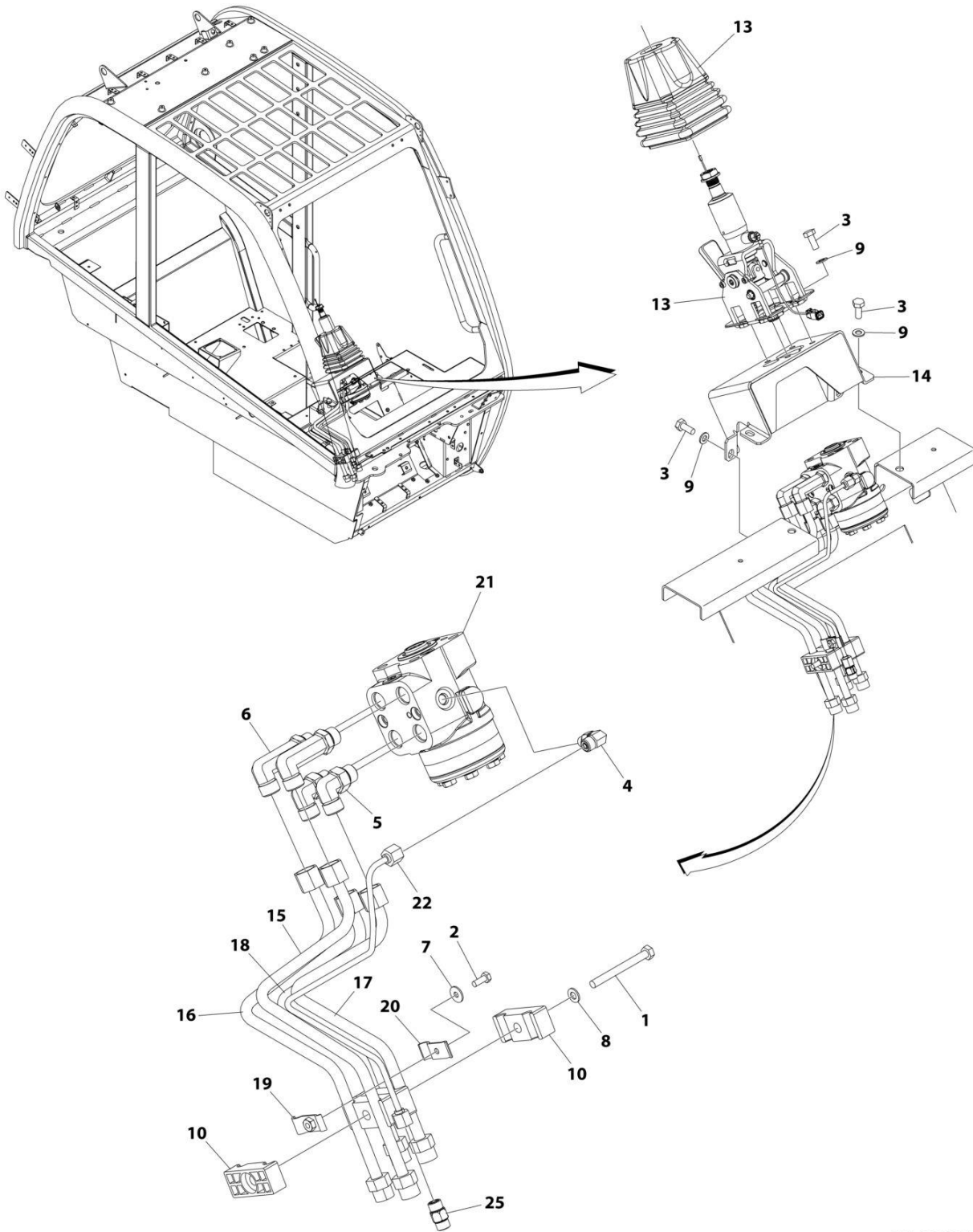
SECTION 7 - CONTROLS

FIGURE 7-7. PARK BRAKE INSTALLATION

ITEM	PART NUMBER	QTY	DESCRIPTION	REV
	1001162062	Ref	Park Brake Installation	M
4	3290601	4	Nut, M6X1	
5	0760608	5	Bolt, M6X16	
6	4831700	4	Washer, Lock M6	
7	1001207956	1	Hydraulic Hand Brake	
7	70020922	1	Kit, Seal	
8	1001101702	1	Fitting, Straight ORFS	
15	4811700	3	Washer, M6	
16	1001193474	1	Panel	
17	1001195254	1	Bracket	
18	4010610002	2	Screw, M6X20	
20	4812000	2	Washer, M10	
21	1001191915	1	Bracket	
22	0761010	2	Bolt, M10X20	
23	1001125222	1	Fitting, 90 ORFS	
24	1001206744	1	Fitting, Grease	
25	1001208037	1	Seal	
26	3520028	1	Plug	

SECTION 7 - CONTROLS

FIGURE 7-8. TILT STEERING COLUMN INSTALLATION



ART_1001192410_I

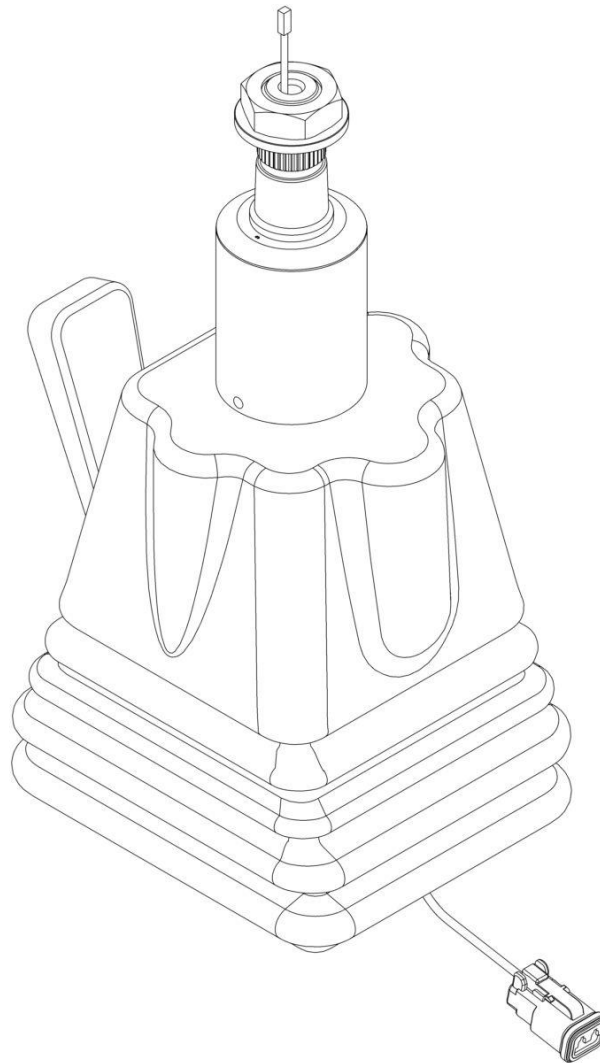
SECTION 7 - CONTROLS

FIGURE 7-8. TILT STEERING COLUMN INSTALLATION

ITEM	PART NUMBER	QTY	DESCRIPTION	REV
	1001192410	Ref	Tilt Steering Column Installation	1
1	0700824	1	Bolt M8 x 80	
2	0760608	1	Bolt M6 x 16	
3	0761012	8	Bolt M10 x 25	
4	2130404	1	Fitting, 90 ORFS	
5	2130808	2	Fitting, 90 ORFS	
6	2170208	2	Fitting, 90 ORFS	
7	4811702	1	Washer M6	
8	4811900	1	Washer M8	
9	4812000	8	Washer M10	
10	1001004640	4	Clamp	
11	1001095650	AR	Adhesive (Not Shown)	
13	1001257330	1	Column, Tilt Steering (See Separate Breakdown in this Section)	
14	1001156265	1	Bracket, Support	
15	1001161672	1	Pipe	
16	1001161896	1	Pipe	
17	1001161897	1	Pipe	
18	1001161898	1	Pipe	
19	1001168142	1	Bracket	
20	1001168151	1	Bracket	
21	1001178670	1	Valve, Steer (See Separate Breakdown in HYDRAULICS COMPONENTS Section)	
22	1001194282	1	Pipe	
25	1001227945	1	Valve, Check	

SECTION 7 - CONTROLS

FIGURE 7-9. TILT STEERING COLUMN



ART_1001257330

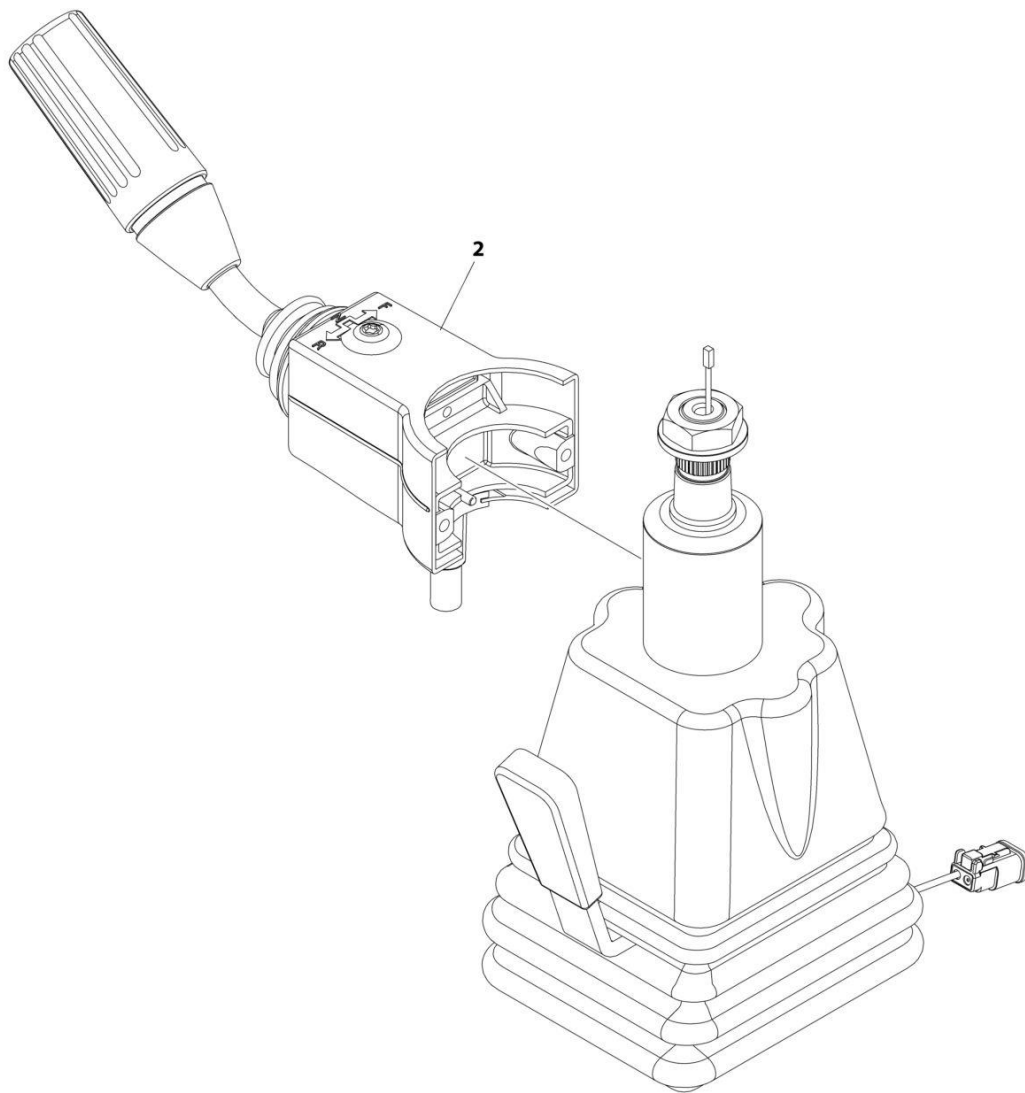
SECTION 7 - CONTROLS

FIGURE 7-9. TILT STEERING COLUMN

ITEM	PART NUMBER	QTY	DESCRIPTION	REV
	1001257330	Ref Ref	TILT STEERING COLUMN Note: No Service Parts Available - Purchase Complete Assembly	A

SECTION 7 - CONTROLS

FIGURE 7-10. COLUMN SHIFT INSTALLATION (2 SPEED)



ART_1001220507_B

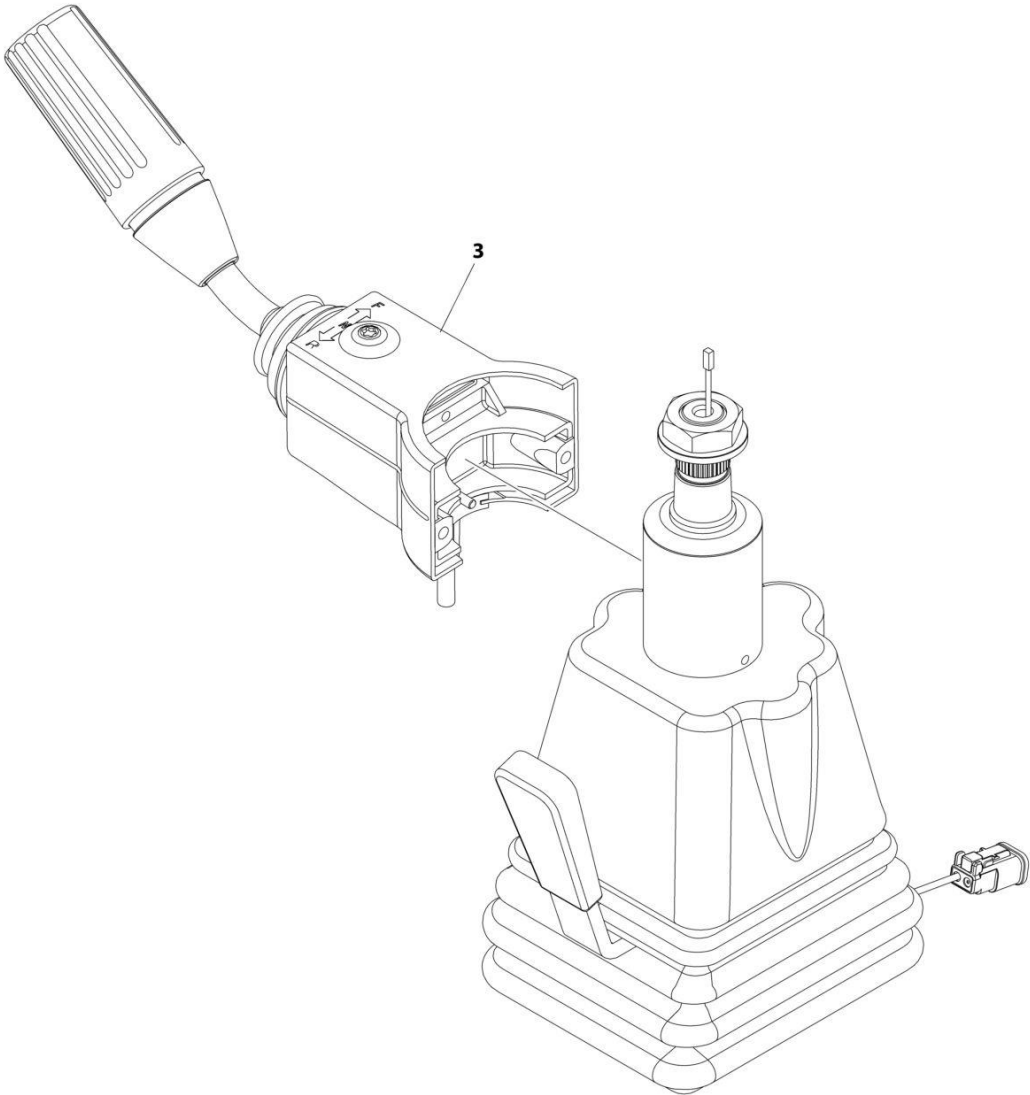
SECTION 7 - CONTROLS

FIGURE 7-10. COLUMN SHIFT INSTALLATION (2 SPEED)

ITEM	PART NUMBER	QTY	DESCRIPTION	REV
2	1001220507 1001257088	Ref 1	Column Shift Installation (2 Speed) Lever, FNR (2 Speed)	B

SECTION 7 - CONTROLS

FIGURE 7-11. COLUMN SHIFT INSTALLATION (0 SPEED)



ART_1001179931_D

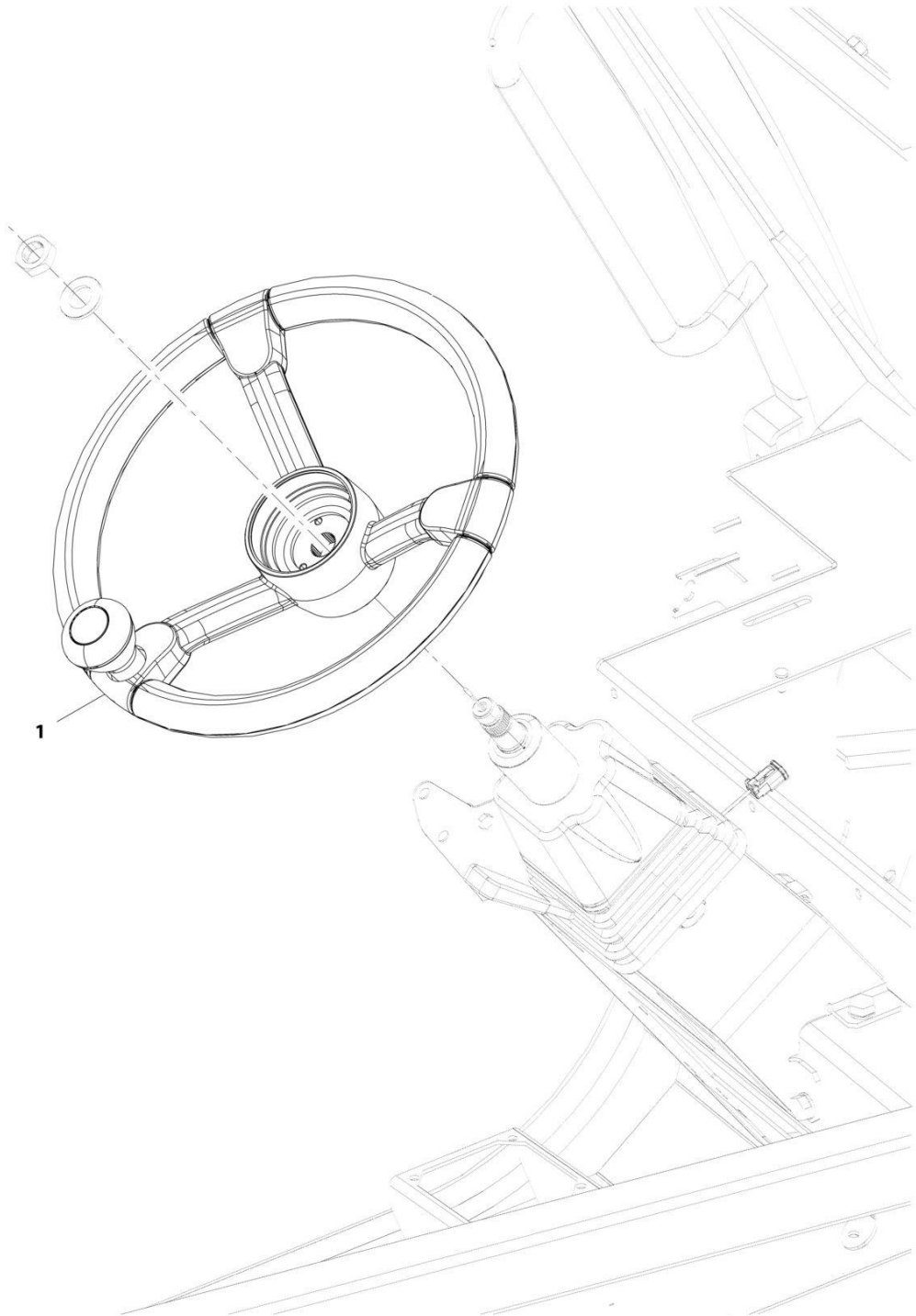
SECTION 7 - CONTROLS

FIGURE 7-11. COLUMN SHIFT INSTALLATION (0 SPEED)

ITEM	PART NUMBER	QTY	DESCRIPTION	REV
3	1001179931 1001257348	Ref 1	Column Shift Installation (0 Speed) Lever, FNR (0 Speed)	D

SECTION 7 - CONTROLS

FIGURE 7-12. STEERING WHEEL INSTALLATION



ART_1001169751-C

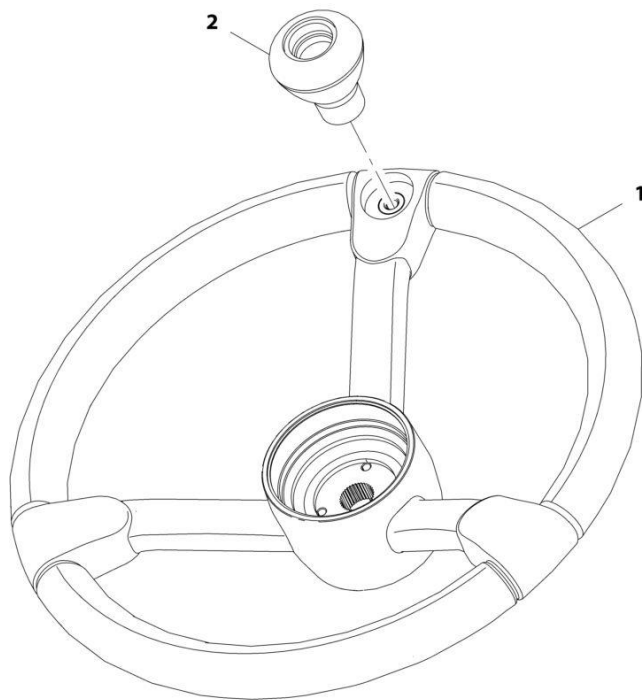
SECTION 7 - CONTROLS

FIGURE 7-12. STEERING WHEEL INSTALLATION

ITEM	PART NUMBER	QTY	DESCRIPTION	REV
1	1001169751 1001169354	Ref 1	Steering Wheel Installation Wheel, Steering (See Separate Breakdown in this Section)	C

SECTION 7 - CONTROLS

FIGURE 7-13. STEERING WHEEL



ART_1001169354-D

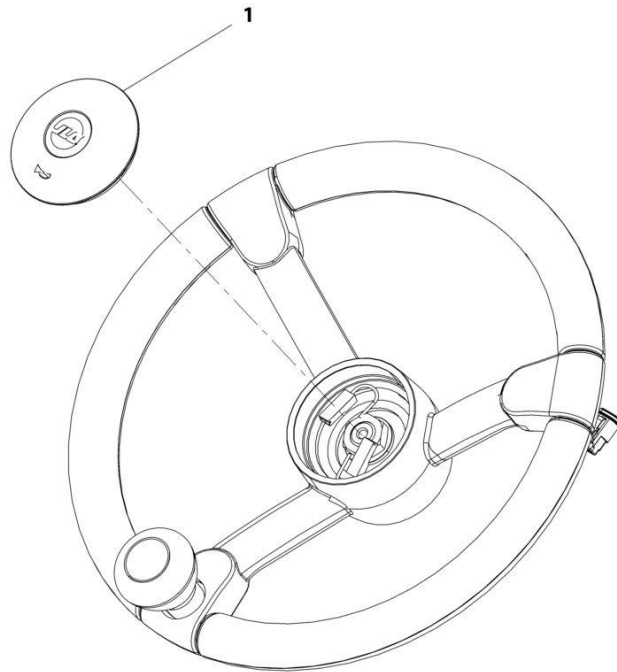
SECTION 7 - CONTROLS

FIGURE 7-13. STEERING WHEEL

ITEM	PART NUMBER	QTY	DESCRIPTION	REV
	1001169354	Ref	Steering Wheel	D
1	1001169367	1	Wheel, Steering	
2	1001169355	1	Handle, Steer Spinner	

SECTION 7 - CONTROLS

FIGURE 7-14. HORN BUTTON INSTALLATION



ART_1001169763-A

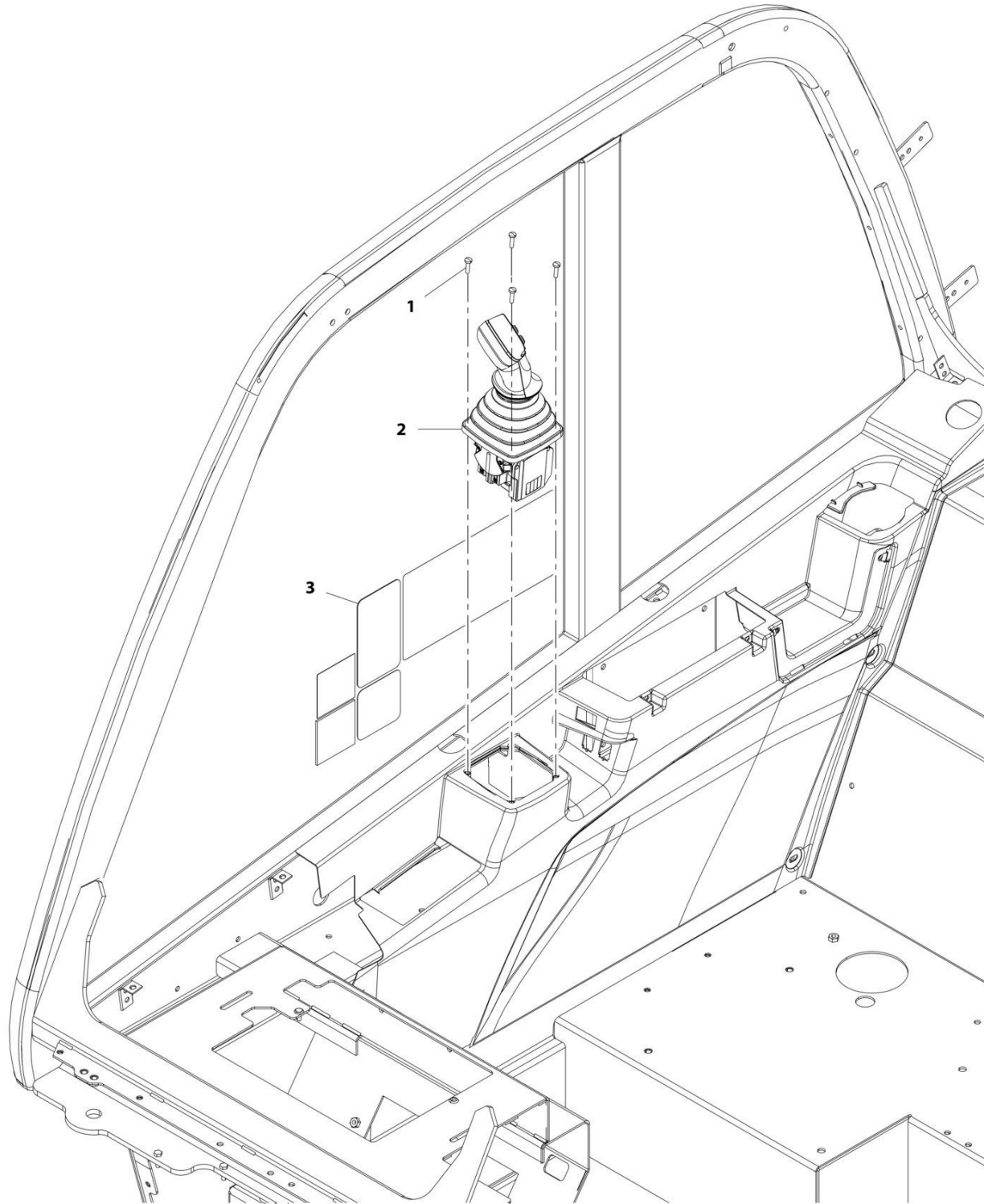
SECTION 7 - CONTROLS

FIGURE 7-14. HORN BUTTON INSTALLATION

ITEM	PART NUMBER	QTY	DESCRIPTION	REV
1	1001169763 1001169268	Ref 1	Horn Button Installation Button, Horn	A

SECTION 7 - CONTROLS

FIGURE 7-15. JOYSTICK INSTALLATION (2 SPEED)



ART_1001216757-B

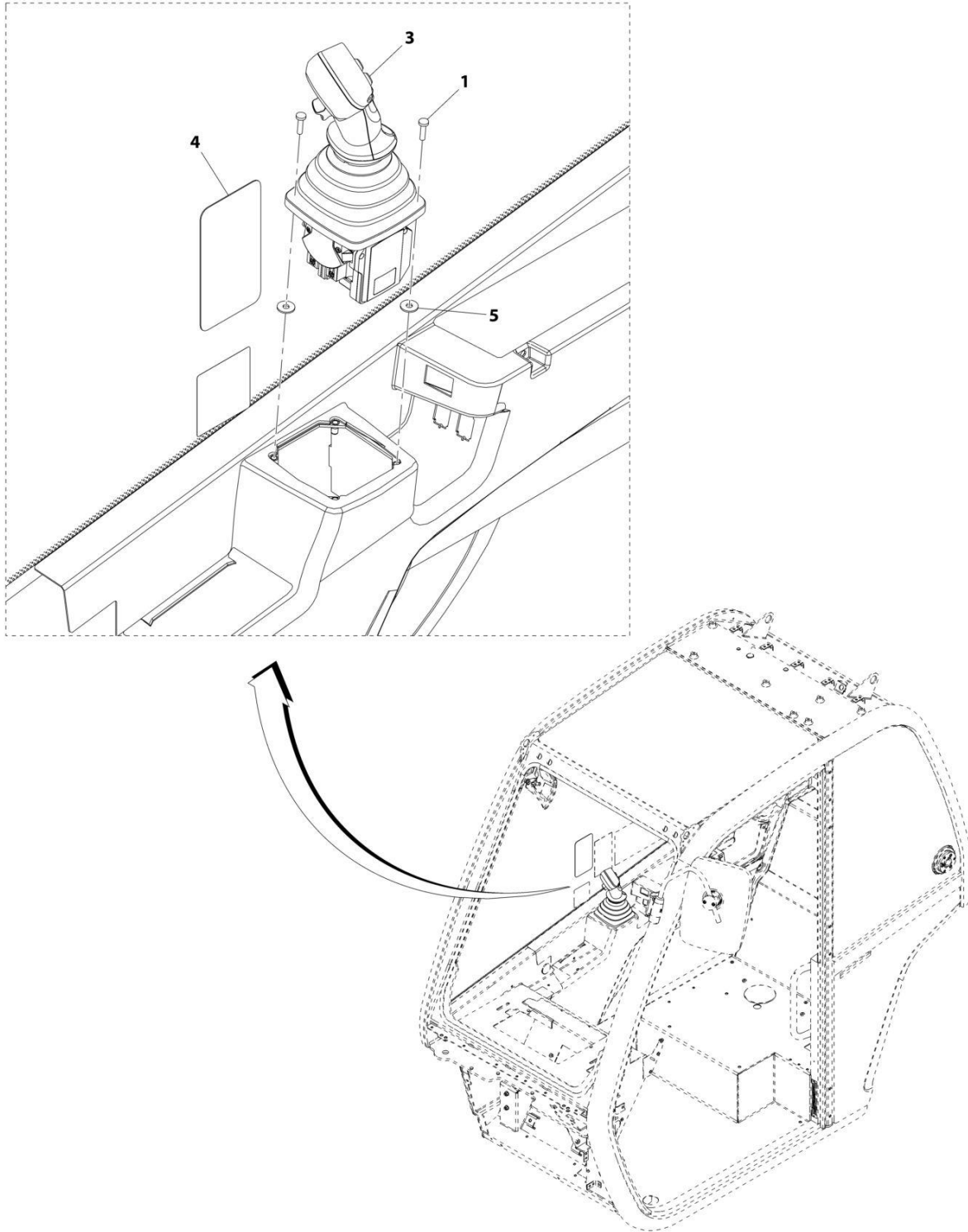
SECTION 7 - CONTROLS

FIGURE 7-15. JOYSTICK INSTALLATION (2 SPEED)

ITEM	PART NUMBER	QTY	DESCRIPTION	REV
	1001216757	Ref	Joystick Installation (2 Speed)	C
1	4010510	4	Screw, M5X20	
2	1001222606	1	Joystick, 2R2B	
3	1001216803	1	Decal	

SECTION 7 - CONTROLS

FIGURE 7-16. JOYSTICK INSTALLATION



ART_1001167004-G

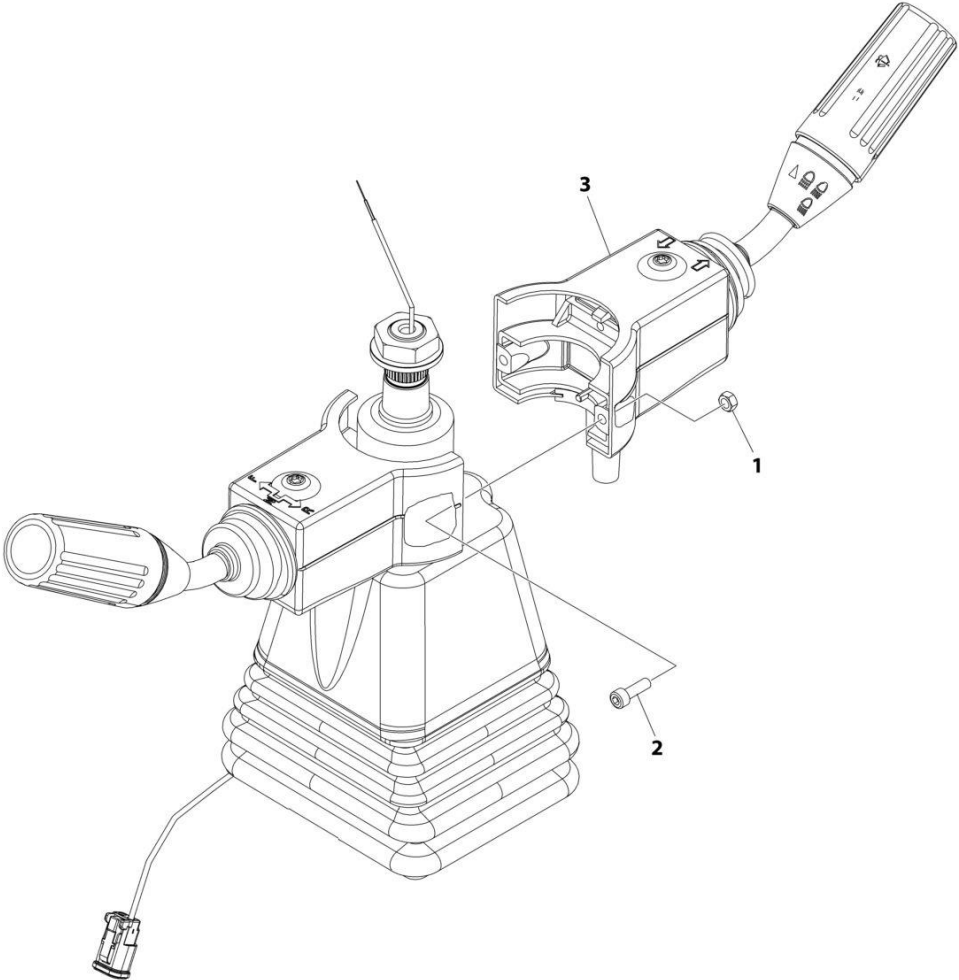
SECTION 7 - CONTROLS

FIGURE 7-16. JOYSTICK INSTALLATION

ITEM	PART NUMBER	QTY	DESCRIPTION	REV
	1001167004	Ref	Joystick Installation	G
1	4010510	4	Screw, M5X20	
3	1001222603	1	Joystick	
4	1001241950	1	Decal, Joystick	
5	4811702001	AR	Washer, M6	

SECTION 7 - CONTROLS

FIGURE 7-17. WIPER-TURN SWITCH INSTALLATION



ART_1001257071

SECTION 7 - CONTROLS

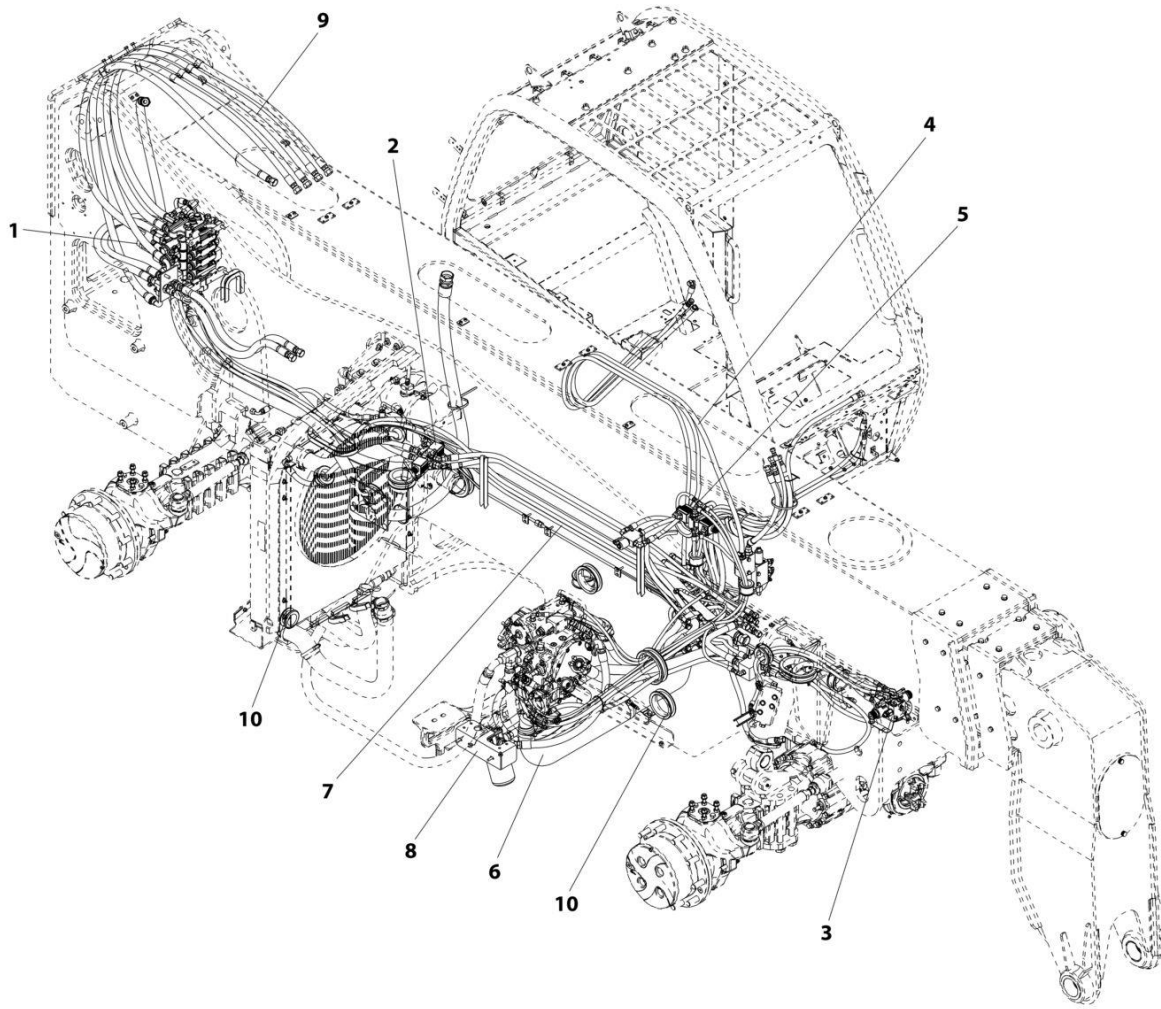
FIGURE 7-17. WIPER-TURN SWITCH INSTALLATION

ITEM	PART NUMBER	QTY	DESCRIPTION	REV
	1001257071	Ref	Wiper-Turn Switch Installation	B
1	3290505	2	Nut, Lock M5	
2	4031607	2	Capscrew M5 x 16	
3	1001256974	1	Switch, Turn-Wiper	

SECTION 8 - HYDRAULIC CIRCUITS

SECTION 8 - HYDRAULIC CIRCUITS

FIGURE 8-1. MAIN HYDRAULIC INSTALLATION



ART_1001202645-D

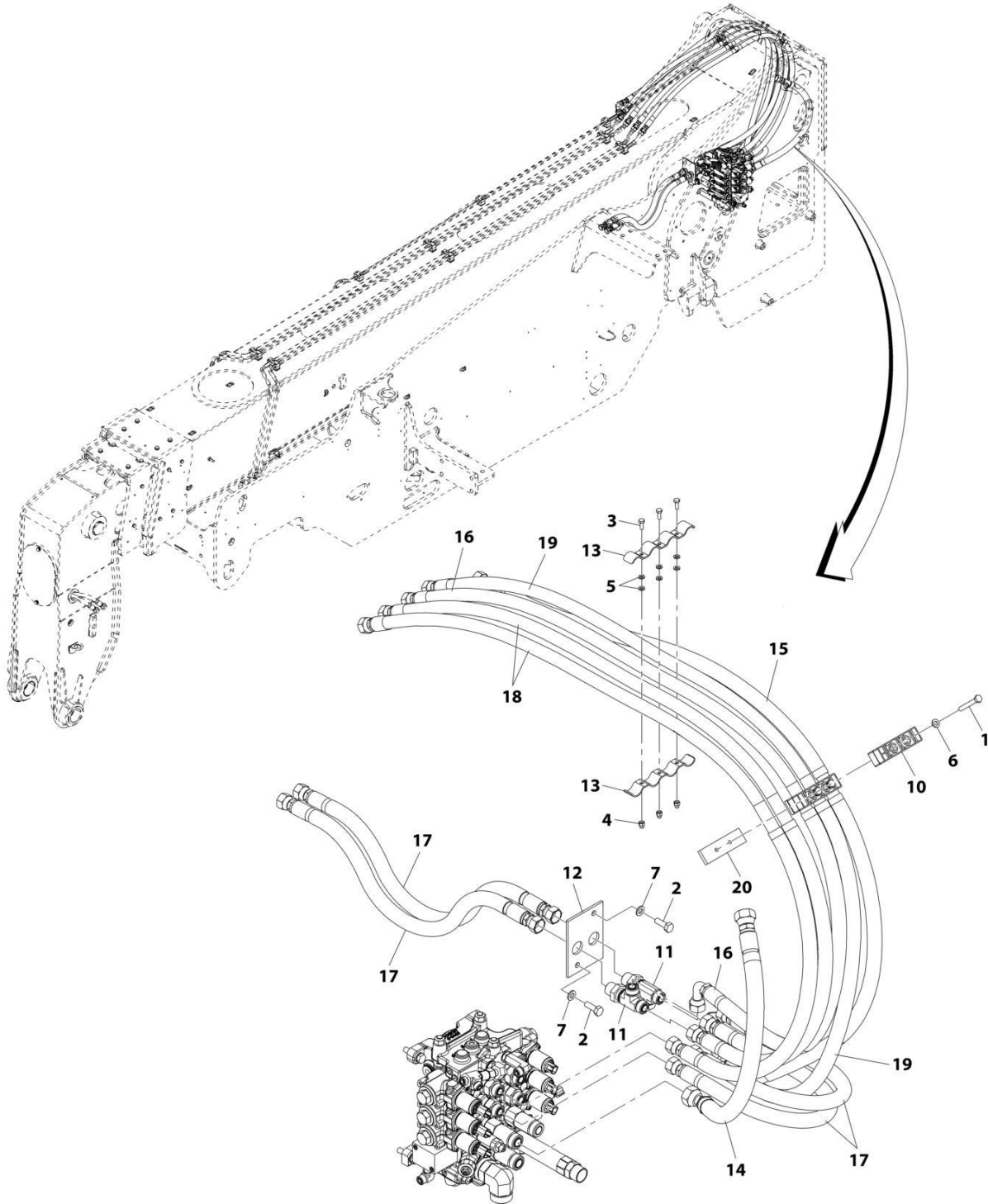
SECTION 8 - HYDRAULIC CIRCUITS

FIGURE 8-1. MAIN HYDRAULIC INSTALLATION

ITEM	PART NUMBER	QTY	DESCRIPTION	REV
1	1001202645	Ref	Main Hydraulic Installation	D
	1001220457	Ref	Installation, Main Control Valve (See Separate Breakdown in this Section)	
2	1001193516	Ref	Installation, Steering Select Valve (See Separate Breakdown in this Section)	
3	1001193517	Ref	Installation, Frame Level Valve (See Separate Breakdown in this Section)	
4	1001193709	Ref	Installation, Cab Hydraulics (See Separate Breakdown in this Section)	
5	1001197196	Ref	Installation, Speed Control Valve (See Separate Breakdown in this Section)	
6	1001202024	Ref	Installation, Engine Bay Hydraulic (See Separate Breakdown in this Section)	
7	1001202025	Ref	Installation, Frame Hydraulics (See Separate Breakdown in this Section)	
8	1001202026	Ref	Installation, Charge Filter Lines (See Separate Breakdown in this Section)	
9	1001210522	Ref	Installation, Boom Lines (See Separate Breakdown in this Section)	
10	1001213026	Ref	Installation, Grommets (See Separate Breakdown in Frame and Attaching Parts Section)	

SECTION 8 - HYDRAULIC CIRCUITS

FIGURE 8-2. BOOM HYDRAULIC LINES INSTALLATION



ART_1001210522-F

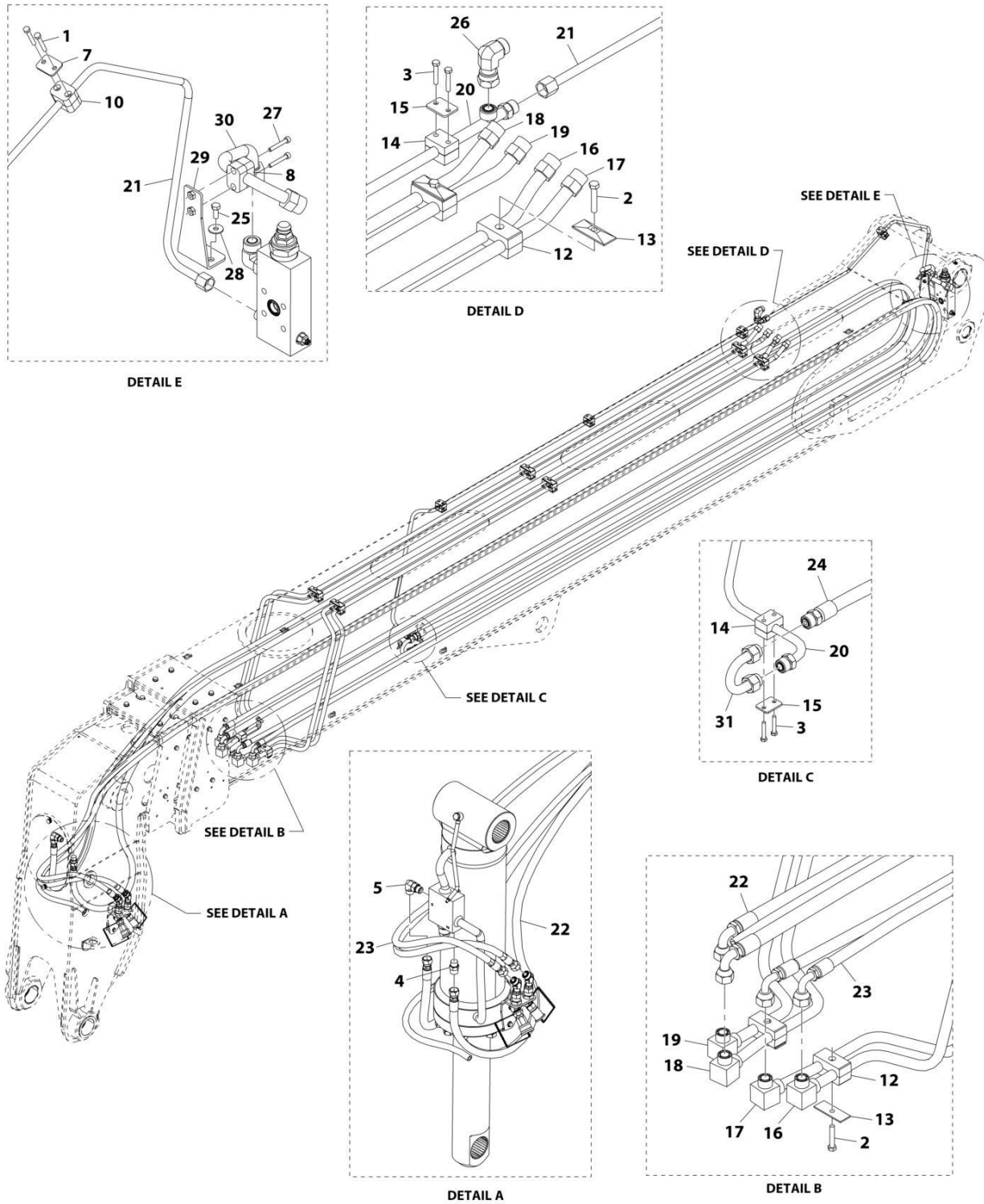
SECTION 8 - HYDRAULIC CIRCUITS

FIGURE 8-2. BOOM HYDRAULIC LINES INSTALLATION

ITEM	PART NUMBER	QTY	DESCRIPTION	REV
	1001210522	Ref	Boom Hydraulic Lines Installation	F
1	0700821	4	Bolt, M8X65	
2	0701014	2	Bolt, M10X30	
3	0760608	3	Bolt, M6X16	
4	3290606	3	Nut, M6X1	
5	4811700	6	Washer, M6	
6	4811900	4	Washer, M8	
7	4812000	2	Washer, M10	
10	1001098128	2	Clamp	
11	1001192096	2	Fitting, Tee ORFS	
12	1001197011	1	Plate	
13	1001205618	2	Clamp	
14	1001210271	1	Hose	
15	1001210523	1	Hose	
16	1001210524	1	Hose	
17	1001210525	4	Hose	
18	1001210526	2	Hose	
19	1001218997	1	Hose	
20	1001226557	2	Plate	

SECTION 8 - HYDRAULIC CIRCUITS

FIGURE 8-3. BOOM HYDRAULIC INSTALLATION



ART_1001205375-F

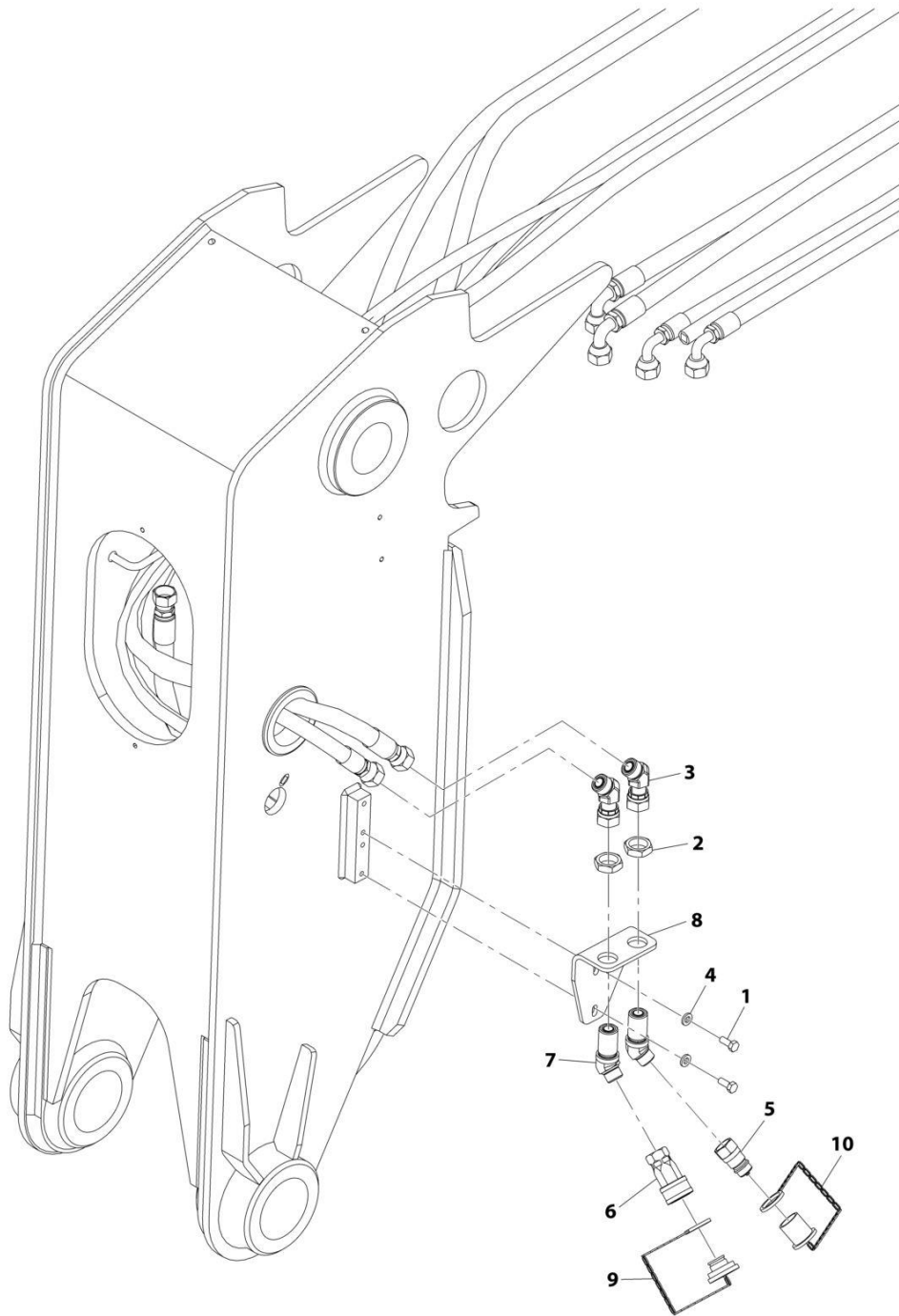
SECTION 8 - HYDRAULIC CIRCUITS

FIGURE 8-3. BOOM HYDRAULIC INSTALLATION

ITEM	PART NUMBER	QTY	DESCRIPTION	REV
	1001205375	Ref	Boom Hydraulic Installation	F
1	0700616	2	Bolt, M6X40	
2	0700817	8	Bolt, M8X45	
3	0760615	8	Bolt, M6X35	
4	2111010	1	Fitting, Straight ORFS	
5	2131010	1	Fitting, 90 ORFS	
7	8769146	1	Plate, Cover	
8	8769152	1	Clamp	
10	8769199	1	Clamp	
12	77133136	8	Clamp	
13	77133137	8	Plate, Cover	
14	77133497	4	Clamp	
15	1001105093	4	Plate, Cover	
16	1001209201	1	Pipe	
17	1001209200	1	Pipe	
18	1001209202	1	Pipe	
19	1001209203	1	Pipe	
20	1001205380	1	Pipe	
21	1001205381	1	Tube	
22	1001210568	1	Hose	
23	1001210569	1	Hose	
24	1001229422	1	Hose	
25	0760810	2	Bolt, M8X20	
26	2172110	1	Fitting, 90 ORFS	
27	4031712	2	Bolt, M6X40	
28	4811902	2	Washer, M8	
29	1001209972	1	Bracket	
30	1001210270	1	Tube	
31	1001220942	1	Pipe	

SECTION 8 - HYDRAULIC CIRCUITS

FIGURE 8-4. BOOM AUX HYDRAULIC INSTALLATION (MANUAL - SINGLE)



ART_1001192363-D

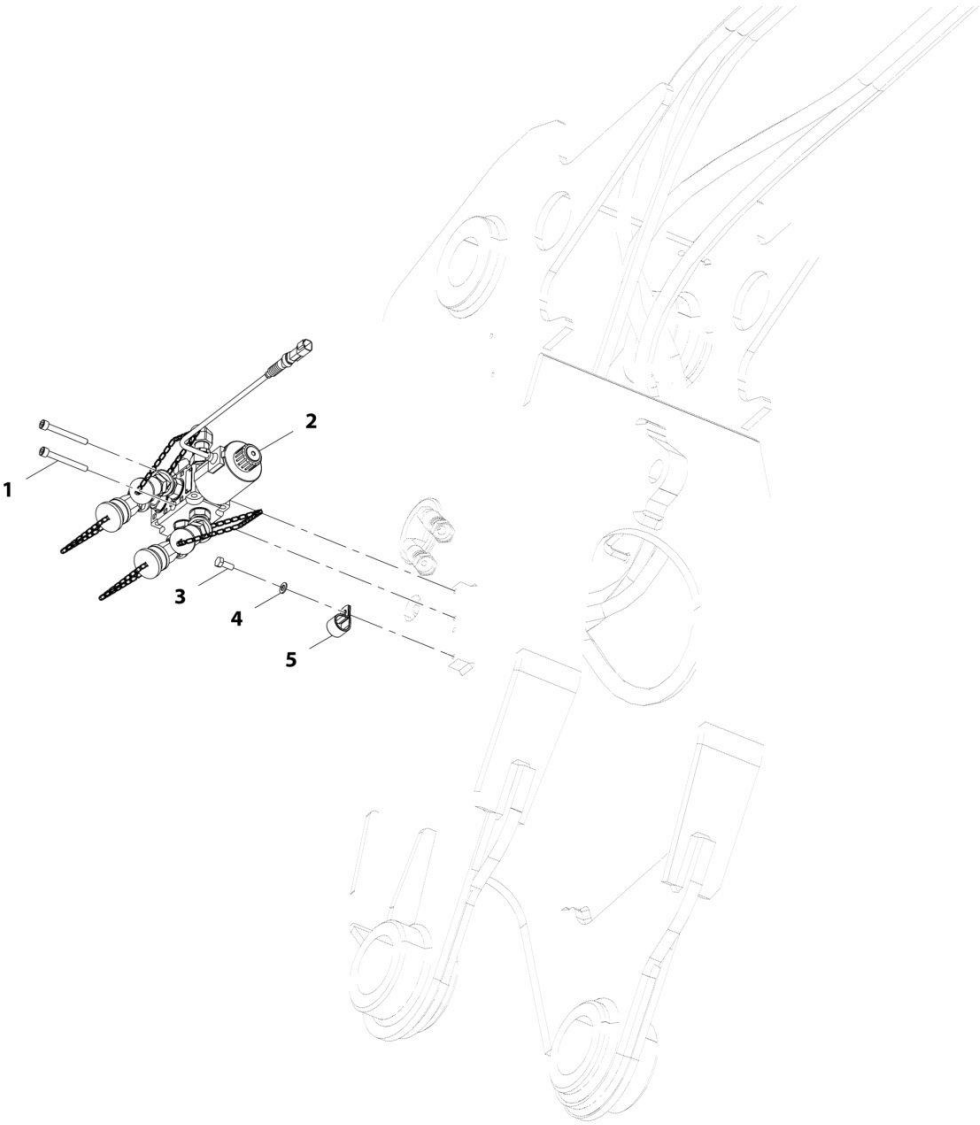
SECTION 8 - HYDRAULIC CIRCUITS

FIGURE 8-4. BOOM AUX HYDRAULIC INSTALLATION (MANUAL - SINGLE)

ITEM	PART NUMBER	QTY	DESCRIPTION	REV
	1001192363	Ref	Boom Aux Hydraulic Installation (Manual - Single)	D
1	0760810	2	Bolt, M8X20	
2	8770075	2	Fitting, ORFS	
3	1001147416	2	Fitting, 45 ORFS	
4	5240800	2	Washer, M8	
5	1001101041	1	Coupling, Male Quick Disconnect	
6	1001101042	1	Coupling, Female Quick Disconnect	
7	1001217553	2	Fitting, 45 ORFS	
8	1001217552	1	Bracket	
9	91043125	1	Plug	
10	91043126	1	Cap, Dust	

SECTION 8 - HYDRAULIC CIRCUITS

FIGURE 8-5. BOOM AUX HYDRAULIC INSTALLATION (MANUAL - TWIN)



ART_1001192366-C

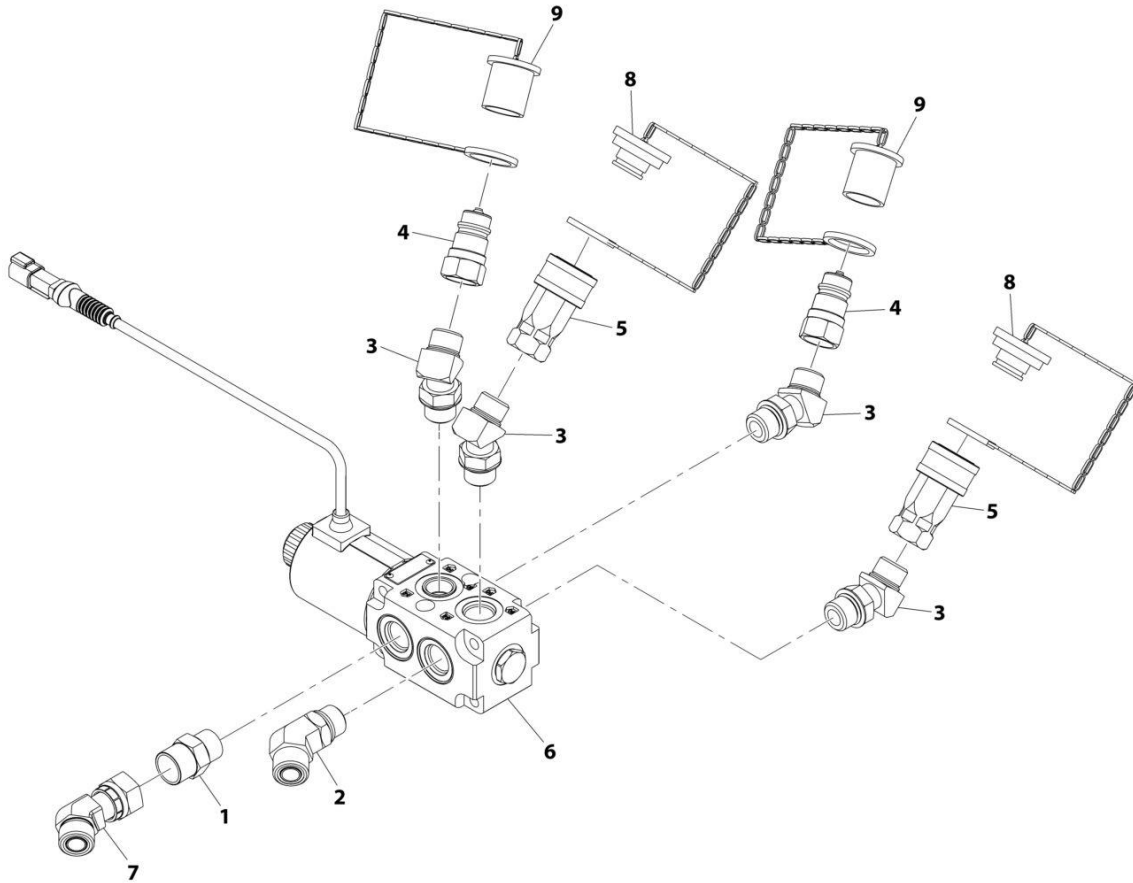
SECTION 8 - HYDRAULIC CIRCUITS

FIGURE 8-5. BOOM AUX HYDRAULIC INSTALLATION (MANUAL - TWIN)

ITEM	PART NUMBER	QTY	DESCRIPTION	REV
	1001192366	Ref	Boom Aux Hydraulic Installation (Manual - Twin)	C
1	4031918	2	Bolt, M8X70	
2	1001213318	1	Assembly, Diverter Valve (manual - twin) (See Separate Breakdown in this Section)	
3	0760810	1	Bolt, M8X20	
4	4811900	1	Washer, M8	
5	8406202	1	CLIP,TUBE 7/8"	

SECTION 8 - HYDRAULIC CIRCUITS

FIGURE 8-6. BOOM AUX DIVERTER VALVE/FITINGS ASSEMBLY (MANUAL - TWIN)



ART_1001213318-B

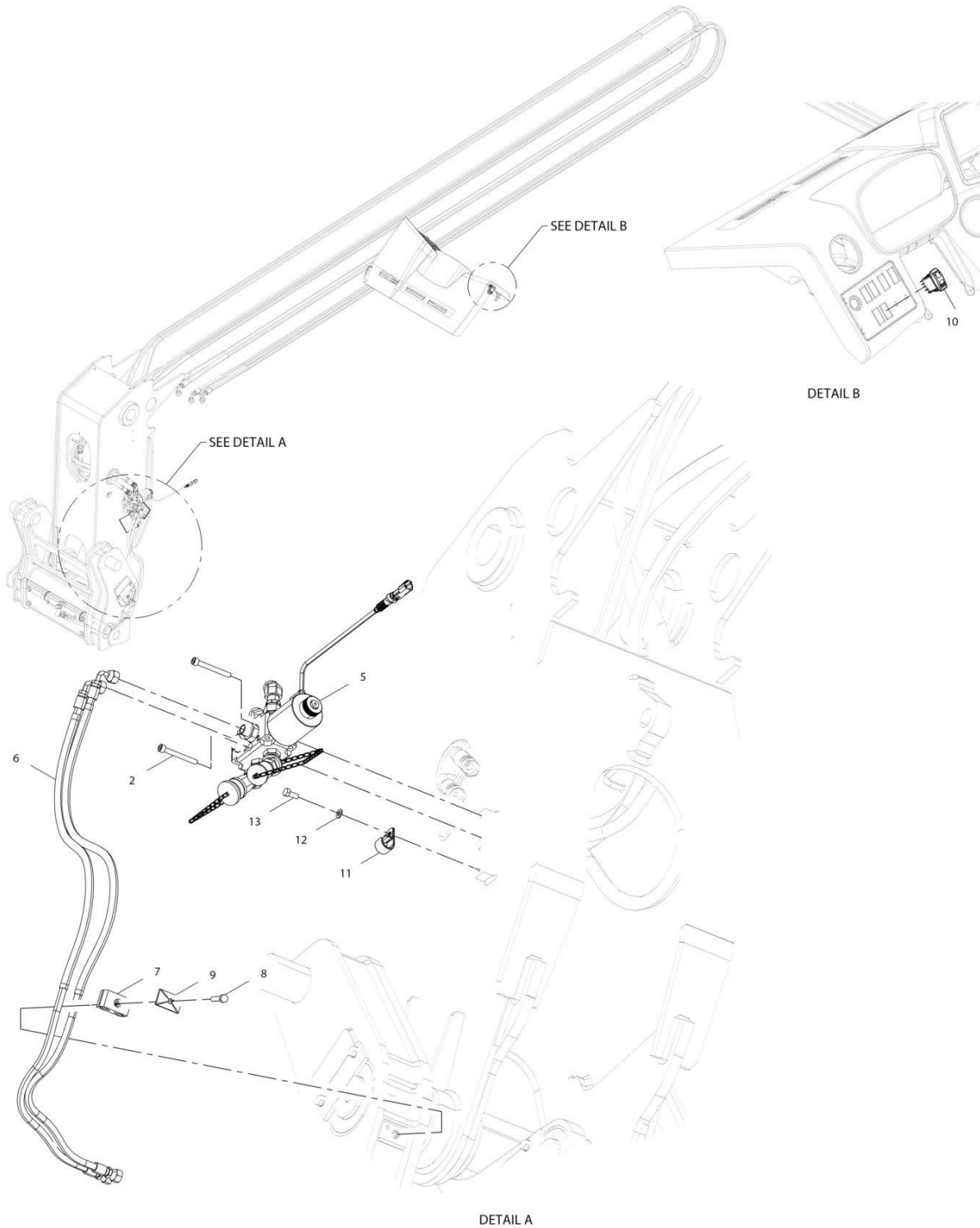
SECTION 8 - HYDRAULIC CIRCUITS

FIGURE 8-6. BOOM AUX DIVERTER VALVE/FITINGS ASSEMBLY (MANUAL - TWIN)

ITEM	PART NUMBER	QTY	DESCRIPTION	REV
	1001213318	Ref	Diverter Valve Assembly	B
1	2111010	1	Fitting, Straight ORFS	
2	2151010	1	Fitting, 45 ORFS	
3	1001005904	4	Fitting, 45	
4	1001101041	2	Adapter, Male Quick Disconnect	
5	1001101042	2	Adapter, Female Quick Disconnect	
6	1001110023	1	Valve, Diverter (See Separate Breakdown in HYDRAULIC COMPONENTS Section)	
7	1001147416	1	Fitting, 45 ORFS	
8	91043125	2	Plug	
9	91043126	2	Cap	

SECTION 8 - HYDRAULIC CIRCUITS

FIGURE 8-7. BOOM AUX HYDRAULIC INSTALLATION (HYDRAULIC - SINGLE)



ART_1001192365-E

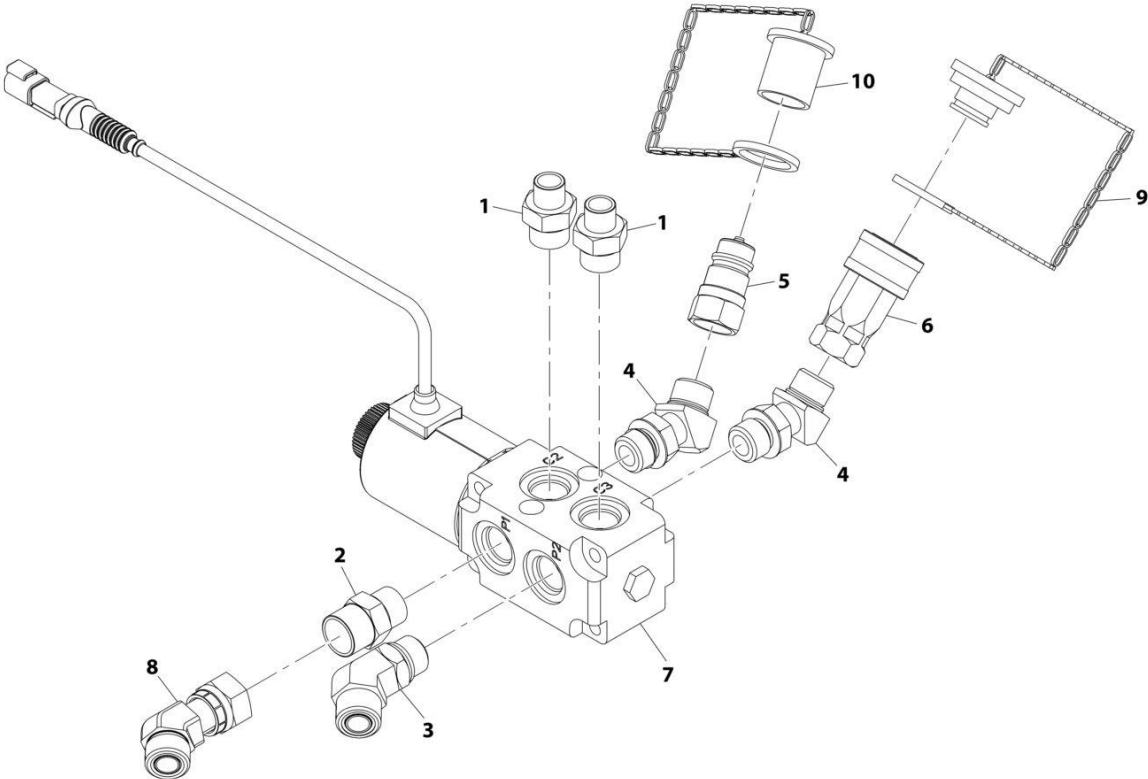
SECTION 8 - HYDRAULIC CIRCUITS

FIGURE 8-7. BOOM AUX HYDRAULIC INSTALLATION (HYDRAULIC - SINGLE)

ITEM	PART NUMBER	QTY	DESCRIPTION	REV
	1001192365	Ref	Boom Aux Hydraulic Installation (Hydraulic - Single)	E
2	4031918	2	Bolt, M8X70	
5	1001213317	1	Assembly, Diverter Valve (Hydraulic - Single) (See Separate Breakdown in this Section)	
6	1001193111	2	Hose	
7	8769126	1	Clamp	
8	0760815	1	Bolt, M8X35	
9	8769123	1	Plate, Cover	
10	1001080375	1	Switch	
11	8406202	1	CLIP,TUBE 7/8"	
12	4811900	1	Washer, M8	
13	0760810	1	Bolt, M8X20	

SECTION 8 - HYDRAULIC CIRCUITS

FIGURE 8-8. BOOM AUX DIVERTER VALVE/FITINGS ASSEMBLY (HYDRAULIC - SINGLE)



ART_1001213317-B

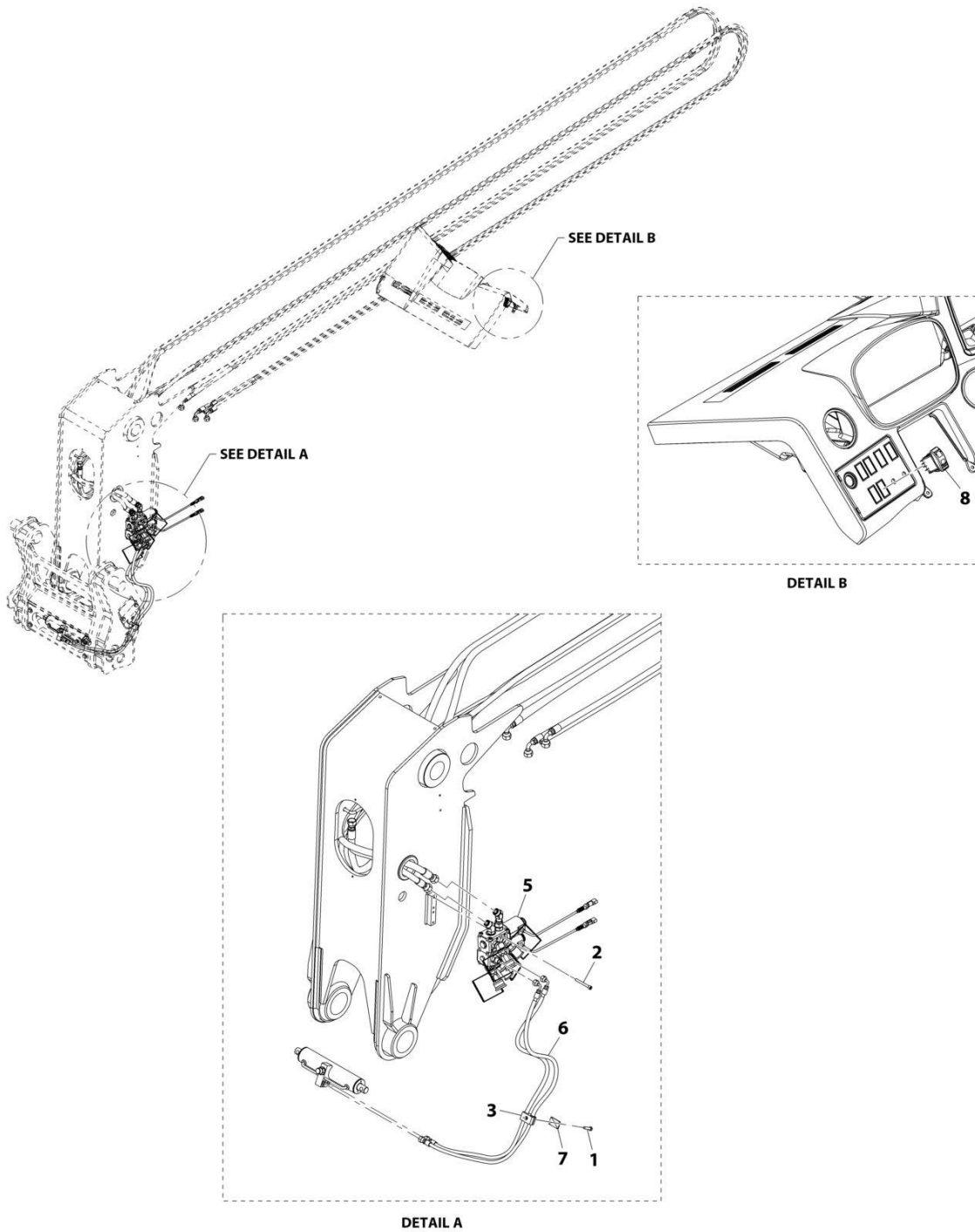
SECTION 8 - HYDRAULIC CIRCUITS

FIGURE 8-8. BOOM AUX DIVERTER VALVE/FITINGS ASSEMBLY (HYDRAULIC - SINGLE)

ITEM	PART NUMBER	QTY	DESCRIPTION	REV
	1001213317	Ref	Diverter Valve Assembly	B
1	2110610	2	Fitting, Straight ORFS	
2	2111010	1	Fitting, Straight ORFS	
3	2151010	1	Fitting, 45 ORFS	
4	1001005904	2	Fitting, 45	
5	1001101041	1	Fitting, Male Quick Disconnect	
6	1001101042	1	Fitting, Female Quick Disconnect	
7	1001104477	1	Valve, Divertor (See Separate Breakdown in HYDRAULIC COMPONENTS Section)	
8	1001147416	1	Fitting, 45 ORFS	
9	91043125	1	Plug	
10	91043126	1	Cap, Dust	

SECTION 8 - HYDRAULIC CIRCUITS

FIGURE 8-9. BOOM AUX HYDRAULIC INSTALLATION (HYDRAULIC - TWIN)



ART_1001192367-C

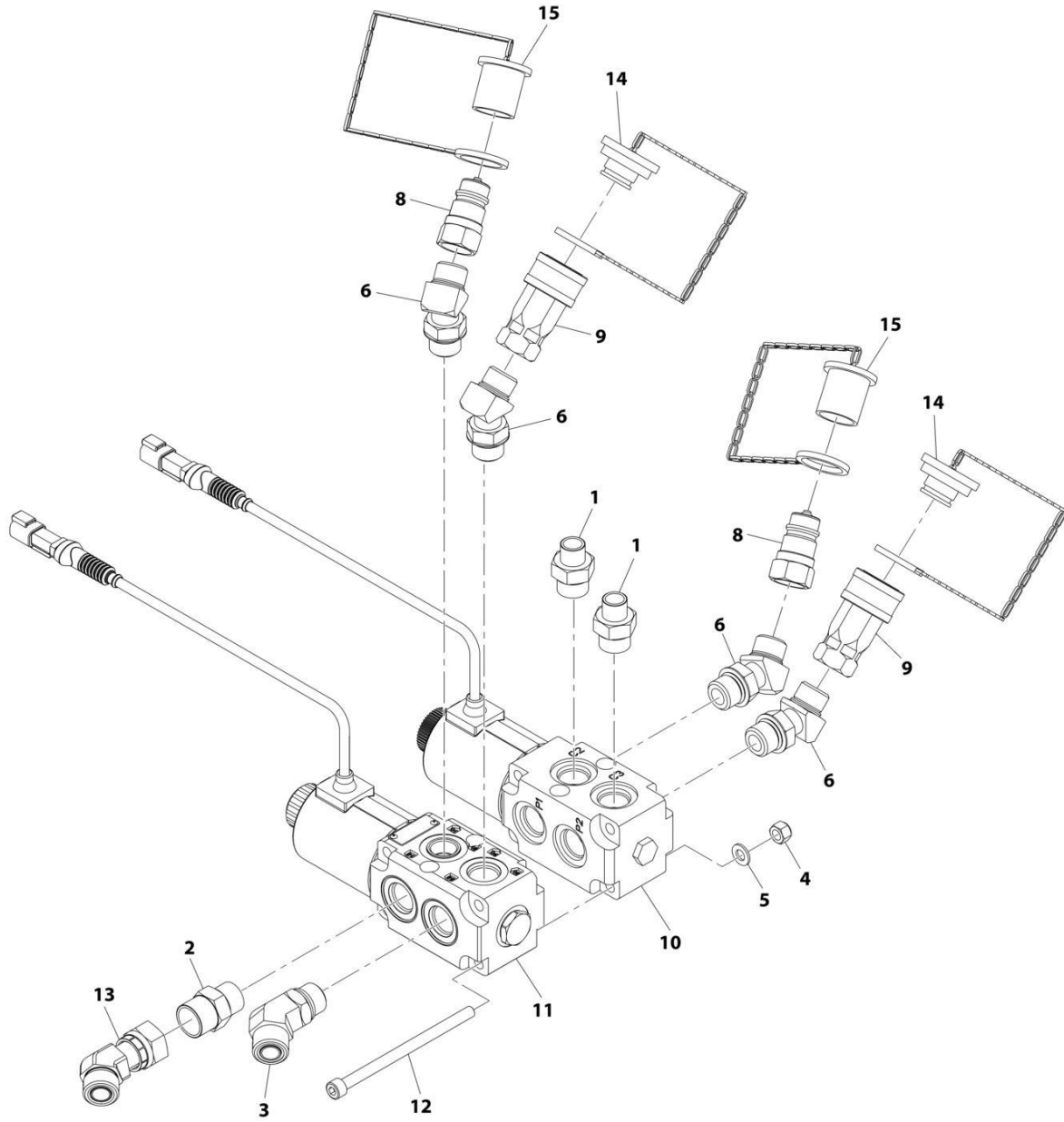
SECTION 8 - HYDRAULIC CIRCUITS

FIGURE 8-9. BOOM AUX HYDRAULIC INSTALLATION (HYDRAULIC - TWIN)

ITEM	PART NUMBER	QTY	DESCRIPTION	REV
	1001192367	Ref	Boom Aux Hydraulic Installation (Hydraulic - Twin)	C
1	0760815	1	Bolt, M8X35	
2	4031918	3	Bolt, M8X70	
3	8769126	1	Clamp	
5	1001213319	1	Assembly, Diverter Valve (Hydraulic - Twin) (See Separate Breakdown in this Section)	
6	1001193111	2	Hose	
7	8769123	1	Plate, Cover	
8	1001080375	1	Switch	

SECTION 8 - HYDRAULIC CIRCUITS

FIGURE 8-10. BOOM AUX DIVERTER VALVE/FITINGS ASSEMBLY (HYDRAULIC - TWIN)



ART_1001213319-C

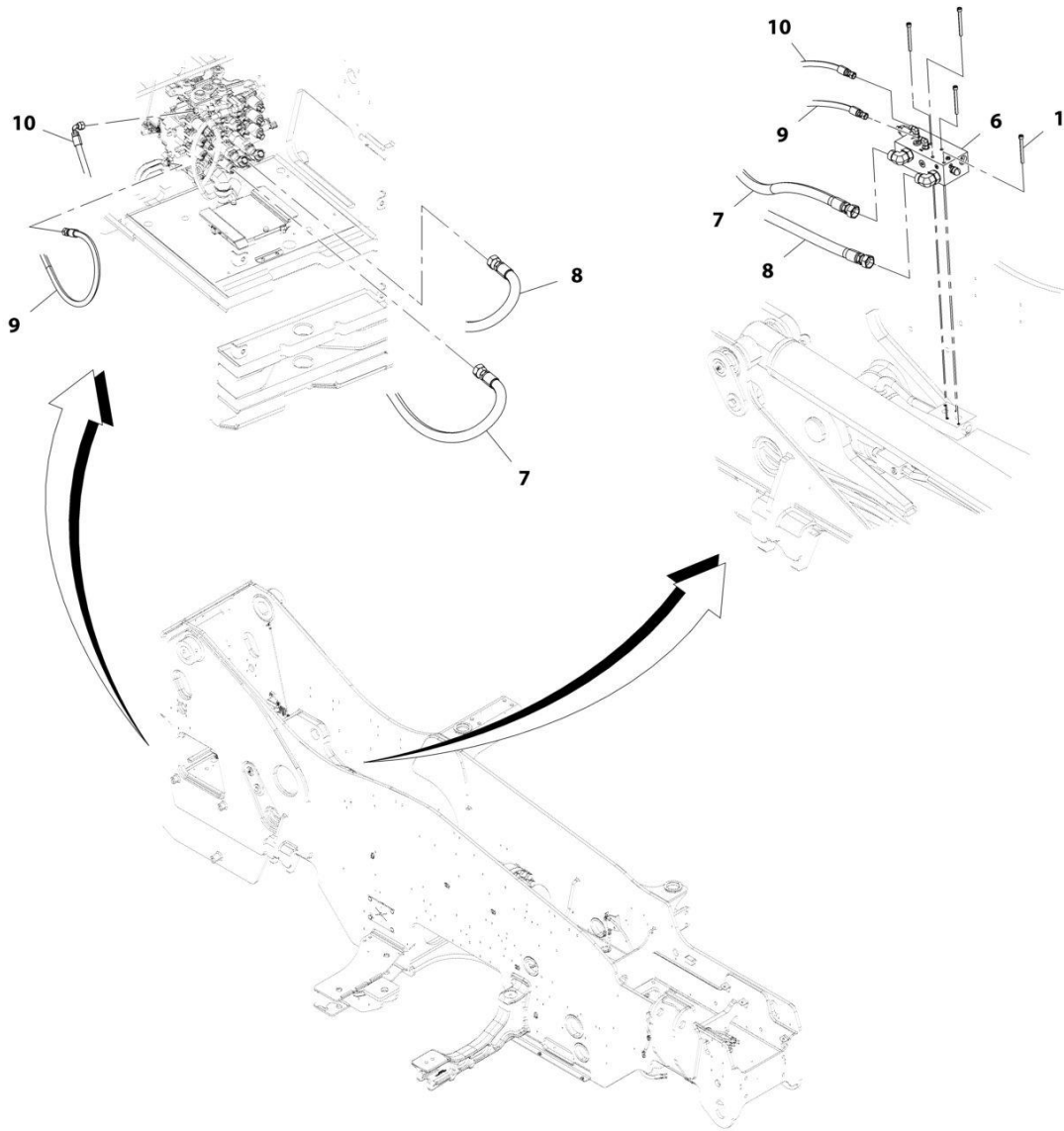
SECTION 8 - HYDRAULIC CIRCUITS

FIGURE 8-10. BOOM AUX DIVERTER VALVE/FITINGS ASSEMBLY (HYDRAULIC - TWIN)

ITEM	PART NUMBER	QTY	DESCRIPTION	REV
	1001213319	Ref	Diverter Valve Assembly	C
1	2110610	2	Fitting, Straight ORFS	
2	2111010	1	Fitting, Straight ORFS	
3	2151010	1	Fitting, 45 ORFS	
4	3290805	4	Nut, Lock M8X1.25	
5	4811900	4	Washer, M8	
6	1001005904	4	Fitting, 45	
8	1001101041	2	Fitting, Male Quick Disconnect	
9	1001101042	2	Fitting, Female Quick Disconnect	
10	1001104477	1	Valve, Divertor (See Separate Breakdown in HYDRAULIC COMPONENTS Section)	
11	1001110023	1	Valve, Divertor (See Separate Breakdown in HYDRAULIC COMPONENTS Section)	
12	1001110115	4	Bolt, M8X100	
13	1001147416	1	Fitting, 45 ORFS	
14	91043125	2	Plug	
15	91043126	2	Cap	

SECTION 8 - HYDRAULIC CIRCUITS

FIGURE 8-11. BOOM RAISE HOSE INSTALLATION (NO RIDE CONTROL)



ART_1001194702-F

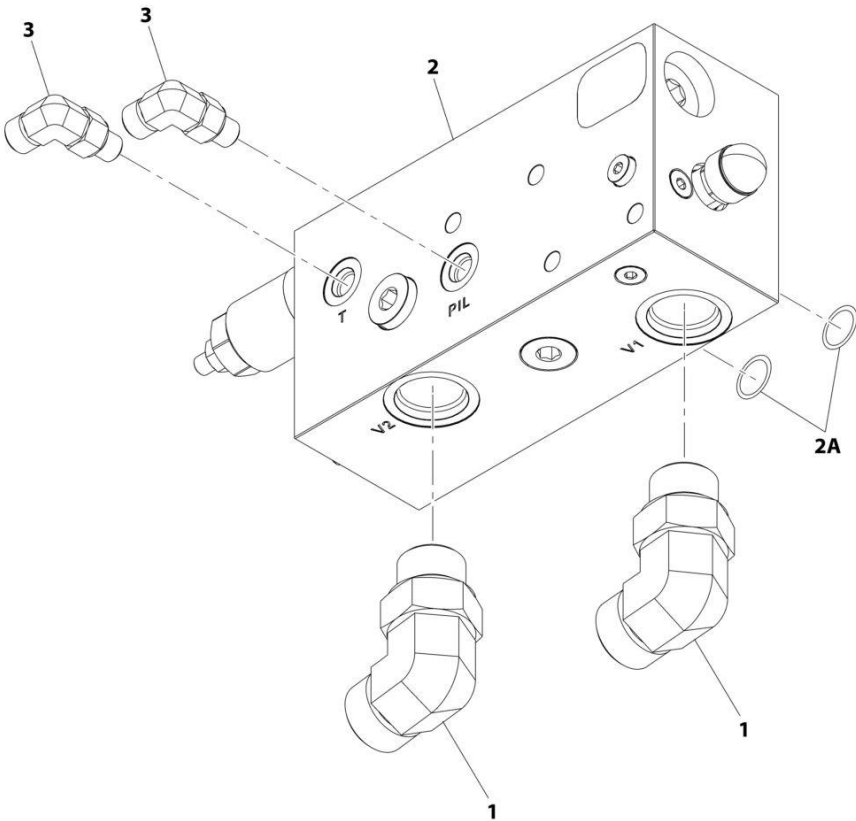
SECTION 8 - HYDRAULIC CIRCUITS

FIGURE 8-11. BOOM RAISE HOSE INSTALLATION (NO RIDE CONTROL)

ITEM	PART NUMBER	QTY	DESCRIPTION	REV
	1001194702	Ref	Boom Raise Hose Installation (no Ride Control)	F
1	4031921	4	Bolt, M8X85	
6	1001219764	1	Valve, Boom Raise Counterbalance (no Ride Control) (See Separate Breakdown in this Section)	
7	1001225392	1	Hose, ORFS	
8	1001225393	1	Hose, ORFS	
9	1001226828	1	Hose, ORFS	
10	1001226829	1	Hose, ORFS	

SECTION 8 - HYDRAULIC CIRCUITS

FIGURE 8-12. BOOM RAISE COUNTERBALANCE VALVE/FITTINGS ASSEMBLY (NO RIDE CONTROL)



ART_1001219764-C

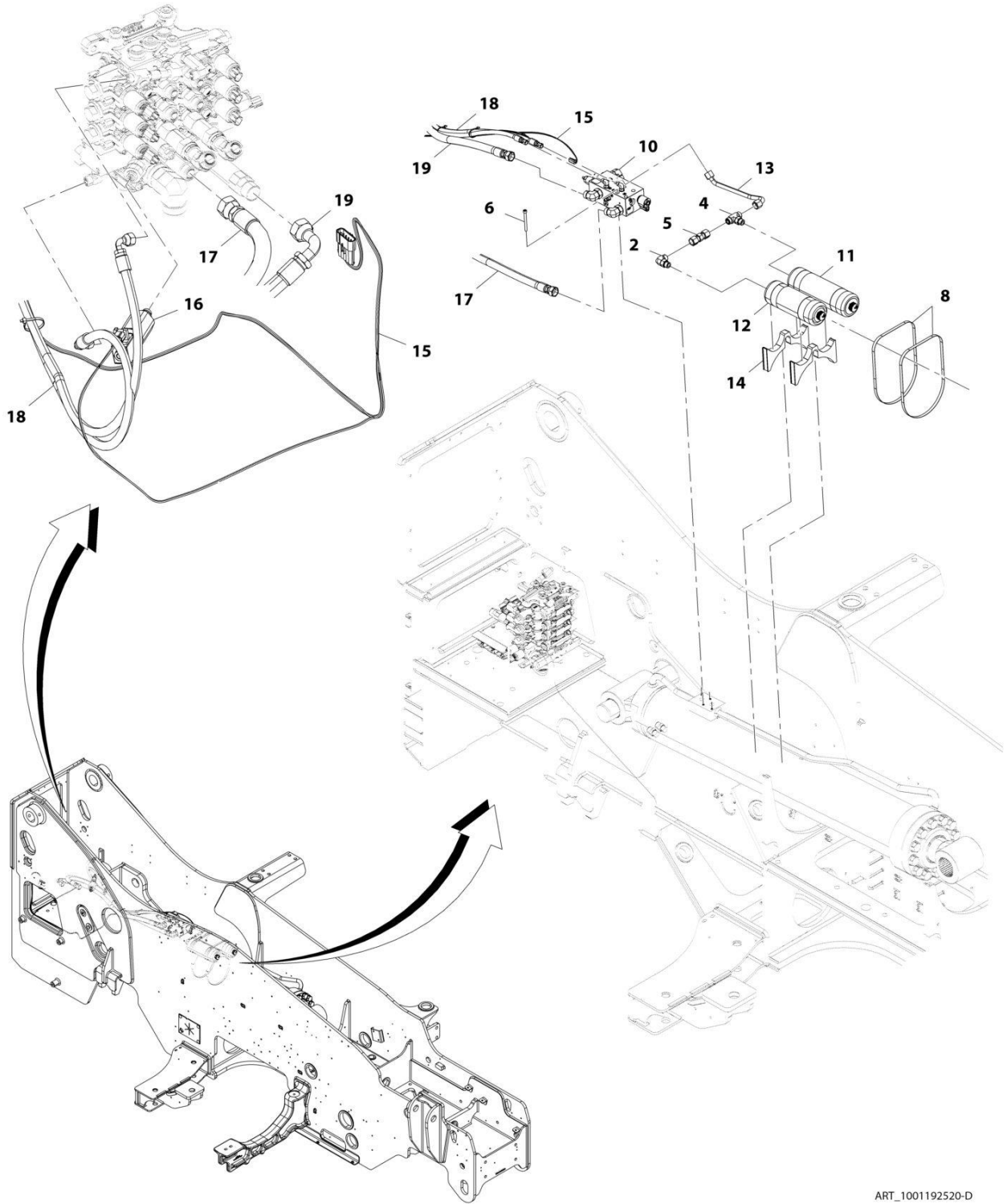
SECTION 8 - HYDRAULIC CIRCUITS

FIGURE 8-12. BOOM RAISE COUNTERBALANCE VALVE/FITTINGS ASSEMBLY (NO RIDE CONTROL)

ITEM	PART NUMBER	QTY	DESCRIPTION	REV
	1001219764	Ref	Boom Raise Counterbalance Valve (no Ride Control)	C
1	2131212	2	Fitting, 90 ORFS	
2	1001224944	1	Valve, GLS	
2A	70028282	2	O-ring	
3	2130404	2	Fitting, 90 ORFS	

SECTION 8 - HYDRAULIC CIRCUITS

FIGURE 8-13. BOOM RAISE HOSE INSTALLATION (RIDE CONTROL)



ART_1001192520-D

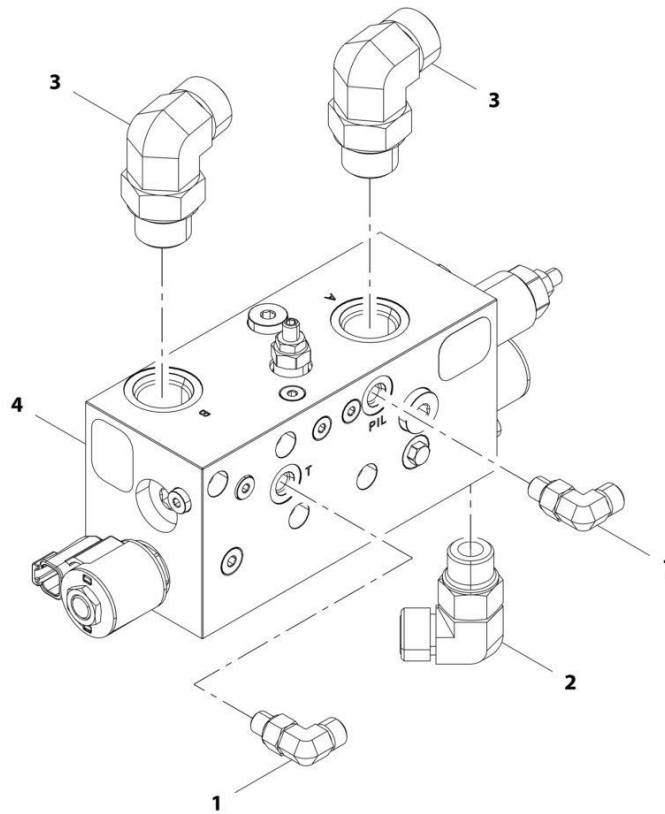
SECTION 8 - HYDRAULIC CIRCUITS

FIGURE 8-13. BOOM RAISE HOSE INSTALLATION (RIDE CONTROL)

ITEM	PART NUMBER	QTY	DESCRIPTION	REV
	1001192520	Ref	Boom Raise Hose Installation (Ride Control)	D
2	2131010	1	Fitting, 90 ORFS	
4	2170410	1	Fitting, Tee ORFS	
5	2172410	1	Fitting, Straight ORFS	
6	4031921	4	Bolt, M8X85	
8	1001214829	2	Clamp	
10	1001219765	1	Assembly, Ride and Float Valve (See Separate Breakdown in this Section)	
11	1001192771	1	Cylinder, Piston	
12	1001192772	1	Cylinder, Piston	
13	1001225390	1	Pipe	
14	1001196402	2	Bumper	
15	1001200105	1	Installation, Ride Control Wiring (See Separate Breakdown in ELECTRICAL Section)	
16	1001202020	1	Valve, MCV Tank Cartridge	
17	1001225393	1	Hose	
18	1001226829	2	Hose	
19	1001227440	1	Hose	

SECTION 8 - HYDRAULIC CIRCUITS

FIGURE 8-14. BOOM RAISE RIDE & FLOAT VALVE/FITTING ASSEMBLY (RIDE CONTROL)



ART_1001219765-B

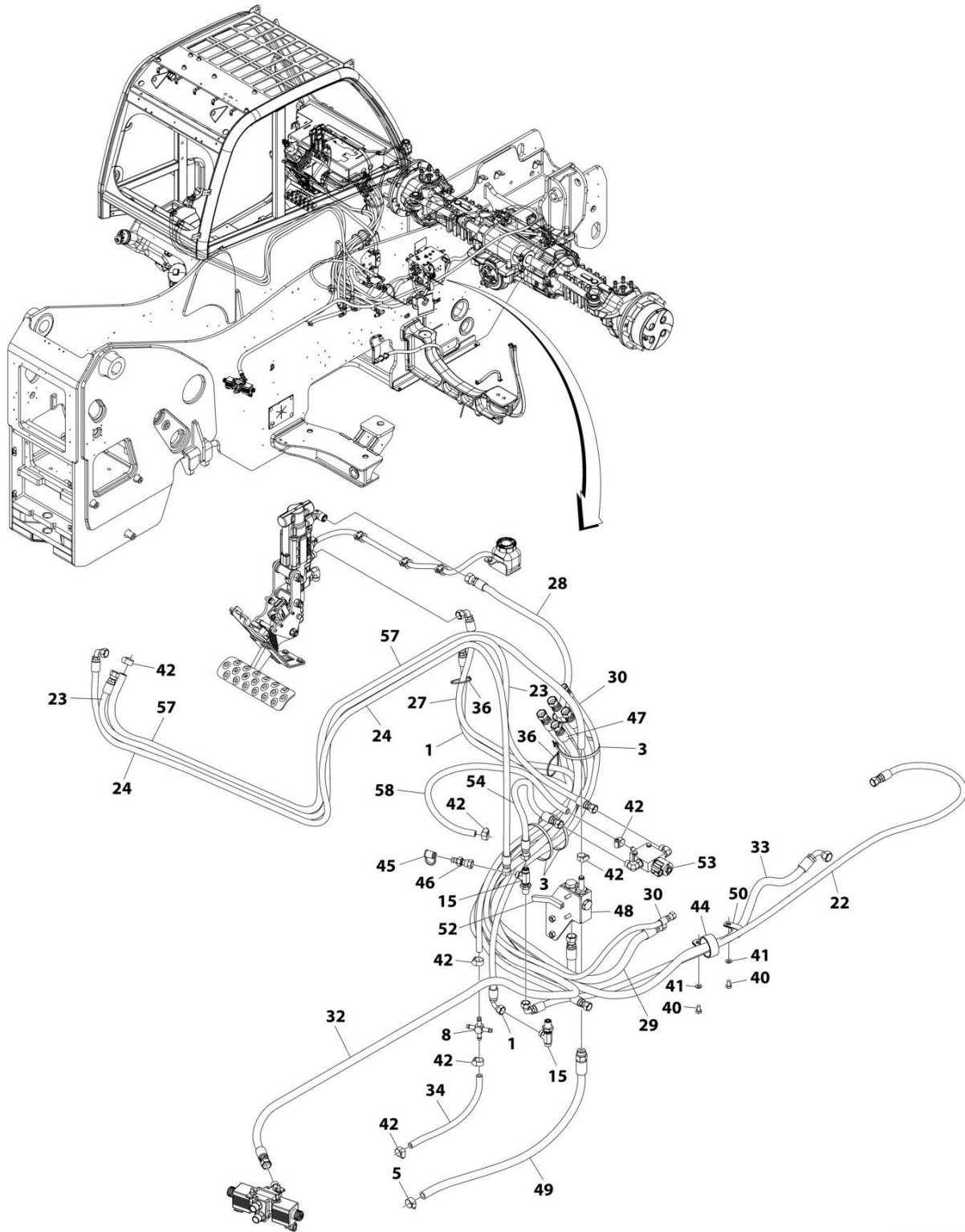
SECTION 8 - HYDRAULIC CIRCUITS

FIGURE 8-14. BOOM RAISE RIDE & FLOAT VALVE/FITTING ASSEMBLY (RIDE CONTROL)

ITEM	PART NUMBER	QTY	DESCRIPTION	REV
	1001219765	Ref	Ride and Float Valve Assembly	B
1	2130404	2	Fitting, 90 ORFS	
2	2131010	1	Fitting, 90 ORFS	
3	2131212	2	Fitting, 90 ORFS	
4	1001224945	1	Valve, Boom Raise (See Separate Breakdown in HYDRAULIC COMPONENTS Section)	

SECTION 8 - HYDRAULIC CIRCUITS

FIGURE 8-15. CAB HYDRUALIC INSTALLATION



ART_1001193709

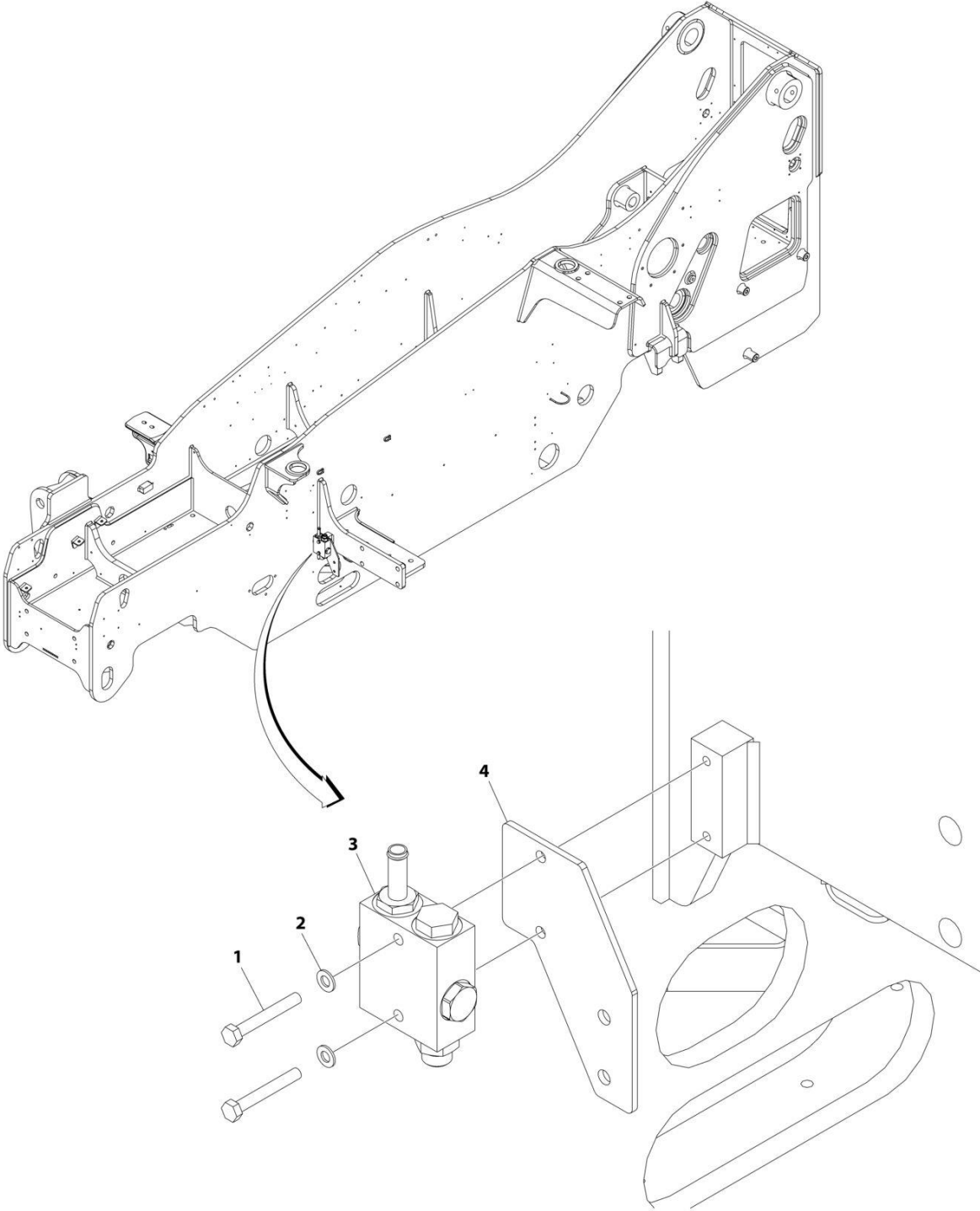
SECTION 8 - HYDRAULIC CIRCUITS

FIGURE 8-15. CAB HYDRUALIC INSTALLATION

ITEM	PART NUMBER	QTY	DESCRIPTION	REV
	1001193709	Ref	CAB HYDRUALIC INSTALLATION	J
1	1001196989	1	Hose	
3	4240018	3	Strap, Cable	
5	8405006	1	Clamp	
8	1001215256	1	Fitting, Cross Barb	
15	88662434	2	Fitting, Tee ORFS	
22	1001210800	1	Hose	
23	1001221989	1	Hose	
24	1001210327	1	Hose	
27	1001206709	1	Hose	
28	1001210282	1	Hose	
29	1001196992	1	Hose	
30	1001196993	1	Hose	
32	1001196995	1	Hose	
33	1001196996	1	Hose	
34	1001196997	1	Hose	
36	4240099	3	Tie, Wire	
40	0760807	2	Bolt M8 x 14	
41	4811900	2	Washer M8	
42	8410013	7	Clamp	
44	85941018	1	Clamp	
45	8430032	1	Plug	
46	8430081	1	Fitting, Straight ORFS	
47	1001204152	1	Hose	
48	1001212788	Ref	Installation, Check Valve (See Separate Breakdown in this Section)	
49	1001212880	1	Hose	
50	8406201	1	Clip	
52	90206198	186 mm	Compound, Locking	
53	1001221987	Ref	Installation, Solenoid Valve (See Separate Breakdown in this Section)	
54	1001221988	1	Hose	
57	2720160	2290 mm	Hose	
58	1001008654	750 mm	Hose	

SECTION 8 - HYDRAULIC CIRCUITS

FIGURE 8-16. CAB HYDRUALICS CHECK VALVE INSTALLATION



ART_1001212788

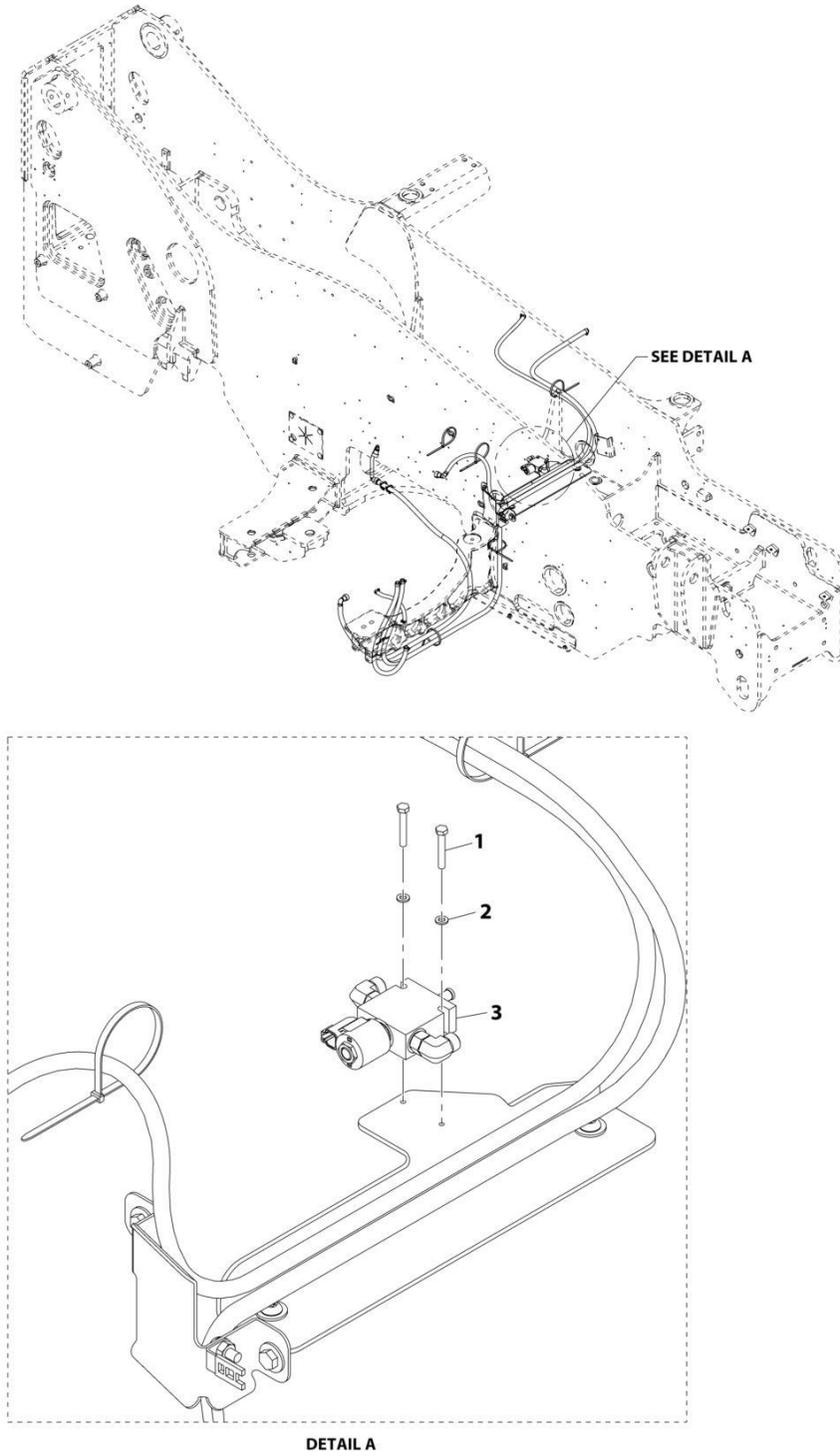
SECTION 8 - HYDRAULIC CIRCUITS

FIGURE 8-16. CAB HYDRUALICS CHECK VALVE INSTALLATION

ITEM	PART NUMBER	QTY	DESCRIPTION	REV
	1001212788	Ref	CAB HYDRUALICS CHECK VALVE INSTALLATION	B
1	0700820	2	Bolt M8 x 60	
2	4811900	2	Washer M8	
3	1001212789	1	Assembly, Check Valve (See Separate Breakdown in HYDRAULIC COMPONENTS Section)	
4	1001219659	1	Plate	

SECTION 8 - HYDRAULIC CIRCUITS

FIGURE 8-17. CAB HYDRAULICS SOLENOID INSTALLATION



ART_1001221987-A

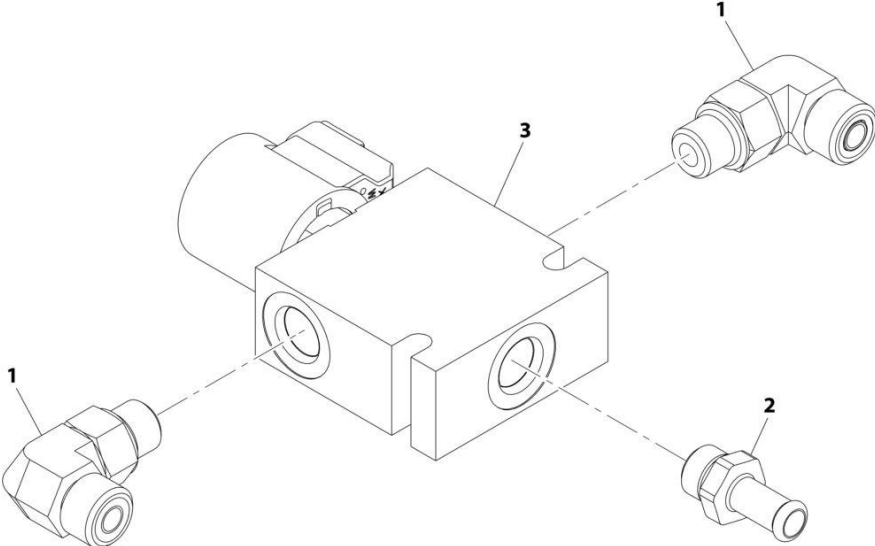
SECTION 8 - HYDRAULIC CIRCUITS

FIGURE 8-17. CAB HYDRAULICS SOLENOID INSTALLATION

ITEM	PART NUMBER	QTY	DESCRIPTION	REV
	1001221987	Ref	Solenoid Valve Installation	A
1	0700616	2	Bolt, M6X40	
2	4811700	2	Washer, M6	
3	1001221986	1	Assembly, Solenoid Valve (See Separate Breakdown in this Section)	

SECTION 8 - HYDRAULIC CIRCUITS

FIGURE 8-18. CAB HYDRAULICS SOLENOID FITTINGS INSTALLATION



ART_1001221986-A

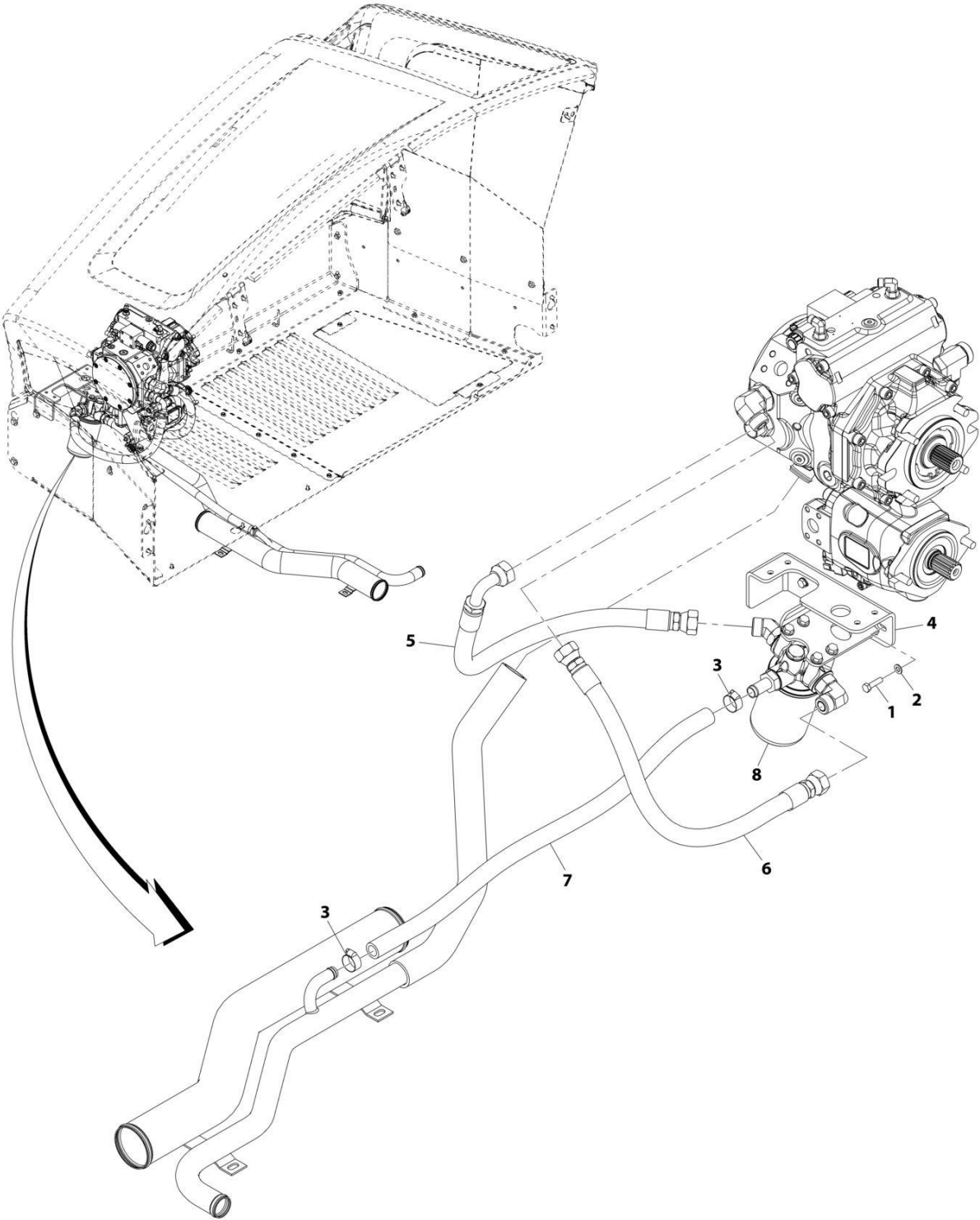
SECTION 8 - HYDRAULIC CIRCUITS

FIGURE 8-18. CAB HYDRAULICS SOLENOID FITTINGS INSTALLATION

ITEM	PART NUMBER	QTY	DESCRIPTION	REV
1	1001221986 2130606	Ref 2	Solenoid Valve/Fittings Assembly Fitting, 90 ORFS	A
2	1001168030	1	Fitting, Hose Barb	
3	1001221928	1	Valve, Solenoid (See Separate Breakdown in HYDRAULIC COMPONENTS Section)	

SECTION 8 - HYDRAULIC CIRCUITS

FIGURE 8-19. CHARGE FILTER LINES INSTALLATION



ART_1001202026-B

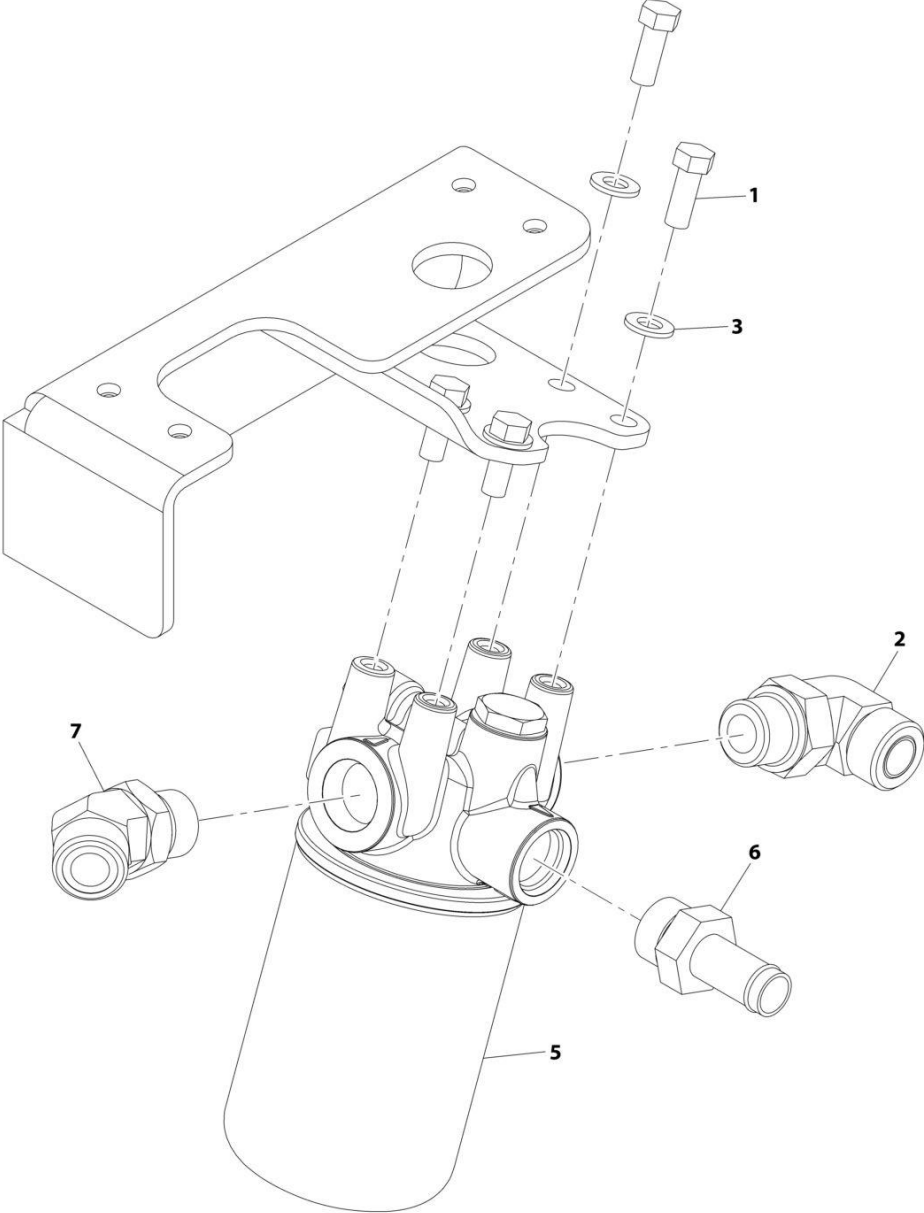
SECTION 8 - HYDRAULIC CIRCUITS

FIGURE 8-19. CHARGE FILTER LINES INSTALLATION

ITEM	PART NUMBER	QTY	DESCRIPTION	REV
	1001202026	Ref	Charge Filter Lines Installation	B
1	0700814	2	Bolt, M8X30	
2	4811900	2	Washer, M8	
3	8405007	2	Clamp	
4	1001212184	1	Bracket	
5	1001195433	1	Hose	
6	1001195434	1	Hose	
7	1001195435	1	Hose	
8	1001195430	Ref	Installation, Charge Filter (See Separate Breakdown in this Section)	

SECTION 8 - HYDRAULIC CIRCUITS

FIGURE 8-20. CHARGE FILTER INSTALLATION



ART_1001195430-C

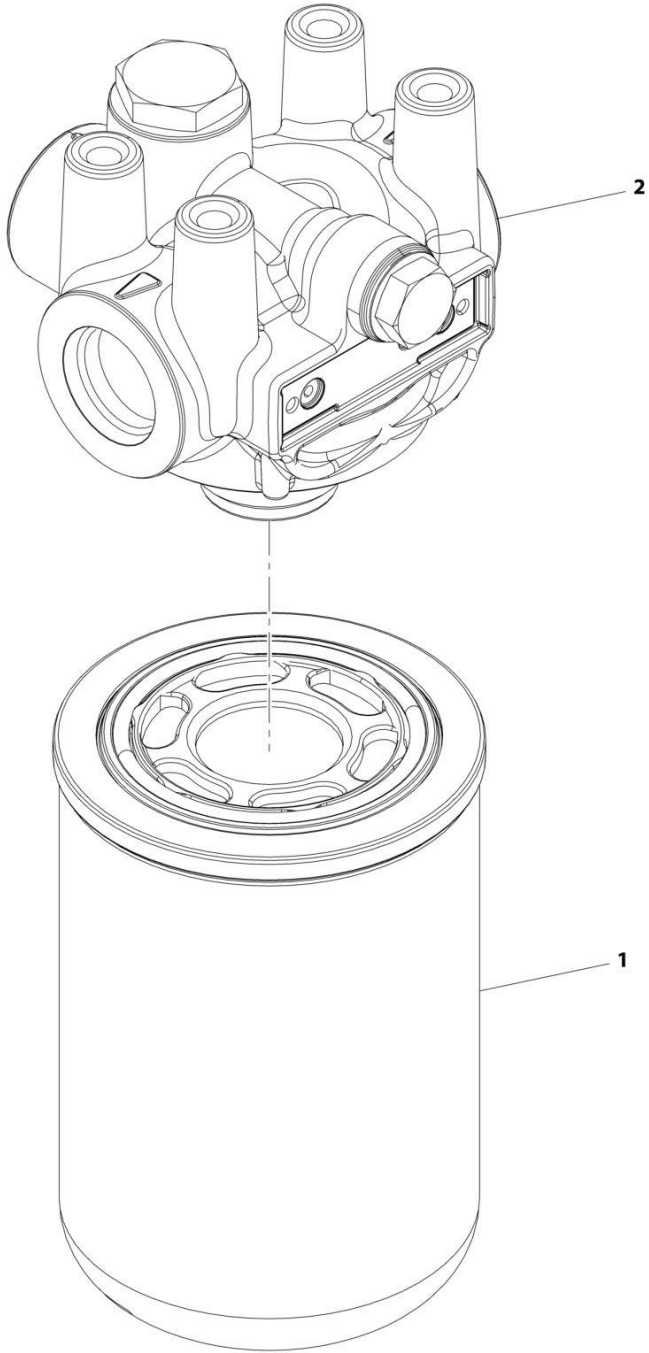
SECTION 8 - HYDRAULIC CIRCUITS

FIGURE 8-20. CHARGE FILTER INSTALLATION

ITEM	PART NUMBER	QTY	DESCRIPTION	REV
	1001195430	Ref	Charge Filter Installation	C
1	0641608	4	Bolt, 3/8-16X1	
2	2131212	1	Fitting, 90 ORFS	
3	4812000	4	Washer, M10	
5	1001141976	1	Assembly, Charge Filter (See Separate Breakdown in this Section)	
6	1001183700	1	Fitting, Barb	
7	2151212	1	Fitting, 45 ORFS	

SECTION 8 - HYDRAULIC CIRCUITS

FIGURE 8-21. CHARGE FILTER ASSEMBLY



ART_1001141976-A

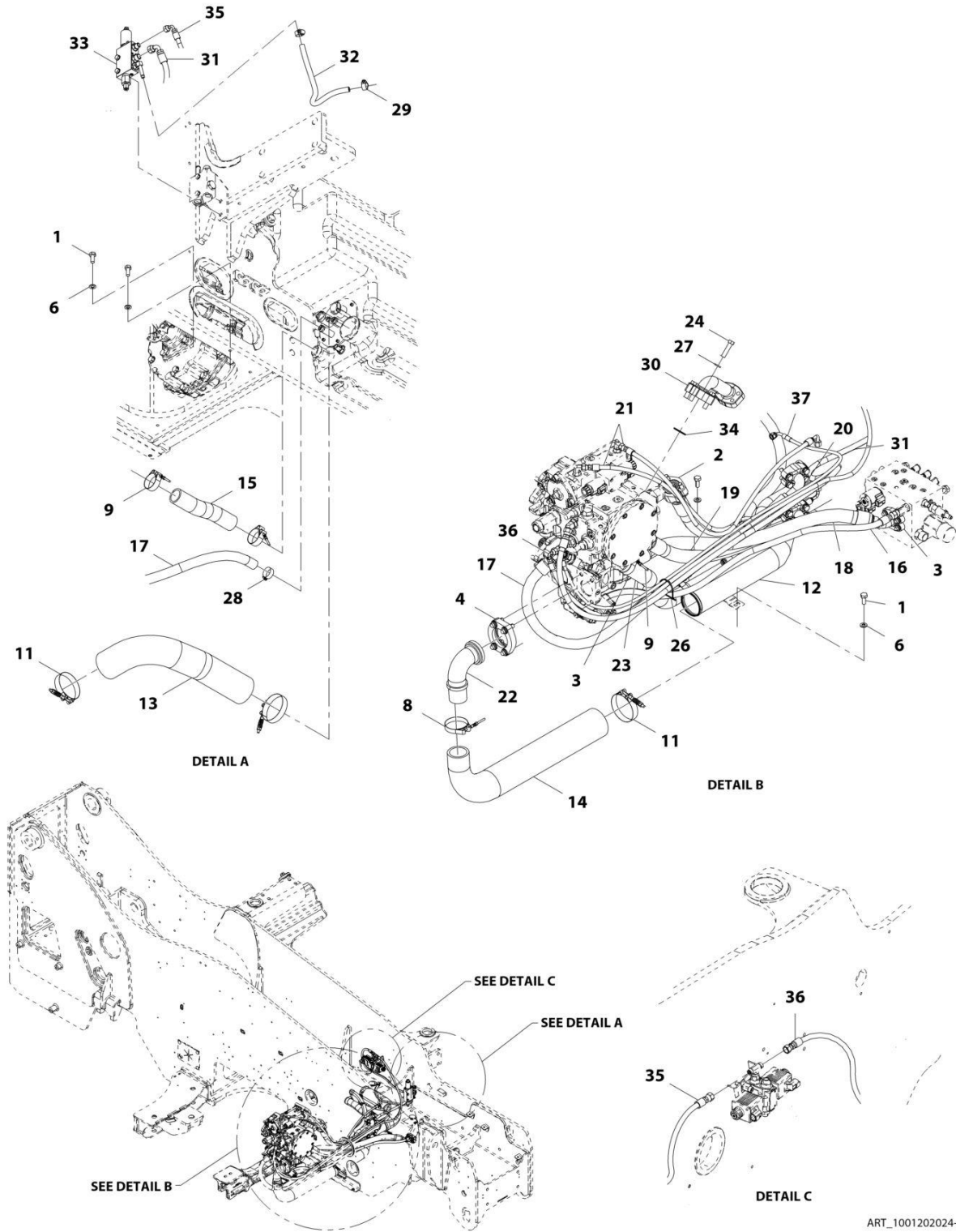
SECTION 8 - HYDRAULIC CIRCUITS

FIGURE 8-21. CHARGE FILTER ASSEMBLY

ITEM	PART NUMBER	QTY	DESCRIPTION	REV
	1001141976	Ref	Implement Pump Filter Assembly	A
1	1001141461	1	Filter	
2	1001141462	1	Pump, Filter	

SECTION 8 - HYDRAULIC CIRCUITS

FIGURE 8-22. ENGINE BAY HYDRAULIC INSTALLATION



ART_1001202024-G

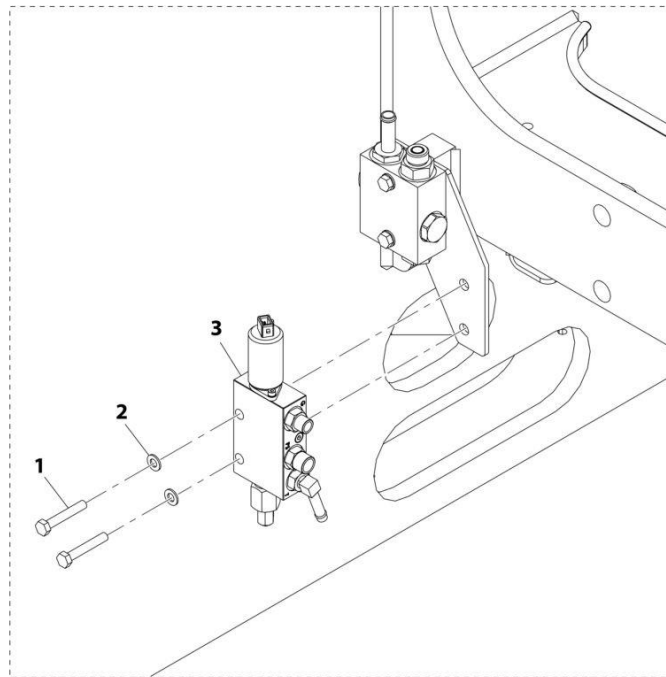
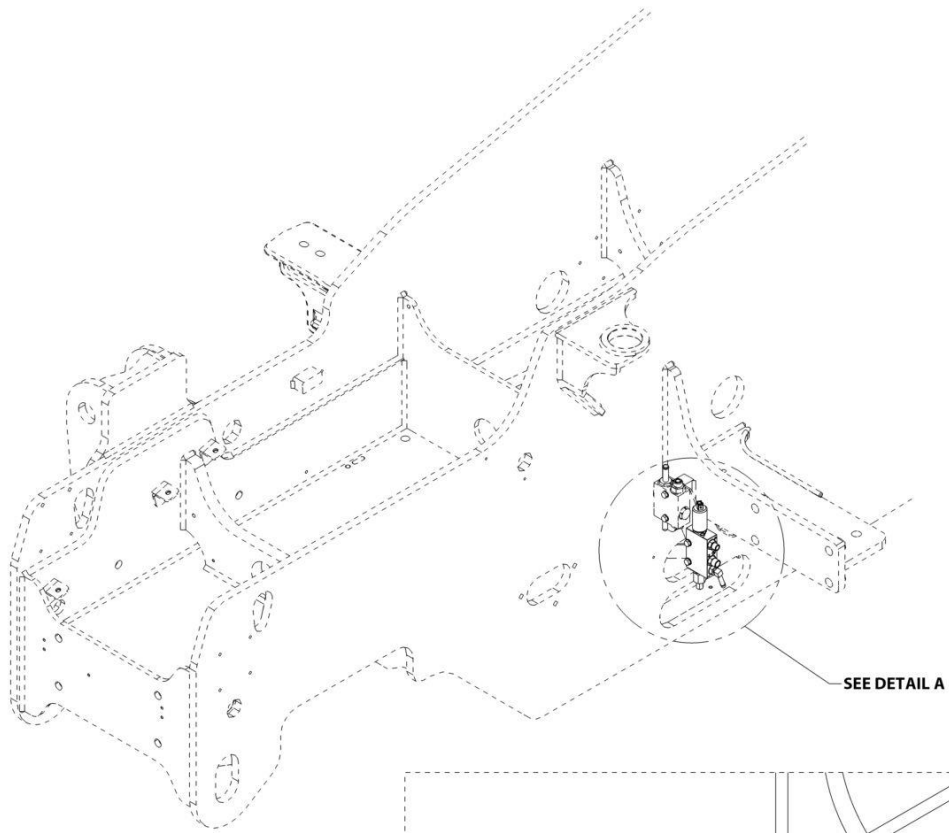
SECTION 8 - HYDRAULIC CIRCUITS

FIGURE 8-22. ENGINE BAY HYDRAULIC INSTALLATION

ITEM	PART NUMBER	QTY	DESCRIPTION	REV
	1001202024	Ref	Engine Bay Installation	G
1	0761012	4	Bolt, M10X25	
2	1001217948	4	Kit, Flange (includes mounting hardware and o-ring)	
3	2171816	2	Kit, Flange (includes mounting hardware and o-ring)	
4	2171832	1	Kit, Flange (includes mounting hardware and o-ring)	
6	4812000	4	Washer, M10	
8	1001005438	1	Clamp	
9	1001014231	4	Clamp	
11	1001186843	3	Clamp	
12	1001187272	1	Pipe	
13	1001187273	1	Hose	
14	1001187275	1	Hose	
15	1001193461	1	Hose	
16	1001196959	1	Hose	
17	1001215802	1	Hose	
18	1001214431	1	Hose	
19	1001214430	1	Hose	
20	1001214429	1	Hose	
21	1001215539	2	Hose	
22	8424233	1	Fitting, 90	
23	1001202027	1	Hose	
24	0681714	4	Bolt, 7/16-14X1 3/4 Grade 8	
26	4240099	AR	Tie, Wire	
27	4761700	4	Washer, Lock 7/16	
28	8405007	1	Clamp	
29	8410013	2	Clamp	
30	1001200870	1	Fitting, 90	
31	1001213306	1	Hose	
32	1001213307	1	Hose	
33	1001213308	1	Installation, Inching Valve (See Separate Breakdown in this Section)	
34	91083106	1	O-Ring	
35	1001215093	1	Hose	
36	1001215212	1	Hose	
37	1001223109	1	Hose	

SECTION 8 - HYDRAULIC CIRCUITS

FIGURE 8-23. ENGINE BAY INCHING VALVE INSTALLATION



DETAIL A

ART_1001213308-A

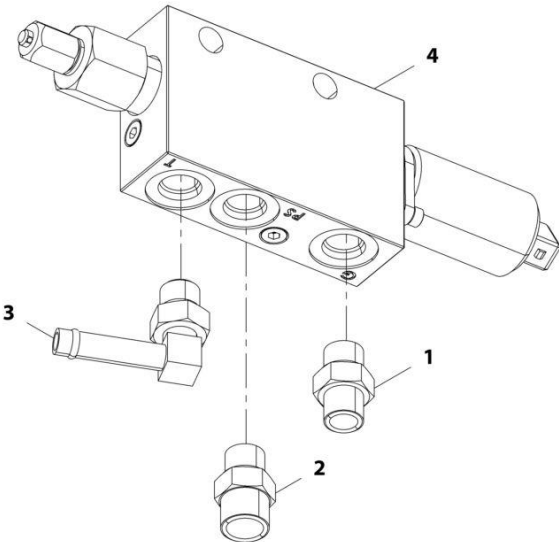
SECTION 8 - HYDRAULIC CIRCUITS

FIGURE 8-23. ENGINE BAY INCHING VALVE INSTALLATION

ITEM	PART NUMBER	QTY	DESCRIPTION	REV
	1001213308	Ref	Inching Valve Installation	A
1	0700818	2	Bolt, M8X50	
2	4811900	2	Washer, M8	
3	1001213309	1	Assembly, Inching Valve (See Separate Breakdown in this Section)	

SECTION 8 - HYDRAULIC CIRCUITS

FIGURE 8-24. ENGINE BAY INCHING VALVE/FITINGS ASSEMBLY



ART_1001213309-B

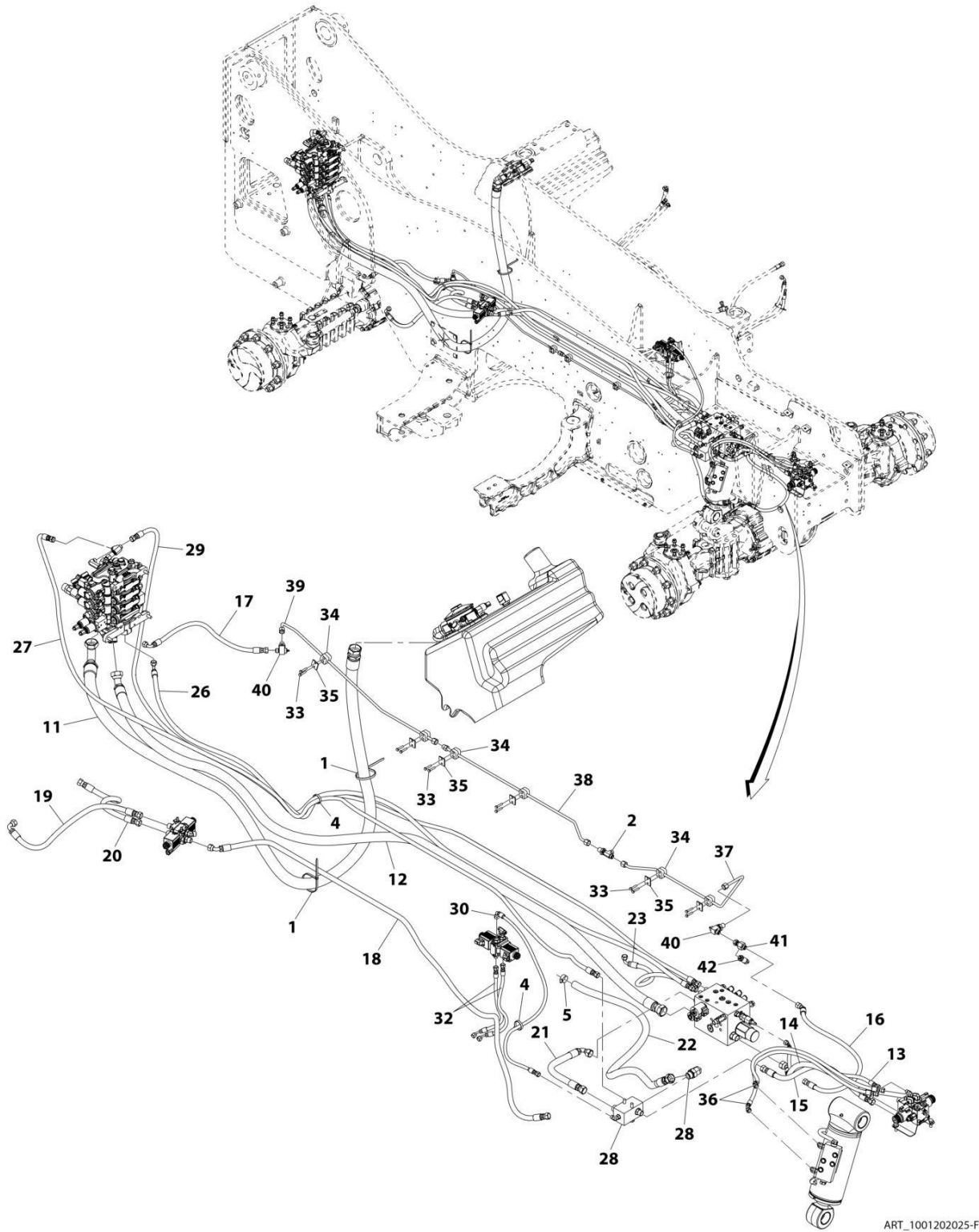
SECTION 8 - HYDRAULIC CIRCUITS

FIGURE 8-24. ENGINE BAY INCHING VALVE/FITINGS ASSEMBLY

ITEM	PART NUMBER	QTY	DESCRIPTION	REV
	1001213309	Ref	Inching Valve Assembly	B
1	2110406	1	Fitting, Straight ORFS	
2	2110606	1	Fitting, Straight ORFS	
3	8430034	1	Elbow, 90	
4	1001213311	1	Valve, Inching (See Separate Breakdown in HYDRAULIC COMPONENTS Section)	

SECTION 8 - HYDRAULIC CIRCUITS

FIGURE 8-25. FRAME HYDRAULIC INSTALLATION



ART_1001202025-F

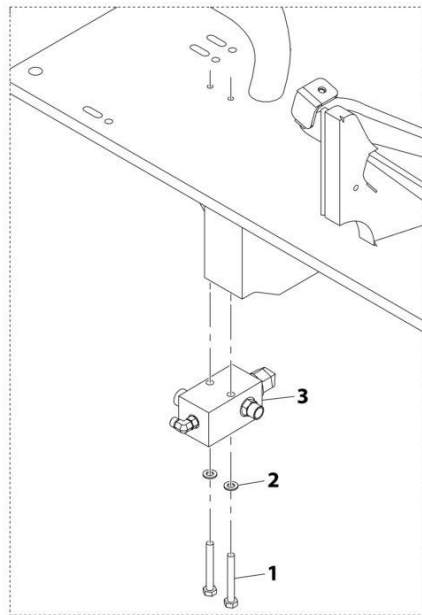
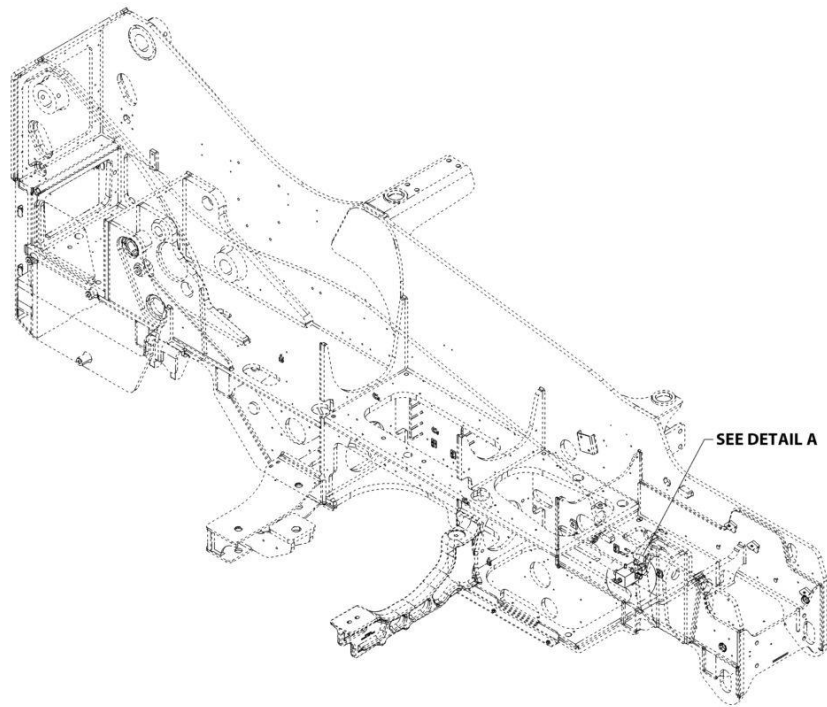
SECTION 8 - HYDRAULIC CIRCUITS

FIGURE 8-25. FRAME HYDRAULIC INSTALLATION

ITEM	PART NUMBER	QTY	DESCRIPTION	REV
	1001202025	Ref	Frame Hydraulic Installation	F
1	1062255	2	Strap, Tie	
2	88662434	1	Fitting, Tee ORFS	
4	4240018	2	Strap, Tie	
5	8405007	1	Clamp	
11	1001196964	1	Hose	
12	1001196967	1	Hose	
13	1001210635	1	Hose	
14	1001196969	1	Hose	
15	1001196970	1	Hose	
16	1001208532	1	Hose	
17	1001208534	1	Hose	
18	1001196973	1	Hose	
19	1001196974	1	Hose	
20	1001196975	1	Hose	
21	1001196976	1	Hose	
22	1001196977	1	Hose	
23	1001196978	1	Hose	
26	1001196981	1	Hose	
27	1001196982	1	Hose	
28	1001197197	Ref	Installation, Manifold (See Separate Breakdown in this Section)	
29	1001197199	1	Hose	
30	1001197200	1	Hose	
32	1001211020	2	Hose	
33	0700614	12	Bolt, M6X30	
34	9106-3040	6	Clamp	
35	9106-3039	6	Plate, Cover	
36	1001205573	2	Hose	
37	1001207788	1	Pipe	
38	1001207789	1	Pipe	
39	1001207790	1	Pipe	
40	1001210797	2	Bleeder, Brake	
41	1001111140	1	Fitting, ORFS	
42	1001147340	1	Sensor, Pressure	

SECTION 8 - HYDRAULIC CIRCUITS

FIGURE 8-26. FRAME MANIFOLD INSTALLATION



DETAIL A

ART_1001197197-B

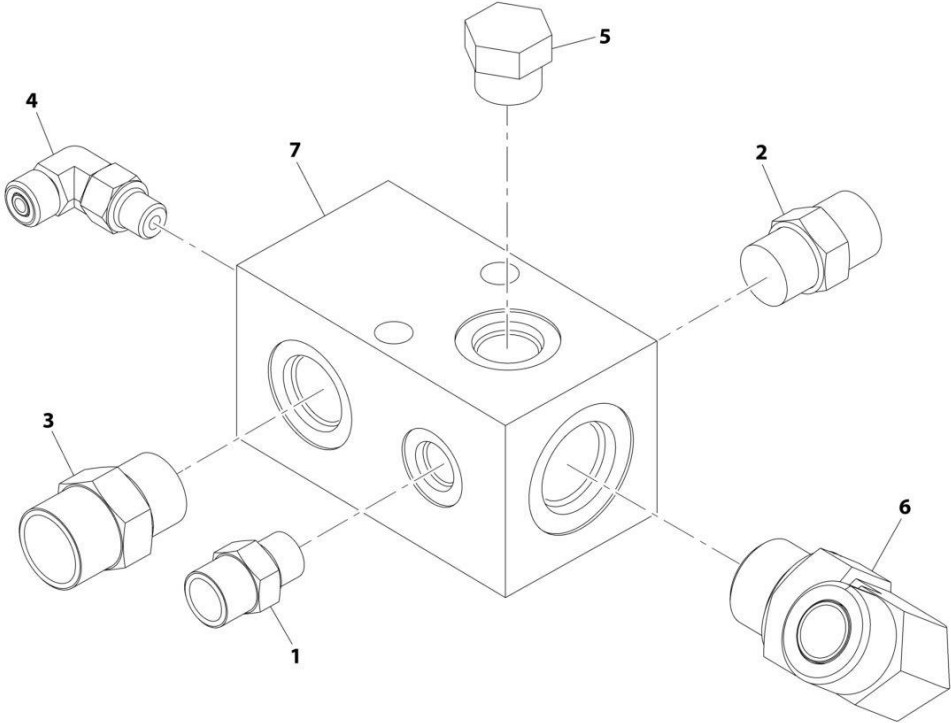
SECTION 8 - HYDRAULIC CIRCUITS

FIGURE 8-26. FRAME MANIFOLD INSTALLATION

ITEM	PART NUMBER	QTY	DESCRIPTION	REV
	1001197197	Ref	Manifold Installation	B
1	0701024	2	Bolt, M10X80	
2	4812000	2	Washer, M10	
3	1001197198	1	Assembly, Manifold (See Separate Breakdown in this Section)	

SECTION 8 - HYDRAULIC CIRCUITS

FIGURE 8-27. FRAME MANIFOLD/FITTINGS ASSEMBLY



ART_1001197198-D

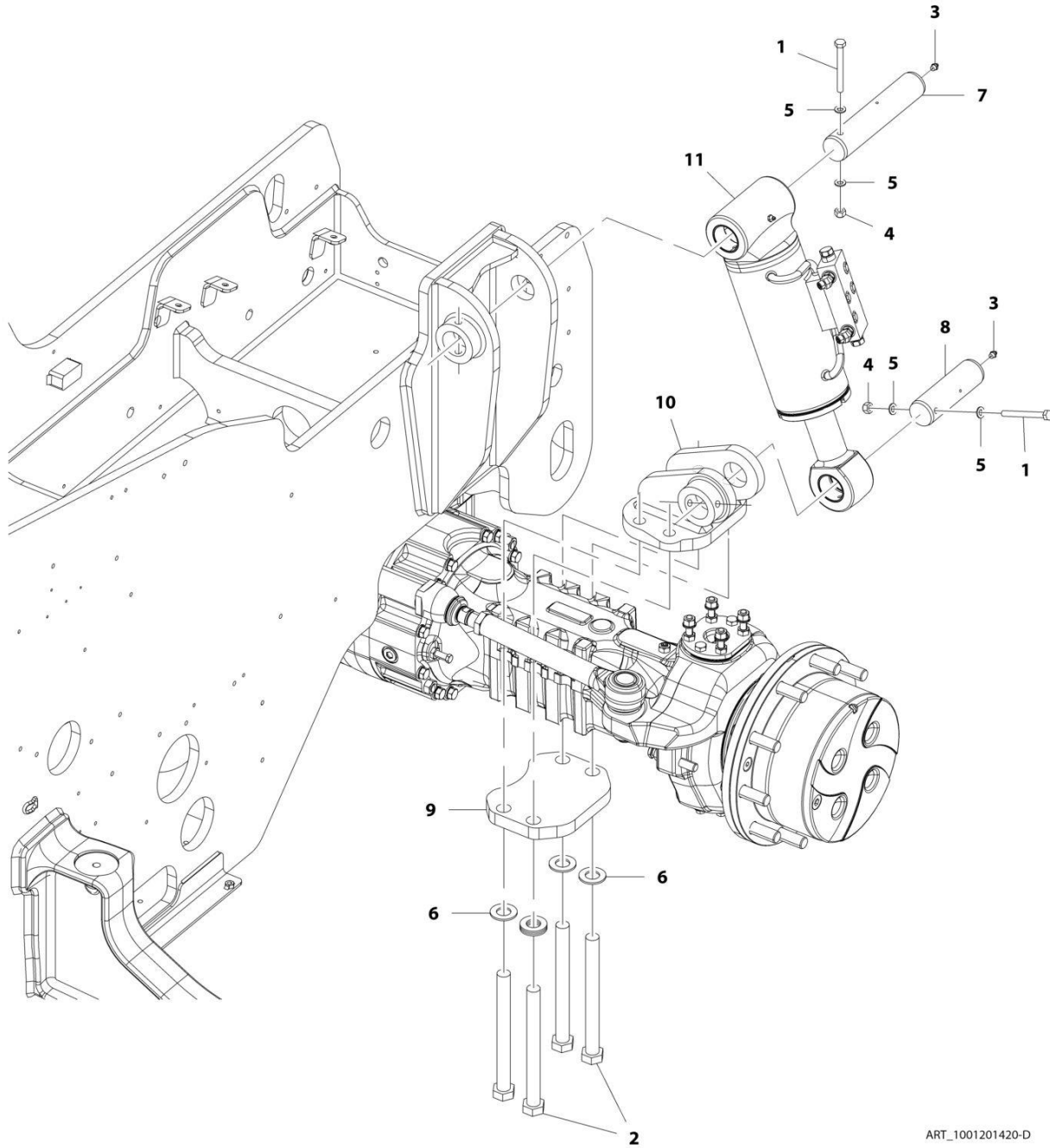
SECTION 8 - HYDRAULIC CIRCUITS

FIGURE 8-27. FRAME MANIFOLD/FITTINGS ASSEMBLY

ITEM	PART NUMBER	QTY	DESCRIPTION	REV
	1001197198	Ref	Manifold Assembly	D
1	2110606	1	Fitting, Straight ORFS	
2	2110808	1	Fitting, Straight ORFS	
3	2111010	1	Fitting, Straight ORFS	
4	2130404	1	Fitting, 90 ORFS	
5	2220238	1	Plug	
6	2131212	1	Fitting, 90 ORFS	
7	1001228504	1	Manifold	

SECTION 8 - HYDRAULIC CIRCUITS

FIGURE 8-28. FRAME LEVEL INSTALLATION



ART_1001201420-D

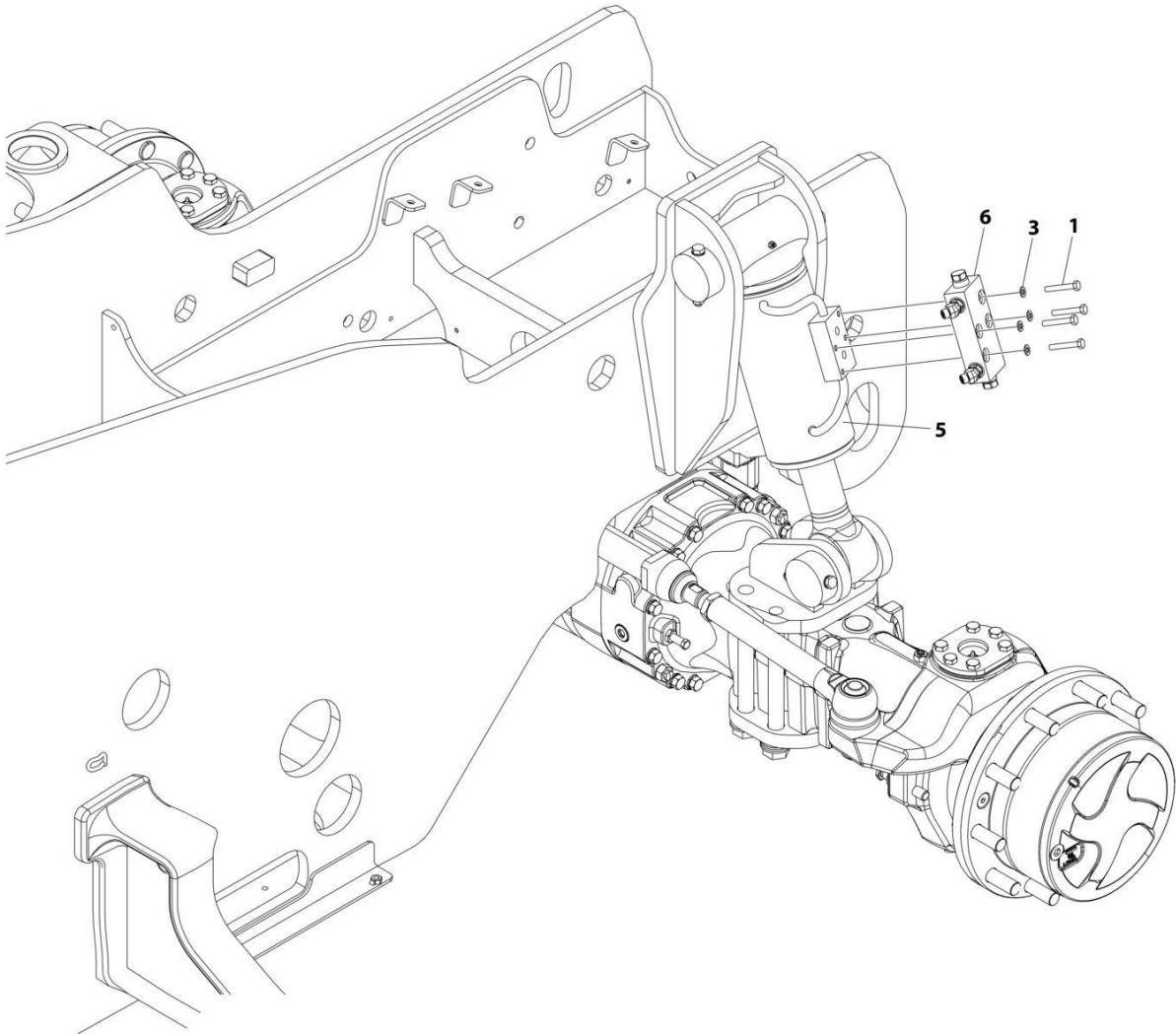
SECTION 8 - HYDRAULIC CIRCUITS

FIGURE 8-28. FRAME LEVEL INSTALLATION

ITEM	PART NUMBER	QTY	DESCRIPTION	REV
	1001201420	Ref	Frame Level Installation	D
1	0701027	2	Bolt, M10X100	
2	0712442	4	Bolt, M24X250 Grade 10.9	
3	2160016	2	Fitting, Grease	
4	3291005	2	Nut, Lock M0X1.5 Grade 8	
5	4812000	4	Washer, M10	
6	5242400	6	Washer, M24	
7	1001164971	1	Pin	
8	1001164972	1	Pin	
9	1001207325	1	Plate, Sway Bottom	
10	1001200226	1	Bracket, Axle Sway	
11	1001201074	Ref	Installation, Frame Level Cylinder (See Separate Breakdown in this Section)	

SECTION 8 - HYDRAULIC CIRCUITS

FIGURE 8-29. FRAME LEVEL CYLINDER INSTALLATION



ART_1001201074_C

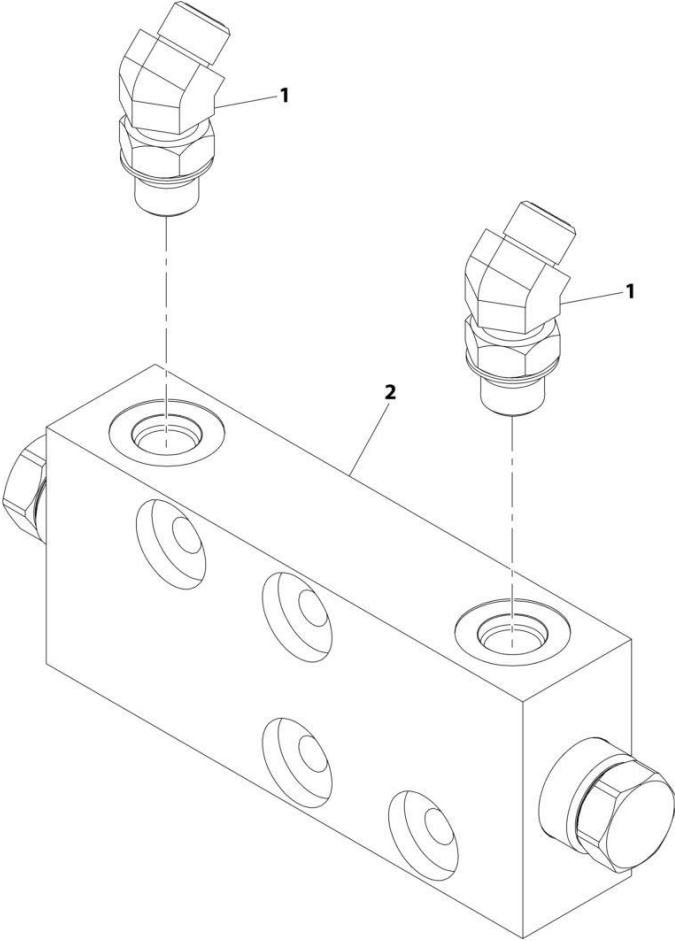
SECTION 8 - HYDRAULIC CIRCUITS

FIGURE 8-29. FRAME LEVEL CYLINDER INSTALLATION

ITEM	PART NUMBER	QTY	DESCRIPTION	REV
	1001201074	Ref	FRAME LEVEL CYLINDER INSTALLATION	C
1	0700818	4	Bolt M8 x 50	
3	4811900	4	Washer M8	
5	1001267973	1	Cylinder, Frame Level (See Separate Breakdown in HYDRAULIC COMPONENTS Section)	
6	1001217482	1	Assembly, Frame Level Valve (See Separate Breakdown in this Section)	

SECTION 8 - HYDRAULIC CIRCUITS

FIGURE 8-30. FRAME LEVEL COUNTERBALANCE VALVE/FITTINGS ASSEMBLY



ART_1001217482-A

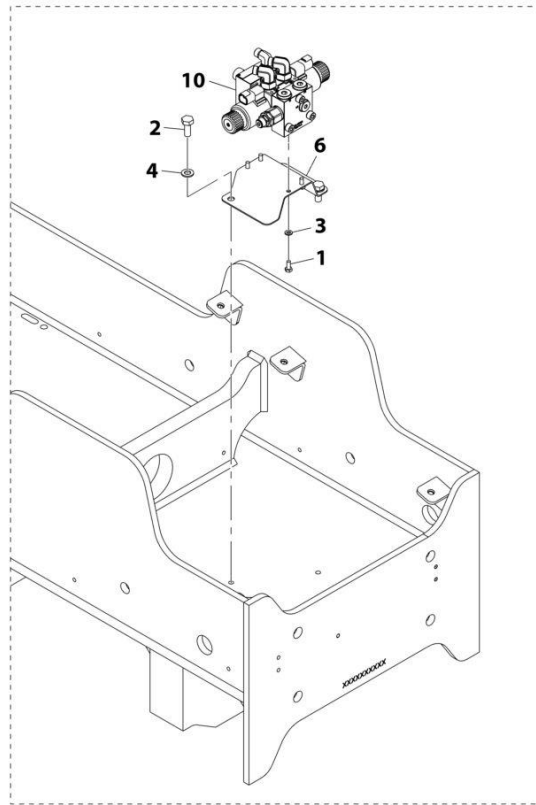
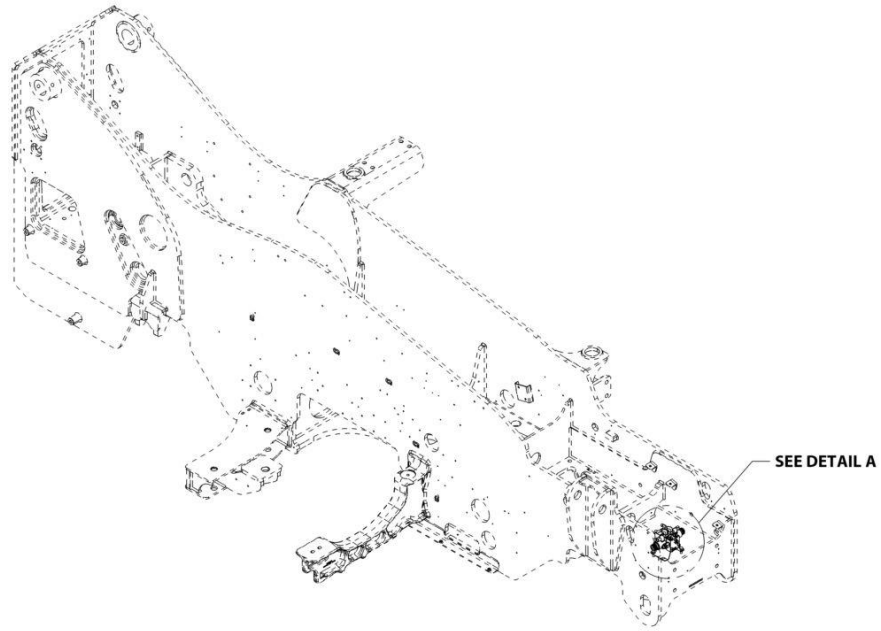
SECTION 8 - HYDRAULIC CIRCUITS

FIGURE 8-30. FRAME LEVEL COUNTERBALANCE VALVE/FITTINGS ASSEMBLY

ITEM	PART NUMBER	QTY	DESCRIPTION	REV
1	1001217482	Ref	Frame Level Valve Assembly	A
1	2150406	2	Fitting, 45 ORFS	
2	1001168599	1	Valve, Counterbalance (See Separate Breakdown in the HYDRAULIC COMPONENTS Section)	

SECTION 8 - HYDRAULIC CIRCUITS

FIGURE 8-31. FRAME LEVEL CONTROL VALVE INSTALLATION



DETAIL A

ART_1001193517-D

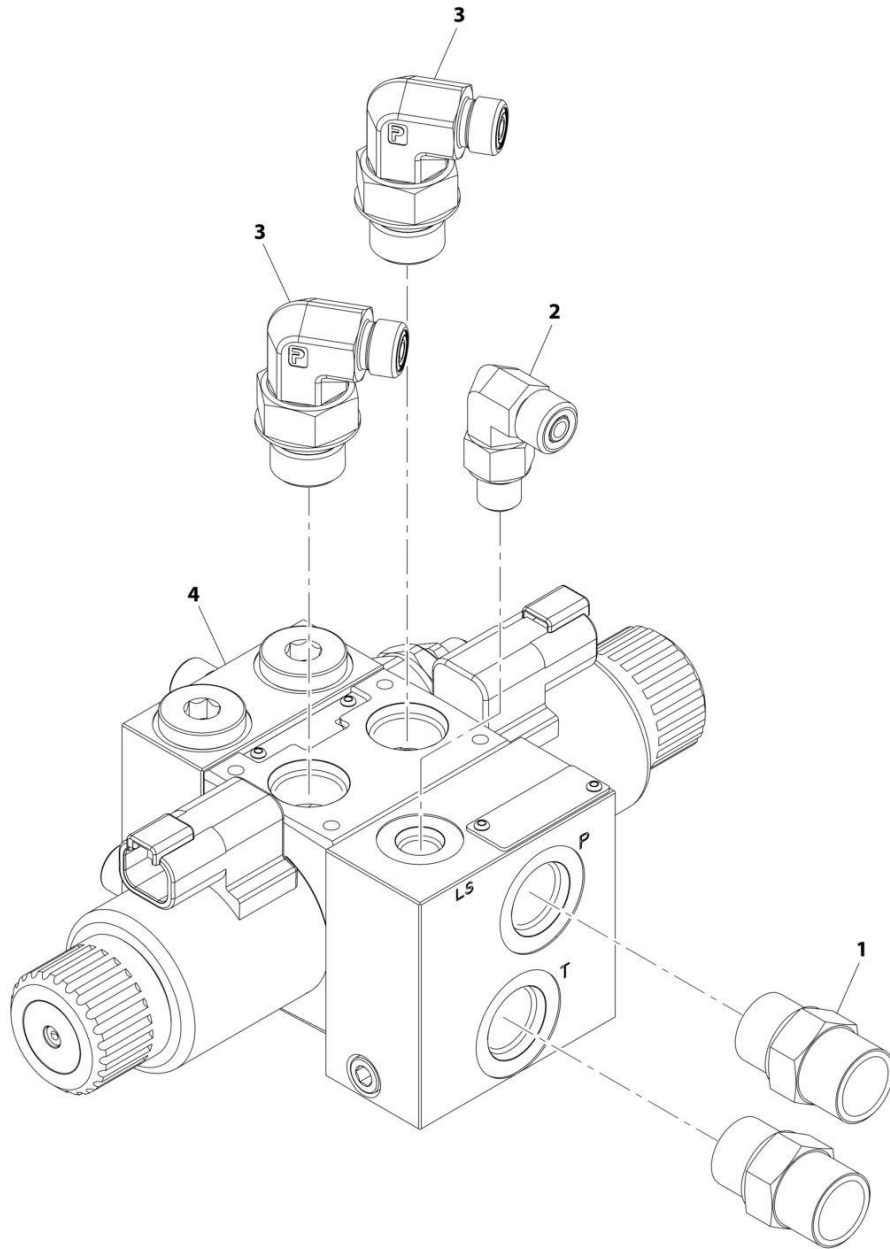
SECTION 8 - HYDRAULIC CIRCUITS

FIGURE 8-31. FRAME LEVEL CONTROL VALVE INSTALLATION

ITEM	PART NUMBER	QTY	DESCRIPTION	REV
	1001193517	Ref	Frame Level Valve Installation	D
1	0760607	4	Bolt, M6X14	
2	0761012	2	Bolt, M10X25	
3	4811700	4	Washer, M6	
4	4812000	2	Washer, M10	
6	1001195733	1	Bracket	
10	1001215341	1	Assembly, Frame Level Valve (See Separate Breakdown in this Section)	

SECTION 8 - HYDRAULIC CIRCUITS

FIGURE 8-32. FRAME LEVEL CONTROL VALVE/FITTINGS ASSEMBLY



ART_1001215341-B

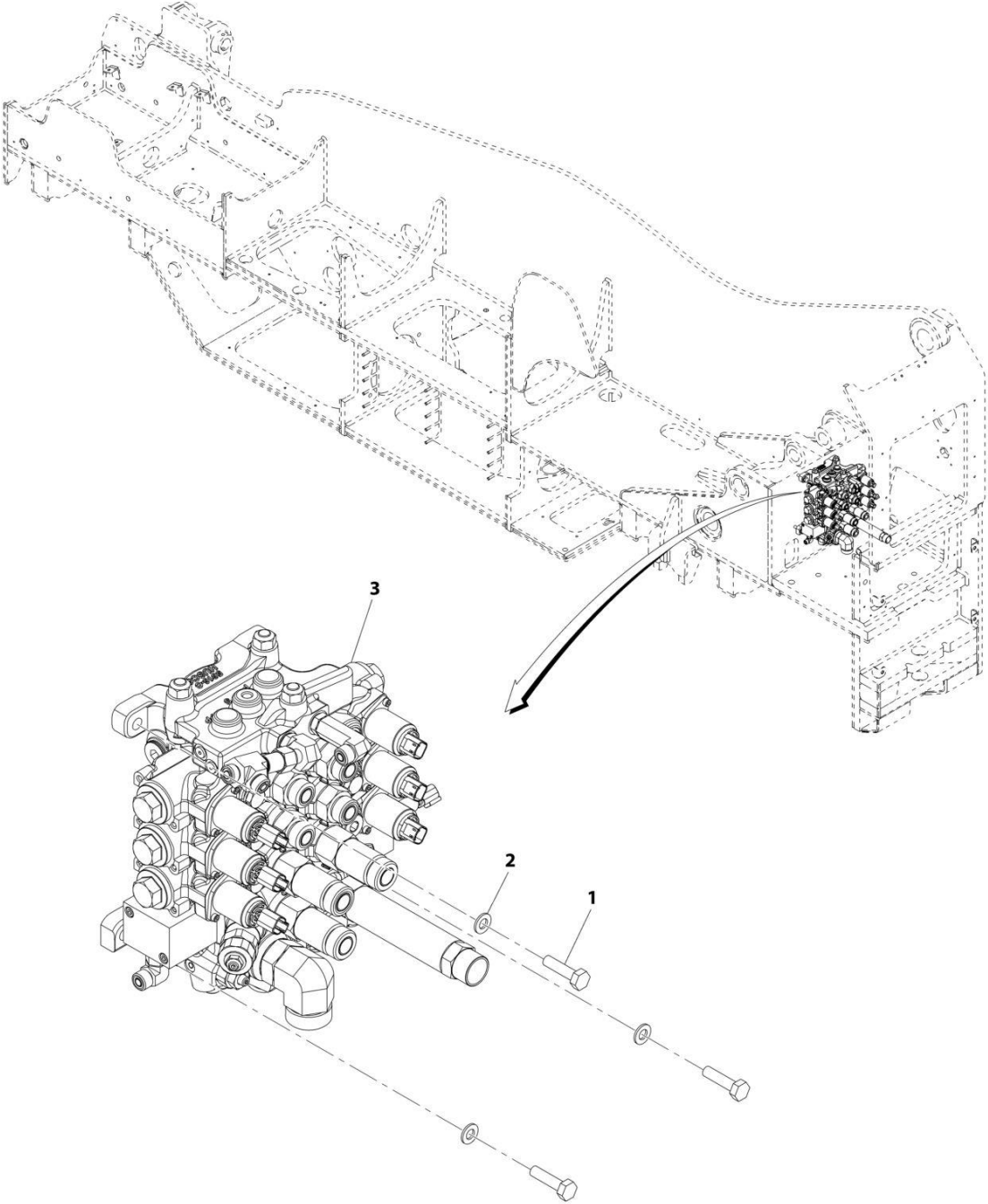
SECTION 8 - HYDRAULIC CIRCUITS

FIGURE 8-32. FRAME LEVEL CONTROL VALVE/FITTINGS ASSEMBLY

ITEM	PART NUMBER	QTY	DESCRIPTION	REV
	1001215341	Ref	Frame Level Valve Assembly	B
1	2110808	2	Fitting, Straight ORFS	
2	2130404	1	Fitting, 90 ORFS	
3	2130408	2	Fitting, 90 ORFS	
4	1001219615	1	Valve, Frame Level (See Separate Breakdown in HYDRAULIC COMPONENTS Section)	

SECTION 8 - HYDRAULIC CIRCUITS

FIGURE 8-33. MAIN CONTROL VALVE INSTALLATION



ART_1001220457-A

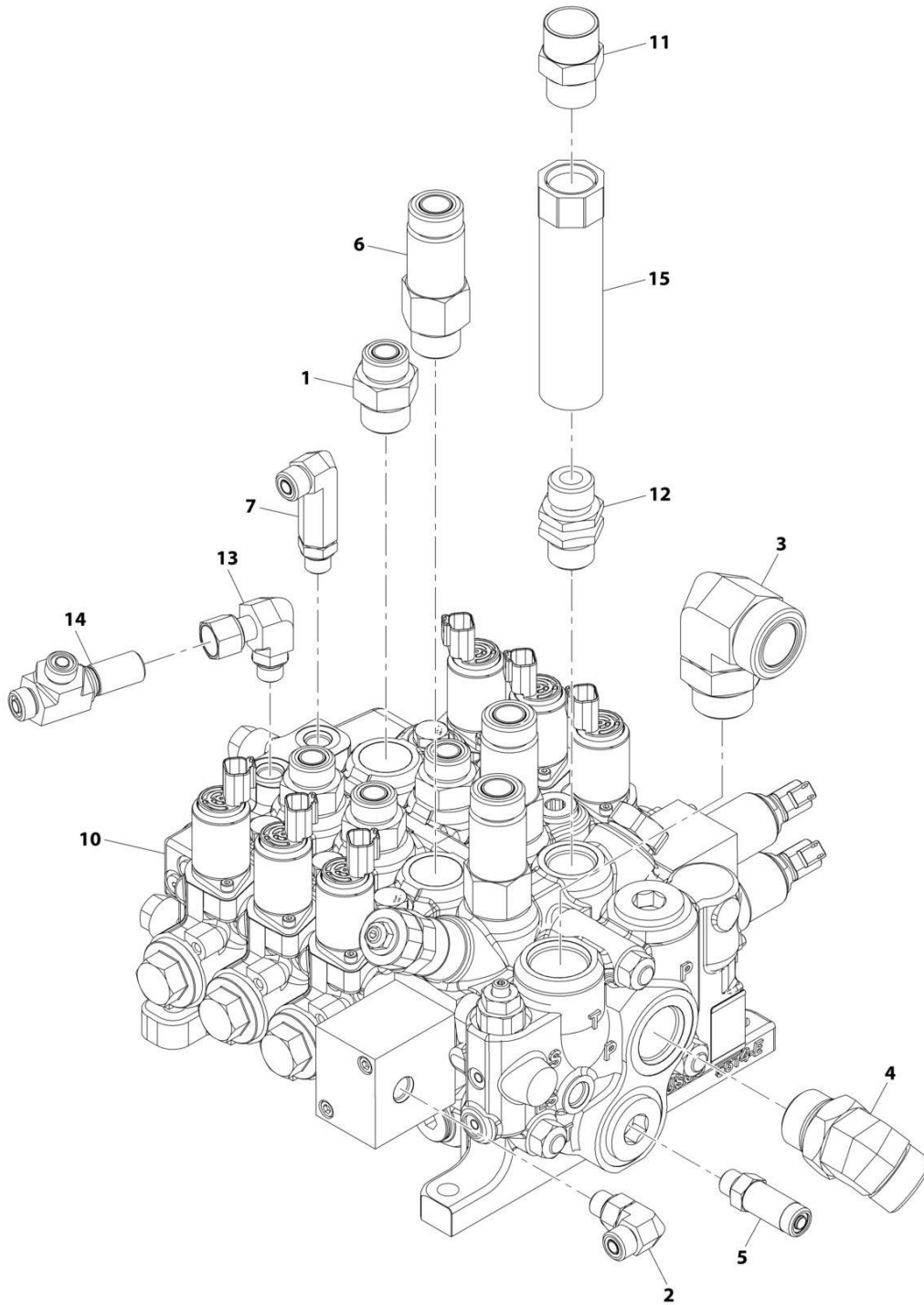
SECTION 8 - HYDRAULIC CIRCUITS

FIGURE 8-33. MAIN CONTROL VALVE INSTALLATION

ITEM	PART NUMBER	QTY	DESCRIPTION	REV
	1001220457	Ref	Main Control Valve Installation	A
1	0701016	3	Bolt, M10X40	
2	4812000	3	Washer, M10	
3	1001220456	1	Assembly, Main Control Valve (See Separate Breakdown in this Section)	

SECTION 8 - HYDRAULIC CIRCUITS

FIGURE 8-34. MAIN CONTROL VALVE/FITTINGS ASSEMBLY



ART_1001220456_C

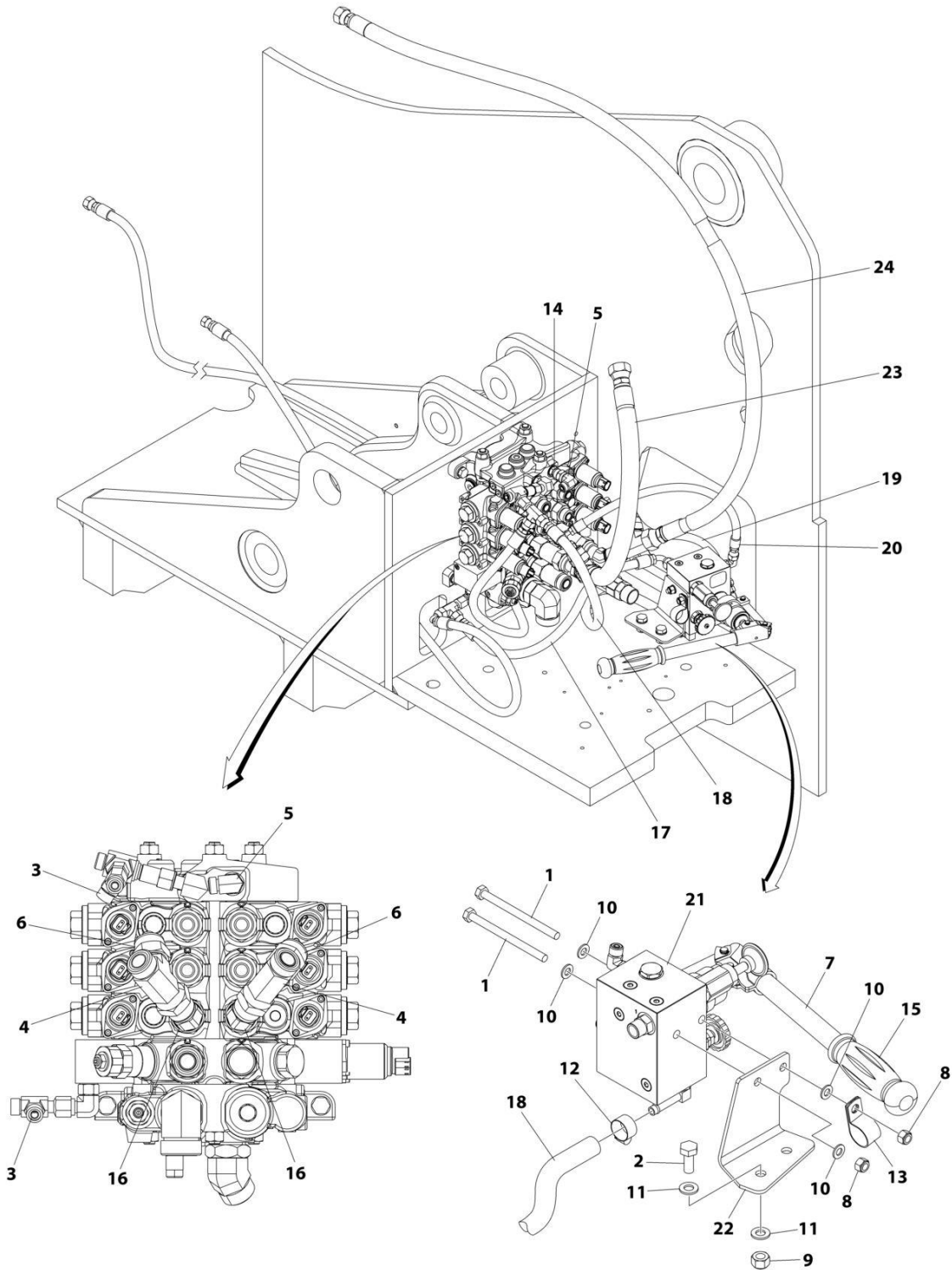
SECTION 8 - HYDRAULIC CIRCUITS

FIGURE 8-34. MAIN CONTROL VALVE/FITTINGS ASSEMBLY

ITEM	PART NUMBER	QTY	DESCRIPTION	REV
	1001220456	Ref	Main Control Valve Assembly	C
1	2111012	4	Fitting, Straight ORFS	
2	2130606	1	Fitting, 90 ORFS	
3	2132016	1	Fitting, 90 ORFS	
4	2151616	1	Fitting, 45 ORFS	
5	2170106	1	Fitting, Straight ORFS	
6	2170112	3	Fitting, Straight ORFS	
7	2170206	1	Fitting, 90 ORFS	
10	1001241881	1	Valve, Main Control (See Separate Breakdown in Hydraulic Components Section)	
11	2111212	1	Fitting, Straight ORFS	
12	8770030	1	Fitting, Straight ORFS	
13	8770104	1	Fitting, 90 ORFS	
14	8770286	1	Fitting, 90 ORFS	
15	1001224946	1	Valve, Check	

SECTION 8 - HYDRAULIC CIRCUITS

FIGURE 8-35. MANUAL PUMP (LIFT/TELE) INSTALLATION - REMOTE CONTROL EMERGENCY LOWERING



ART_1001259258-A

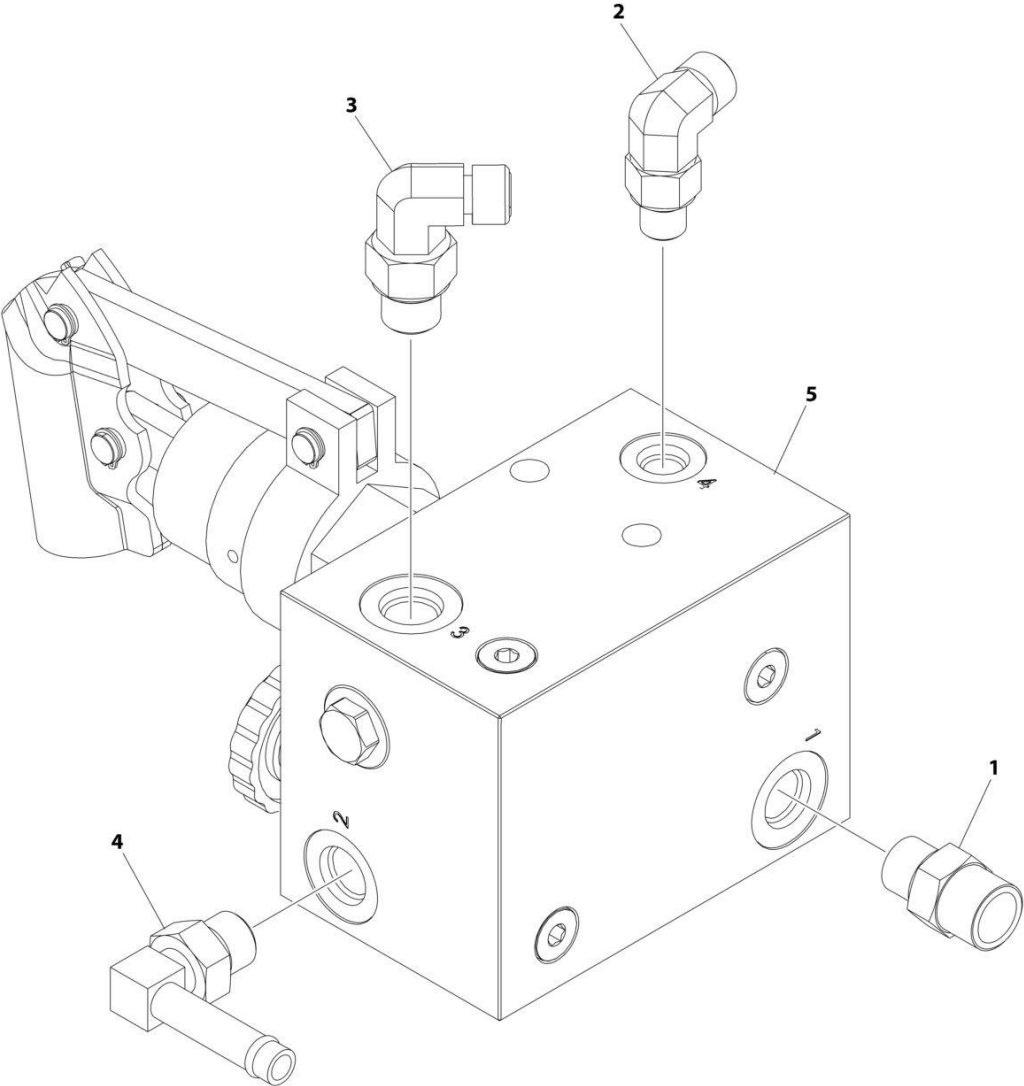
SECTION 8 - HYDRAULIC CIRCUITS

FIGURE 8-35. MANUAL PUMP (LIFT/TELE) INSTALLATION - REMOTE CONTROL EMERGENCY LOWERING

ITEM	PART NUMBER	QTY	DESCRIPTION	REV
	1001259258	Ref	Manual Pump (Lift/Tele) Installation	A
1	0700828	2	Bolt M8 x 110	
2	0761012	2	Bolt M10 x 25	
3	2170706	2	Fitting, Tee ORFS/FSORFS/ORFS	
4	2170712	2	Fitting, Tee ORFS/FSORFS/ORFS	
5	2172106	1	Fitting, 90 ORFS/FSORFS	
6	2221221	2	Fitting, Straight ORFS/FSORFS	
7	2560122	1	Handle	
8	3290805	2	Nut M8	
9	3291005	2	Nut M10	
10	4811900	4	Washer M8	
11	4812000	4	Washer M10	
12	8405006	1	Clamp	
13	8406201	1	Clip	
14	80333184	1	Fitting, Check	
15	1001114761	1	Grip, Handle	
16	1001151238	2	Fitting, 45 ORFS/FSORFS	
17	1001255519	1	Hose	
18	1001255520	1	Hose	
19	1001255521	1	Hose	
20	1001255522	1	Hose	
21	1001255536	1	Valve and Fittings Assembly (Manual Lift/Tele) (See Separate Breakdown in this Section)	
22	1001255568	1	Plate	
23	1001259241	1	Hose	
24	1001259242	1	Hose	

SECTION 8 - HYDRAULIC CIRCUITS

FIGURE 8-36. MANUAL LIFT/TELE VALVE & FITTING ASSEMBLY



ART_1001255536

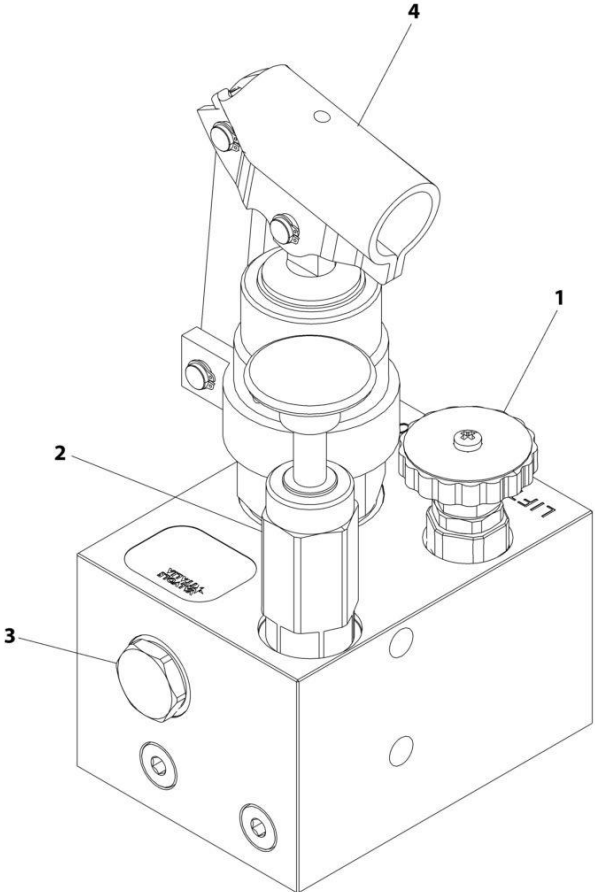
SECTION 8 - HYDRAULIC CIRCUITS

FIGURE 8-36. MANUAL LIFT/TELE VALVE & FITTING ASSEMBLY

ITEM	PART NUMBER	QTY	DESCRIPTION	REV
	1001255536	Ref	Valve & Fitting Assembly - Manual Lift/Tele	A
1	2110606	1	Fitting, Straight ORFS/ORB	
2	2130404	1	Fitting, 90 ORFS/ORB	
3	2130406	1	Fitting, 90 ORFS/ORB	
4	8430034	1	Fitting, 90	
5	1001253661	1	Valve Assembly - Lift/Tele (See Separate Breakdown in this Section)	

SECTION 8 - HYDRAULIC CIRCUITS

FIGURE 8-37. MANUAL LIFT/TELEVALVE ASSEMBLY



ART_1001253661

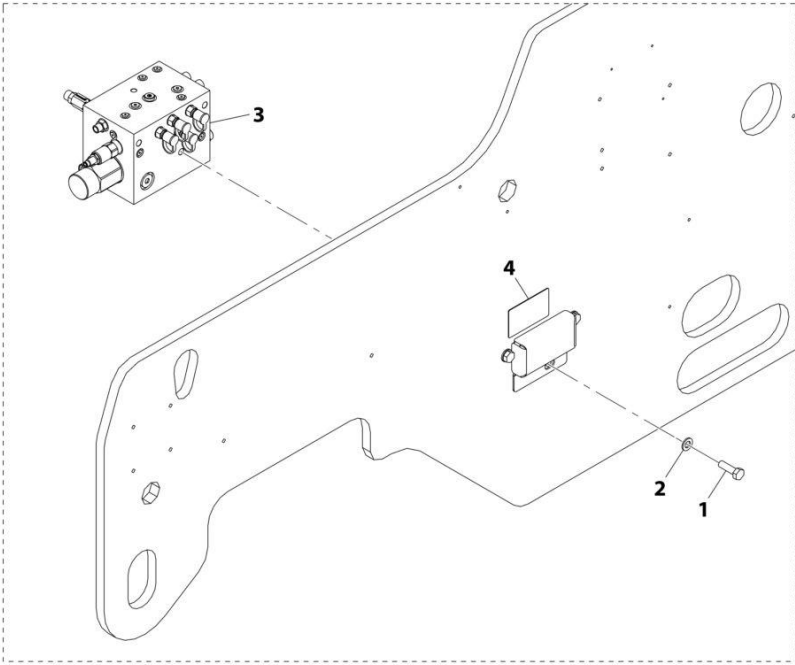
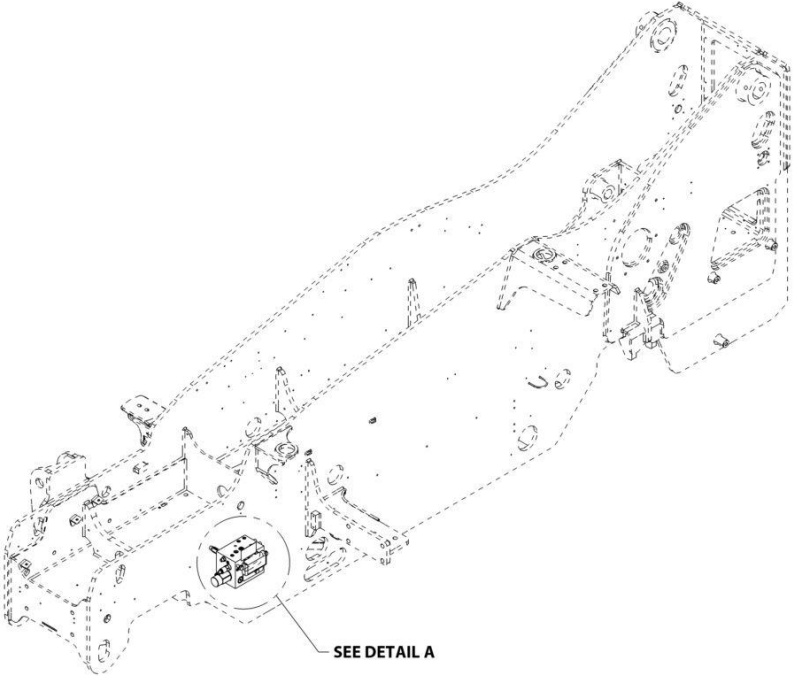
SECTION 8 - HYDRAULIC CIRCUITS

FIGURE 8-37. MANUAL LIFT/TELEVALVE ASSEMBLY

ITEM	PART NUMBER	QTY	DESCRIPTION	REV
	1001253661	Ref	VALVE ASSEMBLY - MANUAL LIFT/TELE	A
1	70030102	1	Valve, Poppet	
2	70030104	1	Cartridge, Hand Pump	
3	70030103	1	Valve, Check	
4	70005440	1	Cartridge, Hand Pump	

SECTION 8 - HYDRAULIC CIRCUITS

FIGURE 8-38. PRIORITY VALVE INSTALLATION



ART_1001192885-B

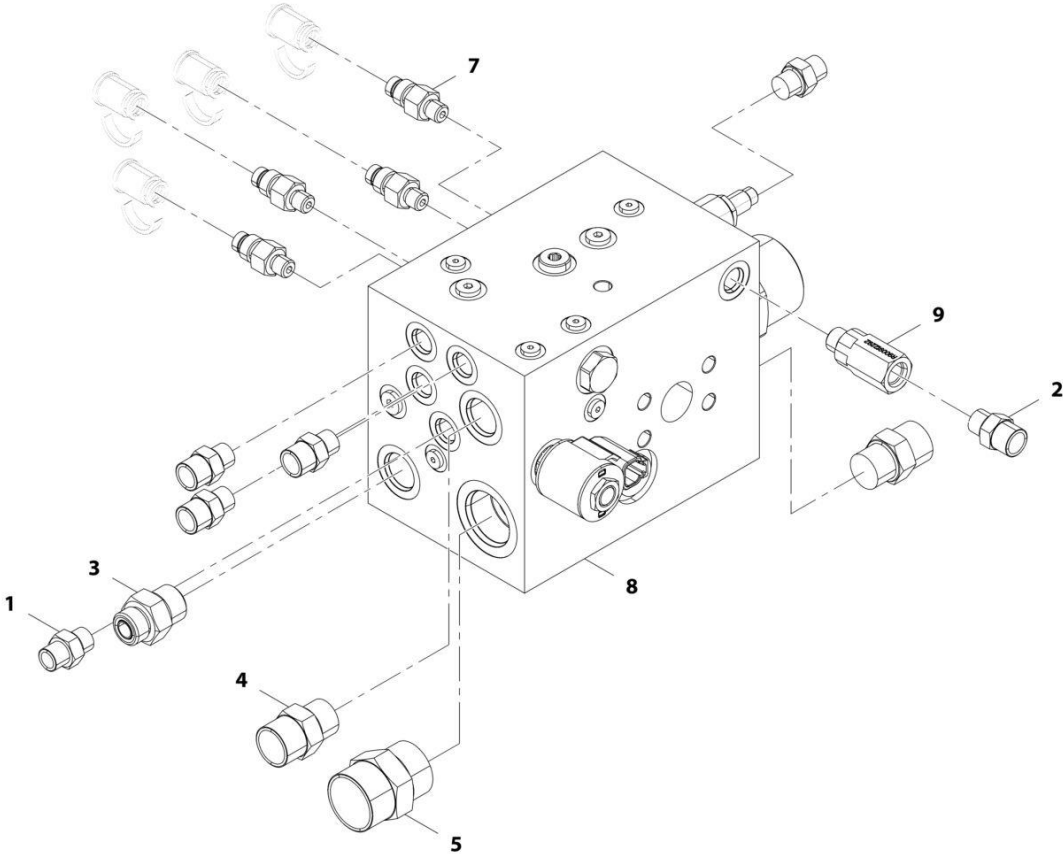
SECTION 8 - HYDRAULIC CIRCUITS

FIGURE 8-38. PRIORITY VALVE INSTALLATION

ITEM	PART NUMBER	QTY	DESCRIPTION	REV
	1001192885	Ref	Priority Manifold Installation	B
1	0701216	3	Bolt, M12X40	
2	4812100	3	Washer, M12	
3	1001192886	1	Assembly, Priority Valve (See Separate Breakdown in this Section)	
4	1001192887	1	Decal	

SECTION 8 - HYDRAULIC CIRCUITS

FIGURE 8-39. PRIORITY VALVE/FITTINGS ASSEMBLY



ART_1001192886-D

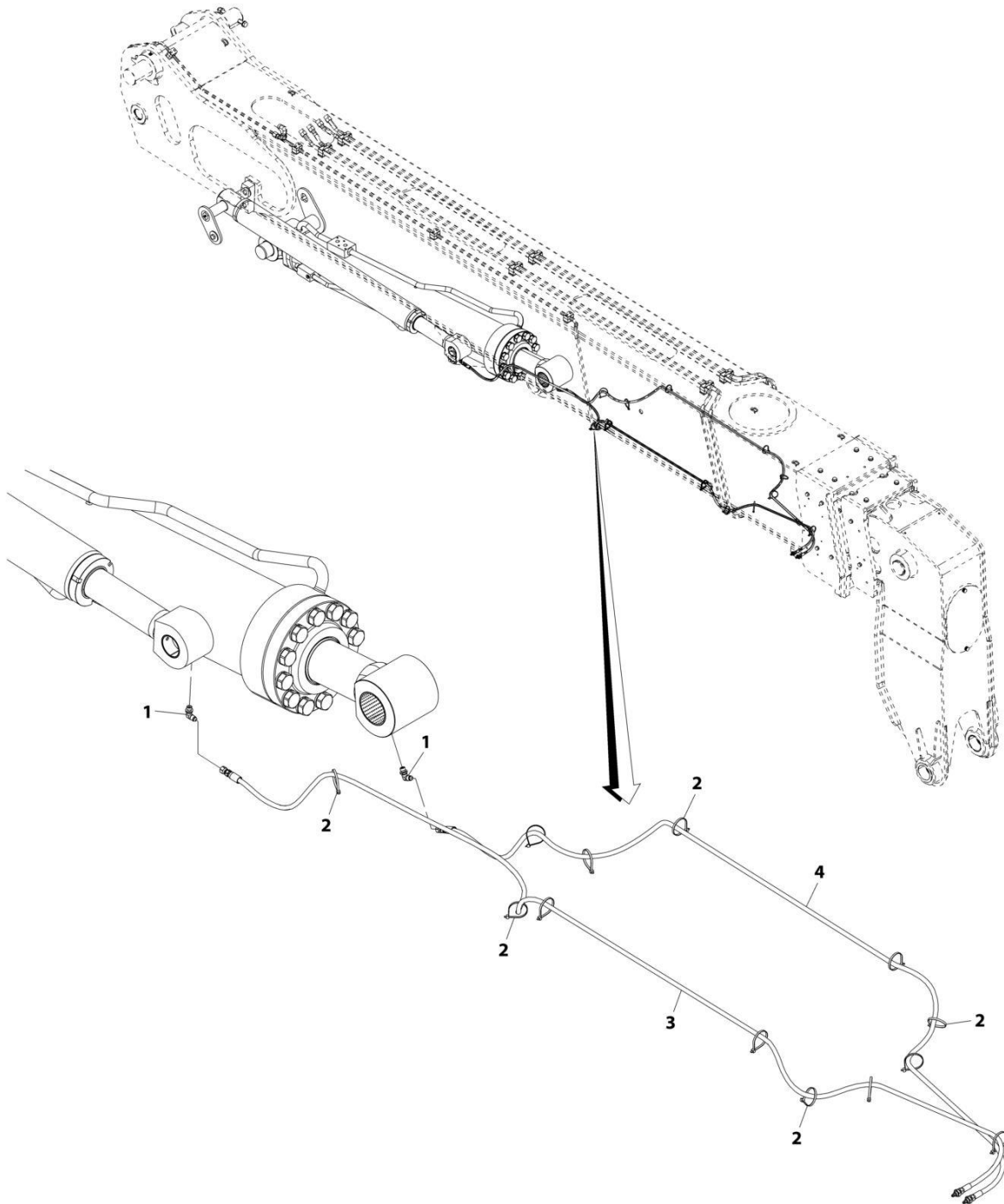
SECTION 8 - HYDRAULIC CIRCUITS

FIGURE 8-39. PRIORITY VALVE/FITTINGS ASSEMBLY

ITEM	PART NUMBER	QTY	DESCRIPTION	REV
	1001192886	Ref	Priority Valve Assembly	D
1	2110406	2	Fitting, Straight ORFS	
2	2110606	4	Fitting, Straight ORFS	
3	2110810	1	Fitting, Straight ORFS	
4	2111010	2	Fitting, Straight ORFS	
5	2111616	1	Fitting, Straight ORFS	
7	8430033	4	Fitting, Straight	
8	1001192888	1	Assembly, Priority Valve (See Separate Breakdown in HYDRAULIC COMPONENTS Section)	
9	1001187355	1	Valve, Check	

SECTION 8 - HYDRAULIC CIRCUITS

FIGURE 8-40. REMOTE GREASE INSTALLATION



ART_1001217353-B

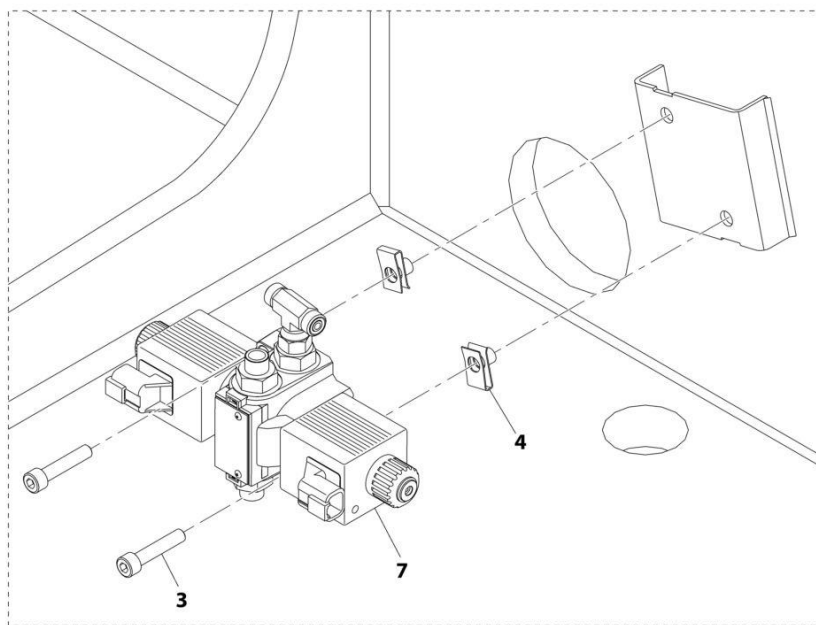
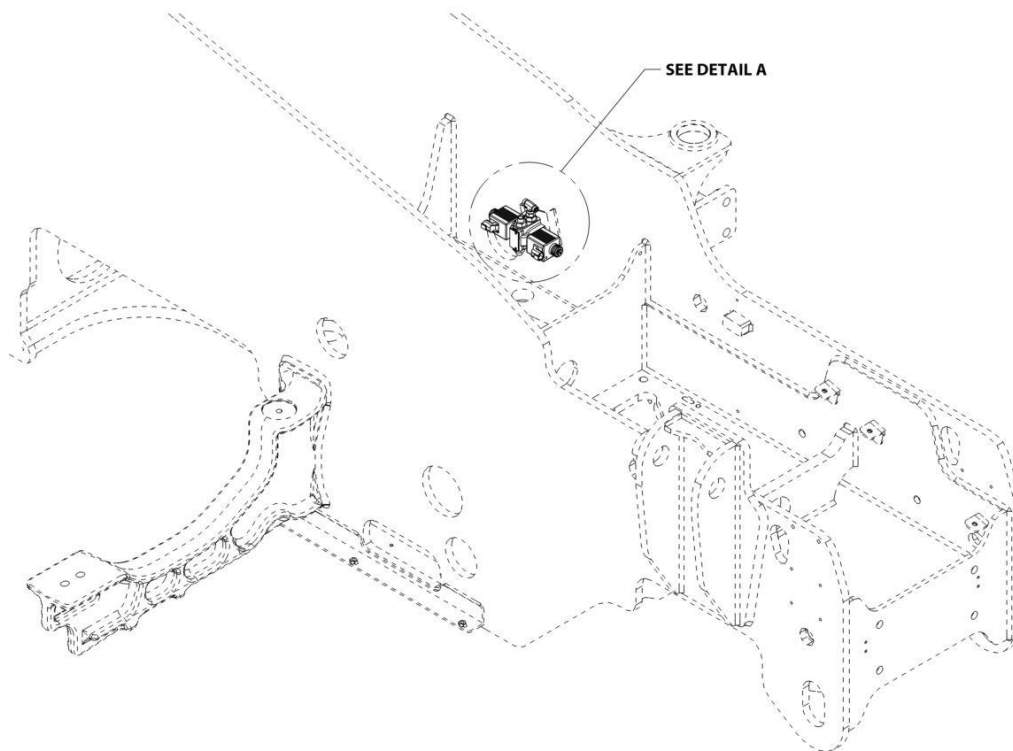
SECTION 8 - HYDRAULIC CIRCUITS

FIGURE 8-40. REMOTE GREASE INSTALLATION

ITEM	PART NUMBER	QTY	DESCRIPTION	REV
	1001217353	Ref	Remote Grease Installation	B
1	8770215	2	Fitting, 90 ORFS	
2	1001008559	13	Strap, Cable	
3	1001217355	1	Hose	
4	1001217354	1	Hose	

SECTION 8 - HYDRAULIC CIRCUITS

FIGURE 8-41. SPEED CONTROL VALVE INSTALLATION



DETAIL A

ART_1001197196-B

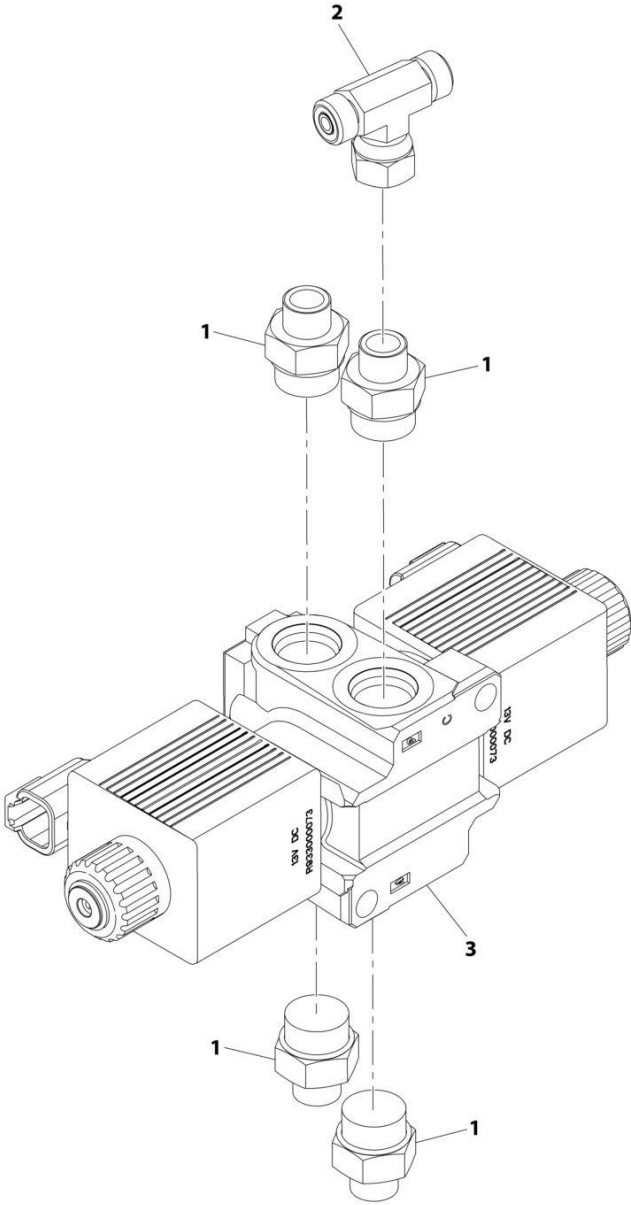
SECTION 8 - HYDRAULIC CIRCUITS

FIGURE 8-41. SPEED CONTROL VALVE INSTALLATION

ITEM	PART NUMBER	QTY	DESCRIPTION	REV
	1001197196	Ref	Speed Control Valve Installation	B
3	4031912	2	Bolt, M8X40	
4	8310686	2	Nut, M8X12.5	
7	1001220643	1	Assembly, Speed Control Valve (See Separate Breakdown in this Section)	

SECTION 8 - HYDRAULIC CIRCUITS

FIGURE 8-42. SPEED CONTROL VALVE/FITTINGS ASSEMBLY



ART_1001220643-A

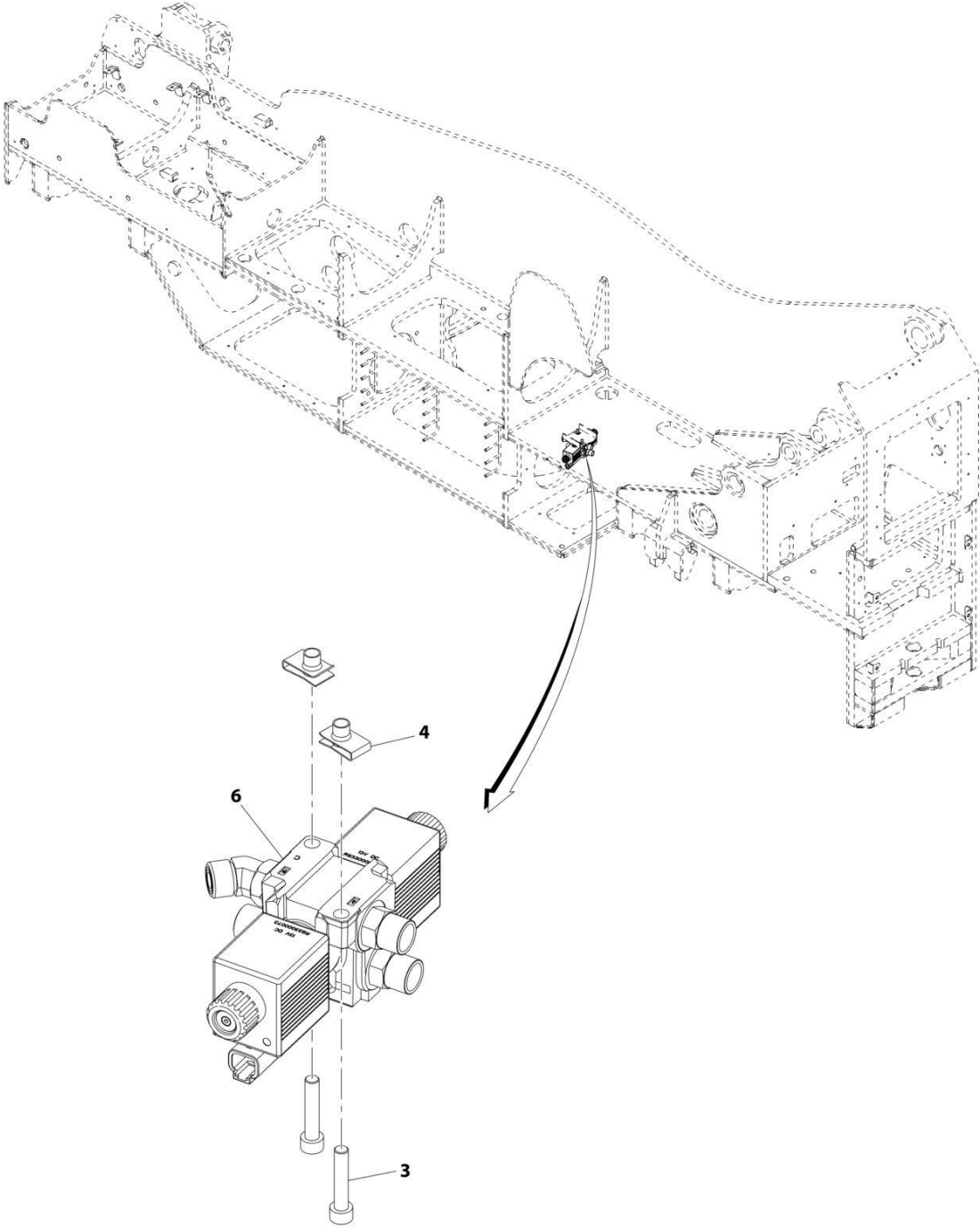
SECTION 8 - HYDRAULIC CIRCUITS

FIGURE 8-42. SPEED CONTROL VALVE/FITTINGS ASSEMBLY

ITEM	PART NUMBER	QTY	DESCRIPTION	REV
	1001220643	Ref	Speed Control Valve Assembly	A
1	2110408	4	Fitting, Straight ORFS	
2	2170804	1	Fitting, Tee	
3	4641520	1	Valve, Speed Control (See Separate Breakdown in HYDRAULIC COMPONENTS Section)	

SECTION 8 - HYDRAULIC CIRCUITS

FIGURE 8-43. STEERING SELECT VALVE INSTALLATION



ART_1001193516-B

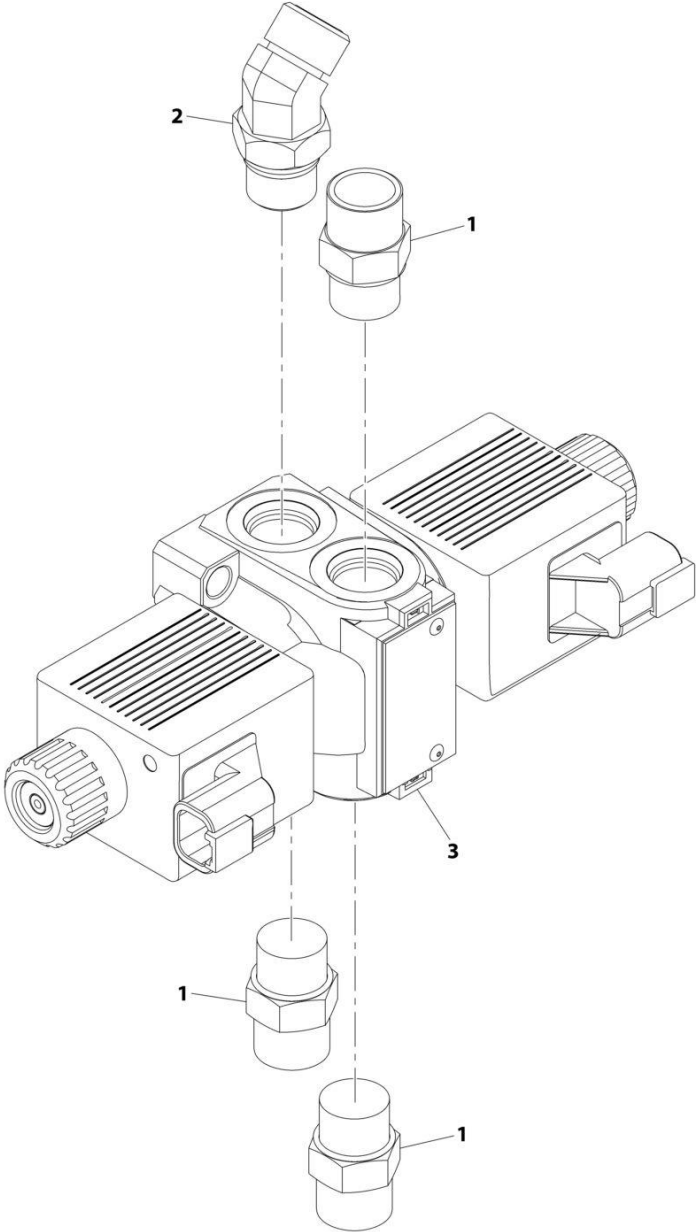
SECTION 8 - HYDRAULIC CIRCUITS

FIGURE 8-43. STEERING SELECT VALVE INSTALLATION

ITEM	PART NUMBER	QTY	DESCRIPTION	REV
	1001193516	Ref	Steering Select Valve Installation	B
3	4031912	2	Bolt, M8X40	
4	8310686	2	Nut, M8X12.5	
6	1001212418	1	Assembly, Steering Select Valve (See Separate Breakdown in this Section)	

SECTION 8 - HYDRAULIC CIRCUITS

FIGURE 8-44. STEERING SELECT VALVE/FITTINGS ASSEMBLY



ART_1001212418-A

SECTION 8 - HYDRAULIC CIRCUITS

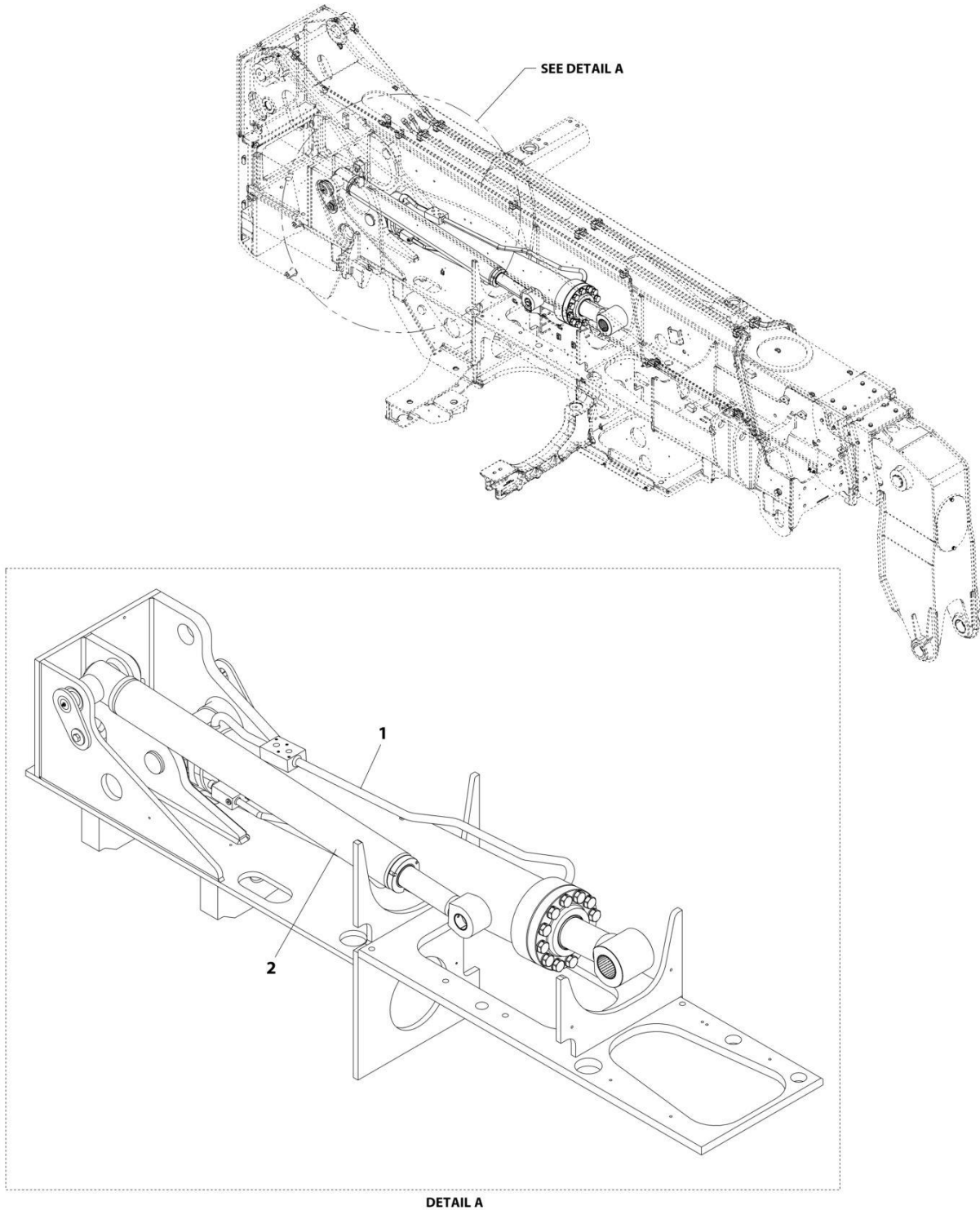
FIGURE 8-44. STEERING SELECT VALVE/FITTINGS ASSEMBLY

ITEM	PART NUMBER	QTY	DESCRIPTION	REV
	1001212418	Ref	Steering Select Valve Assembly	A
1	2110808	3	Fitting, Straight ORFS	
2	2150808	1	Fitting, 45 ORFS	
3	1001153748	1	Valve, Steering Select (See Separate Breakdown in HYDRAULIC COMPONENTS Section)	

SECTION 9 - HYDRAULIC COMPONENTS

SECTION 9 - HYDRAULIC COMPONENTS

FIGURE 9-1. CYLINDER INSTALLATION - BOOM LIFT & COMPENSATION CYLINDER



ART_1001192427-B

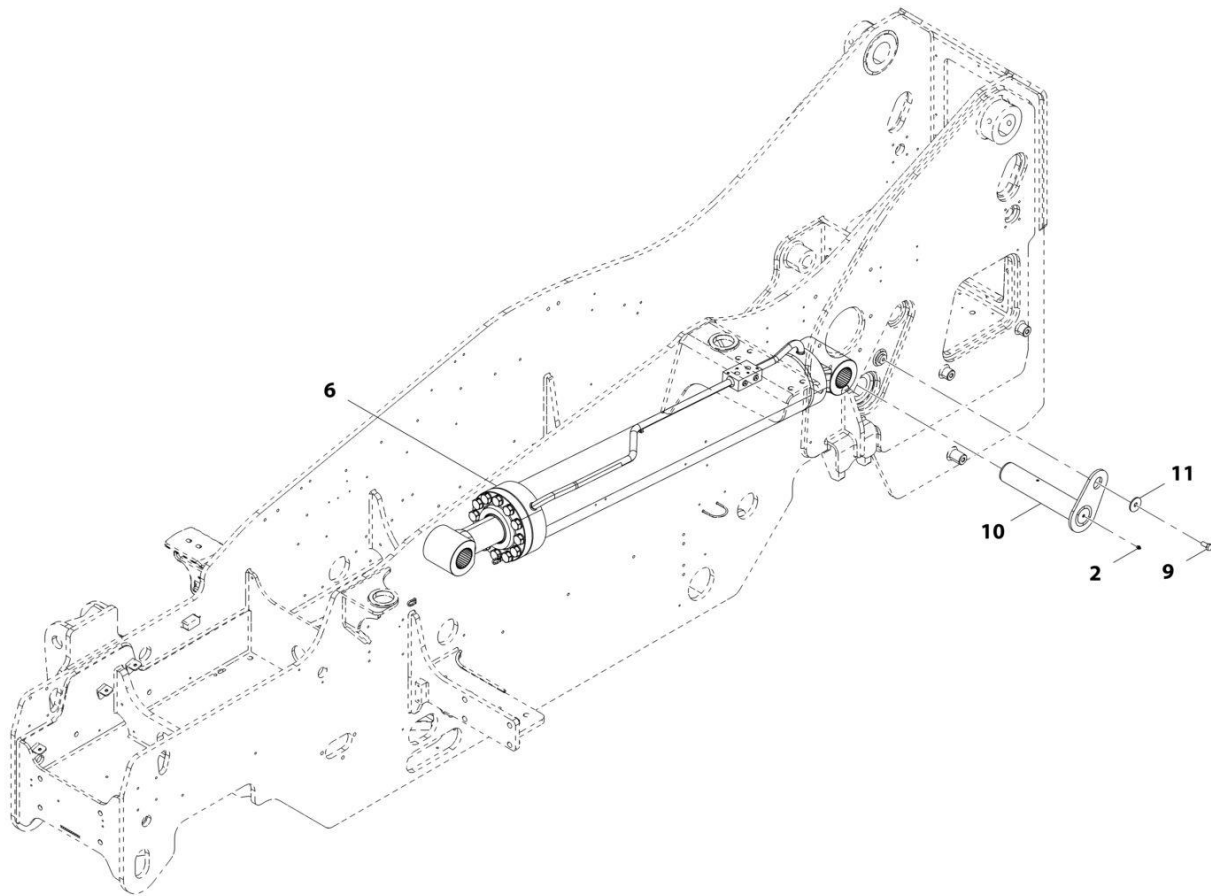
SECTION 9 - HYDRAULIC COMPONENTS

FIGURE 9-1. CYLINDER INSTALLATION - BOOM LIFT & COMPENSATION CYLINDER

ITEM	PART NUMBER	QTY	DESCRIPTION	REV
1	1001192427	Ref	Cylinder Group Installation	B
	1001198577	Ref	Installation, Lift Cylinder (See Separate Breakdown in this Section)	
	1001198578	ref	Installation, Compensation Cylinder (See Separate Breakdown in this Section)	

SECTION 9 - HYDRAULIC COMPONENTS

FIGURE 9-2. CYLINDER INSTALLATION - BOOM LIFT



ART_1001198577-C

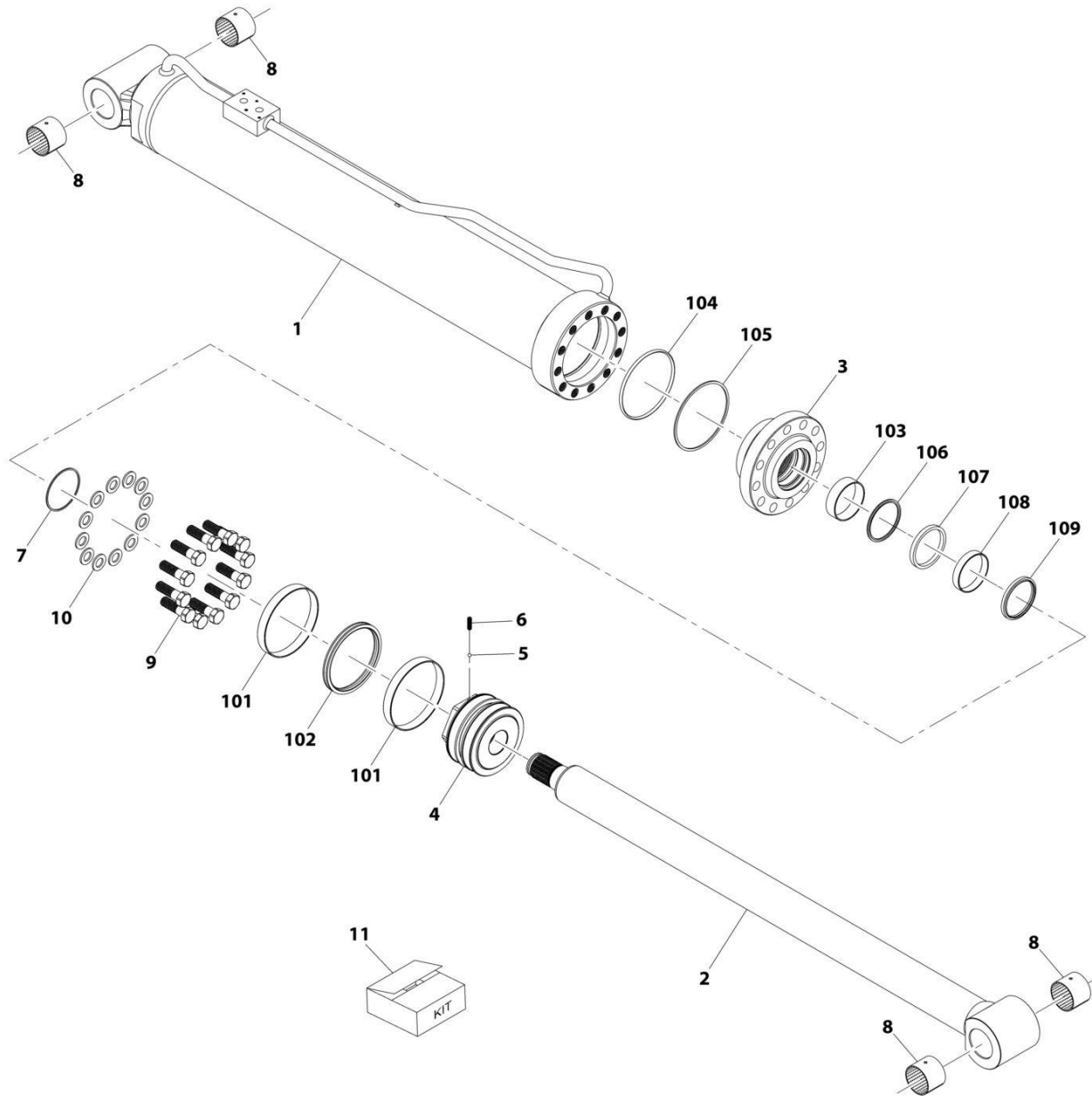
SECTION 9 - HYDRAULIC COMPONENTS

FIGURE 9-2. CYLINDER INSTALLATION - BOOM LIFT

ITEM	PART NUMBER	QTY	DESCRIPTION	REV
	1001198577	Ref	Lift Cylinder Installation	C
2	2160016	1	Fitting, Grease	
6	1001198715	1	Cylinder, Lift (See Separate Breakdown in this Section)	
9	0771414	1	Bolt, M14X30	
10	1001216331	1	Pin	
11	1001217226	1	Washer	

SECTION 9 - HYDRAULIC COMPONENTS

FIGURE 9-3. CYLINDER ASSEMBLY - BOOM LIFT



ART_1001198715-G

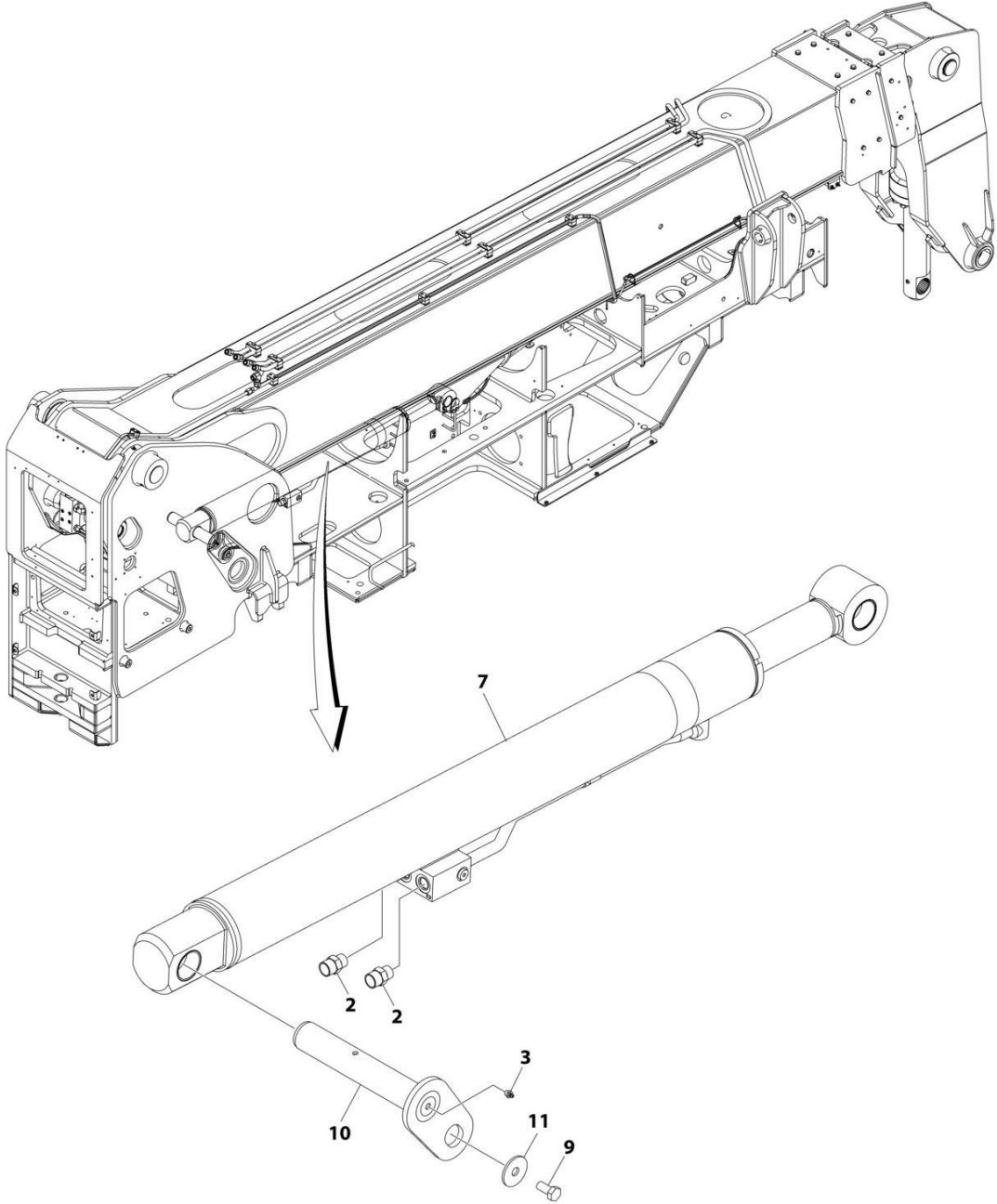
SECTION 9 - HYDRAULIC COMPONENTS

FIGURE 9-3. CYLINDER ASSEMBLY - BOOM LIFT

ITEM	PART NUMBER	QTY	DESCRIPTION	REV
	1001198715	Ref	Lift Cylinder	G
		Ref	Note: Original Cylinder May Have Been Replaced with Service Replacement. Identify PN Stamped on Cylinder Before Ordering Parts.	
1	N.S.S.	1	Barrel	
2	70028325	1	Rod	
3	70028307	1	Guide, Rod	
4	70028308	1	Piston	
5	70025614	1	Bearing	
6	70028309	1	Screw, Locking	
7	70025590	1	Ring, Snap	
8	70028310	4	Bushing	
9	70028311	12	Bolt	
10	70028312	12	Washer	
11	70028324	1	Kit, Seal (includes items 101 thru 109)	
101	Kit	2	Ring, Piston	
102	Kit	1	Seal	
103	Kit	1	Wiper, Rod	
104	Kit	1	O-Ring	
105	Kit	1	Ring, Backup	
106	Kit	1	Seal	
107	Kit	1	Seal	
108	Kit	1	Wiper, Rod	
109	Kit	1	Seal	

SECTION 9 - HYDRAULIC COMPONENTS

FIGURE 9-4. CYLINDER INSTALLATION - BOOM COMPENSATION



ART_1001198578_D

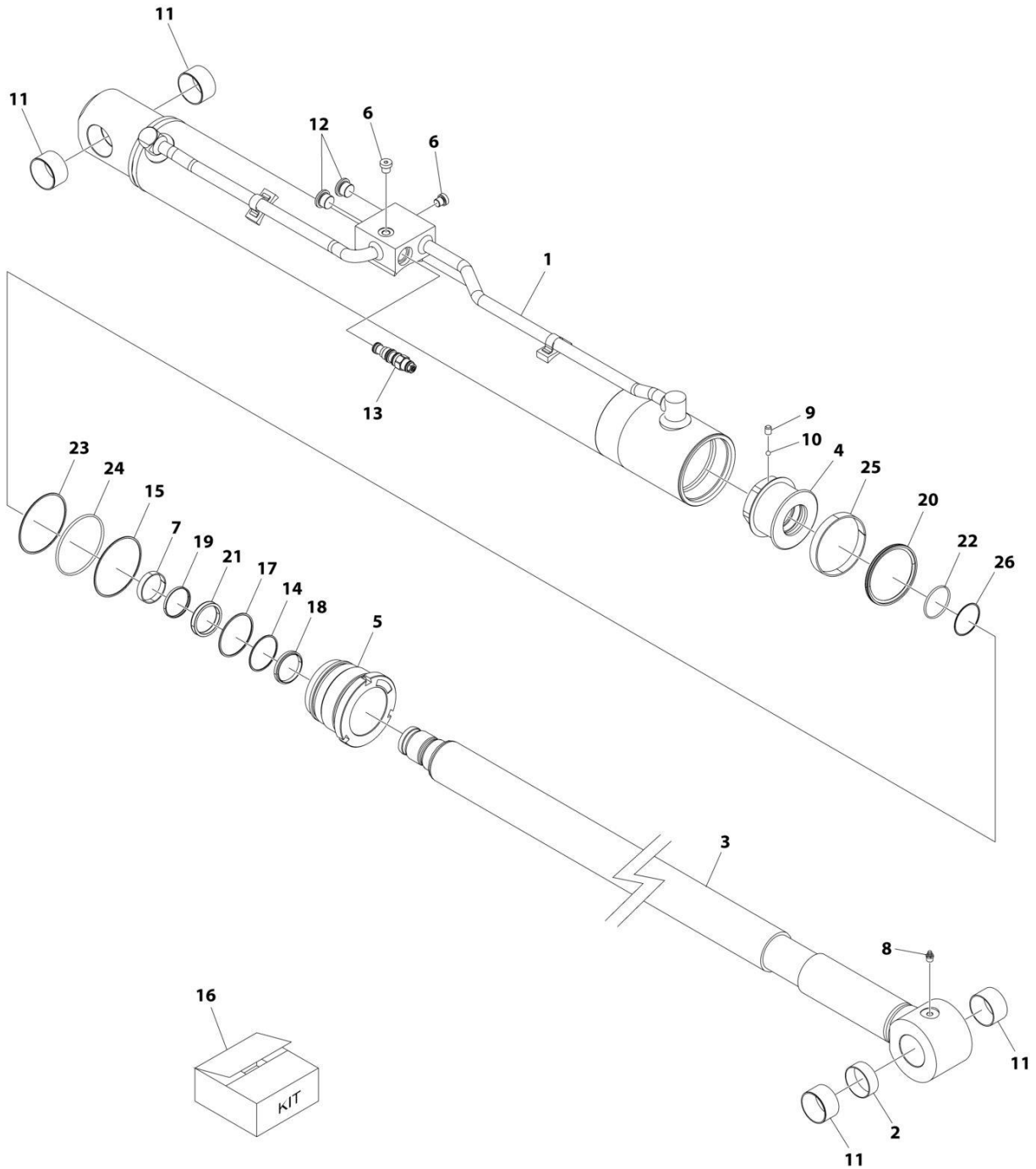
SECTION 9 - HYDRAULIC COMPONENTS

FIGURE 9-4. CYLINDER INSTALLATION - BOOM COMPENSATION

ITEM	PART NUMBER	QTY	DESCRIPTION	REV
	1001198578	Ref	CYLINDER INSTALLATION - COMPENSATION CYLINDER	D
2	2111010	2	Fitting, Straight ORFS	
3	2160016	1	Fitting, Grease	
7	1001267979	1	Cylinder, Compensation (See Separate Breakdown in this Section)	
9	0771414	1	Bolt M14 x 30	
10	1001216333	1	Pin	
11	1001217226	1	Washer	

SECTION 9 - HYDRAULIC COMPONENTS

FIGURE 9-5. CYLINDER ASSEMBLY - BOOM COMPENSATION



ART_1001267979

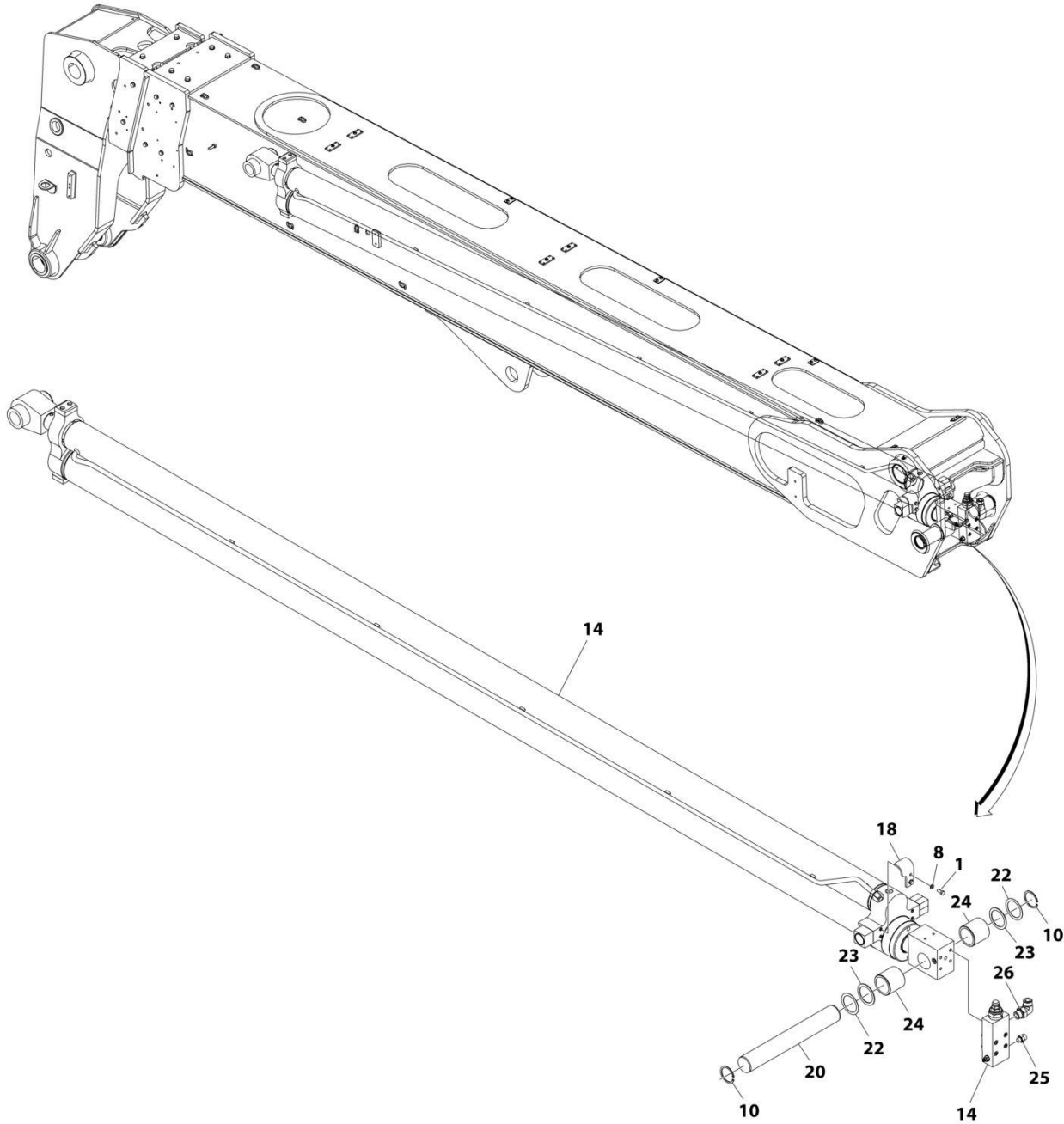
SECTION 9 - HYDRAULIC COMPONENTS

FIGURE 9-5. CYLINDER ASSEMBLY - BOOM COMPENSATION

ITEM	PART NUMBER	QTY	DESCRIPTION	REV
	1001267979	Ref	COMPENSATION CYLINDER	A
		Ref	Note: Original Cylinder May Have Been Replaced with Service Replacement. Identify PN Stamped on Cylinder Before Ordering Parts.	
1	See Note	NSS	Barrel (Note: No Service Parts Available)	
2	70031298	1	Bushing	
3	70031299	1	Rod	
4	70031300	1	Piston	
5	70031301	1	Guide Bushing	
6	70031302	2	Plug	
7	70031303	1	Sliding Bushing	
8	70031304	1	Grease Fitting	
9	70031305	1	Set Screw	
10	70031306	1	Steel Ball	
11	70031307	4	Bushing	
12	2220887	2	Plug	
13	70028384	1	Balance Valve	
14	70031308	1	Ring	
15	70031309	1	Ring, Snap	
16	70031310	1	Seal Kit (Includes Items #17-26)	
17	See Note	NSS	Ring, Back-Up (Note: Use Item 16)	
18	See Note	NSS	Ring, Wiper (Note: Use Item 16)	
19	See Note	NSS	Ring, Buffer (Note: Use Item 16)	
20	See Note	NSS	Seal, Piston (Note: Use Item 16)	
21	See Note	NSS	Seal, Rod (Note: Use Item 16)	
22	See Note	NSS	O-Ring (Note: Use Item 16)	
23	See Note	NSS	O-Ring (Note: Use Item 16)	
24	See Note	NSS	Ring, Wear (Note: Use Item 16)	
25	See Note	NSS	Ring, Back-Up (Note: Use Item 16)	

SECTION 9 - HYDRAULIC COMPONENTS

FIGURE 9-6. CYLINDER INSTALLATION - BOOM EXTEND/RETRACT CYLINDER



ART_1001199325_J

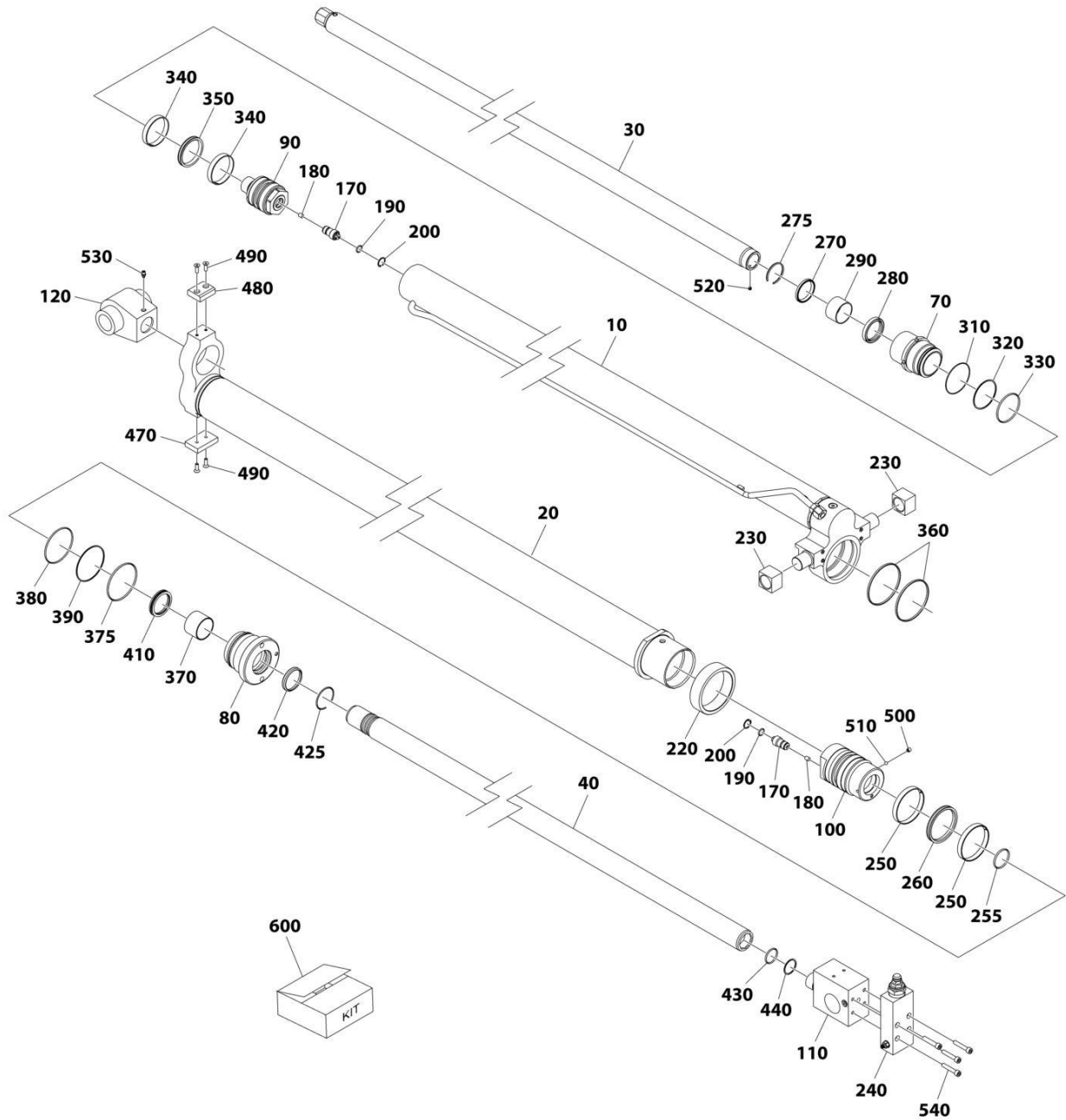
SECTION 9 - HYDRAULIC COMPONENTS

FIGURE 9-6. CYLINDER INSTALLATION - BOOM EXTEND/RETRACT CYLINDER

ITEM	PART NUMBER	QTY	DESCRIPTION	REV
	1001199325	Ref	Extend/Retract Cylinder Installation	1
1	0760810	2	Bolt, M8X20	
8	4811900	2	Washer, M8	
10	8006258	2	Ring, Retaining	
14	1001267975	1	Cylinder, Extend/Retract (See Separate Breakdown in this Section)	
18	1001213562	1	Plate	
20	1001205528	1	Pin	
22	1001100166	2	Shim	
23	1001100169	2	Shim	
24	1001208451	2	Spacer, M70X5X72	
25	2110806	1	Fitting, Straight ORFS	
26	2131212	1	Fitting, 90 ORFS	

SECTION 9 - HYDRAULIC COMPONENTS

FIGURE 9-7. CYLINDER ASSEMBLY - BOOM EXTEND/RETRACT CYLINDER



ART_1001267975

SECTION 9 - HYDRAULIC COMPONENTS

FIGURE 9-7. CYLINDER ASSEMBLY - BOOM EXTEND/RETRACT CYLINDER

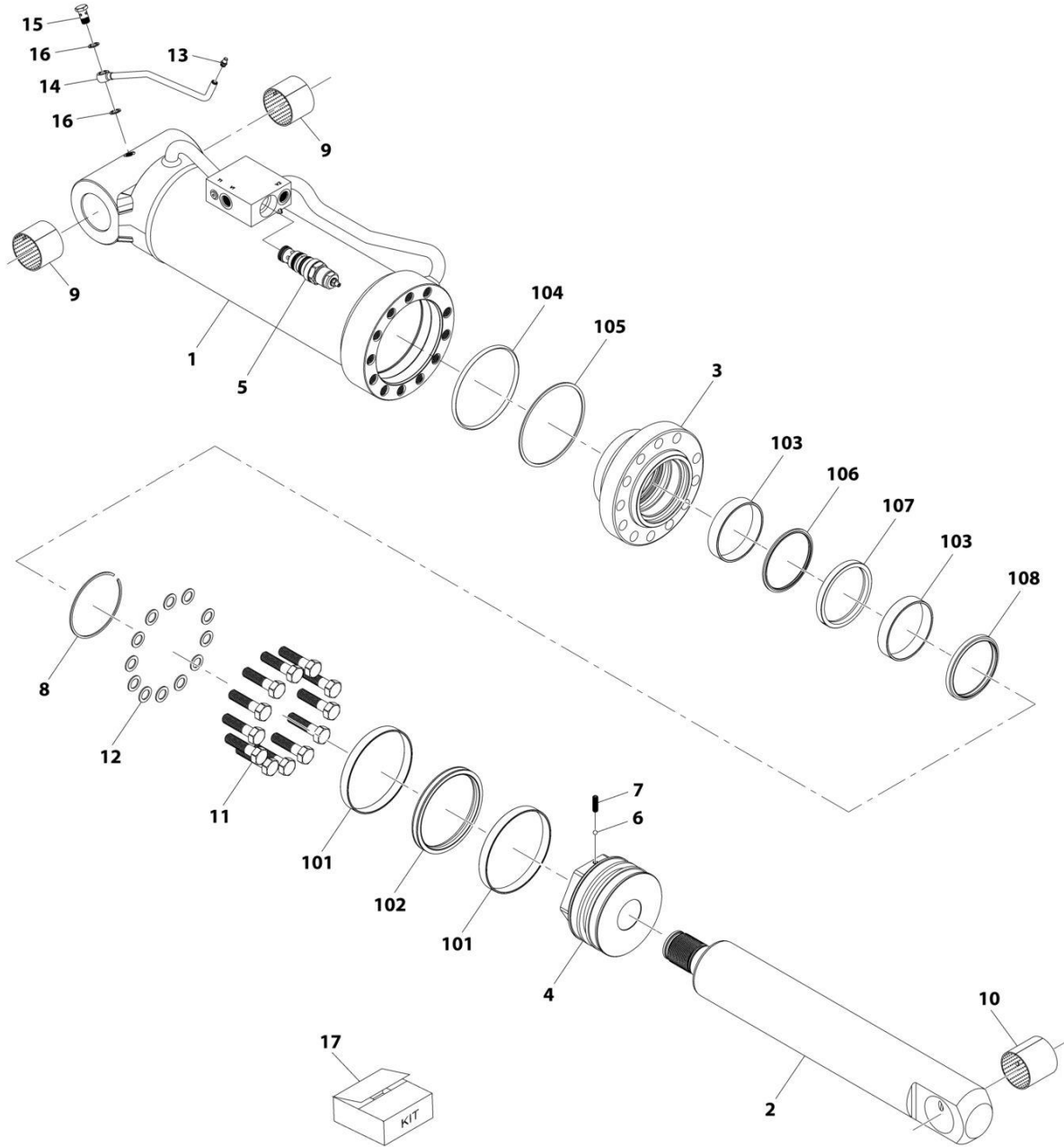
ITEM	PART NUMBER	QTY	DESCRIPTION	REV
	1001267975	Ref	CYLINDER ASSEMBLY - TELESCOPE	A
		Ref	Note: Original Cylinder May Have Been Replaced with Service Replacement. Identify PN Stamped on Cylinder Before Ordering Parts.	
10	See Note	NSS	Barrel (Note: Use PN 1001267975)	
20	See Note	NSS	Barrel (Note: Use PN 1001267975)	
30	See Note	NSS	Rod (Note: Use PN 1001267975)	
40	See Note	NSS	Rod (Note: Use PN 1001267975)	
70	70031058	1	Head	
80	70031059	1	Head	
90	70031060	1	Piston	
100	70031061	1	Piston	
110	See Note	NSS	Block, Valve (Note: Use PN 1001267975)	
120	70031062	1	End, Rod	
170	70027087	2	Valve, Check	
180	70031063	2	Filter	
190	70031064	2	Washer	
200	70027074	2	Circlip	
220	70031065	1	Spacer	
230	70031066	2	Bushing	
240	1001200111	1	Valve Assembly (Note: No Service Parts Available. Purchase Complete Assembly)	
250	See Note	NSS	Ring, Piston (Note: Use Item 600)	
255	See Note	NSS	Seal (Note: Use Item 600)	
260	See Note	NSS	Seal, Piston (Note: Use Item 600)	
270	See Note	NSS	Wiper (Note: Use Item 600)	
275	70002222	1	Ring, Retaining	
280	See Note	NSS	Seal, Head (Note: Use Item 600)	
290	70031067	1	Bushing	
310	See Note	NSS	O-Ring (Note: Use Item 600)	
320	See Note	NSS	Ring, Back-up (Note: Use Item 600)	
330	See Note	NSS	O-Ring (Note: Use Item 600)	
340	See Note	NSS	Ring, Piston (Note: Use Item 600)	
350	See Note	NSS	Seal, Piston (Note: Use Item 600)	
360	See Note	NSS	Seal (Note: Use Item 600)	
370	70031068	1	Bushing	
375	See Note	NSS	O-Ring (Note: Use Item 600)	
380	See Note	NSS	O-Ring (Note: Use Item 600)	
390	See Note	NSS	Ring, Back-up (Note: Use Item 600)	
410	See Note	NSS	Seal, Head (Note: Use Item 600)	
420	See Note	NSS	Wiper (Note: Use Item 600)	
425	70002222	1	Ring, Retaining	
430	See Note	NSS	O-Ring (Note: Use Item 600)	
440	See Note	NSS	Ring, Back-up (Note: Use Item 600)	
470	70031017	1	Guide	
480	70031069	1	Guide	
490	70031018	4	Screw M8 x 25	
500	70031070	1	Setscrew M10 x 14	
510	70025614	1	Ball 8mm	
520	70022702	1	Setscrew M8 x 8	

SECTION 9 - HYDRAULIC COMPONENTS

ITEM	PART NUMBER	QTY	DESCRIPTION	REV
530	70031071	1	Setscrew M8 x 18	
540	70031072	4	Capscrew M10 x 55	
600	70031073	1	Seal Kit - 1001267975 Cylinder (Includes Items 250-270, 280, 310-360, 375-420, 430 & 440)	

SECTION 9 - HYDRAULIC COMPONENTS

FIGURE 9-8. CYLINDER ASSEMBLY - BOOM TILT



ART_1001174812-F

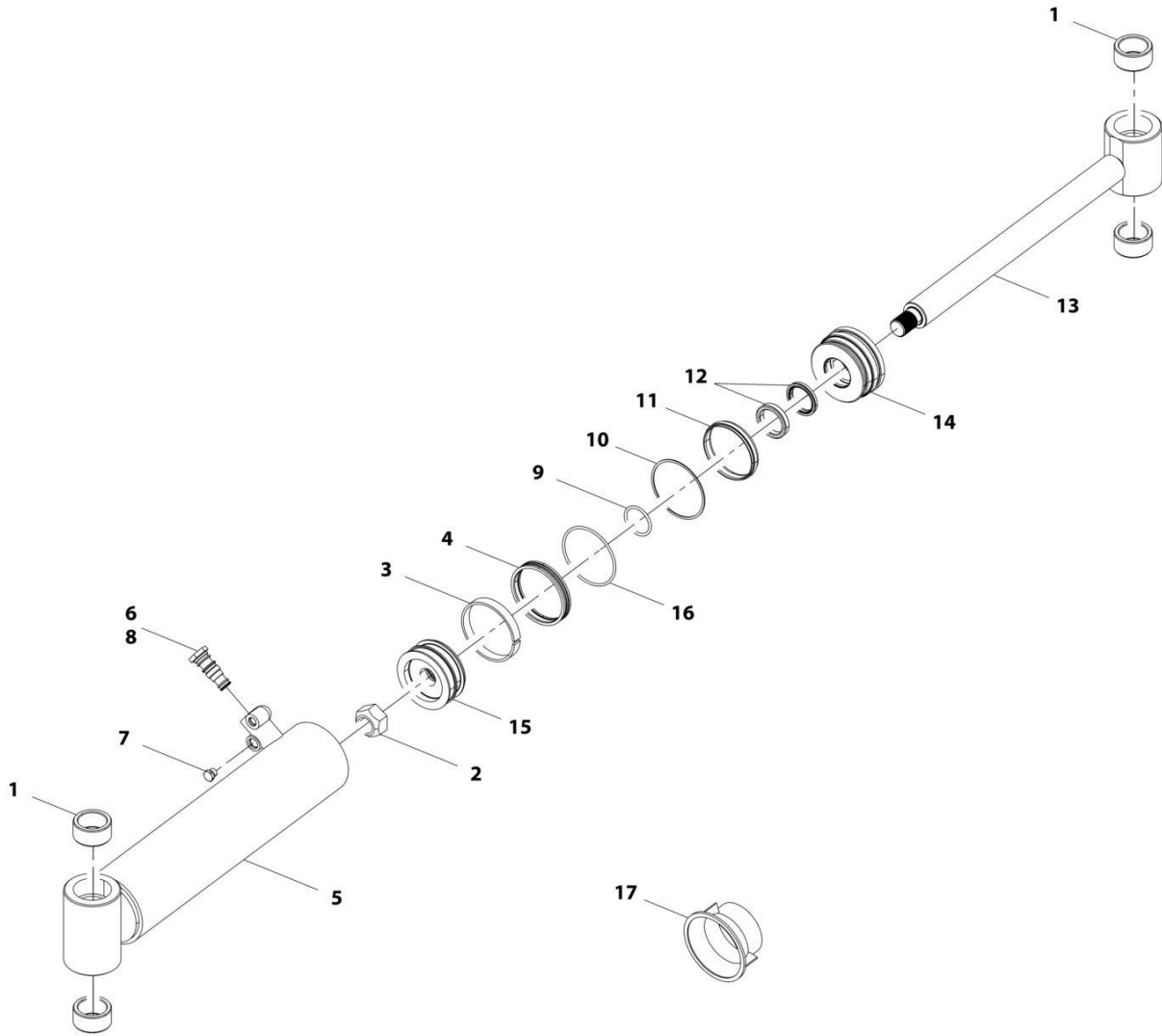
SECTION 9 - HYDRAULIC COMPONENTS

FIGURE 9-8. CYLINDER ASSEMBLY - BOOM TILT

ITEM	PART NUMBER	QTY	DESCRIPTION	REV
	1001174812	Ref	Tilt Cylinder	F
		Ref	Note: Original Cylinder May Have Been Replaced with Service Replacement. Identify PN Stamped on Cylinder Before Ordering Parts.	
1	N.S.S.	1	Barrel	
2	70028314	1	Rod	
3	70028315	1	Piston	
4	70028316	1	Head	
5	70028317	1	Valve, Counterbalance	
6	70025614	1	Bearing	
7	70028309	1	Screw, Locking	
8	70028318	1	Ring, Snap	
9	70028310	2	Bushing	
10	70028319	1	Bushing	
11	70028320	12	Bolt	
12	70028321	12	Washer	
13	70029941	2	Fitting, Grease	
14	70028322	1	Pipe	
15	70024035	1	Screw	
16	70028323	2	Washer	
17	70028324	1	Kit, Seal (includes items 101 thru 108)	
101	Kit	2	Ring, Piston	
102	Kit	1	Seal, Piston	
103	Kit	2	Ring, Rod	
104	Kit	1	"O" Ring	
105	Kit	1	Ring, Back-Up	
106	Kit	1	Seal, Rod	
107	Kit	1	Seal, Rod	
108	Kit	1	Wiper	

SECTION 9 - HYDRAULIC COMPONENTS

FIGURE 9-9. CYLINDER ASSEMBLY - BUCKET (4 IN 1 BUCKET)



ART_70028572-D

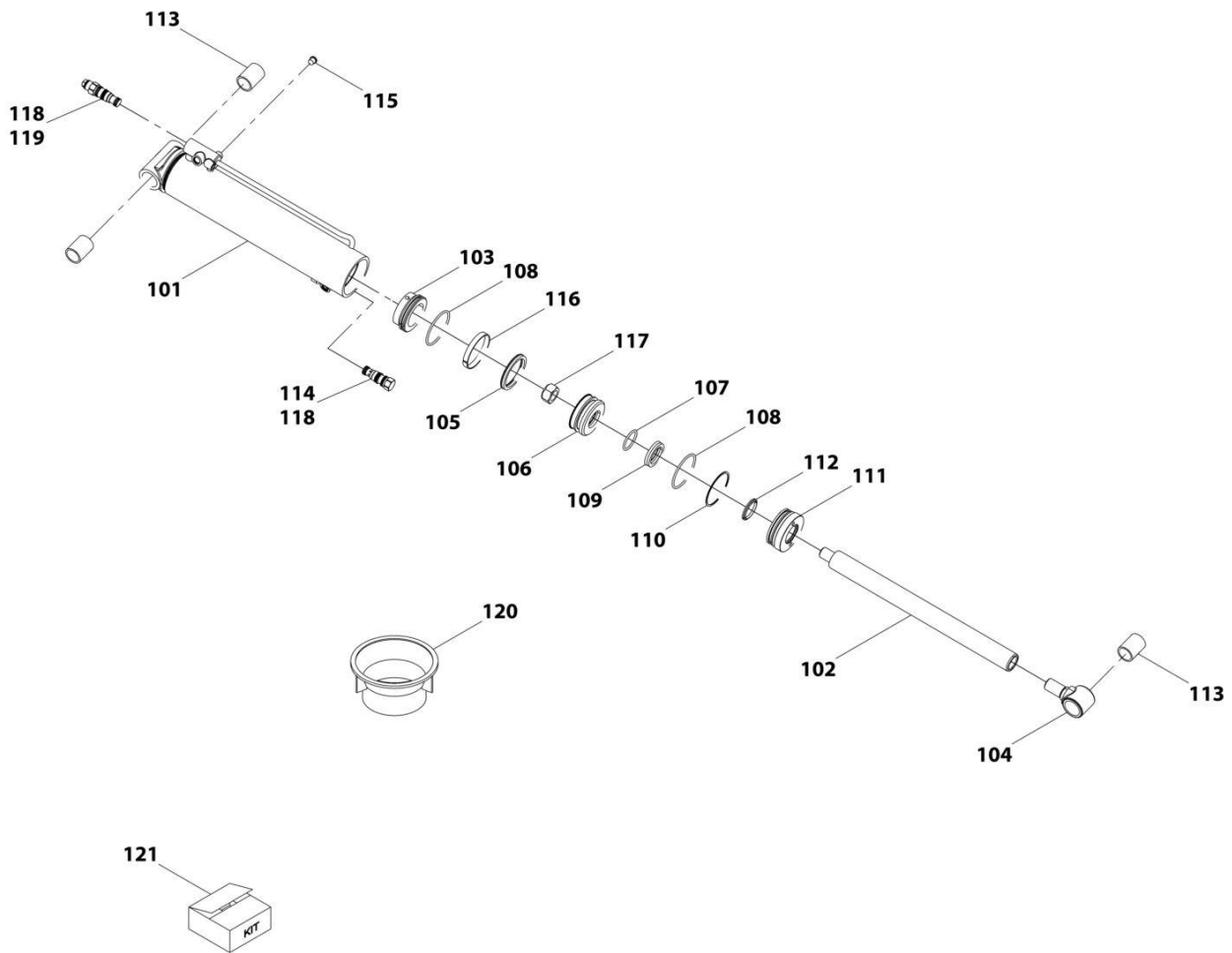
SECTION 9 - HYDRAULIC COMPONENTS

FIGURE 9-9. CYLINDER ASSEMBLY - BUCKET (4 IN 1 BUCKET)

ITEM	PART NUMBER	QTY	DESCRIPTION	REV
	70028572	Ref	Cylinder Assembly	D
		Ref	Note: Original Cylinder May Have Been Replaced with Service Replacement. Identify PN Stamped on Cylinder Before Ordering Parts.	
1	70028581	4	Bearing	
2	70028582	1	Nut	
3	N.S.S.	1	Ring, Wear	
4	N.S.S.	1	Seal	
5	N.S.S.	1	Assembly, Barrel	
6	Kit	1	Kit, Check Valve	
7	70028583	1	Fitting, Straight	
8	70028584	1	Valve, Check	
9	N.S.S.	1	O-Ring	
10	N.S.S.	1	Ring, Back-up	
11	N.S.S.	1	Seal	
12	N.S.S.	2	Wiper	
13	70028585	1	Rod	
14	70028586	1	Retainer	
15	70028587	1	Piston	
16	N.S.S.	1	O-Ring	
17	70028588	1	Tool, Seal Loader	

SECTION 9 - HYDRAULIC COMPONENTS

FIGURE 9-10. CYLINDER ASSEMBLY - BUCKET (GRAPPLE BUCKET)



ART_70026469-C

SECTION 9 - HYDRAULIC COMPONENTS

FIGURE 9-10. CYLINDER ASSEMBLY - BUCKET (GRAPPLE BUCKET)

ITEM	PART NUMBER	QTY	DESCRIPTION	REV
	70026469	Ref	Cylinder Assembly	C
		Ref	Note: Original Cylinder May Have Been Replaced with Service Replacement. Identify PN Stamped on Cylinder Before Ordering Parts.	
101	N.S.S.	1	Barrel	
102	70026496	1	Rod	
103	70026497	1	Spacer	
104	70026498	1	End, Rod	
105	Kit	1	Seal	
106	70026499	1	Piston	
107	Kit	1	O-Ring	
108	Kit	2	O-Ring	
109	Kit	1	Ring, Backup	
110	Kit	1	Seal	
111	70026500	1	Retainer	
112	Kit	1	Wiper	
113	70026501	3	Bushing	
114	70026502	1	Valve, Check	
115	70024129	4	Plug	
116	Kit	1	Ring, Wear	
117	70026503	1	Nut	
118	70024734	2	Kit, Check Valve Service	
119	70026504	1	Valve, Counterbalance	
120	70026505	1	Tool, Seal Loader	
121	70026506	1	Kit, Service	

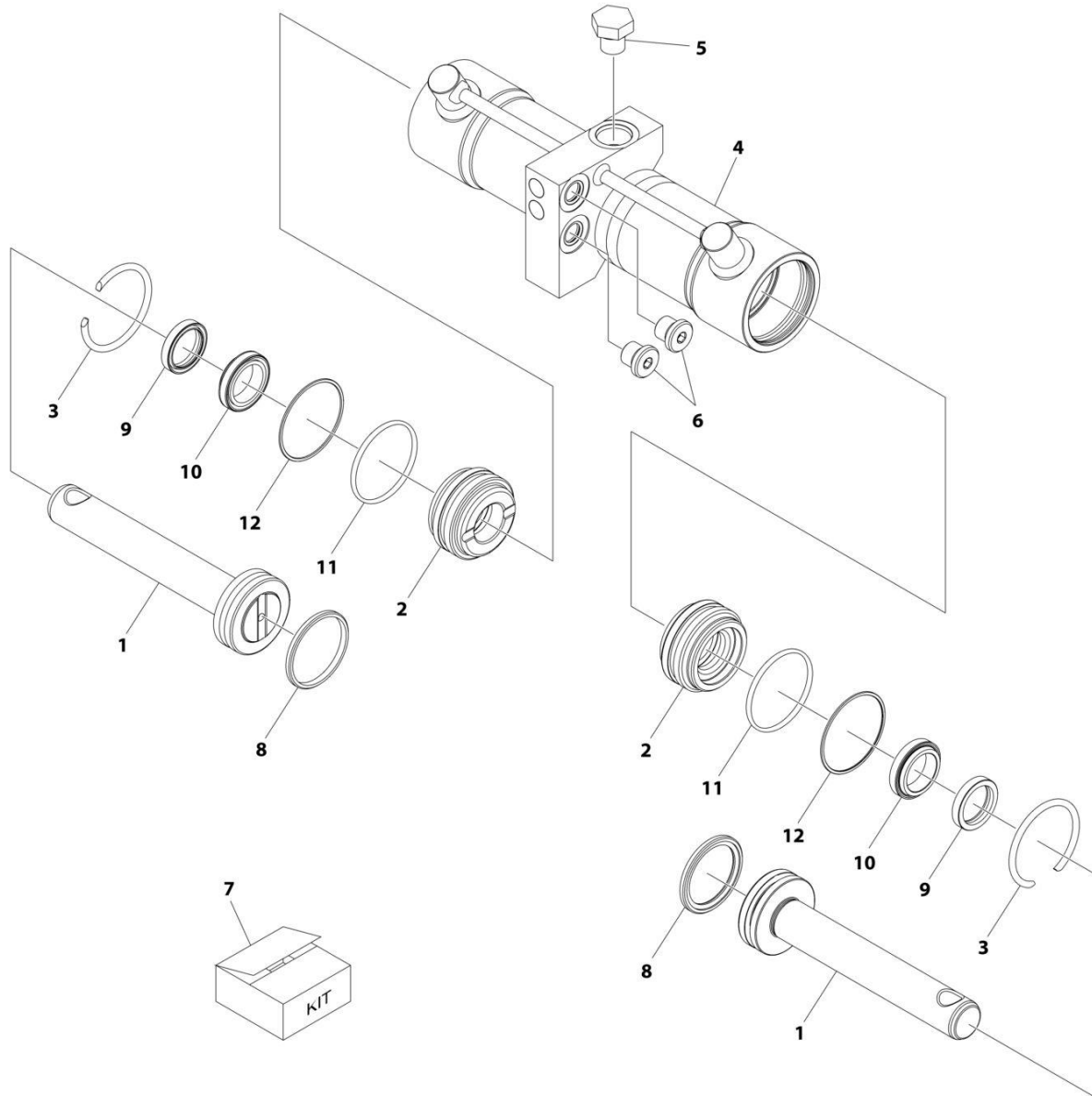
SECTION 9 - HYDRAULIC COMPONENTS

FIGURE 9-11. CYLINDER ASSEMBLY - CARRIAGE (LOG HANDLER CYLINDER)

ITEM	PART NUMBER	QTY	DESCRIPTION	REV
	70028704	Ref	Log Handler Carriage Cylinder Assembly	C
		Ref	Note: Original Cylinder May Have Been Replaced with Service Replacement. Identify PN Stamped on Cylinder Before Ordering Parts.	
201	N.S.S.	1	Barrel	
202	70028728	1	Rod	
203	70028729	2	Bushing	
204	N.S.S.	1	Ring, Wear	
205	N.S.S.	1	Seal	
206	70028730	1	Piston	
207	N.S.S.	1	O-Ring	
208	N.S.S.	1	Seal	
209	N.S.S.	1	Seal	
210	70028731	1	Retainer	
211	N.S.S.	1	Wiper	
212	N.S.S.	1	End, Rod (included with item 202)	
213	70024733	1	Valve, Check	
214	70024129	2	Plug	
215	70024123	1	Fitting, 90	
216	70024130	1	Fitting, Straight	
217	70024734	1	Kit, Check Valve	
218	70028732	1	Nut	
219	70028729	1	Bushing (included with item 202)	
220	70028588	1	Tool, Seal Loader	
221	70028733	1	Kit, Seal (includes items 204, 205, 207, 208, 208, 211, 220)	

SECTION 9 - HYDRAULIC COMPONENTS

FIGURE 9-12. CYLINDER ASSEMBLY - COUPLER LOCKING



ART_1001267977

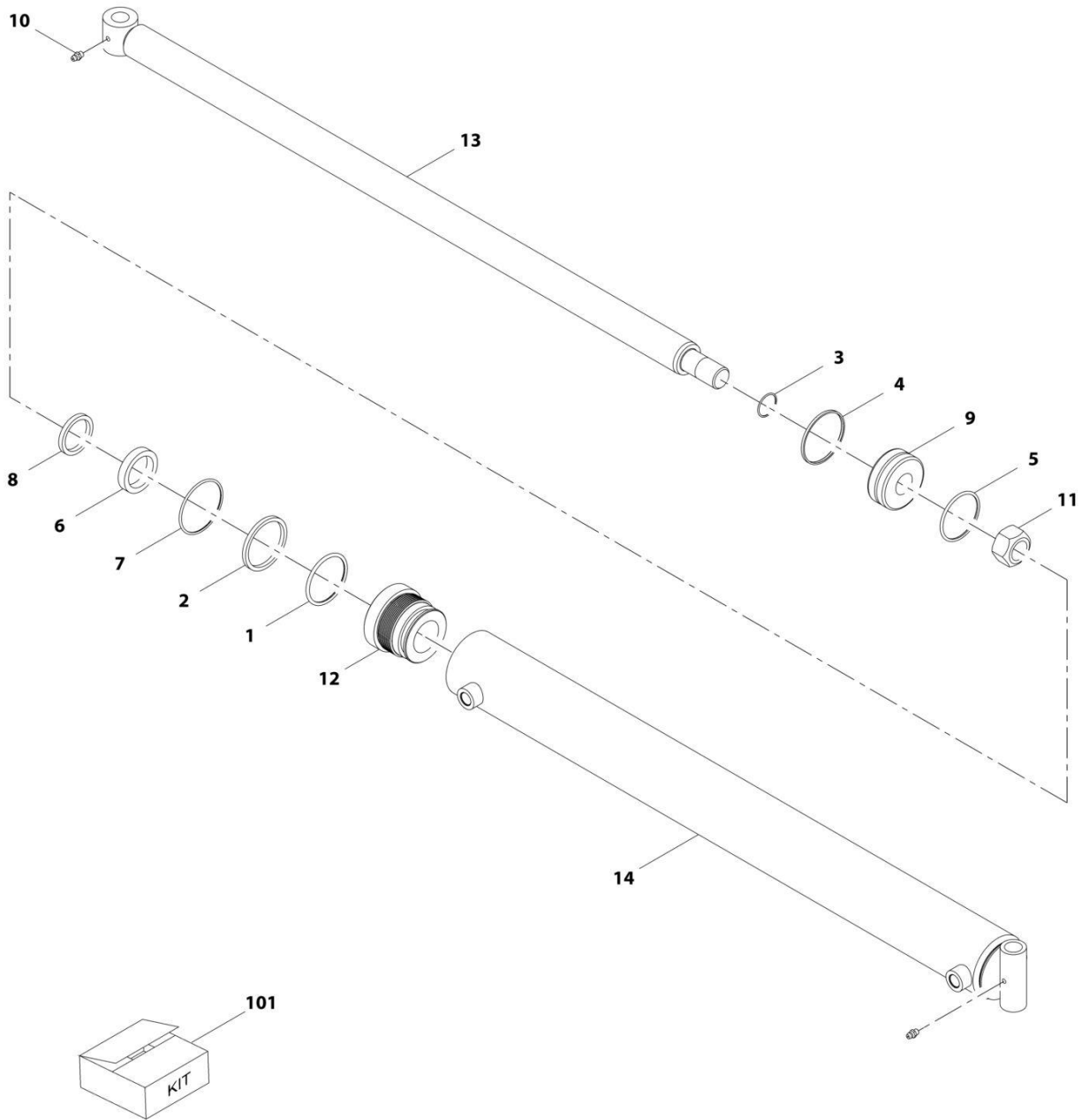
SECTION 9 - HYDRAULIC COMPONENTS

FIGURE 9-12. CYLINDER ASSEMBLY - COUPLER LOCKING

ITEM	PART NUMBER	QTY	DESCRIPTION	REV
	1001267977	Ref	COUPLER LOCKING CYLINDER	B
		Ref	Note: Original Cylinder May Have Been Replaced with Service Replacement. Identify PN Stamped on Cylinder Before Ordering Parts.	
1	70031293	2	Rod	
2	70031294	2	Bushing	
3	70031295	2	Ring, Snap	
4	See Note	NSS	Barrel (Note: Not Sold Separately, Purchase 1001267977)	
5	70031296	1	Plug	
6	2220885	2	Plug	
7	70031297	1	Seal Kit (Includes Items 8-12)	
8	See Note	2	Seal, Piston (Note: Use Item 7)	
9	See Note	2	Seal, Rod (Note: Use Item 7)	
10	See Note	2	Ring, Wiper (Note: Use Item 7)	
11	See Note	2	O-Ring (Note: Use Item 7)	
12	See Note	2	Ring, Backup (Note: Use Item 7)	

SECTION 9 - HYDRAULIC COMPONENTS

FIGURE 9-13. CYLINDER ASSEMBLY - FORK POSITIONING



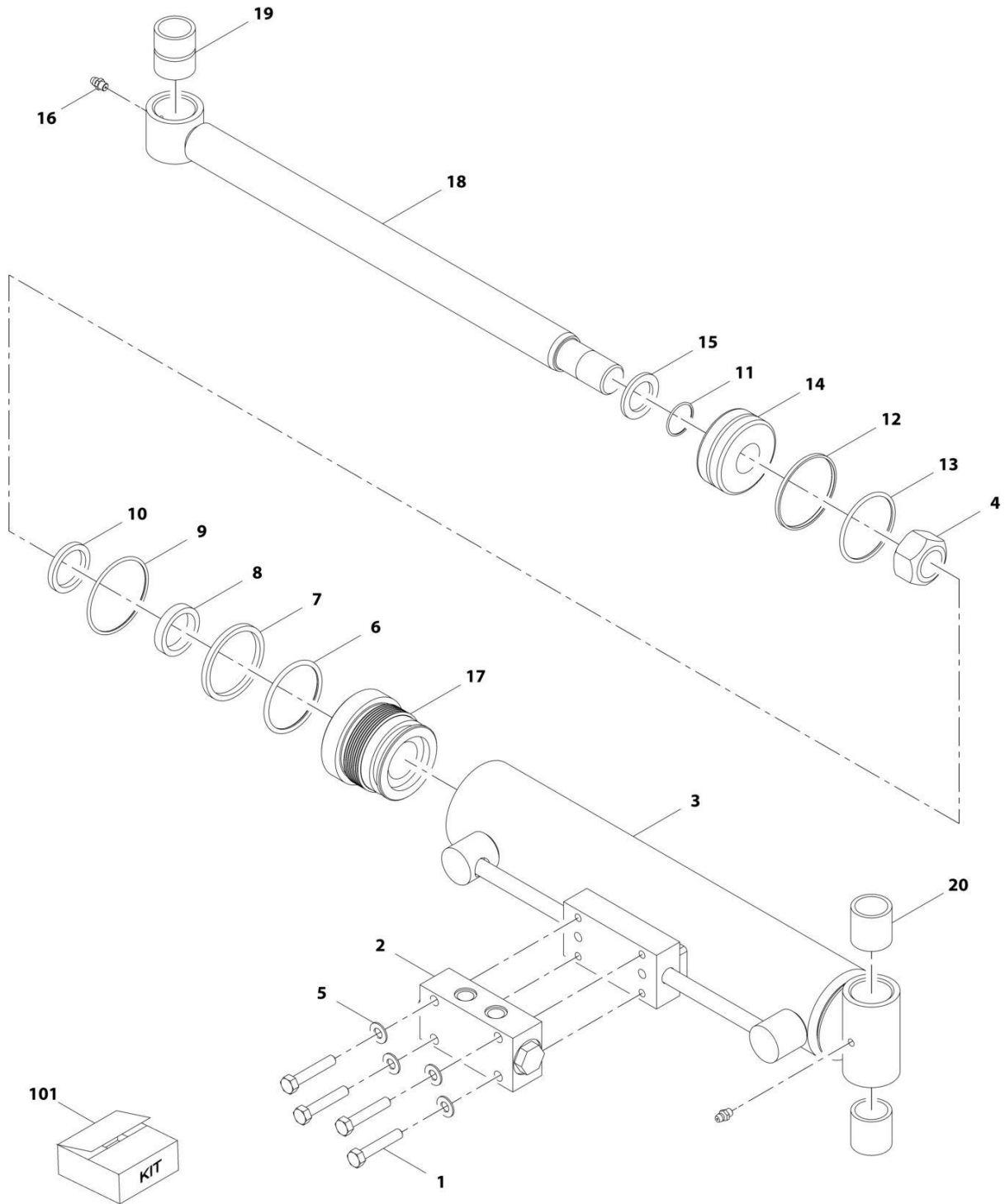
SECTION 9 - HYDRAULIC COMPONENTS

FIGURE 9-13. CYLINDER ASSEMBLY - FORK POSITIONING

ITEM	PART NUMBER	QTY	DESCRIPTION	REV
	70028599	Ref	Fork Positioning Cylinder Assembly	C
		Ref	Note: Original Cylinder May Have Been Replaced with Service Replacement. Identify PN Stamped on Cylinder Before Ordering Parts.	
1	Kit	1	O-Ring	
2	Kit	1	O-Ring	
3	Kit	1	O-Ring	
4	Kit	1	Seal	
5	Kit	1	O-Ring	
6	Kit	1	Seal	
7	Kit	1	O-Ring	
8	Kit	1	Seal	
9	70028609	1	Piston, Cylinder	
10	90554045	2	Fitting, Grease	
11	70021440	1	Nut	
12	70028610	1	Gland, Cylinder	
13	70028611	1	Rod	
14	N.S.S.	1	Tube	
101	Kit	1	Kit, Seal	

SECTION 9 - HYDRAULIC COMPONENTS

FIGURE 9-14. CYLINDER INSTALLATION - FORK POSITIONING SIDE SHIFT



ART_70028603-C

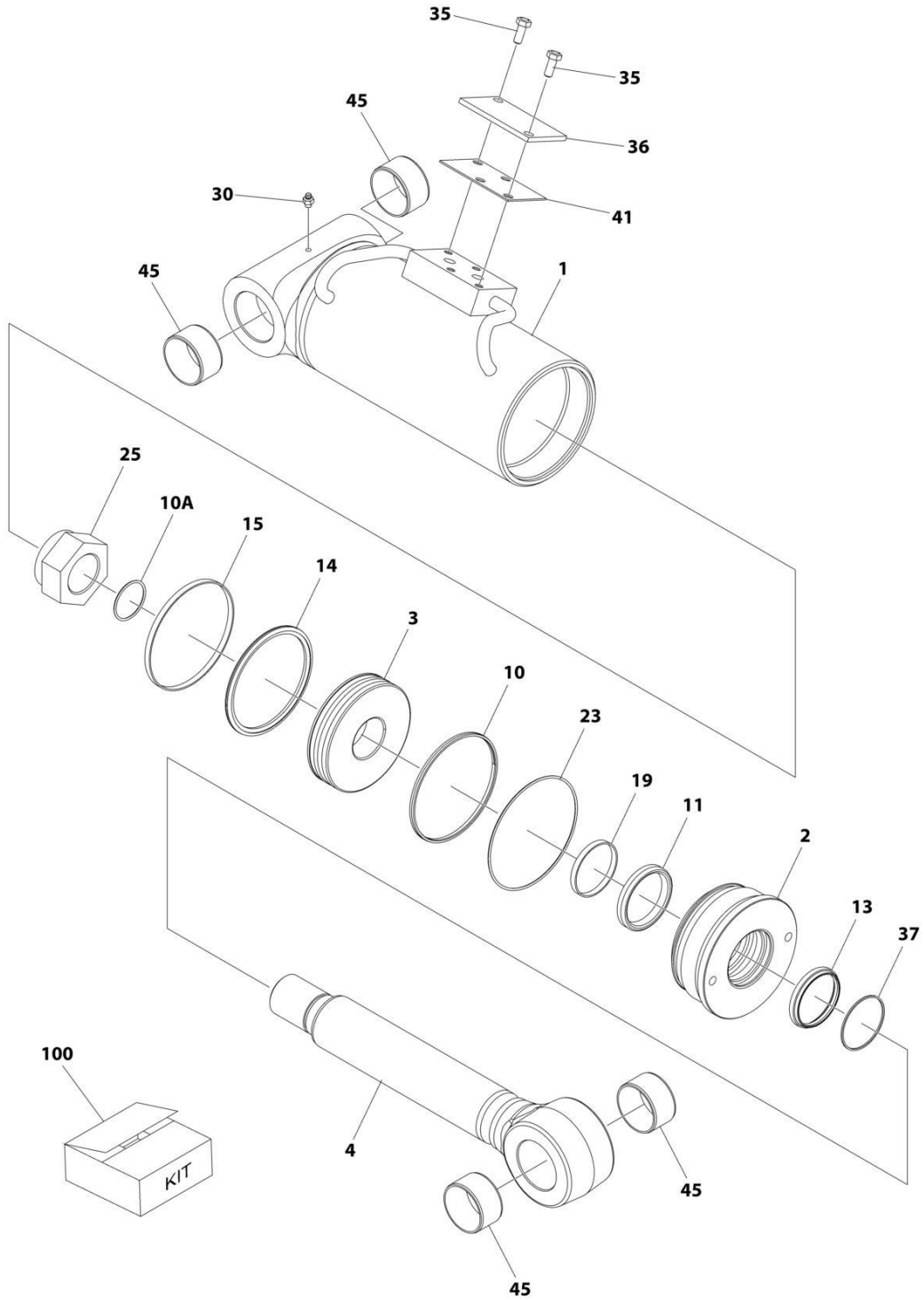
SECTION 9 - HYDRAULIC COMPONENTS

FIGURE 9-14. CYLINDER INSTALLATION - FORK POSITIONING SIDE SHIFT

ITEM	PART NUMBER	QTY	DESCRIPTION	REV
	70028603	Ref	Side Shift Cylinder Assembly	C
		Ref	Note: Original Cylinder May Have Been Replaced with Service Replacement. Identify PN Stamped on Cylinder Before Ordering Parts.	
1	70028612	4	Bolt	
2	70028613	1	Valve	
3	N.S.S.	1	Tube	
4	70021440	1	Nut	
5	70028614	4	Washer, Flat	
6	Kit	1	O-Ring	
7	Kit	1	O-Ring	
8	Kit	1	Seal	
9	Kit	1	O-Ring	
10	Kit	1	Seal	
11	Kit	1	O-Ring	
12	Kit	1	Seal	
13	Kit	1	O-Ring	
14	70021451	1	Piston	
15	70021444	1	Spacer	
16	90554045	2	Fitting, Grease	
17	70021446	1	Gland, Cylinder	
18	70021445	1	Rod	
19	70021447	1	Bushing	
20	70021448	2	Bushing	
101	70021452	1	Kit, Seal (includes items 6 thru 13)	

SECTION 9 - HYDRAULIC COMPONENTS

FIGURE 9-15. CYLINDER ASSEMBLY - FRAME LEVEL



ART_1001267973

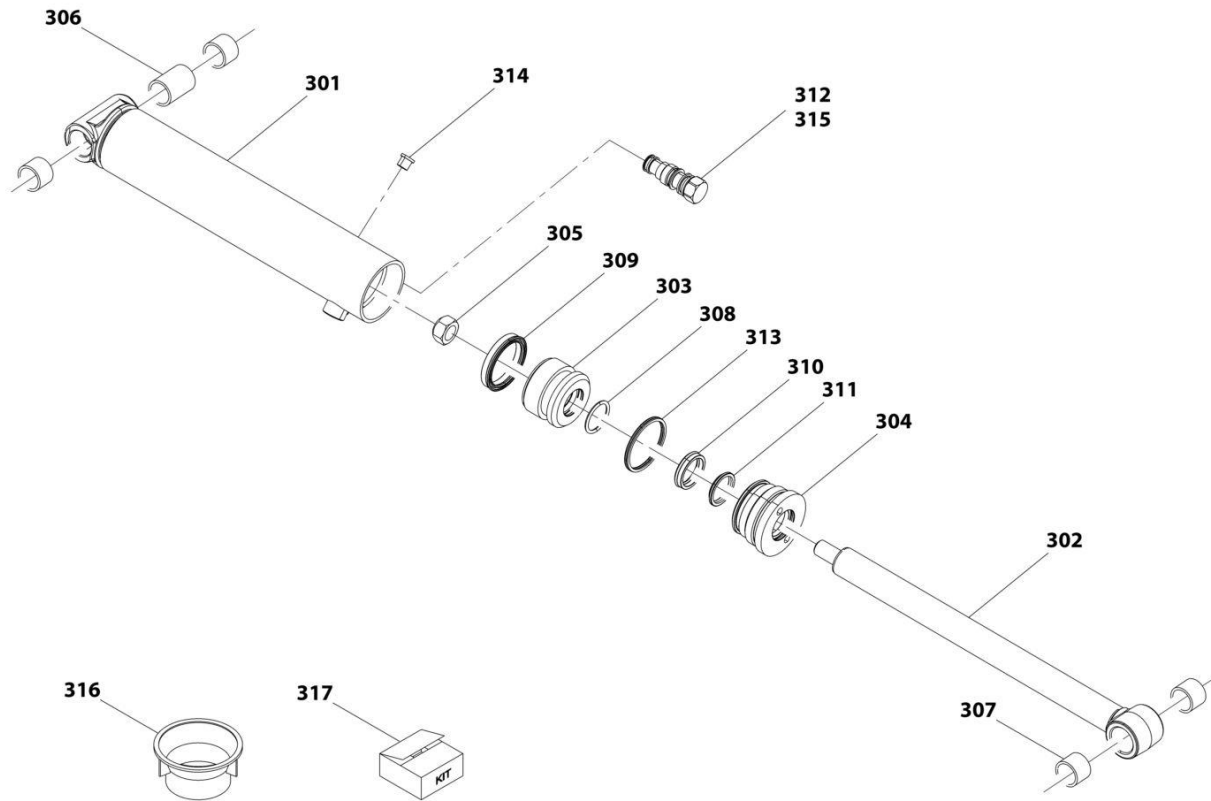
SECTION 9 - HYDRAULIC COMPONENTS

FIGURE 9-15. CYLINDER ASSEMBLY - FRAME LEVEL

ITEM	PART NUMBER	QTY	DESCRIPTION	REV
	1001267973	Ref	CYLINDER ASSEMBLY	B
		Ref	Note: Original Cylinder May Have Been Replaced with Service Replacement. Identify PN Stamped on Cylinder Before Ordering Parts.	
1	See Note	NSS	Barrel (Note: Use PN 1001267973)	
2	70030388	1	Head	
3	70030389	1	Piston	
4	70030403	1	Rod	
10	See Note	NSS	Seal, Dual (Note: Use Item 100)	
10A	See Note	NSS	O-Ring (Note: Use Item 100)	
11	See Note	NSS	Seal, Rod (Note: Use Item 100)	
13	See Note	NSS	Wiper (Note: Use Item 100)	
14	See Note	NSS	Seal, Piston (Note: Use Item 100)	
15	See Note	NSS	Ring, Wear (Note: Use Item 100)	
19	See Note	NSS	Ring, Wear (Note: Use Item 100)	
23	See Note	NSS	Seal, Environmental (Note: Use Item 100)	
25	70030391	1	Nut 1-3/4	
30	70030404	1	Fitting, Grease	
35		Ref	Bolt M8 x 1-1/4	
36		Ref	Plate, Shipping	
37	70030392	1	Mask, Wiper	
41		Ref	Gasket, Shipping	
45	70030393	4	Bushing	
100	70030394	1	Seal Kit (Includes Items 10, 10A, 11, 13, 14, 15, 19 & 23)	

SECTION 9 - HYDRAULIC COMPONENTS

FIGURE 9-16. CYLINDER ASSEMBLY - PIPE HANDLER CARRIAGE (UPPER)



ART_70028652-D

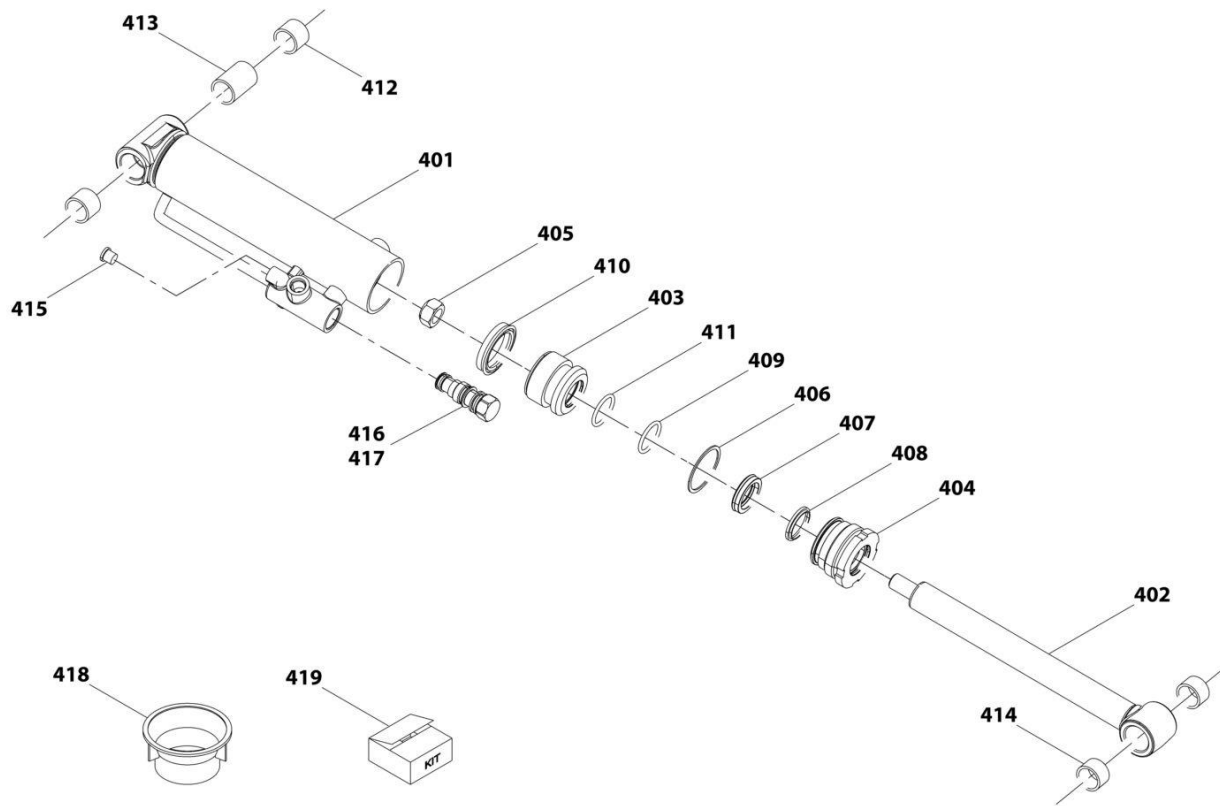
SECTION 9 - HYDRAULIC COMPONENTS

FIGURE 9-16. CYLINDER ASSEMBLY - PIPE HANDLER CARRIAGE (UPPER)

ITEM	PART NUMBER	QTY	DESCRIPTION	REV
	70028652	Ref	Upper Cylinder Assembly	D
		Ref	Note: Original Cylinder May Have Been Replaced with Service Replacement. Identify PN Stamped on Cylinder Before Ordering Parts.	
301	N.S.S.	1	Barrel	
302	70028270	1	Rod	
303	70028254	1	Piston	
304	70028255	1	Retainer	
305	70028258	1	Nut	
306	70028257	1	Spacer	
307	70028256	4	Bushing	
308	N.S.S.	1	O-Ring	
309	N.S.S.	1	Seal	
310	N.S.S.	1	Seal	
311	N.S.S.	1	Wiper	
312	70026502	1	Valve, Check	
313	N.S.S.	1	Seal	
314	70024129	2	Plug	
315	70024734	1	Kit, Check Valve	
316	70028691	1	Tool, Seal Loader	
317	70028770	1	Kit, Seal	

SECTION 9 - HYDRAULIC COMPONENTS

FIGURE 9-17. CYLINDER ASSEMBLY - PIPE HANDLER CARRIAGE (LOWER)



ART_70028653-D

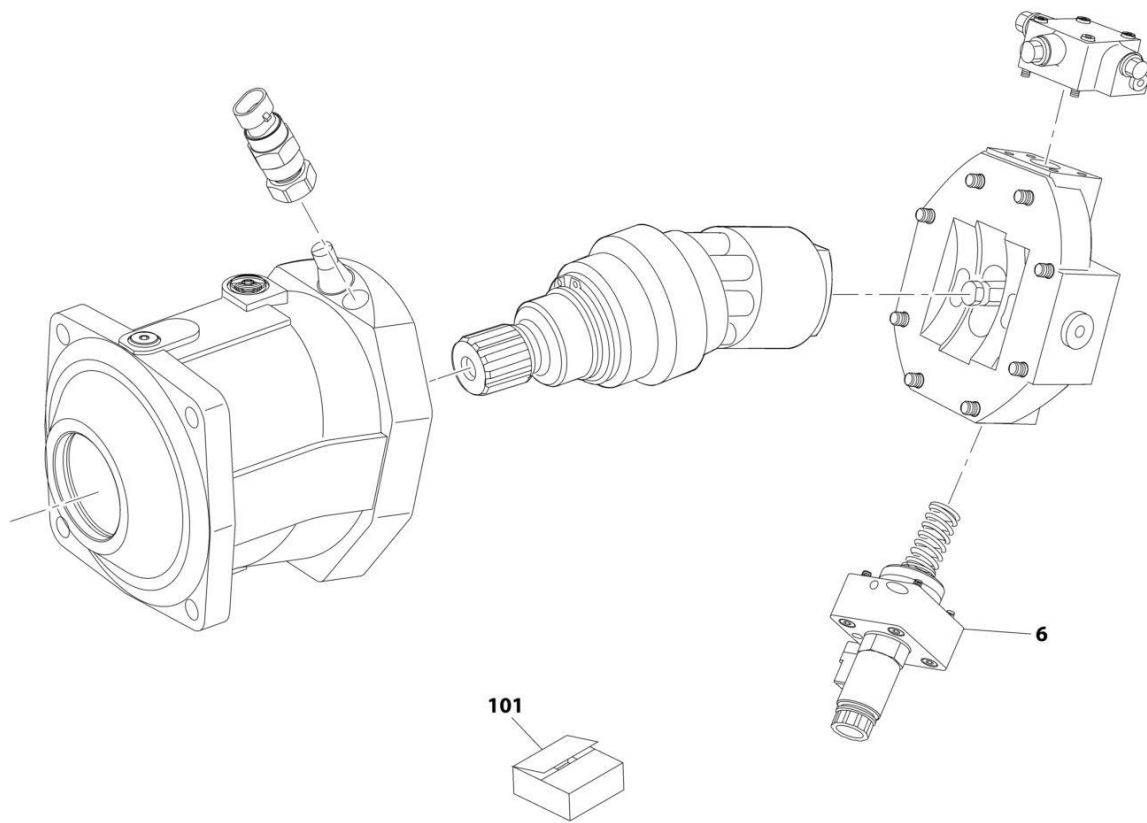
SECTION 9 - HYDRAULIC COMPONENTS

FIGURE 9-17. CYLINDER ASSEMBLY - PIPE HANDLER CARRIAGE (LOWER)

ITEM	PART NUMBER	QTY	DESCRIPTION	REV
	70028653	Ref	Lower Cylinder Assembly	D
		Ref	Note: Original Cylinder May Have Been Replaced with Service Replacement. Identify PN Stamped on Cylinder Before Ordering Parts.	
401	N.S.S.	1	Barrel	
402	70028692	1	Rod	
403	70024142	1	Piston	
404	70028693	1	Retainer	
405	70028258	1	Nut	
406	N.S.S.	1	Ring, Backup	
407	N.S.S.	1	Seal	
408	N.S.S.	1	Wiper	
409	N.S.S.	1	O-Ring	
410	N.S.S.	1	Seal	
411	N.S.S.	1	O-Ring	
412	70028256	2	Bushing	
413	70028257	1	Spacer	
414	70028694	2	Bushing	
415	70024129	2	Plug	
416	70026502	1	Valve, Check	
417	70024734	1	Kit, Check Valve	
418	70028691	1	Tool, Seal Loader	
419	70028771	1	Kit, Seal	

SECTION 9 - HYDRAULIC COMPONENTS

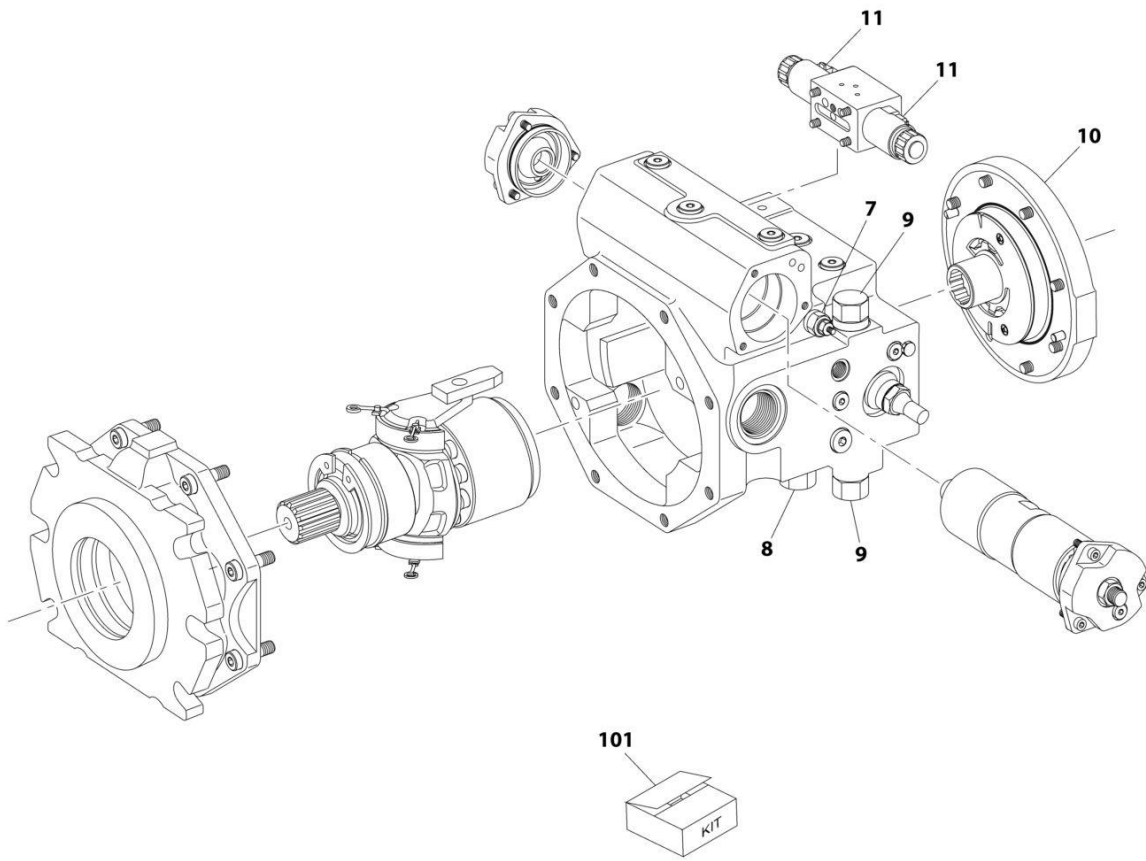
FIGURE 9-18. MOTOR ASSEMBLY - HYDROSTATIC



ART_1001193308-C

SECTION 9 - HYDRAULIC COMPONENTS

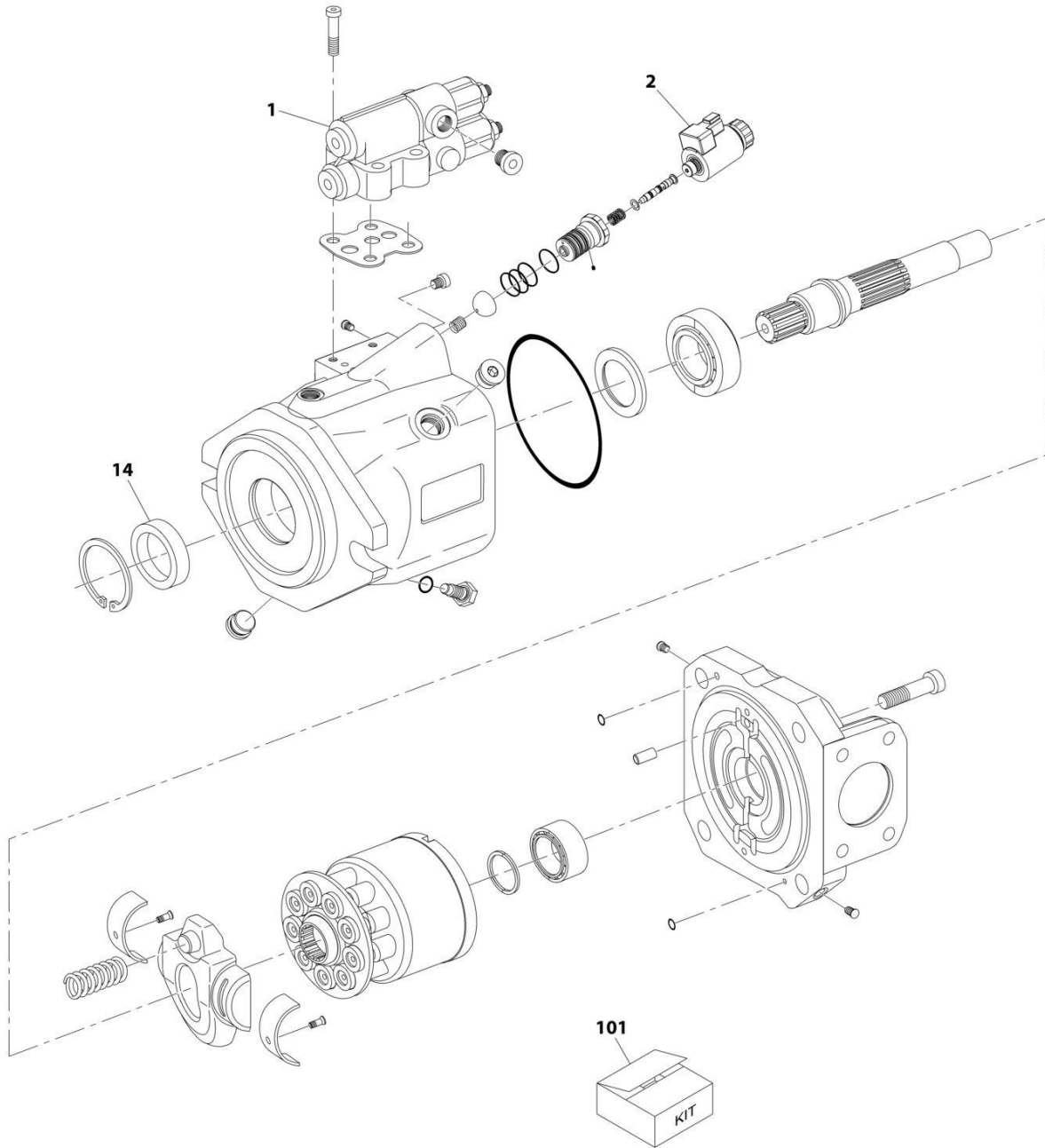
FIGURE 9-19. PUMP ASSEMBLY - HYDROSTATIC



ART_1001193307-D

SECTION 9 - HYDRAULIC COMPONENTS

FIGURE 9-20. PUMP ASSEMBLY - IMPLEMENT



ART_1001180070-F

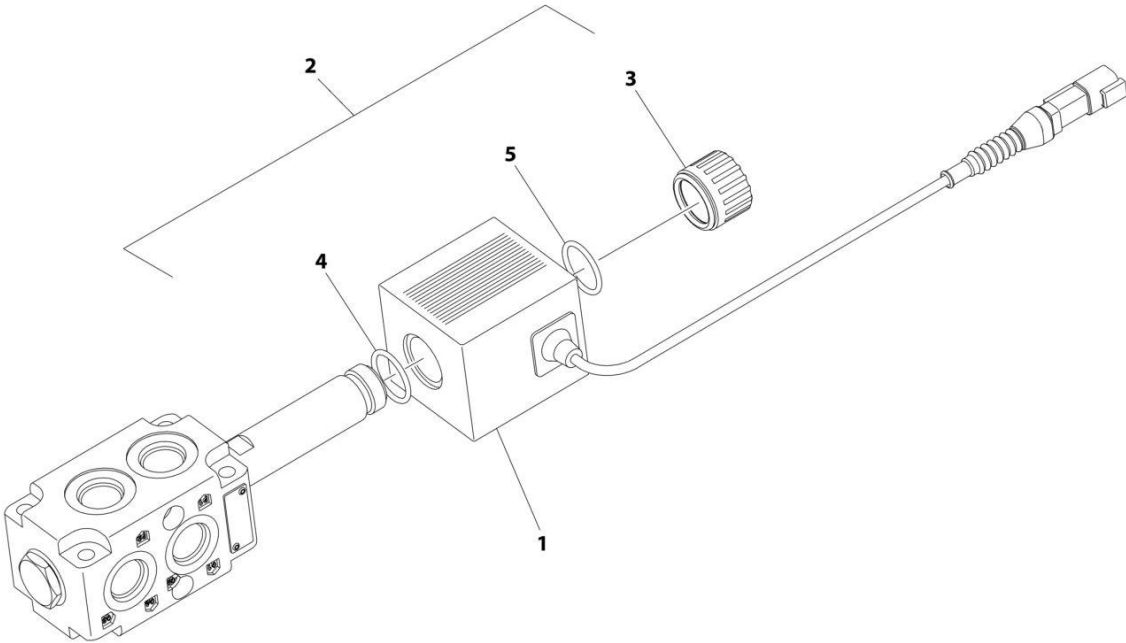
SECTION 9 - HYDRAULIC COMPONENTS

FIGURE 9-20. PUMP ASSEMBLY - IMPLEMENT

ITEM	PART NUMBER	QTY	DESCRIPTION	REV
	1001180070	1	Implement Pump	F
1	70027595	1	Controller, DSR	
2	70028412	1	Controller, EK	
14	7024947	1	Seal, Shaft	
101	70028413	1	Kit, Seal	
	Kit	1	Seal	
	Kit	1	Plug	
	Kit	2	Plug	
	Kit	2	O-Ring	
	Kit	1	O-Ring	

SECTION 9 - HYDRAULIC COMPONENTS

FIGURE 9-21. VALVE ASSEMBLY - BOOM AUX DIVERTER VALVE (HYDRAULIC - SINGLE & TWIN)



ART_1001104477

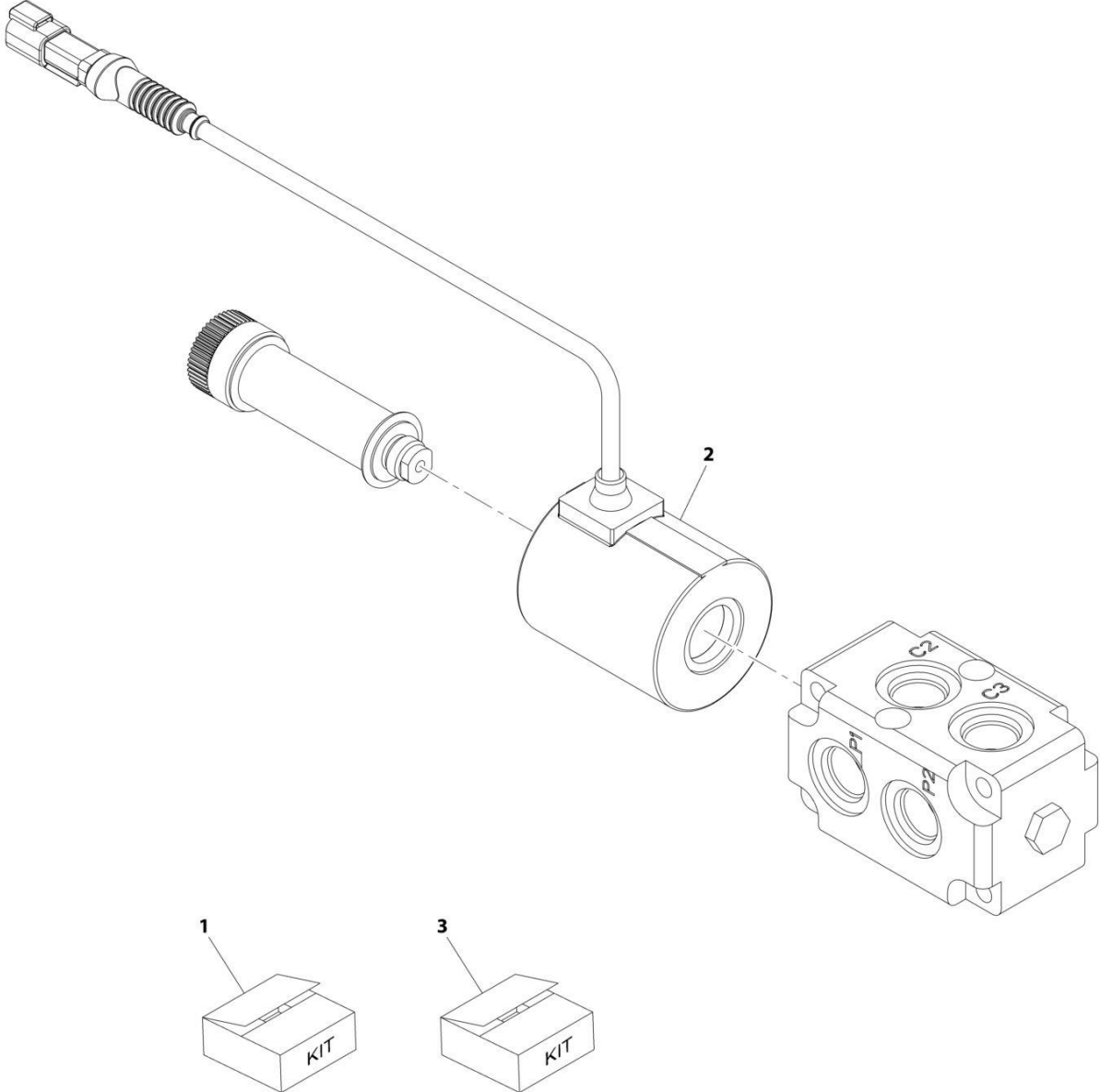
SECTION 9 - HYDRAULIC COMPONENTS

FIGURE 9-21. VALVE ASSEMBLY - BOOM AUX DIVERTER VALVE (HYDRAULIC - SINGLE & TWIN)

ITEM	PART NUMBER	QTY	DESCRIPTION	REV
	1001104477	Ref	DIVERTOR VALVE	D
1	70020764	1	Coil	
2	70021531	1	Retainer Kit (Includes Items 3-5)	
3	Kit	1	Nut	
4	Kit	1	O-Ring	
5	Kit	1	O-Ring	

SECTION 9 - HYDRAULIC COMPONENTS

FIGURE 9-22. VALVE ASSEMBLY - BOOM AUX DIVERTER VALVE (MANUAL & HYDRAULIC -TWIN)



ART_100110023-B

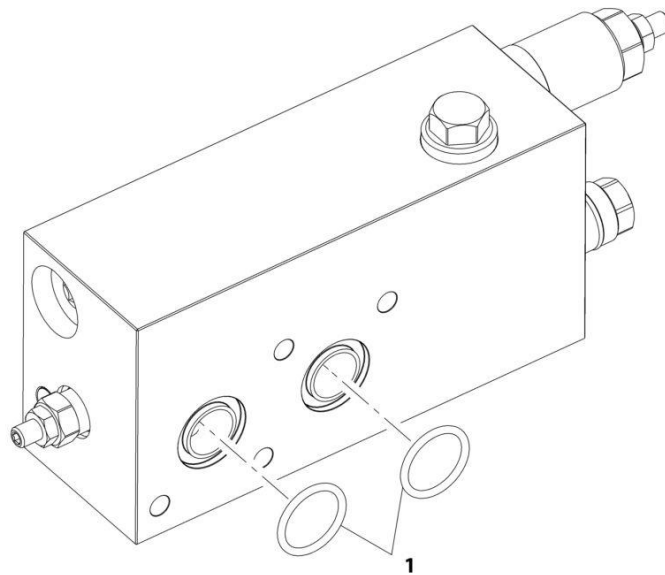
SECTION 9 - HYDRAULIC COMPONENTS

FIGURE 9-22. VALVE ASSEMBLY - BOOM AUX DIVERTER VALVE (MANUAL & HYDRAULIC -TWIN)

ITEM	PART NUMBER	QTY	DESCRIPTION	REV
	1001110023	Ref	Divertor Valve	B
1	70027596	1	Kit, Seal	
	Kit	2	O-Ring	
2	70020764	1	Coil	
3	70021531	1	Kit, Coil Nut	
	N.S.S.	1	O-Ring	
	N.S.S.	1	O-Ring	
	N.S.S.	1	Nut	

SECTION 9 - HYDRAULIC COMPONENTS

FIGURE 9-23. VALVE ASSEMBLY - BOOM RAISE COUNTERBALANCE VALVE (NO RIDE CONTROL)



ART_1001224944-C

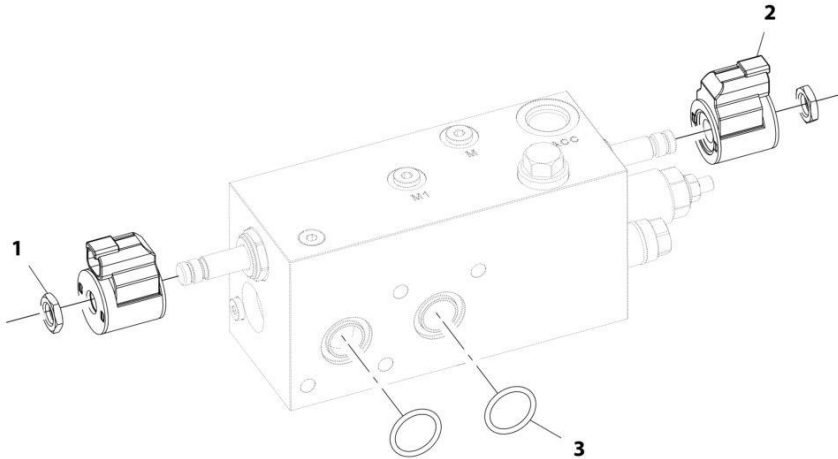
SECTION 9 - HYDRAULIC COMPONENTS

FIGURE 9-23. VALVE ASSEMBLY - BOOM RAISE COUNTERBALANCE VALVE (NO RIDE CONTROL)

ITEM	PART NUMBER	QTY	DESCRIPTION	REV
1	1001224944 70028282	Ref 1	Counterbalance Valve O-Ring	C

SECTION 9 - HYDRAULIC COMPONENTS

FIGURE 9-24. VALVE ASSEMBLY - BOOM RAISE RIDE & FLOAT VALVE (RIDE CONTROL)



ART_1001224945-C

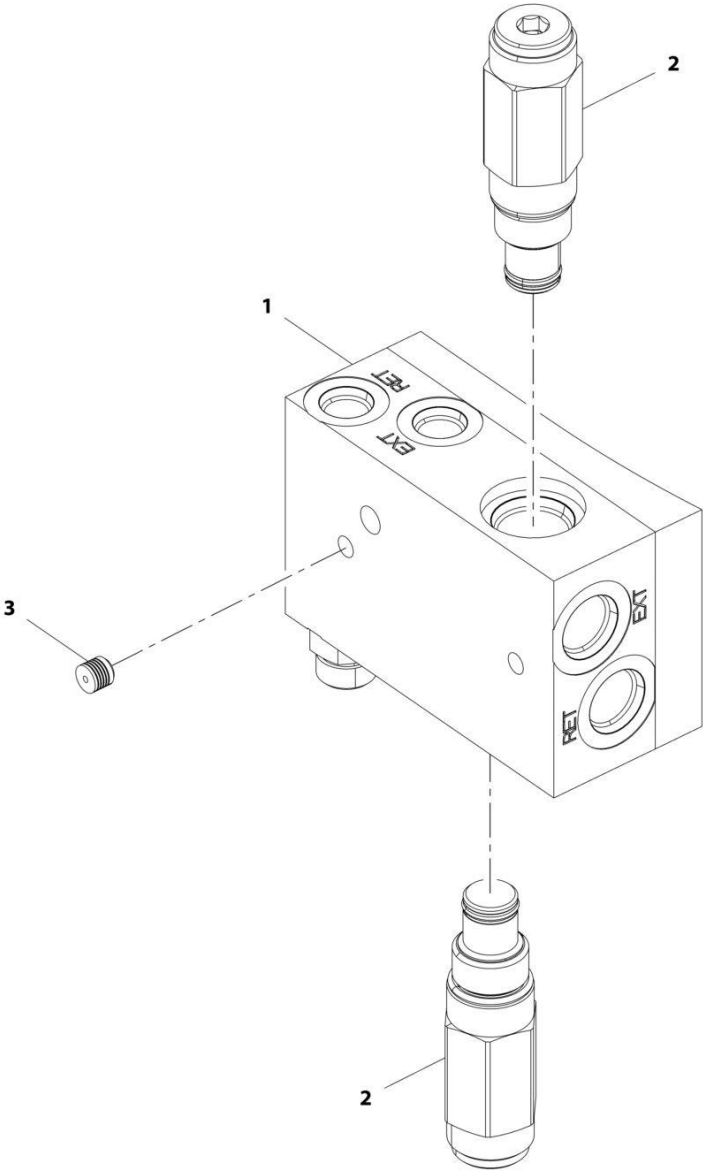
SECTION 9 - HYDRAULIC COMPONENTS

FIGURE 9-24. VALVE ASSEMBLY - BOOM RAISE RIDE & FLOAT VALVE (RIDE CONTROL)

ITEM	PART NUMBER	QTY	DESCRIPTION	REV
	1001224945	Ref	Boom Raise Valve (Ride Control)	C
1	7022390	2	Nut	
2	70028281	2	Coil	
3	70028282	2	O-Ring	

SECTION 9 - HYDRAULIC COMPONENTS

FIGURE 9-25. VALVE ASSEMBLY - BUCKET (5.23 YD³/4.0M³)



ART_70028573-D

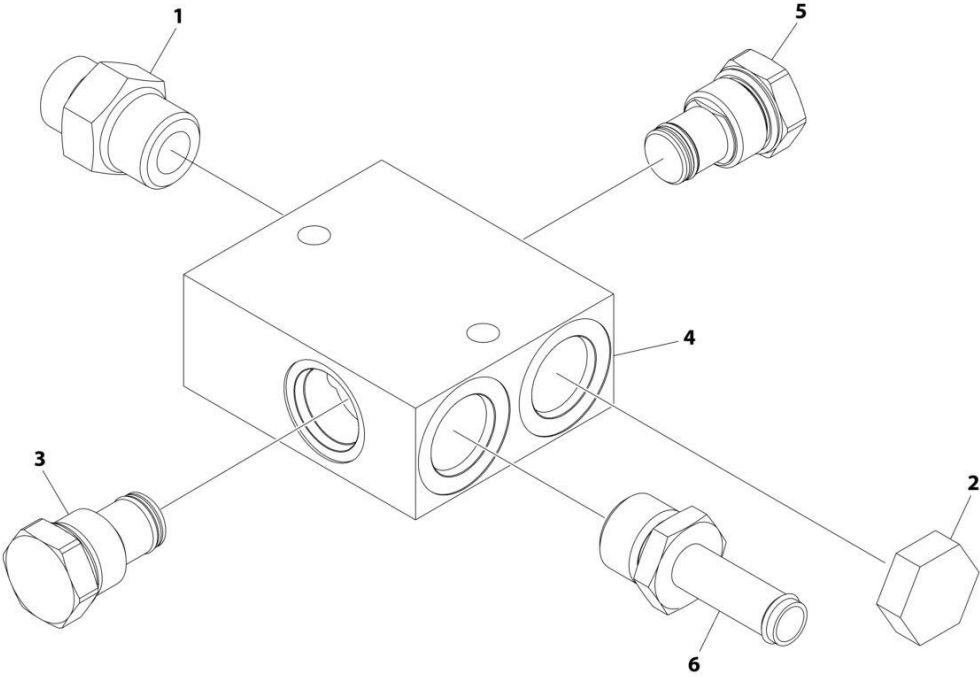
SECTION 9 - HYDRAULIC COMPONENTS

FIGURE 9-25. VALVE ASSEMBLY - BUCKET (5.23 YD³/4.0M³)

ITEM	PART NUMBER	QTY	DESCRIPTION	REV
	70028573	Ref	Valve Assembly, Bucket (5.23 YD ³ /4.0M ³)	D
1	70026477	1	Manifold	
2	70028589	2	Cartridge, Relief	
3	70026614	2	Plug	

SECTION 9 - HYDRAULIC COMPONENTS

FIGURE 9-26. VALVE ASSEMBLY - CAB HYDRAULICS CHECK VALVE



ART_1001212789

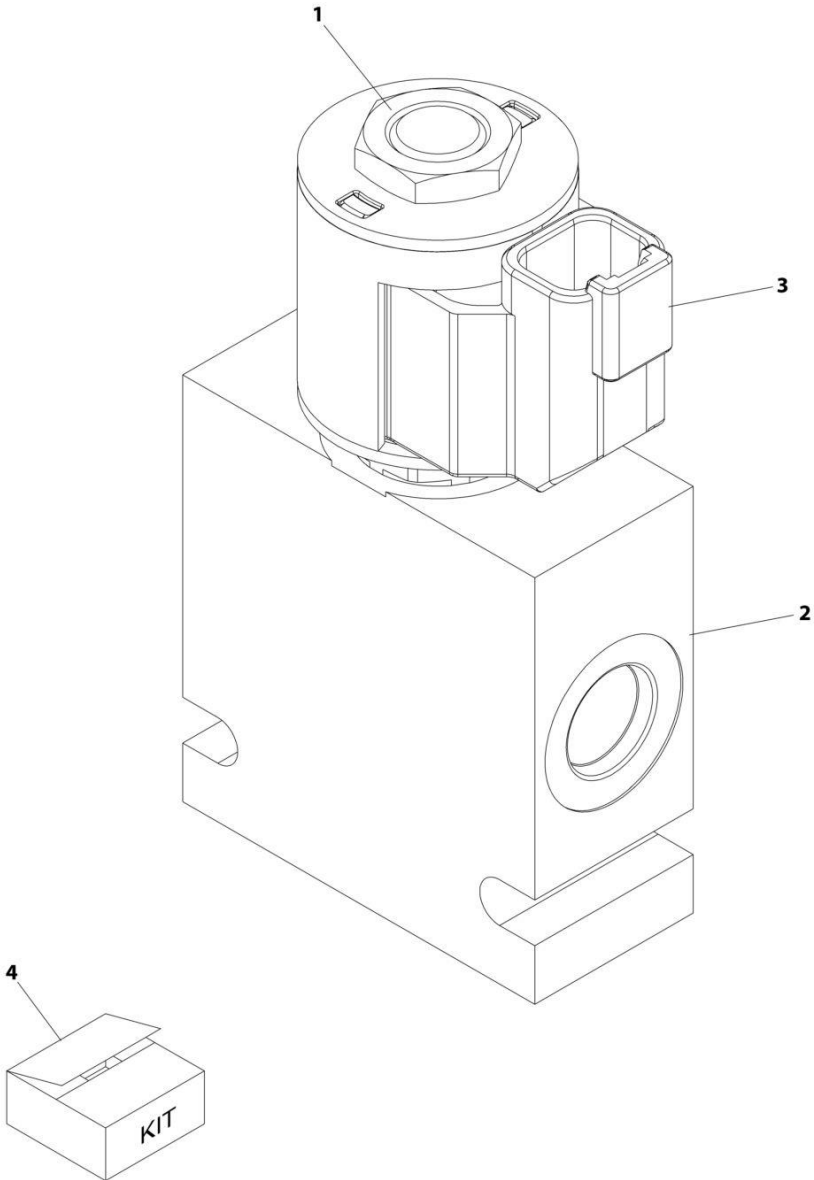
SECTION 9 - HYDRAULIC COMPONENTS

FIGURE 9-26. VALVE ASSEMBLY - CAB HYDRAULICS CHECK VALVE

ITEM	PART NUMBER	QTY	DESCRIPTION	REV
	1001212789	Ref	VALVE ASSEMBLY - CAB HYDRAULICS CHECK VALVE	E
1	2110810	1	Fitting, Straight ORFS	
2	2220239	1	Plug	
3	1001231393	1	Valve, Check	
4	1001210780	1	Manifold, Dual Check Valve	
5	1001210801	1	Valve, Check	
6	1001225656	1	Fitting, Barb	

SECTION 9 - HYDRAULIC COMPONENTS

FIGURE 9-27. VALVE ASSEMBLY - CAB HYDRAULICS SOLENOID VALVE



ART_1001221928-A

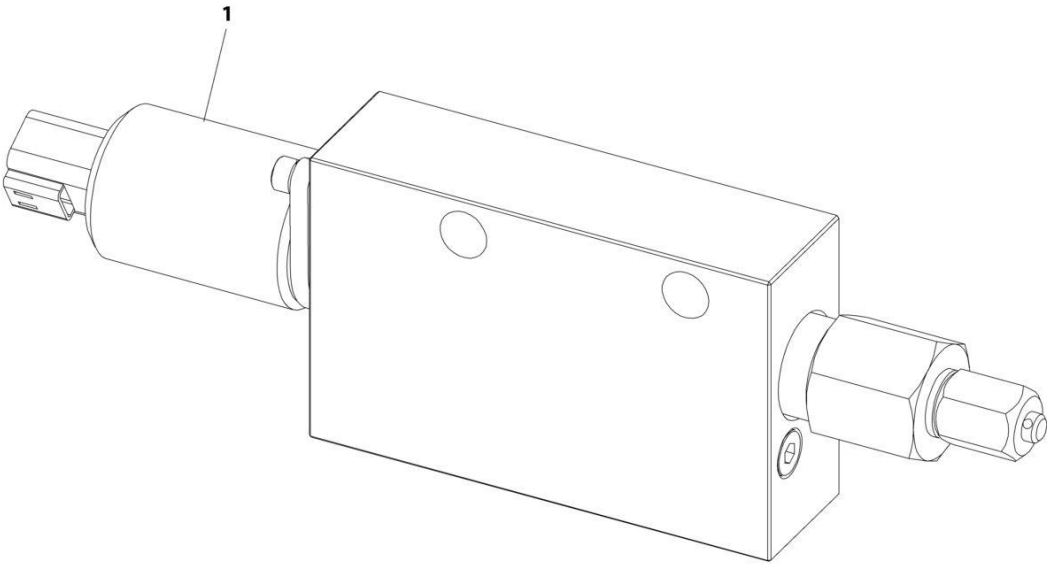
SECTION 9 - HYDRAULIC COMPONENTS

FIGURE 9-27. VALVE ASSEMBLY - CAB HYDRAULICS SOLENOID VALVE

ITEM	PART NUMBER	QTY	DESCRIPTION	REV
	1001221928	Ref	Solenoid Valve	A
1	70004387	1	Cartridge	
2	N.S.S.	Ref	Body	
3	70002963	1	Coil	
4	7010543	1	Kit, Seal	

SECTION 9 - HYDRAULIC COMPONENTS

FIGURE 9-28. VALVE ASSEMBLY - ENGINE BAY INCHING VALVE



ART_1001213311-B

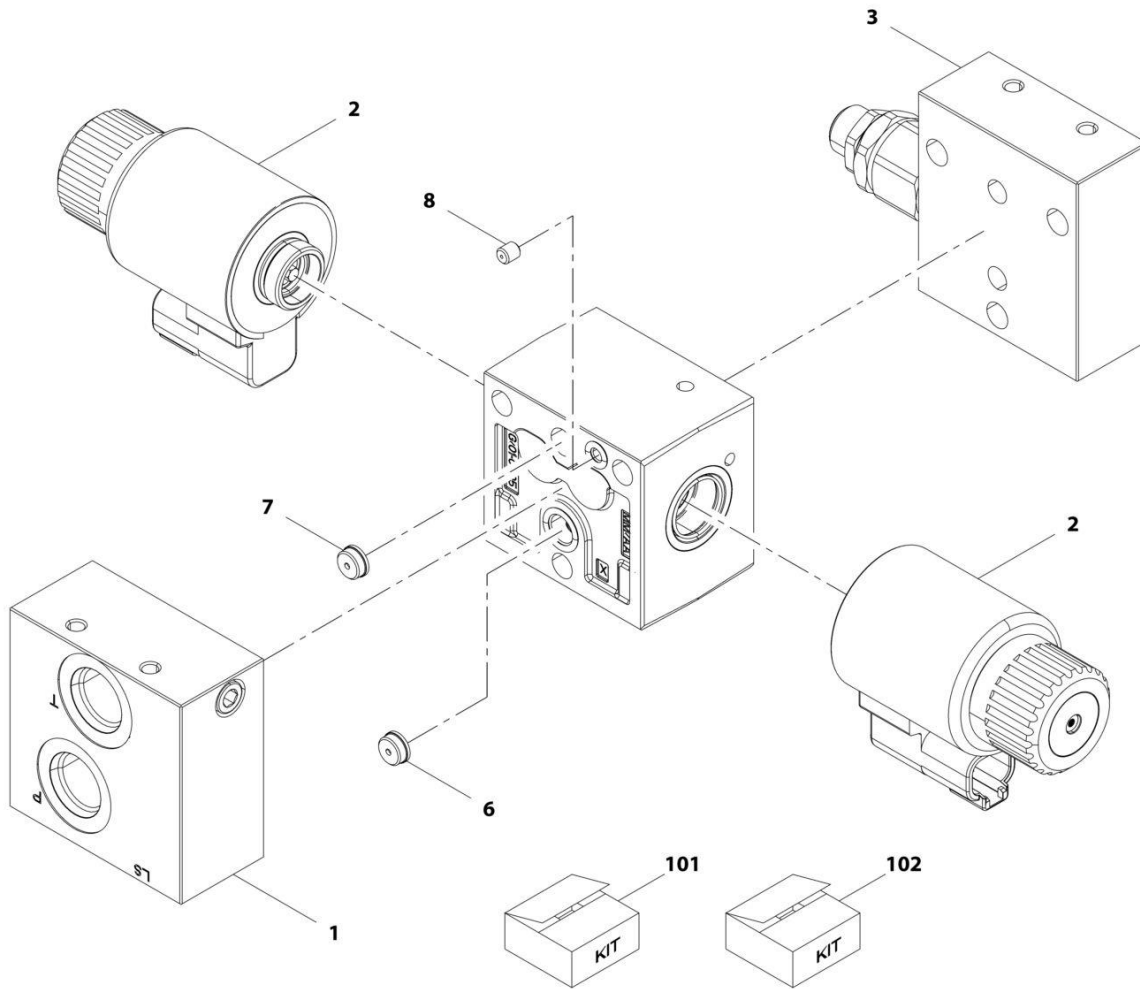
SECTION 9 - HYDRAULIC COMPONENTS

FIGURE 9-28. VALVE ASSEMBLY - ENGINE BAY INCHING VALVE

ITEM	PART NUMBER	QTY	DESCRIPTION	REV
1	1001213311 70028361	Ref 1	Inching Valve Valve, Proportional	B

SECTION 9 - HYDRAULIC COMPONENTS

FIGURE 9-29. VALVE ASSEMBLY - FRAME LEVEL CONTROL



ART_1001219615-D

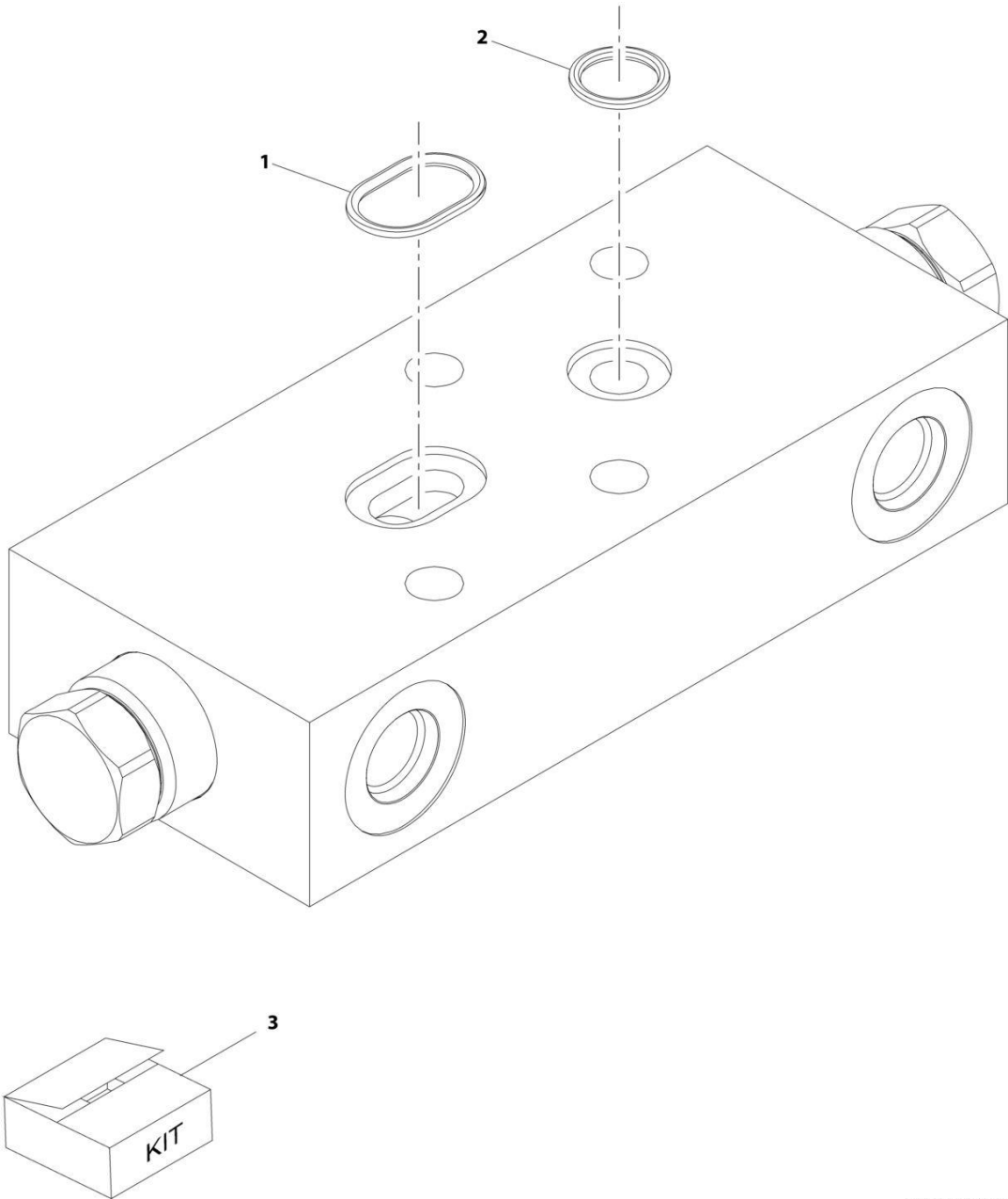
SECTION 9 - HYDRAULIC COMPONENTS

FIGURE 9-29. VALVE ASSEMBLY - FRAME LEVEL CONTROL

ITEM	PART NUMBER	QTY	DESCRIPTION	REV
	1001219615	Ref	Frame Level Valve	D
1	70028414	1	Valve, Section	
2	70004595	2	Coil	
3	70028504	1	Plate	
6	70028415	1	Screw	
7	70028243	1	Screw	
8	70028416	1	Screw	
101	70028502	2	Kit, Coil Nut	
	Kit	1	Nut	
	Kit	1	O-Ring	
102	70028503	1	Kit, Bolt and Seal	
	Kit	3	Bolt	
	Kit	3	Washer	
	Kit	2	O-Ring	
	Kit	4	O-Ring	
	Kit	2	O-Ring	

SECTION 9 - HYDRAULIC COMPONENTS

FIGURE 9-30. VALVE ASSEMBLY - FRAME LEVEL COUNTERBALANCE



ART_1001168599-C

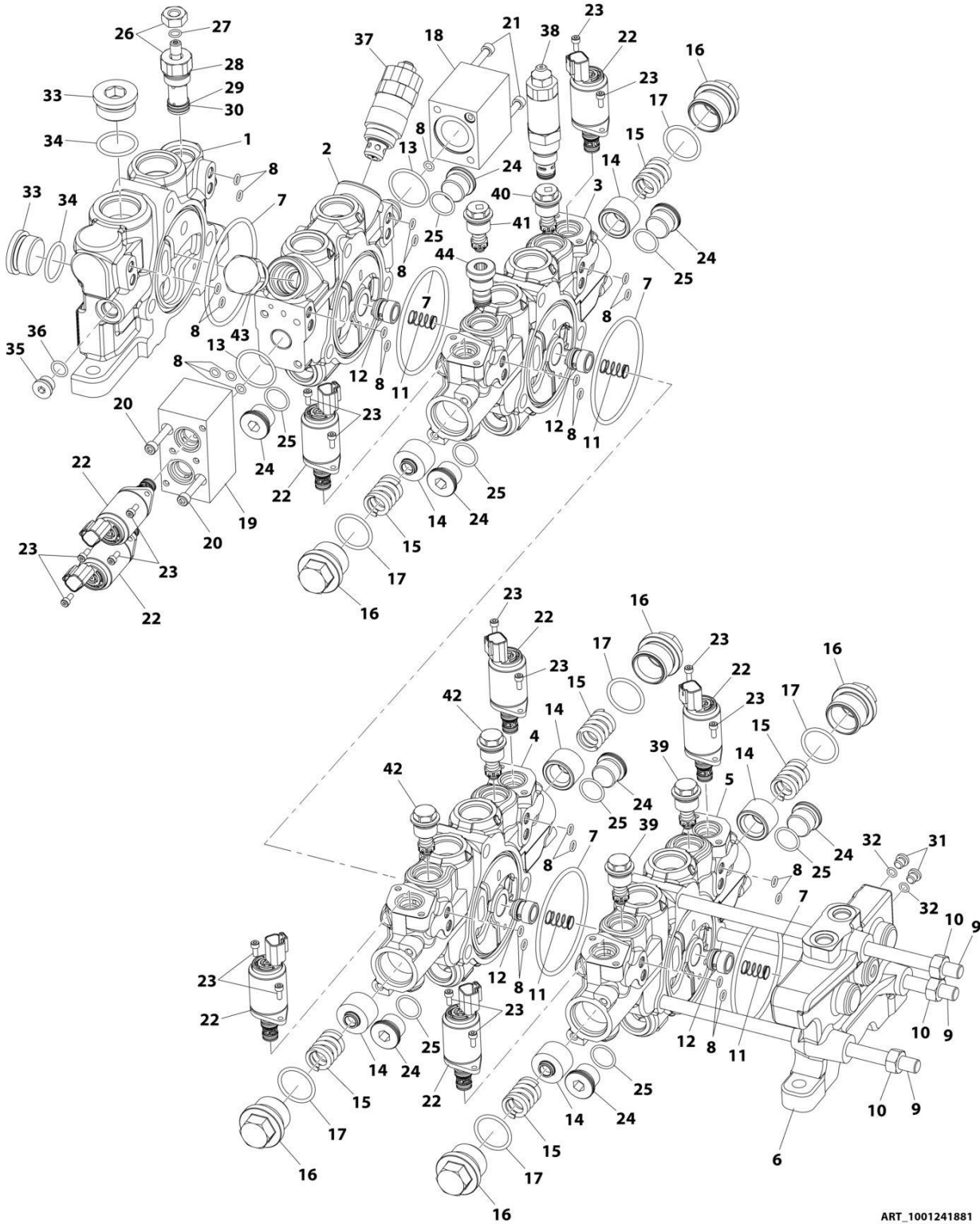
SECTION 9 - HYDRAULIC COMPONENTS

FIGURE 9-30. VALVE ASSEMBLY - FRAME LEVEL COUNTERBALANCE

ITEM	PART NUMBER	QTY	DESCRIPTION	REV
	1001168599	Ref	Counterbalance Valve	C
1	Kit	1	O-Ring	
2	Kit	1	O-Ring	
3	70028421	1	Kit, Seal (includes items 1 thru 2)	

SECTION 9 - HYDRAULIC COMPONENTS

FIGURE 9-31. VALVE ASSEMBLY - MAIN CONTROL



ART_1001241881

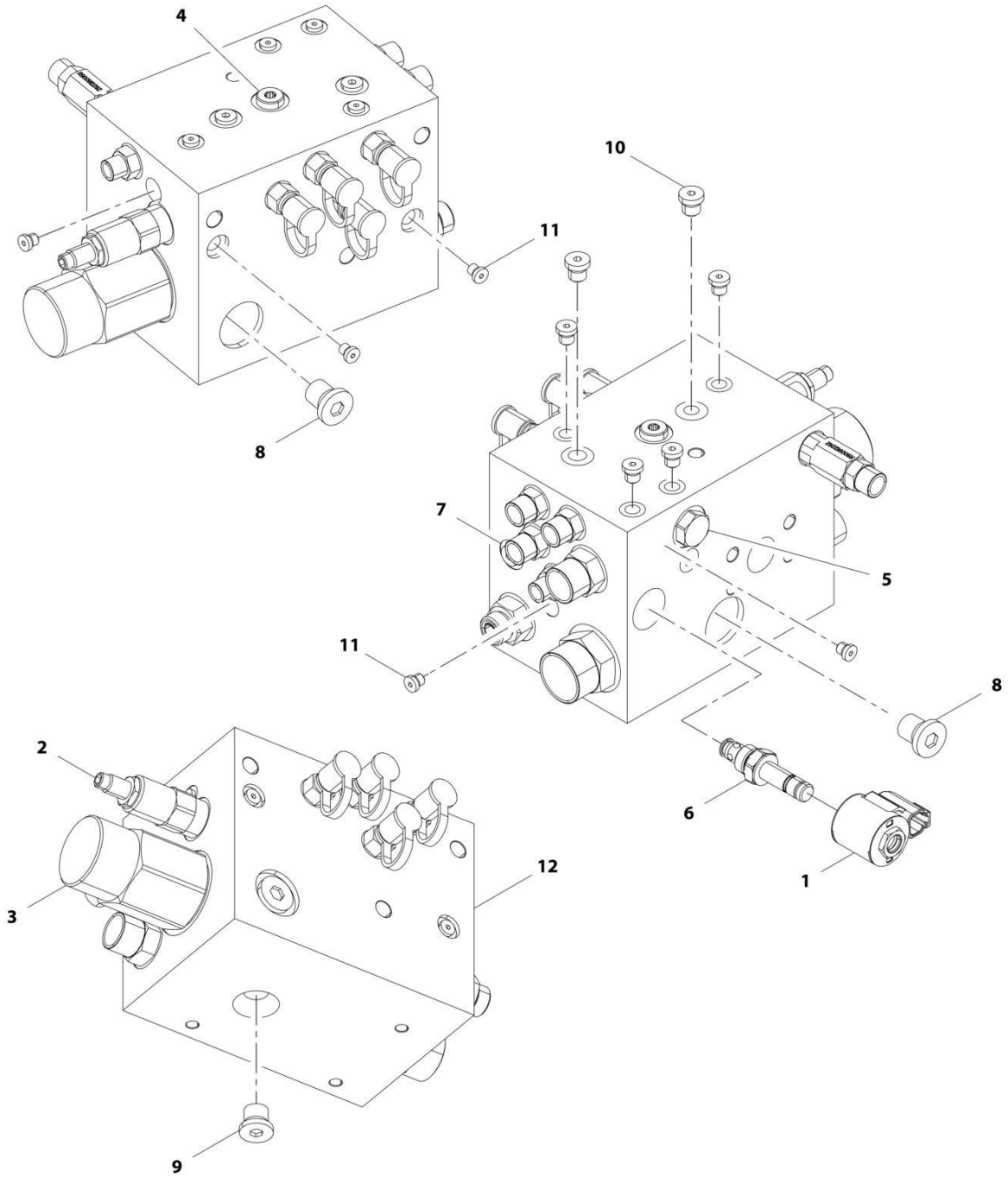
SECTION 9 - HYDRAULIC COMPONENTS

FIGURE 9-31. VALVE ASSEMBLY - MAIN CONTROL

ITEM	PART NUMBER	QTY	DESCRIPTION	REV
	1001241881	Ref	MAIN CONTROL VALVE ASSEMBLY	A
1	70028300	1	Inlet Section Assembly	
2	70029868	1	Lift Section Assembly	
3	70029870	1	Extend/Retract Section Assembly	
4	70029871	1	Tilt Section Assembly	
5	70029872	1	Aux Section Assembly	
6	70022007	1	Outlet Section Assembly	
7	8034697	5	O-Ring	
8	70026369	24	O-Ring	
9	70028299	3	Tie Rod	
10	70022019	6	Nut-Metric	
11	70025854	4	Spring	
12	70028287	4	Poppet, CV	
13	70026784	2	O-Ring	
14	70026781	6	Spring Seat	
15	70026783	6	Spring	
16	70026778	6	Plug Assembly, Special	
17	70026779	6	O-Ring	
18	70029873	1	End Cap	
19	70028295	1	End Cap Assembly, Solenoid	
20	70028298	2	Screw	
21	70026383	8	Screw	
22	70029874	8	Solenoid-Cartridge Valve	
23	70022014	16	Screw	
24	70024847	8	Plug Assembly	
25	70026777	8	O-Ring	
26	70028286	1	Drain Regulator Assembly	
27	70026373	1	O-Ring	
28	70026370	1	O-Ring	
29	70026376	1	Back-Up Ring	
30	70026370	1	O-Ring	
31	70026379	2	Plug	
32	70026372	2	O-Ring	
33	70050473	2	Plug Assembly	
34	10732931	2	O-Ring	
35	70050475	1	Plug	
36	70024201	1	O-Ring	
37	70028288	1	Relief Valve Assembly	
38	70028289	1	Relief Valve Assembly (Note: General Drawing - This part does ot to this valve)	
39	70028296	2	Relief Valve Assembly	
40	70027134	1	Relief Valve Assembly	
41	70028297	1	Relief Valve Assembly (Note: General Drawing - This part does ot to this valve)	
42	70022010	2	Relief Valve Assembly	
43	10837953	1	Shut-Off Plug Assembly	
44	70022008	1	Shut-Off Plug Assembly	

SECTION 9 - HYDRAULIC COMPONENTS

FIGURE 9-32. VALVE ASSEMBLY - PRIORITY VALVE



ART_1001192888-E

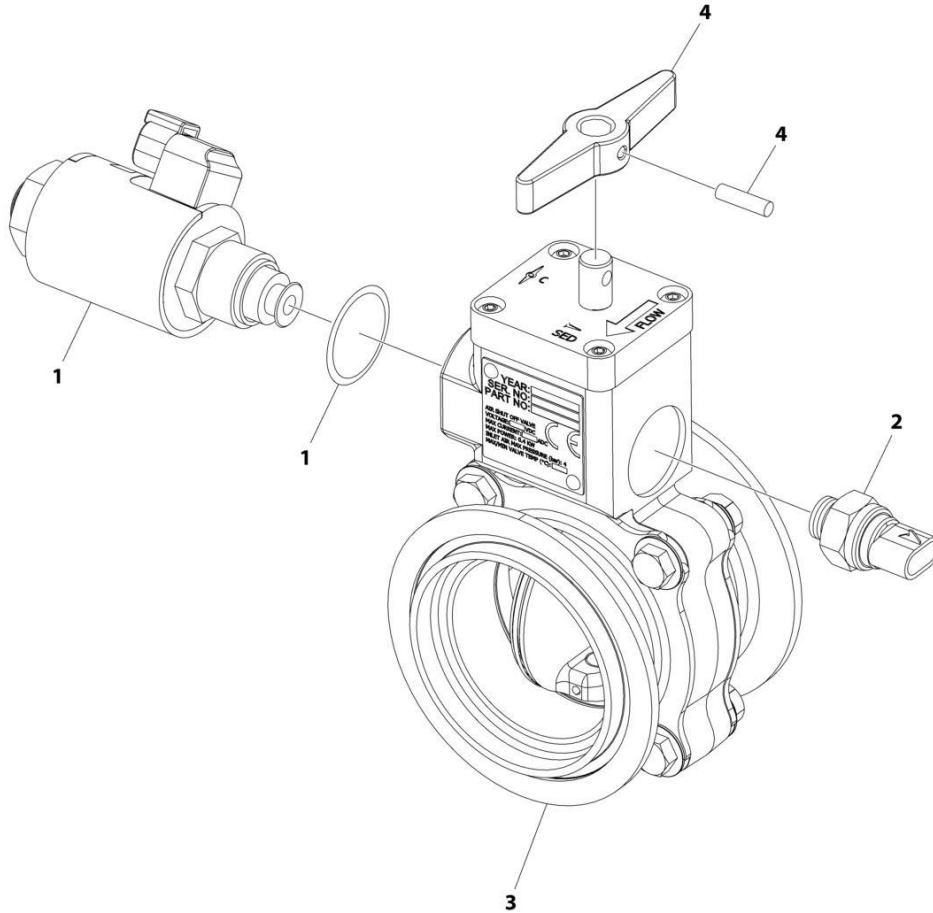
SECTION 9 - HYDRAULIC COMPONENTS

FIGURE 9-32. VALVE ASSEMBLY - PRIORITY VALVE

ITEM	PART NUMBER	QTY	DESCRIPTION	REV
	1001192888	Ref	Priority Valve Assembly	E
1	70028905	1	Cartridge	
2	70028904	1	Cartridge	
3	70028903	1	Cartridge	
4	70026312	1	Cartridge	
5	70028902	1	Cartridge	
6	70002963	1	Coil	
7	70006427	1	Orifice	
8	70026314	2	Plug	
9	2220886	1	Plug	
10	2220883	3	Plug	
11	70026315	9	Plug	
12	N.S.S.	1	Block	

SECTION 9 - HYDRAULIC COMPONENTS

FIGURE 9-33. VALVE ASSEMBLY - RADIATOR HOSE SHUT-OFF VALVE



ART_1001204032_C

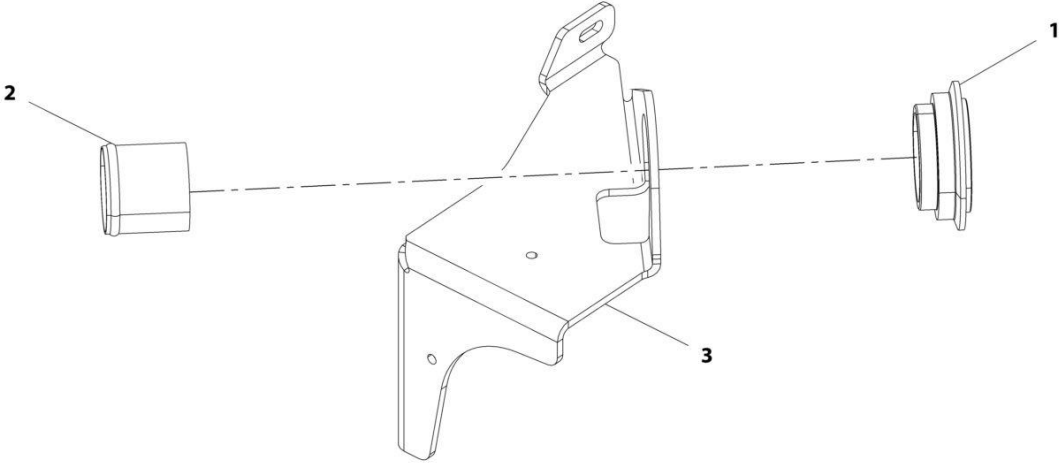
SECTION 9 - HYDRAULIC COMPONENTS

FIGURE 9-33. VALVE ASSEMBLY - RADIATOR HOSE SHUT-OFF VALVE

ITEM	PART NUMBER	QTY	DESCRIPTION	REV
	1001204032	Ref	Air Shut Off Valve	C
1	70028514	1	Kit, Solenoid 12V (Includes Solenoid, Coil, O-Ring)	
2	70028515	1	Kit, Switch (Includes Ball Switch & O-Ring)	
3	70028516	1	Kit, Flange and Hardware (Includes Flanges (Male & Female) & Mounting Hardware)	
4	70028517	1	Kit, Handle (Includes Handle & Pin)	

SECTION 9 - HYDRAULIC COMPONENTS

FIGURE 9-34. VALVE ASSEMBLY - RADIATOR HOSE ASO VALVE



ART_1001223618-A

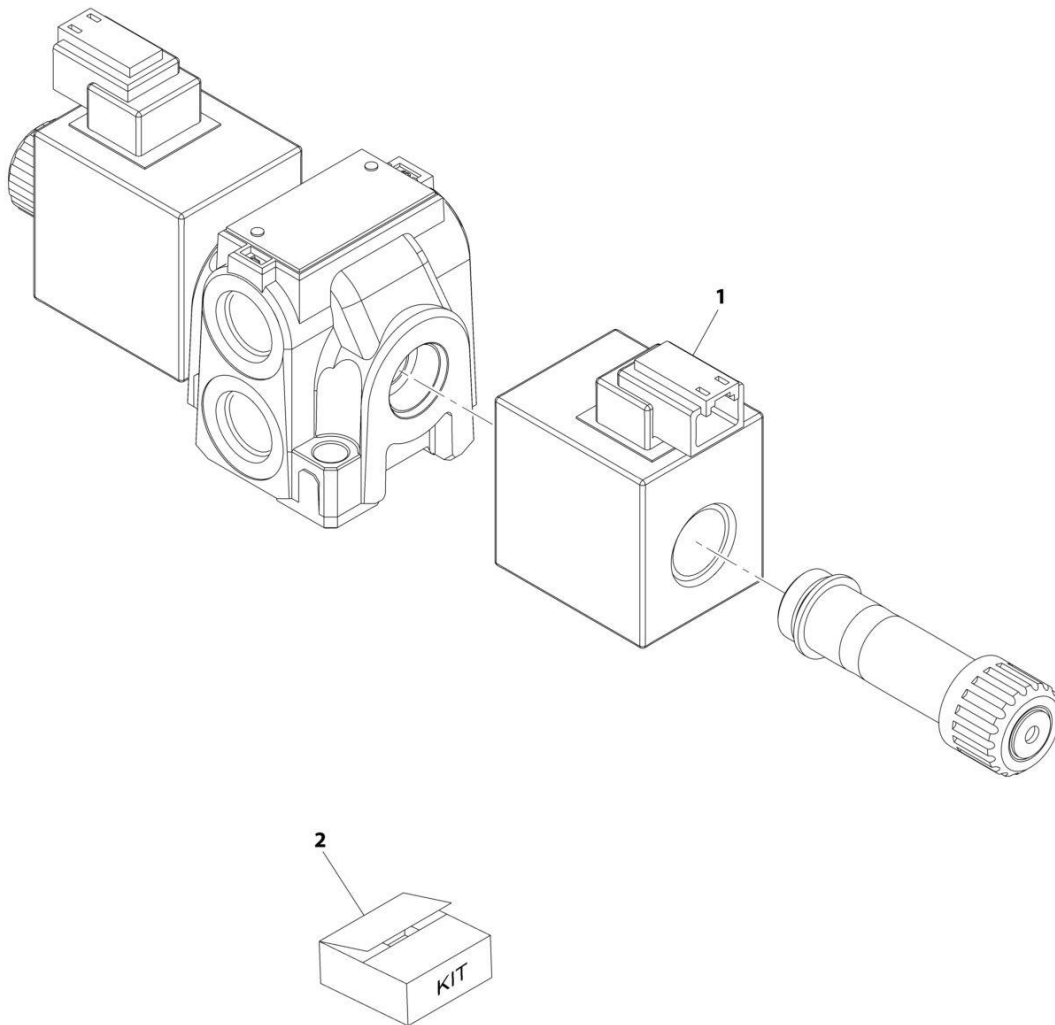
SECTION 9 - HYDRAULIC COMPONENTS

FIGURE 9-34. VALVE ASSEMBLY - RADIATOR HOSE ASO VALVE

ITEM	PART NUMBER	QTY	DESCRIPTION	REV
	1001223618	Ref	ASO Valve	A
1	1001204057	1	Plate	
2	1001206954	1	Tube	
3	1001223622	1	Bracket	

SECTION 9 - HYDRAULIC COMPONENTS

FIGURE 9-35. VALVE ASSEMBLY - SPEED CONTROL



ART_4641520-B

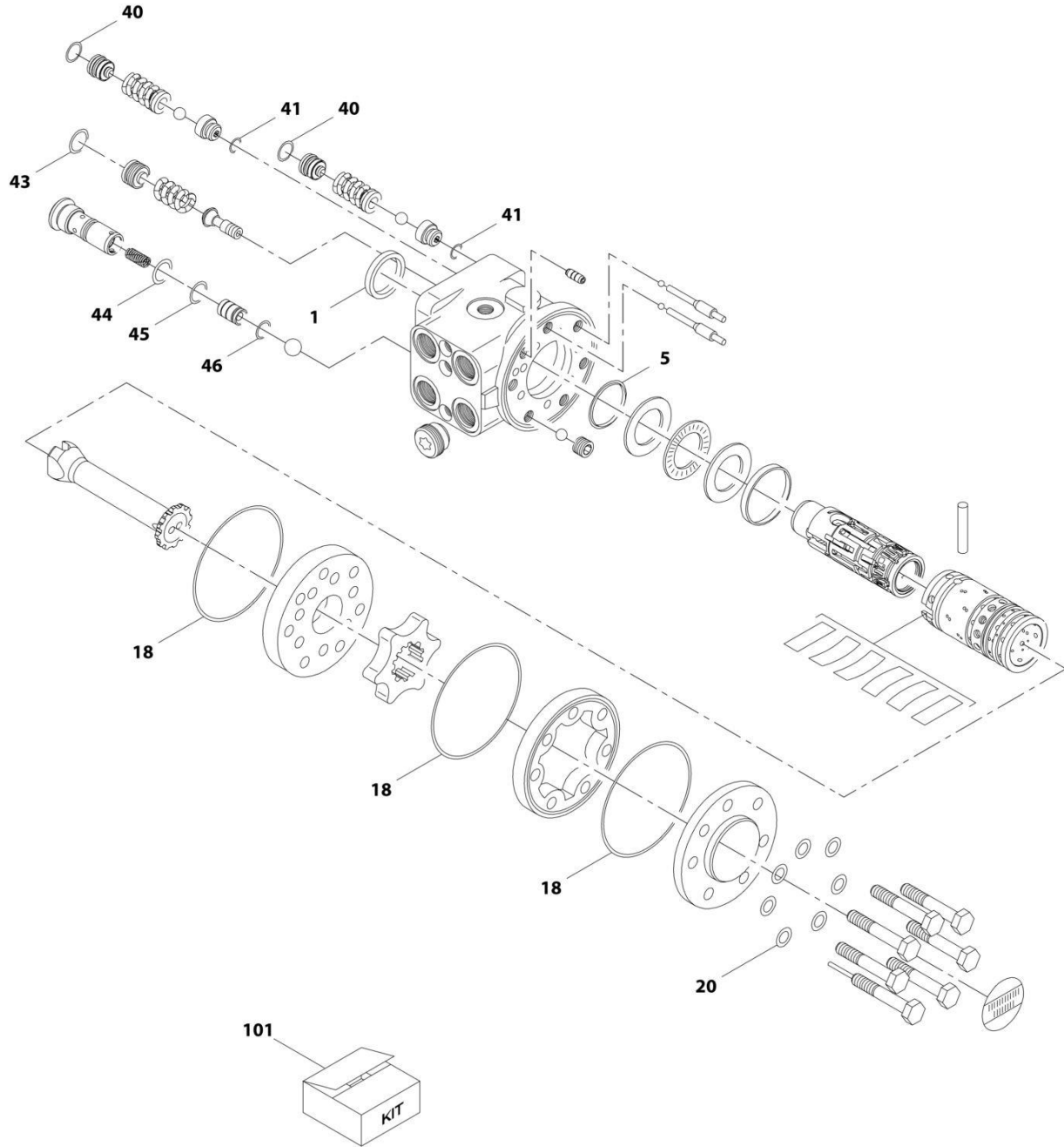
SECTION 9 - HYDRAULIC COMPONENTS

FIGURE 9-35. VALVE ASSEMBLY - SPEED CONTROL

ITEM	PART NUMBER	QTY	DESCRIPTION	REV
	4641520	Ref	Speed Control Valve	B
1	70026582	1	SOLENOID	
2	70020867	1	Kit, Coil Nut	
	N.S.S.	1	Seal	
	N.S.S.	1	Seal	
	N.S.S.	1	Nut, Coil	

SECTION 9 - HYDRAULIC COMPONENTS

FIGURE 9-36. VALVE ASSEMBLY - STEER



ART_1001178670-B

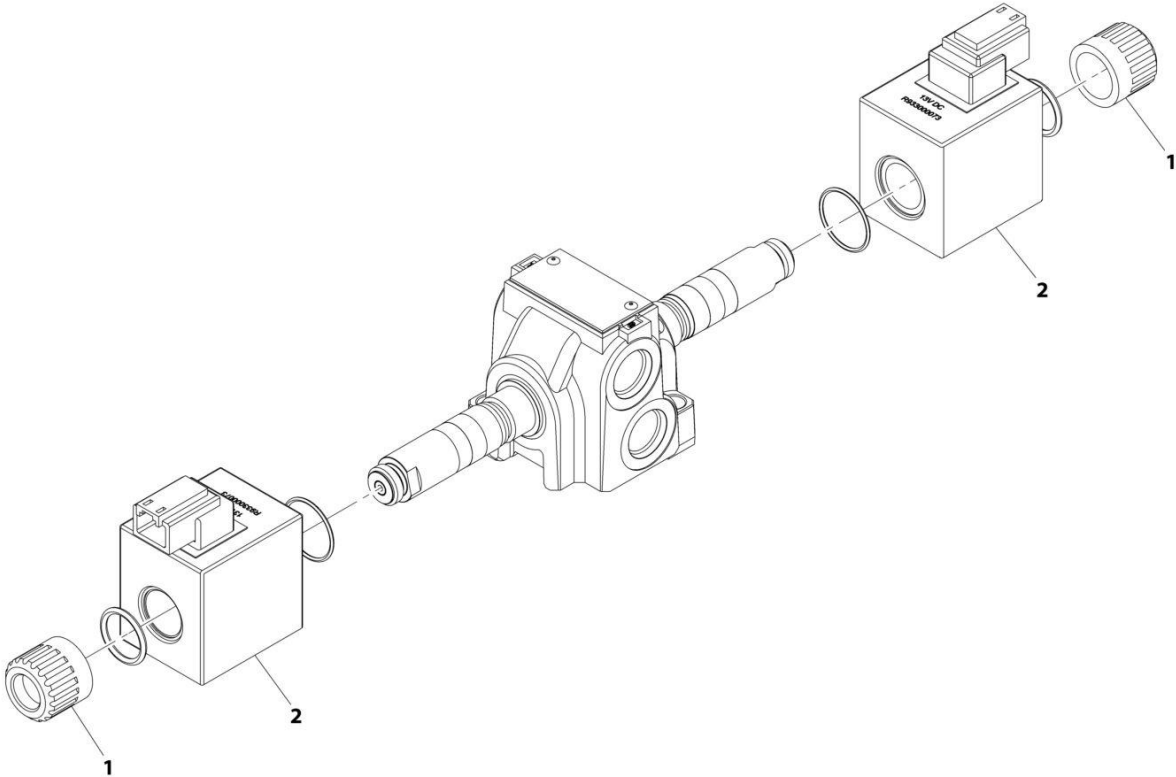
SECTION 9 - HYDRAULIC COMPONENTS

FIGURE 9-36. VALVE ASSEMBLY - STEER

ITEM	PART NUMBER	QTY	DESCRIPTION	REV
	1001178670	Ref	Steer Unit Valve	B
1	Kit	2	Ring, Dust Seal	
5	Kit	2	Seal, Shaft	
18	Kit	2	O-Ring	
20	Kit	2	Washer	
40	Kit	2	O-Ring	
41	Kit	2	O-Ring	
43	Kit	2	O-Ring	
44	Kit	2	O-Ring	
45	Kit	2	O-Ring	
46	Kit	2	O-Ring	
101	70028285	1	Kit, Seal (includes items 1, 5, 18, 20, 40, 41 and 43 thru 46)	

SECTION 9 - HYDRAULIC COMPONENTS

FIGURE 9-37. VALVE ASSEMBLY - STEERING SELECT VALVE



ART_1001153748-C

SECTION 9 - HYDRAULIC COMPONENTS

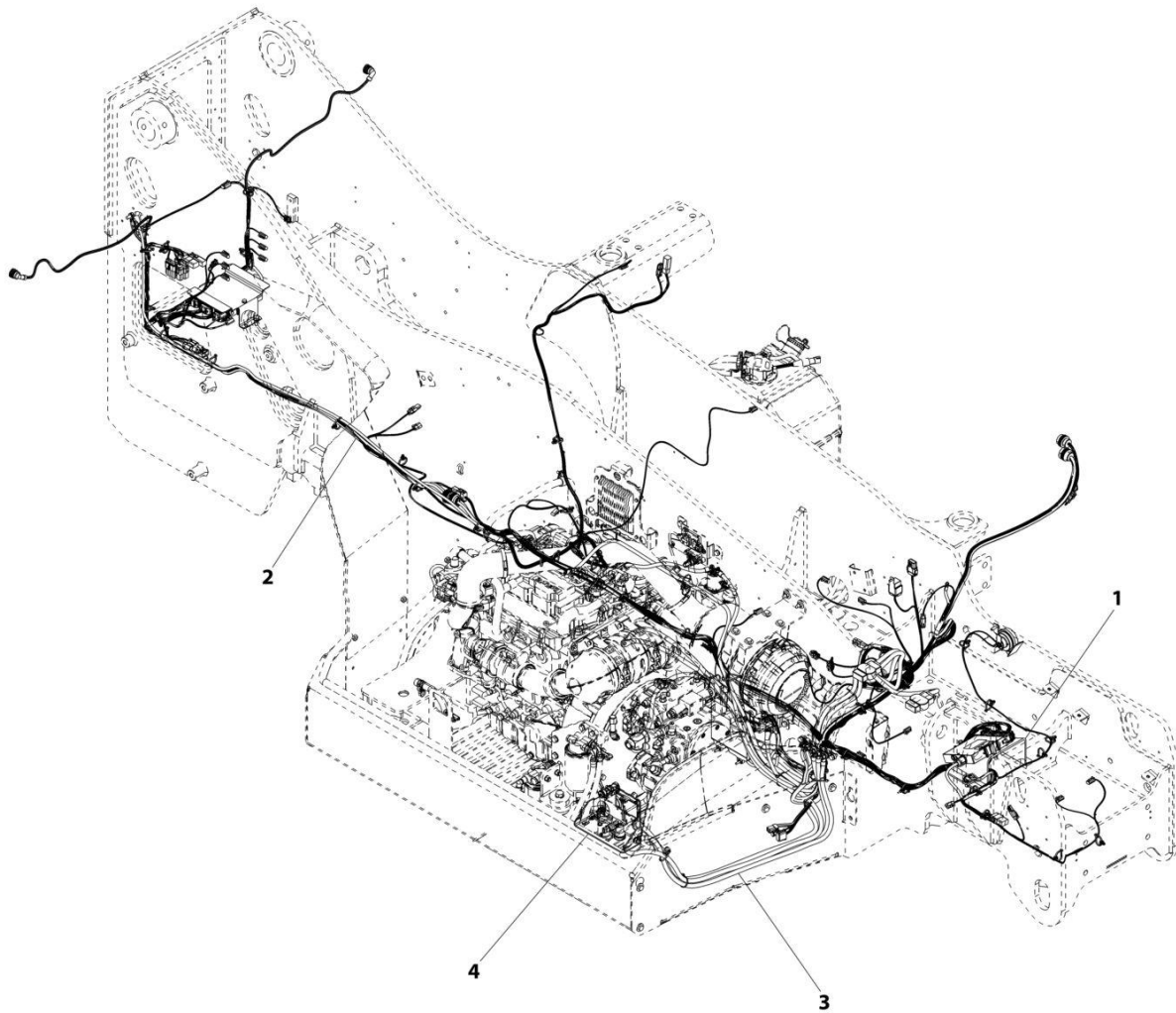
FIGURE 9-37. VALVE ASSEMBLY - STEERING SELECT VALVE

ITEM	PART NUMBER	QTY	DESCRIPTION	REV
	1001153748	Ref	Steering Select Valve	C
1	70020867	2	Nut, Coil	
2	70026582	2	Coil	

SECTION 10 - ELECTRICAL

SECTION 10 - ELECTRICAL

FIGURE 10-1. MAIN ELECTRICAL INSTALLATION (ULS)



ART_1001192537-B

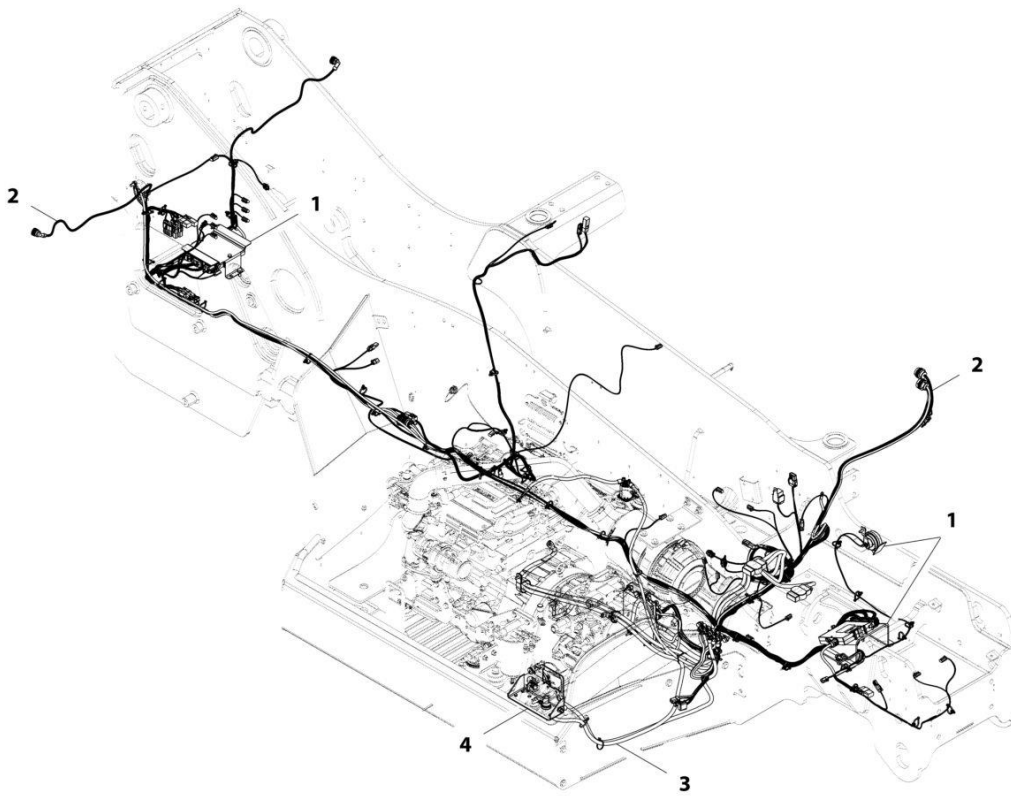
SECTION 10 - ELECTRICAL

FIGURE 10-1. MAIN ELECTRICAL INSTALLATION (ULS)

ITEM	PART NUMBER	QTY	DESCRIPTION	REV
1	1001192537	Ref	Main Electrical Installation (ULS)	B
	1001183272	Ref	Installation, Frame Electrical (See Separate Breakdown in this Section)	
2	1001200159	Ref	Installation, Frame Wiring (See Separate Breakdown in this Section)	
3	1001200160	Ref	Installation, Engine Bay Electrical	
4	1001202172	Ref	Installation, Engine Pod Electrical (ULS) (See Separate Breakdown in this Section)	

SECTION 10 - ELECTRICAL

FIGURE 10-2. MAIN ELECTRICAL INSTALLATION (LS)



ART_1001192538-C

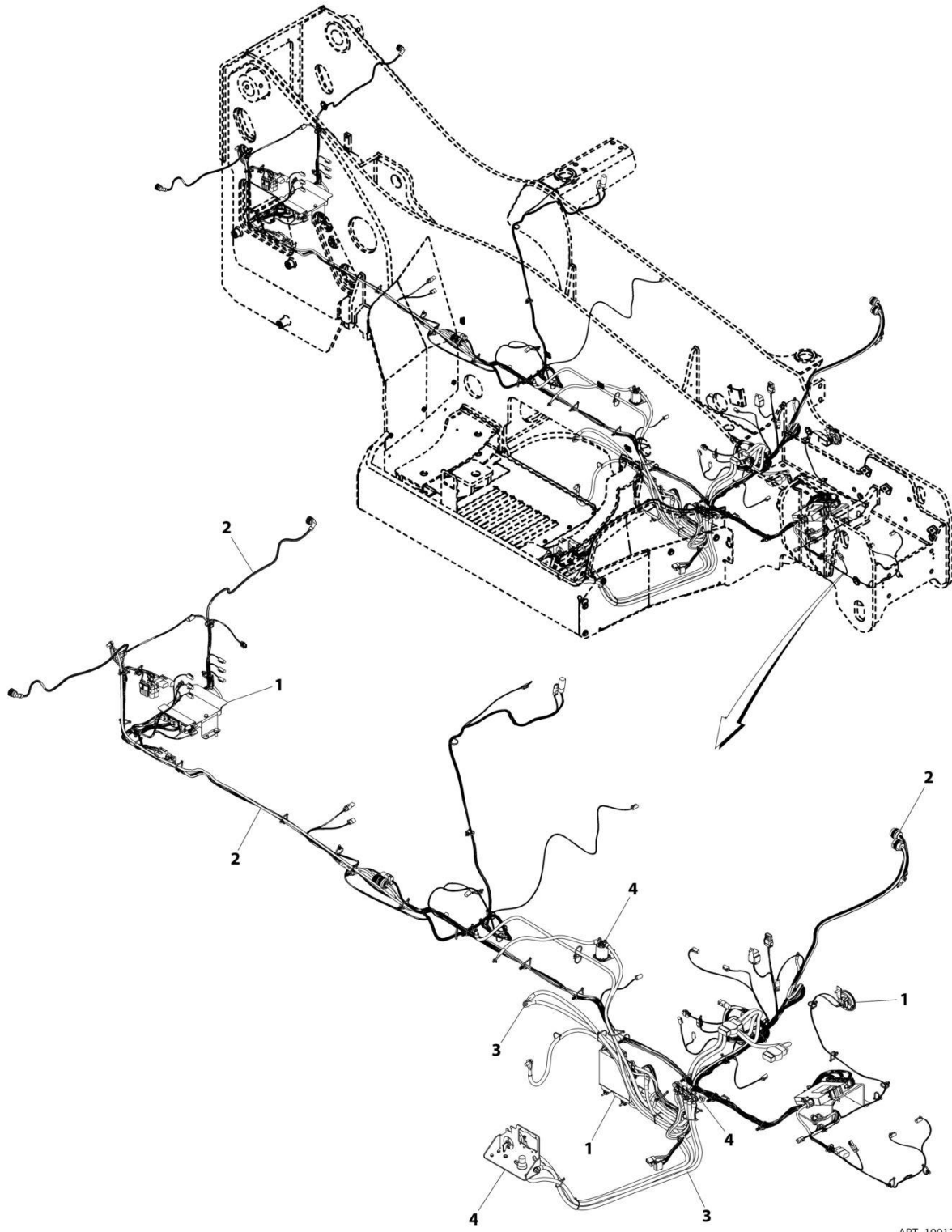
SECTION 10 - ELECTRICAL

FIGURE 10-2. MAIN ELECTRICAL INSTALLATION (LS)

ITEM	PART NUMBER	QTY	DESCRIPTION	REV
1	1001192538	Ref	Main Electrical Installation (LS)	C
	1001183272	Ref	Installation, Frame Electrical (See Separate Breakdown in this Section)	
2	1001200159	Ref	Installation, Frame Electrical (See Separate Breakdown in this Section)	
3	1001227469	Ref	Installation, Engine Bay Electrical (See Separate Breakdown in this Section)	
4	1001223066	Ref	Installation, Engine Pod Electrical (LS) (See Separate Breakdown in this Section)	

SECTION 10 - ELECTRICAL

FIGURE 10-3. MAIN ELECTRICAL INSTALLATION, MINING (ULS)



ART_1001228738-A

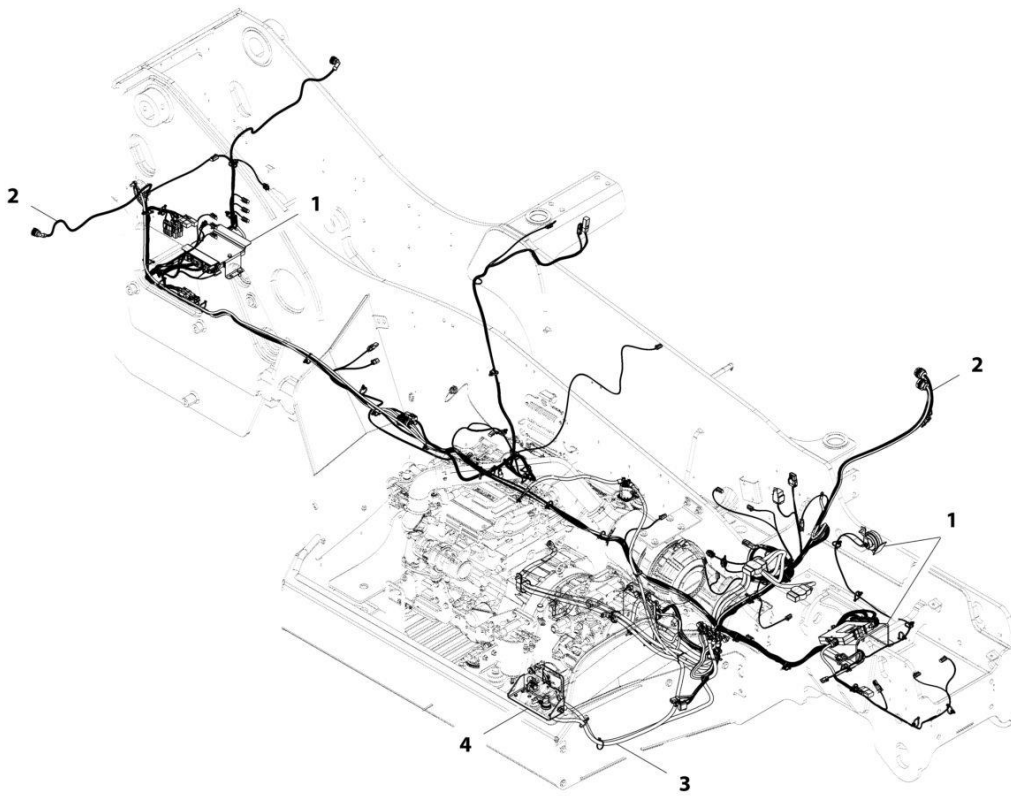
SECTION 10 - ELECTRICAL

FIGURE 10-3. MAIN ELECTRICAL INSTALLATION, MINING (ULS)

ITEM	PART NUMBER	QTY	DESCRIPTION	REV
1	1001228738	Ref	Main Electrical Installation, Mining (ULS)	A
	1001183272	Ref	Installation, Frame Electrical (See Separate Breakdown in this Section)	
2	1001228739	Ref	Installation, Frame Wiring (See Separate Breakdown in this Section)	
3	1001200160	Ref	Installation, Engine Bay Electrical	
4	1001202172	Ref	Installation, Engine Pod Electrical (ULS) (See Separate Breakdown in this Section)	

SECTION 10 - ELECTRICAL

FIGURE 10-4. MAIN ELECTRICAL INSTALLATION, MINING (LS)



ART_1001228742-A

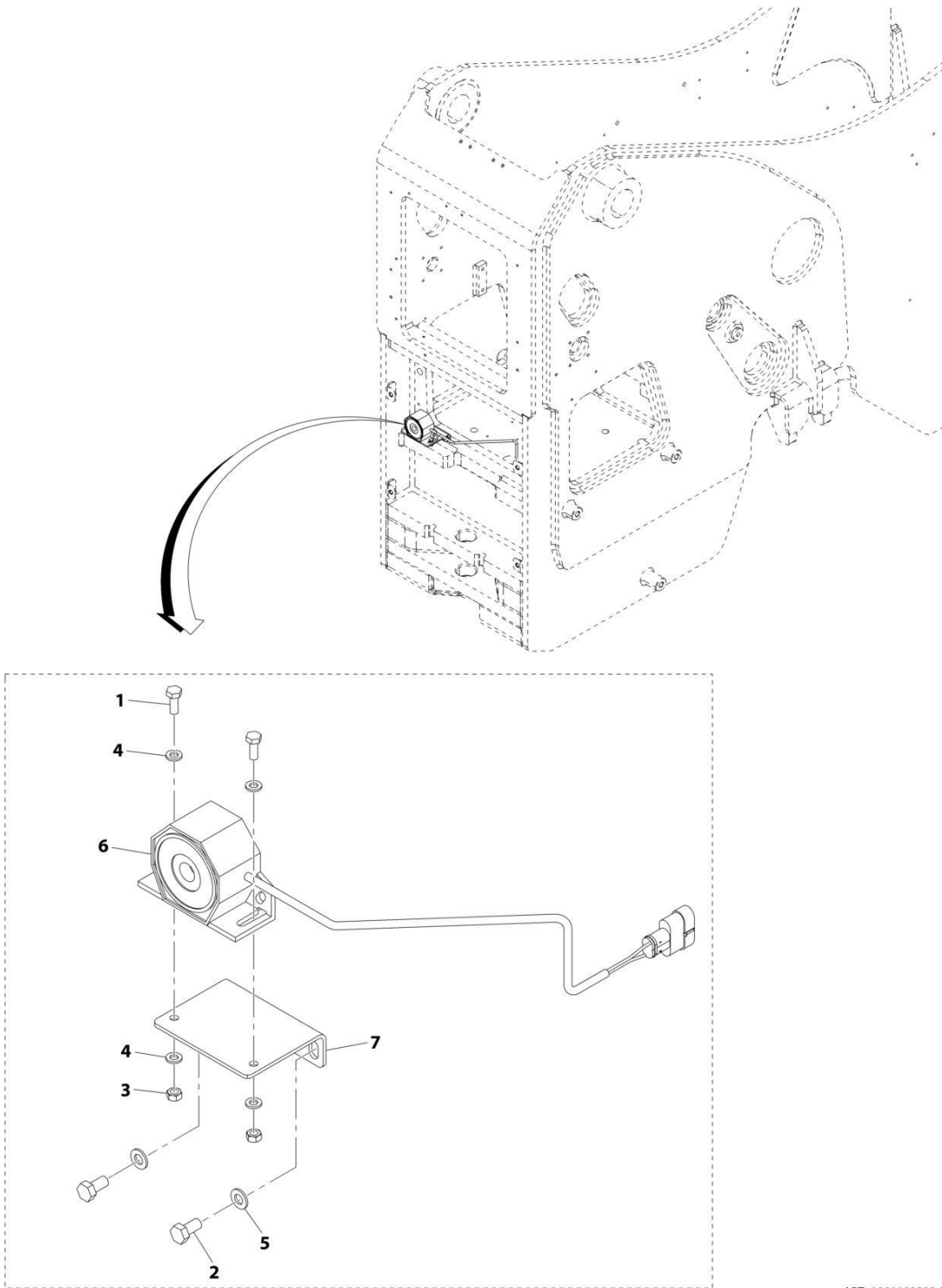
SECTION 10 - ELECTRICAL

FIGURE 10-4. MAIN ELECTRICAL INSTALLATION, MINING (LS)

ITEM	PART NUMBER	QTY	DESCRIPTION	REV
1	1001228742	Ref	Main Electrical Installation (LS) (Mining)	A
	1001183272	Ref	Installation, Frame Electrical (See Separate Breakdown in this Section)	
2	1001228739	Ref	Installation, Frame Electrical (See Separate Breakdown in this Section)	
3	1001227469	Ref	Installation, Engine Bay Electrical (See Separate Breakdown in this Section)	
4	1001223066	Ref	Installation, Engine Pod Electrical (LS) (See Separate Breakdown in this Section)	

SECTION 10 - ELECTRICAL

FIGURE 10-5. ALARM INSTALLATION - BACK UP



ART_1001192323-D

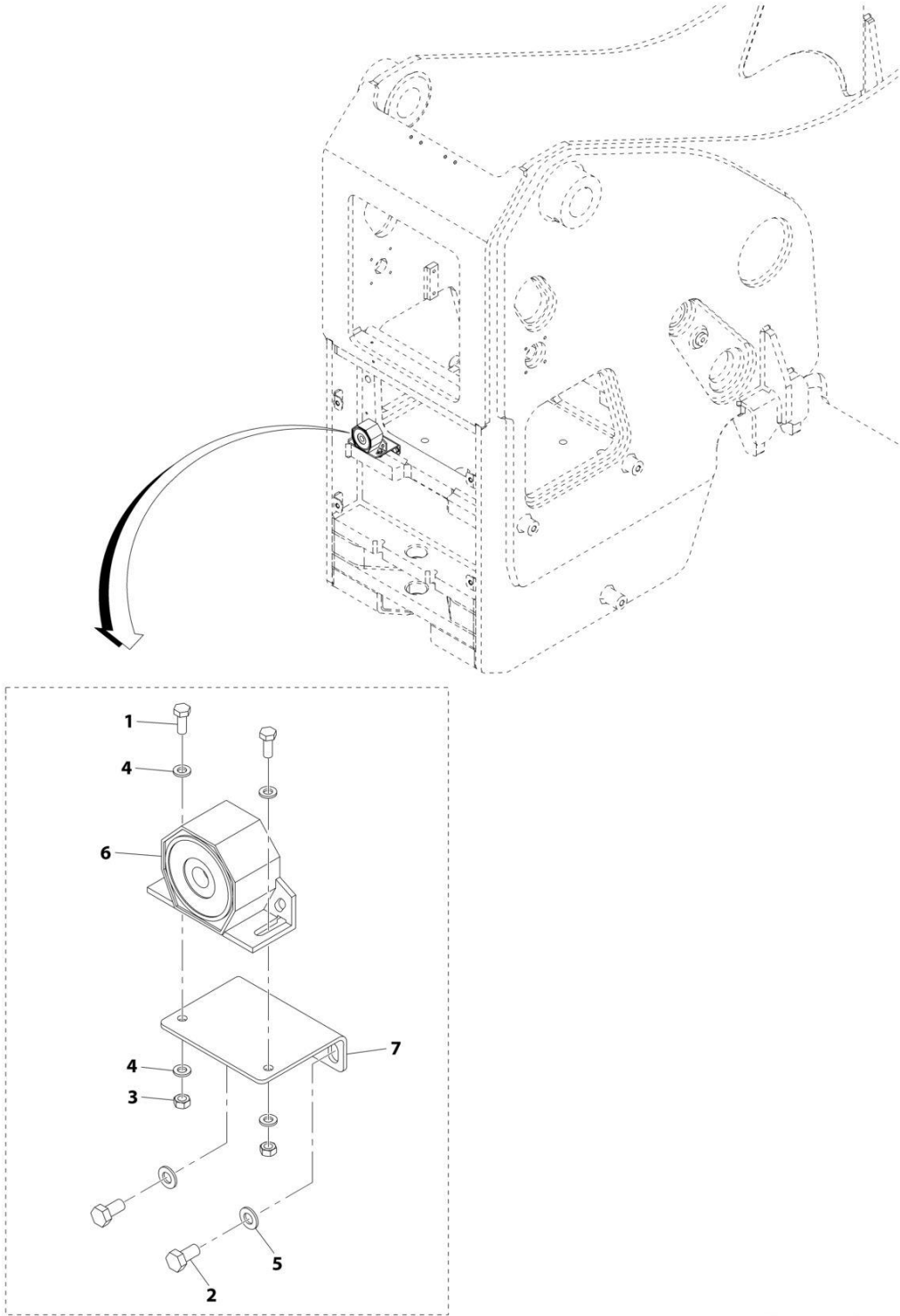
SECTION 10 - ELECTRICAL

FIGURE 10-5. ALARM INSTALLATION - BACK UP

ITEM	PART NUMBER	QTY	DESCRIPTION	REV
	1001192323	Ref	Backup Alarm Installation	D
1	0760608	2	Bolt, M6X16	
2	0760808	2	Bolt, M8X16	
3	3290601	2	Nut, M6X1	
4	4811700	4	Washer, M6	
5	4811900	2	Washer, M8	
6	1001101808	1	Alarm, Backup	
7	1001193698	1	Bracket	

SECTION 10 - ELECTRICAL

FIGURE 10-6. ALARM INSTALLATION (BACK UP - WHITE NOISE)



ART_1001195263-B

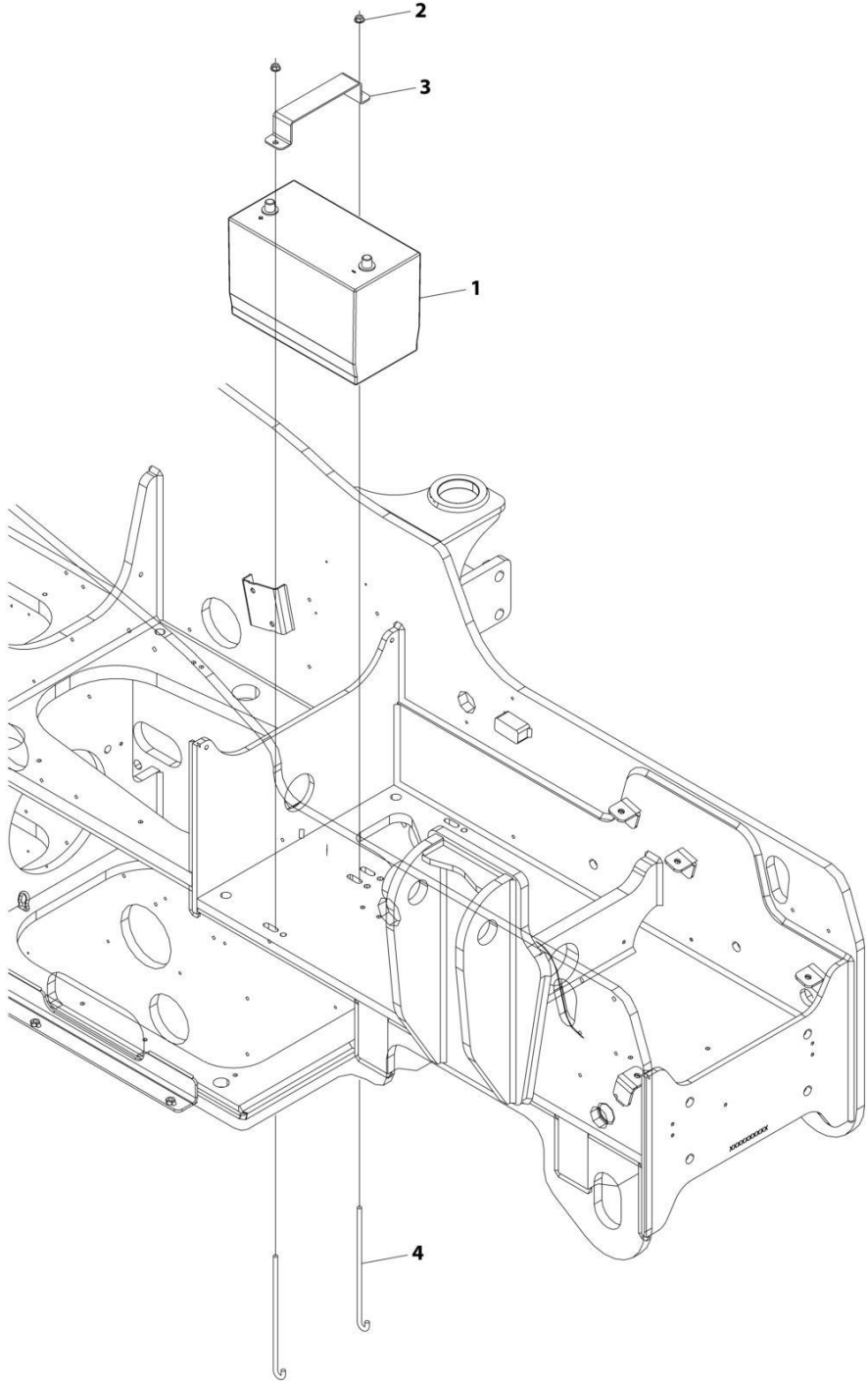
SECTION 10 - ELECTRICAL

FIGURE 10-6. ALARM INSTALLATION (BACK UP - WHITE NOISE)

ITEM	PART NUMBER	QTY	DESCRIPTION	REV
	1001195263	Ref	Backup Alarm Installation (White Noise)	B
1	0760608	2	Bolt, M6X16	
2	0760808	2	Bolt, M8X16	
3	3290601	2	Nut, M6X1	
4	4811700	4	Washer, M6	
5	4811900	2	Washer, M8	
6	1001165827	1	Alarm, Backup (White Noise)	
7	1001193698	1	Bracket	

SECTION 10 - ELECTRICAL

FIGURE 10-7. BATTERY INSTALLATION



ART_1001186855

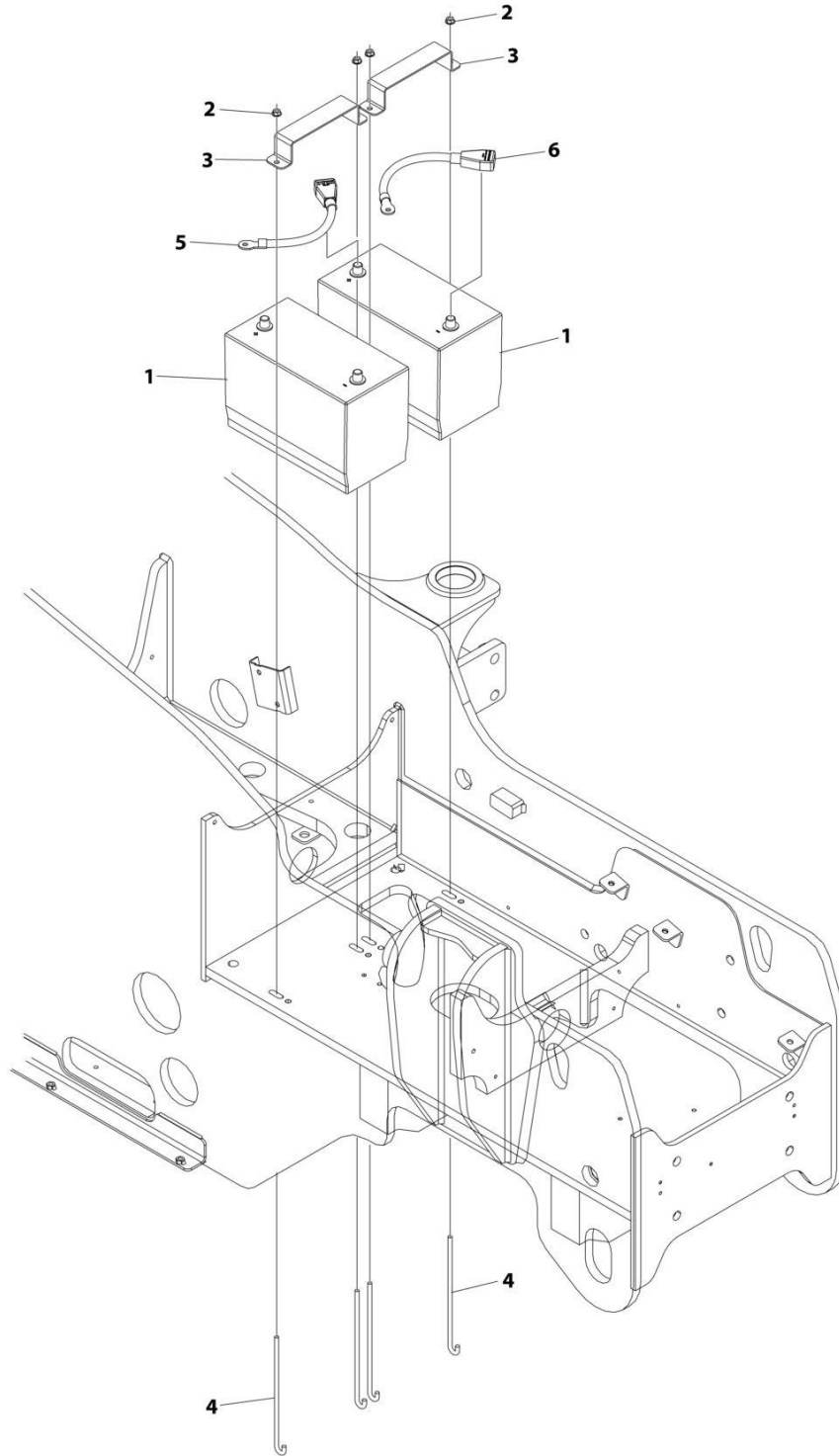
SECTION 10 - ELECTRICAL

FIGURE 10-7. BATTERY INSTALLATION

ITEM	PART NUMBER	QTY	DESCRIPTION	REV
	1001186855	Ref	Battery Installation	B
1	0400075	1	Battery, 12V	
2	5220800	2	Nut, Ripp M8	
3	1001160927	1	Plate	
4	1001160928	2	J-Bolt (270mm Length)	
4	1001181961	2	J-Bolt (220mm Length)	

SECTION 10 - ELECTRICAL

FIGURE 10-8. BATTERY (DUAL) INSTALLATION



ART_1001211445_D

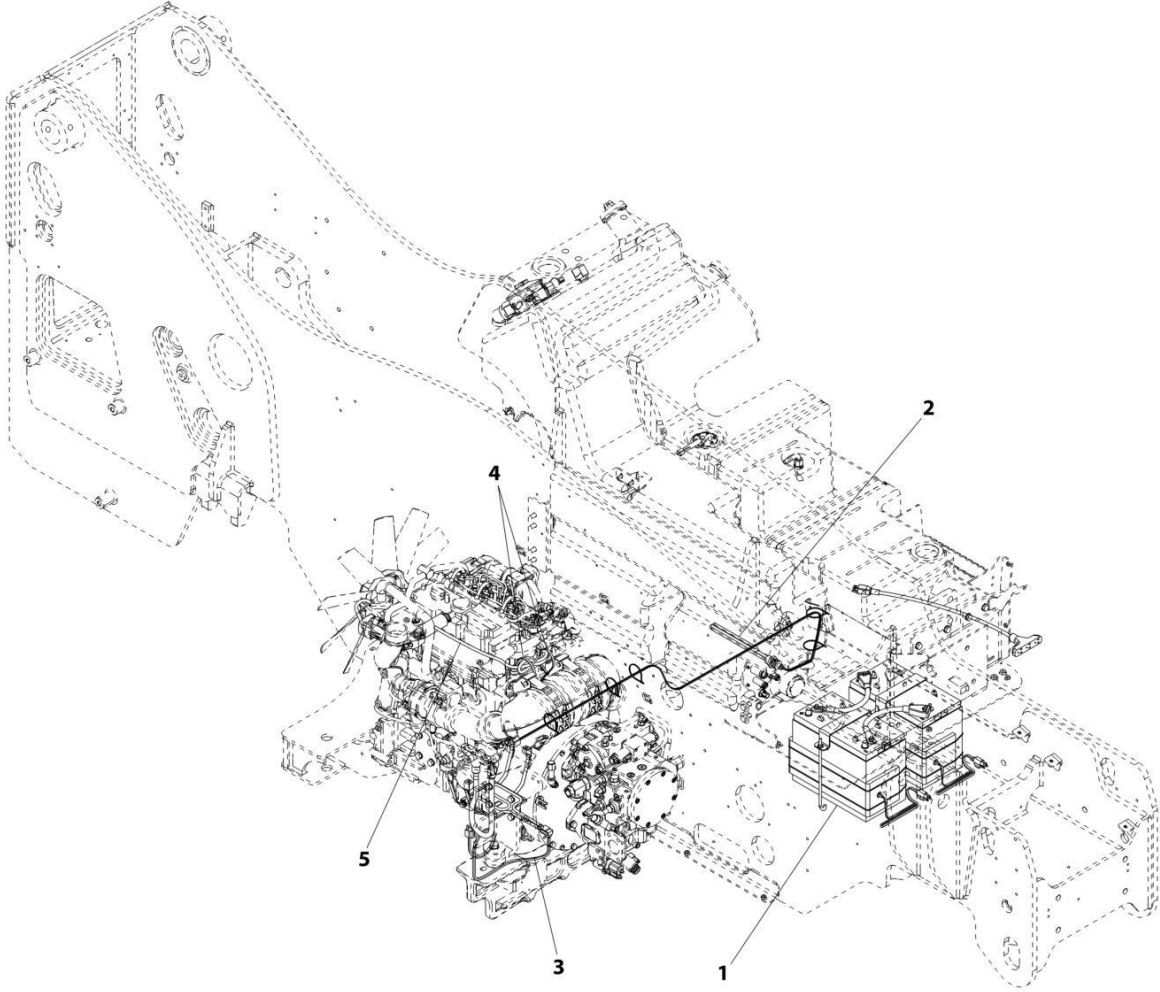
SECTION 10 - ELECTRICAL

FIGURE 10-8. BATTERY (DUAL) INSTALLATION

ITEM	PART NUMBER	QTY	DESCRIPTION	REV
	1001211445	Ref	Dual Battery Installation	D
1	0400075	2	Battery, 12V	
2	5220800	4	Nut Ripp M8	
3	1001160927	2	Plate	
4	1001160928	4	J-Bolt (270mm Length)	
4	1001181961	4	J-Bolt (220mm Length)	
5	1001203557	1	Cable, Positive Battery	
6	1001203558	1	Cable, Negative Battery	

SECTION 10 - ELECTRICAL

FIGURE 10-9. BATTERY (ARCTIC) PACKAGE INSTALLATION (115V)



ART_1001186856-D

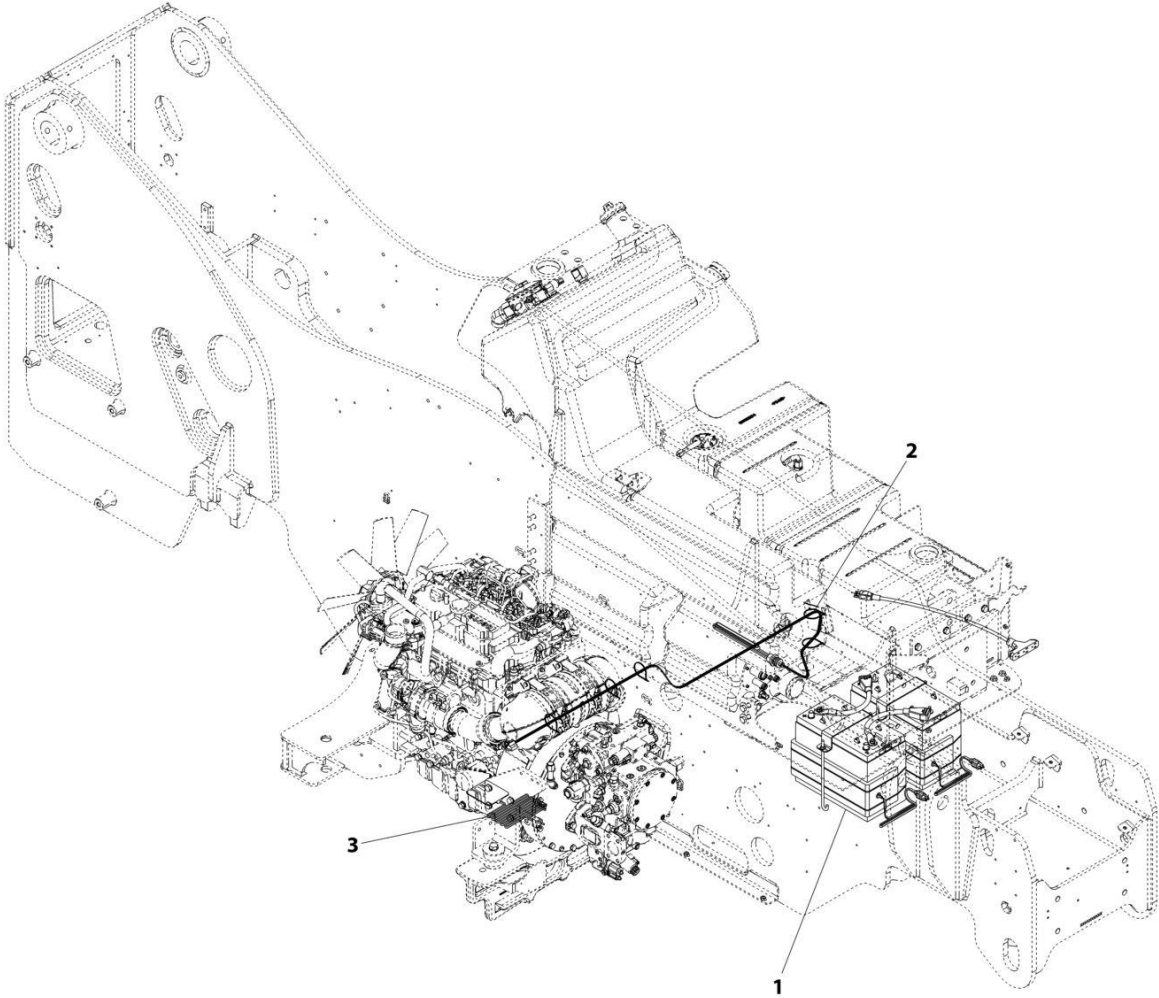
SECTION 10 - ELECTRICAL

FIGURE 10-9. BATTERY (ARCTIC) PACKAGE INSTALLATION (115V)

ITEM	PART NUMBER	QTY	DESCRIPTION	REV
	1001186856	Ref	Arctic Battery Package Installation (115V)	D
1	1001195582	1	Installation, Arctic Battery Package (115V) (See Separate Breakdown in this Section)	
2	1001195593	1	Installation, Hydraulic Tank Heater (115V) (See Separate Breakdown in this Section)	
3	2580040	1	Heater, Engine Oil Pan	
4	1062255	2	Tie, Strap	
5	1001232509	1	Tube, Heated Breather	

SECTION 10 - ELECTRICAL

FIGURE 10-10. BATTERY (ARCTIC) PACKAGE INSTALLATION (230V)



ART_1001204544-C

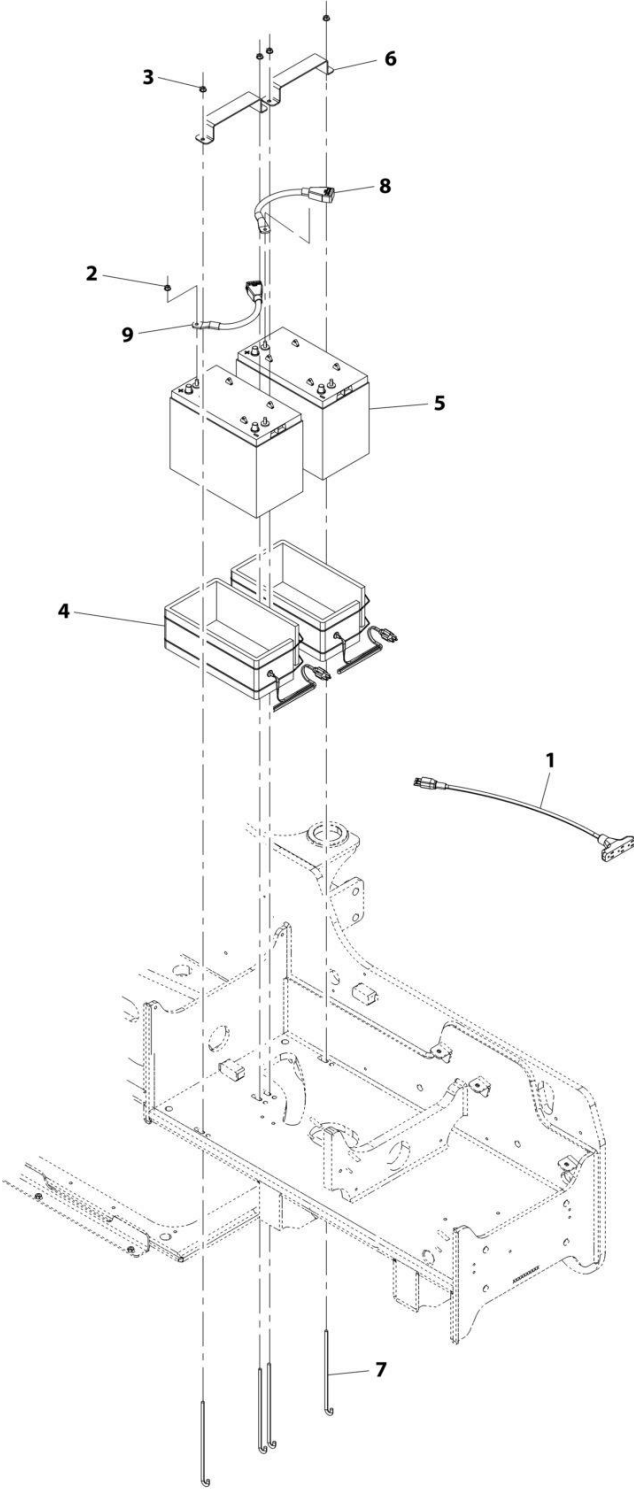
SECTION 10 - ELECTRICAL

FIGURE 10-10. BATTERY (ARCTIC) PACKAGE INSTALLATION (230V)

ITEM	PART NUMBER	QTY	DESCRIPTION	REV
1	1001204544	Ref	Arctic Package Installation (240V)	C
	1001204548	Ref	Installation, Arctic Battery, (240V) (See Separate Breakdown in this Section)	
2	1001204549	Ref	Installation, Hydraulic Tank Heater (240V) (See Separate Breakdown in this Section)	
3	1001196332	1	Heater, Oil Pan	

SECTION 10 - ELECTRICAL

FIGURE 10-11. BATTERIES (ARCTIC) INSTALLATION (115V)



ART_1001195582-B

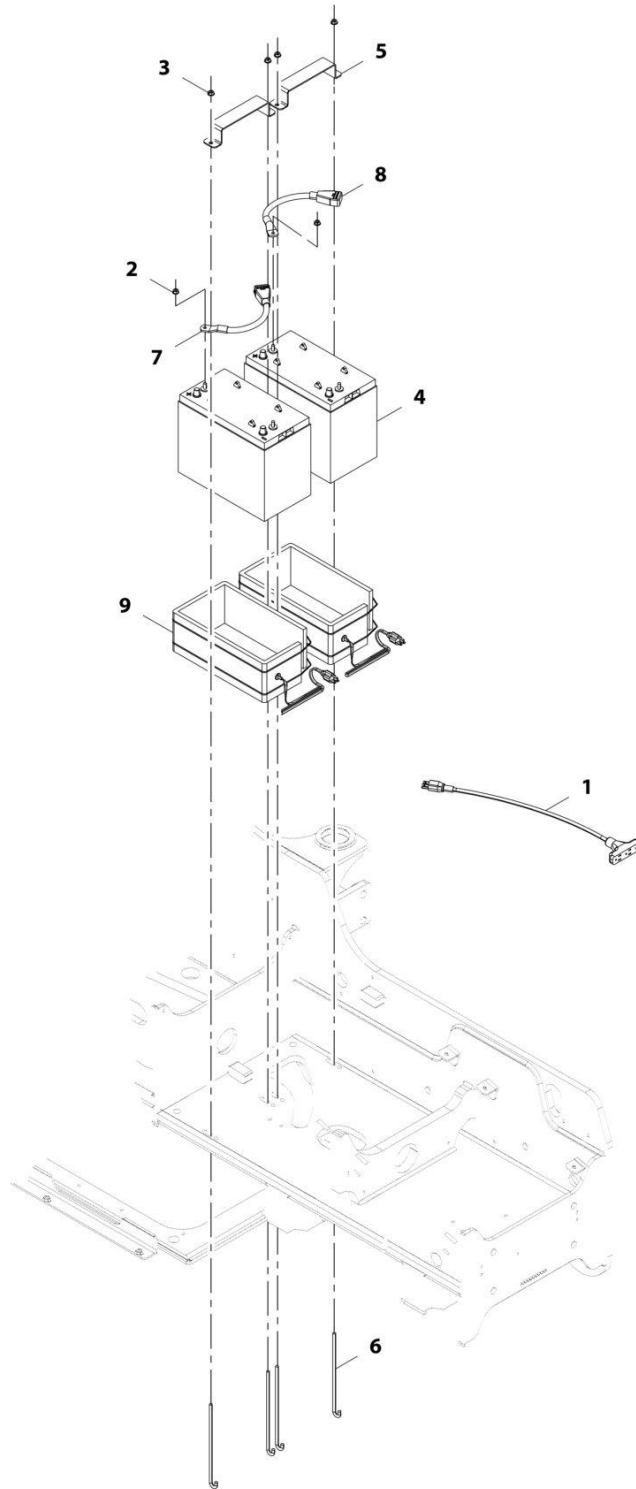
SECTION 10 - ELECTRICAL

FIGURE 10-11. BATTERIES (ARCTIC) INSTALLATION (115V)

ITEM	PART NUMBER	QTY	DESCRIPTION	REV
	1001195582	Ref	Arctic Batteries Installation (115V)	B
1	1060626	1	Cord, 3-Way Extension	
2	3311508	2	Nut 5/16	
3	5220800	4	Nut M8	
4	1001093564	2	Heater, Battery	
5	1001098762	2	Battery 12V	
6	1001160927	2	Plate, Battery Hold Down	
7	1001160928	4	J-Bolt	
8	1001172495	1	Cable, Positive Battery	
9	1001172496	1	Cable, Negative Battery	

SECTION 10 - ELECTRICAL

FIGURE 10-12. BATTERY (ARCTIC) INSTALLATION (230V)



ART_1001204548-A

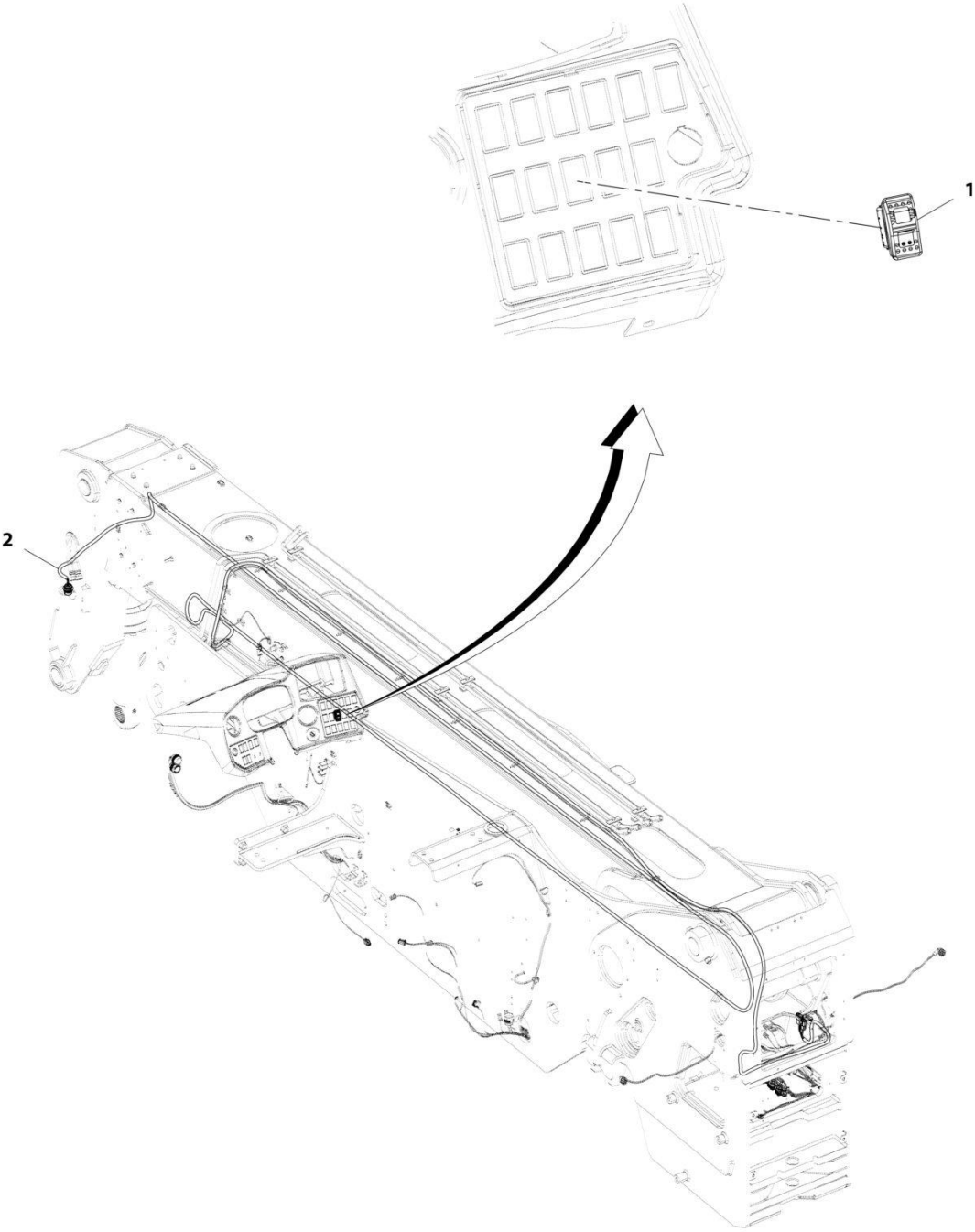
SECTION 10 - ELECTRICAL

FIGURE 10-12. BATTERY (ARCTIC) INSTALLATION (230V)

ITEM	PART NUMBER	QTY	DESCRIPTION	REV
	1001204548	Ref	Artic Battery Package Installation (240V)	A
1	1060626	1	Cord, 3-Way Extension	
2	3311508	2	Nut, 5/16-18	
3	5220800	4	Nut, M8	
4	1001098762	2	Battery, 12V	
5	1001160927	2	Plate, Battery Hold Down	
6	1001160928	4	J-Bolt	
7	1001172495	1	Cable, Positive Battery	
8	1001172496	1	Cable, Negative Battery	
9	1001195469	2	Heater, Battery	

SECTION 10 - ELECTRICAL

FIGURE 10-13. BOOM HARNESS INSTALLATION



ART_1001192575-B

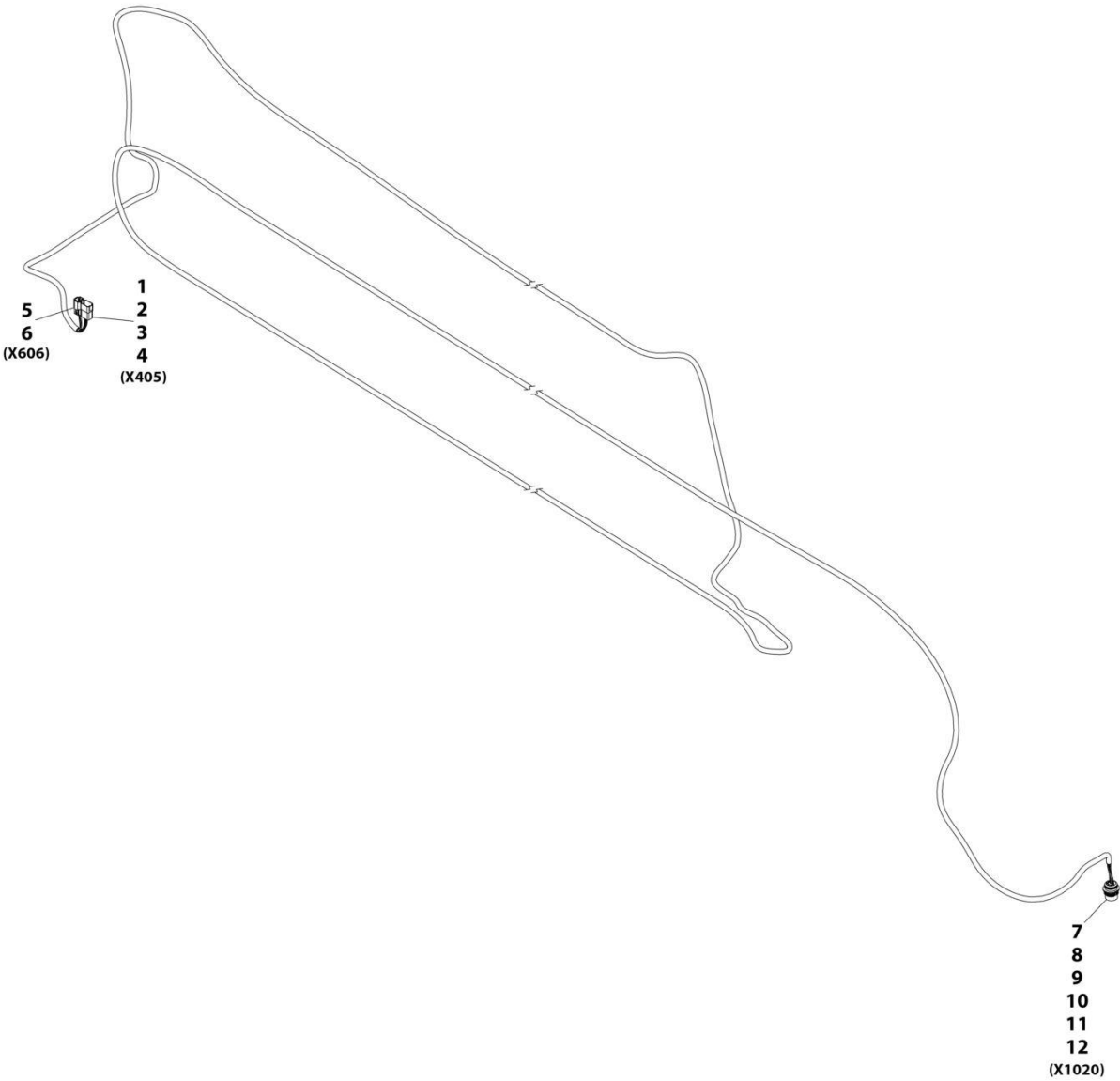
SECTION 10 - ELECTRICAL

FIGURE 10-13. BOOM HARNESS INSTALLATION

ITEM	PART NUMBER	QTY	DESCRIPTION	REV
	1001192575	Ref	Boom Harness Installation	B
1	1001159746	1	Switch, Aux Electric	
2	1001201124	1	Harness, Boom (See Separate Breakdown in this Section)	

SECTION 10 - ELECTRICAL

FIGURE 10-14. BOOM HARNESS



ART_1001201124-B

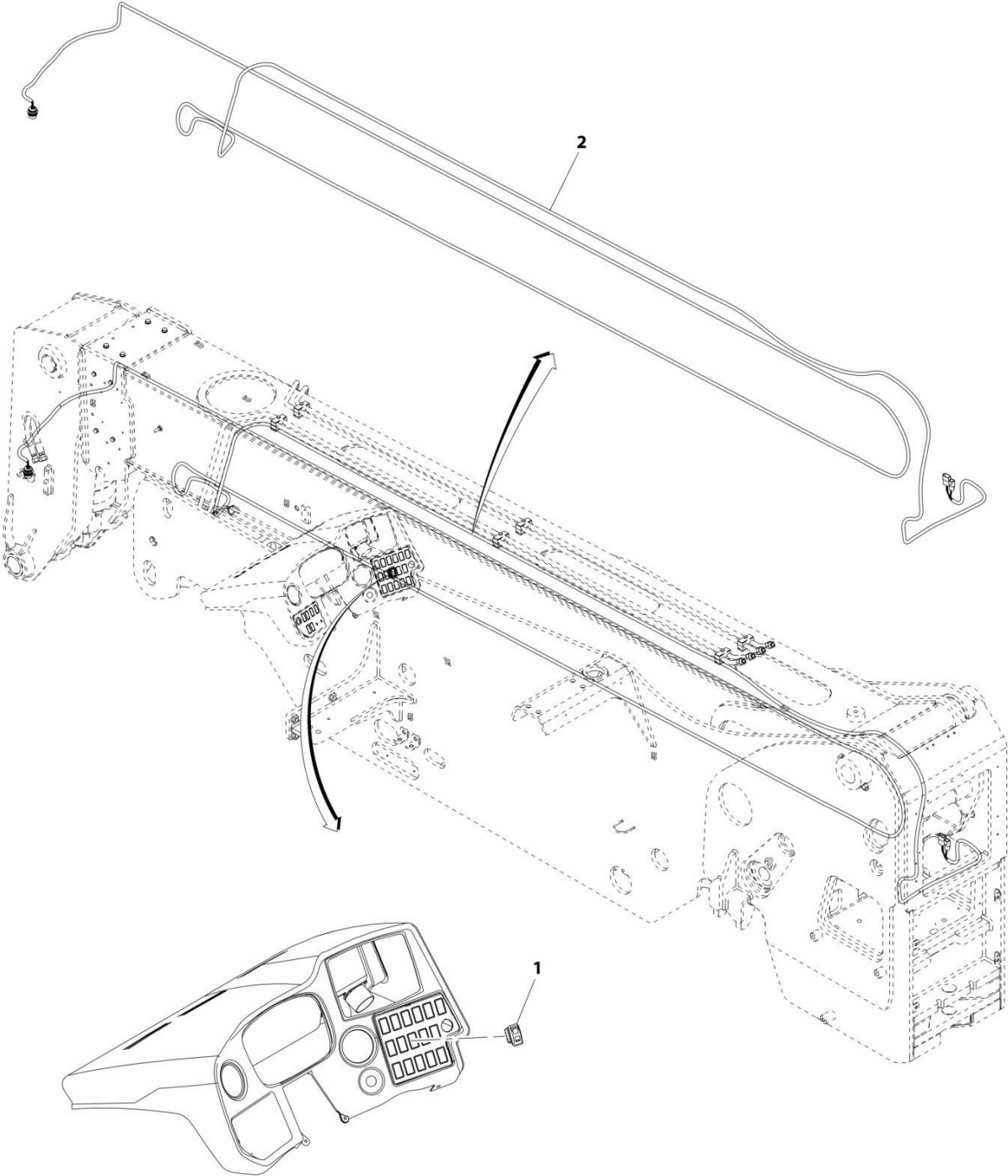
SECTION 10 - ELECTRICAL

FIGURE 10-14. BOOM HARNESS

ITEM	PART NUMBER	QTY	DESCRIPTION	REV
	1001201124	Ref	Boom Harness	B
1	4460931	1	Connector	
2	4460943	2	Terminal	
3	4460464	4	Terminal	
4	4460466	2	Plug	
5	4461017	1	Connector	
6	4460508	2	Terminal	
7	1001112612	1	Connector	
8	1001183221	1	Boot	
9	1001157891	2	Terminal	
10	4460464	4	Terminal	
11	4460943	2	Terminal	
12	4460466	1	Plug	

SECTION 10 - ELECTRICAL

FIGURE 10-15. BOOM HARNESS INSTALLATION



ART_1001228743-A

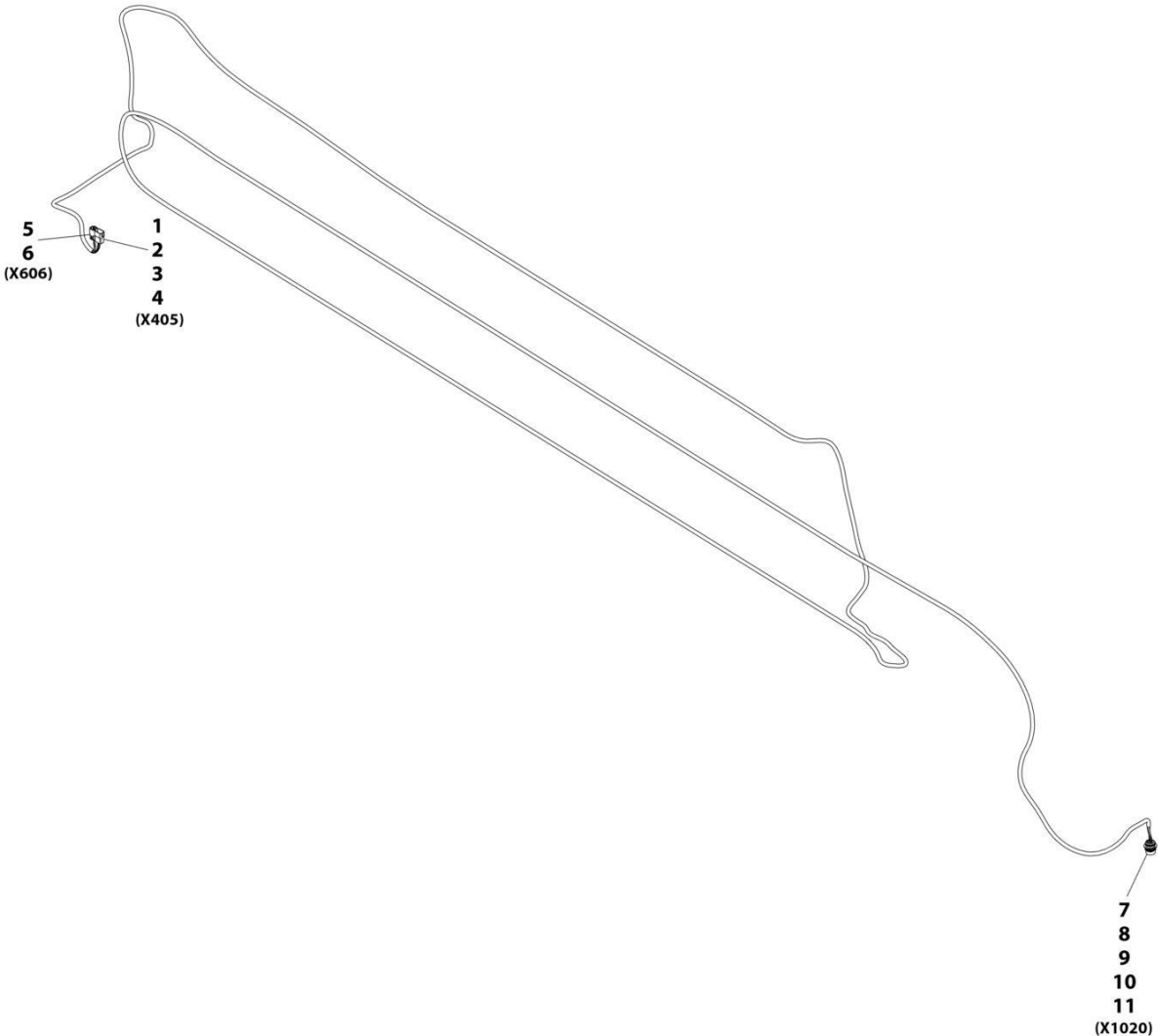
SECTION 10 - ELECTRICAL

FIGURE 10-15. BOOM HARNESS INSTALLATION

ITEM	PART NUMBER	QTY	DESCRIPTION	REV
	1001228743	Ref	Boom Harness Installation	A
1	1001159746	1	Switch, Aux Electric	
2	1001228744	1	Harness, Boom (See Separate Breakdown in this Section)	

SECTION 10 - ELECTRICAL

FIGURE 10-16. BOOM HARNESS



ART_1001228744-A

SECTION 10 - ELECTRICAL

FIGURE 10-16. BOOM HARNESS

ITEM	PART NUMBER	QTY	DESCRIPTION	REV
	1001228744	Ref	Boom Harness	A
1	4460931	1	Connector	
2	4460943	2	Terminal	
3	4460464	4	Terminal	
4	4460466	2	Plug	
5	4461017	1	Connector	
6	4460508	2	Terminal	
7	1001112612	1	Connector	
8	1001157891	2	Terminal	
9	4460464	4	Terminal	
10	4460943	2	Terminal	
11	4460466	1	Plug	

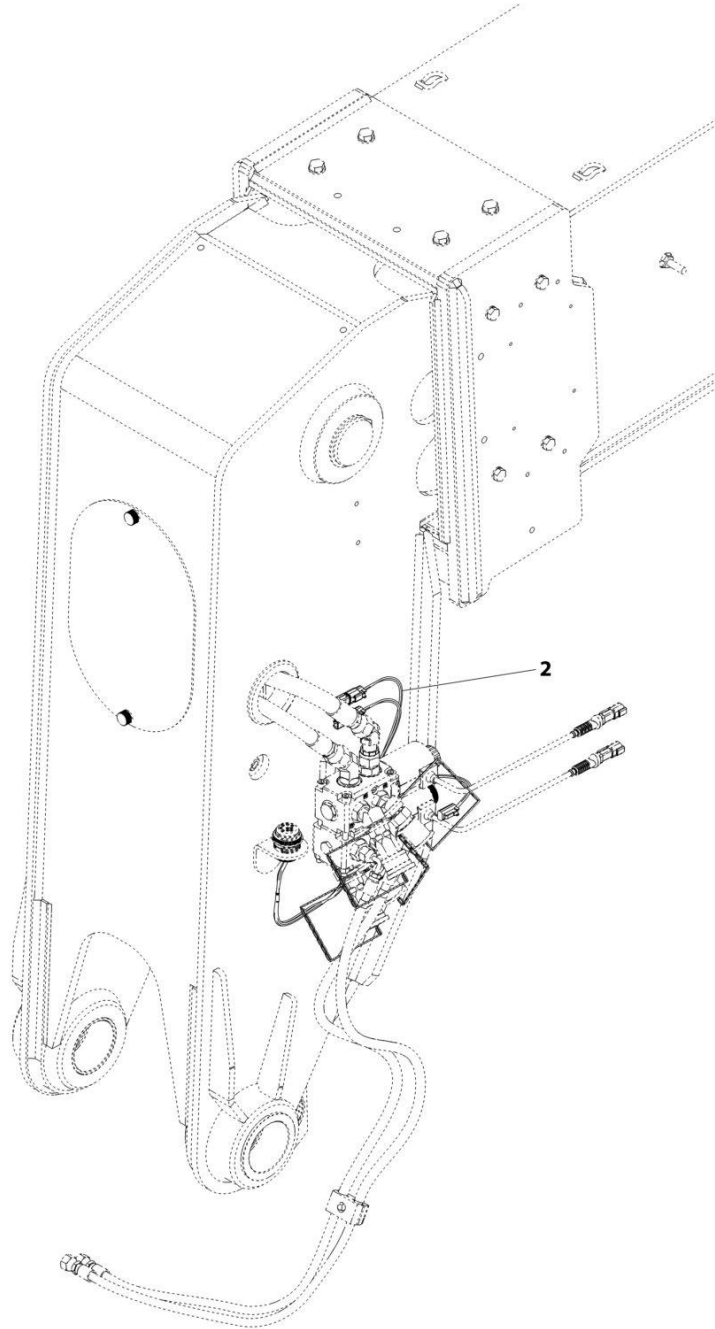
SECTION 10 - ELECTRICAL

FIGURE 10-17. BOOM ANGLE SENSOR INSTALLATION (NO LMIS)

ITEM	PART NUMBER	QTY	DESCRIPTION	REV
	1001192430	Ref	BOOM ANGLE SENSOR INSTALLATION (NO LMIS)	E
1	0761008	2	Bolt M10X16	
2	3290405	2	Nut, Lock M4	
3	3290601	2	Nut M6	
4	1001278028	1	Sensor, Angle	
5	4010610	1	Screw M6X20	
6	4811400	2	Washer M4	
7	4812000	2	Washer M10	
8	1001103156	1	Pin	
9	1001103300	1	Fitting, Ball Joint	
10	1001126837	2	Screw M4X16	
11	1001134274	1	Clevis	
12	1001213775	1	Bracket	
13	1001195731	1	Link	
14	1001195732	1	Rod	
15	3290605	1	Nut, Lock M6	
16	4811700	1	Washer M6	

SECTION 10 - ELECTRICAL

FIGURE 10-18. BOOM AUX HARNESS INSTALLATION



ART_1001192370-C

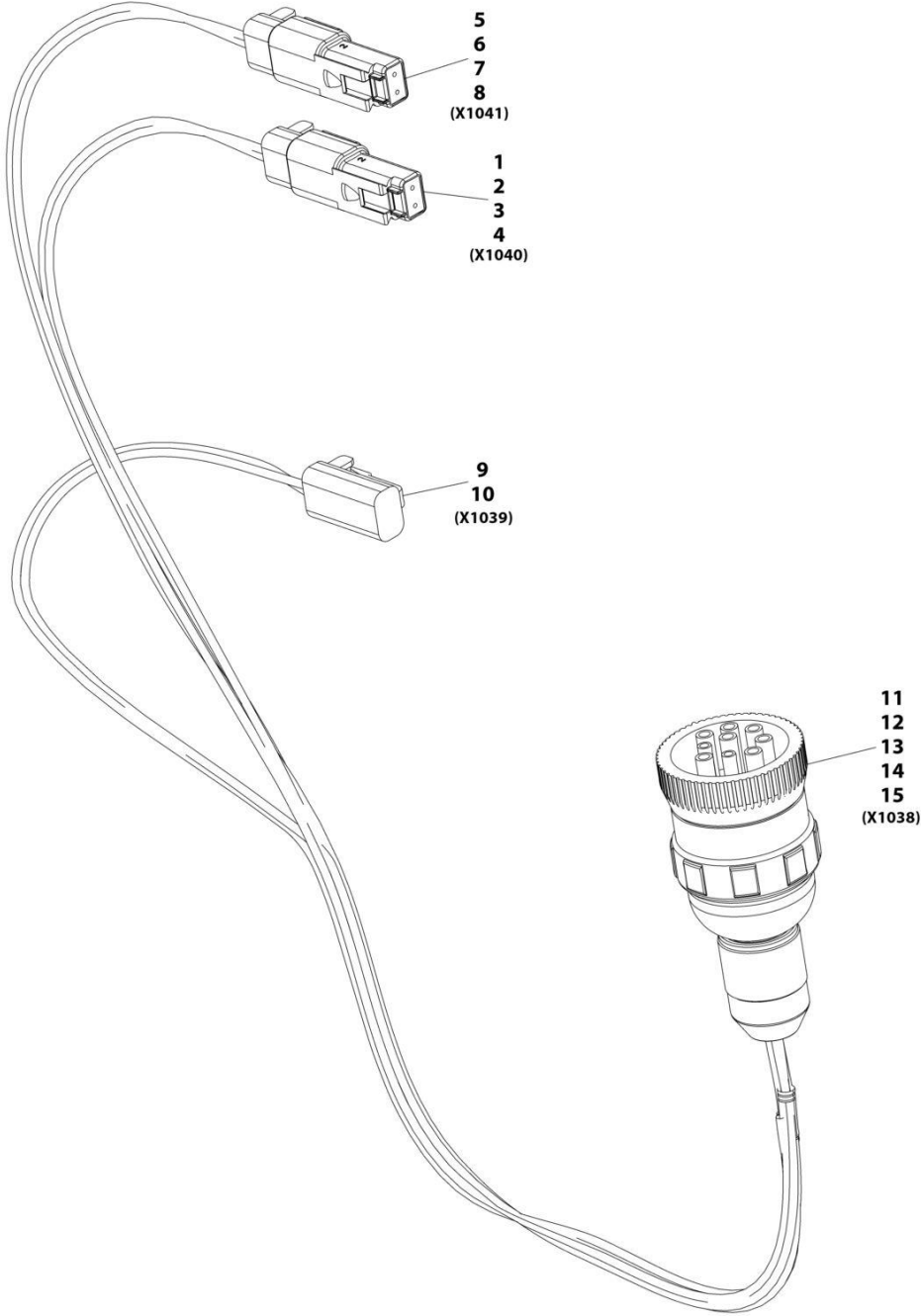
SECTION 10 - ELECTRICAL

FIGURE 10-18. BOOM AUX HARNESS INSTALLATION

ITEM	PART NUMBER	QTY	DESCRIPTION	REV
2	1001192370	Ref	Boom Aux Harness Installation	C
	1001206633	1	Harness, Boom AUX (See Separate Breakdown in this Section)	

SECTION 10 - ELECTRICAL

FIGURE 10-19. BOOM AUX HARNESS



ART_1001206633-C

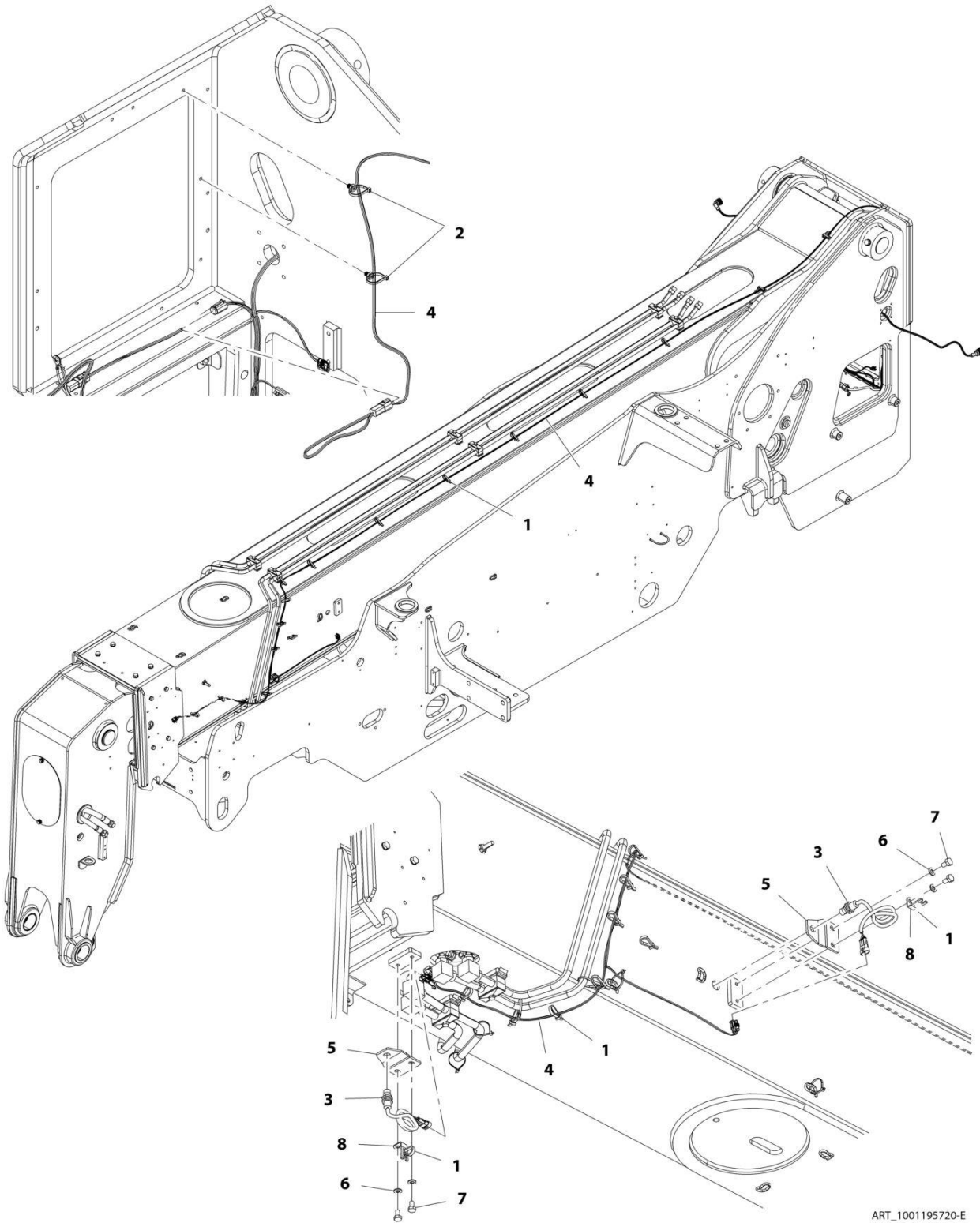
SECTION 10 - ELECTRICAL

FIGURE 10-19. BOOM AUX HARNESS

ITEM	PART NUMBER	QTY	DESCRIPTION	REV
	1001206633	Ref	Boom Aux Harness	C
1	4460891	1	Connector	
2	4460897	1	Mating Connector	
3	4460466	1	Plug	
4	4460465	2	Terminal	
5	4460891	1	Connector	
6	4460897	1	Mating Connector	
7	4460466	1	Terminal	
8	4460465	2	Terminal	
9	4460891	1	Connector	
10	4460465	2	Terminal	
11	1001112796	1	Connector	
12	4460465	4	Terminal	
13	4460466	5	Plug	
14	1001241590	1	Backshell	
15	1001241591	1	Nut	

SECTION 10 - ELECTRICAL

FIGURE 10-20. BOOM RETRACT SENSOR INSTALLATION



ART_1001195720-E

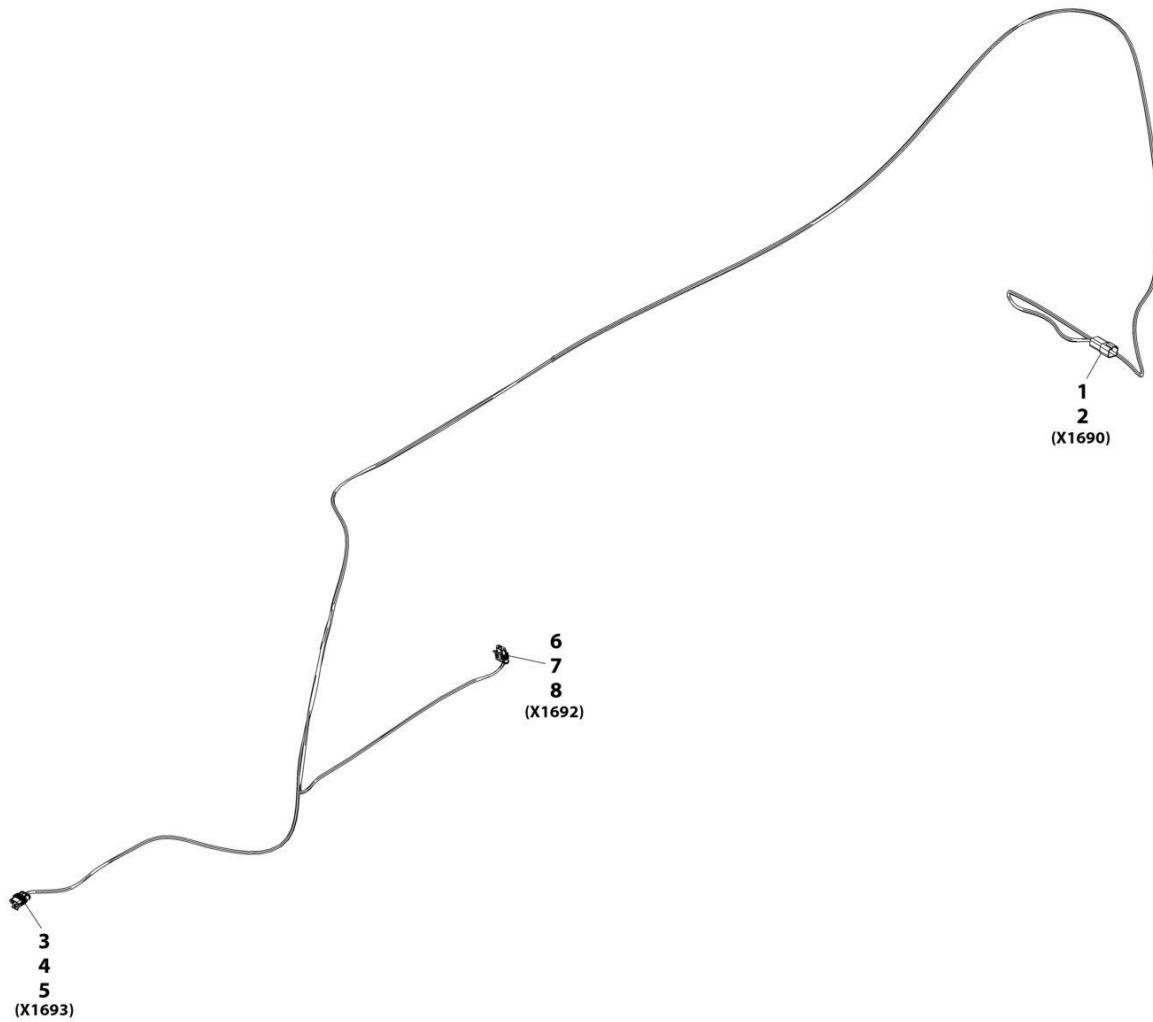
SECTION 10 - ELECTRICAL

FIGURE 10-20. BOOM RETRACT SENSOR INSTALLATION

ITEM	PART NUMBER	QTY	DESCRIPTION	REV
	1001195720	Ref	Boom Retract Sensor Installation	E
1	1001008923	19	Strap, Cable	
2	1001146588	2	Strap, Fir Tree Cable Tie	
3	1001183024	2	Sensor	
4	1001195953	1	Harness, Proximity Sensor	
5	1001210567	2	Bracket	
6	4812000	4	Washer, M10	
7	0761009	4	Bolt	
8	1001003305	2	Clip	

SECTION 10 - ELECTRICAL

FIGURE 10-21. BOOM RETRACT PROXIMITY SENSOR HARNESS



ART_1001195953-G

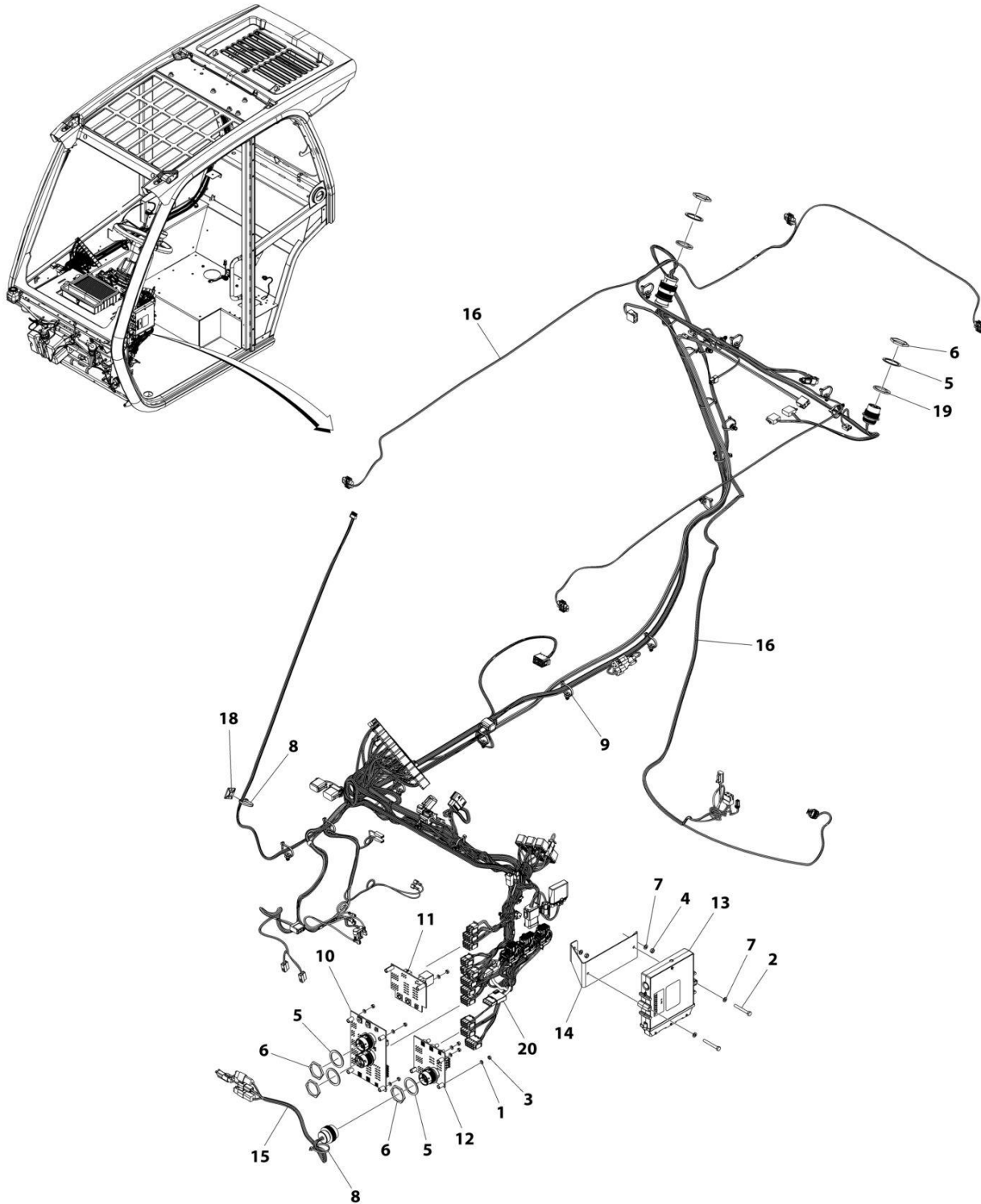
SECTION 10 - ELECTRICAL

FIGURE 10-21. BOOM RETRACT PROXIMITY SENSOR HARNESS

ITEM	PART NUMBER	QTY	DESCRIPTION	REV
	1001195953	Ref	Proximity Sensor Harness	G
1	4460932	1	Connector	
2	4460464	4	Terminal	
3	4461262	1	Connector	
4	1001107854	3	Terminal	
5	1001104498	3	Terminal Seal	
6	4461262	1	Connector	
7	1001107854	3	Terminal	
8	1001104498	3	Terminal Seal	

SECTION 10 - ELECTRICAL

FIGURE 10-22. CAB ELECTRICAL INSTALLATION



ART_1001192558_M

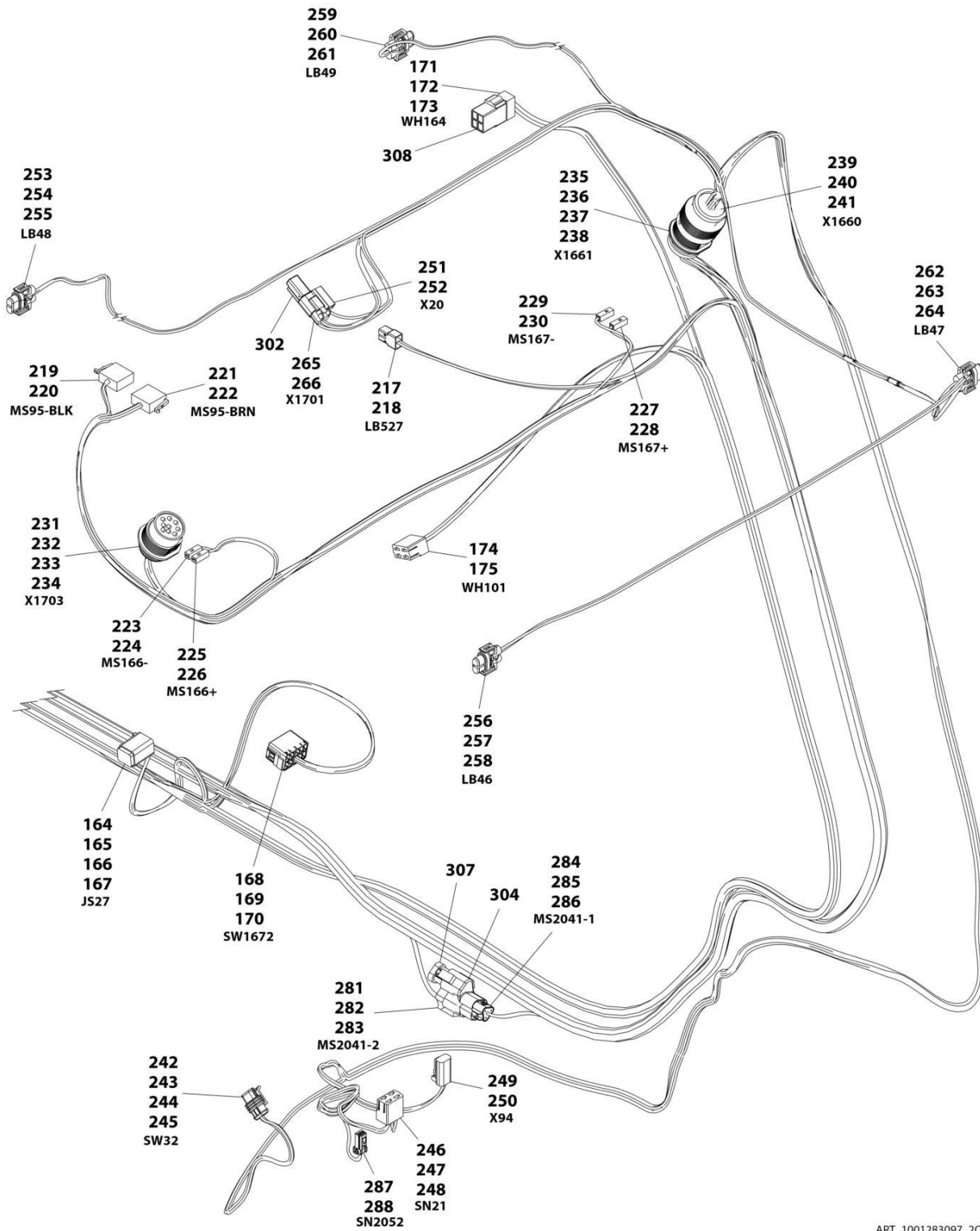
SECTION 10 - ELECTRICAL

FIGURE 10-22. CAB ELECTRICAL INSTALLATION

ITEM	PART NUMBER	QTY	DESCRIPTION	REV
	1001192558	Ref	CAB ELECTRICAL INSTALLATION	M
1	120034	7	Washer, Plastic	
2	0700618	2	Bolt M6 x 50	
3	3290501	7	Nut M5	
4	3290601	2	Nut M6	
5	4460496	5	Washer, Terminal Lock	
6	4460497	5	Nut, Terminal	
7	4811700	4	Washer M6	
8	1001008559	2	Strap, Cable Tie	
9	1001146588	24	Strap, Cable Tie	
10	1001161769	1	Assembly, Standard Electrical Board (See Separate Breakdown in this Section)	
11	1001161770	1	Assembly, Option 1 Electrical Board (See Separate Breakdown in this Section)	
12	1001161771	1	Assembly, Option 2 Electrical Board (See Separate Breakdown in this Section)	
13	1001270466	1	Module, Cab Control	
14	1001178933	1	Bracket	
15	1001258712	1	Harness, Cab Option LBP (See Separate Breakdown in this Section)	
16	1001283097	1	Harness, Cab (See Separate Breakdown in this Section)	
18	4460234	1	Terminal, Mount Cable Tie	
19	1001211693	2	Seal	
20	1001213988	1	Cable, Communication Analyzer	

SECTION 10 - ELECTRICAL

FIGURE 10-24. CAB HARNESS



ART_1001283097_20F2

SECTION 10 - ELECTRICAL

FIGURE 10-24. CAB HARNESS

ITEM	PART NUMBER	QTY	DESCRIPTION	REV
	1001283097	Ref	CAB HARNESS	B
1	4460343	1	Connector	
2	4460267	5	Terminal	
3	4460434	1	Connector	
4	4460268	10	Terminal	
5	4460343	1	Connector	
6	4460268	8	Terminal	
7	10011223457	1	Terminal	
8	4460434	1	Connector	
9	4460268	15	Terminal	
10	4460343	1	Connector	
11	4460267	9	Terminal	
12	1001223456	1	Terminal	
13	4460265	1	Connector	
14	1001223457	3	Terminal	
15	4460268	6	Terminal	
16	4460225	1	Connector	
17	4460267	7	Terminal	
18	4460225	1	Connector	
19	4460268	5	Terminal	
20	4460343	1	Connector	
21	4460268	8	Terminal	
22	1001161959	1	Connector	
23	943191201	1	Cover	
24	1001161100	9	Plug	
25	1001161097	15	Terminal	
26	1001161098	1	Terminal	
27	1001161101	7	Plug	
28	1001160502	1	Connector	
29	643201301	1	Cover	
30	1001161097	21	Terminal	
31	1001161100	19	Plug	
32	1001161098	6	Terminal	
33	1001161099	2	Terminal	
34	1001161101	2	Plug	
35	1001103012	1	Connector	
36	1001116698	2	Plug	
37	1001116697	2	Terminal	
38	1001104498	2	Terminal Seal	
39	4461262	1	Connector	
40	1001107854	3	Terminal	
41	1001104498	3	Terminal Seal	
42	1001160498	1	Connector	
43	643191201	1	Cover	
44	1001161097	19	Terminal	
45	1001161100	5	Plug	
46	1001161098	5	Terminal	
47	1001161101	2	Plug	
48	1001161099	1	Terminal	
49	1001162886	1	Connector	

SECTION 10 - ELECTRICAL

ITEM	PART NUMBER	QTY	DESCRIPTION	REV
50	1001163340	13	Plug	
51	1001162887	7	Terminal	
52	1001117081	1	Connector	
53	1001116723	6	Terminal	
54	1001222455	1	Terminal	
55	1001117081	1	Connector	
56	1001116723	6	Terminal	
57	1001223455	1	Terminal	
58	1001173411	1	Connector	
59	1001116716	3	Terminal	
60	1001104519	3	Terminal	
61	1001116999	1	Connector	
62	1001116700	4	Terminal	
63	4460343	1	Connector	
64	4460267	7	Terminal	
65	1001116991	1	Connector	
66	1001116723	2	Terminal	
67	4460933	1	Connector	
68	4460466	5	Plug	
69	4460465	7	Terminal	
70	1001117081	1	Connector	
71	1001116723	6	Terminal	
72	1001223455	1	Terminal	
73	1001117081	1	Connector	
74	1001116723	4	Terminal	
75	1001118384	2	Terminal	
76	4460343	1	Connector	
77	4460268	8	Terminal	
78	4460906	1	Terminal	
79	1001223457	1	Terminal	
80	1001117081	1	Connector	
81	1001116723	6	Terminal	
82	1001223455	1	Terminal	
83	4460225	1	Connector	
84	4460267	5	Terminal	
85	4460705	1	Terminal	
86	4460836	1	Connector	
87	4460942	4	Terminal	
88	4460465	8	Terminal	
89	4460894	1	Connector	
90	4460465	4	Terminal	
91	4460466	2	Plug	
92	4460933	1	Connector	
93	1001125677	1	Mating Connector	
94	4460465	12	Terminal	
95	1001116812	1	Connector	
96	1001144296	1	Cap	
97	4460944	2	Terminal	
98	4460466	1	Plug	
99	4460320	1	Connector	
100	4460267	2	Terminal	

SECTION 10 - ELECTRICAL

ITEM	PART NUMBER	QTY	DESCRIPTION	REV
101	4460424	1	Connector	
102	4460268	2	Terminal	
103	4460897	1	Connector	
104	4460464	1	Terminal	
105	4460466	1	Plug	
106	4460744	1	Connector	
107	8220375	1	Cap	
108	4460746	6	Terminal	
109	4460458	6	Seal	
110	1001117081	1	Connector	
111	1001116723	6	Terminal	
112	1001223455	1	Terminal	
113	1001117081	1	Connector	
114	1001116723	6	Terminal	
115	1001118384	4	Terminal	
116	1001117081	1	Connector	
117	1001116723	6	Terminal	
118	1001118384	2	Terminal	
119	1001223455	2	Terminal	
120	1001117081	1	Connector	
121	1001116723	6	Terminal	
122	1001223455	1	Terminal	
123	1001194421	1	Terminal	
124	1001194421	1	Terminal	
125	1001117081	1	Connector	
126	1001116723	6	Terminal	
127	1001223455	3	Terminal	
128	1001118384	2	Terminal	
129	1001118684	1	Connector	
130	1001116754	2	Terminal	
131	1001117081	1	Connector	
132	1001116723	4	Terminal	
133	1001118384	3	Terminal	
134	1001117081	1	Connector	
135	1001116723	6	Terminal	
136	1001223455	1	Terminal	
137	1001117081	1	Connector	
138	1001116723	6	Terminal	
139	1001118384	1	Terminal	
140	1001117081	1	Connector	
141	1001116723	6	Terminal	
142	1001223455	1	Terminal	
143	4460994	1	Connector	
144	1001118384	2	Terminal	
145	8220051	1	Terminal	
146	4460994	1	Connector	
147	1001118384	1	Terminal	
148	1001116723	2	Terminal	
149	1001194421	1	Terminal	
150	1001194421	1	Terminal	
151	1001116997	1	Connector	

SECTION 10 - ELECTRICAL

ITEM	PART NUMBER	QTY	DESCRIPTION	REV
152	1001118384	4	Terminal	
153	1001116723	1	Terminal	
154	8220051	1	Terminal	
155	8220051	1	Terminal	
156	8220051	1	Terminal	
157	8220051	1	Terminal	
158	1001116812	1	Connector	
159	4460944	2	Terminal	
160	4460466	1	Plug	
161	4460539	1	Connector	
162	4460944	2	Terminal	
163	4460466	1	Plug	
164	4460894	1	Connector	
165	4460465	3	Terminal	
166	4460466	1	Plug	
167	4460944	2	Terminal	
168	1001117081	1	Connector	
169	1001116723	2	Terminal	
170	1001223455	4	Terminal	
171	1001116986	1	Connector	
172	1001117011	1	Mating Connector	
173	1001118384	4	Terminal	
174	1001116986	1	Connector	
175	1001118384	4	Terminal	
176	1001116995	1	Connector	
177	1001118379	1	Terminal	
178	1001116995	1	Connector	
179	1001118379	1	Terminal	
180	1001230931	1	Connector	
181	1001116748	6	Terminal	
182	1001117081	1	Connector	
183	1001116723	7	Terminal	
184	1001118384	1	Terminal	
185	1001117081	1	Connector	
186	1001116723	4	Terminal	
187	1001118384	2	Terminal	
188	1001117081	1	Connector	
189	1001116723	4	Terminal	
190	1001118384	2	Terminal	
191	1001117081	1	Connector	
192	1001116723	4	Terminal	
193	1001118384	2	Terminal	
194	1001150735	1	Connector	
195	1001150737	7	Terminal	
196	1001117079	1	Connector	
197	1001223455	2	Terminal	
198	1001116723	5	Terminal	
199	1001117081	1	Connector	
200	1001116723	6	Terminal	
201	1001118384	1	Terminal	
202	1001223455	1	Terminal	

SECTION 10 - ELECTRICAL

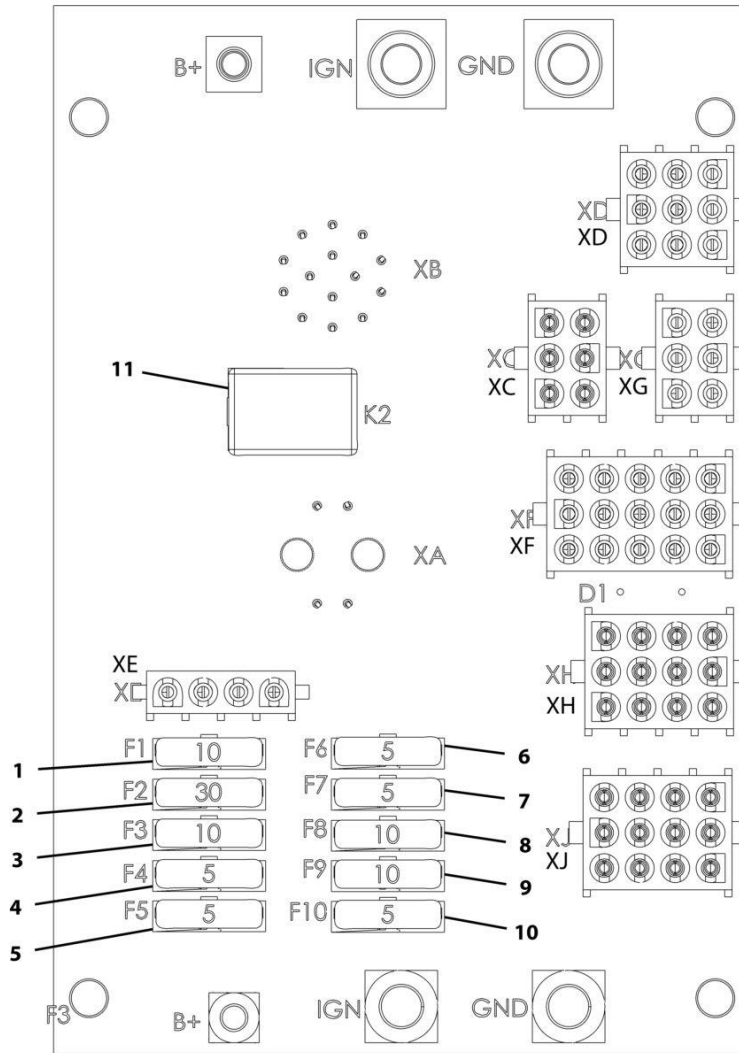
ITEM	PART NUMBER	QTY	DESCRIPTION	REV
203	1001176333	1	Connector	
204	4460466	11	Plug	
205	4460465	3	Terminal	
206	4460944	4	Terminal	
207	1001116812	1	Connector	
208	4460944	2	Terminal	
209	4460466	1	Plug	
210	4460539	1	Connector	
211	4460944	2	Terminal	
212	4460466	1	Plug	
213	4460930	1	Connector	
214	4460931	1	Mating Connector	
215	4460466	6	Plug	
216	4460465	2	Terminal	
217	1001116991	1	Connector	
218	1001118384	2	Terminal	
219	1001116985	1	Connector	
220	1001118386	3	Terminal	
221	1001116984	1	Connector	
222	1001118386	4	Terminal	
223	1001116998	1	Connector	
224	1001118387	1	Terminal	
225	1001116998	1	Connector	
226	1001118387	1	Terminal	
227	1001116998	1	Connector	
228	1001118387	1	Terminal	
229	1001116998	1	Connector	
230	1001118387	1	Terminal	
231	1001112612	1	Connector	
232	4460464	4	Terminal	
233	4460943	4	Terminal	
234	4460466	1	Plug	
235	1001137000	1	Connector	
236	4460928	3	Terminal	
237	1001126008	13	Terminal	
238	4460518	5	Plug	
239	1001136999	1	Connector	
240	1001126011	16	Terminal	
241	4460518	5	Plug	
242	4461262	1	Connector	
243	1001107854	2	Terminal	
244	1001104499	1	Terminal	
245	1001104498	2	Terminal Seal	
246	1001116986	1	Connector	
247	1001118384	3	Terminal	
248	1001116723	1	Terminal	
249	4460891	1	Connector	
250	4460465	2	Terminal	
251	4460944	1	Connector	
252	1001118384	2	Terminal	
253	4461115	1	Connector	

SECTION 10 - ELECTRICAL

ITEM	PART NUMBER	QTY	DESCRIPTION	REV
254	4460746	2	Terminal	
255	4460458	2	Terminal Seal	
256	4461115	1	Connector	
257	4460746	2	Terminal	
258	4460458	2	Terminal Seal	
259	4461115	1	Connector	
260	4460746	2	Terminal	
261	4460458	2	Terminal Seal	
262	4461115	1	Connector	
263	4460746	2	Terminal	
264	4460458	2	Terminal Seal	
265	4460891	1	Connector	
266	4460465	2	Terminal	
267	4460539	1	Connector	
268	4460465	3	Terminal	
269	4460536	1	Connector	
270	4460464	2	Terminal	
271	4460466	1	Plug	
272	4460536	1	Connector	
273	4460464	2	Terminal	
274	4460466	1	Plug	
275	4460539	1	Connector	
276	4460465	3	Terminal	
277	4460539	1	Connector	
278	4460931	1	Matting Connector	
279	4460466	1	Plug	
280	4460465	3	Terminal	
281	4460539	1	Connector	
282	4460944	2	Terminal	
283	4460466	1	Plug	
284	1001116812	1	Connector	
285	4460944	2	Terminal	
286	4460466	1	Plug	
287	1001264844	1	Connector	
288	1001264861	2	Terminal	
301	4460466	8	Plug	
302	4460897	2	Connector	
303	4460931	1	Connector	
304	4460945	3	Terminal	
305	8220375	1	Cap	
306	1001008559	3	Tie-Strap (Not Shown)	
307	1001116815	3	Connector	
308	1001117011	1	Connector	
309	1001119020	1	Connector	
310	1001144296	1	Cap	
311	1001177597	3	Diode Module	

SECTION 10 - ELECTRICAL

FIGURE 10-25. CAB - STANDARD ELECTRICAL BOARD ASSEMBLY



ART_1001161769-C

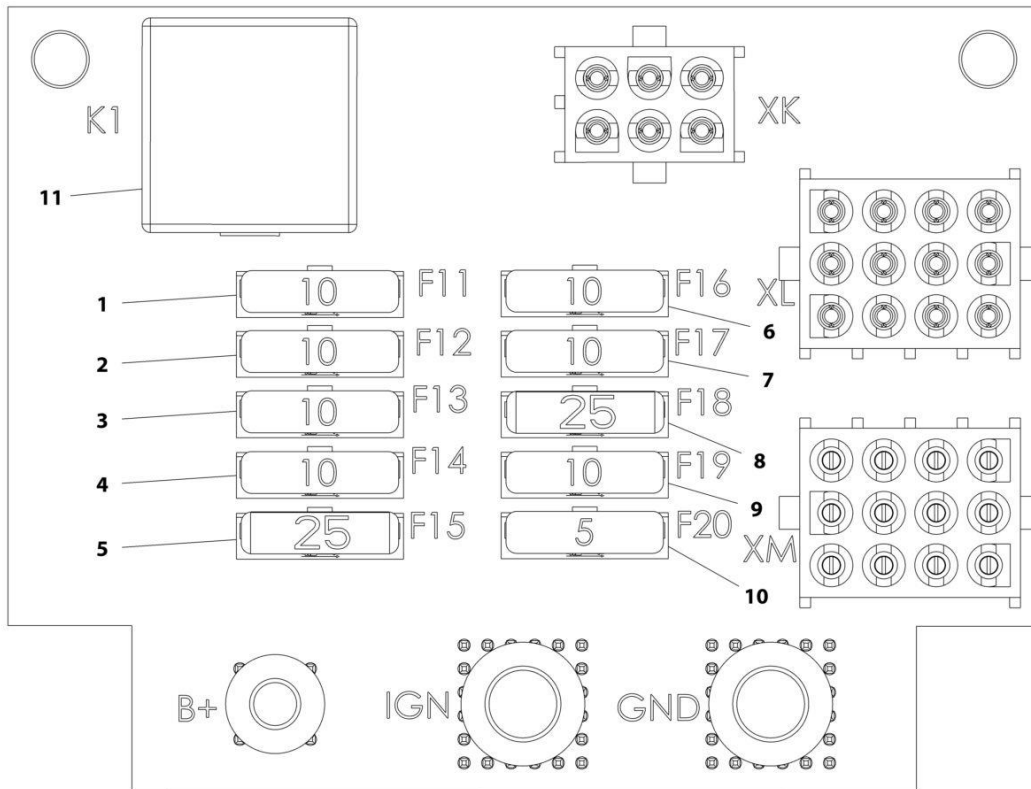
SECTION 10 - ELECTRICAL

FIGURE 10-25. CAB - STANDARD ELECTRICAL BOARD ASSEMBLY

ITEM	PART NUMBER	QTY	DESCRIPTION	REV
	1001161769	Ref	Standard Electrical Board Assembly	C
1	80983191	1	Fuse, 10AMP	
2	8229245	1	Fuse, 30AMP	
3	80983191	1	Fuse, 10AMP	
4	8229242	1	Fuse, 5AMP	
5	8229242	1	Fuse, 5AMP	
6	8229242	1	Fuse, 5AMP	
7	8229242	1	Fuse, 5AMP	
8	80983191	1	Fuse, 10AMP	
9	80983191	1	Fuse, 10AMP	
10	8229242	1	Fuse, 5AMP	
11	70026292	1	Fuse, 35AMP	

SECTION 10 - ELECTRICAL

FIGURE 10-26. CAB - OPTION 1 ELECTRICAL BOARD ASSEMBLY



ART_1001161770-C

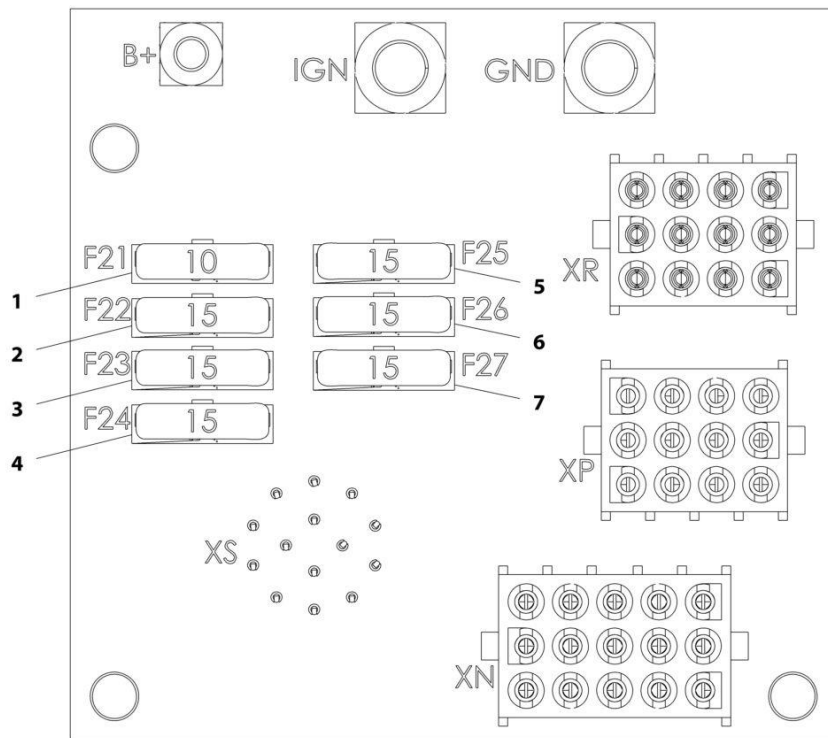
SECTION 10 - ELECTRICAL

FIGURE 10-26. CAB - OPTION 1 ELECTRICAL BOARD ASSEMBLY

ITEM	PART NUMBER	QTY	DESCRIPTION	REV
	1001161770	Ref	Option 1 Electrical Board Assembly	C
1	80983191	1	Fuse, 10AMP	
2	80983191	1	Fuse, 10AMP	
3	80983191	1	Fuse, 10AMP	
4	80983191	1	Fuse, 10AMP	
5	8229247	1	Fuse, 25AMP	
6	80983191	1	Fuse, 10AMP	
7	80983191	1	Fuse, 10AMP	
8	8229247	1	Fuse, 25AMP	
9	80983191	1	Fuse, 10AMP	
10	8229242	1	Fuse, 5AMP	
11	70026293	1	Fuse, 50AMP	

SECTION 10 - ELECTRICAL

FIGURE 10-27. CAB - OPTION 2 ELECTRICAL BOARD ASSEMBLY



ART_1001161771-B

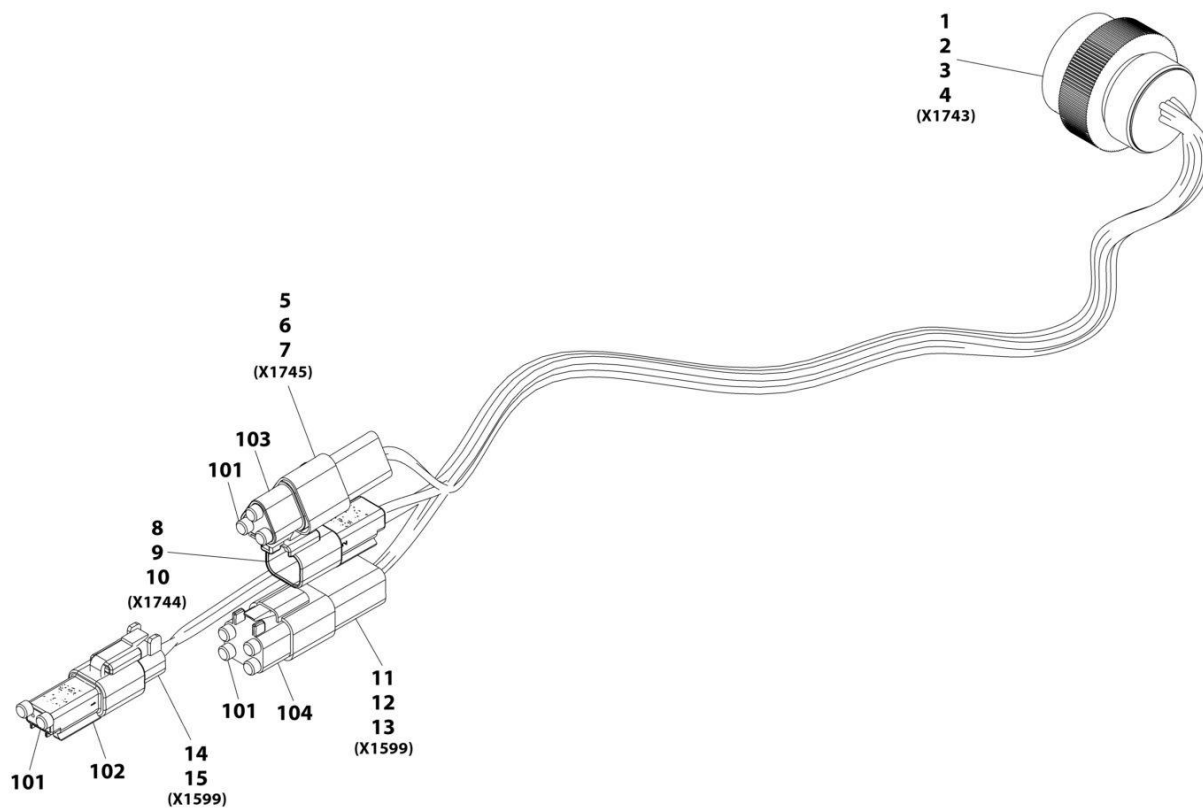
SECTION 10 - ELECTRICAL

FIGURE 10-27. CAB - OPTION 2 ELECTRICAL BOARD ASSEMBLY

ITEM	PART NUMBER	QTY	DESCRIPTION	REV
	1001161771	Ref	Option 2 Electrical Board Assembly	B
1	80983191	1	Fuse, 10AMP	
2	8229244	1	Fuse, 15AMP	
3	8229244	1	Fuse, 15AMP	
4	8229244	1	Fuse, 15AMP	
5	8229244	1	Fuse, 15AMP	
6	8229244	1	Fuse, 15AMP	
7	8229244	1	Fuse, 15AMP	

SECTION 10 - ELECTRICAL

FIGURE 10-28. CAB OPTION HARNESS



ART_1001258712

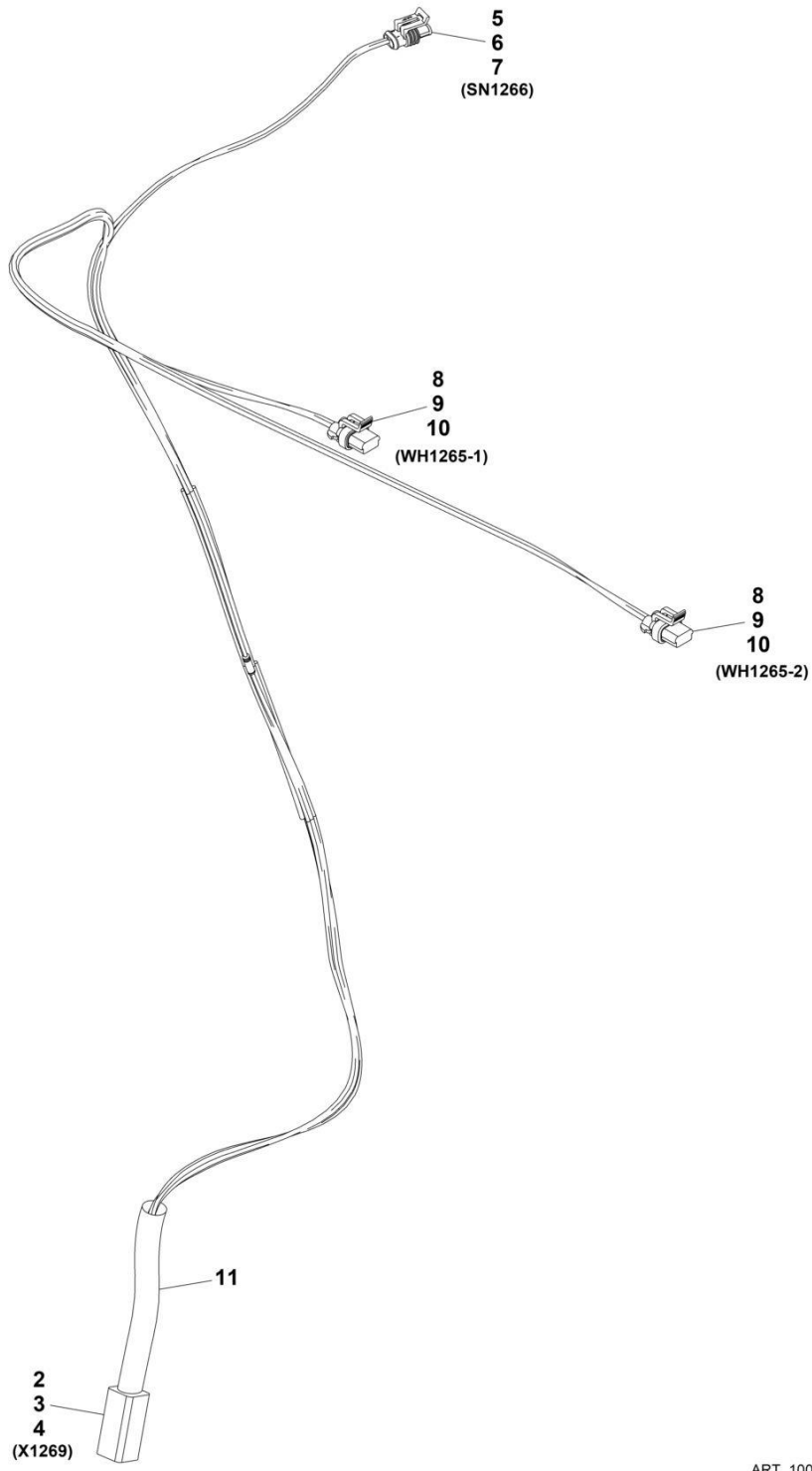
SECTION 10 - ELECTRICAL

FIGURE 10-28. CAB OPTION HARNESS

ITEM	PART NUMBER	QTY	DESCRIPTION	REV
	1001258712	Ref	Cab Option Harness	A
1	4461015	1	Connector	
2	4460465	5	Terminal	
3	4460466	6	Plug	
4	4460942	1	Terminal	
5	1001144147	1	Connector	
6	4460943	2	Terminal	
7	4460466	1	Plug	
8	4460897	1	Connector	
9	4460941	1	Terminal	
10	4460466	1	Plug	
11	4460932	1	Connector	
12	4460464	3	Terminal	
13	4460466	1	Plug	
14	4460891	1	Plug, Male	
15	4460465	2	Socket, Female	
101	4460466	9	Plug, Terminal	
102	4460884	1	Plug, Male - 4 Position	
103	1001116812	1	Plug, Male - 3 Position	
104	4460897	2	Plug, Male - 2 Position	

SECTION 10 - ELECTRICAL

FIGURE 10-29. CAB - A/C OPTION HARNESS



ART_1001169151

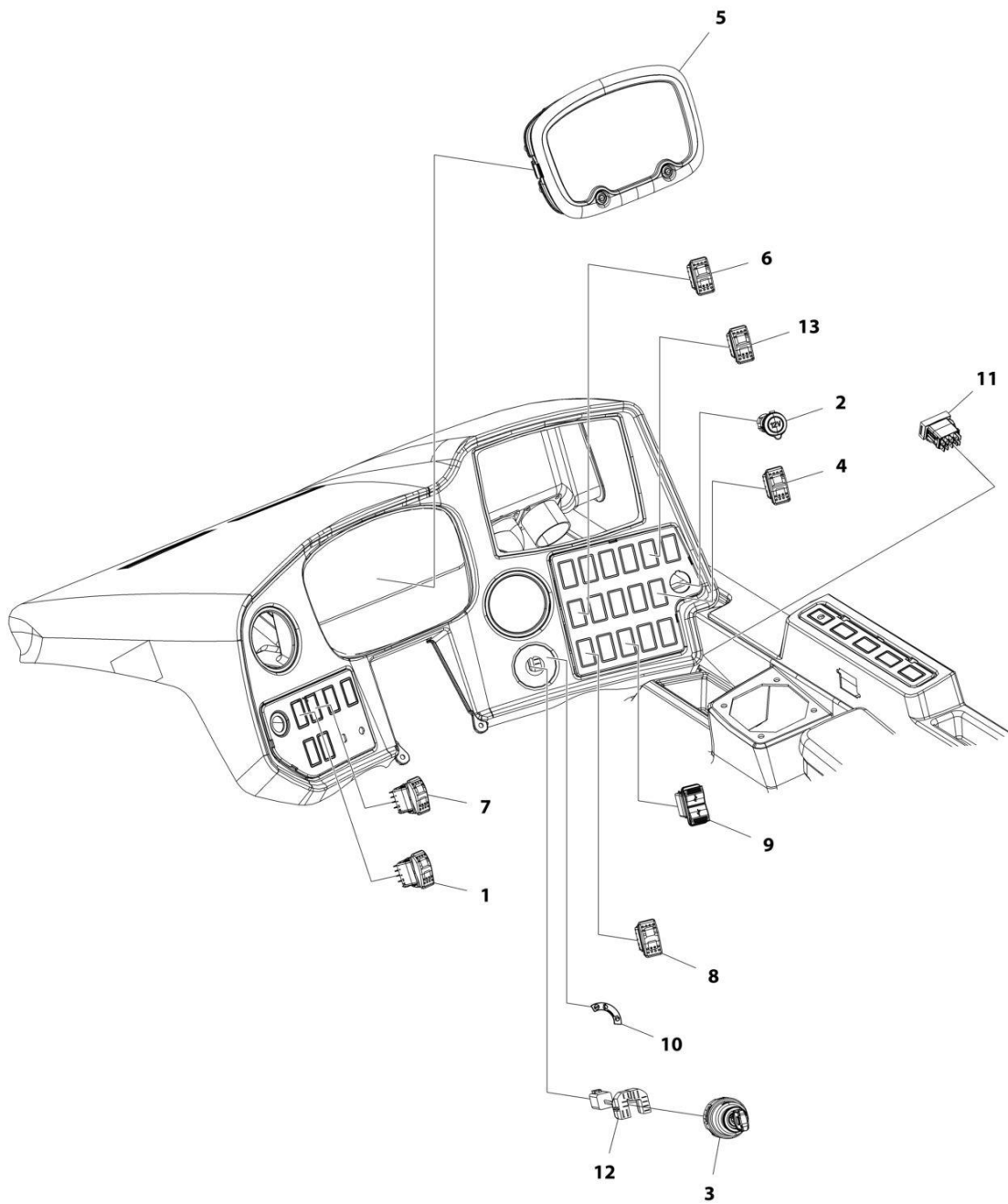
SECTION 10 - ELECTRICAL

FIGURE 10-29. CAB - A/C OPTION HARNESS

ITEM	PART NUMBER	QTY	DESCRIPTION	REV
	1001169151	Ref	A/C Option Harness	G
2	4460899	1	Connector	
3	4460941	4	Terminal	
4	4460464	2	Terminal	
5	4461118	1	Connector	
6	1001107854	2	Terminal	
7	1001116763	2	Seal	
8	1001117021	2	Connector	
9	1001116747	4	Terminal	
10	4460789	4	Seal	
11	70028546	1	Backshell	

SECTION 10 - ELECTRICAL

FIGURE 10-30. CAB - DASH ELECTRICAL INSTALLATION (1644)



ART_1001220717_D

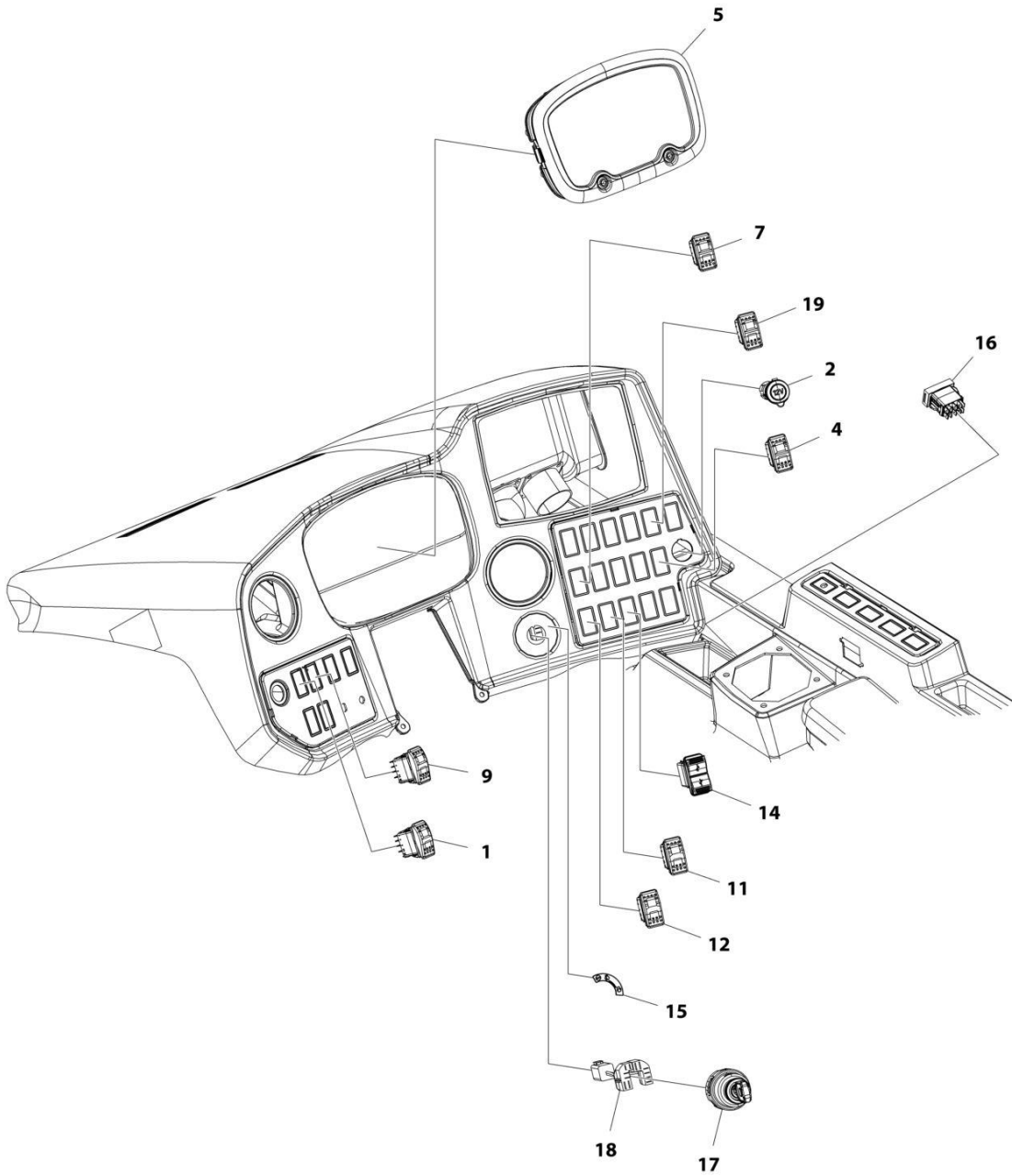
SECTION 10 - ELECTRICAL

FIGURE 10-30. CAB - DASH ELECTRICAL INSTALLATION (1644)

ITEM	PART NUMBER	QTY	DESCRIPTION	REV
	1001220717	Ref	DASH ELECTRICAL INSTALLATION	D
1	1001080978	1	Switch, Lift/Loader	
2	1001095804	1	Connector, 12V Power Socket	
3	1001102502	1	Switch, 4 Position Key	
3	70022765	1	Key, Ignition (set of 2)	
4	1001104654	1	Switch, AUX Decomp	
5	1001158146	1	Cluster, Electrical Gauge	
6	1001159735	1	Switch, Rear Wiper	
7	1001159741	1	Switch, Constant AUX	
8	1001159849	1	Switch, Steer Mode	
9	1001174712	1	Charger, USB	
10	1001181531	1	Decal, Ignition Switch	
11	1001212470	1	Switch, Frame Level	
12	1001223968	1	Harness, Ignition Switch (See Separate Breakdown in this Section)	
13	1001285715	1	Switch, Beacon	

SECTION 10 - ELECTRICAL

FIGURE 10-31. CAB - DASH ELECTRICAL INSTALLATION (7013) (ULS)



ART_1001192560_G

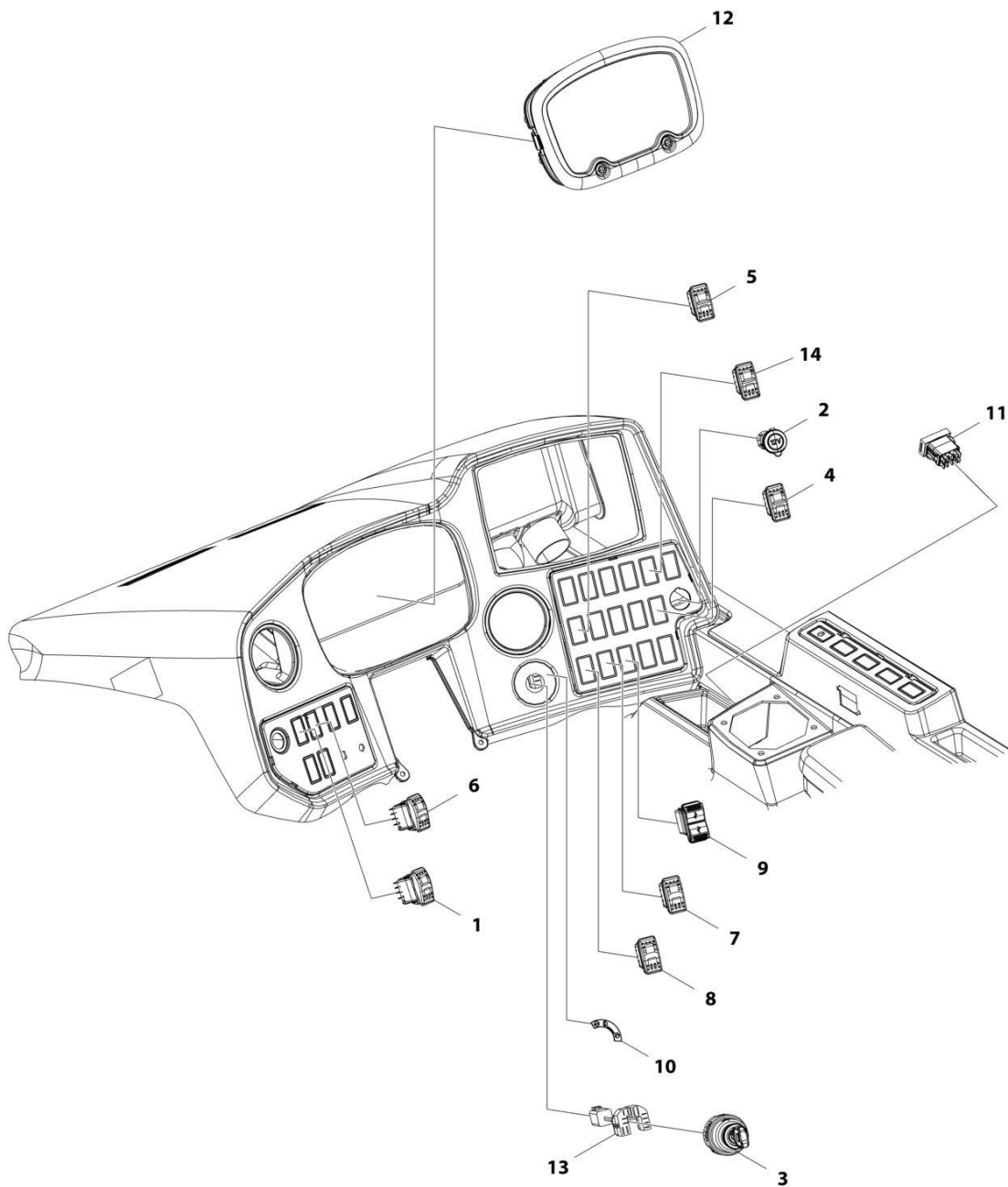
SECTION 10 - ELECTRICAL

FIGURE 10-31. CAB - DASH ELECTRICAL INSTALLATION (7013) (ULS)

ITEM	PART NUMBER	QTY	DESCRIPTION	REV
	1001192560	Ref	DASH ELECTRICAL INSTALLATION	G
1	1001080978	1	Switch, Lift/Loader	
2	1001095804	1	Connector, 12V Power Socket	
4	1001104654	1	Switch, Aux Decomp	
5	1001158146	1	Cluster, Electrical Gauge	
7	1001159735	1	Switch, Rear Wiper	
9	1001159741	1	Switch, Constant AUX	
11	1001159743	1	Switch, Road Use	
12	1001159849	1	Switch, Steer Mode	
14	1001174712	1	Charger, USB	
15	1001181531	1	Decal, Ignition Switch	
16	1001212470	1	Switch, Frame Level	
17	1001102502	1	Switch, 4 Position Key	
17	70022765	1	Key, Ignition (set of 2)	
18	1001223968	1	Harness, Ignition Switch (See Separate Breakdown in this Section)	
19	1001285715	1	Switch, Beacon	

SECTION 10 - ELECTRICAL

FIGURE 10-32. CAB - DASH ELECTRICAL INSTALLATION (7013) (LS)



ART_1001229153_B

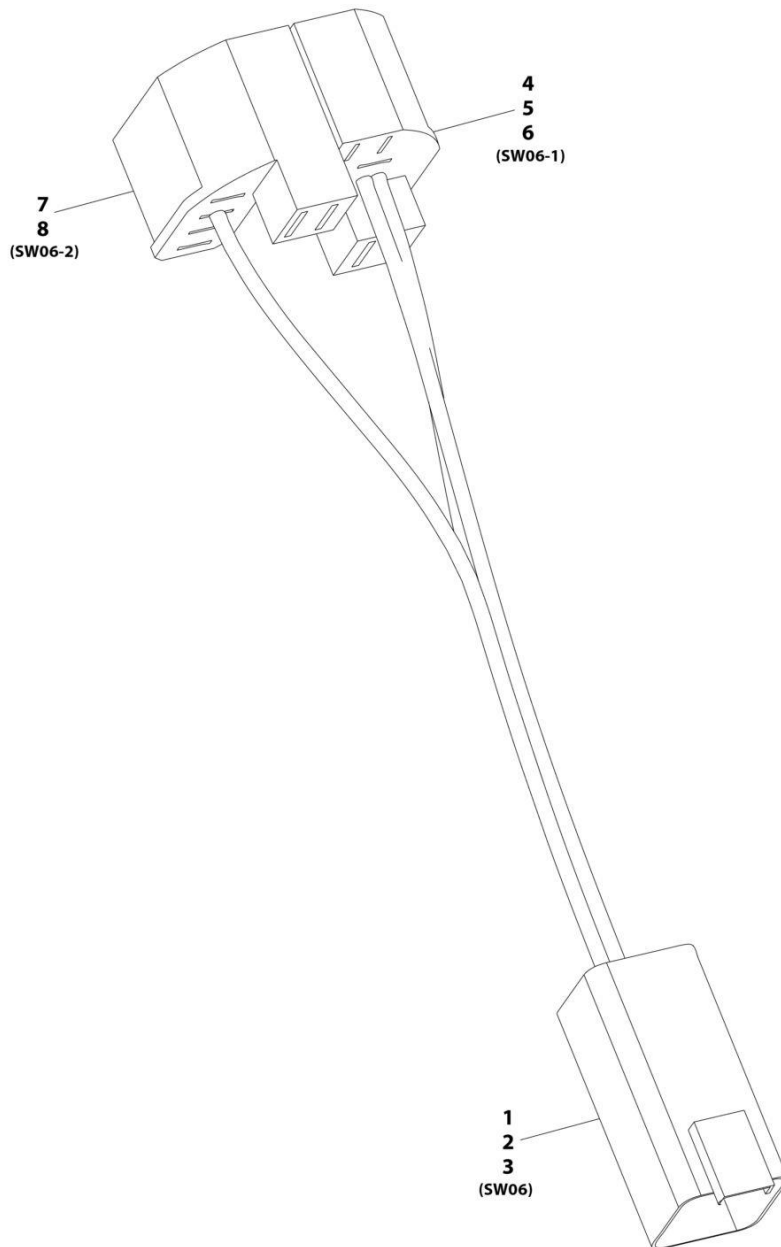
SECTION 10 - ELECTRICAL

FIGURE 10-32. CAB - DASH ELECTRICAL INSTALLATION (7013) (LS)

ITEM	PART NUMBER	QTY	DESCRIPTION	REV
	1001229153	Ref	DASH ELECTRICAL INSTALLATION (LRC)	B
1	1001080978	1	Switch, Lift/Loader	
2	1001095804	1	Connector, 12V Power Socket	
3	1001102502	1	Switch, 4 Position Key	
4	1001104654	1	Switch, AUX Decomp	
5	1001159735	1	Switch, Rear Wiper	
6	1001159741	1	Switch, Constant AUX	
7	1001159743	1	Switch, Road Use	
8	1001159849	1	Switch, Steer Mode	
9	1001174712	1	Charger, USB	
10	1001181531	1	Decal, Ignition Switch	
11	1001189876	1	Switch, Frame Level	
12	1001202454	1	Cluster, Electrical Gauge	
13	1001223968	1	Harness, Ignition Switch (See Separate Breakdown in this Section)	
14	1001285715	1	Switch, Beacon	

SECTION 10 - ELECTRICAL

FIGURE 10-33. CAB - IGNITION SWITCH HARNESS



ART_1001223968-A

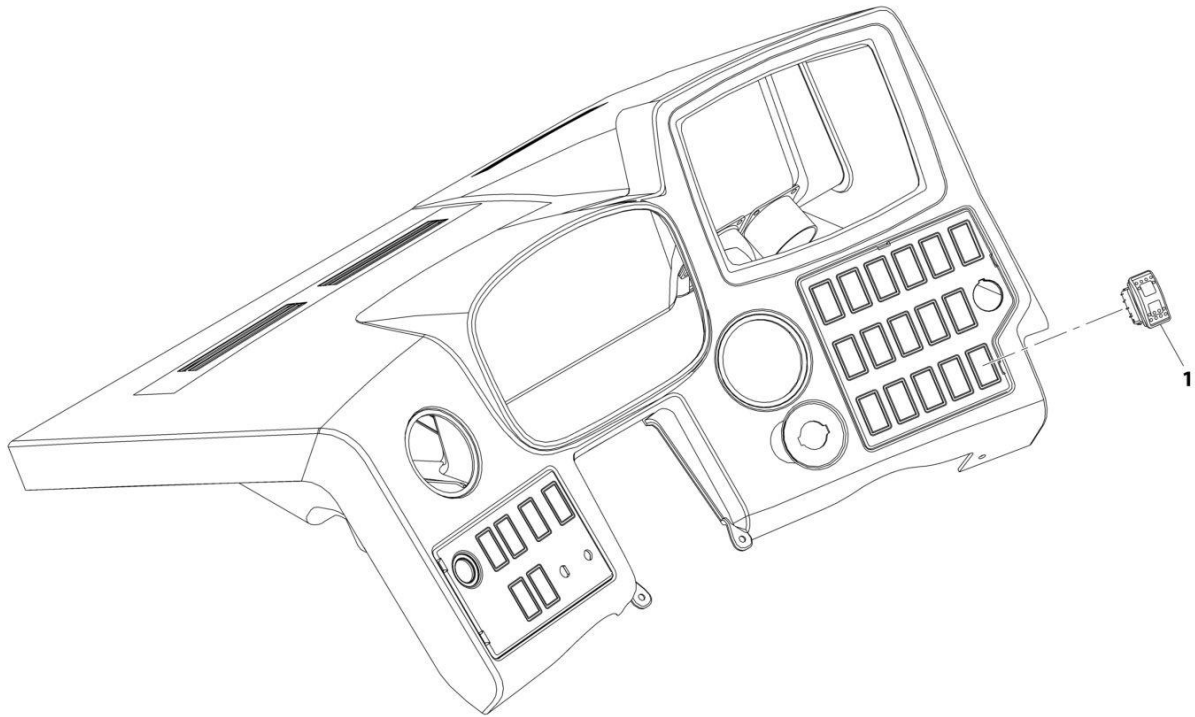
SECTION 10 - ELECTRICAL

FIGURE 10-33. CAB - IGNITION SWITCH HARNESS

ITEM	PART NUMBER	QTY	DESCRIPTION	REV
	1001223968	Ref	Ignition Switch Harness	A
1	4460899	1	Connector	
2	4460464	3	Terminal	
3	4460466	3	Plug	
4	1001118685	1	Connector	
5	1001104519	1	Terminal	
6	1001118383	1	Terminal	
7	1001117121	1	Connector	
8	1001104519	1	Terminal	

SECTION 10 - ELECTRICAL

FIGURE 10-34. CAB - LIGHT SWITCH INSTALLATION



ART_1001215121-A

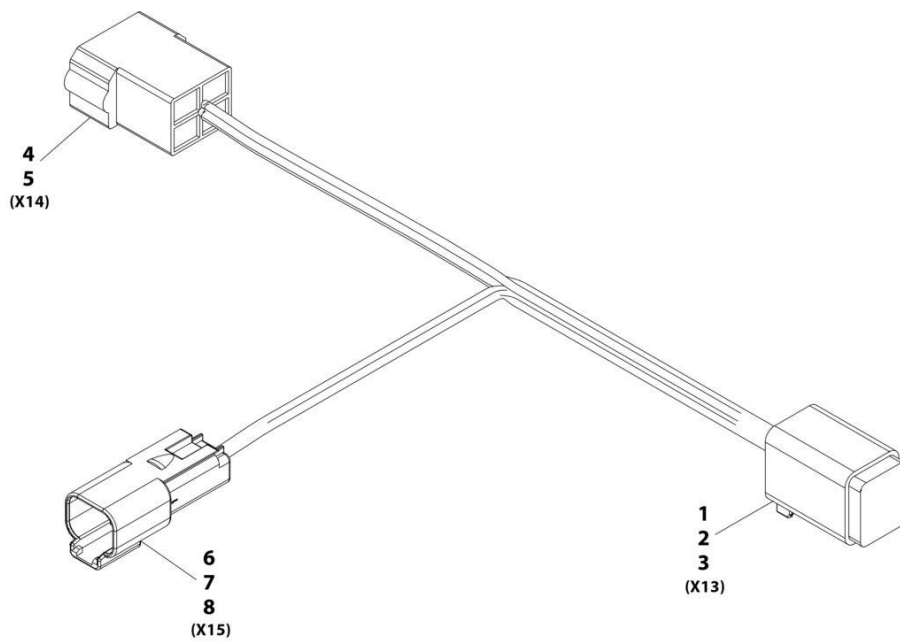
SECTION 10 - ELECTRICAL

FIGURE 10-34. CAB - LIGHT SWITCH INSTALLATION

ITEM	PART NUMBER	QTY	DESCRIPTION	REV
1	1001215121 1001163639	Ref 1	Light Switch Installation Switch, Light	A

SECTION 10 - ELECTRICAL

FIGURE 10-35. CAB - SEAT ADAPTOR HARNESS



ART_1001168531-A

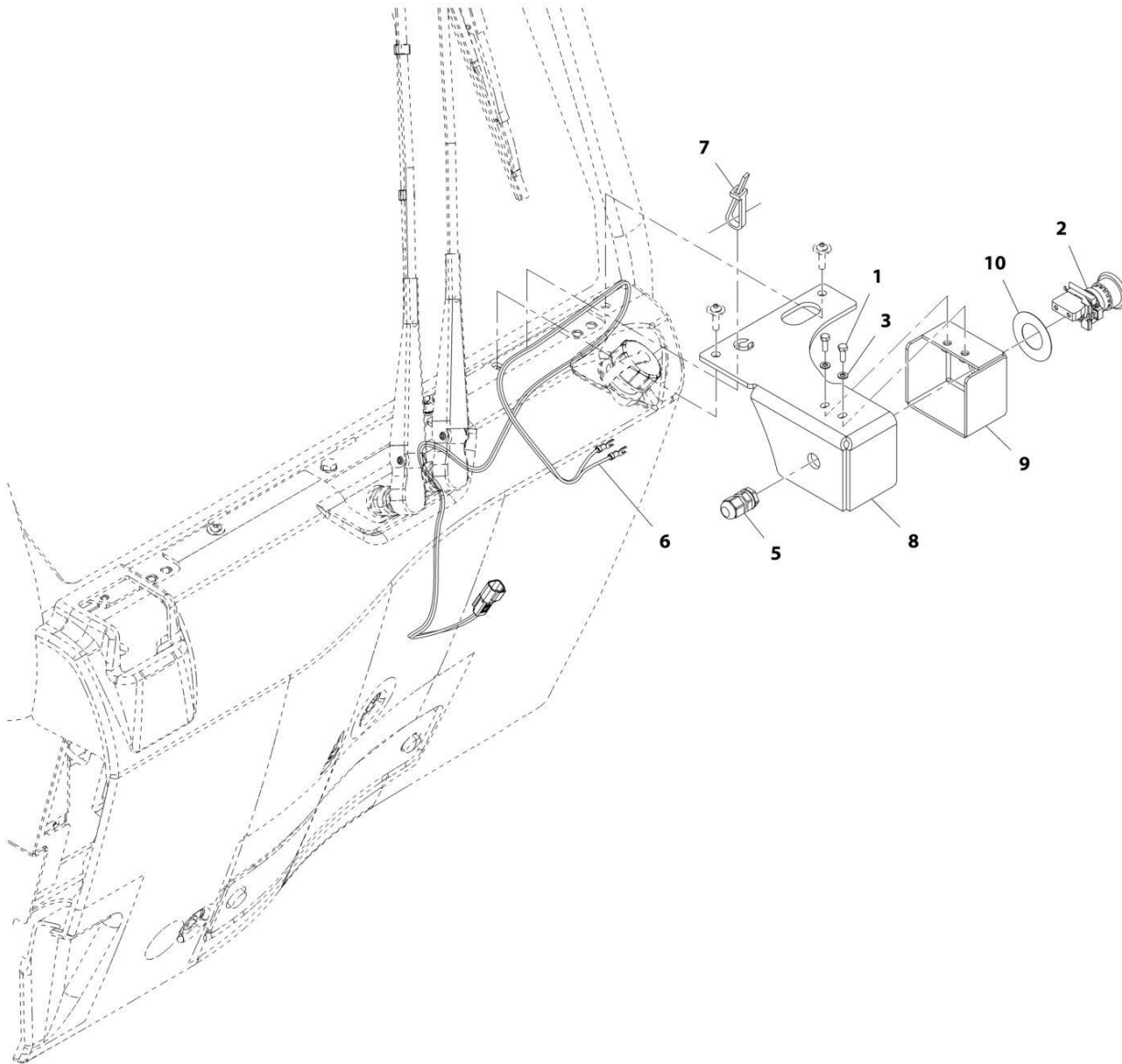
SECTION 10 - ELECTRICAL

FIGURE 10-35. CAB - SEAT ADAPTOR HARNESS

ITEM	PART NUMBER	QTY	DESCRIPTION	REV
	1001168531	Ref	Seat Adaptor Harness	A
1	4460894	1	Connector	
2	91504107	1	Lock, Connector	
3	4460465	6	Terminal	
4	1001117011	1	Connector	
5	1001116700	3	Terminal	
6	4460897	1	Connector	
7	80604017	1	Lock, Connector	
8	4460943	2	Terminal	

SECTION 10 - ELECTRICAL

FIGURE 10-36. CAB - EXTERNAL EMERGENCY STOP INSTALLATION



ART_1001195721-C

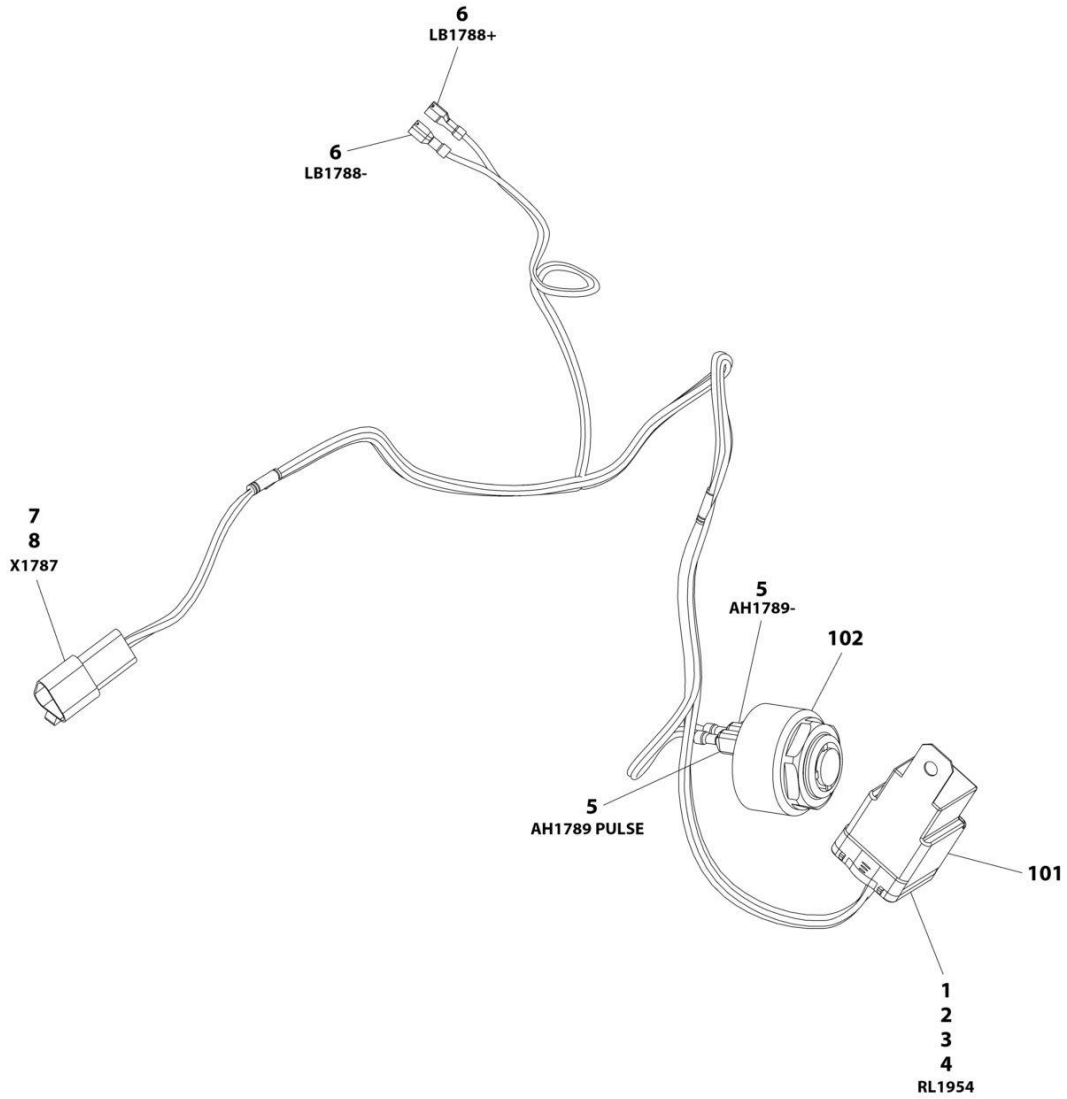
SECTION 10 - ELECTRICAL

FIGURE 10-36. CAB - EXTERNAL EMERGENCY STOP INSTALLATION

ITEM	PART NUMBER	QTY	DESCRIPTION	REV
	1001195721	Ref	Emergency Stop External Installation	C
1	0760507	2	Bolt, M5X14	
2	4360475	1	Switch, E-Stop	
3	4811600	2	Washer, M5	
5	4461000	1	Connector	
6	1001217320	1	Harness, External EMS	
7	1001008559	1	Strap, Tie	
8	1001220859	1	Bracket	
9	1001220861	1	Shield	
10	1704260	1	Decal, EMS	

SECTION 10 - ELECTRICAL

FIGURE 10-37. CAB SEAT BELT ALARM HARNESS



ART_1001268744

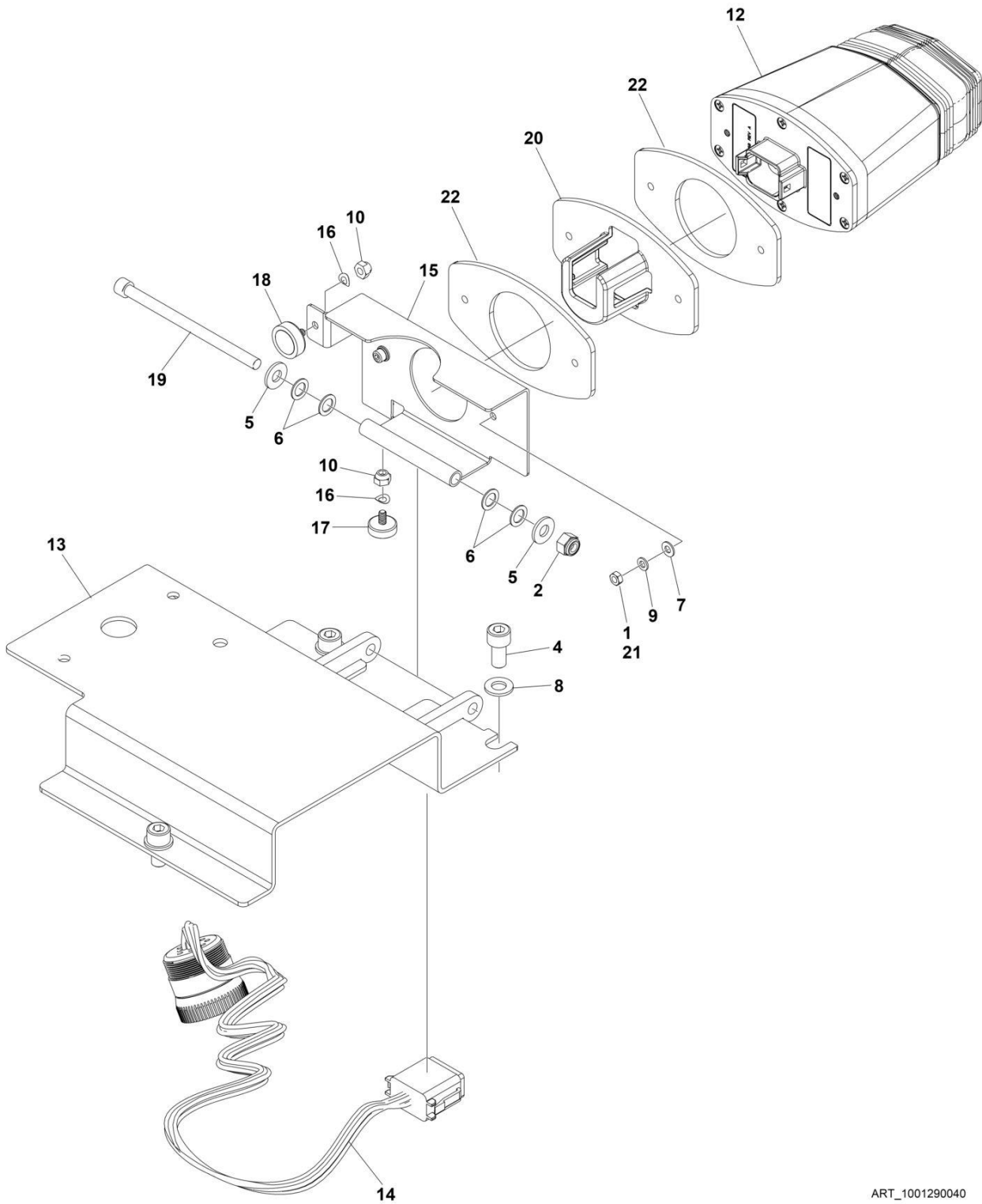
SECTION 10 - ELECTRICAL

FIGURE 10-37. CAB SEAT BELT ALARM HARNESS

ITEM	PART NUMBER	QTY	DESCRIPTION	REV
	1001268744	Ref	SEAT BELT ALARAM HARNESS	B
1	1001231398	1	Connector	
2	1001231400	4	Terminal	
3	1001231406	1	Terminal	
4	1001231404	4	Plug	
5	1001194421	2	Terminal	
6	1001201885	2	Terminal	
7	4460536	1	Connector	
8	4460464	3	Terminal	
101	3740080	1	Relay, Weather Proof	
102	1001091751	1	Buzzer Alarm	

SECTION 10 - ELECTRICAL

FIGURE 10-38. CLEARSKY INSTALLATION



ART_1001290040

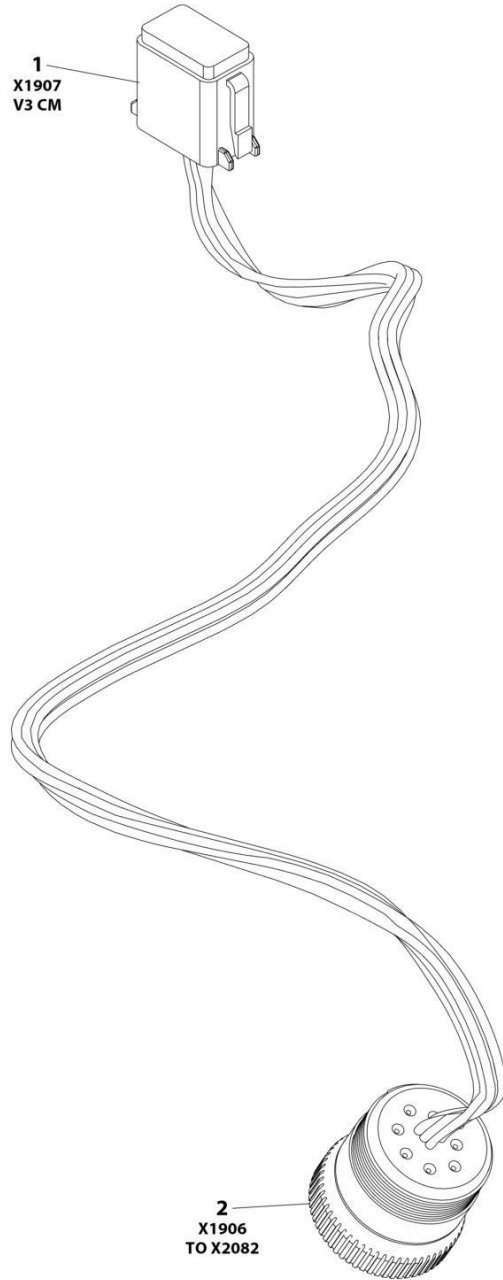
SECTION 10 - ELECTRICAL

FIGURE 10-38. CLEARSKY INSTALLATION

ITEM	PART NUMBER	QTY	DESCRIPTION	REV
	1001290040	Ref	CLEARSKY INSTALLATION	B
1	0100011	AR	Compound, Locking	
2	3300449	1	Nut 1/4	
4	4031907	3	Capscrew M8 x 16	
5	4711400	2	Washer 1/4	
6	4740428	4	Washer 5/16	
7	4811400	2	Washer M4	
8	4811900	3	Washer M8	
9	4831400	2	Washer, M4	
10	8310410	2	Nut #8	
11	1001146588	AR	Tie-Strap (Not Shown)	
12	1001280661	1	Module, ClearSky	
13	1001286599	1	Bracket, ClearSky Mounting	
14	1001286941	1	Harness, ClearSky (See Separate Breakdown in this Section)	
15	1001289060	1	Mount, ClearSky Pivot	
16	1001289299	2	Washer #8	
17	1001289300	1	Magnet, Studded (16mm Diameter)	
18	1001289301	1	Magnet, Studded (20mm Diameter)	
19	1001289647	1	Capscrew 1/4 x 4	
20	1001289648	1	Plate, Anti-Tamper	
21	3290401	2	Nut, M4	
22	1001291056	2	Gasket, ClearSky CS550	

SECTION 10 - ELECTRICAL

FIGURE 10-39. CLEARSKY HARNESS



ART_1001286941

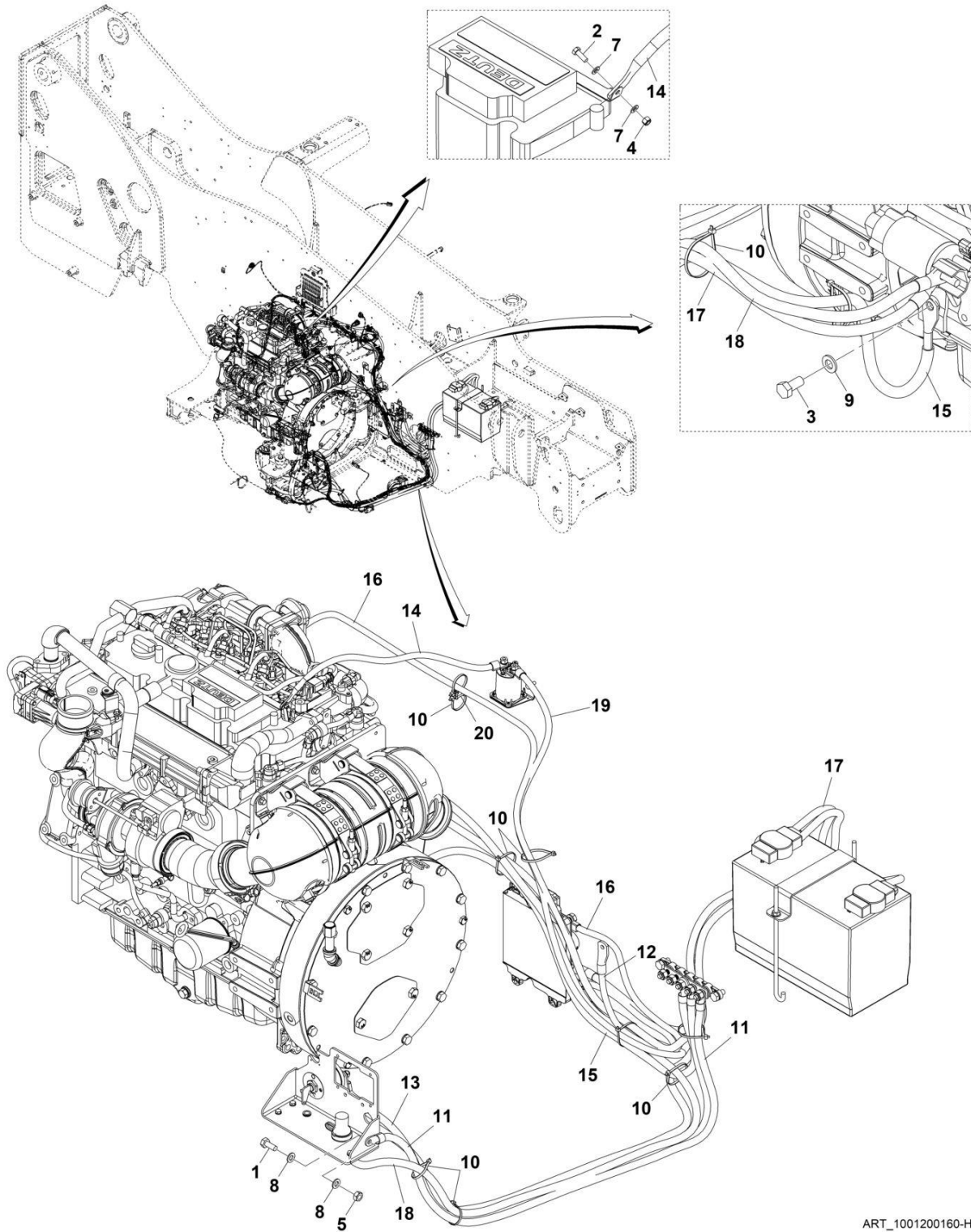
SECTION 10 - ELECTRICAL

FIGURE 10-39. CLEARSKY HARNESS

ITEM	PART NUMBER	QTY	DESCRIPTION	REV
	1001286941	Ref	CLEARSKY HARNESS	A
1	4460930	1	Connector	
1	4460465	8	Socket	
2	1001112796	1	Connector	
2	4460465	8	Socket	
2	4460466	1	Plug	

SECTION 10 - ELECTRICAL

FIGURE 10-40. ENGINE - ENGINE BAY ELECTRICAL INSTALLATION (ULS)



ART_1001200160-H

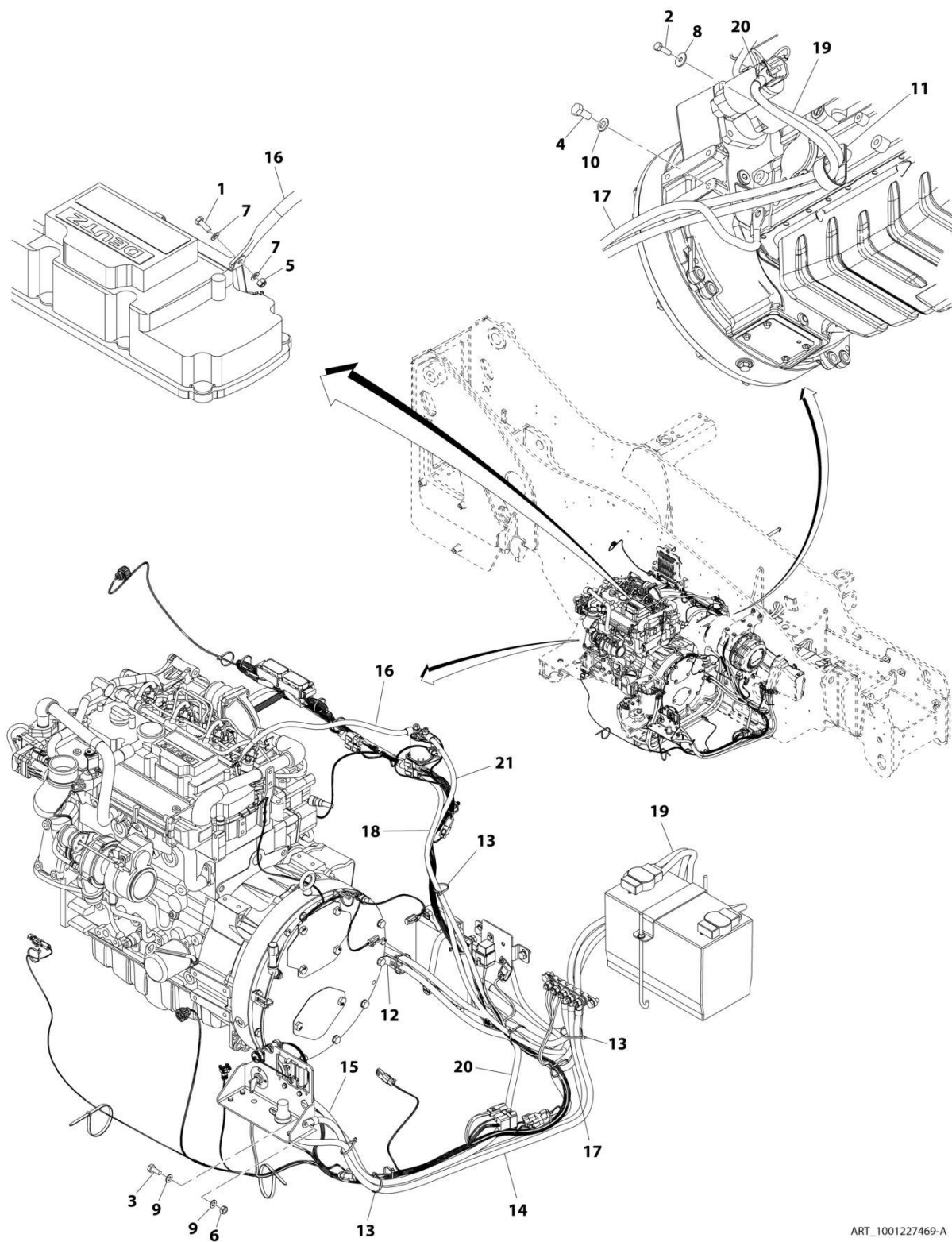
SECTION 10 - ELECTRICAL

FIGURE 10-40. ENGINE - ENGINE BAY ELECTRICAL INSTALLATION (ULS)

ITEM	PART NUMBER	QTY	DESCRIPTION	REV
	1001200160	Ref	Engine Bay Electrical Installation	I
1	0761012	1	Bolt, M10X25	
2	0760507	1	Bolt, M5X14	
3	0761212	1	Bolt, M12X25	
4	3290505	1	Nut, Lock M5X0.8	
5	3291001	1	Nut, M10X1.5	
7	4811600	2	Washer, M5	
8	4812000	2	Washer, M10	
9	4812100	1	Washer, M12	
10	1001008559	10	Tie, Strap	
11	1001194103	1	Cable	
12	1001194244	1	Cable	
13	1001196502	1	Cable	
14	1001200161	1	Cable	
15	1001200162	1	Cable	
16	1001200164	1	Cable	
17	1001200165	1	Cable	
18	1001200166	1	Cable	
19	1001200167	1	Cable	
20	1001004723	1	Saddle	
21	1001293972	1	Cable, ECM Power (Not Shown)	

SECTION 10 - ELECTRICAL

FIGURE 10-41. ENGINE - ENGINE BAY ELECTRICAL INSTALLATION (LS)



ART_1001227469-A

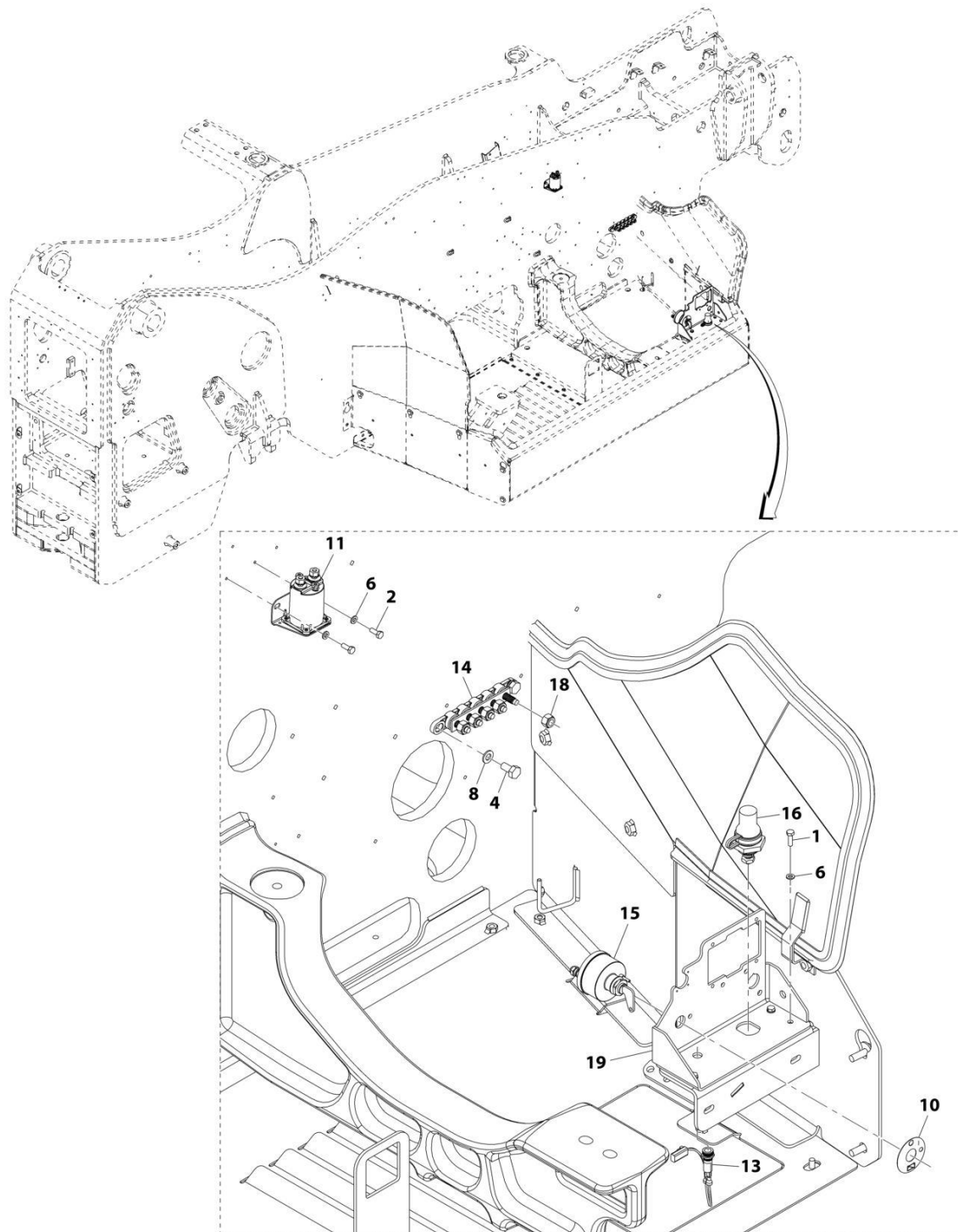
SECTION 10 - ELECTRICAL

FIGURE 10-41. ENGINE - ENGINE BAY ELECTRICAL INSTALLATION (LS)

ITEM	PART NUMBER	QTY	DESCRIPTION	REV
	1001227469	Ref	Engine Bay Electrical Installation	B
1	0760507	1	Bolt, M5X14	
2	0760812	1	Bolt, M8X25	
3	0761012	1	Bolt, M10X25	
4	0761212	1	Bolt, M12X25	
5	3290505	1	Nut, Lock M5X0.8 Grade 8	
6	3291001	1	Nut, M10X1.5 Grade 8	
7	4811600	2	Washer, M5	
8	4811902	1	Washer, M8	
9	4812000	2	Washer, M10	
10	4812100	1	Washer, M12	
11	85941018	1	Clamp	
12	1001003305	1	Clip	
13	1001008559	7	Tie, Strap	
14	1001194103	1	Cable	
15	1001196502	1	Cable	
16	1001200161	1	Cable	
17	1001200162	1	Cable	
18	1001200164	1	Cable	
19	1001200165	1	Cable	
20	1001200166	1	Cable	
21	1001200167	1	Cable	
22	1001293972	1	Cable, ECM Power (Not Shown)	

SECTION 10 - ELECTRICAL

FIGURE 10-42. ENGINE - ENGINE POD ELECTRICAL INSTALLATION (ULS)



ART_1001202172-C

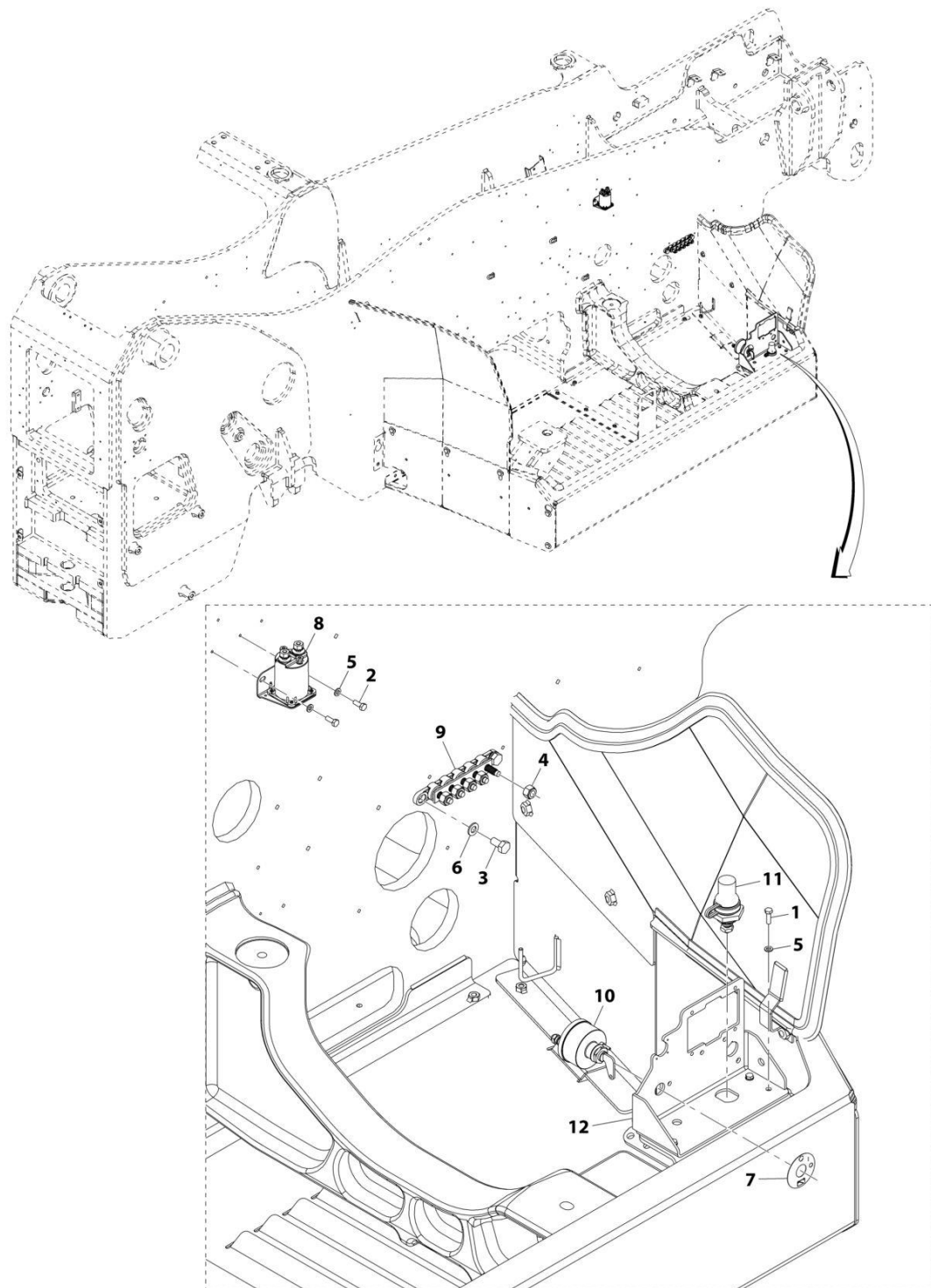
SECTION 10 - ELECTRICAL

FIGURE 10-42. ENGINE - ENGINE POD ELECTRICAL INSTALLATION (ULS)

ITEM	PART NUMBER	QTY	DESCRIPTION	REV
	1001202172	Ref	Engine Pod Electrical Installation (ULS)	C
1	0700610	4	Bolt, M6X20	
2	0760608	2	Bolt, M6X16	
4	0761010	2	Bolt, M10X20	
6	4811700	6	Washer, M6	
8	4812000	2	Washer, M10	
10	1001008540	1	Plate	
11	1001117308	1	Relay	
13	1001232288	1	Harness, DEF Purge Light (See Separate Breakdown in this Section)	
14	1001181128	1	Bussbar	
15	1001192142	1	Switch, Disconnect	
16	1001193993	1	Terminal, Battery	
18	3291005	5	Nut, Lock M10X1.5	
19	1001212886	1	Bracket	

SECTION 10 - ELECTRICAL

FIGURE 10-43. ENGINE - ENGINE POD ELECTRICAL INSTALLATION (LS)



ART_1001223066-A

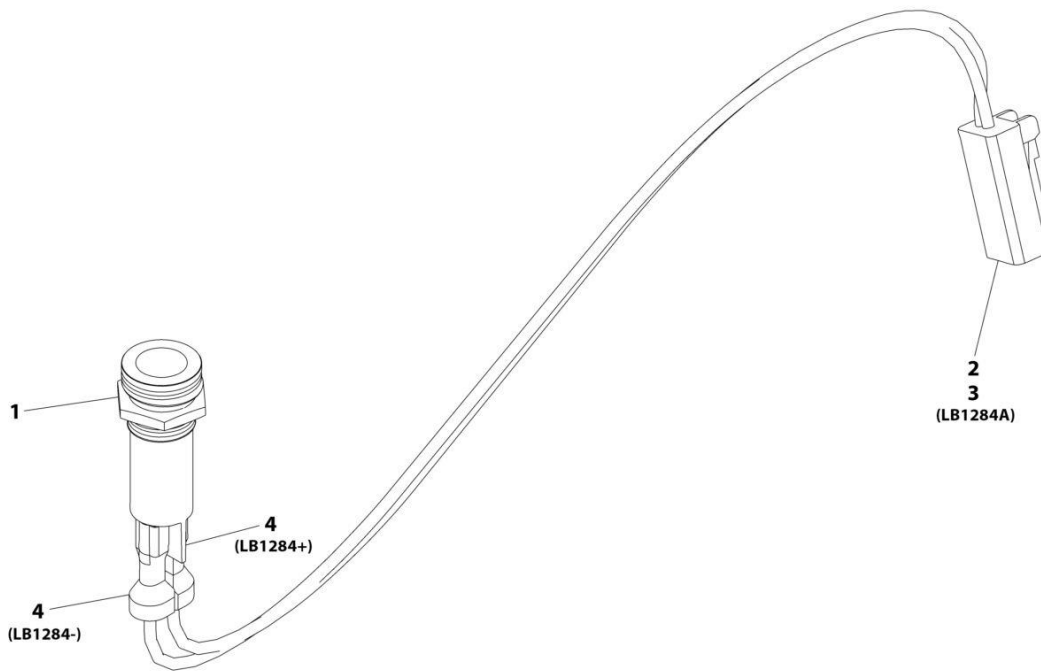
SECTION 10 - ELECTRICAL

FIGURE 10-43. ENGINE - ENGINE POD ELECTRICAL INSTALLATION (LS)

ITEM	PART NUMBER	QTY	DESCRIPTION	REV
	1001223066	Ref	Engine Pod Electrical Installation (LS)	A
1	0700610	4	Bolt, M6X20	
2	0760608	2	Bolt, M6X16	
3	0761010	2	Bolt, M10X20	
4	3291005	5	Nut, Lock M10X1.5	
5	4811700	6	Washer, M6	
6	4812000	2	Washer, M10	
7	1001008540	1	Plate	
8	1001117308	1	Relay	
9	1001181128	1	Bussbar	
10	1001192142	1	Switch, Disconnect	
11	1001193993	1	Stud, Terminal	
12	1001212886	1	Bracket	

SECTION 10 - ELECTRICAL

FIGURE 10-44. ENGINE - DEF PURGE LIGHT HARNESS



ART_1001232288-A

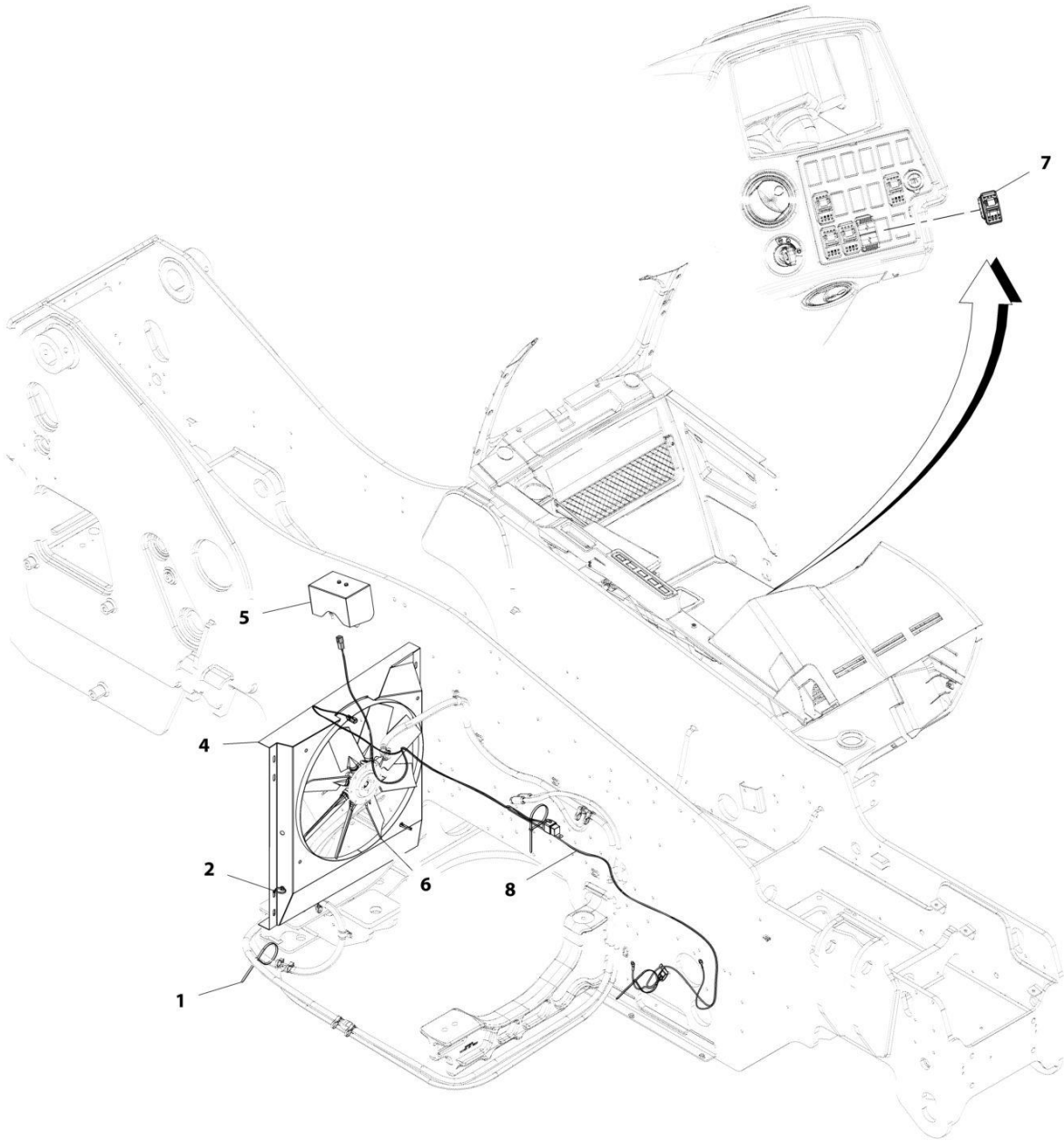
SECTION 10 - ELECTRICAL

FIGURE 10-44. ENGINE - DEF PURGE LIGHT HARNESS

ITEM	PART NUMBER	QTY	DESCRIPTION	REV
	1001232288	Ref	DEF Purge Light Harness	A
1	1001169825	1	LED Lamp 12V	
2	4461290	1	Connector	
3	1001126008	2	Terminal	
4	8220108	2	Connector	

SECTION 10 - ELECTRICAL

FIGURE 10-45. ENGINE - FAN (REVERSE COOLING) INSTALLATION



ART_1001217753-C

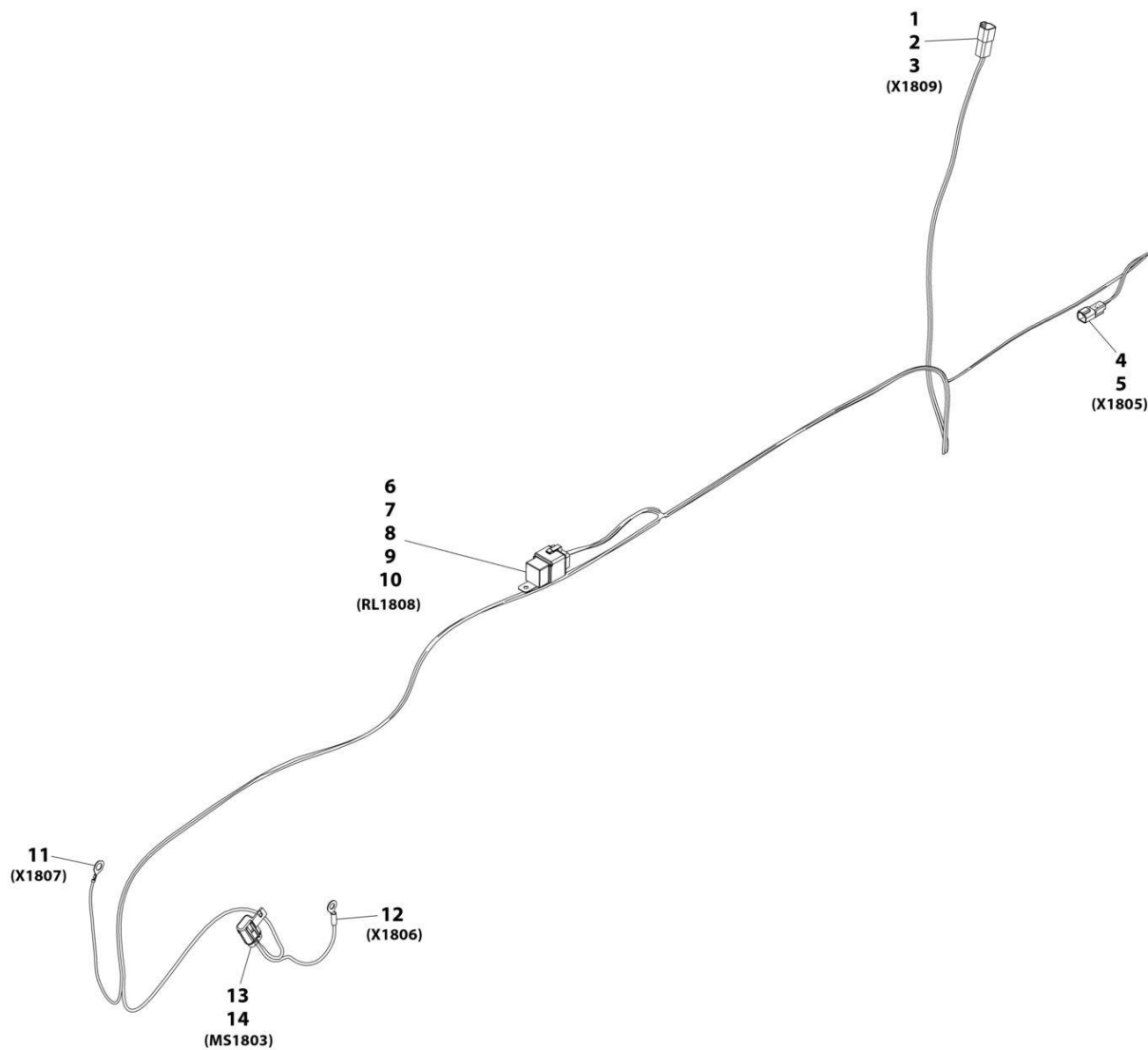
SECTION 10 - ELECTRICAL

FIGURE 10-45. ENGINE - FAN (REVERSE COOLING) INSTALLATION

ITEM	PART NUMBER	QTY	DESCRIPTION	REV
	1001217753	Ref	Reverse Cooling Fan Installation	C
1	1062255	3	Strap, Tie	
2	1001146588	2	Strap, Fir Tree Cable Tie	
4	1001217756	1	Shroud	
5	1001217757	1	Installation, Cover (See Separate Breakdown in this Section)	
6	1001217760	1	Kit, Reversing Fan	
6	70030353	1	Pneumatic Line	
6	70030355	1	Fan, Reverse	
6	70030356	1	Compressor	
7	1001145204	1	Switch	
8	1001221493	1	Harness, Reversing Fan (See Separate Breakdown in ELECTRICAL Section)	

SECTION 10 - ELECTRICAL

FIGURE 10-46. ENGINE - FAN (REVERSE COOLING) HARNESS



ART_1001221493-B

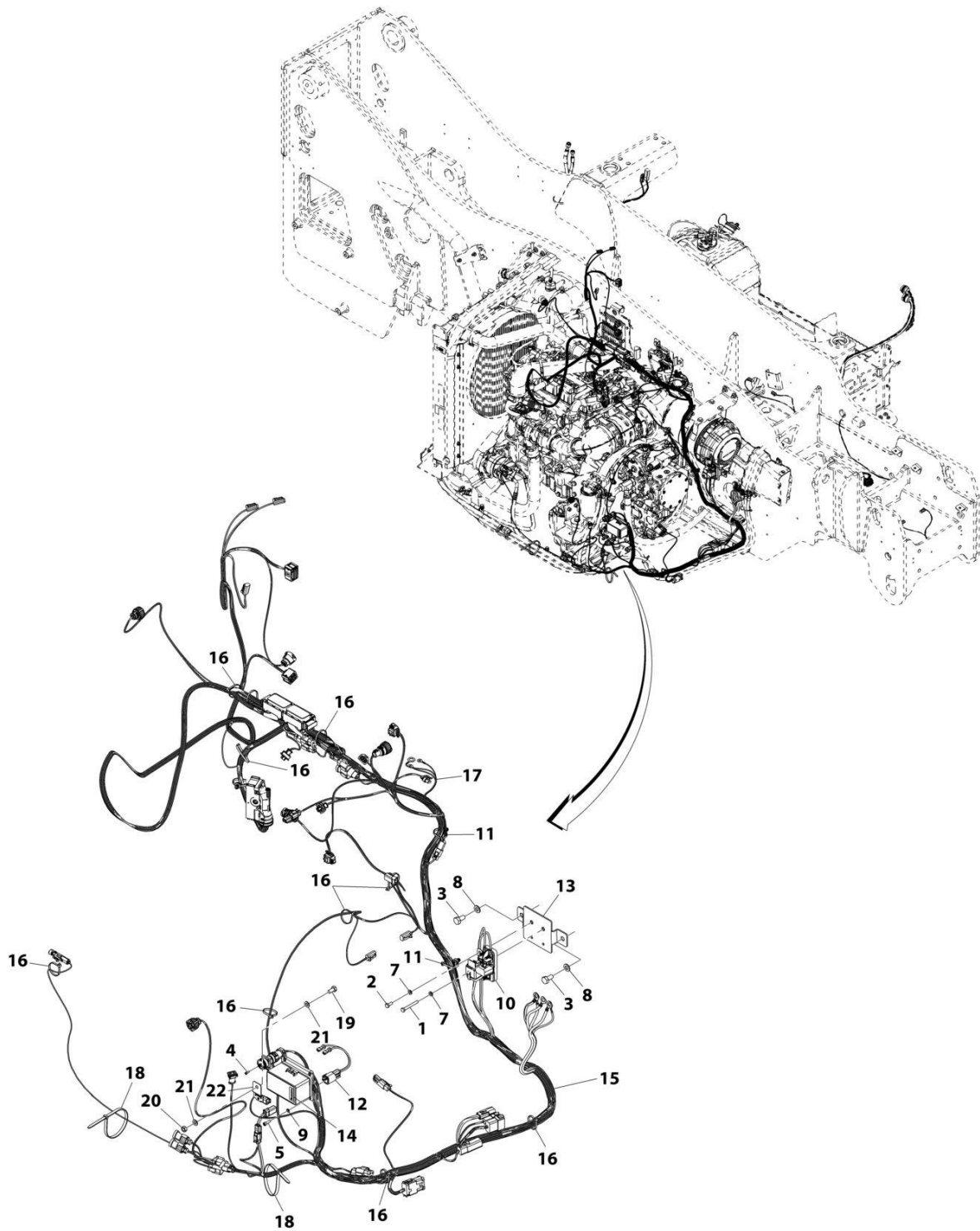
SECTION 10 - ELECTRICAL

FIGURE 10-46. ENGINE - FAN (REVERSE COOLING) HARNESS

ITEM	PART NUMBER	QTY	DESCRIPTION	REV
	1001221493	Ref	Reversing Fan Harness	B
1	4460932	1	Connector	
2	4460941	2	Terminal	
3	4460466	2	Plug	
4	4460897	1	Connector	
5	4460464	2	Terminal	
6	1001118282	1	Connector	
7	1001116734	1	Terminal	
8	1001116732	2	Terminal	
9	1001128128	1	Plug	
10	1001116733	1	Terminal	
11	1001187078	1	Ring Terminal	
12	8220045	1	Ring Terminal	
13	1001117024	1	Connector	
14	1001116734	2	Terminal	

SECTION 10 - ELECTRICAL

FIGURE 10-47. ENGINE WIRING INSTALLATION (ULS)



ART_1001200106-H

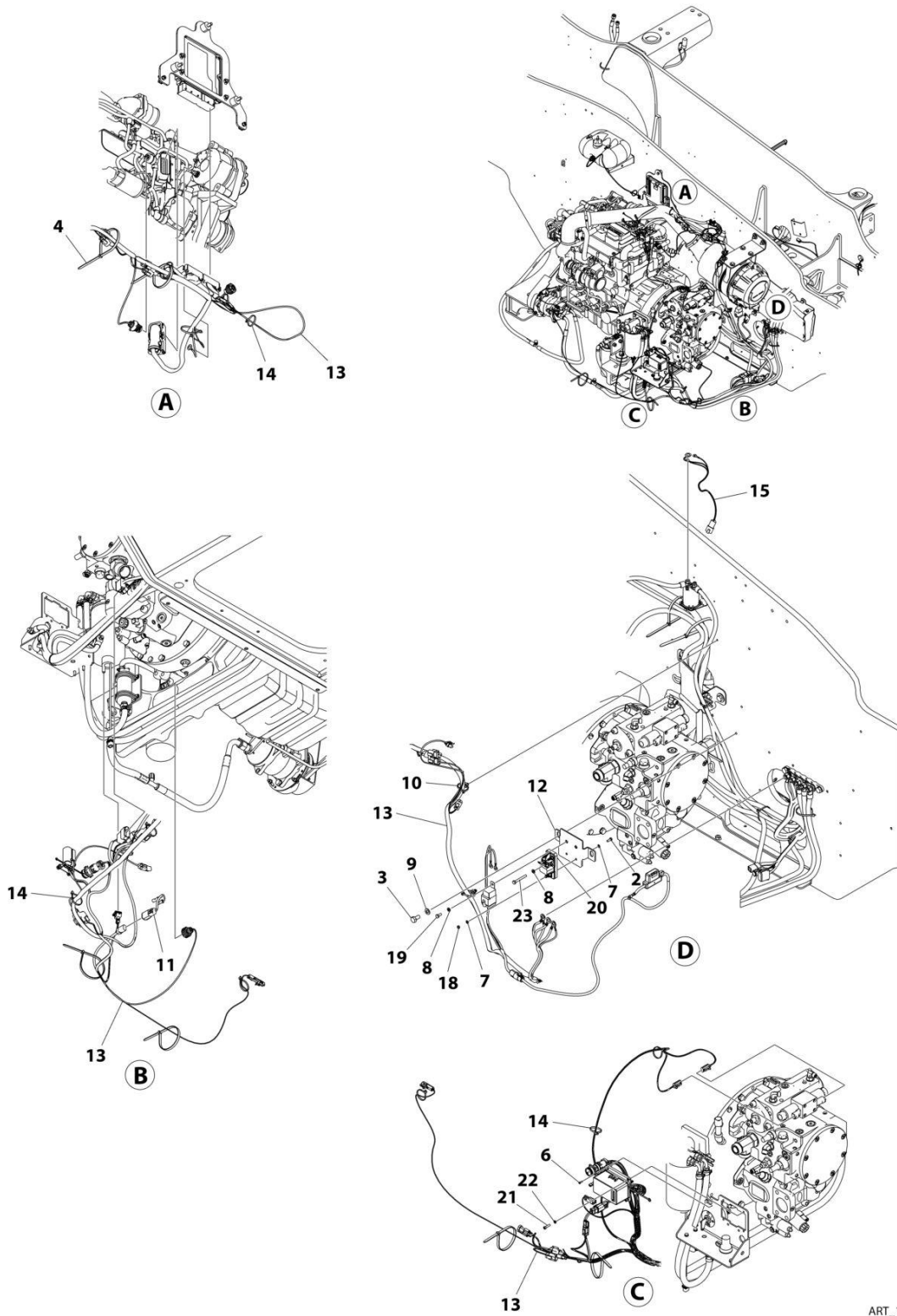
SECTION 10 - ELECTRICAL

FIGURE 10-47. ENGINE WIRING INSTALLATION (ULS)

ITEM	PART NUMBER	QTY	DESCRIPTION	REV
	1001200106	Ref	Engine Wiring Installation (ULS)	1
1	0700618	1	Bolt, M6X50	
2	0760607	1	Bolt, M6X14	
3	0761010	2	Bolt M10X20	
4	4031205	3	Bolt, M3X10	
5	4031607	4	Bolt, M5-0.8X16	
7	4811700	2	Washer, M6	
8	4812000	2	Washer, M10	
9	4831600	4	Washer, Lock M5	
10	1001131177	1	Fuse	
11	1001146588	3	Strap, Cable Tie	
12	1001182929	1	Harness, Fuel Pump (See Separate Breakdown in this Section)	
13	1001189046	1	Bracket	
14	1001191546	1	Decal, Fuse	
15	1001285934	1	Harness, Engine (See Separate Breakdown in this Section)	
16	1001008559	11	Strap, Cable	
17	1001182930	1	Harness, Glow Plug Relay (See Separate Breakdown in this Section)	
18	1062255	2	Strap, Tie	
19	0700808	1	Bolt, M8X16	
20	3290801	1	Nut, M8X1.25	
21	4811900	2	Washer, M8	
22	1001153749	1	Clip	
23	1001293972	1	Cable, ECM Power (Not Shown)	

SECTION 10 - ELECTRICAL

FIGURE 10-48. ENGINE WIRING INSTALLATION (LS)



ART_1001217752

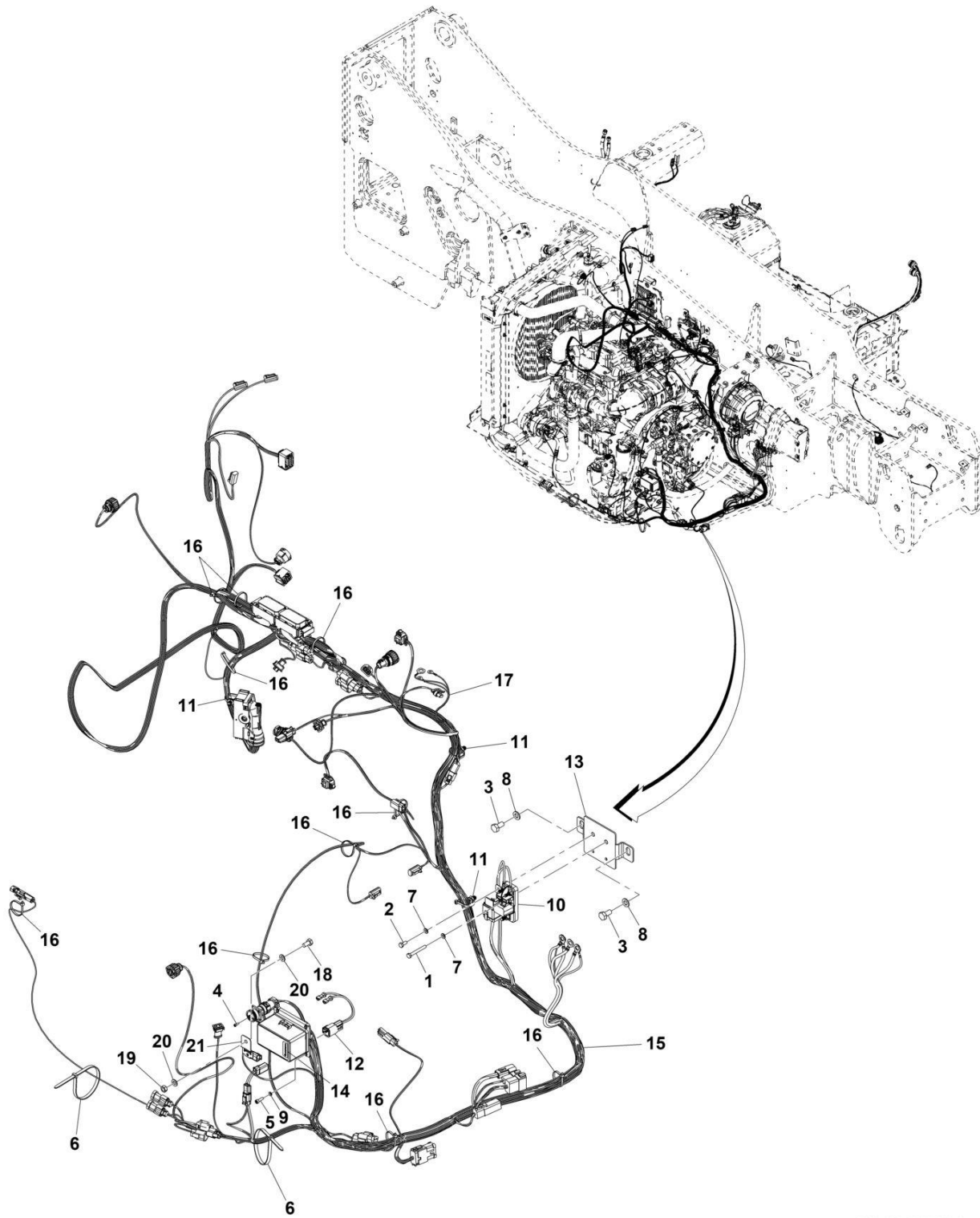
SECTION 10 - ELECTRICAL

FIGURE 10-48. ENGINE WIRING INSTALLATION (LS)

ITEM	PART NUMBER	QTY	DESCRIPTION	REV
	1001217752	Ref	ENGINE WIRING INSTALLATION	D
2	0760507	1	Bolt M5 x 14	
3	0761010	2	Bolt M10 x 20	
4	1062255	2	Strap, Tie	
6	4031205	3	Bolt M3 x 10	
7	4811600	2	Washer M5	
8	4811700	2	Washer M6	
9	4812000	2	Washer M10	
10	1001146588	2	Strap, Cable Tie	
11	1001182929	1	Harness, Fuel Pump (See Separate Breakdown in this Section)	
12	1001189046	1	Bracket	
13	1001285934	1	Harness, Engine (LS) (See Separate Breakdown in this Section)	
14	1001008559	10	Strap, Cable	
15	1001182930	1	Harness, Glow Plug Relay (See Separate Breakdown in this Section)	
18	3290501	1	Nut M5	
19	0760607	1	Bolt M6 x 14	
20	1001131177	1	Fuse	
21	4031608	4	Bolt M5 x 20	
22	4831600	4	Washer M5	
23	0700618	1	Bolt M6 x 50	
24	1001293972	1	Cable, ECM Power (Not Shown)	

SECTION 10 - ELECTRICAL

FIGURE 10-49. ENGINE WIRING INSTALLATION (MINING) (ULS)



ART_1001228728_C

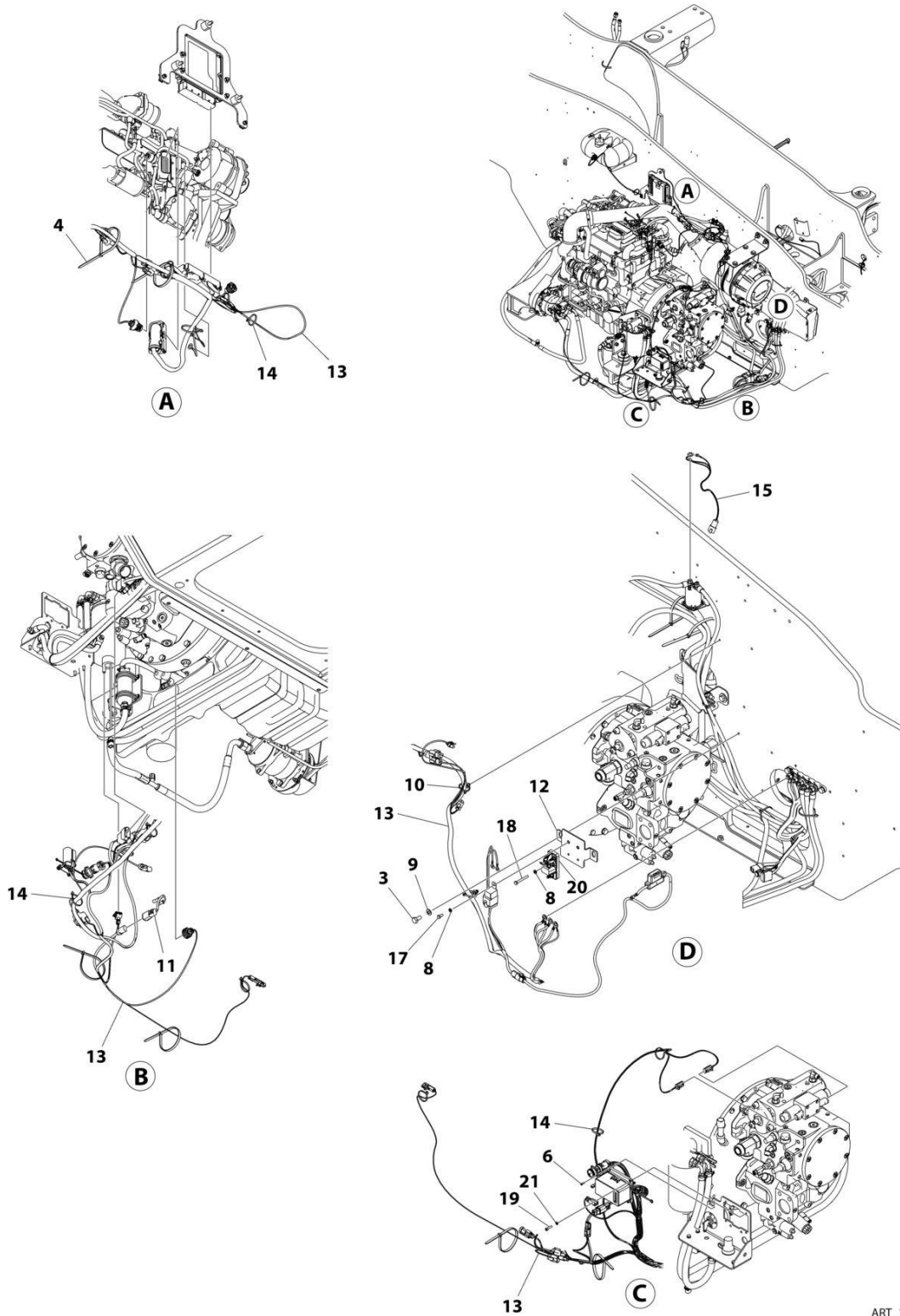
SECTION 10 - ELECTRICAL

FIGURE 10-49. ENGINE WIRING INSTALLATION (MINING) (ULS)

ITEM	PART NUMBER	QTY	DESCRIPTION	REV
	1001228728	Ref	Engine Wiring Installation (Mining) (ULS)	C
1	0700618	1	Bolt, M6X50	
2	0760607	1	Bolt, M6X14	
3	0761010	2	Bolt, M10X20	
4	4031205	3	Bolt, M3X10	
5	4031607	4	Bolt, M5X16	
6	1062255	2	Strap, Tie	
7	4811700	2	Washer, M6	
8	4812000	2	Washer, M10	
9	4831600	4	Washer, Lock M5	
10	1001131177	1	Fuse	
11	1001146588	3	Strap, Cable Tie	
12	1001228733	1	Harness, Fuel Pump (See Separate Breakdown in this Section)	
13	1001189046	1	Bracket	
14	1001191546	1	Decal, Fuse	
15	1001286174	1	Harness, Engine (Mining) (ULS) (See Separate Breakdown in this Section)	
16	1001008559	11	Strap, Cable	
17	1001228732	1	Harness, Glow Plug Relay (See Separate Breakdown in this Section)	
18	0700808	1	Bolt, M8X16	
19	3290801	1	Nut, M8X1.25	
20	4811900	2	Washer, M8	
21	1001153749	1	Clip	
22	1001293972	1	Cable, ECM Power (Not Shown)	

SECTION 10 - ELECTRICAL

FIGURE 10-50. ENGINE WIRING INSTALLATION (MINING) (LS)



ART_1001228735

SECTION 10 - ELECTRICAL

FIGURE 10-50. ENGINE WIRING INSTALLATION (MINING) (LS)

ITEM	PART NUMBER	QTY	DESCRIPTION	REV
	1001228735	Ref	Engine Wiring Installation Mining (LS)	B
3	0761010	2	Bolt M10 x 20	
4	1062255	2	Strap, Tie	
6	4031205	3	Bolt M3 x 10	
8	4811700	2	Washer M6	
9	4812000	2	Washer M10	
10	1001146588	2	Strap, Cable Tie	
11	1001228733	1	Harness, Fuel Pump (See Separate Breakdown in this Section)	
12	1001189046	1	Bracket	
13	1001286174	1	Harness, Engine (Mining) (ULS) (See Separate Breakdown in this Section)	
14	1001008559	10	Strap, Cable	
15	1001228732	1	Harness, Glow Plug Relay (See Separate Breakdown in this Section)	
17	0760607	1	Bolt M6 x 14	
18	0700618	1	Bolt M6 x 50	
19	4031608	4	Bolt M5 x 20	
20	1001131177	1	Fuse	
21	4831600	4	Washer M5	
22	1001293972	1	Cable, ECM Power (Not Shown)	

SECTION 10 - ELECTRICAL

FIGURE 10-51. ENGINE HARNESS (ULS)

ITEM	PART NUMBER	QTY	DESCRIPTION	REV
	1001244428	Ref	Engine Harness (ULS)	A
1	1001202723	1	Connector	
2	1001167623	5	Plug	
3	1001166555	13	Terminal	
4	1001167621	50	Terminal	
5	1001167622	37	Plug	
6	4460539	1	Connector	
7	4460465	3	Terminal	
8	1001126487	1	Connector	
9	1001167635	2	Terminal	
10	1001126485	2	Terminal Seal	
11	1001167631	1	Connector	
12	1001167630	4	Terminal	
13	1001126485	4	Terminal Seal	
14	1001187070	1	Ring Terminal	
15	1001148842	1	Connector	
16	1001148841	3	Terminal	
17	1001135651	1	Plug	
18	1001135650	3	Terminal Seal	
19	1001202722	1	Connector	
20	1001166551	6	Terminal	
21	1001126353	6	Terminal Seal	
22	1001167622	58	Plug	
23	1001167621	21	Terminal	
24	1001167623	6	Plug	
25	1001138116	1	Connector	
26	1001133715	3	Terminal	
27	1001135650	4	Terminal Seal	
28	1001126487	1	Connector	
29	1001167634	2	Terminal	
30	1001126485	2	Terminal Seal	
31	1001209097	1	Connector	
32	8220124	2	Terminal	
33	4460608	2	Terminal Seal	
34	1001126362	1	Connector	
35	1001166556	26	Terminal	
36	1001126393	36	Terminal Seal	
37	1001126391	19	Plug	
38	4461008	2	Plug	
39	4461006	2	Terminal Seal	
40	4461054	2	Terminal Wire Seal	
41	1001166543	4	Terminal	
42	1001166774	10	Terminal	
43	1001126487	1	Connector	
44	1001167634	2	Terminal	
45	1001126485	2	Terminal Seal	
46	1001116812	1	Connector	
47	4460944	2	Terminal	
48	4460466	1	Plug	
49	4460539	1	Connector	

SECTION 10 - ELECTRICAL

ITEM	PART NUMBER	QTY	DESCRIPTION	REV
50	4460944	2	Terminal	
51	4460466	1	Plug	
52	4460891	1	Connector	
53	4460465	2	Terminal	
54	4460539	1	Connector	
55	4460944	2	Terminal	
56	4460466	1	Plug	
57	1001116812	1	Connector	
58	4460944	2	Terminal	
59	4460466	1	Plug	
60	1001116811	1	Connector	
61	1001150610	2	Terminal	
62	4460508	1	Terminal	
63	4460466	1	Plug	
64	1001144147	1	Connector	
65	4460464	2	Terminal	
66	4460466	1	Plug	
67	4460894	1	Connector	
68	4460466	1	Plug	
69	4460465	5	Terminal	
70	1001126245	1	Connector	
71	1001126008	2	Terminal	
72	1001167629	1	Connector	
73	1001167630	4	Terminal	
74	1001126485	4	Terminal Seal	
75	1001207171	1	Ring Terminal, (with boot)	
76	1001207171	1	Ring Terminal, (with boot)	
77	1001118282	1	Connector	
78	1001116734	2	Terminal	
79	1001116732	2	Terminal	
80	1001128128	1	Plug	
81	1001187080	1	Ring Terminal	
82	1001187080	1	Ring Terminal	
83	1001187078	1	Ring Terminal	
84	1001187080	1	Ring Terminal	
85	1001187080	1	Ring Terminal	
86	4460970	1	Connector	
87	4460464	9	Terminal	
88	4460466	3	Plug	
89	1001167616	1	Connector	
90	1001190921	1	Fuse Box Foam Seal	
91	4460748	7	Plug	
92	8220097	23	Terminal	
93	1001175265	19	Terminal Seal	
94	8220098	9	Terminal	
95	4460458	11	Terminal Seal	
96	1001116725	6	Terminal	
97	80963067	1	Terminal Seal	
98	1001190037	5	Terminal Seal	
99	1001190921	1	Fuse Box Foam Seal	
100	2902443	1	Connector	

SECTION 10 - ELECTRICAL

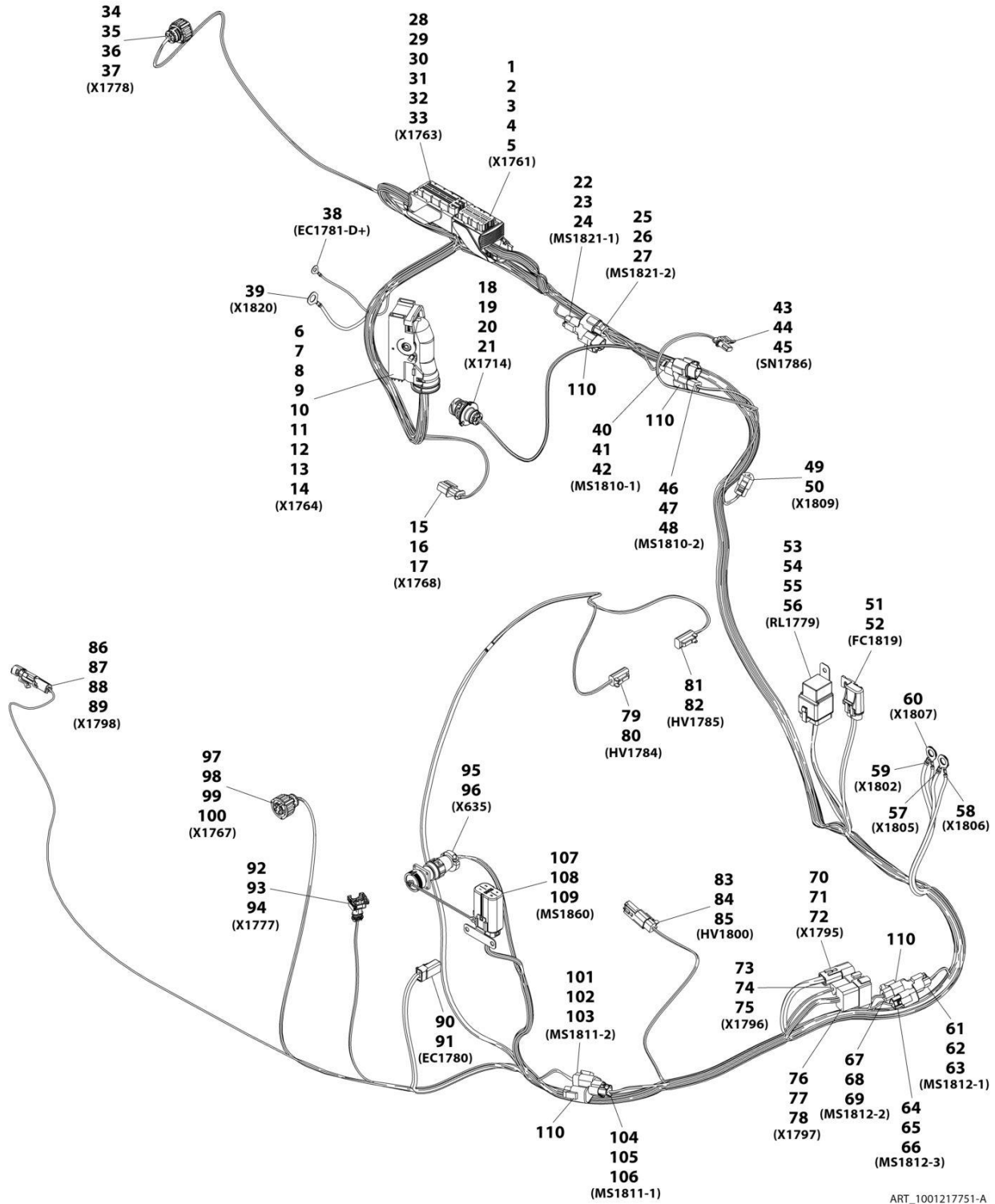
ITEM	PART NUMBER	QTY	DESCRIPTION	REV
101	4461071	6	Terminal	
102	1001153612	1	Connector	
103	1001126011	2	Terminal	
104	4460891	1	Connector	
105	4460465	2	Terminal	
106	4460891	1	Connector	
107	4460465	2	Terminal	
108	4460891	1	Connector	
109	4460465	2	Terminal	
110	1001167636	1	Connector	
111	1001166707	2	Terminal	
112	4461006	2	Terminal Seal	
113	4461095	1	Connector	
114	4460944	2	Terminal	
115	4460466	1	Plug	
116	4461095	1	Connector	
117	4460944	2	Terminal	
118	4460466	1	Plug	
119	4460891	1	Connector	
120	4460465	2	Terminal	
121	4460539	1	Connector	
122	4460944	2	Terminal	
123	4460466	1	Plug	
124	4460933	1	Connector	
125	4460465	12	Terminal	
126	4461018	1	Connector	
127	4460509	2	Terminal	
128	80963056	1	Connector	
129	4460979	1	Terminal	
130	1001175265	1	Terminal Seal	
131	4461095	1	Connector	
132	4460944	2	Terminal	
133	4460466	1	Plug	
134	1001133714	1	Connector	
135	1001133715	3	Terminal	
136	1001135650	3	Terminal Seal	
137	1001135651	1	Plug	
138	1001116812	1	Connector	
139	4460944	2	Terminal	
140	4460466	1	Plug	
141	4460539	1	Connector	
142	4460944	2	Terminal	
143	4460466	1	Plug	
144	1001116812	1	Connector	
145	4460944	2	Terminal	
146	4460466	1	Plug	
147	1001133714	1	Connector	
148	1001133715	3	Terminal	
149	1001135650	3	Terminal Seal	
150	1001135651	1	Plug	
151	4460891	1	Connector	

SECTION 10 - ELECTRICAL

ITEM	PART NUMBER	QTY	DESCRIPTION	REV
152	4460942	2	Terminal	
153	4460891	1	Connector	
154	4460942	2	Terminal	
155	1001167528	1	Connector	
156	1001167528	3	Terminal	
157	1001137578	3	Seal	
158	1001165194	1	Connector	
159	1001126391	2	Plug	
160	1001166556	8	Terminal	
161	1001166774	2	Terminal	
162	1001126393	10	Terminal Seal	
163	4460891	1	Connector	
164	4460942	2	Terminal	
165	1001167620	1	Connector	
166	1001176004	2	Terminal	
167	1001176002	2	Terminal Seal	
168	1001167624	2	Plug	
169	4460466	6	Plug	
170	4460892	1	Mating Connector	
171	4460897	3	Mating Connector	
172	4460945	4	Connector, 3 Way	
173	4461070	2	Terminator Resistor	
174	80963055	1	Mating Connector	
175	1001116727	1	Plug	
176	1001116815	3	Connector	
177	1001125677	1	Mating Connector	
178	1001187882	1	Cover	

SECTION 10 - ELECTRICAL

FIGURE 10-52. ENGINE HARNESS (LS)



ART_1001217751-A

SECTION 10 - ELECTRICAL

FIGURE 10-52. ENGINE HARNESS (LS)

ITEM	PART NUMBER	QTY	DESCRIPTION	REV
	1001217751	Ref	Engine Harness, (LS)	A
1	1001126360	1	Connector	
2	1001126357	11	Plug	
3	1001126351	13	Terminal	
4	1001126356	19	Plug	
5	1001126384	17	Terminal	
6	1001126362	1	Connector	
7	1001166556	24	Terminal	
8	1001166701	24	Terminal Seal	
9	1001126391	22	Plug	
10	1001166774	10	Terminal	
11	1001126393	10	Terminal Seal	
12	4461008	4	Plug	
13	1001166543	2	Terminal	
14	4461054	2	Terminal Seal	
15	1001138110	1	Connector	
16	1001138111	2	Terminal	
17	1001138113	2	Terminal Seal	
18	1001148842	1	Connector	
19	1001148841	3	Terminal	
20	1001135650	3	Terminal Seal	
21	1001135651	1	Plug	
22	1001116812	1	Connector	
23	4460944	2	Terminal	
24	4460466	1	Plug	
25	4460539	1	Connector	
26	4460944	2	Terminal	
27	4460466	1	Plug	
28	1001126349	1	Connector	
29	1001126352	6	Terminal	
30	1001126353	6	Terminal Seal	
31	1001126357	2	Plug	
32	1001126356	65	Plug	
33	1001126384	21	Terminal	
34	1001133714	1	Connector	
35	1001133715	3	Terminal	
36	1001135650	3	Terminal Seal	
37	1001135651	1	Plug	
38	1001187070	1	Ring Terminal	
39	1001187078	1	Ring Terminal	
40	1001116812	1	Connector	
41	4460944	2	Terminal	
42	4460466	1	Plug	
43	1001117068	1	Connector	
44	8220124	2	Terminal	
45	4460608	2	Terminal Seal	
46	4460539	1	Connector	
47	4460944	2	Terminal	
48	4460466	1	Plug	
49	4460539	1	Connector	

SECTION 10 - ELECTRICAL

ITEM	PART NUMBER	QTY	DESCRIPTION	REV
50	4460465	3	Terminal	
51	1001117018	1	Connector	
52	1001116734	2	Terminal	
53	1001118282	1	Connector	
54	1001116734	2	Terminal	
55	1001116733	2	Terminal	
56	1001128128	1	Plug	
57	1001187079	1	Ring Terminal	
58	1001187078	1	Ring Terminal	
59	1001187079	1	Ring Terminal	
60	1001187078	1	Ring Terminal	
61	1001116812	1	Connector	
62	4460944	2	Terminal	
63	4460466	1	Plug	
64	1001116812	1	Connector	
65	4460944	2	Terminal	
66	4460466	1	Plug	
67	4460539	1	Connector	
68	4460944	2	Terminal	
69	4460466	1	Plug	
70	1001116811	1	Connector	
71	1001150610	3	Terminal	
72	4460466	1	Plug	
73	1001144147	1	Connector	
74	4460944	2	Terminal	
75	4460466	1	Plug	
76	4460970	1	Connector	
77	4460464	8	Terminal	
78	4460466	4	Plug	
79	4460891	1	Connector	
80	4460465	2	Terminal	
81	4460891	1	Connector	
82	4460465	2	Terminal	
83	4460891	1	Connector	
84	4460465	2	Terminal	
85	4460897	1	Mating Connector	
86	80963056	1	Connector	
87	80963055	1	Mating Connector	
88	4460979	1	Terminal	
89	1001175265	1	Terminal Seal	
90	4461018	1	Connector	
91	4460509	2	Terminal	
92	1001116983	1	Connector	
93	1001116710	2	Terminal	
94	4461006	2	Terminal Seal	
95	2902443	1	Connector	
96	4461071	6	Terminal	
97	1001133714	1	Connector	
98	1001133715	3	Terminal	
99	1001135650	3	Terminal Seal	
100	1001135651	1	Plug	

SECTION 10 - ELECTRICAL

ITEM	PART NUMBER	QTY	DESCRIPTION	REV
101	4460539	1	Connector	
102	4460944	2	Terminal	
103	4460466	1	Plug	
104	1001116812	1	Connector	
105	4460944	2	Terminal	
106	4460466	1	Plug	
107	1001184551	1	Connector	
108	1001116728	8	Terminal	
109	1001175265	8	Terminal Seal	
110	4460945	4	Connector, 3 Way	

SECTION 10 - ELECTRICAL

FIGURE 10-53. ENGINE HARNESS (MINING) (ULS)

ITEM	PART NUMBER	QTY	DESCRIPTION	REV
	1001244429	Ref	Engine Harness (Mining) (ULS)	A
1	1001202723	1	Connector	
2	1001167623	5	Plug	
3	1001166555	13	Terminal	
4	1001167621	50	Terminal	
5	1001167622	37	Plug	
6	4460539	1	Connector	
7	4460465	3	Terminal	
8	1001126487	1	Connector	
9	1001167635	2	Terminal	
10	1001126485	2	Terminal Seal	
11	1001167631	1	Connector	
12	1001167630	4	Terminal	
13	1001126485	4	Terminal Seal	
14	1001187070	1	Ring Terminal	
15	1001148842	1	Connector	
16	1001148841	3	Terminal	
17	1001135651	1	Plug	
18	1001135650	3	Terminal Seal	
19	1001202722	1	Connector	
20	1001166551	6	Terminal	
21	1001126353	6	Terminal Seal	
22	1001167622	58	Plug	
23	1001167621	21	Terminal	
24	1001167623	6	Plug	
25	1001138116	1	Connector	
26	1001187882	1	Cover	
27	1001133715	3	Terminal	
28	1001135650	4	Terminal Seal	
29	1001126487	1	Connector	
30	1001167634	2	Terminal	
31	1001126485	2	Terminal Seal	
32	1001209097	1	Connector	
33	8220124	2	Terminal	
34	4460608	2	Terminal Seal	
35	1001126362	1	Connector	
36	1001166556	26	Terminal	
37	1001126393	36	Terminal Seal	
38	1001126391	20	Plug	
39	4461008	2	Plug	
40	4461006	2	Seal	
41	4461054	2	Terminal Wire Seal	
42	1001166543	4	Terminal	
43	1001166774	10	Terminal	
44	1001126487	1	Connector	
45	1001167634	2	Terminal	
46	1001126485	2	Terminal Seal	
47	1001116812	1	Connector	
48	4460944	2	Terminal	
49	4460466	1	Plug	

SECTION 10 - ELECTRICAL

ITEM	PART NUMBER	QTY	DESCRIPTION	REV
50	4460539	1	Connector	
51	4460944	2	Terminal	
52	4460466	1	Plug	
53	4460891	1	Connector	
54	4460897	1	Mating Connector	
55	4460465	2	Terminal	
56	4460466	2	Plug	
57	4460539	1	Connector	
58	4460944	2	Terminal	
59	4460466	1	Plug	
60	1001116812	1	Connector	
61	4460944	2	Terminal	
62	4460466	1	Plug	
63	1001116811	1	Connector	
64	1001150610	2	Terminal	
65	4460508	1	Terminal	
66	4460466	1	Plug	
67	1001144147	1	Connector	
68	4460464	2	Terminal	
69	4460466	1	Plug	
70	4460894	1	Connector	
71	4460892	1	Mating Connector	
72	4460466	1	Plug	
73	4460465	5	Terminal	
74	1001126245	1	Connector	
75	1001126008	2	Terminal	
76	1001167629	1	Connector	
77	1001167630	4	Terminal	
78	1001126485	4	Terminal Seal	
79	1001207171	1	Ring Terminal, (with boot)	
80	1001207171	1	Ring Terminal, (with boot)	
81	1001118282	1	Connector	
82	1001116734	2	Terminal	
83	1001116732	2	Terminal	
84	1001128128	1	Plug	
85	1001187080	1	Ring Terminal	
86	1001187080	1	Ring Terminal	
87	1001187078	1	Ring Terminal	
88	1001187080	1	Ring Terminal	
89	1001187080	1	Ring Terminal	
90	4460970	1	Connector	
91	4460464	9	Terminal	
92	4460466	3	Plug	
93	1001167616	1	Connector	
94	1001190921	1	Fuse Box Foam Seal	
95	4460748	12	Plug	
96	8220097	23	Terminal	
97	1001175265	21	Terminal Seal	
98	8220098	9	Terminal	
99	4460458	11	Terminal Seal	
100	1001116725	6	Terminal	

SECTION 10 - ELECTRICAL

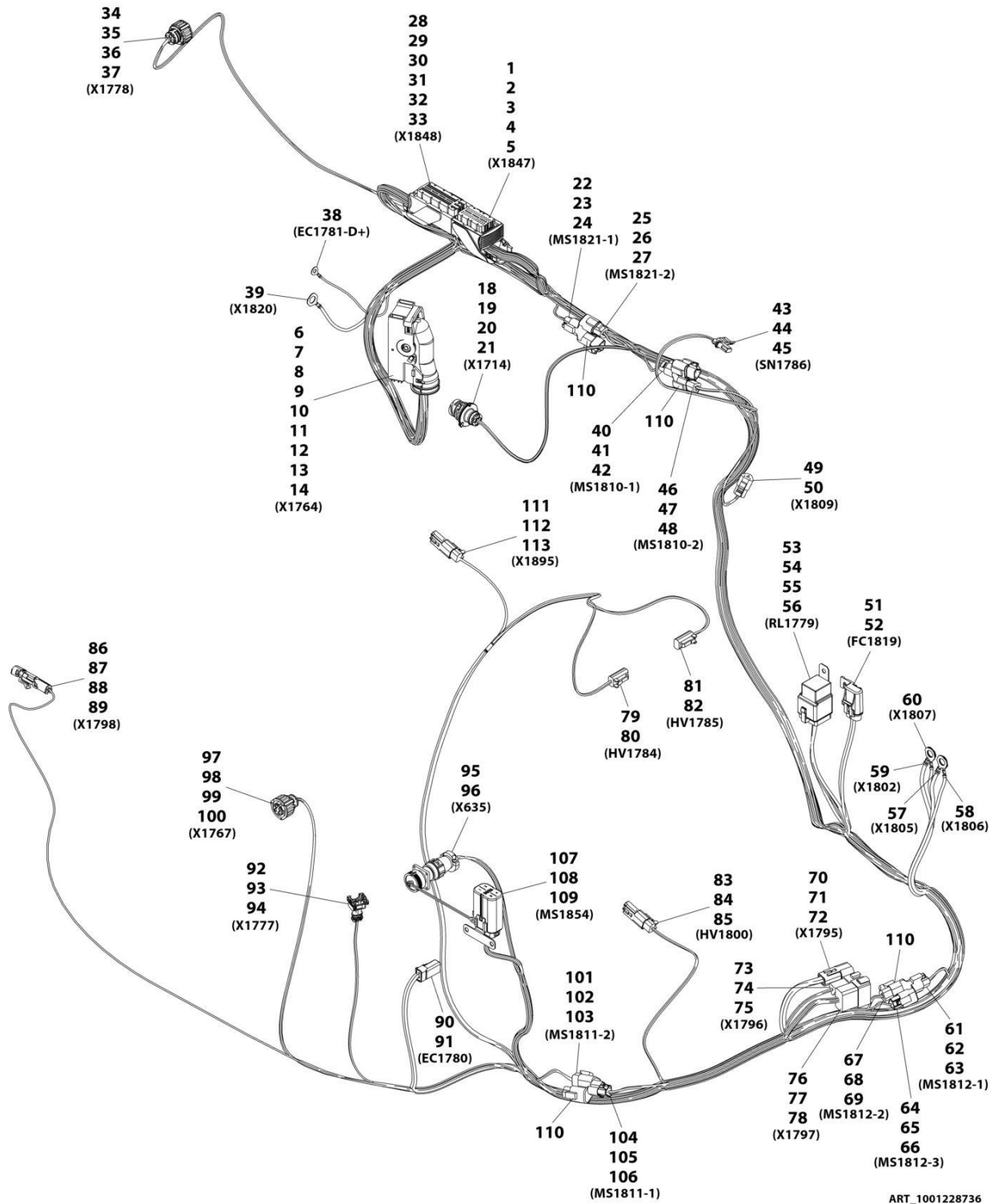
ITEM	PART NUMBER	QTY	DESCRIPTION	REV
101	80963067	1	Terminal Seal	
102	1001190037	5	Terminal Seal	
103	2902443	1	Connector	
104	4461071	6	Terminal	
105	1001153612	1	Connector	
106	1001126011	2	Terminal	
107	4460891	1	Connector	
108	4460465	2	Terminal	
109	4460891	1	Connector	
110	4460465	2	Terminal	
111	4460891	1	Connector	
112	4460465	2	Terminal	
113	4460897	1	Mating Connector	
114	4460466	2	Plug	
115	1001167636	1	Connector	
116	1001166707	2	Terminal	
117	4461006	2	Terminal Seal	
118	1001116812	1	Connector	
119	4460944	2	Terminal	
120	4460466	1	Plug	
121	4461095	1	Connector	
122	4461070	1	Terminator Resistor	
123	4460944	2	Terminal	
124	4460466	1	Plug	
125	4460891	1	Connector	
126	4460897	1	Mating Connector	
127	4460465	2	Terminal	
128	4460466	2	Plug	
129	4460539	1	Connector	
130	4460944	2	Terminal	
131	4460466	1	Plug	
132	4460933	1	Connector	
133	1001125677	1	Mating Connector	
134	4460465	12	Terminal	
135	4461018	1	Connector	
136	4460509	2	Terminal	
137	80963056	1	Connector	
138	80963055	1	Mating Connector	
139	4460979	1	Terminal	
140	1001175265	1	Terminal Seal	
141	1001116727	1	Plug	
142	4461095	1	Connector	
143	4461070	1	Terminator Resistor	
144	4460944	2	Terminal	
145	4460466	1	Plug	
146	1001133714	1	Connector	
147	1001133715	3	Terminal	
148	1001135650	3	Terminal Seal	
149	1001135651	1	Plug	
150	1001116812	1	Connector	
151	4460944	2	Terminal	

SECTION 10 - ELECTRICAL

ITEM	PART NUMBER	QTY	DESCRIPTION	REV
152	4460466	1	Plug	
153	4460539	1	Connector	
154	4460944	2	Terminal	
155	4460466	1	Plug	
156	1001116812	1	Connector	
157	4460944	2	Terminal	
158	4460466	1	Plug	
159	1001133714	1	Connector	
160	1001133715	3	Terminal	
161	1001135650	3	Terminal Seal	
162	1001135651	1	Plug	
163	4460891	1	Connector	
164	4460942	2	Terminal	
165	4460891	1	Connector	
166	4460942	2	Terminal	
167	1001167528	1	Connector	
168	1001166704	4	Terminal	
169	1001137578	4	Terminal Seal	
170	1001165194	1	Connector	
171	1001126391	2	Plug	
172	1001166556	8	Terminal	
173	1001166774	2	Terminal	
174	1001126393	10	Terminal Seal	
175	4460891	1	Connector	
176	4460942	2	Terminal	
177	1001167620	1	Connector	
178	1001176004	2	Terminal	
179	1001176002	2	Terminal Seal	
180	1001167624	2	Plug	
181	1001116815	3	Connector	
182	4460945	4	Connector, 3 Way	

SECTION 10 - ELECTRICAL

FIGURE 10-54. ENGINE HARNESS (MINING) (LS)



SECTION 10 - ELECTRICAL

FIGURE 10-54. ENGINE HARNESS (MINING) (LS)

ITEM	PART NUMBER	QTY	DESCRIPTION	REV
	1001228736	Ref	Engine Harness Mining, (LS)	B
1	1001202723	1	Connector	
2	1001167623	7	Plug	
3	1001166555	11	Terminal	
4	1001167622	62	Plug	
5	1001167621	24	Terminal	
6	1001126362	1	Connector	
7	1001166556	22	Terminal	
8	1001166701	22	Terminal Seal	
9	1001126391	24	Plug	
10	1001166774	10	Terminal	
11	1001126393	10	Terminal Seal	
12	4461008	4	Plug	
13	1001166543	2	Terminal	
14	4461054	2	Terminal Seal	
18	1001148842	1	Connector	
19	1001148841	3	Terminal	
20	1001135650	3	Terminal Seal	
21	1001135651	1	Plug	
22	1001116812	1	Connector	
23	4460944	2	Terminal	
24	4460466	1	Plug	
25	4460539	1	Connector	
26	4460944	2	Terminal	
27	4460466	1	Plug	
28	1001202722	1	Connector	
29	1001166551	6	Terminal	
30	1001126353	6	Terminal Seal	
31	1001167622	64	Plug	
32	1001167623	7	Plug	
33	1001167621	14	Terminal	
34	1001133714	1	Connector	
35	1001133715	3	Terminal	
36	1001135650	3	Terminal Seal	
37	1001135651	1	Plug	
38	1001187070	1	Ring Terminal	
39	1001187078	1	Ring Terminal	
40	1001116812	1	Connector	
41	4460944	2	Terminal	
42	4460466	1	Plug	
43	1001209097	1	Connector	
44	8220124	2	Terminal	
45	4460608	2	Terminal Seal	
46	4460539	1	Connector	
47	4460944	2	Terminal	
48	4460466	1	Plug	
49	4460539	1	Connector	
50	4460465	3	Terminal	
51	1001117018	1	Connector	
52	1001116734	2	Terminal	

SECTION 10 - ELECTRICAL

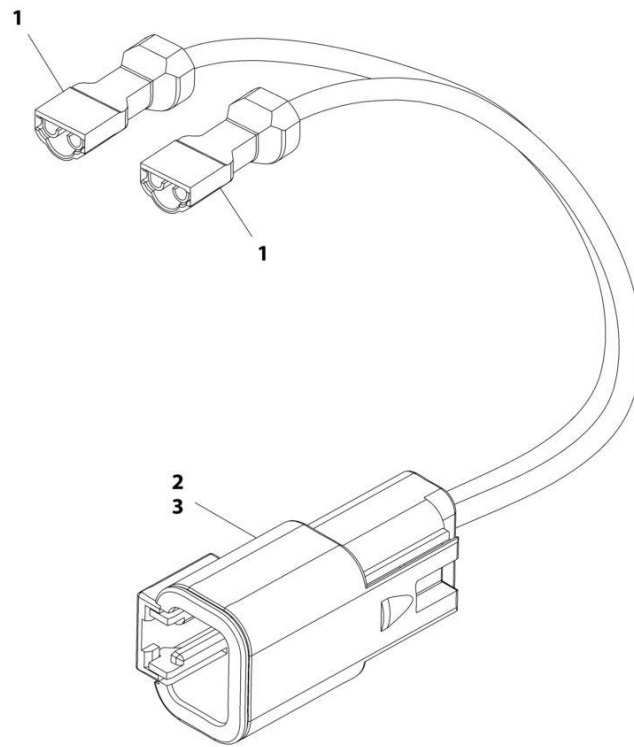
ITEM	PART NUMBER	QTY	DESCRIPTION	REV
53	1001118282	1	Connector	
54	1001116734	2	Terminal	
55	1001116733	2	Terminal	
56	1001128128	1	Plug	
57	1001187079	1	Ring Terminal	
58	1001187078	1	Ring Terminal	
59	1001187079	1	Ring Terminal	
60	1001187078	1	Ring Terminal	
61	1001116812	1	Connector	
62	4460944	2	Terminal	
63	4460466	1	Plug	
64	1001116812	1	Connector	
65	4460944	2	Terminal	
66	4460466	1	Plug	
67	4460539	1	Connector	
68	4460944	2	Terminal	
69	4460466	1	Plug	
70	1001116811	1	Connector	
71	1001150610	3	Terminal	
72	4460466	1	Plug	
73	1001144147	1	Connector	
74	4460944	2	Terminal	
75	4460466	1	Plug	
76	4460970	1	Connector	
77	4460464	8	Terminal	
78	4460466	4	Plug	
79	4460891	1	Connector	
80	4460465	2	Terminal	
81	4460891	1	Connector	
82	4460465	2	Terminal	
83	4460891	1	Connector	
84	4460465	2	Terminal	
85	4460897	1	Mating Connector	
86	80963056	1	Connector	
87	80963055	1	Mating Connector	
88	4460979	1	Terminal	
89	1001175265	1	Terminal Seal	
90	4461018	1	Connector	
91	4460509	2	Terminal	
92	1001116983	1	Connector	
93	1001116710	2	Terminal	
94	4461006	2	Terminal Seal	
95	2902443	1	Connector	
96	4461071	6	Terminal	
97	1001133714	1	Connector	
98	1001133715	3	Terminal	
99	1001135650	3	Terminal Seal	
100	1001135651	1	Plug	
101	4460539	1	Connector	
102	4460944	2	Terminal	
103	4460466	1	Plug	

SECTION 10 - ELECTRICAL

ITEM	PART NUMBER	QTY	DESCRIPTION	REV
104	1001116812	1	Connector	
105	4460944	2	Terminal	
106	4460466	1	Plug	
107	80484081	1	Connector	
108	1001116728	8	Terminal	
109	1001175265	3	Terminal Seal	
109	4460458	5	Terminal Seal	
110	4460945	4	Connector, 3 Way	
111	4460891	1	Connector	
112	4460465	1	Terminal	
113	4460897	1	Mating Connector	

SECTION 10 - ELECTRICAL

FIGURE 10-55. ENGINE - FUEL PUMP HARNESS



ART_1001182929-E

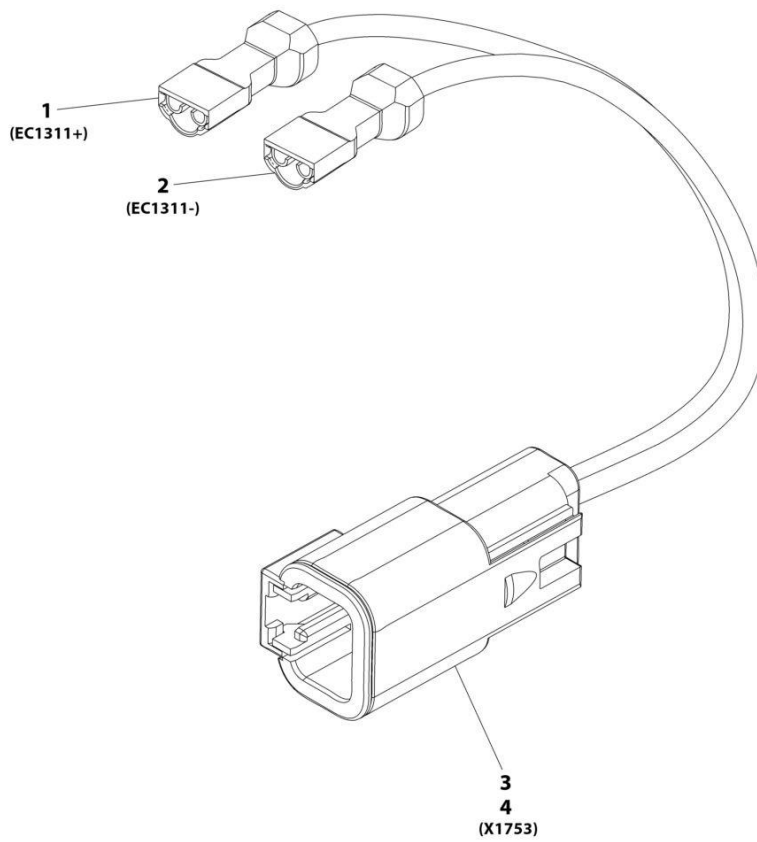
SECTION 10 - ELECTRICAL

FIGURE 10-55. ENGINE - FUEL PUMP HARNESS

ITEM	PART NUMBER	QTY	DESCRIPTION	REV
	1001182929	Ref	Fuel Pump Harness	E
1	8220043	2	Connector	
2	4461017	1	Connector	
3	4460508	2	Terminal	

SECTION 10 - ELECTRICAL

FIGURE 10-56. ENGINE - FUEL PUMP HARNESS (MINING) (ULS)



ART_1001228733-A

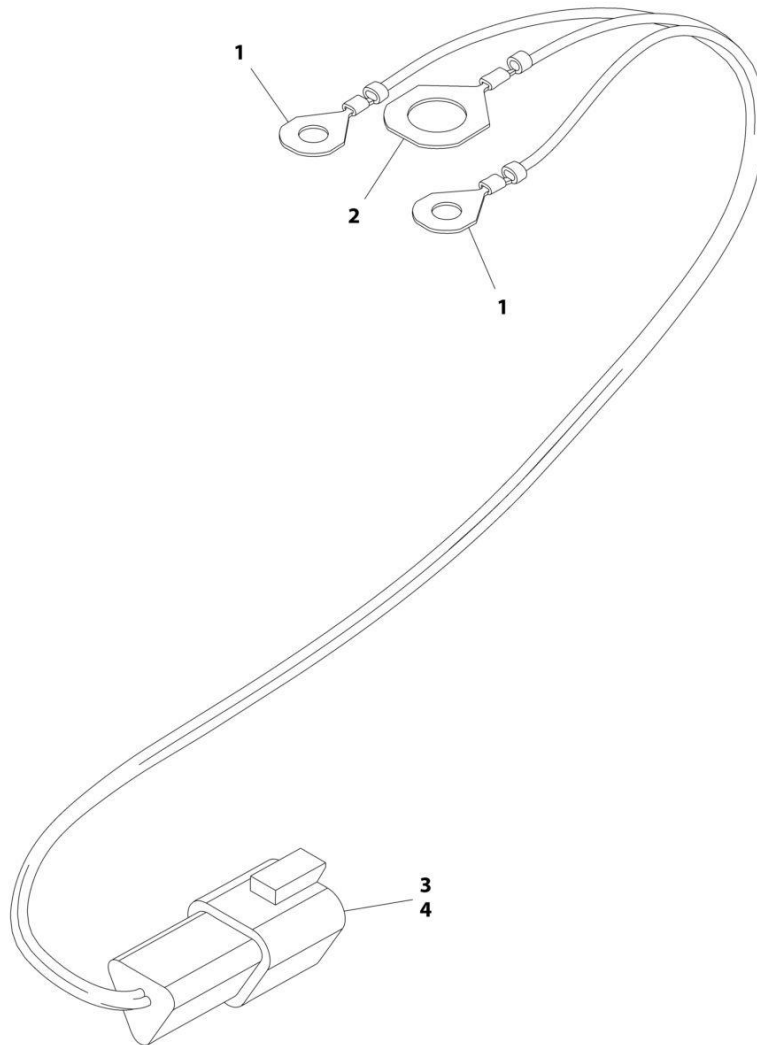
SECTION 10 - ELECTRICAL

FIGURE 10-56. ENGINE - FUEL PUMP HARNESS (MINING) (ULS)

ITEM	PART NUMBER	QTY	DESCRIPTION	REV
	1001228733	Ref	Fuel Pump Harness (Mining) (ULS)	A
1	8220043	1	Connector	
2	8220043	1	Connector	
3	4461017	1	Connector	
4	4460508	2	Terminal	

SECTION 10 - ELECTRICAL

FIGURE 10-57. ENGINE - GLOW PLUG RELAY HARNESS



ART_1001182930-C

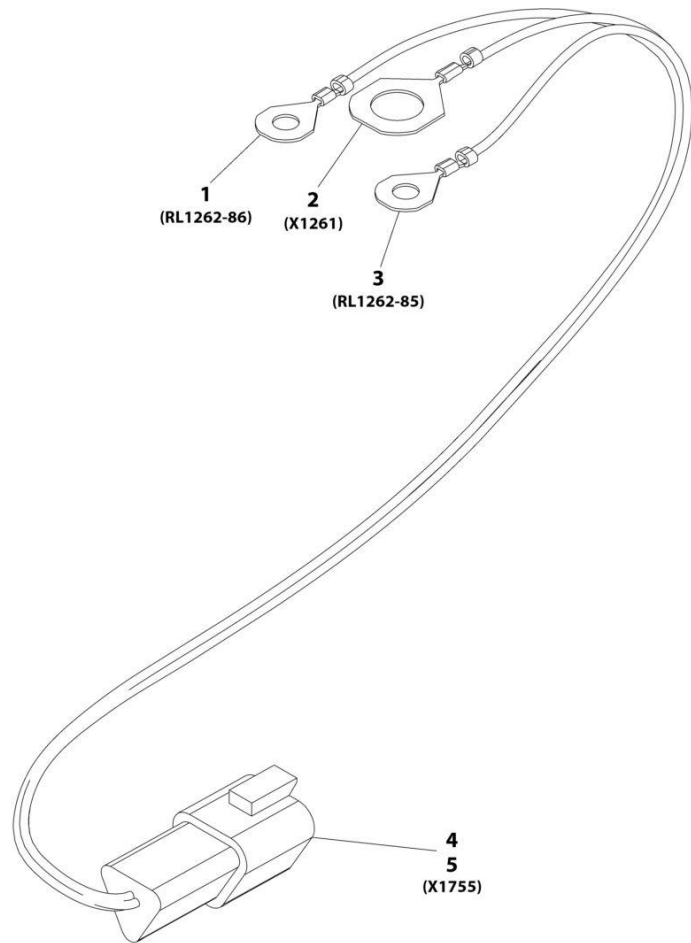
SECTION 10 - ELECTRICAL

FIGURE 10-57. ENGINE - GLOW PLUG RELAY HARNESS

ITEM	PART NUMBER	QTY	DESCRIPTION	REV
	1001182930	Ref	Glow Plug Relay Harness	C
1	1001187070	2	Ring, Terminal	
2	1001187077	1	Ring, Terminal	
3	4460536	1	Connector	
4	4460464	3	Terminal	

SECTION 10 - ELECTRICAL

FIGURE 10-58. ENGINE - GLOW PLUG RELAY HARNESS (MINING) (ULS)



ART_1001228732-A

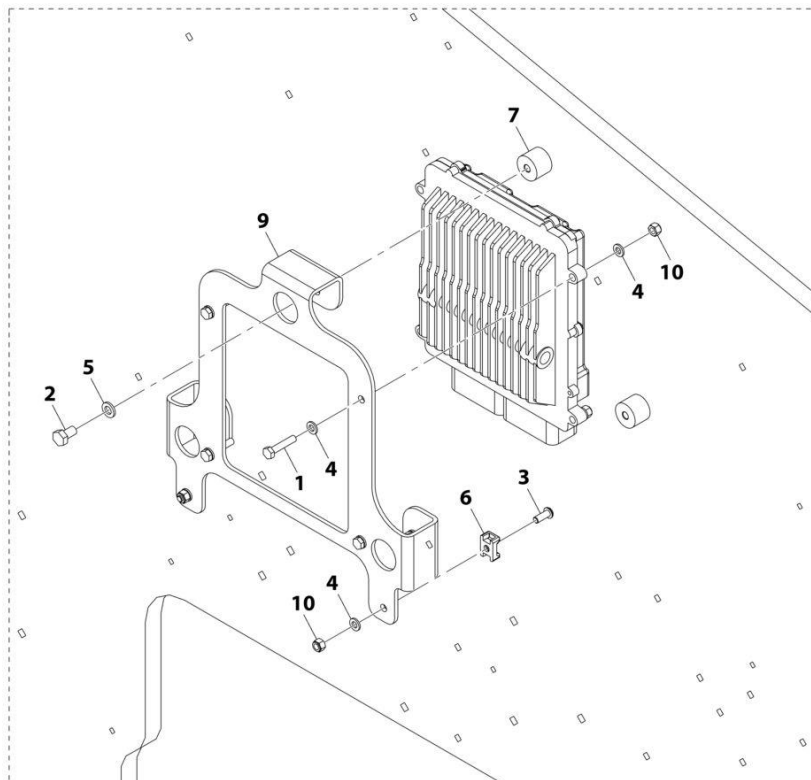
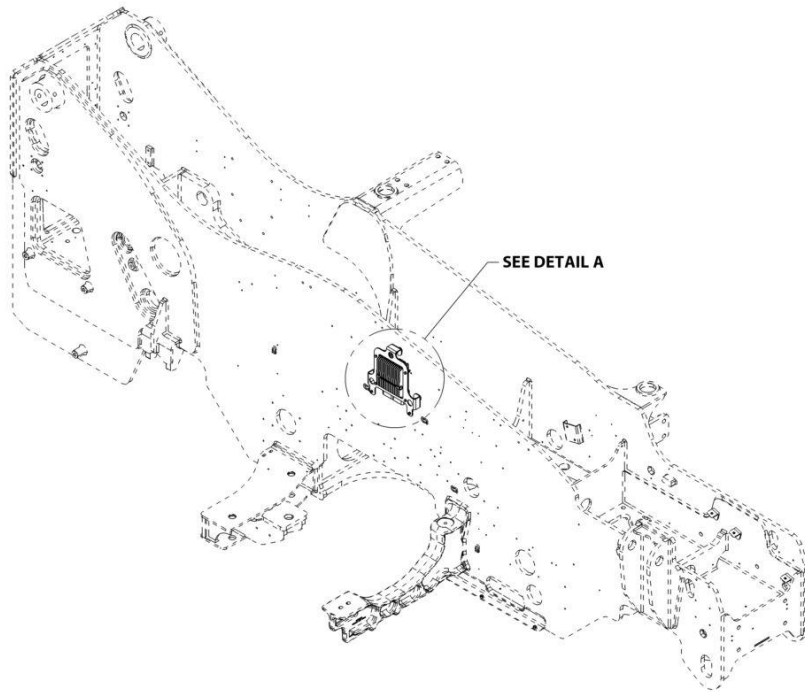
SECTION 10 - ELECTRICAL

FIGURE 10-58. ENGINE - GLOW PLUG RELAY HARNESS (MINING) (ULS)

ITEM	PART NUMBER	QTY	DESCRIPTION	REV
	1001228732	Ref	Glow Plug Relay Harness (Mining) (ULS)	A
1	1001187070	1	Ring, Terminal	
2	1001187077	1	Ring, Terminal	
3	1001187070	1	Ring, Terminal	
4	4460536	1	Connector	
5	4460464	3	Terminal	

SECTION 10 - ELECTRICAL

FIGURE 10-59. ENGINE ECU INSTALLATION



DETAIL A

ART_1001200869-B

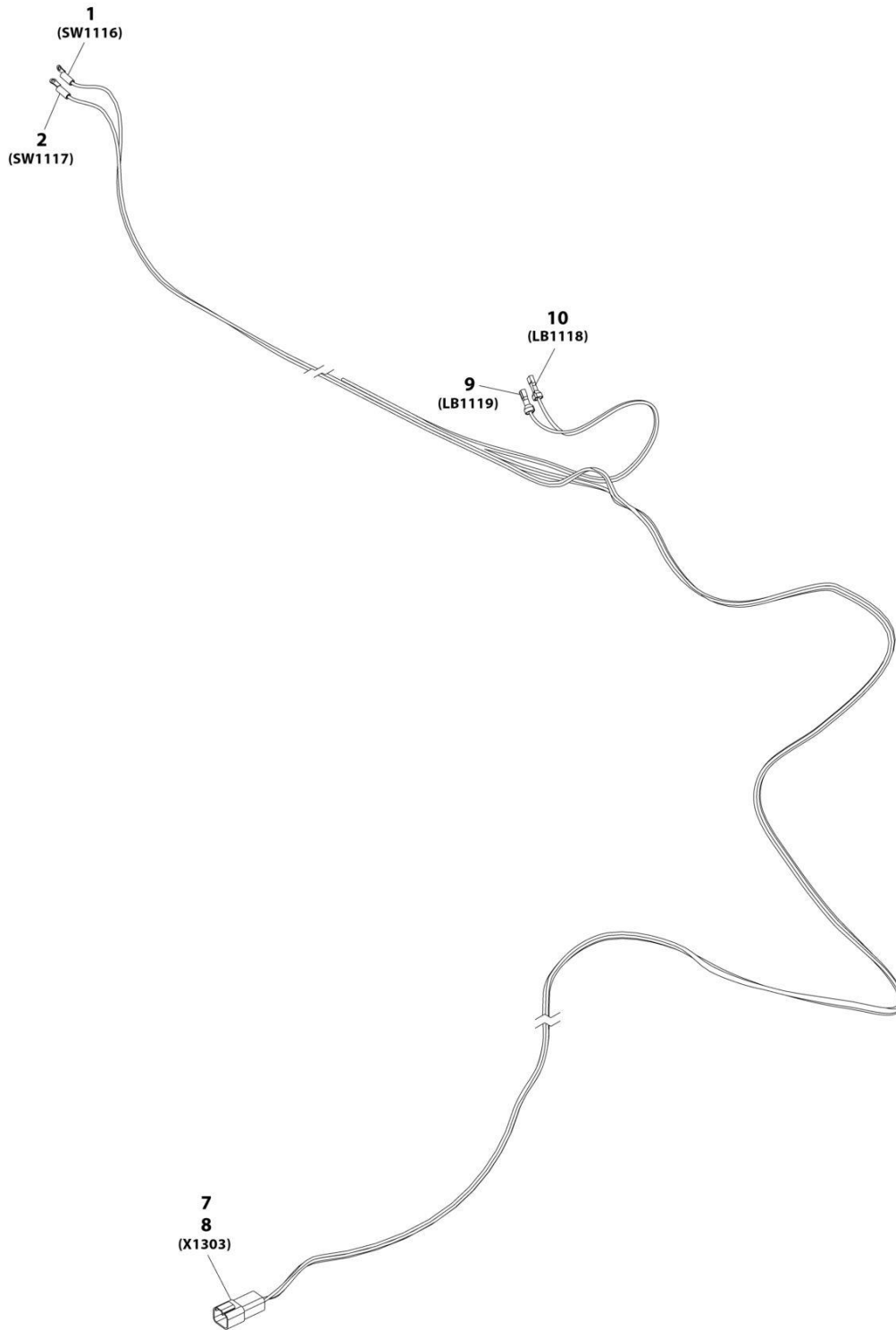
SECTION 10 - ELECTRICAL

FIGURE 10-59. ENGINE ECU INSTALLATION

ITEM	PART NUMBER	QTY	DESCRIPTION	REV
	1001200869	Ref	Engine ECU Installation	B
1	0700614	4	Bolt, M6X30	
2	0760807	3	Bolt, M8X14	
3	3900357	2	Capscrew, M6X16	
4	4811700	10	Washer, M6	
5	4831900	3	Washer, Lock M8	
6	1001138645	2	Mount, Cable Tie	
7	1001179907	3	Mount, Isolator	
9	1001210397	1	Plate	
10	3290605	6	Nut, Lock M6X1	

SECTION 10 - ELECTRICAL

FIGURE 10-60. ENGINE - AIR SHUTOFF VALVE HARNESS



ART_1001231407-C

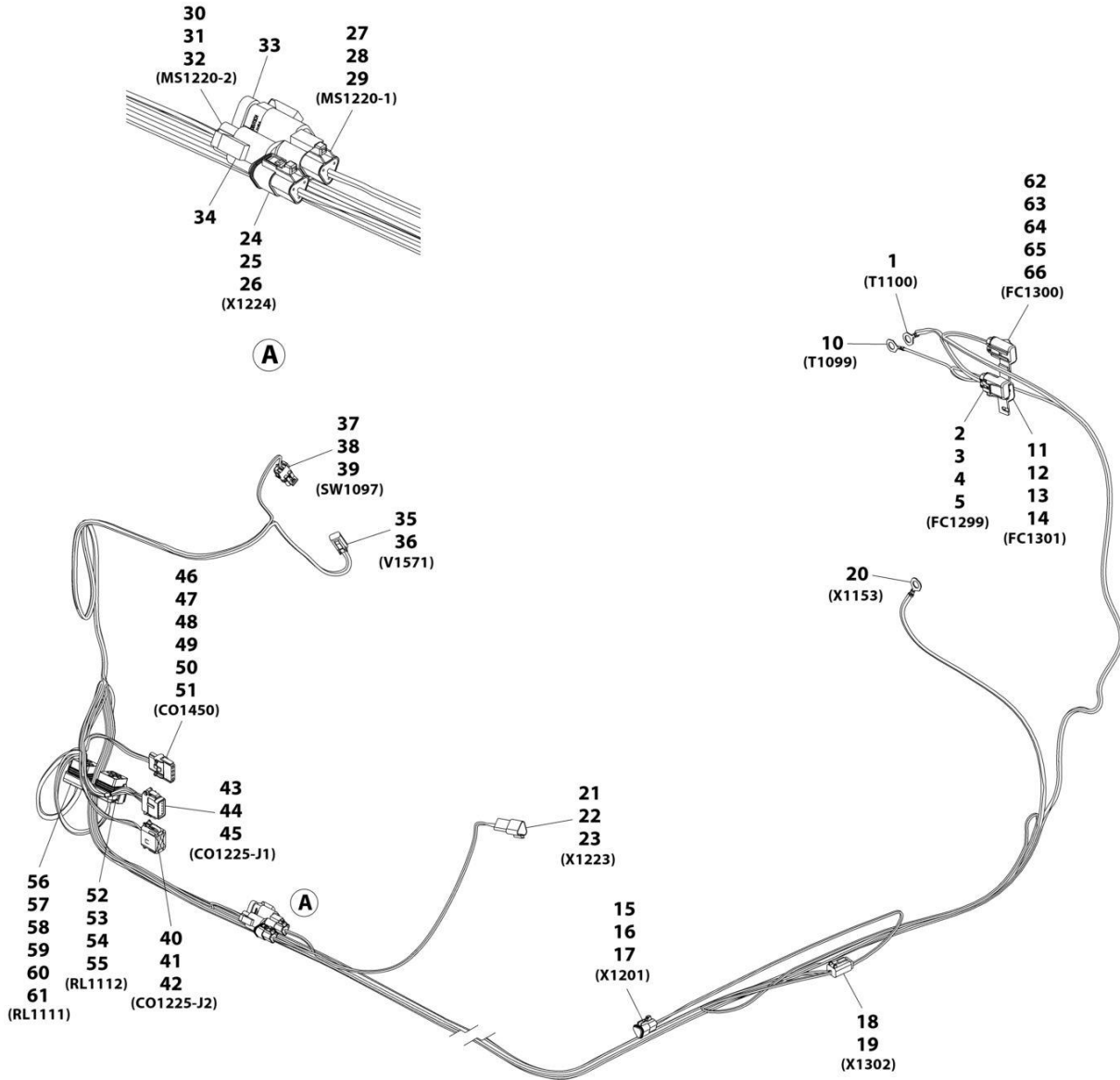
SECTION 10 - ELECTRICAL

FIGURE 10-60. ENGINE - AIR SHUTOFF VALVE HARNESS

ITEM	PART NUMBER	QTY	DESCRIPTION	REV
	1001231407	1	Air Shutoff Valve Harness	C
1	8220035	1	Terminal, Ring	
2	8220035	1	Terminal, Ring	
7	4460932	1	Connector	
8	4460464	4	Pin	
9	8220108	1	Connector, Female	
10	8220108	1	Connector, Female	

SECTION 10 - ELECTRICAL

FIGURE 10-61. ENGINE - AIR SHUT OFF VALVE HARNESS (ENGINE)



ART_1001231483_D

SECTION 10 - ELECTRICAL

FIGURE 10-61. ENGINE - AIR SHUT OFF VALVE HARNESS (ENGINE)

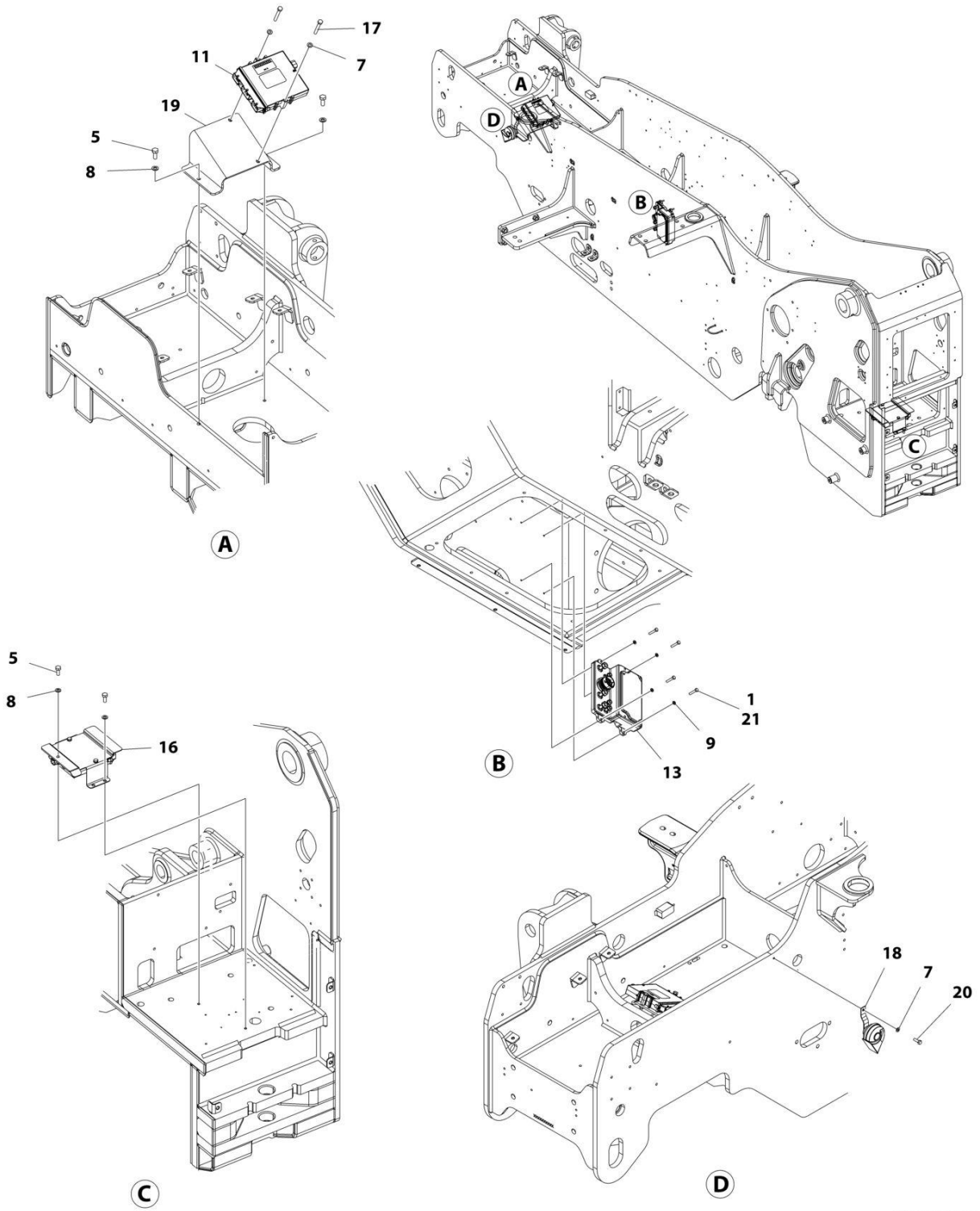
ITEM	PART NUMBER	QTY	DESCRIPTION	REV
	1001231483	Ref	Air Shut Off Valve Harness (Engine)	D
1	1001187079	1	Terminal, Ring	
2	1001231397	1	Connector	
3	8229235	1	Fuse, 20amp	
4	1001231401	2	Terminal	
5	1001230402	2	Seal	
10	1001187078	1	Terminal, Ring	
11	1001231397	1	Connector	
12	8229261	1	Fuse, 5amp	
13	1001231400	2	Terminal	
14	1001230403	2	Seal	
15	1001116812	1	Connector	
16	4460465	2	Terminal	
17	4460466	1	Plug	
18	4460884	1	Connector	
19	4460465	4	Terminal	
20	1001187079	1	Terminal, Ring	
21	1001144147	1	Connector	
22	4460464	2	Terminal	
23	4460466	1	Plug	
24	1001116812	1	Connector	
25	4460465	2	Terminal	
26	4460466	1	Plug	
27	1001116812	1	Connector	
28	4460465	2	Terminal	
29	4460466	1	Plug	
30	4460539	1	Connector	
31	4460465	2	Terminal	
32	4460466	1	Plug	
33	1001116815	1	Connector, 3 Pin	
34	4460945	1	Terminal, 3 Way "T" Receptacle	
35	4460891	1	Connector	
36	1001157890	2	Terminal	
37	4460742	1	Connector	
38	4460475	2	Terminal	
39	4460458	2	Plug	
40	1001116774	1	Connector	
41	4460518	8	Plug	
42	1001126008	4	Terminal	
43	1001116808	1	Connector	
44	1001126008	9	Terminal	
45	4460518	3	Plug	
46	4460761	1	Connector	
47	4460321	1	Terminal	
48	1001118378	4	Terminal	
49	4460809	4	Plug	
50	1001143551	1	Seal	
51	1001218358	1	Lanyard Rope	
52	1001231398	1	Connector	
53	1001231400	4	Terminal	

SECTION 10 - ELECTRICAL

ITEM	PART NUMBER	QTY	DESCRIPTION	REV
54	1001231404	4	Seal	
55	1001231406	1	Plug	
56	1001231398	1	Connector	
57	1001231401	2	Terminal	
58	1001231402	2	Seal	
59	1001231400	2	Terminal	
60	1001231404	2	Seal	
61	1001231406	1	Plug	
62	1001231397	1	Connector	
63	8229234	1	Fuse, 10amp	
64	1001231400	2	Terminal	
65	1001230403	1	Seal	
66	1001230404	1	Seal	

SECTION 10 - ELECTRICAL

FIGURE 10-62. FRAME ELECTRICAL INSTALLATION



ART_1001183272_I

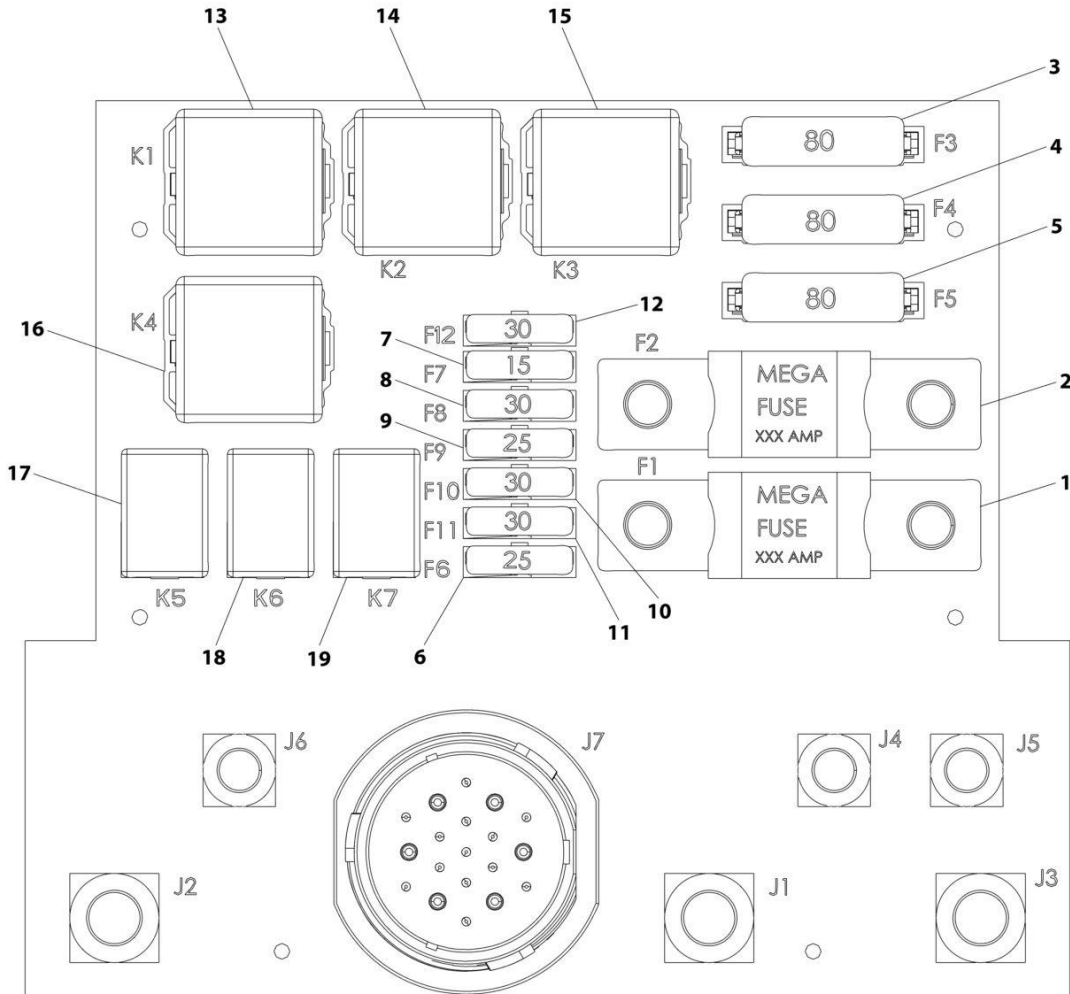
SECTION 10 - ELECTRICAL

FIGURE 10-62. FRAME ELECTRICAL INSTALLATION

ITEM	PART NUMBER	QTY	DESCRIPTION	REV
	1001183272	Ref	FRAME ELECTRICAL INSTALLATION	I
1	0700614	4	Bolt M6 x 30	
5	0761012	4	Bolt M10 x 25	
7	4811900	3	Washer M8	
8	4812000	4	Washer M10	
9	4831700	4	Washer M6	
11	1001270467	1	Control, Front Frame Module	
13	1001164402	1	Box, Power Distribution Electrical (See Separate Breakdown in this Section)	
16	1001210770	1	Installation, Rear Frame Module (See Separate Breakdown in this Section)	
17	0700820	2	Bolt M8 x 60	
18	10713707	1	Horn	
19	1001215208	1	Bracket	
20	0760812	1	Bolt M8 x 25	
21	1001180620	AR	Adhesive, Loctite	

SECTION 10 - ELECTRICAL

FIGURE 10-63. FRAME - POWER DISTRIBUTION ELECTRICAL BOX



ART_1001164402-G

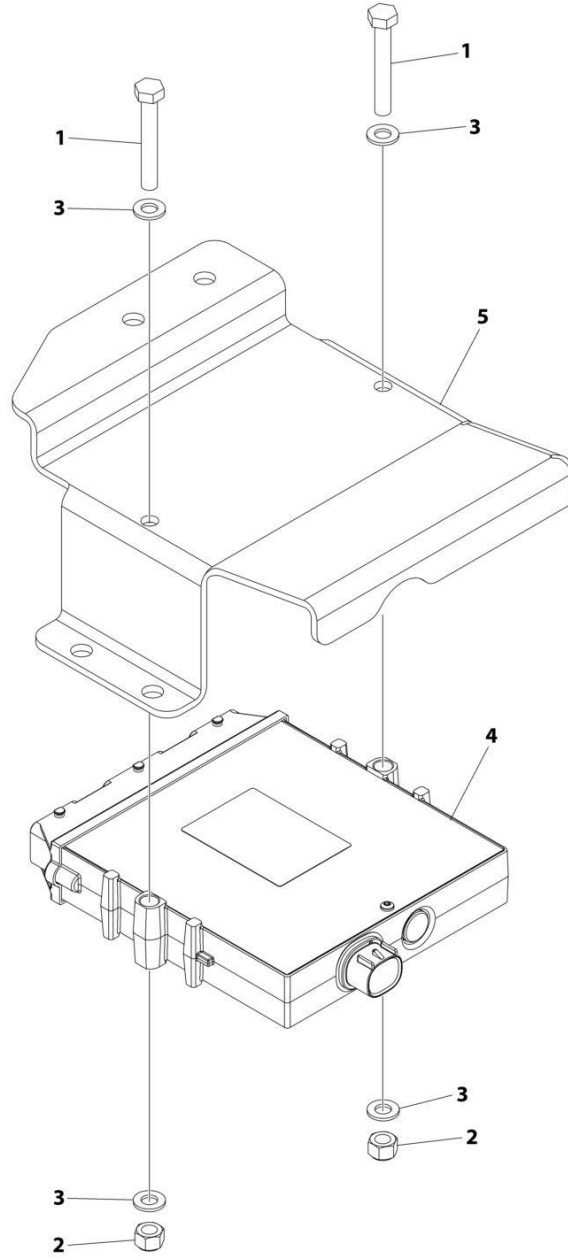
SECTION 10 - ELECTRICAL

FIGURE 10-63. FRAME - POWER DISTRIBUTION ELECTRICAL BOX

ITEM	PART NUMBER	QTY	DESCRIPTION	REV
	1001164402	Ref	Power Distribution Electrical Box	G
1	1001095336	1	Fuse, 150AMP	
2	70026296	1	Fuse, 200AMP	
3	70026297	1	Fuse, 80AMP	
4	70026297	1	Fuse, 80AMP	
5	70026297	1	Fuse, 80AMP	
6	8229247	1	Fuse, 25AMP	
7	8229244	1	Fuse, 15AMP	
8	8229245	1	Fuse, 30AMP	
9	8229247	1	Fuse, 25AMP	
10	8229245	1	Fuse, 30AMP	
11	8229245	1	Fuse, 30AMP	
12	8229245	1	Fuse, 30AMP	
13	70026294	1	Fuse, 70AMP	
14	70026294	1	Fuse, 70AMP	
15	70026294	1	Fuse, 70AMP	
16	70026294	1	Fuse, 70AMP	
17	70026295	1	Fuse, 35AMP	
18	70026295	1	Fuse, 35AMP	
19	70026295	1	Fuse, 35AMP	

SECTION 10 - ELECTRICAL

FIGURE 10-64. FRAME - REAR FRAME MODULE INSTALLATION



ART_1001210770_E

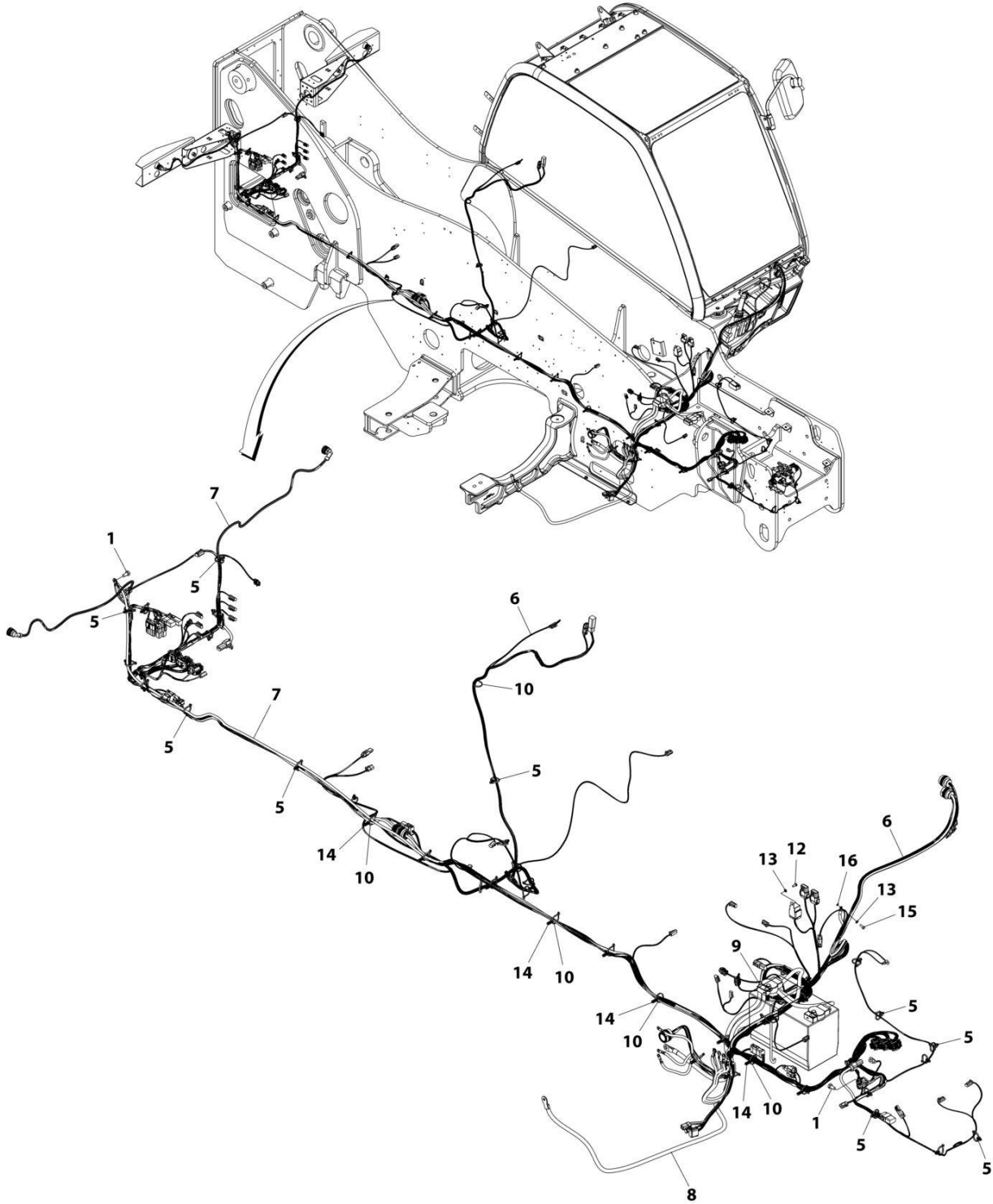
SECTION 10 - ELECTRICAL

FIGURE 10-64. FRAME - REAR FRAME MODULE INSTALLATION

ITEM	PART NUMBER	QTY	DESCRIPTION	REV
	1001210770	Ref	REAR FRAME MODULE INSTALLATION	E
1	0700819	2	Bolt M8 x 55	
2	3290805	2	Nut M8 x 1.25	
3	4811900	4	Washer M8	
4	1001270468	1	Control, Rear Frame Module	
5	1001255581	1	Bracket	

SECTION 10 - ELECTRICAL

FIGURE 10-65. FRAME WIRING INSTALLATION



ART_1001200159_I

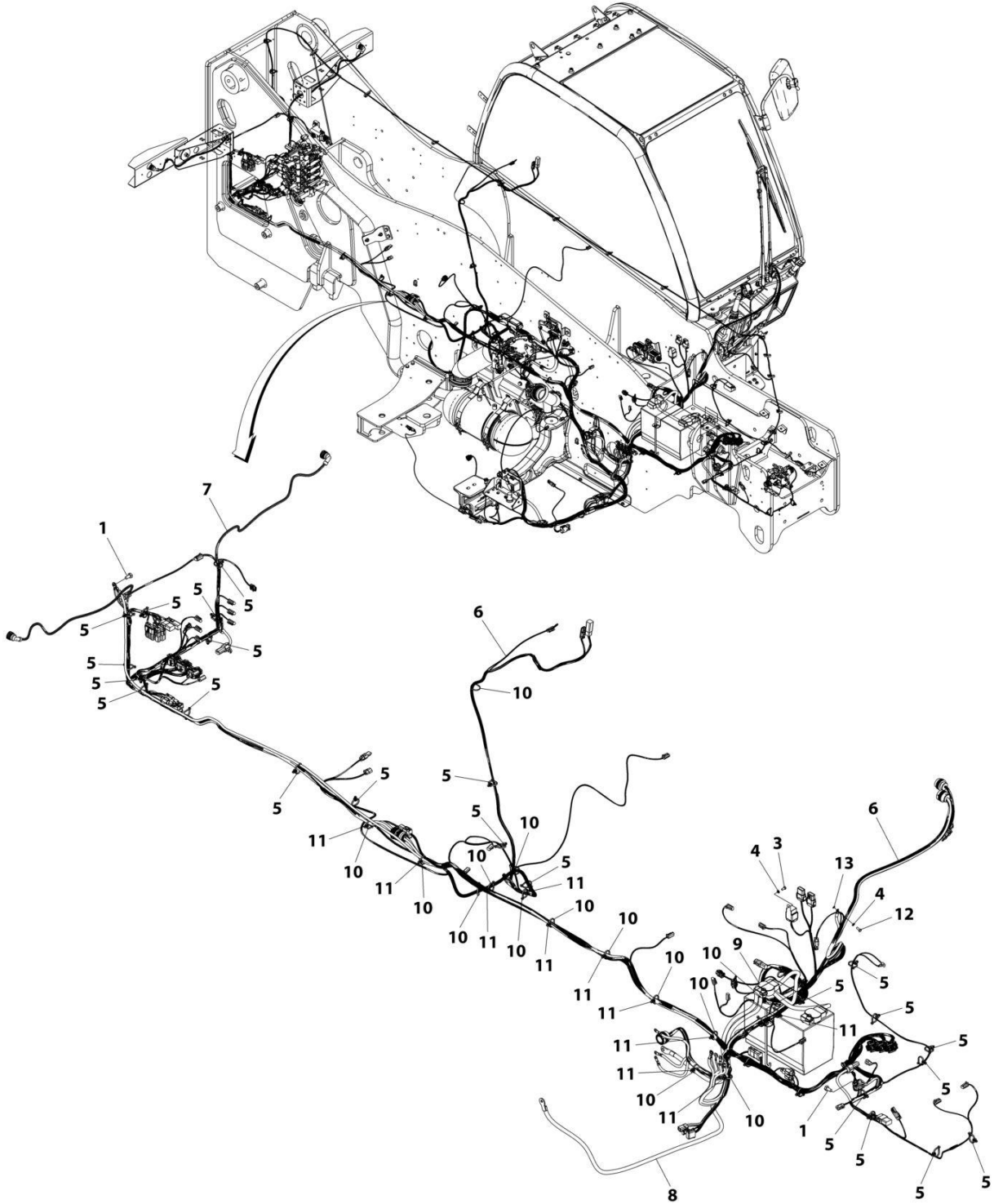
SECTION 10 - ELECTRICAL

FIGURE 10-65. FRAME WIRING INSTALLATION

ITEM	PART NUMBER	QTY	DESCRIPTION	REV
	1001200159	Ref	FRAME WIRING INSTALLATION	I
1	0761010	2	Bolt M10 x 20	
5	1001146588	25	Tie, Cable	
6	1001281607	1	Harness, Front Frame (See Separate Breakdown in this Section)	
7	1001184397	1	Harness, Rear Frame (See Separate Breakdown in this Section)	
8	1001200168	1	Cable, Negative Battery	
9	1001200169	1	Cable, Positive Battery	
10	1001008559	16	Strap, Cable	
12	0760607	1	Bolt M6 x 14	
13	4811700	2	Washer M6	
14	1001202986	13	Strap Push Mount	
15	0760608	1	Bolt M6 x 16	
16	4871700	1	Washer M6	

SECTION 10 - ELECTRICAL

FIGURE 10-66. FRAME WIRING INSTALLATION, MINING (ULS)



ART_1001228739_D

SECTION 10 - ELECTRICAL

FIGURE 10-66. FRAME WIRING INSTALLATION, MINING (ULS)

ITEM	PART NUMBER	QTY	DESCRIPTION	REV
	1001228739	Ref	FRAME WIRING INSTALLATION, MINING (ULS)	D
1	0761010	2	Bolt M10 x 20	
3	0760607	1	Bolt M6 x 14	
4	4811700	2	Washer M6	
5	1001146588	25	Tie, Cable	
6	1001281752	1	Harness, Front Frame (See Separate Breakdown in this Section)	
7	1001228741	1	Harness, Rear Frame (See Separate Breakdown in this Section)	
8	1001200168	1	Cable, Negative Battery	
9	1001200169	1	Cable, Positive Battery	
10	1001008559	16	Strap, Cable	
11	1001202986	13	Push Mount, Strap	
12	0760608	1	Bolt M6 x 16	
13	4871700	1	Washer M6	

SECTION 10 - ELECTRICAL

FIGURE 10-67. FRAME - FRONT FRAME HARNESS

ITEM	PART NUMBER	QTY	DESCRIPTION	REV
	1001281607	Ref	FRONT FRAME HARNESS	A
1	4460891	1	Connector	
2	4460465	2	Terminal	
3	1001161957	1	Connector	
4	643191201	1	Cover	
5	1001161100	12	Plug	
6	1001161097	12	Terminal	
7	1001161101	5	Plug	
8	1001161098	3	Terminal	
9	1001161963	1	Connector	
10	643201301	1	Cover	
11	1001161097	19	Terminal	
12	1001161100	21	Plug	
13	1001161099	6	Terminal	
14	1001161098	1	Terminal	
15	1001161101	1	Plug	
16	1001160500	1	Connector	
17	643191201	1	Cover	
18	1001161097	10	Terminal	
19	1001161100	15	Plug	
20	1001161099	7	Terminal	
21	4460933	1	Connector	
22	4460942	10	Terminal	
23	4460466	2	Plug	
24	1001160509	1	Connector	
25	1001160510	1	Terminal	
26	1001175267	1	Seal	
27	1001187080	1	Ring Terminal	
28	4460891	1	Connector	
29	4460465	2	Terminal	
30	4460891	1	Connector	
31	4460465	2	Terminal	
32	1001187080	1	Ring Terminal	
33	1001187079	1	Ring Terminal	
34	1001187079	1	Ring Terminal	
35	4460539	1	Connector	
36	4460465	3	Terminal	
37	8220051	1	Ring Terminal	
38	1001187073	1	Ring Terminal	
39	4460539	1	Connector	
40	4460465	3	Terminal	
41	4460933	1	Connector	
42	4460465	11	Terminal	
43	4460466	1	Plug	
44	1001116812	1	Connector	
45	4460465	2	Terminal	
46	4460466	1	Plug	
47	1001116810	1	Connector	
48	1001150611	4	Terminal	
49	1001165309	1	Connector	

SECTION 10 - ELECTRICAL

ITEM	PART NUMBER	QTY	DESCRIPTION	REV
50	4460466	2	Plug	
51	4460465	9	Terminal	
52	4460942	2	Terminal	
53	4460509	3	Terminal	
54	1001150611	3	Terminal	
55	1001187079	1	Ring Terminal	
56	1001187076	1	Ring Terminal	
57	1001187079	1	Ring Terminal	
58	1001187076	1	Ring Terminal	
59	1001187075	1	Ring Terminal	
60	4460891	1	Connector	
61	4460465	2	Terminal	
62	1001117109	1	Ring Terminal	
63	1001187075	1	Ring Terminal	
64	1001187075	1	Ring Terminal	
65	4461015	1	Connector	
66	4460465	14	Terminal	
67	4460891	1	Connector	
68	4460465	2	Terminal	
69	4460891	1	Connector	
70	4460465	2	Terminal	
71	4461290	1	Connector	
72	4460928	2	Terminal	
73	1001118323	1	Connector	
74	4460942	4	Terminal	
75	91013192	2	Terminal	
76	4460891	1	Connector	
77	4460465	2	Terminal	
78	4460891	1	Connector	
79	4460942	1	Terminal	
80	4460466	1	Plug	
81	1001116950	1	Connector	
82	4460465	2	Terminal	
83	4460891	1	Connector	
84	4460465	2	Terminal	
85	4460884	1	Connector	
86	4460465	3	Terminal	
87	4460942	1	Terminal	
88	1001231398	1	Connector	
89	1001231400	4	Terminal	
90	1001231406	1	Terminal	
91	1001231404	4	Plug	
92	4460891	1	Connector	
93	4460465	2	Terminal	
94	4460891	1	Connector	
95	4460465	2	Terminal	
96	4460897	1	Connector	
97	4460464	2	Terminal	
98	8220116	1	Ring Terminal	
99	1001207173	1	Ring Terminal	
100	1001116950	1	Connector	

SECTION 10 - ELECTRICAL

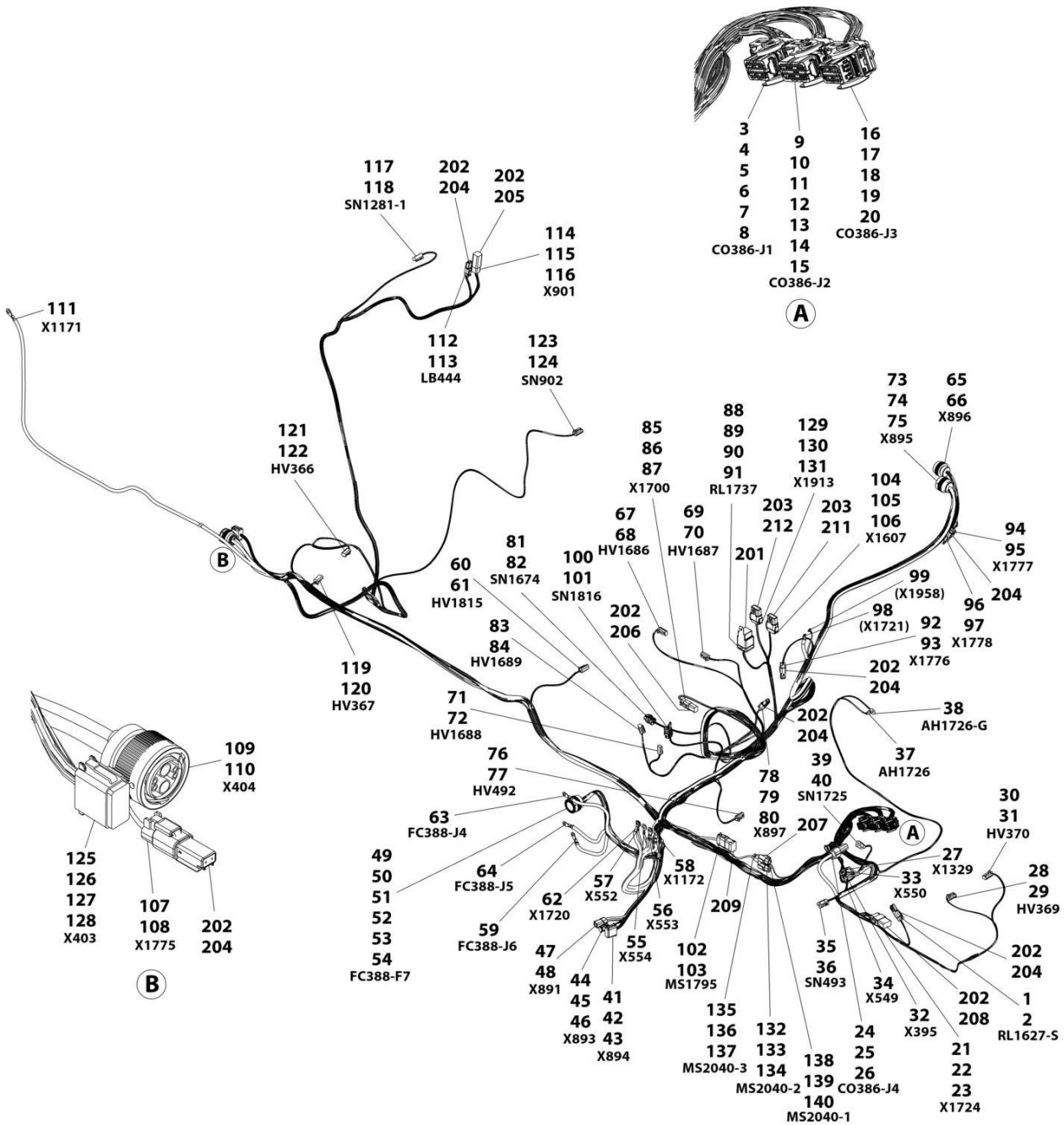
ITEM	PART NUMBER	QTY	DESCRIPTION	REV
101	4460465	2	Terminal	
102	4460930	1	Connector	
103	4460465	8	Terminal	
104	1001116774	1	Connector	
105	4460518	10	Plug	
106	1001126008	2	Terminal	
107	4460891	1	Connector	
108	4460465	2	Terminal	
109	1001165310	1	Connector	
110	91013192	2	Terminal	
111	1001187076	1	Ring Terminal	
112	4460891	1	Connector	
113	4460942	2	Terminal	
114	4460894	1	Connector	
115	4460465	2	Terminal	
116	4460942	4	Terminal	
117	4460891	1	Connector	
118	4460465	2	Terminal	
119	4460891	1	Connector	
120	4460465	2	Terminal	
121	4460891	1	Connector	
122	4460465	2	Terminal	
123	4460891	1	Connector	
124	4460465	2	Terminal	
125	4460933	1	Connector	
126	4460465	6	Terminal	
127	4460942	1	Terminal	
128	4460466	5	Plug	
129	1001116808	1	Connector	
130	4460518	9	Plug	
131	1001126008	3	Terminal	
132	4460539	1	Connector	
133	4460944	2	Terminal	
134	4460466	1	Plug	
135	1001116812	1	Connector	
136	4460944	2	Terminal	
137	4460466	1	Plug	
138	1001116812	1	Connector	
139	4460944	2	Terminal	
140	4460466	1	Plug	
201	3740080	1	Relay	
202	4460466	32	Plug	
203	4460518	24	Plug	
204	4460897	6	Connector	
205	4460899	1	Terminal	
206	4460932	1	Connector	
207	4460945	1	Terminal	
208	4460970	1	Connector	
209	4460984	1	Plug	
210	1001008559	3	Cable-Tie (Not Shown)	
211	1001132170	1	Connector	

SECTION 10 - ELECTRICAL

ITEM	PART NUMBER	QTY	DESCRIPTION	REV
212	1001132169	1	Connector	

SECTION 10 - ELECTRICAL

FIGURE 10-68. FRAME - FRONT FRAME HARNESS, MINING



SECTION 10 - ELECTRICAL

FIGURE 10-68. FRAME - FRONT FRAME HARNESS, MINING

ITEM	PART NUMBER	QTY	DESCRIPTION	REV
	1001281752	Ref	FRONT FRAME HARNESS	A
1	4460891	1	Connector	
2	4460465	2	Terminal	
3	1001161957	1	Connector	
4	643191201	1	Cover	
5	1001161100	12	Plug	
6	1001161097	12	Terminal	
7	1001161101	5	Plug	
8	1001161098	3	Terminal	
9	1001161963	1	Connector	
10	643201301	1	Cover	
11	1001161097	19	Terminal	
12	1001161100	21	Plug	
13	1001161099	6	Terminal	
14	1001161098	1	Terminal	
15	1001161101	1	Plug	
16	1001160500	1	Connector	
17	643191201	1	Cover	
18	1001161097	10	Terminal	
19	1001161100	15	Plug	
20	1001161099	7	Terminal	
21	4460933	1	Connector	
22	4460942	10	Terminal	
23	4460466	2	Plug	
24	1001160509	1	Connector	
25	1001160510	1	Terminal	
26	1001175267	1	Seal	
27	1001187080	1	Ring Terminal	
28	4460891	1	Connector	
29	4460465	2	Terminal	
30	4460891	1	Connector	
31	4460465	2	Terminal	
32	1001187080	1	Ring Terminal	
33	1001187079	1	Ring Terminal	
34	1001187079	1	Ring Terminal	
35	4460539	1	Connector	
36	4460465	3	Terminal	
37	8220051	1	Ring Terminal	
38	1001187073	1	Ring Terminal	
39	4460539	1	Connector	
40	4460465	3	Terminal	
41	4460933	1	Connector	
42	4460465	11	Terminal	
43	4460466	1	Plug	
44	1001116812	1	Connector	
45	4460465	2	Terminal	
46	4460466	1	Plug	
47	1001116810	1	Connector	
48	1001150611	4	Terminal	
49	1001165309	1	Connector	

SECTION 10 - ELECTRICAL

ITEM	PART NUMBER	QTY	DESCRIPTION	REV
50	4460466	2	Plug	
51	4460465	9	Terminal	
52	4460942	2	Terminal	
53	4460509	3	Terminal	
54	1001150611	3	Terminal	
55	1001187079	1	Ring Terminal	
56	1001187076	1	Ring Terminal	
57	1001187079	1	Ring Terminal	
58	1001187076	1	Ring Terminal	
59	1001187075	1	Ring Terminal	
60	4460891	1	Connector	
61	4460465	2	Terminal	
62	1001117109	1	Ring Terminal	
63	1001187075	1	Ring Terminal	
64	1001187075	1	Ring Terminal	
65	4461015	1	Connector	
66	4460465	14	Terminal	
67	4460891	1	Connector	
68	4460465	2	Terminal	
69	4460891	1	Connector	
70	4460465	2	Terminal	
71	4461290	1	Connector	
72	4460928	2	Terminal	
73	1001118323	1	Connector	
74	4460942	4	Terminal	
75	91013192	2	Terminal	
76	4460891	1	Connector	
77	4460465	2	Terminal	
78	4460891	1	Connector	
79	4460942	1	Terminal	
80	4460466	1	Plug	
81	1001116950	1	Connector	
82	4460465	2	Terminal	
83	4460891	1	Connector	
84	4460465	2	Terminal	
85	4460884	1	Connector	
86	4460465	3	Terminal	
87	4460942	1	Terminal	
88	1001231398	1	Connector	
89	1001231400	4	Terminal	
90	1001231406	1	Terminal	
91	1001231404	4	Plug	
92	4460891	1	Connector	
93	4460465	2	Terminal	
94	4460891	1	Connector	
95	4460465	2	Terminal	
96	4460897	1	Connector	
97	4460464	2	Terminal	
98	8220116	1	Ring Terminal	
99	1001207173	1	Ring Terminal	
100	1001116950	1	Connector	

SECTION 10 - ELECTRICAL

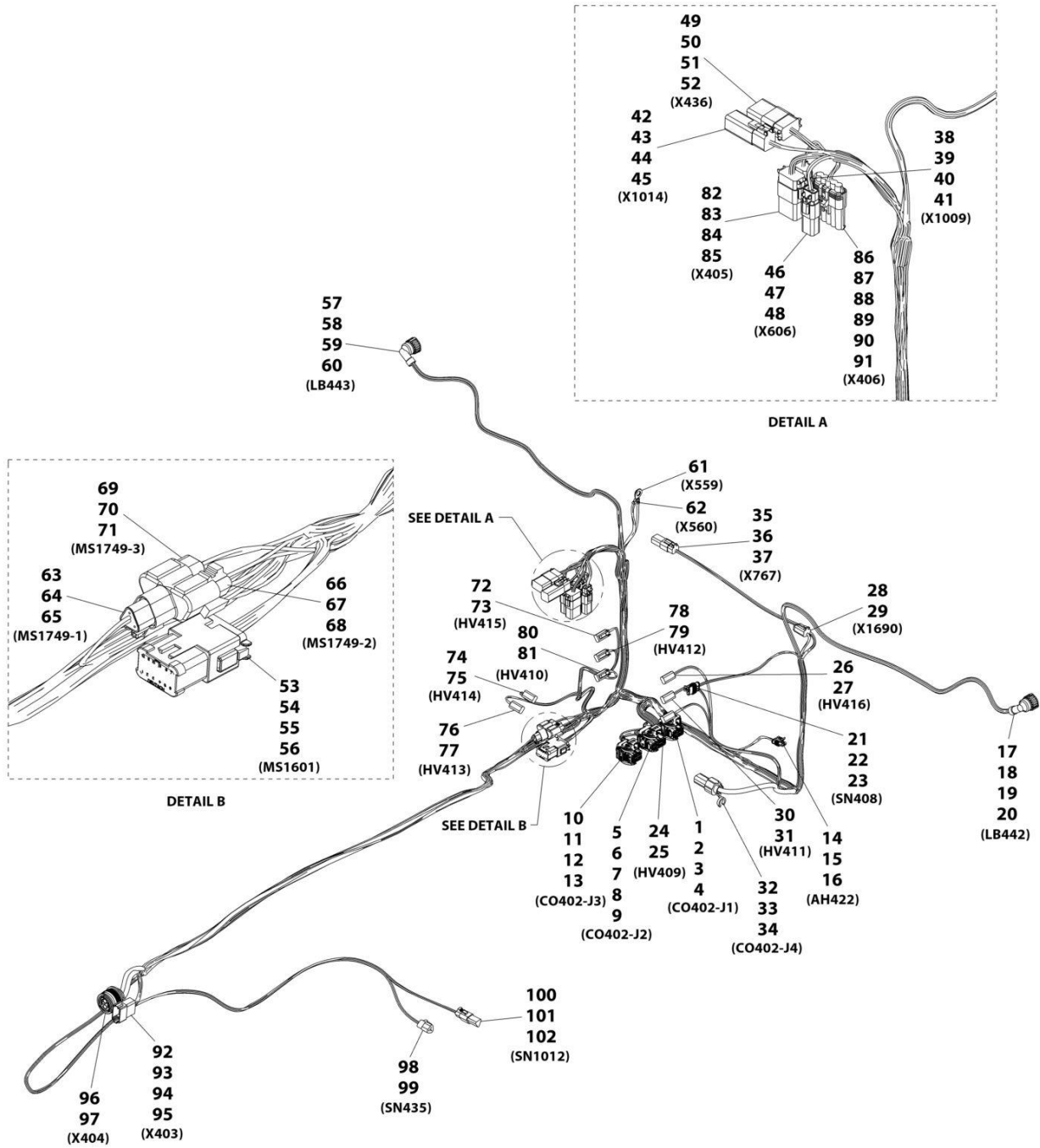
ITEM	PART NUMBER	QTY	DESCRIPTION	REV
101	4460465	2	Terminal	
102	4460930	1	Connector	
103	4460465	8	Terminal	
104	1001116774	1	Connector	
105	4460518	10	Plug	
106	1001126008	2	Terminal	
107	4460891	1	Connector	
108	4460465	2	Terminal	
109	1001165310	1	Connector	
110	91013192	2	Terminal	
111	1001187076	1	Ring Terminal	
112	4460891	1	Connector	
113	4460942	2	Terminal	
114	4460894	1	Connector	
115	4460465	2	Terminal	
116	4460942	4	Terminal	
117	4460891	1	Connector	
118	4460465	2	Terminal	
119	4460891	1	Connector	
120	4460465	2	Terminal	
121	4460891	1	Connector	
122	4460465	2	Terminal	
123	4460891	1	Connector	
124	4460465	2	Terminal	
125	4460933	1	Connector	
126	4460465	6	Terminal	
127	4460942	1	Terminal	
128	4460466	5	Plug	
129	1001116808	1	Connector	
130	4460518	9	Plug	
131	1001126008	3	Terminal	
132	4460539	1	Connector	
133	4460944	2	Terminal	
134	4460466	1	Plug	
135	1001116812	1	Connector	
136	4460944	2	Terminal	
137	4460466	1	Plug	
138	1001116812	1	Connector	
139	4460944	2	Terminal	
140	4460466	1	Plug	
201	3740080	1	Relay	
202	4460466	32	Plug	
203	4460518	24	Plug	
204	4460897	6	Connector	
205	4460899	1	Terminal	
206	4460932	1	Connector	
207	4460945	1	Terminal	
208	4460970	1	Connector	
209	4460984	1	Plug	
210	1001008559	3	Cable-Tie (Not Shown)	
211	1001132169	1	Connector	

SECTION 10 - ELECTRICAL

ITEM	PART NUMBER	QTY	DESCRIPTION	REV
212	1001132170	1	Connector	

SECTION 10 - ELECTRICAL

FIGURE 10-69. FRAME - REAR FRAME HARNESS



ART_1001184397-1

SECTION 10 - ELECTRICAL

FIGURE 10-69. FRAME - REAR FRAME HARNESS

ITEM	PART NUMBER	QTY	DESCRIPTION	REV
	1001184397	Ref	Rear Frame Harness	I
1	1001161957	1	Connector	
2	1001161097	6	Terminal	
3	1001161100	18	Plug	
4	1001161101	8	Plug	
5	1001161963	1	Connector	
6	1001161097	26	Terminal	
7	1001161100	14	Plug	
8	1001161099	6	Terminal	
9	1001161101	2	Plug	
10	1001160500	1	Connector	
11	1001161100	18	Plug	
12	1001161097	6	Terminal	
13	1001161099	8	Terminal	
14	4461118	1	Connector	
15	1001107854	2	Terminal	
16	1001116763	2	Terminal Seal	
17	1001116996	1	Connector	
18	1001118392	6	Terminal	
19	1001116696	1	Plug	
20	4461054	6	Terminal Seal	
21	4461262	1	Connector	
22	1001107854	3	Terminal	
23	1001104498	3	Terminal Seal	
24	4460891	1	Connector	
25	4460465	2	Terminal	
26	4460891	1	Connector	
27	4460465	2	Terminal	
28	4460884	1	Connector	
29	4460465	4	Terminal	
30	4460891	1	Connector	
31	4460465	2	Terminal	
32	1001160509	1	Connector	
33	1001160510	1	Terminal	
34	1001175267	1	Terminal Seal	
35	4460884	1	Connector	
36	4460932	1	Mating Connector	
37	4460465	4	Terminal	
38	4460884	1	Connector	
39	4460932	1	Mating Connector	
40	4460466	2	Plug	
41	4460465	2	Terminal	
42	4460894	1	Connector	
43	4460899	1	Mating Connector	
44	4460466	3	Plug	
45	4460465	3	Terminal	
46	4461018	1	Connector	
47	4461017	1	Mating Connector	
48	4460509	2	Terminal	
49	4460930	1	Connector	

SECTION 10 - ELECTRICAL

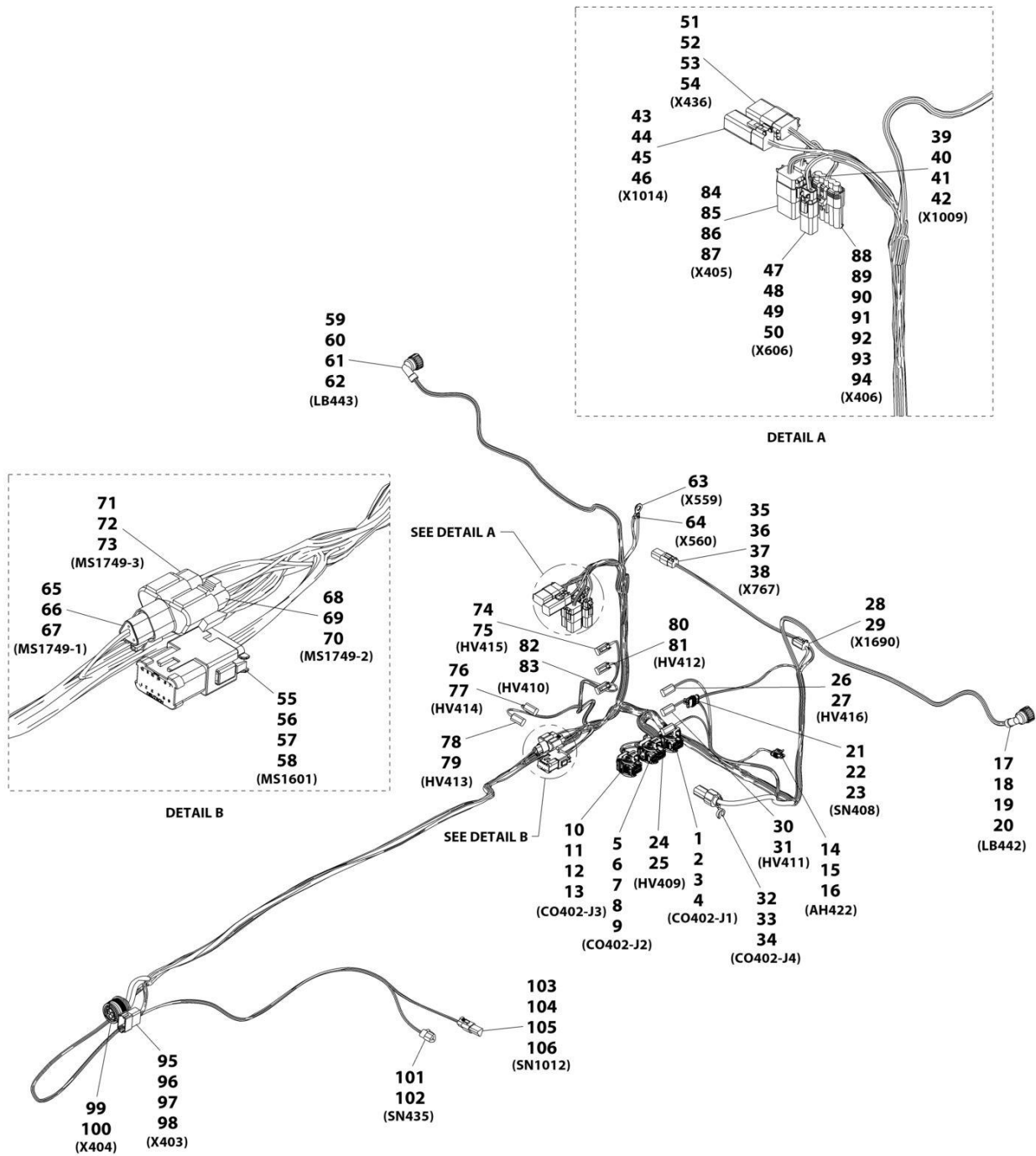
ITEM	PART NUMBER	QTY	DESCRIPTION	REV
50	4460931	1	Mating Connector	
51	4460466	2	Plug	
52	4460465	6	Terminal	
53	4460933	1	Connector	
54	1001125677	1	Bussbar Connector	
55	4460465	10	Terminal	
56	4460466	2	Plug	
57	1001116996	1	Connector	
58	1001118392	6	Terminal	
59	1001116696	1	Plug	
60	4461054	6	Terminal Seal	
61	1001187080	1	Ring Terminal	
62	1001187079	1	Ring Terminal	
63	1001116812	1	Connector	
64	4460944	2	Terminal	
65	4460466	1	Plug	
66	4460539	1	Connector	
67	4460944	2	Terminal	
68	4460466	1	Plug	
69	1001116812	1	Connector	
70	4460944	2	Terminal	
71	4460466	1	Plug	
72	4460891	1	Connector	
73	4460465	2	Terminal	
74	4460891	1	Connector	
75	4460465	2	Terminal	
76	4460891	1	Connector	
77	4460465	2	Terminal	
78	4460891	1	Connector	
79	4460465	2	Terminal	
80	4460891	1	Connector	
81	4460465	2	Terminal	
82	4460930	1	Connector	
83	4460931	1	Mating Connector	
84	4460466	2	Plug	
85	4460465	6	Terminal	
86	1001121726	1	Connector	
87	1001121727	1	Mating Connector	
88	1001116728	4	Terminal	
89	4460748	1	Plug	
90	1001175265	3	Terminal Seal	
91	4460458	1	Terminal Seal	
92	4460970	1	Connector	
93	4460464	6	Terminal	
94	4460941	1	Terminal	
95	4460466	5	Plug	
96	1001165311	1	Connector	
97	91013191	2	Terminal	
98	4460539	1	Connector	
99	4460944	3	Terminal	
100	4460539	1	Connector	

SECTION 10 - ELECTRICAL

ITEM	PART NUMBER	QTY	DESCRIPTION	REV
101	4460536	1	Mating Connector	
102	4460465	3	Terminal	

SECTION 10 - ELECTRICAL

FIGURE 10-70. FRAME - REAR FRAME HARNESS, MINING



ART_1001228741-A

SECTION 10 - ELECTRICAL

FIGURE 10-70. FRAME - REAR FRAME HARNESS, MINING

ITEM	PART NUMBER	QTY	DESCRIPTION	REV
	1001228741	Ref	Front Frame Harness, Mining	A
1	1001161957	1	Connector	
2	1001161097	6	Terminal	
3	1001161100	18	Plug	
4	1001161101	8	Plug	
5	1001161963	1	Connector	
6	1001161097	26	Terminal	
7	1001161100	14	Plug	
8	1001161099	6	Terminal	
9	1001161101	2	Plug	
10	1001160500	1	Connector	
11	1001161100	18	Plug	
12	1001161097	6	Terminal	
13	1001161099	8	Terminal	
14	4461118	1	Connector	
15	1001107854	2	Terminal	
16	1001116763	2	Terminal Seal	
17	1001116996	1	Connector	
18	1001118392	6	Terminal	
19	1001116696	1	Plug	
20	4461054	6	Terminal Seal	
21	4461262	1	Connector	
22	1001107854	3	Terminal	
23	1001104498	3	Terminal Seal	
24	4460891	1	Connector	
25	4460465	2	Terminal	
26	4460891	1	Connector	
27	4460465	2	Terminal	
28	4460884	1	Connector	
29	4460465	4	Terminal	
30	4460891	1	Connector	
31	4460465	2	Terminal	
32	1001160509	1	Connector	
33	1001160510	1	Terminal	
34	1001175267	1	Terminal Seal	
35	4460884	1	Connector	
36	4460932	1	Mating Connector	
37	4460465	4	Terminal	
38	4460466	1	Plug	
39	4460884	1	Connector	
40	4460932	1	Mating Connector	
41	4460466	2	Plug	
42	4460465	2	Terminal	
43	4460894	1	Connector	
44	4460899	1	Mating Connector	
45	4460466	3	Plug	
46	4460465	3	Terminal	
47	4461018	1	Connector	
48	4461017	1	Mating Connector	
49	4460509	2	Terminal	

SECTION 10 - ELECTRICAL

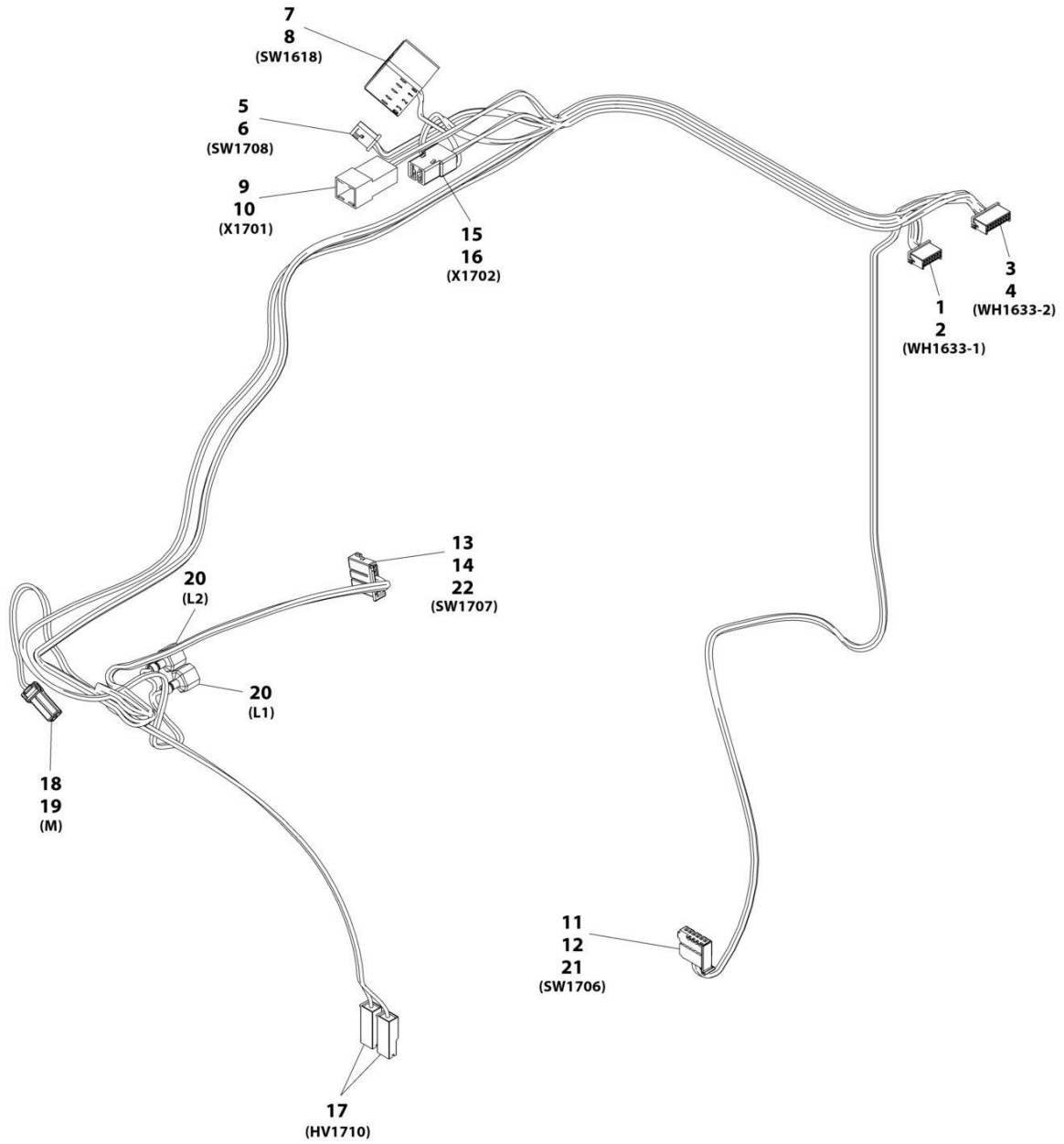
ITEM	PART NUMBER	QTY	DESCRIPTION	REV
51	4460930	1	Connector	
52	4460931	1	Mating Connector	
53	4460466	2	Plug	
54	4460465	6	Terminal	
55	4460933	1	Connector	
56	1001125677	1	Bussbar Connector	
57	4460465	10	Terminal	
58	4460466	2	Plug	
59	1001116996	1	Connector	
60	1001118392	6	Terminal	
61	1001116696	1	Plug	
62	4461054	6	Terminal Seal	
63	1001187080	1	Ring Terminal	
64	1001187079	1	Ring Terminal	
65	1001116812	1	Connector	
66	4460944	2	Terminal	
67	4460466	1	Plug	
68	4460539	1	Connector	
69	4460944	2	Terminal	
70	4460466	1	Plug	
71	1001116812	1	Connector	
72	4460944	2	Terminal	
73	4460466	1	Plug	
74	4460891	1	Connector	
75	4460465	2	Terminal	
76	4460891	1	Connector	
77	4460465	2	Terminal	
78	4460891	1	Connector	
79	4460465	2	Terminal	
80	4460891	1	Connector	
81	4460465	2	Terminal	
82	4460891	1	Connector	
83	4460465	2	Terminal	
84	4460930	1	Connector	
85	4460931	1	Mating Connector	
86	4460466	2	Plug	
87	4460465	6	Terminal	
88	1001121726	1	Connector	
89	1001121727	1	Mating Connector	
90	1001116728	4	Terminal	
91	1001116727	1	Plug	
92	4460748	1	Plug	
93	1001175265	3	Terminal Seal	
94	4460458	1	Terminal Seal	
95	4460970	1	Connector	
96	4460464	6	Terminal	
97	4460941	1	Terminal	
98	4460466	5	Plug	
99	1001165311	1	Connector	
100	91013191	2	Terminal	
101	4460539	1	Connector	

SECTION 10 - ELECTRICAL

ITEM	PART NUMBER	QTY	DESCRIPTION	REV
102	4460944	3	Terminal	
103	4460539	1	Connector	
104	4460536	1	Mating Connector	
105	4460466	1	Plug	
106	4460465	3	Terminal	

SECTION 10 - ELECTRICAL

FIGURE 10-71. HVAC ACTUATOR HARNESS



ART_1001268830

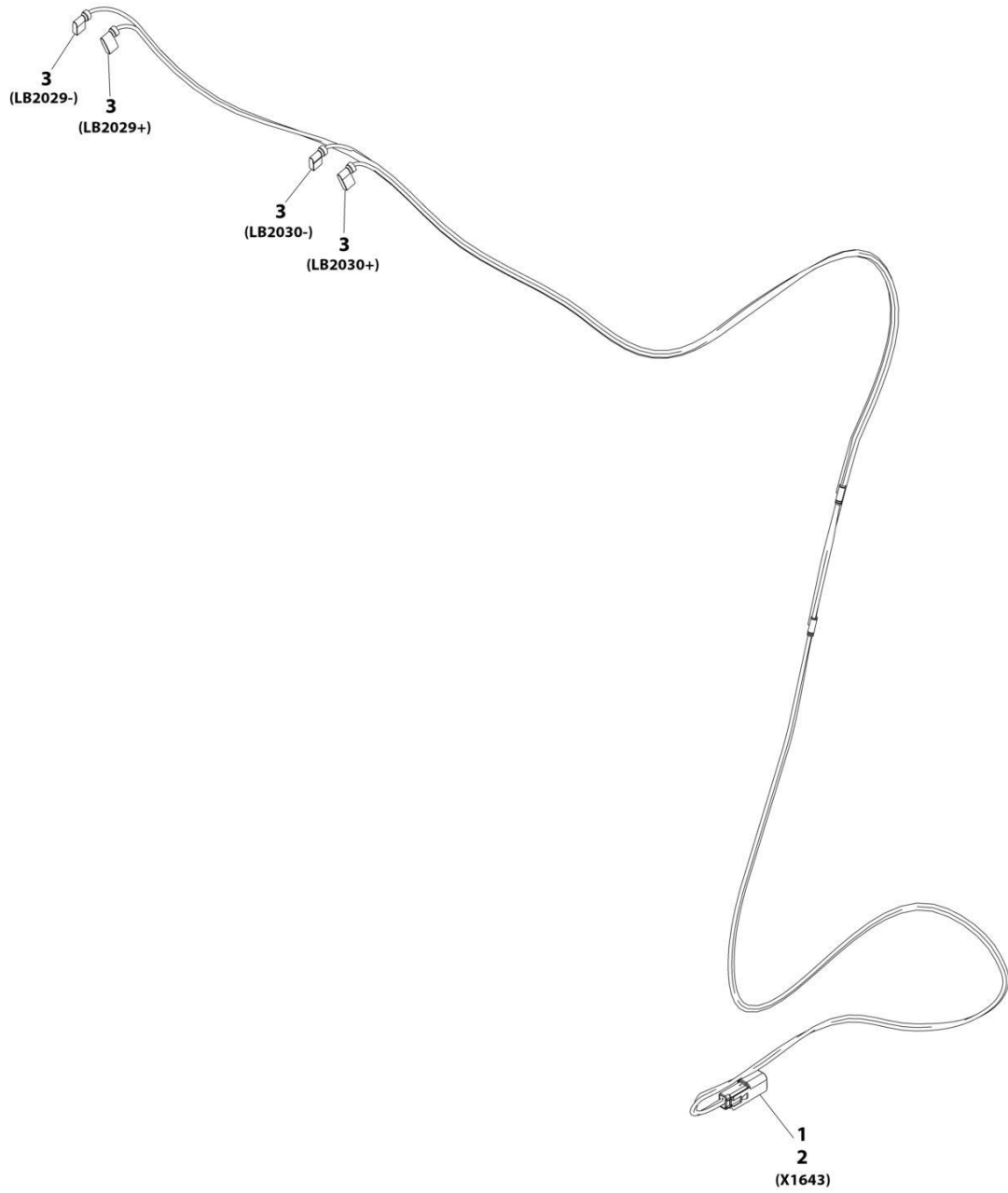
SECTION 10 - ELECTRICAL

FIGURE 10-71. HVAC ACTUATOR HARNESS

ITEM	PART NUMBER	QTY	DESCRIPTION	REV
	1001268830	Ref	CAB HVAC ACTUATOR HARNESS	B
1	1001274536	1	Connector	
2	1001274543	10	Terminal	
3	1001274537	1	Connector	
4	1001274543	8	Terminal	
5	1001184473	1	Connector	
6	1001184479	3	Terminal	
7	1001274533	1	Connector	
8	1001274539	4	Terminal	
9	1001116999	1	Connector	
10	1001274540	2	Terminal	
11	1001274534	1	Connector	
12	1001274541	2	Terminal	
13	1001274534	1	Connector	
14	1001274541	5	Terminal	
15	1001116991	1	Connector	
16	1001116720	2	Terminal	
17	1001274535	2	Connector	
18	1001274538	1	Connector	
19	1001274544	2	Terminal	
20	8220050	2	Terminal	
21	1001274553	1	Retainer	
22	1001274553	1	Retainer	

SECTION 10 - ELECTRICAL

FIGURE 10-72. LICENSE LIGHT HARNESS



ART_1001178053-C

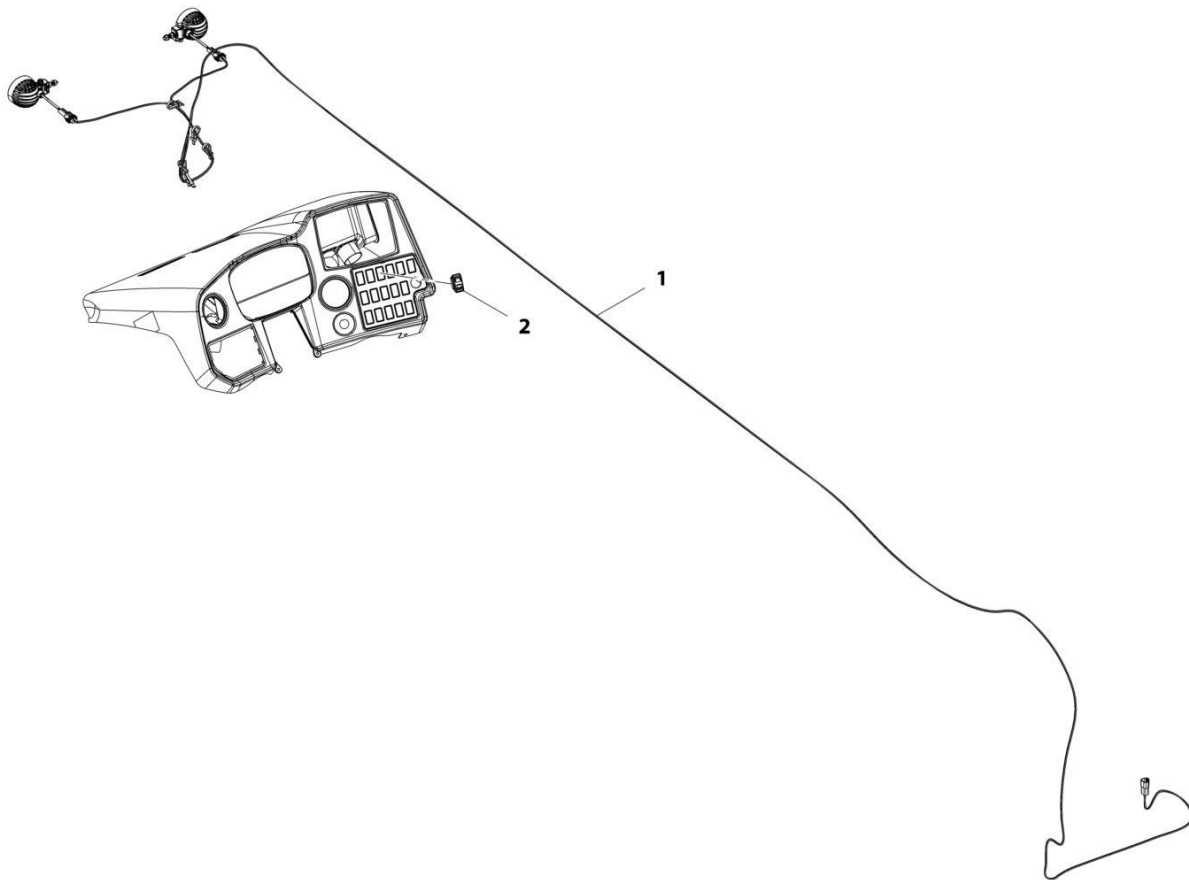
SECTION 10 - ELECTRICAL

FIGURE 10-72. LICENSE LIGHT HARNESS

ITEM	PART NUMBER	QTY	DESCRIPTION	REV
	1001178053	Ref	License Light Harness	C
1	4460897	1	Connector	
2	4460941	2	Terminal	
3	1001190396	4	Connector	

SECTION 10 - ELECTRICAL

FIGURE 10-73. LIGHTS - BOOM WORK LIGHTS (LED)



ART_1001209427-B

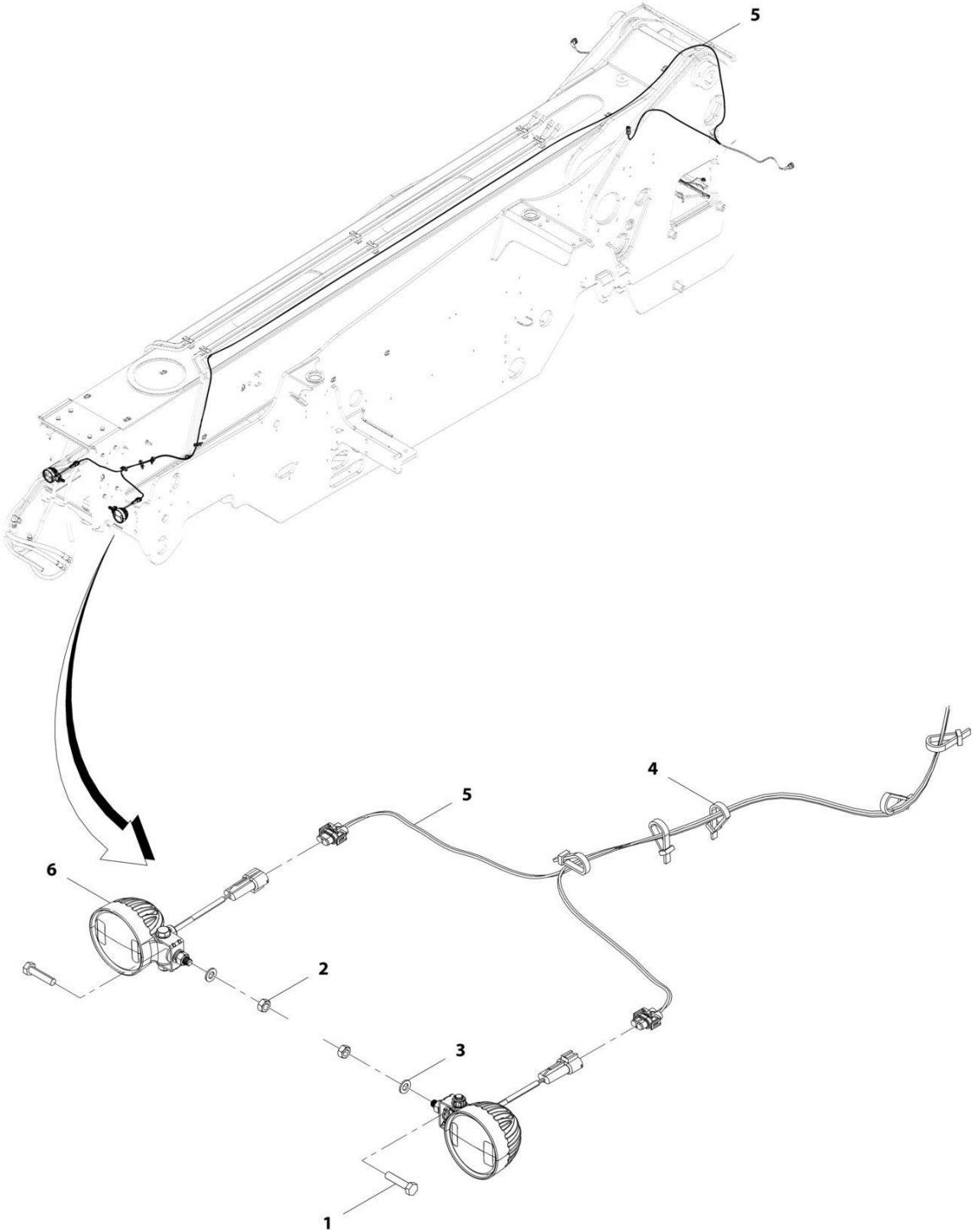
SECTION 10 - ELECTRICAL

FIGURE 10-73. LIGHTS - BOOM WORK LIGHTS (LED)

ITEM	PART NUMBER	QTY	DESCRIPTION	REV
	1001209427	Ref	Boom Work Lights (LED)	B
1	1001159739	1	Switch, Boom Worklights	
2	1001209456	1	Installation, LED Boom Work lights (See Separate Breakdown in this Section)	

SECTION 10 - ELECTRICAL

FIGURE 10-74. LIGHTS - BOOM WORK LIGHT INSTALLATION (LED)



ART_1001209456-C

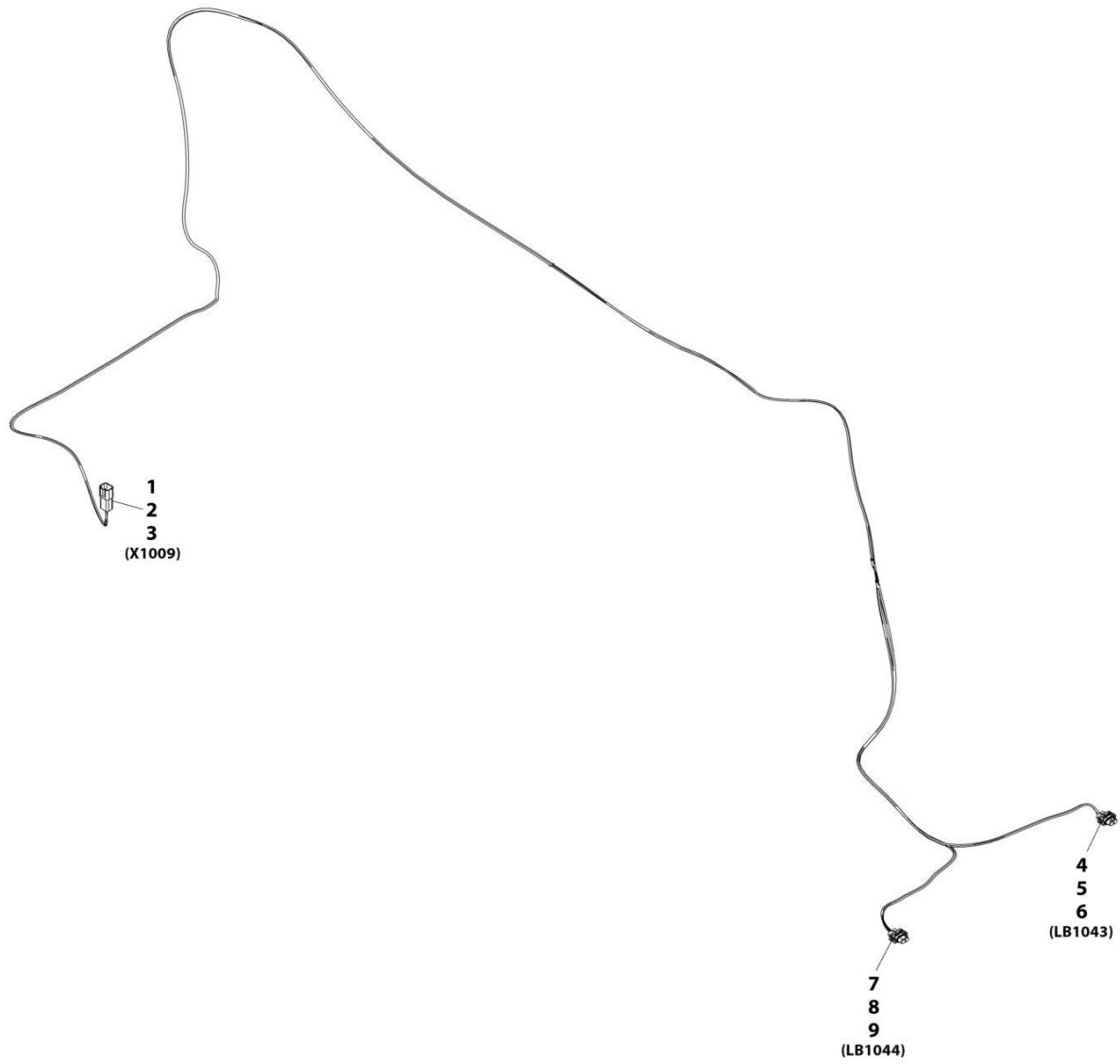
SECTION 10 - ELECTRICAL

FIGURE 10-74. LIGHTS - BOOM WORK LIGHT INSTALLATION (LED)

ITEM	PART NUMBER	QTY	DESCRIPTION	REV
	1001209456	Ref	Boom Work Light Installation (LED)	C
1	0700815	2	Bolt, M8X35	
2	3290801	2	Nut, M8X1.25	
3	4811900	2	Washer, M8	
4	1001008923	5	Strap, Cable	
5	1001184796	1	Harness, Boom Work Lights (See Separate Breakdown in this Section)	
6	1001203640	2	Lamp, LED Worklight	

SECTION 10 - ELECTRICAL

FIGURE 10-75. LIGHTS - BOOM WORKLIGHTS HARNESS



ART_1001184796-E

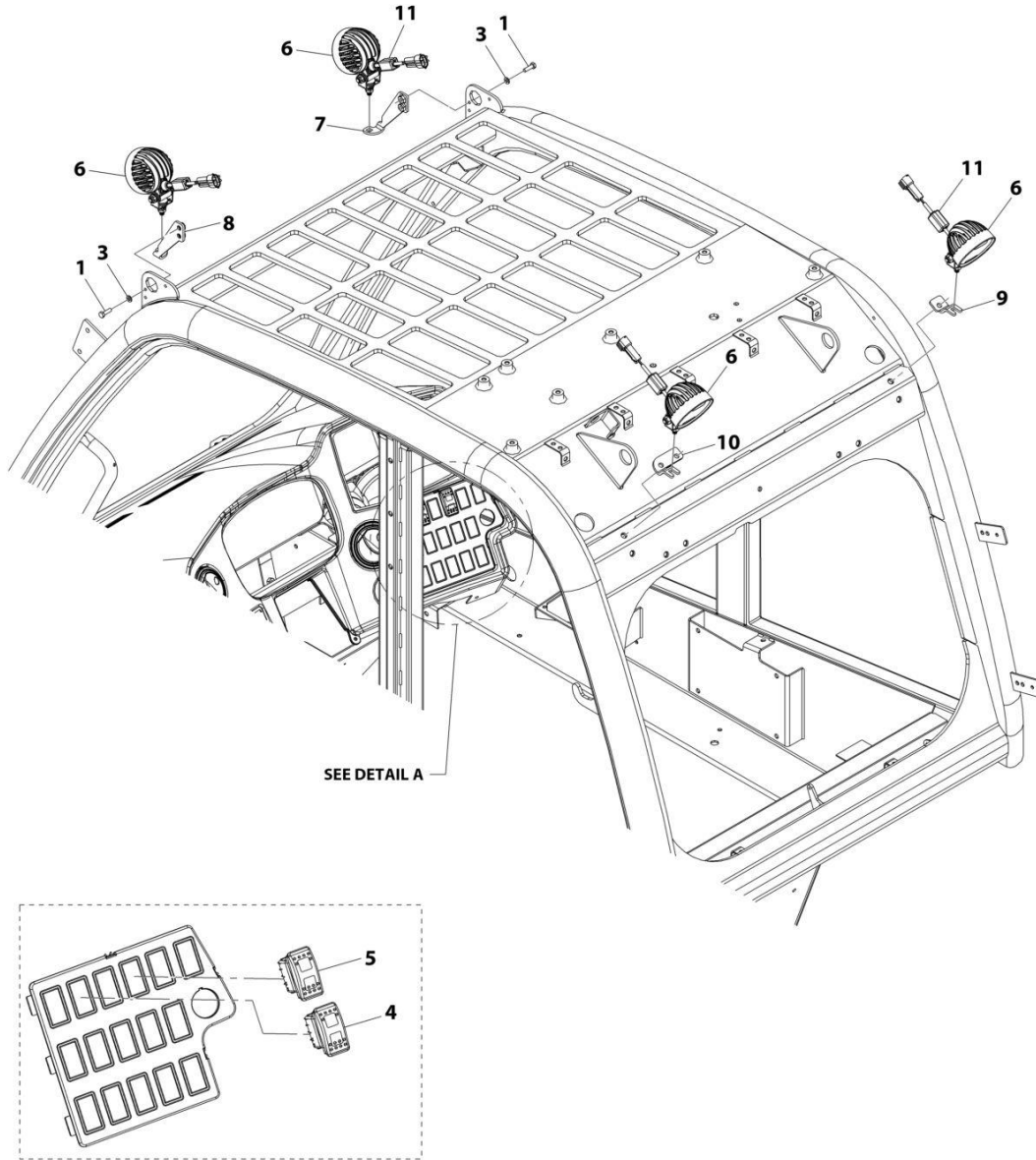
SECTION 10 - ELECTRICAL

FIGURE 10-75. LIGHTS - BOOM WORKLIGHTS HARNESS

ITEM	PART NUMBER	QTY	DESCRIPTION	REV
	1001184796	Ref	Boom Worklights Harness	E
1	4460932	1	Connector	
2	4460464	2	Terminal	
3	4460466	2	Plug	
4	4461115	1	Connector	
5	1001116728	2	Terminal	
6	4460458	2	Terminal Seal	
7	4461115	1	Connector	
8	1001116728	2	Terminal	
9	4460458	2	Terminal Seal	

SECTION 10 - ELECTRICAL

FIGURE 10-76. LIGHTS - CAB WORKLIGHTS INSTALLATION (NO A/C - LED)



ART_1001200538-D

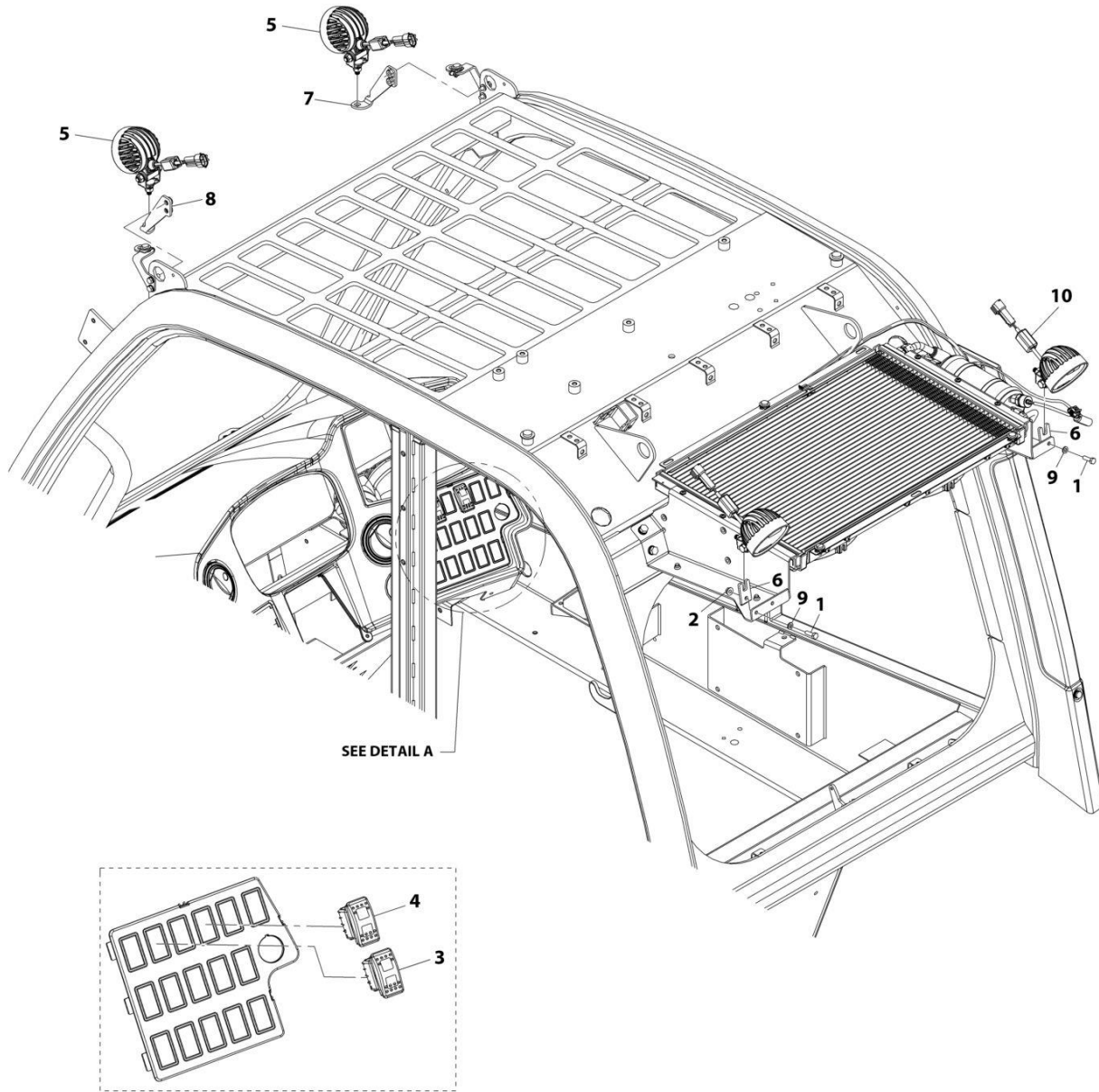
SECTION 10 - ELECTRICAL

FIGURE 10-76. LIGHTS - CAB WORKLIGHTS INSTALLATION (NO A/C - LED)

ITEM	PART NUMBER	QTY	DESCRIPTION	REV
	1001200538	Ref	Cab Worklights Installation (No A/C - LED)	D
1	0700610	4	Bolt, M6X20	
3	4811700	4	Washer, M6	
4	1001159845	1	Switch, Front Worklights	
5	1001159846	1	Switch, Rear Worklights	
6	1001203640	4	Lamp, LED Work Light	
7	1001244193	1	Support, LED Work Light RH	
8	1001244192	1	Support, LED Work Light LH	
9	1001204528	1	Support, LED Work Light RH	
10	1001204530	1	Support, LED Work Light LH	
11	1001228989	4	Harness, Ferrite	

SECTION 10 - ELECTRICAL

FIGURE 10-77. LIGHTS - CAB WORKLIGHTS INSTALLATION (A/C - LED)



ART_1001200539-D

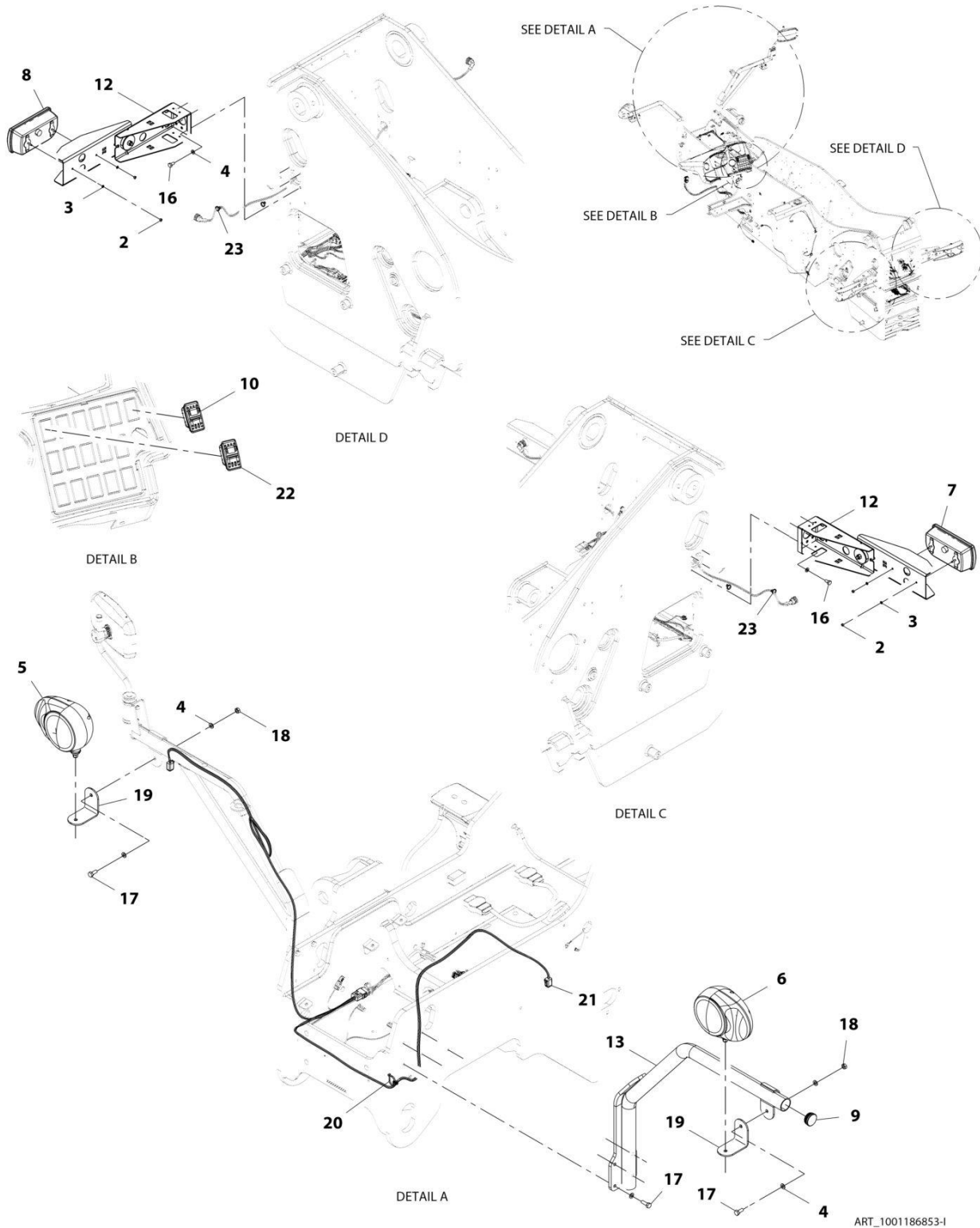
SECTION 10 - ELECTRICAL

FIGURE 10-77. LIGHTS - CAB WORKLIGHTS INSTALLATION (A/C - LED)

ITEM	PART NUMBER	QTY	DESCRIPTION	REV
	1001200539	Ref	Cab Worklights Installation (A/C - LED)	D
1	0700610	2	Bolt, M6X20	
2	5220600	2	Nut, M6	
3	1001159845	1	Switch, Front Worklights	
4	1001159846	1	Switch, Rear Worklights	
5	1001203640	4	Lamp, LED Work Light	
6	1001204060	2	Bracket	
7	1001244193	1	Support, LED Work Light RH	
8	1001244192	1	Support, LED Work Light LH	
9	4811700	2	Washer, M6	
10	1001228989	4	Harness, Ferrite	

SECTION 10 - ELECTRICAL

FIGURE 10-78. LIGHTS - DRIVING LIGHT INSTALLATION (RH DIP)



ART_1001186853-I

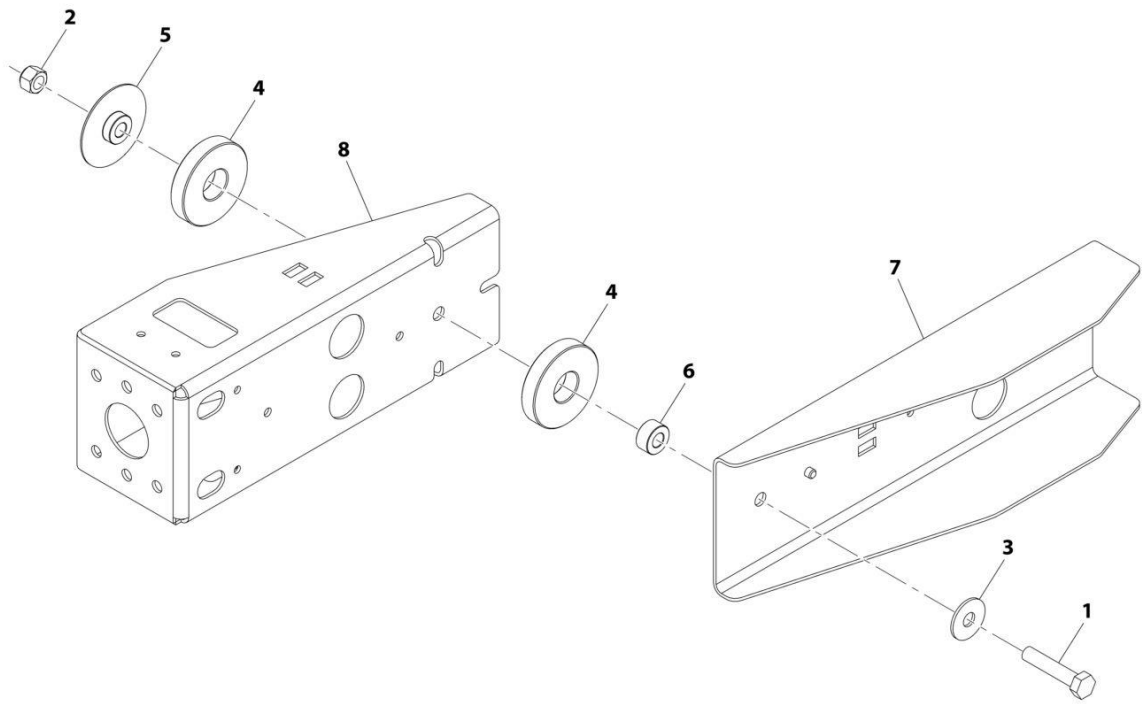
SECTION 10 - ELECTRICAL

FIGURE 10-78. LIGHTS - DRIVING LIGHT INSTALLATION (RH DIP)

ITEM	PART NUMBER	QTY	DESCRIPTION	REV
	1001186853	Ref	Driving Light Installation (RH Dip)	1
2	3290607	4	Nut, Lock M6X1	
3	4811700	4	Washer, M6	
4	4812000	16	Washer, M10	
5	2920208	1	Light, Driving (RH) (RH Dip)	
	7029969	1	Bulb, 4W	
	7029970	1	Bulb, 55W	
	7029971	1	Bulb, 21W	
6	2920207	1	Light, Driving (LH) (RH Dip)	
	7029969	1	Bulb, 4W	
	7029970	1	Bulb, 55W	
	7029971	1	Bulb, 21W	
7	1001091715	1	Light, Rear (LH)	
	70021341	1	Bulb, 5W	
	70021340	1	Bulb, 21W	
	7029971	1	Bulb, 21W	
8	1001091716	1	Light, Rear (RH)	
	70021341	1	Bulb, 5W	
	70021340	1	Bulb, 21W	
	7029971	1	Bulb, 21W	
9	1001209697	1	Cap	
10	1001159734	1	Switch, Hazard	
12	1001183112	2	Assembly, Rear Light Bracket (See Separate Breakdown in this Section)	
13	1001206100	1	Bracket	
16	0761010	8	Bolt, M10X20	
17	0701014	6	Bolt, M10X30	
18	3291001	2	Nut, M10X1.5	
19	1001203368	2	Bracket	
20	1001146588	1	Strap, Tie	
21	1001215693	1	Harness, Headlight (See Separate Breakdown in this Section)	
22	1001159737	1	Switch, Fog Lights	
23	1001008559	4	Strap, Cable	

SECTION 10 - ELECTRICAL

FIGURE 10-79. LIGHTS - DRIVING LIGHT BRACKET ASSEMBLY (RH DIP)



ART_1001183112-C

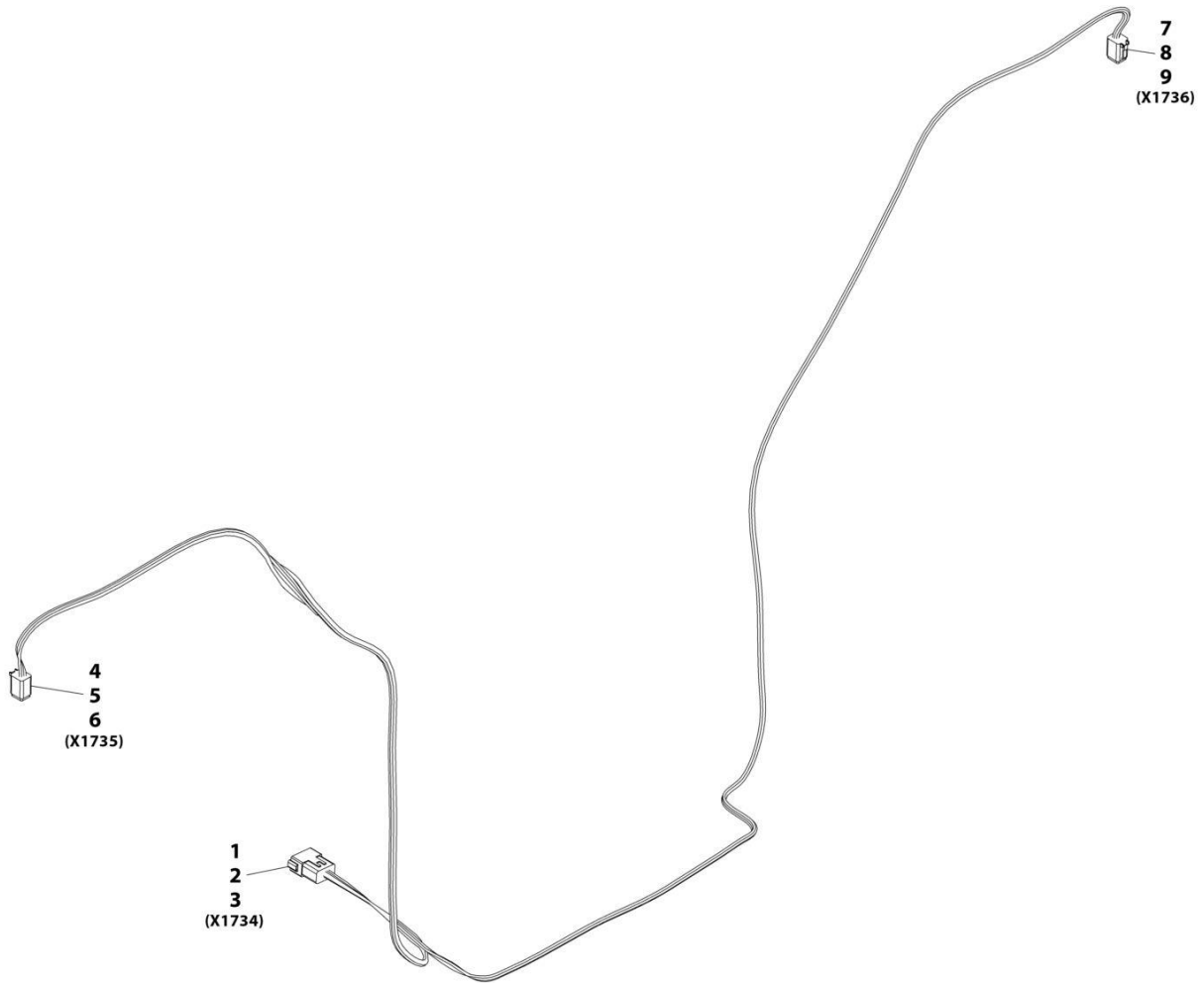
SECTION 10 - ELECTRICAL

FIGURE 10-79. LIGHTS - DRIVING LIGHT BRACKET ASSEMBLY (RH DIP)

ITEM	PART NUMBER	QTY	DESCRIPTION	REV
	1001183112	Ref	Rear Light Bracket Assembly	C
1	0701220	1	Bolt, M12X60	
2	3291205	1	Nut, Lock M12X1.75	
3	4812102	1	Washer, M12	
4	8000565	2	Washer, Rubber	
5	1001182490	1	Washer, Top Hat	
6	1001182495	1	Washer	
7	1001196217	1	Bracket	
8	1001196100	1	Bracket	

SECTION 10 - ELECTRICAL

FIGURE 10-80. LIGHTS - DRIVING HEADLIGHT HARNESS



ART_1001215693-C

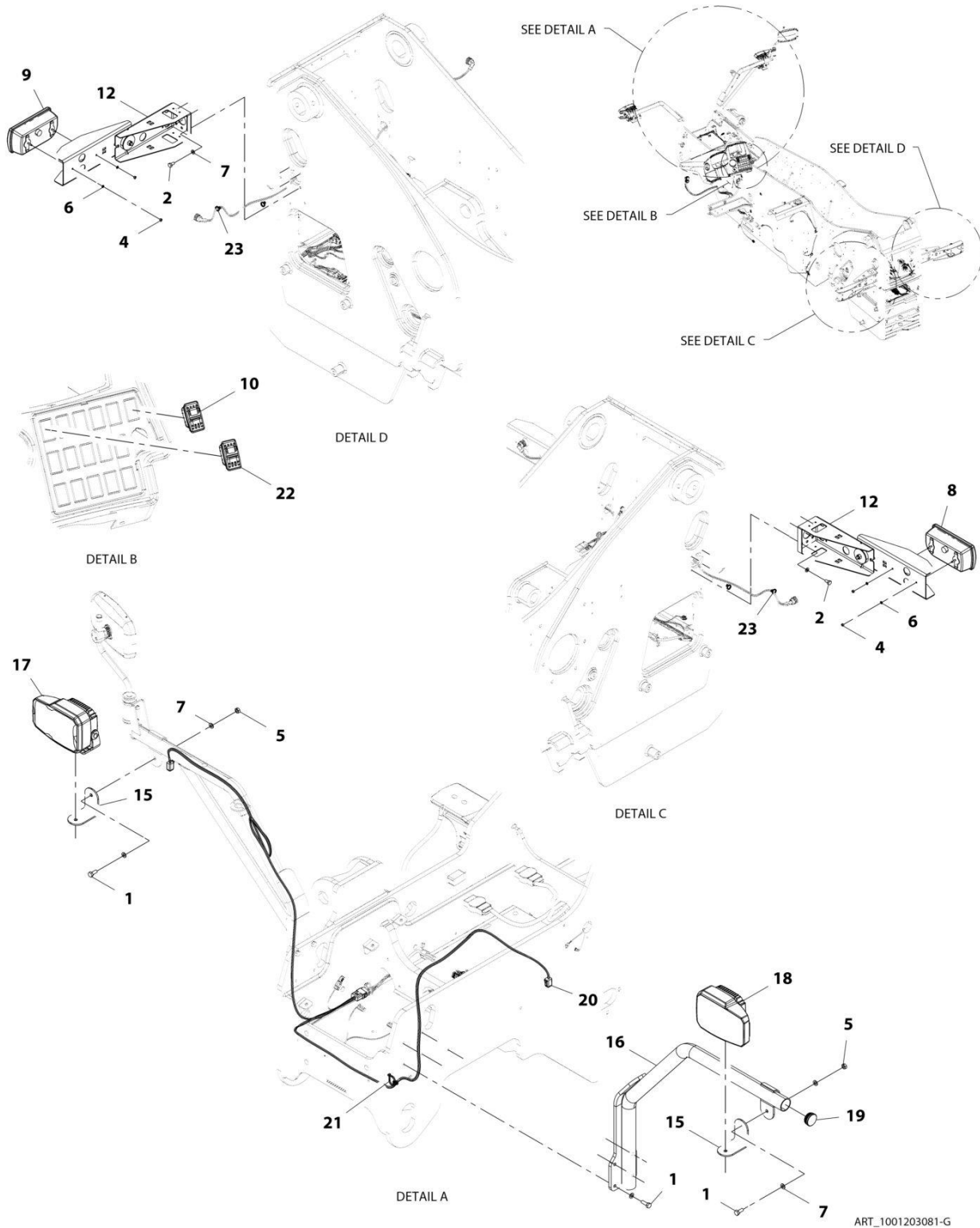
SECTION 10 - ELECTRICAL

FIGURE 10-80. LIGHTS - DRIVING HEADLIGHT HARNESS

ITEM	PART NUMBER	QTY	DESCRIPTION	REV
	1001215693	Ref	Headlight Harness	C
1	4460970	1	Connector	
2	4460941	10	Terminal	
3	4460466	2	Plug	
4	4460894	1	Connector	
5	4460942	5	Terminal	
6	4460466	1	Plug	
7	4460894	1	Connector	
8	4460942	5	Terminal	
9	4460466	1	Plug	

SECTION 10 - ELECTRICAL

FIGURE 10-81. LIGHTS - DRIVING LIGHT INSTALLATION (LED) (RH DIP) (1644)



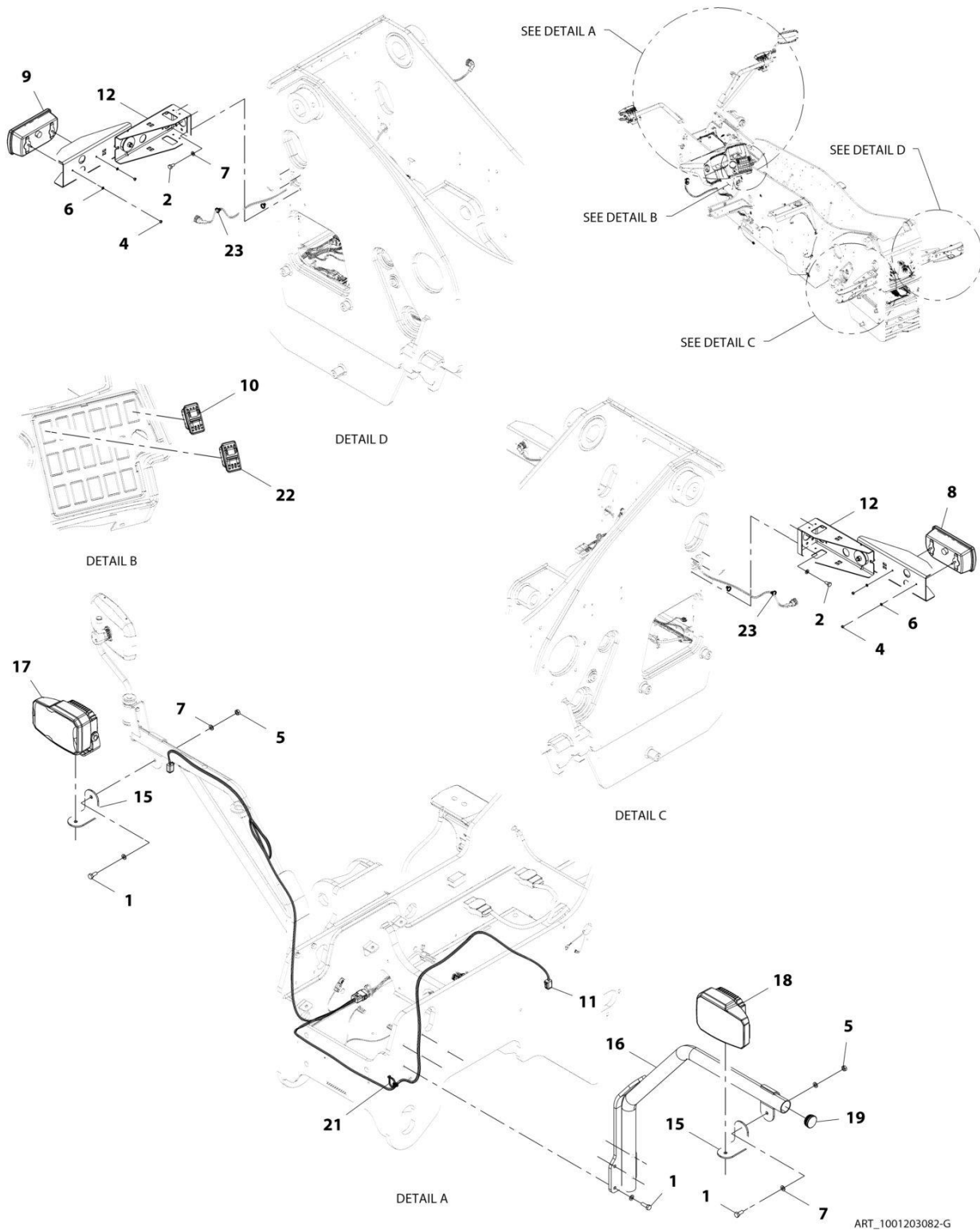
SECTION 10 - ELECTRICAL

FIGURE 10-81. LIGHTS - DRIVING LIGHT INSTALLATION (LED) (RH DIP) (1644)

ITEM	PART NUMBER	QTY	DESCRIPTION	REV
	1001203081	Ref	Driving Light Installation (LED) (RH Dip)	G
1	0701014	6	Bolt, M10X30	
2	0761010	8	Bolt, M10X20	
4	3290607	4	Bolt, M6X1	
5	3291001	2	Nut, M10X1.5	
6	4811700	4	Washer, M6	
7	4812000	16	Washer, M10	
8	1001091715	1	Light, Rear (LH)	
	70021341	1	Bulb, 5W	
	70021340	1	Bulb, 21W	
	7029971	1	Bulb, 21W	
9	1001091716	1	Light, Rear (RH)	
	70021341	1	REPLACEMENT BULB, 12V-5W	
	70021340	1	Bulb, 21W	
	7029971	1	Bulb, 21W	
10	1001159734	1	Switch, Hazard	
12	1001183112	2	Assembly, Rear Light Bracket (See Separate Breakdown in this Section)	
15	1001203368	2	Bracket	
16	1001206100	1	Bracket	
17	1001209690	1	Light, Driving (RH - LED) (RH Dip)	
18	1001209691	1	Light, Driving (LH - LED) (LH Dip)	
19	1001209697	1	Cap	
20	1001215693	1	Harness, Headlights (See Separate Breakdown in this Section)	
21	1001146588	1	Strap, Cable Tie	
22	1001159737	1	Switch, Fog Lights	
23	1001008559	4	Strap, Cable Tie	

SECTION 10 - ELECTRICAL

FIGURE 10-82. LIGHTS - DRIVING LIGHT INSTALLATION (LED) (LH DIP) (7013)



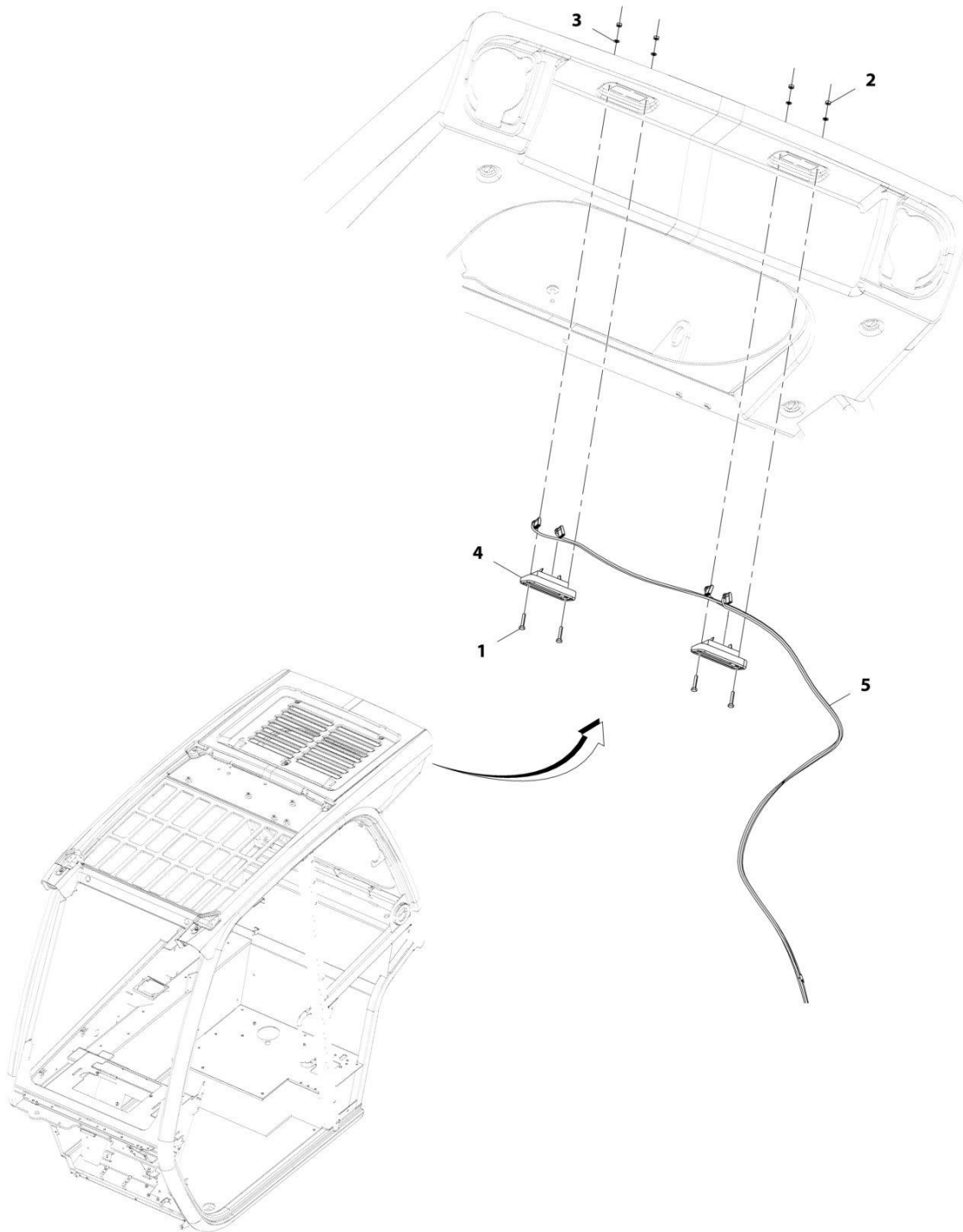
SECTION 10 - ELECTRICAL

FIGURE 10-82. LIGHTS - DRIVING LIGHT INSTALLATION (LED) (LH DIP) (7013)

ITEM	PART NUMBER	QTY	DESCRIPTION	REV
	1001203082	Ref	Driving Light Installation (LED) (LH Dip)	G
1	0701014	6	Bolt, M10X30	
2	0761010	8	Bolt, M10X20	
4	3290607	4	Nut, Lock M6X1	
5	3291001	2	Nut, M10X1.5	
6	4811700	4	Washer, M6	
7	4812000	16	Washer, M10	
8	1001091715	1	Lamp, Rear (LH)	
	70021341	1	Bulb, 5W	
	70021340	1	Bulb, 21W	
	7029971	1	Bulb, 21W	
9	1001091716	1	Lamp, Rear (RH)	
	70021341	1	Bulb, 5W	
	70021340	1	Bulb, 21W	
	7029971	1	Bulb, 21W	
10	1001159734	1	Switch, Hazard	
11	1001215693	1	Harness, Headlights (See Separate Breakdown in this Section)	
12	1001183112	2	Assembly, Rear Light Bracket (See Separate Breakdown in this Section)	
15	1001203368	2	Bracket	
16	1001206100	1	Bracket	
17	1001209692	1	Light, Driving, (RH - LED) (LH Dip)	
18	1001209693	1	Light, Driving, (LH - LED) (LH Dip)	
19	1001209697	1	Cap	
21	1001146588	1	Strap, Cable Tie	
22	1001159737	1	Switch, Fog Lights	
23	1001008559	4	Strap, Cable	

SECTION 10 - ELECTRICAL

FIGURE 10-83. LIGHTS - LICENSE PLATE LIGHT INSTALLATION (7013)



ART_1001200383-B

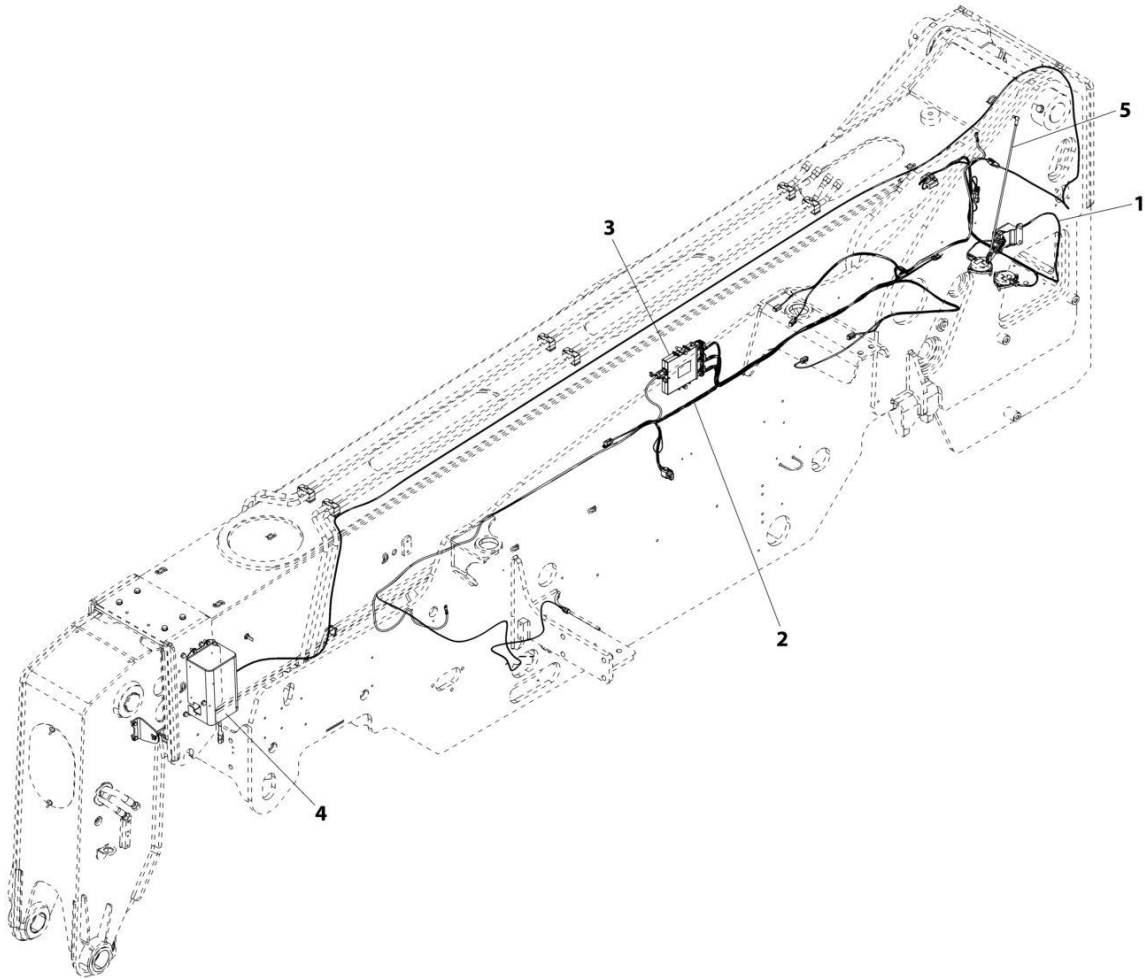
SECTION 10 - ELECTRICAL

FIGURE 10-83. LIGHTS - LICENSE PLATE LIGHT INSTALLATION (7013)

ITEM	PART NUMBER	QTY	DESCRIPTION	REV
	1001200383	Ref	License Plate Lamp Installation	B
1	0760410	4	Bolt, M4X20	
2	3290401	4	Nut, M4X0.7 Grade 8	
3	4831400	4	Washer, Lock M4	
4	1001173829	2	Lamp, License Plate	
5	1001178053	1	Harness, License Light (See Separate Breakdown in Electrical Section)	

SECTION 10 - ELECTRICAL

FIGURE 10-84. LMIS CONTROL PACKAGE INSTALLATION



ART_1001192431

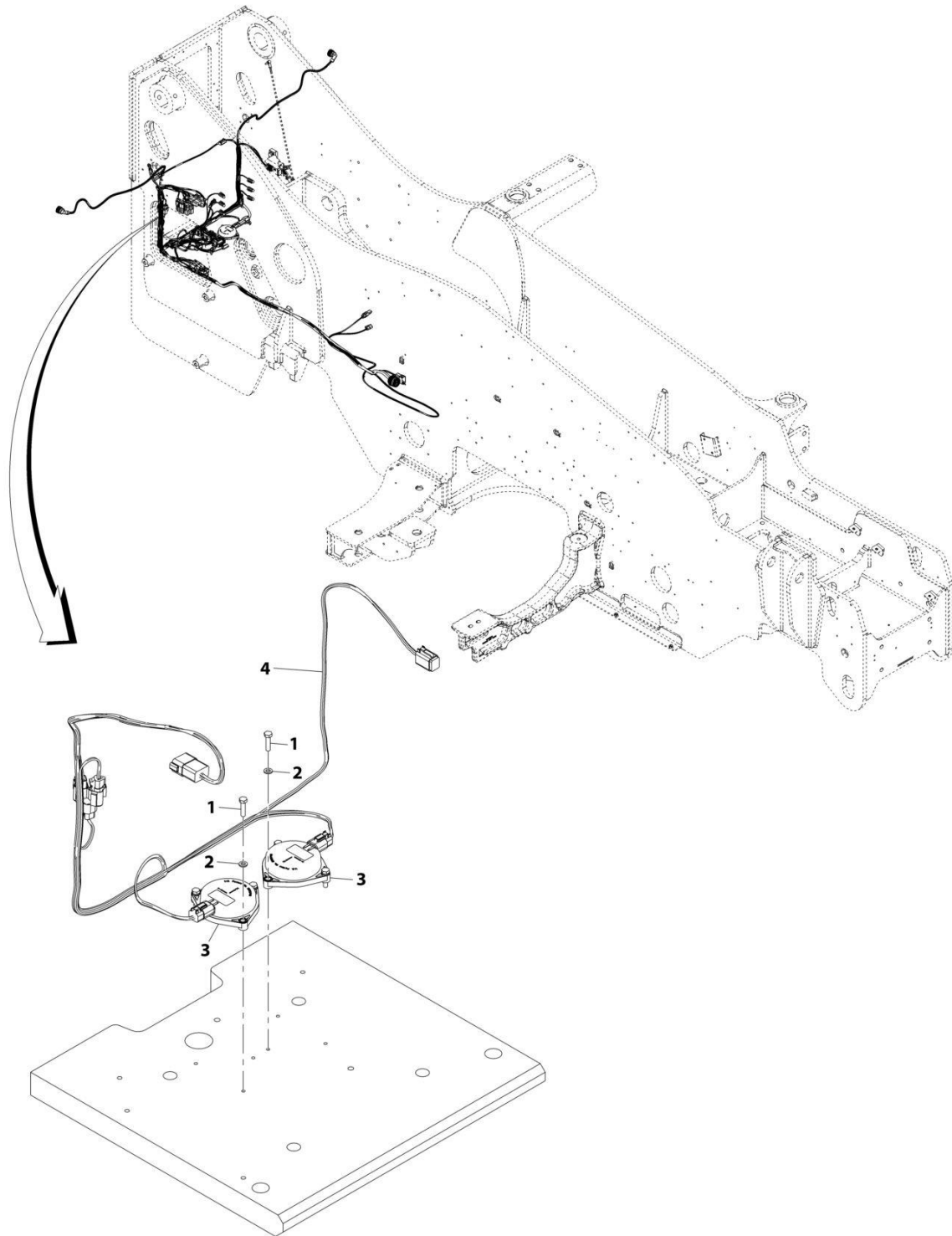
SECTION 10 - ELECTRICAL

FIGURE 10-84. LMIS CONTROL PACKAGE INSTALLATION

ITEM	PART NUMBER	QTY	DESCRIPTION	REV
	1001192431	Ref	LMIS Control Package Installation	E
1	1001195200	1	Installation, Tilt Sensor (See Separate Breakdown in this Section)	
2	1001195201	1	Installation, LMIS Wiring (See Separate Breakdown in this Section)	
3	1001195471	1	Installation, LMIS Controller (See Separate Breakdown in this Section)	
4	1001195473	1	Installation, LMIS Cable Reel (See Separate Breakdown in this Section)	
5	1001195590	1	Installation, Boom Angle Sensor (LMIS) (See Separate Breakdown in this Section)	

SECTION 10 - ELECTRICAL

FIGURE 10-85. LMIS TILT SENSOR INSTALLATION



ART_1001195200-B

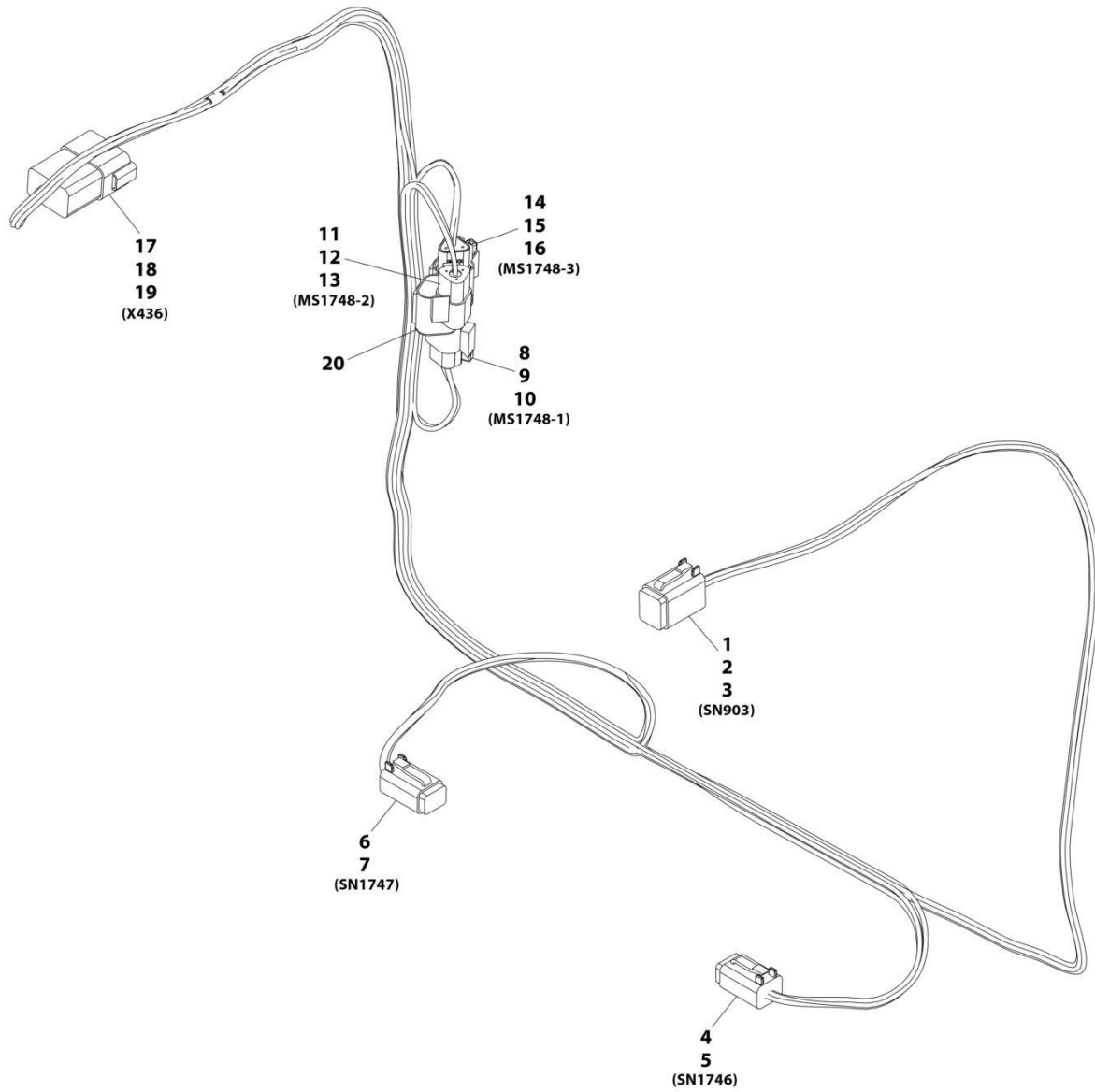
SECTION 10 - ELECTRICAL

FIGURE 10-85. LMIS TILT SENSOR INSTALLATION

ITEM	PART NUMBER	QTY	DESCRIPTION	REV
	1001195200	Ref	Tilt Sensor Installation	B
1	0700612	6	Bolt, M6X25	
2	4811700	6	Washer, M6	
3	1001163095	2	Sensor, Tilt	
4	1001195202	1	Harness, Platform Ready (See Separate Breakdown in this Section)	

SECTION 10 - ELECTRICAL

FIGURE 10-86. LMIS - PLATFORM READY HARNESS



ART_1001195202-A

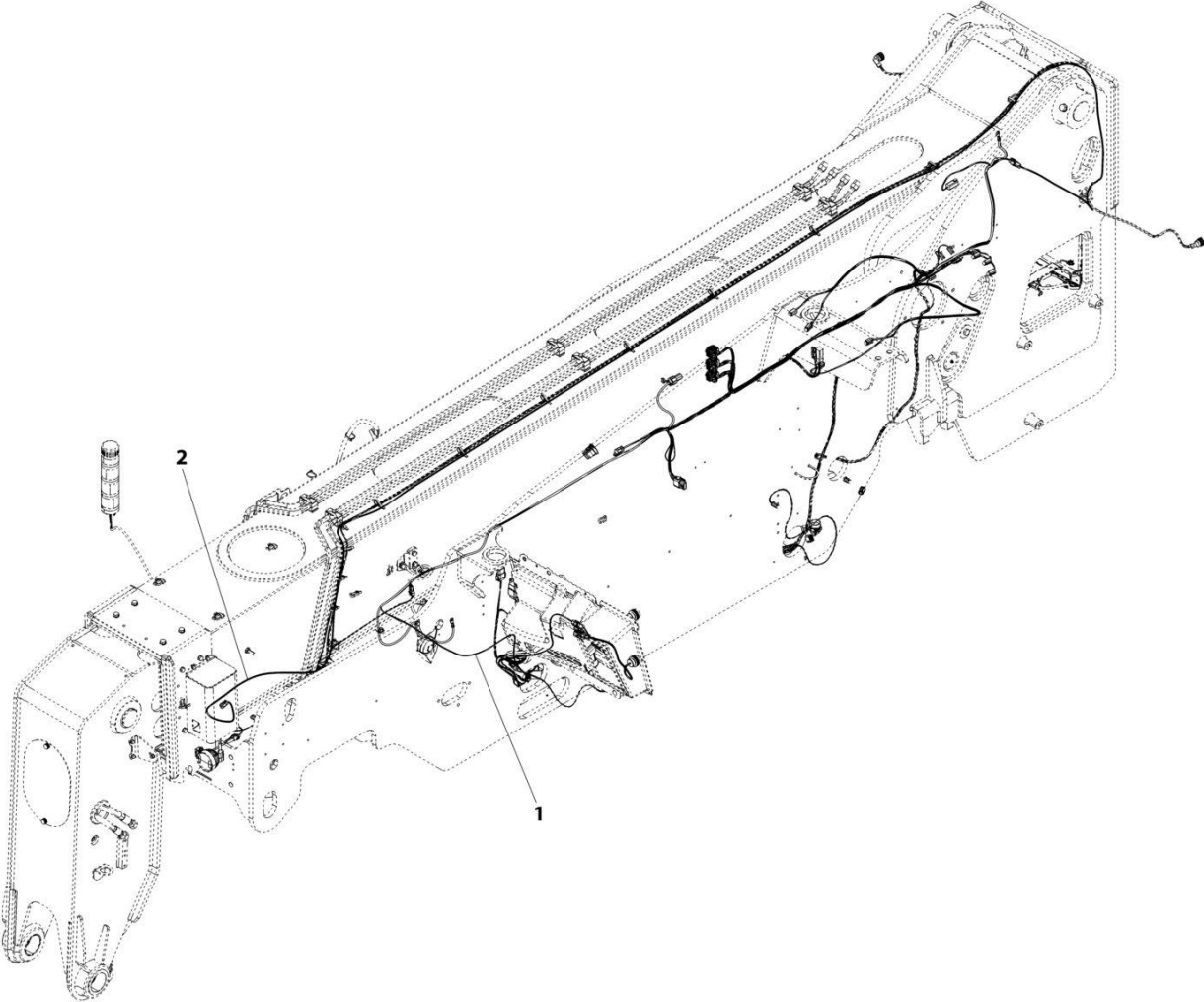
SECTION 10 - ELECTRICAL

FIGURE 10-86. LMIS - PLATFORM READY HARNESS

ITEM	PART NUMBER	QTY	DESCRIPTION	REV
	1001195202	Ref	Platform Ready Harness	A
1	4460894	1	Connector	
2	4460465	4	Terminal	
3	4460466	2	Plug	
4	4460884	1	Connector	
5	4460944	4	Terminal	
6	4460884	1	Connector	
7	4460944	4	Terminal	
8	1001116812	1	Connector	
9	4460944	2	Terminal	
10	4460466	1	Plug	
11	4460539	1	Connector	
12	4460944	2	Terminal	
13	4460466	1	Plug	
14	1001116812	1	Connector	
15	4460944	2	Terminal	
16	4460466	1	Plug	
17	4460931	1	Connector	
18	4460464	6	Terminal	
19	4460466	2	Plug	
20	4460945	1	Connector, 3 Way	

SECTION 10 - ELECTRICAL

FIGURE 10-87. LMIS WIRING INSTALLATION



ART_1001195201-F

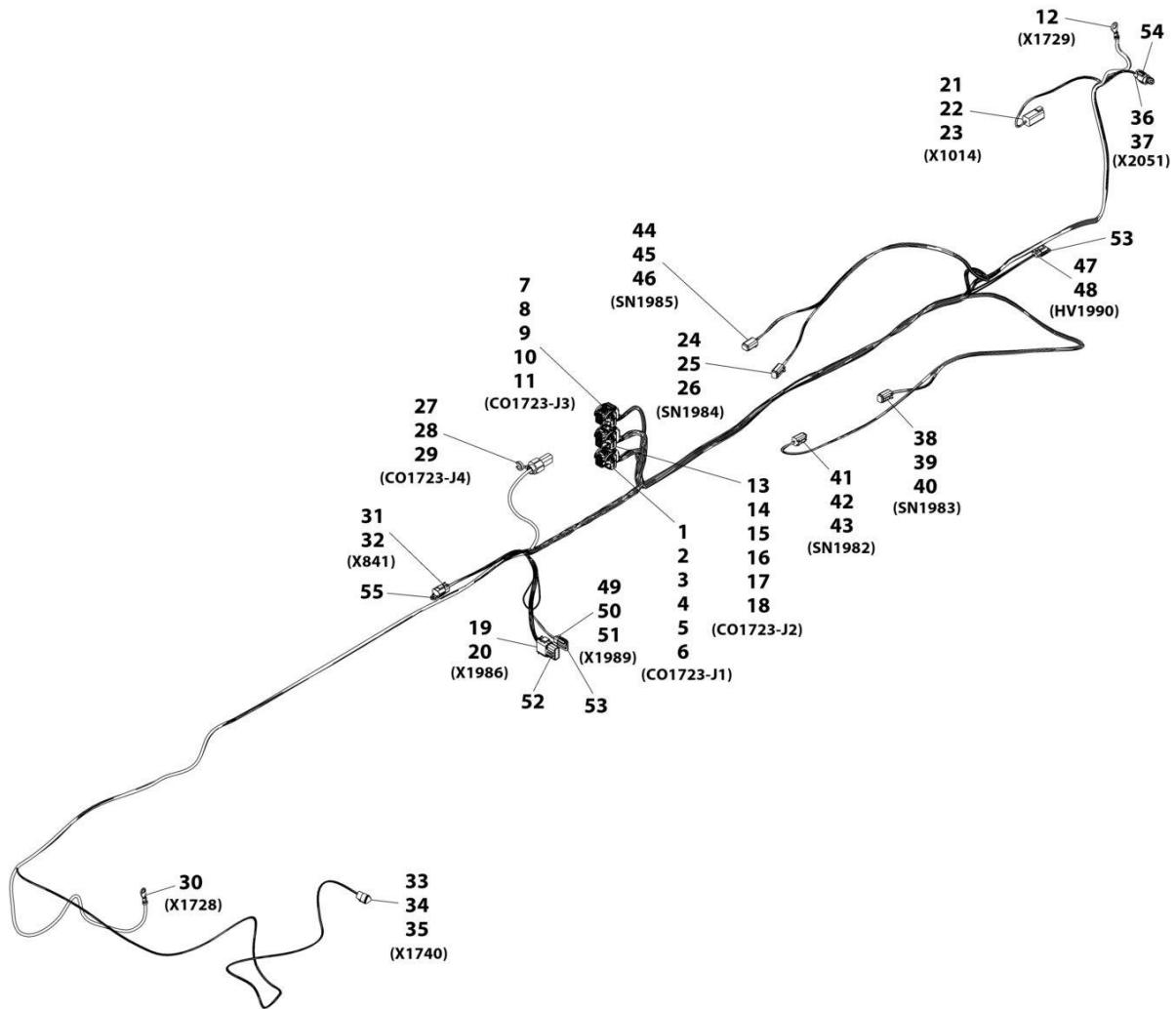
SECTION 10 - ELECTRICAL

FIGURE 10-87. LMIS WIRING INSTALLATION

ITEM	PART NUMBER	QTY	DESCRIPTION	REV
1	1001195201	Ref	LMIS Wiring Installation	F
	1001184795	1	Harness, Chassis Option (See Separate Breakdown in this Section)	
2	1001192619	1	Harness, LMIS Boom (See Separate Breakdown in this Section)	

SECTION 10 - ELECTRICAL

FIGURE 10-88. LMIS CHASSIS OPTION HARNESS



ART_1001184795-G

SECTION 10 - ELECTRICAL

FIGURE 10-88. LMIS CHASSIS OPTION HARNESS

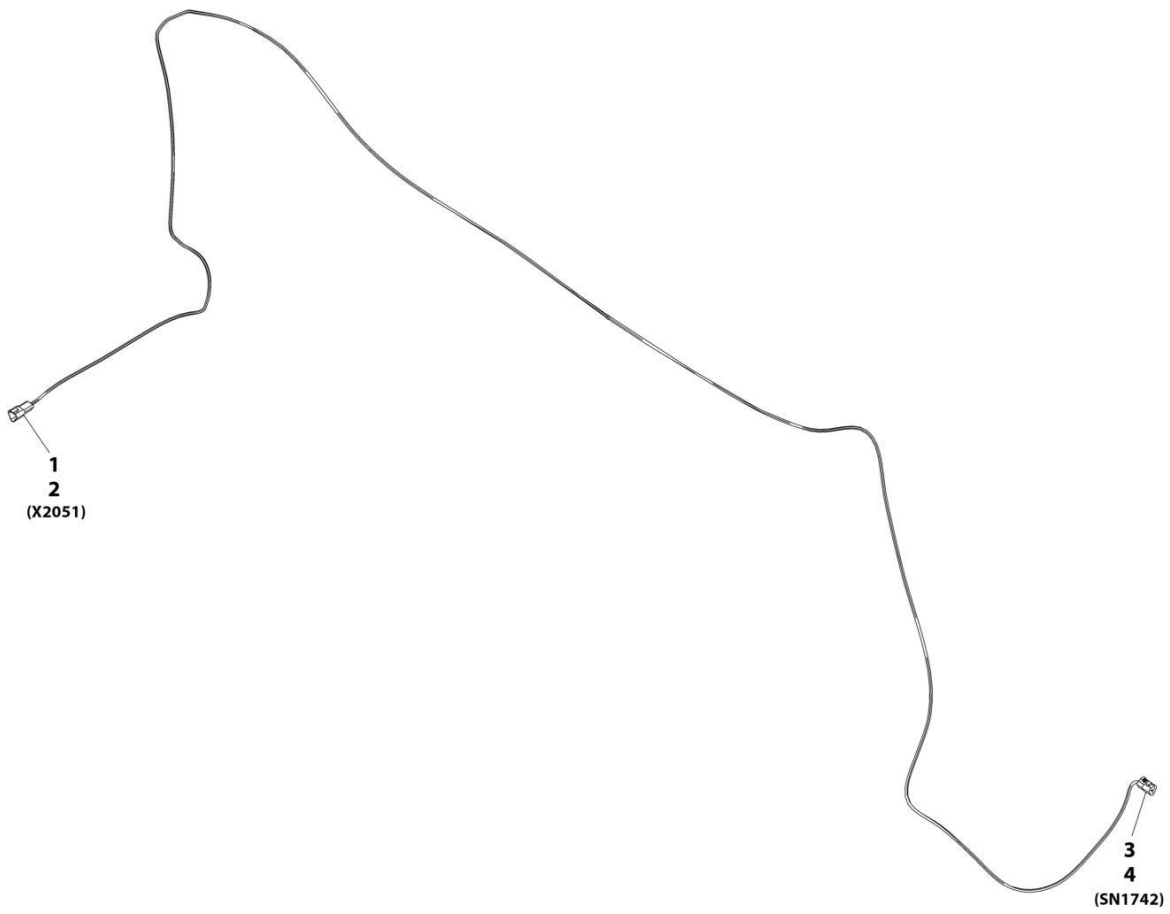
ITEM	PART NUMBER	QTY	DESCRIPTION	REV
	1001184795	Ref	LMIS Chassis Option Harness	G
1	1001161957	1	Connector	
2	1001161097	17	Terminal	
3	1001161100	7	Plug	
4	1001161101	2	Plug	
5	1001161098	2	Terminal	
6	1001161099	4	Terminal	
7	1001160500	1	Connector	
8	1001161100	16	Plug	
9	1001161097	8	Terminal	
10	1001161101	7	Plug	
11	1001161098	1	Terminal	
12	1001187076	1	Ring Terminal	
13	1001161963	1	Connector	
14	1001161097	24	Terminal	
15	1001161100	16	Plug	
16	1001161095	1	Terminal	
17	1001161099	3	Terminal	
18	1001161101	4	Plug	
19	1001116774	1	Connector	
20	4460928	12	Terminal	
21	4460899	1	Connector	
22	4460464	3	Terminal	
23	4460466	3	Plug	
24	4460884	1	Connector	
25	4460942	1	Terminal	
26	4460465	3	Terminal	
27	1001160509	1	Connector	
28	1001160510	1	Terminal	
29	1001175266	1	Terminal Seal	
30	1001187075	1	Ring Terminal	
31	4460884	1	Connector	
32	4460465	4	Terminal	
33	1001116812	1	Connector	
34	4460944	2	Terminal	
35	4460466	1	Plug	
36	4460539	1	Connector	
37	4460465	3	Terminal	
38	4460884	1	Connector	
39	4460942	1	Terminal	
40	4460465	3	Terminal	
41	4460884	1	Connector	
42	4460942	1	Terminal	
43	4460465	3	Terminal	
44	4460884	1	Connector	
45	4460942	1	Terminal	
46	4460465	3	Terminal	
47	4460891	1	Connector	
48	4460465	2	Terminal	
49	4460891	1	Connector	

SECTION 10 - ELECTRICAL

ITEM	PART NUMBER	QTY	DESCRIPTION	REV
50	4460465	1	Terminal	
51	4460942	1	Terminal	

SECTION 10 - ELECTRICAL

FIGURE 10-89. LMIS BOOM HARNESS



ART_1001192619-D

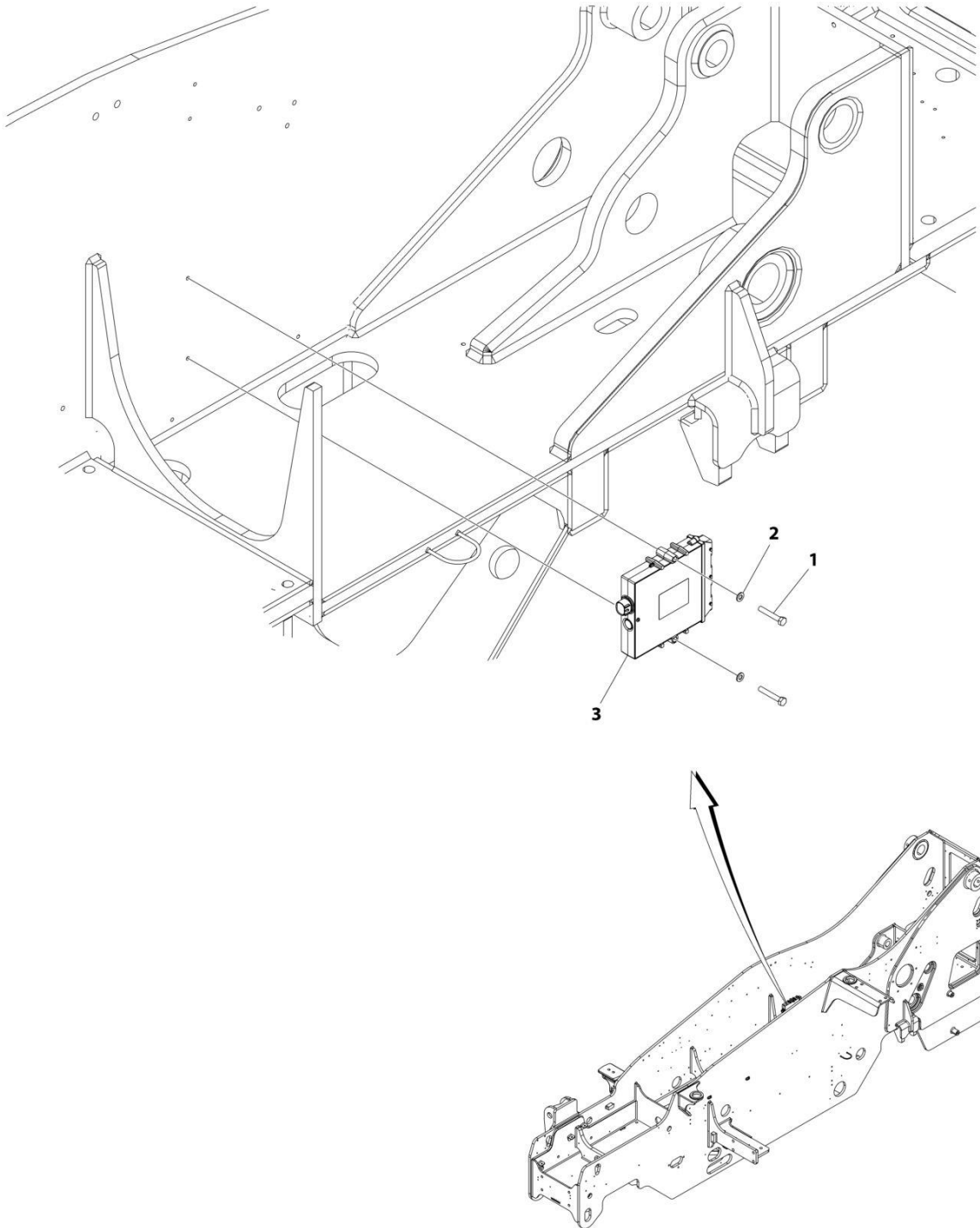
SECTION 10 - ELECTRICAL

FIGURE 10-89. LMIS BOOM HARNESS

ITEM	PART NUMBER	QTY	DESCRIPTION	REV
	1001192619	Ref	LMIS Boom Harness	D
1	4460536	1	Connector	
2	4460464	3	Terminal	
3	4460539	1	Connector	
4	4460465	3	Terminal	

SECTION 10 - ELECTRICAL

FIGURE 10-90. LMIS CONTROLLER INSTALLATION



ART_1001195471_C

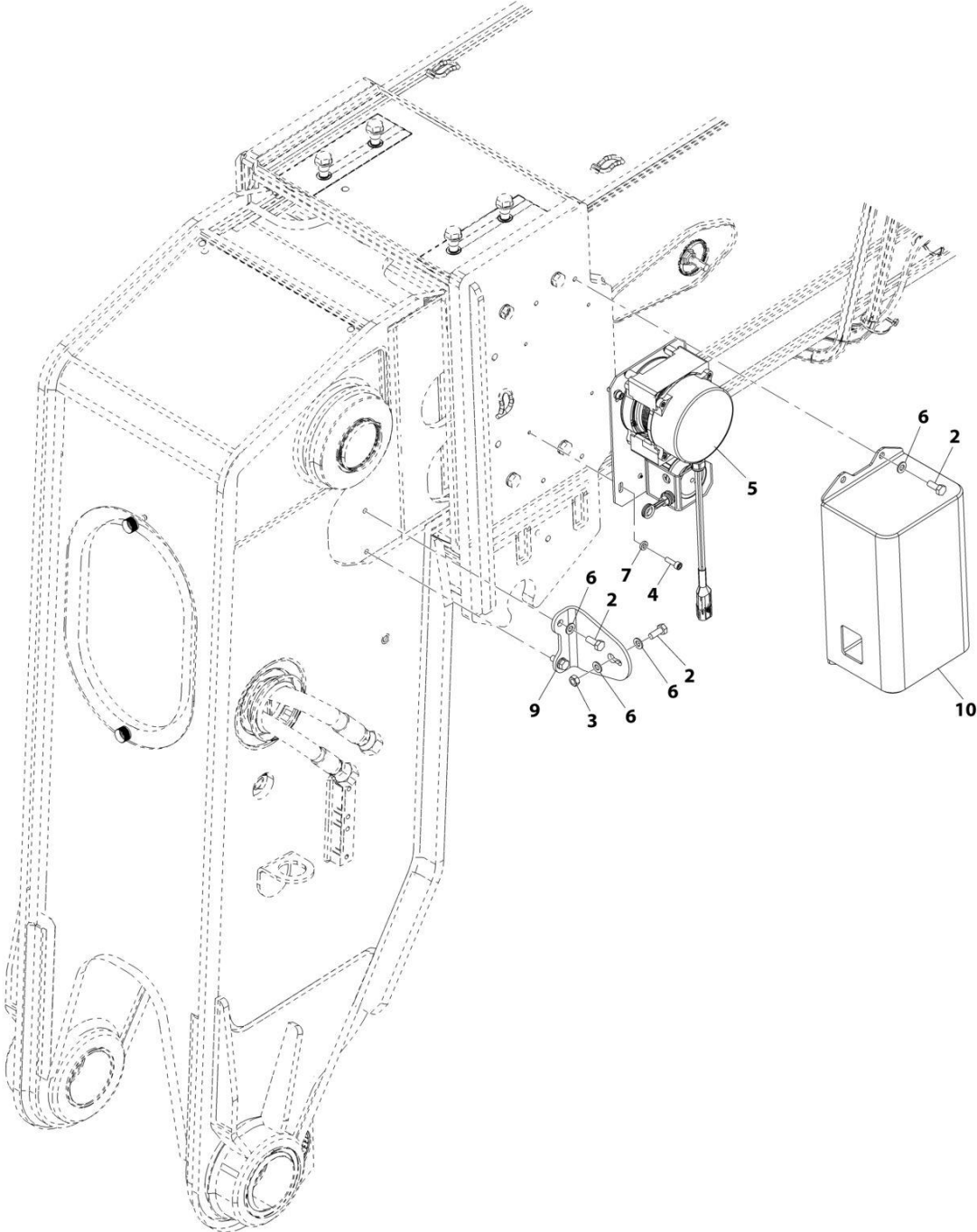
SECTION 10 - ELECTRICAL

FIGURE 10-90. LMIS CONTROLLER INSTALLATION

ITEM	PART NUMBER	QTY	DESCRIPTION	REV
	1001195471	Ref	LMIS CONTROLLER INSTALLATION	C
1	0700818	2	Bolt M8 x 50	
2	4811900	2	Washer M8	
3	1001270485	1	Module, LMIS Control	

SECTION 10 - ELECTRICAL

FIGURE 10-91. LMIS CABLE REEL INSTALLATION



ART_1001195473

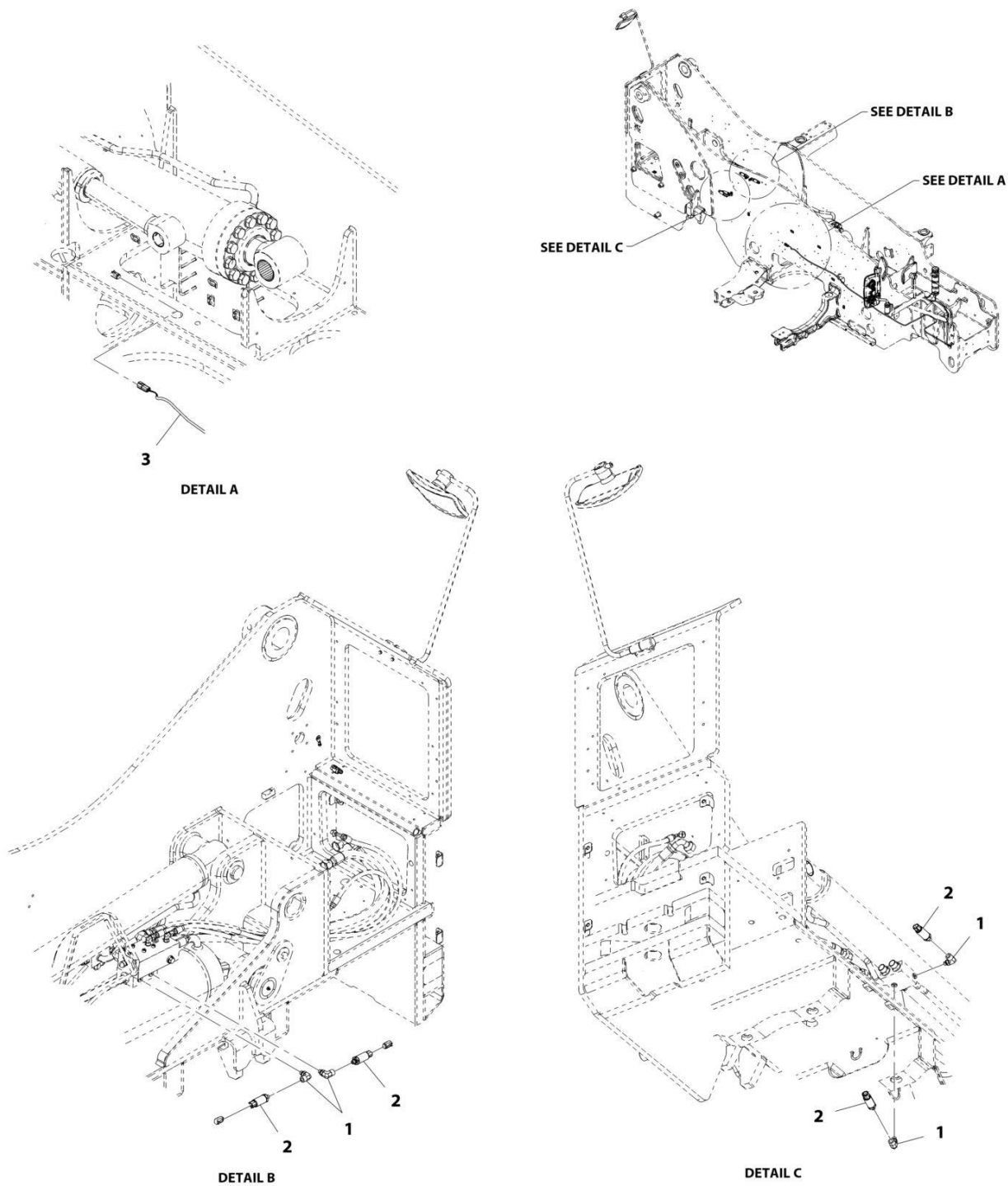
SECTION 10 - ELECTRICAL

FIGURE 10-91. LMIS CABLE REEL INSTALLATION

ITEM	PART NUMBER	QTY	DESCRIPTION	REV
	1001195473	Ref	LMIS Cable Reel Installation	E
2	0760810	7	Bolt, M8X20	
3	3290801	1	Nut, M8X1.25	
4	4031708	4	Screw, M6X20	
5	1001223903	1	Sensor, Boom Length	
6	4811900	8	Washer, M8	
7	5240600	4	Washer, M6	
9	1001224127	1	Bracket	
10	1001224128	1	Panel	

SECTION 10 - ELECTRICAL

FIGURE 10-92. LMIS INSTALLATION (HIGH END DISPLAY)



ART_1001183549-C

SECTION 10 - ELECTRICAL

FIGURE 10-92. LMIS INSTALLATION (HIGH END DISPLAY)

ITEM	PART NUMBER	QTY	DESCRIPTION	REV
	1001183549	Ref	LMIS Installation (High End Display)	C
1	1001101855	4	Fitting, 90	
2	1001162885	4	Sensor, LMIS	
3	1001195591	1	Installation, LMIS Beacon Light (See Separate Breakdown in this Section)	

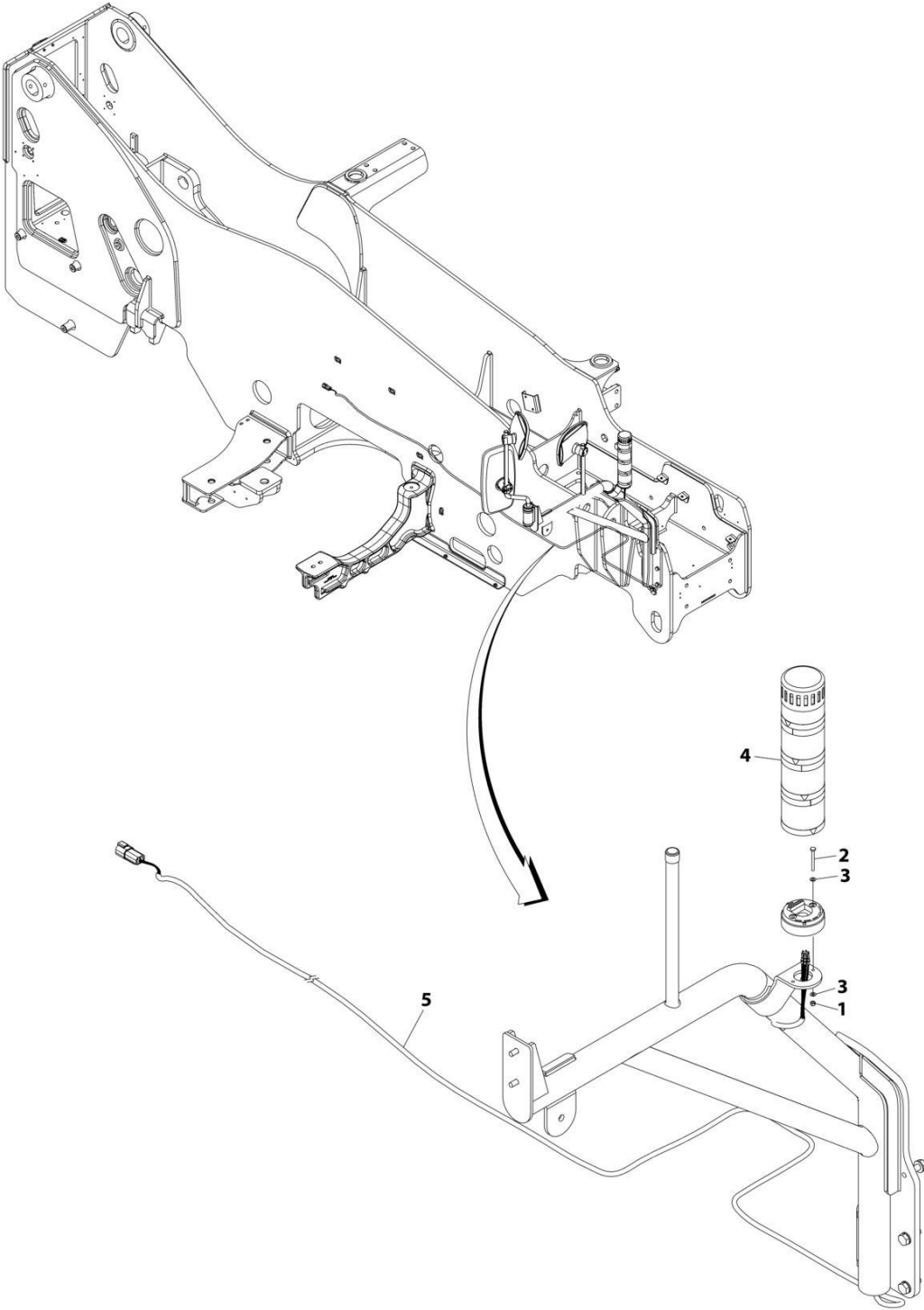
SECTION 10 - ELECTRICAL

FIGURE 10-93. LMIS BOOM ANGLE SENSOR INSTALLATION

ITEM	PART NUMBER	QTY	DESCRIPTION	REV
	1001195590	Ref	BOOM ANGLE SENSOR INSTALLATION (LMIS)	E
1	0761008	2	Bolt M10 x 16	
2	3290405	2	Nut M4	
3	3290601	2	Nut M6 x 1	
4	4010416	2	Screw M4 x 40	
5	4010610	1	Screw M6 x 20	
6	4811400	2	Washer M4	
7	4812000	2	Washer M10	
8	1001099717	1	Sensor, Boom Angle	
9	1001103156	1	Pin	
10	1001103300	1	Fitting, Ball Joint	
11	1001134274	1	Clevis	
12	1001213775	1	Bracket	
13	1001195731	1	Link, Boom Angle Sensor	
14	1001195732	1	Rod	
15	3290605	1	Nut M6 x 1	
16	4811700	1	Washer M6	
17	4761400	2	Washer 1/4	

SECTION 10 - ELECTRICAL

FIGURE 10-94. LMIS BEACON LIGHT INSTALLATION



ART_1001195591_E

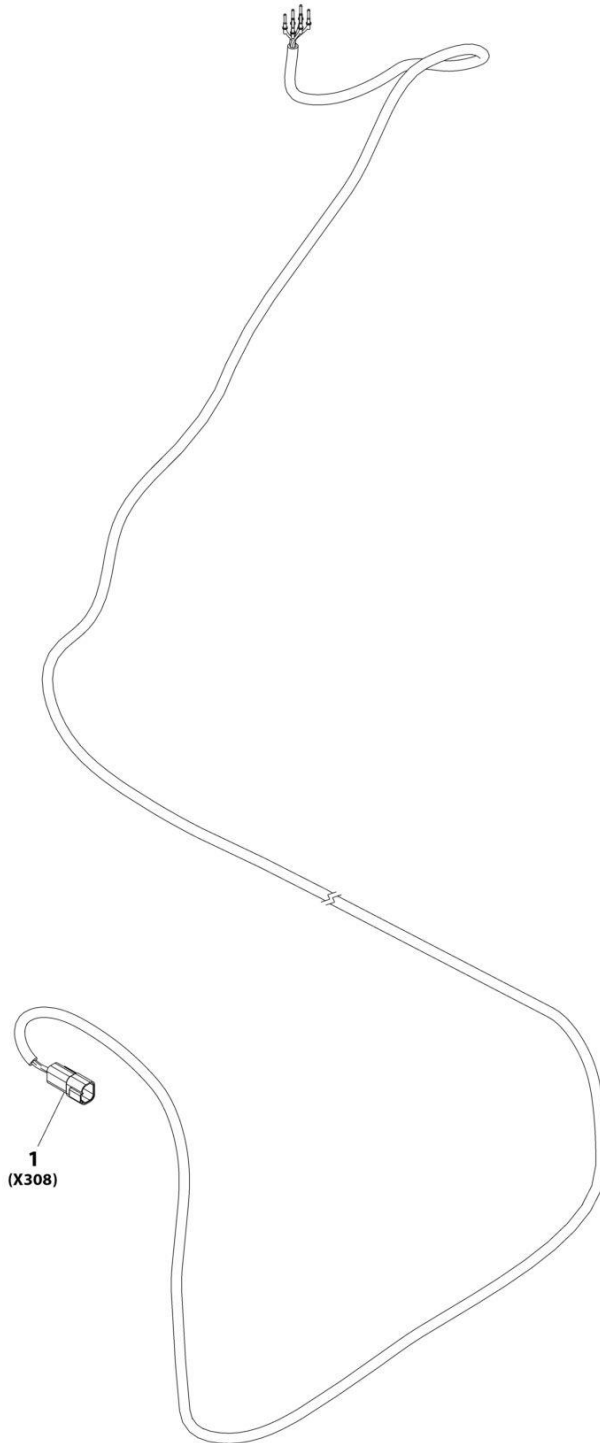
SECTION 10 - ELECTRICAL

FIGURE 10-94. LMIS BEACON LIGHT INSTALLATION

ITEM	PART NUMBER	QTY	DESCRIPTION	REV
	1001195591	Ref	LMIS Beacon Light Installation	E
1	3290405	2	Nut M4	
2	4010416	2	Screw, M4X40	
3	4811400	4	Washer, M4	
	1001265343	1	Light, LMIS Beacon	
5	1001117247	1	Harness, LMIS Beacon Option (See Separate Breakdown in this Section)	
7	1001146588	1	Tie-Strap (Not Shown)	

SECTION 10 - ELECTRICAL

FIGURE 10-95. LMIS BEACON OPTION HARNESS



ART_1001117247

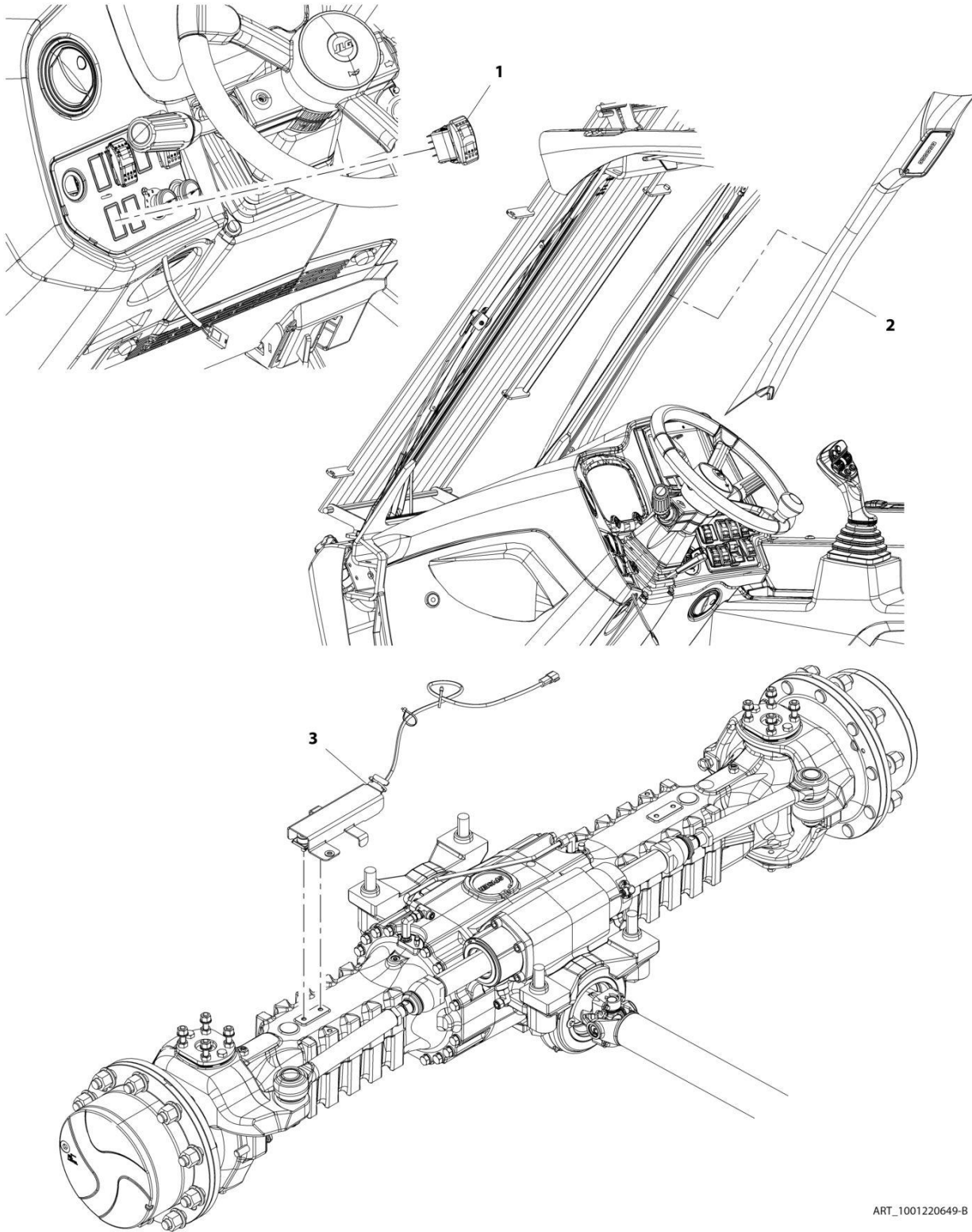
SECTION 10 - ELECTRICAL

FIGURE 10-95. LMIS BEACON OPTION HARNESS

ITEM	PART NUMBER	QTY	DESCRIPTION	REV
1	1001117247 4460932	Ref 1	LMIS Beacon Option Harness Connector	D

SECTION 10 - ELECTRICAL

FIGURE 10-96. LSI INSTALLATION



ART_1001220649-B

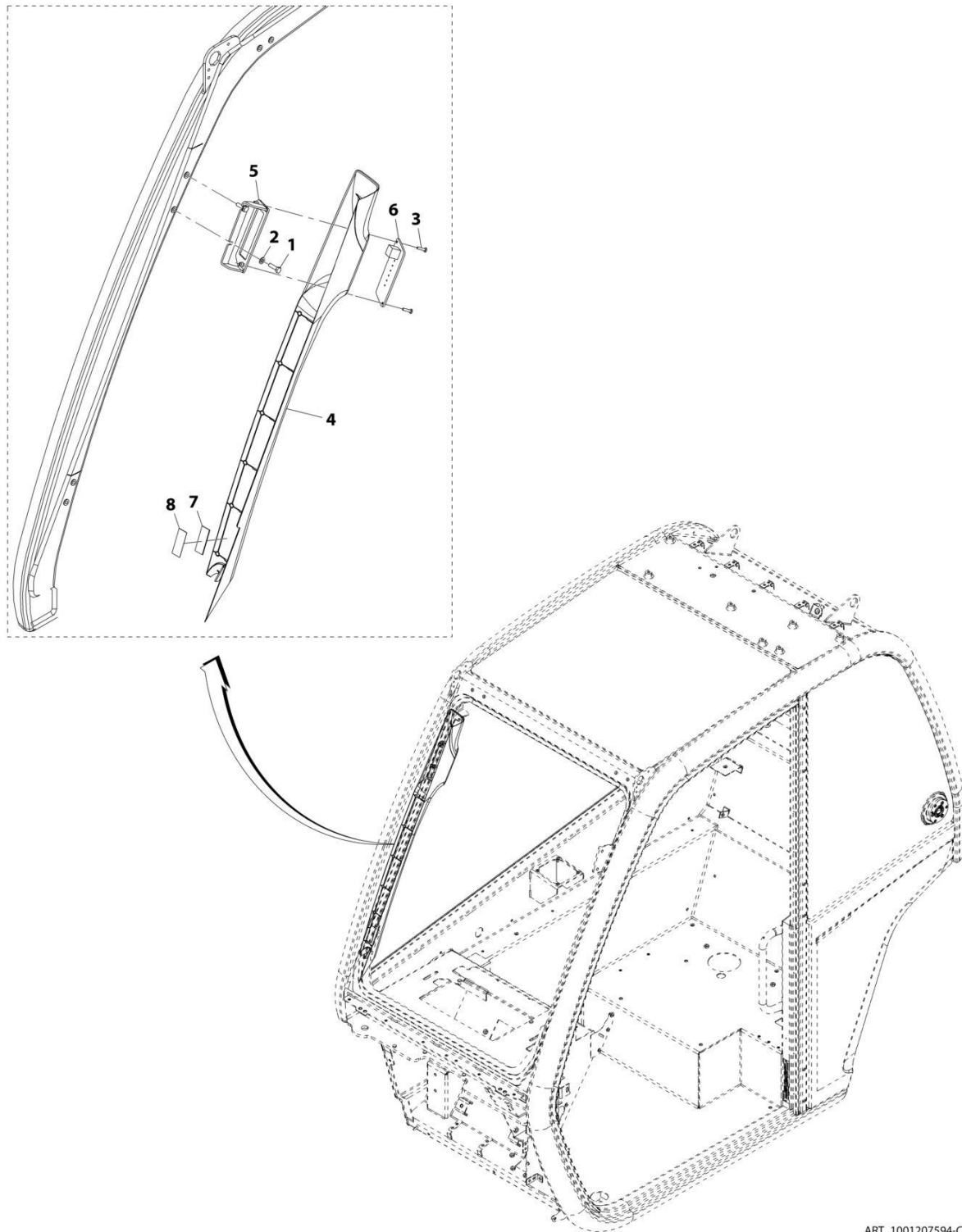
SECTION 10 - ELECTRICAL

FIGURE 10-96. LSI INSTALLATION

ITEM	PART NUMBER	QTY	DESCRIPTION	REV
	1001220649	Ref	LSI Installation	B
1	1001159742	1	Switch, LSI Override	
2	1001207594	Ref	Installation, LSI Display (See Separate Breakdown in this Section)	
3	1001220650	Ref	Installation, LSI Sensor (See Separate breakdown in this Section)	

SECTION 10 - ELECTRICAL

FIGURE 10-97. LSI DISPLAY INSTALLATION



ART_1001207594-C

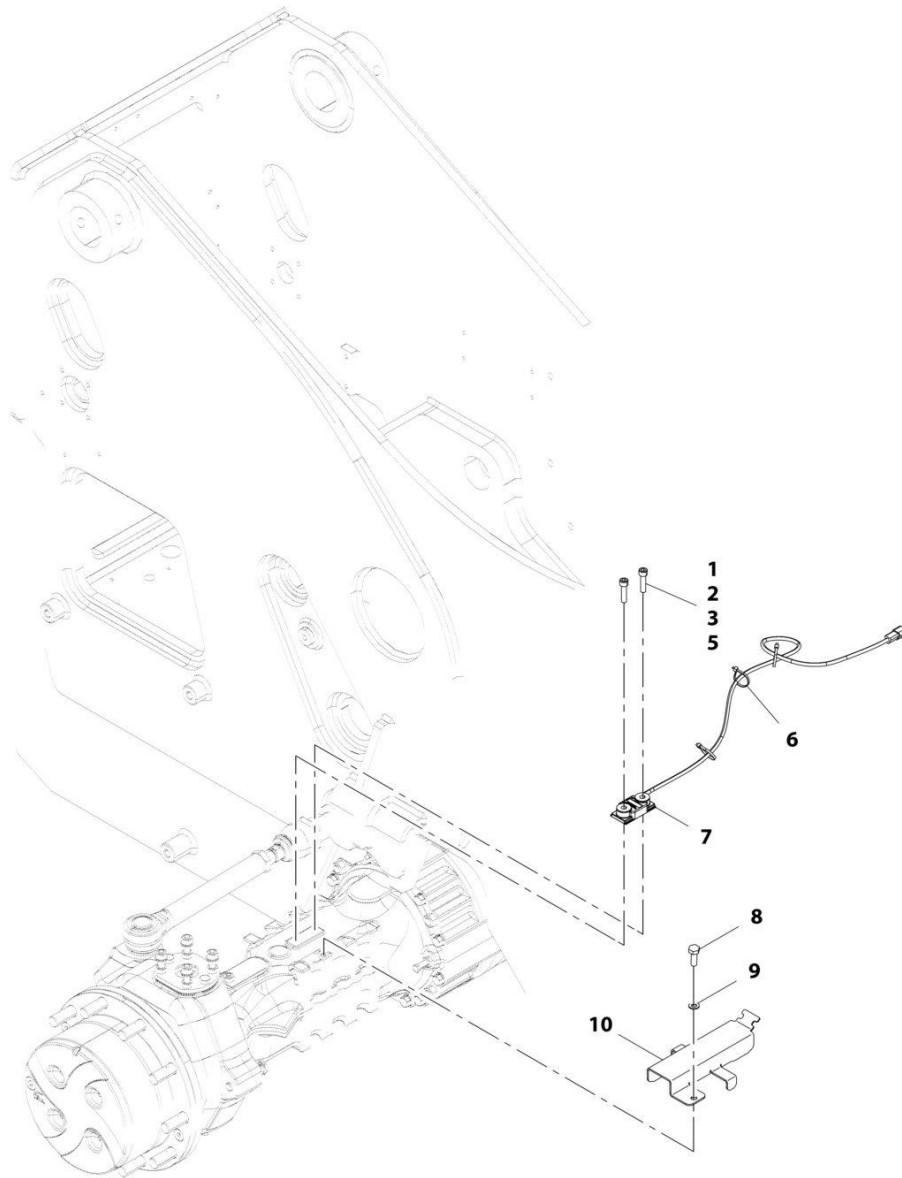
SECTION 10 - ELECTRICAL

FIGURE 10-97. LSI DISPLAY INSTALLATION

ITEM	PART NUMBER	QTY	DESCRIPTION	REV
	1001207594	Ref	LSI Display Installation	C
1	0760610	2	Bolt, M6X20	
2	4811700	2	Washer, M6	
3	1001126837	2	Screw, M4X16	
4	1001182839	1	Cover	
5	1001214401	1	Bracket	
6	1001213752	1	Display, LSI	
7	1001221318	1	Tape, Hook Fastener	
8	1001221319	1	Tape, Hook Fastener	

SECTION 10 - ELECTRICAL

FIGURE 10-98. LSI SENSOR INSTALLATION



ART_1001220650-B

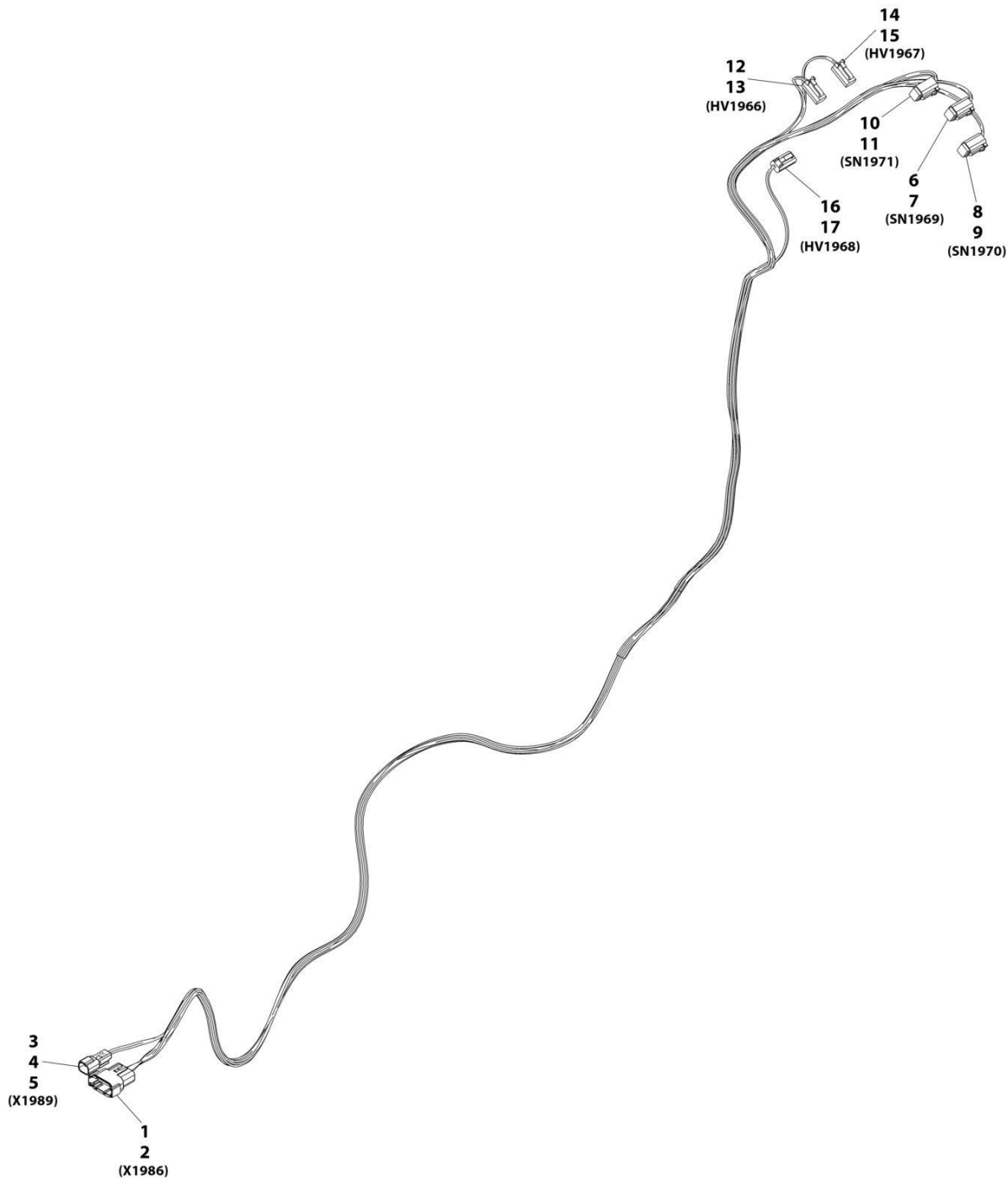
SECTION 10 - ELECTRICAL

FIGURE 10-98. LSI SENSOR INSTALLATION

ITEM	PART NUMBER	QTY	DESCRIPTION	REV
	1001220650	Ref	LSI Sensor Installation	B
1	5272012	2	Bolt, M10X40	
2	1001116128	AR	Sealant	
3	1001125465	AR	Compound, Locking	
5	1001129425	AR	Compound, Locking	
6	1001008559	3	Strap, Cable	
7	1001160730	1	Sensor, LSI	
8	0761010	1	Bolt, M10X20	
9	4812000	1	Washer, M10	
10	1001230850	1	Bracket, LSI Cover	

SECTION 10 - ELECTRICAL

FIGURE 10-99. RALP PLATFORM HARNESS



ART_1001193566-C

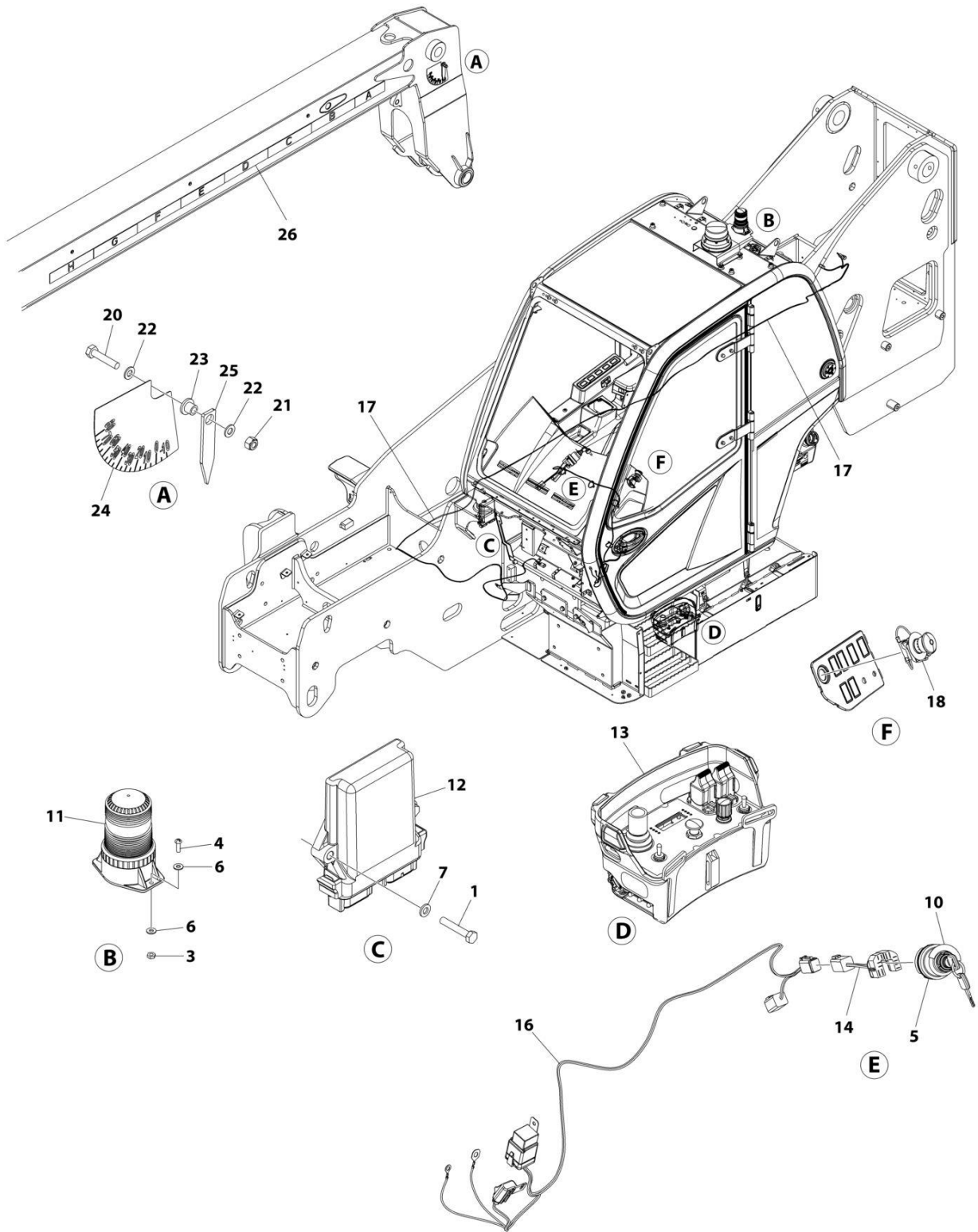
SECTION 10 - ELECTRICAL

FIGURE 10-99. RALP PLATFORM HARNESS

ITEM	PART NUMBER	QTY	DESCRIPTION	REV
	1001193566	Ref	Platform Harness (RALP)	C
1	1001132169	1	Connector	
2	4460929	12	Terminal	
3	4460897	1	Connector	
4	4460464	1	Terminal	
5	4460941	1	Terminal	
6	4460884	1	Connector	
7	4460465	4	Terminal	
8	4460884	1	Connector	
9	4460465	4	Terminal	
10	4460884	1	Connector	
11	4460465	4	Terminal	
12	4460891	1	Connector	
13	4460465	2	Terminal	
14	4460891	1	Connector	
15	4460465	2	Terminal	
16	4460891	1	Connector	
17	4460465	2	Terminal	

SECTION 10 - ELECTRICAL

FIGURE 10-100. REMOTE CONTROL (BOOM)



ART_1001259256_D

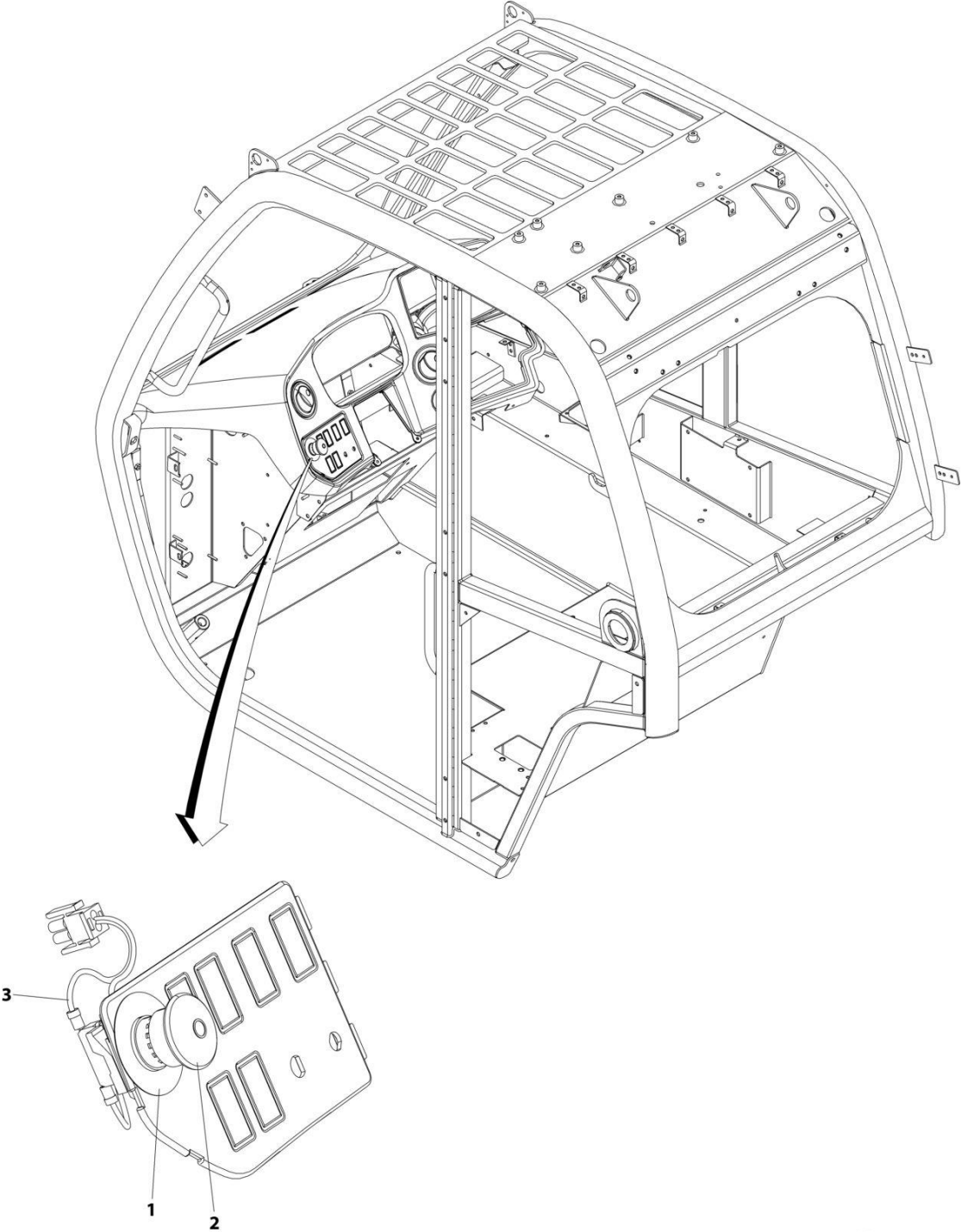
SECTION 10 - ELECTRICAL

FIGURE 10-100. REMOTE CONTROL (BOOM)

ITEM	PART NUMBER	QTY	DESCRIPTION	REV
	1001259256	Ref	REMOTE CONTROL (BOOM)	D
1	0760615	2	Bolt M6 x 35	
3	3311005	2	Nut #10	
4	3911010	2	Screw #10 x 5/8	
5	4360657	1	Switch, Ignition	
6	4711000	4	Washer #10	
7	4811700	2	Washer M6	
9	1001008559	4	Strap, As-Cable (Not Shown)	
10	1001268354	1	Decal - Platform Ignition Switch	
11	1001200910	1	Light, Beacon (Blue)	
12	1001206112	1	Control, Remote Controller	
13	1001209194	1	Control, Remote	
14	1001241610	1	Harness, Key (See Separate Breakdown in this Section)	
16	1001259205	1	Harness, Remote Control Power (See Separate Breakdown in this Section)	
17	1001259231	1	Installation, Harness (Emergency Lowering - Frame)	
17	1001008559	1	Strap, As-Cable (Not Shown)	
17	1001258719	1	Harness, Emergency Lowering - Frame (See Separate Breakdown in this Section)	
18	1001259246	1	Installation, Emergency Stop Switch (See Separate Breakdown in this Section)	
19	1001259258	1	Installation, Manual Pump (Lift/Tele) (Not Shown) (See Separate Breakdown in HYDRAULIC Section)	
20	0701018	1	Bolt M10 x 50	
21	3291005	1	Nut M10	
22	4812000	2	Washer M10	
23	1001171808	1	Spacer	
24	1001269176	1	Decal - Boom Angle Indicator	
25	1001269177	1	Plate - Boom Angle Indicator	
26	1001275624	1	Decal - Boom Extend Remote	

SECTION 10 - ELECTRICAL

FIGURE 10-101. REMOTE CONTROL EMERGENCY STOP SWITCH INSTALLATION



ART_1001259246

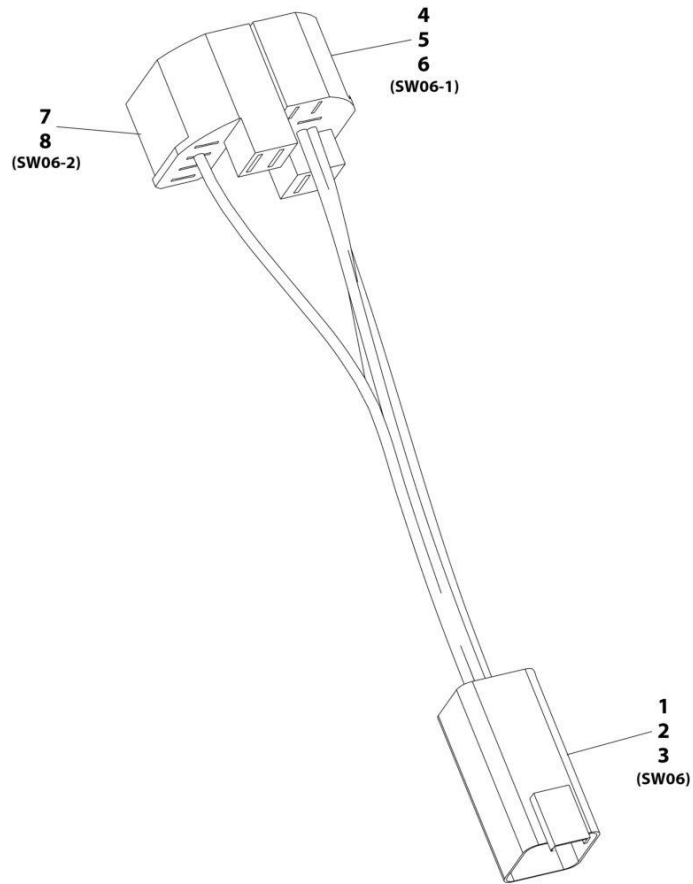
SECTION 10 - ELECTRICAL

FIGURE 10-101. REMOTE CONTROL EMERGENCY STOP SWITCH INSTALLATION

ITEM	PART NUMBER	QTY	DESCRIPTION	REV
	1001259246	Ref	Remote Control Emergency Stop Switch Installation	A
1	1704260	1	Decal - Emergency Stop	
2	4360475	1	Switch, Emergency Stop	
3	1001259224	1	Harness, EMS Switch	
3	4460320	1	Connector	
3	4460183	2	Terminal	

SECTION 10 - ELECTRICAL

FIGURE 10-102. REMOTE CONTROL KEY HARNESS



ART_1001241610-A

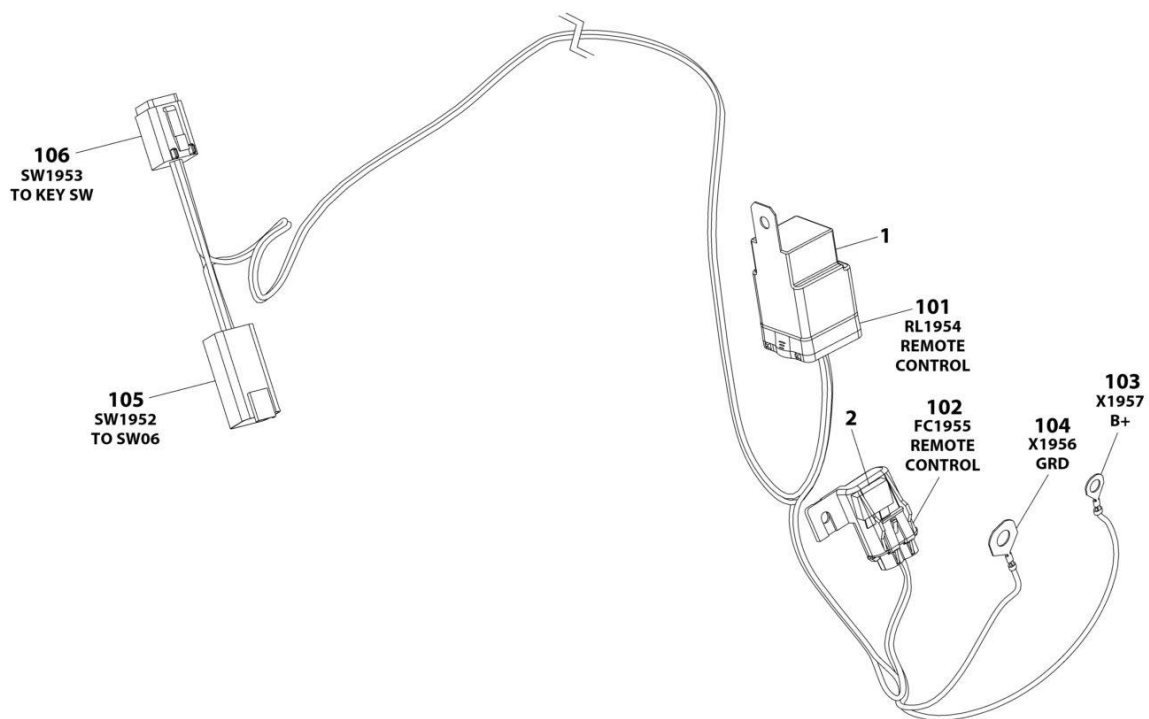
SECTION 10 - ELECTRICAL

FIGURE 10-102. REMOTE CONTROL KEY HARNESS

ITEM	PART NUMBER	QTY	DESCRIPTION	REV
	1001241610	Ref	Key Harness	A
1	4460899	1	Connector	
2	4460464	4	Terminal	
3	4460466	2	Plug	
4	1001118685	1	Connector	
5	1001104519	2	Terminal	
6	1001118383	1	Terminal	
7	1001117121	1	Connector	
8	1001104519	1	Terminal	

SECTION 10 - ELECTRICAL

FIGURE 10-103. REMOTE CONTROL POWER HARNESS



ART_1001259205

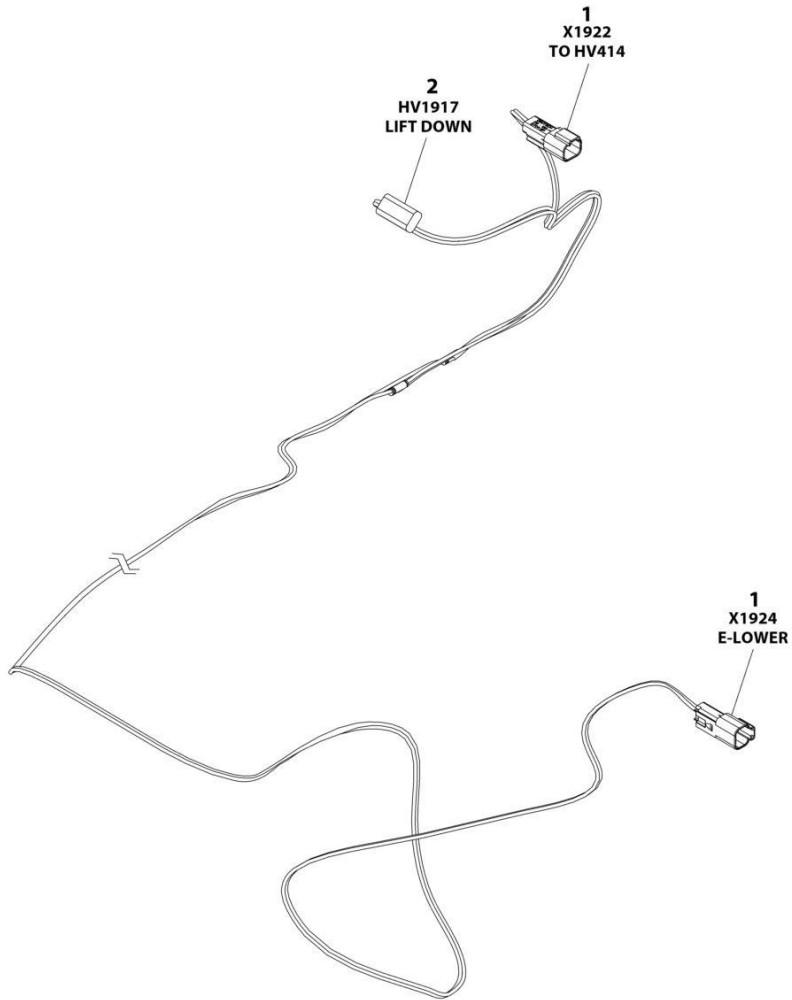
SECTION 10 - ELECTRICAL

FIGURE 10-103. REMOTE CONTROL POWER HARNESS

ITEM	PART NUMBER	QTY	DESCRIPTION	REV
	1001259205	Ref	Remote Control Power Harness	A
1	3740080	1	Relay	
2	8229234	1	Fuse, 10Amp	
101	1001231398	1	Connector, Relay	
101	1001231400	4	Terminal	
101	1001231404	4	Seal, Terminal	
101	1001231406	1	Plug, Terminal	
102	1001231397	1	Connector - 2 Position	
102	1001231400	2	Terminal	
102	1001231404	2	Seal, Terminal	
103	1001207173	1	Terminal, Ring	
104	1001211775	1	Terminal, Ring	
105	4460899	1	Receptacle, Female - 6 Position	
105	4460464	4	Pin, Male	
105	4460466	2	Plug, Terminal	
106	4460894	1	Plug, Male - 6 Position	
106	4460465	4	Socket, Female	
106	4460466	2	Plug, Terminal	

SECTION 10 - ELECTRICAL

FIGURE 10-104. REMOTE CONTROL EMERGENCY LOWERING HARNESS



ART_1001258719

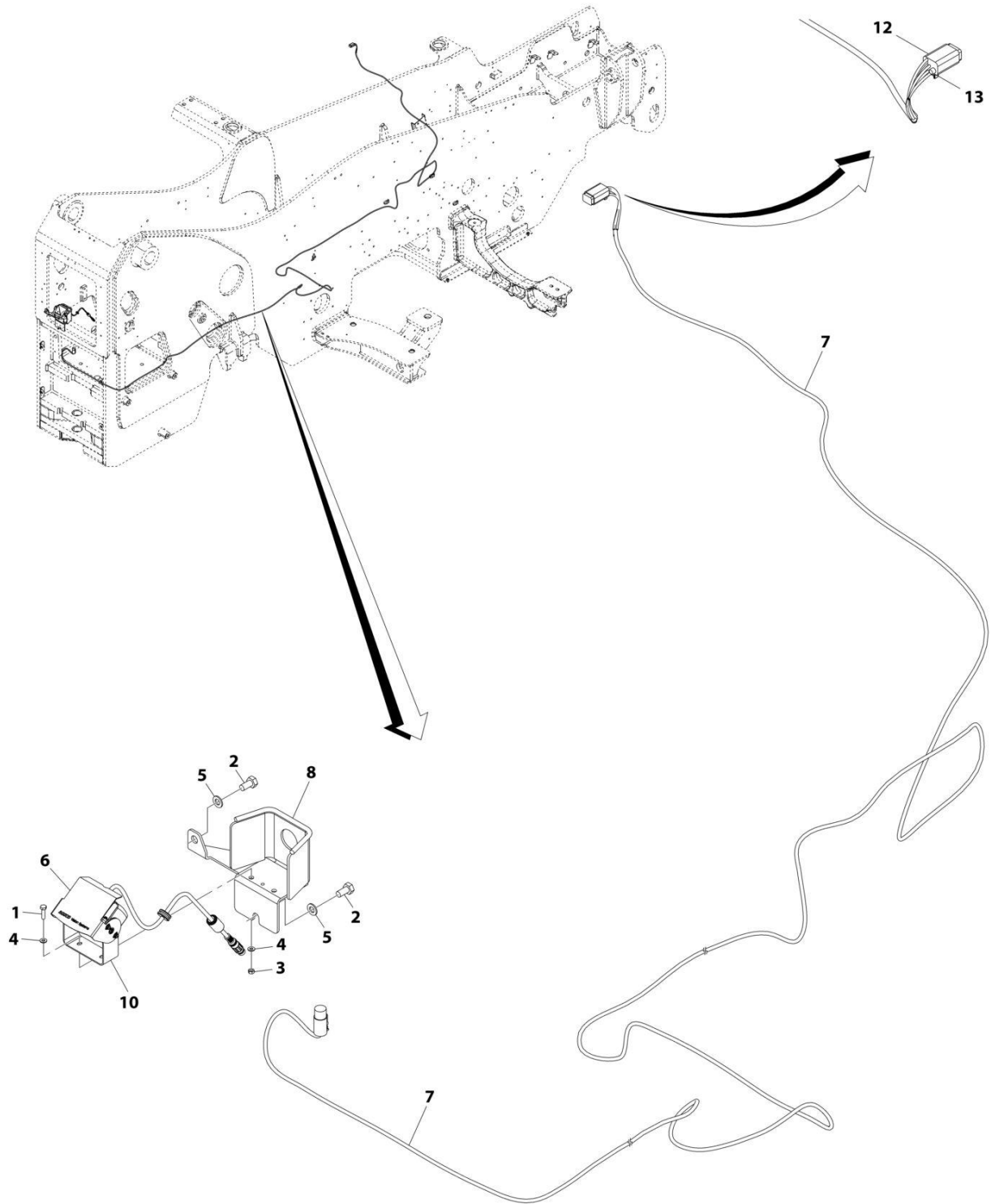
SECTION 10 - ELECTRICAL

FIGURE 10-104. REMOTE CONTROL EMERGENCY LOWERING HARNESS

ITEM	PART NUMBER	QTY	DESCRIPTION	REV
	1001258719	Ref	Remote Control Emergency Lowering Harness	A
1	4460897	2	Receptacle, Female - 2 Position	
1	4460464	4	Pin, Male	
2	4460891	1	Plug, Male - 2 Position	
2	4460465	2	Socket, Male	

SECTION 10 - ELECTRICAL

FIGURE 10-105. REVERSE CAMERA INSTALLATION



ART_1001192321-G

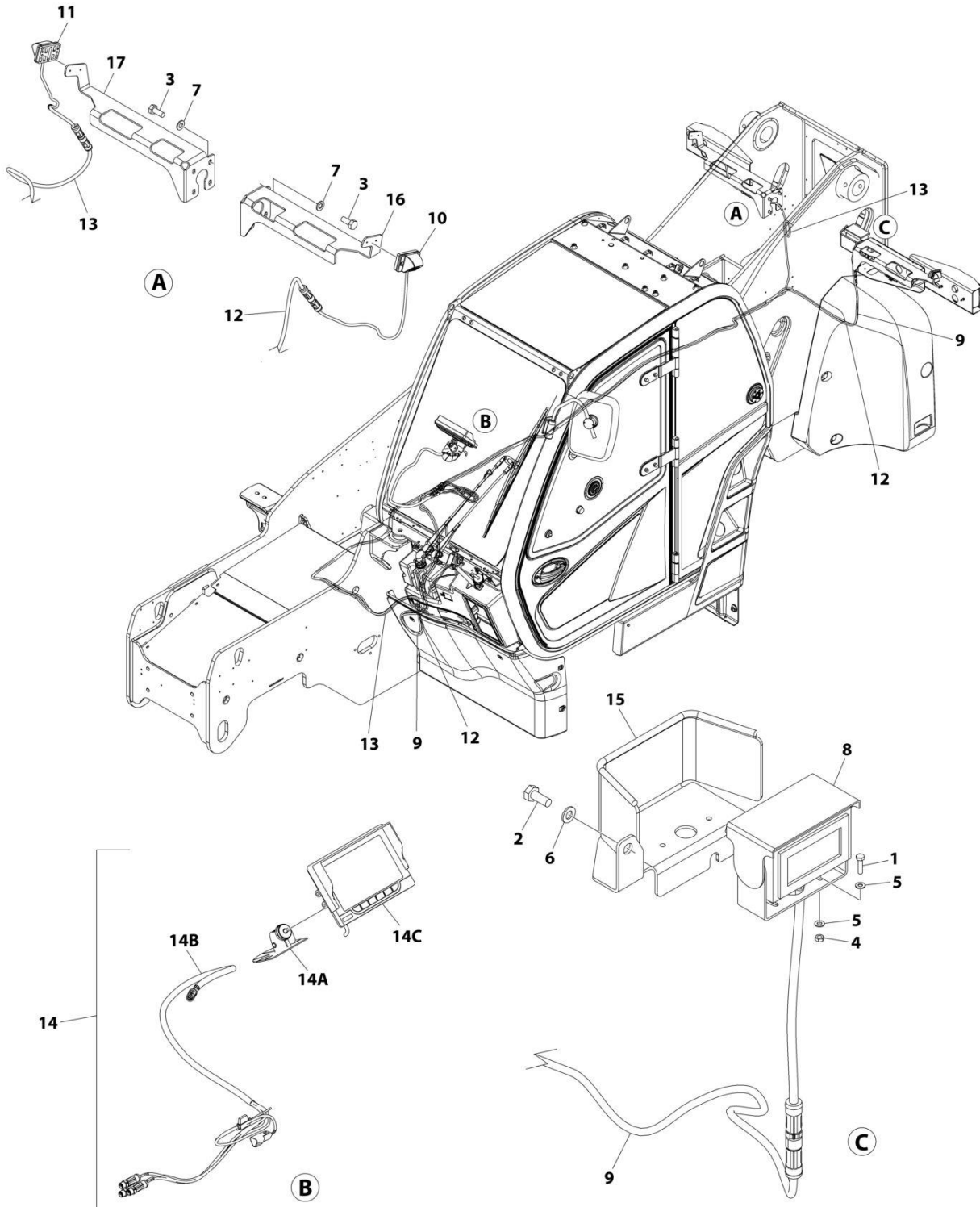
SECTION 10 - ELECTRICAL

FIGURE 10-105. REVERSE CAMERA INSTALLATION

ITEM	PART NUMBER	QTY	DESCRIPTION	REV
	1001192321	Ref	Reverse Camera Installation	G
1	0700408	2	Bolt, M4X16	
2	0760808	2	Bolt, M8X16	
3	3290401	2	Nut, M4X0.7	
4	4811400	4	Washer, M4	
5	4811900	2	Washer, M8	
6	1001167017	1	Camera, Reverse	
7	1001171962	1	Cable, Camera	
8	1001205307	1	Bracket	
10	1001202621	1	Bracket	
12	4460884	1	Connector	
13	4460466	1	Terminal	

SECTION 10 - ELECTRICAL

FIGURE 10-106. MULTI VIEW CAMERA INSTALLATION (SN 0160124387 to Present)



ART_1001297791

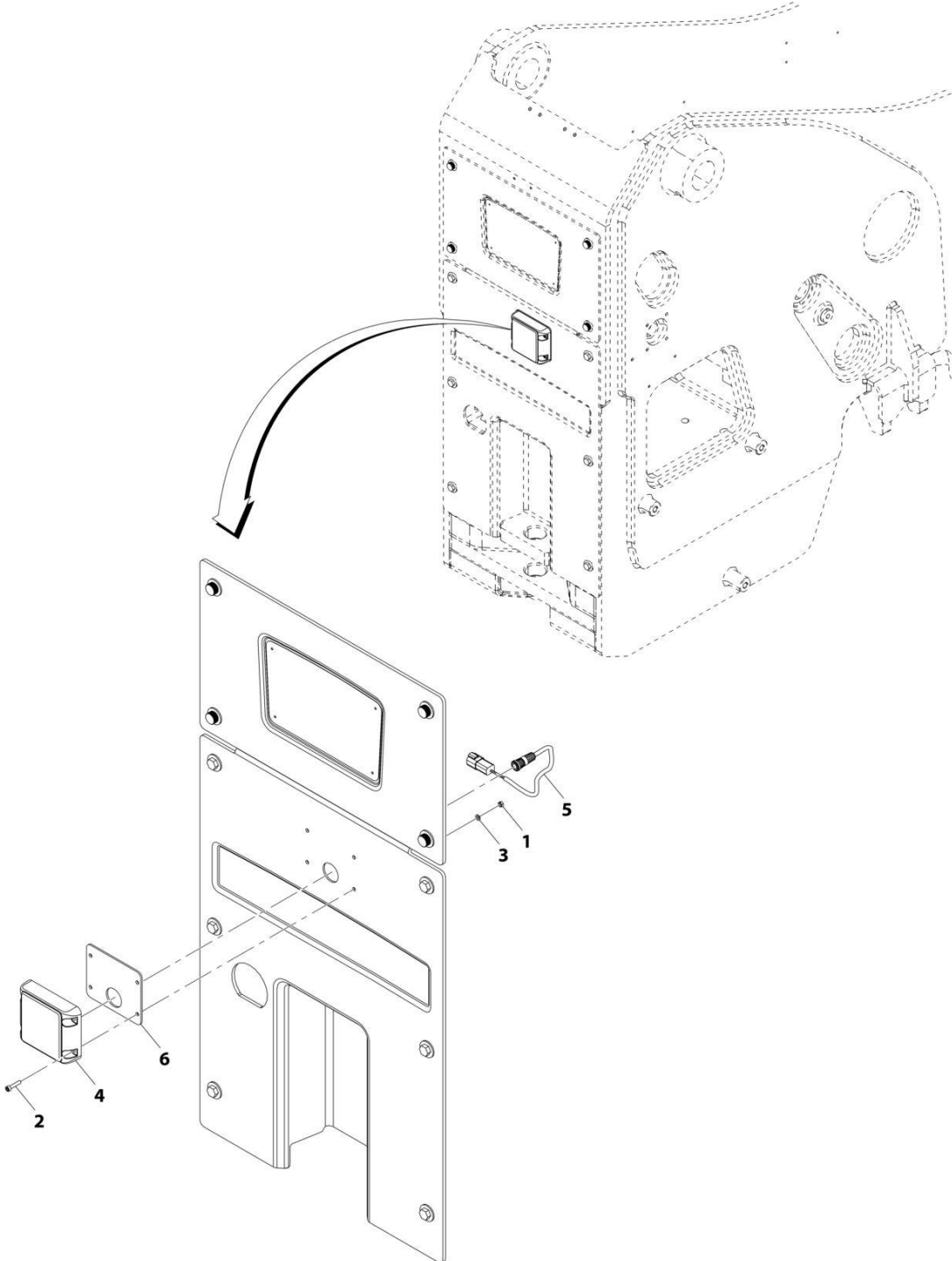
SECTION 10 - ELECTRICAL

FIGURE 10-106. MULTI VIEW CAMERA INSTALLATION (SN 0160124387 to Present)

ITEM	PART NUMBER	QTY	DESCRIPTION	REV
	1001297791	Ref	MULTI VIEW CAMERA INSTALLATION	A
1	0700408	2	Bolt M4 x 16	
2	0760810	2	Bolt M8 x 20	
3	0761012	8	Bolt M10 x 25	
4	3290401	2	Nut M4	
5	4811400	4	Washer M4	
6	4811900	2	Washer M8	
7	4812000	8	Washer M10	
8	1001233174	1	Camera, Rear View	
9	1001233434	1	Extension Cable Camera Harness	
10	1001264534	1	Camera, Side View (LH)	
11	1001264536	1	Camera, Side View (RH)	
12	1001265979	1	Extension Cable Camera Harness (LH)	
13	1001265980	1	Extension Cable Camera Harness (RH)	
14	1001289479	1	Quad View Monitor Assembly	C
14A	1001233217	1	Bracket	
14B	1001294608	1	Quad View Monitor Harness	
14C	1001302410	1	Monitor LED Display	
15	1001294994	1	Bracket, Rear	
16	1001295267	1	Bracket, Side (LH)	
17	1001295268	1	Bracket, Side (RH)	

SECTION 10 - ELECTRICAL

FIGURE 10-107. REVERSE SENSOR INSTALLATION



ART_1001192322-F

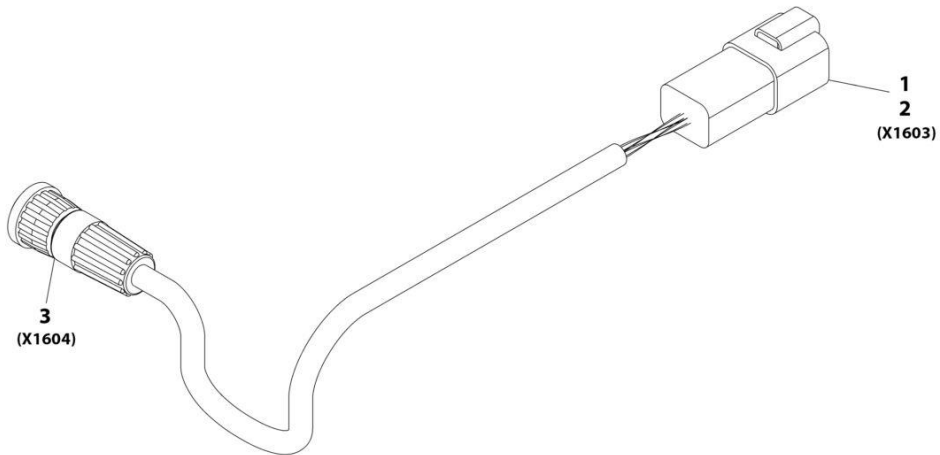
SECTION 10 - ELECTRICAL

FIGURE 10-107. REVERSE SENSOR INSTALLATION

ITEM	PART NUMBER	QTY	DESCRIPTION	REV
	1001192322	Ref	Reverse Sensor Installation	F
1	3290501	4	Nut, M5X0.8	
2	5271609	4	Screw, M5X25	
3	4811600	4	Washer, M5	
4	1001247421	1	Sensor, Reverse	
5	1001175776	1	Harness, Reverse Sensor (See Separate Breakdown in this Section)	
6	1001251518	1	Plate	

SECTION 10 - ELECTRICAL

FIGURE 10-108. REVERSE SENSOR HARNESS



ART_1001175776-C

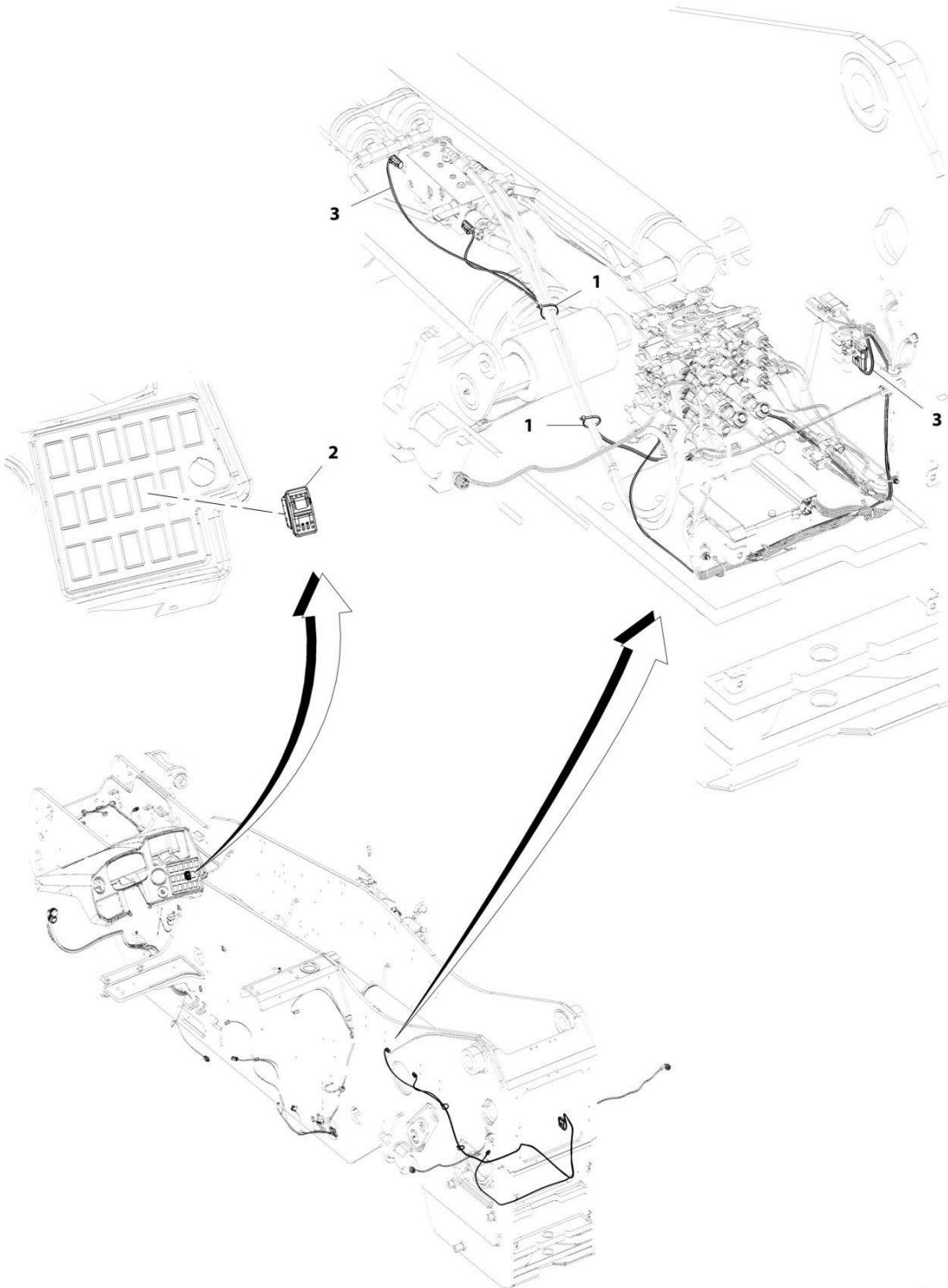
SECTION 10 - ELECTRICAL

FIGURE 10-108. REVERSE SENSOR HARNESS

ITEM	PART NUMBER	QTY	DESCRIPTION	REV
	1001175776	Ref	Reverse Sensor Harness	C
1	4460932	1	Connector	
2	4460464	4	Terminal	
3	1001175733	1	Connector	

SECTION 10 - ELECTRICAL

FIGURE 10-109. RIDE CONTROL WIRING INSTALLATION



ART_1001200105-B

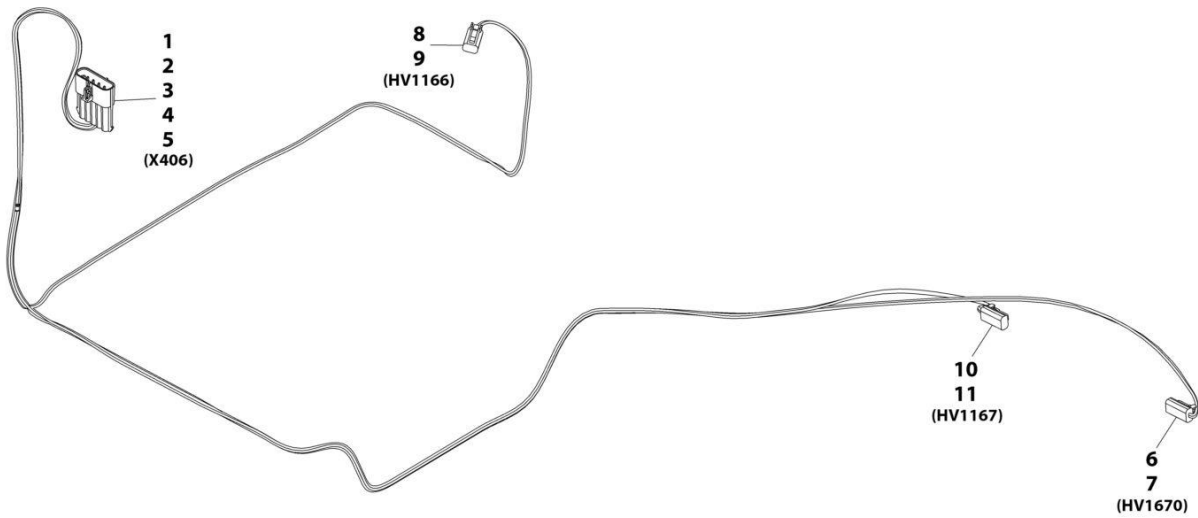
SECTION 10 - ELECTRICAL

FIGURE 10-109. RIDE CONTROL WIRING INSTALLATION

ITEM	PART NUMBER	QTY	DESCRIPTION	REV
	1001200105	Ref	Ride Control Wiring Installation	B
1	1001008559	2	Strap, Cable Tie	
2	1001159745	1	Switch, Boom Ride	
3	1001197668	1	Harness, Boom Ride Float (See Separate Breakdown in this Section)	

SECTION 10 - ELECTRICAL

FIGURE 10-110. RIDE CONTROL HARNESS (BOOM)



ART_1001197668-D

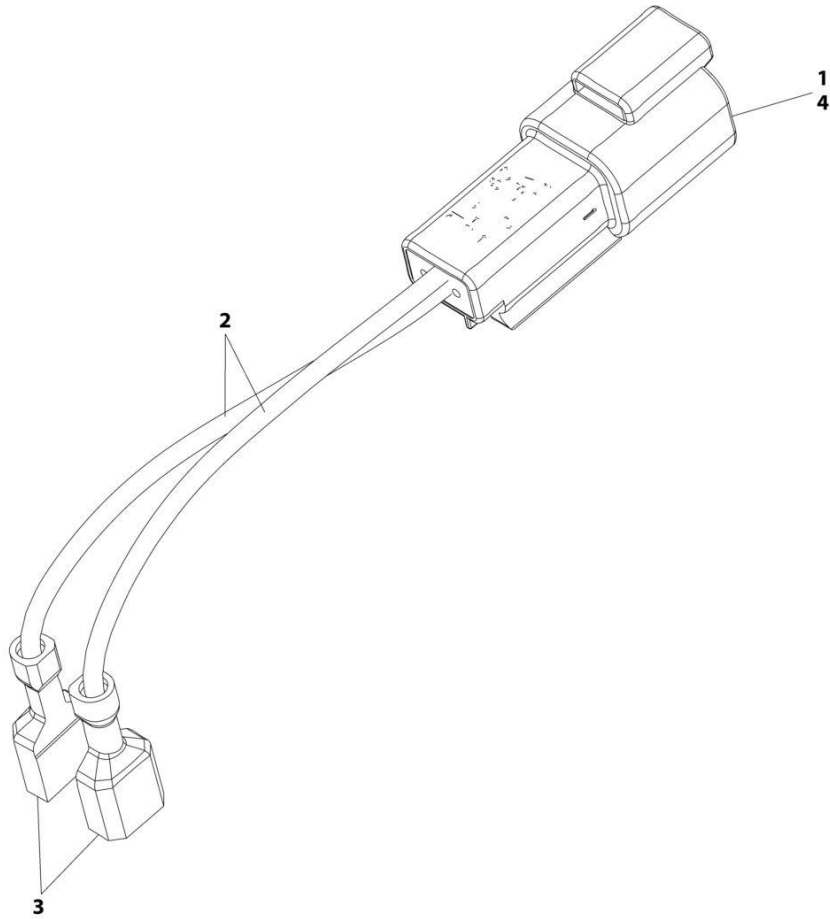
SECTION 10 - ELECTRICAL

FIGURE 10-110. RIDE CONTROL HARNESS (BOOM)

ITEM	PART NUMBER	QTY	DESCRIPTION	REV
	1001197668	Ref	Boom Ride Control Harness	D
1	1001121727	1	Connector	
2	1001116745	3	Terminal	
3	1001116729	1	Terminal	
4	4460458	4	Terminal Seal	
5	1001116727	1	Plug	
6	4460891	1	Connector	
7	4460465	2	Terminal	
8	4460891	1	Connector	
9	4460465	2	Terminal	
10	4460891	1	Connector	
11	4460465	2	Terminal	

SECTION 10 - ELECTRICAL

FIGURE 10-111. SPEED HARNESS (VEHICLE SPEED)



ART_1001229981-A

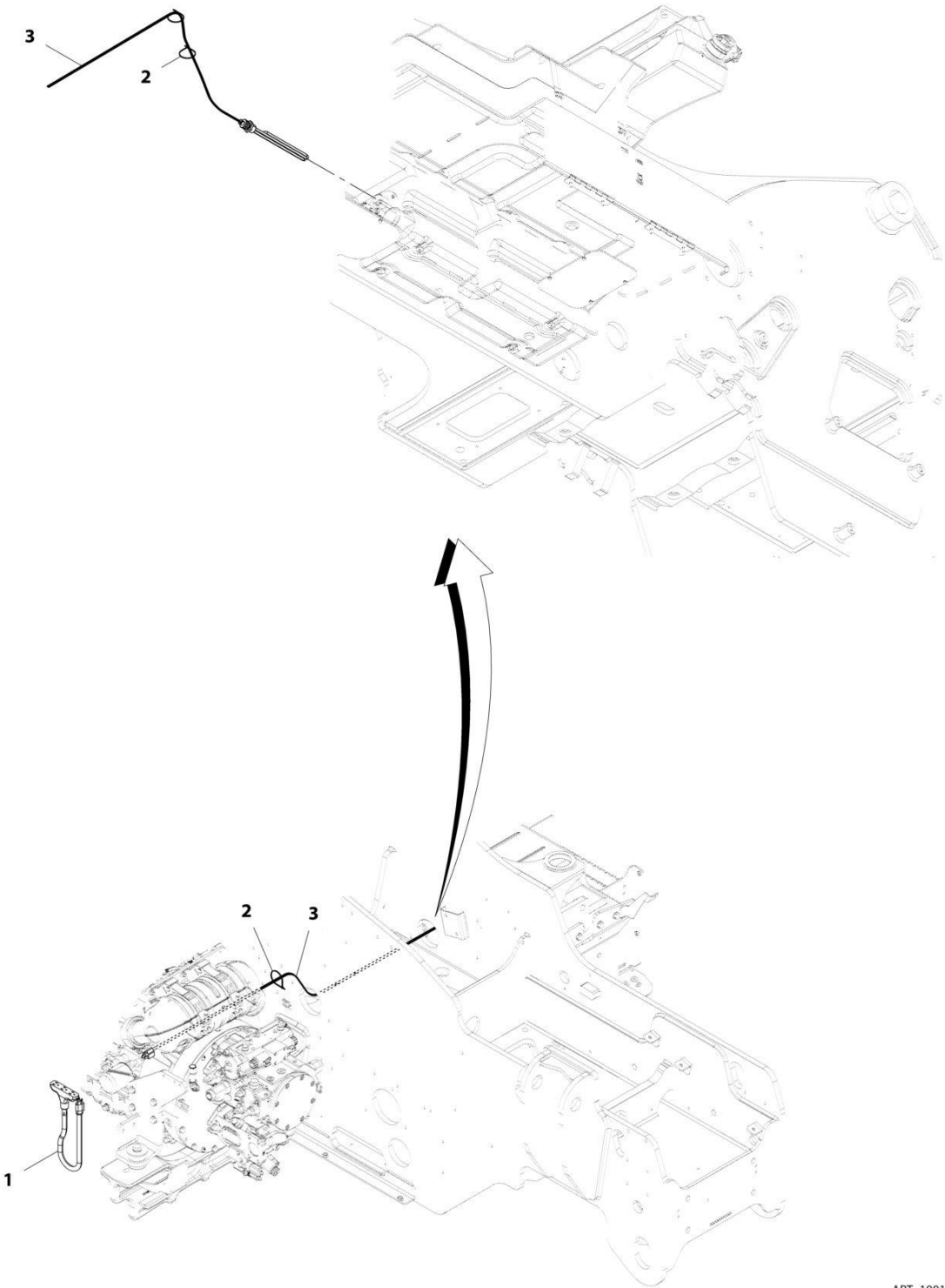
SECTION 10 - ELECTRICAL

FIGURE 10-111. SPEED HARNESS (VEHICLE SPEED)

ITEM	PART NUMBER	QTY	DESCRIPTION	REV
	1001229981	Ref	Vehicle Speed Pigtail Harness	A
1	4460464	2	Terminal	
2	4921614	200 mm	Wire, 18GA White	
3	1001194421	2	Terminal	
4	4460897	1	Connector	

SECTION 10 - ELECTRICAL

FIGURE 10-112. TANK HEATER INSTALLATION - HYDRAULIC TANK (115V)



ART_1001195593-B

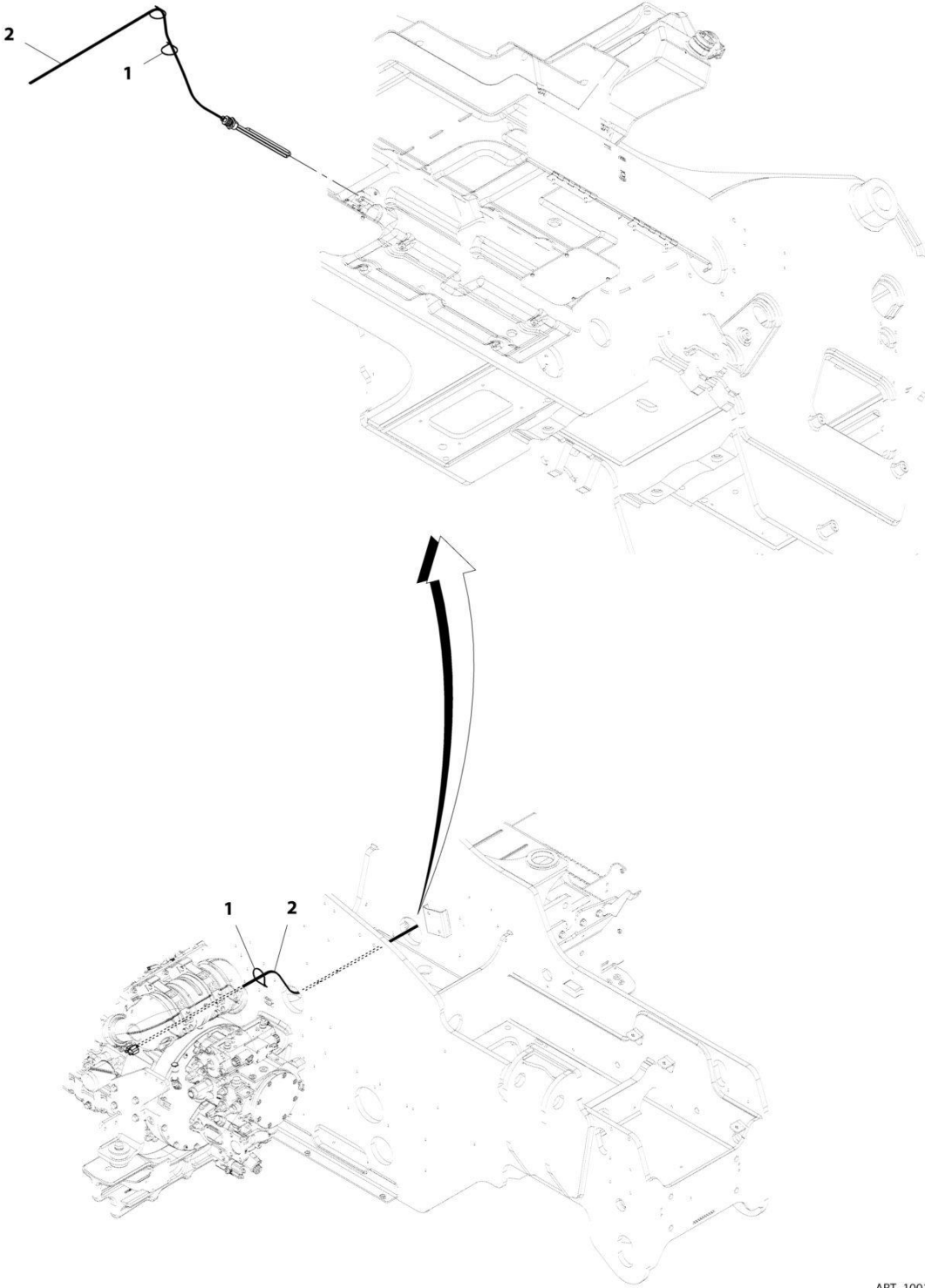
SECTION 10 - ELECTRICAL

FIGURE 10-112. TANK HEATER INSTALLATION - HYDRAULIC TANK (115V)

ITEM	PART NUMBER	QTY	DESCRIPTION	REV
	1001195593	Ref	Hydraulic Tank Heater Installation (115V)	B
1	1060626	1	Cord, 3-Way Extension	
2	4240099	AR	Tie, Wire	
3	1001105886	1	Heater, Immersion	

SECTION 10 - ELECTRICAL

FIGURE 10-113. TANK HEATER INSTALLATION - HYDRAULIC TANK (230V)



ART_1001204549-B

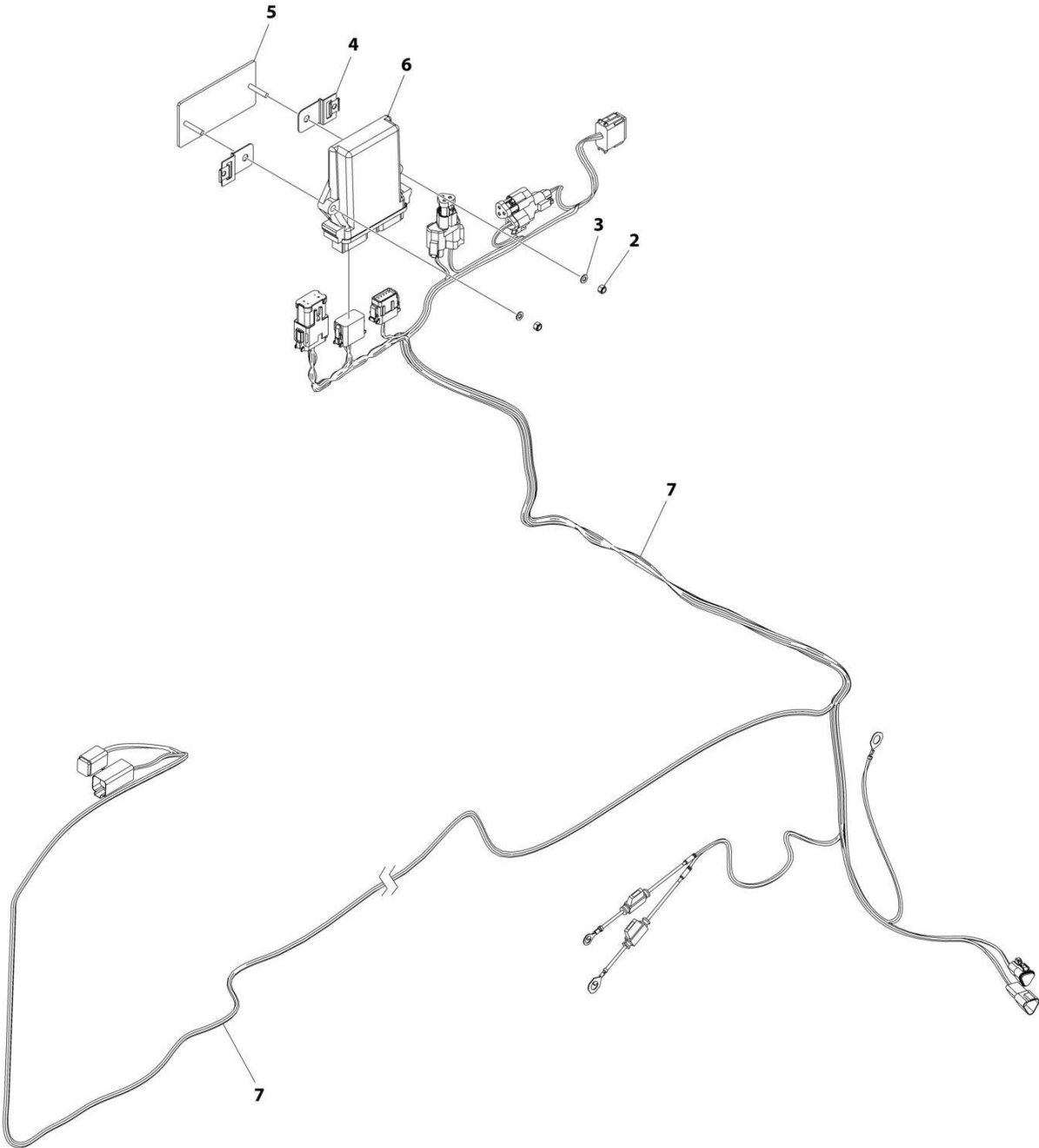
SECTION 10 - ELECTRICAL

FIGURE 10-113. TANK HEATER INSTALLATION - HYDRAULIC TANK (230V)

ITEM	PART NUMBER	QTY	DESCRIPTION	REV
1	1001204549	Ref	Hydraulic Tank Heater Installation (240V)	B
	4240099	AR	Tie, Wire	
2	1001195439	1	Heater, Immersion	

SECTION 10 - ELECTRICAL

FIGURE 10-114. TELEMATICS GATEWAY INSTALLATION



ART_1001275277

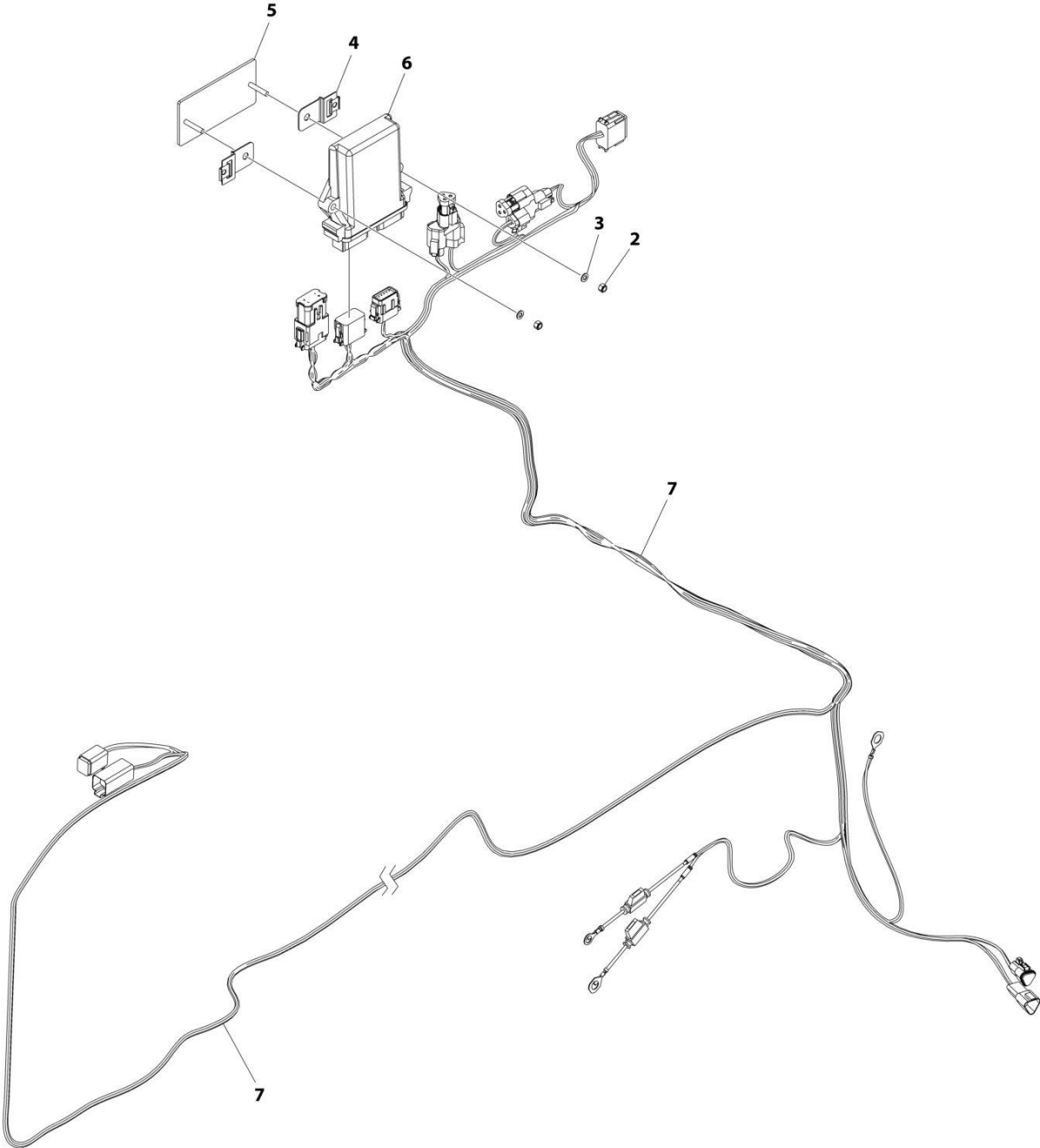
SECTION 10 - ELECTRICAL

FIGURE 10-114. TELEMATICS GATEWAY INSTALLATION

ITEM	PART NUMBER	QTY	DESCRIPTION	REV
	1001275277	Ref	TELEMATICS GATEWAY INSTALLATION	A
1	1062255	AR	Tie-Strap (Not Shown)	
2	3290505	2	Nut M5	
3	4811600	2	Washer M5	
4	1001153749	2	Clip	
5	1001219082	1	Bracket	
6	1001229458	1	Controller, Gateway	
7	1001275276	1	Harness, Telematics Gateway (See Separate Breakdown in this Section)	

SECTION 10 - ELECTRICAL

FIGURE 10-115. TELEMATICS GATEWAY PLUS



ART_1001287805

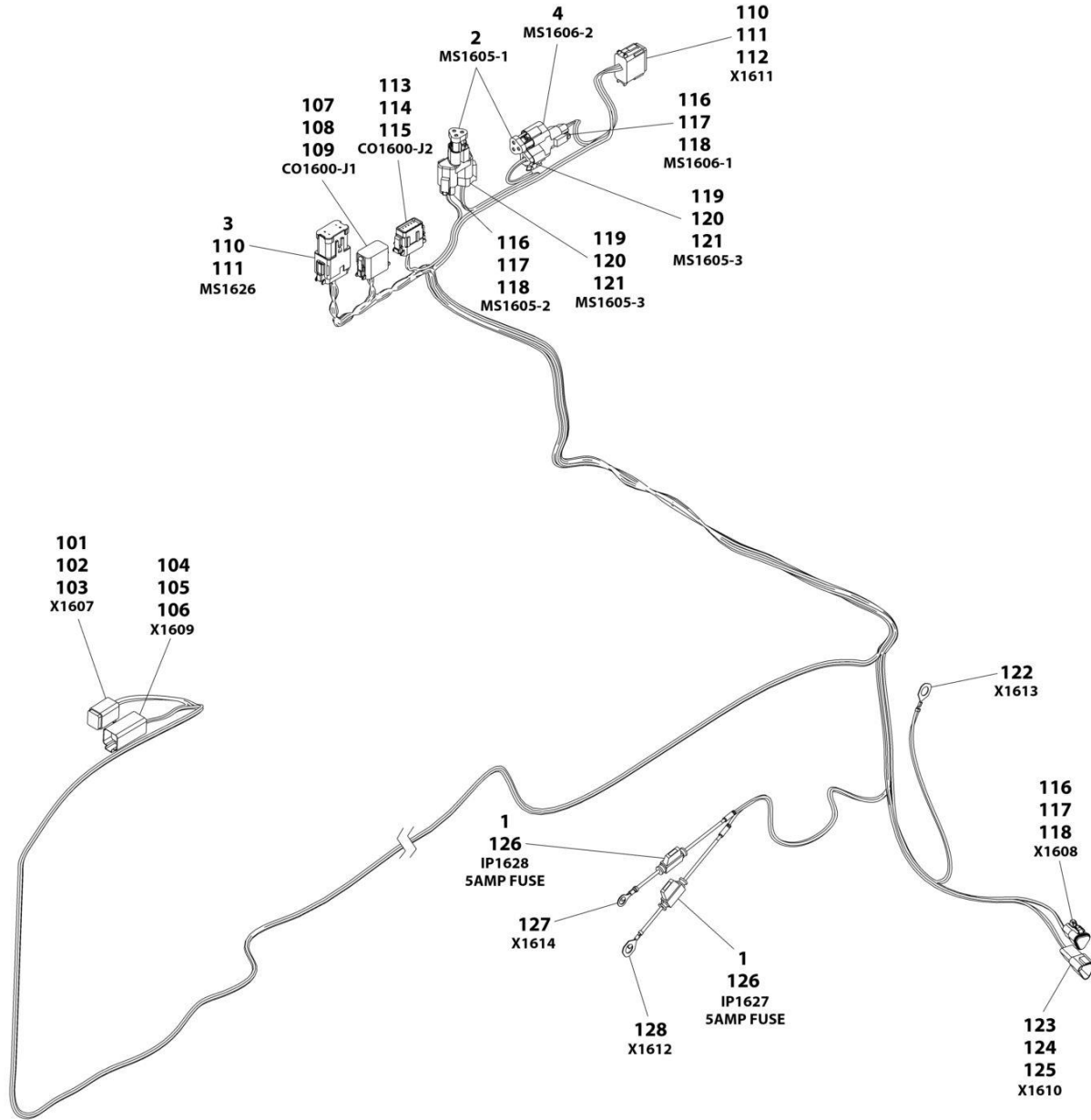
SECTION 10 - ELECTRICAL

FIGURE 10-115. TELEMATICS GATEWAY PLUS

ITEM	PART NUMBER	QTY	DESCRIPTION	REV
	1001287805	Ref	TELEMATICS GATEWAY PLUS	A
1	1062255	AR	Tie-Strap (Not Shown)	
2	3290505	2	Nut M5	
3	4811600	2	Washer M5	
4	1001153749	2	Clip	
5	1001219082	1	Bracket	
6	1001282260	1	Control, Gateway Plus	
7	1001275276	1	Harness, Telematics Gateway (See Separate Breakdown in this Section)	

SECTION 10 - ELECTRICAL

FIGURE 10-116. TELEMATICS GATEWAY HARNESS



ART_1001275276

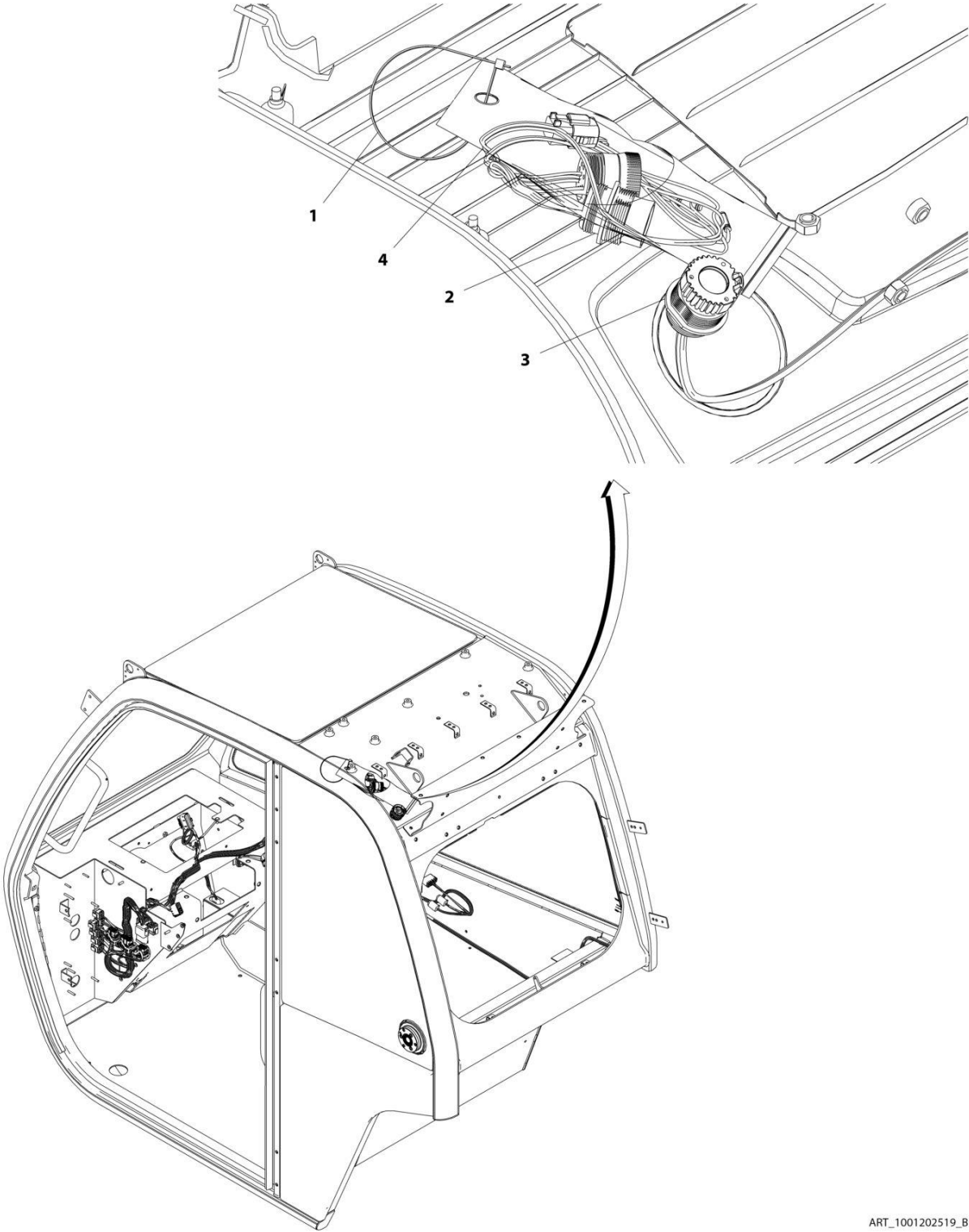
SECTION 10 - ELECTRICAL

FIGURE 10-116. TELEMATICS GATEWAY HARNESS

ITEM	PART NUMBER	QTY	DESCRIPTION	REV
	1001275276	Ref	TELEMATICS GATEWAY HARNESS	A
1	8229242	2	Fuse, 5AMP	
2	1001116815	2	Connector, Plug - 3 Position	
3	1001200206	1	Connector, Buss - 12 Position	
4	4460945	2	Receptacle, 3 - Way	
101	4460894	1	Plug, Male - 6 Position	
102	4460465	3	Socket, Female	
103	4460466	3	Plug, Terminal	
104	4460899	1	Receptacle, Female - 6 Position	
105	4460464	3	Pin, Male	
106	4460466	3	Plug, Terminal	
107	1001116774	1	Connector - 12 Position	
108	1001126008	6	Terminal	
109	4460518	6	Plug, Terminal	
110	4460933	2	Connector - 12 Position	
111	4460465	17	Socket, Female	
112	4460466	7	Plug, Terminal	
113	1001116808	1	Connector - 12 Position	
114	1001126008	2	Terminal	
115	4460518	10	Plug, Terminal	
116	1001116812	3	Plug, Male - 3 Position	
117	4460465	6	Socket, Female	
118	4460466	3	Plug, Terminal	
119	4460539	2	Plug, Male - 3 Position	
120	4460465	4	Socket, Female	
121	4460466	2	Plug, Terminal	
122	1001187081	1	Terminal, Ring	
123	1001144147	1	Receptacle, Female - 3 Position	
124	4460464	2	Pin, Male	
125	4460466	1	Plug, Terminal	
126	2400060	2	Fuseholder with Cover	
127	4460670	1	Terminal, Ring	
128	1001187078	1	Terminal, Ring	

SECTION 10 - ELECTRICAL

FIGURE 10-117. TELEMATICS READY INSTALLATION



ART_1001202519_B

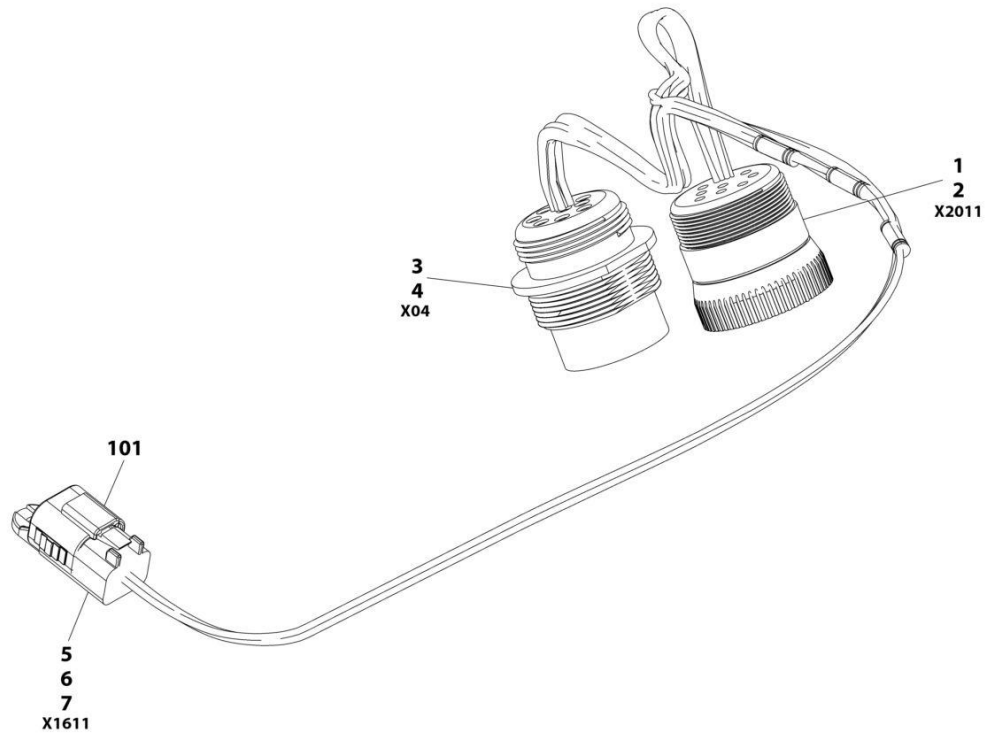
SECTION 10 - ELECTRICAL

FIGURE 10-117. TELEMATICS READY INSTALLATION

ITEM	PART NUMBER	QTY	DESCRIPTION	REV
	1001202519	Ref	TELEMATICS READY INSTALLATION	B
1	8584003	1	Strap, Tie	
2	1001291182	1	Harness, Telematics Ready (See Separate Breakdown in ELECTRICAL Section)	
3	1001201162	1	Cap	
4	1001202617	1	Bag	

SECTION 10 - ELECTRICAL

FIGURE 10-118. TELEMATICS READY HARNESS



ART_1001291182

SECTION 10 - ELECTRICAL

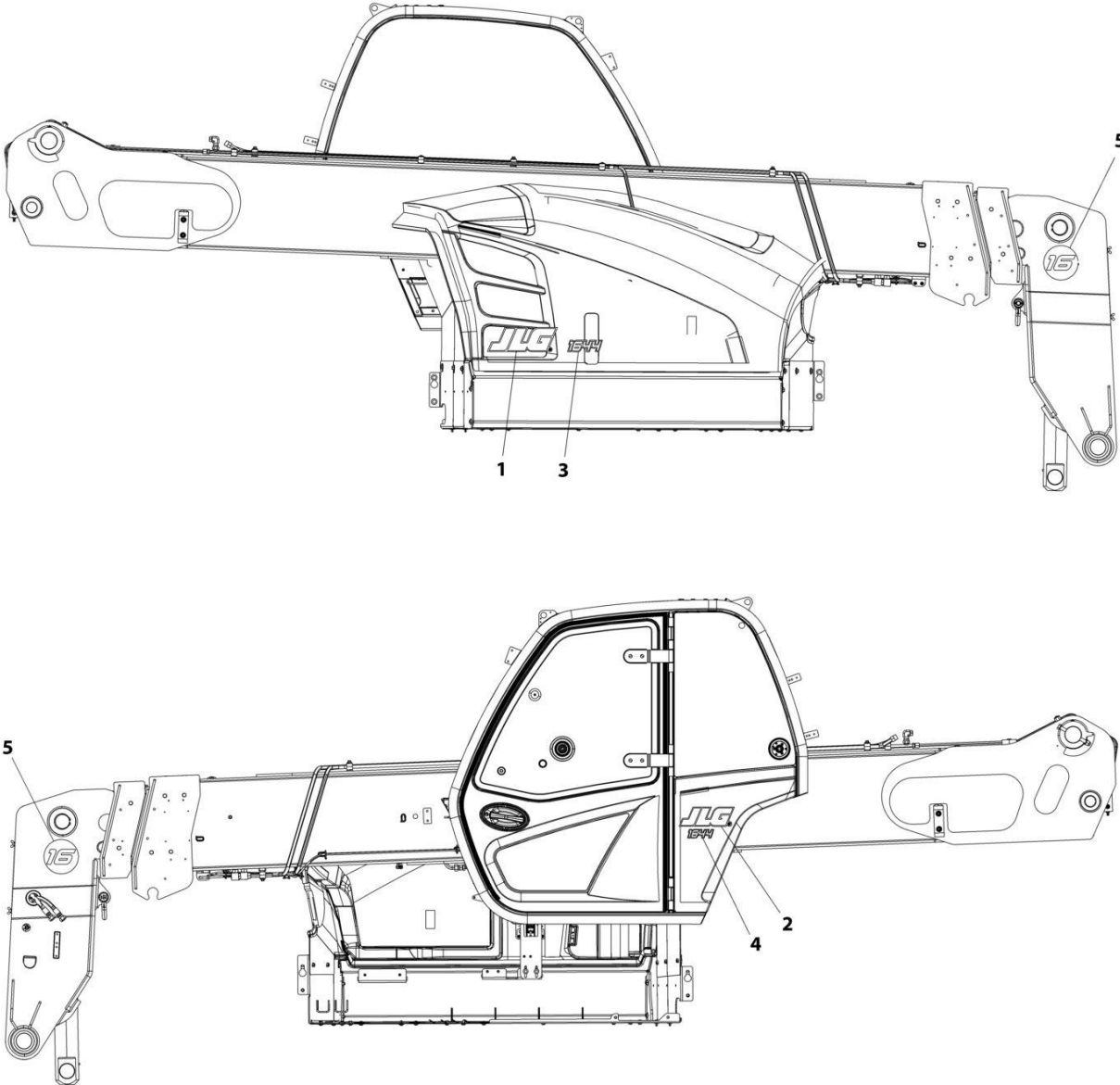
FIGURE 10-118. TELEMATICS READY HARNESS

ITEM	PART NUMBER	QTY	DESCRIPTION	REV
	1001291182	Ref	TELEMATICS READY HARNESS	A
1	1001112796	1	Connector	
2	4460465	9	Terminal	
3	1001112612	1	Connector	
4	4460464	9	Terminal	
5	4460884	1	Connector	
6	4460465	3	Terminal	
7	4460466	1	Plug	
101	1001192401	1	Dust Cap	

SECTION 11 - DECALS

SECTION 11 - DECALS

FIGURE 11-1. DECAL INSTALLATION (1644)



ART_1001226533_C

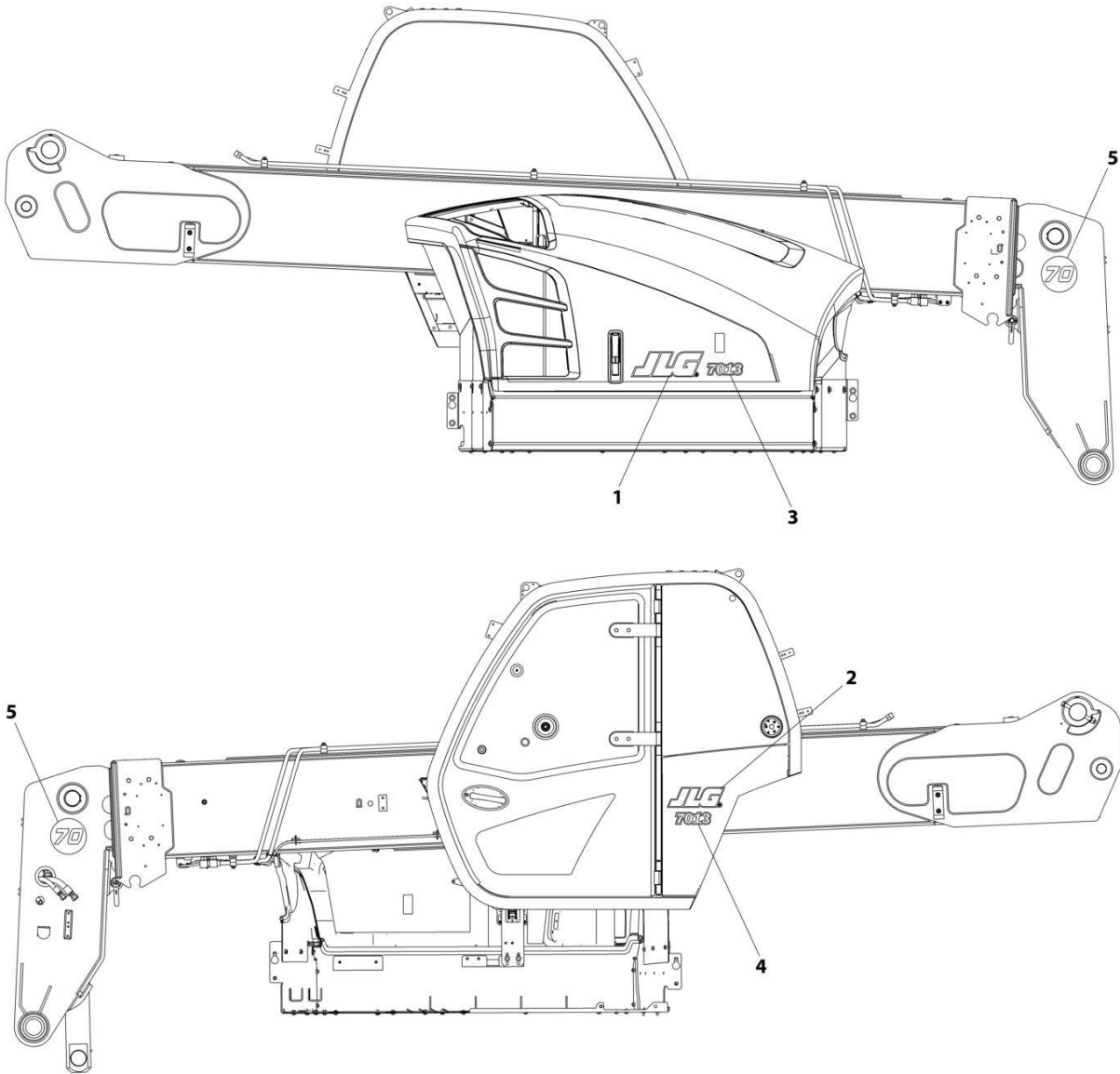
SECTION 11 - DECALS

FIGURE 11-1. DECAL INSTALLATION (1644)

ITEM	PART NUMBER	QTY	DESCRIPTION	REV
	1001226533	Ref	DECAL INSTALLATION (1644)	C
1	1001160775	1	Decal, JLG 5 Black	
2	1001169674	1	Decal, JLG M100 x 285	
3	1001276768	1	Decal, JLG 1644 Hood	
4	1001276769	1	Decal, JLG 1644 Cab	
5	1001279169	2	Decal, Boom Head 16K	

SECTION 11 - DECALS

FIGURE 11-2. DECAL INSTALLATION (7013)



ART_1001195298_D

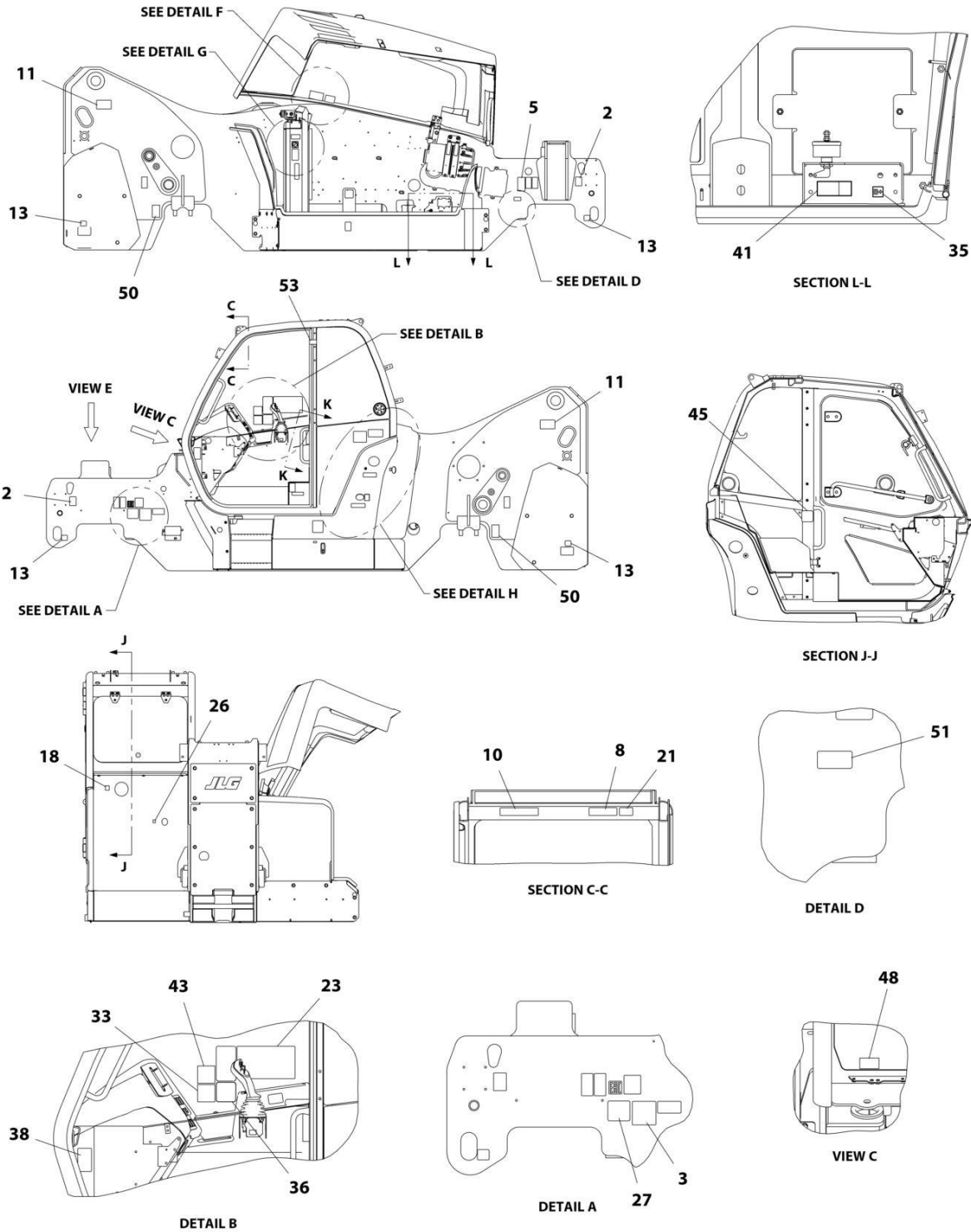
SECTION 11 - DECALS

FIGURE 11-2. DECAL INSTALLATION (7013)

ITEM	PART NUMBER	QTY	DESCRIPTION	REV
	1001195298	Ref	DECAL INSTALLATION (7013)	D
1	1001160775	1	Decal, JLG 5 Black	
2	1001169674	1	Decal, JLG M100 x 285	
3	1001276774	1	Decal, JLG 7013 Hood	
4	1001276775	1	Decal, JLG 7013 Cab	
5	1001279173	2	Decal, Boom Head 70	

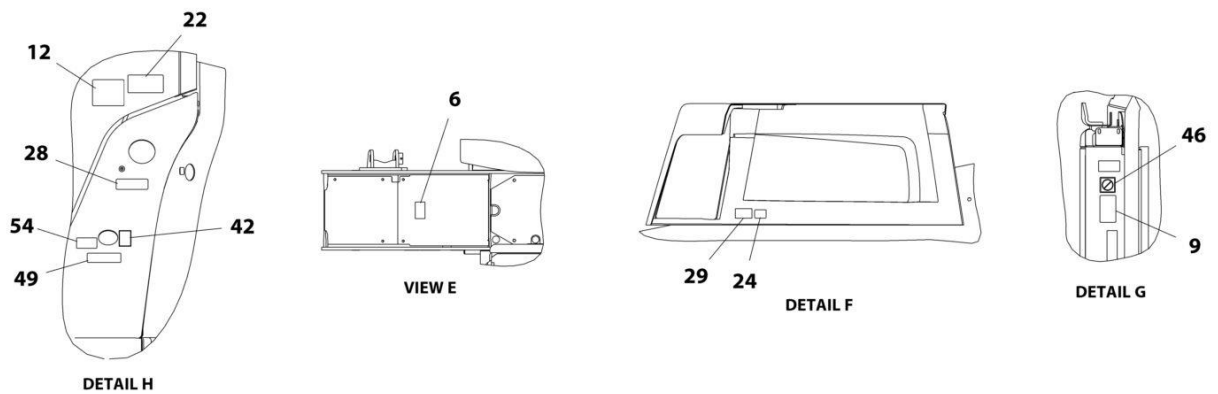
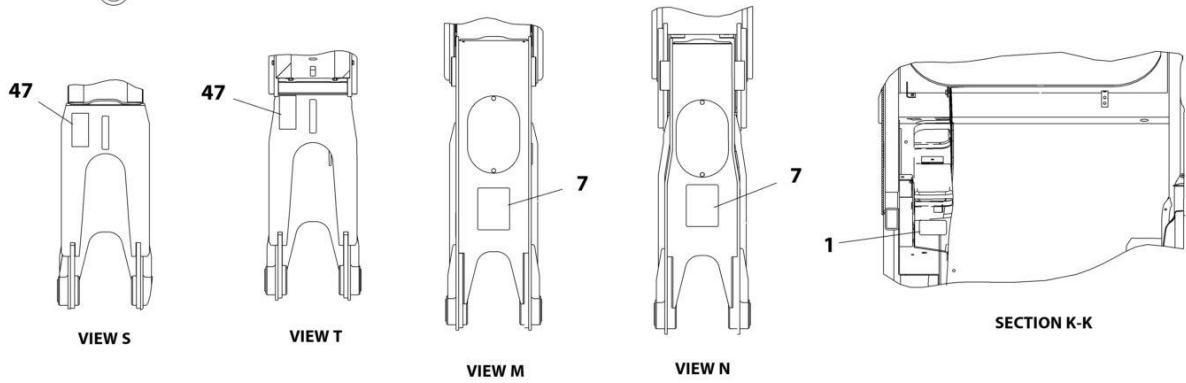
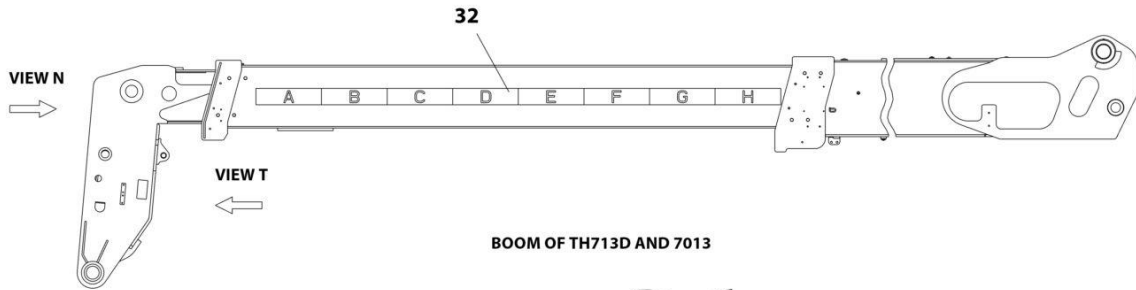
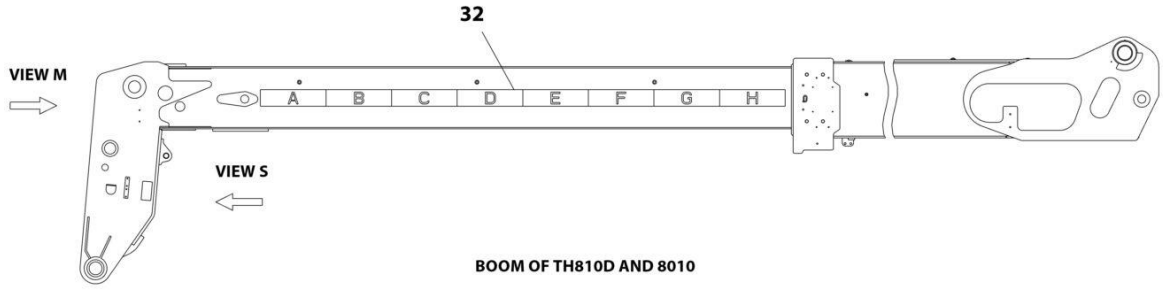
SECTION 11 - DECALS

FIGURE 11-3. DECAL INSTALLATION (ENGLISH)



ART_1001192745_1-K

SECTION 11 - DECALS



ART_1001192745_2-K

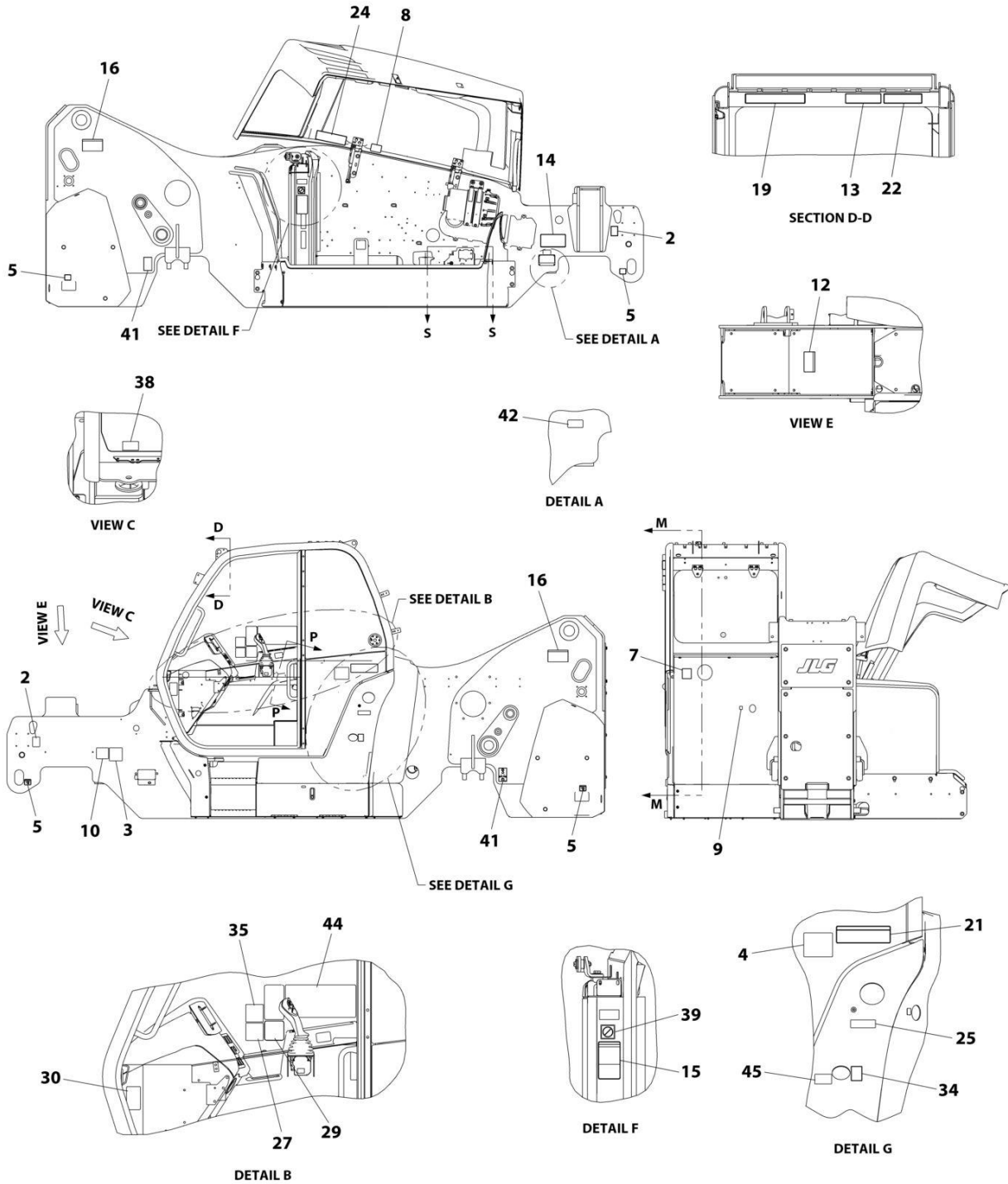
SECTION 11 - DECALS

FIGURE 11-3. DECAL INSTALLATION (ENGLISH)

ITEM	PART NUMBER	QTY	DESCRIPTION	REV
	1001192745	Ref	Decal Installation (English)	K
1	1670836	1	Cover, Boom	
2	1701500	2	Decal, Lift	
3	See Note	NSS	Decal, Bar Code (Note: Not Available for Purchase)	
5	1706300	1	Decal, Ether Warning	
6	1706296	1	Decal, Battery Warning	
7	1001195849	1	Decal, Carry Personnel	
8	1706299	1	Decal, Contacting Power Lines Warning	
9	1706301	1	Decal, Keep Clear Of Rotating Parts Warning	
10	1706306	1	Decal, Tip Over Warning	
11	1706302	2	Decal, Pinch Point Boom Holes	
12	3251813	1	Decal, USA	
13	4109801	4	Decal, Tie Down Point	
18	1001094708	1	Decal, Hydraulic Oil	
21	1706850	1	Decal, Crush Hazard Warning	
22	1706768	1	Decal, Vehicle Roll Away	
23	1707078	1	Decal, Warning/Danger	
24	1001109053	1	Decal, Coolant Fill	
26	1001130323	1	Decal, Oil Level	
27	1001131271	1	Decal, Patent	
28	1001218704	1	Decal, Ultra Low Sulfur Diesel	
29	1001139578	1	Decal, Hot Fluid Warning	
32	1001171277	1	Decal, Boom Extend	
33	1001172035	1	Decal, No Weld or Drill	
35	1001184632	1	Decal, Battery Positive	
36	1001188372	1	Decal, Sway	
38	1001191229	1	Decal, Fuse Panel	
41	1001195855	1	Decal, Battery Disconnect	
42	1001196806	1	Decal, Diesel Exhaust Fluid	
43	1001227287	1	Decal, Manual	
45	1001214206	1	Decal, Park Brake	
46	AU2105	1	Decal, No Karcher	
47	1001207217	1	Decal, Danger Swinging Loads	
48	1001218659	1	Decal, Brake Fluid	
49	1001219212	1	Decal, DEF Fluid	
50	1001222650	2	Decal, Axle Lift	
51	1001223453	1	DECAL,ICES (CAN)	
53	1001231801	1	Decal, Warning Prop 65	
54	1001247646	1	Decal, DEF Min. Refill Volume	

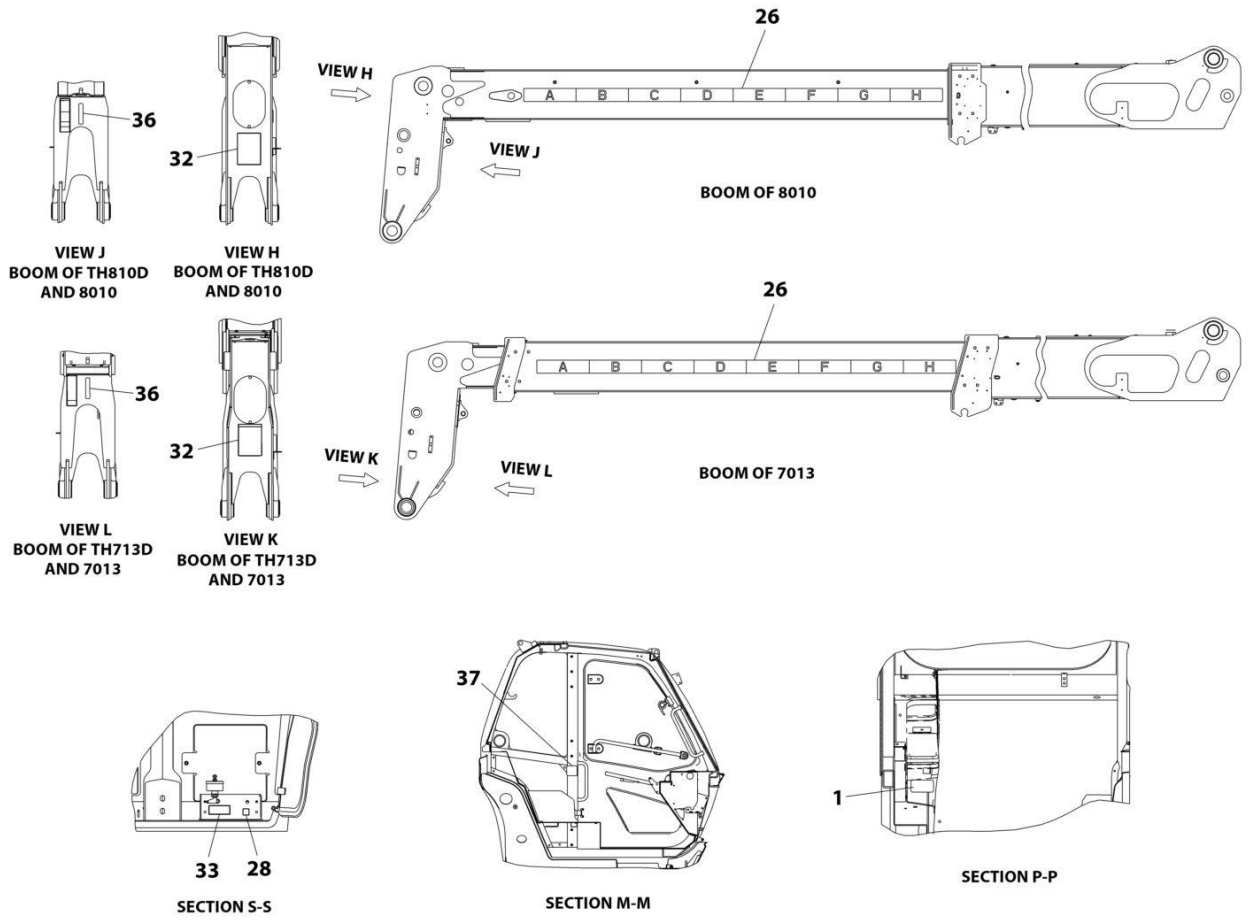
SECTION 11 - DECALS

FIGURE 11-4. DECAL INSTALLATION (ENGLISH/FRENCH)



ART_1001220230_1-J

SECTION 11 - DECALS



ART_1001220230_2-J

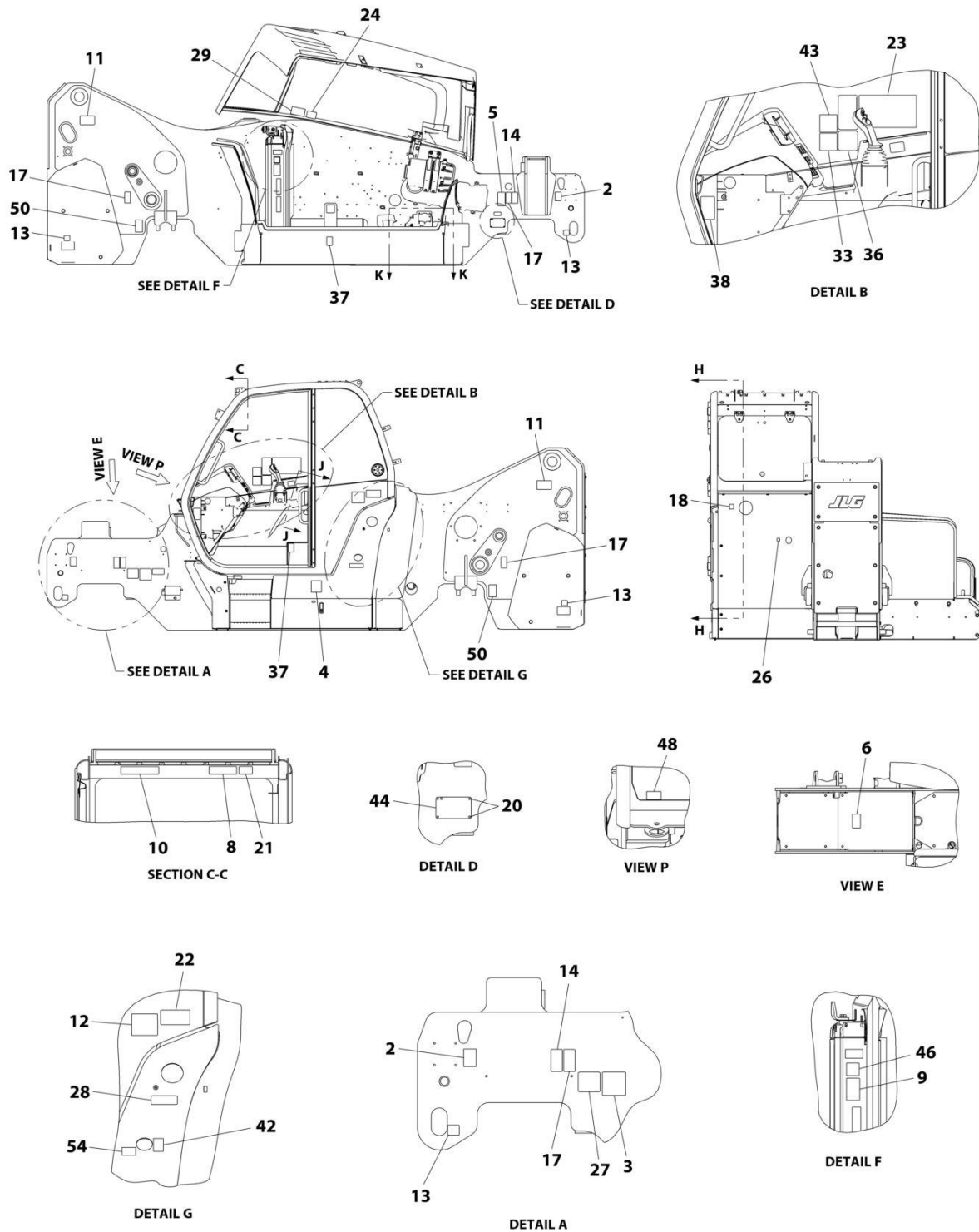
SECTION 11 - DECALS

FIGURE 11-4. DECAL INSTALLATION (ENGLISH/FRENCH)

ITEM	PART NUMBER	QTY	DESCRIPTION	REV
	1001220230	Ref	Decal Installation (English/French)	J
1	1670836	1	Cover, Boom	
2	1701500	2	Decal, Lift	
3	See Note	NSS	Decal, Bar Code (Note: Not Available for Purchase)	
4	3251813	1	Decal, USA	
5	4109801	4	Decal, Tie Down Point	
7	1001094708	1	Decal, Hydraulic Oil	
8	1001109053	1	Decal, Coolant Fill	
9	1001130323	1	Decal, Oil Level	
10	1001131271	1	Decal, Patent Telehandlers USA/Canada	
12	1001163174	1	Decal, Battery Warning	
13	1001163210	1	Decal, Electrocutation Hazard	
14	1001163212	1	Decal, Warning No Either	
15	1001163222	1	Decal, Moving Parts	
16	1001163223	2	Decal, Pinch Point	
19	1001163285	1	Decal, Warning Tip Over	
21	1001163300	1	Decal, No Riders	
22	1001163304	1	Decal, Warning Crushing Hazard	
24	1001163323	1	Decal, Warning Hot Fluid	
25	1001163355	1	Decal, Ultra Low Sulfur Diesel	
26	1001171277	1	Decal, Boom Extend	
27	1001172035	1	Decal, No Weld or Drill	
28	1001184632	1	Decal, Battery Positive	
29	1001188372	1	Decal, Sway	
30	1001191229	1	Decal, Fuse Panel	
32	1001195851	1	Decal, Carry Personnel	
33	1001195855	1	Decal, Battery Disconnect	
34	1001196806	1	Decal, Diesel Exhaust Fluid	
35	1001227287	1	Decal, Manual	
36	1001209625	1	Decal, Danger Swinging Loads	
37	1001214206	1	Decal, Park Brake	
38	1001219211	1	Decal, Brake Fluid	
39	AU2105	1	Decal, No Karcher	
41	1001222650	2	Decal, Axle Lift	
42	1001223453	1	Decal, ICES	
44	1001233558	1	Decal, Warning/Danger - Cab	
45	1001247646	1	Decal, DEF Min. Refill Volume	

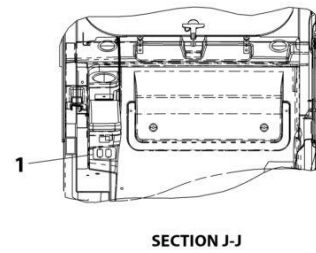
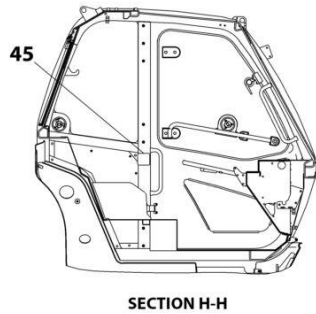
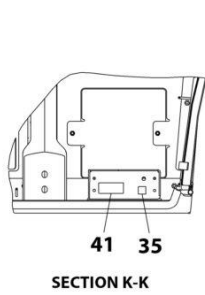
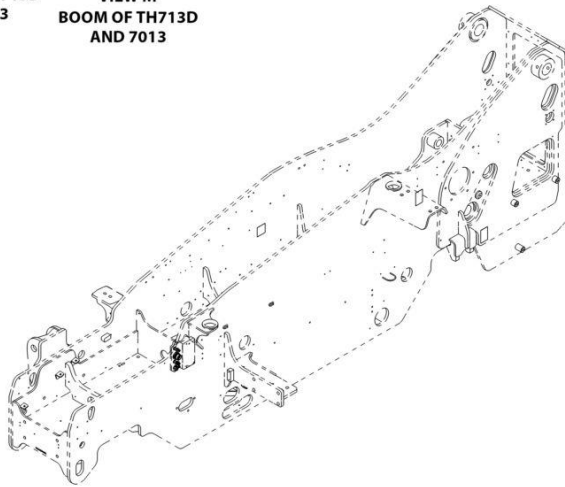
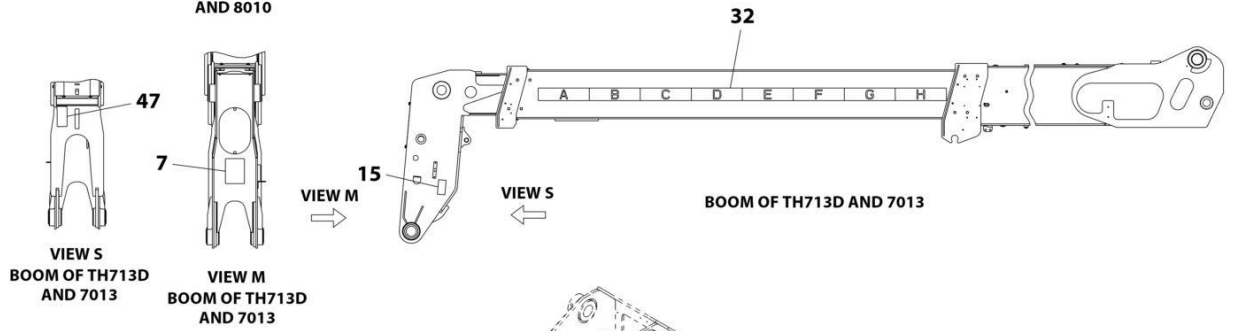
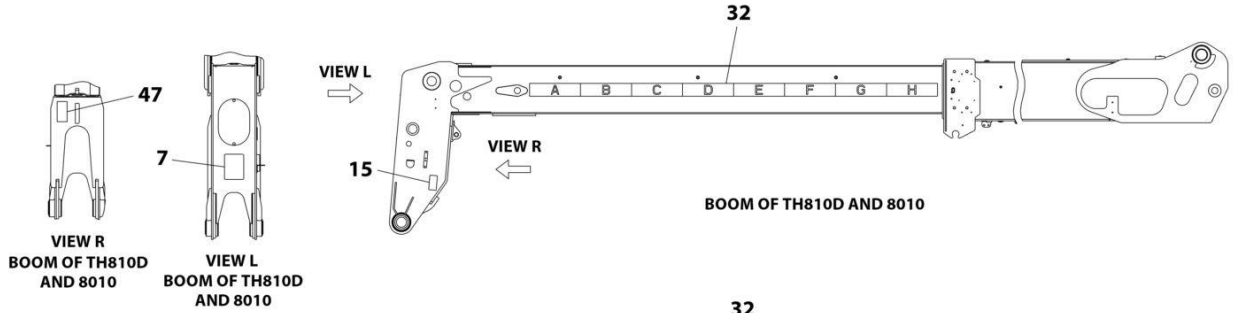
SECTION 11 - DECALS

FIGURE 11-5. DECAL INSTALLATION (ISO) (ULS)



ART_1001192741_F_1

SECTION 11 - DECALS



ART_1001192741_F_2

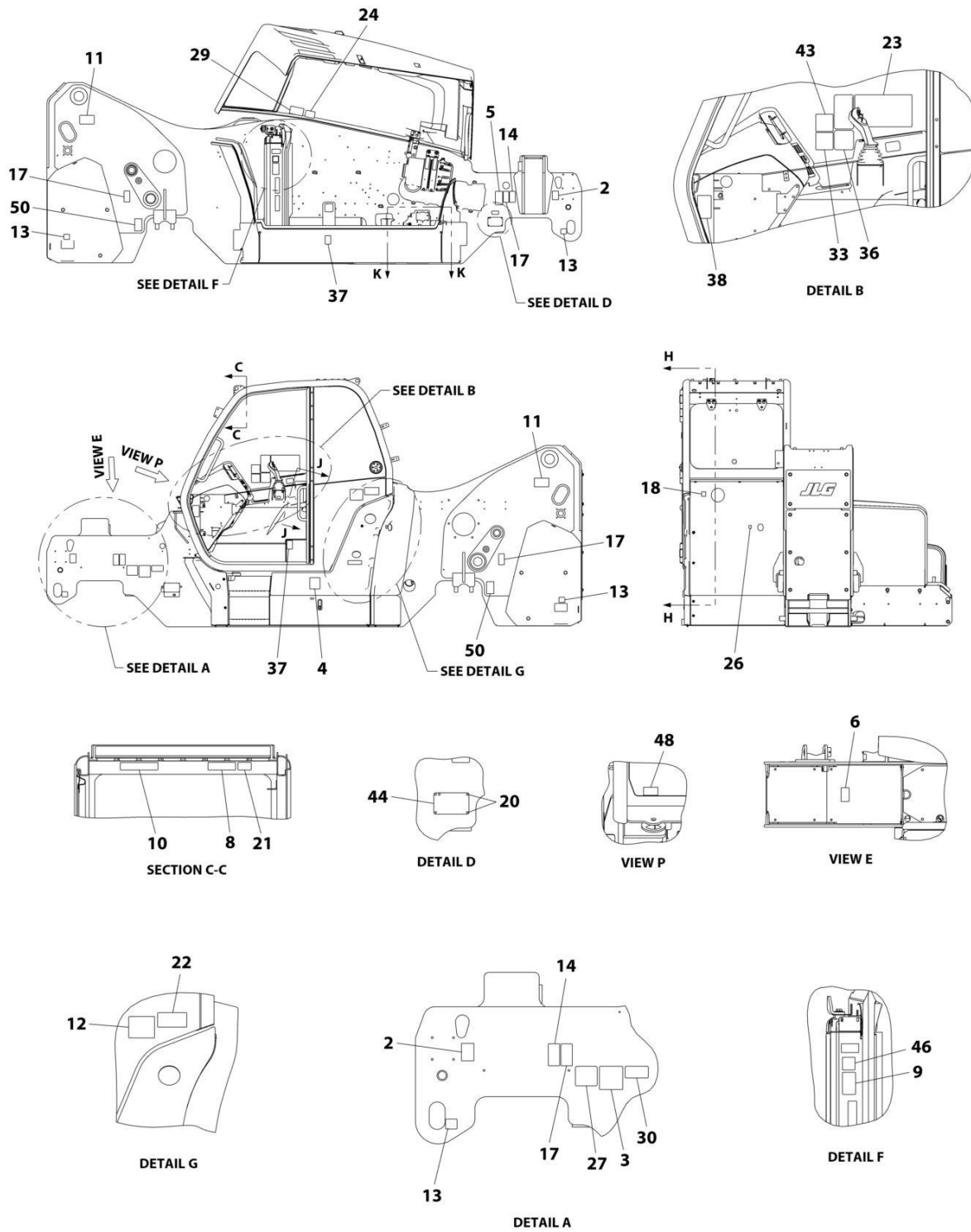
SECTION 11 - DECALS

FIGURE 11-5. DECAL INSTALLATION (ISO) (ULS)

ITEM	PART NUMBER	QTY	DESCRIPTION	REV
	1001192741	Ref	Decal Installation (ULS)	F
1	1670836	1	Cover, Boom	
2	1701500	2	Decal-Lift	
3	See Note	NSS	Decal, Bar Code (Note: Not Available for Purchase)	
4	1705980	1	Decal, Acoustic Power 106db	
5	1706098	1	Decal, Warning Ether Start	
6	1706281	1	Decal, Battery Warning (ISO)	
7	1706282	1	Decal, Carry Personnel (ISO)	
8	1706284	1	Decal, Electrocutation Hazard (ISO)	
9	1706285	1	Decal, Moving Parts (ISO)	
10	1706288	1	Decal, Tip Over Warning	
11	1706292	2	Decal, Pinch Point Boom Holes	
12	3251813	1	Decal, USA	
13	4109801	4	Decal, Tie Down Point	
14	8005671	2	Decal, Cylinder Lock Warning	
15	8005675	2	Decal, Watch for Raised Boom Warning	
17	8008657	4	Decal, Set Brake Lever Warning	
18	1001094708	1	Decal, Hydraulic Oil	
20	1001009178	4	Tack, Metal	
21	1001092877	1	Decal, Crush Hazard Warning	
22	1001092878	1	Decal, No Riders	
23	1001101895	1	Decal, Cab Warning	
24	1001109053	1	Decal, Coolant Fill	
26	1001130323	1	Decal, Oil Level	
27	1001131271	1	Decal, Patent Telehandlers USA/Canada	
28	1001218704	1	Decal, Ultra Low Sulfur Diesel	
29	1001139942	1	Decal, Hot Fluid Warning	
32	1001171277	1	Decal, Boom Extend	
33	1001172035	1	Decal, No Weld or Drill	
35	1001184632	1	Decal, Battery Positive	
36	1001188372	1	Decal, Sway	
37	1001189154	2	Decal, Read Operators Manual	
38	1001191229	1	Decal, Fuse Panel	
41	1001195855	1	Decal, Battery Disconnect	
42	1001196806	1	Decal, Diesel Exhaust Fluid	
43	1001227287	1	Decal, Manual	
44	See Note	NSS	SN Plate (Note: Stamped Part - Not Available for Purchase0	
45	1001214206	1	Decal, Park Brake	
46	AU2105	1	Decal, No Karcher	
47	1001207218	1	Decal, Danger Swinging Load	
48	1001219211	1	Decal, Brake Fluid	
50	1001222650	2	Decal, Axle Lift	
54	1001247646	1	Decal, DEF Minimum Refill Volume	

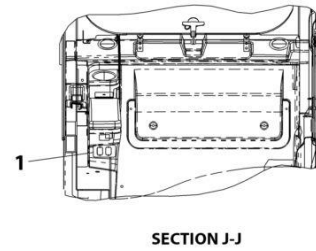
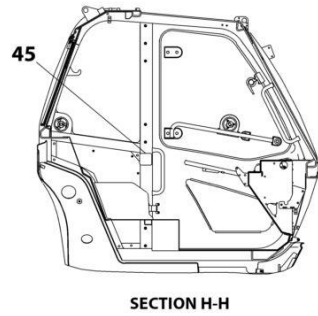
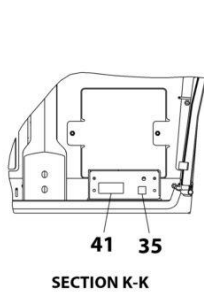
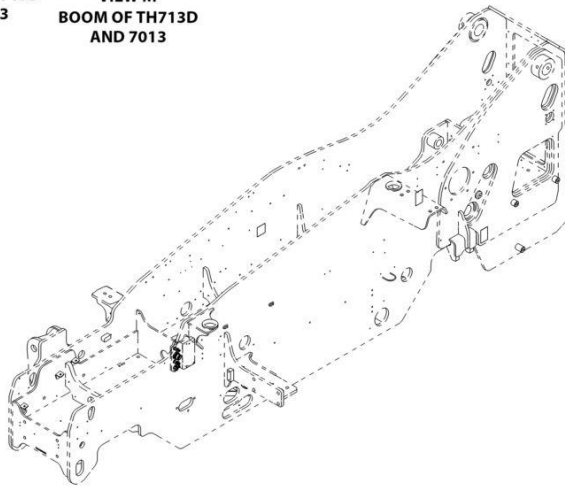
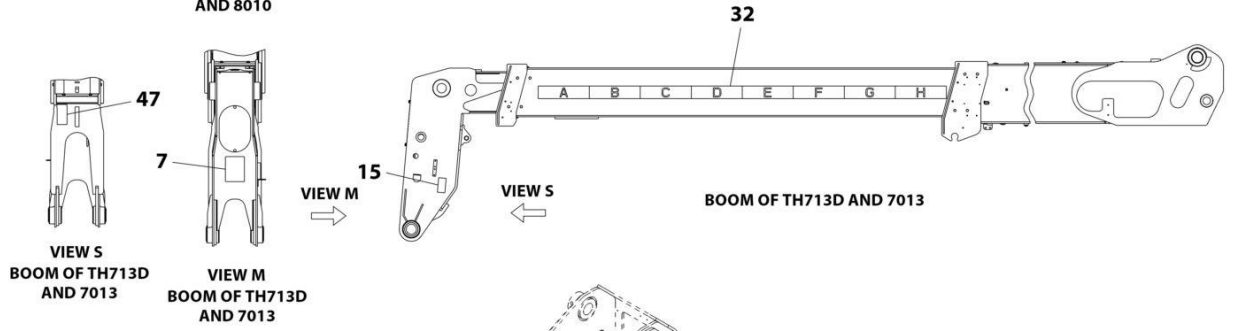
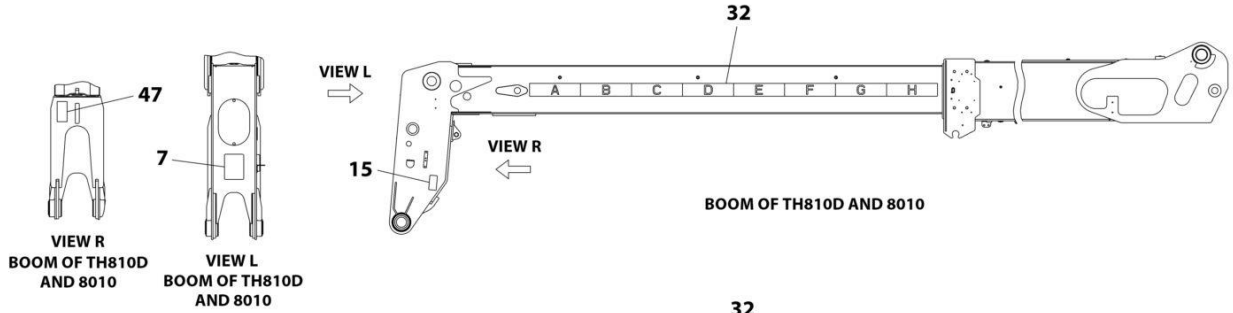
SECTION 11 - DECALS

FIGURE 11-6. DECAL INSTALLATION (ISO) (LS)



ART_1001220707_D_1

SECTION 11 - DECALS



ART_1001220707_D_2

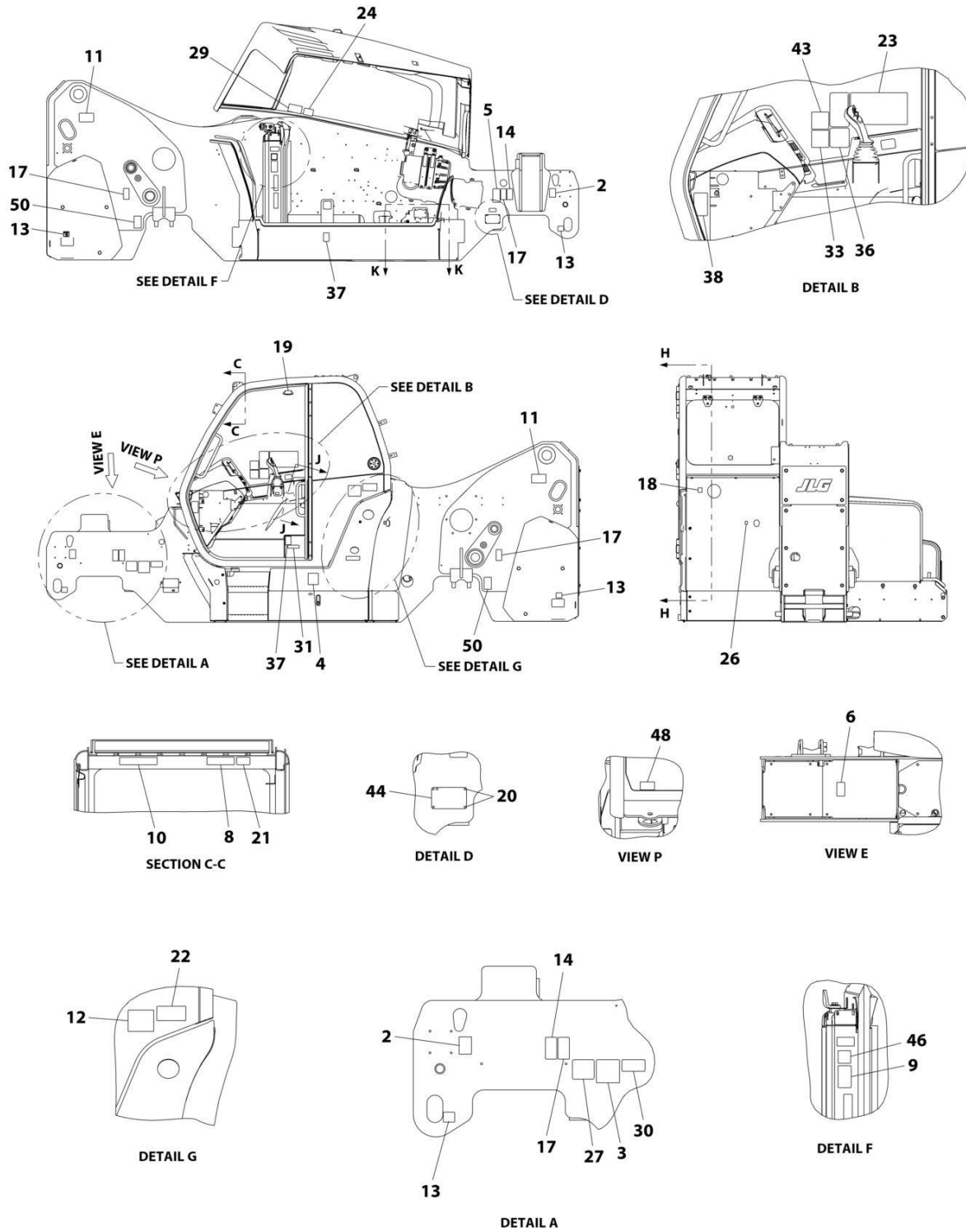
SECTION 11 - DECALS

FIGURE 11-6. DECAL INSTALLATION (ISO) (LS)

ITEM	PART NUMBER	QTY	DESCRIPTION	REV
	1001220707	Ref	Decal Installation (LS)	D
1	1670836	1	Cover, Boom	
2	1701500	2	Decal, Lift	
3	See Note	NSS	Decal, Bar Code (Note: Not Available for Purchase)	
4	1705980	1	Decal, Acoustic Power 106db	
5	1706098	1	Decal, Warning Ether Start	
6	1706281	1	Decal, Battery Warning (ISO)	
7	1706282	1	Decal, Carry Personnel (ISO)	
8	1706284	1	Decal, Electrocutation Hazard (ISO)	
9	1706285	1	Decal, Moving Parts (ISO)	
10	1706288	1	Decal, Tip Over Warning	
11	1706292	2	Decal, Pinch Point Boom Holes	
12	3251813	1	Decal, USA	
13	4109801	4	Decal, Tie Down Point	
14	8005671	2	Decal, Cylinder Lock Warning	
15	8005675	2	Decal, Watch for Raised Boom Warning	
17	8008657	4	Decal, Set Brake Lever Warning	
18	1001094708	1	Decal, Hydraulic Oil	
20	1001009178	4	Tack, Metal	
21	1001092877	1	Decal, Crush Hazard Warning	
22	1001092878	1	Decal, No Riders	
23	1001101895	1	Decal, Cab Warning	
24	1001109053	1	Decal, Coolant Fill	
26	1001130323	1	Decal, Oil Level	
27	1001131271	1	Decal, Patent Telehandlers USA/Canada	
29	1001139942	1	Decal, Hot Fluid Warning	
30	1001143852	1	Decal, LRC EPA	
32	1001171277	1	Decal, Boom Extend	
33	1001172035	1	Decal, No Weld or Drill	
35	1001184632	1	Decal, Battery Positive	
36	1001188372	1	Decal, Sway	
37	1001189154	2	Decal, Read Operators Manual	
38	1001191229	1	Decal, Fuse Panel	
41	1001195855	1	Decal, Battery Disconnect	
43	1001227287	1	Decal, Manual	
44	See Note	NSS	SN Plate (Note: Stamped Part - Not Available for Purchase0	
45	1001214206	1	Decal, Park Brake	
46	AU2105	1	Decal, No Karcher	
47	1001207218	1	Decal, Danger Swinging Load	
48	1001219211	1	Decal, Brake Fluid	
50	1001222650	2	Decal, Axle Lift	

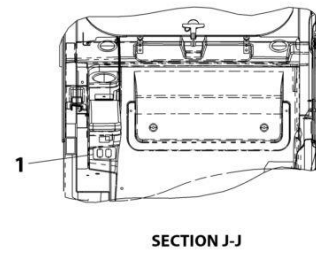
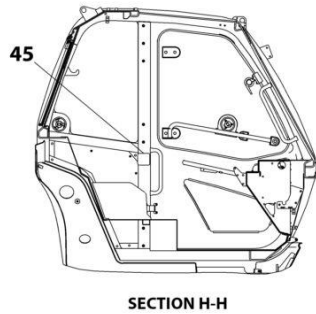
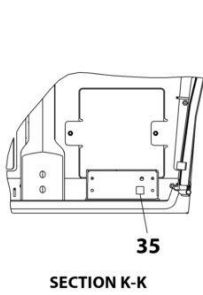
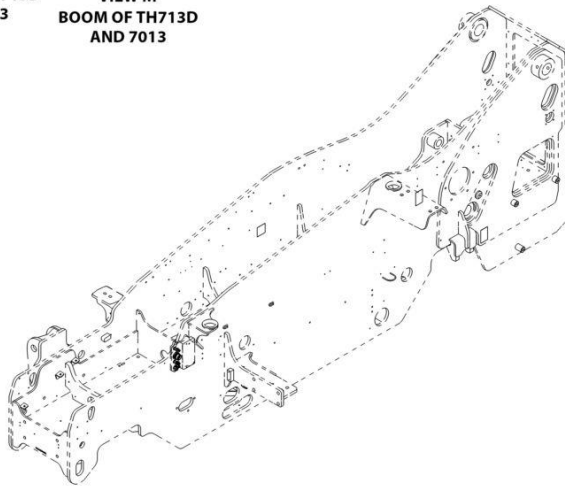
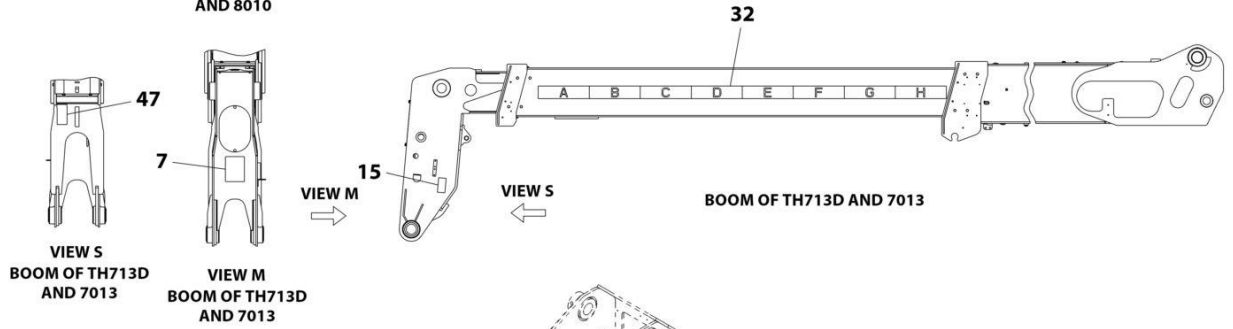
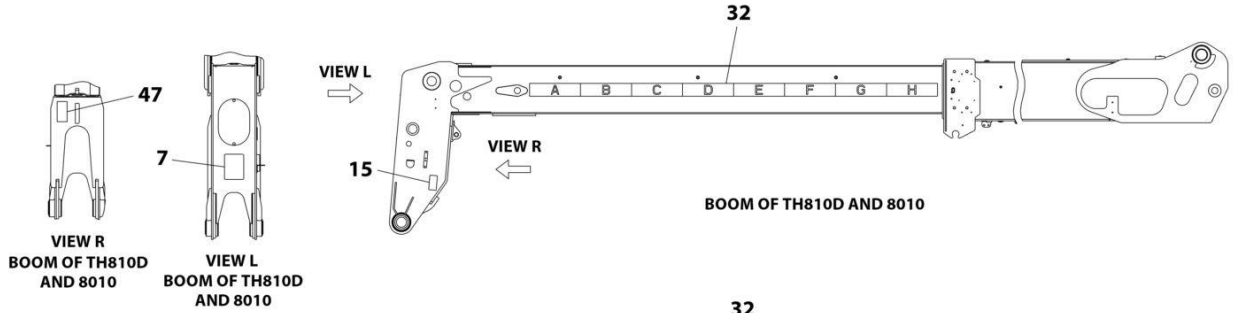
SECTION 11 - DECALS

FIGURE 11-7. DECAL INSTALLATION (AUSTRALIAN)



ART_1001192743_E_1

SECTION 11 - DECALS



ART_1001192743_E_2

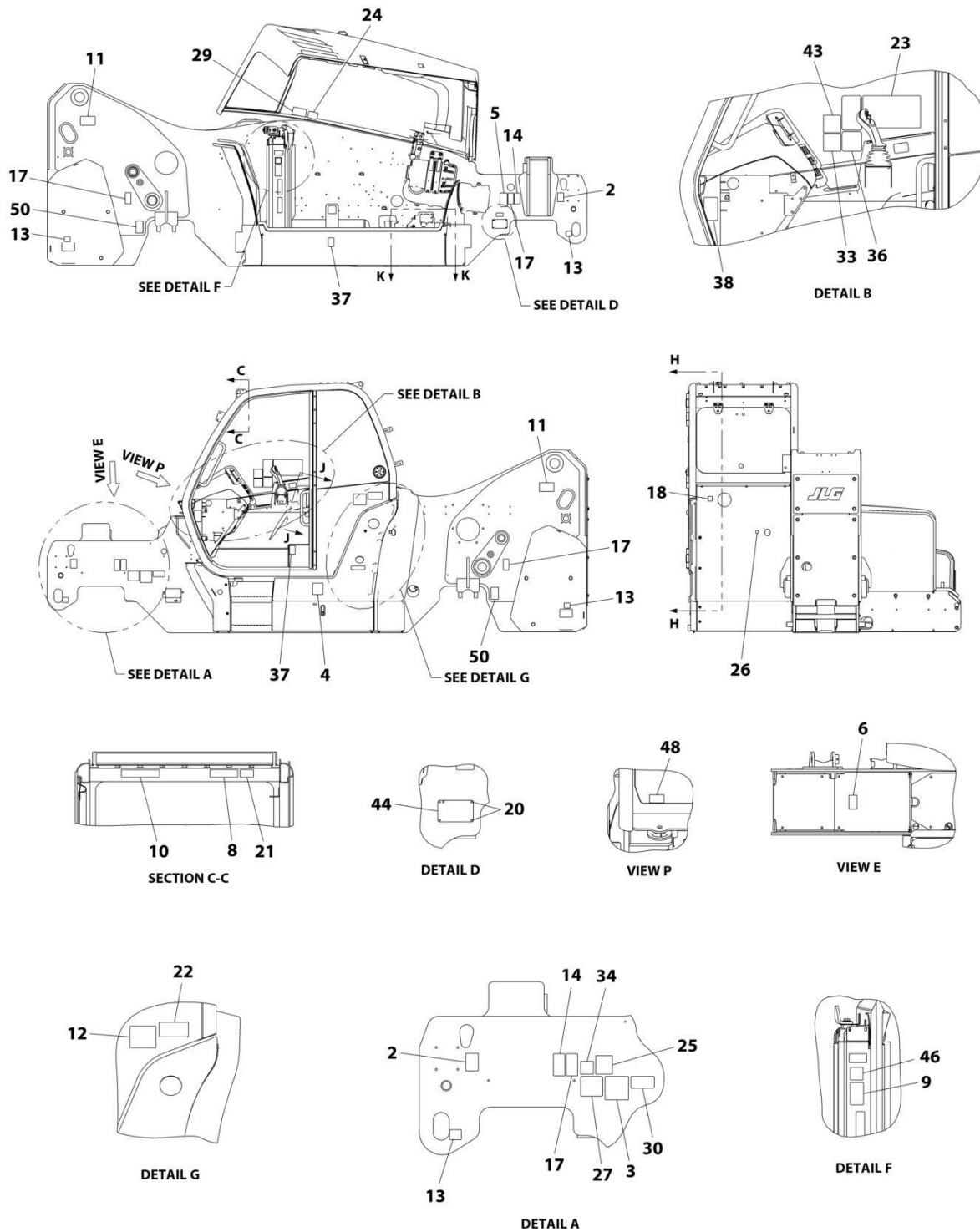
SECTION 11 - DECALS

FIGURE 11-7. DECAL INSTALLATION (AUSTRALIAN)

ITEM	PART NUMBER	QTY	DESCRIPTION	REV
	1001192743	Ref	Decal Installation (AUS)	E
1	1670836	1	Cover, Boom	
2	1701500	2	Decal, Lift	
3	See Note	NSS	Decal, Bar Code (Note: Not Available for Purchase)	
4	1705980	1	Decal, Acoustic Power 106db	
5	1706098	1	Decal, Warning Ether Start	
6	1706281	1	Decal, Battery Warning (ISO)	
7	1706282	1	Decal, Carry Personnel (ISO)	
8	1706284	1	Decal, Electrocution Hazard (ISO)	
9	1706285	1	Decal, Moving Parts (ISO)	
10	1706288	1	Decal, Tip Over Warning	
11	1706292	2	Decal, Pinch Point Boom Holes	
12	3251813	1	Decal, USA	
13	4109801	4	Decal, Tie Down Point	
14	8005671	2	Decal, Cylinder Lock Warning	
15	8005675	2	Decal, Watch for Raised Boom Warning	
17	8008657	3	Decal, Set Brake Lever Warning	
18	1001094708	1	Decal, Hydraulic Oil	
19	8466306	1	Gauge, Tilt Angle	
20	1001009178	4	Tack, Metal	
21	1001092877	1	Decal, Crush Hazard Warning	
22	1001092878	1	Decal, No Riders	
23	1001101895	1	Decal, Cab Warning	
24	1001109053	1	Decal, Coolant Fill	
26	1001130323	1	Decal, Oil Level	
27	1001131271	1	Decal, Patent	
29	1001139942	1	Decal, Hot Fluid Warning	
30	1001143852	1	Decal, LRC EPA	
31	1001155230	1	Decal, Cab AUS Safety	
32	1001171277	1	Decal, Boom Extend	
33	1001172035	1	Decal, No Weld or Drill	
35	1001184632	1	Decal, Battery Positive	
36	1001188372	1	Decal, Sway	
37	1001189154	2	Decal, Read Operators Manual	
38	1001191229	1	Decal, Fuse Panel	
43	1001227287	1	Decal, Manual	
44	See Note	NSS	SN Plate (Note: Stamped Part - Not Available for Purchase0	
45	1001214206	1	Decal, Park Brake	
46	AU2105	1	Decal, No Karcher	
47	1001207218	1	Decal, Danger Swinging Load	
48	1001219211	1	Decal, Brake Fluid	
50	1001222650	2	Decal, Axle Lift	

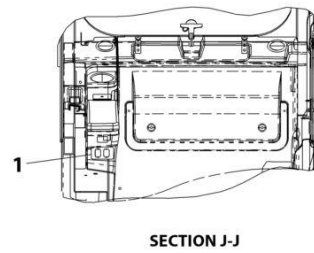
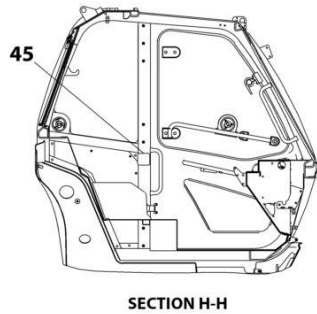
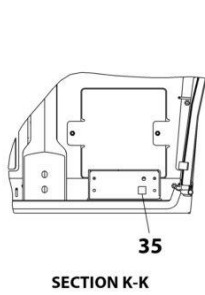
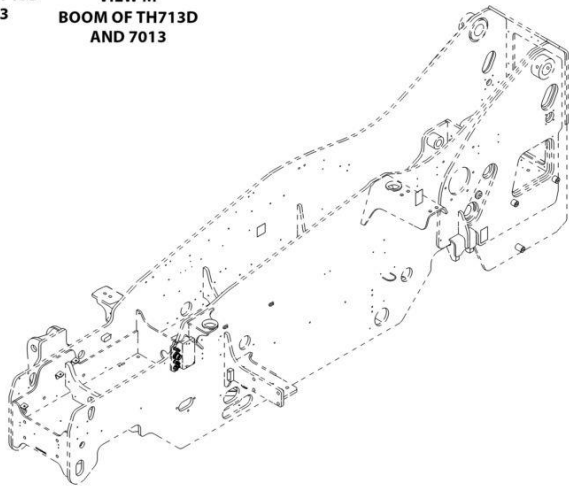
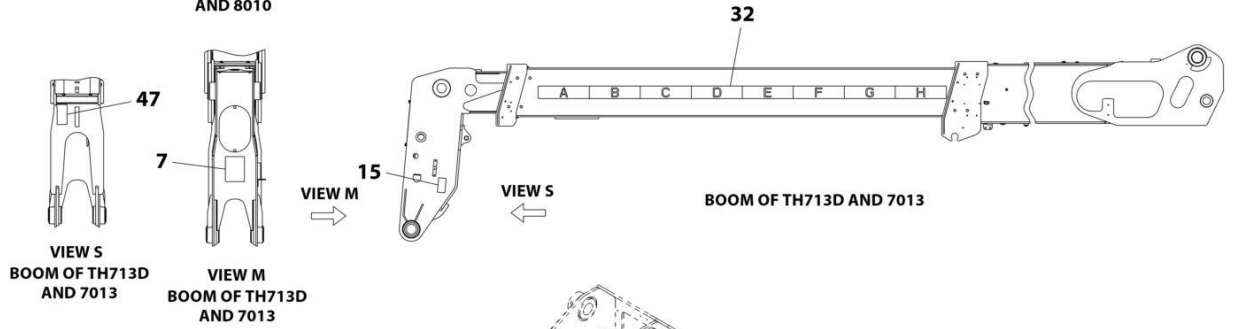
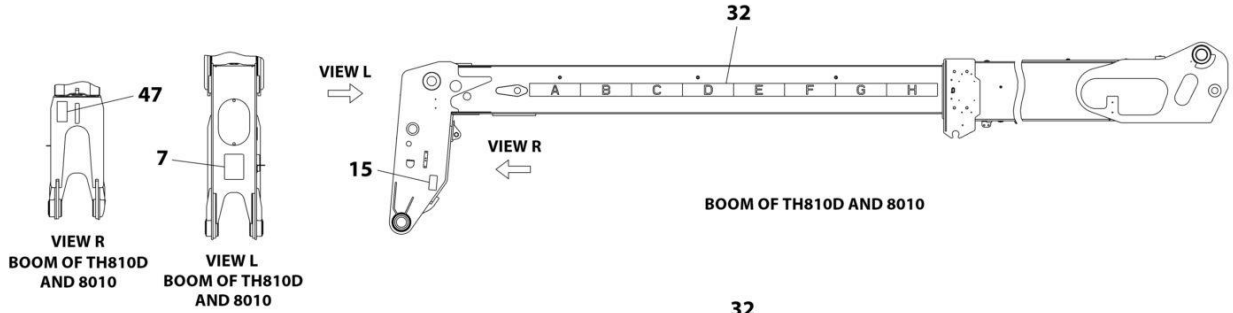
SECTION 11 - DECALS

FIGURE 11-8. DECAL INSTALLATION (RUSSIAN CIS)



ART_1001195313_E_1

SECTION 11 - DECALS



ART_1001195313_E_2

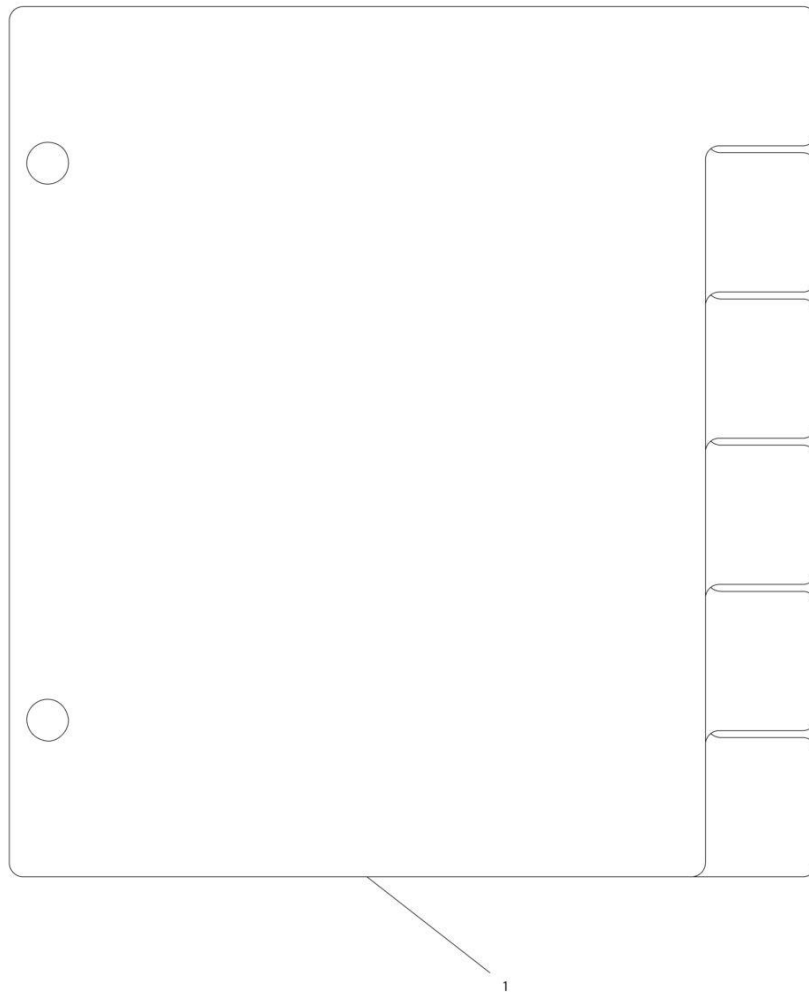
SECTION 11 - DECALS

FIGURE 11-8. DECAL INSTALLATION (RUSSIAN CIS)

ITEM	PART NUMBER	QTY	DESCRIPTION	REV
	1001195313	Ref	Decal Installation (CIS)	E
1	1670836	1	Cover, Boom	
2	1701500	2	Decal, Lift	
3	See Note	NSS	Decal, Bar Code (Note: Not Available for Purchase)	
4	1705980	1	Decal, Acoustic Power 106db	
5	1706098	1	Decal, Warning Ether Start	
6	1706281	1	Decal, Battery Warning (ISO)	
7	1706282	1	Decal, Carry Personnel (ISO)	
8	1706284	1	Decal, Electrocutation Hazard (ISO)	
9	1706285	1	Decal, Moving Parts (ISO)	
10	1706288	1	Decal, Tip Over Warning	
11	1706292	2	Decal, Pinch Point Boom Holes	
12	3251813	1	Decal, USA	
13	4109801	4	Decal, Tie Down Point	
14	8005671	2	Decal, Cylinder Lock Warning	
15	8005675	2	Decal, Watch for Raised Boom Warning	
17	8008657	4	Decal, Set Brake Lever Warning	
18	1001094708	1	Decal, Hydraulic Oil	
20	1001009178	4	Tack, Metal	
21	1001092877	1	Decal, Crush Hazard Warning	
22	1001092878	1	Decal, No Riders	
23	1001101895	1	Decal, Cab Warning	
24	1001109053	1	Decal, Coolant Fill	
25	1001121555	1	Decal, PCT Russia	
26	1001130323	1	Decal, Oil Level	
27	1001131271	1	Decal, Patent	
29	1001139942	1	Decal, Hot Fluid Warning	
30	1001143852	1	Decal, LRC EPA	
32	1001171277	1	Decal, Boom Extend	
33	1001172035	1	Decal, No Weld or Drill	
34	1001173703	1	Decal, EAC	
35	1001184632	1	Decal, Battery Positive	
36	1001188372	1	Decal, Sway	
37	1001189154	2	Decal, Read Operators Manual	
38	1001191229	1	Decal, Fuse Panel	
43	1001227287	1	Decal, Manual	
44	See Note	NSS	SN Plate (Note: Stamped Part - Not Available for Purchase0	
45	1001214206	1	Decal, Park Brake	
46	AU2105	1	Decal, No Karcher	
47	1001207218	1	Decal, Danger Swinging Load	
48	1001219211	1	Decal, Brake Fluid	
50	1001222650	2	Decal, Axle Lift	

SECTION 11 - DECALS

FIGURE 11-9. CAPACITY LOADCHARTS (1644)



ART_1001233430-B

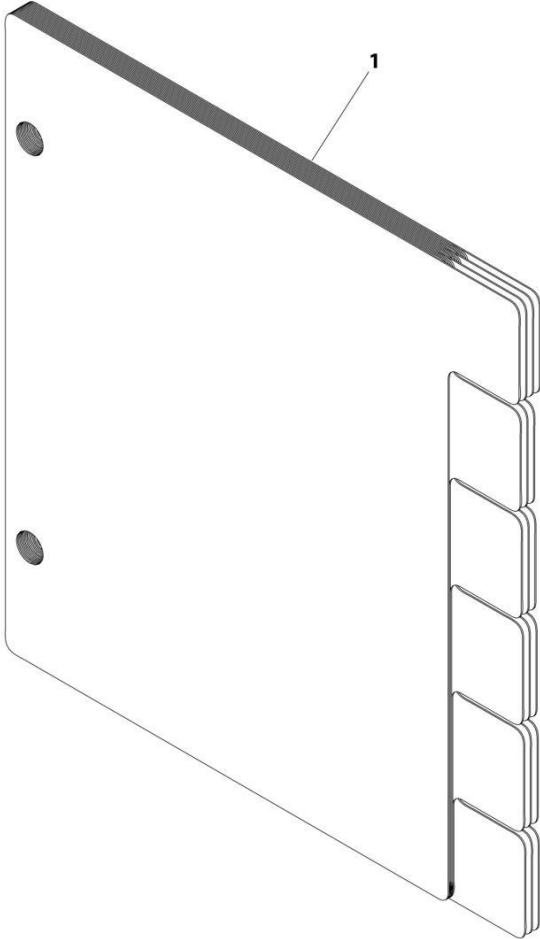
SECTION 11 - DECALS

FIGURE 11-9. CAPACITY LOADCHARTS (1644)

ITEM	PART NUMBER	QTY	DESCRIPTION	REV
1	1001233430	1	CAPACITY CHART	G

SECTION 11 - DECALS

FIGURE 11-10. CAPACITY LOADCHARTS (7013)



ART_1001239445-A

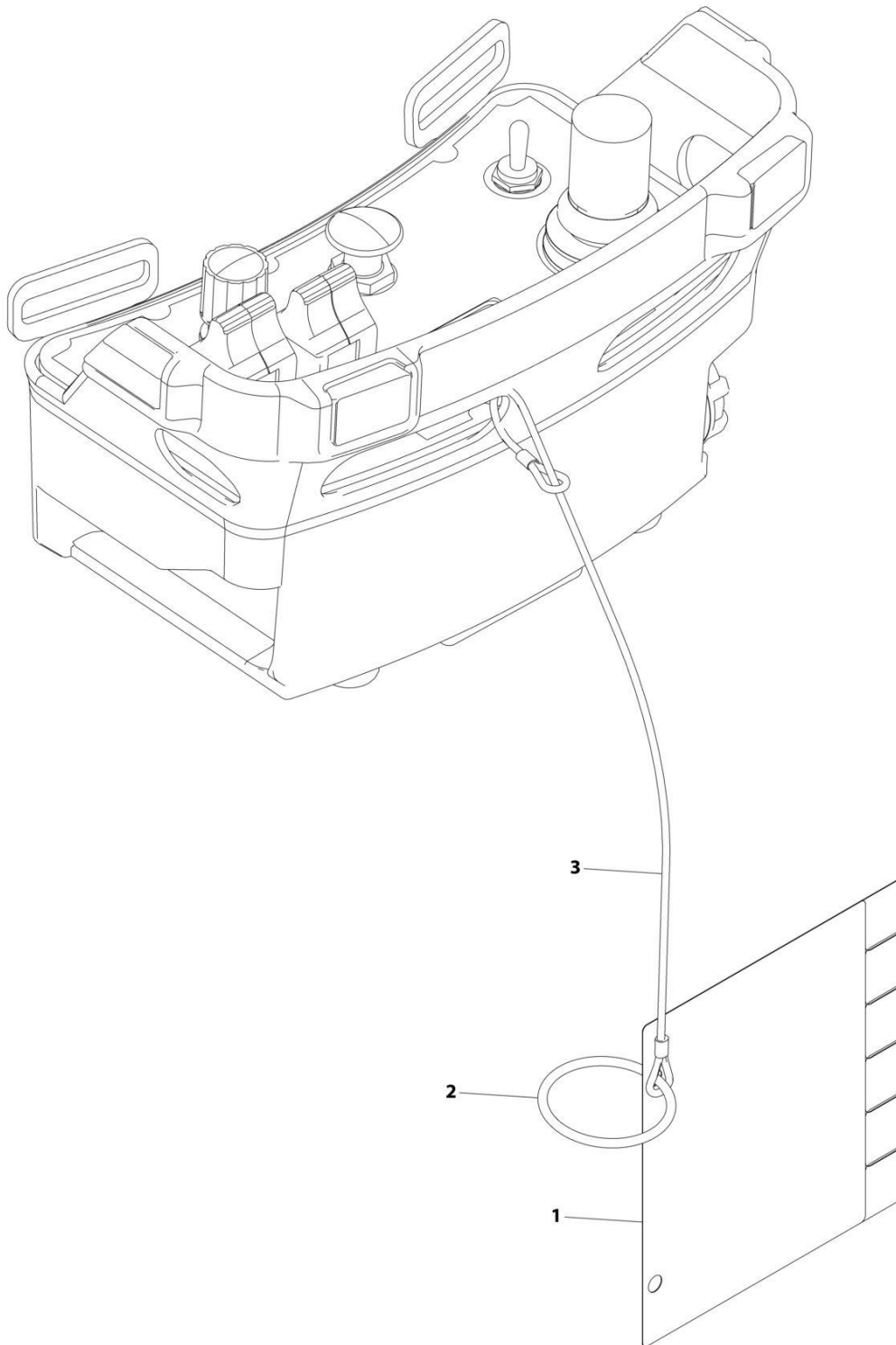
SECTION 11 - DECALS

FIGURE 11-10. CAPACITY LOADCHARTS (7013)

ITEM	PART NUMBER	QTY	DESCRIPTION	REV
1	1001239445	Ref	Load Chart (ISO)	

SECTION 11 - DECALS

FIGURE 11-11. CAPACITY LOADCHARTS - REMOTE BOOM CHART (1644)



ART_1001275904

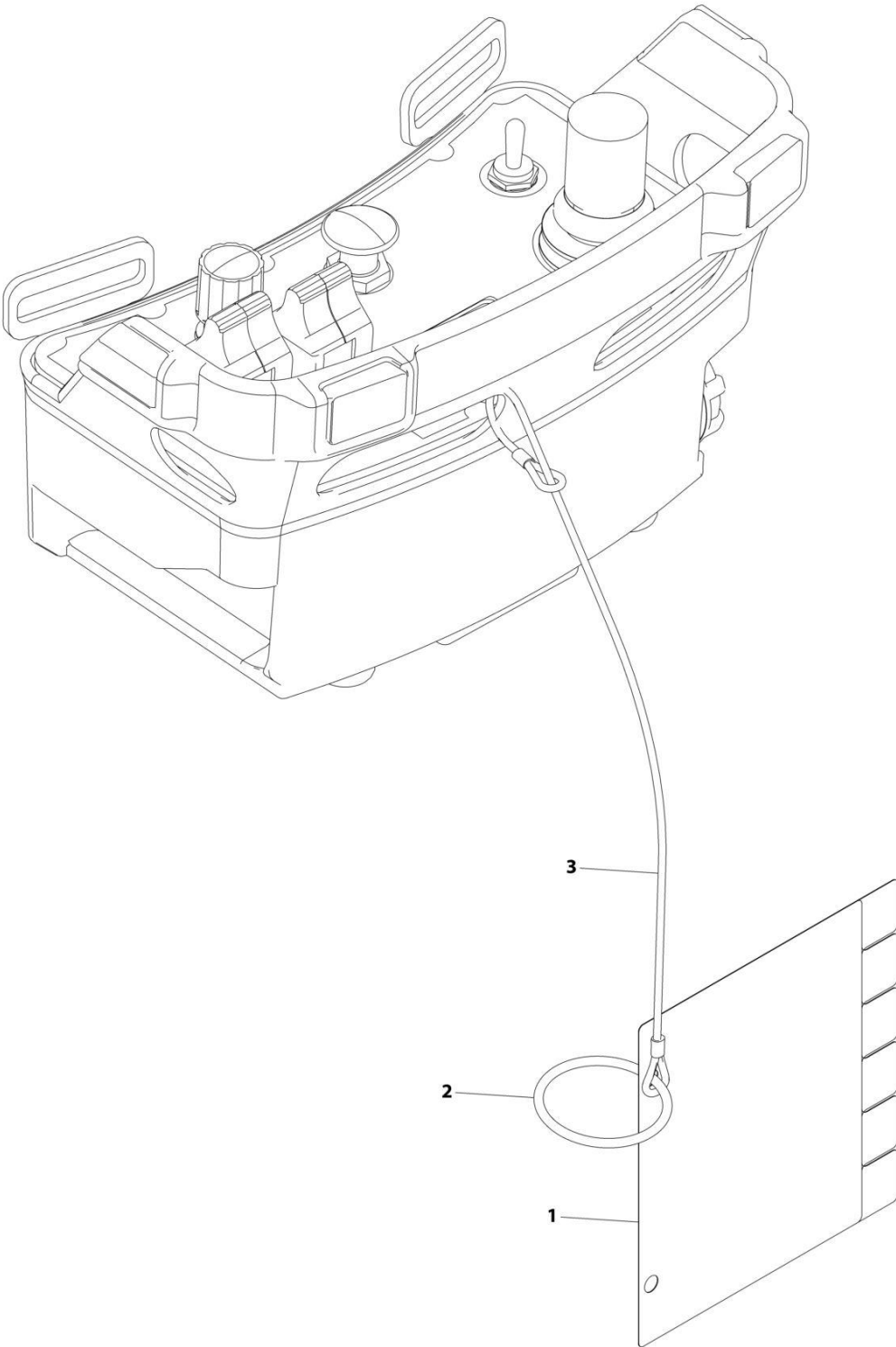
SECTION 11 - DECALS

FIGURE 11-11. CAPACITY LOADCHARTS - REMOTE BOOM CHART (1644)

ITEM	PART NUMBER	QTY	DESCRIPTION	REV
	1001275904	Ref	CAPACITY CHART - REMOTE BOOM CONTROL	A
1	1001275725	1	Capacity Chart	
2	1001271061	1	Clip	
3	1060799	1	Cable, Lanyard	

SECTION 11 - DECALS

FIGURE 11-12. CAPACITY LOADCHARTS - REMOTE BOOM CHART (7013)



ART_1001275906

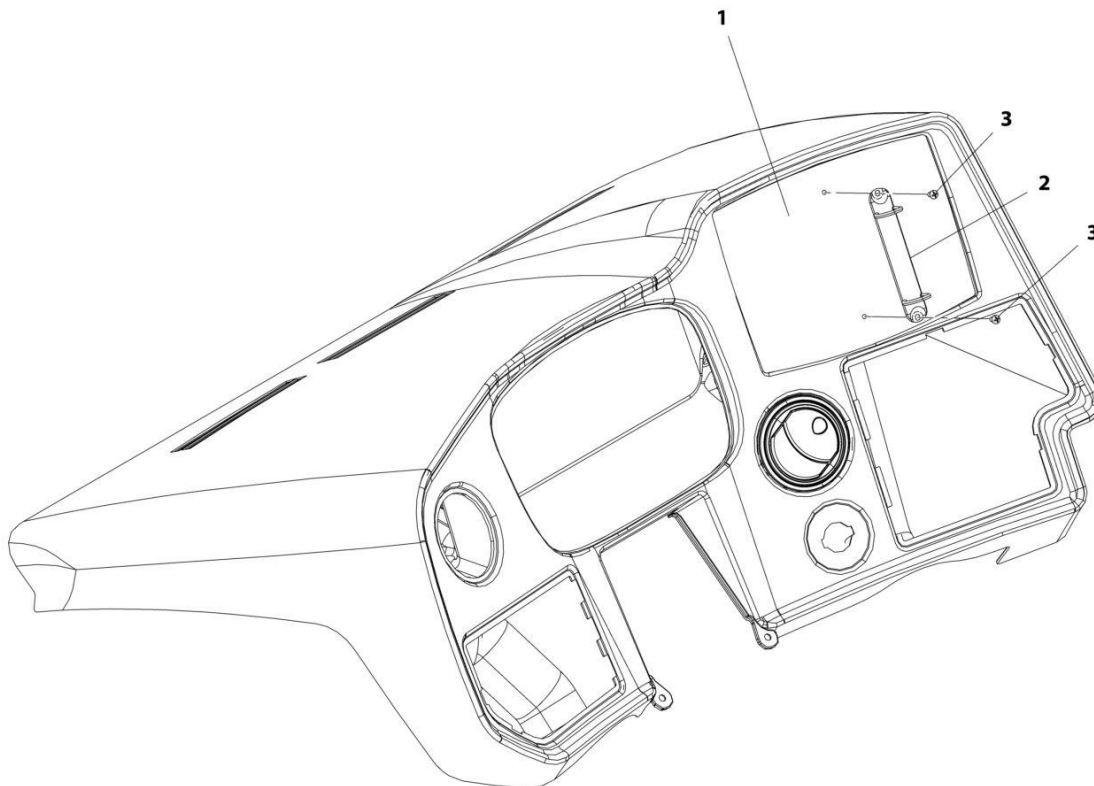
SECTION 11 - DECALS

FIGURE 11-12. CAPACITY LOADCHARTS - REMOTE BOOM CHART (7013)

ITEM	PART NUMBER	QTY	DESCRIPTION	REV
	1001275906	Ref	CAPACITY CHART - REMOTE BOOM CONTROL	A
1	1001275726	1	Capacity Chart	
2	1001271061	1	Clip	
3	1060799	1	Cable, Lanyard	

SECTION 11 - DECALS

FIGURE 11-13. CAPACITY CHART HOLDER INSTALLATION



ART_1001178706-A

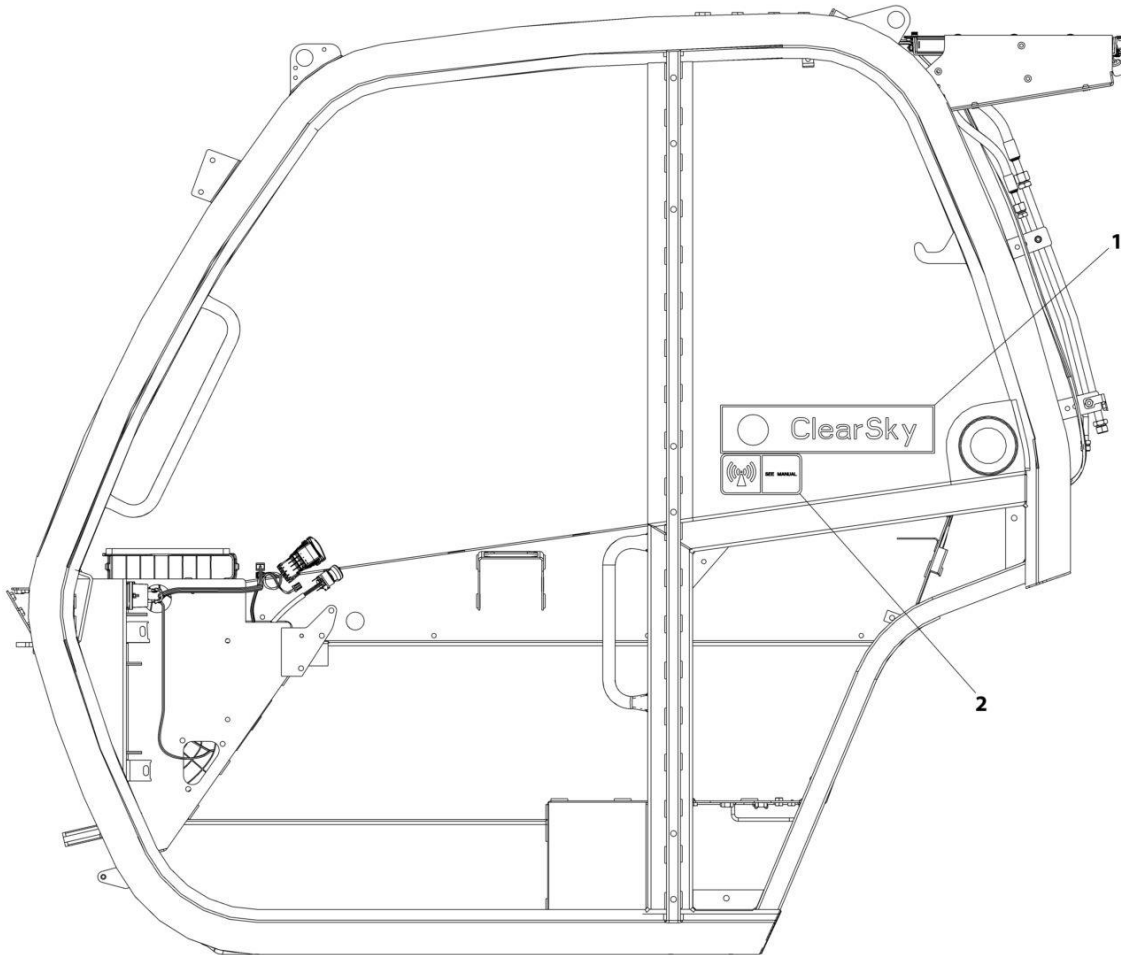
SECTION 11 - DECALS

FIGURE 11-13. CAPACITY CHART HOLDER INSTALLATION

ITEM	PART NUMBER	QTY	DESCRIPTION	REV
	1001178706	Ref	Capacity Chart Holder Installation	A
1	1001179297	1	Load Chart, Bezel	
2	1001005960	1	Holder	
3	7029486	2	Screw	

SECTION 11 - DECALS

FIGURE 11-14. CLEARSKY DECAL INSTALLATION



ART_1001229707

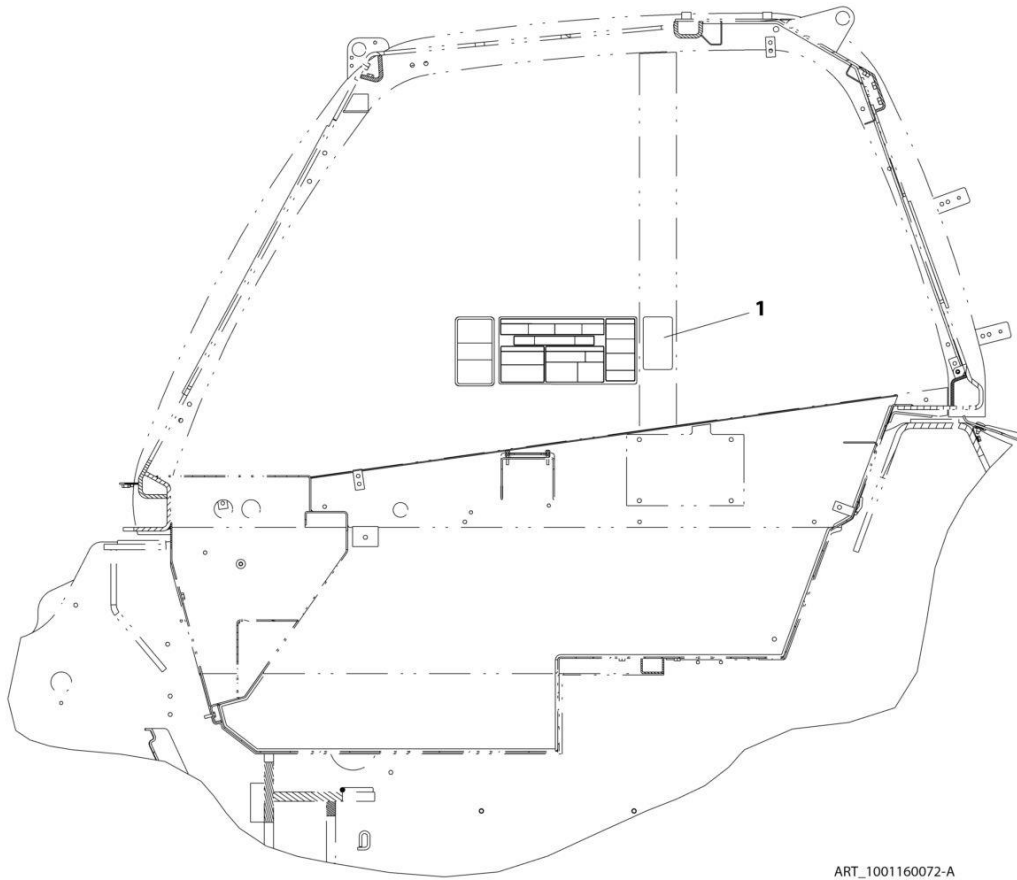
SECTION 11 - DECALS

FIGURE 11-14. CLEARSKY DECAL INSTALLATION

ITEM	PART NUMBER	QTY	DESCRIPTION	REV
	1001229707	Ref	Clearsky Decal Installation	C
1	1001294815	1	Decal - ClearSky	
2	1001120989	1	Radio Frequency Decal	

SECTION 11 - DECALS

FIGURE 11-15. REVERSE SENSOR SYSTEM DECAL (ENGLISH)



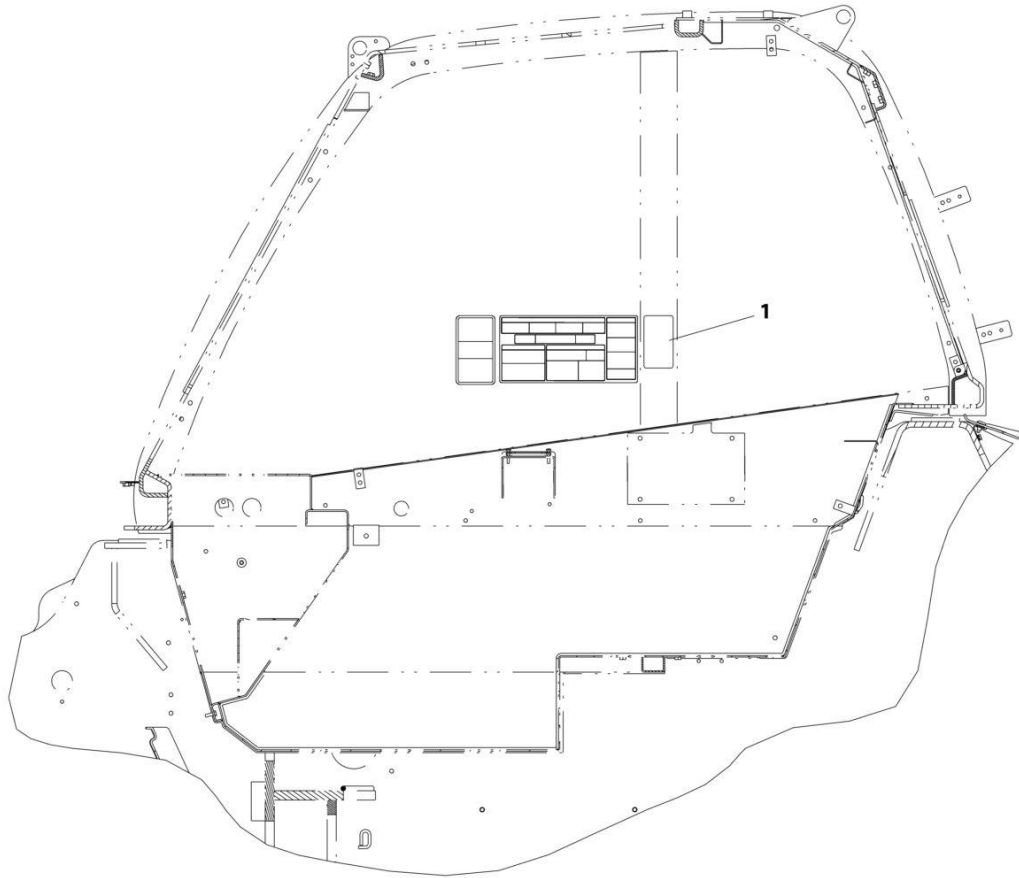
SECTION 11 - DECALS

FIGURE 11-15. REVERSE SENSOR SYSTEM DECAL (ENGLISH)

ITEM	PART NUMBER	QTY	DESCRIPTION	REV
1	1001160072	1	Reverse Sensor System Decal (English)	A

SECTION 11 - DECALS

FIGURE 11-16. REVERSE SENSING SYSTEM DECAL (ENGLISH/FRENCH)



ART_1001160945-A

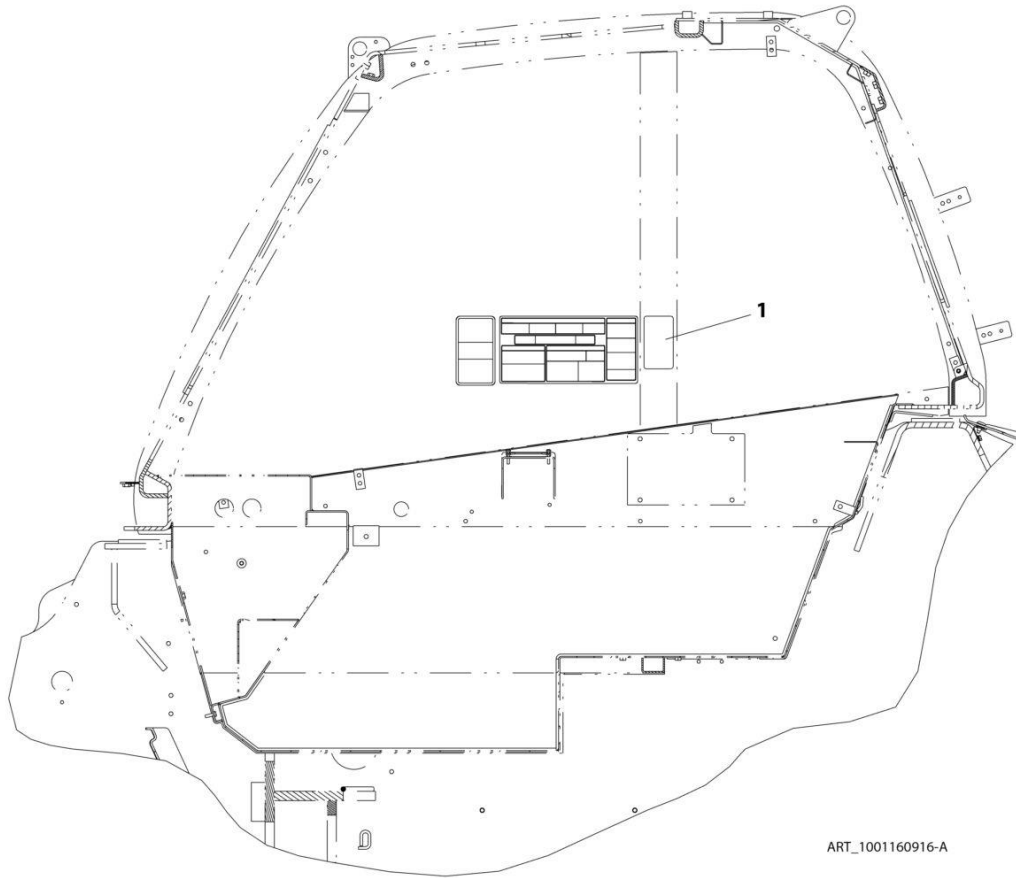
SECTION 11 - DECALS

FIGURE 11-16. REVERSE SENSING SYSTEM DECAL (ENGLISH/FRENCH)

ITEM	PART NUMBER	QTY	DESCRIPTION	REV
1	1001160945	1	Reverse Sensor System Decal (ENGLISH/FRENCH)	A

SECTION 11 - DECALS

FIGURE 11-17. REVERSE SENSOR SYSTEM DECAL (ISO)



SECTION 11 - DECALS

FIGURE 11-17. REVERSE SENSOR SYSTEM DECAL (ISO)

ITEM	PART NUMBER	QTY	DESCRIPTION	REV
1	1001160916	1	Reverse Sensor System Decal (ISO)	A

SECTION 12 - RECOMMENDED SERVICE PARTS STOCK

SECTION 12 - RECOMMENDED SERVICE PARTS STOCK

SECTION 12 - RECOMMENDED SERVICE PARTS STOCK

FIGURE 12-1. RECOMMENDED SERVICE PARTS STOCK

ITEM	PART NUMBER	QTY	DESCRIPTION	REV
		Ref	Note: The following list will service one machine (built to current production per date on the front cover) with emergency repair parts which can be installed in the field. Parts from the list should be replaced when inventory is depleted to keep service parts stock supplied. For further information, contact your JLG dealer or the JLG Industries Parts Department.	
	70020764	1	Coil (Boom Aux Diverter Valve)	
	70028281	1	Coil (Boom Raise Ride & Float Valve)	
	70002963	1	Coil (Cab Hydraulics & Priority Valve)	
	70004595	1	Coil (Frame Level Control)	
	70026582	1	Coil (Speed Control / Steering Select Valve)	
	1001206112	1	Control, Remote Controller (Boom)	
	1001249078	1	Control, Voltage (Attachment Recognition Installation)	
	1001159028	1	Controller, Accelerator Pedal	
	1001213265	1	Controller, Brake Pedal	
	1001257348	1	Controller, FNR (0 Speed)	
	1001257088	1	Controller, FNR (2 Speed)	
	1001222603	1	Controller, Joystick	
	1001222606	1	Controller, Joystick, 2R2B (2 Speed)	
	1001209194	1	Controller, Remote (Boom)	
	1001191685	12	Element, Hydraulic Filter (Hydraulic Tank)	
	70025153	12	Element, Fuel Filter (Primary) (Engine Assembly)	
	70004512	12	Element, Fuel Filter (Secondary) (Engine Assembly)	
	1001162662	12	Filter, Breather (Hydraulic Tank)	
	1001141461	12	Filter, Charge (Charge Filter Assembly)	
	70025850	12	Filter, Cylindrical Air Primary (Air Cleaner)	
	70025851	12	Filter, Cylindrical Air Secondary (Air Cleaner)	
	7016331	12	Filter, Oil (Engine Assembly)	
	8229242	2	Fuse, 5A (Standard Electrical Board Assembly, Option 1 Board & Clearsky 2 Harness))	
	8229261	2	Fuse, 5A (ASOV Harness)	
	80983191	2	Fuse, 10A (Standard Electrical Board Assembly, Option 1 Board & Option 2 Board))	
	8229234	2	Fuse, 10A (Remote Control Power Harness)	
	8229244	2	Fuse, 15A (Option 2 Board & Frame Power Distribution Box)	
	8229235	2	Fuse, 20A (ASOV Harness)	
	8229247	2	Fuse, 25A (Option 1 Board & Frame Power Distribution Box)	
	8229245	2	Fuse, 30A (Standard Electrical Board Assembly & Frame Power Distribution Box)	
	70026297	2	Fuse, 80A (Frame Power Distribution Box)	
	1001095336	2	Fuse, 150A (Frame Power Distribution Box)	
	70026296	2	Fuse, 200A (Frame Power Distribution Box)	
	1001131177	2	Fuse, Power Module (Engine Wiring Installation)	
	70022765	1	Key, Ignition (set of 2) (Dash Electrical Installation)	
	2940074	1	Latch (Fork Mounted Basket)	
	1001203181	1	Module, Accessory Control (Cooling Package)	
	1001250475	1	Module, Attachment Recognition Receiver (FCC)	
	1001270466	1	Module, Cab Control (Cab Electrical)	
	1001229955	1	Module, Dual CAN TCU (ClearSky CANBUS)	
	70027426	1	Module, EGR (Engine Assembly)	

SECTION 12 - RECOMMENDED SERVICE PARTS STOCK

ITEM	PART NUMBER	QTY	DESCRIPTION	REV
	70005495	1	Module, Engine Control (Engine Assembly)	
	1001270467	1	Module, Front Frame Control	
	1001270485	1	Module, LMIS Control	
	1001270468	1	Module, Rear Frame Control	
	1001226328	1	Module, 3W TCU (ClearSky 3-Wire)	
	70025780	1	Relay (Engine Assembly)	
	3740080	1	Relay (Cooling Package & Remote Control Power Harness)	
	1001117308	1	Relay (Engine Pod Electrical Installation)	
	70026292	1	Relay, 35A (Standard Electrical Board Assembly)	
	70026295	1	Relay, 35A (Frame Power Distribution Box)	
	70026293	1	Relay, 50A (Option 1 Board)	
	70026294	1	Relay, 70A (Frame Power Distribution Box)	
	70028383	1	Sensor, Angle (Brake)	
	4000015	1	Sensor, Boom Angle (No LMIS) (Boom Angle Sensor Installation)	
	1001099717	1	Sensor, Boom Angle (LMIS) (LMIS Boom Angle Sensor Installation)	
	1001223903	1	Sensor, Boom Length (LMIS Cable Reel Installation)	
	1001138827	1	Sensor, Coolant Level (Surge Tank)	
	70025539	1	Sensor, Dual Pad (Seat)	
	1001162885	1	Sensor, LMIS (LMIS Installation) (High End Display)	
	1001160730	1	Sensor, LSI (LSI Sensor Installation)	
	1001147340	1	Sensor, Pressure (Frame Hydraulic)	
	1001183024	1	Sensor, Proximity (Boom Retract)	
	1001247421	1	Sensor, Reverse	
	1001128478	1	Sensor, Temperature (Hydraulic Tank)	
	1001163095	1	Sensor, Tilt (LMIS Tilt Sensor Installation)	
	1001104654	1	Switch, Aux Decomp	
	1001159746	1	Switch, Aux Electric	
	1001159738	1	Switch, Beacon	
	1001159745	1	Switch, Boom Ride	
	1001159739	1	Switch, Boom Worklights	
	4360658	1	Switch, Brake Light	
	1001159741	1	Switch, Constant AUX	
	70025486	1	Switch, Contact (Standard Seat)	
	1001192142	1	Switch, Disconnect (Engine Pod Electrical Installation)	
	70028326	1	Switch, Driver Presence (Premium Air Suspension Seat)	
	4360475	1	Switch, E-Stop (External Emergency Stop Installation)	
	1001159737	1	Switch, Fog Lights	
	1001212470	1	Switch, Frame Level	
	1001159845	1	Switch, Front Worklights	
	1001159734	1	Switch, Hazard	
	70024107	1	Switch, Heater (Premium Air Suspension Seat)	
	1001169268	1	Switch, Horn Button	
	1001160326	1	Switch, HVAC On/Off (Heater and A/C)	
	1001159925	1	Switch, HVAC Recycle (Heater and A/C)	
	1001172547	1	Switch, HVAC Rotary 3 Speed (Heater and A/C)	
	4360657	1	Switch, Ignition (Remote Control Boom)	
	1001080978	1	Switch, Lift/Loader	
	1001163639	1	Switch, Light (Cab Light Switch)	
	1001159742	1	Switch, LSI Override	
	1001080375	1	Switch, Quick Coupler	
	1001159735	1	Switch, Rear Wiper	

SECTION 12 - RECOMMENDED SERVICE PARTS STOCK

ITEM	PART NUMBER	QTY	DESCRIPTION	REV
	1001159846	1	Switch, Rear Worklights	
	1001145204	1	Switch, Reversing Fan (Reversing Cooling Fan)	
	1001159736	1	Switch, Roof Wiper	
	1001159849	1	Switch, Steer Mode	
	1001215941	1	Switch, Toggle SPST (ASOV)	
	1001256974	1	Switch, Turn-Wiper	
	1001102502	1	Switch, 4 Position Key	

SECTION 13 - SPECIAL OPTIONS/ACCESSORIES/KITS

SECTION 13 - SPECIAL OPTIONS/ACCESSORIES/KITS

SECTION 13 - SPECIAL OPTIONS/ACCESSORIES/KITS

FIGURE 13-1. SPECIAL OPTIONS/ACCESSORIES/KITS

ITEM	PART NUMBER	QTY	DESCRIPTION	REV
		Ref	Note: This list is to accommodate machines ordered with special equipment. Options may not be applicable to all models. For more specific parts information contact JLG Parts Department.	
		Ref	SPECIAL OPTIONS/ACCESSORIES/KITS	
	1001233189	Ref	Air Shutoff Valve (ASOV) Kit	
	1001229073	Ref	Boom Kit - 1644/7013	
	1001229212	Ref	Boom Brushes Kit - 1644/7013	
	1001231057	Ref	Boom Prop Kit	
	1001229075	Ref	Boom Wear Pad Kit - 1644/7013	
	1001213286	Ref	Cab Display Kit	
	1001199382	Ref	Cab Guard Kit - Roof/Front Combo	
	1001212845	Ref	Cab Guard Kit - Front	
	1001199380	Ref	Cab Guard Kit - Roof	
	1001268341	Ref	Camera (Rear View) Add-on Kit(Dealer Installed)	
	1001229811	Ref	Camera Kit - Reverse Camera	
	1001276923	Ref	ClearSky Telematics Add-on Kit (Contact JLG for Approved Countries)	
	1001291382	1	ClearSky Prep Installation	
	1001229532	Ref	Cold Weather Kit - 115V	
	1001229813	Ref	Cold Weather Kit - 230V	
	1001231341	Ref	Decal Kit - 1644	
	1001245694	Ref	DEF Tank/Heater Service Kit	
	1001148902	Ref	Electrical Connector Kit - Amp/Tyco Electrical Connectors	
	1001148903	Ref	Electrical Connector Kit - Deutsch DT Electrical Connectors	
	1001148904	Ref	Electrical Connector Kit - Deutsch HD Electrical Connectors	
	1001148905	Ref	Electrical Connector Kit - Packard Electrical Connectors	
	1001148906	Ref	Electrical Connector Kit - Various Electrical Connectors	
	1001230409	Ref	Emergency Stop Switch Kit - External	
	1001229812	Ref	Engine Block Heater Kit - 115V	
	1001230125	Ref	Engine Block Heater Kit - 230V	
	70027806	Ref	Extend/Retract Cylinder Seal Kit	
	1001229576	Ref	Fender Kit	
	1001258099	Ref	Fire Extinguisher Installation	
	1001239961	Ref	Fire Extinguisher Kit	
	1001230126	Ref	Heat to Heat/AC Upgrade Kit	
	1001274891	Ref	Joystick Kit - 2 Speed FNR with Clamp	
	1001274892	Ref	Joystick Kit - 0 Speed FNR with Lights	
	1001230188	Ref	Light Kit - Beacon/Strobe (LED)	
	1001199376	Ref	Light Kit - Beacon/Strobe	
	1001231110	Ref	Light Kit - Drive/Road Lights (RH)	
	1001231138	Ref	Light Kit - Drive/Road Lights (LED) (RH)	
	1001229104	Ref	Light Kit - Work Lights	
	1001230699	Ref	Radio Ready Kit	
	1001199364	Ref	Reversing Sensing Kit (PVC1911)	
	1001252304	Ref	Reversing Sensing Kit (PVC2005)	
	1001199328	Ref	Roof Wiper Kit	
	1001228993	Ref	Service Kits	I
	1001265372	Ref	Telematics Harness Kit (NA)	
	1001229216	Ref	Telematics Kit (Long Roof) (NA)	

SECTION 13 - SPECIAL OPTIONS/ACCESSORIES/KITS

ITEM	PART NUMBER	QTY	DESCRIPTION	REV
	1001229324	Ref	Telematics Kit (Short Roof) (NA)	
	1001254389	Ref	Telematics Kit - Canbus (NA)	
	1001254390	Ref	Telematics Kit - Canbus (CE)	
	1001254400	Ref	Telematics Kit - Canbus Extension	
		Ref	Tools:	
	1001249695	Ref	Analyzer and Cable Kit	
	1001249941	Ref	Analyzer and Cable Kit (Battery Powered)	
	7002821	Ref	Crimper (For Wire to Pin/Socket Connections)	
	7002823	Ref	Extractor (For Removal of Pin/Socket from Connectors)	
	8896941	Ref	Wire Stripper	
	7004275	Ref	Seal Tool 1" (For Cylinders)	
	7004276	Ref	Seal Tool 1 1/2" (For Cylinders)	
	7002826	Ref	Seal Tool 2" (For Cylinders)	
	1001262959	Ref	Voltage Regulator for ClearSky/Telematics Add-on Kit (Dealer Installed)	
	1001214167	Ref	Window (Rear) Release Kit	

SECTION 13 - SPECIAL OPTIONS/ACCESSORIES/KITS

PART NUMBER INDEX

SECTION 13 - SPECIAL OPTIONS/ACCESSORIES/KITS

0100011.....817	0760405 139, 141, 143	1001002947 407	1001091716..... 923, 929, 931
0100081.....33	0760410 933	1001002953 407	1001091751..... 815
0400075..... 749, 751	0760507 ... 215, 813, 821, 823, 837	1001002957 407	1001092481..... 115
0498748.....401	0760512 437	1001003031 ... 73, 75, 77	1001092482..... 115
0630576..... 51, 53	0760605 ... 201, 401, 537, 541	1001003043 417	1001092877.. 1022, 1026, 1030, 1034
0641405..... 121	0760607. 51, 53, 99, 267, 273, 279, 401, 629,	1001003227 49	1001092878.. 1022, 1026, 1030, 1034
0641510..... 173, 223	835, 837, 839, 841, 885, 887	1001003301 27	1001093171..... 171
0641608.....607	0760608 ... 209, 281, 423, 437, 455, 491, 501, 537, 541, 545, 547, 571, 745, 747, 825, 827, 885, 887	1001003305 217, 219, 223, 241, 287, 775, 823	1001093564..... 757
0651607.....89	0760610 963	1001003427 31	1001094708.. 1014, 1018, 1022, 1026, 1030, 1034
0681714.....611	0760615 573, 969	1001003803 79	1001095301..... 211, 213
0700408..... 543, 979, 981	0760806 281	1001004640 547	1001095336..... 881, 1056
0700610.... 29, 33, 51, 53, 57, 99, 221, 273, 287, 455, 503, 825, 827, 919, 921	0760807 49, 597, 871	1001004720 191, 273	1001095650 89, 457, 459, 547
0700612... 51, 53, 61, 937	0760808 49, 89, 421, 503, 505, 745, 747, 979	1001004723 821	1001095804..... 801, 803, 805
0700614.... 173, 273, 476, 617, 871, 879	0760810 ... 39, 41, 55, 59, 61, 65, 69, 71, 77, 87, 235, 249, 261, 263, 281, 291, 293, 295, 429, 447, 449, 476, 485, 505, 509, 513, 521, 523, 537, 573, 575, 577, 581, 669, 951, 981	1001005368 419	1001095810..... 121
0700616.....573, 601	0760812 25, 237, 239, 241, 271, 273, 383, 385, 407, 823, 879	1001005438 611	1001096019..... 117
0700618.... 779, 835, 837, 839, 841	0761008 769, 955	1001005904 579, 583, 587	1001096020..... 117
0700616.....573, 601	0761009 775	1001005960 1045	1001096021..... 119
0700618.... 779, 835, 837, 839, 841	0761010 ... 39, 41, 43, 45, 49, 55, 99, 217, 219, 221, 251, 273, 545, 825, 827, 835, 837, 839, 841, 885, 887, 923, 929, 931, 965	1001006730 527	1001096022..... 119
0700618.... 779, 835, 837, 839, 841	0761011 ... 27, 39, 41, 51, 53, 79, 81, 205, 547, 611, 629, 637, 821, 823, 879, 981	1001006731 529	1001096023..... 119
0700808..... 835, 839	0761210 91, 237, 239, 241	1001007056 83	1001096024..... 117
0700814.... 49, 257, 259, 273, 605	0761212 ... 251, 821, 823	1001007641 491	1001096025..... 119
0700815..... 915	0761214 29, 199, 273	1001008540 825, 827	1001096365..... 407
0700816.... 235, 253, 281	0761215 ... 199, 237, 239, 241	1001008559 191, 221, 241, 291, 293, 295, 647, 779, 788, 813, 821, 823, 835, 837, 839, 841, 885, 887, 891, 897, 923, 929, 931, 965, 969, 987	1001097244..... 455
0700817..... 573	0761217 167	1001008857 25	1001097540.... 51, 53, 57, 467
0700818.... 613, 625, 949	0761218 ... 237, 239, 241	10010088575 25	1001097586..... 417
0700819..... 883	0770814 539	1001008654 597	1001097587..... 319, 341
0700820.... 445, 447, 449, 599, 879	0770815 261, 263	1001008742 437	1001098128..... 571
0700821..... 571	0771010 75, 77	1001008834 145	1001098150..... 452
0700824..... 547	0771012 75	1001008857 407	1001098762..... 757, 759
0700826..... 281	0771212 75, 77	1001008923 775, 915	1001098769..... 93
0700828..... 637	0771414 661, 665	1001008988 401	1001099566..... 291, 293, 295
0701014.... 49, 55, 59, 61, 85, 211, 213, 269, 271, 273, 287, 571, 923, 929, 931	0771416 309	1001008999 49	1001099717..... 955, 1057
0701016.... 211, 213, 633	0771618 305	1001009018 21	1001100166..... 669
0701018.... 205, 237, 239, 241, 287, 969	0791605 253	1001009163 307	1001100169..... 669
0701020.... 25, 237, 239, 241	0860520 121	1001009178. 1022, 1026, 1030, 1034	1001100319..... 235
0701024..... 619	1001002946 407	1001009325 217, 219, 221	1001101041..... 109, 113, 133, 135, 145, 147, 150, 154, 575, 579, 583, 587
0701026..... 223		1001010646 527, 529	1001101042..... 109, 113, 133, 135, 145, 147, 150, 154, 575, 579, 583, 587
0701027..... 623		1001010647 527, 529	1001101702..... 545
0701216..... 29, 91, 643		1001010648 527, 529	1001101808..... 745
0701220..... 925		1001010649 527, 529	1001101855..... 953
0701618..... 199		1001010650 527, 529	1001101895.. 1022, 1026, 1030, 1034
0701626..... 199		1001014231 611	1001102157..... 37
0701628.... 139, 141, 143, 199		1001028264 21	1001102502..... 801, 803, 805, 1058
0701630..... 199		1001028291 21	1001102844..... 123
0711015..... 71		1001028306 21	1001103012..... 783
0711016..... 75		1001028308 21	1001103156..... 769, 955
0711017..... 73		1001028377 21	1001103300..... 769, 955
0711030..... 287		1001028400 21	1001104477..... 583, 587, 701
0711215..... 75		1001047062 401	1001104498..... 777, 783, 787, 901, 905
0711216..... 73, 75, 227		1001080375 581, 585, 1057	1001104499..... 787
0711217..... 73		1001080978 801, 803, 805, 1057	
0711230..... 69		1001081085 311	
0711635..... 69		1001090343 435, 507	
0712020..... 391		1001091715 923, 929, 931	
0712022..... 391			
0712027..... 393			
0712442..... 623			

SECTION 13 - SPECIAL OPTIONS/ACCESSORIES/KITS

1001104519 784, 807, 973	851, 853, 854, 855, 856, 859, 860, 861, 875, 889, 891, 895, 897, 902, 906, 939, 943, 1001	1001126011 787, 845, 855	1001139551 507
1001104654 801, 803, 805, 1057	1001116815 788, 846, 856, 875, 1001	1001126245 844, 854	1001139552 435
1001105093 573	1001116950 890, 896	1001126349 849	1001139568 419
1001105886 993	1001116983 850, 860	1001126351 849	1001139578 1014
1001107192 401	1001116984 787	1001126352 849	1001139942 . 1022, 1026, 1030, 1034
1001107339 287	1001116985 787	1001126353 843, 849, 853, 859	1001140671 271
1001107854 777, 783, 787, 799, 901, 905	1001116986 786, 787	1001126356 849	1001141246 407
1001109053 . 1014, 1018, 1022, 1026, 1030, 1034	1001116991 784, 787, 909	1001126357 849	1001141281 429
1001109387 167	1001116995 786	1001126360 849	1001141311 507
1001110023 579, 587, 703	1001116996 901, 902, 905, 906	1001126362 843, 849, 853, 859	1001141312 435
1001110115 587	1001116997 785	1001126384 849	1001141313 507
1001111076 501	1001116998 787	1001126391 843, 846, 849, 853, 856, 859	1001141400 221
1001111140 617	1001116999 784, 909	1001126393 843, 846, 849, 853, 856, 859	1001141461 609, 1056
1001111147 501	1001117011 786, 788, 811	1001126485 843, 844, 853, 854	1001141462 609
1001111317 399, 403	1001117018 850, 859	1001126487 843, 853	1001141976 607, 609
1001112612 763, 767, 787, 1005	1001117021 799	1001126837 769, 963	1001142724 61
1001112796 773, 819, 1005	1001117024 833	1001128128 833, 844, 850, 854, 860	1001143200 415
1001114495 247, 249	1001117068 849	1001126485 843, 844, 853, 854	1001143551 875
1001114761 637	1001117079 786	1001126487 843, 853	1001143852 . 1026, 1030, 1034
1001114803 237, 239, 241	1001117081 784, 785, 786	1001126837 769, 963	1001144147 797, 844, 850, 854, 860, 875, 1001
1001116128 473, 965	1001117109 890, 896	1001128144 253	1001144296 784, 788
1001116696 901, 902, 905, 906	1001117121 807, 973	1001128341 253	1001144629J 121
1001116697 783	1001117247 957, 959	1001128478 27, 307, 1057	1001145204 265, 831, 1058
1001116698 783	1001117308 825, 827, 1057	1001128890 125	1001145391 81, 83
1001116700 784, 811	1001118282 833, 844, 850, 854, 860	1001129425 965	1001145539 476
1001116710 850, 860	1001118323 890, 896	1001130220 51, 53, 57	1001146160 125
1001116716 784	1001118378 875	1001130323 .. 1014, 1018, 1022, 1026, 1030, 1034	1001146588 217, 235, 241, 251, 265, 273, 775, 779, 817, 831, 835, 837, 839, 841, 885, 887, 923, 929, 931, 957
1001116720 909	1001118379 786	1001131177 835, 837, 839, 841, 1056	1001147340 617, 1057
1001116723 784, 785, 786, 787	1001118383 807, 973	1001131271 .. 1014, 1018, 1022, 1026, 1030, 1034	1001147416 575, 579, 583, 587
1001116725 844, 854	1001118384 784, 785, 786, 787	1001132168 43, 45	1001147449 452, 463
1001116727 846, 855, 906, 989	1001118386 787	1001132169 892, 897, 967	1001148307 263
1001116728 851, 861, 902, 906, 917	1001118387 787	1001132170 891, 898	1001148841 843, 849, 853, 859
1001116729 989	1001118392 901, 902, 905, 906	1001132564 452	1001148842 843, 849, 853, 859
1001116732 833, 844, 854	1001118684 785	1001133714 845, 849, 850, 855, 856, 859, 860	1001148902 1060
1001116733 833, 850, 860	1001118685 807, 973	1001133715 843, 845, 849, 850, 853, 855, 856, 859, 860	1001148903 1060
1001116734 833, 844, 850, 854, 859, 860	1001119020 788	1001133793 211, 213	1001148904 1060
1001116745 989	1001119467 509, 523	1001134274 769, 955	1001148905 1060
1001116747 799	1001119727 271	1001135650 843, 845, 849, 850, 853, 855, 856, 859, 860	1001148906 1060
1001116748 786	1001120989 1047	1001135651 843, 845, 849, 850, 853, 855, 856, 859, 860	1001149278 452, 463
1001116754 785	1001121555 1034	1001136975 217, 219, 221	1001150294 511
1001116763 799, 901, 905	1001121726 902, 906	1001136999 787	1001150610 844, 850, 854, 860
1001116774 875, 891, 897, 943, 1001	1001121727 902, 906, 989	1001137000 787	1001150611 889, 890, 895, 896
1001116808 875, 891, 897, 1001	10011223457 783	1001137578 846, 856	1001150735 786
1001116810 889, 895	1001125117 73, 75, 77, 91	1001138110 849	1001150737 786
1001116811 844, 850, 854, 860	1001125222 545	1001138111 849	1001151238 637
1001116812 784, 786, 787, 788, 797, 843, 844, 845, 849, 850,	1001125465 965	1001138113 849	1001152915 399
	1001125677 784, 846, 855, 902, 906	1001138116 843, 853	1001152947 399
	1001126008 787, 829, 844, 854, 875, 891, 897, 1001	1001138645 871	1001153612 845, 855
		1001138116 843, 853	1001153748 655, 733
		1001138627 253, 1057	1001153749 835, 839, 997, 999
		1001138945 287	1001155228 397, 401

SECTION 13 - SPECIAL OPTIONS/ACCESSORIES/KITS

1001155230.....1030	1001161078..... 469	1001165309 889, 895	1001168531.....521, 811
1001155446.....389, 393	1001161080..... 469	1001165310 891, 897	1001168599.....627, 719
1001155447.....395, 429	1001161095..... 943	1001165311 902, 906	1001168758..... 51
1001155486.....507	1001161097..... 783, 889,	1001165327 439	1001169135.....521, 525
1001155540.....237, 239,	895, 901, 905, 943	1001165351 437	1001169151.....476, 799
241	1001161098..... 783, 889,	1001165407 437	1001169265.....49
1001155823.....235	895, 943	1001165416 437	1001169268.....559, 1057
1001156265.....547	1001161099..... 783, 889,	1001165455 437	1001169354.....555, 557
1001157890.....875	895, 901, 905, 943	1001165458 437, 455	1001169355.....557
1001157891.....763, 767	1001161100..... 783, 889,	1001165637 429	1001169367.....557
1001158146.....801, 803	895, 901, 905, 943	1001165827 747	1001169368.....253
1001158596.....513	1001161101..... 783, 889,	1001166191 491	1001169454.....29
1001158601.....509	895, 901, 905, 943	1001166192 61, 491	1001169603.....452
1001158736C.....521	1001161252..... 452	1001166385 501	1001169604.....452, 463
1001158738C.....509, 523	1001161253..... 452	1001166543 843, 849,	1001169674...1009, 1011
1001159028.....533, 535,	1001161499..... 395, 533	853, 859	1001169751.....555
1056	1001161672..... 547	1001166551 843, 853,	1001169763.....559
1001159734.....923, 929,	1001161769..... 779, 791	859	1001169825.....829
931, 1057	1001161770..... 779, 793	1001166555 843, 853,	1001169880.....403
1001159735.....801, 803,	1001161771..... 779, 795	859	1001169883.....405
805, 1057	1001161851..... 463	1001166556 843, 846,	1001169885.....405
1001159736.....507, 1058	1001161855..... 452	849, 853, 856, 859	1001170106.....31
1001159737.....923, 929,	1001161896..... 547	1001166565 205, 207	1001170113J.....403, 405
931, 1057	1001161897..... 547	1001166634 403, 407	1001170114.....401, 403
1001159738.....1057	1001161898..... 547	1001166701 849, 859	1001170231.....537
1001159739.....913, 1057	1001161957..... 889, 895,	1001166704 856	1001170311.....261, 263
1001159741.....801, 803,	901, 905, 943	1001166707 845, 855	1001170325.....467
805, 1057	1001161959..... 783	1001166715 205	1001170326.....425
1001159742.....961, 1057	1001161963..... 889, 895,	1001166754 393	1001170362.....395, 423
1001159743.....803, 805	901, 905, 943	1001166755 393	1001170432.....283
1001159745.....987, 1057	1001162062..... 545	1001166774 843, 846,	1001170504.....452
1001159746.....761, 765,	1001162212..... 235	849, 853, 856, 859	1001170514.....465
1057	1001162662..... 27, 1056	1001167004 563	1001170518.....452
1001159845.....919, 921,	1001162789..... 395, 437	1001167015 471, 473	1001170519.....452, 465
1057	1001162885..... 953, 1057	1001167017 979	1001170601J.....401
1001159846.....919, 921,	1001162886..... 783	1001167186 257	1001170944.....407
1058	1001162887..... 784	1001167266 443, 479	1001170993.....427
1001159849.....801, 803,	1001162920..... 537	1001167409 235, 285	1001171037.....405
805, 1058	1001162922..... 537	1001167528 846, 856	1001171179.....25
1001159925.....476, 485,	1001162953..... 476, 479	1001167616 844, 854	1001171182.....419
1057	1001163095..... 937, 1057	1001167620 846, 856	1001171183.....419
1001160042.....476	1001163174..... 1018	1001167621 843, 853,	1001171183.....419
1001160043.....485	1001163210..... 1018	859	1001171277..1014, 1018,
1001160072.....1049	1001163212..... 1018	1001167622 843, 853,	1022, 1026, 1030, 1034
1001160326.....476, 1057	1001163222..... 1018	859	1001171635.....405
1001160420.....257	1001163223..... 1018	1001167623 843, 853,	1001171756.....437
1001160496.....449	1001163285..... 1018	859	1001171767.....427
1001160498.....783	1001163300..... 1018	1001167624 846, 856	1001171808.....93, 969
1001160500.....889, 895,	1001163304..... 1018	1001167629 844, 854	1001171874.....537
901, 905, 943	1001163323..... 1018	1001167630 843, 844,	1001171885.....39, 41
1001160502.....783	1001163340..... 784	853, 854	1001171962.....979
1001160503.....447, 449	1001163355..... 1018	1001167631 843, 853	1001172035..1014, 1018,
1001160506.....445	1001163639..... 809, 1057	1001167634 843, 853	1022, 1026, 1030, 1034
1001160508.....395, 421	1001164183..... 89	1001167635 843, 853	1001172088.....537
1001160509.....889, 895,	1001164402..... 879, 881	1001167636 845, 855	1001172094.....537
901, 905, 943	1001164655..... 421	1001167937 411	1001172110.....45, 47
1001160510.....889, 895,	1001164726..... 401	1001167958 401, 411	1001172112.....47
901, 905, 943	1001164971..... 623	1001168030 239, 603	1001172113.....47
1001160730.....965, 1057	1001164972..... 623	1001168054 537	1001172114.....47
1001160775...1009, 1011	1001165035..... 217, 219,	1001168142 547	1001172115.....47
1001160916.....1053	221	1001168151 547	1001172146.....25
1001160927.....749, 751,	1001165194..... 846, 856	1001168264 383, 385	1001172147.....25
757, 759	1001165269..... 437, 439	1001168327 476	1001172193.....399, 403
1001160928.....749, 751,	1001165270..... 437	1001168330 476	1001172401.....395, 431
757, 759	1001165273..... 439	1001168331 476	1001172495.....757, 759
1001160945.....1051	1001165275..... 407	1001168429 61	1001172496.....757, 759
1001161067.....465	1001165276..... 403	1001168456 476	1001172547.....476, 485,
			1057

SECTION 13 - SPECIAL OPTIONS/ACCESSORIES/KITS

1001172550 476, 485	1001178123.....437	1001183272.....737, 739, 741, 743, 879	1001186855 749
1001172553 476, 485	1001178159.....399	1001183306.....381, 383	1001186856 753
1001172693 31	1001178160.....399	1001183307.....381, 385	1001186881 61
1001172755 217, 219, 221	1001178170.....476	1001183308.....383	1001186898 205
1001172774 447	1001178670.....547, 731	1001183309.....385	1001187070 843, 849, 853, 859, 867, 869
1001172829 53	1001178680.....419	1001183447.....139	1001187073 889, 895
1001172995 91	1001178681.....419	1001183549.....953	1001187075 890, 896, 943
1001172999 91	1001178693.....29	1001183550.....465	1001187076 890, 891, 896, 897, 943
1001173257 445	1001178706.....1045	1001183597.....459	1001187077 867, 869
1001173298 401	1001178783.....493	1001183700.....607	1001187078 833, 844, 849, 850, 854, 859, 860, 875, 1001
1001173411 784	1001178791.....275	1001183827.....209	1001187079 850, 860, 875, 889, 890, 895, 896, 902, 906
1001173452 237, 241	1001178826.....497	1001183829.....209	1001187080 844, 854, 889, 895, 902, 906
1001173457 237, 239, 241	1001178933.....779	1001183831.....205	1001187081 1001
1001173528 247, 249	1001179008.....495, 497, 499	1001183835.....205, 209	1001187272 611
1001173679 91	1001179009.....495, 497, 499	1001184280.....483	1001187273 611
1001173703 1034	1001179080.....479	1001184296.....483, 489	1001187275 611
1001173739 91	1001179081.....479	1001184297.....483, 489	1001187355 645
1001173829 933	1001179130.....441, 479	1001184397.....885, 901	1001187423 373, 375
1001173873 279	1001179081.....479	1001184403.....441	1001187820 79, 81
1001173965 452	1001179130.....441, 479	1001184404.....441	1001187821 79
1001174104 79	1001179297.....1045	1001184405.....441	1001187847 79, 81
1001174129 381	1001179482.....501	1001184406.....441	1001187848 79, 81
1001174295 401, 413	1001179483.....501	1001184427483	1001187882 846, 853
1001174320 399	1001179484.....457	1001184439.....401	1001188372. 1014, 1018, 1022, 1026, 1030, 1034
1001174321 407	1001179592.....467	1001184473.....909	1001188590 476, 485
1001174419 87	1001179850.....23, 25	1001184479.....909	1001188592 483
1001174652 463	1001179851.....25, 27	1001184551.....851	1001188594 483, 489
1001174653 463	1001179852.....27	1001184610.....81	1001188602 483, 489
1001174655 463	1001179907.....281, 871	1001184632.1014, 1018, 1022, 1026, 1030, 1034	1001188603 483, 489
1001174712 801, 803, 805	1001179931.....553	1001184795.....941, 943	1001188604 483, 489
1001174741 503	1001180070.....233, 699	1001184796.....915, 917	1001188610 483, 489
1001174795 277	1001180263.....445, 447	1001184869.....51	1001188612 483, 489
1001174800 503	1001180306.....21	1001184870.....53	1001188614 483, 489
1001174801 503	1001180437.....279	1001184871.....57	1001188618 483
1001174812 71, 675	1001180542.....251	1001184872.....51, 53	1001188619 483
1001175058 389	1001180553.....251	1001184874.....51, 53	1001188720 483, 489
1001175201 275	1001180620.....879	1001184875.....452	1001188725 483, 489
1001175265 844, 845, 850, 851, 854, 855, 860, 861, 902, 906	1001180682.....493	1001184976.....303	1001188729 483, 489
1001175266 943	1001180683.....493	1001184977303, 317	1001188733 489
1001175267 889, 895, 901, 905	1001181128.....825, 827	1001184978303, 339	1001188757 199
1001175347 21	1001181411.....419	1001184979.....303, 309	1001188817 483
1001175470 425	1001181531.....801, 803, 805	1001184980.....303, 305	1001188818 483
1001175471 423, 427	1001181625.....235	1001184981.....303, 315	1001188855 287
1001175477 401	1001181726.....452, 455	1001184982.....317, 319	1001188856 287
1001175568 217, 219, 221	1001181920.....415	1001184983.....339, 341	1001188971 77
1001175733 985	1001181921.....415	1001184984.....319, 321, 323, 325, 329, 331, 333, 335	1001189023 483
1001175776 983, 985	1001181961.....749, 751	1001184985.....341, 343, 345, 347, 349, 351, 355, 361	1001189024 483
1001175812 61	1001182123.....415	1001184986.....309, 311	1001189025 483, 489
1001175903 452	1001182139.....415	1001184987.....315	1001189046 835, 837, 839, 841
1001176002 846, 856	1001182330.....505	1001184988.....315	1001189048 483
1001176004 846, 856	1001182490.....925	1001185026.....261	1001189054 483
1001176121 423, 425	1001182495.....925	1001185633.....505	1001189154 . 1022, 1026, 1030, 1034
1001176272 415	1001182529.....521, 525	1001185870.....452	1001189182 452
1001176273 415	1001182530.....521	1001185927.....23	1001189246 33
1001176333 787	1001182824.....269	1001185929.....23, 29	1001189288J ... 373, 375, 377, 379
1001176338 493	1001182839.....963	1001185930.....29, 33	
1001176626 415	1001182881.....201, 203	1001185931.....33	
1001177082 25	1001182929.....835, 837, 863	1001185933.....33	
1001177597 788	1001182930.....835, 837, 867	1001185935.....33	
1001178053 911, 933	1001183024.....775, 1057	1001186843.....611	
	1001183112.....923, 925, 929, 931	1001186853.....923	
	1001183221.....763		

SECTION 13 - SPECIAL OPTIONS/ACCESSORIES/KITS

1001189876.....805	1001192367.....585	1001193729.....173	1001195878.....399
1001190037.....844, 855	1001192370.....771	1001193797.....287	1001195881.....97
1001190250.....79, 81	1001192392.....31	1001193803.....171	1001195953.....775, 777
1001190254.....69	1001192401.....1005	1001193887.....87	1001195970.....137
1001190256.....69	1001192410.....547	1001193993.....825, 827	1001196076.....523
1001190257.....69	1001192427.....659	1001194103.....821, 823	1001196100.....925
1001190260.....69	1001192430.....769	1001194155.....269	1001196191.....237, 239, 241
1001190264.....79, 81	1001192431.....935	1001194244.....821	1001196193.....239
1001190396.....911	1001192520.....593	1001194282.....547	1001196217.....925
1001190921.....844, 854	1001192537.....737	1001194421.....785, 815, 991	1001196332.....755
1001191035.....87, 89	1001192538.....739	1001194534.....205	1001196402.....593
1001191036.....89	1001192558.....779	1001194698.....395	1001196502.....821, 823
1001191039.....89	1001192560.....803	1001194699.....395, 397	1001196664.....229
1001191091.....413	1001192575.....761	1001194700.....397, 399	1001196778.....167
1001191108.....139	1001192615.....129	1001194702.....589	1001196779.....167
1001191110.....71	1001192616.....131	1001194969.....49	1001196782.....167
1001191157.....27	1001192619.....941, 947	1001194980.....35	1001196806..1014, 1018, 1022
1001191163.....27	1001192622....39, 41, 49	1001194981.....27	1001196879.....91
1001191229..1014, 1018, 1022, 1026, 1030, 1034	1001192623J.....49	1001195089.....281	1001196949.....165
1001191255.....389, 391	1001192627.....49	1001195194....73, 75, 77	1001196950.....163
1001191256.....391	1001192631.....49	1001195200.....935, 937	1001196951.....161
1001191257.....391	1001192643.....409	1001195201.....935, 941	1001196952.....159
1001191281.....455, 457	1001192644.....411	1001195202.....937, 939	1001196959.....611
1001191282.....457	1001192646.....401	1001195254.....545	1001196964.....617
1001191283.....455, 459	1001192649.....109	1001195263.....747	1001196967.....617
1001191284.....455, 461	1001192650.....113	1001195298.....1011	1001196969.....617
1001191310.....459	1001192700.....169	1001195313.....1034	1001196970.....617
1001191311.....461	1001192702.....175	1001195342.....443	1001196973.....617
1001191312.....461	1001192711.....173	1001195343.....443	1001196974.....617
1001191313.....461	1001192720.....173	1001195345.....443	1001196975.....617
1001191370.....455	1001192722.....153	1001195346.....443	1001196976.....617
1001191546.....835, 839	1001192723.....127	1001195385.....443	1001196977.....617
1001191635.....59	1001192734.....149	1001195386.....443	1001196978.....617
1001191685.....27, 1056	1001192735.....157	1001195430.....605, 607	1001196981.....617
1001191789.....77	1001192737.....537	1001195433.....605	1001196982.....617
1001191915.....545	1001192741.....1022	1001195434.....605	1001196989.....597
1001191959.....461	1001192743.....1030	1001195435.....605	1001196992.....597
1001192096.....571	1001192745.....1014	1001195437.....443	1001196993.....597
1001192124.....31	1001192766.....401, 409	1001195438.....443	1001196995.....597
1001192125.....29, 31	1001192771.....593	1001195439.....995	1001196996.....597
1001192142.....825, 827, 1057	1001192772.....593	1001195469.....759	1001196997.....597
1001192168.....373	1001192875.....173	1001195471.....935, 949	1001197011.....571
1001192170.....375	1001192876.....173	1001195473.....935, 951	1001197056.....55
1001192177.....373	1001192877.....173	1001195582.....753, 757	1001197057.....55
1001192178.....373	1001192885.....643	1001195590.....935, 955	1001197072.....199
1001192180.....375	1001192886.....643, 645	1001195591.....953, 957	1001197139.....537
1001192181.....375	1001192887.....643	1001195593.....753, 993	1001197196.....569, 649
1001192240.....457	1001192888.....645, 723	1001195655.....69	1001197197.....617, 619
1001192309.....401	1001193111.....581, 585	1001195720.....775	1001197198.....619, 621
1001192318.....41	1001193210.....403	1001195721.....813	1001197199.....617
1001192320.....39	1001193307.....229, 697	1001195731.....769, 955	1001197200.....617
1001192321.....979	1001193308.....307, 695	1001195732.....769, 955	1001197259.....469
1001192322.....983	1001193393.....179, 181, 183, 185, 187, 189, 231	1001195733.....629	1001197262.....71
1001192323.....745	1001193461.....611	1001195737....73, 75, 77	1001197339.....39, 41
1001192324.....59	1001193474.....545	1001195814.....397, 415	1001197414.....193
1001192336.....65	1001193516.....569, 653	1001195816.....452	1001197480.....29
1001192339.....143	1001193517.....569, 629	1001195817.....452	1001197481.....33
1001192342.....145	1001193540.....173	1001195818.....452	1001197668.....987, 989
1001192344.....147	1001193566.....967	1001195820.....471	1001197733.....55
1001192354.....69	1001193698.....745, 747	1001195821.....473	1001197734.....55
1001192358.....81	1001193703.....179, 181, 183, 185, 187, 189, 223	1001195822.....471	1001198307.....51, 53, 55
1001192363.....575	1001193704.....179, 181, 183, 185, 187, 189, 227	1001195823.....473	1001198355.....173
1001192364.....93	1001193705.....223, 225	1001195849.....1014	1001198577.....659, 661
1001192365.....581	1001193709.....569, 597	1001195851.....1018	1001198578.....659, 665
1001192366.....577		1001195855..1014, 1018, 1022, 1026	1001198715.....661, 663

SECTION 13 - SPECIAL OPTIONS/ACCESSORIES/KITS

1001199325 71, 669	1001200910..... 969	1001203081..... 929	1001206954 727
1001199328 1060	1001200968..... 473	1001203082..... 931	1001207171 844, 854
1001199364 1060	1001201074..... 623, 625	1001203181..... 241, 1056	1001207173 890, 896, 975
1001199376 1060	1001201124..... 761, 763	1001203368..... 923, 929, 931	1001207217 1014
1001199380 1060	1001201162..... 1003	1001203503..... 173	1001207218 1022, 1026, 1030, 1034
1001199382 1060	1001201266..... 71, 73	1001203557..... 751	1001207325 623
1001199670 281	1001201267J..... 73	1001203558..... 751	1001207594 961, 963
1001199902 273	1001201269..... 73	1001203640..... 915, 919, 921	1001207788 617
1001200105 593, 987	1001201299..... 235	1001203932..... 39, 41	1001207789 617
1001200106 179, 835	1001201300..... 235	1001203933..... 39, 41	1001207790 617
1001200111 671	1001201301..... 237, 239, 241, 245	1001203934..... 39, 41	1001207866 97, 99
1001200159 737, 739, 885	1001201302..... 237, 239, 241, 251	1001203947..... 237, 239, 241	1001207898 317, 337
1001200160 737, 741, 821	1001201303..... 237, 239, 247	1001203948..... 237, 239, 241	1001207899 339, 371
1001200161 821, 823	1001201304..... 237, 239, 241, 253	1001203985..... 71, 77	1001207956 545
1001200162 821, 823	1001201305..... 237, 239, 241, 255	1001203986..... 77	1001207963 452
1001200164 821, 823	1001201309..... 251	1001203987..... 77	1001208037 545
1001200165 821, 823	1001201314..... 247	1001203989..... 71	1001208308 452
1001200166 821, 823	1001201315..... 247, 249	1001203990..... 71	1001208451 669
1001200167 821, 823	1001201316..... 247, 249	1001204032..... 249, 725	1001208532 617
1001200168 885, 887	1001201317..... 253	1001204057 727	1001208534 617
1001200169 885, 887	1001201331..... 437	1001204060..... 921	1001209097 843, 853, 859
1001200206 1001	1001201420..... 623	1001204066..... 407	1001209194 969, 1056
1001200226 623	1001201425..... 179, 185, 191	1001204115..... 407	1001209200 573
1001200249 273	1001201427..... 295	1001204120..... 407	1001209201 573
1001200344 63	1001201428..... 293	1001204152..... 597	1001209202 573
1001200383 933	1001201432..... 91	1001204177..... 71, 75	1001209203 573
1001200393 79, 81	1001201499..... 541	1001204178..... 75	1001209345 61
1001200395 81	1001201500..... 543	1001204198..... 75	1001209346 59
1001200443 179	1001201501..... 541, 543	1001204199..... 75	1001209387 43, 45
1001200444 181	1001201848..... 51, 53, 57	1001204200..... 75	1001209388 49
1001200445 237	1001201856..... 273	1001204411 273	1001209427 913
1001200446 239	1001201858..... 273	1001204413 273	1001209456 913, 915
1001200447 273	1001201885..... 815	1001204414 273	1001209463 501
1001200448 269	1001202018..... 273, 281	1001204486 49	1001209585 197
1001200451 283	1001202020..... 593	1001204528..... 919	1001209625 1018
1001200452 285	1001202021..... 273	1001204530..... 919	1001209690 929
1001200453 287	1001202024..... 569, 611	1001204544 755	1001209691 929
1001200498 237, 239, 241	1001202025..... 569, 617	1001204548..... 755, 759	1001209692 931
1001200499 237, 239, 241	1001202026..... 569, 605	1001204549..... 755, 995	1001209693 931
1001200538 919	1001202027..... 611	1001204598..... 395, 433	1001209697 923, 929, 931
1001200539 921	1001202172..... 737, 741, 825	1001204709 497	1001209899 415
1001200631 241	1001202247..... 249	1001205061 537, 541	1001209972 573
1001200701 287	1001202321..... 287, 289	1001205307..... 979	1001210270 573
1001200862 179, 181, 183, 185, 187, 189, 199	1001202325..... 289	1001205375..... 71, 573	1001210271 571
1001200863 179, 185, 201	1001202454..... 805	1001205380..... 573	1001210281 337
1001200864 179, 181, 183, 185, 187, 189, 205	1001202519..... 1003	1001205381..... 573	1001210282 597
1001200865 179, 185, 211	1001202526..... 235, 283	1001205528..... 669	1001210326 79, 81
1001200866 179, 185, 217	1001202617..... 1003	1001205532..... 401, 407	1001210327 597
1001200867 279	1001202621..... 979	1001205564 255	1001210397 871
1001200869 871	1001202645..... 569	1001205565 255	1001210522 569, 571
1001200870 611	1001202722..... 843, 853, 859	1001205573..... 617	1001210523 571
1001200871 199	1001202723..... 843, 853, 859	1001205618..... 571	1001210524 571
1001200872 199	1001202730..... 105, 107	1001205619..... 91	1001210525 571
1001200873 199	1001202786..... 383, 385	1001205621..... 91	1001210526 571
1001200874 199	1001202899..... 273	1001205622..... 91	1001210567 775
1001200885 201, 203	1001202901..... 191	1001205627..... 91	1001210568 573
1001200886 201	1001202986..... 885, 887	1001206100..... 923, 929, 931	1001210569 573
1001200887 219, 221	1001203005..... 235, 285	1001206112..... 969, 1056	1001210600 181, 183, 187, 189, 203
		1001206633..... 771, 773	1001210601 181, 187, 219
		1001206709..... 597	1001210602 181, 183, 187, 189, 213
		1001206725..... 99	
		1001206744..... 545	

SECTION 13 - SPECIAL OPTIONS/ACCESSORIES/KITS

1001210603.....203	1001213791.....401	1001217755.....259	1001221295.....476, 485
1001210635.....617	1001213833.....51, 53	1001217756.....265, 831	1001221318.....963
1001210761.....269, 271	1001213834.....51, 53	1001217757.....265, 267, 831	1001221319.....963
1001210769.....337, 371	1001213959.....71	1001217758.....267	1001221321.....379
1001210770.....879, 883	1001213961.....71	1001217759.....267	1001221349.....281
1001210771.....227, 229	1001213988.....779	1001217760.....265, 831	1001221383.....281
1001210780.....711	1001214092.....429	1001217761.....251	1001221493.....265, 831, 833
1001210797.....617	1001214123.....261	1001217762.....251	1001221553.....377
1001210800.....597	1001214167.....1061	1001217763.....251	1001221554.....377
1001210801.....711	1001214206..1014, 1018, 1022, 1026, 1030, 1034	1001217948.....611	1001221695.....377
1001210870.....217, 219, 221	1001214220.....537	1001218358.....875	1001221702.....221
1001211020.....617	1001214254.....141	1001218542.....476, 485	1001221734.....379
1001211427.....69, 71	1001214349.....291	1001218659.....1014	1001221868.....217, 219, 221
1001211445.....751	1001214401.....963	1001218694.....55	1001221918.....263
1001211570.....293	1001214415.....141	1001218704..1014, 1022	1001221928.....603, 713
1001211571.....295	1001214429.....611	1001218754.....143	1001221986.....601, 603
1001211616.....255	1001214430.....611	1001218755.....139, 141, 143	1001221987.....597, 601
1001211617.....255	1001214431.....611	1001218996.....476, 485	1001221988.....597
1001211693.....779	1001214438.....271	1001218997.....571	1001221989.....597
1001211775.....975	1001214439.....269	1001219082.....241, 997, 999	1001222163.....183, 189, 221
1001211899.....55	1001214440.....269	1001219113J.....49	1001222188.....31
1001211900.....55	1001214441.....269	1001219115.....49	1001222190.....31
1001211907.....452	1001214829.....593	1001219211..1018, 1022, 1026, 1030, 1034	1001222454.....183
1001212011.....413	1001215022.....247, 249	1001219212.....1014	1001222455.....784
1001212013.....293	1001215024.....247, 249	1001219220.....415	1001222460.....191
1001212014.....295	1001215093.....611	1001219250.....49	1001222603.....563, 1056
1001212047.....495	1001215121.....809	1001219615.....631, 717	1001222606..1014, 1018, 1022, 1026, 1030, 1034
1001212048.....499	1001215208.....879	1001219659.....599	1001222741.....407
1001212049.....495	1001215212.....611	1001219764.....589, 591	1001223066.....739, 743, 827
1001212050.....499	1001215256.....597	1001219765.....593, 595	1001223109.....611
1001212054.....293	1001215319.....277	1001219863.....452	1001223265.....452
1001212055.....295	1001215341.....629, 631	1001219865.....452	1001223435.....135
1001212184.....605	1001215531.....407	1001219905.....69	1001223453..1014, 1018
1001212369.....429	1001215539.....611	1001219953.....69	1001223455.....784, 785, 786
1001212418.....653, 655	1001215693.....923, 927, 929, 931	1001220230.....1018	1001223456.....783
1001212468.....455	1001215802.....611	1001220248.....85	1001223457.....783, 784
1001212470.....801, 803, 1057	1001215941.....241, 1058	1001220286.....91	1001223618.....249, 727
1001212739.....231, 233	1001216263.....503	1001220329.....395, 435	1001223622.....727
1001212788.....597, 599	1001216265.....505	1001220337.....239	1001223628.....249
1001212789.....599, 711	1001216267.....503	1001220338.....417, 419	1001223645.....249
1001212845.....1060	1001216269.....503	1001220339.....397, 417	1001223869.....241, 249
1001212880.....597	1001216270.....505	1001220456.....633, 635	1001223874.....241
1001212886.....825, 827	1001216331.....661	1001220457.....569, 633	1001223902.....75
1001212920.....255	1001216333.....665	1001220507.....551	1001223903.....951, 1057
1001212921.....255	1001216757.....561	1001220540.....393	1001223920.....75
1001212923.....275	1001216798.....289	1001220641.....85	1001223948.....75
1001212924.....275	1001216799.....289	1001220643.....649, 651	1001223968.....801, 803, 805, 807
1001212925.....275	1001216803.....561	1001220649.....961	1001223983.....75
1001213026.....21, 569	1001216974.....509, 513, 521	1001220650.....961, 965	1001224127.....951
1001213265.....537, 539, 1056	1001217226.....661, 665	1001220707.....1026	1001224128.....951
1001213286.....1060	1001217320.....813	1001220717.....801	1001224450J.....49
1001213306.....611	1001217353.....71, 647	1001220760.....307	1001224598.....337
1001213307.....611	1001217354.....647	1001220859.....813	1001224938.....371
1001213308.....611, 613	1001217355.....647	1001220861.....813	1001224944.....591, 705
1001213309.....613, 615	1001217482.....625, 627	1001220942.....573	1001224945.....595, 707
1001213311.....615, 715	1001217552.....575	1001221041.....179, 181, 183, 185, 187, 189, 215	1001224946.....635
1001213317.....581, 583	1001217553.....575	1001221057.....483	1001225317.....381
1001213318.....577, 579	1001217620.....305, 307	1001221058.....483	1001225390.....593
1001213319.....585, 587	1001217669.....307	1001221059.....476, 485	1001225392.....589
1001213331.....407	1001217751.....849	1001221087.....379	
1001213462.....71	1001217752.....181, 183, 837	1001221157.....379	
1001213562.....669	1001217753.....265, 831	1001221270.....379	
1001213752.....963	1001217754.....259		
1001213775.....769, 955			

SECTION 13 - SPECIAL OPTIONS/ACCESSORIES/KITS

1001225393 589, 593	1001229422.....573	1001238565.....115, 117, 119, 121	1001259241 637
1001225656 711	1001229458.....997	1001238566.....173	1001259242 637
1001226328 1057	1001229532.....1060	1001238570.....173	1001259246 969, 971
1001226481 452	1001229543.....401	1001238653.....115	1001259256 969
1001226523 201, 203	1001229576.....1060	1001238654.....119	1001259258 637, 969
1001226533 1009	1001229609.....39, 41	1001238655.....117	1001262959 1061
1001226557 571	1001229707.....1047	1001238781.....231	1001264534 981
1001226681 275	1001229811.....1060	1001239445.....1039	1001264536 981
1001226797 273	1001229812.....1060	1001239878.....279	1001264844 788
1001226828 589	1001229813.....1060	1001239879.....279	1001264861 788
1001226829 589, 593	1001229955.....1056	1001239961.....1060	1001264976 481, 487
1001227077 241	1001229981.....309, 991	1001241308.....409	1001265343 957
1001227090 287	1001230125.....1060	1001241590.....773	1001265344 59
1001227133 452	1001230126.....1060	1001241591.....773	1001265346 61
1001227186 399	1001230163.....413	1001241610.....969, 973	1001265372 1060
1001227187 403	1001230188.....1060	1001241836.....39, 41	1001265979 981
1001227188 403	1001230239.....125	1001241881.....635, 721	1001265980 981
1001227287 . 1014, 1018, 1022, 1026, 1030, 1034	1001230241.....125	1001241950.....563	1001266488 523
1001227334 73, 75, 77	1001230402.....875	1001244192.....919, 921	1001267973 625, 689
1001227337 73	1001230403.....875, 876	1001244193.....919, 921	1001267975 669, 671
1001227440 593	1001230404.....876	1001244428.....843	1001267977 83, 683
1001227469 739, 743, 823	1001230409.....1060	1001244429.....853	1001267979 665, 667
1001227670 109, 127, 129, 131, 139, 141, 143, 145, 147, 154, 157, 175	1001230699.....1060	1001245694.....1060	1001268341 1060
1001227802 401	1001230850.....965	1001247184.....281	1001268354 969
1001227945 547	1001230931.....786	1001247421.....983, 1057	1001268744 523, 815
1001227964 241	1001230967.....71	1001247646..1014, 1018, 1022	1001268827 485, 487
1001228174 269	1001230986.....71	1001249078.....99, 1056	1001268828 487, 489
1001228248 217, 219	1001231057.....1060	1001249249.....99	1001268829 481, 487
1001228427 133	1001231110.....1060	1001249251.....97	1001268830 481, 487, 909
1001228504 621	1001231138.....1060	1001249259.....1061	1001268831 476, 481
1001228643 241	1001231341.....1060	1001249695.....1061	1001268832 481, 483
1001228727 185	1001231385.....51, 53	1001249941.....1061	1001268846 452
1001228728 185, 839	1001231393.....711	1001250161.....493	1001269176 969
1001228732 839, 841, 869	1001231397.....875, 876, 975	1001250276.....97	1001269177 969
1001228733 839, 841, 865	1001231398.....815, 875, 876, 890, 896, 975	1001250475.....101, 1056	1001269555 483, 489
1001228734 187	1001231400.....815, 875, 876, 890, 896, 975	1001250476.....103	1001269556 483, 489
1001228735 187, 189, 841	1001231401.....875, 876	1001250708.....51, 53, 77	1001269558 483, 489
1001228736 859	1001231402.....876	1001251518.....983	1001269559 483, 489
1001228737 189	1001231404.....815, 876, 890, 896, 975	1001252304.....1060	1001269560 483, 489
1001228738 741	1001231406.....815, 876, 890, 896, 975	1001253661.....639, 641	1001269561 483, 489
1001228739 741, 743, 887	1001231407.....242, 873	1001254389.....1061	1001269563 483, 489
1001228741 887, 905	1001231483.....242, 875	1001254390.....1061	1001269564 483, 489
1001228742 743	1001231692.....125	1001254400.....1061	1001269578 483
1001228743 765	1001231801.....1014	1001255519.....637	1001269579 483
1001228744 765, 767	1001232288.....825, 829	1001255520.....637	1001270117 425
1001228860 87	1001232500.....125	1001255521.....637	1001270466 779, 1056
1001228872 235	1001232509.....297, 753	1001255522.....637	1001270467 ... 879, 1057
1001228989 919, 921	1001232850.....217	1001255536.....637, 639	1001270468 883, 1057
1001228993 1060	1001232988.....99	1001255568.....637	1001270485 949, 1057
1001229057 77	1001233024.....297	1001255581.....883	1001270976 476, 485
1001229073 1060	1001233174.....981	1001256073.....399	1001271061 .. 1041, 1043
1001229075 1060	1001233189.....1060	1001256974.....565, 1058	1001274533 909
1001229104 1060	1001233217.....981	1001257071.....565	1001274534 909
1001229153 805	1001233430.....1037	1001257088.....551, 1056	1001274535 909
1001229201 373, 377	1001233434.....981	1001257330.....547, 549	1001274536 909
1001229212 1060	1001233558.....1018	1001257348.....553, 1056	1001274537 909
1001229216 1060	1001234395.....99	1001258099.....1060	1001274538 909
1001229324 1061	1001234455.....43, 45	1001258512.....123	1001274539 909
	1001235963.....39, 43	1001258664.....123	1001274540 909
	1001235965.....41, 45	1001258712.....779, 797	1001274541 909
	1001238470.....235	1001258719.....969, 977	1001274543 909
	1001238560.....121, 173	1001259205.....969, 975	1001274544 909
		1001259214.....123	1001274553 909
		1001259224.....971	1001274891 1060
		1001259225.....123	1001274892 1060
		1001259231.....969	

SECTION 13 - SPECIAL OPTIONS/ACCESSORIES/KITS

1001275276.....997, 999, 1001	1001293067 273	2080092 423	2220885.....683
1001275277 997	1001293068 273	2110406 615, 645	2220886.....723
1001275624.....969	1001293070 179, 185, 235	2110408 651	2220887.....667
1001275725.....1041	1001293972 821, 823, 835, 837, 839, 841	2110410 229	2221221.....637
1001275726.....1043	1001294608 981	2110606 81, 145, 615, 621, 639, 645	2400060.....1001
1001275904.....1041	1001294815 1047	2110610 583, 587	24921332.....273
1001275906.....1043	1001294994 981	2110806 669	2560122.....637
1001276768.....1009	1001295267 981	2110808 ... 621, 631, 655	2580040.....753
1001276769.....1009	1001295268 981	2110810 645, 711	2600281.....121
1001276774.....1011	1001297791 981	2111010 ... 233, 573, 579, 583, 587, 621, 645, 665	2720160.....597
1001276775.....1011	1001302410 981	2111012 635	2902443....844, 850, 855, 860
1001276923.....1060	1060379 121, 123	2111212 635	2920207.....923
1001278028.....769	1060626 ... 757, 759, 993	2111216 229	2920208.....923
1001279169.....1009	1060799 1041, 1043	2111616 ... 255, 307, 645	2940074.....121, 1056
1001279173.....1011	1062255 ... 217, 219, 221, 235, 251, 255, 265, 283, 285, 289, 297, 617, 753, 831, 835, 837, 839, 841, 997, 999	2130404 ... 547, 591, 595, 621, 631, 639	3020037.....305
1001280471 513, 515	10713707 879	2130406 229, 639	31200160.....115
1001280661 817	10725554 325, 351	2130408 631	31200386.....117
1001281297 299	10732931 721	2130606 603, 635	31200387.....119
1001281298 299	10837953 721	2130808 ... 337, 371, 547	31200388.....119
1001281301 299	120034 779	2131010 ... 573, 593, 595	314689.....71
1001281304 299	1320022 476	2131212 ... 591, 595, 607, 621, 669	3251813..... 1014, 1018, 1022, 1026, 1030, 1034
1001281305 299	1320060 251	2131216 229	3290401....455, 476, 485, 817, 933, 979, 981
1001281307 299	1670836 1014, 1018, 1022, 1026, 1030, 1034	2132016 635	3290405....409, 769, 955, 957
1001281309 299	1701500 1014, 1018, 1022, 1026, 1030, 1034	2144603 309	3290501....779, 837, 983
1001281310 299	1701509 121	2144606 211, 213	329050591, 99, 241, 565, 821, 823, 997, 999
1001281311 299	1702773 ... 115, 117, 119	2150406 627	3290507.....99
1001281359 299	1704260 813, 971	2150606 145	3290601....173, 221, 455, 476, 503, 537, 545, 745, 747, 769, 779, 955
1001281360 299	1704277 121	2150608 229	329060543, 45, 287, 452, 455, 461, 769, 871, 955
1001281473 299	1704885 ... 115, 117, 119	2150808 ... 337, 371, 655	3290606.....571
1001281607 885, 889	1705980 1022, 1026, 1030, 1034	2151010 ... 579, 583, 587	3290607....923, 929, 931
1001281656 299	1706098 1022, 1026, 1030, 1034	2151212 607	3290801....237, 239, 241, 249, 271, 401, 533, 835, 839, 915, 951
1001281752 887, 895	1706281 1022, 1026, 1030, 1034	2151616 255, 635	3290805....235, 281, 539, 587, 637, 883
1001281888 299	1706282 1022, 1026, 1030, 1034	2152020 27	3290806.....419
1001282260 999	1706284 1022, 1026, 1030, 1034	2152020 27	3291001....205, 217, 219, 237, 239, 241, 287, 821, 823, 923, 929, 931
1001283097 779, 783	1706285 1022, 1026, 1030, 1034	2156016 . 73, 79, 81, 623, 661, 665	3291005.....93, 211, 213, 237, 239, 241, 287, 623, 637, 825, 827, 969
1001283175 455	1706288 1022, 1026, 1030, 1034	21700104 233	3291201.....167, 251
1001283391 299	1706289 1022, 1026, 1030, 1034	2170106 635	3291205.....69, 925
1001283392 299	1706292 1022, 1026, 1030, 1034	2170112 635	3291605....69, 139, 141, 143, 199
1001284531 191	1706296 1014	2170206 145, 635	3300449.....817
1001284532 181, 183, 187, 189	1706299 1014	2170208 547	3311005.....969
1001284536 273	1706300 1014	2170216 255	3311405.....121
1001284538 179, 181, 183, 185, 187, 189	1706301 1014	2170316 229	3311502.....173
1001285715 801, 803, 805	1706302 173, 1014	2170410 593	3311508.....757, 759
1001285934 835, 837	1706306 1014	2170704 229	3320211.....393
1001286174 839, 841	1706306 1014	2170706 637	3391410.....173
1001286599 817	1706307 1014	2170712 637	3421453.....121
1001286941 817, 819	1706308 1014	2170716 255	3422661.....123
1001287805 999	1706309 1014	2170804 651	3440620.....125
1001288070 509, 523	1706310 1014	2170806 337, 371	3520028.....545
1001288098 523	1706311 1014	2171816 611	3520072.....121
1001289060 817	1706312 1014	2171832 611	3520193.....73
1001289299 817	1706313 1014	2172106 637	
1001289300 817	1706314 1014	2172110 573	
1001289301 817	1706315 1014	2172116 255	
1001289479 981	1706316 1014	2172410 593	
1001289562 277	1706317 1014	2200223 ... 237, 239, 241	
1001289563 275, 277	1706318 1014	2220237 239	
1001289647 817	1706319 1014	2220238 621	
1001289648 817	1706320 1014	2220239 27, 711	
1001290040 817	1706321 1014	2220240 27	
1001291056 817	1706322 1014	2220767 251	
1001291182 ... 1003, 1005	1706323 1014	2220811 307	
1001291382 1060	1706324 1014	2220883 723	
	2080040 121		
	2080078 419		
	2080086 399		
	2080087 399		

SECTION 13 - SPECIAL OPTIONS/ACCESSORIES/KITS

3520198 121	4460458 ... 785, 788, 844,	4460884....797, 875, 890,	4461017 ... 763, 767, 863,
3700015 63	854, 861, 875, 902,	896, 901, 905, 939,	865, 901, 905
3700016 63	906, 917, 989	943, 967, 979, 1005	4461018 ... 845, 850, 855,
3740080 ... 241, 815, 891,	4460464 ... 763, 767, 777,	4460891....773, 787, 788,	860, 901, 905
897, 975, 1057	785, 787, 788, 797,	797, 844, 845, 846,	4461054 ... 843, 849, 853,
3760170 121	799, 807, 815, 833,	850, 854, 855, 856,	859, 901, 902, 905, 906
3760348 537	844, 850, 854, 860,	860, 861, 875, 889,	4461070 846, 855
3790152 249	867, 869, 873, 875,	890, 891, 895, 896,	4461071 ... 845, 850, 855,
3820020 121	890, 896, 902, 906,	897, 901, 902, 905,	860
3900357 871	917, 939, 943, 947,	906, 943, 967, 977, 989	4461095 845, 855
3900379 57, 467	967, 973, 975, 977,	4460892.....846, 854	4461115 787, 788, 917
3911010 969	985, 991, 1001, 1005	4460894....784, 786, 811,	4461118 799, 901, 905
39844923 351	4460465 ... 773, 784, 786,	844, 854, 891, 897,	4461262 ... 777, 783, 787,
3986405 311	787, 788, 797, 811,	901, 905, 927, 939,	901, 905
3986610 525	819, 843, 844, 845,	975, 1001	4461290 829, 890, 896
3986643 525	850, 853, 854, 855,	4460897....773, 785, 788,	4641520 651, 729
4000015 1057	859, 860, 861, 875,	797, 811, 833, 846,	4711000 969
4010416 955, 957	889, 890, 891, 895,	850, 854, 855, 860,	4711400 121, 817
4010510 561, 563	896, 897, 901, 902,	861, 890, 891, 896,	471678 437
4010608002 399, 401,	903, 905, 906, 907,	897, 911, 967, 977, 991	4740274 237, 239, 241
452, 501, 503	939, 943, 944, 947,	4460899....799, 807, 891,	4740428 817
4010610 769, 955	967, 975, 977, 989,	897, 901, 905, 943,	4740532 227, 231
4010610002 452, 473,	1001, 1005	973, 975, 1001	4740550 237, 239, 241
503, 545	4460466 ... 763, 767, 773,	4460906.....784	4761400 955
4010612002 403, 452,	784, 785, 786, 787,	4460928....787, 890, 896,	4761700 611
455, 459, 461	788, 797, 807, 819,	943	4807718 435
4031205 ... 835, 837, 839,	833, 843, 844, 845,	4460929.....967	4811400 ... 139, 141, 143,
841	846, 849, 850, 851,	4460930....787, 819, 891,	455, 476, 485, 543,
403160727, 31, 565, 835,	853, 854, 855, 856,	897, 901, 902, 906	769, 817, 955, 957,
839	859, 860, 861, 875,	4460931....763, 767, 787,	979, 981
4031608 465, 837, 841	889, 890, 891, 895,	788, 902, 906, 939	481160091, 99, 215, 241,
4031608001 452	896, 897, 901, 902,	4460932....777, 797, 833,	452, 813, 821, 823,
4031708 951	905, 906, 907, 917,	873, 891, 897, 901,	837, 983, 997, 999
4031708001 471	927, 939, 943, 973,	905, 917, 959, 985	4811700 ... 29, 33, 43, 45,
4031712 573	975, 979, 1001, 1005	4460933....784, 845, 855,	51, 53, 57, 61, 99, 173,
4031907 817	4460475 875	889, 891, 895, 897,	201, 221, 273, 281,
4031910 239, 445, 447	4460496 779	902, 906, 1001	287, 399, 401, 437,
4031912 649, 653	4460497 779	4460941....797, 799, 833,	455, 471, 473, 476,
4031918 577, 581, 585	4460508 ... 763, 767, 844,	902, 906, 911, 927, 967	491, 501, 503, 537,
4031921 589, 593	854, 863, 865	4460942....784, 797, 846,	541, 545, 571, 601,
4032010 69	4460509 ... 845, 850, 855,	856, 889, 890, 891,	629, 745, 747, 769,
4032314 71	860, 890, 896, 901, 905	895, 896, 897, 927,	779, 825, 827, 835,
4060919 21	4460518 ... 787, 875, 891,	943, 944	837, 839, 841, 871,
4105262 93	897, 1001	4460943....763, 767, 787,	885, 887, 919, 921,
4109801 1014, 1018,	4460536 ... 788, 815, 867,	797, 811	923, 929, 931, 937,
1022, 1026, 1030, 1034	869, 903, 907, 947	4460944....784, 786, 787,	955, 963, 969
4110422 125, 175	4460539 ... 786, 787, 788,	788, 843, 844, 845,	4811700001 452
4240018 597, 617	843, 844, 845, 849,	849, 850, 851, 853,	4811702 ... 209, 423, 503,
4240099 ... 597, 611, 993,	850, 851, 853, 854,	854, 855, 856, 859,	537, 541, 547
995	855, 856, 859, 860,	860, 861, 891, 897,	4811702001 401, 403,
4280307 33	875, 889, 891, 895,	902, 906, 907, 939, 943	452, 563
4360475 .. 813, 971, 1057	897, 902, 906, 907,	4460945....788, 846, 851,	4811900 ... 25, 29, 55, 59,
4360657 969, 1057	939, 943, 947, 1001	856, 861, 875, 891,	61, 65, 69, 71, 87, 89,
4360658 543, 1057	4460608 ... 843, 849, 853,	897, 939, 1001	223, 235, 237, 239,
4460183 971	859	4460970....844, 850, 854,	241, 253, 261, 263,
4460225 783, 784	4460670 1001	860, 891, 897, 902,	271, 273, 275, 281,
4460234 779	4460705 784	906, 927	291, 293, 295, 401,
4460265 783	4460742 249, 875	4460979....845, 850, 855,	407, 421, 429, 445,
4460267 783, 784	4460744 785	860	447, 449, 476, 505,
4460268 783, 784, 785	4460746 785, 788	4460984.....891, 897	509, 513, 521, 523,
4460320 784, 971	4460748 ... 844, 854, 902,	4460994.....785	533, 537, 547, 571,
4460321 875	906	4461000.....813	577, 581, 587, 597,
4460343 783, 784	4460761 875	4461006....843, 845, 850,	599, 605, 613, 625,
4460424 785	4460789 799	853, 855, 860	637, 669, 745, 747,
4460434 783	4460809 875	4461008....843, 849, 853,	817, 835, 839, 879,
	4460836 784	859	883, 915, 949, 951,
		4461015.....797, 890, 896	979, 981

SECTION 13 - SPECIAL OPTIONS/ACCESSORIES/KITS

4811902....39, 41, 49, 77, 249, 257, 259, 273, 476, 485, 503, 505, 573, 823	70005510..... 193	70022140 325, 351	70024961..... 193, 197
4812000....27, 43, 45, 55, 59, 61, 69, 71, 73, 75, 77, 79, 81, 85, 93, 99, 205, 211, 213, 223, 251, 269, 271, 273, 287, 545, 547, 571, 607, 611, 619, 623, 629, 633, 637, 769, 775, 821, 823, 825, 827, 835, 837, 839, 841, 879, 923, 929, 931, 955, 965, 969, 981	70005511..... 193	70022528 175	70025012..... 329
4812002....25, 39, 41, 49, 51, 53, 55, 79, 81, 205, 217, 219, 221, 237, 239, 241	70005513..... 193	70022702 671	70025014..... 329
4812100 29, 69, 199, 251, 273, 643, 821, 823	70005522..... 194	70022726 697	70025153. 193, 197, 1056
4812102.....29, 237, 239, 241, 381, 925	70005523..... 194	70022765 801, 803, 1056	70025242..... 194
4812300.69, 71, 199, 305	70005524..... 194	70022773 333, 345	70025335..... 323, 349
4812500.....391, 393	70005544..... 194	70022938 . 133, 135, 149, 154	70025337..... 353
4831400....455, 476, 485, 817, 933	70005548..... 194	70023179 525	70025338..... 353
4831600.....27, 835, 837, 839, 841	70005549..... 194	70023181 525	70025339..... 327, 353
483170051, 53, 279, 503, 545, 879	70005556..... 194	70023182 525	70025483..... 511
4831900....257, 259, 476, 485, 537, 871	70005557..... 194	70023184 525	70025485..... 511
4832100.....237, 239, 241	70005558..... 194	70023186 525	70025486..... 511, 1057
4871700.....885, 887	70005559..... 194	70023189 525	70025489..... 511
4892600.....319, 341	70005730..... 193	70023469 325, 351	70025490..... 511
4921614.....991	70006144..... 193	70023489 353	70025491..... 511
5220600.....921	70006427..... 723	70023490 327, 353	70025535..... 194
5220800....749, 751, 757, 759	70020276..... 311	70023493 353	70025539..... 517, 1057
5240600.....951	70020555.. 127, 169, 171	70023494 325, 351	70025561..... 329, 355
5240800.....575	70020764 701, 703, 1056	70024004 327	70025562..... 329, 355
5241000.....287	70020867 729, 733	70024035 675	70025590..... 663
5241200.....167	70020922 545	70024059 175	70025614... 663, 671, 675
5241400.....309	70021251 511	70024064 175	70025707..... 194
5242400..... 173, 623	70021252 511	70024107 525, 1057	70025722..... 193, 197
5250608.....443	70021314 515, 517	70024123 . 135, 149, 153, 681	70025730..... 197
5251012..... 191	70021316 515, 517	70024129 . 679, 681, 691, 693	70025737..... 193, 197
5271609.....983	70021317 515	70024130 . 133, 135, 149, 154, 681	70025743..... 193, 197
5272012.....965	70021318 515	70024142 693	70025755..... 193, 197
643191201.783, 889, 895	70021319 515, 519	70024146 .. 329, 355, 365	70025757..... 193, 197
643201301.783, 889, 895	70021320 515	70024147 .. 329, 355, 365	70025768..... 193, 197
70002222..... 671	70021321 515, 519	70024201 721	70025772..... 193, 197
70002963.713, 723, 1056	70021322 515	70024210 331, 343	70025775..... 193, 197
70004387..... 713	70021323 515, 519	70024213 331	70025780..... 194, 1057
70004512. 193, 197, 1056	70021324 515, 519	70024215 331	70025786..... 193, 197
70004595..... 717, 1056	70021325 515, 519	70024216 343	70025816..... 535
70005174..... 197	70021326 515, 519	70024459 525	70025817..... 535
70005191..... 194	70021327 515, 519	70024474 194	70025850..... 207, 1056
70005440..... 641	70021328 515, 519	70024484 193	70025851..... 207, 1056
70005490..... 193, 197	70021329 515	70024487 193, 197	70025854..... 721
70005492..... 193, 197	70021330 515, 519	70024489 193, 197	70025856..... 327
70005495..... 197, 1057	70021340 .. 923, 929, 931	70024493 193, 197	70025859..... 539
70005504..... 193, 197	70021341 .. 923, 929, 931	70024495 193, 197	70025860..... 539
70005505..... 193, 197	70021349 . 109, 113, 147, 175	70024504 193, 197	70025877..... 194
70005507... 193, 194, 197	70021350 109, 113	70024505 194	70025884..... 335, 361
	70021351 113	70024507 193, 197	70025887..... 325, 351
	70021367 113	70024538 153	70025970..... 331
	70021387 175	70024721 149, 154	70026002..... 329, 355
	70021397 175	70024733 681	70026011..... 193, 197
	70021415 175	70024734 . 679, 681, 691, 693	70026081..... 245
	70021422 113	70024772 149, 154	70026210..... 194
	70021440 685, 687	70024847 721	70026238..... 329, 355
	70021444 687	70024848 331	70026260... 329, 355, 357
	70021445 687	70024849 331	70026261... 329, 355, 359
	70021446 687	70024856 525	70026262..... 331
	70021447 687	70024857 525	70026263..... 331
	70021448 687	70024858 525	70026264..... 331
	70021451 687	70024859 525	70026265..... 335, 361
	70021452 687	70024861 525	70026266... 335, 361, 363
	70021453 701, 703	70024881 .. 329, 355, 363	70026292..... 791, 1057
	70021606 343	70024918 193, 197	70026293..... 793, 1057
	70021613 343	70024945 697	70026294..... 881, 1057
	70021979 175	70024946 697	70026295..... 881, 1057
	70022007 721		70026296..... 881, 1056
	70022008 721		70026297..... 881, 1056
	70022010 721		
	70022014 721		
	70022019 721		
	70022034 511		

SECTION 13 - SPECIAL OPTIONS/ACCESSORIES/KITS

70026312	723	70026911	311	70028297	721	70028391	325
70026314	723	70026927	312	70028298	721	70028392	329, 355
70026315	723	70027022	331, 343	70028299	721	70028393	333, 345
70026353	245	70027074	671	70028300	721	70028394	333, 345
70026354	245	70027087	671	70028307	663	70028396	329, 355
70026359	245	70027092	331	70028308	663	70028397	355
70026369	721	70027105	327, 353	70028309	663, 675	70028398	351, 353
70026370	721	70027109	311	70028310	663, 675	70028399	351
70026372	721	70027110	311	70028311	663	70028400	355
70026373	721	70027134	721	70028312	663	70028401	325, 351
70026376	721	70027180	159, 161, 163, 165	70028314	675	70028405	153
70026379	721	70027317	331, 343	70028315	675	70028406	153
70026383	721	70027392	517	70028316	675	70028410	697
70026395	207	70027393	517	70028317	675	70028411	697
70026396	207	70027394	515, 517	70028318	675	70028412	699
70026434	539	70027395	515	70028319	675	70028413	699
70026469	135, 679	70027399	515	70028320	675	70028414	717
70026470	135	70027405	193, 197	70028321	675	70028415	717
70026471	135, 153	70027417	193, 197	70028322	675	70028416	717
70026472	135, 153	70027420	193	70028323	675	70028417	193
70026473	135, 153	70027426	193, 1056	70028324	663, 675	70028418	193
70026474	135	70027567	193, 197	70028325	663	70028419	193
70026475	135	70027595	699	70028326	525, 1057	70028420	695
70026476	135, 153	70027596	703	70028327	225	70028421	719
70026477	133, 135, 709	70027598	697	70028328	225	70028485	109, 113, 147
70026478	135	70027601	695	70028329	225	70028486	113, 147
70026479	133, 135	70027657	193, 197	70028330	225	70028487	113
70026480	133, 135	70027773	109	70028331	225	70028488	113, 147
70026481	133, 135, 149, 153	70027796	331	70028332	225	70028489	109, 113
70026482	133, 135, 149, 153	70027806	1060	70028333	225	70028490	109, 113
70026483	133	70027862	311	70028334	225	70028491	113
70026496	679	70027879	145	70028335	225	70028492	113
70026497	679	70027880	145	70028336	225	70028493	113
70026498	679	70027881	145	70028337	225	70028494	113
70026499	679	70027882	145	70028338	225	70028495	109, 113, 147
70026500	679	70027887	145	70028339	225	70028496	109, 113, 147
70026501	153, 679	70027888	145	70028340	225	70028497	113
70026502	679, 691, 693	70027889	145	70028341	225	70028498	113
70026503	679	70027890	145	70028342	225	70028499	113
70026504	149, 679	70027896	145	70028343	225	70028500	113
70026505	679	70027899	145	70028344	225	70028501	113
70026506	679	70027986	333, 345	70028345	225	70028502	717
70026582	729, 733, 1056	70027989	147	70028346	225	70028503	717
70026614	133, 135, 709	7002821	1061	70028347	225	70028504	717
70026616	135	70028223	1061	70028348	225	70028505	145
70026631	311	70028243	717	70028349	225	70028506	145
70026745	127, 169, 171	70028253	153	70028350	225	70028507	145
70026746	127, 169, 171	70028254	691	70028351	225	70028508	145
70026747	343	70028255	691	70028352	225	70028509	145
70026748	343	70028256	691, 693	70028353	225	70028510	145
70026750	327	70028257	691, 693	70028354	225	70028511	145
70026777	721	70028258	691, 693	70028355	225	70028512	145
70026778	721	7002826	1061	70028357	225	70028513	145
70026779	721	70028262	153	70028358	225	70028514	725
70026781	721	70028266	133	70028359	225	70028515	725
70026783	721	70028267	149, 154	70028360	225	70028516	725
70026784	721	70028270	691	70028361	715	70028517	725
70026892	311	70028281	707, 1056	70028381	539	70028525	147
70026896	311	70028282	591, 705, 707	70028382	539	70028526	147
70026897	311	70028285	731	70028383	539, 1057	70028546	799
70026898	311	70028286	721	70028384	667	70028548	245
70026901	311	70028287	721	70028387	329, 355	70028549	245
70026904	311	70028288	721	70028388	323, 329, 349, 355	70028550	245
70026908	311	70028289	721	70028389	323, 329, 349, 355	70028554	109, 127, 147, 175
70026909	311	70028295	721	70028390	325, 327	70028563	133
		70028296	721			70028564	133

SECTION 13 - SPECIAL OPTIONS/ACCESSORIES/KITS

70028565.....	133	70028634	110	70028713	149	70028863.....	175
70028566.....	133	70028635	109	70028714	149	70028864.....	175
70028567.....	133	70028636	109	70028715	149	70028865.....	175
70028568.....	133	70028637	109	70028716	149	70028866.....	175
70028569.....	133	70028638	109	70028717	149	70028867.....	175
70028570.....	133	70028648	153	70028718	149	70028902.....	723
70028571.....	133	70028649	153	70028719	149	70028903.....	723
70028572.....	133, 677	70028650	153	70028720	149	70028904.....	723
70028573.....	133, 709	70028651	153	70028721	149	70028905.....	723
70028574.....	133	70028652	153, 691	70028722	149	70029868.....	721
70028575.....	133	70028653	153, 693	70028723	149	70029870.....	721
70028576.....	133	70028654	153	70028724	149	70029871.....	721
70028577.....	133	70028655	153	70028725	149	70029872.....	721
70028578.....	133	70028656	153	70028726	149	70029873.....	721
70028579.....	133	70028657	153	70028727	149	70029874.....	721
70028580.....	133	70028658	153	70028728	681	70029941.....	675
70028581.....	677	70028659	153	70028729	681	70030102.....	641
70028582.....	677	70028660	153	70028730	681	70030103.....	641
70028583.....	677	70028661	153	70028731	681	70030104.....	641
70028584.....	677	70028662	153	70028732	681	70030353.....	265, 831
70028585.....	677	70028663	153	70028733	681	70030355.....	265, 831
70028586.....	677	70028664	153	70028734	150	70030356.....	265, 831
70028587.....	677	70028665	153	70028749	135	70030388.....	689
70028588.....	677, 681	70028666	153	70028750	135	70030389.....	689
70028589.....	133, 709	70028667	153	70028751	135	70030391.....	689
70028591.....	147	70028668	153	70028752	135	70030392.....	689
70028592.....	147	70028669	153	70028753	135	70030393.....	689
70028593.....	147	70028670	153	70028767	153	70030394.....	689
70028594.....	147	70028671	153	70028768	153	70030403.....	689
70028595.....	147	70028672 ..	135, 149, 153	70028770	691	70030404.....	689
70028596.....	147	70028673	153	70028771	693	70031017.....	671
70028597.....	147	70028674	153	70028801	312	70031018.....	671
70028598.....	147	70028675	153	70028817	311	70031050.....	515
70028599.....	147, 685	70028676	153	70028818	311	70031051.....	515
70028600.....	147	70028677	153	70028819	311	70031052.....	515
70028601.....	147	70028678	154	70028820	311	70031053.....	515
70028602.....	147	70028679	154	70028821	311	70031054.....	515
70028603.....	147, 687	70028680	154	70028822	311	70031058.....	671
70028604.....	147	70028681	154	70028823	311	70031059.....	671
70028605.....	147	70028682	154	70028824	311	70031060.....	671
70028606.....	147	70028683	154	70028825	311	70031061.....	671
70028607.....	147	70028684	154	70028826	311	70031062.....	671
70028609.....	685	70028685	154	70028827	311	70031063.....	671
70028610.....	685	70028686	154	70028828	311	70031064.....	671
70028611.....	685	70028687	149, 154	70028829	311	70031065.....	671
70028612.....	687	70028688	149, 154	70028830	311	70031066.....	671
70028613.....	687	70028689	149, 154	70028831	311	70031067.....	671
70028614.....	687	70028690	154	70028832	311	70031068.....	671
70028615.....	109	70028691	691, 693	70028833	311	70031069.....	671
70028616.....	109	70028692	693	70028834	311	70031070.....	671
70028617.....	109	70028693	693	70028835	311	70031071.....	672
70028618.....	109	70028694	693	70028836	311	70031072.....	672
70028619.....	109	70028695	154	70028837	311	70031073.....	672
70028620.....	109	70028696	154	70028838	311	70031088.....	193
70028621.....	109	70028697 ..	135, 150, 154	70028839	311	70031293.....	683
70028622.....	109	70028701	149	70028840	311	70031294.....	683
70028623.....	109	70028702	149	70028841	312	70031295.....	683
70028624.....	109	70028703	149	70028842	312	70031296.....	683
70028625.....	109	70028704	149, 681	70028843	312	70031297.....	683
70028626.....	109	70028705	149	70028844	312	70031298.....	667
70028627.....	109	70028706	149	70028845	312	70031299.....	667
70028628.....	109	70028707	149	70028846	312	70031300.....	667
70028629.....	109	70028708	149	70028847	312	70031301.....	667
70028630.....	109	70028709	149	70028848	312	70031302.....	667
70028631.....	109	70028710	149	70028860	175	70031303.....	667
70028632.....	109	70028711	149	70028861	175	70031304.....	667
70028633.....	109	70028712	149	70028862	175	70031305.....	667

SECTION 13 - SPECIAL OPTIONS/ACCESSORIES/KITS

70031306 667	8008657 1022, 1026, 1030, 1034	8305919.....209, 267, 423, 452, 503	90554066 109
70031307 667	80203020 311	8307219.....267	90554067 109, 147
70031308 667	80203021 311	8310382.....123	91013191 902, 906
70031309 667	80204002 323, 349	8310410.....817	91013192. 890, 891, 896, 897
70031310 667	80204005 .. 323, 349, 367	8310559.....413	91043125. 575, 579, 583, 587
7004275 1061	80204007 311	8310686.....649, 653	91043126. 575, 579, 583, 587
7004276 1061	80204012 355	8342813.....37	
70050473 721	80204016 311	8405006.....219, 221, 251, 597, 637	
70050475 721	80204033 325, 351	8405007....251, 605, 611, 617	9106-3039..... 617
7010543 713	80204035 325, 351	8405009.....251, 275, 537	9106-3040..... 617
70124445 193, 197	80204043 325, 351	8405101.....251	91083106 611
70126616 193, 197	80204048 325, 351	8405102.....255	91163268 273
7016331 .. 193, 197, 1056	80204060 331	8405104.....251	91403193 303
7020208 193, 197	80204065 329, 355	8405201.....251, 452, 463	91403413 175
7020442 193, 197	80204071 329, 355	8405201.....251, 452, 463	91403414 175
7022390 707	80204076 329, 355	8405402.....201, 203	91403448 125
7024947 699	80204108 331	8406105.....199	91403530 89
7026731 369	80204117 .. 331, 343, 363	8406112....221, 291, 293, 295	91474364 311
7028621 525	80204143 333, 345	8406201.....597, 637	91474512 323, 349
7028714 329, 355	80204144 333, 345	8406202.....577, 581	91504107 811
7028715 329, 355	80204176 311	8410009....283, 285, 476, 485	91513266 381
7028716 329, 355	80204215 311	8410013.....235, 597, 611	91514081 329, 355
7028733 329, 355	80204281 331, 343	8420053....109, 113, 133, 135, 145, 147, 149, 154, 175	91514082 329, 355
7029127 333, 345	80214120 329, 355	8420055....109, 113, 133, 135, 145, 147, 149, 154, 175	91514083 329
7029288 323, 349	80233218 537	8424233.....611	91514084 329
7029290 363	80264002 515, 517	8430032.....597	91514089. 323, 329, 331, 349
7029307 333, 345	80264004 515, 517	8430033.....645	91514090 363
7029317 329	80333151 537	8430034.....615, 639	91514095 329, 355
7029486 .. 471, 473, 1045	80333184 637	8430081.....597	91514098 323, 349
7029520 171	8034697 721	8466306.....431, 1030	91514101 323, 349
7029702 147	80363195 421	8584003.....1003	91514111 357, 359
7029703 147	80484081 861	85941018.....597, 823	91514112 329, 355
7029704 147	80604017 811	8769123.....581, 585	91514117 329, 355
7029709 109	806253 65	8769126.....581, 585	91514118 381
7029711 ... 109, 113, 147, 175	806264 65	8769146.....573	91514123 325
7029712 109	80963055 . 846, 850, 855, 860	8769152.....573	91514130 325, 351
7029733 355, 369	80963056 . 845, 850, 855, 860	8769199.....573	91514133 325, 351
7029734 331, 343	80963067 844, 855	8770030.....635	91514134 325, 351
7029735 331, 343	80983191 . 791, 793, 795, 1056	8770075.....575	91514143 327
7029743 329	82033995 .. 235, 283, 285	8770104.....635	91514146 311, 367
7029767 511	8220035 873	8770215.....647	91514147 367
7029785 343	8220043 863, 865	8770286.....635	91514148 367
7029787 331	8220045 833	8786549....373, 375, 377, 379	91514149 .. 329, 355, 367
7029969 923	8220050 909	88662434.....597, 617	91514151 331
7029970 923	8220051 ... 785, 786, 889, 895	8880219-OM.....315	91514154 .. 311, 331, 343
7029971 ... 923, 929, 931	8220097 844, 854	8896941 1061	91514159 331, 343
7169541 241	8220098 844, 854	90206196.....55	91514174 329, 355
7300435 199	8220108 829, 873	90206198.....597	91514175 .. 329, 355, 365
77133136 573	8220116 890, 896	90206202.....21	91514177 .. 329, 355, 365
77133137 573	8220124 ... 843, 849, 853, 859	90554016.....169	91514178 329, 355
77133497 573	8220375 785, 788	90554017.....147	91514179 329, 355
77213042 273	8229234 .. 876, 975, 1056	90554020.....147, 175	91514180 329, 355
8000565 925	8229235 875, 1056	90554042..109, 113, 147, 175	91514181 329, 355
8000759 419	8229242 . 791, 793, 1001, 1056	90554045..109, 113, 147, 175, 685, 687	91514184 329, 369
8000803 401	8229244 .. 795, 881, 1056	90554054.....175	91514185 329, 369
8002200 73, 75, 77	8229245 .. 791, 881, 1056	90554065.....109	91514186 329, 369
8004398 419	8229247 .. 793, 881, 1056		91514189 329, 355
8005671 1022, 1026, 1030, 1034	8229261 875, 1056		943191201 783
8005675 1022, 1026, 1030, 1034	8275212 269, 273		AU2105 1014, 1018, 1022, 1026, 1030, 1034
8005870 433	8278020 ... 237, 239, 241		N.S.S..139, 141, 143, 713



**Corporate Office
JLG Industries, Inc.
1 JLG Drive
McConnellsburg, PA 17233-9533 USA
☎ (717) 485-5161 (Corporate)
☎ (877) 554-5438 (Customer Support)
📠 (717) 485-6417**

**Visit our website for JLG Worldwide Locations.
www.jlg.com**



OSHKOSH™