



# Illustrated Parts Manual

***Model  
1100SJ***

**PVC  
2301**

**P/N  
31221378  
July 10, 2023 - Rev B**

***ANSI***



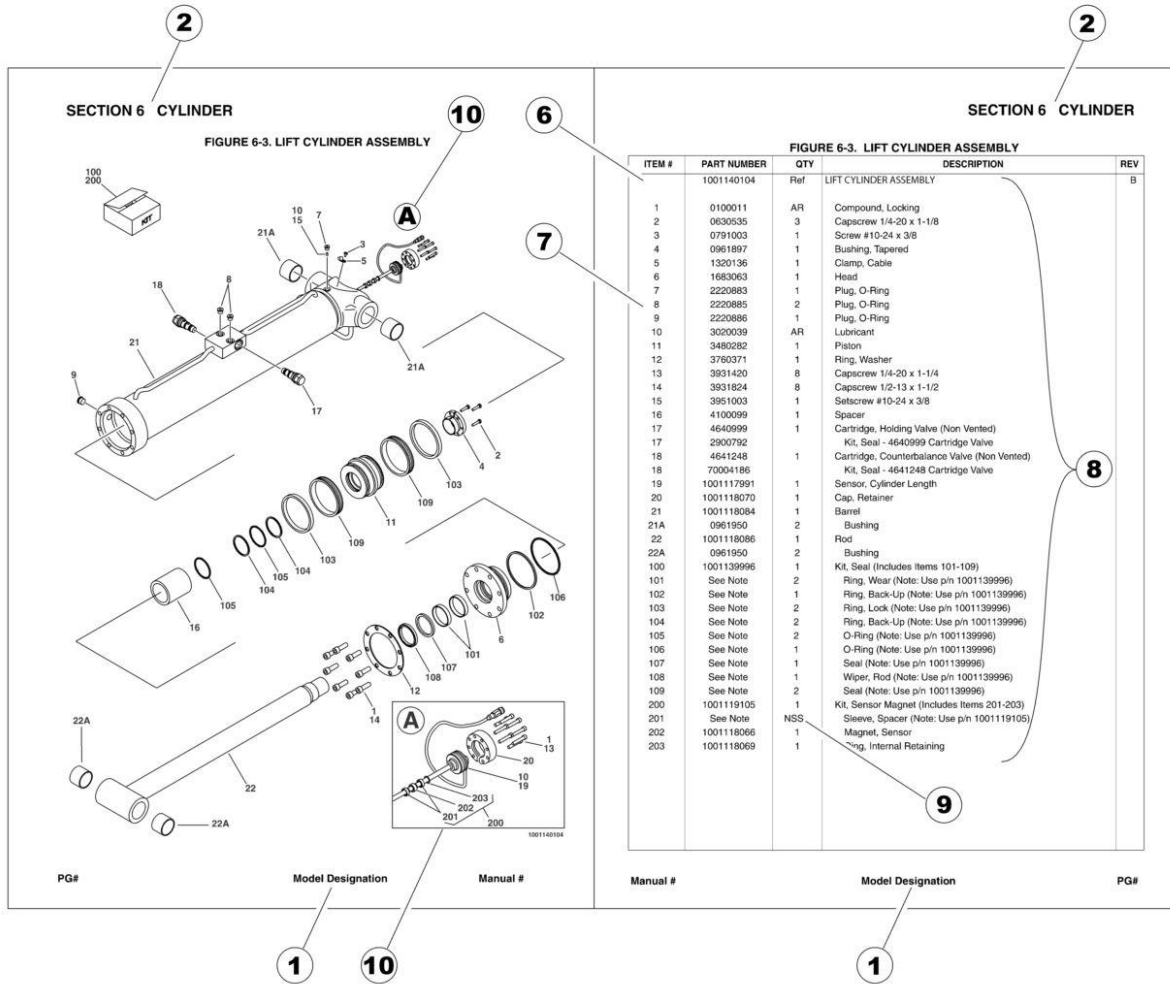
An Oshkosh Corporation Company



## **REVISION LOG**

January 9, 2023 - A - Original Issue of Manual (Edited to B/M 1001261100 Revision P)  
July 10, 2023 - B - Revised Manual (Edited to B/M 1001261100 Revision Q)

# GENERAL INFORMATION



## 1) MACHINE IDENTIFICATION

Machines are identified by model and in some cases a combination of models, serial number (SN) or regional standard (i.e ANSI, CE, CSA). Components may also be identified by SN or manufacturer. Common components that may be identified by these characteristics are engines and hydraulic components.

## 2) PARTS MANUAL ORGANIZATION

Product information in this manual is organized under section titles. Frame, Cylinder, Hydraulic and Electrical are a few examples. Each section is organized by figure and page number. The information within the Figure is then organized by item number, part number, description and corresponding illustration (s).

## 3) TABLE OF CONTENTS (NOT SHOWN)

A table of contents is found toward the beginning of the manual. Figure number, description and page number are provided for quick reference to the page containing the related information.

## 4) RECOMMENDED SPARE PARTS (NOT SHOWN)

The Recommended Spare Parts List, located near the end of the manual, reference most frequently used maintenance parts.

## 5) PART NUMBER INDEX (NOT SHOWN)

A numerical index listing all part numbers and the corresponding page number(s) appears at the back of the manual.

## GENERAL INFORMATION

### 6) NON-SERVICED PARTS

In some instances, it is necessary to display non-serviced parts, assemblies or installations. In the case of assemblies and installations there will be a Ref in the Qty. column. In case of parts that are not available for service within assemblies or components, there will be a NSS (Not Sold Separately) or NLA (No Longer Available) listed in the Qty. column of the manual.

### 7) PARTS LIST ITEM NUMBERS

Numbers shown in the item# column correspond to numbers used in the associated illustration (s). Item numbers which are missing from the sequence in the parts list are not used on that page.

### 8) INDENTED PARTS DESCRIPTION

An indented part description is included in the item under which it is indented.

### 9) ABBREVIATION AND SYMBOLS

|             |  |              |                                 |
|-------------|--|--------------|---------------------------------|
| AC.....     | Alternating Current                        | L.....       | Liter                           |
| ADE.....    | Advanced Design Electronics                | LB(LBS)..... | Pounds                          |
| AG.....     | Agricultural                               | LCD.....     | Liquid Crystal Display          |
| ANSI.....   | American National Standards Institute      | LED.....     | Light Emitting Diodes           |
| AR.....     | As Required                                | LH.....      | Left Hand                       |
| ASSY.....   | Assembly                                   | LRC.....     | Low Rated Countries             |
| AUS.....    | Australia                                  | LSS.....     | Load Sensing System             |
| AUX.....    | Auxiliary                                  | M(m).....    | Metric/Meter                    |
| AWG.....    | American Wire Gauge                        | MM(mm).....  | Milimeter                       |
| B/M.....    | Bill of Material                           | mA.....      | Miliamps                        |
| CAC.....    | Charge Air Cooler                          | NLA.....     | No Longer Available             |
| CE.....     | European Conformity                        | NPT.....     | National Pipe Threads           |
| CCW.....    | Counter Clockwise                          | NSS.....     | Not Sold Separately             |
| CM.....     | Centimeter                                 | OD.....      | Outside Diameter                |
| CW.....     | Clockwise                                  | ORB.....     | O-Ring Boss                     |
| CSA.....    | Canadian Standards Association             | ORFS.....    | O-Ring Face Seal                |
| CYL.....    | Cylinder                                   | OZ (oz)..... | Ounces                          |
| DIA.....    | Diameter                                   | PG.....      | Page                            |
| DC.....     | Direct Current                             | PN.....      | Part Number                     |
| DEF.....    | Diesel Exhaust Fluid                       | QT(qt.)..... | Quarts                          |
| EMS.....    | Emergency Stop                             | QTY.....     | Quantity                        |
| ENG.....    | Engine                                     | REF.....     | Reference                       |
| FT(ft)..... | Feet                                       | REV.....     | Revision Level                  |
| GA(Ga)..... | Gauge                                      | RH.....      | Right Hand                      |
| HRC.....    | High Rated Countries                       | SAE.....     | Society of Automotive Engineers |
| HVAC.....   | Heating, Ventilating, and Air Conditioning | SN.....      | Serial Number                   |
| HYD.....    | Hydraulic                                  | SPEC(S)..... | Specifications                  |
| Hz.....     | Hertz                                      | T/T.....     | Turntable                       |
| ID.....     | Inside Diameter                            | UGM.....     | Universal Ground Module         |
| IN.....     | inches                                     | V.....       | Volts                           |
| ISO.....    | International Organization for Standards   | W.....       | Watts                           |
| JIC.....    | Joint Industry Council                     | #.....       | Number                          |
| KG.....     | Kilogram                                   |              |                                 |

### 10) ILLUSTRATION REFERENCE LETTERS

When necessary, illustrations may contain reference letters that are intended to track information (i. e. hoses, harnesses) from one point to another or to track visual enlargement of components to show details that may be located in another area on the illustration.

*Note: Due to continuous product improvements, JLG Industries, Inc. reserves the right to make specification changes without prior notification. Contact JLG Industries, Inc. for updated information.*



# TABLE OF CONTENTS

|   |     |
|---|-----|
| SECTION 1 - FRAME.....  | 13  |
| FIGURE 1-1. AXLE INSTALLATION - 2WS .....   | 14  |
| FIGURE 1-2. AXLE INSTALLATION - 4WS .....   | 16  |
| FIGURE 1-3. STEER INSTALLATION - 2WS.....   | 18  |
| FIGURE 1-4. STEER INSTALLATION - 4WS.....   | 20  |
| FIGURE 1-5. WHEEL DRIVE INSTALLATION - 2WD.....                                       | 24  |
| FIGURE 1-6. WHEEL DRIVE INSTALLATION - 4WD.....                                       | 26  |
| FIGURE 1-7. DRIVE HUB ASSEMBLY - 2WD FRONT.....                                       | 28  |
| FIGURE 1-8. DRIVE HUB ASSEMBLY .....  | 30  |
| FIGURE 1-9. DRIVE MOTOR ASSEMBLY - 2WD .....  | 34  |
| FIGURE 1-10. DRIVE MOTOR ASSEMBLY - 4WD .....   | 36  |
| FIGURE 1-11. TIRE AND WHEEL INSTALLATION - FOAM-FILLED .....                          | 38  |
| FIGURE 1-12. TIRE AND WHEEL INSTALLATION - SOLID .....                                | 40  |
| FIGURE 1-13. VALVES INSTALLATION - FRAME (2WD/2WS).....                               | 42  |
| FIGURE 1-14. VALVES INSTALLATION - FRAME (4WD/2WS).....                               | 44  |
| FIGURE 1-15. VALVES INSTALLATION - FRAME (1100SJ WITH 4WD/4WS).....                   | 46  |
| FIGURE 1-16. TRACTION VALVE ASSEMBLY - 2WD.....                                       | 48  |
| FIGURE 1-17. TRACTION VALVE ASSEMBLY - 4WD.....                                       | 50  |
| FIGURE 1-18. AXLE EXTEND/STEER ASSEMBLY .....   | 52  |
| FIGURE 1-19. STEER VALVE ASSEMBLY .....   | 54  |
| FIGURE 1-20. FRAME COVER INSTALLATION (2WS) .....                                     | 56  |
| FIGURE 1-21. FRAME COVER INSTALLATION (4WS) .....                                     | 58  |
| FIGURE 1-22. FRAME COVER INSTALLATION - SHIPYARD MACHINES (2WS).....                  | 60  |
| FIGURE 1-23. FRAME COVER INSTALLATION - SHIPYARD MACHINES (4WS).....                  | 62  |
| SECTION 2 - TURNTABLE.....  | 65  |
| FIGURE 2-1. VALVE INSTALLATION - TURNTABLE (2WD/2WS).....                             | 66  |
| FIGURE 2-2. VALVE INSTALLATION - TURNTABLE (4WD/2WS).....                             | 68  |
| FIGURE 2-3. VALVE INSTALLATION - TURNTABLE (4WD/4WS).....                             | 70  |
| FIGURE 2-4. MAIN VALVE ASSEMBLY .....   | 72  |
| FIGURE 2-5. SWING DRIVE INSTALLATION .....  | 76  |
| FIGURE 2-6. SWING MOTOR/HUB ASSEMBLY.....   | 78  |
| FIGURE 2-7. PINION SHIELD INSTALLATION (OPTIONAL).....                                | 82  |
| FIGURE 2-8. TURNTABLE BEARING AND LUBE INSTALLATION .....                             | 84  |
| FIGURE 2-9. BEARING AND TURNTABLE SHIELDS INSTALLATION .....                          | 86  |
| FIGURE 2-10. BEARING AND TURNTABLE SHIELDS INSTALLATION (SHIPYARD MACHINES).....      | 88  |
| FIGURE 2-11. TURNTABLE LOCK INSTALLATION.....   | 90  |
| FIGURE 2-12. ROTARY COUPLING AND COLLECTOR RING INSTALLATION.....                     | 92  |
| FIGURE 2-13. BATTERY TRAY AND AUXILIARY PUMP INSTALLATION .....                       | 94  |
| FIGURE 2-14. TANKS INSTALLATION.....  | 96  |
| FIGURE 2-15. FUEL TANK ASSEMBLY .....   | 98  |
| FIGURE 2-16. HYDRAULIC TANK ASSEMBLY.....   | 100 |
| FIGURE 2-17. ELECTRICAL COMPONENTS INSTALLATION (ALL SPEC EXCEPT CHINA IV SPECS)..... | 102 |
| FIGURE 2-18. ELECTRICAL COMPONENTS INSTALLATION (CHINA IV SPECS).....                 | 104 |
| FIGURE 2-19. GROUND CONTROL PANEL ASSEMBLY (ALL SPEC EXCEPT CHINA IV SPECS) .....     | 106 |

# TABLE OF CONTENTS

|  |     |
|--|-----|
| FIGURE 2-20. GROUND CONTROL PANEL ASSEMBLY (CHINA IV SPECS) .....  | 108 |
| FIGURE 2-21. LIGHT PANEL INSTALLATION.....   | 110 |
| FIGURE 2-22. KEYSWITCH INSTALLATION.....   | 112 |
| FIGURE 2-23. ELECTRICAL ASSEMBLY .....   | 114 |
| FIGURE 2-24. STROBE LIGHT INSTALLATION - AMBER.....  | 116 |
| FIGURE 2-25. STROBE LIGHT INSTALLATION - AMBER (SHIPYARD MACHINES).....                                    | 118 |
| FIGURE 2-26. ALARM AND TURNTABLE COVERS INSTALLATION.....  | 120 |
| FIGURE 2-27. WHITE NOISE ALARM INSTALLATION .....  | 122 |
| FIGURE 2-28. HOOD INSTALLATION - DEUTZ TD2011 ENGINE .....   | 124 |
| FIGURE 2-29. HOOD INSTALLATION - DEUTZ TD2.9L4 ENGINE .....  | 128 |
| FIGURE 2-30. HOOD ASSEMBLY - ENGINE SIDE (DEUTZ TD2011 ENGINE).....  | 132 |
| FIGURE 2-31. HOOD ASSEMBLY - ENGINE SIDE (DEUTZ TD2.9L4 ENGINE).....                                       | 134 |
| FIGURE 2-32. HOOD ASSEMBLY - TANK SIDE.....  | 136 |
| SECTION 3 - ENGINE.....  | 139 |
| FIGURE 3-1. DEUTZ TD2011 ENGINE INSTALLATION.....  | 140 |
| FIGURE 3-2. DEUTZ TD2011 ENGINE AND PUMPS SUB-ASSEMBLY .....   | 142 |
| FIGURE 3-3. DEUTZ TD2011 ENGINE ASSEMBLY.....  | 144 |
| FIGURE 3-4. DEUTZ TD2011 ENGINE COMPONENTS.....  | 148 |
| FIGURE 3-5. DEUTZ TD2.9L4 T4F ENGINE INSTALLATION .....  | 152 |
| FIGURE 3-6. DEUTZ TD2.9L4 T4F ENGINE AND PUMPS SUB-ASSEMBLY.....   | 156 |
| FIGURE 3-7. DEUTZ TD2.9L4 T4F ENGINE ASSEMBLY.....   | 158 |
| FIGURE 3-8. DEUTZ TD2.9L4 T4F ENGINE COMPONENTS .....  | 164 |
| FIGURE 3-9. DEUTZ TD2.9L4 T4I ENGINE INSTALLATION.....   | 168 |
| FIGURE 3-10. DEUTZ TD2.9L4 T4I ENGINE AND PUMPS SUB-ASSEMBLY .....   | 172 |
| FIGURE 3-11. DEUTZ TD2.9L4 T4I ENGINE ASSEMBLY .....   | 174 |
| FIGURE 3-12. DEUTZ TD2.9L4 T4I ENGINE COMPONENTS .....   | 180 |
| FIGURE 3-13. DEUTZ TD2.9L4 (CHINA IV) ENGINE INSTALLATION.....   | 184 |
| FIGURE 3-14. DEUTZ TD2.9L4 (CHINA IV) ENGINE AND PUMP SUB-ASSEMBLY.....                                    | 188 |
| FIGURE 3-15. DEUTZ TD2.9L4 (CHINA IV) ENGINE ASSEMBLY .....  | 190 |
| FIGURE 3-16. DEUTZ TD2.9L4 (CHINA IV) ENGINE COMPONENTS.....   | 196 |
| FIGURE 3-17. PUMP COUPLING KIT .....   | 198 |
| FIGURE 3-18. TANDEM PUMP ASSEMBLY .....  | 200 |
| FIGURE 3-19. PISTON PUMP ASSEMBLY.....   | 204 |
| FIGURE 3-20. GEAR PUMP ASSEMBLY .....  | 208 |
| FIGURE 3-21. AIR CLEANER ASSEMBLY .....  | 210 |
| FIGURE 3-22. FUEL FILTER ASSEMBLY - DEUTZ TD2.9L4 T4F ENGINES.....   | 212 |
| FIGURE 3-23. FUEL FILTER INSTALLATION - DEUTZ TD2011 ENGINE (OPTIONAL).....                                | 214 |
| FIGURE 3-24. 7500W SKYPOWER GENERATOR INSTALLATION - 60HZ/240V (DEUTZ TD2.9L4 T4F ENGINES) (OPTIONAL)..... | 216 |
| SECTION 4 - BOOM.....  | 221 |
| FIGURE 4-1. BOOM INSTALLATION .....  | 222 |
| FIGURE 4-2. BOOM ASSEMBLY .....  | 226 |
| FIGURE 4-3. TELESCOPE VALVE ASSEMBLY .....   | 230 |
| FIGURE 4-4. JIB ASSEMBLY .....   | 232 |



# TABLE OF CONTENTS

|   |     |
|---|-----|
| FIGURE 4-5. PLATFORM ROTATOR ASSEMBLY.....  | 234 |
| FIGURE 4-6. POWER TRACK INSTALLATION.....   | 236 |
| FIGURE 4-7. PLATFORM SUPPORT INSTALLATION.....  | 238 |
| FIGURE 4-8. VALVE INSTALLATION - BOOM (2WD/2WS).....  | 240 |
| FIGURE 4-9. VALVE INSTALLATION - BOOM (4WD/2WS).....  | 242 |
| FIGURE 4-10. VALVE INSTALLATION - BOOM (4WD/4WS).....   | 244 |
| FIGURE 4-11. JIB AND PLATFORM ROTATE VALVE ASSEMBLY.....  | 246 |
| FIGURE 4-12. BOOM SENSORS INSTALLATION.....   | 248 |
| FIGURE 4-13. BOOM SENSORS INSTALLATION (WITH VERTICAL/HORIZONTAL CONTROLS).....                               | 250 |
| FIGURE 4-14. BOOM SHIELDS INSTALLATION.....   | 252 |
| FIGURE 4-15. BOOM SHIELDS INSTALLATION - SHIPYARD MACHINES.....   | 254 |
| SECTION 5 - PLATFORM.....   | 257 |
| FIGURE 5-1. PLATFORM ASSEMBLY - STANDARD MACHINES.....  | 258 |
| FIGURE 5-2. PLATFORM ASSEMBLY - SHIPYARD MACHINES.....  | 260 |
| FIGURE 5-3. PLATFORM CONSOLE AND FOOTSWITCH INSTALLATION - SHIPYARD MACHINES (ENGLISH LANGUAGE).....          | 262 |
| FIGURE 5-4. PLATFORM CONSOLE AND FOOTSWITCH INSTALLATION - SHIPYARD MACHINES (ENGLISH/CHINESE LANGUAGE).....  | 264 |
| FIGURE 5-5. PLATFORM CONSOLE AND FOOTSWITCH INSTALLATION - SHIPYARD MACHINES (ENGLISH/JAPANESE LANGUAGE)..... | 266 |
| FIGURE 5-6. PLATFORM CONSOLE AND FOOTSWITCH INSTALLATION - SHIPYARD MACHINES (ENGLISH/KOREAN LANGUAGE).....   | 268 |
| FIGURE 5-7. PLATFORM CONSOLE AND FOOTSWITCH INSTALLATION - STANDARD MACHINES (ENGLISH LANGUAGE).....          | 270 |
| FIGURE 5-8. CONSOLE BOX SUB-ASSEMBLY (ENGLISH LANGUAGE).....  | 272 |
| FIGURE 5-9. CONSOLE BOX SUB-ASSEMBLY (ENGLISH/JAPANESE LANGUAGE).....   | 274 |
| FIGURE 5-10. CONSOLE BOX SUB-ASSEMBLY (ENGLISH/KOREAN LANGUAGE).....  | 276 |
| FIGURE 5-11. CONSOLE BOX SUB-ASSEMBLY (ENGLISH/CHINESE LANGUAGE).....   | 278 |
| FIGURE 5-12. CONSOLE BOX SUB-ASSEMBLY (ENGLISH LANGUAGE).....   | 280 |
| FIGURE 5-13. CONSOLE BOX ASSEMBLY (ENGLISH LANGUAGE).....   | 282 |
| FIGURE 5-14. CONSOLE BOX ASSEMBLY.....  | 286 |
| FIGURE 5-15. CONTROLLER ASSEMBLY (LIFT AND SWING).....  | 290 |
| FIGURE 5-16. CONTROLLER ASSEMBLY (DRIVE AND STEER).....   | 294 |
| FIGURE 5-17. JIB SWITCH INSTALLATION - 1100SJ.....  | 296 |
| FIGURE 5-18. LIGHT PANEL INSTALLATION.....  | 298 |
| FIGURE 5-19. SKYEYE INSTALLATION.....   | 300 |
| FIGURE 5-20. SKYGUARD INSTALLATION.....   | 302 |
| FIGURE 5-21. SKYLINE INSTALLATION.....  | 304 |
| FIGURE 5-22. USB CHARGER INSTALLATION.....  | 306 |
| FIGURE 5-23. OVERHEAD PROTECTION INSTALLATION - WITHOUT LSS (KOREAN/CHINA SPECS).....                         | 308 |
| FIGURE 5-24. OVERHEAD PROTECTION INSTALLATION - WITH LSS (KOREAN/CHINA SPECS).....                            | 310 |
| SECTION 6 - CYLINDER.....   | 313 |
| FIGURE 6-1. AXLE EXTEND CYLINDER ASSEMBLY.....  | 314 |
| FIGURE 6-2. LEVEL CYLINDER ASSEMBLY - PLATFORM SLAVE.....   | 316 |
| FIGURE 6-3. LIFT CYLINDER ASSEMBLY - BOOM.....  | 318 |
| FIGURE 6-4. LIFT CYLINDER ASSEMBLY - JIB.....   | 320 |

# TABLE OF CONTENTS

|  |     |
|--|-----|
| FIGURE 6-5. MASTER CYLINDER ASSEMBLY .....   | 322 |
| FIGURE 6-6. STEER CYLINDER ASSEMBLY .....  | 324 |
| FIGURE 6-7. TELESCOPE CYLINDER .....   | 326 |
| FIGURE 6-8. TELESCOPE CYLINDER .....   | 328 |
| SECTION 7 - HYDRAULIC .....  | 331 |
| FIGURE 7-1. BOOM HYDRAULIC DIAGRAM .....   | 332 |
| FIGURE 7-2. CHASSIS HYDRAULIC DIAGRAM - 2WD/2WS.....   | 336 |
| FIGURE 7-3. CHASSIS HYDRAULIC DIAGRAM - 4WD/2WS.....   | 340 |
| FIGURE 7-4. CHASSIS HYDRAULIC DIAGRAM - 4WD/4WS.....   | 344 |
| FIGURE 7-5. TURNTABLE HYDRAULIC DIAGRAM .....  | 348 |
| SECTION 8 - ELECTRICAL.....  | 351 |
| FIGURE 8-1. ELECTRICAL DIAGRAM LIST .....  | 352 |
| FIGURE 8-2. AXLE POWER TRACK HARNESS .....   | 354 |
| FIGURE 8-3. BATTERY CABLE KIT - DEUTZ TD2011 .....   | 356 |
| FIGURE 8-4. BATTERY CABLE KIT - DEUTZ TD2.9L4 .....  | 358 |
| FIGURE 8-5. BLAM HARNESS .....   | 360 |
| FIGURE 8-6. BOOM CABLES INSTALLATION - 1100SJ WITHOUT POWER AT PLATFORM.....                             | 362 |
| FIGURE 8-7. BOOM CABLES INSTALLATION - WITHOUT POWER AT PLATFORM.....                                    | 364 |
| FIGURE 8-8. BOOM CABLES INSTALLATION - WITH AC POWER AT PLATFORM .....                                   | 366 |
| FIGURE 8-9. BOOM CABLES INSTALLATION - WITH SKYPOWER .....   | 368 |
| FIGURE 8-10. BOOM CABLE - MAIN - WITHOUT POWER AT PLATFORM .....   | 370 |
| FIGURE 8-11. BOOM CABLE - MAIN - WITH POWER AT PLATFORM.....   | 372 |
| FIGURE 8-12. CHASSIS AND TURNTABLE HARNESS INSTALLATION .....  | 374 |
| FIGURE 8-13. CHASSIS HARNESS.....  | 376 |
| FIGURE 8-14. CLEARSKY INSTALLATION - 3G CANBUS CONNECTION (AUSTRALIAN SPECS) .....                       | 378 |
| FIGURE 8-15. CLEARSKY INSTALLATION - 3G CANBUS CONNECTION (CE & UK CA SPECS).....                        | 380 |
| FIGURE 8-16. CLEARSKY INSTALLATION - 4G CANBUS CONNECTION (ALL SPECS EXCEPT CHINA SPECS).....            | 382 |
| FIGURE 8-17. CLEARSKY INSTALLATION - 4G CANBUS CONNECTION (CHINA SPECS).....                             | 384 |
| FIGURE 8-18. CLEARSKY INSTALLATION - 3 WIRE GT1030 (ALL SPECS EXCEPT CHINA SPECS) .....                  | 386 |
| FIGURE 8-19. CLEARSKY INSTALLATION - WITH DEUTZ TD2.9L4 (CHINA IV) ENGINES (CHINA SPECS).....            | 388 |
| FIGURE 8-20. CLEARSKY HARNESS - 3G & 4G CANBUS CONNECTIONS .....   | 390 |
| FIGURE 8-21. CLEARSKY HARNESS - 3 WIRE GT1030.....   | 392 |
| FIGURE 8-22. CLEARSKY HARNESS - WITH DEUTZ TD2.9L4 (CHINA IV) ENGINES .....                              | 394 |
| FIGURE 8-23. CLEARSKY TELEMATICS JUMPER HARNESS .....  | 396 |
| FIGURE 8-24. TELEMATICS CONTROL MODULE ASSEMBLY .....  | 398 |
| FIGURE 8-25. ENGINE HARNESS - DEUTZ TD2011 ENGINES.....  | 400 |
| FIGURE 8-26. ENGINE HARNESS - DEUTZ TD2.9L4 ENGINES.....   | 402 |
| FIGURE 8-27. ENGINE HARNESS - DEUTZ TD2.9L4 ENGINES (CHINA IV SPECS).....                                | 406 |
| FIGURE 8-28. FUEL FILTER HARNESS - DEUTZ TD2.9L4 T4I.....  | 410 |
| FIGURE 8-29. FUEL PUMP HARNESS - DEUTZ TD2.9L4 .....   | 412 |
| FIGURE 8-30. GENERATOR HARNESS - 7500W SKYPOWER (60HZ/240V) (DEUTZ TD2.9L4 T4F ENGINES) (OPTIONAL) ..... | 414 |
| FIGURE 8-31. GENERATOR CABLE HARNESS - 7500W SKYPOWER (60HZ/240V) (DEUTZ TD2.9L4 T4F ENGINES) .....      | 416 |
| FIGURE 8-32. GROUND CONTROL PANEL HARNESS .....  | 418 |
| FIGURE 8-33. LOAD SENSING PIN HARNESS .....  | 420 |

# TABLE OF CONTENTS

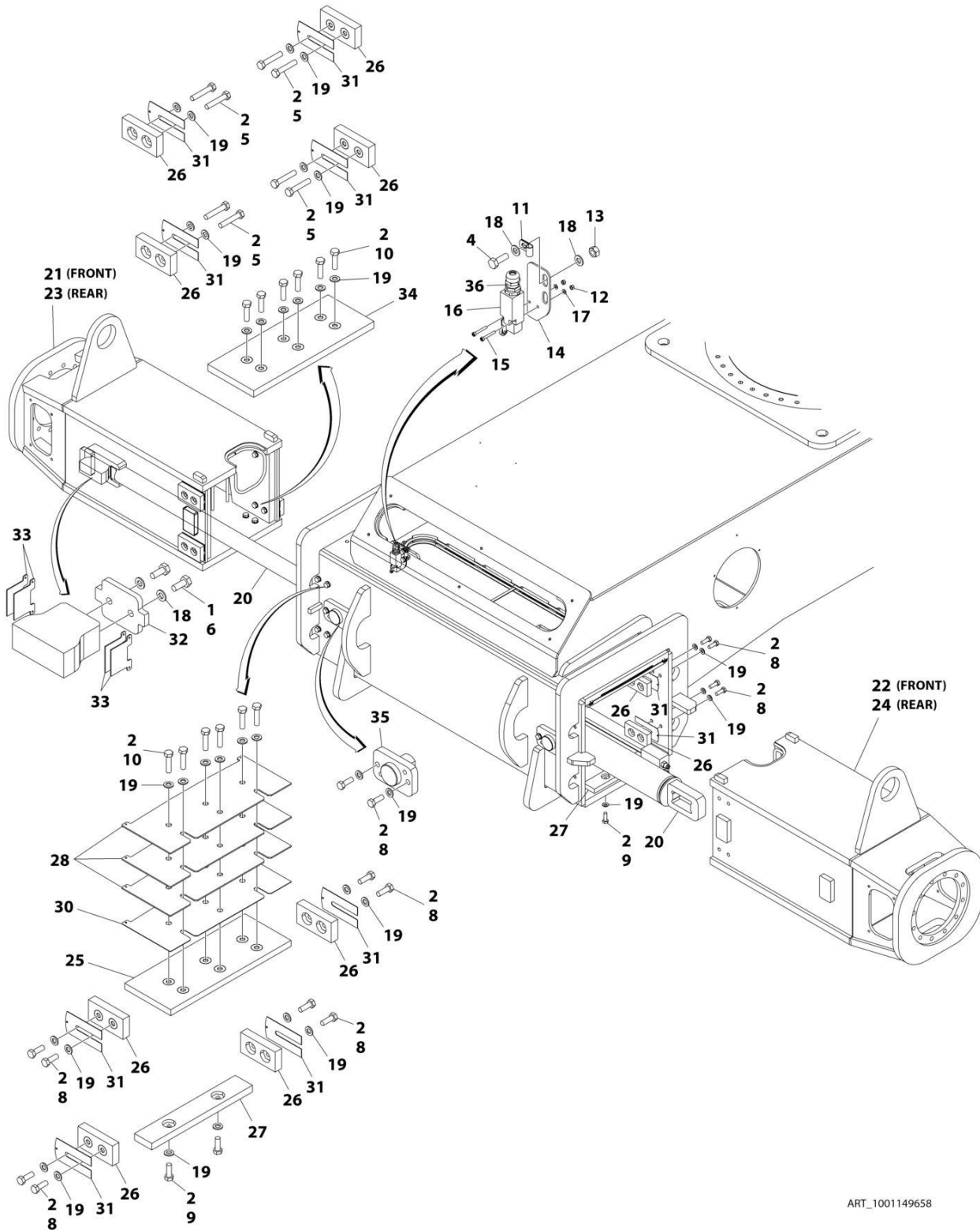
|  |     |
|--|-----|
| FIGURE 8-34. MAIN VALVE HARNESS .....  | 422 |
| FIGURE 8-35. OVERHEAD SOFT TOUCH HARNESS .....                                       | 424 |
| FIGURE 8-36. PLATFORM CONSOLE BOX HARNESS .....                                      | 426 |
| FIGURE 8-37. PLATFORM VALVE HARNESS (1100SJ) .....                                   | 428 |
| FIGURE 8-38. SKYEYE EMITTER HARNESS.....   | 430 |
| FIGURE 8-39. SKYEYE RECEIVER HARNESS .....   | 432 |
| FIGURE 8-40. SKYEYE INTERMEDIATE HARNESS.....  | 434 |
| FIGURE 8-41. SKYGUARD SENSOR HARNESS.....  | 436 |
| FIGURE 8-42. SKYLINE HARNESS.....  | 438 |
| FIGURE 8-43. STROBE LIGHT CONTROL HARNESS (BLUE LIGHT).....                          | 440 |
| FIGURE 8-44. SWING DRIVE HARNESS.....  | 442 |
| FIGURE 8-45. TURNTABLE HARNESS .....   | 444 |
| FIGURE 8-46. WHITE NOISE ALARM HARNESS.....  | 448 |
| SECTION 9 - DECALS.....  | 451 |
| FIGURE 9-1. DECAL INSTALLATION - STANDARD PLATFORM (ENGLISH LANGUAGE) .....          | 452 |
| FIGURE 9-2. DECAL INSTALLATION - SHIPYARD PLATFORM (ENGLISH LANGUAGE).....           | 454 |
| FIGURE 9-3. DECAL INSTALLATION - STANDARD PLATFORM (ENGLISH/CHINESE LANGUAGE).....   | 456 |
| FIGURE 9-4. DECAL INSTALLATION - SHIPYARD PLATFORM (ENGLISH/CHINESE LANGUAGE) .....  | 458 |
| FIGURE 9-5. DECAL INSTALLATION - STANDARD PLATFORM (ENGLISH/JAPANESE LANGUAGE).....  | 460 |
| FIGURE 9-6. DECAL INSTALLATION - SHIPYARD PLATFORM (ENGLISH/JAPANESE LANGUAGE) ..... | 462 |
| FIGURE 9-7. DECAL INSTALLATION - KOREAN SPECS (ENGLISH/KOREAN LANGUAGES).....        | 464 |
| FIGURE 9-8. DECAL INSTALLATION - SHIPYARD PLATFORM (ENGLISH/KOREAN LANGUAGE).....    | 466 |
| FIGURE 9-9. INSTALLATION WARNING STRIPE (COMMERCIAL MACHINES).....                   | 468 |
| FIGURE 9-10. INSTALLATION WARNING STRIPE (SHIPYARD MACHINES).....                    | 470 |
| FIGURE 9-11. DECALS INSTALLATION - OPTIONS.....                                      | 472 |
| SECTION 10 - RECOMMENDED SERVICE PARTS STOCK .....                                   | 475 |
| FIGURE 10-1. RECOMMENDED SERVICE PARTS STOCK .....                                   | 476 |
| SECTION 11 - SPECIAL OPTIONS/ACCESSORIES/KITS .....                                  | 479 |
| FIGURE 11-1. SPECIAL OPTIONS/ACCESSORIES/KITS .....                                  | 480 |
| PART NUMBER INDEX .....  | 483 |



**SECTION 1 - FRAME**

# SECTION 1 - FRAME

## FIGURE 1-1. AXLE INSTALLATION - 2WS



ART\_1001149658

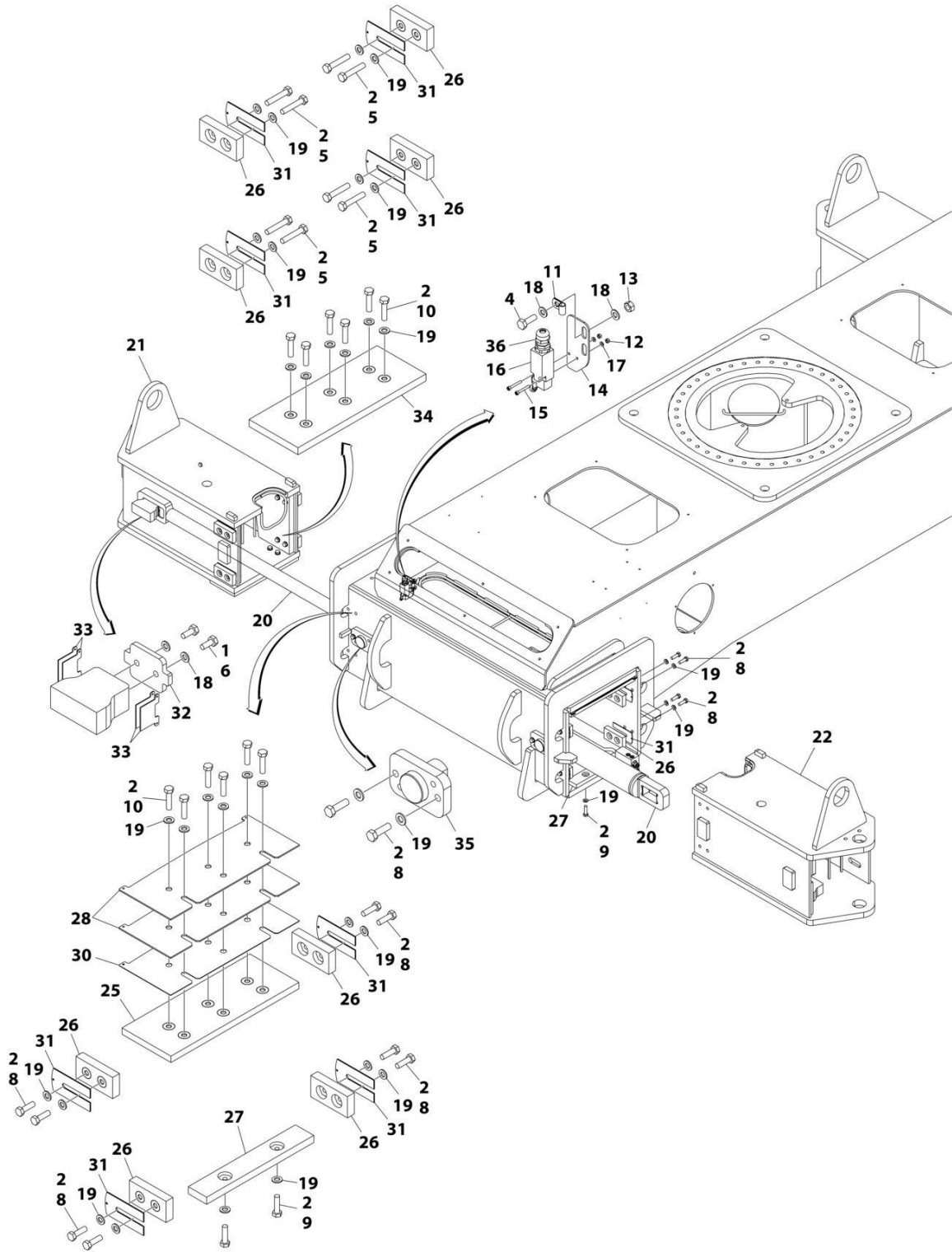
## SECTION 1 - FRAME

### FIGURE 1-1. AXLE INSTALLATION - 2WS

| ITEM | PART NUMBER | QTY | DESCRIPTION  | REV |
|------|-------------|-----|--|-----|
|      | 1001149658  | Ref | AXLE INSTALLATION  | G   |
| 1    | 0100011     | AR  | Compound, Locking  |     |
| 2    | 0100019     | AR  | Compound, Locking  |     |
| 3    | 0100081     | AR  | Adhesive (Not Shown)   |     |
| 4    | 0701014     | 8   | Bolt M10 x 30  |     |
| 5    | 0701221     | 32  | Bolt M12 x 65  |     |
| 6    | 0761012     | 8   | Bolt M10 x 25  |     |
| 8    | 0761216     | 40  | Bolt M12 x 40  |     |
| 9    | 0761217     | 8   | Bolt M12 x 45  |     |
| 10   | 0761218     | 48  | Bolt M12 x 50  |     |
| 11   | 1320263     | 4   | Clamp  |     |
| 12   | 3290405     | 8   | Nut M4   |     |
| 13   | 3291007     | 8   | Nut M10  |     |
| 14   | 3573294     | 4   | Plate, Switch  |     |
| 15   | 4031510     | 8   | Capscrew M4 x 30   |     |
| 16   | 4360578     | 4   | Switch, Limit  |     |
| 17   | 4811400     | 8   | Washer M4  |     |
| 18   | 4812000     | 24  | Washer M10   |     |
| 19   | 4812100     | 128 | Washer M12   |     |
| 20   | 1001149464  | 2   | Axle Extend Cylinder Assembly (See Separate Breakdown in CYLINDER SECTION) |     |
| 21   | 1001149671  | 1   | Axle, Front (Left)   |     |
| 22   | 1001149672  | 1   | Axle, Front (Right)  |     |
| 23   | 1001149785  | 1   | Axle, Rear (Left)  |     |
| 24   | 1001149786  | 1   | Axle, Rear (Right)   |     |
| 25   | 1001150320  | 4   | Pad, Wear  |     |
| 26   | 1001150321  | 32  | Pad, Wear  |     |
| 27   | 1001150322  | 4   | Pad, Wear  |     |
| 28   | 1001150323  | 8   | Shim 3mm   |     |
| 30   | 1001150325  | 8   | Shim 1.2mm   |     |
| 31   | 1001150326  | 64  | Shim 1.2mm   |     |
| 32   | 1001150407  | 4   | Plate  |     |
| 33   | 1001150408  | 16  | Shim 1.5mm   |     |
| 34   | 1001150458  | 4   | Pad, Wear  |     |
| 35   | 1001150558  | 4   | Stop   |     |
| 36   | 4460968     | 4   | Connector, Strain Relief   |     |

# SECTION 1 - FRAME

## FIGURE 1-2. AXLE INSTALLATION - 4WS



ART\_1001222642



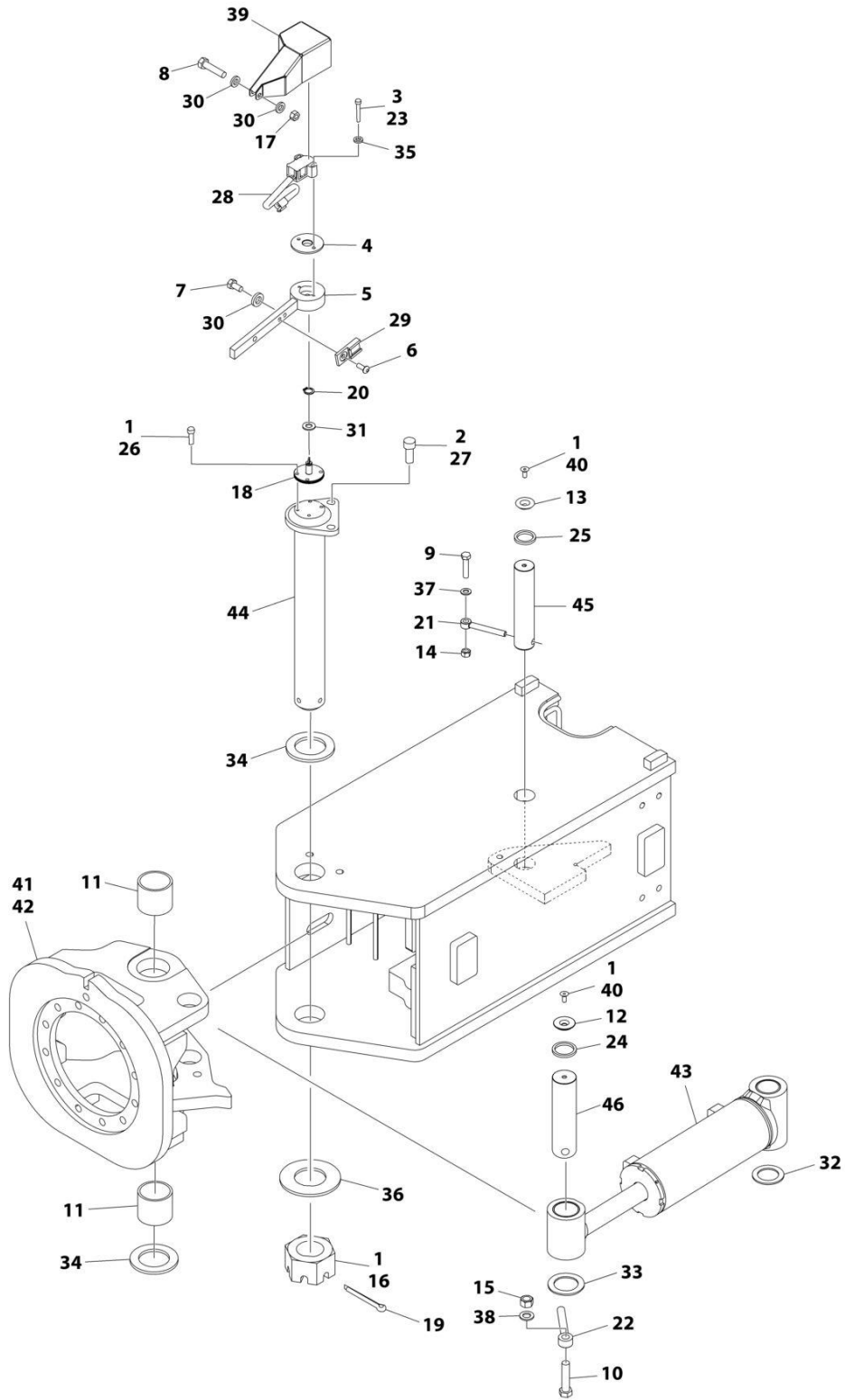
# SECTION 1 - FRAME

## FIGURE 1-2. AXLE INSTALLATION - 4WS

| ITEM | PART NUMBER | QTY | DESCRIPTION  | REV |
|------|-------------|-----|--|-----|
|      | 1001222642  | Ref | AXLE INSTALLATION  | B   |
| 1    | 0100011     | AR  | Compound, Locking  |     |
| 2    | 0100019     | AR  | Compound, Locking  |     |
| 3    | 0100081     | AR  | Adhesive (Not Shown)   |     |
| 4    | 0701014     | 8   | Bolt M10 x 30  |     |
| 5    | 0701221     | 32  | Bolt M12 x 65  |     |
| 6    | 0761012     | 8   | Bolt M10 x 25  |     |
| 8    | 0761216     | 40  | Bolt M12 x 40  |     |
| 9    | 0761217     | 8   | Bolt M12 x 45  |     |
| 10   | 0761218     | 48  | Bolt M12 x 50  |     |
| 11   | 1320263     | 4   | Clamp  |     |
| 12   | 3290405     | 8   | Nut M4   |     |
| 13   | 3291007     | 8   | Nut M10  |     |
| 14   | 3573294     | 4   | Plate, Switch  |     |
| 15   | 4031510     | 8   | Capscrew M4 x 30   |     |
| 16   | 4360578     | 4   | Switch, Limit  |     |
| 17   | 4811400     | 8   | Washer M4  |     |
| 18   | 4812000     | 24  | Washer M10   |     |
| 19   | 4812100     | 128 | Washer M12   |     |
| 20   | 1001149464  | 2   | Axle Extend Cylinder Assembly (See Separate Breakdown in CYLINDER SECTION) |     |
| 21   | 1001149671  | 1   | Axle, Front (Left)   |     |
| 22   | 1001149672  | 1   | Axle, Front (Right)  |     |
| 25   | 1001150320  | 4   | Pad, Wear  |     |
| 26   | 1001150321  | 32  | Pad, Wear  |     |
| 27   | 1001150322  | 4   | Pad, Wear  |     |
| 28   | 1001150323  | 8   | Shim 3mm   |     |
| 30   | 1001150325  | 8   | Shim 1.2mm   |     |
| 31   | 1001150326  | 64  | Shim 1.2mm   |     |
| 32   | 1001150407  | 4   | Plate  |     |
| 33   | 1001150408  | 16  | Shim 1.5mm   |     |
| 34   | 1001150458  | 4   | Pad, Wear  |     |
| 35   | 1001150558  | 4   | Stop   |     |
| 36   | 4460968     | 4   | Connector, Strain Relief   |     |

# SECTION 1 - FRAME

## FIGURE 1-3. STEER INSTALLATION - 2WS



ART\_1001149657

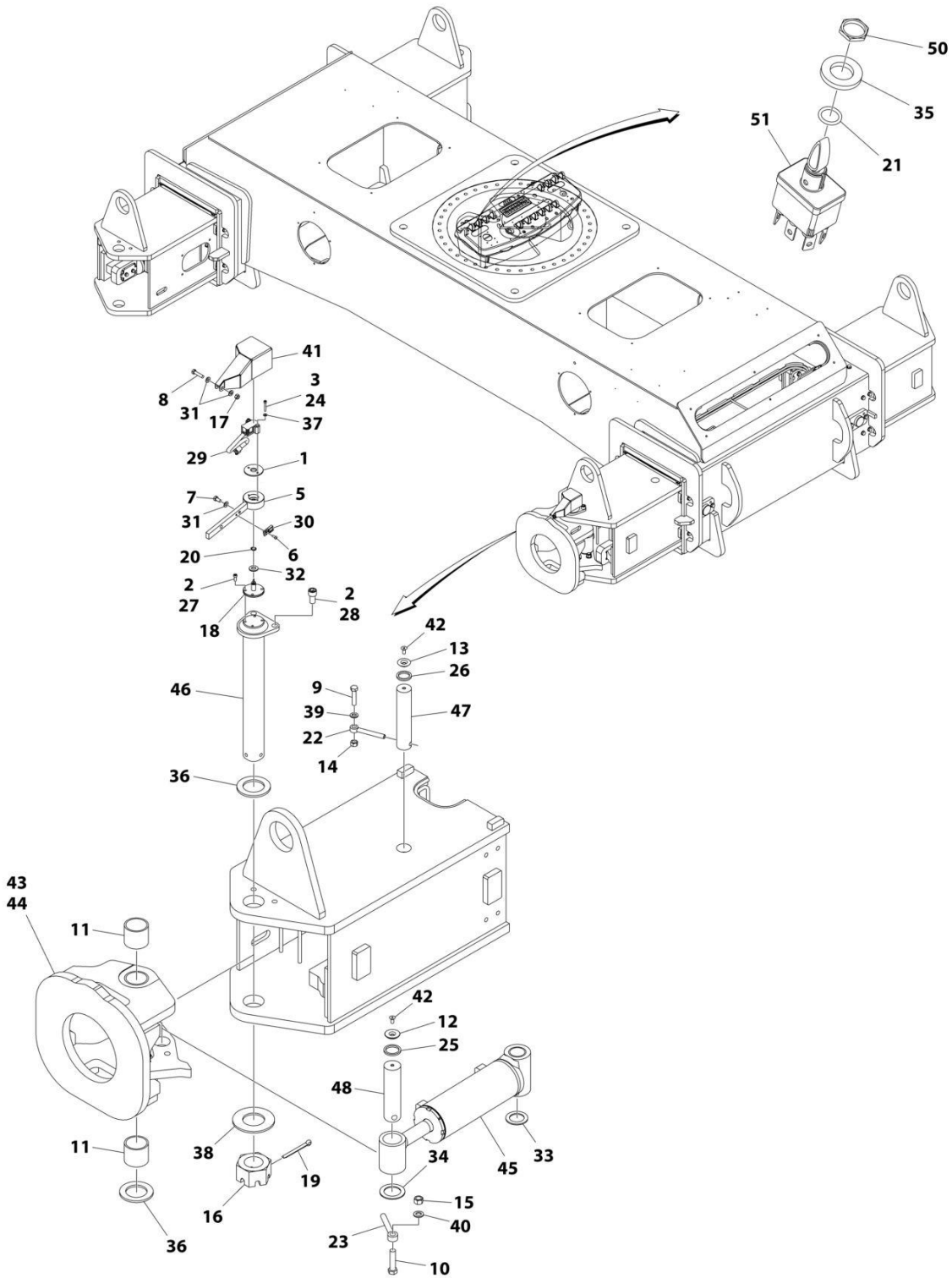
# SECTION 1 - FRAME

## FIGURE 1-3. STEER INSTALLATION - 2WS

| ITEM | PART NUMBER | QTY | DESCRIPTION  | REV |
|------|-------------|-----|--|-----|
|      | 1001149657  | Ref | STEER INSTALLATION   | B   |
| 1    | 0100011     | AR  | Compound, Locking  |     |
| 2    | 0100019     | AR  | Compound, Locking  |     |
| 3    | 0100035     | AR  | Compound, Locking  |     |
| 4    | 0080277     | 2   | Adapter, Sensor  |     |
| 5    | 0200833     | 2   | Arm, Sensor  |     |
| 6    | 0630464     | 2   | Screw #10 x 1/2  |     |
| 7    | 0641505     | 2   | Bolt 5/16 x 5/8  |     |
| 8    | 0641511     | 2   | Bolt 5/16 x 1-3/8  |     |
| 9    | 0701219     | 2   | Bolt M12 x 55  |     |
| 10   | 0701622     | 2   | Bolt M16 x 70  |     |
| 11   | 0962423     | 4   | Bearing  |     |
| 12   | 1120549     | 2   | Cap (Outer)  |     |
| 13   | 1120550     | 2   | Cap (Inner)  |     |
| 14   | 3291207     | 2   | Nut M12  |     |
| 15   | 3291607     | 2   | Nut M16  |     |
| 16   | 3300464     | 2   | Nut  |     |
| 17   | 3311505     | 2   | Nut 5/16   |     |
| 18   | 3423256     | 2   | Pin, Sensor  |     |
| 19   | 3451214     | 2   | Pin 3/8 x 3-1/2  |     |
| 20   | 3760383     | 2   | Ring   |     |
| 21   | 3841203     | 2   | Keeper, Rod  |     |
| 22   | 3841258     | 2   | Keeper, Rod  |     |
| 23   | 3931020     | 4   | Capscrew #10 x 1-1/4   |     |
| 24   | 3960551     | 2   | Seal (Outer)   |     |
| 25   | 3960552     | 2   | Seal (Inner)   |     |
| 26   | 4031707     | 8   | Capscrew M6 x 16   |     |
| 27   | 4032310     | 4   | Capscrew M16 x 30  |     |
| 28   | 4360505     | 2   | Switch, Sensor   |     |
| 29   | 4460914     | 2   | Mount, Terminal  |     |
| 30   | 4711500     | 6   | Washer 5/16  |     |
| 31   | 4711800     | 2   | Washer 1/2   |     |
| 32   | 4740181     | 2   | Washer   |     |
| 33   | 4740229     | 2   | Washer   |     |
| 34   | 4740505     | 4   | Washer   |     |
| 35   | 4750800     | 4   | Washer #8  |     |
| 36   | 4755000     | 2   | Washer 2-1/2   |     |
| 37   | 4812100     | 2   | Washer M12   |     |
| 38   | 4812300     | 2   | Washer M16   |     |
| 39   | 1001109730  | 2   | Cover, Sensor  |     |
| 40   | 1001137125  | 4   | Screw M8 x 20  |     |
| 41   | 1001149440  | 1   | Spindle (Left)   |     |
| 42   | 1001149441  | 1   | Spindle (Right)  |     |
| 43   | 1001149463  | 2   | Steer Cylinder Assembly (See Separate Breakdown in CYLINDER SECTION) |     |
| 44   | 1001150418  | 2   | Kingpin  |     |
| 45   | 1001150419  | 2   | Pin (Inner)  |     |
| 46   | 1001150460  | 2   | Pin (Outer)  |     |

**SECTION 1 - FRAME**

**FIGURE 1-4. STEER INSTALLATION - 4WS**



ART\_1001222688

# SECTION 1 - FRAME

## FIGURE 1-4. STEER INSTALLATION - 4WS

| ITEM | PART NUMBER | QTY | DESCRIPTION  | REV |
|------|-------------|-----|--|-----|
|      | 1001222688  | Ref | STEER INSTALLATION   | A   |
| 1    | 0080277     | 4   | Adapter, Sensor  |     |
| 2    | 0100011     | AR  | Compound, Locking  |     |
| 3    | 0100019     | AR  | Compound, Locking  |     |
| 4    | 0100035     | AR  | Compound, Locking (Not Shown)  |     |
| 5    | 0200833     | 4   | Arm, Sensor  |     |
| 6    | 0630464     | 4   | Screw #10 x 1/2  |     |
| 7    | 0641505     | 4   | Bolt 5/16 x 5/8  |     |
| 8    | 0641511     | 4   | Bolt 5/16 x 1-3/8  |     |
| 9    | 0701219     | 4   | Bolt M12 x 55  |     |
| 10   | 0701622     | 4   | Bolt M16 x 70  |     |
| 11   | 0962423     | 8   | Bearing  |     |
| 12   | 1120549     | 4   | Cap (Outer)  |     |
| 13   | 1120550     | 4   | Cap (Inner)  |     |
| 14   | 3291207     | 4   | Nut M12  |     |
| 15   | 3291607     | 4   | Nut M16  |     |
| 16   | 3300464     | 4   | Nut  |     |
| 17   | 3311505     | 4   | Nut 5/16   |     |
| 18   | 3423256     | 4   | Pin, Sensor  |     |
| 19   | 3451214     | 4   | Pin 3/8 x 3-1/2  |     |
| 20   | 3760383     | 4   | Ring   |     |
| 21   | 3790012     | 1   | O-Ring   |     |
| 22   | 3841203     | 4   | Keeper, Rod  |     |
| 23   | 3841258     | 4   | Keeper, Rod  |     |
| 24   | 3931020     | 8   | Capscrew #10 x 1-1/4   |     |
| 25   | 3960551     | 4   | Seal (Outer)   |     |
| 26   | 3960552     | 4   | Seal (Inner)   |     |
| 27   | 4031707     | 16  | Capscrew M6 x 16   |     |
| 28   | 4032310     | 4   | Capscrew M16 x 30  |     |
| 29   | 4360505     | 4   | Switch, Sensor   |     |
| 30   | 4460914     | 4   | Mount, Terminal  |     |
| 31   | 4711500     | 12  | Washer 5/16  |     |
| 32   | 4711800     | 4   | Washer 1/2   |     |
| 33   | 4740181     | 4   | Washer   |     |
| 34   | 4740229     | 4   | Washer   |     |
| 35   | 4740397     | 1   | Spacer   |     |
| 36   | 4740505     | 8   | Washer   |     |
| 37   | 4750800     | 8   | Washer #8  |     |
| 38   | 4755000     | 4   | Washer 2-1/2   |     |
| 39   | 4812100     | 4   | Washer M12   |     |
| 40   | 4812300     | 4   | Washer M16   |     |
| 41   | 1001109730  | 4   | Cover, Sensor  |     |
| 42   | 1001137125  | 8   | Screw M8 x 20  |     |
| 43   | 1001149440  | 2   | Spindle (Left)   |     |
| 44   | 1001149441  | 2   | Spindle (Right)  |     |
| 45   | 1001149463  | 4   | Steer Cylinder Assembly (See Separate Breakdown in CYLINDER SECTION) |     |
| 46   | 1001150418  | 4   | Kingpin  |     |
| 47   | 1001150419  | 4   | Pin (Inner)  |     |
| 48   | 1001150460  | 4   | Pin (Outer)  |     |

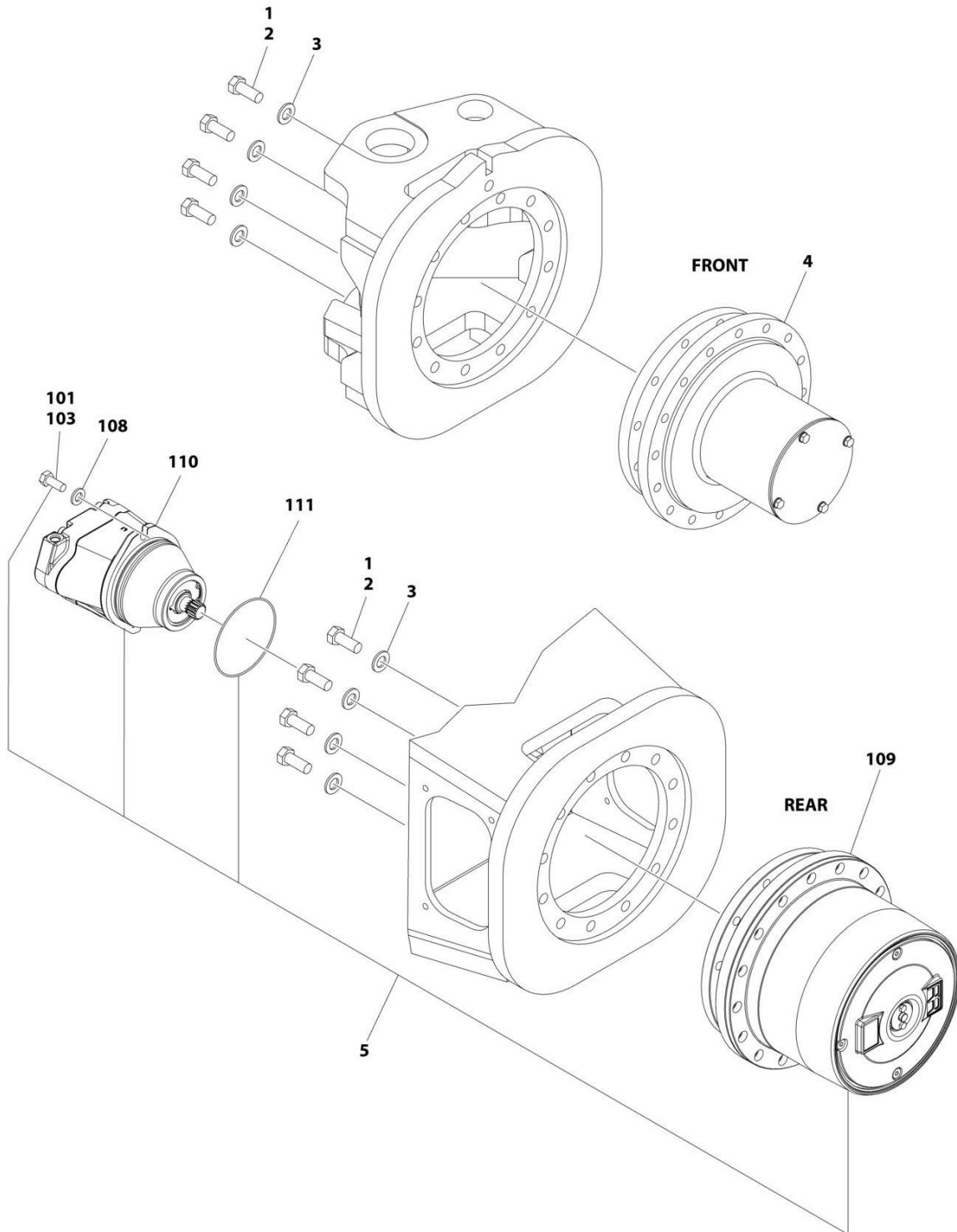
## SECTION 1 - FRAME

| ITEM | PART NUMBER | QTY | DESCRIPTION   | REV |
|------|-------------|-----|---|-----|
| 49   | 1001152574  | 2   | Axle Power Track Harness (Not Shown - See Separate Breakdown in ELECTRICAL SECTION) |     |
| 50   | 1001155044  | 1   | Nut 15/32   |     |
| 51   | 1001161709  | 1   | Switch, Toggle  |     |



# SECTION 1 - FRAME

## FIGURE 1-5. WHEEL DRIVE INSTALLATION - 2WD



ART\_1001150018



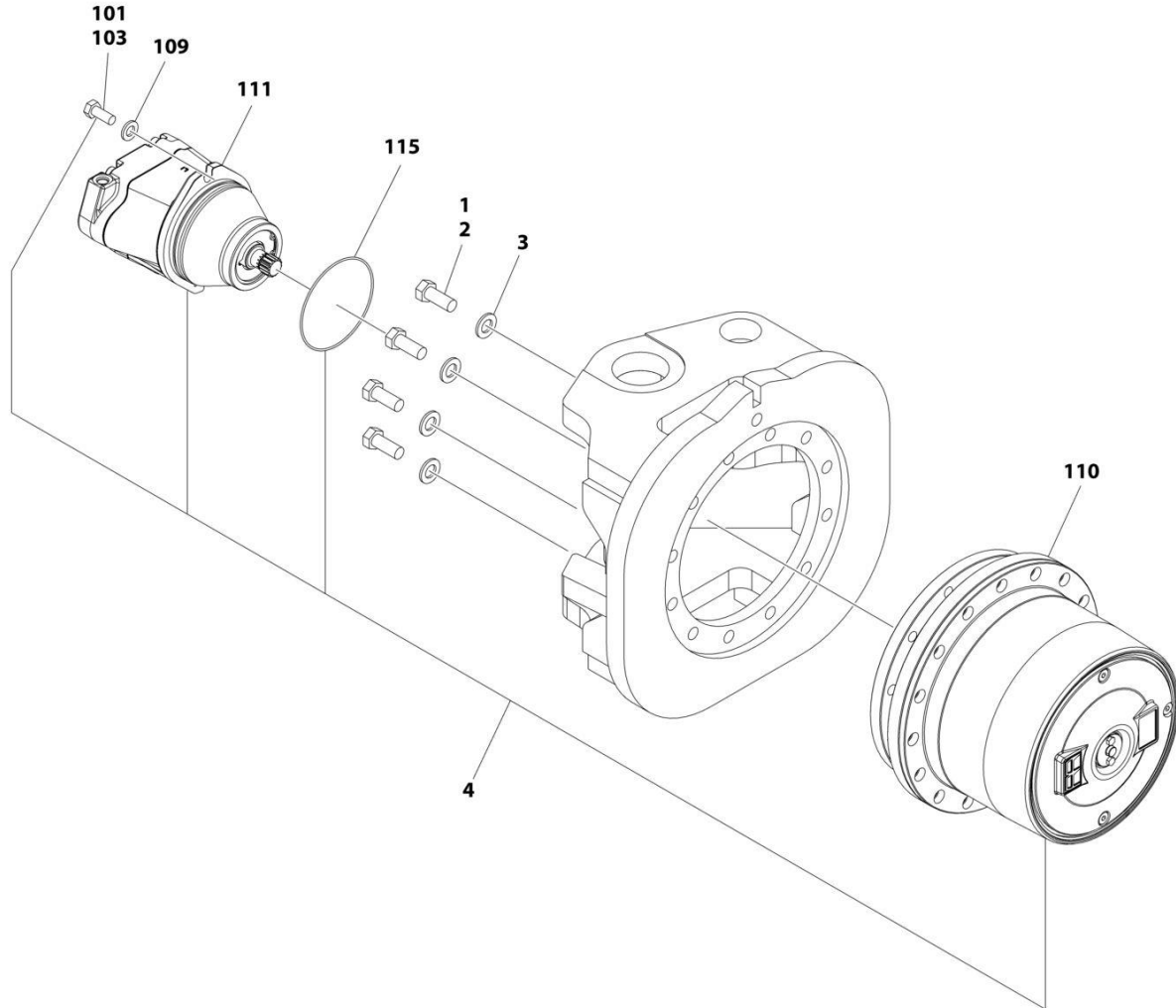
## SECTION 1 - FRAME

**FIGURE 1-5. WHEEL DRIVE INSTALLATION - 2WD**

| ITEM | PART NUMBER | QTY | DESCRIPTION  | REV |
|------|-------------|-----|--|-----|
|      | 1001150018  | Ref | WHEEL DRIVE INSTALLATION - 2WD   | C   |
| 1    | 0100019     | AR  | Compound, Locking  |     |
| 2    | 0761616     | 48  | Bolt M16 x 40  |     |
| 3    | 5241600     | 48  | Washer M16   |     |
| 4    | 1001146251  | 2   | Drive Hub Assembly - 2WD Front (See Separate Breakdown in this Section)              |     |
| 5    | 1001151094  | 2   | Drive Hub/Motor Assembly - 2WD Rear  | E   |
| 101  | 0100011     | AR  | Compound, Locking  |     |
| 103  | 0761214     | 4   | Bolt M12 x 30 (2 Per Assembly)   |     |
| 108  | 5241200     | 4   | Washer M12 (2 Per Assembly)  |     |
| 109  | 1001101550  | 2   | Drive Hub Assembly (1 Per Assembly) (See Separate Breakdown in this Section)         |     |
| 110  | 1001149458  | 2   | Drive Motor Assembly - 2WD (1 Per Assembly) (See Separate Breakdown in this Section) |     |
| 111  | 3790158     | 2   | O-Ring   |     |

# SECTION 1 - FRAME

## FIGURE 1-6. WHEEL DRIVE INSTALLATION - 4WD



ART\_1001150017

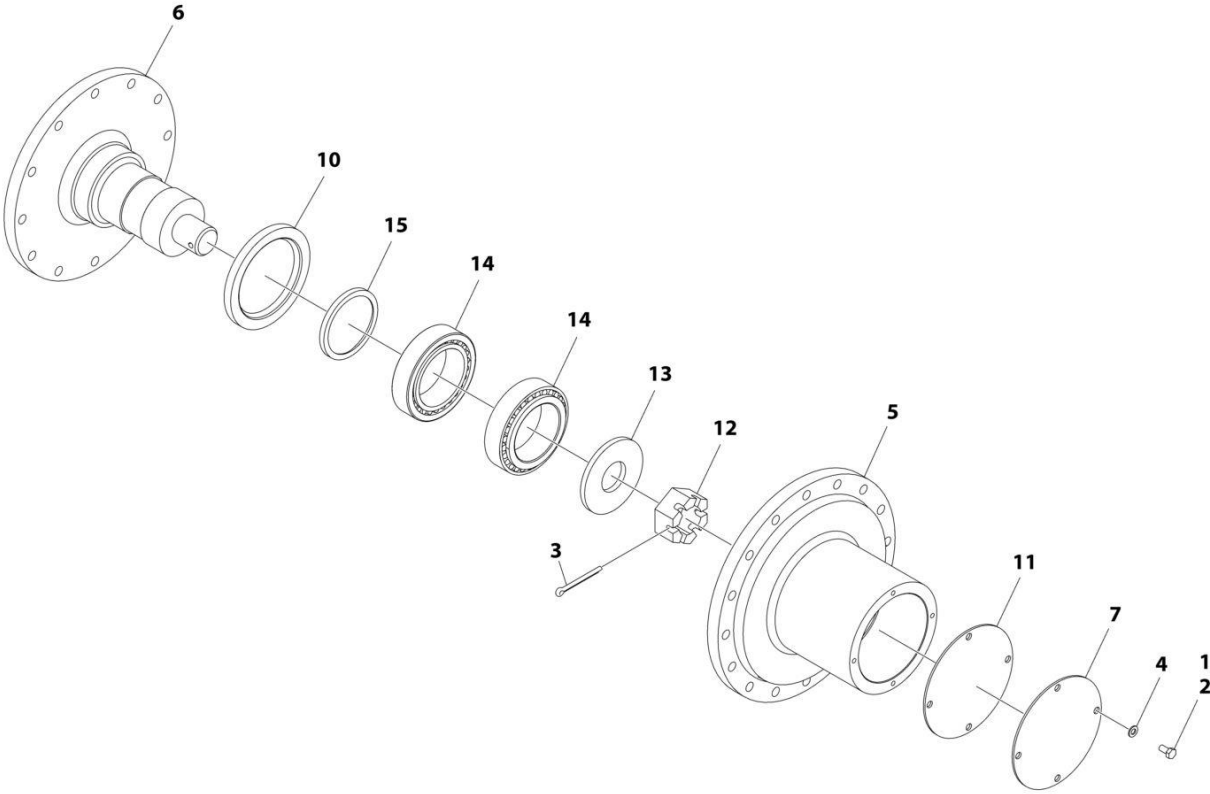
## SECTION 1 - FRAME

**FIGURE 1-6. WHEEL DRIVE INSTALLATION - 4WD**

| ITEM | PART NUMBER | QTY | DESCRIPTION  | REV |
|------|-------------|-----|--|-----|
|      | 1001150017  | Ref | WHEEL DRIVE INSTALLATION - 4WD   | D   |
| 1    | 0100019     | AR  | Compound, Locking  |     |
| 2    | 0761616     | 48  | Bolt M16 x 40  |     |
| 3    | 5241600     | 48  | Washer M16   |     |
| 4    | 1001151092  | 4   | Drive Hub/Motor Assembly   | F   |
| 101  | 0100011     | AR  | Compound, Locking  |     |
| 103  | 0761214     | 8   | Bolt M12 x 30 (2 Per Assembly)   |     |
| 109  | 5241200     | 8   | Washer M12 (2 Per Assembly)  |     |
| 110  | 1001101550  | 4   | Drive Hub Assembly (1 Per Assembly) (See Separate Breakdown in this Section)         |     |
| 111  | 1001149456  | 4   | Drive Motor Assembly - 2WD (1 Per Assembly) (See Separate Breakdown in this Section) |     |
| 115  | 3790158     | 4   | O-Ring   |     |

**SECTION 1 - FRAME**

**FIGURE 1-7. DRIVE HUB ASSEMBLY - 2WD FRONT**



ART\_1001146251

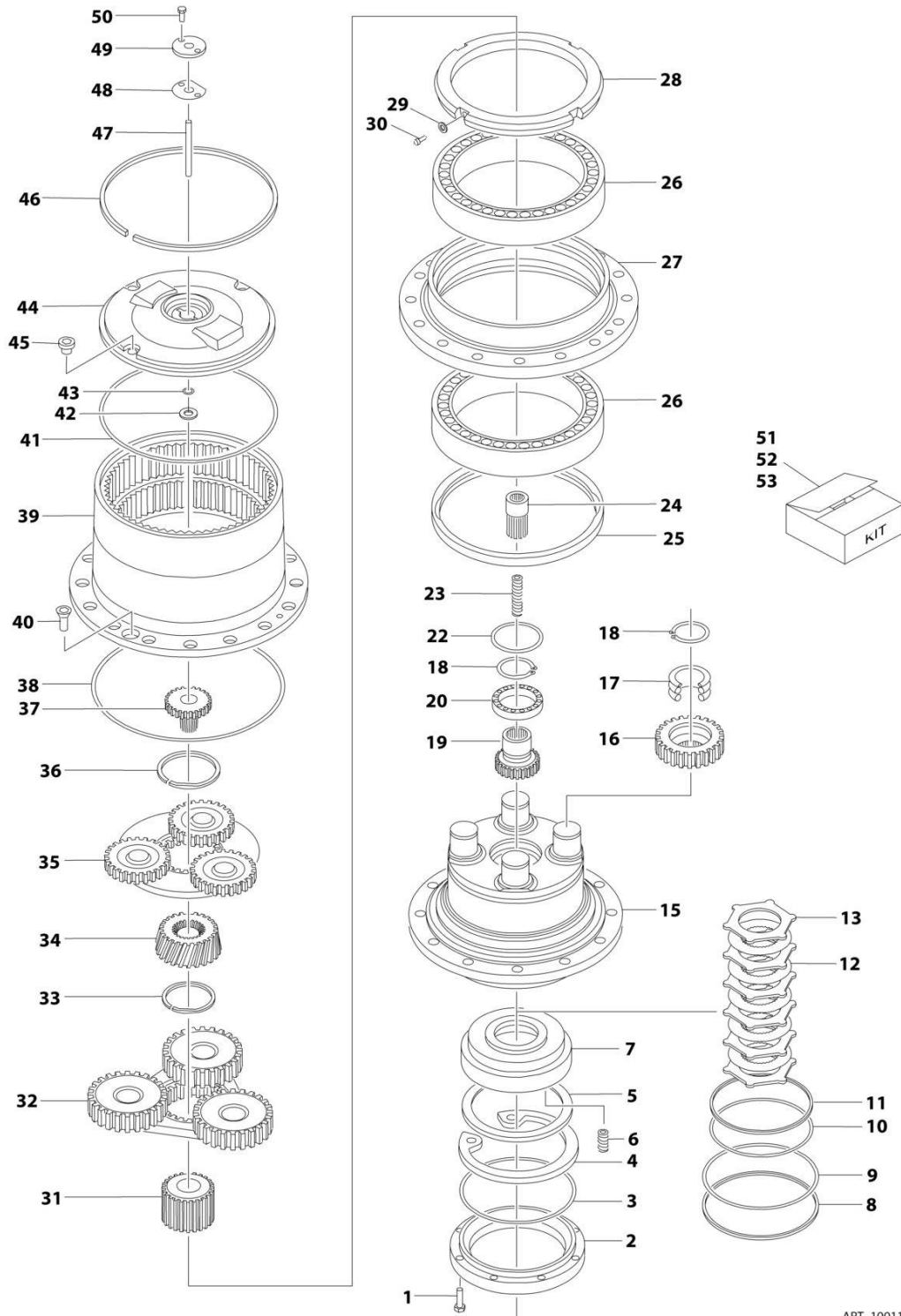
## SECTION 1 - FRAME

**FIGURE 1-7. DRIVE HUB ASSEMBLY - 2WD FRONT**

| ITEM | PART NUMBER | QTY | DESCRIPTION                    | REV |
|------|-------------|-----|--------------------------------|-----|
|      | 1001146251  | Ref | DRIVE HUB ASSEMBLY - 2WD FRONT | D   |
| 1    | 0100071     | AR  | Adhesive                       |     |
| 2    | 0760808     | 4   | Bolt M8 x 16                   |     |
| 3    | 3450810     | 1   | Pin, Cotter 1/4 x 2-1/2        |     |
| 4    | 4811900     | 4   | Washer M8                      |     |
| 5    | 1001146249  | 1   | Hub                            |     |
| 6    | 1001146250  | 1   | Spindle                        |     |
| 7    | 1001146253  | 1   | Cap                            |     |
| 10   | 1001149680  | 1   | Seal                           |     |
| 11   | 1001149681  | 1   | Gasket                         |     |
| 12   | 1001149742  | 1   | Nut                            |     |
| 13   | 1001149865  | 1   | Washer                         |     |
| 14   | 1001210887  | 2   | Bearing                        |     |
| 15   | 1001211508  | 1   | Spacer                         |     |

# SECTION 1 - FRAME

## FIGURE 1-8. DRIVE HUB ASSEMBLY



ART\_1001101550

# SECTION 1 - FRAME

## FIGURE 1-8. DRIVE HUB ASSEMBLY

| ITEM | PART NUMBER | QTY | DESCRIPTION  | REV |
|------|-------------|-----|--|-----|
|      | 1001101550  | Ref | DRIVE HUB ASSEMBLY                                     | E   |
| 1    | 70002015    | 8   | Bolt M8 x 25   |     |
| 2    | 70002016    | 1   | Ring, Motor Support                                    |     |
| 3    | See Note    | NSS | O-Ring (Note: Use Item 51)                             |     |
| 4    | 70002018    | 1   | Snap Ring  |     |
| 5    | 70002019    | 1   | Retainer, Spring                                       |     |
| 6    | 70002020    | 9   | Spring   |     |
| 7    | See Note    | NSS | Piston (Note: Use Item 53)                             |     |
| 8    | See Note    | NSS | Ring, Back-up (Note: Use Item 51 or 53)                |     |
| 9    | See Note    | NSS | O-Ring (Note: Use Item 51 or 53)                       |     |
| 10   | See Note    | NSS | O-Ring (Note: Use Item 51 or 53)                       |     |
| 11   | See Note    | NSS | Ring, Back-up (Note: Use Item 51 or 53)                |     |
| 12   | 70002026    | 5   | Disc, Friction   |     |
| 13   | 70002027    | 6   | Disc, Steel  |     |
| 15   | 70002029    | 1   | Spindle  |     |
| 16   | 70002030    | 4   | Gear, Planetary  |     |
| 17   | 70002031    | 4   | Bearing  |     |
| 18   | 70002032    | 5   | Snap Ring  |     |
| 19   | 70002033    | 1   | Gear, Brake/Input                                      |     |
| 20   | 70002034    | 1   | Bearing  |     |
| 22   | 70002035    | 1   | Ring, Wear   |     |
| 23   | 70002036    | 1   | Spring   |     |
| 24   | 70002037    | 1   | Shaft, Engagement                                      |     |
| 25   | See Note    | NSS | Seal (Note: Use Item 51)                               |     |
| 26   | 70002039    | 2   | Bearing Assembly                                       |     |
| 27   | 70002040    | 1   | Support, Hub   |     |
| 28   | 70002041    | 1   | Nut, Retaining   |     |
| 29   | 70002042    | NLA | Washer (Use p/n 70002674)                              |     |
| 30   | 70002043    | NLA | Screw, Flange (Use p/n 70002674)                       |     |
| 31   | 70002044    | 1   | Gear, Planetary Sun                                    |     |
| 32   | 70002045    | 1   | Reduction Assembly, Secondary                          |     |
| 33   | 70002046    | 1   | Snap Ring  |     |
| 34   | 70002047    | 1   | Gear, Secondary Input Sun                              |     |
| 35   | 70002048    | 1   | Reduction Assembly, Primary                            |     |
| 36   | 70002049    | 1   | Snap Ring  |     |
| 37   | 70002050    | 1   | Gear, Primary Input Sun                                |     |
| 38   | See Note    | NSS | O-Ring (Note: Use Item 51)                             |     |
| 39   | See Note    | NSS | Housing, Hub (Note: Use p/n 1001101550)                |     |
| 40   | 70002052    | 2   | Screw, Countersunk                                     |     |
| 41   | See Note    | NSS | O-Ring (Note: Use Item 51 or 52)                       |     |
| 42   | See Note    | NSS | Thrustwasher (Note: Use Item 52)                       |     |
| 43   | See Note    | NSS | O-Ring (Note: Use Item 51 or 52)                       |     |
| 44   | See Note    | NSS | Cover, Hub (Note: Use Item 52)                         |     |
| 45   | 70002057    | 3   | Plug   |     |
| 46   | See Note    | NSS | Snap Ring (Note: Use Item 52)                          |     |
| 47   | See Note    | NSS | Pin, Engagement (Note: Use Item 52)                    |     |
| 48   | See Note    | NSS | Gasket (Note: Use Item 51 or 52)                       |     |
| 49   | See Note    | NSS | Cover, Engagement (Note: Use Item 52)                  |     |
| 50   | See Note    | NSS | Screw (Note: Use Item 52)                              |     |
| 51   | 70002248    | 1   | Seal Kit (Includes Items 3, 8-11, 25, 38, 41, 43 & 48) |     |

## SECTION 1 - FRAME

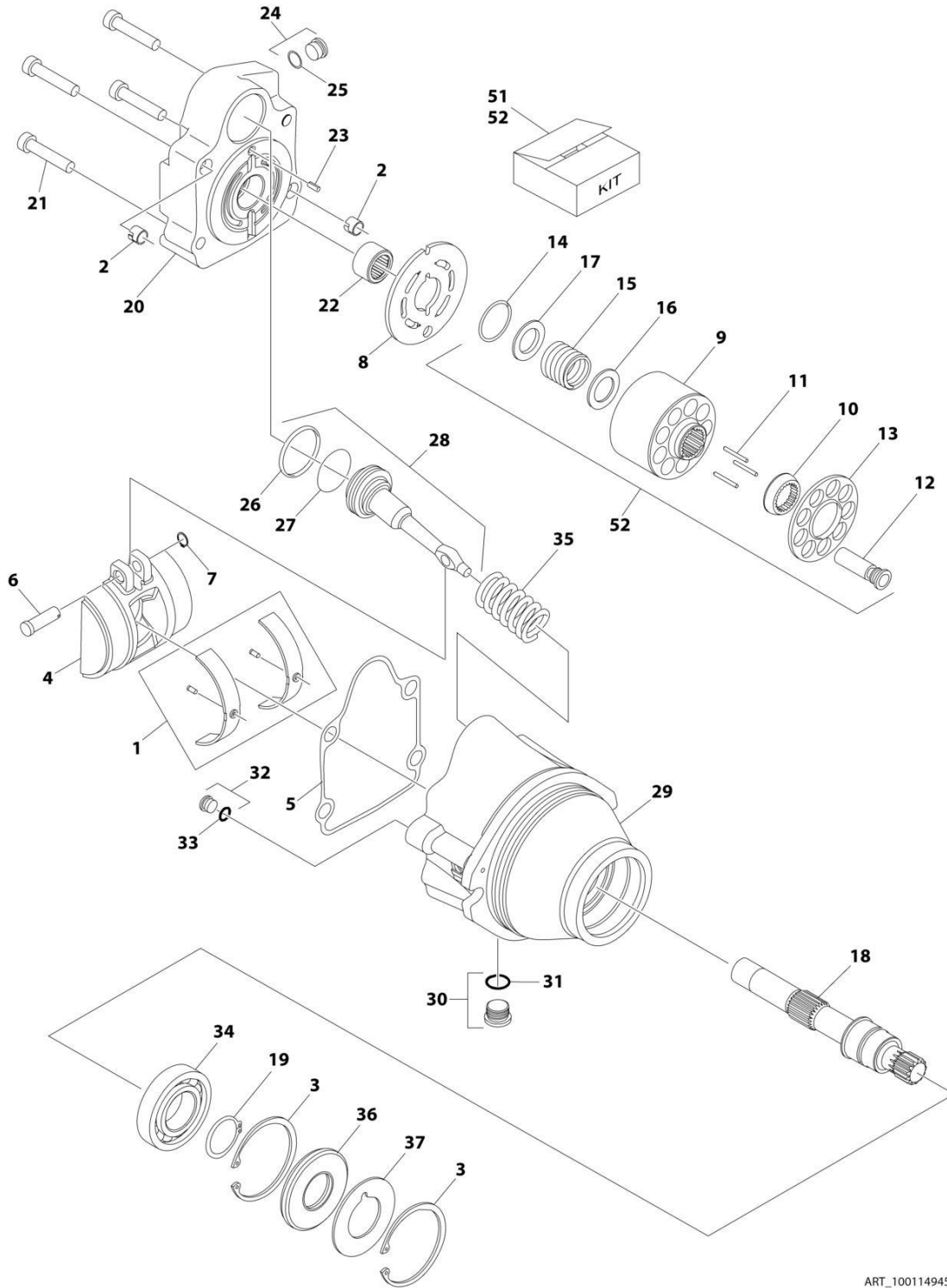
| ITEM | PART NUMBER | QTY | DESCRIPTION                              | REV |
|------|-------------|-----|--|-----|
| 52   | 70002247    | 1   | Cover Kit (Includes Items 41-44 & 46-50) |     |
| 53   | 70002249    | 1   | Brake Kit (Includes Items 4-13)          |     |





# SECTION 1 - FRAME

## FIGURE 1-9. DRIVE MOTOR ASSEMBLY - 2WD



ART\_1001149458

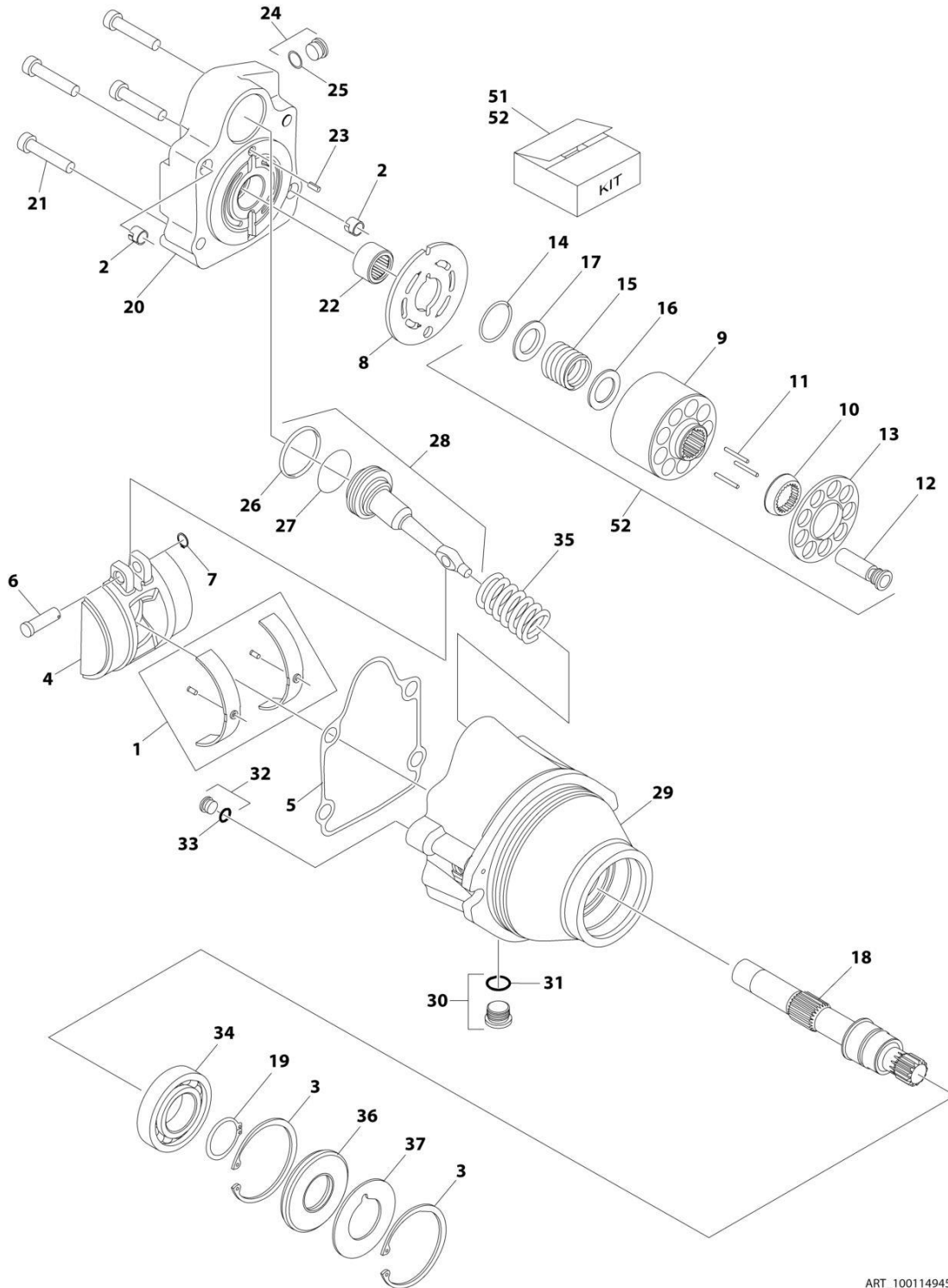
# SECTION 1 - FRAME

## FIGURE 1-9. DRIVE MOTOR ASSEMBLY - 2WD

| ITEM | PART NUMBER | QTY | DESCRIPTION  | REV |
|------|-------------|-----|--|-----|
|      | 1001149458  | Ref | DRIVE MOTOR ASSEMBLY - 2WD                                 | B   |
| 1    | 70000852    | 1   | Bearing Kit  |     |
| 2    | 70003628    | 2   | Locating Pin   |     |
| 3    | 7007438     | 2   | Snap Ring  |     |
| 4    | 70000853    | 1   | Swash Plate  |     |
| 5    | See Note    | NSS | Gasket (Note: Use Item 51)                                 |     |
| 6    | 70004201    | 1   | Pin  |     |
| 7    | 70004202    | 1   | Ring, Retaining  |     |
| 8    | 70000854    | 1   | Plate, Valve   |     |
| 9    | 70000855    | 1   | Block, Cylinder  |     |
| 10   | 70000856    | 1   | Guide  |     |
| 11   | 7021275     | 3   | Pin, Slipper   |     |
| 12   | 7024865     | 9   | Piston, Cylinder   |     |
| 13   | 70000857    | 1   | Retainer, Slipper  |     |
| 14   | 7022311     | 1   | Snap Ring  |     |
| 15   | 7024867     | 1   | Spring   |     |
| 16   | 7024868     | 1   | Washer   |     |
| 17   | 7022314     | 1   | Retainer, Spring   |     |
| 18   | 70000858    | 1   | Shaft  |     |
| 19   | 7007439     | 1   | Snap Ring  |     |
| 20   | 70000859    | 1   | End Cap, Motor   |     |
| 21   | 7022368     | 4   | Bolt   |     |
| 22   | 7021249     | 1   | Bearing, Needle  |     |
| 23   | 7007446     | 1   | Pin, Dowel   |     |
| 24   | 7007420     | 1   | Plug (Includes Item 25)                                    |     |
| 25   | See Note    | NSS | O-Ring (Note: Use Item 51 or 24)                           |     |
| 26   | See Note    | NSS | Ring, Piston (Note: Use Item 51 or 28)                     |     |
| 27   | See Note    | NSS | O-Ring (Note: Use Item 51 or 28)                           |     |
| 28   | 70004207    | 1   | Piston, Servo (Includes Items 26 & 27)                     |     |
| 29   | See Note    | NSS | Housing (Note: Not Available - Purchase Complete Motor)    |     |
| 30   | 7022321     | 1   | Plug (Includes Item 31)                                    |     |
| 31   | See Note    | NSS | O-Ring (Note: Use Item 51 or 30)                           |     |
| 32   | 70002133    | 1   | Plug (Includes Item 33)                                    |     |
| 33   | See Note    | NSS | O-Ring (Note: Use Item 51 or 32)                           |     |
| 34   | 70002176    | 1   | Bearing  |     |
| 35   | 70000861    | 1   | Spring   |     |
| 36   | See Note    | NSS | Seal (Note: Use Item 51)                                   |     |
| 37   | 7022371     | 1   | Washer, Seal Support                                       |     |
| 51   | 70000862    | 1   | Motor Seal Kit (Includes Items 5, 25, 26, 27, 31, 33 & 36) |     |
| 52   | 7027740     | 1   | Cylinder Block Kit (Includes Items 9-17)                   |     |

# SECTION 1 - FRAME

## FIGURE 1-10. DRIVE MOTOR ASSEMBLY - 4WD



ART\_1001149456

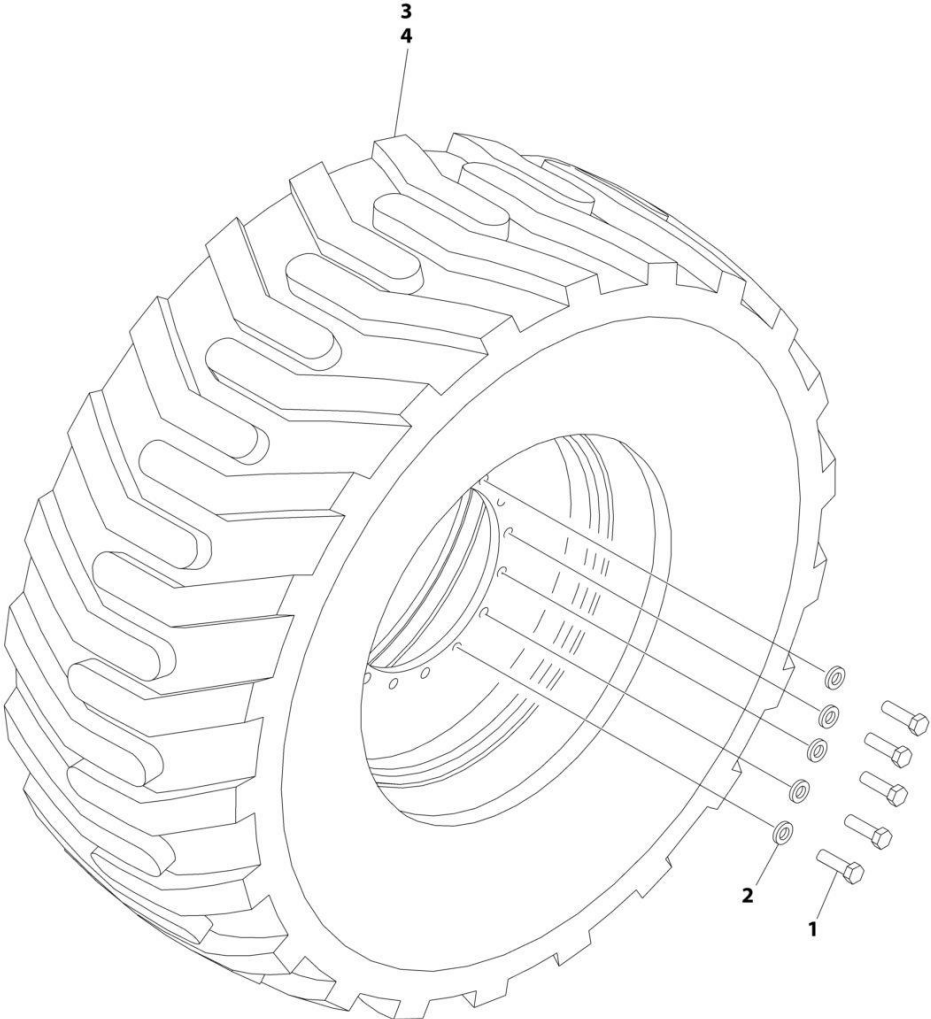
# SECTION 1 - FRAME

## FIGURE 1-10. DRIVE MOTOR ASSEMBLY - 4WD

| ITEM | PART NUMBER | QTY | DESCRIPTION  | REV |
|------|-------------|-----|--|-----|
|      | 1001149456  | Ref | DRIVE MOTOR ASSEMBLY - 4WD                                 | B   |
| 1    | 70000852    | 1   | Bearing Kit  |     |
| 2    | 70003628    | 2   | Locating Pin   |     |
| 3    | 7007439     | 2   | Snap Ring  |     |
| 4    | 70000853    | 1   | Swash Plate  |     |
| 5    | See Note    | NSS | Gasket (Note: Use Item 51)                                 |     |
| 6    | 70004201    | 1   | Pin  |     |
| 7    | 70004202    | 1   | Ring, Retaining  |     |
| 8    | 70000854    | 1   | Plate, Valve   |     |
| 9    | See Note    | NSS | Block, Cylinder (Note: Use Item 52)                        |     |
| 10   | See Note    | NSS | Guide (Note: Use Item 52)                                  |     |
| 11   | 7021275     | 3   | Pin, Slipper   |     |
| 12   | 70005821    | 9   | Piston, Cylinder   |     |
| 13   | 70000857    | 1   | Retainer, Slipper  |     |
| 14   | 7022311     | 1   | Snap Ring  |     |
| 15   | 7024867     | 1   | Spring   |     |
| 16   | 7024868     | 1   | Washer   |     |
| 17   | 7022314     | 1   | Retainer, Spring   |     |
| 18   | 70000858    | 1   | Shaft  |     |
| 19   | 7007439     | 1   | Snap Ring  |     |
| 20   | 70000859    | 1   | End Cap, Motor   |     |
| 21   | 7022368     | 4   | Bolt   |     |
| 22   | 7021249     | 1   | Bearing, Needle  |     |
| 23   | 7007446     | 1   | Pin, Dowel   |     |
| 24   | 7007420     | 1   | Plug (Includes Item 25)                                    |     |
| 25   | See Note    | NSS | O-Ring (Note: Use Item 51 or 24)                           |     |
| 26   | See Note    | NSS | Ring, Piston (Note: Use Item 51 or 28)                     |     |
| 27   | See Note    | NSS | O-Ring (Note: Use Item 51 or 28)                           |     |
| 28   | 70000860    | 1   | Piston, Servo (Includes Items 26 & 27)                     |     |
| 29   | See Note    | NSS | Housing (Note: Not Available - Purchase Complete Motor)    |     |
| 30   | 7022321     | 1   | Plug (Includes Item 31)                                    |     |
| 31   | See Note    | NSS | O-Ring (Note: Use Item 51 or 30)                           |     |
| 32   | 70002133    | 1   | Plug (Includes Item 33)                                    |     |
| 33   | See Note    | NSS | O-Ring (Note: Use Item 51 or 32)                           |     |
| 34   | 70002176    | 1   | Bearing  |     |
| 35   | 70000861    | 1   | Spring   |     |
| 36   | See Note    | NSS | Seal (Note: Use Item 51)                                   |     |
| 37   | 7022371     | 1   | Washer, Seal Support                                       |     |
| 51   | 70000862    | 1   | Motor Seal Kit (Includes Items 5, 25, 26, 27, 31, 33 & 36) |     |
| 52   | 70005820    | 1   | Cylinder Block Kit (Includes Items 9-17)                   |     |

**SECTION 1 - FRAME**

**FIGURE 1-11. TIRE AND WHEEL INSTALLATION - FOAM-FILLED**



ART\_1001150022

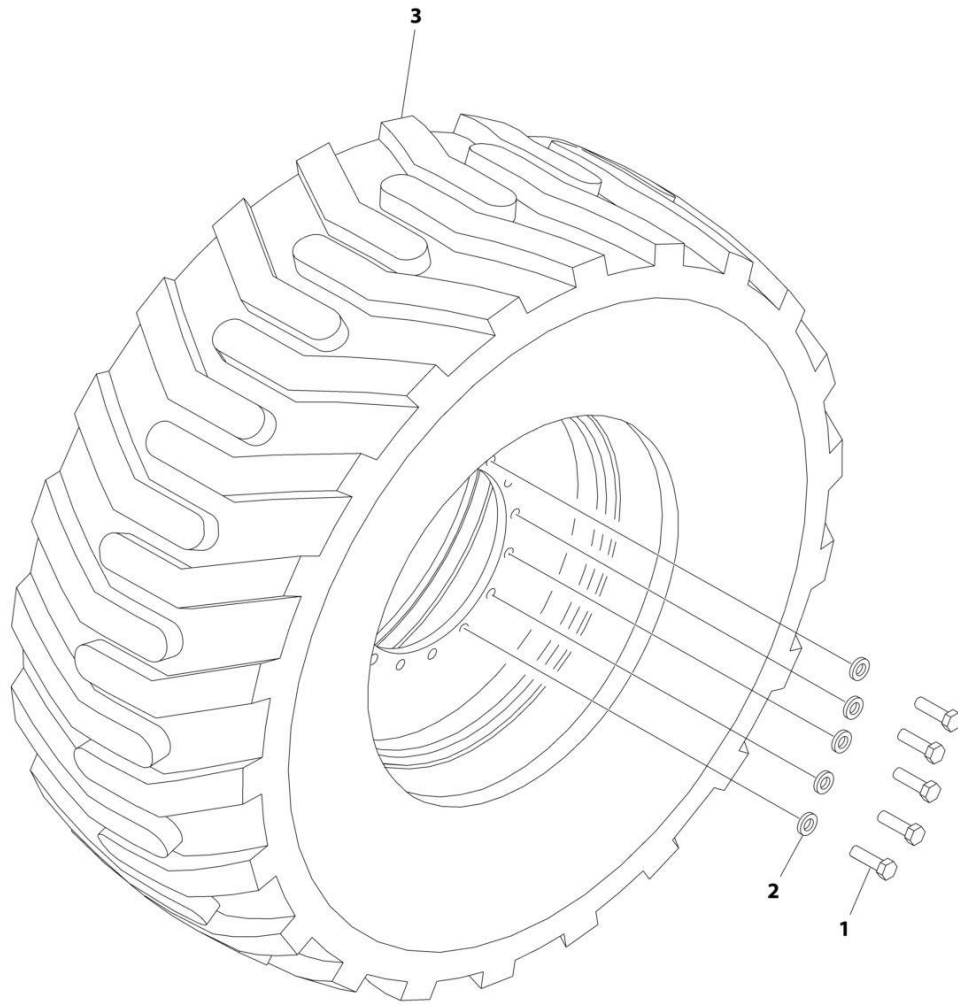
**SECTION 1 - FRAME**

**FIGURE 1-11. TIRE AND WHEEL INSTALLATION - FOAM-FILLED**

| ITEM | PART NUMBER | QTY | DESCRIPTION  | REV |
|------|-------------|-----|--|-----|
|      | 1001150022  | Ref | TIRE AND WHEEL INSTALLATION - FOAM-FILLED  | B   |
|      |             | Ref | Note: Assemblies may require ballast/foam filling to manufacturer's specifications prior to installing on a machine. Refer to Operation and Safety or Service and Maintenance Manuals. Purchase individual tire and/or rim only if able to foam fill tire and wheel assembly, otherwise, purchase complete assembly. |     |
| 1    | 0701619     | 64  | Bolt M16 x 55 (16 Per Wheel)   |     |
| 2    | 5241600     | 64  | Washer M16 (16 Per Assembly)   |     |
| 3    | 1001151436  | 2   | Left Side Tire and Wheel Assembly - Foam-Filled  |     |
| 4    | 1001151437  | 2   | Right Side Tire and Wheel Assembly - Foam-Filled   |     |

# SECTION 1 - FRAME

## FIGURE 1-12. TIRE AND WHEEL INSTALLATION - SOLID



ART\_1001150023



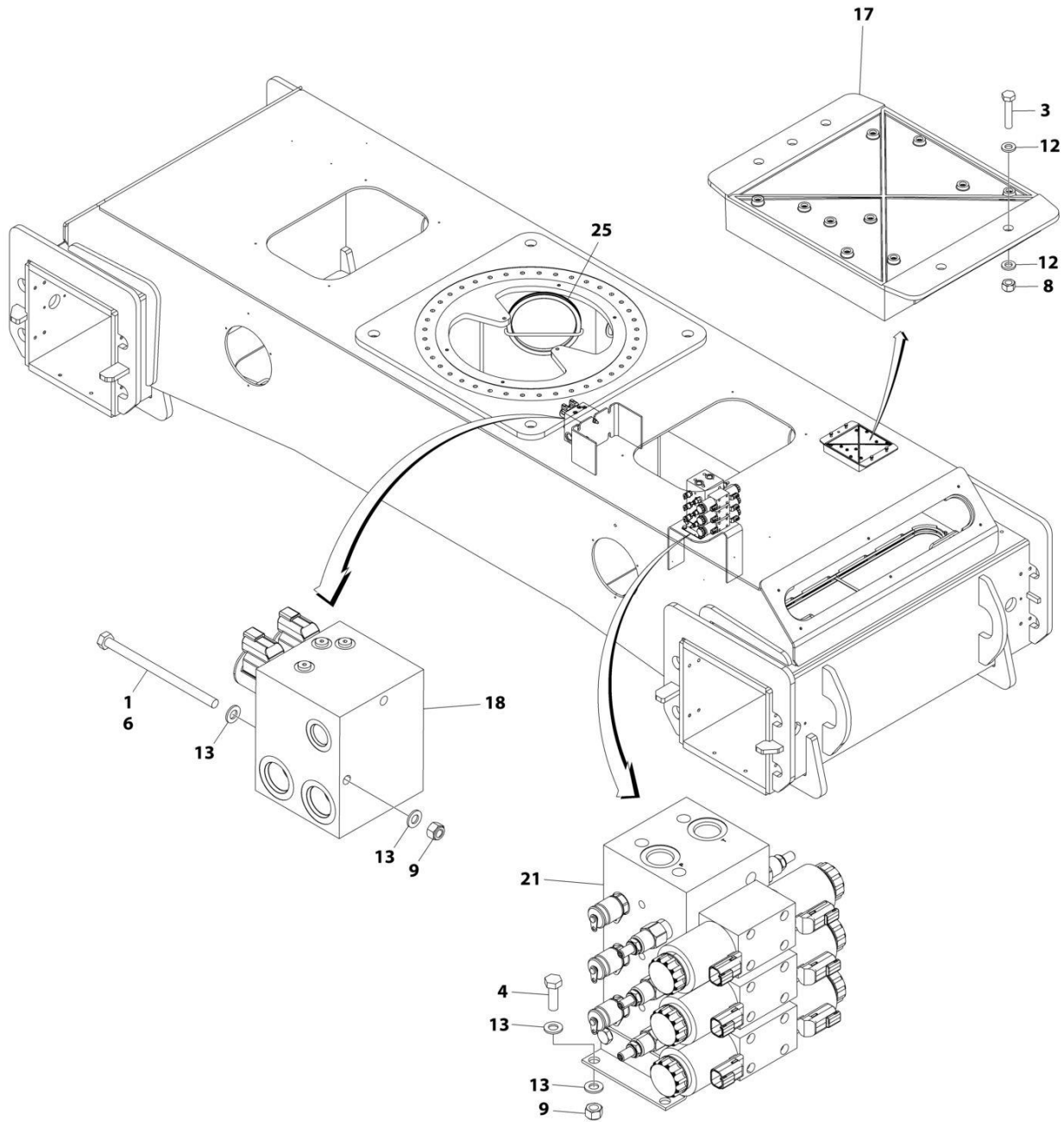
## SECTION 1 - FRAME

### FIGURE 1-12. TIRE AND WHEEL INSTALLATION - SOLID

| ITEM | PART NUMBER | QTY | DESCRIPTION                         | REV |
|------|-------------|-----|-------------------------------------|-----|
|      | 1001150023  | Ref | TIRE AND WHEEL INSTALLATION - SOLID | B   |
| 1    | 0701619     | 64  | Bolt M16 x 55 (16 Per Wheel)        |     |
| 2    | 5241600     | 64  | Washer M16 (16 Per Wheel)           |     |
| 3    | 1001147247  | 4   | Tire and Wheel Assembly - Solid     |     |

# SECTION 1 - FRAME

## FIGURE 1-13. VALVES INSTALLATION - FRAME (2WD/2WS)



ART\_1001223984\_C\_10F3

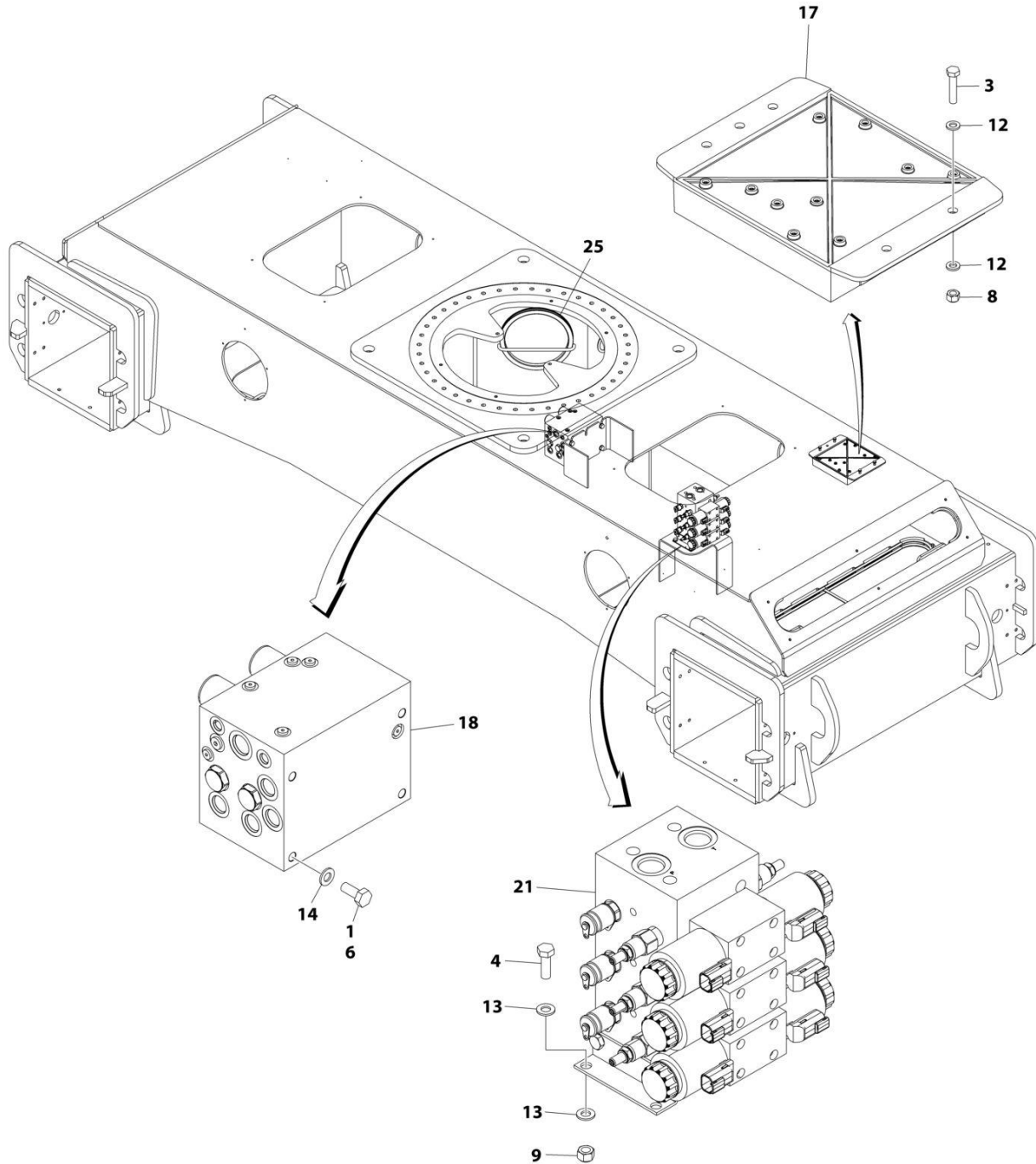
## SECTION 1 - FRAME

**FIGURE 1-13. VALVES INSTALLATION - FRAME (2WD/2WS)**

| ITEM | PART NUMBER | QTY | DESCRIPTION   | REV |
|------|-------------|-----|---|-----|
|      | 1001223984  | Ref | VALVES INSTALLATION - FRAME   | C   |
| 1    | 0100011     | AR  | Compound, Locking   |     |
| 3    | 0760614     | 4   | Bolt M6 x 30  |     |
| 4    | 0760812     | 4   | Bolt M8 x 25  |     |
| 6    | 0700830     | 2   | Bolt M8 x 130   |     |
| 8    | 3290605     | 4   | Nut M6  |     |
| 9    | 3290805     | 6   | Nut M8  |     |
| 12   | 4811700     | 8   | Washer M6   |     |
| 13   | 4811900     | 12  | Washer M8   |     |
| 17   | 1001277210  | 1   | Module, Control - Frame (Note: Re-calibration Required when Replaced)     |     |
| 18   | 1001194532  | 1   | Traction Valve Assembly - 2WD (See Separate Breakdown in this Section)    |     |
| 21   | 1001151834  | 1   | Axle Extend/Steer Valve Assembly (See Separate Breakdown in this Section) |     |
| 25   | 4060808     | AR  | Flex-Trim   |     |

# SECTION 1 - FRAME

## FIGURE 1-14. VALVES INSTALLATION - FRAME (4WD/2WS)



ART\_1001223931\_C\_10F3

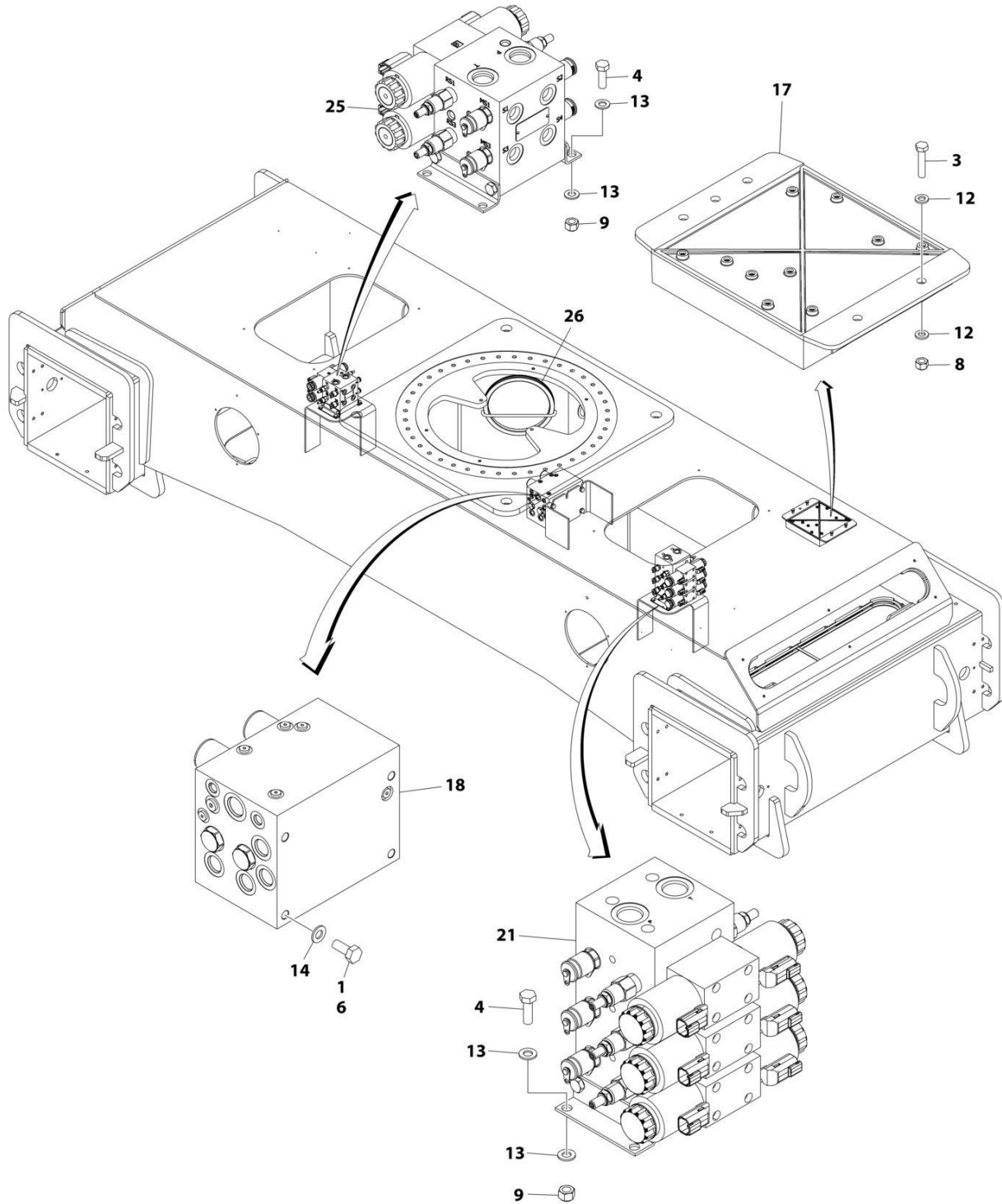
## SECTION 1 - FRAME

**FIGURE 1-14. VALVES INSTALLATION - FRAME (4WD/2WS)**

| ITEM | PART NUMBER | QTY | DESCRIPTION   | REV |
|------|-------------|-----|---|-----|
|      | 1001223931  | Ref | VALVES INSTALLATION - FRAME   | C   |
| 1    | 0100011     | AR  | Compound, Locking   |     |
| 3    | 0760614     | 4   | Bolt M6 x 30  |     |
| 4    | 0760812     | 4   | Bolt M8 x 25  |     |
| 6    | 0761012     | 4   | Bolt M10 x 25   |     |
| 8    | 3290605     | 4   | Nut M6  |     |
| 9    | 3290805     | 4   | Nut M8  |     |
| 12   | 4811700     | 8   | Washer M6   |     |
| 13   | 4811900     | 8   | Washer M8   |     |
| 14   | 4812000     | 4   | Washer M10  |     |
| 17   | 1001277210  | 1   | Module, Control - Frame (Note: Re-calibration Required when Replaced)     |     |
| 18   | 1001151409  | 1   | Traction Valve Assembly - 4WD (See Separate Breakdown in this Section)    |     |
| 21   | 1001151834  | 1   | Axle Extend/Steer Valve Assembly (See Separate Breakdown in this Section) |     |
| 25   | 4060808     | AR  | Flex-Trim   |     |

# SECTION 1 - FRAME

## FIGURE 1-15. VALVES INSTALLATION - FRAME (1100SJ WITH 4WD/4WS)



ART\_1001223890\_C\_10F3

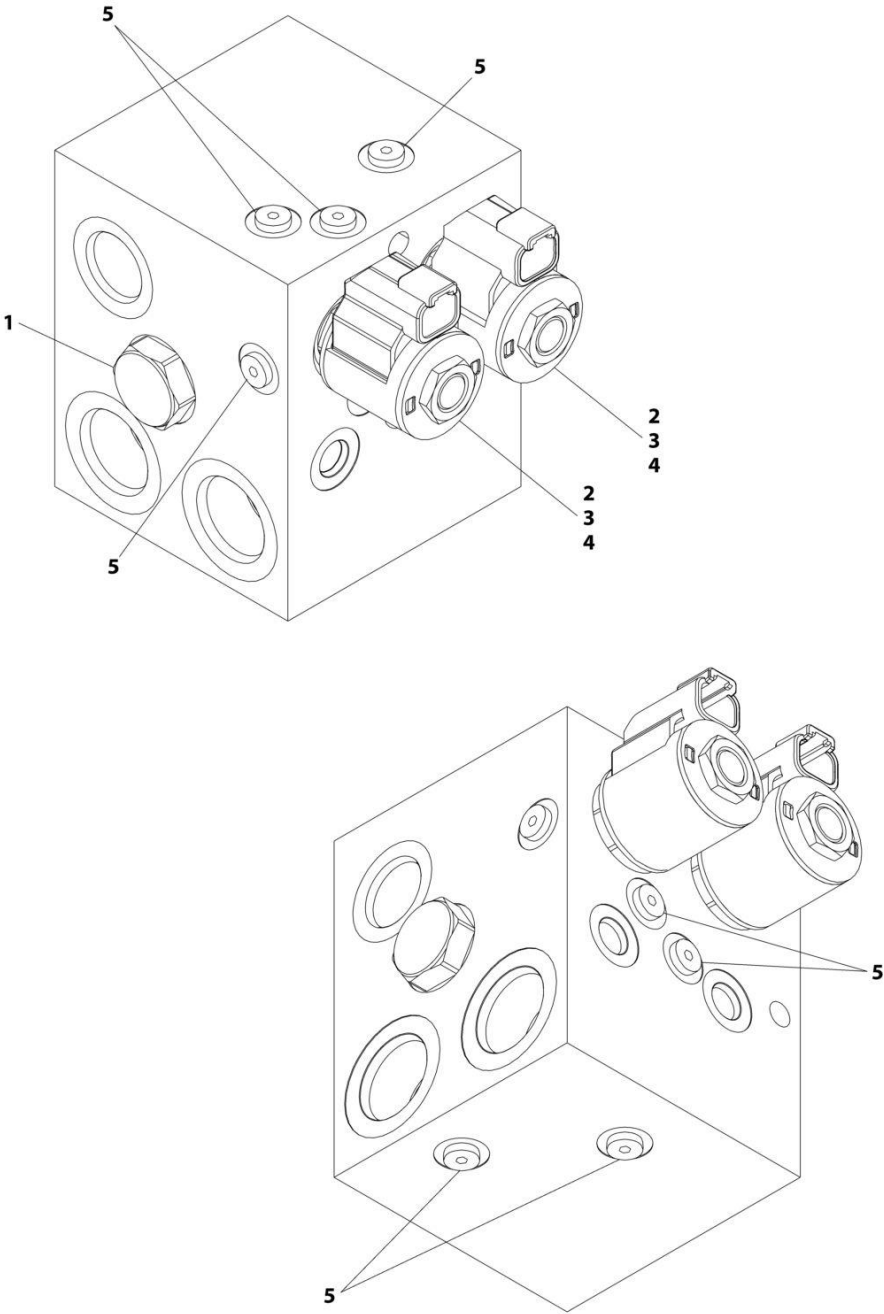
## SECTION 1 - FRAME

**FIGURE 1-15. VALVES INSTALLATION - FRAME (1100SJ WITH 4WD/4WS)**

| ITEM | PART NUMBER | QTY | DESCRIPTION   | REV |
|------|-------------|-----|---|-----|
|      | 1001223890  | Ref | VALVES INSTALLATION - FRAME   | C   |
| 1    | 0100011     | AR  | Compound, Locking   |     |
| 3    | 0760614     | 4   | Bolt M6 x 30  |     |
| 4    | 0760812     | 8   | Bolt M8 x 25  |     |
| 6    | 0761012     | 4   | Bolt M10 x 25   |     |
| 8    | 3290605     | 4   | Nut M6  |     |
| 9    | 3290805     | 8   | Nut M8  |     |
| 12   | 4811700     | 8   | Washer M6   |     |
| 13   | 4811900     | 16  | Washer M8   |     |
| 14   | 4812000     | 4   | Washer M10  |     |
| 17   | 1001277210  | 1   | Module, Control - Frame (Note: Re-calibration Required when Replaced)     |     |
| 18   | 1001151409  | 1   | Traction Valve Assembly - 4WD (See Separate Breakdown in this Section)    |     |
| 21   | 1001151834  | 1   | Axle Extend/Steer Valve Assembly (See Separate Breakdown in this Section) |     |
| 25   | 1001222524  | 1   | Steer Valve Assembly (See Separate Breakdown in this Section)             |     |
| 26   | 4060808     | AR  | Flex-Trim   |     |

**SECTION 1 - FRAME**

**FIGURE 1-16. TRACTION VALVE ASSEMBLY - 2WD**



ART\_1001194532



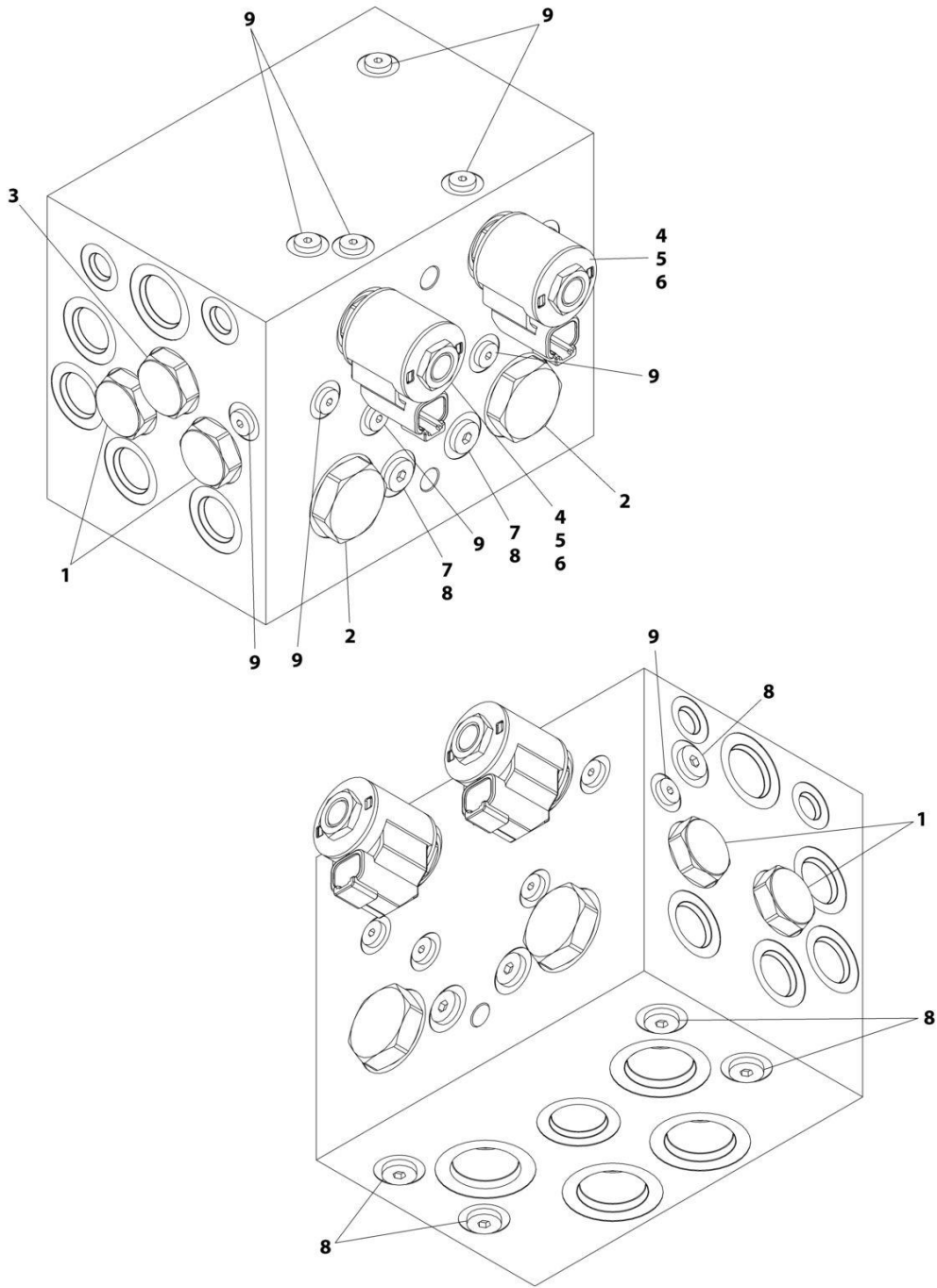
## SECTION 1 - FRAME

### FIGURE 1-16. TRACTION VALVE ASSEMBLY - 2WD

| ITEM | PART NUMBER | QTY | DESCRIPTION                   | REV |
|------|-------------|-----|-------------------------------|-----|
|      | 1001194532  | Ref | TRACTION VALVE ASSEMBLY - 2WD | C   |
| 1    | 70000804    | 1   | Cartridge, Shuttle Valve      |     |
| 1    | 70000805    | 1   | Seal Kit - 70000804 Valve     |     |
| 2    | 70005775    | 2   | Cartridge, Solenoid Less Coil |     |
| 2    | 70005776    | 2   | Seal Kit - 70005775 Valve     |     |
| 3    | 7022390     | 2   | Nut, Coil                     |     |
| 4    | 70002386    | 2   | Coil                          |     |
| 5    | 2220881     | 8   | Plug                          |     |

# SECTION 1 - FRAME

## FIGURE 1-17. TRACTION VALVE ASSEMBLY - 4WD



ART\_1001151409

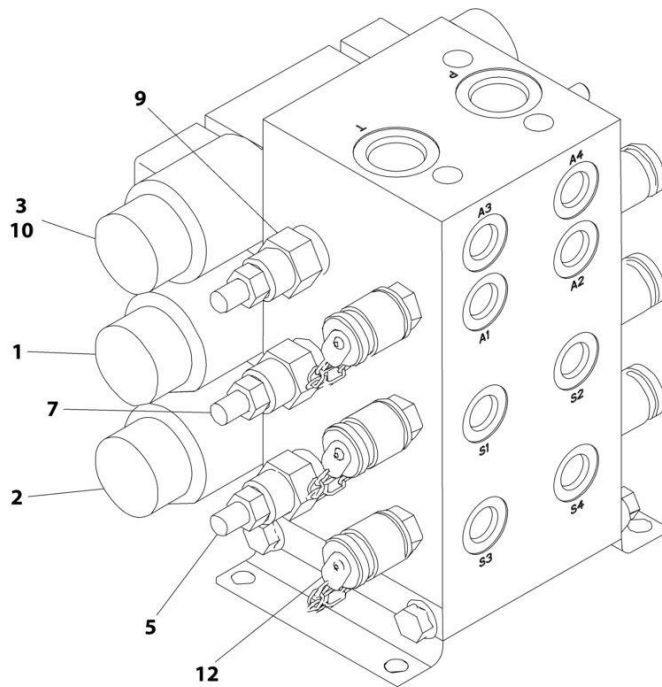
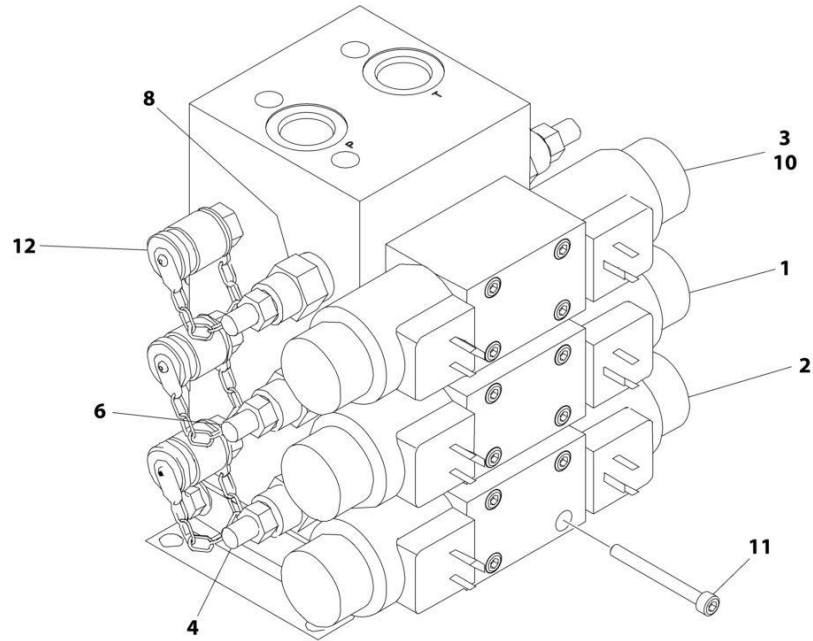
## SECTION 1 - FRAME

**FIGURE 1-17. TRACTION VALVE ASSEMBLY - 4WD**

| ITEM | PART NUMBER | QTY | DESCRIPTION                   | REV |
|------|-------------|-----|-------------------------------|-----|
|      | 1001151409  | Ref | TRACTION VALVE ASSEMBLY - 4WD | B   |
| 1    | 70005774    | 4   | Cartridge, Check Valve        |     |
| 1    | 7024808     | 4   | Seal Kit - 70005774 Valve     |     |
| 2    | 70002958    | 2   | Cartridge, Flow Divider Valve |     |
| 2    | 70002959    | 2   | Seal Kit - 70002958 Valve     |     |
| 3    | 70000804    | 1   | Cartridge, Shuttle Valve      |     |
| 3    | 70000805    | 1   | Seal Kit - 70000804 Valve     |     |
| 4    | 70005775    | 2   | Cartridge, Solenoid Less Coil |     |
| 4    | 70005776    | 2   | Seal Kit - 70005775 Valve     |     |
| 5    | 7022390     | 2   | Nut, Coil                     |     |
| 6    | 70002386    | 2   | Coil                          |     |
| 7    | 7017493     | 2   | Orifice                       |     |
| 8    | 2220883     | 7   | Plug                          |     |
| 9    | 2220881     | 11  | Plug                          |     |

# SECTION 1 - FRAME

## FIGURE 1-18. AXLE EXTEND/STEER ASSEMBLY



ART\_1001151834

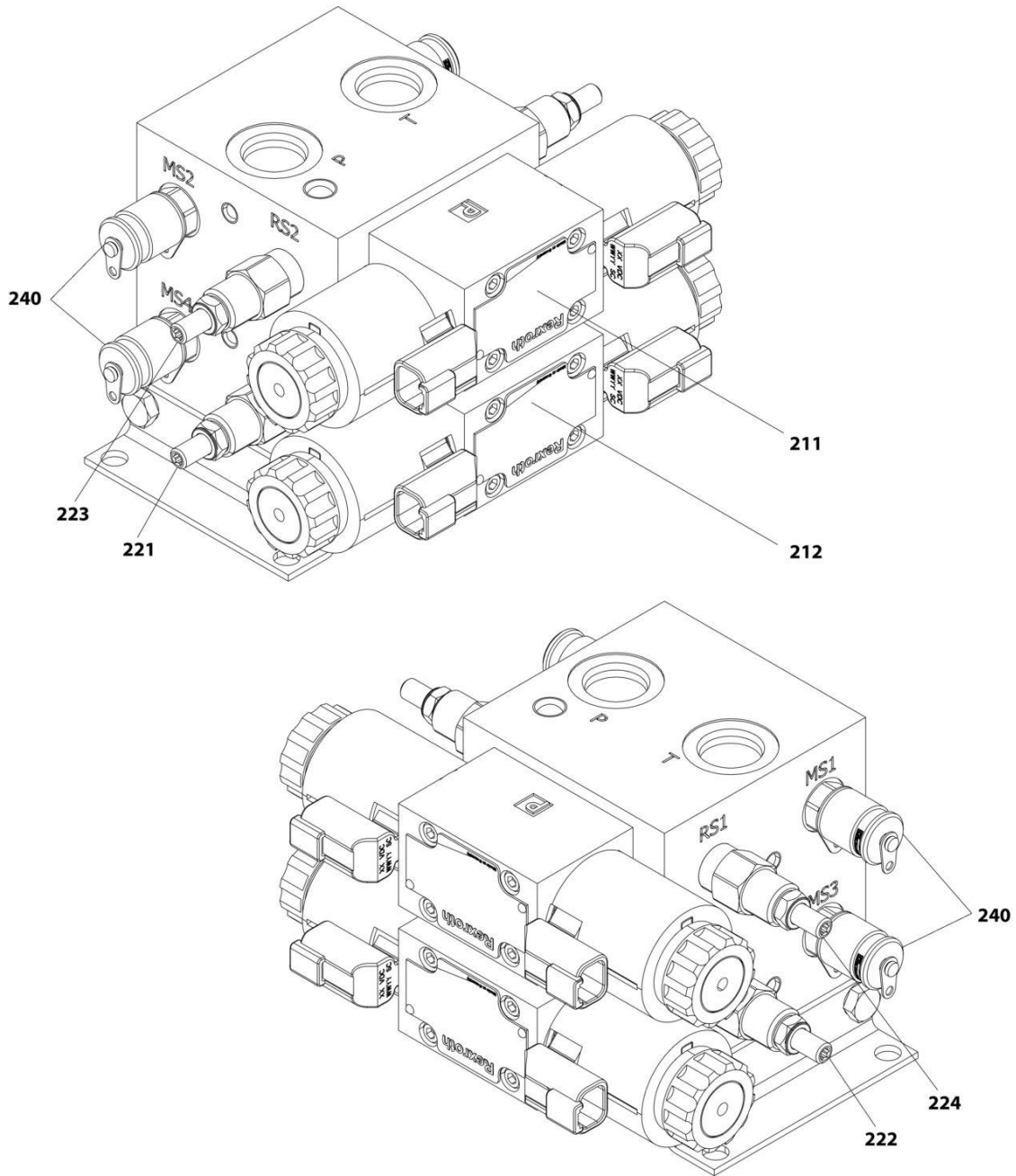
# SECTION 1 - FRAME

## FIGURE 1-18. AXLE EXTEND/STEER ASSEMBLY

| ITEM | PART NUMBER | QTY | DESCRIPTION  | REV |
|------|-------------|-----|--|-----|
|      | 1001151834  | Ref | AXLE EXTEND/STEER ASSEMBLY                                   | E   |
| 1    | 70006929    | 1   | Valve (Steer)  |     |
| 1    | See Note    | NSS | Seal Kit - 70006929 Valve (Note: Not Available for Purchase) |     |
| 1    | 70006950    | 2   | Coil   |     |
| 1    | 70004461    | 2   | O-Ring, Pole Tube  |     |
| 1    | 7021375     | 2   | Nut, Coil  |     |
| 2    | 70006929    | 1   | Valve (Steer)  |     |
| 2    | See Note    | NSS | Seal Kit - 70006929 Valve (Note: Not Available for Purchase) |     |
| 2    | 70006950    | 2   | Coil   |     |
| 2    | 70004461    | 2   | O-Ring, Pole Tube  |     |
| 2    | 7021375     | 2   | Nut, Coil  |     |
| 3    | 70001939    | 1   | Orifice  |     |
| 4    | 70006087    | 1   | Cartridge, Relief Valve                                      |     |
| 4    | 7011346     | 1   | Seal Kit - 70006087 Valve                                    |     |
| 5    | 70006088    | 1   | Cartridge, Relief Valve                                      |     |
| 5    | 7011346     | 1   | Seal Kit - 70006088 Valve                                    |     |
| 6    | 70006087    | 1   | Cartridge, Relief Valve                                      |     |
| 6    | 7011346     | 1   | Seal Kit - 70006087 Valve                                    |     |
| 7    | 70006088    | 1   | Cartridge, Relief Valve                                      |     |
| 7    | 7011346     | 1   | Seal Kit - 70006088 Valve                                    |     |
| 8    | 70006089    | 1   | Cartridge, Relief Valve                                      |     |
| 8    | 7011346     | 1   | Seal Kit - 70006089 Valve                                    |     |
| 9    | 70006089    | 1   | Cartridge, Relief Valve                                      |     |
| 9    | 7011346     | 1   | Seal Kit - 70006089 Valve                                    |     |
| 10   | 70004459    | 1   | Valve (Steer)  |     |
| 10   | 7012773     | 1   | Seal Kit - 70004459 Valve                                    |     |
| 10   | 70004460    | 2   | Coil   |     |
| 10   | 70004461    | 2   | O-Ring, Pole Tube  |     |
| 10   | 7021375     | 2   | Nut, Coil  |     |
| 11   | 7018942     | 12  | Capscrew #10 x 2   |     |
| 12   | 2221086     | 6   | Fitting, Pressure Test                                       |     |

# SECTION 1 - FRAME

## FIGURE 1-19. STEER VALVE ASSEMBLY



ART\_1001222524

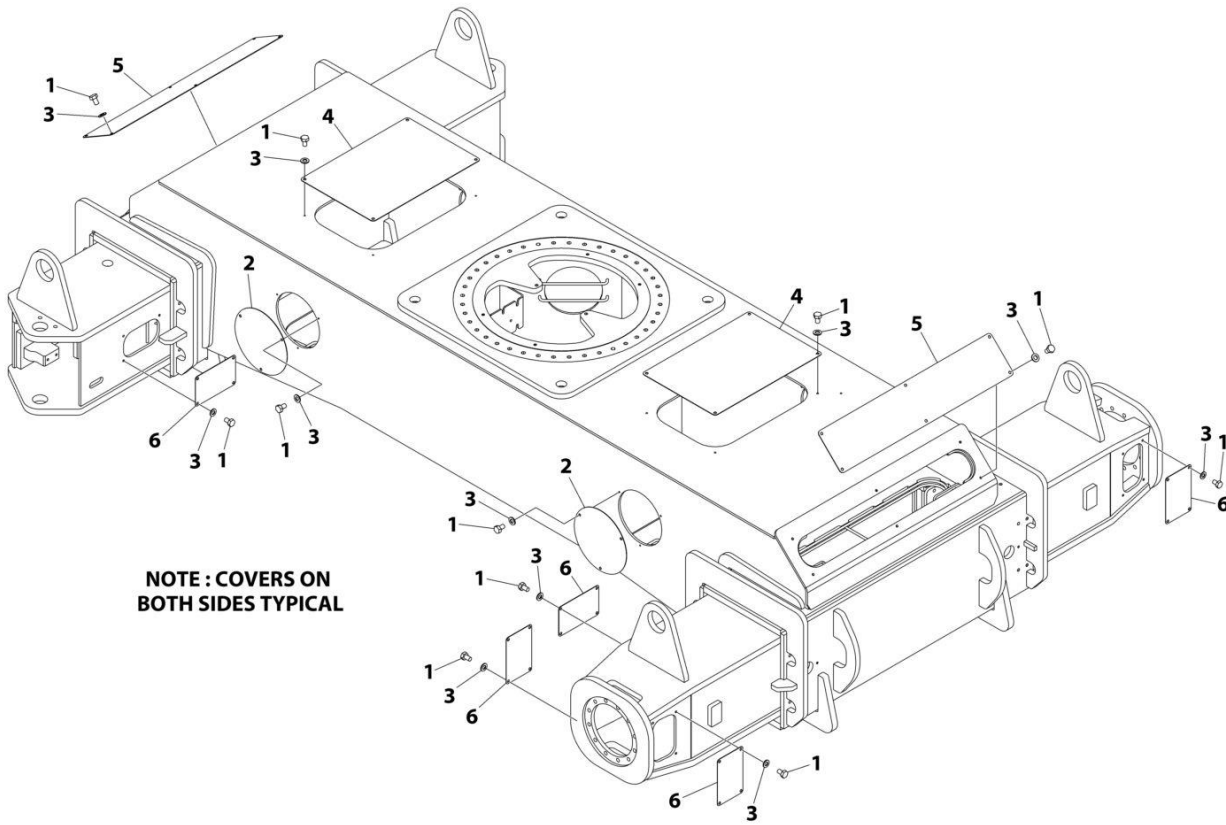
# SECTION 1 - FRAME

## FIGURE 1-19. STEER VALVE ASSEMBLY

| ITEM | PART NUMBER | QTY | DESCRIPTION  | REV |
|------|-------------|-----|--|-----|
|      | 1001222524  | Ref | STEER VALVE ASSEMBLY   | B   |
| 211  | 70006929    | 1   | Valve (Steer)  |     |
| 211  | See Note    | NSS | Seal Kit - 70006929 Valve (Note: Not Available for Purchase) |     |
| 211  | 70006950    | 2   | Coil   |     |
| 211  | 70004461    | 2   | O-Ring, Pole Tube  |     |
| 211  | 7021375     | 1   | Nut, Coil  |     |
| 212  | 70006929    | 1   | Valve (Steer)  |     |
| 212  | See Note    | NSS | Seal Kit - 70006929 Valve (Note: Not Available for Purchase) |     |
| 212  | 70006950    | 2   | Coil   |     |
| 212  | 70004461    | 2   | O-Ring, Pole Tube  |     |
| 212  | 7021375     | 2   | Nut, Coil  |     |
| 221  | 70006087    | 1   | Cartridge, Relief Valve                                      |     |
| 221  | 7011346     | 1   | Seal Kit - 70006087 Valve                                    |     |
| 222  | 70006088    | 1   | Cartridge, Relief Valve                                      |     |
| 222  | 7011346     | 1   | Seal Kit - 70006088 Valve                                    |     |
| 223  | 70006087    | 1   | Cartridge, Relief Valve                                      |     |
| 223  | 7011346     | 1   | Seal Kit - 70006087 Valve                                    |     |
| 224  | 70006088    | 1   | Cartridge, Relief Valve                                      |     |
| 224  | 7011346     | 1   | Seal Kit - 70006088 Valve                                    |     |
| 240  | 2221086     | 4   | Fitting, Pressure Test                                       |     |

# SECTION 1 - FRAME

## FIGURE 1-20. FRAME COVER INSTALLATION (2WS)



ART\_1001150044



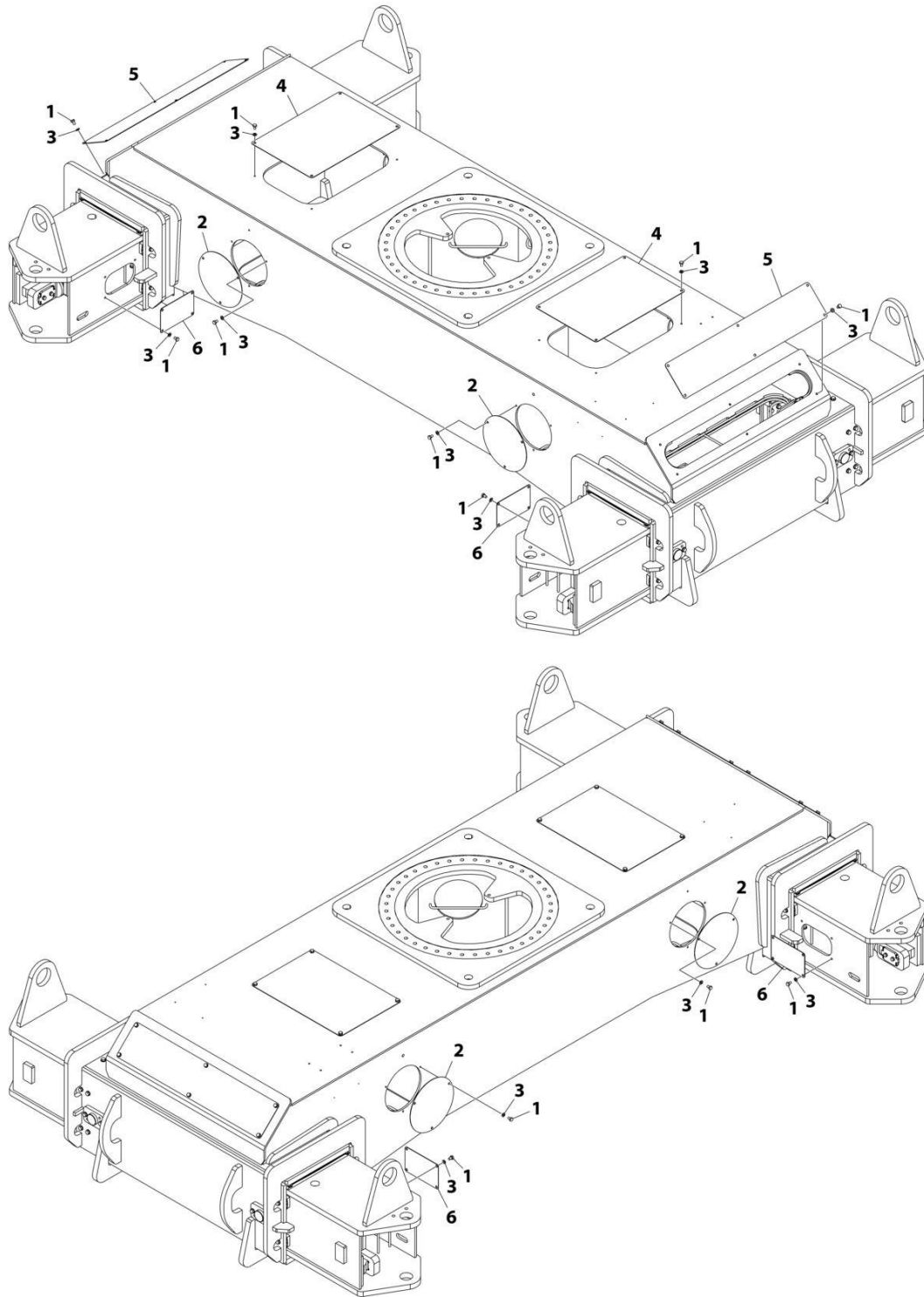
## SECTION 1 - FRAME

**FIGURE 1-20. FRAME COVER INSTALLATION (2WS)**

| ITEM | PART NUMBER | QTY | DESCRIPTION                                  | REV |
|------|-------------|-----|--|-----|
|      | 1001150044  | Ref | FRAME COVER INSTALLATION - STANDARD MACHINES | C   |
| 1    | 0761008     | AR  | Bolt M10 x 16                                |     |
| 2    | 1671049     | 4   | Cover  |     |
| 3    | 4812000     | AR  | Washer M10                                   |     |
| 4    | 1001150577  | AR  | Cover  |     |
| 5    | 1001150578  | 2   | Cover  |     |
| 6    | 1001150579  | 8   | Cover  |     |

# SECTION 1 - FRAME

## FIGURE 1-21. FRAME COVER INSTALLATION (4WS)



ART\_1001232783

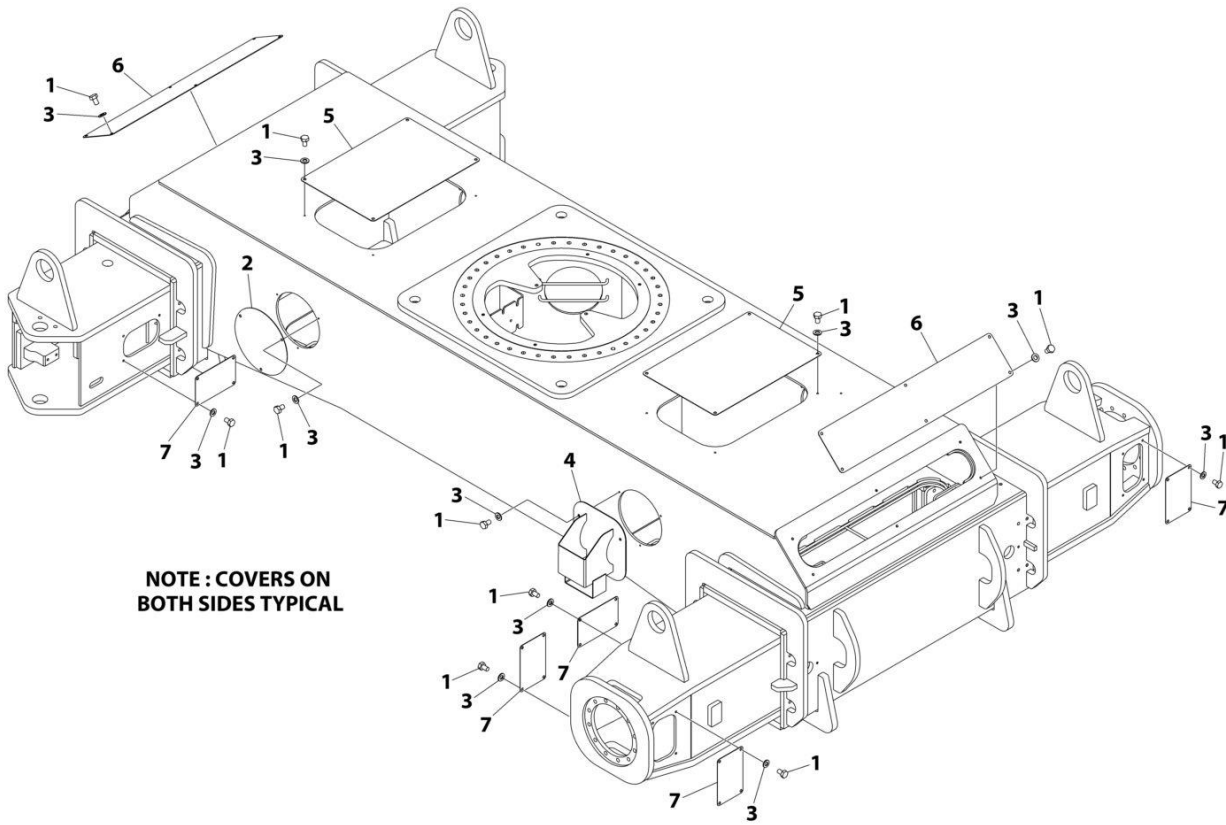
## SECTION 1 - FRAME

**FIGURE 1-21. FRAME COVER INSTALLATION (4WS)**

| ITEM | PART NUMBER | QTY | DESCRIPTION                                  | REV |
|------|-------------|-----|--|-----|
|      | 1001232783  | Ref | FRAME COVER INSTALLATION - STANDARD MACHINES | A   |
| 1    | 0761008     | 48  | Bolt M10 x 16                                |     |
| 2    | 1671049     | 4   | Cover  |     |
| 3    | 4812000     | 48  | Washer M10                                   |     |
| 4    | 1001150577  | 2   | Cover  |     |
| 5    | 1001150578  | 2   | Cover  |     |
| 6    | 1001150579  | 4   | Cover  |     |

# SECTION 1 - FRAME

## FIGURE 1-22. FRAME COVER INSTALLATION - SHIPYARD MACHINES (2WS)



ART\_1001150042

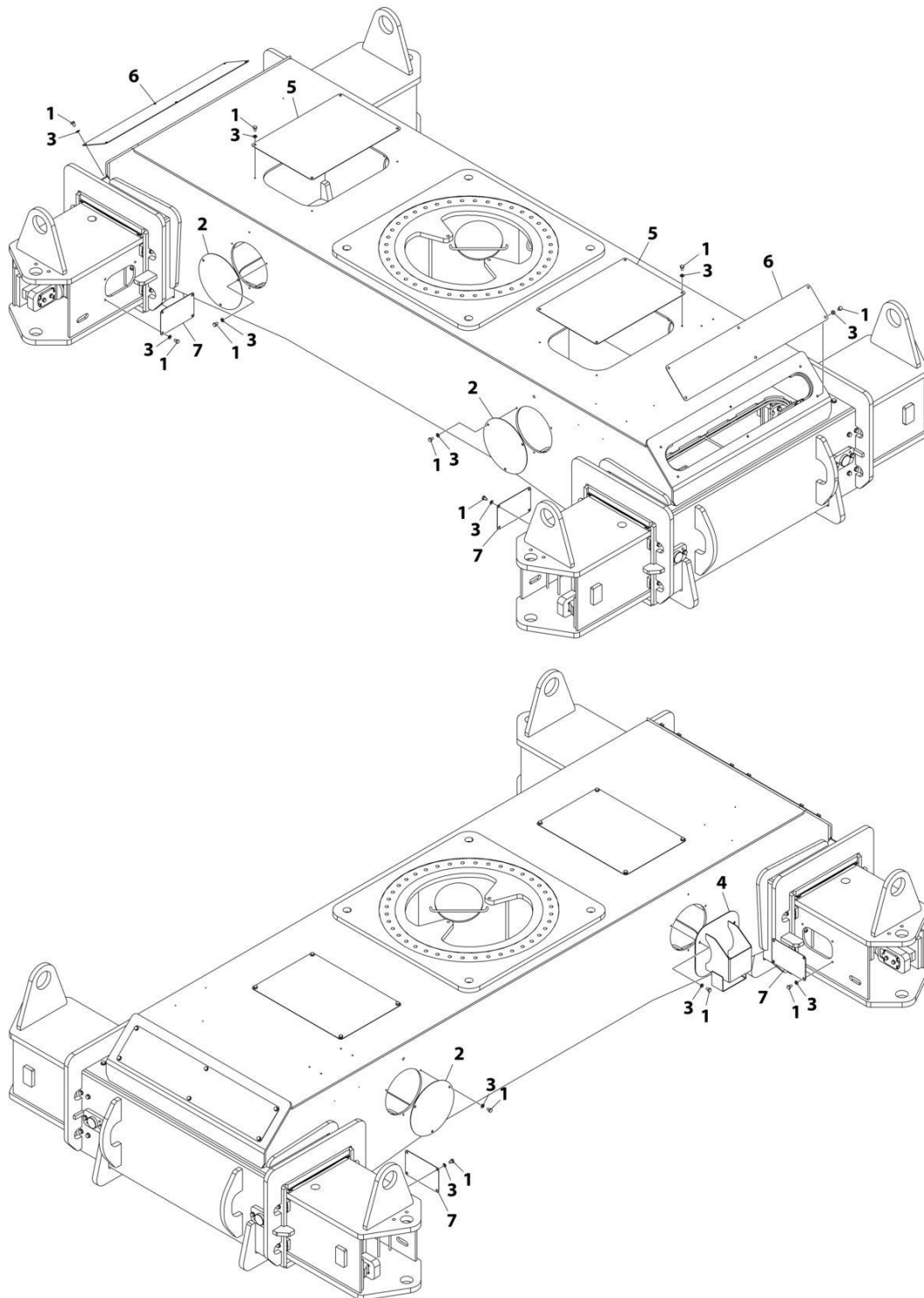
## SECTION 1 - FRAME

**FIGURE 1-22. FRAME COVER INSTALLATION - SHIPYARD MACHINES (2WS)**

| ITEM | PART NUMBER | QTY | DESCRIPTION                                  | REV |
|------|-------------|-----|--|-----|
|      | 1001150042  | Ref | FRAME COVER INSTALLATION - SHIPYARD MACHINES | C   |
| 1    | 0761008     | AR  | Bolt M10 x 16                                |     |
| 2    | 1671049     | 3   | Cover  |     |
| 3    | 4812000     | AR  | Washer M10                                   |     |
| 4    | 1001110877  | 1   | Mount, Fire Extinguisher                     |     |
| 5    | 1001150577  | AR  | Cover  |     |
| 6    | 1001150578  | 2   | Cover  |     |
| 7    | 1001150579  | 8   | Cover  |     |

# SECTION 1 - FRAME

## FIGURE 1-23. FRAME COVER INSTALLATION - SHIPYARD MACHINES (4WS)



ART\_1001232782

## SECTION 1 - FRAME

**FIGURE 1-23. FRAME COVER INSTALLATION - SHIPYARD MACHINES (4WS)**

| ITEM | PART NUMBER | QTY | DESCRIPTION                                  | REV |
|------|-------------|-----|--|-----|
|      | 1001232782  | Ref | FRAME COVER INSTALLATION - SHIPYARD MACHINES | A   |
| 1    | 0761008     | 48  | Bolt M10 x 16                                |     |
| 2    | 1671049     | 3   | Cover  |     |
| 3    | 4812000     | 48  | Washer M10                                   |     |
| 4    | 1001110877  | 1   | Mount, Fire Extinguisher                     |     |
| 5    | 1001150577  | 2   | Cover  |     |
| 6    | 1001150578  | 2   | Cover  |     |
| 7    | 1001150579  | 4   | Cover  |     |

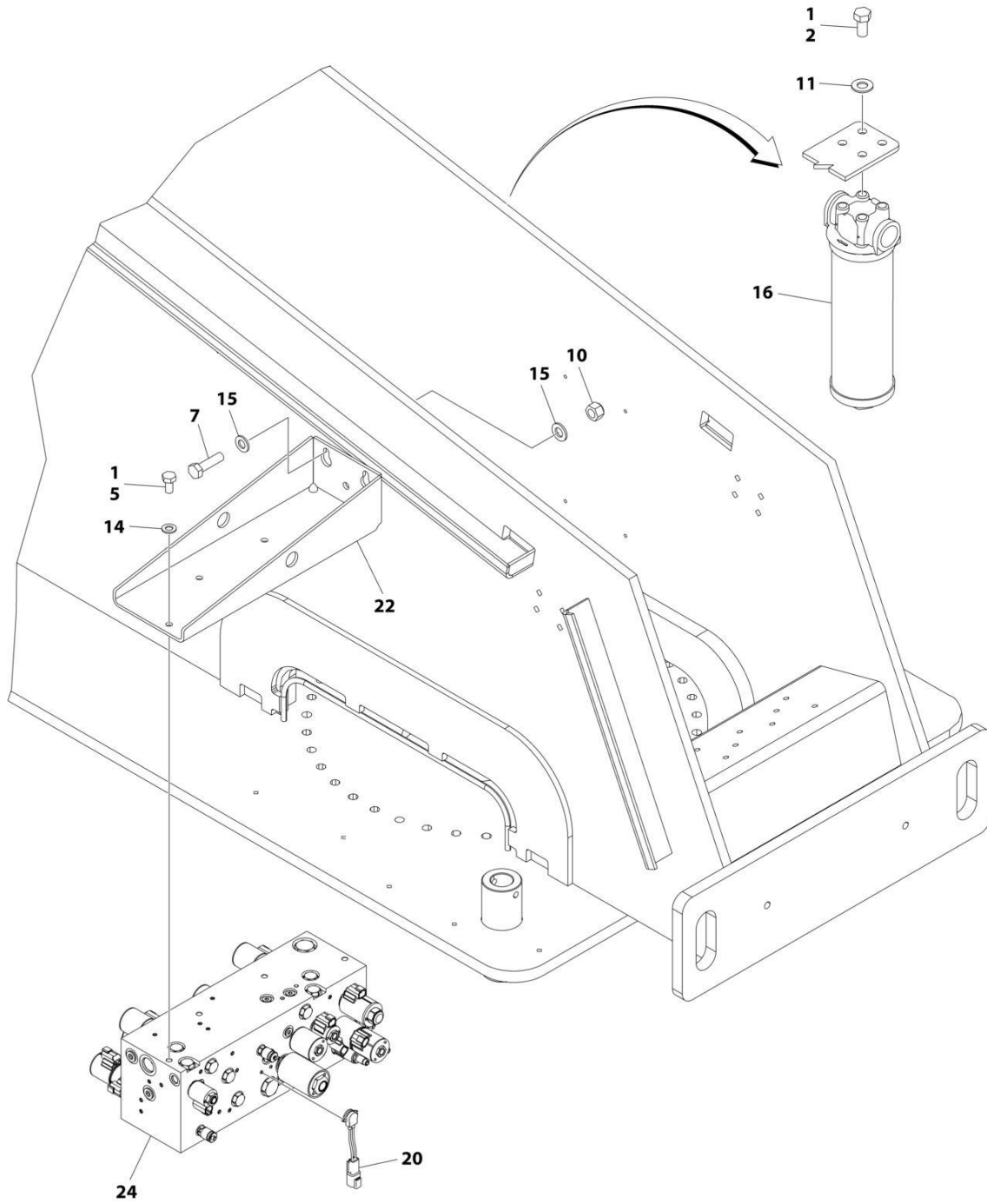




**SECTION 2 - TURNTABLE**

# SECTION 2 - TURNTABLE

## FIGURE 2-1. VALVE INSTALLATION - TURNTABLE (2WD/2WS)



ART\_1001223984\_C\_20F3

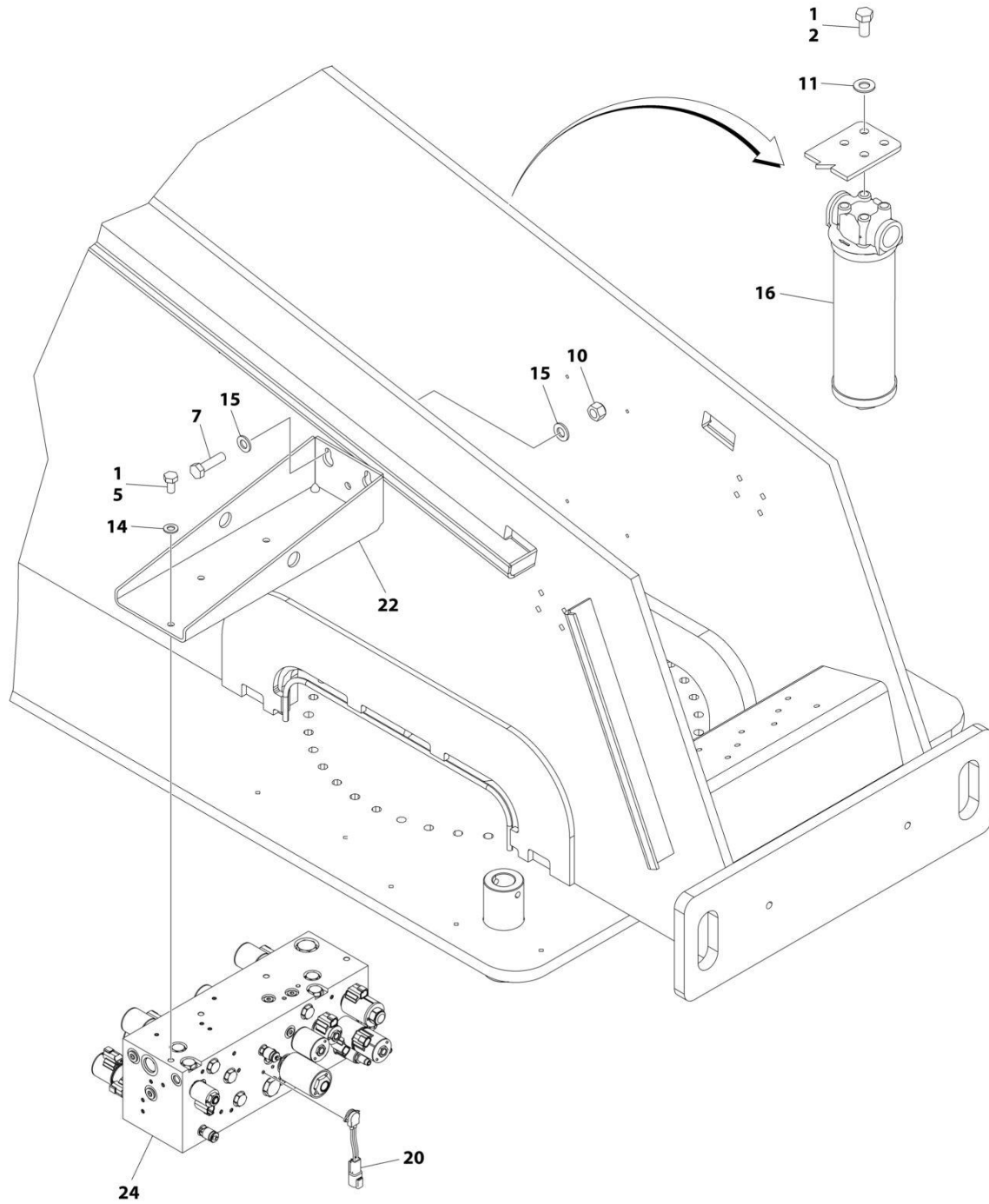
**SECTION 2 - TURNTABLE**

**FIGURE 2-1. VALVE INSTALLATION - TURNTABLE (2WD/2WS)**

| ITEM | PART NUMBER | QTY | DESCRIPTION  | REV |
|------|-------------|-----|--|-----|
|      | 1001223984  | Ref | VALVE INSTALLATION - TURNTABLE                               | C   |
| 1    | 0100011     | AR  | Compound, Locking  |     |
| 2    | 0641606     | 4   | Bolt 3/8 x 3/4   |     |
| 5    | 0761010     | 4   | Bolt M10 x 20  |     |
| 7    | 0761217     | 3   | Bolt M12 x 45  |     |
| 10   | 3291205     | 3   | Nut M12  |     |
| 11   | 4711600     | 4   | Washer 3/8   |     |
| 14   | 4812000     | 4   | Washer M10   |     |
| 15   | 4812100     | 6   | Washer M12   |     |
| 16   | 1001108617  | 1   | Filter, Hydraulic  |     |
| 16   | 70002231    | 1   | Element, Filter  |     |
| 20   | 1001151525  | 1   | Sensor, Temperature  |     |
| 22   | 1001151840  | 1   | Bracket  |     |
| 24   | 1001219116  | 1   | Main Valve Assembly (See Separate Breakdown in this Section) |     |

# SECTION 2 - TURNTABLE

## FIGURE 2-2. VALVE INSTALLATION - TURNTABLE (4WD/2WS)



ART\_1001223931\_C\_20F3

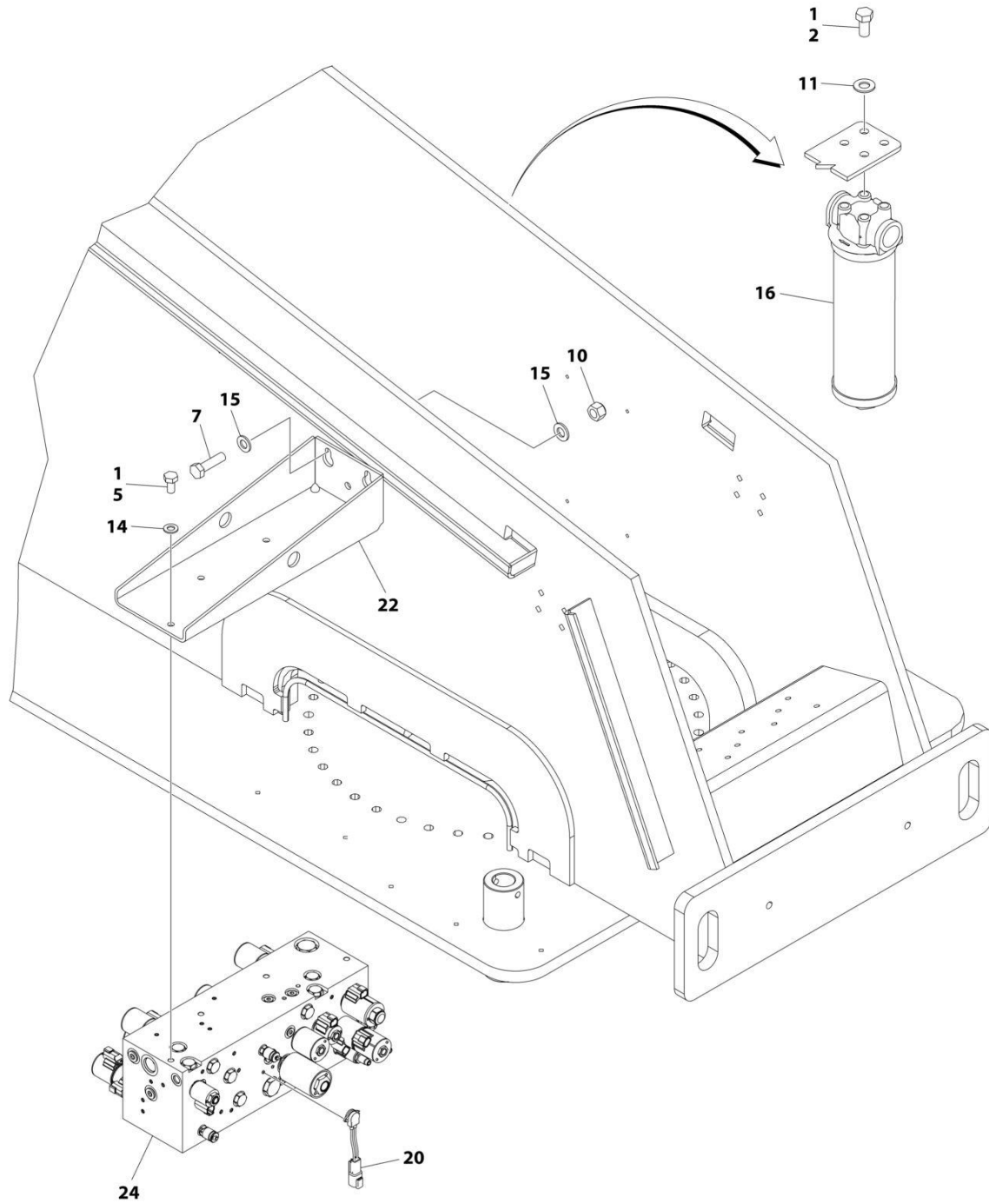
**SECTION 2 - TURNTABLE**

**FIGURE 2-2. VALVE INSTALLATION - TURNTABLE (4WD/2WS)**

| ITEM | PART NUMBER | QTY | DESCRIPTION  | REV |
|------|-------------|-----|--|-----|
|      | 1001223931  | Ref | VALVE INSTALLATION - TURNTABLE                               | C   |
| 1    | 0100011     | AR  | Compound, Locking  |     |
| 2    | 0641606     | 4   | Bolt 3/8 x 3/4   |     |
| 5    | 0761010     | 4   | Bolt M10 x 20  |     |
| 7    | 0761217     | 3   | Bolt M12 x 45  |     |
| 10   | 3291205     | 3   | Nut M12  |     |
| 11   | 4711600     | 4   | Washer 3/8   |     |
| 14   | 4812000     | 4   | Washer M10   |     |
| 15   | 4812100     | 6   | Washer M12   |     |
| 16   | 1001108617  | 1   | Filter, Hydraulic  |     |
| 16   | 70002231    | 1   | Element, Filter  |     |
| 20   | 1001151525  | 1   | Sensor, Temperature  |     |
| 22   | 1001151840  | 1   | Bracket  |     |
| 24   | 1001219116  | 1   | Main Valve Assembly (See Separate Breakdown in this Section) |     |

# SECTION 2 - TURNTABLE

## FIGURE 2-3. VALVE INSTALLATION - TURNTABLE (4WD/4WS)



ART\_1001223890\_C\_20F3

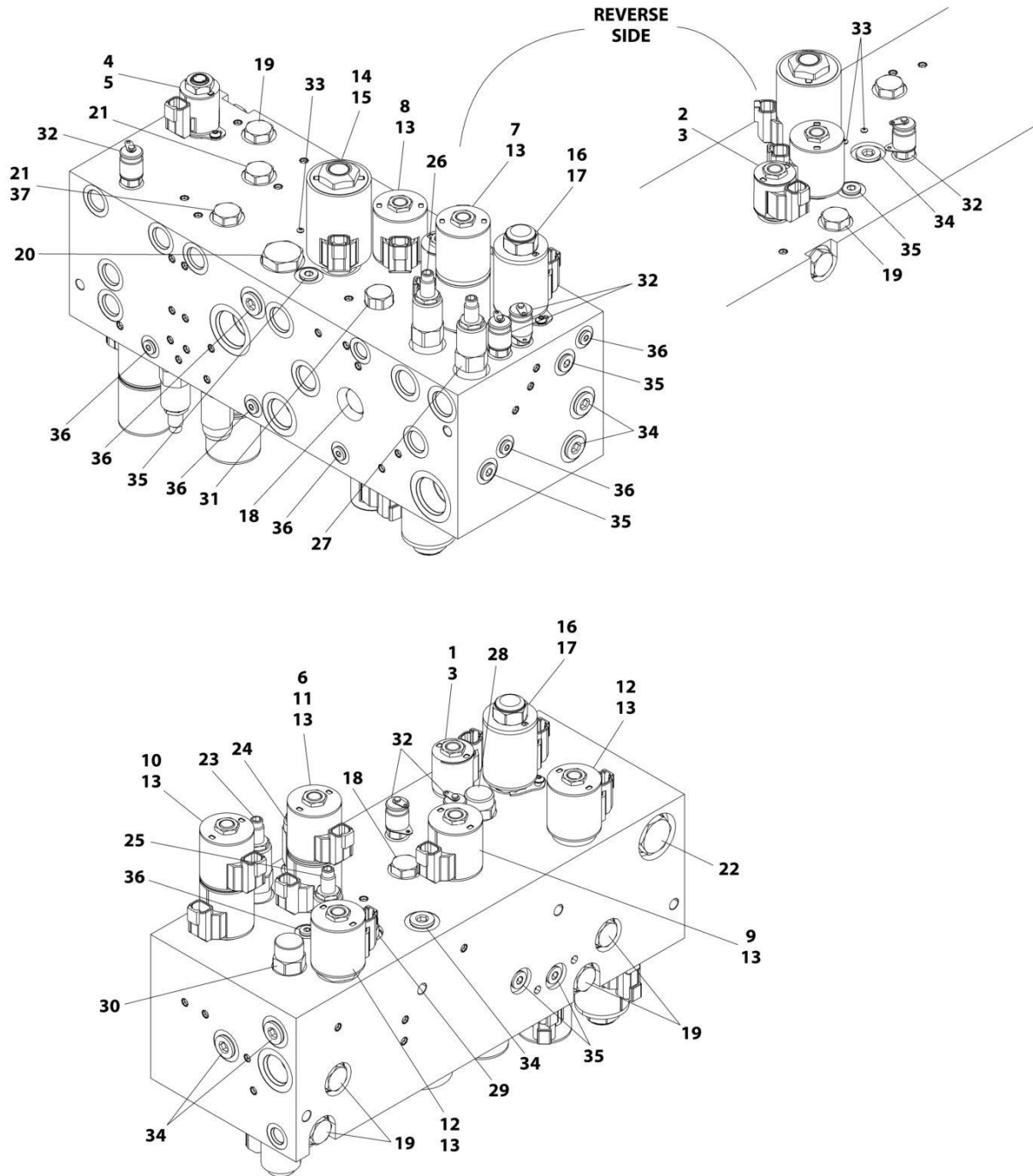
**SECTION 2 - TURNTABLE**

**FIGURE 2-3. VALVE INSTALLATION - TURNTABLE (4WD/4WS)**

| ITEM | PART NUMBER | QTY | DESCRIPTION  | REV |
|------|-------------|-----|--|-----|
|      | 1001223890  | Ref | VALVE INSTALLATION - TURNTABLE                               | C   |
| 1    | 0100011     | AR  | Compound, Locking  |     |
| 2    | 0641606     | 4   | Bolt 3/8 x 3/4   |     |
| 5    | 0761010     | 4   | Bolt M10 x 20  |     |
| 7    | 0761217     | 3   | Bolt M12 x 45  |     |
| 10   | 3291205     | 3   | Nut M12  |     |
| 11   | 4711600     | 4   | Washer 3/8   |     |
| 14   | 4812000     | 4   | Washer M10   |     |
| 15   | 4812100     | 6   | Washer M12   |     |
| 16   | 1001108617  | 1   | Filter, Hydraulic  |     |
| 16   | 70002231    | 1   | Element, Filter  |     |
| 20   | 1001151525  | 1   | Sensor, Temperature  |     |
| 22   | 1001151840  | 1   | Bracket  |     |
| 24   | 1001219116  | 1   | Main Valve Assembly (See Separate Breakdown in this Section) |     |

# SECTION 2 - TURNTABLE

## FIGURE 2-4. MAIN VALVE ASSEMBLY



ART\_1001219116



**SECTION 2 - TURNTABLE**

**FIGURE 2-4. MAIN VALVE ASSEMBLY**

| ITEM | PART NUMBER | QTY | DESCRIPTION                         | REV |
|------|-------------|-----|-------------------------------------|-----|
|      | 1001219116  | Ref | MAIN VALVE ASSEMBLY                 | C   |
| 1    | 7017467     | 1   | Cartridge, Solenoid Valve Less Coil |     |
| 1    | 7012967     | 1   | Seal Kit - 7017467 Valve            |     |
| 1    | 7022390     | 1   | Nut, Coil                           |     |
| 2    | 7017453     | 1   | Cartridge, Solenoid Valve Less Coil |     |
| 2    | 7017402     | 1   | Seal Kit - 7017453 Valve            |     |
| 2    | 7022390     | 1   | Nut, Coil                           |     |
| 3    | 70002386    | 2   | Coil                                |     |
| 4    | 70002969    | 1   | Cartridge, Proportional Valve       |     |
| 4    | 7010543     | 1   | Seal Kit - 70002969 Valve           |     |
| 4    | 70005717    | 1   | Lockdown Kit                        |     |
| 5    | 70002971    | 1   | Coil                                |     |
| 6    | 70005778    | 1   | Cartridge, Solenoid Valve Less Coil |     |
| 6    | 70003976    | 1   | Seal Kit - 70005778 Valve           |     |
| 6    | 70003024    | 1   | Spacer, Coil                        |     |
| 6    | 7022390     | 1   | Nut, Coil                           |     |
| 7    | 70006237    | 1   | Cartridge, Solenoid Valve Less Coil |     |
| 7    | 70006238    | 1   | Seal Kit - 70006237 Valve           |     |
| 7    | 70003024    | 1   | Spacer, Coil                        |     |
| 7    | 7022390     | 1   | Nut, Coil                           |     |
| 8    | 70006239    | 1   | Cartridge, Solenoid Valve Less Coil |     |
| 8    | 7012518     | 1   | Seal Kit - 70006239 Valve           |     |
| 8    | 7022390     | 1   | Nut, Coil                           |     |
| 9    | 7010635     | 1   | Cartridge, Solenoid Valve Less Coil |     |
| 9    | 2900708     | 1   | Seal Kit - 7010635 Valve            |     |
| 9    | 7022390     | 1   | Nut, Coil                           |     |
| 10   | 70003972    | 1   | Cartridge, Solenoid Valve Less Coil |     |
| 10   | 70003976    | 1   | Seal Kit - 70003972 Valve           |     |
| 10   | 7022390     | 1   | Nut, Coil                           |     |
| 11   | 70005781    | 1   | Disc, Check Valve                   |     |
| 12   | 7023923     | 2   | Cartridge, Solenoid Valve Less Coil |     |
| 12   | 7023919     | 2   | Seal Kit - 7023923 Valve            |     |
| 12   | 7022390     | 2   | Nut, Coil                           |     |
| 13   | 70003788    | 10  | Coil                                |     |
| 14   | 70005782    | 1   | Cartridge, Solenoid Valve Less Coil |     |
| 14   | 7012925     | 1   | Seal Kit - 70005782 Valve           |     |
| 14   | 70027278    | 1   | Nut, Coil                           |     |
| 15   | 70027006    | 1   | Coil                                |     |
| 16   | 7021636     | 2   | Cartridge, Proportional Valve       |     |
| 16   | 7017495     | 2   | Seal Kit - 7021636 Valve            |     |
| 16   | 70005725    | 2   | Lockdown Kit                        |     |
| 17   | 70003789    | 2   | Coil                                |     |
| 18   | 7022391     | 2   | Cartridge, Check Valve              |     |
| 18   | 7012967     | 2   | Seal Kit - 7022391 Valve            |     |
| 19   | 4641129     | 6   | Cartridge, Check Valve              |     |
| 19   | 7012540     | 6   | Seal Kit - 4641129 Valve            |     |
| 20   | 70006240    | 1   | Cartridge, Check Valve              |     |
| 20   | 7023919     | 1   | Seal Kit - 70006240 Valve           |     |
| 21   | 7012914     | 2   | Cartridge, Check Valve              |     |
| 21   | 7012918     | 2   | Seal Kit - 7012914 Valve            |     |

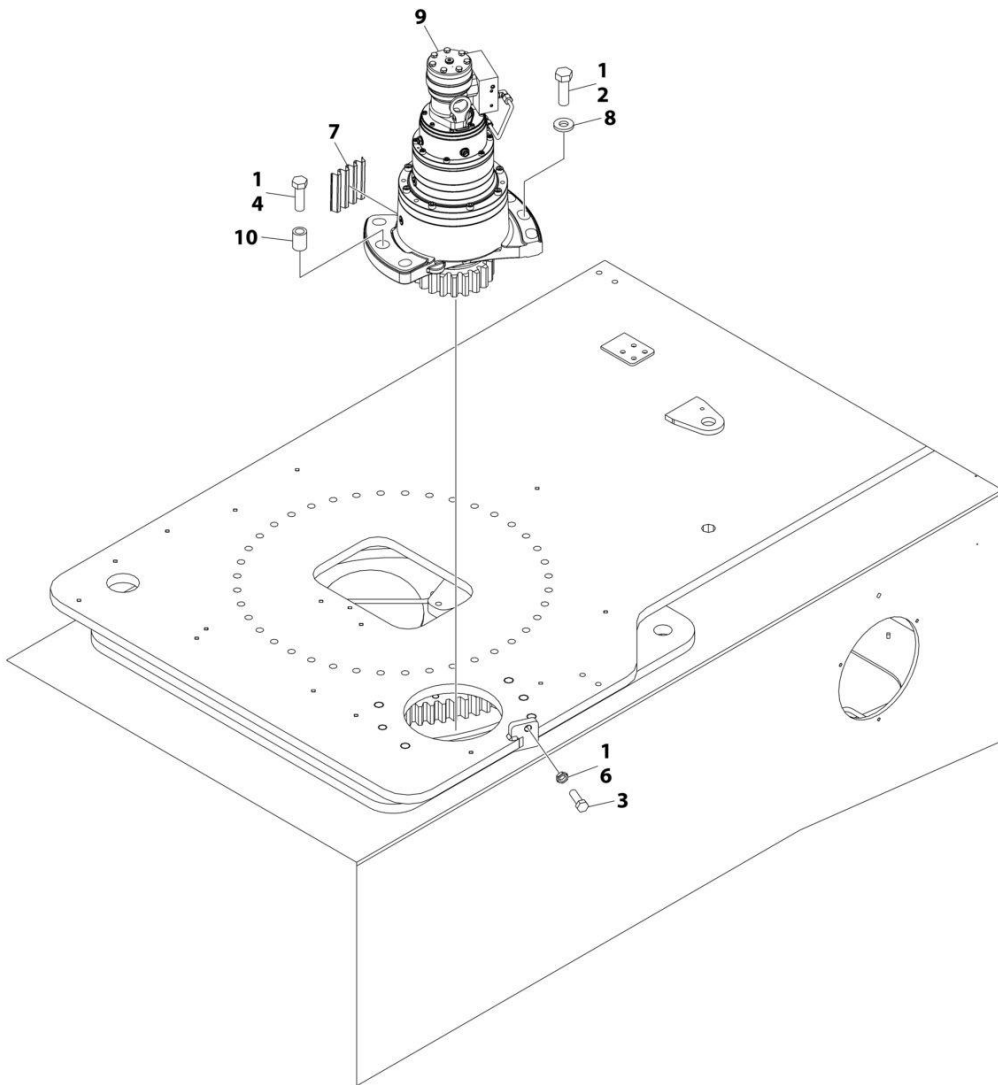
## SECTION 2 - TURNTABLE

| ITEM | PART NUMBER | QTY | DESCRIPTION                           | REV |
|------|-------------|-----|---------------------------------------|-----|
| 22   | 10837489    | 1   | Cartridge, Check Valve                |     |
| 22   | 7023919     | 1   | Seal Kit - 10837489 Valve             |     |
| 23   | 7017418     | 1   | Cartridge, Relief Valve               |     |
| 23   | 7012998     | 1   | Seal Kit - 7017418 Valve              |     |
| 24   | 70006241    | 1   | Cartridge, Relief Valve               |     |
| 24   | 7012998     | 1   | Seal Kit - 70006241 Valve             |     |
| 25   | 7017420     | 1   | Cartridge, Relief Valve               |     |
| 25   | 7012998     | 1   | Seal Kit - 7017420 Valve              |     |
| 26   | 70006242    | 1   | Cartridge, Relief Valve               |     |
| 26   | 7012998     | 1   | Seal Kit - 70006242 Valve             |     |
| 27   | 70005784    | 1   | Cartridge, Relief Valve               |     |
| 27   | 7012998     | 1   | Seal Kit - 70005784 Valve             |     |
| 28   | 4641210     | 1   | Cartridge, Flow Regulator Valve       |     |
| 28   | 7010545     | 1   | Seal Kit - 4641210 Valve              |     |
| 29   | 7023924     | 1   | Cartridge, Flow Regulator Valve       |     |
| 29   | 7012953     | 1   | Seal Kit - 7023924 Valve              |     |
| 30   | 70004152    | 1   | Cartridge, Pressure Compensator Valve |     |
| 30   | 2900707     | 1   | Seal Kit - 70004152 Valve             |     |
| 31   | 70005786    | 1   | Cartridge, Valve                      |     |
| 31   | 2900770     | 1   | Seal Kit - 70005786 Valve             |     |
| 32   | 2221086     | 6   | Fitting, Pressure Test                |     |
| 33   | 70005785    | 2   | Screw M3 x 3                          |     |
| 34   | 2220886     | 7   | Plug                                  |     |
| 35   | 2220885     | 6   | Plug                                  |     |
| 36   | 2220883     | 6   | Plug                                  |     |
| 37   | 70006427    | 1   | Orifice                               |     |



# SECTION 2 - TURNTABLE

## FIGURE 2-5. SWING DRIVE INSTALLATION



ART\_1001228618

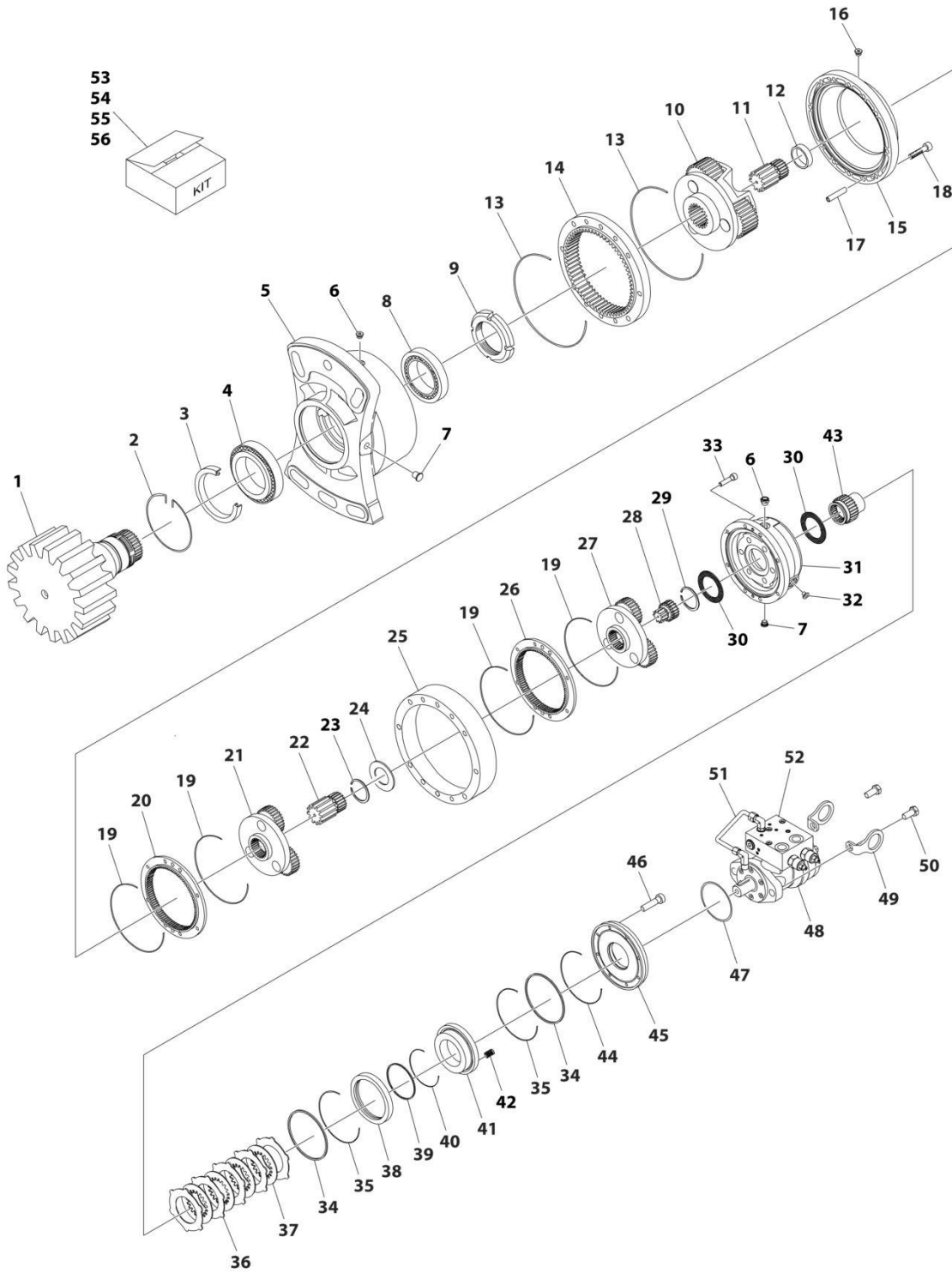
# SECTION 2 - TURNTABLE

**FIGURE 2-5. SWING DRIVE INSTALLATION**

| ITEM | PART NUMBER | QTY | DESCRIPTION   | REV |
|------|-------------|-----|---|-----|
|      | 1001228618  | Ref | SWING DRIVE INSTALLATION  | C   |
| 1    | 0100019     | AR  | Compound, Locking   |     |
| 2    | 0682422     | 5   | Bolt 7/8 x 2-3/4 Grade 8  |     |
| 3    | 0761618     | 1   | Bolt M16 x 50   |     |
| 4    | 0772021     | 1   | Bolt M20 x 65 Grade 10.9  |     |
| 6    | 3291602     | 1   | Nut M16   |     |
| 7    | 4071041     | 1   | Shim  |     |
| 8    | 4892400     | 5   | Washer  |     |
| 9    | 1001228488  | 1   | Swing Motor/Hub Assembly (See Separate Breakdown in this Section) |     |
| 10   | 1001229141  | 1   | Sleeve  |     |

# SECTION 2 - TURNTABLE

## FIGURE 2-6. SWING MOTOR/HUB ASSEMBLY



ART\_1001228488

## SECTION 2 - TURNTABLE

### FIGURE 2-6. SWING MOTOR/HUB ASSEMBLY

| ITEM | PART NUMBER | QTY | DESCRIPTION  | REV |
|------|-------------|-----|--|-----|
|      | 1001228488  | Ref | SWING MOTOR/HUB ASSEMBLY                           | B   |
| 1    | See Note    | NSS | Shaft (Note: Use Item 56)                          |     |
| 2    | 70004467    | 1   | Ring   |     |
| 3    | See Note    | NSS | Seal, Oil (Note: Use Item 53)                      |     |
| 4    | See Note    | NSS | Bearing (Note: Use Item 55)                        |     |
| 5    | See Note    | NSS | Support, Output (Note: Not Available for Purchase) |     |
| 6    | 70002057    | 5   | Plug with O-Ring                                   |     |
| 7    | 70004469    | 2   | Plug with O-Ring                                   |     |
| 8    | See Note    | NSS | Bearing (Note: Use Item 55)                        |     |
| 9    | See Note    | NSS | Nut, Ring (Note: Use Item 56)                      |     |
| 10   | 70006986    | 1   | Reduction, Gear - Complete                         |     |
| 11   | 70006987    | 1   | Pinion   |     |
| 12   | 70004477    | 1   | Spacer   |     |
| 13   | See Note    | NSS | O-Ring (Note: Use Item 53)                         |     |
| 14   | 70004474    | 1   | Ring, Planetary                                    |     |
| 15   | 70006988    | 1   | Spacer   |     |
| 16   | 70002057    | 2   | Plug with O-Ring                                   |     |
| 17   | 70006989    | 4   | Pin, Spring  |     |
| 18   | 70004480    | 8   | Capscrew M10 x 55                                  |     |
| 19   | See Note    | NSS | O-Ring (Note: Use Item 53)                         |     |
| 20   | 70006990    | 1   | Ring, Planetary                                    |     |
| 21   | 70006991    | 1   | Reduction, Gear - Complete                         |     |
| 22   | 70006992    | 1   | Pinion   |     |
| 23   | 70002032    | 1   | Ring   |     |
| 24   | 70006993    | 1   | Spacer   |     |
| 25   | 70006994    | 1   | Spacer   |     |
| 26   | 70004481    | 1   | Ring, Planetary                                    |     |
| 27   | 70006995    | 1   | Reduction, Gear - Complete                         |     |
| 28   | 70006996    | 1   | Pinion   |     |
| 29   | 70006997    | 1   | Ring   |     |
| 30   | 70006998    | 2   | Washer   |     |
| 31   | See Note    | NSS | Housing, Brake (Note: Not Available for Purchase)  |     |
| 32   | 70006999    | 1   | Plug   |     |
| 33   | 70007000    | 8   | Capscrew M8 x 90                                   |     |
| 34   | See Note    | NSS | Seal (Note: Use Item 53 or 54)                     |     |
| 35   | See Note    | NSS | O-Ring (Note: Use Item 53 or 54)                   |     |
| 36   | See Note    | NSS | Disc, Steel (Note: Use Item 54)                    |     |
| 37   | See Note    | NSS | Disc (Note: Use Item 54)                           |     |
| 38   | 70005317    | 1   | Spacer   |     |
| 39   | See Note    | NSS | Seal (Note: Use Item 53 or 54)                     |     |
| 40   | See Note    | NSS | O-Ring (Note: Use Item 53 or 54)                   |     |
| 41   | 70005318    | 1   | Piston, Brake                                      |     |
| 42   | See Note    | NSS | Spring, Brake (Note: Use Item 54)                  |     |
| 43   | 70007001    | 1   | Shaft, Input                                       |     |
| 44   | See Note    | NSS | O-Ring (Note: Use Item 53 or 54)                   |     |
| 45   | 70007002    | 1   | Cover  |     |
| 46   | 70007003    | 8   | Screw M6 x 25                                      |     |
| 47   | See Note    | NSS | O-Ring (Note: Use Item 53)                         |     |
| 48   | 70007009    | 1   | Motor  |     |
| 48   | 70007011    | 1   | Seal Kit   |     |

## SECTION 2 - TURNTABLE

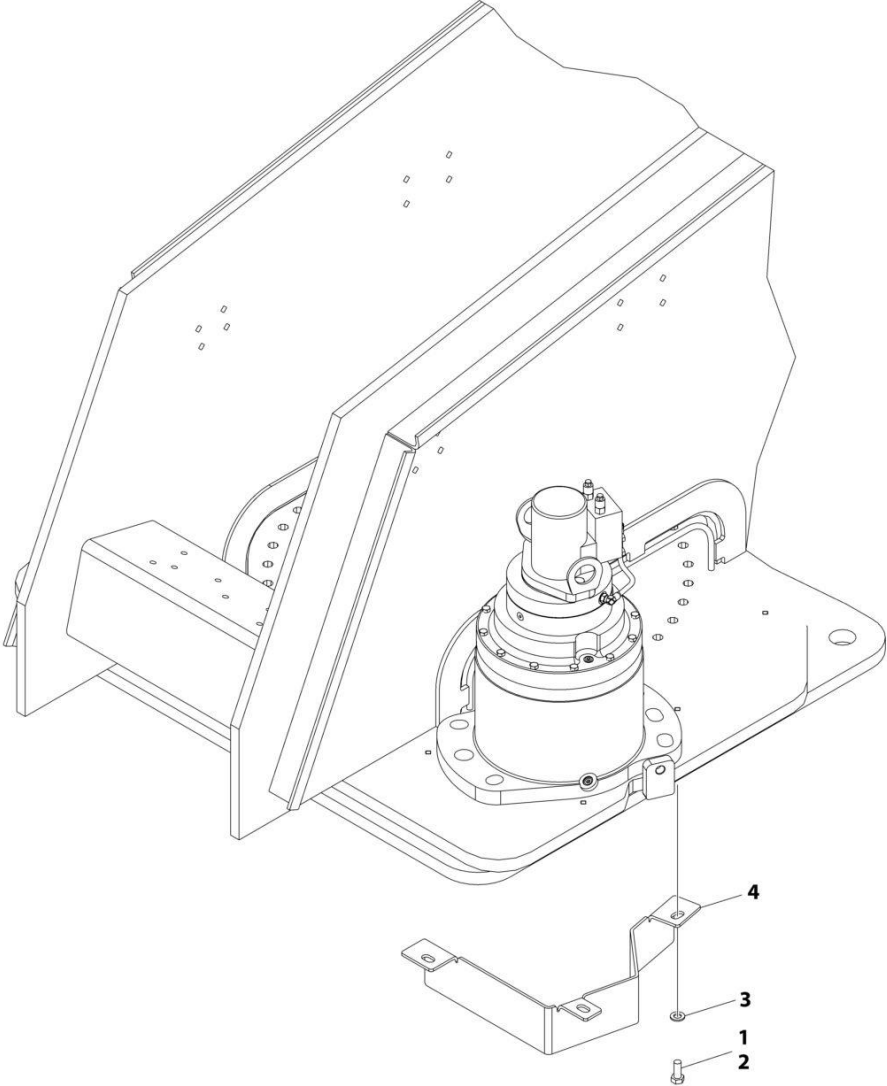
| ITEM | PART NUMBER | QTY | DESCRIPTION  | REV |
|------|-------------|-----|--|-----|
| 49   | See Note    | NSS | Lug, Lifting (Note: Not Available for Purchase)                              |     |
| 50   | 70004494    | 2   | Capscrew M12 x 35  |     |
| 51   | 70007004    | 1   | Brake, Valve Adapter   |     |
| 52   | 70007010    | 1   | Valve  |     |
| 52   | 70007012    | 1   | Seal Kit   |     |
| 52   | 70007013    | 1   | Hardware Kit   |     |
| 53   | 70007005    | 1   | Seal Kit – Brake and Hub (Includes Items 3, 13, 19, 34, 35, 39, 40, 44 & 47) |     |
| 54   | 70007006    | 1   | Seal Kit – Brake (Includes Items 34-37, 39, 40, 42 & 44)                     |     |
| 55   | 70007007    | 1   | Bearing Kit (Includes Items 4 & 8)   |     |
| 56   | 70007008    | 1   | Output Shaft Kit (Includes Items 1 & 9)                                      |     |





# SECTION 2 - TURNTABLE

## FIGURE 2-7. PINION SHIELD INSTALLATION (OPTIONAL)



ART\_1001150078

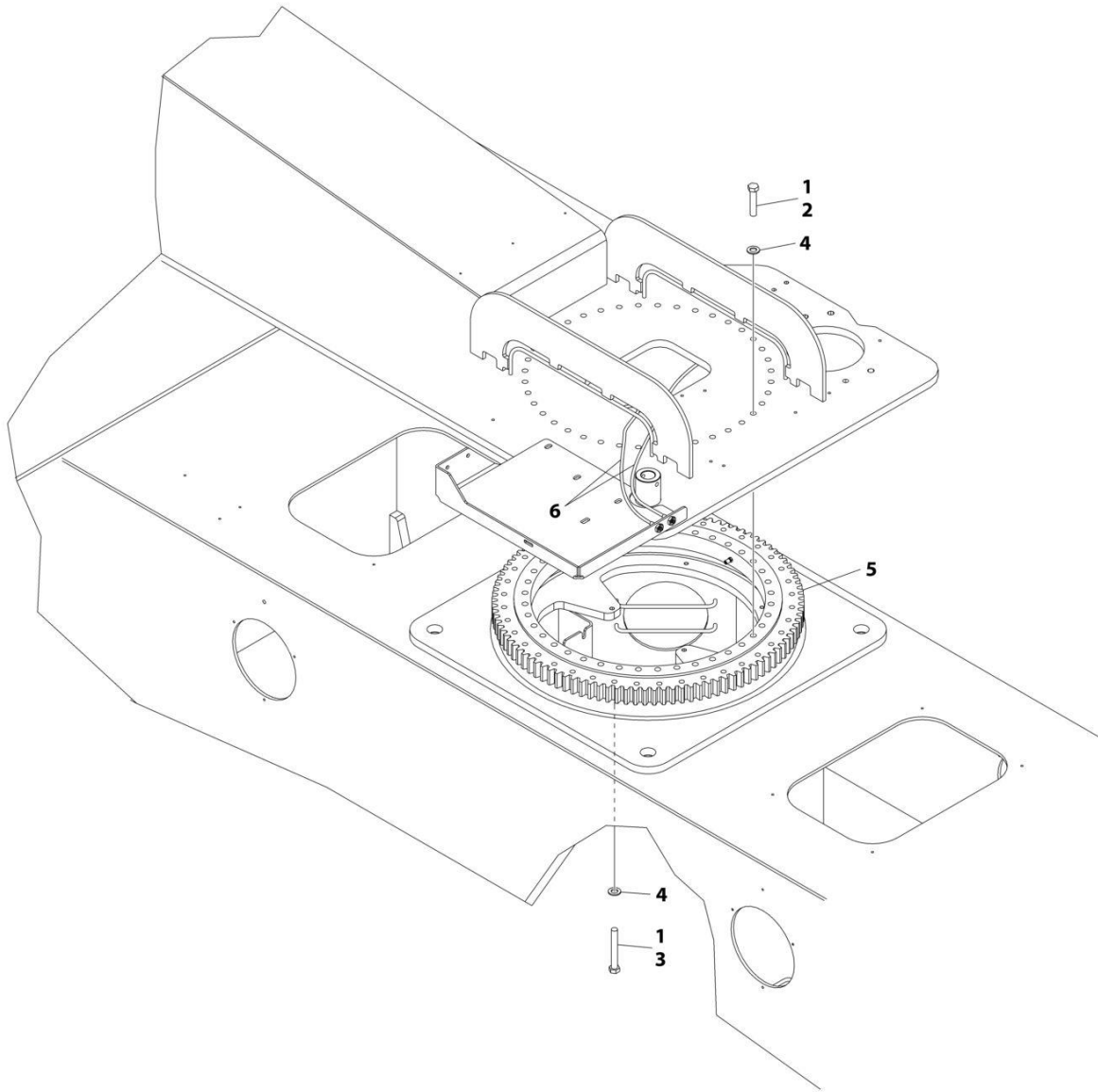
**SECTION 2 - TURNTABLE**

**FIGURE 2-7. PINION SHIELD INSTALLATION (OPTIONAL)**

| <b>ITEM</b> | <b>PART NUMBER</b> | <b>QTY</b> | <b>DESCRIPTION</b>                    | <b>REV</b> |
|-------------|--------------------|------------|---------------------------------------|------------|
|             | 1001150078         | Ref        | PINION SHIELD INSTALLATION (OPTIONAL) | A          |
| 1           | 0100011            | AR         | Compound, Locking                     |            |
| 2           | 0761214            | 3          | Bolt M12 x 30                         |            |
| 3           | 4812100            | 3          | Washer M12                            |            |
| 4           | 1001151180         | 1          | Shield, Pinion                        |            |

# SECTION 2 - TURNTABLE

## FIGURE 2-8. TURNTABLE BEARING AND LUBE INSTALLATION



ART\_1001150026

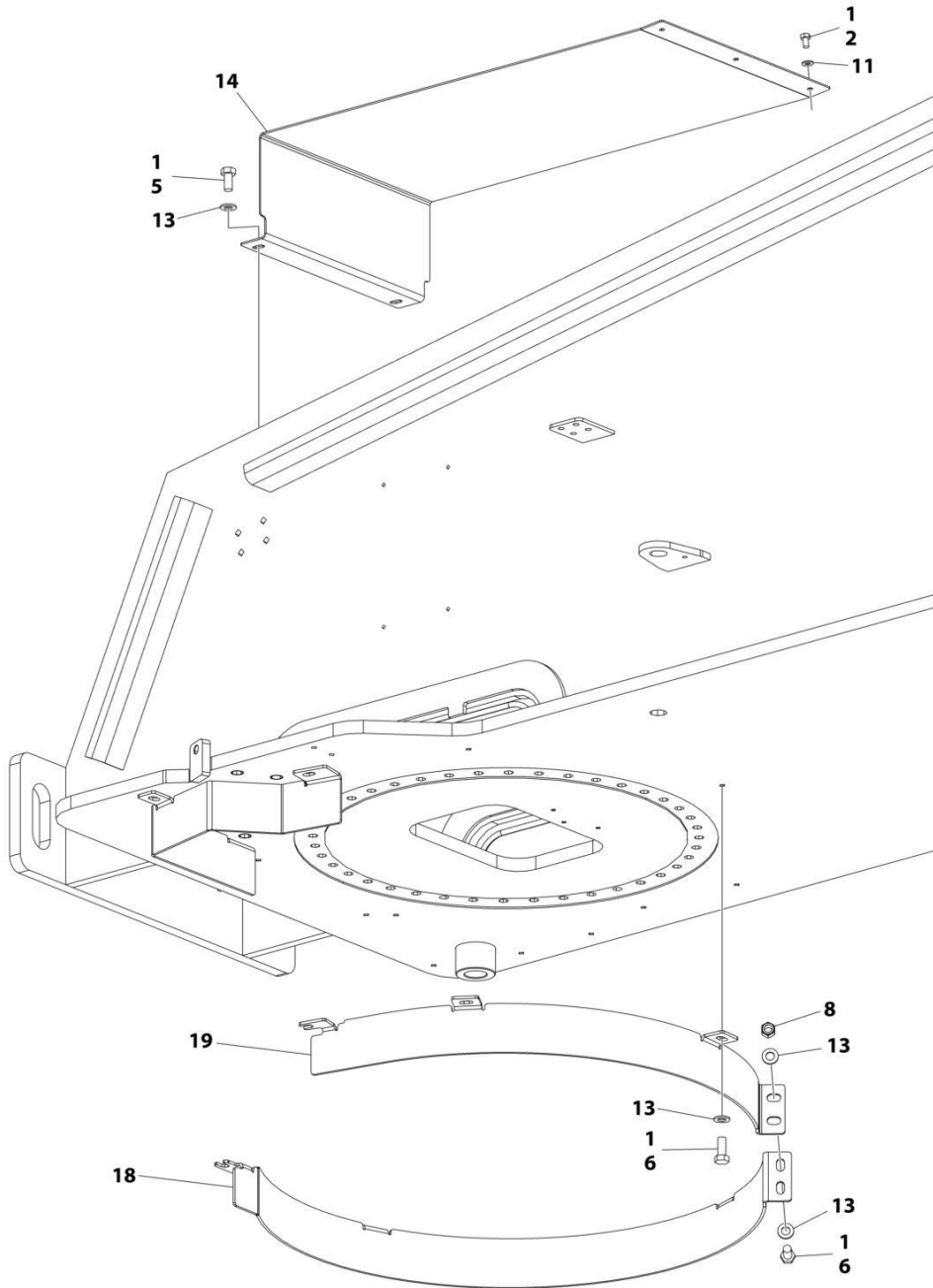
**SECTION 2 - TURNTABLE**

**FIGURE 2-8. TURNTABLE BEARING AND LUBE INSTALLATION**

| <b>ITEM</b> | <b>PART NUMBER</b> | <b>QTY</b> | <b>DESCRIPTION</b>                      | <b>REV</b> |
|-------------|--------------------|------------|---|------------|
|             | 1001150026         | Ref        | TURNTABLE BEARING AND LUBE INSTALLATION | B          |
| 1           | 0100019            | AR         | Compound, Locking                       |            |
| 2           | 0711624            | 40         | Bolt M16 x 80 Grade 10.9                |            |
| 3           | 0711629            | 40         | Bolt M16 x 120 Grade 10.9               |            |
| 4           | 5241600            | 80         | Washer M16                              |            |
| 5           | 1001151058         | 1          | Bearing, Swing                          |            |
| 6           | 1001151646         | 2          | Hose with Fittings                      |            |

# SECTION 2 - TURNTABLE

## FIGURE 2-9. BEARING AND TURNTABLE SHIELDS INSTALLATION



ART\_1001269756\_10F2

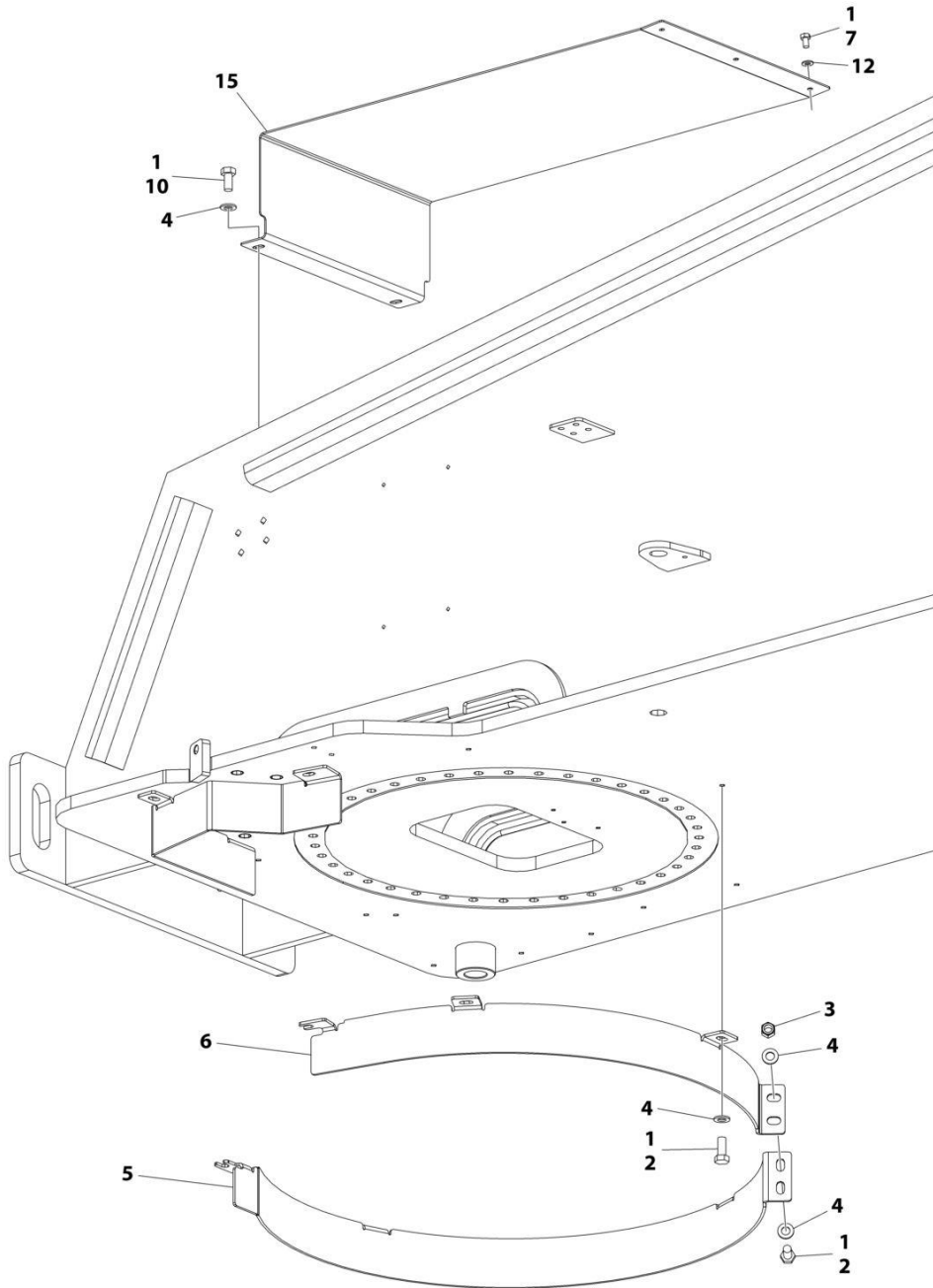
**SECTION 2 - TURNTABLE**

**FIGURE 2-9. BEARING AND TURNTABLE SHIELDS INSTALLATION**

| <b>ITEM</b> | <b>PART NUMBER</b> | <b>QTY</b> | <b>DESCRIPTION</b>                      | <b>REV</b> |
|-------------|--------------------|------------|---|------------|
|             | 1001269756         | Ref        | HOSTILE PACKAGE - BEARING AND TURNTABLE | A          |
| 1           | 0100011            | AR         | Compound, Locking                       |            |
| 2           | 0760807            | 7          | Bolt M8 x 14                            |            |
| 5           | 0761212            | 2          | Bolt M12 x 25                           |            |
| 6           | 0761214            | 6          | Bolt M12 x 30                           |            |
| 8           | 3291205            | 2          | Nut, Lock M12                           |            |
| 11          | 4811900            | 10         | Washer M8                               |            |
| 13          | 4812100            | 10         | Washer M12                              |            |
| 14          | 1001151064         | 1          | Cover, Turntable                        |            |
| 18          | 1001221679         | 1          | Bracket                                 |            |
| 19          | 1001221680         | 1          | Bracket                                 |            |

# SECTION 2 - TURNTABLE

## FIGURE 2-10. BEARING AND TURNTABLE SHIELDS INSTALLATION (SHIPYARD MACHINES)



ART\_1001150096\_10F2



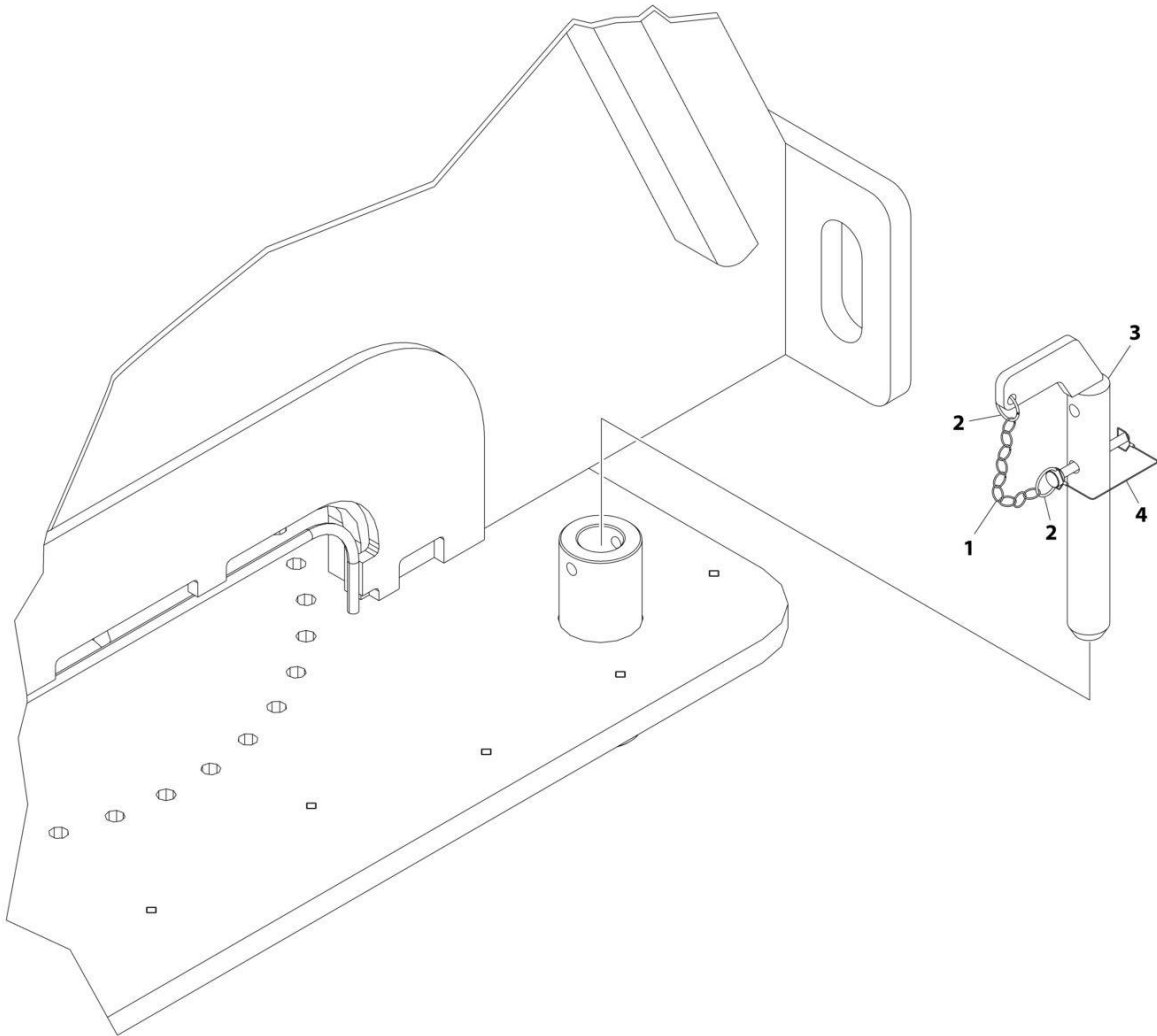
## SECTION 2 - TURNTABLE

**FIGURE 2-10. BEARING AND TURNTABLE SHIELDS INSTALLATION (SHIPYARD MACHINES)**

| ITEM | PART NUMBER | QTY | DESCRIPTION                                | REV |
|------|-------------|-----|--|-----|
|      | 1001150096  | Ref | BEARING AND TURNTABLE SHIELDS INSTALLATION | I   |
| 1    | 0100011     | AR  | Compound, Locking                          |     |
| 2    | 0761214     | 6   | Bolt M12 x 30                              |     |
| 3    | 3291205     | 2   | Nut M12                                    |     |
| 4    | 4812100     | 10  | Washer M12                                 |     |
| 5    | 1001221679  | 1   | Bracket                                    |     |
| 6    | 1001221680  | 1   | Bracket                                    |     |
| 7    | 0760807     | 3   | Bolt M8 x 14                               |     |
| 10   | 0761212     | 2   | Bolt M12 x 25                              |     |
| 12   | 4811900     | 6   | Washer M8                                  |     |
| 15   | 1001151064  | 1   | Cover, Turntable                           |     |

**SECTION 2 - TURNTABLE**

**FIGURE 2-11. TURNTABLE LOCK INSTALLATION**



ART\_1001150019

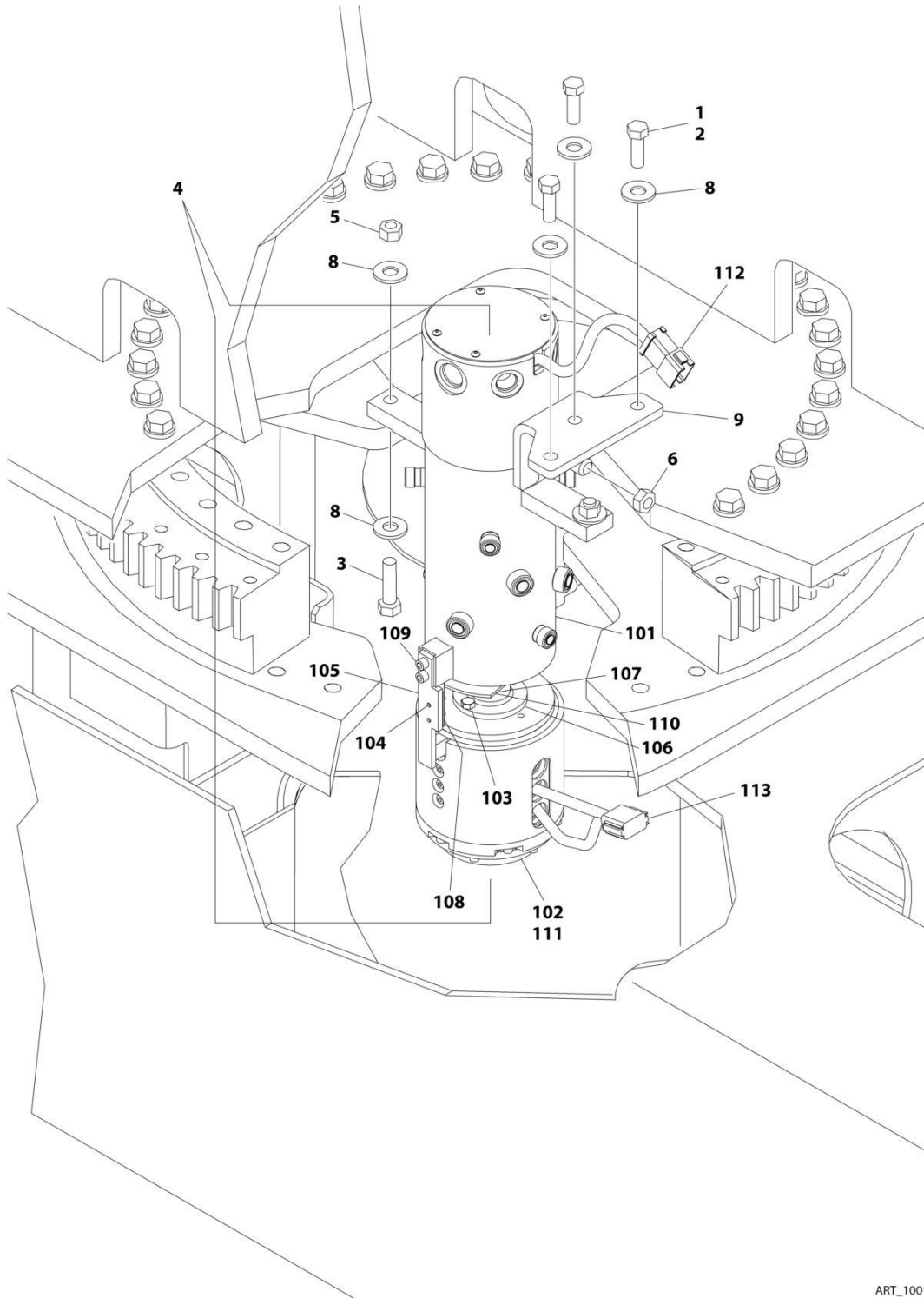
**SECTION 2 - TURNTABLE**

**FIGURE 2-11. TURNTABLE LOCK INSTALLATION**

| <b>ITEM</b> | <b>PART NUMBER</b> | <b>QTY</b> | <b>DESCRIPTION</b>          | <b>REV</b> |
|-------------|--------------------|------------|-----------------------------|------------|
|             | 1001150019         | Ref        | TURNTABLE LOCK INSTALLATION | B          |
| 1           | 1260017            | 7 in/16cm  | Chain                       |            |
| 2           | 3760170            | 2          | Ring                        |            |
| 3           | 1001215629         | 1          | Pin                         |            |
| 4           | 1001151025         | 1          | Pin                         |            |

# SECTION 2 - TURNTABLE

## FIGURE 2-12. ROTARY COUPLING AND COLLECTOR RING INSTALLATION



ART\_1001150025

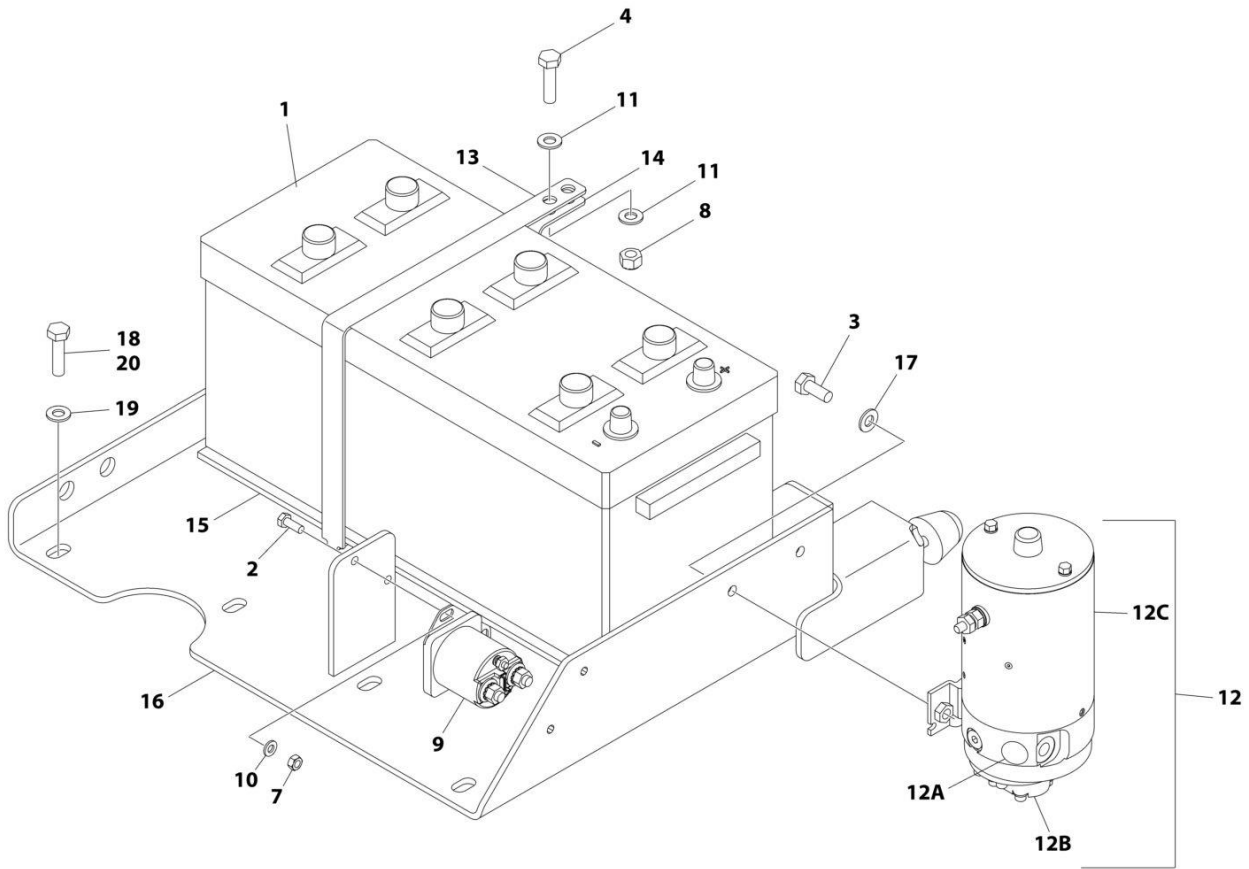
## SECTION 2 - TURNTABLE

**FIGURE 2-12. ROTARY COUPLING AND COLLECTOR RING INSTALLATION**

| ITEM | PART NUMBER | QTY | DESCRIPTION   | REV |
|------|-------------|-----|---|-----|
|      | 1001150025  | Ref | ROTARY COUPLING AND COLLECTOR RING INSTALLATION                               | B   |
| 1    | 0100011     | AR  | Compound, Locking   |     |
| 2    | 0761214     | 3   | Bolt M12 x 30   |     |
| 3    | 0761221     | 2   | Bolt M12 x 65   |     |
| 4    | 1001216394  | 1   | Rotary Coupling and Collector Ring Assembly (See Items 101-113 for Breakdown) |     |
| 5    | 3291205     | 2   | Nut M12   |     |
| 6    | 3322201     | 2   | Nut 3/4   |     |
| 8    | 4812100     | 7   | Washer M12  |     |
| 9    | 1001150644  | 1   | Bracket, Swivel   |     |
|      | 1001216394  | Ref | ROTARY COUPLING AND COLLECTOR RING ASSEMBLY                                   | A   |
| 101  | 7026665     | 1   | Coupling, Rotary  |     |
| 101  | See Note    | 1   | Bearing (Note: Not Available For Purchase)                                    |     |
| 101  | 70001123    | 1   | Seal Kit - Coupling   |     |
| 102  | 7026029     | 1   | Contactora, Rotary Circuit (Does not include connector or pins)               |     |
| 103  | 0641506     | 4   | Bolt 5/16 x 3/4   |     |
| 104  | 3931512     | 2   | Capscrew 5/16 x 3/4   |     |
| 105  | 70005456    | 1   | Arm, Torque   |     |
| 106  | See Note    | NSS | Adapter (Note: Not Available For Purchase)                                    |     |
| 107  | 7026030     | 1   | Plate, Cam  |     |
| 108  | 7026031     | 1   | Sensor, Proximity   |     |
| 109  | 3931008     | 2   | Capscrew #10 x 1/2  |     |
| 110  | 7026032     | 1   | Pin, Dowel  |     |
| 111  | 0100048     | AR  | Grease, Silicone (Apply to Contactora Connector)                              |     |
| 112  | 4460837     | 1   | Receptacle, Female - 12 Position  |     |
| 112  | 4460943     | 3   | Pin, Male   |     |
| 112  | 4460941     | 5   | Pin, Male   |     |
| 112  | 4460466     | 4   | Plug, Terminal  |     |
| 113  | 4460836     | 1   | Plug, Male - 12 Position  |     |
| 113  | 4460944     | 3   | Socket, Female  |     |
| 113  | 4460942     | 7   | Socket, Female  |     |
| 113  | 4460466     | 2   | Plug, Terminal  |     |

# SECTION 2 - TURNTABLE

## FIGURE 2-13. BATTERY TRAY AND AUXILIARY PUMP INSTALLATION



ART\_1001148588

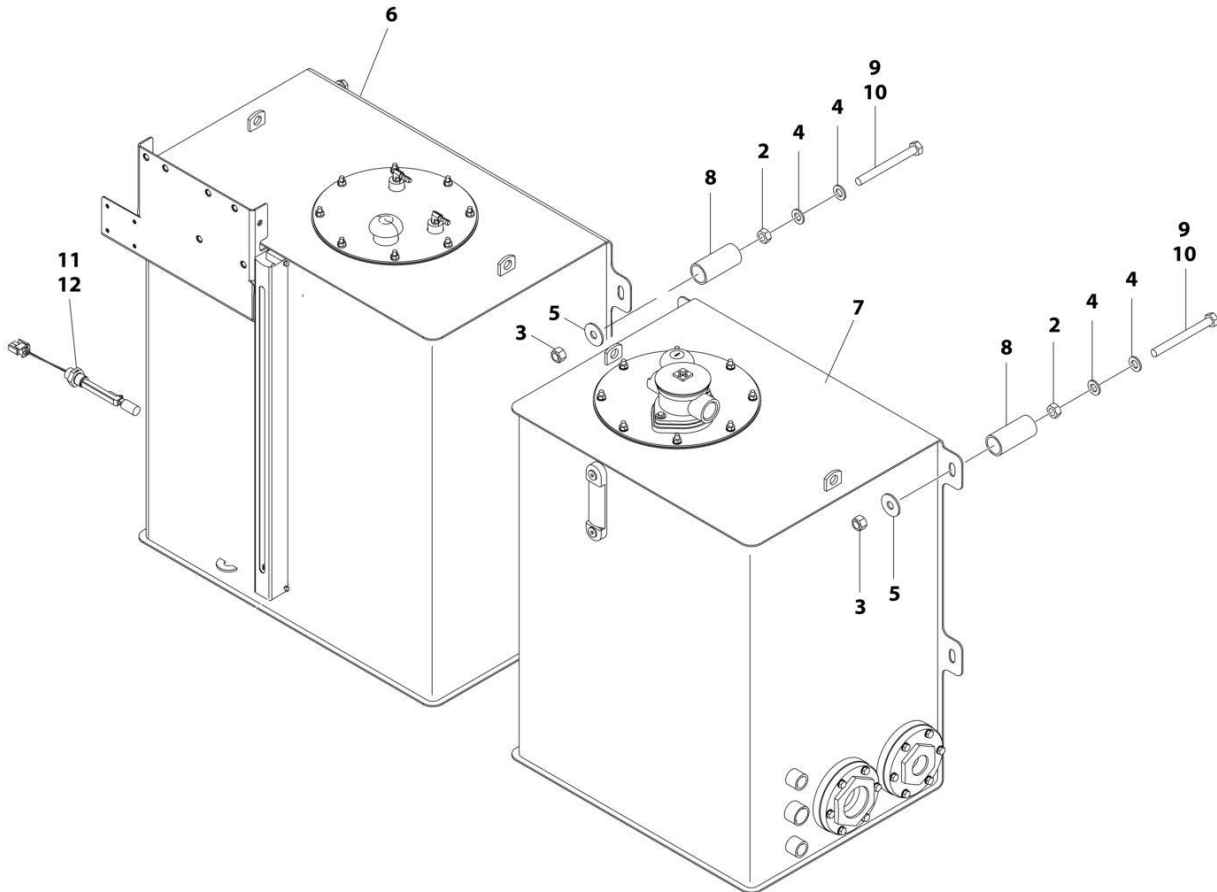
# SECTION 2 - TURNTABLE

**FIGURE 2-13. BATTERY TRAY AND AUXILIARY PUMP INSTALLATION**

| ITEM | PART NUMBER | QTY | DESCRIPTION   | REV |
|------|-------------|-----|---|-----|
|      | 1001148588  | Ref | BATTERY TRAY AND AUXILIARY PUMP INSTALLATION            | E   |
| 1    | 0400020     | 1   | Battery   |     |
| 2    | 0760608     | 2   | Bolt M6 x 16  |     |
| 3    | 0681607     | 2   | Bolt 3/8 x 7/8  |     |
| 4    | 0761016     | 1   | Bolt M10 x 40   |     |
| 7    | 3290601     | 2   | Nut M6  |     |
| 8    | 3291005     | 1   | Nut M10   |     |
| 9    | 3740067     | 1   | Relay   |     |
| 10   | 4811700     | 2   | Washer M6   |     |
| 11   | 4812000     | 2   | Washer M10  |     |
| 12   | 3600424     | 1   | Auxiliary Pump Assembly                                 |     |
| 12A  | 70024669    | 1   | Mounting Kit (Includes Coupling, Gasket and Hardware)   |     |
| 12A  | 7011016     | 1   | Coupling  |     |
| 12A  | 7011044     | 1   | Gasket  |     |
| 12A  | 7011043     | 4   | Bolt  |     |
| 12A  | 7011048     | 4   | Washer  |     |
| 12B  | 7029593     | 1   | Pump Kit (Includes Pump, Coupling, Gasket and Hardware) |     |
| 12C  | 70001056    | 1   | Motor Kit (Includes Motor, Adapter and Coupling)        |     |
| 13   | 1001148584  | 1   | Bracket, Tie Down                                       |     |
| 14   | 1001148585  | 1   | Bracket, Tie Down                                       |     |
| 15   | 1001148587  | 1   | Insulate  |     |
| 16   | 1001151730  | 1   | Tray Battery  |     |
| 17   | 4711600     | 2   | Washer 3/8  |     |
| 18   | 0761214     | 4   | Bolt M12 x 30   |     |
| 19   | 4812100     | 4   | Washer M12  |     |
| 20   | 0100011     | AR  | Compound, Locking                                       |     |

# SECTION 2 - TURNTABLE

## FIGURE 2-14. TANKS INSTALLATION



ART\_1001150016



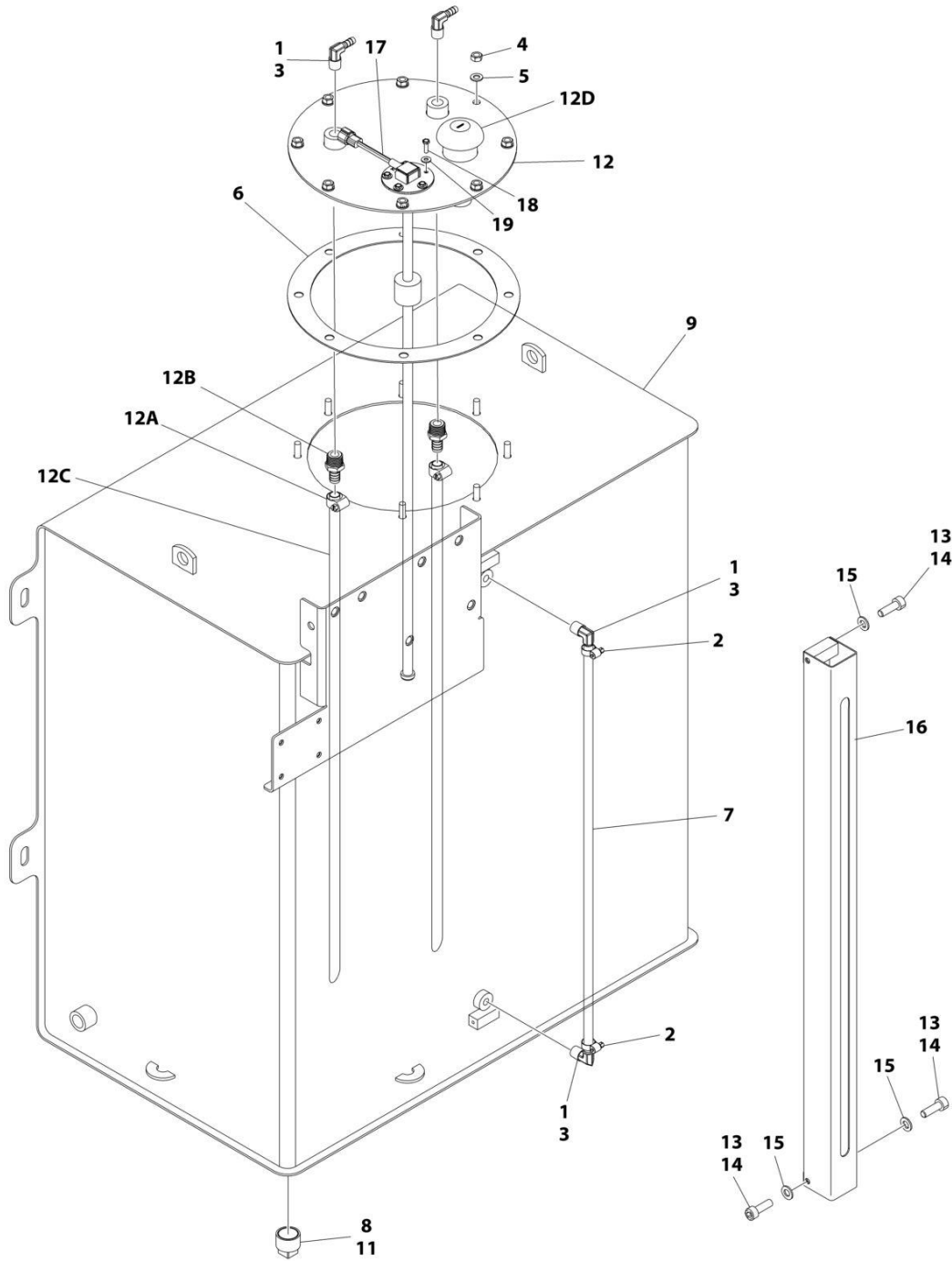
**SECTION 2 - TURNTABLE**

**FIGURE 2-14. TANKS INSTALLATION**

| ITEM | PART NUMBER | QTY | DESCRIPTION  | REV |
|------|-------------|-----|--|-----|
|      | 1001150016  | Ref | TANKS INSTALLATION   | F   |
| 2    | 3291201     | 8   | Nut M12  |     |
| 3    | 3291205     | 8   | Nut M12  |     |
| 4    | 4812100     | 16  | Washer M12   |     |
| 5    | 4812102     | 8   | Washer M12   |     |
| 6    | 1001221175  | 1   | Fuel Tank Assembly (See Separate Breakdown in this Section)      |     |
| 7    | 1001221284  | 1   | Hydraulic Tank Assembly (See Separate Breakdown in this Section) |     |
| 8    | 1001151809  | 8   | Sleeve   |     |
| 9    | 0100011     | AR  | Compound, Locking  |     |
| 10   | 0761229     | 8   | Bolt M12 x 120   |     |
| 11   | 1001182997  | AR  | Adhesive   |     |
| 12   | 4360436     | 1   | Switch, Fuel Level   |     |

# SECTION 2 - TURNTABLE

## FIGURE 2-15. FUEL TANK ASSEMBLY



ART\_1001221175\_F

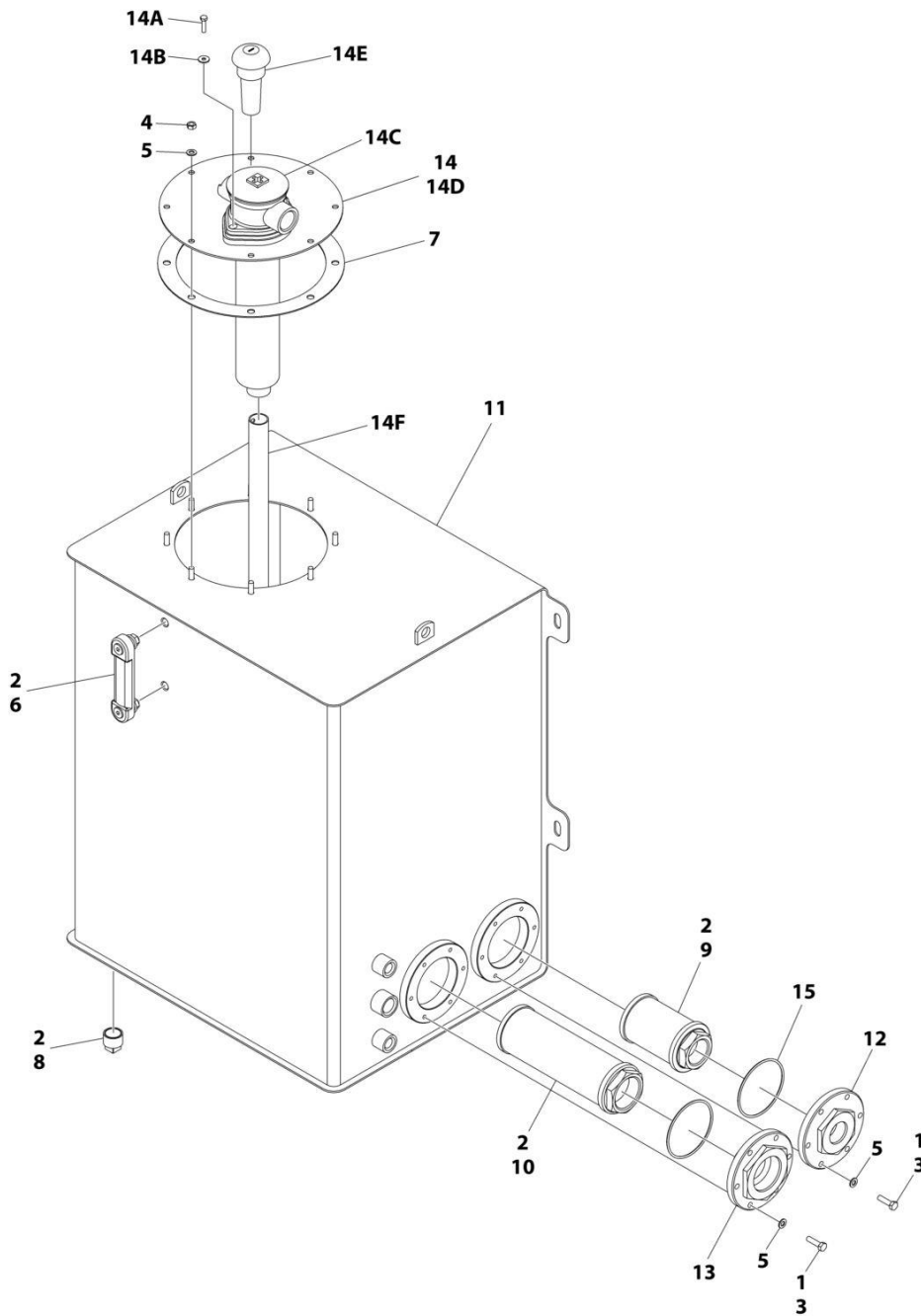
## SECTION 2 - TURNTABLE

### FIGURE 2-15. FUEL TANK ASSEMBLY

| ITEM | PART NUMBER | QTY | DESCRIPTION                               | REV |
|------|-------------|-----|---|-----|
|      | 1001221175  | Ref | FUEL TANK ASSEMBLY                        | F   |
| 1    | 0100020     | 1   | Sealant                                   |     |
| 2    | 1001174486  | 2   | Clamp                                     |     |
| 3    | 2220313     | 4   | Fitting, 90 NPTF/BARB                     |     |
| 4    | 3290801     | 8   | Nut M8                                    |     |
| 5    | 4811900     | 8   | Washer M8                                 |     |
| 6    | 1001147229  | 1   | Gasket                                    |     |
| 7    | 1001147230  | 1   | Pipe, Nylon                               |     |
| 8    | 1001228485  | 1   | Plug                                      |     |
| 9    | See Note    | NSS | Tank, Fuel (Note: Use p/n 1001221175)     |     |
| 11   | 1001182997  | AR  | Adhesive                                  |     |
| 12   | 1001277278  | 1   | Lid Assembly                              |     |
| 12A  | 8410013     | 2   | Clamp                                     |     |
| 12B  | 1001147223  | 2   | Fitting, Straight BARB/NPT                |     |
| 12C  | 1001147231  | 2   | Pipe, Nylon                               |     |
| 12D  | See Note    | NSS | Screen, Filter (Note: Use p/n 1001221172) |     |
| 12D  | 1001221172  | 1   | Cap, Filter                               |     |
| 13   | 0100011     | AR  | Loctite #242                              |     |
| 14   | 4031607     | 3   | Bolt M5 x 16                              |     |
| 15   | 4811600     | AR  | Washer M5                                 |     |
| 16   | 1001236143  | 1   | Cover, Fuel Gauge                         |     |
| 17   | 1001286219  | 1   | Sensor, Fuel Level                        |     |
| 18   | 0731005     | 5   | Bolt #10 x 5/8                            |     |
| 19   | 4751000     | 5   | Washer #10                                |     |

# SECTION 2 - TURNTABLE

## FIGURE 2-16. HYDRAULIC TANK ASSEMBLY



ART\_1001221284

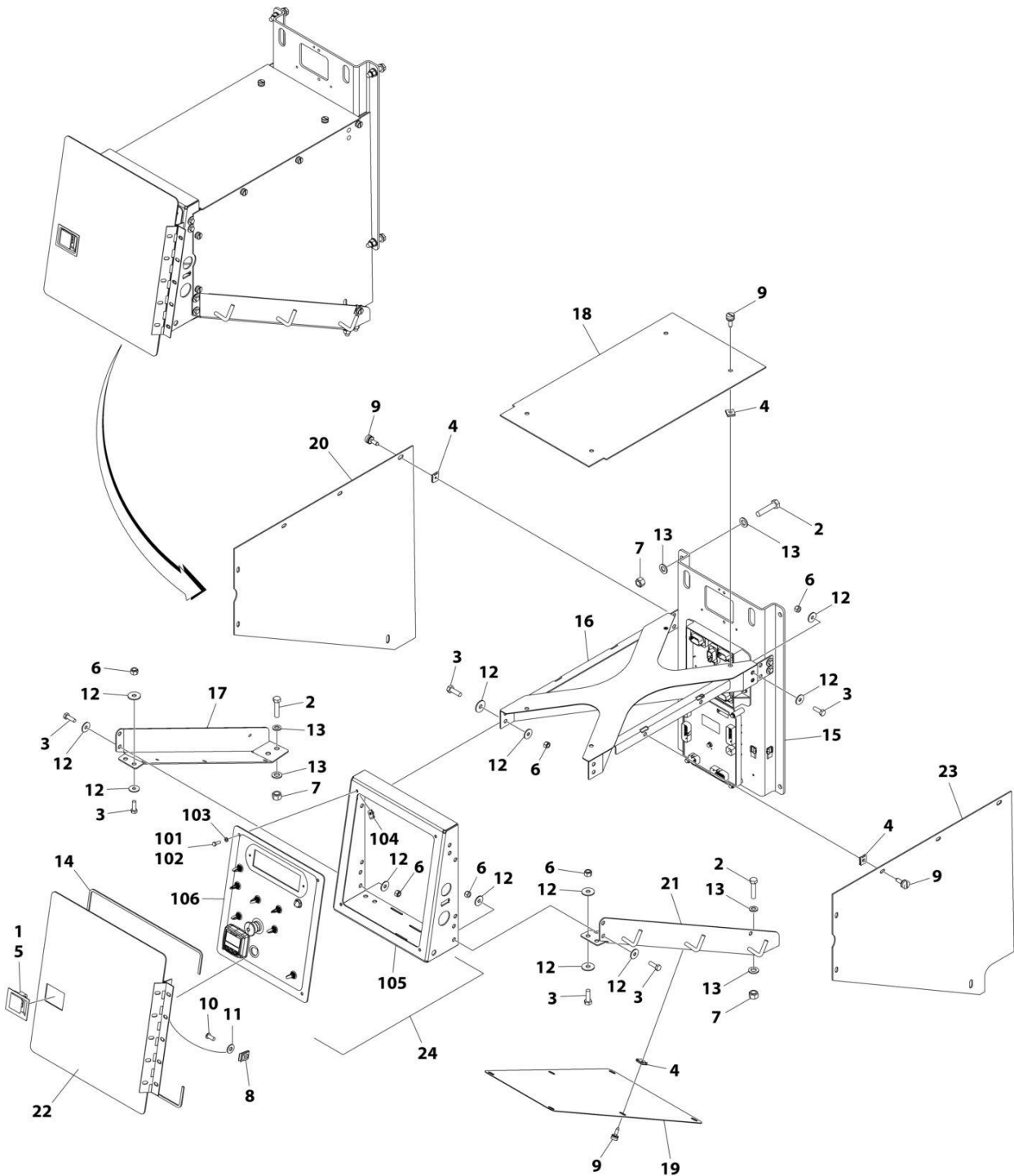
## SECTION 2 - TURNTABLE

**FIGURE 2-16. HYDRAULIC TANK ASSEMBLY**

| ITEM | PART NUMBER | QTY | DESCRIPTION                                | REV |
|------|-------------|-----|--|-----|
|      | 1001221284  | Ref | HYDRAULIC TANK ASSEMBLY                    | C   |
| 1    | 0100011     | AR  | Compound, Locking                          |     |
| 2    | 0100020     | 1   | Sealant                                    |     |
| 3    | 0760814     | 12  | Bolt M8 x 30                               |     |
| 4    | 3290801     | 8   | Nut M8                                     |     |
| 5    | 4811900     | 20  | Washer M8                                  |     |
| 6    | 7024441     | 1   | Gage, Sight                                |     |
| 7    | 1001147229  | 1   | Gasket                                     |     |
| 8    | 1001228485  | 1   | Plug                                       |     |
| 9    | 1001230051  | 1   | Filter, Suction                            |     |
| 10   | 1001221286  | 1   | Filter, Suction                            |     |
| 11   | See Note    | NSS | Tank, Hydraulic (Note: Use p/n 1001221284) |     |
| 12   | 1001221290  | 1   | Adapter, Mounting                          |     |
| 13   | 1001221291  | 1   | Adapter, Mounting                          |     |
| 14   | 1001221312  | 1   | Lid Assembly                               |     |
| 14A  | 0100011     | AR  | Compound, Locking                          |     |
| 14A  | 0760612     | 2   | Bolt M6 x 25                               |     |
| 14B  | 4811702     | 2   | Washer M6                                  |     |
| 14C  | 1001147551  | 1   | Hydraulic Filter Assembly                  |     |
| 14C  | 70005707    | 1   | Element, Filter                            |     |
| 14D  | 1001221313  | 1   | Lid Assembly                               |     |
| 14E  | See Note    | 1   | Screen, Filter (Note: Use p/n 1001221172)  |     |
| 14E  | See Note    | 1   | Cap, Filter (Note: Use p/n 1001221172)     |     |
| 14F  | 1001221340  | 1   | Pipe                                       |     |
| 15   | 1001221334  | 2   | O-Ring                                     |     |

# SECTION 2 - TURNTABLE

FIGURE 2-17. ELECTRICAL COMPONENTS INSTALLATION (ALL SPEC EXCEPT CHINA IV SPECS)



ART\_1001248435\_B

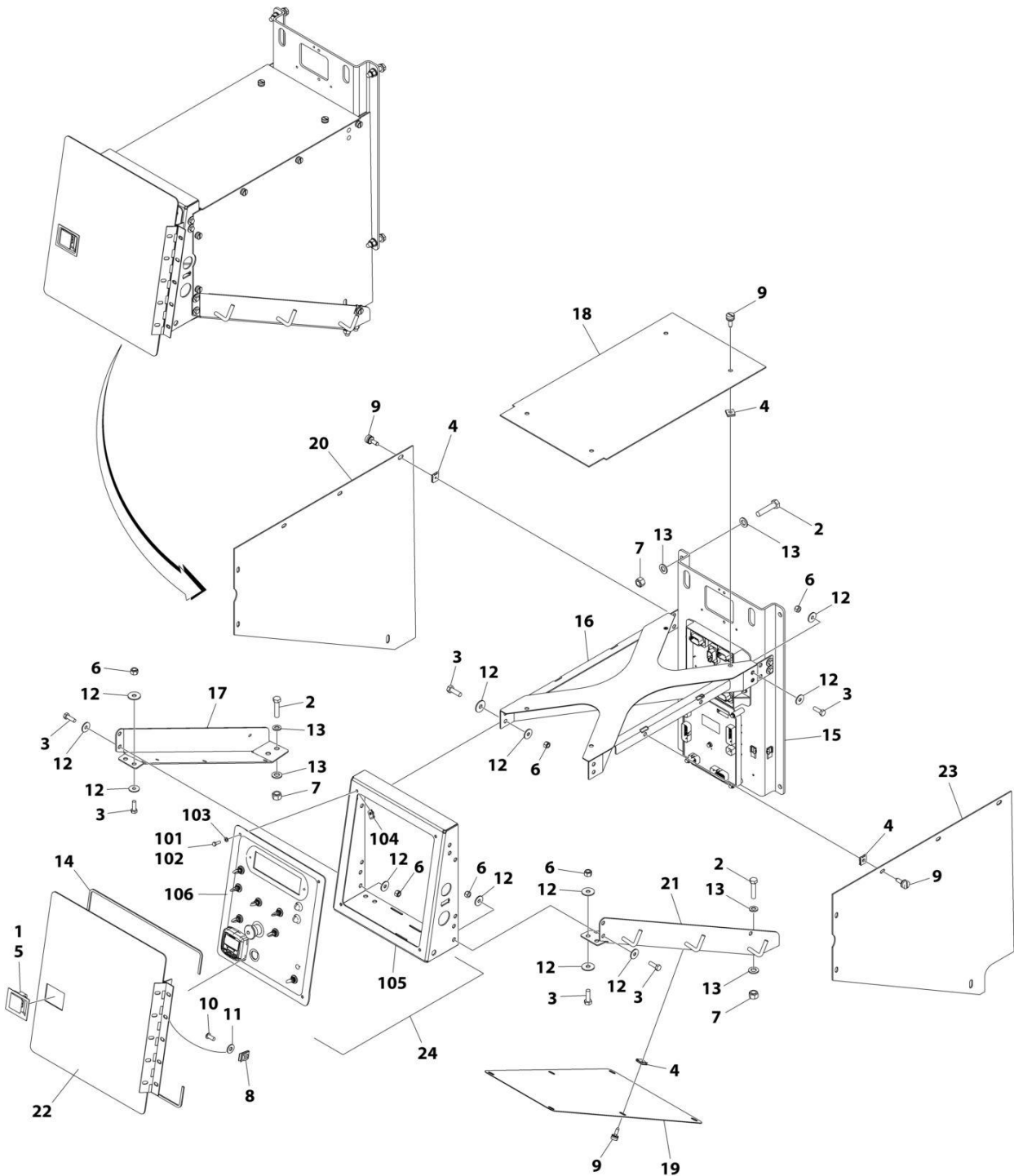
## SECTION 2 - TURNTABLE

**FIGURE 2-17. ELECTRICAL COMPONENTS INSTALLATION (ALL SPEC EXCEPT CHINA IV SPECS)**

| ITEM | PART NUMBER | QTY       | DESCRIPTION  | REV |
|------|-------------|-----------|--|-----|
|      | 1001248435  | Ref       | ELECTRICAL COMPONENTS INSTALLATION                                     | B   |
| 1    | 0100011     | AR        | Compound, Locking  |     |
| 2    | 0701219     | 8         | Bolt M12 x 55  |     |
| 3    | 0760812     | 16        | Bolt M8 x 25   |     |
| 4    | 1380169     | 22        | Clip   |     |
| 5    | 2940045     | 1         | Latch  |     |
| 6    | 3290805     | 16        | Nut M8   |     |
| 7    | 3291205     | 8         | Nut M12  |     |
| 8    | 3300364     | 3         | Nut, Tinnerman 5/16  |     |
| 9    | 3900174     | 22        | Screw, Thumb   |     |
| 10   | 3900210     | 3         | Screw 5/16 x 3/4   |     |
| 11   | 4751500     | 3         | Washer 5/16  |     |
| 12   | 4811902     | 32        | Washer M8  |     |
| 13   | 4812100     | 16        | Washer M12   |     |
| 14   | 1001113047  | 5 ft/1.5m | Seal   |     |
| 15   | 1001152193  | 1         | Electrical Assembly (See Separate Breakdown in this Section)           |     |
| 16   | 1001152214  | 1         | Support (Top)  |     |
| 17   | 1001152217  | 1         | Support (LH)   |     |
| 18   | 1001217857  | 1         | Cover (Top)  |     |
| 19   | 1001217858  | 1         | Cover (Bottom)   |     |
| 20   | 1001217859  | 1         | Cover (Side)   |     |
| 21   | 1001217864  | 1         | Support (RH)   |     |
| 22   | 1001218545  | 1         | Door   |     |
| 23   | 1001223930  | 1         | Cover (Side)   |     |
| 24   | 1001266229  | 1         | Ground Control Box Assembly (Includes Items 101-106)                   | A   |
| 101  | 0100011     | AR        | Compound, Locking  |     |
| 102  | 0760610     | 4         | Bolt M6x20   |     |
| 103  | 4811700     | 4         | Washer M6  |     |
| 104  | 1001130220  | 4         | Nut, Tinnerman M6  |     |
| 105  | 1001152197  | 1         | Box  |     |
| 106  | 1001266228  | 1         | Ground Control Panel Assembly (See Separate Breakdown in this Section) |     |

# SECTION 2 - TURNTABLE

## FIGURE 2-18. ELECTRICAL COMPONENTS INSTALLATION (CHINA IV SPECS)



ART\_1001256020



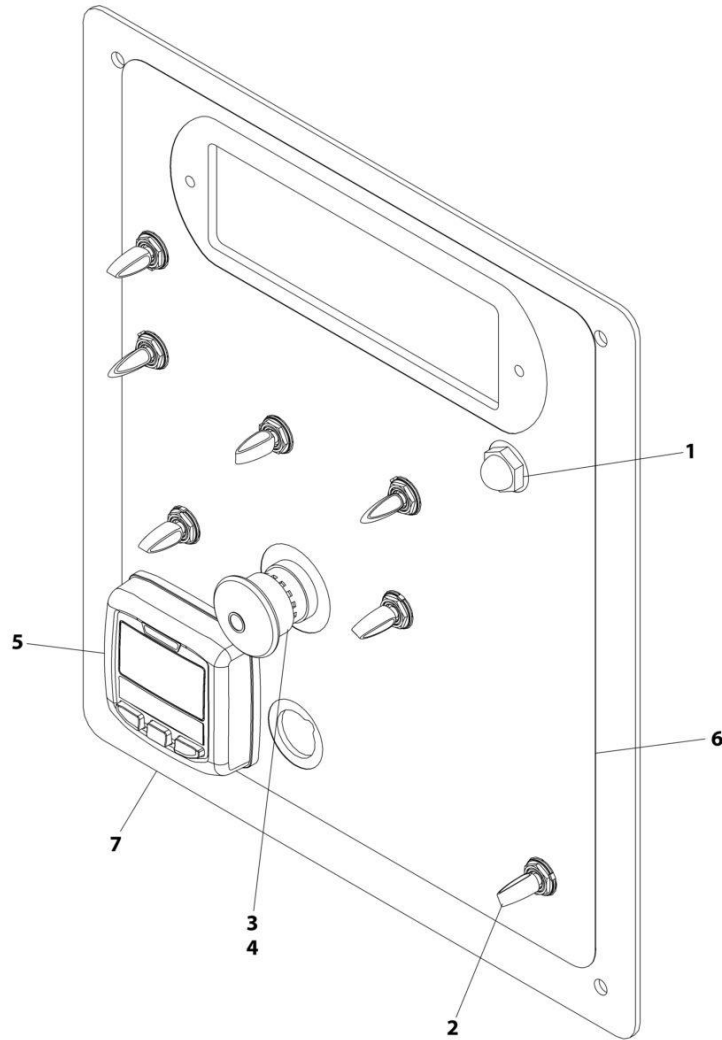
# SECTION 2 - TURNTABLE

**FIGURE 2-18. ELECTRICAL COMPONENTS INSTALLATION (CHINA IV SPECS)**

| ITEM | PART NUMBER | QTY       | DESCRIPTION  | REV |
|------|-------------|-----------|--|-----|
|      | 1001256020  | Ref       | ELECTRICAL COMPONENTS INSTALLATION                                     | A   |
| 1    | 0100011     | AR        | Compound, Locking  |     |
| 2    | 0701219     | 8         | Bolt M12 x 55  |     |
| 3    | 0760812     | 16        | Bolt M8 x 25   |     |
| 4    | 1380169     | 22        | Clip   |     |
| 5    | 2940045     | 1         | Latch  |     |
| 6    | 3290805     | 16        | Nut M8   |     |
| 7    | 3291205     | 8         | Nut M12  |     |
| 8    | 3300364     | 3         | Nut, Tinnerman 5/16  |     |
| 9    | 3900174     | 22        | Screw, Thumb   |     |
| 10   | 3900210     | 3         | Screw 5/16 x 3/4   |     |
| 11   | 4751500     | 3         | Washer 5/16  |     |
| 12   | 4811902     | 32        | Washer M8  |     |
| 13   | 4812100     | 16        | Washer M12   |     |
| 14   | 1001113047  | 5 ft/1.5m | Seal   |     |
| 15   | 1001152193  | 1         | Electrical Assembly (See Separate Breakdown in this Section)           |     |
| 16   | 1001152214  | 1         | Support (Top)  |     |
| 17   | 1001152217  | 1         | Support (LH)   |     |
| 18   | 1001217857  | 1         | Cover (Top)  |     |
| 19   | 1001217858  | 1         | Cover (Bottom)   |     |
| 20   | 1001217859  | 1         | Cover (Side)   |     |
| 21   | 1001217864  | 1         | Support (RH)   |     |
| 22   | 1001218545  | 1         | Door   |     |
| 23   | 1001223930  | 1         | Cover (Side)   |     |
| 24   | 1001256019  | 1         | Ground Control Box Assembly (Includes Items 101-106)                   | A   |
| 101  | 0100011     | AR        | Compound, Locking  |     |
| 102  | 0760610     | 4         | Bolt M6x20   |     |
| 103  | 4811700     | 4         | Washer M6  |     |
| 104  | 1001130220  | 4         | Nut, Tinnerman M6  |     |
| 105  | 1001152197  | 1         | Box  |     |
| 106  | 1001256018  | 1         | Ground Control Panel Assembly (See Separate Breakdown in this Section) |     |

## SECTION 2 - TURNTABLE

FIGURE 2-19. GROUND CONTROL PANEL ASSEMBLY (ALL SPEC EXCEPT CHINA IV SPECS)



ART\_1001266228

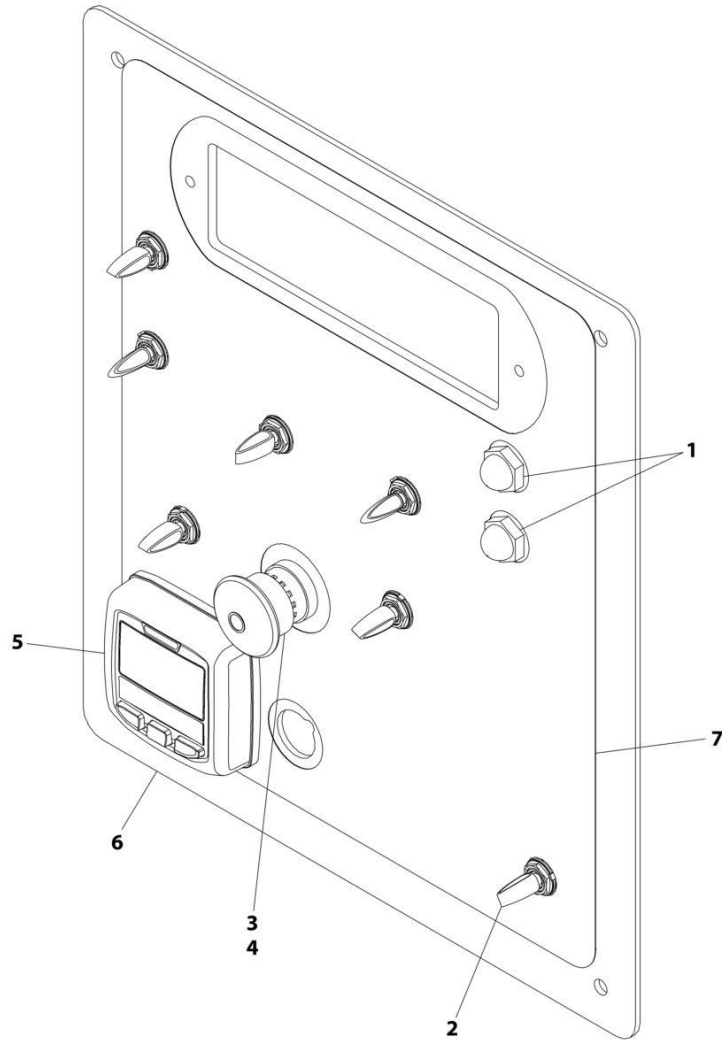
**SECTION 2 - TURNTABLE**

**FIGURE 2-19. GROUND CONTROL PANEL ASSEMBLY (ALL SPEC EXCEPT CHINA IV SPECS)**

| ITEM | PART NUMBER | QTY | DESCRIPTION                   | REV |
|------|-------------|-----|-------------------------------|-----|
|      | 1001266228  | Ref | GROUND CONTROL PANEL ASSEMBLY | A   |
| 1    | 4360274     | 1   | Switch, Push Button           |     |
| 2    | 4360328     | 7   | Switch, Toggle                |     |
| 3    | 4360475     | 1   | Switch, Emergency Stop        |     |
| 3    | 7020175     | 1   | Cap                           |     |
| 3    | 7020176     | 1   | Block, Contact                |     |
| 4    | 4360476     | 2   | Block, Contact                |     |
| 5    | 1001171482  | 1   | Gauge                         |     |
| 6    | 1001266221  | 1   | Decal - Ground Control        |     |
| 7    | 1001266222  | 1   | Panel                         |     |

## SECTION 2 - TURNTABLE

FIGURE 2-20. GROUND CONTROL PANEL ASSEMBLY (CHINA IV SPECS)



ART\_1001256018

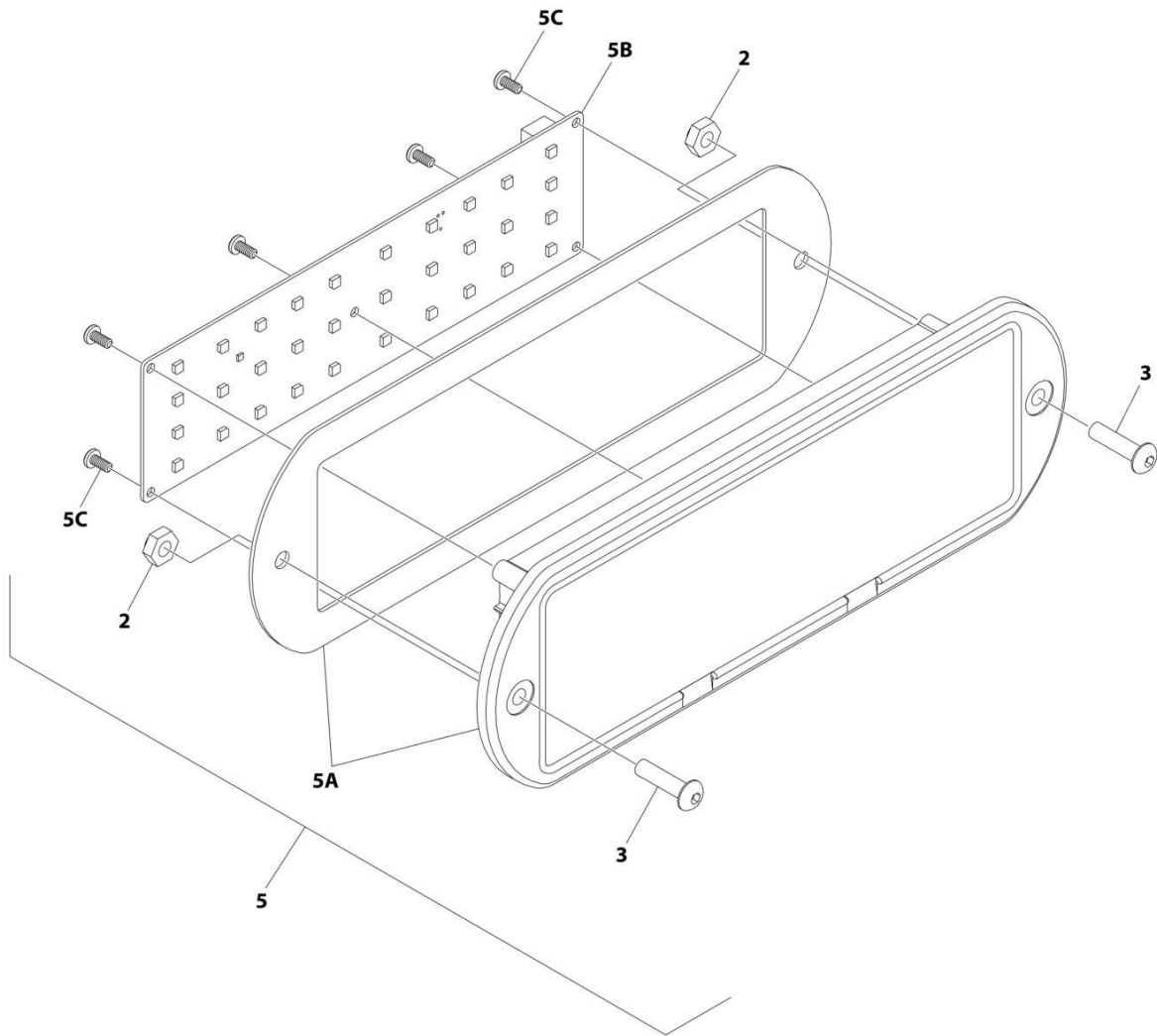
**SECTION 2 - TURNTABLE**

**FIGURE 2-20. GROUND CONTROL PANEL ASSEMBLY (CHINA IV SPECS)**

| ITEM | PART NUMBER | QTY | DESCRIPTION                   | REV |
|------|-------------|-----|-------------------------------|-----|
|      | 1001256018  | Ref | GROUND CONTROL PANEL ASSEMBLY | A   |
| 1    | 4360274     | 2   | Switch, Push Button           |     |
| 2    | 4360328     | 7   | Switch, Toggle                |     |
| 3    | 4360475     | 1   | Switch, Emergency Stop        |     |
| 3    | 7020175     | 1   | Cap                           |     |
| 3    | 7020176     | 1   | Block, Contact                |     |
| 4    | 4360476     | 2   | Block, Contact                |     |
| 5    | 1001171482  | 1   | Gauge                         |     |
| 6    | 1001256006  | 1   | Panel                         |     |
| 7    | 1001256017  | 1   | Decal - Ground Control        |     |

# SECTION 2 - TURNTABLE

## FIGURE 2-21. LIGHT PANEL INSTALLATION



ART\_1001241403\_10F2

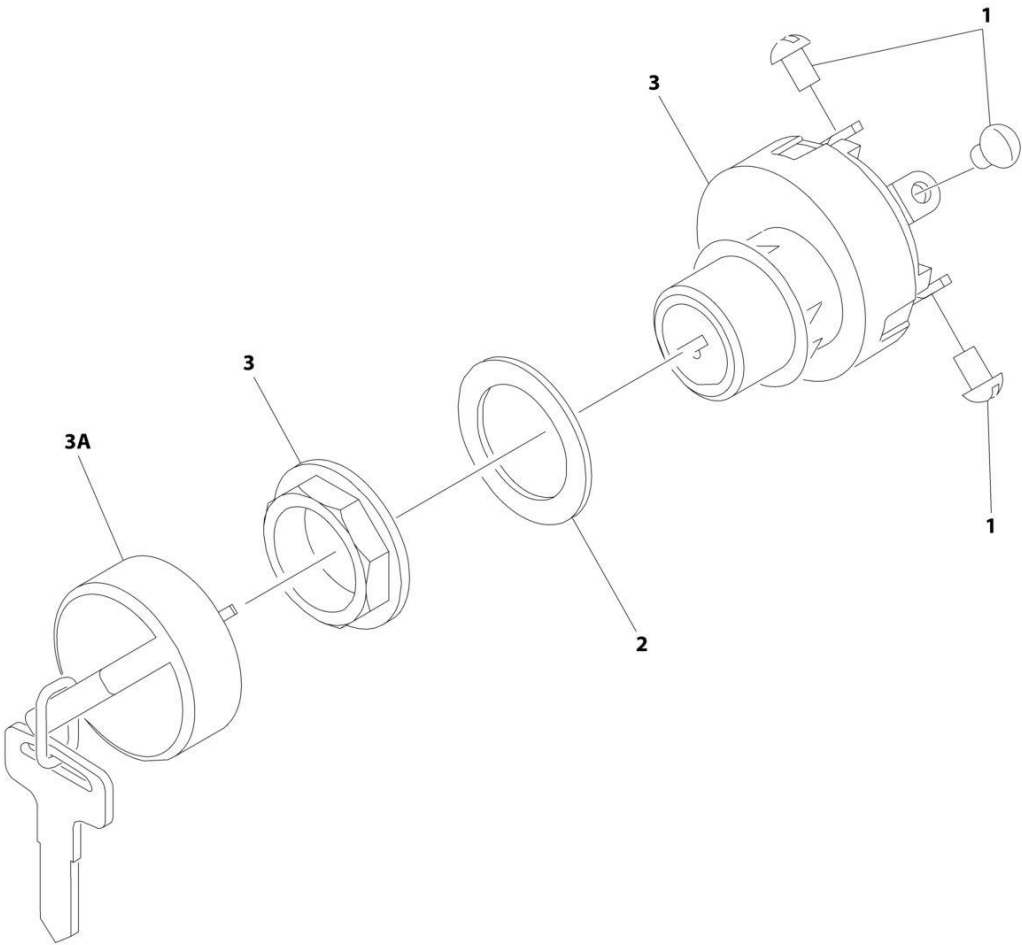
**SECTION 2 - TURNTABLE**

**FIGURE 2-21. LIGHT PANEL INSTALLATION**

| ITEM | PART NUMBER | QTY | DESCRIPTION  | REV |
|------|-------------|-----|--|-----|
|      | 1001241403  | Ref | LIGHT PANEL INSTALLATION - GROUND CONTROL                              | C   |
| 2    | 3300408     | 2   | Nut, Nylon Insert  |     |
| 3    | 0630518     | 2   | Screw #10 x 3/4  |     |
| 5    | 1001238674  | 1   | Light Panel Assembly   | H   |
| 5A   | 1001236092  | 1   | Lens Assembly (Includes Housing Shell, Decal/Lens with Icons & Gasket) |     |
| 5B   | 1001238732  | 1   | Panel, LED Light   |     |
| 5C   |             | Ref | Screw  |     |

**SECTION 2 - TURNTABLE**

**FIGURE 2-22. KEYSWITCH INSTALLATION**



ART\_0259666



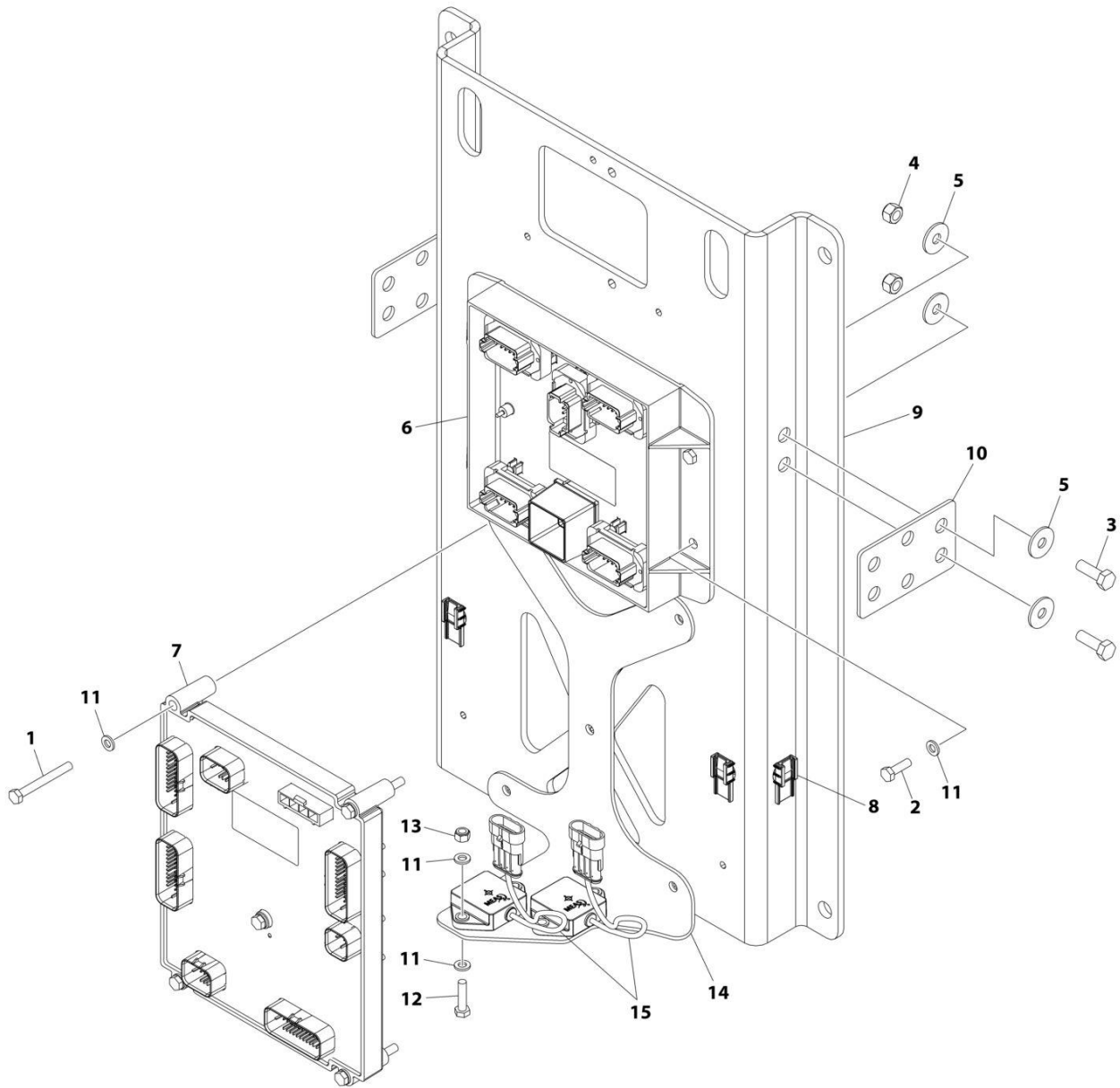
**SECTION 2 - TURNTABLE**

**FIGURE 2-22. KEYSWITCH INSTALLATION**

| <b>ITEM</b> | <b>PART NUMBER</b> | <b>QTY</b> | <b>DESCRIPTION</b>     | <b>REV</b> |
|-------------|--------------------|------------|------------------------|------------|
|             | 0259666            | Ref        | KEYSWITCH INSTALLATION | B          |
| 1           | 3910804            | 6          | Screw #8 x 1/8         |            |
| 2           | 1001151393         | 1          | Shim .063              |            |
| 3           | 4360469            | 1          | Keyswitch              |            |
| 3A          | 2860030            | 1          | Key, Replacement       |            |

# SECTION 2 - TURNTABLE

## FIGURE 2-23. ELECTRICAL ASSEMBLY



ART\_1001152193\_J

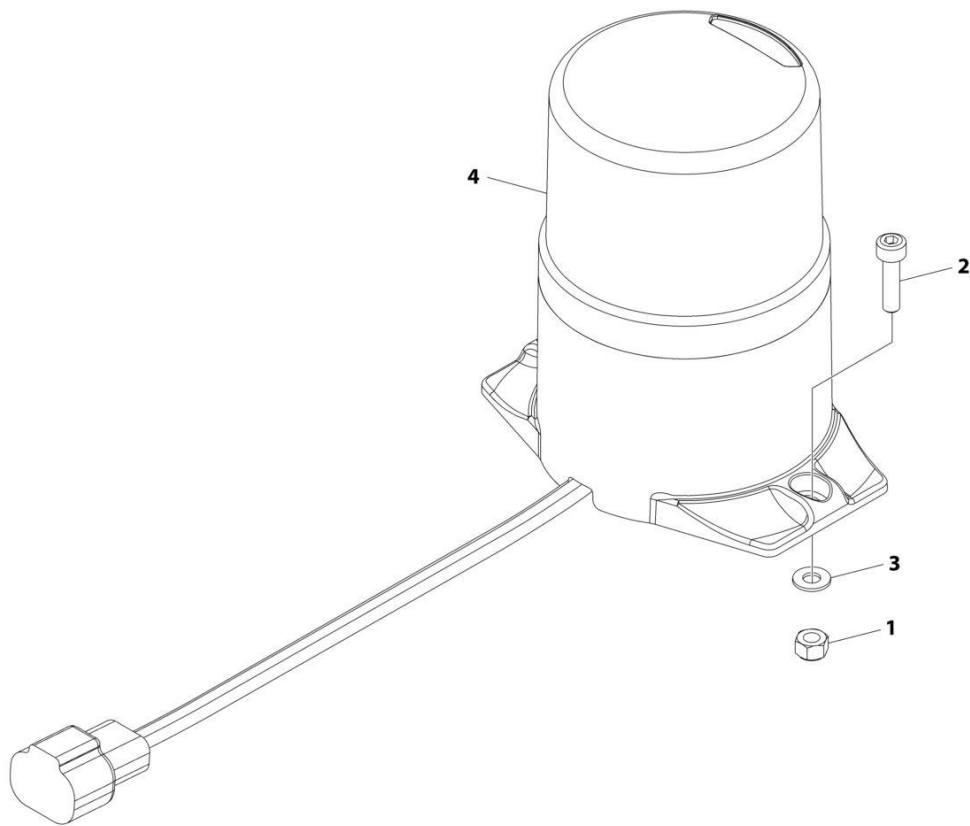
**SECTION 2 - TURNTABLE**

**FIGURE 2-23. ELECTRICAL ASSEMBLY**

| ITEM | PART NUMBER | QTY | DESCRIPTION   | REV |
|------|-------------|-----|---|-----|
|      | 1001152193  | Ref | ELECTRICAL ASSEMBLY   | I   |
| 1    | 0700619     | 5   | Bolt M6 x 55  |     |
| 2    | 0760610     | 4   | Bolt M6 x 20  |     |
| 3    | 0760812     | 4   | Bolt M8 x 25  |     |
| 4    | 3290805     | 4   | Nut, Lock M8  |     |
| 5    | 4811902     | 8   | Washer M8   |     |
| 6    | 1001277208  | 1   | Module, Boom Length and Angle Control (Note: Re-calibration Required when Replaced) |     |
| 7    | 1001281100  | 1   | Module, Ground Control (Note: Re-calibration Required when Replaced)                |     |
| 8    | 1001121172  | 4   | Mount, Terminal   |     |
| 9    | 1001152194  | 1   | Plate   |     |
| 10   | 1001152195  | 2   | Mount   |     |
| 11   | 4811700     | 17  | Washer M6   |     |
| 12   | 0760612     | 4   | Bolt M6 x 25  |     |
| 13   | 3290605     | 4   | Nut, Lock M6  |     |
| 14   | 1001276642  | 1   | Bracket   |     |
| 15   | 1001219601  | 2   | Sensor, Tilt  |     |

## SECTION 2 - TURNTABLE

FIGURE 2-24. STROBE LIGHT INSTALLATION - AMBER



ART\_1001269755

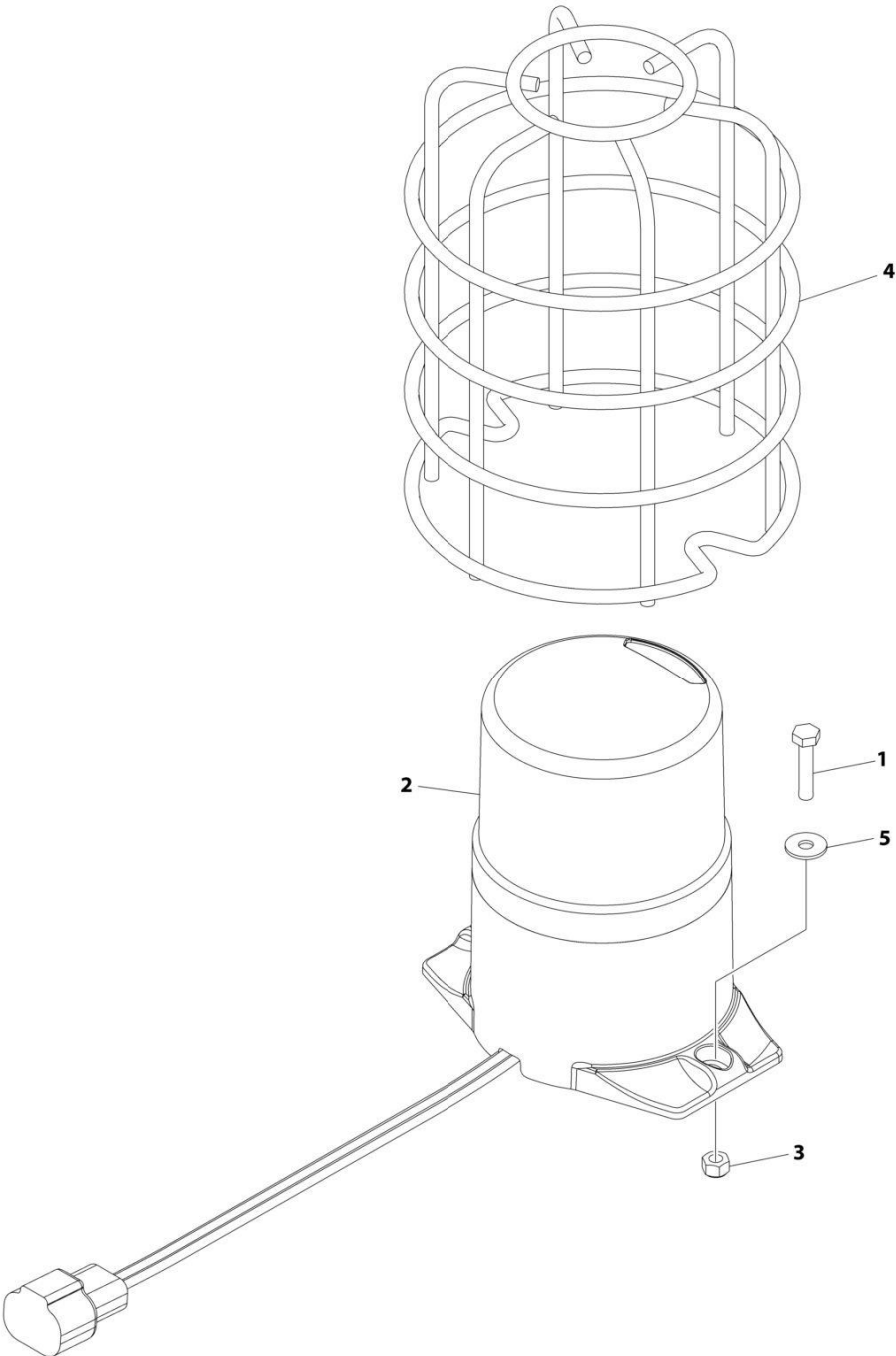
**SECTION 2 - TURNTABLE**

**FIGURE 2-24. STROBE LIGHT INSTALLATION - AMBER**

| <b>ITEM</b> | <b>PART NUMBER</b> | <b>QTY</b> | <b>DESCRIPTION</b>                | <b>REV</b> |
|-------------|--------------------|------------|-----------------------------------|------------|
|             | 1001269755         | Ref        | STROBE LIGHT INSTALLATION - AMBER | A          |
| 1           | 3290405            | 2          | Nut, Lock M4                      |            |
| 2           | 4031507            | 2          | Capscrew M4 x 16                  |            |
| 3           | 4811400            | 2          | Washer M4                         |            |
| 4           | 1001233479         | 1          | Light, Strobe                     |            |
| 4           | 4460891            | 1          | Connector                         |            |
| 4           | 4460465            | 2          | Socket                            |            |

# SECTION 2 - TURNTABLE

FIGURE 2-25. STROBE LIGHT INSTALLATION - AMBER (SHIPYARD MACHINES)



ART\_1001151701\_B

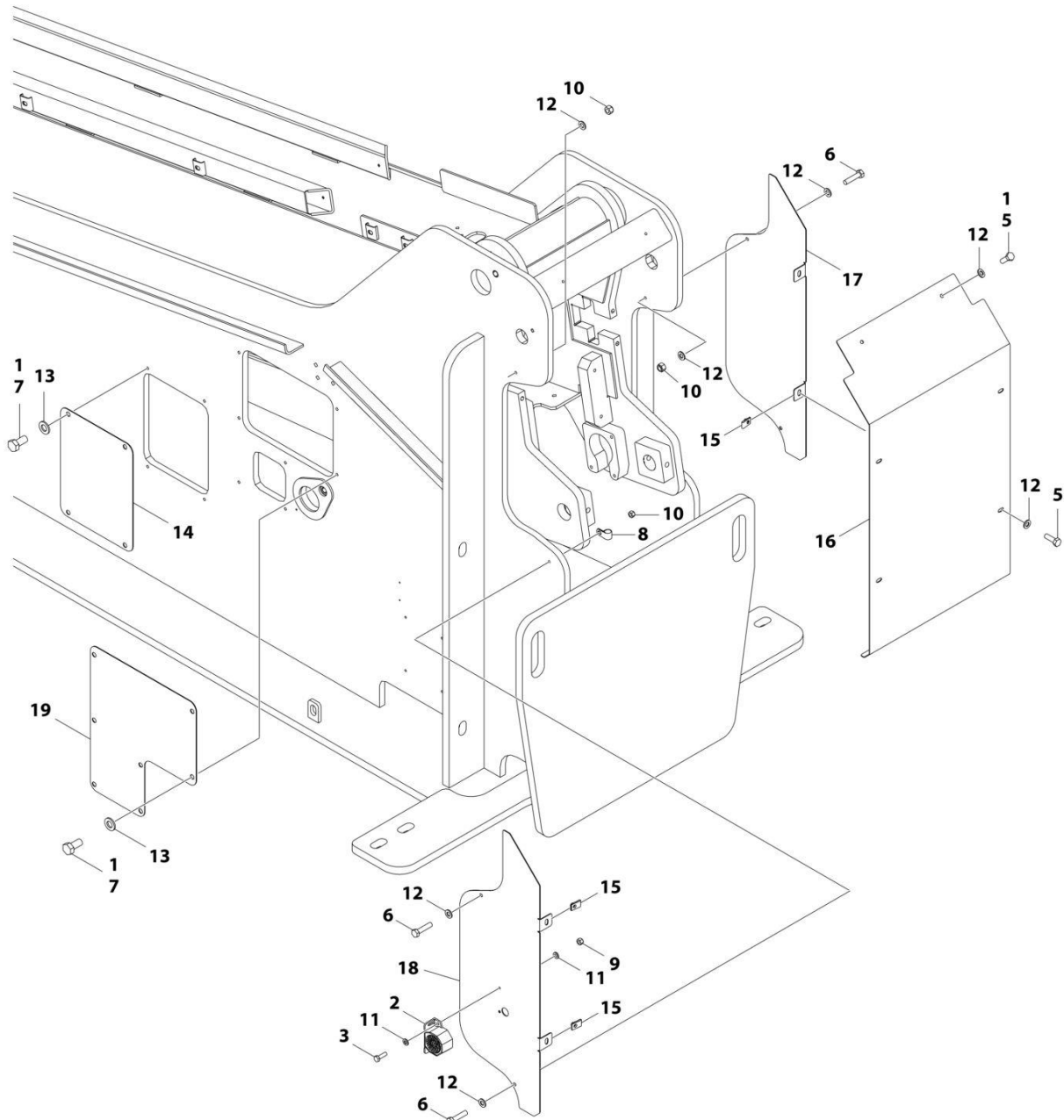
**SECTION 2 - TURNTABLE**

**FIGURE 2-25. STROBE LIGHT INSTALLATION - AMBER (SHIPYARD MACHINES)**

| <b>ITEM</b> | <b>PART NUMBER</b> | <b>QTY</b> | <b>DESCRIPTION</b>                | <b>REV</b> |
|-------------|--------------------|------------|-----------------------------------|------------|
|             | 1001151701         | Ref        | STROBE LIGHT INSTALLATION - AMBER | B          |
| 1           | 0760410            | 2          | Bolt M4 x 20                      |            |
| 2           | 1001233479         | 1          | Light, Strobe                     |            |
| 2           | 4460891            | 1          | Plug, Male - 2 Position           |            |
| 2           | 4460465            | 2          | Socket, Female                    |            |
| 3           | 3290405            | 2          | Nut M4                            |            |
| 4           | 4060865            | 1          | Guard, Strobe                     |            |
| 5           | 1001091102         | 2          | Washer M4                         |            |

# SECTION 2 - TURNTABLE

## FIGURE 2-26. ALARM AND TURNTABLE COVERS INSTALLATION



ART\_1001151213



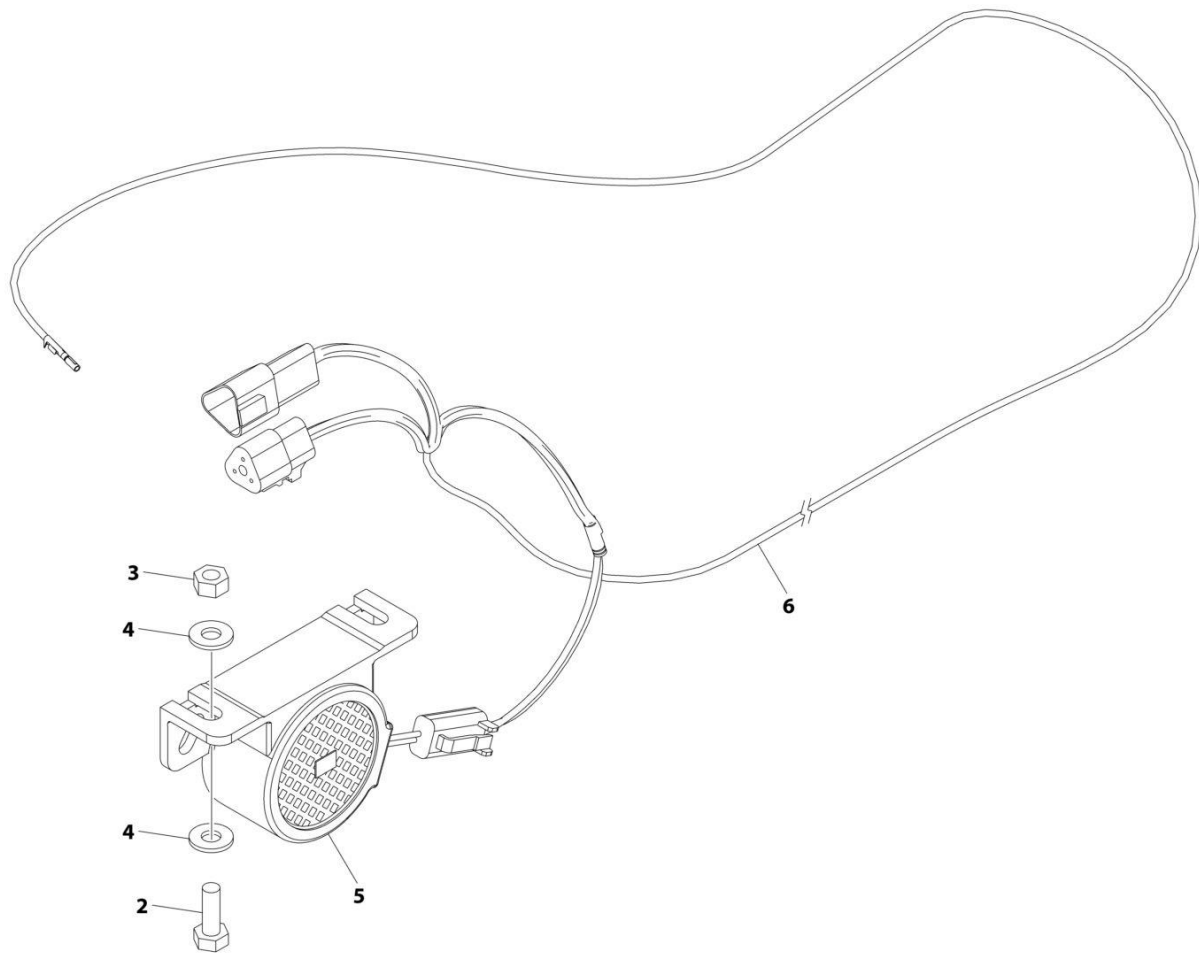
**SECTION 2 - TURNTABLE**

**FIGURE 2-26. ALARM AND TURNTABLE COVERS INSTALLATION**

| ITEM | PART NUMBER | QTY | DESCRIPTION                             | REV |
|------|-------------|-----|---|-----|
|      | 1001151213  | Ref | ALARM AND TURNTABLE COVERS INSTALLATION | F   |
| 1    | 0100011     | AR  | Compound, Locking                       |     |
| 2    | 0140043     | 1   | Alarm                                   |     |
| 3    | 0760610     | 2   | Bolt M6 x 20                            |     |
| 5    | 0760812     | 6   | Bolt M8 x 25                            |     |
| 6    | 0760815     | 4   | Bolt M8 x 35                            |     |
| 7    | 0761212     | AR  | Bolt M12 x 25                           |     |
| 8    | 1320061     | 1   | Clamp                                   |     |
| 9    | 3290605     | 2   | Nut M6                                  |     |
| 10   | 3290805     | 4   | Nut M8                                  |     |
| 11   | 4811700     | 4   | Washer M6                               |     |
| 12   | 4811900     | 13  | Washer M8                               |     |
| 13   | 4812100     | AR  | Washer M12                              |     |
| 14   | 1001148768  | 1   | Cover                                   |     |
| 15   | 1001149160  | 4   | Nut, Tinnerman M8                       |     |
| 16   | 1001151221  | 1   | Cover (End)                             |     |
| 17   | 1001151222  | 1   | Cover (LH)                              |     |
| 18   | 1001151223  | 1   | Cover (RH)                              |     |
| 19   | 1001218733  | 1   | Cover                                   |     |

## SECTION 2 - TURNTABLE

FIGURE 2-27. WHITE NOISE ALARM INSTALLATION



ART\_1001263172

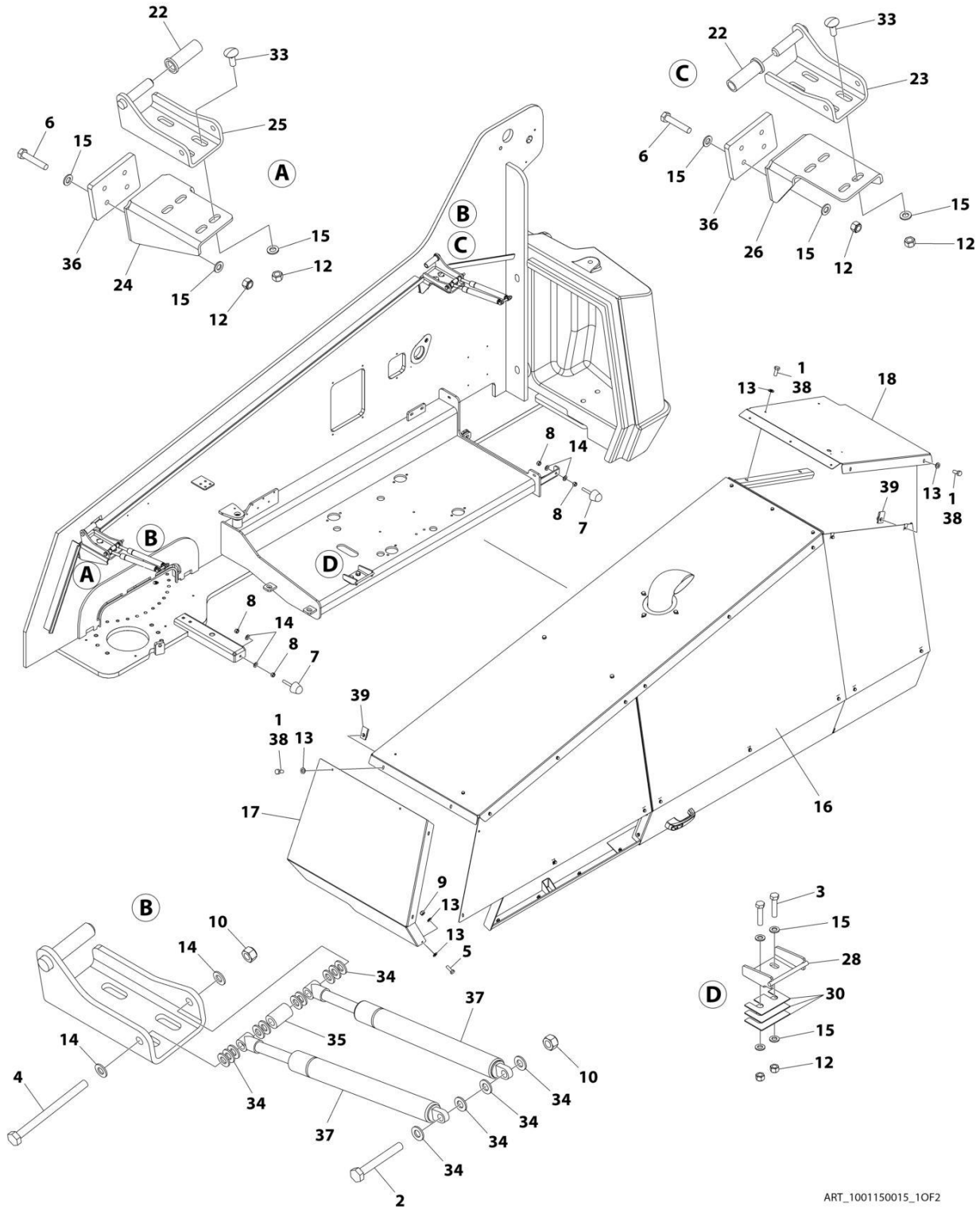
**SECTION 2 - TURNTABLE**

**FIGURE 2-27. WHITE NOISE ALARM INSTALLATION**

| <b>ITEM</b> | <b>PART NUMBER</b> | <b>QTY</b> | <b>DESCRIPTION</b>  | <b>REV</b> |
|-------------|--------------------|------------|---|------------|
|             | 1001263172         | Ref        | WHITE NOISE ALARM INSTALLATION  | B          |
| 1           | 0100048            | AR         | Compound, Silicone (Not Shown)  |            |
| 2           | 0641406            | 2          | Bolt 1/4 x 3/4  |            |
| 3           | 3311405            | 2          | Nut 1/4   |            |
| 4           | 4711400            | 4          | Washer 1/4  |            |
| 5           | 1001184682         | 1          | Alarm   |            |
| 6           | 1001243682         | 1          | White Noise Motion Alarm Harness (See Separate Breakdown in ELECTRICAL Section) |            |

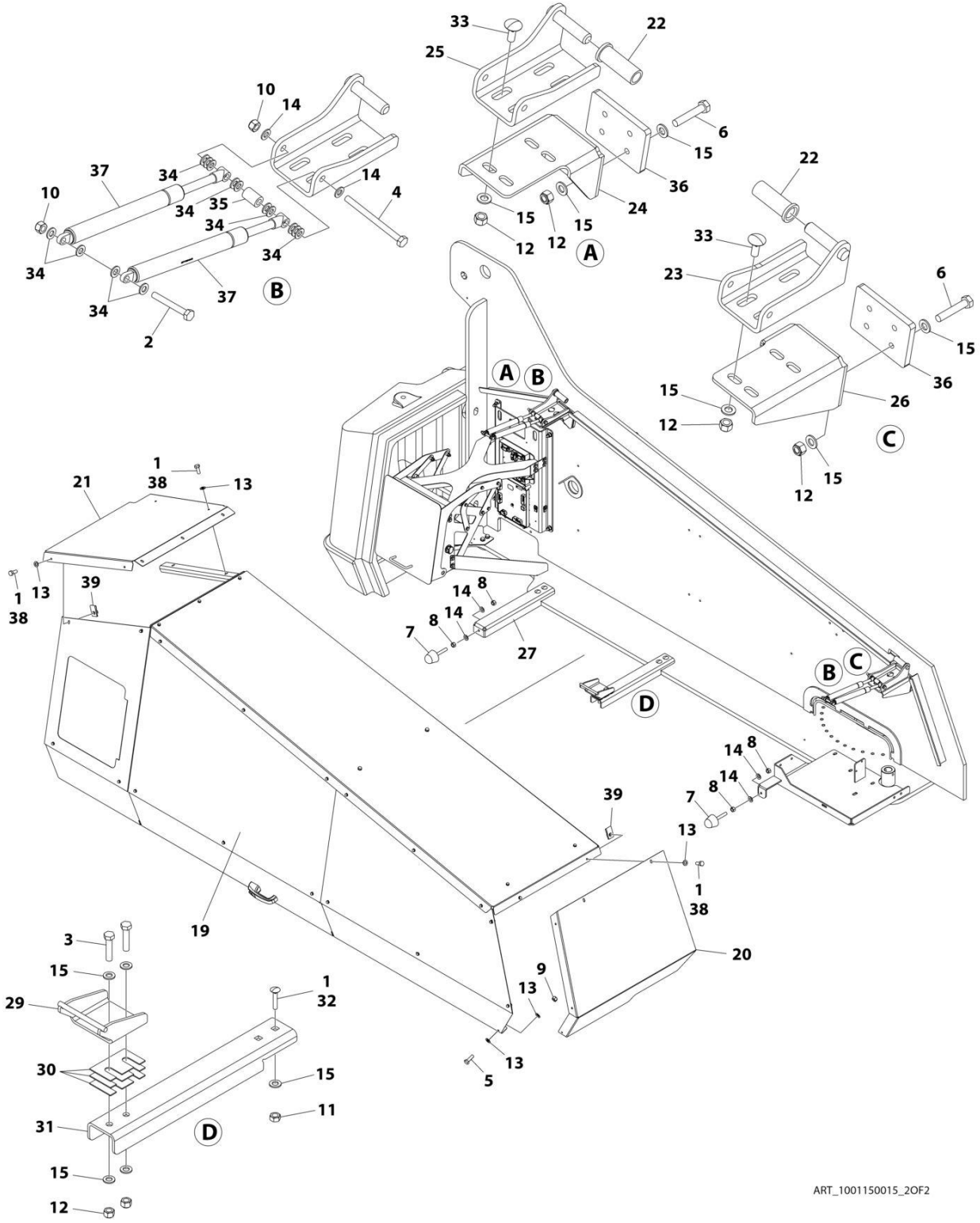
# SECTION 2 - TURNTABLE

## FIGURE 2-28. HOOD INSTALLATION - DEUTZ TD2011 ENGINE



ART\_1001150015\_10F2

# SECTION 2 - TURNTABLE



ART\_1001150015\_2OF2

## SECTION 2 - TURNTABLE

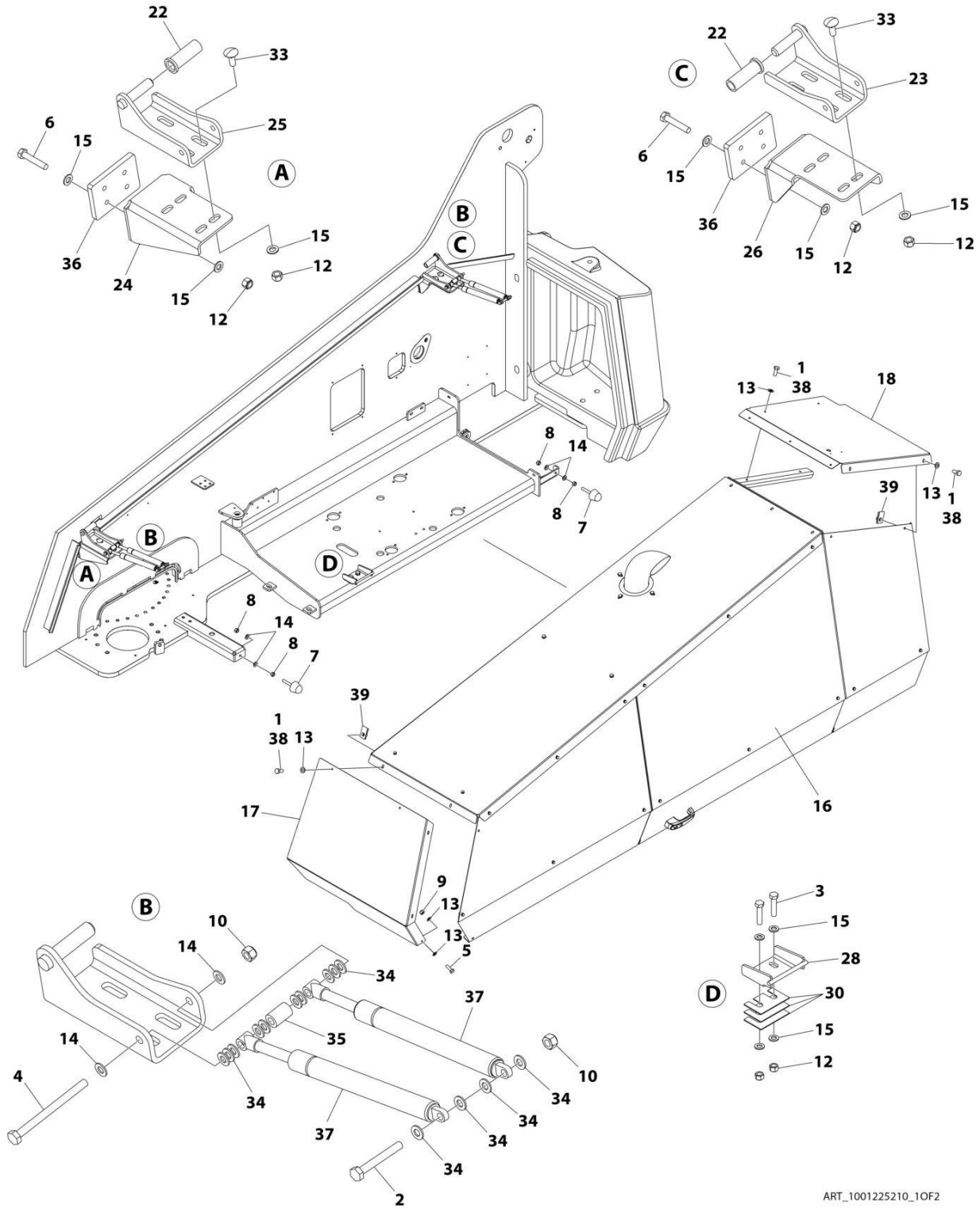
FIGURE 2-28. HOOD INSTALLATION - DEUTZ TD2011 ENGINE

| ITEM | PART NUMBER | QTY | DESCRIPTION  | REV |
|------|-------------|-----|--|-----|
|      | 1001150015  | Ref | HOOD INSTALLATION - DEUTZ TD2011 ENGINE                              | D   |
| 1    | 0100011     | AR  | Compound, Locking  |     |
| 2    | 0701024     | 4   | Bolt M10 x 80  |     |
| 3    | 0701219     | 4   | Bolt M12 x 55  |     |
| 4    | 0711030     | 4   | Bolt M10 x 130   |     |
| 5    | 0760812     | 2   | Bolt M8 x 25   |     |
| 6    | 0761221     | 16  | Bolt M12 x 65  |     |
| 7    | 0940071     | 4   | Bumper   |     |
| 8    | 3271601     | 8   | Nut 3/8  |     |
| 9    | 3290805     | 2   | Nut M8   |     |
| 10   | 3291005     | 8   | Nut M10  |     |
| 11   | 3291201     | 4   | Nut M12  |     |
| 12   | 3291205     | 36  | Nut M12  |     |
| 13   | 4811900     | 24  | Washer M8  |     |
| 14   | 4812000     | 16  | Washer M10   |     |
| 15   | 4812100     | 60  | Washer M12   |     |
| 16   | 1001149075  | 1   | Hood Assembly - Engine Side (See Separate Breakdown in this Section) |     |
| 17   | 1001149082  | 1   | Panel, Hood  |     |
| 18   | 1001149083  | 1   | Panel, Hood  |     |
| 19   | 1001149085  | 1   | Hood Assembly - Tank Side (See Separate Breakdown in this Section)   |     |
| 20   | 1001149092  | 1   | Panel, Hood  |     |
| 21   | 1001149093  | 1   | Panel, Hood  |     |
| 22   | 1001149095  | 4   | Bearing  |     |
| 23   | 1001149096  | 2   | Hinge (RH)   |     |
| 24   | 1001149098  | 2   | Bracket  |     |
| 25   | 1001149099  | 2   | Hinge (LH)   |     |
| 26   | 1001149101  | 2   | Bracket  |     |
| 27   | 1001153028  | 1   | Bracket  |     |
| 28   | 1001153029  | 1   | Bracket, Latch (Engine Side)   |     |
| 29   | 1001153030  | 1   | Bracket, Latch (Tank Side)   |     |
| 30   | 1001153034  | 6   | Plate, Spacer  |     |
| 31   | 1001153035  | 1   | Bracket  |     |
| 32   | 1001153086  | 4   | Bolt M12 x 70  |     |
| 33   | 1001153162  | 16  | Bolt M12 x 35  |     |
| 34   | 1001153195  | 58  | Washer M10   |     |
| 35   | 1001153198  | 4   | Spacer   |     |
| 36   | 1001153199  | 4   | Plate, Spacer  |     |
| 37   | 1001151912  | 8   | Spring, Gas  |     |
| 38   | 0760810     | 20  | Bolt M8 x 20   |     |
| 39   | 1001149160  | 16  | Nut, Tinnerman M8  |     |



# SECTION 2 - TURNTABLE

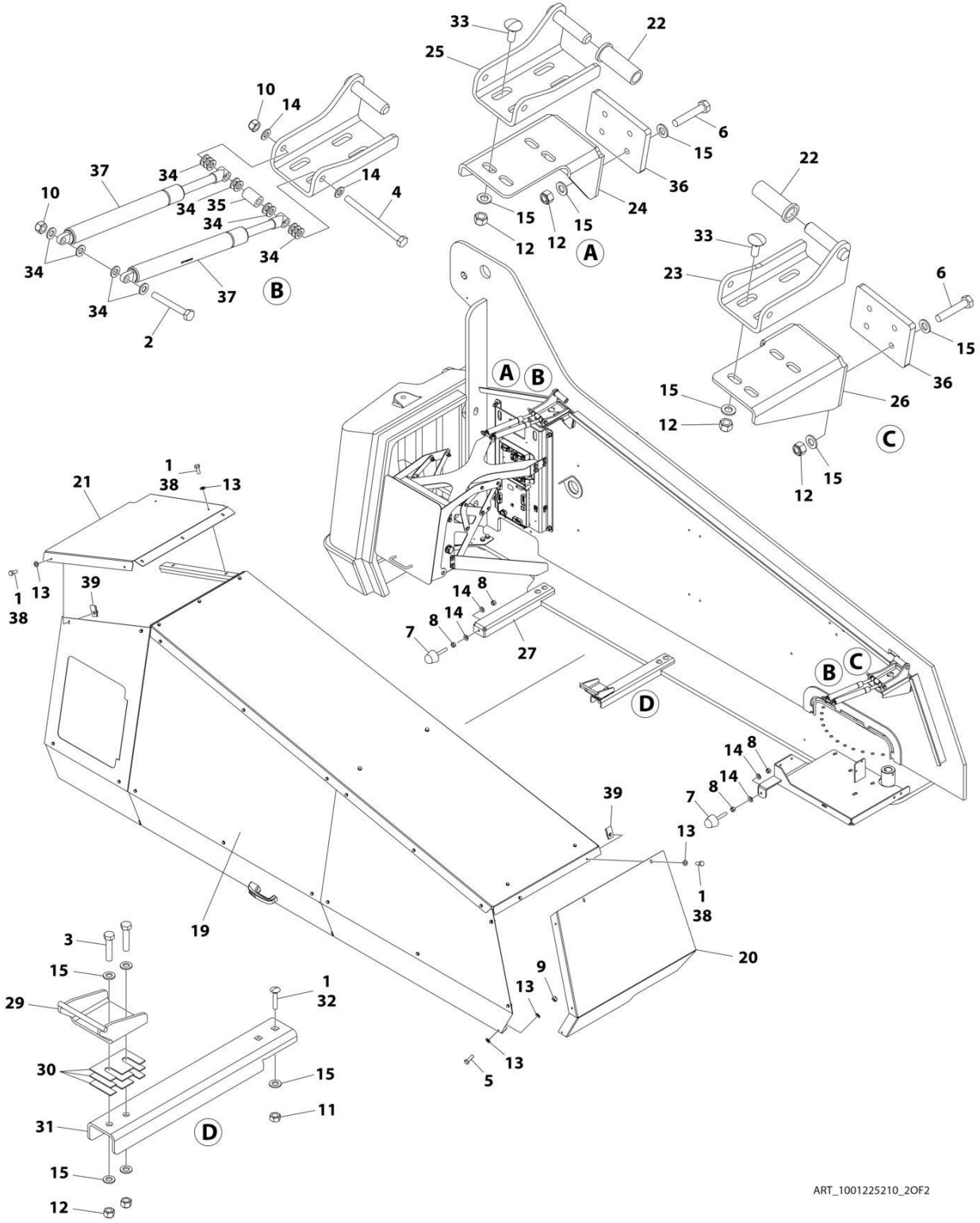
## FIGURE 2-29. HOOD INSTALLATION - DEUTZ TD2.9L4 ENGINE



ART\_1001225210\_10F2



# SECTION 2 - TURNTABLE



ART\_1001225210\_20F2

## SECTION 2 - TURNTABLE

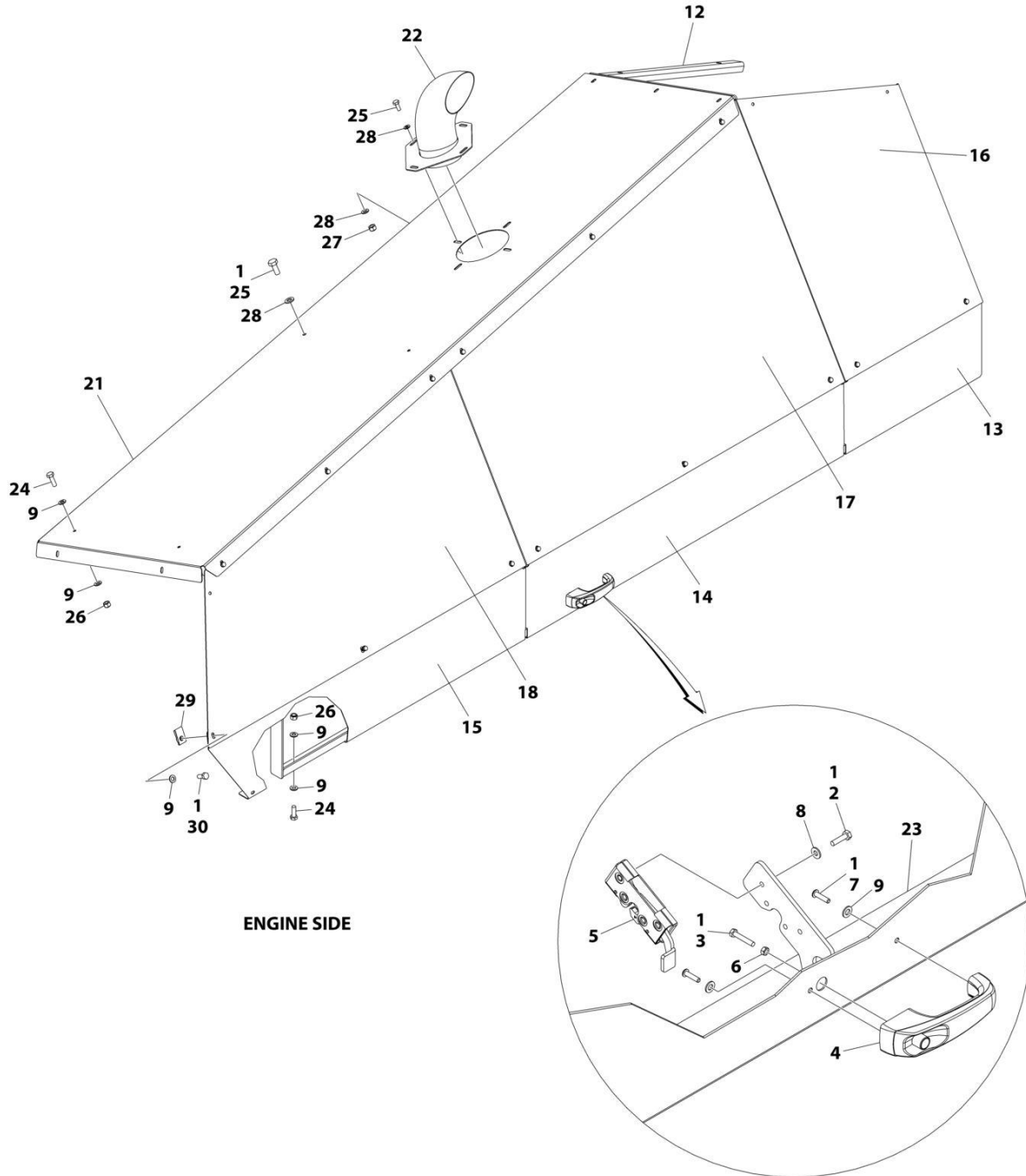
FIGURE 2-29. HOOD INSTALLATION - DEUTZ TD2.9L4 ENGINE

| ITEM | PART NUMBER | QTY | DESCRIPTION  | REV |
|------|-------------|-----|--|-----|
|      | 1001225210  | Ref | HOOD INSTALLATION – DEUTZ TD2.9L4 ENGINE                             | A   |
| 1    | 0100011     | AR  | Compound, Locking  |     |
| 2    | 0701024     | 4   | Bolt M10 x 80  |     |
| 3    | 0701219     | 4   | Bolt M12 x 55  |     |
| 4    | 0711030     | 4   | Bolt M10 x 130   |     |
| 5    | 0760812     | 2   | Bolt M8 x 25   |     |
| 6    | 0761221     | 16  | Bolt M12 x 65  |     |
| 7    | 0940071     | 4   | Bumper   |     |
| 8    | 3271601     | 8   | Nut 3/8  |     |
| 9    | 3290805     | 2   | Nut M8   |     |
| 10   | 3291005     | 8   | Nut M10  |     |
| 11   | 3291201     | 4   | Nut M12  |     |
| 12   | 3291205     | 36  | Nut M12  |     |
| 13   | 4811900     | 24  | Washer M8  |     |
| 14   | 4812000     | 16  | Washer M10   |     |
| 15   | 4812100     | 60  | Washer M12   |     |
| 16   | 1001225211  | 1   | Hood Assembly - Engine Side (See Separate Breakdown in this Section) |     |
| 17   | 1001149082  | 1   | Panel, Hood  |     |
| 18   | 1001149083  | 1   | Panel, Hood  |     |
| 19   | 1001149085  | 1   | Hood Assembly - Tank Side (See Separate Breakdown in this Section)   |     |
| 20   | 1001149092  | 1   | Panel, Hood  |     |
| 21   | 1001149093  | 1   | Panel, Hood  |     |
| 22   | 1001149095  | 4   | Bearing  |     |
| 23   | 1001149096  | 2   | Hinge (RH)   |     |
| 24   | 1001149098  | 2   | Bracket  |     |
| 25   | 1001149099  | 2   | Hinge (LH)   |     |
| 26   | 1001149101  | 2   | Bracket  |     |
| 27   | 1001153028  | 1   | Bracket  |     |
| 28   | 1001153029  | 1   | Bracket, Latch (Engine Side)   |     |
| 29   | 1001153030  | 1   | Bracket, Latch (Tank Side)   |     |
| 30   | 1001153034  | 6   | Plate, Spacer  |     |
| 31   | 1001153035  | 1   | Bracket  |     |
| 32   | 1001153086  | 4   | Bolt M12 x 70  |     |
| 33   | 1001153162  | 16  | Bolt M12 x 35  |     |
| 34   | 1001153195  | 58  | Washer M10   |     |
| 35   | 1001153198  | 4   | Spacer   |     |
| 36   | 1001153199  | 4   | Plate, Spacer  |     |
| 37   | 1001151912  | 8   | Spring, Gas  |     |
| 38   | 0760810     | 20  | Bolt M8 x 20   |     |
| 39   | 1001149160  | 16  | Nut, Tinnerman M8  |     |



# SECTION 2 - TURNTABLE

## FIGURE 2-30. HOOD ASSEMBLY - ENGINE SIDE (DEUTZ TD2011 ENGINE)



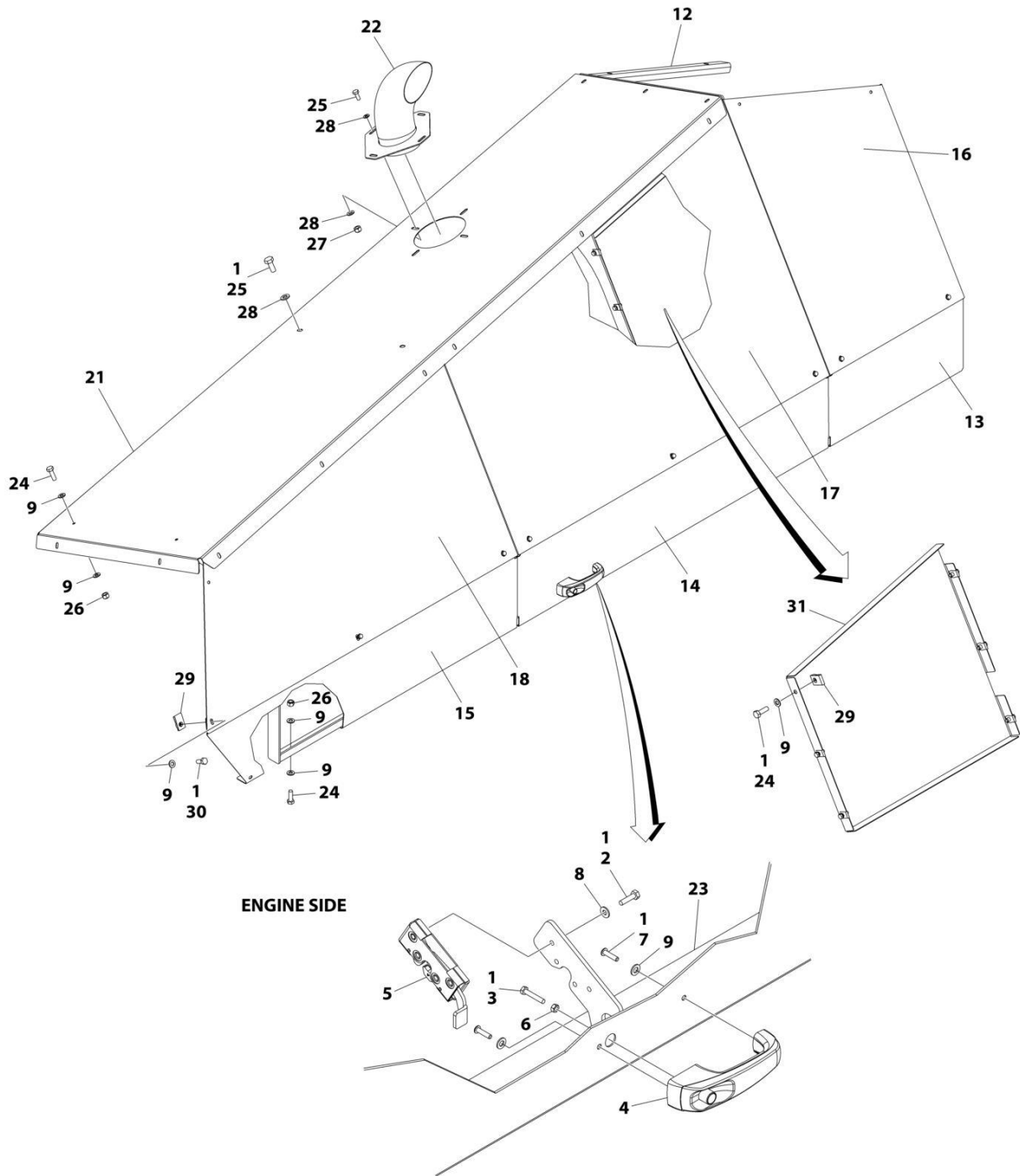
## SECTION 2 - TURNTABLE

**FIGURE 2-30. HOOD ASSEMBLY - ENGINE SIDE (DEUTZ TD2011 ENGINE)**

| ITEM | PART NUMBER | QTY | DESCRIPTION                                       | REV |
|------|-------------|-----|---|-----|
|      | 1001149075  | Ref | HOOD ASSEMBLY - ENGINE SIDE (DEUTZ TD2011 ENGINE) | C   |
| 1    | 0100011     | AR  | Compound, Locking                                 |     |
| 2    | 0641408     | 4   | Bolt 1/4 x 1                                      |     |
| 3    | 0700615     | 1   | Bolt M6 x 35                                      |     |
| 4    | 2560187     | 1   | Handle  |     |
| 5    | 2940173     | 1   | Latch, Rotary                                     |     |
| 6    | 3290601     | 1   | Nut M6  |     |
| 7    | 3900363     | 2   | Screw M6 x 25                                     |     |
| 8    | 4711400     | 4   | Washer 1/4  |     |
| 9    | 4811900     | 60  | Washer M8   |     |
| 12   | 1001149061  | 1   | Frame, Hood                                       |     |
| 13   | 1001149076  | 1   | Panel - Front Lower Side                          |     |
| 14   | 1001149077  | 1   | Panel - Middle Lower Side                         |     |
| 15   | 1001149078  | 1   | Panel - Rear Lower Side                           |     |
| 16   | 1001149079  | 1   | Panel - Front Middle Upper Side                   |     |
| 17   | 1001149080  | 1   | Panel - Middle Upper Side                         |     |
| 18   | 1001149081  | 1   | Panel - Rear Upper Side                           |     |
| 21   | 1001149084  | 1   | Panel, Top  |     |
| 22   | 1001151226  | 1   | Stack, Exhaust                                    |     |
| 23   | 1001151229  | 1   | Seal  |     |
| 24   | 0760812     | 22  | Bolt M8 x 25                                      |     |
| 25   | 0761012     | 6   | Bolt M10 x 25                                     |     |
| 26   | 3290805     | 22  | Nut M8  |     |
| 27   | 3291005     | 4   | Nut M10   |     |
| 28   | 4812000     | 10  | Washer M10  |     |
| 29   | 1001149160  | 14  | Nut, Tinnerman M8                                 |     |
| 30   | 0760810     | 14  | Bolt M8 x 20                                      |     |

# SECTION 2 - TURNTABLE

## FIGURE 2-31. HOOD ASSEMBLY - ENGINE SIDE (DEUTZ TD2.9L4 ENGINE)



ART\_1001225211

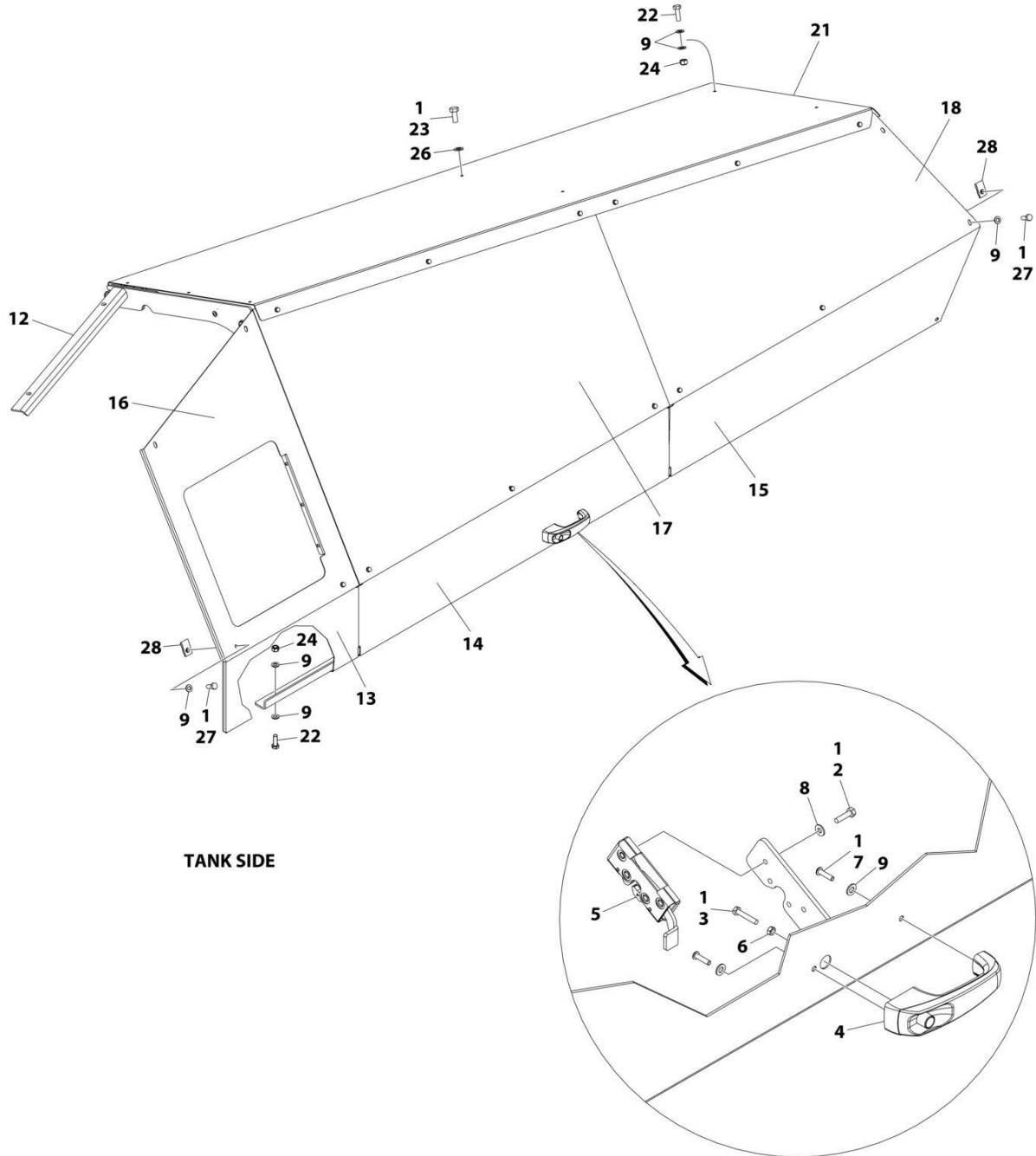
## SECTION 2 - TURNTABLE

**FIGURE 2-31. HOOD ASSEMBLY - ENGINE SIDE (DEUTZ TD2.9L4 ENGINE)**

| ITEM | PART NUMBER | QTY | DESCRIPTION  | REV |
|------|-------------|-----|--|-----|
|      | 1001225211  | Ref | HOOD ASSEMBLY - ENGINE SIDE (DEUTZ TD2.9L4 ENGINE) | B   |
| 1    | 0100011     | AR  | Compound, Locking                                  |     |
| 2    | 0641408     | 4   | Bolt 1/4 x 1                                       |     |
| 3    | 0700615     | 1   | Bolt M6 x 35                                       |     |
| 4    | 2560187     | 1   | Handle   |     |
| 5    | 2940173     | 1   | Latch, Rotary                                      |     |
| 6    | 3290601     | 1   | Nut M6   |     |
| 7    | 3900363     | 2   | Screw M6 x 25                                      |     |
| 8    | 4711400     | 4   | Washer 1/4   |     |
| 9    | 4811900     | AR  | Washer M8  |     |
| 12   | 1001149061  | 1   | Frame, Hood  |     |
| 13   | 1001149076  | 1   | Panel - Front Lower Side                           |     |
| 14   | 1001149077  | 1   | Panel - Middle Lower Side                          |     |
| 15   | 1001149078  | 1   | Panel - Rear Lower Side                            |     |
| 16   | 1001149079  | 1   | Panel - Front Middle Upper Side                    |     |
| 17   | 1001149080  | 1   | Panel - Middle Upper Side                          |     |
| 18   | 1001149081  | 1   | Panel - Rear Upper Side                            |     |
| 21   | 1001225244  | 1   | Panel, Top   |     |
| 22   | 1001151226  | 1   | Stack, Exhaust                                     |     |
| 23   | 1001151229  | 1   | Seal   |     |
| 24   | 0760812     | AR  | Bolt M8 x 25                                       |     |
| 25   | 0761012     | 6   | Bolt M10 x 25                                      |     |
| 26   | 3290805     | 22  | Nut M8   |     |
| 27   | 3291005     | 4   | Nut M10  |     |
| 28   | 4812000     | 10  | Washer M10   |     |
| 29   | 1001149160  | AR  | Nut, Tinnerman M8                                  |     |
| 30   | 0760810     | 14  | Bolt M8 x 20                                       |     |
| 31   | 1001232358  | 1   | Shield   |     |

# SECTION 2 - TURNTABLE

## FIGURE 2-32. HOOD ASSEMBLY - TANK SIDE



TANK SIDE

ART\_1001149085



## SECTION 2 - TURNTABLE

### FIGURE 2-32. HOOD ASSEMBLY - TANK SIDE

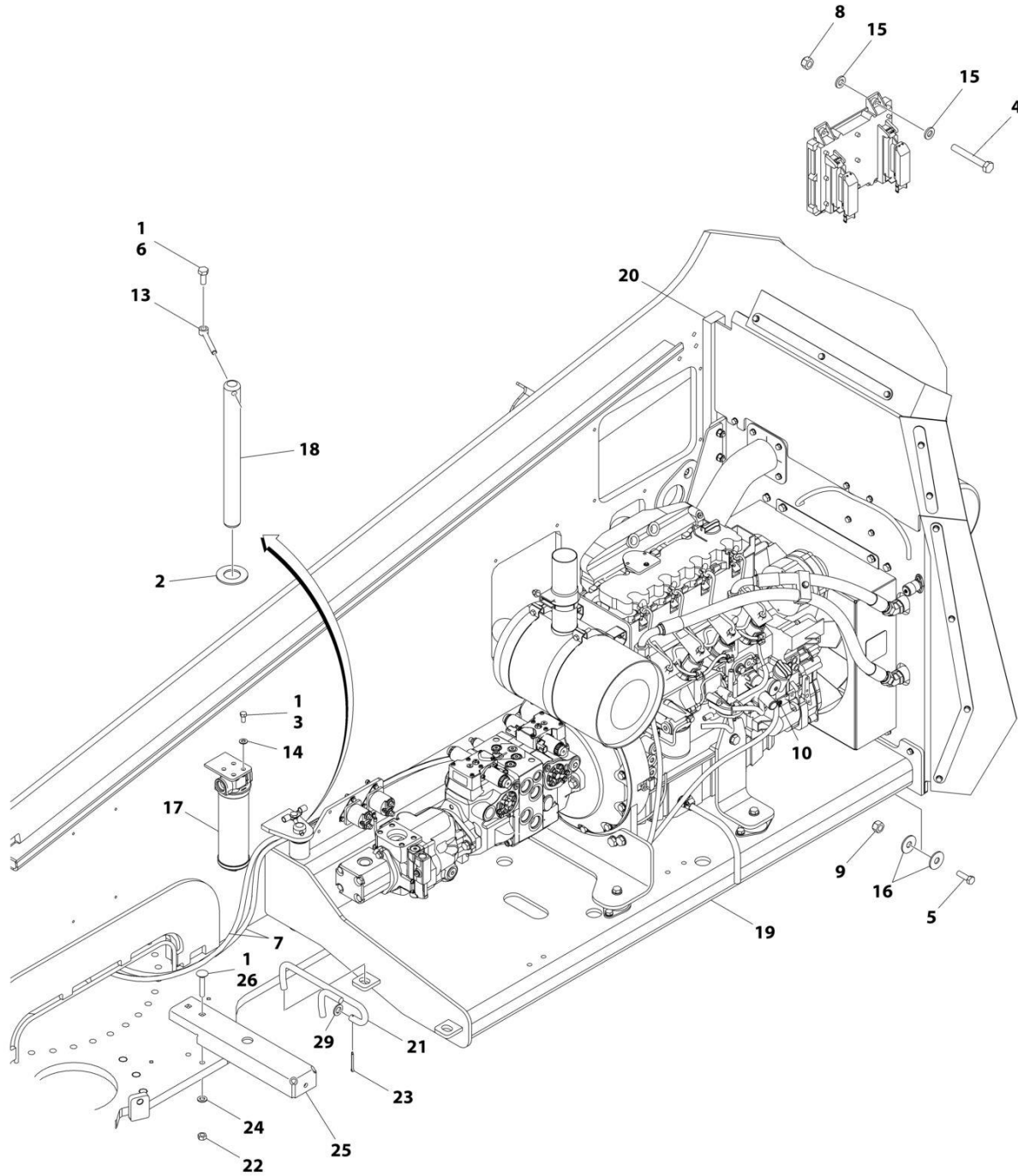
| ITEM | PART NUMBER | QTY | DESCRIPTION               | REV |
|------|-------------|-----|---------------------------|-----|
|      | 1001149085  | Ref | HOOD ASSEMBLY - TANK SIDE | F   |
| 1    | 0100011     | AR  | Compound, Locking         |     |
| 2    | 0641408     | 4   | Bolt 1/4 x 1              |     |
| 3    | 0700615     | 1   | Bolt M6 x 35              |     |
| 4    | 2560187     | 1   | Handle                    |     |
| 5    | 2940173     | 1   | Latch, Rotary             |     |
| 6    | 3290601     | 1   | Nut M6                    |     |
| 7    | 3900363     | 2   | Screw M6 x 25             |     |
| 8    | 4711400     | 4   | Washer 1/4                |     |
| 9    | 4811900     | 60  | Washer M8                 |     |
| 12   | 1001149062  | 1   | Frame, Hood               |     |
| 13   | 1001149086  | 1   | Panel - Front Lower Side  |     |
| 14   | 1001149087  | 1   | Panel - Middle Lower Side |     |
| 15   | 1001149088  | 1   | Panel - Rear Lower Side   |     |
| 16   | 1001149089  | 1   | Panel - Front Upper Side  |     |
| 17   | 1001149090  | 1   | Panel - Middle Upper Side |     |
| 18   | 1001149091  | 1   | Panel - Rear Upper Side   |     |
| 21   | 1001149094  | 1   | Panel - Top               |     |
| 22   | 0760812     | 22  | Bolt M8 x 25              |     |
| 23   | 0761012     | 2   | Bolt M10 x 25             |     |
| 24   | 3290805     | 22  | Nut M8                    |     |
| 26   | 4812000     | 2   | Washer M10                |     |
| 29   | 1001149160  | 14  | Nut, Tinnerman M8         |     |
| 30   | 0760810     | 14  | Bolt M8 x 20              |     |



**SECTION 3 - ENGINE**

# SECTION 3 - ENGINE

## FIGURE 3-1. DEUTZ TD2011 ENGINE INSTALLATION



ART\_1001150013

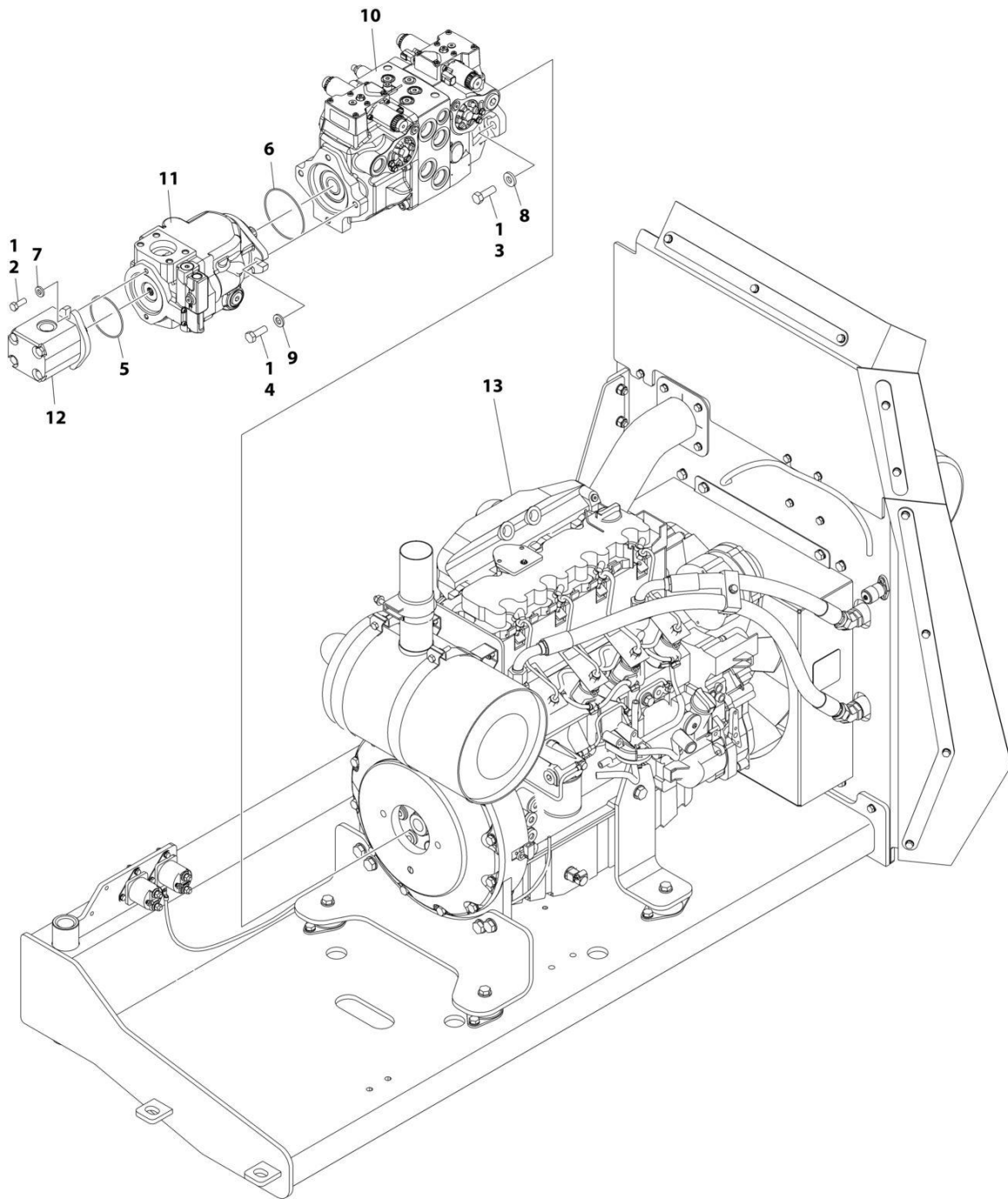
## SECTION 3 - ENGINE

**FIGURE 3-1. DEUTZ TD2011 ENGINE INSTALLATION**

| ITEM | PART NUMBER | QTY       | DESCRIPTION   | REV |
|------|-------------|-----------|---|-----|
|      | 1001150013  | Ref       | DEUTZ TD2011 ENGINE INSTALLATION  | I   |
| 1    | 0100011     | AR        | Compound, Locking   |     |
| 2    | 0440162     | 1         | Bearing   |     |
| 3    | 0641606     | 4         | Bolt 3/8 x 3/4  |     |
| 4    | 0700617     | 4         | Bolt M6 x 45  |     |
| 5    | 0701216     | 1         | Bolt M12 x 40   |     |
| 6    | 0761012     | 1         | Bolt M10 x 25   |     |
| 7    | 2720058     | 33 ft/10m | Hose  |     |
| 8    | 3290605     | 4         | Nut M6  |     |
| 9    | 3291205     | 1         | Nut M12   |     |
| 10   | 1001174486  | 4         | Clamp   |     |
| 13   | 3841143     | 1         | Keeper, Pin   |     |
| 14   | 4711600     | 4         | Washer 3/8  |     |
| 15   | 4811700     | 8         | Washer M6   |     |
| 16   | 4812102     | 2         | Washer M12  |     |
| 17   | 1001108617  | 1         | Filter, Hydraulic   |     |
| 17   | 70002231    | 1         | Element, Filter   |     |
| 18   | 1001135196  | 1         | Pin   |     |
| 19   | 1001151129  | 1         | Deutz TD2011 Engine and Pumps Sub-Assembly (See Separate Breakdown in this Section)         |     |
| 20   | 1001153046  | 1         | Seal  |     |
| 21   | 1001153083  | 1         | Hook  |     |
| 22   | 3291201     | 2         | Nut M12   |     |
| 23   | 3391210     | 1         | Pin, Split  |     |
| 24   | 4812100     | 2         | Washer M12  |     |
| 25   | 1001153027  | 1         | Bracket   |     |
| 26   | 1001153086  | 2         | Bolt M12 x 70   |     |
| 27   | 1001150443  | 1         | Battery Cable Kit - Deutz TD2011 (Not Shown - See Separate Breakdown in ELECTRICAL Section) |     |
| 28   | 1001119470  | 1         | Engine Harness - Deutz TD2011 (Not Shown - See Separate Breakdown in ELECTRICAL Section)    |     |
| 29   | 4812300     | 1         | Washer M16  |     |

# SECTION 3 - ENGINE

FIGURE 3-2. DEUTZ TD2011 ENGINE AND PUMPS SUB-ASSEMBLY



ART\_1001151129

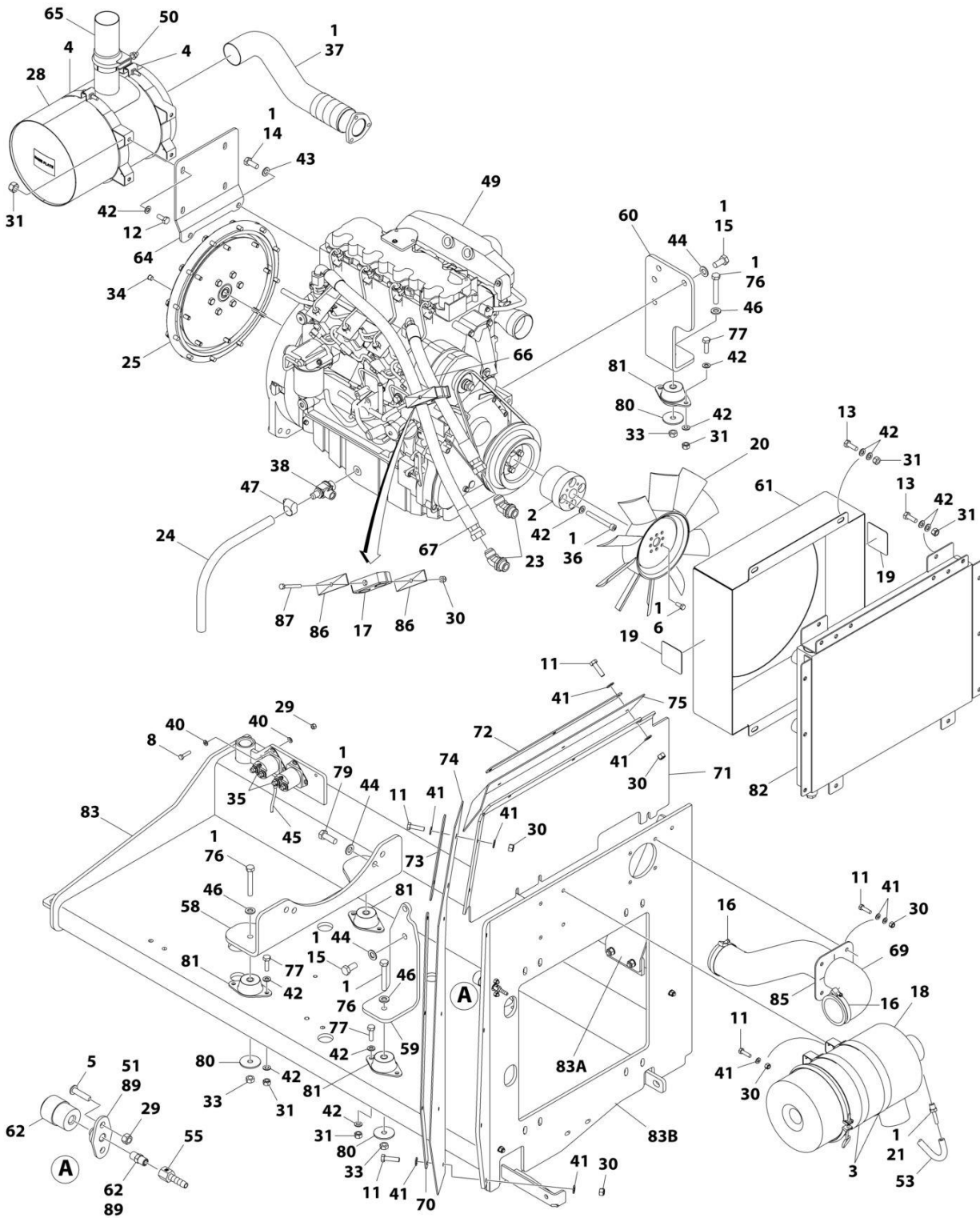
## SECTION 3 - ENGINE

**FIGURE 3-2. DEUTZ TD2011 ENGINE AND PUMPS SUB-ASSEMBLY**

| ITEM | PART NUMBER | QTY | DESCRIPTION   | REV |
|------|-------------|-----|---|-----|
|      | 1001151129  | Ref | DEUTZ TD2011 ENGINE AND PUMPS SUB-ASSEMBLY                            | F   |
| 1    | 0100011     | AR  | Compound, Locking   |     |
| 2    | 0641608     | 2   | Bolt 3/8 x 1  |     |
| 3    | 0641812     | 2   | Bolt 1/2 x 1-1/2  |     |
| 4    | 0761215     | 2   | Bolt M12 x 35   |     |
| 5    | 3790152     | 1   | O-Ring  |     |
| 6    | 3790155     | 1   | O-Ring  |     |
| 7    | 4891600     | 2   | Washer 3/8  |     |
| 8    | 4891800     | 2   | Washer 1/2  |     |
| 9    | 5241200     | 2   | Washer M12  |     |
| 10   | 1001108616  | 1   | Tandem Pump Assembly (See Separate Breakdown in this Section)         |     |
| 11   | 1001171095  | 1   | Piston Pump Assembly (See Separate Breakdown in this Section)         |     |
| 12   | 1001112927  | 1   | Gear Pump Assembly (See Separate Breakdown in this Section)           |     |
| 13   | 1001151128  | 1   | Deutz TD2011 Engine Assembly (See Separate Breakdown in this Section) |     |

# SECTION 3 - ENGINE

## FIGURE 3-3. DEUTZ TD2011 ENGINE ASSEMBLY



ART\_1001151128\_N



## SECTION 3 - ENGINE

**FIGURE 3-3. DEUTZ TD2011 ENGINE ASSEMBLY**

| ITEM | PART NUMBER | QTY            | DESCRIPTION   | REV |
|------|-------------|----------------|---|-----|
|      | 1001151128  | Ref            | DEUTZ TD2011 ENGINE ASSEMBLY  | N   |
| 1    | 0100011     | AR             | Compound, Locking   |     |
| 2    | 0080237     | 1              | Spacer, Fan   |     |
| 3    | 0340003     | 2              | Band, Air Cleaner   |     |
| 4    | 0340051     | 2              | Band, Muffler   |     |
| 5    | 3900363     | 2              | Screw M6 x 25   |     |
| 6    | 0641506     | 4              | Bolt 5/16 x 3/4   |     |
| 8    | 0760612     | 4              | Bolt M6 x 25  |     |
| 11   | 0760814     | 18             | Bolt M8 x 30  |     |
| 12   | 0761012     | 4              | Bolt M10 x 25   |     |
| 13   | 0761014     | 8              | Bolt M10 x 30   |     |
| 14   | 0761214     | 2              | Bolt M12 x 30   |     |
| 15   | 0771414     | 6              | Bolt M14 x 30   |     |
| 16   | 1320058     | 2              | Clamp   |     |
| 17   | 8750024     | 1              | Clamp   |     |
| 18   | 1001204509  | 1              | Air Cleaner Assembly  |     |
| 18   | 7003655     | 1              | Element, Air Cleaner  |     |
| 18   | 7015014     | 1              | Clamp   |     |
| 18   | 7015015     | 1              | Cap, End  |     |
| 19   | 1703162     | 2              | Decal - Fan Blade   |     |
| 20   | 2060025     | 1              | Fan   |     |
| 21   | 2220315     | 1              | Fitting, Straight Barbed  |     |
| 23   | 2220498     | 2              | Fitting, 45 JIC/ORB   |     |
| 24   | 2750532     | 9 in/22cm      | Hose  |     |
| 25   | 2902065     | 1              | Pump Coupling Kit (See Separate Breakdown in this Section)              |     |
| 28   | 1001257277  | 1              | Muffler   |     |
| 29   | 3290605     | 6              | Nut M6  |     |
| 30   | 3290805     | 19             | Nut M8  |     |
| 31   | 3291005     | 20             | Nut M10   |     |
| 33   | 3331211     | 4              | Nut M12   |     |
| 34   | 3520054     | 1              | Plug  |     |
| 35   | 3740067     | 2              | Relay   |     |
| 36   | 4032022     | 4              | Capscrew M10 x 90   |     |
| 37   | 4568293     | 1              | Pipe, Exhaust   |     |
| 38   | 4640751     | 1              | Valve, Oil Drain  |     |
| 40   | 4811700     | 8              | Washer M6   |     |
| 41   | 4811900     | 32             | Washer M8   |     |
| 42   | 4812000     | 40             | Washer M10  |     |
| 43   | 4812100     | 2              | Washer M12  |     |
| 44   | 4812200     | 10             | Washer M14  |     |
| 45   | 4923468     | 1              | Glow Plug Harness   |     |
| 46   | 5241200     | 4              | Washer M12  |     |
| 47   | 8410013     | 1              | Clamp   |     |
| 49   | 1001098601  | 1              | Deutz TD2011 Engine Components (See Separate Breakdown in this Section) |     |
| 50   | 1001111116  | 1              | Clamp   |     |
| 51   | 1001138173  | 1              | Support   |     |
| 53   | 1001138248  | 22 in<br>/56cm | Tube Nylon  |     |
| 55   | 1001141995  | 1              | Fitting, Straight NPT/Barbed  |     |

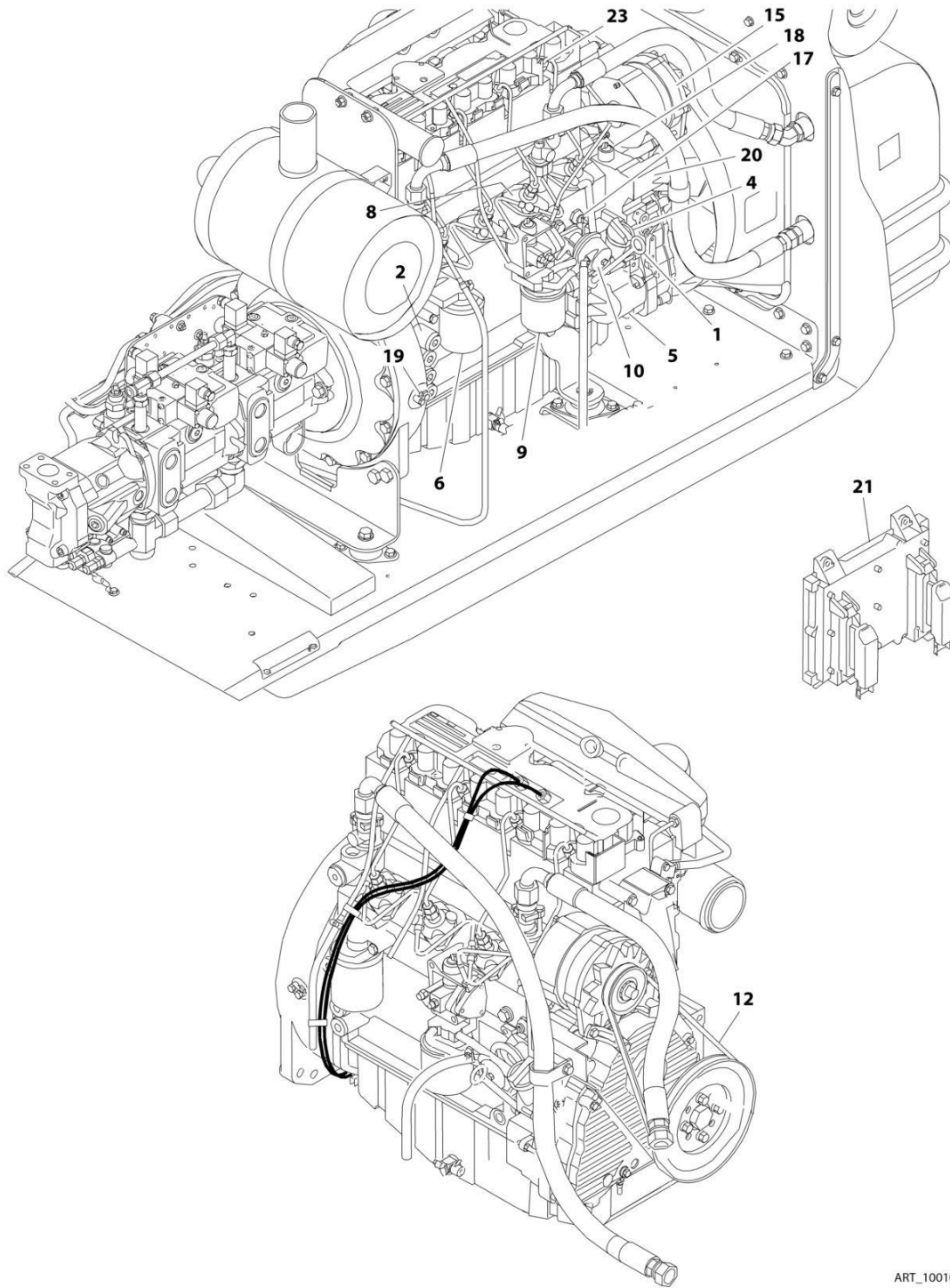
## SECTION 3 - ENGINE

| ITEM | PART NUMBER | QTY | DESCRIPTION              | REV |
|------|-------------|-----|--------------------------|-----|
| 58   | 1001149314  | 1   | Mount Rear Engine        |     |
| 59   | 1001149315  | 1   | Mount, Outboard Engine   |     |
| 60   | 1001149316  | 1   | Mount, Inboard Engine    |     |
| 61   | 1001149530  | 1   | Shroud, Fan              |     |
| 62   | 1001149639  | 1   | Indicator, Restriction   |     |
| 64   | 1001149744  | 1   | Bracket, Muffler         |     |
| 65   | 1001151157  | 1   | Pipe, Exhaust Extension  |     |
| 66   | 1001151158  | 1   | Hose, Oil Cooler (Upper) |     |
| 67   | 1001151159  | 1   | Hose, Oil Cooler (Lower) |     |
| 69   | 1001092856  | 1   | Hose, Turbo              |     |
| 70   | 1001151320  | 1   | Plate, Clamping          |     |
| 71   | 1001152488  | 1   | Baffle                   |     |
| 72   | 1001152493  | 1   | Plate, Clamping          |     |
| 73   | 1001152496  | 1   | Plate, Clamping          |     |
| 74   | 1001152497  | 1   | Panel, Rubber            |     |
| 75   | 1001152500  | 1   | Panel, Rubber            |     |
| 76   | 0711224     | 4   | Bolt M12 x 80            |     |
| 77   | 0761015     | 8   | Bolt M10 x 35            |     |
| 79   | 0771416     | 4   | Bolt M14 x 40            |     |
| 80   | 1001168018  | 4   | Washer                   |     |
| 81   | 1001191610  | 4   | Mount, Motor             |     |
| 82   | 1001196107  | 1   | Radiator                 |     |
| 83   | 1001196896  | 1   | Tray Assembly            |     |
| 83A  | 1001212817  | 1   | Support                  |     |
| 83B  | 1001196894  | 1   | Plate, Radiator Mounting |     |
| 85   | 1001197477  | 1   | Seal                     |     |
| 86   | 8750025     | 2   | Cover, Plate             |     |
| 87   | 0700824     | 1   | Bolt M8 x 80             |     |
| 89   | 0100020     | AR  | Sealant                  |     |



# SECTION 3 - ENGINE

## FIGURE 3-4. DEUTZ TD2011 ENGINE COMPONENTS



ART\_1001098601

## SECTION 3 - ENGINE

**FIGURE 3-4. DEUTZ TD2011 ENGINE COMPONENTS**

| ITEM | PART NUMBER | QTY | DESCRIPTION  | REV |
|------|-------------|-----|--|-----|
|      | 1001098601  | Ref | DEUTZ TD2011 ENGINE COMPONENTS                             | C   |
| 1    | 7027235     | 1   | Dipstick   |     |
| 1    | 70000044    | 1   | O-Ring   |     |
| 2    | 70003475    | 1   | Thermostat   |     |
| 2    | 7020460     | 1   | Compression Spring   |     |
| 3    | 70001870    | 1   | Flywheel (Not Shown)                                       |     |
| 3    | 7024579     | 1   | Gear, Ring (Not Shown)                                     |     |
| 4    | 7020465     | 1   | Cap, Filler  |     |
| 5    | 70001850    | 1   | Pump, Oil  |     |
| 5    | 7020468     | 1   | Seal Between Oil Pump and Engine Block (Not Shown)         |     |
| 6    | 7016331     | 1   | Filter, Oil  |     |
| 6    | 7027236     | 1   | Sender, Temperature (Located near Oil Filter)              |     |
| 8    |             | Ref | Injector Pump  |     |
| 8    | 70001128    | AR  | "A" Series   |     |
| 8    | 70001129    | AR  | "B" Series   |     |
| 8    | 70001130    | AR  | "C" Series   |     |
| 8    | 70001131    | AR  | "D" Series   |     |
| 8    | 7020447     | AR  | Gasket (1 per Injector)                                    |     |
| 9    | 7016328     | 1   | Filter, Fuel   |     |
| 10   | 70000916    | 1   | Pump Fuel Supply   |     |
| 10   | 70001435    | 1   | Repair Kit   |     |
| 10   | 70000917    | 1   | O-Seal Between Fuel Pump and Engine Block (Not Shown)      |     |
| 10   | 70000918    | 1   | Sealing Ring (Not Shown)                                   |     |
| 10   | 70000919    | 1   | Pump, Hand (Not Shown)                                     |     |
| 11   | 7027239     | 1   | Solenoid, Start (Not Shown - Located near Throttle)        |     |
| 12   | 7020414     | 1   | V-Belt   |     |
| 13   | 7020471     | 4   | Gasket, Exhaust Manifold to Engine Block (Not Shown)       |     |
| 13   | 7020486     | 1   | Gasket, Exhaust Manifold to Exhaust Pipe (Not Shown)       |     |
| 14   | 7027240     | 1   | Turbocharger (Not Shown)                                   |     |
| 14   | 70001857    | 1   | Flange, Turbocharger (Not Shown)                           |     |
| 14   | 70001135    | 1   | Gasket (Not Shown)   |     |
| 15   | 70001867    | 1   | Alternator   |     |
| 15   | 70001868    | 1   | Regulator, Voltage (Not Shown)                             |     |
| 16   | 7020479     | 1   | Starter (Not Shown - Located on Right Side of Engine)      |     |
| 16   | 7026608     | 1   | Relay, Start (Not Shown)                                   |     |
| 17   | 7027790     | 1   | Sensor, Oil Pressure                                       |     |
| 18   | 7027791     | 1   | Sensor, Temperature (Not Shown)                            |     |
| 19   | 7024565     | 1   | Sensor, Speed  |     |
| 20   | 7027792     | 1   | Actuator Throttle  |     |
| 20   | 7027276     | 2   | Spring   |     |
| 21   | 1600443     | 1   | Module, EMR2 Controller                                    |     |
| 22   | 70002718    | 1   | Seal, Rear Main (Not Shown)                                |     |
| 23   | 70003135    | 4   | Injector, Fuel   |     |
| 23   | 70003136    | 1   | Ring, Sealing  |     |
| 24   | 70001847    | 1   | Valve, Breather (Located - Front Cover) (Not Shown)        |     |
| 24   | 70001126    | 1   | O-Ring (Not Shown)   |     |
| 25   | 70001125    | 1   | Cap, Breather (Located In Cylinder Head Cover) (Not Shown) |     |
| 25   | 70001126    | 1   | O-Ring (Not Shown)   |     |
| 26   | 70001871    | 4   | Gasket, Air Intake Manifold (Not Shown)                    |     |
| 27   | 70000345    | 4   | Plug, Glow (Not Shown)                                     |     |

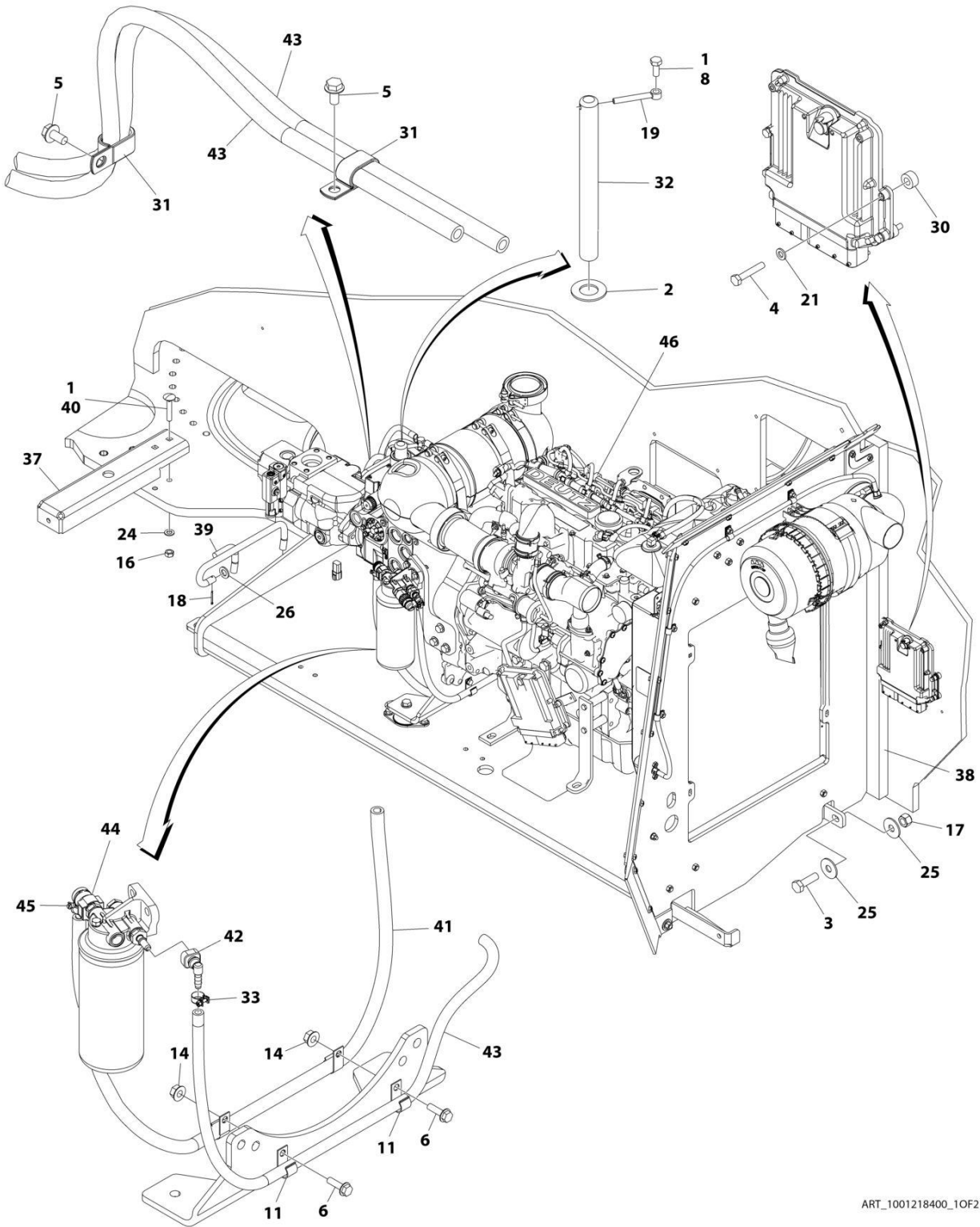
## SECTION 3 - ENGINE

| ITEM | PART NUMBER | QTY | DESCRIPTION            | REV |
|------|-------------|-----|------------------------|-----|
| 28   | 70007353    | 1   | Gasket Kit (Not Shown) |     |



# SECTION 3 - ENGINE

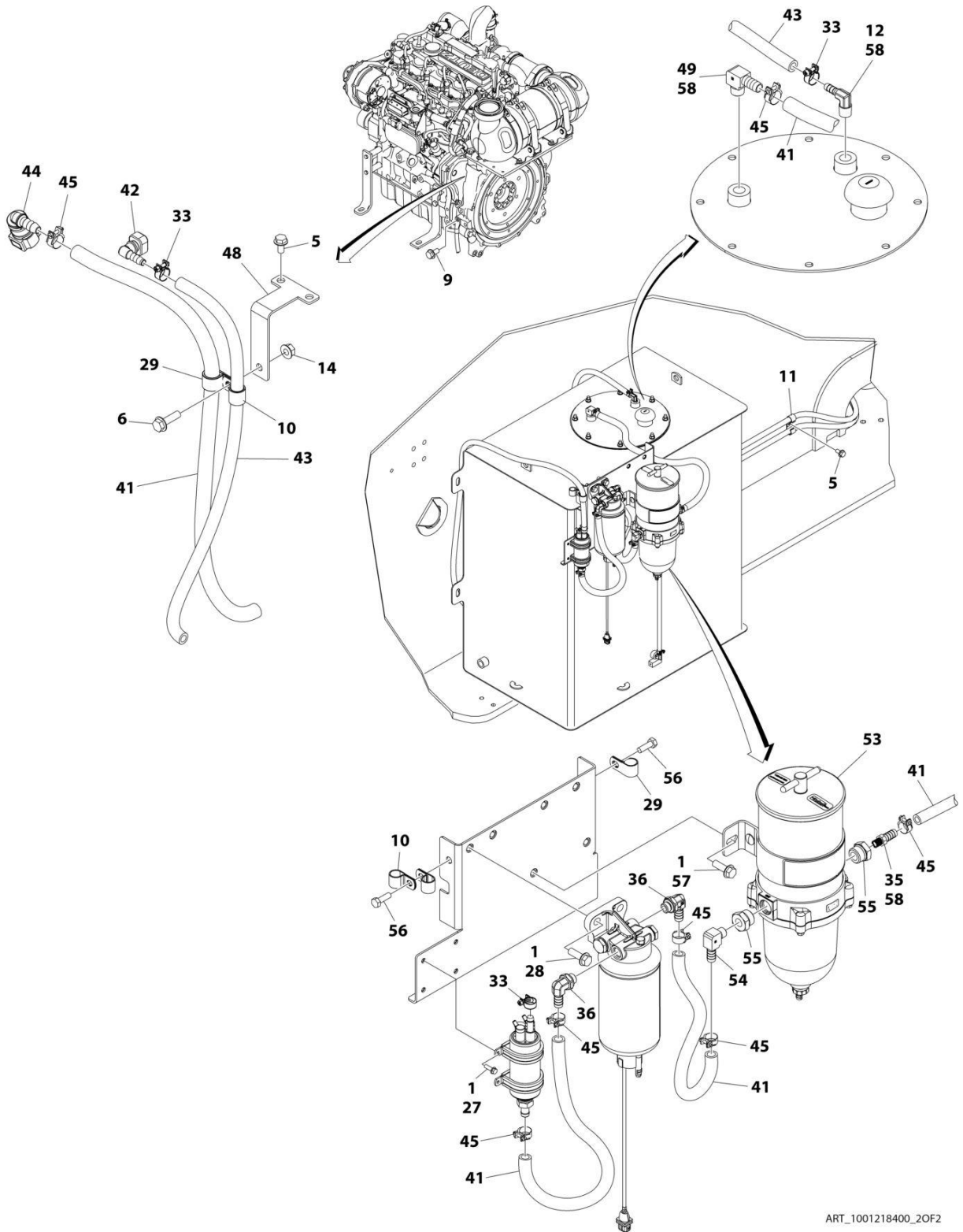
## FIGURE 3-5. DEUTZ TD2.9L4 T4F ENGINE INSTALLATION



ART\_1001218400\_10F2



# SECTION 3 - ENGINE



ART\_1001218400\_2OF2

## SECTION 3 - ENGINE

FIGURE 3-5. DEUTZ TD2.9L4 T4F ENGINE INSTALLATION

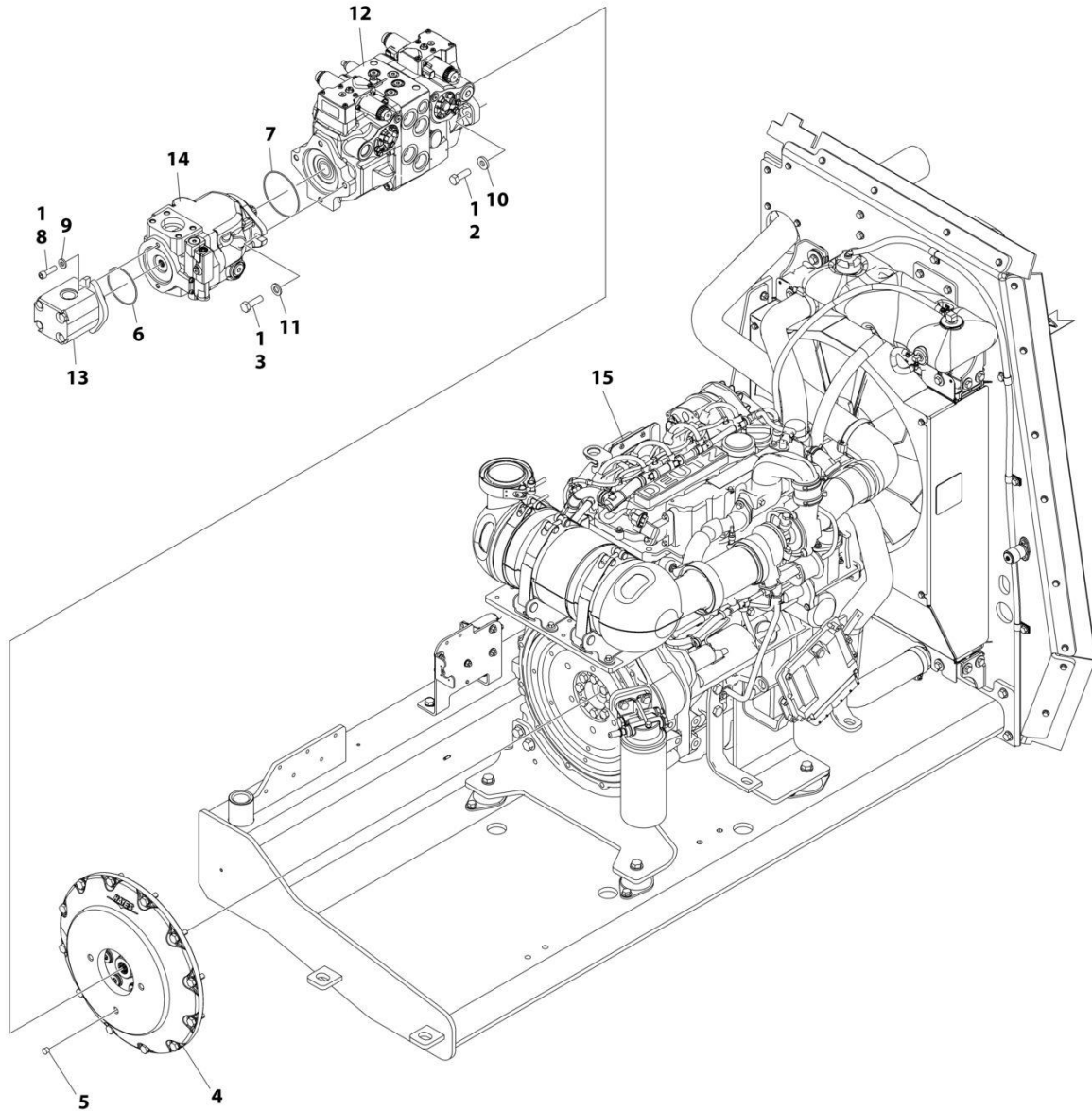
| ITEM | PART NUMBER | QTY | DESCRIPTION  | REV |
|------|-------------|-----|--|-----|
|      | 1001218400  | Ref | DEUTZ TD2.9L4 T4F ENGINE INSTALLATION  | H   |
| 1    | 0100011     | AR  | Compound, Locking  |     |
| 2    | 0440162     | 1   | Bearing  |     |
| 3    | 0701216     | 1   | Bolt M12 x 40  |     |
| 4    | 0760615     | 4   | Bolt M6 x 35   |     |
| 5    | 0760808     | 7   | Bolt M8 x 16   |     |
| 6    | 5250813     | 3   | Bolt M8 x 28   |     |
| 8    | 0761012     | 1   | Bolt M10 x 25  |     |
| 9    | 5251212     | 1   | Bolt M12 x 25  |     |
| 10   | 1320061     | AR  | Clamp  |     |
| 11   | 1320223     | 9   | Clip   |     |
| 12   | 2220313     | 1   | Fitting, 90 NPTF/BARB  |     |
| 14   | 5260800     | 3   | Nut M8   |     |
| 16   | 3291201     | 2   | Nut M12  |     |
| 17   | 3291205     | 1   | Nut M12  |     |
| 18   | 3391210     | 1   | Pin, Split   |     |
| 19   | 3841143     | 1   | Keeper, Pin  |     |
| 21   | 4811700     | 4   | Washer M6  |     |
| 24   | 4812100     | 2   | Washer M12   |     |
| 25   | 4812102     | 2   | Washer M12   |     |
| 26   | 4812300     | 1   | Washer M16   |     |
| 27   | 5250508     | 4   | Bolt M5 x 16   |     |
| 28   | 5251013     | 2   | Bolt M10 x 28  |     |
| 29   | 8406202     | 2   | Clip   |     |
| 30   | 1001110425  | 4   | Spacer   |     |
| 31   | 1001116792  | 2   | Clamp  |     |
| 32   | 1001135196  | 1   | Pin  |     |
| 33   | 1001136975  | 4   | Clamp  |     |
| 34   | 1001221289  | 1   | Fuel Pump Harness - Deutz TD2.9L4 (Not Shown - See Separate Breakdown in ELECTRICAL Section) |     |
| 35   | 2180832     | 1   | Fitting, Straight Barbed   |     |
| 36   | 1001142501  | 1   | Fitting, 90 Barbed   |     |
| 37   | 1001153027  | 1   | Bracket  |     |
| 38   | 1001153046  | 1   | Seal   |     |
| 39   | 1001153083  | 1   | Hook   |     |
| 40   | 1001153086  | 2   | Bolt M12 x 70  |     |
| 41   | 1001154405  | AR  | Hose   |     |
| 42   | 1001155823  | 2   | Coupling, 90 Quick Connect   |     |
| 43   | 1001165035  | AR  | Hose   |     |
| 44   | 1001170982  | 2   | Fitting, 90  |     |
| 45   | 1001175568  | AR  | Clip   |     |
| 46   | 1001218403  | 1   | Deutz TD2.9L4 T4F Engine and Pumps Sub-Assembly (See Separate Breakdown in this Section)     |     |
| 48   | 1001219726  | 1   | Plate, Clamping  |     |
| 49   | 1001220535  | 1   | Fitting, 90 NPT/Barbed   |     |
| 50   | 1001220749  | 1   | Battery Cable Kit - Deutz TD2.9L4 (Not Shown - See Separate Breakdown in ELECTRICAL Section) |     |
| 53   | 1001222817  | 1   | Filter, Fuel Assembly (See Separate Breakdown in this Section)                               |     |
| 54   | 1001224023  | 1   | Fitting, 90 NPT/Barbed   |     |
| 54   | 1001178797  | 1   | Fitting, 90 NPTF/Barbed  |     |

## SECTION 3 - ENGINE

| ITEM | PART NUMBER | QTY | DESCRIPTION                 | REV |
|------|-------------|-----|-----------------------------|-----|
| 55   | 2220816     | 2   | Fitting, Straight FNPTF/ORB |     |
| 56   | 5250810     | 2   | Bolt M8 x 20                |     |
| 57   | 5251011     | 2   | Bolt M10 x 22               |     |
| 58   | 0100020     | AR  | Sealant                     |     |

# SECTION 3 - ENGINE

## FIGURE 3-6. DEUTZ TD2.9L4 T4F ENGINE AND PUMPS SUB-ASSEMBLY



ART\_1001218403

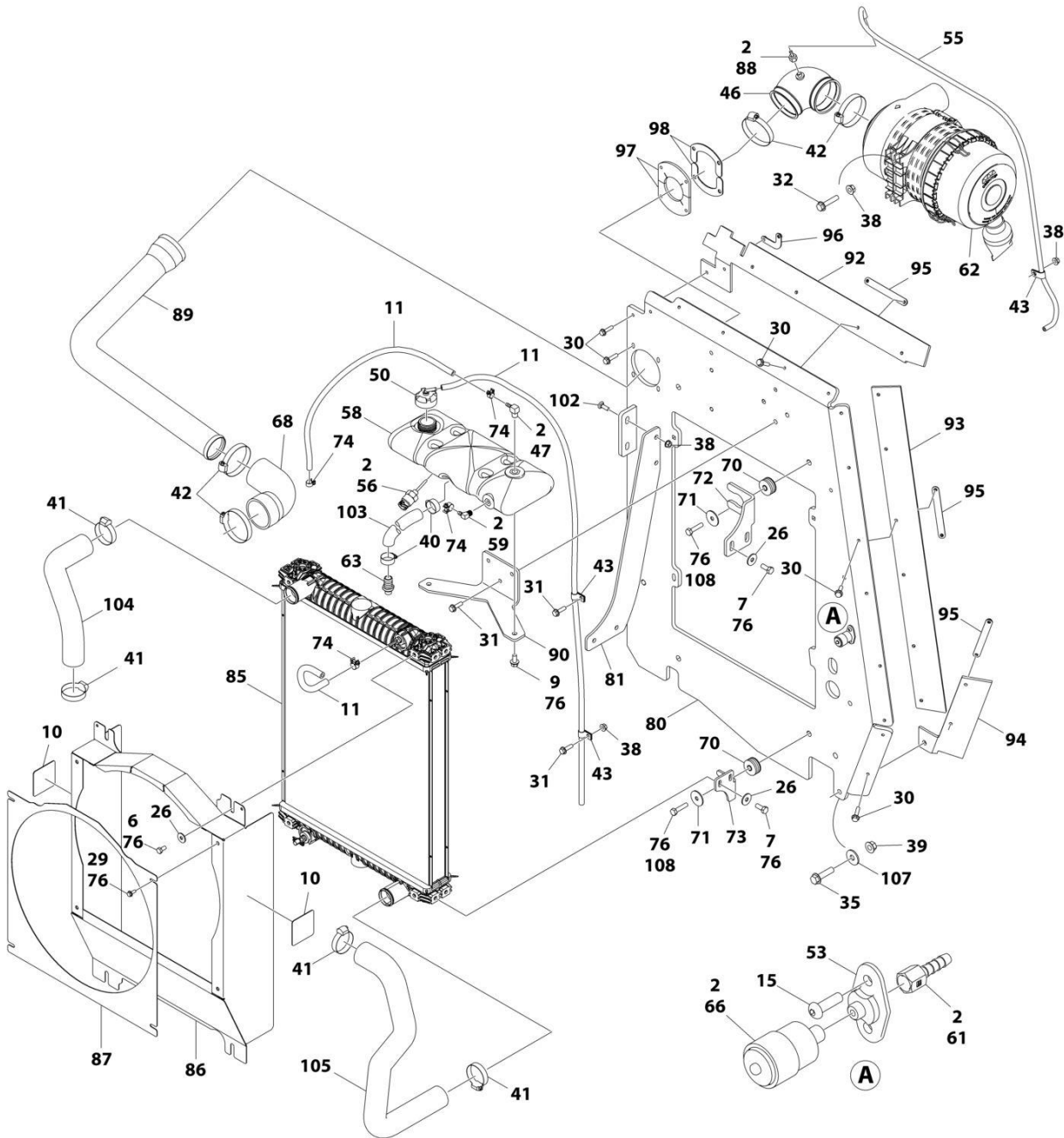
## SECTION 3 - ENGINE

**FIGURE 3-6. DEUTZ TD2.9L4 T4F ENGINE AND PUMPS SUB-ASSEMBLY**

| ITEM | PART NUMBER | QTY | DESCRIPTION  | REV |
|------|-------------|-----|--|-----|
|      | 1001218403  | Ref | DEUTZ TD2.9L4 T4F ENGINE AND PUMPS SUB-ASSEMBLY                            | A   |
| 1    | 0100011     | AR  | Compound, Locking  |     |
| 2    | 0641812     | 2   | Bolt 1/2 x 1-1/2   |     |
| 3    | 0761216     | 2   | Bolt M12 x 40  |     |
| 4    | 2902065     | 1   | Pump Coupling Kit (See Separate Breakdown in this Section)                 |     |
| 5    | 3520054     | 1   | Plug   |     |
| 6    | 3790152     | 1   | O-Ring   |     |
| 7    | 3790155     | 1   | O-Ring   |     |
| 8    | 3931620     | 2   | Capscrew 3/8 x 1-1/4   |     |
| 9    | 4891600     | 2   | Washer 3/8   |     |
| 10   | 4891800     | 2   | Washer 1/2   |     |
| 11   | 5241200     | 2   | Washer M12   |     |
| 12   | 1001108616  | 1   | Tandem Pump Assembly (See Separate Breakdown in this Section)              |     |
| 13   | 1001112927  | 1   | Gear Pump Assembly (See Separate Breakdown in this Section)                |     |
| 14   | 1001171095  | 1   | Piston Pump Assembly (See Separate Breakdown in this Section)              |     |
| 15   | 1001218404  | 1   | Deutz TD2.9L4 T4F Engine Assembly (See Separate Breakdown in this Section) |     |

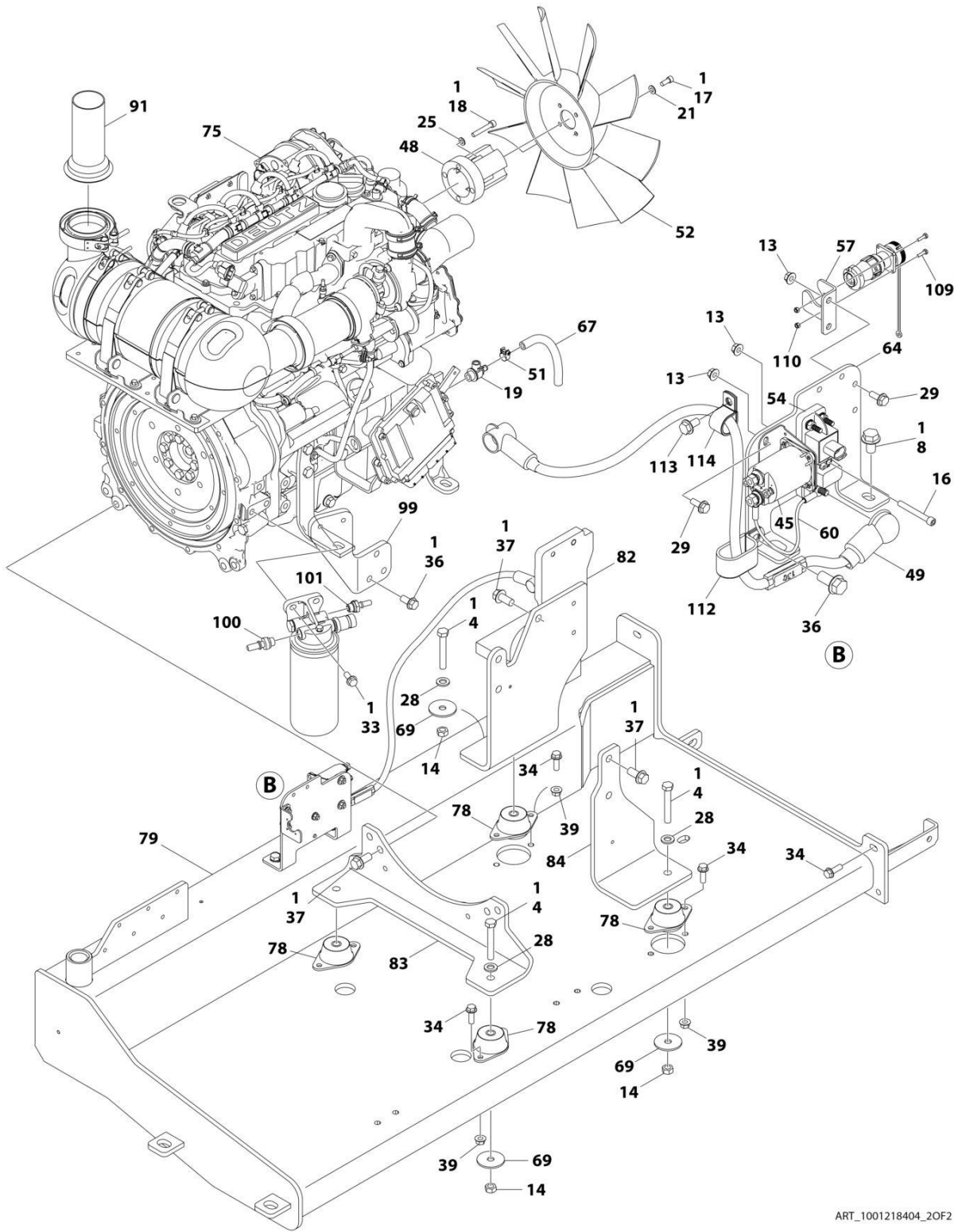
# SECTION 3 - ENGINE

## FIGURE 3-7. DEUTZ TD2.9L4 T4F ENGINE ASSEMBLY



ART\_1001218404\_1OF2

# SECTION 3 - ENGINE



ART\_1001218404\_20F2

## SECTION 3 - ENGINE

FIGURE 3-7. DEUTZ TD2.9L4 T4F ENGINE ASSEMBLY

| ITEM | PART NUMBER | QTY            | DESCRIPTION                       | REV |
|------|-------------|----------------|-----------------------------------|-----|
|      | 1001218404  | Ref            | DEUTZ TD2.9L4 T4F ENGINE ASSEMBLY | I   |
| 1    | 0100011     | AR             | Compound, Locking                 |     |
| 2    | 0100020     | AR             | Sealant                           |     |
| 4    | 0711224     | 4              | Bolt M12 x 80                     |     |
| 6    | 0760808     | 4              | Bolt M8 x 16                      |     |
| 7    | 0760810     | 8              | Bolt M8 x 20                      |     |
| 8    | 5251008     | 2              | Bolt M10 x 16                     |     |
| 9    | 0811606     | 2              | Bolt 3/8 x 3/4                    |     |
| 10   | 1703162     | 2              | Decal - Fan Blade                 |     |
| 11   | 1001228200  | 90 in/<br>2.3m | Hose                              |     |
| 13   | 5260600     | 3              | Nut M6                            |     |
| 14   | 3331211     | 4              | Nut M12                           |     |
| 15   | 3900364     | 2              | Screw M6 x 20                     |     |
| 16   | 0700618     | 1              | Capscrew M6 x 50                  |     |
| 17   | 3931512     | 4              | Capscrew 5/16 x 3/4               |     |
| 18   | 4031914     | 4              | Capscrew M8 x 50                  |     |
| 19   | 4640751     | 1              | Valve, Oil Drain                  |     |
| 21   | 4711500     | 4              | Washer 5/16                       |     |
| 25   | 4811900     | 4              | Washer M8                         |     |
| 26   | 4811902     | 12             | Washer M8                         |     |
| 28   | 5241200     | 4              | Washer M12                        |     |
| 29   | 5250608     | AR             | Bolt M6 x 16                      |     |
| 30   | 5250612     | 18             | Bolt M6 x 25                      |     |
| 31   | 5250813     | 8              | Bolt M8 x 28                      |     |
| 32   | 5250816     | 2              | Bolt M8 x 40                      |     |
| 33   | 5251012     | 2              | Bolt M10 x 25                     |     |
| 34   | 5251014     | 10             | Bolt M10 x 30                     |     |
| 35   | 5251016     | 1              | Bolt M10 x 40                     |     |
| 36   | 5251212     | 4              | Bolt M12 x 25                     |     |
| 37   | 5251414     | 9              | Bolt M14 x 30                     |     |
| 38   | 5260800     | 11             | Nut M8 Grade 10                   |     |
| 39   | 5261000     | 9              | Nut M10 Grade 10                  |     |
| 40   | 8405007     | 2              | Clamp                             |     |
| 41   | 8405104     | 4              | Clamp                             |     |
| 42   | 8405204     | 4              | Clamp                             |     |
| 43   | 8406109     | 8              | Clip                              |     |
| 45   | 1001117308  | 1              | Contactator                       |     |
| 46   | 1001126874  | 1              | Elbow, Air Intake                 |     |
| 47   | 1001134488  | 1              | Fitting, 90 Barbed                |     |
| 48   | 1001135138  | 1              | Spacer, Fan                       |     |
| 49   | 1001135779  | 1              | Cable, Alternator +               |     |
| 50   | 1001136834  | 1              | Cap                               |     |
| 51   | 1001136975  | 1              | Clamp                             |     |
| 52   | 1001137276  | 1              | Fan                               |     |
| 53   | 1001138173  | 1              | Support                           |     |
| 54   | 1001138228  | 1              | Relay                             |     |
| 55   | 1001138248  | AR             | Tube, Nylon                       |     |
| 56   | 1001138827  | 1              | Sensor, Coolant Level             |     |
| 57   | 1001139240  | 1              | Bracket                           |     |



## SECTION 3 - ENGINE

| ITEM | PART NUMBER | QTY       | DESCRIPTION  | REV |
|------|-------------|-----------|--|-----|
| 58   | 1001229542  | 1         | Tank, Surge  |     |
| 59   | 1001140564  | 1         | Fitting, 90 Barbed   |     |
| 60   | 1001141304  | 1         | Glow Fuse Harness  |     |
| 61   | 1001141995  | 1         | Fitting, NPT/Barbed  |     |
| 62   | 1001142259  | 1         | Air Cleaner Assembly (See Separate Breakdown in this Section)                                  |     |
| 63   | 1001143797  | 1         | Fitting, Straight Barbed   |     |
| 64   | 1001145154  | 1         | Plate  |     |
| 65   | 1001148843  | 1         | Fuel Filter Harness - Deutz TD2.9L4 (Not Shown - See Separate Breakdown in ELECTRICAL Section) |     |
| 66   | 1001149639  | 1         | Indicator, Restriction   |     |
| 67   | 1001165035  | 9 in/21cm | Hose   |     |
| 68   | 1001165820  | 1         | Hose, 90   |     |
| 69   | 1001168018  | 4         | Washer   |     |
| 70   | 1001169054  | 4         | Isolator   |     |
| 71   | 1001169138  | 4         | Pad  |     |
| 72   | 1001169967  | 2         | Bracket  |     |
| 73   | 1001170035  | 2         | Bracket  |     |
| 74   | 1320022     | 4         | Clamp  |     |
| 75   | 1001249946  | 1         | Deutz TD2.9L4 T4F Engine Components (See Separate Breakdown in this Section)                   |     |
| 76   | 1001180620  | AR        | Adhesive   |     |
| 78   | 1001191610  | 4         | Mount, Motor   |     |
| 79   | 1001218405  | 1         | Tray   |     |
| 80   | 1001218406  | 1         | Plate  |     |
| 81   | 1001218408  | 1         | Brace  |     |
| 82   | 1001218409  | 1         | Mount, Engine (Front Inboard)  |     |
| 83   | 1001218411  | 1         | Mount, Engine (Rear)   |     |
| 84   | 1001218412  | 1         | Mount, Engine (Front Outboard)   |     |
| 85   | 1001218414  | 1         | Radiator   |     |
| 86   | 1001218416  | 1         | Shroud, Fan  |     |
| 87   | 1001218417  | 1         | Plate  |     |
| 88   | 1001180516  | 1         | Adapter  |     |
| 89   | 1001218423  | 1         | Tube, Air Intake   |     |
| 90   | 1001218425  | 1         | Bracket  |     |
| 91   | 1001231245  | 1         | Pipe, Exhaust  |     |
| 92   | 1001218429  | 1         | Seal, Radiator (Top)   |     |
| 93   | 1001218430  | 1         | Seal, Radiator (Upper)   |     |
| 94   | 1001218431  | 1         | Seal, Radiator (Lower)   |     |
| 95   | 1001218432  | 6         | Plate  |     |
| 96   | 1001218434  | 1         | Plate  |     |
| 97   | 1001218436  | 2         | Seal   |     |
| 98   | 1001218437  | 2         | Plate  |     |
| 99   | 1001218440  | 1         | Bracket, Filter  |     |
| 100  | 1001218443  | 1         | Fitting, Straight  |     |
| 101  | 1001218444  | 1         | Fitting, Straight  |     |
| 102  | 1001218448  | 4         | Bolt   |     |
| 103  | 1001218580  | AR        | Hose   |     |
| 104  | 1001218944  | 1         | Hose, Radiator (Top)   |     |
| 105  | 1001218945  | 1         | Hose, Radiator (Bottom)  |     |
| 106  | 1001220261  | 1         | Engine Harness - Deutz TD2.9L4 (Not Shown - See Separate Breakdown in ELECTRICAL Section)      |     |
| 107  | 4812002     | 1         | Washer M10   |     |

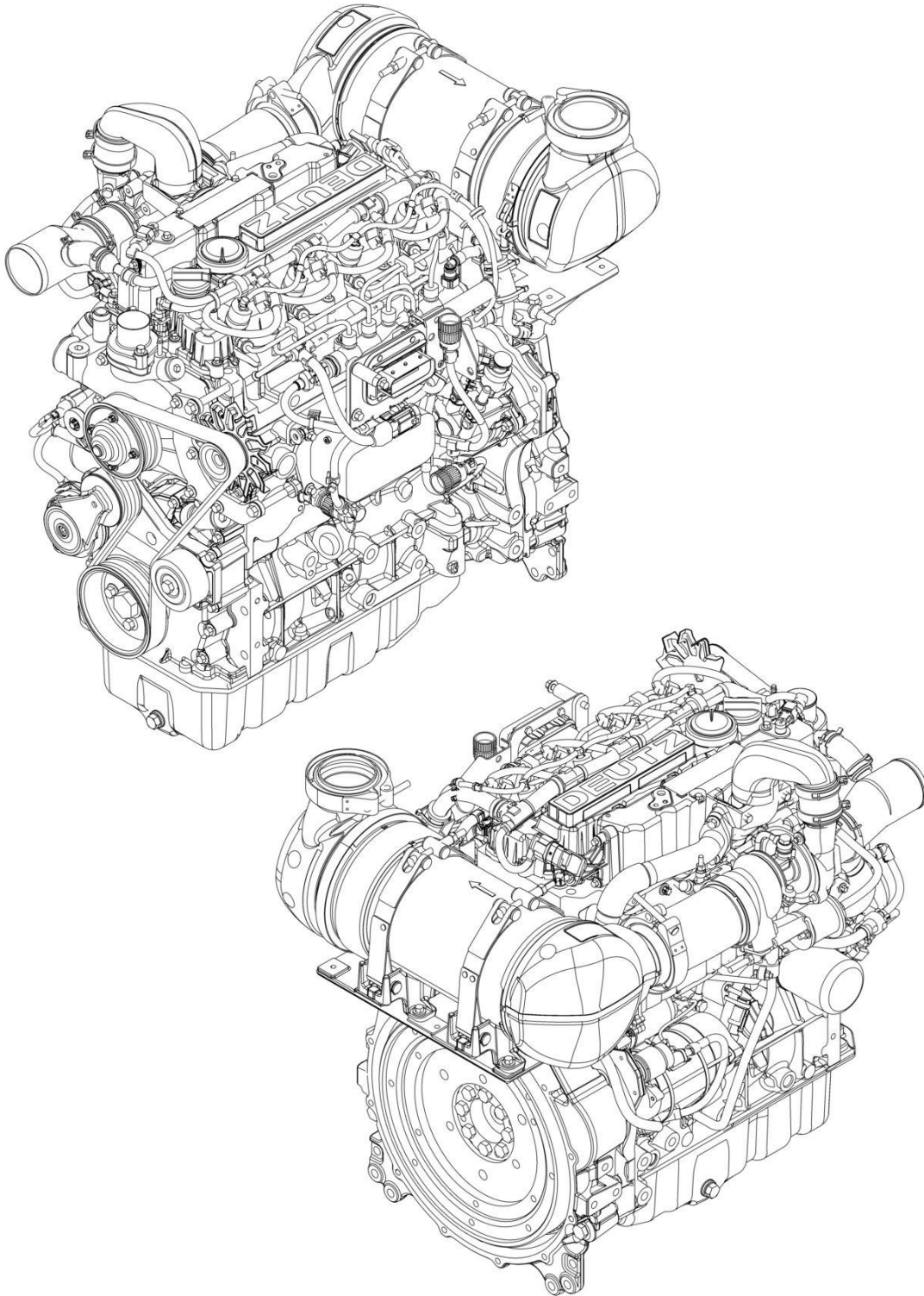
## SECTION 3 - ENGINE

| ITEM | PART NUMBER | QTY | DESCRIPTION           | REV |
|------|-------------|-----|-----------------------|-----|
| 108  | 0701017     | 4   | Bolt M10 x 45         |     |
| 109  | 0760306     | 3   | Bolt M3 x 12          |     |
| 110  | 3290305     | 3   | Nut M3                |     |
| 111  | 4240099     | AR  | Tie Strap (Not Shown) |     |
| 112  | 1001181899  | 1   | Clamp                 |     |
| 113  | 5250808     | 1   | Bolt M8 x 16          |     |
| 114  | 8406202     | 1   | Clip                  |     |
| 114  | 1001026127  | 1   | Clamp                 |     |



## SECTION 3 - ENGINE

FIGURE 3-8. DEUTZ TD2.9L4 T4F ENGINE COMPONENTS



ART\_1001249946

## SECTION 3 - ENGINE

**FIGURE 3-8. DEUTZ TD2.9L4 T4F ENGINE COMPONENTS**

| ITEM | PART NUMBER | QTY | DESCRIPTION  | REV |
|------|-------------|-----|--|-----|
|      | 1001249946  | Ref | DEUTZ ENGINE COMPONENTS  | A   |
|      |             | Ref | Note: For complete list of parts, contact JLG Parts Department.    |     |
|      |             | Ref | Air Intake System Components                                       |     |
|      | 70004276    | 1   | Turbocharger   |     |
|      |             | Ref | Cooling System Components  |     |
|      |             | Ref | Pump, Coolant  |     |
|      |             | Ref | Thermostat   |     |
|      |             | Ref | Electrical System Components                                       |     |
|      | 70025210    | 1   | Module, ECU/ECM  |     |
|      | 70024914    | 1   | Generator (Includes Regulator & Fan)                               |     |
|      | 70025149    | 1   | Regulator  |     |
|      | 70024915    | 1   | Starter (Includes Solenoid & Relay)                                |     |
|      | 70005647    | 1   | Solenoid   |     |
|      | 70005648    | 1   | Relay  |     |
|      | 70025231    | 1   | Harness, Injector  |     |
|      | 70025077    | 1   | Harness, Engine  |     |
|      | 70026210    | 1   | Sender, Tacho-Generator (Speed) (On Rear of Block) (Includes Seal) |     |
|      | 70024916    | 1   | Sender, Tacho-Generator (Speed) (On Front Cover) (Includes Seal)   |     |
|      | 70024922    | 1   | Sender, Temperature (Includes Seal) (On Air Intake Manifold)       |     |
|      | 70024507    | 1   | Sensor, Pressure (Includes Seal) (On Air Intake Manifold)          |     |
|      | 70024918    | 1   | Sender, Temperature (On Head)                                      |     |
|      | 70024504    | 1   | Sensor, Pressure (Includes Seal) (On Block)                        |     |
|      |             | Ref | Plug, Glow   |     |
|      |             | Ref | Exhaust System Components  |     |
|      | 70005189    | 1   | Valve, EGR   |     |
|      | 70025130    | 8   | Bolt, Exhaust Manifold   |     |
|      | 70025164    | 1   | Gasket, Exhaust Manifold   |     |
|      | 70025246    | 1   | Outlet, Muffler  |     |
|      |             | Ref | Muffler  |     |
|      | 70025245    | 2   | Bracket, Muffler Mounting  |     |
|      | 70004504    | 1   | Compensator, Exhaust   |     |
|      |             | Ref | Fuel System Components   |     |
|      | 70024924    | 1   | Pump, High Pressure  |     |
|      | 70025181    | 4   | Injector(Includes Seal Clamp & O-Ring)                             |     |
|      | 70006144    | 1   | Pump, Fuel Supply (Includes Clamps)                                |     |
|      | 1001225430  | 1   | Filter, Fuel (Pre-Filter)  |     |
|      | 1001225431  | 1   | Filter, Fuel   |     |
|      |             | Ref | Lubricating System Components                                      |     |
|      | 7020465     | 2   | Cap, Oil Fill  |     |
|      | 70005941    | 2   | Plug, Oil Drain  |     |
|      | 70005942    | 2   | Seal, Oil Drain Plug   |     |
|      | 70005172    | 1   | Pump, Oil (Includes seal 7 Gasket)                                 |     |
|      | 7016331     | 1   | Filter, Oil  |     |
|      | 70024494    | 1   | Cooler, Oil  |     |
|      |             | Ref | Mechanical Components  |     |
|      | 70001870    | 1   | Flywheel (includes Ring Gear)                                      |     |
|      |             | Ref | V-Belt   |     |
|      | 70004279    | 1   | Gasket Set - Complete  |     |

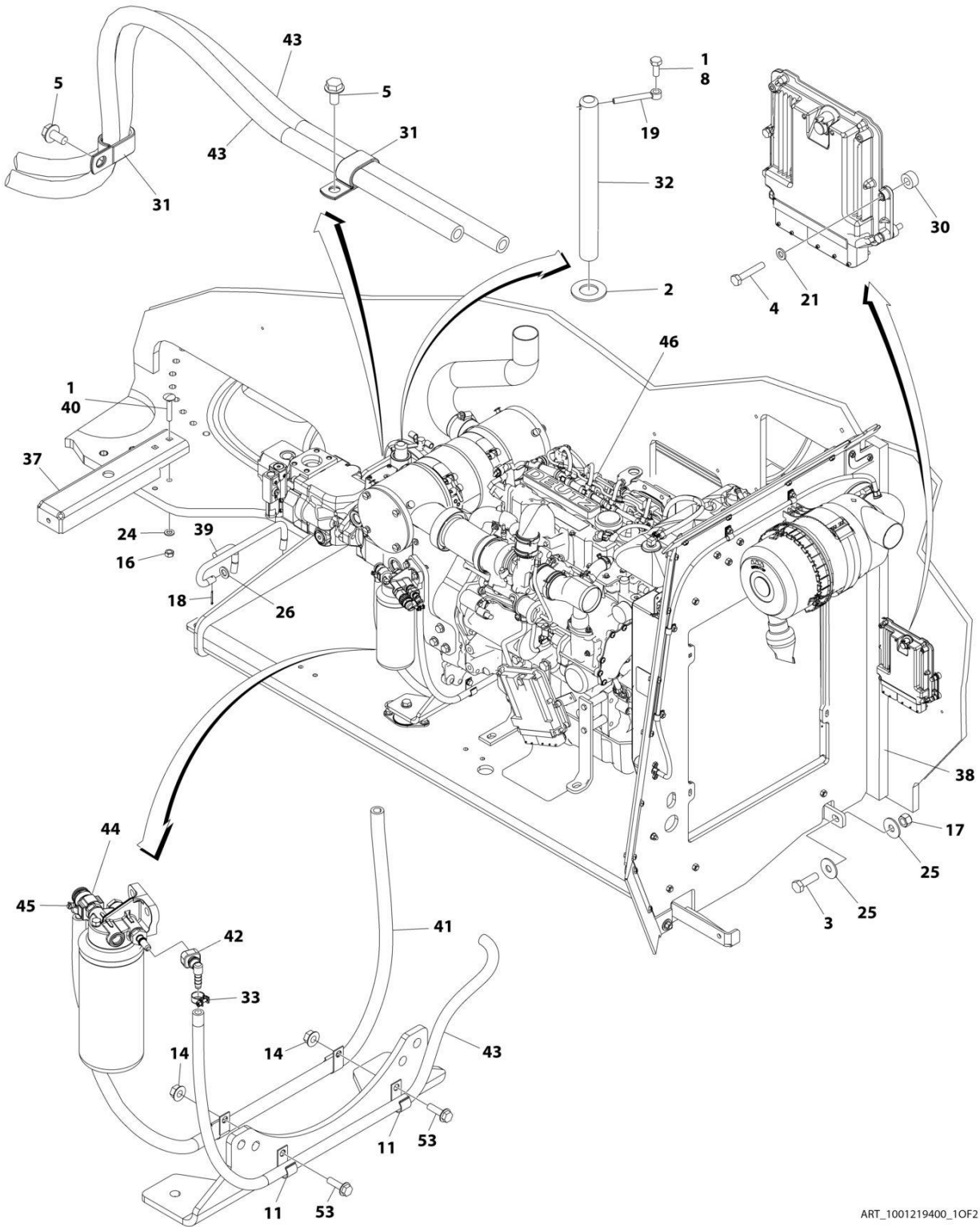
## SECTION 3 - ENGINE

| ITEM | PART NUMBER | QTY | DESCRIPTION           | REV |
|------|-------------|-----|-----------------------|-----|
|      | 70005938    | 1   | Gasket Set - Complete |     |



# SECTION 3 - ENGINE

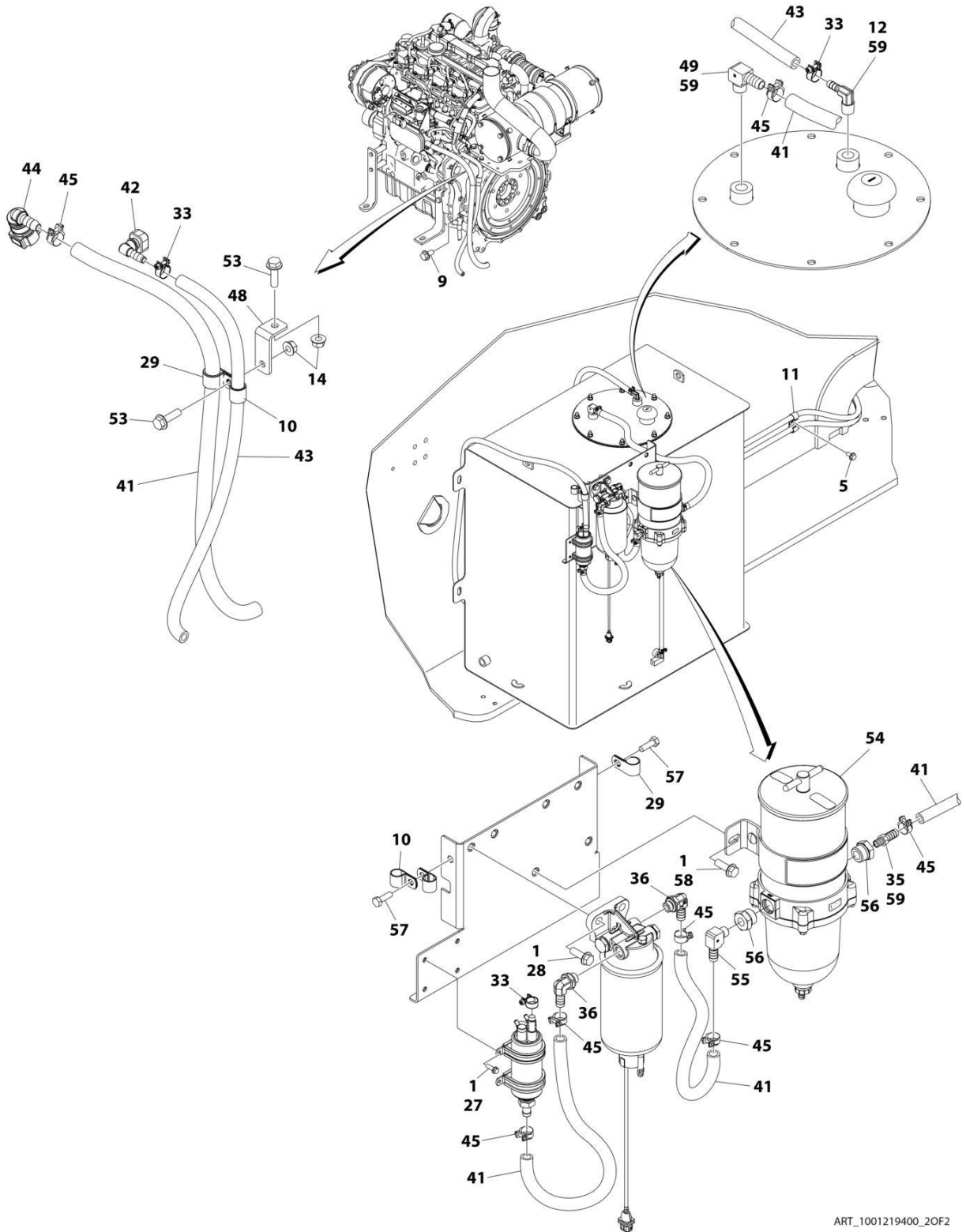
## FIGURE 3-9. DEUTZ TD2.9L4 T4I ENGINE INSTALLATION



ART\_1001219400\_10F2



# SECTION 3 - ENGINE



ART\_1001219400\_2OF2

## SECTION 3 - ENGINE

**FIGURE 3-9. DEUTZ TD2.9L4 T4I ENGINE INSTALLATION**

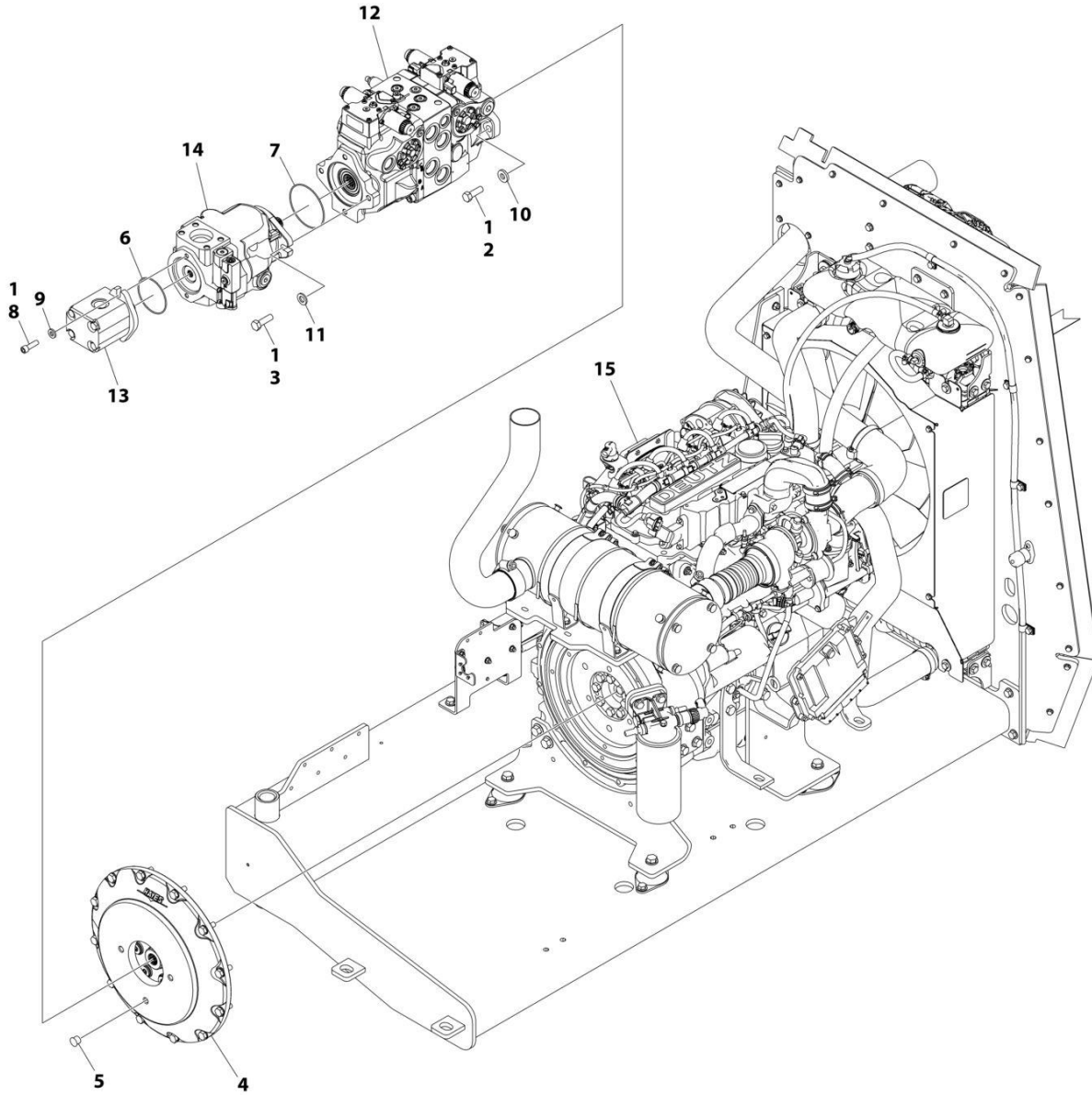
| ITEM | PART NUMBER | QTY | DESCRIPTION  | REV |
|------|-------------|-----|--|-----|
|      | 1001219400  | Ref | DEUTZ TD2.9L4 T4I ENGINE INSTALLATION  | I   |
| 1    | 0100011     | AR  | Compound, Locking  |     |
| 2    | 0440162     | 1   | Bearing  |     |
| 3    | 0701216     | 1   | Bolt M12 x 40  |     |
| 4    | 0760615     | 4   | Bolt M6 x 35   |     |
| 5    | 5250808     | 5   | Bolt M8 x 16   |     |
| 8    | 0761012     | 1   | Bolt M10 x 25  |     |
| 9    | 5251212     | 1   | Bolt M12 x 25  |     |
| 10   | 1320061     | 3   | Clamp  |     |
| 11   | 1320223     | 9   | Clip   |     |
| 12   | 2220313     | 1   | Fitting, 90 NPTF/Barb  |     |
| 14   | 5260800     | 4   | Nut M8   |     |
| 16   | 3291201     | 2   | Nut M12  |     |
| 17   | 3291205     | 1   | Nut M12  |     |
| 18   | 3391210     | 1   | Pin, Split   |     |
| 19   | 3841143     | 1   | Keeper, Pin  |     |
| 21   | 4811700     | 4   | Washer M6  |     |
| 24   | 4812100     | 2   | Washer M12   |     |
| 25   | 4812102     | 2   | Washer M12   |     |
| 26   | 4812300     | 1   | Washer M16   |     |
| 27   | 5250508     | 4   | Bolt M5 x 16   |     |
| 28   | 5251014     | 2   | Bolt M10 x 30  |     |
| 29   | 8406202     | 2   | Clip   |     |
| 30   | 1001110425  | 4   | Spacer   |     |
| 31   | 1001116792  | 2   | Clamp  |     |
| 32   | 1001135196  | 1   | Pin  |     |
| 33   | 1001136975  | 4   | Clamp  |     |
| 34   | 1001221289  | 1   | Fuel Pump Harness - Deutz TD2.9L4 (Not Shown - See Separate Breakdown in ELECTRICAL Section) |     |
| 35   | 2180832     | 1   | Fitting, Straight Barbed   |     |
| 36   | 1001142501  | 2   | Fitting, 90 Barbed   |     |
| 37   | 1001153027  | 1   | Bracket  |     |
| 38   | 1001153046  | 1   | Seal   |     |
| 39   | 1001153083  | 1   | Hook   |     |
| 40   | 1001153086  | 2   | Bolt M12 x 70  |     |
| 41   | 1001154405  | AR  | Hose   |     |
| 42   | 1001155823  | 2   | Coupling, 90 Quick Connect   |     |
| 43   | 1001165035  | AR  | Hose   |     |
| 44   | 1001170982  | 2   | Fitting, 90  |     |
| 45   | 1001175568  | AR  | Clip   |     |
| 46   | 1001219403  | 1   | Deutz TD2.9L4 T4i Engine and Pumps Sub-Assembly (See Separate Breakdown in this Section)     |     |
| 47   | 1001219631  | 1   | Bracket  |     |
| 48   | 1001221205  | 1   | Bracket  |     |
| 49   | 1001220535  | 1   | Fitting, 90  |     |
| 50   | 1001220749  | 1   | Battery Cable Kit - Deutz TD2.9L4 (Not Shown - See Separate Breakdown in ELECTRICAL Section) |     |
| 53   | 5250813     | 1   | Bolt M8 x 28   |     |
| 54   | 1001222817  | 1   | Filter, Fuel Assembly (See Separate Breakdown in this Section)                               |     |
| 55   | 1001224023  | 1   | Fitting, 90 NPT/Barbed   |     |

## SECTION 3 - ENGINE

| ITEM | PART NUMBER | QTY | DESCRIPTION                 | REV |
|------|-------------|-----|-----------------------------|-----|
| 55   | 1001178797  | 1   | Fitting, 90 NPTF/Barbed     |     |
| 56   | 2220816     | 2   | Fitting, Straight FNPTF/ORB |     |
| 57   | 5250810     | 2   | Bolt M8 x 20                |     |
| 58   | 5251011     | 2   | Bolt M10 x 22               |     |
| 59   | 0100020     | AR  | Sealant                     |     |

# SECTION 3 - ENGINE

FIGURE 3-10. DEUTZ TD2.9L4 T4I ENGINE AND PUMPS SUB-ASSEMBLY



ART\_1001219403

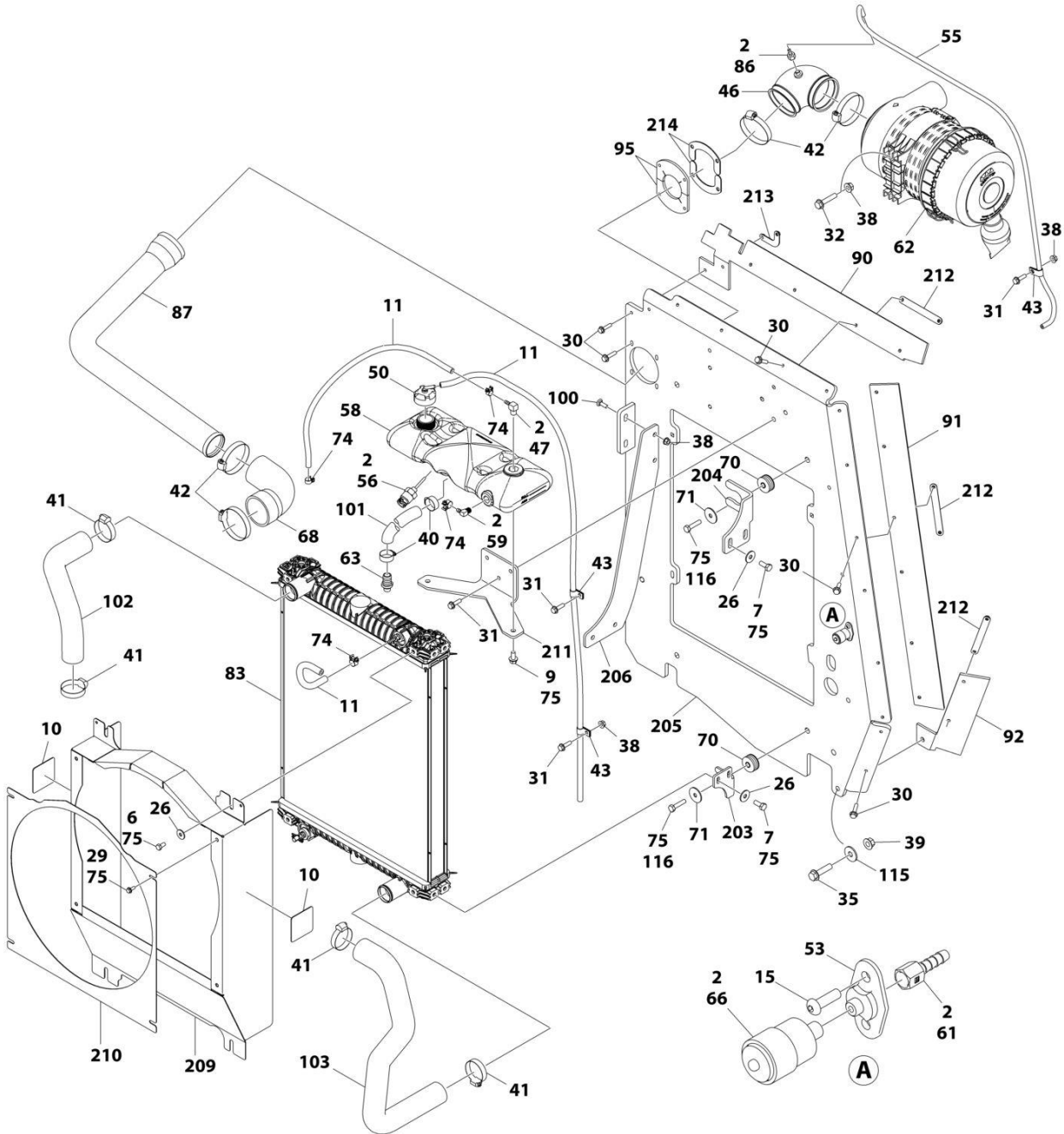
## SECTION 3 - ENGINE

**FIGURE 3-10. DEUTZ TD2.9L4 T4I ENGINE AND PUMPS SUB-ASSEMBLY**

| ITEM | PART NUMBER | QTY | DESCRIPTION  | REV |
|------|-------------|-----|--|-----|
|      | 1001219403  | Ref | DEUTZ TD2.9L4 T4I ENGINE AND PUMPS SUB-ASSEMBLY                            | D   |
| 1    | 0100011     | AR  | Compound, Locking  |     |
| 2    | 0641812     | 2   | Bolt 1/2 x 1-1/2   |     |
| 3    | 0761216     | 2   | Bolt M12 x 40  |     |
| 4    | 2902065     | 1   | Pump Coupling Kit (See Separate Breakdown in this Section)                 |     |
| 5    | 3520054     | 1   | Plug   |     |
| 6    | 3790152     | 1   | O-Ring   |     |
| 7    | 3790155     | 1   | O-Ring   |     |
| 8    | 3931620     | 2   | Capscrew 3/8 x 1-1/4   |     |
| 9    | 4891600     | 2   | Washer 3/8   |     |
| 10   | 4891800     | 2   | Washer 1/2   |     |
| 11   | 5241200     | 2   | Washer M12   |     |
| 12   | 1001108616  | 1   | Tandem Pump Assembly (See Separate Breakdwon in this Section)              |     |
| 13   | 1001112927  | 1   | Gear Pump Assembly (See Separate Breakdown in this Section)                |     |
| 14   | 1001171095  | 1   | Piston Pump Assembly (See Separate Breakdown in this Section)              |     |
| 15   | 1001219404  | 1   | Deutz TD2.9L4 T4i Engine Assembly (See Separate Breakdown in this Section) |     |

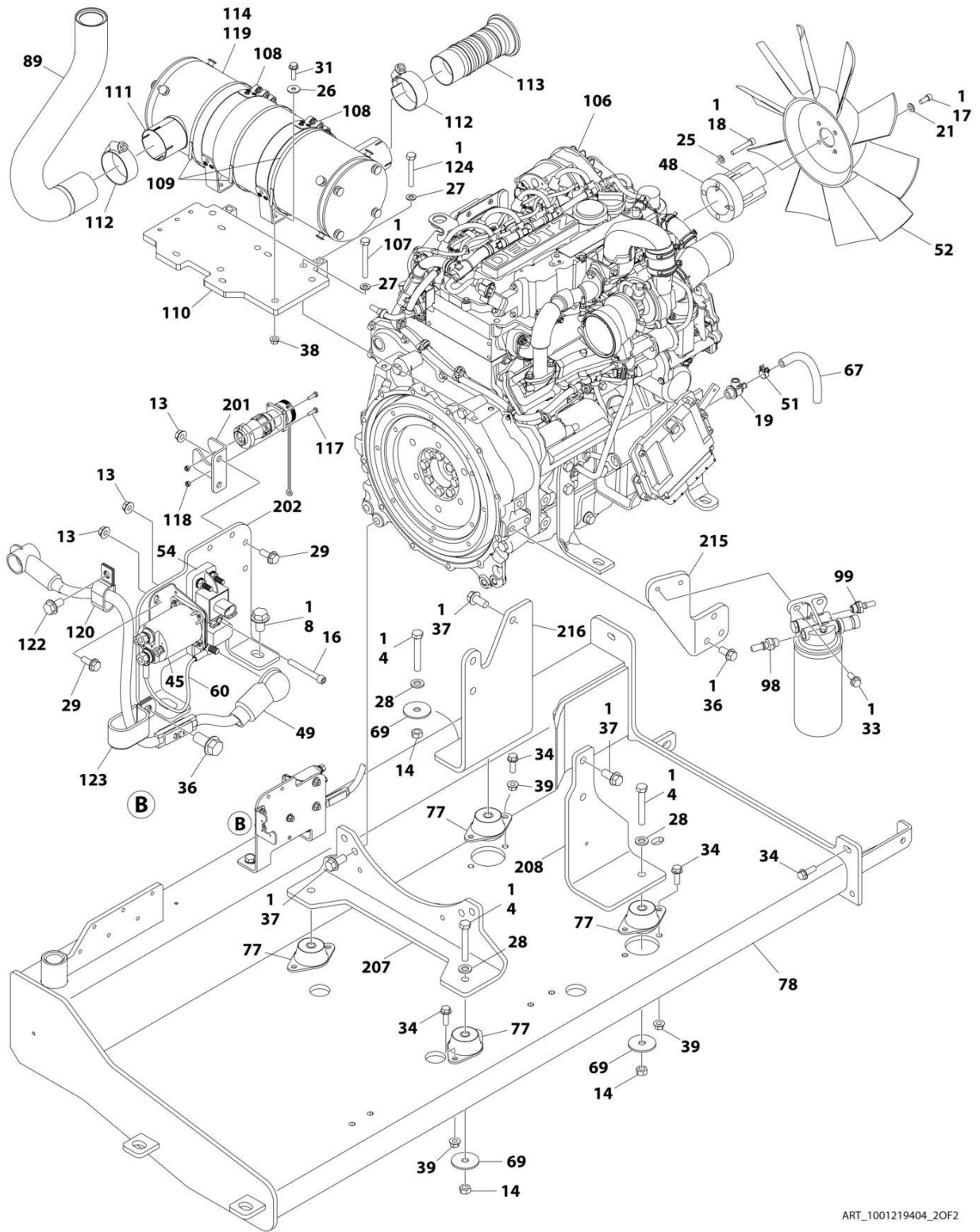
# SECTION 3 - ENGINE

## FIGURE 3-11. DEUTZ TD2.9L4 T4I ENGINE ASSEMBLY



ART\_1001219404\_10F2

# SECTION 3 - ENGINE



ART\_1001219404\_20F2

## SECTION 3 - ENGINE

FIGURE 3-11. DEUTZ TD2.9L4 T4I ENGINE ASSEMBLY

| ITEM | PART NUMBER | QTY              | DESCRIPTION                       | REV |
|------|-------------|------------------|-----------------------------------|-----|
|      | 1001219404  | Ref              | DEUTZ TD2.9L4 T4I ENGINE ASSEMBLY | L   |
| 1    | 0100011     | AR               | Compound, Locking                 |     |
| 2    | 0100020     | AR               | Sealant                           |     |
| 4    | 0711224     | 4                | Bolt M12 x 80                     |     |
| 6    | 0760808     | 4                | Bolt M8 x 16                      |     |
| 7    | 0760810     | 8                | Bolt M8 x 20                      |     |
| 8    | 5251008     | 2                | Bolt M10 x 16                     |     |
| 9    | 0811606     | 2                | Bolt 3/8 x 3/4                    |     |
| 10   | 1703162     | 2                | Decal - Fan Blade                 |     |
| 11   | 1001228200  | 90 in/<br>2.3m   | Hose                              |     |
| 13   | 5260600     | 5                | Nut M6                            |     |
| 14   | 3331211     | 4                | Nut M12                           |     |
| 15   | 3900364     | 2                | Screw M6 x 20                     |     |
| 16   | 0700618     | 1                | Capscrew M6 x 50                  |     |
| 17   | 3931512     | 4                | Capscrew 5/16 x 3/4               |     |
| 18   | 4031914     | 4                | Capscrew M8 x 50                  |     |
| 19   | 4640751     | 1                | Valve, Oil Drain                  |     |
| 21   | 4711500     | 4                | Washer 5/16                       |     |
| 25   | 4811900     | 4                | Washer M8                         |     |
| 26   | 4811902     | 16               | Washer M8                         |     |
| 27   | 4812000     | AR               | Washer M10                        |     |
| 28   | 5241200     | 4                | Washer M12                        |     |
| 29   | 5250608     | AR               | Bolt M6 x 16                      |     |
| 30   | 5250612     | 18               | Bolt M6 x 25                      |     |
| 31   | 5250813     | 12               | Bolt M8 x 28                      |     |
| 32   | 5250816     | 2                | Bolt M8 x 40                      |     |
| 33   | 5251012     | 2                | Bolt M10 x 25                     |     |
| 34   | 5251014     | 10               | Bolt M10 x 30                     |     |
| 35   | 5251016     | AR               | Bolt M10 x 40                     |     |
| 36   | 5251212     | AR               | Bolt M12 x 25                     |     |
| 37   | 5251414     | 9                | Bolt M14 x 30                     |     |
| 38   | 5260800     | 15               | Nut M8 Grade 10                   |     |
| 39   | 5261000     | 9                | Nut M10 Grade 10                  |     |
| 40   | 8405007     | 2                | Clamp                             |     |
| 41   | 8405104     | 4                | Clamp                             |     |
| 42   | 8405204     | 4                | Clamp                             |     |
| 43   | 8406109     | 8                | Clip                              |     |
| 45   | 1001117308  | 1                | Contactator                       |     |
| 46   | 1001126874  | 1                | Elbow, Air Intake                 |     |
| 47   | 1001134488  | 1                | Fitting, 90 Barbed                |     |
| 48   | 1001135138  | 1                | Spacer, Fan                       |     |
| 49   | 1001135779  | 1                | Cable, Alternator +               |     |
| 50   | 1001136834  | 1                | Cap, Tank                         |     |
| 51   | 1001136975  | 1                | Clamp                             |     |
| 52   | 1001137276  | 1                | Fan                               |     |
| 53   | 1001138173  | 1                | Support                           |     |
| 54   | 1001138228  | 1                | Relay                             |     |
| 55   | 1001138248  | 51.2 in/<br>1.3m | Tube, Nylon                       |     |



## SECTION 3 - ENGINE

| ITEM | PART NUMBER | QTY             | DESCRIPTION  | REV |
|------|-------------|-----------------|--|-----|
| 56   | 1001138827  | 1               | Sensor, Coolant Level  |     |
| 58   | 1001229542  | 1               | Tank, Surge  |     |
| 59   | 1001140564  | 1               | Fitting, 90 Barbed   |     |
| 60   | 1001141304  | 1               | Glow Fuse Harness  |     |
| 61   | 1001141995  | 1               | Fitting, Straight NPT/Barbed   |     |
| 62   | 1001142259  | 1               | Air Cleaner Assembly (See Separate Breakdown in this Section)                                  |     |
| 63   | 1001143797  | 1               | Fitting, Straight Barbed   |     |
| 65   | 1001148843  | 1               | Fuel Filter Harness - Deutz TD2.9L4 (Not Shown - See Separate Breakdown in ELECTRICAL Section) |     |
| 66   | 1001149639  | 1               | Indicator, Restriction   |     |
| 67   | 1001165035  | 8.5 in/<br>21cm | Hose   |     |
| 68   | 1001165820  | 1               | Hose, Turbo Inlet 90   |     |
| 69   | 1001168018  | 4               | Washer   |     |
| 70   | 1001169054  | 4               | Isolator, Radiator   |     |
| 71   | 1001169138  | 4               | Pad  |     |
| 74   | 1320022     | 4               | Clamp  |     |
| 75   | 1001180620  | AR              | Adhesive   |     |
| 77   | 1001191610  | 4               | Mount, Motor   |     |
| 78   | 1001218405  | 1               | Tray   |     |
| 83   | 1001218414  | 1               | Radiator   |     |
| 86   | 1001180516  | 1               | Adapter  |     |
| 87   | 1001218423  | 1               | Tube, Air Intake   |     |
| 89   | 1001257154  | 1               | Pipe, Exhaust  |     |
| 90   | 1001218429  | 1               | Seal   |     |
| 91   | 1001218430  | 1               | Seal   |     |
| 92   | 1001218431  | 1               | Seal   |     |
| 95   | 1001218436  | 2               | Seal   |     |
| 98   | 1001218443  | 1               | Fitting, Straight  |     |
| 99   | 1001218444  | 1               | Fitting, Straight  |     |
| 100  | 1001218448  | 4               | Bolt   |     |
| 101  | 1001218580  | AR              | Hose   |     |
| 102  | 1001218944  | 1               | Hose, Radiator (Top)   |     |
| 103  | 1001218945  | 1               | Hose, Radiator (Bottom)  |     |
| 105  | 1001220261  | 1               | Engine Harness - Deutz TD2.9L4 (Not Shown - See Separate Breakdown in ELECTRICAL Section)      |     |
| 106  | 1001219642  | 1               | Deutz TD2.9L4 T4i Engine Components (See Separate Breakdown in this Section)                   |     |
| 107  | 0701025     | 2               | Bolt M10 x 85  |     |
| 108  | 1001119727  | 2               | Clamp  |     |
| 109  | 1001137336  | 3               | Strap  |     |
| 110  | 1001221203  | 1               | Bracket  |     |
| 111  | 1001151432  | 1               | Muffler  |     |
| 112  | 1001221212  | 2               | Clamp  |     |
| 113  | 1001221217  | 1               | Pipe, Flex   |     |
| 114  | 1001221427  | 1               | Muffler-Wrap   |     |
| 115  | 4812002     | 1               | Washer M10   |     |
| 116  | 0701017     | 4               | Bolt M10 x 45  |     |
| 117  | 0760306     | 3               | Bolt M3 x 12   |     |
| 118  | 3290305     | 3               | Nut M3   |     |
| 119  | 4920385     | 1               | Wire, Safety   |     |
| 120  | 8406202     | 1               | Clip   |     |

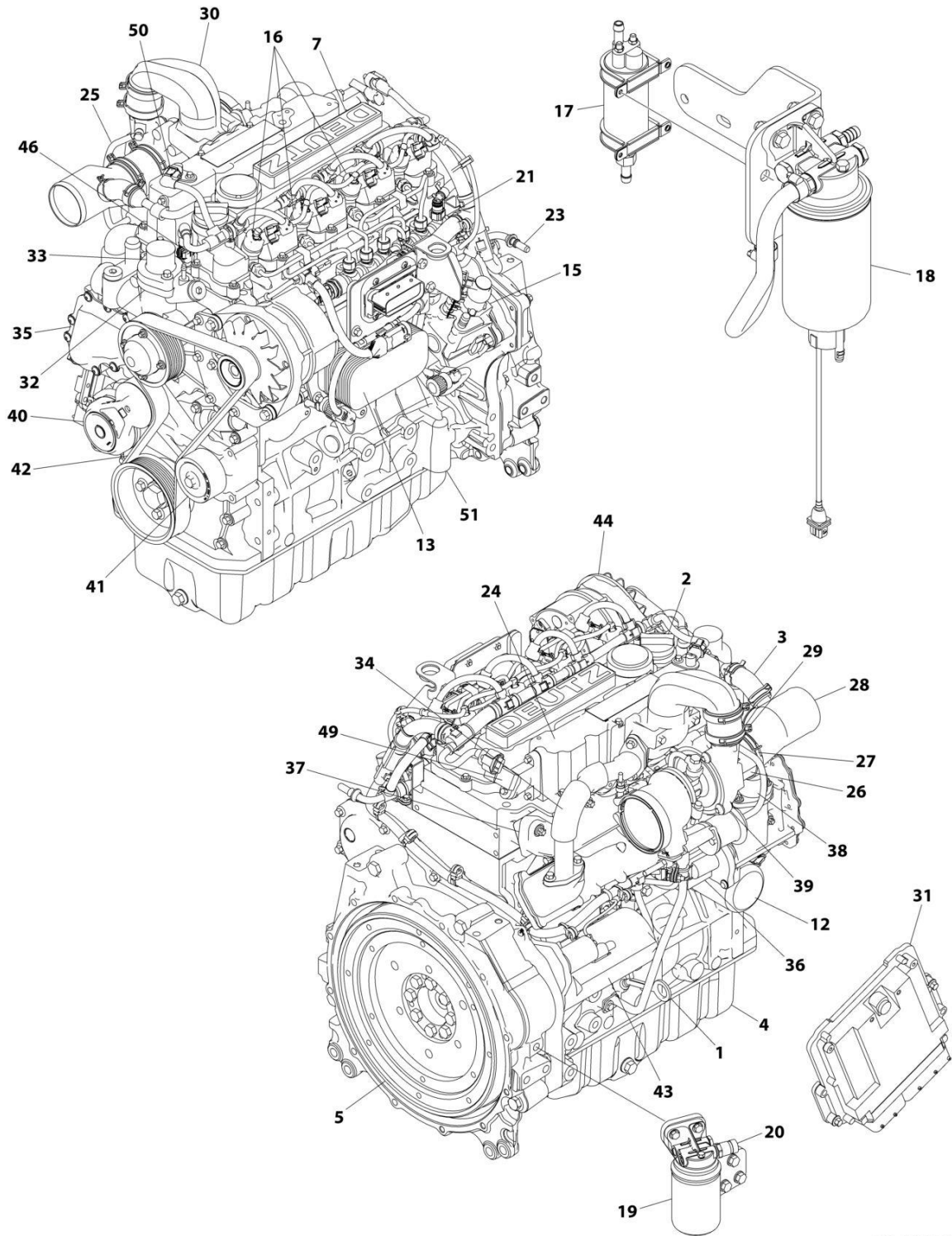
## SECTION 3 - ENGINE

| ITEM | PART NUMBER | QTY | DESCRIPTION                    | REV |
|------|-------------|-----|--------------------------------|-----|
| 120  | 1001026127  | 1   | Clamp                          |     |
| 121  | 4240099     | 1   | Tie Strap (Not Shown)          |     |
| 122  | 5250808     | 1   | Bolt M8 x 16                   |     |
| 123  | 1001181899  | 1   | Clamp                          |     |
| 124  | 0701022     | 2   | Bolt M10 x 70                  |     |
| 200  | 1001269754  | 1   | Plates & Brackets Kit          |     |
| 201  | 1001139240  | 1   | Bracket                        |     |
| 202  | 1001145154  | 1   | Plate                          |     |
| 203  | 1001169967  | 2   | Bracket                        |     |
| 204  | 1001170035  | 2   | Bracket                        |     |
| 205  | 1001218406  | 1   | Plate, Radiator Mounting       |     |
| 206  | 1001218408  | 1   | Brace                          |     |
| 207  | 1001218411  | 1   | Mount, Engine (Rear)           |     |
| 208  | 1001218412  | 1   | Mount, Engine (Front Outboard) |     |
| 209  | 1001218416  | 1   | Shroud, Fan                    |     |
| 210  | 1001218417  | 1   | Plate, Shroud                  |     |
| 211  | 1001218425  | 1   | Bracket, Surge Tank            |     |
| 212  | 1001218432  | 6   | Plate, Clamping                |     |
| 213  | 1001218434  | 1   | Plate, Clamping                |     |
| 214  | 1001218437  | 2   | Plate, Clamping                |     |
| 215  | 1001218440  | 1   | Bracket                        |     |
| 216  | 1001219455  | 1   | Mount, Engine (Front Inboard)  |     |



# SECTION 3 - ENGINE

## FIGURE 3-12. DEUTZ TD2.9L4 T4I ENGINE COMPONENTS



ART\_1001219642

## SECTION 3 - ENGINE

### FIGURE 3-12. DEUTZ TD2.9L4 T4I ENGINE COMPONENTS

| ITEM | PART NUMBER | QTY | DESCRIPTION   | REV |
|------|-------------|-----|---|-----|
|      | 1001219642  | Ref | DEUTZ TD2.9L4 ENGINE COMPONENTS                                 | D   |
| 1    | 70006127    | 1   | Dipstick  |     |
| 1    | 70024905    | 1   | O-Ring  |     |
| 2    | 7020465     | 2   | Cap, Filler   |     |
| 3    | 70005920    | 1   | Hose  |     |
| 3    | 70025111    | 2   | Clamp   |     |
| 4    | 70025162    | 1   | Pan, Oil  |     |
| 4    | 70005941    | 2   | Plug  |     |
| 4    | 70005942    | 2   | Washer, Sealing   |     |
| 5    | 70001870    | 1   | Flywheel  |     |
| 5    | 7024579     | 1   | Gear, Ring  |     |
| 6    | 70024906    | 1   | Gasket, Head (Not Shown)  |     |
| 7    | 70005921    | 1   | Cover, Valve  |     |
| 7    | 70025205    | 1   | Gasket  |     |
| 7    | 70005171    | 1   | Gasket  |     |
| 8    | 70025076    | 1   | Valve (Not Shown - Located on Right Side of Front Engine Cover) |     |
| 8    | 70025176    | 1   | Spring  |     |
| 8    | 70025082    | 1   | Ring, Sealing   |     |
| 8    | 70025091    | 1   | Plug  |     |
| 9    | 70004280    | 1   | Seal, Shaft - Front (Not Shown)                                 |     |
| 10   | 70002718    | 1   | Seal, Shaft - Rear (Not Shown)                                  |     |
| 11   | 70005172    | 1   | Pump, Oil Lube (Not Shown)                                      |     |
| 11   | 70025135    | 1   | O-Ring  |     |
| 11   | 70005173    | 1   | Gasket  |     |
| 12   | 7016331     | 1   | Filter, Oil   |     |
| 12   | 70025137    | 1   | Bushing   |     |
| 13   | 70024494    | 1   | Cooler, Engine Oil (Not Shown - Located on Right Side)          |     |
| 13   | 70024925    | 1   | Gasket  |     |
| 14   | 70025171    | 1   | Oil Suction Pump (Not Shown - Located Inside of Engine Oil Pan) |     |
| 15   | 70024924    | 1   | Pump, Fuel  |     |
| 15   | 70025152    | 1   | O-Ring  |     |
| 15   | 70025080    | 1   | Washer  |     |
| 15   | 70024488    | 1   | Spacer  |     |
| 15   | 70024517    | 1   | O-Ring  |     |
| 16   | 70025181    | 4   | Injector, Fuel (Not Shown - Located on Right Side)              |     |
| 16   | 70025140    | 4   | Washer, Sealing   |     |
| 16   | 70025146    | 4   | Clamp (Top of Injector)   |     |
| 16   | 70025145    | 4   | O-Ring  |     |
| 16   | 70025154    | 4   | Shoe, Clamping  |     |
| 16   | 70000345    | 1   | Plug, Glow (Not Shown)  |     |
| 16   | 70025231    | 1   | Harness, Glow Plug (Not Shown)                                  |     |
| 17   | 70005174    | NLA | Pump, Fuel (Use p/n 1001226098)                                 |     |
| 17   | 70025144    | 2   | Clamp   |     |
| 18   | 70024961    | 1   | Fuel Filter Assembly  |     |
| 18   | 70025153    | NLA | Filter, Fuel (Use p/n 1001225430)                               |     |
| 18   | 70024513    | 1   | Cable, Sensor   |     |
| 18   | 70025239    | 1   | Ring, Sealing   |     |
| 19   | 70004511    | 1   | Filter with Head  |     |
| 19   | 70004512    | NLA | Filter, Fuel (Use p/n 1001225432)                               |     |
| 20   | 70024504    | 1   | Sensor, Pressure  |     |

## SECTION 3 - ENGINE

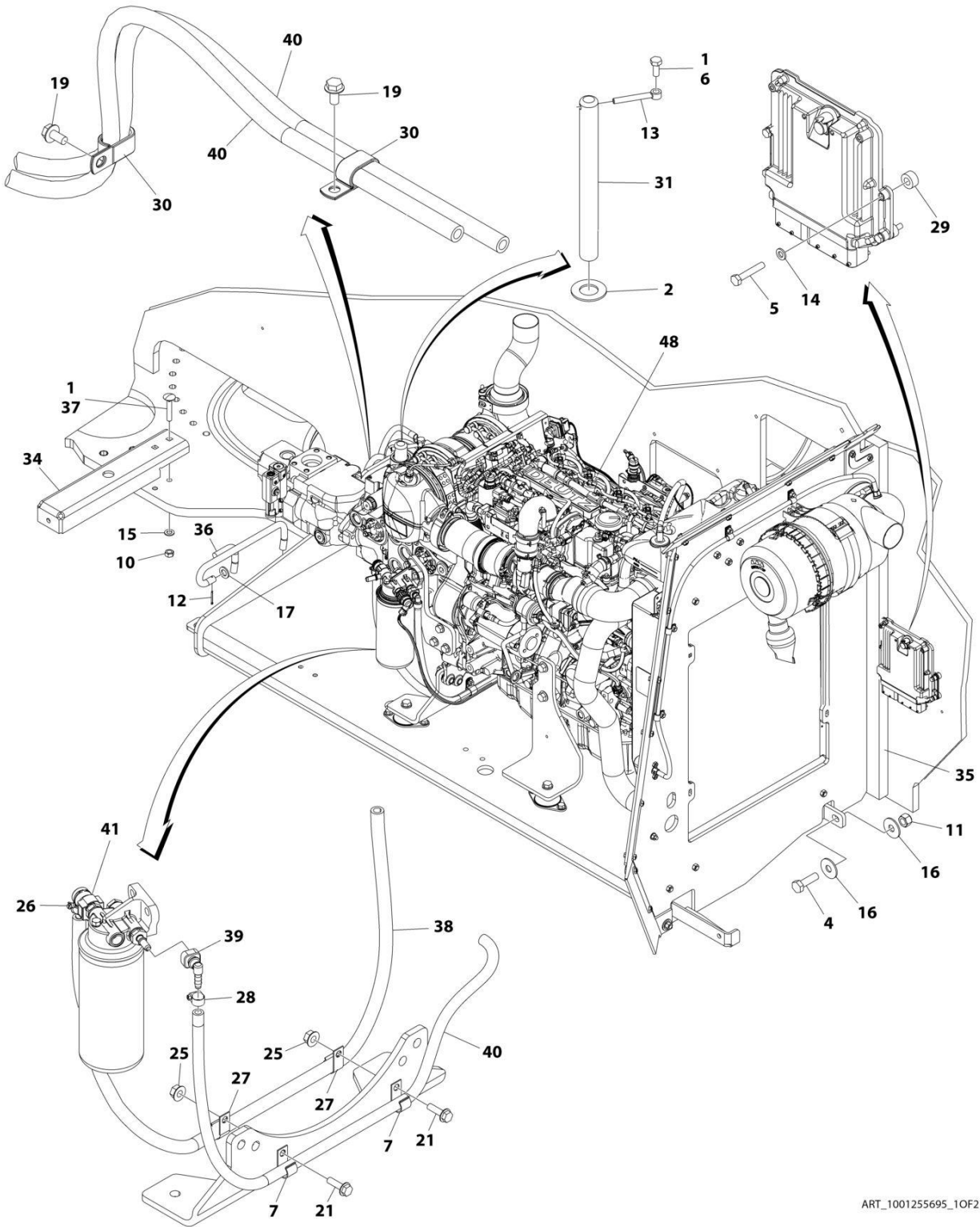
| ITEM | PART NUMBER | QTY | DESCRIPTION  | REV |
|------|-------------|-----|--|-----|
| 20   | 70024920    | 1   | O-Ring   |     |
| 21   | 70025151    | 1   | Rail, Fuel   |     |
| 21   | 70025235    | 1   | Repair Kit   |     |
| 21   | 70025240    | 1   | O-Ring   |     |
| 22   | 70025182    | 1   | Fuel Line - High Pressure (Cylinder 1 & 2) (Not Shown) |     |
| 22   | 70025183    | 1   | Fuel Line - High Pressure (Cylinder 3 & 4) (Not Shown) |     |
| 22   | 70025184    | 1   | Fuel Line - High Pressure (Supply) (Not Shown)         |     |
| 23   | 70025158    | 1   | Manifold, Fuel   |     |
| 23   | 70025109    | 2   | Clamp  |     |
| 23   | 70025115    | 1   | Clamp  |     |
| 23   | 70025133    | 1   | Hose   |     |
| 23   | 70024502    | 1   | Pipe   |     |
| 23   | 70025185    | 1   | Hose   |     |
| 23   | 70025101    | 2   | Clamp  |     |
| 24   | 70005923    | 1   | Charge Air Pipe  |     |
| 24   | 70005924    | 1   | O-Ring   |     |
| 24   | 70005177    | 1   | Gasket   |     |
| 25   | 70005925    | 1   | Breather Line  |     |
| 25   | 70005181    | 1   | O-Ring   |     |
| 26   | 70004501    | 1   | Sleeve, Rubber   |     |
| 27   | 70025112    | 2   | Clamp  |     |
| 28   | 70005926    | 1   | Elbow Connector  |     |
| 29   | 70005927    | 1   | Sleeve, Rubber   |     |
| 29   | 70025107    | 2   | Clamp  |     |
| 30   | 70005928    | 1   | Charge Air Elbow                                       |     |
| 31   | 70025210    | 1   | ECU (Engine Control Unit)                              |     |
| 32   | 70024910    | 1   | Pump, Water  |     |
| 32   | 70025200    | 1   | Ring, Sealing  |     |
| 32   | 70025084    | 2   | Plug   |     |
| 32   | 7020492     | 2   | Ring, Sealing  |     |
| 33   | 70005929    | 1   | Thermostat   |     |
| 33   | 70005184    | 1   | O-Ring   |     |
| 33   | 70025142    | 1   | Cover, Thermostat                                      |     |
| 33   | 70025931    | 1   | Gasket   |     |
| 34   | 70025178    | 1   | Pipe   |     |
| 34   | 70025768    | 1   | Valve, Shuttle   |     |
| 34   | 70025179    | 2   | Gasket   |     |
| 34   | 70025180    | 1   | Gasket   |     |
| 35   | 70025203    | 1   | Module, EGR (Includes Item 36)                         |     |
| 35   | 70025155    | 1   | Plug   |     |
| 36   | 70005188    | 1   | Control Valve  |     |
| 36   | 70005189    | 1   | Seal   |     |
| 37   | 70004282    | 1   | Manifold, Exhaust                                      |     |
| 37   | 70025164    | 1   | Gasket, Exhaust Manifold to Head                       |     |
| 38   | 70026995    | 1   | Pipe (Not Shown - Located on Left Side)                |     |
| 38   | 70021895    | 2   | Gasket   |     |
| 39   | 70004276    | 1   | Turbocharger   |     |
| 39   | 70024912    | 1   | Gasket, Exhaust Manifold                               |     |
| 39   | 70024509    | 1   | Gasket, Return Line                                    |     |
| 40   | 70025477    | 1   | Tensioner, Belt  |     |
| 41   | 70024484    | 1   | Idler Roller   |     |

## SECTION 3 - ENGINE

| ITEM | PART NUMBER | QTY | DESCRIPTION  | REV |
|------|-------------|-----|--|-----|
| 42   | 70004277    | 1   | Belt, Drive  |     |
| 43   | 70024915    | 1   | Starter  |     |
| 43   | 70005647    | 1   | Switch, Solenoid   |     |
| 43   | 70005648    | 1   | Relay  |     |
| 44   | 70025533    | 1   | Generator  |     |
| 44   | 70025149    | 1   | Regulator, Voltage   |     |
| 45   | 70025077    | 1   | Harness, Engine (Not Shown)  |     |
| 46   | 70024918    | 1   | Sender, Temperature  |     |
| 47   | 70024504    | 1   | Sensor, Pressure (Not Shown - Located on Right Side)                     |     |
| 47   | 70024920    | 1   | O-Ring   |     |
| 48   | 70026210    | 2   | Sensor, Speed (Not Shown - Located Left Side Front and Flywheel Housing) |     |
| 48   | 70005191    | 2   | O-Ring   |     |
| 49   | 70024507    | 1   | Sensor, Pressure (Not Shown - Located Top Rear)                          |     |
| 49   | 70025120    | 1   | O-Ring   |     |
| 50   | 70024922    | 1   | Temperature, Transmitter   |     |
| 50   | 70035212    | 1   | O-Ring   |     |
| 51   | 70025660    | 1   | Screw  |     |

# SECTION 3 - ENGINE

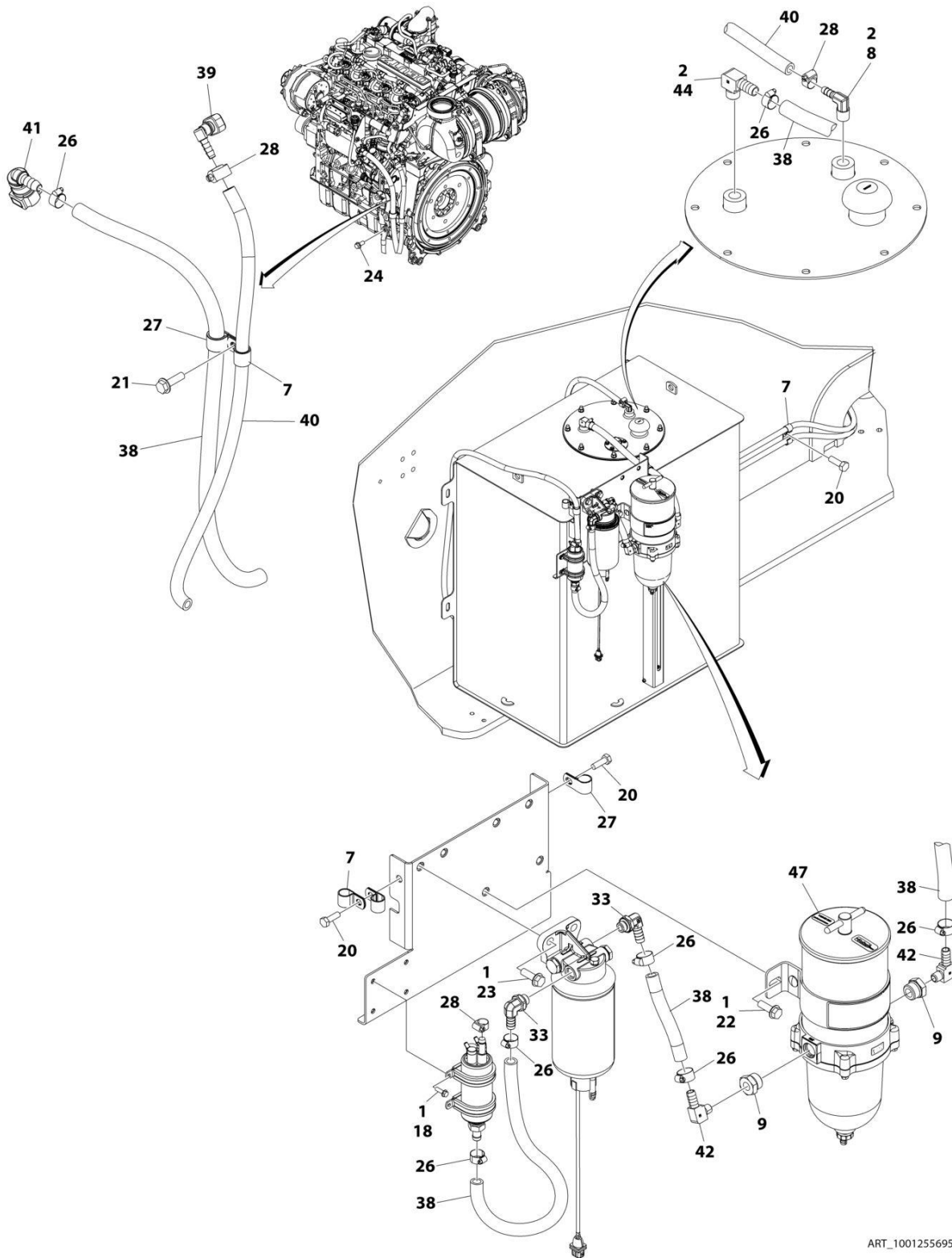
## FIGURE 3-13. DEUTZ TD2.9L4 (CHINA IV) ENGINE INSTALLATION



ART\_1001255695\_10F2



# SECTION 3 - ENGINE



ART\_1001255695\_20F2

## SECTION 3 - ENGINE

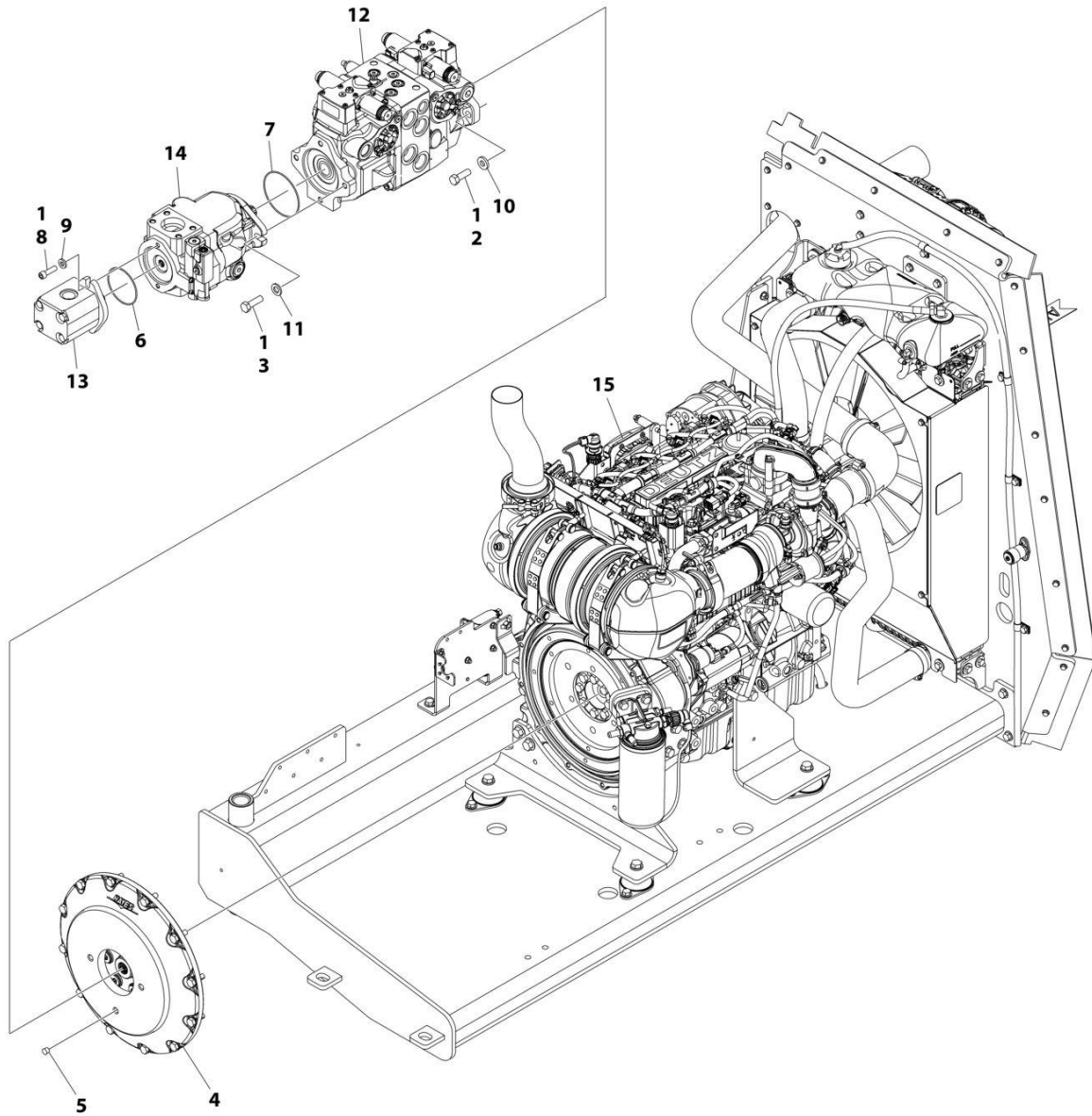
**FIGURE 3-13. DEUTZ TD2.9L4 (CHINA IV) ENGINE INSTALLATION**

| ITEM | PART NUMBER | QTY | DESCRIPTION  | REV |
|------|-------------|-----|--|-----|
|      | 1001255695  | Ref | DEUTZ TD2.9L4 ENGINE INSTALLATION  | B   |
| 1    | 0100011     | AR  | Compound, Locking  |     |
| 2    | 0100020     | AR  | Sealant  |     |
| 3    | 0440162     | 1   | Bearing  |     |
| 4    | 0701216     | 1   | Bolt M12 x 40  |     |
| 5    | 0760615     | 4   | Bolt M6 x 35   |     |
| 6    | 0761012     | 1   | Bolt M10 x 25  |     |
| 7    | 1320061     | 10  | Clamp  |     |
| 8    | 2220313     | 1   | Fitting, 90 NPTF/BARB  |     |
| 9    | 2220816     | 2   | Fitting, Straight FNPTF/ORB  |     |
| 10   | 3291201     | 2   | Nut M12  |     |
| 11   | 3291205     | 1   | Nut M12  |     |
| 12   | 3391210     | 1   | Pin, Split   |     |
| 13   | 3841143     | 1   | Keeper, Pin  |     |
| 14   | 4811700     | 4   | Washer M6  |     |
| 15   | 4812100     | 2   | Washer M12   |     |
| 16   | 4812102     | 2   | Washer M12   |     |
| 17   | 4812300     | 1   | Washer M16   |     |
| 18   | 5250508     | 4   | Bolt M5 x 16   |     |
| 19   | 5250808     | 2   | Bolt M8 x 16   |     |
| 20   | 5250810     | 5   | Bolt M8 x 20   |     |
| 21   | 5250813     | 3   | Bolt M8 x 28   |     |
| 22   | 5251011     | 2   | Bolt M10 x 22  |     |
| 23   | 5251014     | 2   | Bolt M10 x 30  |     |
| 24   | 5251212     | 1   | Bolt M12 x 25  |     |
| 25   | 5260800     | 2   | Nut M8   |     |
| 26   | 8405006     | 8   | Clamp  |     |
| 27   | 8406202     | 4   | Clip   |     |
| 28   | 8410013     | 4   | Clamp  |     |
| 29   | 1001110425  | 4   | Spacer   |     |
| 30   | 1001116792  | 2   | Clamp  |     |
| 31   | 1001135196  | 1   | Pin  |     |
| 33   | 1001142501  | 2   | Fitting, 90 Barbed   |     |
| 34   | 1001153027  | 1   | Bracket  |     |
| 35   | 1001153046  | 1   | Seal   |     |
| 36   | 1001153083  | 1   | Hook   |     |
| 37   | 1001153086  | 2   | Bolt M12 x 70  |     |
| 38   | 1001154405  | AR  | Hose   |     |
| 39   | 1001155823  | 2   | Coupling, 90 Quick Connect   |     |
| 40   | 1001165035  | AR  | Hose   |     |
| 41   | 1001170982  | 2   | Fitting, 90  |     |
| 42   | 1001178797  | 2   | Fitting, 90 NPTF/Barbed  |     |
| 44   | 1001220535  | 1   | Fitting, 90 NPT/Barbed   |     |
| 45   | 1001220749  | 1   | Battery Cable Kit - Deutz TD2.9L4 (Not Shown - See Separate Breakdown in ELECTRICAL Section) |     |
| 46   | 1001221289  | 1   | Fuel Pump Harness - Deutz TD2.9L4 (Not Shown - See Separate Breakdown in ELECTRICAL Section) |     |
| 47   | 1001222817  | 1   | Filter, Fuel Assembly (See Separate Breakdown in this Section)                               |     |
| 48   | 1001255696  | 1   | Deutz TD2.9L4 Engine and Pumps Sub-Assembly (See Separate Breakdown in this Section)         |     |



# SECTION 3 - ENGINE

FIGURE 3-14. DEUTZ TD2.9L4 (CHINA IV) ENGINE AND PUMP SUB-ASSEMBLY



ART\_1001255696

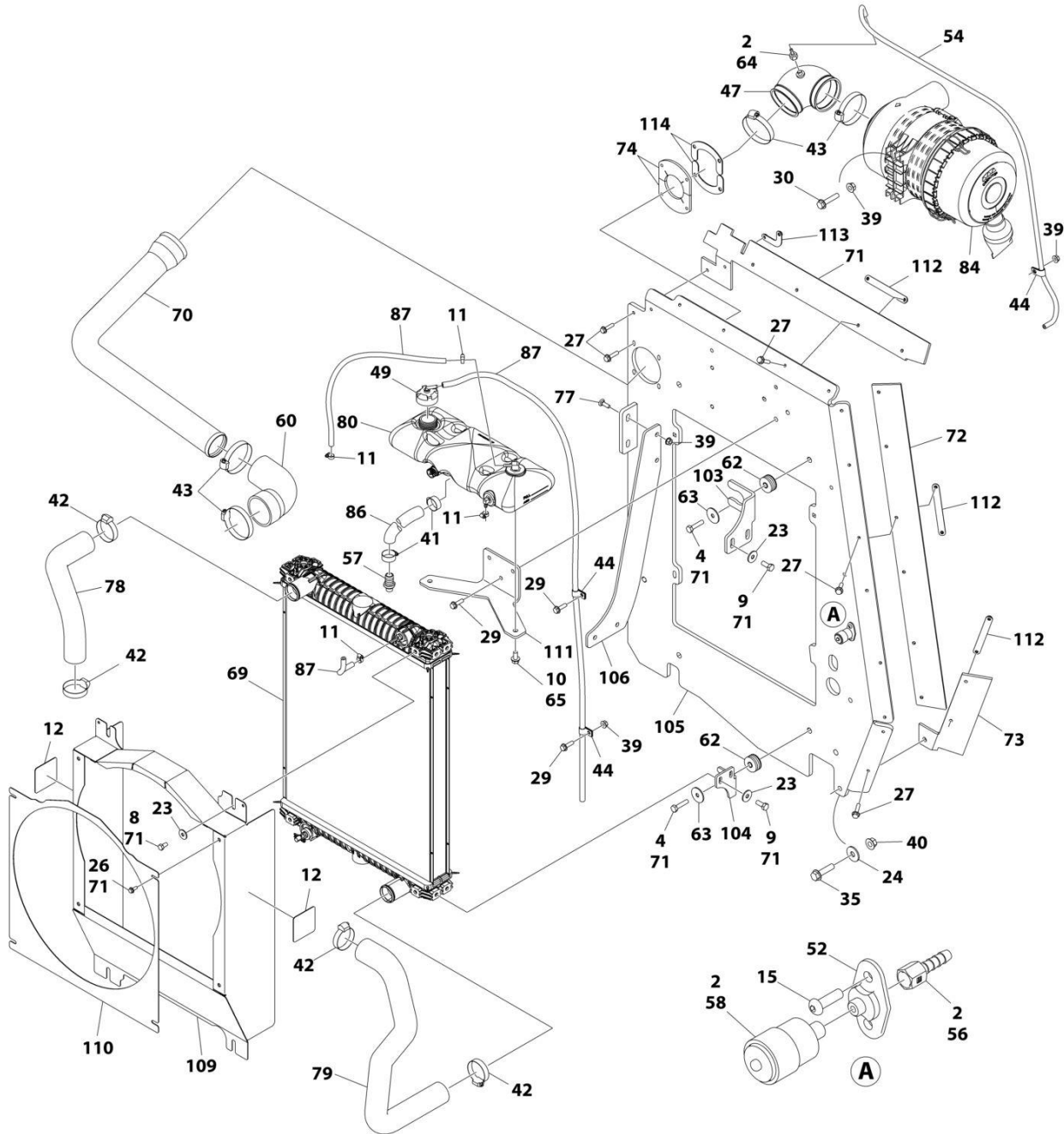
## SECTION 3 - ENGINE

**FIGURE 3-14. DEUTZ TD2.9L4 (CHINA IV) ENGINE AND PUMP SUB-ASSEMBLY**

| ITEM | PART NUMBER | QTY | DESCRIPTION  | REV |
|------|-------------|-----|--|-----|
|      | 1001255696  | Ref | DEUTZ TD2.9L4 ENGINE AND PUMP SUB-ASSEMBLY                             | A   |
| 1    | 0100011     | AR  | Compound, Locking  |     |
| 2    | 0641812     | 2   | Bolt 1/2 x 1-1/2   |     |
| 3    | 0761216     | 2   | Bolt M12 x 40  |     |
| 4    | 2902065     | 1   | Pump Coupling Kit (See Separate Breakdown in this Section)             |     |
| 5    | 3520054     | 1   | Plug   |     |
| 6    | 3790152     | 1   | O-Ring   |     |
| 7    | 3790155     | 1   | O-Ring   |     |
| 8    | 3931620     | 2   | Capscrew 3/8 x 1-1/4   |     |
| 9    | 4891600     | 2   | Washer 3/8   |     |
| 10   | 4891800     | 2   | Washer 1/2   |     |
| 11   | 5241200     | 2   | Washer M12   |     |
| 12   | 1001108616  | 1   | Tandem Pump Assembly (See Separate Breakdown in this Section)          |     |
| 13   | 1001112927  | 1   | Gear Pump Assembly (See Separate Breakdown in this Section)            |     |
| 14   | 1001171095  | 1   | Piston Pump Assembly (See Separate Breakdown in this Section)          |     |
| 15   | 1001255697  | 1   | Deutz TD2.9L4 Engine Assembly (See Separate Breakdown in this Section) |     |

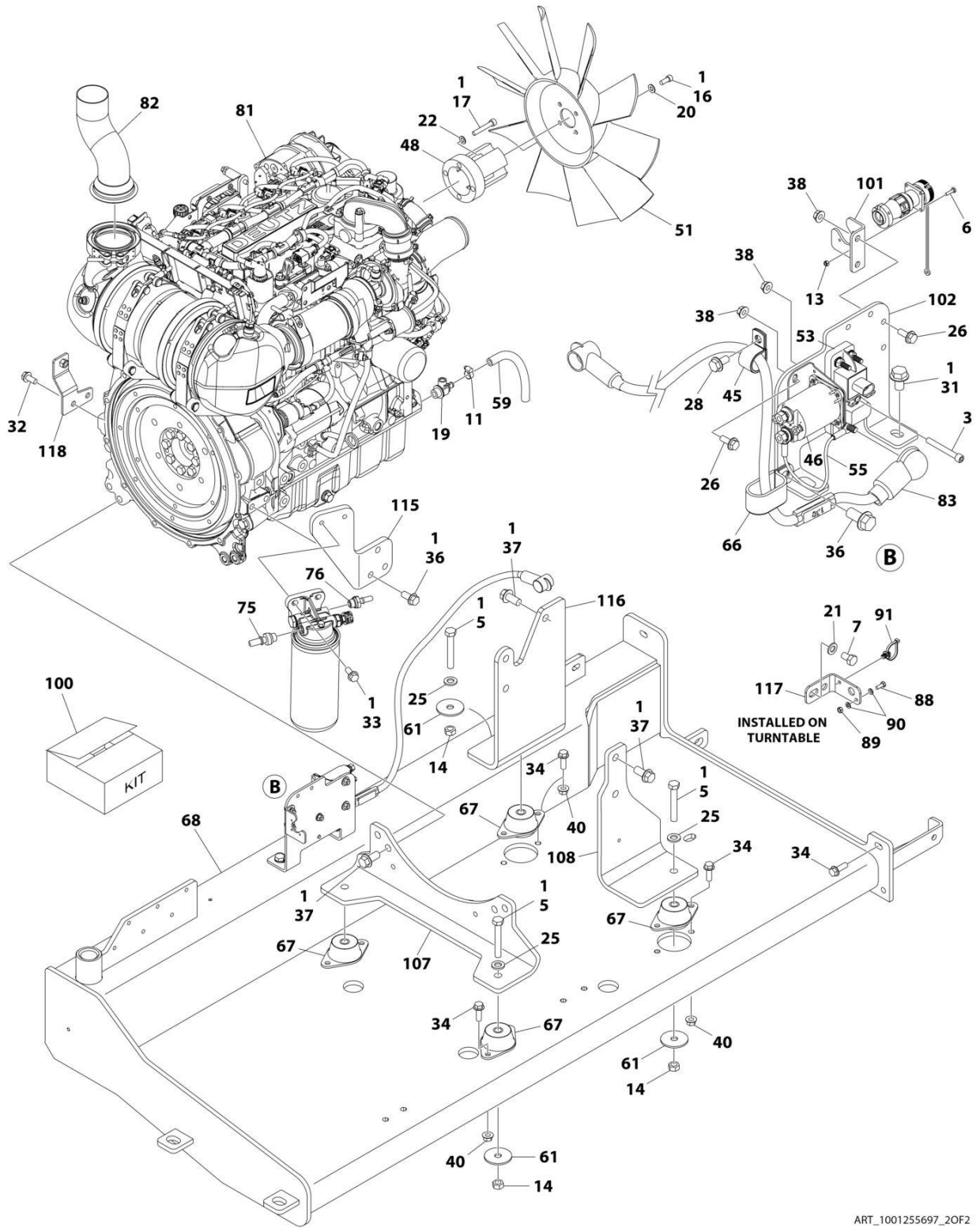
# SECTION 3 - ENGINE

## FIGURE 3-15. DEUTZ TD2.9L4 (CHINA IV) ENGINE ASSEMBLY



ART\_1001255697\_10F2

# SECTION 3 - ENGINE



ART\_1001255697\_20F2

## SECTION 3 - ENGINE

FIGURE 3-15. DEUTZ TD2.9L4 (CHINA IV) ENGINE ASSEMBLY

| ITEM | PART NUMBER | QTY | DESCRIPTION                   | REV |
|------|-------------|-----|-------------------------------|-----|
|      | 1001255697  | Ref | DEUTZ TD2.9L4 ENGINE ASSEMBLY | B   |
| 1    | 0100011     | AR  | Compound, Locking             |     |
| 2    | 0100020     | AR  | Sealant                       |     |
| 3    | 0700618     | 1   | Capscrew M6 x 50              |     |
| 4    | 0701017     | 4   | Bolt M10 x 45                 |     |
| 5    | 0711224     | 4   | Bolt M12 x 80                 |     |
| 6    | 0760306     | 3   | Bolt M3 x 12                  |     |
| 7    | 0761210     | 2   | Bolt M12 x 20                 |     |
| 8    | 0760808     | 4   | Bolt M8 x 16                  |     |
| 9    | 0760810     | 8   | Bolt M8 x 20                  |     |
| 10   | 0811606     | 2   | Bolt 3/8 x 3/4                |     |
| 11   | 8405009     | 5   | Clamp                         |     |
| 12   | 1703162     | 2   | Decal - Fan Blade             |     |
| 13   | 3290305     | 3   | Nut M3                        |     |
| 14   | 3331211     | 4   | Nut M12                       |     |
| 15   | 3900364     | 2   | Screw M6 x 20                 |     |
| 16   | 3931512     | 4   | Capscrew 5/16 x 3/4           |     |
| 17   | 4031914     | 4   | Capscrew M8 x 50              |     |
| 18   | 4240099     | AR  | Tie Strap (Not Shown)         |     |
| 19   | 4640751     | 1   | Valve, Oil Drain              |     |
| 20   | 4711500     | 4   | Washer 5/16                   |     |
| 21   | 4812100     | 2   | Washer M12                    |     |
| 22   | 4811900     | 4   | Washer M8                     |     |
| 23   | 4811902     | 12  | Washer M8                     |     |
| 24   | 4812002     | 1   | Washer M10                    |     |
| 25   | 5241200     | 4   | Washer M12                    |     |
| 26   | 5250608     | AR  | Bolt M6 x 16                  |     |
| 27   | 5250612     | 18  | Bolt M6 x 25                  |     |
| 28   | 5250808     | 1   | Bolt M8 x 16                  |     |
| 29   | 5250813     | 8   | Bolt M8 x 28                  |     |
| 30   | 5250816     | 2   | Bolt M8 x 40                  |     |
| 31   | 5251008     | 2   | Bolt M10 x 16                 |     |
| 32   | 5251011     | 2   | Bolt M10 x 22                 |     |
| 33   | 5251012     | 2   | Bolt M10 x 25                 |     |
| 34   | 5251014     | 10  | Bolt M10 x 30                 |     |
| 35   | 5251016     | 1   | Bolt M10 x 40                 |     |
| 36   | 5251212     | 4   | Bolt M12 x 25                 |     |
| 37   | 5251414     | 9   | Bolt M14 x 30                 |     |
| 38   | 5260600     | 5   | Nut M6                        |     |
| 39   | 5260800     | 11  | Nut M8 Grade 10               |     |
| 40   | 5261000     | 9   | Nut M10 Grade 10              |     |
| 41   | 8405007     | 2   | Clamp                         |     |
| 42   | 8405104     | 4   | Clamp                         |     |
| 43   | 8405204     | 4   | Clamp                         |     |
| 44   | 8406109     | 8   | Clip                          |     |
| 45   | 1001026127  | 1   | Clamp                         |     |
| 46   | 1001117308  | 1   | Contactora                    |     |
| 47   | 1001126874  | 1   | Elbow, Air Intake             |     |
| 48   | 1001135138  | 1   | Spacer, Fan                   |     |
| 49   | 1001136834  | 1   | Cap                           |     |



## SECTION 3 - ENGINE

| ITEM | PART NUMBER | QTY            | DESCRIPTION  | REV |
|------|-------------|----------------|--|-----|
| 50   | 1001237285  | 1              | Engine Harness - Deutz TD2.9L4 (Not Shown - See Separate Breakdown in ELECTRICAL Section)      |     |
| 51   | 1001137276  | 1              | Fan  |     |
| 52   | 1001138173  | 1              | Support  |     |
| 53   | 1001138228  | 1              | Relay  |     |
| 54   | 1001138248  | AR             | Tube, Nylon  |     |
| 55   | 1001141304  | 1              | Glow Fuse Harness  |     |
| 56   | 1001141995  | 1              | Fitting, NPT/Barbed  |     |
| 57   | 1001143797  | 1              | Fitting, Straight Barbed   |     |
| 58   | 1001149639  | 1              | Indicator, Restriction   |     |
| 59   | 1001165035  | 9 in/21cm      | Hose   |     |
| 60   | 1001165820  | 1              | Hose, 90   |     |
| 61   | 1001168018  | 4              | Washer   |     |
| 62   | 1001169054  | 4              | Isolator   |     |
| 63   | 1001169138  | 4              | Pad  |     |
| 64   | 1001180516  | 1              | Adapter  |     |
| 65   | 1001180620  | AR             | Adhesive   |     |
| 66   | 1001181899  | 1              | Clamp  |     |
| 67   | 1001191610  | 4              | Mount, Motor   |     |
| 68   | 1001218405  | 1              | Tray   |     |
| 69   | 1001218414  | 1              | Radiator   |     |
| 70   | 1001218423  | 1              | Tube, Air Intake   |     |
| 71   | 1001218429  | 1              | Seal, Radiator (Top)   |     |
| 72   | 1001218430  | 1              | Seal, Radiator (Upper)   |     |
| 73   | 1001218431  | 1              | Seal, Radiator (Lower)   |     |
| 74   | 1001218436  | 2              | Seal   |     |
| 75   | 1001218443  | 1              | Fitting, Straight  |     |
| 76   | 1001218444  | 1              | Fitting, Straight  |     |
| 77   | 1001218448  | 4              | Bolt   |     |
| 78   | 1001218944  | 1              | Hose, Radiator (Top)   |     |
| 79   | 1001218945  | 1              | Hose, Radiator (Bottom)  |     |
| 80   | 1001230635  | 1              | Tank, Surge  |     |
| 81   | 1001282206  | 1              | Deutz TD2.9L4 Engine Components (See Separate Breakdown in this Section)                       |     |
| 82   | 1001259424  | 1              | Pipe, Exhaust  |     |
| 83   | 1001135779  | 1              | Cable, Alternator +  |     |
| 84   | 1001142259  | 1              | Air Cleaner Assembly (See Separate Breakdown in this Section)                                  |     |
| 85   | 1001148843  | 1              | Fuel Filter Harness - Deutz TD2.9L4 (Not Shown - See Separate Breakdown in ELECTRICAL Section) |     |
| 86   | 1001218580  | AR             | Hose   |     |
| 87   | 1001228200  | 90 in/<br>2.3m | Hose   |     |
| 88   | 0760608     | 1              | Bolt M6 x 16   |     |
| 89   | 3290601     | 1              | Nut M6   |     |
| 90   | 4811700     | 2              | Washer M6  |     |
| 91   | 1001146588  | 1              | Tie-Strap  |     |
| 100  | 1001259425  | 1              | Kit, Engine Parts Package  |     |
| 101  | 1001139240  | 1              | Bracket  |     |
| 102  | 1001145154  | 1              | Plate  |     |
| 103  | 1001169967  | 2              | Bracket  |     |
| 104  | 1001170035  | 2              | Bracket  |     |
| 105  | 1001218406  | 1              | Plate  |     |

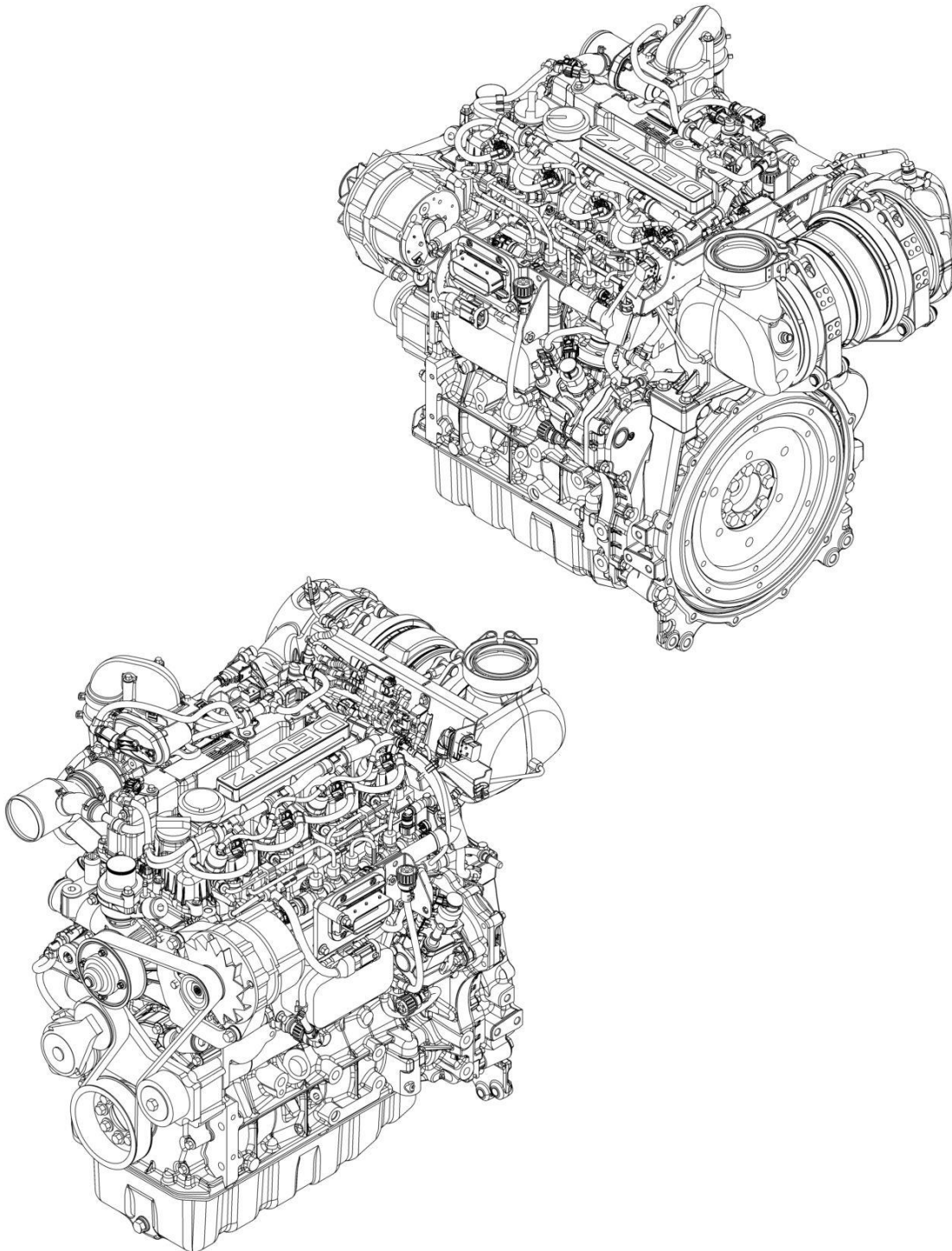
## SECTION 3 - ENGINE

| ITEM | PART NUMBER | QTY | DESCRIPTION                    | REV |
|------|-------------|-----|--------------------------------|-----|
| 106  | 1001218408  | 1   | Brace                          |     |
| 107  | 1001218411  | 1   | Mount, Engine (Rear)           |     |
| 108  | 1001218412  | 1   | Mount, Engine (Front Outboard) |     |
| 109  | 1001218416  | 1   | Shroud, Fan                    |     |
| 110  | 1001218417  | 1   | Plate                          |     |
| 111  | 1001218425  | 1   | Bracket                        |     |
| 112  | 1001218432  | 6   | Plate                          |     |
| 113  | 1001218434  | 1   | Plate                          |     |
| 114  | 1001218437  | 2   | Plate                          |     |
| 115  | 1001218440  | 1   | Bracket, Filter                |     |
| 116  | 1001219455  | 1   | Mount, Engine (Front Inboard)  |     |
| 117  | 1001256879  | 1   | Bracket                        |     |
| 118  | 1001255694  | 1   | Bracket                        |     |



## SECTION 3 - ENGINE

FIGURE 3-16. DEUTZ TD2.9L4 (CHINA IV) ENGINE COMPONENTS



ART\_1001282206

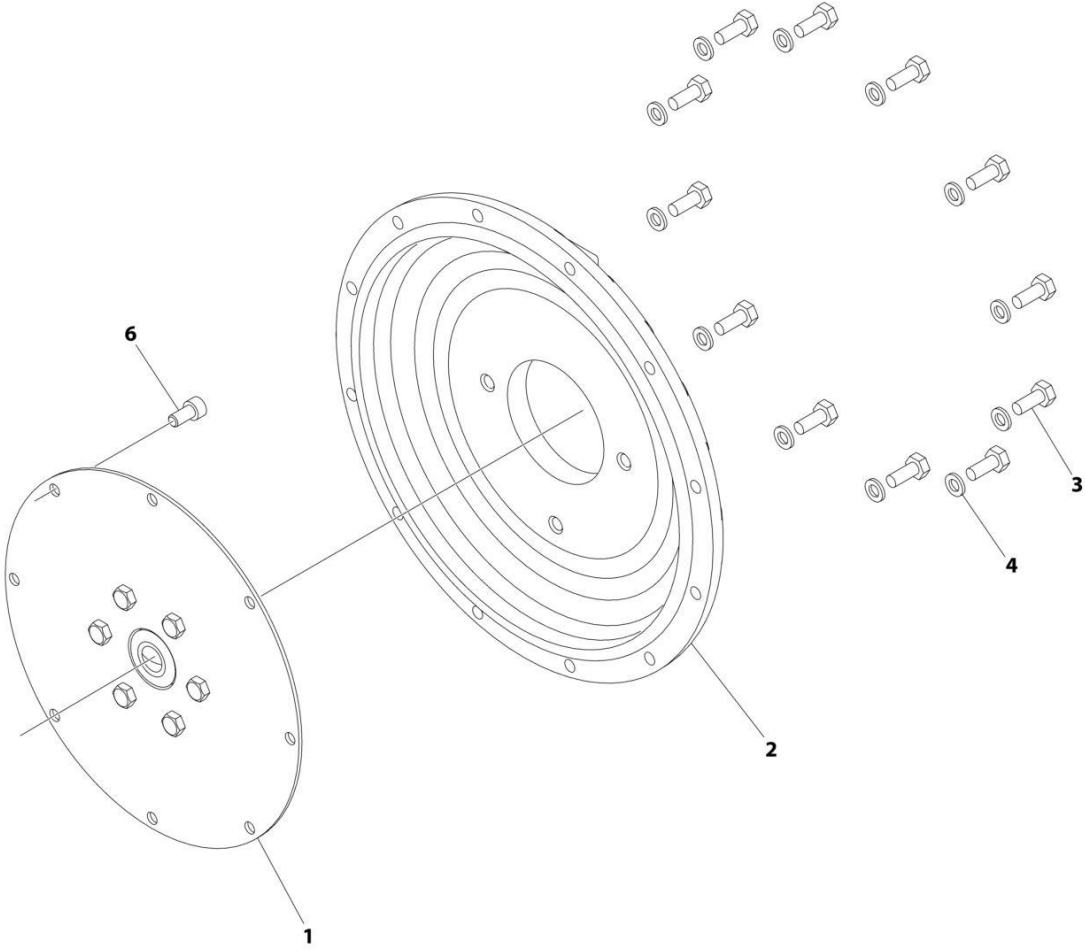
## SECTION 3 - ENGINE

**FIGURE 3-16. DEUTZ TD2.9L4 (CHINA IV) ENGINE COMPONENTS**

| ITEM | PART NUMBER | QTY        | DESCRIPTION   | REV |
|------|-------------|------------|---|-----|
|      | 1001282206  | Ref<br>Ref | DEUTZ TD2.9L4 ENGINE COMPONENTS<br>Note: No Other Service Parts Available at Time of Printing | A   |

**SECTION 3 - ENGINE**

**FIGURE 3-17. PUMP COUPLING KIT**



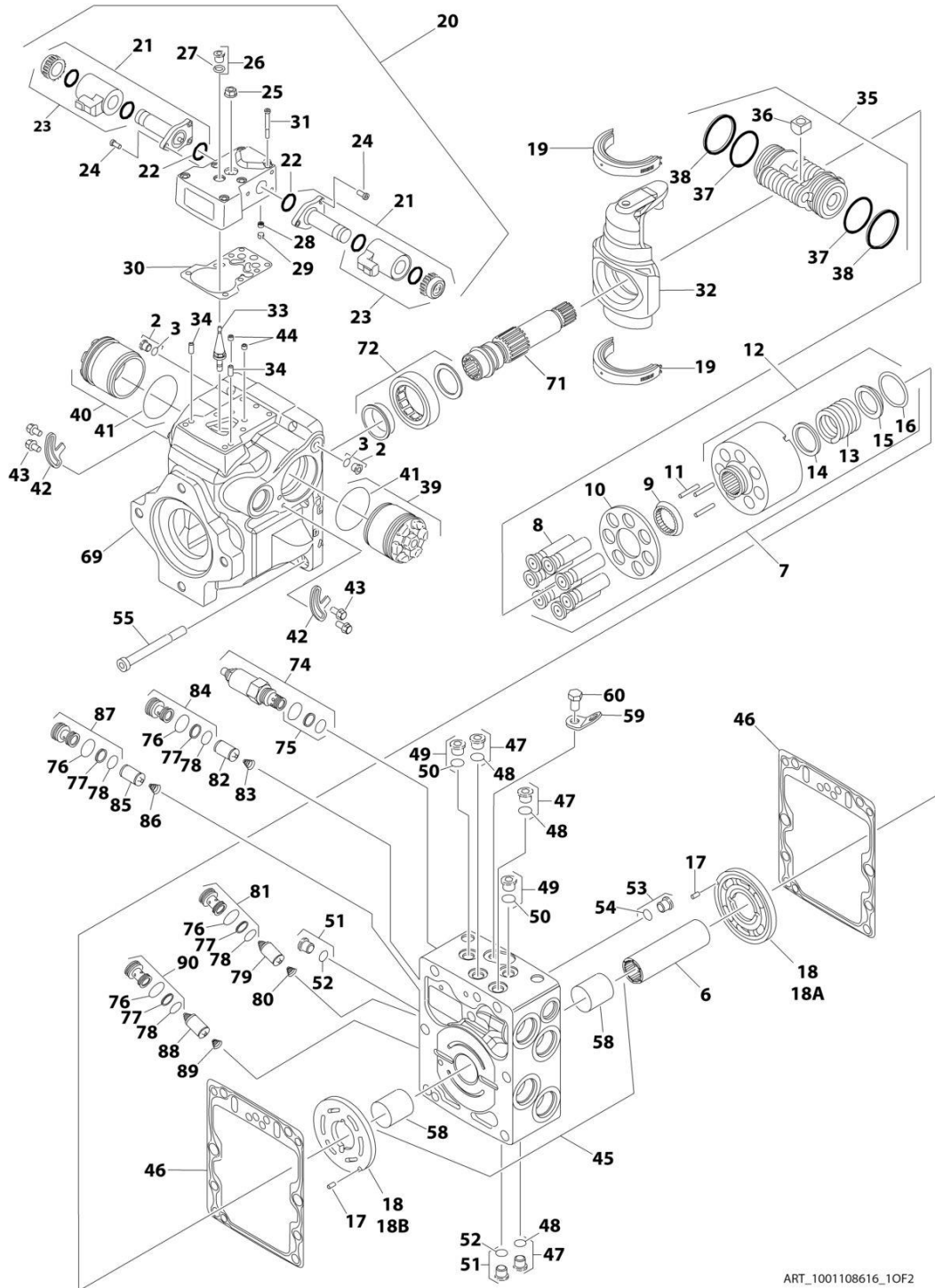
ART\_2902065

FIGURE 3-17. PUMP COUPLING KIT

| ITEM | PART NUMBER | QTY | DESCRIPTION                                      | REV |
|------|-------------|-----|--|-----|
|      | 2902065     | Ref | PUMP COUPLING KIT                                | L   |
| 1    | 70000793    | 1   | Coupling, Hayes                                  |     |
| 2    | See Note    | NSS | Plate, Pump Adapter (Note: Use p/n 2902065)      |     |
| 3    | See Note    | NSS | Bolt M10 x 30 Grade 10.9 (Note: Use p/n 2902065) |     |
| 4    | See Note    | NSS | Washer M10 (Note: Use p/n 2902065)               |     |
| 6    | See Note    | NSS | Bolt M10 x 20 Grade 10.9 (Note: Use p/n 2902065) |     |

# SECTION 3 - ENGINE

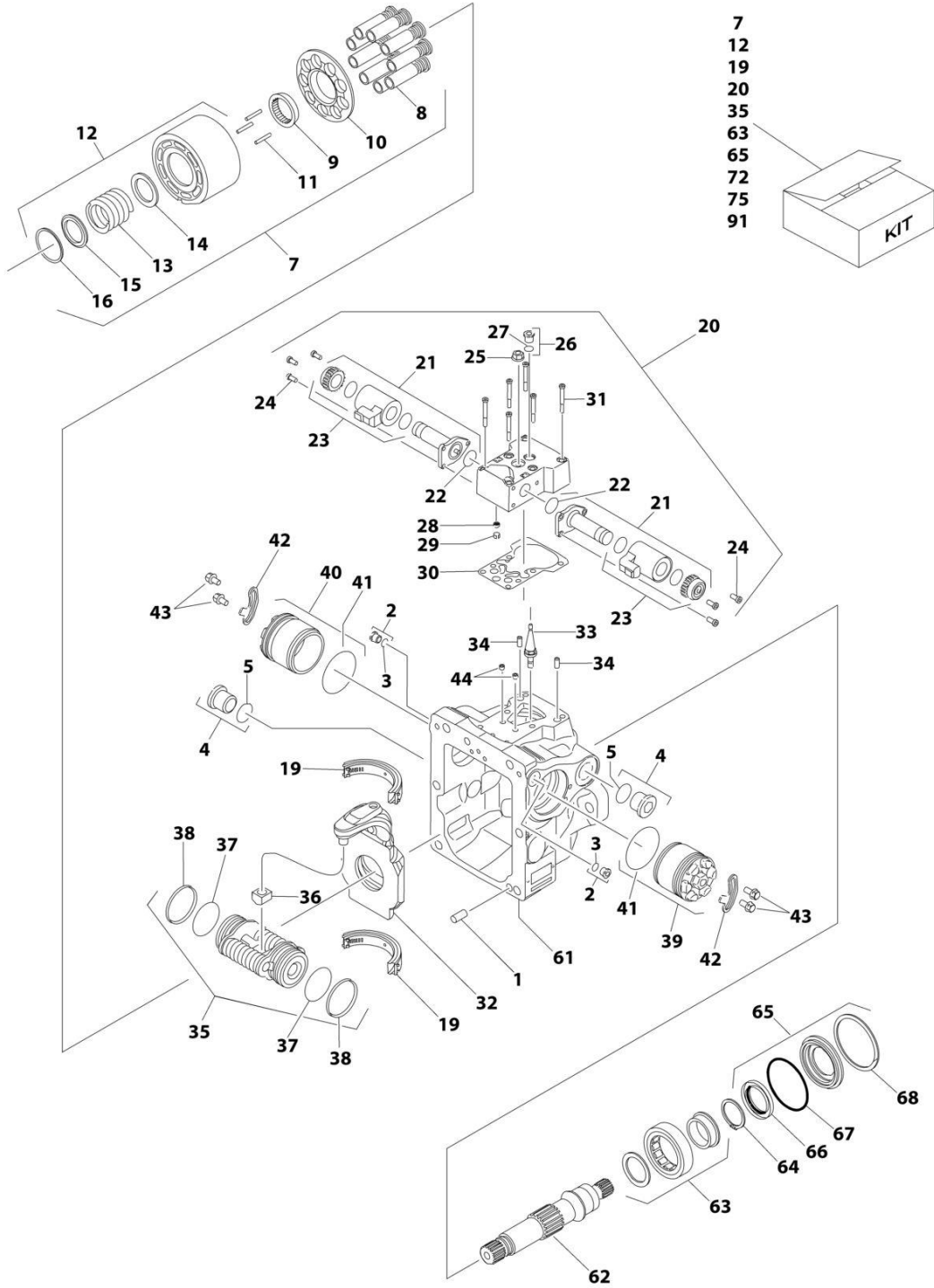
## FIGURE 3-18. TANDEM PUMP ASSEMBLY



ART\_1001108616\_10F2



# SECTION 3 - ENGINE



ART\_1001108616\_2OF2

## SECTION 3 - ENGINE

### FIGURE 3-18. TANDEM PUMP ASSEMBLY

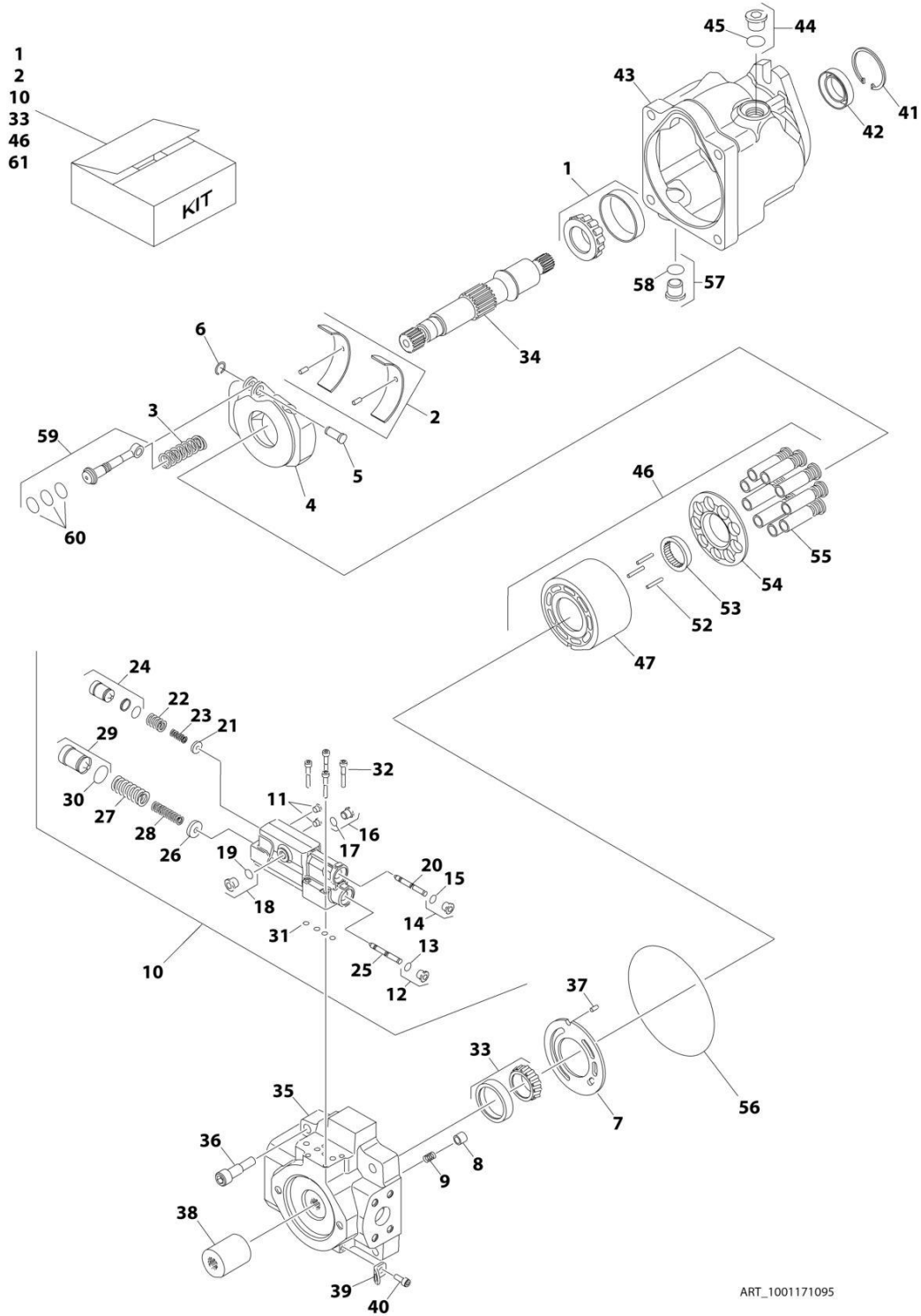
| ITEM | PART NUMBER | QTY | DESCRIPTION   | REV |
|------|-------------|-----|---|-----|
|      | 1001108616  | Ref | PUMP ASSEMBLY (SAUER TANDEM)  | D   |
| 1    | 70002132    | 4   | Pin   |     |
| 2    | 70002133    | 4   | Plug Assembly (Includes Item 3)   |     |
| 3    | 7007207     | 4   | O-Ring (Part of Item 2)   |     |
| 4    | 7007419     | 2   | Plug Assembly (Includes Item 5)   |     |
| 5    | 7007418     | 2   | O-Ring (Part of Item 4)   |     |
| 6    | 70002600    | 1   | Coupling  |     |
| 7    | 70002135    | 2   | Cylinder Block Kit (Each Kit Includes Qty 1 of Items 8-10 & 12-16 & Qty 3 of Item 11) |     |
| 8    | 70002136    | 2   | Piston Assembly Kit (Includes Qty 9 Piston Assemblies) (Part of Item 7)               |     |
| 9    | 70002137    | 2   | Guide, Slipper Retainer (Part of Item 7)  |     |
| 10   | 70002138    | 2   | Retainer, Slipper (Part of Item 7)  |     |
| 11   | 7021275     | 6   | Pin, Slipper Retainer Holddown (Part of Item 7)                                       |     |
| 12   | 70002135    | 2   | Cylinder Block Assembly (Includes Qty 1 of Item 13-16) (Part of Item 7)               |     |
| 13   | 70002139    | 2   | Spring (Part of Item 12)  |     |
| 14   | 70002140    | 2   | Washer (Part of Item 12)  |     |
| 15   | 70002141    | 2   | Washer (Part of Item 12)  |     |
| 16   | 70002142    | 2   | Ring, Retaining (Part of Item 12)   |     |
| 17   | 7007446     | 2   | Pin   |     |
| 18   |             | Ref | Plate, Valve Options:   |     |
| 18A  | 70002601    | 1   | Plate, CW Valve   |     |
| 18B  | 70002602    | 1   | Plate, CCW Valve  |     |
| 19   | 70002145    | 2   | Swash Plate Bearing Kit (Includes Qty 2 Bearings)                                     |     |
| 20   | 70002618    | 2   | EDC Kit (Includes Items 21-31)  |     |
| 21   | 70002619    | 4   | Solenoid Valve Assembly (Includes Items 22 & 23) (Part of Item 20)                    |     |
| 22   | 70002148    | 4   | O-Ring (2 Per EDC Assembly) (Part of Item 21)   |     |
| 23   | 70002620    | 4   | Coil, Nut and Seals Kit (2 Per EDC Assembly) (Part of Item 21)                        |     |
| 24   | 70002150    | 12  | Screw (Part of Item 20)   |     |
| 25   | 7022301     | 2   | Nut, Seal (Part of Item 20)   |     |
| 26   | 70002151    | 2   | Plug Assembly (Part of Item 20) (Includes Item 27)                                    |     |
| 27   | 7007207     | 2   | O-Ring (Part of Item 26)  |     |
| 28   | 70002134    | 2   | Screen (Part of Item 20)  |     |
| 29   | 70002153    | 2   | Ring, Locking (Part of Item 20)   |     |
| 30   | 70002154    | 2   | Gasket, Control (Part of Item 20)   |     |
| 31   | 70002156    | 12  | Capscrew (Part of Item 20)  |     |
| 32   | 70002152    | 2   | Swash Plate   |     |
| 33   | 70002155    | 2   | Link, Swash Plate   |     |
| 34   | 70002157    | 4   | Pin, Dowel  |     |
| 35   | 70002158    | 2   | Servo Piston Assembly (Includes Items 36-38)  |     |
| 36   | 70002159    | 2   | Block, Slider (Part of Item 35)   |     |
| 37   | 70002160    | 2   | O-Ring (Part of Item 35)  |     |
| 38   | 70002161    | 2   | Ring, Piston (Part of Item 35)  |     |
| 39   | 70002162    | 2   | Cylinder, Servo   |     |
| 40   | 70002162    | 2   | Cylinder, Servo   |     |
| 41   | 70002163    | 4   | O-Ring  |     |
| 42   | 70002164    | 4   | Plate, Locking  |     |
| 43   | 70002165    | 8   | Screw   |     |

## SECTION 3 - ENGINE

| ITEM | PART NUMBER | QTY | DESCRIPTION   | REV |
|------|-------------|-----|---|-----|
| 44   | 70002604    | 4   | Orifice   |     |
| 45   | 70002605    | 1   | Center Section Assembly (Includes Item 58)  |     |
| 46   | 70002168    | 2   | Gasket, End Cap   |     |
| 47   | 70001958    | 2   | Plug Assembly (Includes Item 48)  |     |
| 48   | 7021256     | 2   | O-Ring (Part of Item 47)  |     |
| 49   | 70001958    | 2   | Plug Assembly (Includes Item 50)  |     |
| 50   | 7021256     | 2   | O-Ring (Part of Item 49)  |     |
| 51   | 70001958    | 2   | Plug Assembly (Includes Item 52)  |     |
| 52   | 7021256     | 2   | O-Ring (Part of Item 51)  |     |
| 53   | 70001958    | 2   | Plug Assembly (Includes Item 54)  |     |
| 54   | 7021256     | 2   | O-Ring (Part of Item 53)  |     |
| 55   | 70002606    | 4   | Capscrew  |     |
| 58   | 70002607    | 2   | Bearing, Journal (Part of Item 45)  |     |
| 59   | 70002608    | 1   | Bracket, Lifting  |     |
| 60   | 70002609    | 1   | Screw   |     |
| 61   | See Note    | 1   | Housing (Note: Not Available for Purchase)  |     |
| 62   | 70002175    | 1   | Shaft   |     |
| 63   | 70002610    | 1   | Ball Bearing Kit  |     |
|      | 7007439     | 1   | Ring, Retaining   |     |
| 65   | 70002174    | 1   | Shaft Seal Kit (Includes Items 66-68) (Note: This is a universal kit and will contain extra pieces that are not used on this pump assembly) |     |
| 66   | 70002177    | 1   | Seal, Lip   |     |
| 67   | 70002178    | 1   | O-Ring  |     |
| 68   | 70002179    | 1   | Ring, Retaining   |     |
| 69   | See Note    | 1   | Housing (Note: Not Available for Purchase)  |     |
| 71   | 70002612    | 1   | Shaft   |     |
| 72   | 70002610    | 1   | Ball Bearing Kit  |     |
| 74   | 70002621    | 1   | High Pressure Relief Valve Cartridge Assembly (Includes Item 75)  |     |
| 75   | 70002622    | 1   | Seal Kit - 70002621 Valve (Part of Item 74)   |     |
| 76   | 7007415     | 1   | O-Ring (Part of Items 81, 84, 87 & 90)  |     |
| 77   | 7021293     | 1   | Ring, Back-up (Part of Items 81, 84, 87 & 90)   |     |
| 78   | 7022300     | 1   | O-Ring (Part of Items 81, 84, 87 & 90)  |     |
| 79   | 70002616    | 1   | SCR Valve Assembly  |     |
| 80   | 7024800     | 1   | Spring  |     |
| 81   | 7021265     | 1   | Plug Assembly (Includes Qty 1 of Items 76-78)   |     |
| 82   | 70002616    | 1   | SCR Valve Assembly  |     |
| 83   | 7024800     | 1   | Spring  |     |
| 84   | 7021265     | 1   | Plug Assembly (Includes Qty 1 of Item 76-78)  |     |
| 85   | 70002616    | 1   | SCR Valve Assembly  |     |
| 86   | 7024800     | 1   | Spring  |     |
| 87   | 70002617    | 1   | Plug Assembly (Includes Qty 1 of Item 76-78)  |     |
| 88   | 70002616    | 1   | SCR Valve Assembly  |     |
| 89   | 7024800     | 1   | Spring  |     |
| 90   | 7021265     | 1   | Plug Assembly (Includes Qty 1 of Items 76-78)   |     |
| 91   | 70002623    | 1   | Overhaul Seal Kit (Includes Items 3, 5, 22, 27, 30, 37, 38, 41, 46, 48, 50, 52, 54, 66, 67, 75, 76, 77 & 78)                                |     |

# SECTION 3 - ENGINE

## FIGURE 3-19. PISTON PUMP ASSEMBLY



ART\_1001171095

## SECTION 3 - ENGINE

### FIGURE 3-19. PISTON PUMP ASSEMBLY

| ITEM | PART NUMBER | QTY | DESCRIPTION   | REV |
|------|-------------|-----|---|-----|
|      | 1001171095  | Ref | PUMP ASSEMBLY (SAUER PISTON)  | B   |
| 1    | 70002578    | 1   | Bearing Kit - Front (Includes Cup and Cone)                         |     |
| 2    | 70004426    | 1   | Swash Plate Bearing Kit (Includes Qty 2 Bearings and Retainer Pins) |     |
| 3    | 70002580    | 1   | Spring, Bias  |     |
| 4    | 70004416    | 1   | Swash Plate Assembly  |     |
| 5    | 70002582    | 1   | Shaft   |     |
| 6    | 70002583    | 1   | Ring, Retaining   |     |
| 7    | 70004417    | 1   | Plate, Valve  |     |
| 8    | 70001956    | 1   | Poppet, Check Valve   |     |
| 9    | 70001955    | 1   | Spring  |     |
| 10   | 70022286    | 1   | Control Kit (Includes Items 11-32)                                  |     |
| 11   | See Note    | NSS | Setscrew (Note: Use Item 10)  |     |
| 12   | 70002133    | 1   | Plug Assembly (Includes Item 13)                                    |     |
| 13   | 7007207     | 1   | O-Ring (Part of Item 12)  |     |
| 14   | 70002133    | 1   | Plug Assembly (Part of Item 15)                                     |     |
| 15   | 7007207     | 1   | O-Ring (Part of Item 14)  |     |
| 16   | 70002133    | 1   | Plug Assembly (Includes Item 17)                                    |     |
| 17   | 7007207     | 1   | O-Ring (Part of Item 16)  |     |
| 18   | 70002133    | 1   | Plug Assembly (Includes Item 19)                                    |     |
| 19   | 7007207     | 1   | O-Ring (Part of Item 18)  |     |
| 20   | See Note    | NSS | Spool (Note: Use Item 10)   |     |
| 21   | See Note    | NSS | Guide, Spring LS (Note: Use Item 10)                                |     |
| 22   | See Note    | NSS | Spring, Outer LS (Note: Use Item 10)                                |     |
| 23   | See Note    | NSS | Spring, Inner LS (Note: Use Item 10)                                |     |
| 24   | See Note    | NSS | Plug, Adjusting LS (Note: Use Item 10 or 61)                        |     |
| 25   | See Note    | NSS | Spool, Control (Note: Use Item 10)                                  |     |
| 26   | See Note    | NSS | Guide, Spring PC (Note: Use Item 10)                                |     |
| 27   | See Note    | NSS | Spring, Outer PC (Note: Use Item 10)                                |     |
| 28   | See Note    | NSS | Spring, Inner PC (Note: Use Item 10)                                |     |
| 29   | See Note    | NSS | Plug, Adjusting PC (Note: Use Item 10)                              |     |
| 30   | See Note    | NSS | O-Ring (Note: Use Item 10 or 61)                                    |     |
| 31   | See Note    | NSS | Ring, Seal (Note: Use Item 10 or 61)                                |     |
| 32   | See Note    | NSS | Capscrew (Note: Use Item 10)  |     |
| 33   | 70002585    | 1   | Bearing Kit - Rear (Includes Cup and Cone)                          |     |
| 34   | 70002586    | 1   | Shaft   |     |
| 35   | 70004420    | 1   | Cap, End  |     |
| 36   | 70002588    | 4   | Capscrew  |     |
| 37   | 7007446     | 1   | Pin, Slotted  |     |
| 38   | 70002589    | 1   | Coupling  |     |
| 39   | 7022340     | 1   | Bracket, Lifting  |     |
| 40   | 70002590    | 1   | Capscrew  |     |
| 41   | 7023962     | 1   | Ring, Retaining   |     |
| 42   | See Note    | NSS | Seal, Lip (Note: Use Item 61)                                       |     |
| 43   | See Note    | NSS | Housing (Note: Not Available for Purchase)                          |     |
| 44   | 7023964     | 1   | Plug Assembly (Includes Item 45)                                    |     |
| 45   | 7007415     | 1   | O-Ring (Part of Item 44)  |     |
| 46   | 70004423    | 1   | Cylinder Block Kit (Includes Items 47-55)                           |     |
| 47   | 70004421    | 1   | Cylinder  |     |
| 52   | 7021275     | 3   | Pin, Hold-down  |     |

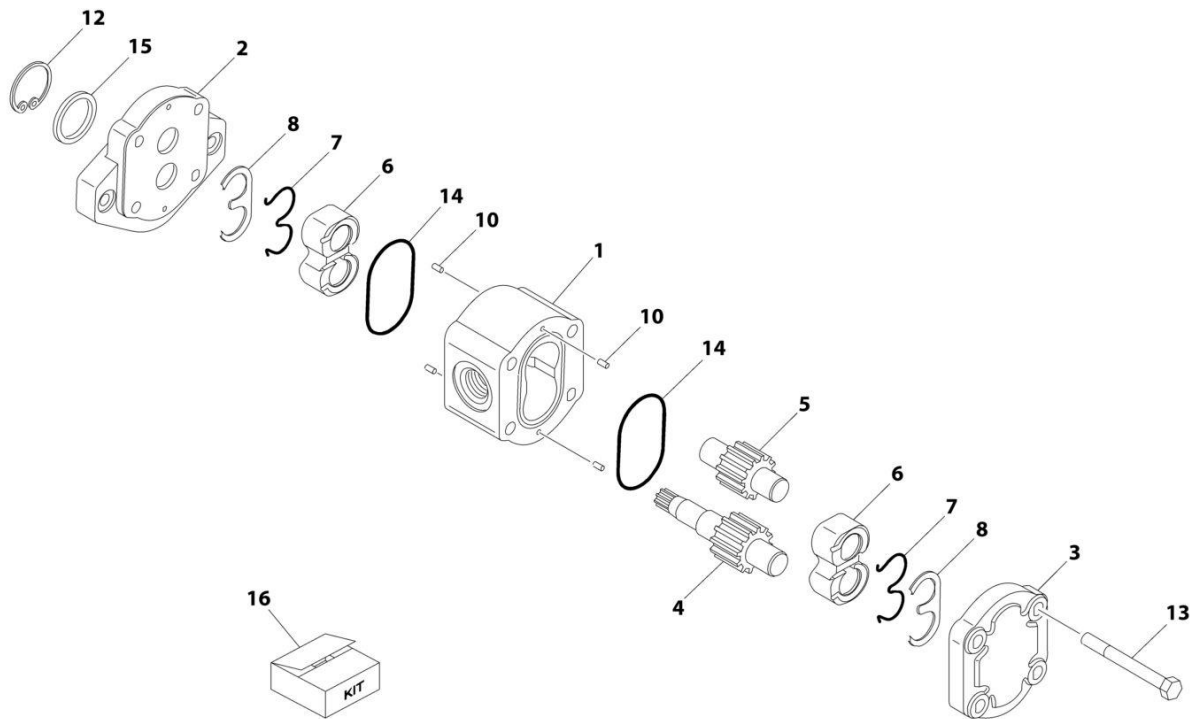
## SECTION 3 - ENGINE

| ITEM | PART NUMBER | QTY | DESCRIPTION  | REV |
|------|-------------|-----|--|-----|
| 53   | 70002592    | 1   | Guide, Slipper Retainer  |     |
| 54   | 70002593    | 1   | Retainer, Slipper  |     |
| 55   | 70004422    | 1   | Piston Assembly  |     |
| 56   | See Note    | NSS | Seal, End Cap (Note: Use Item 61)  |     |
| 57   | 7023964     | 1   | Plug, O-Ring (Includes Item 58)  |     |
| 58   | 7007415     | 1   | O-Ring (Part of Item 57)   |     |
| 59   | 70005418    | 1   | Servo Piston Assembly (Includes Item 60)   |     |
| 60   | See Note    | NSS | Ring, Piston (Part of Item 59) (Note: Use Item 61)                                 |     |
| 61   | 70002599    | 1   | Complete Seal Kit (Includes Items 13, 15, 17, 19, 24, 30, 31, 42, 45, 56, 58 & 60) |     |



# SECTION 3 - ENGINE

## FIGURE 3-20. GEAR PUMP ASSEMBLY



ART\_1001112927

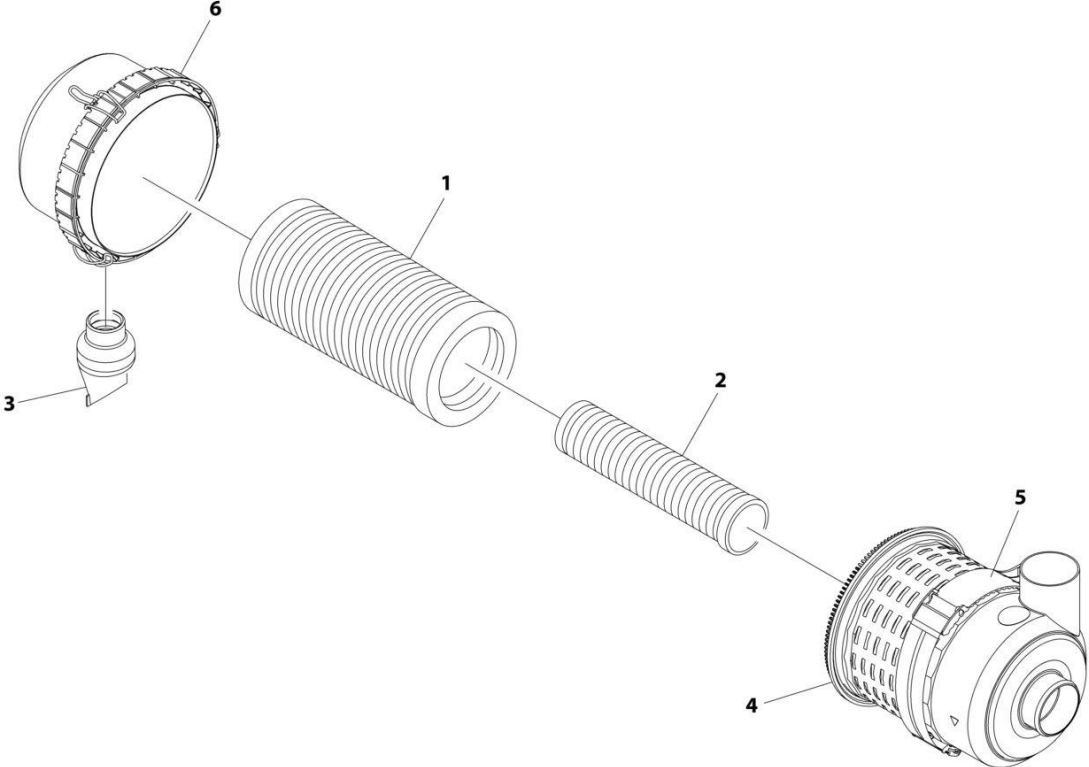


FIGURE 3-20. GEAR PUMP ASSEMBLY

| ITEM | PART NUMBER | QTY | DESCRIPTION   | REV |
|------|-------------|-----|---|-----|
|      | 1001112927  | Ref | PUMP ASSEMBLY (SAUER GEAR)                                | A   |
| 1    | See Note    | NSS | Body (Note: Use p/n 1001112927)                           |     |
| 2    | See Note    | NSS | Cover, Front (Note: Use p/n 1001112927)                   |     |
| 3    | See Note    | NSS | Cover, Rear (Note: Use p/n 1001112927)                    |     |
| 4    | See Note    | NSS | Shaft, Gear (Note: Use p/n 1001112927)                    |     |
| 5    | See Note    | NSS | Gear, Idler (Note: Use p/n 1001112927)                    |     |
| 6    | See Note    | NSS | Block, Bearing (Note: Use p/n 1001112927)                 |     |
| 7    | 7007489     | 2   | Ring, Anti-Extrusion                                      |     |
| 8    | 7007489     | 2   | Ring, Seal  |     |
| 10   | See Note    | NSS | Pin, Dowel (Note: Use p/n 1001112927)                     |     |
| 12   | 70002576    | 1   | Ring, Retaining   |     |
| 13   | See Note    | NSS | Capscrew (Note: Use p/n 1001112927)                       |     |
| 14   | 7007489     | 2   | O-Ring  |     |
| 15   | 7007489     | 1   | Seal, Lip   |     |
| 16   | 7007489     | 1   | Seal Kit - 1001112927 Pump (Includes Items 7, 8, 14 & 15) |     |

**SECTION 3 - ENGINE**

**FIGURE 3-21. AIR CLEANER ASSEMBLY**



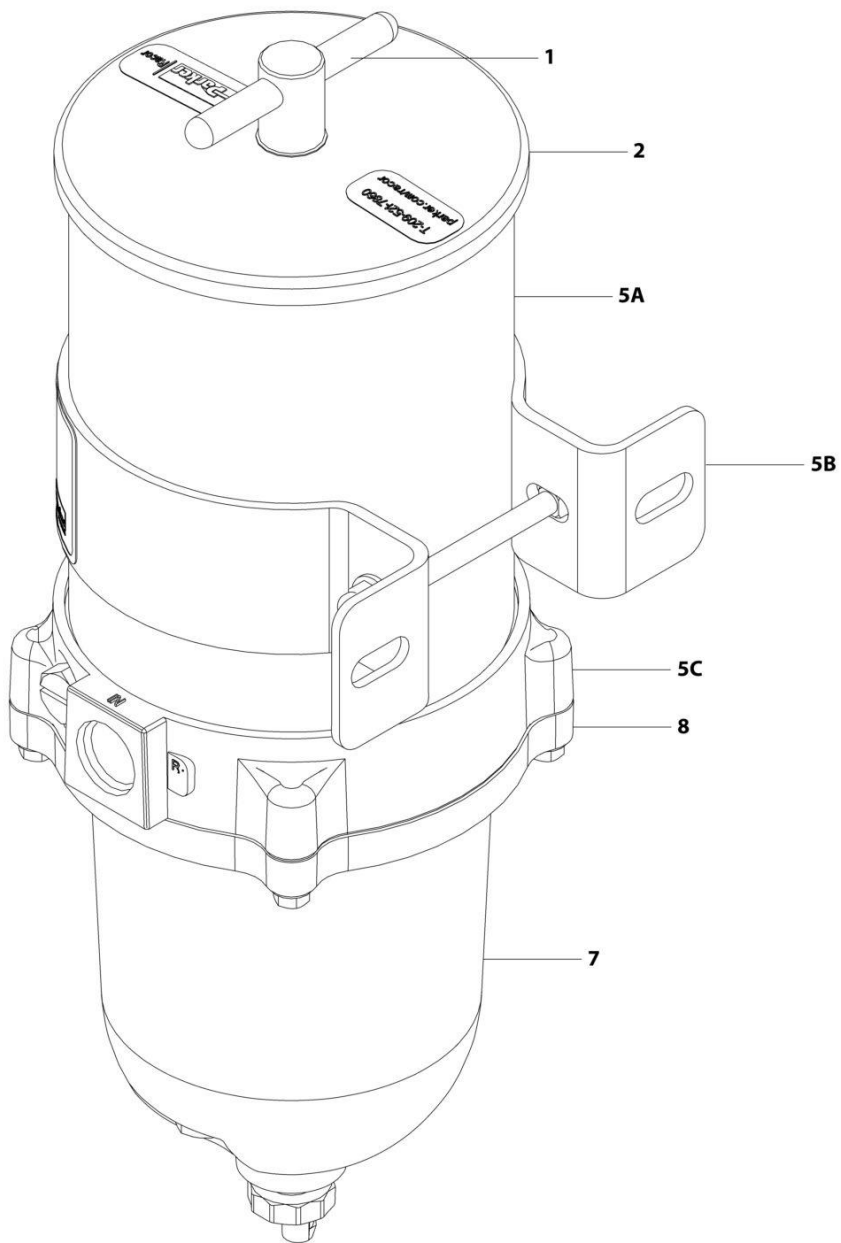
ART\_1001142259\_D

FIGURE 3-21. AIR CLEANER ASSEMBLY

| ITEM | PART NUMBER | QTY | DESCRIPTION                              | REV |
|------|-------------|-----|--|-----|
|      | 1001142259  | Ref | AIR CLEANER ASSEMBLY                     | D   |
| 1    | 70024190    | 1   | Main Air Element                         |     |
| 2    | 70024191    | 1   | Secondary Air Element                    |     |
| 3    | 70025249    | 1   | Dust Valve                               |     |
| 4    | 70030962    | 1   | Filter Housing (Includes Item 6)         |     |
| 5    | 70030963    | 1   | Bracket                                  |     |
| 6    | See Note    | NSS | Cover with Clips (Note: Purchase Item 4) |     |

# SECTION 3 - ENGINE

## FIGURE 3-22. FUEL FILTER ASSEMBLY - DEUTZ TD2.9L4 T4F ENGINES



ART\_1001222817

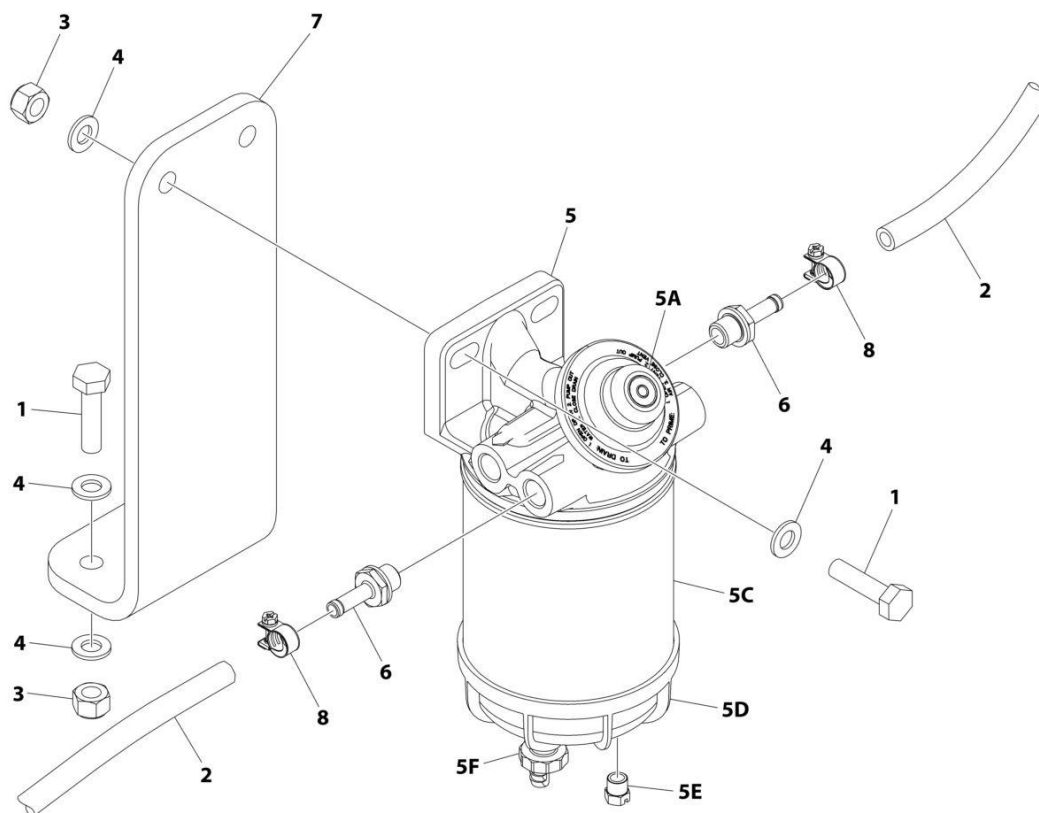
## SECTION 3 - ENGINE

**FIGURE 3-22. FUEL FILTER ASSEMBLY - DEUTZ TD2.9L4 T4F ENGINES**

| ITEM | PART NUMBER | QTY | DESCRIPTION   | REV |
|------|-------------|-----|---|-----|
|      | 1001222817  | Ref | FUEL FILTER ASSEMBLY  | A   |
| 1    | 70006403    | 1   | Handle Kit (Includes Handle, Handle O-Ring & Lid Gasket)  |     |
| 2    | 70006404    | 1   | Lid Kit (Includes Lid, Handle O-Ring & Lid Gasket)  |     |
| 3    | 70006405    | 1   | Element, Filter (Not Shown)   |     |
| 5A   | See Note    | NSS | Housing (Note: Use p/n 1001222817)  |     |
| 5B   | See Note    | NSS | Bracket (Note: Use p/n 1001222817)  |     |
| 5C   | See Note    | NSS | Tube, Return (Note: Use p/n 1001222817)   |     |
| 6    | 70006407    | 1   | Certrfuge & Baffle Kit (Not Shown - Located at Bottom of 5C) (Also Includes p/n 70006406 & Bowl Gasket) |     |
| 6    | 70006406    | 1   | Checkball & Gasket Kit (Not Shown - Located at Bottom of 5C)  |     |
| 7    | 70006409    | 1   | Bowl Kit (Includes Bowl Gasket, Plug with O-Ring & Drain)   |     |
| 7    | 70006408    | 1   | Gasket, Bowl  |     |
| 8    | 70006410    | 1   | Bowl Ring Kit (Includes Bowl Gasket & Bolts)  |     |

# SECTION 3 - ENGINE

## FIGURE 3-23. FUEL FILTER INSTALLATION – DEUTZ TD2011 ENGINE (OPTIONAL)



ART\_1001150091

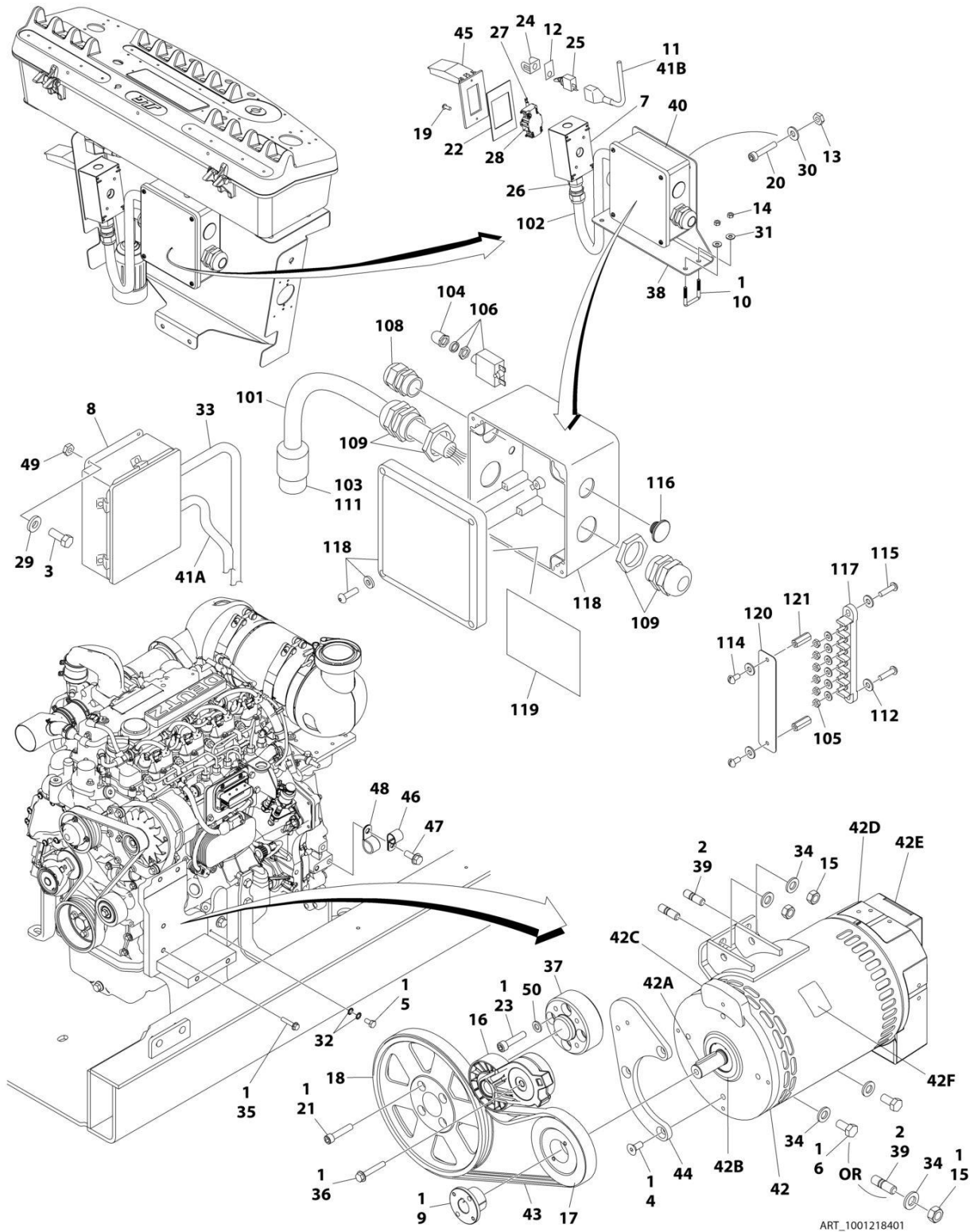
## SECTION 3 - ENGINE

**FIGURE 3-23. FUEL FILTER INSTALLATION – DEUTZ TD2011 ENGINE (OPTIONAL)**

| ITEM | PART NUMBER | QTY              | DESCRIPTION   | REV |
|------|-------------|------------------|---|-----|
|      | 1001150091  | Ref              | FUEL FILTER INSTALLATION – DEUTZ TD2011 ENGINE (OPTIONAL) | B   |
| 1    | 0761016     | 4                | Bolt M10 x 40   |     |
| 2    | 2720058     | 16.7 ft<br>/5.1m | Hose Fuel Line  |     |
| 3    | 3291005     | 4                | Nut M10   |     |
| 4    | 4812000     | 8                | Washer M10  |     |
| 5    | 1001149452  | 1                | Fuel Filter/Water Separator Assembly                      |     |
| 5A   | See Note    | NSS              | Indicator, Restriction (Note: Use p/n 1001149452)         |     |
| 5B   | 70004064    | 1                | Bypass Valve Kit (Not Shown)                              |     |
| 5C   | 70004065    | 1                | Gasket, Head to Element                                   |     |
| 5C   | 70004066    | 1                | Element, Filter   |     |
| 5D   | 70004067    | 1                | Gasket, Element to Bowl                                   |     |
| 5D   | 70004068    | 1                | Bowl Kit (Includes Bowl, Element and Plug)                |     |
| 5E   | 70004069    | 1                | Plug  |     |
| 5F   | 70004070    | 1                | Drain   |     |
| 6    | 1001149469  | 2                | Fitting, Straight Barbed                                  |     |
| 7    | 1001182727  | 1                | Bracket   |     |
| 8    | 1001174486  | 4                | Clamp   |     |

# SECTION 3 - ENGINE

## FIGURE 3-24. 7500W SKYPOWER GENERATOR INSTALLATION - 60HZ/240V (DEUTZ TD2.9L4 T4F ENGINES) (OPTIONAL)





## SECTION 3 - ENGINE

**FIGURE 3-24. 7500W SKYPOWER GENERATOR INSTALLATION - 60HZ/240V (DEUTZ TD2.9L4 T4F ENGINES) (OPTIONAL)**

| ITEM | PART NUMBER | QTY | DESCRIPTION  | REV |
|------|-------------|-----|--|-----|
|      | 1001218401  | Ref | 7500W SKYPOWER GENERATOR INSTALLATION - 60HZ/240V (DEUTZ TD2.9L4 T4F ENGINES) (OPTIONAL) | D   |
| 1    | 0100011     | AR  | Compound, Locking  |     |
| 2    | 0100019     | AR  | Compound, Locking  |     |
| 3    | 0760615     | 4   | Bolt M6 x 35   |     |
| 4    | 0741607     | 3   | Screw 3/8 x 7/8  |     |
| 5    | 0760606     | 1   | Bolt M6 x 12   |     |
| 6    | 0761212     | 2   | Bolt M12 x 25  |     |
| 7    | 0860038     | 1   | Box, Receptacle  |     |
| 8    | 0861538     | 1   | Generator Control Box Assembly   |     |
| 8    | 7024488     | 1   | Card, Circuit - Generator Power (Not Shown)  |     |
| 8    | See Note    | 1   | Fuse (Note: Not Available Purchase Locally)  |     |
| 8    | 7024489     | 1   | Card, Circuit - Control (Not Shown)  |     |
|      |             | Ref | Note: When replacing card, rocker switch on card must be set for required application.   |     |
| 8    | 70000619    | 1   | Harness, Circuit Card  |     |
| 9    | 0962520     | 1   | Bushing, Taper   |     |
| 10   | 1320302     | 2   | Clamp  |     |
| 11   | 2820031     | 1   | Heat Shrink  |     |
| 12   | 3251102     | 1   | Nameplate - Generator  |     |
| 13   | 3311005     | 4   | Nut #10  |     |
| 14   | 3311401     | 4   | Nut 1/4  |     |
| 15   | 3331211     | AR  | Nut M12  |     |
| 16   | 3580317     | 1   | Tensioner, Bolt  |     |
| 17   | 3580318     | 1   | Pulley, Generator  |     |
| 18   | 3580320     | 1   | Pulley, Engine   |     |
| 19   | 3910606     | 4   | Screw #6 x 3/8   |     |
| 20   | 3931016     | 4   | Capscrew #10 x 1   |     |
| 21   | 3931628     | 4   | Capscrew 3/8 x 1-3/4   |     |
| 22   | 3960422     | 1   | Gasket   |     |
| 23   | 4032013     | 4   | Capscrew M10 x 45  |     |
| 23   | 4032014     | 4   | Capscrew M10 x 50  |     |
| 24   | 4060802     | 1   | Guard, Switch  |     |
| 25   | 4360336     | 1   | Switch, Toggle   |     |
| 26   | 4460071     | 1   | Connector, Strain Relief   |     |
| 27   | 4460315     | 2   | Terminal   |     |
| 28   | 4460346     | 1   | Receptacle, Female   |     |
| 29   | 4711400     | 4   | Washer 1/4   |     |
| 29   | 4811700     | 8   | Washer M6  |     |
| 30   | 4751000     | 4   | Washer #10   |     |
| 31   | 4751400     | 4   | Washer 1/4   |     |
| 32   | 4871700     | 2   | Washer M6  |     |
| 33   | 4922972     | 1   | Generator Harness (See Separate Breakdown in ELECTRICAL Section)                         |     |
| 34   | 5241200     | 4   | Washer M12   |     |
| 35   | 5250816     | 2   | Bolt M8 x 40   |     |
| 36   | 5250818     | 1   | Bolt M8 x 50   |     |
| 37   | 1001135679  | 1   | Adapter, Pulley  |     |
| 38   | 1001141958  | 1   | Bracket  |     |

## SECTION 3 - ENGINE

| ITEM | PART NUMBER | QTY             | DESCRIPTION  | REV |
|------|-------------|-----------------|--|-----|
| 39   | 1001155041  | AR              | Stud   |     |
| 40   | 1001157592  | 1               | Junction Box Assembly (See Items 101-121 for Breakdown)  |     |
| 41   | 1001157770  | AR              | Electrical Diagram Components (Not Shown)  |     |
| 41A  | 1001119968  | 1               | Generator Harness - 7500W SkyPower (60Hz/240V) (Deutz TD2.9L4 TF4 Engines) (Optional) (See Separate Breakdown in ELECTRICAL Section) |     |
| 41B  | 4922641     | 1               | Switch Harness   |     |
| 42   | 1001212223  | 1               | Generator Assembly   |     |
| 42   | 70001100    | 1               | Rotor (Includes p/n 70001384 & 70000863) (Not Shown)   |     |
| 42   | 70001384    | 1               | Bearing, Shaft (Rear) (Not Shown)  |     |
| 42   | 70000863    | 1               | Fan, Generator (Not Shown)   |     |
| 42   | 70006093    | 1               | Stator (Not Shown)   |     |
| 42   | See Note    | NSS             | Stud 1/4 x 13-3/8 (Not Shown) (Note: Purchase Locally)   |     |
| 42   | 70003631    | 1               | Brushholder Assembly (Not Shown) (was p/n 7024484)   |     |
| 42A  | 70004099    | 1               | Key  |     |
| 42B  | 70001966    | 1               | Bearing, Ball Radial (Located in Belt Tensioner Endbell)   |     |
| 42B  | 70003709    | 1               | Ring, Retaining (Small)  |     |
| 42B  | 70003708    | 1               | Ring, Retaining (Large)  |     |
| 42C  | 70004092    | 1               | Endbell, Belt Tensioner  |     |
| 42D  | 70004094    | 1               | Endbell, Brush Block   |     |
| 42E  | 70006094    | 1               | Shroud Assembly  |     |
| 42E  | 7027799     | 1               | Block, Connector - 6 Position (Not Shown)  |     |
| 42E  | 70002460    | 6               | Nut, Brass (Attaches p/n 7027799 to Cover) (Not Shown)   |     |
| 42E  | 70006095    | 1               | Breaker, Circuit 30Amp (Not Shown)   |     |
| 42E  | 70006096    | 1               | Boot, Breaker (Not Shown)  |     |
| 42E  | See Note    | NSS             | Connector with Leads (Not Shown) (Note: Not Available for Purchase)  |     |
| 42E  | 7026626     | 1               | Connector with Pins (Not Shown)  |     |
| 42E  | 70004098    | 1               | Clamp, Cable (Not Shown)   |     |
| 42E  | 70006097    | 1               | Plate, End Panel (Not Shown)   |     |
| 42E  | 70002291    | 1               | Insulator, End Panel (Not Shown)   |     |
| 42E  | 70001974    | 1               | Decal - Terminal Connections (Not Shown)   |     |
| 42F  | 70001973    | 1               | Decal - Warning Moving Parts   |     |
| 43   | 1001214683  | 1               | V-Belt   |     |
| 44   | 1001218447  | 1               | Bracket  |     |
| 45   | 1001110873  | 1               | Cover, Receptacle  |     |
| 46   | 1320061     | 1               | Clamp  |     |
| 47   | 5251012     | 1               | Bolt M10 x 25  |     |
| 48   | 7274000040  | 1               | Clamp  |     |
| 49   | 3290605     | 4               | Nut  |     |
| 50   | 4812000     | 4               | Washer   |     |
|      | 1001157592  | Ref             | JUNCTION BOX ASSEMBLY  | C   |
| 101  | 1060343     | 1.5 ft/<br>0.5m | Cable, Electrical 10/4   |     |
| 102  | 1001179154  | 2.5 ft/<br>0.8m | Cable, Electrical 12/3   |     |
| 103  | 1671092     | 1               | Cover  |     |
| 104  | 3300396     | 1               | Cover, Fuse  |     |
| 105  | 3311001     | 6               | Nut #10  |     |
| 106  | 4360070     | 1               | Circuit Breaker - 15Amp  |     |
| 108  | 4460425     | 1               | Strain Relief, Terminal  |     |
| 109  | 4460426     | 2               | Connector, Strain Relief   |     |

## SECTION 3 - ENGINE

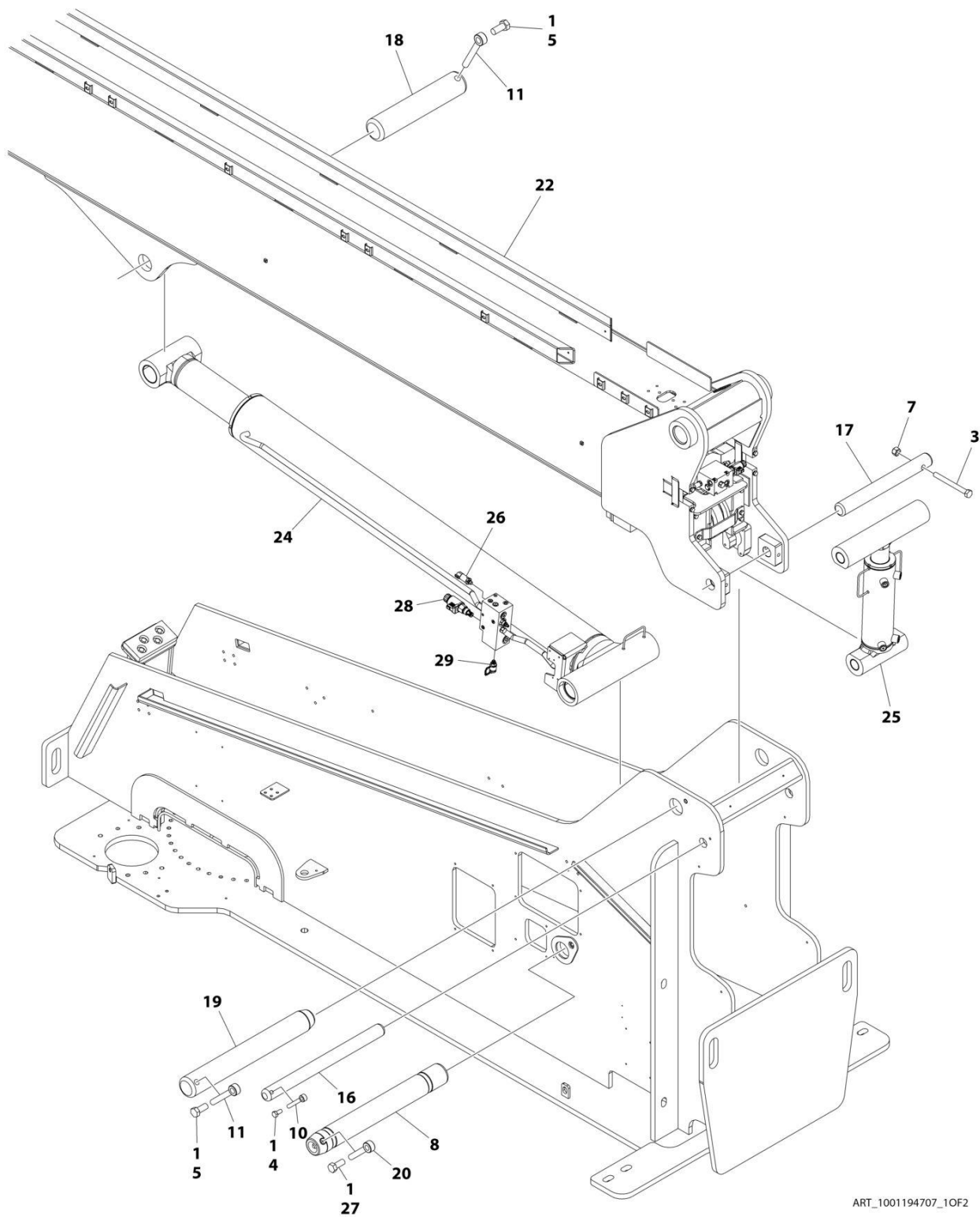
| ITEM | PART NUMBER | QTY | DESCRIPTION              | REV |
|------|-------------|-----|--------------------------|-----|
| 111  | 4460963     | 1   | Connector                |     |
| 112  | 4711000     | 10  | Washer #10               |     |
| 114  | 10702077    | 2   | Screw #10 x 3/8          |     |
| 115  | 10702082    | 2   | Screw #10 x 3/4          |     |
| 116  | 1001152525  | 1   | Plug                     |     |
| 117  | 1001157520  | 1   | Block, Terminal          |     |
| 118  | 1001157521  | 1   | Box, Junction            |     |
| 119  | 1001157528  | 1   | Decal - Wiring Schematic |     |
| 120  | 1001158007  | 1   | Cover, PVC               |     |
| 121  | 1001158008  | 2   | Stand-Off                |     |



**SECTION 4 - BOOM**

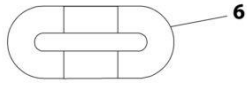
# SECTION 4 - BOOM

## FIGURE 4-1. BOOM INSTALLATION

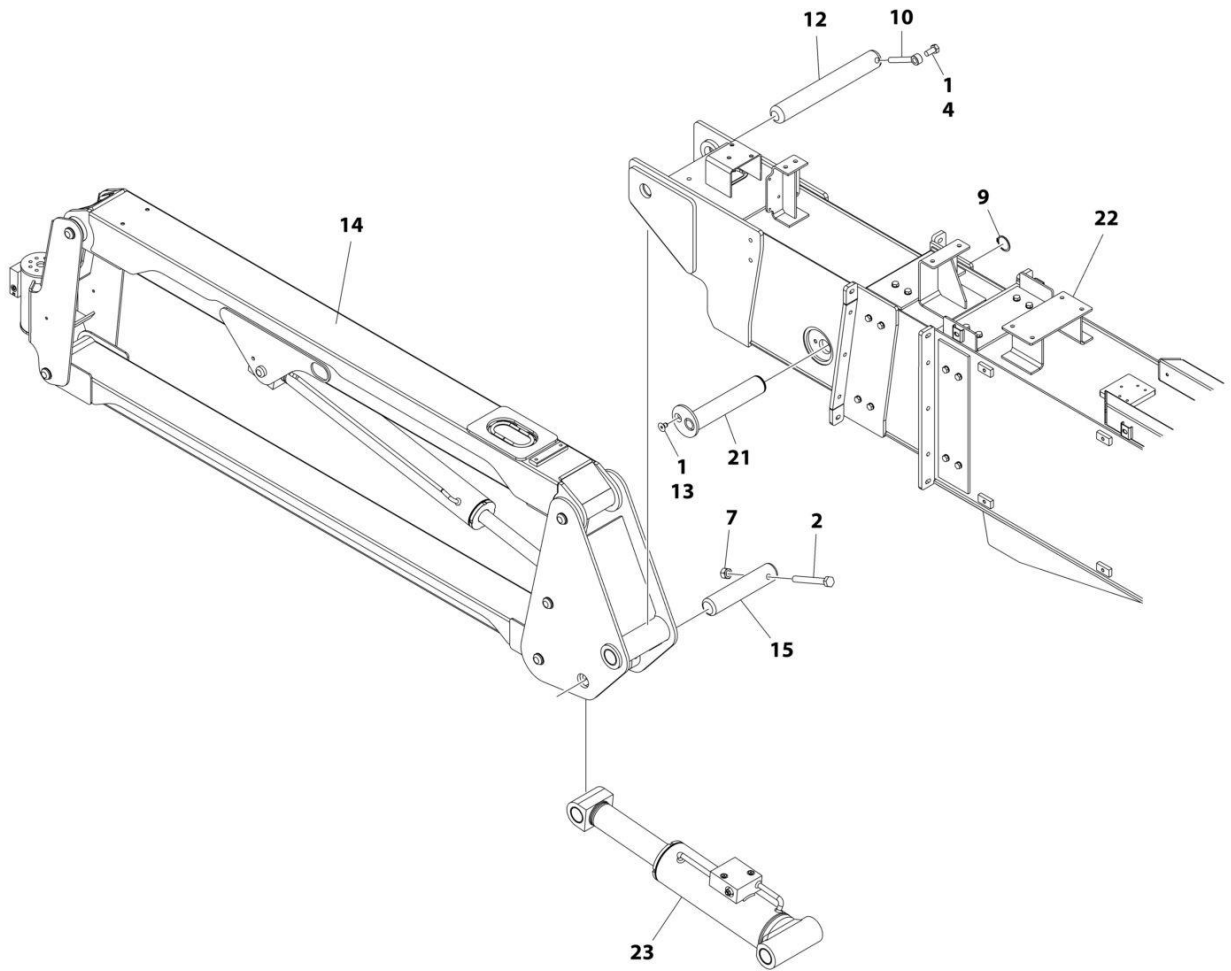


ART\_1001194707\_TOF2

# SECTION 4 - BOOM



**DECALS LOCATED ON  
BOTTOM PLATE OF MID BOOM**



ART\_1001194707\_2OF2

## SECTION 4 - BOOM

**FIGURE 4-1. BOOM INSTALLATION**

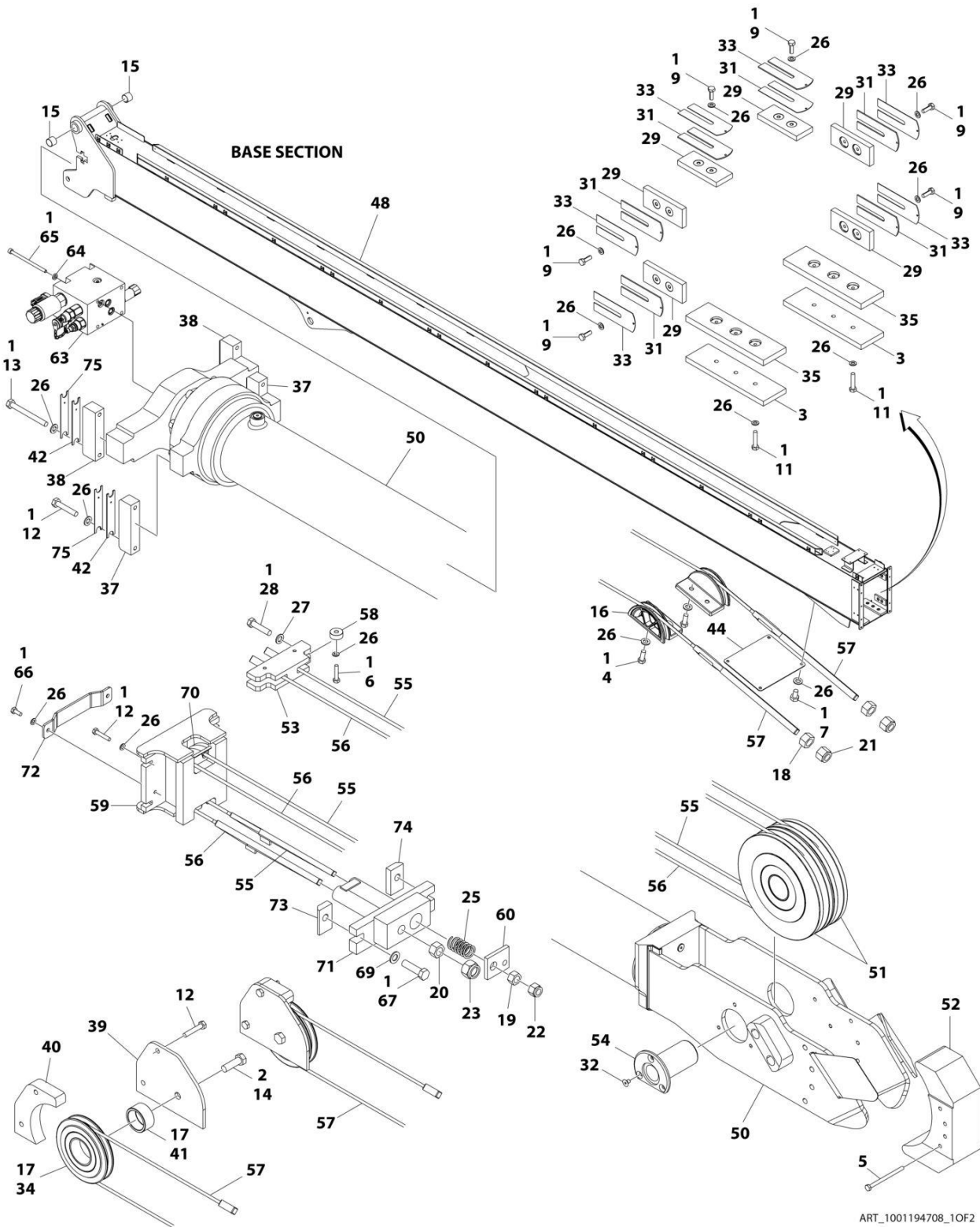
| ITEM | PART NUMBER | QTY | DESCRIPTION   | REV |
|------|-------------|-----|---|-----|
|      | 1001194707  | Ref | BOOM INSTALLATION   | G   |
| 1    | 0100019     | AR  | Compound, Locking   |     |
| 2    | 0701227     | 1   | Bolt M12 x 100  |     |
| 3    | 0701229     | 1   | Bolt M12 x 120  |     |
| 4    | 0761212     | 2   | Bolt M12 x 25   |     |
| 5    | 0762017     | 2   | Bolt M20 x 45   |     |
| 6    | 1705366     | 1   | Decal - Boom Length   |     |
| 7    | 3291205     | 2   | Nut M12   |     |
| 8    | 3423208     | 1   | Pin   |     |
| 9    | 3760233     | 1   | Ring, Retaining   |     |
| 10   | 3841203     | 2   | Keeper, Pin   |     |
| 11   | 3841287     | 2   | Keeper, Pin   |     |
| 12   | 1001116547  | 1   | Pin   |     |
| 13   | 1001137032  | 1   | Screw M10 x 16  |     |
| 14   | 1001150012  | 1   | Jib Assembly (See Separate Breakdown in this Section)                                 |     |
| 15   | 1001150470  | 1   | Pin   |     |
| 16   | 1001150471  | 1   | Pin   |     |
| 17   | 1001200794  | 1   | Pin   |     |
| 18   | 1001150473  | 1   | Pin   |     |
| 19   | 1001150474  | 1   | Pin   |     |
| 20   | 3841581     | 1   | Keeper, Pin   |     |
| 21   | 1001194694  | 1   | Pin   |     |
| 22   | 1001194708  | 1   | Boom Assembly (See Separate Breakdown in this Section)                                |     |
| 23   | 1001195191  | 1   | Level Cylinder Assembly - Platform Slave (See Separate Breakdown in CYLINDER Section) |     |
| 24   | 1001197797  | 1   | Lift Cylinder - Boom (See Separate Breakdown in CYLINDER Section)                     |     |
| 25   | 1001197798  | 1   | Master Cylinder Assembly (See Separate Breakdown in CYLINDER Section)                 |     |
| 26   | 1001199043  | 1   | Sensor, Pressure Transducer   |     |
| 27   | 0642214     | 1   | Bolt 3/4 x 1-3/4  |     |
| 28   | 1001218037  | 1   | Proportional Valve Assembly   |     |
| 28   | 70006003    | 1   | Cartridge Less Coil   |     |
| 28   | 70006005    | 1   | Seal Kit - 70006003 Cartridge   |     |
| 28   | 70006004    | 1   | Coil  |     |
| 28   | 70006006    | 1   | Nut   |     |
| 29   | 2221086     | 1   | Fitting, Test   |     |





# SECTION 4 - BOOM

## FIGURE 4-2. BOOM ASSEMBLY



ART\_1001194708\_10F2



# SECTION 4 - BOOM

## FIGURE 4-2. BOOM ASSEMBLY

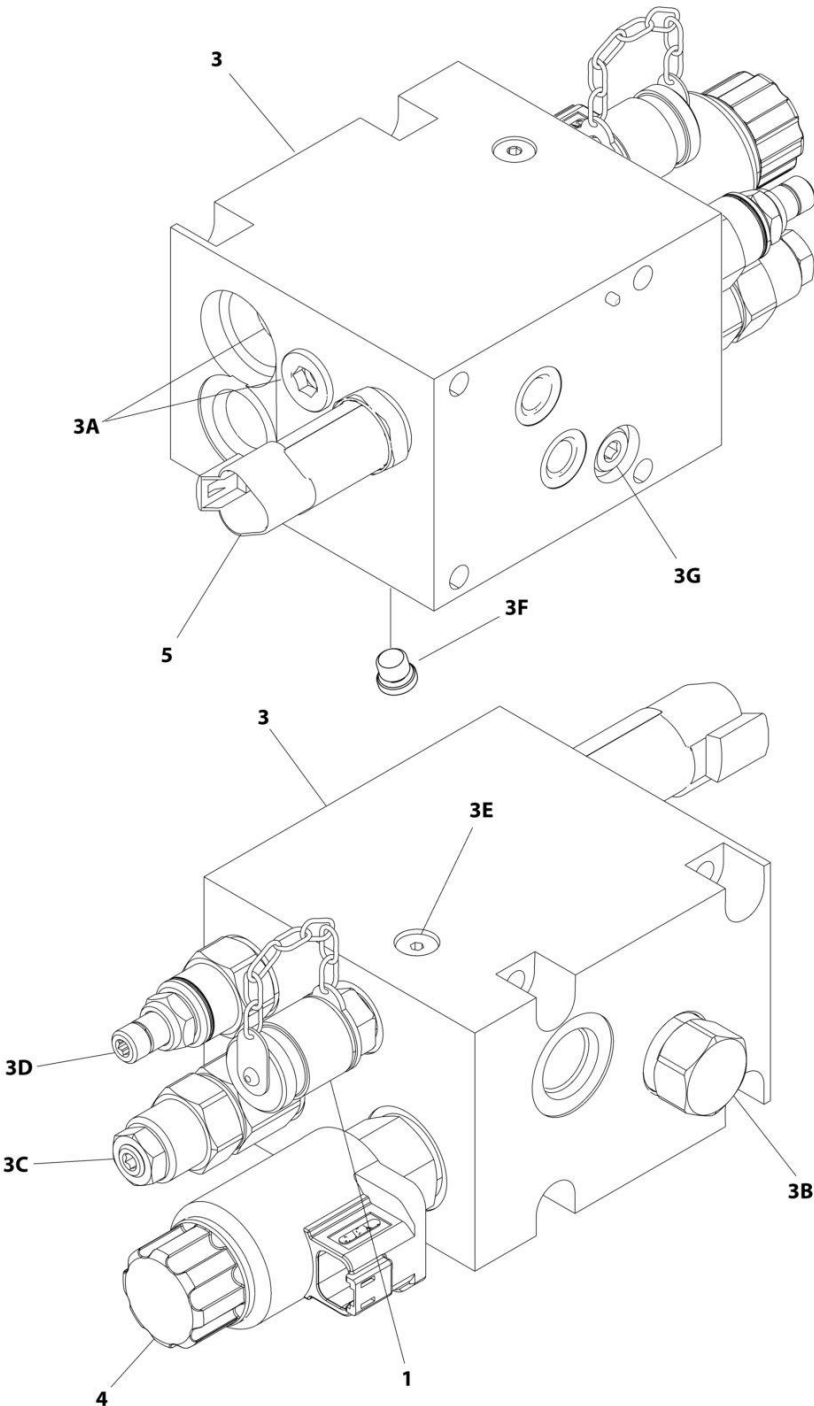
| ITEM | PART NUMBER | QTY | DESCRIPTION                       | REV |
|------|-------------|-----|-----------------------------------|-----|
|      | 1001194708  | Ref | BOOM ASSEMBLY                     | N   |
| 1    | 0100011     | AR  | Compound, Locking                 |     |
| 2    | 0100019     | AR  | Compound, Locking                 |     |
| 3    | 0561471     | 2   | Block, Spacer                     |     |
| 4    | 0641608     | 4   | Bolt 3/8 x 1                      |     |
| 5    | 0701031     | 4   | Bolt M10 x 140                    |     |
| 6    | 0711018     | 2   | Bolt M10 x 50                     |     |
| 7    | 0761009     | 4   | Bolt M10 x 18                     |     |
| 8    | 0761010     | 28  | Bolt M10 x 20                     |     |
| 9    | 0761014     | 36  | Bolt M10 x 30                     |     |
| 11   | 0761018     | 6   | Bolt M10 x 50                     |     |
| 12   | 0761019     | 12  | Bolt M10 x 55                     |     |
| 13   | 0761027     | 4   | Bolt M10 x 100                    |     |
| 14   | 0761618     | 2   | Bolt M16 x 50                     |     |
| 15   | 0962297     | 2   | Bushing                           |     |
| 16   | 1220078     | 2   | Sheave, Block                     |     |
| 17   | 3020039     | AR  | Lubricant                         |     |
| 18   | 3272201     | 2   | Nut 3/4                           |     |
| 19   | 3272401     | 1   | Nut 7/8                           |     |
| 20   | 3282601     | 1   | Nut 1                             |     |
| 21   | 3300241     | 2   | Nut Nylon Collar Locking 3/4-10   |     |
| 22   | 3300242     | 1   | Nut Nylon Collar Locking 7/8-9    |     |
| 23   | 3300459     | 1   | Nut                               |     |
| 24   | 4071015     | 2   | Shim, 16 Gauge                    |     |
| 25   | 4160197     | 1   | Spring                            |     |
| 26   | 4812000     | 94  | Washer M10                        |     |
| 27   | 4812300     | 2   | Washer M16                        |     |
| 28   | 1001110853  | 2   | Bolt M16 x 70                     |     |
| 29   | 1001118287  | 22  | Pad, Wear                         |     |
| 30   | 1001136583  | 2   | Pad, Wear                         |     |
| 31   | 1001136592  | NLA | Shim, 11 Gauge (Use PN 4070898)   |     |
| 31   | 4070898     | 20  | Shim, 11 Gauge                    |     |
| 32   | 1001137032  | 3   | Screw M10 x 16                    |     |
| 33   | 1001143713  | NLA | Shim, 18 Gauge (Use PN 4070897)   |     |
| 33   | 4070897     | 20  | Shim, 18 Gauge                    |     |
| 34   | 1001146775  | 2   | Sheave, Assembly                  |     |
| 34   | 0962404     | 2   | Bushing, Bronze (1 Per Sheave)    |     |
| 34   | 0962411     | 2   | Bushing, Composite (1 Per Sheave) |     |
| 35   | 1001148011  | 2   | Pad, Wear                         |     |
| 36   | 1001148012  | 2   | Pad, Wear                         |     |
| 37   | 1001148420  | 2   | Bar                               |     |
| 38   | 1001148421  | 2   | Bar                               |     |
| 39   | 1001148576  | 2   | Cover, Sheave                     |     |
| 40   | 1001148577  | 2   | Block, Rope Retainer              |     |
| 41   | 1001148578  | 2   | Sleeve, Sheave                    |     |
| 42   | 1001194636  | 4   | Shim, 14 Gauge                    |     |
| 43   | 1001194653  | 1   | Shim, 16 Gauge                    |     |
| 44   | 1001194663  | 1   | Cover                             |     |
| 45   | 1001194706  | 1   | Boom, Mid                         |     |
| 46   | 1001194712  | 1   | Pad, Wear                         |     |

## SECTION 4 - BOOM

| ITEM | PART NUMBER | QTY             | DESCRIPTION  | REV |
|------|-------------|-----------------|--|-----|
| 47   | 1001194715  | 1               | Pad, Wear  |     |
| 48   | 1001194717  | 1               | Boom, Base   |     |
| 49   | 1001194733  | 1               | Boom, Fly  |     |
| 50   | 1001232899  | 1               | Telescope Cylinder Assembly (See Separate Breakdown in CYLINDER Section) |     |
| 51   | 1001194935  | 2               | Sheave Assembly  |     |
| 51   | 1001154294  | 1               | Ring, Retaining (1 Per Sheave)   |     |
| 51   | 1001154304  | 1               | Bushing, Composite (1 Per Sheave)  |     |
| 51   | 1001154306  | 1               | Bushing, Bronze (1 Per Sheave)   |     |
| 52   | 1001194937  | 1               | Guard, Sheave  |     |
| 53   | 1001194938  | 1               | Block, Extent Rope   |     |
| 54   | 1001194940  | 1               | Pin  |     |
| 55   | 1001194941  | 1               | Rope, Extend   |     |
| 56   | 1001194942  | 1               | Rope, Extend   |     |
| 57   | 1001194943  | 2               | Rope, Retract  |     |
| 58   | 1001195442  | 2               | Washer   |     |
| 59   | 1001216560  | 1               | Support  |     |
| 60   | 1001216835  | 1               | Block  |     |
| 61   | 4060807     | 8.3 in/<br>21cm | Flex-Trim  |     |
| 62   | 3020042     | AR              | Lubricant (Not Shown)  |     |
| 63   | 1001221518  | 1               | Telescope Valve Assembly (See Separate Breakdown in this Section)        |     |
| 64   | 5240600     | 4               | Washer M6  |     |
| 65   | 5271723     | 4               | Capscrew M6 x 100  |     |
| 66   | 0761012     | 2               | Bolt M10 x 25  |     |
| 67   | 1001119057  | 2               | Bolt M20 x 75  |     |
| 69   | 5242000     | 2               | Washer M20   |     |
| 70   | 1001216555  | 1               | Guide  |     |
| 71   | 1001216832  | 1               | Adjuster, Switch   |     |
| 72   | 1001216836  | 1               | Bracket  |     |
| 73   | 1001220778  | 1               | Spacer   |     |
| 74   | 1001220779  | 1               | Pad  |     |
| 75   | 1001225343  | 4               | Shim, 18 Gauge   |     |

**SECTION 4 - BOOM**

**FIGURE 4-3. TELESCOPE VALVE ASSEMBLY**



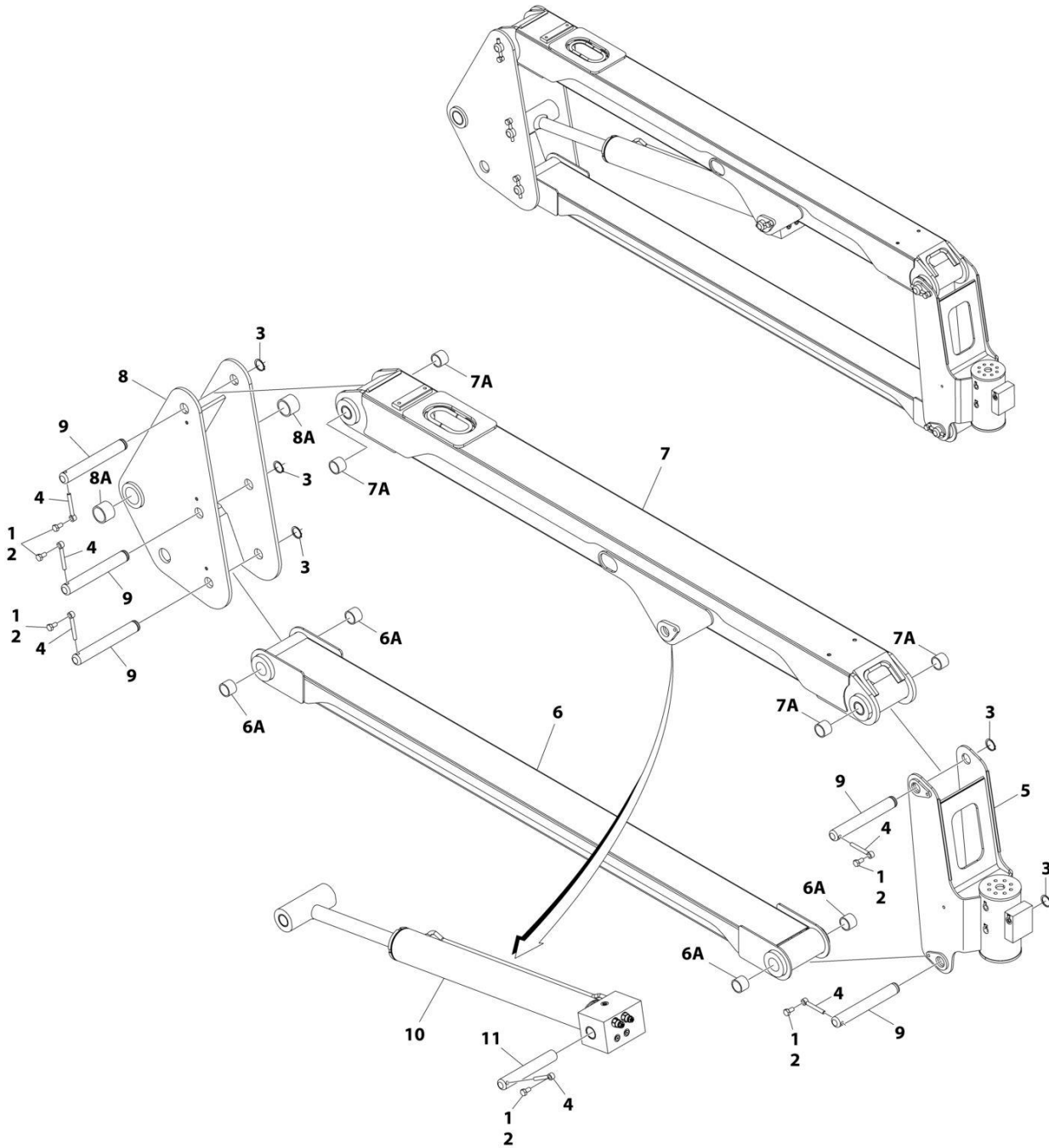
ART\_1001221518

FIGURE 4-3. TELESCOPE VALVE ASSEMBLY

| ITEM | PART NUMBER | QTY | DESCRIPTION                 | REV |
|------|-------------|-----|-----------------------------|-----|
|      | 1001221518  | Ref | TELESCOPE VALVE ASSEMBLY    | C   |
| 1    | 2221086     | 1   | Fitting, Test               |     |
| 3    | 1001226706  | 1   | Load Holding Valve Manifold |     |
| 3A   | 70006282    | 1   | Cartridge                   |     |
| 3A   | 7011346     | 1   | Seal Kit - 70006282 Valve   |     |
| 3B   | 70006098    | 1   | Cartridge                   |     |
| 3B   | 70006099    | 1   | Seal Kit - 70006098 Valve   |     |
| 3C   | 70006283    | 1   | Cartridge                   |     |
| 3C   | 2900700     | 1   | Seal Kit - 70006283 Valve   |     |
| 3D   | 70006101    | 1   | Cartridge                   |     |
| 3D   | 70006102    | 1   | Seal Kit - 70006101 Valve   |     |
| 3E   | 2220881     | 1   | Plug                        |     |
| 3F   | 2220883     | 1   | Plug                        |     |
| 3G   | 2221337     | 1   | Plug                        |     |
| 4    | 1001218037  | 1   | Solenoid Valve              |     |
| 4    | 70006003    | 1   | Cartridge                   |     |
| 4    | 70006004    | 1   | Coil                        |     |
| 4    | 70006005    | 1   | Seal Kit - 70006003 Valve   |     |
| 4    | 70006006    | 1   | Nut                         |     |
| 5    | 1001199043  | 1   | Sensor, Pressure Transducer |     |

# SECTION 4 - BOOM

## FIGURE 4-4. JIB ASSEMBLY



ART\_1001150012

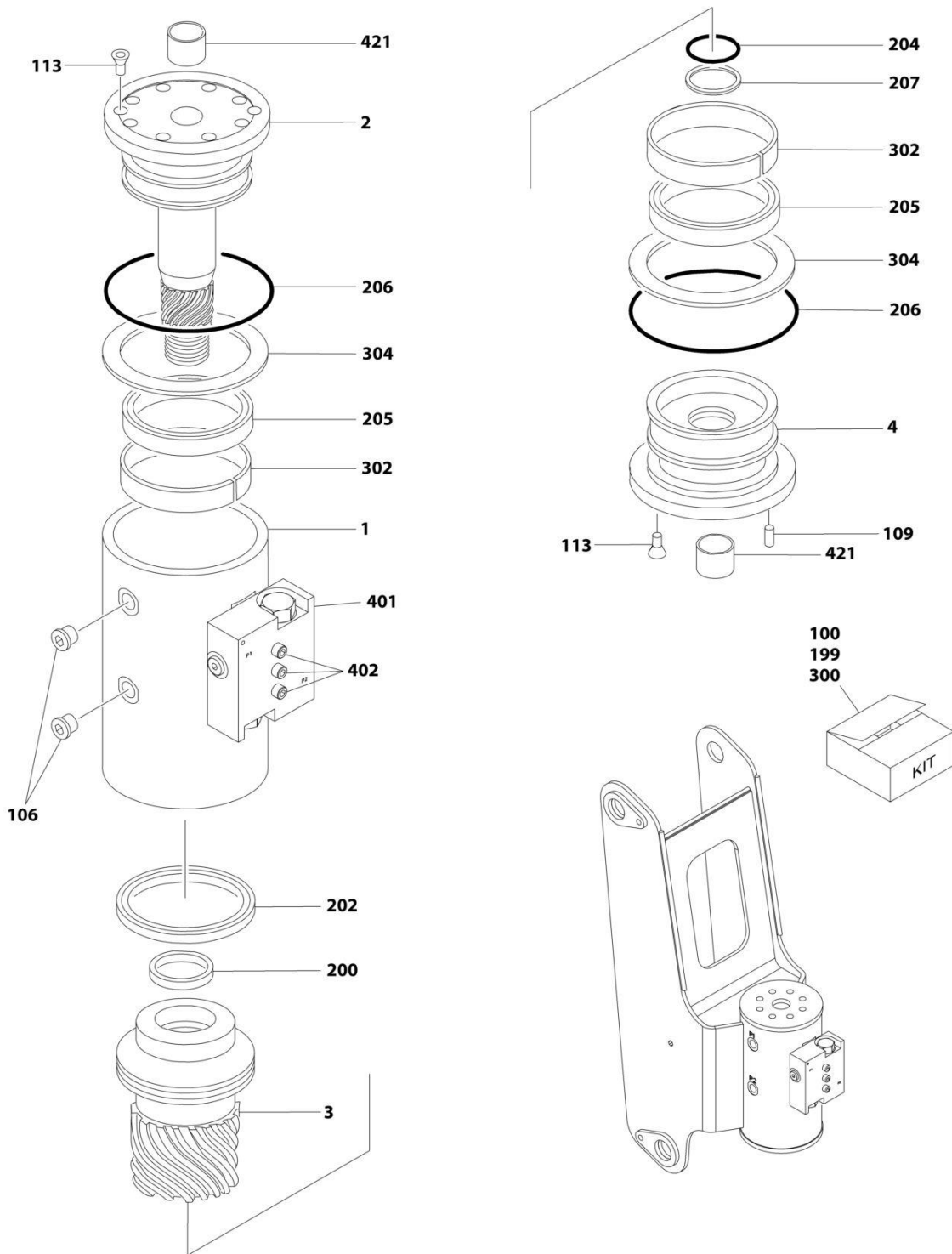


FIGURE 4-4. JIB ASSEMBLY

| ITEM | PART NUMBER | QTY | DESCRIPTION   | REV |
|------|-------------|-----|---|-----|
|      | 1001150012  | Ref | JIB ASSEMBLY  | B   |
| 1    | 0100011     | AR  | Compound, Locking   |     |
| 2    | 0761010     | 6   | Bolt M10 x 20   |     |
| 3    | 3760133     | 5   | Ring, Retaining   |     |
| 4    | 3841143     | 6   | Keeper, Pin   |     |
| 5    | 1001148919  | 1   | Platform Rotator Assembly (See Separate Breakdown in this Section)        |     |
| 6    | 1001148930  | 1   | Link, Lower Jib Assembly  |     |
| 6A   | 0961951     | 4   | Bushing   |     |
| 7    | 1001148932  | 1   | Link, Upper Jib Assembly  |     |
| 7A   | 0961951     | 4   | Bushing   |     |
| 8    | 1001148953  | 1   | Pivot, Jib Assembly   |     |
| 8A   | 1001118665  | 2   | Bushing   |     |
| 9    | 1001149103  | 5   | Pin, Nickel Plated  |     |
| 10   | 1001149389  | 1   | Lift Cylinder Assembly - Jib (See Separate Breakdown in CYLINDER Section) |     |
| 11   | 1001149903  | 1   | Pin, Nickel Plated  |     |

# SECTION 4 - BOOM

## FIGURE 4-5. PLATFORM ROTATOR ASSEMBLY



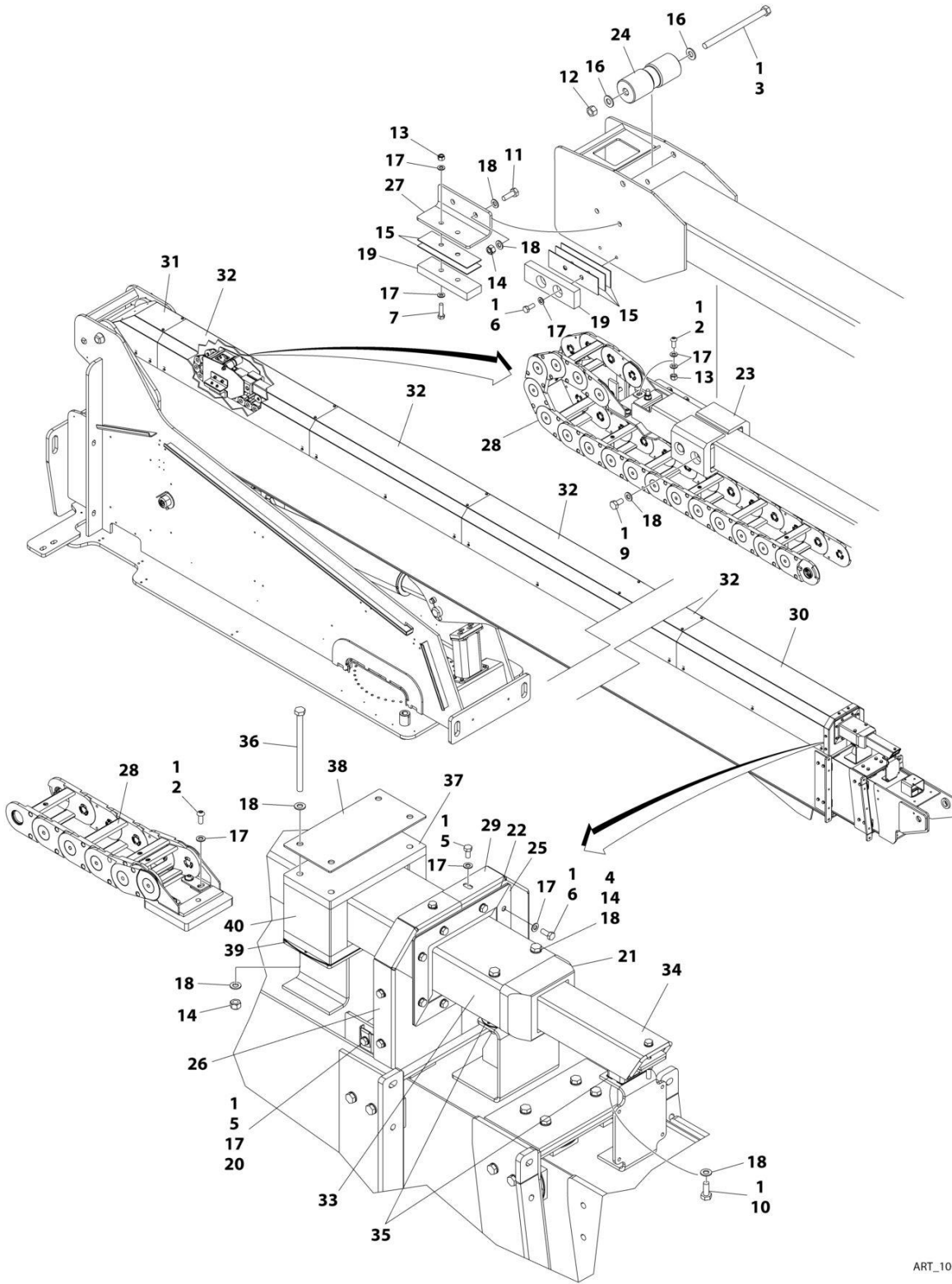
ART\_1001148919

FIGURE 4-5. PLATFORM ROTATOR ASSEMBLY

| ITEM | PART NUMBER | QTY | DESCRIPTION   | REV |
|------|-------------|-----|---|-----|
|      | 1001148919  | Ref | PLATFORM ROTATOR ASSEMBLY   | G   |
| 1    | See Note    | NSS | Housing/Ring Gear (Note: Purchase Complete Assembly)                      |     |
| 2    | 70003948    | 1   | Shaft   |     |
| 3    | 7017163     | 1   | Piston  |     |
| 4    | 7017164     | 1   | Cap   |     |
| 100  | 7017142     | 1   | Hardware Kit (Includes Items 106-109)                                     |     |
| 106  | See Note    | NSS | Plug (Note: Use Item 100)   |     |
| 109  | See Note    | NSS | Pin, Dowel (Note: Use Item 100)   |     |
| 113  | 70001697    | 6   | Screw 1/4 x 3/8   |     |
| 199  | 70000342    | 1   | Seal Kit - Low Temperature (Includes Items 200-207)                       |     |
| 200  | See Note    | NSS | T-Seal (Note: Use Item 199)   |     |
| 202  | See Note    | NSS | T-Seal (Note: Use Item 199)   |     |
| 204  | See Note    | NSS | O-Ring (Note: Use Item 199)   |     |
| 205  | See Note    | NSS | Seal (Note: Use Item 199)   |     |
| 206  | See Note    | NSS | O-Ring (Note: Use Item 199)   |     |
| 207  | See Note    | 1   | Ring, Back-up (Note: Use Item 199)  |     |
| 300  | 7017159     | 1   | Bearing Kit (Includes Items 302-304)                                      |     |
| 302  | See Note    | NSS | Bearing (Note: Use Item 300)  |     |
| 304  | See Note    | NSS | Washer, Thrust (Note: Use Item 300)                                       |     |
| 401  | 7017172     | 1   | Valve, Control (Note: Sold as Assembly Only)                              |     |
| 401  | 7017192     | 2   | Cartridge, Valve - Counterbalance (Seal Kit Not Available)                |     |
| 401  | See Note    | 1   | Cartridge, Valve - Check (Seal Kit Not Available) (Note: Use p/n 7017172) |     |
| 402  | See Note    | NSS | Bolt 1/4 x 1-1/2 Grade 8 (Note: Purchase Locally)                         |     |
| 421  | 7017195     | 2   | Bushing   |     |

# SECTION 4 - BOOM

## FIGURE 4-6. POWER TRACK INSTALLATION



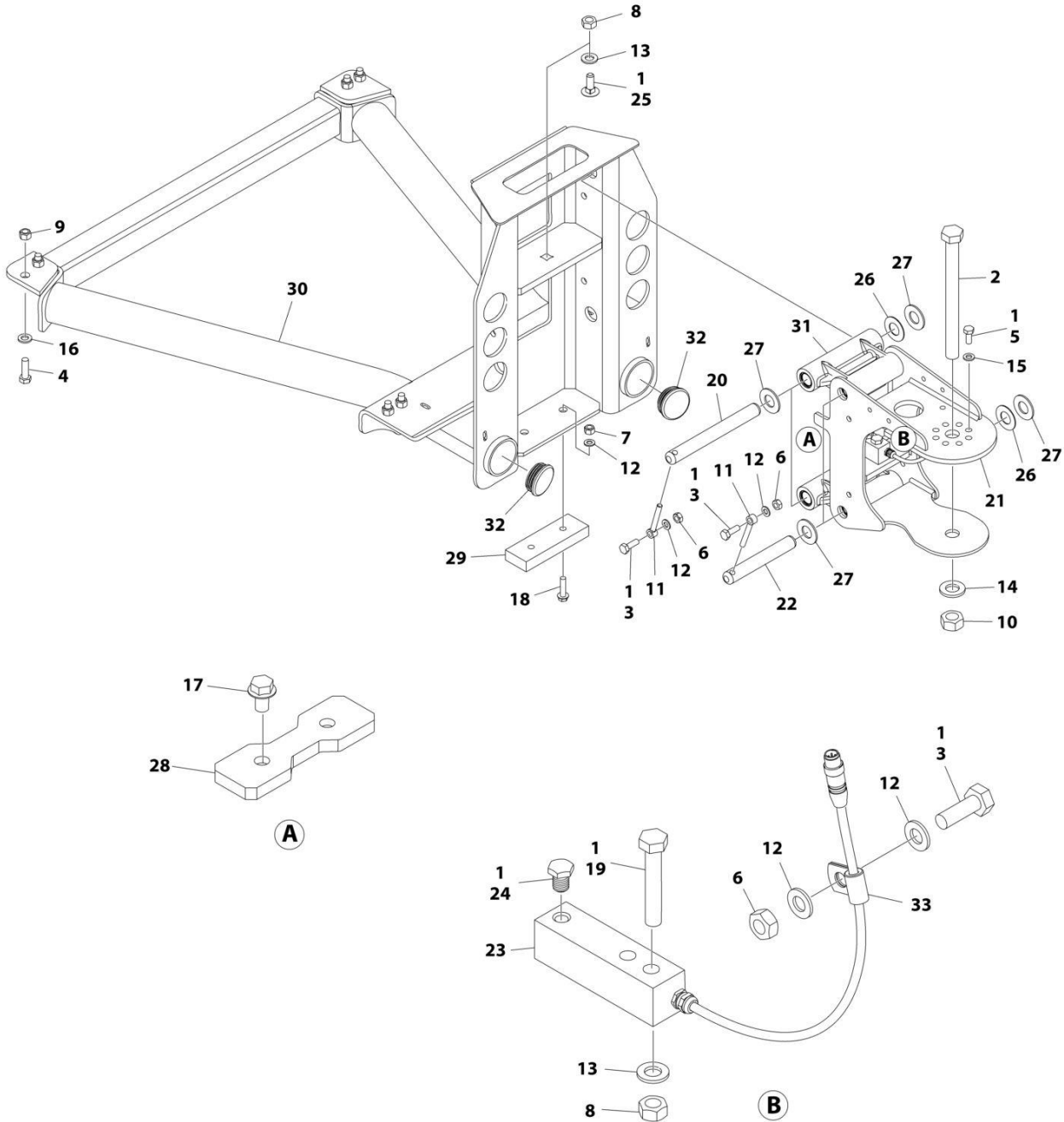
ART\_1001194506

FIGURE 4-6. POWER TRACK INSTALLATION

| ITEM | PART NUMBER | QTY | DESCRIPTION              | REV |
|------|-------------|-----|--------------------------|-----|
|      | 1001194506  | Ref | POWER TRACK INSTALLATION | G   |
| 1    | 0100019     | AR  | Compound, Locking        |     |
| 2    | 0630612     | 8   | Screw M8 x 20            |     |
| 3    | 0641858     | 1   | Bolt 1/2 x 7-1/4         |     |
| 4    | 0701030     | 2   | Bolt M10 x 130           |     |
| 5    | 0760808     | 66  | Bolt M8 x 16             |     |
| 6    | 0760810     | 12  | Bolt M8 x 20             |     |
| 7    | 0760814     | 4   | Bolt M8 x 30             |     |
| 9    | 0761010     | 4   | Bolt M10 x 20            |     |
| 10   | 0761012     | 2   | Bolt M10 x 25            |     |
| 11   | 0761014     | 4   | Bolt M10 x 30            |     |
| 12   | 3271805     | 1   | Nut 1/2                  |     |
| 13   | 3290805     | 8   | Nut M8                   |     |
| 14   | 3291005     | 10  | Nut M10                  |     |
| 15   | 4070895     | 10  | Shim, 16 Gauge           |     |
| 16   | 4711800     | 2   | Washer 1/2               |     |
| 17   | 4811900     | 94  | Washer M8                |     |
| 18   | 4812000     | 26  | Washer M10               |     |
| 19   | 1001148650  | 4   | Pad, Wear                |     |
| 20   | 1001149160  | 60  | Nut, Tinnerman M8        |     |
| 21   | 1001194134  | 2   | Pad, Wear                |     |
| 22   | 1001194136  | 2   | Wiper                    |     |
| 23   | 1001194137  | 2   | Pad, Wear                |     |
| 24   | 1001194138  | 1   | Roller                   |     |
| 25   | 1001194525  | 2   | Bracket                  |     |
| 26   | 1001216208  | 1   | Cover, Front (RH)        |     |
| 27   | 1001194528  | 2   | Bracket                  |     |
| 28   | 1001194548  | 1   | Power Track Assembly     |     |
| 28   | 70005824    | AR  | Repair Section Kit       |     |
| 28   | 70005825    | 1   | Mounting Kit             |     |
| 29   | 1001216207  | 1   | Cover, Front (LH)        |     |
| 30   | 1001194550  | 1   | Cover, Track (Front)     |     |
| 31   | 1001194564  | 1   | Cover, Track (Rear)      |     |
| 32   | 1001194566  | 6   | Cover, Track (Mid)       |     |
| 33   | 1001194568  | 1   | Tube, Push (Mid Boom)    |     |
| 34   | 1001194582  | 1   | Tube, Push (Fly Boom)    |     |
| 35   | 1001198229  | 6   | Shim, 1mm                |     |
| 36   | 0701034     | 4   | Bolt M10 x 170           |     |
| 37   | 1001194133  | 2   | Pad, Wear                |     |
| 38   | 1001197717  | 1   | Plate                    |     |
| 39   | 1001216206  | 4   | Shim, 1mm                |     |
| 40   | 1001217028  | 2   | Pad, Wear                |     |

# SECTION 4 - BOOM

## FIGURE 4-7. PLATFORM SUPPORT INSTALLATION



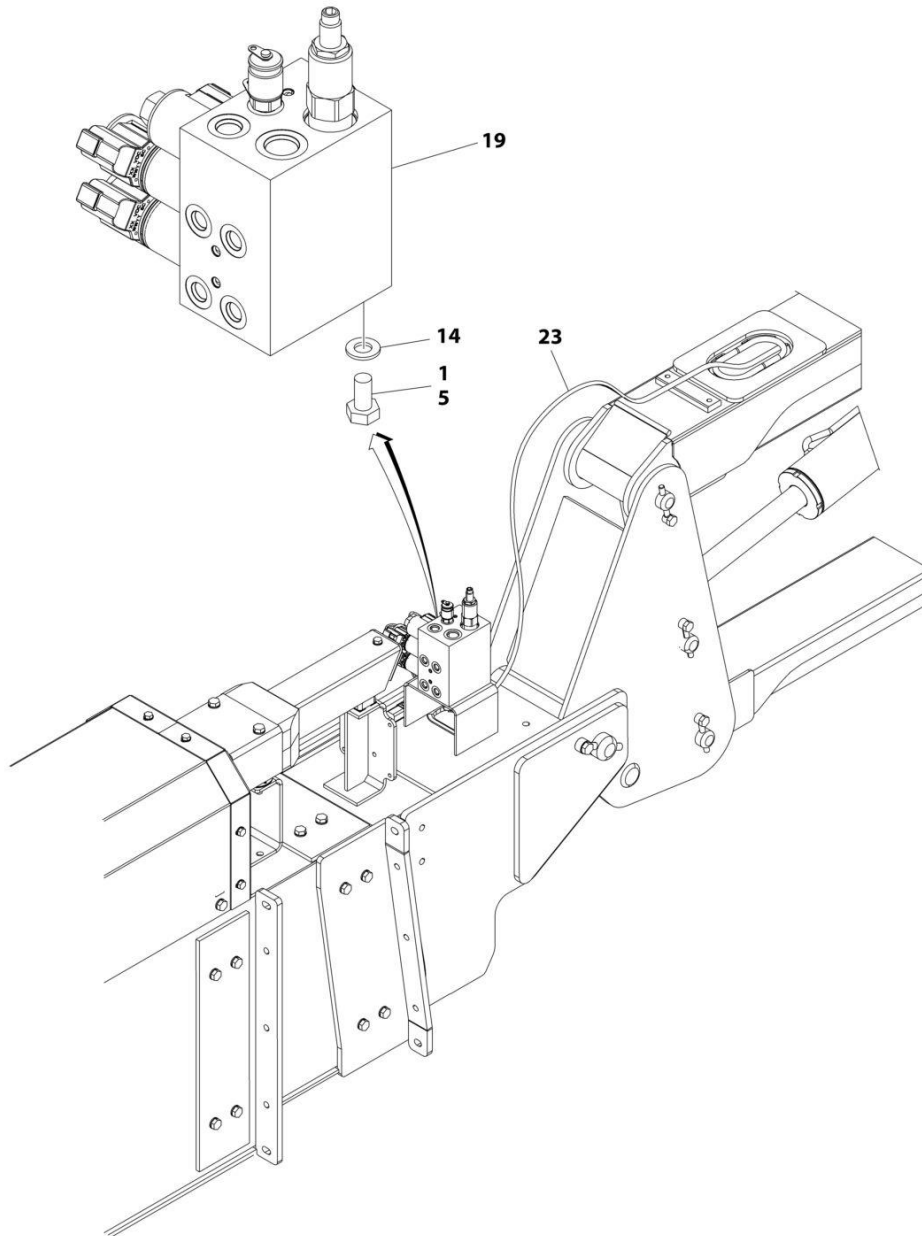
ART\_1001215258\_H

FIGURE 4-7. PLATFORM SUPPORT INSTALLATION

| ITEM | PART NUMBER | QTY | DESCRIPTION                   | REV |
|------|-------------|-----|-------------------------------|-----|
|      | 1001215258  | Ref | PLATFORM SUPPORT INSTALLATION | H   |
| 1    | 0100011     | AR  | Compound, Locking             |     |
| 2    | 0712445001  | 1   | Bolt M24 x 280                |     |
| 3    | 0761014     | 5   | Bolt M10 x 30                 |     |
| 4    | 0761216     | 8   | Bolt M12 x 40                 |     |
| 5    | 0771012     | 8   | Bolt M10 x 25                 |     |
| 6    | 3291001     | 5   | Nut M10                       |     |
| 7    | 3291005     | 2   | Nut M10                       |     |
| 8    | 3291201     | 3   | Nut M12                       |     |
| 9    | 3291205     | 8   | Nut M12                       |     |
| 10   | 3332415001  | 1   | Nut M24                       |     |
| 11   | 3841143     | 4   | Keeper                        |     |
| 12   | 4812000     | 8   | Washer M10                    |     |
| 13   | 4812100     | 3   | Washer M12                    |     |
| 14   | 5242400001  | 1   | Washer M24                    |     |
| 15   | 5241000     | 8   | Washer M10                    |     |
| 16   | 5241200     | 8   | Washer M12                    |     |
| 17   | 5251008     | 2   | Bolt M10 x 16                 |     |
| 18   | 5251016     | 2   | Bolt M10 x 40                 |     |
| 19   | 1001098828  | 2   | Bolt M12 x 70                 |     |
| 20   | 1001167565  | 2   | Pin                           |     |
| 21   | 1001217917  | 1   | Support, Rotary Side          |     |
| 22   | 1001168402  | 2   | Pin                           |     |
| 23   | 1001247468  | 1   | Gauge, Load Sensing           |     |
| 24   | 1001188622  | 1   | Screw                         |     |
| 25   | 1001188844  | 1   | Bolt M12 x 35                 |     |
| 26   | 1001189001  | 4   | Bearing                       |     |
| 27   | 1001189002  | 8   | Bearing                       |     |
| 28   | 1001190985  | 1   | Wear Pad                      |     |
| 29   | 1001200491  | 1   | Plate                         |     |
| 30   | 1001200494  | 1   | Support                       |     |
| 31   | 1001201351  | 2   | Link, LSS Assembly            |     |
| 31   | 1001187382  | 4   | Bearing                       |     |
| 31   | 1001187383  | 4   | Seal                          |     |
| 32   | 1001204725  | 2   | Plug                          |     |
| 33   | 91203039    | 1   | Clamp                         |     |

# SECTION 4 - BOOM

## FIGURE 4-8. VALVE INSTALLATION - BOOM (2WD/2WS)



ART\_1001223984\_C\_30F3



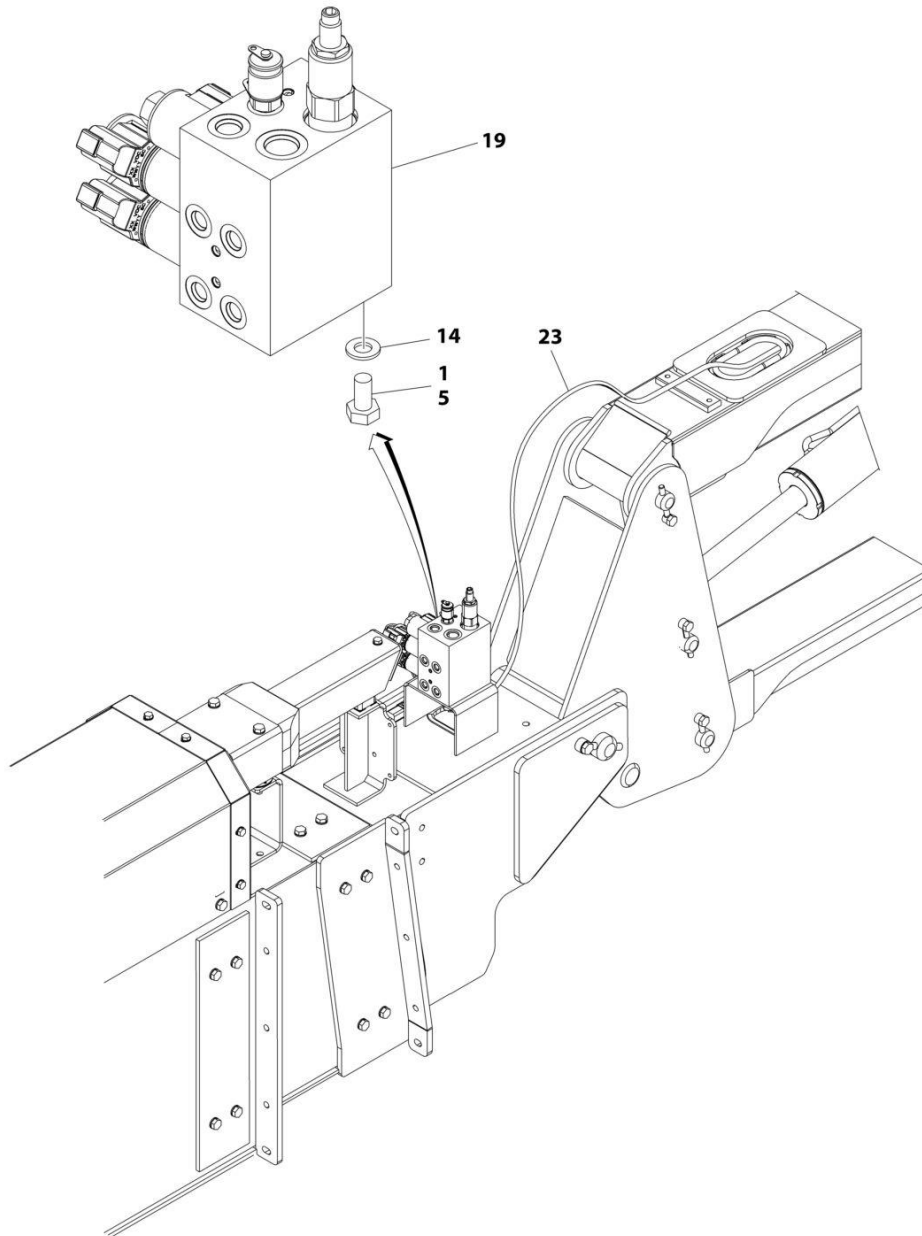
## SECTION 4 - BOOM

**FIGURE 4-8. VALVE INSTALLATION - BOOM (2WD/2WS)**

| ITEM | PART NUMBER | QTY | DESCRIPTION   | REV |
|------|-------------|-----|---|-----|
|      | 1001223984  | Ref | VALVE INSTALLATION - BOOM   | C   |
| 1    | 0100011     | AR  | Compound, Locking   |     |
| 5    | 0761010     | 3   | Bolt M10 x 20   |     |
| 14   | 4812000     | 3   | Washer M10  |     |
| 19   | 1001151500  | 1   | Jib and Platform Rotate Valve Assembly (See Separate Breakdown in this Section) |     |
| 23   | 1001231797  | 1   | Platform Valve Harness (See Separate Breakdown in ELECTRICAL Section)           |     |

# SECTION 4 - BOOM

## FIGURE 4-9. VALVE INSTALLATION - BOOM (4WD/2WS)



ART\_1001223931\_C\_30F3

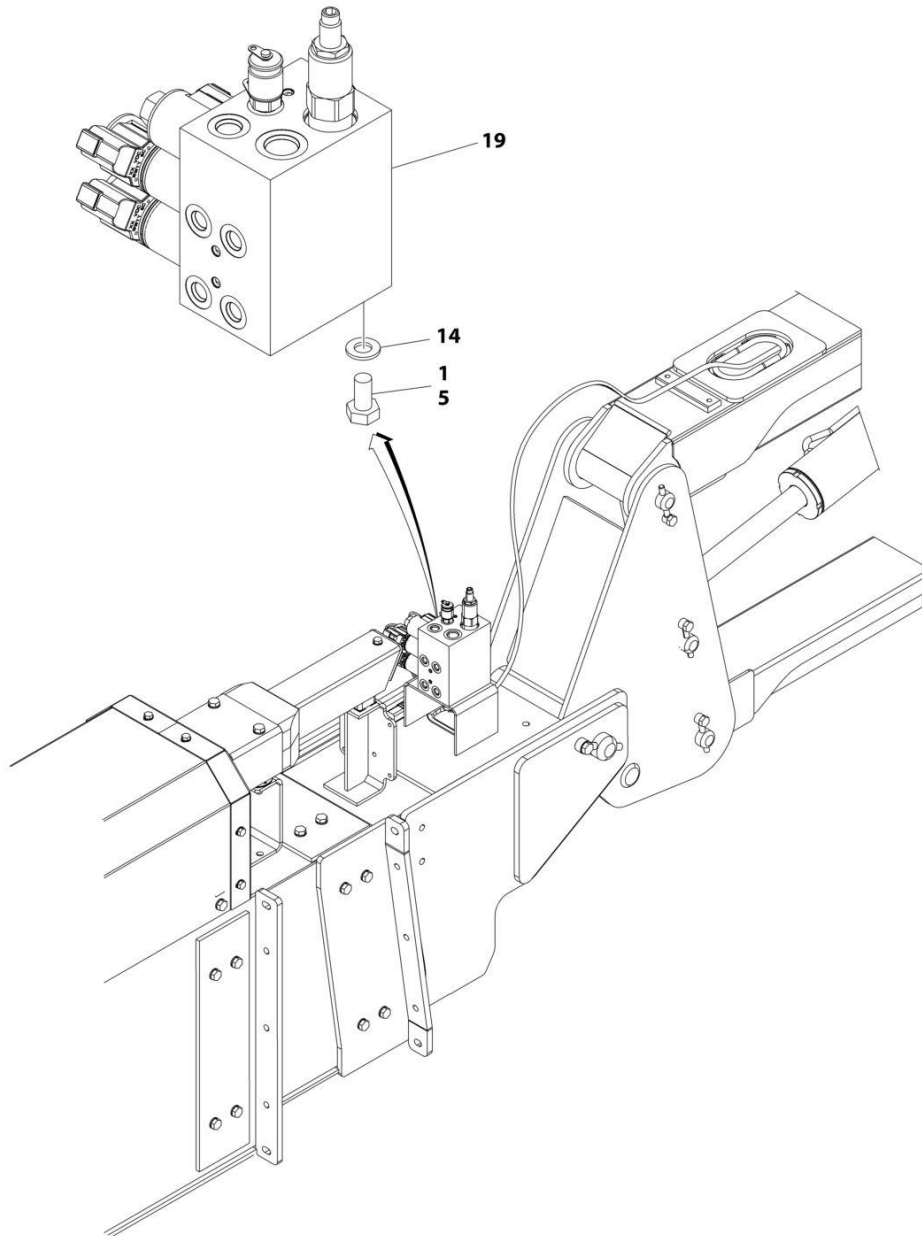
## SECTION 4 - BOOM

**FIGURE 4-9. VALVE INSTALLATION - BOOM (4WD/2WS)**

| ITEM | PART NUMBER | QTY | DESCRIPTION   | REV |
|------|-------------|-----|---|-----|
|      | 1001223931  | Ref | VALVE INSTALLATION - BOOM   | C   |
| 1    | 0100011     | AR  | Compound, Locking   |     |
| 5    | 0761010     | 3   | Bolt M10 x 20   |     |
| 14   | 4812000     | 3   | Washer M10  |     |
| 19   | 1001151500  | 1   | Jib and Platform Rotate Valve Assembly (See Separate Breakdown in this Section) |     |
| 23   | 1001231797  | 1   | Platform Valve Harness (See Separate Breakdown in ELECTRICAL Section)           |     |

# SECTION 4 - BOOM

## FIGURE 4-10. VALVE INSTALLATION - BOOM (4WD/4WS)



ART\_1001223890\_C\_30F3

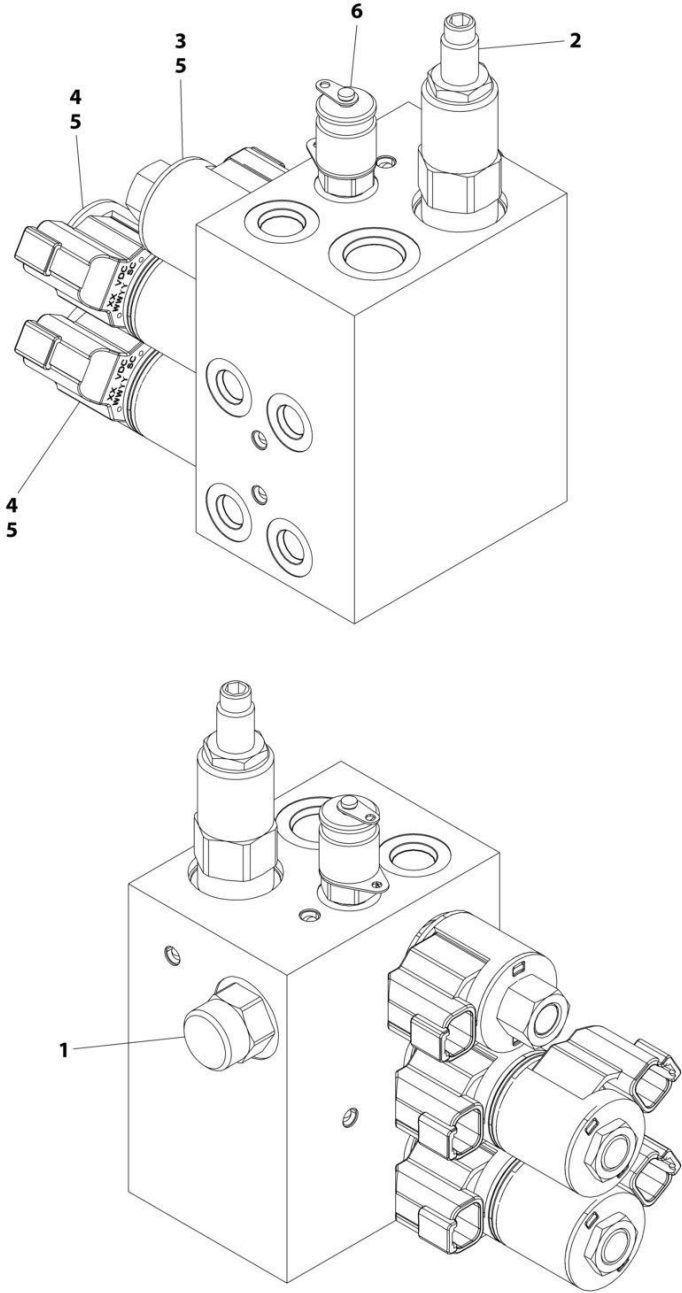
## SECTION 4 - BOOM

**FIGURE 4-10. VALVE INSTALLATION - BOOM (4WD/4WS)**

| ITEM | PART NUMBER | QTY | DESCRIPTION   | REV |
|------|-------------|-----|---|-----|
|      | 1001223890  | Ref | VALVE INSTALLATION - BOOM   | C   |
| 1    | 0100011     | AR  | Compound, Locking   |     |
| 5    | 0761010     | 3   | Bolt M10 x 20   |     |
| 14   | 4812000     | 3   | Washer M10  |     |
| 19   | 1001151500  | 1   | Jib and Platform Rotate Valve Assembly (See Separate Breakdown in this Section) |     |

**SECTION 4 - BOOM**

**FIGURE 4-11. JIB AND PLATFORM ROTATE VALVE ASSEMBLY**



ART\_1001151500

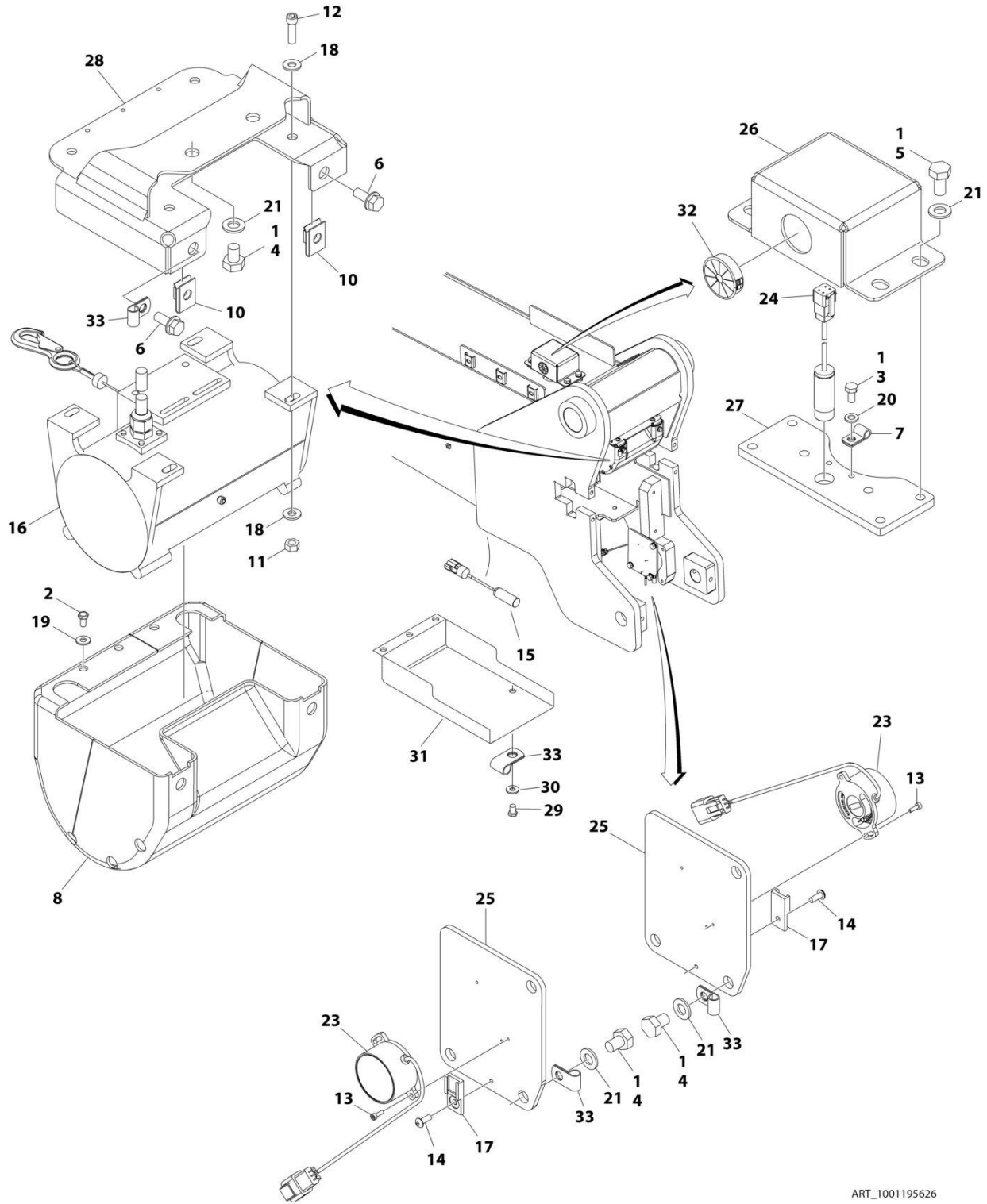
## SECTION 4 - BOOM

**FIGURE 4-11. JIB AND PLATFORM ROTATE VALVE ASSEMBLY**

| ITEM | PART NUMBER | QTY | DESCRIPTION                            | REV |
|------|-------------|-----|--|-----|
|      | 1001151500  | Ref | JIB AND PLATFORM ROTATE VALVE ASSEMBLY | F   |
| 1    | 70006425    | 1   | Cartridge, Flow Regulator              |     |
| 1    | 8036572     | 1   | Seal Kit - 70005787 Valve              |     |
| 2    | 70023609    | 1   | Cartridge, Relief Valve                |     |
| 2    | 7012998     | 1   | Seal Kit - 70005788 Valve              |     |
| 3    | 7017410     | 1   | Cartridge, Solenoid Valve Less Coil    |     |
| 3    | 7012967     | 1   | Seal Kit - 7017410 Valve               |     |
| 3    | 70003978    | 1   | Nut, Coil                              |     |
| 4    | 70005789    | 2   | Cartridge, Solenoid Valve Less Coil    |     |
| 4    | 7017402     | 2   | Seal Kit - 70005789 Valve              |     |
| 4    | 7022390     | 2   | Nut, Coil                              |     |
| 4    | 70003023    | 2   | Spacer, Coil                           |     |
| 5    | 70002386    | 5   | Coil                                   |     |
| 6    | 2221086     | 1   | Fitting, Test                          |     |

# SECTION 4 - BOOM

## FIGURE 4-12. BOOM SENSORS INSTALLATION



ART\_1001195626

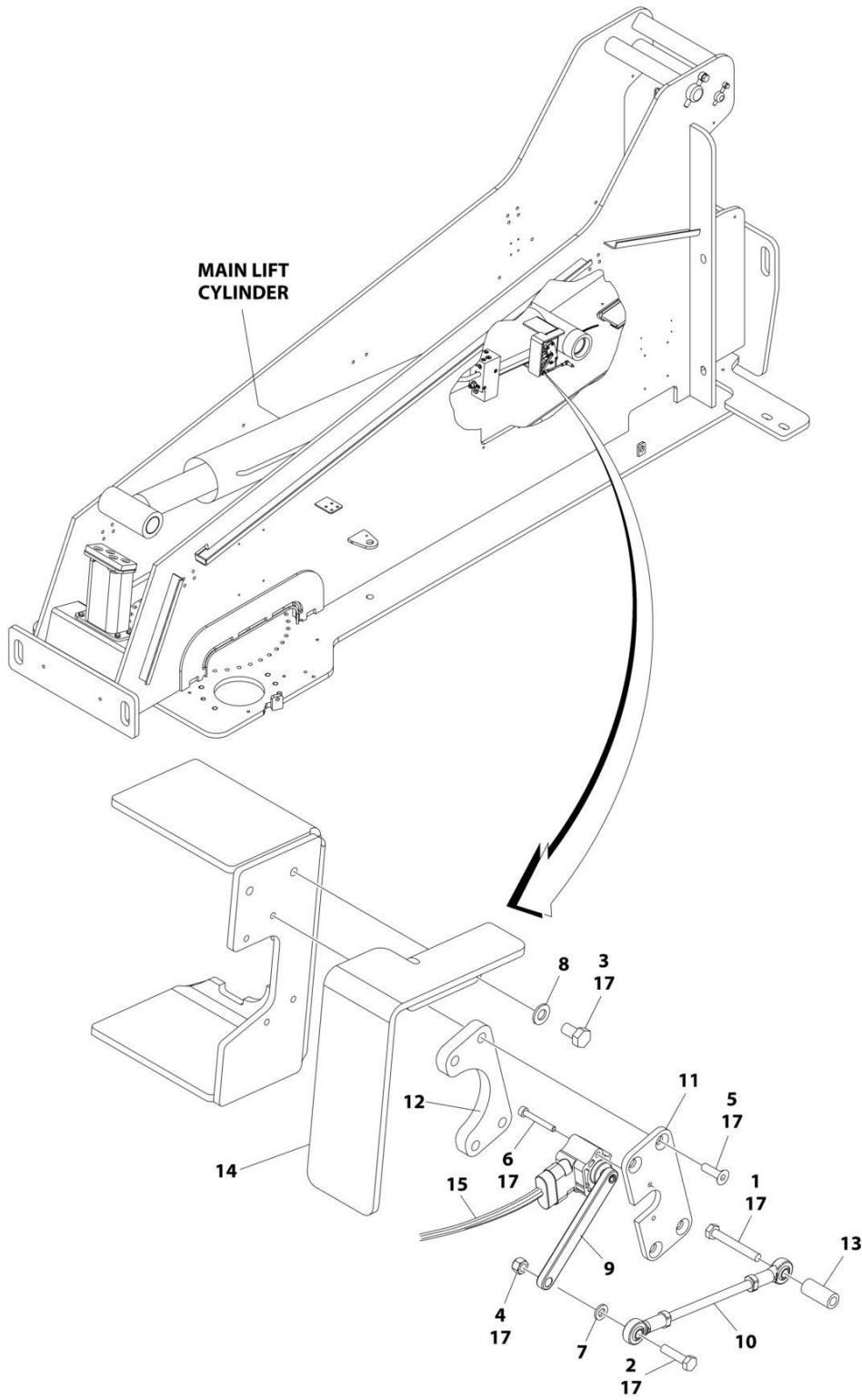


FIGURE 4-12. BOOM SENSORS INSTALLATION

| ITEM | PART NUMBER | QTY | DESCRIPTION               | REV |
|------|-------------|-----|---------------------------|-----|
|      | 1001195626  | Ref | BOOM SENSORS INSTALLATION | E   |
| 1    | 0100011     | AR  | Compound, Locking         |     |
| 2    | 0721003     | 3   | Screw #10 x 3/8           |     |
| 3    | 0760606     | 1   | Bolt M6 x 12              |     |
| 4    | 0761007     | 8   | Bolt M10 x 14             |     |
| 5    | 0761010     | 6   | Bolt M10 x 20             |     |
| 6    | 0791506     | 2   | Screw 5/16 x 3/4          |     |
| 7    | 1320136     | 1   | Clamp                     |     |
| 8    | 1671142     | 1   | Cover                     |     |
| 10   | 3300364     | 2   | Nut, Tinnerman 5/16       |     |
| 11   | 3311405     | 4   | Nut 1/4                   |     |
| 12   | 3931414     | 4   | Capscrew 1/4 x 7/8        |     |
| 13   | 4031205     | 6   | Capscrew M3 x 10          |     |
| 14   | 4031605     | 2   | Capscrew M5 x 10          |     |
| 15   | 1001196517  | 1   | Sensor, Proximity         |     |
| 16   | 4360552     | 1   | Switch, Boom Length       |     |
| 17   | 4460914     | 2   | Terminal, Base            |     |
| 18   | 4711400     | 8   | Washer 1/4                |     |
| 19   | 4751000     | 3   | Washer #10                |     |
| 20   | 4811700     | 1   | Washer M6                 |     |
| 21   | 4812000     | 14  | Washer M10                |     |
| 23   | 1001147479  | 2   | Sensor, Angle             |     |
| 24   | 1001204043  | 1   | Sensor, Proximity         |     |
| 25   | 1001151906  | 2   | Plate                     |     |
| 26   | 1001151907  | 1   | Cover                     |     |
| 27   | 1001151908  | 1   | Plate                     |     |
| 28   | 1001242540  | 1   | Support                   |     |
| 29   | 0760806     | 7   | Bolt M8 x 12              |     |
| 30   | 4811900     | 7   | Washer M8                 |     |
| 31   | 1001221435  | 1   | Cover                     |     |
| 32   | 1001185281  | 1   | Plug                      |     |
| 33   | 1320263     | 6   | Clamp                     |     |

# SECTION 4 - BOOM

## FIGURE 4-13. BOOM SENSORS INSTALLATION (WITH VERTICAL/HORIZONTAL CONTROLS)



ART\_1001150036

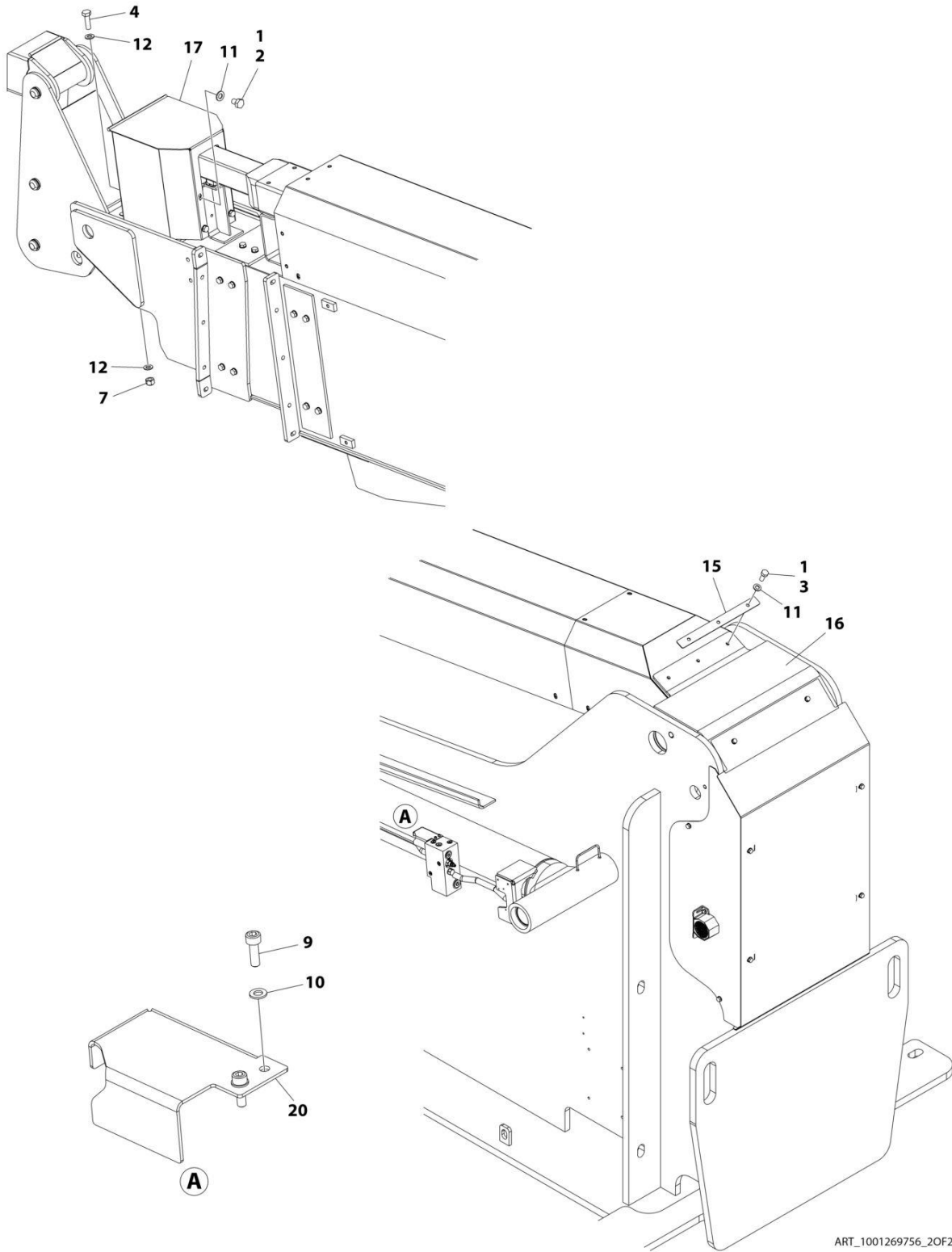
## SECTION 4 - BOOM

**FIGURE 4-13. BOOM SENSORS INSTALLATION (WITH VERTICAL/HORIZONTAL CONTROLS)**

| ITEM | PART NUMBER | QTY | DESCRIPTION   | REV |
|------|-------------|-----|---|-----|
|      | 1001150036  | Ref | BOOM SENSORS INSTALLATION (WITH VERTICAL/HORIZONTAL CONTROLS) | C   |
| 1    | 0700617     | 1   | Bolt M6 x 45  |     |
| 2    | 0760612     | 1   | Bolt M6 x 25  |     |
| 3    | 0760807     | 2   | Bolt M8 x 14  |     |
| 4    | 3290605     | 1   | Nut M6  |     |
| 5    | 1001170305  | 4   | Screw #6  |     |
| 6    | 4031510     | 2   | Capscrew M4 x 30  |     |
| 7    | 4811700     | 1   | Washer M6   |     |
| 8    | 4811900     | 2   | Washer M8   |     |
| 9    | 1001118971  | 1   | Sensor, Angle   |     |
| 10   | 1001119033  | 1   | Link  |     |
| 11   | 1001152039  | 1   | Mount   |     |
| 12   | 1001152059  | 1   | Plate   |     |
| 13   | 1001152060  | 1   | Sleeve  |     |
| 14   | 1001152062  | 1   | Cover   |     |
| 15   | 1001152454  | 1   | HV Protractor Harness   |     |
| 15   | 1001230931  | 1   | Plug, Male - 6 Position (Angle Sensor)                        |     |
| 15   | 1001116748  | 6   | Socket, Female  |     |
| 15   | 4460899     | 1   | Receptacle, Female - 6 Position (BLAM Module)                 |     |
| 15   | 4460464     | 6   | Pin, Male   |     |
| 16   | 1001207673  | 1   | HV Jumper Harness (Not Shown)                                 |     |
| 16   | 4460871     | 2   | Pin, Male   |     |
| 17   | 0100011     | AR  | Compound, Locking   |     |

# SECTION 4 - BOOM

## FIGURE 4-14. BOOM SHIELDS INSTALLATION



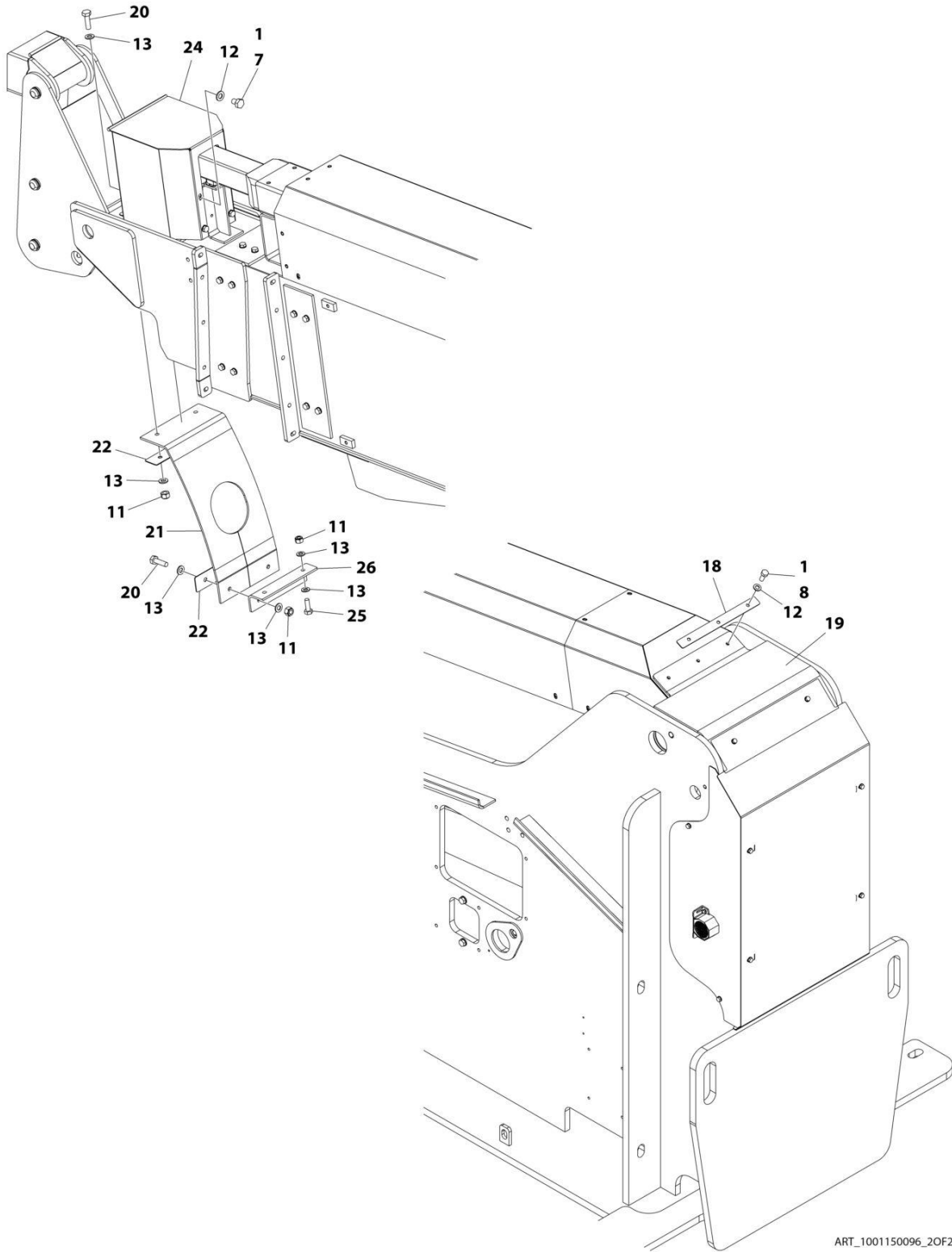
ART\_1001269756\_20F2

FIGURE 4-14. BOOM SHIELDS INSTALLATION

| ITEM | PART NUMBER | QTY | DESCRIPTION            | REV |
|------|-------------|-----|------------------------|-----|
|      | 1001269756  | Ref | HOSTILE PACKAGE - BOOM | A   |
| 1    | 0100011     | AR  | Compound, Locking      |     |
| 2    | 0760807     | 7   | Bolt M8 x 14           |     |
| 3    | 0760810     | 3   | Bolt M8 x 20           |     |
| 4    | 0761015     | 2   | Bolt M10 x 35          |     |
| 7    | 3291005     | 2   | Nut, Lock M10          |     |
| 9    | 4031607     | 2   | Capscrew M5 x 16       |     |
| 10   | 4811600     | 2   | Washer M5              |     |
| 11   | 4811900     | 10  | Washer M8              |     |
| 12   | 4812000     | 4   | Washer M10             |     |
| 15   | 1001195876  | 1   | Plate, Clamp           |     |
| 16   | 1001195877  | 1   | Cover, Boom Pivot      |     |
| 17   | 1001205505  | 1   | Cover, Valve           |     |
| 20   | 1001245788  | 1   | Cover, Sensor          |     |

# SECTION 4 - BOOM

## FIGURE 4-15. BOOM SHIELDS INSTALLATION - SHIPYARD MACHINES



ART\_1001150096\_20F2

## SECTION 4 - BOOM

**FIGURE 4-15. BOOM SHIELDS INSTALLATION - SHIPYARD MACHINES**

| ITEM | PART NUMBER | QTY | DESCRIPTION               | REV |
|------|-------------|-----|---------------------------|-----|
|      | 1001150096  | Ref | BOOM SHIELDS INSTALLATION | I   |
| 1    | 0100011     | AR  | Compound, Locking         |     |
| 7    | 0760807     | 7   | Bolt M8 x 14              |     |
| 8    | 0760810     | 3   | Bolt M8 x 20              |     |
| 11   | 3291005     | 6   | Nut M10                   |     |
| 12   | 4811900     | 6   | Washer M8                 |     |
| 13   | 4812000     | 12  | Washer M10                |     |
| 18   | 1001195876  | 1   | Plate, Clamp              |     |
| 19   | 1001195877  | 1   | Cover, Boom Pivot         |     |
| 20   | 0761015     | 4   | Bolt M10 x 35             |     |
| 21   | 1001200156  | 1   | Cover, Fly Nose           |     |
| 22   | 1001200157  | 2   | Plate, Clamp              |     |
| 24   | 1001205505  | 1   | Cover, Valve              |     |
| 25   | 0761014     | 2   | Bolt M10 x 30             |     |
| 26   | 1001220562  | 1   | Bracket                   |     |

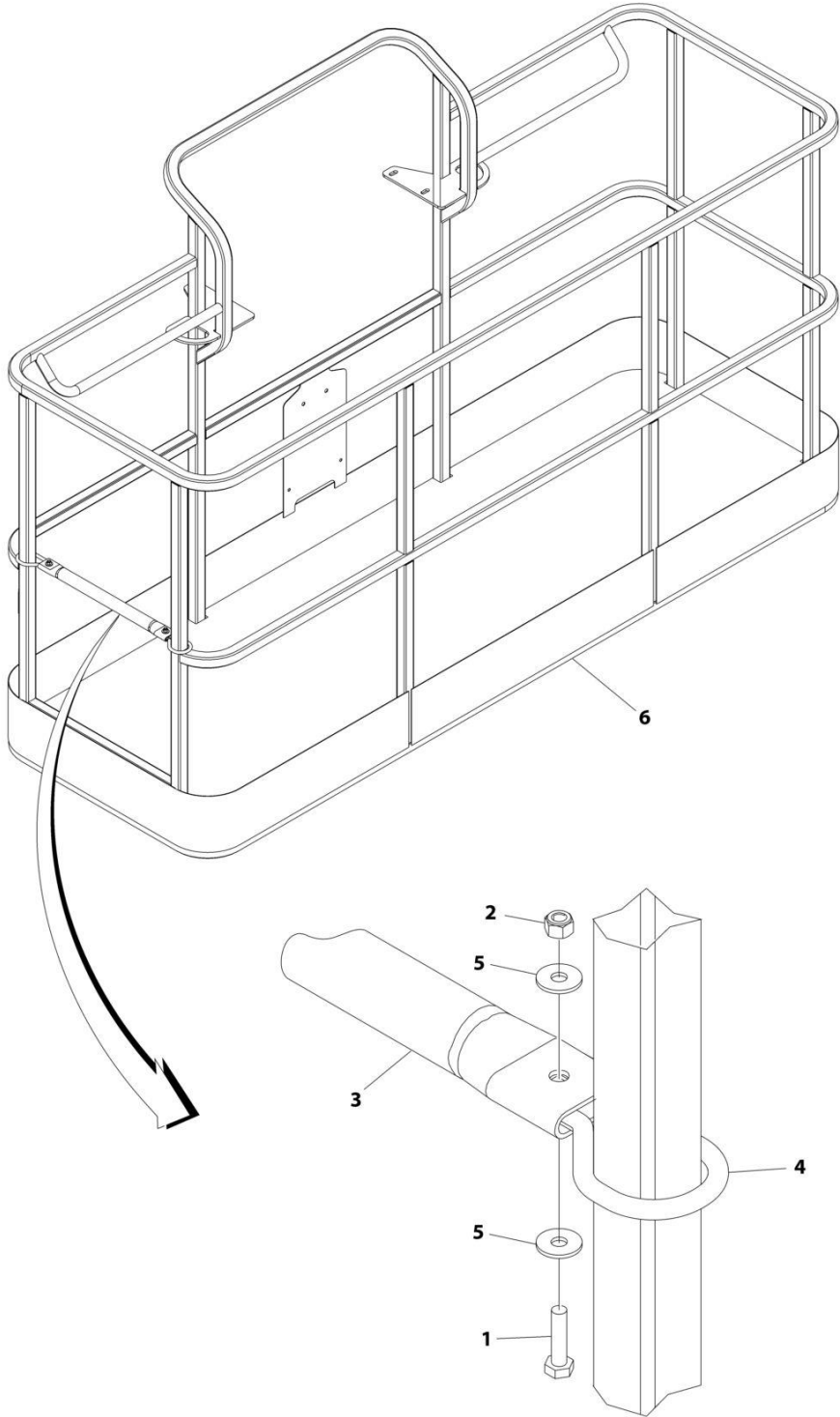




**SECTION 5 - PLATFORM**

**SECTION 5 - PLATFORM**

**FIGURE 5-1. PLATFORM ASSEMBLY - STANDARD MACHINES**



ART\_1001227180

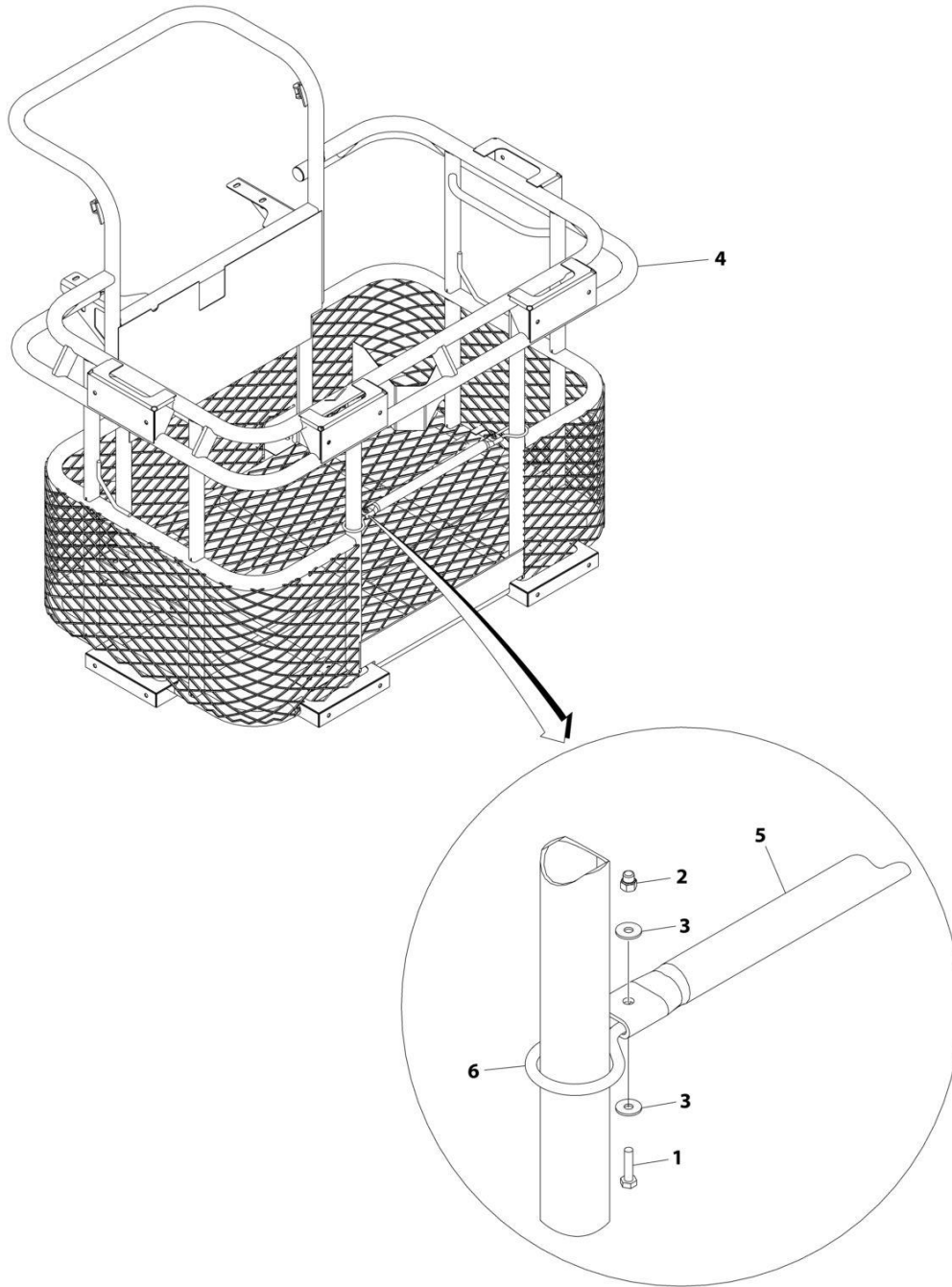
## SECTION 5 - PLATFORM

**FIGURE 5-1. PLATFORM ASSEMBLY - STANDARD MACHINES**

| ITEM | PART NUMBER | QTY | DESCRIPTION  | REV |
|------|-------------|-----|--|-----|
|      | 1001227180  | Ref | PLATFORM ASSEMBLY - STANDARD MACHINES                                    | C   |
|      |             | Ref | Note: Replacement Decals Must be Ordered Separately - See DECAL SECTION. |     |
| 1    | 0760612     | 2   | Bolt M6 x 25   |     |
| 2    | 3290605     | 2   | Nut M6   |     |
| 3    | 3641585     | 1   | Rail   |     |
| 4    | 3841692     | 2   | Loop, Rod  |     |
| 5    | 4811702     | 4   | Washer M6  |     |
| 6    | See Note    | NSS | Platform (Note: Purchase Platform Assembly)                              |     |

# SECTION 5 - PLATFORM

## FIGURE 5-2. PLATFORM ASSEMBLY - SHIPYARD MACHINES



ART\_1001150037

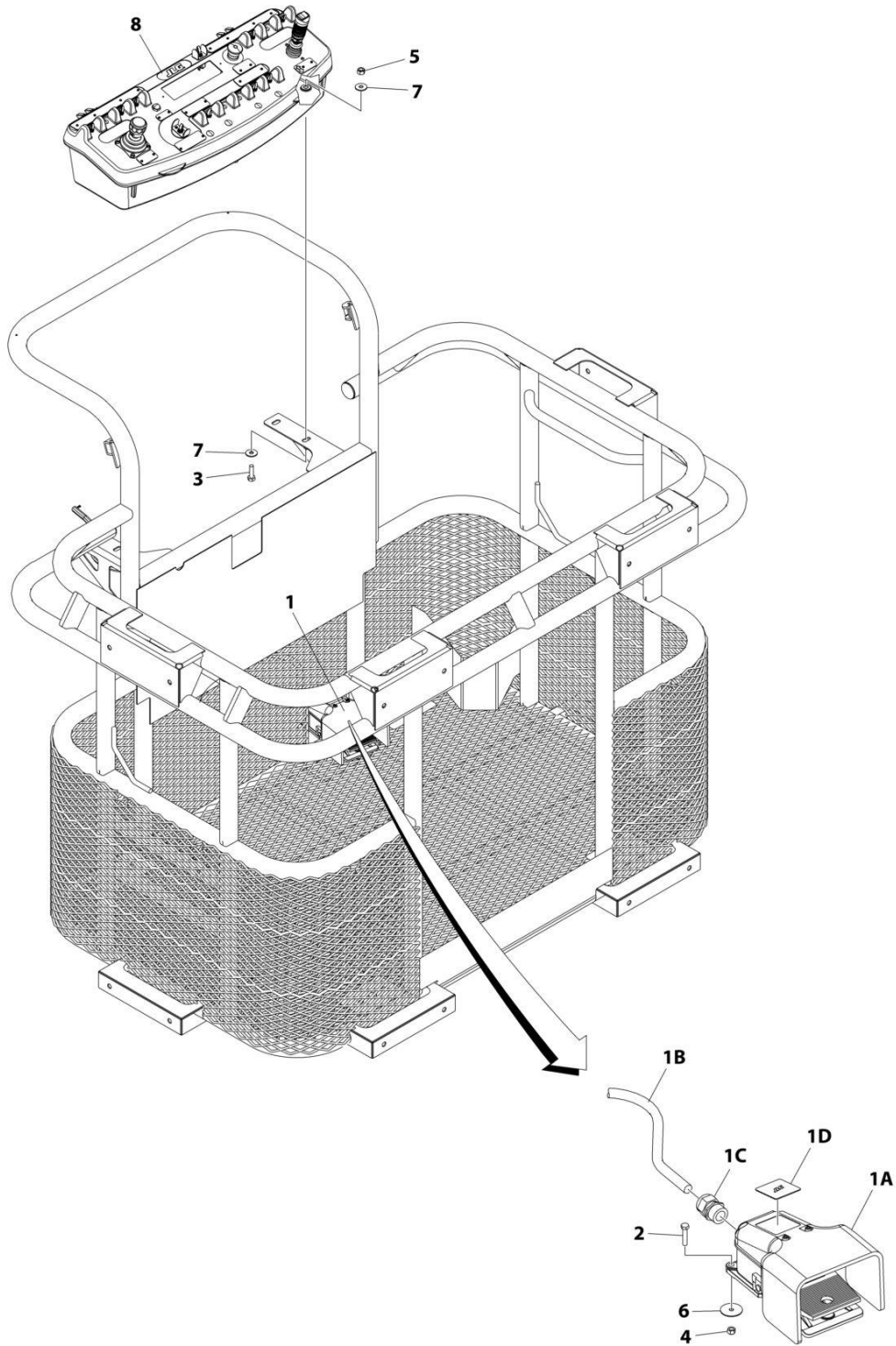
## SECTION 5 - PLATFORM

**FIGURE 5-2. PLATFORM ASSEMBLY - SHIPYARD MACHINES**

| ITEM | PART NUMBER | QTY | DESCRIPTION  | REV |
|------|-------------|-----|--|-----|
|      | 1001150037  | Ref | PLATFORM ASSEMBLY - SHIPYARD MACHINES                                    | B   |
|      |             | Ref | Note: Replacement Decals Must be Ordered Separately - See DECAL SECTION. |     |
| 1    | 0760612     | 2   | Bolt M6 x 25   |     |
| 2    | 3290606     | 2   | Nut M6   |     |
| 3    | 4811702     | 4   | Washer M6  |     |
| 4    | See Note    | NSS | Platform (Note: Purchase Platform Assembly)                              |     |
| 5    | 1001151214  | 1   | Rail   |     |
| 6    | 1001151215  | 2   | Loop, Rod  |     |

# SECTION 5 - PLATFORM

## FIGURE 5-3. PLATFORM CONSOLE AND FOOTSWITCH INSTALLATION - SHIPYARD MACHINES (ENGLISH LANGUAGE)



ART\_1001248425

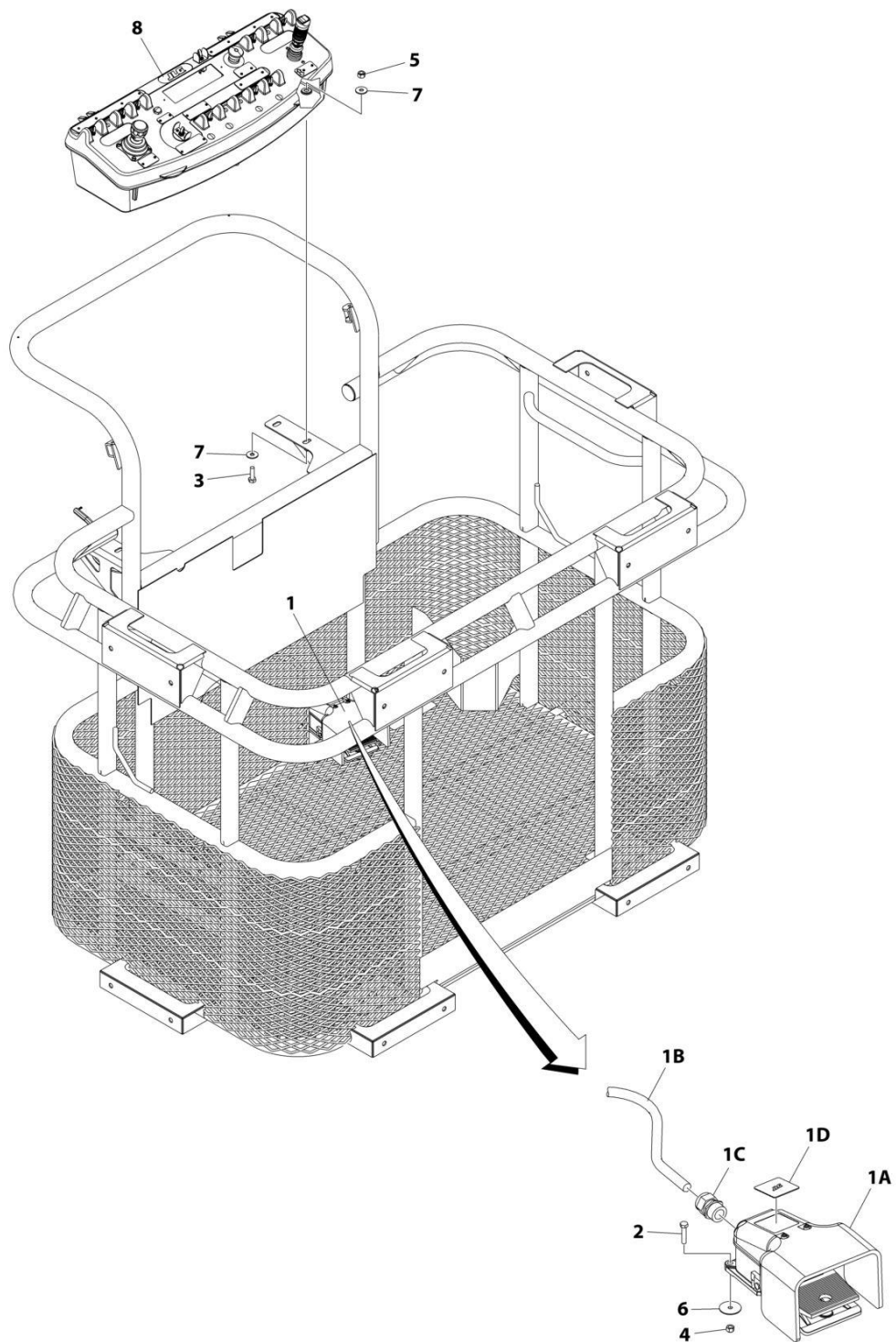
## SECTION 5 - PLATFORM

**FIGURE 5-3. PLATFORM CONSOLE AND FOOTSWITCH INSTALLATION - SHIPYARD MACHINES  
(ENGLISH LANGUAGE)**

| ITEM | PART NUMBER | QTY        | DESCRIPTION   | REV |
|------|-------------|------------|---|-----|
|      | 1001248425  | Ref        | PLATFORM CONSOLE AND FOOTSWITCH INSTALLATION - SHIPYARD MACHINES (ENGLISH LANGUAGE) | A   |
| 1    | 0272970     | 1          | Footswitch Assembly   | B   |
| 1A   | 0100020     | 1          | Sealant   |     |
| 1B   | 1060918     | 7 ft/ 2.2m | Cable, Electrical - 18/3  |     |
| 1C   | 1001117320  | 1          | Footswitch  |     |
| 1D   | 4460042     | 3          | Terminal, Ring  |     |
| 1E   | 4460071     | 1          | Connector, Strain Relief  |     |
| 1F   | 4460226     | 2          | Socket, Female  |     |
| 1G   | 4460464     | 1          | Pin, Male   |     |
| 2    | 0760614     | 3          | Bolt M6 x 30  |     |
| 3    | 0761015     | 4          | Bolt M10 x 35   |     |
| 4    | 3290605     | 3          | Nut M6  |     |
| 5    | 3291005     | 4          | Nut M10   |     |
| 6    | 4740362     | 3          | Washer, Fender 1/4  |     |
| 7    | 4812002     | 8          | Washer M10  |     |
| 8    | 1001248456  | 1          | Platform Console and Decals Installation (See Separate Breakdown in this Section)   |     |

# SECTION 5 - PLATFORM

## FIGURE 5-4. PLATFORM CONSOLE AND FOOTSWITCH INSTALLATION - SHIPYARD MACHINES (ENGLISH/CHINESE LANGUAGE)



ART\_1001248427



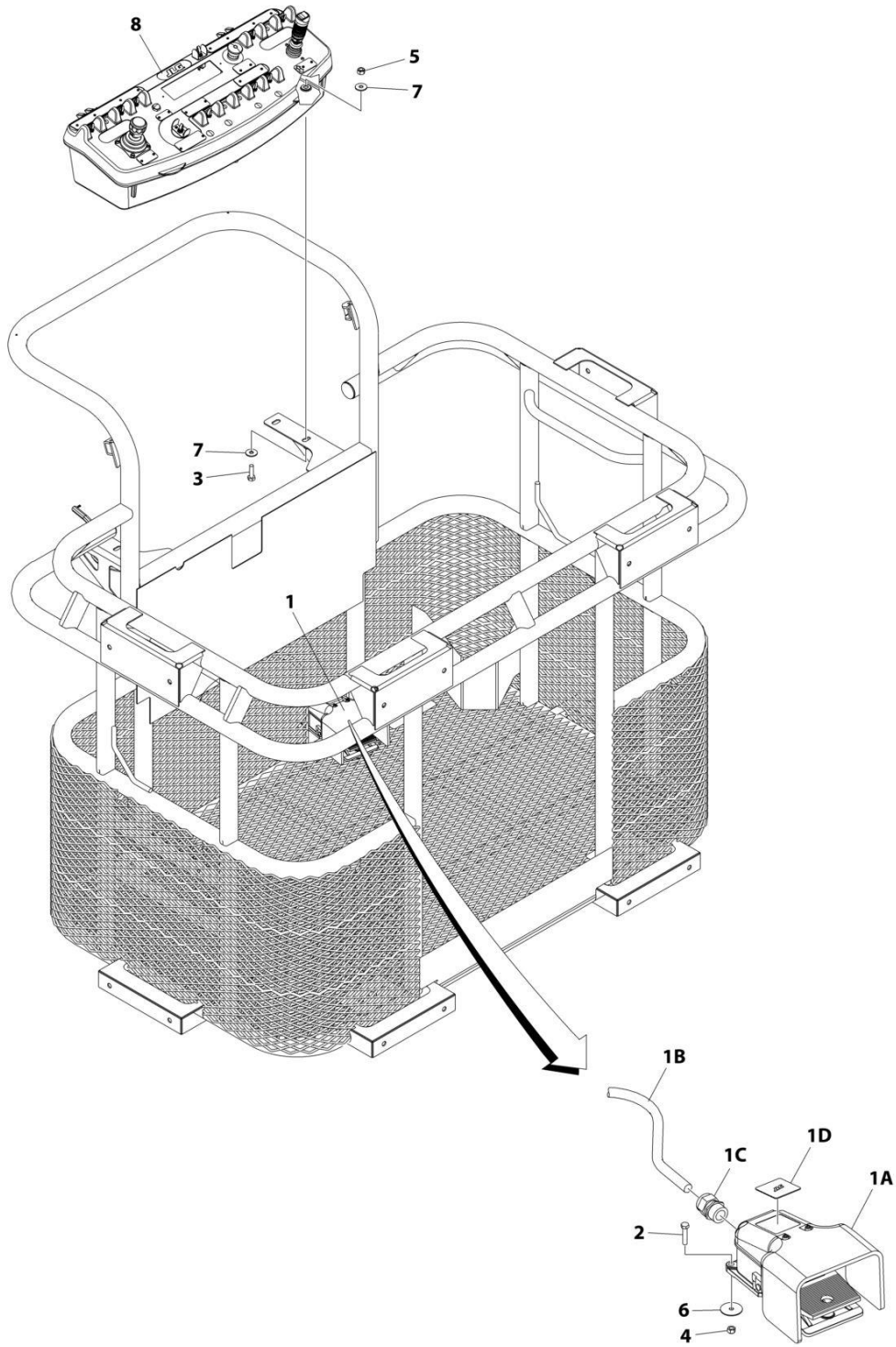
## SECTION 5 - PLATFORM

**FIGURE 5-4. PLATFORM CONSOLE AND FOOTSWITCH INSTALLATION - SHIPYARD MACHINES  
(ENGLISH/CHINESE LANGUAGE)**

| ITEM | PART NUMBER | QTY        | DESCRIPTION   | REV |
|------|-------------|------------|---|-----|
|      | 1001248427  | Ref        | PLATFORM CONSOLE AND FOOTSWITCH INSTALLATION - SHIPYARD MACHINES (ENGLISH/CHINESE LANGUAGE) | A   |
| 1    | 0272970     | 1          | Footswitch Assembly   | B   |
| 1A   | 0100020     | 1          | Sealant   |     |
| 1B   | 1060918     | 7 ft/ 2.2m | Cable, Electrical - 18/3  |     |
| 1C   | 1001117320  | 1          | Footswitch  |     |
| 1D   | 4460042     | 3          | Terminal, Ring  |     |
| 1E   | 4460071     | 1          | Connector, Strain Relief  |     |
| 1F   | 4460226     | 2          | Socket, Female  |     |
| 1G   | 4460464     | 1          | Pin, Male   |     |
| 2    | 0760614     | 3          | Bolt M6 x 30  |     |
| 3    | 0761015     | 4          | Bolt M10 x 35   |     |
| 4    | 3290605     | 3          | Nut M6  |     |
| 5    | 3291005     | 4          | Nut M10   |     |
| 6    | 4740362     | 3          | Washer, Fender 1/4  |     |
| 7    | 4812002     | 8          | Washer M10  |     |
| 8    | 1001248458  | 1          | Platform Console and Decals Installation (See Separate Breakdown in this Section)           |     |

# SECTION 5 - PLATFORM

## FIGURE 5-5. PLATFORM CONSOLE AND FOOTSWITCH INSTALLATION - SHIPYARD MACHINES (ENGLISH/JAPANESE LANGUAGE)



ART\_1001248428

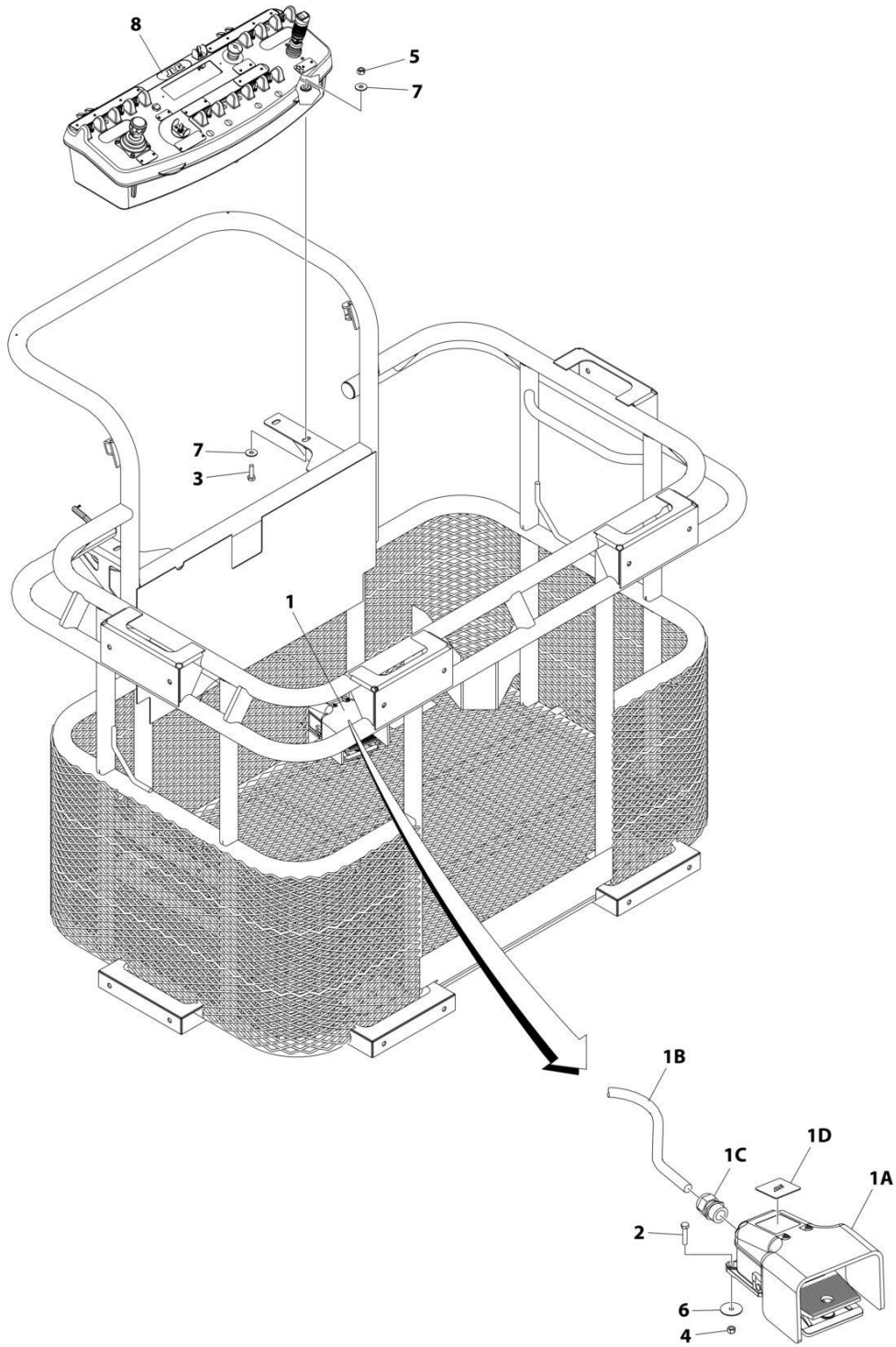
## SECTION 5 - PLATFORM

**FIGURE 5-5. PLATFORM CONSOLE AND FOOTSWITCH INSTALLATION - SHIPYARD MACHINES  
(ENGLISH/JAPANESE LANGUAGE)**

| ITEM | PART NUMBER | QTY        | DESCRIPTION  | REV |
|------|-------------|------------|--|-----|
|      | 1001248428  | Ref        | PLATFORM CONSOLE AND FOOTSWITCH INSTALLATION - SHIPYARD MACHINES (ENGLISH/JAPANESE LANGUAGE) | A   |
| 1    | 0272970     | 1          | Footswitch Assembly  | B   |
| 1A   | 0100020     | 1          | Sealant  |     |
| 1B   | 1060918     | 7 ft/ 2.2m | Cable, Electrical - 18/3   |     |
| 1C   | 1001117320  | 1          | Footswitch   |     |
| 1D   | 4460042     | 3          | Terminal, Ring   |     |
| 1E   | 4460071     | 1          | Connector, Strain Relief   |     |
| 1F   | 4460226     | 2          | Socket, Female   |     |
| 1G   | 4460464     | 1          | Pin, Male  |     |
| 2    | 0760614     | 3          | Bolt M6 x 30   |     |
| 3    | 0761015     | 4          | Bolt M10 x 35  |     |
| 4    | 3290605     | 3          | Nut M6   |     |
| 5    | 3291005     | 4          | Nut M10  |     |
| 6    | 4740362     | 3          | Washer, Fender 1/4   |     |
| 7    | 4812002     | 8          | Washer M10   |     |
| 8    | 1001248459  | 1          | Platform Console and Decals Installation (See Separate Breakdown in this Section)            |     |

# SECTION 5 - PLATFORM

## FIGURE 5-6. PLATFORM CONSOLE AND FOOTSWITCH INSTALLATION - SHIPYARD MACHINES (ENGLISH/KOREAN LANGUAGE)



ART\_1001248426

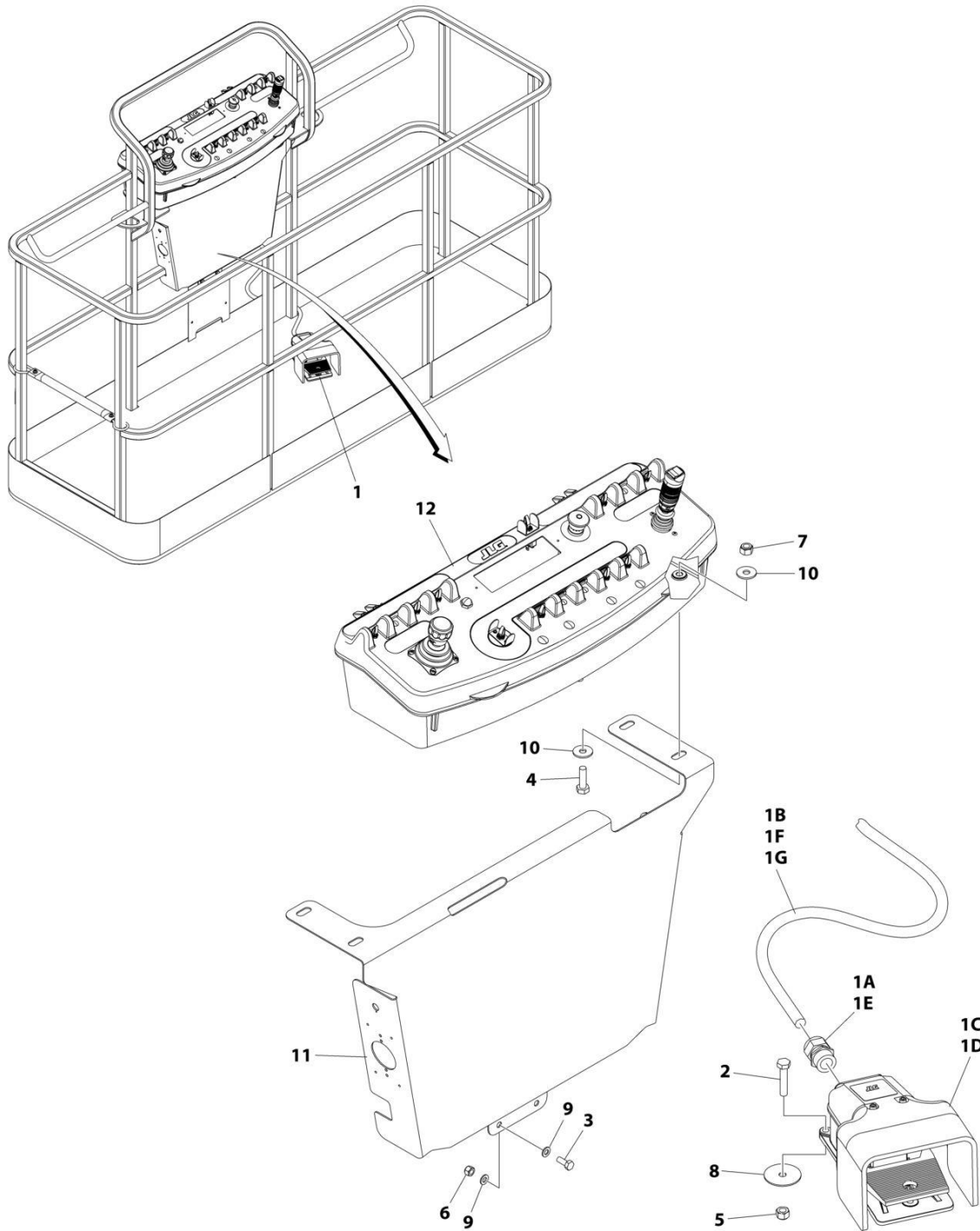
## SECTION 5 - PLATFORM

**FIGURE 5-6. PLATFORM CONSOLE AND FOOTSWITCH INSTALLATION - SHIPYARD MACHINES  
(ENGLISH/KOREAN LANGUAGE)**

| ITEM | PART NUMBER | QTY        | DESCRIPTION   | REV |
|------|-------------|------------|---|-----|
|      | 1001248426  | Ref        | PLATFORM CONSOLE AND FOOTSWITCH INSTALLATION                                      | A   |
| 1    | 0272970     | 1          | Footswitch Assembly   | B   |
| 1A   | 0100020     | 1          | Sealant   |     |
| 1B   | 1060918     | 7 ft/ 2.2m | Cable, Electrical - 18/3  |     |
| 1C   | 1001117320  | 1          | Footswitch  |     |
| 1D   | 4460042     | 3          | Terminal, Ring  |     |
| 1E   | 4460071     | 1          | Connector, Strain Relief  |     |
| 1F   | 4460226     | 2          | Socket, Female  |     |
| 1G   | 4460464     | 1          | Pin, Male   |     |
| 2    | 0760614     | 3          | Bolt M6 x 30  |     |
| 3    | 0761015     | 4          | Bolt M10 x 35   |     |
| 4    | 3290605     | 3          | Nut M6  |     |
| 5    | 3291005     | 4          | Nut M10   |     |
| 6    | 4740362     | 3          | Washer, Fender 1/4  |     |
| 7    | 4812002     | 8          | Washer M10  |     |
| 8    | 1001248457  | 1          | Platform Console and Decals Installation (See Separate Breakdown in this Section) |     |

# SECTION 5 - PLATFORM

## FIGURE 5-7. PLATFORM CONSOLE AND FOOTSWITCH INSTALLATION - STANDARD MACHINES (ENGLISH LANGUAGE)



ART\_1001255824

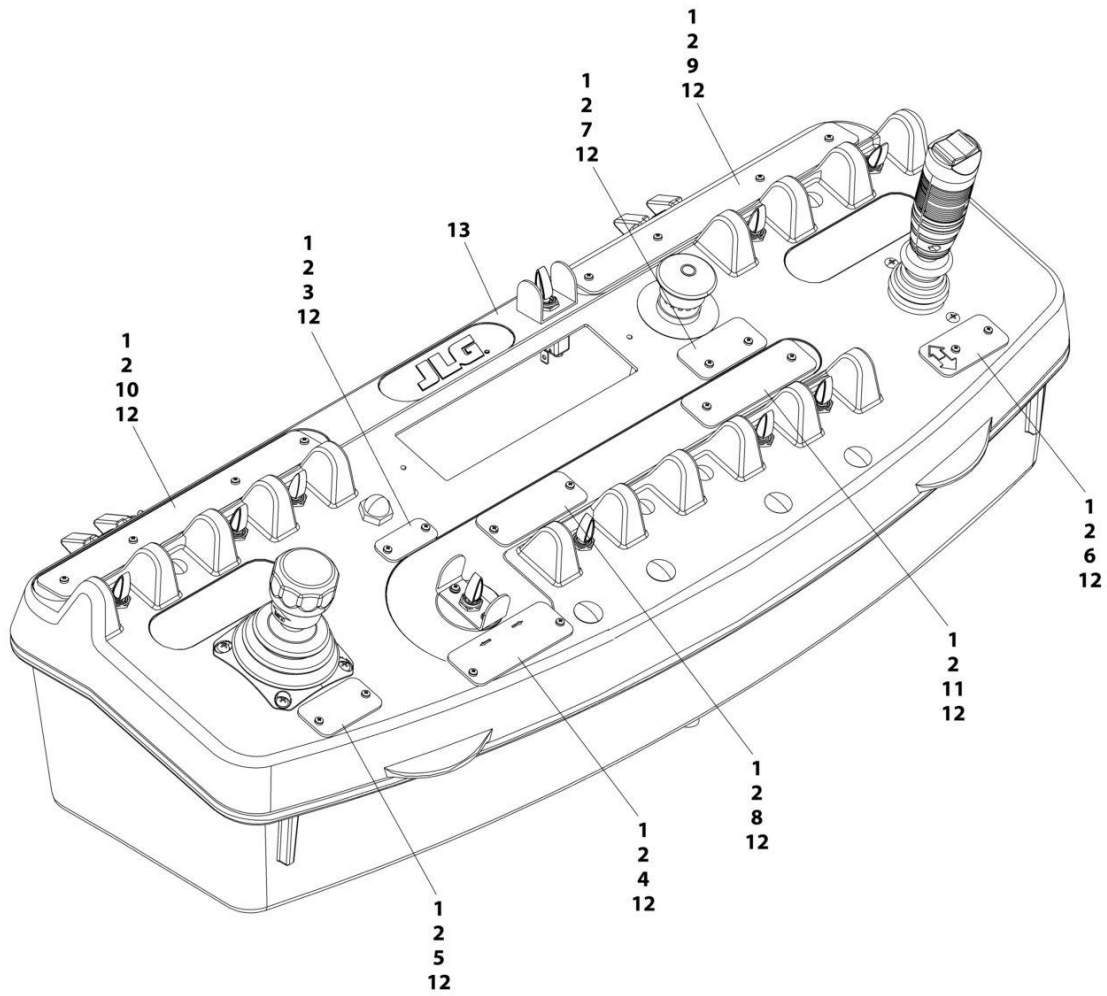
## SECTION 5 - PLATFORM

**FIGURE 5-7. PLATFORM CONSOLE AND FOOTSWITCH INSTALLATION - STANDARD MACHINES  
(ENGLISH LANGUAGE)**

| ITEM | PART NUMBER | QTY        | DESCRIPTION  | REV |
|------|-------------|------------|--|-----|
|      | 1001255824  | Ref        | PLATFORM CONSOLE AND FOOTSWITCH INSTALLATION -<br>STANDARD MACHINES (ENGLISH LANGUAGE) | A   |
| 1    | 0272970     | 1          | Footswitch Assembly  | B   |
| 1A   | 0100020     | 1          | Sealant  |     |
| 1B   | 1060918     | 7 ft/ 2.2m | Cable, Electrical - 18/3   |     |
| 1C   | 1001117320  | 1          | Footswitch   |     |
| 1D   | 4460042     | 3          | Terminal, Ring   |     |
| 1E   | 4460071     | 1          | Connector, Strain Relief   |     |
| 1F   | 4460226     | 2          | Socket, Female   |     |
| 1G   | 4460464     | 1          | Pin, Male  |     |
| 2    | 0760614     | 3          | Bolt M6 x 30   |     |
| 3    | 0760810     | 2          | Bolt M8 x 20   |     |
| 4    | 0761015     | 4          | Bolt M10 x 35  |     |
| 5    | 3290605     | 3          | Nut M6   |     |
| 6    | 3290805     | 2          | Nut M8   |     |
| 7    | 3291005     | 4          | Nut M10  |     |
| 8    | 4740362     | 3          | Washer, Fender 1/4   |     |
| 9    | 4811900     | 4          | Washer M8  |     |
| 10   | 4812002     | 8          | Washer M10   |     |
| 11   | 1001145439  | 1          | Panel, Pedestal  |     |
| 12   | 1001255826  | 1          | Platform Console and Decals Installation (See Separate<br>Breakdown in this Section)   |     |

# SECTION 5 - PLATFORM

## FIGURE 5-8. CONSOLE BOX SUB-ASSEMBLY (ENGLISH LANGUAGE)



ART\_1001248456



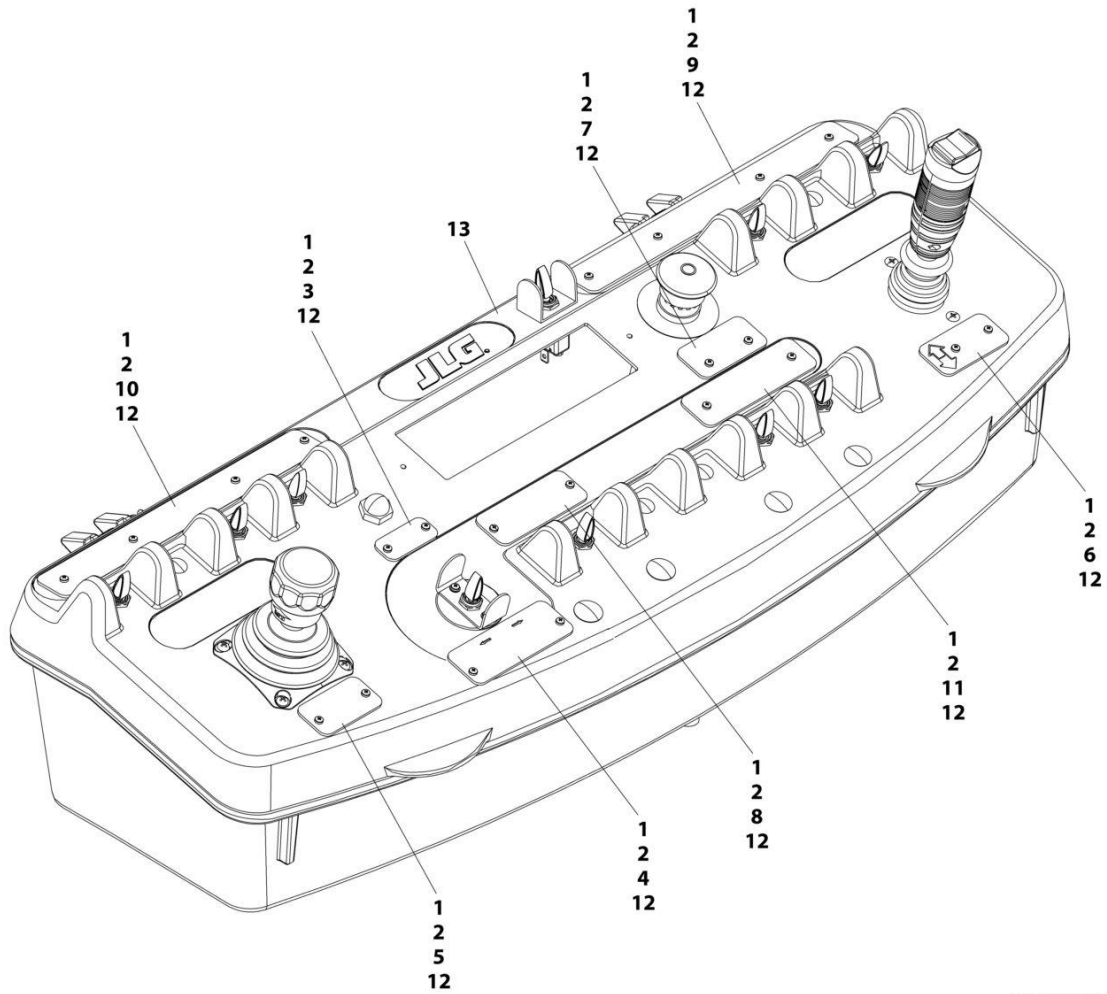
## SECTION 5 - PLATFORM

**FIGURE 5-8. CONSOLE BOX SUB-ASSEMBLY (ENGLISH LANGUAGE)**

| ITEM | PART NUMBER | QTY | DESCRIPTION   | REV |
|------|-------------|-----|---|-----|
|      | 1001248456  | Ref | PLATFORM CONSOLE AND DECALS INSTALLATION                      | A   |
| 1    | 3290305     | 22  | Nut M3  |     |
| 2    | 1001110544  | 22  | Washer M3   |     |
| 3    | 1001198138  | 1   | Decal - Horn  |     |
| 4    | 1001198146  | 1   | Decal - Function Speed Selection                              |     |
| 5    | 1001198150  | 1   | Decal - Lift/Swing Selection                                  |     |
| 6    | 1001198154  | 1   | Decal - Drive/Steer Selection                                 |     |
| 7    | 1001198156  | 1   | Decal - Emergency Stop  |     |
| 8    | 1001198200  | 1   | Decal - Platform Rotate Selection                             |     |
| 9    | 1001198205  | 1   | Decal   |     |
| 10   | 1001198206  | 1   | Decal   |     |
| 11   | 1001198207  | 1   | Decal   |     |
| 12   | 1001198576  | 22  | Screw M3 x 10   |     |
| 13   | 1001248460  | 1   | Console Box Assembly (See Separate Breakdown in this Section) |     |

# SECTION 5 - PLATFORM

## FIGURE 5-9. CONSOLE BOX SUB-ASSEMBLY (ENGLISH/JAPANESE LANGUAGE)



ART\_1001248459

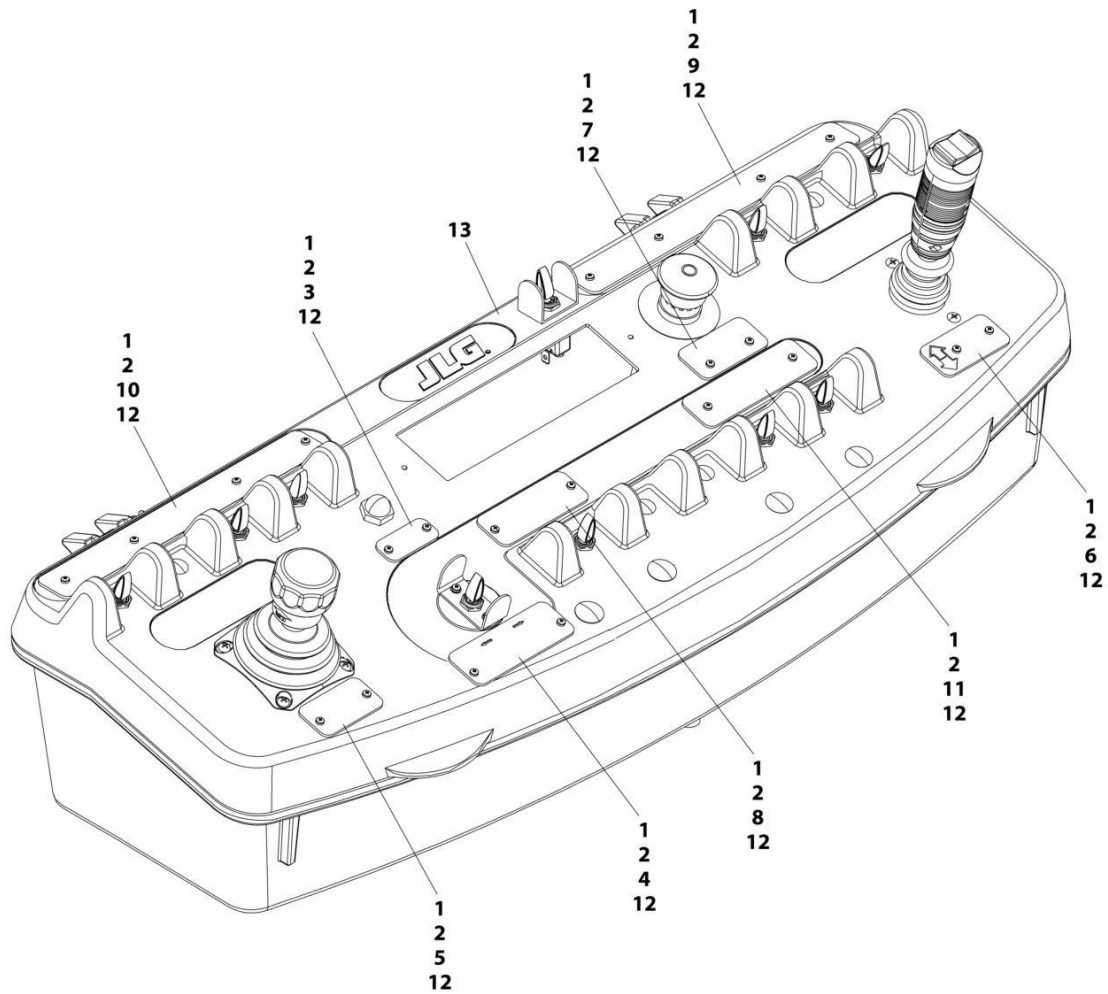
## SECTION 5 - PLATFORM

**FIGURE 5-9. CONSOLE BOX SUB-ASSEMBLY (ENGLISH/JAPANESE LANGUAGE)**

| ITEM | PART NUMBER | QTY | DESCRIPTION   | REV |
|------|-------------|-----|---|-----|
|      | 1001248459  | Ref | PLATFORM CONSOLE AND DECALS INSTALLATION                      | A   |
| 1    | 3290305     | 22  | Nut M3  |     |
| 2    | 1001110544  | 22  | Washer M3   |     |
| 3    | 1001198144  | 1   | Decal - Horn  |     |
| 4    | 1001198145  | 1   | Decal - Function Speed Selection                              |     |
| 5    | 1001198149  | 1   | Decal - Lift/Swing Selection                                  |     |
| 6    | 1001198153  | 1   | Decal - Drive/Steer Selection                                 |     |
| 7    | 1001198155  | 1   | Decal - Emergency Stop  |     |
| 8    | 1001198160  | 1   | Decal - Platform Rotate Selection                             |     |
| 9    | 1001198166  | 1   | Decal   |     |
| 10   | 1001198167  | 1   | Decal   |     |
| 11   | 1001198170  | 1   | Decal   |     |
| 12   | 1001198576  | 22  | Screw M3 x 10   |     |
| 13   | 1001248460  | 1   | Console Box Assembly (See Separate Breakdown in this Section) |     |

# SECTION 5 - PLATFORM

## FIGURE 5-10. CONSOLE BOX SUB-ASSEMBLY (ENGLISH/KOREAN LANGUAGE)



ART\_1001248457

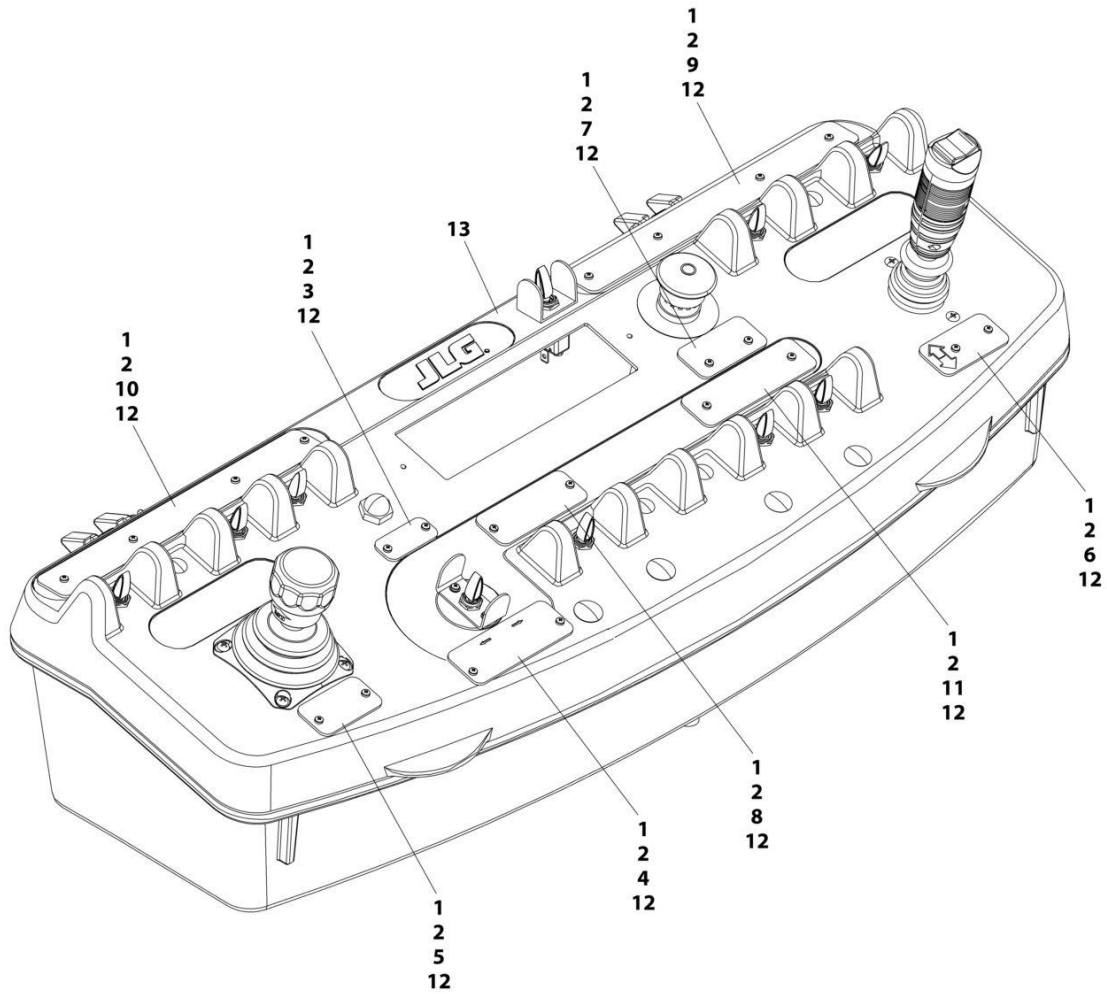
## SECTION 5 - PLATFORM

**FIGURE 5-10. CONSOLE BOX SUB-ASSEMBLY (ENGLISH/KOREAN LANGUAGE)**

| ITEM | PART NUMBER | QTY | DESCRIPTION   | REV |
|------|-------------|-----|---|-----|
|      | 1001248457  | Ref | PLATFORM CONSOLE AND DECALS INSTALLATION                      | A   |
| 1    | 3290305     | 22  | Nut M3  |     |
| 2    | 1001110544  | 22  | Washer M3   |     |
| 3    | 1001198175  | 1   | Decal - Horn  |     |
| 4    | 1001198176  | 1   | Decal - Function Speed Selection                              |     |
| 5    | 1001198178  | 1   | Decal - Lift/Swing Selection                                  |     |
| 6    | 1001198180  | 1   | Decal - Drive/Steer Selection                                 |     |
| 7    | 1001198181  | 1   | Decal - Emergency Stop  |     |
| 8    | 1001198183  | 1   | Decal - Platform Rotate Selection                             |     |
| 9    | 1001198188  | 1   | Decal   |     |
| 10   | 1001198189  | 1   | Decal   |     |
| 11   | 1001198190  | 1   | Decal   |     |
| 12   | 1001198576  | 22  | Screw M3 x 10   |     |
| 13   | 1001248460  | 1   | Console Box Assembly (See Separate Breakdown in this Section) |     |

# SECTION 5 - PLATFORM

## FIGURE 5-11. CONSOLE BOX SUB-ASSEMBLY (ENGLISH/CHINESE LANGUAGE)



ART\_1001248458

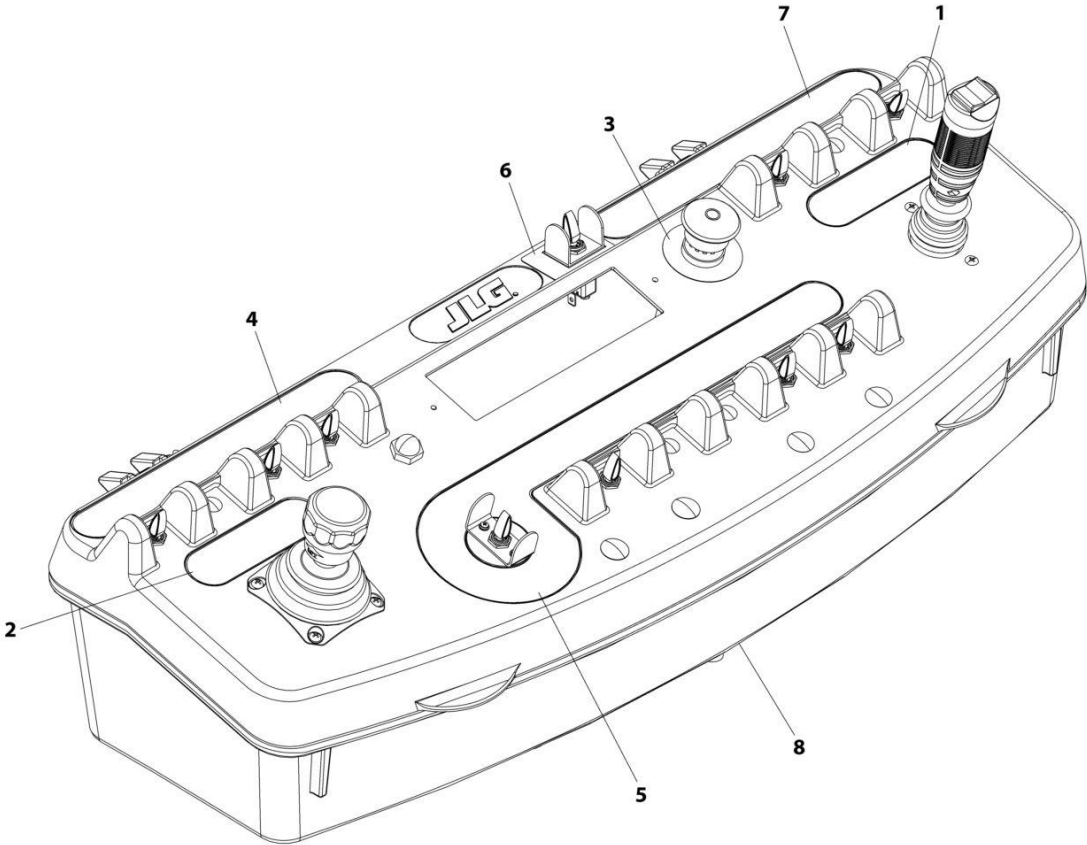
## SECTION 5 - PLATFORM

**FIGURE 5-11. CONSOLE BOX SUB-ASSEMBLY (ENGLISH/CHINESE LANGUAGE)**

| ITEM | PART NUMBER | QTY | DESCRIPTION   | REV |
|------|-------------|-----|---|-----|
|      | 1001248458  | Ref | PLATFORM CONSOLE AND DECALS INSTALLATION                      | A   |
| 1    | 3290305     | 22  | Nut M3  |     |
| 2    | 1001110544  | 22  | Washer M3   |     |
| 3    | 1001198211  | 1   | Decal - Horn  |     |
| 4    | 1001198212  | 1   | Decal - Function Speed Selection                              |     |
| 5    | 1001198214  | 1   | Decal - Lift/Swing Selection                                  |     |
| 6    | 1001198216  | 1   | Decal - Drive/Steer Selection                                 |     |
| 7    | 1001198217  | 1   | Decal - Emergency Stop  |     |
| 8    | 1001198219  | 1   | Decal - Platform Rotate Selection                             |     |
| 9    | 1001198224  | 1   | Decal   |     |
| 10   | 1001198225  | 1   | Decal   |     |
| 11   | 1001198226  | 1   | Decal   |     |
| 12   | 1001198576  | 22  | Screw M3 x 10   |     |
| 13   | 1001248460  | 1   | Console Box Assembly (See Separate Breakdown in this Section) |     |

**SECTION 5 - PLATFORM**

**FIGURE 5-12. CONSOLE BOX SUB-ASSEMBLY (ENGLISH LANGUAGE)**



ART\_1001255826



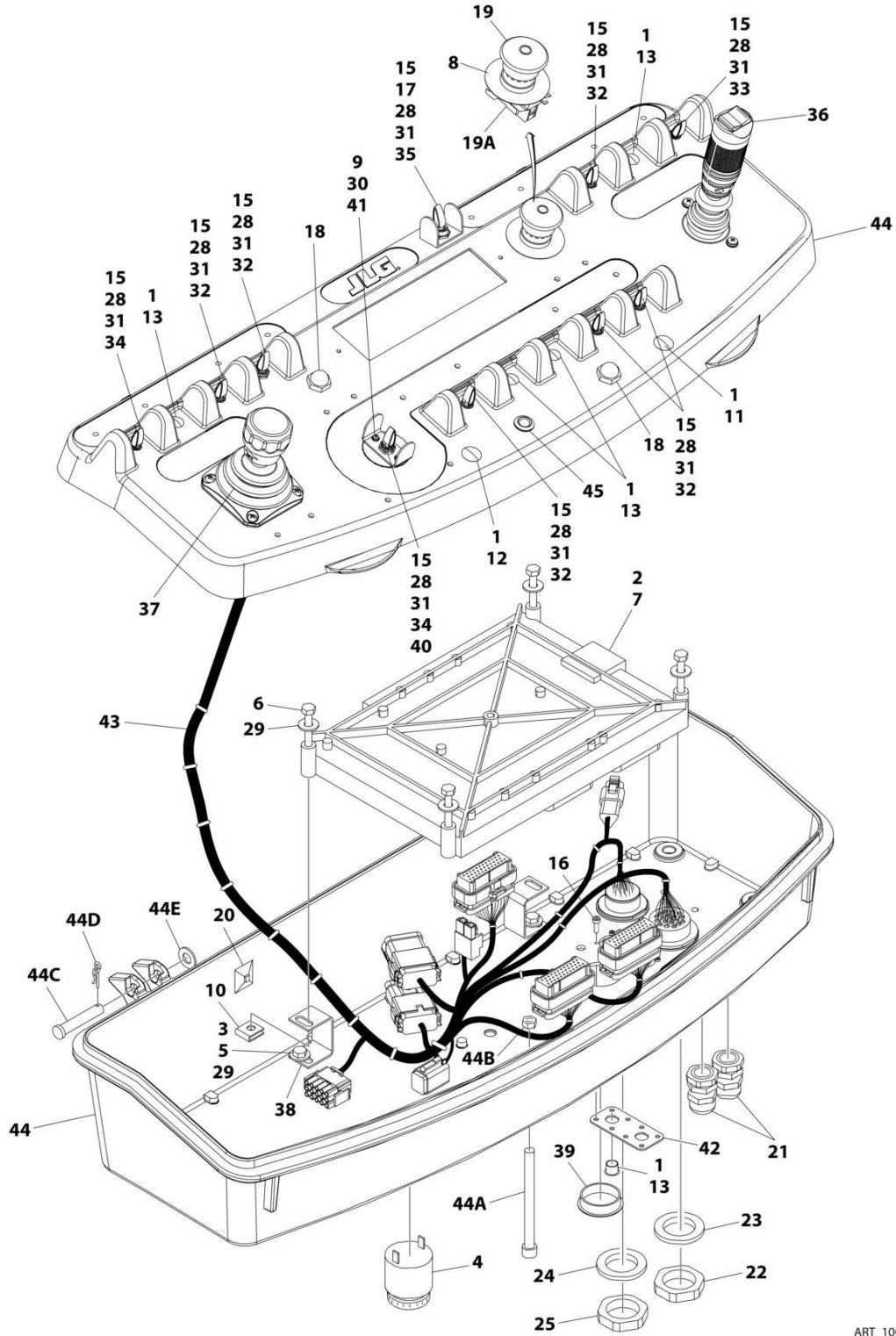
## SECTION 5 - PLATFORM

**FIGURE 5-12. CONSOLE BOX SUB-ASSEMBLY (ENGLISH LANGUAGE)**

| ITEM | PART NUMBER | QTY | DESCRIPTION   | REV |
|------|-------------|-----|---|-----|
|      | 1001255826  | Ref | CONSOLE BOX SUB-ASSEMBLY (ENGLISH LANGUAGE)                   | A   |
| 1    | 1702565     | 1   | Decal - Drive/Steer Selection                                 |     |
| 2    | 1702566     | 1   | Decal - Lift/Swing Selection                                  |     |
| 3    | 1704260     | 1   | Decal - EMS   |     |
| 4    | 1705744     | 1   | Decal - Horn  |     |
| 5    | 1705745     | 1   | Decal - Function Speed Selection                              |     |
| 6    | 1706741     | 1   | Decal - Boom Control Selection                                |     |
| 7    | 1001131168  | 1   | Decal, Stop   |     |
| 8    | 1001255827  | 1   | Console Box Assembly (See Separate Breakdown in this Section) |     |

# SECTION 5 - PLATFORM

## FIGURE 5-13. CONSOLE BOX ASSEMBLY (ENGLISH LANGUAGE)



ART\_1001248460\_D

## SECTION 5 - PLATFORM

**FIGURE 5-13. CONSOLE BOX ASSEMBLY (ENGLISH LANGUAGE)**

| ITEM | PART NUMBER | QTY | DESCRIPTION   | REV |
|------|-------------|-----|---|-----|
|      | 1001248460  | Ref | PLATFORM CONSOLE ASSEMBLY   | D   |
| 1    | 0100009     | AR  | Sealant   |     |
| 2    | 0100048     | AR  | Grease, Dielectric  |     |
| 3    | 0100035     | AR  | Compound, Locking   |     |
| 4    | 0140011     | 1   | Alarm   |     |
| 5    | 0641404     | 4   | Bolt 1/4 x 1/2  |     |
| 6    | 0641414     | 4   | Bolt 1/4 x 1-3/4  |     |
| 7    | 1600343     | 1   | Module, Platform (Note: Re-calibration Required when Replaced)                                      |     |
| 8    | 1704260     | 1   | Decal - Emergency Stop  |     |
| 9    | 3290305     | 2   | Nut M3  |     |
| 10   | 3300353     | 4   | Nut, Tinnerman  |     |
| 11   | 3520026     | 1   | Plug, Hole  |     |
| 12   | 3520027     | 1   | Plug, Hole  |     |
| 13   | 3520054     | 5   | Plug, Hole  |     |
| 14   | 3520174     | 3   | Plug, Hole (Not Shown)  |     |
| 15   | 3790012     | 10  | O-Ring  |     |
| 16   | 3900349     | 8   | Capscrew M2.5   |     |
| 17   | 4060906     | 1   | Guard, Switch   |     |
| 18   | 4360387     | 2   | Switch, Push Button   |     |
| 19   | 4360475     | 1   | Switch, Emergency Stop  |     |
| 19   | 7020175     | 1   | Cap, Red  |     |
| 19A  | 7020176     | 1   | Contact, Block  |     |
| 20   | 4460234     | 3   | Base, Mounting  |     |
| 21   | 4460428     | 2   | Connector, Strain Relief  |     |
| 22   | 4460470     | 1   | Nut, Terminal   |     |
| 23   | 4460471     | 1   | Washer, Terminal  |     |
| 24   | 4460496     | 1   | Washer, Terminal  |     |
| 25   | 4460497     | 1   | Nut, Terminal   |     |
| 26   | 4460708     | 1   | Terminal (Not Shown)  |     |
| 27   | 4460905     | AR  | Plug, Terminal (Not Shown)  |     |
| 28   | 4740397     | 10  | Washer  |     |
| 29   | 4751400     | 8   | Washer 1/4  |     |
| 30   | 1001110544  | 4   | Washer M3   |     |
| 31   | 1001155044  | 10  | Nut 15/32   |     |
| 32   | 1001155045  | 6   | Switch, Toggle  |     |
| 33   | 1001159256  | 1   | Switch, Toggle  |     |
| 34   | 1001161709  | 2   | Switch, Toggle  |     |
| 35   | 1001161710  | 1   | Switch, Toggle  |     |
| 36   | 1001166538  | NLA | Controller Assembly (Drive and Steer) (Use p/n 1001212415) (See Separate Breakdown in this Section) |     |
| 37   | 1001166539  | NLA | Controller Assembly (Lift and Swing) (Use p/n 1001129555) (See Separate Breakdown in this Section)  |     |
| 38   | 1001172760  | 4   | Bracket   |     |
| 39   | 1001185281  | 1   | Plug  |     |
| 40   | 1001196744  | 1   | Guard, Switch   |     |
| 41   | 1001198576  | 2   | Screw M3 x 10   |     |
| 42   | 1001213882  | 1   | Mount, Connector  |     |
| 43   | 1001243596  | 1   | Platform Console Harness (See Separate Breakdown in ELECTRICAL Section)                             |     |
| 44   | 1001249886  | 1   | Box, Console  |     |

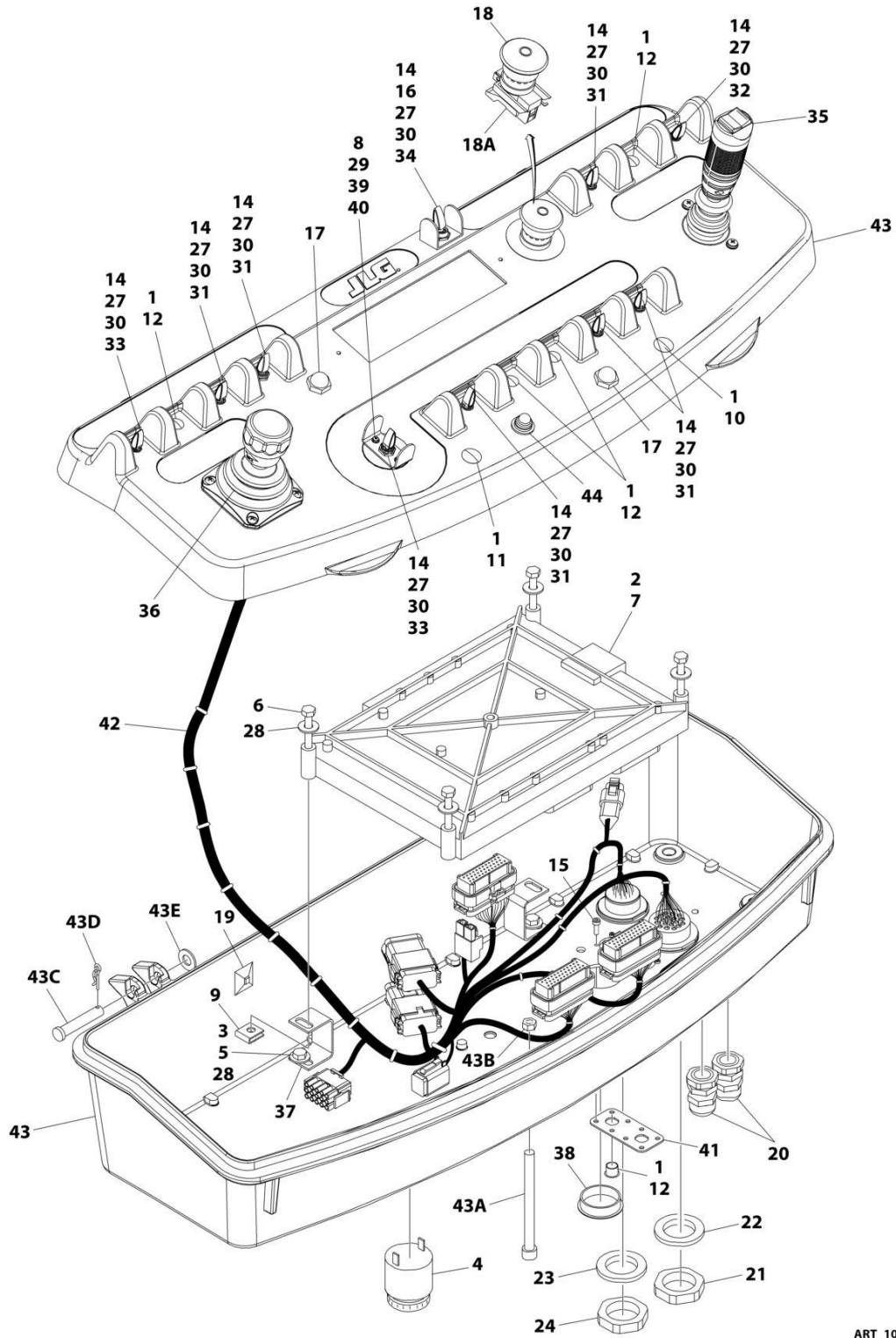
## SECTION 5 - PLATFORM

| ITEM | PART NUMBER | QTY | DESCRIPTION       | REV |
|------|-------------|-----|-------------------|-----|
| 44A  | 0630568     | 1   | Screw 3/8 x 4-1/2 |     |
| 44B  | 3311601     | 1   | Nut 3/8           |     |
| 44C  | 3430616     | 2   | Pin               |     |
| 44D  | 3470003     | 2   | Pin               |     |
| 44E  | 4711600     | 2   | Washer 3/8        |     |
| 45   | 1001206532  | 1   | Light, Indicator  |     |



# SECTION 5 - PLATFORM

## FIGURE 5-14. CONSOLE BOX ASSEMBLY



ART\_1001255827

## SECTION 5 - PLATFORM

### FIGURE 5-14. CONSOLE BOX ASSEMBLY

| ITEM | PART NUMBER | QTY | DESCRIPTION   | REV |
|------|-------------|-----|---|-----|
|      | 1001255827  | Ref | CONSOLE BOX ASSEMBLY  | C   |
| 1    | 0100009     | AR  | Sealant   |     |
| 2    | 0100048     | AR  | Grease, Dielectric  |     |
| 3    | 0100035     | AR  | Compound, Locking   |     |
| 4    | 0140011     | 1   | Alarm   |     |
| 5    | 0641404     | 4   | Bolt 1/4 x 1/2  |     |
| 6    | 0641414     | 4   | Bolt 1/4 x 1-3/4  |     |
| 7    | 1600343     | 1   | Module, Platform (Note: Re-calibration Required when Replaced)          |     |
| 8    | 3290305     | 2   | Nut M3  |     |
| 9    | 3300353     | 4   | Nut, Tinnerman  |     |
| 10   | 3520026     | 1   | Plug, Hole  |     |
| 11   | 3520027     | 1   | Plug, Hole  |     |
| 12   | 3520054     | 5   | Plug, Hole  |     |
| 13   | 3520174     | 3   | Plug, Hole (Not Shown)  |     |
| 14   | 3790012     | 10  | O-Ring  |     |
| 15   | 3900349     | 8   | Capscrew M2.5   |     |
| 16   | 4060906     | 1   | Guard, Switch   |     |
| 17   | 4360387     | 2   | Switch, Push Button   |     |
| 18   | 4360475     | 1   | Switch, Emergency Stop  |     |
| 18   | 7020175     | 1   | Cap, Red  |     |
| 18A  | 7020176     | 1   | Contact, Block  |     |
| 19   | 4460234     | 3   | Base, Mounting  |     |
| 20   | 4460428     | 2   | Connector, Strain Relief  |     |
| 21   | 4460470     | 1   | Nut, Terminal   |     |
| 22   | 4460471     | 1   | Washer, Terminal  |     |
| 23   | 4460496     | 1   | Washer, Terminal  |     |
| 24   | 4460497     | 1   | Nut, Terminal   |     |
| 25   | 4460708     | 1   | Terminal (Not Shown)  |     |
| 26   | 4460905     | AR  | Plug, Terminal (Not Shown)  |     |
| 27   | 4740397     | 10  | Washer  |     |
| 28   | 4751400     | 8   | Washer 1/4  |     |
| 29   | 1001110544  | 4   | Washer M3   |     |
| 30   | 1001155044  | 10  | Nut 15/32   |     |
| 31   | 1001155045  | 6   | Switch, Toggle  |     |
| 32   | 1001159256  | 1   | Switch, Toggle  |     |
| 33   | 1001161709  | 2   | Switch, Toggle  |     |
| 34   | 1001161710  | 1   | Switch, Toggle  |     |
| 35   | 1001275628  | 1   | Controller Assembly (Drive and Steer)                                   |     |
| 36   | 1001275629  | 1   | Controller Assembly (Lift and Swing)                                    |     |
| 37   | 1001172760  | 4   | Bracket   |     |
| 38   | 1001185281  | 1   | Plug  |     |
| 39   | 1001196744  | 1   | Guard, Switch   |     |
| 40   | 1001198576  | 2   | Screw M3 x 10   |     |
| 41   | 1001213882  | 1   | Mount, Connector  |     |
| 42   | 1001243596  | 1   | Platform Console Harness (See Separate Breakdown in ELECTRICAL Section) |     |
| 43   | 1001255828  | 1   | Box, Console  |     |
| 43A  | 0630568     | 1   | Screw 3/8 x 4-1/2   |     |
| 43B  | 3311601     | 1   | Nut 3/8   |     |
| 43C  | 3430616     | 2   | Pin   |     |

## SECTION 5 - PLATFORM

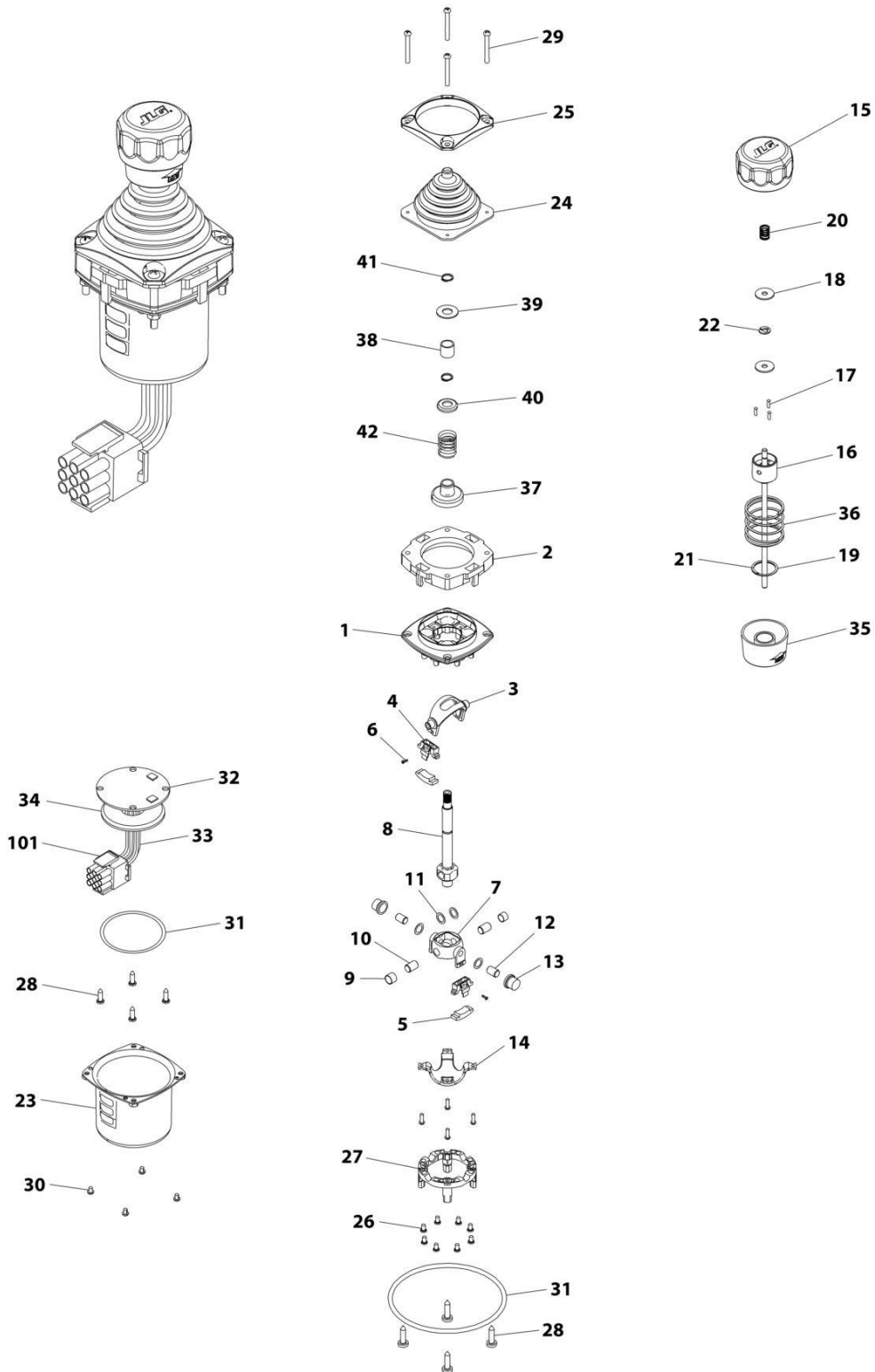
| ITEM | PART NUMBER | QTY | DESCRIPTION     | REV |
|------|-------------|-----|-----------------|-----|
| 43D  | 3470003     | 2   | Pin             |     |
| 43E  | 4711600     | 2   | Washer 3/8      |     |
| 44   | 1001206532  | 1   | Lamp, Indicator |     |





# SECTION 5 - PLATFORM

## FIGURE 5-15. CONTROLLER ASSEMBLY (LIFT AND SWING)



ART\_1001166539

## SECTION 5 - PLATFORM

**FIGURE 5-15. CONTROLLER ASSEMBLY (LIFT AND SWING)**

| ITEM | PART NUMBER | QTY | DESCRIPTION   | REV |
|------|-------------|-----|---|-----|
|      | 1001166539  | Ref | CONTROLLER ASSEMBLY   | E   |
|      |             | Ref | Note: Original Equipment Controller May Have Been Replaced with Service Replacement Controller. Visually Identify Controller Before Ordering Parts. |     |
|      |             | Ref | Note: For Replacement, Use p/n 1001129555   |     |
| 1    | See Note    | NSS | Main Cast Body (Note: Not Available - Purchase Complete Assembly)   |     |
| 2    | 70004752    | 1   | Adapter   |     |
| 3    | See Note    | NSS | Pivot Arm, Plastic (Note: Not Available - Purchase Complete Assembly)   |     |
| 4    | See Note    | NSS | Holder, Magnet (Note: Not Available - Purchase Complete Assembly)   |     |
| 5    | See Note    | NSS | Arc, Magnet (Note: Not Available - Purchase Complete Assembly)  |     |
| 6    | See Note    | NSS | Screw (Note: Not Available for Purchase)  |     |
| 7    | See Note    | NSS | Pivot Arm, Cast (Note: Not Available - Purchase Complete Assembly)  |     |
| 8    | See Note    | NSS | Shaft, Main (Note: Not Available - Purchase Complete Assembly)  |     |
| 9    | See Note    | NSS | Bearing (Note: Not Available - Purchase Complete Assembly)  |     |
| 10   | See Note    | NSS | Pin (Note: Not Available - Purchase Complete Assembly)  |     |
| 11   | See Note    | NSS | Shim (Note: Not Available - Purchase Complete Assembly)   |     |
| 12   | See Note    | NSS | Pin (Note: Not Available - Purchase Complete Assembly)  |     |
| 13   | See Note    | NSS | Bearing (Note: Not Available - Purchase Complete Assembly)  |     |
| 14   | See Note    | NSS | Dome, Centering (Note: Not Available - Purchase Complete Assembly)  |     |
| 15   | 70004753    | 1   | Cap   |     |
| 16   | 70004754    | 1   | Insert, Cap   |     |
| 17   | 70004755    | 3   | Pin   |     |
| 18   | 70004756    | 2   | Washer  |     |
| 19   | 70004757    | 1   | Pin, Centering  |     |
| 20   | 70004758    | 1   | Spring  |     |
| 21   | 70004759    | 1   | Ring, Retaining   |     |
| 22   | 70004760    | 1   | E-Ring  |     |
| 23   | 70004761    | 1   | Can, Enclosure  |     |
| 24   | 70004762    | 1   | Boot  |     |
| 25   | 70004763    | 1   | Bezel   |     |
| 26   | See Note    | NSS | Screw (Note: Not Available for Purchase)  |     |
| 27   | See Note    | NSS | Base Mounting (Note: Not Available - Purchase Complete Assembly)  |     |
| 28   | See Note    | NSS | Screw (Note: Not Available for Purchase)  |     |
| 29   | 70004764    | 4   | Screw   |     |
| 30   | 70004765    | 4   | Screw   |     |
| 31   | 70004766    | 1   | O-Ring  |     |
| 32   | See Note    | NSS | Plate (Note: Not Available - Purchase Complete Assembly)  |     |
| 33   | See Note    | NSS | Harness (Note: Not Available - Purchase Complete Assembly)  |     |
| 34   | 70004767    | 1   | Grommet, Rubber   |     |
| 35   | 70004768    | 1   | Housing   |     |
| 36   | 70004769    | 1   | Spring  |     |
| 37   | 70004770    | 1   | Stopper   |     |
| 38   | 70004771    | 1   | Spacer  |     |
| 39   | 70004772    | 1   | Washer  |     |
| 40   | 70004773    | 1   | Disc  |     |

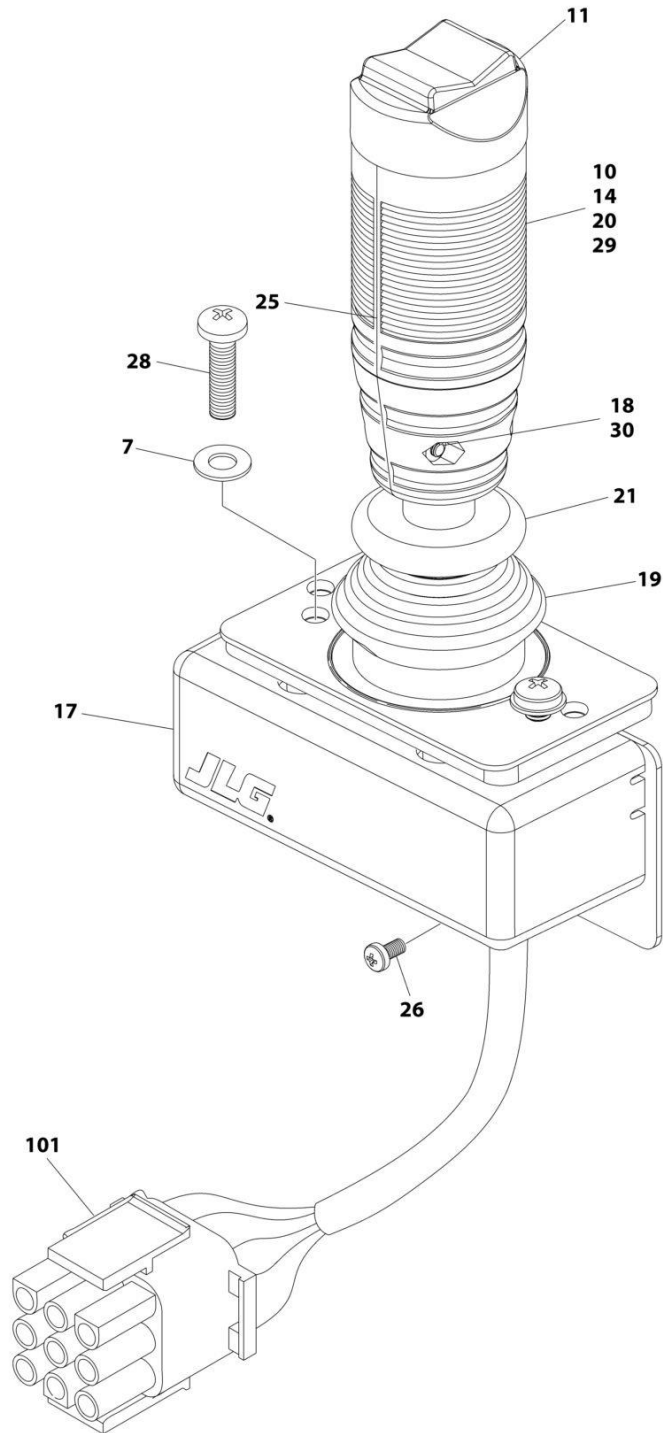
## SECTION 5 - PLATFORM

| ITEM | PART NUMBER | QTY | DESCRIPTION            | REV |
|------|-------------|-----|------------------------|-----|
| 41   | 70004774    | 2   | Ring, Retaining        |     |
| 42   | 70004775    | 1   | Spring                 |     |
| 101  | 4460265     | 1   | Connector - 9 Position |     |
| 101  | 4460226     | 6   | Socket, Female         |     |



# SECTION 5 - PLATFORM

## FIGURE 5-16. CONTROLLER ASSEMBLY (DRIVE AND STEER)



ART\_1001166538

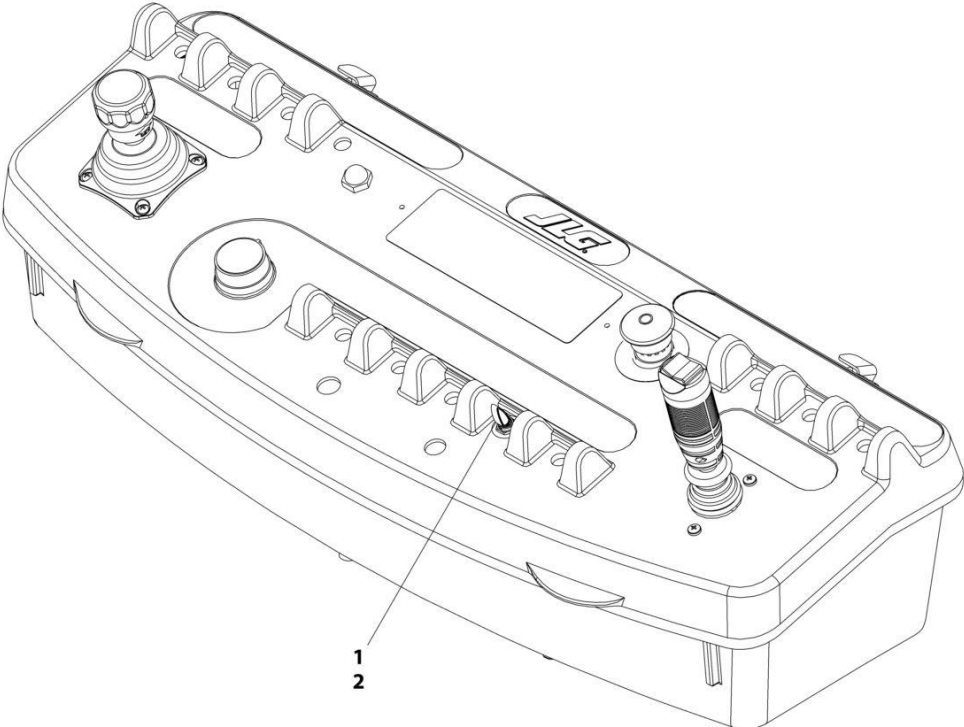
## SECTION 5 - PLATFORM

**FIGURE 5-16. CONTROLLER ASSEMBLY (DRIVE AND STEER)**

| ITEM | PART NUMBER | QTY | DESCRIPTION  | REV |
|------|-------------|-----|--|-----|
|      | 1001166538  | Ref | CONTROLLER ASSEMBLY - DRIVE AND STEER                  | G   |
|      |             | Ref | Note: For Replacement, Use p/n 1001212415.             |     |
| 7    | 70004738    | 2   | Washer   |     |
| 10   | 70004739    | 1   | Roller   |     |
| 11   | 70004740    | 1   | Boot, Switch   |     |
| 14   | 70004741    | 2   | Half, Handle   |     |
| 17   | 70004742    | 1   | Enclosure  |     |
| 18   | 70004743    | 4   | Nut  |     |
| 19   | 70004744    | NLA | Boot, Controller (Use p/n 70005230 Boot/Base Assembly) |     |
| 20   | 70004745    | NLA | Tube, Locking (Use p/n 70005230 Boot/Base Assembly)    |     |
| 21   | 70004746    | NLA | Disc, Locking (Use p/n 70005230 Boot/Base Assembly)    |     |
| 25   | 70004747    | 2   | Seal, Rope   |     |
| 26   | 70004748    | 1   | Screw M3 x 6   |     |
| 28   | 70004749    | 2   | Screw M5 x 20  |     |
| 29   | 70004750    | 1   | Pin, Dowel   |     |
| 30   | 70004751    | 4   | Screw M3 x 16  |     |
| 101  | 4460265     | 1   | Connector - 9 Position                                 |     |
| 101  | 4460226     | 7   | Socket, Female   |     |

**SECTION 5 - PLATFORM**

**FIGURE 5-17. JIB SWITCH INSTALLATION - 1100SJ**



ART\_0271340



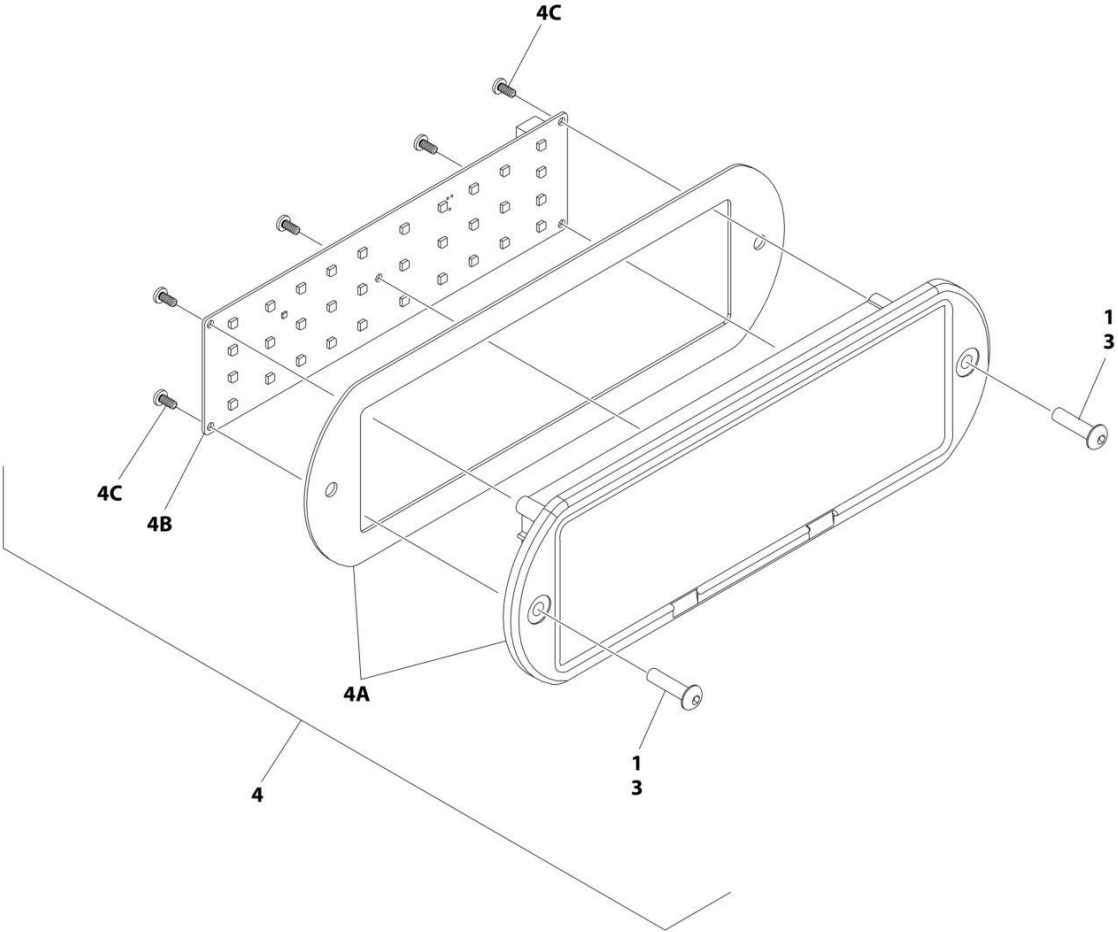
## SECTION 5 - PLATFORM

FIGURE 5-17. JIB SWITCH INSTALLATION - 1100SJ

| ITEM | PART NUMBER | QTY | DESCRIPTION             | REV |
|------|-------------|-----|-------------------------|-----|
|      | 0271340     | Ref | JIB SWITCH INSTALLATION | 1/A |
| 1    | 4360328     | 1   | Switch, Toggle          |     |
| 2    | 3790012     | 1   | O-Ring                  |     |

**SECTION 5 - PLATFORM**

**FIGURE 5-18. LIGHT PANEL INSTALLATION**



ART\_1001241403\_2OF2

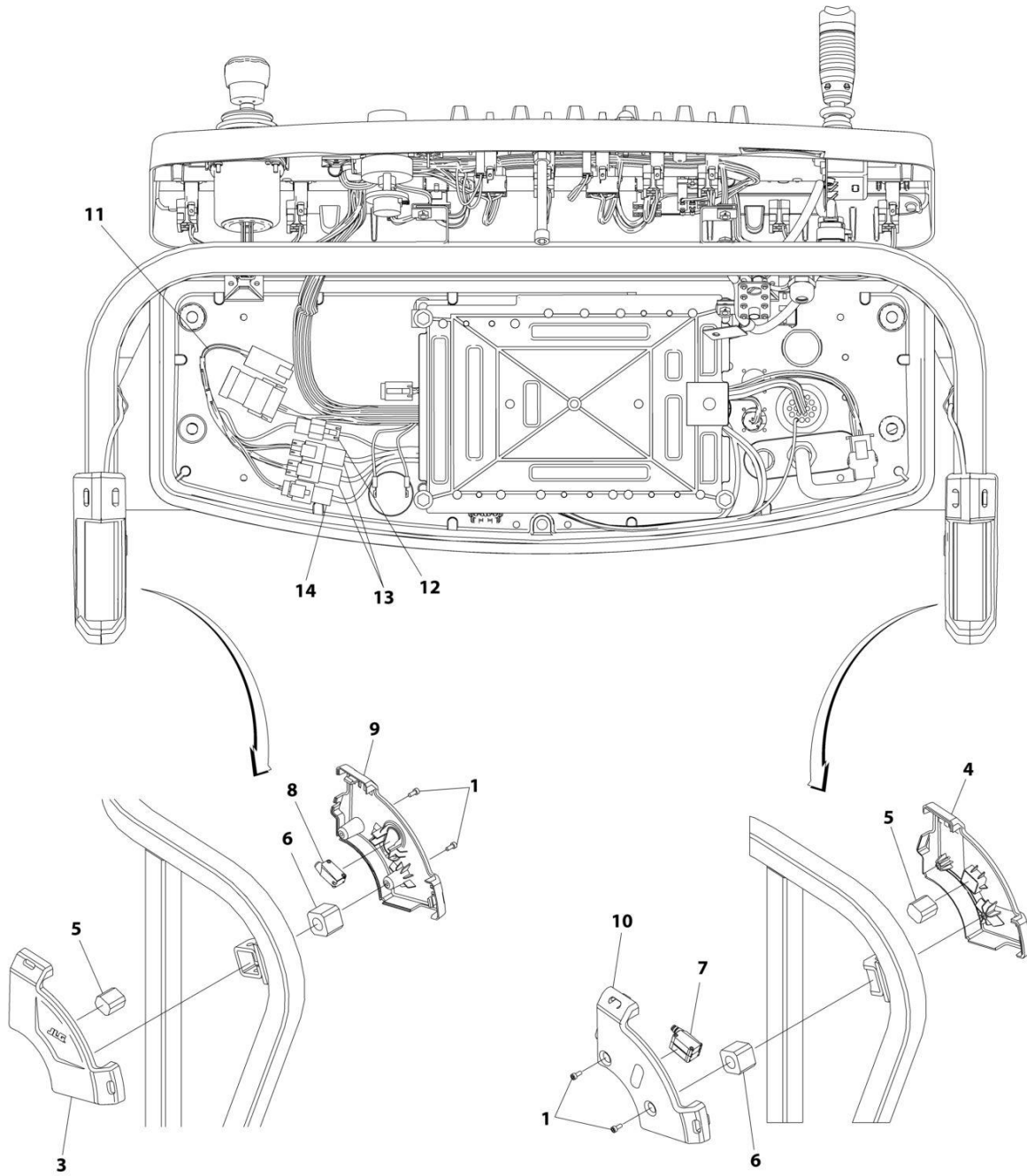
## SECTION 5 - PLATFORM

### FIGURE 5-18. LIGHT PANEL INSTALLATION

| ITEM | PART NUMBER | QTY | DESCRIPTION  | REV |
|------|-------------|-----|--|-----|
|      | 1001241403  | Ref | LIGHT PANEL INSTALLATION - PLATFORM CONSOLE                            | C   |
| 1    | 3300408     | 1   | Nut, Nylon Insert  |     |
| 3    | 0630518     | 2   | Screw #10 x 3/4  |     |
| 4    | 1001238672  | 1   | Light Panel Electrical Assembly  | H   |
| 4A   | 1001236089  | 1   | Lens Assembly (Includes Housing Shell, Decal/Lens with Icons & Gasket) |     |
| 4B   | 1001238732  | 1   | Panel, LED Light   |     |
| 4C   |             | Ref | Screw  |     |

# SECTION 5 - PLATFORM

## FIGURE 5-19. SKYEYE INSTALLATION



ART\_1001229341

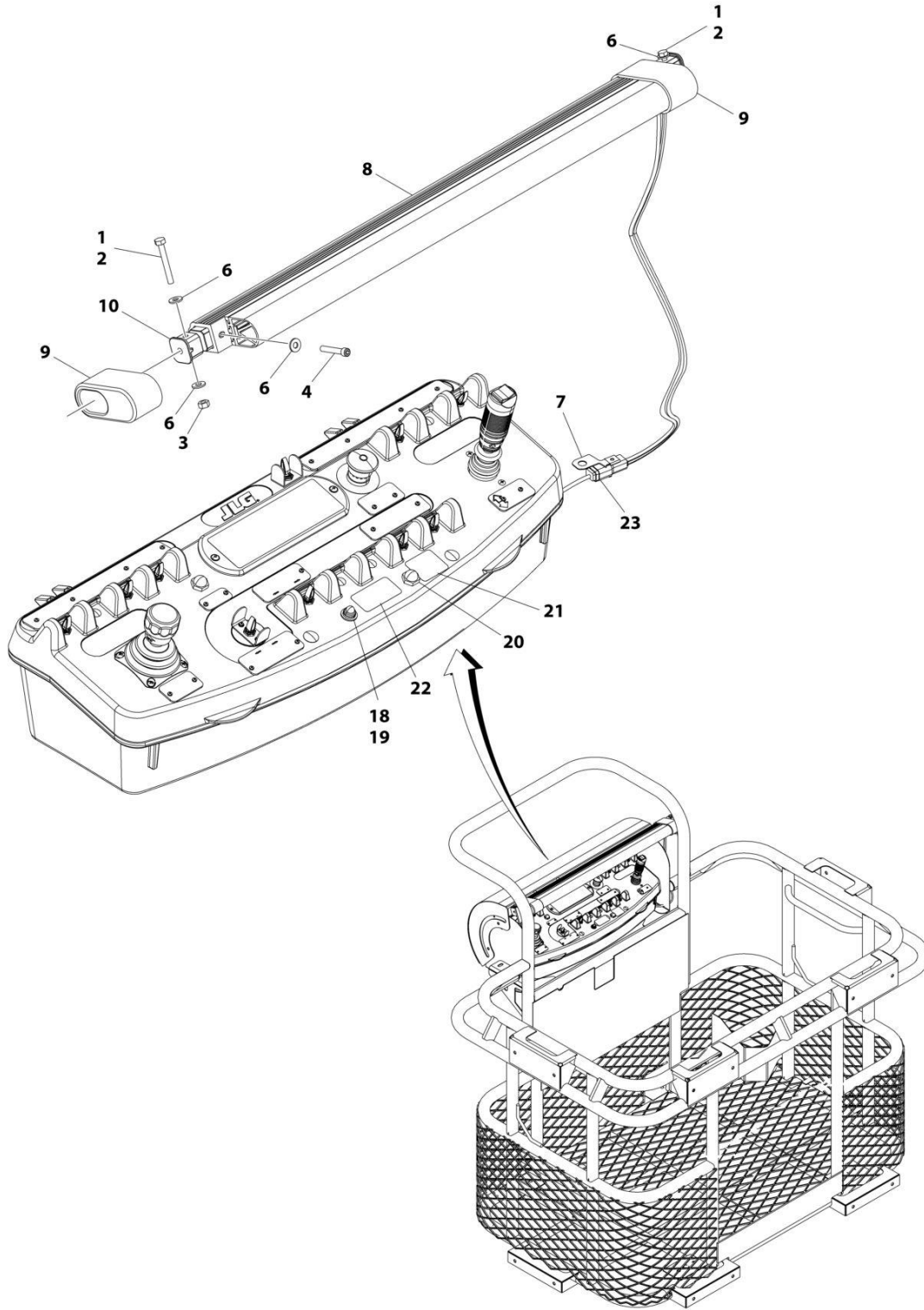
## SECTION 5 - PLATFORM

### FIGURE 5-19. SKYEYE INSTALLATION

| ITEM | PART NUMBER | QTY | DESCRIPTION  | REV |
|------|-------------|-----|--|-----|
|      | 1001229341  | Ref | SKYEYE INSTALLATION  | B   |
| 1    | 4031505     | 4   | Bolt M4 x 10   |     |
| 2    | 4240033     | AR  | Tie-Strap (Not Shown)  |     |
| 3    | 1001227633  | 1   | Housing, LH Outer  |     |
| 4    | 1001227634  | 1   | Housing, RH Outer  |     |
| 5    | 1001227985  | 2   | Shim   |     |
| 6    | 1001227987  | 2   | Shim   |     |
| 7    | 1001228224  | 2   | Sensor, Receiver   |     |
| 8    | 1001228225  | 1   | Sensor, Emitter  |     |
| 9    | 1001232164  | 1   | Housing, LH Inner  |     |
| 10   | 1001232165  | 1   | Housing, RH Inner  |     |
| 11   | 1001237865  | 1   | Harness, Skyeeye Intermediate (See Separate Breakdown in ELECTRICAL Section) |     |
| 12   | 1001238319  | NLA | Harness, Skyeeye Drain Jumper  |     |
| 12   | 1001187674  | 1   | Plug, Male - 2 Position  |     |
| 12   | 4460942     | 1   | Terminal   |     |
| 12   | 4460466     | 1   | Plug, Terminal   |     |
| 12   | 4460508     | 1   | Pin, Male  |     |
| 13   | 1001237863  | 2   | Harness, Skyeeye Receiver (See Separate Breakdown in ELECTRICAL Section)     |     |
| 14   | 1001237864  | 1   | Harness, Skyeeye Emitter (See Separate Breakdown in ELECTRICAL Section)      |     |

# SECTION 5 - PLATFORM

## FIGURE 5-20. SKYGUARD INSTALLATION



ART\_1001153444

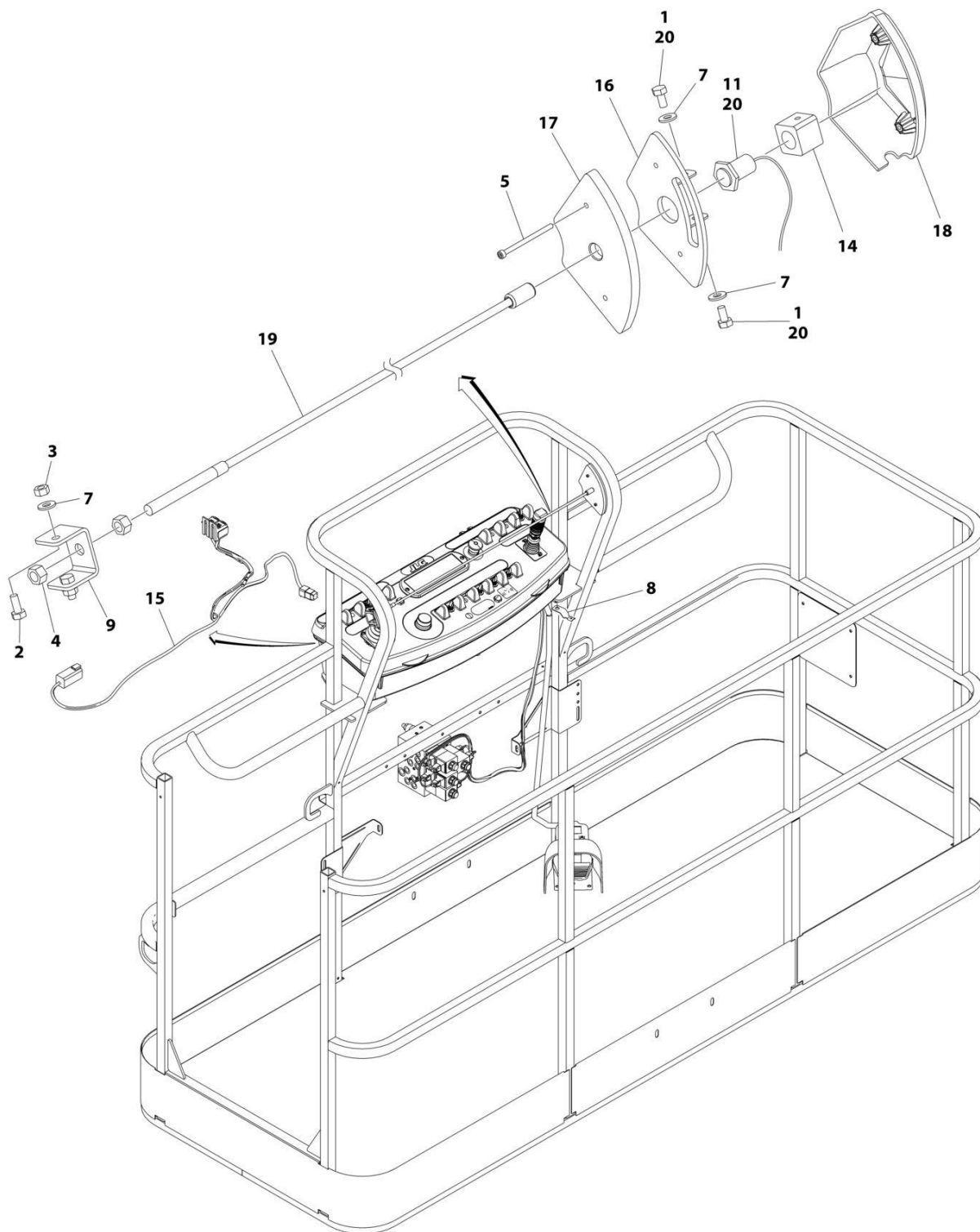
## SECTION 5 - PLATFORM

**FIGURE 5-20. SKYGUARD INSTALLATION**

| ITEM | PART NUMBER | QTY | DESCRIPTION  | REV |
|------|-------------|-----|--|-----|
|      | 1001153444  | Ref | SKYGUARD INSTALLATION  | G   |
| 1    | 0100011     | AR  | Compound, Locking  |     |
| 2    | 0641416     | 2   | Bolt 1/4 x 2   |     |
| 3    | 3311405     | 2   | Nut 1/4  |     |
| 4    | 3931408     | 2   | Capscrew 1/4 x 1/2   |     |
| 5    | 4240033     | 4   | Tie-Strap (Not Shown)  |     |
| 6    | 4711400     | 6   | Washer 1/4   |     |
| 7    | 1001120328  | 1   | Mount, Terminal  |     |
| 8    | 1001137673  | 1   | SkyGuard Switch Assembly   |     |
| 9    | 1001186517  | 2   | Cover, Platform Sensor   |     |
| 10   | 1001209664  | 1   | Suport   |     |
| 18   | 2920028     | 1   | Lamp, Indicator  |     |
| 19   | 2920029     | 1   | Bulb, Light  |     |
| 20   | 4360387     | 1   | Switch, Push Button  |     |
| 21   | 1001144433  | 1   | Decal - No Weight SkyGuard   |     |
| 22   | 1001224978  | 1   | Decal - Platform Sensor Override                                       |     |
| 23   | 1001199904  | 1   | SkyGuard Sensor Harness (See Separate Breakdown in ELECTRICAL Section) |     |

# SECTION 5 - PLATFORM

## FIGURE 5-21. SKYLINE INSTALLATION



ART\_1001238559\_D



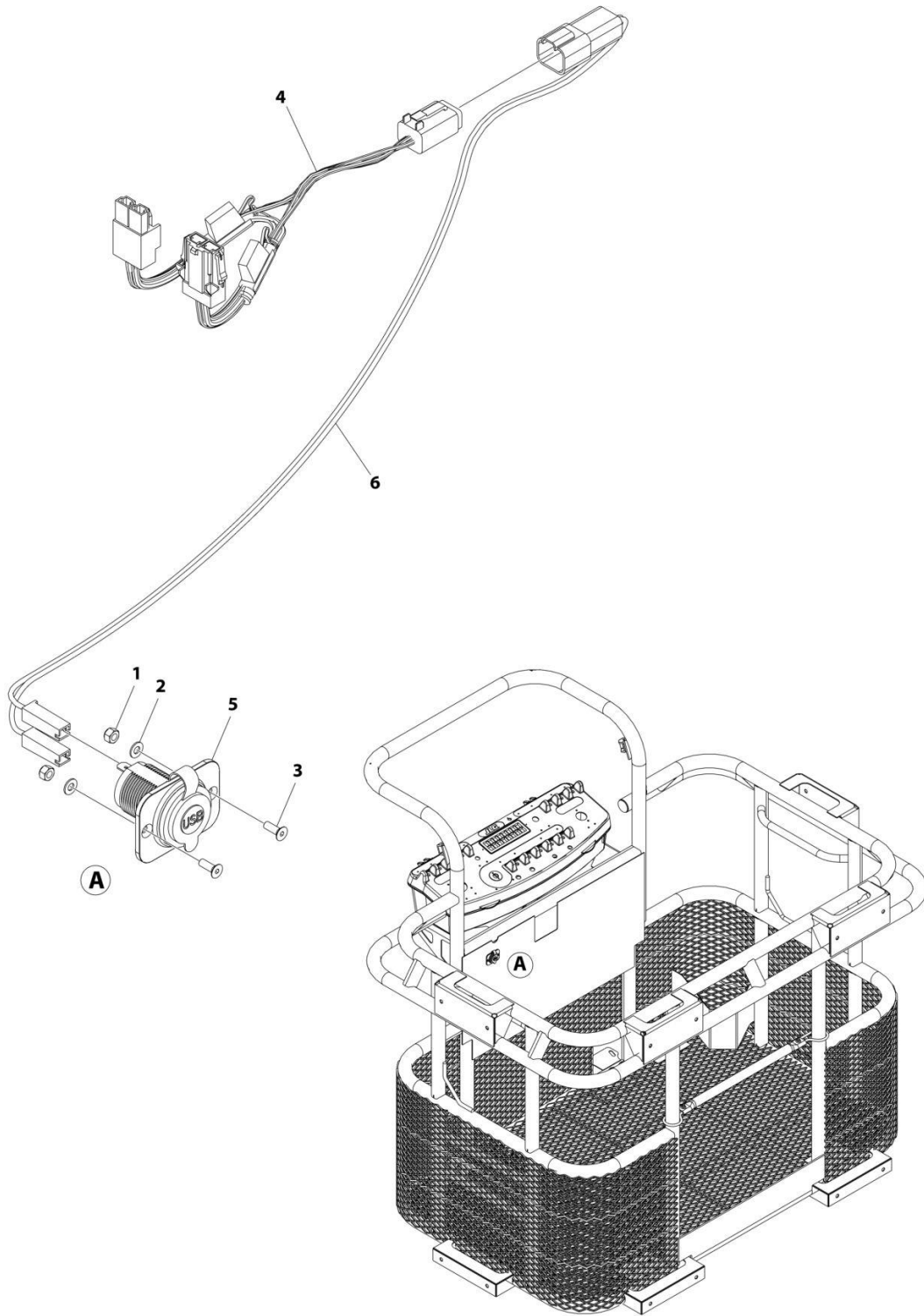
## SECTION 5 - PLATFORM

### FIGURE 5-21. SKYLINE INSTALLATION

| ITEM | PART NUMBER | QTY | DESCRIPTION   | REV |
|------|-------------|-----|---|-----|
|      | 1001238559  | Ref | SKYLINE INSTALLATION  | D   |
| 1    | 0641404     | 2   | Bolt 1/4 x 1/2  |     |
| 2    | 0641405     | 2   | Bolt 1/4 x 5/8  |     |
| 3    | 3311405     | 2   | Nut 1/4   |     |
| 4    | 3311601     | 2   | Nut 3/8   |     |
| 5    | 4031516     | 2   | Capscrew M4 x 60  |     |
| 6    | 4240033     | AR  | Tie-Strap (Not Shown)   |     |
| 7    | 4711400     | 4   | Washer 1/4  |     |
| 8    | 1001120328  | 1   | Mount   |     |
| 9    | 1001232642  | 1   | Bracket   |     |
| 11   | 1001232667  | 1   | Sensor, Proximity   |     |
| 11   | 1001311034  | 1   | Sensor, Proximity   |     |
| 14   | 1001236552  | 1   | Block   |     |
| 15   | 1001238418  | 1   | Harness, Skyline (See Separate Breakdown in ELECTRICAL Section) |     |
| 16   | 1001238472  | 1   | Mount   |     |
| 17   | 1001254473  | 1   | Housing, LH   |     |
| 18   | 1001241965  | 1   | Housing, RH   |     |
| 19   | 1001254472  | 1   | Rod   |     |
| 20   | 0100011     | AR  | Compound, Locking   |     |

# SECTION 5 - PLATFORM

## FIGURE 5-22. USB CHARGER INSTALLATION



ART\_1001274527

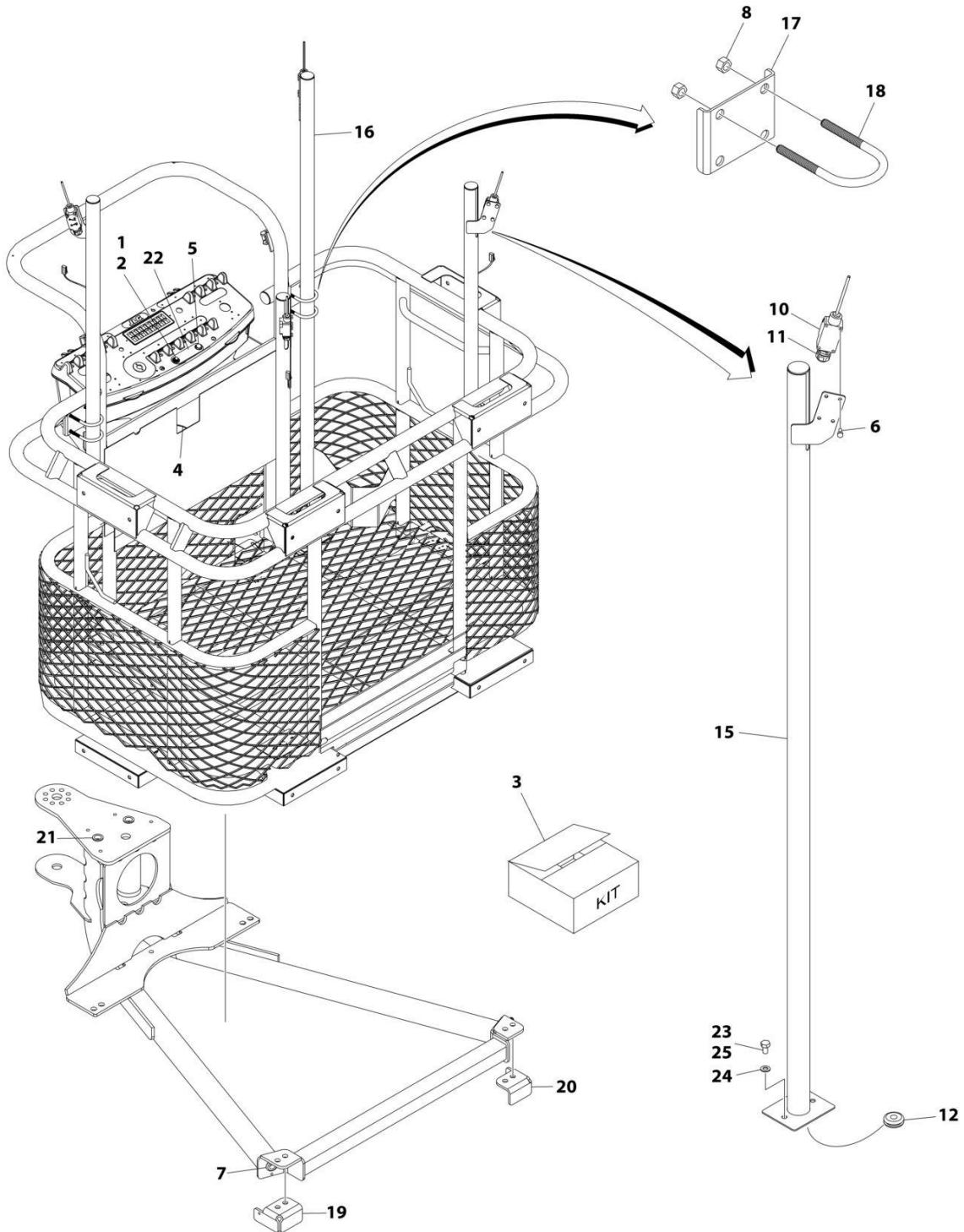
## SECTION 5 - PLATFORM

### FIGURE 5-22. USB CHARGER INSTALLATION

| ITEM | PART NUMBER | QTY | DESCRIPTION                      | REV |
|------|-------------|-----|----------------------------------|-----|
|      | 1001274527  | Ref | USB CHARGER INSTALLATION         | A   |
| 1    | 3290405     | 2   | Nut M4                           |     |
| 2    | 4811400     | 2   | Washer M4                        |     |
| 3    | 1001097244  | 2   | Screw M4 x 12                    |     |
| 4    | 1001120484  | 1   | Harness, Work Lights             |     |
| 4    | 4460879     | 1   | Plug, Male - 2 Position          |     |
| 4    | 4460887     | 4   | Terminal                         |     |
| 4    | 2400060     | 2   | Fuseholder Includes Cover        |     |
| 4    | 4460884     | 1   | Connector - 4 Position           |     |
| 4    | 4460465     | 4   | Socket, Female                   |     |
| 4    | 1001120471  | 1   | Connector - 2 Position           |     |
| 4    | 1001120477  | 4   | Terminal                         |     |
| 5    | 1001210636  | 1   | Receptacle, USB                  |     |
| 6    | 1001265163  | 1   | Harness, USB                     | A   |
| 6    | 4460260     | 2   | Cover, Terminal                  |     |
| 6    | 4460259     | 2   | Terminal                         |     |
| 6    | 4460932     | 1   | Receptacle, Bussbar - 4 Position |     |
| 6    | 4460464     | 2   | Pin, Male                        |     |
| 6    | 4460466     | 2   | Plug, Terminal                   |     |

# SECTION 5 - PLATFORM

FIGURE 5-23. OVERHEAD PROTECTION INSTALLATION - WITHOUT LSS (KOREAN/CHINA SPECS)



ART\_1001150098

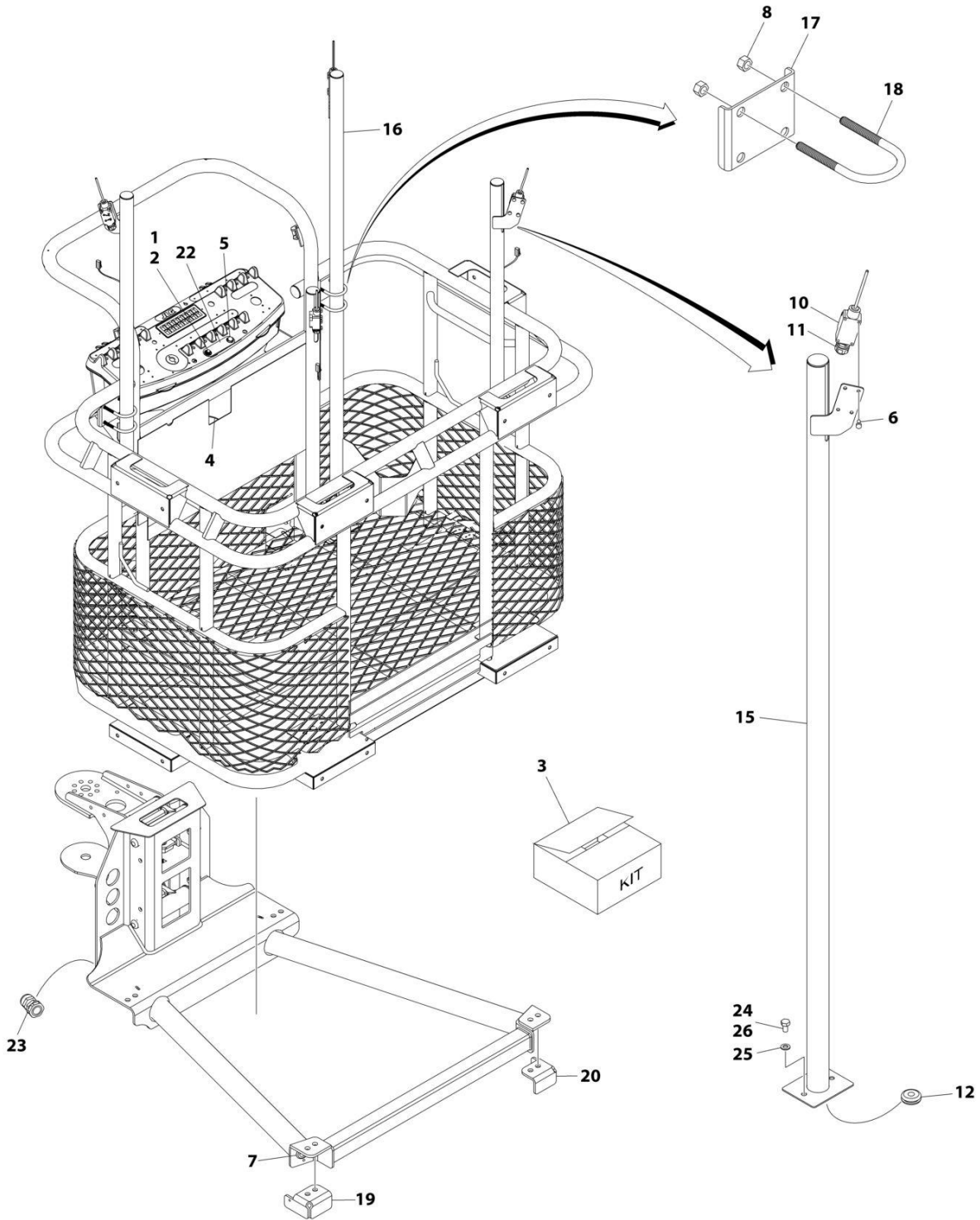
## SECTION 5 - PLATFORM

**FIGURE 5-23. OVERHEAD PROTECTION INSTALLATION - WITHOUT LSS (KOREAN/CHINA SPECS)**

| ITEM | PART NUMBER | QTY | DESCRIPTION  | REV |
|------|-------------|-----|--|-----|
|      | 1001150098  | Ref | OVERHEAD PROTECTION INSTALLATION - WITHOUT LSS<br>(KOREAN/CHINA SPECS) | D   |
| 1    | 2920028     | 1   | Light, Indicator   |     |
| 2    | 2920029     | 1   | Bulb   |     |
| 3    | 1001151061  | 1   | Accessory, O/H Soft Touch Kit (Includes Items 6-21 & 23-25)            |     |
| 4    | 1001151201  | 1   | Harness, Soft Touch (See Separate Breakdown in ELECTRICAL<br>SECTION)  |     |
| 5    | 4360387     | 1   | Switch, Push Button  |     |
| 6    | 0641405     | 16  | Bolt 1/4 x 5/8   |     |
| 7    | 2540038     | 2   | Grommet  |     |
| 8    | 3311605     | 16  | Nut 3/8  |     |
| 9    | 4240099     | 12  | Tie-Strap (Not Shown)  |     |
| 10   | 4360477     | 4   | Switch, Proximity  |     |
| 11   | 4460662     | 4   | Connector, Strain Relief   |     |
| 12   | 1001090615  | 4   | Grommet  |     |
| 14   | 1001121576  | 1   | Cover (Not Shown)  |     |
| 15   | 1001150698  | 2   | Tube   |     |
| 16   | 1001150699  | 2   | Tube   |     |
| 17   | 1001151027  | 4   | Plate  |     |
| 18   | 1001151028  | 8   | Bolt   |     |
| 19   | 1001151651  | 1   | Shield   |     |
| 20   | 1001151652  | 1   | Shield   |     |
| 21   | 1001151731  | 2   | Grommet  |     |
| 22   | 1001113691  | 1   | Decal - Soft Touch Override  |     |
| 23   | 0761009     | 8   | Bolt M10 x 18  |     |
| 24   | 4812000     | 8   | Washer M10   |     |
| 25   | 0100011     | AR  | Compound, Locking  |     |

# SECTION 5 - PLATFORM

FIGURE 5-24. OVERHEAD PROTECTION INSTALLATION - WITH LSS (KOREAN/CHINA SPECS)



ART\_1001206605

## SECTION 5 - PLATFORM

**FIGURE 5-24. OVERHEAD PROTECTION INSTALLATION - WITH LSS (KOREAN/CHINA SPECS)**

| ITEM | PART NUMBER | QTY | DESCRIPTION   | REV |
|------|-------------|-----|---|-----|
|      | 1001206605  | Ref | OVERHEAD PROTECTION INSTALLATION - WITH LSS<br>(KOREAN/CHINA SPECS)   | C   |
| 1    | 2920028     | 1   | Light, Indicator  |     |
| 2    | 2920029     | 1   | Bulb  |     |
| 3    | 1001151061  | 1   | Accessory, O/H Soft Touch Kit (Includes Items 6-20 & 24-26)           |     |
| 4    | 1001151201  | 1   | Harness, Soft Touch (See Separate Breakdown in ELECTRICAL<br>SECTION) |     |
| 5    | 4360387     | 1   | Switch, Push Button   |     |
| 6    | 0641405     | 16  | Bolt 1/4 x 5/8  |     |
| 7    | 2540038     | 2   | Grommet   |     |
| 8    | 3311605     | 16  | Nut 3/8   |     |
| 9    | 4240099     | 12  | Tie-Strap (Not Shown)   |     |
| 10   | 4360477     | 4   | Switch, Proximity   |     |
| 11   | 4460662     | 4   | Connector, Strain Relief  |     |
| 12   | 1001090615  | 4   | Grommet   |     |
| 14   | 1001121576  | 1   | Cover (Not Shown)   |     |
| 15   | 1001150698  | 2   | Tube  |     |
| 16   | 1001150699  | 2   | Tube  |     |
| 17   | 1001151027  | 4   | Plate   |     |
| 18   | 1001151028  | 8   | Bolt  |     |
| 19   | 1001151651  | 1   | Shield  |     |
| 20   | 1001151652  | 1   | Shield  |     |
| 22   | 1001113691  | 1   | Decal - Soft Touch Override   |     |
| 23   | 4460968     | 2   | Connector, Strain Relief  |     |
| 24   | 0761009     | 8   | Bolt M10 x 18   |     |
| 25   | 4812000     | 8   | Washer M10  |     |
| 26   | 0100011     | AR  | Compound, Locking   |     |

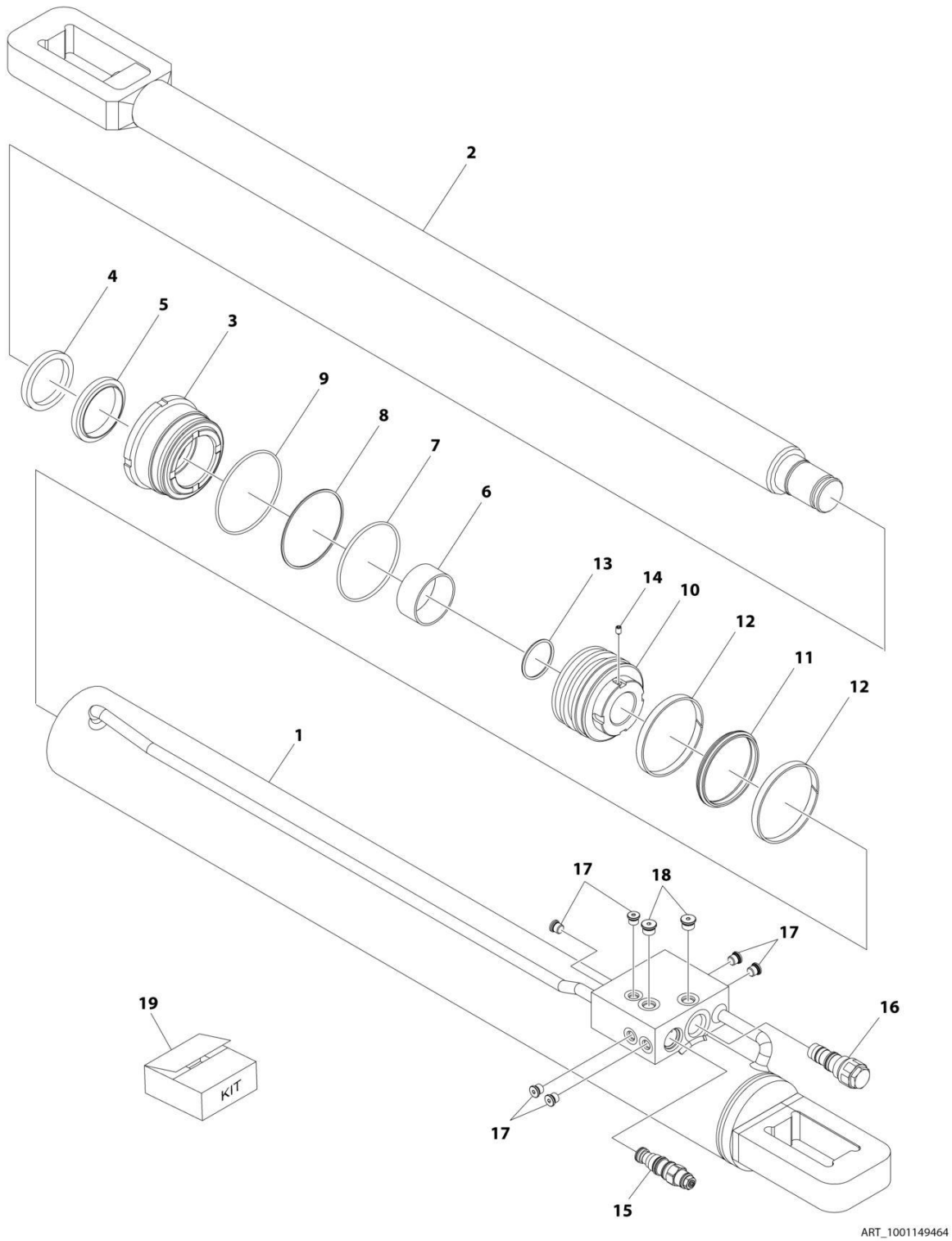




**SECTION 6 - CYLINDER**

# SECTION 6 - CYLINDER

## FIGURE 6-1. AXLE EXTEND CYLINDER ASSEMBLY



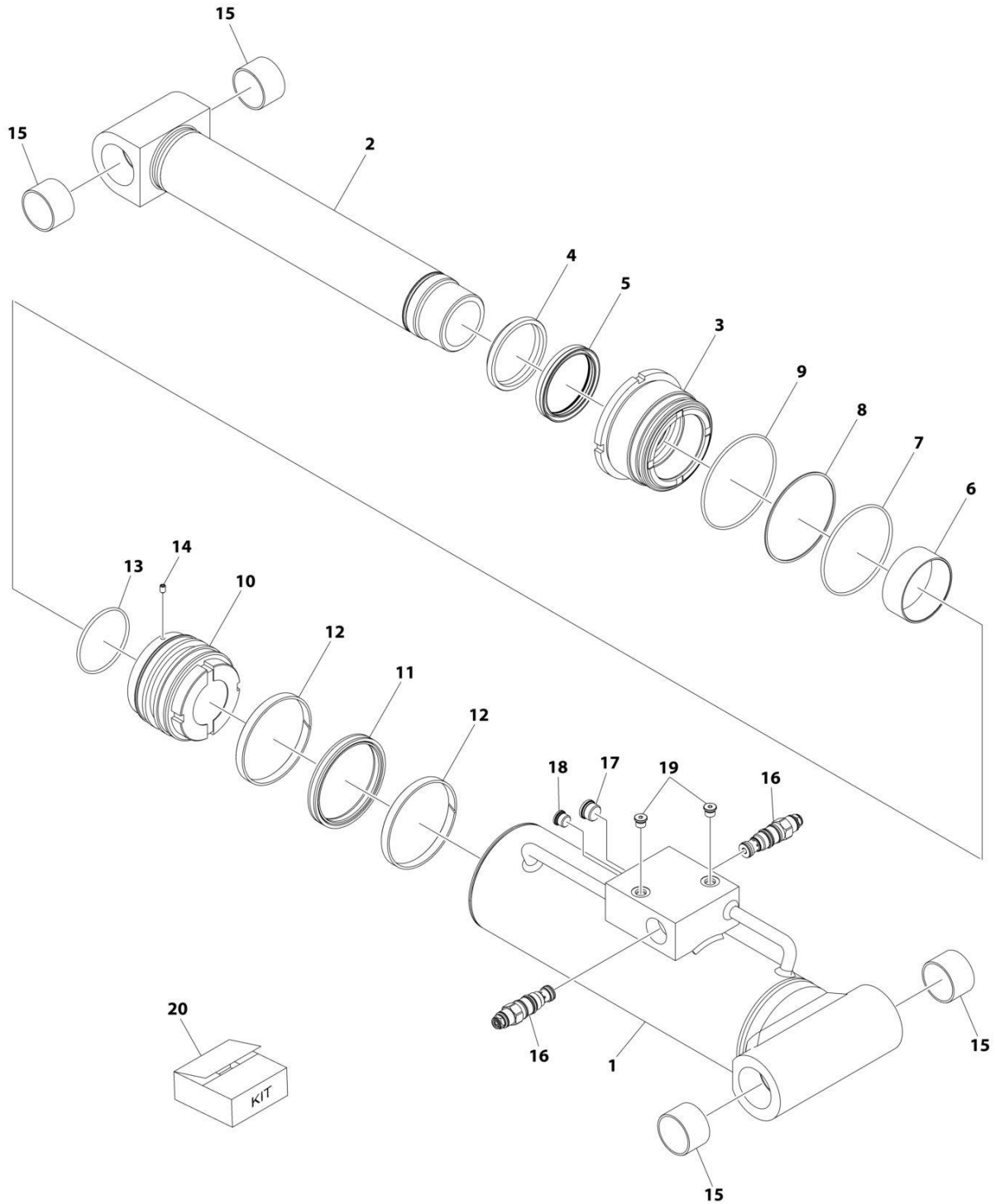
## SECTION 6 - CYLINDER

**FIGURE 6-1. AXLE EXTEND CYLINDER ASSEMBLY**

| ITEM | PART NUMBER | QTY | DESCRIPTION   | REV |
|------|-------------|-----|---|-----|
|      | 1001149464  | Ref | AXLE EXTEND CYLINDER ASSEMBLY   | D   |
|      |             | Ref | Note: Original Cylinder May Have Been Replaced with Service Replacement. Identify PN Stamped on Cylinder Before Ordering Parts. |     |
| 1    | 70005850    | 1   | Barrel  |     |
| 2    | 70005851    | 1   | Rod   |     |
| 3    | 70005852    | 1   | Head  |     |
| 4    | See Note    | NSS | Wiper (Note: Use Item 19)   |     |
| 5    | See Note    | NSS | Seal, Rod (Note: Use Item 19)   |     |
| 6    | 70004637    | 1   | Bearing   |     |
| 7    | See Note    | NSS | O-Ring (Note: Use Item 19)  |     |
| 8    | See Note    | NSS | Ring, Back Up (Note: Use Item 19)   |     |
| 9    | See Note    | NSS | O-Ring (Note: Use Item 19)  |     |
| 10   | 70005853    | 1   | Piston  |     |
| 11   | See Note    | NSS | Seal, Piston (Note: Use Item 19)  |     |
| 12   | See Note    | NSS | Ring, Wear (Note: Use Item 19)  |     |
| 13   | See Note    | NSS | O-Ring (Note: Use Item 19)  |     |
| 14   | 70005847    | 1   | Setscrew  |     |
| 15   | 70005888    | 1   | Cartridge, Valve - Counterbalance   |     |
| 15   | 2900770     | 1   | Seal Kit - 70005888 Valve   |     |
| 16   | 4640509     | 1   | Cartridge, Valve - Counterbalance   |     |
| 16   | 2900792     | 1   | Seal Kit - 4640509 Valve  |     |
| 17   | 2220883     | 6   | Plug  |     |
| 18   | 2220885     | 2   | Plug  |     |
| 19   | 70005854    | 1   | Seal Kit (Includes Items 4, 5, 7-9 & 11-13)   |     |

# SECTION 6 - CYLINDER

## FIGURE 6-2. LEVEL CYLINDER ASSEMBLY - PLATFORM SLAVE



ART\_1001195191

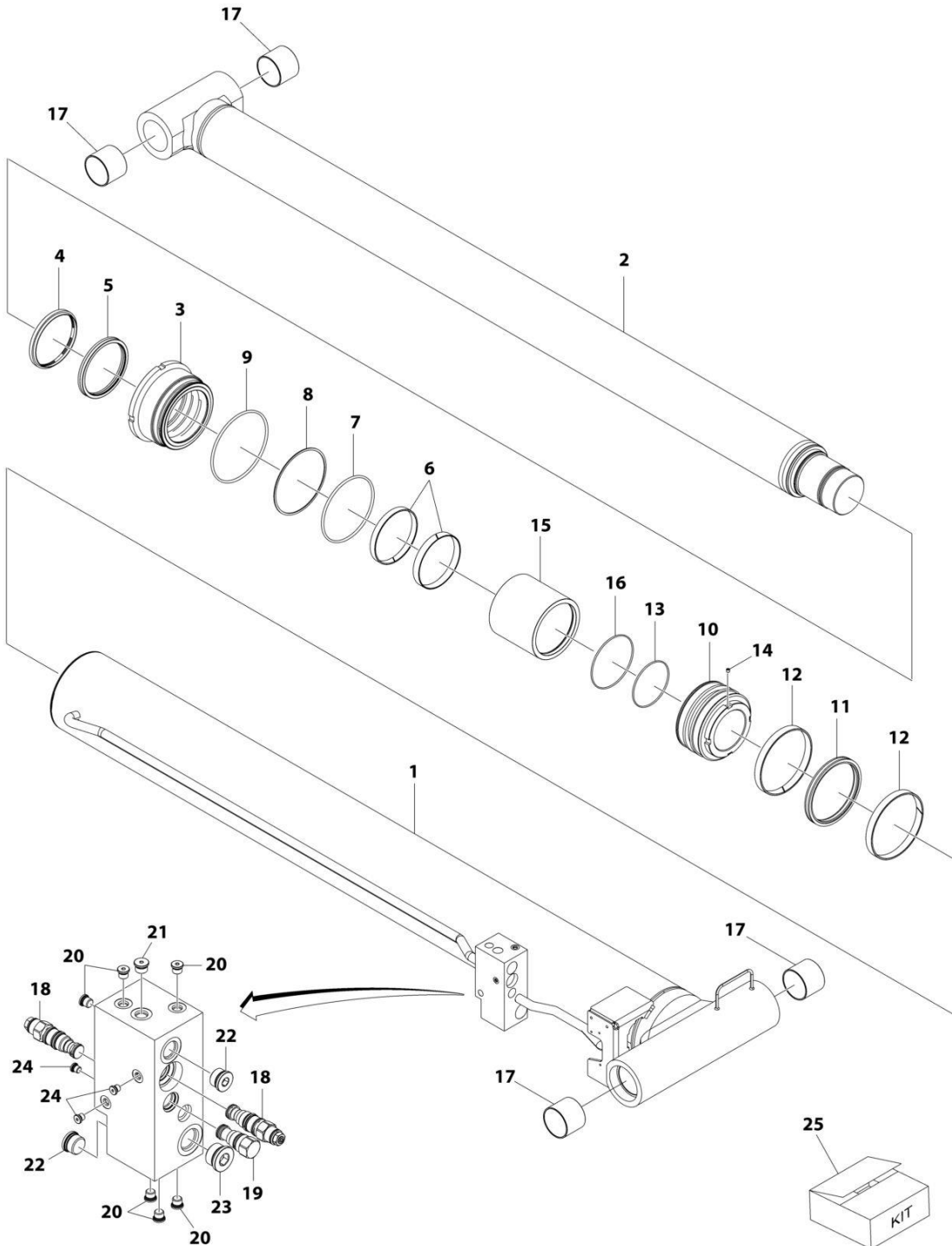
## SECTION 6 - CYLINDER

**FIGURE 6-2. LEVEL CYLINDER ASSEMBLY - PLATFORM SLAVE**

| ITEM | PART NUMBER | QTY | DESCRIPTION   | REV |
|------|-------------|-----|---|-----|
|      | 1001195191  | Ref | LEVEL CYLINDER ASSEMBLY - PLATFORM SLAVE  | E   |
|      |             | Ref | Note: Original Cylinder May Have Been Replaced with Service Replacement. Identify PN Stamped on Cylinder Before Ordering Parts. |     |
| 1    | 70005863    | 1   | Barrel  |     |
| 2    | 70005864    | 1   | Rod   |     |
| 3    | 70005845    | 1   | Head  |     |
| 4    | See Note    | NSS | Wiper (Note: Use Item 20)   |     |
| 5    | See Note    | NSS | Seal, Rod (Note: Use Item 20)   |     |
| 6    | 70026302    | 1   | Bearnig   |     |
| 7    | See Note    | NSS | O-Ring (Note: Use Item 20)  |     |
| 8    | See Note    | NSS | Ring, Back Up (Note: Use Item 20)   |     |
| 9    | See Note    | NSS | O-Ring (Note: Use Item 20)  |     |
| 10   | 70005865    | 1   | Piston  |     |
| 11   | See Note    | NSS | Seal, Piston (Note: Use Item 20)  |     |
| 12   | See Note    | NSS | Ring, Wear (Note: Use Item 20)  |     |
| 13   | See Note    | NSS | O-Ring (Note: Use Item 20)  |     |
| 14   | 70005866    | 1   | Setscrew  |     |
| 15   | 0961949     | 4   | Bearing   |     |
| 16   | 1001168209  | 2   | Cartridge, Valve - Counterbalance   |     |
| 16   | 2900770     | 2   | Seal Kit - 1001168209 Valve   |     |
| 17   | 2220886     | 1   | Plug  |     |
| 18   | 2220885     | 1   | Plug  |     |
| 19   | 2220883     | 2   | Plug  |     |
| 20   | 70005867    | 1   | Seal Kit (Includes Items 4, 5, 7-9 & 11-13)   |     |

# SECTION 6 - CYLINDER

## FIGURE 6-3. LIFT CYLINDER ASSEMBLY - BOOM



ART\_1001197797

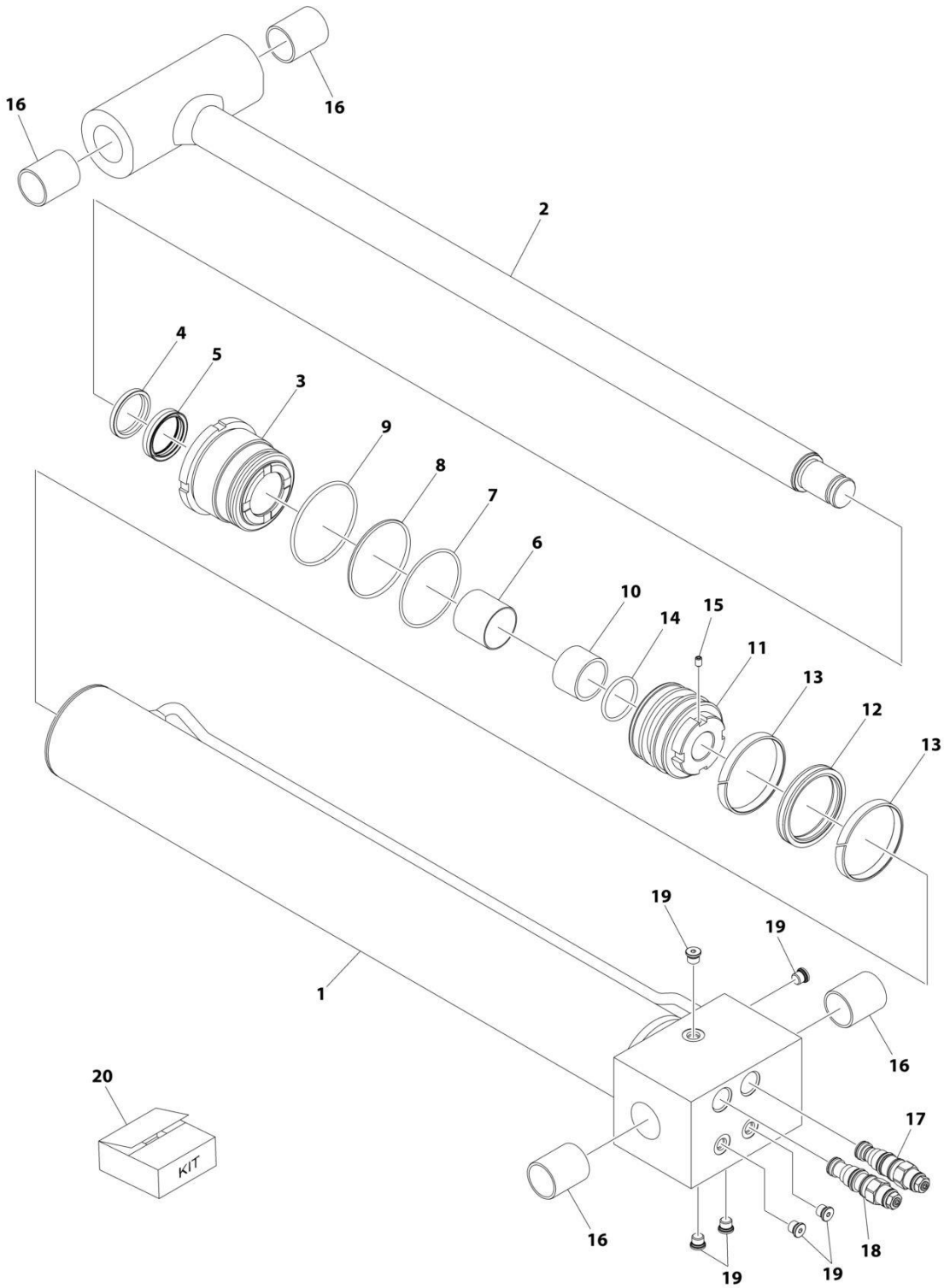
## SECTION 6 - CYLINDER

### FIGURE 6-3. LIFT CYLINDER ASSEMBLY - BOOM

| ITEM | PART NUMBER | QTY | DESCRIPTION   | REV |
|------|-------------|-----|---|-----|
|      | 1001197797  | Ref | LIFT CYLINDER ASSEMBLY - BOOM   | E   |
|      |             | Ref | Note: Original Cylinder May Have Been Replaced with Service Replacement. Identify PN Stamped on Cylinder Before Ordering Parts. |     |
| 1    | 70005835    | 1   | Barrel  |     |
| 2    | 70005836    | 1   | Rod   |     |
| 3    | 70005837    | 1   | Head  |     |
| 4    | See Note    | NSS | Wiper (Note: Use Item 25)   |     |
| 5    | See Note    | NSS | Seal, Rod (Note: Use Item 25)   |     |
| 6    | See Note    | NSS | Ring, Wear (Note: Use Item 25)  |     |
| 7    | See Note    | NSS | O-Ring (Note: Use Item 25)  |     |
| 8    | See Note    | NSS | Ring, Back Up (Note: Use Item 25)   |     |
| 9    | See Note    | NSS | O-Ring (Note: Use Item 25)  |     |
| 10   | 70005838    | 1   | Piston  |     |
| 11   | See Note    | NSS | Seal, Piston (Note: Use Item 25)  |     |
| 12   | See Note    | NSS | Ring, Wear (Note: Use Item 25)  |     |
| 13   | See Note    | NSS | O-Ring (Note: Use Item 25)  |     |
| 14   | 70005839    | 1   | Setscrew  |     |
| 15   | 70005840    | 1   | Spacer  |     |
| 16   | 70005841    | 1   | O-Ring  |     |
| 17   | 0962297     | 4   | Bearing   |     |
| 18   | 1001156016  | 2   | Cartridge, Valve - Counterbalance   |     |
| 18   | 7011376     | 2   | Seal Kit - 1001156016 Valve   |     |
| 19   | 4641285     | 1   | Cartridge, Valve - Shuttle  |     |
| 19   | 7011311     | 1   | Seal Kit - 4641285 Valve  |     |
| 20   | 2220883     | 6   | Plug  |     |
| 21   | 2220885     | 1   | Plug  |     |
| 22   | 2220887     | 2   | Plug  |     |
| 23   | 2220888     | 1   | Plug  |     |
| 24   | 2220881     | 3   | Plug  |     |
| 25   | 70005842    | 1   | Seal Kit (Includes Items 4-9 & 11-13)   |     |

# SECTION 6 - CYLINDER

## FIGURE 6-4. LIFT CYLINDER ASSEMBLY - JIB



ART\_1001149389



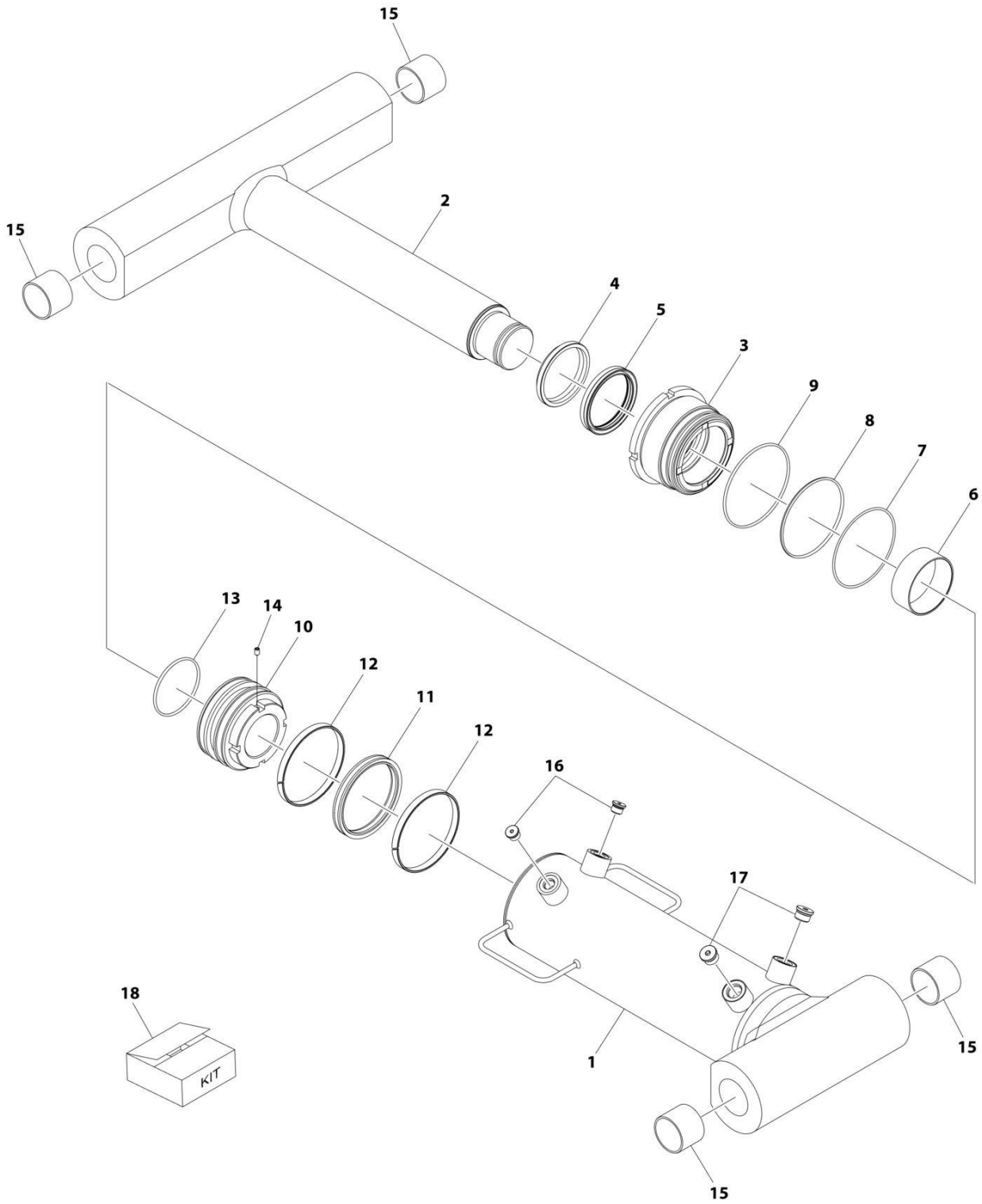
## SECTION 6 - CYLINDER

**FIGURE 6-4. LIFT CYLINDER ASSEMBLY - JIB**

| ITEM | PART NUMBER | QTY | DESCRIPTION   | REV |
|------|-------------|-----|---|-----|
|      | 1001149389  | Ref | LIFT CYLINDER ASSEMBLY - JIB  | C   |
|      |             | Ref | Note: Original Cylinder May Have Been Replaced with Service Replacement. Identify PN Stamped on Cylinder Before Ordering Parts. |     |
| 1    | 70005855    | 1   | Barrel  |     |
| 2    | 70005856    | 1   | Rod   |     |
| 3    | 70005857    | 1   | Head  |     |
| 4    | See Note    | NSS | Wiper (Note: Use Item 20)   |     |
| 5    | See Note    | NSS | Seal, Rod (Note: Use Item 20)   |     |
| 6    | 70005858    | 1   | Bearing   |     |
| 7    | See Note    | NSS | O-Ring (Note: Use Item 20)  |     |
| 8    | See Note    | NSS | Ring, Back Up (Note: Use Item 20)   |     |
| 9    | See Note    | NSS | O-Ring (Note: Use Item 20)  |     |
| 10   | 70005859    | 1   | Spacer  |     |
| 11   | 70005860    | 1   | Piston  |     |
| 12   | See Note    | NSS | Seal, Piston (Note: Use Item 20)  |     |
| 13   | See Note    | NSS | Ring, Wear (Note: Use Item 20)  |     |
| 14   | See Note    | NSS | O-Ring (Note: Use Item 20)  |     |
| 15   | 70005847    | 1   | Setscrew  |     |
| 16   | 70005861    | 4   | Bearing   |     |
| 17   | 70005890    | 1   | Cartridge, Valve - Counterbalance   |     |
| 17   | 2900770     | 1   | Seal Kit - 70005890 Valve   |     |
| 18   | 70005889    | 1   | Cartridge, Valve - Counterbalance   |     |
| 18   | 2900770     | 1   | Seal Kit - 70005889 Valve   |     |
| 19   | 2220883     | 6   | Plug  |     |
| 20   | 70005862    | 1   | Seal Kit (Includes Items 4, 5, 7-9 & 12-14)   |     |

# SECTION 6 - CYLINDER

## FIGURE 6-5. MASTER CYLINDER ASSEMBLY



ART\_1001197798

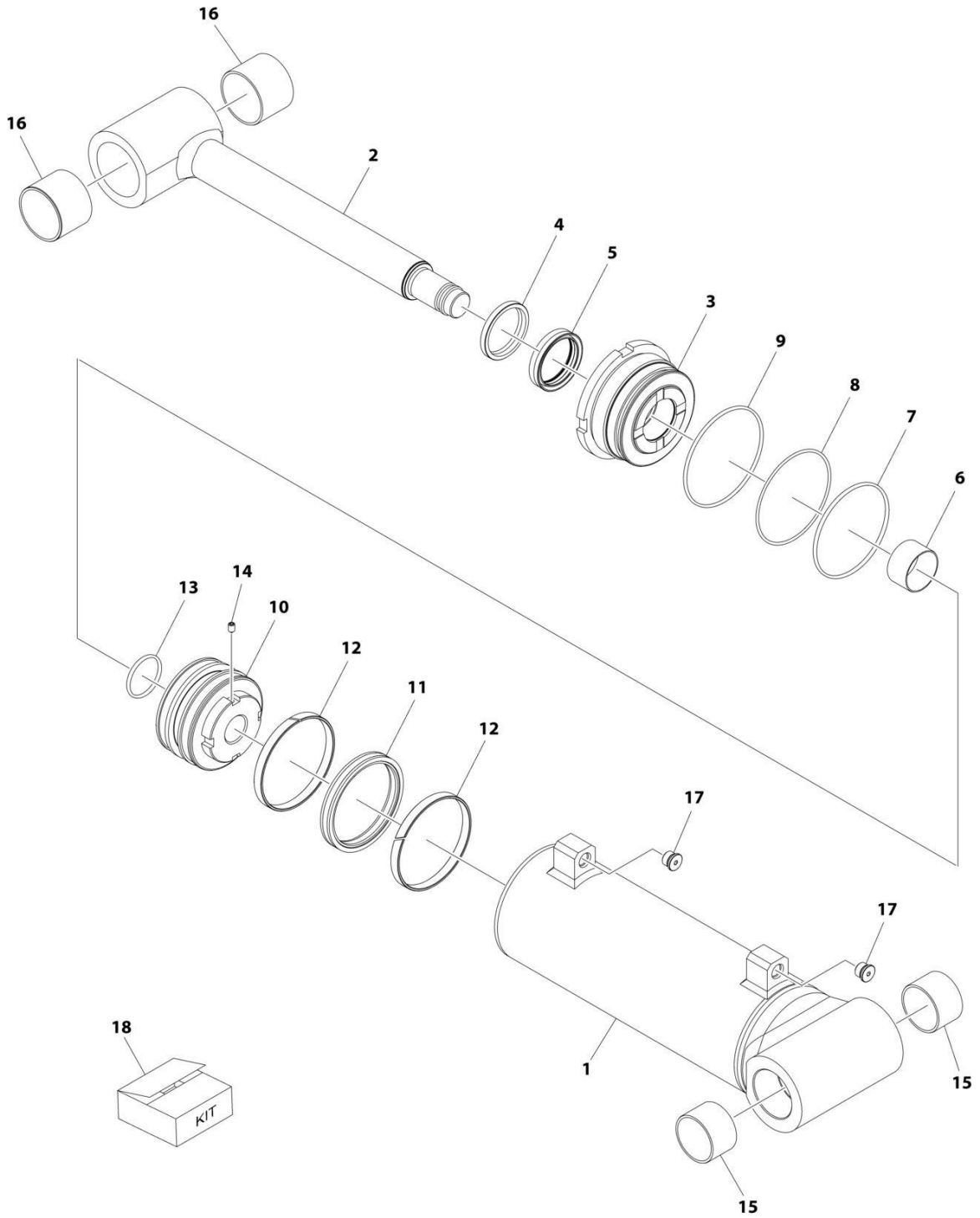
## SECTION 6 - CYLINDER

### FIGURE 6-5. MASTER CYLINDER ASSEMBLY

| ITEM | PART NUMBER | QTY | DESCRIPTION   | REV |
|------|-------------|-----|---|-----|
|      | 1001197798  | Ref | MASTER CYLINDER ASSEMBLY  | F   |
|      |             | Ref | Note: Original Cylinder May Have Been Replaced with Service Replacement. Identify PN Stamped on Cylinder Before Ordering Parts. |     |
| 1    | 70005843    | 1   | Barrel  |     |
| 2    | 70005844    | 1   | Rod   |     |
| 3    | 70005845    | 1   | Head  |     |
| 4    | See Note    | NSS | Wiper (Note: Use Item 18)   |     |
| 5    | See Note    | NSS | Seal, Rod (Note: Use Item 18)   |     |
| 6    | 70026302    | 1   | Bearing   |     |
| 7    | See Note    | NSS | O-Ring (Note: Use Item 18)  |     |
| 8    | See Note    | NSS | Ring, Back Up (Note: Use Item 18)   |     |
| 9    | See Note    | NSS | O-Ring (Note: Use Item 18)  |     |
| 10   | 70005846    | 1   | Piston  |     |
| 11   | See Note    | NSS | Seal, Piston (Note: Use Item 18)  |     |
| 12   | See Note    | NSS | Ring, Wear (Note: Use Item 18)  |     |
| 13   | See Note    | NSS | O-Ring (Note: Use Item 18)  |     |
| 14   | 70005847    | 1   | Setscrew  |     |
| 15   | 70005848    | 4   | Bearing   |     |
| 16   | 2220885     | 2   | Plug  |     |
| 17   | 2220886     | 2   | Plug  |     |
| 18   | 70005849    | 1   | Seal Kit (Includes Items 4, 5, 7-9 and 11-13)   |     |

# SECTION 6 - CYLINDER

## FIGURE 6-6. STEER CYLINDER ASSEMBLY



ART\_1001149463

## SECTION 6 - CYLINDER

**FIGURE 6-6. STEER CYLINDER ASSEMBLY**

| ITEM | PART NUMBER | QTY | DESCRIPTION   | REV |
|------|-------------|-----|---|-----|
|      | 1001149463  | Ref | STEER CYLINDER ASSEMBLY   | C   |
|      |             | Ref | Note: Original Cylinder May Have Been Replaced with Service Replacement. Identify PN Stamped on Cylinder Before Ordering Parts. |     |
| 1    | 70005868    | 1   | Barrel  |     |
| 2    | 70005869    | 1   | Rod   |     |
| 3    | 70005870    | 1   | Head  |     |
| 4    | See Note    | NSS | Wiper (Note: Use Item 18)   |     |
| 5    | See Note    | NSS | Seal, Rod (Note: Use Item 18)   |     |
| 6    | 70005871    | 1   | Bearing   |     |
| 7    | See Note    | NSS | O-Ring (Note: Use Item 18)  |     |
| 8    | See Note    | NSS | Ring, Back Up (Note: Use Item 18)   |     |
| 9    | See Note    | NSS | O-Ring (Note: Use Item 18)  |     |
| 10   | 70005872    | 1   | Piston  |     |
| 11   | See Note    | NSS | Seal, Piston (Note: Use Item 18)  |     |
| 12   | See Note    | NSS | Ring, Wear (Note: Use Item 18)  |     |
| 13   | See Note    | NSS | O-Ring (Note: Use Item 18)  |     |
| 14   | 70005873    | 1   | Setscrew  |     |
| 15   | 0961950     | 2   | Bearing   |     |
| 16   | 0961949     | 2   | Bearing   |     |
| 17   | 2220885     | 2   | Plug  |     |
| 18   | 70005874    | 1   | Seal Kit (Includes Items 4, 5, 7-9 & 11-13)   |     |



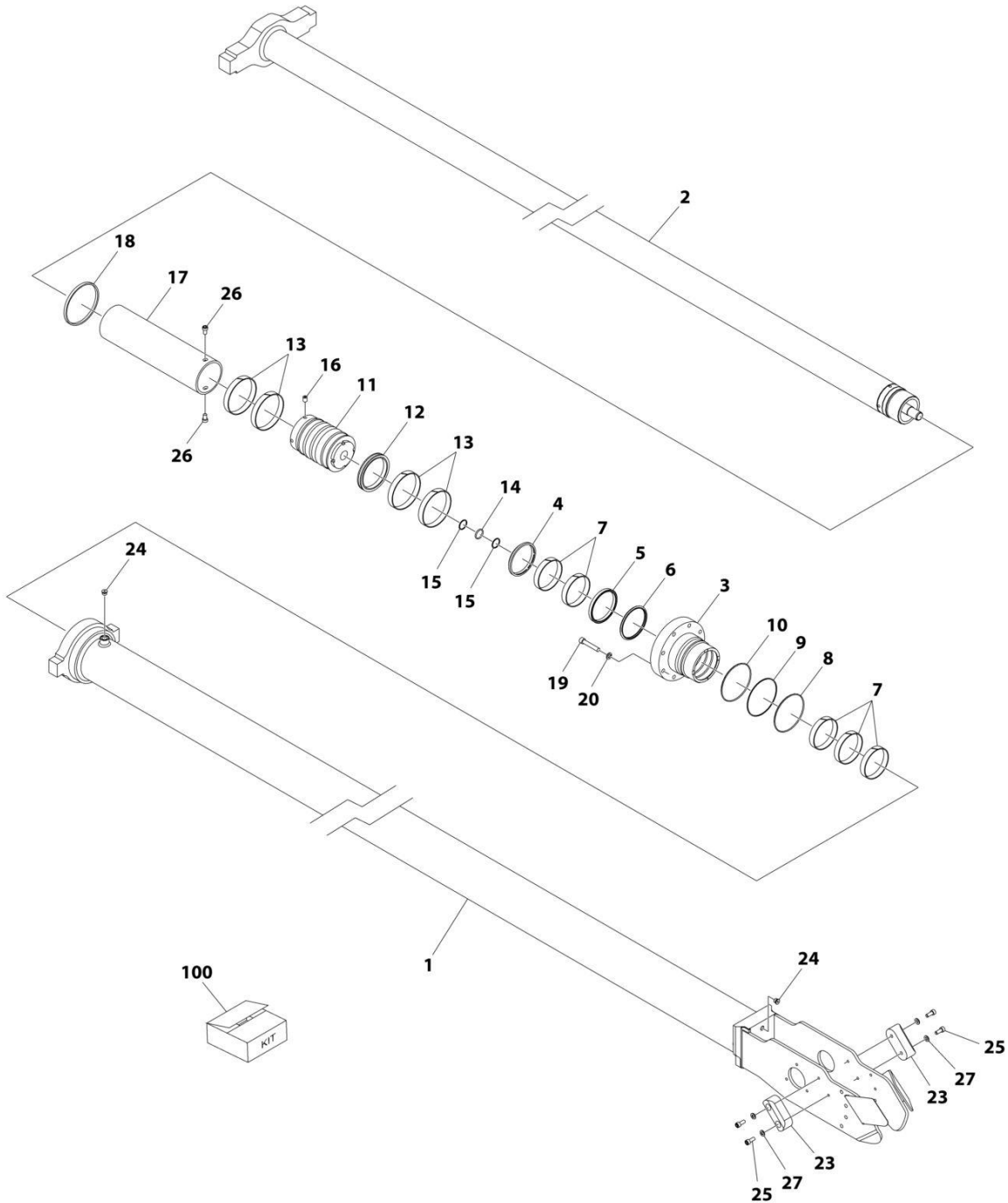
## SECTION 6 - CYLINDER

### FIGURE 6-7. TELESCOPE CYLINDER

| ITEM | PART NUMBER | QTY | DESCRIPTION   | REV |
|------|-------------|-----|---|-----|
|      | 1001194925  | Ref | TELESCOPE CYLINDER  | F   |
|      |             | Ref | Note: Original Cylinder May Have Been Replaced with Service Replacement. Identify PN Stamped on Cylinder Before Ordering Parts. |     |
| 1    | 70005875    | 1   | Barrel  |     |
| 2    | 70005876    | 1   | Rod   |     |
| 3    | 70005877    | 1   | Head  |     |
| 4    | See Note    | NSS | Wiper (Note: Use Item 27)   |     |
| 5    | See Note    | NSS | Seal, Rod (Note: Use Item 27)   |     |
| 6    | See Note    | NSS | Ring, Wear (Note: Use Item 27)  |     |
| 7    | See Note    | NSS | O-Ring (Note: Use Item 27)  |     |
| 8    | See Note    | NSS | Ring, Back Up (Note: Use Item 27)   |     |
| 9    | See Note    | NSS | O-Ring (Note: Use Item 27)  |     |
| 10   | 70005878    | 1   | Piston  |     |
| 11   | See Note    | NSS | Seal, Piston (Note: Use Item 27)  |     |
| 12   | See Note    | NSS | Ring, Wear (Note: Use Item 27)  |     |
| 13   | See Note    | NSS | O-Ring (Note: Use Item 27)  |     |
| 14   | See Note    | NSS | Ring, Back Up (Note: Use Item 27)   |     |
| 15   | 70005879    | 1   | Setscrew  |     |
| 16   | 70005880    | 1   | Spacer  |     |
| 17   | 70005881    | 1   | O-Ring  |     |
| 18   | 70005882    | 8   | Capscrew M12 x 70   |     |
| 19   | 70005883    | 8   | Washer  |     |
| 22   | 70005884    | 2   | Pad   |     |
| 23   | 2220885     | 2   | Plug  |     |
| 24   | 4032009     | 4   | Capscrew M10 x 25   |     |
| 25   | 70006343    | 1   | Capscrew M6 x 8   |     |
| 26   | 70006344    | 4   | Washer  |     |
| 27   | 70005886    | 1   | Seal Kit (Includes Items 4-8 & 10-13)   |     |

# SECTION 6 - CYLINDER

## FIGURE 6-8. TELESCOPE CYLINDER



ART\_1001232899



## SECTION 6 - CYLINDER

### FIGURE 6-8. TELESCOPE CYLINDER

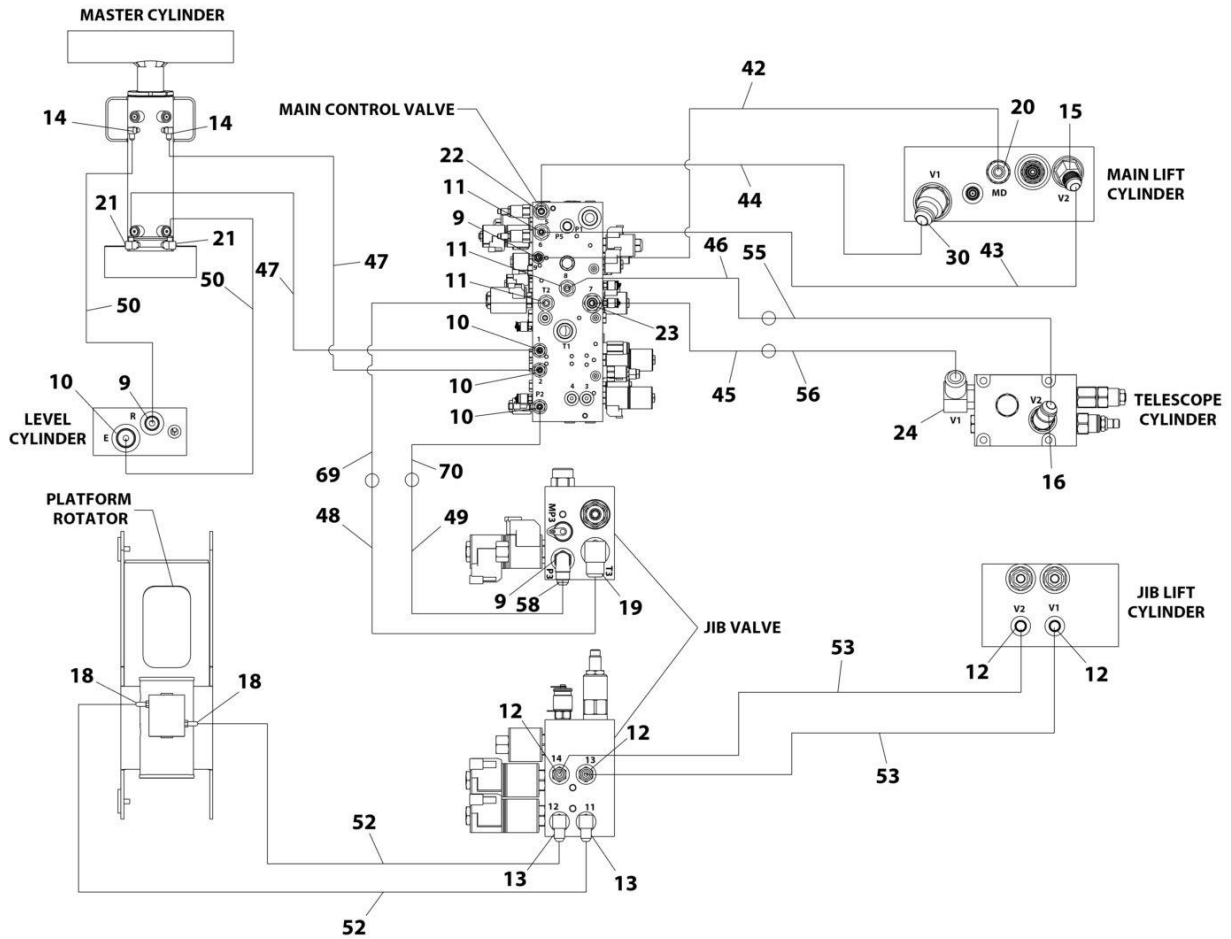
| ITEM | PART NUMBER | QTY | DESCRIPTION   | REV |
|------|-------------|-----|---|-----|
|      | 1001232899  | Ref | TELESCOPE CYLINDER  | A   |
|      |             | Ref | Note: Original Cylinder May Have Been Replaced with Service Replacement. Identify PN Stamped on Cylinder Before Ordering Parts. |     |
| 1    | See Note    | NSS | Barrel Weldment (Note: Not Available for Purchase)  |     |
| 2    | 70005876    | 1   | Rod Weldment  |     |
| 3    | 70006617    | 1   | Head  |     |
| 4    | See Note    | NSS | Wiper (Note: Use Item 100)  |     |
| 5    | See Note    | NSS | Seal, Rod (Note: Use Item 100)  |     |
| 6    | See Note    | NSS | Ring, Buffer (Note: Use Item 100)   |     |
| 7    | See Note    | NSS | Ring, Wear (Note: Use Item 100)   |     |
| 8    | See Note    | NSS | O-Ring (Note: Use Item 100)   |     |
| 9    | See Note    | NSS | Ring, Back Up (Note: Use Item 100)  |     |
| 10   | See Note    | NSS | O-Ring (Note: Use Item 100)   |     |
| 11   | 70005878    | 1   | Piston  |     |
| 12   | See Note    | NSS | Seal, Piston (Note: Use Item 100)   |     |
| 13   | See Note    | NSS | Ring, Wear (Note: Use Item 100)   |     |
| 14   | See Note    | NSS | O-Ring (Note: Use Item 100)   |     |
| 15   | See Note    | NSS | Ring, Back Up (Note: Use Item 100)  |     |
| 16   | 70005879    | 1   | Setscrew  |     |
| 17   | 70005880    | 1   | Spacer  |     |
| 18   | 70005881    | 1   | O-Ring  |     |
| 19   | 70005882    | 8   | Capscrew M12 x 70   |     |
| 20   | 70005883    | 8   | Washer  |     |
| 21   | 70006620    | 1   | Cover (Not Shown)   |     |
| 22   | 70006621    | 4   | Bolt M6 x 16 (Not Shown)  |     |
| 23   | 70006622    | 2   | Pad   |     |
| 24   | 2220885     | 2   | Plug  |     |
| 25   | 70005885    | 4   | Capscrew M10 x 25   |     |
| 26   | 70006343    | 2   | Capscrew M6 x 8   |     |
| 27   | 70006344    | 4   | Washer M10  |     |
| 100  | 70006623    | 1   | Seal Kit (Includes Items 4-10 & 12-15)  |     |



**SECTION 7 - HYDRAULIC**

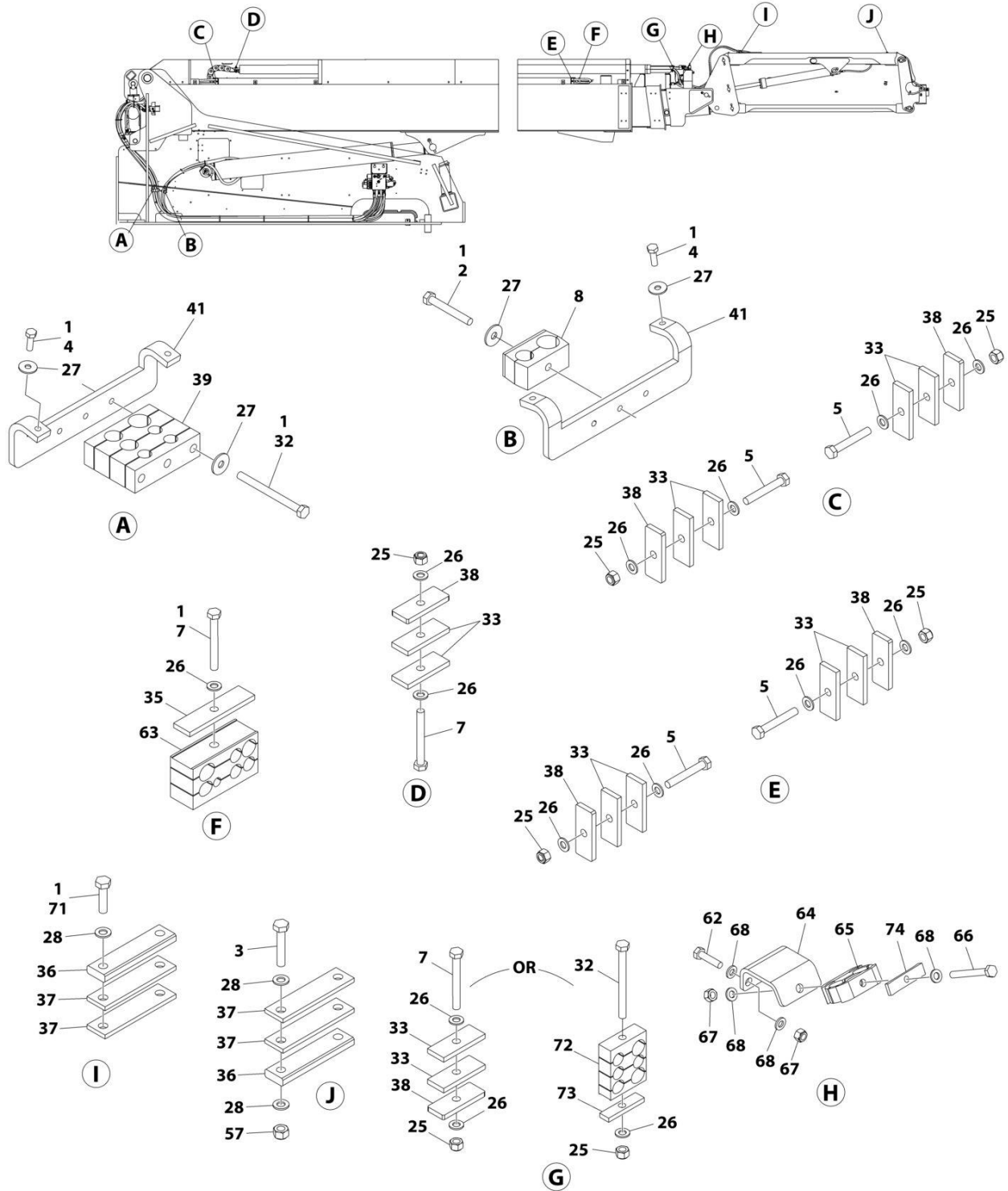
# SECTION 7 - HYDRAULIC

## FIGURE 7-1. BOOM HYDRAULIC DIAGRAM



ART\_1001150086\_1OF2

# SECTION 7 - HYDRAULIC



ART\_1001150086\_2OF2

# SECTION 7 - HYDRAULIC

## FIGURE 7-1. BOOM HYDRAULIC DIAGRAM

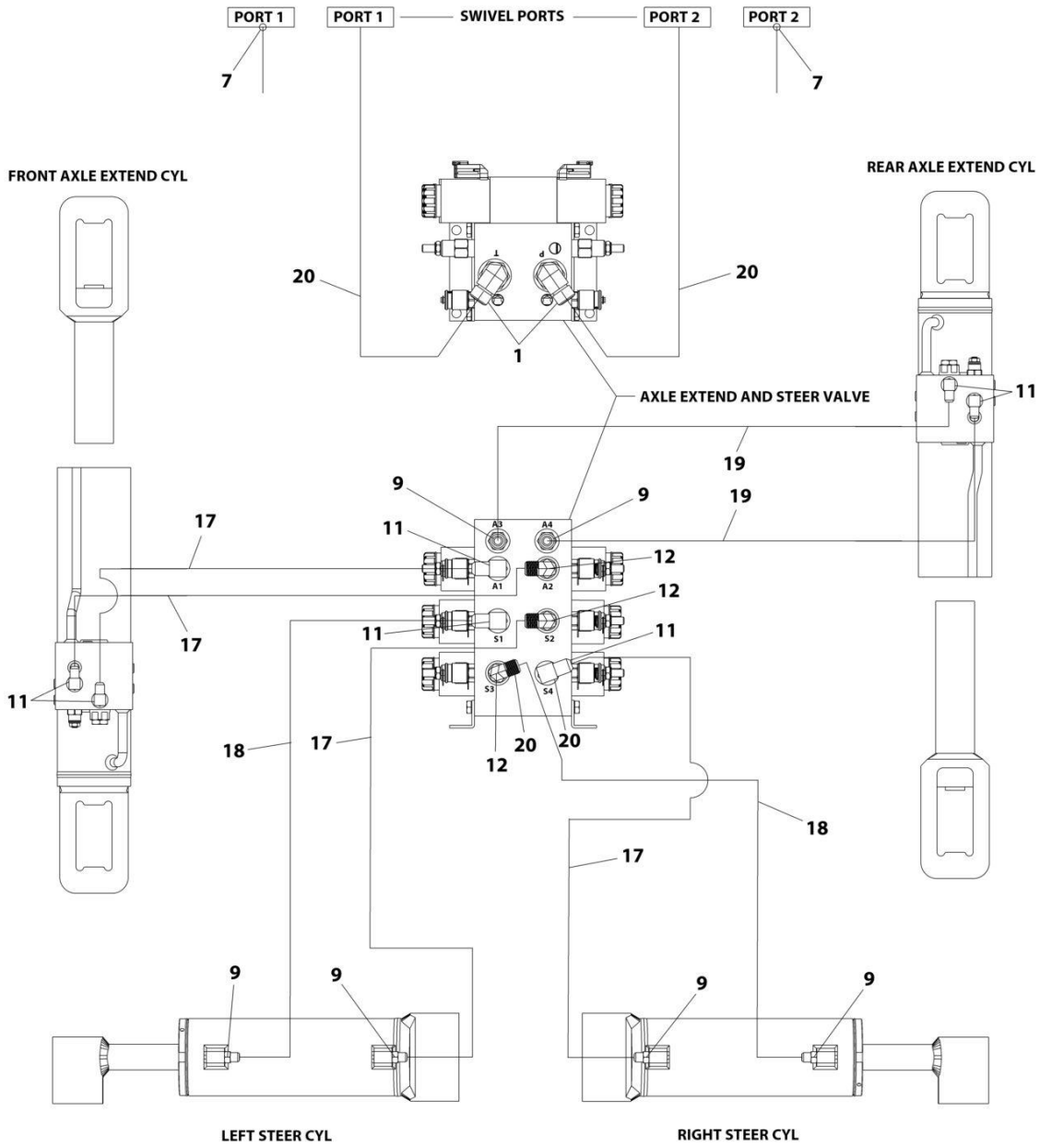
| ITEM | PART NUMBER | QTY              | DESCRIPTION                    | REV |
|------|-------------|------------------|--------------------------------|-----|
|      | 1001150086  | Ref              | BOOM HYDRAULIC DIAGRAM         | F   |
| 1    | 0100011     | AR               | Compound, Locking              |     |
| 2    | 0700820     | 1                | Bolt M8 x 60                   |     |
| 3    | 0701019     | 2                | Bolt M10 x 55                  |     |
| 4    | 0760812     | 4                | Bolt M8 x 25                   |     |
| 5    | 0700819     | 4                | Bolt M8 x 55                   |     |
| 6    | 4100026     | 11.5 ft/<br>3.5m | Sleeve, Protection (Not Shown) |     |
| 7    | 0700822     | AR               | Bolt M8 x 70                   |     |
| 8    | 1320235     | 1                | Clamp                          |     |
| 9    | 2220371     | 3                | Fitting, Straight JIC/ORB      |     |
| 10   | 2220372     | 4                | Fitting, Straight JIC/ORB      |     |
| 11   | 2220374     | 3                | Fitting, Straight JIC/ORB      |     |
| 12   | 2220415     | 4                | Fitting, Straight JIC/ORB      |     |
| 13   | 2220466     | 2                | Fitting, 90 JIC/ORB            |     |
| 14   | 2220473     | 2                | Fitting, 90 JIC/ORB            |     |
| 15   | 2220499     | 1                | Fitting, 45 JIC/ORB            |     |
| 16   | 2220500     | 1                | Fitting, 45 JIC/ORB            |     |
| 18   | 2220502     | 2                | Fitting, 45 JIC/ORB            |     |
| 19   | 2220596     | 1                | Fitting, 90 JIC/ORB            |     |
| 20   | 2220603     | 1                | Fitting, Straight JIC/ORB      |     |
| 21   | 2220628     | 2                | Fitting, 90 JIC/ORB            |     |
| 22   | 2220947     | 1                | Fitting, Straight JIC/ORB      |     |
| 23   | 2220865     | 1                | Fitting, Straight JIC/ORB      |     |
| 24   | 2221042     | 1                | Fitting, 90 JIC/ORB            |     |
| 25   | 3290805     | 6                | Nut M8                         |     |
| 26   | 4811900     | 13               | Washer M8                      |     |
| 27   | 4811902     | 7                | Washer M8                      |     |
| 28   | 4812000     | 6                | Washer M10                     |     |
| 30   | 8770048     | 1                | Fitting, 45                    |     |
| 32   | 1001127624  | AR               | Bolt M8 x 95                   |     |
| 33   | 1001136402  | AR               | Pad                            |     |
| 35   | 1001147039  | 1                | Plate, Clamp                   |     |
| 36   | 1001152704  | 2                | Plate, Clamp                   |     |
| 37   | 1001152708  | 4                | Pad                            |     |
| 38   | 1001197718  | AR               | Plate, Clamp                   |     |
| 39   | 1001204722  | 1                | Clamp                          |     |
| 40   | 4240018     | 20               | Tie-Strap (Not Shown)          |     |
| 41   | 1001206133  | 2                | Bracket                        |     |
| 42   | 1001206123  | 1                | Hose                           |     |
| 43   | 1001206124  | 1                | Hose                           |     |
| 44   | 1001206125  | 1                | Hose                           |     |
| 45   | 1001206126  | 1                | Hose                           |     |
| 46   | 1001206127  | 1                | Hose                           |     |
| 47   | 1001206128  | 2                | Hose                           |     |
| 48   | 1001206129  | 1                | Hose                           |     |
| 49   | 1001206130  | 1                | Hose                           |     |
| 50   | 1001206131  | 2                | Hose                           |     |
| 52   | 1001206121  | 2                | Hose                           |     |
| 53   | 1001206122  | 2                | Hose                           |     |

## SECTION 7 - HYDRAULIC

| ITEM | PART NUMBER | QTY | DESCRIPTION           | REV |
|------|-------------|-----|-----------------------|-----|
| 55   | 1001213664  | 1   | Hose                  |     |
| 56   | 1001213665  | 1   | Hose                  |     |
| 57   | 3291005     | 2   | Nut M10               |     |
| 58   | 8760268     | 1   | Fitting, 90 JIC/FSJIC |     |
| 60   | 1321385     | 2   | Clamp                 |     |
| 61   | 0760606     | 2   | Bolt M6 x 12          |     |
| 62   | 0760612     | 2   | Bolt M6 x 25          |     |
| 63   | 1001222493  | 1   | Clamp                 |     |
| 64   | 1001230054  | 1   | Bracket               |     |
| 65   | 1001230052  | 1   | Clamp                 |     |
| 66   | 0760619     | 1   | Bolt M6 x 55          |     |
| 67   | 3290605     | 3   | Nut M6                |     |
| 68   | 4811700     | 8   | Washer M6             |     |
| 69   | 1001223300  | 1   | Hose                  |     |
| 70   | 1001223301  | 1   | Hose                  |     |
| 71   | 0761016     | 2   | Bolt M10 x 40         |     |
| 72   | 1001231149  | 1   | Clamp                 |     |
| 73   | 1001231150  | 1   | Plate                 |     |
| 74   | 1001230053  | 1   | Plate                 |     |

# SECTION 7 - HYDRAULIC

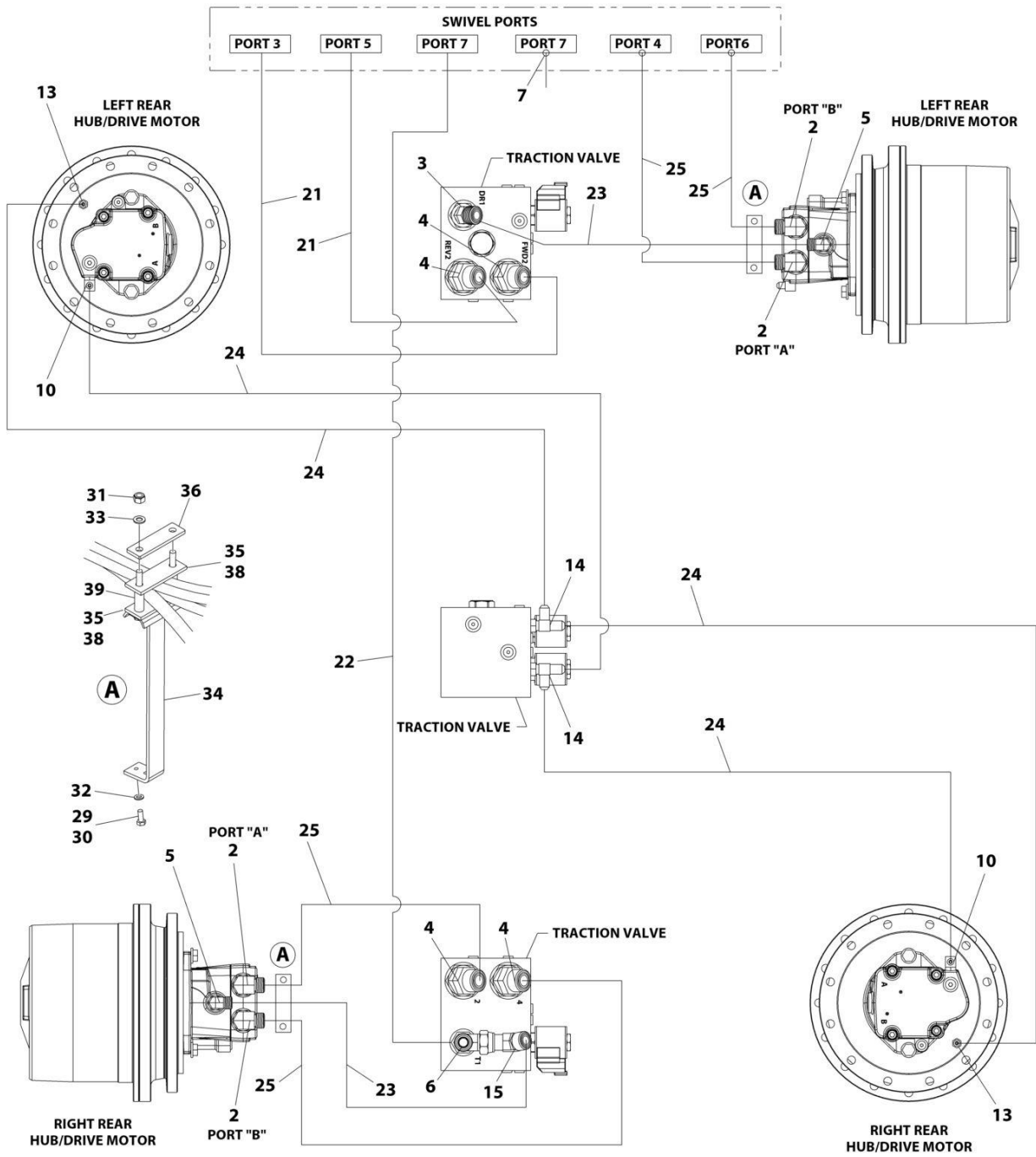
## FIGURE 7-2. CHASSIS HYDRAULIC DIAGRAM - 2WD/2WS



ART\_1001150090\_10F2



# SECTION 7 - HYDRAULIC



ART\_1001150090\_2OF2

## SECTION 7 - HYDRAULIC

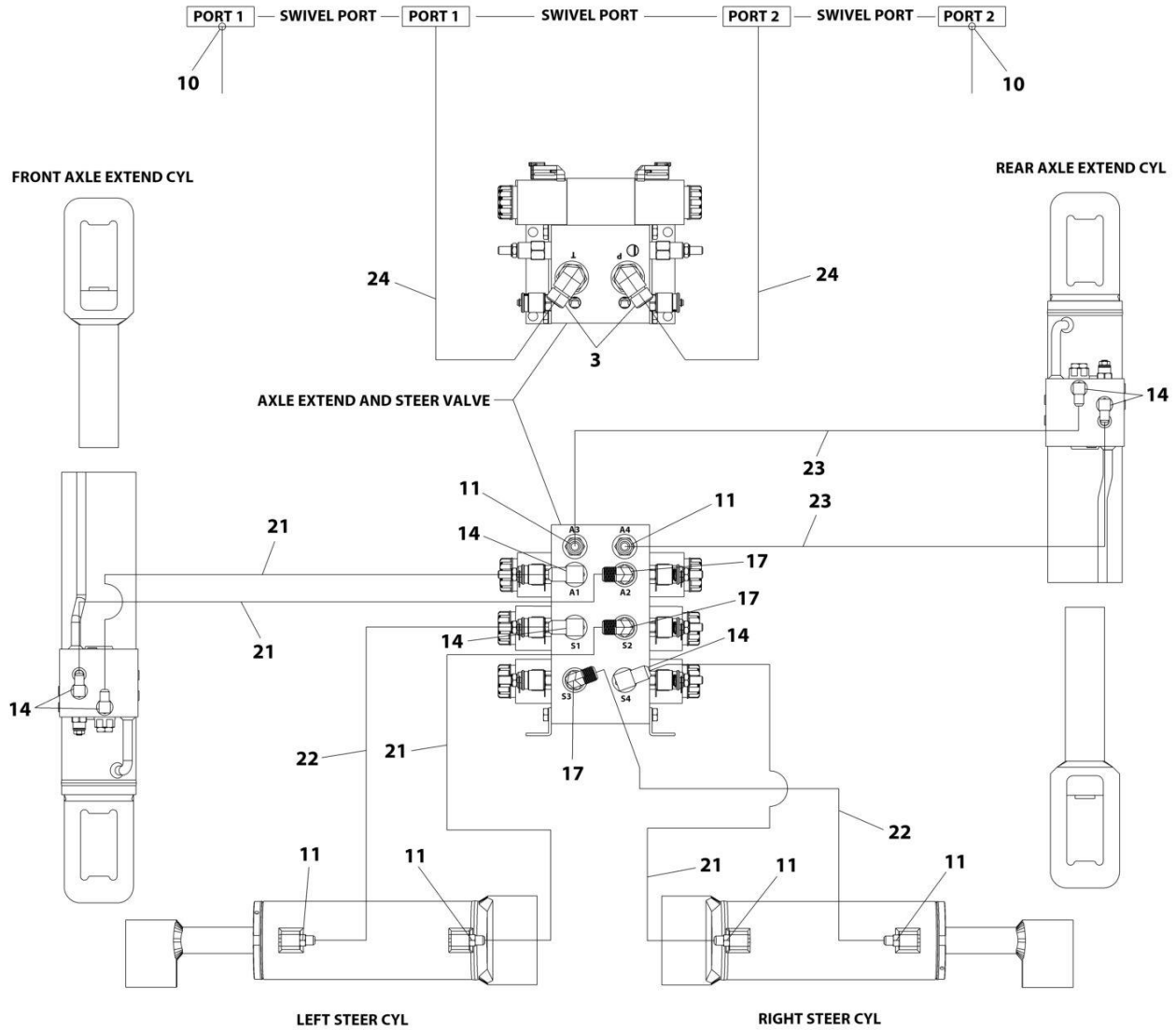
FIGURE 7-2. CHASSIS HYDRAULIC DIAGRAM - 2WD/2WS

| ITEM | PART NUMBER | QTY            | DESCRIPTION                         | REV |
|------|-------------|----------------|-------------------------------------|-----|
|      | 1001150090  | Ref            | CHASSIS HYDRAULIC DIAGRAM - 2WD/2WS | E   |
| 1    | 2130810     | 2              | Fitting, 90 ORFS/ORB                |     |
| 2    | 2131012     | 4              | Fitting, 90 ORFS/ORB                |     |
| 3    | 2150810     | 1              | Fitting, 45 ORFS/ORB                |     |
| 4    | 2151012     | 4              | Fitting, 45 ORFS/ORB                |     |
| 5    | 2170208     | 2              | Fitting, 90 ORFS/ORB                |     |
| 6    | 2170308     | 1              | Fitting, Tee ORFS/ORB/ORFS          |     |
| 7    | 2170908     | 3              | Fitting, Cap FORFS                  |     |
| 9    | 2220371     | 6              | Fitting, Straight JIC/ORB           |     |
| 10   | 2220472     | 2              | Fitting, 90 JIC/ORB                 |     |
| 11   | 2220473     | 7              | Fitting, 90 JIC/ORB                 |     |
| 12   | 2220819     | 3              | Fitting, 90 JIC/ORB                 |     |
| 13   | 2220923     | 2              | Fitting, Straight JIC/ORB           |     |
| 14   | 2221034     | 2              | Fitting, Tee                        |     |
| 15   | 2221231     | 1              | Fitting, 45 FSORFS/ORFS             |     |
| 17   | 1001194341  | 4              | Hose                                |     |
| 18   | 1001194342  | 2              | Hose                                |     |
| 19   | 1001194345  | 2              | Hose                                |     |
| 20   | 1001194346  | 2              | Hose                                |     |
| 21   | 1001194347  | 2              | Hose                                |     |
| 22   | 1001194348  | 1              | Hose                                |     |
| 23   | 1001194398  | 2              | Hose                                |     |
| 24   | 1001194401  | 4              | Hose                                |     |
| 25   | 1001194410  | 4              | Hose                                |     |
| 27   | 4240017     | 8              | Tie-Strap (Not Shown)               |     |
| 28   | 4240018     | 16             | Tie-Strap (Not Shown)               |     |
| 29   | 0100011     | AR             | Compound, Locking                   |     |
| 30   | 0760810     | 8              | Bolt M8 x 20                        |     |
| 31   | 3291005     | 8              | Nut M10                             |     |
| 32   | 4811900     | 8              | Washer M8                           |     |
| 33   | 4812000     | 8              | Washer M10                          |     |
| 34   | 1001209688  | 4              | Bracket                             |     |
| 35   | 1001209841  | 8              | Pad                                 |     |
| 36   | 1001209842  | 4              | Plate, Clamp                        |     |
| 38   | 0100081     | 1              | Adhesive                            |     |
| 39   | 2750532     | 11 in<br>/28cm | Hose                                |     |



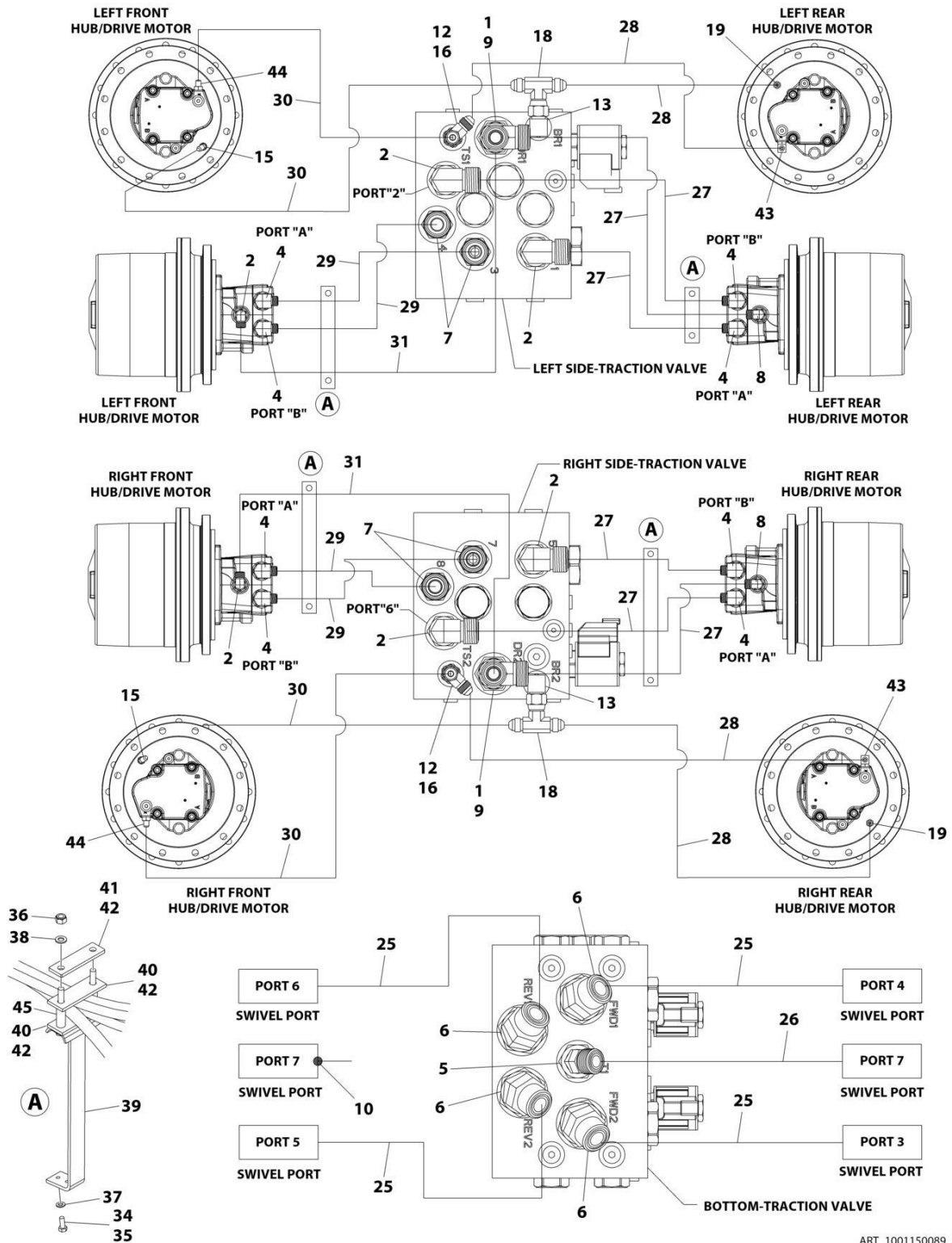
# SECTION 7 - HYDRAULIC

## FIGURE 7-3. CHASSIS HYDRAULIC DIAGRAM - 4WD/2WS



ART\_1001150089\_10F2

# SECTION 7 - HYDRAULIC



ART\_1001150089\_2OF2

# SECTION 7 - HYDRAULIC

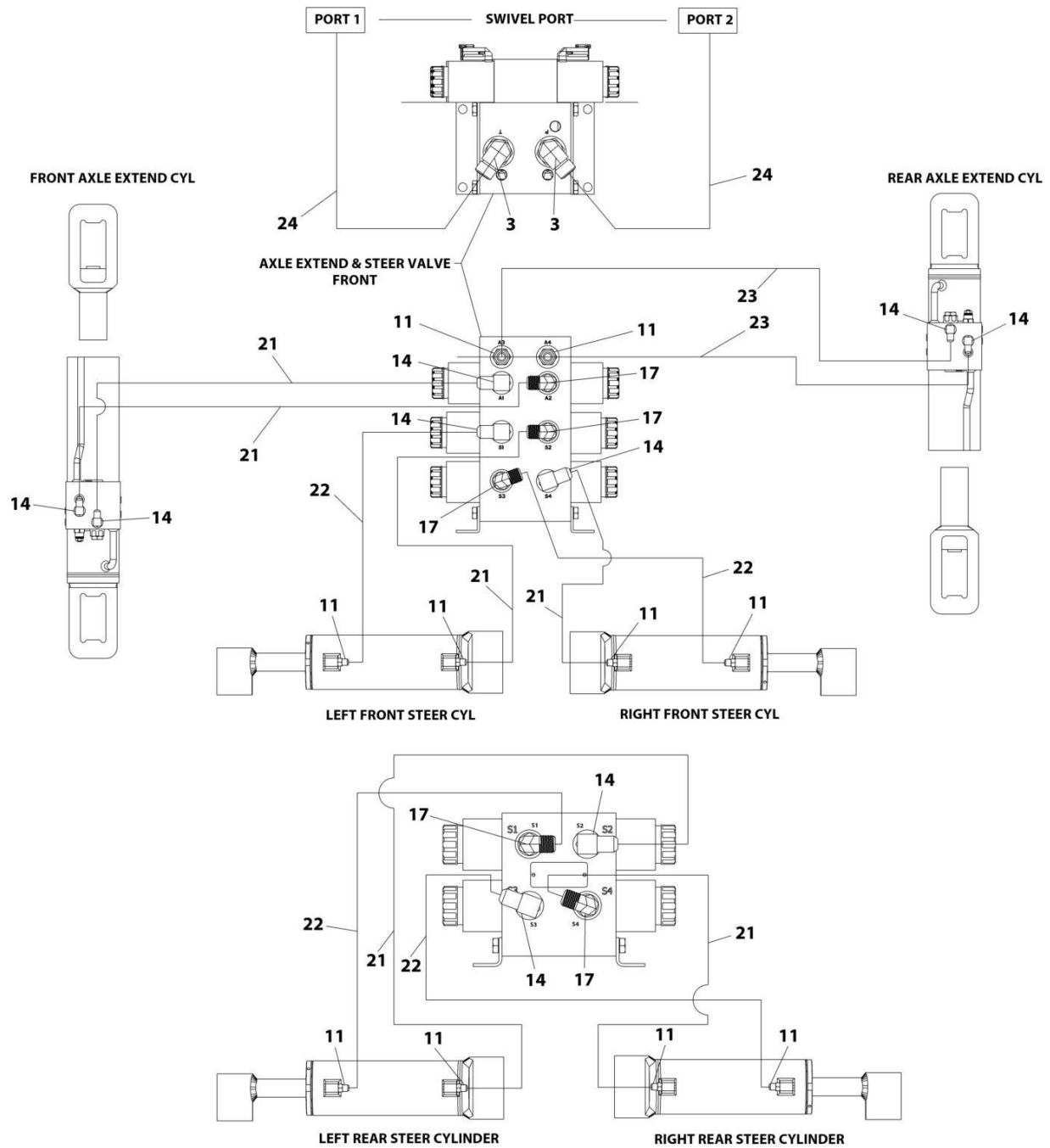
FIGURE 7-3. CHASSIS HYDRAULIC DIAGRAM - 4WD/2WS

| ITEM | PART NUMBER | QTY              | DESCRIPTION                         | REV |
|------|-------------|------------------|-------------------------------------|-----|
|      | 1001150089  | Ref              | CHASSIS HYDRAULIC DIAGRAM - 4WD/2WS | E   |
| 1    | 2110810     | 2                | Fitting, Straight ORFS/ORB          |     |
| 2    | 2130808     | 6                | Fitting, 90 ORFS/ORB                |     |
| 3    | 2130810     | 2                | Fitting, 90 ORFS/ORB                |     |
| 4    | 2130812     | 8                | Fitting, 90 ORFS/ORB                |     |
| 5    | 2150810     | 1                | Fitting, 45 ORFS/ORB                |     |
| 6    | 2151012     | 4                | Fitting, 45 ORFS/ORB                |     |
| 7    | 2170108     | 4                | Fitting, Straight ORFS/ORB          |     |
| 8    | 2170208     | 2                | Fitting, 90 ORFS/ORB                |     |
| 9    | 2170708     | 2                | Fitting, Tee ORFS/FSORFS/ORFS       |     |
| 10   | 2170908     | 3                | Fitting, Cap FORFS                  |     |
| 11   | 2220371     | 6                | Fitting, Straight JIC/ORB           |     |
| 12   | 2220415     | 2                | Fitting, Straight JIC/ORB           |     |
| 13   | 2220466     | 2                | Fitting, 90 JIC/ORB                 |     |
| 14   | 2220473     | 7                | Fitting, 90 JIC/ORB                 |     |
| 15   | 2220502     | 2                | Fitting, 45 JIC/ORB                 |     |
| 16   | 2220605     | 2                | Fitting, Tee JIC/FSJIC/JIC          |     |
| 17   | 2220819     | 3                | Fitting, 90 JIC/ORB                 |     |
| 18   | 2220861     | 2                | Fitting, Tee JIC/FSJIC/JIC          |     |
| 19   | 2220923     | 2                | Fitting, Straight JIC/ORB           |     |
| 21   | 1001194341  | 4                | Hose                                |     |
| 22   | 1001194342  | 2                | Hose                                |     |
| 23   | 1001194345  | 2                | Hose                                |     |
| 24   | 1001194346  | 2                | Hose                                |     |
| 25   | 1001194396  | 4                | Hose                                |     |
| 26   | 1001194397  | 1                | Hose                                |     |
| 27   | 1001194398  | 6                | Hose                                |     |
| 28   | 1001194401  | 4                | Hose                                |     |
| 29   | 1001194402  | 4                | Hose                                |     |
| 30   | 1001194406  | 4                | Hose                                |     |
| 31   | 1001194407  | 2                | Hose                                |     |
| 32   | 4240017     | 3                | Tie-Strap (Not Shown)               |     |
| 33   | 4240018     | 26               | Tie-Strap (Not Shown)               |     |
| 34   | 0100011     | AR               | Compound, Locking                   |     |
| 35   | 0760810     | 8                | Bolt M8 x 20                        |     |
| 36   | 3291005     | 8                | Nut M10                             |     |
| 37   | 4811900     | 8                | Washer M8                           |     |
| 38   | 4812000     | 8                | Washer M10                          |     |
| 39   | 1001209688  | 4                | Bracket                             |     |
| 40   | 1001209841  | 8                | Pad                                 |     |
| 41   | 1001209842  | 4                | Plate, Clamp                        |     |
| 42   | 0100081     | AR               | Adhesive                            |     |
| 43   | 2220472     | 2                | Fitting, 90 JIC/ORB                 |     |
| 44   | 2220582     | 2                | Fitting, Straight JIC/ORB           |     |
| 45   | 2750532     | 12.6 in<br>/32cm | Hose                                |     |



# SECTION 7 - HYDRAULIC

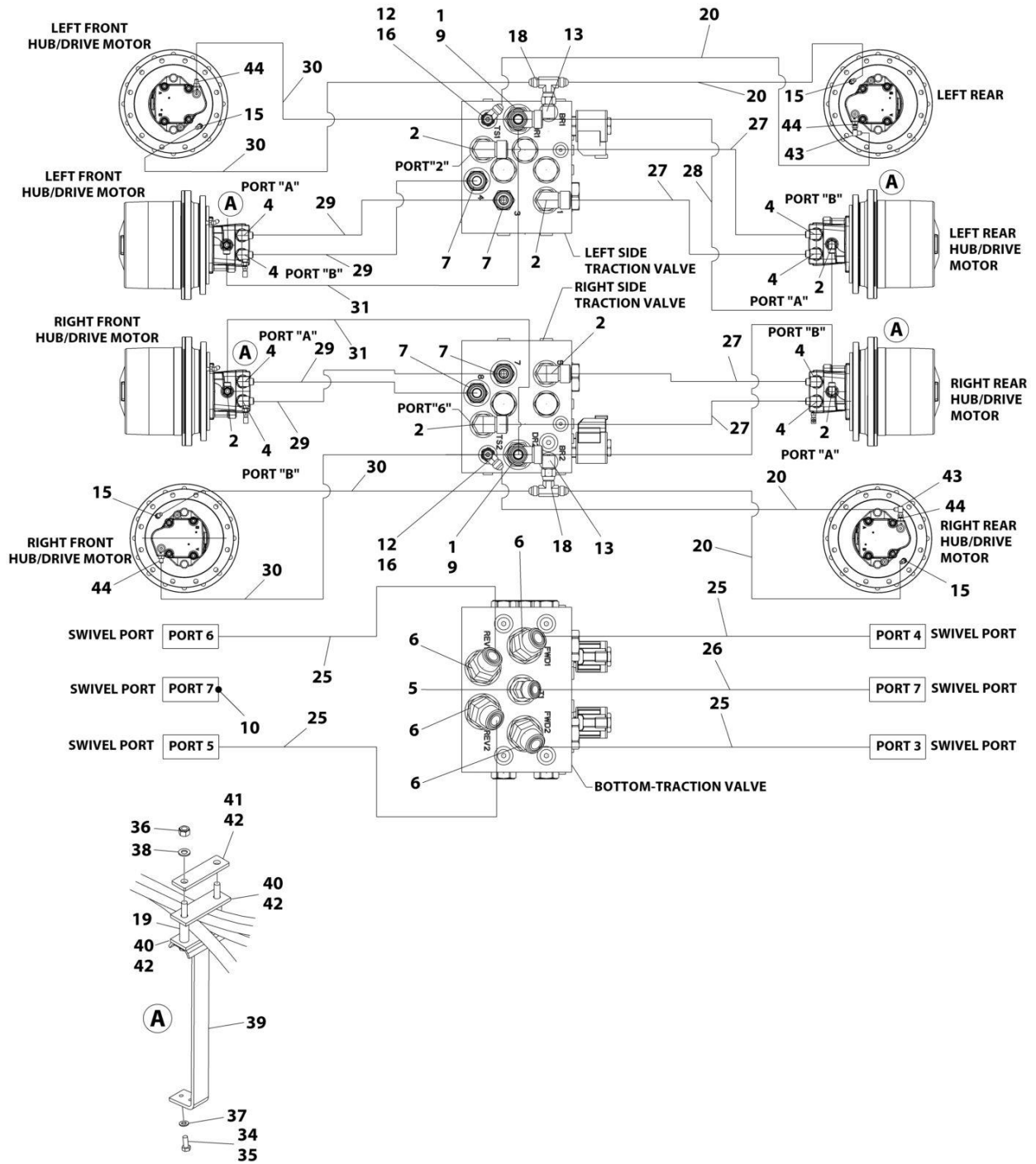
## FIGURE 7-4. CHASSIS HYDRAULIC DIAGRAM - 4WD/4WS



ART\_1001222730\_1OF2



# SECTION 7 - HYDRAULIC



ART\_1001222730\_2OF2

# SECTION 7 - HYDRAULIC

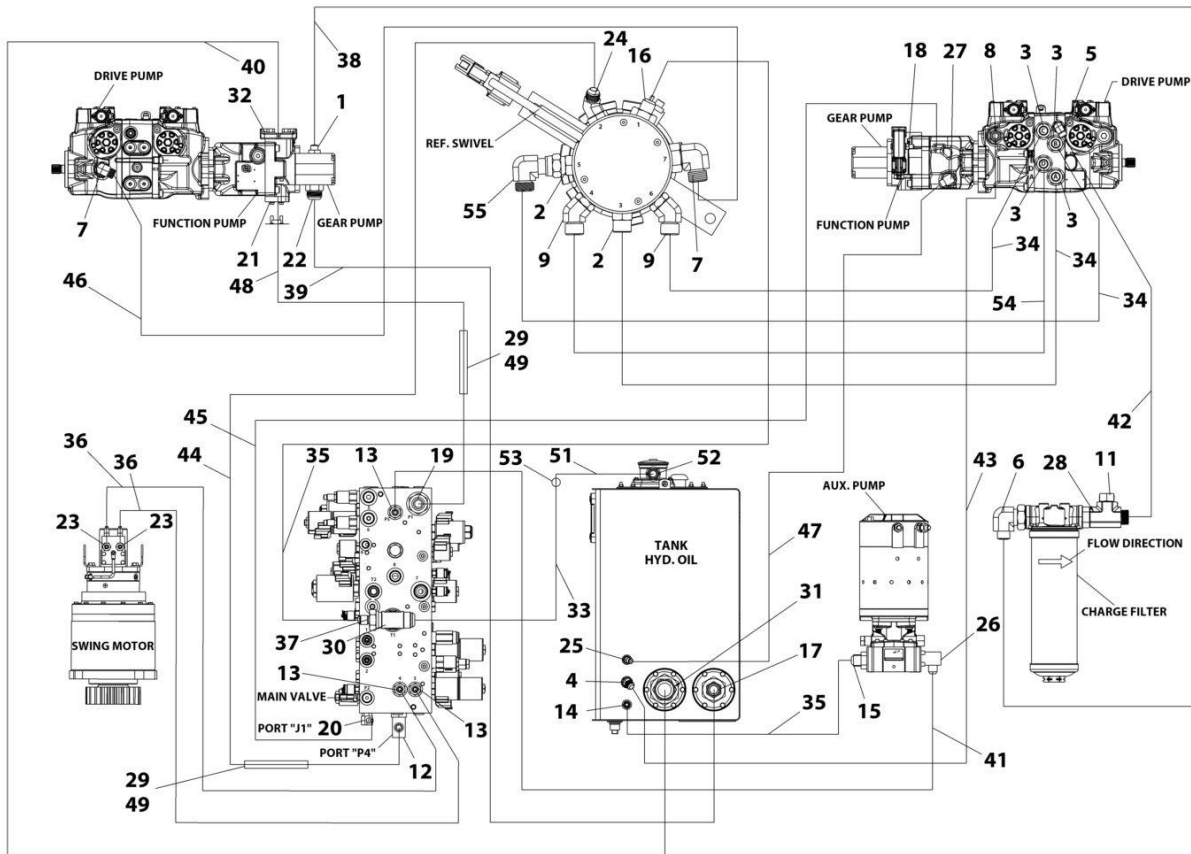
## FIGURE 7-4. CHASSIS HYDRAULIC DIAGRAM - 4WD/4WS

| ITEM | PART NUMBER | QTY              | DESCRIPTION                         | REV |
|------|-------------|------------------|-------------------------------------|-----|
|      | 1001222730  | Ref              | CHASSIS HYDRAULIC DIAGRAM - 4WD/4WS | A   |
| 1    | 2110810     | 2                | Fitting, Straight ORFS/ORB          |     |
| 2    | 2130808     | 8                | Fitting, 90 ORFS/ORB                |     |
| 3    | 2130810     | 4                | Fitting, 90 ORFS/ORB                |     |
| 4    | 2130812     | 8                | Fitting, 90 ORFS/ORB                |     |
| 5    | 2150810     | 1                | Fitting, 45 ORFS/ORB                |     |
| 6    | 2151012     | 4                | Fitting, 45 ORFS/ORB                |     |
| 7    | 2170108     | 4                | Fitting, Straight ORFS/ORB          |     |
| 9    | 2170708     | 2                | Fitting, Tee ORFS/FSORFS/ORFS       |     |
| 10   | 2170908     | 1                | Fitting, Cap FORFS                  |     |
| 11   | 2220371     | 10               | Fitting, Straight JIC/ORB           |     |
| 12   | 2220415     | 2                | Fitting, Straight JIC/ORB           |     |
| 13   | 2220466     | 2                | Fitting, 90 JIC/ORB                 |     |
| 14   | 2220473     | 9                | Fitting, 90 JIC/ORB                 |     |
| 15   | 2220502     | 4                | Fitting, 45 JIC/ORB                 |     |
| 16   | 2220605     | 2                | Fitting, Tee JIC/FSJIC/JIC          |     |
| 17   | 2220819     | 5                | Fitting, 90 JIC/ORB                 |     |
| 18   | 2220861     | 2                | Fitting, Tee JIC/FSJIC/JIC          |     |
| 19   | 2750532     | 12.6 in/<br>32cm | Hose                                |     |
| 20   | 1001222796  | 4                | Hose                                |     |
| 21   | 1001194341  | 6                | Hose                                |     |
| 22   | 1001194342  | 4                | Hose                                |     |
| 23   | 1001194345  | 2                | Hose                                |     |
| 24   | 1001194346  | 4                | Hose                                |     |
| 25   | 1001194396  | 4                | Hose                                |     |
| 26   | 1001194397  | 1                | Hose                                |     |
| 27   | 1001194398  | 4                | Hose                                |     |
| 28   | 1001222785  | 2                | Hose                                |     |
| 29   | 1001194402  | 4                | Hose                                |     |
| 30   | 1001194406  | 4                | Hose                                |     |
| 31   | 1001194407  | 2                | Hose                                |     |
| 32   | 4240017     | 1                | Tie-Strap (Not Shown)               |     |
| 33   | 4240018     | 1                | Tie-Strap (Not Shown)               |     |
| 34   | 0100011     | AR               | Compound, Locking                   |     |
| 35   | 0760810     | 8                | Bolt M8 x 20                        |     |
| 36   | 3291005     | 8                | Nut M10                             |     |
| 37   | 4811900     | 8                | Washer M8                           |     |
| 38   | 4812000     | 8                | Washer M10                          |     |
| 39   | 1001209688  | 4                | Bracket                             |     |
| 40   | 1001209841  | 8                | Pad                                 |     |
| 41   | 1001209842  | 4                | Plate, Clamp                        |     |
| 42   | 0100081     | AR               | Adhesive                            |     |
| 43   | 2220654     | 2                | Fitting, 90 JIC/JIC                 |     |
| 44   | 2220582     | 4                | Fitting, Straight JIC/ORB           |     |



# SECTION 7 - HYDRAULIC

## FIGURE 7-5. TURNTABLE HYDRAULIC DIAGRAM



ART\_1001150088

## SECTION 7 - HYDRAULIC

### FIGURE 7-5. TURNTABLE HYDRAULIC DIAGRAM

| ITEM | PART NUMBER | QTY | DESCRIPTION                   | REV |
|------|-------------|-----|-------------------------------|-----|
|      | 1001150088  | Ref | TURNTABLE HYDRAULIC DIAGRAM   | F   |
| 1    | 2110812     | 1   | Fitting, Straight ORFS/ORB    |     |
| 2    | 2111010     | 2   | Fitting, Straight ORFS/ORB    |     |
| 3    | 2111016     | 4   | Fitting, Straight ORFS/ORB    |     |
| 4    | 2220498     | 1   | Fitting, 45 JIC/ORB           |     |
| 5    | 2130810     | 1   | Fitting, 90 ORFS/ORB          |     |
| 6    | 2130812     | 1   | Fitting, 90 ORFS/ORB          |     |
| 7    | 2131012     | 2   | Fitting, 90 ORFS/ORB          |     |
| 8    | 2220451     | 1   | Fitting, Straight JIC/ORB     |     |
| 9    | 2151010     | 2   | Fitting, 45 ORFS/ORB          |     |
| 11   | 2170908     | 1   | Fitting, Cap FORFS            |     |
| 12   | 2220366     | 1   | Fitting, 90 JIC/ORB           |     |
| 13   | 2220372     | 3   | Fitting, Straight JIC/ORB     |     |
| 14   | 2220373     | 1   | Fitting, Straight JIC/ORB     |     |
| 15   | 2220374     | 1   | Fitting, Straight JIC/ORB     |     |
| 16   | 2220375     | 1   | Fitting, Straight JIC/ORB     |     |
| 17   | 2220380     | 1   | Fitting, Straight JIC/ORB     |     |
| 18   | 2220415     | 1   | Fitting, Straight JIC/ORB     |     |
| 19   | 2220435     | 1   | Fitting, Straight JIC/ORB     |     |
| 20   | 2220472     | 1   | Fitting, 90 JIC/ORB           |     |
| 21   | 2220478     | 1   | Fitting Kit - Split Flange    |     |
| 22   | 2220479     | 1   | Fitting, Straight JIC/ORB     |     |
| 23   | 2220497     | 2   | Fitting, Straight JIC/ORB     |     |
| 24   | 2220499     | 1   | Fitting, 45 JIC/ORB           |     |
| 25   | 2220500     | 1   | Fitting, 45 JIC/ORB           |     |
| 26   | 2220628     | 1   | Fitting, 90 JIC/ORB           |     |
| 27   | 2220671     | 1   | Fitting, 90 JIC/ORB           |     |
| 28   | 2221084     | 1   | Fitting, Tee ORFS to ORB      |     |
| 29   | 4100066     | 1   | Sleeve, Hose                  |     |
| 30   | 8760552     | 1   | Fitting, Straight JIC/ORB/JIC |     |
| 31   | 88662013    | 1   | Fitting, Tee JIC/ORB          |     |
| 32   | 1001110604  | 1   | Fitting Kit - Split Flange    |     |
| 33   | 1001219627  | 1   | Tube                          |     |
| 34   | 1001199837  | 3   | Hose                          |     |
| 35   | 1001199839  | 2   | Hose                          |     |
| 36   | 1001199849  | 2   | Hose                          |     |
| 37   | 2220624     | 1   | Fitting, Straight JIC/FSJIC   |     |
| 38   | 1001194348  | 1   | Hose                          |     |
| 39   | 1001199834  | 1   | Hose                          |     |
| 40   | 1001199835  | 1   | Hose                          |     |
| 41   | 1001199840  | 1   | Hose                          |     |
| 42   | 1001199843  | 1   | Hose                          |     |
| 43   | 1001199844  | 1   | Hose                          |     |
| 44   | 1001199845  | 1   | Hose                          |     |
| 45   | 1001199846  | 1   | Hose                          |     |
| 46   | 1001199847  | 1   | Hose                          |     |
| 47   | 1001199848  | 1   | Hose                          |     |
| 48   | 1001199851  | 1   | Hose                          |     |
| 49   | 4240017     | 4   | Tie-Strap                     |     |
| 50   | 4240018     | 3   | Tie-Strap (Not Shown)         |     |

## SECTION 7 - HYDRAULIC

| ITEM | PART NUMBER | QTY            | DESCRIPTION                                    | REV |
|------|-------------|----------------|--|-----|
| 51   | 1001219628  | 1              | Hose   |     |
| 52   | 2220377     | 1              | Fitting, Straight JIC/ORB                      |     |
| 53   | 1001143501  | 1              | Clamp  |     |
| 54   | 1001223381  | 1              | Hose   |     |
| 55   | 2172110     | 1              | Fitting, 90 ORFS/FSORFS                        |     |
| 56   | 4060807     | 17 in<br>/42cm | Flex-Trim (Not Shown - Located on Engine Tray) |     |

**SECTION 8 - ELECTRICAL**

## SECTION 8 - ELECTRICAL

FIGURE 8-1. ELECTRICAL DIAGRAM LIST

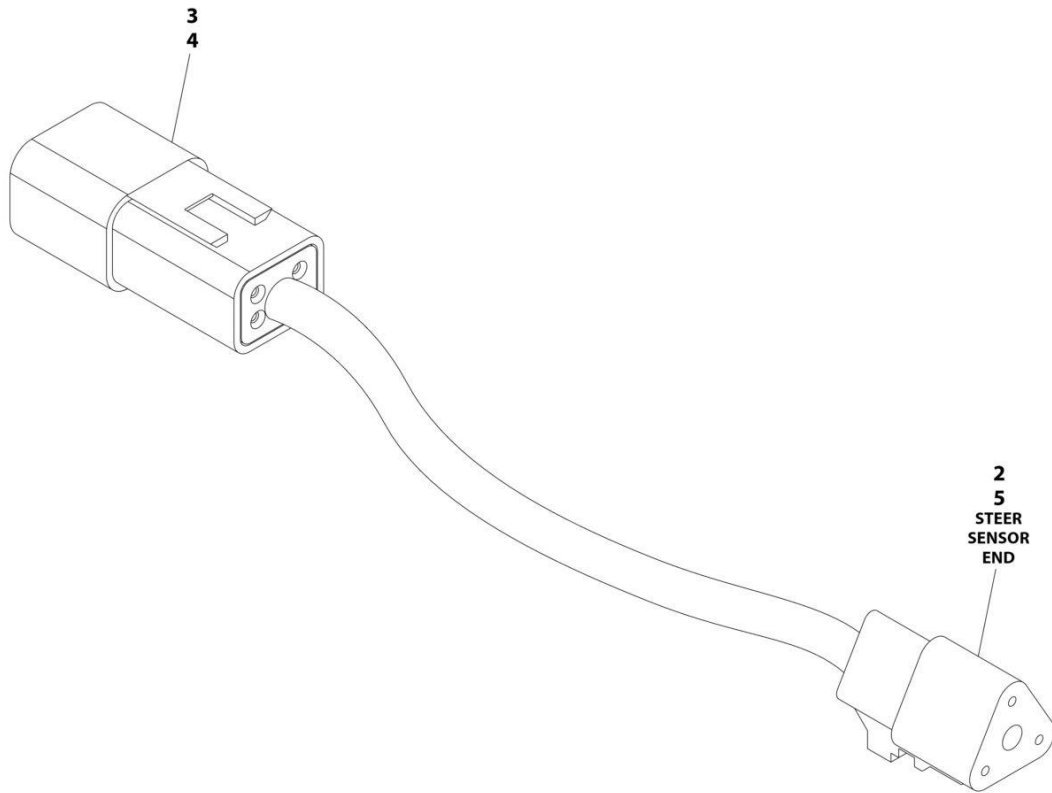
| ITEM | PART NUMBER | QTY | DESCRIPTION   | REV |
|------|-------------|-----|---|-----|
|      |             | Ref | Note: For more information, contact the JLG Service/Parts Department. |     |
|      |             | Ref | ELECTRICAL DIAGRAMS   |     |
|      | 1001150005  | Ref | Electrical Schematic (See Service & Maintenance Manual)               |     |
|      | 1001157770  | Ref | Generator Electrical Diagram - 7500W SkyPower Generator               |     |





# SECTION 8 - ELECTRICAL

## FIGURE 8-2. AXLE POWER TRACK HARNESS



ART\_1001152574

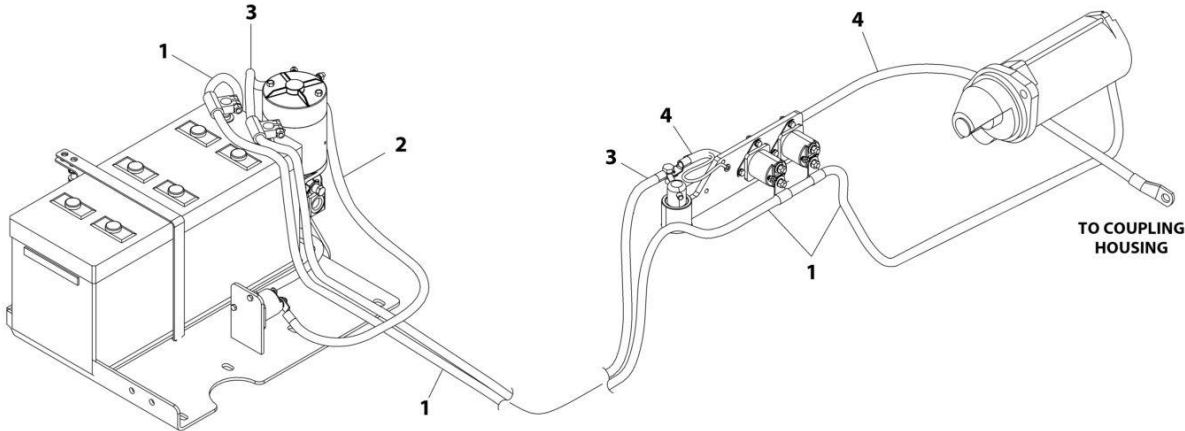
## SECTION 8 - ELECTRICAL

### FIGURE 8-2. AXLE POWER TRACK HARNESS

| ITEM | PART NUMBER | QTY | DESCRIPTION                     | REV |
|------|-------------|-----|---------------------------------|-----|
|      | 1001152574  | Ref | AXLE POWER TRACK HARNESS        | C   |
| 2    | 4460539     | 1   | Plug, Male - 3 Position         |     |
| 3    | 4460932     | 1   | Receptacle, Female - 4 Position |     |
| 4    | 4460943     | 4   | Pin, Male                       |     |
| 5    | 4460944     | 3   | Socket, Female                  |     |

**SECTION 8 - ELECTRICAL**

**FIGURE 8-3. BATTERY CABLE KIT - DEUTZ TD2011**



ART\_1001150443

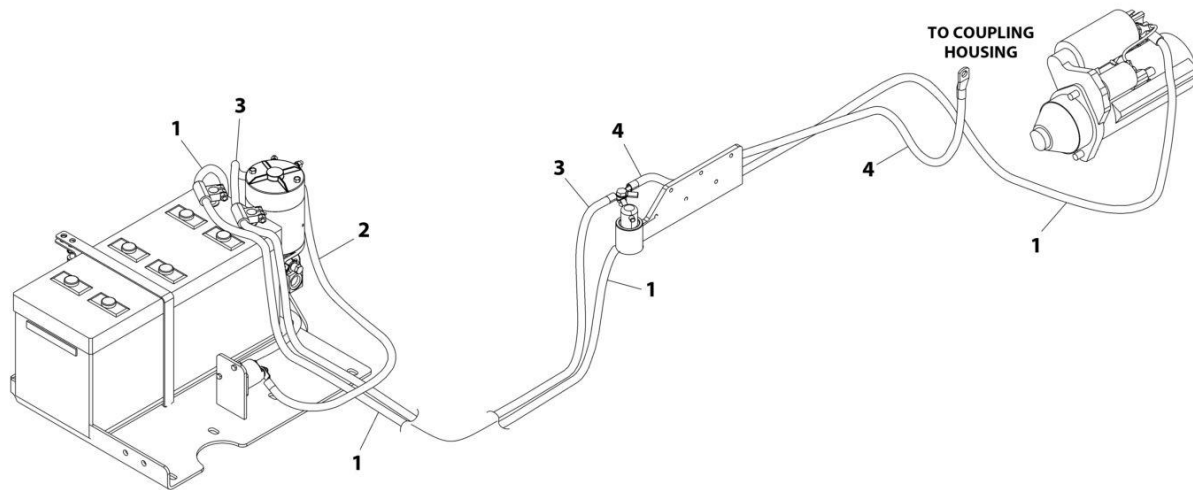
## SECTION 8 - ELECTRICAL

### FIGURE 8-3. BATTERY CABLE KIT - DEUTZ TD2011

| ITEM | PART NUMBER | QTY | DESCRIPTION  | REV |
|------|-------------|-----|--|-----|
|      | 1001150443  | Ref | BATTERY CABLE KIT - DEUTZ TD2011                                 | C   |
| 1    | 70009025    | 1   | Cable, Battery - Battery + to Starter, Start Relay and Aux Relay |     |
| 2    | 70009022    | 1   | Cable, Battery - Aux Relay to Aux Power                          |     |
| 3    | 70009023    | 1   | Cable, Battery - Battery - to Aux Ground, Pivot Ground           |     |
| 4    | 70009026    | 1   | Cable, Battery - Engine to Pivot Ground                          |     |

# SECTION 8 - ELECTRICAL

## FIGURE 8-4. BATTERY CABLE KIT - DEUTZ TD2.9L4



ART\_1001220749

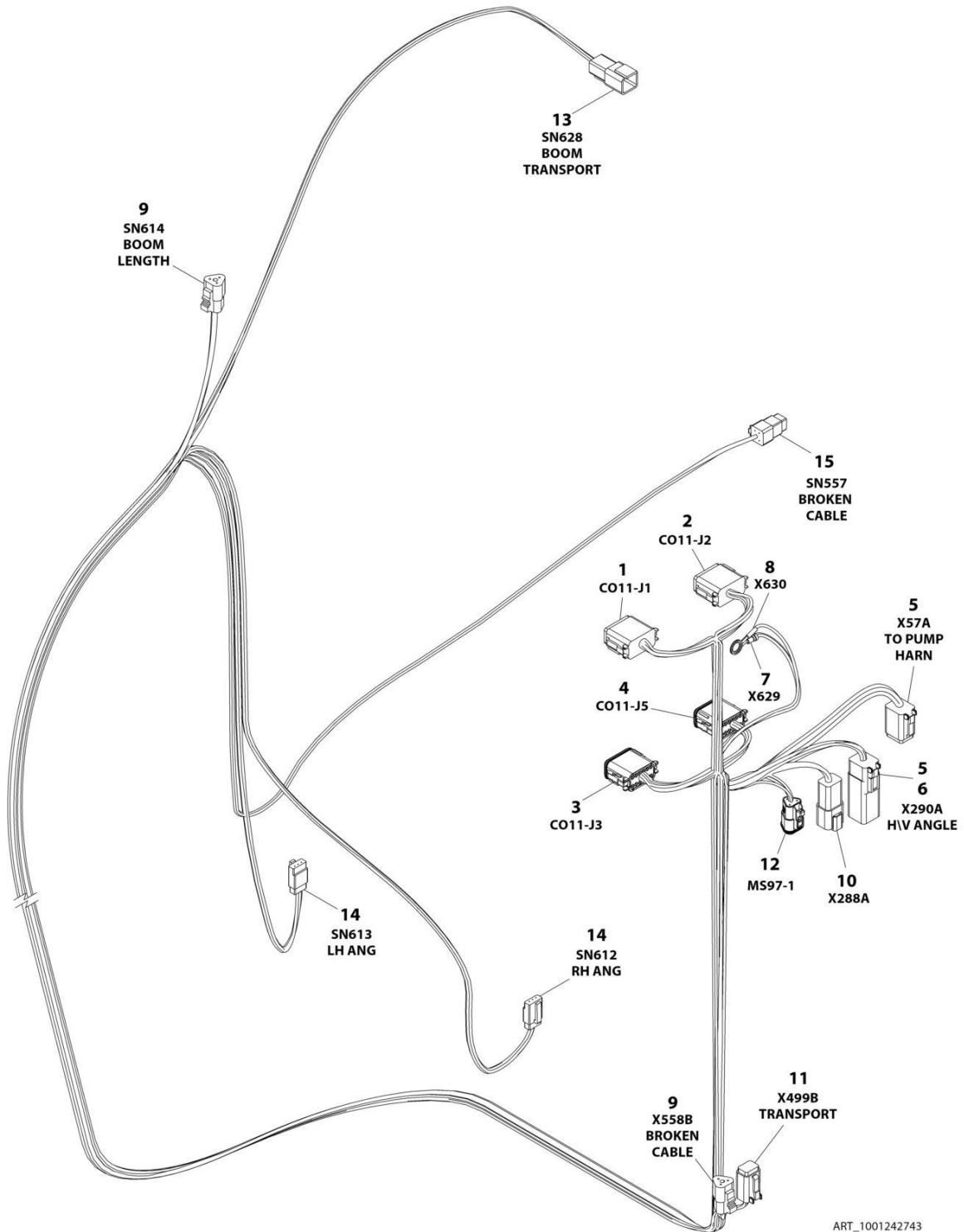
## SECTION 8 - ELECTRICAL

### FIGURE 8-4. BATTERY CABLE KIT - DEUTZ TD2.9L4

| ITEM | PART NUMBER | QTY | DESCRIPTION  | REV |
|------|-------------|-----|--|-----|
|      | 1001220749  | Ref | BATTERY CABLE KIT - DEUTZ TD2.9L4                                | B   |
| 1    | 70009021    | 1   | Cable, Battery - Battery + to Starter, Start Relay and Aux Relay |     |
| 2    | 70009022    | 1   | Cable, Battery - Aux Relay to Aux Power                          |     |
| 3    | 70009023    | 1   | Cable, Battery - Battery - Aux Ground, Pivot Ground              |     |
| 4    | 70009024    | 1   | Cable, Battery - Engine to Pivot Ground                          |     |

# SECTION 8 - ELECTRICAL

## FIGURE 8-5. BLAM HARNESS





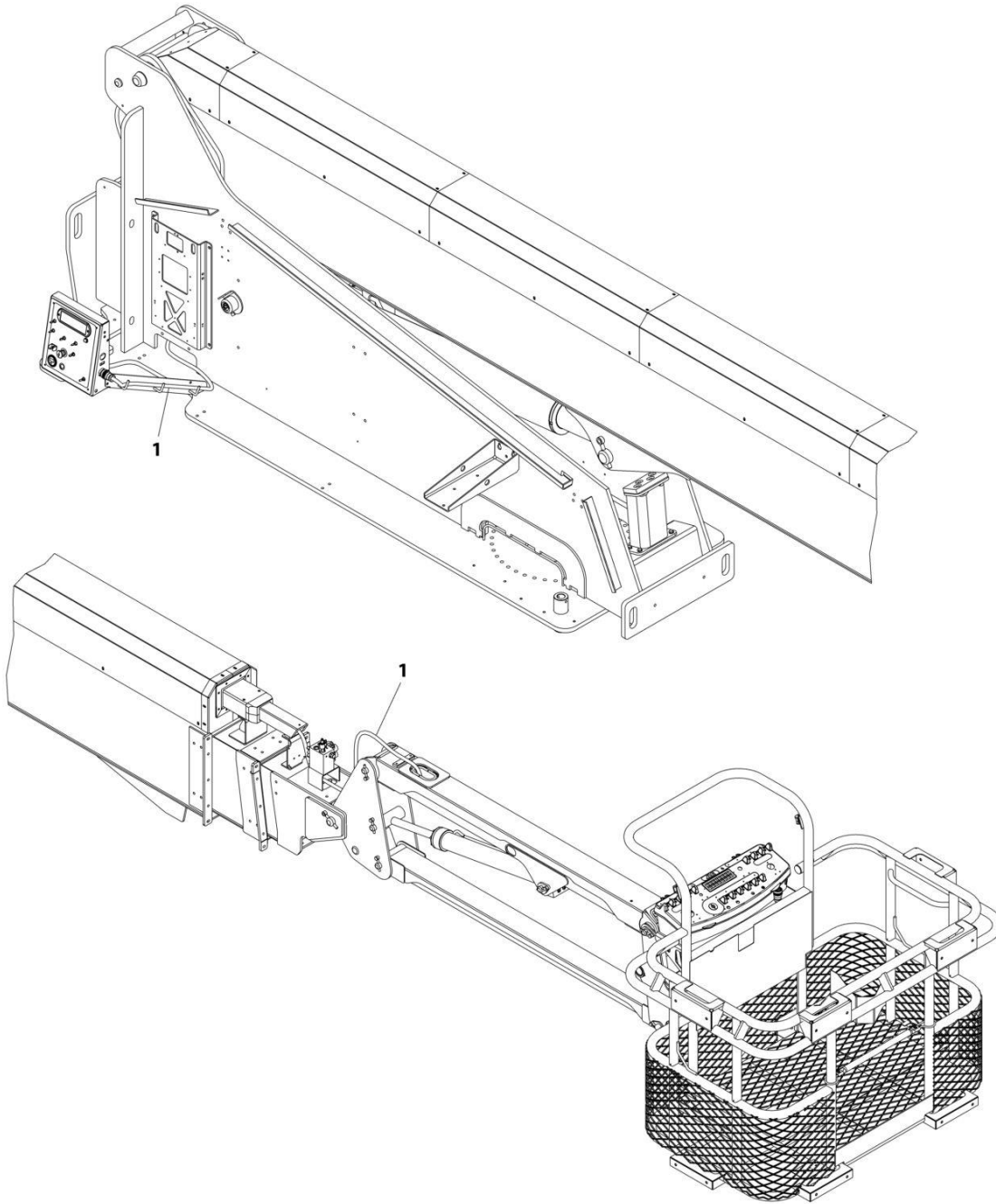
## SECTION 8 - ELECTRICAL

### FIGURE 8-5. BLAM HARNESS

| ITEM | PART NUMBER | QTY | DESCRIPTION                     | REV |
|------|-------------|-----|---------------------------------|-----|
|      | 1001242743  | Ref | BLAM HARNESS                    | C   |
| 1    | 1001270339  | 1   | Connector - 12 Position (Gray)  |     |
| 1    | 4460465     | 7   | Socket, Female                  |     |
| 1    | 4460466     | 3   | Plug, Terminal                  |     |
| 1    | 4460942     | 2   | Terminal                        |     |
| 2    | 1001270340  | 1   | Connector - 12 Position (Black) |     |
| 2    | 4460465     | 8   | Socket, Female                  |     |
| 2    | 4460466     | 4   | Plug, Terminal                  |     |
| 3    | 1001239344  | 1   | Connector - 12 Position (Green) |     |
| 3    | 4460465     | 11  | Socket, Female                  |     |
| 3    | 4460466     | 1   | Plug, Terminal                  |     |
| 4    | 1001239345  | 1   | Connector - 12 Position (Brown) |     |
| 4    | 4460465     | 5   | Socket, Female                  |     |
| 4    | 4460466     | 7   | Plug, Terminal                  |     |
| 5    | 4460894     | 2   | Connector - 6 Position (Gray)   |     |
| 5    | 4460465     | 11  | Socket, Female                  |     |
| 5    | 4460466     | 1   | Plug, Terminal                  |     |
| 6    | 4460899     | 1   | Connector, Female - 6 Position  |     |
| 7    | 4460670     | 1   | Terminal, Ring                  |     |
| 8    | 4460703     | 1   | Terminal, Ring                  |     |
| 9    | 4460539     | 2   | Plug, Male - 3 Position         |     |
| 9    | 4460465     | 3   | Socket, Female                  |     |
| 9    | 4460944     | 3   | Socket, Female                  |     |
| 10   | 4460932     | 1   | Connector - 4 Position (Gray)   |     |
| 10   | 4460941     | 2   | Pin, Male                       |     |
| 10   | 4460466     | 1   | Plug, Terminal                  |     |
| 10   | 4460464     | 1   | Pin, Male                       |     |
| 11   | 4460884     | 1   | Connector - 4 Position (Gray)   |     |
| 11   | 4460465     | 4   | Socket, Female                  |     |
| 12   | 1001116812  | 1   | Plug, Male - 3 Position         |     |
| 12   | 4460465     | 3   | Socket, Female                  |     |
| 13   | 1001097051  | 1   | Receptacle, Female - 4 Position |     |
| 13   | 1001116695  | 4   | Pin, Male                       |     |
| 14   | 4460911     | 2   | Plug, Male - 3 Position         |     |
| 14   | 4460918     | 6   | Terminal                        |     |
| 15   | 4461077     | 1   | Plug, Male - 3 Position         |     |
| 15   | 4460928     | 3   | Socket, Female                  |     |
| 15   | 4460518     | 1   | Plug, Terminal                  |     |

# SECTION 8 - ELECTRICAL

FIGURE 8-6. BOOM CABLES INSTALLATION - 1100SJ WITHOUT POWER AT PLATFORM



ART\_1001200024

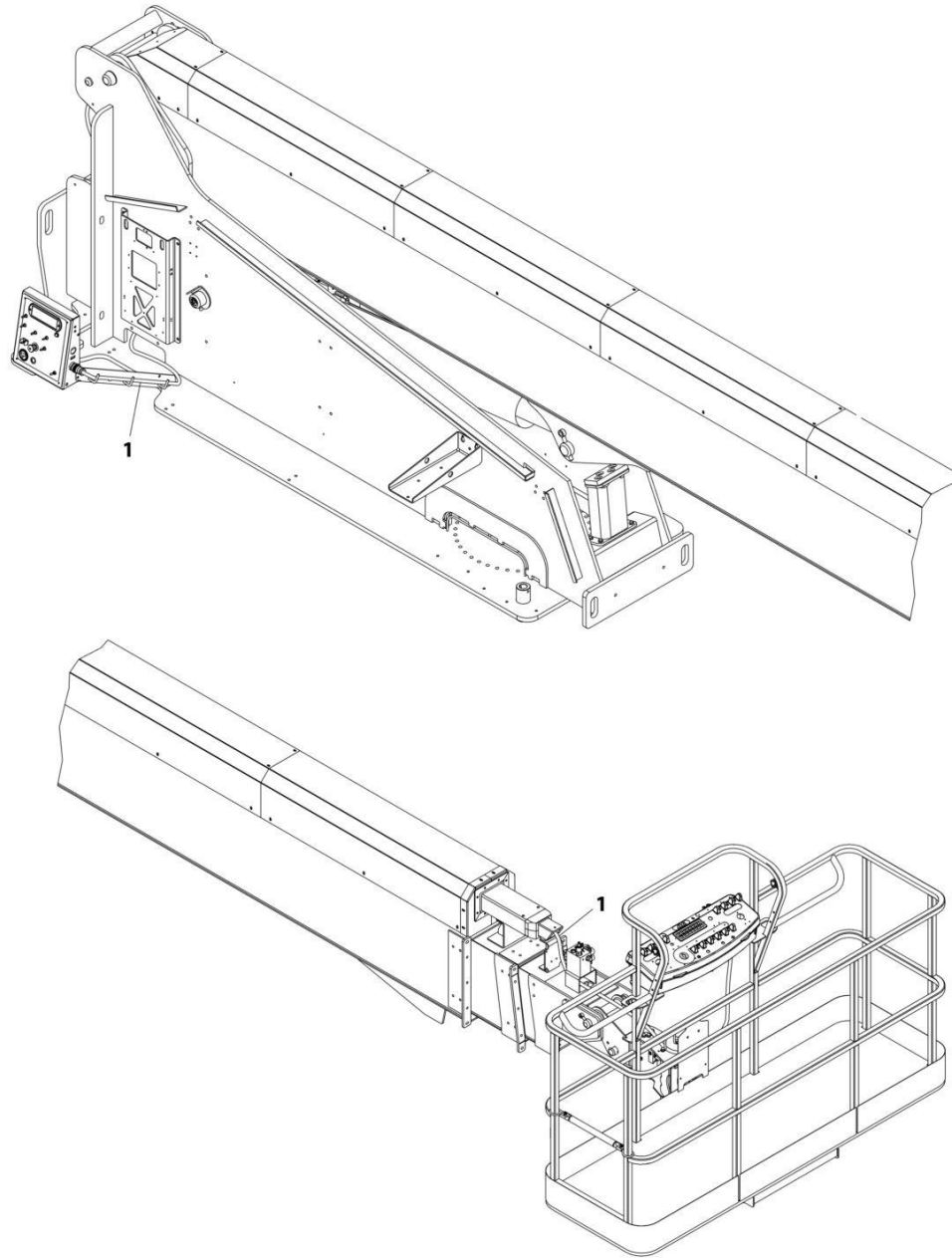
## SECTION 8 - ELECTRICAL

**FIGURE 8-6. BOOM CABLES INSTALLATION - 1100SJ WITHOUT POWER AT PLATFORM**

| ITEM | PART NUMBER | QTY | DESCRIPTION  | REV |
|------|-------------|-----|--|-----|
|      | 1001200024  | Ref | BOOM CABLES INSTALLATION - WITHOUT POWER AT PLATFORM       | C   |
|      | 1001200030  | 1   | Boom Cable - Main (See Separate Breakdown in this Section) |     |

## SECTION 8 - ELECTRICAL

FIGURE 8-7. BOOM CABLES INSTALLATION - WITHOUT POWER AT PLATFORM



ART\_1001200025

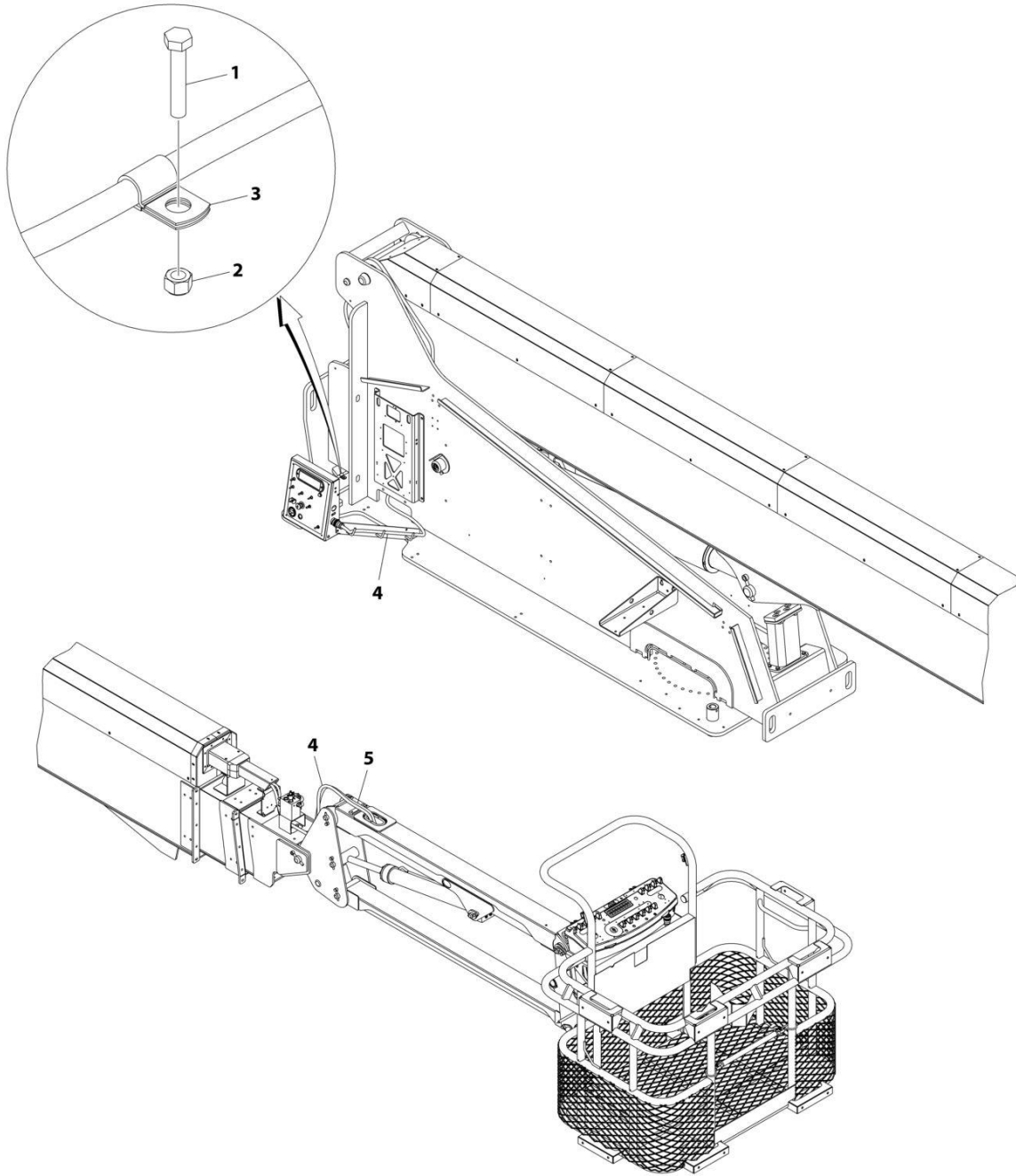
## SECTION 8 - ELECTRICAL

**FIGURE 8-7. BOOM CABLES INSTALLATION - WITHOUT POWER AT PLATFORM**

| ITEM | PART NUMBER | QTY | DESCRIPTION  | REV |
|------|-------------|-----|--|-----|
|      | 1001200025  | Ref | BOOM CABLES INSTALLATION - WITHOUT POWER AT PLATFORM       | B   |
| 1    | 1001200031  | 1   | Boom Cable - Main (See Separate Breakdown in this Section) |     |

# SECTION 8 - ELECTRICAL

FIGURE 8-8. BOOM CABLES INSTALLATION - WITH AC POWER AT PLATFORM



ART\_1001200026

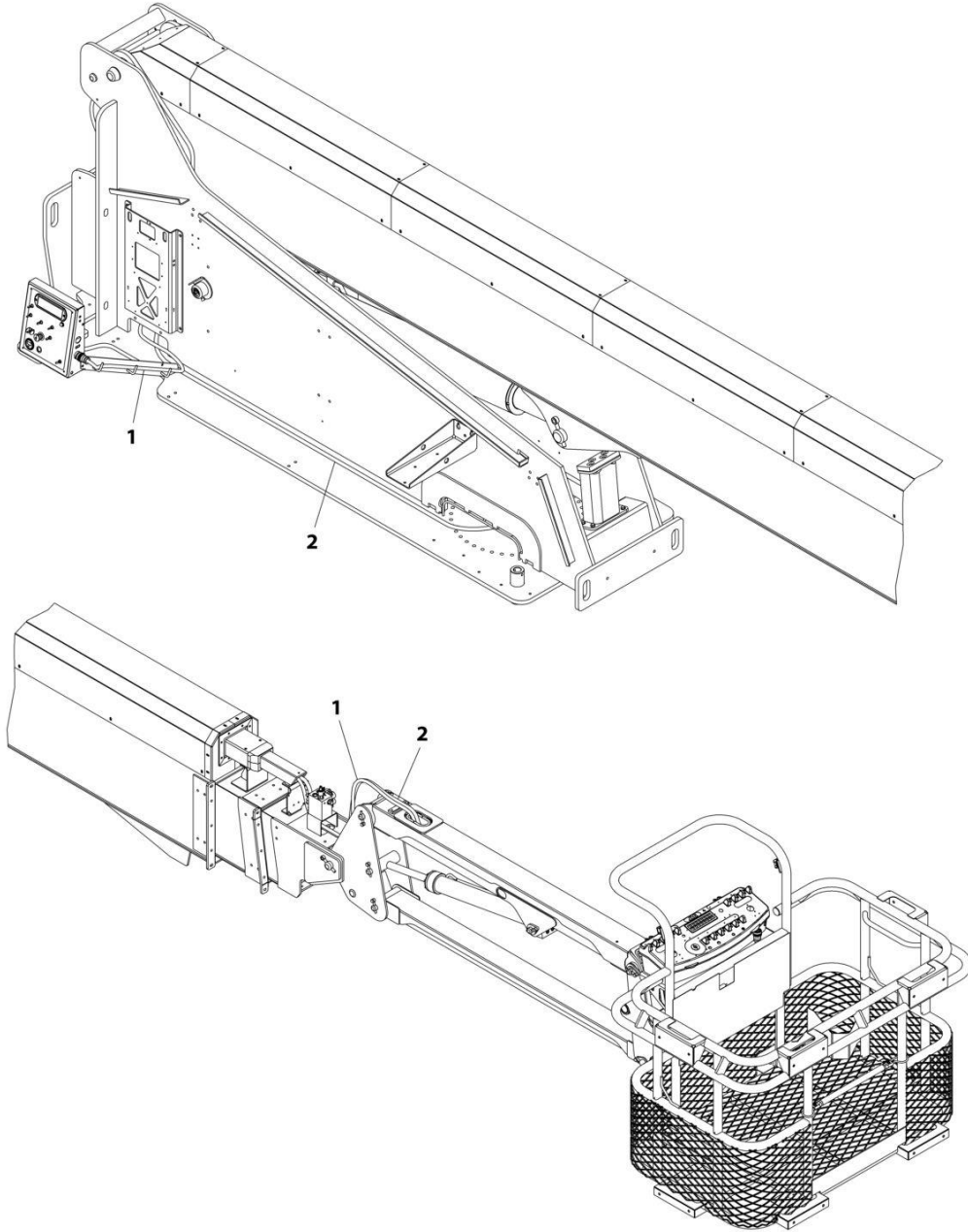
## SECTION 8 - ELECTRICAL

**FIGURE 8-8. BOOM CABLES INSTALLATION - WITH AC POWER AT PLATFORM**

| ITEM | PART NUMBER | QTY | DESCRIPTION  | REV |
|------|-------------|-----|--|-----|
|      | 1001200026  | Ref | BOOM CABLES INSTALLATION - WITH AC POWER AT PLATFORM       | C   |
| 1    | 0700817     | 1   | Bolt M8 x 45   |     |
| 2    | 3290805     | 1   | Nut M8   |     |
| 3    | 1001080996  | 1   | Clamp  |     |
| 4    | 1001200030  | 1   | Boom Cable - Main (See Separate Breakdown in this Section) |     |
| 5    | 1001200032  | 1   | Boom Cable - AC  |     |

# SECTION 8 - ELECTRICAL

## FIGURE 8-9. BOOM CABLES INSTALLATION - WITH SKYPOWER



ART\_1001200028



## SECTION 8 - ELECTRICAL

**FIGURE 8-9. BOOM CABLES INSTALLATION - WITH SKYPOWER**

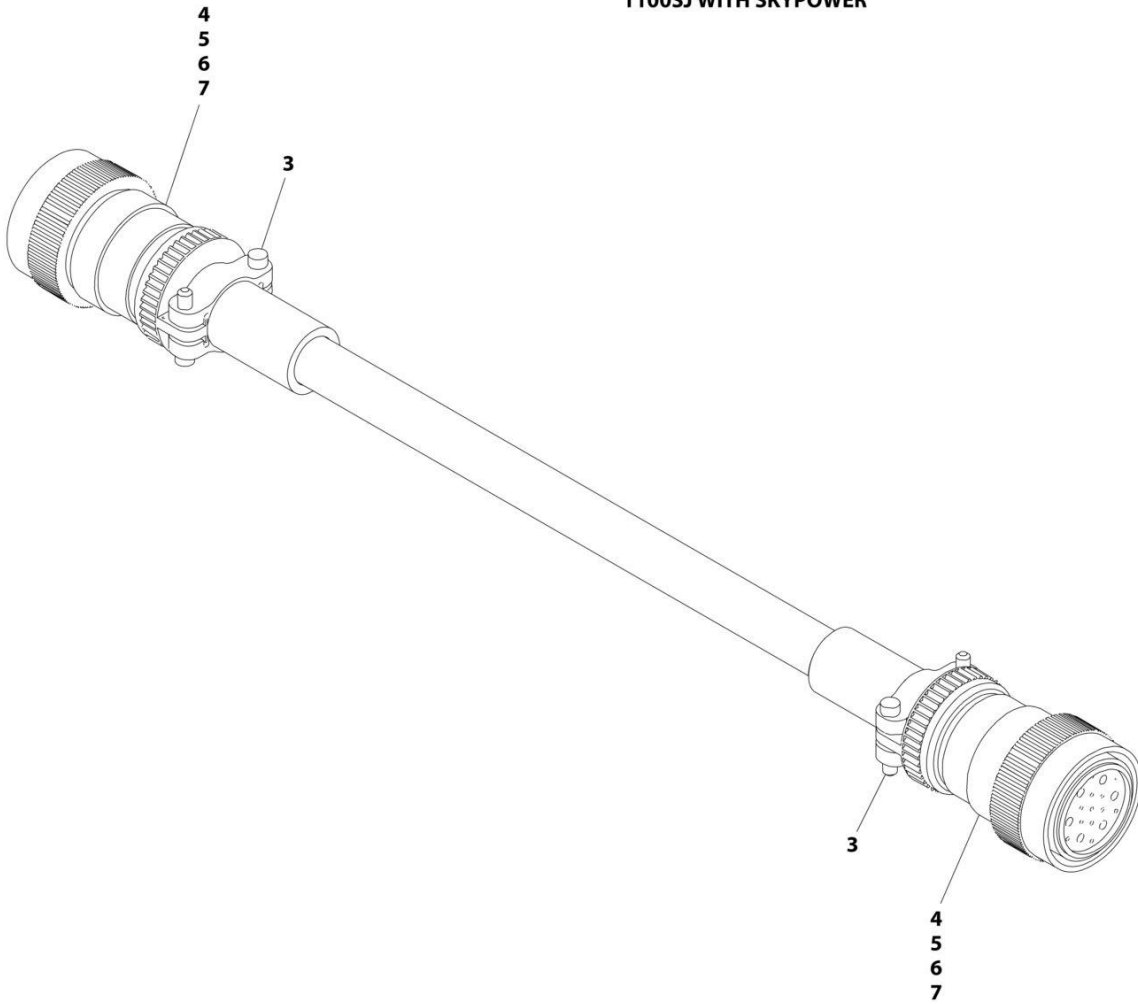
| ITEM | PART NUMBER | QTY | DESCRIPTION  | REV |
|------|-------------|-----|--|-----|
|      | 1001200028  | Ref | BOOM CABLES INSTALLATION - WITH SKYPOWER                   | C   |
| 1    | 1001200030  | 1   | Boom Cable - Main (See Separate Breakdown in this Section) |     |
| 2    | 1001200034  | 1   | Boom Cable - SkyPower                                      |     |

# SECTION 8 - ELECTRICAL

## FIGURE 8-10. BOOM CABLE - MAIN - WITHOUT POWER AT PLATFORM

### USAGE CHART:

- 1030S WITHOUT POWER AT PLATFORM
- 1100SJ WITHOUT AC POWER AT PLATFORM
- 1100SJ WITH SKYPOWER



ART\_1001200030

## SECTION 8 - ELECTRICAL

**FIGURE 8-10. BOOM CABLE - MAIN - WITHOUT POWER AT PLATFORM**

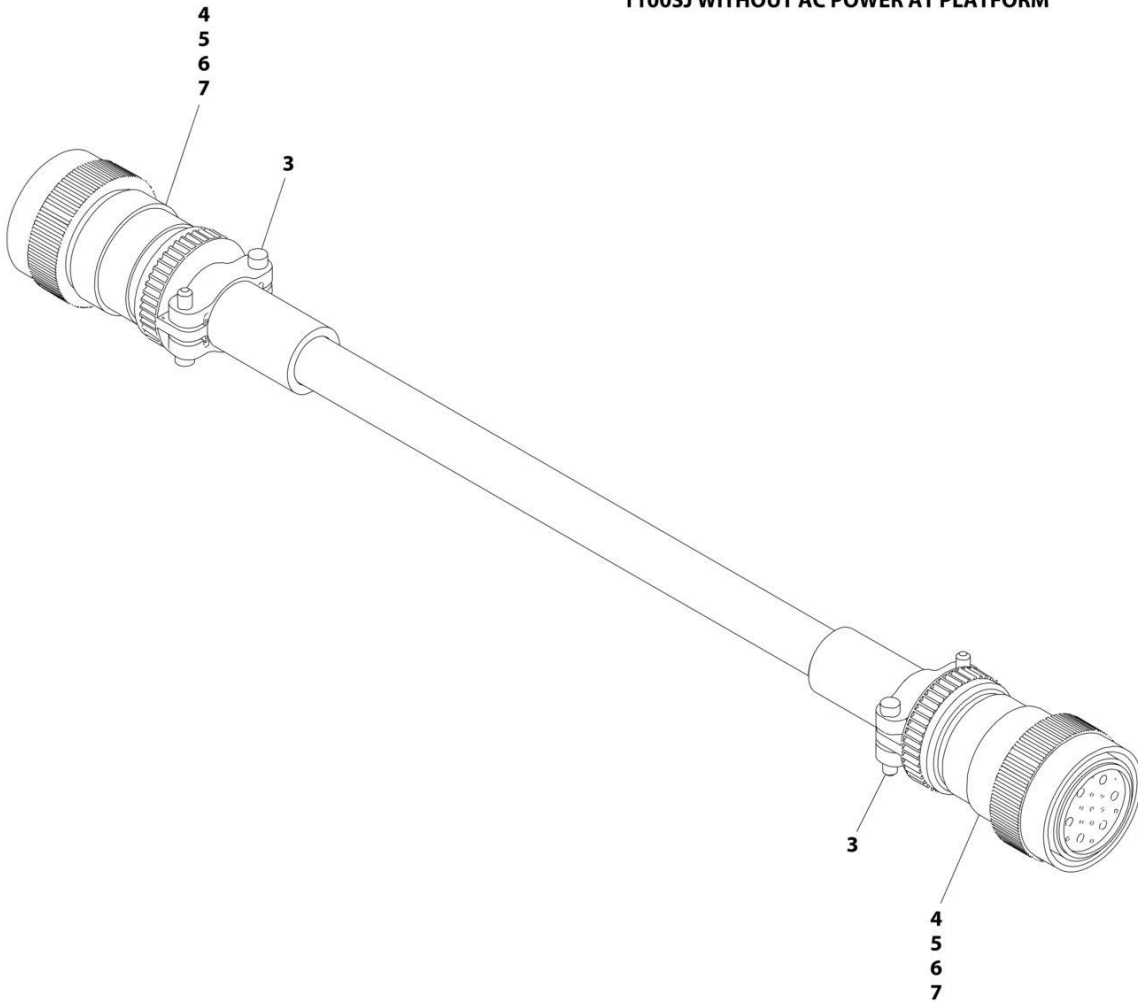
| ITEM | PART NUMBER | QTY | DESCRIPTION             | REV |
|------|-------------|-----|-------------------------|-----|
|      | 1001200030  | Ref | BOOM CABLE - MAIN       | E   |
| 3    | 4460473     | 2   | Clamp                   |     |
| 4    | 4460509     | 8   | Socket, Female          |     |
| 5    | 4460865     | 2   | Connector - 19 Position |     |
| 6    | 4460465     | 22  | Socket, Female          |     |
| 7    | 4460466     | 8   | Plug, Socket            |     |

# SECTION 8 - ELECTRICAL

## FIGURE 8-11. BOOM CABLE - MAIN - WITH POWER AT PLATFORM

### USAGE CHART:

- 1030S WITH AC POWER AT PLATFORM
- 1030S WITH SKYPOWER
- 1100SJ WITHOUT AC POWER AT PLATFORM



ART\_1001200031

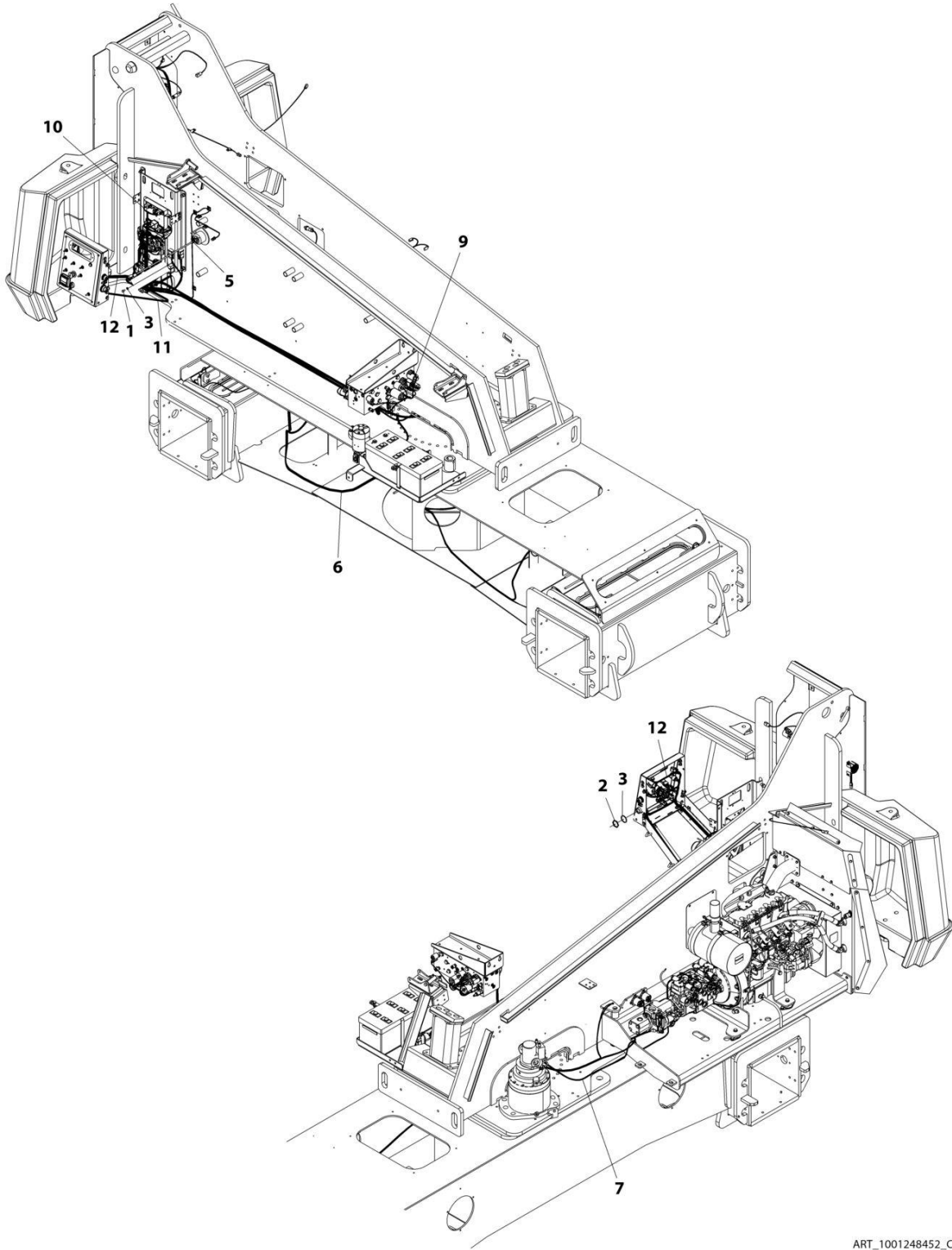
## SECTION 8 - ELECTRICAL

**FIGURE 8-11. BOOM CABLE - MAIN - WITH POWER AT PLATFORM**

| ITEM | PART NUMBER | QTY | DESCRIPTION             | REV |
|------|-------------|-----|-------------------------|-----|
|      | 1001200031  | Ref | BOOM CABLE - MAIN       | D   |
| 3    | 4460473     | 2   | Clamp                   |     |
| 4    | 4460509     | 8   | Socket, Female          |     |
| 5    | 4460865     | 2   | Connector - 19 Position |     |
| 6    | 4460465     | 22  | Socket, Female          |     |
| 7    | 4460466     | 8   | Plug, Socket            |     |

# SECTION 8 - ELECTRICAL

## FIGURE 8-12. CHASSIS AND TURNTABLE HARNESS INSTALLATION



ART\_1001248452\_C

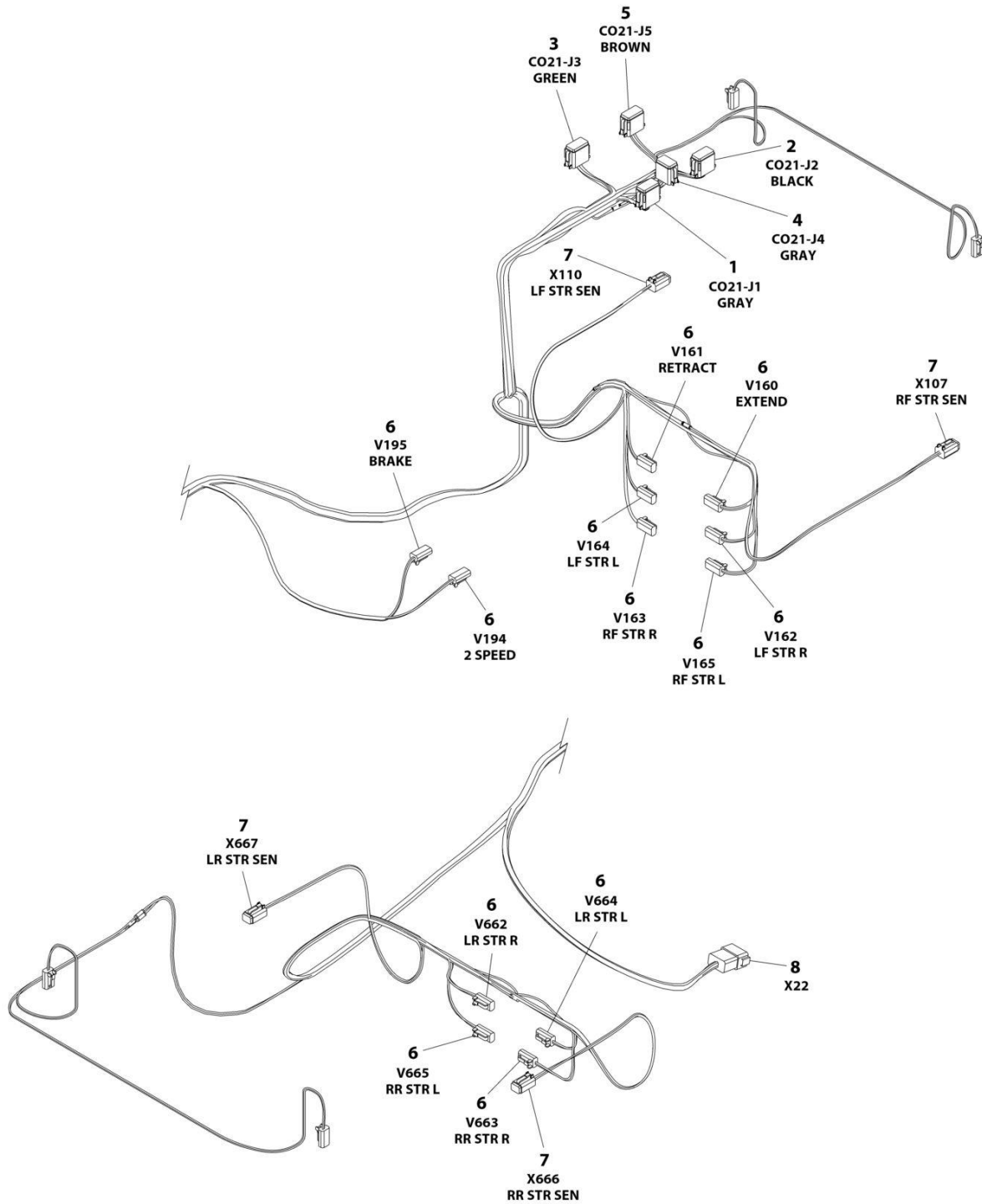
## SECTION 8 - ELECTRICAL

**FIGURE 8-12. CHASSIS AND TURNTABLE HARNESS INSTALLATION**

| ITEM | PART NUMBER | QTY | DESCRIPTION   | REV |
|------|-------------|-----|---|-----|
|      | 1001248452  | Ref | CHASSIS AND TURNTABLE HARNESS INSTALLATION                                    | C   |
| 1    | 0760606     | 1   | Bolt M6 x 12  |     |
| 2    | 4460470     | 1   | Nut, Terminal   |     |
| 3    | 4460471     | 1   | Washer, Terminal  |     |
| 4    | 4811700     | 1   | Washer M6   |     |
| 5    | 4923256     | 1   | Load Sensing Pin Harness (See Separate Breakdown in this Section)             |     |
| 6    | 1001149524  | 1   | Chassis Harness (See Separate Breakdown in this Section)                      |     |
| 7    | 1001150480  | 1   | Swing Drive Harness (See Separate Breakdown in this Section)                  |     |
| 8    | 1001152574  | 2   | Axle Power Track Harness (Not Shown - See Separate Breakdown in this Section) |     |
| 9    | 1001287741  | 1   | Main Valve Harness (See Separate Breakdown in this Section)                   |     |
| 10   | 1001242743  | 1   | BLAM Harness (See Separate Breakdown in this Section)                         |     |
| 11   | 1001279504  | 1   | Turntable Harness (See Separate Breakdown in this Section)                    |     |
| 12   | 1001242745  | 1   | Ground Control Panel Harness (See Separate Breakdown in this Section)         |     |
| 13   | 4240032     | AR  | Tie-Strap (Not Shown)   |     |
| 14   | 4460234     | AR  | Mount, Tie-Strap (Not Shown)  |     |

# SECTION 8 - ELECTRICAL

## FIGURE 8-13. CHASSIS HARNESS



ART\_1001149524



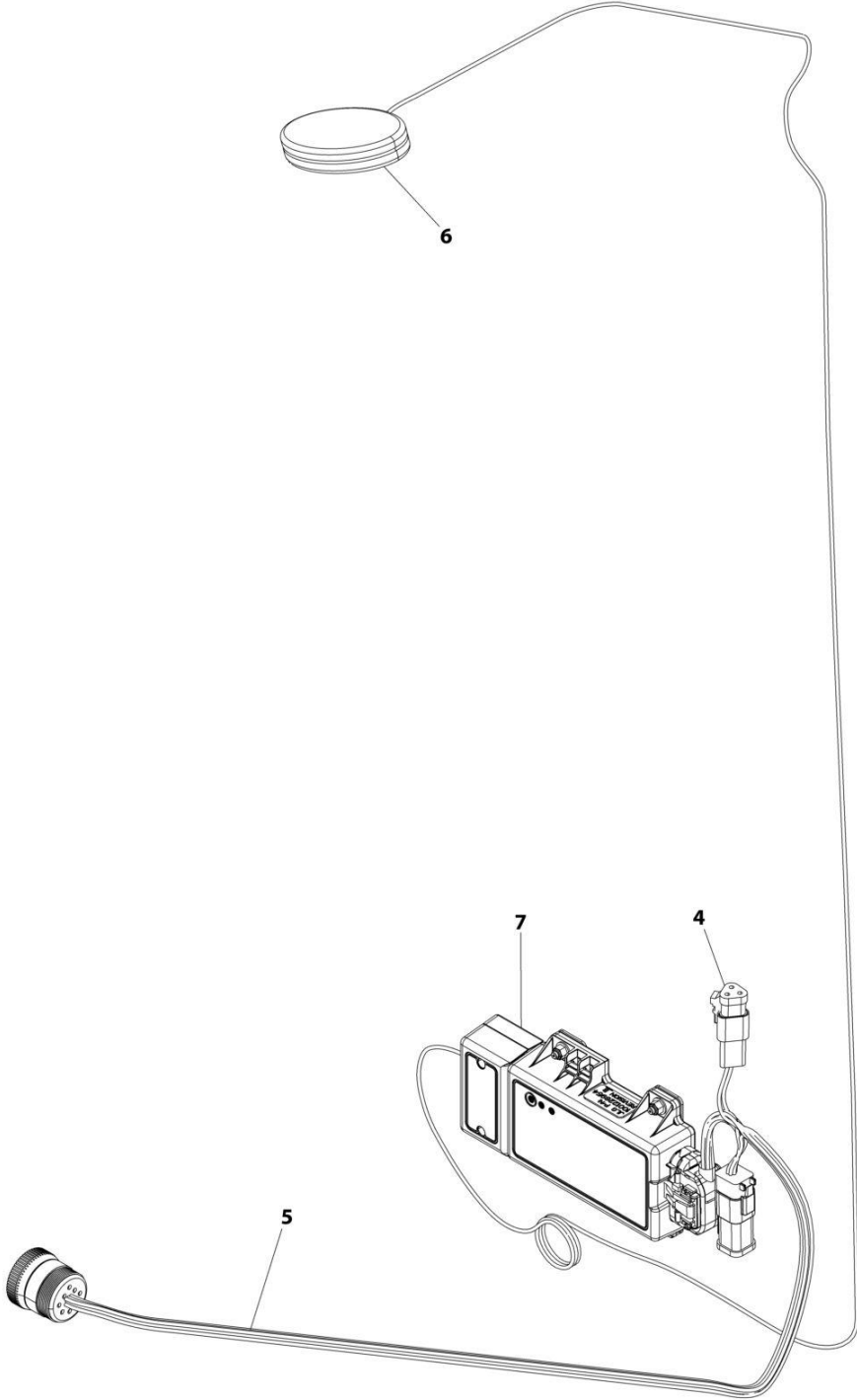
## SECTION 8 - ELECTRICAL

### FIGURE 8-13. CHASSIS HARNESS

| ITEM | PART NUMBER | QTY | DESCRIPTION                     | REV |
|------|-------------|-----|---------------------------------|-----|
|      | 1001149524  | Ref | CHASSIS HARNESS                 | E   |
| 1    | 4460933     | 1   | Connector - 12 Position (Gray)  |     |
| 1    | 4460465     | 8   | Socket, Female                  |     |
| 1    | 4460466     | 4   | Plug, Terminal                  |     |
| 2    | 4460836     | 1   | Connector - 12 Position (Black) |     |
| 2    | 4460465     | 6   | Socket, Female                  |     |
| 2    | 4460466     | 6   | Plug, Terminal                  |     |
| 3    | 4460934     | 1   | Connector - 12 Position (Green) |     |
| 3    | 4460465     | 12  | Socket, Female                  |     |
| 4    | 4460930     | 1   | Connector - 8 Position (Gray)   |     |
| 4    | 4460465     | 4   | Socket, Female                  |     |
| 4    | 4460466     | 4   | Plug, Terminal                  |     |
| 5    | 4460935     | 1   | Connector - 12 Position (Brown) |     |
| 5    | 4460465     | 9   | Socket, Female                  |     |
| 5    | 4460466     | 3   | Plug, Terminal                  |     |
| 6    | 4460891     | 12  | Plug, Male - 2 Position         |     |
| 6    | 4460465     | 24  | Socket, Female                  |     |
| 7    | 4460884     | 4   | Plug, Male - 4 Position         |     |
| 7    | 4460465     | 16  | Socket, Female                  |     |
| 8    | 4460950     | 1   | Connector - 12 Position         |     |
| 8    | 4460464     | 9   | Pin, Male                       |     |
| 8    | 4460466     | 3   | Plug, Terminal                  |     |

# SECTION 8 - ELECTRICAL

FIGURE 8-14. CLEARSKY INSTALLATION - 3G CANBUS CONNECTION (AUSTRALIAN SPECS)



ART\_1001246526

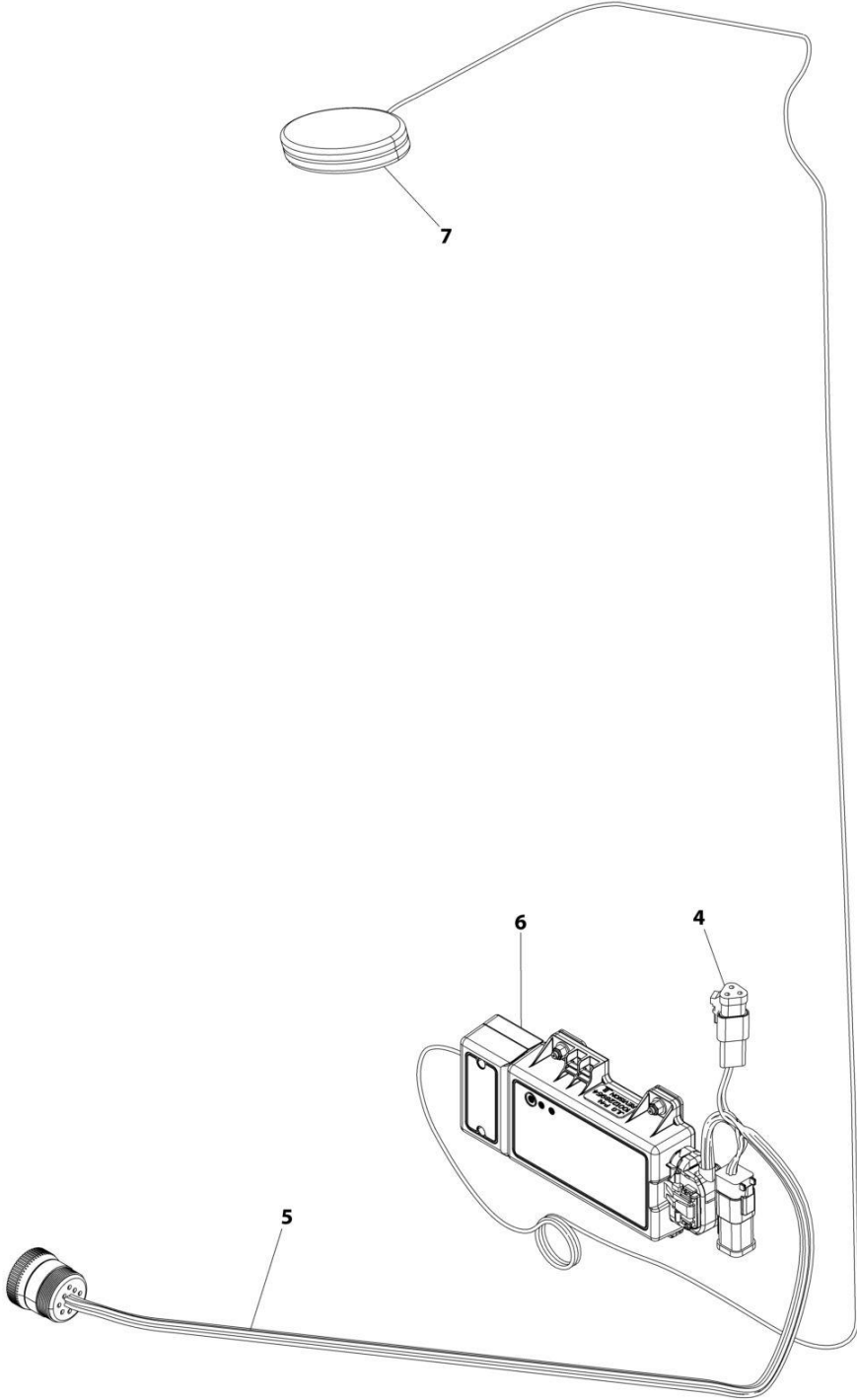
## SECTION 8 - ELECTRICAL

**FIGURE 8-14. CLEARSKY INSTALLATION - 3G CANBUS CONNECTION (AUSTRALIAN SPECS)**

| ITEM | PART NUMBER | QTY | DESCRIPTION   | REV |
|------|-------------|-----|---|-----|
|      | 1001246526  | REF | CLEARSKY INSTALLATION CANBUS CONNECTION                                 | A   |
| 1    | 1062255     | AR  | Tie-Strap (Not Shown)   |     |
| 2    | 4240032     | AR  | Tie-Strap (Not Shown)   |     |
| 3    | 4460234     | AR  | Strap, Cable -Tie (Not Shown)   |     |
| 4    | 1001129408  | 1   | Connector   |     |
| 5    | 1001226739  | 1   | ClearSky Telematics Harness (See Separate Breakdown in this Section)    |     |
| 6    | 1001236144  | 1   | Antenna   |     |
| 7    | 1001246144  | 1   | Telematics Control Module (Note: Re-calibration Required when Replaced) |     |

**SECTION 8 - ELECTRICAL**

**FIGURE 8-15. CLEARSKY INSTALLATION - 3G CANBUS CONNECTION (CE & UK CA SPECS)**



ART\_1001242625

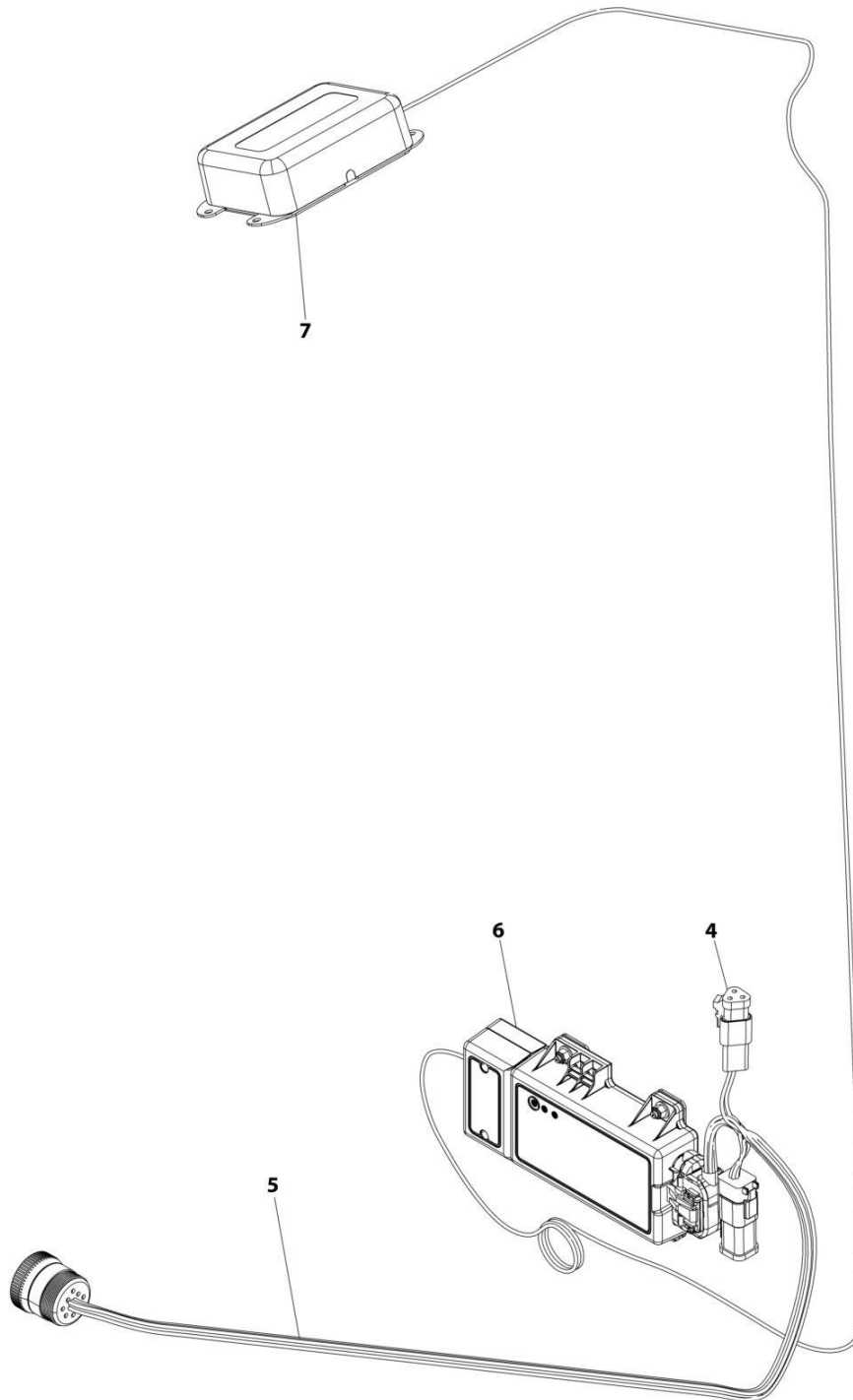
## SECTION 8 - ELECTRICAL

**FIGURE 8-15. CLEARSKY INSTALLATION - 3G CANBUS CONNECTION (CE & UK CA SPECS)**

| ITEM | PART NUMBER | QTY | DESCRIPTION   | REV |
|------|-------------|-----|---|-----|
|      | 1001242625  | REF | CLEARSKY INSTALLATION CANBUS CONNECTION                                 | A   |
| 1    | 1062255     | AR  | Tie-Strap (Not Shown)   |     |
| 2    | 4240032     | AR  | Tie-Strap (Not Shown)   |     |
| 3    | 4460234     | AR  | Strap, Cable -Tie (Not Shown)   |     |
| 4    | 1001129408  | 1   | Connector   |     |
| 5    | 1001226739  | 1   | ClearSky Telematics Harness (See Separate Breakdown in this Section)    |     |
| 6    | 1001228954  | 1   | Telematics Control Module (Note: Re-calibration Required when Replaced) |     |
| 7    | 1001236144  | 1   | Antenna   |     |

# SECTION 8 - ELECTRICAL

FIGURE 8-16. CLEARSKY INSTALLATION - 4G CANBUS CONNECTION (ALL SPECS EXCEPT CHINA SPECS)



ART\_1001242624

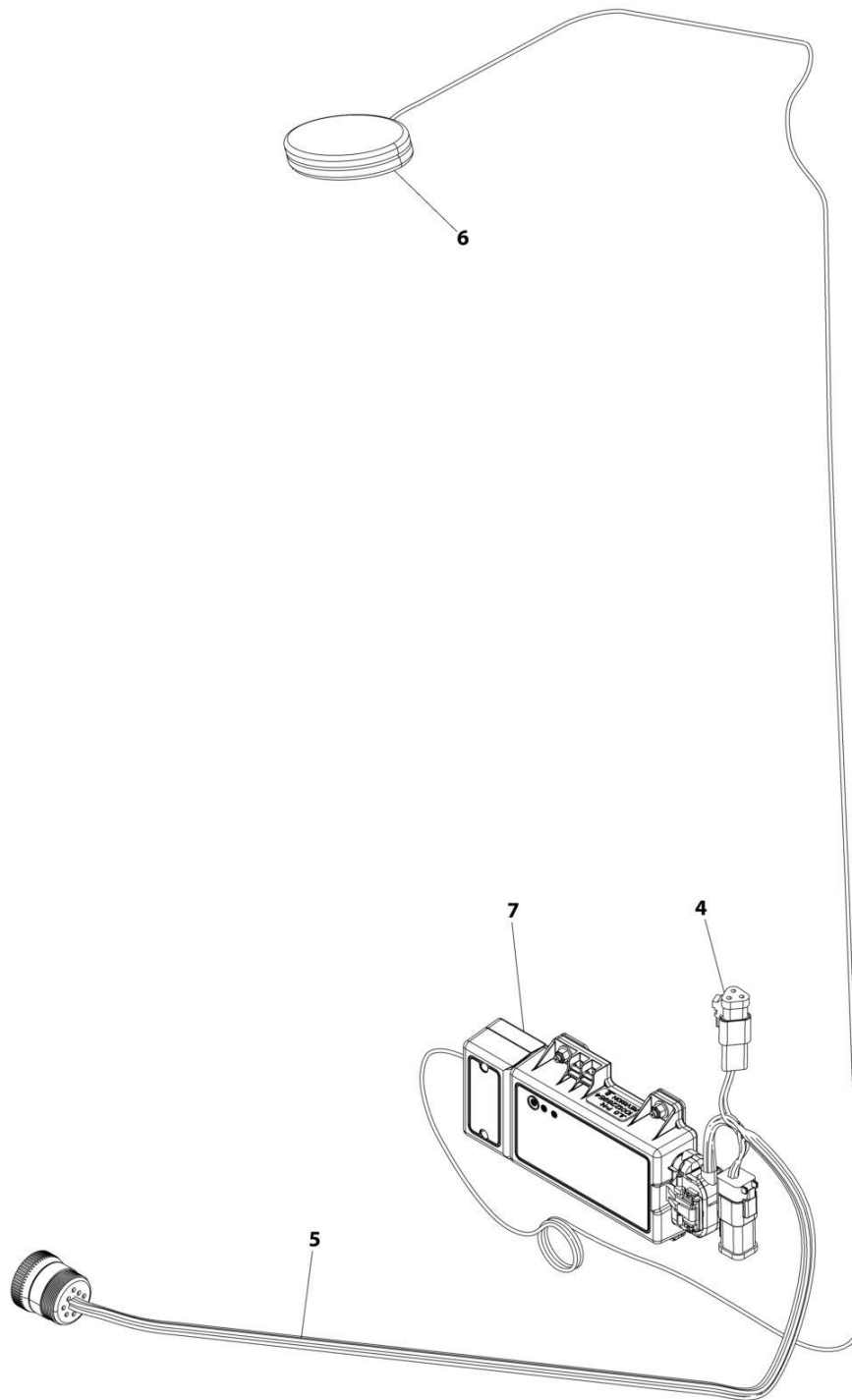
## SECTION 8 - ELECTRICAL

**FIGURE 8-16. CLEARSKY INSTALLATION - 4G CANBUS CONNECTION (ALL SPECS EXCEPT CHINA SPECS)**

| ITEM | PART NUMBER | QTY | DESCRIPTION   | REV |
|------|-------------|-----|---|-----|
|      | 1001242624  | REF | CLEARSKY INSTALLATION CANBUS CONNECTION                                 | B   |
| 1    | 1062255     | AR  | Tie-Strap (Not Shown)   |     |
| 2    | 4240032     | AR  | Tie-Strap (Not Shown)   |     |
| 3    | 4460234     | AR  | Strap, Cable -Tie (Not Shown)   |     |
| 4    | 1001129408  | 1   | Connector   |     |
| 5    | 1001226739  | 1   | ClearSky Telematics Harness (See Separate Breakdown in this Section)    |     |
| 6    | 1001262322  | 1   | Telematics Control Module (Note: Re-calibration Required when Replaced) |     |
| 7    | 1001262327  | 1   | Antenna   |     |

# SECTION 8 - ELECTRICAL

## FIGURE 8-17. CLEARSKY INSTALLATION - 4G CANBUS CONNECTION (CHINA SPECS)



ART\_1001246527



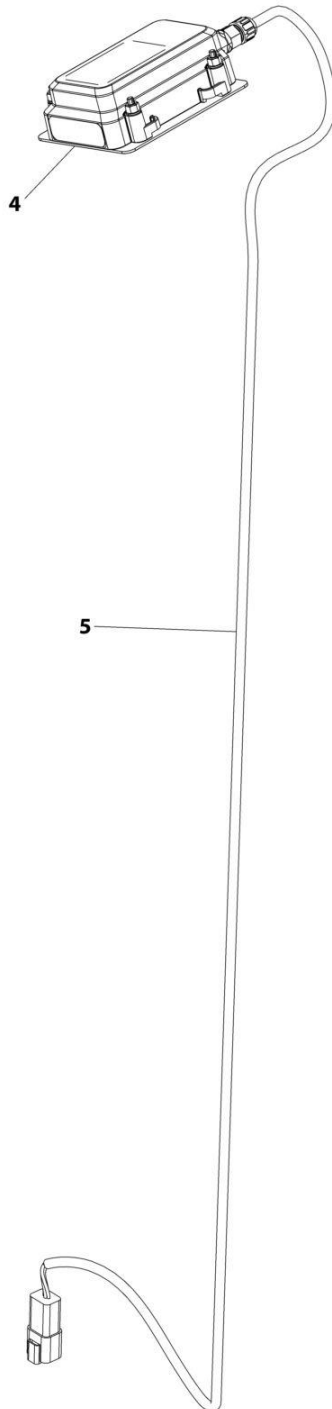
## SECTION 8 - ELECTRICAL

**FIGURE 8-17. CLEARSKY INSTALLATION - 4G CANBUS CONNECTION (CHINA SPECS)**

| ITEM | PART NUMBER | QTY | DESCRIPTION   | REV |
|------|-------------|-----|---|-----|
|      | 1001246527  | REF | CLEARSKY INSTALLATION CANBUS CONNECTION                                 | A   |
| 1    | 1062255     | AR  | Tie-Strap (Not Shown)   |     |
| 2    | 4240032     | AR  | Tie-Strap (Not Shown)   |     |
| 3    | 4460234     | AR  | Strap, Cable -Tie (Not Shown)   |     |
| 4    | 1001129408  | 1   | Connector   |     |
| 5    | 1001226739  | 1   | ClearSky Telematics Harness (See Separate Breakdown in this Section)    |     |
| 6    | 1001236144  | 1   | Antenna   |     |
| 7    | 1001246145  | 1   | Telematics Control Module (Note: Re-calibration Required when Replaced) |     |

## SECTION 8 - ELECTRICAL

FIGURE 8-18. CLEARSKY INSTALLATION - 3 WIRE GT1030 (ALL SPECS EXCEPT CHINA SPECS)



ART\_1001276650

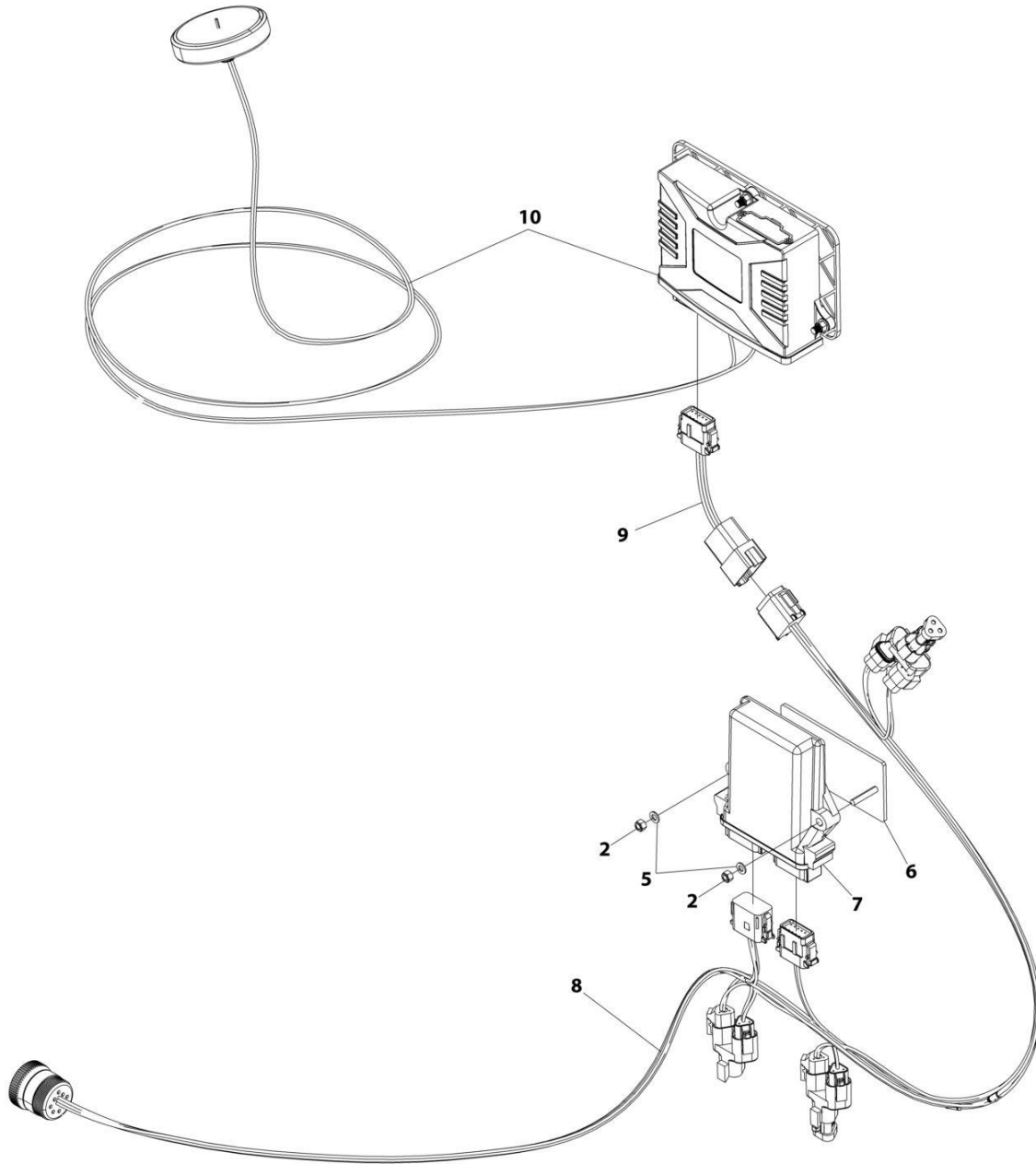
## SECTION 8 - ELECTRICAL

**FIGURE 8-18. CLEARSKY INSTALLATION - 3 WIRE GT1030 (ALL SPECS EXCEPT CHINA SPECS)**

| ITEM | PART NUMBER | QTY | DESCRIPTION   | REV |
|------|-------------|-----|---|-----|
|      | 1001276605  | Ref | CLEARSKY INSTALLATION GT1030  | A   |
| 1    | 1062255     | AR  | Tie-Strap (Not Shown)   |     |
| 2    | 4240032     | AR  | Tie-Strap (Not Shown)   |     |
| 3    | 4460234     | AR  | Strap, Cable -Tie (Not Shown)   |     |
| 4    | 1001272659  | 1   | Telematics Control Module (Note: Re-calibration Required when Replaced) |     |
| 5    | 1001273012  | 1   | ClearSky Harness (See Separate Breakdown in this Section)               |     |

# SECTION 8 - ELECTRICAL

FIGURE 8-19. CLEARSKY INSTALLATION - WITH DEUTZ TD2.9L4 (CHINA IV) ENGINES (CHINA SPECS)



ART\_1001289665

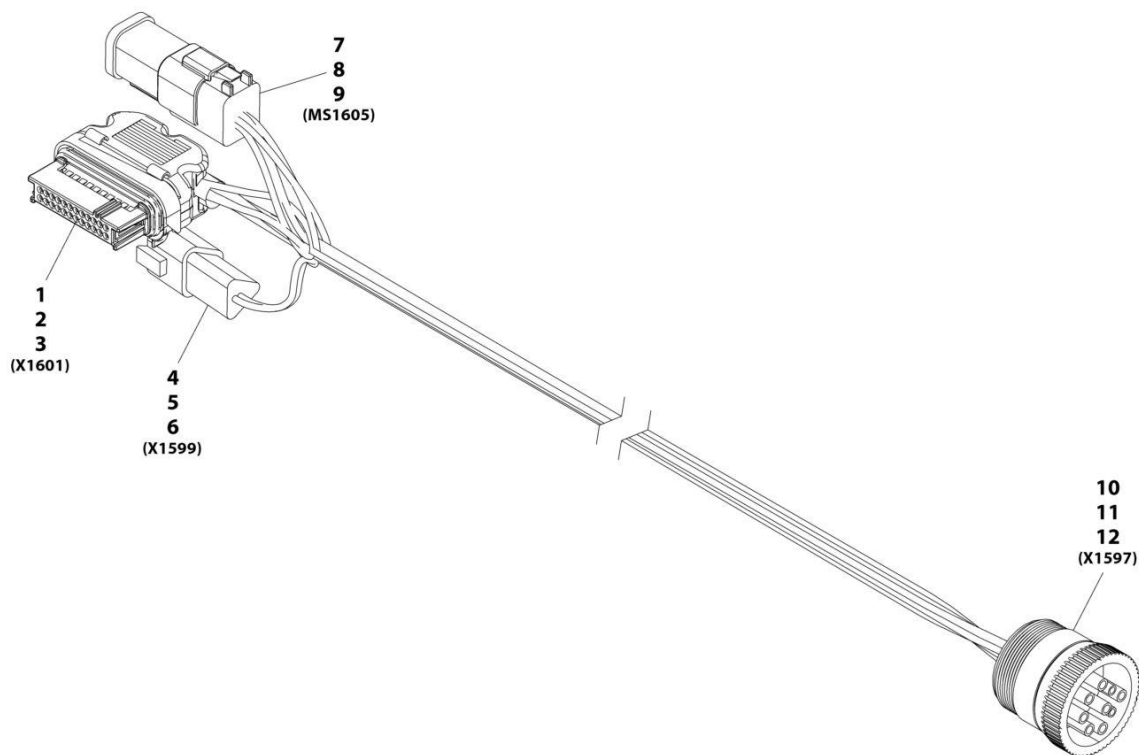
## SECTION 8 - ELECTRICAL

**FIGURE 8-19. CLEARSKY INSTALLATION - WITH DEUTZ TD2.9L4 (CHINA IV) ENGINES (CHINA SPECS)**

| ITEM | PART NUMBER | QTY | DESCRIPTION   | REV |
|------|-------------|-----|---|-----|
|      | 1001289665  | REF | CLEARSKY INSTALLATION   | A   |
| 1    | 1062255     | AR  | Tie-Strap (Not Shown)   |     |
| 2    | 3290505     | 2   | Nut, Lock M5  |     |
| 3    | 4240032     | AR  | Tie-Strap (Not Shown)   |     |
| 4    | 4460234     | AR  | Strap, Cable -Tie (Not Shown)   |     |
| 5    | 4811600     | 2   | Washer M5   |     |
| 6    | 1001219082  | 1   | Bracket   |     |
| 7    | 1001229458  | 1   | Gateway Controller  |     |
| 8    | 1001226831  | 1   | ClearSky Harness (See Separate Breakdown in this Section)   |     |
| 9    | 1001282406  | 1   | Telematics Jumper Harness (See Separate Breakdown in this Section)  |     |
| 10   | 1001289138  | 1   | Telematics Control Module Assembly (Note: Re-calibration Required when Replaced) (See Separate Breakdown in this Section) |     |

# SECTION 8 - ELECTRICAL

## FIGURE 8-20. CLEARSKY HARNESS - 3G & 4G CANBUS CONNECTIONS



ART\_1001226739-A

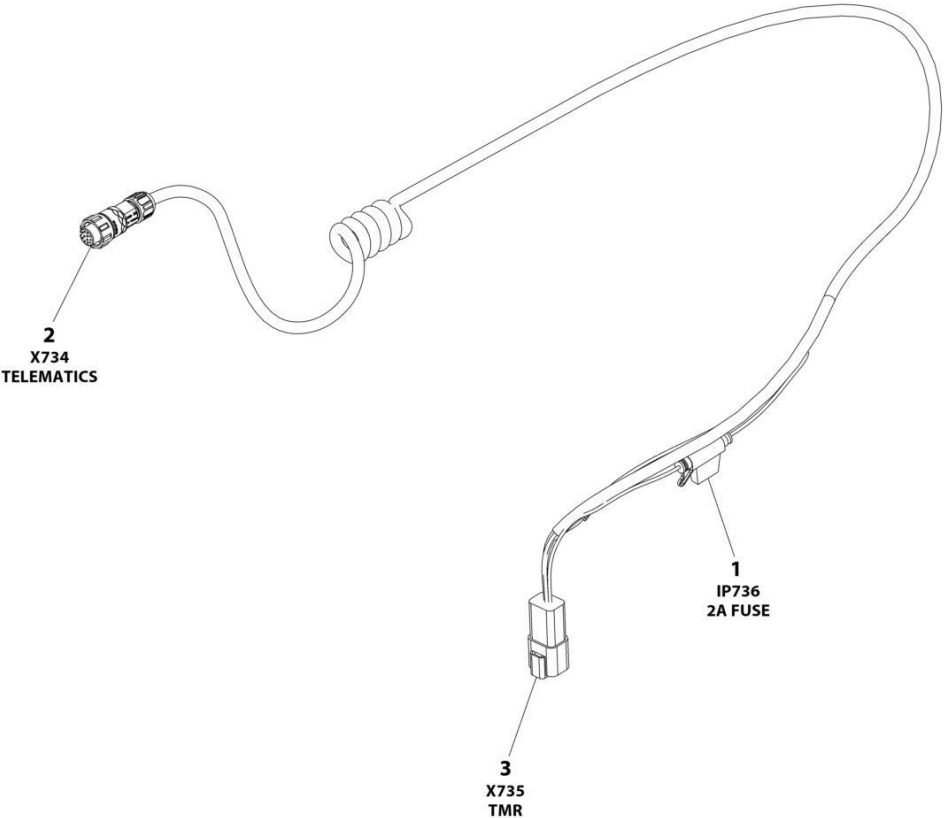
## SECTION 8 - ELECTRICAL

**FIGURE 8-20. CLEARSKY HARNESS - 3G & 4G CANBUS CONNECTIONS**

| ITEM | PART NUMBER | QTY | DESCRIPTION              | REV |
|------|-------------|-----|--------------------------|-----|
|      | 1001226739  | Ref | Clearsky Harness         | A   |
| 1    | 1001226636  | 1   | Connector                |     |
| 2    | 1001116731  | 16  | Plug, Terminal           |     |
| 3    | 1001226637  | 8   | Terminal                 |     |
| 4    | 1001144147  | 1   | Connector                |     |
| 5    | 4460464     | 2   | Terminal                 |     |
| 6    | 4460466     | 1   | Plug, Terminal           |     |
| 7    | 4460894     | 1   | Connector                |     |
| 8    | 4460465     | 6   | Terminal                 |     |
| 9    | 1001226541  | 1   | Connector- 6 Pin Bussbar |     |
| 10   | 1001112796  | 1   | Connector                |     |
| 11   | 4460465     | 8   | Terminal                 |     |
| 12   | 4460466     | 1   | Plug, Terminal           |     |

**SECTION 8 - ELECTRICAL**

**FIGURE 8-21. CLEARSKY HARNESS - 3 WIRE GT1030**



ART\_1001273012



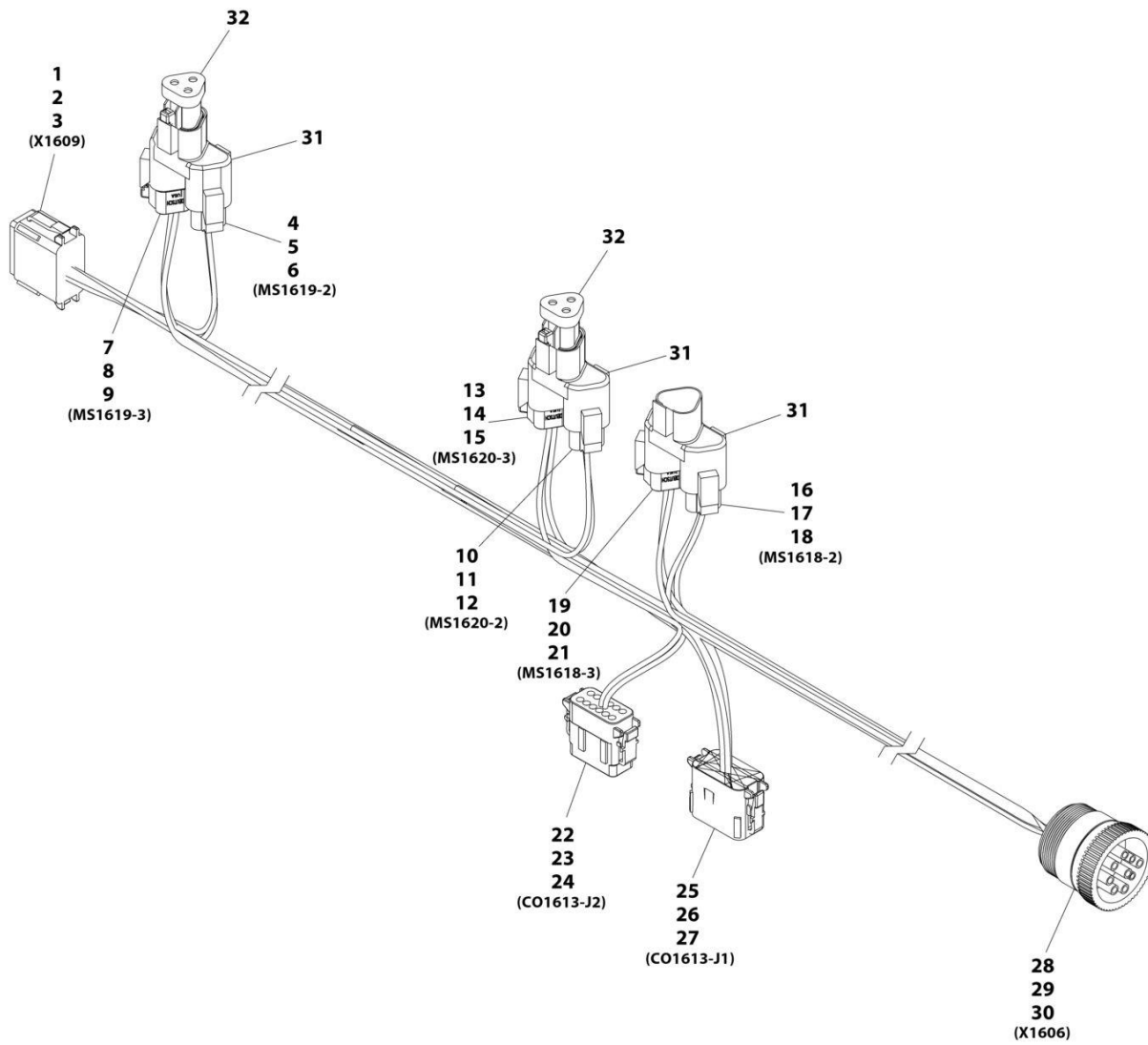
## SECTION 8 - ELECTRICAL

### FIGURE 8-21. CLEARSKY HARNESS - 3 WIRE GT1030

| ITEM | PART NUMBER | QTY | DESCRIPTION                          | REV |
|------|-------------|-----|--------------------------------------|-----|
|      | 1001273012  | Ref | CLEARSKY TELEMATICS HARNESS - GT1030 | D   |
| 1    | 1001255901  | 1   | Fuseholder                           |     |
| 1    | 1001196634  | 1   | Fuse - 2Amp                          |     |
| 2    | 1001272997  | 1   | Connector - 12 Position              |     |
| 2    |             | Ref | Terminal                             |     |
| 3    | 4460932     | 1   | Receptacle, Female - 4 Position      |     |
| 3    | 4460464     | 4   | Pin, Male                            |     |

# SECTION 8 - ELECTRICAL

## FIGURE 8-22. CLEARSKY HARNESS - WITH DEUTZ TD2.9L4 (CHINA IV) ENGINES



ART\_1001226831-A

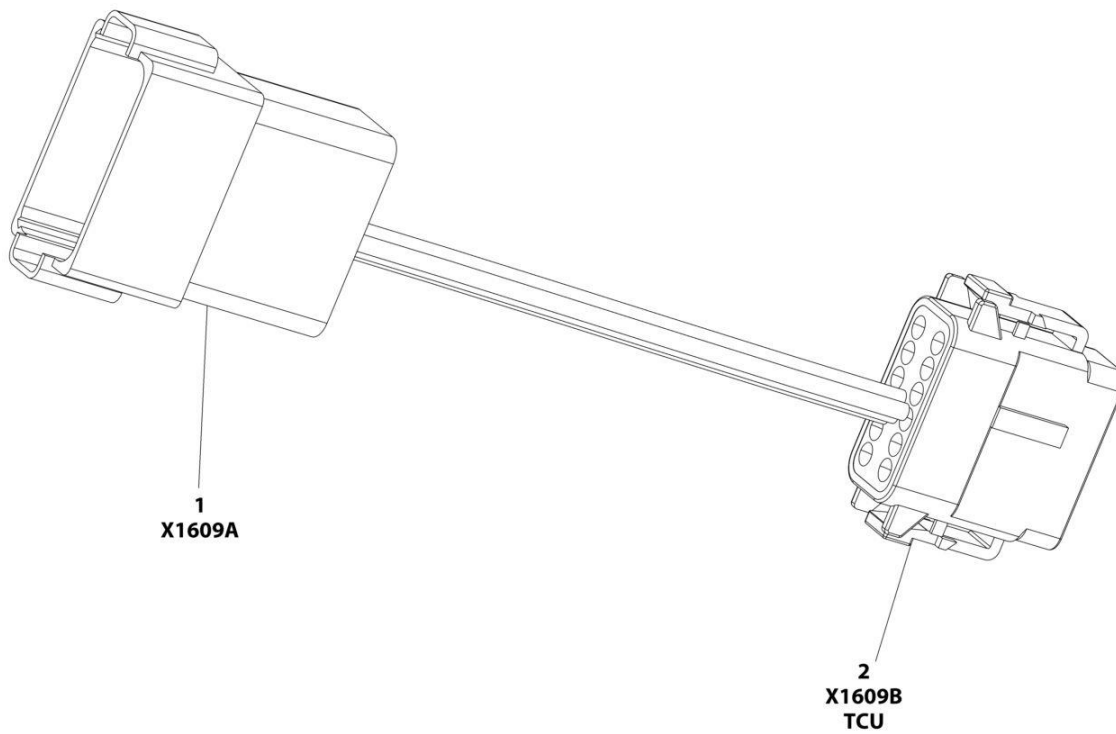
## SECTION 8 - ELECTRICAL

**FIGURE 8-22. CLEARSKY HARNESS - WITH DEUTZ TD2.9L4 (CHINA IV) ENGINES**

| ITEM | PART NUMBER | QTY | DESCRIPTION                    | REV |
|------|-------------|-----|--------------------------------|-----|
|      | 1001226831  | Ref | Telematics Gateway Harness     | A   |
| 1    | 4460933     | 1   | Connector                      |     |
| 2    | 1001116692  | 5   | Terminal                       |     |
| 3    | 4460466     | 7   | Plug                           |     |
| 4    | 4460539     | 1   | Connector                      |     |
| 5    | 4460465     | 2   | Terminal                       |     |
| 6    | 4460466     | 1   | Plug                           |     |
| 7    | 1001116812  | 1   | Connector                      |     |
| 8    | 4460465     | 2   | Terminal                       |     |
| 9    | 4460466     | 1   | Plug                           |     |
| 10   | 4460539     | 1   | Connector                      |     |
| 11   | 4460465     | 2   | Terminal                       |     |
| 12   | 4460466     | 1   | Plug                           |     |
| 13   | 1001116812  | 1   | Connector                      |     |
| 14   | 4460465     | 2   | Terminal                       |     |
| 15   | 4460466     | 1   | Plug                           |     |
| 16   | 4460539     | 1   | Connector                      |     |
| 17   | 4460465     | 2   | Terminal                       |     |
| 18   | 4460466     | 1   | Plug                           |     |
| 19   | 1001116812  | 1   | Connector                      |     |
| 20   | 4460465     | 2   | Terminal                       |     |
| 21   | 4460466     | 1   | Plug                           |     |
| 22   | 1001116808  | 1   | Connector                      |     |
| 23   | 1001116694  | 2   | Terminal                       |     |
| 24   | 4460518     | 10  | Plug                           |     |
| 25   | 1001116774  | 1   | Connector                      |     |
| 26   | 1001116694  | 4   | Terminal                       |     |
| 27   | 4460518     | 8   | Plug                           |     |
| 28   | 1001112796  | 1   | Connector                      |     |
| 29   | 1001116692  | 5   | Terminal                       |     |
| 30   | 4460466     | 3   | Plug                           |     |
| 31   | 4460945     | 3   | Terminal, 3 Way "T" Receptacle |     |
| 32   | 1001116815  | 2   | Connector, Plug 3-Pin          |     |

## SECTION 8 - ELECTRICAL

FIGURE 8-23. CLEARSKY TELEMATICS JUMPER HARNESS



ART\_1001282406

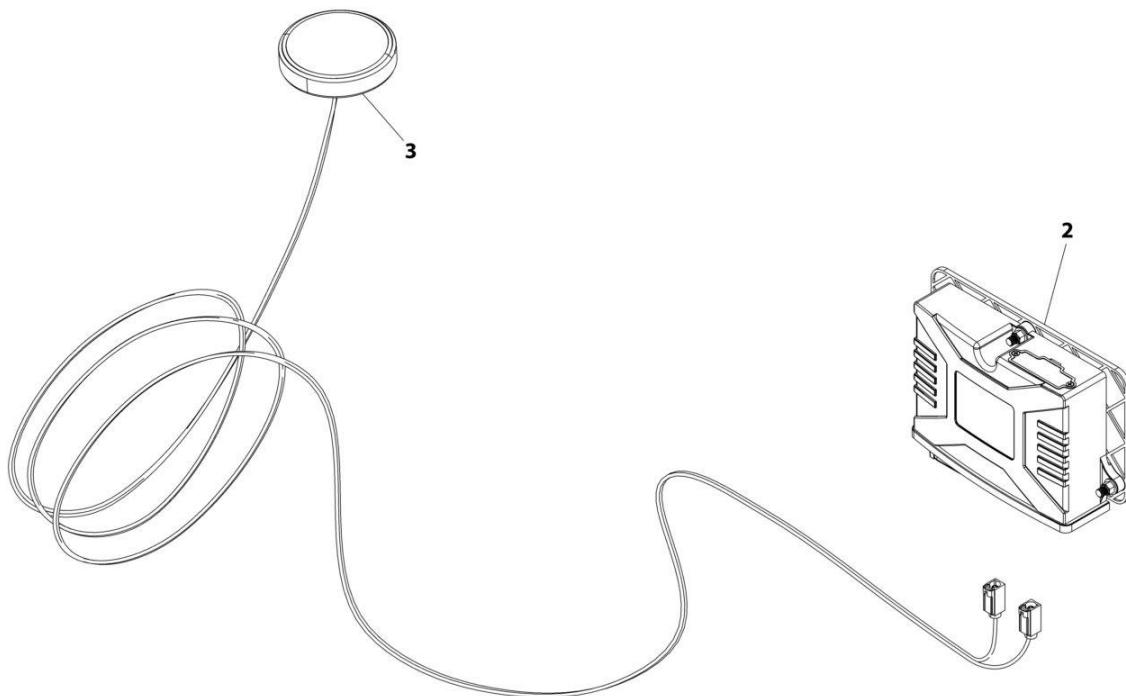
## SECTION 8 - ELECTRICAL

### FIGURE 8-23. CLEARSKY TELEMATICS JUMPER HARNESS

| ITEM | PART NUMBER | QTY | DESCRIPTION               | REV |
|------|-------------|-----|---------------------------|-----|
|      | 1001282406  | REF | TELEMATICS JUMPER HARNESS | B   |
| 1    | 4460970     | 1   | Connector                 |     |
| 1    | 1001116693  | 5   | Socket                    |     |
| 1    | 4460466     | 7   | Plug, Sealing             |     |
| 2    | 1001116774  | 1   | Connector                 |     |
| 2    | 4460518     | 5   | Plug Sealing              |     |
| 2    | 1001116694  | 7   | Socket                    |     |

# SECTION 8 - ELECTRICAL

## FIGURE 8-24. TELEMATICS CONTROL MODULE ASSEMBLY



ART\_1001289138

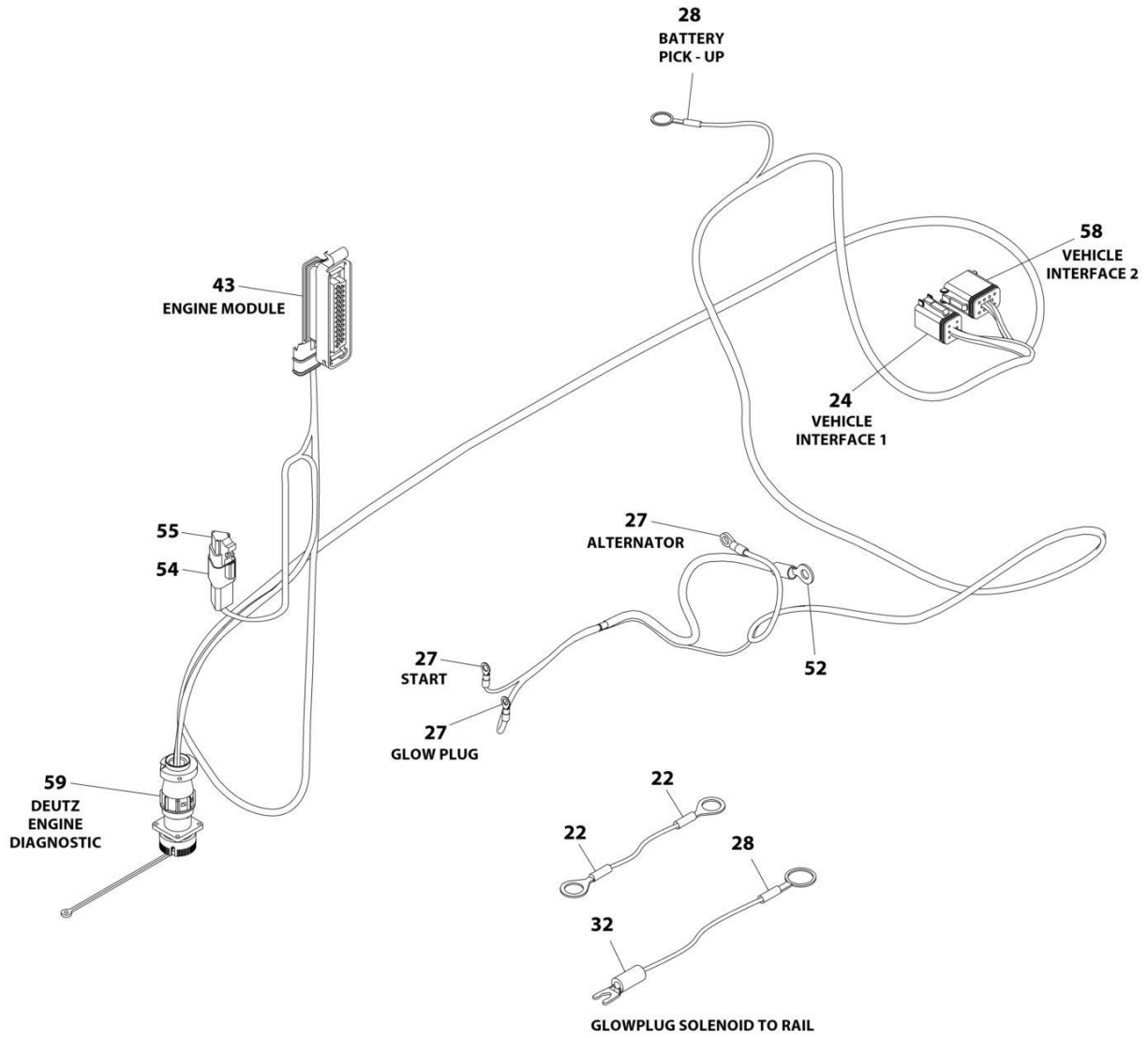
## SECTION 8 - ELECTRICAL

**FIGURE 8-24. TELEMATICS CONTROL MODULE ASSEMBLY**

| ITEM | PART NUMBER | QTY | DESCRIPTION                      | REV |
|------|-------------|-----|----------------------------------|-----|
|      | 1001289138  | Ref | CLEARSKY CONTROL MODULE ASSEMBLY | A   |
| 2    | 1001289140  | 1   | ClearSky Control Module          |     |
| 3    | 1001289199  | 1   | Antenna                          |     |

# SECTION 8 - ELECTRICAL

## FIGURE 8-25. ENGINE HARNESS - DEUTZ TD2011 ENGINES



ART\_1001119470



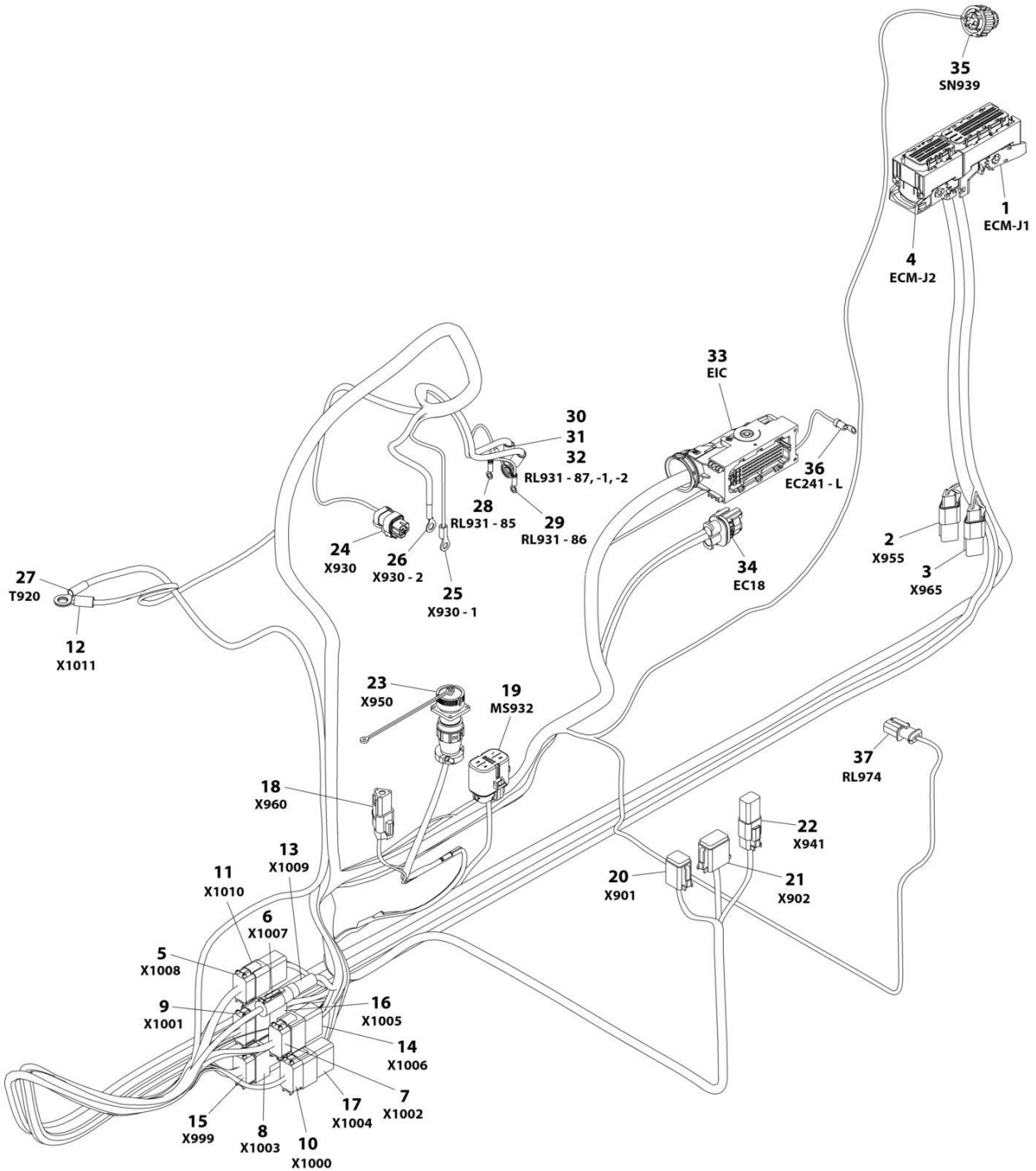
## SECTION 8 - ELECTRICAL

### FIGURE 8-25. ENGINE HARNESS - DEUTZ TD2011 ENGINES

| ITEM | PART NUMBER | QTY | DESCRIPTION                           | REV |
|------|-------------|-----|---------------------------------------|-----|
|      | 1001119470  | Ref | ENGINE HARNESS - DEUTZ TD2011 ENGINES | B   |
| 22   | 4460702     | 2   | Terminal, Eyelet                      |     |
| 24   | 4460894     | 1   | Connector - 6 Position                |     |
| 24   | 4460465     | 2   | Socket, Female                        |     |
| 24   | 4460466     | 1   | Plug, Terminal                        |     |
| 24   | 4460944     | 3   | Socket, Female                        |     |
| 27   | 4460313     | 3   | Terminal, Eyelet                      |     |
| 28   | 4460019     | 2   | Terminal, Eyelet                      |     |
| 32   | 4460315     | 1   | Terminal, Fork                        |     |
| 43   | 4461052     | 1   | Connector - 25 Position               |     |
| 43   | 4461005     | 5   | Terminal                              |     |
| 43   | 4461006     | 5   | Seal                                  |     |
| 43   | 4461060     | 2   | Terminal (Tin)                        |     |
| 43   | 4461054     | 2   | Seal, Terminal                        |     |
| 43   | 4461008     | 18  | Plug, Hole                            |     |
| 43   | 4461053     | 1   | Cover, Plug                           |     |
| 50   | 4240032     | AR  | Tie-Strap (Not Shown)                 |     |
| 51   | 4240033     | AR  | Tie-Strap (Not Shown)                 |     |
| 52   | 4461097     | 1   | Terminal, Eyelet                      |     |
| 54   | 4461095     | 1   | Connector - 3 Position                |     |
| 54   | 4460944     | 3   | Socket, Female                        |     |
| 55   | 4461070     | 1   | Connector with Resistor (3 Position)  |     |
| 58   | 4460930     | 1   | Connector - 8 Position                |     |
| 58   | 4460465     | 2   | Socket, Female                        |     |
| 58   | 4460466     | 6   | Seal, Plug                            |     |
| 59   | 2902443     | 1   | Kit, Receptacle                       |     |
| 59   | 4461071     | 8   | Terminal, Female (Gold)               |     |
| 59   | 4461072     | 1   | Connector, Flange Mount               |     |
| 59   | 4461073     | 1   | Connector, Dust Cap                   |     |
| 59   | 4461074     | 1   | Connector, Shell                      |     |

# SECTION 8 - ELECTRICAL

## FIGURE 8-26. ENGINE HARNESS - DEUTZ TD2.9L4 ENGINES



ART\_1001220261

## SECTION 8 - ELECTRICAL

### FIGURE 8-26. ENGINE HARNESS - DEUTZ TD2.9L4 ENGINES

| ITEM | PART NUMBER | QTY | DESCRIPTION   | REV |
|------|-------------|-----|---|-----|
|      | 1001220261  | Ref | ENGINE HARNESS - DEUTZ TD2.9L4 ENGINES                | B   |
| 1    | 1001133956  | 1   | Connector (Includes Cover, Locks and Retention Plate) |     |
| 1    | 1001126352  | 6   | Terminal  |     |
| 1    | 1001126384  | 19  | Terminal  |     |
| 1    | 1001126351  | 1   | Terminal  |     |
| 1    | 1001126357  | 3   | Plug, Seal  |     |
| 1    | 1001126356  | 65  | Plug, Seal  |     |
| 2    | 4461070     | 1   | Connector with Resistor (3 Position)                  |     |
| 2    | 4461095     | 1   | Connector - 3 Position                                |     |
| 2    | 4460944     | 2   | Socket, Female  |     |
| 2    | 4460466     | 1   | Seal, Plug  |     |
| 3    | 4461070     | 1   | Connector with Resistor (3 Position)                  |     |
| 3    | 4461095     | 1   | Connector - 3 Position                                |     |
| 3    | 4460944     | 2   | Socket, Female  |     |
| 3    | 4460466     | 1   | Seal, Plug  |     |
| 4    | 1001133957  | 1   | Connector (Includes Cover, Locks and Retention Plate) |     |
| 4    | 1001126351  | 13  | Terminal  |     |
| 4    | 1001126384  | 17  | Terminal  |     |
| 4    | 1001126356  | 20  | Plug, Seal  |     |
| 4    | 1001126357  | 10  | Plug, Seal  |     |
| 5    | 4460930     | 1   | Connector - 8 Position                                |     |
| 5    | 4460944     | 5   | Socket, Female (Gold)                                 |     |
| 5    | 4460465     | 2   | Socket, Female  |     |
| 5    | 4460466     | 1   | Seal, Plug  |     |
| 6    | 1001116707  | 1   | Connector - 1 Position                                |     |
| 6    | 91143340    | 1   | Terminal  |     |
| 7    | 4460935     | 1   | Plug, Brown - 12 Position                             |     |
| 7    | 4460465     | 12  | Socket, Female  |     |
| 8    | 4460970     | 1   | Connector - 12 Position                               |     |
| 8    | 4460941     | 12  | Pin, Male   |     |
| 9    | 4460934     | 1   | Connector, Green - 12 Position                        |     |
| 9    | 4460465     | 10  | Socket, Female  |     |
| 9    | 4460466     | 2   | Seal, Plug  |     |
| 10   | 4460836     | 1   | Connector, Black - 12 Position                        |     |
| 10   | 4460465     | 8   | Socket, Female  |     |
| 10   | 4460466     | 4   | Seal, Plug  |     |
| 11   | 4460931     | 1   | Connector - 8 Position (Gray)                         |     |
| 11   | 4460943     | 5   | Pin, Male (Gold)                                      |     |
| 11   | 4460466     | 3   | Plug, Socket  |     |
| 12   | 8220164     | 1   | Terminal, Eyelet                                      |     |
| 13   | 1001116967  | 1   | Connector - 1 Position                                |     |
| 13   | 91143339    | 1   | Terminal  |     |
| 14   | 4460982     | 1   | Connector - 12 Position                               |     |
| 14   | 4460464     | 12  | Pin, Male   |     |
| 15   | 4460933     | 1   | Connector, Gray - 12 Position                         |     |
| 15   | 4460942     | 12  | Socket, Female  |     |
| 16   | 1001152742  | 1   | Connector - 12 Position                               |     |
| 16   | 4460464     | 10  | Pin, Male   |     |
| 16   | 4460466     | 2   | Seal, Plug  |     |
| 17   | 4460950     | 1   | Connector - 12 Position                               |     |

## SECTION 8 - ELECTRICAL

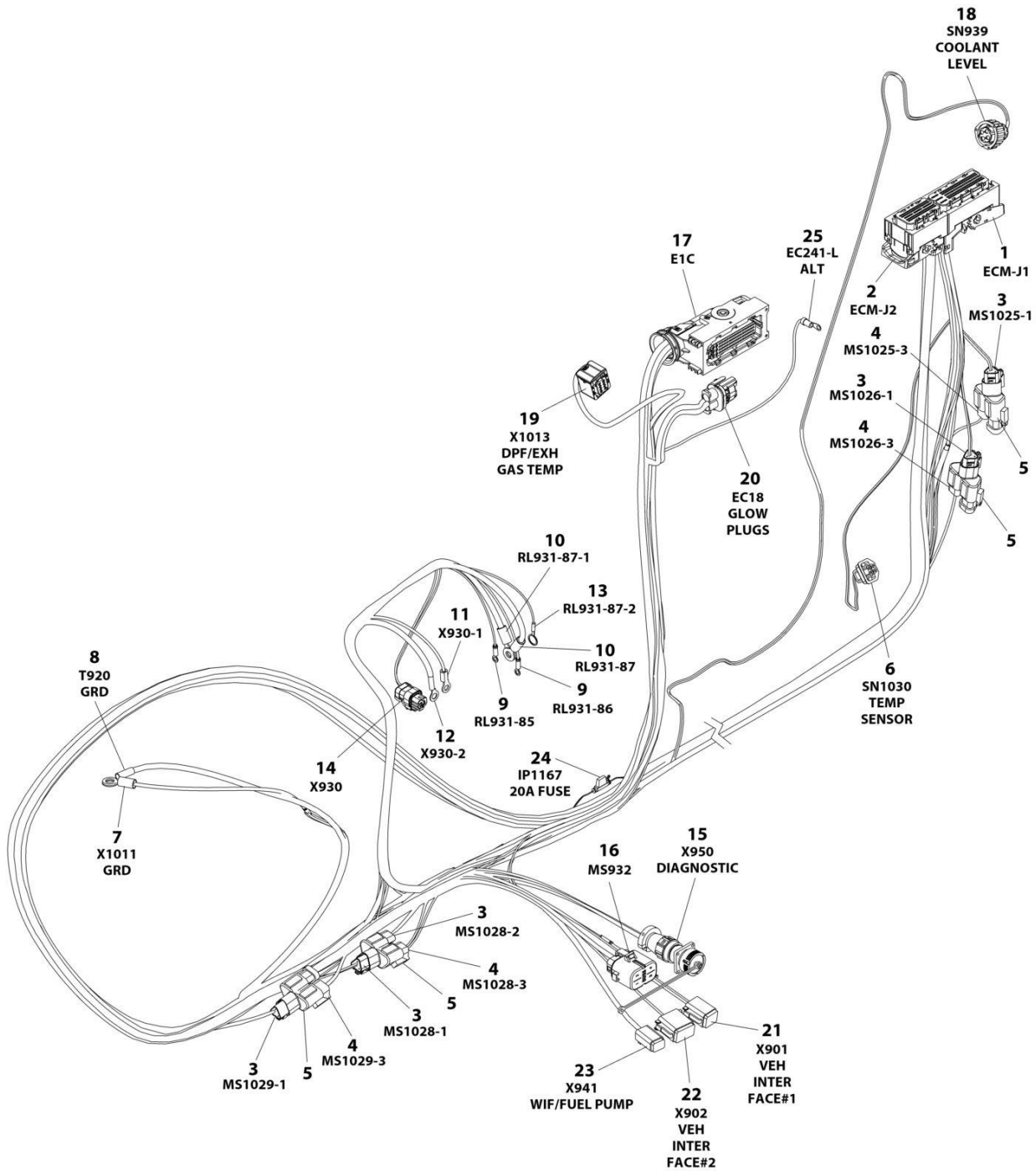
| ITEM | PART NUMBER | QTY | DESCRIPTION                          | REV |
|------|-------------|-----|--------------------------------------|-----|
| 17   | 4460464     | 8   | Pin, Male                            |     |
| 17   | 4460466     | 4   | Plug, Seal                           |     |
| 18   | 4461070     | 1   | Connector with Resistor (3 Position) |     |
| 18   | 4461095     | 1   | Connector - 3 Position               |     |
| 18   | 4460944     | 2   | Socket, Female                       |     |
| 18   | 4460466     | 1   | Seal, Plug                           |     |
| 19   | 80484084    | 1   | Connector - 8 Position               |     |
| 19   | 8229242     | 1   | Fuse - 5A                            |     |
| 19   | 80983191    | 1   | Fuse - 10A                           |     |
| 19   | 1001147264  | 1   | Cap                                  |     |
| 19   | 1001116728  | 4   | Plug                                 |     |
| 19   | 4460458     | 4   | Seal                                 |     |
| 19   | 1001116727  | 4   | Seal, Plug                           |     |
| 20   | 4460894     | 1   | Connector - 6 Position               |     |
| 20   | 4460465     | 3   | Socket, Female                       |     |
| 20   | 4460944     | 2   | Socket, Female                       |     |
| 20   | 4460466     | 1   | Seal, Plug                           |     |
| 21   | 4460930     | 1   | Connector - 8 Position               |     |
| 21   | 4460465     | 1   | Socket, Female                       |     |
| 21   | 4460466     | 7   | Plug, Seal                           |     |
| 22   | 4460884     | 1   | Connector - 4 Position               |     |
| 22   | 4460465     | 2   | Socket, Female                       |     |
| 22   | 4460942     | 2   | Socket, Female                       |     |
| 22   | 4460932     | 1   | Connector - 4 Position               |     |
| 22   | 4460466     | 4   | Seal, Plug                           |     |
| 23   | 2902443     | 1   | Kit, Receptacle                      |     |
| 23   | 4461071     | 8   | Terminal, Female (Gold)              |     |
| 23   | 4461072     | 1   | Connector, Flange Mount              |     |
| 23   | 4461073     | 1   | Connector, Dust Cap                  |     |
| 23   | 4461074     | 1   | Connector, Shell                     |     |
| 24   | 1001116952  | 1   | Connector - 2 Position               |     |
| 24   | 4460465     | 2   | Socket, Female                       |     |
| 25   | 4460043     | 1   | Terminal, Eyelet                     |     |
| 26   | 1001117106  | 1   | Terminal, Eyelet                     |     |
| 27   | 4460019     | 1   | Terminal, Eyelet                     |     |
| 28   | 4460247     | 1   | Terminal, Eyelet                     |     |
| 29   | 4460247     | 1   | Terminal, Eyelet                     |     |
| 30   | 1001117107  | 1   | Terminal, Eyelet                     |     |
| 31   | 1001117107  | 1   | Terminal, Eyelet                     |     |
| 32   | 4460703     | 1   | Terminal, Eyelet                     |     |
| 33   | 1001126362  | 1   | Connector - 62 Position              |     |
| 33   | 1001126363  | 33  | Terminal                             |     |
| 33   | 1001126364  | 33  | Seal                                 |     |
| 33   | 1001126391  | 23  | Plug                                 |     |
| 33   | 4461008     | 4   | Plug, Cavity                         |     |
| 33   | 1001126365  | 2   | Terminal                             |     |
| 33   | 4461054     | 2   | Seal                                 |     |
| 34   | 1001142938  | 1   | Connector - 2 Position               |     |
| 34   | 1001142940  | 2   | Terminal, Female                     |     |
| 34   | 1001142941  | 2   | Seal                                 |     |
| 35   | 1001133714  | 1   | Connector - 4 Position               |     |

## SECTION 8 - ELECTRICAL

| ITEM | PART NUMBER | QTY | DESCRIPTION            | REV |
|------|-------------|-----|------------------------|-----|
| 35   | 1001133715  | 3   | Terminal, Female       |     |
| 35   | 1001135650  | 1   | Seal                   |     |
| 35   | 1001135651  | 1   | Plug, Cavity           |     |
| 36   | 4460042     | 1   | Terminal, Eyelet       |     |
| 37   | 1001138110  | 1   | Connector - 2 Position |     |
| 37   | 1001138111  | 2   | Socket, Female         |     |
| 37   | 1001138113  | 2   | Seal                   |     |

# SECTION 8 - ELECTRICAL

## FIGURE 8-27. ENGINE HARNESS - DEUTZ TD2.9L4 ENGINES (CHINA IV SPECS)



ART\_1001237285

## SECTION 8 - ELECTRICAL

**FIGURE 8-27. ENGINE HARNESS - DEUTZ TD2.9L4 ENGINES (CHINA IV SPECS)**

| ITEM | PART NUMBER | QTY | DESCRIPTION   | REV |
|------|-------------|-----|---|-----|
|      | 1001237285  | Ref | ENGINE HARNESS  | G   |
| 1    | 1001133956  | 1   | Connector (Includes Cover, Locks and Retention Plate) |     |
| 1    | 1001182361  | 6   | Terminal  |     |
| 1    | 1001230934  | 25  | Terminal  |     |
| 1    | 1001126351  | 3   | Terminal  |     |
| 1    | 1001252527  | 4   | Terminal  |     |
| 1    | 1001230935  | 55  | Plug, Terminal  |     |
| 1    | 1001230936  | 1   | Plug, Terminal  |     |
| 2    | 1001133957  | 1   | Connector (Includes Cover, Locks and Retention Plate) |     |
| 2    | 1001126351  | 13  | Terminal  |     |
| 2    | 1001230934  | 26  | Terminal  |     |
| 2    | 1001230935  | 9   | Terminal  |     |
| 2    | 1001230936  | 11  | Plug, Terminal  |     |
| 3    | 1001116812  | 5   | Plug, Male - 3 Position                               |     |
| 3    | 4460944     | 10  | Socket, Female  |     |
| 3    | 4460466     | 5   | Plug, Terminal  |     |
| 4    | 4460539     | 4   | Plug, Male - 3 Position                               |     |
| 4    | 4460944     | 8   | Socket, Female  |     |
| 4    | 4460466     | 4   | Plug, Terminal  |     |
| 5    | 4460945     | 4   | Connector - 3 Way                                     |     |
| 6    | 1001126487  | 1   | Connector - 3 Position                                |     |
| 6    | 1001167635  | 2   | Terminal  |     |
| 6    | 1001126485  | 2   | Seal  |     |
| 7    | 8220164     | 1   | Terminal, Eyelet                                      |     |
| 8    | 4460019     | 1   | Terminal, Eyelet                                      |     |
| 9    | 4460247     | 2   | Terminal, Eyelet                                      |     |
| 10   | 1001117107  | 2   | Terminal, Eyelet                                      |     |
| 11   | 4460043     | 1   | Terminal, Eyelet                                      |     |
| 12   | 1001117106  | 1   | Terminal, Eyelet                                      |     |
| 13   | 4460703     | 1   | Terminal, Eyelet                                      |     |
| 14   | 1001116952  | 1   | Connector - 2 Position                                |     |
| 14   | 4460465     | 2   | Socket, Female  |     |
| 15   | 2902443     | 1   | Kit, Receptacle                                       |     |
| 15   | 4461071     | 8   | Terminal, Female (Gold)                               |     |
| 15   | 4461072     | 1   | Connector, Flange Mount                               |     |
| 15   | 4461073     | 1   | Connector, Dust Cap                                   |     |
| 15   | 4461074     | 1   | Connector, Shell                                      |     |
| 16   | 80484084    | 1   | Connector - 8 Position                                |     |
| 16   | 4460748     | 4   | Plug, Terminal  |     |
| 16   | 4460746     | 3   | Terminal  |     |
| 16   | 1001234800  | 1   | Terminal  |     |
| 16   | 4460458     | 4   | Seal  |     |
| 17   | 1001126362  | 1   | Connector - 62 Position                               |     |
| 17   | 1001126363  | 36  | Terminal  |     |
| 17   | 1001126364  | 36  | Seal  |     |
| 17   | 1001126391  | 7   | Plug, Terminal  |     |
| 17   | 4461008     | 4   | Plug, Cavity  |     |
| 17   | 1001126392  | 12  | Terminal  |     |
| 17   | 1001223459  | 12  | Seal  |     |
| 17   | 1001167632  | 2   | Terminal  |     |

## SECTION 8 - ELECTRICAL

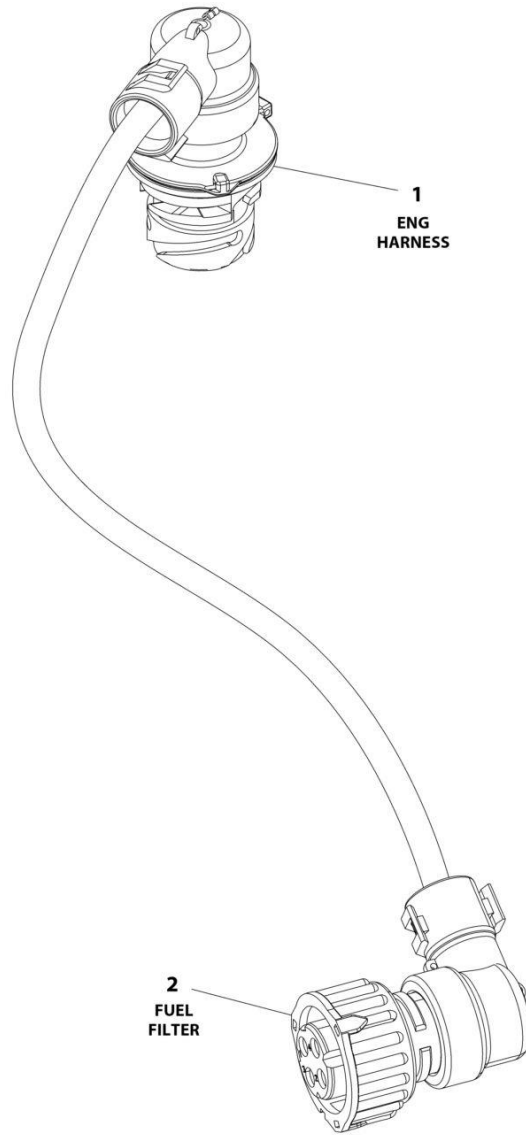
| ITEM | PART NUMBER | QTY | DESCRIPTION                          | REV |
|------|-------------|-----|--------------------------------------|-----|
| 17   | 4461054     | 2   | Seal                                 |     |
| 18   | 1001133714  | 1   | Connector - 4 Position               |     |
| 18   | 1001133715  | 3   | Terminal, Female                     |     |
| 18   | 1001135650  | 1   | Seal                                 |     |
| 18   | 1001135651  | 1   | Plug, Cavity                         |     |
| 19   | 1001239202  | 1   | Connector - 8 Position               |     |
| 19   | 1001126363  | 7   | Terminal                             |     |
| 19   | 1001126364  | 7   | Seal                                 |     |
| 19   | 1001135651  | 1   | Plug, Terminal                       |     |
| 20   | 1001142938  | 1   | Connector - 2 Position               |     |
| 20   | 1001142940  | 2   | Terminal, Female                     |     |
| 20   | 1001142941  | 2   | Seal                                 |     |
| 21   | 4460894     | 1   | Connector - 6 Position               |     |
| 21   | 4460465     | 2   | Socket, Female                       |     |
| 21   | 4460944     | 2   | Socket, Female                       |     |
| 21   | 4460466     | 2   | Seal, Plug                           |     |
| 22   | 4460930     | 1   | Connector - 8 Position               |     |
| 22   | 4460465     | 1   | Socket, Female                       |     |
| 22   | 4460466     | 7   | Seal, Plug                           |     |
| 23   | 4460884     | 1   | Connector - 4 Position               |     |
| 23   | 4460465     | 2   | Socket, Female                       |     |
| 23   | 4460942     | 2   | Socket, Female                       |     |
| 24   | 1001170764  | 1   | Fuseholder with Cover and 20AMP Fuse |     |
| 24   | 1001197719  | 1   | Resistor 620ohm/5 watt               |     |
| 25   | 4460042     | 1   | Terminal, Eyelet                     |     |





# SECTION 8 - ELECTRICAL

## FIGURE 8-28. FUEL FILTER HARNESS - DEUTZ TD2.9L4 T4I



ART\_1001148843

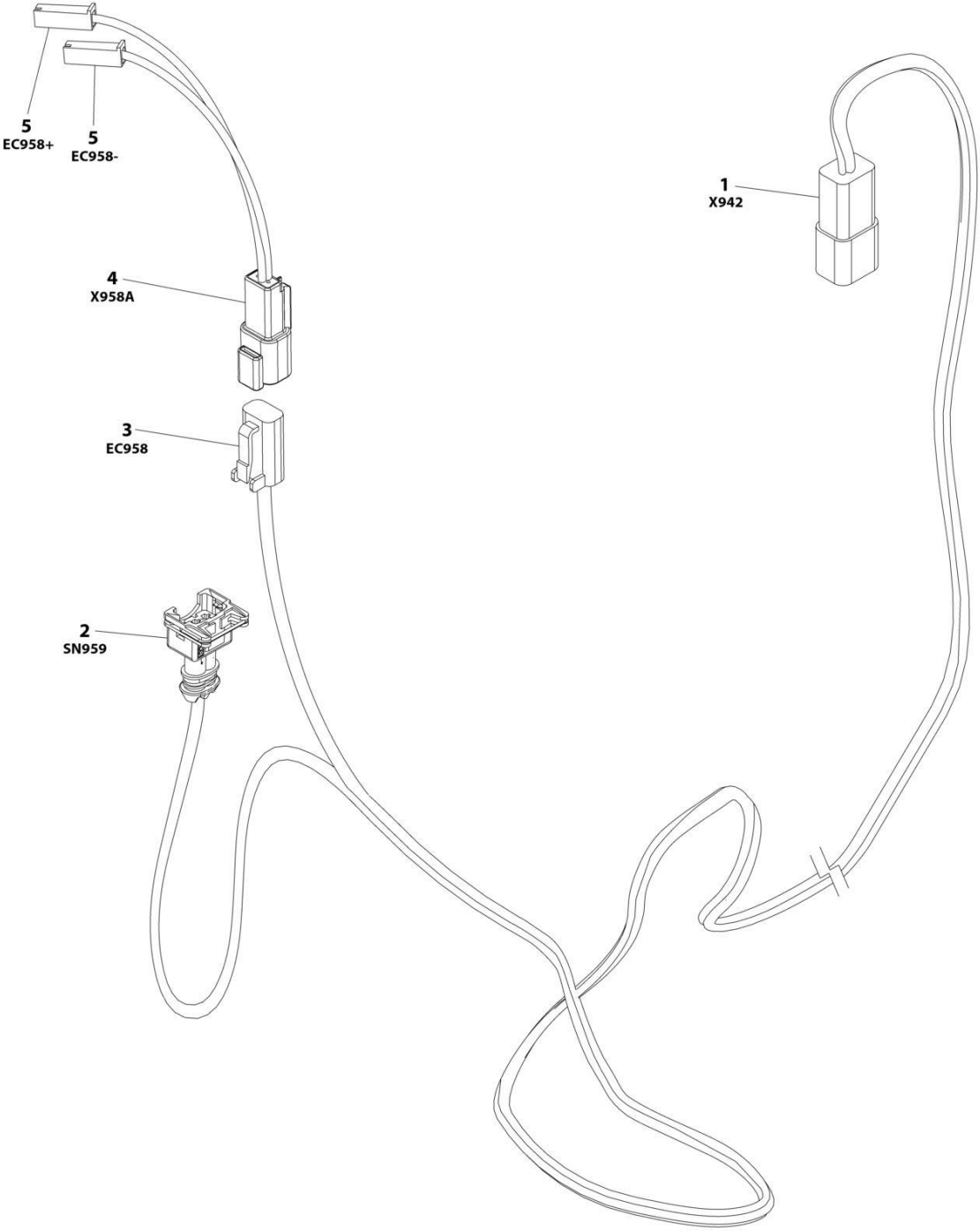
## SECTION 8 - ELECTRICAL

### FIGURE 8-28. FUEL FILTER HARNESS - DEUTZ TD2.9L4 T4I

| ITEM | PART NUMBER | QTY | DESCRIPTION                                  | REV |
|------|-------------|-----|--|-----|
|      | 1001148843  | Ref | FUEL FILTER HARNESS - DEUTZ TCD2.9L4 ENGINES | A   |
| 1    | 1001148842  | 1   | Connector - 4 Position                       |     |
| 1    | 1001148841  | 4   | Pin, Male                                    |     |
| 1    | 1001135650  | 4   | Seal   |     |
| 2    | 1001133714  | 1   | Plug, Male - 4 Position                      |     |
| 2    | 1001133715  | 4   | Socket, Female                               |     |
| 2    | 1001135650  | 4   | Seal   |     |

**SECTION 8 - ELECTRICAL**

**FIGURE 8-29. FUEL PUMP HARNESS - DEUTZ TD2.9L4**



ART\_1001221289

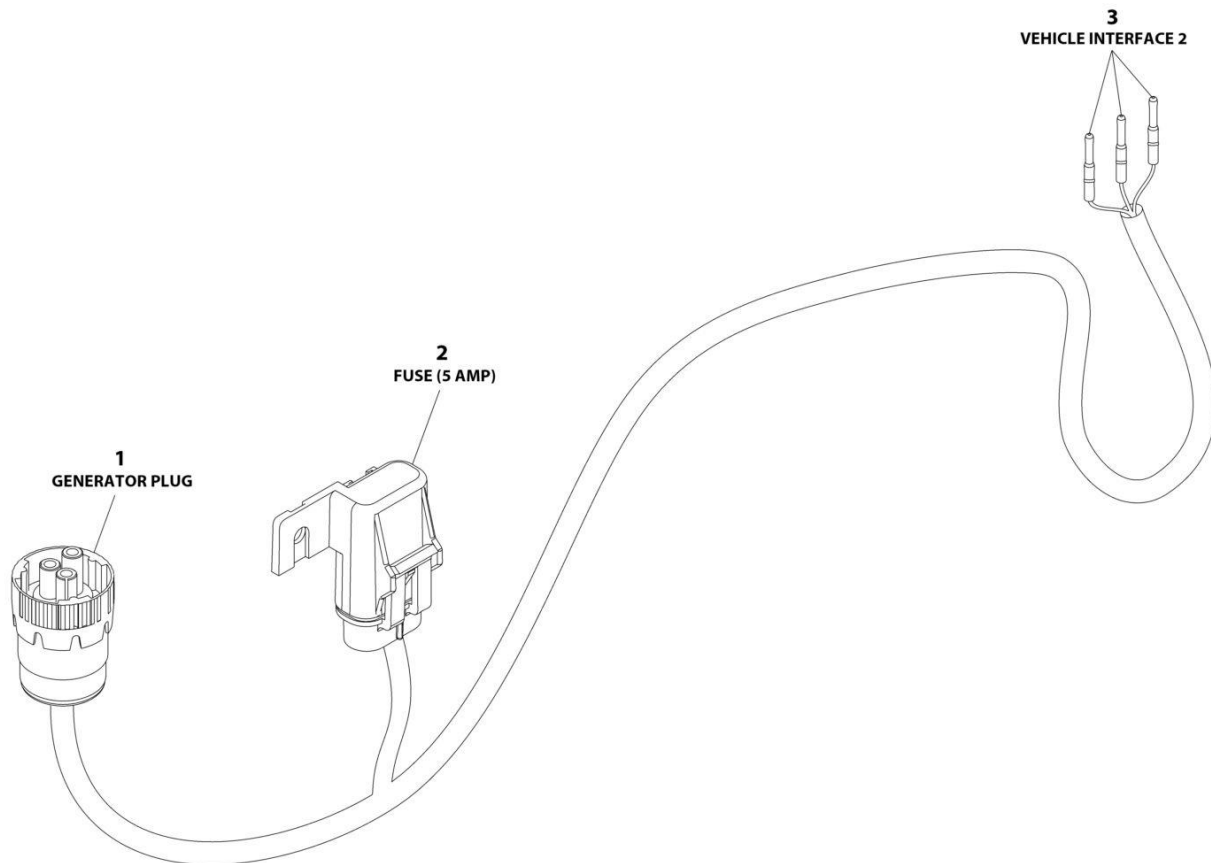
## SECTION 8 - ELECTRICAL

### FIGURE 8-29. FUEL PUMP HARNESS - DEUTZ TD2.9L4

| ITEM | PART NUMBER | QTY | DESCRIPTION                       | REV |
|------|-------------|-----|-----------------------------------|-----|
|      | 1001221289  | Ref | FUEL PUMP HARNESS - DEUTZ TD2.9L4 | B   |
| 1    | 4460932     | 1   | Connector - 4 Position            |     |
| 1    | 4460464     | 2   | Pin, Male                         |     |
| 1    | 4460941     | 2   | Pin, Male                         |     |
| 2    | 1001116983  | 1   | Connector - 2 Position            |     |
| 2    | 1001116710  | 2   | Socket, Female                    |     |
| 2    | 4461054     | 2   | Seal                              |     |
| 3    | 4460891     | 1   | Connector - 2 Position            |     |
| 3    | 4460942     | 2   | Socket, Female                    |     |
| 4    | 4460897     | 1   | Connector - 2 Position            |     |
| 4    | 4460941     | 2   | Pin, Male                         |     |
| 5    | 4460260     | 2   | Cover, Terminal                   |     |
| 5    | 4460259     | 2   | Terminal                          |     |

## SECTION 8 - ELECTRICAL

FIGURE 8-30. GENERATOR HARNESS - 7500W SKYPOWER (60HZ/240V) (DEUTZ TD2.9L4 T4F ENGINES) (OPTIONAL)



ART\_100119968

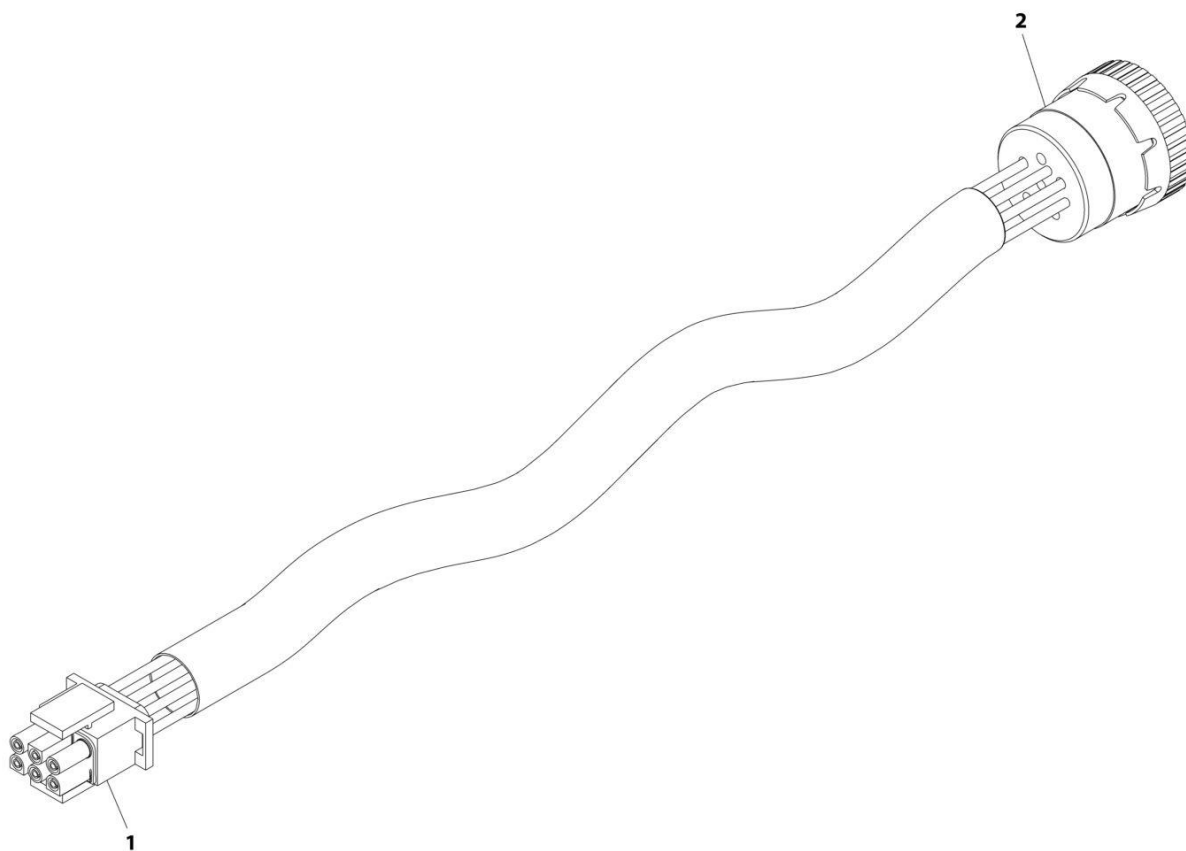
## SECTION 8 - ELECTRICAL

**FIGURE 8-30. GENERATOR HARNESS - 7500W SKYPOWER (60HZ/240V) (DEUTZ TD2.9L4 T4F ENGINES) (OPTIONAL)**

| ITEM | PART NUMBER | QTY | DESCRIPTION                          | REV |
|------|-------------|-----|--------------------------------------|-----|
|      | 1001119968  | Ref | GENERATOR HARNESS - 7500W GENERATOR  | C   |
| 1    | 4460967     | 1   | Connector - 3 Position               |     |
| 1    | 4460465     | 3   | Socket, Female                       |     |
| 2    | 1001117078  | 1   | Connector, Metri-Pack with 5Amp Fuse |     |
| 3    | 4460465     | 3   | Socket, Female                       |     |

## SECTION 8 - ELECTRICAL

FIGURE 8-31. GENERATOR CABLE HARNESS - 7500W SKYPOWER (60HZ/240V) (DEUTZ TD2.9L4 T4F ENGINES)



ART\_4922972



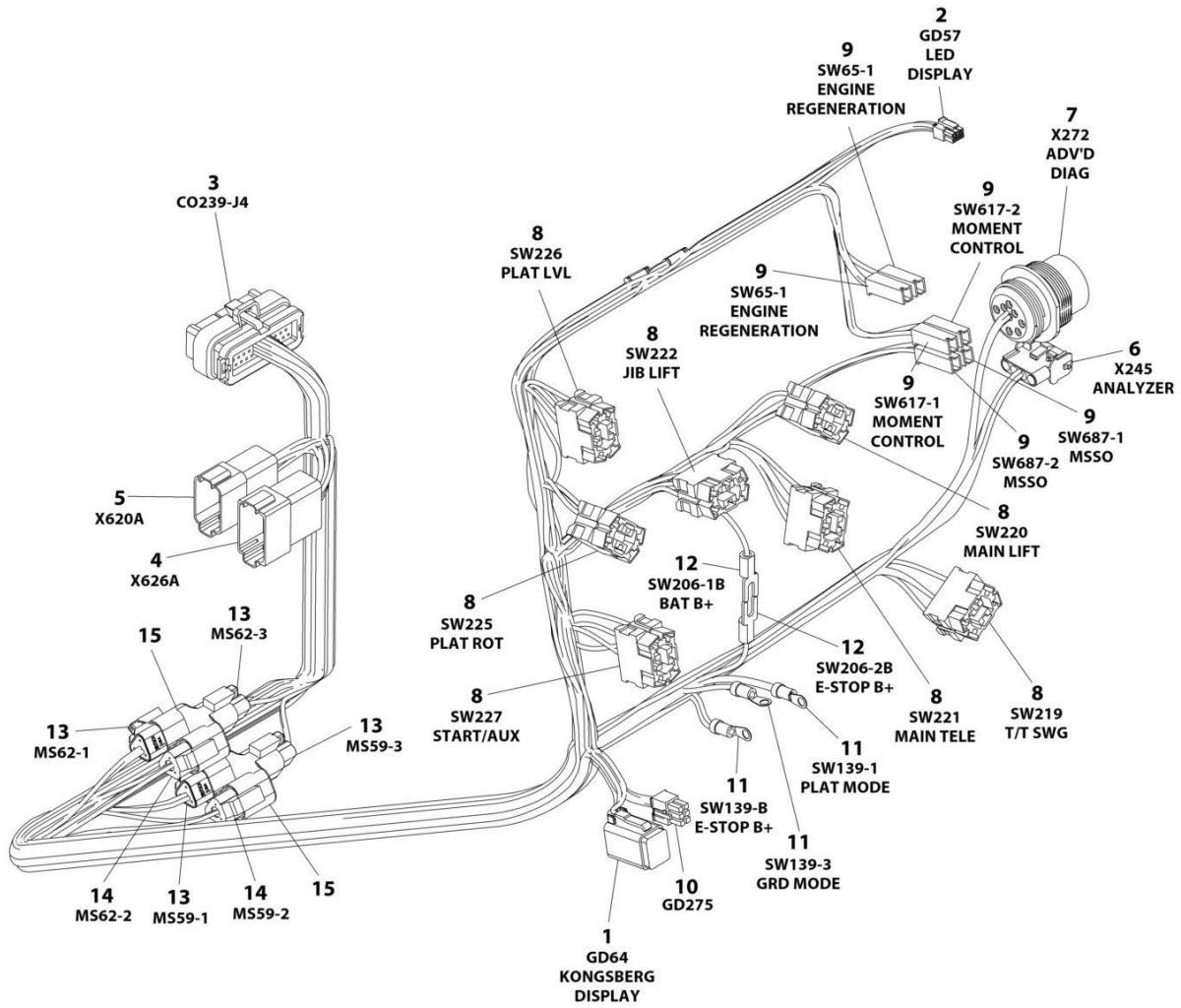
## SECTION 8 - ELECTRICAL

**FIGURE 8-31. GENERATOR CABLE HARNESS - 7500W SKYPOWER (60HZ/240V) (DEUTZ TD2.9L4 T4F ENGINES)**

| ITEM | PART NUMBER | QTY | DESCRIPTION                         | REV |
|------|-------------|-----|-------------------------------------|-----|
|      | 4922972     | Ref | GENERATOR HARNESS - 7500W GENERATOR | C   |
| 1    | 4460225     | 1   | Connector - 6 Position              |     |
| 1    | 4460268     | 6   | Socket, Female                      |     |
| 1    | 4460807     | 1   | Seal, Plug                          |     |
| 1    | 4460808     | 1   | Seal, Plug                          |     |
| 2    | 77363233    | 1   | Connector - 6 Position              |     |
| 2    | 4460465     | 6   | Socket, Female                      |     |

# SECTION 8 - ELECTRICAL

## FIGURE 8-32. GROUND CONTROL PANEL HARNESS



ART\_1001242745

## SECTION 8 - ELECTRICAL

### FIGURE 8-32. GROUND CONTROL PANEL HARNESS

| ITEM | PART NUMBER | QTY | DESCRIPTION                     | REV |
|------|-------------|-----|---------------------------------|-----|
|      | 1001242745  | Ref | GROUND CONTROL PANEL HARNESS    | B   |
| 1    | 4460894     | 1   | Connector - 6 Posiiton          |     |
| 1    | 4460466     | 2   | Plug, Terminal                  |     |
| 1    | 4460465     | 4   | Socket, Female                  |     |
| 2    | 1001237667  | 1   | Connector - 6 Posiiton          |     |
| 2    | 1001237668  | 5   | Socket, Female                  |     |
| 3    | 4460876     | 1   | Connector - 35 Position         |     |
| 3    | 4460905     | 16  | Plug, Terminal                  |     |
| 3    | 4460871     | 19  | Socket, Female                  |     |
| 4    | 4460670     | 1   | Terminal, Ring                  |     |
| 4    | 4460464     | 10  | Plug, Male                      |     |
| 4    | 4460466     | 2   | Plug, Terminal                  |     |
| 5    | 4460931     | 1   | Connector - 8 Position          |     |
| 5    | 4460464     | 8   | Plug, Male                      |     |
| 6    | 4460761     | 1   | Receptacle, Female - 4 Position |     |
| 6    | 4460267     | 4   | Pin, Male                       |     |
| 7    | 1001112612  | 1   | Connector - 9 Position          |     |
| 7    | 4460497     | 1   | Nut, Terminal                   |     |
| 7    | 4460496     | 1   | Washer, Terminal                |     |
| 7    | 1001106736  | 1   | Cap, Dust                       |     |
| 7    | 4460464     | 5   | Plug, Male                      |     |
| 7    | 4460466     | 4   | Plug, Terminal                  |     |
| 8    | 4460418     | 7   | Connector - 6 Position          |     |
| 8    | 1001159186  | 14  | Socket, Female                  |     |
| 8    | 4460419     | 14  | Socket, Female                  |     |
| 9    | 4460260     | 6   | Cover, Terminal                 |     |
| 9    | 4460259     | 9   | Terminal                        |     |
| 10   | 4460868     | 1   | Plug, Male - 2 Position         |     |
| 10   | 4460877     | 4   | Socket, Female                  |     |
| 11   | 4460042     | 3   | Terminal, Ring                  |     |
| 12   | 4460144     | 2   | Terminal, Fork                  |     |
| 13   | 1001116812  | 4   | Plug, Male - 3 Position         |     |
| 13   | 4460944     | 8   | Socket, Female                  |     |
| 13   | 4460466     | 4   | Plug, Terminal                  |     |
| 14   | 4460539     | 2   | Plug, Male - 3 Position         |     |
| 14   | 4460944     | 4   | Socket, Female                  |     |
| 14   | 4460466     | 2   | Plug, Terminal                  |     |
| 15   | 4460945     | 2   | Plug, Female 3-Way              |     |

## SECTION 8 - ELECTRICAL

FIGURE 8-33. LOAD SENSING PIN HARNESS



ART\_4923256

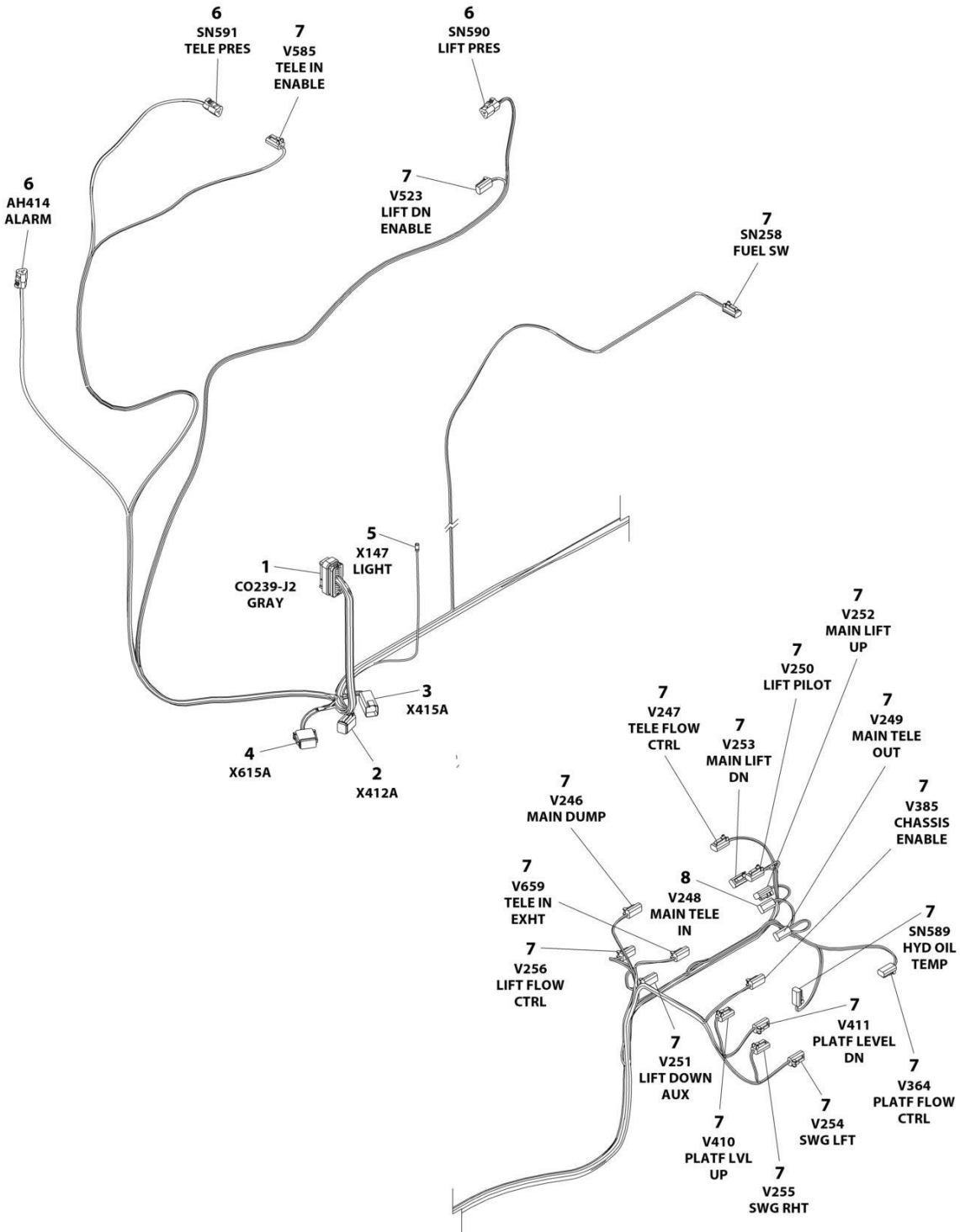
## SECTION 8 - ELECTRICAL

### FIGURE 8-33. LOAD SENSING PIN HARNESS

| ITEM | PART NUMBER | QTY | DESCRIPTION   | REV |
|------|-------------|-----|---|-----|
|      | 4923256     | Ref | LOAD SENSING PIN HARNESS                                  | C   |
| 1    | 4460930     | 1   | Connector - 8 Position (Gray)                             |     |
| 1    | 4460465     | 4   | Socket, Female  |     |
| 1    | 4460466     | 3   | Plug, Sealing   |     |
| 2    | See Note    | NSS | Connector - 4 Position (Note: Not Available for Purchase) |     |
| 2    | See Note    | NSS | Terminal (Note: Not Available for Purchase)               |     |

# SECTION 8 - ELECTRICAL

## FIGURE 8-34. MAIN VALVE HARNESS



ART\_1001287441

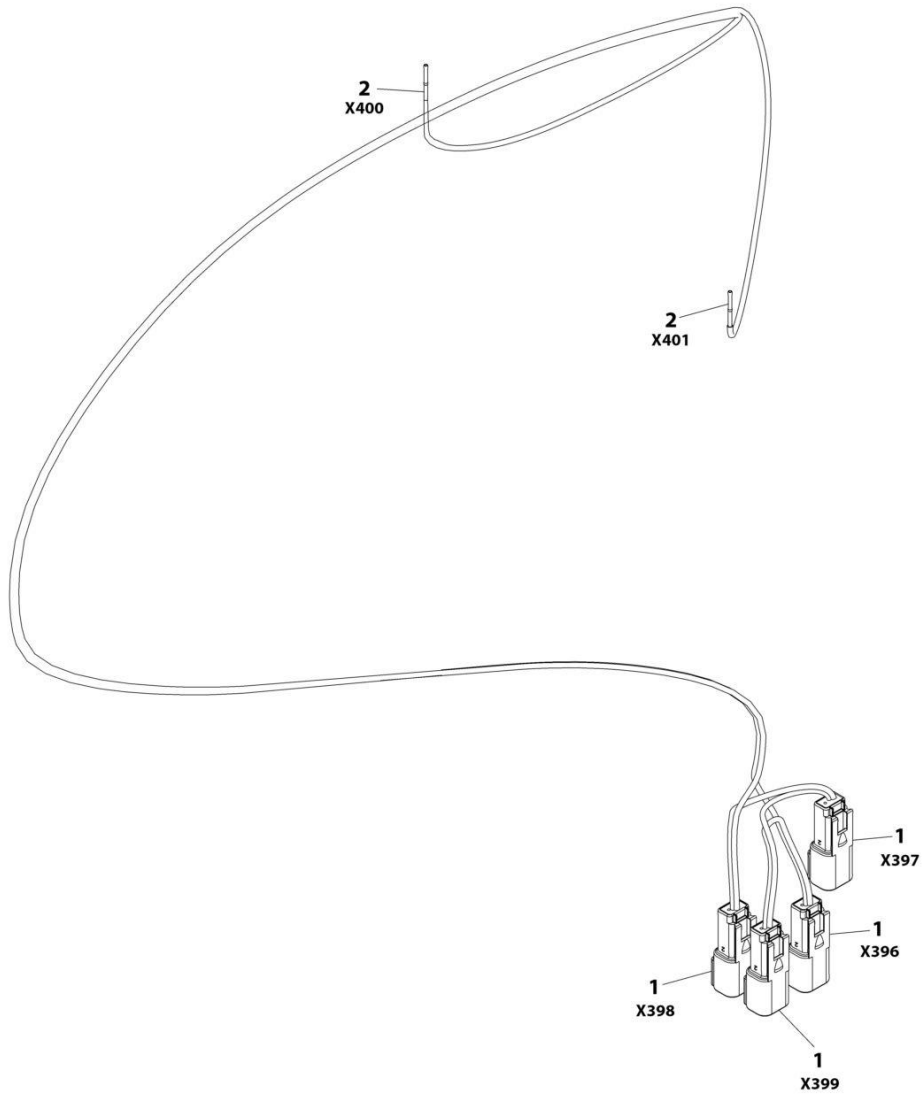
## SECTION 8 - ELECTRICAL

### FIGURE 8-34. MAIN VALVE HARNESS

| ITEM | PART NUMBER | QTY | DESCRIPTION        | REV |
|------|-------------|-----|--------------------|-----|
|      | 1001287741  | Ref | MAIN VALVE HARNESS | A   |
| 1    | 4460875     | 1   | Connector          |     |
| 1    | 4460871     | 26  | Socket             |     |
| 1    | 4460905     | 9   | Plug               |     |
| 2    | 4460894     | 1   | Connector          |     |
| 2    | 4460465     | 5   | Socket             |     |
| 2    | 4460466     | 1   | Plug               |     |
| 3    | 4460899     | 1   | Connector          |     |
| 3    | 4460464     | 6   | Pin                |     |
| 4    | 4460930     | 1   | Connector          |     |
| 4    | 4460465     | 7   | Socket             |     |
| 4    | 4460466     | 1   | Plug               |     |
| 5    | 4460121     | 1   | Terminal, Ring     |     |
| 6    | 4460539     | 3   | Connector          |     |
| 6    | 4460465     | 8   | Socket             |     |
| 7    | 4460424     | 20  | Connector          |     |
| 7    | 4460268     | 40  | Socket             |     |

# SECTION 8 - ELECTRICAL

## FIGURE 8-35. OVERHEAD SOFT TOUCH HARNESS



ART\_1001151201



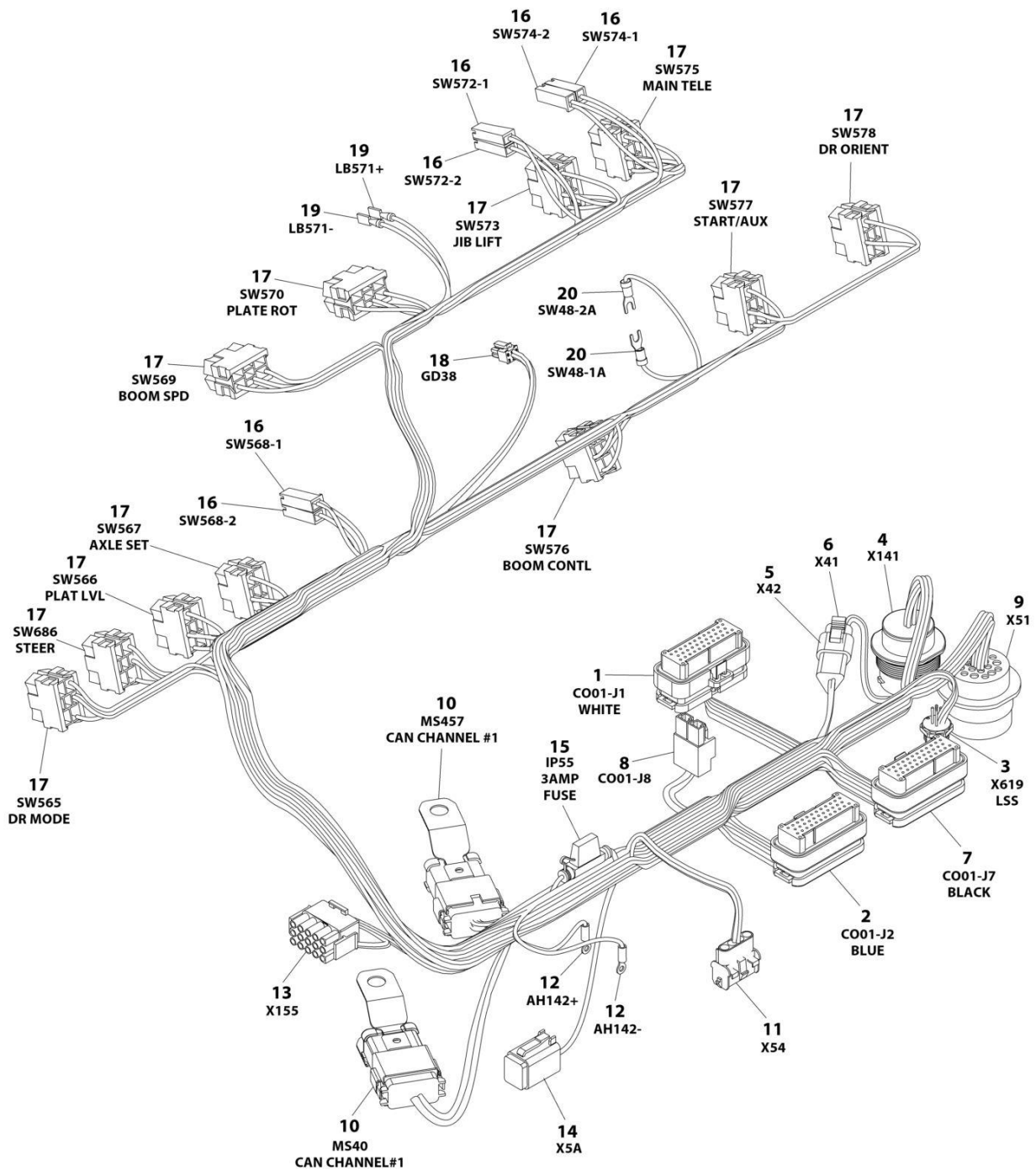
## SECTION 8 - ELECTRICAL

### FIGURE 8-35. OVERHEAD SOFT TOUCH HARNESS

| ITEM | PART NUMBER | QTY | DESCRIPTION                 | REV |
|------|-------------|-----|-----------------------------|-----|
|      | 1001151201  | Ref | OVERHEAD SOFT TOUCH HARNESS | A   |
| 1    | 4460897     | 4   | Connector - 2 Position      |     |
| 1    | 4460464     | 8   | Pin, Male                   |     |
| 2    | 4460226     | 2   | Socket, Female              |     |

# SECTION 8 - ELECTRICAL

## FIGURE 8-36. PLATFORM CONSOLE BOX HARNESS



ART\_1001243596

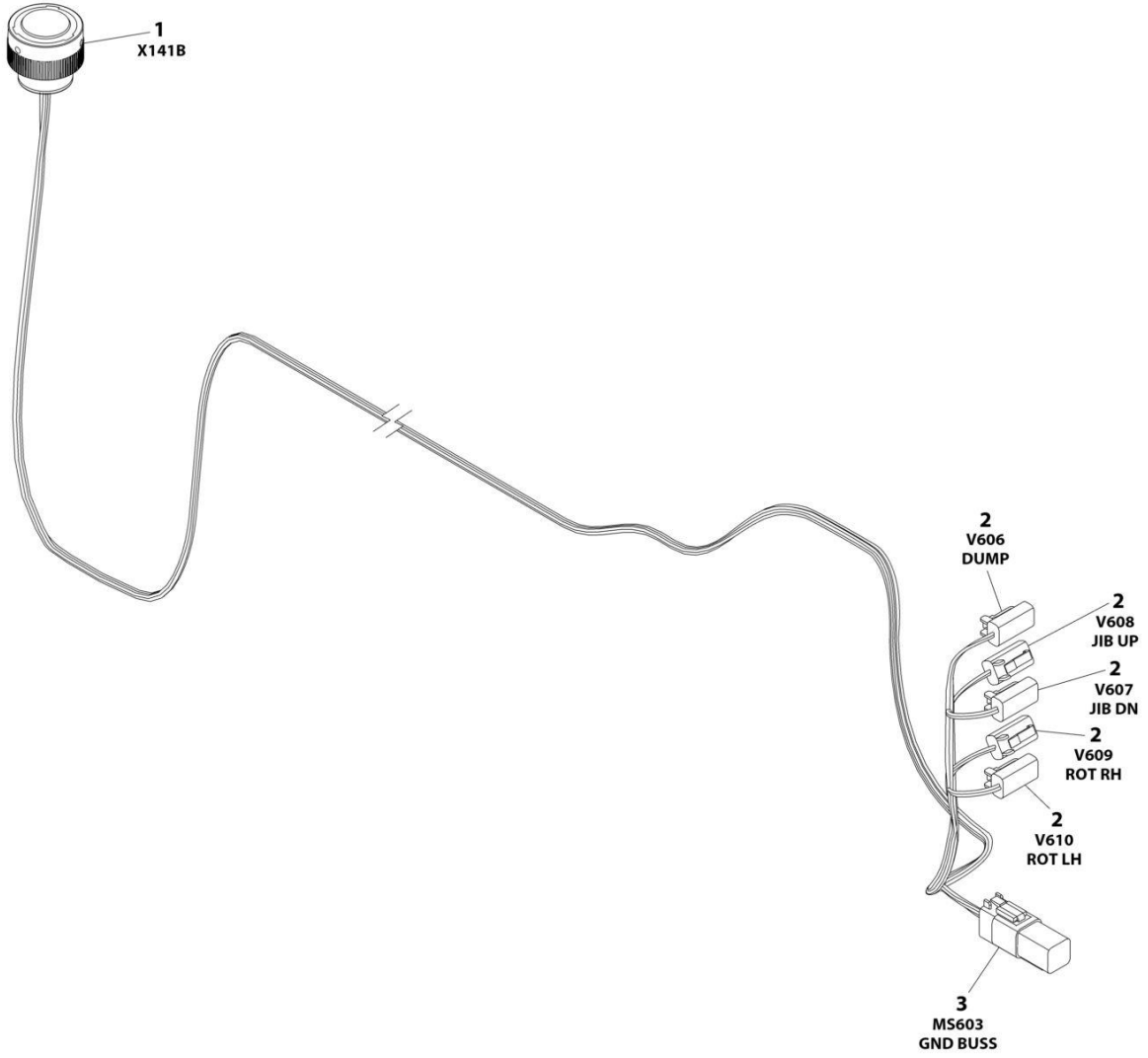
## SECTION 8 - ELECTRICAL

**FIGURE 8-36. PLATFORM CONSOLE BOX HARNESS**

| ITEM | PART NUMBER | QTY | DESCRIPTION  | REV |
|------|-------------|-----|--|-----|
|      | 1001243596  | Ref | PLATFORM CONSOLE BOX HARNESS                             | C   |
| 1    | 4460874     | 1   | Connector - 35 Position                                  |     |
| 1    | 4460871     | 24  | Socket, Female   |     |
| 1    | 4460905     | 11  | Plug, Terminal   |     |
| 2    | 4460876     | 1   | Connector - 35 Position                                  |     |
| 2    | 4460871     | 11  | Socket, Female   |     |
| 2    | 4460905     | 24  | Plug, Terminal   |     |
| 3    | 1001213447  | 1   | Receptacle, Female - 5 Position (With Wires & Terminals) |     |
| 4    | 4460925     | 1   | Connector - 21 Position                                  |     |
| 4    | 1001126011  | 7   | Pin, Male  |     |
| 4    | 4460518     | 14  | Plug, Terminal   |     |
| 5    | 4460536     | 1   | Recepracle, Female - 3 Position                          |     |
| 5    | 4460943     | 3   | Pin, Male  |     |
| 6    | 4460539     | 1   | Plug, Male - 3 Position                                  |     |
| 6    | 4460944     | 3   | Socket, Male   |     |
| 7    | 4460873     | 1   | Connector - 35 Position                                  |     |
| 7    | 4460871     | 19  | Socket, Female   |     |
| 7    | 4460905     | 16  | Plug, Terminal   |     |
| 8    | 4460879     | 1   | Plug, Male - 2 Position                                  |     |
| 8    | 4460887     | 2   | Terminal   |     |
| 9    | 4460866     | 1   | Connector - 19 Position                                  |     |
| 9    | 4460943     | 3   | Pin, Male  |     |
| 9    | 4460464     | 5   | Pin, Male  |     |
| 9    | 4460508     | 2   | Pin, Male  |     |
| 9    | 4460466     | 9   | Plug, Terminal   |     |
| 10   | 4460933     | 2   | Plug, Male - 12 Position                                 |     |
| 10   | 4460465     | 17  | Socket, Female   |     |
| 10   | 4460466     | 7   | Plug, Terminal   |     |
| 10   | 1001119020  | 2   | Bussbar - 12 Position                                    |     |
| 10   | 1001120328  | 2   | Mount  |     |
| 11   | 4460761     | 1   | Receptacle, Female - 4 Position                          |     |
| 11   | 4460227     | 4   | Pin, Male  |     |
| 12   | 1001098122  | 2   | Terminal, Ring   |     |
| 13   | 4460434     | 2   | Plug, Male - 15 Position                                 |     |
| 13   | 4460227     | 6   | Pin, Male  |     |
| 13   | 4460267     | 12  | Pin, Male  |     |
| 14   | 4460894     | 1   | Plug, Male - 6 Position                                  |     |
| 14   | 4460465     | 4   | Socket, Female   |     |
| 14   | 4460466     | 2   | Plug, Terminal   |     |
| 15   | 2400060     | 1   | Fuseholder with Cover                                    |     |
| 15   |             | Ref | Fuse - 3 AMP   |     |
| 16   | 4460260     | 6   | Cover, Terminal  |     |
| 16   | 4460259     | 6   | Terminal   |     |
| 17   | 4460418     | 11  | Connector - 6 Position                                   |     |
| 17   | 4460419     | 20  | Socket, Female   |     |
| 17   | 1001159186  | 21  | Socket, Female   |     |
| 18   | 1001237667  | 1   | Plug, Male - 6 Position                                  |     |
| 18   | 1001237668  | 4   | Socket, Female   |     |
| 19   | 4460016     | 2   | Terminal   |     |
| 20   | 4460183     | 2   | Terminal, Fork   |     |

# SECTION 8 - ELECTRICAL

## FIGURE 8-37. PLATFORM VALVE HARNESS (1100SJ)



ART\_1001231797

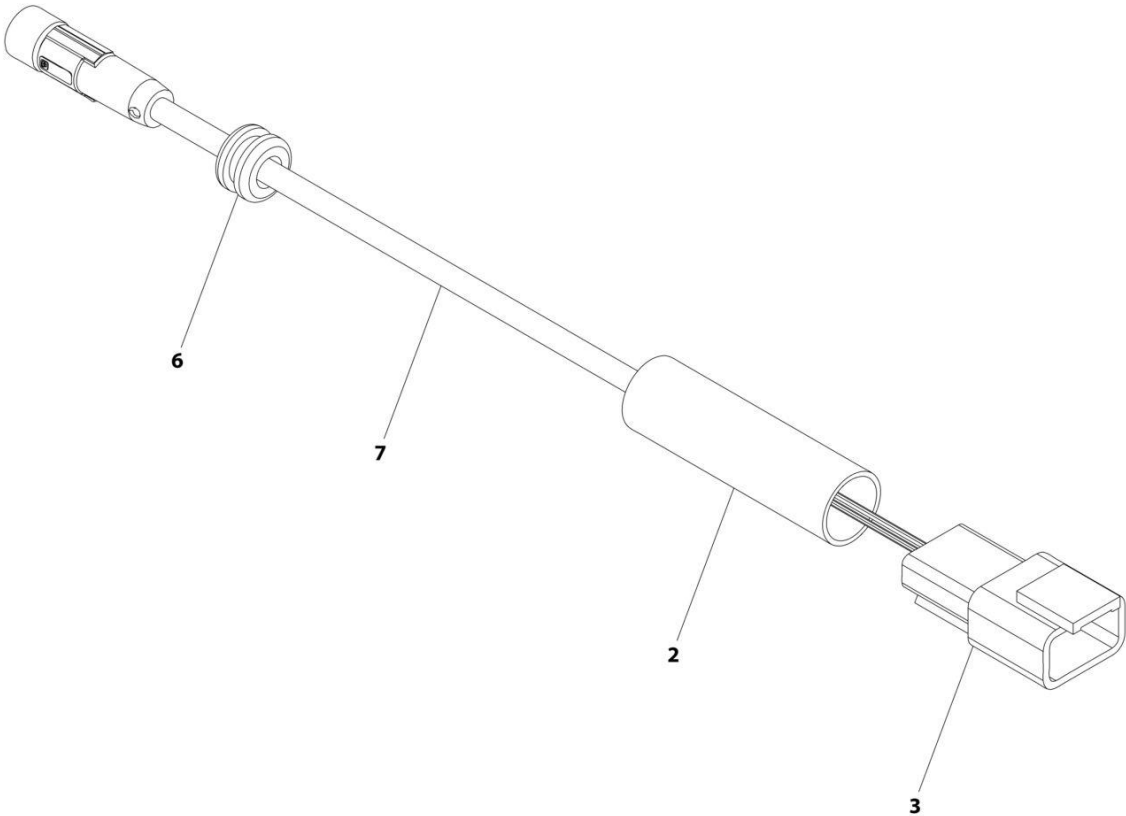
## SECTION 8 - ELECTRICAL

### FIGURE 8-37. PLATFORM VALVE HARNESS (1100SJ)

| ITEM | PART NUMBER | QTY | DESCRIPTION             | REV |
|------|-------------|-----|-------------------------|-----|
|      | 1001231797  | 1   | PLATFORM VALVE HARNESS  | A   |
| 1    | 4460926     | 1   | Connector - 21 Position |     |
| 1    | 4460928     | 7   | Socket, Female          |     |
| 1    | 4460518     | 14  | Plug, Terminal          |     |
| 2    | 4460891     | 5   | Plug, Male - 2 Position |     |
| 2    | 4460465     | 10  | Socket, Female          |     |
| 3    | 4460894     | 1   | Plug, Male - 6 Position |     |
| 3    | 4460465     | 5   | Socket, Female          |     |
| 3    | 4460466     | 1   | Plug, Terminal          |     |
| 3    | 4460892     | 1   | Bussbar - 6 Position    |     |

**SECTION 8 - ELECTRICAL**

**FIGURE 8-38. SKYEYE EMITTER HARNESS**



ART\_1001237864

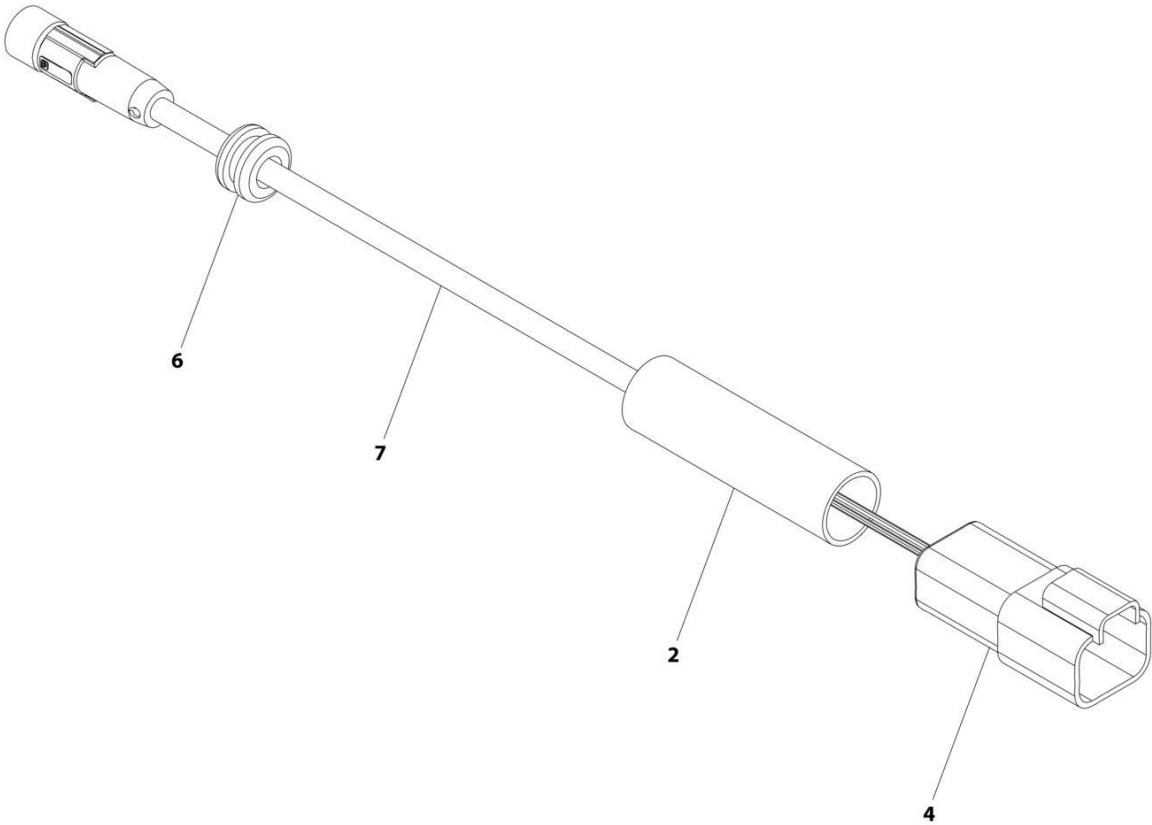
## SECTION 8 - ELECTRICAL

### FIGURE 8-38. SKYEYE EMITTER HARNESS

| ITEM | PART NUMBER | QTY | DESCRIPTION              | REV |
|------|-------------|-----|--------------------------|-----|
|      | 1001237864  | Ref | SKYEYE EMITTER HARNESS   | A   |
| 2    | 2820247     | AR  | Tubing, Heat Shrink      |     |
| 3    | 4460910     | 1   | Connector - 3 Position   |     |
| 3    | 1001119620  | 3   | Pin, Male                |     |
| 6    | 1001227996  | 1   | Grommet                  |     |
| 7    | 1001237862  | 1   | Cable, M8 Female Cordset |     |

**SECTION 8 - ELECTRICAL**

**FIGURE 8-39. SKYEYE RECEIVER HARNESS**



ART\_1001237863



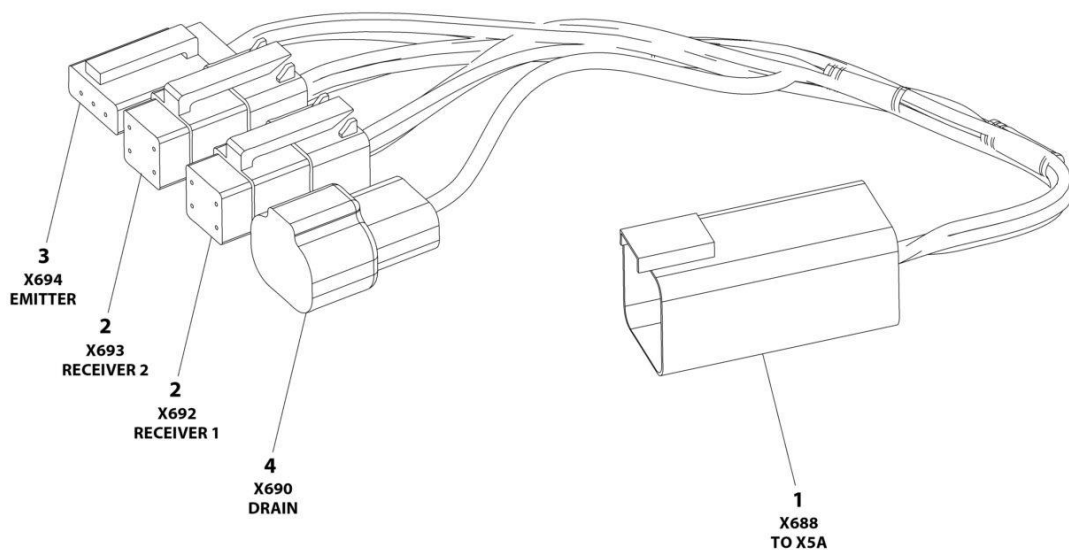
## SECTION 8 - ELECTRICAL

### FIGURE 8-39. SKYEYE RECEIVER HARNESS

| ITEM | PART NUMBER | QTY | DESCRIPTION              | REV |
|------|-------------|-----|--------------------------|-----|
|      | 1001237863  | Ref | SKYEYE RECEIVER HARNESS  | A   |
| 2    | 2820247     | AR  | Tubing, Heat Shrink      |     |
| 4    | 1001097051  | 1   | Connector - 4 Position   |     |
| 4    | 1001119620  | 4   | Pin, Male                |     |
| 6    | 1001227996  | 1   | Grommet                  |     |
| 7    | 1001237862  | 1   | Cable, M8 Female Cordset |     |

# SECTION 8 - ELECTRICAL

## FIGURE 8-40. SKYEYE INTERMEDIATE HARNESS



ART\_1001237865

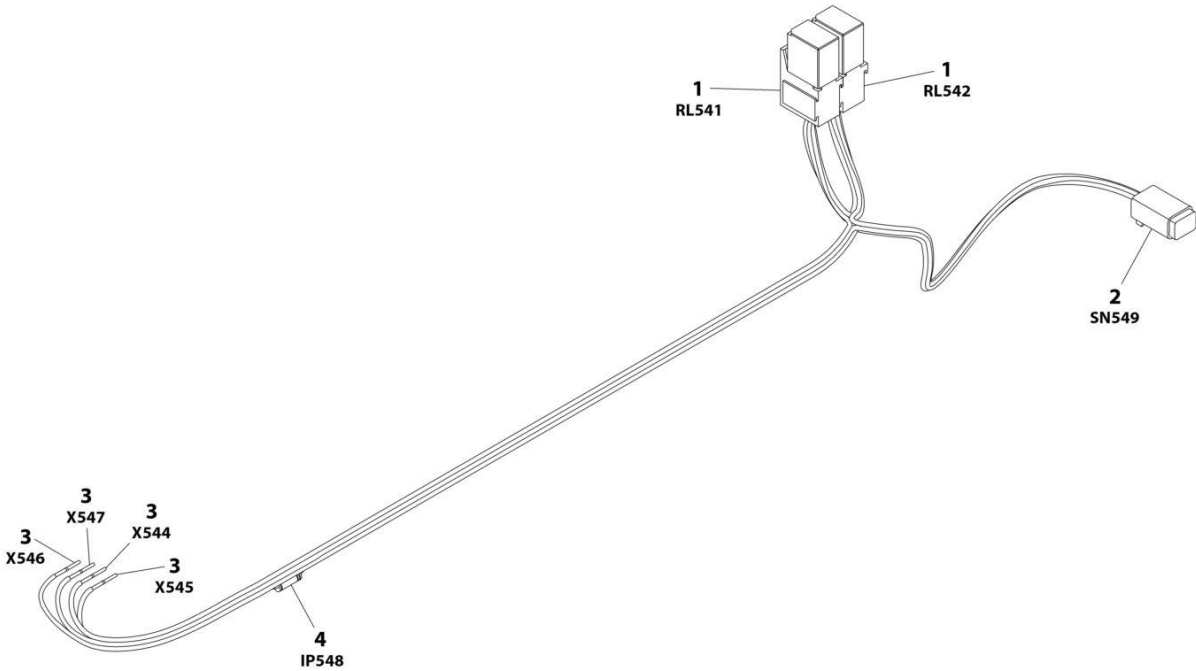
## SECTION 8 - ELECTRICAL

### FIGURE 8-40. SKYEYE INTERMEDIATE HARNESS

| ITEM | PART NUMBER | QTY | DESCRIPTION                 | REV |
|------|-------------|-----|-----------------------------|-----|
|      | 1001237865  | Ref | SKYEYE INTERMEDIATE HARNESS | A   |
| 1    | 4460899     | 1   | Connector - 6 Position      |     |
| 1    | 4460943     | 4   | Pin, Male                   |     |
| 1    | 4460466     | 2   | Plug, Terminal              |     |
| 2    | 4461077     | 2   | Connector - 4 Position      |     |
| 2    | 1001119619  | 8   | Socket, Female              |     |
| 3    | 4460911     | 1   | Connector - 3 Position      |     |
| 3    | 1001119619  | 3   | Socket, Female              |     |
| 4    | 1001187681  | 1   | Connector - 2 Position      |     |
| 4    | 4460941     | 1   | Pin, Male                   |     |
| 4    | 4460466     | 1   | Plug, Terminal              |     |

**SECTION 8 - ELECTRICAL**

**FIGURE 8-41. SKYGUARD SENSOR HARNESS**



ART\_1001199904

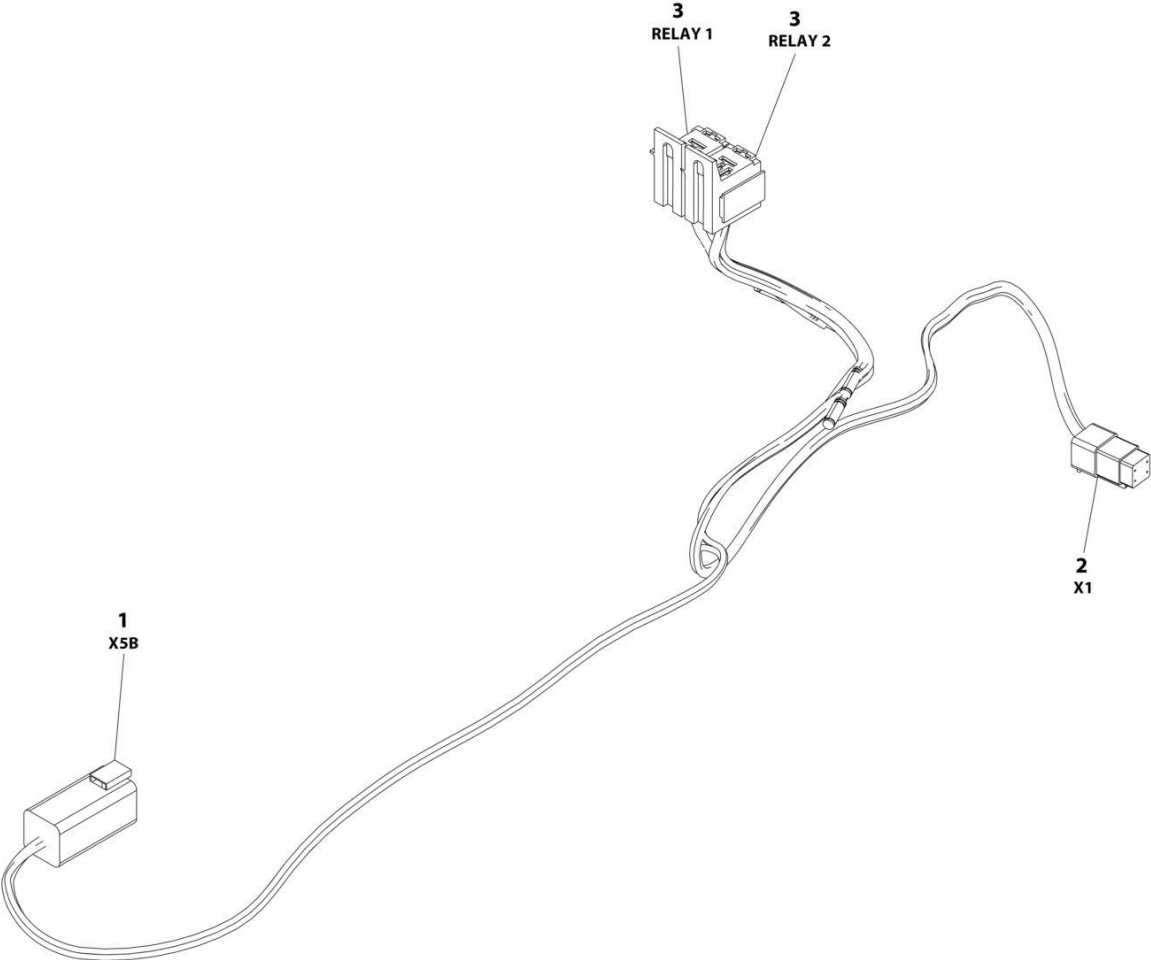
## SECTION 8 - ELECTRICAL

### FIGURE 8-41. SKYGUARD SENSOR HARNESS

| ITEM | PART NUMBER | QTY | DESCRIPTION                                   | REV |
|------|-------------|-----|---|-----|
|      | 1001199904  | Ref | SKYGUARD SENSOR HARNESS                       | B   |
| 1    | 1001186432  | 2   | Connector, Relay                              |     |
| 1    | 1001116720  | 5   | Terminal                                      |     |
| 1    | 1001118388  | 6   | Terminal                                      |     |
| 1    | 1001186431  | 2   | Relay   |     |
| 2    | 4460884     | 1   | Plug, Male - 4 Position                       |     |
| 2    | 4460465     | 4   | Socket, Female                                |     |
| 3    | 4460226     | 4   | Socket, Female                                |     |
| 3    | 4460465     | 5   | Socket, Female                                |     |
| 4    | See Note    | NSS | Resistor 18Ohm/25W (Note: Use p/n 1001199904) |     |

**SECTION 8 - ELECTRICAL**

**FIGURE 8-42. SKYLINE HARNESS**



ART\_1001238418

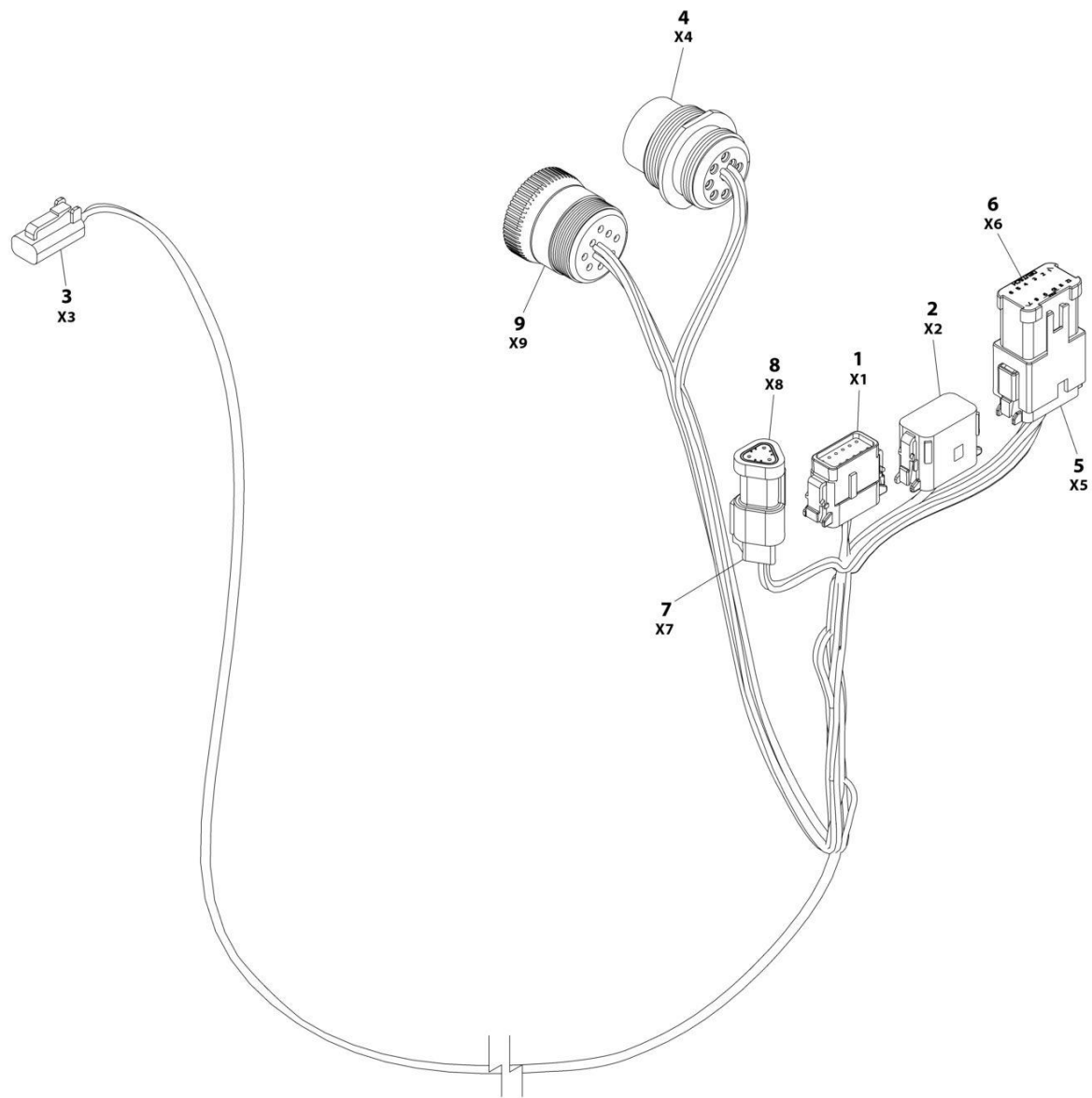
## SECTION 8 - ELECTRICAL

### FIGURE 8-42. SKYLINE HARNESS

| ITEM | PART NUMBER | QTY | DESCRIPTION            | REV |
|------|-------------|-----|------------------------|-----|
|      | 1001238418  | Ref | SKYLINE HARNESS        | B   |
| 1    | 4460899     | 1   | Connector - 6 Position |     |
| 1    | 4460464     | 4   | Pin, Male              |     |
| 1    | 4460466     | 2   | Plug, Terminal         |     |
| 2    | 4461077     | 1   | Connector - 4 Position |     |
| 2    | 1001126009  | 4   | Socket, Female         |     |
| 3    | 1001186432  | 2   | Plug, Relay            |     |
| 3    | 1001118388  | 5   | Terminal               |     |
| 3    | 1001118384  | 3   | Terminal               |     |
| 3    | 3740086     | 2   | Relay                  |     |

# SECTION 8 - ELECTRICAL

## FIGURE 8-43. STROBE LIGHT CONTROL HARNESS (BLUE LIGHT)



ART\_1001142736



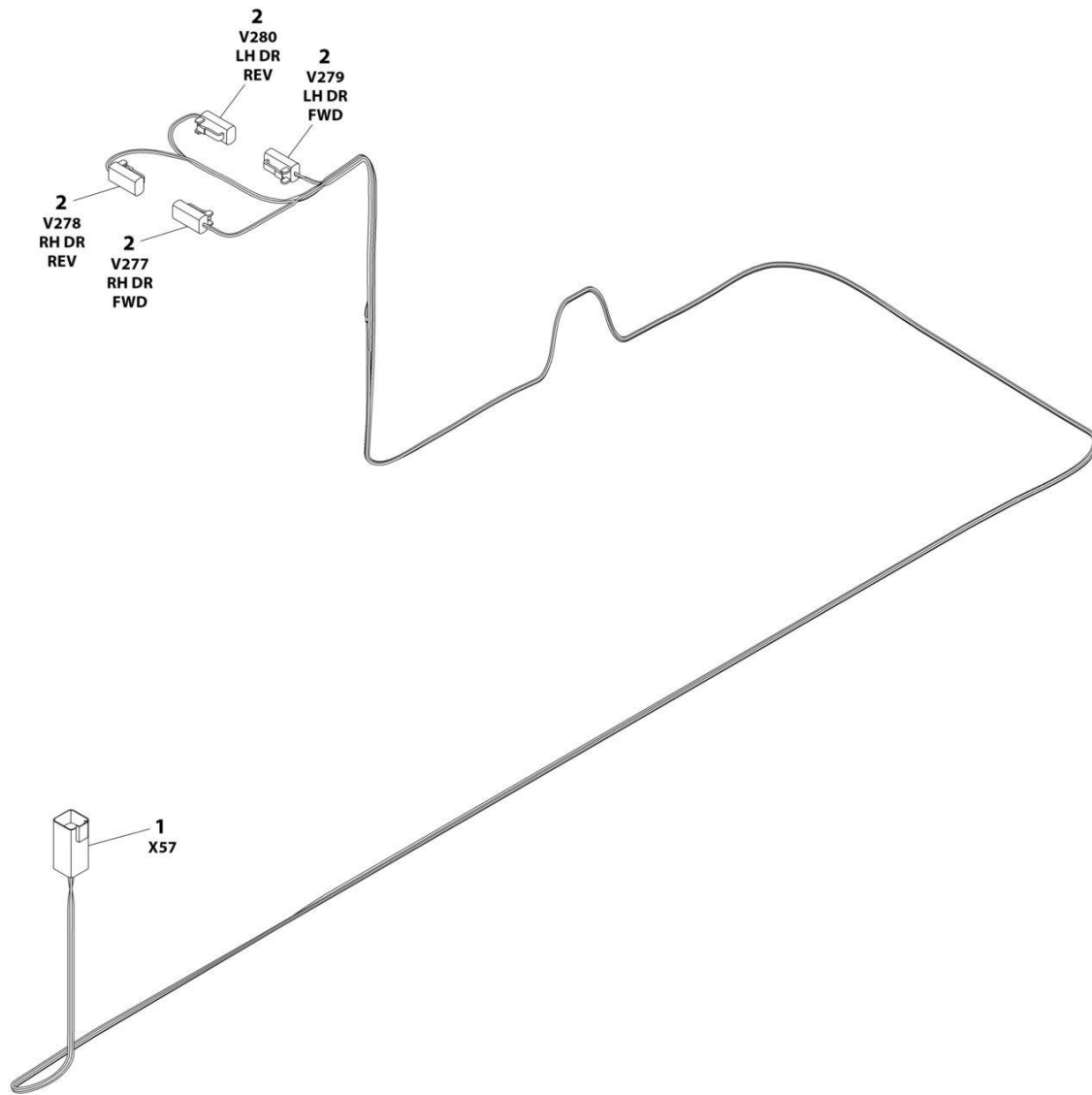
## SECTION 8 - ELECTRICAL

**FIGURE 8-43. STROBE LIGHT CONTROL HARNESS (BLUE LIGHT)**

| ITEM | PART NUMBER | QTY | DESCRIPTION              | REV |
|------|-------------|-----|--------------------------|-----|
|      | 1001142736  | Ref | STROBE LIGHT HARNESS     | F   |
| 1    | 1001116808  | 1   | Plug, Male - 12 Position |     |
| 1    | 4460928     | 3   | Socket, Female           |     |
| 1    | 4460518     | 9   | Plug, Terminal           |     |
| 2    | 1001116774  | 1   | Plug, Male - 12 Position |     |
| 2    | 4460928     | 3   | Socket, Female           |     |
| 2    | 4460518     | 9   | Plug, Terminal           |     |
| 3    | 4460891     | 1   | Plug, Male - 2 Position  |     |
| 3    | 4460465     | 2   | Socket, Female           |     |
| 4    | 1001112612  | 1   | Connector - 9 Position   |     |
| 4    | 4460464     | 6   | Pin, Male                |     |
| 4    | 4460466     | 3   | Plug, Terminal           |     |
| 5    | 4460933     | 1   | Plug, Male - 12 Position |     |
| 5    | 4460465     | 12  | Socket, Female           |     |
| 6    | 1001119020  | 1   | Bussbar - 12 Position    |     |
| 7    | 4461095     | 1   | Plug, Male - 3 Position  |     |
| 7    | 4460465     | 3   | Socket, Female           |     |
| 8    | 4461070     | 1   | Bussbar - 3 Position     |     |
| 9    | 1001112796  | 1   | Connector - 9 Position   |     |
| 9    | 4460465     | 6   | Socket, Female           |     |
| 9    | 4460466     | 3   | Plug, Terminal           |     |

# SECTION 8 - ELECTRICAL

## FIGURE 8-44. SWING DRIVE HARNESS



ART\_1001150480

## SECTION 8 - ELECTRICAL

### FIGURE 8-44. SWING DRIVE HARNESS

| ITEM | PART NUMBER | QTY | DESCRIPTION                     | REV |
|------|-------------|-----|---------------------------------|-----|
|      | 1001150480  | Ref | SWING DRIVE HARNESS             | E   |
| 1    | 4460899     | 1   | Receptacle, Female - 6 Position |     |
| 1    | 4460464     | 5   | Pin, Male                       |     |
| 1    | 4460466     | 1   | Plug, Terminal                  |     |
| 2    | 4460891     | 4   | Plug, Male - 2 Position         |     |
| 2    | 4460465     | 16  | Socket, Female                  |     |



## SECTION 8 - ELECTRICAL

### FIGURE 8-45. TURNTABLE HARNESS

| ITEM | PART NUMBER | QTY | DESCRIPTION                       | REV |
|------|-------------|-----|-----------------------------------|-----|
|      | 1001279504  | Ref | TURNTABLE HARNESS                 | A   |
| 1    | 4460874     | 1   | Connector - 35 Position (Natural) |     |
| 1    | 4460871     | 16  | Pin, Male                         |     |
| 1    | 4460905     | 19  | Plug, Terminal                    |     |
| 2    | 4460873     | 1   | Connector - 35 Position (Black)   |     |
| 2    | 4460871     | 22  | Pin, Male                         |     |
| 2    | 4460905     | 13  | Plug, Terminal                    |     |
| 3    | 4460878     | 1   | Plug, Male - 4 Position           |     |
| 3    | 4460887     | 4   | Terminal                          |     |
| 4    | 1001113961  | 1   | Plug, Male - 8 Position           |     |
| 4    | 4460905     | 3   | Plug, Terminal                    |     |
| 4    | 4460871     | 5   | Socket, Female                    |     |
| 5    | 4460872     | 1   | Connector - 14 Position           |     |
| 5    | 4460871     | 7   | Pin, Male                         |     |
| 5    | 4460905     | 7   | Plug, Terminal                    |     |
| 6    | 4460884     | 2   | Plug, Male - 4 Position           |     |
| 6    | 1001192401  | 1   | Cap, Dust                         |     |
| 6    | 4460942     | 2   | Socket, Female                    |     |
| 6    | 4460466     | 2   | Plug, Terminal                    |     |
| 6    | 4460465     | 4   | Socket, Female                    |     |
| 7    | 4460539     | 1   | Plug, Male - 3 Position           |     |
| 7    | 4460944     | 2   | Socket, Female                    |     |
| 7    | 4460466     | 1   | Plug, Terminal                    |     |
| 8    | 1001116812  | 1   | Plug, Male - 3 Position           |     |
| 8    | 4460944     | 2   | Socket, Female                    |     |
| 8    | 4460466     | 1   | Plug, Terminal                    |     |
| 9    | 4460930     | 1   | Plug, Male - 8 Position           |     |
| 9    | 4460465     | 8   | Socket, Female                    |     |
| 10   | 4460933     | 3   | Plug, Male - 12 Position          |     |
| 10   | 1001125677  | 2   | Bussbar - 12 Position             |     |
| 10   | 4460465     | 28  | Socket, Female                    |     |
| 10   | 4460466     | 8   | Plug, Terminal                    |     |
| 11   | 1001246859  | 1   | Connector - 14 Position           |     |
| 11   | 4460905     | 12  | Plug, Terminal                    |     |
| 11   | 4460871     | 2   | Pin, Male                         |     |
| 12   | 4460536     | 1   | Receptacle, Female - 3 Position   |     |
| 12   | 4460464     | 3   | Pin, Male                         |     |
| 13   | 4460932     | 1   | Receptacle, Female - 4 Position   |     |
| 13   | 4460464     | 4   | Pin, Male                         |     |
| 14   | 2400066     | 3   | Fuseholder with Cover             |     |
| 15   | 4460670     | 3   | Terminal, Ring                    |     |
| 16   | 2400060     | 3   | Fuseholder with Cover             |     |
| 17   | See Note    | NSS | Fuse 6A (Note: Purchase Locally)  |     |
| 18   | 1001103012  | 2   | Connector - 4 Position            |     |
| 18   | 1001107854  | 8   | Terminal, Socket                  |     |
| 18   | 1001104498  | 8   | Terminal, Seal                    |     |
| 19   | 4460866     | 1   | Connector - 19 Position           |     |
| 19   | 4460466     | 9   | Plug, Terminal                    |     |
| 19   | 4460464     | 8   | Pin, Male                         |     |
| 19   | 4460508     | 2   | Pin, Male                         |     |

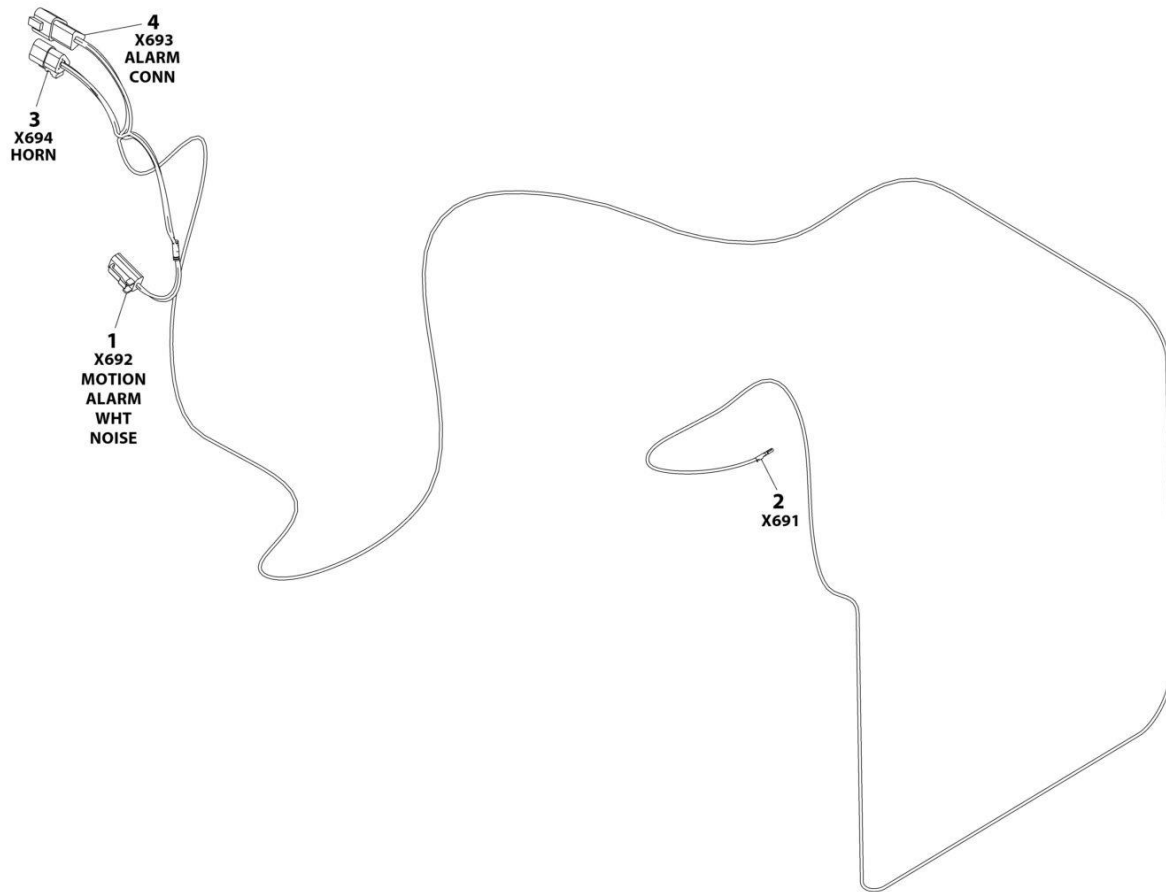
## SECTION 8 - ELECTRICAL

| ITEM | PART NUMBER | QTY | DESCRIPTION                     | REV |
|------|-------------|-----|---------------------------------|-----|
| 20   | 4460894     | 1   | Plug, Male - 6 Position         |     |
| 20   | 4460465     | 6   | Socket, Female                  |     |
| 21   | 4460899     | 2   | Receptacle, Female - 6 Position |     |
| 21   | 4460464     | 10  | Pin, Male                       |     |
| 21   | 4460466     | 2   | Plug, Terminal                  |     |
| 22   | 1001117025  | 2   | Relay Assembly                  |     |
| 22   | 1001116734  | 4   | Terminal                        |     |
| 22   | 1001116732  | 4   | Terminal                        |     |
| 22   | 1001128128  | 2   | Plug, Terminal                  |     |
| 23   | 4460836     | 3   | Plug, Male - 12 Position        |     |
| 23   | 4460837     | 2   | Bussbar - 12 Position           |     |
| 23   | 4460942     | 6   | Socket, Female                  |     |
| 23   | 4460466     | 15  | Plug, Terminal                  |     |
| 23   | 4460465     | 15  | Socket, Female                  |     |
| 24   | 4460931     | 2   | Receptacle, Female - 8 Position |     |
| 24   | 4460464     | 11  | Pin, Male                       |     |
| 24   | 4460466     | 5   | Plug, Terminal                  |     |
| 25   | 4460313     | 1   | Terminal, Ring                  |     |
| 26   | 4460702     | 1   | Terminal, Ring                  |     |
| 27   | 8220045     | 2   | Terminal, Ring                  |     |
| 28   | 4460897     | 1   | Receptacle, Female - 2 Position |     |
| 28   | 4460464     | 2   | Pin, Male                       |     |
| 29   | 4460019     | 1   | Terminal, Ring                  |     |
| 30   | 4460256     | 1   | Terminal, Ring                  |     |
| 31   | 4460945     | 1   | Plug, Female 3-Way              |     |



# SECTION 8 - ELECTRICAL

## FIGURE 8-46. WHITE NOISE ALARM HARNESS



ART\_1001243682



## SECTION 8 - ELECTRICAL

### FIGURE 8-46. WHITE NOISE ALARM HARNESS

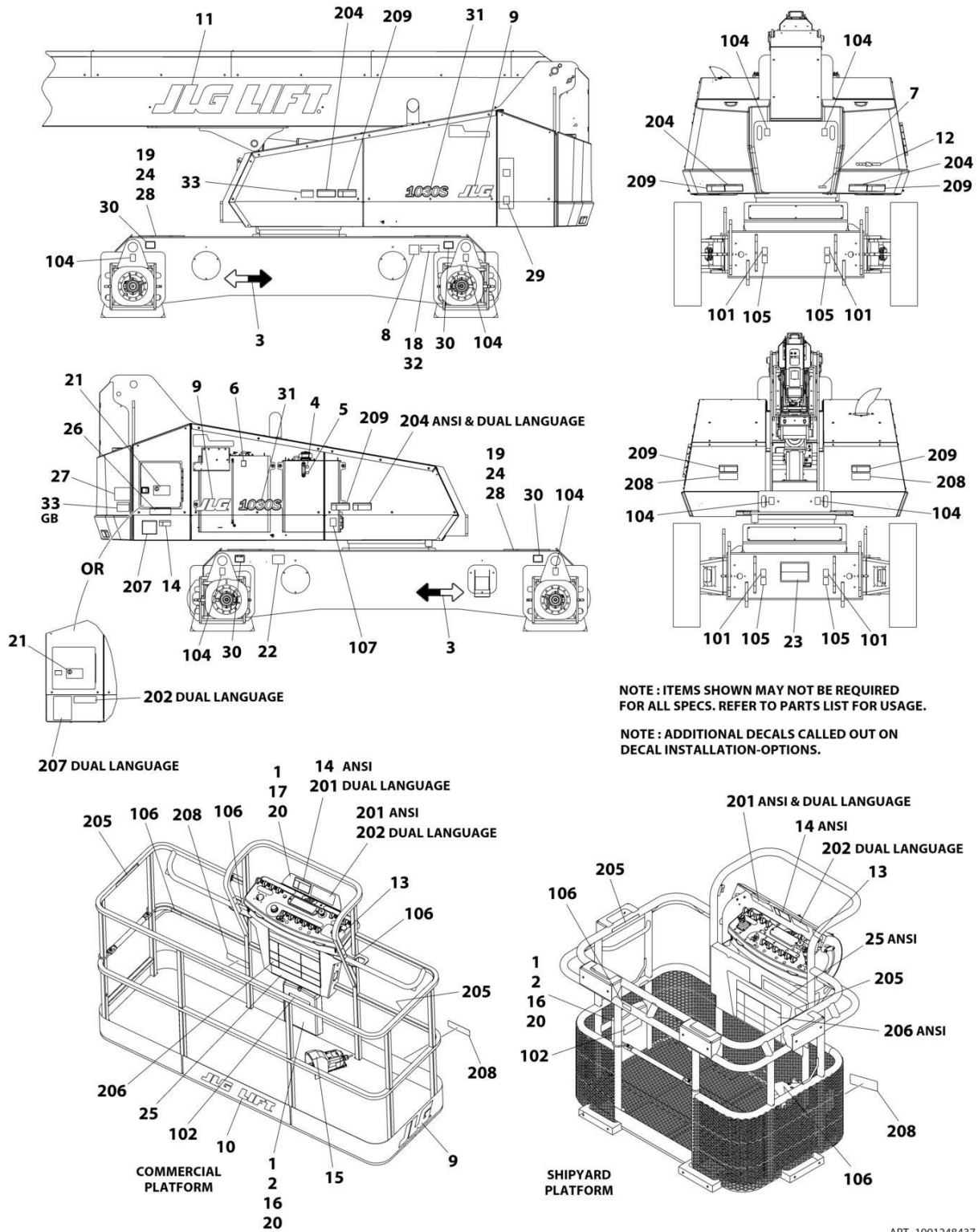
| ITEM | PART NUMBER | QTY | DESCRIPTION                    | REV |
|------|-------------|-----|--------------------------------|-----|
|      | 1001243682  | Ref | WHITE NOISE ALARM HARNESS      | A   |
| 1    | 4460891     | 1   | Plug, Male - 2 Position        |     |
| 1    | 4460465     | 2   | Socket, Female                 |     |
| 2    | 4460871     | 1   | Terminal                       |     |
| 3    | 4460539     | 1   | Plug, Male- 3 Position         |     |
| 3    | 4460465     | 3   | Socket, Female                 |     |
| 4    | 4460536     | 1   | Receptacle, Female- 3 Position |     |
| 4    | 4460464     | 3   | Pin, Male                      |     |



**SECTION 9 - DECALS**

# SECTION 9 - DECALS

## FIGURE 9-1. DECAL INSTALLATION - STANDARD PLATFORM (ENGLISH LANGUAGE)



ART\_1001248437

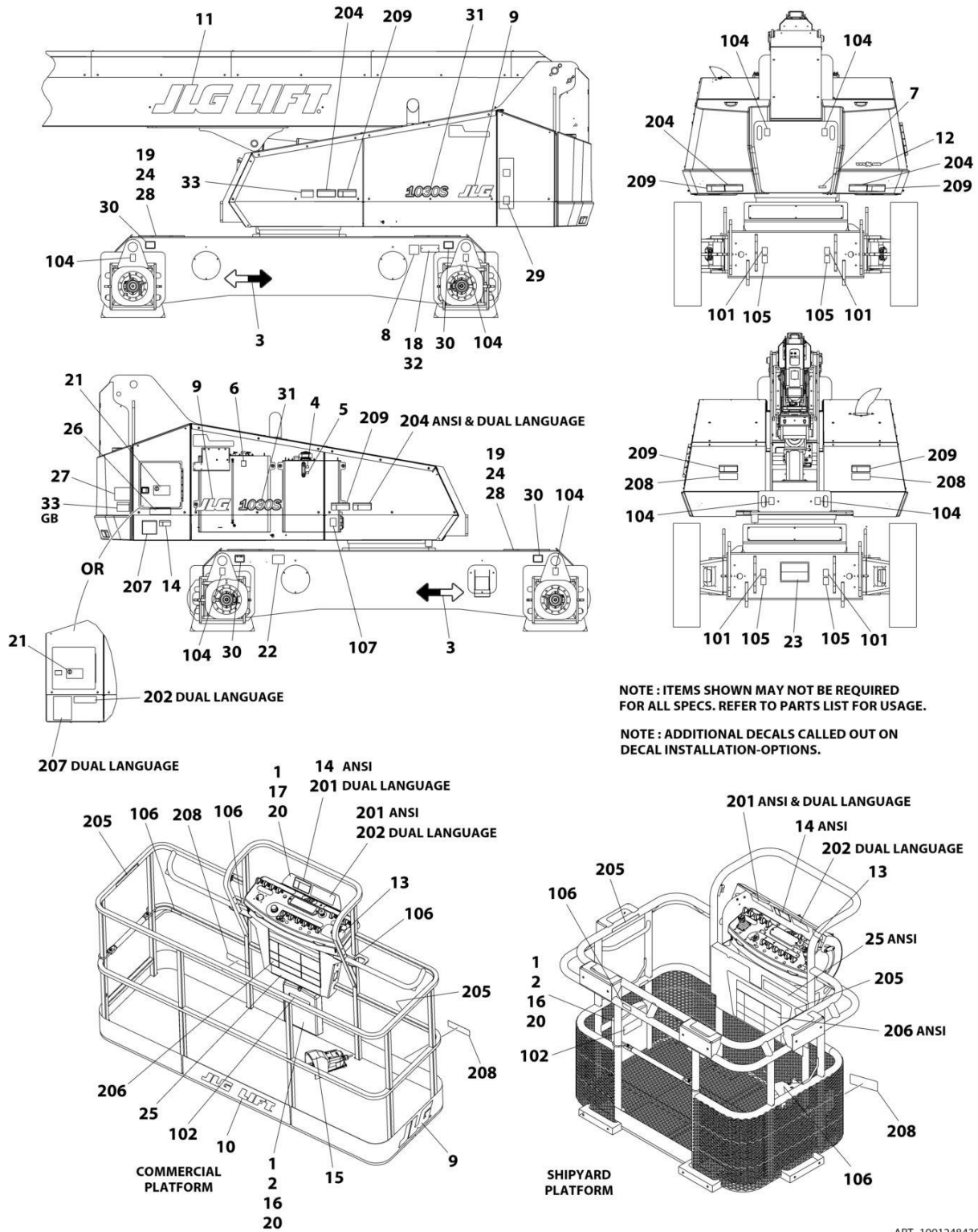
## SECTION 9 - DECALS

**FIGURE 9-1. DECAL INSTALLATION - STANDARD PLATFORM (ENGLISH LANGUAGE)**

| ITEM | PART NUMBER | QTY | DESCRIPTION   | REV |
|------|-------------|-----|---|-----|
|      | 1001248437  | Ref | DECAL INSTALLATION - STANDARD PLATFORM (ENGLISH LANGUAGE) | C   |
|      | 1001248558  | Ref | DECAL REFERENCE CHART                                     | C   |
| 1    | 0641406     | 7   | Bolt 1/4 x 3/4  |     |
| 2    | 0860520     | 1   | Box, Manual Storage                                       |     |
| 3    | 1701501     | 4   | Decal - Arrow   |     |
| 4    | 1701502     | 1   | Decal - Hydraulic Oil Level (High)                        |     |
| 5    | 1701503     | 1   | Decal - Hydraulic Oil Level (Low)                         |     |
| 6    | 1701505     | 2   | Decal - Fuel  |     |
| 7    | 1702590     | 1   | Decal - 220V/50Hz   |     |
| 8    | See Note    | NSS | Decal - Bar Code (Note: Not Available for Purchase)       |     |
| 9    | 1702773     | 3   | Decal - JLG 5in   |     |
| 10   | 1702774     | 1   | Decal - JLG Lift 3 1/2in                                  |     |
| 11   | 1702862     | 2   | Decal - JLG Lift 12in                                     |     |
| 12   | 1704885     | 1   | Decal - www.jlg.com                                       |     |
| 13   | 1705351     | 1   | Decal - Drive/Steer Instructions                          |     |
| 14   | 1705492     | 2   | Decal - Tip-Over Hazard                                   |     |
| 15   | 3252347     | 1   | Decal - Footswitch  |     |
| 16   | 3311405     | 4   | Nut 1/4   |     |
| 17   | 3380474     | 1   | Plate - Decal   |     |
| 18   | 3820001     | 2   | Rivet   |     |
| 20   | 4751400     | 7   | Washer 1/4  |     |
| 21   | 1001117307  | 1   | Decal - Emergency Stop                                    |     |
| 22   | 1001131269  | 1   | Decal - Patent  |     |
| 23   | 1001150079  | 1   | Decal - Lift Diagram                                      |     |
| 25   | 1001254240  | 1   | Decal - Warning Dual Cap                                  |     |
| 26   | 1001254241  | 1   | Decal - Warning Dual Cap                                  |     |
| 27   | 1001203790  | 1   | Decal - Daily Check List                                  |     |
| 100  | 1001248539  | 1   | Decal - Kit Master  |     |
| 101  | 1701499     | 4   | Decal - No Lift   |     |
| 102  | 1701509     | 1   | Decal - Manual  |     |
| 103  | 1701529     | 2   | Decal - Arrow   |     |
| 104  | 1703811     | 8   | Decal - Lift  |     |
| 105  | 1703814     | 6   | Decal - Tie Down  |     |
| 106  | 1704277     | 4   | Decal - Lanyard Attach                                    |     |
| 107  | 1704412     | 1   | Decal - Hydraulic Oil Chart                               |     |
| 200  | 1001248542  | 1   | Decal - Kit English                                       |     |
| 201  | 1705337     | 1   | Decal - Tip-Over  |     |
| 204  | 1703953     | 7   | Decal - Warning Crushing                                  |     |
| 205  | 1702868     | 2   | Decal - No Hands  |     |
| 206  | 1703797     | 1   | Decal - Warning/Danger                                    |     |
| 207  | 1705336     | 1   | Decal - Warning Inspection                                |     |
| 208  | 1703804     | 5   | Decal - Warning Crushing                                  |     |
| 209  | 1703805     | 6   | Decal - Electrocutation                                   |     |

# SECTION 9 - DECALS

## FIGURE 9-2. DECAL INSTALLATION - SHIPYARD PLATFORM (ENGLISH LANGUAGE)



ART\_1001248439

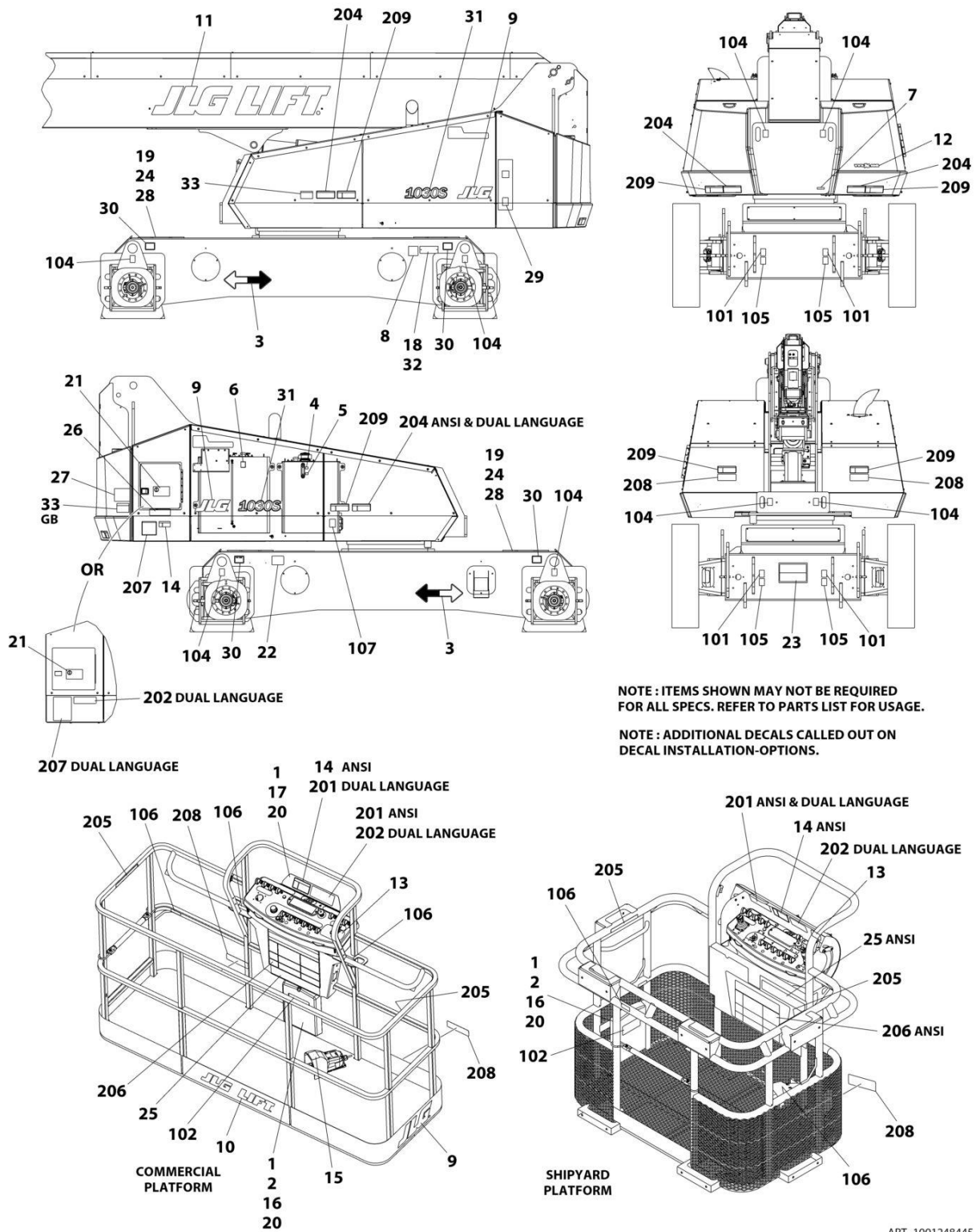
## SECTION 9 - DECALS

**FIGURE 9-2. DECAL INSTALLATION - SHIPYARD PLATFORM (ENGLISH LANGUAGE)**

| ITEM | PART NUMBER | QTY | DESCRIPTION   | REV |
|------|-------------|-----|---|-----|
|      | 1001248439  | Ref | DECAL INSTALLATION - SHIPYARD PLATFORM (ENGLISH LANGUAGE) | C   |
|      | 1001248558  | Ref | DECAL REFERENCE CHART                                     | C   |
| 1    | 0641406     | 4   | Bolt 1/4 x 3/4  |     |
| 2    | 0860520     | 1   | Box, Manual Storage                                       |     |
| 3    | 1701501     | 4   | Decal - Arrow   |     |
| 4    | 1701502     | 1   | Decal - Hydraulic Oil Level (High)                        |     |
| 5    | 1701503     | 1   | Decal - Hydraulic Oil Level (Low)                         |     |
| 6    | 1701505     | 2   | Decal - Fuel  |     |
| 7    | 1702590     | 1   | Decal - 220V/50Hz   |     |
| 8    | See Note    | NSS | Decal - Bar Code (Note: Not Available for Purchase)       |     |
| 9    | 1702773     | 3   | Decal - JLG 5in   |     |
| 11   | 1702862     | 2   | Decal - JLG Lift 12in                                     |     |
| 12   | 1704885     | 1   | Decal - www.jlg.com                                       |     |
| 13   | 1001203789  | 1   | Decal - Drive/Steer Instruction                           |     |
| 14   | 1705492     | 2   | Decal - Tip-Over Hazard                                   |     |
| 15   | 3252347     | 1   | Decal - Footswitch  |     |
| 16   | 3311405     | 4   | Nut 1/4   |     |
| 18   | 3820001     | 2   | Rivet   |     |
| 20   | 4751400     | 4   | Washer 1/4  |     |
| 21   | 1001117307  | 1   | Decal - Emergency Stop                                    |     |
| 22   | 1001131269  | 1   | Decal - Patent  |     |
| 23   | 1001150079  | 1   | Decal - Lift Diagram                                      |     |
| 25   | 1001254240  | 1   | Decal - Warning Dual Cap                                  |     |
| 26   | 1001254241  | 1   | Decal - Warning Dual Cap                                  |     |
| 27   | 1001203790  | 1   | Decal - Daily Check List                                  |     |
| 100  | 1001248539  | 1   | Decal - Kit Master  |     |
| 101  | 1701499     | 4   | Decal - No Lift   |     |
| 102  | 1701509     | 1   | Decal - Manual  |     |
| 103  | 1701529     | 2   | Decal - Arrow   |     |
| 104  | 1703811     | 8   | Decal - Lift  |     |
| 105  | 1703814     | 6   | Decal - Tie Down  |     |
| 106  | 1704277     | 4   | Decal - Lanyard Attach                                    |     |
| 107  | 1704412     | 1   | Decal - Hydraulic Oil Chart                               |     |
| 200  | 1001248542  | 1   | Decal - Kit English                                       |     |
| 201  | 1705337     | 1   | Decal - Tip-Over  |     |
| 204  | 1703953     | 1   | Decal - Warning Crushing                                  |     |
| 205  | 1702868     | 2   | Decal - No Hands  |     |
| 206  | 1703797     | 1   | Decal - Warning/Danger                                    |     |
| 207  | 1705336     | 1   | Decal - Warning Inspection                                |     |
| 208  | 1703804     | 4   | Decal - Warning Crushing                                  |     |
| 209  | 1703805     | 5   | Decal - Electrocution                                     |     |

# SECTION 9 - DECALS

## FIGURE 9-3. DECAL INSTALLATION - STANDARD PLATFORM (ENGLISH/CHINESE LANGUAGE)



ART\_1001248445



## SECTION 9 - DECALS

**FIGURE 9-3. DECAL INSTALLATION - STANDARD PLATFORM (ENGLISH/CHINESE LANGUAGE)**

| ITEM | PART NUMBER | QTY | DESCRIPTION  | REV |
|------|-------------|-----|--|-----|
|      | 1001248445  | Ref | DECAL INSTALLATION - STANDARD PLATFORM<br>(ENGLISH/CHINESE LANGUAGE) | C   |
|      | 1001248558  | Ref | DECAL REFERENCE CHART  | C   |
| 1    | 0641406     | 4   | Bolt 1/4 x 3/4   |     |
| 2    | 0860520     | 1   | Box, Manual Storage  |     |
| 3    | 1701501     | 4   | Decal - Arrow  |     |
| 4    | 1701502     | 1   | Decal - Hydraulic Oil Level (High)                                   |     |
| 5    | 1701503     | 1   | Decal - Hydraulic Oil Level (Low)                                    |     |
| 6    | 1701505     | 2   | Decal - Fuel   |     |
| 7    | 1702590     | 1   | Decal - 220V/50Hz  |     |
| 8    | See Note    | 1   | Decal - Bar Code (Note: Not Available for Purchase)                  |     |
| 9    | 1702773     | 3   | Decal - JLG 5in  |     |
| 10   | 1702774     | 1   | Decal - JLG Lift 3 1/2in   |     |
| 11   | 1702862     | 2   | Decal - JLG Lift 12in  |     |
| 12   | 1704885     | 1   | Decal - www.jlg.com  |     |
| 13   | 1705430     | 1   | Decal - Drive/Steer Instructions                                     |     |
| 16   | 3311405     | 4   | Nut 1/4  |     |
| 18   | 3820001     | 2   | Rivet  |     |
| 20   | 4751400     | 4   | Washer 1/4   |     |
| 21   | 1001117307  | 1   | Decal - Emergency Stop   |     |
| 23   | 1001150079  | 1   | Decal - Lift Diagram   |     |
| 24   | 1001153281  | 2   | Plate, Arrow   |     |
| 25   | 1001254244  | 1   | Decal - Warning Dual Cap   |     |
| 26   | 1001254247  | 1   | Decal - Warning Dual Cap   |     |
| 27   | 1001206772  | 1   | Decal - Daily Check List   |     |
| 33   | 1001244298  | 2   | Decal - Wechat QR Code   |     |
| 100  | 1001248539  | 1   | Decal - Kit Master   |     |
| 101  | 1701499     | 4   | Decal - No Lift  |     |
| 102  | 1701509     | 1   | Decal - Manual   |     |
| 103  | 1701529     | 2   | Decal - Arrow  |     |
| 104  | 1703811     | 8   | Decal - Lift   |     |
| 105  | 1703814     | 6   | Decal - Tie Down   |     |
| 106  | 1704277     | 4   | Decal - Lanyard Attach   |     |
| 107  | 1704412     | 1   | Decal - Hydraulic Oil Chart  |     |
| 200  | 1001248544  | 1   | Decal - Kit  |     |
| 201  | 1001117034  | 1   | Decal - Tip-Over   |     |
| 202  | 1001117035  | 2   | Decal - Warning Tip-Over   |     |
| 204  | 1703943     | 7   | Decal - Warning Crushing   |     |
| 205  | 1001116846  | 2   | Decal - Caution No Hands   |     |
| 206  | 1703925     | 1   | Decal - Warning/Danger   |     |
| 207  | 1001116849  | 2   | Decal - Warning Inspection   |     |
| 208  | 1703949     | 4   | Decal - Warning Crushing   |     |
| 209  | 1001116851  | 6   | Decal - Electrocutation  |     |
| 210  | 1703982     | 1   | Decal - Footswitch   |     |



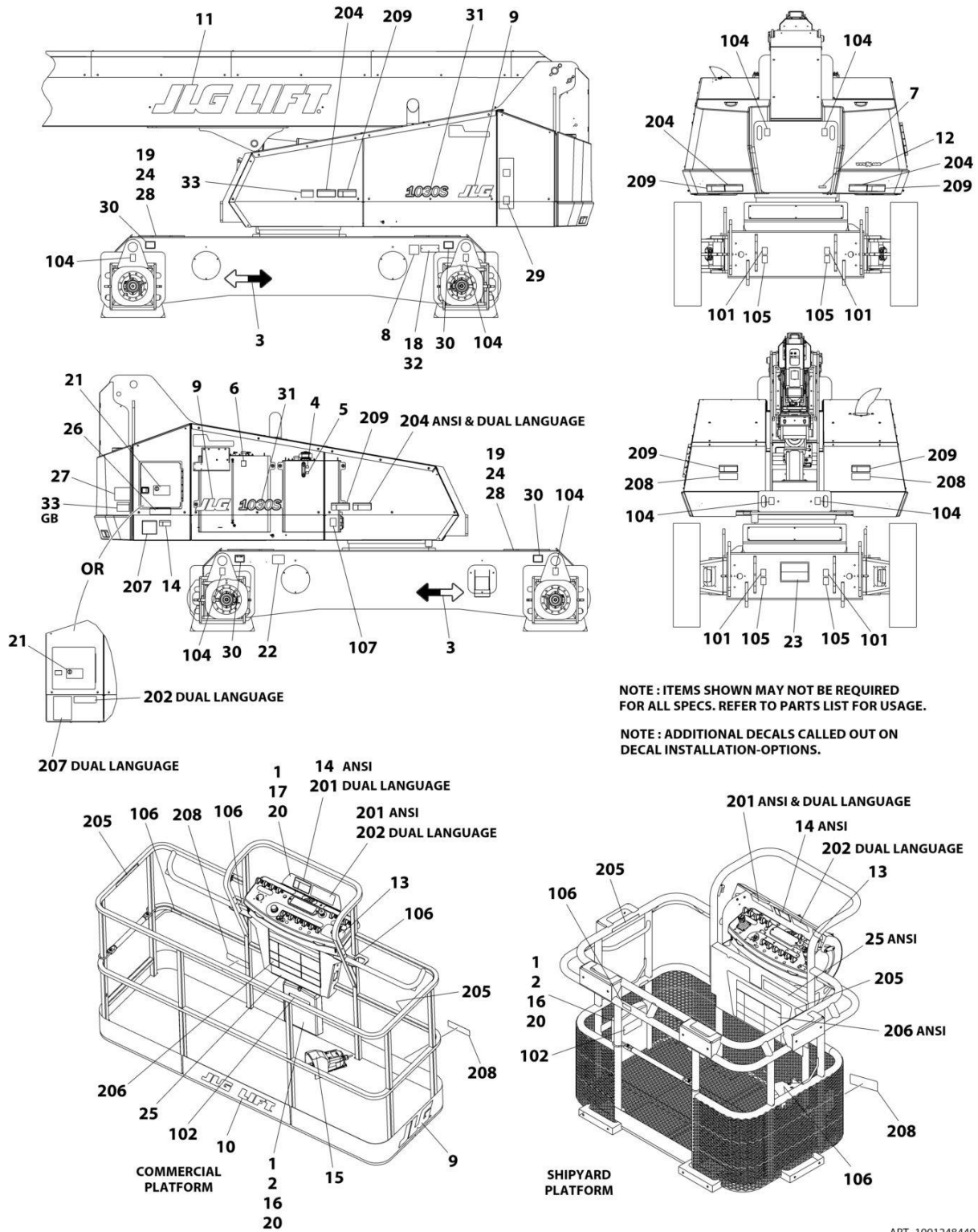
## SECTION 9 - DECALS

**FIGURE 9-4. DECAL INSTALLATION - SHIPYARD PLATFORM (ENGLISH/CHINESE LANGUAGE)**

| ITEM | PART NUMBER | QTY | DESCRIPTION  | REV |
|------|-------------|-----|--|-----|
|      | 1001248447  | Ref | DECAL INSTALLATION - SHIPYARD PLATFORM<br>(ENGLISH/CHINESE LANGUAGE) | C   |
|      | 1001248558  | Ref | DECAL REFERENCE CHART  | C   |
| 1    | 0641406     | 4   | Bolt 1/4 x 3/4   |     |
| 2    | 0860520     | 1   | Box, Manual Storage  |     |
| 3    | 1701501     | 4   | Decal - Arrow  |     |
| 4    | 1701502     | 1   | Decal - Hydraulic Oil Level (High)                                   |     |
| 5    | 1701503     | 1   | Decal - Hydraulic Oil Level (Low)                                    |     |
| 6    | 1701505     | 2   | Decal - Fuel   |     |
| 7    | 1702590     | 1   | Decal - 220V/50Hz  |     |
| 8    | See Note    | NSS | Decal - Bar Code (Note: Not Available for Purchase)                  |     |
| 9    | 1702773     | 3   | Decal - JLG 5in  |     |
| 11   | 1702862     | 2   | Decal - JLG Lift 12in  |     |
| 12   | 1704885     | 1   | Decal - www.jlg.com  |     |
| 13   | 1001203930  | 1   | Decal - Drive/Steer Instructions                                     |     |
| 16   | 3311405     | 4   | Nut 1/4  |     |
| 18   | 3820001     | 2   | Rivet  |     |
| 20   | 4751400     | 4   | Washer 1/4   |     |
| 21   | 1001117307  | 1   | Decal - Emergency Stop   |     |
| 23   | 1001150079  | 1   | Decal - Lift Diagram   |     |
| 25   | 1001254244  | 1   | Decal - Warning Dual Cap   |     |
| 26   | 1001254247  | 1   | Decal - Warning Dual Cap   |     |
| 27   | 1001206772  | 1   | Decal - Daily Check List   |     |
| 33   | 1001244298  | 2   | Decal - Wechat QR Code   |     |
| 200  | 1001248539  | 1   | Decal - Kit Master   |     |
| 101  | 1701499     | 4   | Decal - No Lift  |     |
| 102  | 1701509     | 1   | Decal - Manual   |     |
| 103  | 1701529     | 2   | Decal - Arrow  |     |
| 104  | 1703811     | 8   | Decal - Lift   |     |
| 105  | 1703814     | 6   | Decal - Tie Down   |     |
| 106  | 1704277     | 4   | Decal - Lanyard Attach   |     |
| 107  | 1704412     | 1   | Decal - Hydraulic Oil Chart  |     |
| 200  | 1001248544  | 1   | Decal - Kit  |     |
| 201  | 1001117034  | 1   | Decal - Tip-Over   |     |
| 202  | 1001117035  | 2   | Decal - Warning Tip-Over   |     |
| 204  | 1703943     | 7   | Decal - Warning Crushing   |     |
| 205  | 1001116846  | 2   | Decal - Caution No Hands   |     |
| 206  | 1703925     | 1   | Decal - Warning/Danger   |     |
| 207  | 1001116849  | 2   | Decal - Warning Inspection   |     |
| 208  | 1703949     | 4   | Decal - Warning Crushing   |     |
| 209  | 1001116851  | 6   | Decal - Electrocution  |     |
| 210  | 1703982     | 1   | Decal - Footswitch   |     |

# SECTION 9 - DECALS

FIGURE 9-5. DECAL INSTALLATION - STANDARD PLATFORM (ENGLISH/JAPANESE LANGUAGE)



ART\_1001248449

## SECTION 9 - DECALS

**FIGURE 9-5. DECAL INSTALLATION - STANDARD PLATFORM (ENGLISH/JAPANESE LANGUAGE)**

| ITEM | PART NUMBER | QTY | DESCRIPTION   | REV |
|------|-------------|-----|---|-----|
|      | 1001248449  | Ref | DECAL INSTALLATION - STANDARD PLATFORM<br>(ENGLISH/JAPANESE LANGUAGE) | C   |
|      | 1001248558  | Ref | DECAL REFERENCE CHART   | C   |
| 1    | 0641406     | 4   | Bolt 1/4 x 3/4  |     |
| 2    | 0860520     | 1   | Box, Manual Storage   |     |
| 3    | 1701501     | 4   | Decal - Arrow   |     |
| 4    | 1701502     | 1   | Decal - Hydraulic Oil Level (High)                                    |     |
| 5    | 1701503     | 1   | Decal - Hydraulic Oil Level (Low)                                     |     |
| 6    | 1701505     | 2   | Decal - Fuel  |     |
| 7    | 1702590     | 1   | Decal - 220V/50Hz   |     |
| 8    | See Note    | NSS | Decal - Bar Code (Note: Not Available for Purchase)                   |     |
| 9    | 1702773     | 3   | Decal - JLG 5in   |     |
| 10   | 1702774     | 1   | Decal - JLG 3-1/2in   |     |
| 11   | 1702862     | 2   | Decal - JLG Lift 12in   |     |
| 12   | 1704885     | 1   | Decal - www.jlg.com   |     |
| 13   | 1705426     | 1   | Decal - Drive/Steer Instructions                                      |     |
| 16   | 3311405     | 4   | Nut 1/4   |     |
| 18   | 3820001     | 2   | Rivet   |     |
| 20   | 4751400     | 4   | Washer 1/4  |     |
| 21   | 1001117307  | 1   | Decal - Emergency Stop  |     |
| 23   | 1001150079  | 1   | Decal - Lift Diagram  |     |
| 25   | 1001254263  | 1   | Decal - Warning Dual Cap  |     |
| 26   | 1001254264  | 1   | Decal - Warning Dual Cap  |     |
| 27   | 1001206773  | 1   | Decal - Daily Check List  |     |
| 100  | 1001248539  | 1   | Decal - Kit Master  |     |
| 101  | 1701499     | 4   | Decal - No Lift   |     |
| 102  | 1701509     | 1   | Decal - Manual  |     |
| 103  | 1701529     | 2   | Decal - Arrow   |     |
| 104  | 1703811     | 8   | Decal - Lift  |     |
| 105  | 1703814     | 6   | Decal - Tie Down  |     |
| 106  | 1704277     | 4   | Decal - Lanyard Attach  |     |
| 107  | 1704412     | 1   | Decal - Hydraulic Oil Chart   |     |
| 200  | 1001248543  | 1   | Decal, Kit  |     |
| 201  | 1705338     | 1   | Decal - Tip-Over  |     |
| 202  | 1705493     | 2   | Decal - Warning Tip-Over  |     |
| 203  | 1703944     | 7   | Decal - Warning Crushing  |     |
| 206  | 1703926     | 1   | Decal - Warning/Danger  |     |
| 207  | 1705344     | 1   | Decal - Warning Inspection  |     |
| 208  | 1703950     | 5   | Decal - Warning Crushing  |     |
| 209  | 1703938     | 6   | Decal - Electrocution   |     |
| 210  | 1703980     | 1   | Decal - Footswitch  |     |



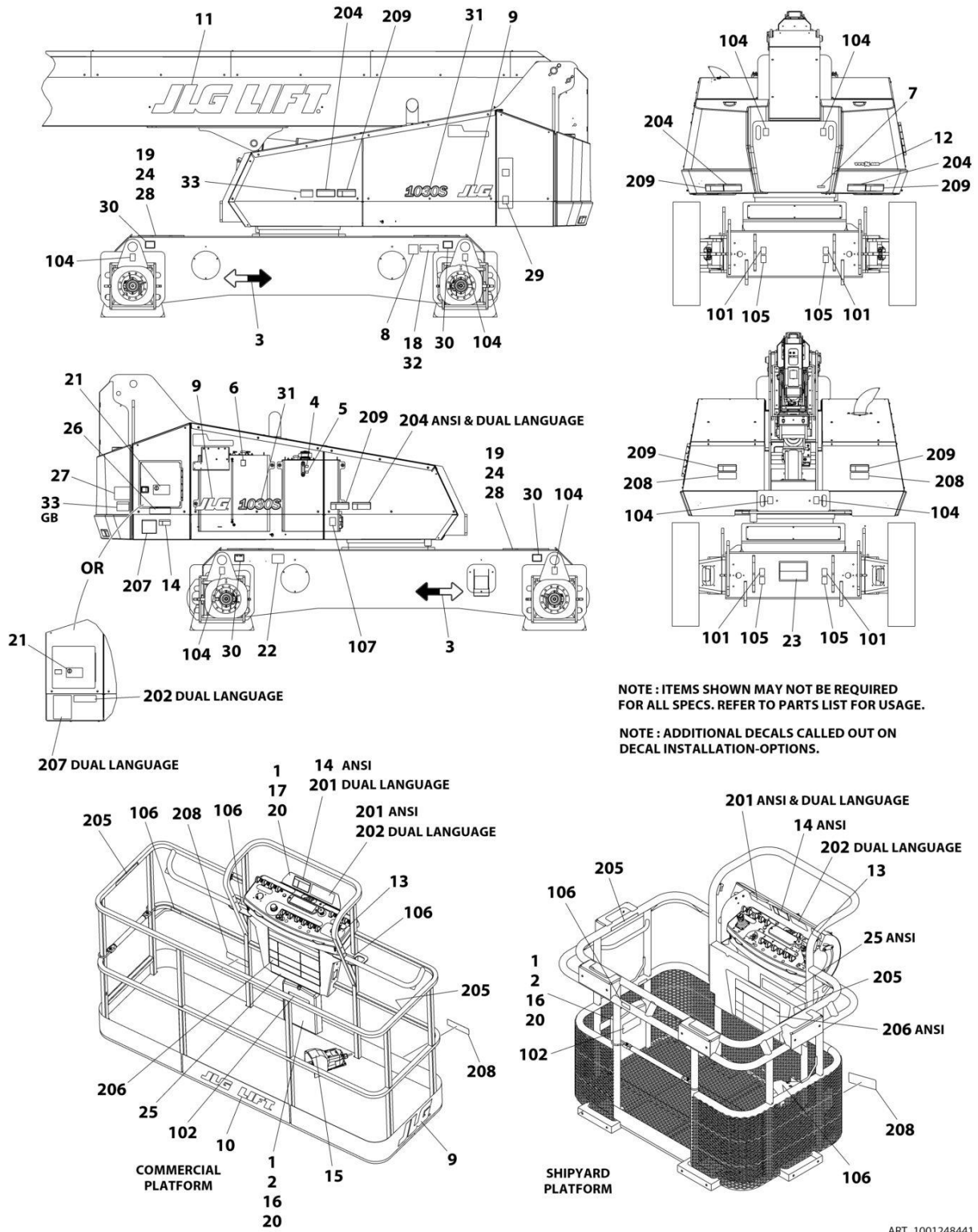
## SECTION 9 - DECALS

**FIGURE 9-6. DECAL INSTALLATION - SHIPYARD PLATFORM (ENGLISH/JAPANESE LANGUAGE)**

| ITEM | PART NUMBER | QTY | DESCRIPTION   | REV |
|------|-------------|-----|---|-----|
|      | 1001248451  | Ref | DECAL INSTALLATION - SHIPYARD PLATFORM<br>(ENGLISH/JAPANESE LANGUAGE) | C   |
|      | 1001248558  | Ref | DECAL REFERENCE CHART   | C   |
| 1    | 0641406     | 4   | Bolt 1/4 x 3/4  |     |
| 2    | 0860520     | 1   | Box, Manual Storage   |     |
| 3    | 1701501     | 4   | Decal - Arrow   |     |
| 4    | 1701502     | 1   | Decal - Hydraulic Oil Level (High)                                    |     |
| 5    | 1701503     | 1   | Decal - Hydraulic Oil Level (Low)                                     |     |
| 6    | 1701505     | 2   | Decal - Fuel  |     |
| 7    | 1702590     | 1   | Decal - 220V/50Hz   |     |
| 8    | See Note    | NSS | Decal - Bar Code (Note: Not Available for Purchase)                   |     |
| 9    | 1702773     | 2   | Decal - JLG 5in   |     |
| 11   | 1702862     | 2   | Decal - JLG Lift 12in   |     |
| 12   | 1704885     | 1   | Decal - www.jlg.com   |     |
| 13   | 1001203931  | 1   | Decal - Drive/Steer Instructions                                      |     |
| 16   | 3311405     | 4   | Nut 1/4   |     |
| 18   | 3820001     | 2   | Rivet   |     |
| 20   | 4751400     | 4   | Washer 1/4  |     |
| 21   | 1001117307  | 1   | Decal - Emergency Stop  |     |
| 23   | 1001150079  | 1   | Decal - Lift Diagram  |     |
| 25   | 1001254263  | 1   | Decal - Warning Dual Cap  |     |
| 26   | 1001254264  | 1   | Decal - Warning Dual Cap  |     |
| 27   | 1001206773  | 1   | Decal - Daily Check List  |     |
| 100  | 1001248539  | 1   | Decal - Kit Master  |     |
| 101  | 1701499     | 4   | Decal - No Lift   |     |
| 102  | 1701509     | 1   | Decal - Manual  |     |
| 103  | 1701529     | 2   | Decal - Arrow   |     |
| 104  | 1703811     | 8   | Decal - Lift  |     |
| 105  | 1703814     | 6   | Decal - Tie Down  |     |
| 106  | 1704277     | 4   | Decal - Lanyard Attach  |     |
| 107  | 1704412     | 1   | Decal - Hydraulic Oil Chart   |     |
| 201  | 1705338     | 1   | Decal - Tip-Over  |     |
| 202  | 1705493     | 2   | Decal - Warning Tip-Over  |     |
| 204  | 1703944     | 7   | Decal - Warning Crushing  |     |
| 206  | 1703926     | 1   | Decal - Warning/Danger  |     |
| 207  | 1705344     | 2   | Decal - Warning Inspection  |     |
| 208  | 1703950     | 5   | Decal - Warning Crushing  |     |
| 209  | 1703938     | 6   | Decal - Electrocutation   |     |
| 210  | 1703980     | 1   | Decal - Footswitch  |     |

# SECTION 9 - DECALS

FIGURE 9-7. DECAL INSTALLATION - KOREAN SPECS (ENGLISH/KOREAN LANGUAGES)



NOTE : ITEMS SHOWN MAY NOT BE REQUIRED FOR ALL SPECS. REFER TO PARTS LIST FOR USAGE.

NOTE : ADDITIONAL DECALS CALLED OUT ON DECAL INSTALLATION-OPTIONS.

ART\_1001248441



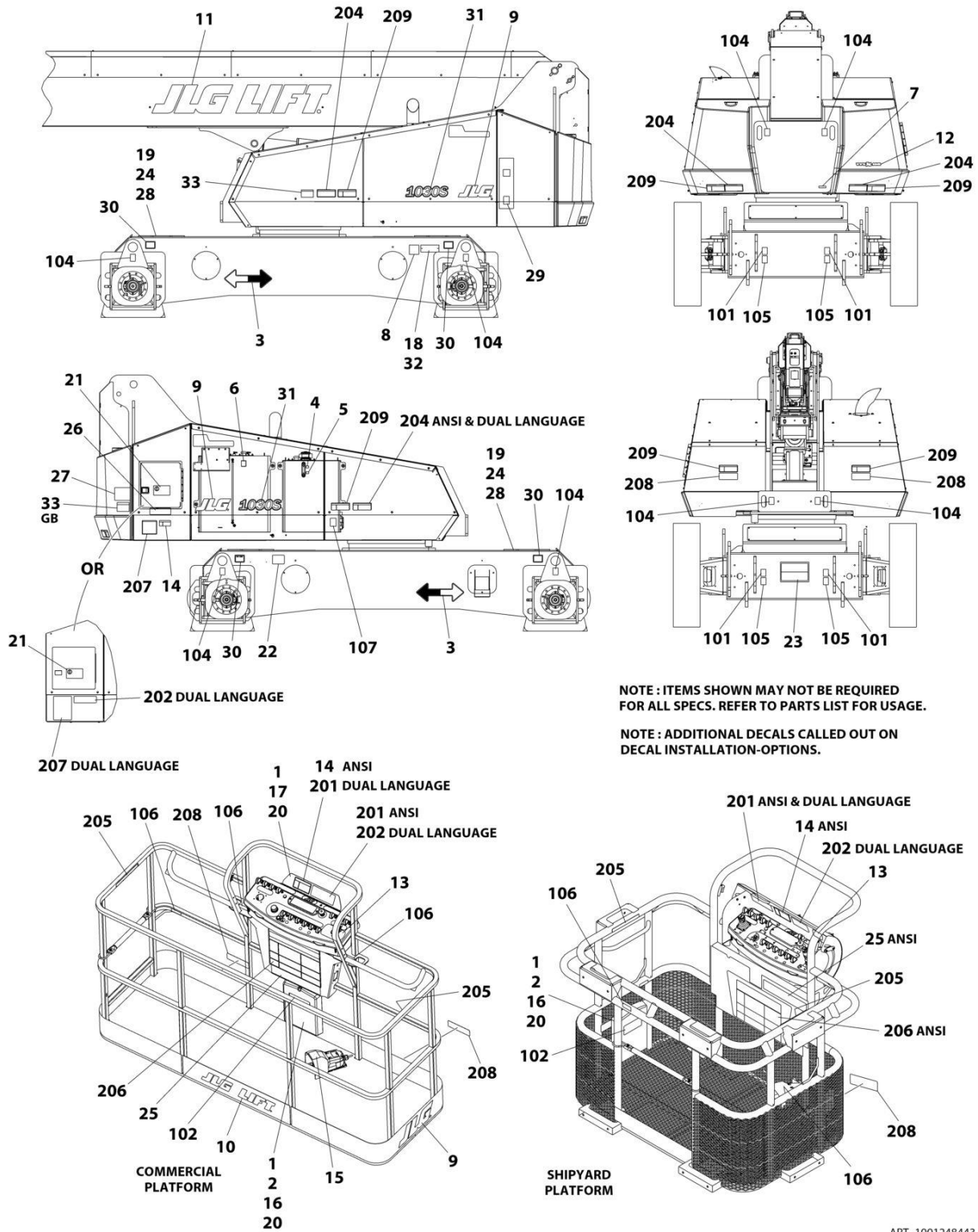
## SECTION 9 - DECALS

**FIGURE 9-7. DECAL INSTALLATION - KOREAN SPECS (ENGLISH/KOREAN LANGUAGES)**

| ITEM | PART NUMBER | QTY | DESCRIPTION   | REV |
|------|-------------|-----|---|-----|
|      | 1001248441  | Ref | DECAL INSTALLATION - STANDARD PLATFORM<br>(ENGLISH/KOREAN LANGUAGE) | C   |
|      | 1001248558  | Ref | DECAL REFERENCE CHART   | C   |
| 1    | 0641406     | 4   | Bolt 1/4 x 3/4  |     |
| 2    | 0860520     | 1   | Box, Manual Storage   |     |
| 3    | 1701501     | 4   | Decal - Arrow   |     |
| 4    | 1701502     | 1   | Decal - Hydraulic Oil Level (High)                                  |     |
| 5    | 1701503     | 1   | Decal - Hydraulic Oil Level (Low)                                   |     |
| 6    | 1701505     | 2   | Decal - Fuel  |     |
| 7    | 1702590     | 1   | Decal - 220V/50Hz   |     |
| 8    | See Note    | NSS | Decal - Bar Code (Note: Not Available for Purchase)                 |     |
| 9    | 1702773     | 3   | Decal - JLG 5in   |     |
| 10   | 1702774     | 1   | Decal - JLG Lift 3 1/2in  |     |
| 11   | 1702862     | 2   | Decal - JLG Lift 12in   |     |
| 12   | 1704885     | 1   | Decal - www.jlg.com   |     |
| 13   | 1705427     | 1   | Decal - Drive Steer   |     |
| 16   | 3311405     | 4   | Nut 1/4   |     |
| 18   | 3820001     | 2   | Rivet   |     |
| 20   | 4751400     | 4   | Washer 1/4  |     |
| 21   | 1001117307  | 1   | Decal - Emergency Stop  |     |
| 23   | 1001150079  | 1   | Decal - Lift Diagram  |     |
| 25   | 1001254242  | 1   | Decal - Warning Dual Cap  |     |
| 26   | 1001254243  | 1   | Decal - Warning Dual Cap  |     |
| 27   | 1001206771  | 1   | Decal - BCS Daily Check   |     |
| 100  | 1001248539  | 1   | Decal - Kit Master  |     |
| 101  | 1701499     | 4   | Decal - No Lift   |     |
| 102  | 1701509     | 1   | Decal - Manual  |     |
| 103  | 1701529     | 2   | Decal - Arrow   |     |
| 104  | 1703811     | 4   | Decal - Lift  |     |
| 105  | 1703814     | 4   | Decal - Tie Down  |     |
| 106  | 1704277     | 3   | Decal - Lanyard Attach  |     |
| 107  | 1704412     | 1   | Decal - Hydraulic Oil Chart   |     |
| 200  | 1001248545  | 1   | Decal - Kit   |     |
| 201  | 1705339     | 1   | Decal - Tip Over BCS  |     |
| 202  | 1705503     | 2   | Decal - Warning Tip Over  |     |
| 204  | 1703945     | 7   | Decal - Warning Crushing  |     |
| 205  | 1705969     | 2   | Decal - Caution No Hands  |     |
| 206  | 1703927     | 1   | Decal - Warning Danger  |     |
| 207  | 1705345     | 1   | Decal - Warning Inspection  |     |
| 208  | 1703951     | 5   | Decal - Warning Crushing  |     |
| 209  | 1703939     | 6   | Decal - Danger Electrocution  |     |
| 210  | 1703981     | 1   | Decal - Foot Switch   |     |

# SECTION 9 - DECALS

FIGURE 9-8. DECAL INSTALLATION - SHIPYARD PLATFORM (ENGLISH/KOREAN LANGUAGE)



ART\_1001248443

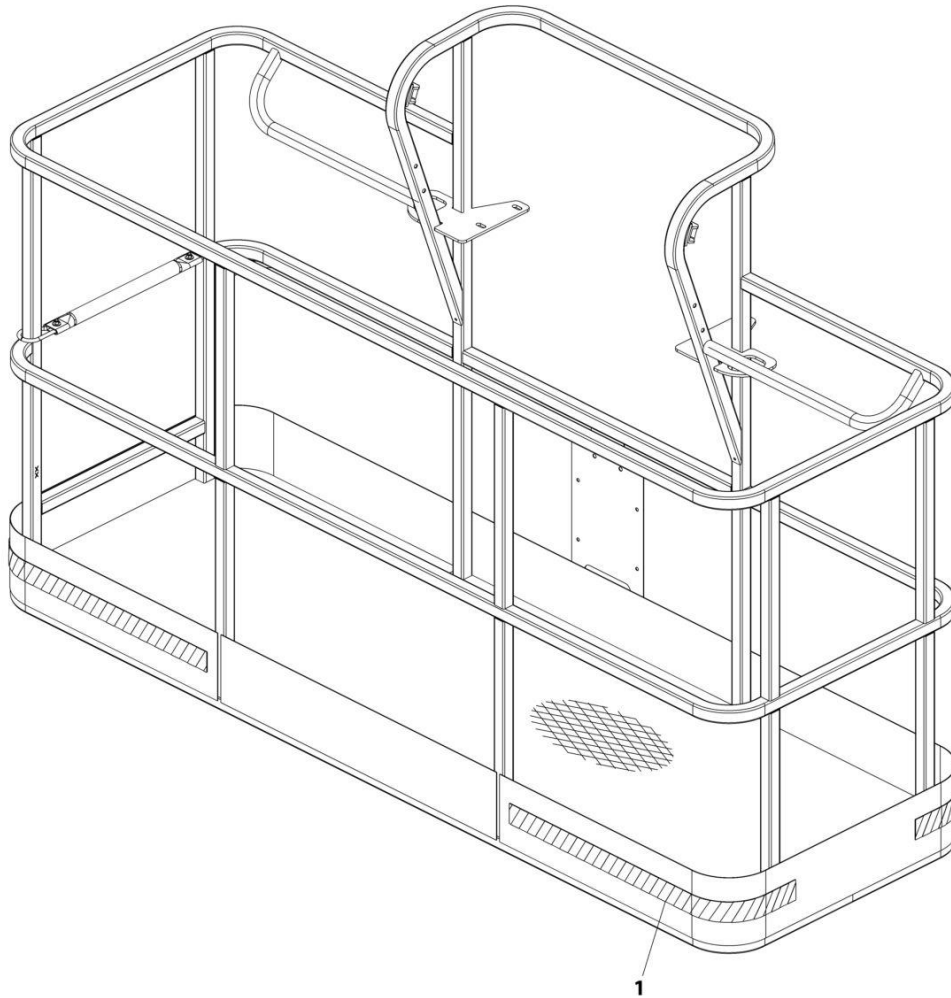
## SECTION 9 - DECALS

**FIGURE 9-8. DECAL INSTALLATION - SHIPYARD PLATFORM (ENGLISH/KOREAN LANGUAGE)**

| ITEM | PART NUMBER | QTY | DESCRIPTION   | REV |
|------|-------------|-----|---|-----|
|      | 1001248443  | Ref | DECAL INSTALLATION - SHIPYARD PLATFORM<br>(ENGLISH/KOREAN LANGUAGE) | C   |
|      | 1001248558  | Ref | DECAL REFERENCE CHART   | C   |
| 1    | 0641406     | 4   | Bolt 1/4 x 3/4  |     |
| 2    | 0860520     | 1   | Box, Manual Storage   |     |
| 3    | 1701501     | 4   | Decal - Arrow   |     |
| 4    | 1701502     | 1   | Decal - Hydraulic Oil Level (High)                                  |     |
| 5    | 1701503     | 1   | Decal - Hydraulic Oil Level (Low)                                   |     |
| 6    | 1701505     | 2   | Decal - Fuel  |     |
| 7    | 1702590     | 1   | Decal - 220V/50Hz   |     |
| 8    | See Note    | NSS | Decal - Bar Code (Note: Not Available for Purchase)                 |     |
| 9    | 1702773     | 3   | Decal - JLG 5in   |     |
| 11   | 1702862     | 2   | Decal - JLG Lift 12in   |     |
| 12   | 1704885     | 1   | Decal - www.jlg.com   |     |
| 13   | 1001203929  | 1   | Decal - Drive/Steer Instructions                                    |     |
| 16   | 3311405     | 4   | Nut 1/4   |     |
| 18   | 3820001     | 2   | Rivet   |     |
| 20   | 4751400     | 4   | Washer 1/4  |     |
| 21   | 1001117307  | 1   | Decal - Emergency Stop  |     |
| 23   | 1001150079  | 1   | Decal - Lift Diagram  |     |
| 25   | 1001254242  | 1   | Decal - Warning Dual Cap  |     |
| 26   | 1001254243  | 1   | Decal - Warning Dual Cap  |     |
| 27   | 1001206771  | 1   | Decal - Daily Check List  |     |
| 100  | 1001248539  | 1   | Decal - Kit Master  |     |
| 101  | 1701499     | 4   | Decal - No Lift   |     |
| 102  | 1701509     | 1   | Decal - Manual  |     |
| 103  | 1701529     | 2   | Decal - Arrow   |     |
| 104  | 1703811     | 8   | Decal - Lift  |     |
| 105  | 1703814     | 6   | Decal - Tie Down  |     |
| 106  | 1704277     | 4   | Decal - Lanyard Attach  |     |
| 107  | 1704412     | 1   | Decal - Hydraulic Oil Chart   |     |
| 200  | 1001248545  | 1   | Decal - Kit   |     |
| 201  | 1705339     | 1   | Decal - Tip-Over  |     |
| 202  | 1705503     | 2   | Decal - Warning Tip-Over  |     |
| 204  | 1703945     | 7   | Decal - Warning Crushing  |     |
| 205  | 1705969     | 2   | Decal - Caution No Hand   |     |
| 206  | 1703927     | 1   | Decal - Warning/Danger  |     |
| 207  | 1705345     | 1   | Decal - Warning Inspection  |     |
| 208  | 1703951     | 5   | Decal - Warning Crushing  |     |
| 209  | 1703939     | 6   | Decal - Danger Electrocution  |     |
| 210  | 1703981     | 1   | Decal - Footswitch  |     |

# SECTION 9 - DECALS

## FIGURE 9-9. INSTALLATION WARNING STRIPE (COMMERCIAL MACHINES)



ART\_1001255085

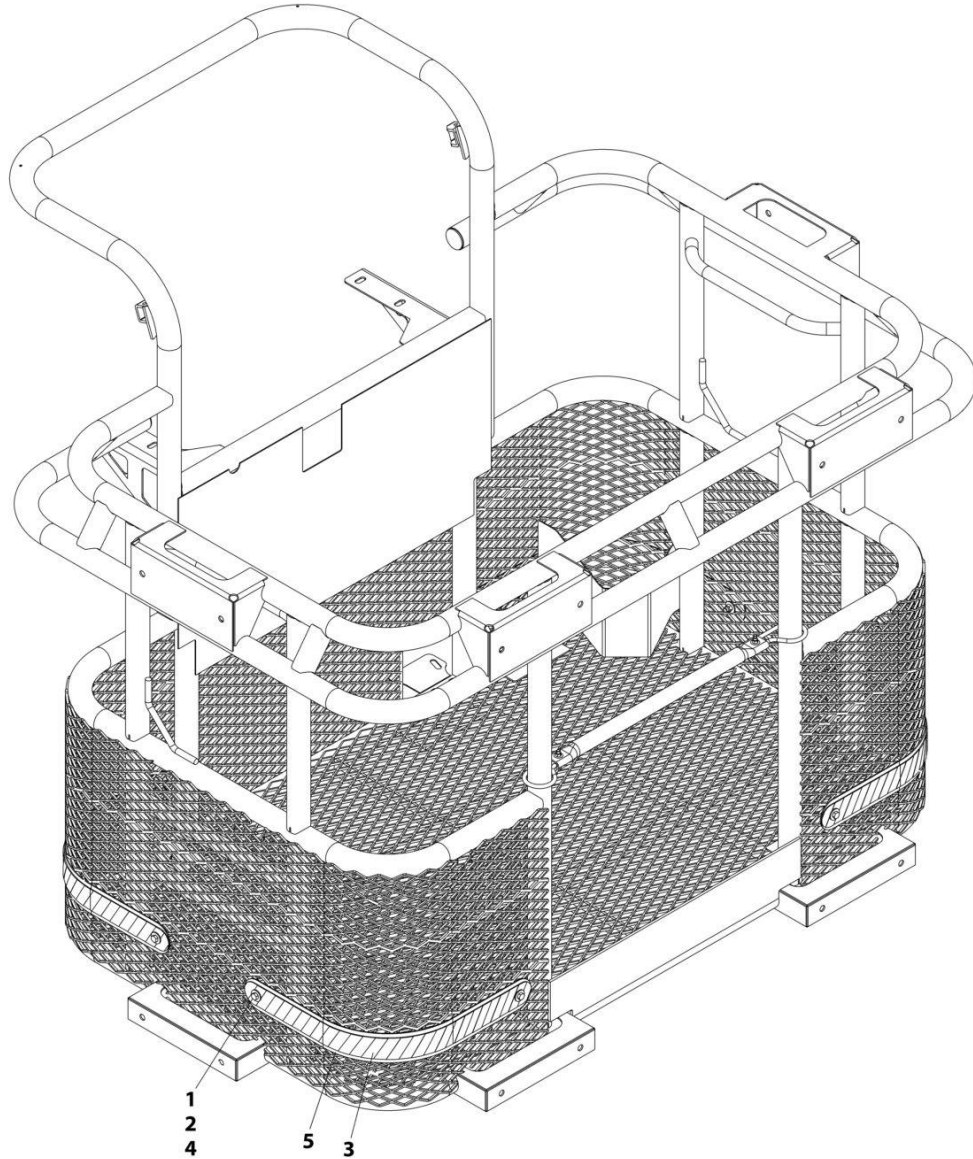
## SECTION 9 - DECALS

**FIGURE 9-9. INSTALLATION WARNING STRIPE (COMMERCIAL MACHINES)**

| ITEM | PART NUMBER           | QTY           | DESCRIPTION   | REV |
|------|-----------------------|---------------|---|-----|
| 1    | 1001255085<br>4420051 | Ref<br>168 in | INSTALLATION WARNING STRIPE (COMMERCIAL MACHINES)<br>Tape | A   |

# SECTION 9 - DECALS

## FIGURE 9-10. INSTALLATION WARNING STRIPE (SHIPYARD MACHINES)



ART\_1001255086

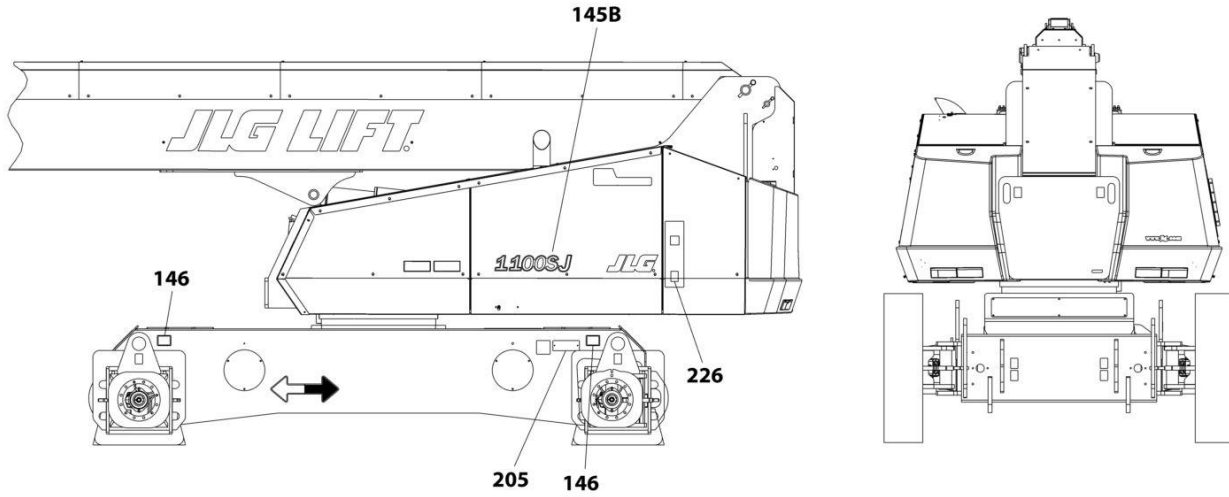
## SECTION 9 - DECALS

**FIGURE 9-10. INSTALLATION WARNING STRIPE (SHIPYARD MACHINES)**

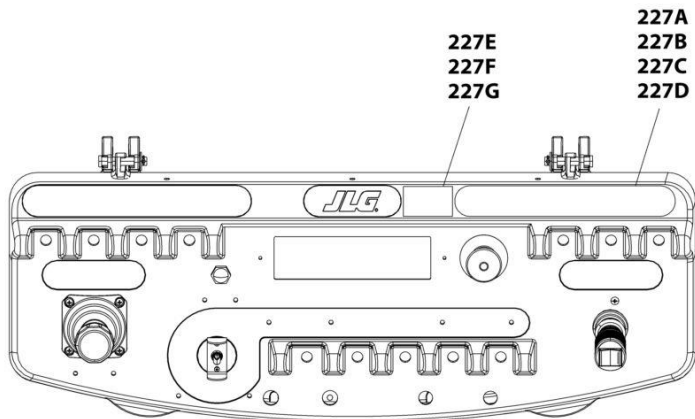
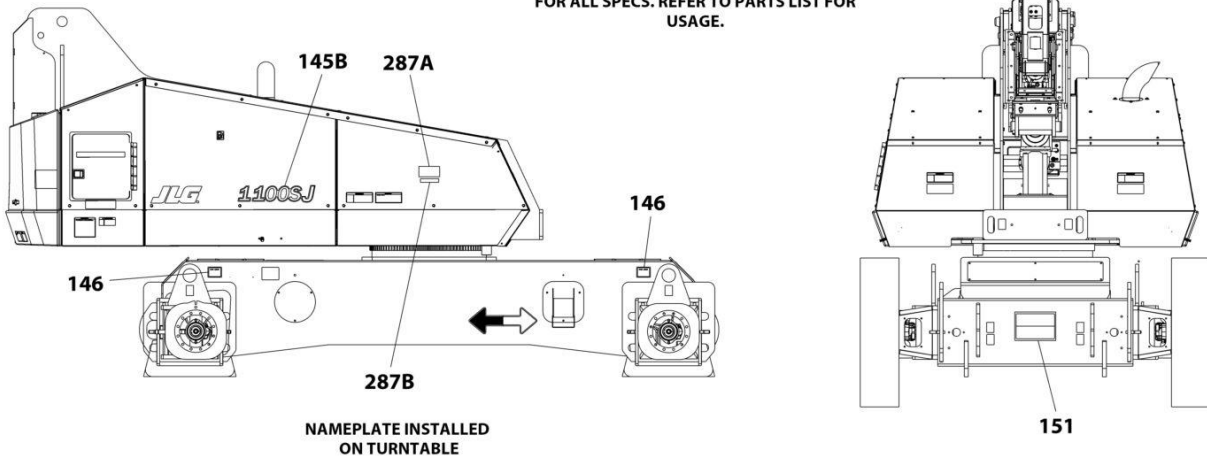
| ITEM | PART NUMBER | QTY    | DESCRIPTION                                     | REV |
|------|-------------|--------|---|-----|
|      | 1001255086  | Ref    | INSTALLATION WARNING STRIPE (SHIPYARD MACHINES) | A   |
| 1    | 0760810     | 8      | Bolt M8 x 20                                    |     |
| 2    | 3290806     | 8      | Nut M8 x 1-1/4                                  |     |
| 3    | 4420051     | 188 in | Tape  |     |
| 4    | 4811902     | 16     | Washer M8                                       |     |
| 5    | 1001255084  | 4      | Panel, Decal Mount                              |     |

# SECTION 9 - DECALS

## FIGURE 9-11. DECALS INSTALLATION - OPTIONS



NOTE : ITEMS SHOWN MAY NOT BE REQUIRED FOR ALL SPECS. REFER TO PARTS LIST FOR USAGE.



ART\_DECAL\_OPTIONS



## SECTION 9 - DECALS

**FIGURE 9-11. DECALS INSTALLATION - OPTIONS**

| ITEM | PART NUMBER | QTY | DESCRIPTION   | REV |
|------|-------------|-----|---|-----|
|      |             | Ref | DECAL INSTALLATIONS - OPTIONS   |     |
|      | 1001248558  | Ref | DECAL REFERENCE CHART   | C   |
| 145B | 1001272098  | 2   | Decal - 1100SJ  |     |
| 146  | 1001150074  | 4   | Decal - Max Tire Load   |     |
| 151  | 1001150079  | 1   | Decal - Lift Diagram  |     |
| 205  | See Note    | NSS | Decal - Nameplate (Note: Not Available for Purchase)                                |     |
| 226  | 1704972     | 1   | Decal - Warning Eplosion/Fire (English Language)                                    |     |
| 226  | 1706060     | 1   | Decal - Warning Eplosion/Fire (English/Chinese Language)                            |     |
| 226  | 1706062     | 1   | Decal - Warning Eplosion/Fire (English/Japanese Language)                           |     |
| 226  | 1706061     | 1   | Decal - Warning Eplosion/Fire (English/Korean Language)                             |     |
| 227A | 1001198930  | 1   | Decal - Horizontal/Vertical Controls - English Language                             |     |
| 227B | 1001199120  | 1   | Decal - Horizontal/Vertical Controls - Chinese Language                             |     |
| 227C | 1001199134  | 1   | Decal - Horizontal/Vertical Controls - Korean Language                              |     |
| 227D | 1001199214  | 1   | Decal - Horizontal/Vertical Controls - Japanese Language                            |     |
| 227E | 1001255830  | 1   | Decal - Horizontal/Vertical Controls - English Language                             |     |
| 227F | 1001255832  | 1   | Decal - Horizontal/Vertical Controls - Chinese/Japanese Language                    |     |
| 227G | 1001255834  | 1   | Decal - Horizontal/Vertical Controls - Korean Language                              |     |
| 238  | 1001139654  | 1   | Decal - Ultra Low Sulfur Fuel (China IV Specs) (Not Shown - Located Near Fuel Tank) |     |
| 287  | 1001292288  | Ref | ECO Label Installation  |     |
| 287A | See Note    | NSS | Nameplate - Serial Number (Note: Not Available for Purchase)                        |     |
| 287A | 3820001     | 4   | Pop Rivet   |     |
| 287B | See Note    | NSS | Plate – Mein Code (Note: Not Available for Purchase)                                |     |
| 287B | 3820001     | 4   | Pop Rivet   |     |



## **SECTION 10 - RECOMMENDED SERVICE PARTS STOCK**

## **SECTION 10 - RECOMMENDED SERVICE PARTS STOCK**

# SECTION 10 - RECOMMENDED SERVICE PARTS STOCK

## FIGURE 10-1. RECOMMENDED SERVICE PARTS STOCK

| ITEM | PART NUMBER | QTY | DESCRIPTION   | REV |
|------|-------------|-----|---|-----|
|      |             | Ref | Note: The following list will service one machine (built to current production per date on the front cover) with emergency repair parts which can be installed in the field. Parts from the list should be replaced when inventory is depleted to keep service parts stock supplied. For further information, contact your JLG dealer or the JLG Industries Parts Department. |     |
|      | 70006095    | 1   | Breaker, Circuit 30Amp (7500W 60Hz Generator)   |     |
|      | 4360070     | 1   | Circuit Breaker 15Amp (7500W 60Hz Generator)  |     |
|      | 70002386    | 1   | Coil (Traction Valve, Main Valve, & Jib & Platform Rotate Valve)  |     |
|      | 70006950    | 1   | Coil (Axle Extend/Steer Assembly & Steer Valve)   |     |
|      | 70004460    | 1   | Coil (Axle Extend/Steer Assembly)   |     |
|      | 70002971    | 1   | Coil (Main Valve)   |     |
|      | 70003788    | 1   | Coil (Main Valve)   |     |
|      | 70027006    | 1   | Coil (Main Valve)   |     |
|      | 70003789    | 1   | Coil (Main Valve)   |     |
|      | 70006004    | 1   | Coil (Boom Installation & Telescope Valve)  |     |
|      | 7026029     | 1   | Contactora, Rotary Circuit (Rotary Coupling & Collector Ring)   |     |
|      | 1001166538  | 1   | Controller, Drive/Steer   |     |
|      | 1001166539  | 1   | Controller, Lift/Swing  |     |
|      | 70005707    | 12  | Element, Filter Hydraulic (Tanks)   |     |
|      | 70002231    | 12  | Element, Pressure Filter (Valve Installation - Turntable)   |     |
|      |             | Ref | Engine - TD2011   |     |
|      | 7003655     | 12  | Element, Air Filter   |     |
|      | 70004066    | 12  | Element, Filter (With Optional Fuel Water Separator)  |     |
|      | 7016328     | 12  | Filter, Fuel  |     |
|      | 7016331     | 12  | Filter, Oil   |     |
|      | 1600443     | 1   | Module, EMR2 (ECM) (Note: Not available to order. Please Contact the JLG Parts Contact Center)  |     |
|      | 3740067     | 1   | Relay   |     |
|      | 7026608     | 1   | Relay, Start  |     |
|      |             | Ref | Engine - TD2.9L4  |     |
|      | 1001117308  | 1   | Contactora  |     |
|      | 70024190    | 12  | Element, Air Filter (Primary)   |     |
|      | 70024191    | 12  | Element, Air Filter (Secondary)   |     |
|      | 1001222817  | 1   | Filter, Fuel  |     |
|      | 1001225430  | 12  | Filter, Fuel Primary  |     |
|      | 1001225431  | 12  | Filter, Fuel Secondary  |     |
|      | 7016331     | 12  | Filter, Oil   |     |
|      | 70025210    | 1   | Module, (ECM) (Note: Not available to order. Please Contact the JLG Parts Contact Center)   |     |
|      | 1001138228  | 1   | Relay   |     |
|      | 70005648    | 1   | Relay   |     |
|      | 8229242     | 2   | Fuse, 5A  |     |
|      | 80983191    | 2   | Fuse, 10A   |     |
|      | 2860030     | 1   | Key, Replacement  |     |
|      | 1001142683  | 1   | Module, Beacon (Blue Beacon)  |     |
|      | 1001277208  | 1   | Module (B.L.A.M.)   |     |
|      | 1001277210  | 1   | Module, Control Frame (Valves Installation - Frame)   |     |
|      | 1001281100  | 1   | Module (Ground Control)   |     |
|      | 1600343     | 1   | Module, Platform Control  |     |

## SECTION 10 - RECOMMENDED SERVICE PARTS STOCK

| ITEM | PART NUMBER | QTY | DESCRIPTION  | REV |
|------|-------------|-----|--|-----|
|      | 3740067     | 1   | Relay (Battery Tray)   |     |
|      | 1001186431  | 1   | Relay (SkyGuard Sensor Harness)  |     |
|      | 3740086     | 1   | Relay (SkyLine Harness)  |     |
|      | 1001147479  | 1   | Sensor, Angle (Boom Sensor Installation)                                   |     |
|      | 1001118971  | 1   | Sensor, Angle (Boom Sensor Installation with Vertical/Horizontal Controls) |     |
|      | 4360505     | 1   | Sensor, Angle Rotary (Steer Installation)                                  |     |
|      | 4360552     | 1   | Switch, Boom Length (Boom Sensor Installation)                             |     |
|      | 1001228225  | 1   | Sensor, Emitter (SkyEye)   |     |
|      | 4360436     | 1   | Sensor, Fuel Level (Tanks)   |     |
|      | 4360578     | 1   | Sensor, Limit (Axle Installation)  |     |
|      | 1001247468  | 1   | Senosr, LoadCell (Platform Support)  |     |
|      | 1001199043  | 1   | Sensor, Pressure Transducer (Boom Installation & Telescope Valve)          |     |
|      | 7026031     | 1   | Sensor, Proximity (Rotary Coupling & Collector RIng)                       |     |
|      | 1001196517  | 1   | Sensor, Proximity (Boom Sensor Installation)                               |     |
|      | 1001232667  | 1   | Sensor, Proximity (SkyLine)  |     |
|      | 1001204043  | 1   | Sensor, Proximity (Boom Sensor Installation)                               |     |
|      | 4360477     | 1   | Sensor, Proximity (Overhead Protection)                                    |     |
|      | 1001228224  | 1   | Sensor, Receiver (SkyEye)  |     |
|      | 1001219601  | 1   | Sensor, Tilt (Ground Control)  |     |
|      | 1001137673  | 1   | Switch, SkyGuard   |     |
|      | 1001151525  | 1   | Sensor, Temperature (Valve Installation - Turntable)                       |     |
|      | 4360475     | 1   | Switch, Emergency Stop   |     |
|      | 0272970     | 1   | Switch, Foot   |     |
|      | 4360469     | 1   | Switch, Key  |     |
|      | 4360274     | 1   | Switch, Pushbutton Gray (Ground Control)                                   |     |
|      | 4360387     | 1   | Switch, Pushbutton Yellow (Console Box, SkyGuard & Overhead Protection)    |     |
|      | 1001161709  | 1   | Switch, Toggle (Steer Installation 4WS & Console Box)                      |     |
|      | 4360328     | 1   | Switch, Toggle (Ground Control Box & Jib Switch)                           |     |
|      | 1001155045  | 1   | Switch, Toggle (Console Box)   |     |
|      | 1001159256  | 1   | Switch, Toggle (Console Box)   |     |
|      | 1001161710  | 1   | Switch, Toggle (Console Box)   |     |
|      | 4360336     | 1   | Switch, Toggle (Generator Options)   |     |



**SECTION 11 - SPECIAL OPTIONS/ACCESSORIES/KITS**

**SECTION 11 - SPECIAL OPTIONS/ACCESSORIES/KITS**

# SECTION 11 - SPECIAL OPTIONS/ACCESSORIES/KITS

FIGURE 11-1. SPECIAL OPTIONS/ACCESSORIES/KITS

| ITEM | PART NUMBER | QTY | DESCRIPTION   | REV |
|------|-------------|-----|---|-----|
|      |             | Ref | Note: This list is to accommodate machines ordered with special equipment. Options may not be applicable to all models. For more specific parts information contact JLG Parts Department. |     |
|      |             | Ref | MISCELLANEOUS SPECIAL OPTIONS/ACCESSORIES/KITS  |     |
|      | 1001216793  | Ref | Air Cleaner Pre-Cleaner   |     |
|      | 1001150058  | Ref | Airline Installation  |     |
|      | 1001153446  | Ref | Analyzer Installation   |     |
|      | 1001150052  | Ref | Bellows Installation - Boom   |     |
|      | 1001150054  | Ref | Bellows Installation - Chassis  |     |
|      | 1001150094  | Ref | Boom Rest Block Installation  |     |
|      | 1001195494  | Ref | Boom Wipers Installation  |     |
|      |             | Ref | ClearSky Add-on Kit Options (Dealer Installed)  |     |
|      | 1001276923  | Ref | ClearSky Add-on Kit - 3 Wire GT1030 (Dealer Installed) (Contact JLG for Approved Countries)   |     |
|      | 1001242653  | Ref | ClearSky Decal Installation   |     |
|      |             | Ref | Decal Kits  |     |
|      | 2902303     | Ref | Decal Kit - Master  |     |
|      | 2902307     | Ref | Decal Kit - Country Spec (ANSI Spec)  |     |
|      | 2902309     | Ref | Decal Kit - Country Spec (Chinese Spec)   |     |
|      | 2902308     | Ref | Decal Kit - Country Spec (Japanese Spec)  |     |
|      | 2902310     | Ref | Decal Kit - Country Spec (Korean Spec)  |     |
|      |             | Ref | Electrical Connector Kits   |     |
|      | 1001148902  | Ref | Amp/Tyco Electrical Connector Kit   |     |
|      | 1001148903  | Ref | Deutsch DT Electrical Connector Kit   |     |
|      | 1001148904  | Ref | Deutsch HD Electrical Connector Kit   |     |
|      | 1001148905  | Ref | Packard Electrical Connector Kit  |     |
|      | 1001148906  | Ref | Various Electrical Connectors Kit   |     |
|      | 1001253945  | Ref | Enhanced Detection System (Level 1)   |     |
|      | 1001253946  | Ref | Enhanced Detection System (Level 2)   |     |
|      | 1001148971  | Ref | Lanyard (Bolt-on) Installation Kit  |     |
|      |             | Ref | Light Options:  |     |
|      | 1001201539  | Ref | Chassis Illuminations Lights Installation   |     |
|      | 1001152640  | Ref | Platform Beacon Light Installation  |     |
|      | 1001120467  | Ref | Platform Floodlights Installation   |     |
|      | 1001150064  | Ref | Oil Cooler Installation (Deutz TD2011 Engines)  |     |
|      | 1001218402  | Ref | Oil Cooler Installation (Deutz TD2.9L4 Engines)   |     |
|      | 1001272166  | Ref | Pipe Rack Kit   |     |
|      | 1001150095  | Ref | Platform Bumpers Installation   |     |
|      | 1001266290  | Ref | Platform Console Cover Installation   |     |
|      | 1001269757  | Ref | Platform Decal Panel - Dual Language Decals   |     |
|      | 1001270690  | Ref | Platform Decal Panel - English Language Decals  |     |
|      | 1001266807  | Ref | Platform Mesh to Top Rail Add-on Kit - 30INx48IN Platform (Dealer Installed)  |     |
|      | 1001279196  | Ref | Service Kits  | D   |
|      | 1001252033  | Ref | SkySense Add-on Kit (Level 1) (Dealer Installed)  |     |
|      | 1001252034  | Ref | SkySense Add-on Kit (Level 2) (Dealer Installed)  |     |
|      | 1001289831  | Ref | SkySense Installation (Level 1) (Factory Installed)   |     |
|      | 1001289832  | Ref | SkySense Installation (Level 2) (Factory Installed)   |     |



## SECTION 11 - SPECIAL OPTIONS/ACCESSORIES/KITS

| ITEM | PART NUMBER | QTY | DESCRIPTION  | REV |
|------|-------------|-----|--|-----|
|      | 1001206605  | Ref | Soft-Touch (Overhead) Installation - With LSS (Chinese & Korean Specs)       |     |
|      |             | Ref | Tools for Service:   |     |
|      | 2901443     | Ref | Analyzer Kit   |     |
|      | 7002821     | Ref | Crimper, Wire  |     |
|      | 7002823     | Ref | Pin Extractor - Universal (For Electrical Connectors with Pins and Sockets)  |     |
|      | 4460467     | Ref | Extractor - 16-18 Gauge (For Removal of Pin/Sockets from Deutsch Connectors) |     |
|      | 4460510     | Ref | Extractor - 12-14 Gauge (For Removal of Pin/Sockets from Deutsch Connectors) |     |
|      | 70004646    | Ref | Puller (Hub Assembly)  |     |
|      | 70004648    | Ref | Puller (Hub Assembly)  |     |
|      | 7016654     | Ref | Screwdriver, Magnetic  |     |
|      | 7002822     | Ref | Screwdriver, Potentiometer   |     |
|      | 7004275     | Ref | Seal Tool 1 (For Cylinders)  |     |
|      | 7004276     | Ref | Seal Tool 1 1/2 (For Cylinders)  |     |
|      | 70004647    | Ref | Seal Tool (Hub Assembly)   |     |
|      | 1001137005  | Ref | Software Cable Kit   |     |
|      | 7002828     | Ref | Stripper, Wire   |     |
|      | 4921850     | Ref | Throttle Service Harness   |     |
|      | 70004185    | Ref | Torque Multiplier  |     |
|      | 1001279126  | Ref | UGM2 Retrofit Kit  |     |
|      | 1001274249  | Ref | USB Charger Add-on Kit (Dealer Installed)                                    |     |
|      | 7016655     | Ref | Wire Rope Sheave Gauge   |     |
|      | 2910894     | Ref | Wire Rope Kit  |     |
|      | 1001274479  | Ref | White Noise Motion Alarm (Dealer Installed)                                  |     |
|      | 1001277916  | Ref | White Noise Motion Alarm (Ambient) (Dealer Installed)                        |     |
|      | 1001247280  | Ref | White Noise Motion Alarm (Ambient) (Factory Installed)                       |     |



# SECTION 11 - SPECIAL OPTIONS/ACCESSORIES/KITS

## PART NUMBER INDEX

## SECTION 11 - SPECIAL OPTIONS/ACCESSORIES/KITS

|               |  |                  |   |                  |   |                  |   |
|---------------|--|------------------|---|------------------|---|------------------|---|
| 0080237 ..... | 145  | 0700830 .....    | 43  | 0761019 .....    | 228                                       | 1001113047 ..... | 103, 105                                  |
| 0080277 ..... | 19, 21   | 0701014 .....    | 15, 17  | 0761027 .....    | 228                                       | 1001113691 ..... | 309, 311                                  |
| 0100009 ..... | 283, 287   | 0701017 .....    | 162, 177, 192   | 0761210 .....    | 192                                       | 1001113961 ..... | 445                                       |
| 0100011 ..... | 15, 17, 19, 21, 25,<br>27, 43, 45, 47, 67, 69, 71,<br>83, 87, 89, 93, 95, 97, 99,<br>101, 103, 105, 121, 126,<br>130, 133, 135, 137, 141,<br>143, 145, 154, 157, 160,<br>170, 173, 176, 186, 189,<br>192, 217, 228, 233, 239,<br>241, 243, 245, 249, 251,<br>253, 255, 303, 305, 309,<br>311, 334, 338, 342, 346 | 0701019 .....    | 334   | 0761212 .....    | 87, 89, 121, 217,<br>224                  | 1001116547 ..... | 224                                       |
| 0100019 ..... | 15, 17, 19, 21, 25,<br>27, 77, 85, 217, 224, 228,<br>237   | 0701022 .....    | 178   | 0761214 .....    | 25, 27, 83, 87, 89,<br>93, 95, 145        | 1001116692 ..... | 395                                       |
| 0100020 ..... | 99, 101, 146, 155,<br>160, 171, 176, 186, 192,<br>263, 265, 267, 269, 271  | 0701024 .....    | 126, 130  | 0761215 .....    | 143                                       | 1001116693 ..... | 397                                       |
| 0100035 ..... | 19, 21, 283, 287   | 0701025 .....    | 177   | 0761216 .....    | 15, 17, 157, 173,<br>189, 239             | 1001116694 ..... | 395, 397                                  |
| 0100048 ..... | 93, 123, 283, 287  | 0701030 .....    | 237   | 0761217 .....    | 15, 17, 67, 69, 71                        | 1001116695 ..... | 361                                       |
| 0100071 ..... | 29   | 0701031 .....    | 228   | 0761218 .....    | 15, 17                                    | 1001116707 ..... | 403                                       |
| 0100081 ..... | 15, 17, 338, 342,<br>346   | 0701034 .....    | 237   | 0761221 .....    | 93, 126, 130                              | 1001116710 ..... | 413                                       |
| 0140011 ..... | 283, 287   | 0701216 .....    | 141, 154, 170, 186  | 0761222 .....    | 97  | 1001116720 ..... | 437                                       |
| 0140043 ..... | 121  | 0701219 .....    | 19, 21, 103, 105,<br>126, 130   | 0761229 .....    | 97  | 1001116727 ..... | 404                                       |
| 0200833 ..... | 19, 21   | 0701221 .....    | 15, 17  | 0761616 .....    | 25, 27                                    | 1001116728 ..... | 404                                       |
| 0259666 ..... | 113  | 0701227 .....    | 224   | 0761618 .....    | 77, 228                                   | 1001116731 ..... | 391                                       |
| 0271340 ..... | 297  | 0701229 .....    | 224   | 0762017 .....    | 224                                       | 1001116732 ..... | 446                                       |
| 0272970 ..... | 263, 265, 267, 269,<br>271, 477  | 0701619 .....    | 39, 41  | 0771012 .....    | 239                                       | 1001116734 ..... | 446                                       |
| 0340003 ..... | 145  | 0701622 .....    | 19, 21  | 0771414 .....    | 145                                       | 1001116748 ..... | 251                                       |
| 0340051 ..... | 145  | 0711018 .....    | 228   | 0771416 .....    | 146                                       | 1001116774 ..... | 395, 397, 441                             |
| 0400020 ..... | 95   | 0711030 .....    | 126, 130  | 0772021 .....    | 77  | 1001116792 ..... | 154, 170, 186                             |
| 0440162 ..... | 141, 154, 170, 186   | 0711224 .....    | 146, 160, 176, 192  | 0791506 .....    | 249                                       | 1001116808 ..... | 395, 441                                  |
| 0561471 ..... | 228  | 0711624 .....    | 85  | 0811606 .....    | 160, 176, 192                             | 1001116812 ..... | 361, 395, 407,<br>419, 445                |
| 0630464 ..... | 19, 21   | 0711629 .....    | 85  | 0860038 .....    | 217                                       | 1001116815 ..... | 395                                       |
| 0630518 ..... | 111, 299   | 0712445001 ..... | 239   | 0860520 .....    | 453, 455, 457, 459,<br>461, 463, 465, 467 | 1001116846 ..... | 457, 459                                  |
| 0630568 ..... | 284, 287   | 0721003 .....    | 249   | 0861538 .....    | 217                                       | 1001116849 ..... | 457, 459                                  |
| 0630612 ..... | 237  | 0731005 .....    | 99  | 0940071 .....    | 126, 130                                  | 1001116851 ..... | 457, 459                                  |
| 0641404 ..... | 283, 287, 305  | 0741607 .....    | 217   | 0961949 .....    | 317, 325                                  | 1001116952 ..... | 404, 407                                  |
| 0641405 ..... | 305, 309, 311  | 0760306 .....    | 162, 177, 192   | 0961950 .....    | 325                                       | 1001116967 ..... | 403                                       |
| 0641406 ..... | 123, 453, 455, 457,<br>459, 461, 463, 465, 467   | 0760410 .....    | 119   | 0961951 .....    | 233                                       | 1001116983 ..... | 413                                       |
| 0641408 ..... | 133, 135, 137  | 0760606 .....    | 217, 249, 335, 375  | 0962297 .....    | 228, 319                                  | 1001117025 ..... | 446                                       |
| 0641414 ..... | 283, 287   | 0760608 .....    | 95, 193   | 0962404 .....    | 228                                       | 1001117034 ..... | 457, 459                                  |
| 0641416 ..... | 303  | 0760610 .....    | 103, 105, 115, 121  | 0962411 .....    | 228                                       | 1001117035 ..... | 457, 459                                  |
| 0641505 ..... | 19, 21   | 0760612 .....    | 101, 115, 145, 251,<br>259, 261, 335  | 0962423 .....    | 19, 21                                    | 1001117078 ..... | 415                                       |
| 0641506 ..... | 93, 145  | 0760614 .....    | 43, 45, 47, 263,<br>265, 267, 269, 271  | 0962520 .....    | 217                                       | 1001117106 ..... | 404, 407                                  |
| 0641511 ..... | 19, 21   | 0760615 .....    | 154, 170, 186, 217  | 1001026127 ..... | 162, 178, 192                             | 1001117107 ..... | 404, 407                                  |
| 0641606 ..... | 67, 69, 71, 141  | 0760619 .....    | 335   | 1001080996 ..... | 367                                       | 1001117307 ..... | 453, 455, 457,<br>459, 461, 463, 465, 467 |
| 0641608 ..... | 143, 228   | 0760806 .....    | 249   | 1001090615 ..... | 309, 311                                  | 1001117308 ..... | 160, 176, 192,<br>476                     |
| 0641812 ..... | 143, 157, 173, 189   | 0760807 .....    | 87, 89, 251, 253,<br>255  | 1001091102 ..... | 119                                       | 1001117320 ..... | 263, 265, 267,<br>269, 271                |
| 0641858 ..... | 237  | 0760808 .....    | 29, 154, 160, 176,<br>192, 237  | 1001092856 ..... | 146                                       | 1001118287 ..... | 228                                       |
| 0642214 ..... | 224  | 0760810 .....    | 126, 130, 133, 135,<br>137, 160, 176, 192, 237,<br>253, 255, 271, 338, 342,<br>346, 471 | 1001097051 ..... | 361, 433                                  | 1001118384 ..... | 439                                       |
| 0681607 ..... | 95   | 0760812 .....    | 43, 45, 47, 103,<br>105, 115, 121, 126, 130,<br>133, 135, 137, 334                      | 1001097244 ..... | 307                                       | 1001118388 ..... | 437, 439                                  |
| 0682422 ..... | 77   | 0760814 .....    | 101, 145, 237   | 1001098122 ..... | 427                                       | 1001118665 ..... | 233                                       |
| 0700615 ..... | 133, 135, 137  | 0760815 .....    | 121   | 1001098601 ..... | 145, 149                                  | 1001118665 ..... | 233                                       |
| 0700617 ..... | 141, 251   | 0761007 .....    | 249   | 1001098828 ..... | 239                                       | 1001118971 ..... | 251, 477                                  |
| 0700618 ..... | 160, 176, 192  | 0761008 .....    | 57, 59, 61, 63  | 1001101550 ..... | 25, 27, 31                                | 1001119020 ..... | 427, 441                                  |
| 0700619 ..... | 115  | 0761009 .....    | 228, 309, 311   | 1001103012 ..... | 445                                       | 1001119033 ..... | 251                                       |
| 0700817 ..... | 367  | 0761010 .....    | 67, 69, 71, 228,<br>233, 237, 241, 243, 245,<br>249                                     | 1001104498 ..... | 445                                       | 1001119057 ..... | 229                                       |
| 0700819 ..... | 334  | 0761012 .....    | 15, 17, 45, 47, 133,<br>135, 137, 141, 145, 154,<br>170, 186, 229, 237                  | 1001106736 ..... | 419                                       | 1001119470 ..... | 141, 401                                  |
| 0700820 ..... | 334  | 0761014 .....    | 145, 228, 237, 239,<br>255  | 1001107854 ..... | 445                                       | 1001119619 ..... | 435                                       |
| 0700822 ..... | 334  | 0761015 .....    | 146, 253, 255, 263,<br>265, 267, 269, 271   | 1001108616 ..... | 143, 157, 173,<br>189, 202                | 1001119620 ..... | 431, 433                                  |
| 0700824 ..... | 146  | 0761016 .....    | 95, 215, 335  | 1001108617 ..... | 67, 69, 71, 141                           | 1001119727 ..... | 177                                       |
|               |  | 0761018 .....    | 228   | 1001109730 ..... | 19, 21                                    | 1001119968 ..... | 218, 415                                  |
|               |  |                  |   | 1001110425 ..... | 154, 170, 186                             | 1001120328 ..... | 303, 305, 427                             |
|               |  |                  |   | 1001110544 ..... | 273, 275, 277,<br>279, 283, 287           | 1001120467 ..... | 480                                       |
|               |  |                  |   | 1001110604 ..... | 349                                       | 1001120471 ..... | 307                                       |
|               |  |                  |   | 1001110853 ..... | 228                                       | 1001120477 ..... | 307                                       |
|               |  |                  |   | 1001110873 ..... | 218                                       | 1001120484 ..... | 307                                       |
|               |  |                  |   | 1001110877 ..... | 61, 63                                    | 1001121172 ..... | 115                                       |
|               |  |                  |   | 1001111116 ..... | 145                                       | 1001121576 ..... | 309, 311                                  |
|               |  |                  |   | 1001112612 ..... | 419, 441                                  | 1001125677 ..... | 445                                       |
|               |  |                  |   | 1001112796 ..... | 391, 395, 441                             | 1001126009 ..... | 439                                       |
|               |  |                  |   | 1001112927 ..... | 143, 157, 173,<br>189, 209                | 1001126011 ..... | 427                                       |
|               |  |                  |   |                  |   | 1001126351 ..... | 403, 407                                  |
|               |  |                  |   |                  |   | 1001126352 ..... | 403                                       |
|               |  |                  |   |                  |   | 1001126356 ..... | 403                                       |

## SECTION 11 - SPECIAL OPTIONS/ACCESSORIES/KITS

|                                    |                                    |  |                                   |
|------------------------------------|------------------------------------|--|-----------------------------------|
| 1001126357.....403                 | 1001143501..... 350                | 1001149091..... 137  | 1001150089.....342                |
| 1001126362.....404, 407            | 1001143713..... 228                | 1001149092..... 126, 130                                       | 1001150090.....338                |
| 1001126363...404, 407, 408         | 1001143797...161, 177, 193         | 1001149093..... 126, 130                                       | 1001150091.....215                |
| 1001126364...404, 407, 408         | 1001144147..... 391                | 1001149094..... 137  | 1001150094.....480                |
| 1001126365.....404                 | 1001144433..... 303                | 1001149095..... 126, 130                                       | 1001150095.....480                |
| 1001126384.....403                 | 1001145154...161, 178, 193         | 1001149096..... 126, 130                                       | 1001150096.....89, 255            |
| 1001126391.....404, 407            | 1001145439..... 271                | 1001149098..... 126, 130                                       | 1001150098.....309                |
| 1001126392.....407                 | 1001146249..... 29                 | 1001149099..... 126, 130                                       | 1001150320.....15, 17             |
| 1001126485.....407                 | 1001146250..... 29                 | 1001149101..... 126, 130                                       | 1001150321.....15, 17             |
| 1001126487.....407                 | 1001146251..... 25, 29             | 1001149103..... 233  | 1001150322.....15, 17             |
| 1001126874... 160, 176, 192        | 1001146253..... 29                 | 1001149160.. 121, 126, 130,<br>133, 135, 137, 237              | 1001150323.....15, 17             |
| 1001127624.....334                 | 1001146588..... 193                | 1001149314..... 146  | 1001150325.....15, 17             |
| 1001128128.....446                 | 1001146775..... 228                | 1001149315..... 146  | 1001150326.....15, 17             |
| 1001129408.. 379, 381, 383,<br>385 | 1001147039..... 334                | 1001149316..... 146  | 1001150407.....15, 17             |
| 1001130220..... 103, 105           | 1001147223..... 99                 | 1001149389..... 233, 321                                       | 1001150408.....15, 17             |
| 1001131168.....281                 | 1001147229.....99, 101             | 1001149440..... 19, 21   | 1001150418.....19, 21             |
| 1001131269..... 453, 455           | 1001147230..... 99                 | 1001149441..... 19, 21   | 1001150419.....19, 21             |
| 1001133714...404, 408, 411         | 1001147231..... 99                 | 1001149442..... 19, 21   | 1001150443.....141, 357           |
| 1001133715...405, 408, 411         | 1001147247..... 41                 | 1001149452..... 215  | 1001150458.....15, 17             |
| 1001133956.....403, 407            | 1001147264..... 404                | 1001149456..... 27, 37   | 1001150460.....19, 21             |
| 1001133957.....403, 407            | 1001147479.....249, 477            | 1001149458..... 25, 35   | 1001150470.....224                |
| 1001134488..... 160, 176           | 1001147551..... 101                | 1001149463..... 19, 21, 325                                    | 1001150471.....224                |
| 1001135138... 160, 176, 192        | 1001148011..... 228                | 1001149464..... 15, 17, 315                                    | 1001150473.....224                |
| 1001135196.. 141, 154, 170,<br>186 | 1001148012..... 228                | 1001149469..... 215  | 1001150474.....224                |
| 1001135650...405, 408, 411         | 1001148420..... 228                | 1001149524..... 375, 377                                       | 1001150480.....375, 443           |
| 1001135651.....405, 408            | 1001148421..... 228                | 1001149530..... 146  | 1001150558.....15, 17             |
| 1001135679..... 217                | 1001148576..... 228                | 1001149639.. 146, 161, 177,<br>193                             | 1001150577...57, 59, 61, 63       |
| 1001135779... 160, 176, 193        | 1001148577..... 228                | 1001149657..... 19   | 1001150578...57, 59, 61, 63       |
| 1001136402.....334                 | 1001148578..... 228                | 1001149658..... 15   | 1001150579...57, 59, 61, 63       |
| 1001136583.....228                 | 1001148584..... 95                 | 1001149671..... 15, 17   | 1001150644.....93                 |
| 1001136592.....228                 | 1001148585..... 95                 | 1001149672..... 15, 17   | 1001150698.....309, 311           |
| 1001136834... 160, 176, 192        | 1001148587..... 95                 | 1001149680..... 29   | 1001150699.....309, 311           |
| 1001136975.. 154, 160, 170,<br>176 | 1001148588..... 95                 | 1001149681..... 29   | 1001151025.....91                 |
| 1001137005.....481                 | 1001148650..... 237                | 1001149742..... 29   | 1001151027.....309, 311           |
| 1001137032..... 224, 228           | 1001148768..... 121                | 1001149744..... 146  | 1001151028.....309, 311           |
| 1001137125..... 19, 21             | 1001148841..... 411                | 1001149785..... 15   | 1001151058.....85                 |
| 1001137276... 160, 176, 193        | 1001148842..... 411                | 1001149786..... 15   | 1001151061.....309, 311           |
| 1001137336..... 177                | 1001148843...161, 177, 193,<br>411 | 1001149865..... 29   | 1001151064.....87, 89             |
| 1001137673..... 303, 477           | 1001148902..... 480                | 1001149903..... 233  | 1001151092.....27                 |
| 1001138110.....405                 | 1001148903..... 480                | 1001150005..... 352  | 1001151094.....25                 |
| 1001138111.....405                 | 1001148904..... 480                | 1001150012..... 224, 233                                       | 1001151128.....143, 145           |
| 1001138113.....405                 | 1001148905..... 480                | 1001150013..... 141  | 1001151129.....141, 143           |
| 1001138173.. 145, 160, 176,<br>193 | 1001148906..... 480                | 1001150015..... 126  | 1001151157.....146                |
| 1001138228.. 160, 176, 193,<br>476 | 1001148919.....233, 235            | 1001150016..... 97   | 1001151158.....146                |
| 1001138248.. 145, 160, 176,<br>193 | 1001148930..... 233                | 1001150017..... 27   | 1001151159.....146                |
| 1001138827..... 160, 177           | 1001148932..... 233                | 1001150018..... 25   | 1001151180.....83                 |
| 1001139240... 160, 178, 193        | 1001148953..... 233                | 1001150019..... 91   | 1001151201...309, 311, 425        |
| 1001139654.....473                 | 1001148971..... 480                | 1001150022..... 39   | 1001151213.....121                |
| 1001140564..... 161, 177           | 1001149061.....133, 135            | 1001150023..... 41   | 1001151214.....261                |
| 1001141304... 161, 177, 193        | 1001149062..... 137                | 1001150025..... 93   | 1001151215.....261                |
| 1001141958.....217                 | 1001149075.....126, 133            | 1001150026..... 85   | 1001151221.....121                |
| 1001141995.. 145, 161, 177,<br>193 | 1001149076.....133, 135            | 1001150036..... 251  | 1001151222.....121                |
| 1001142259.. 161, 177, 193,<br>211 | 1001149077.....133, 135            | 1001150037..... 261  | 1001151223.....121                |
| 1001142501... 154, 170, 186        | 1001149078.....133, 135            | 1001150042..... 61   | 1001151226.....133, 135           |
| 1001142683.....476                 | 1001149079.....133, 135            | 1001150044..... 57   | 1001151229.....133, 135           |
| 1001142736.....441                 | 1001149080.....133, 135            | 1001150052..... 480  | 1001151320.....146                |
| 1001142938.....404, 408            | 1001149081.....133, 135            | 1001150054..... 480  | 1001151393.....113                |
| 1001142940.....404, 408            | 1001149082.....126, 130            | 1001150058..... 480  | 1001151409.....45, 47, 51         |
| 1001142941.....404, 408            | 1001149083.....126, 130            | 1001150064..... 480  | 1001151432.....177                |
|                                    | 1001149084..... 133                | 1001150074..... 473  | 1001151436.....39                 |
|                                    | 1001149085...126, 130, 137         | 1001150078..... 83   | 1001151437.....39                 |
|                                    | 1001149086..... 137                | 1001150079.. 453, 455, 457,<br>459, 461, 463, 465, 467,<br>473 | 1001151500..241, 243, 245,<br>247 |
|                                    | 1001149087..... 137                | 1001150086..... 334  | 1001151525 .67, 69, 71, 477       |
|                                    | 1001149088..... 137                | 1001150088..... 349  | 1001151646.....85                 |
|                                    | 1001149089..... 137                |  | 1001151651.....309, 311           |
|                                    | 1001149090..... 137                |  | 1001151652.....309, 311           |

## SECTION 11 - SPECIAL OPTIONS/ACCESSORIES/KITS

|  |            |   |          |                              |          |   |          |
|--|------------|---|----------|------------------------------|----------|---|----------|
| 1001151701.....                            | 119        | 1001158008.....                           | 219      | 1001194396.....              | 342, 346 | 1001198167.....                           | 275      |
| 1001151730.....                            | 95         | 1001159186.....                           | 419, 427 | 1001194397.....              | 342, 346 | 1001198170.....                           | 275      |
| 1001151731.....                            | 309        | 1001159256... 283, 287, 477               |          | 1001194398 ... 338, 342, 346 |          | 1001198175.....                           | 277      |
| 1001151809.....                            | 97         | 1001161709.... 22, 283, 287, 477          |          | 1001194401.....              | 338, 342 | 1001198176.....                           | 277      |
| 1001151834.... 43, 45, 47, 53              |            | 1001161710... 283, 287, 477               |          | 1001194402.....              | 342, 346 | 1001198178.....                           | 277      |
| 1001151840.....                            | 67, 69, 71 | 1001165035.. 154, 161, 170, 177, 186, 193 |          | 1001194406.....              | 342, 346 | 1001198180.....                           | 277      |
| 1001151906.....                            | 249        | 1001165820... 161, 177, 193               |          | 1001194407.....              | 342, 346 | 1001198181.....                           | 277      |
| 1001151907.....                            | 249        | 1001166538... 283, 295, 476               |          | 1001194410.....              | 338      | 1001198183.....                           | 277      |
| 1001151908.....                            | 249        | 1001166539... 283, 291, 476               |          | 1001194506.....              | 237      | 1001198188.....                           | 277      |
| 1001151912.....                            | 126, 130   | 1001167565.....                           | 239      | 1001194525.....              | 237      | 1001198189.....                           | 277      |
| 1001152039.....                            | 251        | 1001167632.....                           | 407      | 1001194528.....              | 237      | 1001198190.....                           | 277      |
| 1001152059.....                            | 251        | 1001167635.....                           | 407      | 1001194532.....              | 43, 49   | 1001198200.....                           | 273      |
| 1001152060.....                            | 251        | 1001168018.. 146, 161, 177, 193           |          | 1001194548.....              | 237      | 1001198205.....                           | 273      |
| 1001152062.....                            | 251        | 1001168209.....                           | 317      | 1001194550.....              | 237      | 1001198206.....                           | 273      |
| 1001152193.... 103, 105, 115               |            | 1001168402.....                           | 239      | 1001194564.....              | 237      | 1001198207.....                           | 273      |
| 1001152194.....                            | 115        | 1001169054... 161, 177, 193               |          | 1001194566.....              | 237      | 1001198211.....                           | 279      |
| 1001152195.....                            | 115        | 1001169138... 161, 177, 193               |          | 1001194568.....              | 237      | 1001198212.....                           | 279      |
| 1001152197.....                            | 103, 105   | 1001169967... 161, 178, 193               |          | 1001194582.....              | 237      | 1001198214.....                           | 279      |
| 1001152214.....                            | 103, 105   | 1001170035... 161, 178, 193               |          | 1001194636.....              | 228      | 1001198216.....                           | 279      |
| 1001152217.....                            | 103, 105   | 1001170305.....                           | 251      | 1001194653.....              | 228      | 1001198217.....                           | 279      |
| 1001152454.....                            | 251        | 1001170764.....                           | 408      | 1001194663.....              | 228      | 1001198219.....                           | 279      |
| 1001152488.....                            | 146        | 1001170982... 154, 170, 186               |          | 1001194694.....              | 224      | 1001198224.....                           | 279      |
| 1001152493.....                            | 146        | 1001171095.. 143, 157, 173, 189, 205      |          | 1001194706.....              | 228      | 1001198225.....                           | 279      |
| 1001152496.....                            | 146        | 1001171482.....                           | 107, 109 | 1001194707.....              | 224      | 1001198226.....                           | 279      |
| 1001152497.....                            | 146        | 1001172760.....                           | 283, 287 | 1001194708.....              | 224, 228 | 1001198229.....                           | 237      |
| 1001152500.....                            | 146        | 1001174486.... 99, 141, 215               |          | 1001194712.....              | 228      | 1001198576.. 273, 275, 277, 279, 283, 287 |          |
| 1001152525.....                            | 219        | 1001175568.... 154, 170                   |          | 1001194715.....              | 229      | 1001198930.....                           | 473      |
| 1001152574.... 22, 355, 375                |            | 1001178797... 154, 171, 186               |          | 1001194717.....              | 229      | 1001199043... 224, 231, 477               |          |
| 1001152640.....                            | 480        | 1001179154.....                           | 218      | 1001194733.....              | 229      | 1001199120.....                           | 473      |
| 1001152704.....                            | 334        | 1001180516... 161, 177, 193               |          | 1001194925.....              | 327      | 1001199134.....                           | 473      |
| 1001152708.....                            | 334        | 1001180620... 161, 177, 193               |          | 1001194935.....              | 229      | 1001199214.....                           | 473      |
| 1001152742.....                            | 403        | 1001181899... 162, 178, 193               |          | 1001194937.....              | 229      | 1001199834.....                           | 349      |
| 1001153027... 141, 154, 170, 186           |            | 1001182361.....                           | 407      | 1001194938.....              | 229      | 1001199835.....                           | 349      |
| 1001153028.....                            | 126, 130   | 1001182727.....                           | 215      | 1001194940.....              | 229      | 1001199837.....                           | 349      |
| 1001153029.....                            | 126, 130   | 1001182997.....                           | 97, 99   | 1001194941.....              | 229      | 1001199839.....                           | 349      |
| 1001153030.....                            | 126, 130   | 1001184682.....                           | 123      | 1001194942.....              | 229      | 1001199840.....                           | 349      |
| 1001153034.....                            | 126, 130   | 1001185281... 249, 283, 287               |          | 1001194943.....              | 229      | 1001199843.....                           | 349      |
| 1001153035.....                            | 126, 130   | 1001186431.....                           | 437, 477 | 1001195191.....              | 224, 317 | 1001199844.....                           | 349      |
| 1001153046... 141, 154, 170, 186           |            | 1001186432.....                           | 437, 439 | 1001195442.....              | 229      | 1001199845.....                           | 349      |
| 1001153083... 141, 154, 170, 186           |            | 1001186517.....                           | 303      | 1001195494.....              | 480      | 1001199846.....                           | 349      |
| 1001153086... 126, 130, 141, 154, 170, 186 |            | 1001187382.....                           | 239      | 1001195626.....              | 249      | 1001199847.....                           | 349      |
| 1001153162.....                            | 126, 130   | 1001187383.....                           | 239      | 1001195876.....              | 253, 255 | 1001199848.....                           | 349      |
| 1001153195.....                            | 126, 130   | 1001187674.....                           | 301      | 1001195877.....              | 253, 255 | 1001199849.....                           | 349      |
| 1001153198.....                            | 126, 130   | 1001187681.....                           | 435      | 1001196107.....              | 146      | 1001199851.....                           | 349      |
| 1001153199.....                            | 126, 130   | 1001188622.....                           | 239      | 1001196517.....              | 249, 477 | 1001199851.....                           | 349      |
| 1001153281.....                            | 457        | 1001188844.....                           | 239      | 1001196634.....              | 393      | 1001199904.....                           | 303, 437 |
| 1001153444.....                            | 303        | 1001189001.....                           | 239      | 1001196744.....              | 283, 287 | 1001200024.....                           | 363      |
| 1001153446.....                            | 480        | 1001189002.....                           | 239      | 1001196894.....              | 146      | 1001200025.....                           | 365      |
| 1001154294.....                            | 229        | 1001190985.....                           | 239      | 1001196896.....              | 146      | 1001200026.....                           | 367      |
| 1001154304.....                            | 229        | 1001191610.. 146, 161, 177, 193           |          | 1001197477.....              | 146      | 1001200028.....                           | 369      |
| 1001154306.....                            | 229        | 1001192401.....                           | 445      | 1001197717.....              | 237      | 1001200030.. 363, 367, 369, 371           |          |
| 1001154405... 154, 170, 186                |            | 1001194133.....                           | 237      | 1001197718.....              | 334      | 1001200031.....                           | 365, 373 |
| 1001155041.....                            | 218        | 1001194134.....                           | 237      | 1001197719.....              | 408      | 1001200032.....                           | 367      |
| 1001155044.... 22, 283, 287                |            | 1001194136.....                           | 237      | 1001197797.....              | 224, 319 | 1001200034.....                           | 369      |
| 1001155045.... 283, 287, 477               |            | 1001194137.....                           | 237      | 1001197798.....              | 224, 323 | 1001200156.....                           | 255      |
| 1001155823.... 154, 170, 186               |            | 1001194138.....                           | 237      | 1001198138.....              | 273      | 1001200157.....                           | 255      |
| 1001156016.....                            | 319        | 1001194341 ... 338, 342, 346              |          | 1001198144.....              | 275      | 1001200491.....                           | 239      |
| 1001157520.....                            | 219        | 1001194342... 338, 342, 346               |          | 1001198145.....              | 275      | 1001200494.....                           | 239      |
| 1001157521.....                            | 219        | 1001194345... 338, 342, 346               |          | 1001198146.....              | 273      | 1001200794.....                           | 224      |
| 1001157528.....                            | 219        | 1001194346... 338, 342, 346               |          | 1001198149.....              | 275      | 1001201351.....                           | 239      |
| 1001157592.....                            | 218        | 1001194347.....                           | 338      | 1001198150.....              | 273      | 1001201539.....                           | 480      |
| 1001157770.....                            | 218, 352   | 1001194348.....                           | 338, 349 | 1001198153.....              | 275      | 1001203789.....                           | 455      |
| 1001158007.....                            | 219        |   |          | 1001198154.....              | 273      | 1001203790.....                           | 453, 455 |
|  |            |   |          | 1001198155.....              | 275      | 1001203929.....                           | 467      |
|  |            |   |          | 1001198156.....              | 273      | 1001203930.....                           | 459      |
|  |            |   |          | 1001198160.....              | 275      | 1001203931.....                           | 463      |
|  |            |   |          | 1001198166.....              | 275      |   |          |

## SECTION 11 - SPECIAL OPTIONS/ACCESSORIES/KITS

|                            |                                    |  |   |
|----------------------------|------------------------------------|--|---|
| 1001204043.....249, 477    | 1001218414.....161, 177, 193       | 1001222785.....346                     | 1001236089.....299                                    |
| 1001204509.....145         | 1001218416.....161, 178, 194       | 1001222796.....346                     | 1001236092.....111                                    |
| 1001204722.....334         | 1001218417.....161, 178, 194       | 1001222817..154, 170, 186,<br>213, 476 | 1001236143.....99                                     |
| 1001204725.....239         | 1001218423.....161, 177, 193       | 1001223300.....335                     | 1001236144...379, 381, 385                            |
| 1001205505.....253, 255    | 1001218425.....161, 178, 194       | 1001223301.....335                     | 1001236552.....305                                    |
| 1001206121.....334         | 1001218429.....161, 177, 193       | 1001223381.....350                     | 1001237285.....193, 407                               |
| 1001206122.....334         | 1001218430.....161, 177, 193       | 1001223459.....407                     | 1001237667.....419, 427                               |
| 1001206123.....334         | 1001218431.....161, 177, 193       | 1001223890.....47, 71, 245             | 1001237668.....419, 427                               |
| 1001206124.....334         | 1001218432.....161, 178, 194       | 1001223930.....103, 105                | 1001237862.....431, 433                               |
| 1001206125.....334         | 1001218434.....161, 178, 194       | 1001223931.....45, 69, 243             | 1001237863.....301, 433                               |
| 1001206126.....334         | 1001218436.....161, 177, 193       | 1001223984.....43, 67, 241             | 1001237864.....301, 431                               |
| 1001206127.....334         | 1001218437.....161, 178, 194       | 1001224023.....154, 170                | 1001237865.....301, 435                               |
| 1001206128.....334         | 1001218440.....161, 178, 194       | 1001224978.....303                     | 1001238319.....301                                    |
| 1001206129.....334         | 1001218443.....161, 177, 193       | 1001225210.....130                     | 1001238418.....305, 439                               |
| 1001206130.....334         | 1001218444.....161, 177, 193       | 1001225211.....130, 135                | 1001238472.....305                                    |
| 1001206131.....334         | 1001218447.....218                 | 1001225244.....135                     | 1001238559.....305                                    |
| 1001206133.....334         | 1001218448.....161, 177, 193       | 1001225343.....229                     | 1001238672.....299                                    |
| 1001206532.....284, 288    | 1001218545.....103, 105            | 1001225430.....165, 476                | 1001238674.....111                                    |
| 1001206605.....311, 481    | 1001218580.....161, 177, 193       | 1001225431.....165, 476                | 1001238732.....111, 299                               |
| 1001206771.....465, 467    | 1001218733.....121                 | 1001226541.....391                     | 1001239202.....408                                    |
| 1001206772.....457, 459    | 1001218944.....161, 177, 193       | 1001226636.....391                     | 1001239344.....361                                    |
| 1001206773.....461, 463    | 1001218945.....161, 177, 193       | 1001226637.....391                     | 1001239345.....361                                    |
| 1001207673.....251         | 1001219082.....389                 | 1001226706.....231                     | 1001241403.....111, 299                               |
| 1001209664.....303         | 1001219116.....67, 69, 71, 73      | 1001226739..379, 381, 383,<br>385, 391 | 1001241965.....305                                    |
| 1001209688...338, 342, 346 | 1001219400.....170                 | 1001226831.....389, 395                | 1001242540.....249                                    |
| 1001209841...338, 342, 346 | 1001219403.....170, 173            | 1001227180.....259                     | 1001242624.....383                                    |
| 1001209842...338, 342, 346 | 1001219404.....173, 176            | 1001227633.....301                     | 1001242625.....381                                    |
| 1001210636.....307         | 1001219455.....178, 194            | 1001227634.....301                     | 1001242653.....480                                    |
| 1001210887.....29          | 1001219601.....115, 477            | 1001227985.....301                     | 1001242743.....361, 375                               |
| 1001211508.....29          | 1001219627.....349                 | 1001227987.....301                     | 1001242745.....375, 419                               |
| 1001212223.....218         | 1001219628.....350                 | 1001227996.....431, 433                | 1001243596...283, 287, 427                            |
| 1001212817.....146         | 1001219631.....170                 | 1001228200...160, 176, 193             | 1001243682.....123, 449                               |
| 1001213447.....427         | 1001219642.....177, 181            | 1001228224.....301, 477                | 1001244298.....457, 459                               |
| 1001213664.....335         | 1001219726.....154                 | 1001228225.....301, 477                | 1001245788.....253                                    |
| 1001213665.....335         | 1001220261.....161, 177, 403       | 1001228485.....99, 101                 | 1001246144.....379                                    |
| 1001213882.....283, 287    | 1001220535.....154, 170, 186       | 1001228488.....77, 79                  | 1001246145.....385                                    |
| 1001214683.....218         | 1001220562.....255                 | 1001228618.....77                      | 1001246526.....379                                    |
| 1001215258.....239         | 1001220749...154, 170, 186,<br>359 | 1001228954.....381                     | 1001246527.....385                                    |
| 1001215629.....91          | 1001220778.....229                 | 1001229141.....77                      | 1001246859.....445                                    |
| 1001216206.....237         | 1001220779.....229                 | 1001229341.....301                     | 1001247280.....481                                    |
| 1001216207.....237         | 1001221172.....99                  | 1001229458.....389                     | 1001247468.....239, 477                               |
| 1001216208.....237         | 1001221175.....97, 99              | 1001229542.....161, 177                | 1001248425.....263                                    |
| 1001216394.....93          | 1001221203.....177                 | 1001230051.....101                     | 1001248426.....269                                    |
| 1001216555.....229         | 1001221205.....170                 | 1001230052.....335                     | 1001248427.....265                                    |
| 1001216560.....229         | 1001221212.....177                 | 1001230053.....335                     | 1001248428.....267                                    |
| 1001216793.....480         | 1001221217.....177                 | 1001230054.....335                     | 1001248435.....103                                    |
| 1001216832.....229         | 1001221284.....97, 101             | 1001230635.....193                     | 1001248437.....453                                    |
| 1001216835.....229         | 1001221286.....101                 | 1001230931.....251                     | 1001248439.....455                                    |
| 1001216836.....229         | 1001221289...154, 170, 186,<br>413 | 1001230934.....407                     | 1001248441.....465                                    |
| 1001217028.....237         | 1001221290.....101                 | 1001230935.....407                     | 1001248443.....467                                    |
| 1001217857.....103, 105    | 1001221291.....101                 | 1001230936.....407                     | 1001248445.....457                                    |
| 1001217858.....103, 105    | 1001221312.....101                 | 1001231149.....335                     | 1001248447.....459                                    |
| 1001217859.....103, 105    | 1001221313.....101                 | 1001231150.....335                     | 1001248449.....461                                    |
| 1001217864.....103, 105    | 1001221334.....101                 | 1001231245.....161                     | 1001248451.....463                                    |
| 1001217917.....239         | 1001221340.....101                 | 1001231797...241, 243, 429             | 1001248452.....375                                    |
| 1001218037.....224, 231    | 1001221427.....177                 | 1001232164.....301                     | 1001248456.....263, 273                               |
| 1001218400.....154         | 1001221435.....249                 | 1001232165.....301                     | 1001248457.....269, 277                               |
| 1001218401.....217         | 1001221518.....229, 231            | 1001232358.....135                     | 1001248458.....265, 279                               |
| 1001218402.....480         | 1001221679.....87, 89              | 1001232642.....305                     | 1001248459.....267, 275                               |
| 1001218403.....154, 157    | 1001221680.....87, 89              | 1001232667.....305, 477                | 1001248460..273, 275, 277,<br>279, 283                |
| 1001218404.....157, 160    | 1001222493.....335                 | 1001232782.....63                      | 1001248539..453, 455, 457,<br>459, 461, 463, 465, 467 |
| 1001218405...161, 177, 193 | 1001222524.....47, 55              | 1001232783.....59                      | 1001248542.....453, 455                               |
| 1001218406...161, 178, 193 | 1001222642.....17                  | 1001232899.....229, 329                | 1001248543.....461                                    |
| 1001218408...161, 178, 194 | 1001222688.....21                  | 1001233479.....117, 119                | 1001248544.....457, 459                               |
| 1001218409.....161         | 1001222730.....346                 | 1001234800.....407                     | 1001248545.....465, 467                               |

## SECTION 11 - SPECIAL OPTIONS/ACCESSORIES/KITS

|  |   |   |  |
|--|---|---|--|
| 1001248558...453, 455, 457,<br>459, 461, 463, 465, 467,<br>473 | 1001274249.....481                                | 1701509 453, 455, 457, 459,<br>461, 463, 465, 467 | 2110810.....342, 346                               |
| 1001249886.....283   | 1001274479.....481                                | 1701529 453, 455, 457, 459,<br>461, 463, 465, 467 | 2110812.....349                                    |
| 1001249946.....161, 165  | 1001274527.....307                                | 1702565.....281                                   | 2111010.....349                                    |
| 1001252033.....480   | 1001275628.....287                                | 1702566.....281                                   | 2111016.....349                                    |
| 1001252034.....480   | 1001275629.....287                                | 1702590 453, 455, 457, 459,<br>461, 463, 465, 467 | 2130808.....342, 346                               |
| 1001252527.....407   | 1001276605.....387                                | 1702773 453, 455, 457, 459,<br>461, 463, 465, 467 | 2130810 338, 342, 346, 349                         |
| 1001253945.....480   | 1001276642.....115                                | 1702774 453, 457, 461, 465                        | 2130812.....342, 346, 349                          |
| 1001253946.....480   | 1001276923.....480                                | 1702862 453, 455, 457, 459,<br>461, 463, 465, 467 | 2131012.....338, 349                               |
| 1001254240.....453, 455  | 1001277208.....115, 476                           | 1702868.....453, 455                              | 2150810.....338, 342, 346                          |
| 1001254241.....453, 455  | 1001277210 43, 45, 47, 476                        | 1703162 145, 160, 176, 192                        | 2151010.....349                                    |
| 1001254242.....465, 467  | 1001277278.....99                                 | 1703797.....453, 455                              | 2151012.....338, 342, 346                          |
| 1001254243.....465, 467  | 1001277916.....481                                | 1703804.....453, 455                              | 2170108.....342, 346                               |
| 1001254244.....457, 459  | 1001279126.....481                                | 1703805.....453, 455                              | 2170208.....338, 342                               |
| 1001254247.....457, 459  | 1001279196.....480                                | 1703811 453, 455, 457, 459,<br>461, 463, 465, 467 | 2170308.....338                                    |
| 1001254263.....461, 463  | 1001279504.....375, 445                           | 1703814 453, 455, 457, 459,<br>461, 463, 465, 467 | 2170708.....342, 346                               |
| 1001254264.....461, 463  | 1001281100.....115, 476                           | 1703925.....457, 459                              | 2170908 338, 342, 346, 349                         |
| 1001254472.....305   | 1001282206.....193, 197                           | 1703926.....461, 463                              | 2172110.....350                                    |
| 1001254473.....305   | 1001282406.....389, 397                           | 1703927.....465, 467                              | 2180832.....154, 170                               |
| 1001255084.....471   | 1001286219.....99                                 | 1703938.....461, 463                              | 2220313... 99, 154, 170, 186                       |
| 1001255085.....469   | 1001287741.....375, 423                           | 1703939.....465, 467                              | 2220315.....145                                    |
| 1001255086.....471   | 1001289138.....389, 399                           | 1703943.....457, 459                              | 2220366.....349                                    |
| 1001255694.....194   | 1001289140.....399                                | 1703944.....461, 463                              | 2220371 334, 338, 342, 346                         |
| 1001255695.....186   | 1001289199.....399                                | 1703945.....465, 467                              | 2220372.....334, 349                               |
| 1001255696.....186, 189  | 1001289665.....389                                | 1703949.....457, 459                              | 2220373.....349                                    |
| 1001255697.....189, 192  | 1001289831.....480                                | 1703950.....461, 463                              | 2220374.....334, 349                               |
| 1001255824.....271   | 1001289832.....480                                | 1703951.....465, 467                              | 2220375.....349                                    |
| 1001255826.....271, 281  | 1001292288.....473                                | 1703953.....453, 455                              | 2220377.....350                                    |
| 1001255827.....281, 287  | 1001311034.....305                                | 1703980.....461, 463                              | 2220380.....349                                    |
| 1001255828.....287   | 1060343.....218                                   | 1703981.....465, 467                              | 2220415 334, 342, 346, 349                         |
| 1001255830.....473   | 1060918 263, 265, 267, 269,<br>271                | 1703982.....457, 459                              | 2220435.....349                                    |
| 1001255832.....473   | 1062255 379, 381, 383, 385,<br>387, 389           | 1703983.....465, 467                              | 2220451.....349                                    |
| 1001255834.....473   | 10702077.....219                                  | 1703984.....461, 463                              | 2220466.....334, 342, 346                          |
| 1001255901.....393   | 10702082.....219                                  | 1703985.....465, 467                              | 2220472.....338, 342, 349                          |
| 1001256006.....109   | 10837489.....74                                   | 1703986.....453, 455                              | 2220473 334, 338, 342, 346                         |
| 1001256017.....109   | 1120549.....19, 21                                | 1703987.....461, 463                              | 2220478.....349                                    |
| 1001256018.....105, 109  | 1120550.....19, 21                                | 1703988.....465, 467                              | 2220479.....349                                    |
| 1001256019.....105   | 1220078.....228                                   | 1703989.....457, 459                              | 2220497.....349                                    |
| 1001256020.....105   | 1260017.....91                                    | 1704260.....281, 283                              | 2220498.....145, 349                               |
| 1001256879.....194   | 1320022.....161, 177                              | 1704277 453, 455, 457, 459,<br>461, 463, 465, 467 | 2220499.....334, 349                               |
| 1001257154.....177   | 1320058.....145                                   | 1704412 453, 455, 457, 459,<br>461, 463, 465, 467 | 2220500.....334, 349                               |
| 1001257277.....145   | 1320061 121, 154, 170, 186,<br>218                | 1704485 453, 455, 457, 459,<br>461, 463, 465, 467 | 2220502.....334, 342, 346                          |
| 1001259424.....193   | 1320136.....249                                   | 1704972.....473                                   | 2220582.....342, 346                               |
| 1001259425.....193   | 1320223.....154, 170                              | 1705336.....453, 455                              | 2220596.....334                                    |
| 1001262322.....383   | 1320235.....334                                   | 1705337.....453, 455                              | 2220603.....334                                    |
| 1001262327.....383   | 1320263.....15, 17, 249                           | 1705338.....461, 463                              | 2220605.....342, 346                               |
| 1001263172.....123   | 1320302.....217                                   | 1705339.....465, 467                              | 2220624.....349                                    |
| 1001265163.....307   | 1321385.....335                                   | 1705344.....461, 463                              | 2220628.....334, 349                               |
| 1001266221.....107   | 1380169.....103, 105                              | 1705345.....465, 467                              | 2220654.....346                                    |
| 1001266222.....107   | 1600343.....283, 287, 476                         | 1705351.....453                                   | 2220671.....349                                    |
| 1001266228.....103, 107  | 1600443.....149, 476                              | 1705366.....224                                   | 2220816.....155, 171, 186                          |
| 1001266229.....103   | 1671049.....57, 59, 61, 63                        | 1705426.....461                                   | 2220819.....338, 342, 346                          |
| 1001266290.....480   | 1671092.....218                                   | 1705427.....465                                   | 2220861.....342, 346                               |
| 1001266807.....480   | 1671142.....249                                   | 1705430.....457                                   | 2220865.....334                                    |
| 1001269754.....178   | 1701499 453, 455, 457, 459,<br>461, 463, 465, 467 | 1705492.....453, 455                              | 2220881.... 49, 51, 231, 319                       |
| 1001269755.....117   | 1701501 453, 455, 457, 459,<br>461, 463, 465, 467 | 1705493.....461, 463                              | 2220883... 51, 74, 231, 315,<br>317, 319, 321      |
| 1001269756.....87, 253   | 1701502 453, 455, 457, 459,<br>461, 463, 465, 467 | 1705503.....465, 467                              | 2220885.. 74, 315, 317, 319,<br>323, 325, 327, 329 |
| 1001269757.....480   | 1701503 453, 455, 457, 459,<br>461, 463, 465, 467 | 1705504.....281                                   | 2220886.....74, 317, 323                           |
| 1001270339.....361   | 1701505 453, 455, 457, 459,<br>461, 463, 465, 467 | 1705744.....281                                   | 2220887.....319                                    |
| 1001270340.....361   | 1701509 453, 455, 457, 459,<br>461, 463, 465, 467 | 1705745.....281                                   | 2220888.....319                                    |
| 1001270690.....480   | 1701509 453, 455, 457, 459,<br>461, 463, 465, 467 | 1705969.....465, 467                              | 2220923.....338, 342                               |
| 1001272098.....473   | 1701509 453, 455, 457, 459,<br>461, 463, 465, 467 | 1706060.....473                                   | 2220947.....334                                    |
| 1001272166.....480   | 1701509 453, 455, 457, 459,<br>461, 463, 465, 467 | 1706061.....473                                   | 2221034.....338                                    |
| 1001272659.....387   | 1701505 453, 455, 457, 459,<br>461, 463, 465, 467 | 1706062.....473                                   | 2221042.....334                                    |
| 1001272997.....393   |   | 1706741.....281                                   | 2221084.....349                                    |
| 1001273012.....387, 393  |   | 2060025.....145                                   |  |



## SECTION 11 - SPECIAL OPTIONS/ACCESSORIES/KITS

|   |   |   |  |
|---|---|---|--|
| 2221086.....53, 55, 74, 224,<br>231, 247  | 3291201 ..97, 126, 130, 141,<br>154, 170, 186, 239  | 3841692.....259                                   | 4360552 .....249, 477  |
| 2221231.....338   | 3291205 ..67, 69, 71, 87, 89,<br>93, 97, 103, 105, 126,<br>130, 141, 154, 170, 186,<br>224, 239 | 3900174.....103, 105                              | 4360578 .....15, 17, 477   |
| 2221337.....231   |   | 3900210.....103, 105                              | 4420051 .....469, 471  |
| 2400060.....307, 427, 445   |   | 3900349.....283, 287                              | 4460016 .....427   |
| 2400066.....445   |   | 3900363. 133, 135, 137, 145                       | 4460019 .401, 404, 407, 446  |
| 2540038.....309, 311  | 3291207 .....19, 21   | 3900364.....160, 176, 192                         | 4460042 263, 265, 267, 269,<br>271, 405, 408, 419  |
| 2560187.....133, 135, 137   | 3291602 .....77   | 3910606.....217                                   | 4460043 .....404, 407  |
| 2720058.....141, 215  | 3291607 .....19, 21   | 3910804.....113                                   | 4460071 217, 263, 265, 267,<br>269, 271  |
| 2750532. 145, 338, 342, 346   | 3300241 .....228  | 3931008.....93                                    | 4460121 .....423   |
| 2820031 .....217  | 3300242 .....228  | 3931016.....217                                   | 4460144 .....419   |
| 2820247.....431, 433  | 3300353 .....283, 287   | 3931020.....19, 21                                | 4460183 .....427   |
| 2860030.....113, 476  | 3300364 .....103, 105, 249  | 3931408.....303                                   | 4460225 .....417   |
| 2900700.....231   | 3300396 .....218  | 3931512... 93, 160, 176, 192                      | 4460226 263, 265, 267, 269,<br>271, 292, 295, 425, 437   |
| 2900707.....74  | 3300408 .....111, 299   | 3931620.....157, 173, 189                         | 4460227 .....427   |
| 2900708.....73  | 3300459 .....228  | 3931628.....217                                   | 4460234 283, 287, 375, 379,<br>381, 383, 385, 387, 389   |
| 2900770... 74, 315, 317, 321  | 3300464 .....19, 21   | 3960422.....217                                   | 4460247 .....404, 407  |
| 2900792 .....315  | 3311001 .....218  | 3960551.....19, 21                                | 4460256 .....446   |
| 2901443.....481   | 3311005 .....217  | 3960552.....19, 21                                | 4460259 .307, 413, 419, 427  |
| 2902065 145, 157, 173, 189,<br>199  | 3311401 .....217  | 4031205.....249                                   | 4460260 .307, 413, 419, 427  |
| 2902303.....480   | 3311405 123, 249, 303, 305,<br>453, 455, 457, 459, 461,<br>463, 465, 467                        | 4031505.....301                                   | 4460265 .....292, 295  |
| 2902307.....480   | 3311505 .....19, 21   | 4031507.....117                                   | 4460267 .....419, 427  |
| 2902308 .....480  | 3311601 .....284, 287, 305  | 4031510.....15, 17, 251                           | 4460268 .....417, 423  |
| 2902309 .....480  | 3311605 .....309, 311   | 4031516.....305                                   | 4460313 .....401, 446  |
| 2902310 .....480  | 3322201 .....93   | 4031605.....249                                   | 4460315 .....217, 401  |
| 2902443 .....401, 404, 407  | 3331211 145, 160, 176, 192,<br>217  | 4031607.....99, 253                               | 4460346 .....217   |
| 2910894 .....481  | 3332415001.....239  | 4031707.....19, 21                                | 4460418 .....419, 427  |
| 2920028.....303, 309, 311   | 3380474 .....453  | 4031914.....160, 176, 192                         | 4460419 .....419, 427  |
| 2920029.....303, 309, 311   | 3391210 .141, 154, 170, 186   | 4032009.....327                                   | 4460424 .....423   |
| 2940045 .....103, 105   | 3423208 .....224  | 4032013.....217                                   | 4460425 .....218   |
| 2940173.....133, 135, 137   | 3423256 .....19, 21   | 4032014.....217                                   | 4460426 .....218   |
| 3020039.....228   | 3430616 .....284, 287   | 4032022.....145                                   | 4460428 .....283, 287  |
| 3020042.....229   | 3450810 .....29   | 4032310.....19, 21                                | 4460434 .....427   |
| 3251102.....217   | 3451214 .....19, 21   | 4060802.....217                                   | 4460458 .....404, 407  |
| 3252347.....453, 455  | 3470003 .....284, 288   | 4060807.....229, 350                              | 4460464 251, 263, 265, 267,<br>269, 271, 307, 361, 377,<br>391, 393, 403, 404, 413,<br>419, 423, 425, 427, 439,<br>441, 443, 445, 446, 449                   |
| 3271601.....126, 130  | 3520026 .....283, 287   | 4060808.....43, 45, 47                            | 4460465 117, 119, 307, 361,<br>371, 373, 377, 391, 395,<br>401, 403, 404, 407, 408,<br>415, 417, 419, 421, 423,<br>427, 429, 437, 441, 443,<br>445, 446, 449 |
| 3271805.....237   | 3520027 .....283, 287   | 4060865.....119                                   | 4460466 .93, 301, 307, 361,<br>371, 373, 377, 391, 395,<br>397, 401, 403, 404, 407,<br>408, 419, 421, 423, 427,<br>429, 435, 439, 441, 443,<br>445, 446      |
| 3272201 .....228  | 3520054 145, 157, 173, 189,<br>283, 287   | 4060906.....283, 287                              | 4460467 .....481   |
| 3272401 .....228  | 3520174 .....283, 287   | 4070895.....237                                   | 4460470 .....283, 287, 375   |
| 3282601 .....228  | 3573294 .....15, 17   | 4070897.....228                                   | 4460471 .....283, 287, 375   |
| 3290305 162, 177, 192, 273,<br>275, 277, 279, 283, 287  | 3580317 .....217  | 4070898.....228                                   | 4460473 .....371, 373  |
| 3290405 ....15, 17, 117, 119,<br>307  | 3580318 .....217  | 4071015.....228                                   | 4460496 .....283, 287, 419   |
| 3290505 .....389  | 3580320 .....217  | 4071041.....77                                    | 4460497 .....283, 287, 419   |
| 3290601 ..95, 133, 135, 137,<br>193   | 3600424 .....95   | 4100026.....334                                   | 4460508 .....301, 427, 445   |
| 3290605 .....43, 45, 47, 115,<br>121, 141, 145, 218, 251,<br>259, 263, 265, 267, 269,<br>271, 335                       | 3641585 .....259  | 4100066.....349                                   | 4460509 .....371, 373  |
| 3290606 .....261  | 3740067 ...95, 145, 476, 477  | 4160197.....228                                   | 4460510 .....481   |
| 3290801 .....99, 101  | 3740086 .....439, 477   | 4240017. 338, 342, 346, 349                       | 4460518 361, 395, 397, 427,<br>429, 441  |
| 3290805 .....43, 45, 47, 103,<br>105, 115, 121, 126, 130,<br>133, 135, 137, 145, 237,<br>271, 334, 367                  | 3760133 .....233  | 4240018 334, 338, 342, 346,<br>349                | 4460536 .....427, 445, 449   |
| 3290806 .....471  | 3760170 .....91   | 4240032 375, 379, 381, 383,<br>385, 387, 389, 401 |  |
| 3291001 .....239  | 3760233 .....224  | 4240033. 301, 303, 305, 401                       |  |
| 3291005 ..95, 126, 130, 133,<br>135, 145, 215, 237, 239,<br>253, 255, 263, 265, 267,<br>269, 271, 335, 338, 342,<br>346 | 3760383 .....19, 21   | 4240099 162, 178, 192, 309,<br>311                |  |
| 3291007 .....15, 17   | 3790012 ...21, 283, 287, 297  | 4360070.....218, 476                              |  |
|   | 3790152 .143, 157, 173, 189   | 4360274.....107, 109, 477                         |  |
|   | 3790155 .143, 157, 173, 189   | 4360328. 107, 109, 297, 477                       |  |
|   | 3790158 .....25, 27   | 4360336.....217, 477                              |  |
|   | 3820001 453, 455, 457, 459,<br>461, 463, 465, 467, 473  | 4360387 283, 287, 303, 309,<br>311, 477           |  |
|   | 3841143 141, 154, 170, 186,<br>233, 239   | 4360436.....97, 477                               |  |
|   | 3841203 .....19, 21, 224  | 4360469.....113, 477                              |  |
|   | 3841258 .....19, 21   | 4360475 107, 109, 283, 287,<br>477                |  |
|   | 3841287 .....224  | 4360476.....107, 109                              |  |
|   | 3841581 .....224  | 4360477.....309, 311, 477                         |  |
|   |   | 4360505.....19, 21, 477                           |  |

## SECTION 11 - SPECIAL OPTIONS/ACCESSORIES/KITS

|  |   |  |                             |
|--|---|--|-----------------------------|
| 4460539 355, 361, 395, 407,<br>419, 423, 427, 445, 449               | 4460950.....377, 403  | 237, 239, 241, 243, 245,<br>249, 253, 255, 309, 311,<br>334, 338, 342, 346   | 70000854..... 35, 37        |
| 4460662 ..... 309, 311   | 4460963.....219   | 4812002 161, 177, 192, 263,<br>265, 267, 269, 271  | 70000855..... 35            |
| 4460670 .....361, 419, 445   | 4460967.....415   | 4812100 ..15, 17, 19, 21, 67,<br>69, 71, 83, 87, 89, 93, 95,<br>97, 103, 105, 121, 126,<br>130, 141, 145, 154, 170,<br>186, 192, 239 | 70000856..... 35            |
| 4460702 ..... 401, 446   | 4460968..... 15, 17, 311  | 4812102 ..97, 141, 154, 170,<br>186  | 70000857..... 35, 37        |
| 4460703 .....361, 404, 407   | 4460970.....397, 403  | 4812200 .....145   | 70000858..... 35, 37        |
| 4460708 ..... 283, 287   | 4460982.....403   | 4812300 ....19, 21, 141, 154,<br>170, 186, 228   | 70000859..... 35, 37        |
| 4460746 ..... 407  | 4461005.....401   | 4871700 .....217   | 70000860..... 37            |
| 4460748 ..... 407  | 4461006.....401   | 4891600 .143, 157, 173, 189  | 70000861..... 35, 37        |
| 4460761 ..... 419, 427   | 4461008..... 401, 404, 407  | 4891800 .143, 157, 173, 189  | 70000862..... 35, 37        |
| 4460807 ..... 417  | 4461052.....401   | 4892400 .....77  | 70000863.....218            |
| 4460808 ..... 417  | 4461053.....401   | 4920385 .....177   | 70000916..... 149           |
| 4460836 ...93, 377, 403, 446   | 4461054. 401, 404, 408, 413   | 4921850 .....481   | 70000917..... 149           |
| 4460837 ..... 93, 446  | 4461060.....401   | 4922641 .....218   | 70000918..... 149           |
| 4460865 ..... 371, 373   | 4461070. 401, 403, 404, 441   | 4922972 .....217, 417  | 70000919..... 149           |
| 4460866 ..... 427, 445   | 4461071 ..... 401, 404, 407   | 4923256 .....375, 421  | 70001056..... 95            |
| 4460868 ..... 419  | 4461072..... 401, 404, 407  | 4923468 .....145   | 70001100.....218            |
| 4460871 251, 419, 423, 427,<br>445, 449                              | 4461073..... 401, 404, 407  | 5240600 .....229   | 70001123..... 93            |
| 4460872 ..... 445  | 4461074..... 401, 404, 407  | 5241000 .....239   | 70001125..... 149           |
| 4460873 ..... 427, 445   | 4461077..... 361, 435, 439  | 5241200 ....25, 27, 143, 145,<br>157, 160, 173, 176, 189,<br>192, 217, 239   | 70001126..... 149           |
| 4460874 ..... 427, 445   | 4461095. 401, 403, 404, 441   | 5241600 ....25, 27, 39, 41, 85   | 70001128..... 149           |
| 4460875 ..... 423  | 4461097.....401   | 5242000 .....229   | 70001129..... 149           |
| 4460876 ..... 419, 427   | 4568293 ..... 145   | 5242400001 .....239  | 70001130..... 149           |
| 4460877 ..... 419  | 4640509 .....315  | 5250508 ..... 154, 170, 186  | 70001131..... 149           |
| 4460878 ..... 445  | 4640751. 145, 160, 176, 192   | 5250608 ..... 160, 176, 192  | 70001135..... 149           |
| 4460879 ..... 307, 427   | 4641129 ..... 73  | 5250612 ..... 160, 176, 192  | 70001384.....218            |
| 4460884 307, 361, 377, 404,<br>408, 437, 445                         | 4641210..... 74   | 5250808 162, 170, 178, 186,<br>192   | 70001435..... 149           |
| 4460887 .....307, 427, 445   | 4641285 .....319  | 5250810 ..... 155, 171, 186  | 70001697.....235            |
| 4460891 117, 119, 377, 413,<br>429, 441, 443, 449                    | 4711000.....219   | 5250813 154, 160, 170, 176,<br>186, 192  | 70001847..... 149           |
| 4460892 ..... 429  | 4711400 123, 133, 135, 137,<br>217, 249, 303, 305   | 5250816 .160, 176, 192, 217  | 70001850..... 149           |
| 4460894 361, 391, 401, 404,<br>408, 419, 423, 427, 429,<br>446       | 4711500.... 19, 21, 160, 176,<br>192  | 5250818 .....217   | 70001857..... 149           |
| 4460897 .....413, 425, 446   | 4711600 67, 69, 71, 95, 141,<br>284, 288  | 5251008 .160, 176, 192, 239  | 70001868..... 149           |
| 4460899 251, 361, 423, 435,<br>439, 443, 446                         | 4711800..... 19, 21, 237  | 5251011 .155, 171, 186, 192  | 70001870..... 149, 165, 181 |
| 4460905 283, 287, 419, 423,<br>427, 445                              | 4740181 ..... 19, 21  | 5251012 .160, 176, 192, 218  | 70001871..... 149           |
| 4460910 ..... 431  | 4740229 ..... 19, 21  | 5251013 .....154   | 70001939.....53             |
| 4460911 ..... 361, 435   | 4740362 263, 265, 267, 269,<br>271  | 5251014 160, 170, 176, 186,<br>192   | 70001955.....205            |
| 4460914 .....19, 21, 249   | 4740397..... 21, 283, 287   | 5251016 .160, 176, 192, 239  | 70001956.....205            |
| 4460918 ..... 361  | 4740505..... 19, 21   | 5251141 ..... 160, 176, 192  | 70001958.....203            |
| 4460925 ..... 427  | 4750800 ..... 19, 21  | 5260600 ..... 160, 176, 192  | 70001966.....218            |
| 4460926 ..... 429  | 4751000..... 99, 217, 249   | 5260800 154, 160, 170, 176,<br>186, 192  | 70001973.....218            |
| 4460928 .....361, 429, 441   | 4751400 217, 283, 287, 453,<br>455, 457, 459, 461, 463,<br>465, 467   | 5261000 ..... 160, 176, 192  | 70001974.....218            |
| 4460930 377, 401, 403, 404,<br>408, 421, 423, 445                    | 4751500..... 103, 105   | 5271723 .....229   | 70002015..... 31            |
| 4460931 .....403, 419, 446   | 4755000..... 19, 21   | 70000044 .....149  | 70002016..... 31            |
| 4460932 307, 355, 361, 393,<br>404, 413, 445                         | 4811400.... 15, 17, 117, 307  | 70000342 .....235  | 70002018..... 31            |
| 4460933 377, 395, 403, 427,<br>441, 445                              | 4811600..... 99, 253, 389   | 70000345 .....149, 181   | 70002019..... 31            |
| 4460934 ..... 377, 403   | 4811700 43, 45, 47, 95, 103,<br>105, 115, 121, 141, 145,<br>154, 170, 186, 193, 217,<br>249, 251, 335, 375  | 70000619 .....217  | 70002020..... 31            |
| 4460935 ..... 377, 403   | 4811702..... 101, 259, 261  | 70000793 .....199  | 70002026..... 31            |
| 4460941 ..93, 361, 403, 413,<br>435                                  | 4811900..29, 43, 45, 47, 87,<br>89, 99, 101, 121, 126,<br>130, 133, 135, 137, 145,<br>160, 176, 192, 237, 249,<br>251, 253, 255, 271, 334,<br>338, 342, 346 | 70000804 .....49, 51   | 70002027..... 31            |
| 4460942 ..93, 301, 361, 403,<br>404, 408, 413, 445, 446              | 4811902 103, 105, 115, 160,<br>176, 192, 334, 471   | 70000805 .....49, 51   | 70002029..... 31            |
| 4460943 ..93, 355, 403, 427,<br>435                                  | 4812000.. 15, 17, 45, 47, 57,<br>59, 61, 63, 67, 69, 71, 95,<br>126, 130, 133, 135, 137,<br>145, 176, 215, 218, 228,  | 70000852 .....35, 37   | 70002030..... 31            |
| 4460944 ..93, 355, 361, 401,<br>403, 404, 407, 408, 419,<br>427, 445 |   | 70000853 .....35, 37   | 70002031..... 31            |
| 4460945 .395, 407, 419, 446  |   |  | 70002032..... 31, 79        |

## SECTION 11 - SPECIAL OPTIONS/ACCESSORIES/KITS

|                                 |                       |                            |                            |
|---------------------------------|-----------------------|----------------------------|----------------------------|
| 70002049.....31                 | 70002606.....203      | 70004474.....79            | 70005707.....101, 476      |
| 70002050.....31                 | 70002607.....203      | 70004477.....79            | 70005717.....73            |
| 70002052.....31                 | 70002608.....203      | 70004480.....79            | 70005725.....73            |
| 70002057.....31, 79             | 70002609.....203      | 70004481.....79            | 70005774.....51            |
| 70002132.....202                | 70002610.....203      | 70004494.....80            | 70005775.....49, 51        |
| 70002133...35, 37, 202, 205     | 70002612.....203      | 70004501.....182           | 70005776.....49, 51        |
| 70002134.....202                | 70002616.....203      | 70004504.....165           | 70005778.....73            |
| 70002135.....202                | 70002617.....203      | 70004511.....181           | 70005781.....73            |
| 70002136.....202                | 70002618.....202      | 70004512.....181           | 70005782.....73            |
| 70002137.....202                | 70002619.....202      | 70004637.....315           | 70005784.....74            |
| 70002138.....202                | 70002620.....202      | 70004646.....481           | 70005785.....74            |
| 70002139.....202                | 70002621.....203      | 70004647.....481           | 70005786.....74            |
| 70002140.....202                | 70002622.....203      | 70004648.....481           | 70005789.....247           |
| 70002141.....202                | 70002623.....203      | 70004738.....295           | 70005820.....37            |
| 70002142.....202                | 70002718.....149, 181 | 70004739.....295           | 70005821.....37            |
| 70002145.....202                | 70002958.....51       | 70004740.....295           | 70005824.....237           |
| 70002148.....202                | 70002959.....51       | 70004741.....295           | 70005825.....237           |
| 70002150.....202                | 70002969.....73       | 70004742.....295           | 70005835.....319           |
| 70002151.....202                | 70002971.....73, 476  | 70004743.....295           | 70005836.....319           |
| 70002152.....202                | 70003023.....247      | 70004744.....295           | 70005837.....319           |
| 70002153.....202                | 70003024.....73       | 70004745.....295           | 70005838.....319           |
| 70002154.....202                | 70003135.....149      | 70004746.....295           | 70005839.....319           |
| 70002155.....202                | 70003136.....149      | 70004747.....295           | 70005840.....319           |
| 70002156.....202                | 70003475.....149      | 70004748.....295           | 70005841.....319           |
| 70002157.....202                | 70003628.....35, 37   | 70004749.....295           | 70005842.....319           |
| 70002158.....202                | 70003631.....218      | 70004750.....295           | 70005843.....323           |
| 70002159.....202                | 70003708.....218      | 70004751.....295           | 70005844.....323           |
| 70002160.....202                | 70003709.....218      | 70004752.....291           | 70005845.....317, 323      |
| 70002161.....202                | 70003788.....73, 476  | 70004753.....291           | 70005846.....323           |
| 70002162.....202                | 70003789.....73, 476  | 70004754.....291           | 70005847.....315, 321, 323 |
| 70002163.....202                | 70003948.....235      | 70004755.....291           | 70005848.....323           |
| 70002164.....202                | 70003972.....73       | 70004756.....291           | 70005849.....323           |
| 70002165.....202                | 70003976.....73       | 70004757.....291           | 70005850.....315           |
| 70002168.....203                | 70003978.....247      | 70004758.....291           | 70005851.....315           |
| 70002174.....203                | 70004064.....215      | 70004759.....291           | 70005852.....315           |
| 70002175.....203                | 70004065.....215      | 70004760.....291           | 70005853.....315           |
| 70002176.....35, 37             | 70004066.....215, 476 | 70004761.....291           | 70005854.....315           |
| 70002177.....203                | 70004067.....215      | 70004762.....291           | 70005855.....321           |
| 70002178.....203                | 70004068.....215      | 70004763.....291           | 70005856.....321           |
| 70002179.....203                | 70004069.....215      | 70004764.....291           | 70005857.....321           |
| 70002231...67, 69, 71, 141, 476 | 70004070.....215      | 70004765.....291           | 70005858.....321           |
| 70002247.....32                 | 70004092.....218      | 70004766.....291           | 70005859.....321           |
| 70002248.....31                 | 70004094.....218      | 70004767.....291           | 70005860.....321           |
| 70002249.....32                 | 70004098.....218      | 70004768.....291           | 70005861.....321           |
| 70002291.....218                | 70004099.....218      | 70004769.....291           | 70005862.....321           |
| 70002386...49, 51, 73, 247, 476 | 70004152.....74       | 70004770.....291           | 70005863.....317           |
| 70002460.....218                | 70004185.....481      | 70004771.....291           | 70005864.....317           |
| 70002576.....209                | 70004201.....35, 37   | 70004772.....291           | 70005865.....317           |
| 70002578.....205                | 70004202.....35, 37   | 70004773.....291           | 70005866.....317           |
| 70002580.....205                | 70004207.....35       | 70004774.....292           | 70005867.....317           |
| 70002582.....205                | 70004276.....165, 182 | 70004775.....292           | 70005868.....325           |
| 70002583.....205                | 70004277.....183      | 70005171.....181           | 70005869.....325           |
| 70002585.....205                | 70004279.....165      | 70005172.....165, 181      | 70005870.....325           |
| 70002586.....205                | 70004280.....181      | 70005173.....181           | 70005871.....325           |
| 70002588.....205                | 70004282.....182      | 70005174.....181           | 70005872.....325           |
| 70002589.....205                | 70004416.....205      | 70005177.....182           | 70005873.....325           |
| 70002590.....205                | 70004417.....205      | 70005181.....182           | 70005874.....325           |
| 70002592.....206                | 70004420.....205      | 70005184.....182           | 70005875.....327           |
| 70002593.....206                | 70004421.....205      | 70005188.....182           | 70005876.....327, 329      |
| 70002599.....206                | 70004422.....206      | 70005189.....165, 182      | 70005877.....327           |
| 70002600.....202                | 70004423.....205      | 70005191.....183           | 70005878.....327, 329      |
| 70002601.....202                | 70004426.....205      | 70005317.....79            | 70005879.....327, 329      |
| 70002602.....202                | 70004459.....53       | 70005318.....79            | 70005880.....327, 329      |
| 70002604.....203                | 70004460.....53, 476  | 70005418.....206           | 70005881.....327, 329      |
| 70002605.....203                | 70004461.....53, 55   | 70005456.....93            | 70005882.....327, 329      |
|                                 | 70004467.....79       | 70005647.....165, 183      | 70005883.....327, 329      |
|                                 | 70004469.....79       | 70005648.....165, 183, 476 | 70005884.....327           |

## SECTION 11 - SPECIAL OPTIONS/ACCESSORIES/KITS

|               |               |               |               |               |               |              |                    |
|---------------|---------------|---------------|---------------|---------------|---------------|--------------|--------------------|
| 70005885..... | 329           | 70006991..... | 79            | 70025111..... | 181           | 7007420..... | 35, 37             |
| 70005886..... | 327           | 70006992..... | 79            | 70025112..... | 182           | 7007438..... | 35                 |
| 70005888..... | 315           | 70006993..... | 79            | 70025115..... | 182           | 7007439..... | 35, 37, 203        |
| 70005889..... | 321           | 70006994..... | 79            | 70025120..... | 183           | 7007446..... | 35, 37, 202, 205   |
| 70005890..... | 321           | 70006995..... | 79            | 70025130..... | 165           | 7007489..... | 209                |
| 70005920..... | 181           | 70006996..... | 79            | 70025133..... | 182           | 7010543..... | 73                 |
| 70005921..... | 181           | 70006997..... | 79            | 70025135..... | 181           | 7010545..... | 74                 |
| 70005923..... | 182           | 70006998..... | 79            | 70025137..... | 181           | 7010635..... | 73                 |
| 70005924..... | 182           | 70006999..... | 79            | 70025140..... | 181           | 7011016..... | 95                 |
| 70005925..... | 182           | 70007000..... | 79            | 70025142..... | 182           | 7011043..... | 95                 |
| 70005926..... | 182           | 70007001..... | 79            | 70025144..... | 181           | 7011044..... | 95                 |
| 70005927..... | 182           | 70007002..... | 79            | 70025145..... | 181           | 7011048..... | 95                 |
| 70005928..... | 182           | 70007003..... | 79            | 70025146..... | 181           | 7011311..... | 319                |
| 70005929..... | 182           | 70007004..... | 80            | 70025149..... | 165, 183      | 7011346..... | 53, 55, 231        |
| 70005938..... | 166           | 70007005..... | 80            | 70025151..... | 182           | 7011376..... | 319                |
| 70005941..... | 165, 181      | 70007006..... | 80            | 70025152..... | 181           | 7012518..... | 73                 |
| 70005942..... | 165, 181      | 70007007..... | 80            | 70025153..... | 181           | 7012540..... | 73                 |
| 70006003..... | 224, 231      | 70007008..... | 80            | 70025154..... | 181           | 7012773..... | 53                 |
| 70006004..... | 224, 231, 476 | 70007009..... | 79            | 70025155..... | 182           | 7012914..... | 73                 |
| 70006005..... | 224, 231      | 70007010..... | 80            | 70025158..... | 182           | 7012918..... | 73                 |
| 70006006..... | 224, 231      | 70007011..... | 79            | 70025162..... | 181           | 7012925..... | 73                 |
| 70006087..... | 53, 55        | 70007012..... | 80            | 70025164..... | 165, 182      | 7012953..... | 74                 |
| 70006088..... | 53, 55        | 70007013..... | 80            | 70025171..... | 181           | 7012967..... | 73, 247            |
| 70006089..... | 53            | 70007353..... | 150           | 70025176..... | 181           | 7012998..... | 74, 247            |
| 70006093..... | 218           | 70009021..... | 359           | 70025178..... | 182           | 7015014..... | 145                |
| 70006094..... | 218           | 70009022..... | 357, 359      | 70025179..... | 182           | 7015015..... | 145                |
| 70006095..... | 218, 476      | 70009023..... | 357, 359      | 70025180..... | 182           | 7016328..... | 149, 476           |
| 70006096..... | 218           | 70009024..... | 359           | 70025181..... | 165, 181      | 7016331..... | 149, 165, 181, 476 |
| 70006097..... | 218           | 70009025..... | 357           | 70025182..... | 182           | 7016654..... | 481                |
| 70006098..... | 231           | 70009026..... | 357           | 70025183..... | 182           | 7016655..... | 481                |
| 70006099..... | 231           | 70021895..... | 182           | 70025184..... | 182           | 7017142..... | 235                |
| 70006101..... | 231           | 70022286..... | 205           | 70025185..... | 182           | 7017159..... | 235                |
| 70006102..... | 231           | 70023609..... | 247           | 70025200..... | 182           | 7017163..... | 235                |
| 70006127..... | 181           | 70024190..... | 211, 476      | 70025203..... | 182           | 7017164..... | 235                |
| 70006144..... | 165           | 70024191..... | 211, 476      | 70025205..... | 181           | 7017172..... | 235                |
| 70006237..... | 73            | 70024484..... | 182           | 70025210..... | 165, 182, 476 | 7017192..... | 235                |
| 70006238..... | 73            | 70024488..... | 181           | 70025231..... | 165, 181      | 7017195..... | 235                |
| 70006239..... | 73            | 70024494..... | 165, 181      | 70025235..... | 182           | 7017402..... | 73, 247            |
| 70006240..... | 73            | 70024502..... | 182           | 70025239..... | 181           | 7017410..... | 247                |
| 70006241..... | 74            | 70024504..... | 165, 181, 183 | 70025240..... | 182           | 7017418..... | 74                 |
| 70006242..... | 74            | 70024507..... | 165, 183      | 70025245..... | 165           | 7017420..... | 74                 |
| 70006282..... | 231           | 70024509..... | 182           | 70025246..... | 165           | 7017453..... | 73                 |
| 70006283..... | 231           | 70024513..... | 181           | 70025249..... | 211           | 7017467..... | 73                 |
| 70006343..... | 327, 329      | 70024517..... | 181           | 70025477..... | 182           | 7017493..... | 51                 |
| 70006344..... | 327, 329      | 70024669..... | 95            | 70025533..... | 183           | 7017495..... | 73                 |
| 70006403..... | 213           | 70024905..... | 181           | 70025660..... | 183           | 7018942..... | 53                 |
| 70006404..... | 213           | 70024906..... | 181           | 70025768..... | 182           | 7020175..... | 107, 109, 283, 287 |
| 70006405..... | 213           | 70024910..... | 182           | 70025931..... | 182           | 7020176..... | 107, 109, 283, 287 |
| 70006406..... | 213           | 70024912..... | 182           | 70026210..... | 165, 183      | 7020414..... | 149                |
| 70006407..... | 213           | 70024914..... | 165           | 70026302..... | 317, 323      | 7020447..... | 149                |
| 70006408..... | 213           | 70024915..... | 165, 183      | 70026995..... | 182           | 7020460..... | 149                |
| 70006409..... | 213           | 70024916..... | 165           | 70027006..... | 73, 476       | 7020465..... | 149, 165, 181      |
| 70006410..... | 213           | 70024918..... | 165, 183      | 70027278..... | 73            | 7020468..... | 149                |
| 70006425..... | 247           | 70024920..... | 182, 183      | 7002821.....  | 481           | 7020471..... | 149                |
| 70006427..... | 74            | 70024922..... | 165, 183      | 7002822.....  | 481           | 7020479..... | 149                |
| 70006617..... | 329           | 70024924..... | 165, 181      | 7002823.....  | 481           | 7020486..... | 149                |
| 70006620..... | 329           | 70024925..... | 181           | 7002828.....  | 481           | 7020492..... | 182                |
| 70006621..... | 329           | 70024961..... | 181           | 70030962..... | 211           | 7021249..... | 35, 37             |
| 70006622..... | 329           | 70025076..... | 181           | 70030963..... | 211           | 7021256..... | 203                |
| 70006623..... | 329           | 70025077..... | 165, 183      | 70035212..... | 183           | 7021265..... | 203                |
| 70006929..... | 53, 55        | 70025080..... | 181           | 7003655.....  | 145, 476      | 7021275..... | 35, 37, 202, 205   |
| 70006950..... | 53, 55, 476   | 70025082..... | 181           | 7004275.....  | 481           | 7021293..... | 203                |
| 70006986..... | 79            | 70025084..... | 182           | 7004276.....  | 481           | 7021375..... | 53, 55             |
| 70006987..... | 79            | 70025091..... | 181           | 7007207.....  | 202, 205      | 7021636..... | 73                 |
| 70006988..... | 79            | 70025101..... | 182           | 7007415.....  | 203, 205, 206 | 7022300..... | 203                |
| 70006989..... | 79            | 70025107..... | 182           | 7007418.....  | 202           | 7022301..... | 202                |
| 70006990..... | 79            | 70025109..... | 182           | 7007419.....  | 202           | 7022311..... | 35, 37             |

## SECTION 11 - SPECIAL OPTIONS/ACCESSORIES/KITS

|               |                 |               |          |                  |               |                |                            |
|---------------|-----------------|---------------|----------|------------------|---------------|----------------|----------------------------|
| 7022314 ..... | 35, 37          | 7024800 ..... | 203      | 7027740 .....    | 35            | 8405104 .....  | 160, 176, 192              |
| 7022321 ..... | 35, 37          | 7024808 ..... | 51       | 7027790 .....    | 149           | 8405204 .....  | 160, 176, 192              |
| 7022340 ..... | 205             | 7024865 ..... | 35       | 7027791 .....    | 149           | 8406109 .....  | 160, 176, 192              |
| 7022368 ..... | 35, 37          | 7024867 ..... | 35, 37   | 7027792 .....    | 149           | 8406202 .....  | 154, 162, 170, 177,<br>186 |
| 7022371 ..... | 35, 37          | 7024868 ..... | 35, 37   | 7027799 .....    | 218           | 8410013 .....  | 99, 145, 186               |
| 7022390 ..... | 49, 51, 73, 247 | 7026029 ..... | 93, 476  | 7029593 .....    | 95            | 8750024 .....  | 145                        |
| 7022391 ..... | 73              | 7026030 ..... | 93       | 7274000040 ..... | 218           | 8750025 .....  | 146                        |
| 7023919 ..... | 73, 74          | 7026031 ..... | 93, 477  | 77363233 .....   | 417           | 8760268 .....  | 335                        |
| 7023923 ..... | 73              | 7026032 ..... | 93       | 8036572 .....    | 247           | 8760552 .....  | 349                        |
| 7023924 ..... | 74              | 7026608 ..... | 149, 476 | 80484084 .....   | 404, 407      | 8770048 .....  | 334                        |
| 7023962 ..... | 205             | 7026626 ..... | 218      | 80983191 .....   | 404, 476      | 88662013 ..... | 349                        |
| 7023964 ..... | 205, 206        | 7026665 ..... | 93       | 8220045 .....    | 446           | 91143339 ..... | 403                        |
| 7024441 ..... | 101             | 7027235 ..... | 149      | 8220164 .....    | 403, 407      | 91143340 ..... | 403                        |
| 7024488 ..... | 217             | 7027236 ..... | 149      | 8229242 .....    | 404, 476      | 91203039 ..... | 239                        |
| 7024489 ..... | 217             | 7027239 ..... | 149      | 8405006 .....    | 186           |                |                            |
| 7024565 ..... | 149             | 7027240 ..... | 149      | 8405007 .....    | 160, 176, 192 |                |                            |
| 7024579 ..... | 149, 181        | 7027276 ..... | 149      | 8405009 .....    | 192           |                |                            |



**Corporate Office  
JLG Industries, Inc.  
1 JLG Drive  
McConnellsburg, PA 17233-9533 USA  
☎ (717) 485-5161 (Corporate)  
☎ (877) 554-5438 (Customer Support)  
📠 (717) 485-6417**

**Visit our website for JLG Worldwide Locations.  
[www.jlg.com](http://www.jlg.com)**



**OSHKOSH™**