



Illustrated Parts Manual

Model 1500AJP

PVC
2301

P/N
31221390

November 15, 2023 - Rev D

ANSI

CE



**UK
CA**

AS/NZS



An Oshkosh Corporation Company

REVISION LOG

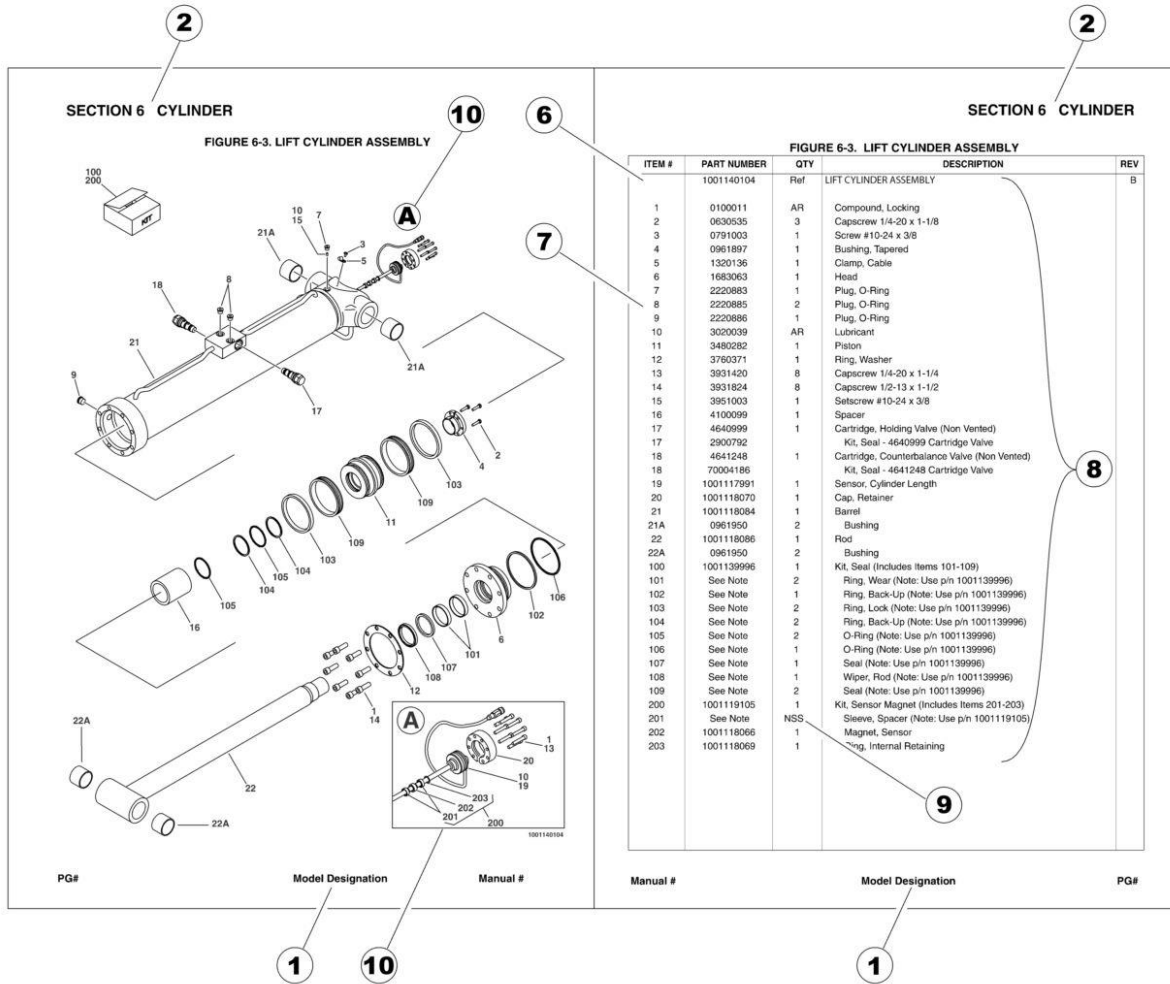
January 9, 2023 - A - Original Issue of Manual (Edited to B/M 1001261501 Revision N)

July 10, 2023 - B - Revised Manual (Edited to B/M 1001261501 Revision P)

September 1, 2023 - C - Revised Manual (Edited to B/M 1001261501 Revision P)

November 15, 2023 - D - Revised Manual (Edited to B/M 1001261501 Revision P)

GENERAL INFORMATION



1) MACHINE IDENTIFICATION

Machines are identified by model and in some cases a combination of models, serial number (SN) or regional standard (i.e ANSI, CE, CSA). Components may also be identified by SN or manufacturer. Common components that may be identified by these characteristics are engines and hydraulic components.

2) PARTS MANUAL ORGANIZATION

Product information in this manual is organized under section titles. Frame, Cylinder, Hydraulic and Electrical are a few examples. Each section is organized by figure and page number. The information within the Figure is then organized by item number, part number, description and corresponding illustration (s).

3) TABLE OF CONTENTS (NOT SHOWN)

A table of contents is found toward the beginning of the manual. Figure number, description and page number are provided for quick reference to the page containing the related information.

4) RECOMMENDED SPARE PARTS (NOT SHOWN)

The Recommended Spare Parts List, located near the end of the manual, reference most frequently used maintenance parts.

5) PART NUMBER INDEX (NOT SHOWN)

A numerical index listing all part numbers and the corresponding page number(s) appears at the back of the manual.

GENERAL INFORMATION

6) NON-SERVICED PARTS

In some instances, it is necessary to display non-serviced parts, assemblies or installations. In the case of assemblies and installations there will be a Ref in the Qty. column. In case of parts that are not available for service within assemblies or components, there will be a NSS (Not Sold Separately) or NLA (No Longer Available) listed in the Qty. column of the manual.

7) PARTS LIST ITEM NUMBERS

Numbers shown in the item# column correspond to numbers used in the associated illustration (s). Item numbers which are missing from the sequence in the parts list are not used on that page.

8) INDENTED PARTS DESCRIPTION

An indented part description is included in the item under which it is indented.

9) ABBREVIATION AND SYMBOLS

AC.....	Alternating Current	L.....	Liter
ADE.....	Advanced Design Electronics	LB(LBS).....	Pounds
AG.....	Agricultural	LCD.....	Liquid Crystal Display
ANSI.....	American National Standards Institute	LED.....	Light Emitting Diodes
AR.....	As Required	LH.....	Left Hand
ASSY.....	Assembly	LRC.....	Low Rated Countries
AUS.....	Australia	LSS.....	Load Sensing System
AUX.....	Auxiliary	M(m).....	Metric/Meter
AWG.....	American Wire Gauge	MM(mm).....	Milimeter
B/M.....	Bill of Material	mA.....	Miliamps
CAC.....	Charge Air Cooler	NLA.....	No Longer Available
CE.....	European Conformity	NPT.....	National Pipe Threads
CCW.....	Counter Clockwise	NSS.....	Not Sold Separately
CM.....	Centimeter	OD.....	Outside Diameter
CW.....	Clockwise	ORB.....	O-Ring Boss
CSA.....	Canadian Standards Association	ORFS.....	O-Ring Face Seal
CYL.....	Cylinder	OZ (oz).....	Ounces
DIA.....	Diameter	PG.....	Page
DC.....	Direct Current	PN.....	Part Number
DEF.....	Diesel Exhaust Fluid	QT(qt.).....	Quarts
EMS.....	Emergency Stop	QTY.....	Quantity
ENG.....	Engine	REF.....	Reference
FT(ft).....	Feet	REV.....	Revision Level
GA(Ga).....	Gauge	RH.....	Right Hand
HRC.....	High Rated Countries	SAE.....	Society of Automotive Engineers
HVAC.....	Heating, Ventilating, and Air Conditioning	SN.....	Serial Number
HYD.....	Hydraulic	SPEC(S).....	Specifications
Hz.....	Hertz	T/T.....	Turntable
ID.....	Inside Diameter	UGM.....	Universal Ground Module
IN.....	inches	V.....	Volts
ISO.....	International Organization for Standards	W.....	Watts
JIC.....	Joint Industry Council	#.....	Number
KG.....	Kilogram		

10) ILLUSTRATION REFERENCE LETTERS

When necessary, illustrations may contain reference letters that are intended to track information (i. e. hoses, harnesses) from one point to another or to track visual enlargement of components to show details that may be located in another area on the illustration.

Note: Due to continuous product improvements, JLG Industries, Inc. reserves the right to make specification changes without prior notification. Contact JLG Industries, Inc. for updated information.

TABLE OF CONTENTS

SECTION 1 - FRAME.....	15
FIGURE 1-1. AXLE INSTALLATION	16
FIGURE 1-2. STEER INSTALLATION.....	18
FIGURE 1-3. WHEEL DRIVE INSTALLATION.....	20
FIGURE 1-4. DRIVE MOTOR ASSEMBLY	22
FIGURE 1-5. DRIVE HUB ASSEMBLY	24
FIGURE 1-6. TIRE/WHEEL INSTALLATION.....	28
FIGURE 1-7. VALVES INSTALLATION - FRAME.....	30
FIGURE 1-8. TRACTION VALVE ASSEMBLY.....	32
FIGURE 1-9. STEER/AXLE EXTEND VALVE ASSEMBLY.....	34
FIGURE 1-10. ELECTRICAL COMPONENTS INSTALLATION - FRAME (HRC) (ANSI, ANSI EXPORT, CSA AND JAPANESE SPECS).....	36
FIGURE 1-11. ELECTRICAL COMPONENTS INSTALLATION - FRAME (HRC) (CE & UK CA SPECS).....	38
FIGURE 1-12. ELECTRICAL COMPONENTS INSTALLATION - FRAME (LRC) (ANSI EXPORT, AUSTRALIAN AND CHINA SPECS).....	40
FIGURE 1-13. ELECTRICAL COMPONENTS INSTALLATION - FRAME (LRC) (CE & UK CA SPECS).....	42
FIGURE 1-14. ELECTRICAL COMPONENTS INSTALLATION WITH TOWER STOW - FRAME (HRC) (ANSI, ANSI EXPORT, CSA AND JAPANESE SPECS).....	44
FIGURE 1-15. ELECTRICAL COMPONENTS INSTALLATION WITH TOWER STOW - FRAME (HRC) (CE & UK CA SPECS).....	46
FIGURE 1-16. ELECTRICAL COMPONENTS INSTALLATION WITH TOWER STOW - FRAME (LRC) (ANSI EXPORT, AUSTRALIAN AND CHINA SPECS).....	48
FIGURE 1-17. ELECTRICAL COMPONENTS INSTALLATION WITH TOWER STOW - FRAME (LRC) (CE & UK CA SPECS).....	50
FIGURE 1-18. COVERS INSTALLATION - FRAME.....	52
SECTION 2 - TURNTABLE.....	55
FIGURE 2-1. VALVES AND FILTERS INSTALLATION - TURNTABLE (PARKER HYDRAULIC FILTER).....	56
FIGURE 2-2. VALVES AND FILTERS INSTALLATION - TURNTABLE (DONALDSON HYDRAULIC FILTER).....	58
FIGURE 2-3. MAIN VALVE ASSEMBLY	60
FIGURE 2-4. JUNCTION VALVE ASSEMBLY	64
FIGURE 2-5. TURNTABLE BEARING INSTALLATION.....	66
FIGURE 2-6. TURNTABLE LOCK INSTALLATION.....	68
FIGURE 2-7. SWING DRIVE INSTALLATION	70
FIGURE 2-8. SWING HUB/BRAKE/MOTOR ASSEMBLY.....	72
FIGURE 2-9. COUPLING/COLLECTOR RING INSTALLATION	76
FIGURE 2-10. COUPLING/COLLECTOR RING ASSEMBLY	78
FIGURE 2-11. TANKS INSTALLATION (WITHOUT DIESEL EXHAUST FLUID TANK).....	80
FIGURE 2-12. TANKS INSTALLATION (WITH DIESEL EXHAUST FLUID TANK).....	82
FIGURE 2-13. HYDRAULIC TANK ASSEMBLY.....	84
FIGURE 2-14. AUXILIARY POWER AND BATTERIES INSTALLATIONS.....	86
FIGURE 2-15. AUXILIARY PUMP/MOTOR ASSEMBLY	88
FIGURE 2-16. ELECTRICAL COMPONENTS INSTALLATION - TURNTABLE (HRC) (ANSI, ANSI EXPORT, CSA AND JAPANESE SPECS).....	90
FIGURE 2-17. ELECTRICAL COMPONENTS INSTALLATION - TURNTABLE (HRC) (CE & UK CA SPECS).....	94
FIGURE 2-18. ELECTRICAL COMPONENTS INSTALLATION - TURNTABLE (LRC) (ANSI EXPORT, AUSTRALIAN AND CHINA SPECS).....	98
FIGURE 2-19. ELECTRICAL COMPONENTS INSTALLATION - TURNTABLE (LRC) (CE & UK CA SPECS).....	102

TABLE OF CONTENTS

FIGURE 2-20. ELECTRICAL COMPONENTS INSTALLATION WITH TOWER STOW - TURNTABLE (HRC) (ANSI, ANSI EXPORT, CSA AND JAPANESE SPECS).....	106
FIGURE 2-21. ELECTRICAL COMPONENTS INSTALLATION WITH TOWER STOW - TURNTABLE (HRC) (CE & UK CA SPECS).....	110
FIGURE 2-22. ELECTRICAL COMPONENTS INSTALLATION WITH TOWER STOW - TURNTABLE (LRC) (ANSI EXPORT, AUSTRALIAN AND CHINA SPECS).....	114
FIGURE 2-23. ELECTRICAL COMPONENTS INSTALLATION WITH TOWER STOW - TURNTABLE (LRC) (CE & UK CA SPECS).....	118
FIGURE 2-24. GROUND CONTROL CONSOLE ASSEMBLY (HRC) (ANSI, ANSI EXPORT, CSA AND JAPANESE SPECS) ..	122
FIGURE 2-25. GROUND CONTROL CONSOLE ASSEMBLY (HRC) (CE & UK CA SPECS).....	124
FIGURE 2-26. GROUND CONTROL CONSOLE ASSEMBLY (LRC) (ANSI EXPORT, AUSTRALIAN AND CHINA SPECS)	126
FIGURE 2-27. GROUND CONTROL CONSOLE ASSEMBLY (LRC) (CE & UK CA SPECS)	128
FIGURE 2-28. GROUND CONTROL CONSOLE ASSEMBLY WITH TOWER STOW (HRC) (ANSI, ANSI EXPORT, CSA AND JAPANESE SPECS)	130
FIGURE 2-29. GROUND CONTROL CONSOLE ASSEMBLY WITH TOWER STOW (HRC) (CE & UK CA SPECS).....	132
FIGURE 2-30. GROUND CONTROL CONSOLE ASSEMBLY WITH TOWER STOW (LRC) (ANSI EXPORT, AUSTRALIAN AND CHINA SPECS).....	134
FIGURE 2-31. GROUND CONTROL CONSOLE ASSEMBLY WITH TOWER STOW (LRC) (CE & UK CA SPECS)	136
FIGURE 2-32. LIGHT PANEL INSTALLATION	138
FIGURE 2-33. ALARM INSTALLATION	140
FIGURE 2-34. WHITE NOISE ALARM INSTALLATION	142
FIGURE 2-35. WHITE NOISE AMBIENT ALARM INSTALLATION	144
FIGURE 2-36. STROBE LIGHT INSTALLATION - AMBER	146
FIGURE 2-37. STROBE LIGHT INSTALLATION - BLUE	148
FIGURE 2-38. STROBE LIGHT INSTALLATION - RED	150
FIGURE 2-39. HOOD INSTALLATION	152
FIGURE 2-40. HOOD PLUGS INSTALLATION	158
FIGURE 2-41. VENTURI INSTALLATION (HRC)	160
FIGURE 2-42. VENTURI INSTALLATION (LRC).....	162
SECTION 3 - ENGINE	165
FIGURE 3-1. ENGINE INSTALLATION (HRC) (WITHOUT COLD WEATHER PACKAGE)	166
FIGURE 3-2. ENGINE ASSEMBLY WITH PUMPS (HRC) (WITHOUT COLD WEATHER PACKAGE).....	170
FIGURE 3-3. ENGINE ASSEMBLY (HRC) (WITHOUT COLD WEATHER PACKAGE)	172
FIGURE 3-4. ENGINE INSTALLATION (HRC) (WITH COLD WEATHER PACKAGE).....	178
FIGURE 3-5. ENGINE ASSEMBLY WITH PUMPS (HRC) (WITH COLD WEATHER PACKAGE)	182
FIGURE 3-6. ENGINE ASSEMBLY (HRC) (WITH COLD WEATHER PACKAGE).....	184
FIGURE 3-7. DEUTZ HRC ENGINE COMPONENTS.....	190
FIGURE 3-8. ENGINE INSTALLATION (LRC) (WITHOUT COLD WEATHER PACKAGE).....	194
FIGURE 3-9. ENGINE ASSEMBLY WITH PUMPS (LRC) (WITHOUT COLD WEATHER PACKAGE)	198
FIGURE 3-10. ENGINE ASSEMBLY (LRC) (WITHOUT COLD WEATHER PACKAGE).....	200
FIGURE 3-11. ENGINE INSTALLATION (LRC) (WITH COLD WEATHER PACKAGE)	206
FIGURE 3-12. ENGINE ASSEMBLY WITH PUMPS (LRC) (WITH COLD WEATHER PACKAGE).....	210
FIGURE 3-13. ENGINE ASSEMBLY (LRC) (WITH COLD WEATHER PACKAGE)	212
FIGURE 3-14. DEUTZ LRC ENGINE COMPONENTS	218
FIGURE 3-15. ENGINE INSTALLATION (HRC) (STAGE V) (WITHOUT COLD WEATHER PACKAGE)	220
FIGURE 3-16. ENGINE ASSEMBLY WITH PUMPS (HRC) (STAGE V) (WITHOUT COLD WEATHER PACKAGE).....	226
FIGURE 3-17. ENGINE ASSEMBLY WITH PUMPS (HRC) (STAGE V) (WITHOUT COLD WEATHER PACKAGE).....	228

TABLE OF CONTENTS

FIGURE 3-18. ENGINE ASSEMBLY (HRC) (STAGE V) (WITHOUT COLD WEATHER PACKAGE).....	232
FIGURE 3-19. ENGINE ASSEMBLY (HRC) (STAGE V) (WITHOUT COLD WEATHER PACKAGE).....	234
FIGURE 3-20. ENGINE INSTALLATION (HRC) (WITH COLD WEATHER PACKAGE)	238
FIGURE 3-21. ENGINE ASSEMBLY WITH PUMPS (HRC) (WITH COLD WEATHER PACKAGE).....	244
FIGURE 3-22. ENGINE ASSEMBLY (HRC) (STAGE V) (WITH COLD WEATHER PACKAGE)	248
FIGURE 3-23. ENGINE ASSEMBLY (HRC) (STAGE V) (WITH COLD WEATHER PACKAGE)	250
FIGURE 3-24. DEUTZ HRC (STAGE V) ENGINE COMPONENTS	254
FIGURE 3-25. PUMP COUPLING KIT	258
FIGURE 3-26. TANDEM PUMP ASSEMBLY	260
FIGURE 3-27. PISTON PUMP ASSEMBLY	264
FIGURE 3-28. GEAR PUMP ASSEMBLY	268
FIGURE 3-29. FUEL FILTER/WATER SEPARATOR INSTALLATION (LRC).....	270
FIGURE 3-30. QUICKFIT OIL VALVE	272
FIGURE 3-31. SPARK ARRESTOR INSTALLATION (LRC) (OPTIONAL).....	274
FIGURE 3-32. 4000W GENERATOR INSTALLATION - 50HZ.....	276
FIGURE 3-33. 4000W GENERATOR INSTALLATION - 60HZ.....	280
FIGURE 3-34. 7500W SKYPOWER GENERATOR INSTALLATION - 50HZ.....	284
FIGURE 3-35. 7500W SKYPOWER GENERATOR INSTALLATION - 60HZ.....	288
FIGURE 3-36. BREATHER HEATER INSTALLATION - MACHINES WITH COLD WEATHER PACKAGE	292
SECTION 4 - BOOM.....	295
FIGURE 4-1. BOOM AND CYLINDERS INSTALLATION.....	296
FIGURE 4-2. TOWER BOOM ASSEMBLY	300
FIGURE 4-3. MAIN BOOM AND JIB ASSEMBLY	304
FIGURE 4-4. PLATFORM ROTATOR ASSEMBLY.....	310
FIGURE 4-5. JIB ROTATOR ASSEMBLY	312
FIGURE 4-6. POWER TRACK INSTALLATION - TOWER BOOM.....	314
FIGURE 4-7. POWER TRACK INSTALLATION - MAIN BOOM.....	316
FIGURE 4-8. VALVES AND FILTERS INSTALLATION - BOOM	318
FIGURE 4-9. BOOM VALVE ASSEMBLY	320
FIGURE 4-10. PLATFORM VALVE ASSEMBLY.....	322
FIGURE 4-11. BOOM SENSORS AND COVERS INSTALLATION.....	324
FIGURE 4-12. PLATFORM SUPPORT INSTALLATION - WITH LSS.....	330
SECTION 5 - PLATFORM.....	333
FIGURE 5-1. PLATFORM ASSEMBLY - 30IN X 3FT (76CM X .91M) - DROP BAR ENTRY.....	334
FIGURE 5-2. PLATFORM ASSEMBLY - 30IN X 4FT (76.2CM X 1.22M) WITH SWING GATE.....	336
FIGURE 5-3. PLATFORM ASSEMBLY - 30IN X 4FT (76.2CM X 1.22M) WITH DROP BAR	338
FIGURE 5-4. PLATFORM ASSEMBLY - 36IN X 6FT (91.5CM X 1.83M) WITH SWING GATE.....	340
FIGURE 5-5. PLATFORM ASSEMBLY - 36IN X 6FT (91.5CM X 1.83M) TRI-ENTRY WITH SWING GATE.....	342
FIGURE 5-6. PLATFORM ASSEMBLY - 36IN X 6FT (91.5CM X 1.83M) WITH DROP BAR.....	344
FIGURE 5-7. PLATFORM ASSEMBLY - 36IN X 6FT (91.5CM X 1.83M) TRI-ENTRY WITH DROPBAR.....	346
FIGURE 5-8. PLATFORM ASSEMBLY - 36IN X 6FT (91.5CM X 1.83M) WITH FALL ARREST (ANSI, ANSI EXPORT AND CSA SPECS)	348
FIGURE 5-9. PLATFORM ASSEMBLY - 36IN X 8FT (91.5CM X 2.44M) WITH SWING GATE.....	350
FIGURE 5-10. PLATFORM ASSEMBLY - 36IN X 8FT (91.5CM X 2.44M) WITH TRI-ENTRY (1 GATE/2 DROP BARS)	352

TABLE OF CONTENTS

FIGURE 5-11. PLATFORM ASSEMBLY - 36IN X 8FT (91.5CM X 2.44M) WITH DROP BAR	354
FIGURE 5-12. PLATFORM ASSEMBLY - 36IN X 8FT (91.5CM X 2.44M) WITH TRI-ENTRY (3 DROP BARS).....	356
FIGURE 5-13. PLATFORM ASSEMBLY - 36IN X 8FT (91.5CM X 2.44M) WITH FALL ARREST (ANSI, ANSI EXPORT AND CSA SPECS).....	358
FIGURE 5-14. PLATFORM ASSEMBLY - 36IN X 8FT (91.5CM X 2.44M) WITH FALL ARREST (ALL SPECS EXCEPT CSA SPECS).....	360
FIGURE 5-15. TRAY ASSEMBLY	362
FIGURE 5-16. LCD DISPLAY INSTALLATION.....	364
FIGURE 5-17. CONSOLE BOX AND FOOTSWITCH INSTALLATION.....	366
FIGURE 5-18. CONSOLE BOX AND FOOTSWITCH INSTALLATION - WITH TOWER STOW	368
FIGURE 5-19. PLATFORM CONSOLE ASSEMBLY	370
FIGURE 5-20. PLATFORM CONSOLE ASSEMBLY - WITH TOWER STOW	374
FIGURE 5-21. CONSOLE DECAL AND LIGHT PANEL INSTALLATION.....	378
FIGURE 5-22. FOOTSWITCH ASSEMBLY	380
FIGURE 5-23. SKYEYE INSTALLATION.....	382
FIGURE 5-24. SKYGUARD BAR INSTALLATION.....	384
FIGURE 5-25. SKYLINE INSTALLATION	386
FIGURE 5-26. SKYSENSE MID TUBE SENSOR ASSEMBLY	388
FIGURE 5-27. SKYSENSE OVERHEAD SENSOR ASSEMBLY.....	390
FIGURE 5-28. SKYGLAZIER INSTALLATION (ANSI, ANSI EXPORT, AUSTRALIAN, CE AND CSA SPECS).....	392
FIGURE 5-29. SKYWELDER/SKYCUTTER COMBO INSTALLATION (60HZ)	394
FIGURE 5-30. SKYWELDER INSTALLATION (50HZ).....	398
FIGURE 5-31. SKYWELDER INSTALLATION (60HZ).....	400
FIGURE 5-32. SKYWELDER PREP PACKAGE (60HZ)	402
FIGURE 5-33. SOFT TOUCH SYSTEM INSTALLATION - 8FT/2.4M PLATFORMS (OPTIONAL)	404
FIGURE 5-34. SOFT TOUCH SYSTEM INSTALLATION - 8FT/2.44M FALL ARREST PLATFORM	406
FIGURE 5-35. WELDER ASSEMBLY	408
FIGURE 5-36. SKYCUTTER INSTALLATION	410
FIGURE 5-37. PLASMA CUTTER ASSEMBLY	412
FIGURE 5-38. FALL ARREST INSTALLATION (BOLT - ON EXTERNAL) 4FFT/1.22M PLATFORM).....	414
FIGURE 5-39. FALL ARREST INSTALLATION (BOLT-ON EXTERNAL) (6FT/1.82M PLATFORM).....	416
FIGURE 5-40. FALL ARREST INSTALLATION (BOLT-ON EXTERNAL) (6FT/1.82M TRI-ENTRY PLATFORM).....	418
FIGURE 5-41. FALL ARREST INSTALLATION (BOLT-ON EXTERNAL) (8FT/2.4M PLATFORM).....	420
FIGURE 5-42. USB CHARGER INSTALLATION.....	422
SECTION 6 - CYLINDER.....	425
FIGURE 6-1. AXLE EXTEND CYLINDER ASSEMBLY.....	426
FIGURE 6-2. LEVEL CYLINDER ASSEMBLY - PLATFORM SLAVE	428
FIGURE 6-3. LIFT CYLINDER ASSEMBLY - JIB	430
FIGURE 6-4. LIFT CYLINDER ASSEMBLY - MAIN BOOM.....	432
FIGURE 6-5. LIFT CYLINDER ASSEMBLY - TOWER BOOM	434
FIGURE 6-6. STEER CYLINDER ASSEMBLY	436
FIGURE 6-7. TELESCOPE CYLINDER ASSEMBLY - MAIN BOOM.....	438
FIGURE 6-8. TELESCOPE CYLINDER ASSEMBLY - TOWER BOOM	440
FIGURE 6-9. TELESCOPE CYLINDER ASSEMBLY - TOWER BOOM	444
SECTION 7 - HYDRAULIC	447

TABLE OF CONTENTS

FIGURE 7-1. BOOM AND JIB HYDRAULIC DIAGRAM	448
FIGURE 7-2. CHASSIS HYDRAULIC DIAGRAM	450
FIGURE 7-3. TURNTABLE HYDRAULIC DIAGRAM	454
SECTION 8 - ELECTRICAL	461
FIGURE 8-1. AC BOX AT PLATFORM INSTALLATION - 110V GFI (ANSI, CSA AND JAPANESE SPECS)	462
FIGURE 8-2. AC BOX AT PLATFORM INSTALLATION - 110V IEC YELLOW WITHOUT GENERATOR (CE & UK CA SPECS)	464
FIGURE 8-3. AC BOX AT PLATFORM INSTALLATION - 110V IEC YELLOW WITH 4000W GENERATOR (CE & UK CA SPECS)	466
FIGURE 8-4. AC BOX AT PLATFORM INSTALLATION - 220V IEC BLUE WITHOUT GENERATOR (CE & UK CA SPECS) ...	468
FIGURE 8-5. AC BOX AT PLATFORM INSTALLATION - 220V IEC BLUE WITH 4000W GENERATOR (CE & UK CA SPECS)	470
FIGURE 8-6. AC BOX AT PLATFORM INSTALLATION - 220V CEE7 POST GROUND WITHOUT GENERATOR (CE & UK CA SPECS)	472
FIGURE 8-7. AC BOX AT PLATFORM INSTALLATION - 220V CEE7 POST GROUND WITH 4000W GENERATOR (CE & UK CA SPECS)	474
FIGURE 8-8. AC BOX AT PLATFORM INSTALLATION - 220V CEE7 SIDE GROUND WITHOUT GENERATOR (CE & UK CA SPECS)	476
FIGURE 8-9. AC BOX AT PLATFORM INSTALLATION - 220V CEE7 SIDE GROUND WITH 4000W GENERATOR (CE & UK CA SPECS)	478
FIGURE 8-10. AC BOX AT PLATFORM INSTALLATION - 220V AFSINT 107 KEYED GROUND WITHOUT GENERATOR (CE & UK CA SPECS)	480
FIGURE 8-11. AC BOX AT PLATFORM INSTALLATION - 220V AFSINT 107 KEYED GROUND WITH 4000W GENERATOR (CE & UK CA SPECS)	482
FIGURE 8-12. AC BOX AT PLATFORM INSTALLATION - BOX WITH COVER WITH 4000W GENERATOR (ANSI EXPORT, AUSTRALIAN, CHINA, JAPANESE, CE & UK CA SPECS)	484
FIGURE 8-13. AC BOX AT PLATFORM INSTALLATION - 240V (WITH 7500W SKYPOWER GENERATOR) (ANSI & CSA SPECS)	486
FIGURE 8-14. AC LEAD INSTALLATION (ANSI EXPORT, AUSTRALIAN, CHINA, CE & UK CA SPECS)	488
FIGURE 8-15. BATTERY DISCONNECT INSTALLATION	490
FIGURE 8-16. BLAM HARNESS	492
FIGURE 8-17. BOOM CABLES INSTALLATION - WITHOUT GENERATOR (ALL SPEC EXCEPT AUSTRALIAN, CHINA, CE & UK CA SPECS)	494
FIGURE 8-18. BOOM CABLES INSTALLATION - WITHOUT GENERATOR (AUSTRALIAN, CHINA, CE & UK CA SPECS) ...	496
FIGURE 8-19. BOOM CABLES INSTALLATION - WITH 4000W GENERATOR (ALL SPECS)	498
FIGURE 8-20. BOOM CABLES INSTALLATION - WITH SKYPOWER 7500W GENERATOR (ALL SPECS EXCEPT CE & UK CA SPECS)	500
FIGURE 8-21. BOOM CABLE (MAIN BOOM)	502
FIGURE 8-22. BOOM CABLE (TOWER BOOM)	504
FIGURE 8-23. BOOM CONTROL BOX ASSEMBLY	506
FIGURE 8-24. BREAKER BOX INSTALLATION - WITH 2 BREAKERS (CE & UK CA SPECS)	508
FIGURE 8-25. BREAKER BOX INSTALLATION - WITH 3 BREAKERS (CE & UK CA SPECS)	510
FIGURE 8-26. BREAKER BOX KIT - WITH 2 BREAKERS (CE & UK CA SPECS)	512
FIGURE 8-27. BREAKER BOX KIT - WITH 3 BREAKERS (CE & UK CA SPECS)	514
FIGURE 8-28. BREAKER BOX KIT - 4000W 50HZ GENERATOR	516
FIGURE 8-29. CHASSIS HARNESS	518
FIGURE 8-30. CLEARSKY INSTALLATION - 4G CANBUS CONNECTION (ALL SPECS EXCEPT CHINA SPECS)	522
FIGURE 8-31. CLEARSKY INSTALLATION - 4G CANBUS CONNECTION (CHINA SPECS)	524
FIGURE 8-32. CLEARSKY INSTALLATION - 3G CANBUS CONNECTION (ANSI EXPORT, CE, AND UK CA SPECS)	526

TABLE OF CONTENTS

FIGURE 8-33. CLEARSKY INSTALLATION - 3G CANBUS CONNECTION (AUSTRALIAN SPECS)	528
FIGURE 8-34. CLEARSKY INSTALLATION - 3 WIRE GT1030 (ALL SPECS EXCEPT CHINA SPECS)	530
FIGURE 8-35. CLEARSKY HARNESS - 3G & 4G CANBUS CONNECTIONS	532
FIGURE 8-36. CLEARSKY HARNESS - 3 WIRE GT1030	534
FIGURE 8-37. DEF TANK EXTENSION HARNESS	536
FIGURE 8-38. DIESEL EXHAUST FLUID TANK HARNESS	538
FIGURE 8-39. DRIVE PUMP HARNESS	540
FIGURE 8-40. ENGINE HARNESS - DEUTZ (HRC)	542
FIGURE 8-41. ENGINE HARNESS - DEUTZ T4F ENGINES (HRC) (SN 0300305079 to Present)	546
FIGURE 8-42. ENGINE HARNESS STAGE V (HRC)	550
FIGURE 8-43. ENGINE HARNESS (LRC)	554
FIGURE 8-44. ENGINE CAN HARNESS	558
FIGURE 8-45. FUEL PUMP AND WIF HARNESS	560
FIGURE 8-46. PLATFORM OUTLET HARNESS	562
FIGURE 8-47. GENERATOR TO CONTROL BOX HARNESS (4000W GENERATOR)	564
FIGURE 8-48. GENERATOR TO CONTROL BOX HARNESS (7500W GENERATOR)	566
FIGURE 8-49. GENERATOR TO PLATFORM HARNESS (4000W-60HZ GENERATOR)	568
FIGURE 8-50. GENERATOR TO PLATFORM HARNESS (4000W-50HZ & 7500W GENERATOR)	570
FIGURE 8-51. GROUND CONTROL HARNESS	572
FIGURE 8-52. INTERFACE HARNESS - WITH 1 CELL LSS	574
FIGURE 8-53. LCD DISPLAY HARNESS	576
FIGURE 8-54. MAIN BOOM CONTROL BOX HARNESS	578
FIGURE 8-55. PLATFORM CONSOLE HARNESS - WITH SKYGUARD	582
FIGURE 8-56. RECEPTACLE BOX KIT - 110V IEC YELLOW (CE & UK CA SPEC)	586
FIGURE 8-57. RECEPTACLE BOX KIT - 220V IEC BLUE (CE & UK CA SPEC)	588
FIGURE 8-58. RECEPTACLE BOX KIT - 220V CEE7 POST GROUND (CE & UK CA SPEC)	590
FIGURE 8-59. RECEPTACLE BOX KIT - 220V CEE7 SIDE GROUND (CE & UK CA SPEC)	592
FIGURE 8-60. RECEPTACLE BOX KIT - 220V AFSINT 107 (CE & UK CA SPEC)	594
FIGURE 8-61. SECONDARY CONTROL HARNESS	596
FIGURE 8-62. SENSOR HARNESS - AXLE	598
FIGURE 8-63. SENSOR HARNESS - BOOM	600
FIGURE 8-64. SENSOR HARNESS - PLATFORM LEVEL	602
FIGURE 8-65. SKYEYE INTERMEDIATE HARNESS	604
FIGURE 8-66. SKYEYE EMITTER HARNESS	606
FIGURE 8-67. SKYEYE RECEIVER HARNESS	608
FIGURE 8-68. SKYLINE HARNESS	610
FIGURE 8-69. STEER HARNESS	612
FIGURE 8-70. STROBE LIGHT HARNESS - AMBER LIGHTS	614
FIGURE 8-71. STROBE LIGHT HARNESS - BLUE & RED LIGHTS	616
FIGURE 8-72. STROBE LIGHT JUMPER HARNESS - AMBER	618
FIGURE 8-73. TURNTABLE HARNESS	620
FIGURE 8-74. VALVE HARNESS - BOOM	624
FIGURE 8-75. VALVE HARNESS - PLATFORM	626
FIGURE 8-76. VALVE HARNESS - TURNTABLE	628
FIGURE 8-77. WHITE NOISE MOTION ARLARM HARNESS	630

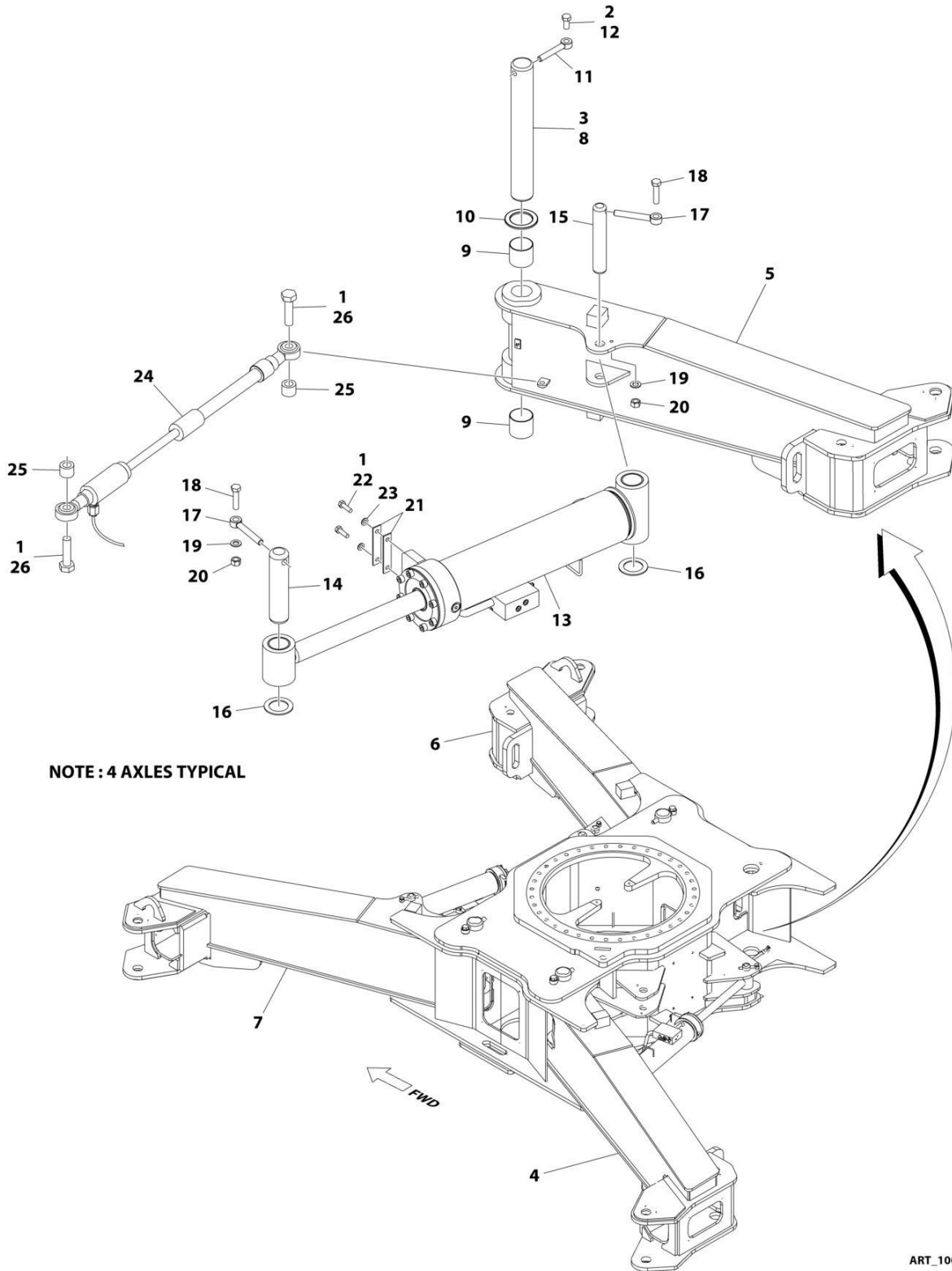
TABLE OF CONTENTS

SECTION 9 - DECALS.....	633
FIGURE 9-1. DECAL INSTALLATION - ANSI SPEC	634
FIGURE 9-2. DECAL INSTALLATION - AUSTRALIAN SPEC	638
FIGURE 9-3. DECAL INSTALLATION - BRAZIL SPEC (ENGLISH/PORTUGUESE)	642
FIGURE 9-4. DECAL INSTALLATION - CE & UK CA SPEC	646
FIGURE 9-5. DECAL INSTALLATION - CHINA SPEC (ENGLISH/CHINESE).....	650
FIGURE 9-6. DECAL INSTALLATION - CSA SPEC (ENGLISH/FRENCH)	654
FIGURE 9-7. DECAL INSTALLATION - JAPAN SPEC (ENGLISH/JAPANESE)	658
FIGURE 9-8. DECAL INSTALLATION - KOREA SPEC (ENGLISH/KOREAN)	662
FIGURE 9-9. DECAL INSTALLATION - CSA SPEC (ENGLISH/FRENCH)	666
FIGURE 9-10. DECAL INSTALLATION - OPTIONS	670
FIGURE 9-11. SKYCUTTER DECAL INSTALLATION (ANSI, ANSI EXPORT AND CSA SPECS)	674
FIGURE 9-12. SKYCUTTER DECAL INSTALLATION (JAPANESE SPECS).....	676
SECTION 10 - RECOMMENDED SERVICE PARTS STOCK	679
FIGURE 10-1. RECOMMENDED SERVICE PARTS STOCK	680
SECTION 11 - SPECIAL OPTIONS/ACCESSORIES/KITS	683
FIGURE 11-1. SPECIAL OPTIONS/ACCESSORIES/KITS	684
PART NUMBER INDEX	689

SECTION 1 - FRAME

SECTION 1 - FRAME

FIGURE 1-1. AXLE INSTALLATION



NOTE: 4 AXLES TYPICAL

ART_1001190949_B

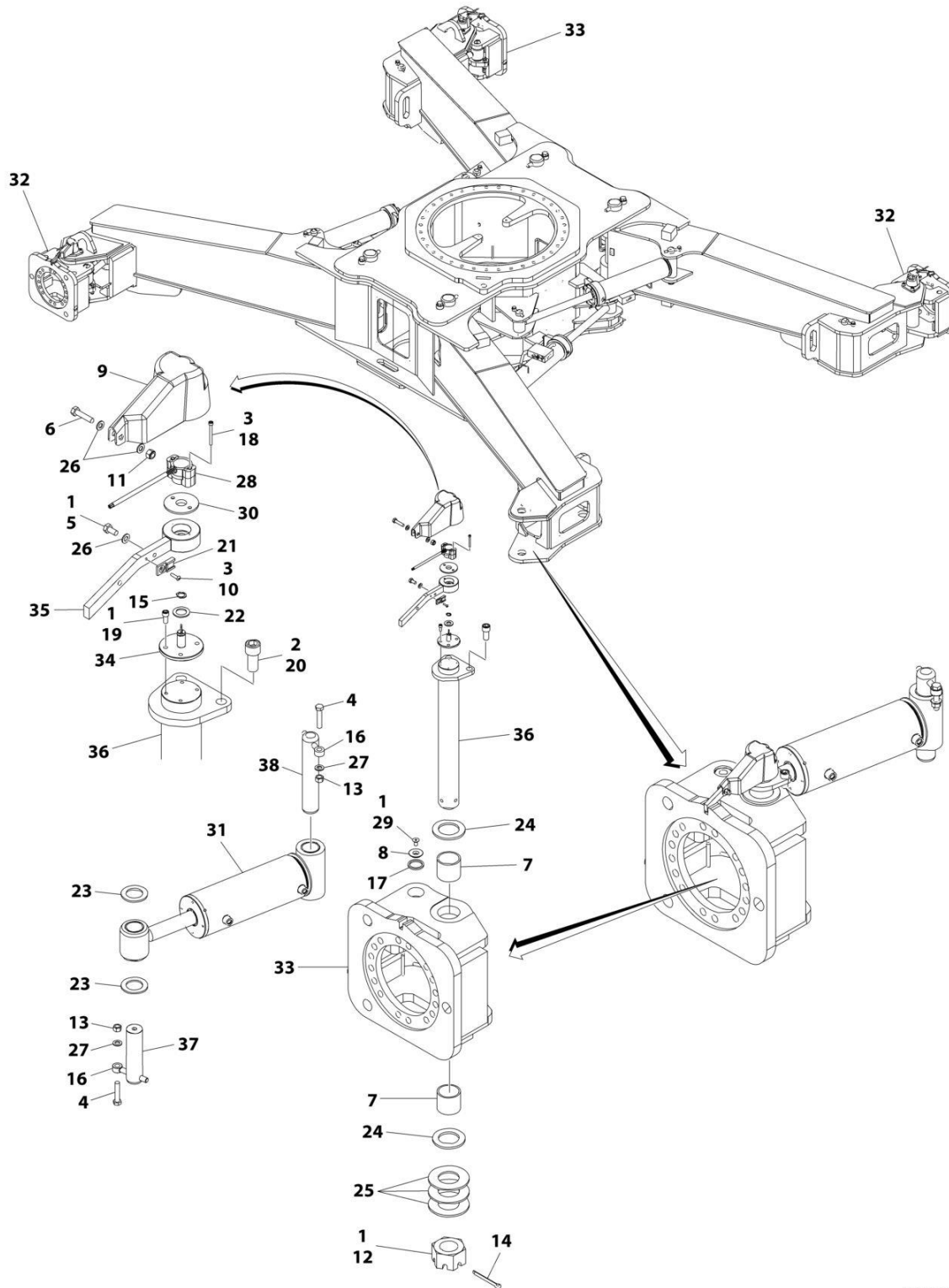
SECTION 1 - FRAME

FIGURE 1-1. AXLE INSTALLATION

ITEM	PART NUMBER	QTY	DESCRIPTION	REV
	1001190949	Ref	AXLE INSTALLATION	G
1	0100011	AR	Compound, Locking	
2	0100071	AR	Compound, Locking	
3	3020039	AR	Lubricant	
4	1001190950	1	Axle - Rear LH	
5	1001190951	1	Axle - Rear RH	
6	1001190952	1	Axle - Front RH	
7	1001190953	1	Axle - Front LH	
8	1001155363	4	Pin	
9	0440273	8	Bushing	
10	1001155133	4	Washer, Thrust	
11	3841356	4	Keeper, Pin	
12	0762418001	4	Bolt M24 x 50	
13	1001251066	4	Axle Extend Cylinder Assembly (See Separate Breakdown in CYLINDER Section)	
14	3422912	4	Pin	
15	1001120000	4	Pin	
16	4740229	8	Washer, Thrust	
17	3841258	8	Keeper, Pin	
18	0701420001	8	Bolt M14 x 60	
19	4812200001	8	Washer M14	
20	3291407001	8	Nut M14	
21	1001158017	AR	Shim	
22	0761015001	8	Bolt M10 x 35	
23	1001172358	8	Washer M10	
24	1001157084	4	Axle Sensor and Harness Assembly	
24	4460910	1	Receptacle, Female - 3 Position	
24	4460917	6	Pin, Male	
25	1001157007	8	Sleeve	
26	0761016001	8	Bolt M10 x 40	

SECTION 1 - FRAME

FIGURE 1-2. STEER INSTALLATION



ART_1001156606_G

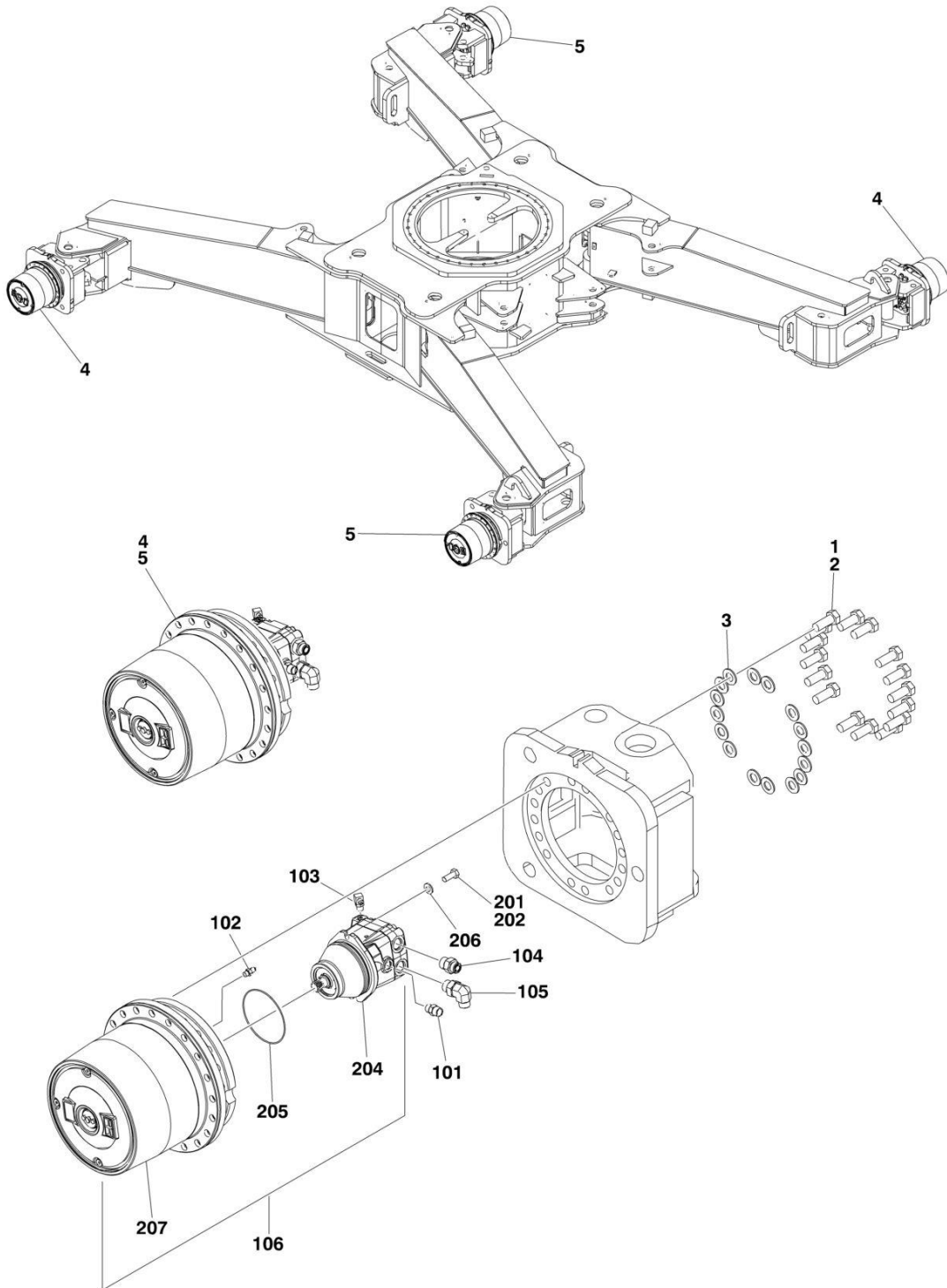
SECTION 1 - FRAME

FIGURE 1-2. STEER INSTALLATION

ITEM	PART NUMBER	QTY	DESCRIPTION	REV
	1001156606	Ref	STEER INSTALLATION	G
1	0100011	AR	Compound, Locking	
2	0100019	AR	Compound, Locking	
3	0100035	AR	Compound, Locking	
4	0701422001	8	Bolt M14 x 70	
5	0760808001	4	Bolt M8 x 16	
6	0760815001	4	Bolt M8 x 35	
7	0962423	8	Bushing	
8	1120549	4	Cap	
9	1671040	4	Cover	
10	2080091	4	Screw M4 x 16	
11	3290805001	4	Nut M8	
12	3300464001	4	Nut	
13	3291407001	8	Nut M14	
14	3451214	4	Pin, Cotter	
15	3760383	4	Ring	
16	3841258	8	Keeper, Pin	
17	3960551	4	Seal	
18	4031512	8	Capscrew M4 x 40	
19	4031707	16	Capscrew M6 x 16	
20	4032311001	8	Capscrew M16 x 35	
21	4460914	4	Base, Terminal	
22	4711800	4	Washer 1/2	
23	4740229	8	Washer, Thrust	
24	4740505	8	Washer, Thrust	
25	4755000001	18	Washer 2-1/2	
26	4811900001	12	Washer M8	
27	4812200001	8	Washer M14	
28	1001146963	4	Sensor Assembly	
28	4460899	1	Connector - 6 Position	
28	4460464	6	Socket, Female	
29	1001174345	4	Screw M20 x 20	
30	1001155836	4	Adapter	
31	1001251065	4	Steer Cylinder Assembly (See Separate Breakdown in CYLINDER Section)	
32	1001156678	2	Spindle - Front LH and Rear RH	
33	1001156679	2	Spindle - Front RH and Rear LH	
34	1001156778	4	Pin	
35	1001156785	4	Link	
36	1001156815	4	Kingpin	
37	1001156991	4	Pin	
38	1001156996	4	Pin	
39	1001155817	4	Steer Harness (Not Shown - See Separate Breakdown in ELECTRICAL SECTION)	

SECTION 1 - FRAME

FIGURE 1-3. WHEEL DRIVE INSTALLATION



ART_1001157850

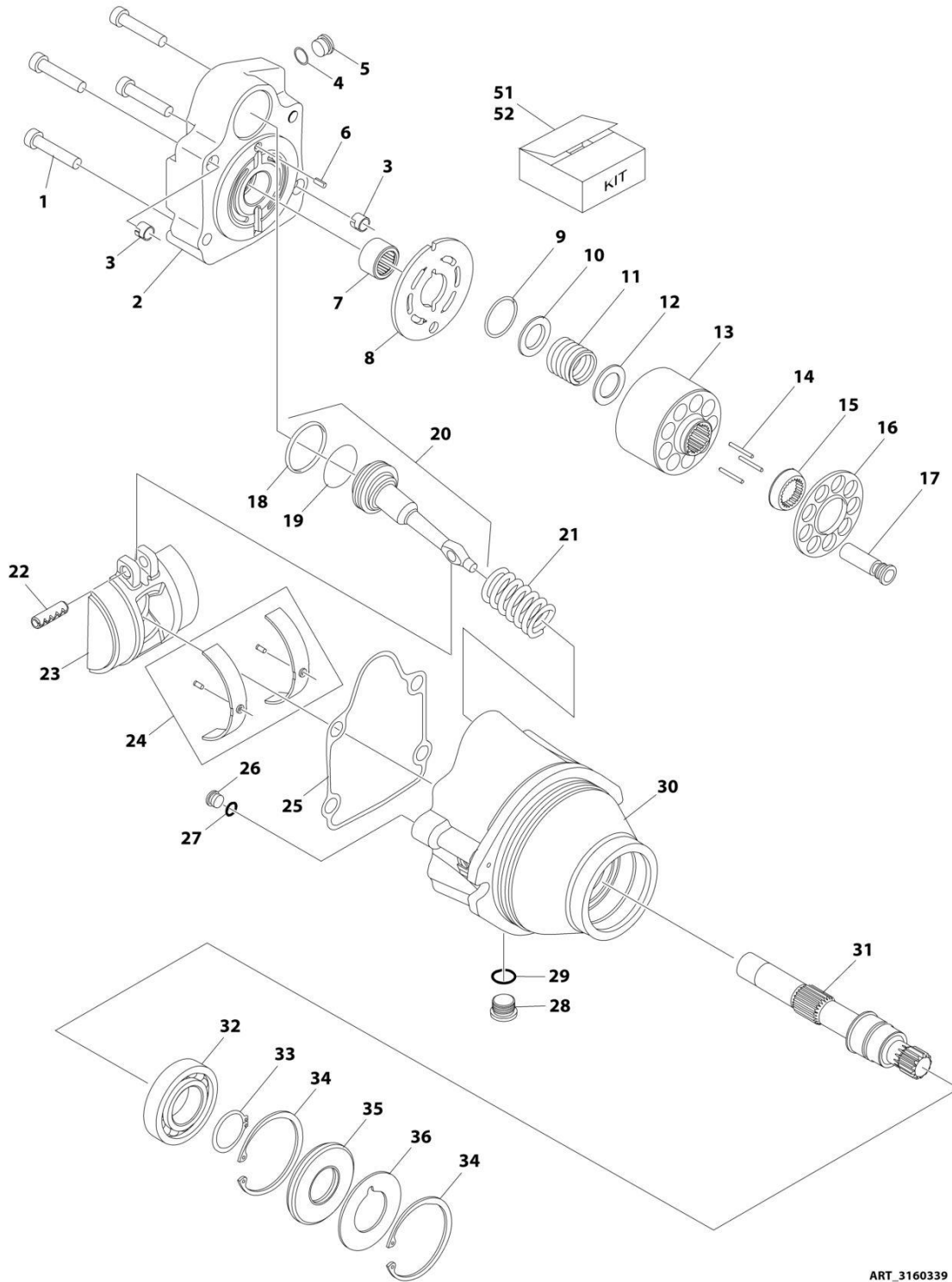
SECTION 1 - FRAME

FIGURE 1-3. WHEEL DRIVE INSTALLATION

ITEM	PART NUMBER	QTY	DESCRIPTION	REV
	1001157850	Ref	WHEEL DRIVE INSTALLATION	F
1	0100019	AR	Compound, Locking	
2	0762018001	64	Bolt M20 x 50	
3	5242000001	64	Washer M20	
4	1001154759	2	Drive Hub/Motor with Fittings - Front LH and Rear RH (See Items 101-106 for Breakdown)	
5	1001157849	2	Drive Hub/Motor with Fittings - Front RH and Rear LH (See Items 101-106 for Breakdown)	
	1001154759	Ref	HUB/MOTOR ASSEMBLY WITH FITTINGS - FRONT LH AND REAR RH	E
	1001157849	Ref	HUB/MOTOR ASSEMBLY WITH FITTINGS - FRONT RH AND REAR LH	E
101	2110808	1	Fitting, Straight ORFS/ORB	
102	2220415	1	Fitting, Straight JIC/ORB	
103	2220472	1	Fitting, 90 JIC/ORB	
104	2111012	1	Fitting, Straight ORFS/ORB	
105	2131012	1	Fitting, 90 ORFS/ORB	
106	1001154772	1	Drive Hub/Motor (See Items 201-207 for Breakdown)	
	1001154772	Ref	DRIVE HUB/MOTOR ASSEMBLY	E
201	0100011	AR	Compound, Locking	
202	0761214	2	Bolt M12 x 30	
204	3160339	1	Motor - Drive (See Separate Breakdown in this Section)	
205	3790158	1	O-Ring	
206	5241200	2	Washer M12	
207	1001149921	1	Hub - Drive (See Separate Breakdown in this Section)	

SECTION 1 - FRAME

FIGURE 1-4. DRIVE MOTOR ASSEMBLY



ART_3160339

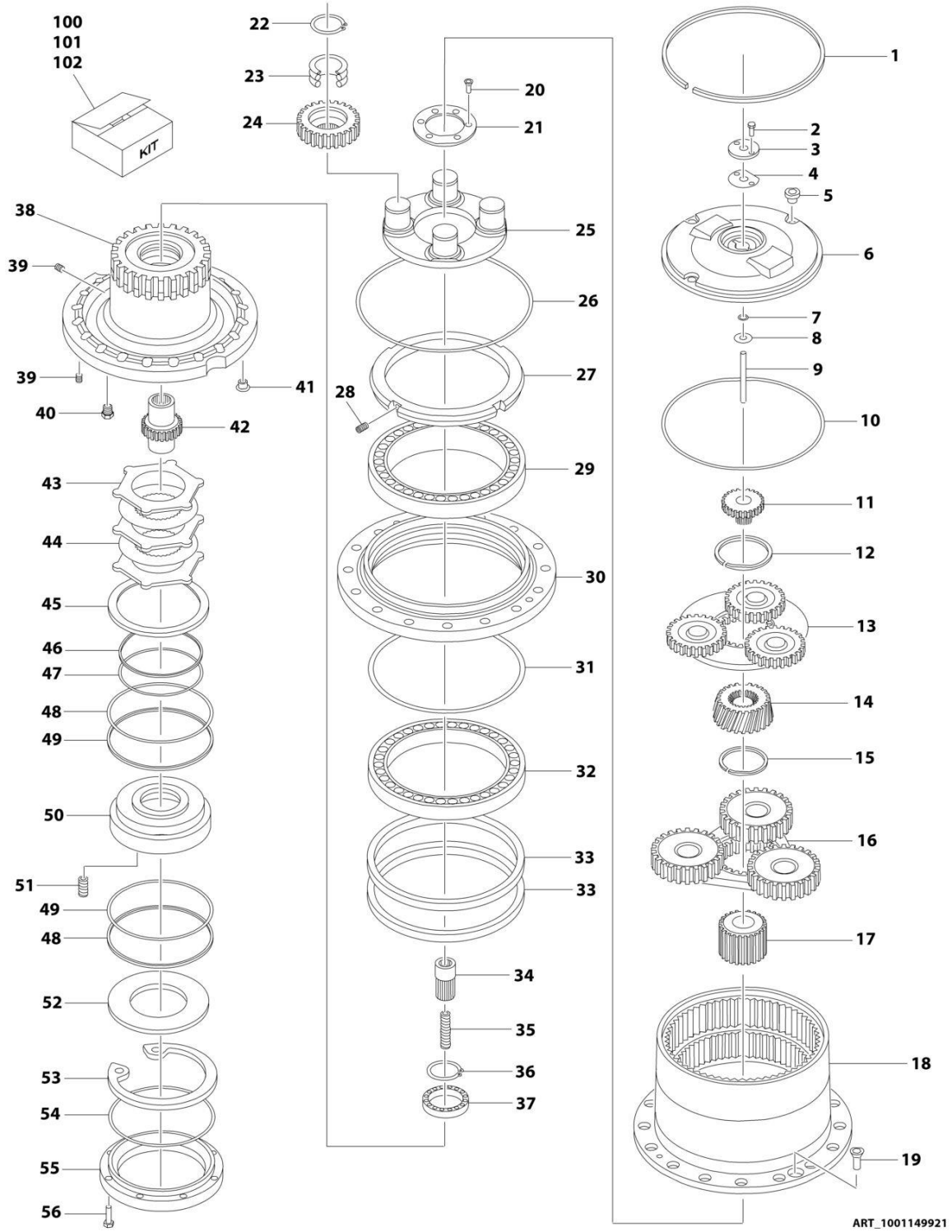
SECTION 1 - FRAME

FIGURE 1-4. DRIVE MOTOR ASSEMBLY

ITEM	PART NUMBER	QTY	DESCRIPTION	REV
	3160339	Ref	DRIVE MOTOR ASSEMBLY	D
1	7022368	4	Bolt	
2	70000859	1	End Cap, Motor	
3	70003628	2	Locating Pin	
4	See Note	NSS	O-Ring (Note: Use Item 51)	
5	7007420	1	Plug (Includes Item 4)	
6	7007446	1	Pin, Dowel	
7	7021249	1	Bearing, Needle	
8	70000854	1	Plate, Valve	
9	7022311	1	Snap Ring	
10	7022314	1	Retainer, Spring	
11	7024867	1	Spring	
12	7024868	1	Washer	
13	70000855	1	Block, Cylinder	
14	7021275	3	Pin, Slipper	
15	70000856	1	Guide	
16	70000857	1	Retainer, Slipper	
17	7024865	9	Piston, Cylinder	
18	See Note	NSS	Ring, Piston (Note: Use Item 51)	
19	See Note	NSS	O-Ring (Note: Use Item 51)	
20	70000860	1	Piston, Servo (Includes Items 18 & 19)	
21	70000861	1	Spring	
22	See Note	NSS	Pin (Note: Not Available for Purchase)	
23	70000853	1	Swash Plate	
24	70000852	1	Bearing Kit	
25	See Note	NSS	Gasket (Note: Use Item 51)	
26	See Note	NSS	Plug (Note: Not Available for Purchase)	
27	See Note	NSS	O-Ring (Note: Use Item 51)	
28	7022321	1	Plug (Includes Item 29)	
29	See Note	NSS	O-Ring (Note: Use Item 51)	
30	See Note	NSS	Housing (Note: Not Available - Purchase Complete Motor)	
31	70000858	1	Shaft	
32	7007437	1	Bearing	
33	7007439	1	Snap Ring	
34	7007438	2	Snap Ring	
35	See Note	NSS	Seal (Note: Use Item 51)	
36	7022371	1	Washer, Seal Support	
51	70000862	1	Kit 1 - Motor Seal Kit (Includes Items 4, 18, 19, 25, 27, 29 & 35)	
52	7027740	1	Kit 2 - Cylinder Block Kit (Includes Items 9-17)	

SECTION 1 - FRAME

FIGURE 1-5. DRIVE HUB ASSEMBLY



SECTION 1 - FRAME

FIGURE 1-5. DRIVE HUB ASSEMBLY

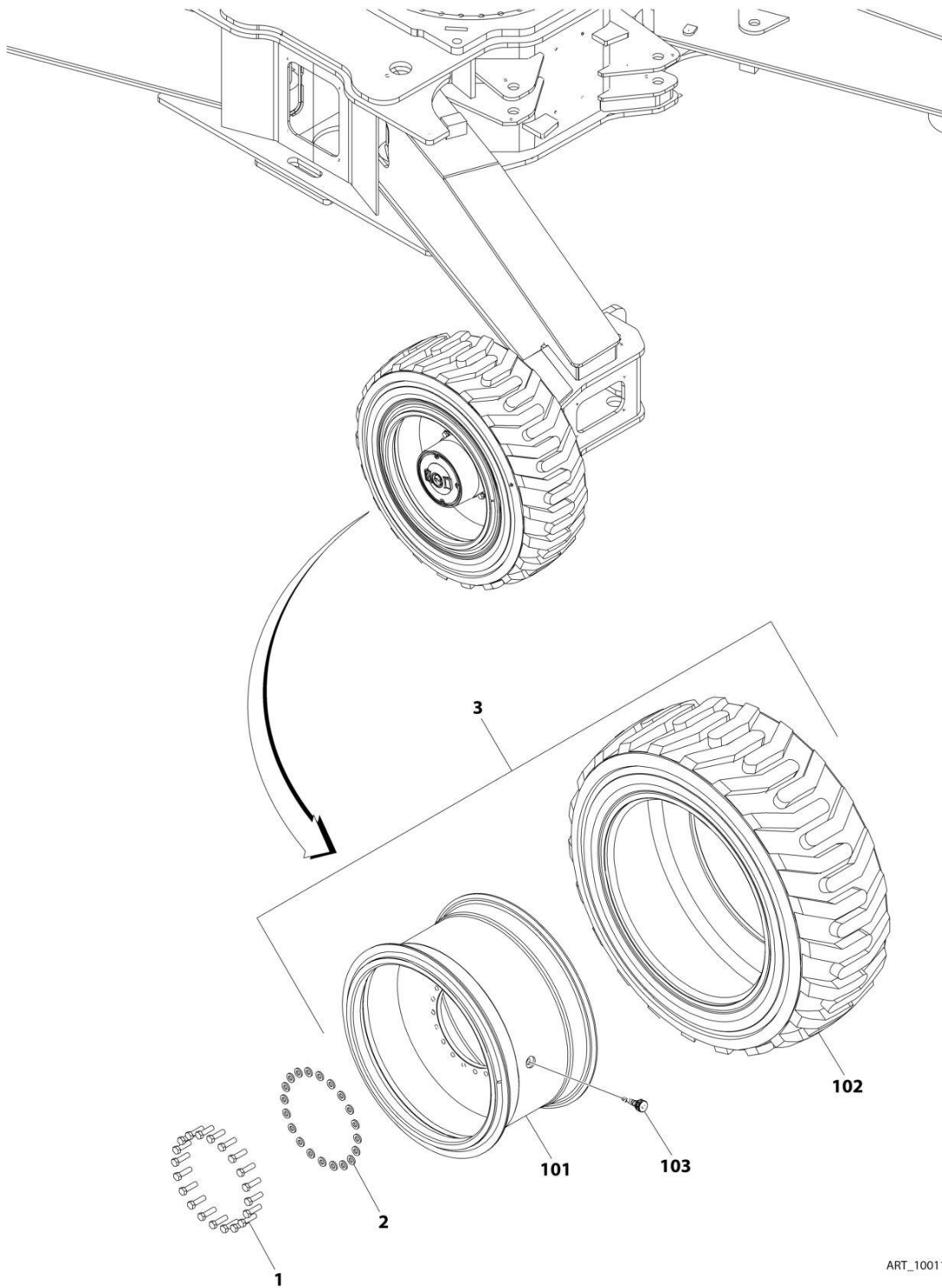
ITEM	PART NUMBER	QTY	DESCRIPTION	REV
	1001149921	Ref	DRIVE HUB ASSEMBLY	G
1	70004429	1	Ring	
2	See Note	NSS	Screw M6 x 20 (Note: Use Item 101)	
3	See Note	NSS	Cover (Note: Use Item 101)	
4	70004429	1	Gasket	
5	70002057	3	Plug	
6	See Note	NSS	Cover (Note: Use Item 101)	
7	See Note	NSS	O-Ring (Note: Use Item 100 or 101)	
8	See Note	NSS	Shim (Note: Use Item 101)	
9	See Note	NSS	Pin (Note: Use Item 101)	
10	See Note	NSS	O-Ring (Note: Use Item 100 or 101)	
11	70004430	1	Pinion	
12	70004431	1	Ring, Retaining	
13	70004432	1	Assembly, Gear Reduction	
14	70004433	1	Pinion	
15	70004434	1	Ring	
16	70004435	1	Assembly, Gear Reduction	
17	70004436	1	Pinion	
18	See Note	NSS	Housing, Hub (Note: Use p/n 1001149921)	
19	70002052	2	Screw M10 x 25	
20	70004437	6	Screw M6 x 14	
21	70004438	1	Plug	
22	70002032	4	Ring, Retaining	
23	70002031	4	Bearing	
24	70004439	4	Wheel, Planet	
25	70004440	1	Flange	
26	See Note	NSS	O-Ring (Note: Use Item 100)	
27	70004441	1	Nut	
28	70004363	2	Screw M6 x 10	
29	70004442	1	Bearing	
30	See Note	NSS	Support, Hub (Note: Use p/n 1001149921)	
31	See Note	NSS	O-Ring (Note: Use Item 100)	
32	70004443	1	Bearing	
33	See Note	1	Seal (Note: Use Item 100)	
34	70004444	1	Coupling	
35	70002036	1	Spring	
36	70004445	1	Ring, Retaining	
37	70004446	1	Bearing	
38	See Note	NSS	Axle (Note: Use p/n 1001149921)	
39	70004447	3	Plug	
40	70002057	3	Plug (Includes O-Ring)	
41	70002028	1	Plug, Plastic	
42	70004448	1	Shaft, Input	
43	See Note	NSS	Disc, Iron (Note: Use Item 102)	
44	See Note	NSS	Disc, Brake (Note: Use Item 102)	
45	See Note	NSS	Spacer (Note: Use Item 102)	
46	See Note	NSS	Seal (Note: Use Item 100 or 102)	
47	See Note	NSS	O-Ring (Note: Use Item 100 or 102)	
48	See Note	NSS	Seal (Note: Use Item 100 or 102)	
49	See Note	NSS	O-Ring (Note: Use Item 100 or 102)	

SECTION 1 - FRAME

ITEM	PART NUMBER	QTY	DESCRIPTION	REV
50	See Note	NSS	Piston, Brake (Note: Use Item 102)	
51	See Note	NSS	Spring, Brake (Note: Use Item 102)	
52	See Note	NSS	Spacer (Note: Use Item 102)	
53	See Note	NSS	Ring, Retaining (Note: Use Item 102)	
54	See Note	NSS	O-Ring (Note: Use Item 100)	
55	70004449	1	Support, Motor	
56	70004450	6	Screw M8 x 25	
100	70004451	1	Kit, Seal (Includes Items 4, 7, 10, 26, 31, 33, 46-49 & 54)	
101	70004452	1	Kit, Cover (Includes Items 2-10)	
102	70004453	1	Kit, Brake (Includes Items 43-53)	

SECTION 1 - FRAME

FIGURE 1-6. TIRE/WHEEL INSTALLATION



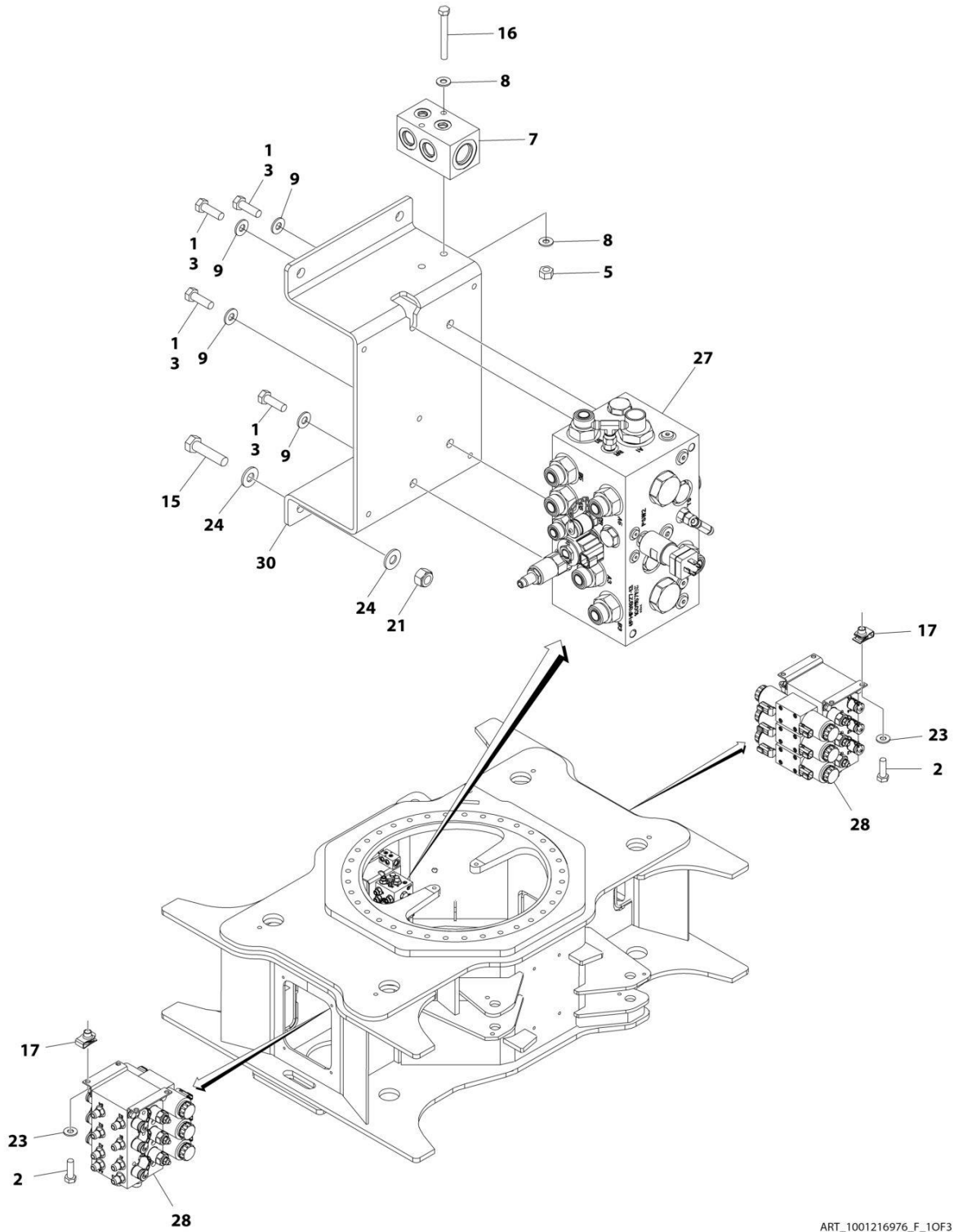
ART_1001157216

FIGURE 1-6. TIRE/WHEEL INSTALLATION

ITEM	PART NUMBER	QTY	DESCRIPTION	REV
	1001157216	Ref	TIRE/WHEEL INSTALLATION	F
		Ref	Note: Requires ballast/foam filling to manufacturer's specifications prior to installing on a machine. Refer to Service and Maintenance Manuals. Purchase individual tire and/or rim only if able to foam fill tire and wheel assembly, otherwise, purchase complete.	
1	0701619001	80	Bolt M16 x 55 (20 Per Wheel)	
2	1001172356	80	Washer 5/8 (20 Per Wheel)	
3	1001147616	2	Tire/Wheel (RH Side)	
3	1001149711	2	Tire/Wheel (LH Side)	
	1001147616	Ref	TIRE/WHEEL ASSEMBLY (RH SIDE)	I
	1001149711	Ref	TIRE/WHEEL ASSEMBLY (LH SIDE)	I
101	1001147617	4	Wheel (1 per Tire/Wheel)	
102	1001147618	4	Tire (1 per Tire/Wheel)	
103	1001157467	4	Valve (1 per Tire/Wheel)	

SECTION 1 - FRAME

FIGURE 1-7. VALVES INSTALLATION - FRAME



ART_1001216976_F_10F3

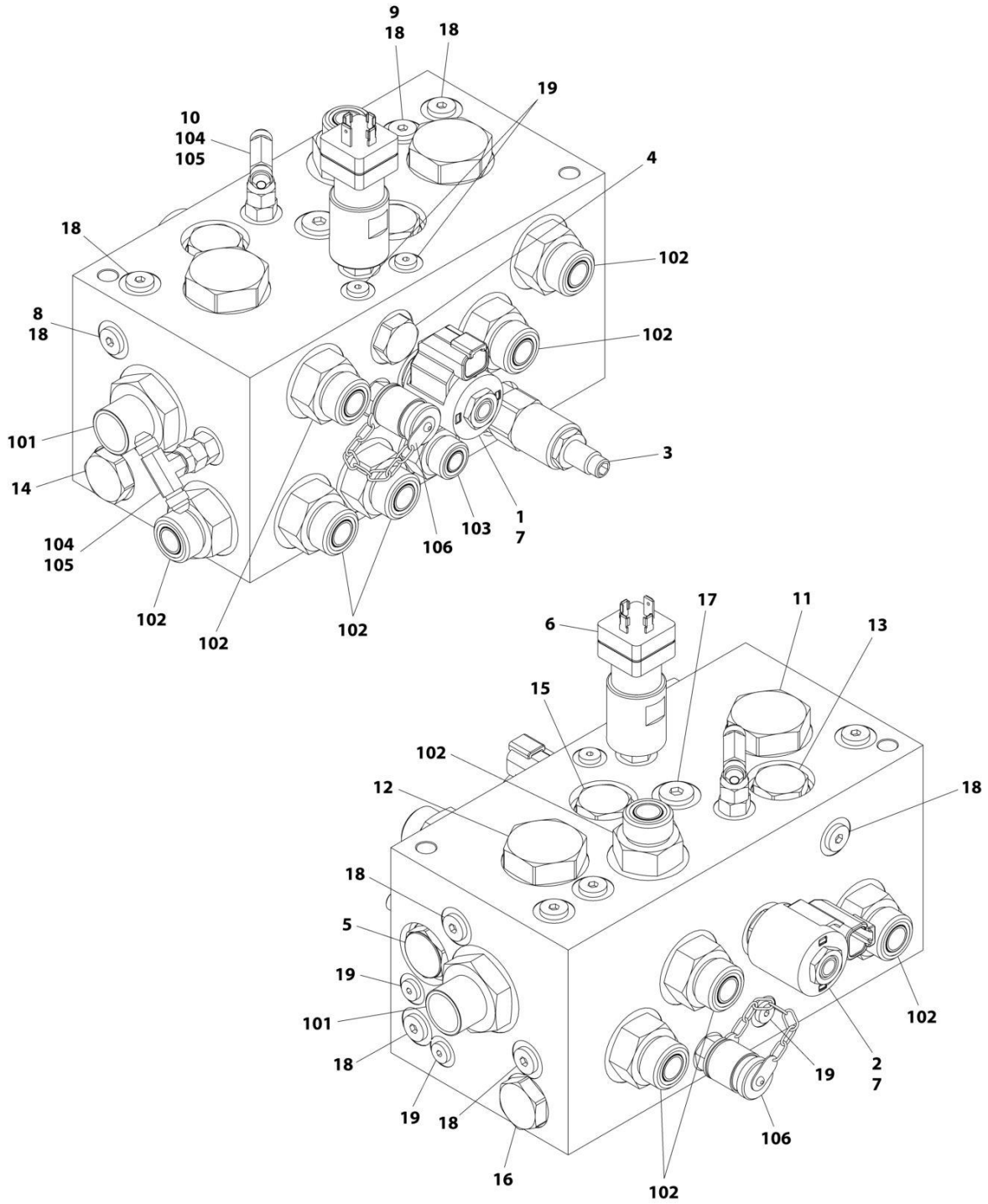
SECTION 1 - FRAME

FIGURE 1-7. VALVES INSTALLATION - FRAME

ITEM	PART NUMBER	QTY	DESCRIPTION	REV
	1001216976	Ref	VALVES INSTALLATION - FRAME	F
1	0100011	AR	Compound, Locking	
2	0760812	8	Bolt M8 x 25	
3	0761012	4	Bolt M10 x 25	
5	3290607	2	Nut M6	
7	4641155	1	Manifold, Junction	
8	4811700	4	Washer M6	
9	4812000	4	Washer M10	
15	0761218001	4	Bolt M12 x 50	
16	1001096653	2	Bolt M6 x 70	
17	1001118274	8	Nut M8	
21	3291205001	4	Nut M12	
23	4811900001	8	Washer M8	
24	4812100001	8	Washer M12	
27	1001219110	1	Traction Valve Assembly (See Separate Breakdown in this Section)	
28	1001157207	2	Steer/Axle Extend Valve Assembly (See Separate Breakdown in this Section)	
30	1001164354	1	Bracket	

SECTION 1 - FRAME

FIGURE 1-8. TRACTION VALVE ASSEMBLY



ART_1001219110

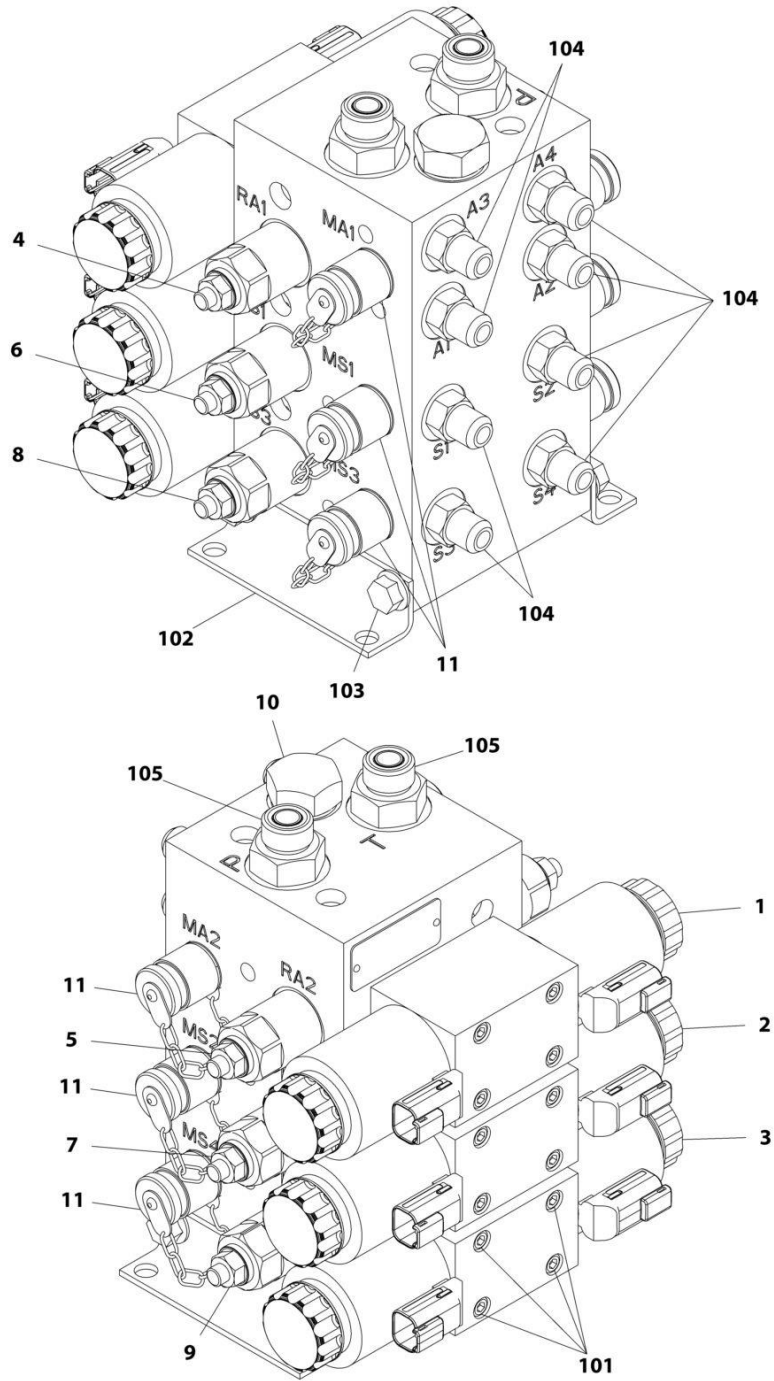
SECTION 1 - FRAME

FIGURE 1-8. TRACTION VALVE ASSEMBLY

ITEM	PART NUMBER	QTY	DESCRIPTION	REV
	1001219110	Ref	TRACTION VALVE ASSEMBLY	B
1	7012941	1	Cartridge, Solenoid Less Coil	
1	7010543	1	Kit, Seal	
2	7012941	1	Cartridge, Solenoid Less Coil	
2	7010543	1	Kit, Seal	
3	70004383	1	Cartridge, Relief	
3	7012998	1	Kit, Seal	
4	70004384	1	Cartridge, Load Shuttle	
4	7012973	1	Kit, Seal	
5	70000804	1	Cartridge	
5	70000805	1	Kit, Seal	
6	70000803	1	Cartridge, Pressure Switch	
7	70002386	2	Coil	
8	7017493	1	Orifice	
9	7017493	1	Orifice	
10	70004386	1	Orifice	
11	70004017	1	Cartridge, Flow Divider	
11	7021625	1	Kit, Seal	
12	70004017	1	Cartridge, Flow Divider	
12	7021625	1	Kit, Seal	
13	70003408	1	Cartridge, Check	
13	7022399	1	Kit, Seal	
14	70003408	1	Cartridge, Check	
14	7022399	1	Kit, Seal	
15	70003408	1	Cartridge, Check	
15	7022399	1	Kit, Seal	
16	70003408	1	Cartridge, Check	
16	7022399	1	Kit, Seal	
17	2220885	1	Plug	
18	2220883	9	Plug	
19	2220881	8	Plug	
101	2111016	2	Fitting, Straight ORB/ORFS	
102	2111012	10	Fitting, Straight ORB/ORFS	
103	2110810	1	Fitting, Straight ORB/ORFS	
104	2220415	2	Fitting, Straight JIC/ORB	
105	2220861	2	Fitting, Tee JIC/ORB	
106	2221086	2	Fitting, Test	

SECTION 1 - FRAME

FIGURE 1-9. STEER/AXLE EXTEND VALVE ASSEMBLY



ART_1001157207

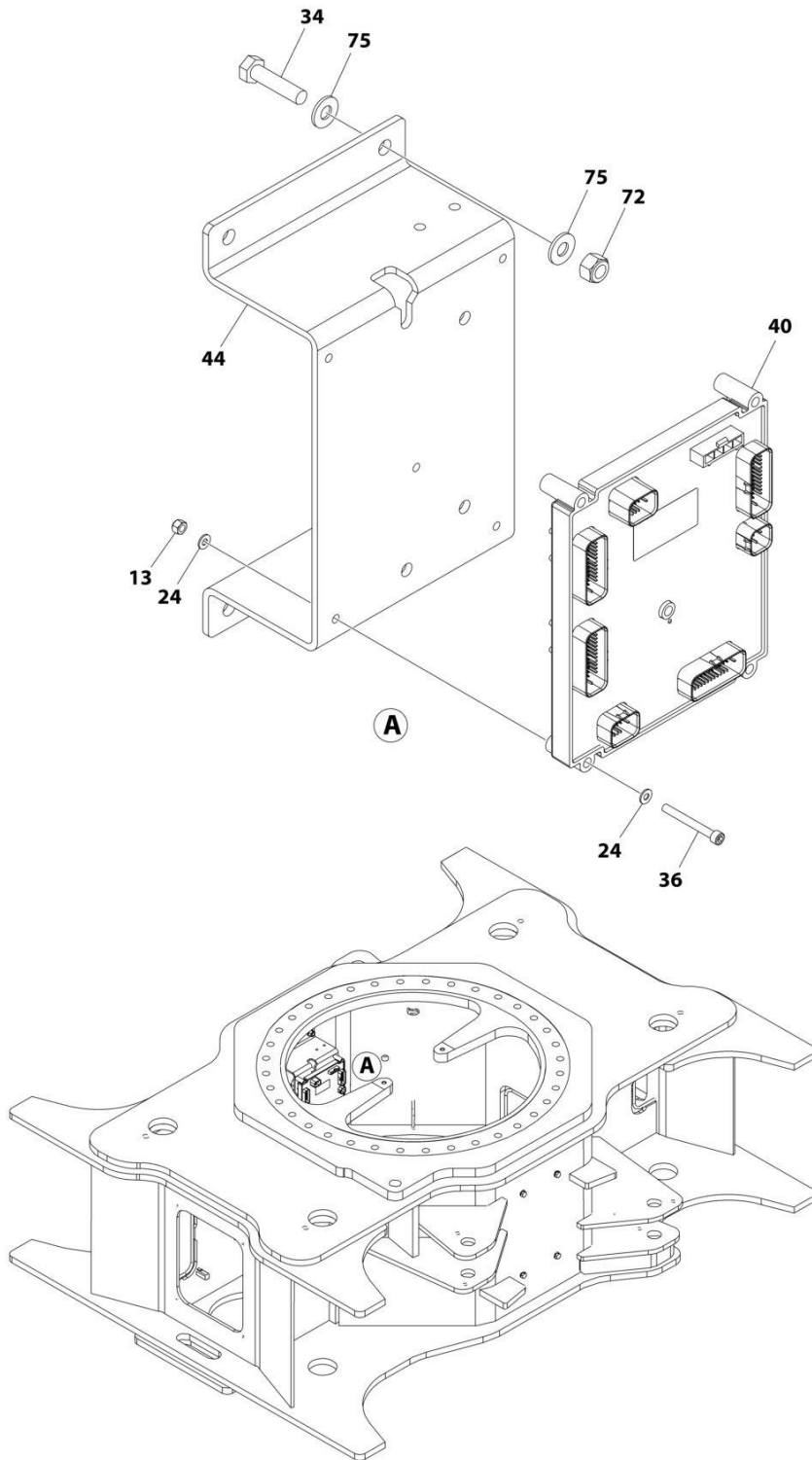
SECTION 1 - FRAME

FIGURE 1-9. STEER/AXLE EXTEND VALVE ASSEMBLY

ITEM	PART NUMBER	QTY	DESCRIPTION	REV
	1001157207	Ref	STEER/AXLE EXTEND VALVE ASSEMBLY	G
1	70004459	1	Valve, Direction Control	
1	7012773	1	Kit, Seal	
1	70004460	2	Coil	
1	7021375	2	Nut, Coil	
1	70004461	2	O-Ring, Solenoid Pole	
2	70004462	1	Valve, Direction Control	
2	7012773	1	Kit, Seal	
2	70004463	2	Coil	
2	7021375	2	Nut, Coil	
2	70004461	2	O-Ring, Solenoid Pole	
3	70004462	1	Valve, Direction Control	
3	7012773	1	Kit, Seal	
3	70004463	2	Coil	
3	7021375	2	Nut, Coil	
3	70004461	2	O-Ring, Solenoid Pole	
4	70004464	1	Cartridge, Relief	
4	70004055	1	Kit, Seal	
5	70004464	1	Cartridge, Relief	
5	70004055	1	Kit, Seal	
6	70004464	1	Cartridge, Relief	
6	70004055	1	Kit, Seal	
7	70004464	1	Cartridge, Relief	
7	70004055	1	Kit, Seal	
8	70004464	1	Cartridge, Relief	
8	70004055	1	Kit, Seal	
9	70004464	1	Cartridge, Relief	
9	70004055	1	Kit, Seal	
10	70004465	1	Cartridge, Flow Divider	
10	70004164	1	Kit, Seal	
11	2221086	6	Fitting, Test	
101	See Note	NSS	Capscrew #10 x 2 (Note: Purchase Locally)	
102	See Note	NSS	Bracket (Note: Not Available for Purchase)	
103	0641504	4	Bolt 5/16 x 1/2	
104	2220371	8	Fitting, Straight JIC/ORB	
105	2110810	2	Fitting, Straight ORB/ORFS	

SECTION 1 - FRAME

FIGURE 1-10. ELECTRICAL COMPONENTS INSTALLATION - FRAME (HRC) (ANSI, ANSI EXPORT, CSA AND JAPANESE SPECS)



ART_1001243047_H_1OF2

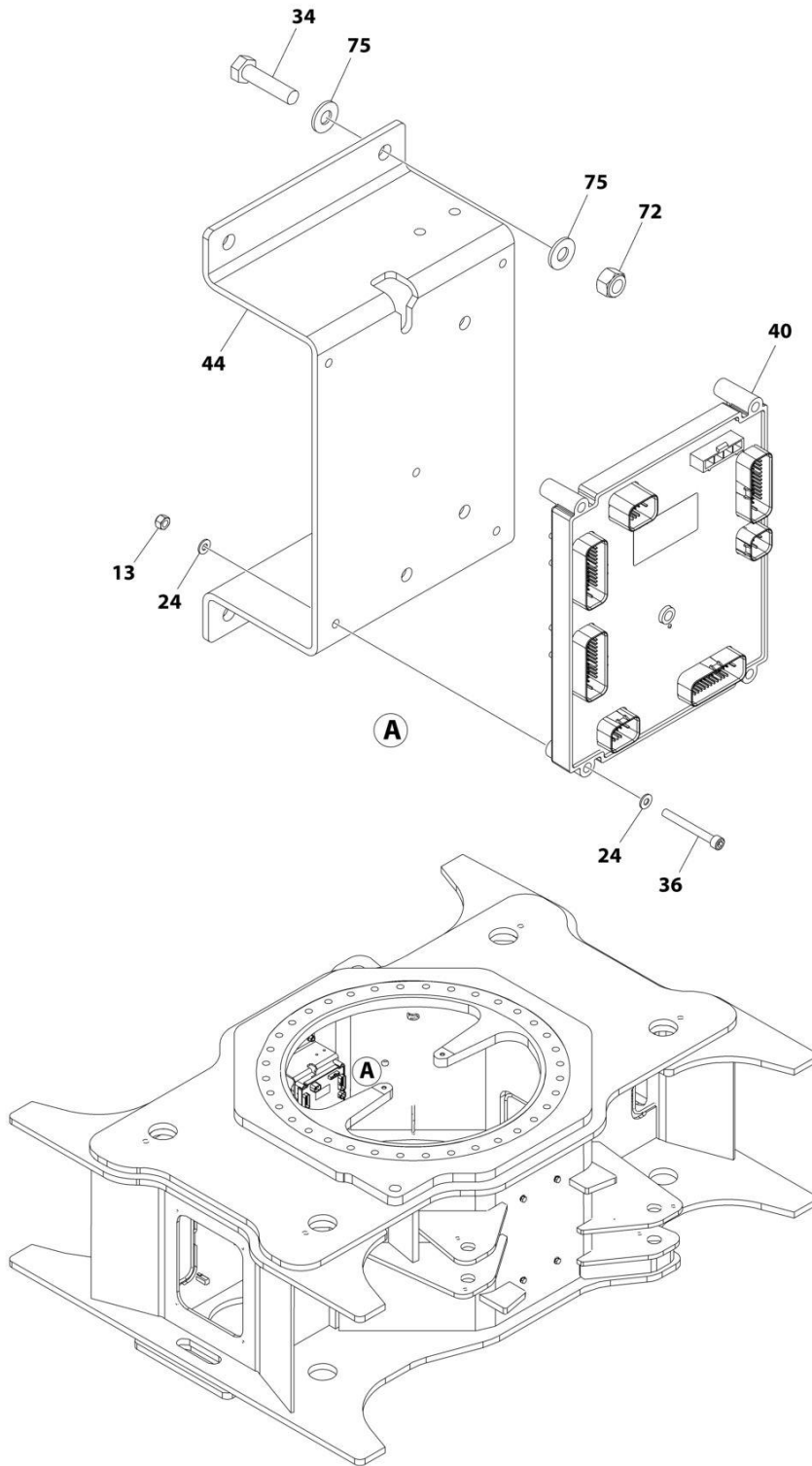
SECTION 1 - FRAME

FIGURE 1-10. ELECTRICAL COMPONENTS INSTALLATION - FRAME (HRC) (ANSI, ANSI EXPORT, CSA AND JAPANESE SPECS)

ITEM	PART NUMBER	QTY	DESCRIPTION	REV
	1001243047	Ref	ELECTRICAL COMPONENTS INSTALLATION - FRAME (HRC)	H
13	3290605	5	Nut M6	
24	4811700	10	Washer M6	
34	0761218001	4	Bolt M12 x 50	
36	1001118878	5	Capscrew M6 x 55	
39	1001149975	1	Chassis Harness (Not Shown - See Separate Breakdown in ELECTRICAL Section)	
40	1001277132	1	Module, Control (Note: Re-calibration Required when Replaced)	
43	1001163631	4	Axle Sensor Harness (Not Shown - See Separate Breakdown in ELECTRICAL Section)	
44	1001164354	1	Bracket	
72	3291205001	4	Nut M12	
75	4812100001	8	Washer M12	

SECTION 1 - FRAME

FIGURE 1-11. ELECTRICAL COMPONENTS INSTALLATION - FRAME (HRC) (CE & UK CA SPECS)



ART_1001243050_H_10F2

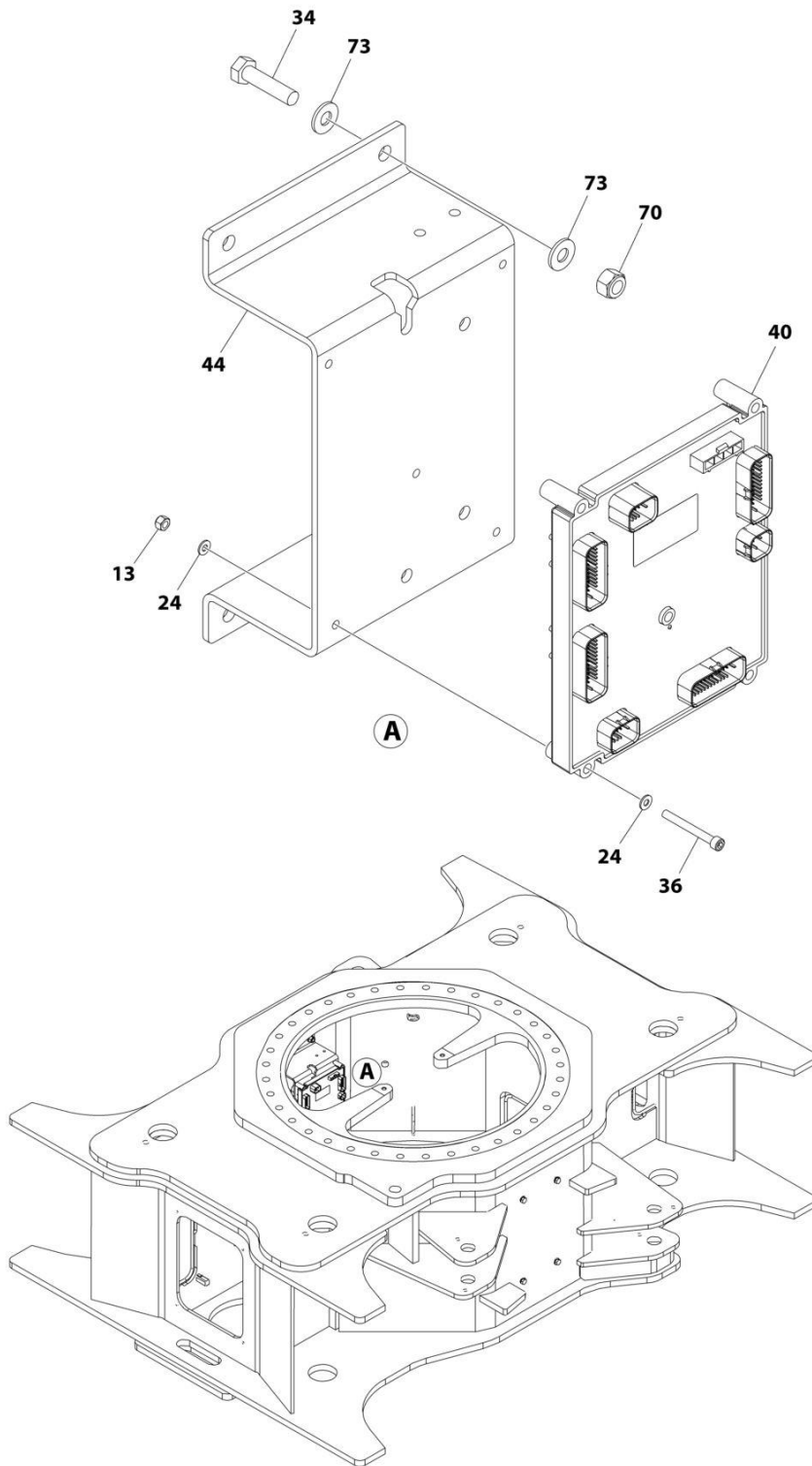
SECTION 1 - FRAME

FIGURE 1-11. ELECTRICAL COMPONENTS INSTALLATION - FRAME (HRC) (CE & UK CA SPECS)

ITEM	PART NUMBER	QTY	DESCRIPTION	REV
	1001243050	Ref	ELECTRICAL COMPONENTS INSTALLATION - FRAME (HRC)	H
13	3290605	5	Nut M6	
24	4811700	6	Washer M6	
34	0761218001	4	Bolt M12 x 50	
36	1001118878	5	Capscrew M6 x 55	
39	1001149975	1	Chassis Harness (Not Shown - See Separate Breakdown in ELECTRICAL Section)	
40	1001277132	1	Module, Control (Note: Re-calibration Required when Replaced)	
43	1001163631	4	Axle Sensor Harness (Not Shown - See Separate Breakdown in ELECTRICAL Section)	
44	1001164354	1	Bracket	
72	3291205001	4	Nut M12	
75	4812100001	8	Washer M12	

SECTION 1 - FRAME

FIGURE 1-12. ELECTRICAL COMPONENTS INSTALLATION - FRAME (LRC) (ANSI EXPORT, AUSTRALIAN AND CHINA SPECS)



ART_1001243053_H_1OF2

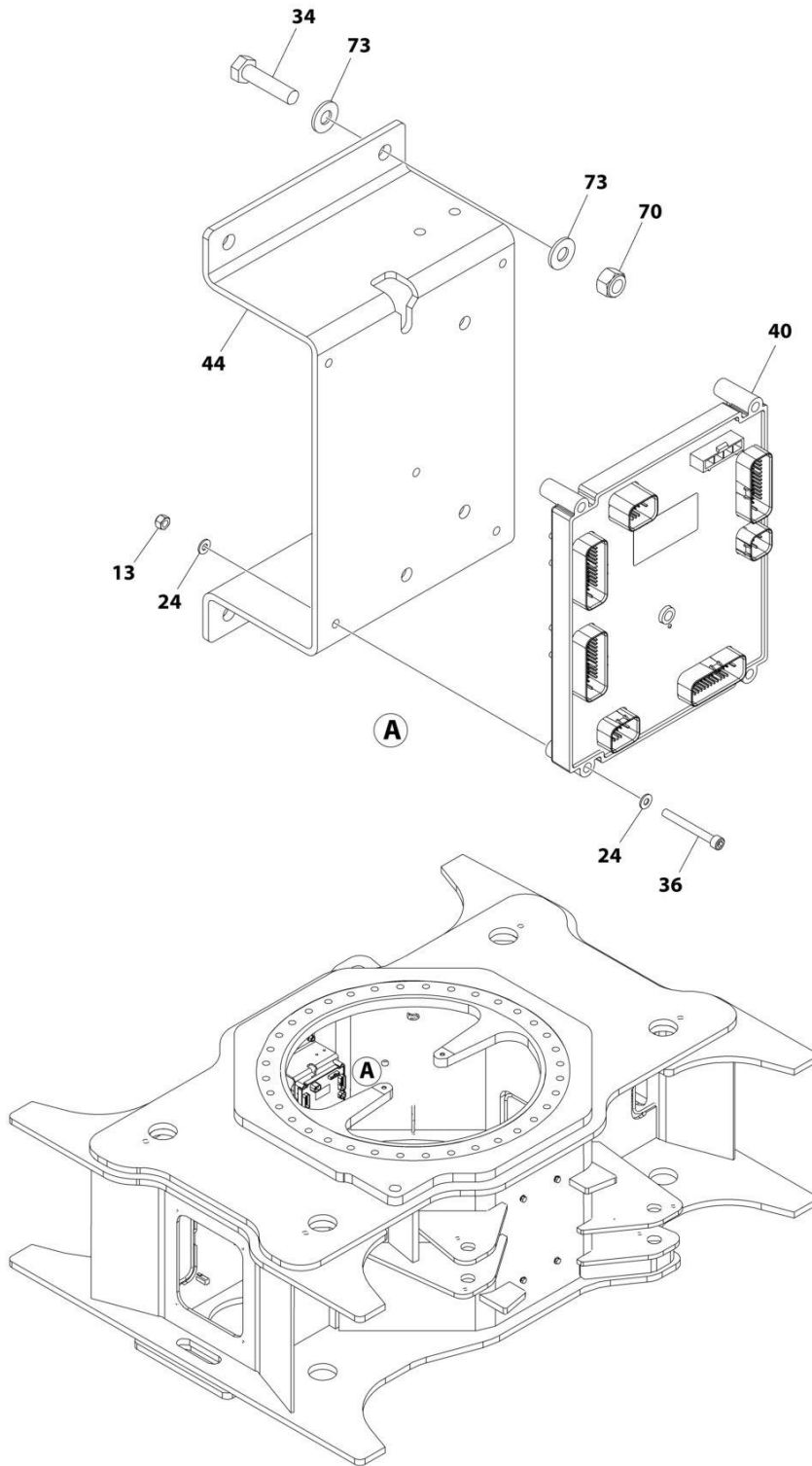
SECTION 1 - FRAME

FIGURE 1-12. ELECTRICAL COMPONENTS INSTALLATION - FRAME (LRC) (ANSI EXPORT, AUSTRALIAN AND CHINA SPECS)

ITEM	PART NUMBER	QTY	DESCRIPTION	REV
	1001243053	Ref	ELECTRICAL COMPONENTS INSTALLATION - FRAME (LRC)	H
13	3290605	5	Nut M6	
24	4811700	6	Washer M6	
34	0761218001	4	Bolt M12 x 50	
36	1001118878	5	Capscrew M6 x 55	
39	1001149975	1	Chassis Harness (Not Shown - See Separate Breakdown in ELECTRICAL Section)	
40	1001277132	1	Module, Control (Note: Re-calibration Required when Replaced)	
43	1001163631	4	Axle Sensor Harness (Not Shown - See Separate Breakdown in ELECTRICAL Section)	
44	1001164354	1	Bracket	
70	3291205001	4	Nut M12	
73	4812100001	8	Washer M12	

SECTION 1 - FRAME

FIGURE 1-13. ELECTRICAL COMPONENTS INSTALLATION - FRAME (LRC) (CE & UK CA SPECS)



ART_1001243055_H_10F2

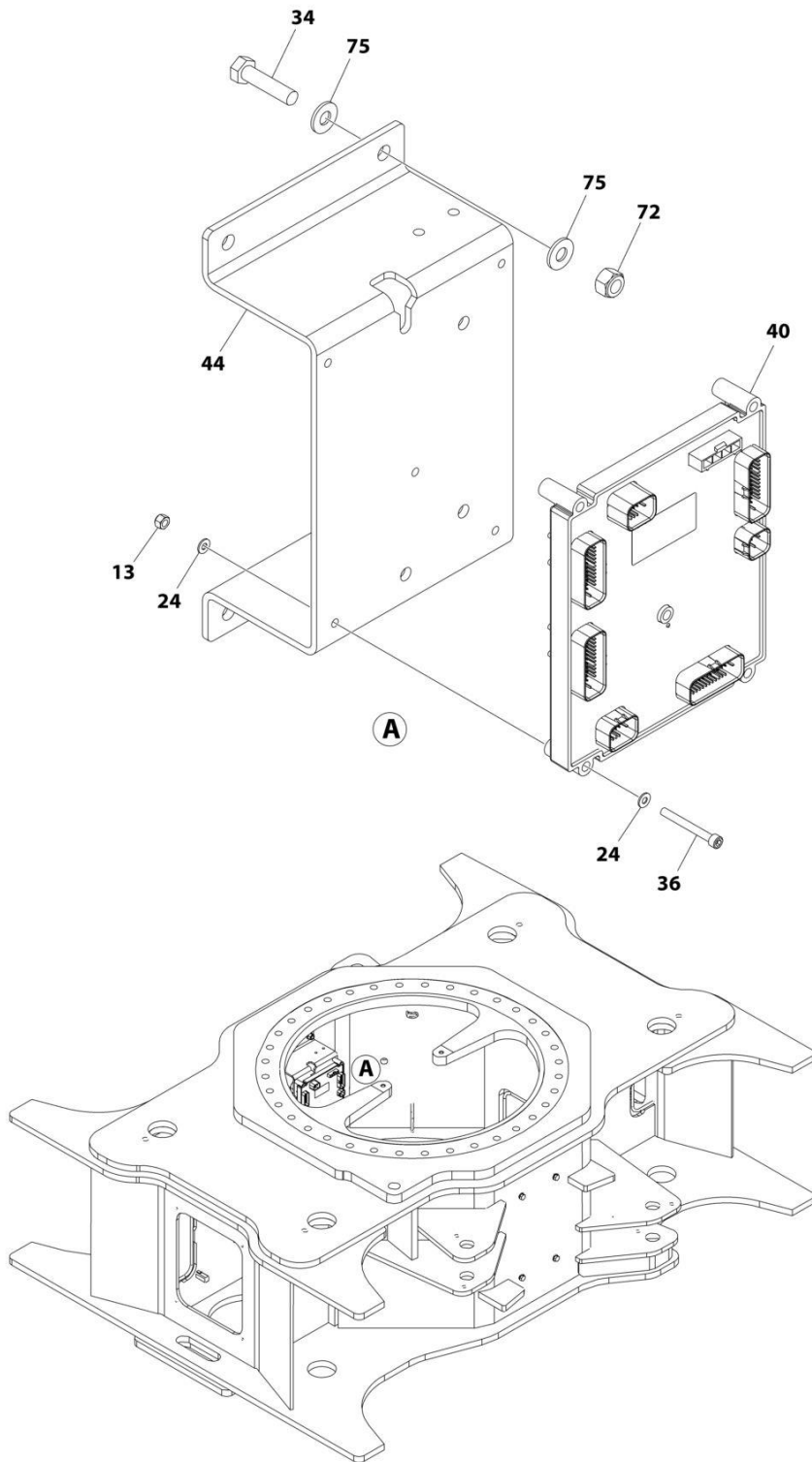
SECTION 1 - FRAME

FIGURE 1-13. ELECTRICAL COMPONENTS INSTALLATION - FRAME (LRC) (CE & UK CA SPECS)

ITEM	PART NUMBER	QTY	DESCRIPTION	REV
	1001243055	Ref	ELECTRICAL COMPONENTS INSTALLATION - FRAME (LRC)	H
13	3290605	5	Nut M6	
24	4811700	6	Washer M6	
34	0761218001	4	Bolt M12 x 50	
36	1001118878	5	Capscrew M6 x 55	
39	1001149975	1	Chassis Harness (Not Shown - See Separate Breakdown in ELECTRICAL Section)	
40	1001277132	1	Module, Control (Note: Re-calibration Required when Replaced)	
43	1001163631	4	Axle Sensor Harness (Not Shown - See Separate Breakdown in ELECTRICAL Section)	
44	1001164354	1	Bracket	
70	3291205001	4	Nut M12	
73	4812100001	8	Washer M12	

SECTION 1 - FRAME

FIGURE 1-14. ELECTRICAL COMPONENTS INSTALLATION WITH TOWER STOW - FRAME (HRC)
(ANSI, ANSI EXPORT, CSA AND JAPANESE SPECS)



ART_1001267659_G_1OF2

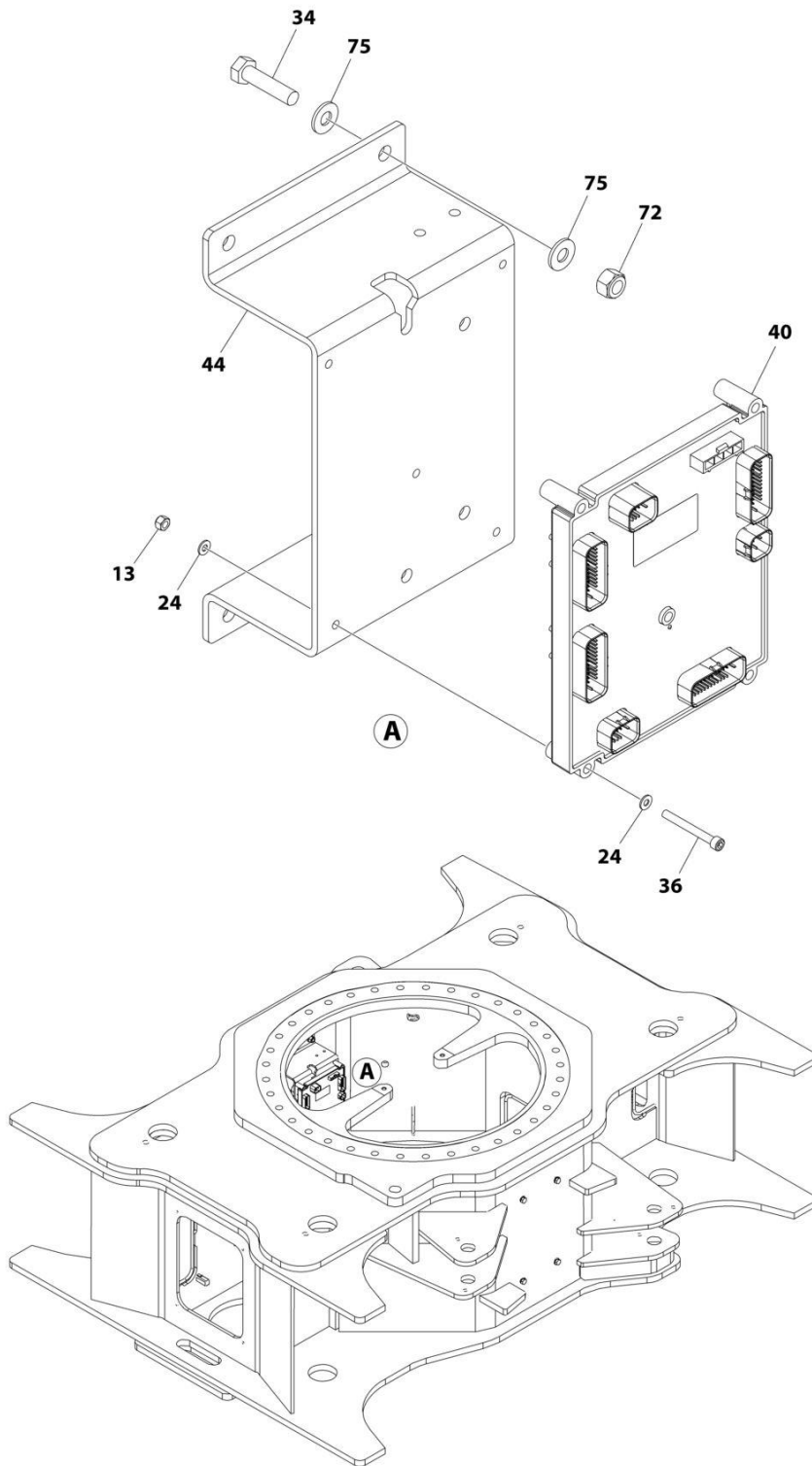
SECTION 1 - FRAME

**FIGURE 1-14. ELECTRICAL COMPONENTS INSTALLATION WITH TOWER STOW - FRAME (HRC)
(ANSI, ANSI EXPORT, CSA AND JAPANESE SPECS)**

ITEM	PART NUMBER	QTY	DESCRIPTION	REV
	1001267659	Ref	ELECTRICAL COMPONENTS INSTALLATION - FRAME (HRC)	G
13	3290605	5	Nut M6	
24	4811700	10	Washer M6	
34	0761218001	4	Bolt M12 x 50	
36	1001118878	5	Capscrew M6 x 55	
39	1001149975	1	Chassis Harness (Not Shown - See Separate Breakdown in ELECTRICAL Section)	
40	1001277132	1	Module, Control (Note: Re-calibration Required when Replaced)	
43	1001163631	4	Axle Sensor Harness (Not Shown - See Separate Breakdown in ELECTRICAL Section)	
44	1001164354	1	Bracket	
72	3291205001	4	Nut M12	
75	4812100001	8	Washer M12	

SECTION 1 - FRAME

FIGURE 1-15. ELECTRICAL COMPONENTS INSTALLATION WITH TOWER STOW - FRAME (HRC) (CE & UK CA SPECS)



ART_1001267660_G_10F2

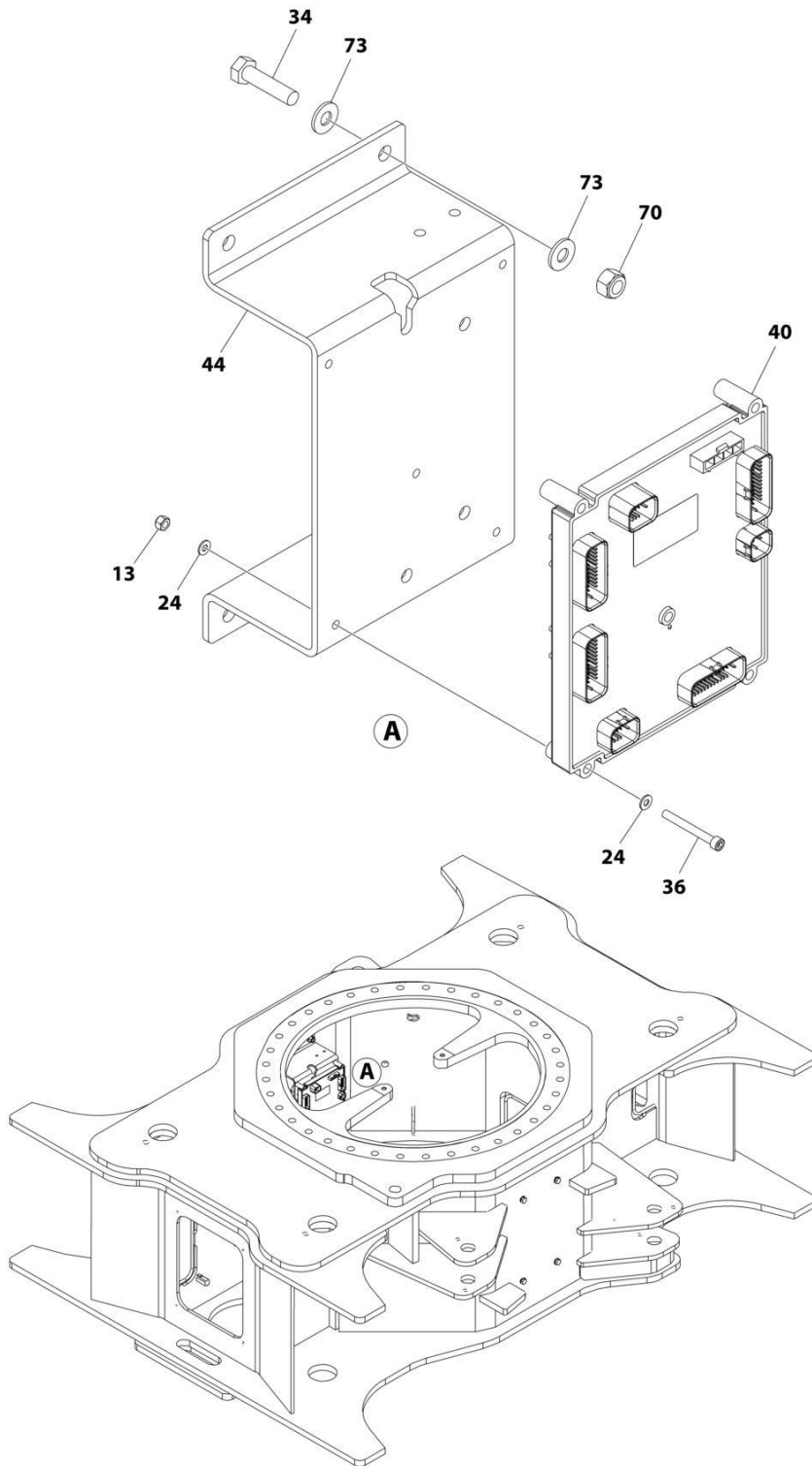
SECTION 1 - FRAME

FIGURE 1-15. ELECTRICAL COMPONENTS INSTALLATION WITH TOWER STOW - FRAME (HRC) (CE & UK CA SPECS)

ITEM	PART NUMBER	QTY	DESCRIPTION	REV
	1001267660	Ref	ELECTRICAL COMPONENTS INSTALLATION - FRAME (HRC)	G
13	3290605	5	Nut M6	
24	4811700	6	Washer M6	
34	0761218001	4	Bolt M12 x 50	
36	1001118878	5	Capscrew M6 x 55	
39	1001149975	1	Chassis Harness (Not Shown - See Separate Breakdown in ELECTRICAL Section)	
40	1001277132	1	Module, Control (Note: Re-calibration Required when Replaced)	
43	1001163631	4	Axle Sensor Harness (Not Shown - See Separate Breakdown in ELECTRICAL Section)	
44	1001164354	1	Bracket	
72	3291205001	4	Nut M12	
75	4812100001	8	Washer M12	

SECTION 1 - FRAME

FIGURE 1-16. ELECTRICAL COMPONENTS INSTALLATION WITH TOWER STOW - FRAME (LRC)
(ANSI EXPORT, AUSTRALIAN AND CHINA SPECS)



ART_1001267661_G_10F2

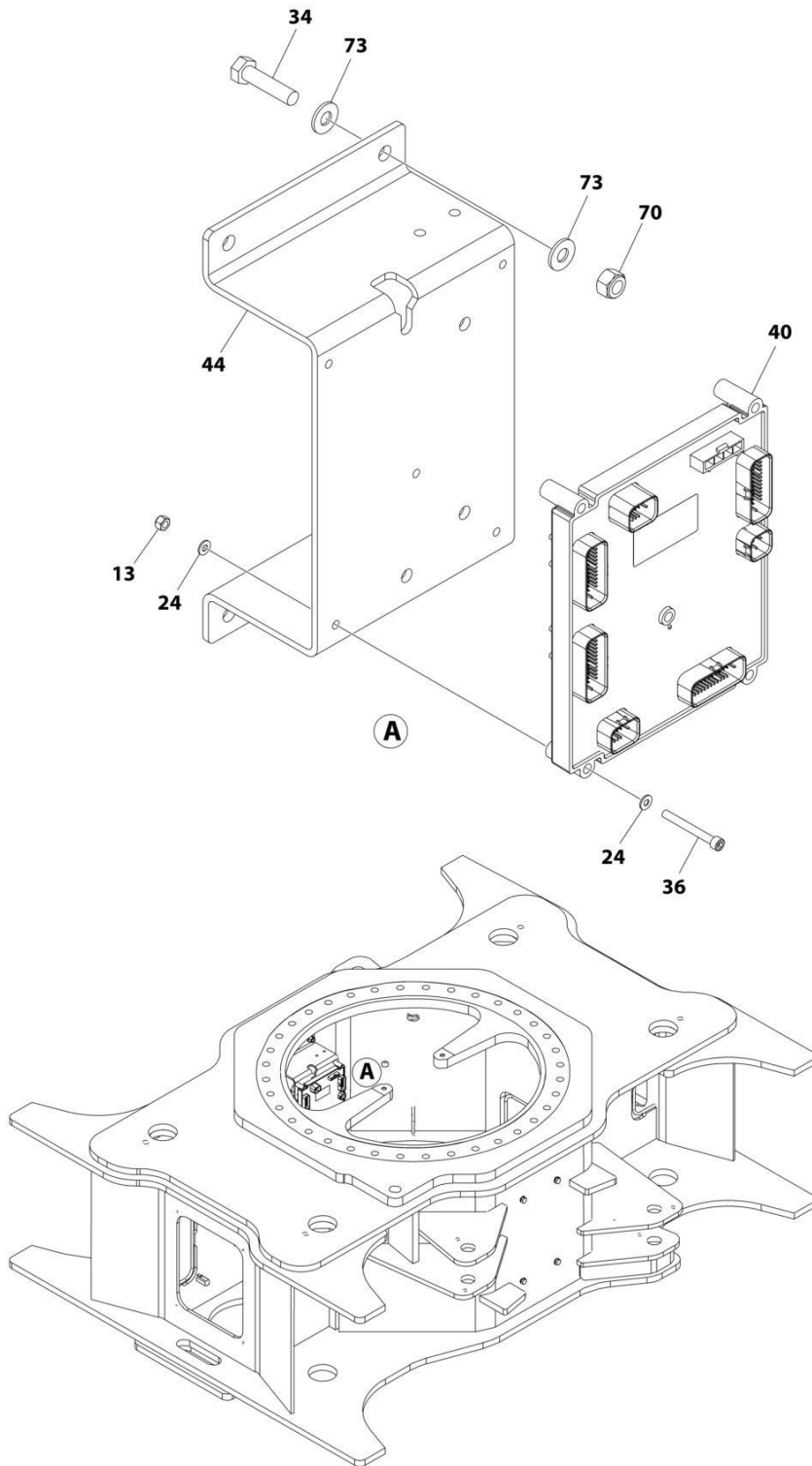
SECTION 1 - FRAME

**FIGURE 1-16. ELECTRICAL COMPONENTS INSTALLATION WITH TOWER STOW - FRAME (LRC)
(ANSI EXPORT, AUSTRALIAN AND CHINA SPECS)**

ITEM	PART NUMBER	QTY	DESCRIPTION	REV
	1001267661	Ref	ELECTRICAL COMPONENTS INSTALLATION - FRAME (LRC)	G
13	3290605	5	Nut M6	
24	4811700	6	Washer M6	
34	0761218001	4	Bolt M12 x 50	
36	1001118878	5	Capscrew M6 x 55	
39	1001149975	1	Chassis Harness (Not Shown - See Separate Breakdown in ELECTRICAL Section)	
40	1001277132	1	Module, Control (Note: Re-calibration Required when Replaced)	
43	1001163631	4	Axle Sensor Harness (Not Shown - See Separate Breakdown in ELECTRICAL Section)	
44	1001164354	1	Bracket	
70	3291205001	4	Nut M12	
73	4812100001	8	Washer M12	

SECTION 1 - FRAME

FIGURE 1-17. ELECTRICAL COMPONENTS INSTALLATION WITH TOWER STOW - FRAME (LRC) (CE & UK CA SPECS)



ART_1001267662_G_10F2

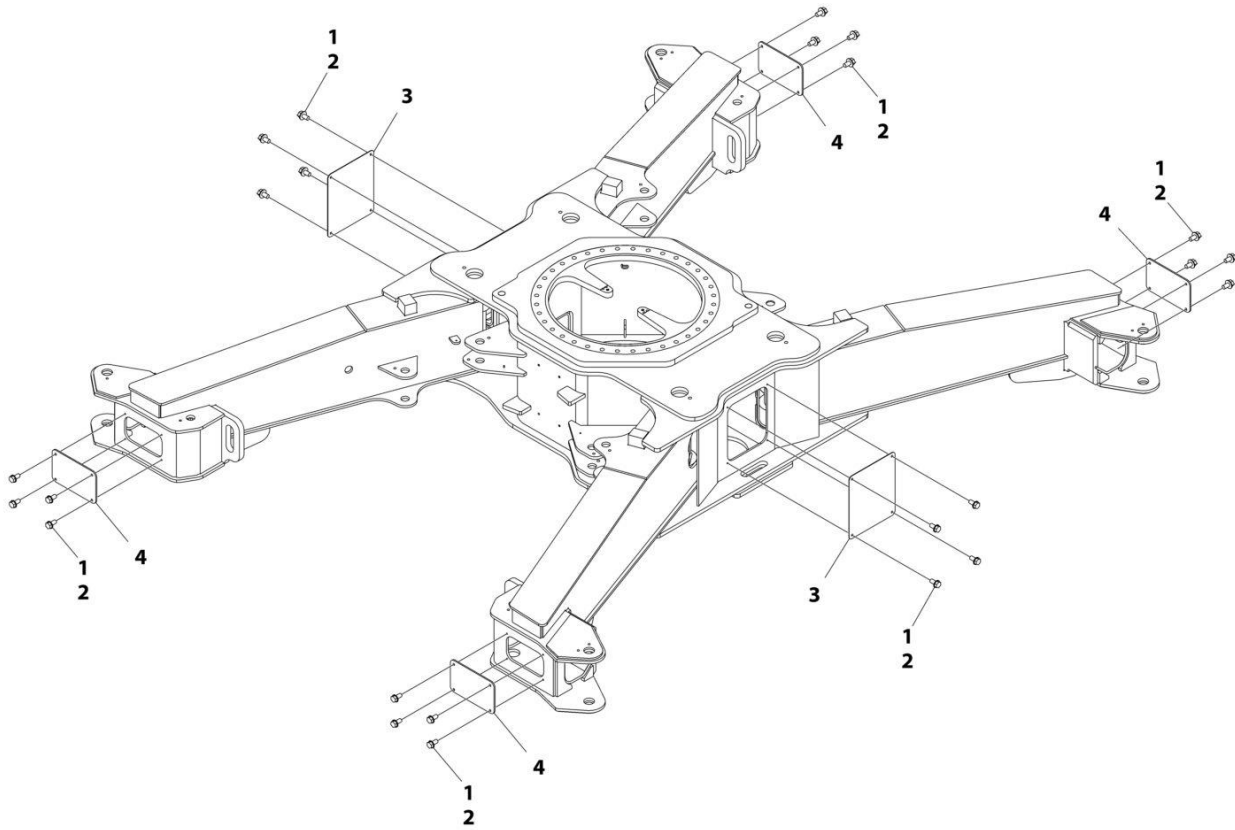
SECTION 1 - FRAME

FIGURE 1-17. ELECTRICAL COMPONENTS INSTALLATION WITH TOWER STOW - FRAME (LRC) (CE & UK CA SPECS)

ITEM	PART NUMBER	QTY	DESCRIPTION	REV
	1001267662	Ref	ELECTRICAL COMPONENTS INSTALLATION - FRAME (LRC)	G
13	3290605	5	Nut M6	
24	4811700	6	Washer M6	
34	0761218001	4	Bolt M12 x 50	
36	1001118878	5	Capscrew M6 x 55	
39	1001149975	1	Chassis Harness (Not Shown - See Separate Breakdown in ELECTRICAL Section)	
40	1001277132	1	Module, Control (Note: Re-calibration Required when Replaced)	
43	1001163631	4	Axle Sensor Harness (Not Shown - See Separate Breakdown in ELECTRICAL Section)	
44	1001164354	1	Bracket	
70	3291205001	4	Nut M12	
73	4812100001	8	Washer M12	

SECTION 1 - FRAME

FIGURE 1-18. COVERS INSTALLATION - FRAME



ART_1001157670

SECTION 1 - FRAME

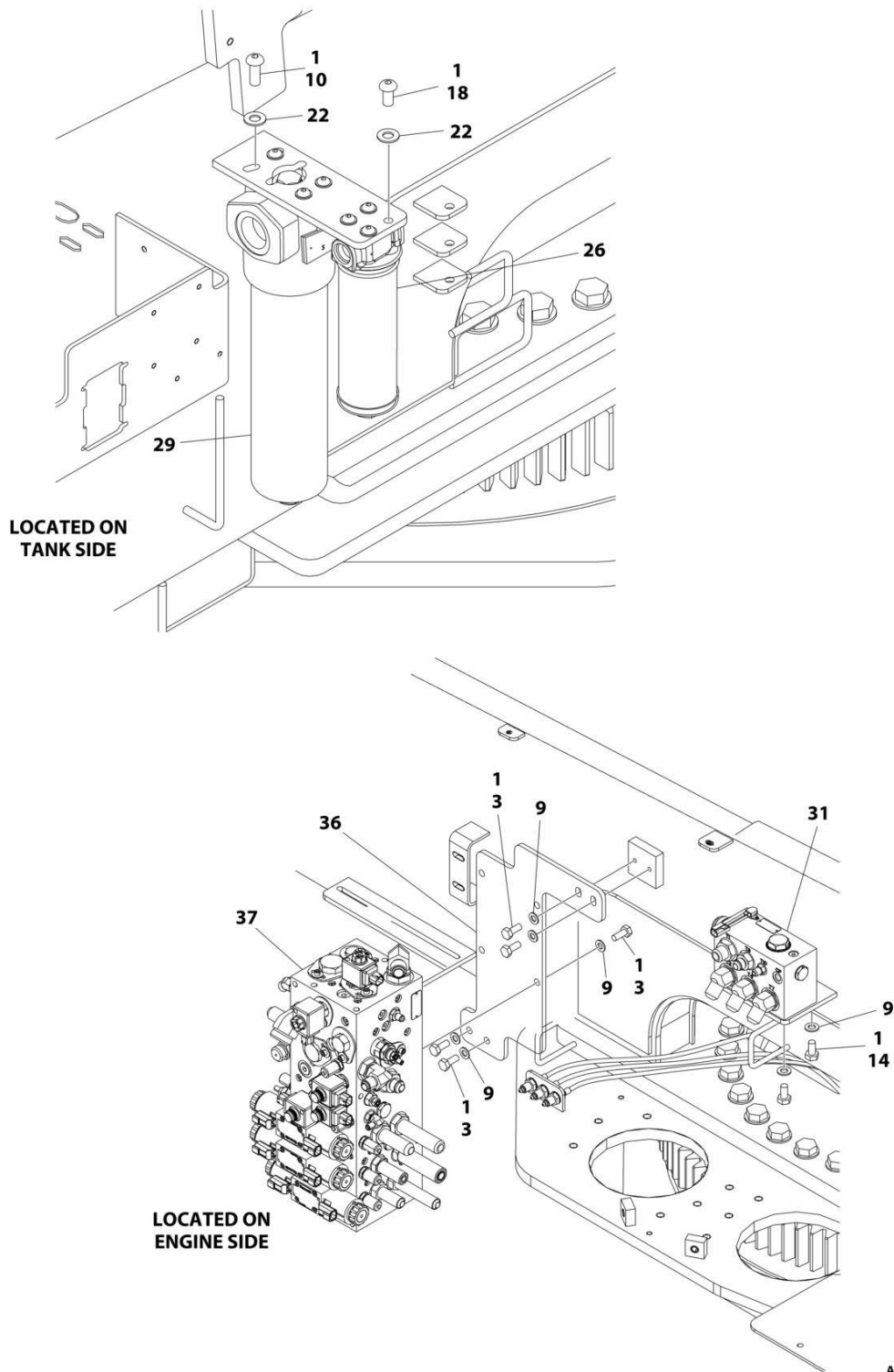
FIGURE 1-18. COVERS INSTALLATION - FRAME

ITEM	PART NUMBER	QTY	DESCRIPTION	REV
	1001157670	Ref	COVERS INSTALLATION - FRAME	B
1	0100011	AR	Compound, Locking	
2	5251210001	24	Bolt M12 x 20	
3	1001155561	2	Cover	
4	1001156867	4	Cover	

SECTION 2 - TURNTABLE

SECTION 2 - TURNTABLE

FIGURE 2-1. VALVES AND FILTERS INSTALLATION - TURNTABLE (PARKER HYDRAULIC FILTER)



ART_1001216976_20F3

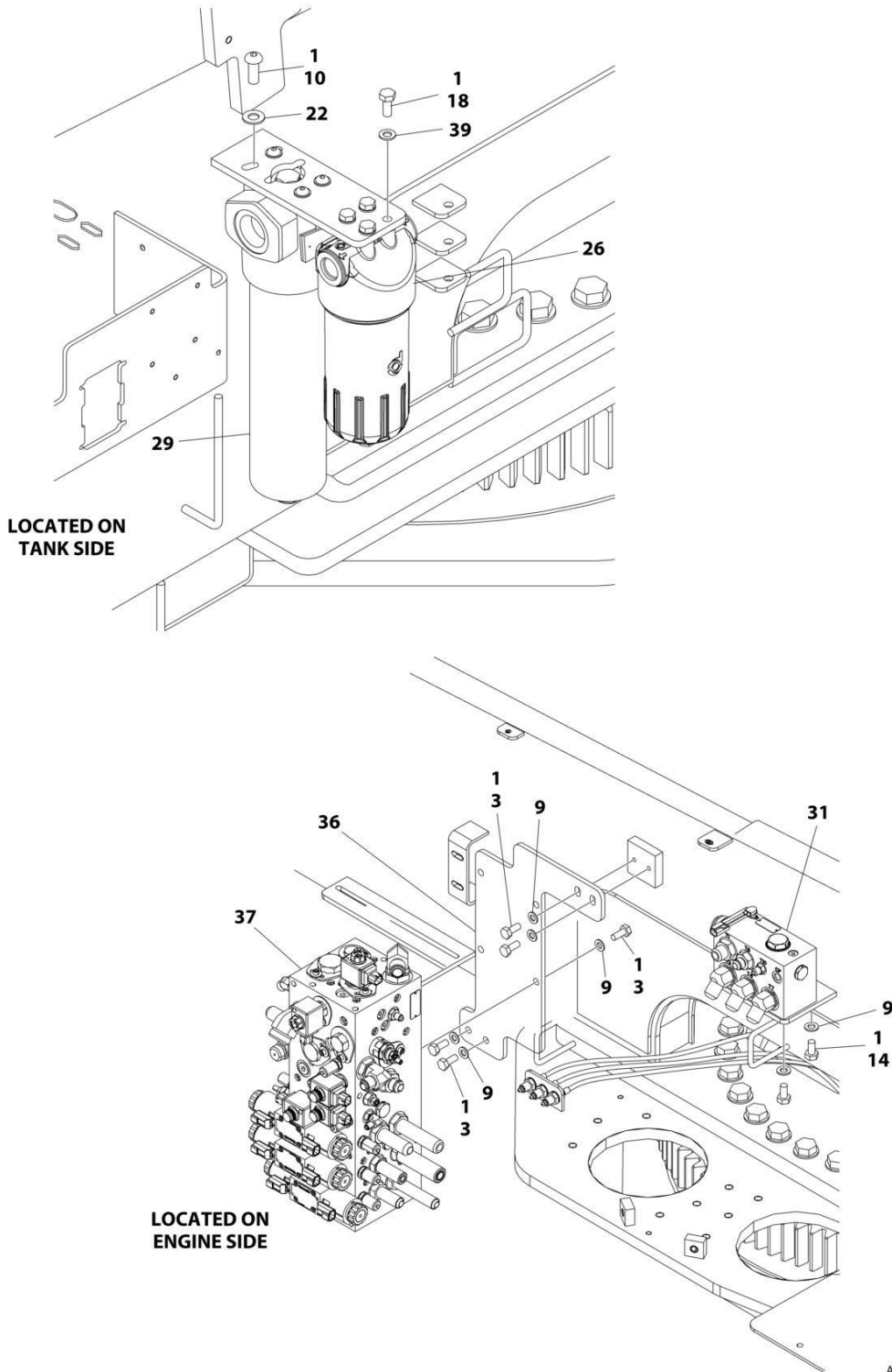
SECTION 2 - TURNTABLE

FIGURE 2-1. VALVES AND FILTERS INSTALLATION - TURNTABLE (PARKER HYDRAULIC FILTER)

ITEM	PART NUMBER	QTY	DESCRIPTION	REV
	1001216976	Ref	VALVES AND FILTERS INSTALLATION - TURNTABLE	E
1	0100011	AR	Compound, Locking	
3	0761012	8	Bolt M10 x 25	
9	4812000	12	Washer M10	
10	88261128	4	Screw 3/8 x 1	
14	0761010001	4	Bolt M10 x 20	
18	1001173846	4	Screw 3/8 x 3/4	
18	1001238236	4	Screw 3/8 x 7/8	
22	4711600001	8	Washer 3/8	
26	1001108617	1	Filter	
26	70002231	1	Element, Filter	
29	1001158412	1	Filter, High Pressure	
29	1001161232	1	Element, High Pressure Filter	
29	70006137	1	Seal Kit - 1001158412 Filter	
31	1001200988	1	Return Valve Assembly (See Separate Breakdown in this Section)	
36	1001213392	1	Bracket	
37	1001234247	1	Main Valve Assembly (See Separate Breakdown in this Section)	

SECTION 2 - TURNTABLE

FIGURE 2-2. VALVES AND FILTERS INSTALLATION - TURNTABLE (DONALDSON HYDRAULIC FILTER)



ART_1001216976_F_2OF3

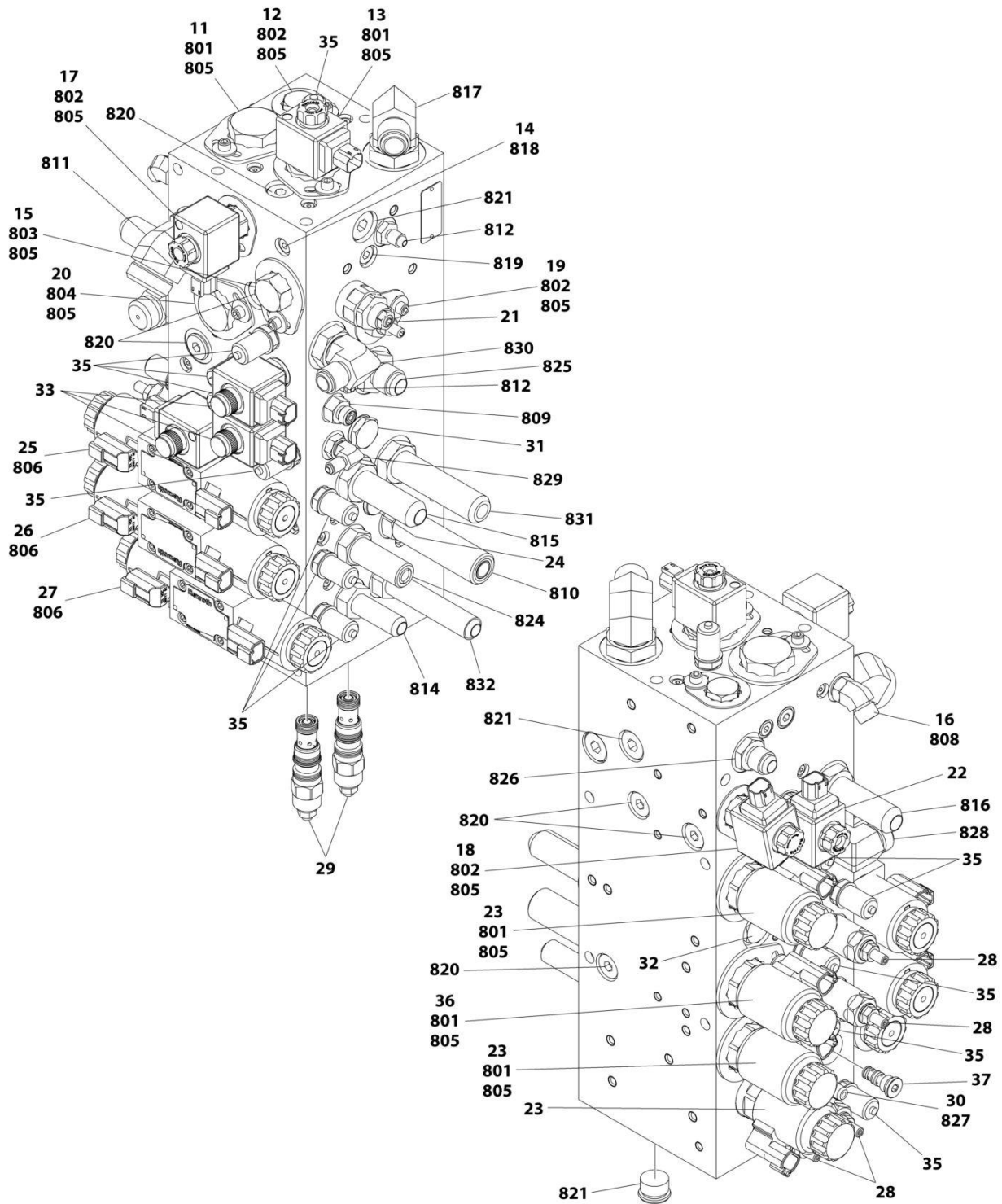
SECTION 2 - TURNTABLE

FIGURE 2-2. VALVES AND FILTERS INSTALLATION - TURNTABLE (DONALDSON HYDRAULIC FILTER)

ITEM	PART NUMBER	QTY	DESCRIPTION	REV
	1001216976	Ref	VALVES AND FILTERS INSTALLATION - TURNTABLE	F
1	0100011	AR	Compound, Locking	
3	0761012	8	Bolt M10 x 25	
9	4812000	12	Washer M10	
10	88261128	4	Screw 3/8 x 1	
14	0761010001	4	Bolt M10 x 20	
18	0761012001	1	Bolt M10 x 25	
22	4711600001	8	Washer 3/8	
26	1001293701	1	Filter	
26	70008358	1	Element, Filter	
26	70008368	1	Head, Filter	
26	70008369	1	Housing, Filter	
29	1001158412	1	Filter, High Pressure	
29	1001161232	1	Element, High Pressure Filter	
29	70006137	1	Seal Kit - 1001158412 Filter	
31	1001200988	1	Return Valve Assembly (See Separate Breakdown in this Section)	
36	1001213392	1	Bracket	
37	1001234247	1	Main Valve Assembly (See Separate Breakdown in this Section)	
39	1001172358	4	Washer M10	

SECTION 2 - TURNTABLE

FIGURE 2-3. MAIN VALVE ASSEMBLY



ART_1001234247

SECTION 2 - TURNTABLE

FIGURE 2-3. MAIN VALVE ASSEMBLY

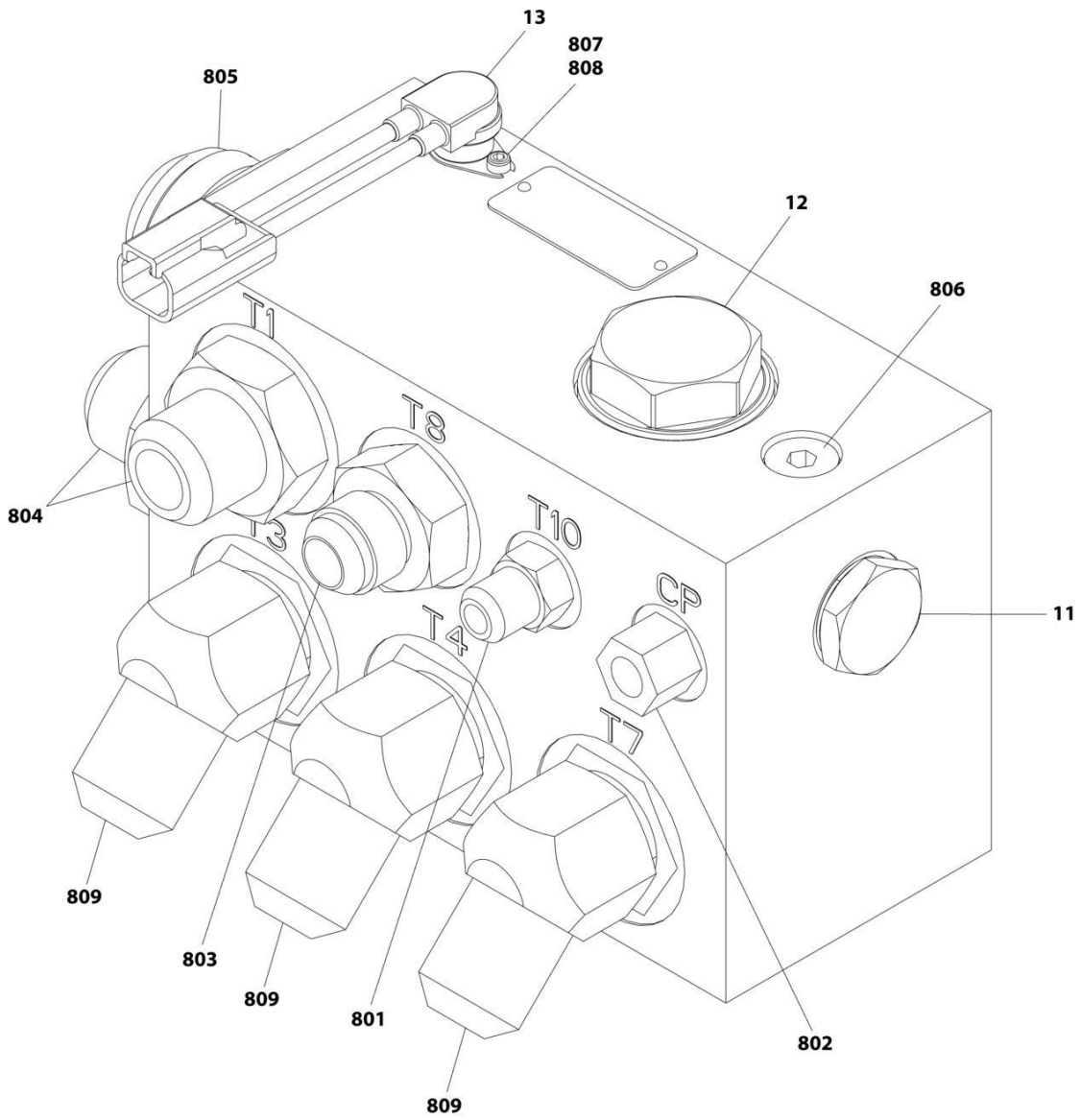
ITEM	PART NUMBER	QTY	DESCRIPTION	REV
	1001234247	Ref	MAIN VALVE ASSEMBLY	C
11	70005943	1	Valve, Cartridge (Check)	
11	70005944	1	Seal Kit - 70005943 Valve	
12	70004585	1	Valve, Cartridge (Check)	
12	70004052	1	Seal Kit - 70004585 Valve	
13	70005945	1	Valve, Solenoid Less Coil (Directional Control)	
13	70005946	1	Seal Kit - 70005945 Valve	
13	70004588	1	Coil	
13	70005947	1	Coil Nut and Pole Tube O-Ring Kit	
14	70004589	1	Orifice 2.2mm	
15	70004590	1	Valve, Solenoid Less Coil (Directional Control)	
15	70023862	1	Seal Kit - 70004590 Valve	
16	70006707	1	Orifice .7mm	
17	70005948	1	Valve, Solenoid Less Coil (Directional Control)	
17	70004055	1	Seal Kit - 70005948 Valve	
17	70004588	1	Coil	
17	70005947	1	Coil Nut and Pole Tube O-Ring Kit	
18	70005948	1	Valve, Solenoid Less Coil (Directional Control)	
18	See Note	NSS	Seal Kit - 70004598 Valve (Note: Not Available)	
18	70004588	1	Coil	
18	70005947	1	Coil Nut and Pole Tube O-Ring Kit	
19	70004591	1	Valve, Cartridge (Pressure Reducing)	
19	70004592	1	Seal Kit - 70004591 Valve	
20	70004583	1	Valve, Cartridge (Check)	
20	70004584	1	Seal Kit - 70004583 Valve	
21	70006708	1	Valve, Cartridge (Relief)	
21	See Note	NSS	Seal Kit - 70006708 Valve (Note: Not Available)	
22	70004586	1	Valve, Solenoid Less Coil (Directional Control)	
22	70004587	1	Seal Kit - 70004586 Valve	
22	70004588	1	Coil	
22	70005947	1	Coil Nut and Pole Tube O-Ring Kit	
23	70004593	3	Valve, Solenoid Less Coil (Flow Control)	
23	70004594	3	Seal Kit - 70004593 Valve	
23	70004595	3	Coil	
23	70004597	3	Nut, Coil	
23	70004596	3	O-Ring, Pole Tube	
24	70023859	3	Valve, Cartridge (Shuttle)	
24	70023860	3	Seal Kit - 70023859 Valve	
25	70004459	1	Valve, Solenoid Less Coil (Tele)	
25	7012773	1	Seal Kit - 70004459 Valve	
25	70004460	1	Coil	
25	7021375	1	Nut, Coil	
26	70004600	1	Valve, Solenoid Less Coil (Lift)	
26	7012773	1	Seal Kit - 70004600 Valve	
26	70004460	1	Coil	
26	7021375	1	Nut, Coil	
27	70004609	1	Valve, Solenoid Less Coil (Lift)	
27	7012773	1	Seal Kit - 70004609 Valve	
27	70004460	1	Coil	
27	7021375	1	Nut, Coil	

SECTION 2 - TURNTABLE

ITEM	PART NUMBER	QTY	DESCRIPTION	REV
28	70004601	4	Valve, Cartridge (Relief)	
28	70004602	4	Seal Kit - 70004601 Valve	
29	70004610	2	Valve, Cartridge (Counterbalance)	
30	70005950	1	Orifice	
31	70005951	1	Valve, Cartridge (Check)	
31	70004052	1	Seal Kit - 70005951 Valve	
32	70005952	1	Valve, Cartridge (Check)	
32	70004052	1	Seal Kit - 70005952 Valve	
33	70004457	3	Valve, Solenoid Less Coil (Directional Control)	
33	70004050	3	Seal Kit - 70004457 Valve	
33	70004588	3	Coil	
33	70005947	3	Coil Nut and Pole Tube O-Ring Kit	
35	2221086	13	Fitting, Test	
36	70005953	1	Valve, Solenoid Less Coil (Flow Control)	
36	70004594	1	Seal Kit - 70005953 Valve	
36	70004595	1	Coil	
36	70004597	1	Nut, Coil	
36	70004596	1	O-Ring, Pole Tube	
37	70004613	1	Valve, Cartridge (Check)	
37	70023860	1	Seal Kit - 70004613 Valve	
801	70000781	5	Plate, Locking	
802	70004619	4	Plate, Locking	
803	70004618	1	Plate, Locking	
804	70002962	1	Plate, Locking	
805	70005958	11	Capscrew	
806	7018942	12	Capscrew	
808	2150606	1	Fitting, 45 ORFS/ORB	
809	2110406	1	Fitting, Straight ORFS/ORB	
810	1001213297	1	Fitting, Straight ORFS/ORB	
811	2151616	1	Fitting, 45 JIC/ORB	
812	2220582	2	Fitting, Straight JIC/ORB	
814	1001213292	1	Fitting, Straight JIC/ORB	
815	1001213294	1	Fitting, Straight JIC/ORB	
816	1001213294	1	Fitting, Straight JIC/ORB	
817	2220465	1	Fitting, 90 JIC/ORB	
818	70002758	1	Plug	
819	70004617	1	Plug	
820	70002759	6	Plug	
821	70004603	4	Plug	
824	1001213296	1	Fitting, Straight ORFS/ORB	
825	2220865	1	Fitting, Straight JIC/ORB	
826	2220374	1	Fitting, Straight JIC/ORB	
827	1001213295	1	Fitting, Straight JIC/ORB	
828	2131010	1	Fitting, 90 ORFS/ORB	
829	2220472	1	Fitting, 90 JIC/ORB	
830	2220906	1	Fitting, 90 JIC/ORB	
831	1001213298	1	Fitting, Straight JIC/ORB	
832	1001213293	1	Fitting, Straight JIC/ORB	

SECTION 2 - TURNTABLE

FIGURE 2-4. JUNCTION VALVE ASSEMBLY



ART_1001200988

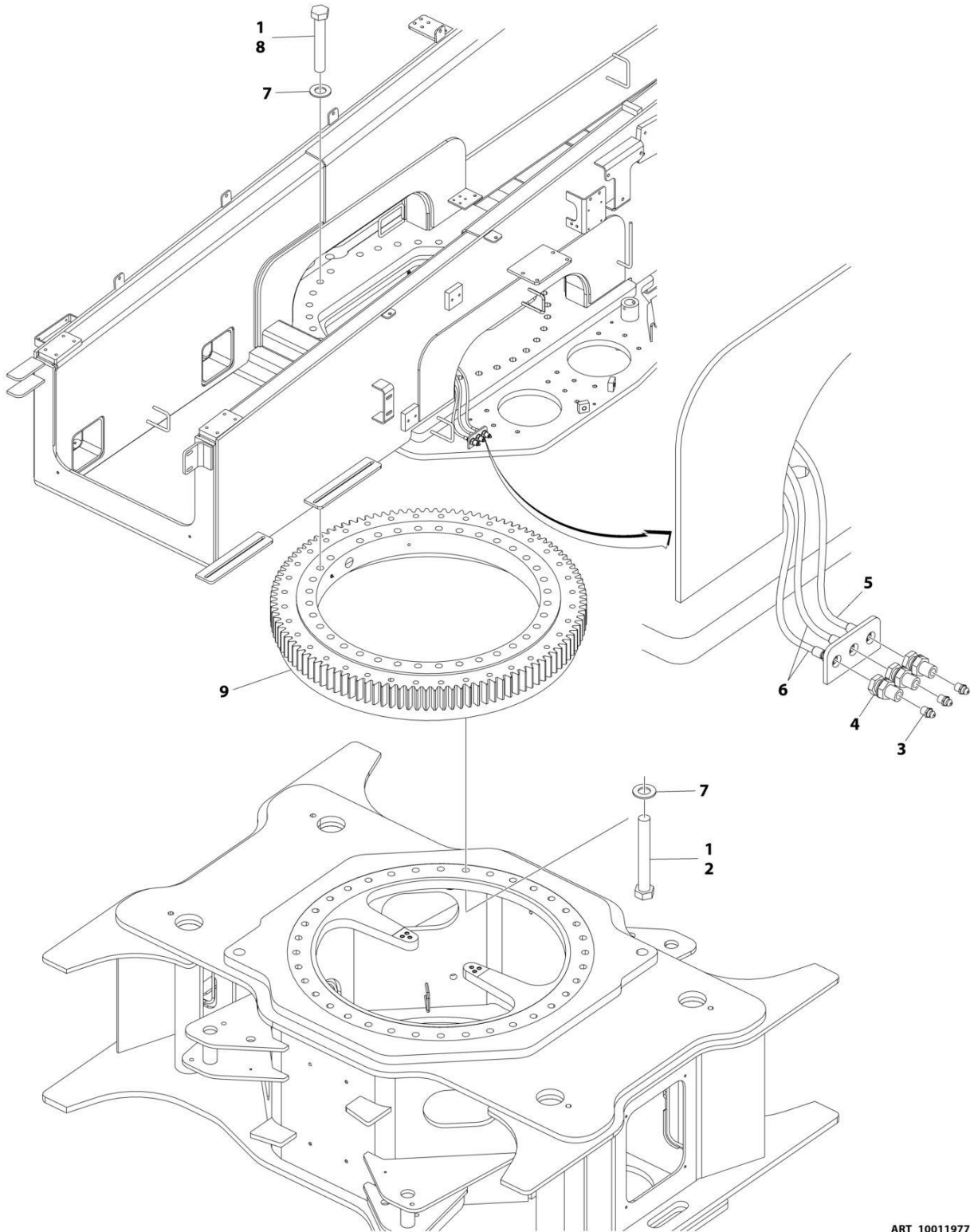
SECTION 2 - TURNTABLE

FIGURE 2-4. JUNCTION VALVE ASSEMBLY

ITEM	PART NUMBER	QTY	DESCRIPTION	REV
	1001200988	Ref	JUNCTION VALVE ASSEMBLY	L
11	70023866	1	Valve, Cartridge (Check)	
11	70023867	1	Seal Kit - 70023866 Valve	
12	70005959	1	Valve, Cartridge (Check)	
12	70004614	1	Seal Kit - 70005959 Valve	
13	70004614	1	Switch, Temperature	
801	2220371	1	Fitting, Straight ORFS/ORB	
802	2221155	1	Fitting, Straight FORB/MORB	
803	2220865	1	Fitting, Straight JIC/ORB	
804	2220435	2	Fitting, Straight JIC/ORB	
805	2220380	1	Fitting, Straight JIC/ORB	
806	70005199	1	Plug	
807	70004615	2	Capscrew	
808	70005961	2	Insert, Threaded	
809	70005958	3	Fitting, 45 JIC/ORB	

SECTION 2 - TURNTABLE

FIGURE 2-5. TURNTABLE BEARING INSTALLATION



ART_1001197761

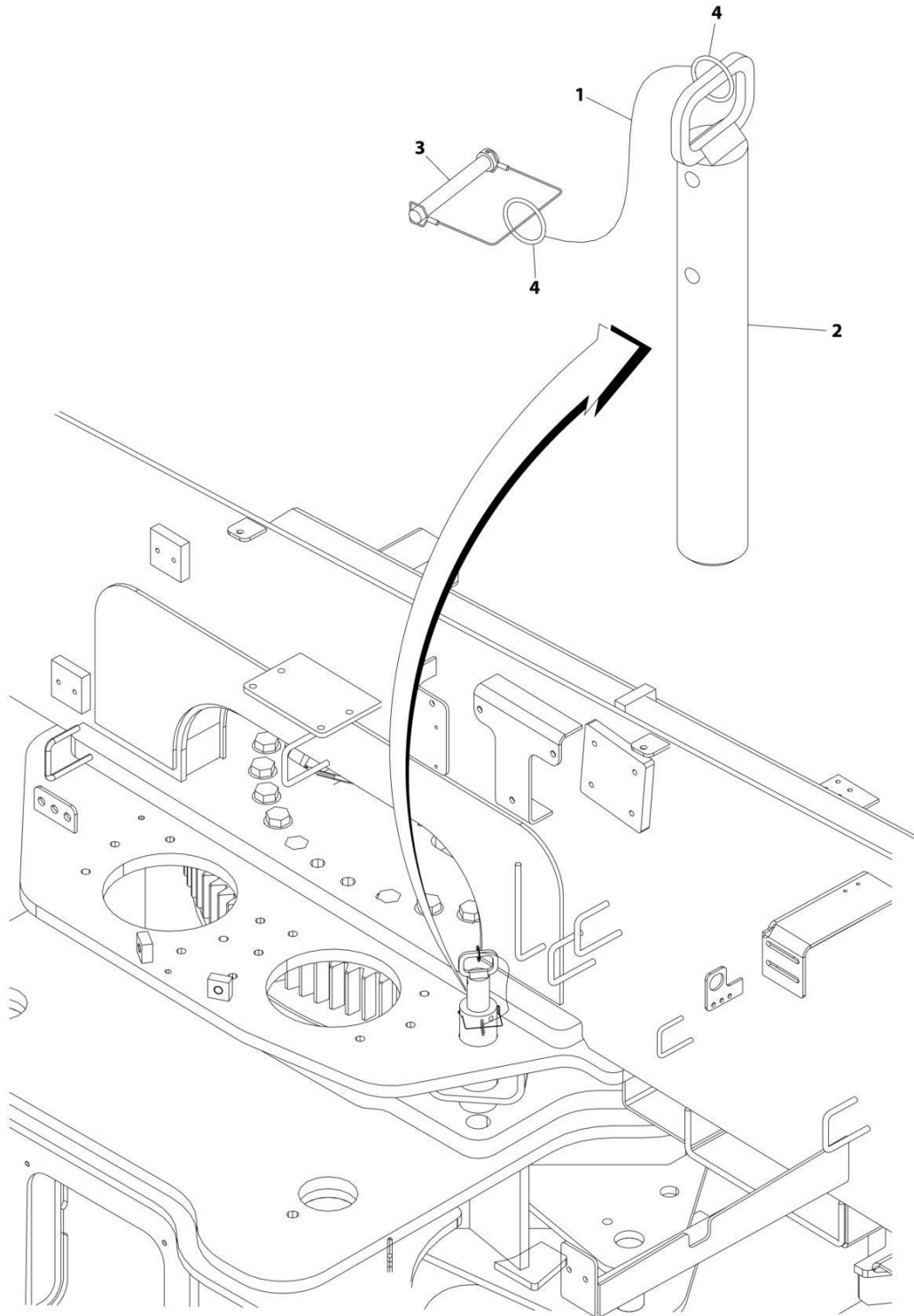
SECTION 2 - TURNTABLE

FIGURE 2-5. TURNTABLE BEARING INSTALLATION

ITEM	PART NUMBER	QTY	DESCRIPTION	REV
	1001197761	Ref	TURNTABLE BEARING INSTALLATION	A
1	0100019	AR	Compound, Locking	
2	0712435	36	Bolt M24 x 180 Grade 10.9	
3	2160002	3	Fitting, Grease	
4	2180344	3	Fitting, Bulkhead NPT	
5	2750528	1	Hose	
6	2751032	2	Hose	
7	5242400	69	Washer M24	
8	1001097587	33	Bolt M24 x 150 Grade 10.9	
9	1001149823	1	Bearing, Swing	
10	1001193630	1	Bearing Kit (Not Shown - Includes Items 2, 7, 8 & 9)	

SECTION 2 - TURNTABLE

FIGURE 2-6. TURNTABLE LOCK INSTALLATION



ART_1001197142

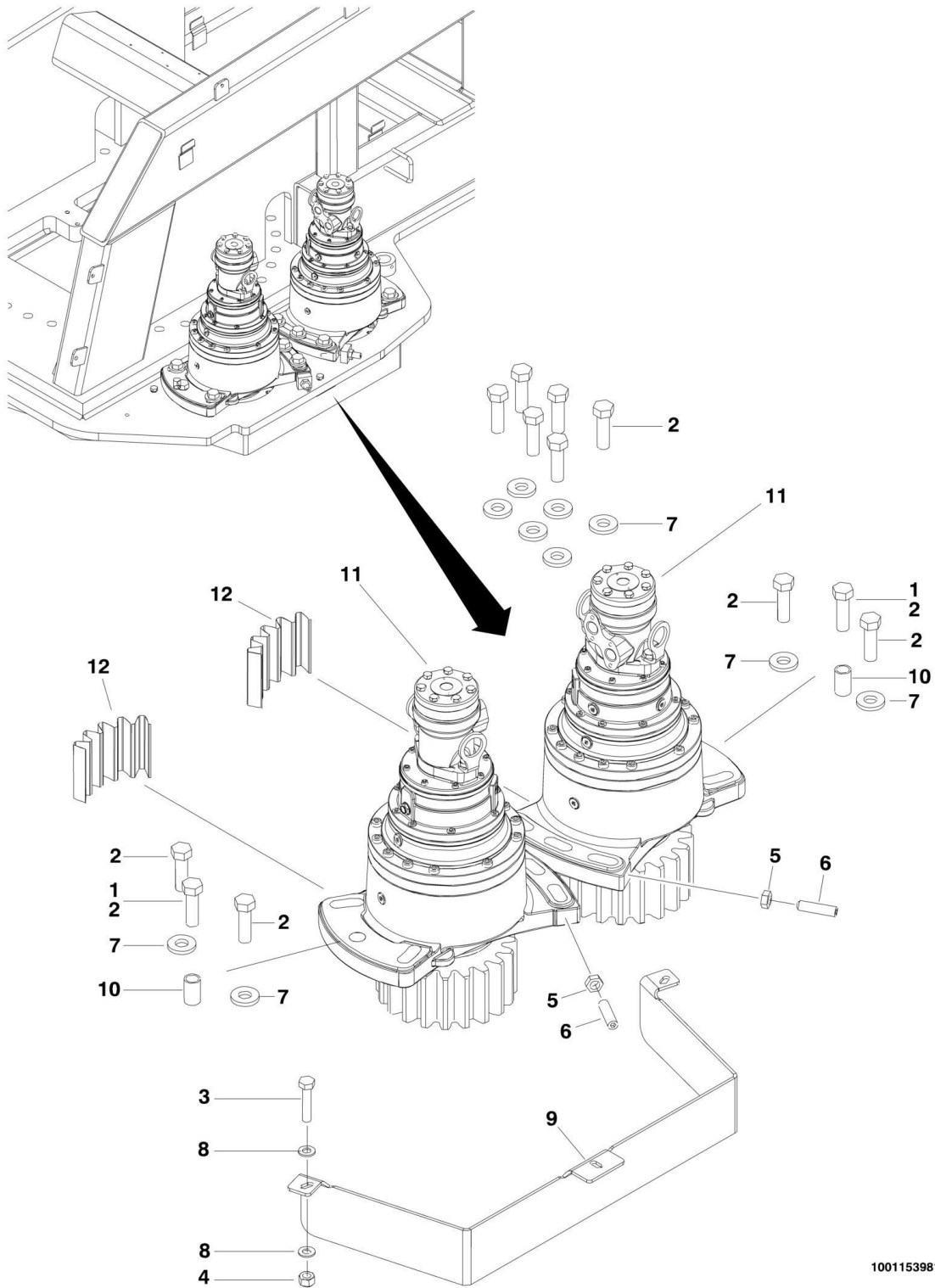
SECTION 2 - TURNTABLE

FIGURE 2-6. TURNTABLE LOCK INSTALLATION

ITEM	PART NUMBER	QTY	DESCRIPTION	REV
	1001197142	Ref	TURNTABLE LOCK INSTALLATION	A
1	1260017	8 in /20cm	Chain	
2	3421563	1	Pin	
3	3421565	1	Pin	
4	3760170	2	Ring	

SECTION 2 - TURNTABLE

FIGURE 2-7. SWING DRIVE INSTALLATION



1001153981

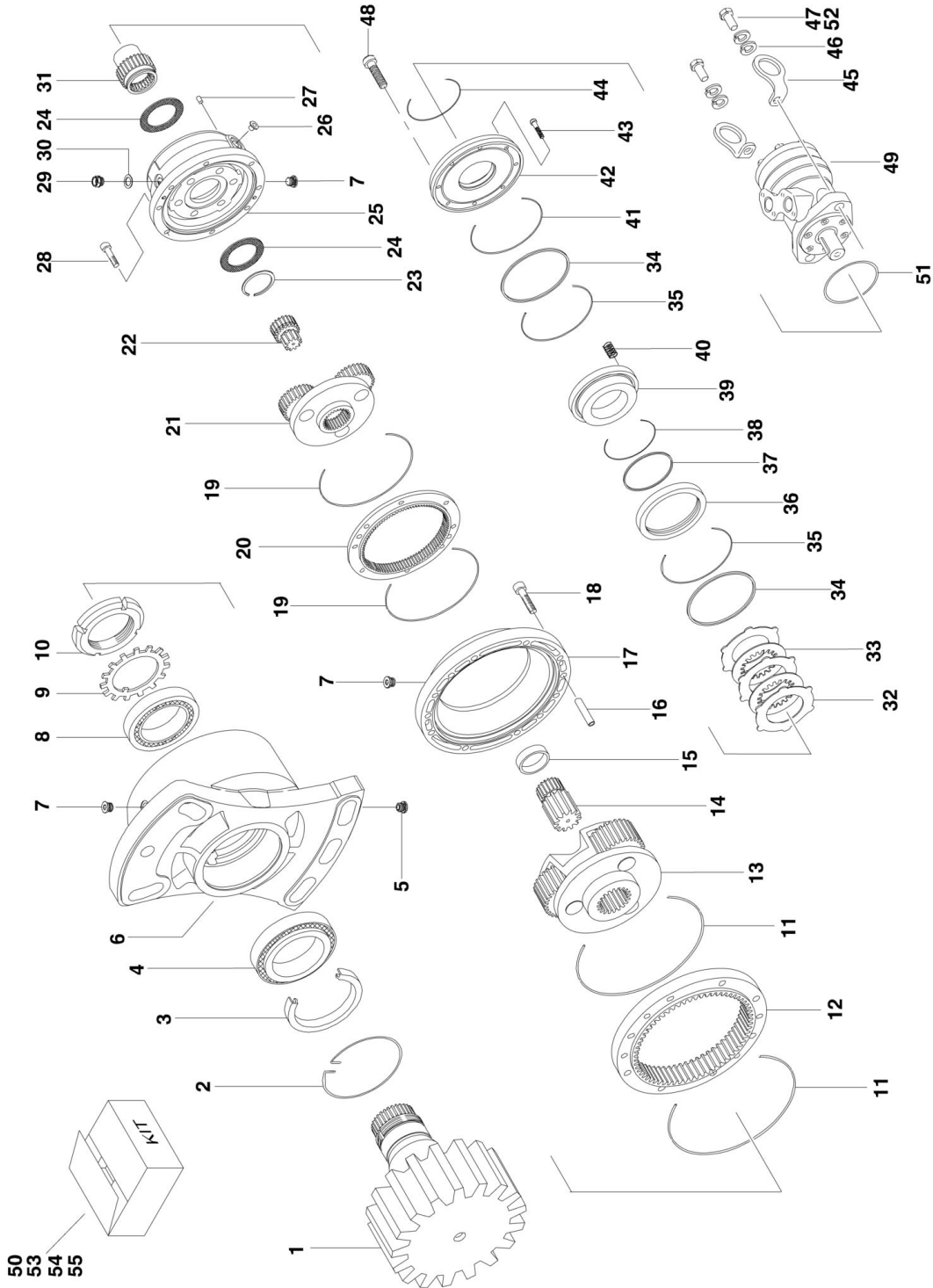
SECTION 2 - TURNTABLE

FIGURE 2-7. SWING DRIVE INSTALLATION

ITEM	PART NUMBER	QTY	DESCRIPTION	REV
	1001153981	Ref	SWING DRIVE INSTALLATION	C
1	0100019	AR	Compound, Locking	
2	0682220	12	Bolt 3/4 x 2-1/2 Grade 8	
3	0701018	3	Bolt M10 x 50	
4	3291005	3	Nut M10	
5	3312002	2	Nut 5/8	
6	3952020	2	Setscrew 5/8 x 2-1/2	
7	4740057	10	Washer	
8	4812000	6	Washer M10	
9	1001150725	1	Shield	
10	1001153983	2	Bar	
11	1001153984	2	Swing Hub/Brake/Motor Assembly (See Separate Breakdown in this Section)	
12	1001154377	2	Shim	

SECTION 2 - TURNTABLE

FIGURE 2-8. SWING HUB/BRAKE/MOTOR ASSEMBLY



1001153984

SECTION 2 - TURNTABLE

FIGURE 2-8. SWING HUB/BRAKE/MOTOR ASSEMBLY

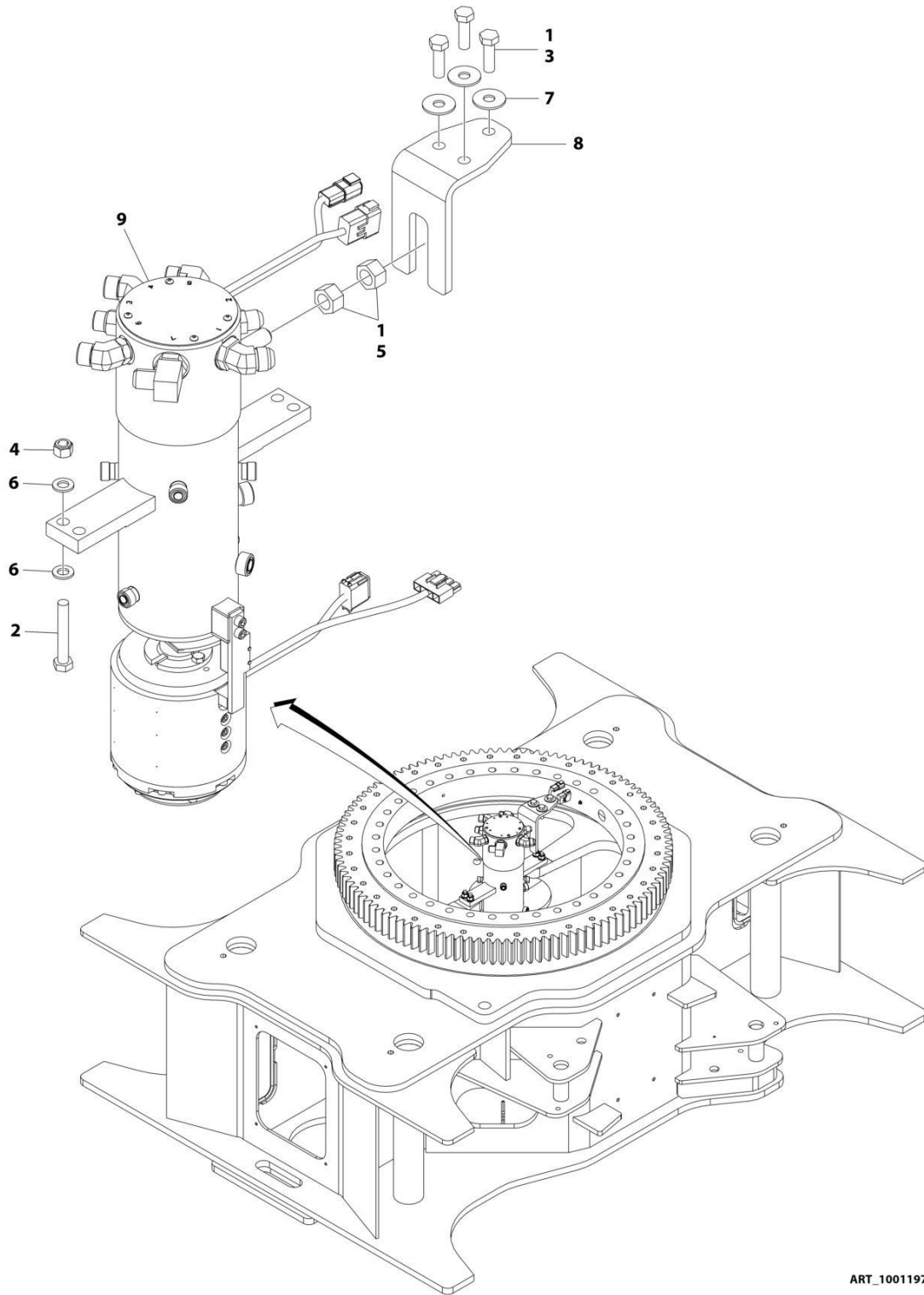
ITEM	PART NUMBER	QTY	DESCRIPTION	REV
	1001153984	Ref	HUB/BRAKE/MOTOR - SWING	E
1	70004466	1	Shaft	
2	70004467	1	Ring	
3	See Note	NSS	Seal, Oil (Use p/n 70004489)	
4	70004468	1	Bearing	
5	70004469	1	Plug with O-Ring	
6	70004470	1	Support, Output	
7	70002057	5	Plug with O-Ring	
8	70004471	1	Bearing	
9	70004472	1	Washer	
10	70004473	1	Nut, Ring	
11	See Note	NSS	O-Ring (Use p/n 70004489)	
12	70004474	1	Ring, Planetary	
13	70004475	1	Reduction, Gear - Complete	
14	70004476	1	Pinion	
15	70004477	1	Spacer	
16	70004478	4	Pin, Spring	
17	70004479	1	Spacer	
18	70004480	8	Capscrew M10x55	
19	See Note	NSS	O-Ring (Use p/n 70004489)	
20	70004481	1	Ring, Planetary	
21	70004482	1	Reduction, Gear - Complete	
22	70004483	1	Pinion	
23	See Note	NSS	Ring (Use p/n 70004488)	
24	See Note	NSS	Washer (Use p/n 70004488)	
25	See Note	NSS	Housing, Brake (Use p/n 70004488)	
26	See Note	NSS	Plug (Use p/n 70004488)	
27	See Note	NSS	Plug (Use p/n 70004488)	
28	See Note	NSS	Capscrew M8x35 (Use p/n 70004488)	
29	See Note	NSS	Plug (Use p/n 70004488)	
30	See Note	NSS	Washer (Use p/n 70004488)	
31	See Note	NSS	Shaft, Input (Use p/n 70004488)	
32	See Note	NSS	Disc, Steel (Use p/n 70004488)	
33	See Note	NSS	Disc (Use p/n 70004488)	
34	See Note	NSS	Seal (Use p/n 70004488 or 70004490)	
35	See Note	NSS	O-Ring (Use p/n 70004488 or 70004490)	
36	See Note	NSS	Spacer (Use p/n 70004488)	
37	See Note	NSS	Seal (Use p/n 70004488 or 70004490)	
38	See Note	NSS	O-Ring (Use p/n 70004488 or 70004490)	
39	See Note	NSS	Piston, Brake (Use p/n 70004488)	
40	See Note	NSS	Spring, Brake (Use p/n 70004488)	
41	See Note	NSS	O-Ring (Use p/n 70004488 or 70004490)	
42	See Note	NSS	Cover (Use p/n 70004488 or 70004490)	
43	See Note	NSS	Screw M6x25 (Use p/n 70004488)	
44	See Note	NSS	O-Ring (Use p/n 70004488 or 70004490)	
45	70004484	2	Lug, Lifting	
46	70004485	4	Washer, Lock	
47	70004486	2	Capscrew M12x25	
48	70004487	2	Capscrew M12x35	
49	70004491	1	Motor	

SECTION 2 - TURNTABLE

ITEM	PART NUMBER	QTY	DESCRIPTION	REV
		Ref	Note: Seal Kit is the only replacement component available. Otherwise, replacement complete motor.	
50	70004492	1	Kit, Seal - Motor	
51	70004493	1	O-Ring	
52	70004494	2	Bolt	
53	70004488	1	Kit, Brake (Includes Items 23-44)	
54	70004489	1	Kit, Seal - Gearbox (Includes Items 3, 11 & 19)	
55	70004490	1	Kit, Brake Seal (Includes Items 34, 35, 37, 38 & 44)	

SECTION 2 - TURNTABLE

FIGURE 2-9. COUPLING/COLLECTOR RING INSTALLATION



ART_1001197118

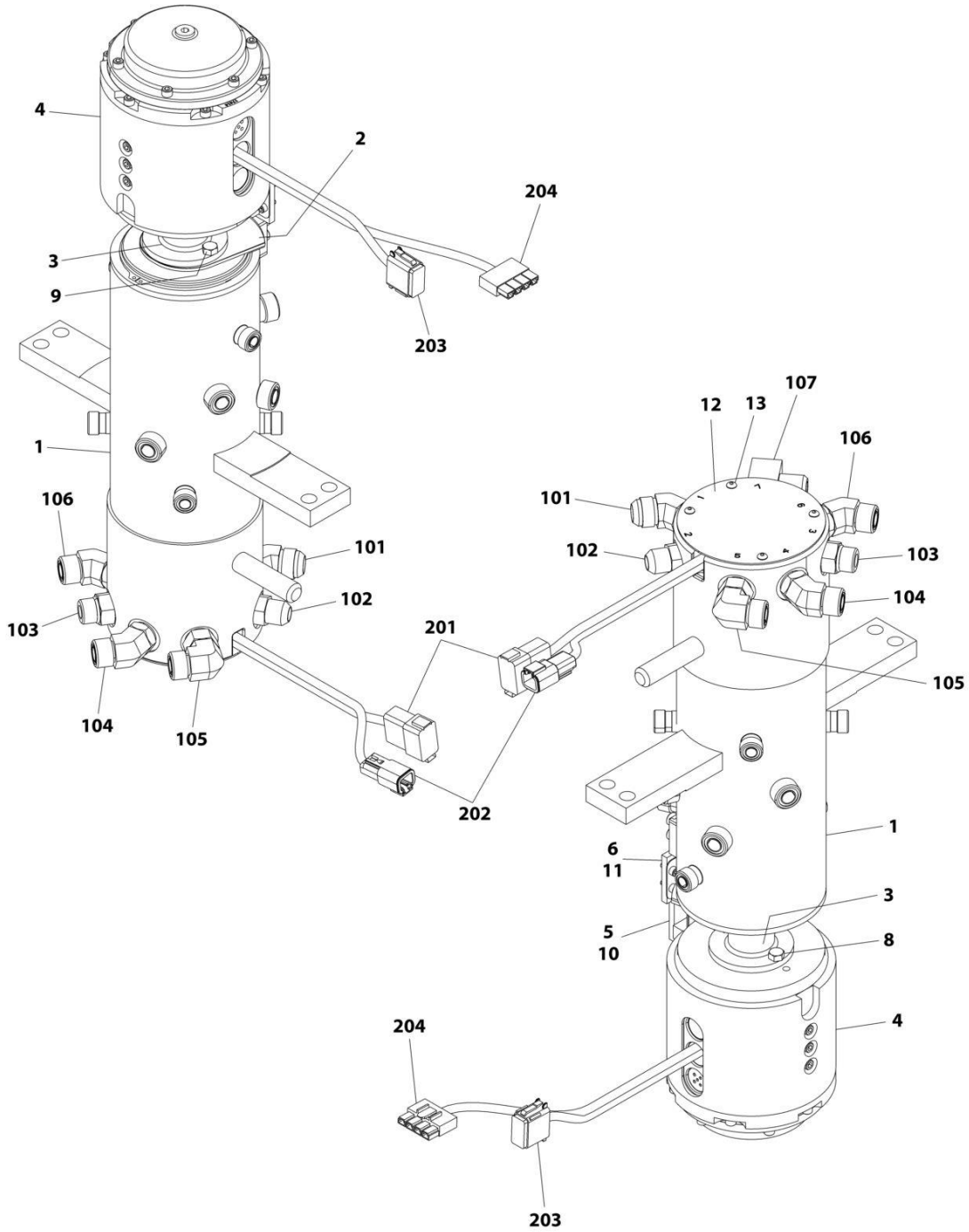
SECTION 2 - TURNTABLE

FIGURE 2-9. COUPLING/COLLECTOR RING INSTALLATION

ITEM	PART NUMBER	QTY	DESCRIPTION	REV
	1001197118	Ref	COUPLING/COLLECTOR RING INSTALLATION	C
1	0100011	AR	Compound, Locking	
2	0701224	4	Bolt M12 x 80	
3	0761216	3	Bolt M12 x 40	
4	3291205	4	Nut M12	
5	3322201	2	Nut 3/4	
6	4812100	8	Washer M12	
7	4812102	3	Washer M12	
8	1001154196	1	Bracket	
9	1001195588	1	Coupling/Collector Ring Assembly (See Separate Breakdown in this Section)	

SECTION 2 - TURNTABLE

FIGURE 2-10. COUPLING/COLLECTOR RING ASSEMBLY



ART_1001195588

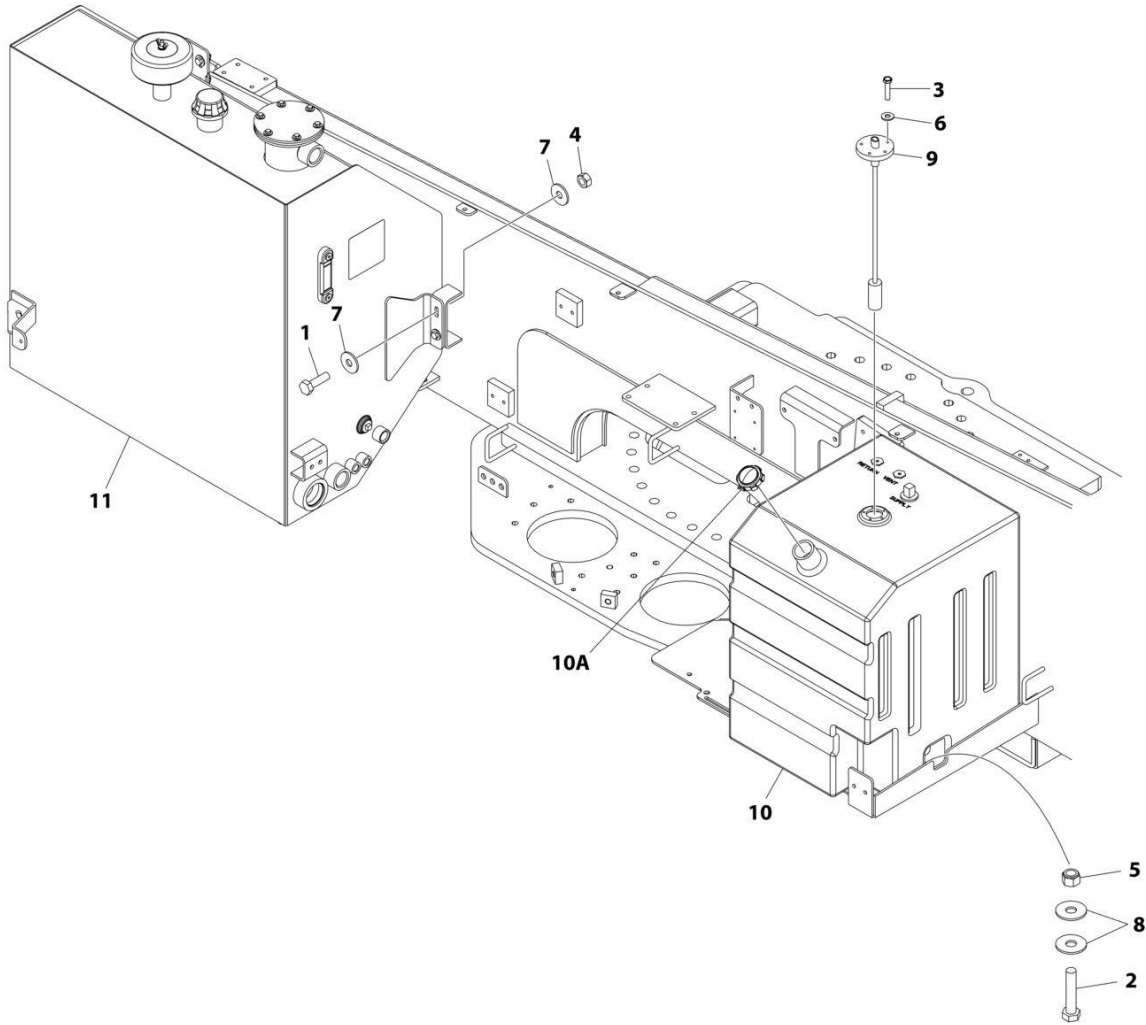
SECTION 2 - TURNTABLE

FIGURE 2-10. COUPLING/COLLECTOR RING ASSEMBLY

ITEM	PART NUMBER	QTY	DESCRIPTION	REV
	1001195588	Ref	COUPLING/COLLECTOR RING ASSEMBLY	E
1	70005679	1	Coupling, Rotary	
2	7026030	1	Cam	
3	See Note	1	Adapter	
4	70005678	1	Ring, Collector	
5	70003484	1	Arm	
6	7026031	1	Sensor, Proximity	
7	7026032	1	Pin, Dowel (Not Shown)	
8	0641506	2	Bolt 5/16 x 3/4	
9	0641508	2	Bolt 5/16 x 1	
10	3931512	2	Capscrew 5/16 x 3/4	
11	See Note	NSS	Capscrew #10 x 1/2 (Note: Purchase Locally)	
12	See Note	NSS	Cover (Note: Purchase Complete Assembly)	
13	See Note	NSS	Screw #10 x 3/8 (Note: Purchase Locally)	
101	2220498	1	Fitting, 45 JIC/ORB	
102	2220947	1	Fitting, Straight JIC/ORB	
103	2111010	1	Fitting, Straight ORBS/ORB	
104	2151010	1	Fitting, 45 ORBS/ORB	
105	2131010	1	Fitting, 90 ORBS/ORB	
106	2151010	1	Fitting, 45 ORBS/ORB	
107	2220906	1	Fitting, 90 JIC/ORB	
201	4460837	1	Receptacle, Female - 12 Position	
201	4460943	3	Pin, Male	
201	4460516	3	Pin, Male	
201	4460466	6	Plug, Terminal	
202	4461017	1	Receptacle, Female - 2 Position	
202	4460464	2	Pin, Male	
203	4460836	1	Plug, Male - 12 Position	
203	4460944	3	Socket, Female	
203	4460465	5	Socket, Female	
203	4460466	4	Plug, Terminal	
204	4460878	1	Plug, Male - 4 Position	
204	4460887	2	Terminal	

SECTION 2 - TURNTABLE

FIGURE 2-11. TANKS INSTALLATION (WITHOUT DIESEL EXHAUST FLUID TANK)



ART_1001197627

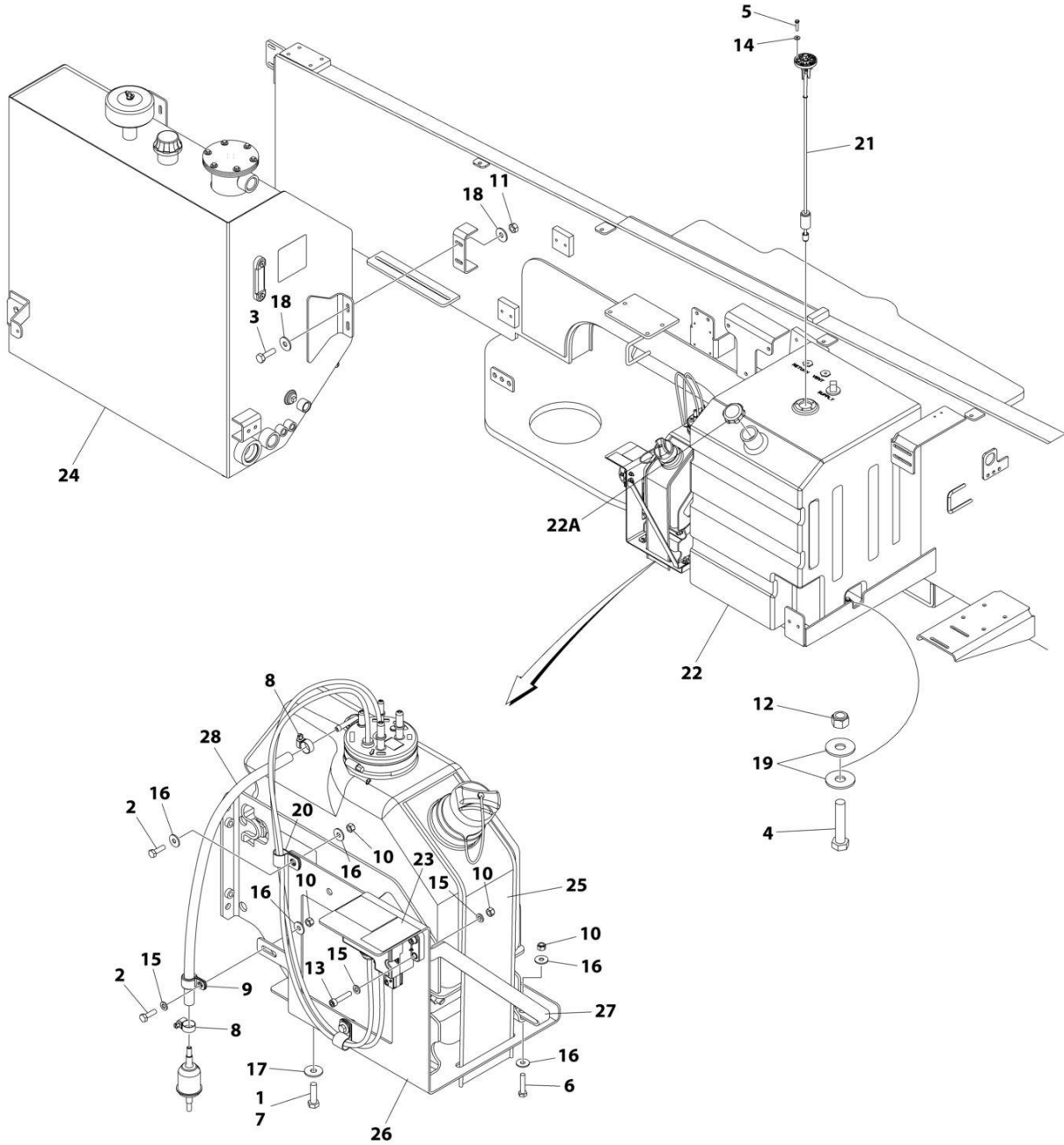
SECTION 2 - TURNTABLE

FIGURE 2-11. TANKS INSTALLATION (WITHOUT DIESEL EXHAUST FLUID TANK)

ITEM	PART NUMBER	QTY	DESCRIPTION	REV
	1001197627	Ref	TANKS INSTALLATION (WITHOUT DIESEL EXHAUST FLUID TANK)	C
1	0701015	4	Bolt M10 x 35	
2	0701220	2	Bolt M12 x 60	
3	0731007	5	Screw #10 x 7/8	
4	3291007	4	Nut M10	
5	3291205	2	Nut M12	
6	4751000	5	Washer #10	
7	4812002	8	Washer M10	
8	4812102	4	Washer M12	
9	1001109048	1	Gauge, Fuel	
9	3960525	1	Gasket (Gauge to Tank)	
10	1001188491	1	Tank, Fuel	
10A	70005565	1	Cap, Fuel	
11	1001197292	1	Hydraulic Tank Assembly (See Separate Breakdown in this Section)	

SECTION 2 - TURNTABLE

FIGURE 2-12. TANKS INSTALLATION (WITH DIESEL EXHAUST FLUID TANK)



ART_1001242390

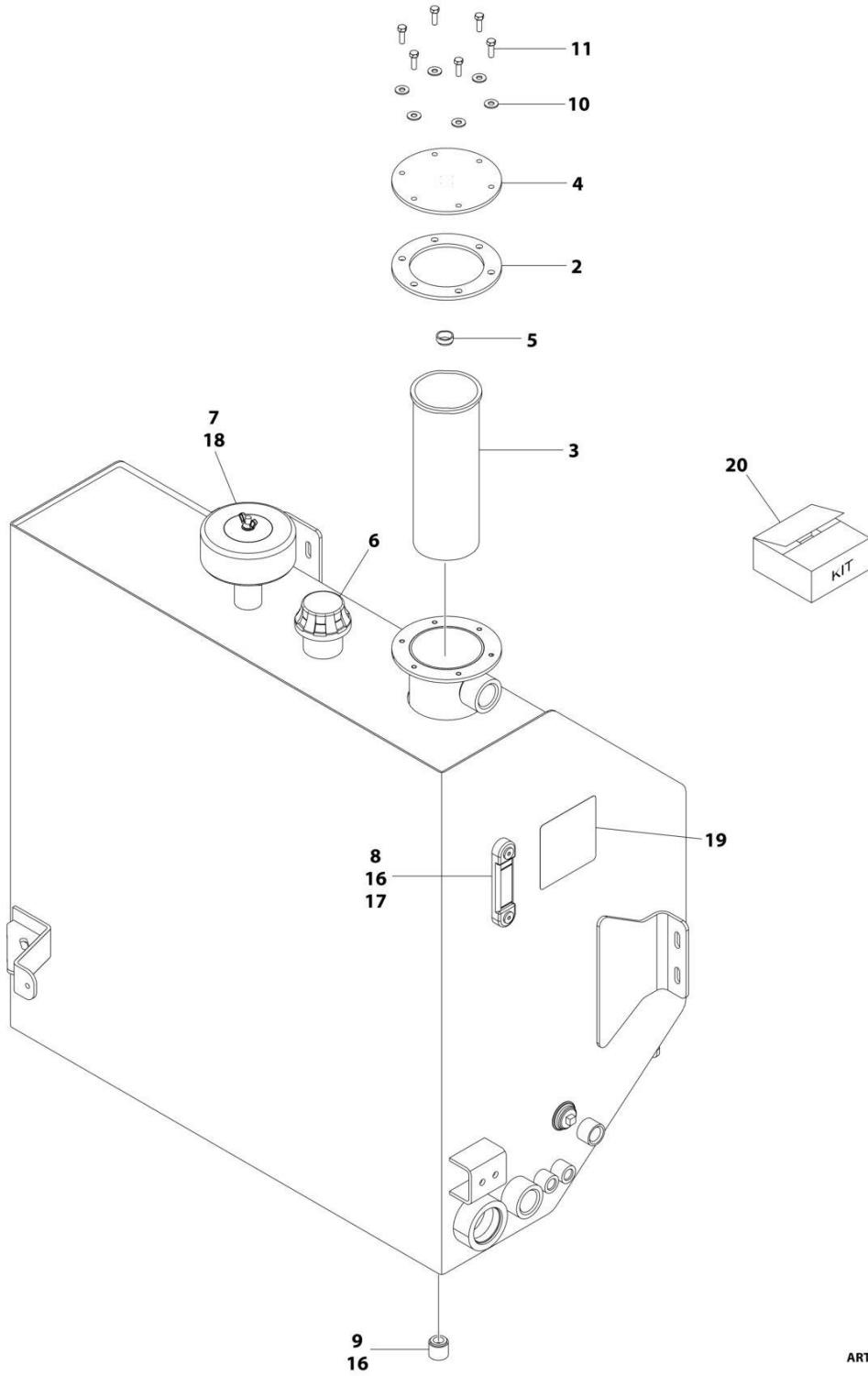
SECTION 2 - TURNTABLE

FIGURE 2-12. TANKS INSTALLATION (WITH DIESEL EXHAUST FLUID TANK)

ITEM	PART NUMBER	QTY	DESCRIPTION	REV
	1001242390	Ref	TANKS INSTALLATION (WITH DIESEL EXHAUST FLUID TANK)	A
1	0100011	AR	Compound, Locking	
2	0700610	3	Bolt M6 x 20	
3	0701015	4	Bolt M10 x 35	
4	0701220	2	Bolt M12 x 60	
5	0731007	5	Screw #10 x 7/8	
6	0760614	1	Bolt M6 x 30	
7	0760814	4	Bolt M8 x 30	
8	1320022	2	Clamp	
9	1320041	1	Clamp	
10	3290605	8	Nut M6	
11	3291007	4	Nut M10	
12	3291205	2	Nut M12	
13	4031710	4	Bolt M6 x 30	
14	4751000	5	Washer #10	
15	4811700	9	Washer M6	
16	4811702	7	Washer M6	
17	4811902	4	Washer M8	
18	4812002	8	Washer M10	
19	4812102	4	Washer M12	
20	8406101	2	Clip	
21	1001109048	1	Gauge, Fuel	
21	3960525	1	Gasket (Gauge to Tank)	
22	1001188491	1	Tank, Fuel	
22A	70005565	1	Cap, Fuel	
23	1001196806	1	Decal - Diesel Exhaust Fluid	
24	1001197292	1	Hydraulic Tank Assembly (See Separate Breakdown in this Section)	
25	1001238158	1	Sleeve, Spill Guard	
26	1001238262	1	Support	
27	1001241631	1	Bracket	
28	1001175201	18 in/ 0.46m	Hose	

SECTION 2 - TURNTABLE

FIGURE 2-13. HYDRAULIC TANK ASSEMBLY



ART_1001197292

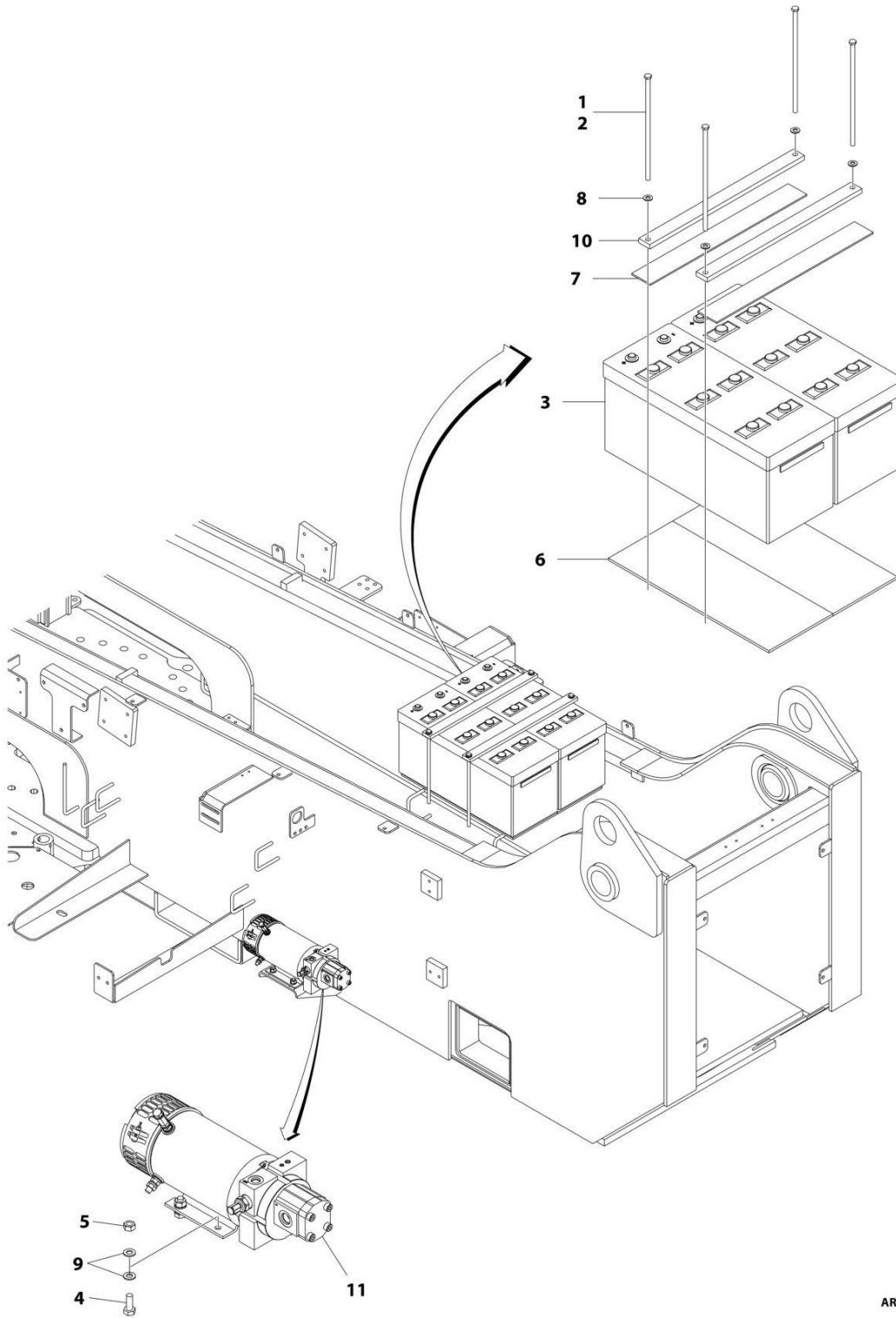
SECTION 2 - TURNTABLE

FIGURE 2-13. HYDRAULIC TANK ASSEMBLY

ITEM	PART NUMBER	QTY	DESCRIPTION	REV
	1001197292	Ref	HYDRAULIC TANK ASSEMBLY	D
2	See Note	NSS	Gasket (Note: Use Item 20)	
3	See Note	NSS	Element, Filter (Note: Use Item 20)	
4	See Note	NSS	Cover (Note: Not Available for Purchase)	
5	70004412	1	Spring	
6	70002838	1	Cap, Fill	
7	See Note	NSS	Breather (Note: Use Item 20)	
8	7024441	1	Gauge	
9	See Note	NSS	Plug (Note: Purchase Locally)	
10	See Note	NSS	Washer 5/16 Stainless Steel (Note: Purchase Locally)	
11	See Note	NSS	Bolt 5/16 x 1 Stainless Steel (Note: Purchase Locally)	
16	See Note	AR	Loctite #243 (Note: Purchase Locally)	
17	See Note	AR	Lubricant (Note: Purchase Locally)	
18	See Note	AR	Loctite #565 (Note: Purchase Locally)	
19	70004411	1	Decal - Service	
20	70004150	1	Tank Filter/ Breather Kit (Includes Item 2, 3 & 7)	

SECTION 2 - TURNTABLE

FIGURE 2-14. AUXILIARY POWER AND BATTERIES INSTALLATIONS



ART_1001197345

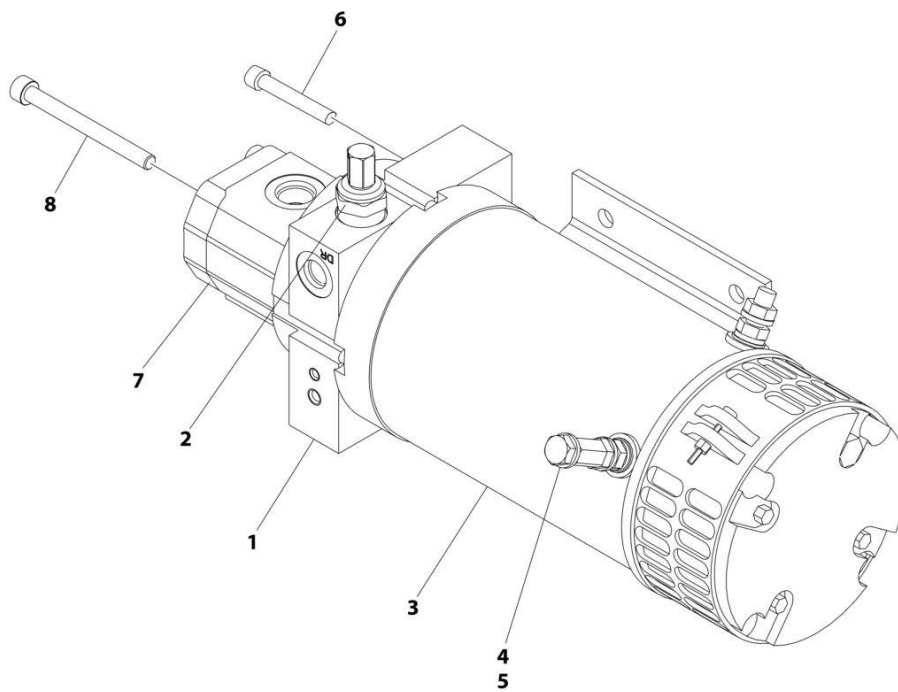
SECTION 2 - TURNTABLE

FIGURE 2-14. AUXILIARY POWER AND BATTERIES INSTALLATIONS

ITEM	PART NUMBER	QTY	DESCRIPTION	REV
	1001197345	Ref	AUXILIARY POWER AND BATTERIES INSTALLATIONS	A
1	0100011	AR	Compound, Locking	
2	0236768	4	Bolt, Tie-Down	
3	0400020	2	Battery	
4	0701013	4	Bolt M10 x 28	
5	3291007	4	Nut M10	
6	3980006	2	Seat, Battery	
7	4420038	34 in /85cm	Tape	
8	4711600	4	Washer 3/8	
9	4812000	8	Washer M10	
10	1001154035	2	Plate	
11	1001162880	1	Auxiliary Pump/Motor Assembly (See Separate Breakdown in this Section)	

SECTION 2 - TURNTABLE

FIGURE 2-15. AUXILIARY PUMP/MOTOR ASSEMBLY



ART_1001162880

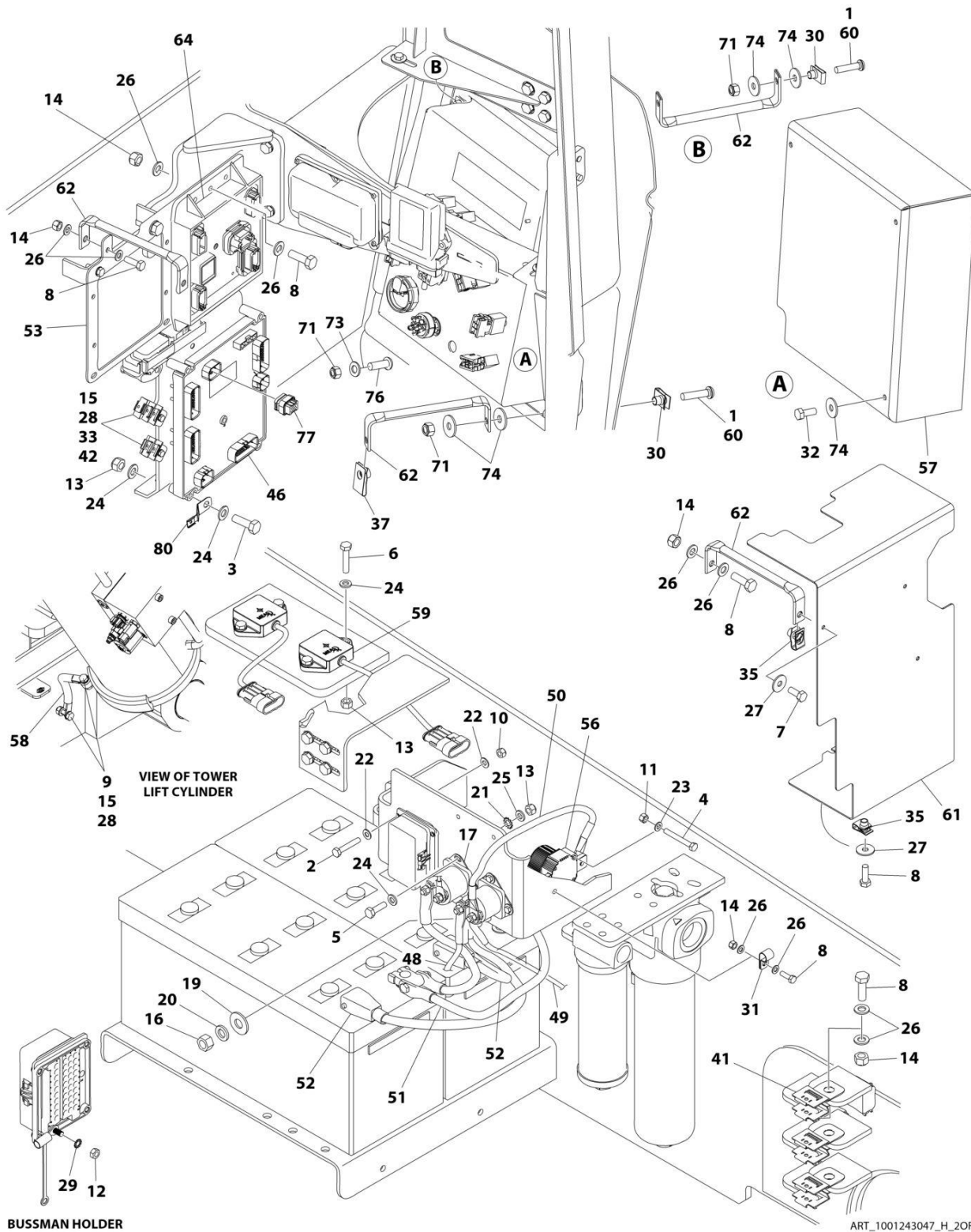
SECTION 2 - TURNTABLE

FIGURE 2-15. AUXILIARY PUMP/MOTOR ASSEMBLY

ITEM	PART NUMBER	QTY	DESCRIPTION	REV
	1001162880	Ref	AUXILIARY PUMP ASSEMBLY (WITHOUT COLD WEATHER PLUS PACKAGE)	A
1	1001164700	1	Base Assembly	
1	70005618	1	Plug	
1	70005617	1	Spring	
1	70005616	1	Poppet, Check	
2	1001164700	1	Valve, Relief	
3	See Note	1	Motor (Note: Not Available for Purchase)	
4	70004006	1	Nut 3/8	
5	70004007	1	Bolt 3/8x3/4	
6	70004005	4	Capscrew 1/4x3	
6	See Note	1	Sleeve (Note: Not Available for Purchase)	
7	See Note	1	Pump Assembly (Note: Not Available for Purchase)	
7	70005615	1	Seal, Shaft	
7	70005619	1	Bearing	
8	See Note	4	Screw M8 x 85 (Note: Not Available for Purchase)	

SECTION 2 - TURNTABLE

FIGURE 2-16. ELECTRICAL COMPONENTS INSTALLATION - TURNTABLE (HRC) (ANSI, ANSI EXPORT, CSA AND JAPANESE SPECS)



SECTION 2 - TURNTABLE

FIGURE 2-16. ELECTRICAL COMPONENTS INSTALLATION - TURNTABLE (HRC) (ANSI, ANSI EXPORT, CSA AND JAPANESE SPECS)

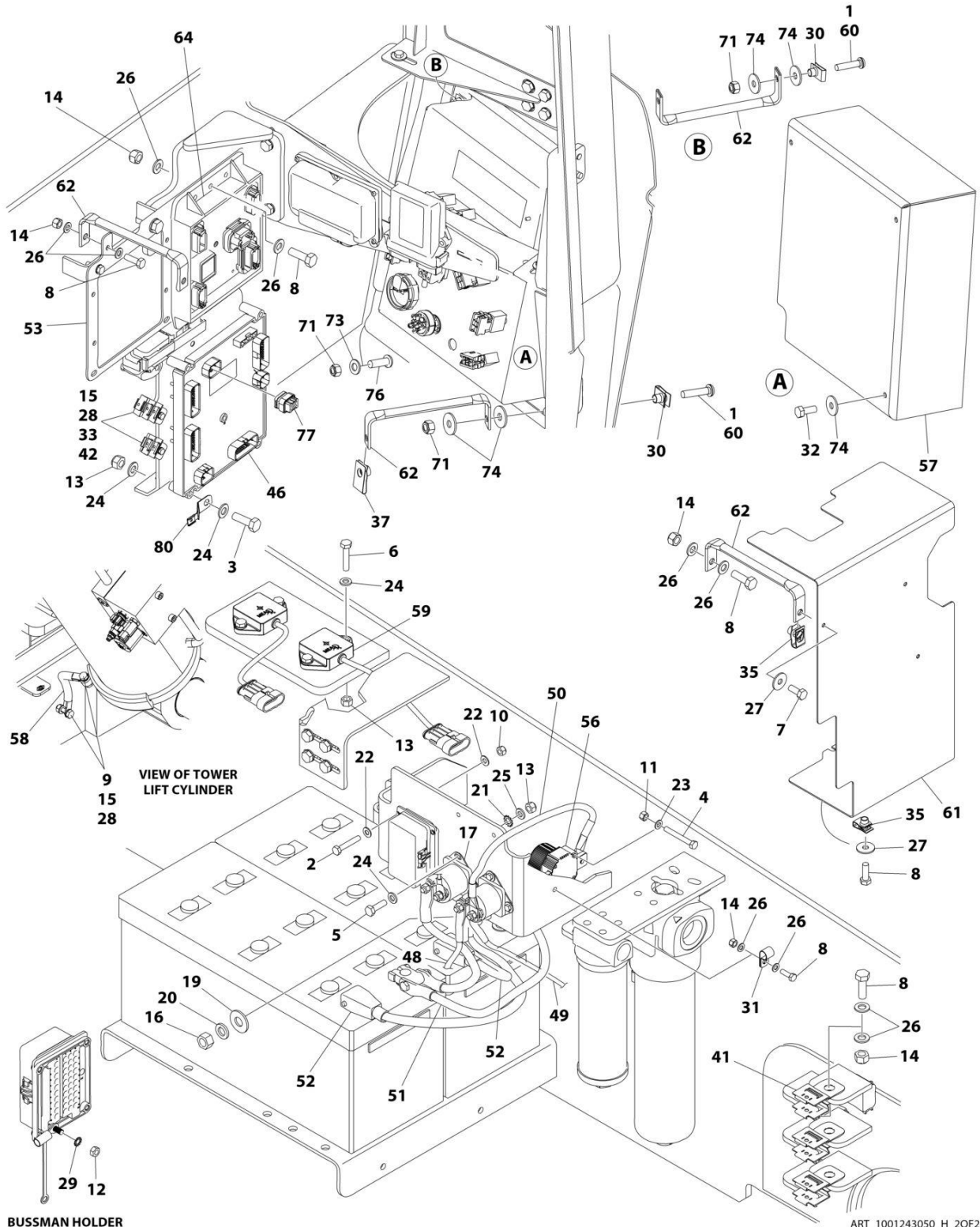
ITEM	PART NUMBER	QTY	DESCRIPTION	REV
	1001243047	Ref	ELECTRICAL COMPONENTS INSTALLATION - TURNTABLE (HRC)	H
1	0100011	AR	Compound, Locking	
2	0700412	4	Bolt M4 x 25	
3	0700620	4	Bolt M6 x 60	
4	0760516	2	Bolt M5 x 40	
5	0760610	4	Bolt M6 x 20	
6	0760613	4	Bolt M6 x 28	
7	0760810	3	Bolt M8 x 20	
8	0760812	12	Bolt M8 x 25	
9	0761015	3	Bolt M10 x 35	
10	3290405	4	Nut M4	
11	3290507	2	Nut M5	
12	3290601	1	Nut M6	
13	3290605	12	Nut M6	
14	3290805	10	Nut M8	
15	3291007	5	Nut M10	
16	3311601	2	Nut 3/8	
17	3740067	2	Relay	
18	4240099	1	Tie-Strap (Not Shown)	
19	4751600	4	Washer 3/8	
20	4761600	2	Washer 3/8	
21	4791400	4	Washer 1/4	
22	4811400	8	Washer M4	
23	4811600	2	Washer M5	
24	4811700	20	Washer M6	
25	4811702	4	Washer M6	
26	4811900	20	Washer M8	
27	4811902	5	Washer M8	
28	4812000	10	Washer M10	
29	4871700	1	Washer M6	
30	8310686	3	Nut, Retainer M8	
31	8406101	1	Clip	
32	0760810001	3	Bolt M8 x 20	
33	0761013001	2	Bolt M10 x 28	
35	100118274	5	Nut, Tinnerman M8	
37	1001149160	3	Nut, Tinnerman M8	
38	1001149970	1	Drive Pump Harness (Not Shown - See Separate Breakdown in ELECTRICAL Section)	
41	1001155967	6	Holder	
42	1001156107	2	Holder	
45	1001187744	AR	Sealant (Not Shown)	
46	1001281500	1	Module, Control (Note: Re-calibration Required when Replaced)	
47	1001258191	1	BLAM Harness (Not Shown - See Separate Breakdown in ELECTRICAL Section)	
48	1001200604	1	Cable, Auxiliary Pump (+)	
49	1001200605	1	Cable, Auxiliary Pump (-)	
50	1001200606	1	Cable, Battery to Auxiliary Relay	
51	1001200726	1	Cable Kit, Battery Positive (Note: Includes Battery Terminal and Qty 4 Cables)	

SECTION 2 - TURNTABLE

ITEM	PART NUMBER	QTY	DESCRIPTION	REV
52	1001200727	1	Cable Kit, Battery Negative (Note: Includes Qty 2 Cables)	
53	1001201103	1	Plate	
54	1001206817	1	Diesel Exhaust Fluid Tank Harness (Not Shown - See Separate Breakdown in ELECTRICAL Section)	
55	1001211885	1	Fuel Pump and WIF Harness (Not Shown - See Separate Breakdown in ELECTRICAL Section)	
56	1001216021	1	Relay	
57	1001216238	1	Cover	
58	1001217007	1	Cable, Ground	
59	1001219601	2	Sensor, Dual Axis	
60	1001221585	3	Screw M8 x 35	
61	1001225167	1	Cover	
62	1001225279	6	Bracket	
63	1001226102	1	Connector, Resistor - 20K Ohm (Not Shown - Located Near Item 12)	
64	1001227960	1	Module, Control (Note: Re-calibration Required when Replaced)	
65	1001228364	1	Wire, Relay Grounding (Not Shown)	
66	1001238483	1	Def Tank Extension Harness (Not Shown - See Separate Breakdown in ELECTRICAL Section)	
67	1001286089	1	Valve Harness (Not Shown - See Separate Breakdown in ELECTRICAL Section)	
68	1001286088	1	Turntable Harness (Not Shown - See Separate Breakdown in ELECTRICAL Section)	
69	1001242126	1	Ground Control Harness (Not Shown - See Separate Breakdown in ELECTRICAL Section)	
70	1001243048	1	Ground Control Box Assembly (Not Shown - See Separate Breakdown in this Section)	
71	3290805001	4	Nut M8	
73	4811900001	1	Washer M8	
74	4811902001	9	Washer M8	
76	8310643001	1	Screw M8 x 25	
77	1001246859	1	Connector	
78	4240032	AR	Tie-Strap (Not Shown)	
79	4460234	AR	Mount, Tie-Strap (Not Shown)	
80	1001120328	1	Mount, Connector	
81	1001296427	1	Hourmeter Jumper Harness (Not Shown)	

SECTION 2 - TURNTABLE

FIGURE 2-17. ELECTRICAL COMPONENTS INSTALLATION - TURNTABLE (HRC) (CE & UK CA SPECS)



ART_1001243050_H_20F2

SECTION 2 - TURNTABLE

FIGURE 2-17. ELECTRICAL COMPONENTS INSTALLATION - TURNTABLE (HRC) (CE & UK CA SPECS)

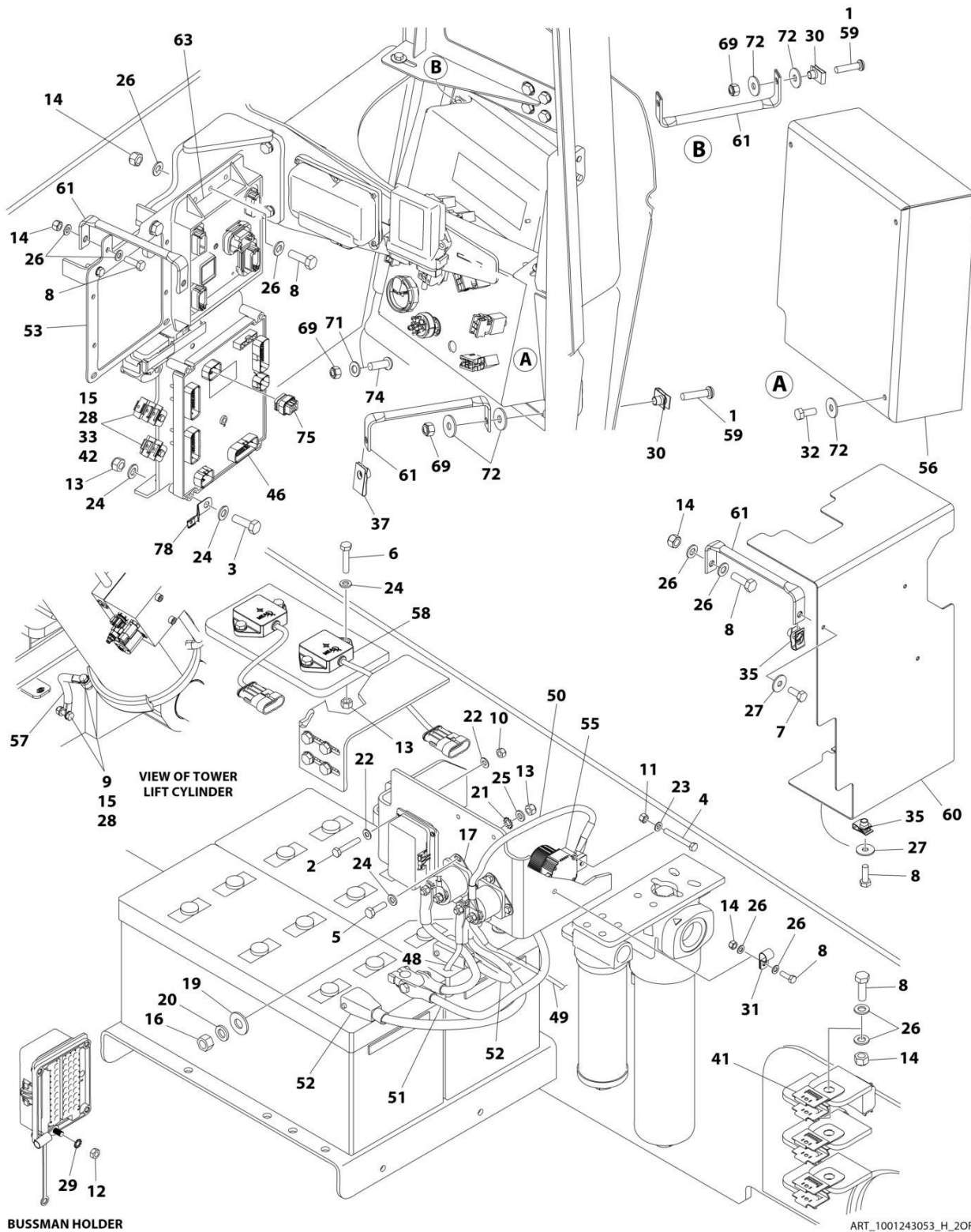
ITEM	PART NUMBER	QTY	DESCRIPTION	REV
	1001243050	Ref	ELECTRICAL COMPONENTS INSTALLATION - TURNTABLE (HRC)	H
1	0100011	AR	Compound, Locking	
2	0700412	4	Bolt M4 x 25	
3	0700620	4	Bolt M6 x 60	
4	0760516	2	Bolt M5 x 40	
5	0760610	4	Bolt M6 x 20	
6	0760613	4	Bolt M6 x 28	
7	0760810	3	Bolt M8 x 20	
8	0760812	12	Bolt M8 x 25	
9	0761015	3	Bolt M10 x 35	
10	3290405	4	Nut M4	
11	3290507	2	Nut M5	
12	3290601	1	Nut M6	
13	3290605	12	Nut M6	
14	3290805	10	Nut M8	
15	3291007	5	Nut M10	
16	3311601	2	Nut 3/8	
17	3740067	2	Relay	
18	4240099	1	Tie-Strap (Not Shown)	
19	4751600	4	Washer 3/8	
20	4761600	2	Washer 3/8	
21	4791400	4	Washer 1/4	
22	4811400	8	Washer M4	
23	4811600	2	Washer M5	
24	4811700	24	Washer M6	
25	4811702	4	Washer M6	
26	4811900	20	Washer M8	
27	4811902	5	Washer M8	
28	4812000	10	Washer M10	
29	4871700	1	Washer M6	
30	8310686	3	Nut, Retainer M8	
31	8406101	1	Clip	
32	0760810001	3	Bolt M8 x 20	
33	0761013001	2	Bolt M10 x 28	
35	100118274	5	Nut, Tinnerman M8	
37	1001149160	3	Nut, Tinnerman M8	
38	1001149970	1	Drive Pump Harness (Not Shown - See Separate Breakdown in ELECTRICAL Section)	
41	1001155967	6	Holder	
42	1001156107	2	Holder	
45	1001187744	AR	Sealant (Not Shown)	
46	1001281500	1	Module, Control (Note: Re-calibration Required when Replaced)	
47	1001258191	1	BLAM Harness (Not Shown - See Separate Breakdown in ELECTRICAL Section)	
48	1001200604	1	Cable, Auxiliary Pump (+)	
49	1001200605	1	Cable, Auxiliary Pump (-)	
50	1001200606	1	Cable, Battery to Auxiliary Relay	
51	1001200726	1	Cable Kit, Battery Positive (Note: Includes Battery Terminal and Qty 4 Cables)	

SECTION 2 - TURNTABLE

ITEM	PART NUMBER	QTY	DESCRIPTION	REV
52	1001200727	1	Cable Kit, Battery Negative (Note: Includes Qty 2 Cables)	
53	1001201103	1	Plate	
54	1001206817	1	Diesel Exhaust Fluid Tank Harness (Not Shown - See Separate Breakdown in ELECTRICAL Section)	
55	1001211885	1	Fuel Pump and WIF Harness (Not Shown - See Separate Breakdown in ELECTRICAL Section)	
56	1001216021	1	Relay	
57	1001216238	1	Cover	
58	1001217007	1	Cable, Ground	
59	1001219601	2	Sensor, Dual Axis	
60	1001221585	3	Screw M8 x 35	
61	1001225167	1	Cover	
62	1001225279	6	Bracket	
63	1001226102	1	Connector, Resistor - 20K Ohm (Not Shown - Located Near Item 12)	
64	1001227960	1	Module, Control (Note: Re-calibration Required when Replaced)	
65	1001228364	1	Wire, Relay Grounding (Not Shown)	
66	1001238483	1	Def Tank Extension Harness (Not Shown - See Separate Breakdown in ELECTRICAL Section)	
67	1001286089	1	Valve Harness (Not Shown - See Separate Breakdown in ELECTRICAL Section)	
68	1001286088	1	Turntable Harness (Not Shown - See Separate Breakdown in ELECTRICAL Section)	
69	1001242126	1	Ground Control Harness (Not Shown - See Separate Breakdown in ELECTRICAL Section)	
70	1001243052	1	Ground Control Box Assembly (Not Shown - See Separate Breakdown in this Section)	
71	3290805001	4	Nut M8	
73	4811900001	1	Washer M8	
74	4811902001	9	Washer M8	
76	8310643001	1	Screw M8 x 25	
77	1001246859	1	Connector	
78	4240032	AR	Tie-Strap (Not Shown)	
79	4460234	AR	Mount, Tie-Strap (Not Shown)	
80	1001120328	1	Mount, Connector	
81	1001296427	1	Hourmeter Jumper Harness (Not Shown)	

SECTION 2 - TURNTABLE

FIGURE 2-18. ELECTRICAL COMPONENTS INSTALLATION - TURNTABLE (LRC) (ANSI EXPORT, AUSTRALIAN AND CHINA SPECS)



SECTION 2 - TURNTABLE

FIGURE 2-18. ELECTRICAL COMPONENTS INSTALLATION - TURNTABLE (LRC) (ANSI EXPORT, AUSTRALIAN AND CHINA SPECS)

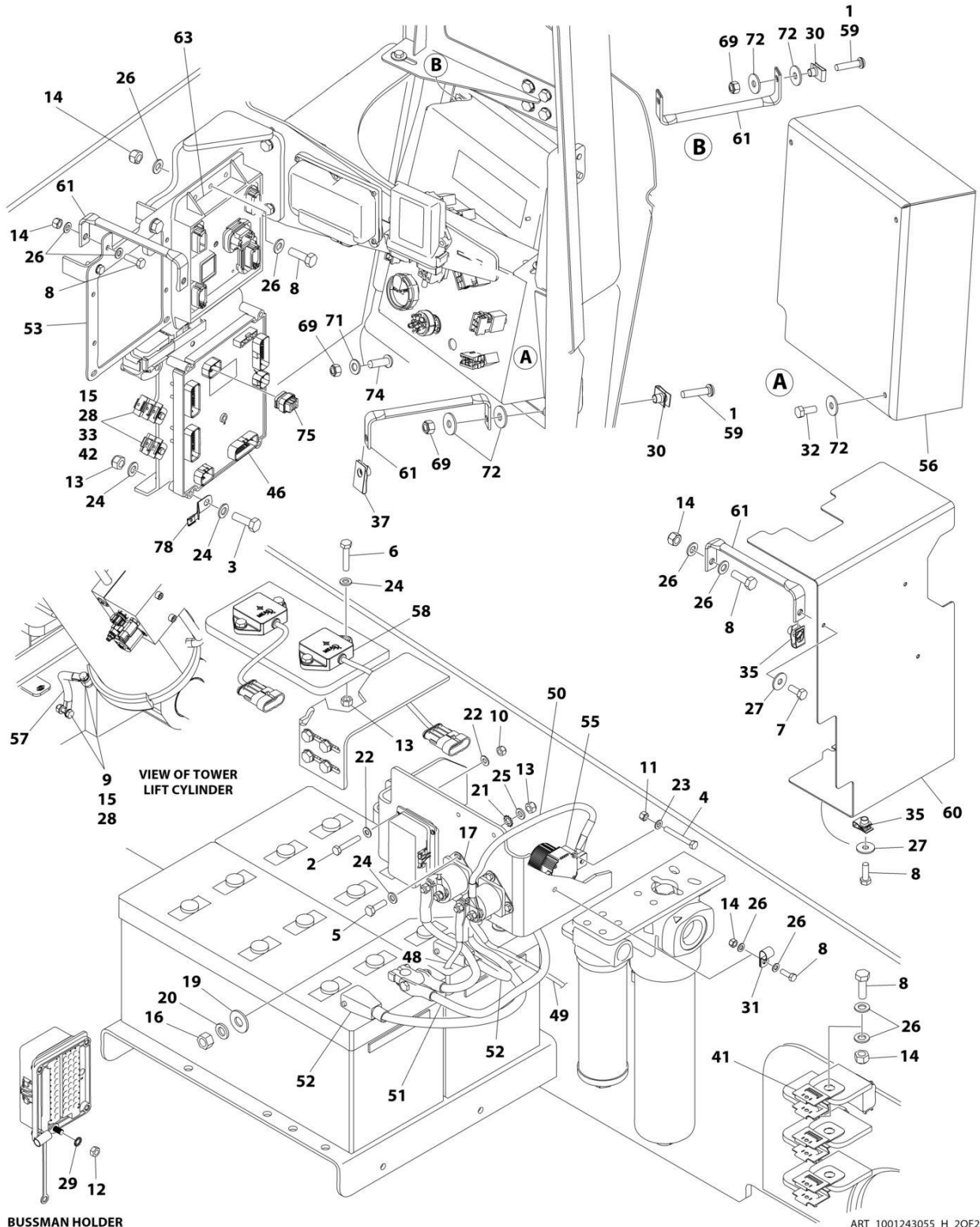
ITEM	PART NUMBER	QTY	DESCRIPTION	REV
	1001243053	Ref	ELECTRICAL COMPONENTS INSTALLATION - TURNTABLE (LRC)	H
1	0100011	AR	Compound, Locking	
2	0700412	4	Bolt M4 x 25	
3	0700620	4	Bolt M6 x 60	
4	0760516	2	Bolt M5 x 40	
5	0760610	4	Bolt M6 x 20	
6	0760613	4	Bolt M6 x 28	
7	0760810	3	Bolt M8 x 20	
8	0760812	11	Bolt M8 x 25	
9	0761015	3	Bolt M10 x 35	
10	3290405	4	Nut M4	
11	3290507	2	Nut M5	
12	3290601	1	Nut M6	
13	3290605	12	Nut M6	
14	3290805	9	Nut M8	
15	3291007	5	Nut M10	
16	3311601	2	Nut 3/8	
17	3740067	2	Relay	
18	4240099	AR	Tie-Strap (Not Shown)	
19	4751600	4	Washer 3/8	
20	4761600	2	Washer 3/8	
21	4791400	4	Washer 1/4	
22	4811400	8	Washer M4	
23	4811600	2	Washer M5	
24	4811700	24	Washer M6	
25	4811702	4	Washer M6	
26	4811900	18	Washer M8	
27	4811902	5	Washer M8	
28	4812000	10	Washer M10	
29	4871700	1	Washer M6	
30	8310686	3	Nut, Retainer M8	
31	8406101	1	Clip	
32	0760810001	3	Bolt M8 x 20	
33	0761013001	2	Bolt M10 x 28	
35	100118274	5	Nut, Tinnerman M8	
37	1001149160	3	Nut, Tinnerman M8	
38	1001149970	1	Drive Pump Harness (Not Shown - See Separate Breakdown in ELECTRICAL Section)	
41	1001155967	4	Holder	
42	1001156107	2	Holder	
45	1001187744	AR	Sealant (Not Shown)	
46	1001281500	1	Module, Control (Note: Re-calibration Required when Replaced)	
47	1001258191	1	BLAM Harness (Not Shown - See Separate Breakdown in ELECTRICAL Section)	
48	1001200604	1	Cable, Auxiliary Pump (+)	
49	1001200605	1	Cable, Auxiliary Pump (-)	
50	1001200606	1	Cable, Battery to Auxiliary Relay	
51	1001200726	1	Cable Kit, Battery Positive (Note: Includes Battery Terminal and Qty 4 Cables)	

SECTION 2 - TURNTABLE

ITEM	PART NUMBER	QTY	DESCRIPTION	REV
52	1001200727	1	Cable Kit, Battery Negative (Note: Includes Qty 2 Cables)	
53	1001201103	1	Plate	
54	1001211885	1	Fuel Pump and WIF Harness (Not Shown - See Separate Breakdown in ELECTRICAL Section)	
55	1001216021	1	Relay	
56	1001216238	1	Cover	
57	1001217007	1	Cable, Ground	
58	1001219601	2	Sensor, Dual Axis	
59	1001221585	3	Screw M8 x 35	
60	1001225167	1	Cover	
61	1001225279	6	Bracket	
62	1001226102	1	Connector, Resistor - 20K Ohm (Not Shown - Located Near Item 12)	
63	1001227960	1	Module, Control (Note: Re-calibration Required when Replaced)	
64	1001228364	1	Wire, Relay Grounding (Not Shown)	
65	1001286089	1	Valve Harness (Not Shown - See Separate Breakdown in ELECTRICAL Section)	
66	1001286088	1	Turntable Harness (Not Shown - See Separate Breakdown in ELECTRICAL Section)	
67	1001242126	1	Ground Control Harness (Not Shown - See Separate Breakdown in ELECTRICAL Section)	
68	1001243054	1	Ground Control Box Assembly (Not Shown - See Separate Breakdown in this Section)	
69	3290805001	4	Nut M8	
71	4811900001	1	Washer M8	
72	4811902001	9	Washer M8	
74	8310643001	1	Screw M8 x 25	
75	1001246859	1	Connector	
76	4240032	AR	Tie-Strap (Not Shown)	
77	4460234	AR	Mount, Tie-Strap (Not Shown)	
78	1001120328	1	Mount, Connector	
79	1001296427	1	Hourmeter Jumper Harness (Not Shown)	

SECTION 2 - TURNTABLE

FIGURE 2-19. ELECTRICAL COMPONENTS INSTALLATION - TURNTABLE (LRC) (CE & UK CA SPECS)



BUSSMAN HOLDER

ART_1001243055_H_20F2

SECTION 2 - TURNTABLE

FIGURE 2-19. ELECTRICAL COMPONENTS INSTALLATION - TURNTABLE (LRC) (CE & UK CA SPECS)

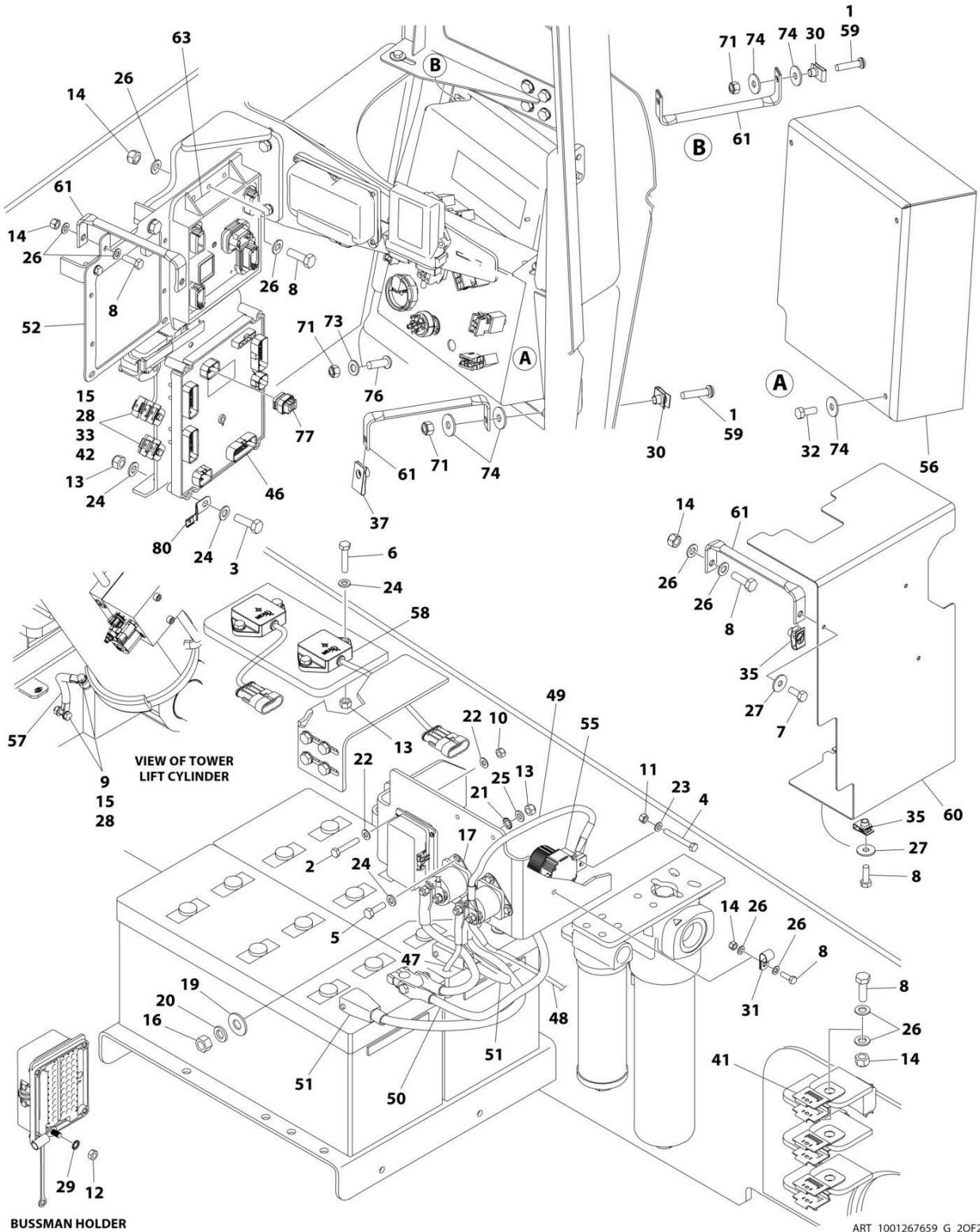
ITEM	PART NUMBER	QTY	DESCRIPTION	REV
	1001243055	Ref	ELECTRICAL COMPONENTS INSTALLATION - TURNTABLE (LRC)	H
1	0100011	AR	Compound, Locking	
2	0700412	4	Bolt M4 x 25	
3	0700620	4	Bolt M6 x 60	
4	0760516	2	Bolt M5 x 40	
5	0760610	4	Bolt M6 x 20	
6	0760613	4	Bolt M6 x 28	
7	0760810	3	Bolt M8 x 20	
8	0760812	11	Bolt M8 x 25	
9	0761015	3	Bolt M10 x 35	
10	3290405	4	Nut M4	
11	3290507	2	Nut M5	
12	3290601	1	Nut M6	
13	3290605	12	Nut M6	
14	3290805	9	Nut M8	
15	3291007	5	Nut M10	
16	3311601	2	Nut 3/8	
17	3740067	2	Relay	
18	4240099	AR	Tie-Strap (Not Shown)	
19	4751600	4	Washer 3/8	
20	4761600	2	Washer 3/8	
21	4791400	4	Washer 1/4	
22	4811400	8	Washer M4	
23	4811600	2	Washer M5	
24	4811700	24	Washer M6	
25	4811702	4	Washer M6	
26	4811900	18	Washer M8	
27	4811902	5	Washer M8	
28	4812000	10	Washer M10	
29	4871700	1	Washer M6	
30	8310686	3	Nut, Retainer M8	
31	8406101	1	Clip	
32	0760810001	3	Bolt M8 x 20	
33	0761013001	2	Bolt M10 x 28	
35	100118274	5	Nut, Tinnerman M8	
37	1001149160	3	Nut, Tinnerman M8	
38	1001149970	1	Drive Pump Harness (Not Shown - See Separate Breakdown in ELECTRICAL Section)	
41	1001155967	4	Holder	
42	1001156107	2	Holder	
45	1001187744	AR	Sealant (Not Shown)	
46	1001281500	1	Module, Control (Note: Re-calibration Required when Replaced)	
47	1001258191	1	BLAM Harness (Not Shown - See Separate Breakdown in ELECTRICAL Section)	
48	1001200604	1	Cable, Auxiliary Pump (+)	
49	1001200605	1	Cable, Auxiliary Pump (-)	
50	1001200606	1	Cable, Battery to Auxiliary Relay	
51	1001200726	1	Cable Kit, Battery Positive (Note: Includes Battery Terminal and Qty 4 Cables)	

SECTION 2 - TURNTABLE

ITEM	PART NUMBER	QTY	DESCRIPTION	REV
52	1001200727	1	Cable Kit, Battery Negative (Note: Includes Qty 2 Cables)	
53	1001201103	1	Plate	
54	1001211885	1	Fuel Pump and WIF Harness (Not Shown - See Separate Breakdown in ELECTRICAL Section)	
55	1001216021	1	Relay	
56	1001216238	1	Cover	
57	1001217007	1	Cable, Ground	
58	1001219601	2	Sensor, Dual Axis	
59	1001221585	3	Screw M8 x 35	
60	1001225167	1	Cover	
61	1001225279	6	Bracket	
62	1001226102	1	Connector, Resistor - 20K Ohm (Not Shown - Located Near Item 12)	
63	1001227960	1	Module, Control (Note: Re-calibration Required when Replaced)	
64	1001228364	1	Wire, Relay Grounding (Not Shown)	
65	1001286089	1	Valve Harness (Not Shown - See Separate Breakdown in ELECTRICAL Section)	
66	1001286088	1	Turntable Harness (Not Shown - See Separate Breakdown in ELECTRICAL Section)	
67	1001242126	1	Ground Control Harness (Not Shown - See Separate Breakdown in ELECTRICAL Section)	
68	1001243056	1	Ground Control Box Assembly (Not Shown - See Separate Breakdown in this Section)	
69	3290805001	4	Nut M8	
71	4811900001	1	Washer M8	
72	4811902001	9	Washer M8	
74	8310643001	1	Screw M8 x 25	
75	1001246859	1	Connector	
76	4240032	AR	Tie-Strap (Not Shown)	
77	4460234	AR	Mount, Tie-Strap (Not Shown)	
78	1001120328	1	Mount, Connector	
79	1001296427	1	Hourmeter Jumper Harness (Not Shown)	

SECTION 2 - TURNTABLE

FIGURE 2-20. ELECTRICAL COMPONENTS INSTALLATION WITH TOWER STOW - TURNTABLE (HRC) (ANSI, ANSI EXPORT, CSA AND JAPANESE SPECS)



SECTION 2 - TURNTABLE

FIGURE 2-20. ELECTRICAL COMPONENTS INSTALLATION WITH TOWER STOW - TURNTABLE (HRC) (ANSI, ANSI EXPORT, CSA AND JAPANESE SPECS)

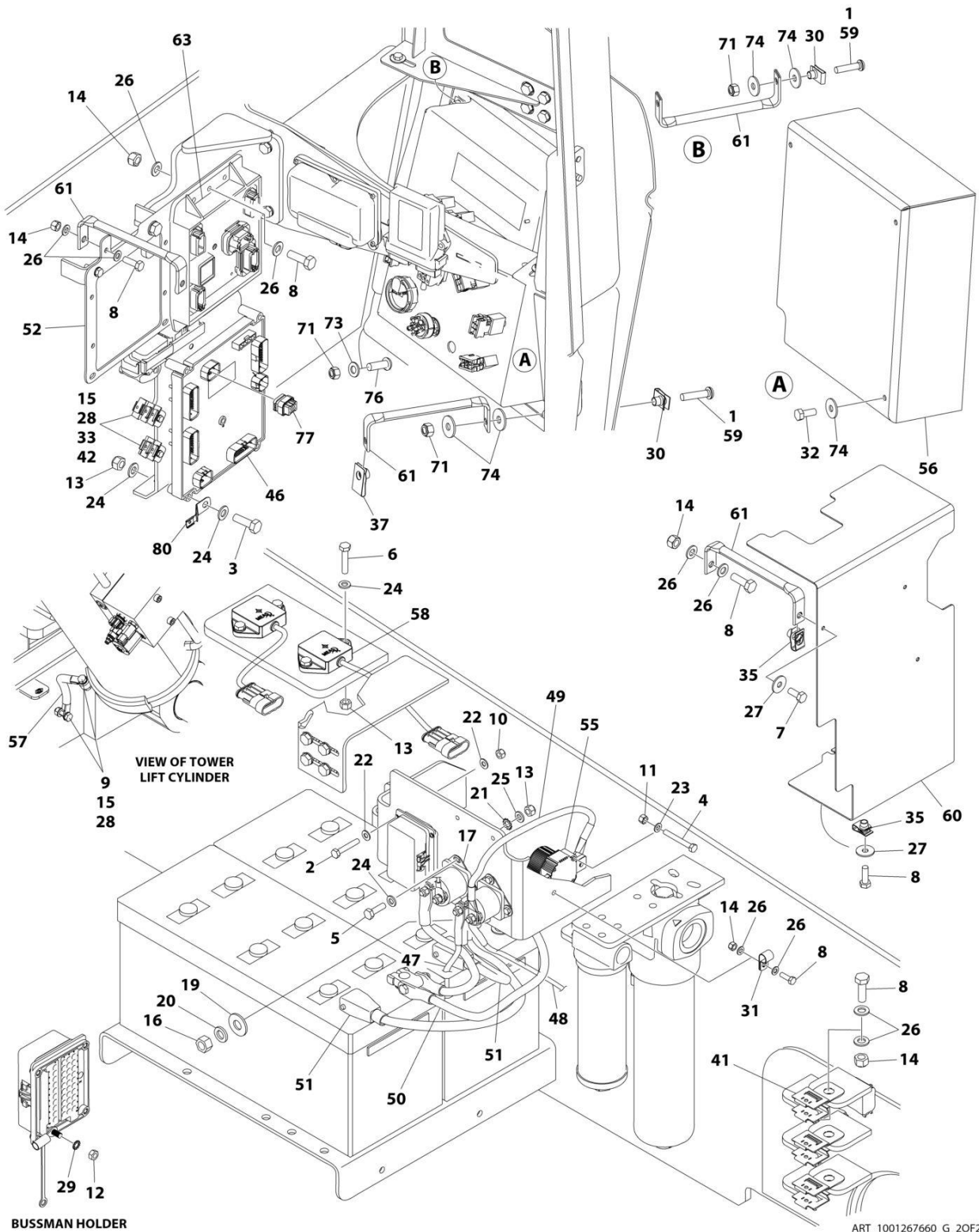
ITEM	PART NUMBER	QTY	DESCRIPTION	REV
	1001267659	Ref	ELECTRICAL COMPONENTS INSTALLATION - TURNTABLE (HRC)	G
1	0100011	AR	Compound, Locking	
2	0700412	4	Bolt M4 x 25	
3	0700620	4	Bolt M6 x 60	
4	0760516	2	Bolt M5 x 40	
5	0760610	4	Bolt M6 x 20	
6	0760613	4	Bolt M6 x 28	
7	0760810	3	Bolt M8 x 20	
8	0760812	12	Bolt M8 x 25	
9	0761015	3	Bolt M10 x 35	
10	3290405	4	Nut M4	
11	3290507	2	Nut M5	
12	3290601	1	Nut M6	
13	3290605	12	Nut M6	
14	3290805	10	Nut M8	
15	3291007	5	Nut M10	
16	3311601	2	Nut 3/8	
17	3740067	2	Relay	
18	4240099	1	Tie-Strap (Not Shown)	
19	4751600	4	Washer 3/8	
20	4761600	2	Washer 3/8	
21	4791400	4	Washer 1/4	
22	4811400	8	Washer M4	
23	4811600	2	Washer M5	
24	4811700	20	Washer M6	
25	4811702	4	Washer M6	
26	4811900	20	Washer M8	
27	4811902	5	Washer M8	
28	4812000	10	Washer M10	
29	4871700	1	Washer M6	
30	8310686	3	Nut, Retainer M8	
31	8406101	1	Clip	
32	0760810001	3	Bolt M8 x 20	
33	0761013001	2	Bolt M10 x 28	
35	100118274	5	Nut, Tinnerman M8	
37	1001149160	3	Nut, Tinnerman M8	
38	1001149970	1	Drive Pump Harness (Not Shown - See Separate Breakdown in ELECTRICAL Section)	
41	1001155967	6	Holder	
42	1001156107	2	Holder	
45	1001187744	AR	Sealant (Not Shown)	
46	1001281500	1	Module, Control (Note: Re-calibration Required when Replaced)	
47	1001200604	1	Cable, Auxiliary Pump (+)	
48	1001200605	1	Cable, Auxiliary Pump (-)	
49	1001200606	1	Cable, Battery to Auxiliary Relay	
50	1001200726	1	Cable Kit, Battery Positive (Note: Includes Battery Terminal and Qty 4 Cables)	
51	1001200727	1	Cable Kit, Battery Negative (Note: Includes Qty 2 Cables)	

SECTION 2 - TURNTABLE

ITEM	PART NUMBER	QTY	DESCRIPTION	REV
52	1001201103	1	Plate	
53	1001206817	1	Diesel Exhaust Fluid Tank Harness (Not Shown - See Separate Breakdown in ELECTRICAL Section)	
54	1001211885	1	Fuel Pump and WIF Harness (Not Shown - See Separate Breakdown in ELECTRICAL Section)	
55	1001216021	1	Relay	
56	1001216238	1	Cover	
57	1001217007	1	Cable, Ground	
58	1001219601	2	Sensor, Dual Axis	
59	1001221585	3	Screw M8 x 35	
60	1001225167	1	Cover	
61	1001225279	6	Bracket	
62	1001226102	1	Connector, Resistor - 20K Ohm (Not Shown - Located Near Item 12)	
63	1001227960	1	Module, Control (Note: Re-calibration Required when Replaced)	
64	1001228364	1	Wire, Relay Grounding (Not Shown)	
65	1001238483	1	Def Tank Extension Harness (Not Shown - See Separate Breakdown in ELECTRICAL Section)	
66	1001286089	1	Valve Harness (Not Shown - See Separate Breakdown in ELECTRICAL Section)	
67	1001286088	1	Turntable Harness (Not Shown - See Separate Breakdown in ELECTRICAL Section)	
68	1001242126	1	Ground Control Harness (Not Shown - See Separate Breakdown in ELECTRICAL Section)	
69	1001258191	1	BLAM Harness (Not Shown - See Separate Breakdown in ELECTRICAL Section)	
70	1001265870	1	Ground Control Box Assembly (Not Shown - See Separate Breakdown in this Section)	
71	3290805001	4	Nut M8	
73	4811900001	1	Washer M8	
74	4811902001	9	Washer M8	
76	8310643001	1	Screw M8 x 25	
77	1001246859	1	Connector	
78	4240032	AR	Tie-Strap (Not Shown)	
79	4460234	AR	Mount, Tie-Strap (Not Shown)	
80	1001120328	1	Mount, Connector	
81	1001296427	1	Hourmeter Jumper Harness (Not Shown)	

SECTION 2 - TURNTABLE

FIGURE 2-21. ELECTRICAL COMPONENTS INSTALLATION WITH TOWER STOW - TURNTABLE (HRC) (CE & UK CA SPECS)



SECTION 2 - TURNTABLE

**FIGURE 2-21. ELECTRICAL COMPONENTS INSTALLATION WITH TOWER STOW - TURNTABLE
(HRC) (CE & UK CA SPECS)**

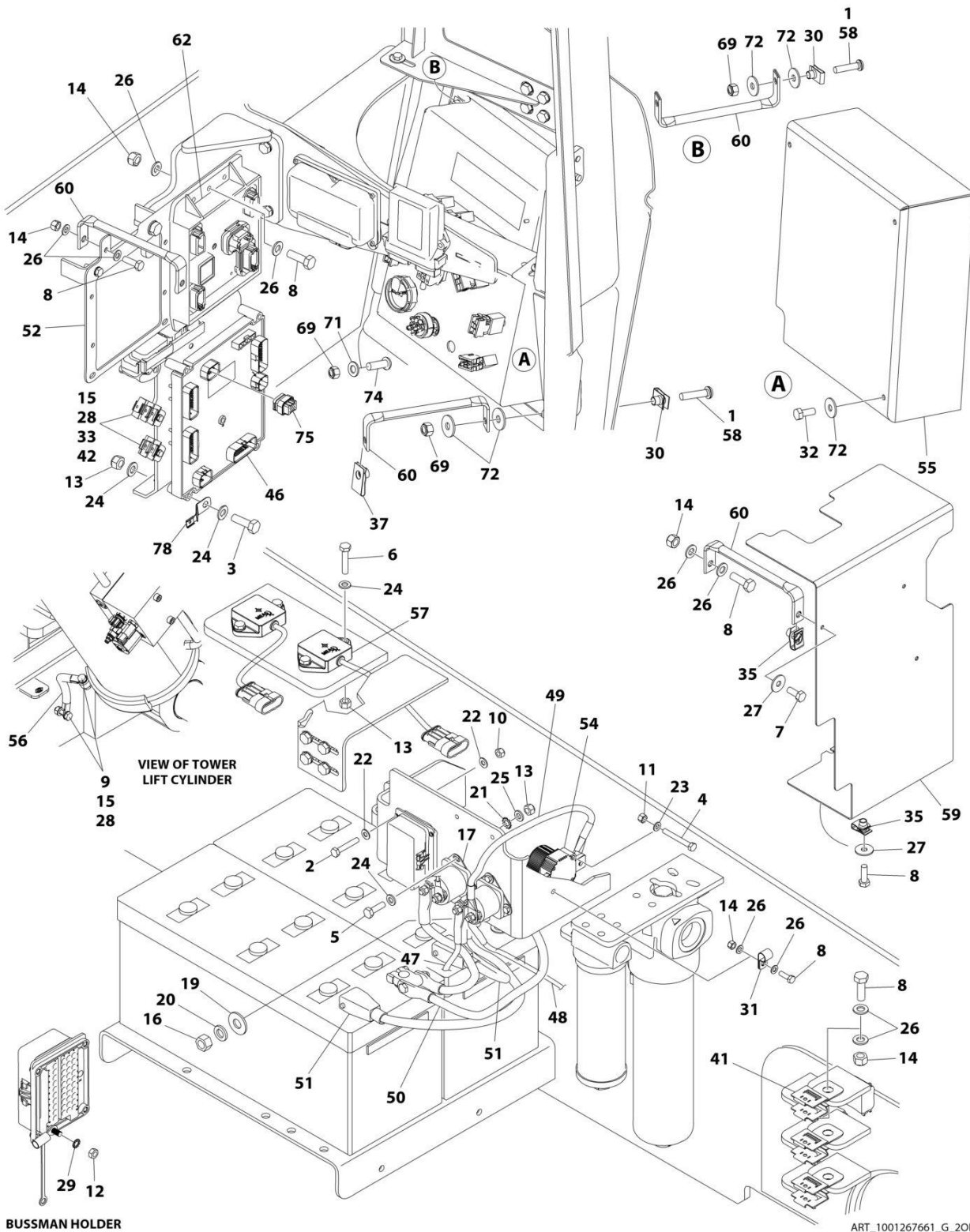
ITEM	PART NUMBER	QTY	DESCRIPTION	REV
	1001267660	Ref	ELECTRICAL COMPONENTS INSTALLATION - TURNTABLE (HRC)	G
1	0100011	AR	Compound, Locking	
2	0700412	4	Bolt M4 x 25	
3	0700620	4	Bolt M6 x 60	
4	0760516	2	Bolt M5 x 40	
5	0760610	4	Bolt M6 x 20	
6	0760613	4	Bolt M6 x 28	
7	0760810	3	Bolt M8 x 20	
8	0760812	12	Bolt M8 x 25	
9	0761015	3	Bolt M10 x 35	
10	3290405	4	Nut M4	
11	3290507	2	Nut M5	
12	3290601	1	Nut M6	
13	3290605	12	Nut M6	
14	3290805	10	Nut M8	
15	3291007	5	Nut M10	
16	3311601	2	Nut 3/8	
17	3740067	2	Relay	
18	4240099	1	Tie-Strap (Not Shown)	
19	4751600	4	Washer 3/8	
20	4761600	2	Washer 3/8	
21	4791400	4	Washer 1/4	
22	4811400	8	Washer M4	
23	4811600	2	Washer M5	
24	4811700	24	Washer M6	
25	4811702	4	Washer M6	
26	4811900	20	Washer M8	
27	4811902	5	Washer M8	
28	4812000	10	Washer M10	
29	4871700	1	Washer M6	
30	8310686	3	Nut, Retainer M8	
31	8406101	1	Clip	
32	0760810001	3	Bolt M8 x 20	
33	0761013001	2	Bolt M10 x 28	
35	100118274	5	Nut, Tinnerman M8	
37	1001149160	3	Nut, Tinnerman M8	
38	1001149970	1	Drive Pump Harness (Not Shown - See Separate Breakdown in ELECTRICAL Section)	
41	1001155967	6	Holder	
42	1001156107	2	Holder	
45	1001187744	AR	Sealant (Not Shown)	
46	1001281500	1	Module, Control (Note: Re-calibration Required when Replaced)	
47	1001200604	1	Cable, Auxiliary Pump (+)	
48	1001200605	1	Cable, Auxiliary Pump (-)	
49	1001200606	1	Cable, Battery to Auxiliary Relay	
50	1001200726	1	Cable Kit, Battery Positive (Note: Includes Battery Terminal and Qty 4 Cables)	
51	1001200727	1	Cable Kit, Battery Negative (Note: Includes Qty 2 Cables)	

SECTION 2 - TURNTABLE

ITEM	PART NUMBER	QTY	DESCRIPTION	REV
52	1001201103	1	Plate	
53	1001206817	1	Diesel Exhaust Fluid Tank Harness (Not Shown - See Separate Breakdown in ELECTRICAL Section)	
54	1001211885	1	Fuel Pump and WIF Harness (Not Shown - See Separate Breakdown in ELECTRICAL Section)	
55	1001216021	1	Relay	
56	1001216238	1	Cover	
57	1001217007	1	Cable, Ground	
58	1001219601	2	Sensor, Dual Axis	
59	1001221585	3	Screw M8 x 35	
60	1001225167	1	Cover	
61	1001225279	6	Bracket	
62	1001226102	1	Connector, Resistor - 20K Ohm (Not Shown - Located Near Item 12)	
63	1001227960	1	Module, Control (Note: Re-calibration Required when Replaced)	
64	1001228364	1	Wire, Relay Grounding (Not Shown)	
65	1001238483	1	Def Tank Extension Harness (Not Shown - See Separate Breakdown in ELECTRICAL Section)	
66	1001286089	1	Valve Harness (Not Shown - See Separate Breakdown in ELECTRICAL Section)	
67	1001286088	1	Turntable Harness (Not Shown - See Separate Breakdown in ELECTRICAL Section)	
68	1001242126	1	Ground Control Harness (Not Shown - See Separate Breakdown in ELECTRICAL Section)	
69	1001258191	1	BLAM Harness (Not Shown - See Separate Breakdown in ELECTRICAL Section)	
70	1001265871	1	Ground Control Box Assembly (Not Shown - See Separate Breakdown in this Section)	
71	3290805001	4	Nut M8	
73	4811900001	1	Washer M8	
74	4811902001	9	Washer M8	
76	8310643001	1	Screw M8 x 25	
77	1001246859	1	Connector	
78	4240032	AR	Tie-Strap (Not Shown)	
79	4460234	AR	Mount, Tie-Strap (Not Shown)	
80	1001120328	1	Mount, Connector	
81	1001296427	1	Hourmeter Jumper Harness (Not Shown)	

SECTION 2 - TURNTABLE

FIGURE 2-22. ELECTRICAL COMPONENTS INSTALLATION WITH TOWER STOW - TURNTABLE (LRC) (ANSI EXPORT, AUSTRALIAN AND CHINA SPECS)



SECTION 2 - TURNTABLE

FIGURE 2-22. ELECTRICAL COMPONENTS INSTALLATION WITH TOWER STOW - TURNTABLE (LRC) (ANSI EXPORT, AUSTRALIAN AND CHINA SPECS)

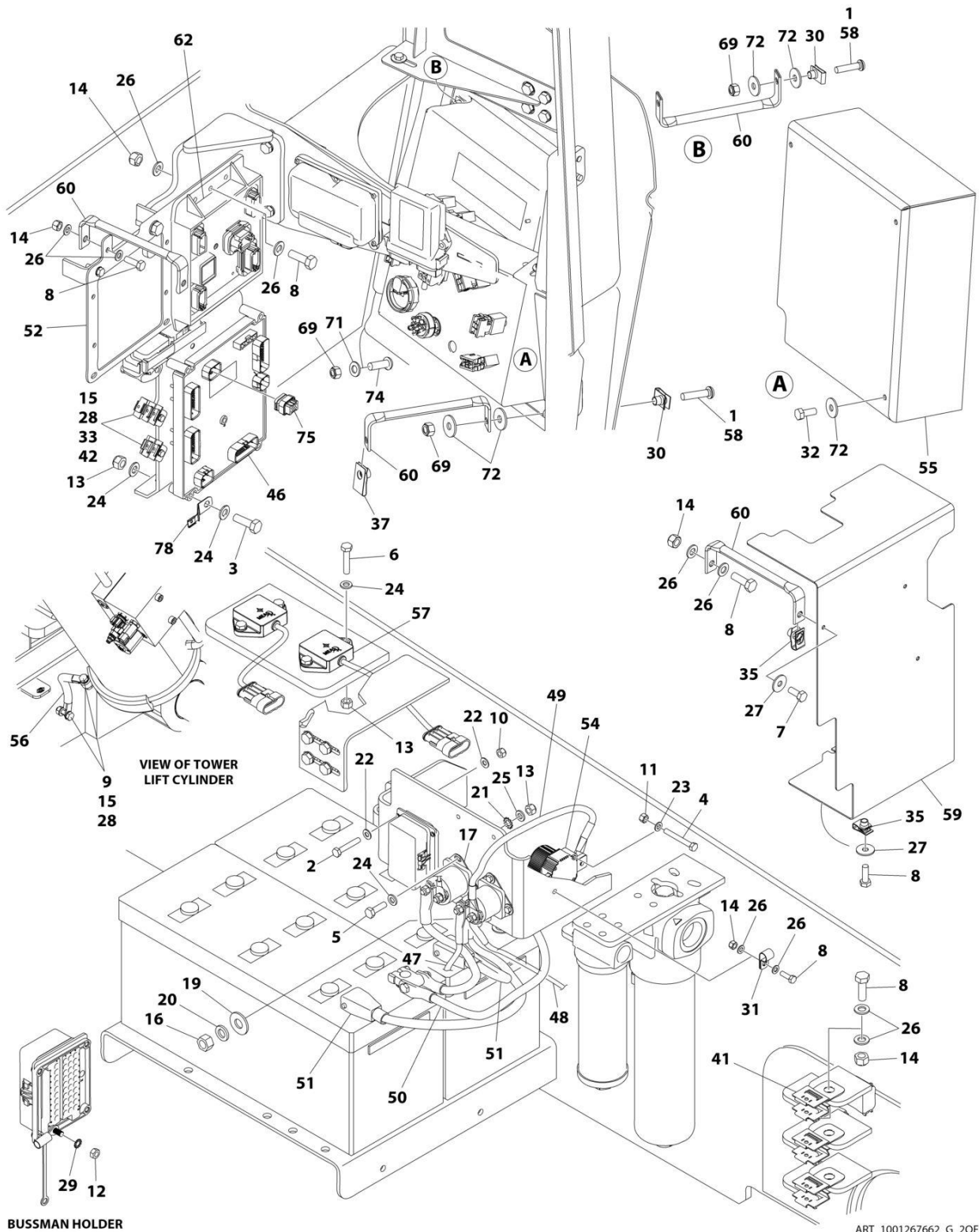
ITEM	PART NUMBER	QTY	DESCRIPTION	REV
	1001267661	Ref	ELECTRICAL COMPONENTS INSTALLATION - TURNTABLE (LRC)	G
1	0100011	AR	Compound, Locking	
2	0700412	4	Bolt M4 x 25	
3	0700620	4	Bolt M6 x 60	
4	0760516	2	Bolt M5 x 40	
5	0760610	4	Bolt M6 x 20	
6	0760613	4	Bolt M6 x 28	
7	0760810	3	Bolt M8 x 20	
8	0760812	11	Bolt M8 x 25	
9	0761015	3	Bolt M10 x 35	
10	3290405	4	Nut M4	
11	3290507	2	Nut M5	
12	3290601	1	Nut M6	
13	3290605	12	Nut M6	
14	3290805	9	Nut M8	
15	3291007	5	Nut M10	
16	3311601	2	Nut 3/8	
17	3740067	2	Relay	
18	4240099	AR	Tie-Strap (Not Shown)	
19	4751600	4	Washer 3/8	
20	4761600	2	Washer 3/8	
21	4791400	4	Washer 1/4	
22	4811400	8	Washer M4	
23	4811600	2	Washer M5	
24	4811700	24	Washer M6	
25	4811702	4	Washer M6	
26	4811900	18	Washer M8	
27	4811902	5	Washer M8	
28	4812000	10	Washer M10	
29	4871700	1	Washer M6	
30	8310686	3	Nut, Retainer M8	
31	8406101	1	Clip	
32	0760810001	3	Bolt M8 x 20	
33	0761013001	2	Bolt M10 x 28	
35	100118274	5	Nut, Tinnerman M8	
37	1001149160	3	Nut, Tinnerman M8	
38	1001149970	1	Drive Pump Harness (Not Shown - See Separate Breakdown in ELECTRICAL Section)	
41	1001155967	4	Holder	
42	1001156107	2	Holder	
45	1001187744	AR	Sealant (Not Shown)	
46	1001281500	1	Module, Control (Note: Re-calibration Required when Replaced)	
47	1001200604	1	Cable, Auxiliary Pump (+)	
48	1001200605	1	Cable, Auxiliary Pump (-)	
49	1001200606	1	Cable, Battery to Auxiliary Relay	
50	1001200726	1	Cable Kit, Battery Positive (Note: Includes Battery Terminal and Qty 4 Cables)	
51	1001200727	1	Cable Kit, Battery Negative (Note: Includes Qty 2 Cables)	

SECTION 2 - TURNTABLE

ITEM	PART NUMBER	QTY	DESCRIPTION	REV
52	1001201103	1	Plate	
53	1001211885	1	Fuel Pump and WIF Harness (Not Shown - See Separate Breakdown in ELECTRICAL Section)	
54	1001216021	1	Relay	
55	1001216238	1	Cover	
56	1001217007	1	Cable, Ground	
57	1001219601	2	Sensor, Dual Axis	
58	1001221585	3	Screw M8 x 35	
59	1001225167	1	Cover	
60	1001225279	6	Bracket	
61	1001226102	1	Connector, Resistor - 20K Ohm (Not Shown - Located Near Item 12)	
62	1001227960	1	Module, Control (Note: Re-calibration Required when Replaced)	
63	1001228364	1	Wire, Relay Grounding (Not Shown)	
64	1001286089	1	Valve Harness (Not Shown - See Separate Breakdown in ELECTRICAL Section)	
65	1001286088	1	Turntable Harness (Not Shown - See Separate Breakdown in ELECTRICAL Section)	
66	1001242126	1	Ground Control Harness (Not Shown - See Separate Breakdown in ELECTRICAL Section)	
67	1001258191	1	BLAM Harness (Not Shown - See Separate Breakdown in ELECTRICAL Section)	
68	1001265872	1	Ground Control Box Assembly (Not Shown - See Separate Breakdown in this Section)	
69	3290805001	4	Nut M8	
71	4811900001	1	Washer M8	
72	4811902001	9	Washer M8	
74	8310643001	1	Screw M8 x 25	
75	1001246859	1	Connector	
76	4240032	AR	Tie-Strap (Not Shown)	
77	4460234	AR	Mount, Tie-Strap (Not Shown)	
78	1001120328	1	Mount, Connector	
79	1001296427	1	Hourmeter Jumper Harness (Not Shown)	

SECTION 2 - TURNTABLE

FIGURE 2-23. ELECTRICAL COMPONENTS INSTALLATION WITH TOWER STOW - TURNTABLE (LRC) (CE & UK CA SPECS)



ART_1001267662_G_20F2

SECTION 2 - TURNTABLE

**FIGURE 2-23. ELECTRICAL COMPONENTS INSTALLATION WITH TOWER STOW - TURNTABLE
(LRC) (CE & UK CA SPECS)**

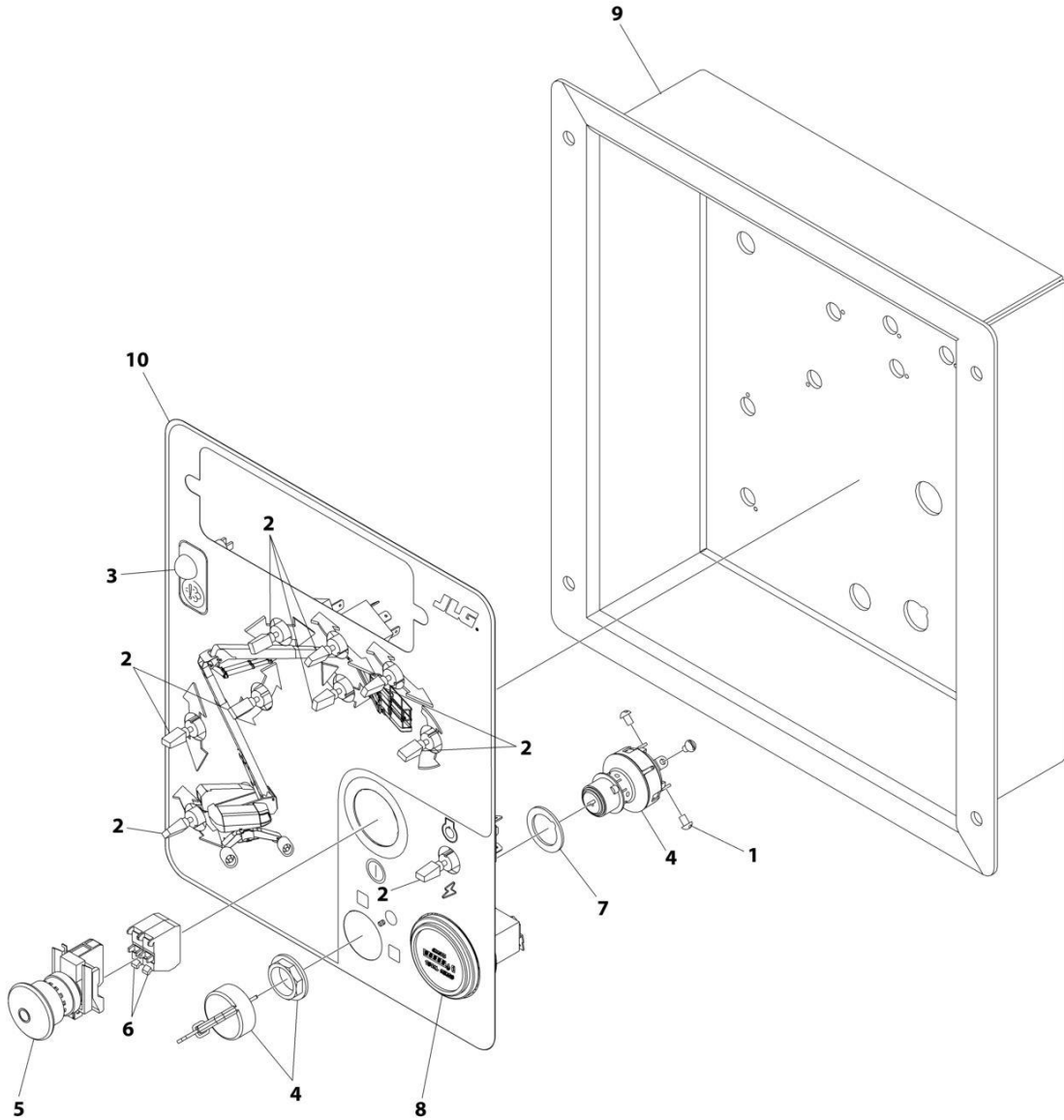
ITEM	PART NUMBER	QTY	DESCRIPTION	REV
	1001267662	Ref	ELECTRICAL COMPONENTS INSTALLATION - TURNTABLE (LRC)	G
1	0100011	AR	Compound, Locking	
2	0700412	4	Bolt M4 x 25	
3	0700620	4	Bolt M6 x 60	
4	0760516	2	Bolt M5 x 40	
5	0760610	4	Bolt M6 x 20	
6	0760613	4	Bolt M6 x 28	
7	0760810	3	Bolt M8 x 20	
8	0760812	11	Bolt M8 x 25	
9	0761015	3	Bolt M10 x 35	
10	3290405	4	Nut M4	
11	3290507	2	Nut M5	
12	3290601	1	Nut M6	
13	3290605	12	Nut M6	
14	3290805	9	Nut M8	
15	3291007	5	Nut M10	
16	3311601	2	Nut 3/8	
17	3740067	2	Relay	
18	4240099	AR	Tie-Strap (Not Shown)	
19	4751600	4	Washer 3/8	
20	4761600	2	Washer 3/8	
21	4791400	4	Washer 1/4	
22	4811400	8	Washer M4	
23	4811600	2	Washer M5	
24	4811700	24	Washer M6	
25	4811702	4	Washer M6	
26	4811900	18	Washer M8	
27	4811902	5	Washer M8	
28	4812000	10	Washer M10	
29	4871700	1	Washer M6	
30	8310686	3	Nut, Retainer M8	
31	8406101	1	Clip	
32	0760810001	3	Bolt M8 x 20	
33	0761013001	2	Bolt M10 x 28	
35	100118274	5	Nut, Tinnerman M8	
37	1001149160	3	Nut, Tinnerman M8	
38	1001149970	1	Drive Pump Harness (Not Shown - See Separate Breakdown in ELECTRICAL Section)	
41	1001155967	4	Holder	
42	1001156107	2	Holder	
45	1001187744	AR	Sealant (Not Shown)	
46	1001281500	1	Module, Control (Note: Re-calibration Required when Replaced)	
47	1001200604	1	Cable, Auxiliary Pump (+)	
48	1001200605	1	Cable, Auxiliary Pump (-)	
49	1001200606	1	Cable, Battery to Auxiliary Relay	
50	1001200726	1	Cable Kit, Battery Positive (Note: Includes Battery Terminal and Qty 4 Cables)	
51	1001200727	1	Cable Kit, Battery Negative (Note: Includes Qty 2 Cables)	

SECTION 2 - TURNTABLE

ITEM	PART NUMBER	QTY	DESCRIPTION	REV
52	1001201103	1	Plate	
53	1001211885	1	Fuel Pump and WIF Harness (Not Shown - See Separate Breakdown in ELECTRICAL Section)	
54	1001216021	1	Relay	
55	1001216238	1	Cover	
56	1001217007	1	Cable, Ground	
57	1001219601	2	Sensor, Dual Axis	
58	1001221585	3	Screw M8 x 35	
59	1001225167	1	Cover	
60	1001225279	6	Bracket	
61	1001226102	1	Connector, Resistor - 20K Ohm (Not Shown - Located Near Item 12)	
62	1001277208	1	Module, Control (Note: Re-calibration Required when Replaced)	
63	1001228364	1	Wire, Relay Grounding (Not Shown)	
64	1001286089	1	Valve Harness (Not Shown - See Separate Breakdown in ELECTRICAL Section)	
65	1001286088	1	Turntable Harness (Not Shown - See Separate Breakdown in ELECTRICAL Section)	
66	1001242126	1	Ground Control Harness (Not Shown - See Separate Breakdown in ELECTRICAL Section)	
67	1001258191	1	BLAM Harness (Not Shown - See Separate Breakdown in ELECTRICAL Section)	
68	1001265873	1	Ground Control Box Assembly (Not Shown - See Separate Breakdown in this Section)	
69	3290805001	4	Nut M8	
71	4811900001	1	Washer M8	
72	4811902001	9	Washer M8	
74	8310643001	1	Screw M8 x 25	
75	1001246859	1	Connector	
76	4240032	AR	Tie-Strap (Not Shown)	
77	4460234	AR	Mount, Tie-Strap (Not Shown)	
78	1001120328	1	Mount, Connector	
79	1001296427	1	Hourmeter Jumper Harness (Not Shown)	

SECTION 2 - TURNTABLE

FIGURE 2-24. GROUND CONTROL CONSOLE ASSEMBLY (HRC) (ANSI, ANSI EXPORT, CSA AND JAPANESE SPECS)



ART_1001243048_B

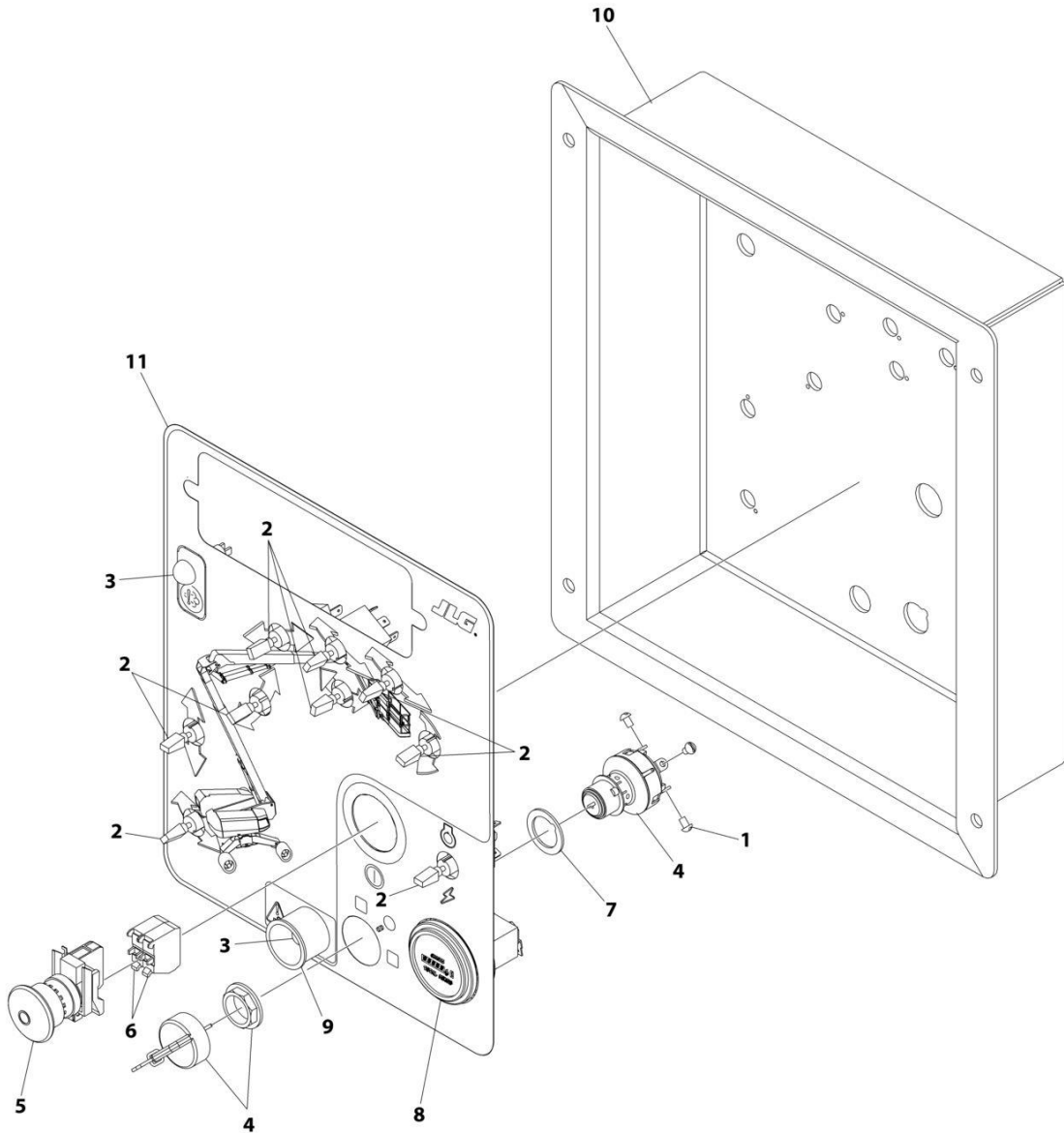
SECTION 2 - TURNTABLE

FIGURE 2-24. GROUND CONTROL CONSOLE ASSEMBLY (HRC) (ANSI, ANSI EXPORT, CSA AND JAPANESE SPECS)

ITEM	PART NUMBER	QTY	DESCRIPTION	REV
	1001243048	Ref	GROUND CONTROL CONSOLE ASSEMBLY (HRC)	B
1	3910804	6	Screw #8 x 1/4	
2	4360328	9	Switch, Toggle	
3	4360387	1	Switch, Push Button	
4	4360469	1	Switch, Key	
4	2360030	1 Set	Key, Replacement	
5	4360475	1	Switch, Push-Pull Emergency	
5	7020175	1	Cap	
5	7020176	1	Block, Contact	
6	4360476	2	Block, Contact	
7	1001151393	1	Shim	
8	10836804	1	Gauge	
9	1001297399	1	Panel	
10	1001243049	1	Decal - Ground Control	

SECTION 2 - TURNTABLE

FIGURE 2-25. GROUND CONTROL CONSOLE ASSEMBLY (HRC) (CE & UK CA SPECS)



ART_1001243052_B

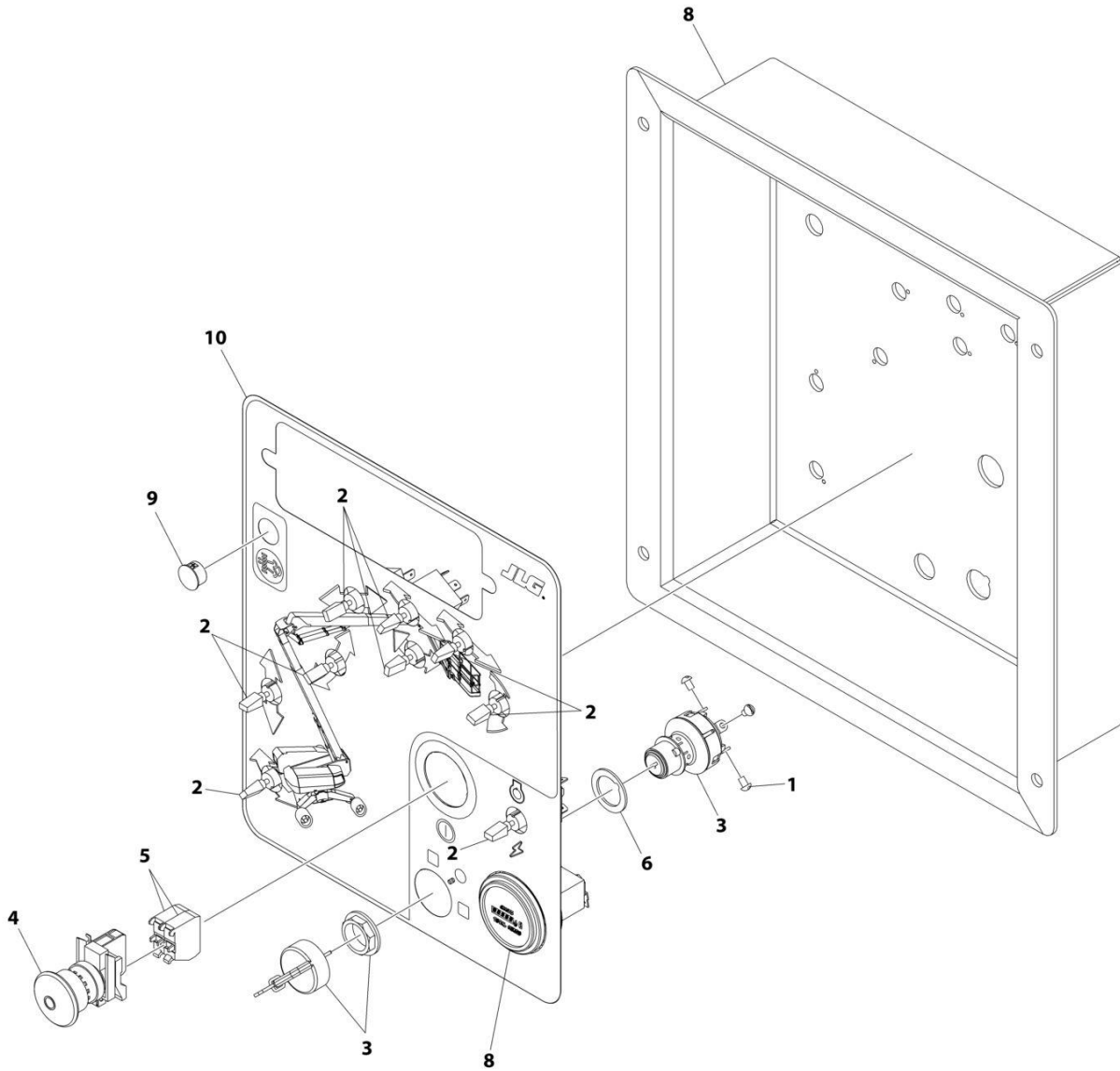
SECTION 2 - TURNTABLE

FIGURE 2-25. GROUND CONTROL CONSOLE ASSEMBLY (HRC) (CE & UK CA SPECS)

ITEM	PART NUMBER	QTY	DESCRIPTION	REV
	1001243052	Ref	GROUND CONTROL CONSOLE ASSEMBLY (HRC)	B
1	3910804	6	Screw #8 x 1/4	
2	4360328	9	Switch, Toggle	
3	4360387	1	Switch, Push Button	
4	4360469	1	Switch, Key	
4	2360030	1 Set	Key, Replacement	
5	4360475	1	Switch, Push-Pull Emergency	
5	7020175	1	Cap	
5	7020176	1	Block, Contact	
6	4360476	2	Block, Contact	
7	1001151393	1	Shim	
8	10836804	1	Gauge	
9	1001176469	1	Shroud	
10	1001297399	1	Panel	
11	1001243051	1	Decal - Ground Control	

SECTION 2 - TURNTABLE

FIGURE 2-26. GROUND CONTROL CONSOLE ASSEMBLY (LRC) (ANSI EXPORT, AUSTRALIAN AND CHINA SPECS)



ART_1001243054_B

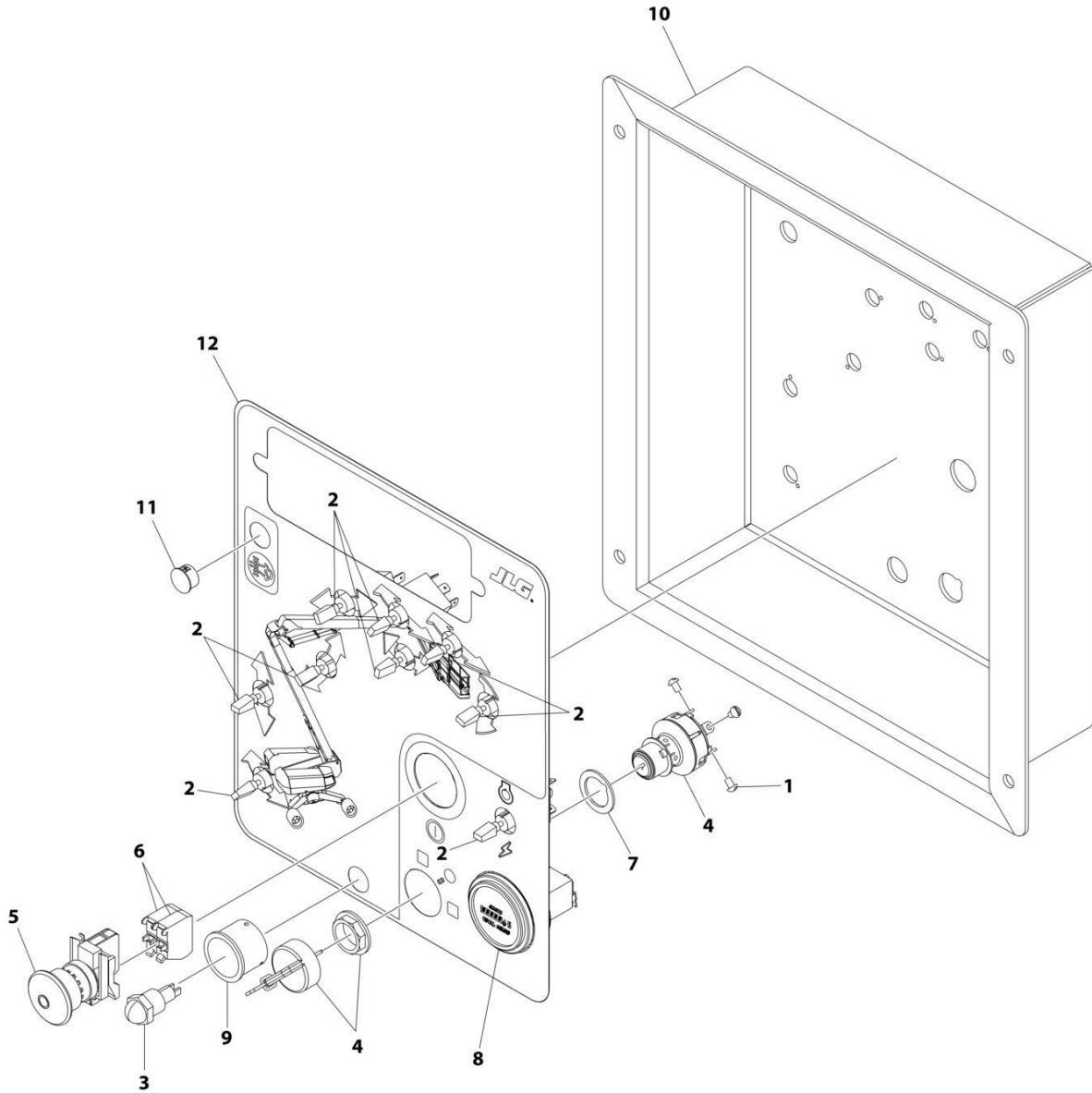
SECTION 2 - TURNTABLE

FIGURE 2-26. GROUND CONTROL CONSOLE ASSEMBLY (LRC) (ANSI EXPORT, AUSTRALIAN AND CHINA SPECS)

ITEM	PART NUMBER	QTY	DESCRIPTION	REV
	1001243054	Ref	GROUND CONTROL CONSOLE ASSEMBLY (LRC)	B
1	3910804	6	Screw #8 x 1/4	
2	4360328	9	Switch, Toggle	
3	4360469	1	Switch, Key	
3	2360030	1 Set	Key, Replacement	
4	4360475	1	Switch, Push-Pull Emergency	
4	7020175	1	Cap	
4	7020176	1	Block, Contact	
5	4360476	2	Block, Contact	
6	1001151393	1	Shim	
7	10836804	1	Gauge	
8	1001297399	1	Panel	
9	1001207963	1	Plug	
10	1001243049	1	Decal - Ground Control	

SECTION 2 - TURNTABLE

FIGURE 2-27. GROUND CONTROL CONSOLE ASSEMBLY (LRC) (CE & UK CA SPECS)



ART_1001243056_B

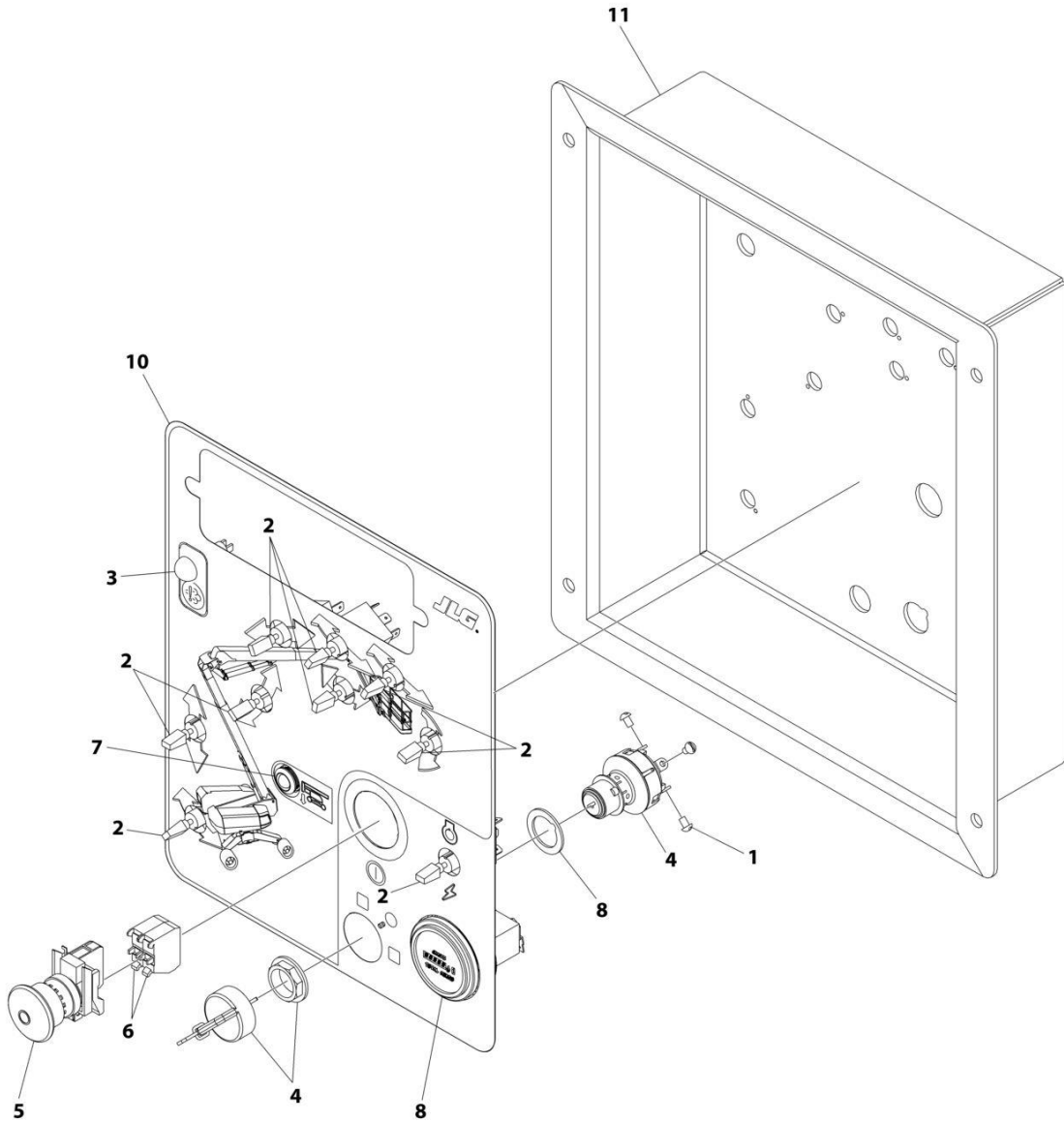
SECTION 2 - TURNTABLE

FIGURE 2-27. GROUND CONTROL CONSOLE ASSEMBLY (LRC) (CE & UK CA SPECS)

ITEM	PART NUMBER	QTY	DESCRIPTION	REV
	1001243056	Ref	GROUND CONTROL CONSOLE ASSEMBLY (LRC)	B
1	3910804	6	Screw #8 x 1/4	
2	4360328	9	Switch, Toggle	
3	4360387	1	Switch, Push Button	
4	4360469	1	Switch, Key	
4	2360030	1 Set	Key, Replacement	
5	4360475	1	Switch, Push-Pull Emergency	
5	7020175	1	Cap	
5	7020176	1	Block, Contact	
6	4360476	2	Block, Contact	
7	1001151393	1	Shim	
8	10836804	1	Gauge	
9	1001176469	1	Shroud	
10	1001297399	1	Panel	
11	1001207963	1	Plug	
12	1001243051	1	Decal - Ground Control	

SECTION 2 - TURNTABLE

FIGURE 2-28. GROUND CONTROL CONSOLE ASSEMBLY WITH TOWER STOW (HRC) (ANSI, ANSI EXPORT, CSA AND JAPANESE SPECS)



ART_1001265870_B

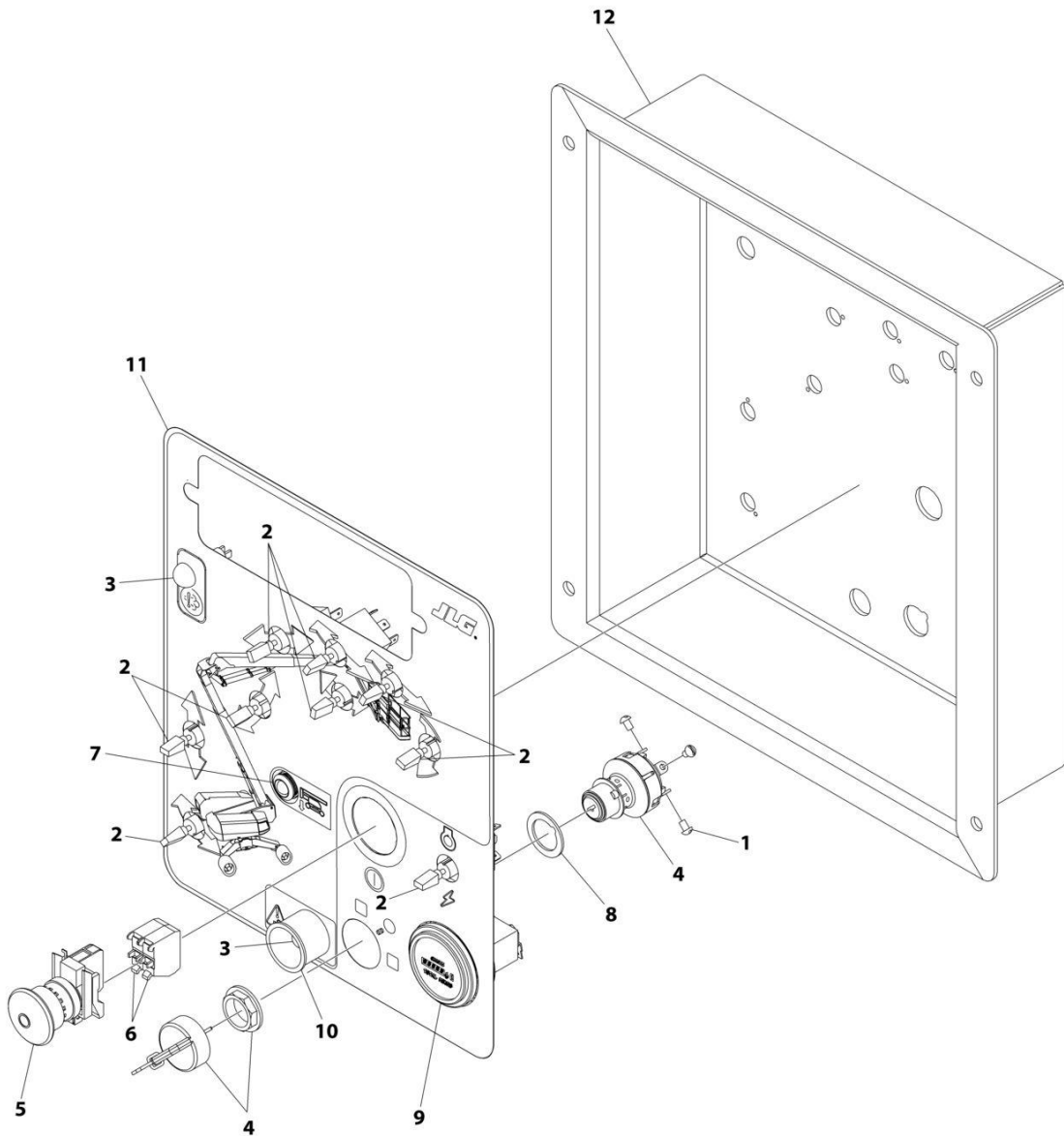
SECTION 2 - TURNTABLE

FIGURE 2-28. GROUND CONTROL CONSOLE ASSEMBLY WITH TOWER STOW (HRC) (ANSI, ANSI EXPORT, CSA AND JAPANESE SPECS)

ITEM	PART NUMBER	QTY	DESCRIPTION	REV
	1001265870	Ref	GROUND CONTROL CONSOLE ASSEMBLY (HRC)	B
1	3910804	6	Screw #8 x 1/4	
2	4360328	9	Switch, Toggle	
3	4360387	1	Switch, Push Button	
4	4360469	1	Switch, Key	
4	2360030	1 Set	Key, Replacement	
5	4360475	1	Switch, Push-Pull Emergency	
5	7020175	1	Cap	
5	7020176	1	Block, Contact	
6	4360476	2	Block, Contact	
7	1001137364	1	Lamp, Indicator	
8	1001151393	1	Shim	
9	10836804	1	Gauge	
10	1001265857	1	Decal - Ground Control	
11	1001297397	1	Panel	

SECTION 2 - TURNTABLE

FIGURE 2-29. GROUND CONTROL CONSOLE ASSEMBLY WITH TOWER STOW (HRC) (CE & UK CA SPECS)



ART_1001265871_B

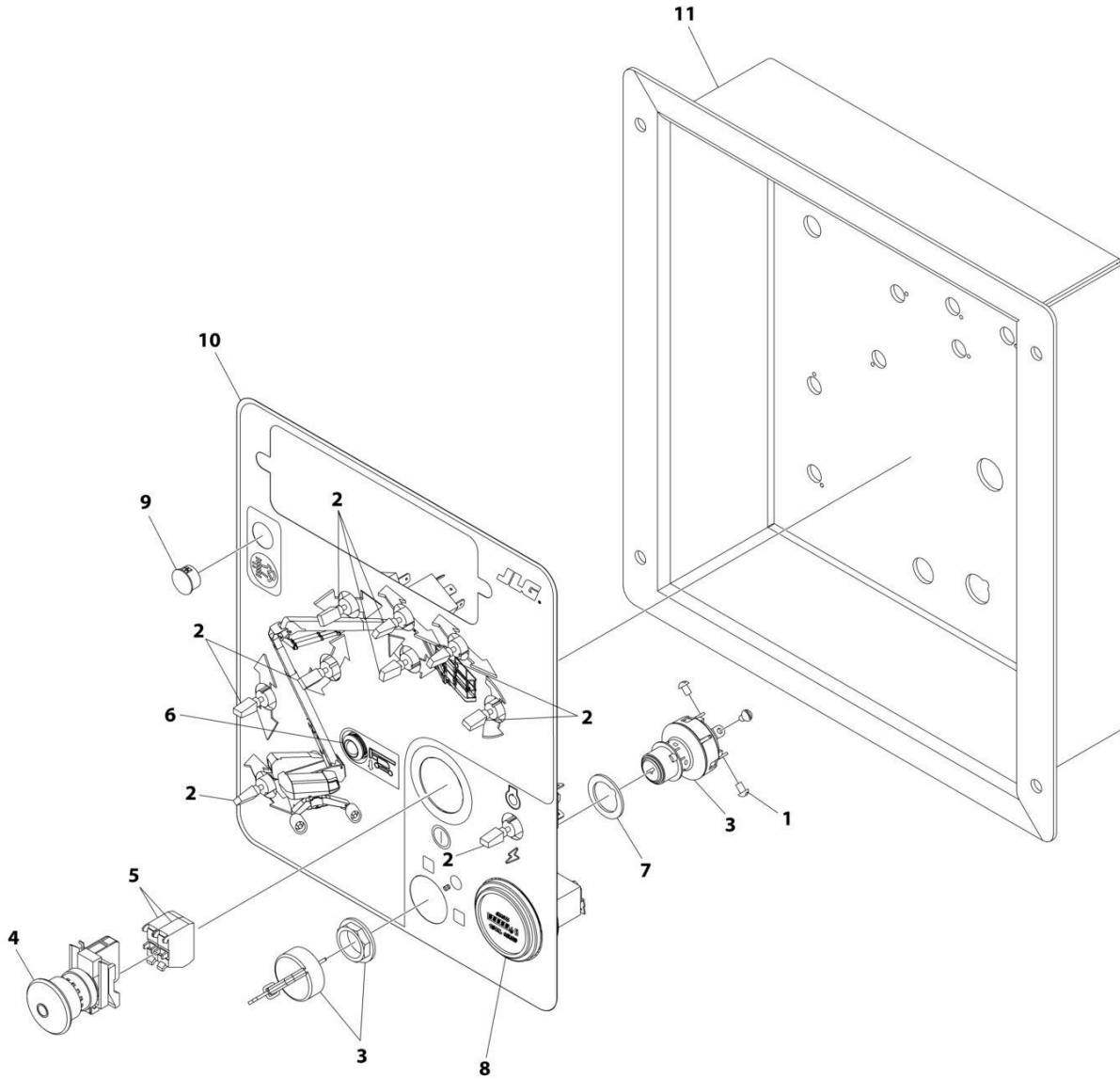
SECTION 2 - TURNTABLE

FIGURE 2-29. GROUND CONTROL CONSOLE ASSEMBLY WITH TOWER STOW (HRC) (CE & UK CA SPECS)

ITEM	PART NUMBER	QTY	DESCRIPTION	REV
	1001265871	Ref	GROUND CONTROL CONSOLE ASSEMBLY (HRC)	B
1	3910804	6	Screw #8 x 1/4	
2	4360328	9	Switch, Toggle	
3	4360387	1	Switch, Push Button	
4	4360469	1	Switch, Key	
4	2360030	1 Set	Key, Replacement	
5	4360475	1	Switch, Push-Pull Emergency	
5	7020175	1	Cap	
5	7020176	1	Block, Contact	
6	4360476	2	Block, Contact	
7	1001137364	1	Lamp, Indicator	
8	1001151393	1	Shim	
9	10836804	1	Gauge	
10	1001176469	1	Shroud	
11	1001265858	1	Decal - Ground Control	
12	1001297397	1	Panel	

SECTION 2 - TURNTABLE

FIGURE 2-30. GROUND CONTROL CONSOLE ASSEMBLY WITH TOWER STOW (LRC) (ANSI EXPORT, AUSTRALIAN AND CHINA SPECS)



ART_1001265872_B

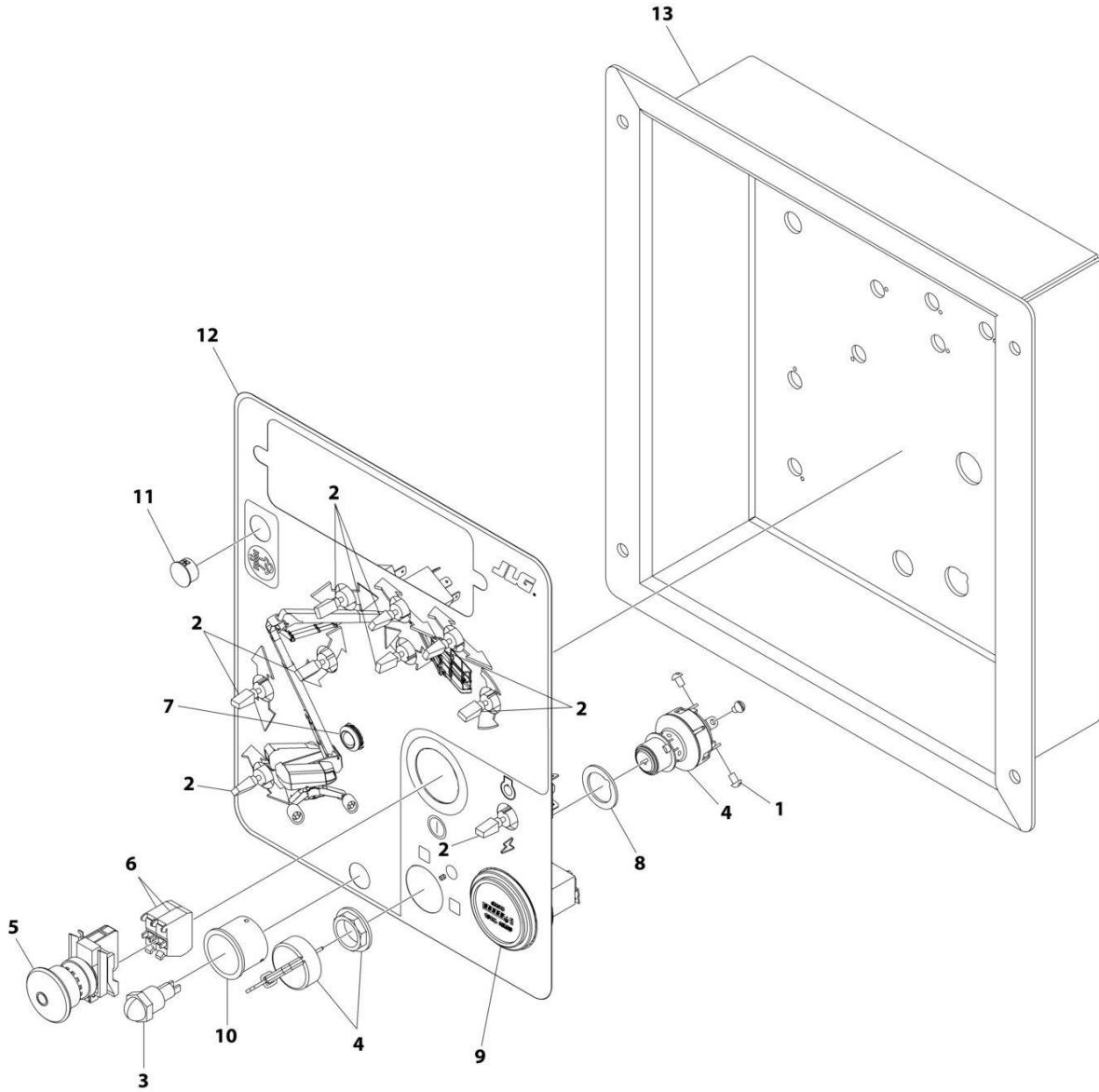
SECTION 2 - TURNTABLE

FIGURE 2-30. GROUND CONTROL CONSOLE ASSEMBLY WITH TOWER STOW (LRC) (ANSI EXPORT, AUSTRALIAN AND CHINA SPECS)

ITEM	PART NUMBER	QTY	DESCRIPTION	REV
	1001265872	Ref	GROUND CONTROL CONSOLE ASSEMBLY (LRC)	B
1	3910804	6	Screw #8 x 1/4	
2	4360328	9	Switch, Toggle	
3	4360469	1	Switch, Key	
3	2360030	1 Set	Key, Replacement	
4	4360475	1	Switch, Push-Pull Emergency	
4	7020175	1	Cap	
4	7020176	1	Block, Contact	
5	4360476	2	Block, Contact	
6	1001137364	1	Lamp, Indicator	
7	1001151393	1	Shim	
8	10836804	1	Gauge	
9	1001207963	1	Plug	
10	1001265857	1	Decal - Ground Control	
11	1001297397	1	Panel	

SECTION 2 - TURNTABLE

FIGURE 2-31. GROUND CONTROL CONSOLE ASSEMBLY WITH TOWER STOW (LRC) (CE & UK CA SPECS)



ART_1001265873_B

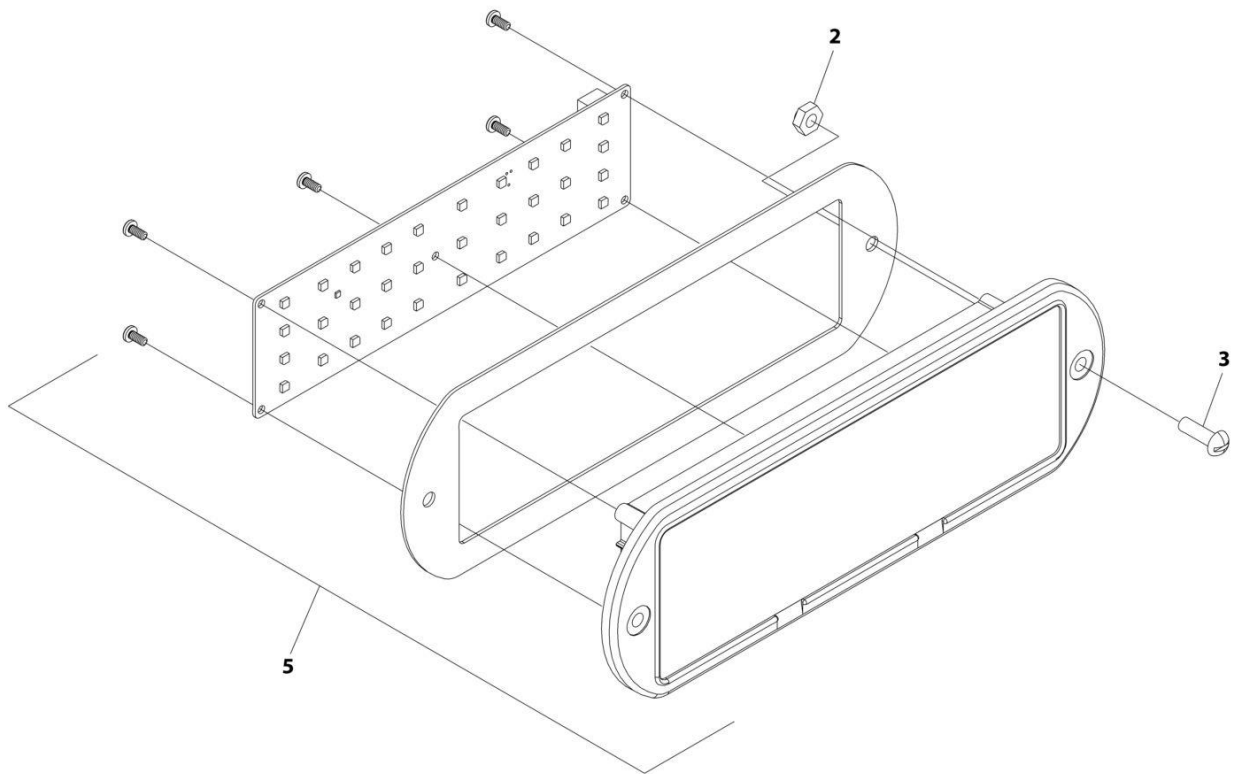
SECTION 2 - TURNTABLE

FIGURE 2-31. GROUND CONTROL CONSOLE ASSEMBLY WITH TOWER STOW (LRC) (CE & UK CA SPECS)

ITEM	PART NUMBER	QTY	DESCRIPTION	REV
	1001265873	Ref	GROUND CONTROL CONSOLE ASSEMBLY (LRC)	B
1	3910804	6	Screw #8 x 1/4	
2	4360328	9	Switch, Toggle	
3	4360387	1	Switch, Push Button	
4	4360469	1	Switch, Key	
4	2360030	1 Set	Key, Replacement	
5	4360475	1	Switch, Push-Pull Emergency	
5	7020175	1	Cap	
5	7020176	1	Block, Contact	
6	4360476	2	Block, Contact	
7	1001137364	1	Lamp, Indicator	
8	1001151393	1	Shim	
9	10836804	1	Gauge	
10	1001176469	1	Shroud	
11	1001207963	1	Plug	
12	1001265858	1	Decal - Ground Control	
13	1001297397	1	Panel	

SECTION 2 - TURNTABLE

FIGURE 2-32. LIGHT PANEL INSTALLATION



ART_1001245176_10F2

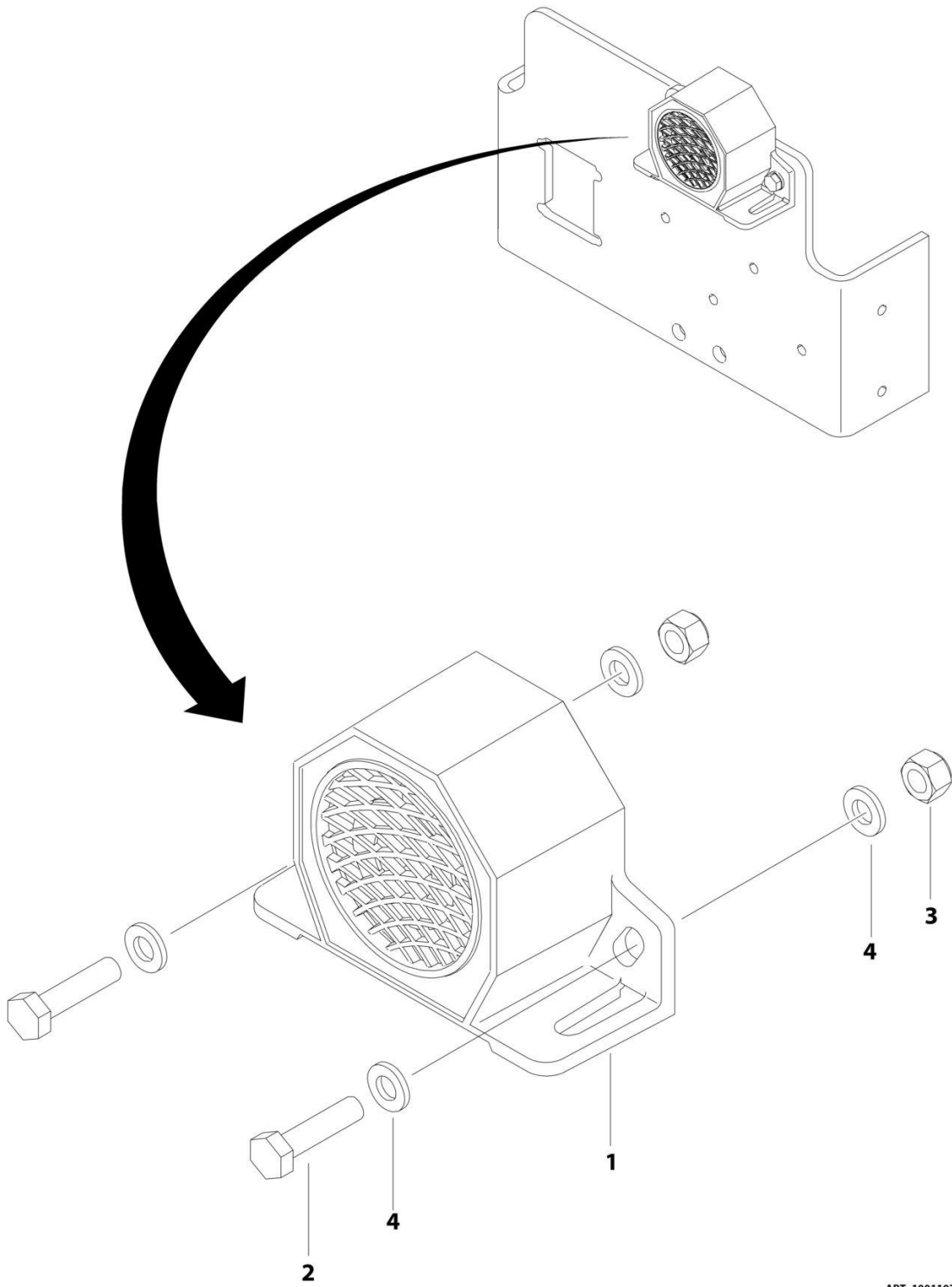
SECTION 2 - TURNTABLE

FIGURE 2-32. LIGHT PANEL INSTALLATION

ITEM	PART NUMBER	QTY	DESCRIPTION	REV
	1001245176	Ref	LIGHT PANEL INSTALLATION	C
2	3300408	2	Nut	
3	0630518	4	Screw 10 x 3/4	
5	1001245206	1	Light Panel Assembly	
5	1001245160	1	Overlay	
5	1001238732	1	Light Panel	

SECTION 2 - TURNTABLE

FIGURE 2-33. ALARM INSTALLATION



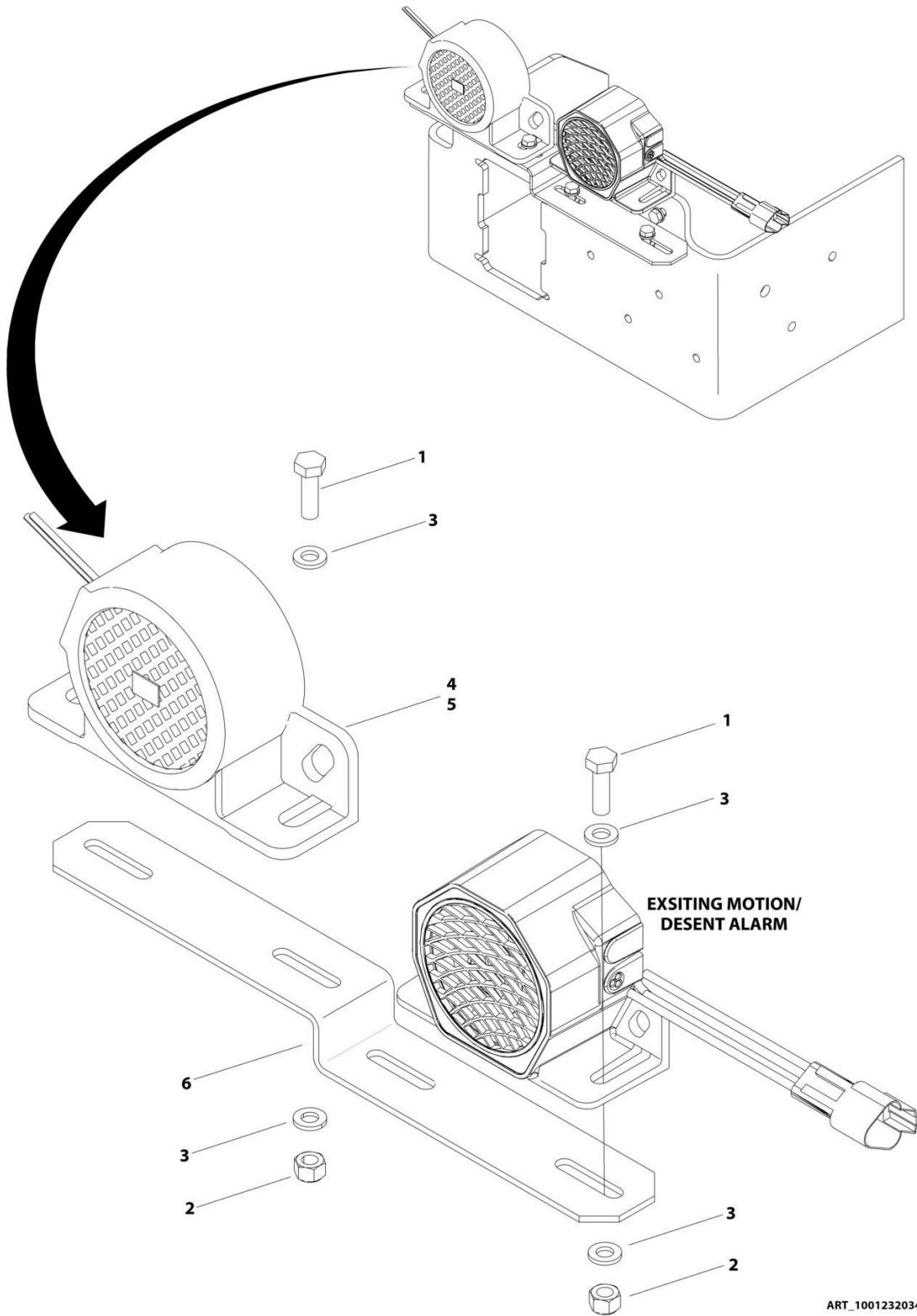
SECTION 2 - TURNTABLE

FIGURE 2-33. ALARM INSTALLATION

ITEM	PART NUMBER	QTY	DESCRIPTION	REV
	1001197331	Ref	ALARM INSTALLATION	A
1	0140043	1	Alarm	
1	4460536	1	Receptacle, Female - 3 Position	
1	4460943	3	Pin, Male	
2	0700612	2	Bolt M6 x 25	
3	3290605	2	Nut M6	
4	4811700	4	Washer M6	

SECTION 2 - TURNTABLE

FIGURE 2-34. WHITE NOISE ALARM INSTALLATION



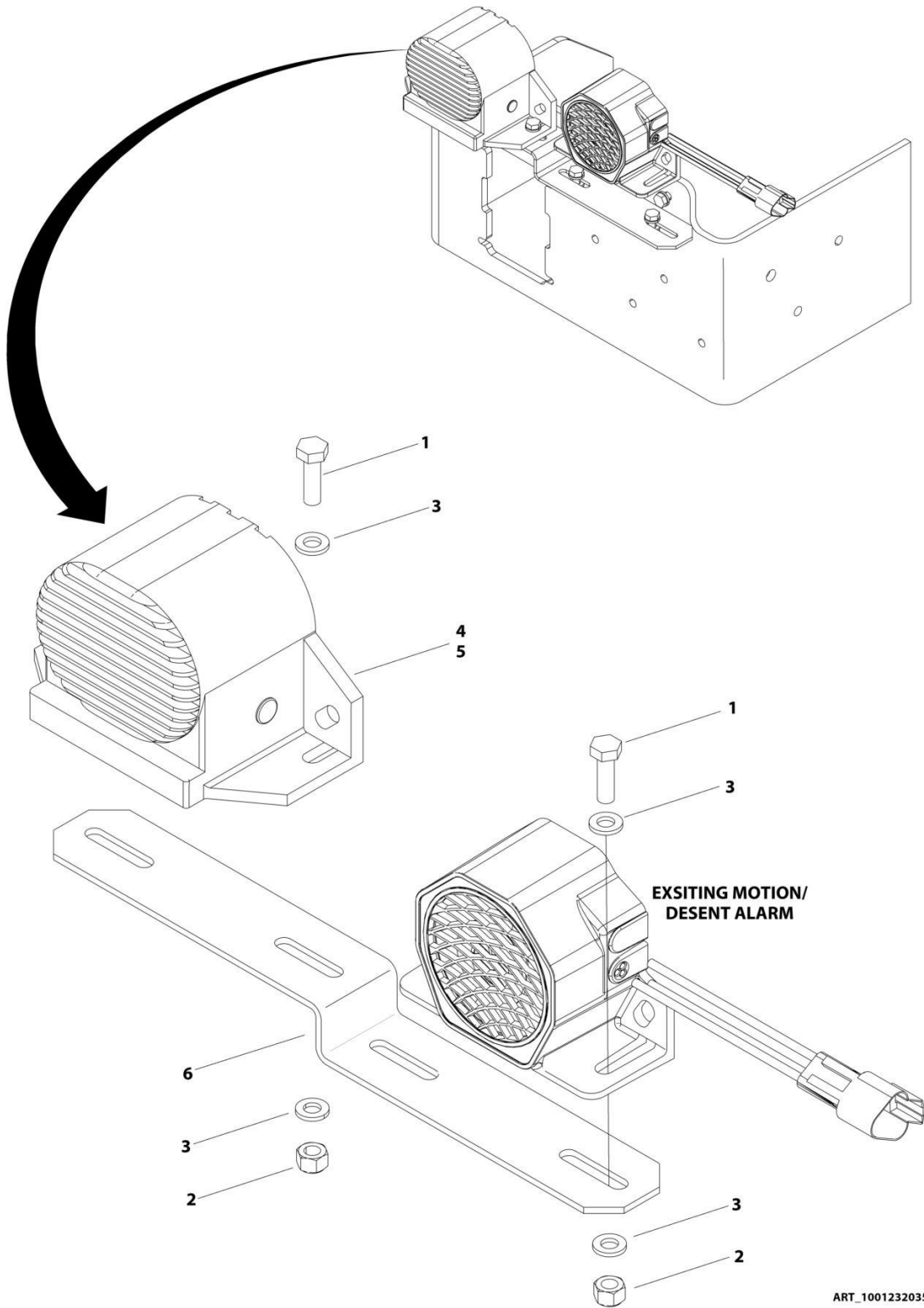
SECTION 2 - TURNTABLE

FIGURE 2-34. WHITE NOISE ALARM INSTALLATION

ITEM	PART NUMBER	QTY	DESCRIPTION	REV
	1001232034	Ref	WHITE NOISE ALARM INSTALLATION	A
1	0700610	4	Bolt M6 x 20	
2	3290605	4	Nut M6	
3	4811700	8	Washer M6	
4	1001184682	1	Alarm	
5	1001231008	1	White Noise Motion Alarm Harness (Not Shown - See Separate Breakdown in ELECTRICAL SECTION)	
6	1001231711	1	Bracket	

SECTION 2 - TURNTABLE

FIGURE 2-35. WHITE NOISE AMBIENT ALARM INSTALLATION



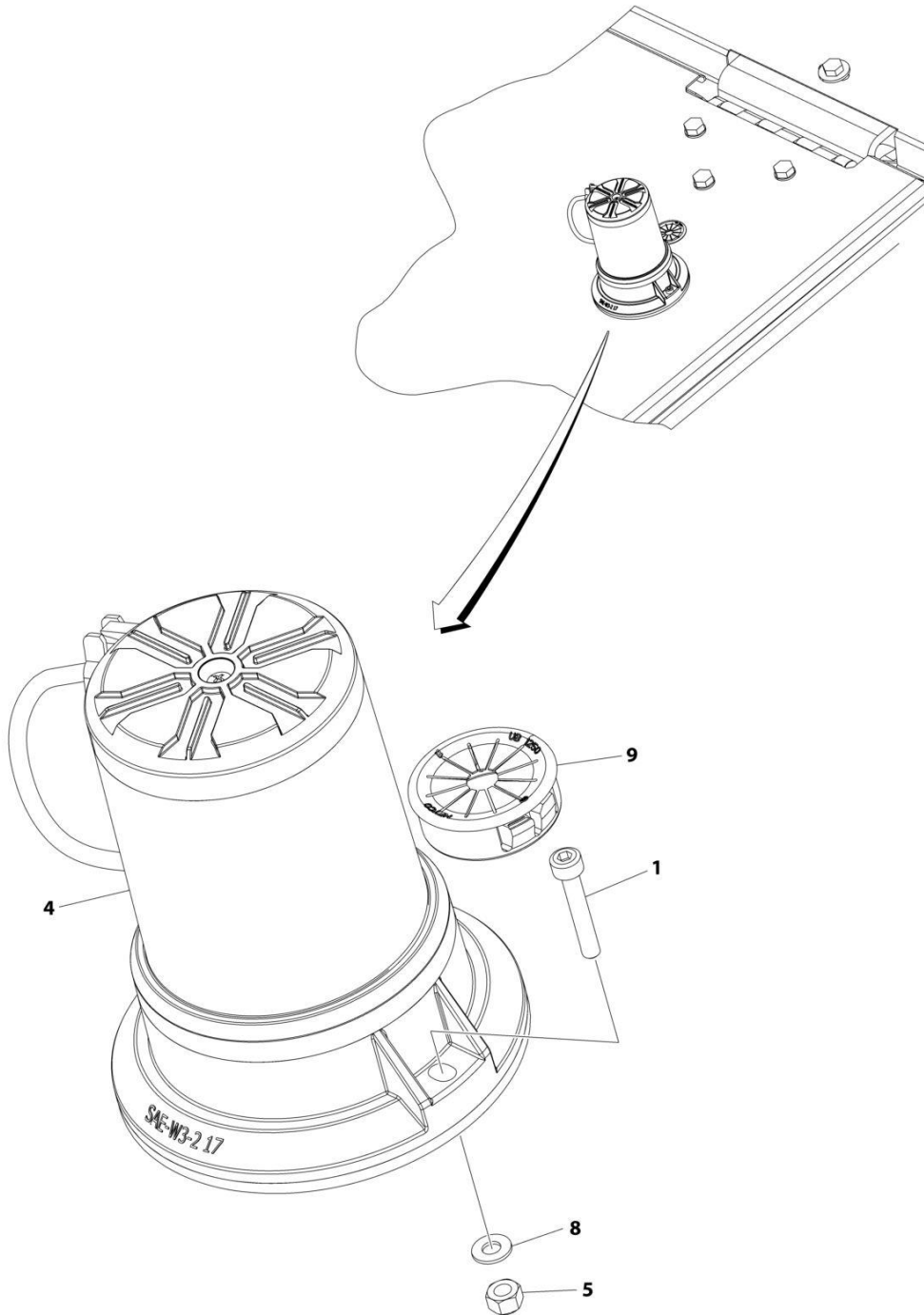
SECTION 2 - TURNTABLE

FIGURE 2-35. WHITE NOISE AMBIENT ALARM INSTALLATION

ITEM	PART NUMBER	QTY	DESCRIPTION	REV
	1001232035	Ref	WHITE NOISE AMBIENT ALARM INSTALLATION	A
1	0700610	4	Bolt M6 x 20	
2	3290605	4	Nut M6	
3	4811700	8	Washer M6	
4	1001182806	1	Alarm	
5	1001231008	1	White Noise Motion Alarm Harness (Not Shown - See Separate Breakdown in ELECTRICAL SECTION)	
6	1001231711	1	Bracket	

SECTION 2 - TURNTABLE

FIGURE 2-36. STROBE LIGHT INSTALLATION - AMBER



ART_1001203413_C

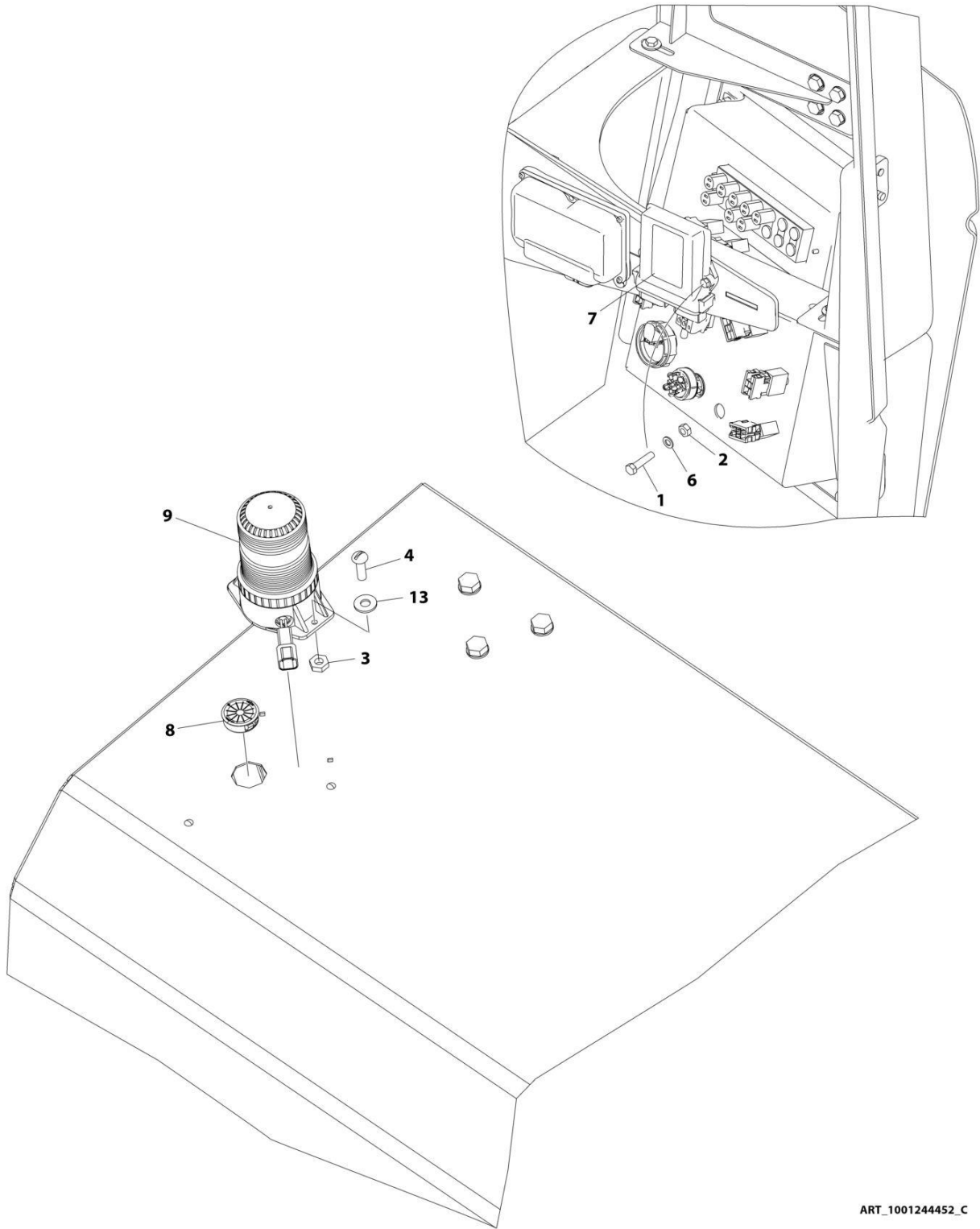
SECTION 2 - TURNTABLE

FIGURE 2-36. STROBE LIGHT INSTALLATION - AMBER

ITEM	PART NUMBER	QTY	DESCRIPTION	REV
	1001203413	Ref	STROBE LIGHT INSTALLATION - AMBER	C
1	4031509	1	Capscrew M4 x 25	
4	1001270594	1	Strobe Light Assembly	
4	4460891	1	Connector	
4	4460465	2	Socket	
5	3290405	2	Nut M4	
8	4811400	2	Washer M4	
9	1001169085	1	Grommet	
11	1001283776	1	Harness, Jumper (Not Shown - See Separate Breakdown in ELECTRICAL Section)	

SECTION 2 - TURNTABLE

FIGURE 2-37. STROBE LIGHT INSTALLATION - BLUE



ART_1001244452_C

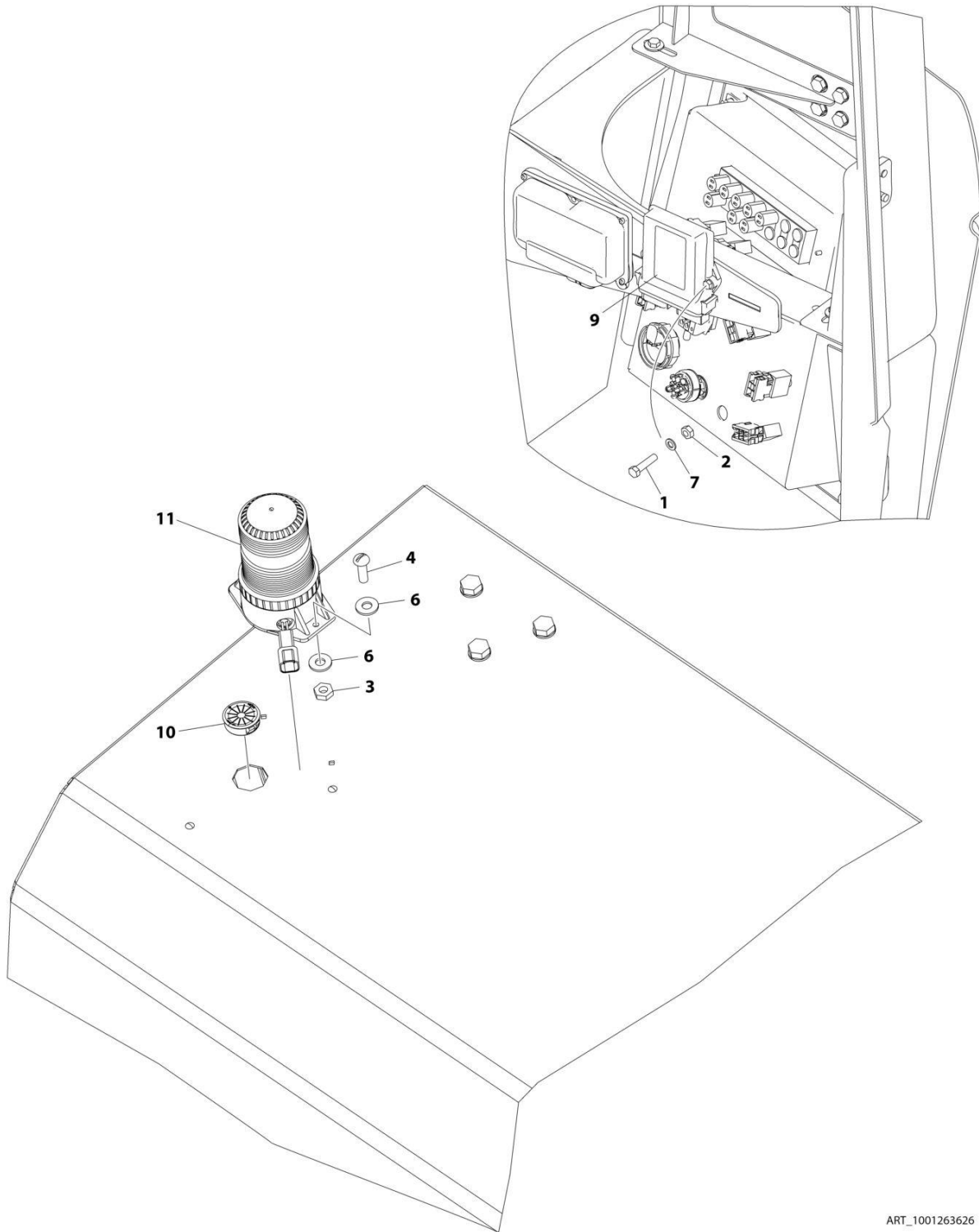
SECTION 2 - TURNTABLE

FIGURE 2-37. STROBE LIGHT INSTALLATION - BLUE

ITEM	PART NUMBER	QTY	DESCRIPTION	REV
	1001244452	Ref	STROBE LIGHT INSTALLATION - BLUE	C
1	0700615	2	Bolt M6 x 35	
2	3290605	2	Nut M6	
3	3290405	2	Nut, Lock M4	
4	4031509	2	Capscrew M4 x 25	
6	4811700	2	Washer M6	
7	1001142683	1	Module, Beacon Control	
8	1001169085	1	Grommet	
9	1001272681	1	Strobe Light Assembly	
9	4460897	1	Connector	
9	4460464	2	Pin	
10	1001210781	1	Strobe Light Harness (Not Shown - See Separate Breakdown in ELECTRICAL Section)	
11	4460488	3	Mounting Base, Terminal (Not Shown)	
12	1001008559	6	Tie, Strap (Not Shown)	
13	4811400	2	Washer M4	

SECTION 2 - TURNTABLE

FIGURE 2-38. STROBE LIGHT INSTALLATION - RED



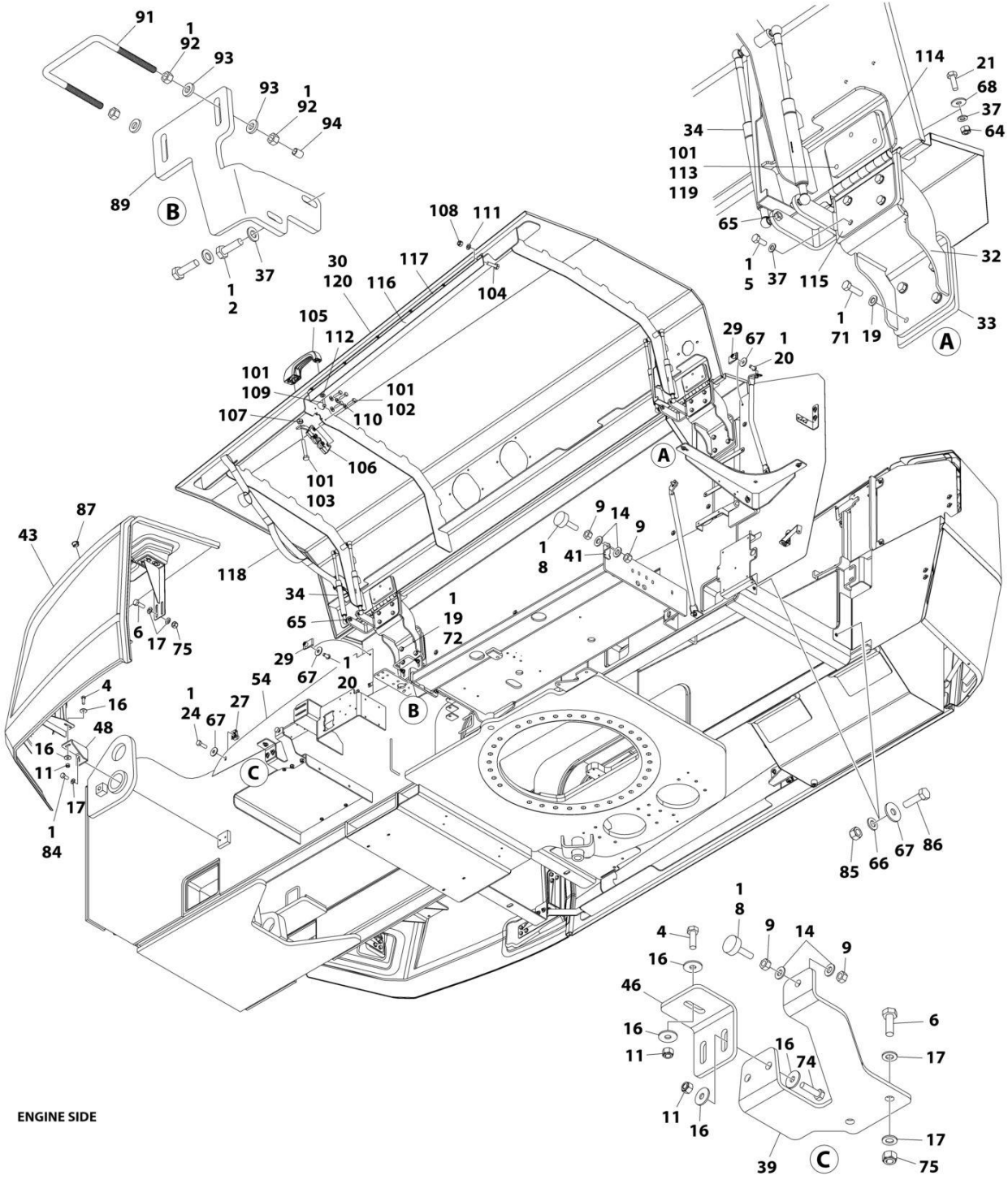
ART_1001263626

SECTION 2 - TURNTABLE

FIGURE 2-38. STROBE LIGHT INSTALLATION - RED

ITEM	PART NUMBER	QTY	DESCRIPTION	REV
	1001263626	Ref	STROBE LIGHT INSTALLATION	A
1	0700615	2	Bolt M6 x 35	
2	3290605	2	Nut M6	
3	3311005	2	Nut #10	
4	3911010	2	Screw #10 x 5/8	
5	4460488	3	Mounting Base, Terminal (Not Shown)	
6	4711000	4	Washer #10	
7	4811700	2	Washer M6	
8	1001008559	6	Tie-Strap (Not Shown)	
9	1001142683	1	Module, Beacon Control	
10	1001169085	1	Grommet	
11	1001207004	1	Strobe Light/Harness Assembly	
11	4460897	1	Connector - 2 Position	
11	4460464	2	Pin, Male	
12	1001210781	1	Strobe Light Harness (Not Shown - See Separate Breakdown in ELECTRICAL Section)	

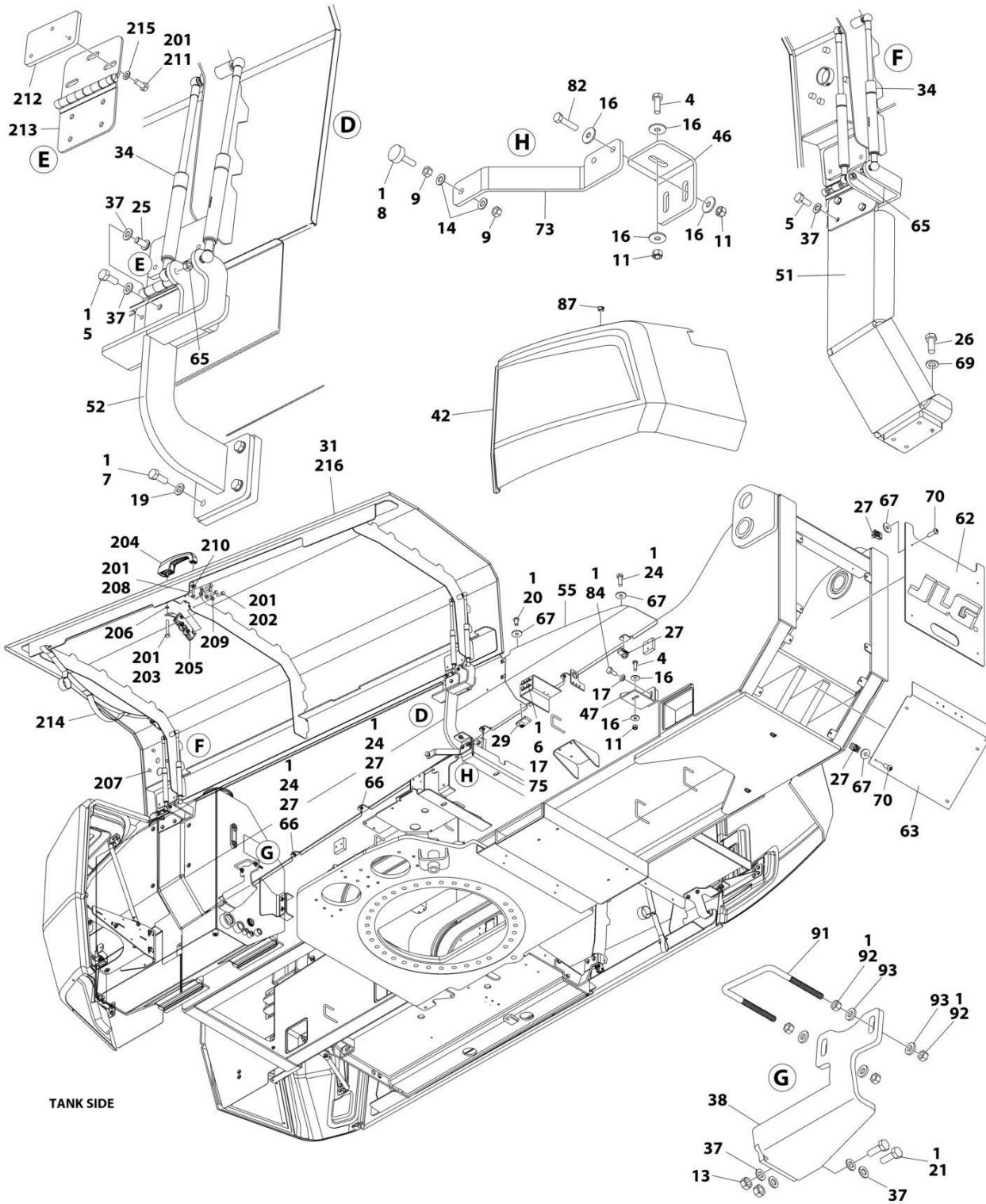
SECTION 2 - TURNTABLE



ENGINE SIDE

ART_1001196562_N_20F3

SECTION 2 - TURNTABLE



ART_1001196562_N_30F3

SECTION 2 - TURNTABLE

FIGURE 2-39. HOOD INSTALLATION

ITEM	PART NUMBER	QTY	DESCRIPTION	REV
	1001196562	Ref	HOOD INSTALLATION	N
1	0100011	AR	Compound, Locking	
2	0701015	2	Bolt M10 x 35	
3	0760810	1	Bolt M8 x 20	
4	0760812	8	Bolt M8 x 25	
5	0761012	22	Bolt M10 x 25	
6	0761014	21	Bolt M10 x 35	
7	0761214	4	Bolt M12 x 30	
8	0940049	4	Bumper	
9	3271501	8	Nut 5/16	
11	3290805	12	Nut M8	
13	3291007	2	Nut M10	
14	4711500	8	Washer 5/16	
16	4811902	26	Washer M8	
17	4812000	44	Washer M10	
18	4812002	5	Washer M10	
19	4812100	12	Washer M12	
20	0630615001	6	Screw M8 x 16	
21	0701014001	4	Bolt M10 x 30	
23	0760810001	8	Bolt M8 x 20	
24	0760812001	19	Bolt M8 x 25	
25	0761007001	2	Bolt M10 x 14	
26	0761214001	8	Bolt M12 x 30	
27	1001118274	27	Nut M8	
28	1001118972	3	Nut M10	
29	1001149160	6	Nut M8	
30	1001286281	1	Hood - Engine Side (See Items 101-120 for Breakdown)	
31	1001286284	1	Hood - Tank Side (See Items 201-216 for Breakdown)	
32	1001155591	2	Bracket	
33	1001155832	2	Plate, Spacer	
34	1001227710	8	Spring, Gas	
37	1001172358	26	Washer M10	
39	1001197937	1	Mount, Cover	
41	1001198685	1	Brace	
42	1001199310	1	Cover, Rear Left	
43	1001199319	1	Cover, Rear Right	
44	1001199465	1	Cover, Front Right	
45	1001199468	1	Cover, Front Left	
46	1001199753	2	Support	
47	1001199754	1	Bracket	
48	1001199755	1	Bracket	
50	1001199764	2	Bracket	
51	1001199778	1	Bracket	
52	1001199780	1	Support	
53	1001199782	1	Mount	
54	1001200501	1	Plate	
55	1001200502	1	Plate	
56	1001200519	1	Panel, Turntable Side	
57	1001200522	1	Cover	
58	1001200532	1	Panel, Filter	

SECTION 2 - TURNTABLE

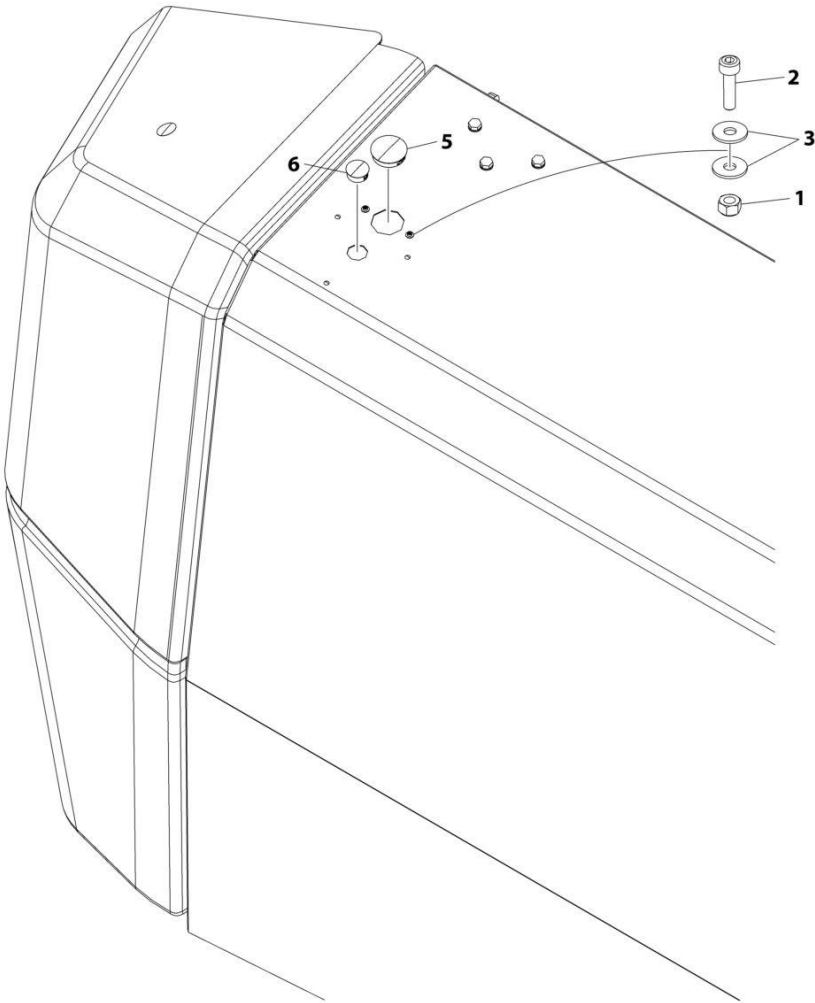
ITEM	PART NUMBER	QTY	DESCRIPTION	REV
59	1001202169	1	Panel, Hood	
60	1001202181	1	Strut	
61	1001202225	1	Bracket	
62	1001202733	1	Cover, Turntable	
63	1001202734	1	Cover, Turntable	
64	3291005001	2	Nut M10	
65	3291007001	8	Nut M10	
66	4811900001	4	Washer M8	
67	4811902001	49	Washer M8	
68	4812002001	2	Washer M10	
69	4812100001	8	Washer M12	
70	8310643001	8	Screw M8 x 25	
71	0761216	4	Bolt M12 x 40	
72	0761217	4	Bolt M12 x 45	
73	1001209961	1	Bracket, Bumper	
74	0760814	2	Bolt M8 x 30	
75	3291005	16	Nut M10	
76	1001209626	1	Brace	
77	1001209935	1	Brace	
78	1001210116	1	Brace	
79	1001210259	1	Brace	
80	1001210283	2	Bracket	
81	1001210294	1	Bracket	
82	0760815	2	Bolt M8 x 35	
83	0761015	2	Bolt M10 x 35	
84	0761011	4	Bolt M10 x 22	
85	3290805001	11	Nut M8	
86	0760814001	2	Bolt M8 x 30	
87	1001131130	4	Plug	
88	1001180620	AR	Compound, Locking	
89	1001250302	1	Bracket	
90	1001250303	1	Bracket	
91	1001243414	2	Bolt U	
92	3311601	8	Nut 3/8	
93	4891600	8	Washer 3/8	
94	1001218572	2	Cap	
	1001286281	Ref	HOOD ASSEMBLY - ENGINE SIDE	A
		Ref	Note: Replacement Decals Must be Ordered Separately - See DECAL Section.	
101	0100011	AR	Compound, Locking	
102	0641408	4	Bolt 1/4 x 1	
103	0700616	1	Bolt M6 x 40	
104	0760612	6	Bolt M6 x 25	
105	2560187	1	Handle, Push Button	
106	2940173	1	Latch	
107	3290601	1	Nut M6	
108	3290605	6	Nut, Lock M6	
109	3900363	2	Capscrew M6 x 25	
110	4711400	4	Washer 1/4	
111	4811700	6	Washer M6	
112	4811900	2	Washer M8	
113	0761012001	6	Bolt M10 x 25	

SECTION 2 - TURNTABLE

ITEM	PART NUMBER	QTY	DESCRIPTION	REV
114	1001155584	2	Plate	
115	1001156347	2	Hinge	
116	1001157906	1	Seal	
117	1001157907	1	Plate	
118	1001160505	1	Strap	
119	1001172358	6	Washer M10	
120	1001286280	1	Hood	
	1001286284	Ref	HOOD ASSEMBLY - TANK SIDE	A
		Ref	Note: Replacement Decals Must be Ordered Separately - See DECAL Section.	
201	0100011	AR	Compound, Locking	
202	0641408	4	Bolt 1/4 x 1	
203	0700616	1	Bolt M6 x 40	
204	2560187	1	Handle, Push Button	
205	2940173	1	Latch	
206	3290601	1	Nut M6	
207	3520173	3	Plug	
208	3900363	2	Capscrew M6 x 25	
209	4711400	4	Washer 1/4	
210	4811900	2	Washer M8	
211	0761012001	6	Bolt M10 x 25	
212	1001155584	2	Plate	
213	1001156347	2	Hinge	
214	1001160505	1	Strap	
215	1001172358	6	Washer M10	
216	1001286283	1	Hood	

SECTION 2 - TURNTABLE

FIGURE 2-40. HOOD PLUGS INSTALLATION



ART_1001287191

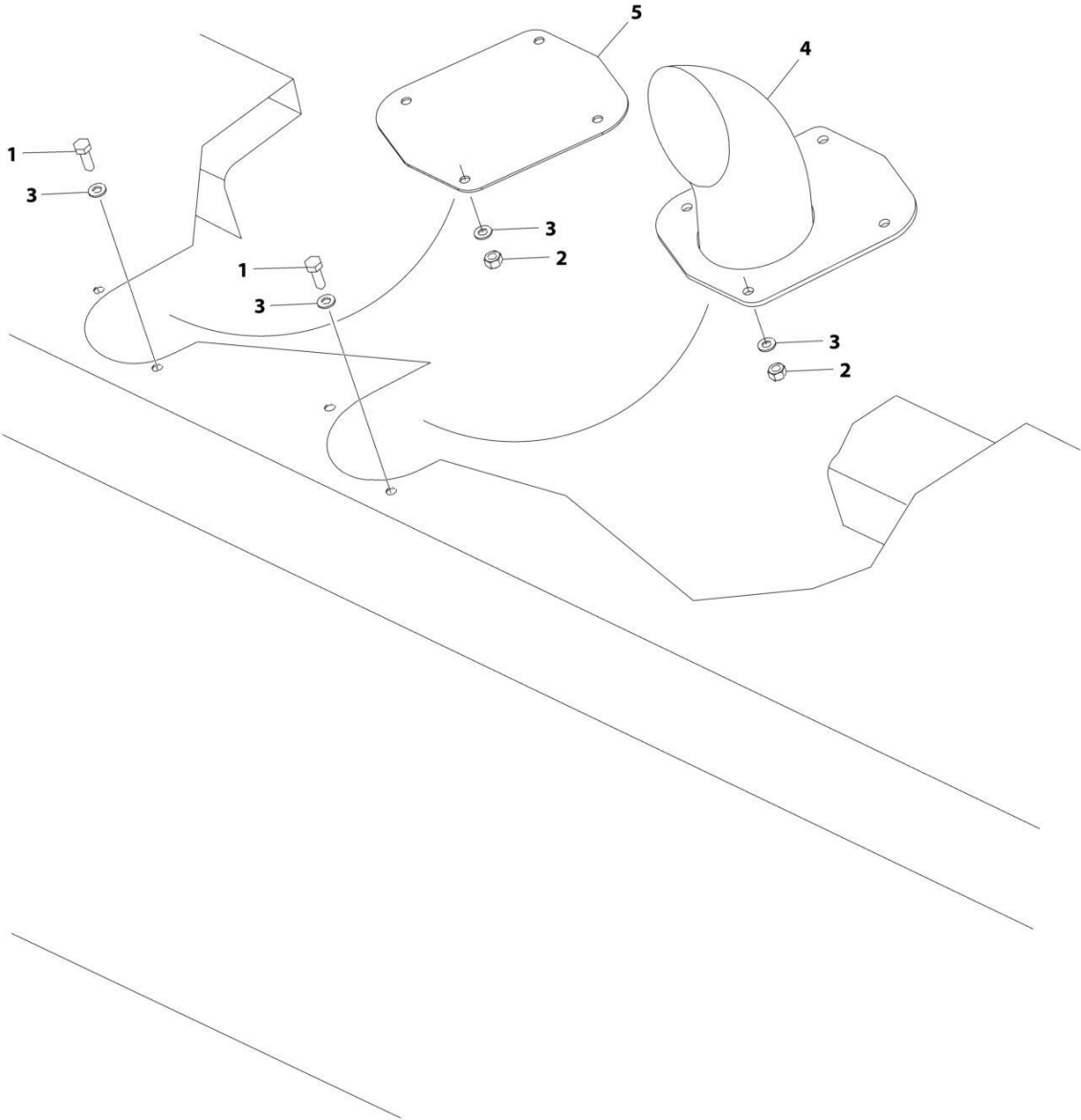
SECTION 2 - TURNTABLE

FIGURE 2-40. HOOD PLUGS INSTALLATION

ITEM	PART NUMBER	QTY	DESCRIPTION	REV
	1001287191	Ref	HOOD PLUGS INSTALLATION	A
1	3290405	4	Nut, Lock M4	
2	4031507	4	Capscrew M4 x 16	
3	1001091102	8	Washer M4	
4	1001244462	1	Cap, Dust (Not Shown)	
5	1001285891	2	Plug 50mm	
6	1001285892	2	Plug 31mm	

SECTION 2 - TURNTABLE

FIGURE 2-41. VENTURI INSTALLATION (HRC)



ART_1001161488

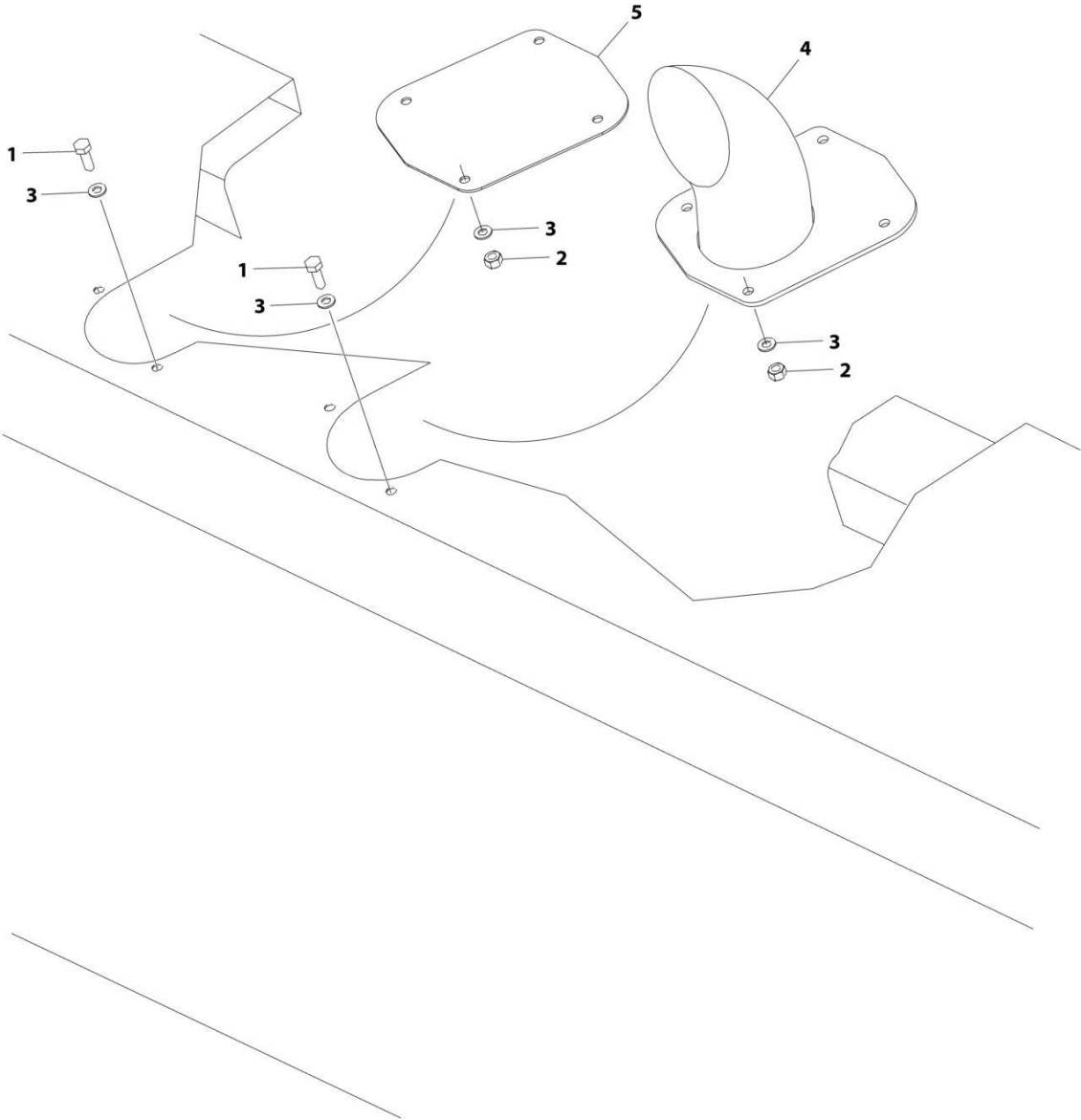
SECTION 2 - TURNTABLE

FIGURE 2-41. VENTURI INSTALLATION (HRC)

ITEM	PART NUMBER	QTY	DESCRIPTION	REV
	1001161488	Ref	VENTURI INSTALLATION (HRC)	E
1	0701014001	8	Bolt M10 x 30	
2	3291005001	8	Nut M10	
3	1001172358	16	Washer M10	
4	1001155527	1	Venturi, Exhaust	
5	1001190927	1	Panel	

SECTION 2 - TURNTABLE

FIGURE 2-42. VENTURI INSTALLATION (LRC)



ART_1001190032

SECTION 2 - TURNTABLE

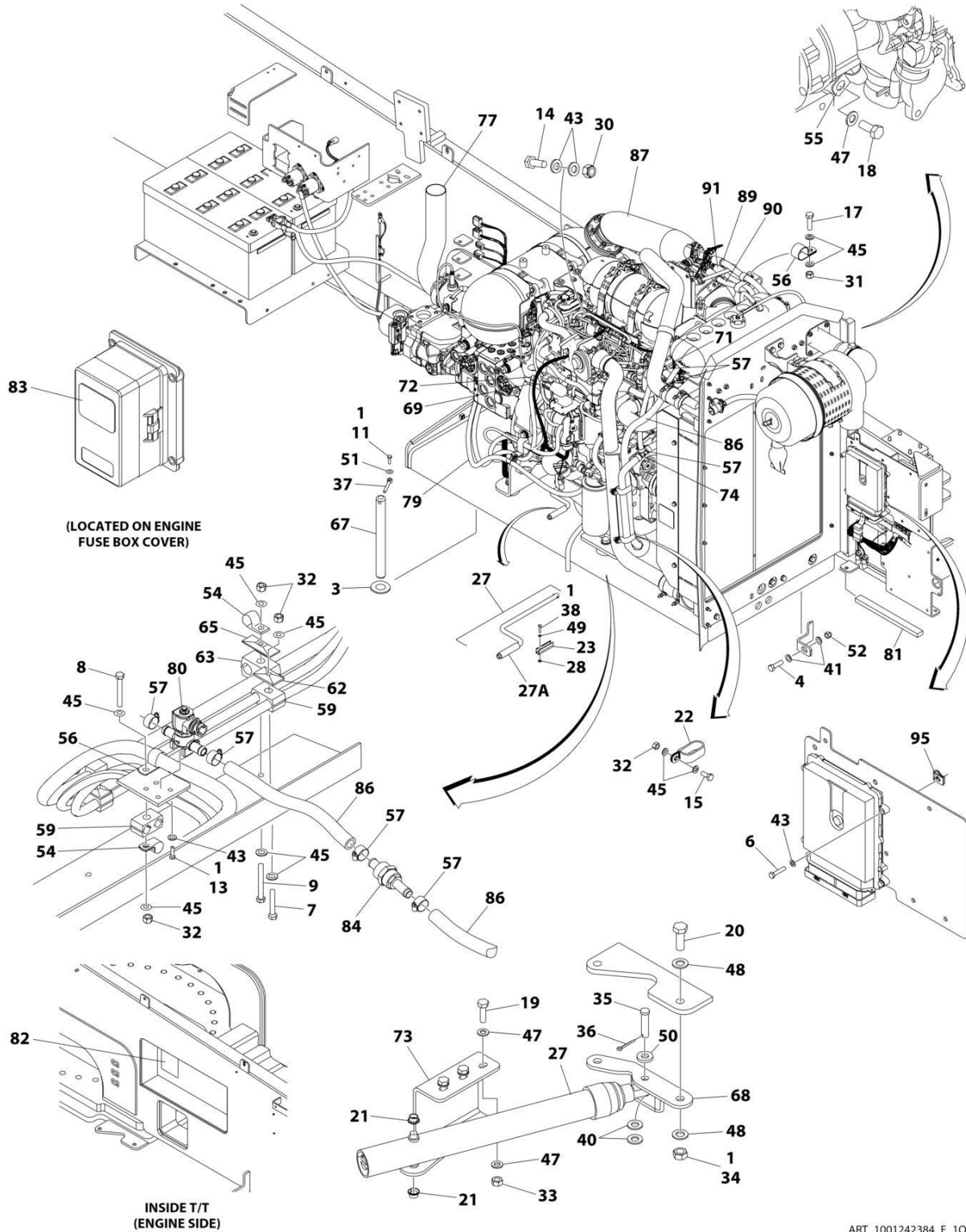
FIGURE 2-42. VENTURI INSTALLATION (LRC)

ITEM	PART NUMBER	QTY	DESCRIPTION	REV
	1001190032	Ref	VENTURI INSTALLATION (LRC)	B
1	0701014001	8	Bolt M10 x 30	
2	3291005001	8	Nut M10	
3	1001172358	16	Washer M10	
4	1001161470	1	Venturi, Exhaust	
5	1001190927	1	Panel	

SECTION 3 - ENGINE

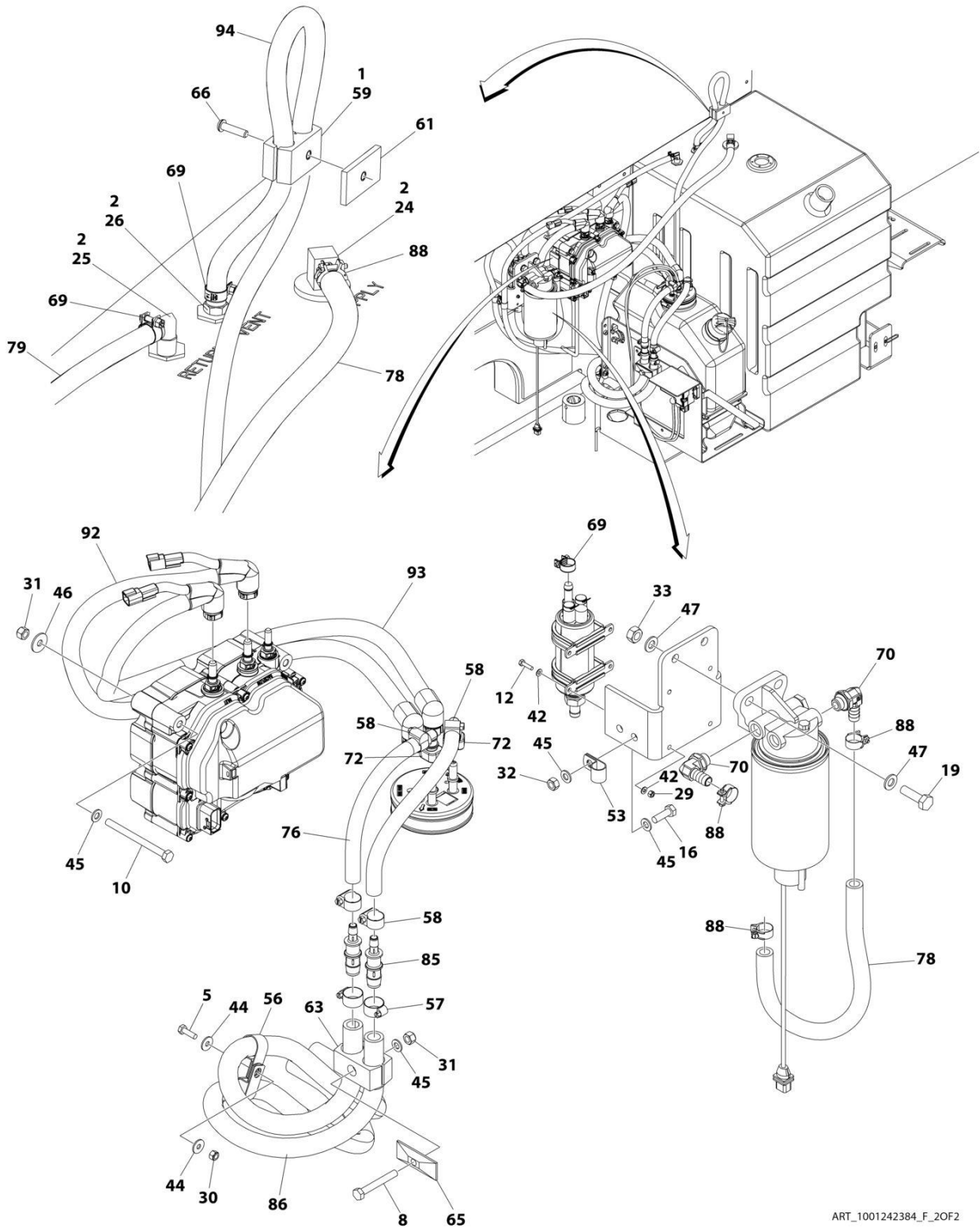
SECTION 3 - ENGINE

FIGURE 3-1. ENGINE INSTALLATION (HRC) (WITHOUT COLD WEATHER PACKAGE)



ART_1001242384_F_10F2

SECTION 3 - ENGINE



ART_1001242384_F_2OF2

SECTION 3 - ENGINE

FIGURE 3-1. ENGINE INSTALLATION (HRC) (WITHOUT COLD WEATHER PACKAGE)

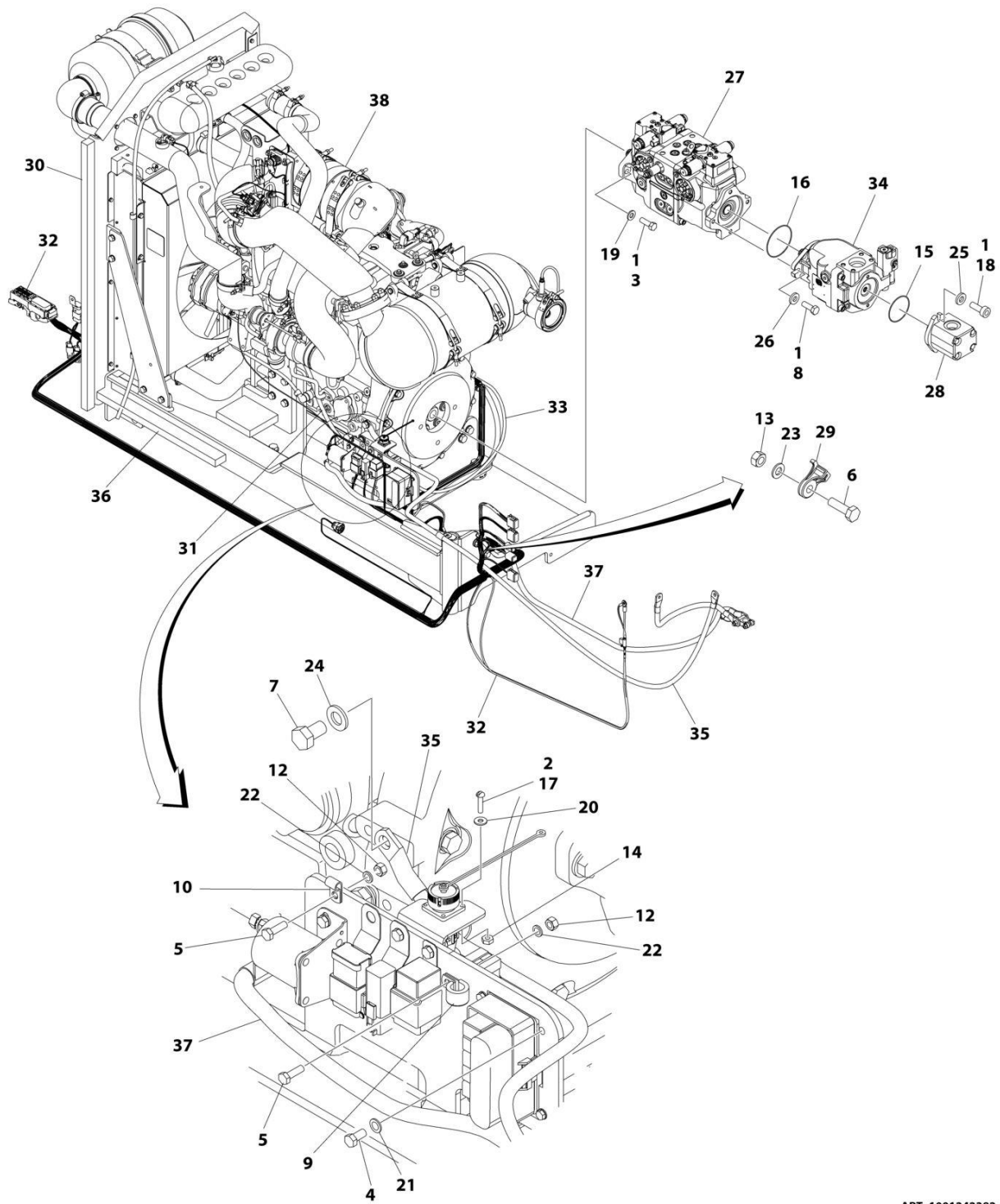
ITEM	PART NUMBER	QTY	DESCRIPTION	REV
	1001242384	Ref	ENGINE INSTALLATION (HRC) (WITHOUT COLD WEATHER PACKAGE)	F
1	0100011	AR	Compound, Locking	
2	0100020	AR	Sealant	
3	0440162	1	Bearing	
4	0642220	1	Bolt 3/4 x 2-1/2	
5	0700610	1	Bolt M6 x 20	
6	0700614	4	Bolt M6 x 30	
7	0700818	2	Bolt M8 x 50	
8	0700820	2	Bolt M8 x 60	
9	0700822	2	Bolt M8 x 70	
10	0700827	3	Bolt M8 x 100	
11	0711015	1	Bolt M10 x 35	
12	0760408	4	Bolt M4 x 16	
13	0760606	4	Bolt M6 x 12	
14	0760608	1	Bolt M6 x 16	
15	0760810	3	Bolt M8 x 20	
16	0760812	2	Bolt M8 x 25	
17	0760814	1	Bolt M8 x 30	
18	0761009	1	Bolt M10 x 18	
19	0761015	5	Bolt M10 x 35	
20	0771416	2	Bolt M14 x 40	
21	0962051	2	Bearing	
22	1321716	3	Clamp	
23	1380147	1	Clip	
24	2180832	1	Fitting, Straight Barbed/NPTF	
25	2220313	1	Fitting, 90 Barbed/NPTF	
26	2221114	1	Fitting, Straight Barbed/NPT	
27	2840016	1	Tray Jack Assembly	
27	7016322	1	Wiper (Burr Brand)	
27A	7016374	1	Handle (Burr Brand)	
27A	7024598	1	Handle (Hammerblow Brand)	
28	3290301	2	Nut M3	
29	3290405	4	Nut M4	
30	3290605	2	Nut M6	
31	3290805	6	Nut M8	
32	3290807	9	Nut M8	
33	3291007	5	Nut M10	
34	3331411	2	Nut M14	
35	3430816	1	Pin	
36	3450404	1	Pin, Cotter 1/8 x 1	
37	3841143	1	Keeper, Pin	
38	4010308	2	Screw M3 x 16	
39	4240099	AR	Tie-Strap (Not Shown)	
40	4711800	2	Washer 1/2	
41	4712200	2	Washer 3/4	
42	4811400	8	Washer M4	
43	4811700	10	Washer M6	
44	4811702	2	Washer M6	
45	4811900	26	Washer M8	

SECTION 3 - ENGINE

ITEM	PART NUMBER	QTY	DESCRIPTION	REV
46	4811902	3	Washer M8	
47	4812000	11	Washer M10	
48	4812200	4	Washer M14	
49	4871200	2	Washer M3	
50	4891800	1	Washer 1/2	
51	5241000	1	Washer M10	
52	8310067	1	Nut 3/4	
53	8406101	1	Clip	
54	8406102	3	Clip	
55	8406105	1	Clip	
56	8406201	6	Clip	
57	8410009	14	Clamp	
58	8410013	4	Clamp	
59	8750014	4	Clamp	
61	8750031	1	Plate, Clamp	
62	8769123	2	Cover, Clamp	
63	8769127	3	Clamp	
65	77133137	3	Cover, Clamp	
66	1001101580	1	Screw M8 x 30	
67	1001135196	1	Pin	
68	1001135497	1	Support	
69	1001136975	5	Clamp	
70	1001142501	2	Fitting, 90 Barbed	
71	1001154262	2	Fitting, Straight Barbed	
72	1001155823	3	Fitting, 90 Barbed	
73	1001155939	1	Mount	
74	1001162212	2	Fitting, Tee Barbed	
76	1001181625	2 ft/ 0.61m	Hose	
77	1001190475	1	Pipe, Exhaust	
78	1001154405	53 in/ 1.4m	Hose	
79	1001165035	31 ft/ 9.4m	Hose	
80	1001199670	1	Valve, Flow	
81	1001206747	1	Seal	
82	1001212056	1	Decal - Engine Fuse Box	
83	1001224046	1	Decal - Engine Fuse Box Cover	
84	1001228872	1	Filter, Coolant Screen	
85	1001238470	2	Fitting, Reducer Barbed	
86	82033995	378 in/ 9.6m	Hose	
87	1001242382	1	Engine Assembly with Pumps (HRC) (Without Cold Weather Package) (See Separate Breakdown in this Section)	
88	1001186342	4	Clip	
89	1001187518	1	Hose	
90	1001193980	1	Hose, Return	
91	1001212825	1	Hose	
92	1001238401	1	Hose, Backflow	
93	1001238402	1	Hose, Suction	
94	2750532	4 ft/ 1.2m	Hose	
95	8305919	4	Nut, Retainer M6	

SECTION 3 - ENGINE

FIGURE 3-2. ENGINE ASSEMBLY WITH PUMPS (HRC) (WITHOUT COLD WEATHER PACKAGE)



ART_1001242382

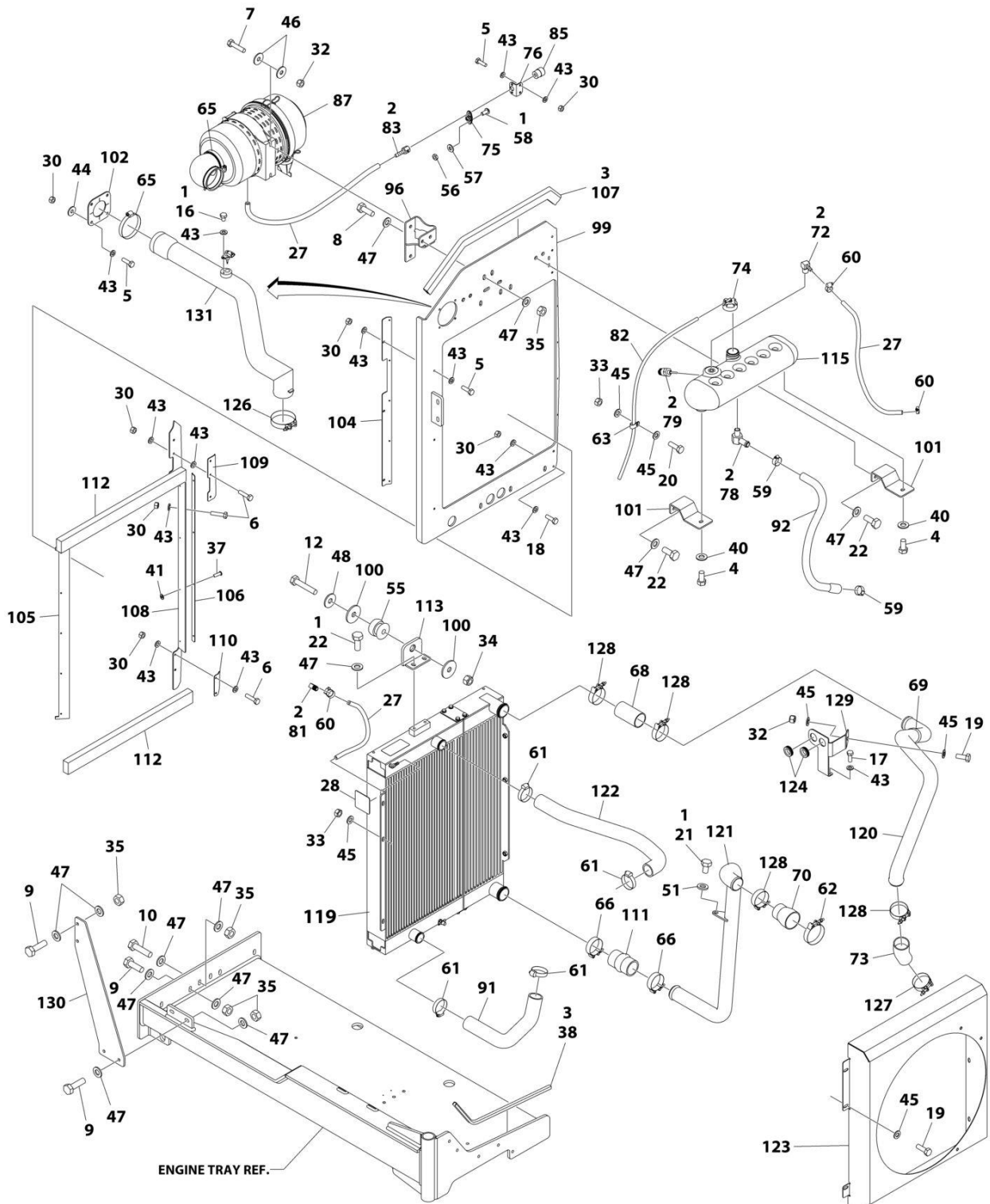
SECTION 3 - ENGINE

FIGURE 3-2. ENGINE ASSEMBLY WITH PUMPS (HRC) (WITHOUT COLD WEATHER PACKAGE)

ITEM	PART NUMBER	QTY	DESCRIPTION	REV
	1001242382	Ref	ENGINE ASSEMBLY WITH PUMPS (HRC) (WITHOUT COLD WEATHER PACKAGE)	C
1	0100011	AR	Compound, Locking	
2	0100035	AR	Compound, Locking	
3	0641812	2	Bolt 1/2 x 1-1/2	
4	0760508	4	Bolt M5 x 16	
5	0760610	2	Bolt M6 x 20	
6	0761015	2	Bolt M10 x 35	
7	0761210	1	Bolt M12 x 20	
8	0761216	2	Bolt M12 x 40	
9	1320041	1	Clamp	
10	1320136	1	Clamp	
12	3290607	2	Nut M6	
13	3291007	2	Nut M10	
14	3310401	3	Nut #4	
15	3790152	1	O-Ring	
16	3790155	1	O-Ring	
17	3910408	3	Screw #4 x 1/2	
18	3931620	2	Capscrew 3/8 x 1-1/4	
19	4740171	2	Washer	
20	4750400	3	Washer #4	
21	4811600	4	Washer M5	
22	4811700	2	Washer M6	
23	4812000	2	Washer M10	
24	4812100	1	Washer M12	
25	4891600	2	Washer 3/8	
26	4891800	2	Washer 1/2	
27	1001108616	1	Tandem Pump Assembly (See Separate Breakdown in this Section)	
28	1001112927	1	Gear Pump Assembly (See Separate Breakdown in this Section)	
29	1001156107	2	Holder, Cable	
30	1001156718	1	Seal	
31	1001157073	1	Cable, Alternator	
32	1001188922	1	Engine Harness (See Separate Breakdown in ELECTRICAL SECTION)	
33	1001197445	1	Cable, Glow Plug	
34	1001199470	1	Piston Pump Assembly (See Separate Breakdown in this Section)	
35	1001202355	1	Cable, Battery Negative	
36	1001206747	1	Seal	
37	1001234791	1	Cable, Battery Positive	
38	1001242378	1	Engine Assembly (HRC) (Without Cold Weather Package) (See Separate Breakdown in this Section)	

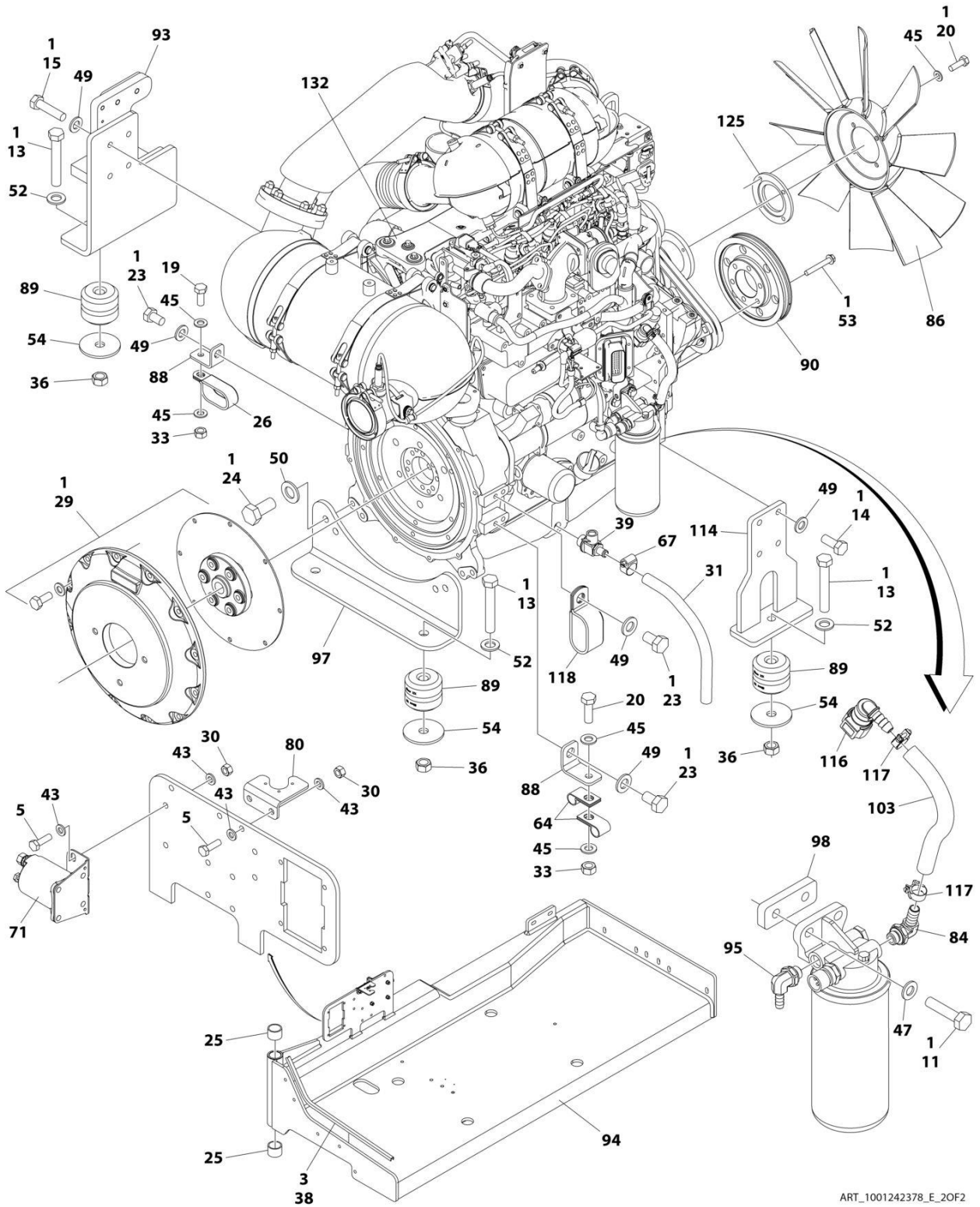
SECTION 3 - ENGINE

FIGURE 3-3. ENGINE ASSEMBLY (HRC) (WITHOUT COLD WEATHER PACKAGE)



ART_1001242378_E_10F2

SECTION 3 - ENGINE



ART_1001242378_E_20F2

SECTION 3 - ENGINE

FIGURE 3-3. ENGINE ASSEMBLY (HRC) (WITHOUT COLD WEATHER PACKAGE)

ITEM	PART NUMBER	QTY	DESCRIPTION	REV
	1001242378	Ref	DEUTZ T4F ENGINE ASSEMBLY	F
1	0100011	AR	Compound, Locking	
2	0100020	AR	Sealant	
3	0100081	AR	Adhesive	
4	0641606	2	Bolt 3/8 x 3/4	
5	0700610	13	Bolt M6 x 20	
6	0700612	7	Bolt M6 x 25	
7	0700815	2	Bolt M8 x 35	
8	0701013	2	Bolt M10 x 28	
9	0701015	6	Bolt M10 x 35	
10	0701016	2	Bolt M10 x 40	
11	0701017	2	Bolt M10 x 45	
12	0701019	1	Bolt M10 x 55	
13	0701627	4	Bolt M16 x 100	
14	0711214	4	Bolt M12 x 30 Grade 10.9	
15	0711218	4	Bolt M12 x 50 Grade 10.9	
16	0760604	1	Bolt M6 x 8	
17	0760608	2	Bolt M6 x 16	
18	0760614	2	Bolt M6 x 30	
19	0760810	6	Bolt M8 x 20	
20	0760812	7	Bolt M8 x 25	
21	0761008	1	Bolt M10 x 16	
22	0761012	6	Bolt M10 x 25	
23	0761210	3	Bolt M12 x 20	
24	0771415	4	Bolt M14 x 35 Grade 10.9	
25	0961951	2	Bushing	
26	1321716	1	Clamp	
27	2720015	5 ft/ 1.5m	Hose	
28	1703162	2	Decal - Fan Blade	
29	2902065	1	Pump Coupling Kit (See Separate Breakdown in this Section)	
30	3290607	22	Nut M6	
31	1001165035	1 ft/ 0.3m	Hose	
32	3290805	3	Nut M8	
33	3290807	5	Nut M8	
34	3291005	1	Nut M10	
35	3291007	10	Nut M10	
36	3291601	4	Nut M16	
37	3820032	9	Rivet	
38	4060807	22 in/ 55cm	Flex-Trim	
39	4640751	1	Valve, Oil Drain	
40	4711600	2	Washer 3/8	
41	4811600	4	Washer M5	
42	4240099	AR	Tie-Strap (Not Shown)	
43	4811700	43	Washer M6	
44	4811702	4	Washer M6	
45	4811900	19	Washer M8	
46	4811902	4	Washer M8	
47	4812000	30	Washer M10	
48	4812002	1	Washer M10	

SECTION 3 - ENGINE

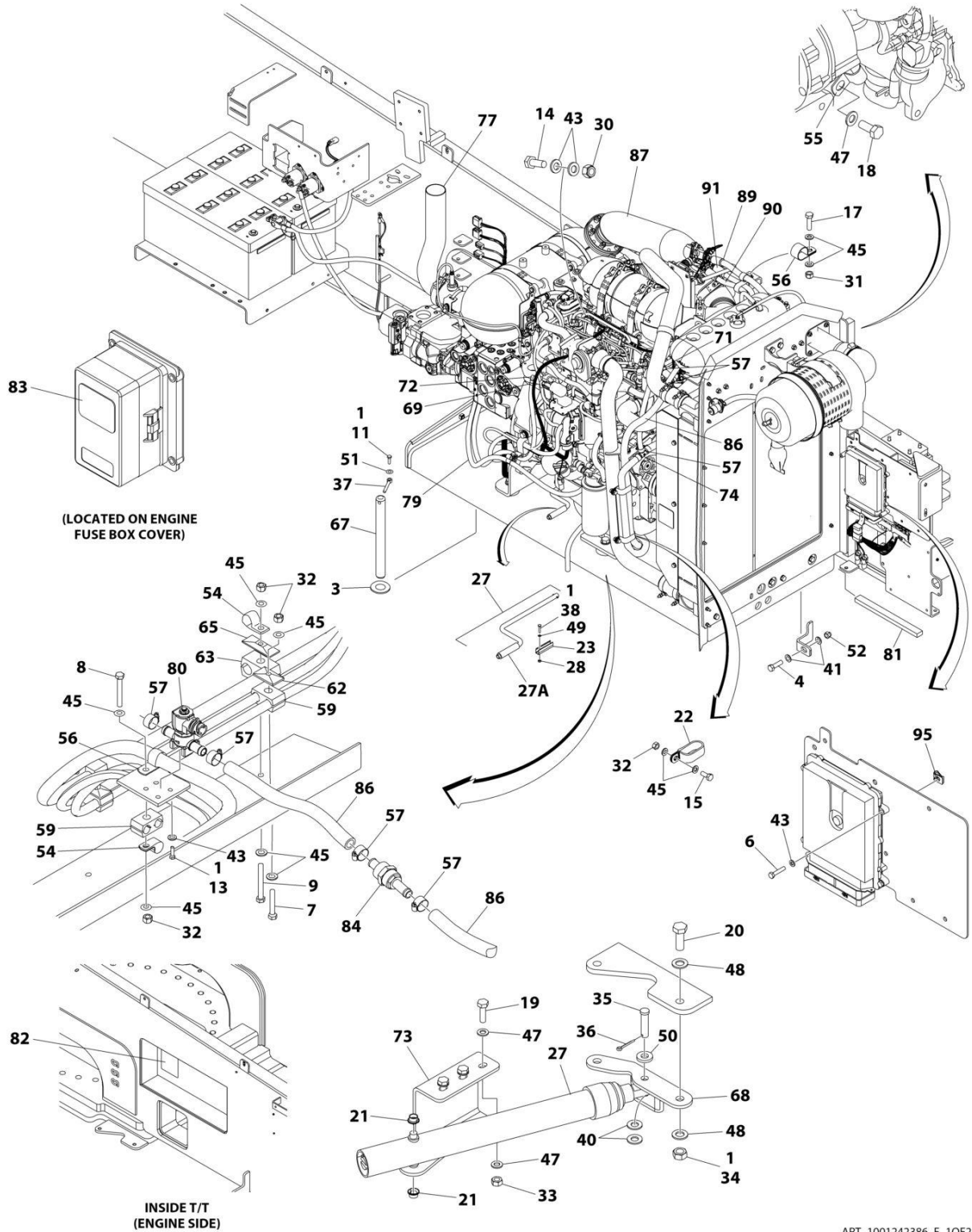
ITEM	PART NUMBER	QTY	DESCRIPTION	REV
49	4812100	11	Washer M12	
50	4812200	4	Washer M14	
51	5241000	1	Washer M10	
52	5241600	4	Washer M16	
53	5251022	6	Bolt M10 x 70	
54	7300435	4	Washer	
55	8278020	1	Mount	
56	8305401	2	Nut 1/4	
57	8307109	2	Washer 1/4	
58	8310548	2	Screw 1/4 x 1/2	
59	8405007	2	Clamp	
60	8405009	4	Clamp	
61	8405104	4	Clamp	
62	8405211	1	Clamp	
63	8406109	2	Clip	
64	8406110	2	Clip	
65	8410011	2	Clamp	
66	8410012	2	Clamp	
67	8410013	1	Clamp	
68	91563070	1	Coupling, Rubber	
69	1001097588	1	Clip	
70	1001117244	1	Reducer	
71	1001117308	1	Relay, 200Amp	
72	1001134488	1	Fitting, 90 NPT/Barbed	
73	1001135943	1	Coupling	
74	1001136834	1	Cap	
75	1001138173	1	Support	
76	1001138175	1	Bracket	
78	1001138559	1	Fitting, 90 NPT	
79	1001138827	1	Sensor	
80	1001139240	1	Bracket	
81	1001140564	1	Fitting, 90 NPT/Barbed	
82	1001138248	5 ft/ 1.5m	Tubing	
83	1001141995	1	Fitting, Straight NPT/Barbed	
84	1001142501	1	Fitting, 90 NPT/Barbed	
85	1001143390	1	Indicator, Air Restriction	
86	1001147567	1	Fan	
87	1001147847	1	Filter, Air	
87	70023809	1	Element, Primary	
87	70023872	1	Element, Secondary	
87	70024328	1	Elbow, Rubber	
87	70024329	1	Clamp, Mounting	
88	1001148641	2	Bracket	
89	1001149517	4	Mount, Motor	
90	1001149746	1	Pulley	
91	1001150504	1	Hose	
92	1001150553	1	Hose	
93	1001151491	1	Support	
94	1001151749	1	Tray	
95	1001152489	1	Fitting, 90 Barbed	
96	1001155023	1	Plate	

SECTION 3 - ENGINE

ITEM	PART NUMBER	QTY	DESCRIPTION	REV
97	1001155496	1	Support	
98	1001155498	1	Plate	
99	1001155525	1	Support	
100	1001155540	2	Washer	
101	1001155557	2	Plate	
102	1001155563	1	Seal	
103	1001154405	8.5 in/ 21cm	Hose	
104	1001155564	1	Bracket	
105	1001155565	1	Seal	
106	1001155566	1	Bracket	
107	1001155728	1	Seal	
108	1001156034	1	Seal	
109	1001156035	1	Bracket	
110	1001156062	1	Bracket	
111	1001156091	1	Hose	
112	1001156644	2	Seal	
113	1001157862	1	Bracket	
114	1001160518	1	Support	
115	1001166393	1	Tank	
116	1001170982	1	Fitting, 90 SAE/Barbed	
117	1001175568	2	Clip	
118	1001181899	1	Clamp	
119	1001256862	1	Radiator	
120	1001189291	1	Pipe, Exhaust	
121	1001190418	1	Tube	
122	1001191122	1	Hose, Upper	
123	1001192138	1	Shroud	
124	1001193599	2	Grommet	
125	1001197317	1	Spacer	
126	1001208297	1	Clamp	
127	1001208298	1	Clamp	
128	1001208299	4	Clamp	
129	1001212810	1	Support	
130	1001212817	1	Plate	
131	1001212826	1	Tube, Intake	
132	1001251858	1	Deutz HRC Engine Components (See Separate Breakdown in this Section)	

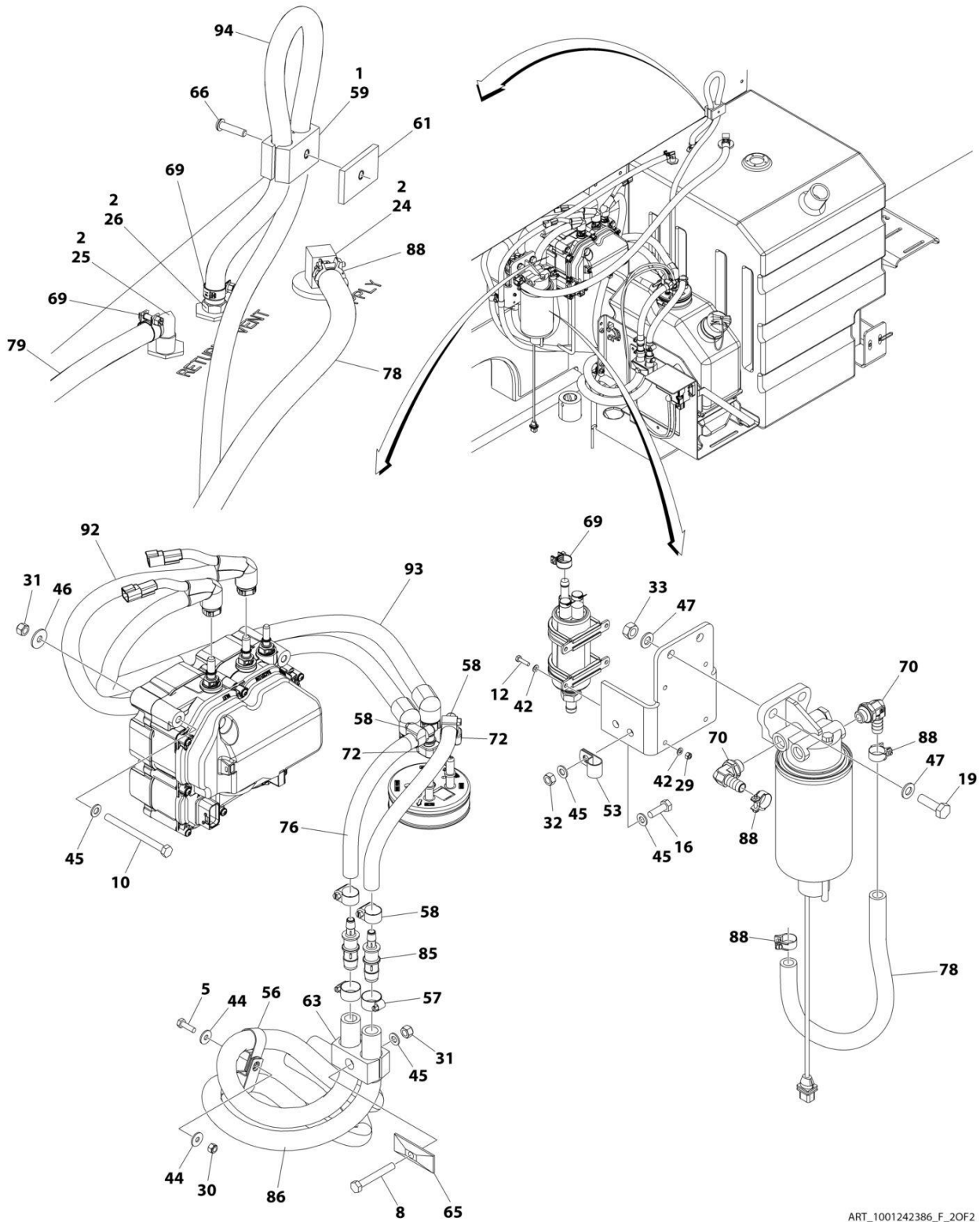
SECTION 3 - ENGINE

FIGURE 3-4. ENGINE INSTALLATION (HRC) (WITH COLD WEATHER PACKAGE)



ART_1001242386_F_10F2

SECTION 3 - ENGINE



ART_1001242386_F_2OF2

SECTION 3 - ENGINE

FIGURE 3-4. ENGINE INSTALLATION (HRC) (WITH COLD WEATHER PACKAGE)

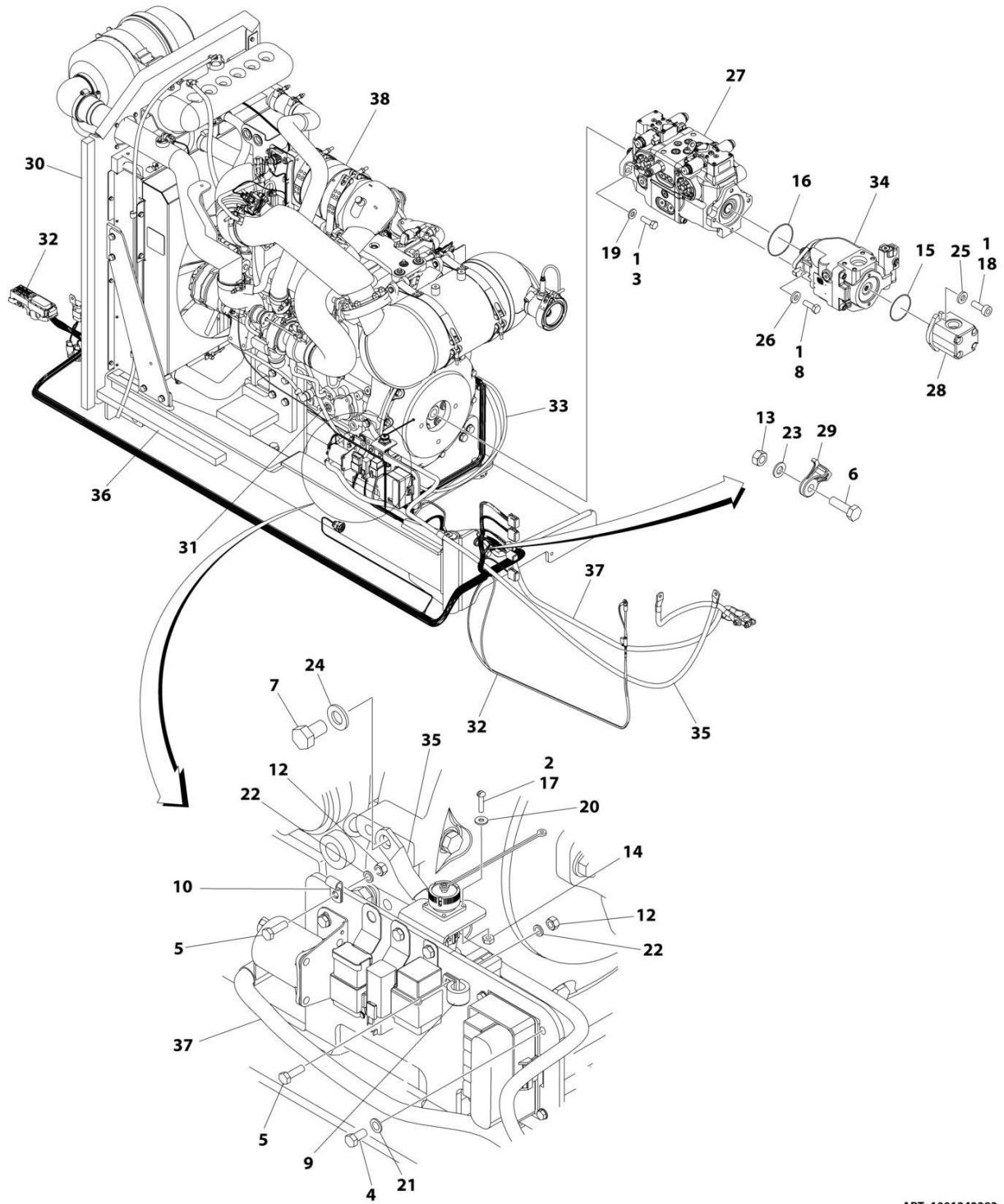
ITEM	PART NUMBER	QTY	DESCRIPTION	REV
	1001242386	Ref	ENGINE INSTALLATION (HRC) (WITH COLD WEATHER PACKAGE)	F
1	0100011	AR	Compound, Locking	
2	0100020	AR	Sealant	
3	0440162	1	Bearing	
4	0642220	1	Bolt 3/4 x 2-1/2	
5	0700610	1	Bolt M6 x 20	
6	0700614	4	Bolt M6 x 30	
7	0700818	2	Bolt M8 x 50	
8	0700820	1	Bolt M8 x 60	
9	0700822	2	Bolt M8 x 70	
10	0700827	3	Bolt M8 x 100	
11	0711015	1	Bolt M10 x 35	
12	0760408	4	Bolt M4 x 16	
13	0760606	4	Bolt M6 x 12	
14	0760608	1	Bolt M6 x 16	
15	0760810	3	Bolt M8 x 20	
16	0760812	2	Bolt M8 x 25	
17	0760814	1	Bolt M8 x 30	
18	0761009	1	Bolt M10 x 18	
19	0761015	5	Bolt M10 x 35	
20	0771416	2	Bolt M14 x 40	
21	0962051	2	Bearing	
22	1321716	3	Clamp	
23	1380147	1	Clip	
24	2180832	1	Fitting, Straight Barbed/NPTF	
25	2220313	1	Fitting, 90 Barbed/NPTF	
26	2221114	1	Fitting, Straight Barbed/NPT	
27	2840016	1	Tray Jack Assembly	
27	7016322	1	Wiper (Burr Brand)	
27A	7016374	1	Handle (Burr Brand)	
27A	7024598	1	Handle (Hammerblow Brand)	
28	3290301	2	Nut M3	
29	3290405	4	Nut M4	
30	3290605	2	Nut M6	
31	3290805	6	Nut M8	
32	3290807	9	Nut M8	
33	3291007	5	Nut M10	
34	3331411	2	Nut M14	
35	3430816	1	Pin	
36	3450404	1	Pin, Cotter 1/8 x 1	
37	3841143	1	Keeper, Pin	
38	4010308	2	Screw M3 x 16	
39	4240099	AR	Tie-Strap (Not Shown)	
40	4711800	2	Washer 1/2	
41	4712200	2	Washer 3/4	
42	4811400	8	Washer M4	
43	4811700	10	Washer M6	
44	4811702	2	Washer M6	
45	4811900	26	Washer M8	

SECTION 3 - ENGINE

ITEM	PART NUMBER	QTY	DESCRIPTION	REV
46	4811902	3	Washer M8	
47	4812000	11	Washer M10	
48	4812200	4	Washer M14	
49	4871200	2	Washer M3	
50	4891800	1	Washer 1/2	
51	5241000	1	Washer M10	
52	8310067	1	Nut 3/4	
53	8406101	1	Clip	
54	8406102	3	Clip	
55	8406105	1	Clip	
56	8406201	6	Clip	
57	8410009	14	Clamp	
58	8410013	4	Clamp	
59	8750014	4	Clamp	
61	8750031	1	Plate, Clamp	
62	8769123	2	Cover, Clamp	
63	8769127	3	Cover, Clamp	
65	77133137	3	Cover, Clamp	
66	1001101580	1	Screw M8 x 30	
67	1001135196	1	Pin	
68	1001135497	1	Support	
69	1001136975	5	Clamp	
70	1001142501	2	Fitting, 90 Barbed	
71	1001154262	2	Fitting, Straight Barbed	
72	1001155823	3	Fitting, 90 Barbed	
73	1001155939	1	Mount	
74	1001162212	2	Fitting, Tee Barbed	
76	1001181625	2 ft/ 0.61m	Hose	
77	1001190475	1	Pipe, Exhaust	
78	1001154405	53 in/ 1.4m	Hose	
79	1001165035	31 ft/ 9.4m	Hose	
80	1001199670	1	Valve, Flow	
81	1001206747	1	Seal	
82	1001212056	1	Decal - Engine Fuse Box	
83	1001224046	1	Decal - Engine Fuse Box Cover	
84	1001228872	1	Filter, Coolant Screen	
85	1001238470	2	Fitting, Reducer Barbed	
86	82033995	374 in/ 9.5m	Hose	
87	1001242383	1	Engine Assembly with Pumps (HRC) (With Cold Weather Package) (See Separate Breakdown in this Section)	
88	1001186342	4	Clip	
89	1001187518	1	Hose	
90	1001193980	1	Hose, Return	
91	1001212825	1	Hose	
92	1001238401	1	Hose, Backflow	
93	1001238402	1	Hose, Suction	
94	2750532	4 ft/ 1.2m	Hose	
95	8305919	4	Nut, Tinnerman M6	

SECTION 3 - ENGINE

FIGURE 3-5. ENGINE ASSEMBLY WITH PUMPS (HRC) (WITH COLD WEATHER PACKAGE)



ART_1001242383

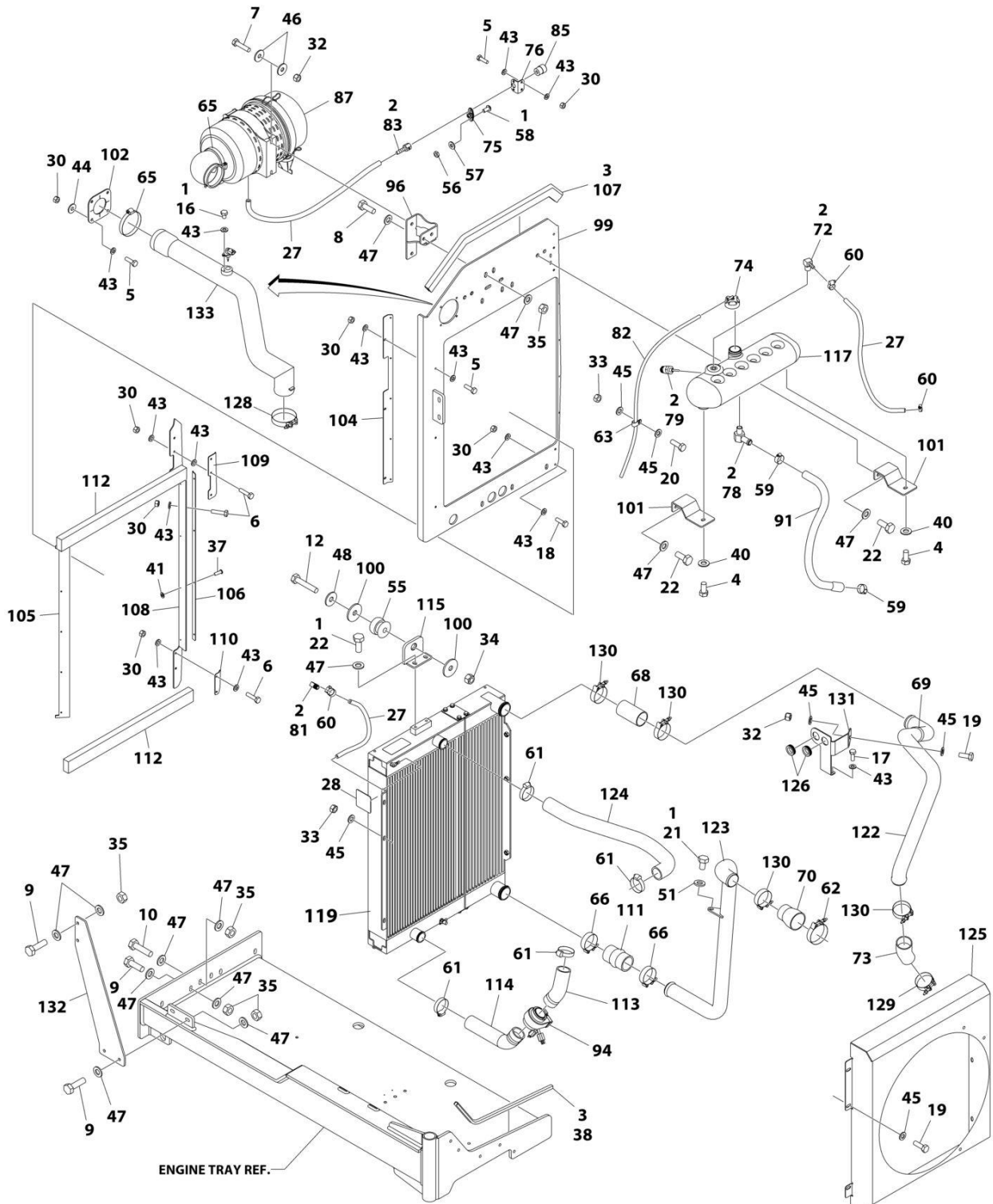
SECTION 3 - ENGINE

FIGURE 3-5. ENGINE ASSEMBLY WITH PUMPS (HRC) (WITH COLD WEATHER PACKAGE)

ITEM	PART NUMBER	QTY	DESCRIPTION	REV
	1001242383	Ref	ENGINE ASSEMBLY WITH PUMPS (HRC) (WITH COLD WEATHER PACKAGE)	C
1	0100011	AR	Compound, Locking	
2	0100035	AR	Compound, Locking	
3	0641812	2	Bolt 1/2 x 1-1/2	
4	0760508	4	Bolt M5 x 16	
5	0760610	2	Bolt M6 x 20	
6	0761015	2	Bolt M10 x 35	
7	0761210	1	Bolt M12 x 20	
8	0761216	2	Bolt M12 x 40	
9	1320041	1	Clamp	
10	1320136	1	Clamp	
12	3290607	2	Nut M6	
13	3291007	2	Nut M10	
14	3310401	3	Nut #4	
15	3790152	1	O-Ring	
16	3790155	1	O-Ring	
17	3910408	3	Screw #4 x 1/2	
18	3931620	2	Capscrew 3/8 x 1-1/4	
19	4740171	2	Washer	
20	4750400	3	Washer #4	
21	4811600	4	Washer M5	
22	4811700	2	Washer M6	
23	4812000	2	Washer M10	
24	4812100	1	Washer M12	
25	4891600	2	Washer 3/8	
26	4891800	2	Washer 1/2	
27	1001108616	1	Tandem Pump Assembly (See Separate Breakdown in this Section)	
28	1001112927	1	Gear Pump Assembly (See Separate Breakdown in this Section)	
29	1001156107	2	Holder, Cable	
30	1001156718	1	Seal	
31	1001157073	1	Cable, Alternator	
32	1001188922	1	Engine Harness (See Separate Breakdown in ELECTRICAL SECTION)	
33	1001197445	1	Cable, Glow Plug	
34	1001199470	1	Piston Pump Assembly (See Separate Breakdown in this Section)	
35	1001202355	1	Cable, Battery Negative	
36	1001206747	1	Seal	
37	1001234791	1	Cable, Battery Positive	
38	1001242380	1	Engine Assembly (HRC) (With Cold Weather Package) (See Separate Breakdown in this Section)	

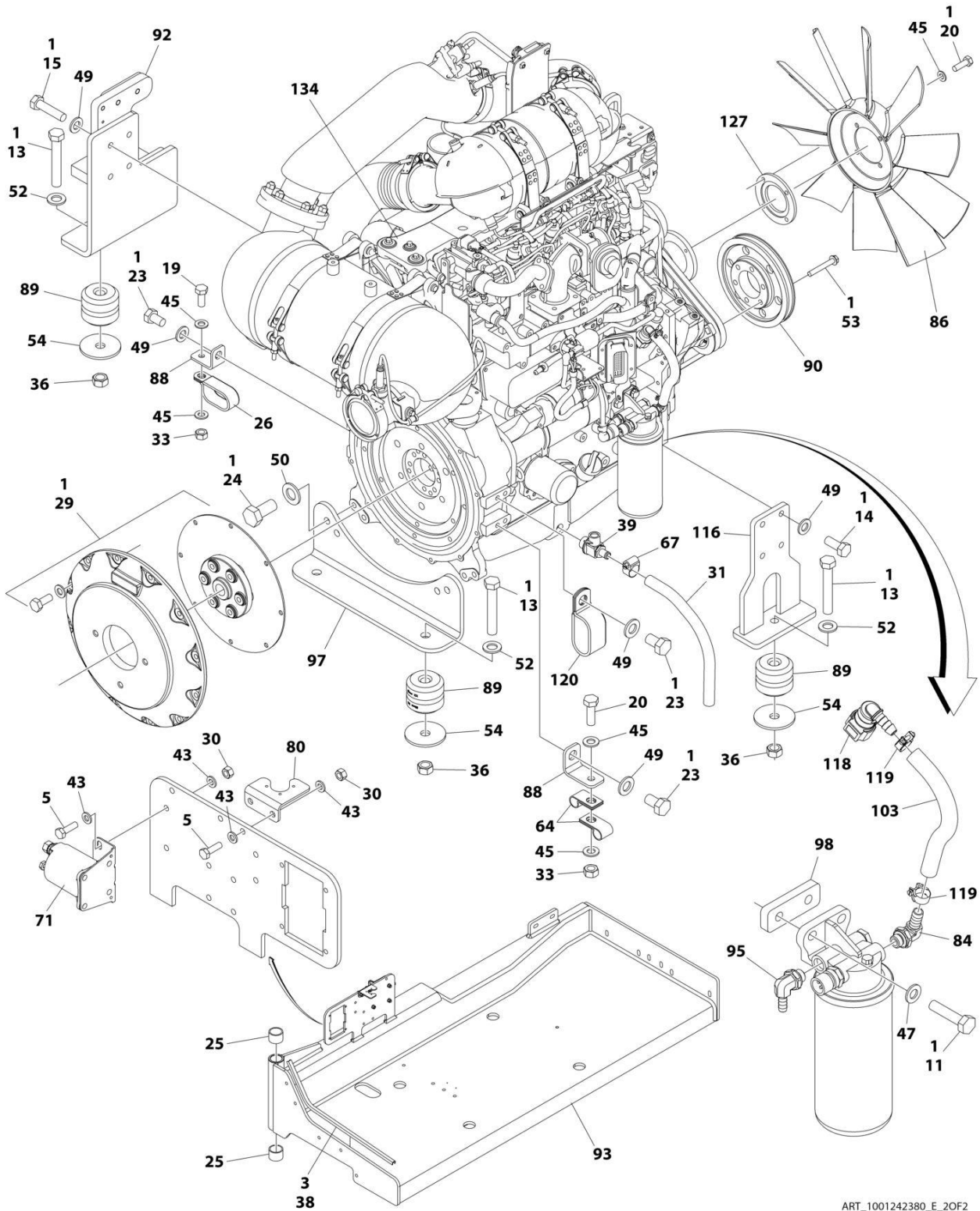
SECTION 3 - ENGINE

FIGURE 3-6. ENGINE ASSEMBLY (HRC) (WITH COLD WEATHER PACKAGE)



ART_1001242380_E_1OF2

SECTION 3 - ENGINE



ART_1001242380_E_2OF2

SECTION 3 - ENGINE

FIGURE 3-6. ENGINE ASSEMBLY (HRC) (WITH COLD WEATHER PACKAGE)

ITEM	PART NUMBER	QTY	DESCRIPTION	REV
	1001242380	Ref	DEUTZ T4F ENGINE ASSEMBLY	F
1	0100011	AR	Compound, Locking	
2	0100020	AR	Sealant	
3	0100081	AR	Adhesive	
4	0641606	2	Bolt 3/8 x 3/4	
5	0700610	13	Bolt M6 x 20	
6	0700612	7	Bolt M6 x 25	
7	0700815	2	Bolt M8 x 35	
8	0701013	2	Bolt M10 x 28	
9	0701015	6	Bolt M10 x 35	
10	0701016	2	Bolt M10 x 40	
11	0701017	2	Bolt M10 x 45	
12	0701019	1	Bolt M10 x 55	
13	0701627	4	Bolt M16 x 100	
14	0711214	4	Bolt M12 x 30 Grade 10.9	
15	0711218	4	Bolt M12 x 50 Grade 10.9	
16	0760604	1	Bolt M6 x 8	
17	0760608	2	Bolt M6 x 16	
18	0760614	2	Bolt M6 x 30	
19	0760810	6	Bolt M8 x 20	
20	0760812	7	Bolt M8 x 25	
21	0761008	1	Bolt M10 x 16	
22	0761012	6	Bolt M10 x 25	
23	0761210	3	Bolt M12 x 20	
24	0771415	4	Bolt M14 x 35 Grade 10.9	
25	0961951	2	Bushing	
26	1321716	1	Clamp	
27	2720015	5 ft/ 1.5m	Hose	
28	1703162	2	Decal - Fan Blade	
29	2902065	1	Pump Coupling Kit (See Separate Breakdown in this Section)	
30	3290607	22	Nut M6	
31	1001165035	1 ft/ 0.3m	Hose	
32	3290805	3	Nut M8	
33	3290807	5	Nut M8	
34	3291005	1	Nut M10	
35	3291007	10	Nut M10	
36	3291601	4	Nut M16	
37	3820032	9	Rivet	
38	4060807	22 in/ 55cm	Flex-Trim	
39	4640751	1	Valve, Oil Drain	
40	4711600	2	Washer 3/8	
41	4811600	4	Washer M5	
42	4240099	AR	Tie-Strap (Not Shown)	
43	4811700	43	Washer M6	
44	4811702	4	Washer M6	
45	4811900	19	Washer M8	
46	4811902	4	Washer M8	
47	4812000	30	Washer M10	
48	4812002	1	Washer M10	

SECTION 3 - ENGINE

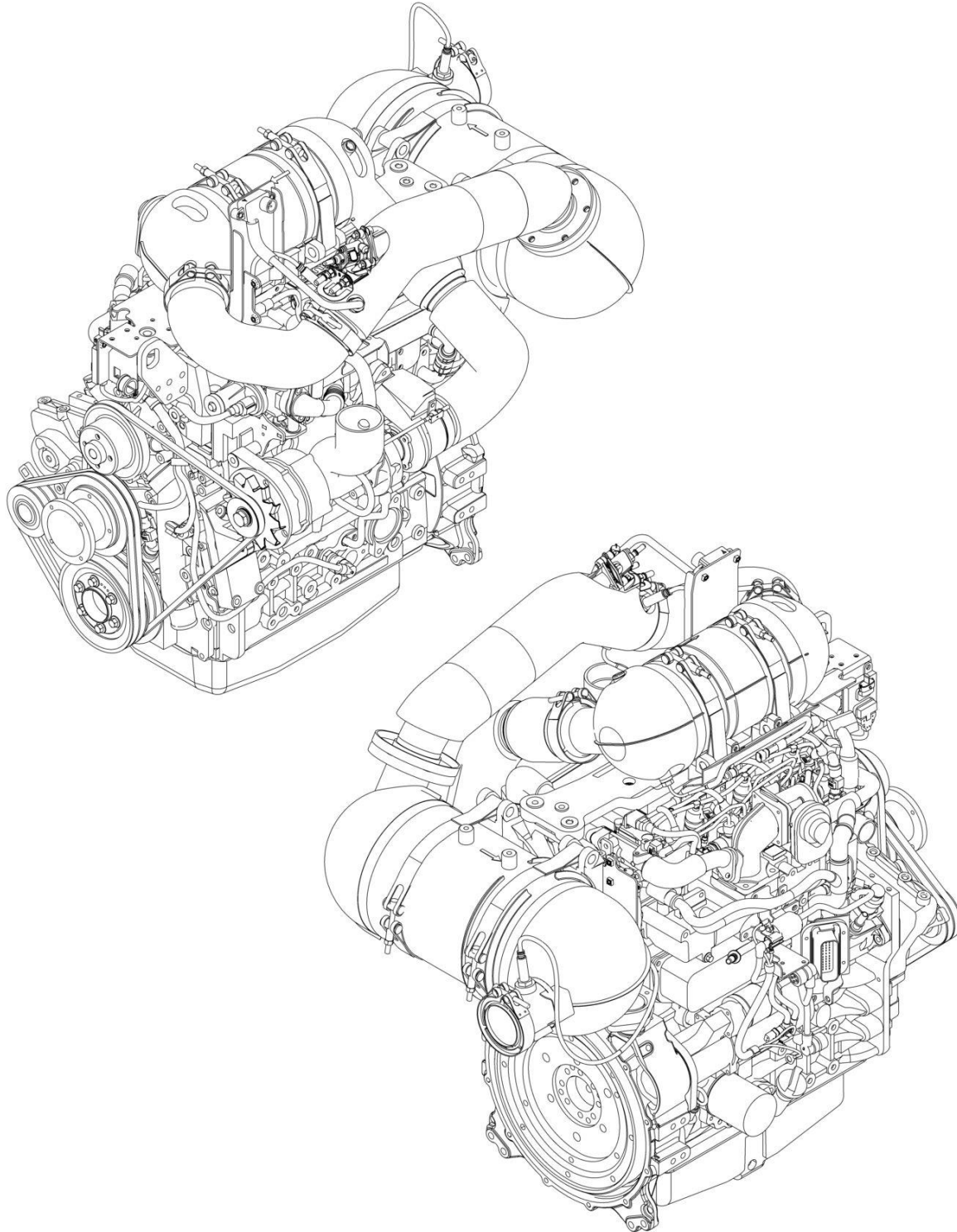
ITEM	PART NUMBER	QTY	DESCRIPTION	REV
49	4812100	11	Washer M12	
50	4812200	4	Washer M14	
51	5241000	1	Washer M10	
52	5241600	4	Washer M16	
53	5251022	6	Bolt M10 x 70	
54	7300435	4	Washer	
55	8278020	1	Mount	
56	8305401	2	Nut 1/4	
57	8307109	2	Washer 1/4	
58	8310548	2	Screw 1/4 x 1/2	
59	8405007	2	Clamp	
60	8405009	4	Clamp	
61	8405104	4	Clamp	
62	8405211	1	Clamp	
63	8406109	2	Clip	
64	8406110	2	Clip	
65	8410011	2	Clamp	
66	8410012	2	Clamp	
67	8410013	1	Clamp	
68	91563070	1	Coupling, Rubber	
69	1001097588	1	Clip	
70	1001117244	1	Reducer	
71	1001117308	1	Relay, 200Amp	
72	1001134488	1	Fitting, 90 NPT/Barbed	
73	1001135943	1	Coupling	
74	1001136834	1	Cap	
75	1001138173	1	Support	
76	1001138175	1	Bracket	
78	1001138559	1	Fitting, 90 NPT	
79	1001138827	1	Sensor	
80	1001139240	1	Bracket	
81	1001140564	1	Fitting, 90 NPT/Barbed	
82	1001138248	5 ft/ 1.5m	Tubing	
83	1001141995	1	Fitting, Straight NPT/Barbed	
84	1001142501	1	Fitting, 90 NPT/Barbed	
85	1001143390	1	Indicator, Air Restriction	
86	1001147567	1	Fan	
87	1001147847	1	Filter, Air	
87	70023809	1	Element, Primary	
87	70023872	1	Element, Secondary	
87	70024328	1	Elbow, Rubber	
87	70024329	1	Clamp, Mounting	
88	1001148641	2	Bracket	
89	1001149517	4	Mount, Motor	
90	1001149746	1	Pulley	
91	1001150553	1	Hose	
92	1001151491	1	Support	
93	1001151749	1	Tray	
94	1001152112	1	Heater	
95	1001152489	1	Fitting, 90 Barbed	
96	1001155023	1	Plate	

SECTION 3 - ENGINE

ITEM	PART NUMBER	QTY	DESCRIPTION	REV
97	1001155496	1	Support	
98	1001155498	1	Plate	
99	1001155525	1	Support	
100	1001155540	2	Washer	
101	1001155557	2	Plate	
102	1001155563	1	Seal	
103	1001154405	8.5 in/ 21cm	Hose	
104	1001155564	1	Bracket	
105	1001155565	1	Seal	
106	1001155566	1	Bracket	
107	1001155728	1	Seal	
108	1001156034	1	Seal	
109	1001156035	1	Bracket	
110	1001156062	1	Bracket	
111	1001156091	1	Hose	
112	1001156644	2	Seal	
113	1001157300	1	Hose	
114	1001157301	1	Hose	
115	1001157862	1	Bracket	
116	1001160518	1	Support	
117	1001166393	1	Tank	
118	1001170982	1	Fitting, 90 SAE/Barbed	
119	1001175568	2	Clip	
120	1001181899	1	Clamp	
121	1001256862	1	Radiator	
122	1001189291	1	Pipe, Exhaust	
123	1001190418	1	Tube	
124	1001191122	1	Hose, Upper	
125	1001192138	1	Shroud	
126	1001193599	2	Grommet	
127	1001197317	1	Spacer	
128	1001208297	1	Clamp	
129	1001208298	1	Clamp	
130	1001208299	4	Clamp	
131	1001212810	1	Support	
132	1001212817	1	Plate	
133	1001212826	1	Tube, Intake	
134	1001251858	1	Deutz HRC Engine Components (See Separate Breakdown in this Section)	

SECTION 3 - ENGINE

FIGURE 3-7. DEUTZ HRC ENGINE COMPONENTS



ART_1001251858

SECTION 3 - ENGINE

FIGURE 3-7. DEUTZ HRC ENGINE COMPONENTS

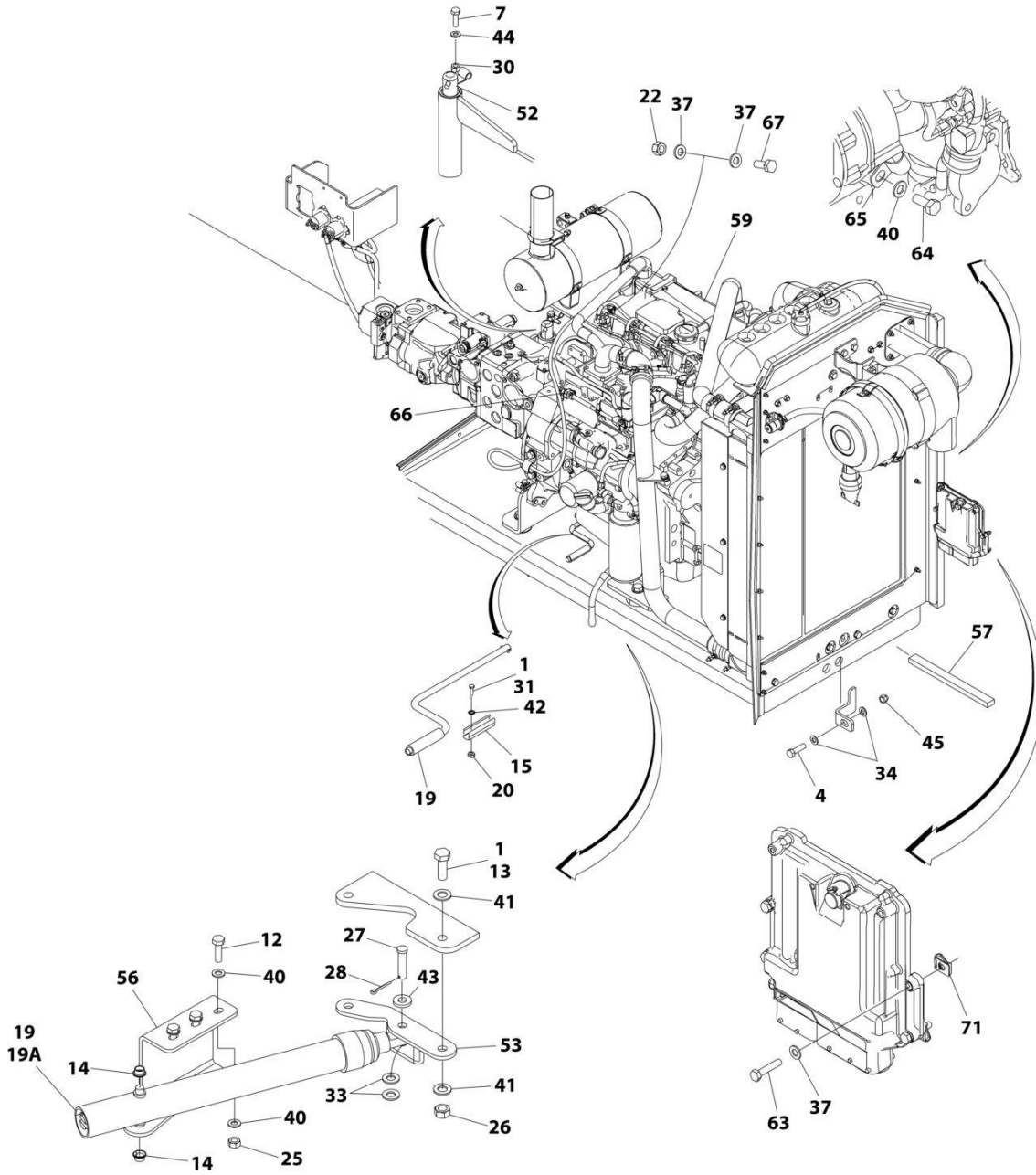
ITEM	PART NUMBER	QTY	DESCRIPTION	REV
	1001251858	Ref	DEUTZ ENGINE COMPONENTS	B
		Ref	Note: For complete list of parts, contact JLG Parts Department	
		Ref	Air Intake System Components	
	70007083	1	Turbocharger	
		Ref	Cooling System Components	
	70004515	1	Pump, Coolant	
		Ref	Electrical System Components	
	70027420	1	Module, ECU/ECM	
	70029401	1	Generator (Includes Regulator & Fan)	
	70006653	1	Regulator	
	70004520	1	Starter (Includes Solenoid)	
	70025780	1	Relay	
	70007085	1	Harness, Engine	
	70005517	1	Harness, Starter	
	70026210	2	Sender, Tacho-Generator (Speed) (Includes Seal)	
	70005559	1	Sender, Temperature	
	70028540	1	Sender, Temperature (On Thermostat Housing)	
	70027405	2	Sender, Temperature (On Exhaust) (Includes Seal)	
	70005556	1	Sender, Temperature (On Exhaust) (Includes Seal)	
	70005524	1	Sensor (On Exhaust)	
	70005522	1	Sensor, Pressure (O2) (On Exhaust)	
	70005523	1	Sensor, Pressure (O2) (On Exhaust)	
	70024507	1	Sensor, Pressure (Includes Seal) (On Air Intake Manifold)	
	70005504	1	Sensor, Pressure (Includes Seal) (On Exhaust)	
	70024504	1	Sensor, Pressure (Includes Seal) (On Block)	
	70024474	4	Plug, Glow	
	70005544	1	Unit, Exhaust Metering (Includes Gasket)	
		Ref	Exhaust System Components	
	70005513	1	Valve, EGR	
	70005511	1	Gasket, Exhaust (Manifold to Head)	
	70024480	1	Gasket, Exhaust (Manifold to TurboCharger)	
	70007083	1	Turbocharger	
	70027460	1	Tank, DEF (Includes Filter, Cover & Breather)	
	70027464	1	Filter (Inside DEF Tank)	
	70027467	1	Breather (On DEF Tank)	
	70007093	1	Catalyst	
	70008612	1	DEF Tank Assembly (Includes Cap, Filler Filter & Venting Valve)	
	70027495	1	Filter, Filler - DEF Tank	
	70008613	1	Cap/Cover, DEF Tank	
	70027467	1	Valve, Venting - DEF Tank	
	1001293066	1	Sensor, Level - DEF Tank	
	70027463	1	Clip, Level Sensor - DEF Tank	
	70027464	1	Filter, DEF In-line	
		Ref	Fuel System Components	
	70024487	1	Pump, Fuel Injector	
	70024485	4	Injector (Includes Seal, Clamp & O-Ring)	
	70006144	1	Pump, Fuel Supply (Includes Clamps)	
	70025153	1	Filter, Fuel (Pre-Filter)	
	70004512	1	Filter, Fuel	
	70005492	1	Valve, Throttle	

SECTION 3 - ENGINE

ITEM	PART NUMBER	QTY	DESCRIPTION	REV
	70005548	1	Pump, Fuel Supply (Includes Filter)	
	70005549	1	Filter (Inside Fuel Supply Pump)	
		Ref	Lubricating System Components	
	70025745	1	Dipstick	
	7020465	2	Cap, Oil Fill	
	70025088	1	Plug, Oil Drain	
	7020404	2	Seal, Oil Drain Plug	
		Ref	Pump, Oil (Includes Bolts & Bushing)	
	7016331	1	Filter, Oil	
	70024494	1	Cooler, Oil	
		Ref	Mechanical Components	
	70005498	1	V-Belt (Set of 2)	
	70005516	1	V-Belt (Generator)	
	70024481	1	Gasket, Valve Cover	
	70025789	1	Gasket, Head	
	70025707	1	Gasket Kit - Complete	

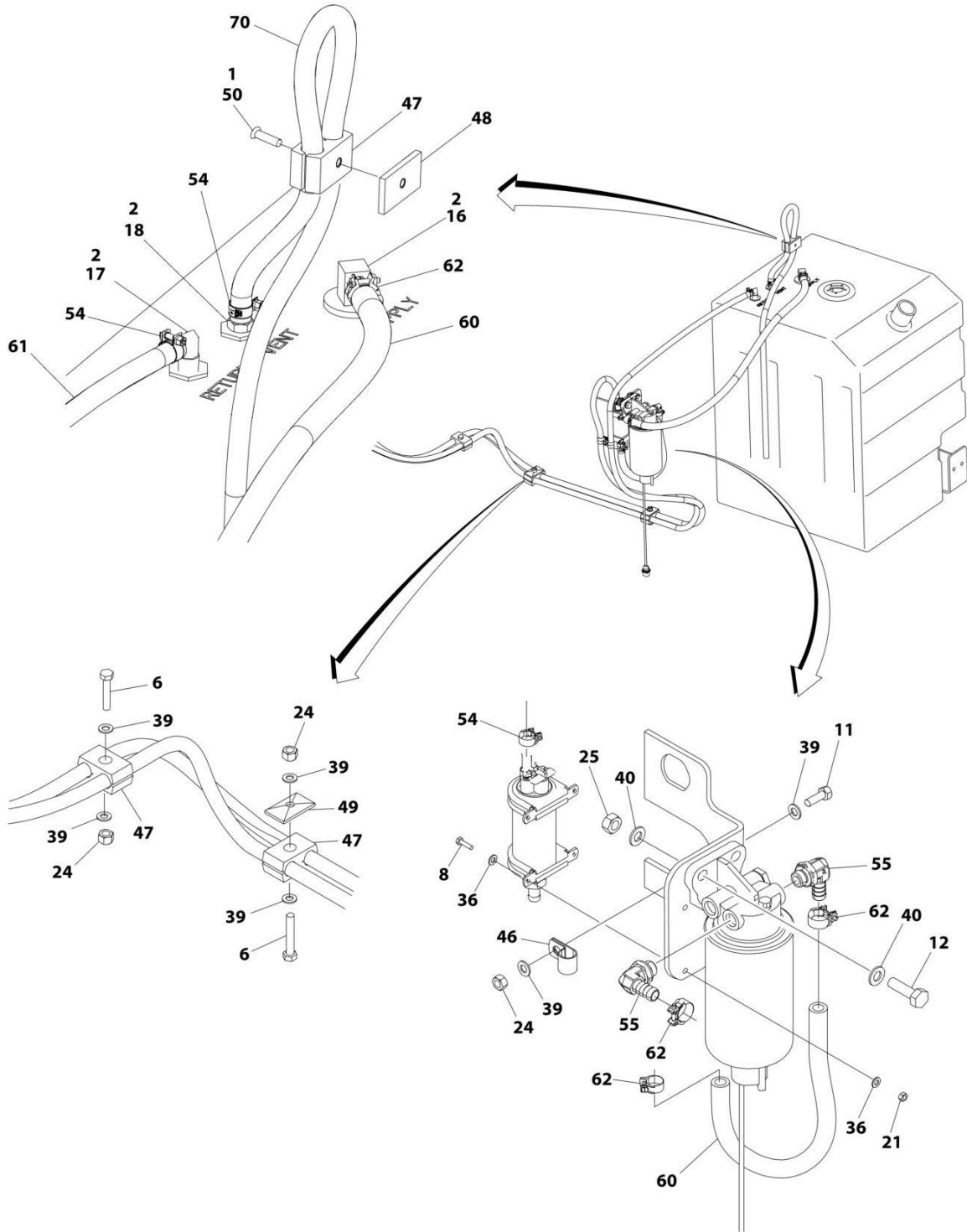
SECTION 3 - ENGINE

FIGURE 3-8. ENGINE INSTALLATION (LRC) (WITHOUT COLD WEATHER PACKAGE)



ART_1001197307_K_10F2

SECTION 3 - ENGINE



ART_1001197307_K_2OF2

SECTION 3 - ENGINE

FIGURE 3-8. ENGINE INSTALLATION (LRC) (WITHOUT COLD WEATHER PACKAGE)

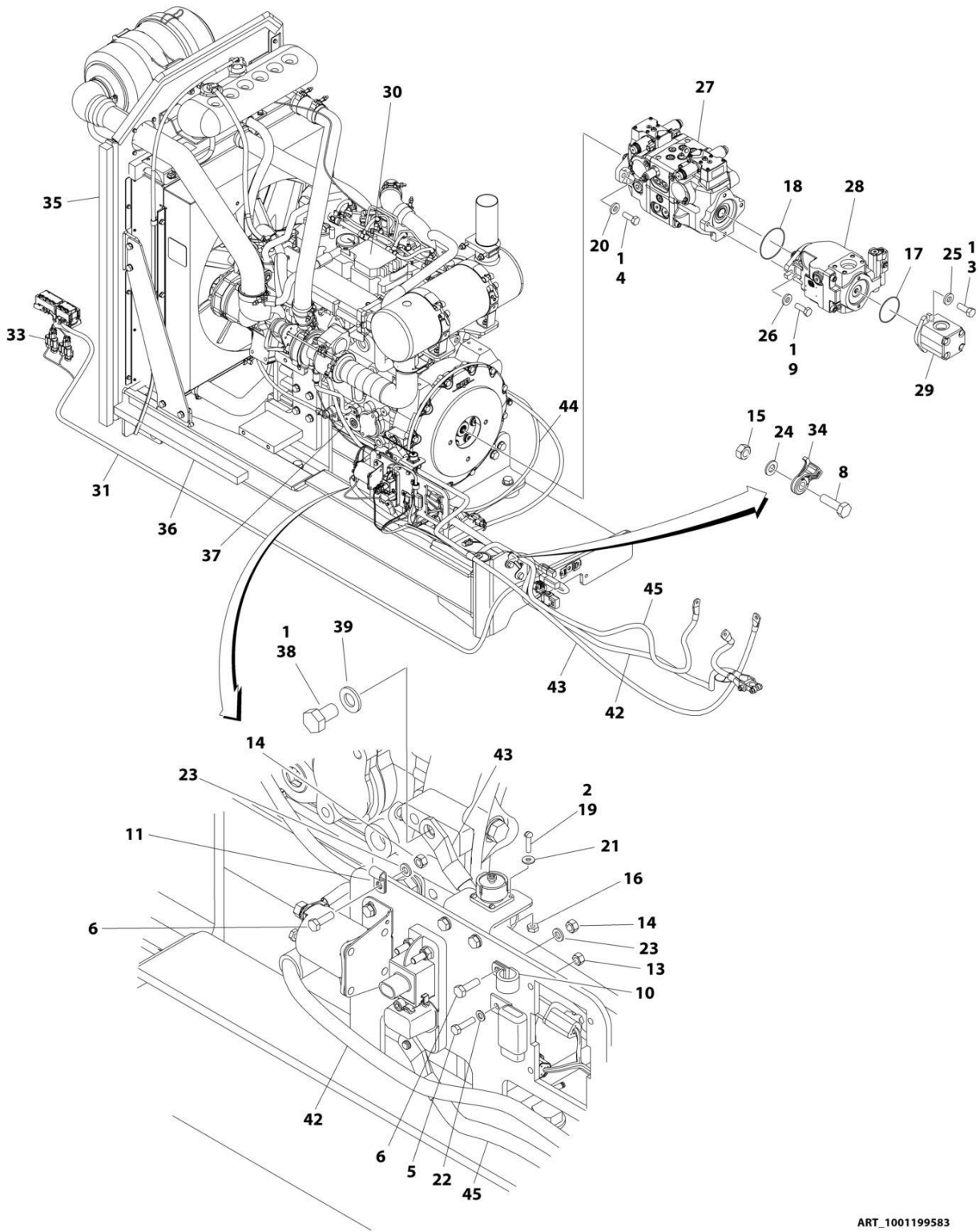
ITEM	PART NUMBER	QTY	DESCRIPTION	REV
	1001197307	Ref	ENGINE INSTALLATION (LRC) (WITHOUT COLD WEATHER PACKAGE)	K
1	0100011	AR	Compound, Locking	
2	0100020	AR	Sealant	
3	0440162	1	Bearing (Not Shown)	
4	0642220	1	Bolt 3/4 x 2-1/2	
6	0700818	3	Bolt M8 x 50	
7	0711015	1	Bolt M10 x 35	
8	0760408	4	Bolt M4 x 16	
11	0760812	1	Bolt M8 x 25	
12	0761015	5	Bolt M10 x 35	
13	0771416	2	Bolt M14 x 40	
14	0962051	2	Bearing	
15	1380147	1	Clip	
16	2180832	1	Fitting, Straight Barbed/NPTF	
17	2220313	1	Fitting, 90 Barbed/NPTF	
18	2221114	1	Fitting, Straight Barbed/NPT	
19	2840016	1	Tray Jack Assembly	
19	7016322	1	Wiper (Burr Brand)	
19A	7016374	1	Handle (Burr Brand)	
19A	7024598	1	Handle (Hammerblow Brand)	
20	3290301	2	Nut M3	
21	3290405	4	Nut M4	
22	3290605	1	Nut M6	
24	3290807	4	Nut M8	
25	3291007	5	Nut M10	
26	3331411	2	Nut M14	
27	3430816	1	Pin	
28	3450404	1	Pin, Cotter 1/8 x 1	
30	3841143	1	Keeper, Pin	
31	4010308	2	Screw M3 x 16	
32	4240099	AR	Tie-Strap (Not Shown)	
33	4711800	2	Washer 1/2	
34	4712200	2	Washer 3/4	
36	4811400	8	Washer M4	
37	4811700	6	Washer M6	
39	4811900	8	Washer M8	
40	4812000	11	Washer M10	
41	4812200	4	Washer M14	
42	4871200	2	Washer M3	
43	4891800	1	Washer 1/2	
44	5241000	1	Washer M10	
45	8310067	1	Nut 3/4	
46	8406101	1	Clip	
47	8750014	4	Clamp	
48	8750031	1	Plate, Clamp	
49	8769123	2	Cover, Clamp	
50	1001101580	1	Screw M8 x 30	
52	1001135196	1	Pin	
53	1001135497	1	Support	

SECTION 3 - ENGINE

ITEM	PART NUMBER	QTY	DESCRIPTION	REV
54	1001136975	5	Clamp	
55	1001142501	2	Fitting, 90 Barbed	
56	1001155939	1	Mount	
57	1001206747	1	Seal	
59	1001199583	1	Engine Assembly with Pumps (LRC) (Without Cold Weather Package) (See Separate Breakdown in this Section)	
60	1001154405	53 in /1.4m	Hose	
61	1001165035	31 ft /9.4m	Hose	
62	1001186342	4	Clip	
63	0700614	4	Bolt M6 x 30	
64	0761009	1	Bolt M10 x 18	
65	8406105	1	Clip	
66	1001155823	1	Fitting, 90 Barbed	
67	0760608	1	Bolt M6 x 16	
70	2750532	4 ft /1.2m	Hose	
71	8305919	4	Nut, Retainer M6	

SECTION 3 - ENGINE

FIGURE 3-9. ENGINE ASSEMBLY WITH PUMPS (LRC) (WITHOUT COLD WEATHER PACKAGE)



ART_1001199583

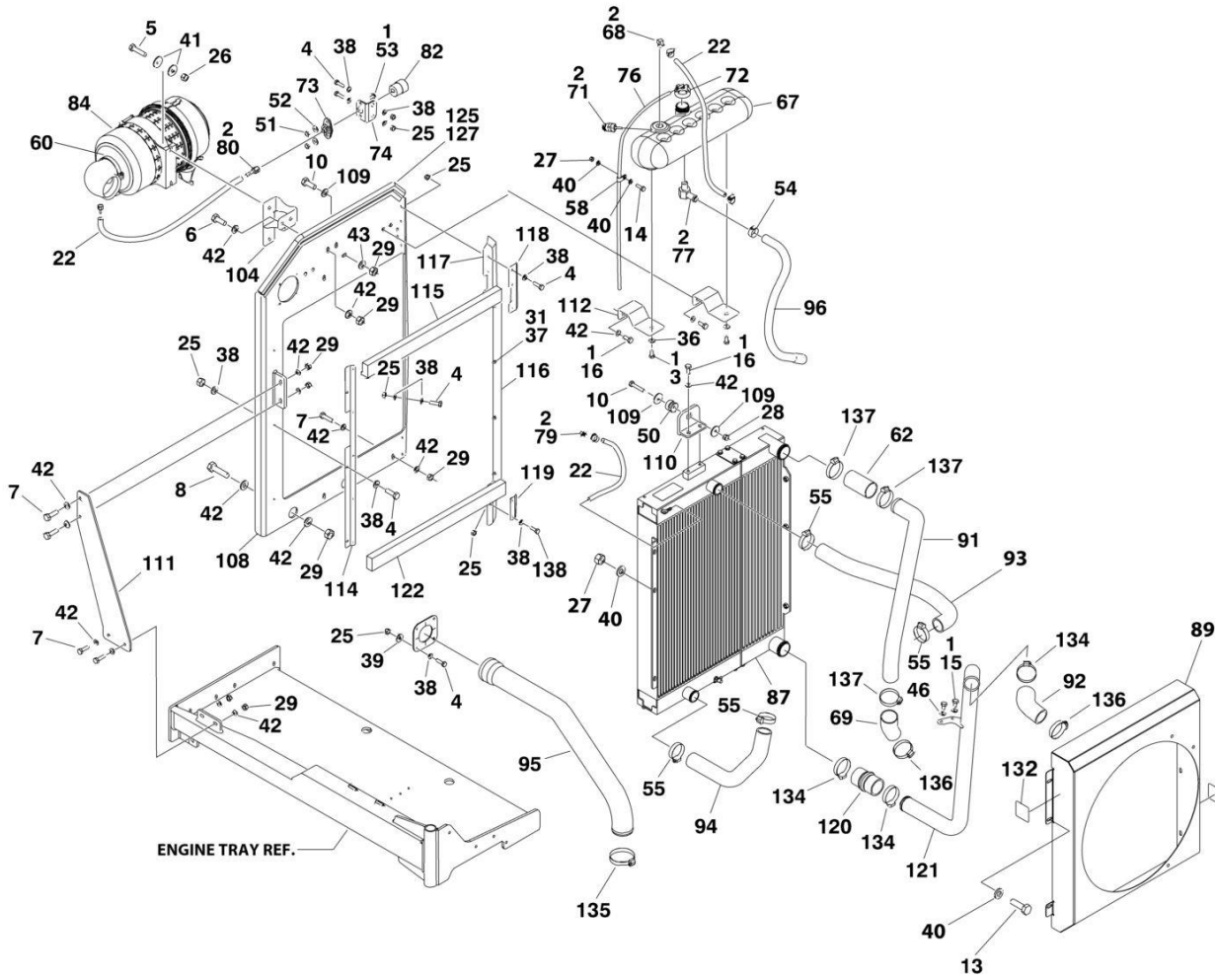
SECTION 3 - ENGINE

FIGURE 3-9. ENGINE ASSEMBLY WITH PUMPS (LRC) (WITHOUT COLD WEATHER PACKAGE)

ITEM	PART NUMBER	QTY	DESCRIPTION	REV
	1001199583	Ref	ENGINE ASSEMBLY WITH PUMPS (LRC) (WITHOUT COLD WEATHER PACKAGE)	J
1	0100011	AR	Compound, Locking	
2	0100035	AR	Compound, Locking	
3	0641608	2	Bolt 3/8 x 1	
4	0641812	2	Bolt 1/2 x 1-1/2	
5	0700510	1	Bolt M5 x 20	
6	0760610	2	Bolt M6 x 20	
8	0761015	2	Bolt M10 x 35	
9	0761216	2	Bolt M12 x 40	
10	1320041	1	Clamp	
11	1320136	1	Clamp	
13	3290507	1	Nut M5	
14	3290607	2	Nut M6	
15	3291007	2	Nut M10	
16	3310401	3	Nut #4	
17	3790152	1	O-Ring	
18	3790155	1	O-Ring	
19	3910408	3	Screw #4 x 1/2	
20	4740171	2	Washer	
21	4750400	3	Washer #4	
22	4811600	2	Washer M5	
23	4811700	2	Washer M6	
24	4812000	2	Washer M10	
25	4891600	2	Washer 3/8	
26	4891800	2	Washer 1/2	
27	1001108616	1	Tandem Pump Assembly (See Separate Breakdown in this Section)	
28	1001199470	1	Piston Pump Assembly (See Separate Breakdown in this Section)	
29	1001112927	1	Gear Pump Assembly (See Separate Breakdown in this Section)	
30	1001149867	1	Engine Assembly (LRC) (Without Cold Weather Package) (See Separate Breakdown in this Section)	
31	1001149971	1	Engine Harness (See Separate Breakdown in ELECTRICAL SECTION)	
33	1001156001	1	Engine Harness Can (See Separate Breakdown in ELECTRICAL SECTION)	
34	1001156107	2	Holder, Cable	
35	1001156718	1	Seal	
36	1001206747	1	Seal	
37	1001157073	1	Cable, Alternator	
38	0761210	1	Bolt M12 x 20	
39	4812100	1	Washer M12	
42	1001234791	1	Cable, Battery Positive	
43	1001202355	1	Cable, Battery Negative	
44	1001168734	1	Cable, Glow Plug	
45	1001222918	1	Cable, System B+	

SECTION 3 - ENGINE

FIGURE 3-10. ENGINE ASSEMBLY (LRC) (WITHOUT COLD WEATHER PACKAGE)



ART_1001149867_S_10F2

SECTION 3 - ENGINE

FIGURE 3-10. ENGINE ASSEMBLY (LRC) (WITHOUT COLD WEATHER PACKAGE)

ITEM	PART NUMBER	QTY	DESCRIPTION	REV
	1001149867	Ref	DEUTZ LRC ENGINE ASSEMBLY	T
1	0100011	AR	Compound, Locking	
2	0100020	AR	Sealant	
3	0641606	2	Bolt 3/8 x 3/4	
4	0700612	20	Bolt M6 x 25	
5	0700815	2	Bolt M8 x 35	
6	0701013	2	Bolt M10 x 28	
7	0701015	6	Bolt M10 x 35	
8	0701016	2	Bolt M10 x 40	
9	0701017	2	Bolt M10 x 45	
10	0701019	1	Bolt M10 x 55	
11	0701627	4	Bolt M16 x 100	
12	0711214	4	Bolt M12 x 30 Grade 10.9	
13	0760810	5	Bolt M8 x 20	
14	0760812	7	Bolt M8 x 25	
15	0761008	2	Bolt M10 x 16	
16	0761012	10	Bolt M10 x 25	
17	0761210	3	Bolt M12 x 20	
18	0771415	4	Bolt M14 x 35 Grade 10.9	
19	0961951	2	Bushing	
20	1321716	1	Clamp	
22	2720015	5 ft/1.5m	Hose	
23	1001165035	1 ft/30.5m	Hose	
24	2902065	1	Pump Coupling Kit (See Separate Breakdown in this Section)	
25	3290607	23	Nut M6	
26	3290805	2	Nut M8	
27	3290807	9	Nut M8	
28	3291005	1	Nut M10	
29	3291007	10	Nut M10	
30	3291601	4	Nut M16	
31	3820032	9	Rivet	
32	5251022	6	Bolt M10 x 70	
33	4031912	4	Capscrew M8 x 40	
34	4240099	AR	Tie-Strap (Not Shown)	
35	4640751	1	Valve, Oil Drain	
36	4711600	2	Washer 3/8	
37	4811600	4	Washer M5	
38	4811700	41	Washer M6	
39	4811702	4	Washer M6	
40	4811900	25	Washer M8	
41	4811902	4	Washer M8	
42	4812000	34	Washer M10	
43	4812002	1	Washer M10	
44	4812100	11	Washer M12	
45	4812200	4	Washer M14	
46	5241000	2	Washer M10	
47	5241600	4	Washer M16	
48	5271614	1	Capscrew M16 x 50	
49	7300435	4	Washer	
50	8278020	1	Mount	

SECTION 3 - ENGINE

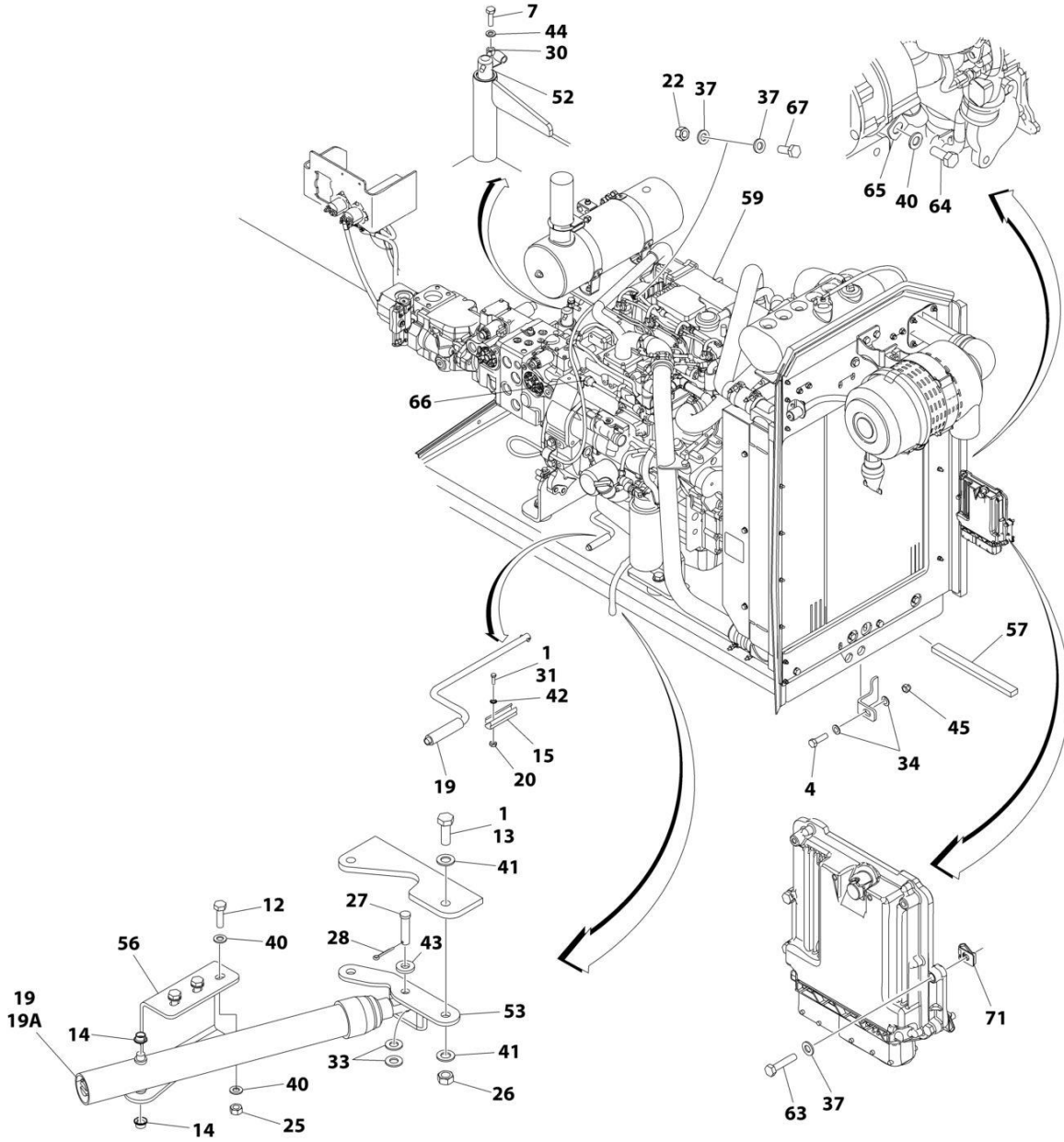
ITEM	PART NUMBER	QTY	DESCRIPTION	REV
51	8305401	2	Nut 1/4	
52	8307109	2	Washer 1/4	
53	8310548	2	Screw 1/4 x 1/2	
54	8405007	2	Clamp	
55	8405104	4	Clamp	
58	8406109	2	Clamp	
59	8406303	1	Clip	
60	8410011	1	Clamp	
61	8410013	3	Clamp	
62	91563070	1	Coupling, Rubber	
63	1001111116	2	Clamp	
64	1001117308	1	Relay	
65	1001119727	2	Clamp	
67	1001166393	1	Tank	
68	1001134488	1	Fitting, 90 NPT/Barbed	
69	1001135943	1	Coupling	
71	1001138827	1	Sensor	
72	1001136834	1	Cap	
73	1001138173	1	Support	
74	1001138175	1	Bracket	
75	1001138228	1	Module, Relay	
75	70023592	1	Fuse 20Amp	
75	70023593	1	Fuse 30Amp	
76	1001138248	5 ft/1.5m	Tubing	
77	1001138559	1	Fitting, 90 NPT	
78	1001139240	1	Bracket	
79	1001140564	1	Fitting, 90 NPT/Barbed	
80	1001141995	1	Fitting, Straight NPT/Barbed	
81	1001142501	1	Fitting, 90 NPT/Barbed	
82	1001143390	1	Indicator, Air Restriction	
83	1001177137	1	Fan	
84	1001147847	1	Filter, Air	
84	70023809	1	Element, Primary	
84	70023872	1	Element, Secondary	
84	70024328	1	Elbow, Rubber	
84	70024329	1	Clamp, Mounting	
85	1001251857	1	Deutz LRC Engine Components (See Separate Breakdown in this Section)	
86	1001148641	2	Bracket	
87	1001256862	1	Radiator	
88	1001149517	4	Mount, Motor	
89	1001192138	1	Shroud	
90	1001149746	1	Pulley	
91	1001150498	1	Tube	
92	1001150499	1	Hose	
93	1001191122	1	Hose	
94	1001150504	1	Hose	
95	1001150505	1	Pipe	
96	1001150553	1	Hose	
97	1001177134	1	Adapter	
98	1001151432	1	Muffler	
99	1001151491	1	Support	

SECTION 3 - ENGINE

ITEM	PART NUMBER	QTY	DESCRIPTION	REV
100	1001151749	1	Tray	
101	1001151761	1	Pipe, Exhaust	
102	1001152489	1	Fitting, 90 Barbed	
103	1001154405	8.5 in/ 21cm	Hose	
104	1001155023	1	Plate	
105	1001155496	1	Support	
106	1001160518	1	Support	
107	1001155498	1	Plate	
108	1001155525	1	Support	
109	1001155540	2	Washer	
110	1001157862	1	Bracket	
111	1001212817	1	Plate	
112	1001155557	2	Plate	
113	1001155563	1	Seal	
114	1001155564	1	Bracket	
115	1001155565	1	Seal	
116	1001155566	1	Bracket	
117	1001156034	1	Seal	
118	1001156035	1	Bracket	
119	1001156062	1	Bracket	
120	1001156091	1	Hose	
121	1001156112	1	Tube	
122	1001156644	2	Seal	
123	1001158262	1	Pipe, Exhaust	
124	1001158289	1	Bracket	
125	1001155728	1	Seal	
126	4060807	22 in/ 55cm	Flex-Trim	
127	0100081	AR	Adhesive	
128	0711218	4	Bolt M12 x 50 Grade 10.9	
129	1320022	4	Clamp	
130	1001170982	1	Fitting, 90 SAE/Barbed	
132	1703162	2	Decal - Fan Blade	
133	8406110	2	Clip	
134	8410012	3	Clamp	
135	1001208297	1	Clamp	
136	1001208298	2	Clamp	
137	1001208299	3	Clamp	
138	0760614	2	Bolt M6 x 30	

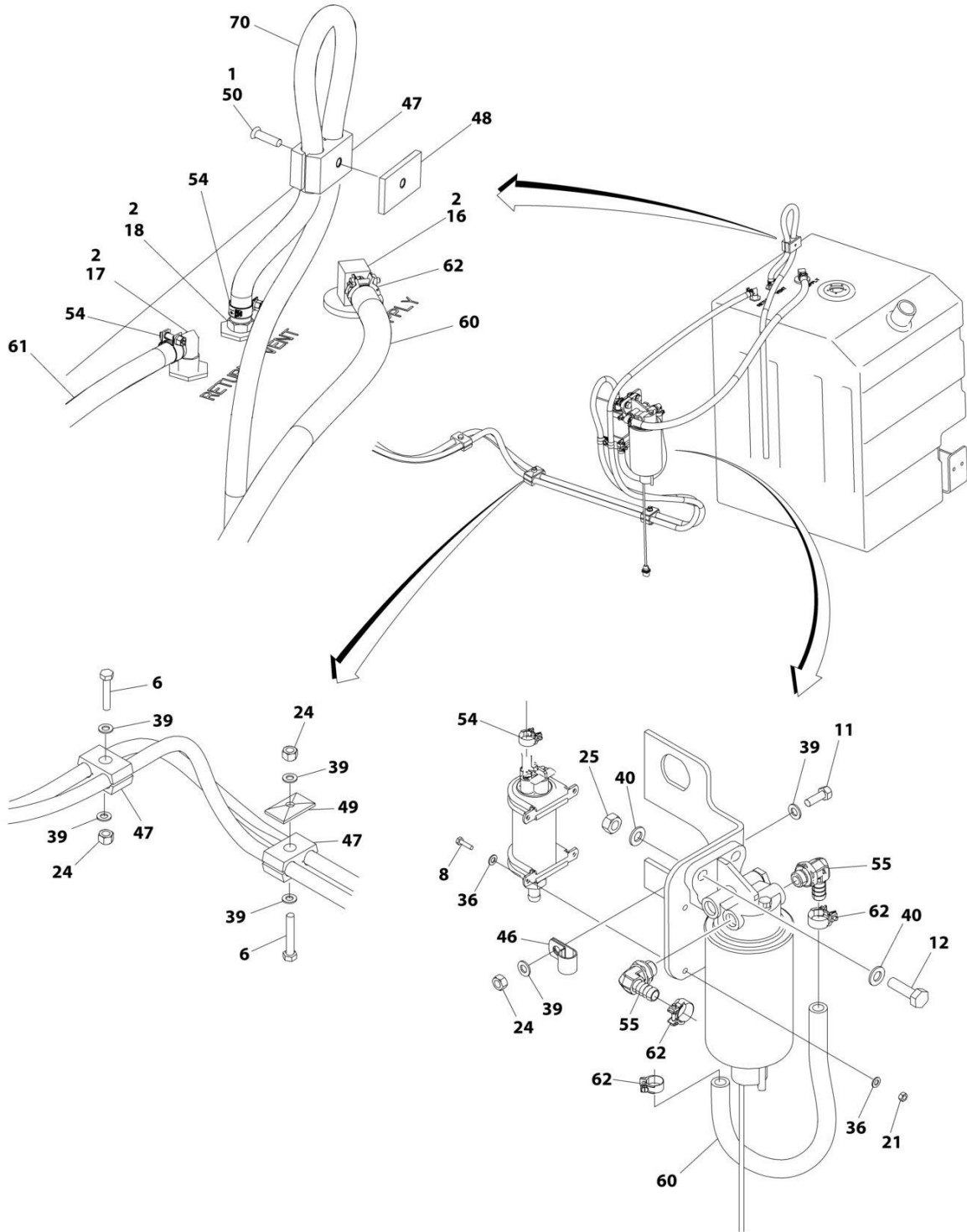
SECTION 3 - ENGINE

FIGURE 3-11. ENGINE INSTALLATION (LRC) (WITH COLD WEATHER PACKAGE)



ART_1001197308_K_10F2

SECTION 3 - ENGINE



ART_1001197308_K_2OF2

SECTION 3 - ENGINE

FIGURE 3-11. ENGINE INSTALLATION (LRC) (WITH COLD WEATHER PACKAGE)

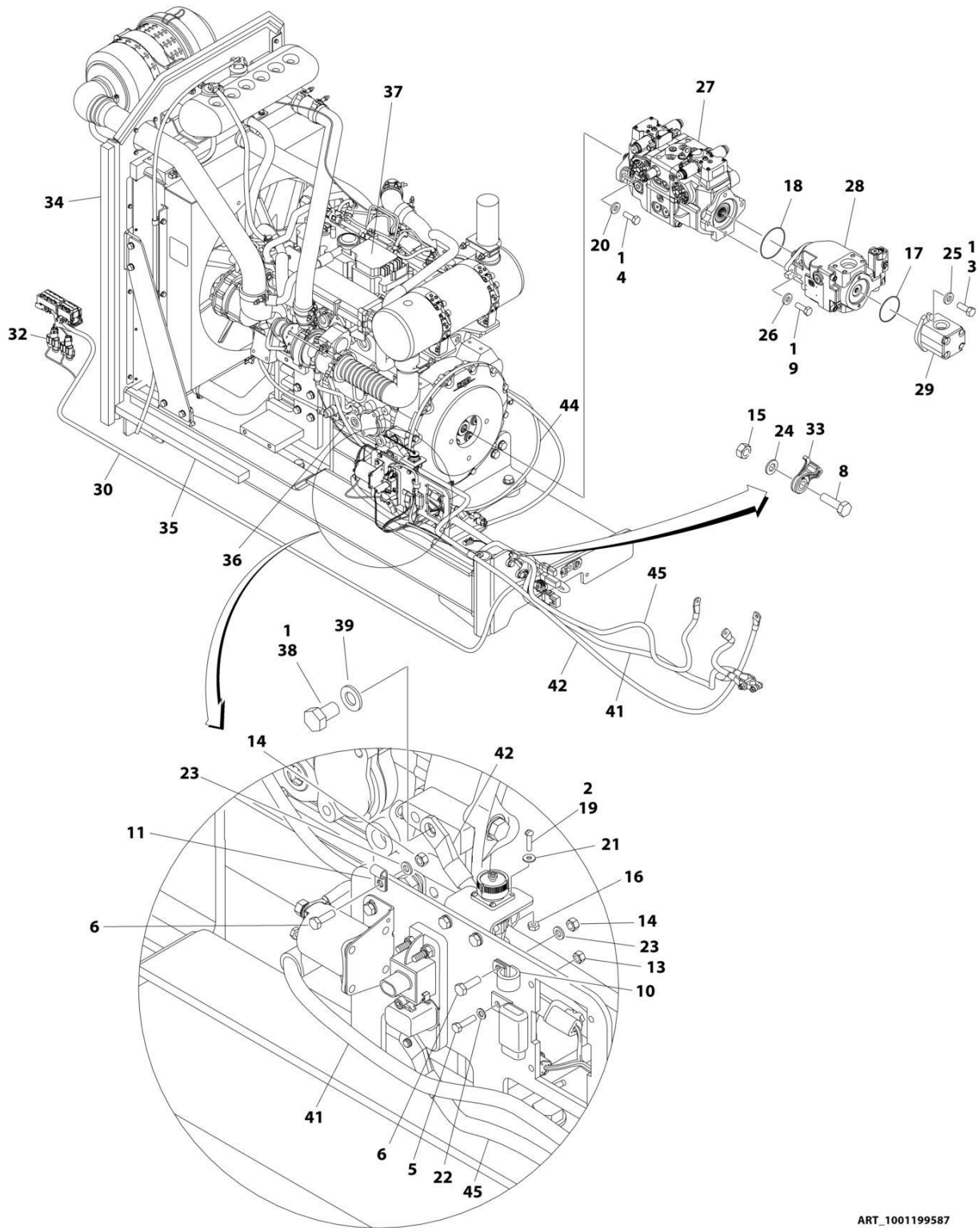
ITEM	PART NUMBER	QTY	DESCRIPTION	REV
	1001197308	Ref	ENGINE INSTALLATION (LRC) (WITH COLD WEATHER PACKAGE)	K
1	0100011	AR	Compound, Locking	
2	0100020	AR	Sealant	
3	0440162	1	Bearing (Not Shown)	
4	0642220	1	Bolt 3/4 x 2-1/2	
6	0700818	3	Bolt M8 x 50	
7	0711015	1	Bolt M10 x 35	
8	0760408	4	Bolt M4 x 16	
11	0760812	1	Bolt M8 x 25	
12	0761015	5	Bolt M10 x 35	
13	0771416	2	Bolt M14 x 40	
14	0962051	2	Bearing	
15	1380147	1	Clip	
16	2180832	1	Fitting, Straight Barbed/NPTF	
17	2220313	1	Fitting, 90 Barbed/NPTF	
18	2221114	1	Fitting, Straight Barbed/NPT	
19	2840016	1	Tray Jack Assembly	
19	7016322	1	Wiper (Burr Brand)	
19A	7016374	1	Handle (Burr Brand)	
19A	7024598	1	Handle (Hammerblow Brand)	
20	3290301	2	Nut M3	
21	3290405	4	Nut M4	
22	3290605	1	Nut M6	
24	3290807	4	Nut M8	
25	3291007	5	Nut M10	
26	3331411	2	Nut M14	
27	3430816	1	Pin	
28	3450404	1	Pin, Cotter 1/8 x 1	
30	3841143	1	Keeper, Pin	
31	4010308	2	Screw M3 x 16	
32	4240099	AR	Tie-Strap (Not Shown)	
33	4711800	2	Washer 1/2	
34	4712200	2	Washer 3/4	
36	4811400	8	Washer M4	
37	4811700	6	Washer M6	
39	4811900	8	Washer M8	
40	4812000	11	Washer M10	
41	4812200	4	Washer M14	
42	4871200	2	Washer M3	
43	4891800	1	Washer 1/2	
44	5241000	1	Washer M10	
45	8310067	1	Nut 3/4	
46	8406101	1	Clip	
47	8750014	4	Clamp	
48	8750031	1	Plate, Clamp	
49	8769123	2	Cover, Clamp	
50	1001101580	1	Screw M8 x 30	
52	1001135196	1	Pin	
53	1001135497	1	Support	

SECTION 3 - ENGINE

ITEM	PART NUMBER	QTY	DESCRIPTION	REV
54	1001136975	5	Clamp	
55	1001142501	2	Fitting, 90 Barbed	
56	1001155939	1	Mount	
57	1001206747	1	Seal	
59	1001199587	1	Engine Assembly with Pumps (LRC) (With Cold Weather Package) (See Separate Breakdown in this Section)	
60	1001154405	53 in /1.4m	Hose	
61	1001165035	31 ft /9.4m	Hose	
62	1001186342	4	Clip	
63	0700614	4	Bolt M6 x 30	
64	0761009	1	Bolt M10 x 18	
65	8406105	1	Clip	
66	1001155823	1	Fitting, 90 Barbed	
67	0760608	1	Bolt M6 x 16	
70	2750532	4 ft /1.2m	Hose	
71	8305919	4	Nut, Retainer M6	

SECTION 3 - ENGINE

FIGURE 3-12. ENGINE ASSEMBLY WITH PUMPS (LRC) (WITH COLD WEATHER PACKAGE)



ART_1001199587

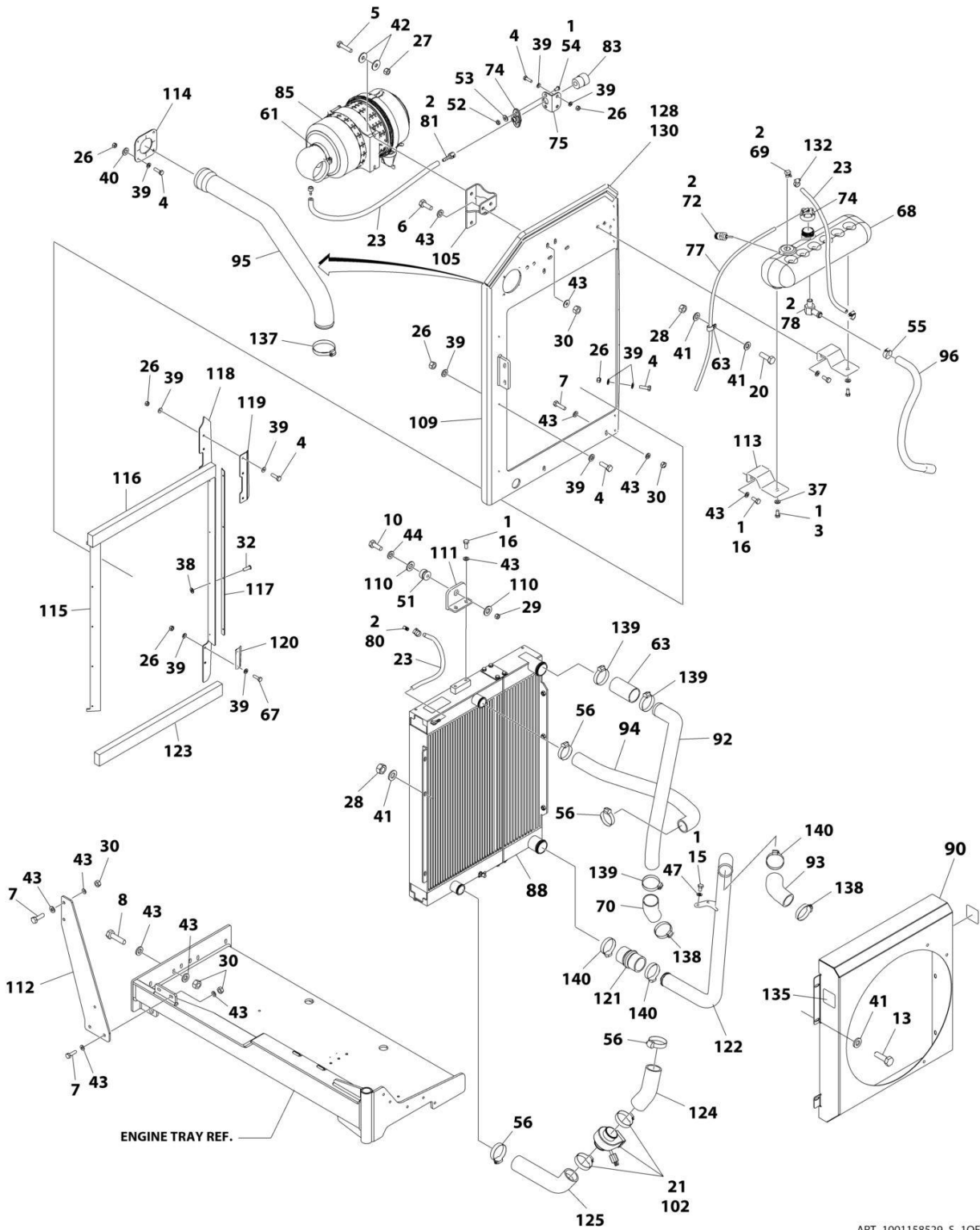
SECTION 3 - ENGINE

FIGURE 3-12. ENGINE ASSEMBLY WITH PUMPS (LRC) (WITH COLD WEATHER PACKAGE)

ITEM	PART NUMBER	QTY	DESCRIPTION	REV
	1001199587	Ref	ENGINE ASSEMBLY WITH PUMPS (LRC) (WITH COLD WEATHER PACKAGE)	J
1	0100011	AR	Compound, Locking	
2	0100035	AR	Compound, Locking	
3	0641608	2	Bolt 3/8 x 1	
4	0641812	2	Bolt 1/2 x 1-1/2	
5	0700510	1	Bolt M5 x 20	
6	0760610	2	Bolt M6 x 20	
8	0761015	2	Bolt M10 x 35	
9	0761216	2	Bolt 12 x 40	
10	1320041	1	Clamp	
11	1320136	1	Clamp	
13	3290507	1	Nut M5	
14	3290607	2	Nut M6	
15	3291007	2	Nut M10	
16	3310401	3	Nut #4	
17	3790152	1	O-Ring	
18	3790155	1	O-Ring	
19	3910408	3	Screw #4 x 1/2	
20	4740171	2	Washer	
21	4750400	3	Washer #4	
22	4811600	2	Washer M5	
23	4811700	2	Washer M6	
24	4812000	2	Washer M10	
25	4891600	2	Washer 3/8	
26	4891800	2	Washer 1/2	
27	1001108616	1	Tandem Pump Assembly (See Separate Breakdown in this Section)	
28	1001199470	1	Piston Pump Assembly (See Separate Breakdown in this Section)	
29	1001112927	1	Gear Pump Assembly (See Separate Breakdown in this Section)	
30	1001149971	1	Engine Harness (See Separate Breakdown in ELECTRICAL SECTION)	
32	1001156001	1	Engine Harness Can (See Separate Breakdown in ELECTRICAL SECTION)	
33	1001156107	2	Holder, Cable	
34	1001156718	1	Seal	
35	1001206747	1	Seal	
36	1001157073	1	Cable, Alternator	
37	1001158529	1	Engine Assembly (LRC) (With Cold Weather Package) (See Separate Breakdown in this Section)	
38	0761210	1	Bolt M12 x 20	
39	4812100	1	Washer M12	
41	1001234791	1	Cable, Battery Positive	
42	1001202355	1	Cable, Battery Negative	
44	1001168734	1	Cable, Glow Plug	
45	1001222918	1	Cable, System B+	

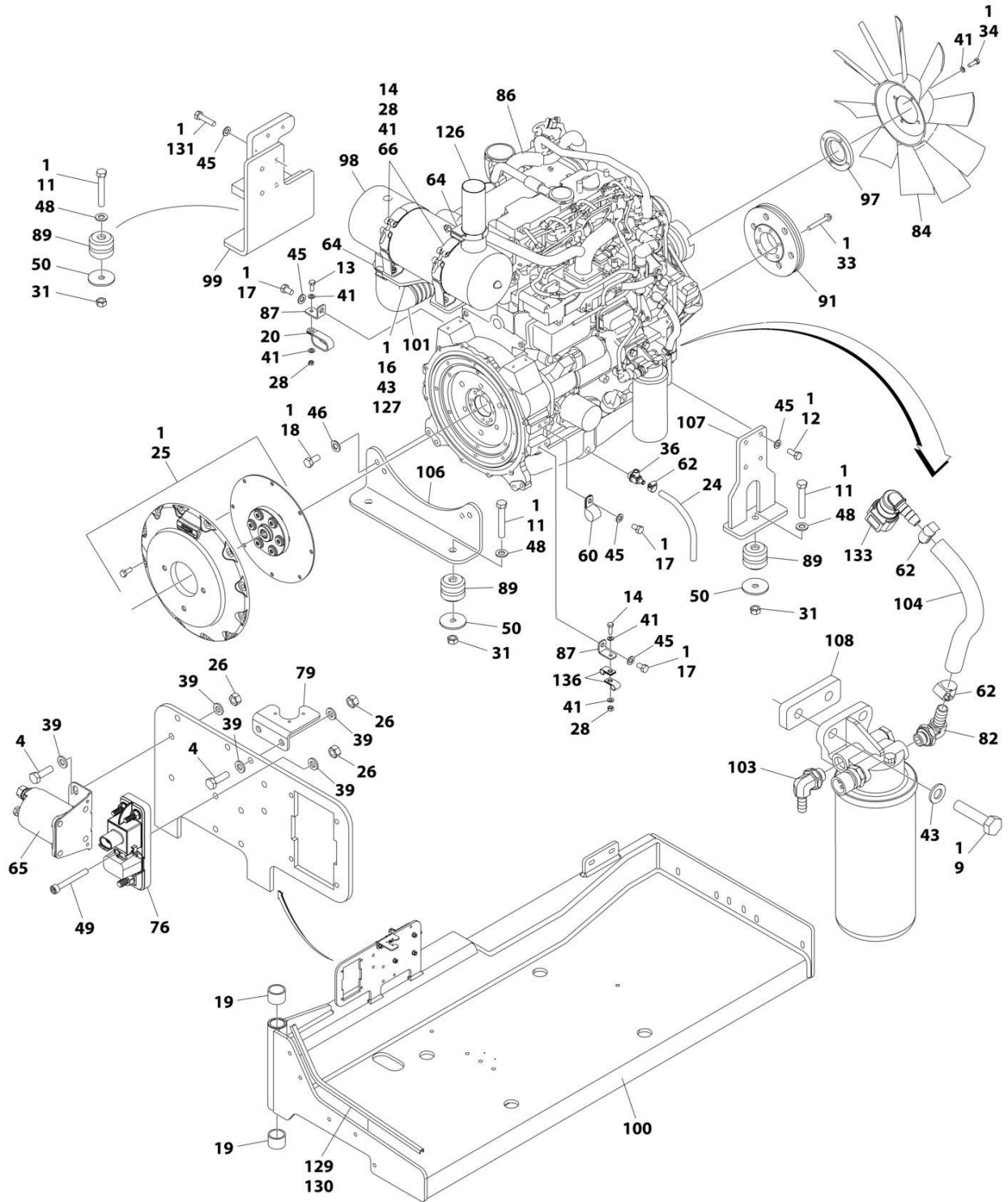
SECTION 3 - ENGINE

FIGURE 3-13. ENGINE ASSEMBLY (LRC) (WITH COLD WEATHER PACKAGE)



ART_1001158529_S_10F2

SECTION 3 - ENGINE



ART_1001158529_S_20F2

SECTION 3 - ENGINE

FIGURE 3-13. ENGINE ASSEMBLY (LRC) (WITH COLD WEATHER PACKAGE)

ITEM	PART NUMBER	QTY	DESCRIPTION	REV
	1001158529	Ref	DEUTZ LRC ENGINE ASSEMBLY - WITH COLD WEATHER PKG	T
1	0100011	AR	Compound, Locking	
2	0100020	AR	Sealant	
3	0641606	2	Bolt 3/8 x 3/4	
4	0700612	20	Bolt M6 x 25	
5	0700815	2	Bolt M8 x 35	
6	0701013	2	Bolt M10 x 28	
7	0701015	6	Bolt M10 x 35	
8	0701016	2	Bolt M10 x 40	
9	0701017	2	Bolt M10 x 45	
10	0701019	1	Bolt M10 x 55	
11	0701627	4	Bolt M16 x 100	
12	0711214	4	Bolt M12 x 30 Grade 10.9	
13	0760810	5	Bolt M8 x 20	
14	0760812	7	Bolt M8 x 25	
15	0761008	2	Bolt M10 x 16	
16	0761012	10	Bolt M10 x 25	
17	0761210	3	Bolt M12 x 20	
18	0771415	4	Bolt M14 x 35 Grade 10.9	
19	0961951	2	Bushing	
20	1321716	1	Clamp	
21	1702942	1	Decal - Engine Block Heater	
23	2720015	5 ft/1.5m	Hose	
24	1001165035	1 ft/30.5m	Hose	
25	2902065	1	Pump Coupling Kit (See Separate Breakdown in this Section)	
26	3290607	23	Nut M6	
27	3290805	2	Nut M8	
28	3290807	9	Nut M8	
29	3291005	1	Nut M10	
30	3291007	10	Nut M10	
31	3291601	4	Nut M16	
32	3820032	9	Rivet	
33	5251022	6	Bolt M10 x 70	
34	4031912	4	Capscrew M8 x 40	
35	4240099	AR	Tie-Strap (Not Shown)	
36	4640751	1	Valve, Oil Drain	
37	4711600	2	Washer 3/8	
38	4811600	4	Washer M5	
39	4811700	41	Washer M6	
40	4811702	4	Washer M6	
41	4811900	25	Washer M8	
42	4811902	4	Washer M8	
43	4812000	34	Washer M10	
44	4812002	1	Washer M10	
45	4812100	11	Washer M12	
46	4812200	4	Washer M14	
47	5241000	2	Washer M10	
48	5241600	4	Washer M16	
49	5271614	1	Capscrew M16 x 50	
50	7300435	4	Washer	

SECTION 3 - ENGINE

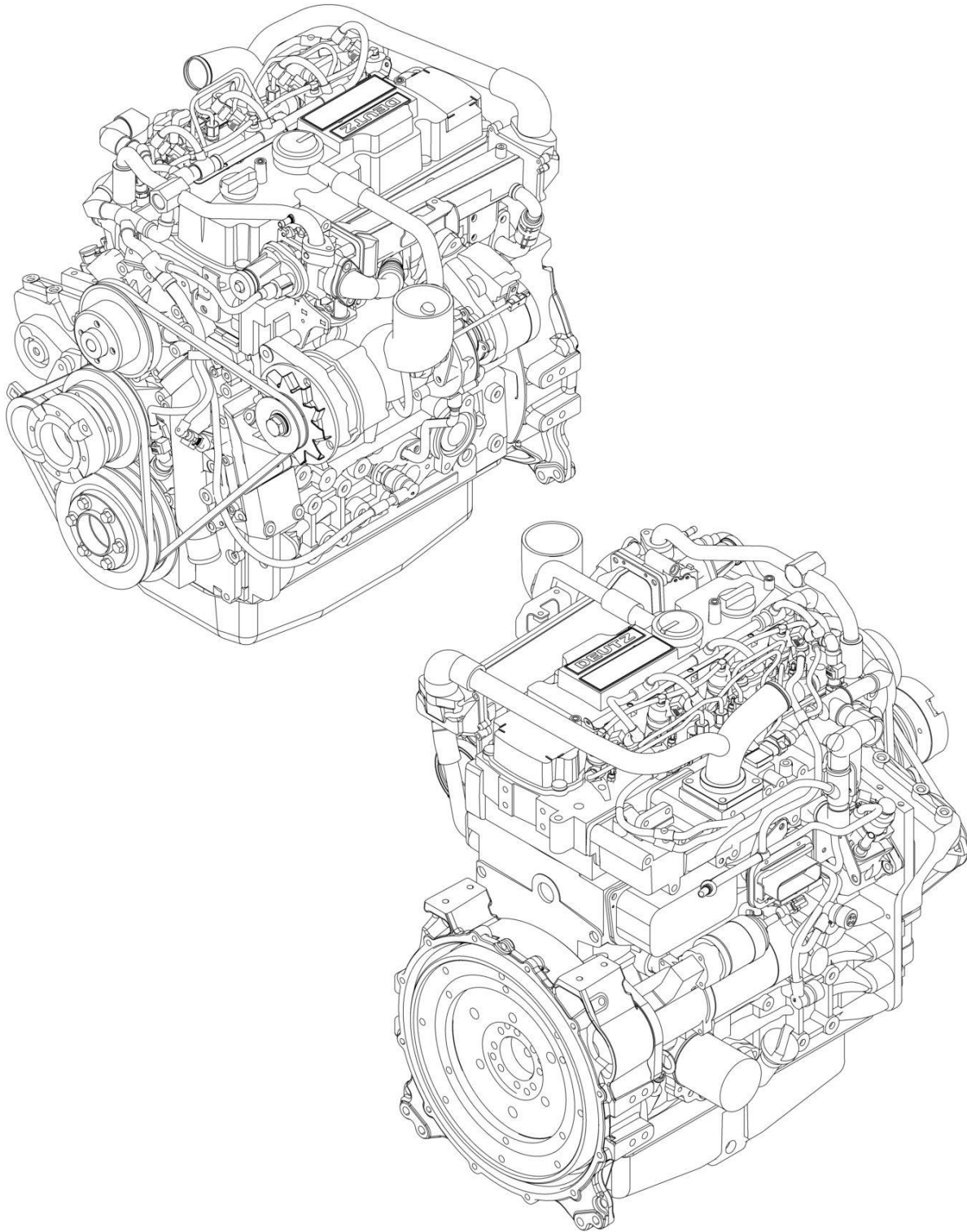
ITEM	PART NUMBER	QTY	DESCRIPTION	REV
51	8278020	1	Mount	
52	8305401	2	Nut 1/4	
53	8307109	2	Washer 1/4	
54	8310548	2	Screw 1/4 x 1/2	
55	8405007	2	Clamp	
56	8405104	4	Clamp	
59	8406109	2	Clamp	
60	8406303	1	Clip	
61	8410011	1	Clamp	
62	8410013	3	Clamp	
63	91563070	1	Coupling, Rubber	
64	1001111116	2	Clamp	
65	1001117308	1	Relay	
66	1001119727	2	Clamp	
67	0760614	2	Bolt M6 x 30	
68	1001166393	1	Tank	
69	1001134488	1	Fitting, 90 NPT/Barbed	
70	1001135943	1	Coupling	
72	1001138827	1	Sensor	
73	1001136834	1	Cap	
74	1001138173	1	Support	
75	1001138175	1	Bracket	
76	1001138228	1	Module, Relay	
76	70023592	1	Fuse 20Amp	
76	70023593	1	Fuse 30Amp	
77	1001138248	5 ft/1.5m	Tubing	
78	1001138559	1	Fitting, 90 NPT	
79	1001139240	1	Bracket	
80	1001140564	1	Fitting, 90 NPT/Barbed	
81	1001141995	1	Fitting, Straight NPT/Barbed	
82	1001142501	1	Fitting, 90 NPT/Barbed	
83	1001143390	1	Indicator, Air Restriction	
84	1001177137	1	Fan	
85	1001147847	1	Filter, Air	
85	70023809	1	Element, Primary	
85	70023872	1	Element, Secondary	
85	70024328	1	Elbow, Rubber	
85	70024329	1	Clamp, Mounting	
86	1001251857	1	Deutz LRC Engine Components (See Separate Breakdown in this Section)	
87	1001148641	2	Bracket	
88	1001256862	1	Radiator	
89	1001149517	4	Mount, Motor	
90	1001192138	1	Shroud	
91	1001149746	1	Pulley	
92	1001150498	1	Tube	
93	1001150499	1	Hose	
94	1001191122	1	Hose	
95	1001150505	1	Pipe	
96	1001150553	1	Hose	
97	1001177134	1	Adapter	
98	1001151432	1	Muffler	

SECTION 3 - ENGINE

ITEM	PART NUMBER	QTY	DESCRIPTION	REV
99	1001151491	1	Support	
100	1001151749	1	Tray	
101	1001151761	1	Pipe, Exhaust	
102	1001152112	1	Heater, Engine Block	
103	1001152489	1	Fitting, 90 Barbed	
104	1001154405	8.5 in /21cm	Hose	
105	1001155023	1	Plate	
106	1001155496	1	Support	
107	1001160518	1	Support	
108	1001155498	1	Plate	
109	1001155525	1	Support	
110	1001155540	2	Washer	
111	1001157862	1	Bracket	
112	1001212817	1	Plate	
113	1001155557	2	Plate	
114	1001155563	1	Seal	
115	1001155564	1	Bracket	
116	1001155565	1	Seal	
117	1001155566	1	Bracket	
118	1001156034	1	Seal	
119	1001156035	1	Bracket	
120	1001156062	1	Bracket	
121	1001156091	1	Hose	
122	1001156112	1	Tube	
123	1001156644	2	Seal	
124	1001157300	1	Hose, Lower Radiator (Top Section)	
125	1001157301	1	Hose, Lower Radiator (Bottom Section)	
126	1001158262	1	Pipe, Exhaust	
127	1001158289	1	Bracket	
128	1001155728	1	Seal	
129	4060807	22 in/ 55cm	Flex-Trim	
130	0100081	AR	Adhesive	
131	0711218	4	Bolt M12 x 50 Grade 10.9	
132	1320022	4	Clamp	
133	1001170982	1	Fitting, 90 SAE/Barbed	
135	1703162	2	Decal - Fan Blade	
136	8406110	2	Clip	
137	1001208297	1	Clamp	
138	1001208298	2	Clamp	
139	1001208299	3	Clamp	
140	8410012	3	Clamp	

SECTION 3 - ENGINE

FIGURE 3-14. DEUTZ LRC ENGINE COMPONENTS



ART_1001251857

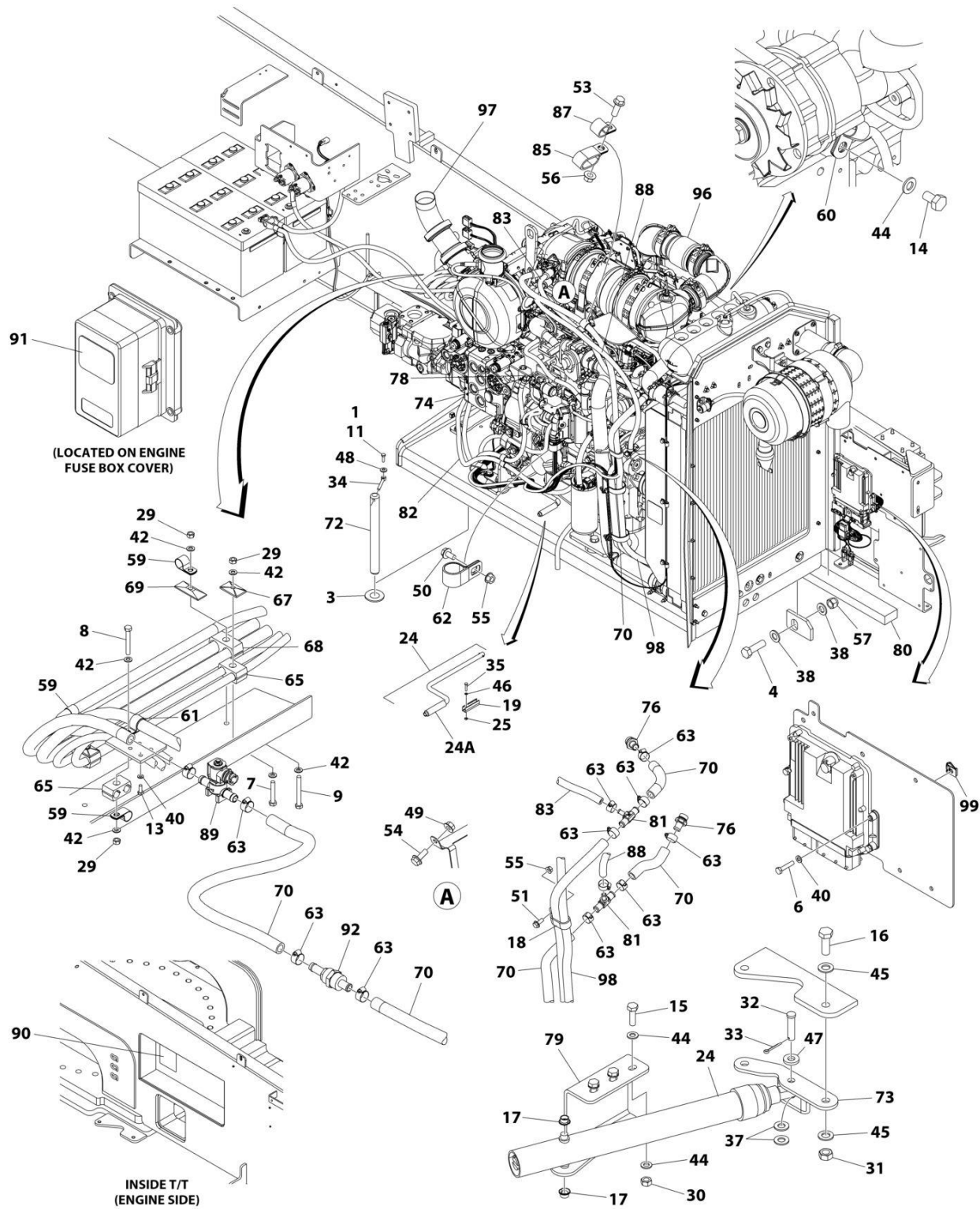
SECTION 3 - ENGINE

FIGURE 3-14. DEUTZ LRC ENGINE COMPONENTS

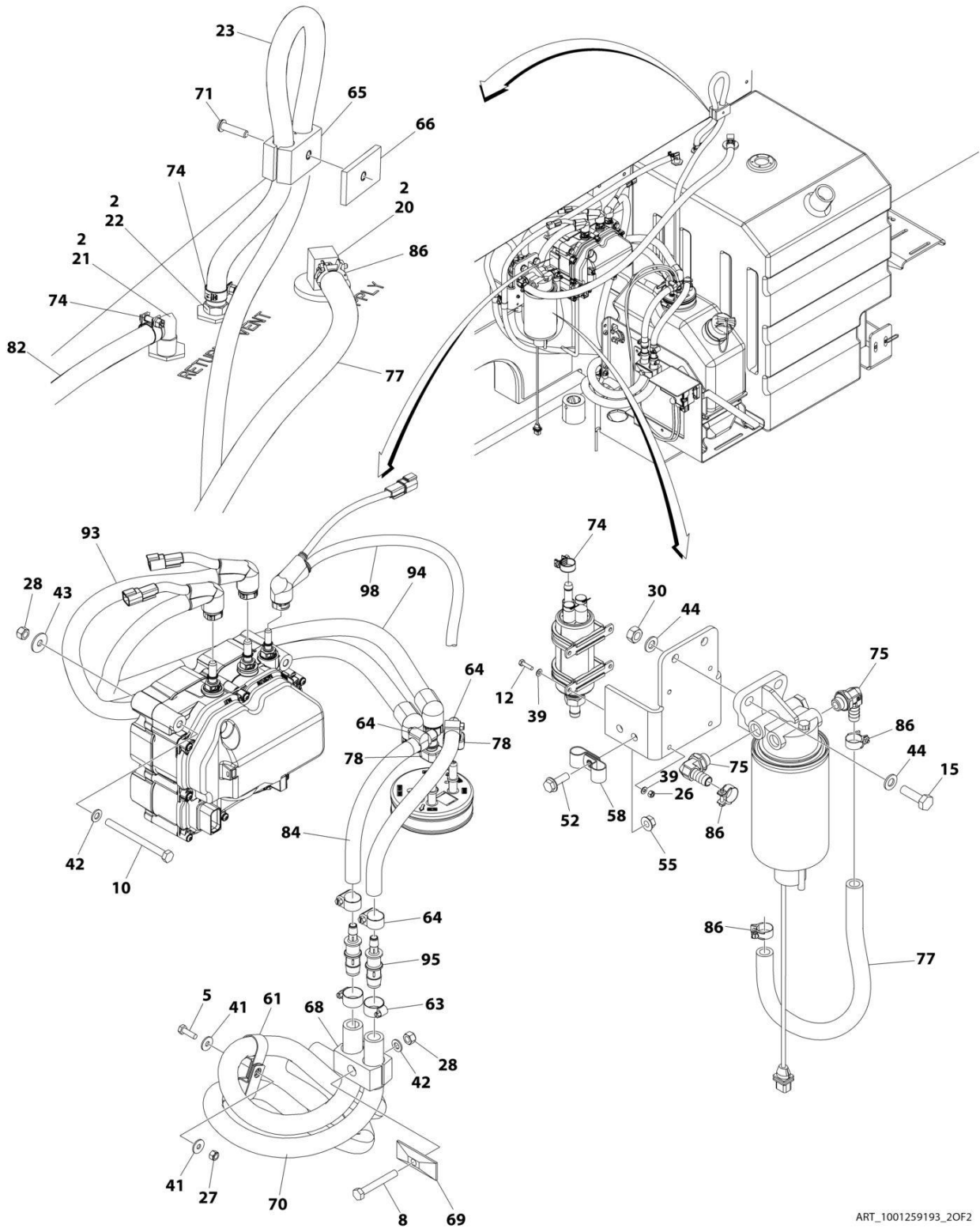
ITEM	PART NUMBER	QTY	DESCRIPTION	REV
	1001251857	Ref	DEUTZ ENGINE COMPONENTS	A
		Ref	Note: For complete list of parts, contact JLG Parts Department	
		Ref	Air Intake System Components	
	70004518	1	Turbocharger	
		Ref	Cooling System Components	
	70004515	1	Pump, Coolant	
		Ref	Electrical System Components	
	70024472	1	Module, ECU/ECM	
	70029401	1	Generator (Includes Regulator & Fan)	
	70006653	1	Regulator	
	70004520	1	Starter (Includes Solenoid)	
	70025780	1	Relay	
	70005564	1	Harness, Engine	
	70026210	1	Sender, Tacho-Generator (Speed) (On Front Cover) (Includes Seal)	
	70028540	1	Sender, Temperature (On Thermostat Housing)	
	70024507	1	Sensor, Pressure (Includes Seal) (On Air Intake Manifold)	
	70024504	1	Sensor, Pressure (Includes Seal) (On Block)	
	70024474	4	Plug, Glow	
		Ref	Exhaust System Components	
	70027569	1	Valve, EGR	
		Ref	Fuel System Components	
	70024487	1	Pump, Fuel Injector	
	70024485	4	Injector (Includes Seal, Clamp & O-Ring)	
	70006144	1	Pump, Fuel Supply (Includes Clamps)	
	70025153	1	Filter, Fuel (Pre-Filter)	
	70004512	1	Filter, Fuel	
		Ref	Lubricating System Components	
	70025745	1	Dipstick	
	7020465	2	Cap, Oil Fill	
	70025088	1	Plug, Oil Drain	
	7020404	2	Seal, Oil Drain Plug	
		Ref	Pump, Oil (Includes Bolts & Bushing)	
	7016331	1	Filter, Oil	
	70024494	1	Cooler, Oil	
		Ref	Mechanical Components	
	70004517	1	V-Belt	
	70004519	1	V-Belt	
	70024481	1	Gasket, Valve Cover	
	70025789	1	Gasket, Head	

SECTION 3 - ENGINE

FIGURE 3-15. ENGINE INSTALLATION (HRC) (STAGE V) (WITHOUT COLD WEATHER PACKAGE)



SECTION 3 - ENGINE



ART_1001259193_2OF2

SECTION 3 - ENGINE

FIGURE 3-15. ENGINE INSTALLATION (HRC) (STAGE V) (WITHOUT COLD WEATHER PACKAGE)

ITEM	PART NUMBER	QTY	DESCRIPTION	REV
	1001259193	Ref	ENGINE INSTALLATION (HRC)	D
1	0100011	AR	Compound, Locking	
2	0100020	AR	Sealant	
3	0440162	1	Bearing	
4	0642220	1	Bolt 3/4 x 2-1/2	
5	0700610	1	Bolt M6 x 20	
6	0700614	4	Bolt M6 x 30	
7	0700818	2	Bolt M8 x 50	
8	0700820	2	Bolt M8 x 60	
9	0700822	2	Bolt M8 x 70	
10	0700827	3	Bolt M8 x 100	
11	0711015	1	Bolt M10 x 35	
12	0760408	4	Bolt M4 x 16	
13	0760608	4	Bolt M6 x 16	
14	0761009	1	Bolt M10 x 18	
15	0761015	5	Bolt M10 x 35	
16	0771416	2	Bolt M14 x 40	
17	0962051	2	Bearing	
18	1321716	1	Clamp	
19	1380147	1	Clip	
20	2180832	1	Fitting, Straight Barbed/NPTF	
21	2220313	1	Fitting, 90 Barbed/NPTF	
22	2221114	1	Fitting, Straight Barbed/NPT	
23	2750532	4 ft/ 1.2m	Hose	
24	2840016	1	Tray Jack Assembly	
24	7016322	1	Wiper (Burr Brand)	
24A	7016374	1	Handle (Burr Brand)	
24A	7024598	1	Handle (Hammerblow Brand)	
25	3290301	2	Nut M3	
26	3290405	4	Nut M4	
27	3290605	1	Nut M6	
28	3290805	4	Nut M8	
29	3290807	5	Nut M8	
30	3291007	5	Nut M10	
31	3331411	2	Nut M14	
32	3430816	1	Pin	
33	3450404	1	Pin, Cotter 1/8 x 1	
34	3841143	1	Keeper, Pin	
35	4010308	2	Screw M3 x 16	
36	4240099	AR	Tie-Strap (Not Shown)	
37	4711800	2	Washer 1/2	
38	4712200	2	Washer 3/4	
39	4811400	8	Washer M4	
40	4811700	8	Washer M6	
41	4811702	2	Washer M6	
42	4811900	14	Washer M8	
43	4811902	3	Washer M8	
44	4812000	11	Washer M10	
45	4812200	4	Washer M14	
46	4871200	2	Washer M3	

SECTION 3 - ENGINE

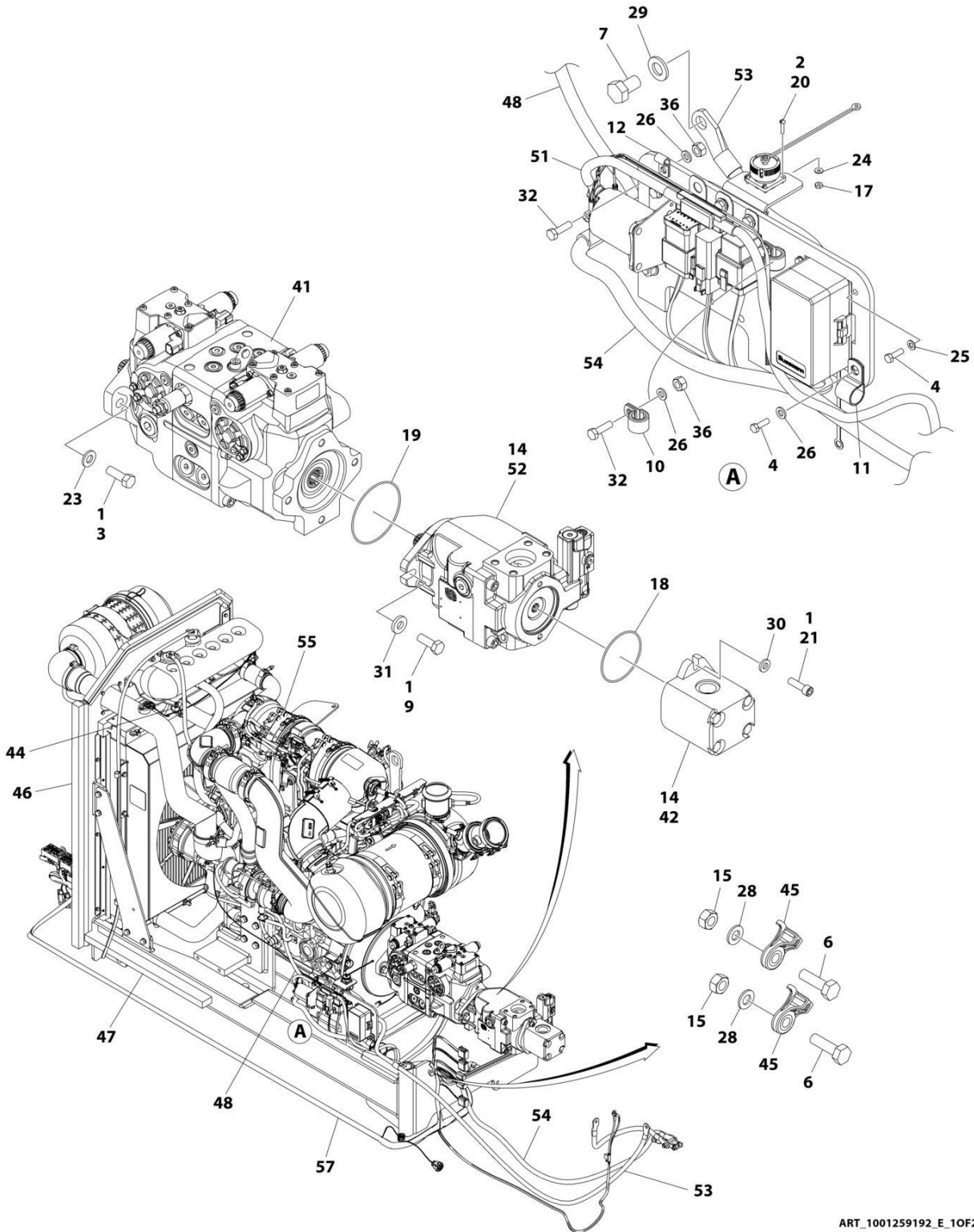
ITEM	PART NUMBER	QTY	DESCRIPTION	REV
47	4891800	1	Washer 1/2	
48	5241000	1	Washer M10	
49	5250608	1	Bolt M6 x 16	
50	5250808	1	Bolt M8 x 16	
51	5250810	1	Bolt M8 x 20	
52	5250812	1	Bolt M8 x 25	
53	5251215	1	Bolt M12 x 35	
54	5260600	1	Nut M6	
55	5260800	3	Nut M8	
56	5261200	1	Nut M12	
57	8310067	1	Nut 3/4	
58	8406101	2	Clip	
59	8406102	3	Clip	
60	8406105	1	Clip	
61	8406201	3	Clip	
62	8406303	1	Clamp	
63	8410009	14	Clamp	
64	8410013	4	Clamp	
65	8750014	4	Clamp	
66	8750031	1	Plate, Clamp	
67	8769123	2	Cover, Clamp	
68	8769127	3	Cover, Clamp	
69	77133137	3	Cover, Clamp	
70	82033995	374 in/ 9.5m	Hose	
71	1001101580	1	Screw M8 x 30	
72	1001135196	1	Pin	
73	1001135497	1	Support	
74	1001136975	5	Clamp	
75	1001142501	2	Fitting, 90 Barbed	
76	1001154262	2	Fitting, Straight Barbed	
77	1001154405	51 in/ 1.3m	Hose	
78	1001155823	3	Fitting, 90 Barbed	
79	1001155939	1	Mount	
80	1001206747	1	Seal	
81	1001162212	2	Fitting, Tee Barbed	
82	1001165035	28 ft/ 8.4m	Hose	
83	1001169409	1	Hose	
84	1001181625	1.65 ft/ 0.50m	Hose	
85	1001181899	1	Clamp	
86	1001186342	4	Clip	
87	1001191620	1	Clamp	
88	1001193980	1	Hose, Return	
89	1001199670	1	Valve, Flow	
90	1001212056	1	Decal - Engine Fuse Box	
91	1001224046	1	Decal - Engine Fuse Box Cover	
92	1001228872	1	Filter, Coolant Screen	
93	1001238401	1	Hose, Backflow	
94	1001238402	1	Hose, Suction	

SECTION 3 - ENGINE

ITEM	PART NUMBER	QTY	DESCRIPTION	REV
95	1001238470	2	Fitting, Reducer Barbed	
96	1001259192	1	Engine Assembly with Pumps (HRC) (Stage V) (With Cold Weather Package) (See Separate Breakdown in this Section)	
97	1001259204	1	Pipe	
98	1001260287	1	Hose	
99	8305919	4	Nut, Retainer	

SECTION 3 - ENGINE

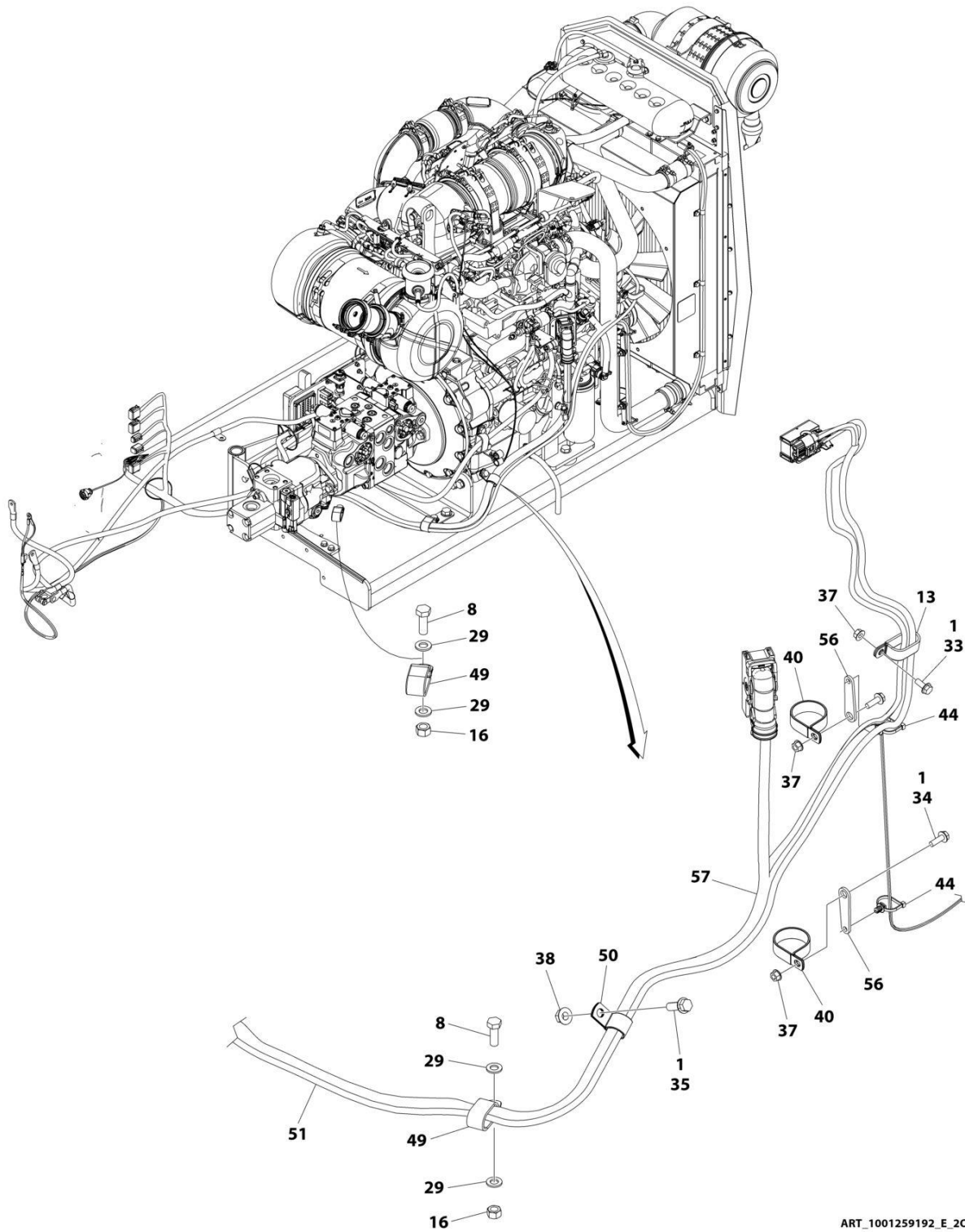
FIGURE 3-16. ENGINE ASSEMBLY WITH PUMPS (HRC) (STAGE V) (WITHOUT COLD WEATHER PACKAGE)



ART_1001259192_E_10F2

SECTION 3 - ENGINE

FIGURE 3-17. ENGINE ASSEMBLY WITH PUMPS (HRC) (STAGE V) (WITHOUT COLD WEATHER PACKAGE)



ART_1001259192_E_20F2

SECTION 3 - ENGINE

FIGURE 3-17. ENGINE ASSEMBLY WITH PUMPS (HRC) (STAGE V) (WITHOUT COLD WEATHER PACKAGE)

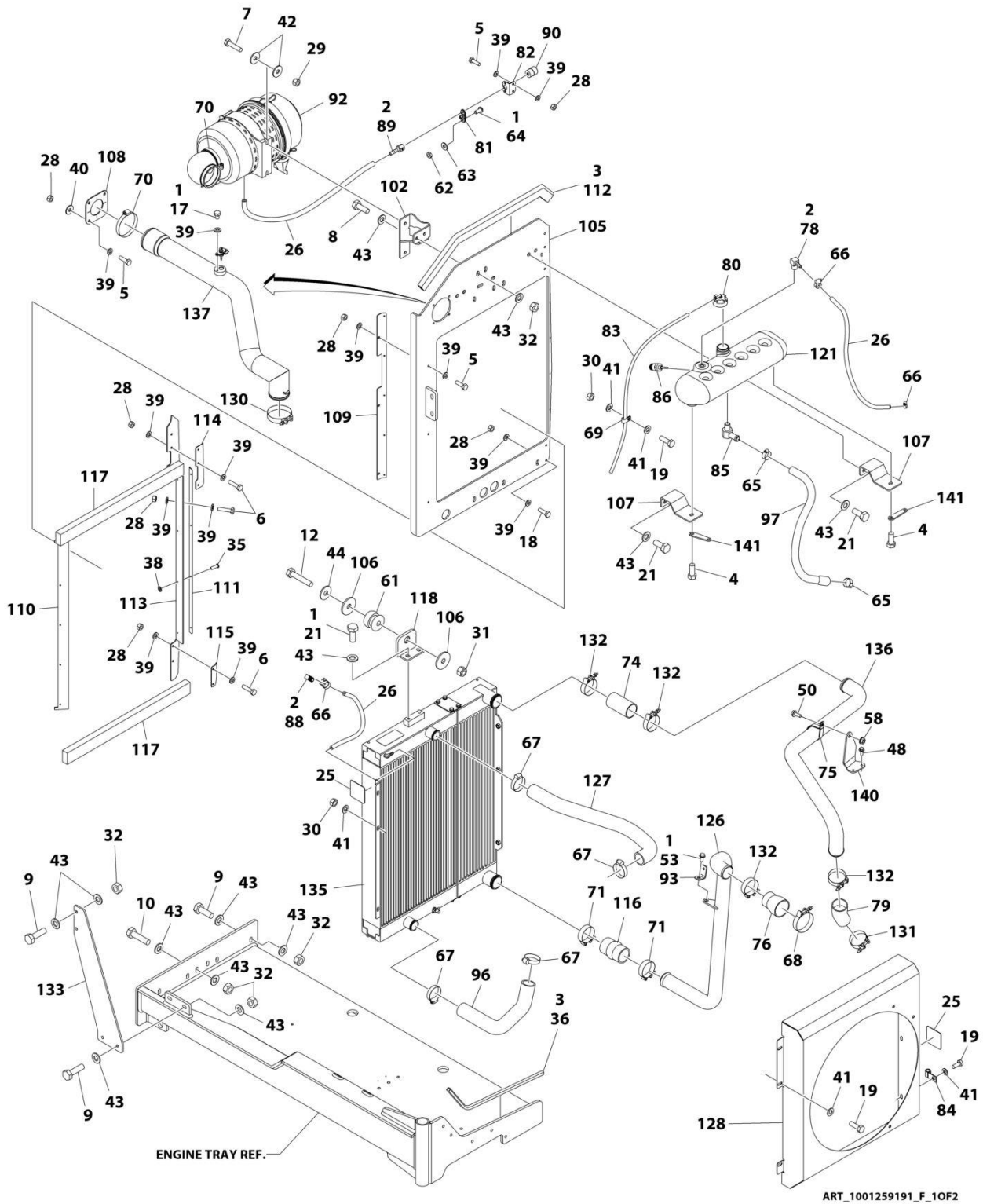
ITEM	PART NUMBER	QTY	DESCRIPTION	REV
	1001259192	Ref	ENGINE ASSEMBLY WITH PUMPS (HRC)	E
1	0100011	AR	Compound, Locking	
2	0100035	AR	Compound, Locking	
3	0641812	2	Bolt 1/2 x 1-1/2	
4	0760508	4	Bolt M5 x 16	
6	0761015	2	Bolt M10 x 35	
7	0761210	1	Bolt M12 x 20	
8	0761215	2	Bolt M12 x 35	
9	0761216	2	Bolt M12 x 40	
10	1320041	1	Clamp	
11	1320061	1	Clamp	
12	1320136	1	Clamp	
13	1321716	1	Clamp	
14	3020037	AR	Lubricant	
15	3291007	2	Nut M10	
16	3291207	2	Nut M12	
17	3310401	3	Nut #4	
18	3790152	1	O-Ring	
19	3790155	1	O-Ring	
20	3910408	3	Screw #4 x 1/2	
21	3931620	2	Capscrew 3/8 x 1-1/4	
22	4240099	AR	Tie-Strap (Not Shown)	
23	4740171	2	Washer	
24	4750400	3	Washer #4	
25	4811600	3	Washer M5	
26	4811700	3	Washer M6	
28	4812000	2	Washer M10	
29	4812100	5	Washer M12	
30	4891600	2	Washer 3/8	
31	4891800	2	Washer 1/2	
32	5250611	2	Screw M6 x 22	
32	0760610	2	Bolt M6 x 20	
33	5250810	1	Bolt M8 x 20	
34	5250812	2	Bolt M8 x 25	
35	5251215	1	Bolt M12 x 35	
36	5260600	2	Nut M6	
36	3290607	2	Nut, Lock M6	
37	5260800	3	Nut M8	
38	5261200	1	Nut M12	
40	1001097588	2	Clamp	
41	1001108616	1	Tandem Pump Assembly (See Separate Breakdown in this Section)	
42	1001112927	1	Gear Pump Assembly (See Separate Breakdown in this Section)	
44	1001146588	4	Tie-Strap	
45	1001156107	2	Holder, Cable	
46	1001156718	1	Seal	
47	1001206747	1	Seal	
48	1001157073	1	Cable, Alternator	
49	1001181899	2	Clamp	

SECTION 3 - ENGINE

ITEM	PART NUMBER	QTY	DESCRIPTION	REV
50	1001191620	1	Clamp	
51	1001274992	1	Cable, Glow Plug	
52	1001199470	1	Piston Pump Assembly (See Separate Breakdown in this Section)	
53	1001202355	1	Cable, Battery Negative	
54	1001234791	1	Cable, Battery Positive	
55	1001259191	1	Engine Assembly (HRC) (Stage V) (With Cold Weather Package) (See Separate Breakdown in this Section)	
56	1001260307	2	Bracket	
57	1001262056	1	Engine Harness (See Separate Breakdown in ELECTRICAL Section)	

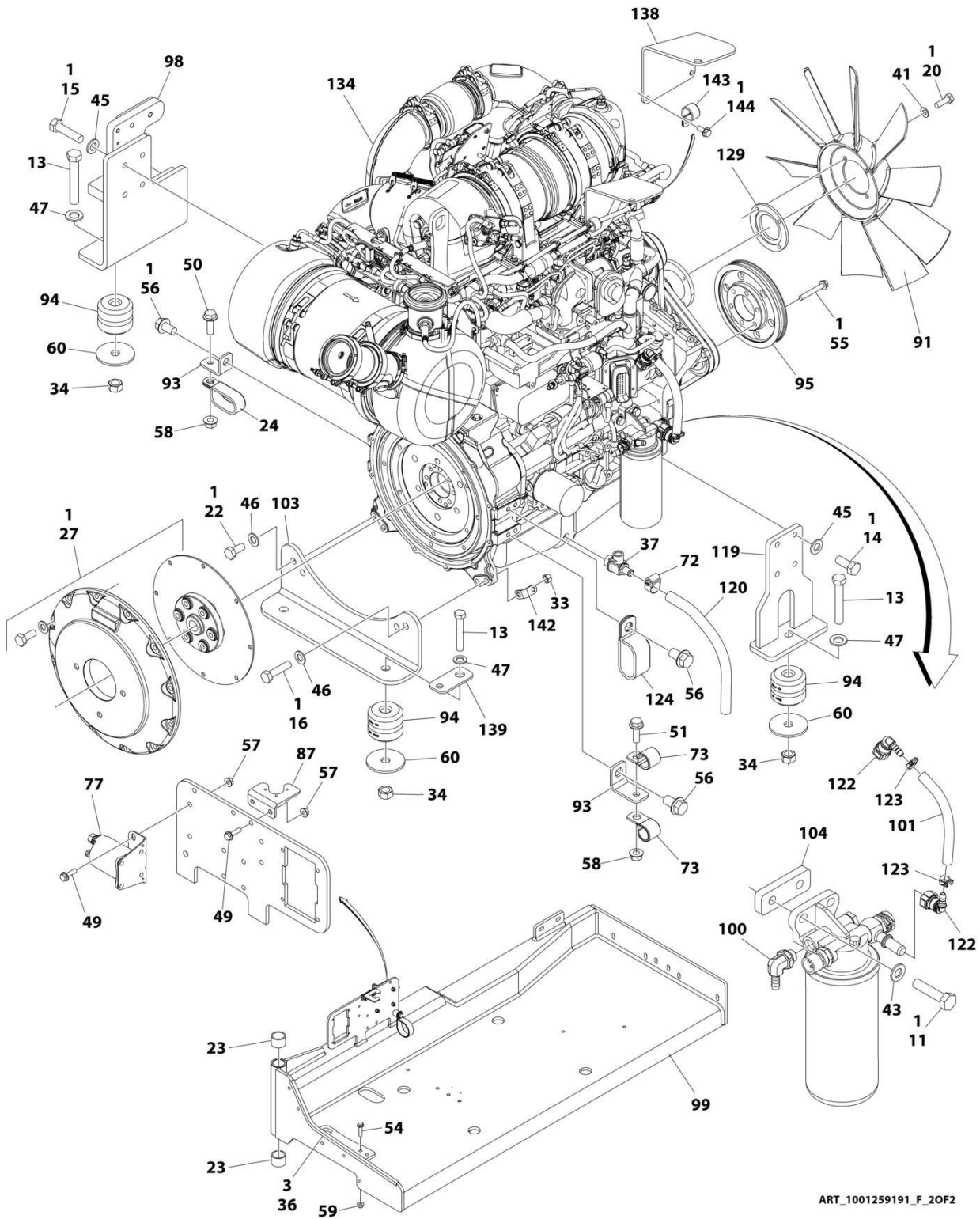
SECTION 3 - ENGINE

FIGURE 3-18. ENGINE ASSEMBLY (HRC) (STAGE V) (WITHOUT COLD WEATHER PACKAGE)



SECTION 3 - ENGINE

FIGURE 3-19. ENGINE ASSEMBLY (HRC) (STAGE V) (WITHOUT COLD WEATHER PACKAGE)



ART_1001259191_F_20F2

SECTION 3 - ENGINE

FIGURE 3-19. ENGINE ASSEMBLY (HRC) (STAGE V) (WITHOUT COLD WEATHER PACKAGE)

ITEM	PART NUMBER	QTY	DESCRIPTION	REV
	1001259191	Ref	DEUTZ T4F ENGINE ASSEMBLY	F
1	0100011	AR	Compound, Locking	
2	0100020	AR	Sealant	
3	0100081	AR	Adhesive	
4	0641607	2	Bolt 3/8 x 7/8	
5	0700610	9	Bolt M6 x 20	
6	0700612	7	Bolt M6 x 25	
7	0700815	2	Bolt M8 x 35	
8	0701013	2	Bolt M10 x 28	
9	0701015	6	Bolt M10 x 35	
10	0701016	2	Bolt M10 x 40	
11	0701017	2	Bolt M10 x 45	
12	0701019	1	Bolt M10 x 55	
13	0701627	4	Bolt M16 x 100	
14	0711214	4	Bolt M12 x 30 Class 10.9	
15	0711218	4	Bolt M12 x 50 Class 10.9	
16	0771419	1	Bolt M14 x 55 Class 10.9	
17	0760604	1	Bolt M6 x 8	
18	0760614	2	Bolt M6 x 30	
19	0760810	6	Bolt M8 x 20	
20	0760812	4	Bolt M8 x 25	
21	0761012	6	Bolt M10 x 25	
22	0771415	3	Bolt M14 x 35 Class 10.9	
23	0961951	2	Bushing	
24	1321716	1	Clamp	
25	1703162	2	Decal - Fan Blade	
26	2720015	5 ft/ 1.5m	Hose	
27	2902065	1	Pump Coupling Kit (See Separate Breakdown in this Section)	
28	3290607	18	Nut M6	
29	3290805	2	Nut M8	
30	3290807	3	Nut M8	
31	3291005	1	Nut M10	
32	3291007	10	Nut M10	
33	3291407	1	Nut M14	
34	3291601	4	Nut M16	
35	3820032	9	Rivet	
36	4060807	22 in/ 56cm	Flex-Trim	
37	4640751	1	Valve, Oil Drain	
38	4811600	4	Washer M5	
39	4811700	33	Washer M6	
40	4811702	4	Washer M6	
41	4811900	13	Washer M8	
42	4811902	4	Washer M8	
43	4812000	30	Washer M10	
44	4812002	1	Washer M10	
45	4812100	8	Washer M12	
46	4812200	4	Washer M14	
47	5241600	4	Washer M16	
48	5250608	2	Bolt M6 x 16	

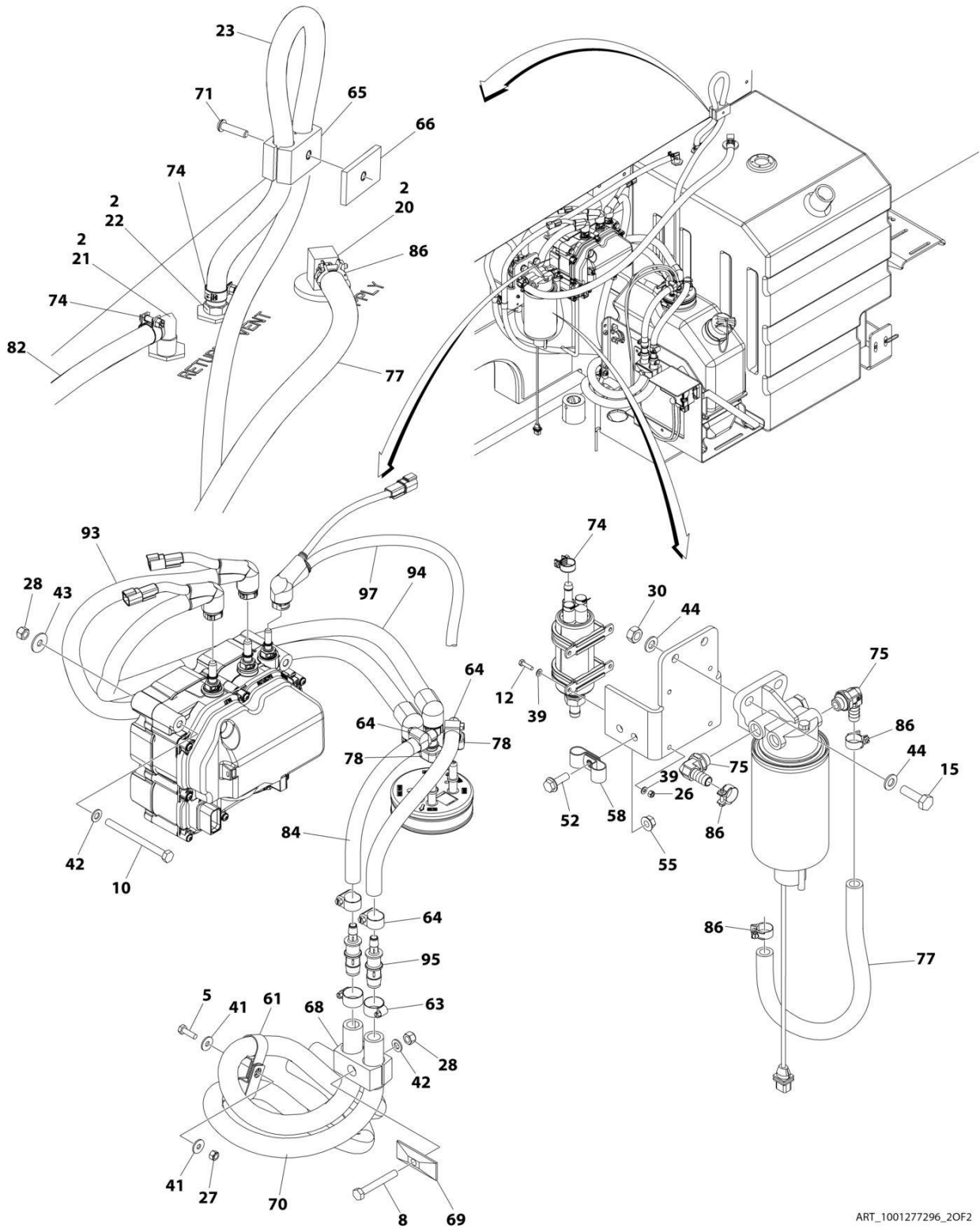
SECTION 3 - ENGINE

ITEM	PART NUMBER	QTY	DESCRIPTION	REV
49	5250611	4	Bolt M6 x 22	
50	5250810	2	Bolt M8 x 20 Class 10.9	
51	5250812	1	Bolt M8 x 25 Class 10.9	
53	5251010	1	Bolt M10 x 20 Class 10.9	
54	5251016	2	Bolt M10 x 40 Class 10.9	
55	5251022	6	Bolt M10 x 70 Class 10.9	
56	5251210	3	Bolt M12 x 20 Class 10.9	
57	5260600	4	Nut M6	
58	5260800	3	Nut M8	
59	5261000	2	Nut M10	
60	7300435	4	Washer	
61	8278020	1	Mount	
62	8305401	2	Nut 1/4	
63	8307109	2	Washer 1/4	
64	8310548	2	Screw 1/4 x 1/2	
65	8405007	2	Clamp	
66	8405009	4	Clamp	
67	8405104	4	Clamp	
68	8405211	1	Clamp	
69	8406109	2	Clip	
70	8410011	2	Clamp	
71	8410012	2	Clamp	
72	8410013	1	Clamp	
73	24861170	2	Clamp	
74	91563070	1	Coupling, Rubber	
75	1001097588	1	Clip	
76	1001117244	1	Reducer	
77	1001117308	1	Relay, 200Amp	
78	1001134488	1	Fitting, 90 NPT/Barbed	
79	1001135943	1	Coupling	
80	1001136834	1	Cap	
81	1001138173	1	Support	
82	1001138175	1	Bracket	
83	1001138248	5 ft/ 1.5m	Tubing	
84	1001138253	3	Clamp	
85	1001138559	1	Fitting, 90 NPT	
86	1001138827	1	Sensor	
87	1001139240	1	Bracket	
88	1001140564	1	Fitting, 90 NPT/Barbed	
89	1001141995	1	Fitting, Straight NPT/Barbed	
90	1001143390	1	Indicator, Air Restriction	
91	1001147567	1	Fan	
92	1001147847	1	Filter, Air	
92	70023809	1	Element, Primary	
92	70023872	1	Element, Secondary	
92	70024328	1	Elbow, Rubber	
92	70024329	1	Clamp, Mounting	
93	1001148641	3	Bracket	
94	1001149517	4	Mount, Motor	
95	1001149746	1	Pulley	
96	1001150504	1	Hose	

SECTION 3 - ENGINE

ITEM	PART NUMBER	QTY	DESCRIPTION	REV
97	1001150553	1	Hose	
98	1001151491	1	Support	
99	1001151749	1	Tray	
100	1001152489	1	Fitting, 90 Barbed	
101	1001154405	8.5 in/ 21cm	Hose	
102	1001155023	1	Plate	
103	1001155496	1	Support	
104	1001155498	1	Plate	
105	1001155525	1	Support	
106	1001155540	2	Washer	
107	1001155557	2	Plate	
108	1001155563	1	Seal	
109	1001155564	1	Bracket	
110	1001155565	1	Seal	
111	1001155566	1	Bracket	
112	1001155728	1	Seal	
113	1001156034	1	Seal	
114	1001156035	1	Bracket	
115	1001156062	1	Bracket	
116	1001156091	1	Hose	
117	1001156644	2	Seal	
118	1001157862	1	Bracket	
119	1001160518	1	Support	
120	1001165035	1 ft/ 0.3m	Hose	
121	1001166393	1	Tank	
122	1001170982	2	Fitting, 90 SAE/Barbed	
123	1001175568	2	Clip	
124	1001181899	1	Clamp	
126	1001190418	1	Tube	
127	1001191122	1	Hose, Upper	
128	1001192138	1	Shroud	
129	1001197317	1	Spacer	
130	1001208297	1	Clamp	
131	1001208298	1	Clamp	
132	1001208299	4	Clamp	
133	1001212817	1	Plate	
134	1001256823	1	Deutz HRC (Stage V) Engine Components (See Separate Breakdown in this Section)	
135	1001256862	1	Radiator	
136	1001259203	1	Hose	
137	1001259208	1	Hose	
138	1001259278	1	Bracket	
139	1001259281	1	Bracket	
140	1001291543	1	Support, Hose	
141	1001260307	2	Bracket	
142	1001260889	1	Bracket	
143	1001100319	1	Clip	
144	5250808	2	Bolt M8 X 16 Class 10.9	

SECTION 3 - ENGINE



ART_1001277296_2OF2

SECTION 3 - ENGINE

FIGURE 3-20. ENGINE INSTALLATION (HRC) (WITH COLD WEATHER PACKAGE)

ITEM	PART NUMBER	QTY	DESCRIPTION	REV
	1001277296	Ref	ENGINE INSTALLATION (HRC)	C
1	0100011	AR	Compound, Locking	
2	0100020	AR	Sealant	
3	0440162	1	Bearing	
4	0642220	1	Bolt 3/4 x 2-1/2	
5	0700610	1	Bolt M6 x 20	
6	0700614	4	Bolt M6 x 30	
7	0700818	2	Bolt M8 x 50	
8	0700820	2	Bolt M8 x 60	
9	0700822	2	Bolt M8 x 70	
10	0700827	3	Bolt M8 x 100	
11	0711015	1	Bolt M10 x 35	
12	0760408	4	Bolt M4 x 16	
13	0760608	4	Bolt M6 x 16	
14	0761009	1	Bolt M10 x 18	
15	0761015	5	Bolt M10 x 35	
16	0771416	2	Bolt M14 x 40	
17	0962051	2	Bearing	
18	1321716	1	Clamp	
19	1380147	1	Clip	
20	2180832	1	Fitting, Straight Barbed/NPTF	
21	2220313	1	Fitting, 90 Barbed/NPTF	
22	2221114	1	Fitting, Straight Barbed/NPT	
23	2750532	4 ft/ 1.2m	Hose	
24	2840016	1	Tray Jack Assembly	
24	7016322	1	Wiper (Burr Brand)	
24A	7016374	1	Handle (Burr Brand)	
24A	7024598	1	Handle (Hammerblow Brand)	
25	3290301	2	Nut M3	
26	3290405	4	Nut M4	
27	3290605	1	Nut M6	
28	3290805	4	Nut M8	
29	3290807	5	Nut M8	
30	3291007	5	Nut M10	
31	3331411	2	Nut M14	
32	3430816	1	Pin	
33	3450404	1	Pin, Cotter 1/8 x 1	
34	3841143	1	Keeper, Pin	
35	4010308	2	Screw M3 x 16	
36	4240099	AR	Tie-Strap (Not Shown)	
37	4711800	2	Washer 1/2	
38	4712200	2	Washer 3/4	
39	4811400	8	Washer M4	
40	4811700	8	Washer M6	
41	4811702	2	Washer M6	
42	4811900	14	Washer M8	
43	4811902	3	Washer M8	
44	4812000	11	Washer M10	
45	4812200	4	Washer M14	
46	4871200	2	Washer M3	

SECTION 3 - ENGINE

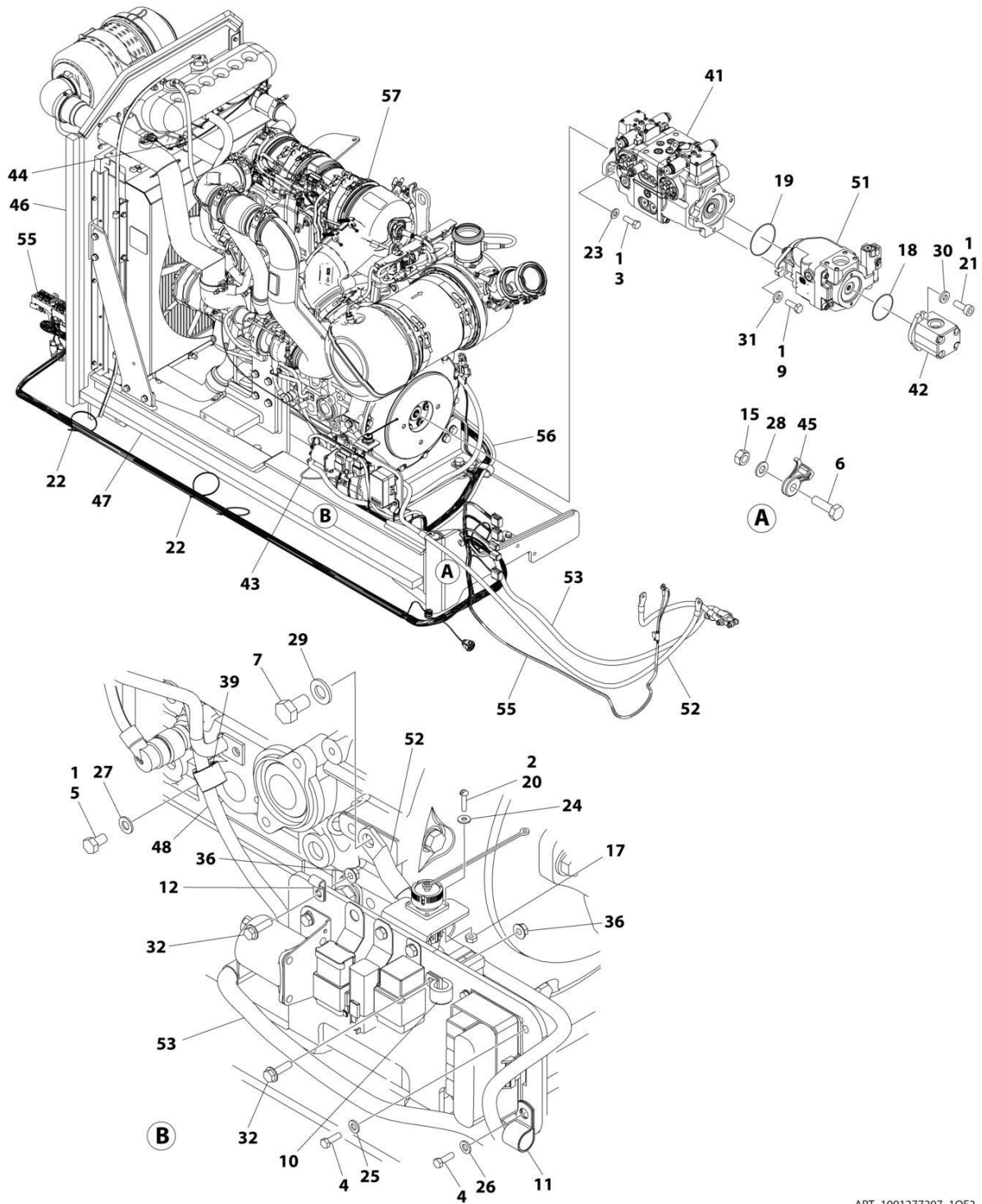
ITEM	PART NUMBER	QTY	DESCRIPTION	REV
47	4891800	1	Washer 1/2	
48	5241000	1	Washer M10	
49	5250608	1	Bolt M6 x 16	
50	5250808	1	Bolt M8 x 16	
51	5250810	1	Bolt M8 x 20	
52	5250812	1	Bolt M8 x 25	
53	5251215	1	Bolt M12 x 35	
54	5260600	1	Nut M6	
55	5260800	3	Nut M8	
56	5261200	1	Nut M12	
57	8310067	1	Nut 3/4	
58	8406101	2	Clip	
59	8406102	3	Clip	
60	8406105	1	Clip	
61	8406201	3	Clip	
62	8406303	1	Clamp	
63	8410009	14	Clamp	
64	8410013	4	Clamp	
65	8750014	4	Clamp	
66	8750031	1	Plate, Clamp	
67	8769123	2	Cover, Clamp	
68	8769127	3	Cover, Clamp	
69	77133137	3	Cover, Clamp	
70	82033995	374 in/ 9.5m	Hose	
71	1001101580	1	Screw M8 x 30	
72	1001135196	1	Pin	
73	1001135497	1	Support	
74	1001136975	5	Clamp	
75	1001142501	2	Fitting, 90 Barbed	
76	1001154262	2	Fitting, Straight Barbed	
77	1001154405	51 in/ 1.3m	Hose	
78	1001155823	3	Fitting, 90 Barbed	
79	1001155939	1	Mount	
80	1001156719	1	Seal	
81	1001162212	2	Fitting, Tee Barbed	
82	1001165035	28 ft/ 8.4m	Hose	
83	1001169409	1	Hose	
84	1001181625	1.65 ft/ 0.50m	Hose	
85	1001181899	1	Clamp	
86	1001186342	4	Clip	
87	1001191620	1	Clamp	
88	1001193980	1	Hose, Return	
89	1001199670	1	Valve, Flow	
90	1001212056	1	Decal - Engine Fuse Box	
91	1001224046	1	Decal - Engine Fuse Box Cover	
92	1001228872	1	Filter, Coolant Screen	
93	1001238401	1	Hose, Backflow	
94	1001238402	1	Hose, Suction	

SECTION 3 - ENGINE

ITEM	PART NUMBER	QTY	DESCRIPTION	REV
95	1001238470	2	Fitting, Reducer Barbed	
96	1001259204	1	Pipe	
97	1001260287	1	Hose	
98	1001277297	1	Engine Assembly with Pumps (HRC) (Stage V) (With Cold Weather Package) (See Separate Breakdown in this Section)	
99	8305919	4	Nut, Retainer	

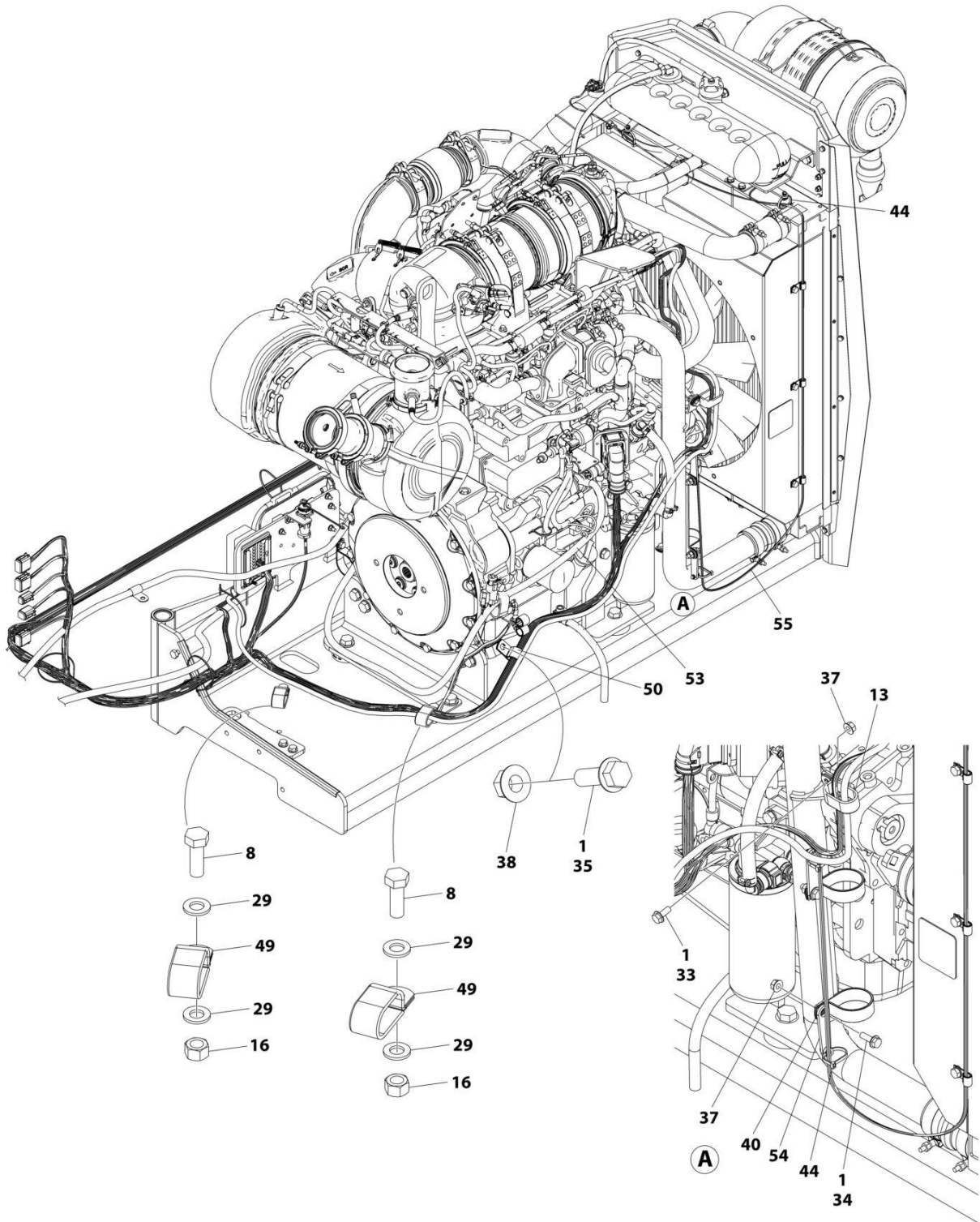
SECTION 3 - ENGINE

FIGURE 3-21. ENGINE ASSEMBLY WITH PUMPS (HRC) (WITH COLD WEATHER PACKAGE)



ART_1001277297_10F2

SECTION 3 - ENGINE



ART_1001277297_2OF2

SECTION 3 - ENGINE

FIGURE 3-21. ENGINE ASSEMBLY WITH PUMPS (HRC) (WITH COLD WEATHER PACKAGE)

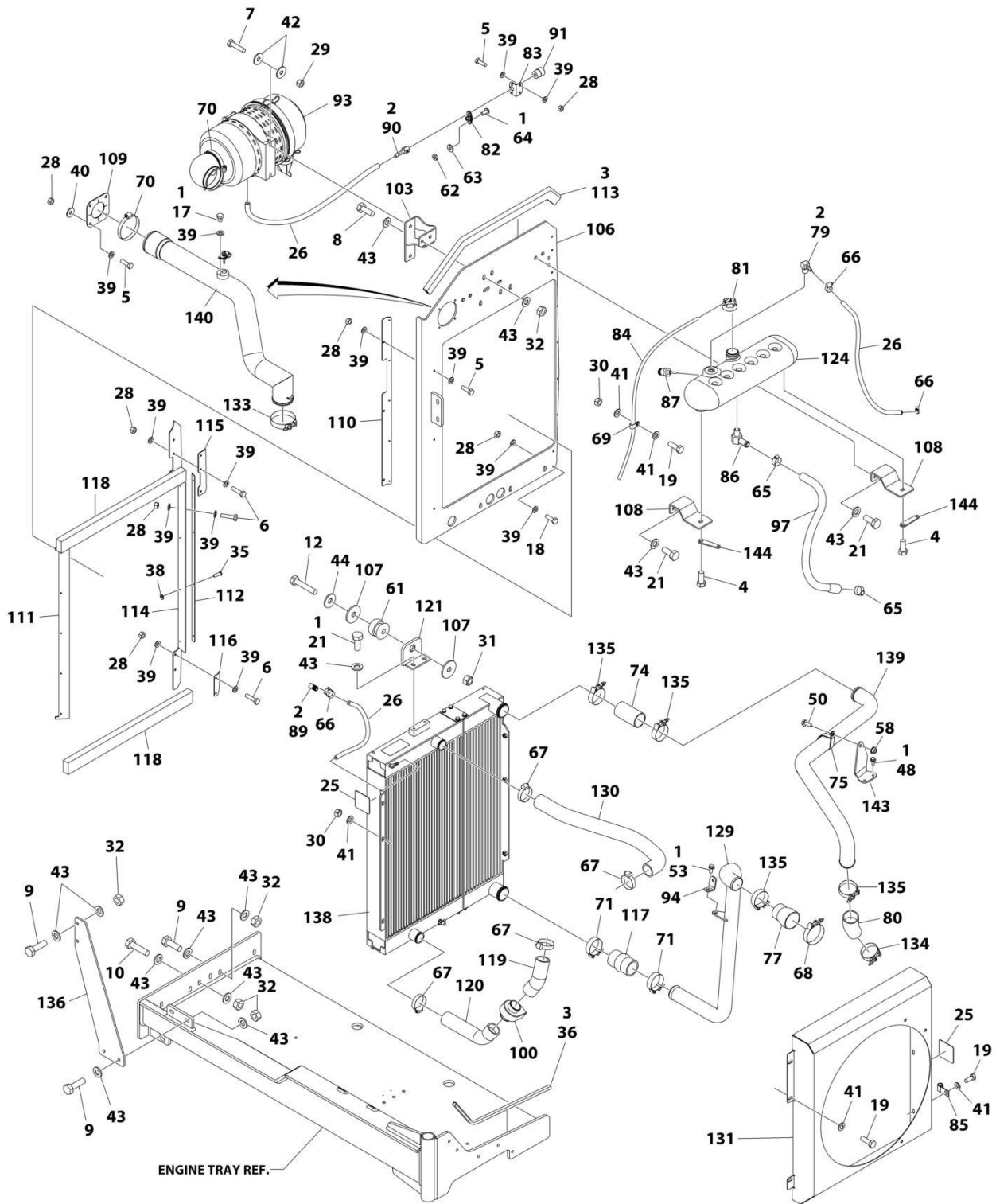
ITEM	PART NUMBER	QTY	DESCRIPTION	REV
	1001277297	Ref	ENGINE ASSEMBLY WITH PUMPS (HRC)	C
1	0100011	AR	Compound, Locking	
2	0100035	AR	Compound, Locking	
3	0641812	2	Bolt 1/2 x 1-1/2	
4	0760508	4	Bolt M5 x 16	
5	0760807	1	Bolt M8 x 14	
6	0761015	2	Bolt M10 x 35	
7	0761210	1	Bolt M12 x 20	
8	0761215	2	Bolt M12 x 35	
9	0761216	2	Bolt M12 x 40	
10	1320041	1	Clamp	
11	1320061	1	Clamp	
12	1320136	1	Clamp	
13	1321716	1	Clamp	
14	3020037	AR	Lubricant	
15	3291007	2	Nut M10	
16	3291207	2	Nut M12	
17	3310401	3	Nut #4	
18	3790152	1	O-Ring	
19	3790155	1	O-Ring	
20	3910408	3	Screw #4 x 1/2	
21	3931620	2	Capscrew 3/8 x 1-1/4	
22	4240099	AR	Tie-Strap (Not Shown)	
23	4740171	2	Washer	
24	4750400	3	Washer #4	
25	4811600	3	Washer M5	
26	4811700	1	Washer M6	
27	4811900	1	Washer M8	
28	4812000	2	Washer M10	
29	4812100	5	Washer M12	
30	4891600	2	Washer 3/8	
31	4891800	2	Washer 1/2	
32	5250611	2	Screw M6 x 22	
33	5250810	1	Bolt M8 x 20	
34	5250812	2	Bolt M8 x 25	
35	5251215	1	Bolt M12 x 35	
36	5260600	2	Nut M6	
37	5260800	3	Nut M8	
38	5261200	1	Nut M12	
39	91043147	1	Clamp	
40	1001097588	2	Clamp	
41	1001108616	1	Tandem Pump Assembly (See Separate Breakdown in this Section)	
42	1001112927	1	Gear Pump Assembly (See Separate Breakdown in this Section)	
43	1001141304	1	Wire, Glow Fuse	
44	1001146588	4	Tie-Strap	
45	1001156107	2	Holder, Cable	
46	1001156718	1	Seal	
47	1001156719	1	Seal	
48	1001157073	1	Cable, Alternator	

SECTION 3 - ENGINE

ITEM	PART NUMBER	QTY	DESCRIPTION	REV
49	1001181899	2	Clamp	
50	1001191620	1	Clamp	
51	1001199470	1	Piston Pump Assembly (See Separate Breakdown in this Section)	
52	1001202355	1	Cable, Battery Negative	
53	1001234791	1	Cable, Battery Positive	
54	1001260307	2	Bracket	
55	1001262056	1	Engine Harness (See Separate Breakdown in ELECTRICAL Section)	
56	1001274992	1	Cable, Glow Plug	
57	1001277298	1	Engine Assembly (HRC) (Stage V) (With Cold Weather Package) (See Separate Breakdown in this Section)	

SECTION 3 - ENGINE

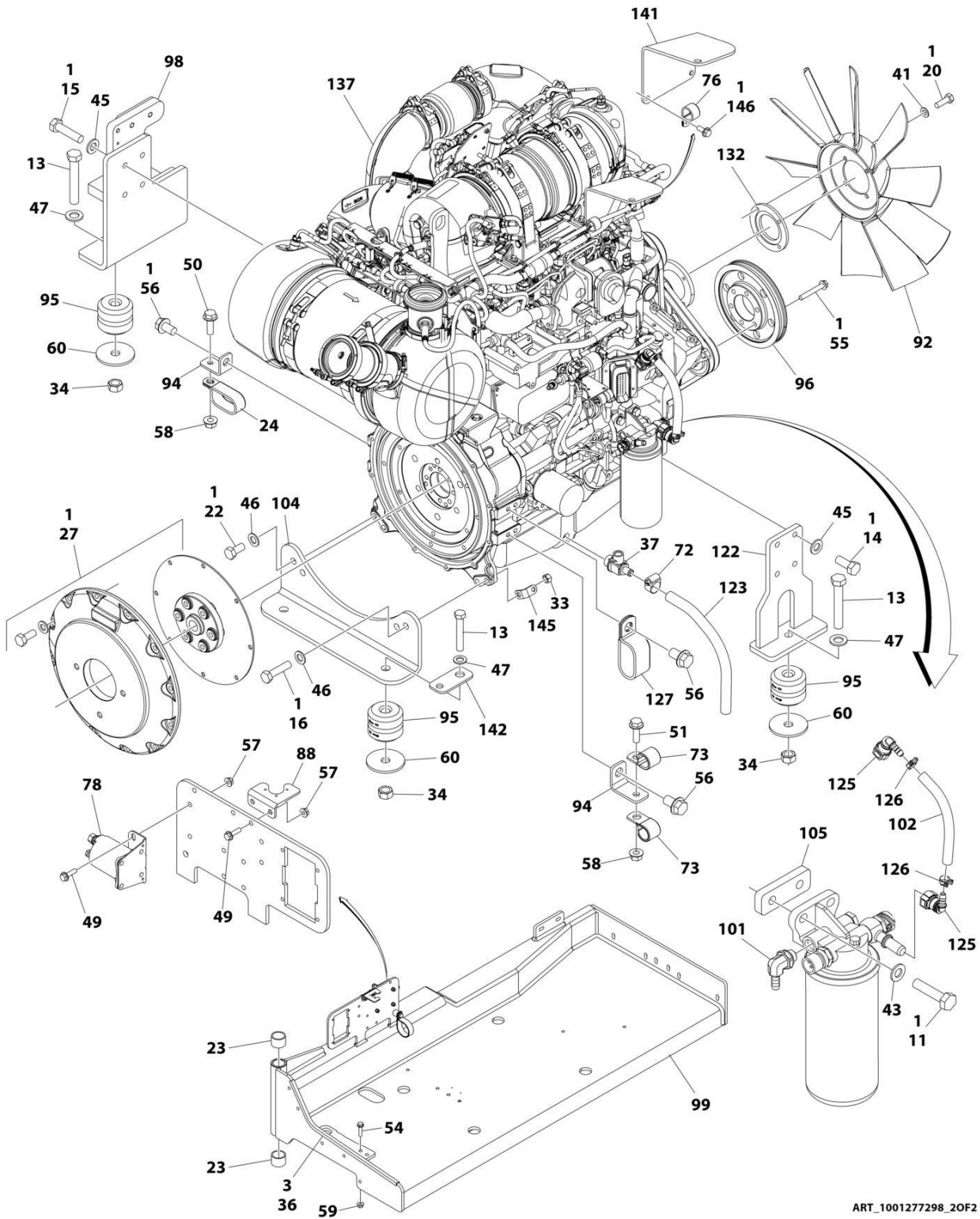
FIGURE 3-22. ENGINE ASSEMBLY (HRC) (STAGE V) (WITH COLD WEATHER PACKAGE)



ART_1001277298_B_10F2

SECTION 3 - ENGINE

FIGURE 3-23. ENGINE ASSEMBLY (HRC) (STAGE V) (WITH COLD WEATHER PACKAGE)



ART_1001277298_20F2

SECTION 3 - ENGINE

FIGURE 3-23. ENGINE ASSEMBLY (HRC) (STAGE V) (WITH COLD WEATHER PACKAGE)

ITEM	PART NUMBER	QTY	DESCRIPTION	REV
	1001277298	Ref	DEUTZ T4F ENGINE ASSEMBLY	B
1	0100011	AR	Compound, Locking	
2	0100020	AR	Sealant	
3	0100081	AR	Adhesive	
4	0641607	2	Bolt 3/8 x 7/8	
5	0700610	9	Bolt M6 x 20	
6	0700612	7	Bolt M6 x 25	
7	0700815	2	Bolt M8 x 35	
8	0701013	2	Bolt M10 x 28	
9	0701015	6	Bolt M10 x 35	
10	0701016	2	Bolt M10 x 40	
11	0701017	2	Bolt M10 x 45	
12	0701019	1	Bolt M10 x 55	
13	0701627	4	Bolt M16 x 100	
14	0711214	4	Bolt M12 x 30 Class 10.9	
15	0711218	4	Bolt M12 x 50 Class 10.9	
16	0771419	1	Bolt M14 x 55 Class 10.9	
17	0760604	1	Bolt M6 x 8	
18	0760614	2	Bolt M6 x 30	
19	0760810	6	Bolt M8 x 20	
20	0760812	4	Bolt M8 x 25	
21	0761012	6	Bolt M10 x 25	
22	0771415	3	Bolt M14 x 35 Grade 10.9	
23	0961951	2	Bushing	
24	1321716	1	Clamp	
25	1703162	2	Decal - Fan Blade	
26	2720015	5 ft/ 1.5m	Hose	
27	2902065	1	Pump Coupling Kit (See Separate Breakdown in this Section)	
28	3290607	18	Nut M6	
29	3290805	2	Nut M8	
30	3290807	3	Nut M8	
31	3291005	1	Nut M10	
32	3291007	10	Nut M10	
33	3291407	1	Nut M14	
34	3291601	4	Nut M16	
35	3820032	9	Rivet	
36	4060807	22 in/ 56cm	Flex-Trim	
37	4640751	1	Valve, Oil Drain	
38	4811600	4	Washer M5	
39	4811700	33	Washer M6	
40	4811702	4	Washer M6	
41	4811900	13	Washer M8	
42	4811902	4	Washer M8	
43	4812000	30	Washer M10	
44	4812002	1	Washer M10	
45	4812100	8	Washer M12	
46	4812200	4	Washer M14	
47	5241600	4	Washer M16	
48	5250608	2	Bolt M6 x 16	

SECTION 3 - ENGINE

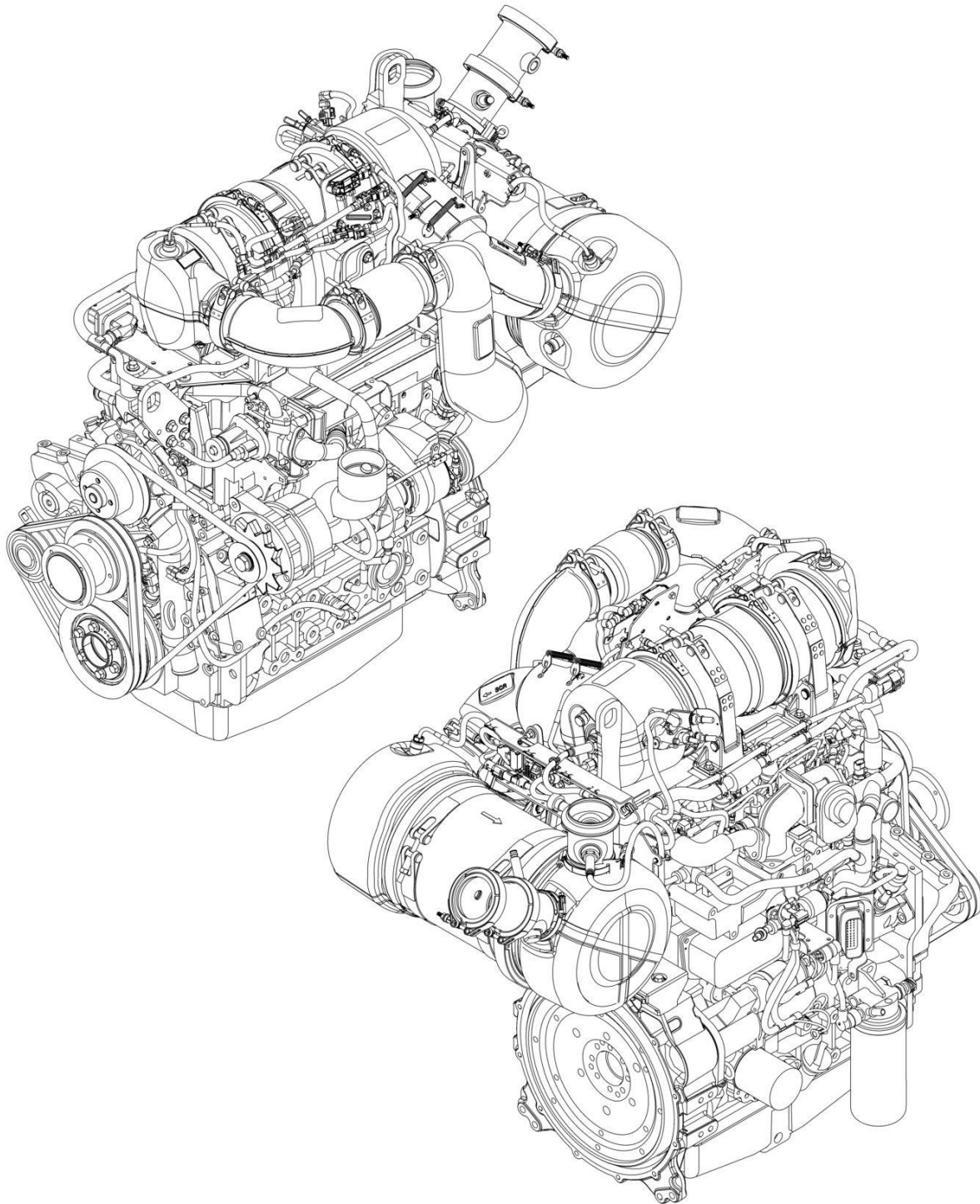
ITEM	PART NUMBER	QTY	DESCRIPTION	REV
49	5250611	4	Bolt M6 x 22	
50	5250810	2	Bolt M8 x 20 Class 10.9	
51	5250812	1	Bolt M8 x 25 Class 10.9	
53	5251010	1	Bolt M10 x 20 Class 10.9	
54	5251016	2	Bolt M10 x 40 Class 10.9	
55	5251022	6	Bolt M10 x 70 Class 10.9	
56	5251210	3	Bolt M12 x 20 Class 10.9	
57	5260600	4	Nut M6	
58	5260800	3	Nut M8	
59	5261000	2	Nut M10	
60	7300435	4	Washer	
61	8278020	1	Mount	
62	8305401	2	Nut 1/4	
63	8307109	2	Washer 1/4	
64	8310548	2	Screw 1/4 x 1/2	
65	8405007	2	Clamp	
66	8405009	4	Clamp	
67	8405104	4	Clamp	
68	8405211	1	Clamp	
69	8406109	2	Clip	
70	8410011	2	Clamp	
71	8410012	2	Clamp	
72	8410013	1	Clamp	
73	24861170	2	Clamp	
74	91563070	1	Coupling, Rubber	
75	1001097588	1	Clip	
76	1001100319	1	Clip	
77	1001117244	1	Reducer	
78	1001117308	1	Relay, 200Amp	
79	1001134488	1	Fitting, 90 NPT/Barbed	
80	1001135943	1	Coupling	
81	1001136834	1	Cap	
82	1001138173	1	Support	
83	1001138175	1	Bracket	
84	1001138248	5 ft/ 1.5m	Tubing	
85	1001138253	3	Clamp	
86	1001138559	1	Fitting, 90 NPT	
87	1001138827	1	Sensor	
88	1001139240	1	Bracket	
89	1001140564	1	Fitting, 90 NPT/Barbed	
90	1001141995	1	Fitting, Straight NPT/Barbed	
91	1001143390	1	Indicator, Air Restriction	
92	1001147567	1	Fan	
93	1001147847	1	Filter, Air	
93	70023809	1	Element, Primary	
93	70023872	1	Element, Secondary	
93	70024328	1	Elbow, Rubber	
93	70024329	1	Clamp, Mounting	
94	1001148641	3	Bracket	
95	1001149517	4	Mount, Motor	
96	1001149746	1	Pulley	

SECTION 3 - ENGINE

ITEM	PART NUMBER	QTY	DESCRIPTION	REV
97	1001150553	1	Hose	
98	1001151491	1	Support	
99	1001151749	1	Tray	
100	1001152112	1	Heater	
101	1001152489	1	Fitting, 90 Barbed	
102	1001154405	0.5 in/ 21cm	Hose	
103	1001155023	1	Plate	
104	1001155496	1	Support	
105	1001155498	1	Plate	
106	1001155525	1	Support	
107	1001155540	2	Washer	
108	1001155557	2	Plate	
109	1001155563	1	Seal	
110	1001155564	1	Bracket	
111	1001155565	1	Seal	
112	1001155566	1	Bracket	
113	1001155728	1	Seal	
114	1001156034	1	Seal	
115	1001156035	1	Bracket	
116	1001156062	1	Bracket	
117	1001156091	1	Hose	
118	1001156644	2	Seal	
119	1001157300	1	Hose	
120	1001157301	1	Hose	
121	1001157862	1	Bracket	
122	1001160518	1	Support	
123	1001165035	1 ft/ 0.3m	Hose	
124	1001166393	1	Tank	
125	1001170982	2	Fitting, 90 SAE/Barbed	
126	1001175568	2	Clip	
127	1001181899	1	Clamp	
129	1001190418	1	Tube	
130	1001191122	1	Hose, Upper	
131	1001192138	1	Shroud	
132	1001197317	1	Spacer	
133	1001208297	1	Clamp	
134	1001208298	1	Clamp	
135	1001208299	4	Clamp	
136	1001212817	1	Plate	
137	1001256823	1	Deutz T4F Engine Components (See Separate Breakdown in this Section)	
138	1001256862	1	Radiator	
139	1001259203	1	Pipe, Turbo Exhaust	
140	1001259208	1	Pipe, Intake	
141	1001259278	1	Bracket	
142	1001259281	1	Bracket	
143	1001291543	1	Support, Hose	
144	1001260307	2	Bracket	
145	1001260889	1	Bracket	
146	5250808	2	Bolt M8 X 16 Class 10.9	

SECTION 3 - ENGINE

FIGURE 3-24. DEUTZ HRC (STAGE V) ENGINE COMPONENTS



ART_1001256823

SECTION 3 - ENGINE

FIGURE 3-24. DEUTZ HRC (STAGE V) ENGINE COMPONENTS

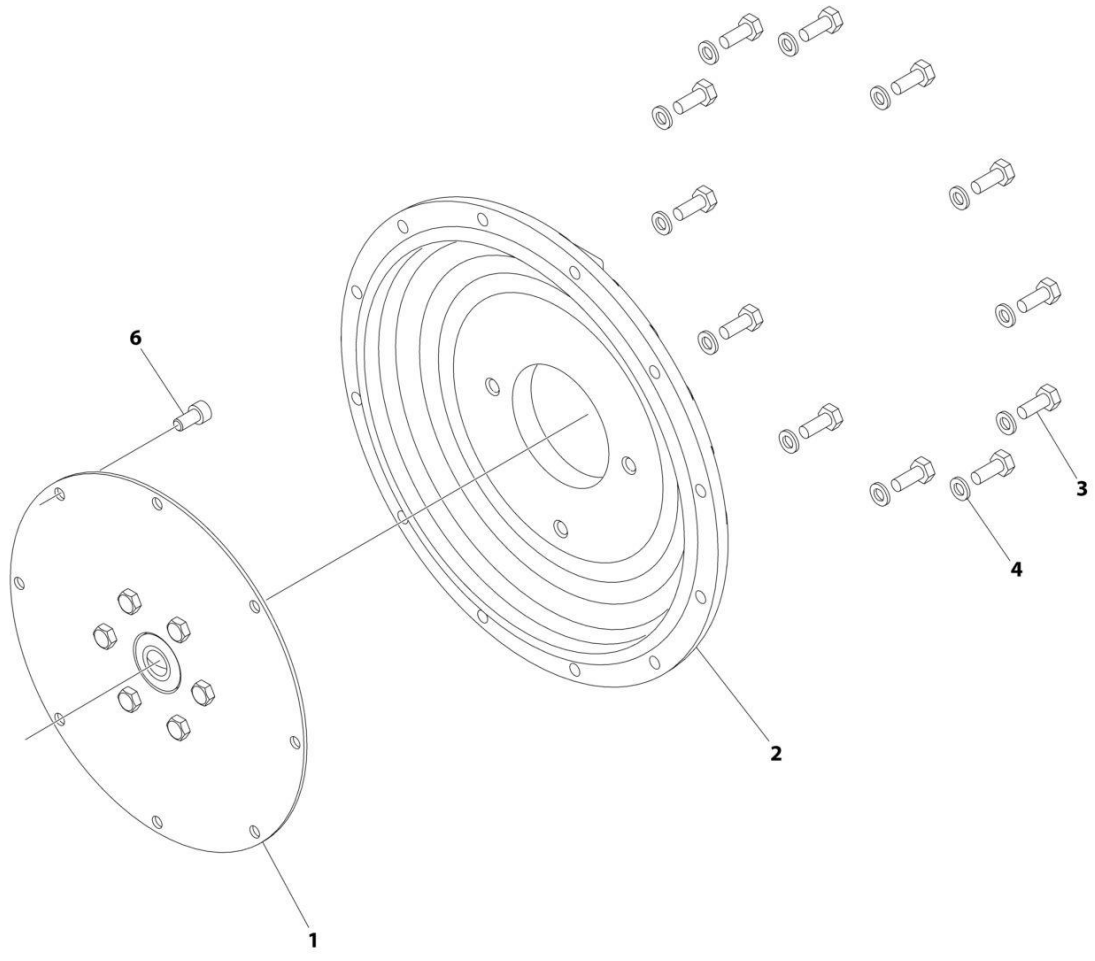
ITEM	PART NUMBER	QTY	DESCRIPTION	REV
	1001256823	Ref	DEUTZ ENGINE COMPONENTS	E
		Ref	Note: For complete list of parts, contact JLG Parts Department	
		Ref	Air Intake System Components	
	70007083	1	Turbocharger	
		Ref	Cooling System Components	
	70004515	1	Pump, Coolant	
		Ref	Electrical System Components	
		Ref	Module, ECU/ECM	
	70029401	1	Generator (Includes Regulator & Fan)	
	70006653	1	Regulator	
	70004520	1	Starter (Includes Solenoid)	
	70025780	1	Relay, Starter	
	70005517	1	Harness, Starter to Relay	
		Ref	Harness, Injector	
	70026210	1	Sender, Tacho-Generator (Speed) (On Rear of Block & Front Cover) (Includes Seal)	
	70005559	1	Sender, Temperature (Includes Seal) (On Air Intake Manifold)	
	70024507	1	Sensor, Pressure (Includes Seal) (On Air Intake Manifold)	
	70024504	1	Sensor, Pressure (Includes Seal) (On Fuel Filter & Side of Block)	
	70029407	1	Sensor, Pressure (Includes Seal) (On Exhaust Manifold)	
	70024474	4	Plug, Glow	
		Ref	Exhaust System Components	
		Ref	Valve, EGR	
	70027425	8	Bolt, Exhaust Manifold	
	70005511	1	Gasket, Exhaust Manifold	
		Ref	Outlet, Muffler	
		Ref	Muffler	
		Ref	Bracket, Muffler Mounting	
		Ref	Compensator, Exhaust	
	70024480	1	Gasket, Turbo to Exhaust Manifold	
	70008612	1	DEF Tank Assembly (Includes Cap, Filler Filter & Venting Valve)	
	70027495	1	Filter, Filler - DEF Tank	
	70008613	1	Cap/Cover, DEF Tank	
	70027467	1	Valve, Venting - DEF Tank	
	1001293066	1	Sensor, Level - DEF Tank	
	70027463	1	Clip, Level Sensor - DEF Tank	
	70027464	1	Filter, DEF In-line	
		Ref	Fuel System Components	
		Ref	Pump, High Pressure	
	70024485	1	Injector (Includes Sealing washer, Clamp & O-Ring)	
	70006144	1	Pump, Fuel Supply (Includes Clamps)	
	70024961	1	Filter, Fuel (Pre-Filter Assembly) (Includes Head, Spin on filter, Sensor Cable & Seal)	
	70025153	1	Filter, Fuel Spin On	
	70024513	1	Sensor Cable (Includes Seal)	
	70004511	1	Filter, Fuel (Assembly) (Includes Head & Spin on Filter)	
	70004512	1	Filter, Fuel Spin On	
	70004508	1	Vol. Control Valve (Includes O-Ring & Gasket)	
	70005548	1	Pump, DEF Supply (Includes Filter, Cover & Fittings)	
		Ref	Lubricating System Components	

SECTION 3 - ENGINE

ITEM	PART NUMBER	QTY	DESCRIPTION	REV
	7020465	2	Cap, Oil Fill	
	70025088	2	Plug, Oil Drain	
	7020404	2	Seal, Oil Drain Plug	
		Ref	Pump, Oil (Includes seal 7 Gasket)	
	7016331	1	Filter, Oil	
	70024494	1	Cooler, Oil	
	70024495	1	Gasket, Oil Cooler	
	70025745	1	Dipstick (Includes Seal)	
		Ref	Mechanical Components	
	70001870	1	Flywheel (includes Gear)	
	70005498	1	Set, Narrow V-Belts	
	70005516	1	V-Belt	
	70025707	1	Gasket Set - Complete	

SECTION 3 - ENGINE

FIGURE 3-25. PUMP COUPLING KIT



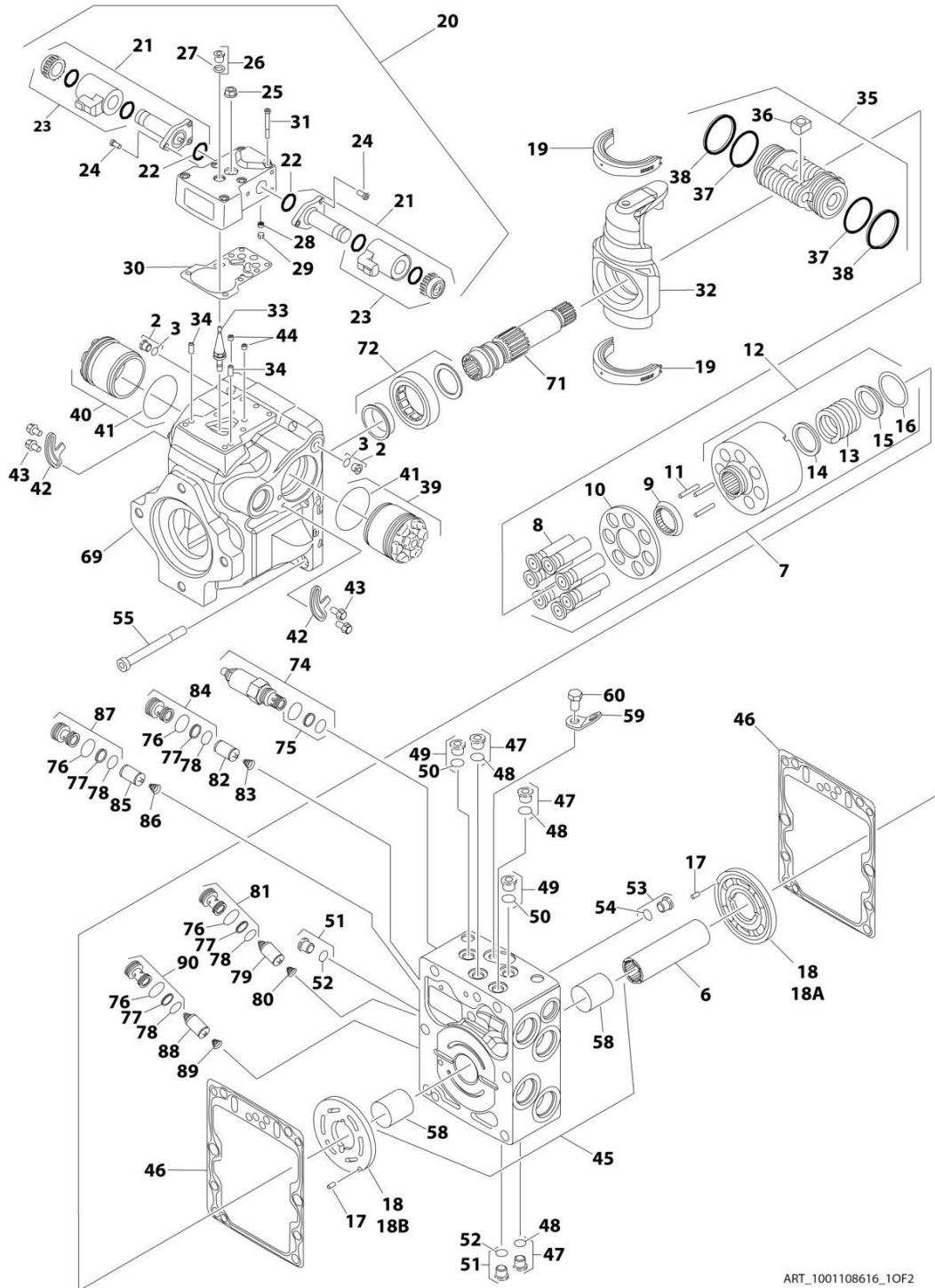
ART_2902065

FIGURE 3-25. PUMP COUPLING KIT

ITEM	PART NUMBER	QTY	DESCRIPTION	REV
	2902065	Ref	PUMP COUPLING KIT	L
1	70000793	1	Coupling, Hayes	
2	See Note	NSS	Plate, Pump Adapter (Note: Use p/n 2902065)	
3	See Note	NSS	Bolt M10 x 30 Grade 10.9 (Note: Use p/n 2902065)	
4	See Note	NSS	Washer M10 (Note: Use p/n 2902065)	
6	See Note	NSS	Bolt M10 x 20 Grade 10.9 (Note: Use p/n 2902065)	

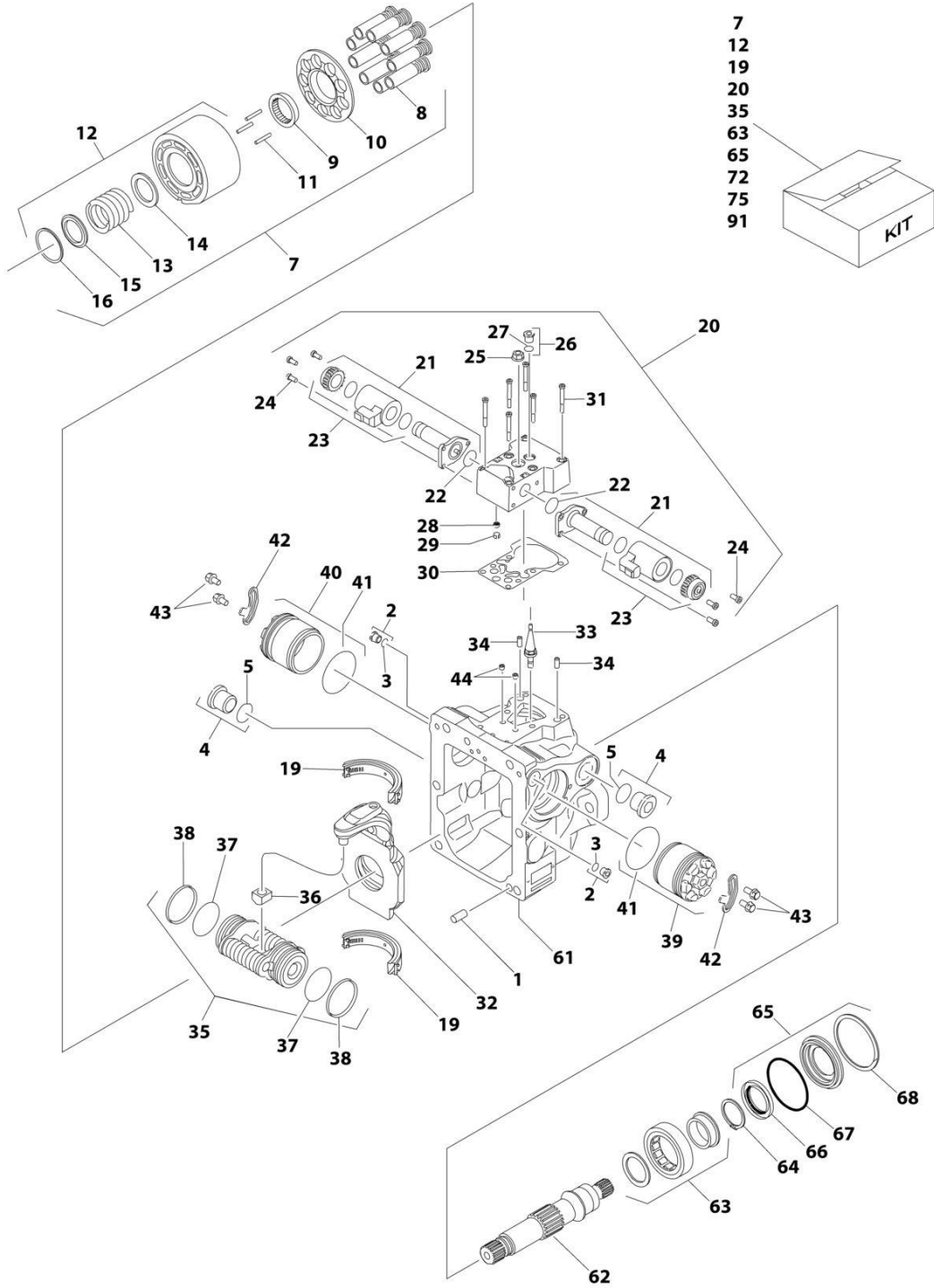
SECTION 3 - ENGINE

FIGURE 3-26. TANDEM PUMP ASSEMBLY



ART_1001108616_10F2

SECTION 3 - ENGINE



ART_1001108616_2OF2

SECTION 3 - ENGINE

FIGURE 3-26. TANDEM PUMP ASSEMBLY

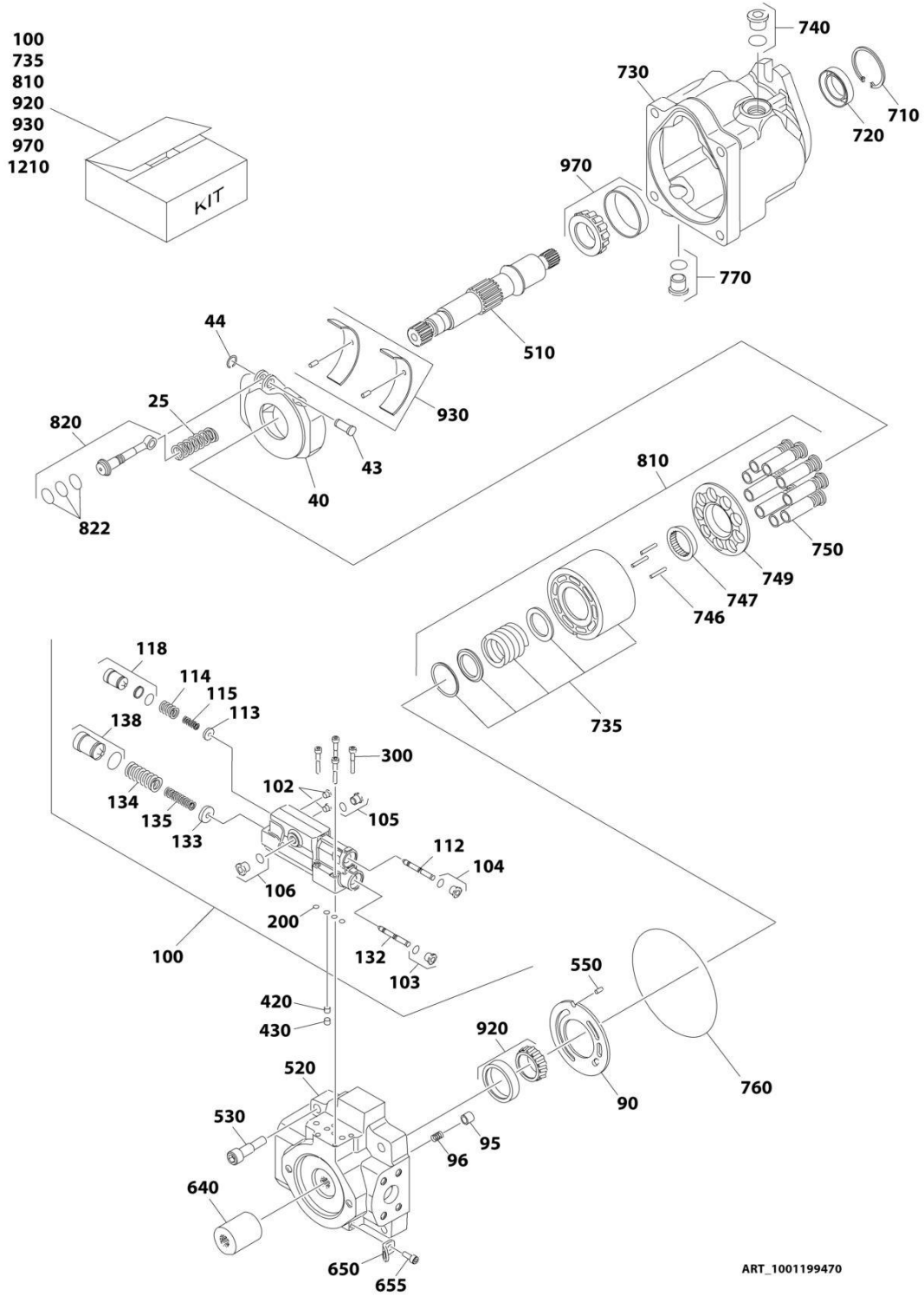
ITEM	PART NUMBER	QTY	DESCRIPTION	REV
	1001108616	Ref	PUMP ASSEMBLY (SAUER TANDEM)	D
1	70002132	4	Pin	
2	70002133	4	Plug Assembly (Includes Item 3)	
3	7007207	4	O-Ring (Part of Item 2)	
4	7007419	2	Plug Assembly (Includes Item 5)	
5	7007418	2	O-Ring (Part of Item 4)	
6	70002600	1	Coupling	
7	70002135	2	Cylinder Block Kit (Each Kit Includes Qty 1 of Items 8-10 & 12-16 & Qty 3 of Item 11)	
8	70002136	2	Piston Assembly Kit (Includes Qty 9 Piston Assemblies) (Part of Item 7)	
9	70002137	2	Guide, Slipper Retainer (Part of Item 7)	
10	70002138	2	Retainer, Slipper (Part of Item 7)	
11	7021275	6	Pin, Slipper Retainer Holddown (Part of Item 7)	
12	70002135	2	Cylinder Block Assembly (Includes Qty 1 of Item 13-16) (Part of Item 7)	
13	70002139	2	Spring (Part of Item 12)	
14	70002140	2	Washer (Part of Item 12)	
15	70002141	2	Washer (Part of Item 12)	
16	70002142	2	Ring, Retaining (Part of Item 12)	
17	7007446	2	Pin	
18		Ref	Plate, Valve Options:	
18A	70002601	1	Plate, CW Valve	
18B	70002602	1	Plate, CCW Valve	
19	70002145	2	Swash Plate Bearing Kit (Includes Qty 2 Bearings)	
20	70002618	2	EDC Kit (Includes Items 21-31)	
21	70002619	4	Solenoid Valve Assembly (Includes Items 22 & 23) (Part of Item 20)	
22	70002148	4	O-Ring (2 Per EDC Assembly) (Part of Item 21)	
23	70002620	4	Coil, Nut and Seals Kit (2 Per EDC Assembly) (Part of Item 21)	
24	70002150	12	Screw (Part of Item 20)	
25	7022301	2	Nut, Seal (Part of Item 20)	
26	70002151	2	Plug Assembly (Part of Item 20) (Includes Item 27)	
27	7007207	2	O-Ring (Part of Item 26)	
28	70002134	2	Screen (Part of Item 20)	
29	70002153	2	Ring, Locking (Part of Item 20)	
30	70002154	2	Gasket, Control (Part of Item 20)	
31	70002156	12	Capscrew (Part of Item 20)	
32	70002152	2	Swash Plate	
33	70002155	2	Link, Swash Plate	
34	70002157	4	Pin, Dowel	
35	70002158	2	Servo Piston Assembly (Includes Items 36-38)	
36	70002159	2	Block, Slider (Part of Item 35)	
37	70002160	2	O-Ring (Part of Item 35)	
38	70002161	2	Ring, Piston (Part of Item 35)	
39	70002162	2	Cylinder, Servo	
40	70002162	2	Cylinder, Servo	
41	70002163	4	O-Ring	
42	70002164	4	Plate, Locking	
43	70002165	8	Screw	

SECTION 3 - ENGINE

ITEM	PART NUMBER	QTY	DESCRIPTION	REV
44	70002604	4	Orifice	
45	70002605	1	Center Section Assembly (Includes Item 58)	
46	70002168	2	Gasket, End Cap	
47	70001958	2	Plug Assembly (Includes Item 48)	
48	7021256	2	O-Ring (Part of Item 47)	
49	70001958	2	Plug Assembly (Includes Item 50)	
50	7021256	2	O-Ring (Part of Item 49)	
51	70001958	2	Plug Assembly (Includes Item 52)	
52	7021256	2	O-Ring (Part of Item 51)	
53	70001958	2	Plug Assembly (Includes Item 54)	
54	7021256	2	O-Ring (Part of Item 53)	
55	70002606	4	Capscrew	
58	70002607	2	Bearing, Journal (Part of Item 45)	
59	70002608	1	Bracket, Lifting	
60	70002609	1	Screw	
61	See Note	1	Housing (Note: Not Available for Purchase)	
62	70002175	1	Shaft	
63	70002610	1	Ball Bearing Kit	
	7007439	1	Ring, Retaining	
65	70002174	1	Shaft Seal Kit (Includes Items 66-68) (Note: This is a universal kit and will contain extra pieces that are not used on this pump assembly)	
66	70002177	1	Seal, Lip	
67	70002178	1	O-Ring	
68	70002179	1	Ring, Retaining	
69	See Note	1	Housing (Note: Not Available for Purchase)	
71	70002612	1	Shaft	
72	70002610	1	Ball Bearing Kit	
74	70002621	1	High Pressure Relief Valve Cartridge Assembly (Includes Item 75)	
75	70002622	1	Seal Kit - 70002621 Valve (Part of Item 74)	
76	7007415	1	O-Ring (Part of Items 81, 84, 87 & 90)	
77	7021293	1	Ring, Back-up (Part of Items 81, 84, 87 & 90)	
78	7022300	1	O-Ring (Part of Items 81, 84, 87 & 90)	
79	70002616	1	SCR Valve Assembly	
80	7024800	1	Spring	
81	7021265	1	Plug Assembly (Includes Qty 1 of Items 76-78)	
82	70002616	1	SCR Valve Assembly	
83	7024800	1	Spring	
84	7021265	1	Plug Assembly (Includes Qty 1 of Item 76-78)	
85	70002616	1	SCR Valve Assembly	
86	7024800	1	Spring	
87	70002617	1	Plug Assembly (Includes Qty 1 of Item 76-78)	
88	70002616	1	SCR Valve Assembly	
89	7024800	1	Spring	
90	7021265	1	Plug Assembly (Includes Qty 1 of Items 76-78)	
91	70002623	1	Overhaul Seal Kit (Includes Items 3, 5, 22, 27, 30, 37, 38, 41, 46, 48, 50, 52, 54, 66, 67, 75, 76, 77 & 78)	

SECTION 3 - ENGINE

FIGURE 3-27. PISTON PUMP ASSEMBLY



SECTION 3 - ENGINE

FIGURE 3-27. PISTON PUMP ASSEMBLY

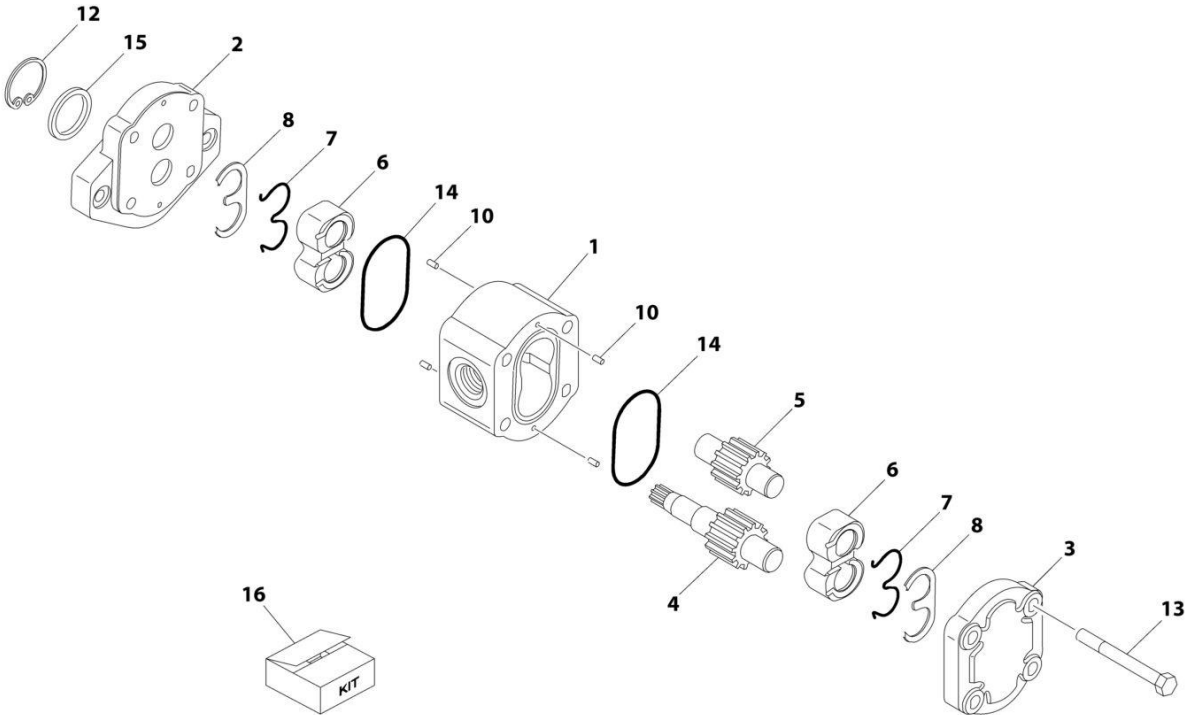
ITEM	PART NUMBER	QTY	DESCRIPTION	REV
	1001199470	Ref	PISTON PUMP ASSEMBLY	E
25	70002580	1	Spring, Bias	
40	70004416	1	Swashplate Assembly	
43	70002582	1	Shaft	
44	70002583	1	Ring, Retaining	
90	70004417	1	Plate, Valve	
95	70001956	1	Poppet, Check Valve	
96	70001955	1	Spring	
100	70022286	1	Kit, Control (Includes Items 102-300)	
102	70023351	1	Setscrew	
103	70002133	1	Plug Assembly (Includes O-Ring)	
103	7007207	1	O-Ring	
104	70002133	1	Plug Assembly (Includes O-Ring)	
104	7007207	1	O-Ring	
105	70002133	1	Plug Assembly (Includes O-Ring)	
105	7007207	1	O-Ring	
106	70002133	1	Plug Assembly (Includes O-Ring)	
106	7007207	1	O-Ring	
112	70004418	1	Spool	
113	70023353	1	Guide, Spring LS	
114	70023354	1	Spring, Outer LS	
115	70023355	1	Spring, Inner LS	
118	70024039	1	Plug, Adjusting LS	
132	70023352	1	Spool, Control	
133	70023357	1	Guide, Spring PC	
134	70023358	1	Spring, Outer PC	
135	70023359	1	Spring, Inner PC	
138	70024040	1	Plug, Adjusting PC (Includes O-Ring)	
138	70023361	1	O-Ring	
200	70023362	4	Ring, Seal	
300	70023363	4	Capscrew	
420	7023377	1	Plug, Orifice	
430	70004419	1	Plug, Orifice	
510	70002586	1	Shaft	
520	70004420	1	Cap, End	
530	70002588	4	Capscrew	
550	7007446	1	Pin, Slotted	
640	70002589	1	Coupling	
650	7022340	1	Bracket, Lifting	
655	70002590	1	Capscrew	
710	7023962	1	Ring, Retaining	
720	70022287	1	Seal, Lip	
730	See Note	NSS	Housing (Note: Not Available for Purchase)	
735	70004421	1	Block, Cylinder	
740	7023964	1	Plug Assembly (Includes O-Ring)	
740	7007415	1	O-Ring	
746	7021275	3	Pin, Hold-down	
747	70002592	1	Guide, Slipper Retainer	
749	70002593	1	Retainer, Slipper	
750	70004422	9	Piston Assembly	

SECTION 3 - ENGINE

ITEM	PART NUMBER	QTY	DESCRIPTION	REV
760	70002595	1	Seal, End Cap	
770	7023964	1	Plug, O-Ring (Includes O-Ring)	
770	7007415	1	O-Ring	
810	70004423	1	Kit, Cylinder Block (Includes Items 735, 746, 747, 749 & 750)	
820	70025979	1	Piston, Servo (Includes Item 822)	
822	70004425	3	Ring, Piston (Part of Item 820)	
920	70002585	1	Kit, Bearing - Rear (Includes Cup and Cone)	
930	70004426	1	Kit, Swashplate Bearing (Includes Qty 2 Bearings and Retainer Pins)	
970	70002578	1	Bearing Kit - Front (Includes Cup and Cone)	
1210	70002599	1	Kit, Complete Seal (Includes Items 200, 720, 760, 822 and Plug O-Rings)	

SECTION 3 - ENGINE

FIGURE 3-28. GEAR PUMP ASSEMBLY



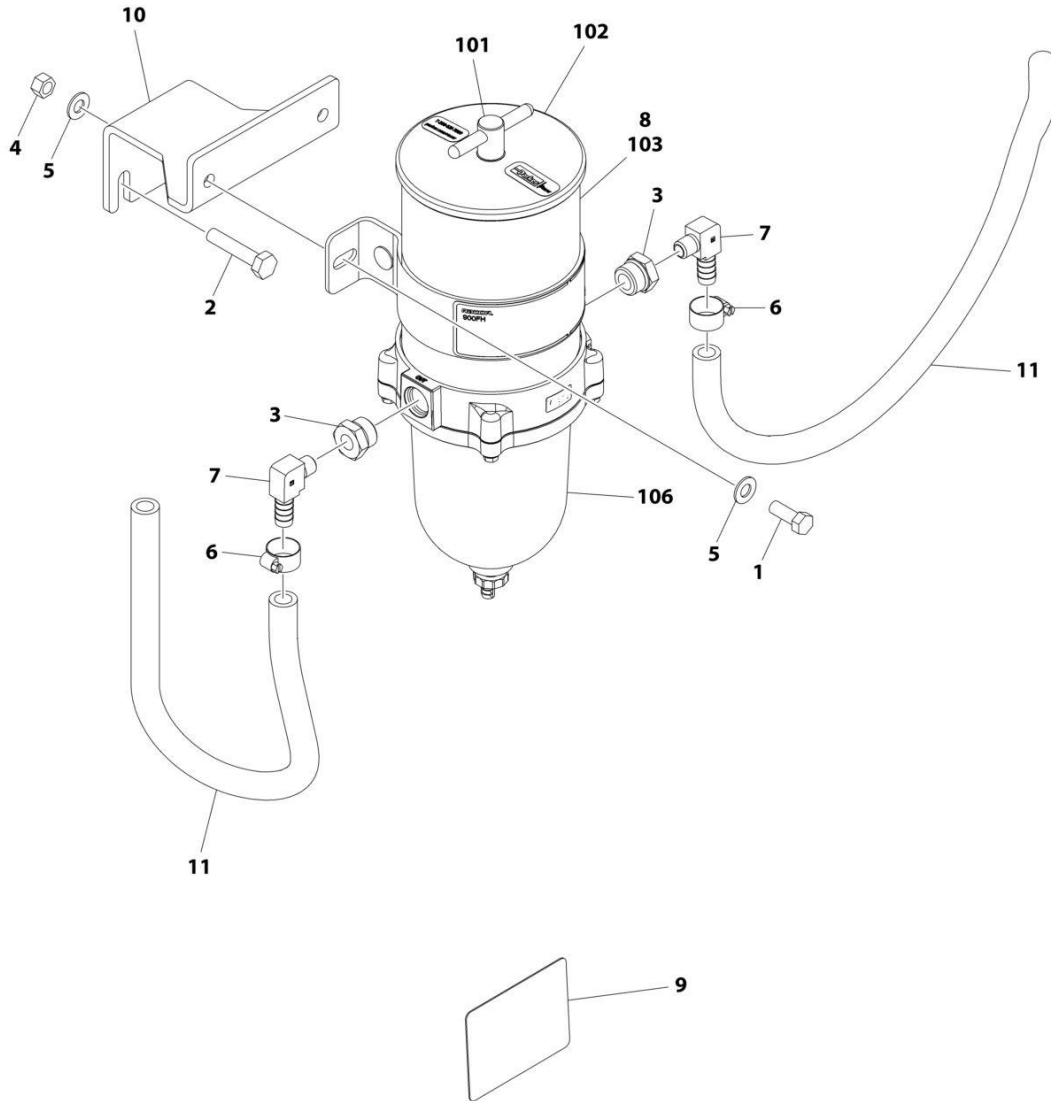
ART_1001112927

FIGURE 3-28. GEAR PUMP ASSEMBLY

ITEM	PART NUMBER	QTY	DESCRIPTION	REV
	1001112927	Ref	PUMP ASSEMBLY (SAUER GEAR)	A
1	See Note	NSS	Body (Note: Use p/n 1001112927)	
2	See Note	NSS	Cover, Front (Note: Use p/n 1001112927)	
3	See Note	NSS	Cover, Rear (Note: Use p/n 1001112927)	
4	See Note	NSS	Shaft, Gear (Note: Use p/n 1001112927)	
5	See Note	NSS	Gear, Idler (Note: Use p/n 1001112927)	
6	See Note	NSS	Block, Bearing (Note: Use p/n 1001112927)	
7	7007489	2	Ring, Anti-Extrusion	
8	7007489	2	Ring, Seal	
10	See Note	NSS	Pin, Dowel (Note: Use p/n 1001112927)	
12	70002576	1	Ring, Retaining	
13	See Note	NSS	Capscrew (Note: Use p/n 1001112927)	
14	7007489	2	O-Ring	
15	7007489	1	Seal, Lip	
16	7007489	1	Seal Kit - 1001112927 Pump (Includes Items 7, 8, 14 & 15)	

SECTION 3 - ENGINE

FIGURE 3-29. FUEL FILTER/WATER SEPARATOR INSTALLATION (LRC)



LOCATED ON TANK SIDE HOOD

ART_1001227912

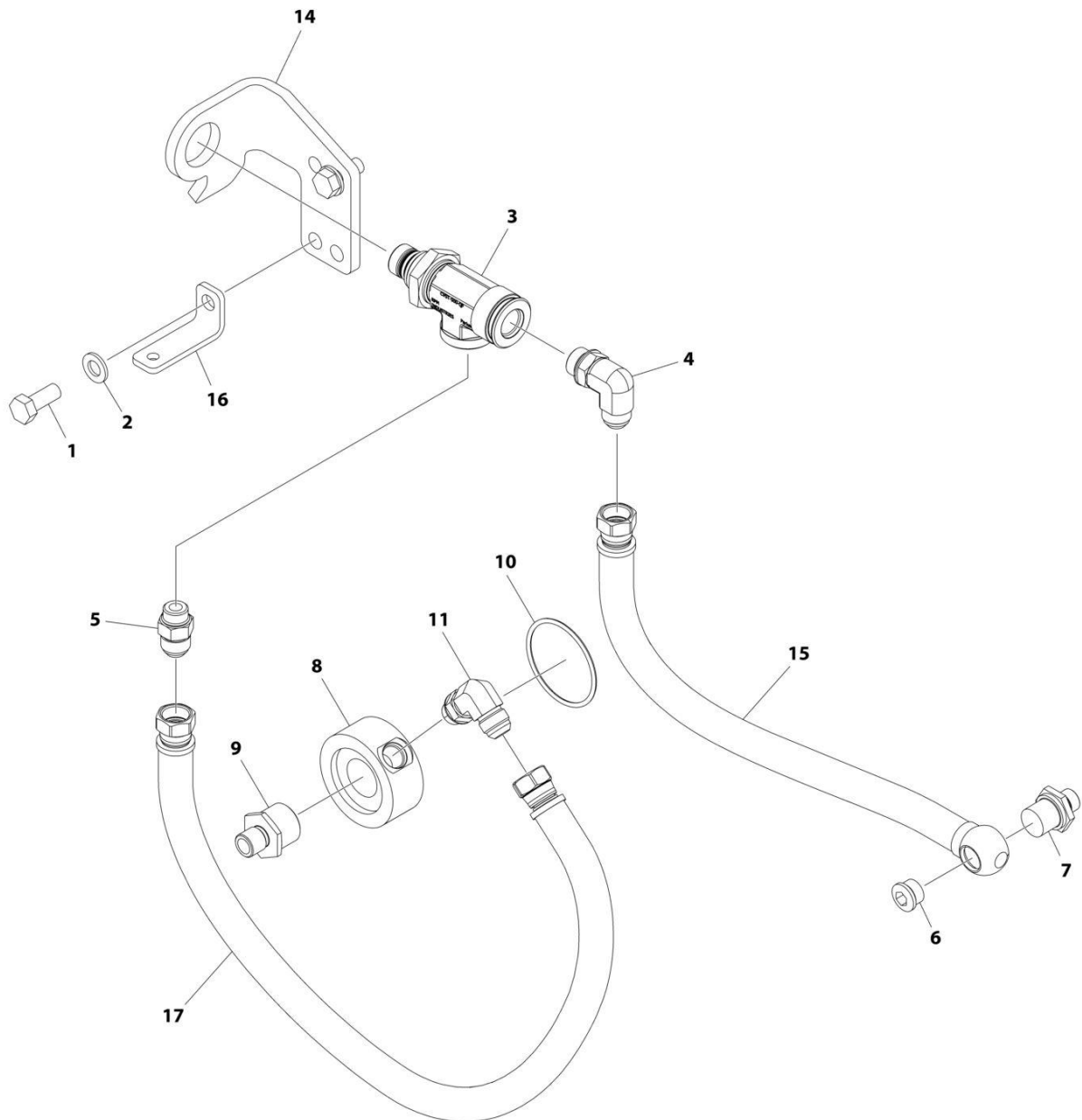
SECTION 3 - ENGINE

FIGURE 3-29. FUEL FILTER/WATER SEPARATOR INSTALLATION (LRC)

ITEM	PART NUMBER	QTY	DESCRIPTION	REV
	1001227912	Ref	FUEL FILTER/WATER SEPARATOR INSTALLATION (LRC)	A
1	0641608	2	Bolt 3/8 x 1	
2	0761018	2	Bolt M10 x 50	
3	2220816	2	Fitting, Adapter FNPTF/ORB	
4	3311605	2	Nut 3/8	
5	4711600	4	Washer 3/8	
6	8405006	2	Clamp	
7	1001178797	2	Fitting, 90 Elbow	
8	1001222817	1	Fuel Filter Assembly (See Items 101-107 for Breakdown)	
9	1001226923	1	Decal - Fuel Water Separator	
10	1001227948	1	Mount, Fuel Filter	
11	1001154405	4 ft/ 1.22m	Hose	
	1001222817	Ref	FUEL FILTER ASSEMBLY	
101	70006403	1	T-Handle Kit (Includes O-Ring)	
102	70006404	1	Lid Kit (Includes Gasket)	
103	70006405	1	Element	
104	70006406	1	Checkball & Gasket Kit (Not Shown)	
105	70006407	1	Centrifuge and Baffle Kit (Not Shown)	
106	70006409	1	Bowl Kit (Includes Gasket, O-Ring and Drain)	
106	70006408	1	Gasket, Bowl	
107	70006410	1	Bowl Ring Kit (Includes Gasket & Hardware) (Not Shown)	

SECTION 3 - ENGINE

FIGURE 3-30. QUICKFIT OIL VALVE



ART_1001284139

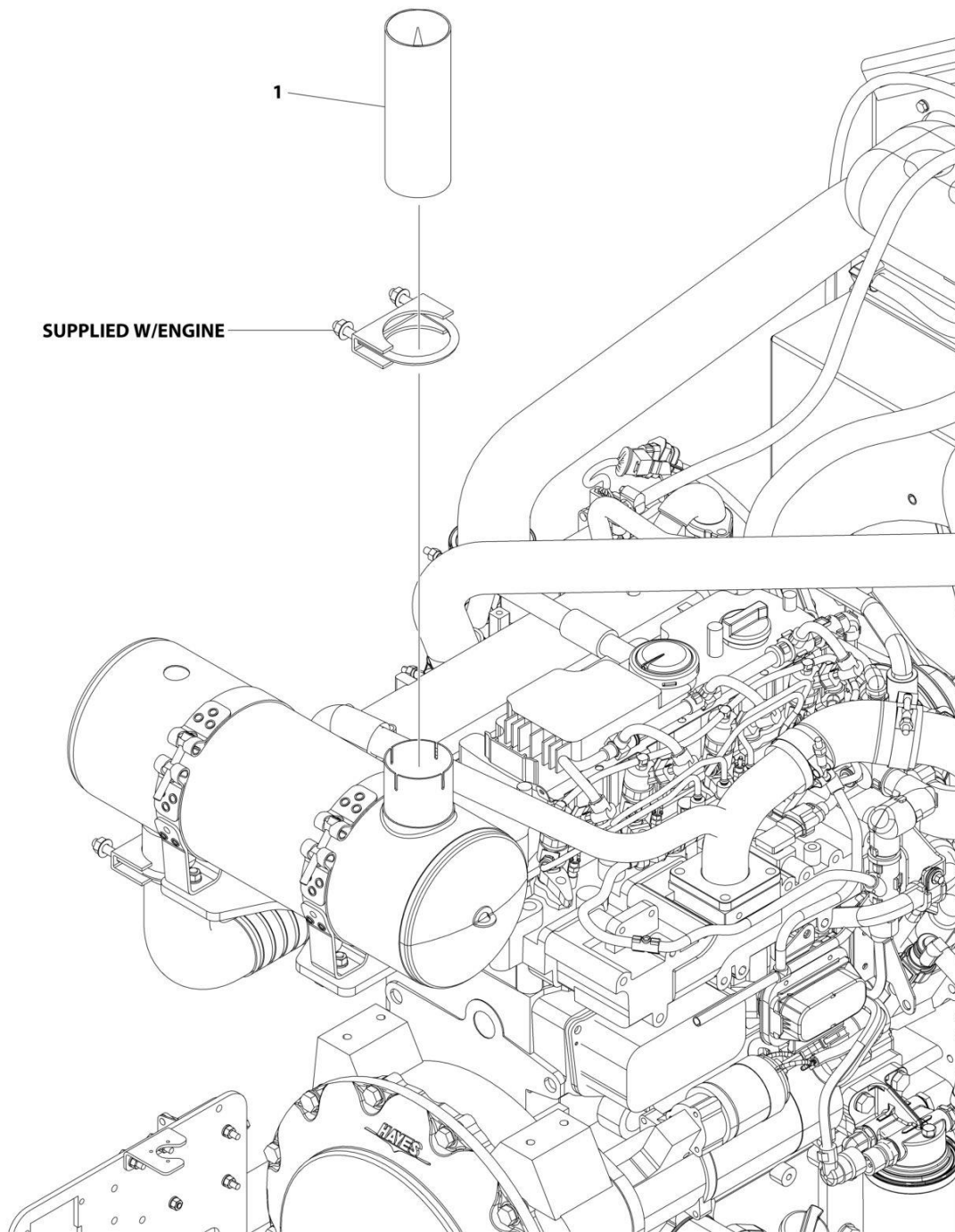
SECTION 3 - ENGINE

FIGURE 3-30. QUICKFIT OIL VALVE

ITEM	PART NUMBER	QTY	DESCRIPTION	REV
	1001284139	Ref	QUICKFIT OIL VALVE	A
1	0761214	2	Bolt M12 x 30	
2	4812100	2	Washer M12	
3	1001281298	1	Valve	
4	1001281301	1	Fitting, 90	
5	1001281302	1	Fitting, Quickfit	
6	1001281304	1	Plug	
7	1001281305	1	Fitting, Banjo	
8	1001281309	1	Filter	
9	1001281310	1	Fitting	
10	1001281311	1	O-Ring	
11	1001281359	1	Valve, Check	
12	1001281360	1	Decal (Not Shown - Located On Frame)	
13	1001281656	AR	Tie-strap (Not Shown)	
14	1001282725	1	Bracket	
15	1001284138	1	Hose	
16	1001284257	1	Bracket	
17	1001284272	1	Hose	

SECTION 3 - ENGINE

FIGURE 3-31. SPARK ARRESTOR INSTALLATION (LRC) (OPTIONAL)



ART_1001158607

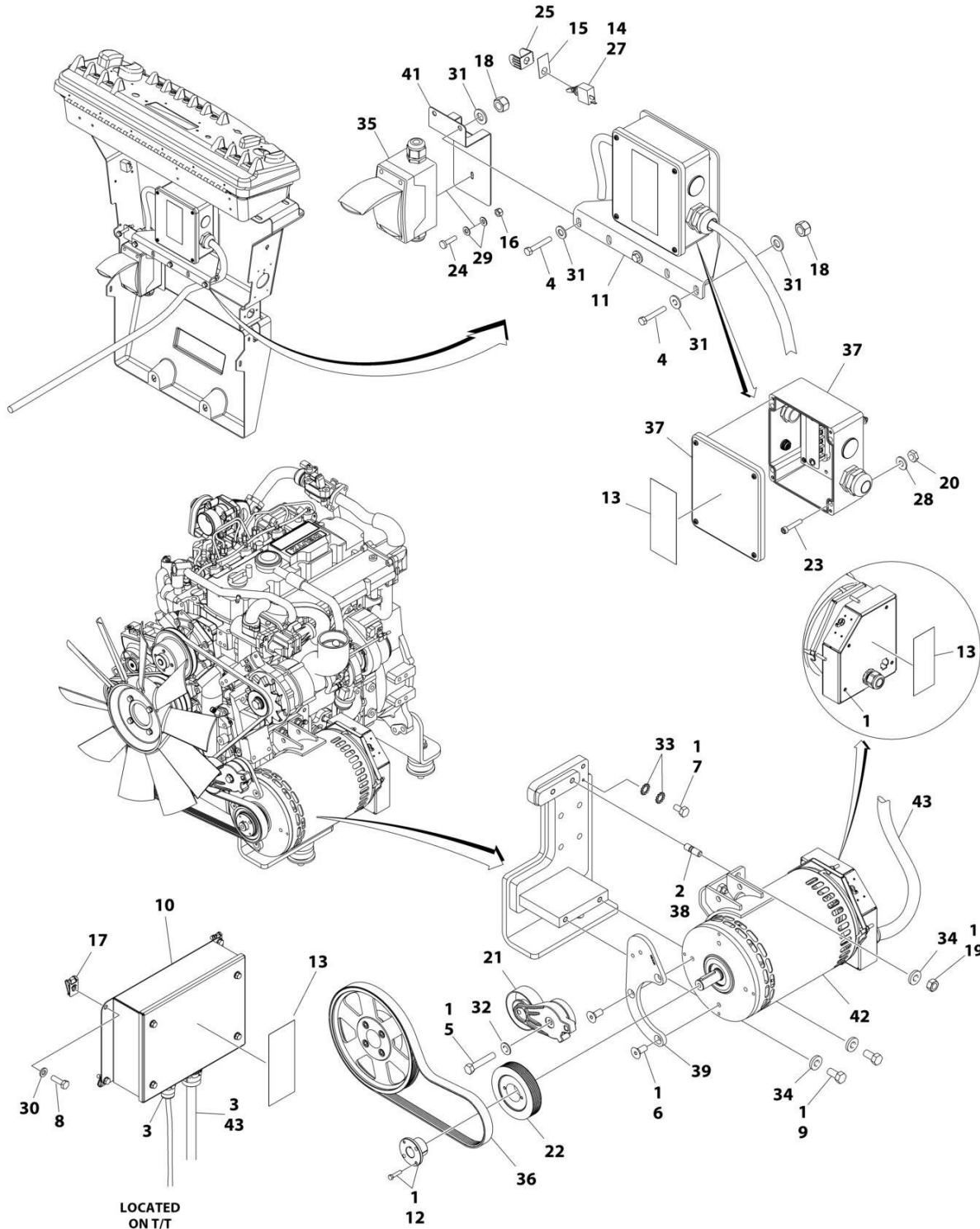
SECTION 3 - ENGINE

FIGURE 3-31. SPARK ARRESTOR INSTALLATION (LRC) (OPTIONAL)

ITEM	PART NUMBER	QTY	DESCRIPTION	REV
1	1001158607 1001158263	Ref 1	SPARK ARRESTOR INSTALLATION Arrestor, Spark	B

SECTION 3 - ENGINE

FIGURE 3-32. 4000W GENERATOR INSTALLATION - 50HZ



SECTION 3 - ENGINE

FIGURE 3-32. 4000W GENERATOR INSTALLATION - 50HZ

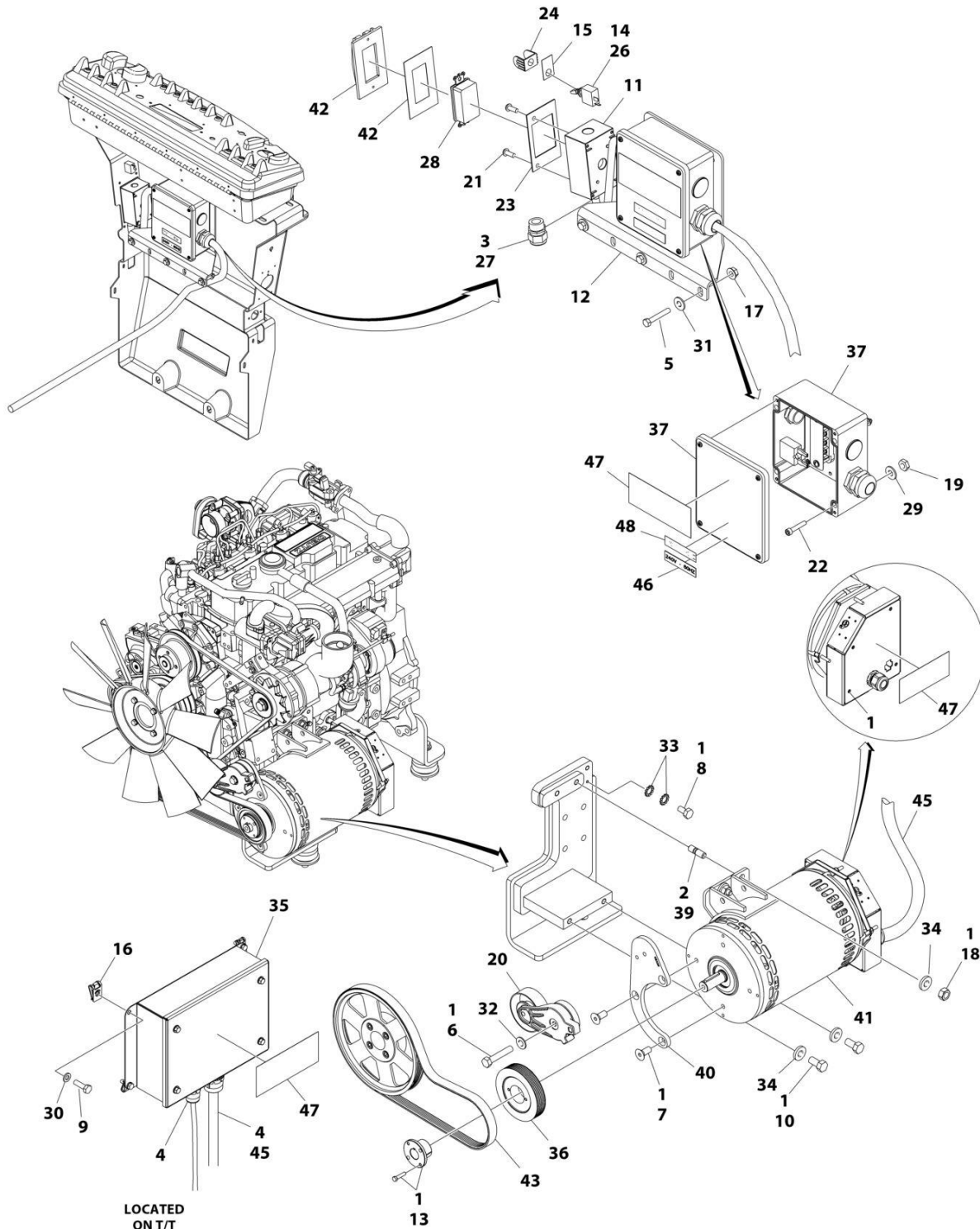
ITEM	PART NUMBER	QTY	DESCRIPTION	REV
	1001200698	Ref	4000W GENERATOR INSTALLATION - 50HZ	D
1	0100011	AR	Compound, Locking	
2	0100019	AR	Compound, Locking	
3	0100048	AR	Grease, Dielectric	
4	0700819001	4	Bolt M8 x 55	
5	0701018	1	Bolt M10 x 50	
6	0741607	3	Screw 3/8 x 7/8	
7	0760606	1	Bolt M6 x 12	
8	0760610	4	Bolt M6 x 20	
9	0761212	2	Bolt M12 x 25	
10	1001138566	1	Control Box Assembly	
10	77363232	1	Connector - 6 Position	
10	See Note	NSS	Connector - 3 Position (Note: Not Available for Purchase)	
10	70006552	1	Capacitor	
10	70006553	1	Relay	
11	0902888	1	Bracket, Junction Box	
12	0962520	1	Bushing, Split	
13	1705489	3	Decal - Hazardous Voltage	
14	2820031	0.3 ft /0.1m	Heat Shrink	
15	3251102	1	Nameplate, Generator	
16	3290405001	2	Nut M4	
17	8305919	4	Nut, Retainer	
18	3290805001	4	Nut M8	
19	3291201	2	Nut M12	
20	3311005001	4	Nut #10	
21	3580317	1	Tensioner, Belt with Pulley	
22	3580318	1	Pulley, Generator	
23	3931016	4	Capscrew #10 x 1	
24	4010408	2	Screw M4 x 16	
25	4060802	1	Guard, Switch	
26	4240018	AR	Tie-Strap (Not Shown)	
27	4360336	1	Switch, Toggle	
28	4751000001	4	Washer #10	
29	4811400001	4	Washer M4	
30	4811700	4	Washer M6	
31	4811900001	8	Washer M8	
32	4812000	1	Washer M10	
33	4871700	2	Washer M6	
34	5241200	4	Washer M12	
35	1001096612	1	Breaker Box Kit (See Separate Breakdown in ELECTRICAL Section)	
36	1001148059	1	Belt, Generator	
37	1001152458	1	Junction Box Assembly	
37	4460425	1	Connector, Strain Relief (LH Side)	
37	4460426	1	Connector, Strain Relief (RH Side)	
37	1001152530	1	Block, Terminal	
37	1001158363	1	Cover, Terminal Block	
38	1001155041	2	Stud	
39	1001155338	1	Support, Tensioner	

SECTION 3 - ENGINE

ITEM	PART NUMBER	QTY	DESCRIPTION	REV
41	1001204650	1	Bracket	
42	1001206119	1	Generator Assembly	
42	70003709	1	Ring, Retaining (External)	
42	70003708	1	Ring, Retaining (Internal)	
42	70001966	1	Bearing	
42	70004092	1	Endbell (Shaft End)	
42	70004171	1	Key	
42	70004676	1	Rotor	
42	70005624	1	Stator	
42	70004678	1	Endbell (Rear)	
42	70004679	1	Cover, Endbell (Rear)	
42	70004680	1	Enclosure, Wiring	
42	70004681	1	Cover, Enclosure	
42	70004682	1	Switch, Reset (Located on Enclosure Cover)	
42	70004098	1	Connector, Strain Relief (Located on Enclosure Cover)	
42	70004683	1	Bushing, Connector (Use p/n 70004098)	
42	70001973	1	Decal - Warning Pinch Point	
43	1001152532	1	Generator (See Separate Breakdown in ELECTRICAL Section)	
		Ref	ELECTRICAL DIAGRAM COMPONENTS	
101	1001153259	1	Generator to Platform Harness (Not Shown) (See Separate Breakdown in ELECTRICAL Section)	
103	4922641	1	Generator Switch Harness (Not Shown)	

SECTION 3 - ENGINE

FIGURE 3-33. 4000W GENERATOR INSTALLATION - 60HZ



ART_1001200699

SECTION 3 - ENGINE

FIGURE 3-33. 4000W GENERATOR INSTALLATION - 60HZ

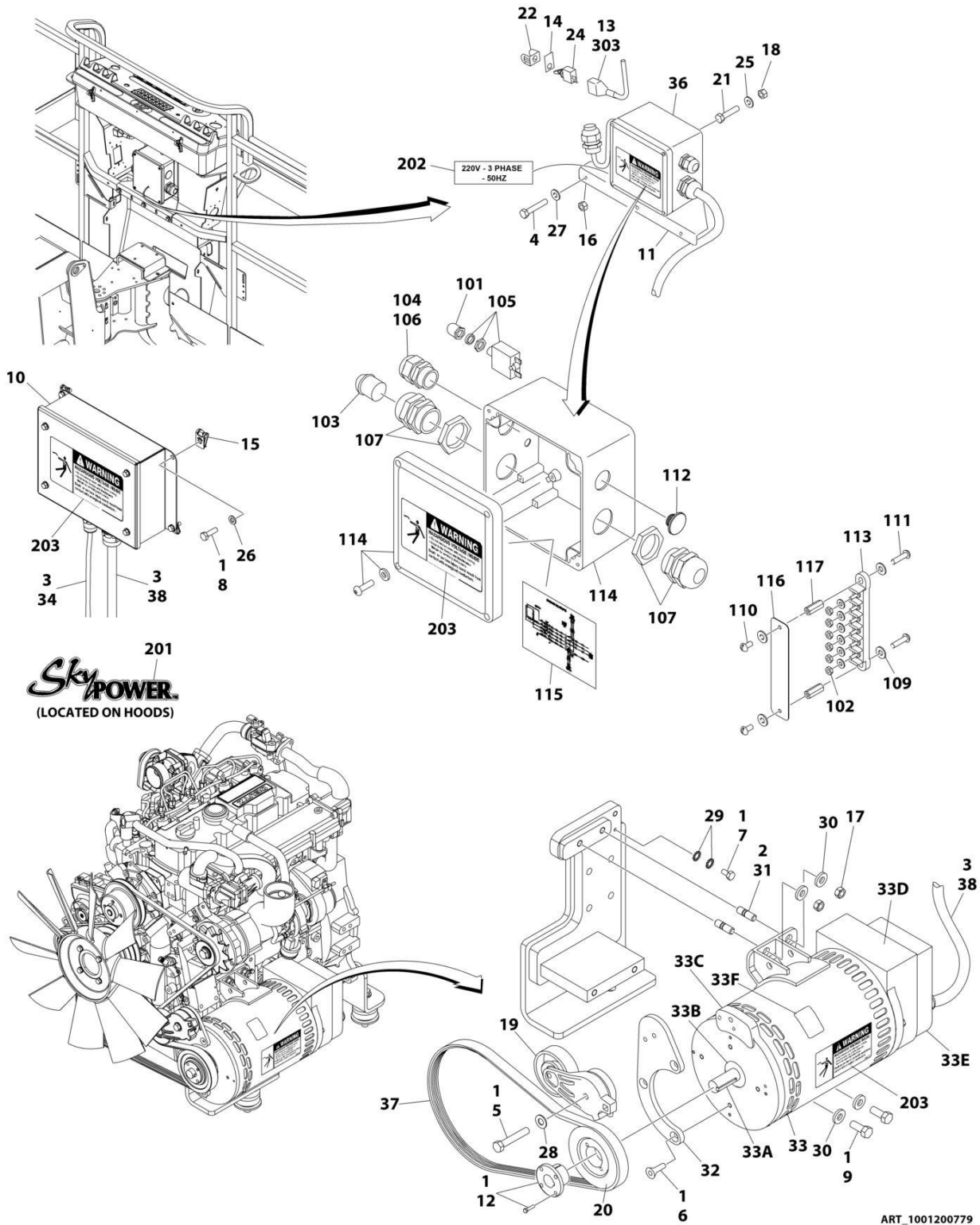
ITEM	PART NUMBER	QTY	DESCRIPTION	REV
	1001200699	Ref	4000W GENERATOR INSTALLATION - 60HZ	B
1	0100011	AR	Compound, Locking	
2	0100019	AR	Compound, Locking	
3	0100020	AR	Sealant	
4	0100048	AR	Grease, Dielectric	
5	0700818001	3	Bolt M8 x 50	
6	0701018	1	Bolt M10 x 50	
7	0741607	3	Screw 3/8 x 7/8	
8	0760606	1	Bolt M6 x 12	
9	0760610	4	Bolt M6 x 20	
10	0761212	2	Bolt M12 x 25	
11	0860038	1	Box, Switch	
12	0902888	1	Bracket, Junction Box	
13	0962520	1	Bushing, Split	
14	2820031	0.3 ft /0.1m	Heat Shrink	
15	3251102	1	Nameplate, Generator	
16	8305919	4	Nut, Retainer	
17	3290805001	3	Nut M8	
18	3291201	2	Nut M12	
19	3311005	4	Nut #10	
20	3580317	1	Tensioner, Belt with Pulley	
21	3910606	4	Screw M6 x 3/8	
22	3931016	4	Capscrew #10 x 1	
23	3960422	1	Gasket, AC Receptacle	
24	4060802	1	Guard, Switch	
25	4240018	AR	Tie-Strap (Not Shown)	
26	4360336	1	Switch, Toggle	
27	4460071	1	Connector, Strain Relief	
28	4460346	1	Receptacle	
29	4751000	4	Washer #10	
30	4811700	4	Washer M6	
31	4811900001	6	Washer M8	
32	4812000	1	Washer M10	
33	4871700	2	Washer M6	
34	5241200	4	Washer M12	
35	1001138566	1	Control Box Assembly	
35	77363232	1	Connector - 6 Position	
35	See Note	NSS	Connector - 3 Position (Note: Not Available for Purchase)	
35	70006552	1	Capacitor	
35	70006553	1	Relay	
36	1001150174	1	Pulley, Generator	
37	1001152457	1	Junction Box Assembly	
37	3300396	1	Cover, Breaker	
37	4360070	1	Breaker, Circuit - 15Amp	
37	1001152530	1	Block, Terminal	
37	1001158363	1	Cover, Terminal Block	
37	4460425	1	Connector, Strain Relief (LH Side)	
37	4460426	1	Connector, Strain Relief (RH Side)	
39	1001155041	2	Stud	

SECTION 3 - ENGINE

ITEM	PART NUMBER	QTY	DESCRIPTION	REV
40	1001155338	1	Support, Tensioner	
41	1001200565	1	Generator Assembly	
41	70003709	1	Ring, Retaining (External)	
41	70003708	1	Ring, Retaining (Internal)	
41	70001966	1	Bearing	
41	70004092	1	Endbell (Shaft End)	
41	70004171	1	Key	
41	70004676	1	Rotor	
41	70005625	1	Stator	
41	70004678	1	Endbell (Rear)	
41	70004679	1	Cover, Endbell (Rear)	
41	70004680	1	Enclosure, Wiring	
41	70004685	1	Cover, Enclosure	
41	70005624	1	Switch, Reset (Located on Enclosure Cover)	
41	70004098	1	Connector, Strain Relief (Located on Enclosure Cover)	
41	70004683	1	Bushing, Connector (Use with p/n 70004098)	
41	70001973	1	Decal - Warning Pinch Point	
42	1001110873	1	Cover, Receptacle (60Hz)	
43	1001155303	1	Belt, Generator	
45	1001152532	1	Generator Harness (See Separate Breakdown in ELECTRICAL Section)	
46	1705374	1	Decal - 240V	
47	1705387	3	Decal - Hazardous Voltage	
48	3251243	1	Decal - 120V	
		Ref	ELECTRICAL DIAGRAM COMPONENTS	
101	1001153259	1	Generator to Platform Harness (Not Shown) (See Separate Breakdown in ELECTRICAL Section)	
103	4922641	1	Generator Switch Harness (Not Shown)	

SECTION 3 - ENGINE

FIGURE 3-34. 7500W SKYPOWER GENERATOR INSTALLATION - 50HZ



SECTION 3 - ENGINE

FIGURE 3-34. 7500W SKYPOWER GENERATOR INSTALLATION - 50HZ

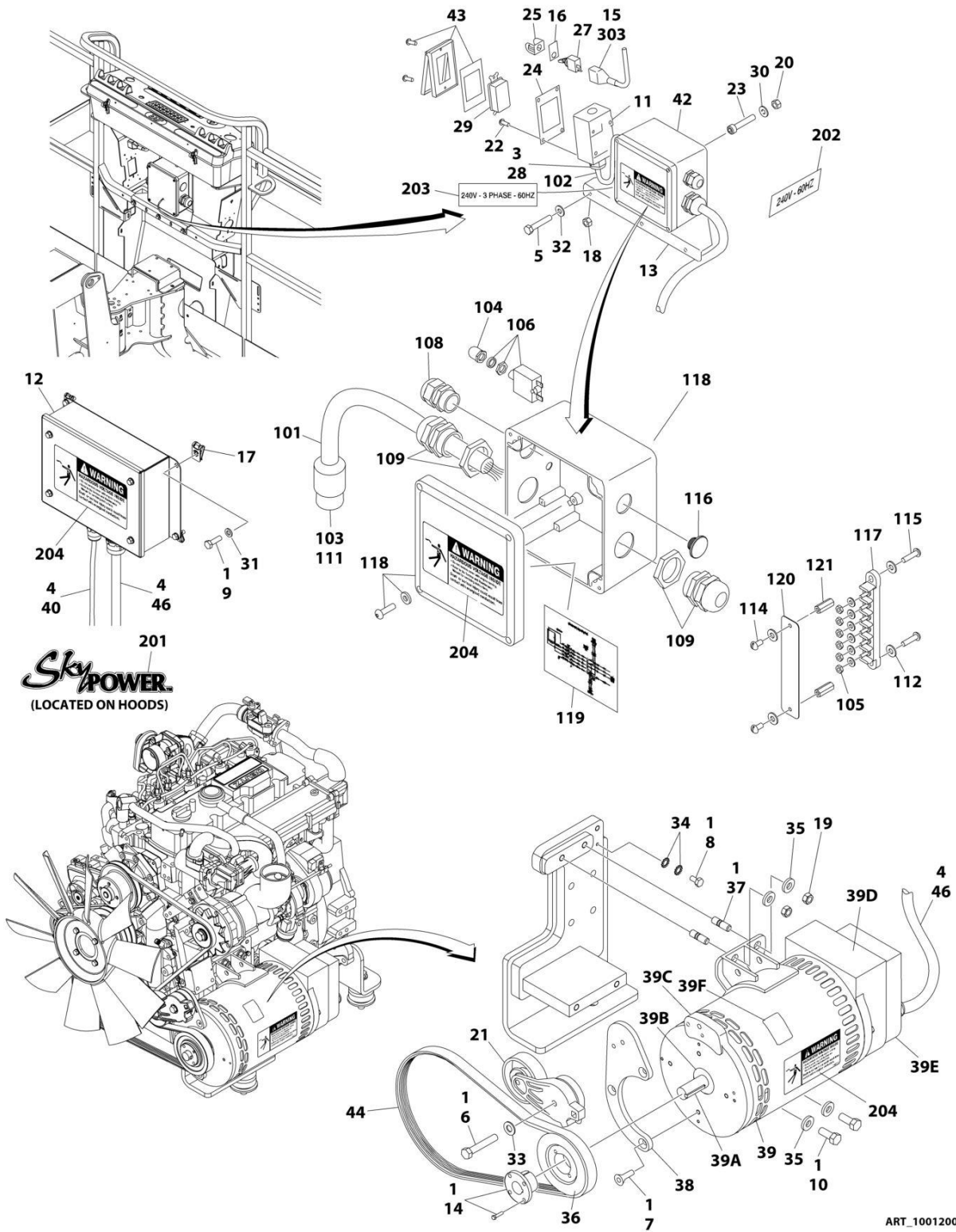
ITEM	PART NUMBER	QTY	DESCRIPTION	REV
	1001200779	Ref	7500W SKYPOWER GENERATOR INSTALLATION - 50HZ	C
		Ref	Note: See ELECTRICAL SECTION for Boom Cable Installation.	
1	0100011	AR	Compound, Locking	
2	0100019	AR	Compound, Locking	
3	0100048	AR	Grease, Dielectric	
4	0700818001	3	Bolt M8 x 50	
5	0701018	1	Bolt M10 x 50	
6	0741607	3	Screw 3/8 x 7/8	
7	0760606	1	Bolt M6 x 12	
8	0760610	4	Bolt M6 x 20	
9	0761212	2	Bolt M12 x 25	
10	0861572	1	Box, Generator Control	
10	7024488	1	Card, Circuit - Generator Power (Not Shown)	
10	See Note	1	Fuse (Note: Not Available Purchase Locally)	
10	7024489	1	Card, Circuit - Control (Not Shown)	
		Ref	Note: When replacing card, rocker switch on card must be set for required application.	
10	70000619	1	Circuit Card Harness	
10	77363232	1	Connector - 6 Position	
10	See Note	NSS	Connector - 3 Position (Note: Not Available for Purchase)	
11	0902888	1	Bracket	
12	0962520	1	Bushing	
13	2820031	AR	Heat Shrink	
14	3251102	1	Nameplate, Generator	
15	8305919	4	Nut, Retainer M6	
16	3290805001	3	Nut M8	
17	3291201	2	Nut M12	
18	3311005	4	Nut #10	
19	3580317	1	Tensioner, Belt with Pulley	
20	3580318	1	Pulley, Generator	
21	3931016	4	Capscrew #10 x 1	
22	4060802	1	Guard, Switch	
23	4240018	AR	Tie-Strap (Not Shown)	
24	4360336	1	Switch, Toggle	
25	4751000	4	Washer #10	
26	4711700	4	Washer M6	
27	4811900001	6	Washer M8	
28	4812000	1	Washer M10	
29	4871700	2	Washer M6	
30	5241200	4	Washer M12	
31	1001155041	2	Stud	
32	1001155338	1	Bracket	
33	1001155348	1	Generator, 7500W	
33	70001100	1	Rotor (Includes p/n 70001384 & 70000863) (Not Shown)	
33	70001384	1	Bearing, Shaft (Rear) (Not Shown)	
33	70000863	1	Fan, Generator (Not Shown)	
33	70005651	1	Stator (Not Shown)	
33	70002297	2	Stud 1/4 x 12-7/8 (Not Shown)	
33	70003631	1	Brushholder Assembly (Not Shown)	
33A	70004171	1	Key	

SECTION 3 - ENGINE

ITEM	PART NUMBER	QTY	DESCRIPTION	REV
33B	70001966	1	Bearing, Ball Radial (Located in Belt Tensioner Endbell)	
33B	70003709	1	Ring, Retaining (Small)	
33B	70003708	1	Ring, Retaining (Large)	
33C	70004092	1	Endbell, Belt Tensioner	
33D	70004094	1	Endbell, Brush Block	
33E	70004096	1	Shroud Assembly	
33E	7027799	1	Block, Connector - 6 Position (Not Shown)	
33E	70002460	6	Nut, Brass (Attaches p/n 7027799 to Cover) (Not Shown)	
33E	7024485	1	Breaker, Circuit 30Amp (Not Shown)	
33E	70001696	1	Boot, Breaker (Not Shown)	
33E	7026597	1	Connector with Leads (Not Shown)	
33E	7026626	1	Connector with Pins (Not Shown)	
33E	70004098	1	Clamp, Cable (Not Shown)	
33E	70005652	1	Plate, End Panel (Not Shown)	
33E	70004097	1	Insulator, End Panel (Not Shown)	
33E	70001974	1	Decal - Terminal Connections (Not Shown)	
33F	70001973	1	Decal - Warning Moving Parts	
34	1001156030	1	Generator Harness (See Separate Breakdown in ELECTRICAL SECTION)	
36	1001157525	1	Junction Box Assembly (See Items 101-117 for Breakdown)	
37	1001148059	1	Belt, Generator	
38	4922925	1	Generator Harness (See Separate Breakdown in ELECTRICAL SECTION)	
	1001157525	Ref	JUNCTION BOX ASSEMBLY	B
101	3300396	1	Cover, Fuse	
102	3311001	6	Nut #10	
103	3520189	1	Plug (50Hz Spec Only)	
104	3520192	1	Plug	
105	4360070	1	Circuit Breaker - 15Amp	
106	4460425	1	Strain Relief, Terminal	
107	4460426	2	Connector, Strain Relief	
109	4711000	10	Washer #10	
110	10702077	2	Screw #10 x 3/8	
111	10702082	2	Screw #10 x 3/4	
112	1001152525	1	Plug	
113	1001157520	1	Block, Terminal	
114	1001157521	1	Box, Junction	
115	1001157528	1	Decal - Wiring Schematic	
116	1001158007	1	Cover, PVC	
117	1001158008	2	Stand-off	
	0272589	Ref	DECAL INSTALLATION	A
201	1705460	2	Decal - SkyPower	
202	1705461	1	Decal - 240V - 3 Phase	
203	1705489	3	Decal - Hazardous Voltage	
		Ref	ELECTRICAL DIAGRAM COMPONENTS	
303	4922641	1	Generator Switch Harness	

SECTION 3 - ENGINE

FIGURE 3-35. 7500W SKYPOWER GENERATOR INSTALLATION - 60HZ



ART_1001200780

SECTION 3 - ENGINE

FIGURE 3-35. 7500W SKYPOWER GENERATOR INSTALLATION - 60HZ

ITEM	PART NUMBER	QTY	DESCRIPTION	REV
	1001200780	Ref	7500W SKYPOWER GENERATOR INSTALLATION - 60HZ	B
1	0100011	AR	Compound, Locking	
2	0100019	AR	Compound, Locking (Not Shown)	
3	0100020	AR	Sealant, Pipe	
4	0100048	AR	Grease, Dielectric	
5	0700818001	3	Bolt M8 x 50	
6	0701018	1	Bolt M10 x 50	
7	0741607	3	Screw 3/8 x 7/8	
8	0760606	1	Bolt M6 x 12	
9	0760610	4	Bolt M6 x 20	
10	0761212	2	Bolt M12 x 25	
11	0860038	1	Box, Switch	
12	0861538	1	Box, Generator Control	
12	7024488	1	Card, Circuit - Generator Power (Not Shown)	
12	See Note	1	Fuse (Note: Not Available Purchase Locally)	
12	7024489	1	Card, Circuit - Control (Not Shown)	
		Ref	Note: When replacing card, rocker switch on card must be set for required application.	
12	70000619	1	Circuit Card Harness	
12	77363232	1	Connector - 6 Position	
12	See Note	1	Connector - 3 Position (Note: Not Available for Purchase)	
13	0902888	1	Bracket, Generator Junction Box	
14	0962520	1	Bushing, Taper	
15	2820031	AR	Insulator, Heat Shrink	
16	3251102	1	Nameplate, Generator	
17	8305919	4	Nut, Retainer M6	
18	3290805001	3	Nut M8	
19	3291201	2	Nut M12	
20	3311005	4	Nut #10	
21	3580317	1	Pulley, Belt Tensioner	
22	3910606	4	Screw #6 x 3/8	
23	3931016	4	Capscrew #10 x 1	
24	3960422	1	Gasket, AC Receptacle	
25	4060802	1	Guard, Switch	
26	4240018	AR	Tie-Strap (Not Shown)	
27	4360336	1	Switch, Toggle	
28	4460071	1	Connector, Strain Relief	
29	4460346	1	Terminal, Receptacle	
30	4751000	4	Washer #10	
31	4711700	4	Washer M6	
32	4811900001	6	Washer M8	
33	4812000	1	Washer M10	
34	4871700	2	Washer M6	
35	5241200	4	Washer M12	
36	1001150174	1	Pulley, Generator	
37	1001155041	2	Stud	
38	1001155338	1	Bracket	
39	1001155348	1	Generator, 7500W	
39	70001100	1	Rotor (Includes p/n 70001384 & 70000863) (Not Shown)	
39	70001384	1	Bearing, Shaft (Rear) (Not Shown)	

SECTION 3 - ENGINE

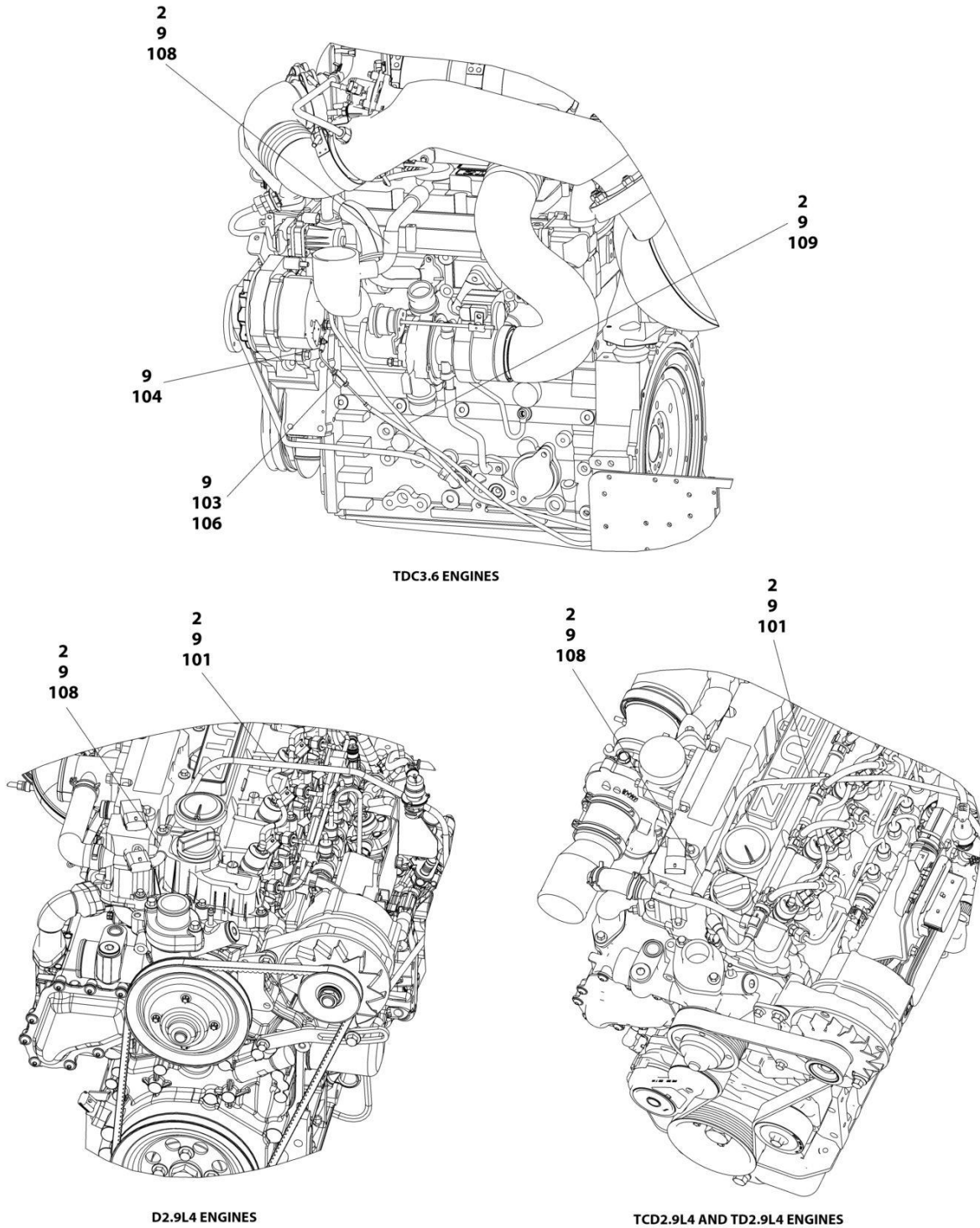
ITEM	PART NUMBER	QTY	DESCRIPTION	REV
39	7000863	1	Fan, Generator (Not Shown)	
39	70004093	1	Stator (Not Shown)	
39	70002297	2	Stud 1/4-20 x 12-7/8 (Not Shown)	
39	70003631	1	Brushholder Assembly (Not Shown)	
39A	70004099	1	Key	
39B	70001966	1	Bearing, Ball Radial (Located in Belt Tensioner Endbell)	
39B	70003709	1	Ring, Retaining (Small)	
39B	70003708	1	Ring, Retaining (Large)	
39C	70004092	1	Endbell, Belt Tensioner	
39D	70004094	1	Endbell, Brush Block	
39E	70004096	1	Shroud Assembly	
39E	7027799	1	Block, Connector - 6 Position (Not Shown)	
39E	70002460	6	Nut, Brass (Attaches p/n 7027799 to Cover) (Not Shown)	
39E	7024485	1	Breaker, Circuit 30Amp (Not Shown)	
39E	70001696	1	Boot, Breaker (Not Shown)	
39E	7026597	1	Connector with Leads (Not Shown)	
39E	7026626	1	Connector with Pins (Not Shown)	
39E	70004098	1	Clamp, Cable (Not Shown)	
39E	70004095	1	Plate, End Panel (Not Shown)	
39E	70004097	1	Insulator, End Panel (Not Shown)	
39E	70001974	1	Decal - Terminal Connections (Not Shown)	
39F	70001973	1	Decal - Warning Moving Parts	
40	1001156030	1	Generator Harness (See Separate Breakdown in ELECTRICAL SECTION)	
42	1001157592	1	Junction Box Assembly (See Items 101-121 for Breakdown)	
43	1001110873	1	Shield, Receptacle Cover	
44	1001155303	1	Belt, Generator	
46	4922925	1	Generator Harness (See Separate Breakdown in ELECTRICAL SECTION)	
	1001157592	Ref	JUNCTION BOX ASSEMBLY	C
101	1060343	1.5 ft /0.5m	Cable, Electrical 10/4	
102	1001179154	2.5 ft /0.8m	Cable, Electrical 12/3	
103	1671092	1	Cover	
104	3300396	1	Cover, Fuse	
105	3311001	6	Nut #10	
106	4360070	1	Circuit Breaker - 15Amp	
108	4460425	1	Strain Relief, Terminal	
109	4460426	2	Connector, Strain Relief	
111	4460963	1	Connector	
112	4711000	10	Washer #10	
114	10702077	2	Screw #10 x 3/8	
115	10702082	2	Screw #10 x 3/4	
116	1001152525	1	Plug	
117	1001157520	1	Block, Terminal	
118	1001157521	1	Box, Junction	
119	1001157528	1	Decal - Wiring Schematic	
120	1001158007	1	Cover, PVC	
121	1001158008	2	Stand-Off	
	0272435	Ref	DECAL INSTALLATION	D
201	1705460	2	Decal - SkyPower	

SECTION 3 - ENGINE

ITEM	PART NUMBER	QTY	DESCRIPTION	REV
202	3251243	1	Decal - 120V - 60Hz	
203	1705375	1	Decal - 240V - 3 Phase	
204	1705387	3	Decal - Hazardous Voltage	
		Ref	ELECTRICAL DIAGRAM COMPONENTS	
303	4922641	1	Generator Switch Harness	

SECTION 3 - ENGINE

FIGURE 3-36. BREATHER HEATER INSTALLATION - MACHINES WITH COLD WEATHER PACKAGE



ART_1001233763

SECTION 3 - ENGINE

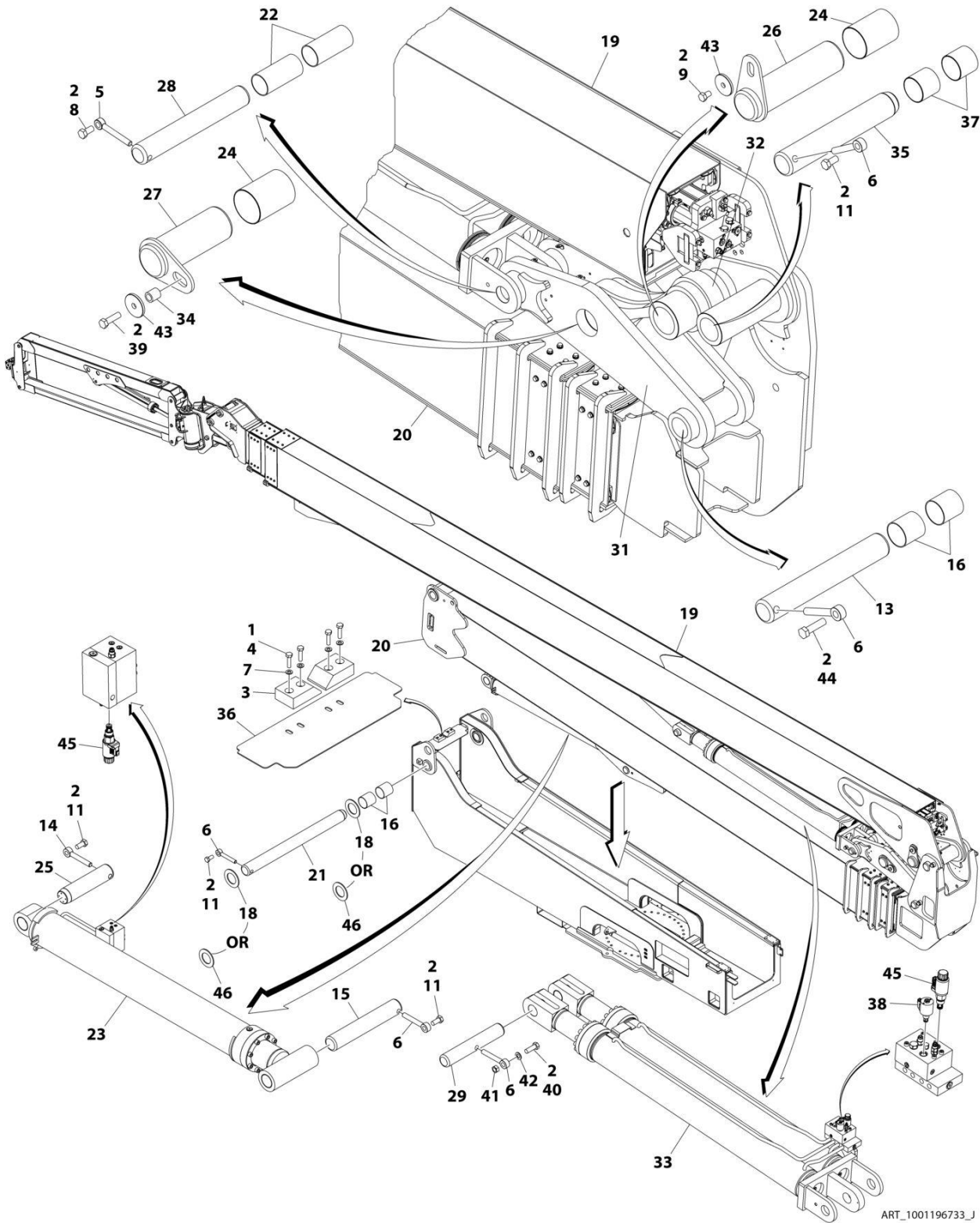
FIGURE 3-36. BREATHER HEATER INSTALLATION - MACHINES WITH COLD WEATHER PACKAGE

ITEM	PART NUMBER	QTY	DESCRIPTION	REV
	1001233763	Ref	BREATHER HEATER INSTALLATION - DEUTZ ENGINES	D
2	4240099	AR	Tie-Strap	
9	1001243895	1	Breather Heater Harness	C
101	2820035	AR	Insulation	
103	2400060	1	Fuseholder with Cover	
104	4460043	1	Terminal, Ring	
105	4460722	1	Terminal, Ring (Not Shown)	
106	1001196634	1	Fuse - 2 Amp	
108	1001232842	1	Breather Heater Kit	

SECTION 4 - BOOM

SECTION 4 - BOOM

FIGURE 4-1. BOOM AND CYLINDERS INSTALLATION



ART_1001196733_J

SECTION 4 - BOOM

FIGURE 4-1. BOOM AND CYLINDERS INSTALLATION

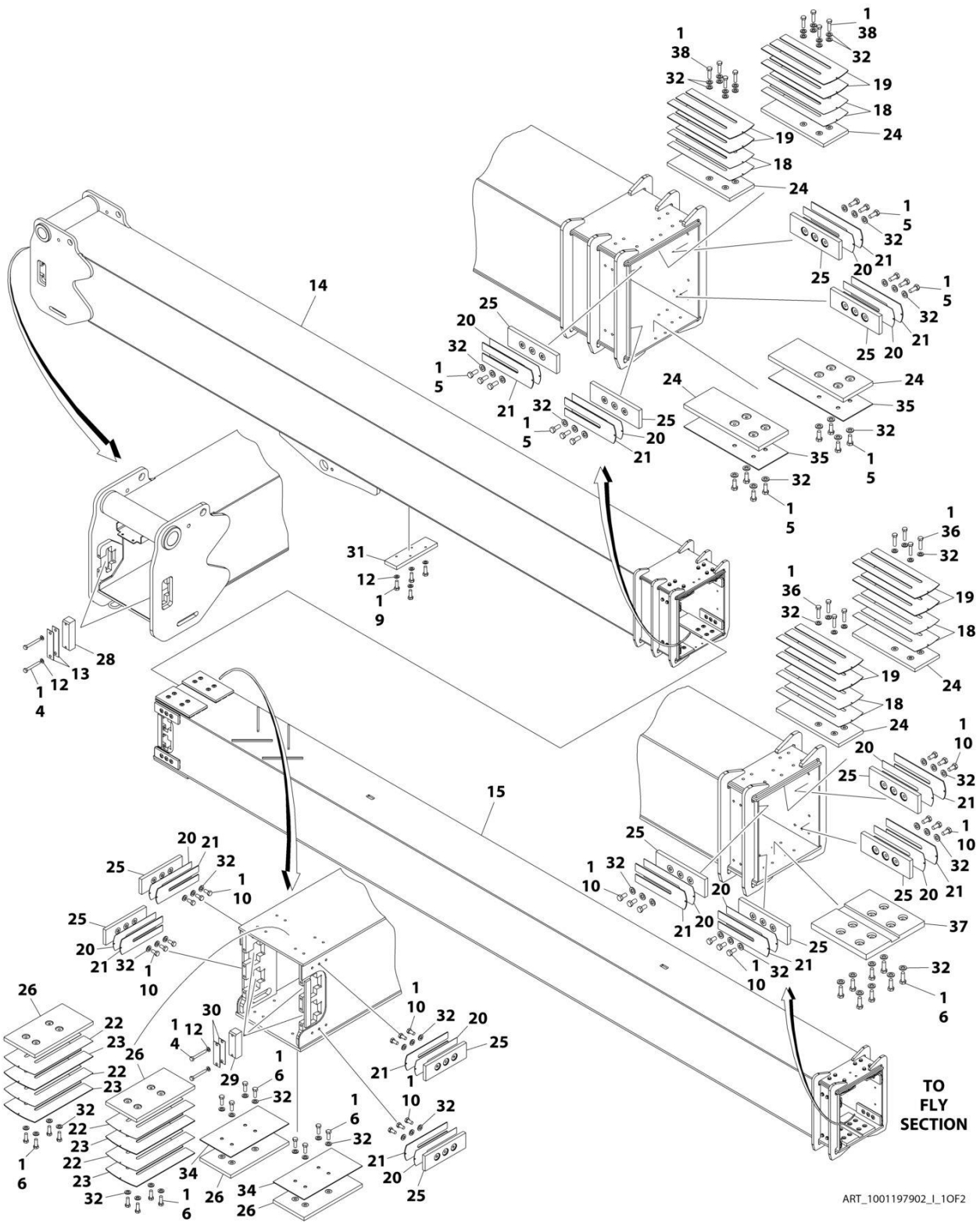
ITEM	PART NUMBER	QTY	DESCRIPTION	REV
	1001196733	Ref	BOOM AND CYLINDERS INSTALLATION	J
1	0100011	AR	Compound, Locking	
2	0100019	AR	Compound, Locking	
3	0561380	2	Block, Boom Rest	
4	0761016001	4	Bolt M10 x 40	
5	3841287	1	Keeper, Pin	
6	3841356	5	Keeper, Pin	
7	1001172358	4	Washer M10	
8	0762016001	1	Bolt M20 x 40	
9	0762014001	1	Bolt M20 x 30	
11	0762418001	4	Bolt M24 x 50	
13	1001134314	1	Pin	
14	1001146940	1	Keeper, Pin	
15	1001156650	1	Pin	
16	1001157887	4	Bearing	
18	1001180153	AR	Washer	
19	1001196917	1	Main Boom and Jib Assembly (See Separate Breakdown in this Section)	
20	1001197902	1	Tower Boom Assembly (See Separate Breakdown in this Section)	
21	1001197969	1	Pivot	
22	1001197973	2	Bearing	
23	1001228090	1	Lift Cylinder Assembly - Tower Boom (See Separate Breakdown in CYLINDER Section)	
24	1001198749	2	Bearing	
25	1001198757	1	Pin	
26	1001198758	1	Pin	
27	1001198759	1	Pin	
28	1001198760	1	Pin	
29	1001198761	1	Pin	
31	1001199804	1	Link	
32	1001199812	1	Link	
33	1001251094	1	Lift Cylinder Assembly - Main Boom (See Separate Breakdown in CYLINDER Section)	
34	1001200154	1	Spacer	
35	1001200574	1	Pin	
36	1001200576	1	Deflector	
37	0440273	2	Bearing	
38	1001201938	1	Cartridge Valve Assembly	
38	70005657	1	Cartridge, Solenoid Valve Less Coil	
38	70026446	1	Seal Kit - 70005657 Valve	
38	70003788	1	Coil	
39	0702022001	1	Bolt M20 x 70	
40	0762422001	1	Bolt M24 x 70	
41	3292401001	1	Nut M24	
42	4812700001	1	Washer M24	
43	1001207937	2	Washer	
44	0702426001	1	Bolt M24 x 90	
45	1001218037	2	Cartridge, Valve Assembly	
45	70006003	2	Cartridge, Solenoid Valve Less Coil	
45	70006005	2	Seal Kit - 70006003 Valve	

SECTION 4 - BOOM

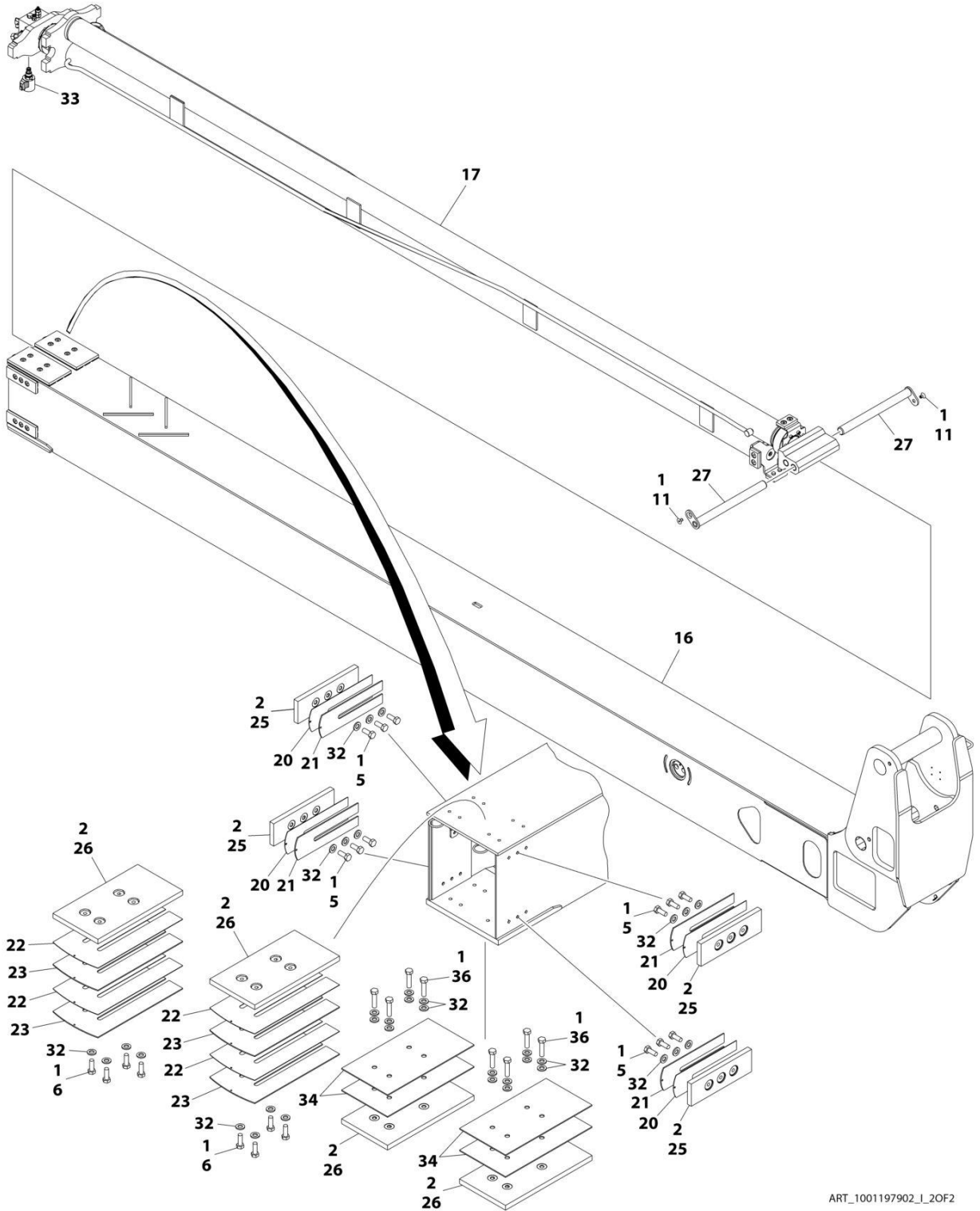
ITEM	PART NUMBER	QTY	DESCRIPTION	REV
45	70006004	2	Coil	
45	70006006	2	Nut, Coil	
46	1001221425	AR	Washer	

SECTION 4 - BOOM

FIGURE 4-2. TOWER BOOM ASSEMBLY



SECTION 4 - BOOM



ART_1001197902_I_20F2

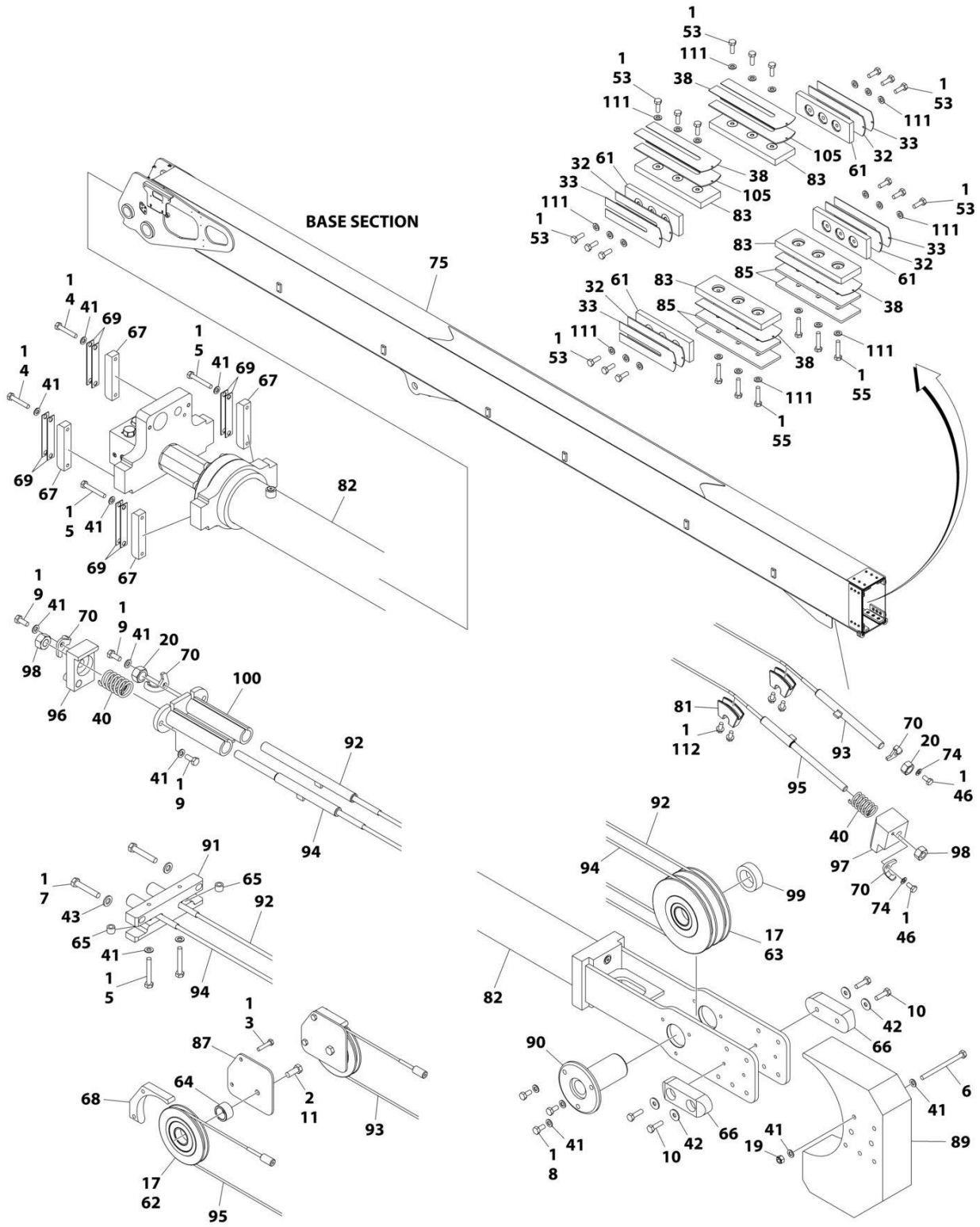
SECTION 4 - BOOM

FIGURE 4-2. TOWER BOOM ASSEMBLY

ITEM	PART NUMBER	QTY	DESCRIPTION	REV
	1001197902	Ref	TOWER BOOM ASSEMBLY	I
1	0100011	AR	Compound, Locking	
2	3020042	AR	Lubricant	
4	0701024001	12	Bolt M10 x 80	
5	0711214001	32	Bolt M12 x 30	
6	0711215001	32	Bolt M12 x 35	
9	0761014001	4	Bolt M10 x 30	
10	0771212001	24	Bolt M12 x 25	
11	1001137032	2	Screw M10 x 16	
12	1001172358	16	Washer M10	
13	1001173662	4	Shim 16 Gauge	
14	1001197899	1	Base, Boom (Section 1)	
15	1001209368	1	Mid, Boom (Section 2)	
16	1001197901	1	Fly, Boom (Section 3)	
17	1001251091	1	Telescope Cylinder Assembly - Tower (See Separate Breakdown in CYLINDER Section)	
18	1001198640	8	Shim 18 Gauge	
19	1001198641	8	Shim 11 Gauge	
20	1001198642	16	Shim 18 Gauge	
21	1001198643	16	Shim 11 Gauge	
22	1001198644	8	Shim 18 Gauge	
23	1001198645	8	Shim 11 Gauge	
24	1001209375	6	Pad, Wear	
25	1001198732	16	Pad, Wear	
26	1001209374	8	Pad, Wear	
27	1001201007	2	Pin	
28	1001201333	2	Block, Trunnion	
29	1001201334	4	Block, Trunnion	
30	1001201335	8	Shim 16 Gauge	
31	1001204914	1	Pad	
32	5241200001	128	Washer M12	
33	1001201938	1	Cartridge Valve Assembly	
34	1001209372	6	Plate, Spacer	
35	1001209373	2	Plate, Spacer	
36	0771218001	16	Bolt M12 x 50	
37	1001212669	1	Pad, Wear	
38	0711217001	8	Bolt M12 x 45	

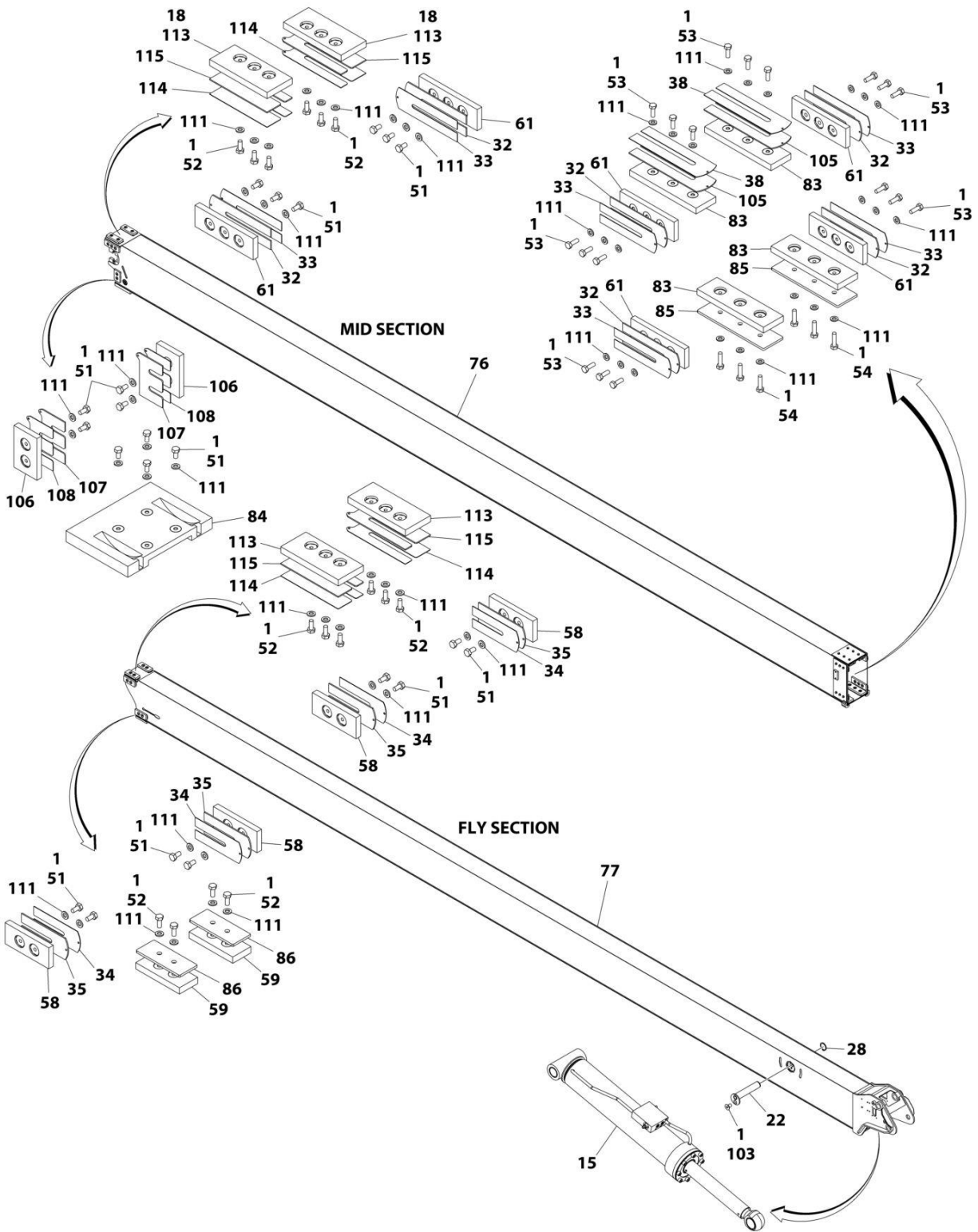
SECTION 4 - BOOM

FIGURE 4-3. MAIN BOOM AND JIB ASSEMBLY



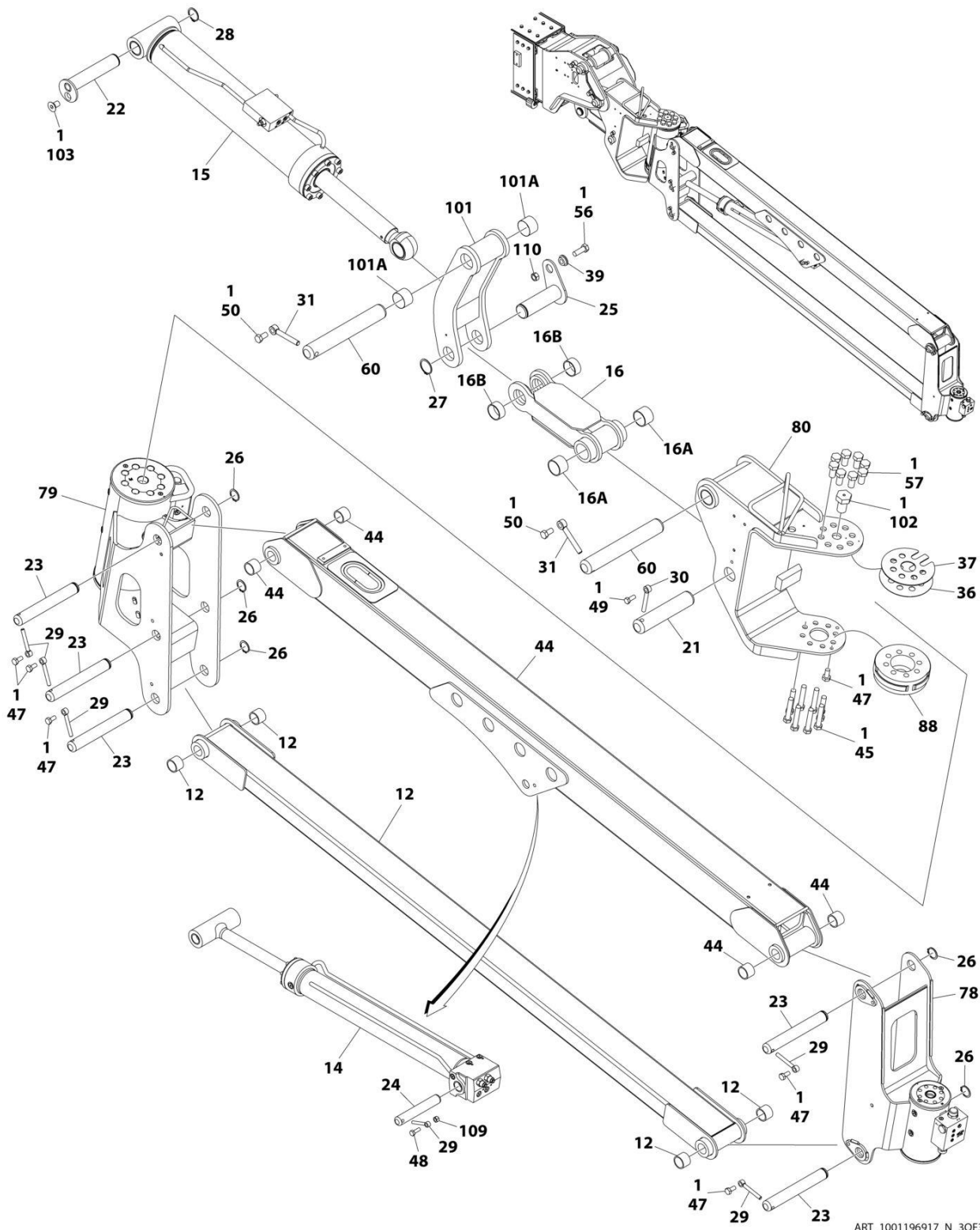
ART_1001196917_N_10F3

SECTION 4 - BOOM



ART_1001196917_N_20F3

SECTION 4 - BOOM



ART_1001196917_N_30F3

SECTION 4 - BOOM

FIGURE 4-3. MAIN BOOM AND JIB ASSEMBLY

ITEM	PART NUMBER	QTY	DESCRIPTION	REV
	1001196917	Ref	MAIN BOOM AND JIB ASSEMBLY	N
1	0100011	AR	Compound, Locking	
2	0100019	AR	Compound, Locking	
3	0701018	4	Bolt M10 x 50	
4	0701020	4	Bolt M10 x 60	
5	0701022	6	Bolt M10 x 70	
6	0701031	5	Bolt M10 x 140	
7	0701222	2	Bolt M12 x 70	
8	0761011	3	Bolt M10 x 22	
9	0761012	4	Bolt M10 x 25	
10	0761015	4	Bolt M10 x 35	
11	0761616	2	Bolt M16 x 40	
12	0801550	1	Link, Jib (Lower)	
12	0961951	4	Bushing	
14	1001251025	1	Lift Cylinder Assembly - Jib (See Separate Breakdown in CYLINDER Section)	
15	1001251034	1	Level Cylinder Assembly (See Separate Breakdown in CYLINDER Section)	
16	3010136	1	Link, Level (Outer)	
16A	0962224	2	Bushing	
16B	0962556	2	Bushing	
17	3020039	AR	Lubricant	
18	3020042	AR	Lubricant	
19	3291005	5	Nut M10	
20	3292201	2	Nut M22	
21	3422178	1	Pin	
22	3422937	1	Pin	
23	3422957	5	Pin	
24	3422958	1	Pin	
25	3423190	1	Pin	
26	3760133	5	Ring, Retaining	
27	3760217	1	Ring, Retaining	
28	3760233	1	Ring, Retaining	
29	3841143	6	Keeper, Pin	
30	3841203	1	Keeper, Pin	
31	3841258	2	Keeper, Pin	
32	4070863	10	Shim 11 Gauge	
33	4070864	10	Shim 18 Gauge	
34	4070897	4	Shim 18 Gauge	
35	4070898	4	Shim 11 Gauge	
36	4071044	1	Shim 18 Gauge	
37	4071045	1	Shim 11 Gauge	
38	4071073	4	Shim 18 Gauge	
39	4100101	1	Spacer	
40	4160197	2	Spring	
41	4812000	27	Washer M10	
42	4812002	4	Washer M10	
43	5241200	2	Washer M12	
44	4846482	1	Link, Jib (Upper)	
44	0961951	4	Bushing	

SECTION 4 - BOOM

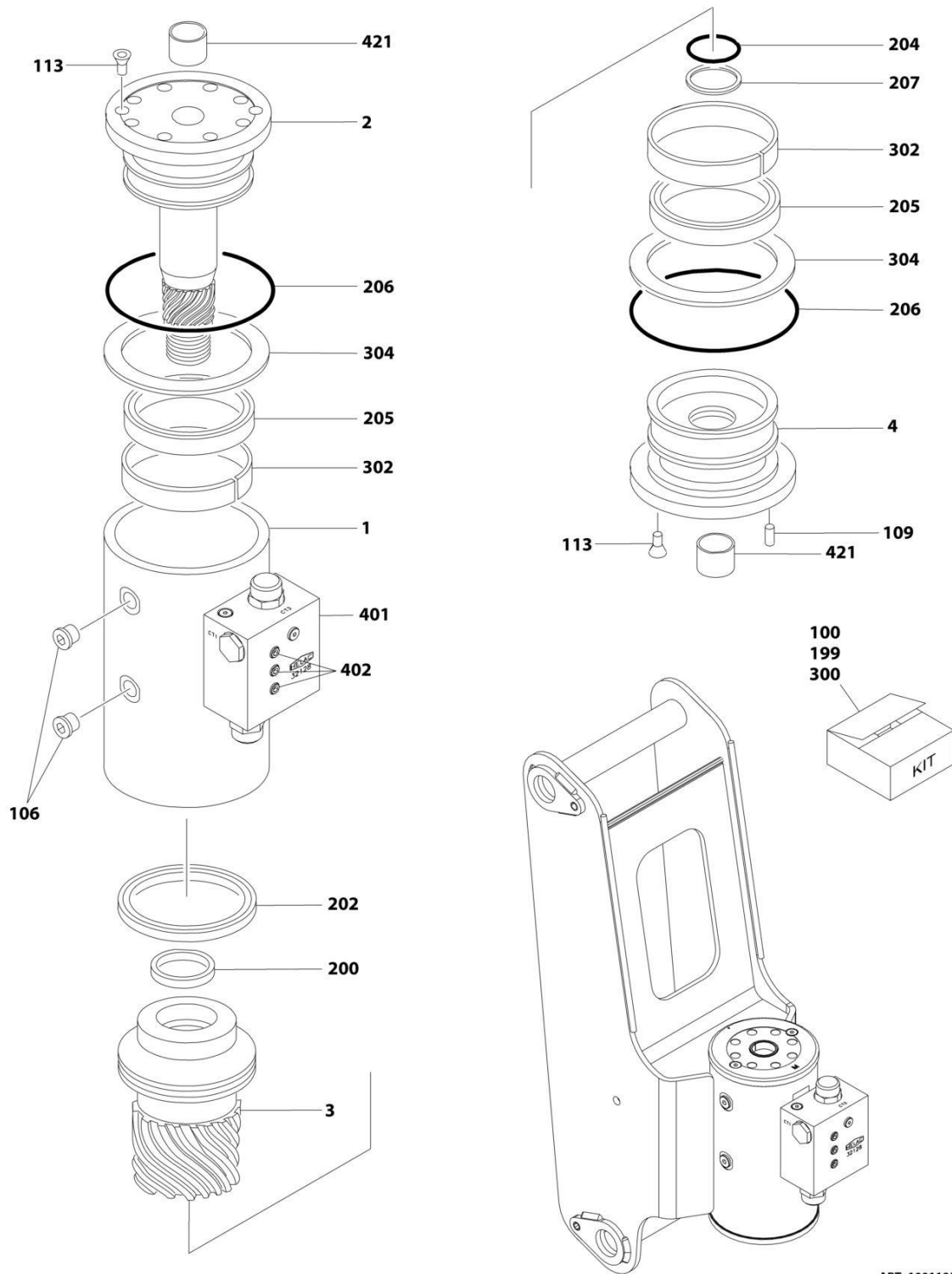
ITEM	PART NUMBER	QTY	DESCRIPTION	REV
45	0711626001	8	Bolt M16 x 90 Grade 10.9	
46	0761010001	2	Bolt M10 x 20	
47	0761011001	7	Bolt M10 x 22	
48	0761014001	1	Bolt M10 x 30	
49	0761214001	1	Bolt M12 x 30	
50	0761614001	2	Bolt M16 x 30	
51	0771010001	22	Bolt M10 x 20 Grade 10.9	
52	0771012001	16	Bolt M10 x 25 Grade 10.9	
53	0771014001	36	Bolt M10 x 30 Grade 10.9	
54	0771016001	6	Bolt M10 x 40 Grade 10.9	
55	0771018001	6	Bolt M10 x 50 Grade 10.9	
56	0771617001	1	Bolt M16 x 45 Grade 10.9	
57	0772016001	8	Bolt M20 x 40 Grade 10.9	
58	1001118287	4	Pad, Wear	
59	1001118288	2	Pad, Wear	
60	1001119899	2	Pin	
61	1001136583	10	Pad, Wear	
62	1001222385	2	Sheave	
62	1001153785	1	Bushing	
62	1001154247	1	Ring, Snap	
62	1001222387	1	Bushing	
63	1001222402	2	Sheave	
63	1001153827	1	Bushing	
63	1001154247	1	Ring, Snap	
63	1001222404	1	Bushing	
64	1001156613	2	Bushing	
65	1001157007	2	Sleeve, Spacer, Sensor	
66	1001157454	2	Pad, Wear	
67	1001157872	4	Block, Trunnion	
68	1001157878	2	Retainer, Rope	
69	1001157885	8	Shim 16 Gauge	
70	1001167497	4	Plate, Keeper	
74	1001172358	2	Washer M10	
75	1001195924	1	Boom, Base	
76	1001219583	1	Boom, Mid	
77	1001219590	1	Boom, Fly	
78	1001195939	1	Platform Rotator Assembly (See Separate Breakdown in this Section)	
79	1001195940	1	Jib Rotator Assembly (See Separate Breakdown in this Section)	
80	1001195941	1	Pivot, Jib	
81	1001198864	2	Sheave, Deflector	
82	1001251093	1	Telescope Cylinder Assembly - Main Boom (See Separate Breakdown in CYLINDER Section)	
83	1001199083	8	Pad	
84	1001199084	1	Pad	
85	1001199085	6	Shim 6mm	
86	1001199086	2	Shim 6mm	
87	1001199117	2	Plate, Sheave	
88	1001199320	1	Cam	
89	1001199610	1	Retainer, Rope	
90	1001199641	1	Pin	
91	1001199990	1	Block, Cable Mount	

SECTION 4 - BOOM

ITEM	PART NUMBER	QTY	DESCRIPTION	REV
92	1001200091	1	Rope, Extend	
93	1001200092	1	Rope, Retract	
94	1001200093	1	Rope, Extend	
95	1001200094	1	Rope, Retract	
96	1001200732	1	Block, Mounting	
97	1001200733	1	Block, Mounting	
98	1001200736	2	Nut M18	
99	1001200739	1	Spacer	
100	1001200741	1	Retainer, Rope	
101	1001200839	1	Link, Level (Inner)	
101A	0962224	2	Bushing	
102	1001201485	1	Bolt M30 x 50	
103	1001201846	1	Screw M12 x 20 Grade 10.9	
105	1001202793	4	Shim 11 Gauge	
106	1001203753	2	Pad, Wear	
107	1001203754	2	Shim 11 Gauge	
108	1001203755	2	Shim 18 Gauge	
109	3291005001	1	Nut M10	
110	3331611001	1	Nut M16	
111	5241000001	86	Washer M10	
112	5251010001	4	Bolt M10 x 20	
113	1001148012	4	Pad, Wear	
114	1001219599	8	Shim 18 Gauge	
115	1001219600	4	Shim 11 Gauge	

SECTION 4 - BOOM

FIGURE 4-4. PLATFORM ROTATOR ASSEMBLY



ART_1001195939

FIGURE 4-4. PLATFORM ROTATOR ASSEMBLY

ITEM	PART NUMBER	QTY	DESCRIPTION	REV
	1001195939	Ref	PLATFORM ROTATOR ASSEMBLY	C
1	See Note	NSS	Housing/Ring Gear (Note: Purchase Complete Assembly)	
2	70003948	1	Shaft	
3	7017163	1	Piston	
4	7017164	1	Cap	
100	7017142	1	Hardware Kit (Includes Items 106-109)	
106	See Note	NSS	Plug (Note: Use Item 100)	
109	See Note	NSS	Pin, Dowel (Note: Use Item 100)	
113	70001697	6	Screw 1/4 x 3/8	
199	70000342	1	Seal Kit - Low Temperature (Includes Items 200-207)	
200	See Note	NSS	T-Seal (Note: Use Item 199)	
202	See Note	NSS	T-Seal (Note: Use Item 199)	
204	See Note	NSS	O-Ring (Note: Use Item 199)	
205	See Note	NSS	Seal (Note: Use Item 199)	
206	See Note	NSS	O-Ring (Note: Use Item 199)	
207	See Note	1	Ring, Back-up (Note: Use Item 199)	
300	7017159	1	Bearing Kit (Includes Items 302-304)	
302	See Note	NSS	Bearing (Note: Use Item 300)	
304	See Note	NSS	Washer, Thrust (Note: Use Item 300)	
401	70001639	1	Valve, Control (Note: Sold as Assembly Only)	
402	See Note	NSS	Bolt 1/4 x 1-1/2 Grade 8 (Note: Purchase Locally)	
421	7017195	2	Bushing	

SECTION 4 - BOOM

FIGURE 4-5. JIB ROTATOR ASSEMBLY

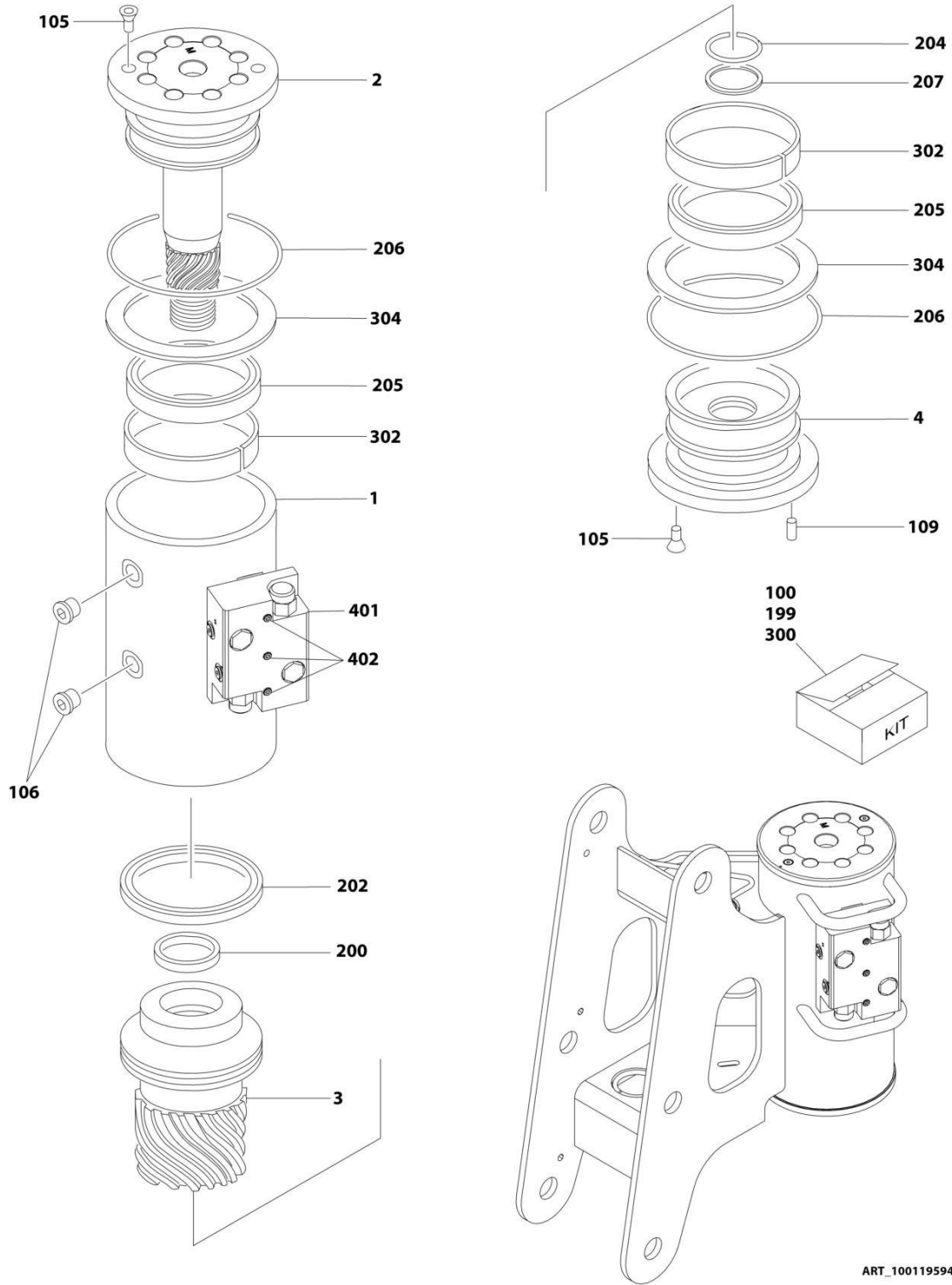
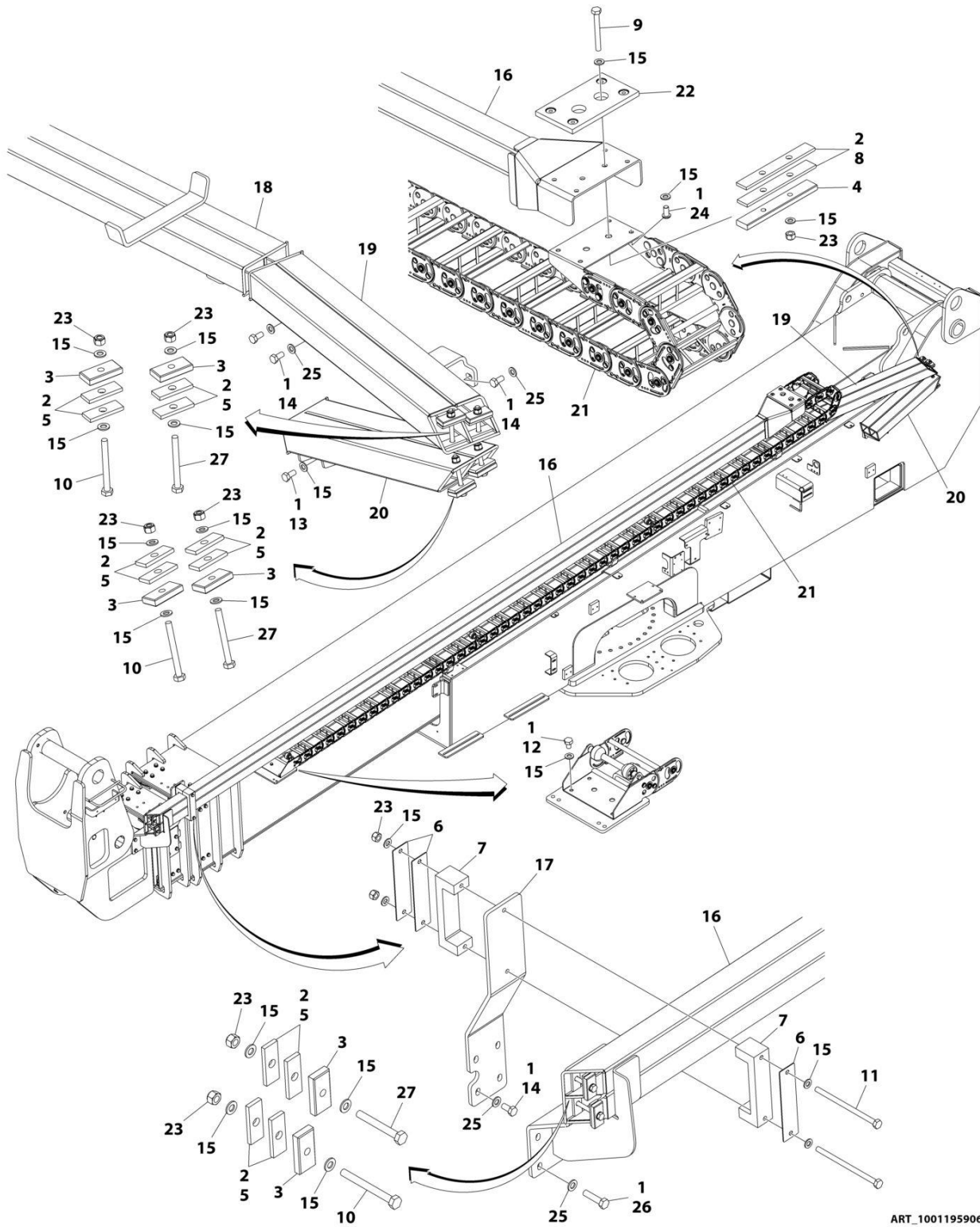


FIGURE 4-5. JIB ROTATOR ASSEMBLY

ITEM	PART NUMBER	QTY	DESCRIPTION	REV
	1001195940	Ref	JIB ROTATOR ASSEMBLY	D
1	See Note	NSS	Housing/Ring Gear (Note: Purchase Complete Assembly)	
2	70005620	1	Shaft	
3	7017187	1	Piston	
4	70005621	1	Cap	
5	7017189	1	Ring, Lock (Not Shown)	
100	70001640	1	Hardware Kit (Includes Items 105-109)	
105	See Note	NSS	Screw (Note: Use Item 100)	
106	See Note	NSS	Plug (Note: Use Item 100)	
109	See Note	NSS	Setscrew (Note: Use Item 100)	
199	70000796	1	Seal Kit (Includes Items 200-207)	
200	See Note	NSS	T-Seal (Note: Use Item 199)	
202	See Note	NSS	T-Seal (Note: Use Item 199)	
204	See Note	NSS	O-Ring (Note: Use Item 199)	
205	See Note	NSS	Seal (Note: Use Item 199)	
206	See Note	NSS	O-Ring (Note: Use Item 199)	
207	See Note	NSS	Ring, Back-up (Note: Use Item 199)	
300	70005622	1	Bearing Kit (Includes Items 302-304)	
302	See Note	NSS	Bearing (Note: Use Item 300)	
304	See Note	2	Washer, Thrust (Note: Use Item 300)	
401	70002859	1	Valve, Control (Note: Sold as Assembly Only)	
402	See Note	NSS	Bolt 1/4 x 1-1/2 Grade 8 (Note: Purchase Locally)	

SECTION 4 - BOOM

FIGURE 4-6. POWER TRACK INSTALLATION - TOWER BOOM



ART_1001195906

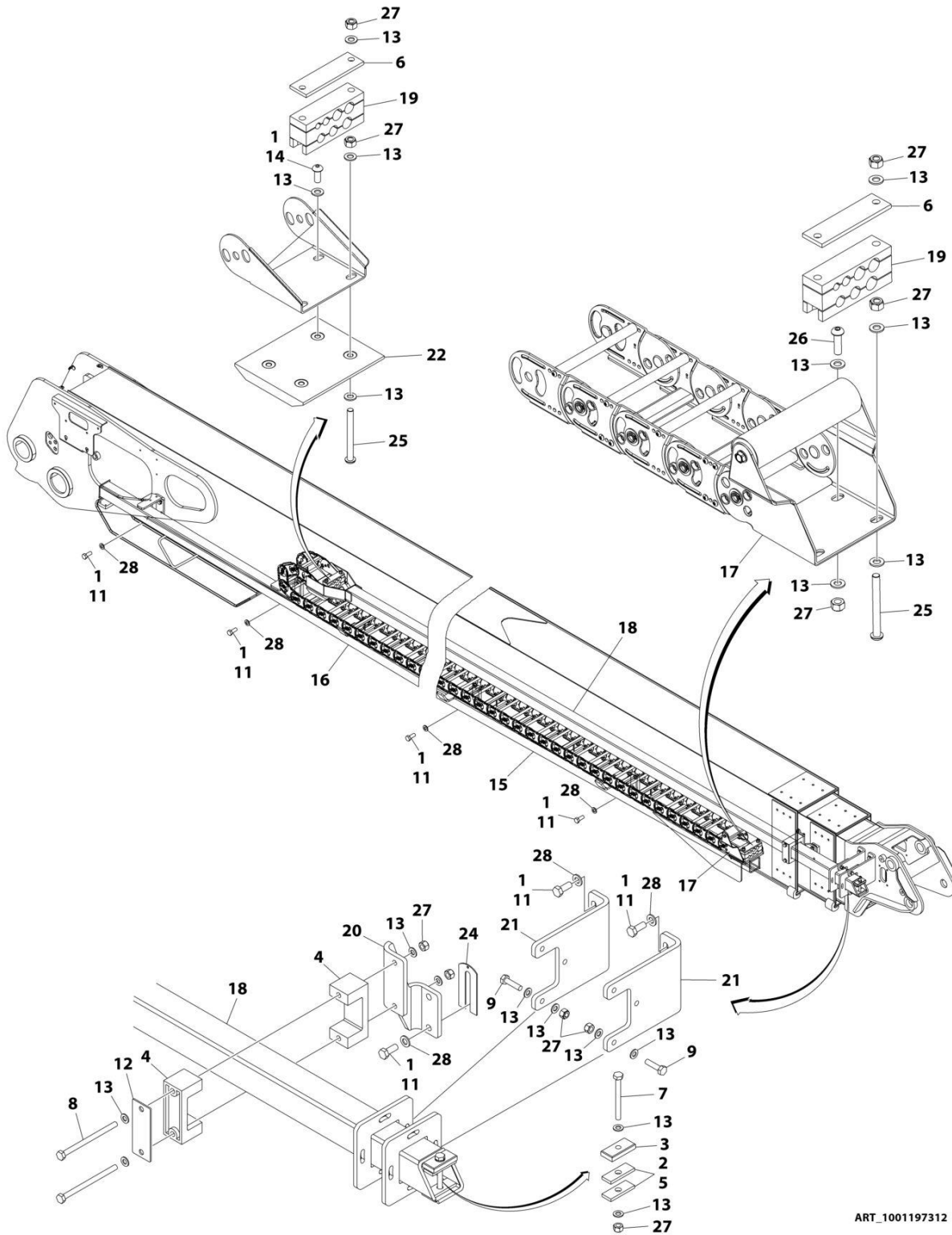
SECTION 4 - BOOM

FIGURE 4-6. POWER TRACK INSTALLATION - TOWER BOOM

ITEM	PART NUMBER	QTY	DESCRIPTION	REV
	1001195906	Ref	POWER TRACK INSTALLATION - TOWER BOOM	D
1	0100011	AR	Compound, Locking	
2	0100081	AR	Adhesive	
3	1320288	6	Clamp	
4	1320328	1	Clamp	
5	3340941	12	Pad	
6	4071076	AR	Shim	
7	4220189	2	Block	
8	4220190	2	Pad	
9	0701026001	2	Bolt M10 x 90	
10	0701027001	3	Bolt M10 x 100	
11	0701034001	2	Bolt M10 x 170	
12	0761007001	4	Bolt M10 x 14	
13	0761012001	2	Bolt M10 x 25	
14	0761212001	16	Bolt M12 x 25	
15	1001172358	30	Washer M10	
16	1001197760	1	Tube, Push	
17	1001197766	1	Plate, Support	
18	1001201997	1	Tube	
19	1001202000	1	Tube	
20	1001202002	1	Tube	
21	1001202005	1	Power Track Assembly	
21	70003919	AR	Repair Kit	
21	70003920	2	Mounting Feet & Roller Kit	
22	1001202245	1	Pad	
23	3291005001	10	Nut M10	
24	3900393001	4	Screw M10 x 20	
25	4812100001	19	Washer M12	
26	0761218001	3	Bolt M12 x 50	
27	0701024001	3	Bolt M10 x 80	

SECTION 4 - BOOM

FIGURE 4-7. POWER TRACK INSTALLATION - MAIN BOOM



ART_1001197312

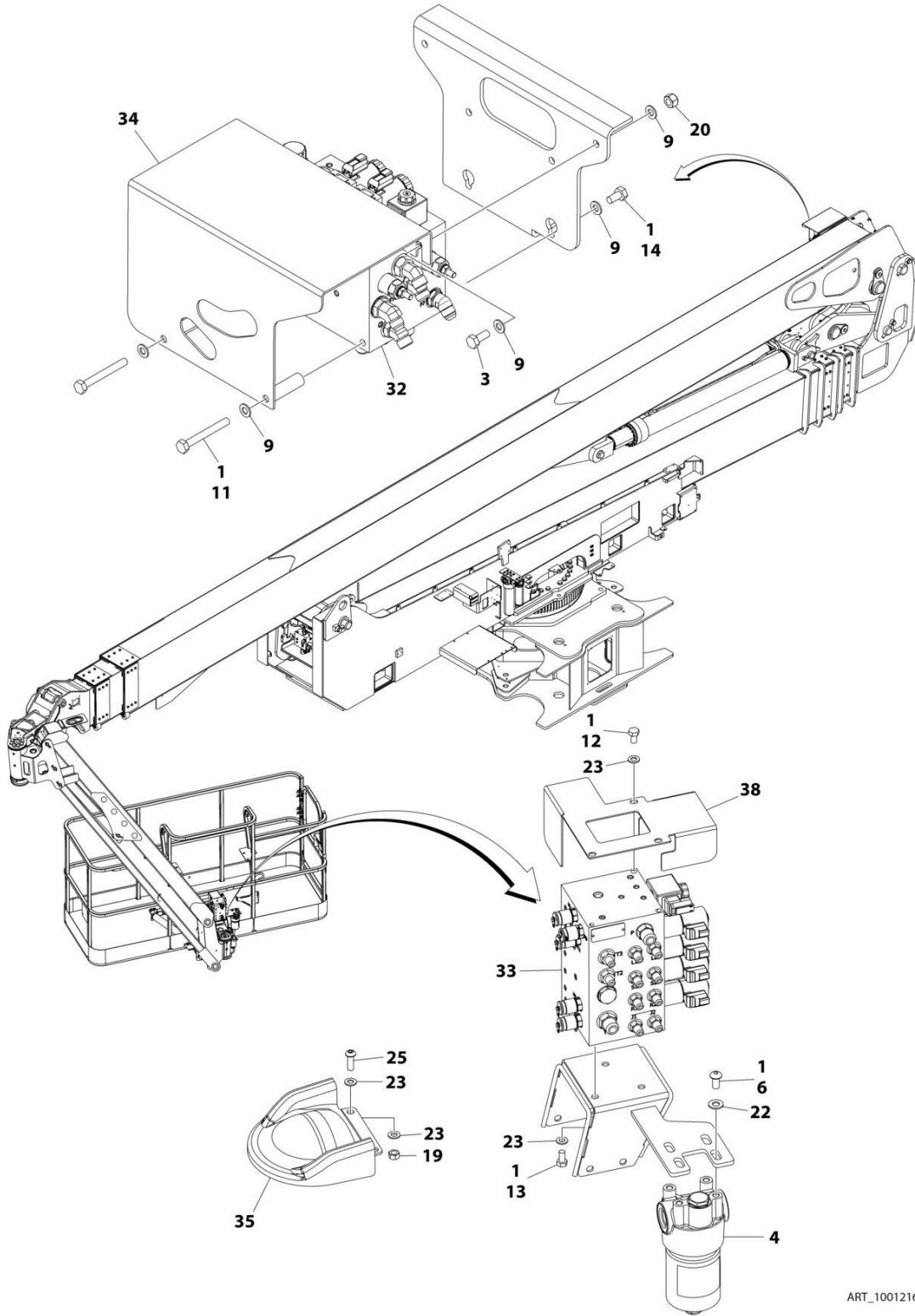
SECTION 4 - BOOM

FIGURE 4-7. POWER TRACK INSTALLATION - MAIN BOOM

ITEM	PART NUMBER	QTY	DESCRIPTION	REV
	1001197312	Ref	POWER TRACK INSTALLATION - MAIN BOOM	I
1	0100011	AR	Compound, Locking	
2	0100081	AR	Adhesive	
3	1320288	1	Clamp	
4	3340764	2	Pad	
5	3340941	2	Pad	
6	1001208596	2	Plate, Clamp	
7	0701027001	1	Bolt M10 x 100	
8	0701032001	2	Bolt M10 x 150	
9	0761016001	6	Bolt M10 x 40	
11	0761214001	20	Bolt M12 x 30	
12	3538758	1	Plate, Mounting	
13	1001172358	34	Washer M10	
14	1001173763	2	Screw M10 x 25	
15	1001198376	1	Tube	
16	1001198377	1	Tube	
17	1001198382	1	Power Track Assembly	
17	70004071	AR	Repair Kit	
17	70005666	2	Mounting Feet Kit	
18	1001198383	1	Tube, Push	
19	1001198386	2	Clamp	
20	1001198388	1	Bracket	
21	1001198389	2	Bracket	
22	1001209633	1	Pad	
24	1001199315	AR	Shim	
25	1001199671	4	Screw M10 x 100	
26	1001200686	2	Screw M10 x 35	
27	3291005001	19	Nut M10	
28	4812100001	20	Washer M12	

SECTION 4 - BOOM

FIGURE 4-8. VALVES AND FILTERS INSTALLATION - BOOM



ART_1001216976_F_30F3

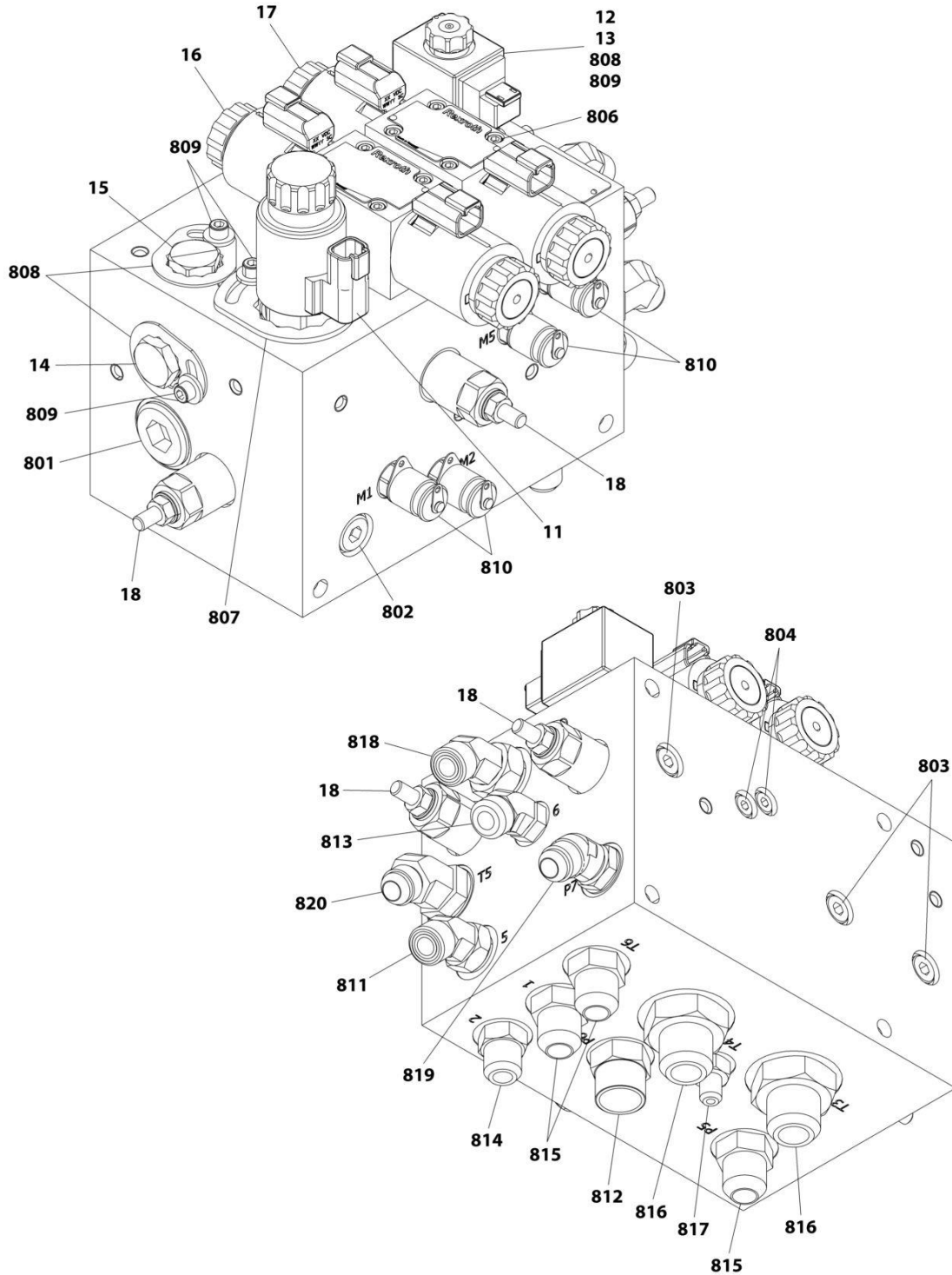
SECTION 4 - BOOM

FIGURE 4-8. VALVES AND FILTERS INSTALLATION - BOOM

ITEM	PART NUMBER	QTY	DESCRIPTION	REV
	1001216976	Ref	VALVES AND FILTERS INSTALLATION - BOOM	F
1	0100011	AR	Compound, Locking	
3	0761012	2	Bolt M10 x 25	
4	2120217	1	Filter	
4	70002097	1	Element	
6	3900283	4	Screw 3/8 x 3/4	
9	4812000	10	Washer M10	
11	0701025001	2	Bolt M10 x 85	
12	0760807001	3	Bolt M8 x 14	
13	0760808001	3	Bolt M8 x 16	
14	0761010001	4	Bolt M10 x 20	
19	3290807001	2	Nut M8	
20	3291005001	2	Nut M10	
22	4711600001	4	Washer 3/8	
23	4811900001	10	Washer M8	
25	8310643001	2	Bolt M8 x 25	
32	1001201503	1	Boom Valve Assembly (See Separate Breakdown in this Section)	
33	1001201986	1	Platform Valve Assembly (See Separate Breakdown in this Section)	
34	1001202692	1	Cover	
35	1001207969	1	Cover	
38	1001214756	1	Cover	

SECTION 4 - BOOM

FIGURE 4-9. BOOM VALVE ASSEMBLY



ART_1001201503

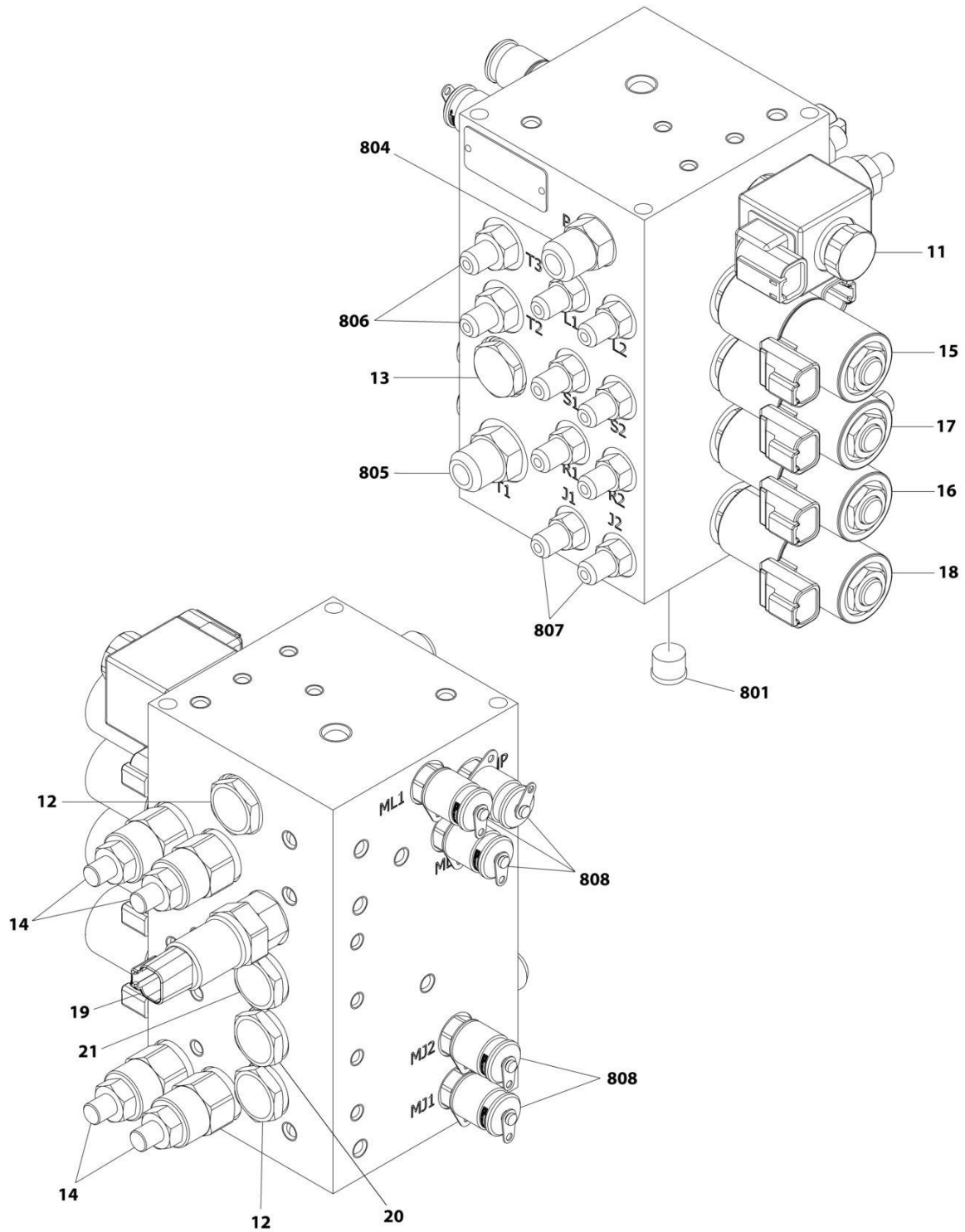
SECTION 4 - BOOM

FIGURE 4-9. BOOM VALVE ASSEMBLY

ITEM	PART NUMBER	QTY	DESCRIPTION	REV
	1001201503	Ref	BOOM VALVE ASSEMBLY	K
11	70004593	1	Valve, Solenoid Less Coil (Flow Control)	
11	70004594	1	Seal Kit - 70004593 Valve	
11	70004595	1	Coil	
11	70004597	1	Nut, Coil	
11	70004596	1	O-Ring, Pole Tube	
12	7022523	1	Orifice 1mm	
13	70005962	1	Valve, Solenoid Less Coil (Directional Control)	
13	70004052	1	Seal Kit - 70005962 Valve	
13	70004588	1	Coil	
13	70004456	1	Nut, Coil	
13	70004051	1	O-Ring, Pole Tube	
14	70005963	1	Valve, Cartridge (Check)	
14	70005964	1	Seal Kit - 70005963 Valve	
15	70004585	1	Valve, Cartridge (Check)	
15	70004052	1	Seal Kit - 70004585 Valve	
16	70004459	1	Valve, Solenoid Less Coil (Main Tele)	
16	7012773	1	Seal Kit - 70004459 Valve	
16	70004460	1	Coil	
16	7021375	1	Nut, Coil	
16	70004596	1	O-Ring, Pole Tube	
17	70004459	1	Valve, Solenoid Less Coil (Main Lift)	
17	7012773	1	Seal Kit - 70004459 Valve	
17	70004460	1	Coil	
17	7021375	1	Nut, Coil	
17	70004596	1	O-Ring, Pole Tube	
18	70004601	4	Valve, Cartridge (Relief)	
18	70004602	4	Seal Kit - 70004602 Valve	
801	70005965	1	Plug	
802	70002759	1	Plug	
803	70004617	5	Plug	
804	70002758	2	Plug	
806	7018942	8	Capscrew #10 x 2	
807	70005954	1	Plate, Locking	
808	70005955	1	Plate, Locking	
809	70005958	4	Capscrew	
810	2221086	4	Fitting, Test	
811	2150808	1	Fitting, 45 ORFS/ORB	
812	2111010	1	Fitting, Straight ORFS/ORB	
813	2150806	1	Fitting, 45 ORFS/ORB	
814	2220373	1	Fitting, Straight JIC/ORB	
815	2220947	3	Fitting, Straight JIC/ORB	
816	2220435	2	Fitting, Straight JIC/ORB	
817	2220582	1	Fitting, Straight JIC/ORB	
818	2150810	1	Fitting, 45 JIC/ORB	
819	2220500	1	Fitting, 45 JIC/ORB	
820	2220499	1	Fitting, 45 JIC/ORB	

SECTION 4 - BOOM

FIGURE 4-10. PLATFORM VALVE ASSEMBLY



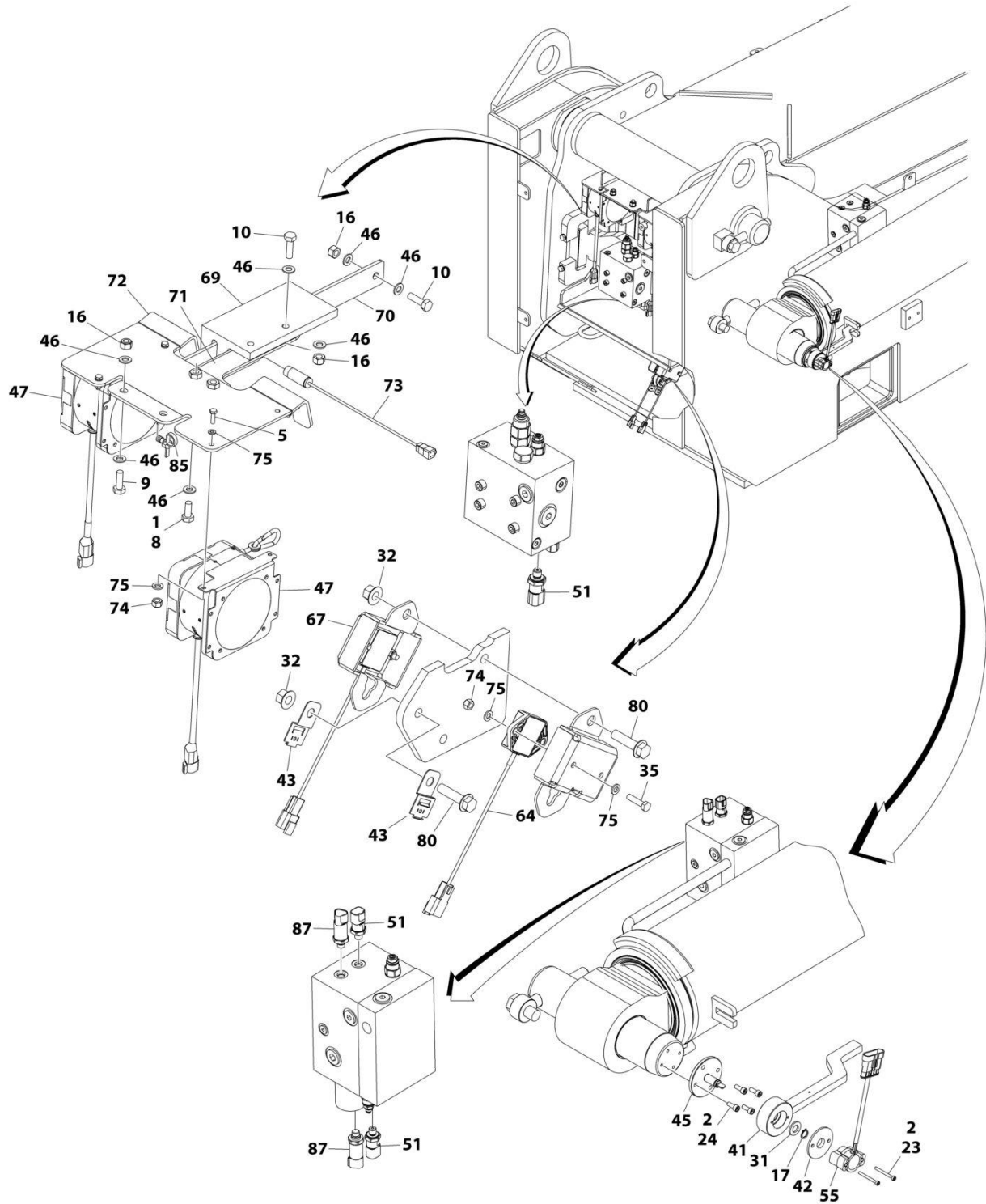
ART_1001201986

FIGURE 4-10. PLATFORM VALVE ASSEMBLY

ITEM	PART NUMBER	QTY	DESCRIPTION	REV
	1001201986	Ref	PLATFORM VALVE ASSEMBLY	K
11	70004457	1	Valve, Solenoid Less Coil (Dump)	
11	70004050	1	Seal Kit - 70004457 Valve	
11	70004653	1	Coil	
11	70004051	1	Seal Kit - 70004653 Coil	
12	70003021	2	Valve, Cartridge (Flow Control)	
12	70004052	2	Seal Kit - 70003021 Valve	
13	70004585	1	Valve, Cartridge (Check)	
13	70004052	1	Seal Kit - 70004585 Valve	
14	70003019	4	Valve, Cartridge (Pressure Relief)	
14	70004052	4	Seal Kit - 70003019 Valve	
15	7023922	1	Valve, Solenoid Less Coil (Platform Level)	
15	7017402	1	Seal Kit - 7023922 Valve	
15	7024885	2	Coil	
15	7022390	1	Nut, Coil	
15	70003023	1	Spacer, Coil	
16	7024899	1	Valve, Solenoid Less Coil (Platform Rotate)	
16	7017402	1	Seal Kit - 7024899 Valve	
16	7024885	2	Coil	
16	7022390	1	Nut, Coil	
16	70003023	1	Spacer, Coil	
17	7024899	1	Valve, Solenoid Less Coil (Platform Sideswing Rotate)	
17	7017402	1	Seal Kit - 7024899 Valve	
17	7024885	2	Coil	
17	7022390	1	Nut, Coil	
17	70003023	1	Spacer, Coil	
18	7023922	1	Valve, Solenoid Less Coil (Jib)	
18	7017402	1	Seal Kit - 7023922 Valve	
18	7024885	2	Coil	
18	7022390	1	Nut, Coil	
18	70003023	1	Spacer, Coil	
19	70005966	1	Switch, Pressure	
19	70005967	1	Connector	
20	70003027	2	Valve, Cartridge (Flow Control)	
20	70004052	2	Seal Kit - 70003027 Valve	
21	70003020	2	Valve, Cartridge (Flow Control)	
21	70004052	2	Seal Kit - 70003020 Valve	
801	70004617	1	Plug	
804	2220600	1	Fitting, Straight JIC/ORB	
805	2220373	1	Fitting, Straight JIC/ORB	
806	2220582	2	Fitting, Straight JIC/ORB	
807	2220415	8	Fitting, Straight JIC/ORB	
808	2221086	5	Fitting, Test	

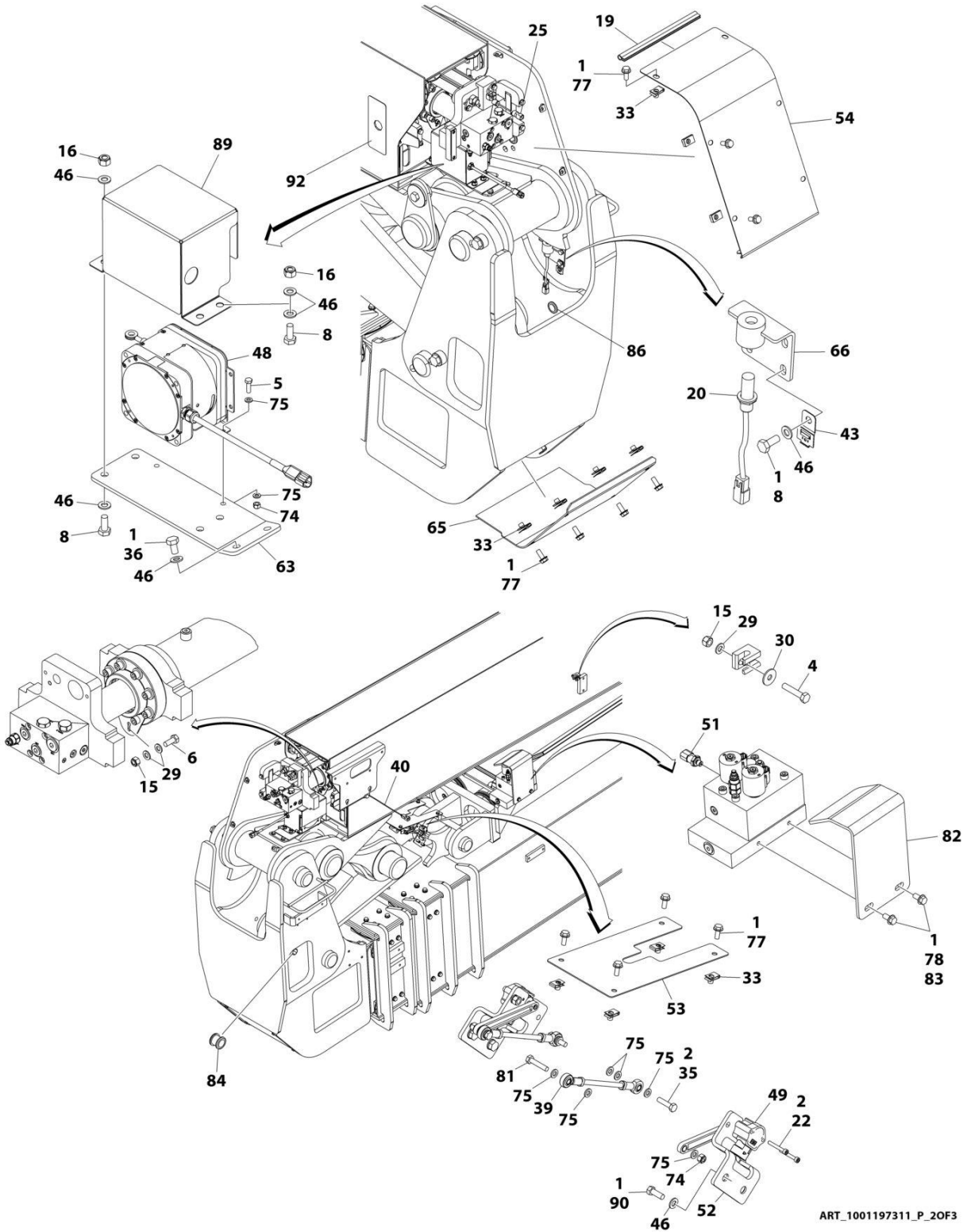
SECTION 4 - BOOM

FIGURE 4-11. BOOM SENSORS AND COVERS INSTALLATION



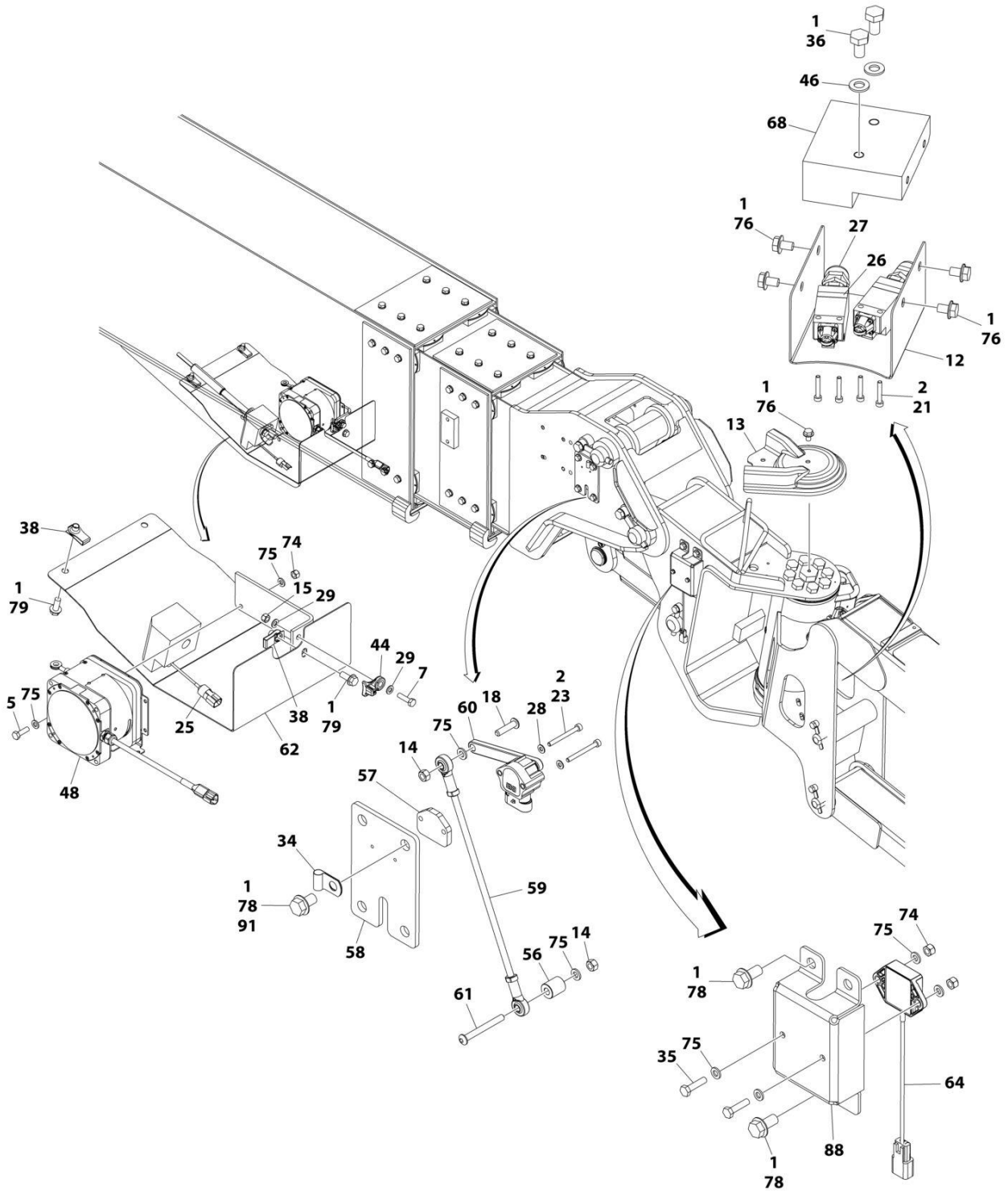
ART_1001197311_P_10F3

SECTION 4 - BOOM



ART_1001197311_P_20F3

SECTION 4 - BOOM



ART_1001197311_P_30F3

SECTION 4 - BOOM

FIGURE 4-11. BOOM SENSORS AND COVERS INSTALLATION

ITEM	PART NUMBER	QTY	DESCRIPTION	REV
	1001197311	Ref	BOOM SENSORS AND COVERS INSTALLATION	P
1	0100011	AR	Compound, Locking	
2	0100035	AR	Compound, Locking	
4	0700816	1	Bolt M8 x 40	
5	0760610	8	Bolt M6 x 20	
6	0760810	1	Bolt M8 x 20	
7	0760814	1	Bolt M8 x 30	
8	0761012001	10	Bolt M10 x 25	
9	0761014	2	Bolt M10 x 30	
10	0761015	4	Bolt M10 x 35	
12	1671039	1	Cover	
13	1671122	1	Cover	
14	3290607	2	Nut M6	
15	3290805	3	Nut M8	
16	3291005	6	Nut M10	
17	3760383	1	Ring	
18	3900363	1	Screw M6 x 25	
19	3960389	1.1 ft/ 0.3m	Seal	
20	4000008	1	Proximity Sensor Assembly (Note: Re-calibration Required when Replaced)	
20	4461076	1	Receptacle, Female - 4 Position	
20	4460917	4	Pin, Male	
21	4031509	4	Capscrew M4 x 25	
22	4031510	4	Capscrew M4 x 30	
23	4031512	4	Capscrew M4 x 40	
24	4031707	4	Capscrew M6 x 16	
25	1001196517	2	Switch, Proximity (Note: Re-calibration Required when Replaced)	
26	4360548	2	Switch, Limit	
27	4460968	2	Connector, Strain Relief	
28	4811400	2	Washer M4	
29	4811900	5	Washer M8	
30	4811902	1	Washer M8	
31	4812100	1	Washer M12	
32	5261018	3	Nut M10 Grade 10.9	
33	8310686	14	Nut, Retainer M8	
34	8406003	1	Clip	
35	0760612001	8	Bolt M6 x 25	
36	0761009001	4	Bolt M10 x 18	
38	1001118972	3	Nut M10	
39	1001216579	2	Link, Sensor	
40	1001285878	1	Proximity Sensor Assembly (Note: Re-calibration Required when Replaced)	
40	4460932	1	Receptacle, Female - 2 Position	
40	4460464	4	Pin, Male	
41	1001155262	1	Link, Sensor	
42	1001155836	1	Adapter	
43	1001155967	3	Holder	
44	1001156107	1	Holder	
45	1001156778	1	Pin	

SECTION 4 - BOOM

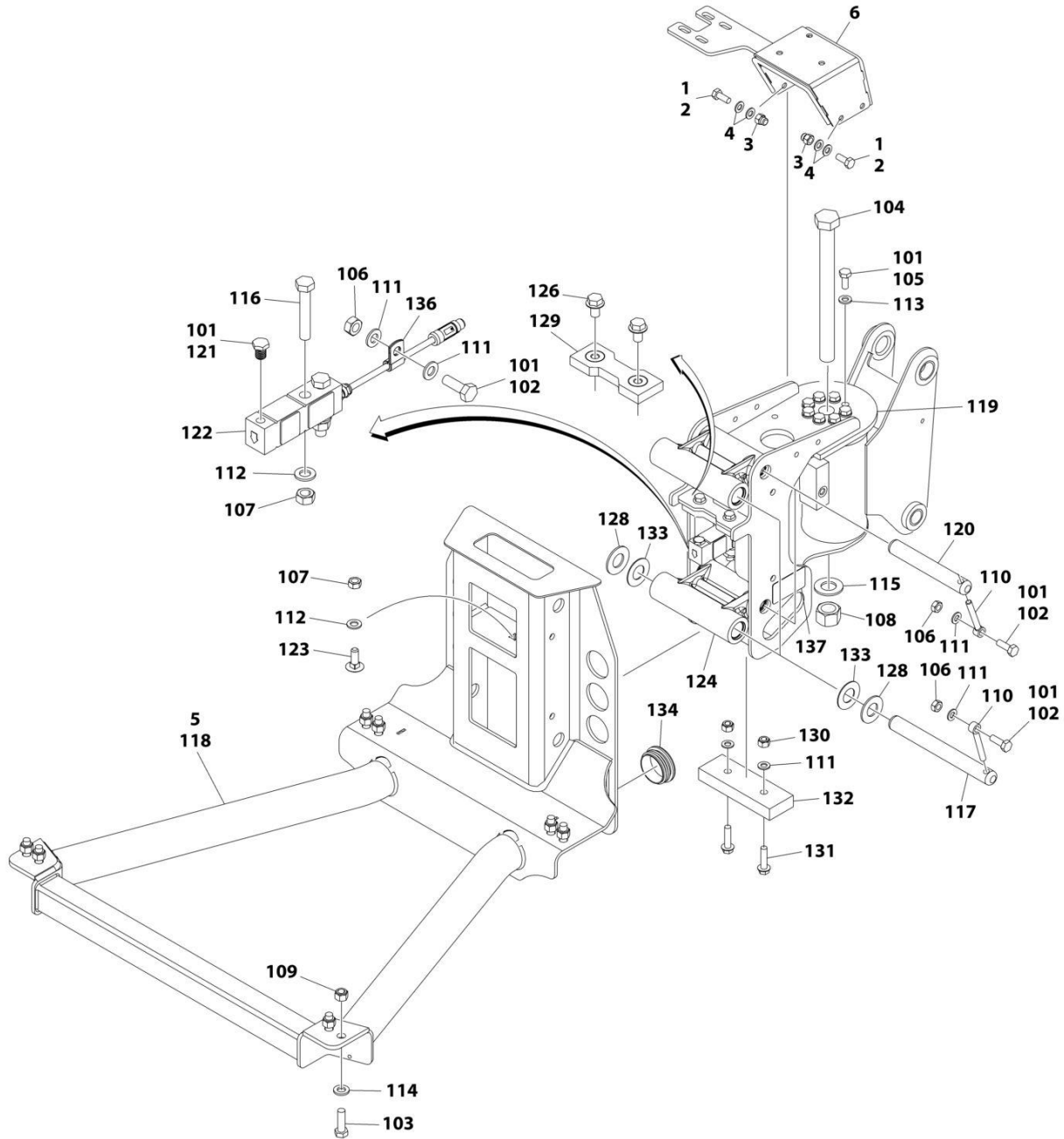
ITEM	PART NUMBER	QTY	DESCRIPTION	REV
46	1001172358	30	Washer M10	
47	1001197960	2	Sensor, Boom Length	
47	4460536	1	Receptacle, Female - 3 Position	
47	4460943	3	Pin, Male	
47	4460539	1	Receptacle, Female - 3 Position	
47	4460466	3	Plug, Terminal	
48	1001197961	2	Sensor, Boom Length	
48	4460536	1	Receptacle, Female - 3 Position	
48	4460943	3	Pin, Male	
48	4460539	1	Receptacle, Female - 3 Position	
48	4460466	3	Plug, Terminal	
49	1001200345	2	Sensor, Angle	
51	1001200550	4	Transducer, Pressure	
52	1001216258	2	Bracket	
53	1001200587	1	Cover	
54	1001200734	1	Panel, Boom Base	
55	1001200764	1	Sensor, BEI Angle	
55	4461228	1	Plug, Male - 6 Position	
55	1001104497	6	Socket, Female	
56	1001200834	1	Spacer	
57	1001200836	1	Plate	
58	1001200837	1	Plate, Mounting	
59	1001200838	1	Link, Sensor	
60	1001200848	1	Sensor, Angle	
61	1001200849	1	Screw M6 x 55	
62	1001201068	1	Cover	
63	1001201069	1	Bracket	
64	1001201095	3	Sensor, Angle Gravity	
64	4460910	1	Receptacle, Female - 3 Position	
64	4460917	3	Pin, Male	
64	4460913	AR	Lock, Wedge	
65	1001202055	1	Cover, Boom Fly	
66	1001202179	1	Bracket	
67	1001202182	2	Shield	
68	1001202950	1	Mount, Switch	
69	1001203898	1	Stop	
70	1001203899	1	Bar	
71	1001203900	1	Plate	
72	1001203904	1	Bracket	
73	1001204043	1	Sensor, Proximity	
73	4461077	1	Plug, Male - 4 Position	
73	4460918	4	Socket, Female	
74	3290605001	16	Nut M6	
75	4811700001	42	Washer M6	
76	5250806001	7	Bolt M8 x 12	
77	5250810001	14	Bolt M8 x 20	
78	5251010001	5	Bolt M10 x 20	
79	5251012001	3	Bolt M10 x 25	
80	5251016001	3	Bolt M10 x 40	
81	0760614001	2	Bolt M6 x 30	
82	1001220470	1	Plate	

SECTION 4 - BOOM

ITEM	PART NUMBER	QTY	DESCRIPTION	REV
83	0100038	AR	Primer, Locking	
84	1001212663	1	Grommet	
85	7894000042	1	Tie-Strap	
86	1001213053	1	Grommet	
87	1001199043	2	Transducer, Pressure	
88	1001213836	1	Cover	
89	1001214098	1	Cover	
90	8310614	4	Screw M10 x 30	
91	5251008001	4	Bolt M10 x 16	
92	1001171324	1	Cover	

SECTION 4 - BOOM

FIGURE 4-12. PLATFORM SUPPORT INSTALLATION - WITH LSS



ART_1001204911_F

SECTION 4 - BOOM

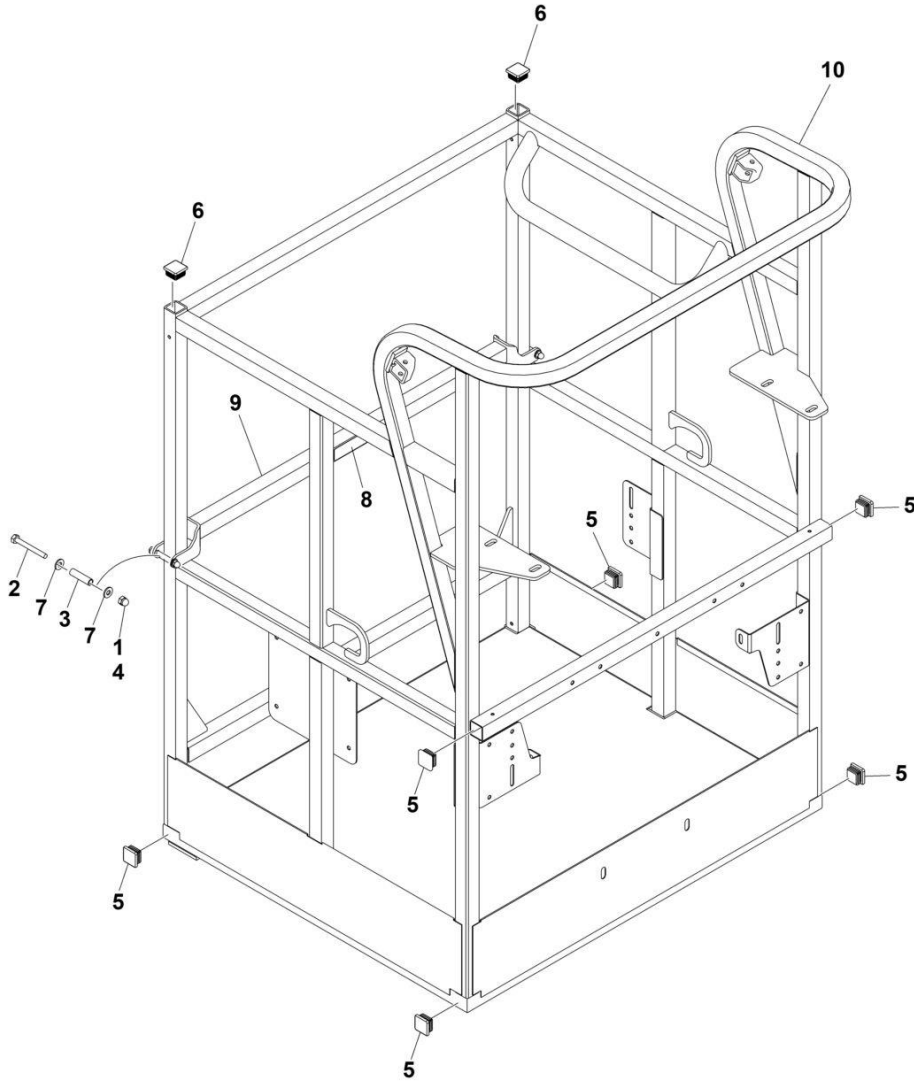
FIGURE 4-12. PLATFORM SUPPORT INSTALLATION - WITH LSS

ITEM	PART NUMBER	QTY	DESCRIPTION	REV
	1001204911	Ref	PLATFORM SUPPORT INSTALLATION - WITH LSS	F
1	0100011	AR	Compound, Locking	
2	0760812001	4	Bolt M8 x 25	
3	3290805001	4	Nut M8	
4	4811900001	8	Washer M8	
5	1001207388	1	Platform Support Assembly - With LSS	
6	1001204073	1	Bracket, Mounting	
	1001207388	Ref	PLATFORM SUPPORT ASSEMBLY - WITH LSS	H
101	0100011	AR	Compound, Locking	
102	0761014001	5	Bolt M10 x 30	
103	0761216001	8	Bolt M12 x 40	
104	0712445001	1	Bolt M24 x 280	
105	0771012001	8	Bolt M10 x 25 Grade 10.9	
106	3291001001	5	Nut M10	
107	3291201001	3	Nut M12	
108	3332415001	1	Nut M24 Grade 10.9	
109	3291205001	8	Nut M12	
110	3841143	4	Keeper, Pin	
111	1001172358	8	Washer M10	
112	4812100001	3	Washer M12	
113	5241000001	8	Washer M10	
114	5241200001	8	Washer M12	
115	5242400001	1	Washer M24	
116	0711222001	2	Screw M12 x 70 Grade 10.9	
117	1001167565	2	Pin	
118	1001200494	1	Support, Platform	
119	1001167567	1	Bracket, Actuator	
120	1001168402	2	Pin	
121	1001188622	1	Screw	
122	1001247468	1	Gauge, Load Sensing	
123	1001188844	1	Bolt M12 x 35	
124	1001201351	2	Link	
126	5251008001	2	Bolt M10 x 16	
128	1001189002	8	Bearing	
129	1001190985	1	Pad, Wear	
130	3291005001	2	Nut M10	
131	5251016001	2	Bolt M10 x 40	
132	1001200491	1	Plate, Wear	
133	1001189001	4	Bearing	
134	1001204725	2	Plug	
136	91203039	1	Clamp	
137	1001216630	2	Decal - Tie Down/No Lift	

SECTION 5 - PLATFORM

SECTION 5 - PLATFORM

FIGURE 5-1. PLATFORM ASSEMBLY - 30IN X 3FT (76CM X .91M) - DROP BAR ENTRY



ART_1001228215

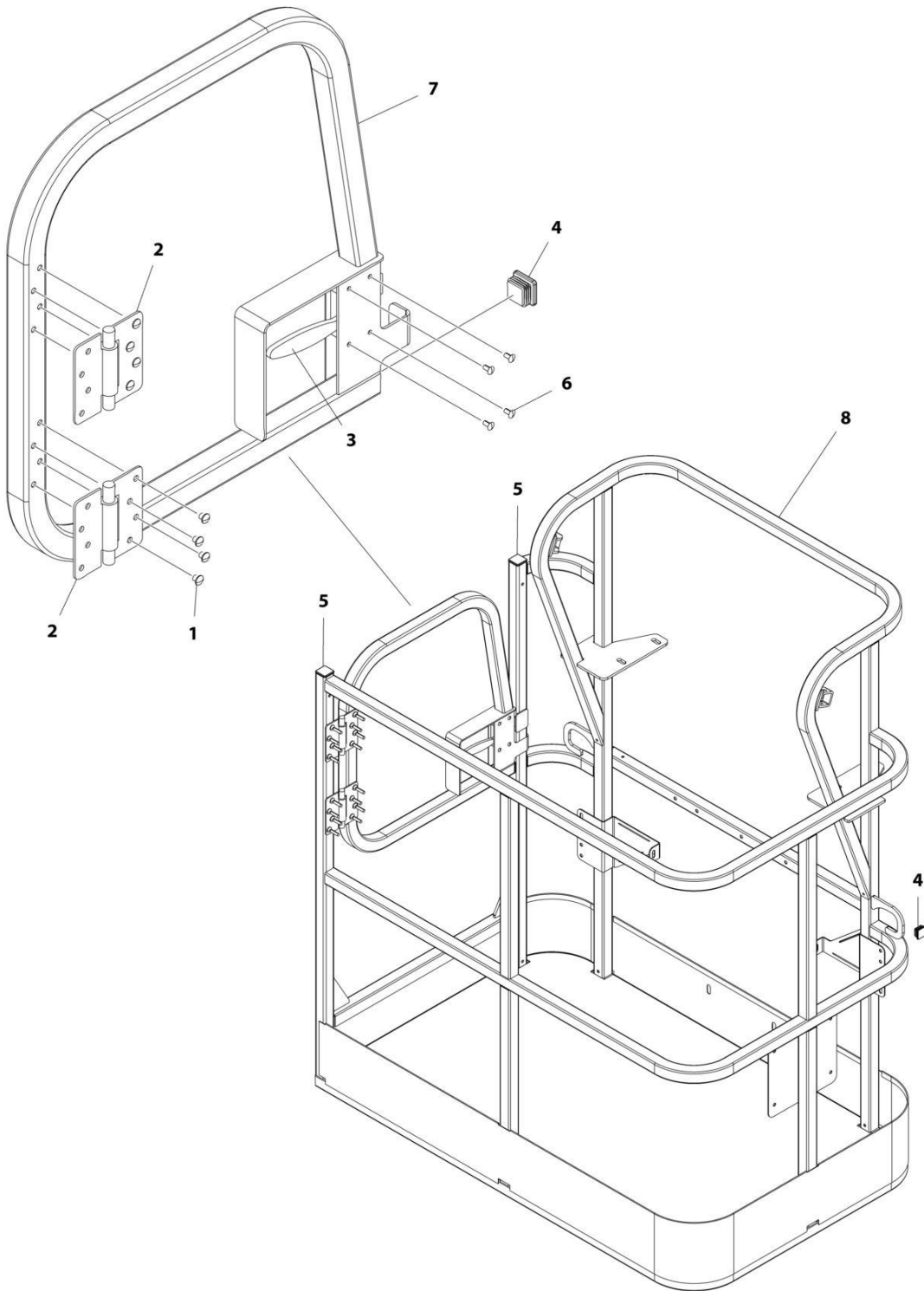
SECTION 5 - PLATFORM

FIGURE 5-1. PLATFORM ASSEMBLY - 30IN X 3FT (76CM X .91M) - DROP BAR ENTRY

ITEM	PART NUMBER	QTY	DESCRIPTION	REV
	1001228215	Ref	PLATFORM ASSEMBLY	A
	See Note	Ref	Note: Platform and Mesh must be ordered separately for Platforms with Mesh. See SPECIAL OPTIONS SECTION for Mesh Installations.	
	See Note	Ref	Note: Replacement Decals Must be Ordered Separately - See DECAL SECTION.	
1	0100011	AR	Compound, Locking	
2	0641418	2	Bolt 1/4 x 2-1/4	
3	0961845	2	Bushing	
4	3300151	2	Nut 1/4	
5	3520072	6	Cap, Plug	
6	3520198	2	Cap, Plug	
7	4711400	4	Washer 1/4	
8	1001140429	1	Decal - Drop Bar	
9	1001226872	1	Bar, Drop	
10	See Note	NSS	Platform (Note: Not Available - Purchase Platform Assembly)	

SECTION 5 - PLATFORM

FIGURE 5-2. PLATFORM ASSEMBLY - 30IN X 4FT (76.2CM X 1.22M) WITH SWING GATE



ART_1001186387

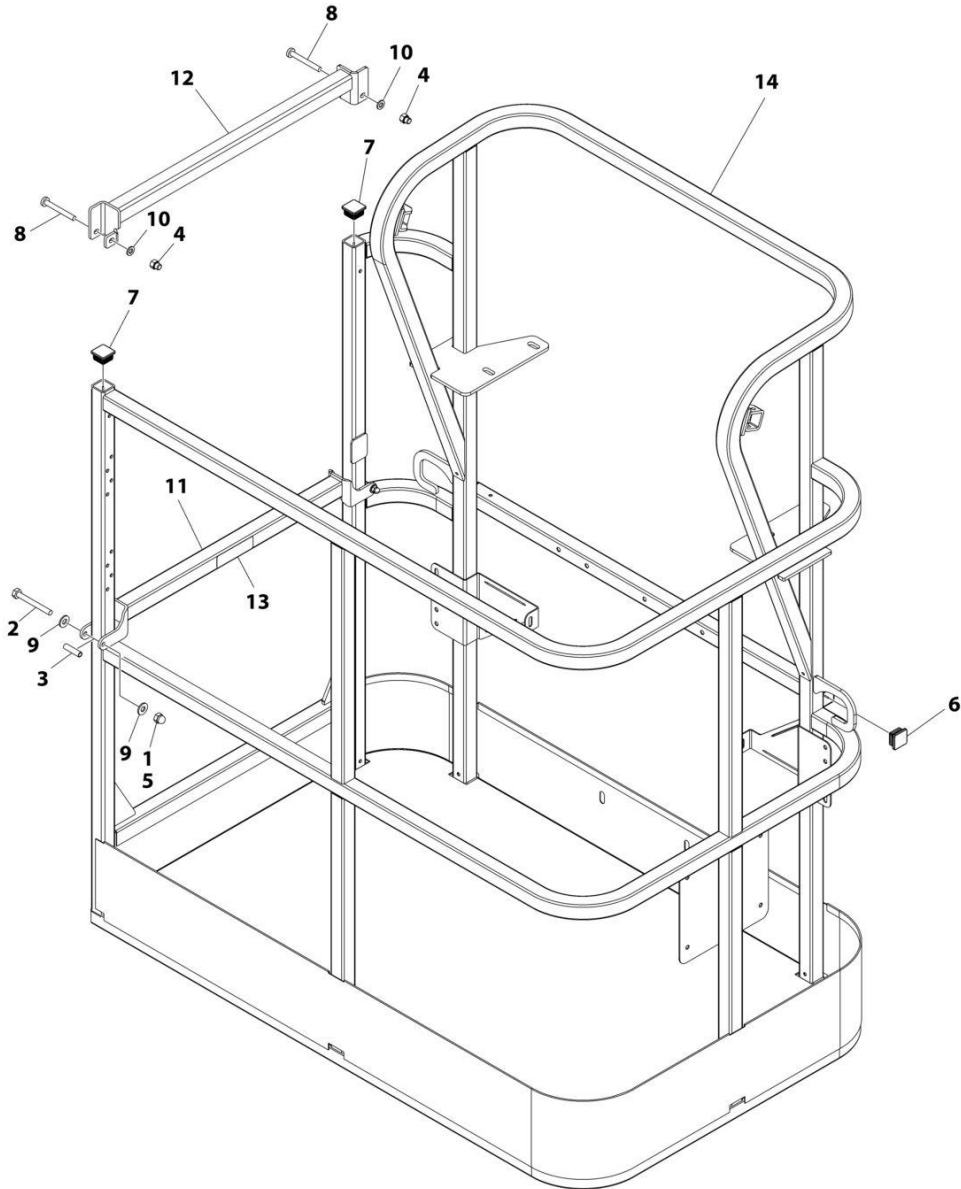
SECTION 5 - PLATFORM

FIGURE 5-2. PLATFORM ASSEMBLY - 30IN X 4FT (76.2CM X 1.22M) WITH SWING GATE

ITEM	PART NUMBER	QTY	DESCRIPTION	REV
	1001186387	Ref	PLATFORM ASSEMBLY	C
		Ref	Note: Platform and Mesh must be ordered separately for Platforms with Mesh. See SPECIAL OPTIONS SECTION for Mesh Installations.	
		Ref	Note: Replacement Decals Must be Ordered Separately - See DECALS SECTION.	
1	2080040	16	Fastener, Huck	
2	2600281	2	Hinge, Self-Closing	
3	2940074	1	Latch	
4	3520072	3	Plug	
5	3520198	2	Plug	
6	3820020	4	Rivet	
7	1001144629	1	Gate	
8	See Note	1	Platform (Note: Not Available - Purchase Platform Assembly)	

SECTION 5 - PLATFORM

FIGURE 5-3. PLATFORM ASSEMBLY - 30IN X 4FT (76.2CM X 1.22M) WITH DROP BAR



ART_1001186375

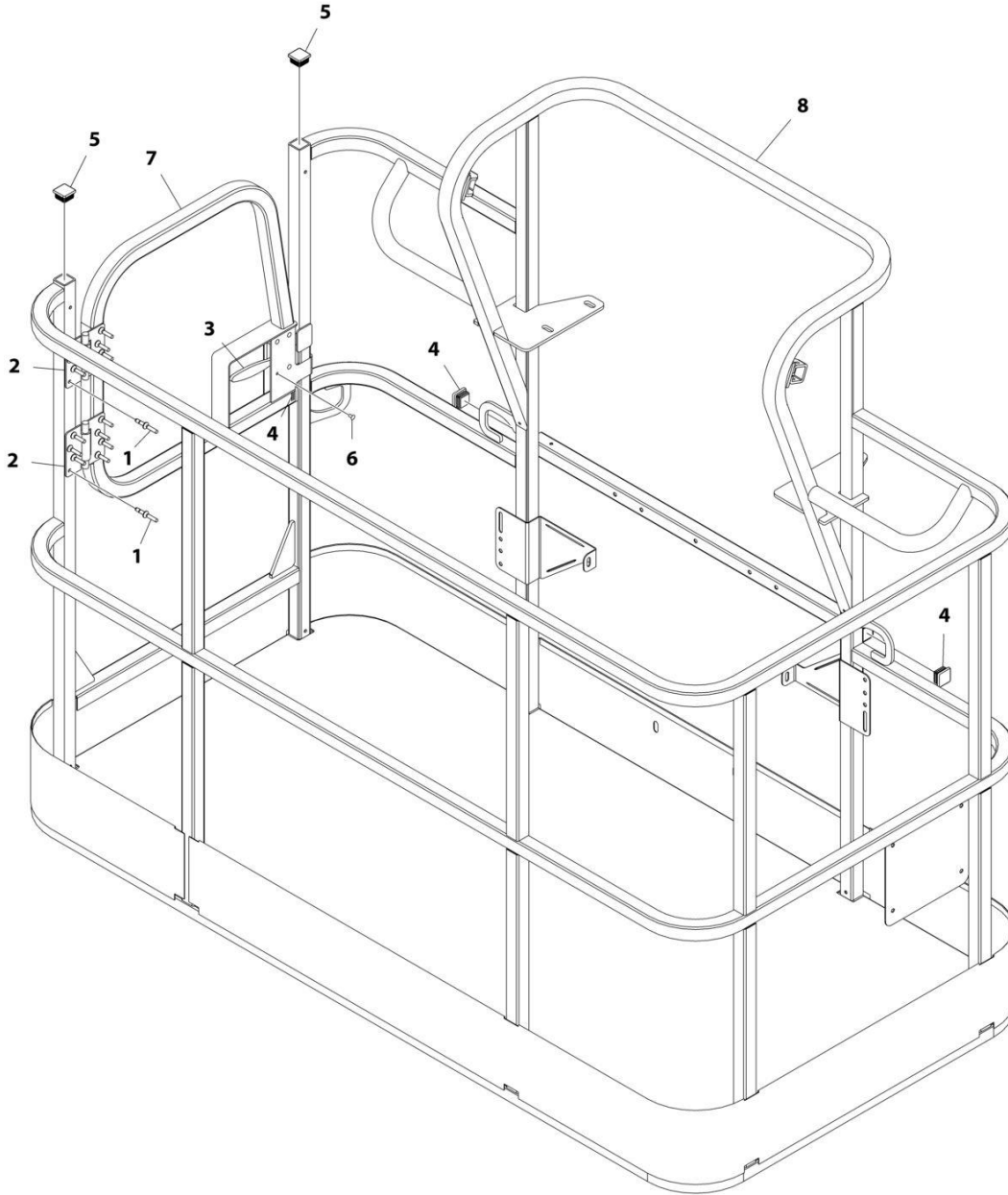
SECTION 5 - PLATFORM

FIGURE 5-3. PLATFORM ASSEMBLY - 30IN X 4FT (76.2CM X 1.22M) WITH DROP BAR

ITEM	PART NUMBER	QTY	DESCRIPTION	REV
	1001186375	Ref	PLATFORM ASSEMBLY	B
		Ref	Note: Platform and Mesh must be ordered separately for Platforms with Mesh. See SPECIAL OPTIONS SECTION for Mesh Installations.	
		Ref	Note: Replacement Decals Must be Ordered Separately - See DECALS SECTION.	
1	0100011	AR	Compound, Locking	
2	0641418	2	Bolt 1/4 x 2-1/4	
3	0961845	2	Bushing	
4	3290606	2	Nut M6	
5	3300151	2	Nut 1/4	
6	3520072	2	Plug	
7	3520198	2	Plug	
8	4010618	2	Screw M6 x 50	
9	4711400	4	Washer 1/4	
10	4811700	2	Washer M6	
11	1001138494	1	Bar, Drop	
12	1001138514	1	Rail - Top	
13	1001140429	1	Decal - Drop Bar	
14	See Note	1	Platform (Note: Not Available - Purchase Platform Assembly)	

SECTION 5 - PLATFORM

FIGURE 5-4. PLATFORM ASSEMBLY - 36IN X 6FT (91.5CM X 1.83M) WITH SWING GATE



ART_1001186384

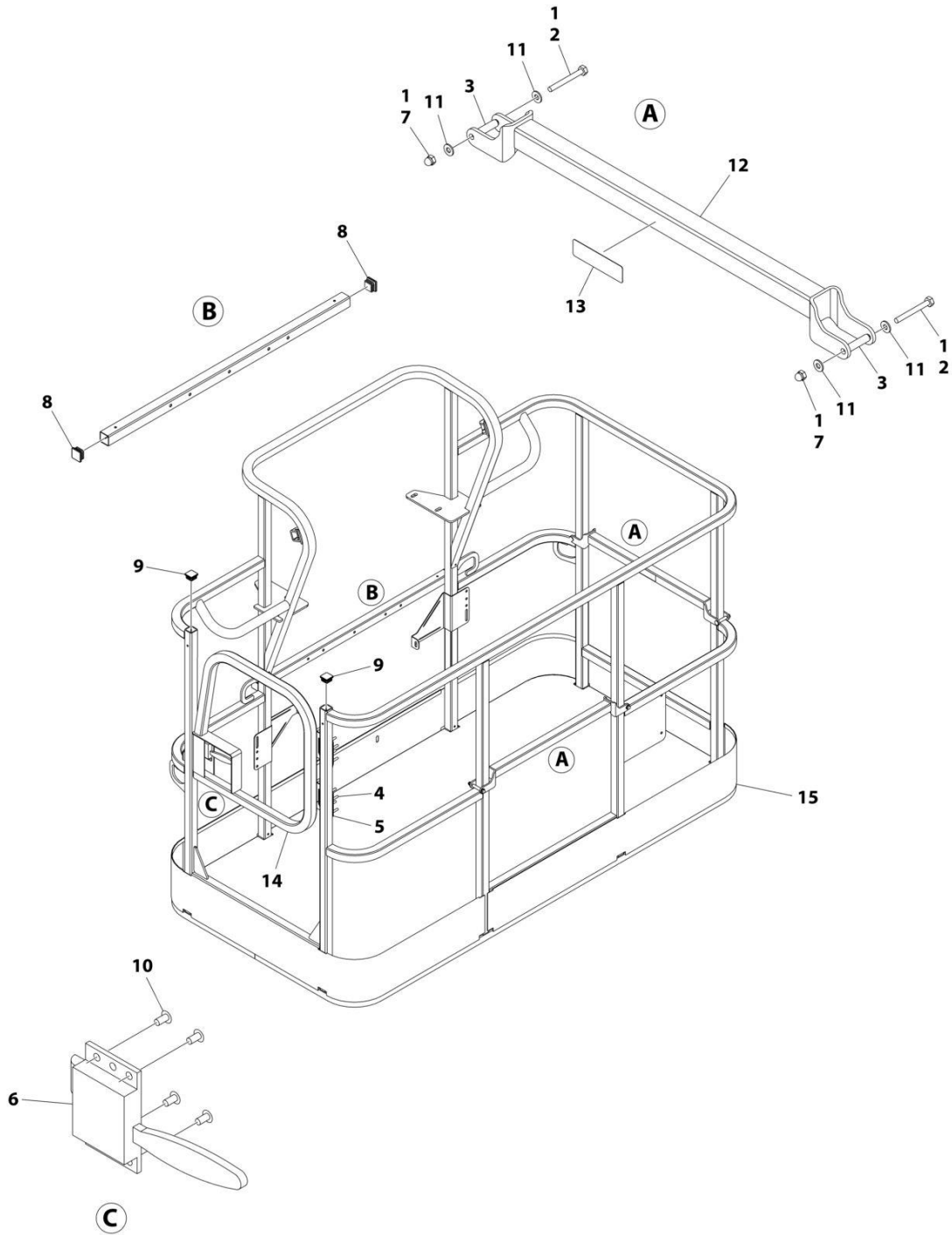
SECTION 5 - PLATFORM

FIGURE 5-4. PLATFORM ASSEMBLY - 36IN X 6FT (91.5CM X 1.83M) WITH SWING GATE

ITEM	PART NUMBER	QTY	DESCRIPTION	REV
	1001186384	Ref	PLATFORM ASSEMBLY - 36IN X 6FT (91.5CM X 1.83M) WITH SWING GATE	C
	See Note	Ref	Note: Platform and Mesh must be ordered separately for Platforms with Mesh. See SPECIAL OPTIONS SECTION for Mesh Installations.	
	See Note	Ref	Note: Replacement Decals Must be Ordered Separately - See DECALS SECTION.	
1	2080040	16	Fastener, Huck	
2	2600281	2	Hinge	
3	2940074	1	Latch	
4	3520072	3	Plug	
5	3520198	2	Plug	
6	3820020	4	Rivet	
7	1001144629	1	Gate	
8	See Note	NSS	Platform (Note: Not Available - Purchase Platform Assembly)	

SECTION 5 - PLATFORM

FIGURE 5-5. PLATFORM ASSEMBLY - 36IN X 6FT (91.5CM X 1.83M) TRI-ENTRY WITH SWING GATE



ART_1001228376

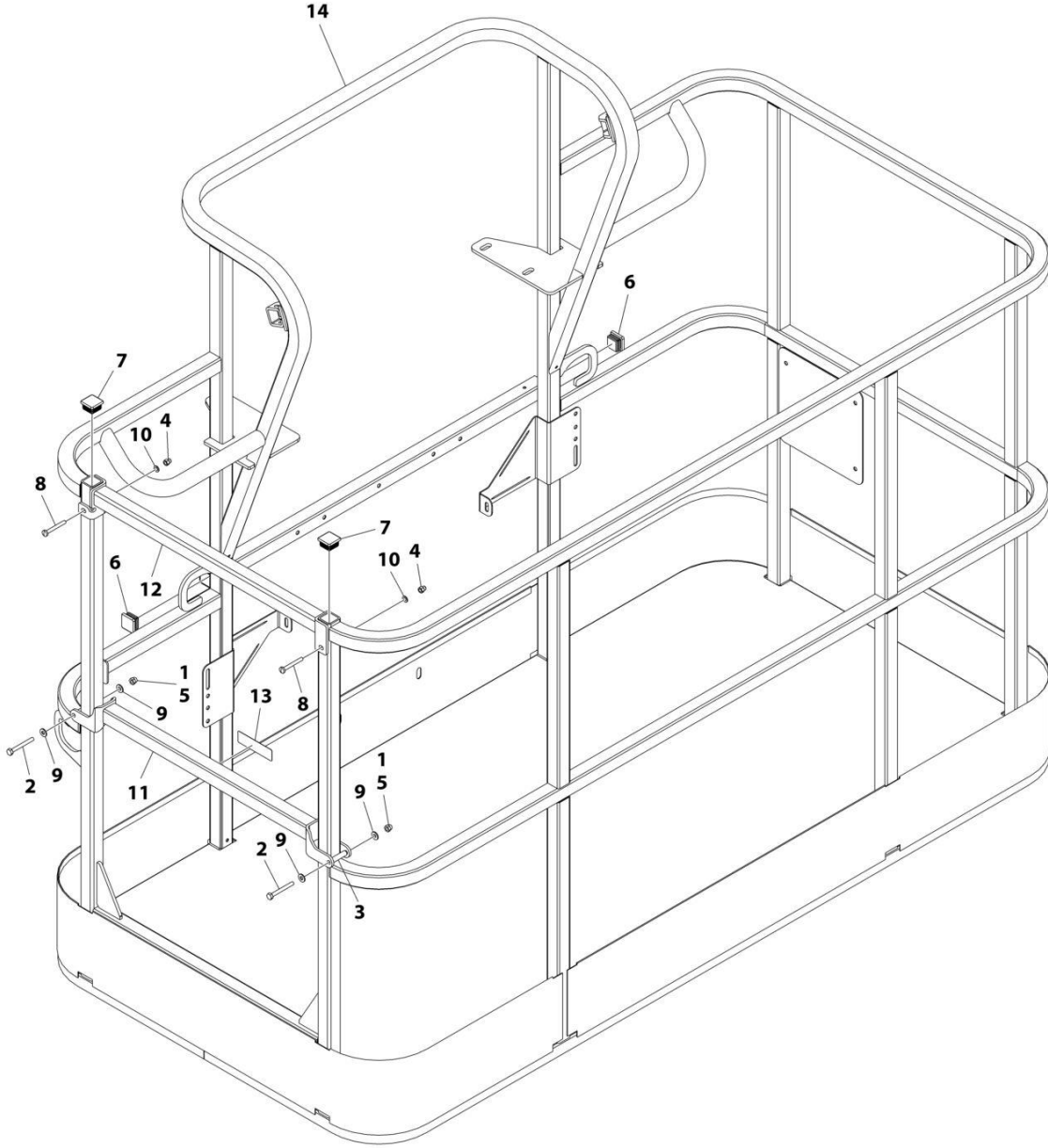
SECTION 5 - PLATFORM

FIGURE 5-5. PLATFORM ASSEMBLY - 36IN X 6FT (91.5CM X 1.83M) TRI-ENTRY WITH SWING GATE

ITEM	PART NUMBER	QTY	DESCRIPTION	REV
	1001228376	Ref	PLATFORM ASSEMBLY - 36IN x 6FT (91.5CM x 1.83M)	B
		Ref	Note: Platform and Mesh must be ordered separately for Platforms with Mesh. See SPECIAL OPTIONS SECTION for Mesh Installations.	
		Ref	Note: Replacement Decals Must be Ordered Separately - See DECAL SECTION.	
1	0100011	AR	Compound, Locking	
2	0641418	4	Bolt 1/4 x 2-1/4	
3	0961845	4	Bushing	
4	2080040	16	Fastener	
5	2600281	2	Hinge	
6	2940074	1	Latch	
7	3300151	4	Nut 1/4	
8	3520072	3	Plug	
9	3520198	2	Plug	
10	3820020	4	Rivet	
11	4711400	8	Washer 1/4	
12	1001138494	2	Bar, Drop	
13	1001140429	2	Decal - Drop Bar	
14	1001144629	1	Gate	
15	See Note	NSS	Platform (Note: Not Available - Purchase Platform Assembly)	

SECTION 5 - PLATFORM

FIGURE 5-6. PLATFORM ASSEMBLY - 36IN X 6FT (91.5CM X 1.83M) WITH DROP BAR



ART_1001186379

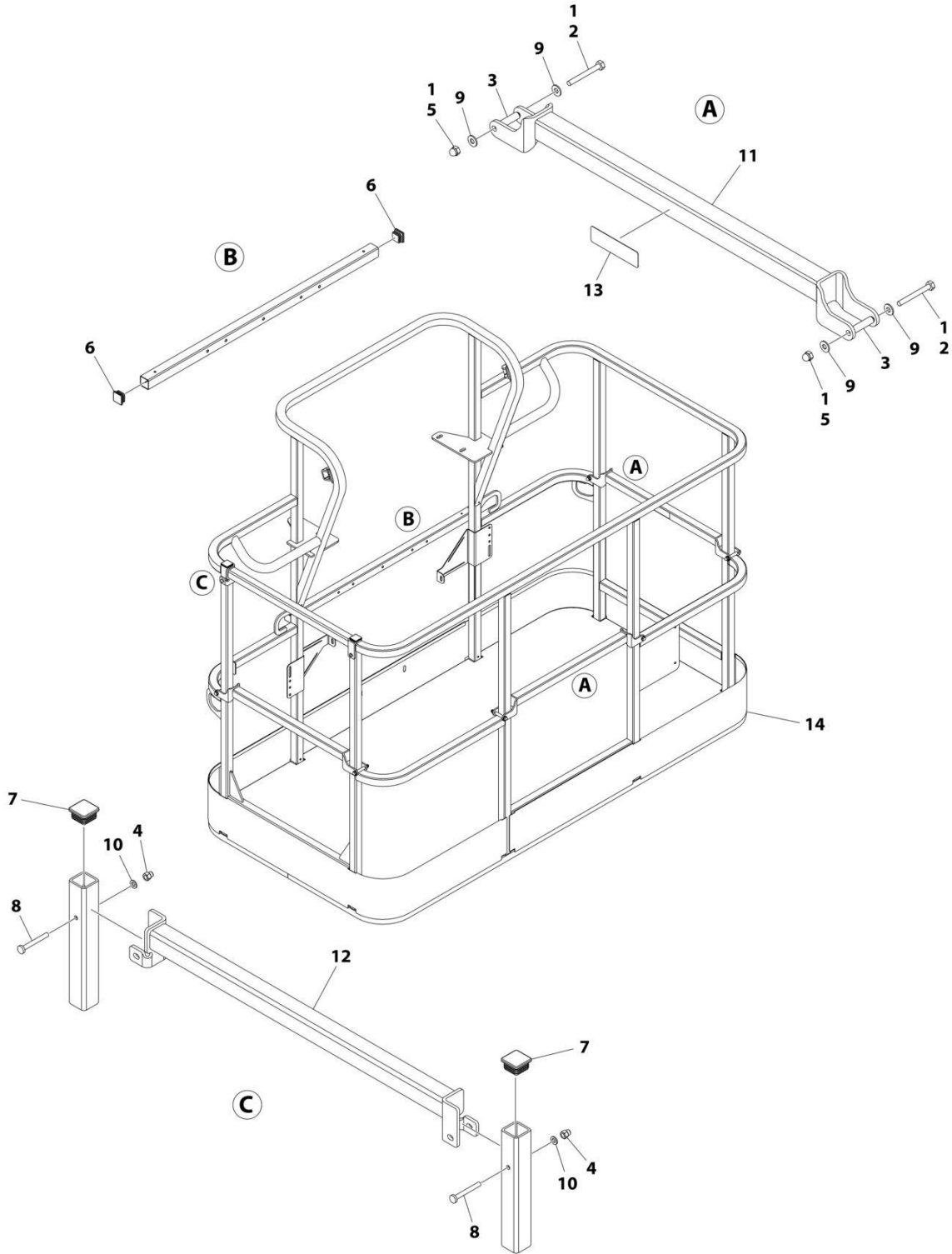
SECTION 5 - PLATFORM

FIGURE 5-6. PLATFORM ASSEMBLY - 36IN X 6FT (91.5CM X 1.83M) WITH DROP BAR

ITEM	PART NUMBER	QTY	DESCRIPTION	REV
	1001186379	Ref	PLATFORM ASSEMBLY - 36IN X 6FT (91.5CM X 1.83M) WITH DROP BAR	B
		Ref	Note: Platform and Mesh must be ordered separately for Platforms with Mesh. See SPECIAL OPTIONS SECTION for Mesh Installations.	
		Ref	Note: Replacement Decals Must be Ordered Separately - See DECALS SECTION.	
1	0100011	AR	Compound, Locking	
2	0641418	2	Bolt 1/4 x 2-1/4	
3	0961845	2	Bushing	
4	3290606	2	Nut M6	
5	3300151	2	Nut 1/4	
6	3520072	2	Plug	
7	3520198	2	Plug	
8	4010618	2	Screw M6 x 50	
9	4711400	4	Washer 1/4	
10	4811700	2	Washer M6	
11	1001138494	1	Bar, Drop	
12	1001138514	1	Rail (Top)	
13	1001140429	1	Decal - Drop Bar	
14	See Note	NSS	Platform (Note: Not Available - Purchase Platform Assembly)	

SECTION 5 - PLATFORM

FIGURE 5-7. PLATFORM ASSEMBLY - 36IN X 6FT (91.5CM X 1.83M) TRI-ENTRY WITH DROPBAR



ART_1001228377

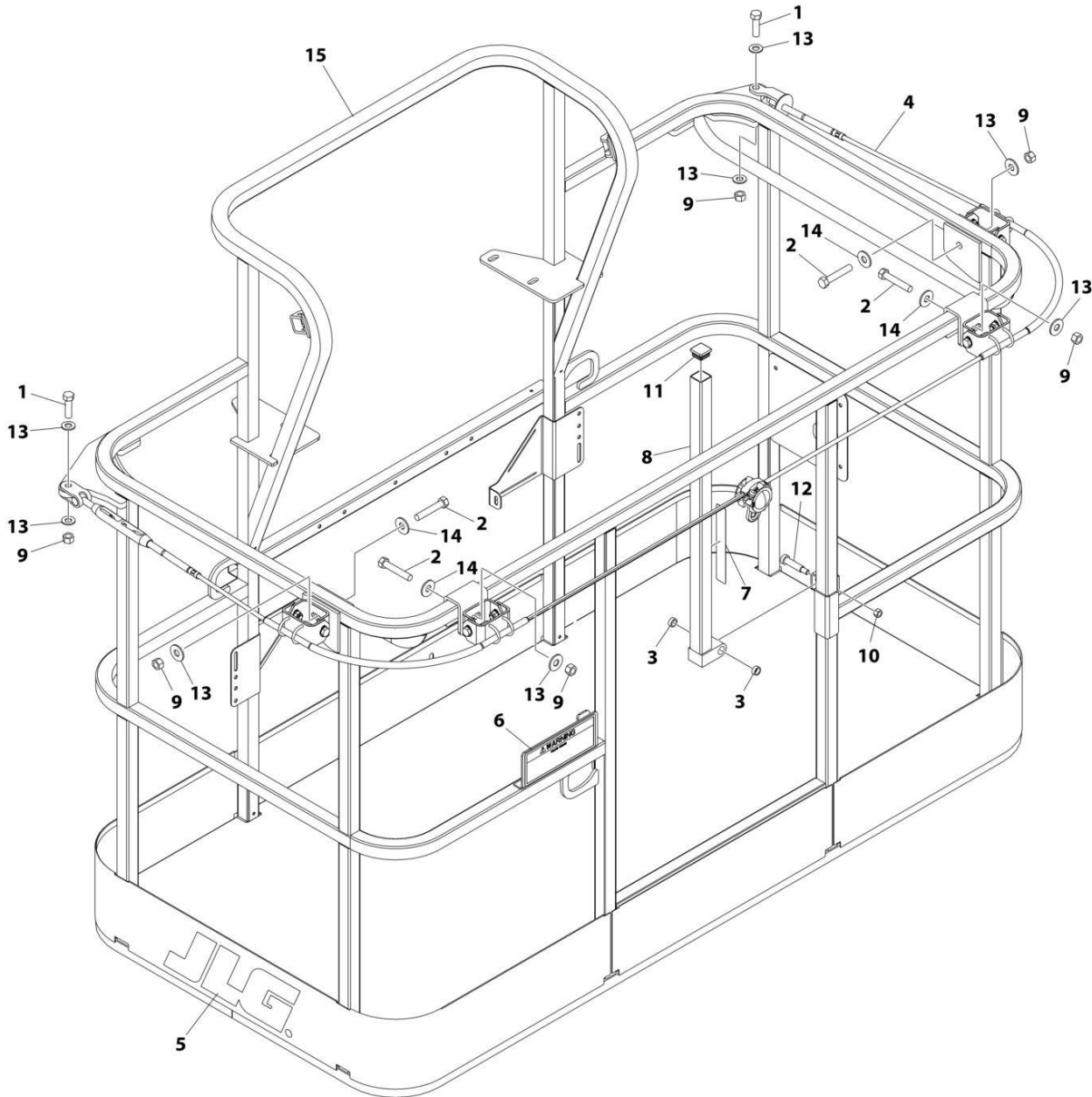
SECTION 5 - PLATFORM

FIGURE 5-7. PLATFORM ASSEMBLY - 36IN X 6FT (91.5CM X 1.83M) TRI-ENTRY WITH DROPBAR

ITEM	PART NUMBER	QTY	DESCRIPTION	REV
	1001228377	Ref	PLATFORM ASSEMBLY - 36IN x 6FT (91.5CM x 1.83M)	B
		Ref	Note: Platform and Mesh must be ordered separately for Platforms with Mesh. See SPECIAL OPTIONS SECTION for Mesh Installations.	
		Ref	Note: Replacement Decals Must be Ordered Separately - See DECAL SECTION.	
1	0100011	1	Compound, Locking	
2	0641418	6	Bolt 1/4 x 2-1/4	
3	0961845	6	Bushing	
4	3290606	2	Nut M6	
5	3300151	6	Nut 1/4	
6	3520072	2	Plug	
7	3520198	2	Plug	
8	4010618	2	Screw M6 x 50	
9	4711400	12	Washer 1/4	
10	4811700	2	Washer M6	
11	1001138494	3	Bar, Drop	
12	1001138514	1	Rail (Top)	
13	1001140429	3	Decal - Drop Bar	
14	See Note	NSS	Platform, Weldment (Note: Not Available - Purchase Platform Assembly)	

SECTION 5 - PLATFORM

FIGURE 5-8. PLATFORM ASSEMBLY - 36IN X 6FT (91.5CM X 1.83M) WITH FALL ARREST (ANSI, ANSI EXPORT AND CSA SPECS)



ART_1001186333

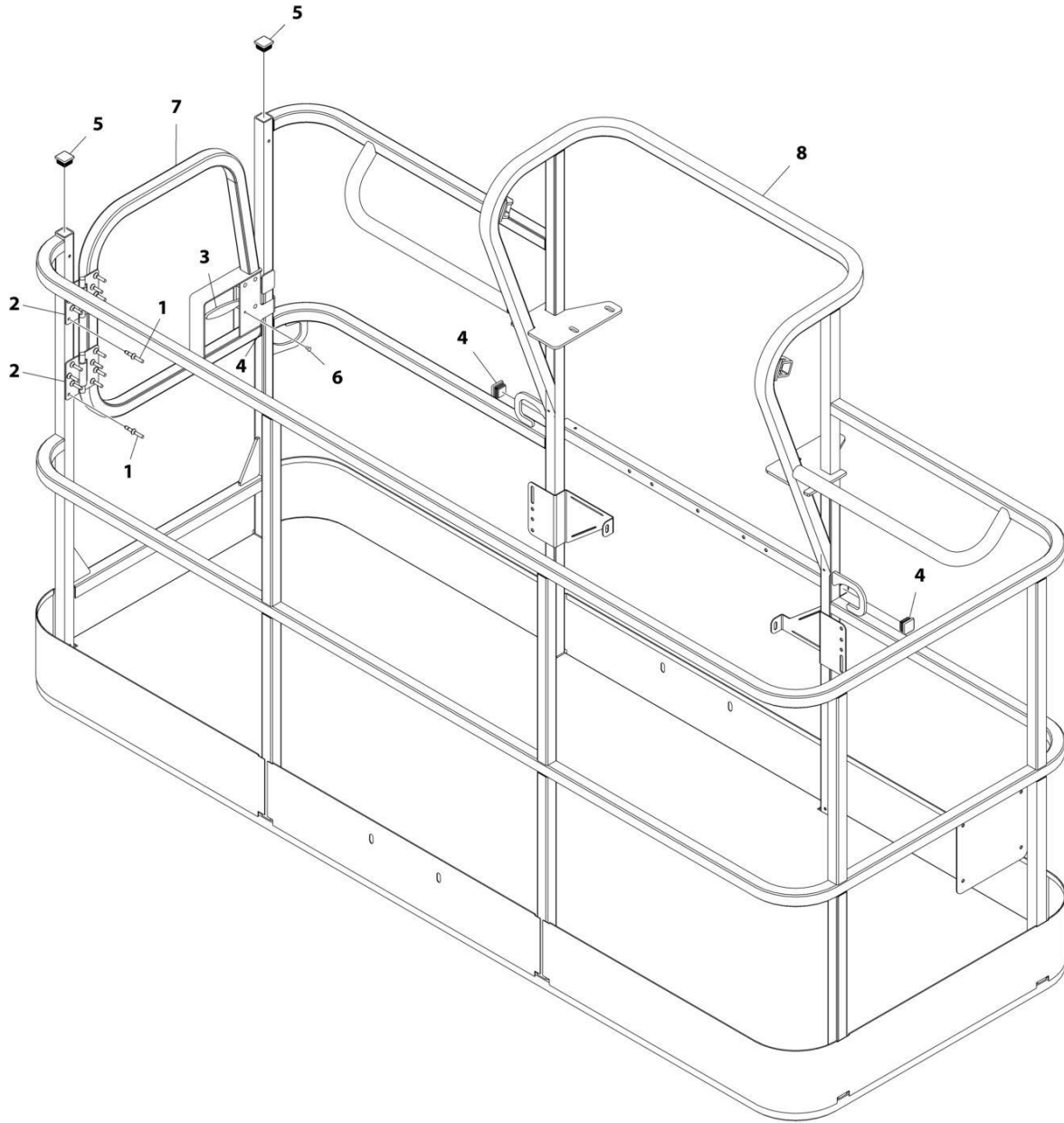
SECTION 5 - PLATFORM

FIGURE 5-8. PLATFORM ASSEMBLY - 36IN X 6FT (91.5CM X 1.83M) WITH FALL ARREST (ANSI, ANSI EXPORT AND CSA SPECS)

ITEM	PART NUMBER	QTY	DESCRIPTION	REV
	1001186333	Ref	PLATFORM ASSEMBLY	C
		Ref	Note: Replacement Decals Must be Ordered Separately - See DECALS SECTION.	
1	0681814	2	Bolt 1/2 x 1-3/4 Grade 8	
2	0681822	4	Bolt 1/2 x 2-3/4 Grade 8	
3	0962270	2	Bearing	
4	1001203655	1	Cable	
5	1702773	1	Decal - JLG	
6	1705014	1	Decal - Safety	
7	1706385	1	Decal - Drop Bar	
8	2410014	1	Bar, Drop	
9	3271805	6	Nut 1/2 Grade 8	
10	3311605	1	Nut 3/8	
11	3520072	1	Plug	
12	3900054	1	Bolt 1/2 x 1-3/4	
13	4711800	8	Washer 1/2	
14	4751800	4	Washer 1/2	
15	See Note	NSS	Platform (Note: Not Available - Purchase Platform Assembly)	

SECTION 5 - PLATFORM

FIGURE 5-9. PLATFORM ASSEMBLY - 36IN X 8FT (91.5CM X 2.44M) WITH SWING GATE



ART_1001186383

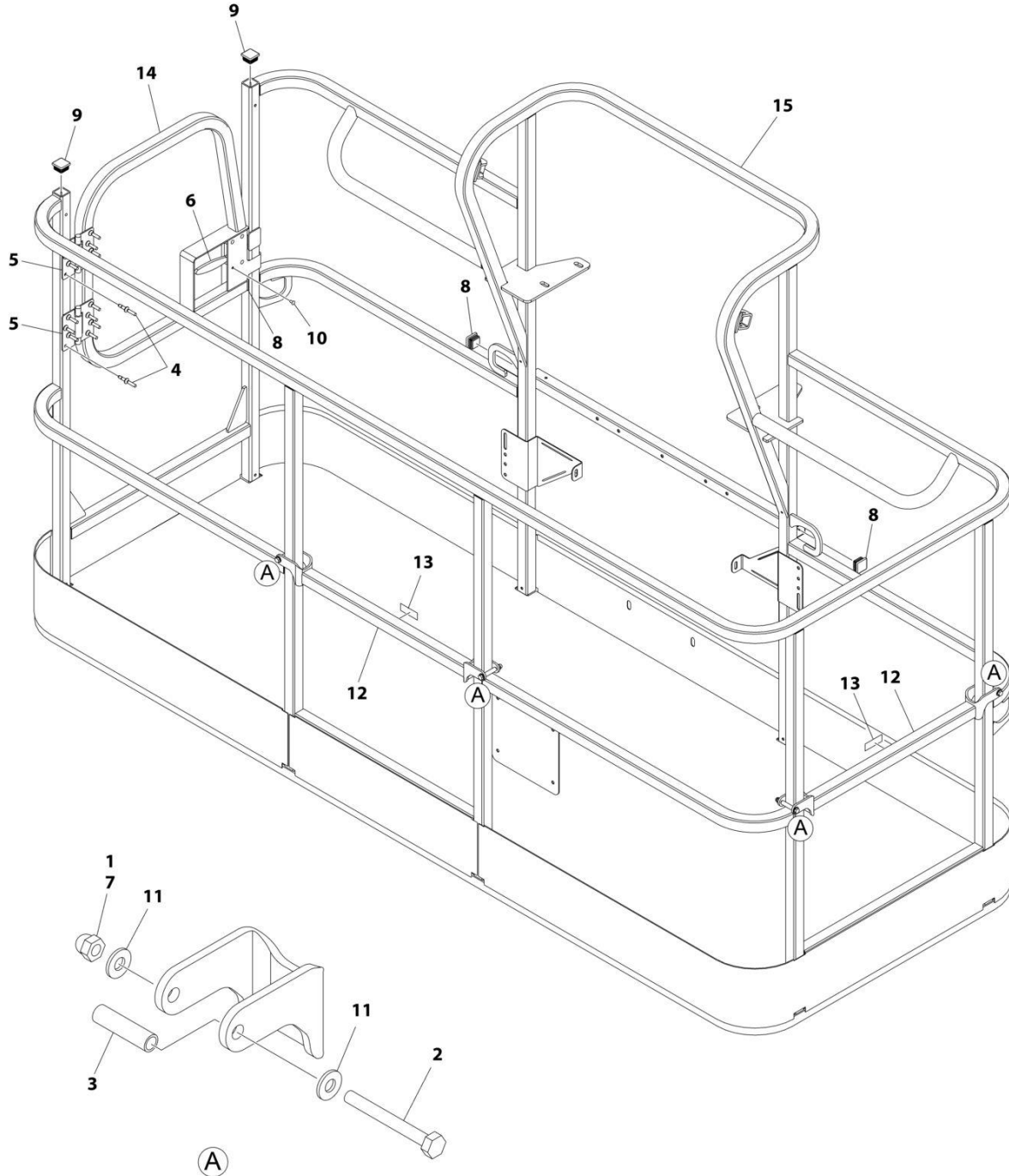
SECTION 5 - PLATFORM

FIGURE 5-9. PLATFORM ASSEMBLY - 36IN X 8FT (91.5CM X 2.44M) WITH SWING GATE

ITEM	PART NUMBER	QTY	DESCRIPTION	REV
	1001186383	Ref	PLATFORM ASSEMBLY - 36IN X 8FT (91.5CM X 2.44M) WITH SWING GATE	D
		Ref	Note: Platform and Mesh must be ordered separately for Platforms with Mesh. See SPECIAL OPTIONS SECTION for Mesh Installations.	
		Ref	Note: Replacement Decals Must be Ordered Separately - See DECALS SECTION.	
1	2080040	16	Fastener, Huck	
2	2600281	2	Hinge	
3	2940074	1	Latch	
4	3520072	3	Plug	
5	3520198	2	Plug	
6	3820020	4	Rivet	
7	1001144629	1	Gate	
8	See Note	NSS	Platform (Note: Not Available - Purchase Platform Assembly)	

SECTION 5 - PLATFORM

FIGURE 5-10. PLATFORM ASSEMBLY - 36IN X 8FT (91.5CM X 2.44M) WITH TRI-ENTRY (1 GATE/2 DROP BARS)



ART_1001228243

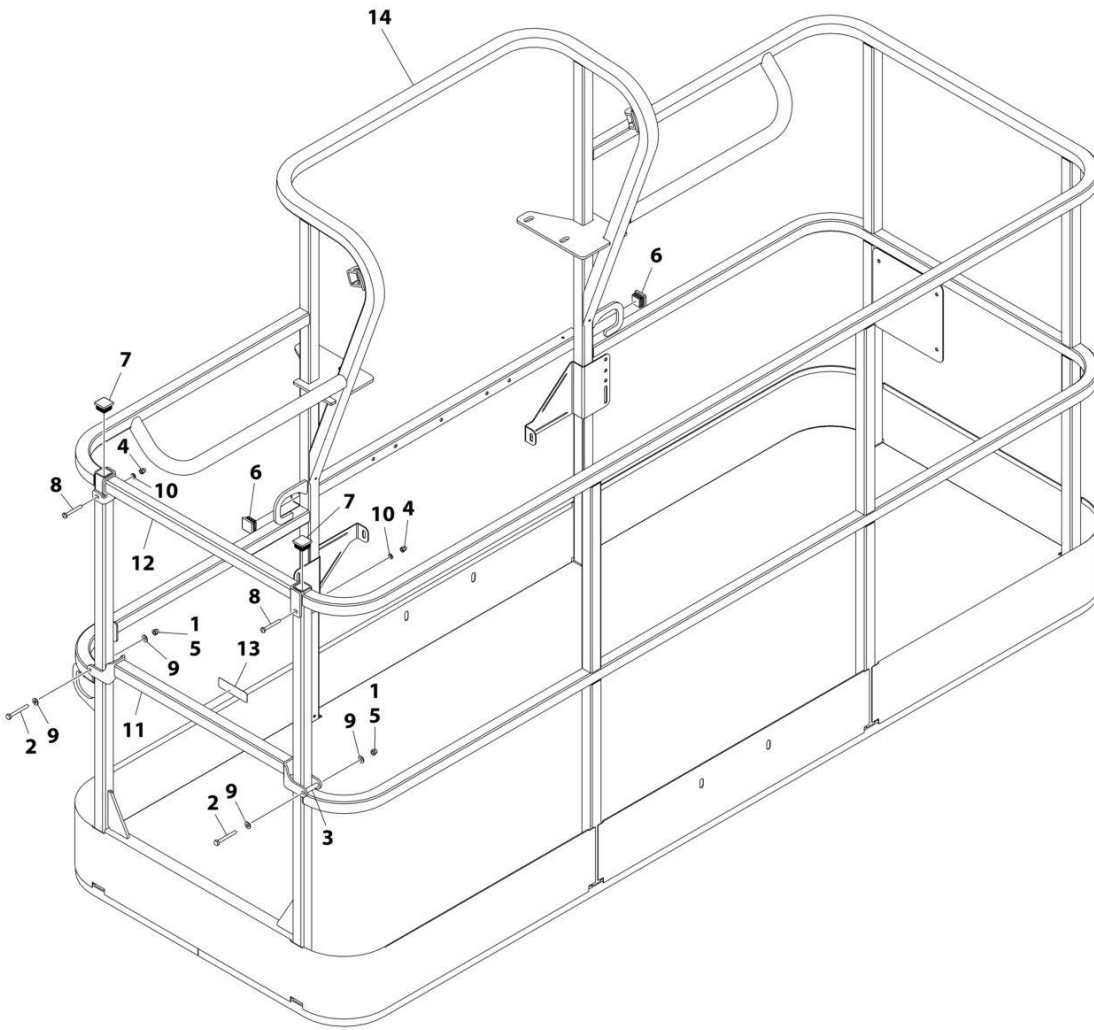
SECTION 5 - PLATFORM

FIGURE 5-10. PLATFORM ASSEMBLY - 36IN X 8FT (91.5CM X 2.44M) WITH TRI-ENTRY (1 GATE/2 DROP BARS)

ITEM	PART NUMBER	QTY	DESCRIPTION	REV
	1001228243	Ref	PLATFORM ASSEMBLY - 36IN X 8FT (91.5CM X 2.44M) WITH TRI-ENTRY	A
		Ref	Note: Platform and Mesh must be ordered separately for Platforms with Mesh. See SPECIAL OPTIONS SECTION for Mesh Installations.	
1	0100011	AR	Compound, Locking	
2	0641418	4	Bolt 1/4 x 2-1/4	
3	0961845	4	Bushing	
4	2080040	16	Fastener, Huck	
5	2600281	2	Hinge, Self-Closing	
6	2940074	1	Latch	
7	3300151	4	Nut 1/4	
8	3520072	3	Cap, Plug	
9	3520198	2	Cap, Plug	
10	3820020	4	Rivet	
11	4711400	8	Washer 1/4	
12	1001138494	2	Bar, Drop	
13	1001140429	2	Decal - Drop Bar	
14	1001144629	1	Gate, Weldment	
15	See Note	1	Platform (Note: Not Available - Purchase Platform Assembly)	

SECTION 5 - PLATFORM

FIGURE 5-11. PLATFORM ASSEMBLY - 36IN X 8FT (91.5CM X 2.44M) WITH DROP BAR



ART_1001186382

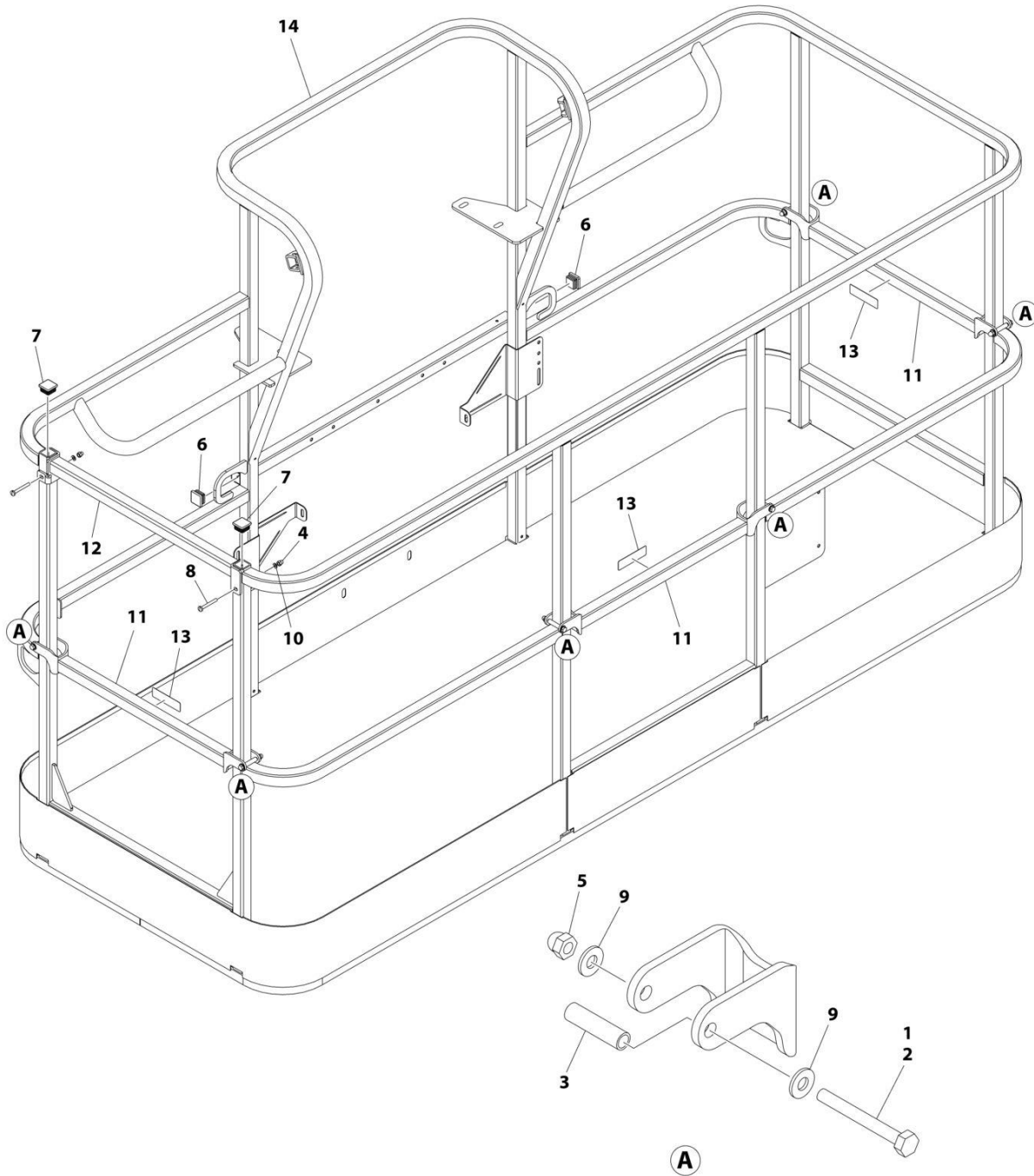
SECTION 5 - PLATFORM

FIGURE 5-11. PLATFORM ASSEMBLY - 36IN X 8FT (91.5CM X 2.44M) WITH DROP BAR

ITEM	PART NUMBER	QTY	DESCRIPTION	REV
	1001186382	Ref	PLATFORM ASSEMBLY - 36IN X 8FT (91.5CM X 2.44M) WITH DROP BAR	C
		Ref	Note: Platform and Mesh must be ordered separately for Platforms with Mesh. See SPECIAL OPTIONS SECTION for Mesh Installations.	
		Ref	Note: Replacement Decals Must be Ordered Separately - See DECALS SECTION.	
1	0100011	AR	Compound, Locking	
2	0641418	2	Bolt 1/4 x 2-1/4	
3	0961845	2	Bushing	
4	3290606	2	Nut M6	
5	3300151	2	Nut 1/4	
6	3520072	2	Plug	
7	3520198	2	Plug	
8	4010618	2	Screw M6 x 50	
9	4711400	4	Washer 1/4	
10	4811700	2	Washer M6	
11	1001138494	1	Bar, Drop	
12	1001138514	1	Rail (Top)	
13	1001140429	1	Decal - Drop Bar	
14	See Note	NSS	Platform (Note: Not Available - Purchase Platform Assembly)	

SECTION 5 - PLATFORM

FIGURE 5-12. PLATFORM ASSEMBLY - 36IN X 8FT (91.5CM X 2.44M) WITH TRI-ENTRY (3 DROP BARS)



ART_1001228375

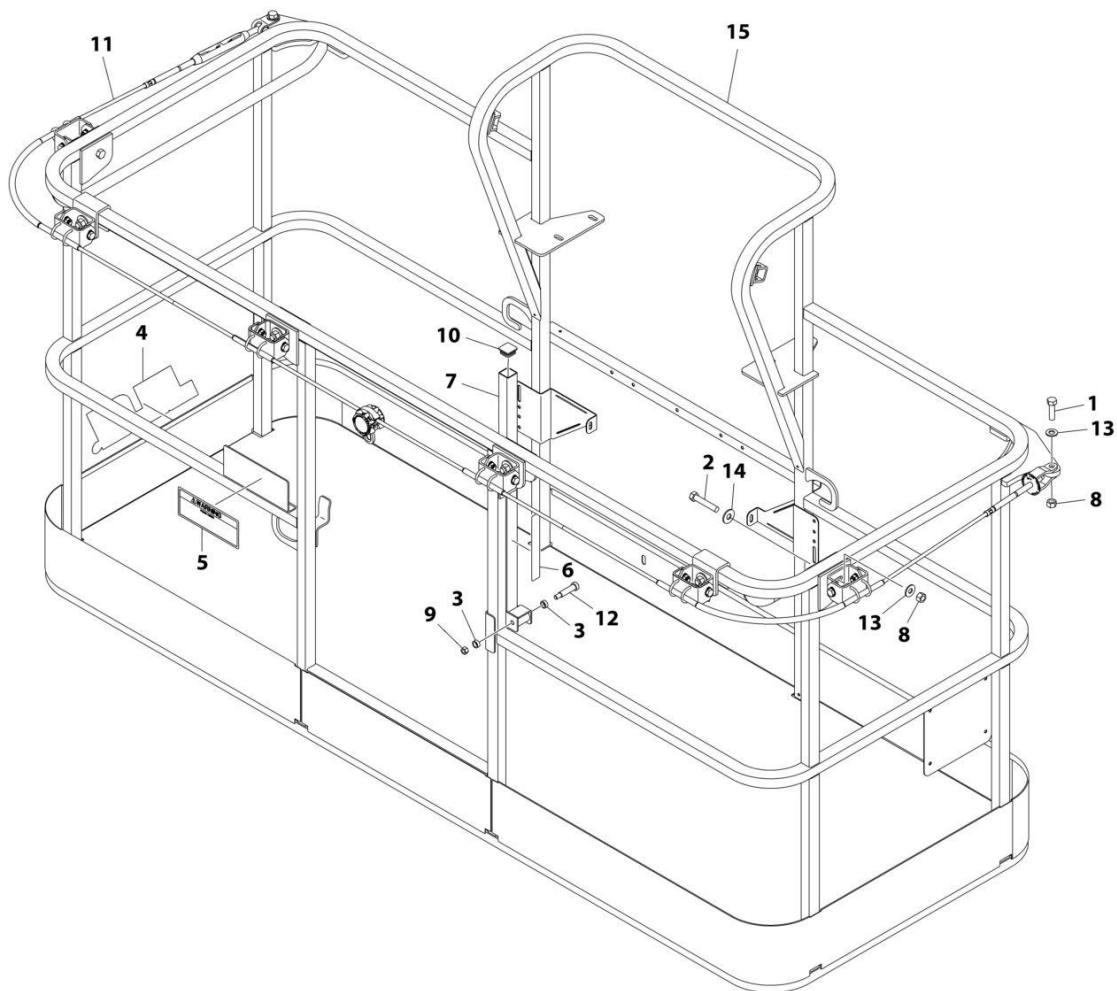
SECTION 5 - PLATFORM

FIGURE 5-12. PLATFORM ASSEMBLY - 36IN X 8FT (91.5CM X 2.44M) WITH TRI-ENTRY (3 DROP BARS)

ITEM	PART NUMBER	QTY	DESCRIPTION	REV
	1001228375	Ref	PLATFORM ASSEMBLY - 36IN X 8FT (91.5CM X 2.44M) WITH TRI-ENTRY	A
		Ref	Note: Platform and Mesh must be ordered separately for Platforms with Mesh. See SPECIAL OPTIONS SECTION for Mesh Installations.	
		Ref	Note: Replacement Decals Must be Ordered Separately - See DECAL SECTION.	
1	0100011	AR	Compound, Locking	
2	0641418	6	Bolt 1/4 x 2-1/4	
3	0961845	6	Bushing	
4	3290606	2	Nut M6 x 1	
5	3300151	6	Nut 1/4	
6	3520072	2	Cap, Plug	
7	3520198	2	Cap, Plug	
8	4010618	2	Screw M6 x 50	
9	4711400	12	Washer 1/4	
10	4811700	2	Washer M6	
11	1001138494	3	Bar, Drop	
12	1001138514	1	Rail (Top)	
13	1001140429	3	Decal - Drop Bar	
14	See Note	1	Platform (Note: Not Available - Purchase Platform Assembly)	

SECTION 5 - PLATFORM

FIGURE 5-13. PLATFORM ASSEMBLY - 36IN X 8FT (91.5CM X 2.44M) WITH FALL ARREST (ANSI, ANSI EXPORT AND CSA SPECS)



ART_1001186334

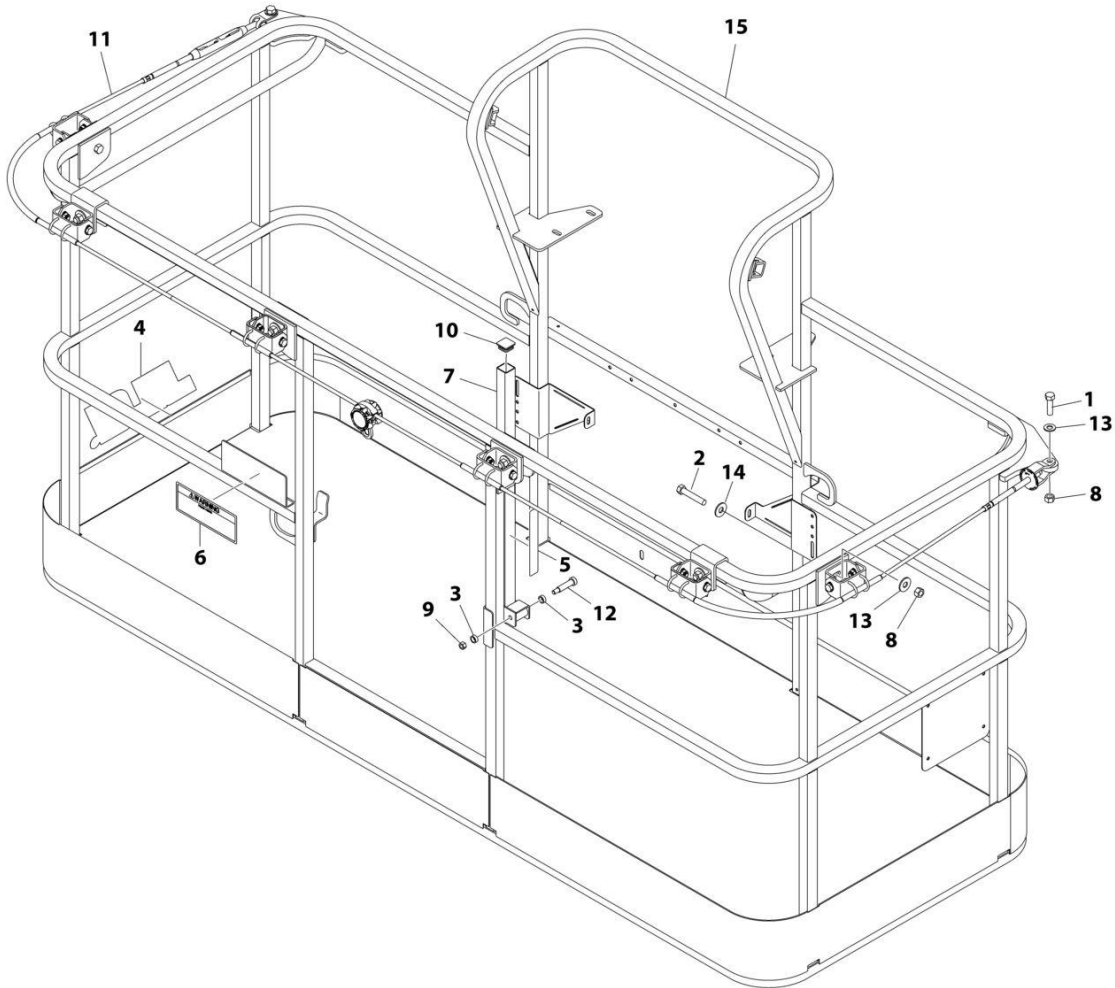
SECTION 5 - PLATFORM

FIGURE 5-13. PLATFORM ASSEMBLY - 36IN X 8FT (91.5CM X 2.44M) WITH FALL ARREST (ANSI, ANSI EXPORT AND CSA SPECS)

ITEM	PART NUMBER	QTY	DESCRIPTION	REV
	1001186334	Ref	PLATFORM ASSEMBLY	D
		Ref	Note: Replacement Decals Must be Ordered Separately - See DECALS SECTION.	
1	0681814	2	Bolt 1/2 x 1-3/4 Grade 8	
2	0681822	6	Bolt 1/2 x 2-3/4 Grade 8	
3	0962270	2	Bearing	
4	1702773	1	Decal - JLG	
5	1705014	1	Decal - Safety	
6	1706385	1	Decal - Drop Bar	
7	2410014	1	Bar, Drop	
8	3271805	8	Nut 1/2 Grade 8	
9	3311605	1	Nut 3/8	
10	3520072	1	Plug	
11	1001203656	1	Cable	
12	3900054	1	Bolt 1/2 x 1-3/4	
13	4711800	2	Washer 1/2	
14	4751800	6	Washer 1/2	
15	See Note	NSS	Platform (Note: Purchase Platform Assembly)	

SECTION 5 - PLATFORM

FIGURE 5-14. PLATFORM ASSEMBLY - 36IN X 8FT (91.5CM X 2.44M) WITH FALL ARREST (ALL SPECS EXCEPT CSA SPECS)



ART_1001186389

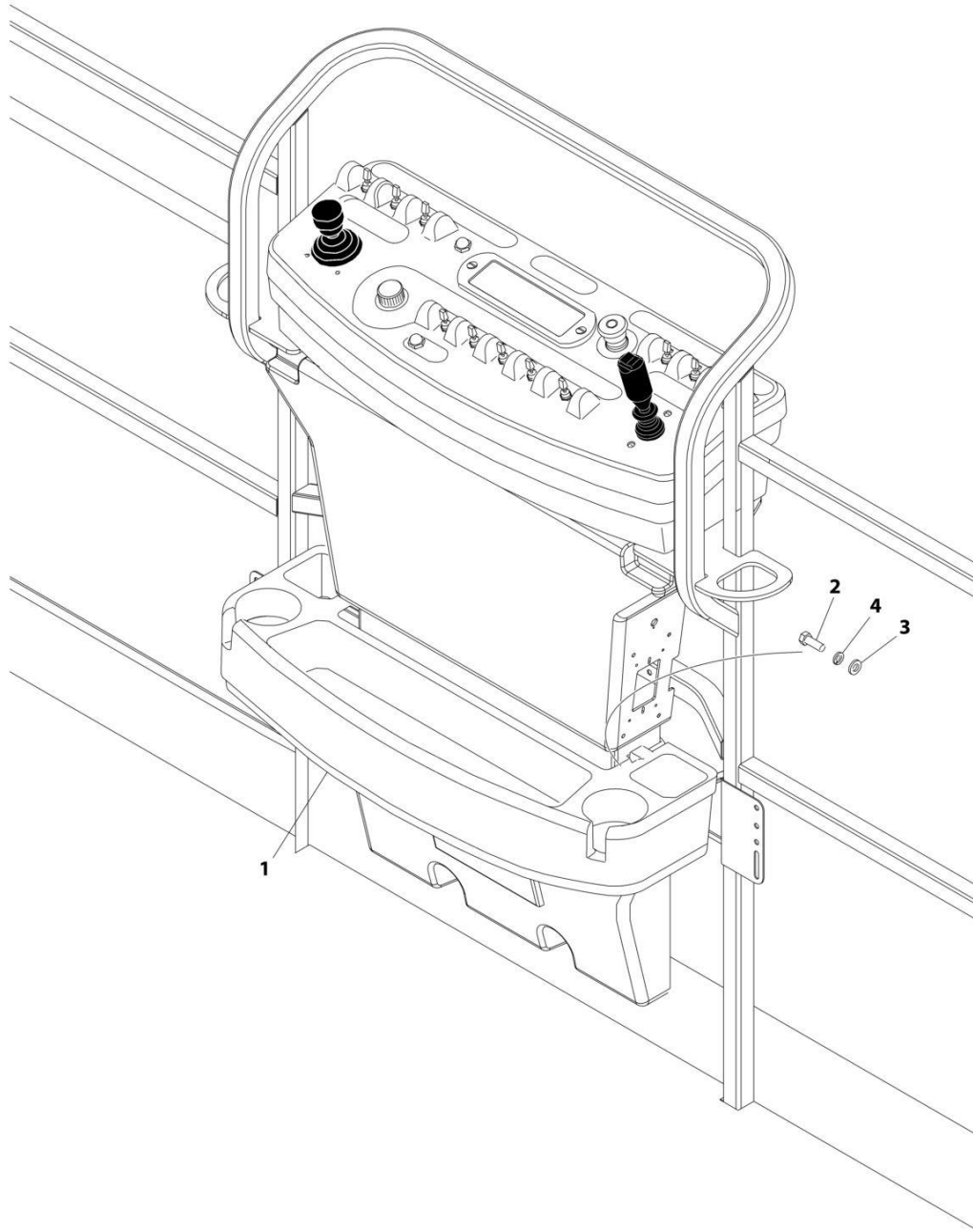
SECTION 5 - PLATFORM

FIGURE 5-14. PLATFORM ASSEMBLY - 36IN X 8FT (91.5CM X 2.44M) WITH FALL ARREST (ALL SPECS EXCEPT CSA SPECS)

ITEM	PART NUMBER	QTY	DESCRIPTION	REV
	1001186389	Ref	PLATFORM ASSEMBLY - 36IN X 8FT (91.5CM X 2.44M) WITH FALL ARREST	D
		Ref	Note: Standard decals must be ordered separately - See DECAL SECTION.	
1	0681814	2	Bolt 1/2 x 1-3/4 Grade 8	
2	0681822	6	Bolt 1/2 x 2-3/4 Grade 8	
3	0962270	2	Bearing	
4	1702773	1	Decal - JLG	
5	1706493	1	Decal - Drop Bar	
6	1706501	1	Decal - Safety	
7	2410014	1	Gate	
8	3271805	8	Nut 1/2 Grade 8	
9	3311605	1	Nut 3/8	
10	3520072	1	Plug	
11	1001203656	1	Cable	
12	3900054	1	Bolt 1/2 x 1-3/4	
13	4711800	8	Washer 1/2	
14	4751800	6	Washer 1/2	
15	1001186318	NSS	Platform (Note: Not Available - Purchase Platform Assembly)	

SECTION 5 - PLATFORM

FIGURE 5-15. TRAY ASSEMBLY



ART_1580012

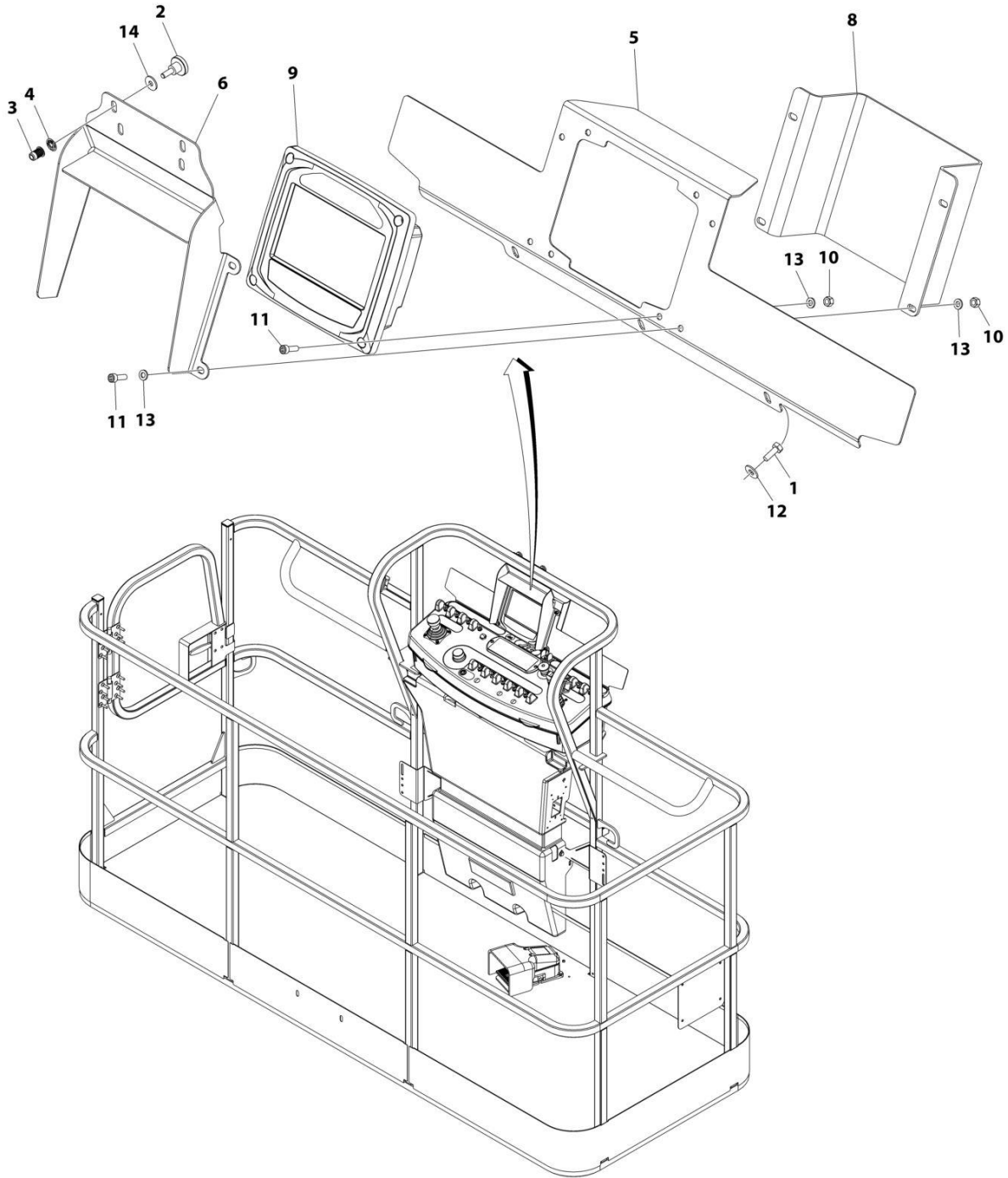
SECTION 5 - PLATFORM

FIGURE 5-15. TRAY ASSEMBLY

ITEM	PART NUMBER	QTY	DESCRIPTION	REV
	1580012	Ref	TRAY ASSEMBLY	C
1	See Note	NSS	Tray, Storage (Center) (Note: Purchase p/n 1580012)	
2	0641406	2	Bolt 1/4 x 3/4	
3	4751400	2	Washer 1/4	
4	4761400	2	Washer 1/4	

SECTION 5 - PLATFORM

FIGURE 5-16. LCD DISPLAY INSTALLATION



ART_1001215375

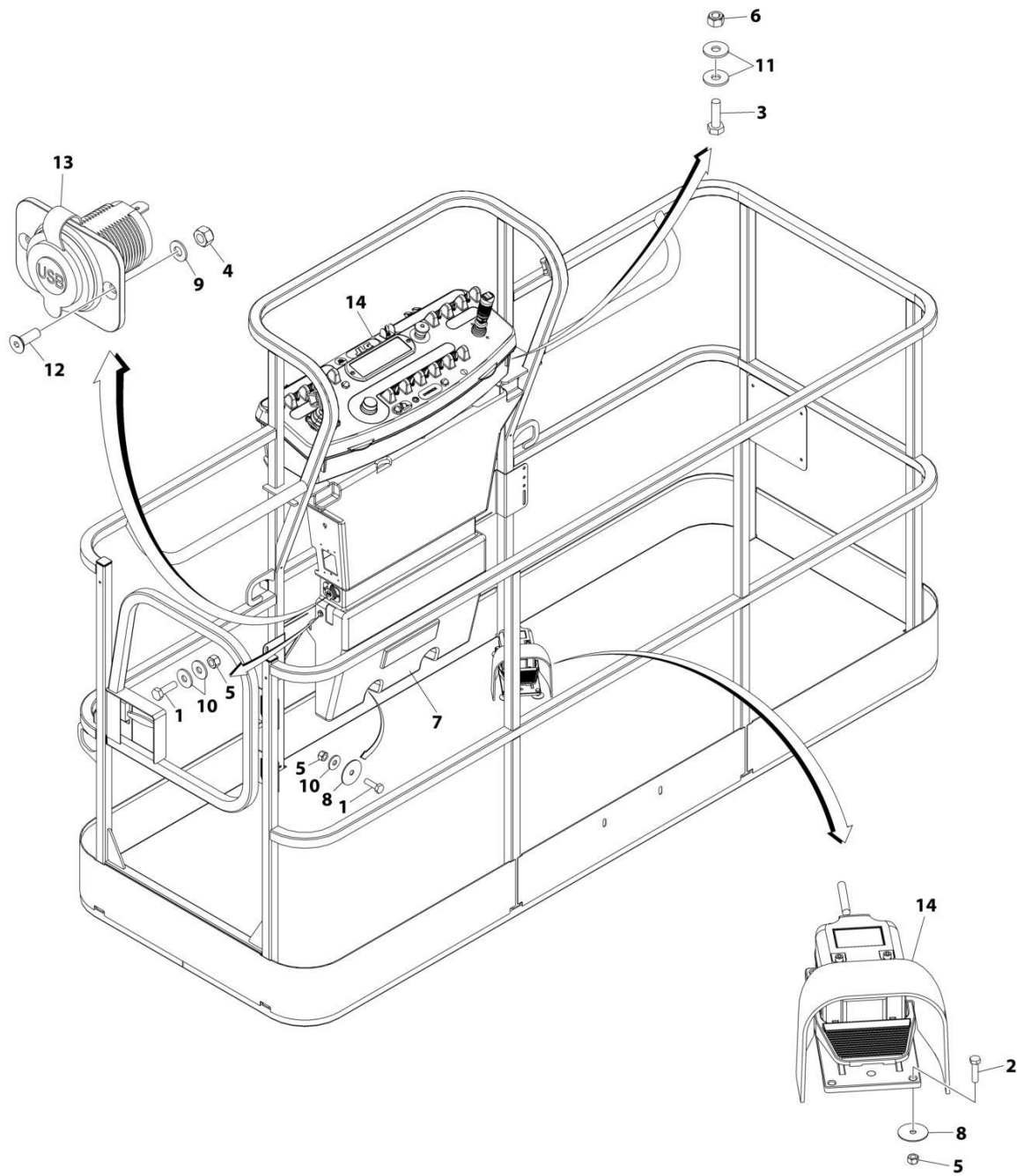
SECTION 5 - PLATFORM

FIGURE 5-16. LCD DISPLAY INSTALLATION

ITEM	PART NUMBER	QTY	DESCRIPTION	REV
	1001215375	Ref	LCD DISPLAY INSTALLATION	A
1	0641406001	3	Bolt 1/4 x 3/4	
2	1001173609	2	Screw, Thumb M6 x 16	
3	1001176636	2	Rivet, Nut M6	
4	1001177635	2	Nut M6	
5	1001215379	1	Bracket, Mounting	
6	1001215380	1	Bracket, Visor	
7	1001220482	1	Harness, LCD Display (Not Shown - See Separate Breakdown in ELECTRICAL SECTION)	
8	1001228976	1	Cover	
9	1001229485	1	Electrical Assembly	
9	1001220955	1	Gauge, LCD Display	
9	1001176582	1	Decal - Platform Display	
9	1001180491	4	Screw #10	
9	1001229922	1	Screen Protector, LCD Display	
10	3290605001	8	Nut M6	
11	4031708001	8	Bolt M6 x 20	
12	4751400001	3	Washer 1/4	
13	4811700001	12	Washer M6	
14	4811702001	2	Washer M6	

SECTION 5 - PLATFORM

FIGURE 5-17. CONSOLE BOX AND FOOTSWITCH INSTALLATION



ART_1001267388

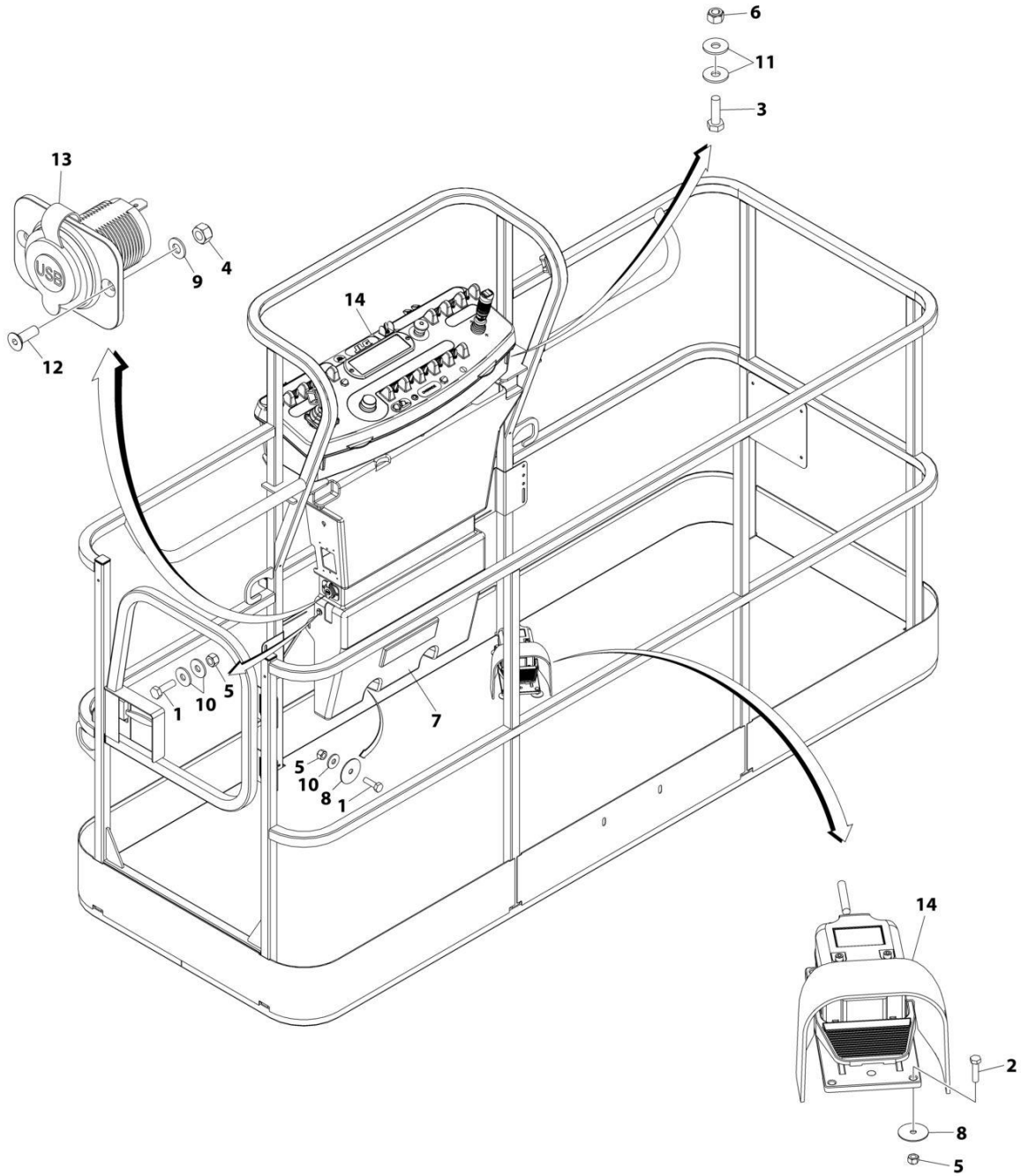
SECTION 5 - PLATFORM

FIGURE 5-17. CONSOLE BOX AND FOOTSWITCH INSTALLATION

ITEM	PART NUMBER	QTY	DESCRIPTION	REV
	1001267388	Ref	CONSOLE BOX AND FOOTSWITCH INSTALLATION	A
1	0760610	4	Bolt M6 x 20	
2	0760612	4	Bolt M6 x 25	
3	0761015	4	Bolt M10 x 35	
4	3290405	2	Nut M4	
5	3290605	8	Nut M6	
6	3291005	4	Nut M10	
7	3380434	1	Panel	
8	4740362	6	Washer	
9	4811400	2	Washer M4	
10	4811702	6	Washer M6	
11	4812002	8	Washer M10	
12	1001097244	2	Screw M4 x 12	
13	1001210636	1	Receptacle	
14	1001267390	1	Platform Console Assembly (See Separate Breakdown in this Section)	

SECTION 5 - PLATFORM

FIGURE 5-18. CONSOLE BOX AND FOOTSWITCH INSTALLATION - WITH TOWER STOW



ART_1001265902

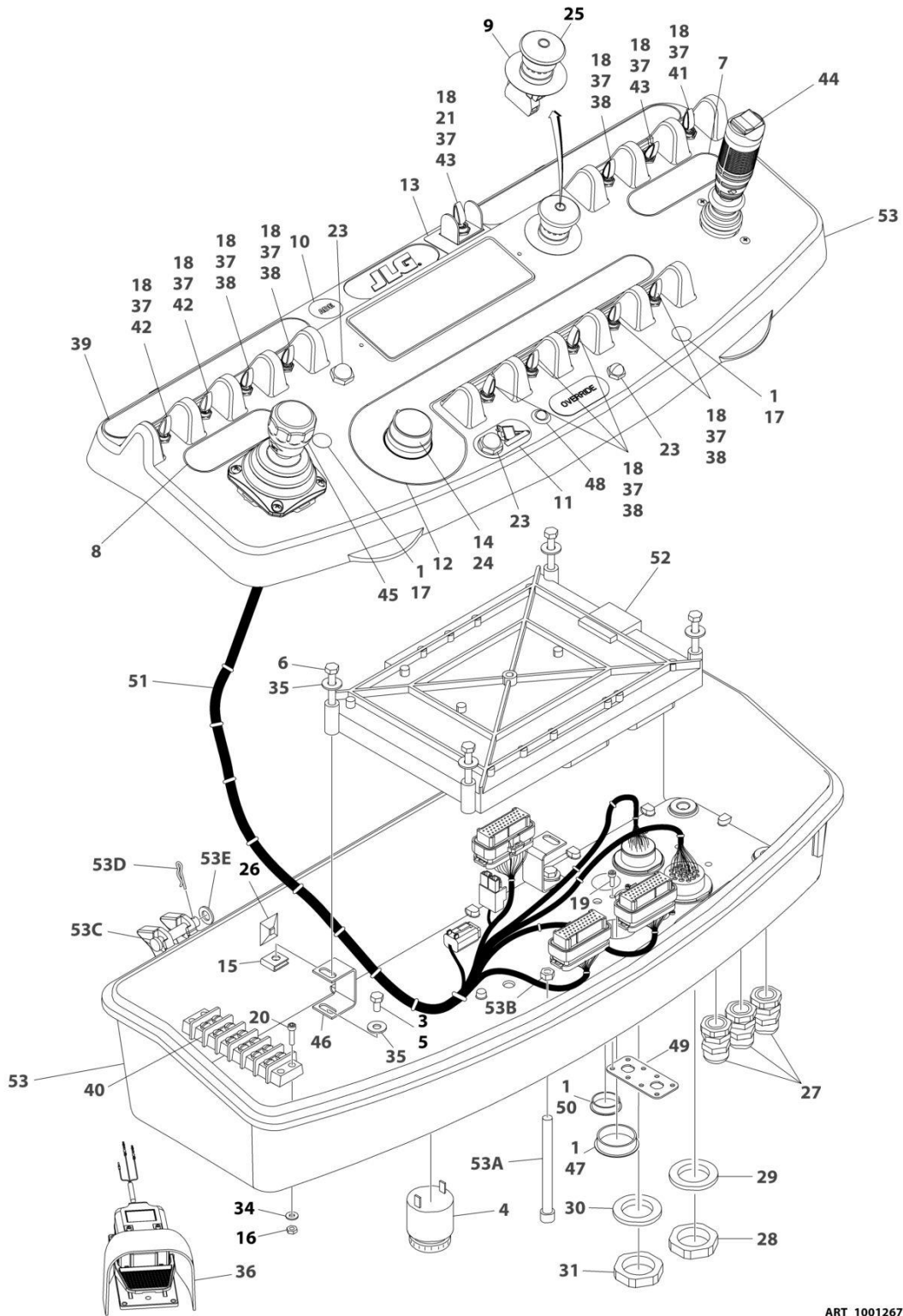
SECTION 5 - PLATFORM

FIGURE 5-18. CONSOLE BOX AND FOOTSWITCH INSTALLATION - WITH TOWER STOW

ITEM	PART NUMBER	QTY	DESCRIPTION	REV
	1001265902	Ref	CONSOLE BOX AND FOOTSWITCH INSTALLATION	A
1	0760610	4	Bolt M6 x 20	
2	0760612	4	Bolt M6 x 25	
3	0761015	4	Bolt M10 x 35	
4	3290405	2	Nut M4	
5	3290605	8	Nut M6	
6	3291005	4	Nut M10	
7	3380434	1	Panel	
8	4740362	6	Washer	
9	4811400	2	Washer M4	
10	4811702	6	Washer M6	
11	4812002	8	Washer M10	
12	1001097244	2	Screw M4 x 12	
13	1001210636	1	Receptacle	
14	1001265904	1	Platform Console Assembly - with Tower Stow (See Separate Breakdown in this Section)	

SECTION 5 - PLATFORM

FIGURE 5-19. PLATFORM CONSOLE ASSEMBLY



ART_1001267390_D

SECTION 5 - PLATFORM

FIGURE 5-19. PLATFORM CONSOLE ASSEMBLY

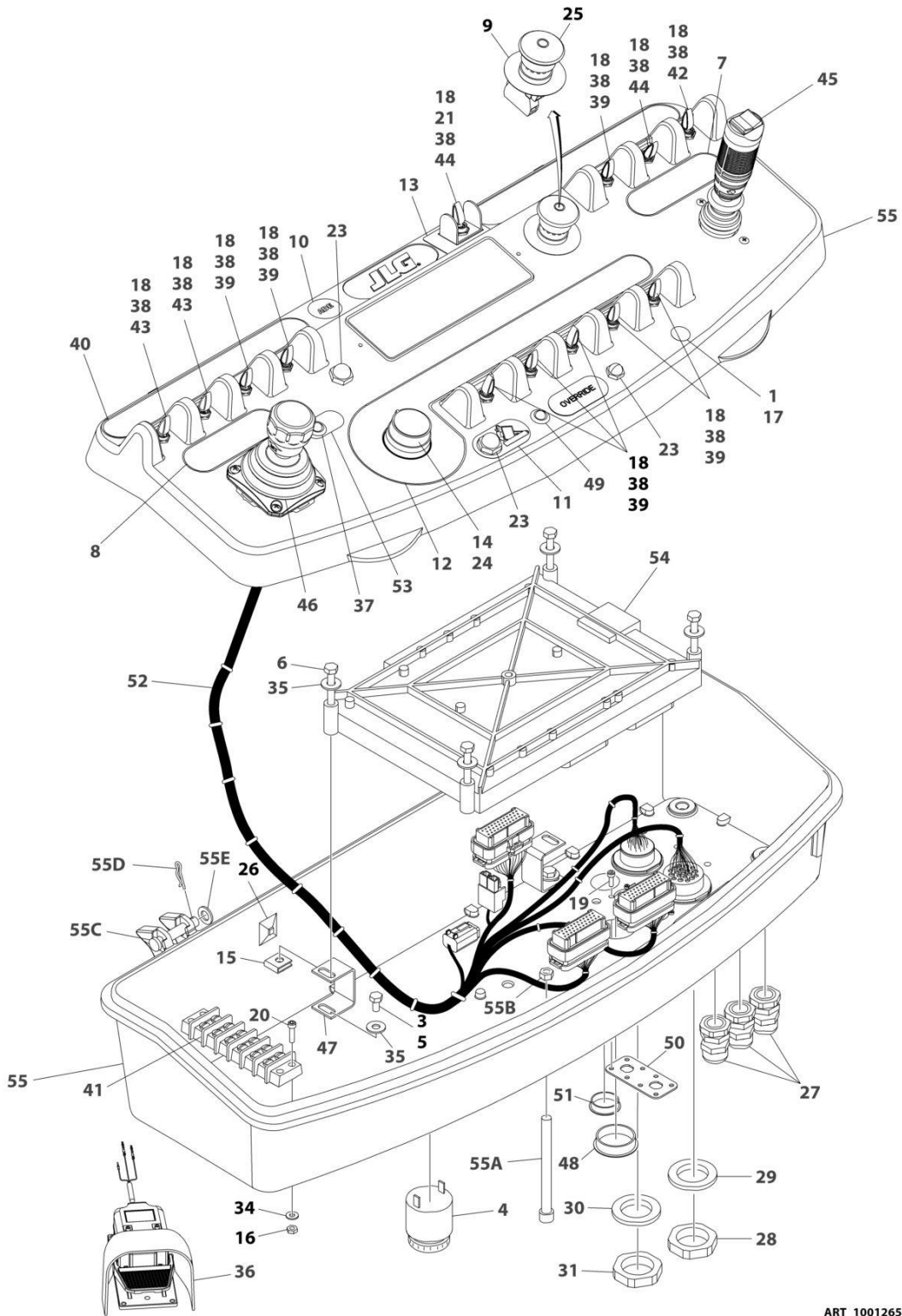
ITEM	PART NUMBER	QTY	DESCRIPTION	REV
	1001267390	Ref	PLATFORM CONSOLE ASSEMBLY	D
1	0100009	AR	Sealant	
3	0100035	AR	Compound, Locking	
4	0140011	1	Alarm	
5	0641405	4	Bolt 1/4 x 5/8	
6	0641414	4	Bolt 1/4 x 1-3/4	
7	1702565	1	Decal - Drive and Steer	
8	1702566	1	Decal - Lift and Swing	
9	1704260	1	Decal - EMS	
10	1705132	1	Decal - Control ADE	
11	1705171	1	Decal - Jib Stow	
12	1705745	1	Decal - Function Speed	
13	1706741	1	Decal - Boom Control Select	
14	2560136	1	Handle, Knob	
15	3300353	4	Nut, Tinnerman	
16	3311005	2	Nut #10	
17	3520026	2	Plug	
18	3790012	13	O-Ring	
19	3900349	8	Capscrew M2.5	
20	3931012	2	Capscrew #10 x 3/4	
21	4060906	1	Guard, Switch	
23	4360387	3	Switch, Push Button	
24	4360407	1	Controller, Speed	
24	4460224	1	Receptacle, Female - 6 Position	
24	4460226	1	Socket, Female	
24	See Note	1	Gasket "Top Hat" (Included with Switch) (Note: Not Available - Purchase Complete Controller.)	
24	70003784	1	Seal	
25	1001274559	1	Switch, Emergency Stop	
26	4460234	6	Mount, Tie-Strap	
27	4460428	3	Connector, Strain Relief	
28	4460470	1	Nut, Terminal	
29	4460471	1	Washer, Terminal	
30	4460496	1	Washer, Terminal	
31	4460497	1	Nut, Terminal	
34	4751000	2	Washer #10	
35	4751400	8	Washer 1/4	
36	1001117174	1	Footswitch Assembly (See Separate Breakdown in this Section)	
37	1001155044	13	Nut 15/32	
38	1001155045	8	Switch, Toggle	
39	1001156926	1	Decal - Horn	
40	1001157292	1	Bar, Buss	
41	1001159256	1	Switch, Toggle	
42	1001161709	2	Switch, Toggle	
43	1001161710	2	Switch, Toggle	
44	1001275628	1	Controller Assembly (Drive and Steer)	
45	1001275629	1	Controller Assembly (Lift and Swing)	
46	1001172760	4	Bracket	
47	1001185281	1	Plug	
48	1001206532	1	Lamp, Indicator	

SECTION 5 - PLATFORM

ITEM	PART NUMBER	QTY	DESCRIPTION	REV
49	1001213882	1	Mount, Connector	C
50	1001220486	1	Plug	
51	1001242124	1	Platform Console Harness (See Separate Breakdown in ELECTRICAL Section)	
52	1001199483	1	Module, Platform (Note: Re-calibration Required when Replaced)	
53	1001265905	1	BOX, CONSOLE ASSEMBLY	
53A	0630568	1	Screw 3/8 x 4-1/2	
53B	3311601	1	Nut 3/8	
53C	3430616	2	Pin	
53D	3470003	2	Pin	
53E	4711600	2	Washer 3/8	
54	4240099	AR	Tie-Strap (Not Shown)	

SECTION 5 - PLATFORM

FIGURE 5-20. PLATFORM CONSOLE ASSEMBLY - WITH TOWER STOW



ART_1001265904_D

SECTION 5 - PLATFORM

FIGURE 5-20. PLATFORM CONSOLE ASSEMBLY - WITH TOWER STOW

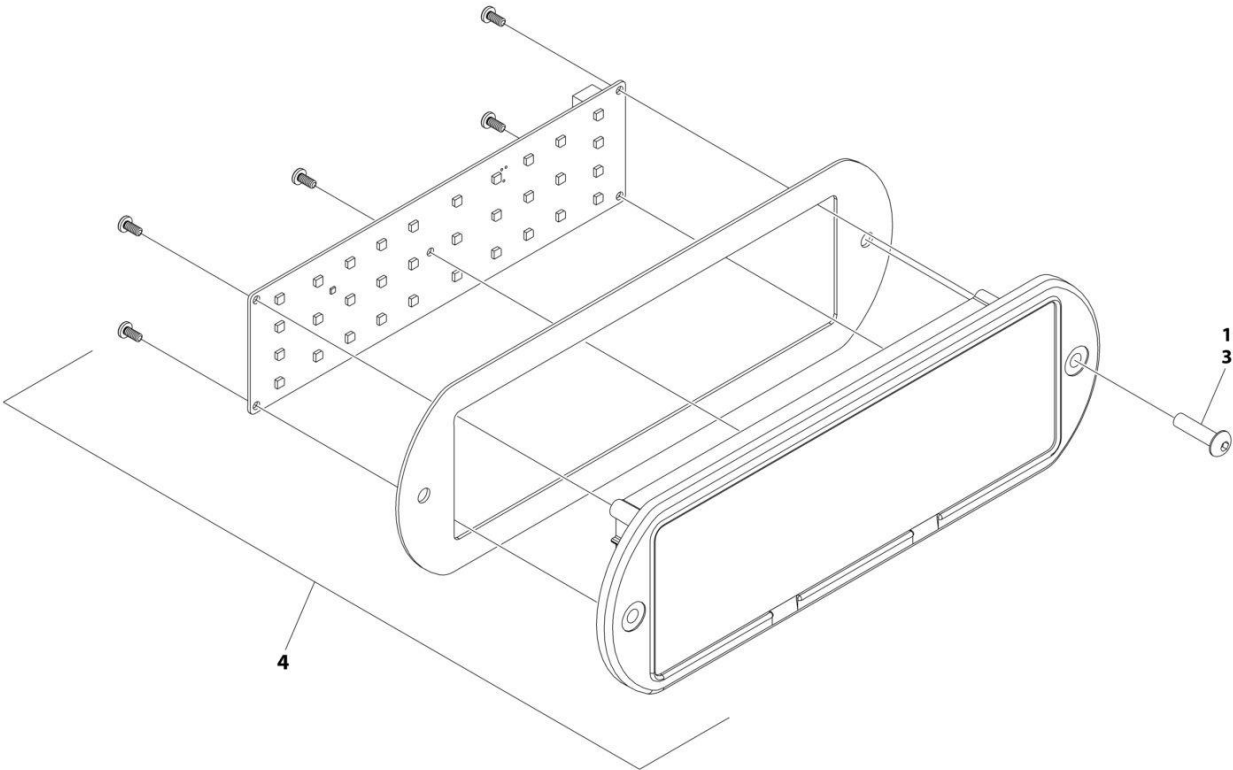
ITEM	PART NUMBER	QTY	DESCRIPTION	REV
	1001265904	Ref	PLATFORM CONSOLE ASSEMBLY	D
1	0100009	AR	Sealant	
3	0100035	1	Compound, Locking	
4	0140011	1	Alarm	
5	0641405	4	Bolt 1/4 x 5/8	
6	0641414	4	Bolt 1/4 x 1-3/4	
7	1702565	1	Decal - Drive and Steer	
8	1702566	1	Decal - Lift and Swing	
9	1704260	1	Decal - EMS	
10	1705132	1	Decal - Control ADE	
11	1705171	1	Decal - Jib Stow	
12	1705745	1	Decal - Function Speed	
13	1706741	1	Decal - Boom Control Select	
14	2560136	1	Handle, Knob	
15	3300353	4	Nut, Tinnerman	
16	3311005	2	Nut #10	
17	3520026	1	Plug	
18	3790012	13	O-Ring	
19	3900349	8	Capscrew M2.5	
20	3931012	2	Capscrew #10 x 3/4	
21	4060906	1	Guard, Switch	
23	4360387	3	Switch, Push Button	
24	4360407	1	Controller, Speed	
24	4460224	1	Receptacle, Female - 6 Position	
24	4460226	1	Socket, Female	
24	See Note	1	Gasket "Top Hat" (Included with Switch) (Note: Not Available - Purchase Complete Controller.)	
24	70003784	1	Seal	
25	1001274559	1	Switch, Emergency Stop	
26	4460234	6	Mount, Tie-Strap	
27	4460428	3	Connector, Strain Relief	
28	4460470	1	Nut, Terminal	
29	4460471	1	Washer, Terminal	
30	4460496	1	Washer, Terminal	
31	4460497	1	Nut, Terminal	
34	4751000	2	Washer #10	
35	4751400	8	Washer 1/4	
36	1001117174	1	Footswitch Assembly (See Separate Breakdown in this Section)	
37	1001137364	1	Lamp, Indicator	
38	1001155044	13	Nut 15/32	
39	1001155045	8	Switch, Toggle	
40	1001156926	1	Decal - Horn	
41	1001157292	1	Bar, Buss	
42	1001159256	1	Switch, Toggle	
43	1001161709	2	Switch, Toggle	
44	1001161710	2	Switch, Toggle	
45	1001275628	1	Controller Assembly (Drive and Steer)	
46	1001275629	1	Controller Assembly (Lift and Swing)	
47	1001172760	4	Bracket	
48	1001185281	1	Plug	

SECTION 5 - PLATFORM

ITEM	PART NUMBER	QTY	DESCRIPTION	REV
49	1001206532	1	Lamp, Indicator	C
50	1001213882	1	Mount, Connector	
51	1001220486	1	Plug	
52	1001242124	1	Platform Console Harness (See Separate Breakdown in ELECTRICAL Section)	
53	1001260937	1	Decal - Tower Stow	
54	1001199483	1	Module, Platform (Note: Re-calibration Required when Replaced)	
55	1001265905	1	BOX, CONSOLE ASSEMBLY	
55A	0630568	1	Screw 3/8 x 4-1/2	
55B	3311601	1	Nut 3/8	
55C	3430616	2	Pin	
55D	3470003	2	Pin	
55E	4711600	2	Washer 3/8	
56	4240099	AR	Tie-Strap (Not Shown)	

SECTION 5 - PLATFORM

FIGURE 5-21. CONSOLE DECAL AND LIGHT PANEL INSTALLATION



ART_1001245176_20F2

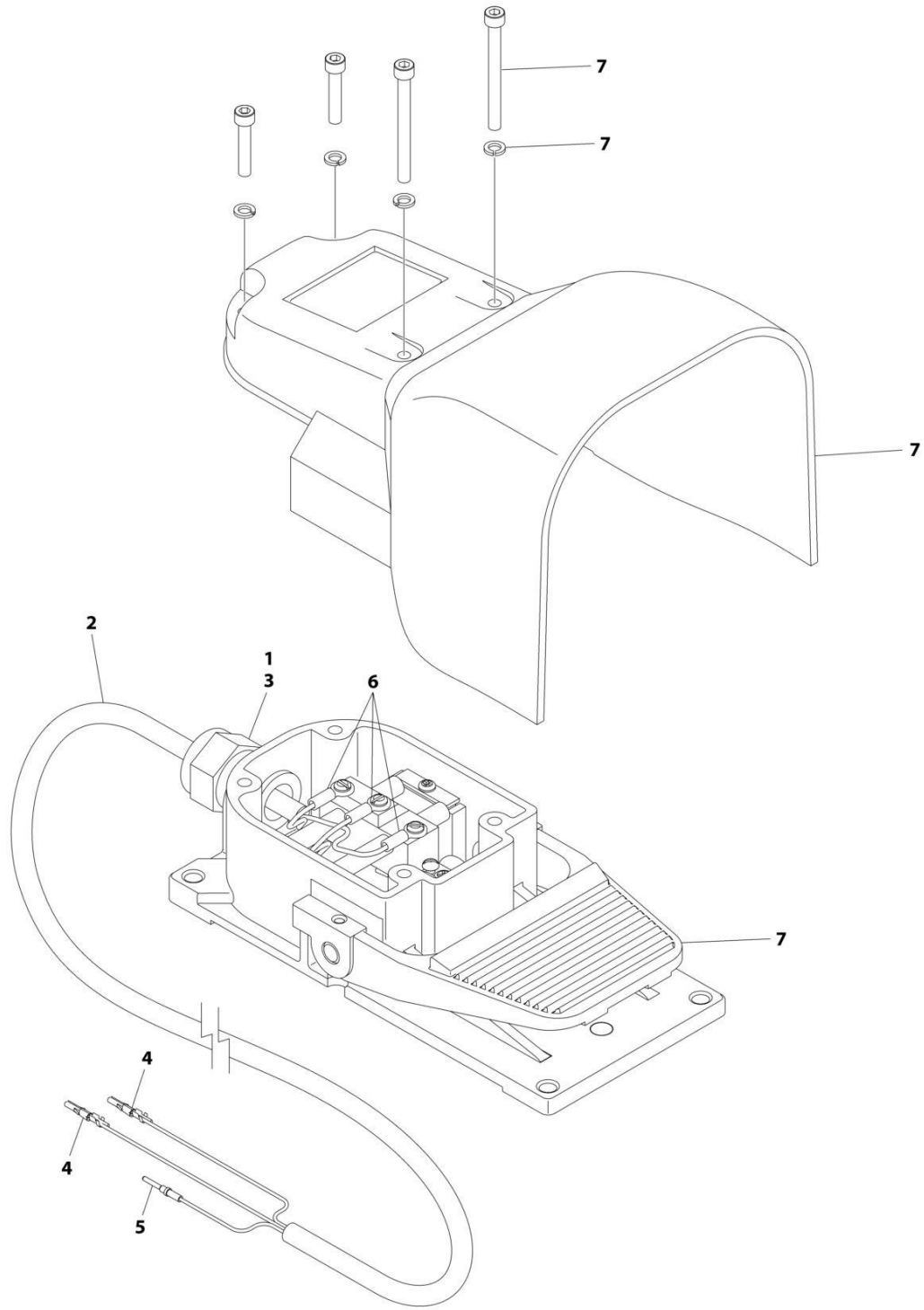
SECTION 5 - PLATFORM

FIGURE 5-21. CONSOLE DECAL AND LIGHT PANEL INSTALLATION

ITEM	PART NUMBER	QTY	DESCRIPTION	REV
	1001245176	Ref	LIGHT PANEL INSTALLATION	C
1	0100035	AR	Compound, Locking	
3	0630518	2	Screw #10 x 3/4	
	1001284588	1	Light Panel Electrical Assembly	
4	1001282106	1	Housing and Seal	
4	1001284587	1	Light Panel (LED)	

SECTION 5 - PLATFORM

FIGURE 5-22. FOOTSWITCH ASSEMBLY



ART_1001117174

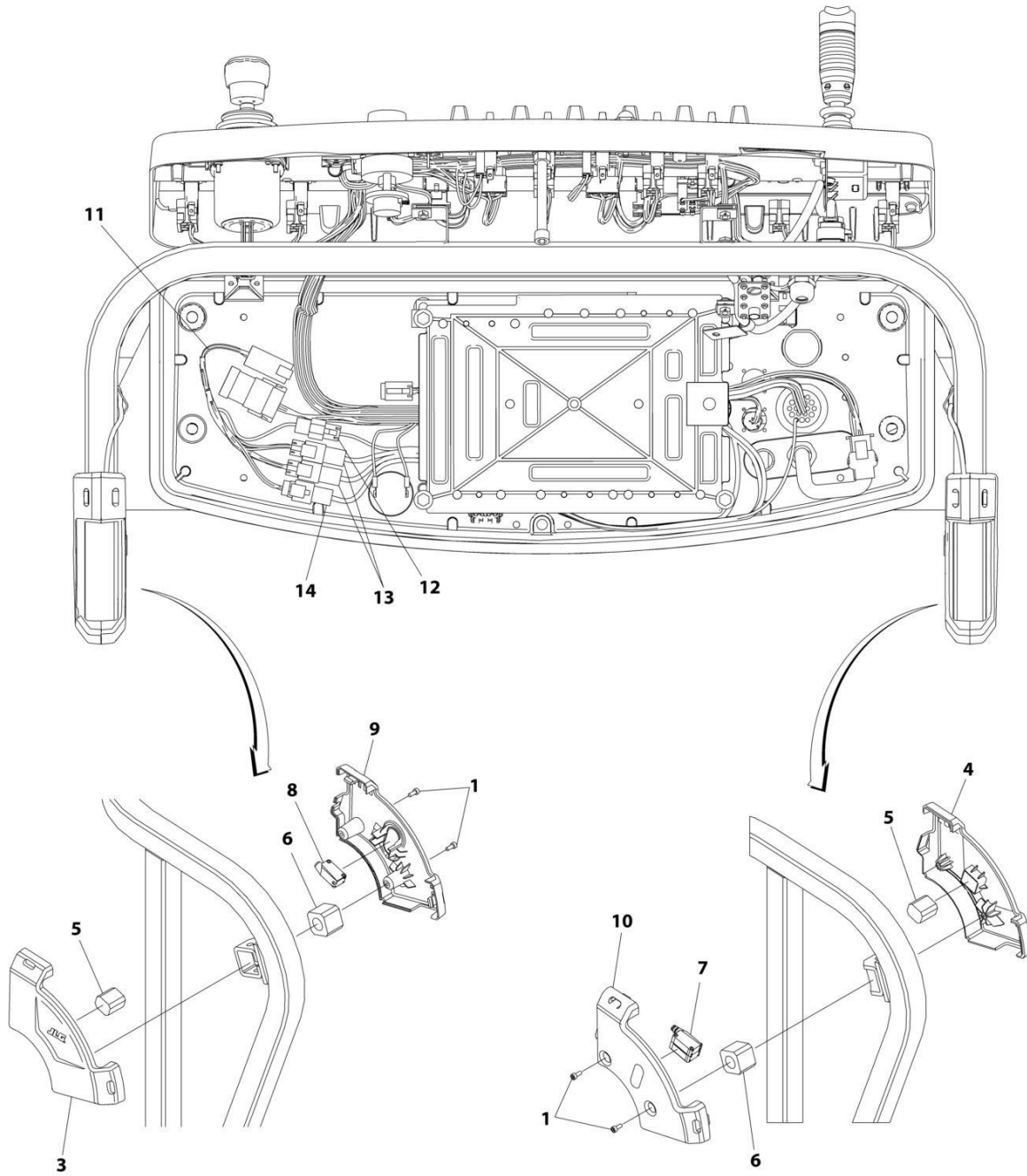
SECTION 5 - PLATFORM

FIGURE 5-22. FOOTSWITCH ASSEMBLY

ITEM	PART NUMBER	QTY	DESCRIPTION	REV
	1001117174	Ref	FOOTSWITCH ASSEMBLY	C
1	0100020	AR	Sealant	
2	1060918	7.5 ft/ 2.3m	Cable, Electrical - 18/3	
3	4460071	1	Connector, Strain Relief	
4	4460226	2	Socket, Female	
5	4460464	1	Pin, Male	
6	1001098122	3	Terminal	
7	1001117172	1	Footswitch	
7	70002902	1	Switch, 20Amp	
7	70002903	1	Gasket	
7	70002905	1	Cover	
7	70002904	1	Kit, Replacement Bolt	

SECTION 5 - PLATFORM

FIGURE 5-23. SKYEYE INSTALLATION



ART_1001229341

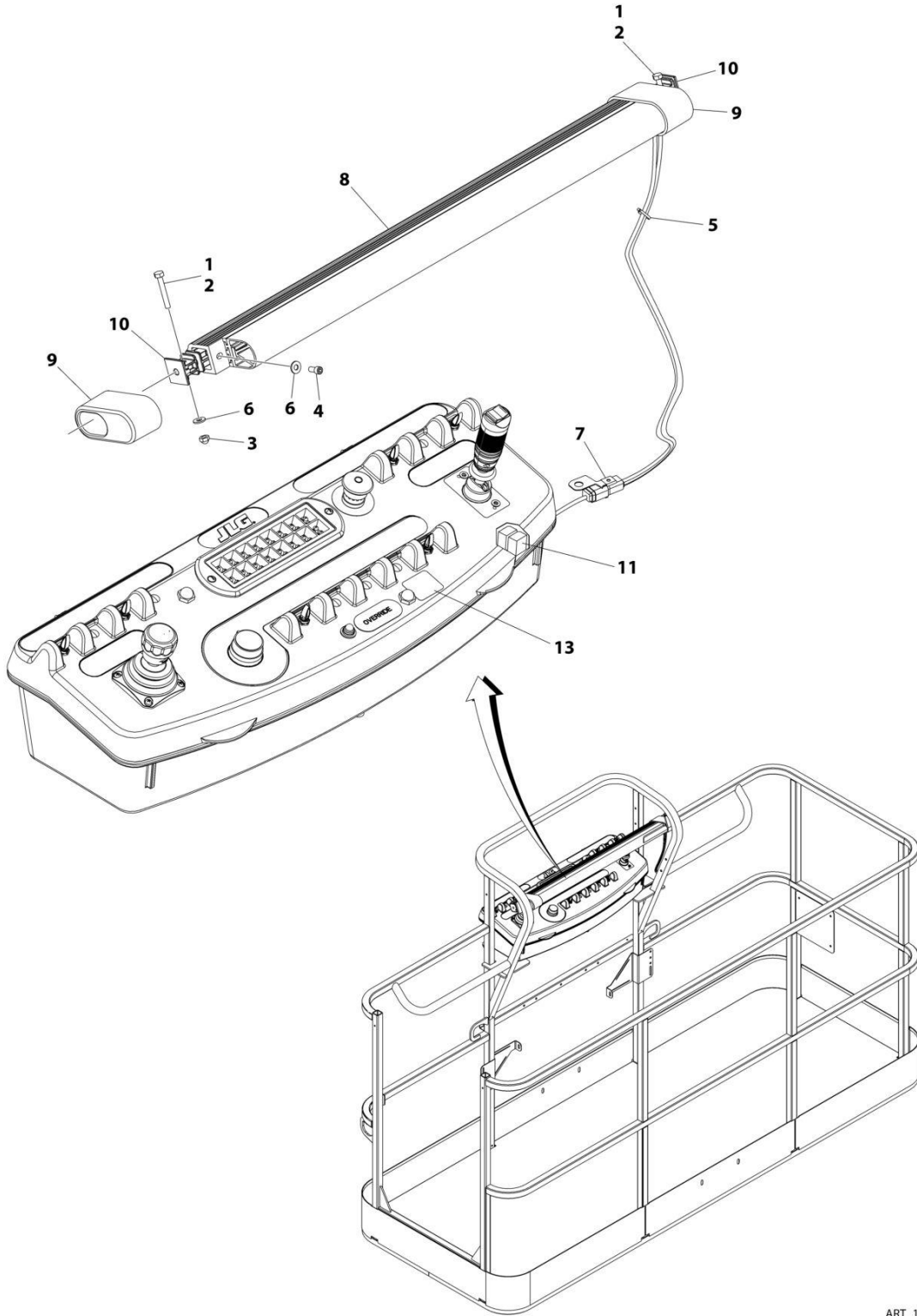
SECTION 5 - PLATFORM

FIGURE 5-23. SKYEYE INSTALLATION

ITEM	PART NUMBER	QTY	DESCRIPTION	REV
	1001229341	Ref	SKYEYE INSTALLATION	B
1	4031505	4	Bolt M4 x 10	
2	4240033	AR	Tie-Strap (Not Shown)	
3	1001227633	1	Housing, LH Outer	
4	1001227634	1	Housing, RH Outer	
5	1001227985	2	Shim	
6	1001227987	2	Shim	
7	1001228224	2	Sensor, Receiver	
8	1001228225	1	Sensor, Emitter	
9	1001232164	1	Housing, LH Inner	
10	1001232165	1	Housing, RH Inner	
11	1001237865	1	Harness, Skyeeye Intermediate (See Separate Breakdown in ELECTRICAL Section)	
12	1001238319	NLA	Harness, Skyeeye Drain Jumper	
12	1001187674	1	Plug, Male - 2 Position	
12	4460942	1	Terminal	
12	4460466	1	Plug, Terminal	
12	4460508	1	Pin, Male	
13	1001237863	2	Harness, Skyeeye Receiver (See Separate Breakdown in ELECTRICAL Section)	
14	1001237864	1	Harness, Skyeeye Emitter (See Separate Breakdown in ELECTRICAL Section)	

SECTION 5 - PLATFORM

FIGURE 5-24. SKYGUARD BAR INSTALLATION



ART_1001238495

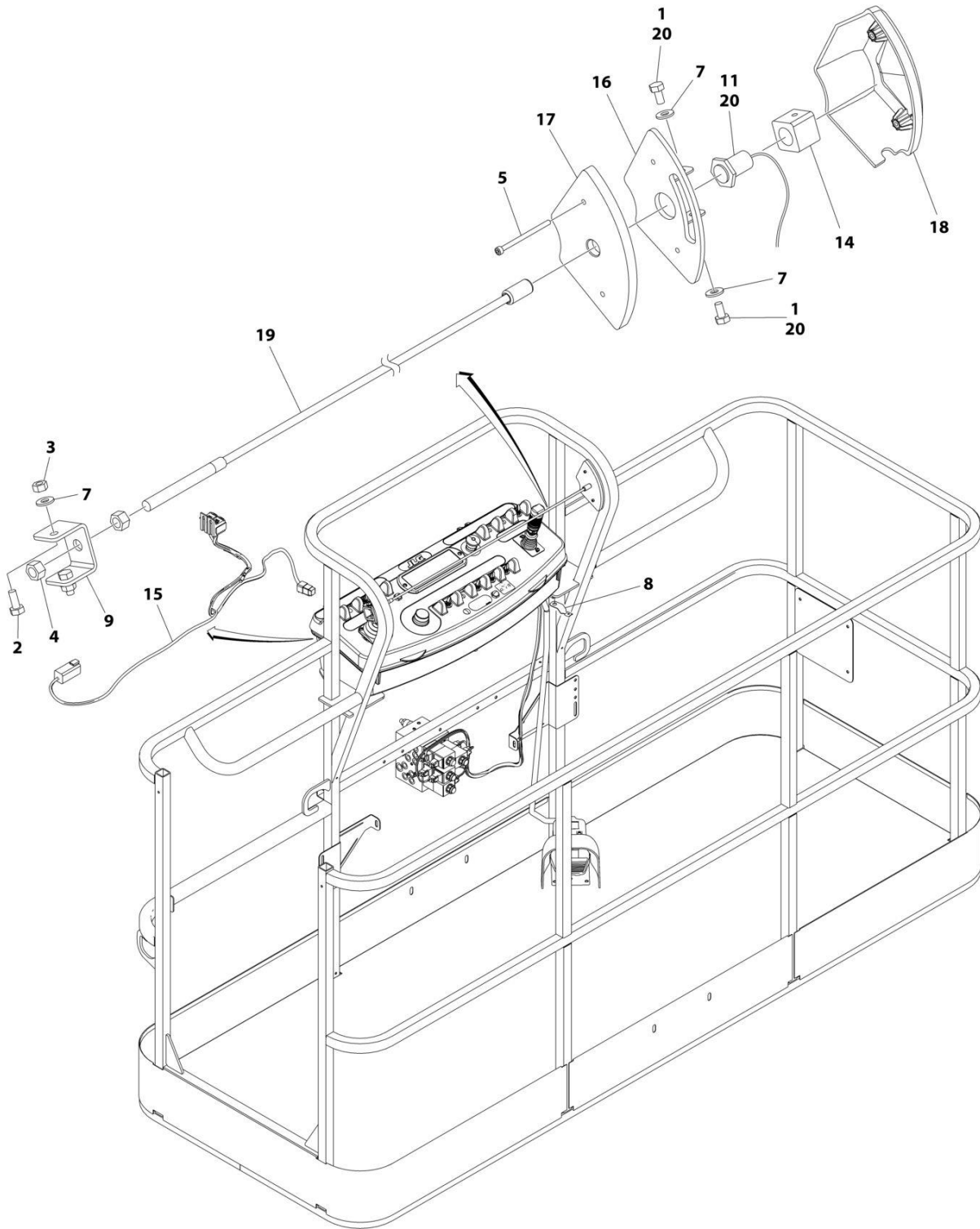
SECTION 5 - PLATFORM

FIGURE 5-24. SKYGUARD BAR INSTALLATION

ITEM	PART NUMBER	QTY	DESCRIPTION	REV
	1001238495	Ref	SKYGUARD BAR INSTALLATION	A
1	0100011	AR	Compound, Locking	
2	0641414	2	Bolt 1/4 x 1-3/4	
3	3300430	2	Nut 1/4	
4	3931408	2	Capscrew 1/4 x 1/2	
5	4240033	8	Tie-Strap	
6	4711400	6	Washer 1/4	
7	1001120328	1	Mount	
8	1001137673	1	SkyGuard Switch Assembly	
9	1001186517	2	Cover, Platform Sensor	
10	1001209664	2	Support, Block	
11	1001186431	2	Relay	
12	1001225580	1	Interface Harness Assembly (Not Shown - Located Inside Console Box) (See Separate Breakdown in ELECTRICAL Section)	
13	1001144433	1	Decal - No Weight SkyGuard	

SECTION 5 - PLATFORM

FIGURE 5-25. SKYLINE INSTALLATION



ART_1001238559_D

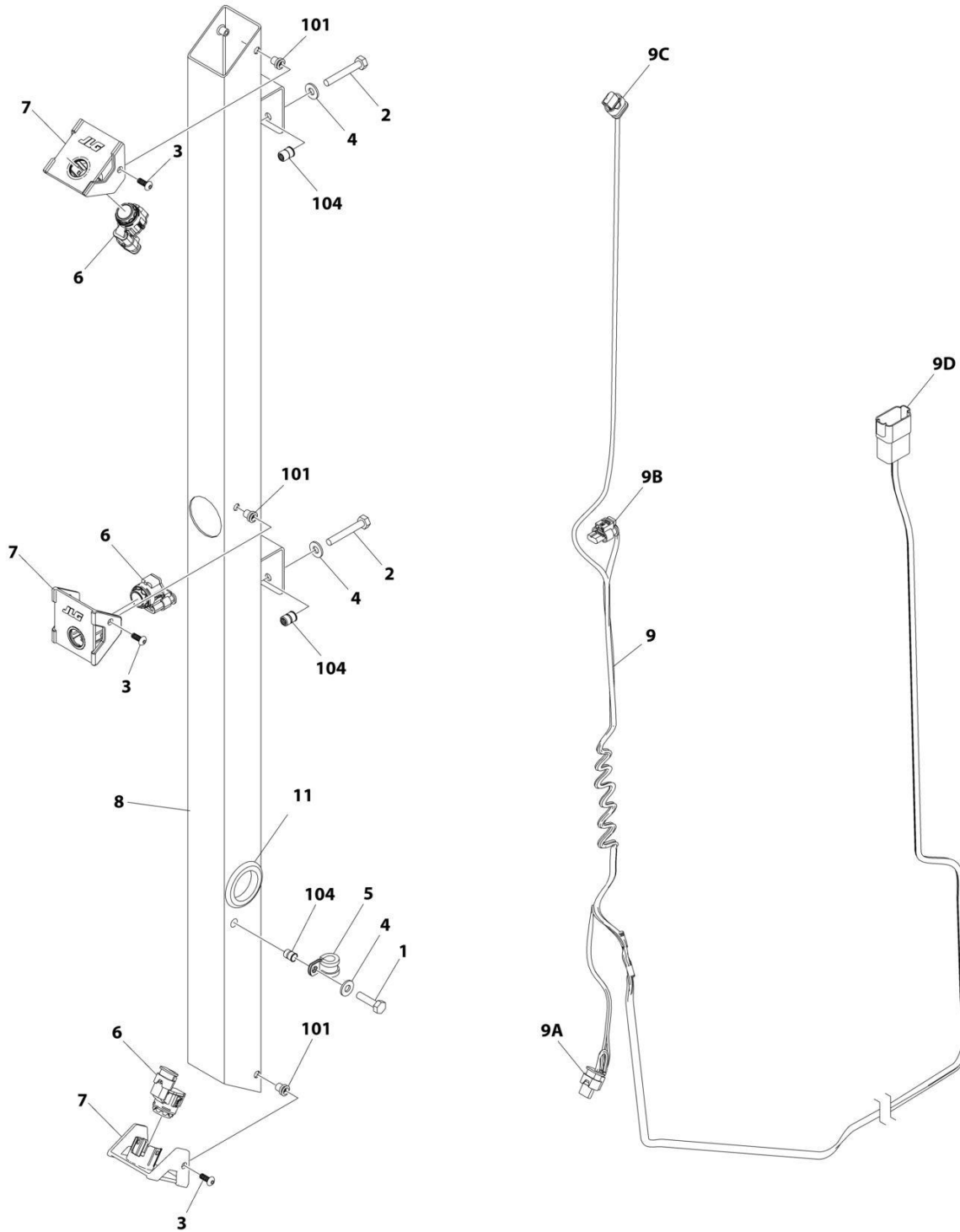
SECTION 5 - PLATFORM

FIGURE 5-25. SKYLINE INSTALLATION

ITEM	PART NUMBER	QTY	DESCRIPTION	REV
	1001238559	Ref	SKYLINE INSTALLATION	D
1	0641404	2	Bolt 1/4 x 1/2	
2	0641405	2	Bolt 1/4 x 5/8	
3	3311405	2	Nut 1/4	
4	3311601	2	Nut 3/8	
5	4031516	2	Capscrew M4 x 60	
6	4240033	AR	Tie-Strap (Not Shown)	
7	4711400	4	Washer 1/4	
8	1001120328	1	Mount	
9	1001232642	1	Bracket	
11	1001232667	1	Sensor, Proximity	
11	1001311034	1	Sensor, Proximity	
14	1001236552	1	Block	
15	1001238418	1	Harness, Skyline (See Separate Breakdown in ELECTRICAL Section)	
16	1001238472	1	Mount	
17	1001254473	1	Housing, LH	
18	1001241965	1	Housing, RH	
19	1001254472	1	Rod	
20	0100011	AR	Compound, Locking	

SECTION 5 - PLATFORM

FIGURE 5-26. SKYSENSE MID TUBE SENSOR ASSEMBLY



ART_1001243205

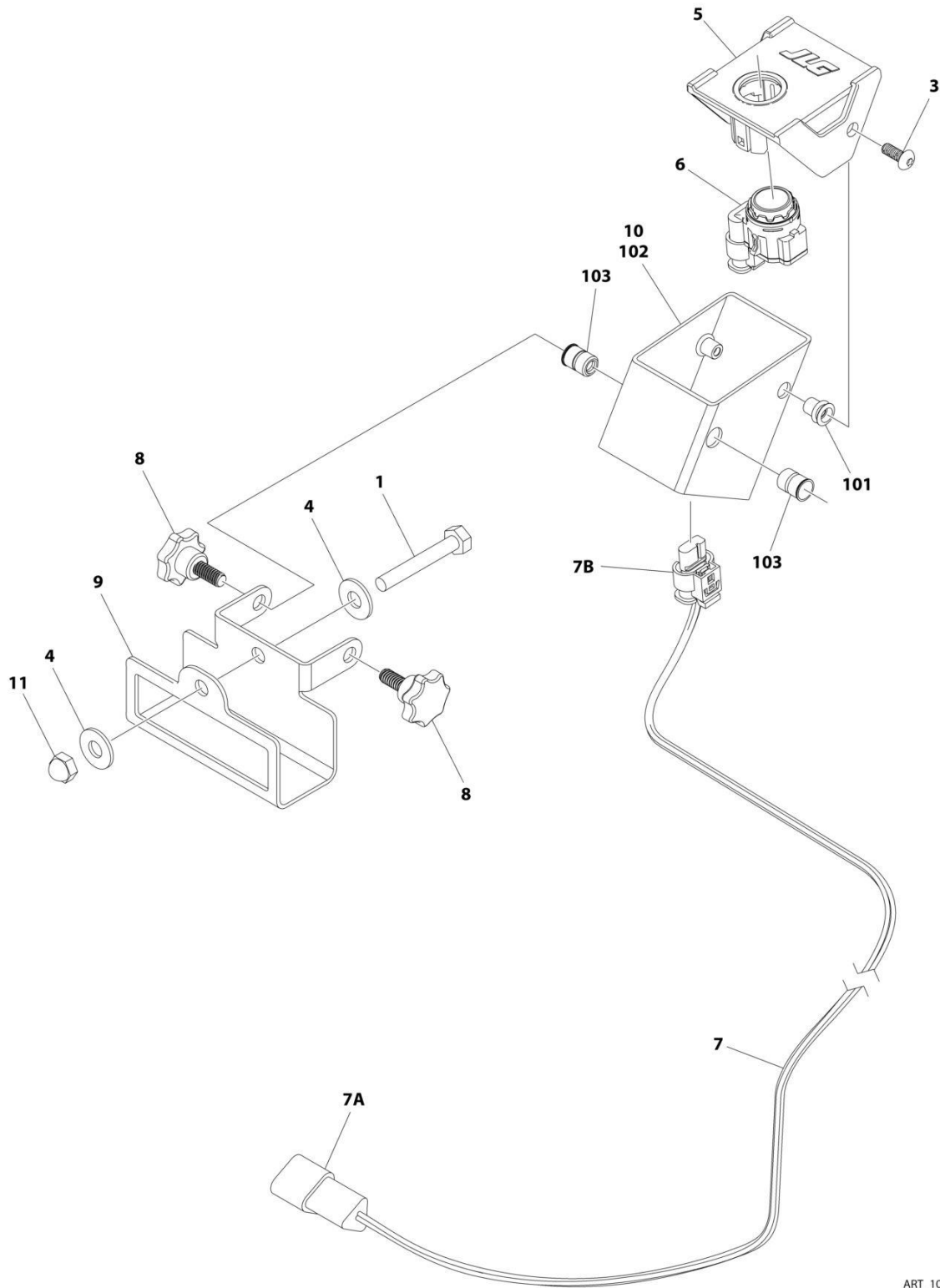
SECTION 5 - PLATFORM

FIGURE 5-26. SKYSENSE MID TUBE SENSOR ASSEMBLY

ITEM	PART NUMBER	QTY	DESCRIPTION	REV
	1001243205	Ref	SKYSENSE MID TUBE SENSOR ASSEMBLY	C
1	0641408	1	Bolt 1/4 x 1	
2	0641414	2	Bolt 1/4 x 1-3/4	
3	1001260525	6	Screw #10 x 1/2	
4	4711400	3	Washer 1/4	
5	1001260524	1	Clamp	
6	1001237902	3	Sensor, SkySense	
7	1001241162	3	Mount, Sensor	
8	1001243092	1	Tube Assembly (Includes items 101 through 104)	C
9	1001244336	1	Harness, SkySense Mid Tube	D
9A	1001237898	1	Connector	
9A	1001237888	3	Terminal	
9B	1001237898	1	Connector	
9B	1001237888	3	Terminal	
9C	1001237898	1	Connector	
9C	1001237888	3	Terminal	
9D	4460931	1	Connector	
9D	4460943	7	Pin	
9D	4460466	1	Plug	
10	1001246389	1	Decal (Not Shown)	
11	1001247252	1	Grommet	
101	2080069	6	Fastener	
104	1001258730	3	Rivnut	

SECTION 5 - PLATFORM

FIGURE 5-27. SKYSENSE OVERHEAD SENSOR ASSEMBLY



ART_1001244733

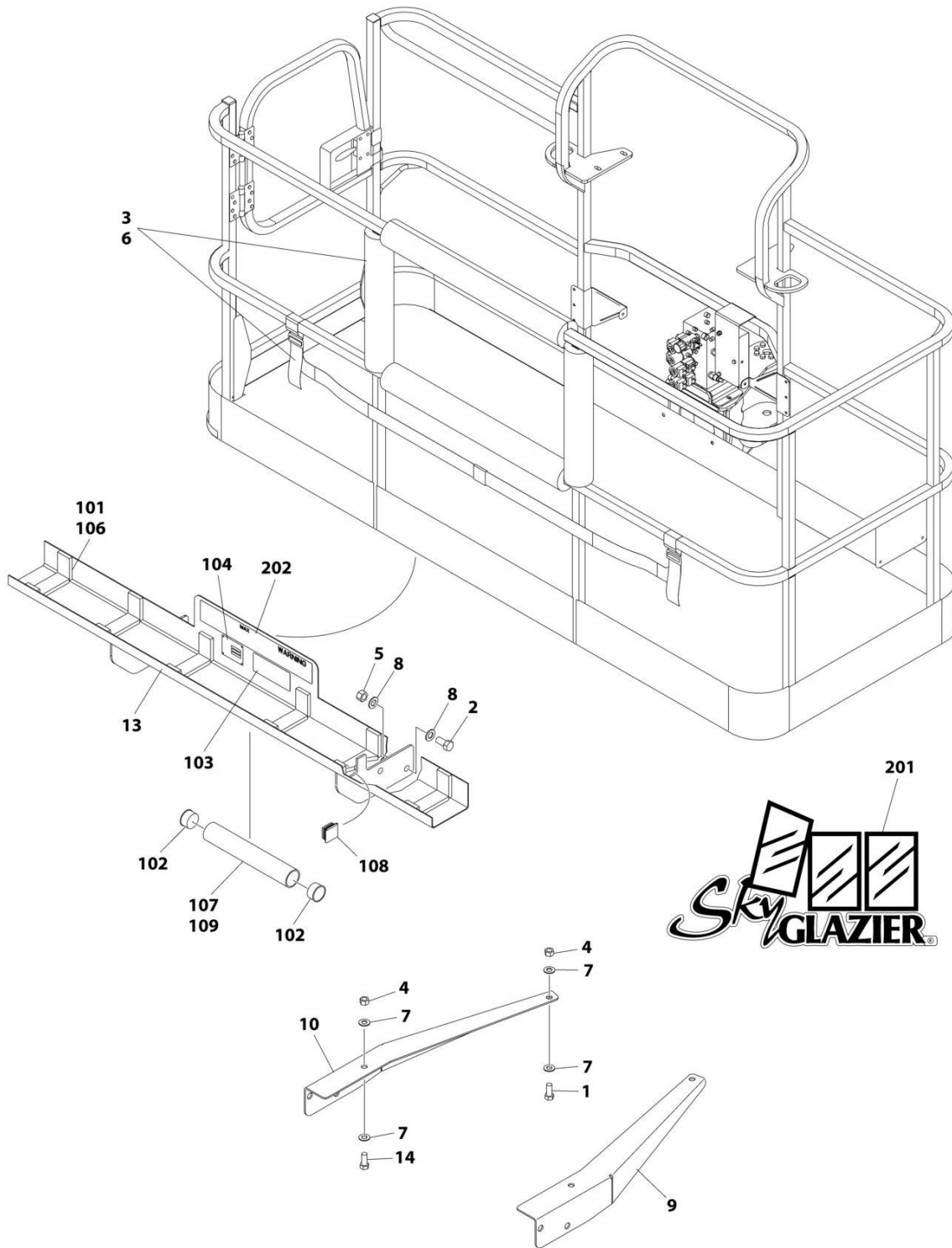
SECTION 5 - PLATFORM

FIGURE 5-27. SKYSENSE OVERHEAD SENSOR ASSEMBLY

ITEM	PART NUMBER	QTY	DESCRIPTION	REV
	1001244733	Ref	SKYSENSE OVERHEAD SENSOR ASSEMBLY	D
1	0641414	1	Bolt 1/4 x 1-3/4	
3	1001260525	2	Screw #10 x 1/2	
4	4751400	2	Washer 1/4	
5	1001237891	1	Mount, Sensor	
6	1001237902	1	Sensor, SkySense	
7	1001244335	1	Harness, SkySense Overhead	D
7A	4460536	1	Connector	
7A	4460943	3	Pin	
7B	1001237898	1	Connector	
7B	1001237888	1	Terminal	
8	1001244671	2	Knob	
9	1001244709	1	Bracket, Mounting	
10	1001244732	1	Housing Assembly (Includes items 101 through 103)	B
11	3300430	1	Nut	
101	2080069	2	Fastener	
102	1001244710	1	Housing, Sensor	
103	1001258730	2	Rivnut	

SECTION 5 - PLATFORM

FIGURE 5-28. SKYGLAZIER INSTALLATION (ANSI, ANSI EXPORT, AUSTRALIAN, CE AND CSA SPECS)



ART_1001172578

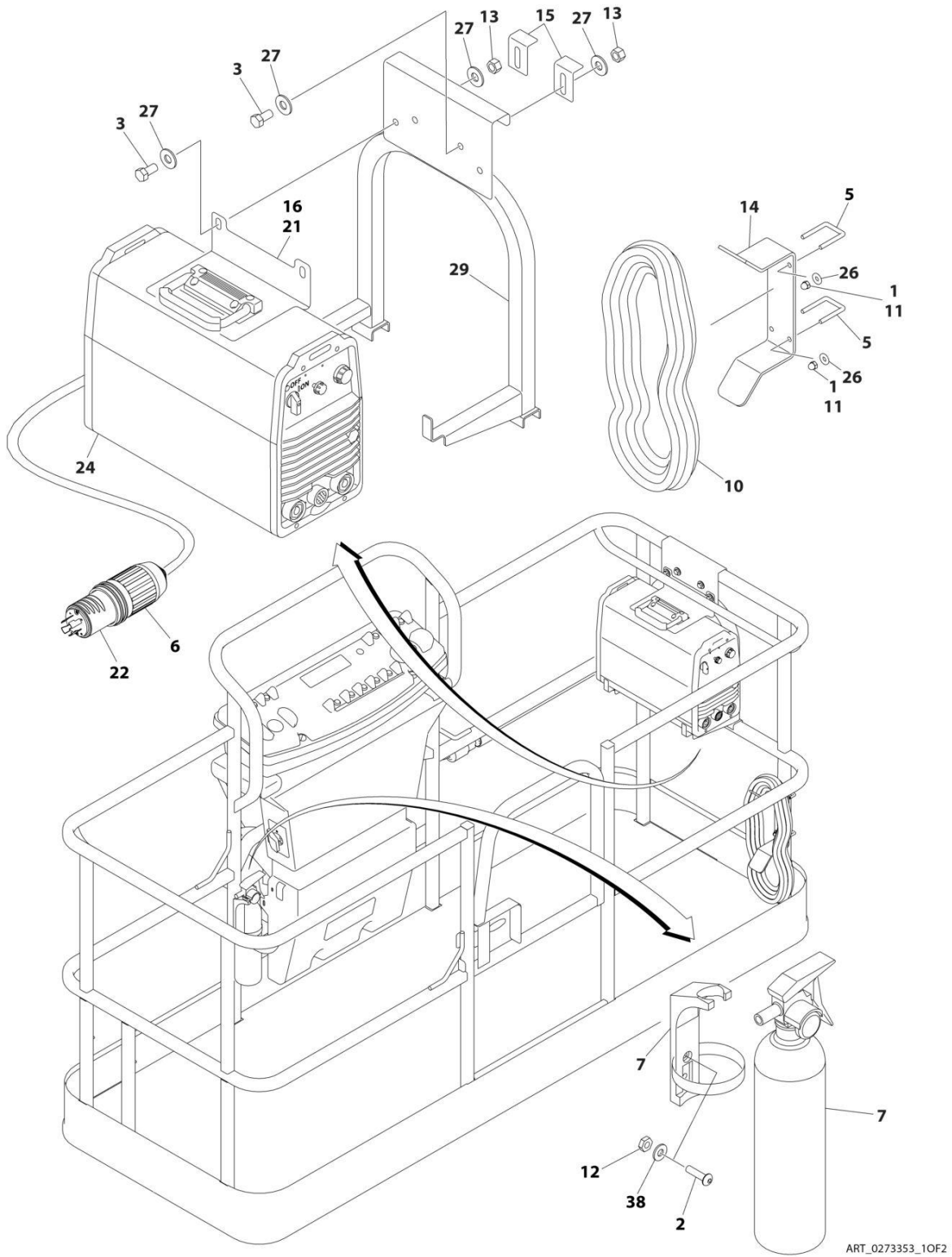
SECTION 5 - PLATFORM

FIGURE 5-28. SKYGLAZIER INSTALLATION (ANSI, ANSI EXPORT, AUSTRALIAN, CE AND CSA SPECS)

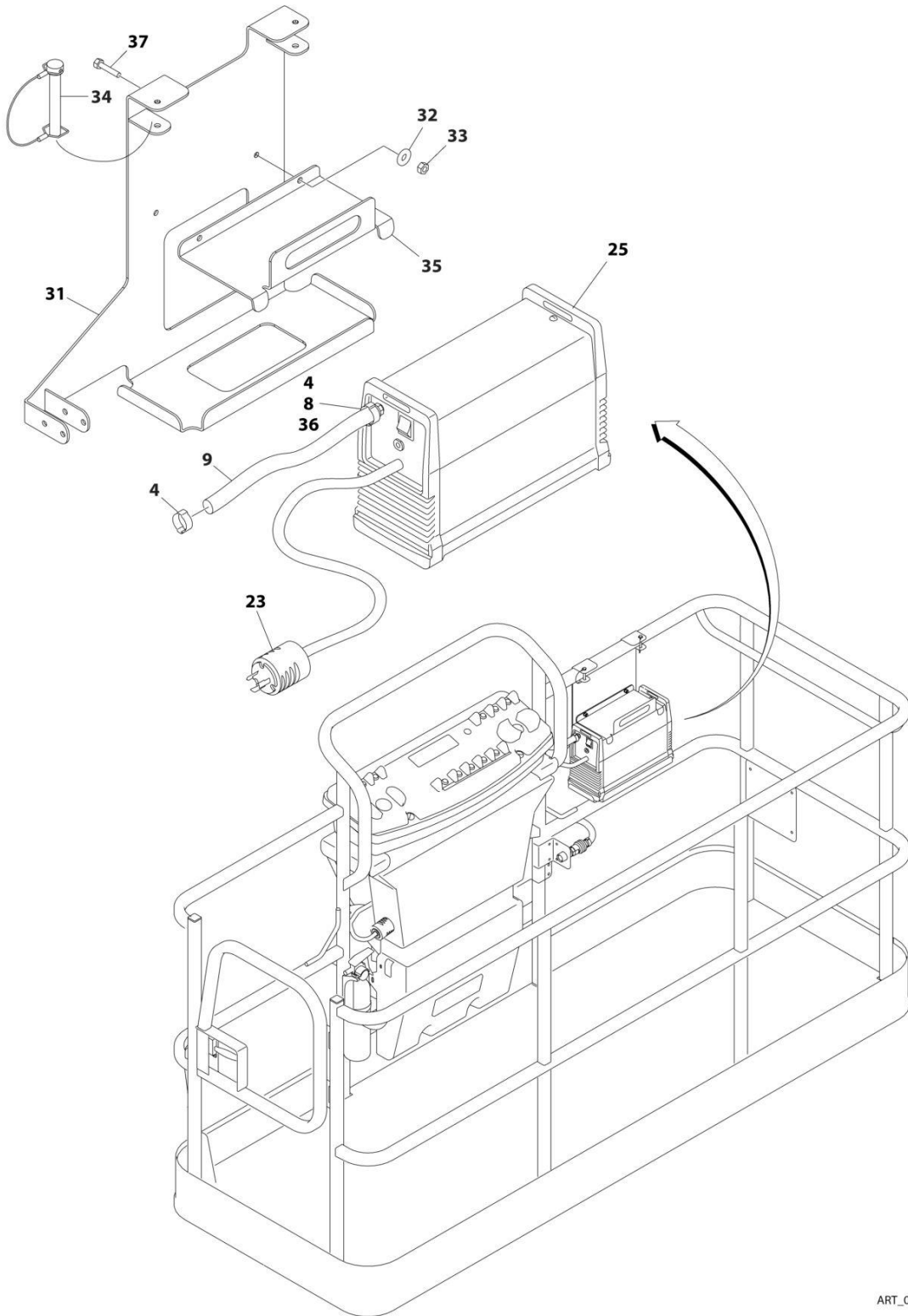
ITEM	PART NUMBER	QTY	DESCRIPTION	REV
	1001172578	Ref	SKYGLAZIER INSTALLATION	C
1	0642012	2	Bolt 5/8 x 1-1/2	
2	0642212	4	Bolt 3/4 x 1-1/2	
3	2902212	1	Bumpers and Strap Kit	
3	0940102	1	Bumper Only	
3	4240149	1	Strap Only	
4	3312005	4	Nut 5/8	
5	3312205	4	Nut 3/4	
6	4420014	AR	Tape	
7	4712000	6	Washer 5/8	
8	4712200	8	Washer 3/4	
9	1001099366	1	Support	
10	1001099367	1	Support	
13	1001172577	1	Tray Assembly (See Items 101-109 for Breakdown)	
14	8310129	2	Bolt 3/4 x 2-1/2	
	1001172577	Ref	TRAY ASSEMBLY	C
101	0100081	AR	Adhesive	
102	1120555	2	Cap, Tube	
103	1701509	2	Decal - Manual	
104	See Note	NSS	Nameplate - Serial Number (Note: Not Available for Purchase)	
106	3340956	1	Pad Kit	
107	3460334	1	Tube	
108	3520071	2	Plug	
109	4420066	AR	Tape, Double Sided	
	1001172570	Ref	SKYGLAZIER DECAL INSTALLATION (CSA SPECS) (ENGLISH DECALS)	C
	1001172620	Ref	SKYGLAZIER DECAL INSTALLATION (AUSTRALIAN SPEC) (AUSTRALIAN DECALS)	C
201	1705358	2	Decal - SkyGlazier	
202	1001199035	2	Decal - SkyGlazier Capacity (ANSI Specs)	
202	1001199036	2	Decal - SkyGlazier Capacity (Australian Specs)	

SECTION 5 - PLATFORM

FIGURE 5-29. SKYWELDER/SKYCUTTER COMBO INSTALLATION (60HZ)



SECTION 5 - PLATFORM



ART_0273353_20F2

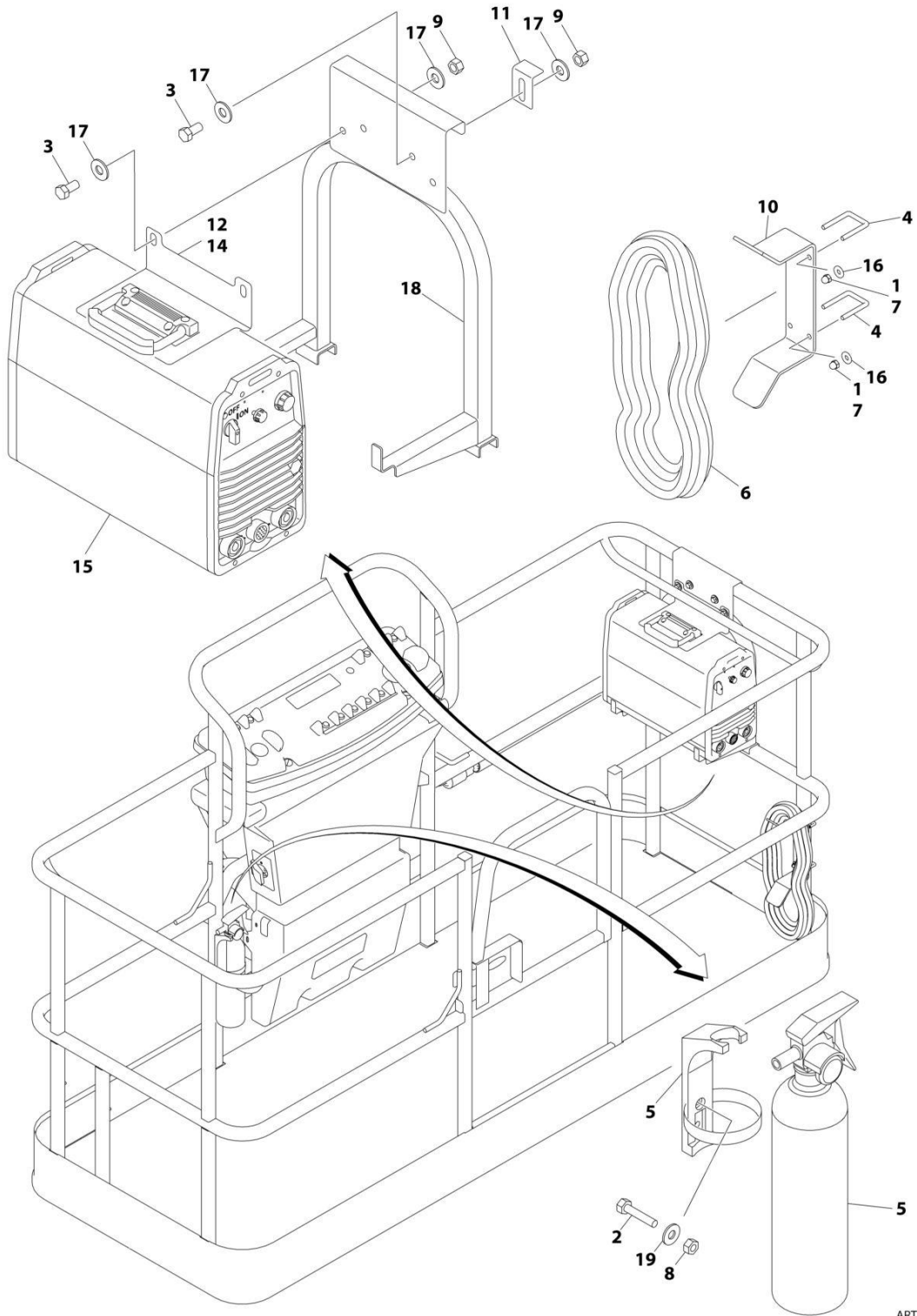
SECTION 5 - PLATFORM

FIGURE 5-29. SKYWELDER/SKYCUTTER COMBO INSTALLATION (60HZ)

ITEM	PART NUMBER	QTY	DESCRIPTION	REV
	0273353	Ref	SKYWELDER/SKYCUTTER COMBO INSTALLATION (60HZ)	G
1	0100011	AR	Compound, Locking	
2	0630518	2	Screw #10 x 3/4	
3	0641606	4	Bolt 3/8 x 3/4	
4	1320177	2	Clamp	
5	1320302	2	Clamp	
6	1671093	1	Cover, Plug	
7	2030010	1	Extinguisher, Fire	
8	2180832	1	Fitting, Barbed/NPT	
9	2720160	4.5 ft /1.37m	Hose	
10	2902217	1	Weld Leads Kit	
11	3300151	4	Nut 1/4	
12	3311005	2	Nut #10	
13	3311605	4	Nut 3/8	
14	3573400	1	Bracket	
15	3577121	2	Angle	
16	3573642	1	Plate	
20	4240099	AR	Tie-Strap (Not Shown)	
21	4420037	2.36 ft /.71m	Tape	
22	4460962	1	Plug, Twist Lock	
23	4460971	1	Plug, Twist Lock	
24	4530028	1	Welder Assembly (See Separate Breakdown in this section)	
25	1001098012	1	Plasma Cutter Assembly (See Separate Breakdown in this Section)	
26	4751400	4	Washer 1/4	
27	4751600	8	Washer 3/8	
29	4846627	1	Support	
31	1001145405	1	Bracket	
32	4811700	2	Washer M6	
33	3290605	2	Nut M6	
34	3421453	3	Pin	
35	3576799	1	Plate, Hold-Down	
36	0100020	1	Sealant	
37	4010608	2	Screw M6 x 16	
38	4751000	2	Washer #10	

SECTION 5 - PLATFORM

FIGURE 5-30. SKYWELDER INSTALLATION (50HZ)



ART_0272521_F

SECTION 5 - PLATFORM

FIGURE 5-30. SKYWELDER INSTALLATION (50HZ)

ITEM	PART NUMBER	QTY	DESCRIPTION	REV
	0272521	Ref	SKYWELDER INSTALLATION	F
1	0100011	AR	Compound, Locking	
2	0630518	2	Screw #10 x 3/4	
3	0641606	4	Bolt 3/8 x 3/4	
4	1320302	2	U-Clamp	
5	2030010	1	Extinguisher, Fire	
6	2902217	1	Weld Leads Kit	
7	3300151	4	Nut 1/4	
8	3311005	2	Nut #10	
9	3311605	4	Nut 3/8	
10	3573400	1	Bracket	
11	3577121	2	Angle	
12	3573642	1	Plate	
13	4240099	AR	Tie-Strap (Not Shown)	
14	4420037	AR	Tape	
15	4530028	1	Welder Assembly (See Separate Breakdown in this Section)	
16	4751400	4	Washer 1/4	
17	4751600	8	Washer 3/8	
18	4846627	1	Support	
19	4751000	2	Washer #10	

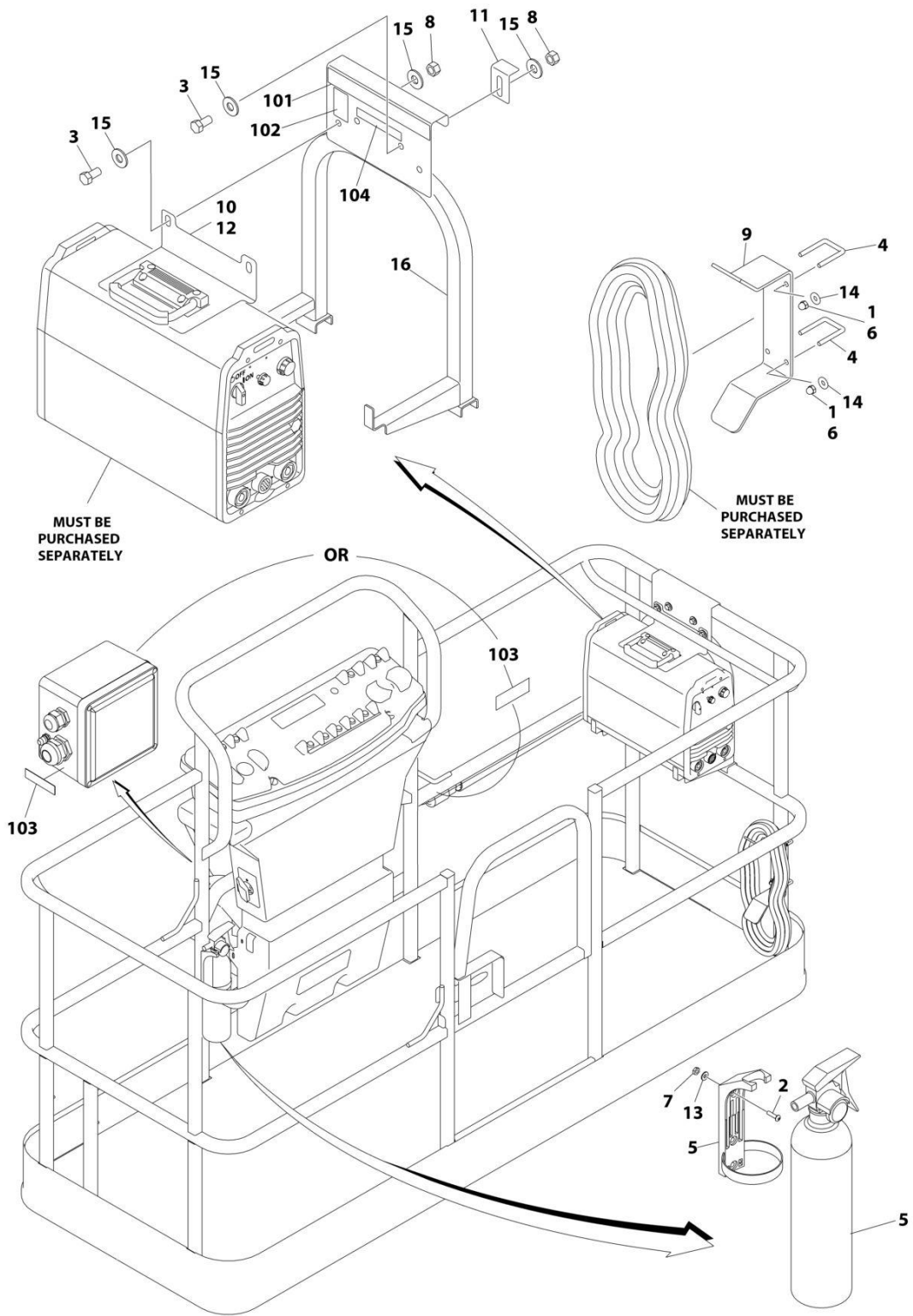
SECTION 5 - PLATFORM

FIGURE 5-31. SKYWELDER INSTALLATION (60HZ)

ITEM	PART NUMBER	QTY	DESCRIPTION	REV
	0272254	Ref	SKYWELDER INSTALLATION	1
1	0100011	AR	Compound, Locking	
2	0630518	2	Screw #10 x 3/4	
3	0641606	4	Bolt 3/8 x 3/4	
4	1320302	2	U-Clamp	
5	2030010	1	Extinguisher, Fire	
6	2902217	1	Weld Leads Kit	
7	3300151	4	Nut 1/4	
8	3311005	2	Nut #10	
9	3311605	4	Nut 3/8	
10	3573400	1	Bracket	
11	3577121	2	Angle	
12	3573642	1	Plate	
13	4420037	AR	Tape	
14	4240099	AR	Tie-Strap (Not Shown)	
15	4460962	1	Plug, Male Twistlock	
17	4530028	1	Welder Assembly (See Separate Breakdown in this Section)	
18	4751400	4	Washer 1/4	
19	4751600	8	Washer 3/8	
20	4846627	1	Support	
21	1671093	1	Cover, Plug	
22	4751000	2	Washer #10	

SECTION 5 - PLATFORM

FIGURE 5-32. SKYWELDER PREP PACKAGE (60HZ)



ART_1001128527_B

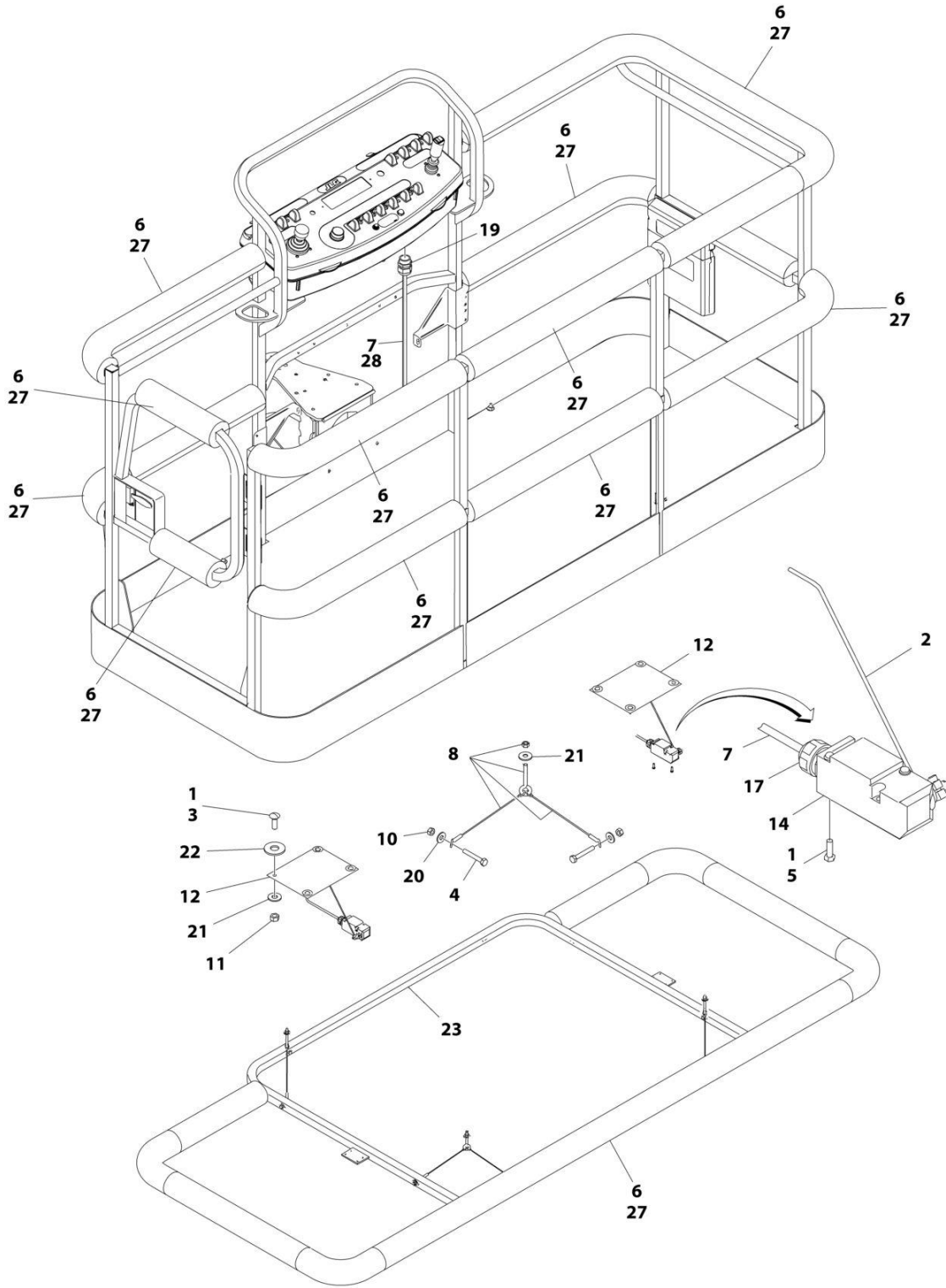
SECTION 5 - PLATFORM

FIGURE 5-32. SKYWELDER PREP PACKAGE (60HZ)

ITEM	PART NUMBER	QTY	DESCRIPTION	REV
	1001128527	Ref	SKYWELDER PREP PACKAGE	B
1	0100011	AR	Compound, Locking	
2	0630518	2	Screw #10 x 3/4	
3	0641606	4	Bolt 3/8 x 3/4	
4	1320302	2	U-Clamp	
5	2030010	1	Extinguisher, Fire	
6	3300151	4	Nut 1/4	
7	3311005	2	Nut #10	
8	3311605	4	Nut 3/8	
9	3573400	1	Bracket	
10	3573642	1	Plate	
11	3577121	2	Angle	
12	4420037	AR	Tape	
13	4751000	2	Washer #10	
14	4751400	4	Washer 1/4	
15	4751600	8	Washer 3/8	
16	4846627	1	Support	
	1001128556	Ref	SKYWELDER DECAL INSTALLATION	C
101	1702868	1	Decal - No Hands	
102	1705305	1	Decal - Weld Lead	
103	1705375	1	Decal - 240V - 3 Phase - 60Hz	
104	1001228988	1	Decal - Weight	

SECTION 5 - PLATFORM

FIGURE 5-33. SOFT TOUCH SYSTEM INSTALLATION - 8FT/2.4M PLATFORMS (OPTIONAL)



ART_0272427_H

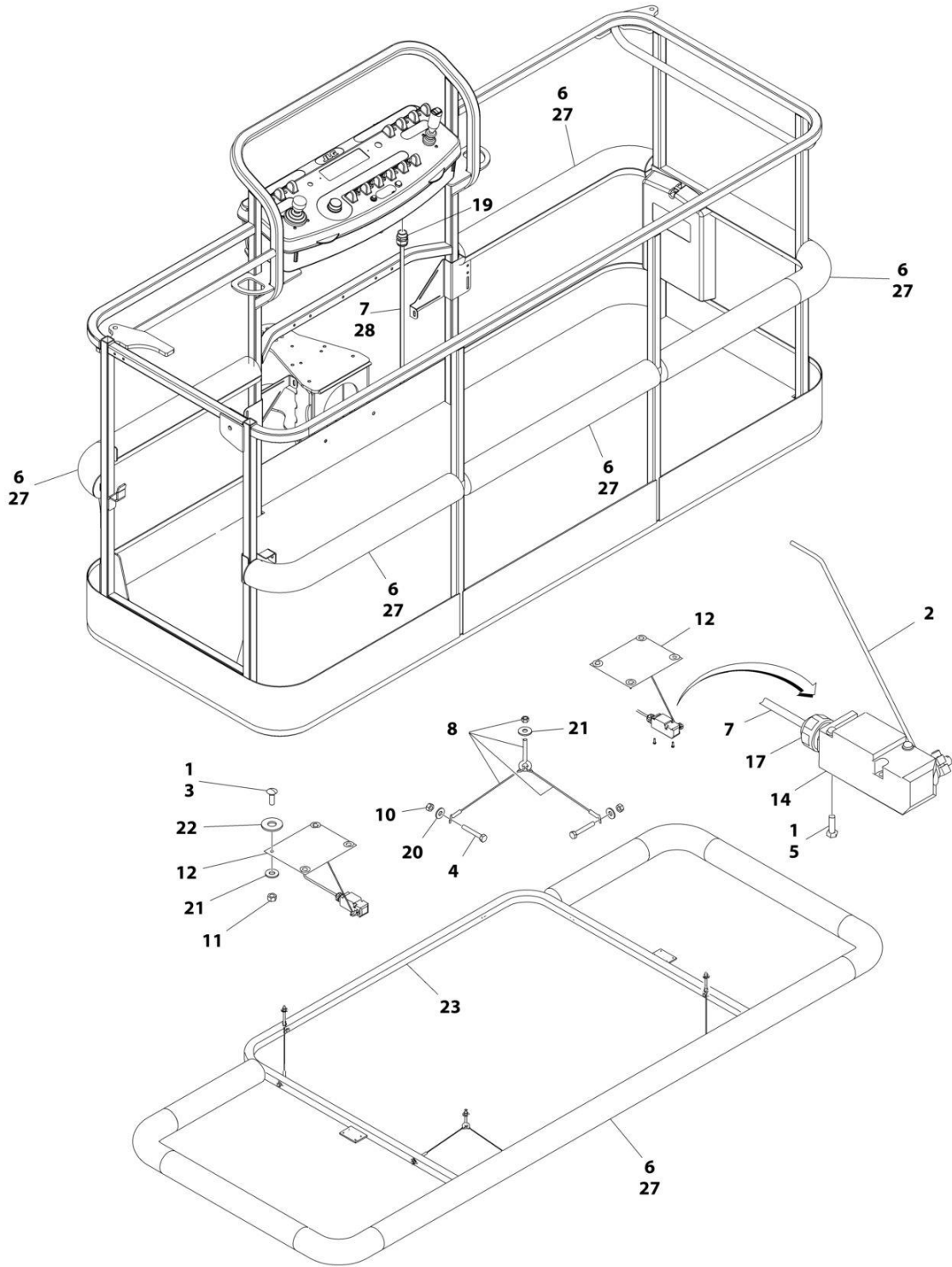
SECTION 5 - PLATFORM

FIGURE 5-33. SOFT TOUCH SYSTEM INSTALLATION - 8FT/2.4M PLATFORMS (OPTIONAL)

ITEM	PART NUMBER	QTY	DESCRIPTION	REV
	0272427	Ref	SOFT TOUCH INSTALLATION - 36IN X 8FT (91.5CM X 2.44M) PLATFORM	H
1	0100011	AR	Compound, Locking	
2	0200048	2	Arm, Switch	
3	0630462	8	Bolt	
4	0641414	8	Bolt 1/4 x 1-3/4	
5	0721005	4	Bolt #10 x 5/8	
6	0940103	1	Bumper Kit (Includes Corners and Enough Straight Material for One Platform)	
6	0940092	12	Bumper (Corner)	
6	0940094	AR	Bumper (12ft Length)	
7	1060341	23 ft/7m	Cable, Soft Touch - 16/2	
8	1060903	4	Wire Rope and Eyebolt Assembly	
10	3311401	8	Nut 1/4	
11	3311501	8	Nut 5/16	
12	3574091	2	Plate, Switch Strike	
13	4240099	7	Tie-Strap (Not Shown)	
14	4360057	2	Switch, Limit	
17	4460049	2	Connector, Strain Relief	
18	4460234	7	Tie-Strap (Not Shown)	
19	4460425	1	Connector, Strain Relief	
20	4751400	8	Washer 1/4	
21	4751500	12	Washer 5/16	
22	4751800	8	Washer 1/2	
23	4846673	1	Rail, Soft Touch	
27	1001197017	AR	Tie-Strap	
28	4460226	1	Socket	

SECTION 5 - PLATFORM

FIGURE 5-34. SOFT TOUCH SYSTEM INSTALLATION - 8FT/2.44M FALL ARREST PLATFORM



ART_0273706_E

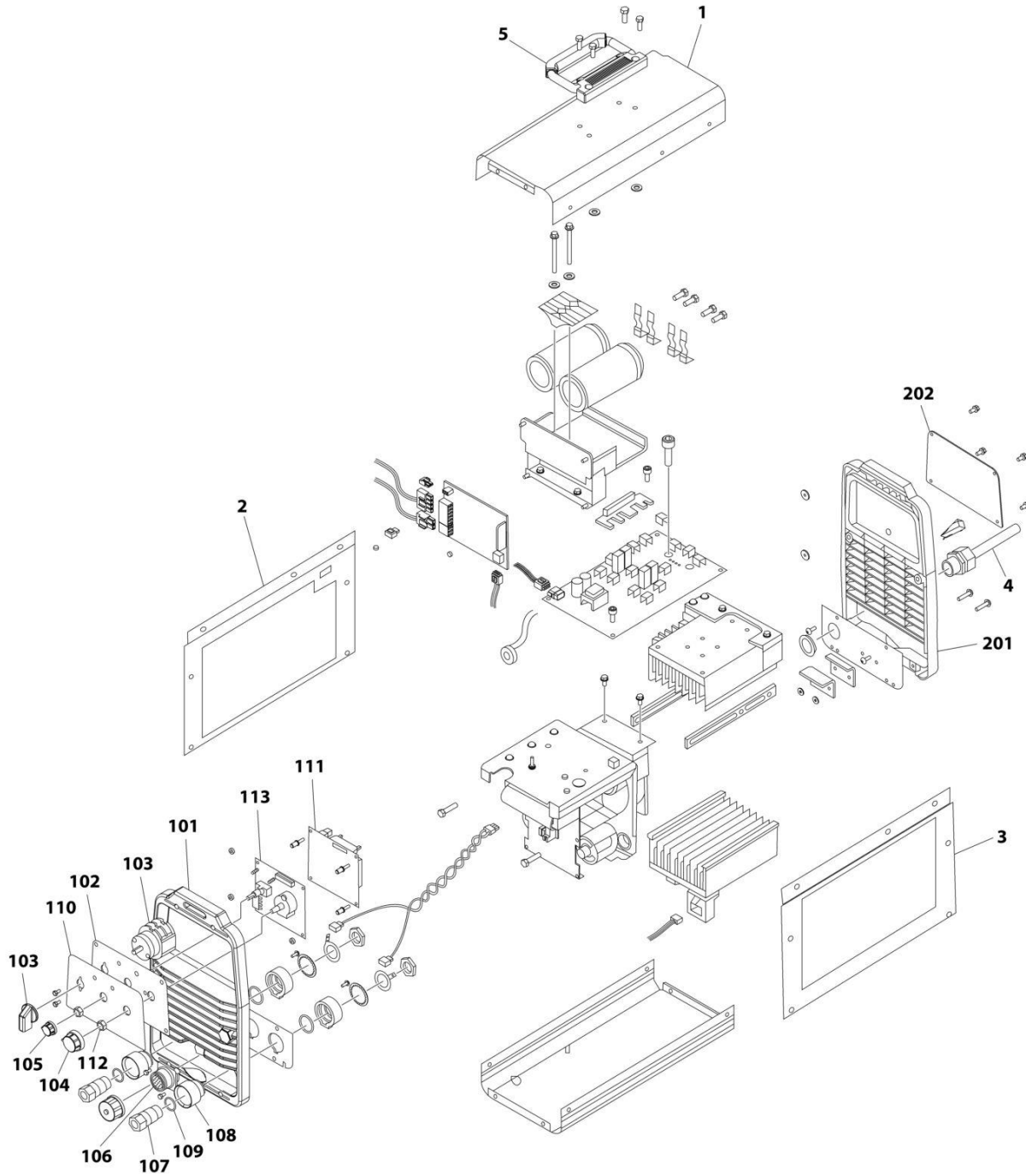
SECTION 5 - PLATFORM

FIGURE 5-34. SOFT TOUCH SYSTEM INSTALLATION - 8FT/2.44M FALL ARREST PLATFORM

ITEM	PART NUMBER	QTY	DESCRIPTION	REV
	0273706	Ref	SOFT TOUCH INSTALLATION	E
1	0100011	AR	Compound, Locking	
2	0200048	2	Arm, Switch	
3	0630462	8	Bolt	
4	0641414	8	Bolt 1/4 x 1-3/4	
5	0721005	4	Bolt #10 x 5/8	
6	0940133	1	Bumper Kit (Includes Corners and Enough Straight Material for One Platform)	
6	0940092	8	Bumper (Corner)	
6	0940094	AR	Bumper (12ft Length)	
7	1060341	23 ft/7m	Cable, Soft Touch - 16/2	
8	1060903	4	Wire Rope and Eyebolt Assembly	
10	3311401	8	Nut 1/4	
11	3311501	8	Nut 5/16	
12	3574091	2	Plate, Switch Strike	
13	4240099	7	Tie-Strap (Not Shown)	
14	4360057	2	Switch, Limit	
17	4460049	2	Connector, Strain Relief	
18	4460234	7	Tie-Strap (Not Shown)	
19	4460425	1	Connector, Strain Relief	
20	4751400	8	Washer 1/4	
21	4751500	12	Washer 5/16	
22	4751800	8	Washer 1/2	
23	4846673	1	Rail, Soft Touch	
27	1001197017	AR	Tie-Strap	
28	4460226	4	Socket	

SECTION 5 - PLATFORM

FIGURE 5-35. WELDER ASSEMBLY



ART_4530028

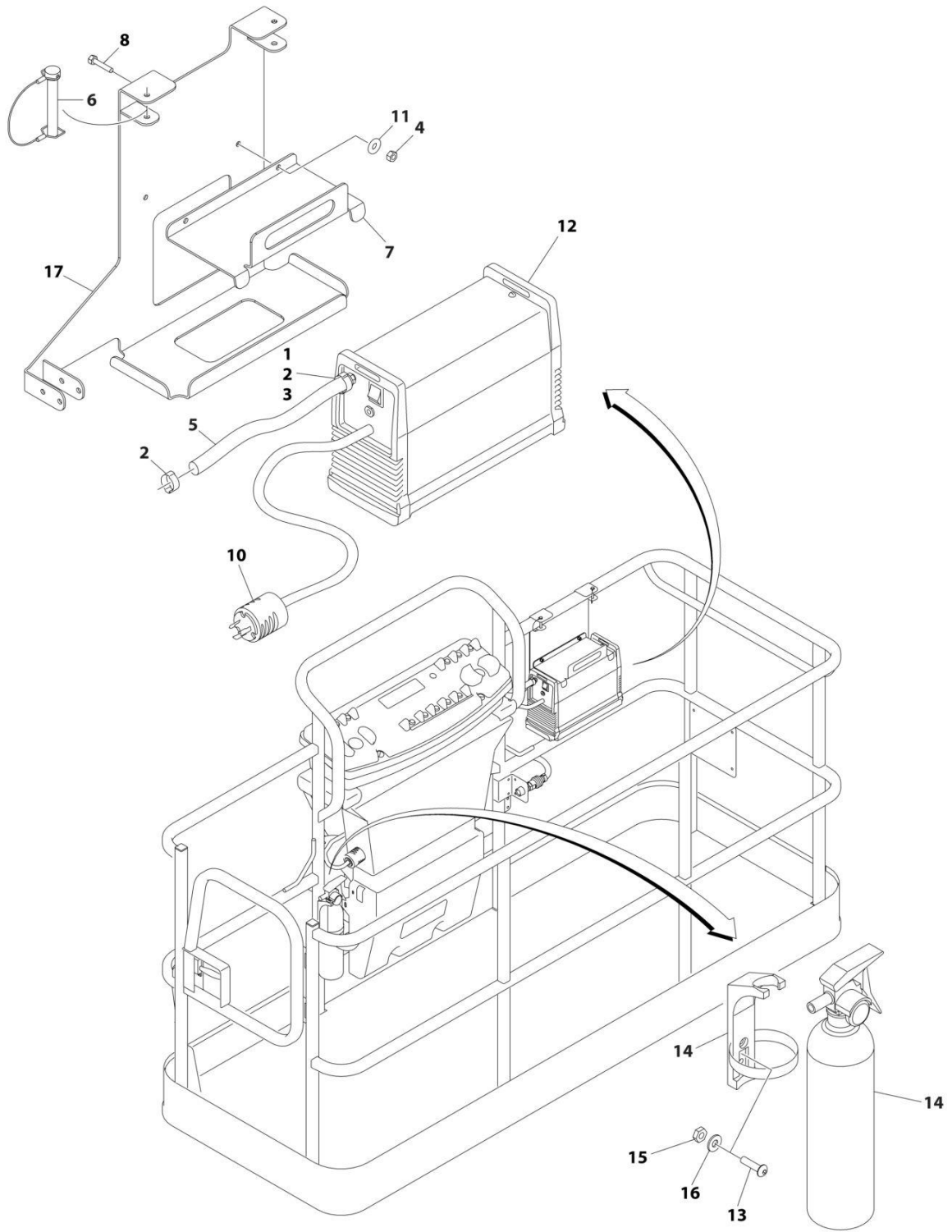
SECTION 5 - PLATFORM

FIGURE 5-35. WELDER ASSEMBLY

ITEM	PART NUMBER	QTY	DESCRIPTION	REV
	4530028	Ref	WELDER ASSEMBLY	B
		Ref	Note: For Other Components, contact your Miller Welder Dealer.	
1	7027773	1	Cover, Top	
1	7027774	1	Decal - Static Precautionary Warning	
2	See Note	NSS	Panel, LH Side (Note: Part of Item 1. Purchase Item 1)	
3	See Note	NSS	Panel, RH Side (Note: Part of Item 1. Purchase Item 1)	
4	7024467	1	Cable, Power	
4	7027775	1	Decal - Electrical Shock Warning (Not Shown)	
5	7027776	1	Handle, Carrying	
101	7024462	1	Panel, Front	
102	7024463	1	Panel, Console	
103	7024469	1	Switch with Lead	
104	7024470	1	Knob	
105	7024471	1	Knob	
106	7024472	1	Receptacle with Leads and Plugs	
107	7024473	2	Receptacle, Twistlock Female	
108	7024474	2	Insulator	
109	7024475	2	O-Ring	
110	7027777	1	Nameplate	
111	7027779	1	Circuit Card Assembly (Process Control)	
112	7024478	2	Nut	
113	7027778	1	Circuit Card Assembly (Operator Interface)	
201	7024462	1	Panel, Rear	
202	7027780	1	Panel, Cover	

SECTION 5 - PLATFORM

FIGURE 5-36. SKYCUTTER INSTALLATION



ART_1001098149_D

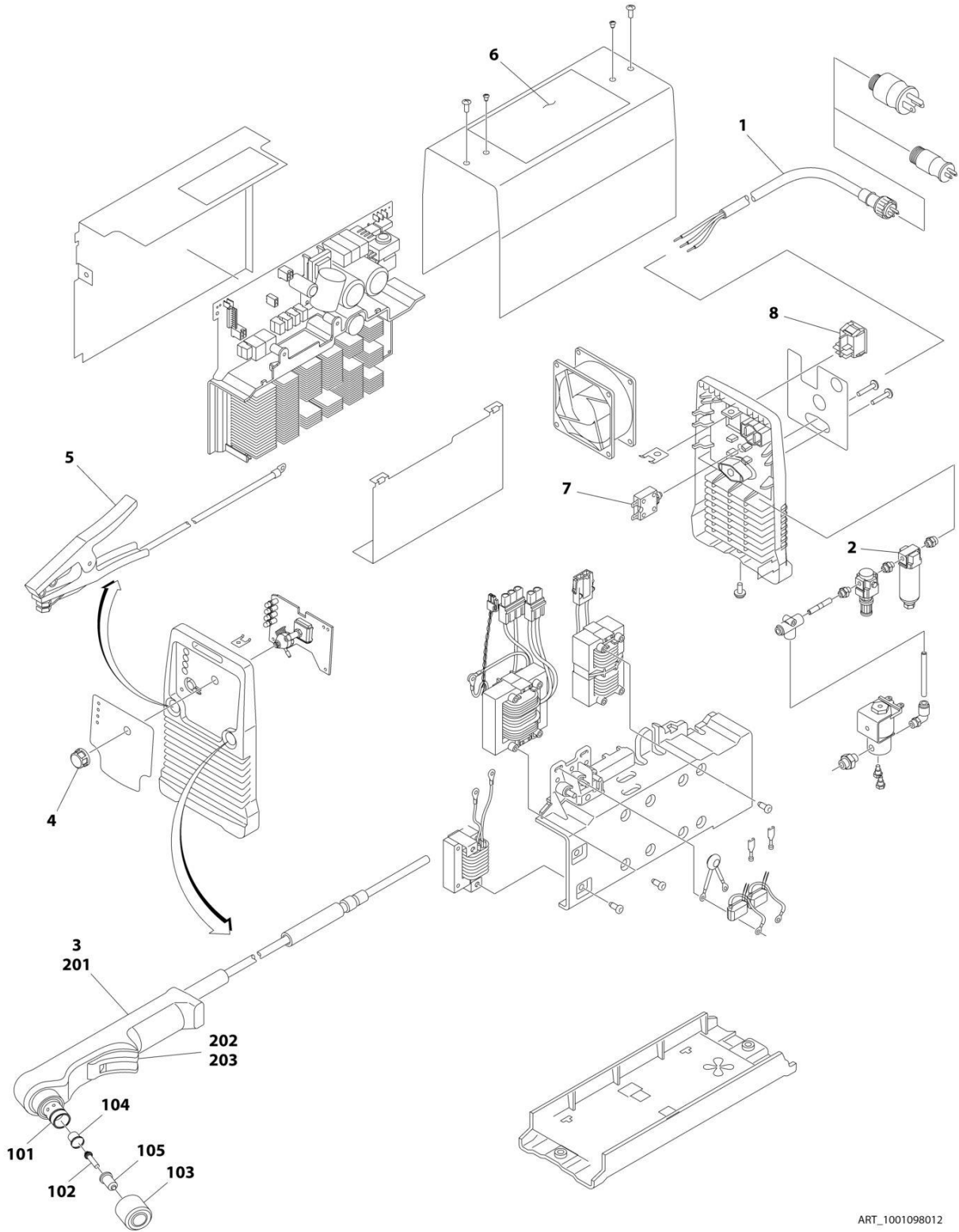
SECTION 5 - PLATFORM

FIGURE 5-36. SKYCUTTER INSTALLATION

ITEM	PART NUMBER	QTY	DESCRIPTION	REV
	1001098149	Ref	SKYCUTTER INSTALLATION	D
		Ref	Note: When replacing platform on machines with SkyCutter option, new bracket p/n 1001145405 must be purchased to accommodate SkyCutter components.	
1	0100020	AR	Sealant	
2	1320177	2	Clamp, Hose	
3	2180832	1	Fitting, NPT/Barbed	
4	3290605	2	Nut M6	
5	2720160	3 ft /.9m	Hose	
6	3421453	3	Pin	
7	3576799	1	Plate, Hold-Down	
8	4010608	2	Screw M6 x 16	
10	4460971	1	Plug, Twistlock	
11	4811700	2	Washer M6	
12	1001098012	1	Plasma Cutter Assembly (See Separate Breakdown in this Section)	
13	0630518	2	Screw #10 x 3/4	
14	2030010	1	Extinguisher, Fire	
15	3311005	2	Nut #10	
16	4751000	2	Washer #10	
17	1001145405	1	Support	

SECTION 5 - PLATFORM

FIGURE 5-37. PLASMA CUTTER ASSEMBLY



ART_1001098012

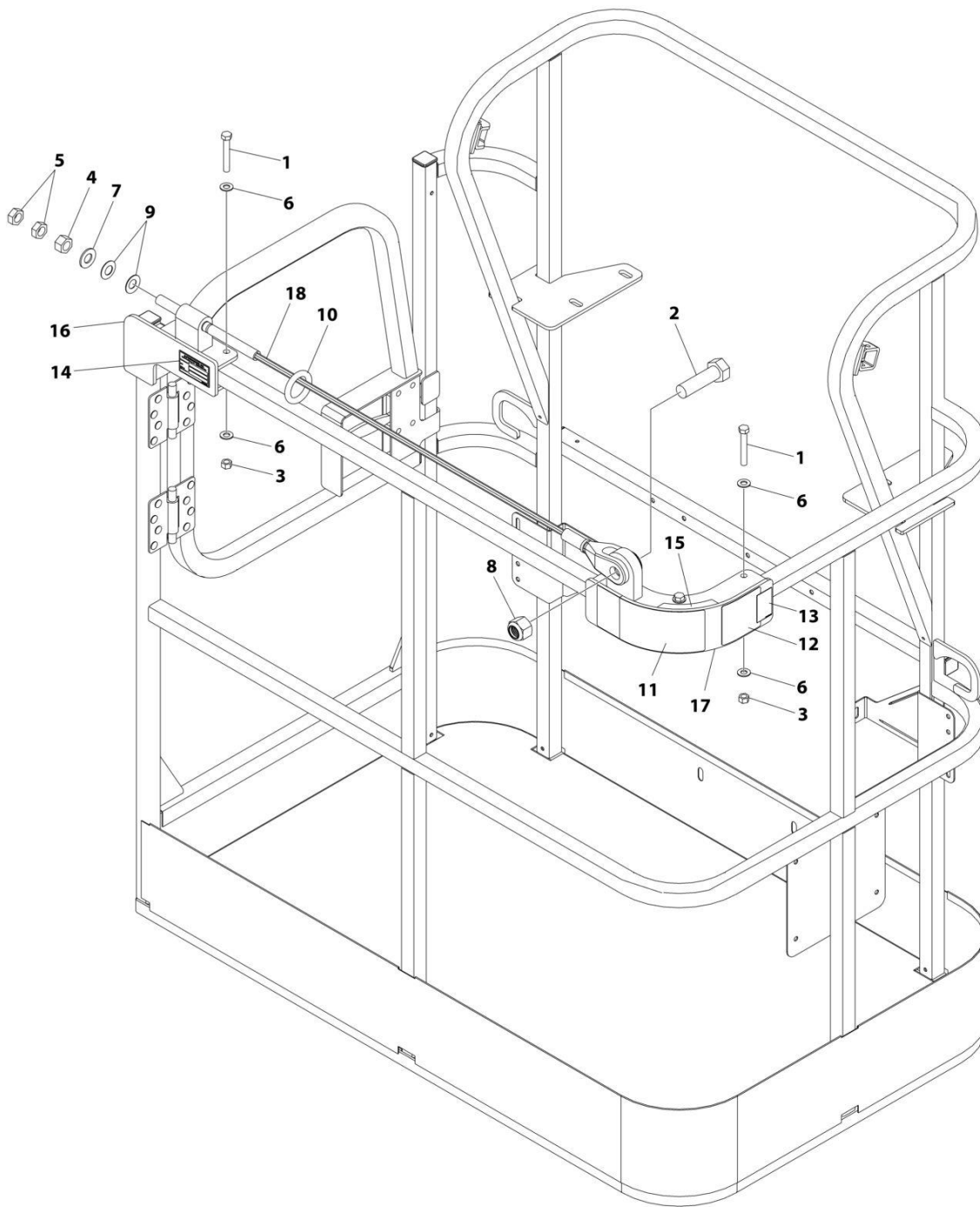
SECTION 5 - PLATFORM

FIGURE 5-37. PLASMA CUTTER ASSEMBLY

ITEM	PART NUMBER	QTY	DESCRIPTION	REV
	1001098012	Ref	PLASMA CUTTER ASSEMBLY	A
		Ref	Note: For Other Components, contact your Miller Welder Dealer.	
1	70001424	1	Cable, Power	
1	70001425	1	Decal - Voltage Warning	
2	70001427	1	Filter, Regulator	
3	70001428	1	Torch Assembly (See Items 101-203 for Breakdown)	
4	7024471	1	Knob	
5	70001429	1	Clamp with Cable	
6	70001430	1	Decal - Caution	
7	70001431	1	Breaker, Circuit	
8	70001432	1	Switch, Rocker	
	70001428	Ref	TORCH ASSEMBLY	
101	7024530	1	O-Ring	
102	7024531	1	Electrode	
103	7024532	1	Cup, Retaining	
104	7024533	1	Swirl Ring	
105	7024534	1	Tip	
201	7024535	1	Handle, Torch	
202	7024536	1	Switch	
203	7024537	1	Trigger	

SECTION 5 - PLATFORM

FIGURE 5-38. FALL ARREST INSTALLATION (BOLT - ON EXTERNAL) 4FFT/1.22M PLATFORM)



ART_1001261338

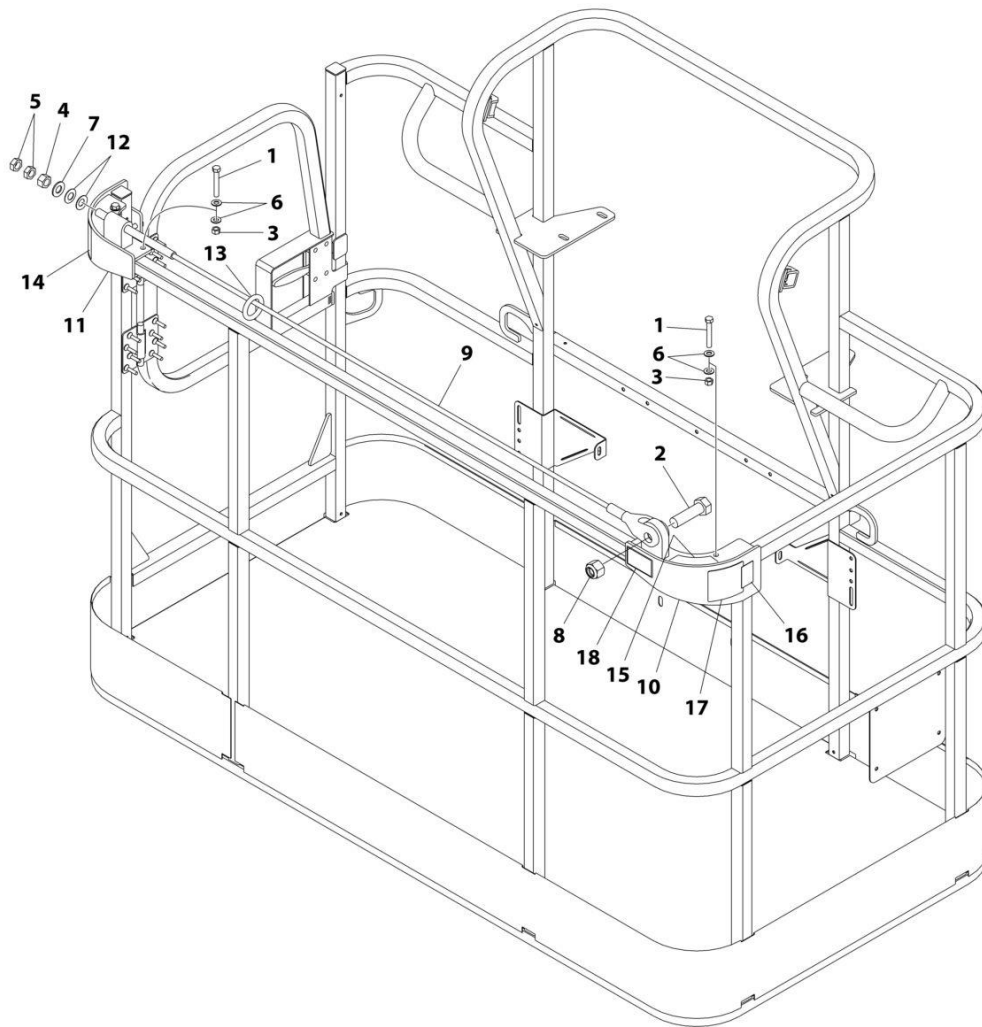
SECTION 5 - PLATFORM

FIGURE 5-38. FALL ARREST INSTALLATION (BOLT - ON EXTERNAL) 4FFT/1.22M PLATFORM)

ITEM	PART NUMBER	QTY	DESCRIPTION	REV
	1001261338	Ref	FALL ARREST INSTALLATION	A
1	0681620	6	Bolt 3/8 x 2-1/2	
2	0682424	1	Bolt 7/8 x 3	
3	3271605	6	Nut 3/8	
4	3272001	1	Nut 5/8	
5	3312002	2	Nut 5/8	
6	4711600	12	Washer 3/8	
7	4712000	1	Washer 5/8	
8	88521214	1	Nut 7/8	
9	1001236891	2	Washer	
10	1001236895	1	Ring	
11	1001238263	1	Decal - Warning Falling Hazard	
12	1001248140	1	Decal - Bolt Fall Arrest Re-Cert	
13	1001248141	1	Decal - Incription	
14	See Note	NSS	Nameplate - Manufacturers Serial Number (Note: Not Available for Purchase)	
15	1001252629	1	Decal - Weight	
16	1001257271	1	Bracket (RH)	
17	1001257274	1	Bracket (LH)	
18	1001261335	1	Rope	

SECTION 5 - PLATFORM

FIGURE 5-39. FALL ARREST INSTALLATION (BOLT-ON EXTERNAL) (6FT/1.82M PLATFORM)



ART_1001236747

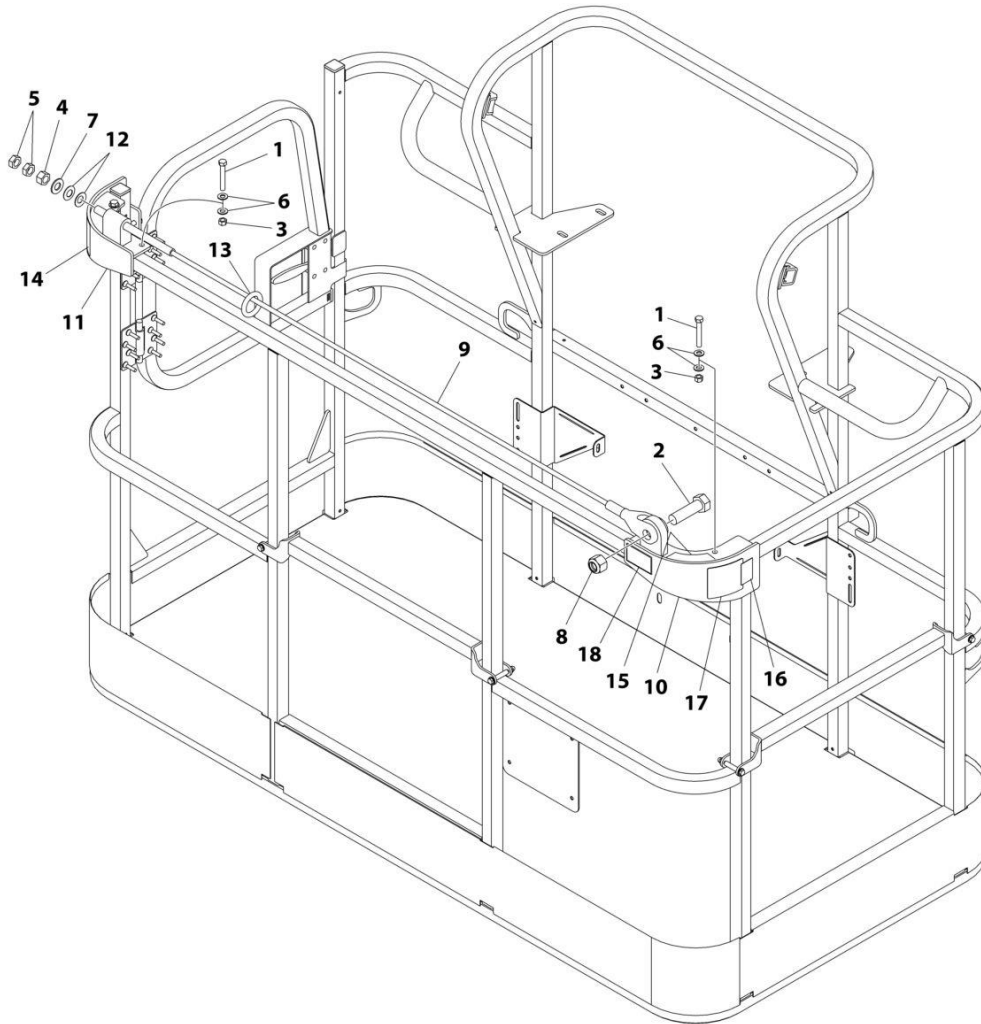
SECTION 5 - PLATFORM

FIGURE 5-39. FALL ARREST INSTALLATION (BOLT-ON EXTERNAL) (6FT/1.82M PLATFORM)

ITEM	PART NUMBER	QTY	DESCRIPTION	REV
	1001236747	Ref	FALL ARREST INSTALLATION (BOLT - ON) 6FT/1.82M PLATFORM	C
1	0681620	6	Bolt 3/8 x 2-1/2	
2	0682424	1	Bolt 7/8 x 3	
3	3271605	6	Nut 3/8	
4	3272001	1	Nut 5/8	
5	3312002	2	Nut 5/8	
6	4711600	12	Washer 3/8	
7	4712000	1	Washer 5/8	
8	88521214	1	Nut 7/8	
9	1001231950	1	Rope	
10	1001232010	1	Bracket (RH)	
11	1001232011	1	Bracket (LH)	
12	1001236891	2	Washer	
13	1001236895	1	Ring	
14	1001238263	1	Decal - Warning Falling Hazard	
15	1001252629	1	Decal - Weight	
16	1001248140	1	Decal - Bolt Fall Arrest Re-Cert	
17	1001248141	1	Decal - Inscription	

SECTION 5 - PLATFORM

FIGURE 5-40. FALL ARREST INSTALLATION (BOLT-ON EXTERNAL) (6FT/1.82M TRI-ENTRY PLATFORM)



ART_1001238463

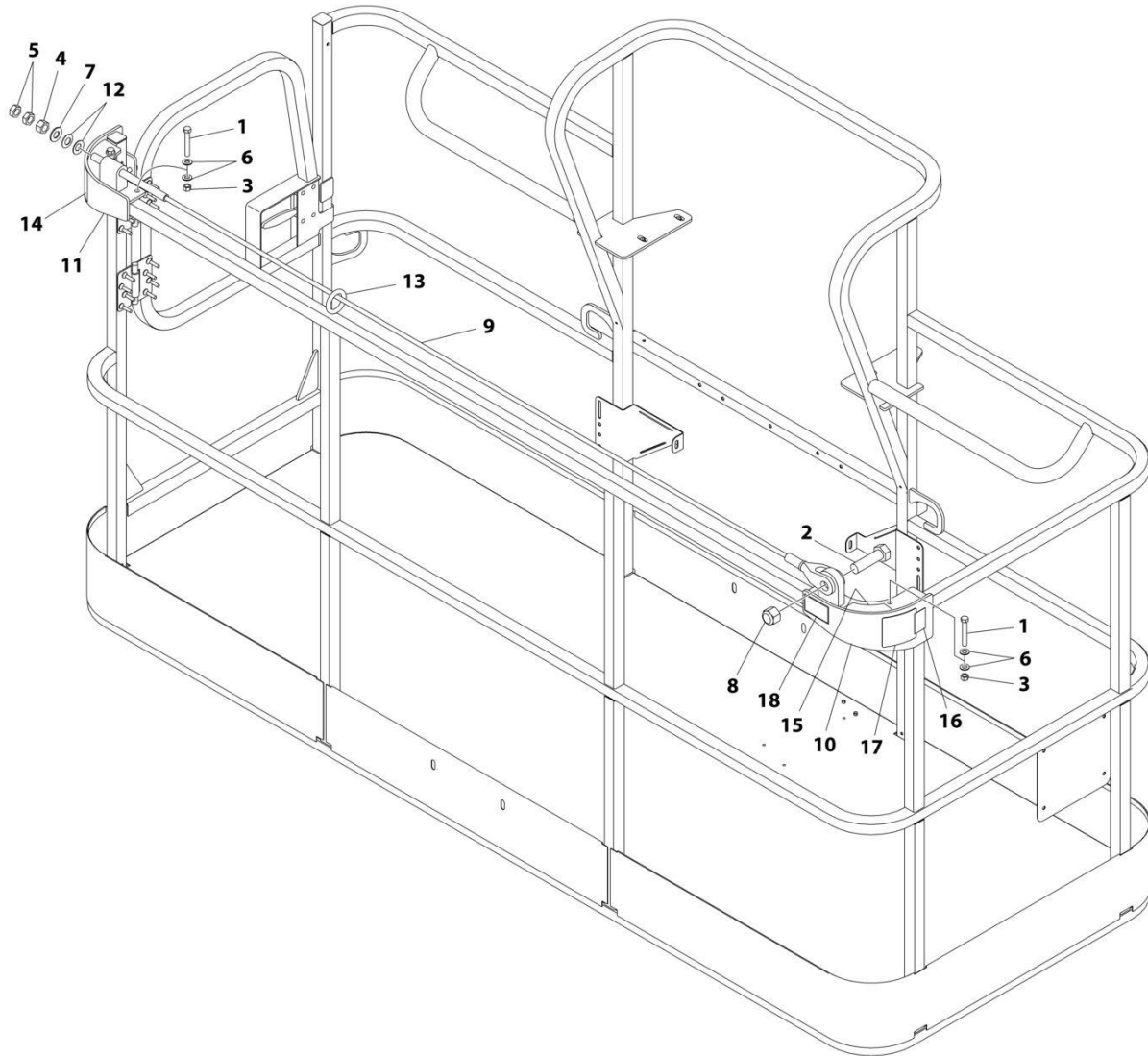
SECTION 5 - PLATFORM

FIGURE 5-40. FALL ARREST INSTALLATION (BOLT-ON EXTERNAL) (6FT/1.82M TRI-ENTRY PLATFORM)

ITEM	PART NUMBER	QTY	DESCRIPTION	REV
	1001238463	Ref	FALL ARREST INSTALLATION (BOLT - ON) 6FT/1.82M PLATFORM	C
1	0681620	6	Bolt 3/8 x 2-1/2	
2	0682424	1	Bolt 7/8 x 3	
3	3271605	6	Nut 3/8	
4	3272001	1	Nut 5/8	
5	3312002	2	Nut 5/8	
6	4711600	12	Washer 3/8	
7	4712000	1	Washer 5/8	
8	88521214	1	Nut 7/8	
9	1001231950	1	Rope	
10	1001232010	1	Bracket (RH)	
11	1001232011	1	Bracket (LH)	
12	1001236891	2	Washer	
13	1001236895	1	Ring	
14	1001238263	1	Decal - Warning Falling Hazard	
15	1001252629	1	Decal - Weight	
16	1001248140	1	Decal - Bolt Fall Arrest Re-Cert	
17	1001248141	1	Decal - Inscription	

SECTION 5 - PLATFORM

FIGURE 5-41. FALL ARREST INSTALLATION (BOLT-ON EXTERNAL) (8FT/2.4M PLATFORM)



ART_1001236746

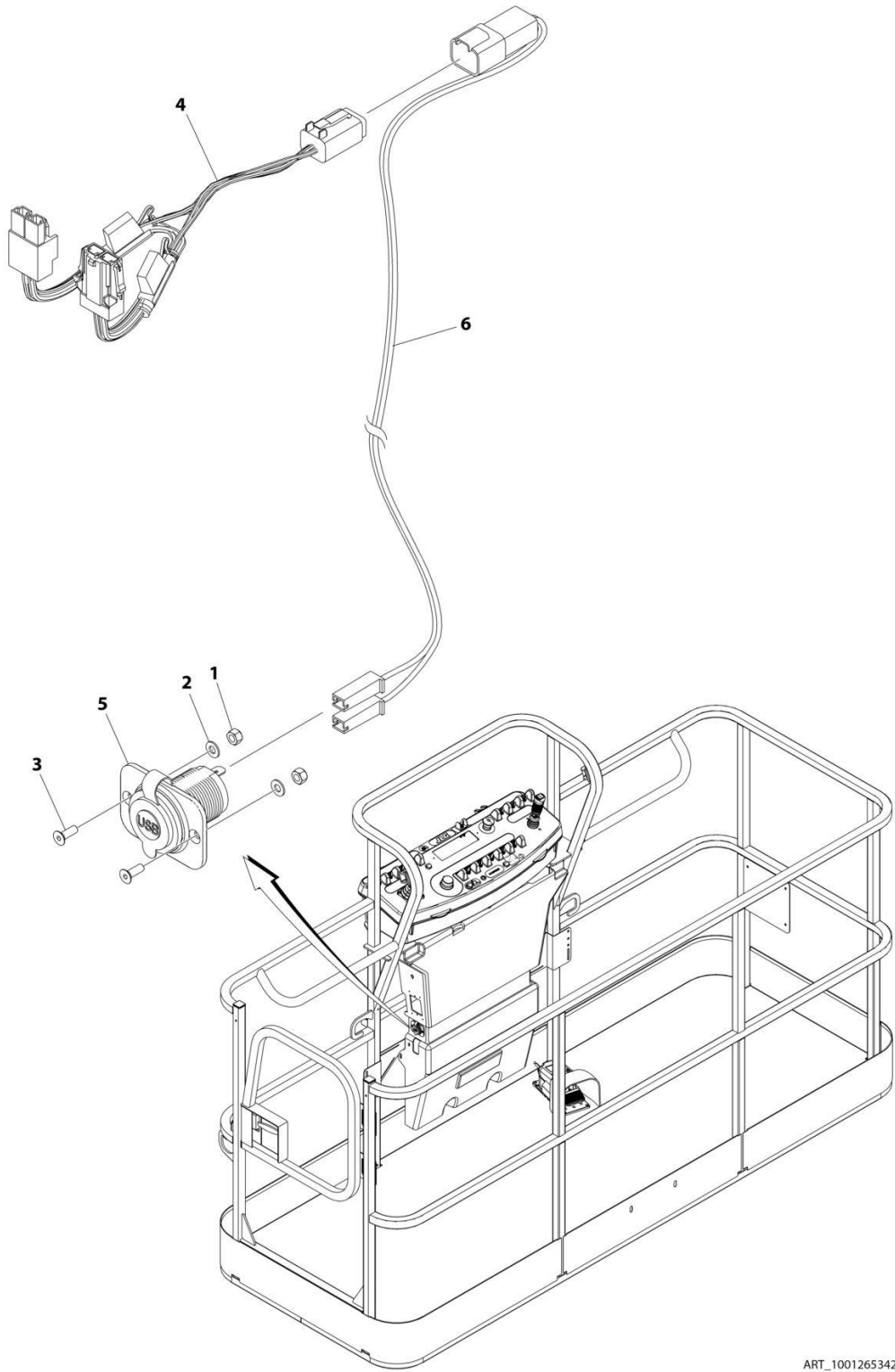
SECTION 5 - PLATFORM

FIGURE 5-41. FALL ARREST INSTALLATION (BOLT-ON EXTERNAL) (8FT/2.4M PLATFORM)

ITEM	PART NUMBER	QTY	DESCRIPTION	REV
	1001236746	Ref	FALL ARREST INSTALLATION (BOLT - ON) 8FT/2.4M PLATFORM	C
1	0681620	6	Bolt 3/8 x 2-1/2	
2	0682424	1	Bolt 7/8 x 3	
3	3271605	6	Nut 3/8	
4	3272001	1	Nut 5/8	
5	3312002	2	Nut 5/8	
6	4711600	12	Washer 3/8	
7	4712000	1	Washer 5/8	
8	88521214	1	Nut 7/8	
9	1001231949	1	Rope	
10	1001232010	1	Bracket (RH)	
11	1001232011	1	Bracket (LH)	
12	1001236891	2	Washer	
13	1001236895	1	Ring	
14	1001238263	1	Decal - Warning Falling Hazard	
15	1001252629	1	Decal - Weight 23LBS/10.4KG	
16	1001248140	1	Decal - Bolt Fall Arrest Re-Cert	
17	1001248141	1	Decal - Inscription	

SECTION 5 - PLATFORM

FIGURE 5-42. USB CHARGER INSTALLATION



ART_1001265342

SECTION 5 - PLATFORM

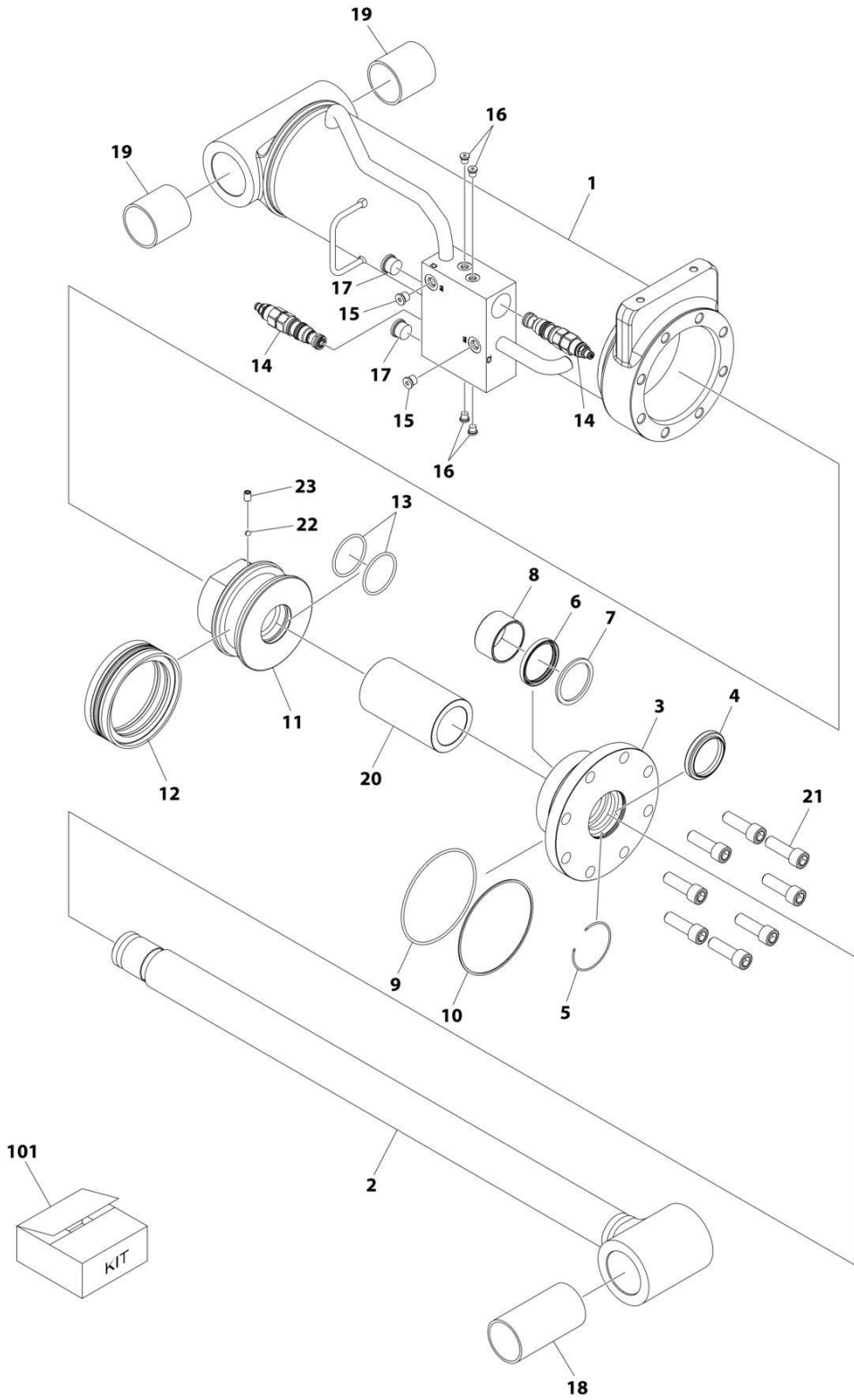
FIGURE 5-42. USB CHARGER INSTALLATION

ITEM	PART NUMBER	QTY	DESCRIPTION	REV
	1001265342	Ref	USB CHARGER INSTALLATION	A
1	3290405	2	Nut M4	
2	4811400	2	Washer M4	
3	1001097244	2	Screw M4 x 12	
4	1001120484	1	Harness, Work Lights	
4	4460879	1	Plug, Male - 2 Position	
4	4460887	2	Terminal	
4	2400060	2	Fuseholder Includes Cover	
4	8229249	2	Fuse, 3 Amp	
4	4460884	1	Connector - 4 Position	
4	4460465	4	Socket, Female	
4	1001120471	1	Connector - 2 Position	
4	1001120477	2	Terminal	
5	1001210636	1	Receptacle, USB	
6	1001265163	1	Harness, USB	A
6	4460260	2	Cover, Terminal	
6	4460259	2	Terminal	
6	4460932	1	Receptacle, Bussbar - 4 Position	
6	4460464	2	Pin, Male	
6	4460466	2	Plug, Terminal	

SECTION 6 - CYLINDER

SECTION 6 - CYLINDER

FIGURE 6-1. AXLE EXTEND CYLINDER ASSEMBLY



ART_1001251066

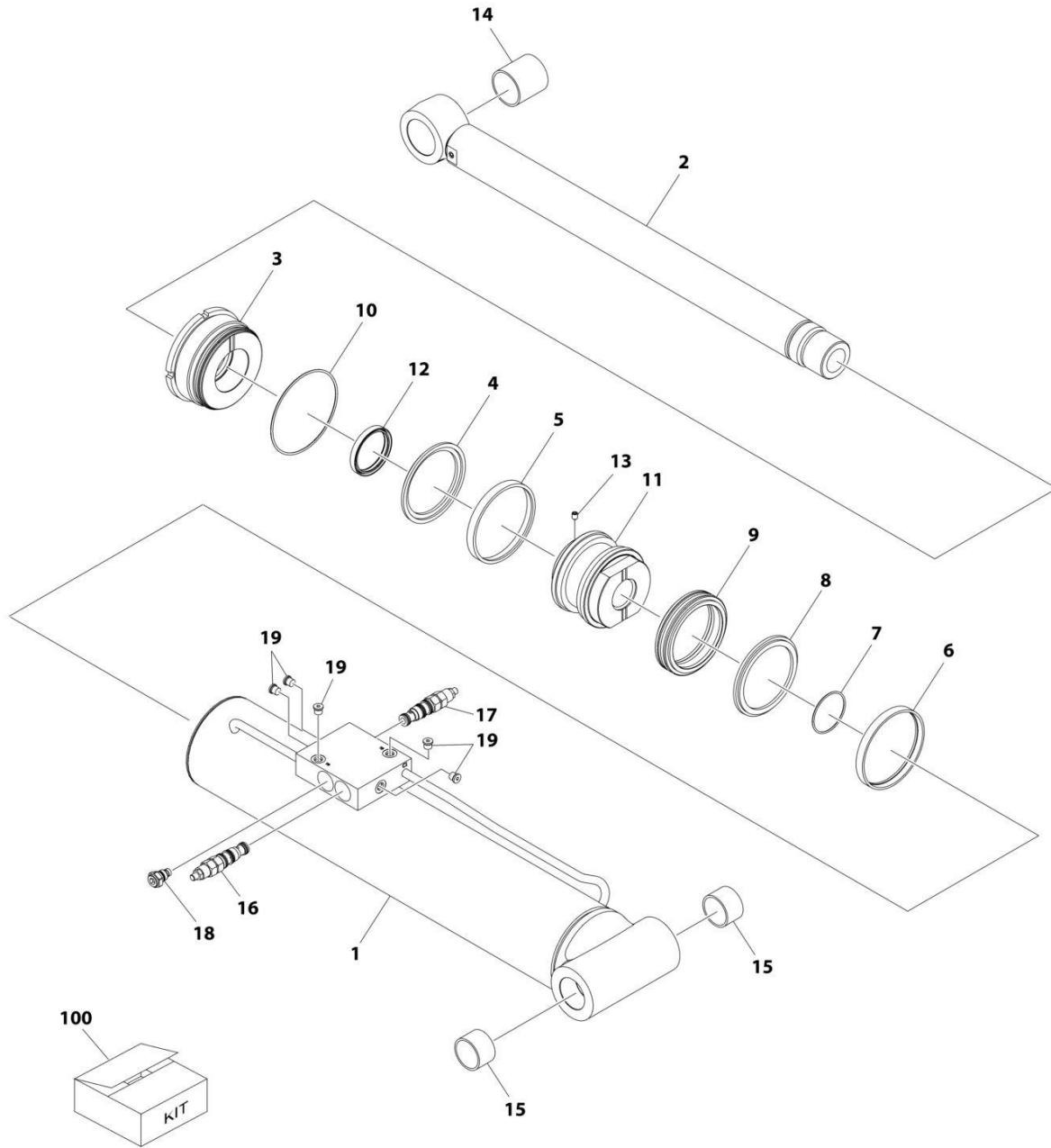
SECTION 6 - CYLINDER

FIGURE 6-1. AXLE EXTEND CYLINDER ASSEMBLY

ITEM	PART NUMBER	QTY	DESCRIPTION	REV
	1001251066	Ref	AXLE EXTEND CYLINDER ASSEMBLY	A
		Ref	Note: Original Cylinder May Have Been Replaced with Service Replacement. Identify PN Stamped on Cylinder Before Ordering Parts.	
1	See Note	NSS	Barrel (Note: Not Available for Purchase)	
2	70008014	1	Rod	
3	70008015	1	Head	
4	See Note	NSS	Wiper (Note: Use Item 101)	
5	7002412	1	Ring, Retaining	
6	See Note	NSS	Seal, Rod (Note: Use Item 101)	
7	See Note	NSS	Ring, Backup (Note: Use Item 101)	
8	70052577	1	Bushing	
9	See Note	NSS	O-Ring (Note: Use Item 101)	
10	See Note	NSS	Ring, Backup (Note: Use Item 101)	
11	70008016	1	Piston	
12	See Note	NSS	Seal, Piston (Note: Use Item 101)	
13	See Note	NSS	O-Ring (Note: Use Item 101)	
14	1001156016	2	Valve, Counterbalance	
14	7011376	2	Seal Kit (Use with 1001156016)	
15	2220883	2	Plug - 7/16	
16	2220881	4	Plug - 5/16	
17	2220886	2	Plug - 3/4	
18	1001157080	1	Bushing	
19	0962561	2	Bushing	
20	70008017	1	Spacer	
21	70008018	8	Bolt M14 x 45	
22	70022564	1	Ball, Steel	
23	70029468	1	Setscrew M8 x 14	
101	70008019	1	Seal Kit (Includes Items 4, 6-7, 9-10 & 12-13)	

SECTION 6 - CYLINDER

FIGURE 6-2. LEVEL CYLINDER ASSEMBLY - PLATFORM SLAVE



ART_1001251034

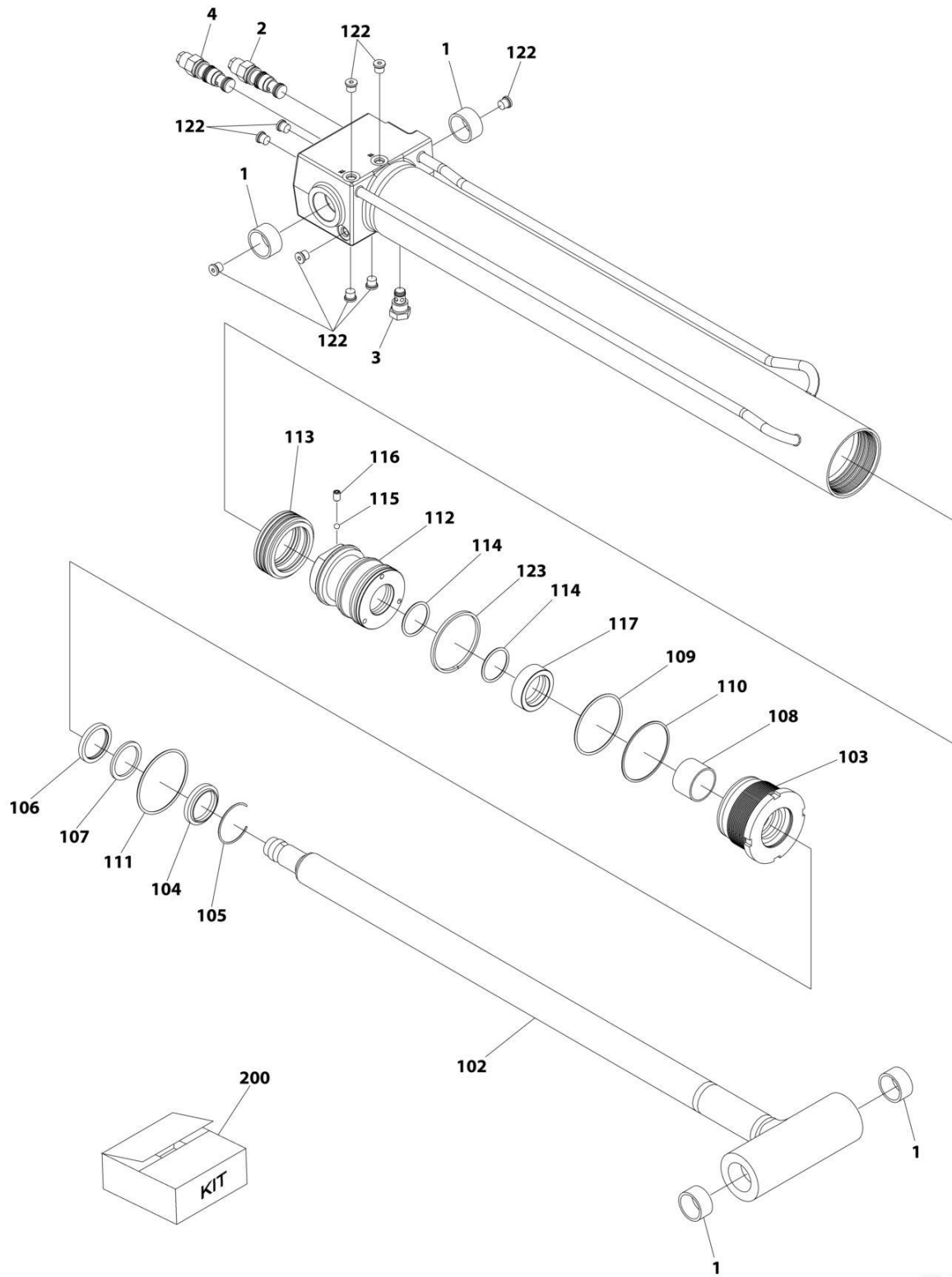
SECTION 6 - CYLINDER

FIGURE 6-2. LEVEL CYLINDER ASSEMBLY - PLATFORM SLAVE

ITEM	PART NUMBER	QTY	DESCRIPTION	REV
	1001251034	Ref	PLATFORM LEVEL CYLINDER	A
		Ref	Note: Original Cylinder May Have Been Replaced with Service Replacement. Identify PN Stamped on Cylinder Before Ordering Parts.	
1	See Note	NSS	Barrel (Note: Not Available for Purchase)	
2	70008067	1	Rod	
3	70008068	1	Head	
4	See Note	NSS	Wiper, Rod (Note: Use Item 100)	
5	See Note	NSS	Seal, Rod (Note: Use Item 100)	
6	See Note	NSS	Ring, Wear (Note: Use Item 100)	
7	See Note	NSS	O-Ring (Note: Use Item 100)	
8	See Note	NSS	Ring, Back-up (Note: Use Item 100)	
9	See Note	NSS	O-Ring (Note: Use Item 100)	
10	See Note	NSS	O-Ring (Note: Use Item 100)	
11	70008069	1	Piston	
12	See Note	NSS	Seal (Note: Use Item 100)	
13	70005839	1	Setscrew M8 x 12	
14	0962561	1	Bushing	
15	0961949	2	Bushing	
16	4641386	1	Cartridge, Counterbalance Valve	
16	7011376	1	Seal Kit - 4641386 Cartridge	
17	4641393	1	Cartridge, Counterbalance Valve	
17	7011376	1	Seal Kit - 4641393 Cartridge	
18	4641388	1	Cartridge, Orifice Valve	
18	7011353	1	Seal Kit - 4641388 Cartridge	
19	2220883	5	Plug	
100	70008070	1	Seal Kit (Includes Items 4-10 & 12)	

SECTION 6 - CYLINDER

FIGURE 6-3. LIFT CYLINDER ASSEMBLY - JIB



ART_1001251025

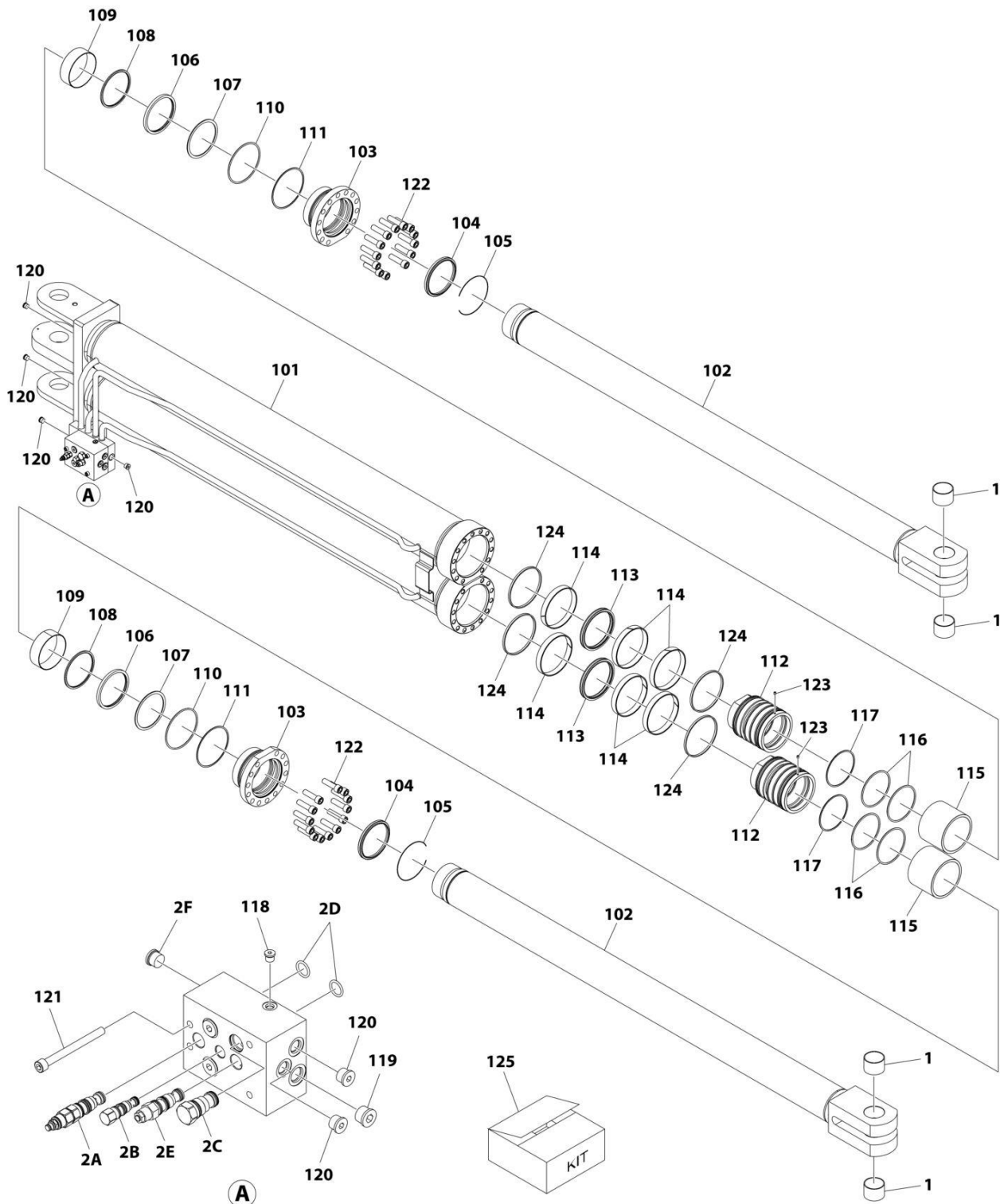
SECTION 6 - CYLINDER

FIGURE 6-3. LIFT CYLINDER ASSEMBLY - JIB

ITEM	PART NUMBER	QTY	DESCRIPTION	REV
	1001251025	Ref	JIB CYLINDER ASSEMBLY	A
		Ref	Note: Original Cylinder May Have Been Replaced with Service Replacement. Identify PN Stamped on Cylinder Before Ordering Parts.	
1	0962257	4	Bushing	
2	4640452	1	Valve, Counterbalance	
2	2900770	1	Seal Kit - For 4640452 Counterbalance Valve	
3	4641114	1	Valve, Check	
3	7012998	1	Seal Kit - For 4641114 Check Valve	
4	4641260	1	Valve, Counterbalance	
4	2900770	1	Seal Kit - For 4641260 Counterbalance Valve	
102	70007993	1	Rod	
103	70007994	1	Head	
104	See Note	NSS	Wiper (Note: Use Item 200)	
105	70002373	1	Ring, Retaining	
106	See Note	NSS	Seal (Note: Use Item 200)	
107	See Note	NSS	Ring (Note: Use Item 200)	
108	70005143	1	Bearing	
109	See Note	NSS	O-Ring (Note: Use Item 200)	
110	See Note	NSS	Ring (Note: Use Item 200)	
111	See Note	NSS	O-Ring (Note: Use Item 200)	
112	70007995	1	Piston	
113	See Note	NSS	Seal (Note: Use Item 200)	
114	See Note	NSS	O-Ring (Note: Use Item 200)	
115	70022564	1	Ball, Steel	
116	70006596	1	Setscrew M8 x 1-1/4	
117	70007996	1	Spacer	
122	2220883	9	Plug	
123	70007997	1	Ring	
200	70007998	1	Seal Kit (Includes Items 104, 106, 107, 109-111, 113 & 114)	

SECTION 6 - CYLINDER

FIGURE 6-4. LIFT CYLINDER ASSEMBLY - MAIN BOOM



ART_1001251094

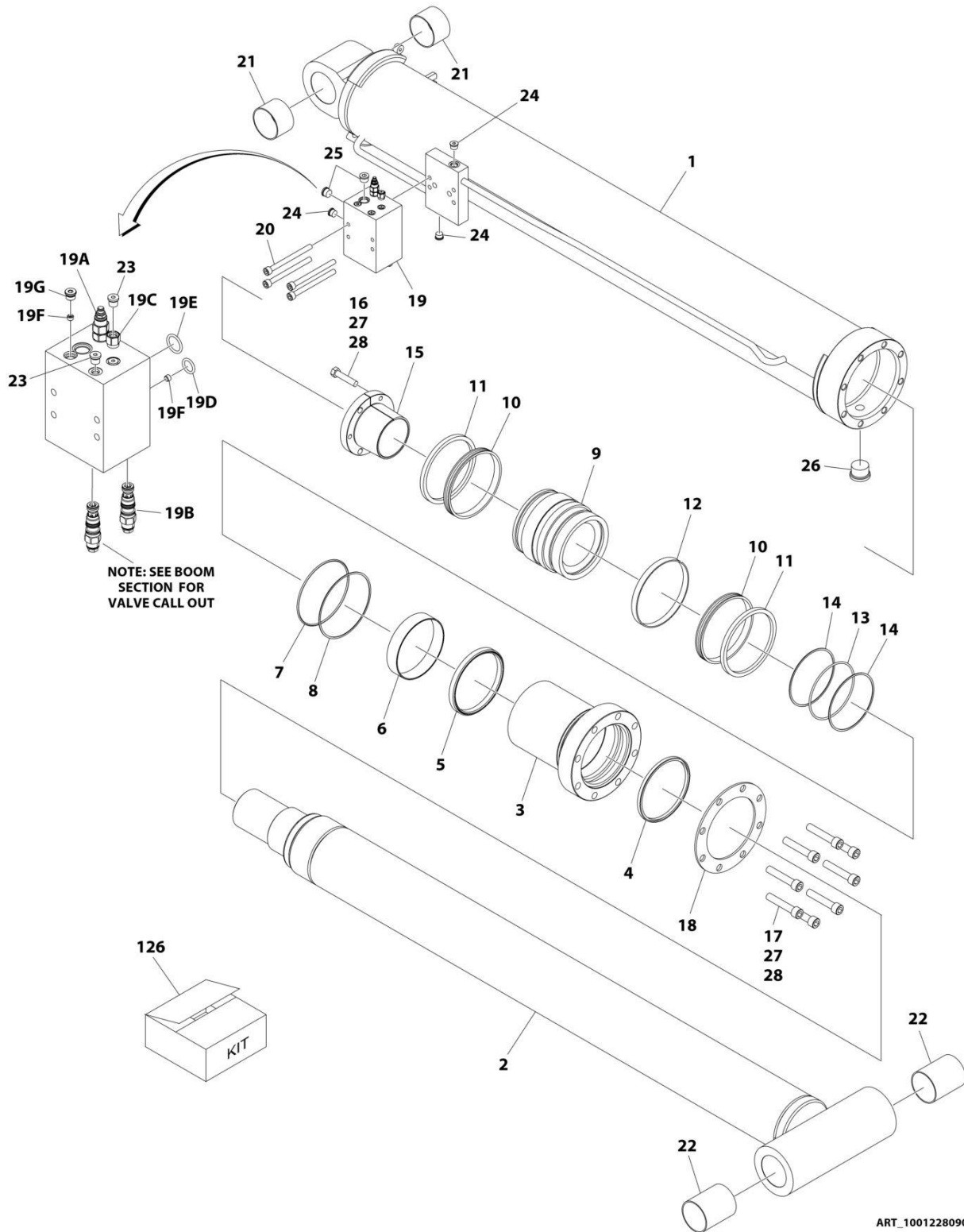
SECTION 6 - CYLINDER

FIGURE 6-4. LIFT CYLINDER ASSEMBLY - MAIN BOOM

ITEM	PART NUMBER	QTY	DESCRIPTION	REV
	1001251094	Ref	LIFT CYLINDER ASSEMBLY	A
		Ref	Note: Original Cylinder May Have Been Replaced with Service Replacement. Identify PN Stamped on Cylinder Before Ordering Parts.	
1	1001198762	4	Bushing	
2	1001204041	1	Valve Assembly	
2A	70005659	1	Cartridge, Valve (Counterbalance)	
2A	7011376	1	Seal Kit - 70005659 Valve	
2B	70005658	1	Cartridge, Valve (Shuttle)	
2B	7026004	1	Seal Kit - 70005658 Valve	
2C	70004406	1	Cartridge, Valve (Check)	
2C	7011351	1	Seal Kit - 70004406 Valve	
2D	70000778	2	O-Ring	
2E	1001156033	1	Cartridge, Valve (Counterbalance)	
2E	7024574	1	Seal Kit - 1001156033 Valve	
2F	70005598	1	Plug #6	
101	See Note	NSS	Tube (Note: Not Available for Purchase)	
102	70008228	2	Rod	
103	70008229	2	Head	
104	See Note	NSS	Wiper, Dust (Note: Use Item 125)	
105	70008230	2	Ring, Retaining	
106	See Note	NSS	Seal, Rod (Note: Use Item 125)	
107	See Note	NSS	Ring, Backup (Note: Use Item 125)	
108	See Note	NSS	Ring, Buffer (Note: Use Item 125)	
109	70008231	2	Bushing	
110	See Note	NSS	O-Ring (Note: Use Item 125)	
111	See Note	NSS	Ring, Backup (Note: Use Item 125)	
112	70008232	2	Piston	
113	See Note	NSS	Seal, Piston (Note: Use Item 125)	
114	See Note	NSS	Ring, Wear (Note: Use Item 125)	
115	70008233	2	Spacer	
116	See Note	NSS	O-Ring (Note: Use Item 125)	
117	See Note	NSS	Ring, Backup (Note: Use Item 125)	
118	2220883	1	Plug 7/16	
119	70005433	3	Plug 7/8	
120	2220886	6	Plug 3/4	
121	70008234	4	Bolt M10 x 110	
122	70008235	26	Bolt M20 x 75	
123	70005839	2	Setscrew	
124	See Note	NSS	Ring, Dust (Note: Use Item 125)	
125	70008236	1	Seal Kit (Includes Items 104, 106-108, 110-111, 113-114, 116-117 & 124)	

SECTION 6 - CYLINDER

FIGURE 6-5. LIFT CYLINDER ASSEMBLY - TOWER BOOM



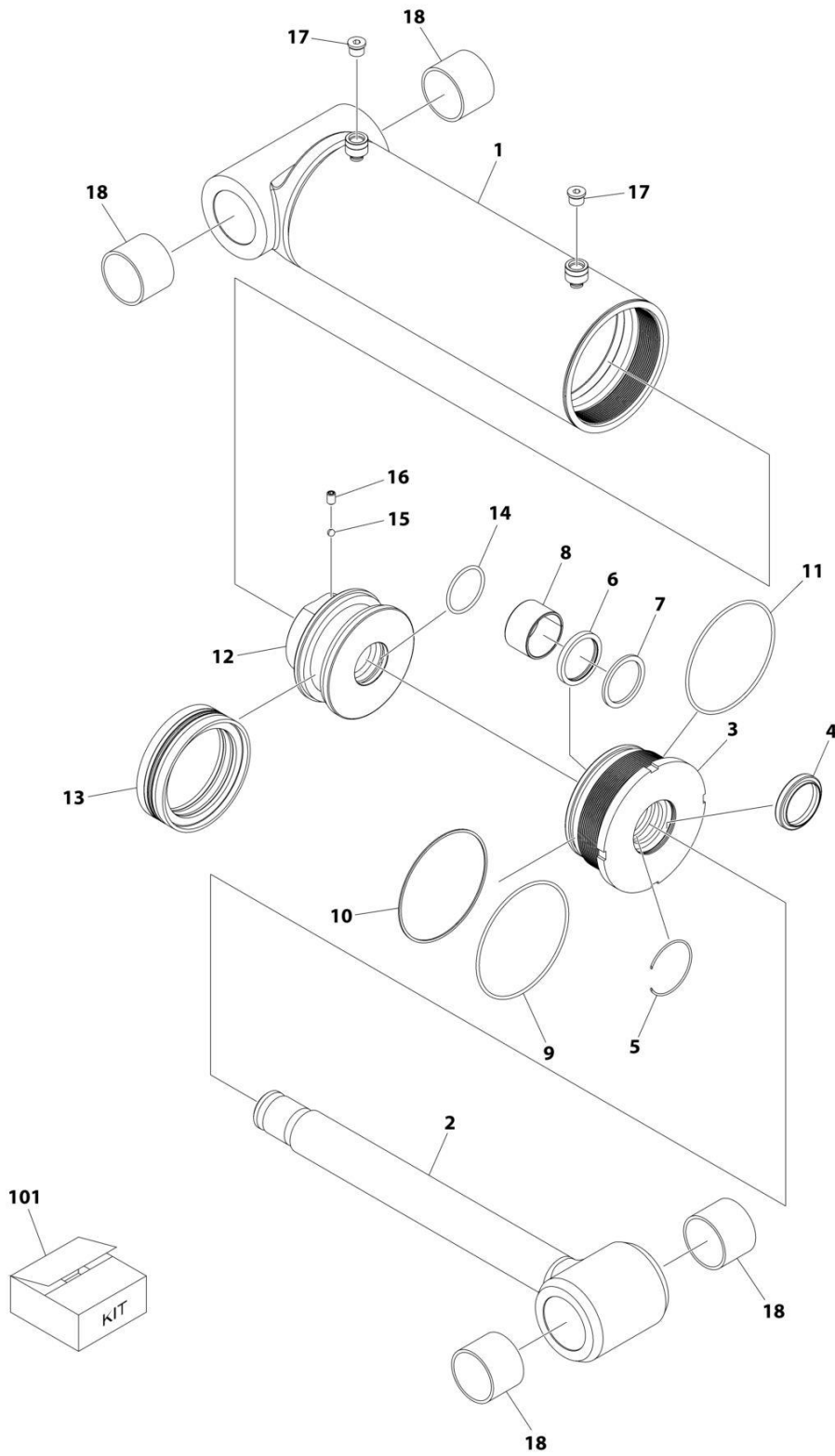
SECTION 6 - CYLINDER

FIGURE 6-5. LIFT CYLINDER ASSEMBLY - TOWER BOOM

ITEM	PART NUMBER	QTY	DESCRIPTION	REV
	1001228090	Ref	LIFT CYLINDER ASSEMBLY - TOWER BOOM	C
		Ref	Note: Original Cylinder May Have Been Replaced with Service Replacement. Identify PN Stamped on Cylinder Before Ordering Parts.	
1	See Note	NSS	Barrel Weldment (Note: Not Available for Purchase)	
2	70006512	1	Rod	
3	70006511	1	Head	
4	See Note	NSS	Ring, Wiper (Note: Use Item 126)	
5	See Note	NSS	Seal, Rod (Note: Use Item 126)	
6	See Note	NSS	Ring, Wear (Note: Use Item 126)	
7	See Note	NSS	O-Ring (Note: Use Item 126)	
8	See Note	NSS	Ring, Back-up (Note: Use Item 126)	
9	70006510	1	Piston	
10	See Note	NSS	Ring, Hydrolock (Note: Use Item 126)	
11	See Note	NSS	Ring, Lock (Note: Use Item 126)	
12	See Note	NSS	Ring, Wear (Note: Use Item 126)	
13	See Note	NSS	O-Ring (Note: Use Item 126)	
14	See Note	NSS	Ring, Back-up (Note: Use Item 126)	
15	0962562	1	Bushing, Tapered	
16	1001206184	3	Bolt 5/8 x 2-7/8 Grade 8	
17	3932264	8	Capscrew 3/4 x 4	
18	1001151503	1	Ring, Washer	
19	1001212199	1	Valve Assembly	
19A	70005656	1	Cartridge, Valve (Counterbalance)	
19A	7011376	1	Seal Kit - 70005656 Valve	
19B	70005655	1	Cartridge, Valve (Counterbalance)	
19B	2900770	1	Seal Kit - 70005655 Valve	
19C	7011361	1	Cartridge, Valve (Shuttle)	
19C	7011346	1	Seal Kit - 7011361 Valve	
19D	70005654	1	O-Ring	
19E	70024072	1	O-Ring	
19F	70005633	2	Orifice .031	
19G	70005598	1	Plug #6	
20	5272025	4	Capscrew M10 x 120	
21	1001133927	2	Bearing	
22	1001150942	2	Bushing	
23	2220883	5	Plug #4	
24	2220886	3	Plug #8	
25	2220887	2	Plug #10	
26	2220888	1	Plug #12	
27	0100011	AR	Compound, Locking	
28	0100038	AR	Primer, Locking	
126	1001160169	1	Seal Kit (Includes Items 4-8 & 10-14)	

SECTION 6 - CYLINDER

FIGURE 6-6. STEER CYLINDER ASSEMBLY



ART_1001251065

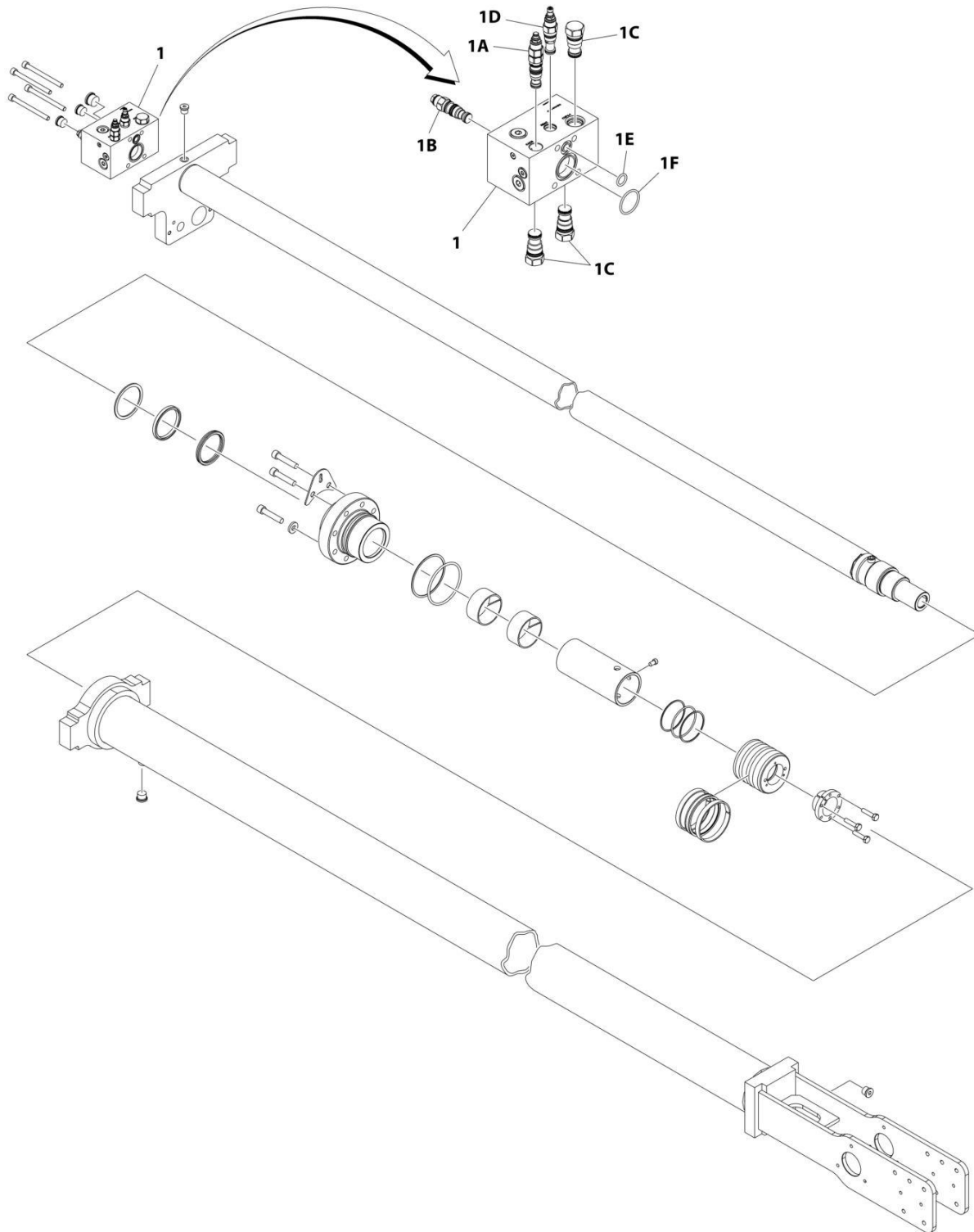
SECTION 6 - CYLINDER

FIGURE 6-6. STEER CYLINDER ASSEMBLY

ITEM	PART NUMBER	QTY	DESCRIPTION	REV
	1001251065	Ref	STEER CYLINDER ASSEMBLY	A
		Ref	Note: Original Cylinder May Have Been Replaced with Service Replacement. Identify PN Stamped on Cylinder Before Ordering Parts.	
1	See Note	NSS	Barrel (Note: Not Available for Purchase)	
2	7008010	1	Rod	
3	7008011	1	Head	
4	See Note	NSS	Wiper (Note: Use Item 101)	
5	70002410	1	Ring, Retaining	
6	See Note	NSS	Seal, Rod (Note: Use Item 101)	
7	See Note	NSS	Ring, Backup (Note: Use Item 101)	
8	7004237	1	Bushing	
9	See Note	NSS	O-Ring (Note: Use Item 101)	
10	See Note	NSS	Ring, Backup (Note: Use Item 101)	
11	See Note	NSS	O-Ring (Note: Use Item 101)	
12	70008012	1	Piston	
13	See Note	NSS	Seal, Piston (Note: Use Item 101)	
14	See Note	NSS	O-Ring (Note: Use Item 101)	
15	70022564	1	Ball, Steel	
16	70006596	1	Setscrew M8 x 12	
17	2220885	2	Plug 9/16	
18	0961950	4	Bushing	
101	70008013	1	Seal Kit (Includes Items 4, 6-7, 9-11 & 13-14)	

SECTION 6 - CYLINDER

FIGURE 6-7. TELESCOPE CYLINDER ASSEMBLY - MAIN BOOM



ART_1001251093

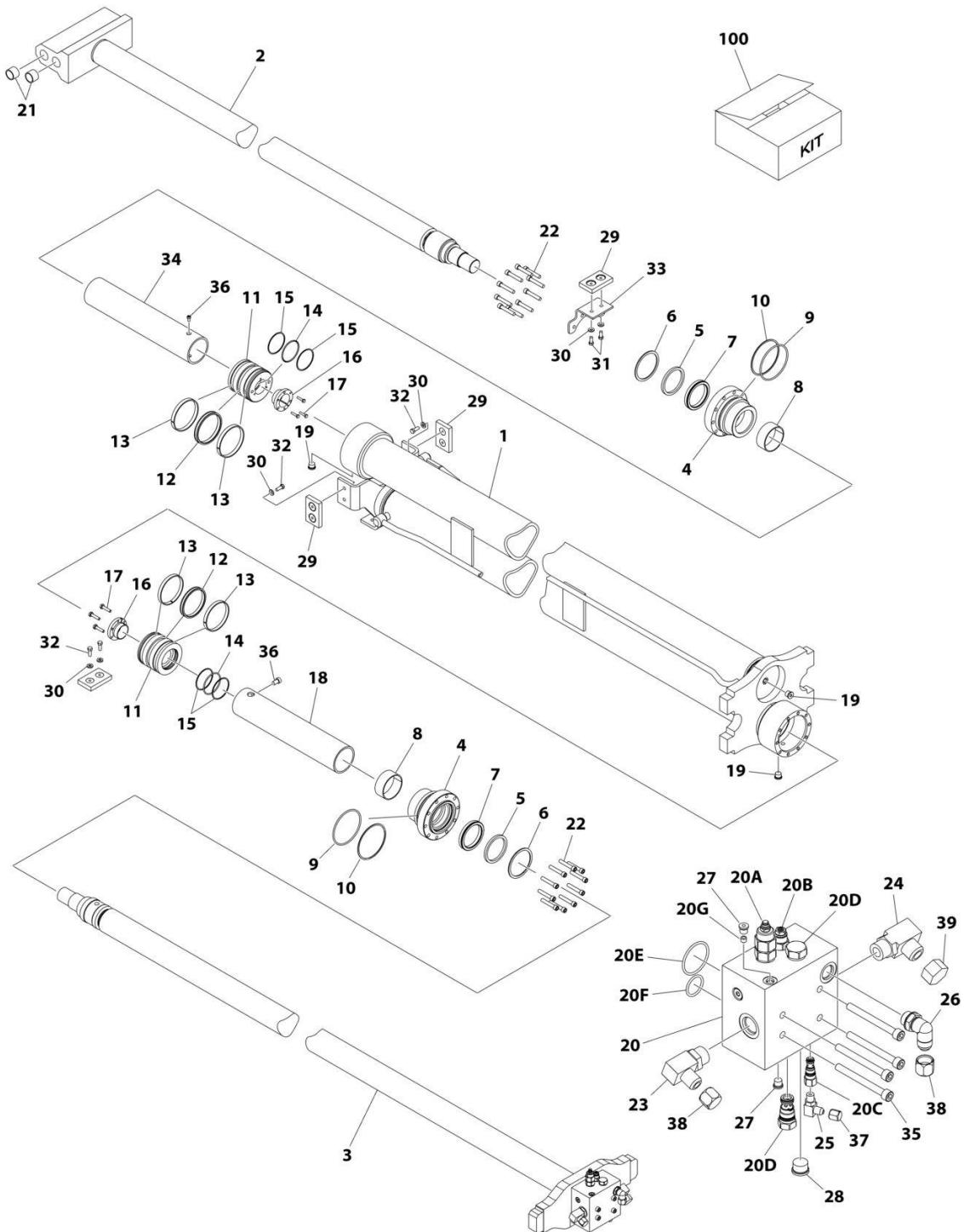
SECTION 6 - CYLINDER

FIGURE 6-7. TELESCOPE CYLINDER ASSEMBLY - MAIN BOOM

ITEM	PART NUMBER	QTY	DESCRIPTION	REV
	1001251093	Ref	TELESCOPE CYLINDER ASSEMBLY - MAIN BOOM	A
		Ref	Note: Original Cylinder May Have Been Replaced with Service Replacement. Identify PN Stamped on Cylinder Before Ordering Parts.	
		Ref	Note: No Other Service Parts Available at Time of Printing.	
1	1001201772	1	Valve Assembly	D
1A	7011381	1	Cartridge, Valve (Counterbalance)	
1A	2900770	1	Seal Kit - 7011381 Valve	
1B	4640746	1	Cartridge, Valve (Counterbalance)	
1B	2900770	1	Seal Kit - 4640746 Valve	
1C	70004406	3	Cartridge, Valve (Check)	
1C	7011351	3	Seal Kit - 70004406 Valve	
1D	70005999	1	Cartridge, Valve (Relief)	
1D	See Note	NSS	Seal Kit - 70005999 Valve (Note: Not Available for Purchase)	
1E	70005654	1	O-Ring	
1F	70004407	1	O-Ring	

SECTION 6 - CYLINDER

FIGURE 6-8. TELESCOPE CYLINDER ASSEMBLY - TOWER BOOM



ART_1001228091

SECTION 6 - CYLINDER

FIGURE 6-8. TELESCOPE CYLINDER ASSEMBLY - TOWER BOOM

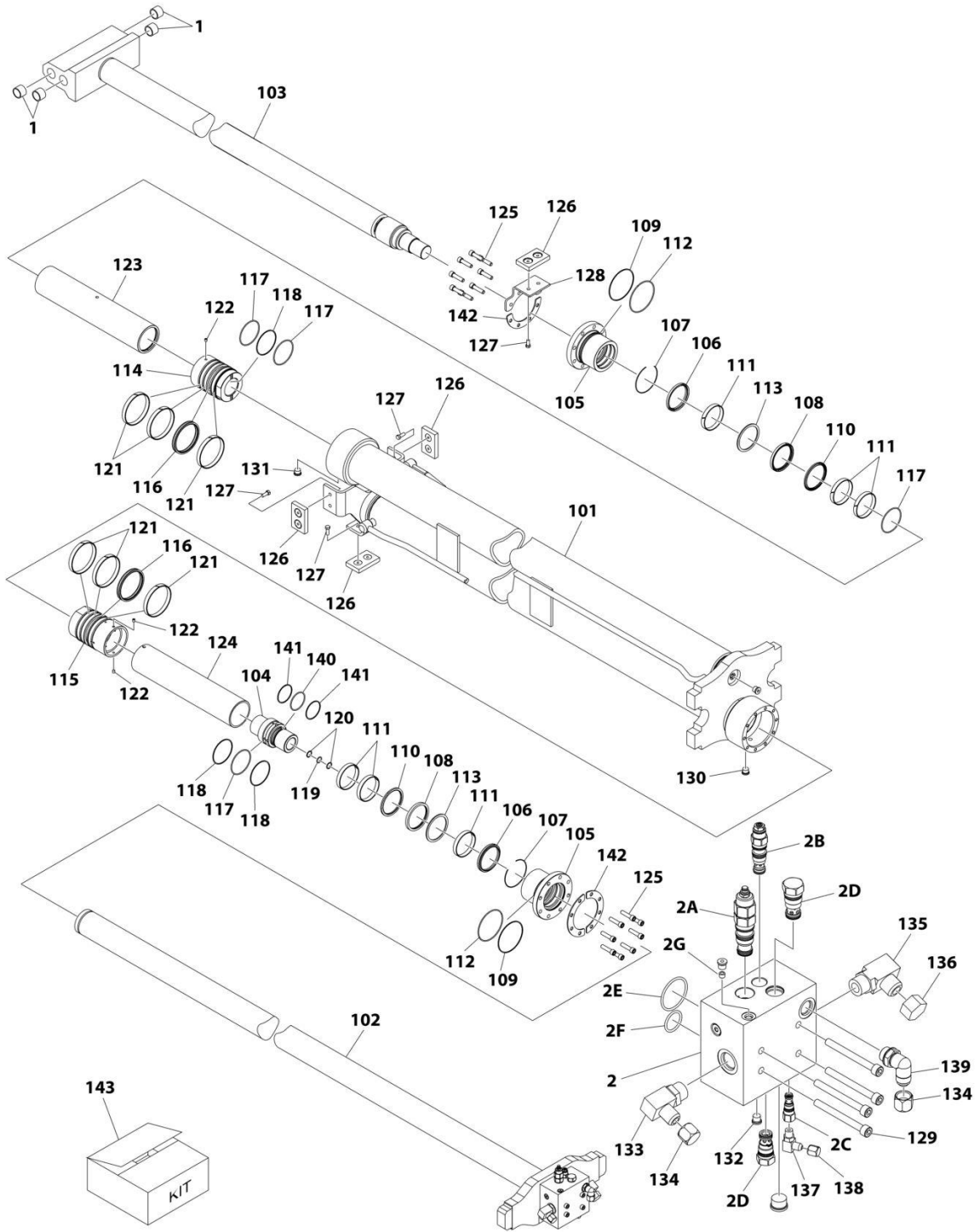
ITEM	PART NUMBER	QTY	DESCRIPTION	REV
	1001228091	Ref	TELESCOPE CYLINDER ASSEMBLY - TOWER BOOM	C
		Ref	Note: Original Cylinder May Have Been Replaced with Service Replacement. Identify PN Stamped on Cylinder Before Ordering Parts.	
1	See Note	NSS	Barrel Weldment (Note: Not Available for Purchase)	
2	70006853	1	Rod	
3	70006854	1	Rod	
4	70006867	1	Head	
5	See Note	NSS	Seal, Wiper (Note: Use Item 100)	
6	See Note	NSS	Ring, Retaining (Note: Use Item 100)	
7	See Note	NSS	Seal, Rod (Note: Use Item 100)	
8	See Note	NSS	Ring, Wear (Note: Use Item 100)	
9	See Note	NSS	O-Ring (Note: Use Item 100)	
10	See Note	NSS	Ring, Back-up (Note: Use Item 100)	
11	70006856	1	Piston	
12	See Note	NSS	Seal (Note: Use Item 100)	
13	See Note	NSS	Ring, Wear (Note: Use Item 100)	
14	See Note	NSS	O-Ring (Note: Use Item 100)	
15	See Note	NSS	Ring, Back-up (Note: Use Item 100)	
16	0961897	1	Bushing, Tapered	
17	0630535	3	Capscrew 1/4 x 1-1/8	
18	70006857	1	Spacer	
19	2220885	4	Plug #6	
20	1001205683	1	Valve Assembly	
20A	70005603	1	Cartridge, Valve (Counterbalance)	
20A	7011371	1	Seal Kit - 70005603 Valve	
20B	70005602	1	Cartridge, Valve (Counterbalance)	
20B	2900770	1	Seal Kit - 70005602 Valve	
20C	7011361	1	Cartridge, Valve (Shuttle)	
20C	7011346	1	Seal Kit - 7011361 Valve	
20D	7011368	2	Cartridge, Valve (Check)	
20D	7011351	2	Seal Kit - 7011368 Valve	
20E	70005601	1	O-Ring	
20F	70005600	1	O-Ring	
20G	70005599	2	Orifice .031	
21	0961951	4	Bushing	
22	70006732	20	Bolt	
23	70006858	1	Connector	
24	70006859	1	Connector	
25	70005804	1	Connector	
26	70006860	1	Connector	
27	2220883	2	Plug #4	
28	70005433	1	Plug	
29	3340763	4	Pad, Wear	
30	70006344	8	Washer	
31	0681607	2	Bolt 3/8 x 7/8 Grade 8	
32	0681608	6	Bolt 3/8 x 1 Grade 8	
33	1001198587	1	Plate, Mounting	
34	70006861	1	Spacer	
35	70006862	4	Bolt	

SECTION 6 - CYLINDER

ITEM	PART NUMBER	QTY	DESCRIPTION	REV
36	70006731	2	Bolt	
37	70006863	1	Cap, Dust	
38	70006864	2	Cap, Dust	
39	70006865	1	Cap, Dust	
100	1001198594	1	Seal kit (Includes Items 5-10 & 12-15)	

SECTION 6 - CYLINDER

FIGURE 6-9. TELESCOPE CYLINDER ASSEMBLY - TOWER BOOM



ART_1001251091

SECTION 6 - CYLINDER

FIGURE 6-9. TELESCOPE CYLINDER ASSEMBLY - TOWER BOOM

ITEM	PART NUMBER	QTY	DESCRIPTION	REV
	1001251091	Ref	TELESCOPE CYLINDER ASSEMBLY - TOWER BOOM	A
		Ref	Note: Original Cylinder May Have Been Replaced with Service Replacement. Identify PN Stamped on Cylinder Before Ordering Parts.	
1	0961951	4	Bushing	
2	1001205683	1	Valve Assembly	
2A	70005603	1	Cartridge, Valve (Counterbalance)	
2A	7011371	1	Seal Kit - 70005603 Valve	
2B	70005602	1	Cartridge, Valve (Counterbalance)	
2B	2900770	1	Seal Kit - 70005602 Valve	
2C	7011361	1	Cartridge, Valve (Shuttle)	
2C	7011346	1	Seal Kit - 7011361 Valve	
2D	7011368	2	Cartridge, Valve (Check)	
2D	7011351	2	Seal Kit - 7011368 Valve	
2E	70005601	1	O-Ring	
2F	70005600	1	O-Ring	
2G	70005599	2	Orifice .031	
101	See Note	NSS	Tube (Note: Not Available for Purchase)	
102	70008211	1	Rod	
103	70008212	1	Rod	
104	70008213	1	Rod End	
105	70008214	2	Head	
106	See Note	NSS	Wiper, Dust (Note: Use Item 143)	
107	70023380	2	Ring, Retaining	
108	See Note	NSS	Seal, Rod (Note: Use Item 143)	
109	See Note	NSS	Ring, Backup (Note: Use Item 143)	
110	See Note	NSS	Ring, Buffer (Note: Use Item 143)	
111	See Note	NSS	Ring, Wear (Note: Use Item 143)	
112	See Note	NSS	O-Ring (Note: Use Item 143)	
113	See Note	NSS	Ring, Backup (Note: Use Item 143)	
114	70008215	1	Piston	
115	70008216	1	Piston	
116	See Note	NSS	Seal, Piston (Note: Use Item 143)	
117	See Note	NSS	O-Ring (Note: Use Item 143)	
118	See Note	NSS	Ring, Backup (Note: Use Item 143)	
119	See Note	NSS	O-Ring (Note: Use Item 143)	
120	See Note	NSS	Ring, Backup (Note: Use Item 143)	
121	See Note	NSS	Ring, Wear (Note: Use Item 143)	
122	70005839	3	Setscrew	
123	70008217	1	Spacer	
124	70008218	1	Spacer	
125	70008219	16	Bolt M14 x 50	
126	70008220	4	Pad, Wear	
127	70008221	8	Bolt M12 x 20	
128	70008222	1	Plate, Wear Pad	
129	70008223	4	Bolt M10 x 105	
130	2220883	4	Plug 7/16	
131	2220885	2	Plug 9/16	
132	70005433	1	Plug 7/82	
133	70008224	1	Connector	

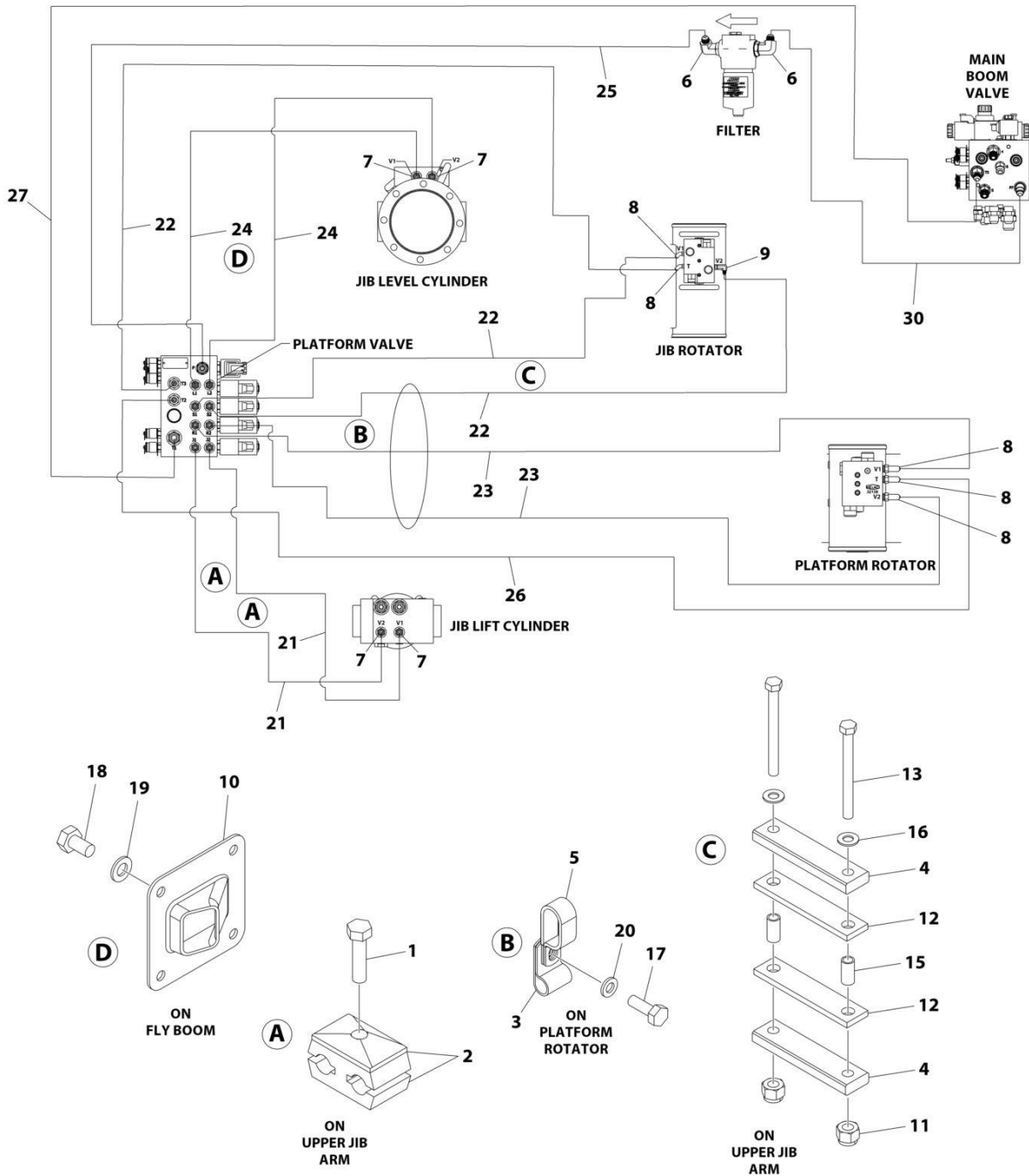
SECTION 6 - CYLINDER

ITEM	PART NUMBER	QTY	DESCRIPTION	REV
134	70006864	2	Cap, Dust	
135	70006859	1	Connector	
136	70006865	1	Cap, Dust	
137	70005804	1	Connector	
138	70006363	1	Cap, Dust	
139	70006860	1	Connector	
140	See Note	NSS	O-Ring (Note: Use Item 143)	
141	See Note	NSS	Ring, Backup (Note: Use Item 143)	
142	70008225	3	Ring, Washer	
143	70008226	1	Seal Kit (Includes Items 106, 108-113, 116-121, 140 & 141)	

SECTION 7 - HYDRAULIC

SECTION 7 - HYDRAULIC

FIGURE 7-1. BOOM AND JIB HYDRAULIC DIAGRAM



ART_1001197361

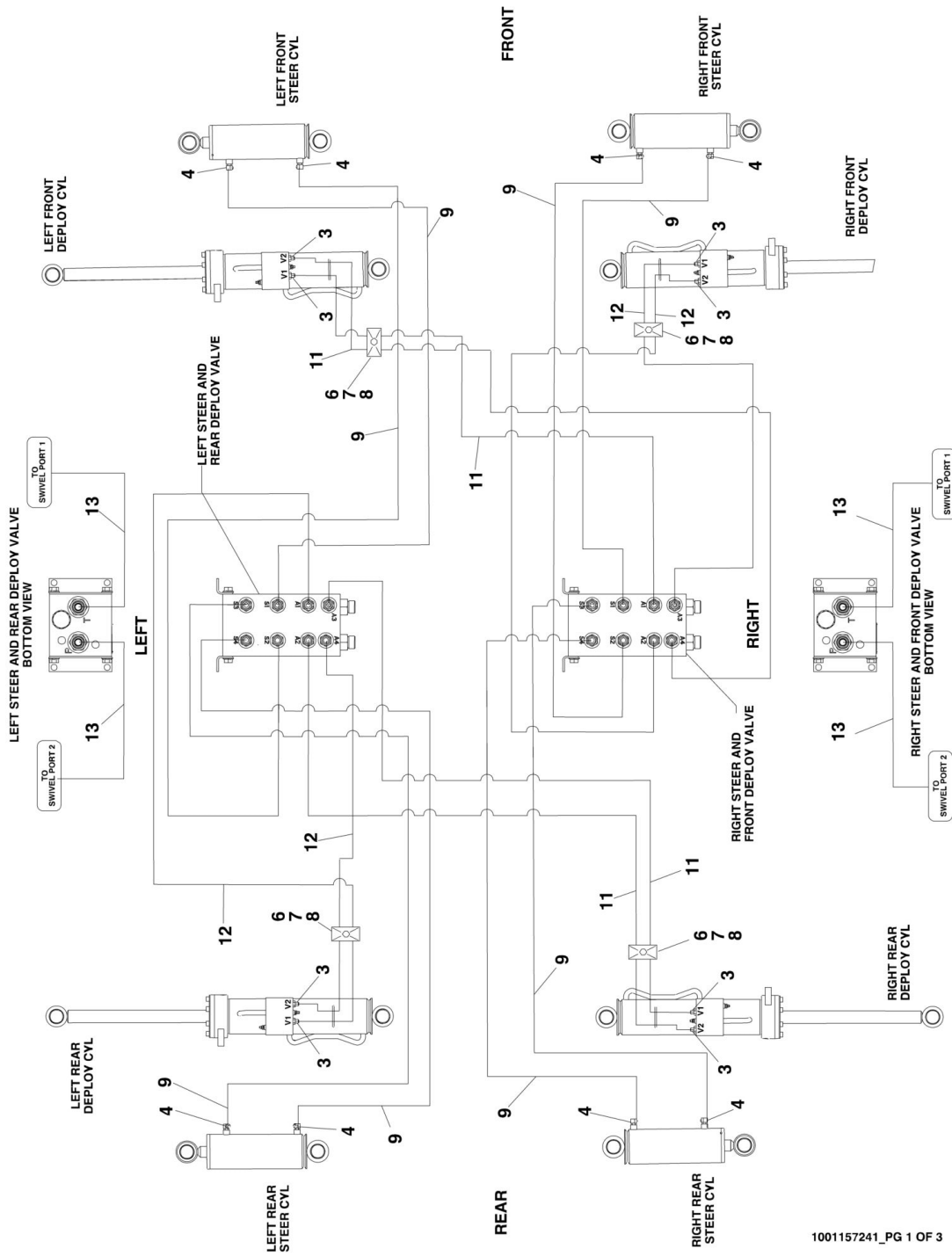
SECTION 7 - HYDRAULIC

FIGURE 7-1. BOOM AND JIB HYDRAULIC DIAGRAM

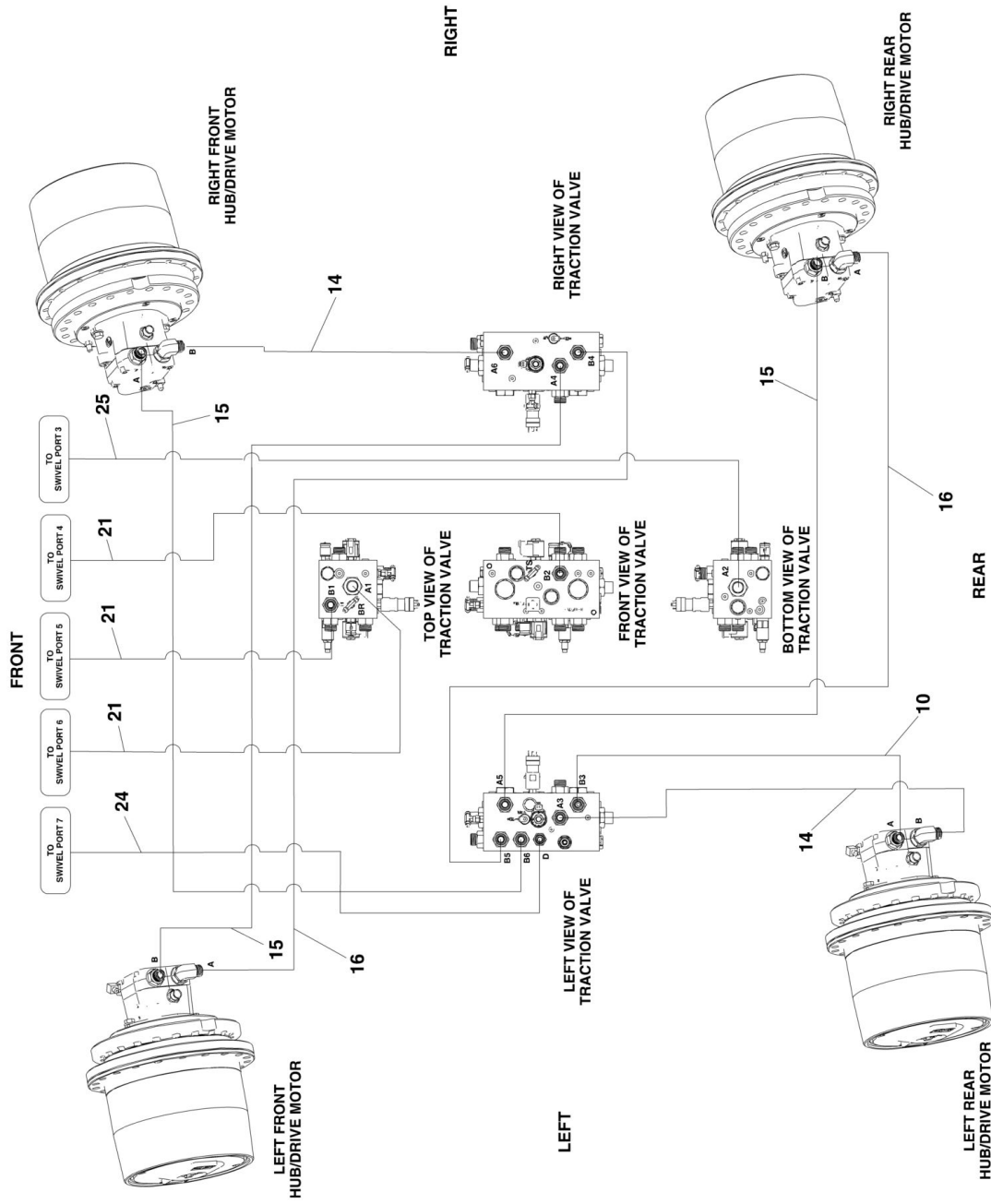
ITEM	PART NUMBER	QTY	DESCRIPTION	REV
	1001197361	Ref	BOOM AND JIB HYDRAULIC DIAGRAM	D
1	0641510	2	Bolt 5/16 x 1-1/4	
2	1320159	2	Clamp	
3	1320263	1	Clamp	
4	1320296	3	Clamp	
5	1321385	1	Clamp	
6	2220366	2	Fitting, 90 JIC/ORB	
7	2220415	4	Fitting, Straight JIC/ORB	
8	2220502	5	Fitting, 45 JIC/ORB	
9	2220940	1	Fitting, 90 JIC/ORB	
10	2540044	1	Guide, Hose	
11	3300492	2	Nut 3/8	
12	3340934	4	Pad, Rubber	
13	3900260	4	Bolt 3/8 x 4	
14	4240018	11	Tie-Strap (Not Shown)	
15	4562516	4 in/0.1m	Tubing	
16	4711600	4	Washer 3/8	
17	0760610001	1	Bolt M6 x 20	
18	0761009001	4	Bolt M10 x 18	
19	1001172358	4	Washer M10	
20	4811700001	1	Washer M6	
21	1001201130	2	Hose	
22	1001201131	3	Hose	
23	1001201132	2	Hose	
24	1001201133	2	Hose	
25	1001201134	1	Hose	
26	1001201135	1	Hose	
27	1001201136	1	Hose	
28	4100063	1	Protector, Hose Wrap (Not Shown)	
29	4240033	4	Tie-Strap (Not Shown)	
30	1001226902	1	Hose	

SECTION 7 - HYDRAULIC

FIGURE 7-2. CHASSIS HYDRAULIC DIAGRAM

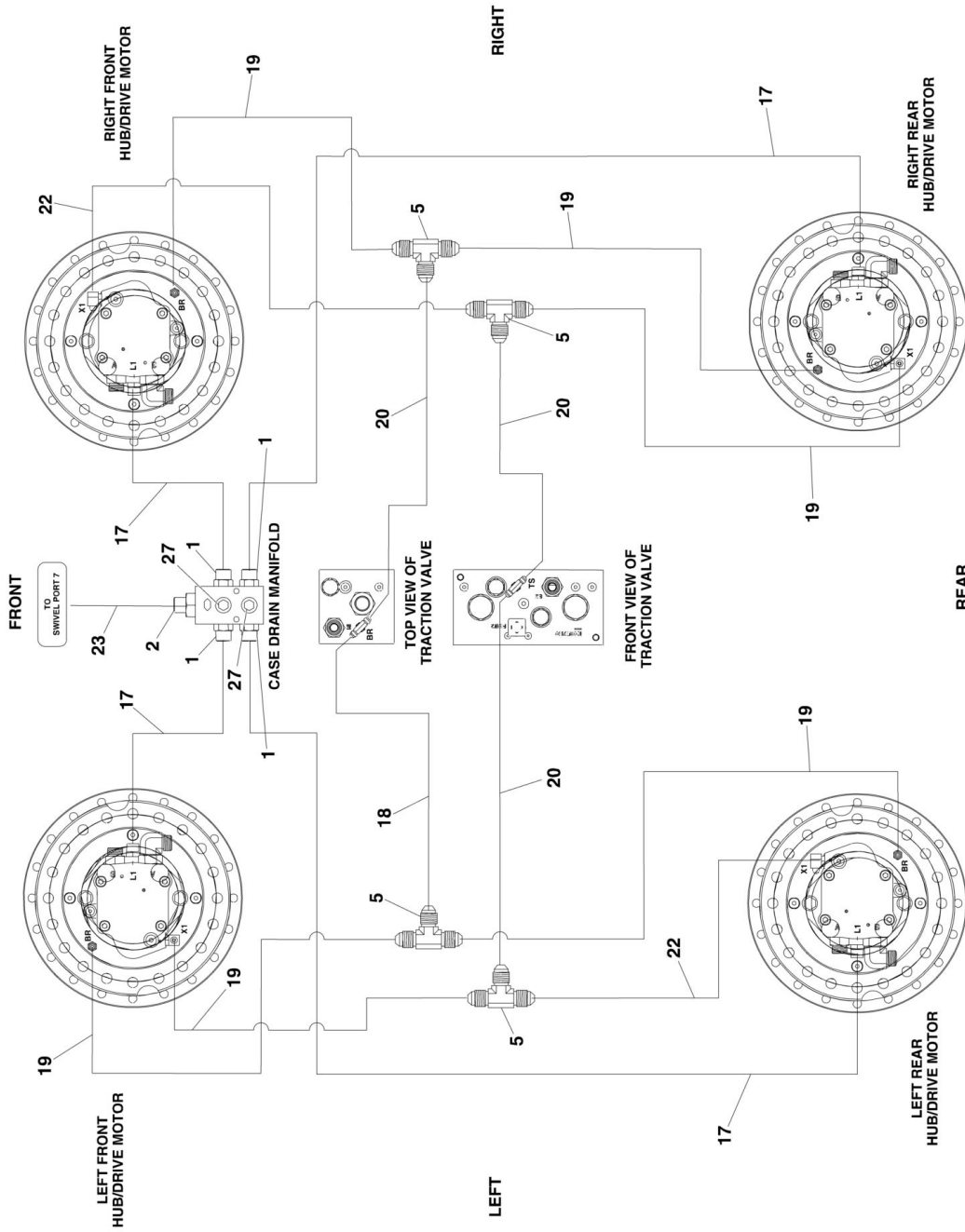


SECTION 7 - HYDRAULIC



1001157241_PG 2 OF 3

SECTION 7 - HYDRAULIC



1001157241_PG 3 OF 3

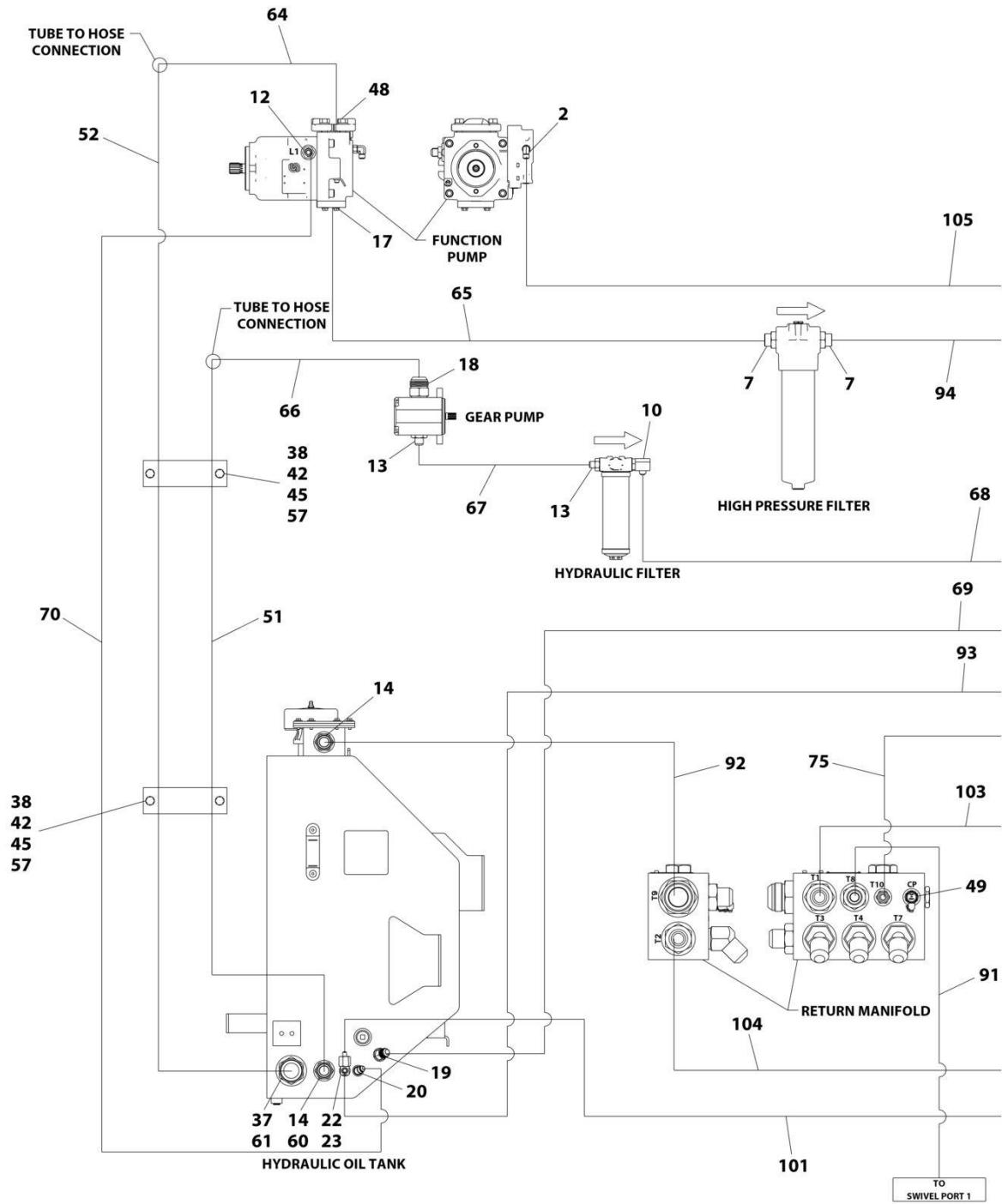
SECTION 7 - HYDRAULIC

FIGURE 7-2. CHASSIS HYDRAULIC DIAGRAM

ITEM	PART NUMBER	QTY	DESCRIPTION	REV
	1001157241	Ref	CHASSIS HYDRAULIC DIAGRAM	D
1	2110808	4	Fitting, Straight ORFS/ORB	
2	2110812	1	Fitting, Straight ORFS/ORB	
3	2220372	8	Fitting, Straight JIC/ORB	
4	2220473	8	Fitting, 90 JIC/ORB	
5	2220504	4	Fitting, Tee JIC/JIC/JIC	
6	8769122	4	Clamp Set	
7	8769128	4	Cover	
8	0641511001	4	Bolt 5/16 x 1-3/8	
9	1001161269	8	Hose	
10	1001161270	1	Hose	
11	1001161271	4	Hose	
12	1001161272	4	Hose	
13	1001161273	4	Hose	
14	1001161274	2	Hose	
15	1001161275	3	Hose	
16	1001161276	2	Hose	
17	1001161277	4	Hose	
18	1001161278	1	Hose	
19	1001161279	6	Hose	
20	1001161280	3	Hose	
21	1001161281	3	Hose	
22	1001161282	2	Hose	
23	1001161283	1	Hose	
24	1001161289	1	Hose	
25	1001161290	1	Hose	
26	4240018	18	Tie-Strap (Not Shown)	
27	2220235	2	Fitting, O-Ring	

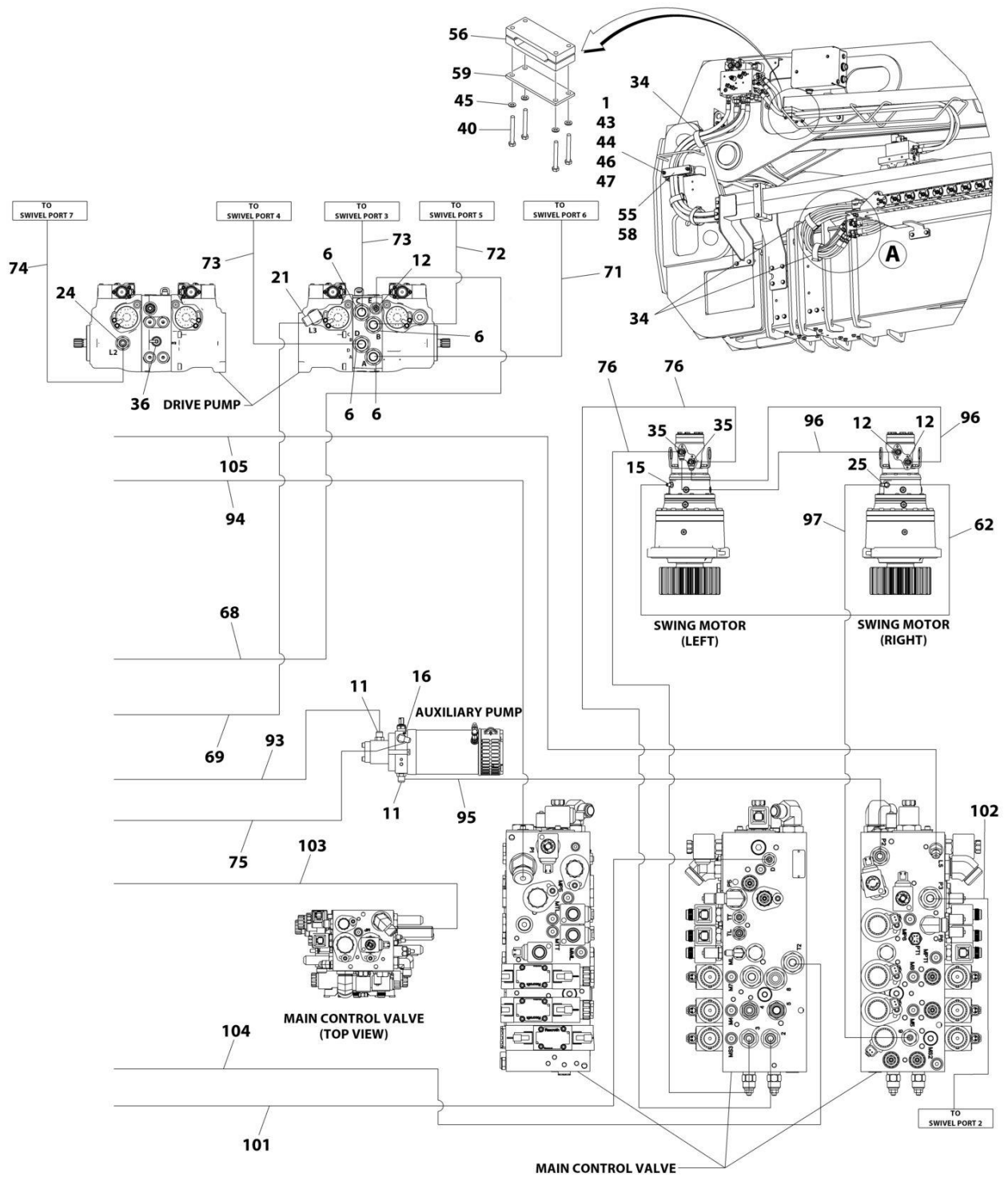
SECTION 7 - HYDRAULIC

FIGURE 7-3. TURNTABLE HYDRAULIC DIAGRAM



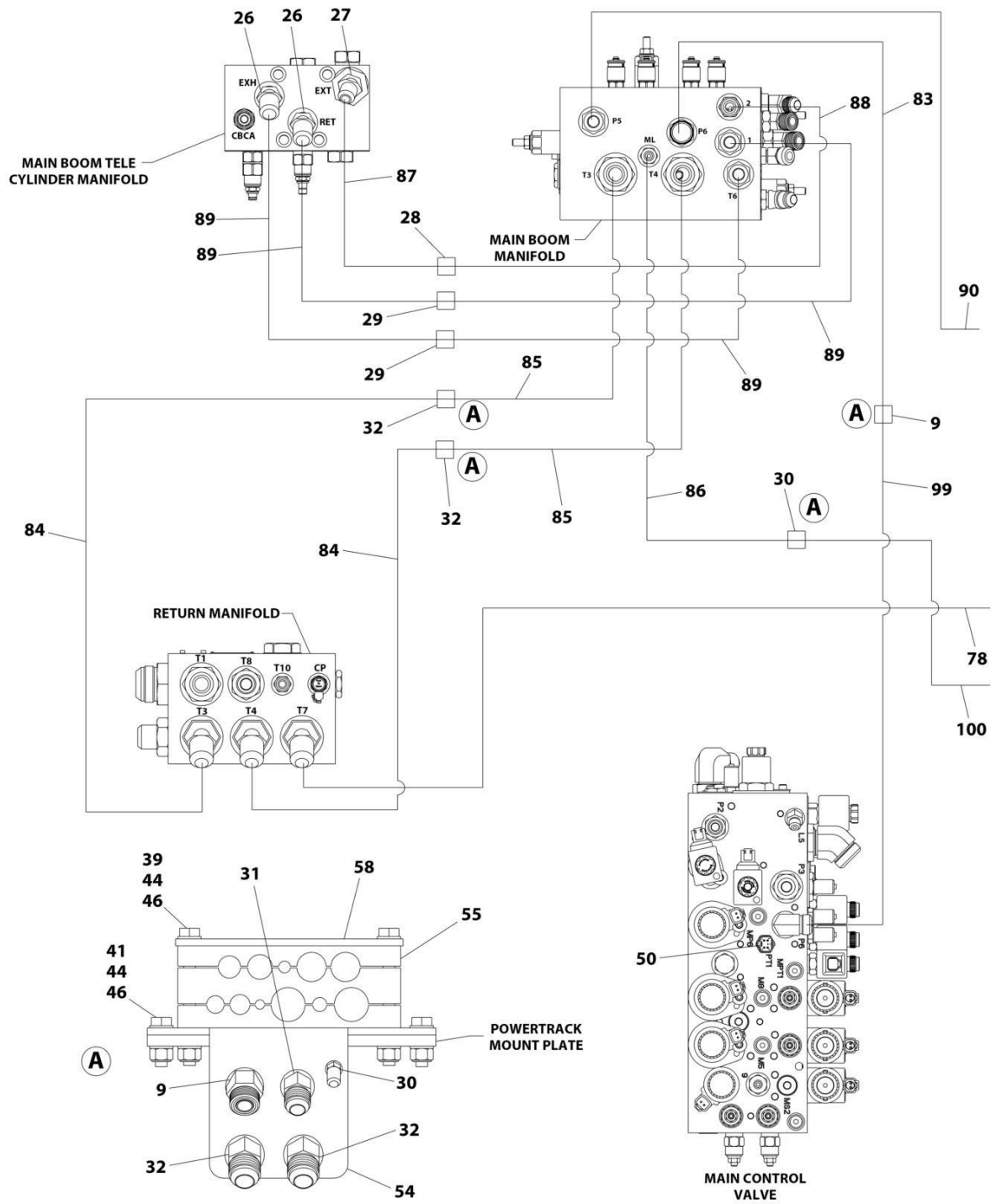
ART_1001212512_10F4

SECTION 7 - HYDRAULIC



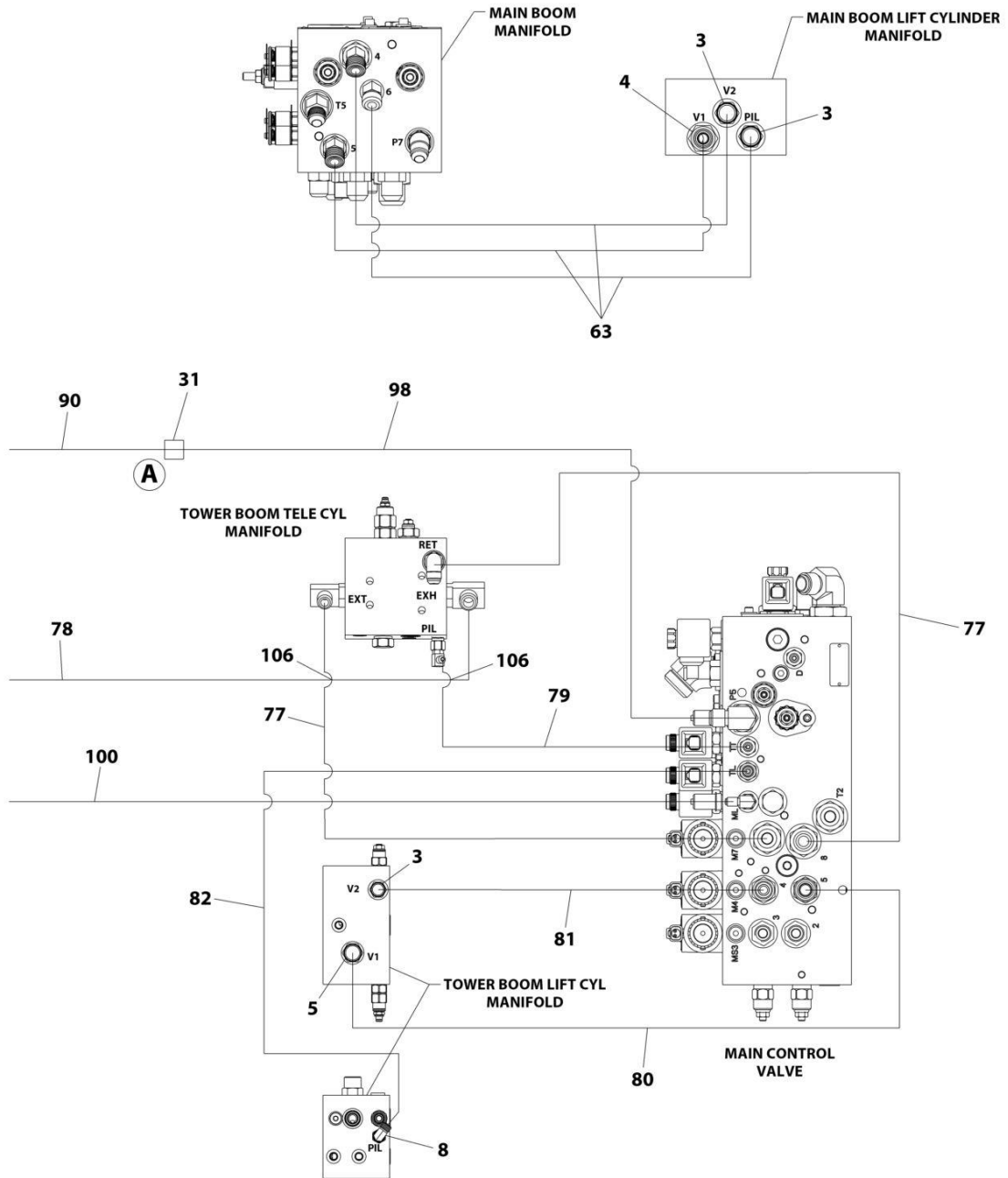
ART_1001212512_2OF4

SECTION 7 - HYDRAULIC



ART_1001212512_3OF4

SECTION 7 - HYDRAULIC



ART_1001212512_40F4

SECTION 7 - HYDRAULIC

FIGURE 7-3. TURNTABLE HYDRAULIC DIAGRAM

ITEM	PART NUMBER	QTY	DESCRIPTION	REV
	1001212512	Ref	TURNTABLE HYDRAULIC DIAGRAM	G
1	0100019	AR	Compound, Locking	
2	2110604	1	Fitting, 90 ORFS/ORB	
3	2110808	3	Fitting, Straight ORFS/ORB	
4	2110810	1	Fitting, Straight ORFS/ORB	
5	2111010	1	Fitting, Straight ORFS/ORB	
6	2111016	4	Fitting, Straight ORFS/ORB	
7	2111620	2	Fitting, Straight ORFS/ORB	
8	2170204	1	Fitting, 90 ORFS/ORB	
9	2171310	1	Fitting, 45 ORFS	
10	2220366	1	Fitting, 90 JIC/ORB	
11	2220373	2	Fitting, Straight JIC/ORB	
12	2220374	4	Fitting, Straight JIC/ORB	
13	2220375	2	Fitting, Straight JIC/ORB	
14	2220380	2	Fitting, Straight JIC/ORB	
15	2220415	1	Fitting, Straight JIC/ORB	
16	2220473	1	Fitting, 90 JIC/ORB	
17	2220478	1	Fitting Kit - Split Flange	
18	2220479	1	Fitting, Straight JIC/ORB	
19	2220498	1	Fitting, 45 JIC/ORB	
20	2220500	1	Fitting, 45 JIC/ORB	
21	2220578	1	Fitting, 90 JIC/ORB	
22	2220602	1	Fitting, Tee JIC/ORB/JIC	
23	2220618	1	Fitting, Straight JIC/FSJIC	
24	2220865	1	Fitting, Straight JIC/ORB	
25	2221034	1	Fitting, Tee	
26	2221050	2	Fitting, 45 JIC/ORB	
27	2221077	1	Fitting, 45	
28	2230025	1	Fitting, Straight JIC/JIC	
29	2230026	2	Fitting, Straight JIC/JIC	
30	2230031	1	Fitting, 45 JIC/JIC	
31	2230035	1	Fitting, 45 JIC/JIC	
32	2230036	2	Fitting, 45 JIC/JIC	
33	4240018	4	Tie-Strap (Not Shown)	
34	1001137263	AR	Strap, Cinch	
35	8760554	2	Fitting, Tee JIC/ORB/JIC	
36	77133089	1	Valve, Check	
37	88662013	1	Fitting, Straight JIC/ORB	
38	0700823001	4	Bolt M8 x 75	
39	0701028001	2	Bolt M10 x 110	
40	0760822001	4	Bolt M8 x 70	
41	0761015001	2	Bolt M10 x 35	
42	3290801001	4	Nut M8	
43	3291001001	2	Nut M10	
44	3291005001	6	Nut M10	
45	4811900001	12	Washer M8	
46	1001172358	10	Washer M10	
47	1001202136	2	Stud M10 x 115	
48	1001110604	1	Fitting Kit - Split Flange	
49	1001119455	1	Fitting, Test	

SECTION 7 - HYDRAULIC

ITEM	PART NUMBER	QTY	DESCRIPTION	REV
50	1001200550	1	Sensor, Pressure Transducer	
51	1001202320	1	Tube	
52	1001212328	1	Tube	
53	1001207279	1	Shield (Not Shown)	
54	1001202705	1	Bracket	
55	1001202706	2	Clamp	
56	1001202707	1	Clamp	
57	1001207102	2	Clamp	
58	1001202708	2	Cover, Clamp	
59	1001202709	1	Cover, Clamp	
60	1001217086	1	Seal, Conical	
61	1001217087	1	Seal, Conical	
62	1001161647	1	Hose	
63	1001200977	1	Hose	
64	1001205083	1	Hose	
65	1001205084	1	Hose	
66	1001205086	1	Hose	
67	1001205087	1	Hose	
68	1001205088	1	Hose	
69	1001205089	1	Hose	
70	1001205090	1	Hose	
71	1001205092	1	Hose	
72	1001205093	1	Hose	
73	1001205094	2	Hose	
74	1001205095	1	Hose	
75	1001205096	1	Hose	
76	1001205098	2	Hose	
77	1001205100	2	Hose	
78	1001205102	1	Hose	
79	1001205103	1	Hose	
80	1001205104	1	Hose	
81	1001205105	1	Hose	
82	1001205106	1	Hose	
83	1001205108	1	Hose	
84	1001205110	2	Hose	
85	1001205111	2	Hose	
86	1001205113	1	Hose	
87	1001205114	1	Hose	
88	1001205115	1	Hose	
89	1001205116	4	Hose	
90	1001205117	1	Hose	
91	1001205124	1	Hose	
92	1001205125	1	Hose	
93	1001205949	1	Hose	
94	1001212491	1	Hose	
95	1001212492	1	Hose	
96	1001212494	2	Hose	
97	1001212495	1	Hose	
98	1001212502	1	Hose	
99	1001212503	1	Hose	
100	1001212504	1	Hose	

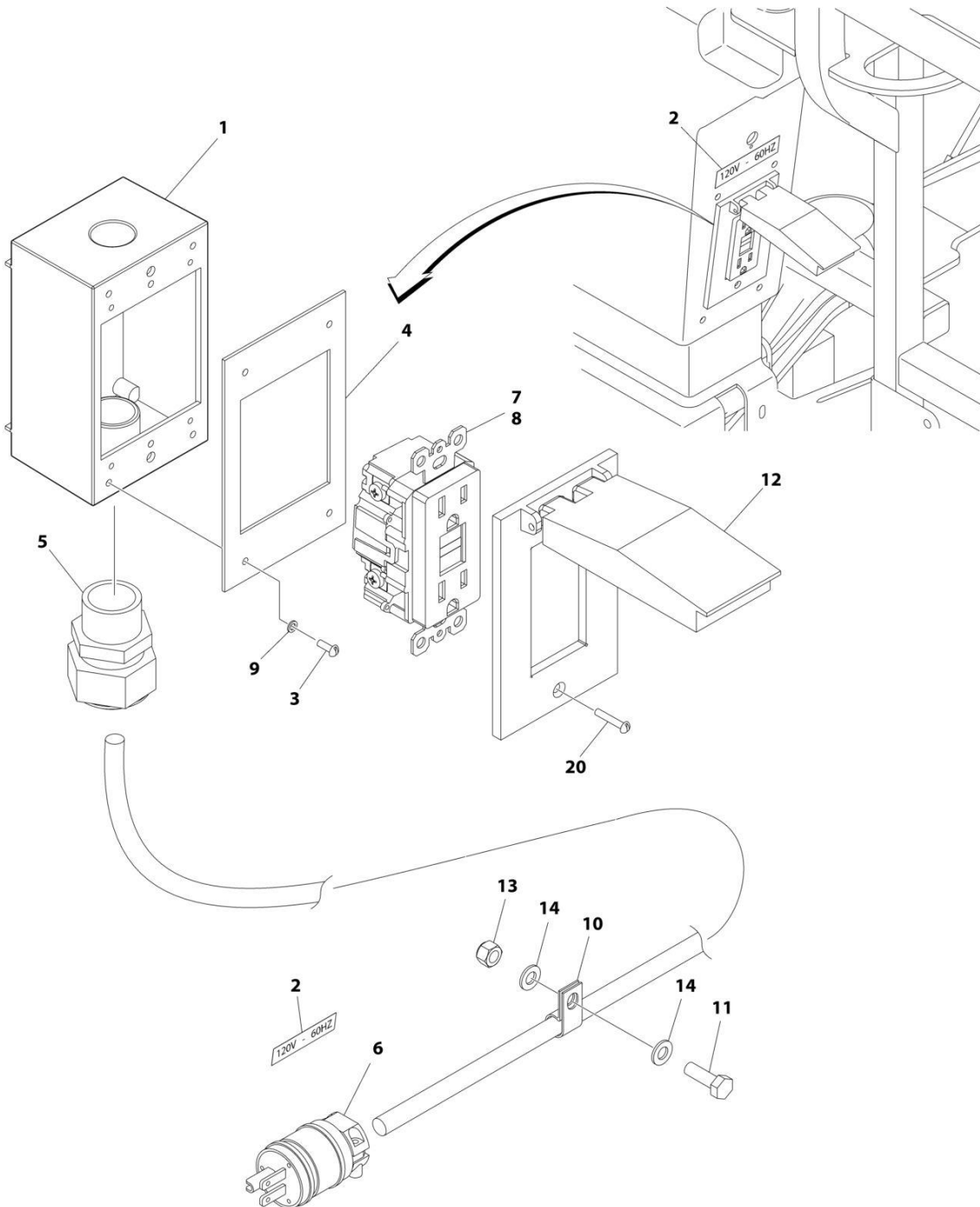
SECTION 7 - HYDRAULIC

ITEM	PART NUMBER	QTY	DESCRIPTION	REV
101	1001212505	1	Hose	
102	1001212507	1	Hose	
103	1001212509	1	Hose	
104	1001231291	1	Hose	
105	1001232201	1	Hose	
106	4240155	6	Strap, Cinch	

SECTION 8 - ELECTRICAL

SECTION 8 - ELECTRICAL

FIGURE 8-1. AC BOX AT PLATFORM INSTALLATION - 110V GFI (ANSI, CSA AND JAPANESE SPECS)



ART_1001197333

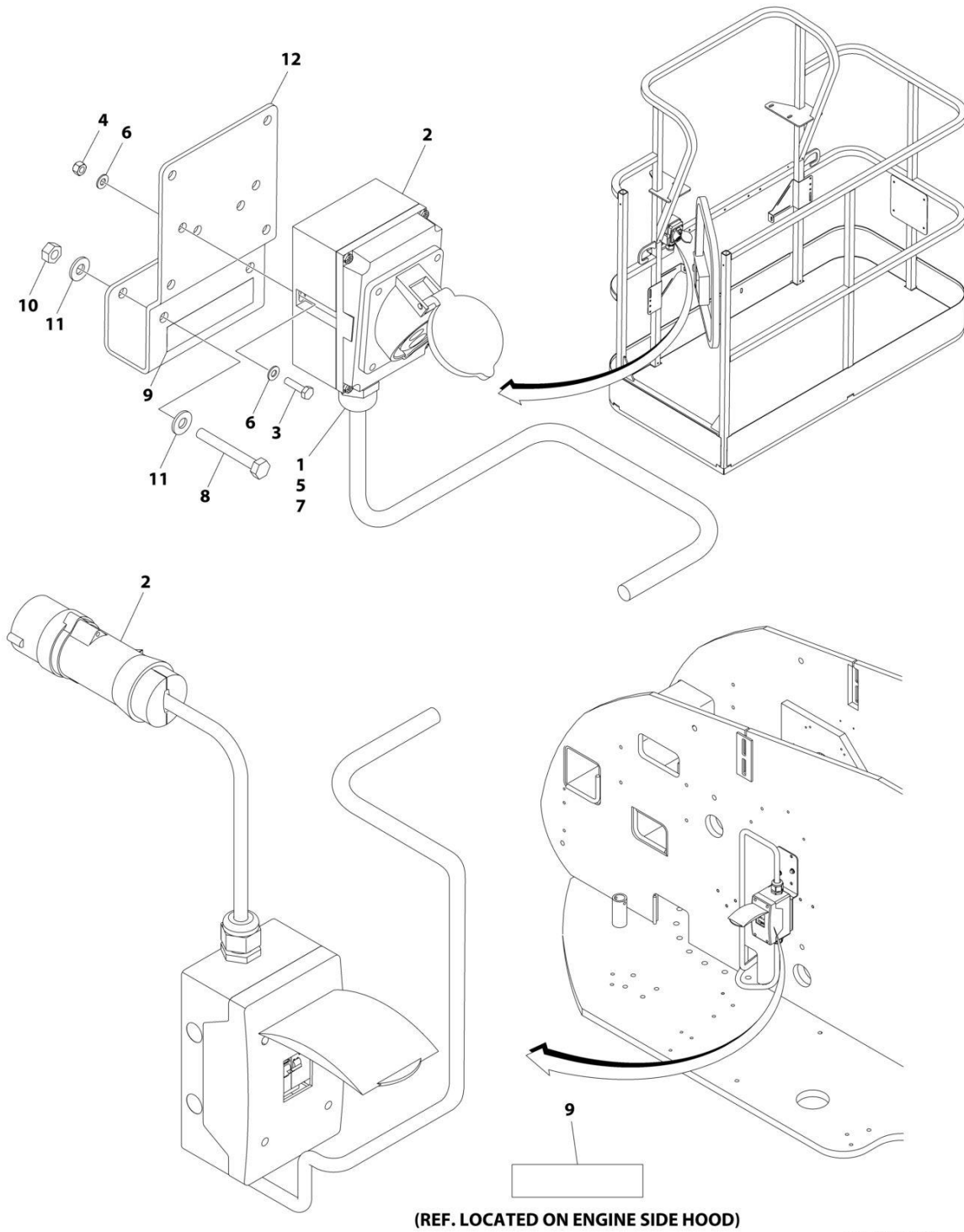
SECTION 8 - ELECTRICAL

FIGURE 8-1. AC BOX AT PLATFORM INSTALLATION - 110V GFI (ANSI, CSA AND JAPANESE SPECS)

ITEM	PART NUMBER	QTY	DESCRIPTION	REV
	1001197333	Ref	AC BOX AT PLATFORM INSTALLATION - 110V GFI	B
1	0860038	1	Box, Switch	
2	3251243	2	Decal - 120V/60Hz	
3	3910606	4	Screw #6 x 3/8	
4	3960422	1	Gasket, AC Receptacle	
5	4460051	1	Connector, Strain Relief	
6	4460205	1	Plug, Male	
7	4460315	3	Terminal, Spade	
8	4460346	1	Terminal, Receptacle	
9	4760600	4	Washer #6	
10	8406109	1	Clamp	
11	0760812001	1	Bolt M8 x 25	
12	1001110873	1	Shield, Receptacle Cover	
13	3290805001	1	Nut M8	
14	4811900001	2	Washer M8	
20	3910612	2	Screw #6 x 3/4	

SECTION 8 - ELECTRICAL

FIGURE 8-2. AC BOX AT PLATFORM INSTALLATION - 110V IEC YELLOW WITHOUT GENERATOR
(CE & UK CA SPECS)



ART_1001091969

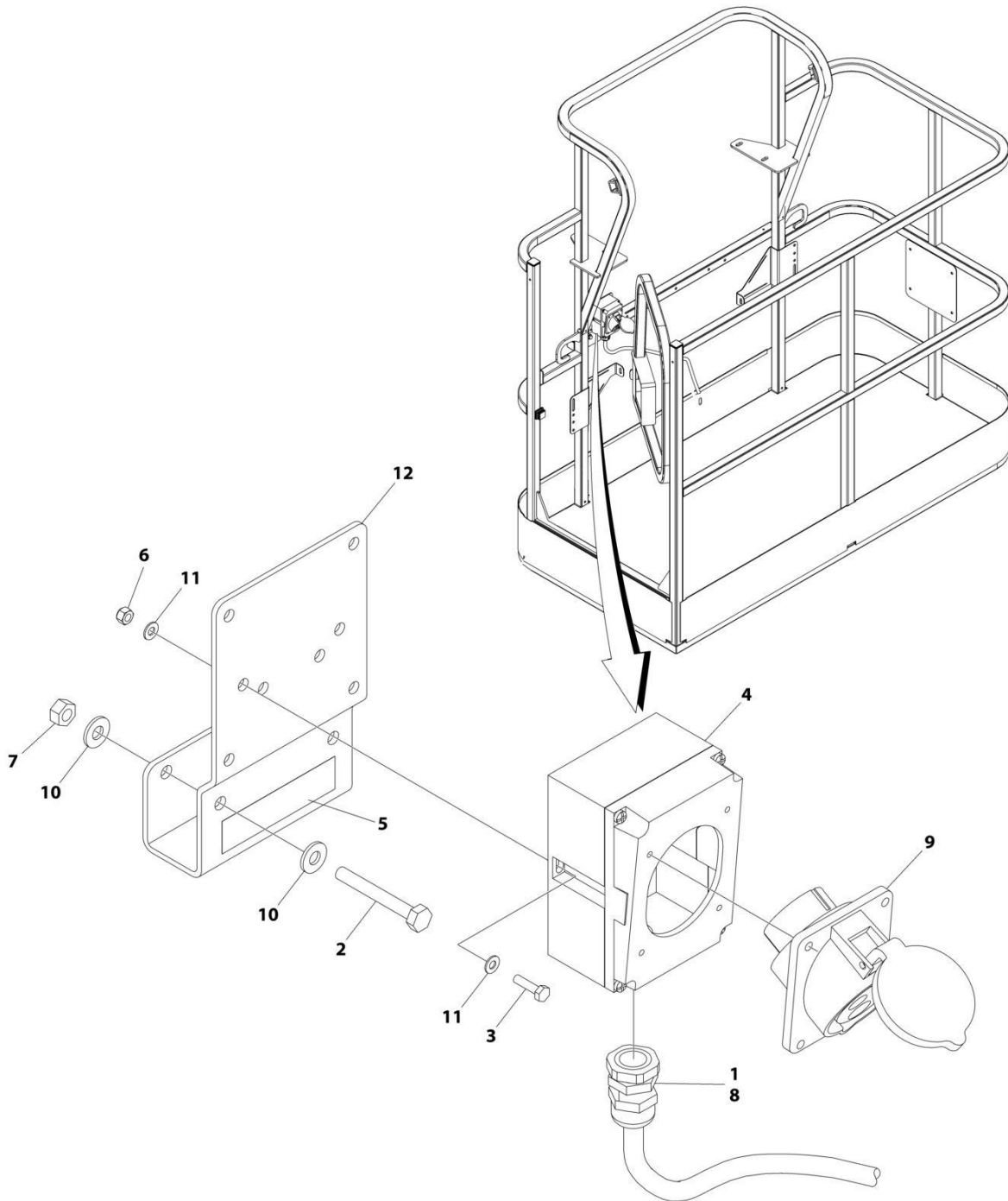
SECTION 8 - ELECTRICAL

**FIGURE 8-2. AC BOX AT PLATFORM INSTALLATION - 110V IEC YELLOW WITHOUT GENERATOR
(CE & UK CA SPECS)**

ITEM	PART NUMBER	QTY	DESCRIPTION	REV
	1001091969	Ref	AC BOX AT PLATFORM INSTALLATION - 110V IEC YELLOW	D
1	0100020	AR	Sealant, Pipe	
2	0275216	1	Receptacle Box Kit (See Separate Breakdown in this Section)	
3	0700408	2	Bolt M4 x 16	
4	3290405	2	Nut M4	
5	1001101196	1	Adapter	
6	4811400	4	Washer M4	
7	1001101191	1	Connector, Strain Relief	
8	0641416	2	Bolt 1/4 x 2	
9	1705325	2	Decal - 110V	
10	3311405	2	Nut 1/4	
11	4711400	4	Washer 1/4	
12	1001193018	1	Bracket	

SECTION 8 - ELECTRICAL

FIGURE 8-3. AC BOX AT PLATFORM INSTALLATION - 110V IEC YELLOW WITH 4000W GENERATOR
(CE & UK CA SPECS)



ART_1001194203

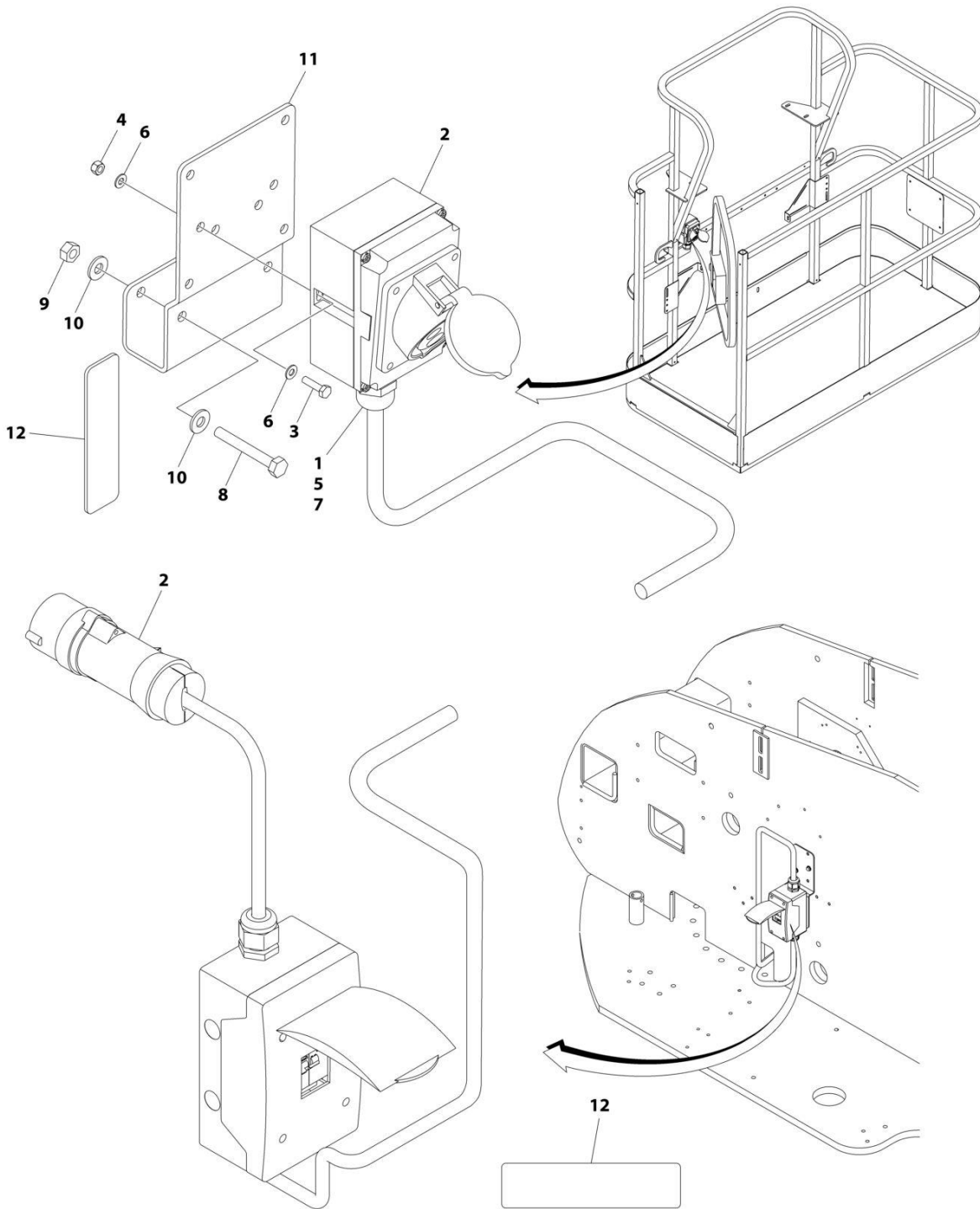
SECTION 8 - ELECTRICAL

**FIGURE 8-3. AC BOX AT PLATFORM INSTALLATION - 110V IEC YELLOW WITH 4000W GENERATOR
(CE & UK CA SPECS)**

ITEM	PART NUMBER	QTY	DESCRIPTION	REV
	1001194203	Ref	AC BOX AT PLATFORM INSTALLATION	B
1	0100020	AR	Sealant, Pipe	
2	0641416	2	Bolt 1/4 x 2	
3	0700408	2	Bolt M4 x 16	
4	0861781	1	Box, Switch	
5	1705325	1	Decal - 110V	
6	3290405	2	Nut M4	
7	3311405	2	Nut 1/4	
8	4460968	1	Connector, Strain Relief	
9	4461198	1	Receptacle	
10	4711400	4	Washer 1/4	
11	4811400	4	Washer M4	
12	1001193018	1	Bracket, AC Receptacle	

SECTION 8 - ELECTRICAL

FIGURE 8-4. AC BOX AT PLATFORM INSTALLATION - 220V IEC BLUE WITHOUT GENERATOR (CE & UK CA SPECS)



ART_1001091970

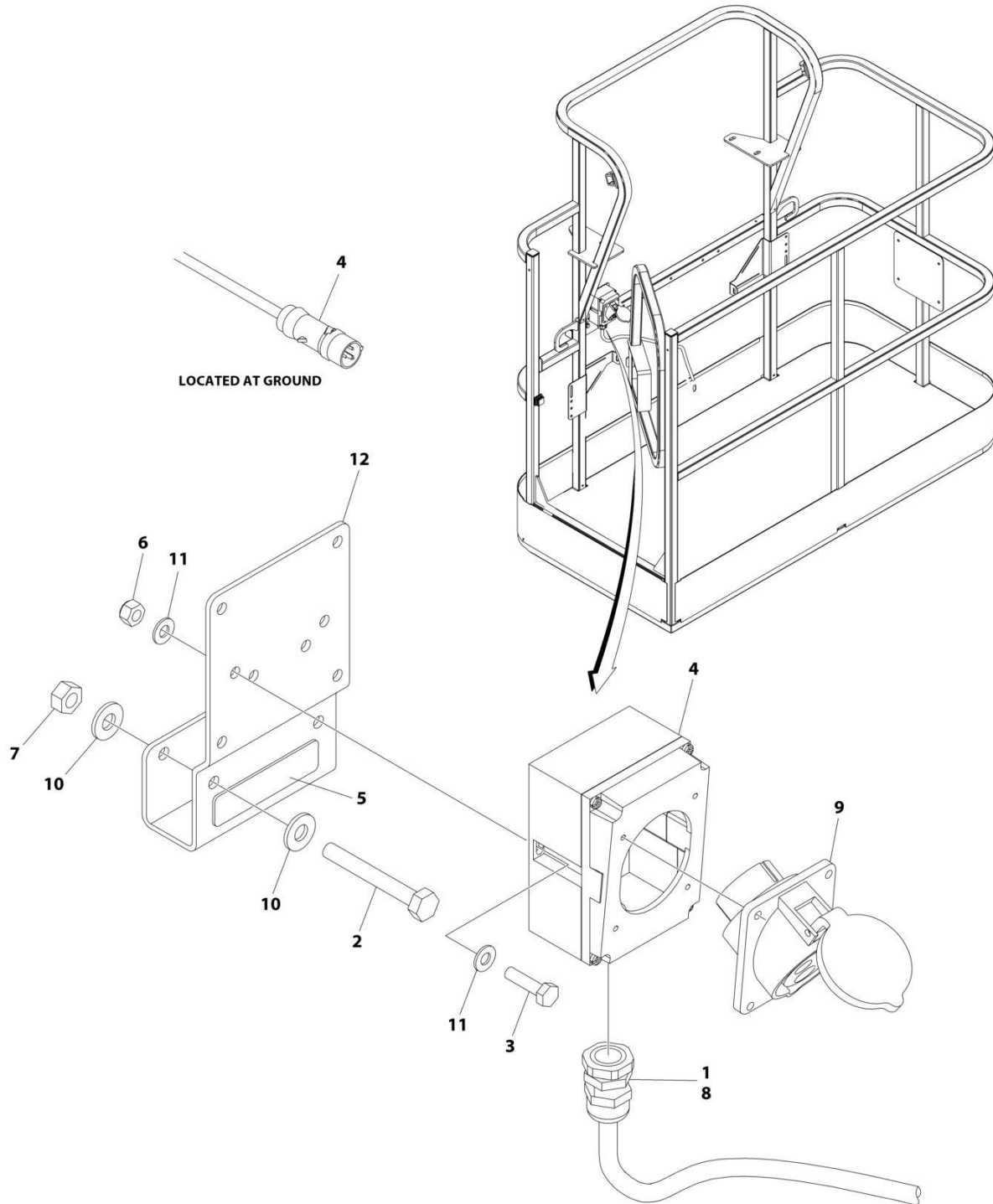
SECTION 8 - ELECTRICAL

FIGURE 8-4. AC BOX AT PLATFORM INSTALLATION - 220V IEC BLUE WITHOUT GENERATOR (CE & UK CA SPECS)

ITEM	PART NUMBER	QTY	DESCRIPTION	REV
	1001091970	Ref	AC BOX AT PLATFORM INSTALLATION - 220V IEC BLUE	D
1	0100020	AR	Sealant, Pipe	
2	0275217	1	Receptacle Box Kit (See Separate Breakdown in this Section)	
3	0700408	2	Bolt M4 x 16	
4	3290405	2	Nut M4	
5	1001101196	1	Adapter	
6	4811400	4	Washer M4	
7	1001101191	1	Connector, Strain Relief	
8	0641416	2	Bolt 1/4 x 2	
9	3311405	2	Nut 1/4	
10	4711400	4	Washer 1/4	
11	1001193018	1	Bracket	
12	3251242	2	Decal - 240V/50Hz	

SECTION 8 - ELECTRICAL

FIGURE 8-5. AC BOX AT PLATFORM INSTALLATION - 220V IEC BLUE WITH 4000W GENERATOR
(CE & UK CA SPECS)



ART_1001194204

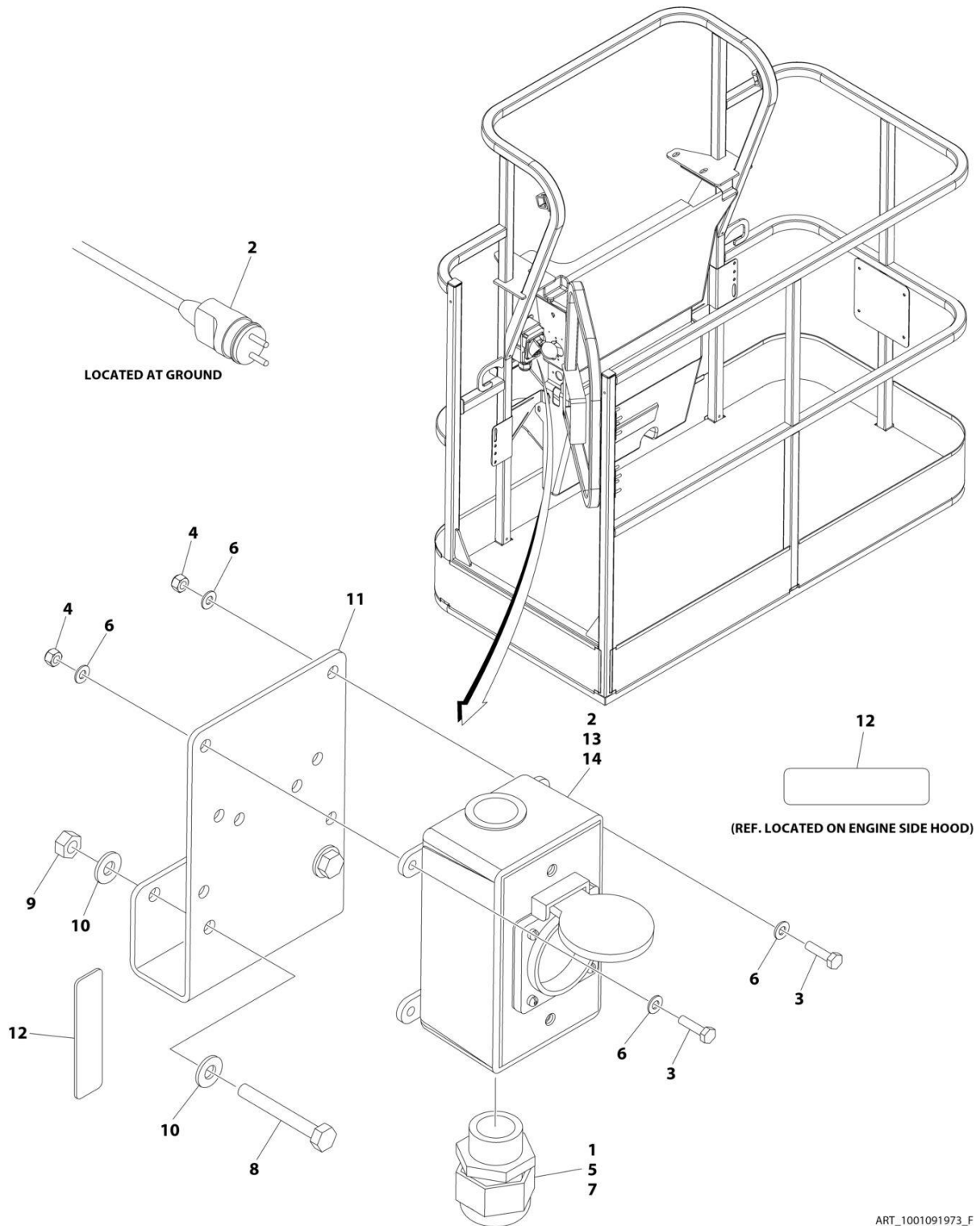
SECTION 8 - ELECTRICAL

**FIGURE 8-5. AC BOX AT PLATFORM INSTALLATION - 220V IEC BLUE WITH 4000W GENERATOR
(CE & UK CA SPECS)**

ITEM	PART NUMBER	QTY	DESCRIPTION	REV
	1001194204	Ref	AC BOX AT PLATFORM INSTALLATION	B
1	0100020	AR	Sealant, Pipe	
2	0641416	2	Bolt 1/4 x 2	
3	0700408	2	Bolt M4 x 16	
4	0861781	1	Box, Switch	
5	3251242	1	Decal - 240V/50Hz	
6	3290405	2	Nut M4	
7	3311405	2	Nut 1/4	
8	4460968	1	Connector, Strain Relief	
9	4461201	1	Receptacle	
10	4711400	4	Washer 1/4	
11	4811400	4	Washer M4	
12	1001193018	1	Bracket, AC Receptacle	

SECTION 8 - ELECTRICAL

FIGURE 8-6. AC BOX AT PLATFORM INSTALLATION - 220V CEE7 POST GROUND WITHOUT GENERATOR (CE & UK CA SPECS)



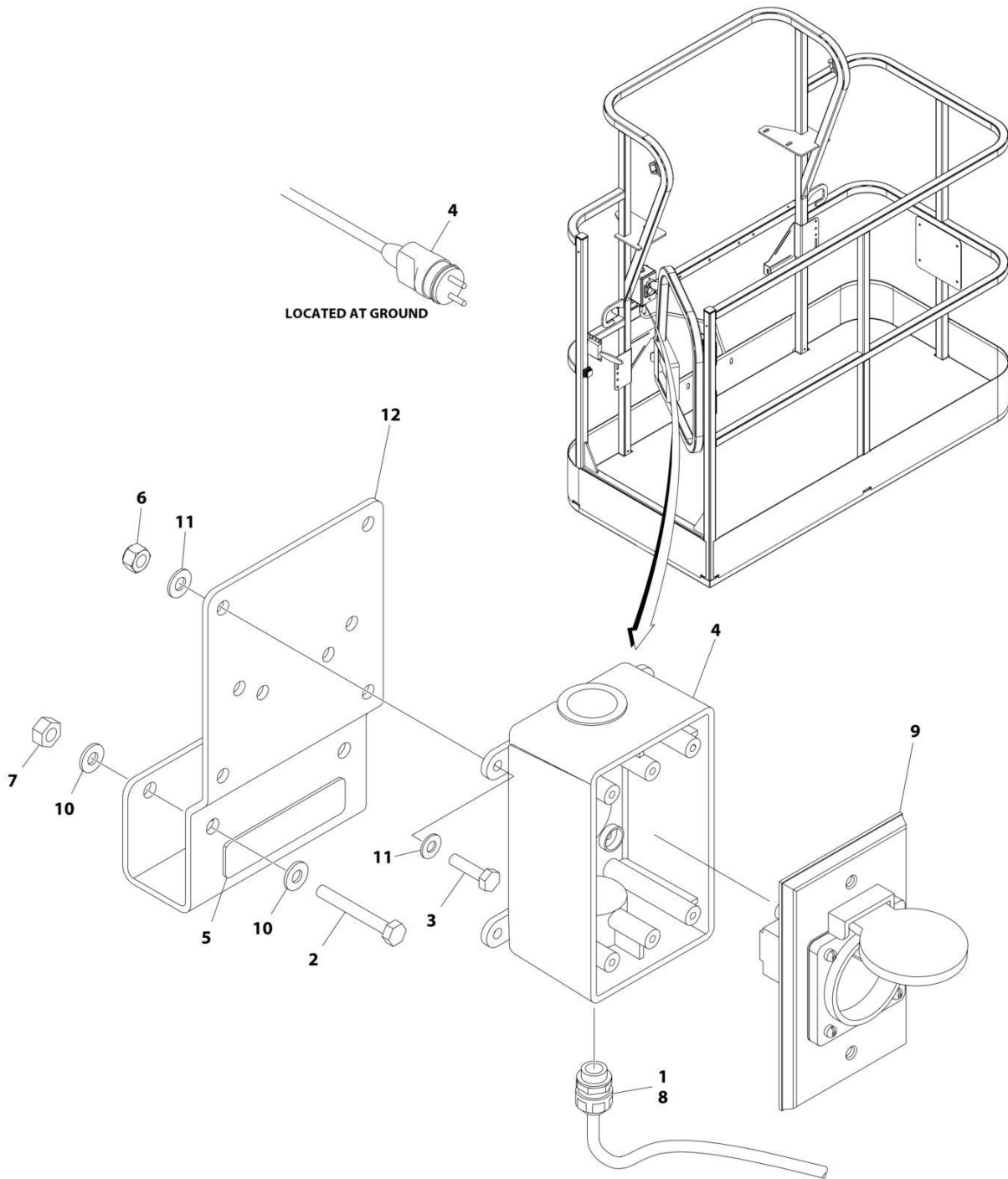
SECTION 8 - ELECTRICAL

FIGURE 8-6. AC BOX AT PLATFORM INSTALLATION - 220V CEE7 POST GROUND WITHOUT GENERATOR (CE & UK CA SPECS)

ITEM	PART NUMBER	QTY	DESCRIPTION	REV
	1001091973	Ref	AC BOX AT PLATFORM INSTALLATION - 220V CEE7 2X4 BOX POST GROUND	F
1	0100020	AR	Sealant, Pipe	
2	0275452	1	Receptacle Box Kit (See Separate Breakdown in this Section)	
3	0700408	4	Bolt M4 x 16	
4	3290405	4	Nut M4	
5	1001101197	1	Adapter	
6	4811400	8	Washer M4	
7	1001101191	1	Connector, Strain Relief	
8	0641416	2	Bolt 1/4 x 2	
9	3311405	2	Nut 1/4	
10	4711400	4	Washer 1/4	
11	1001193018	1	Bracket	
12	3251242	2	Decal - 240V/50Hz	
13	4460806	2	Terminal, Fork (Not Shown)	
14	1001205958	1	Terminal (Not Shown)	

SECTION 8 - ELECTRICAL

FIGURE 8-7. AC BOX AT PLATFORM INSTALLATION - 220V CEE7 POST GROUND WITH 4000W GENERATOR (CE & UK CA SPECS)



ART_1001194197

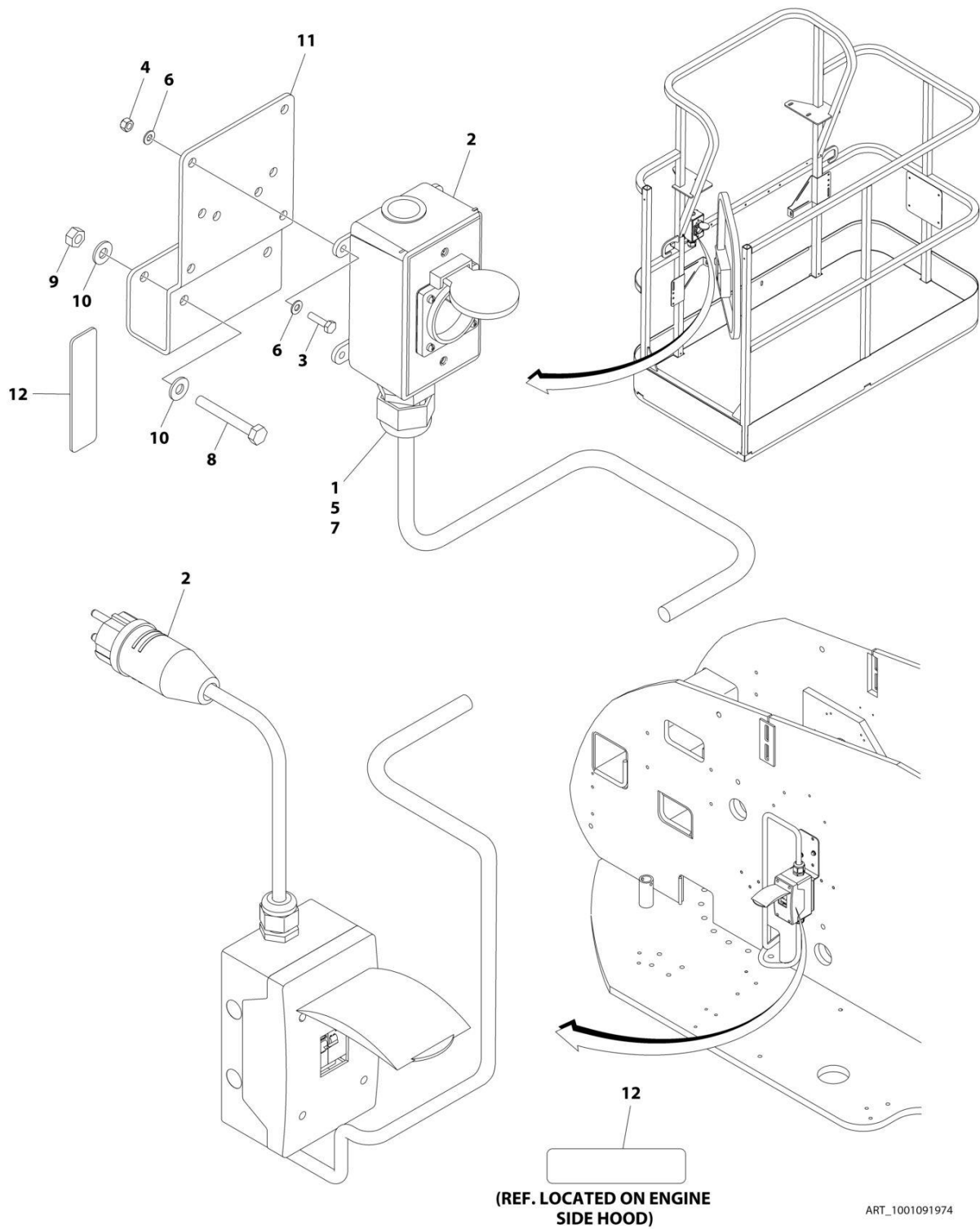
SECTION 8 - ELECTRICAL

FIGURE 8-7. AC BOX AT PLATFORM INSTALLATION - 220V CEE7 POST GROUND WITH 4000W GENERATOR (CE & UK CA SPECS)

ITEM	PART NUMBER	QTY	DESCRIPTION	REV
	1001194197	Ref	AC BOX AT PLATFORM INSTALLATION	B
1	0100020	AR	Sealant, Pipe	
2	0641416	2	Bolt 1/4 x 2	
3	0700408	4	Bolt M4 x 16	
4	0861731	1	Box, Switch	
5	3251242	1	Decal - 240V/50Hz	
6	3290405	4	Nut M4	
7	3311405	2	Nut 1/4	
8	4460662	1	Connector, Strain Relief	
9	4461244	1	Receptacle	
10	4711400	4	Washer 1/4	
11	4811400	8	Washer M4	
12	1001193018	1	Bracket, AC Receptacle	
13	4460806	2	Terminal, Fork (Not Shown)	
14	1001205958	1	Terminal (Not Shown)	

SECTION 8 - ELECTRICAL

FIGURE 8-8. AC BOX AT PLATFORM INSTALLATION - 220V CEE7 SIDE GROUND WITHOUT GENERATOR (CE & UK CA SPECS)



SECTION 8 - ELECTRICAL

FIGURE 8-8. AC BOX AT PLATFORM INSTALLATION - 220V CEE7 SIDE GROUND WITHOUT GENERATOR (CE & UK CA SPECS)

ITEM	PART NUMBER	QTY	DESCRIPTION	REV
	1001091974	Ref	AC BOX AT PLATFORM INSTALLATION - 220V CEE7 2X4 BOX SIDE GROUND	F
1	0100020	AR	Sealant, Pipe	
2	0275453	1	Receptacle Box Kit (See Separate Breakdown in this Section)	
3	0700408	4	Bolt M4 x 16	
4	3290405	4	Nut M4	
5	1001101197	1	Adapter	
6	4811400	8	Washer M4	
7	1001101191	1	Connector, Strain Relief	
8	0641416	2	Bolt 1/4 x 2	
9	3311405	2	Nut 1/4	
10	4711400	4	Washer 1/4	
11	1001193018	1	Bracket	
12	3251242	2	Decal - 240V/50Hz	
13	4460806	2	Terminal, Fork (Not Shown)	
14	1001205958	1	Terminal (Not Shown)	

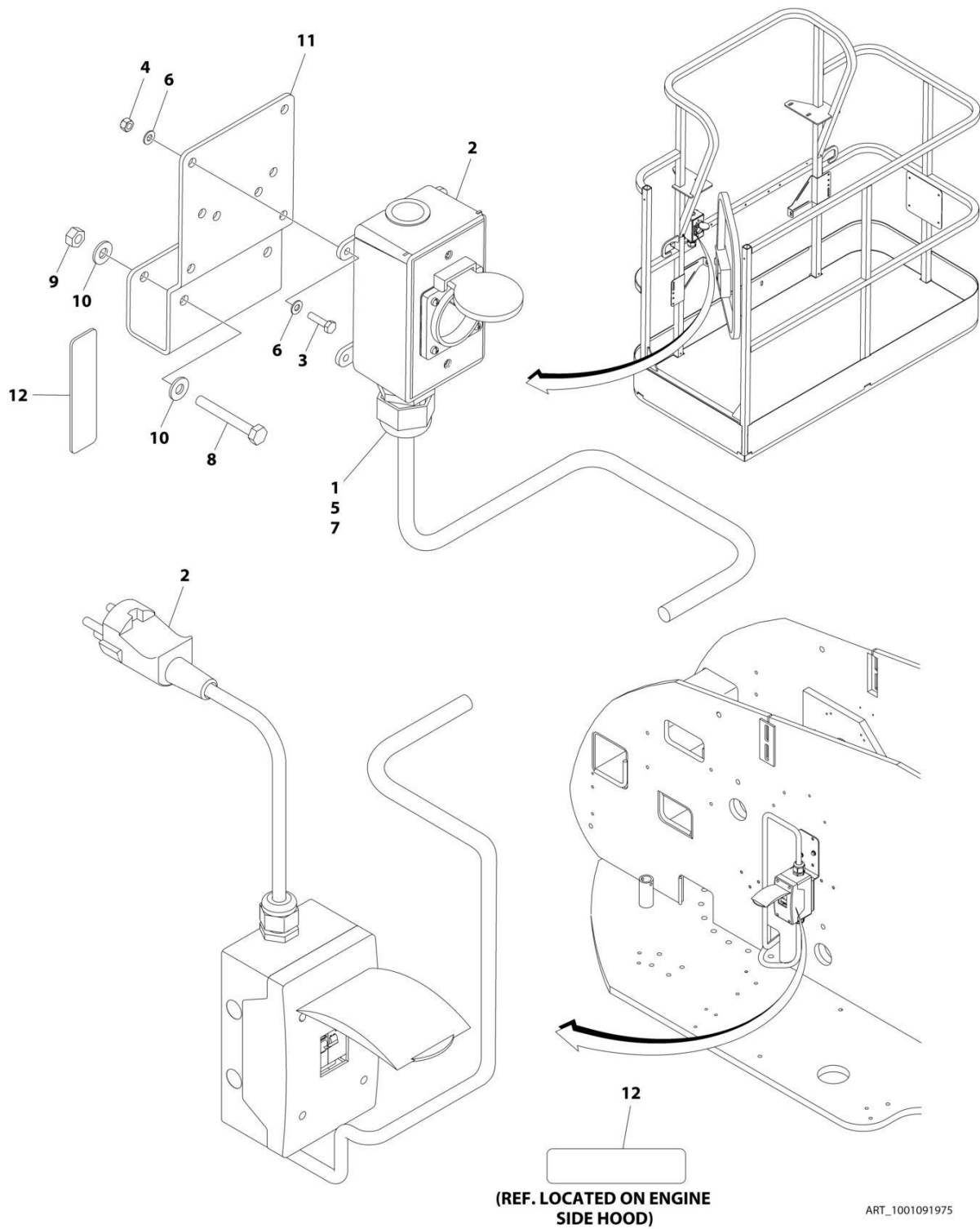
SECTION 8 - ELECTRICAL

FIGURE 8-9. AC BOX AT PLATFORM INSTALLATION - 220V CEE7 SIDE GROUND WITH 4000W GENERATOR (CE & UK CA SPECS)

ITEM	PART NUMBER	QTY	DESCRIPTION	REV
	1001194198	Ref	AC BOX AT PLATFORM INSTALLATION	B
1	0100020	AR	Sealant, Pipe	
2	0641416	2	Bolt 1/4 x 2	
3	0700408	4	Bolt M4 x 16	
4	0861731	1	Box, Switch	
5	3251242	1	Decal - 240V/50Hz	
6	3290405	4	Nut M4	
7	3311405	2	Nut 1/4	
8	4460662	1	Connector, Strain Relief	
9	4461245	1	Receptacle	
10	4711400	4	Washer 1/4	
11	4811400	8	Washer M4	
12	1001193018	1	Bracket, AC Receptacle	
13	4460806	2	Terminal, Fork (Not Shown)	
14	1001205958	1	Terminal (Not Shown)	

SECTION 8 - ELECTRICAL

FIGURE 8-10. AC BOX AT PLATFORM INSTALLATION - 220V AFSINT 107 KEYED GROUND WITHOUT GENERATOR (CE & UK CA SPECS)



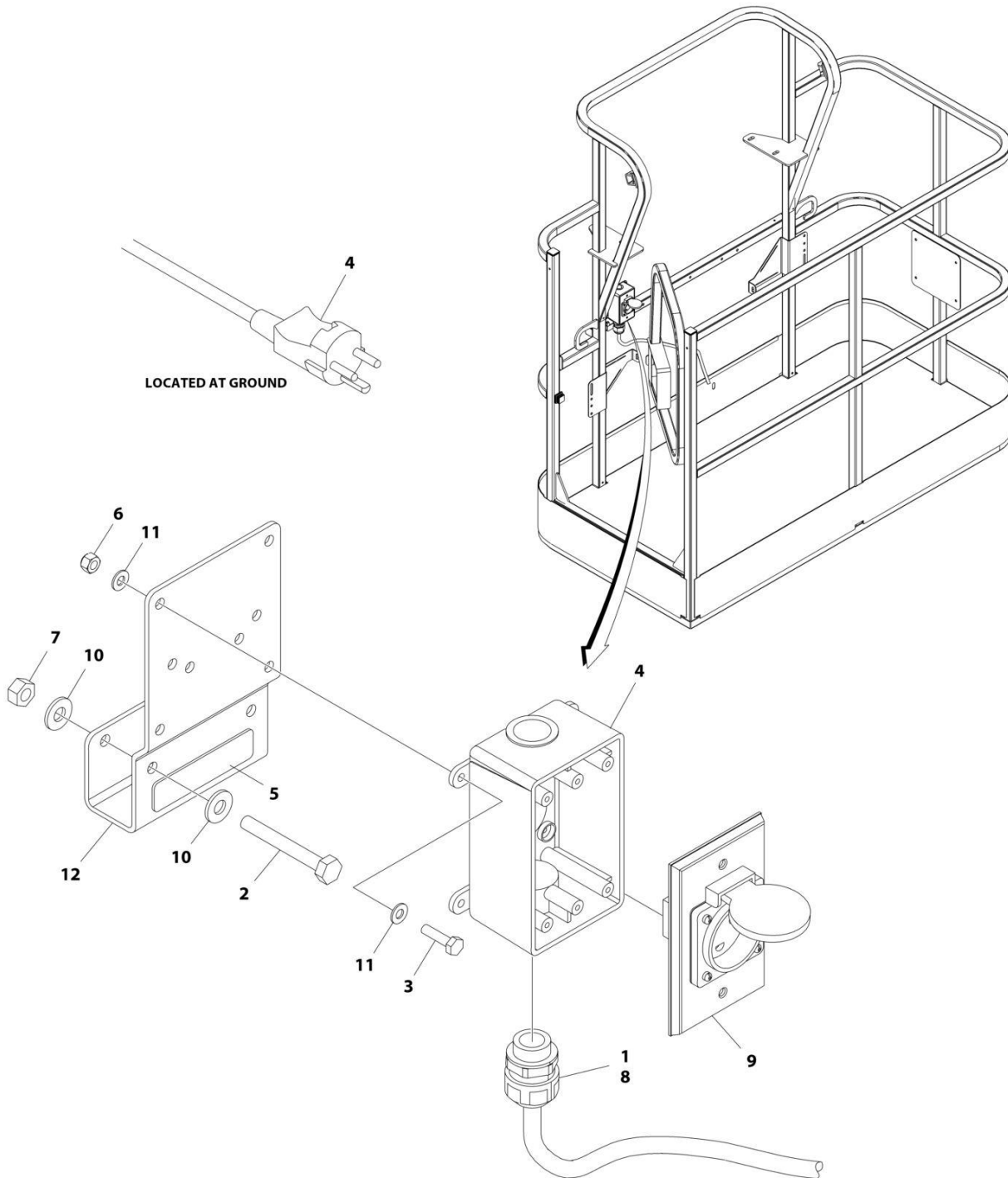
SECTION 8 - ELECTRICAL

**FIGURE 8-10. AC BOX AT PLATFORM INSTALLATION - 220V AFSINT 107 KEYED GROUND
WITHOUT GENERATOR (CE & UK CA SPECS)**

ITEM	PART NUMBER	QTY	DESCRIPTION	REV
	1001091975	Ref	AC BOX AT PLATFORM INSTALLATION - 220V AFSINT 107 2X4 BOX KEYED GROUND	F
1	0100020	AR	Sealant, Pipe	
2	0275454	1	Receptacle Box Kit (See Separate Breakdown in this Section)	
3	0700408	4	Bolt M4 x 16	
4	3290405	4	Nut M4	
5	1001101197	1	Adapter	
6	4811400	8	Washer M4	
7	1001101191	1	Connector, Strain Relief	
8	0641416	2	Bolt 1/4 x 2	
9	3311405	2	Nut 1/4	
10	4711400	4	Washer 1/4	
11	1001193018	1	Bracket	
12	3251242	2	Decal - 240V/50Hz	
13	1001205958	3	Terminal (Not Shown)	

SECTION 8 - ELECTRICAL

FIGURE 8-11. AC BOX AT PLATFORM INSTALLATION - 220V AFSINT 107 KEYED GROUND WITH 4000W GENERATOR (CE & UK CA SPECS)



ART_1001194200

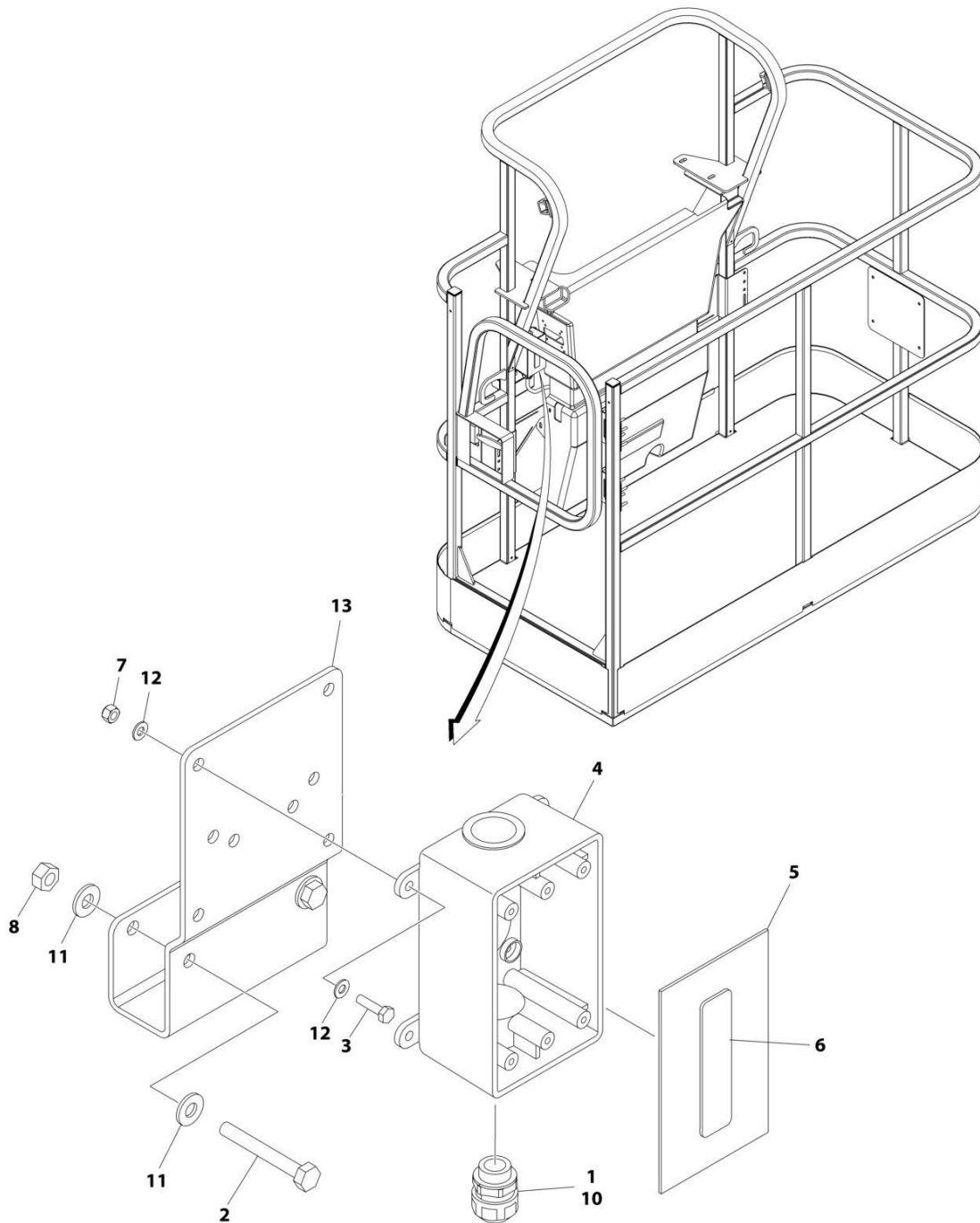
SECTION 8 - ELECTRICAL

FIGURE 8-11. AC BOX AT PLATFORM INSTALLATION - 220V AFSINT 107 KEYED GROUND WITH 4000W GENERATOR (CE & UK CA SPECS)

ITEM	PART NUMBER	QTY	DESCRIPTION	REV
	1001194200	Ref	AC BOX AT PLATFORM INSTALLATION	B
1	0100020	AR	Sealant, Pipe	
2	0641416	2	Bolt 1/4 x 2	
3	0700408	4	Bolt M4 x 16	
4	0861731	1	Box, Switch	
5	3251242	1	Decal - 240V/50Hz	
6	3290405	4	Nut M4	
7	3311405	2	Nut 1/4	
8	4460662	1	Connector, Strain Relief	
9	4461246	1	Receptacle	
10	4711400	4	Washer 1/4	
11	4811400	8	Washer M4	
12	1001193018	1	Bracket, AC Receptacle	
13	1001205958	1	Terminal (Not Shown)	

SECTION 8 - ELECTRICAL

FIGURE 8-12. AC BOX AT PLATFORM INSTALLATION - BOX WITH COVER WITH 4000W GENERATOR (ANSI EXPORT, AUSTRALIAN, CHINA, JAPANESE, CE & UK CA SPECS)



ART_1001194365

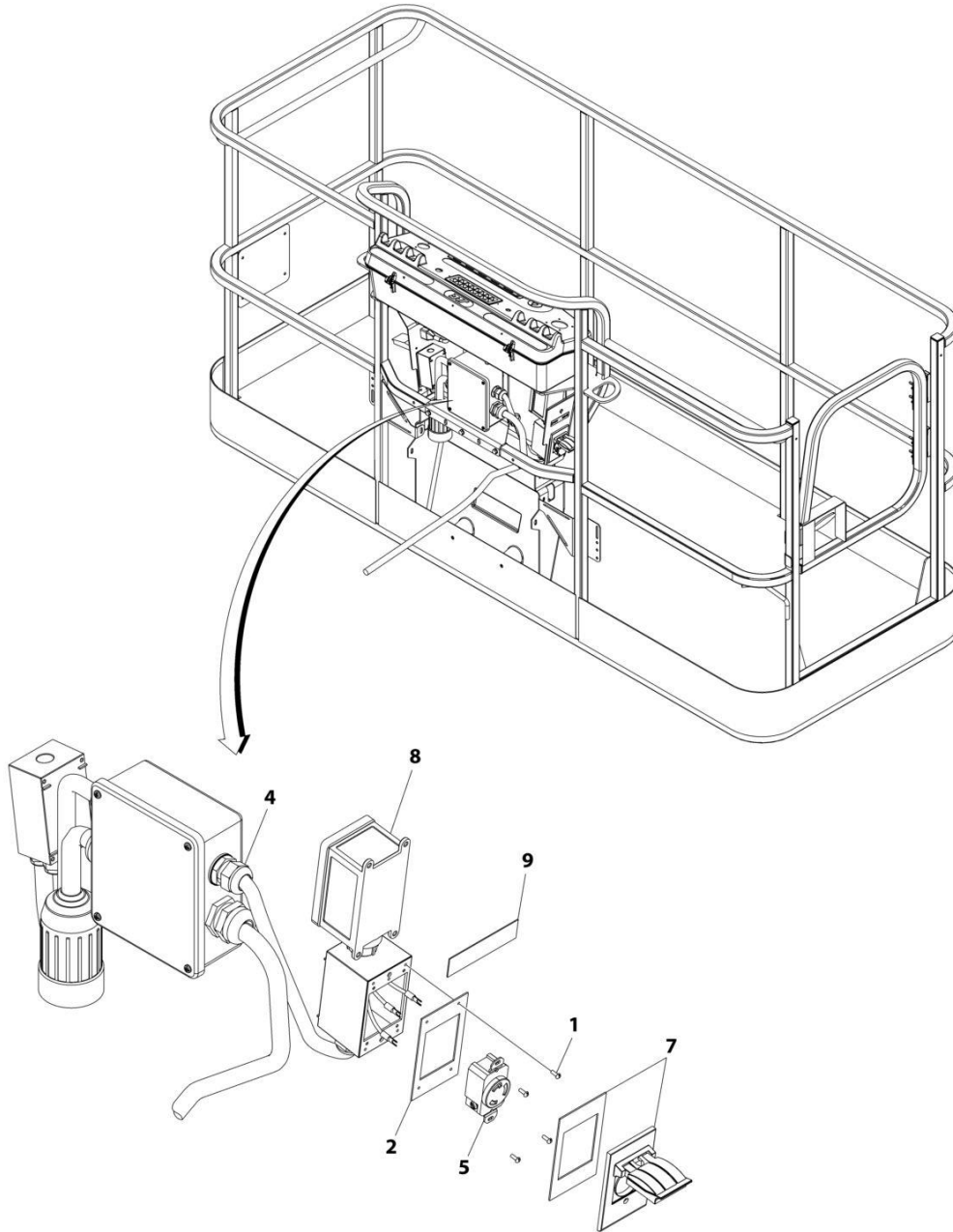
SECTION 8 - ELECTRICAL

FIGURE 8-12. AC BOX AT PLATFORM INSTALLATION - BOX WITH COVER WITH 4000W GENERATOR (ANSI EXPORT, AUSTRALIAN, CHINA, JAPANESE, CE & UK CA SPECS)

ITEM	PART NUMBER	QTY	DESCRIPTION	REV
	1001194365	Ref	AC BOX AT PLATFORM INSTALLATION - BOX WITH COVER (2X4 BOX)	A
1	0100020	AR	Sealant	
2	0641416	2	Bolt 1/4 x 2	
3	0700408	4	Bolt M4 x 16	
4	0861731	1	Box, Switch	
5	1670603	1	Cover	
6	3251242	1	Decal - 240V/50Hz	
7	3290405	4	Nut M4	
8	3311405	2	Nut 1/4	
9	4460384	3	Terminal (Not Shown)	
10	4460662	1	Connector, Strain Relief	
11	4711400	4	Washer 1/4	
12	4811400	8	Washer M4	
13	1001193018	1	Bracket, AC Receptacle	

SECTION 8 - ELECTRICAL

FIGURE 8-13. AC BOX AT PLATFORM INSTALLATION - 240V (WITH 7500W SKYPOWER GENERATOR) (ANSI & CSA SPECS)



ART_1001159121

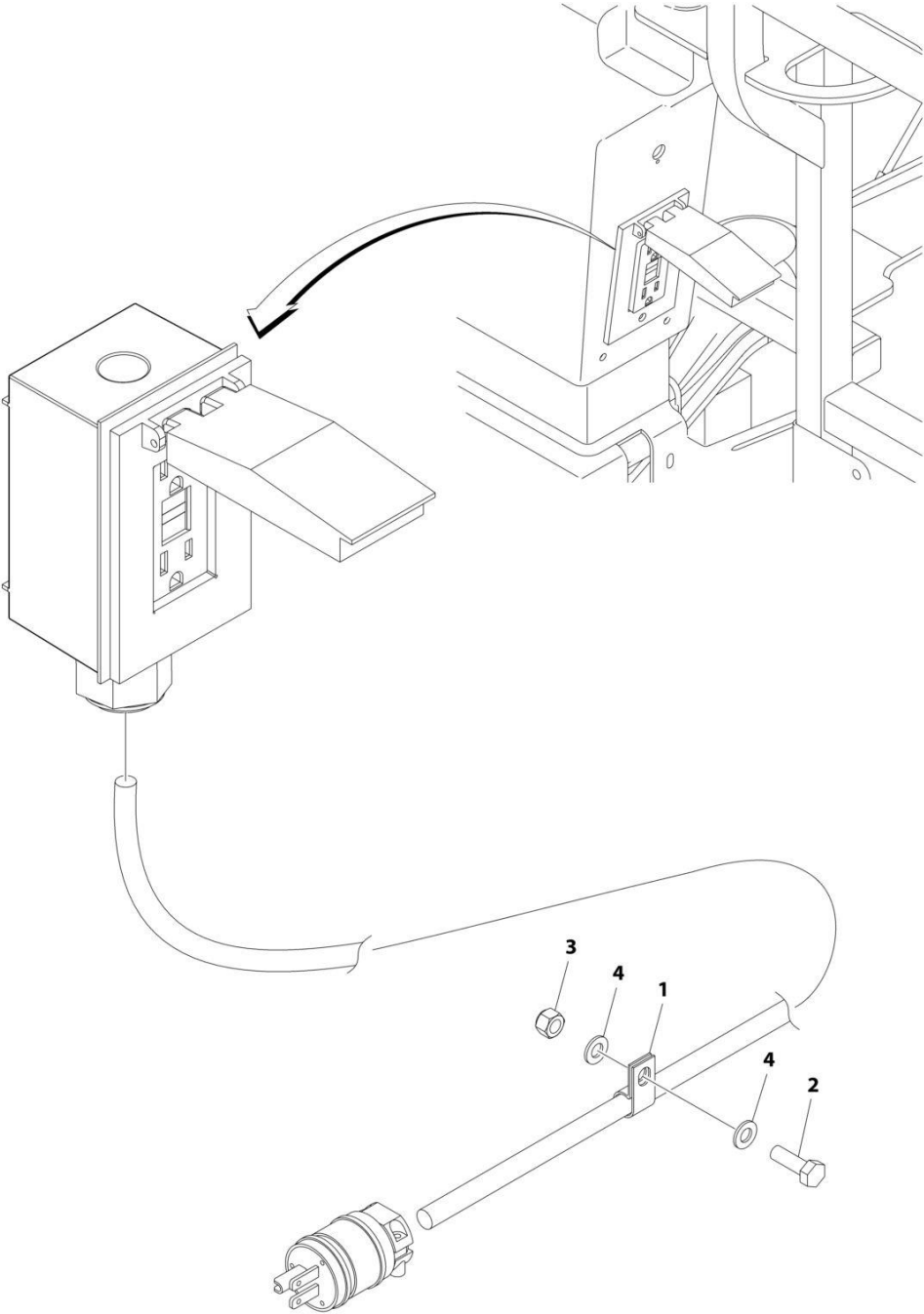
SECTION 8 - ELECTRICAL

FIGURE 8-13. AC BOX AT PLATFORM INSTALLATION - 240V (WITH 7500W SKYPOWER GENERATOR) (ANSI & CSA SPECS)

ITEM	PART NUMBER	QTY	DESCRIPTION	REV
	1001159121	Ref	AC BOX AT PLATFORM INSTALLATION - 240V RECEPTACLE	B
1	3910606	4	Screw 6 x 3/8	
2	3960422	1	Gasket	
3	4240018	AR	Tie-Strap (Not Shown)	
4	4460425	1	Connector, Strain Relief	
5	4460958	1	Receptacle	
7	1001110872	1	Cover, Receptacle	
8	1001159120	1	Receptacle/Breaker Box Assembly	
8	1001148675	1	Box, Receptacle	
8	1001159118	1	Breaker Box Assembly	
8	4460612	1	Connector, Strain Relief	
8	1001159119	1	Connector (Between Boxes)	
9	1705374	1	Decal - 240V/60Hz	

SECTION 8 - ELECTRICAL

FIGURE 8-14. AC LEAD INSTALLATION (ANSI EXPORT, AUSTRALIAN, CHINA, CE & UK CA SPECS)



ART_1001197332

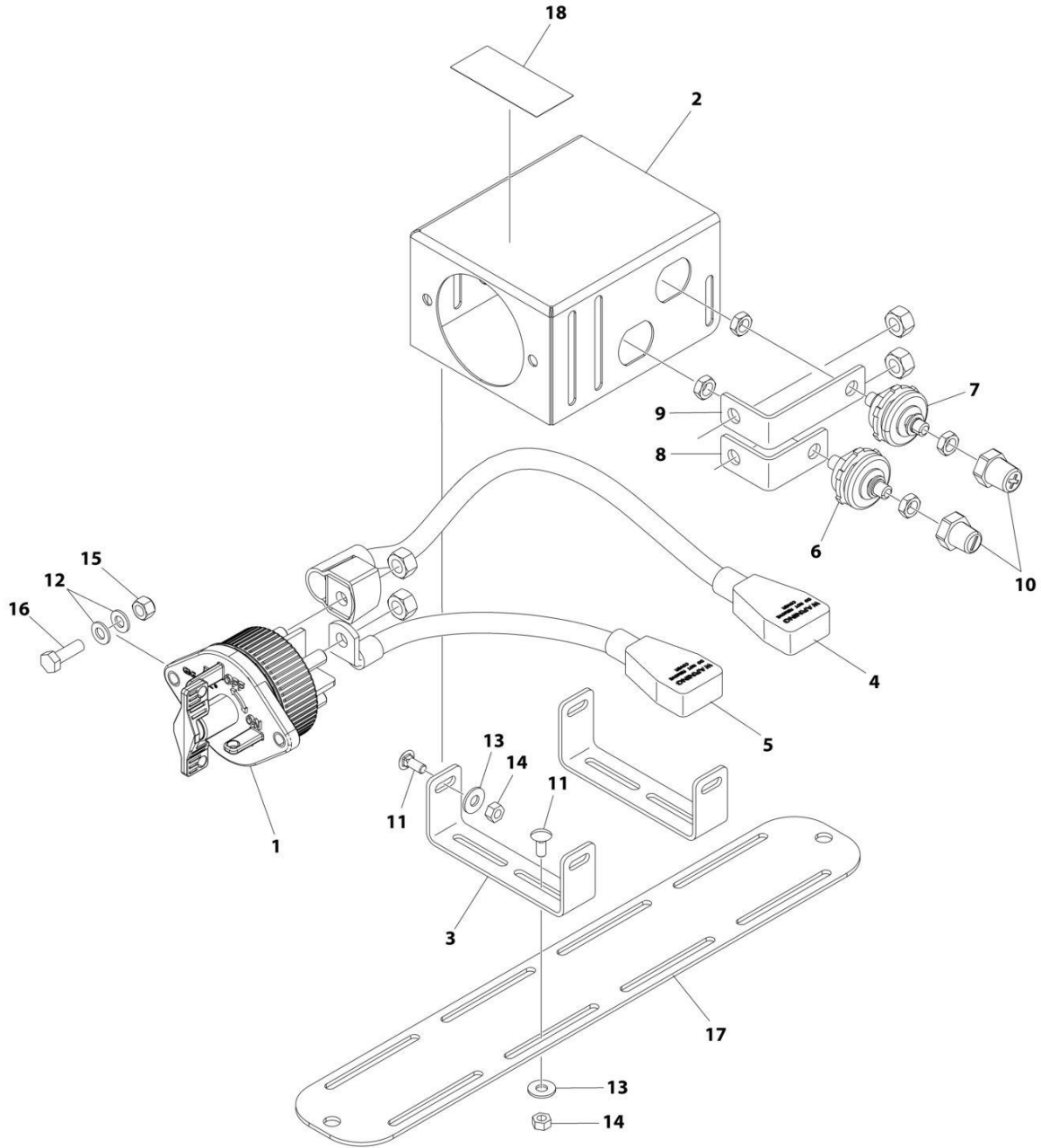
SECTION 8 - ELECTRICAL

FIGURE 8-14. AC LEAD INSTALLATION (ANSI EXPORT, AUSTRALIAN, CHINA, CE & UK CA SPECS)

ITEM	PART NUMBER	QTY	DESCRIPTION	REV
	1001197332	Ref	AC LEAD INSTALLATION	A
1	8406109	1	Clamp	
2	0760812001	1	Bolt M8 x 25	
3	3290805001	1	Nut M8	
4	4811900001	2	Washer M8	

SECTION 8 - ELECTRICAL

FIGURE 8-15. BATTERY DISCONNECT INSTALLATION



ART_1001239874

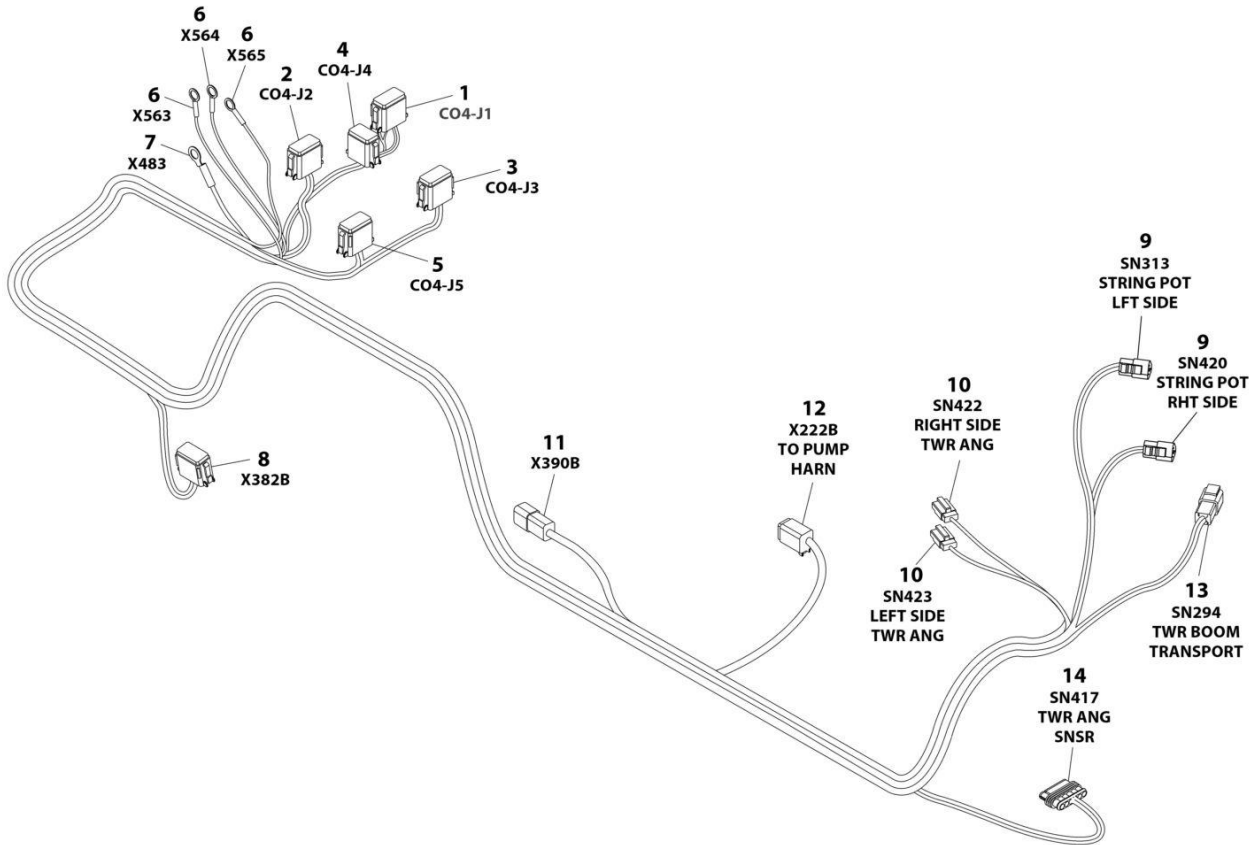
SECTION 8 - ELECTRICAL

FIGURE 8-15. BATTERY DISCONNECT INSTALLATION

ITEM	PART NUMBER	QTY	DESCRIPTION	REV
	1001239874	Ref	BATTERY DISCONNECT INSTALLATION	A
1	1001225346	1	Switch, Disconnect	
2	1001226531	1	Mount	
3	1001239805	2	Mount	
4	1001236504	1	Cable (Positive)	
5	1001236505	1	Cable (Negative)	
6	1001214571	1	Connector (Black)	
7	1001214570	1	Connector (Red)	
8	1001209474	1	Buss bar	
9	1001209432	1	Buss bar	
10	1001206476	1	Connector	
11	88411013	8	Bolt 1/4 x 3/4	
12	4811900	4	Washer M8	
13	4751400	8	Washer 1/4	
14	3311405	8	Nut 1/4	
15	3290805	2	Nut M8	
16	0760812	2	Bolt M8 x 25	
17	1001241586	1	Plate	
18	1001239957	1	Decal - Battery Disconnect	

SECTION 8 - ELECTRICAL

FIGURE 8-16. BLAM HARNESS



ART_1001258191

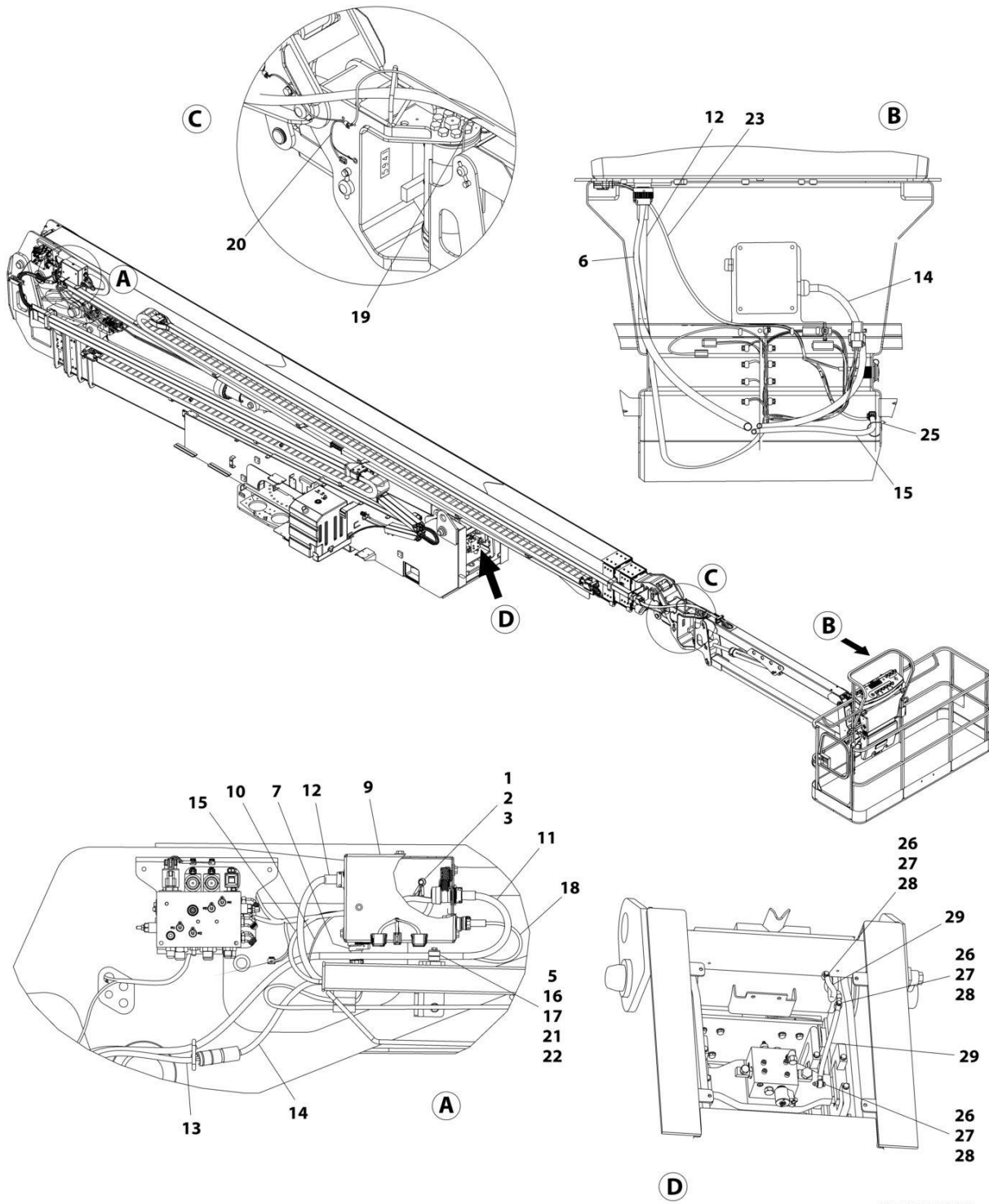
SECTION 8 - ELECTRICAL

FIGURE 8-16. BLAM HARNESS

ITEM	PART NUMBER	QTY	DESCRIPTION	REV
	1001258191	Ref	BLAM HARNESS	B
1	1001270339	1	Plug, Male - 12 Position	
1	1001116692	6	Socket, Female	
1	4460944	2	Socket, Female	
1	4460466	4	Plug, Terminal	
2	1001270340	1	Plug, Male - 12 Position	
2	1001116692	10	Socket, Female	
2	4460466	2	Plug, Terminal	
3	1001239344	1	Plug, Male - 12 Position	
3	1001116692	8	Socket, Female	
3	4460466	4	Plug, Terminal	
4	4460930	1	Plug, Male - 8 Position	
4	1001116692	3	Socket, Female	
4	4460466	5	Plug, Terminal	
5	1001239345	1	Plug, Male - 12 Position	
5	1001116692	4	Socket, Female	
5	4460466	8	Plug, Terminal	
6	4460256	3	Terminal, Ring	
7	1001117110	1	Terminal, Ring	
8	4460933	1	Plug, Male - 12 Position	
8	1001116692	10	Socket, Female	
8	4460944	2	Socket, Female	
9	4460539	2	Plug, Male - 3 Position	
9	4460465	6	Socket, Female	
10	4460911	2	Plug, Male - 3 Position	
10	4460912	2	Wedge Lock	
10	1001116694	6	Socket, Female	
11	4460932	1	Receptacle, Female - 4 Position	
11	4460464	4	Pin, Male	
12	4460894	1	Plug, Male - 6 Position	
12	1001116692	5	Socket, Female	
12	4460466	1	Plug, Terminal	
13	1001097051	1	Receptacle, Female - 4 Position	
13	1001116695	4	Terminal	
14	4461117	1	Plug, Male - 6 Position	
14	1001107854	6	Terminal	
14	1001104498	6	Seal	

SECTION 8 - ELECTRICAL

FIGURE 8-17. BOOM CABLES INSTALLATION - WITHOUT GENERATOR (ALL SPEC EXCEPT AUSTRALIAN, CHINA, CE & UK CA SPECS)



ART_1001197326

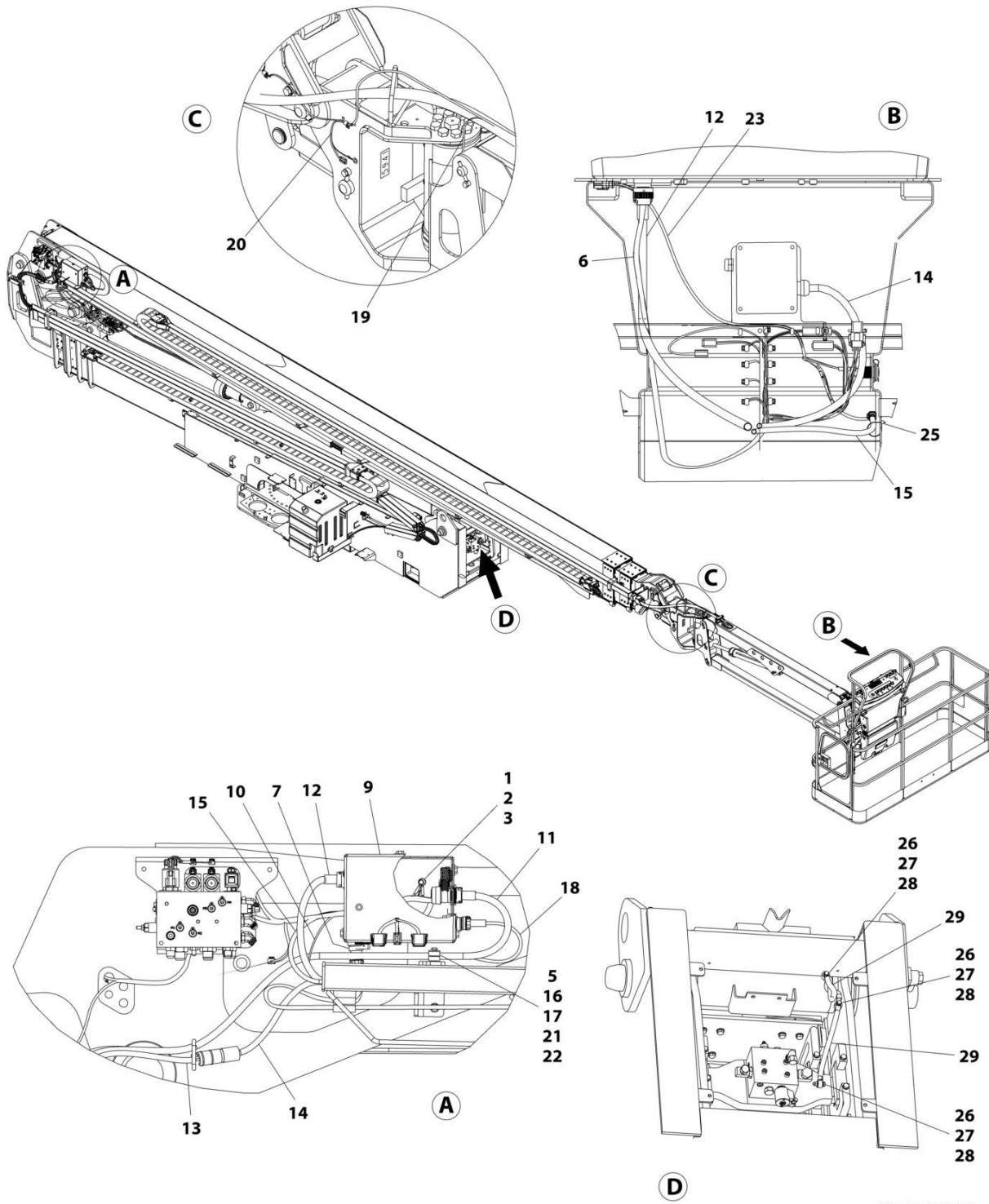
SECTION 8 - ELECTRICAL

FIGURE 8-17. BOOM CABLES INSTALLATION - WITHOUT GENERATOR (ALL SPEC EXCEPT AUSTRALIAN, CHINA, CE & UK CA SPECS)

ITEM	PART NUMBER	QTY	DESCRIPTION	REV
	1001197326	Ref	BOOM CABLES INSTALLATION - WITHOUT GENERATOR	F
1	0100011	AR	Compound, Locking	
2	0761010	3	Bolt M10 x 20	
3	4812000	3	Washer M10	
5	0760818001	2	Bolt M8 x 50	
6	1001196682	1	Valve Harness - Platform (See Separate Breakdown in this Section)	
7	1001216806	1	Valve Harness - Boom (See Separate Breakdown in this Section)	
9	1001200199	1	Boom Control Box Assembly (See Separate Breakdown in this Section)	
10	1001201062	1	Sensor Harness - Boom (See Separate Breakdown in this Section)	
11	1001202259	1	Boom Cable (Tower Boom) (See Separate Breakdown in this Section)	
12	1001202260	1	Boom Cable (Main Boom) (See Separate Breakdown in this Section)	
13	1001202261	1	AC Power to Platform Cable (Tower Boom)	
13	4460134	1	Receptacle, Female	
14	1001202262	1	AC Power to Platform Cable (Main Boom)	
14	4460205	1	Plug, Male	
15	1001202269	1	Main Boom 12/4 Harness	
15	4460932	1	Receptacle, Female - 4 Position	
15	1001157891	7	Pin, Male	
16	1001202742	1	Clamp	
17	1001202743	1	Cover, Clamp	
18	1001202785	1	Secondary Control Harness (See Separate Breakdown in this Section)	
19	1001204027	1	Jib Limit Switch Harness	
19	4460894	1	Plug, Male - 6 Position	
19	4460465	5	Socket, Female	
19	4460466	1	Plug, Terminal	
20	1001204028	1	Sensor Harness - Platform Level (See Separate Breakdown in this Section)	
21	3290805001	2	Nut M8	
22	4811900001	2	Washer M8	
23	1001206506	1	Platform Outlet Harness (See Separate Breakdown in this Section)	
24	1001146588	2	Tie-Strap (Not Shown)	
25	1001008559	3	Tie-Strap	
26	0700815	3	Bolt M8 x 35	
27	3290805	3	Nut M8	
28	4811900	6	Washer M8	
29	1001217007	2	Cable, Stainless Braided Ground	

SECTION 8 - ELECTRICAL

FIGURE 8-18. BOOM CABLES INSTALLATION - WITHOUT GENERATOR (AUSTRALIAN, CHINA, CE & UK CA SPECS)



ART_1001197327

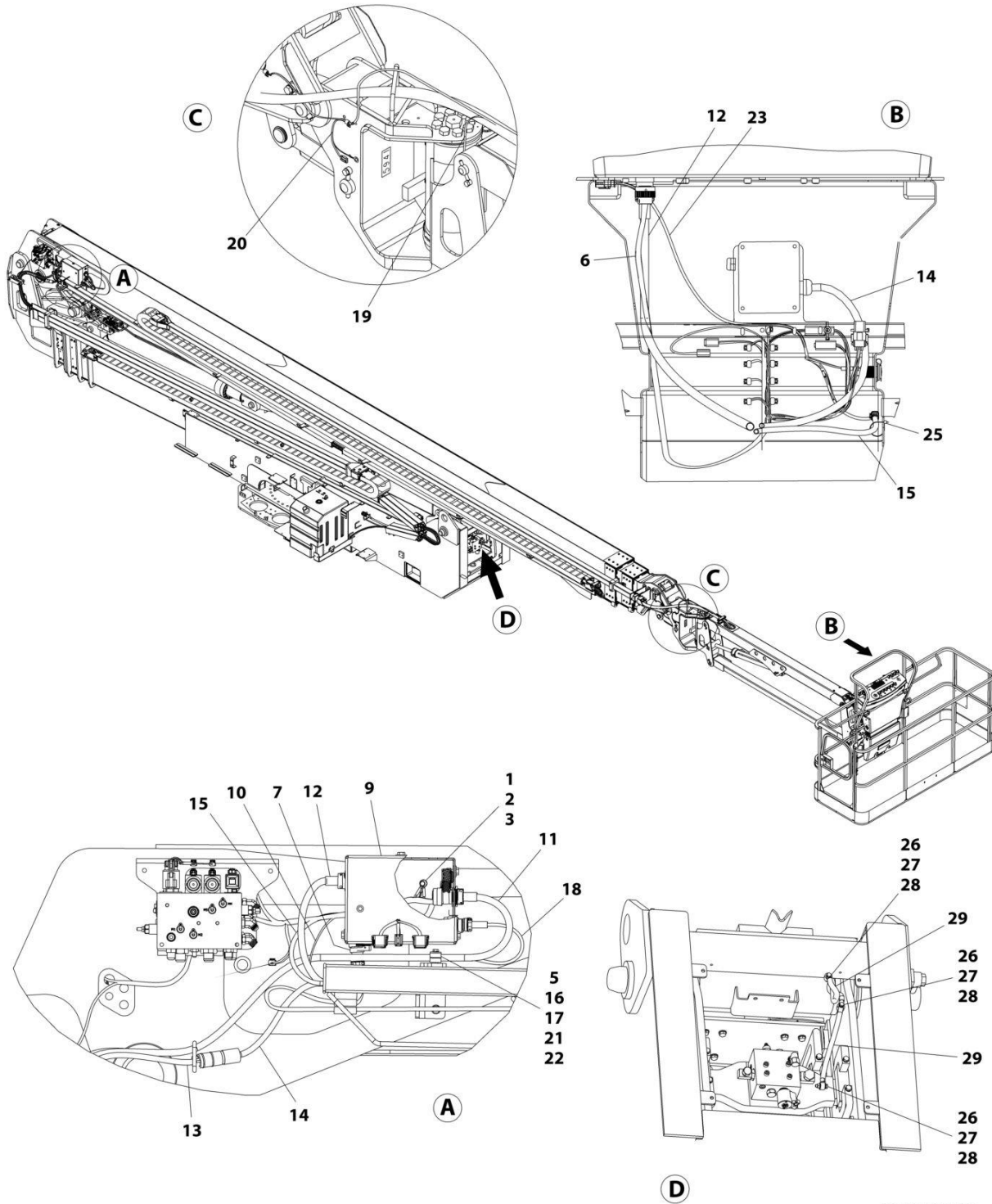
SECTION 8 - ELECTRICAL

FIGURE 8-18. BOOM CABLES INSTALLATION - WITHOUT GENERATOR (AUSTRALIAN, CHINA, CE & UK CA SPECS)

ITEM	PART NUMBER	QTY	DESCRIPTION	REV
	1001197327	Ref	BOOM CABLES INSTALLATION - WITHOUT GENERATOR	F
1	0100011	AR	Compound, Locking	
2	0761010	3	Bolt M10 x 20	
3	4812000	3	Washer M10	
5	0760818001	2	Bolt M8 x 50	
6	1001196682	1	Valve Harness - Platform (See Separate Breakdown in this Section)	
7	1001216806	1	Valve Harness - Boom (See Separate Breakdown in this Section))	
9	1001200199	1	Boom Control Box Assembly (See Separate Breakdown in this Section)	
10	1001201062	1	Sensor Harness - Boom (See Separate Breakdown in this Section)	
11	1001202259	1	Boom Cable (Tower Boom) (See Separate Breakdown in this Section)	
12	1001202260	1	Boom Cable (Main Boom) (See Separate Breakdown in this Section)	
13	1001202263	1	AC Power to Platform Cable (Tower Boom)	
13	4460134	1	Receptacle, Female	
14	1001202264	1	AC Power to Platform Cable (Main Boom)	
14	4460205	1	Plug, Male	
15	1001202269	1	Main Boom 12/4 Harness	
15	4460932	1	Receptacle, Female - 4 Position	
15	1001157891	7	Pin, Male	
16	1001202742	1	Clamp	
17	1001202743	1	Cover, Clamp	
18	1001202785	1	Secondary Control Harness (See Separate Breakdown in this Section)	
19	1001204027	1	Jib Limit Switch Harness	
19	4460894	1	Plug, Male - 6 Position	
19	4460465	5	Socket, Female	
19	4460466	1	Plug, Terminal	
20	1001204028	1	Sensor Harness - Platform Level (See Separate Breakdown in this Section)	
21	3290805001	2	Nut M8	
22	4811900001	2	Washer M8	
23	1001206506	1	Platform - Outlet Harness (See Separate Breakdown in this Section)	
24	1001146588	2	Tie-Strap (Not Shown)	
25	1001008559	3	Tie-Strap	
26	0700815	3	Bolt M8 x 35	
27	3290805	3	Nut M8	
28	4811900	6	Washer M8	
29	1001217007	2	Cable, Stainless Braided Ground	

SECTION 8 - ELECTRICAL

FIGURE 8-19. BOOM CABLES INSTALLATION - WITH 4000W GENERATOR (ALL SPECS)



ART_1001201710

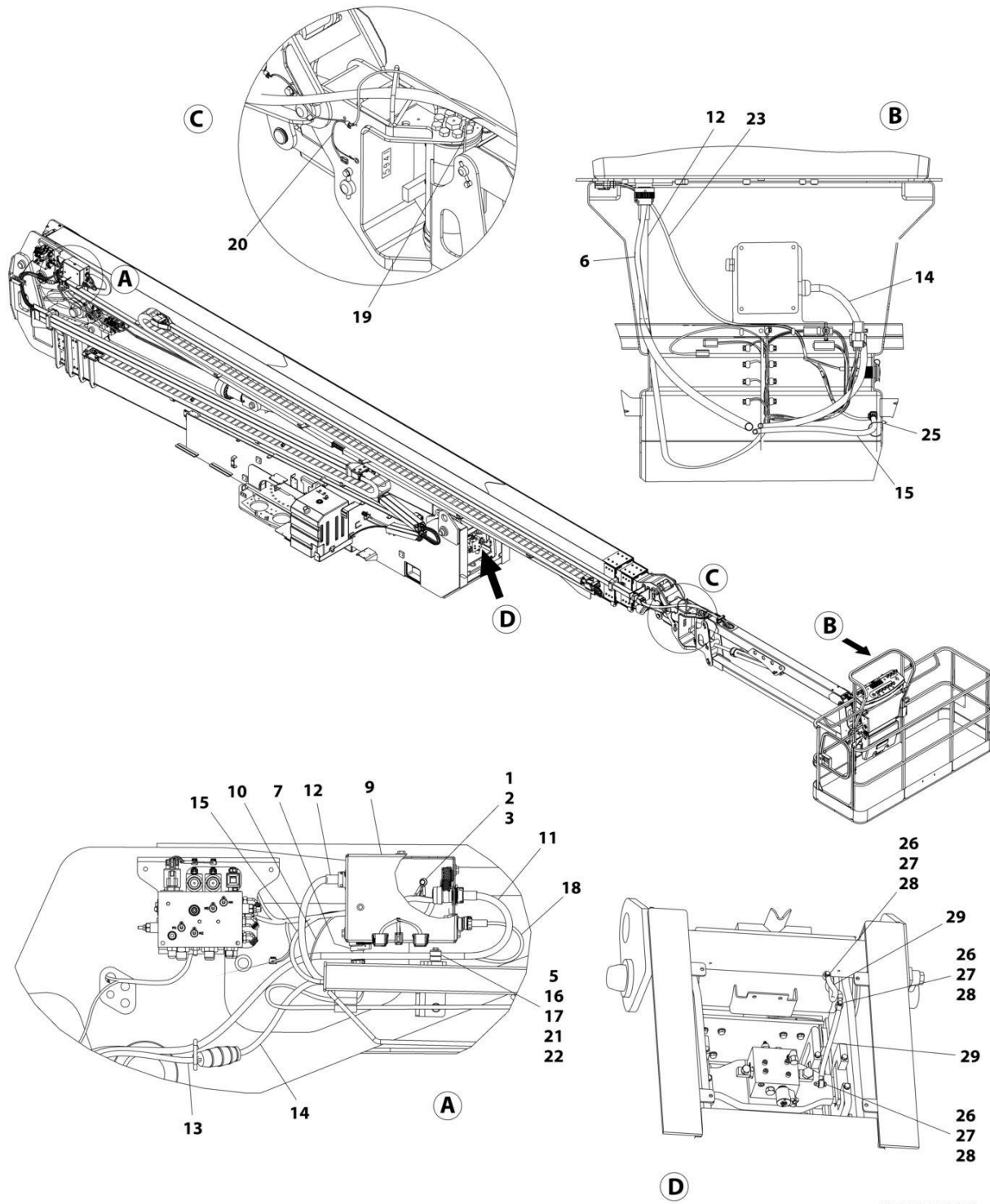
SECTION 8 - ELECTRICAL

FIGURE 8-19. BOOM CABLES INSTALLATION - WITH 4000W GENERATOR (ALL SPECS)

ITEM	PART NUMBER	QTY	DESCRIPTION	REV
	1001201710	Ref	BOOM CABLES INSTALLATION - WITH 4000W GENERATOR	F
1	0100011	AR	Compound, Locking	
2	0761010	3	Bolt M10 x 20	
3	4812000	3	Washer M10	
5	0760818001	2	Bolt M8 x 50	
6	1001196682	1	Valve Harness - Platform (See Separate Breakdown in this Section)	
7	1001216806	1	Valve Harness - Boom (See Separate Breakdown in this Section)	
9	1001200199	1	Boom Control Box Assembly (See Separate Breakdown in this Section)	
10	1001201062	1	Sensor Harness - Boom (See Separate Breakdown in this Section)	
11	1001202259	1	Boom Cable (Tower Boom) (See Separate Breakdown in this Section)	
12	1001202260	1	Boom Cable (Main Boom) (See Separate Breakdown in this Section)	
13	1001202267	1	AC Power to Platform Cable (Tower Boom)	
13	4460963	1	Receptacle, Female	
13	1671093	1	Cover	
14	1001202268	1	AC Power to Platform Cable (Main Boom)	
14	4460962	1	Plug, Male	
14	1671092	1	Cover	
15	1001202269	1	Main Boom 12/4 Harness	
15	4460932	1	Receptacle, Female - 4 Position	
15	1001157891	7	Pin, Male	
16	1001202742	1	Clamp	
17	1001202743	1	Cover, Clamp	
18	1001202785	1	Secondary Control Harness (See Separate Breakdown in this Section)	
19	1001204027	1	Jib Limit Switch Harness	
19	4460894	1	Plug, Male - 6 Position	
19	4460465	5	Socket, Female	
19	4460466	1	Plug, Terminal	
20	1001204028	1	Sensor Harness - Platform Level (See Separate Breakdown in this Section)	
21	3290805001	2	Nut M8	
22	4811900001	2	Washer M8	
23	1001206506	1	Platform Outlet Harness (See Separate Breakdown in this Section)	
24	1001146588	2	Tie-Strap (Not Shown)	
25	1001008559	3	Tie-Strap	
26	0700815	3	Bolt M8 x 35	
27	3290805	3	Nut M8	
28	4811900	6	Washer M8	
29	1001217007	2	Cable, Stainless Braided Ground	

SECTION 8 - ELECTRICAL

FIGURE 8-20. BOOM CABLES INSTALLATION - WITH SKYPOWER 7500W GENERATOR (ALL SPECS EXCEPT CE & UK CA SPECS)



ART_1001197328

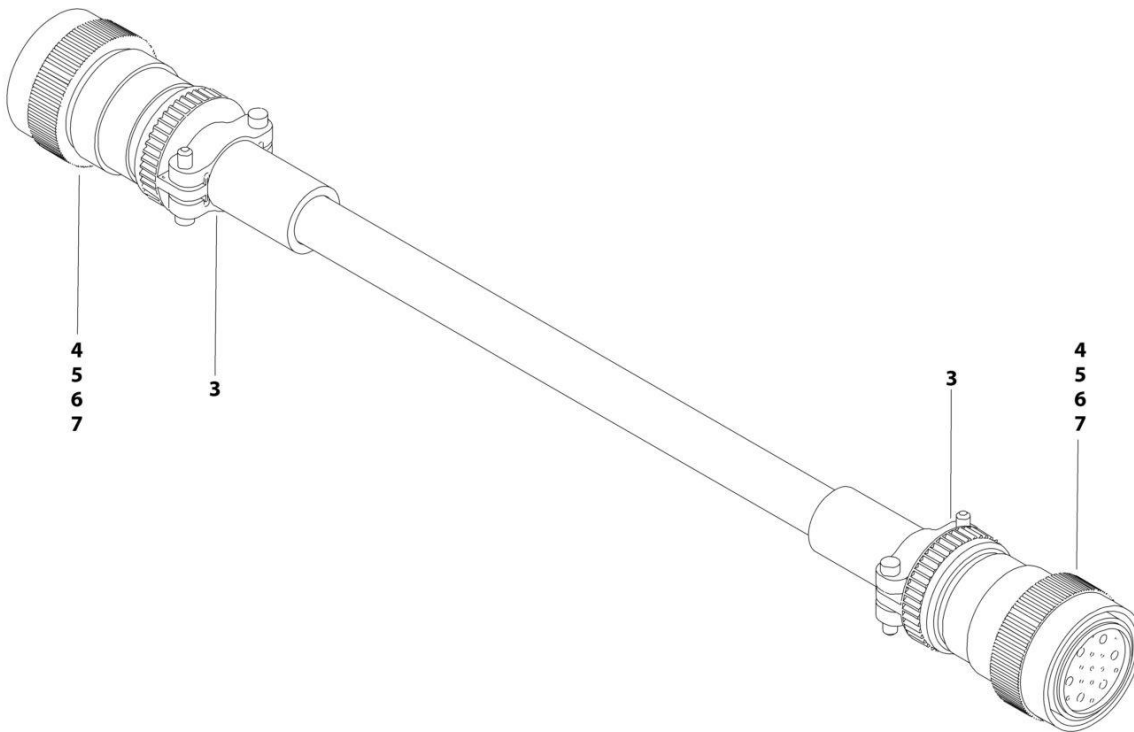
SECTION 8 - ELECTRICAL

FIGURE 8-20. BOOM CABLES INSTALLATION - WITH SKYPOWER 7500W GENERATOR (ALL SPECS EXCEPT CE & UK CA SPECS)

ITEM	PART NUMBER	QTY	DESCRIPTION	REV
	1001197328	Ref	BOOM CABLES INSTALLATION - WITH SKYPOWER 7500W GENERATOR	G
1	0100011	AR	Compound, Locking	
2	0761010	3	Bolt M10 x 20	
3	4812000	3	Washer M10	
5	0760818001	2	Bolt M8 x 50	
6	1001196682	1	Valve Harness - Platform (See Separate Breakdown in this Section)	
7	1001216806	1	Valve Harness - Boom (See Separate Breakdown in this Section)	
9	1001200199	1	Boom Control Box Assembly (See Separate Breakdown in this Section)	
10	1001201062	1	Sensor Harness - Boom (See Separate Breakdown in this Section)	
11	1001202259	1	Boom Cable (Tower Boom) (See Separate Breakdown in this Section)	
12	1001202260	1	Boom Cable (Main Boom) (See Separate Breakdown in this Section)	
13	1001226291	1	AC Power to Platform Cable (Tower Boom)	
13	1060945	1	Cable	
13	1001218623	1	Socket, 30Amp	
14	1001226292	1	AC Power to Platform Cable (Main Boom)	
14	1060945	1	Cable	
14	1001218622	1	Plug, 30Amp	
15	1001202269	1	Main Boom 12/4 Harness	
15	4460932	1	Receptacle, Female - 4 Position	
15	1001157891	7	Pin, Male	
16	1001202742	1	Clamp	
17	1001202743	1	Cover, Clamp	
18	1001202785	1	Secondary Control Harness (See Separate Breakdown in this Section)	
19	1001204027	1	Jib Limit Switch Harness	
19	4460894	1	Plug, Male - 6 Position	
19	4460465	5	Socket, Female	
19	4460466	1	Plug, Terminal	
20	1001204028	1	Sensor Harness - Platform Level (See Separate Breakdown in this Section)	
21	3290805001	2	Nut M8	
22	4811900001	2	Washer M8	
23	1001206506	1	Platform Outlet Harness (See Separate Breakdown in this Section)	
24	1001146588	2	Tie-Strap (Not Shown)	
25	1001008559	3	Tie-Strap	
26	0700815	3	Bolt M8 x 35	
27	3290805	3	Nut M8	
28	4811900	6	Washer M8	
29	1001217007	2	Cable, Stainless Braided Ground	

SECTION 8 - ELECTRICAL

FIGURE 8-21. BOOM CABLE (MAIN BOOM)



ART_1001202260

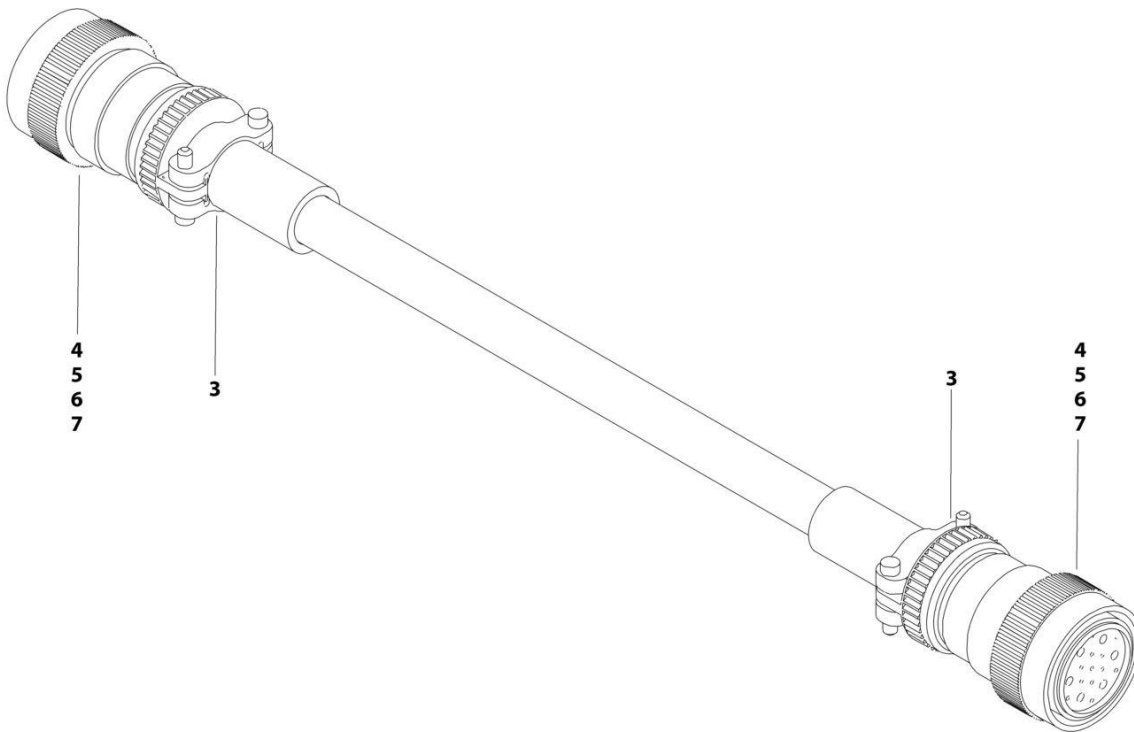
SECTION 8 - ELECTRICAL

FIGURE 8-21. BOOM CABLE (MAIN BOOM)

ITEM	PART NUMBER	QTY	DESCRIPTION	REV
	1001202260	Ref	BOOM CABLE (MAIN BOOM)	B
3	4460473	2	Clamp	
4	4460509	8	Socket, Female	
5	4460865	2	Connector - 19 Position	
6	4460465	20	Socket, Female	
7	4460466	10	Plug, Socket	

SECTION 8 - ELECTRICAL

FIGURE 8-22. BOOM CABLE (TOWER BOOM)



ART_1001202259

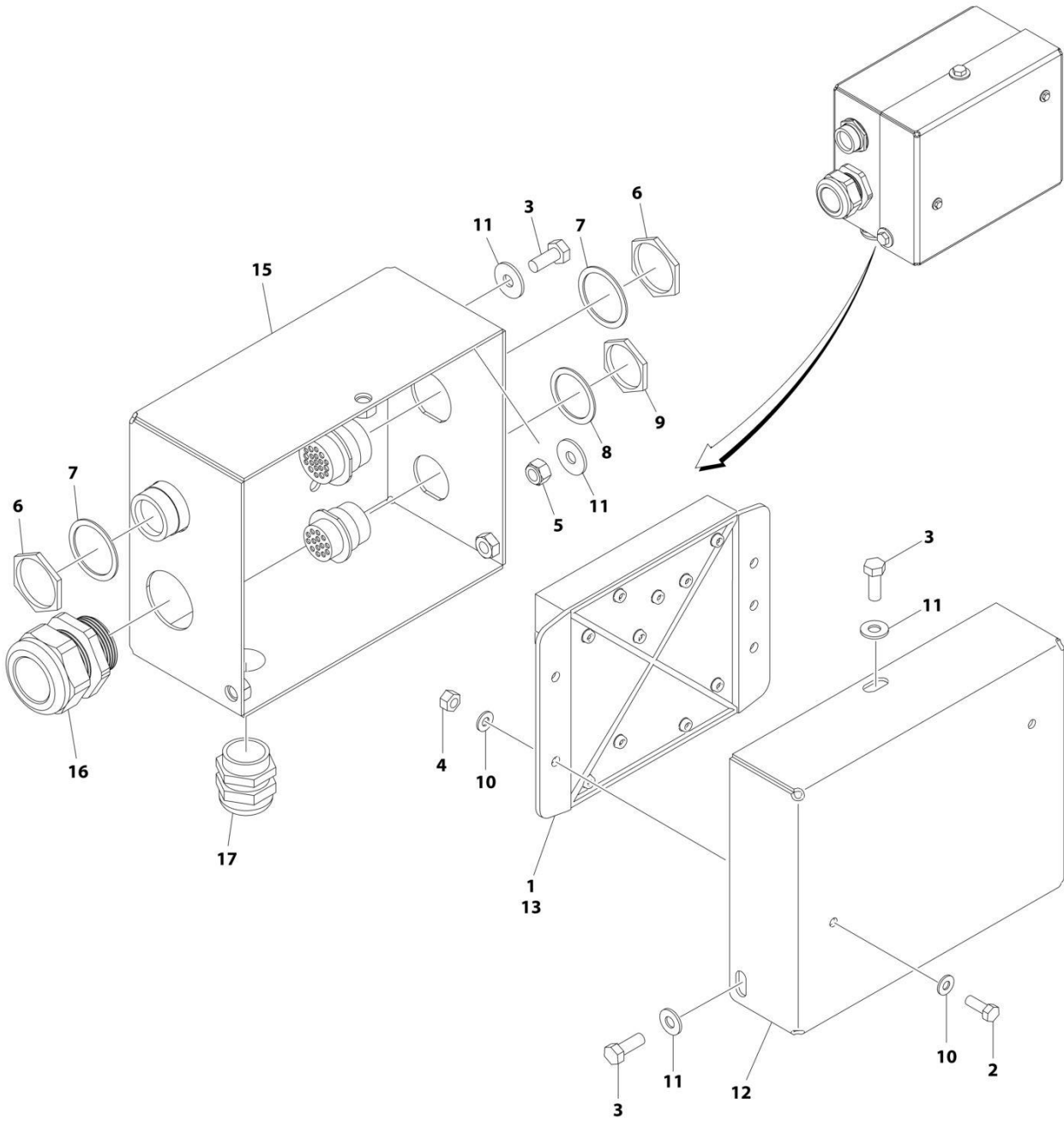
SECTION 8 - ELECTRICAL

FIGURE 8-22. BOOM CABLE (TOWER BOOM)

ITEM	PART NUMBER	QTY	DESCRIPTION	REV
	1001202259	Ref	BOOM CABLE (TOWER BOOM)	B
3	4460473	2	Clamp	
4	4460509	8	Socket, Female	
5	4460865	2	Connector - 19 Position	
6	4460465	20	Socket, Female	
7	4460466	10	Plug, Socket	

SECTION 8 - ELECTRICAL

FIGURE 8-23. BOOM CONTROL BOX ASSEMBLY



ART_1001200199_G

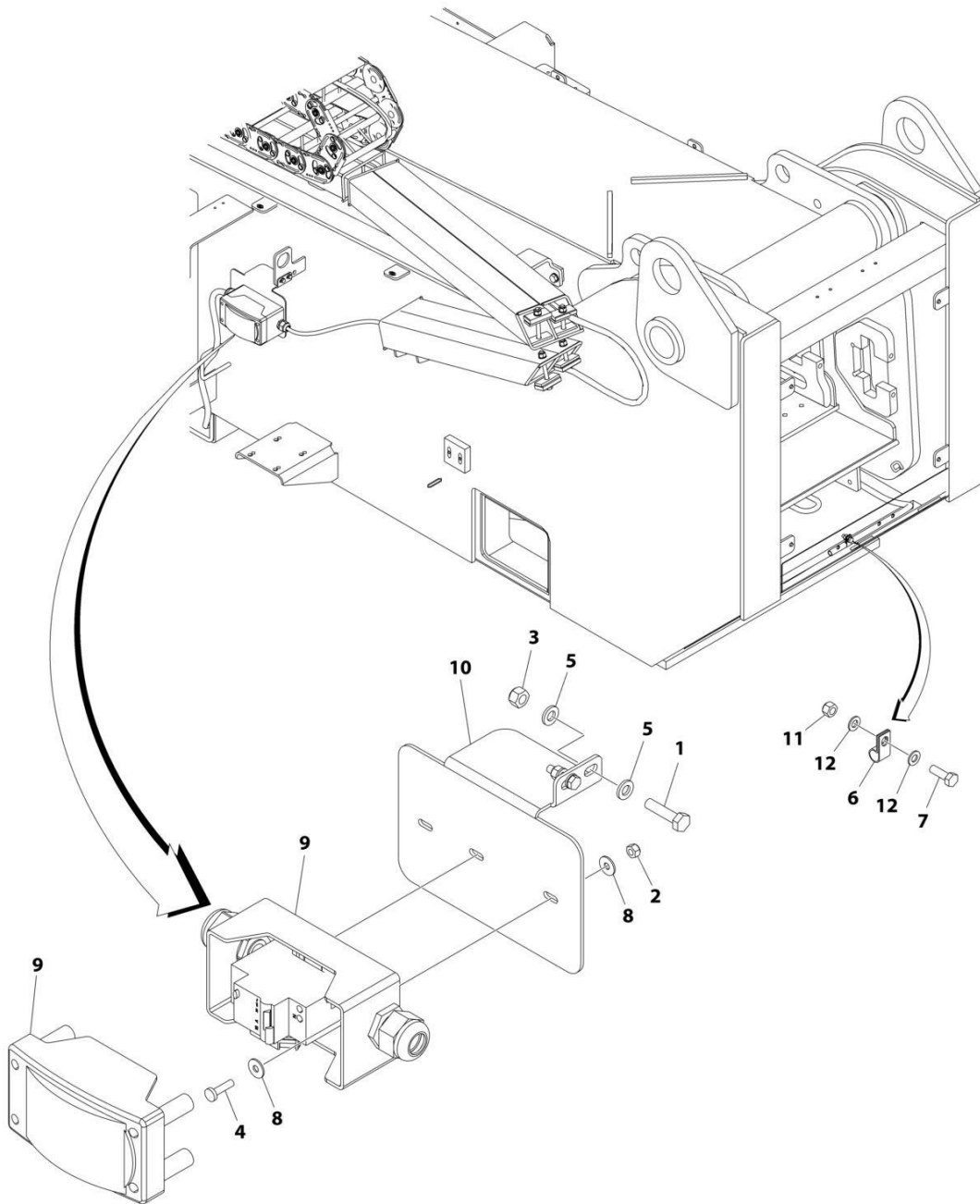
SECTION 8 - ELECTRICAL

FIGURE 8-23. BOOM CONTROL BOX ASSEMBLY

ITEM	PART NUMBER	QTY	DESCRIPTION	REV
	1001200199	Ref	BOOM CONTROL BOX ASSEMBLY	G
1	0100048	AR	Grease, Dielectric	
2	0760610	2	Bolt M6 x 20	
3	0761012	4	Bolt M10 x 25	
4	3290605	2	Nut M6	
5	3291005	1	Nut M10	
6	4460470	2	Nut, Terminal	
7	4460471	2	Washer, Terminal	
8	4460496	2	Washer, Terminal	
9	4460497	2	Nut, Terminal	
10	4811702	4	Washer M6	
11	4812002	5	Washer M10	
12	1001119215	1	Cover	
13	1001200183	1	Module, Control - Boom (Note: Re-calibration Required when Replaced)	
14	1001216638	1	Main Boom Control Box Harness (Not Shown - See Separate Breakdown in this Section)	
15	1001200203	1	Box	
16	1001215836	1	Connector, Strain Relief	
17	4460426	1	Connector, Strain Relief	

SECTION 8 - ELECTRICAL

FIGURE 8-24. BREAKER BOX INSTALLATION - WITH 2 BREAKERS (CE & UK CA SPECS)



ART_1001197335

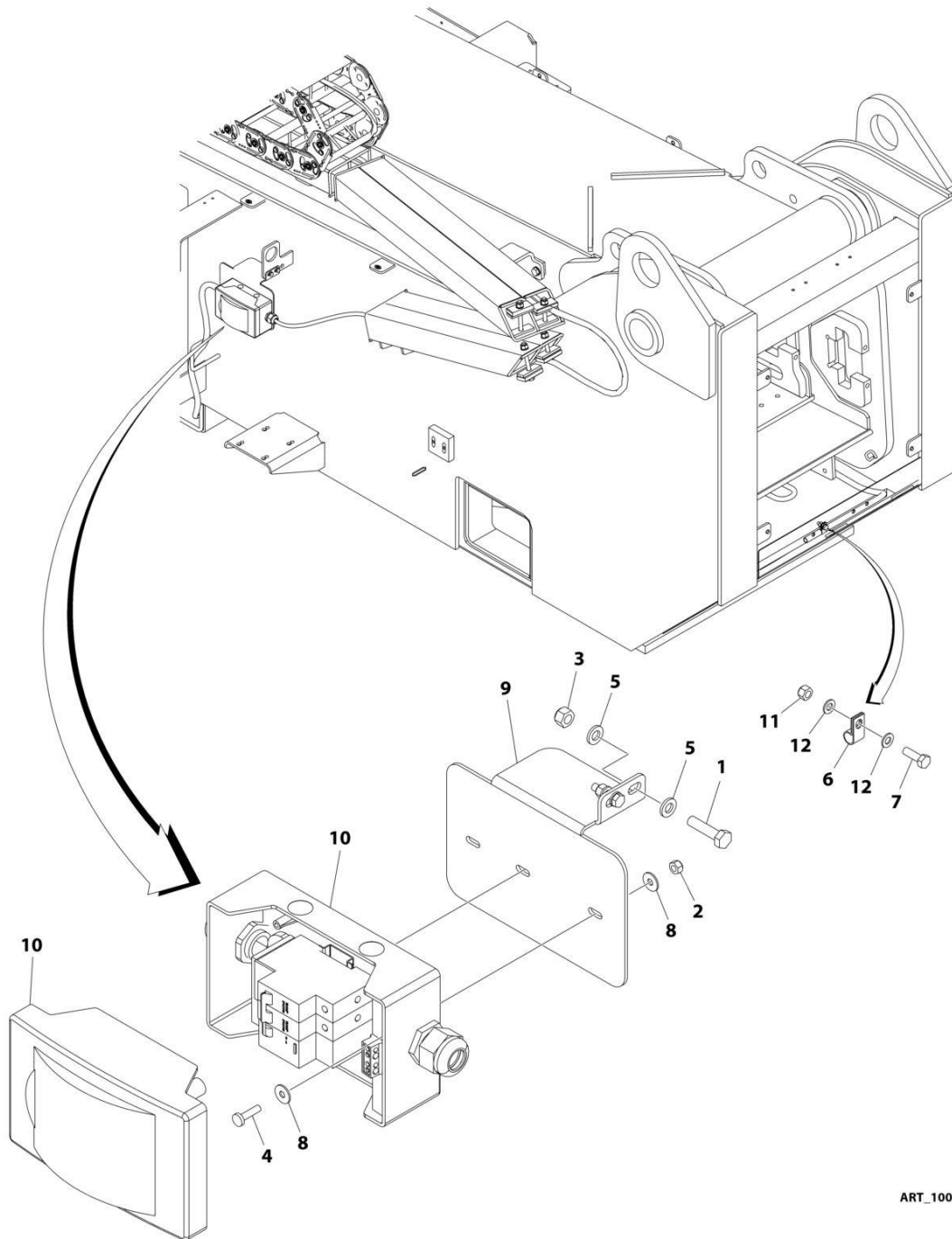
SECTION 8 - ELECTRICAL

FIGURE 8-24. BREAKER BOX INSTALLATION - WITH 2 BREAKERS (CE & UK CA SPECS)

ITEM	PART NUMBER	QTY	DESCRIPTION	REV
	1001197335	Ref	BREAKER BOX INSTALLATION - WITH 2 BREAKERS	D
1	0700612	2	Bolt M6 x 25	
2	3290405	2	Nut M4	
3	3290605	2	Nut M6	
4	4010408	2	Screw M4 x 16	
5	4811700	4	Washer M6	
6	8406109	1	Clamp	
7	0760812001	1	Bolt M8 x 25	
8	1001091102	4	Washer M4	
9	1001109654	1	Breaker Box Kit - With 2 Breakers (See Separate Breakdown in this Section)	
10	1001205660	1	Bracket	
11	3290805001	1	Nut M8	
12	4811900001	2	Washer M8	

SECTION 8 - ELECTRICAL

FIGURE 8-25. BREAKER BOX INSTALLATION - WITH 3 BREAKERS (CE & UK CA SPECS)



ART_1001205682

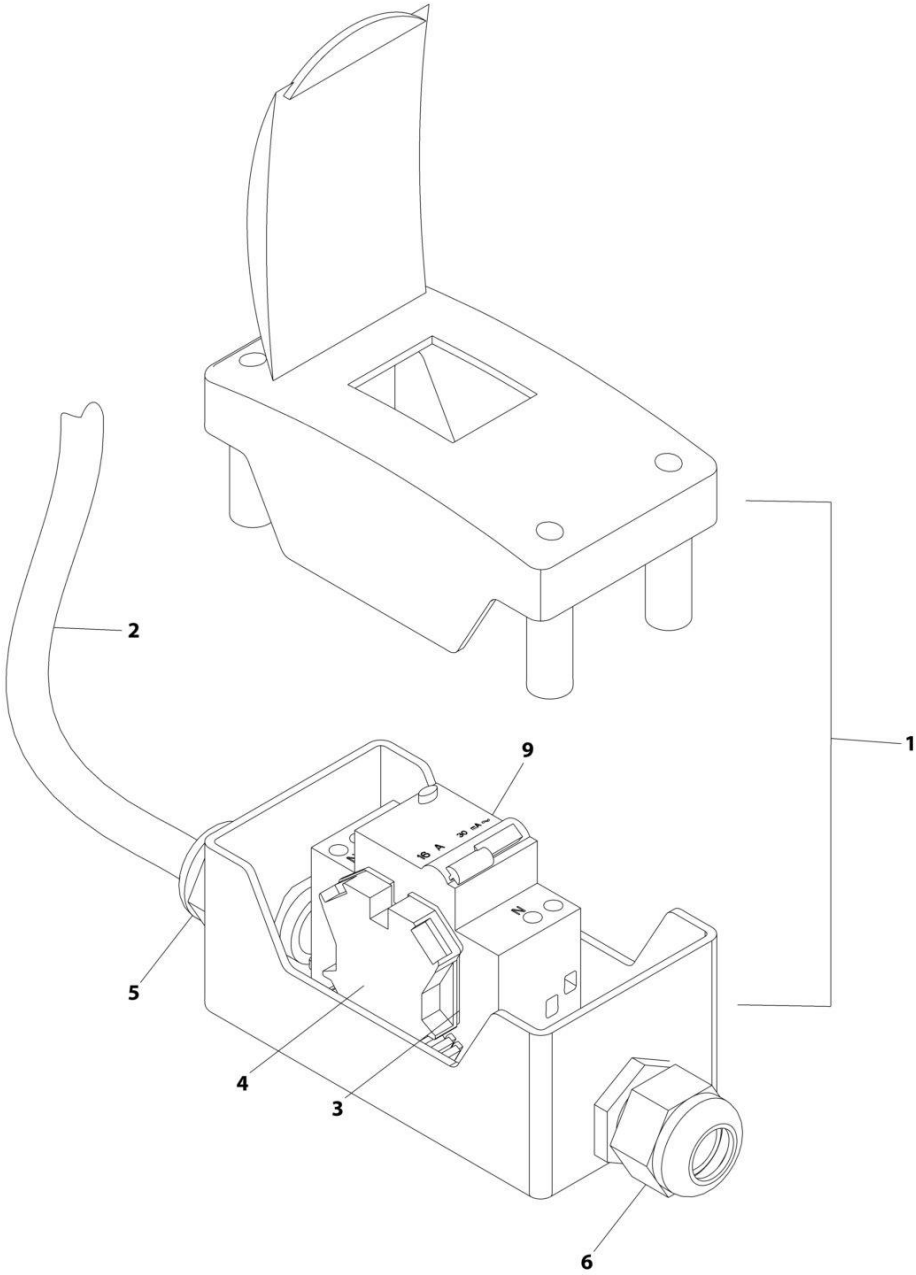
SECTION 8 - ELECTRICAL

FIGURE 8-25. BREAKER BOX INSTALLATION - WITH 3 BREAKERS (CE & UK CA SPECS)

ITEM	PART NUMBER	QTY	DESCRIPTION	REV
	1001205682	Ref	BREAKER BOX INSTALLATION - WITH 3 BREAKERS	B
1	0700612	2	Bolt M6 x 25	
2	3290405	2	Nut M4	
3	3290605	2	Nut M6	
4	4010408	2	Screw M4 x 16	
5	4811700	4	Washer M6	
6	8406109	1	Clamp	
7	0760812001	1	Bolt M8 x 25	
8	1001091102	4	Washer M4	
9	1001205660	1	Bracket	
10	1001205690	1	Breaker Box Kit - With 3 Breakers (See Separate Breakdown in this Section)	
11	3290805001	1	Nut M8	
12	4811900001	2	Washer M8	

SECTION 8 - ELECTRICAL

FIGURE 8-26. BREAKER BOX KIT - WITH 2 BREAKERS (CE & UK CA SPECS)



ART_1001109654

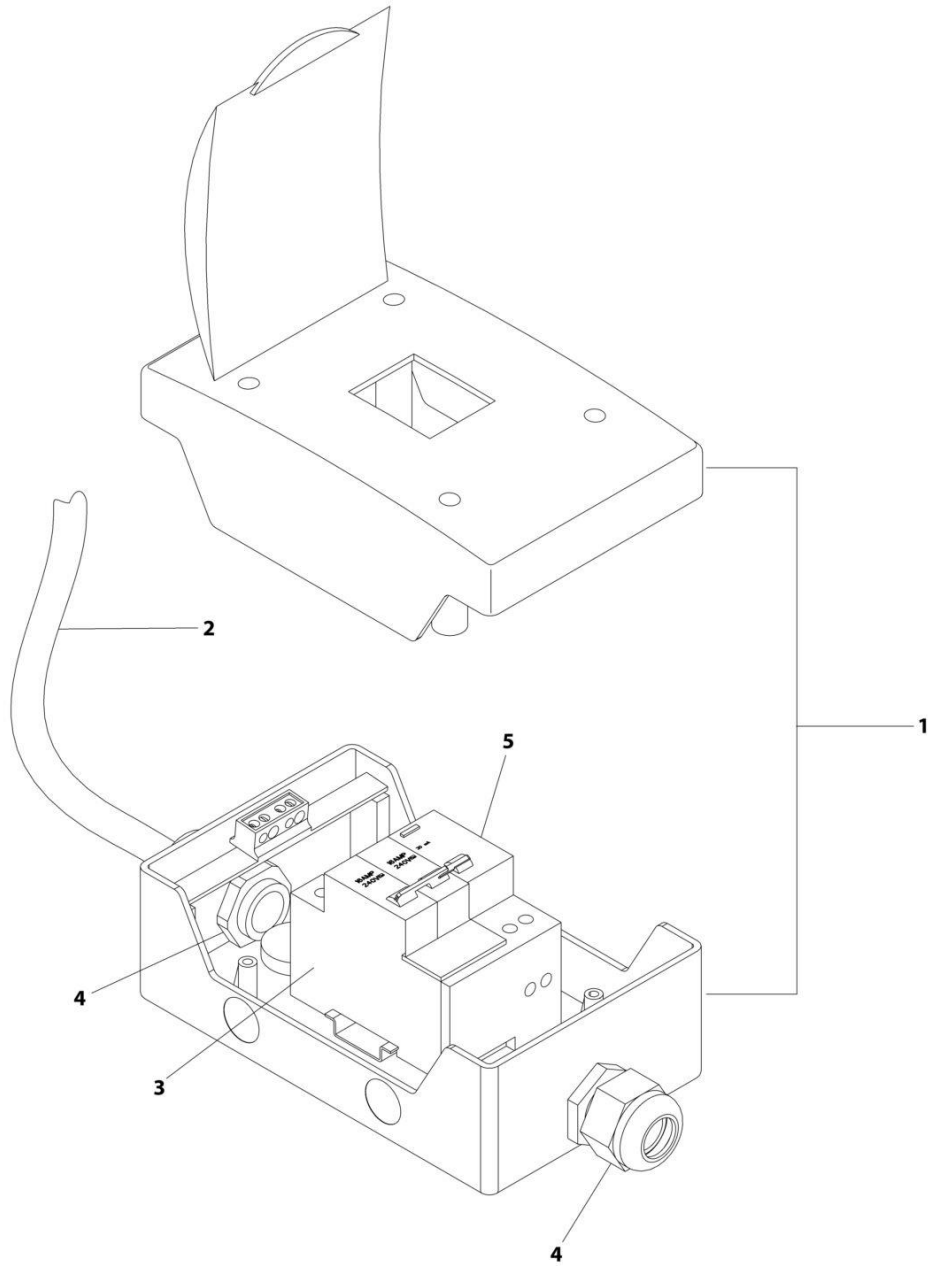
SECTION 8 - ELECTRICAL

FIGURE 8-26. BREAKER BOX KIT - WITH 2 BREAKERS (CE & UK CA SPECS)

ITEM	PART NUMBER	QTY	DESCRIPTION	REV
	1001109654	Ref	BREAKER BOX KIT	C
1	0861880	1	Box, Breaker	
2	1060908	12 ft/ 3.6m	Cable 12/3	
3	4460956	1	Barrier, Terminal Block End	
4	4460957	1	Block, Terminal	
5	1001097150	1	Connector, Strain Relief	
6	1001101191	1	Connector, Strain Relief	
9	1001181045	1	Breaker - 30mA/16Amp	
10	1001100231	3	Terminal (Not Shown)	

SECTION 8 - ELECTRICAL

FIGURE 8-27. BREAKER BOX KIT - WITH 3 BREAKERS (CE & UK CA SPECS)



ART_1001205690

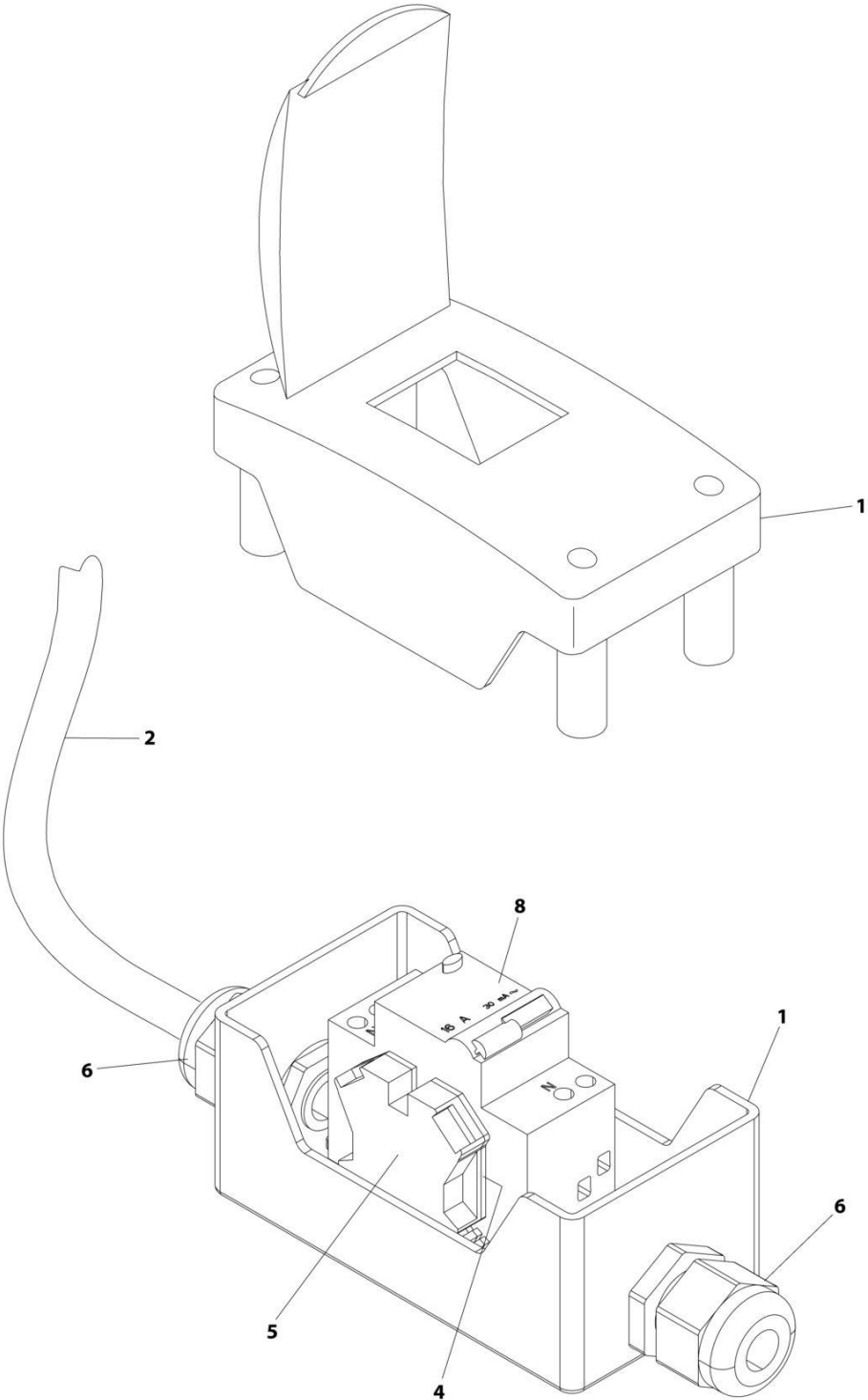
SECTION 8 - ELECTRICAL

FIGURE 8-27. BREAKER BOX KIT - WITH 3 BREAKERS (CE & UK CA SPECS)

ITEM	PART NUMBER	QTY	DESCRIPTION	REV
	1001205690	Ref	BREAKER BOX KIT	B
1	1001152483	1	Box, Breaker	
2	1060545	12 ft / 3.6m	Cable, Electrical 10/3	
3	1001189172	1	Breaker 16Amp Double	
4	1001101191	2	Connector, Strain Relief	
5	1001189171	1	Breaker 30mA	

SECTION 8 - ELECTRICAL

FIGURE 8-28. BREAKER BOX KIT - 4000W 50HZ GENERATOR



ART_1001096612

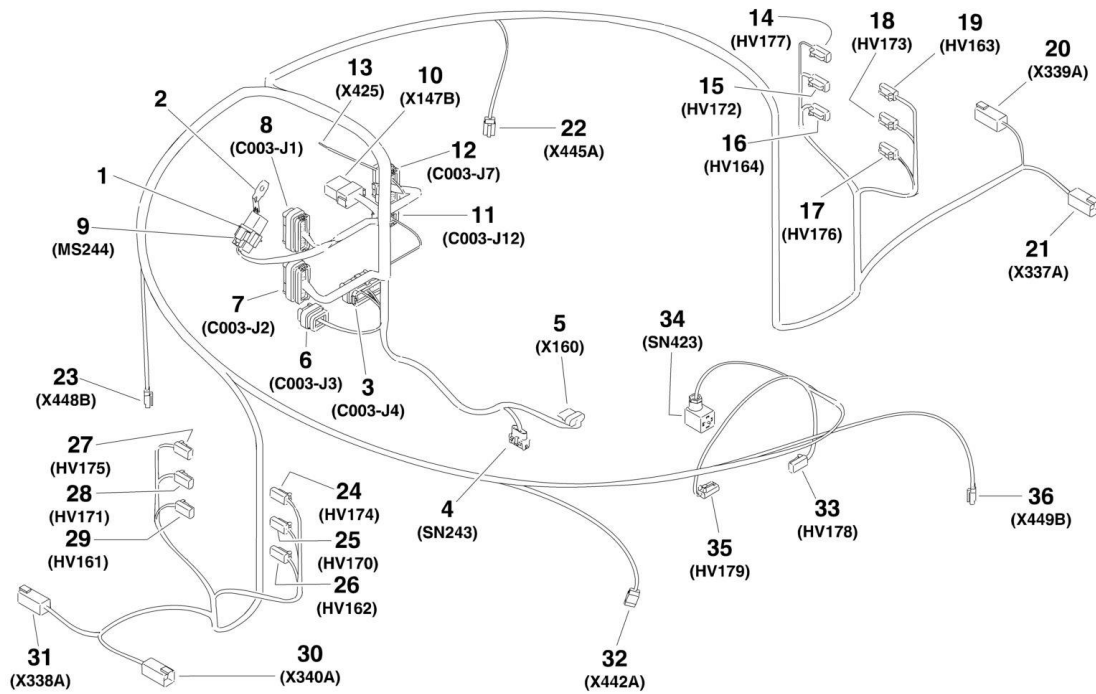
SECTION 8 - ELECTRICAL

FIGURE 8-28. BREAKER BOX KIT - 4000W 50HZ GENERATOR

ITEM	PART NUMBER	QTY	DESCRIPTION	REV
	1001096612	Ref	BREAKER BOX ASSEMBLY	C
1	0861880	1	Box	
2	1060908	4.5 ft /1.4m	Cable, 12/3	
4	4460956	1	Barrier, Terminal	
5	4460957	1	Block, Terminal	
6	1001097150	2	Connector, Strain Relief	
8	1001181045	1	Breaker, Double 30mAmp/16Amp	

SECTION 8 - ELECTRICAL

FIGURE 8-29. CHASSIS HARNESS



1001149975

SECTION 8 - ELECTRICAL

FIGURE 8-29. CHASSIS HARNESS

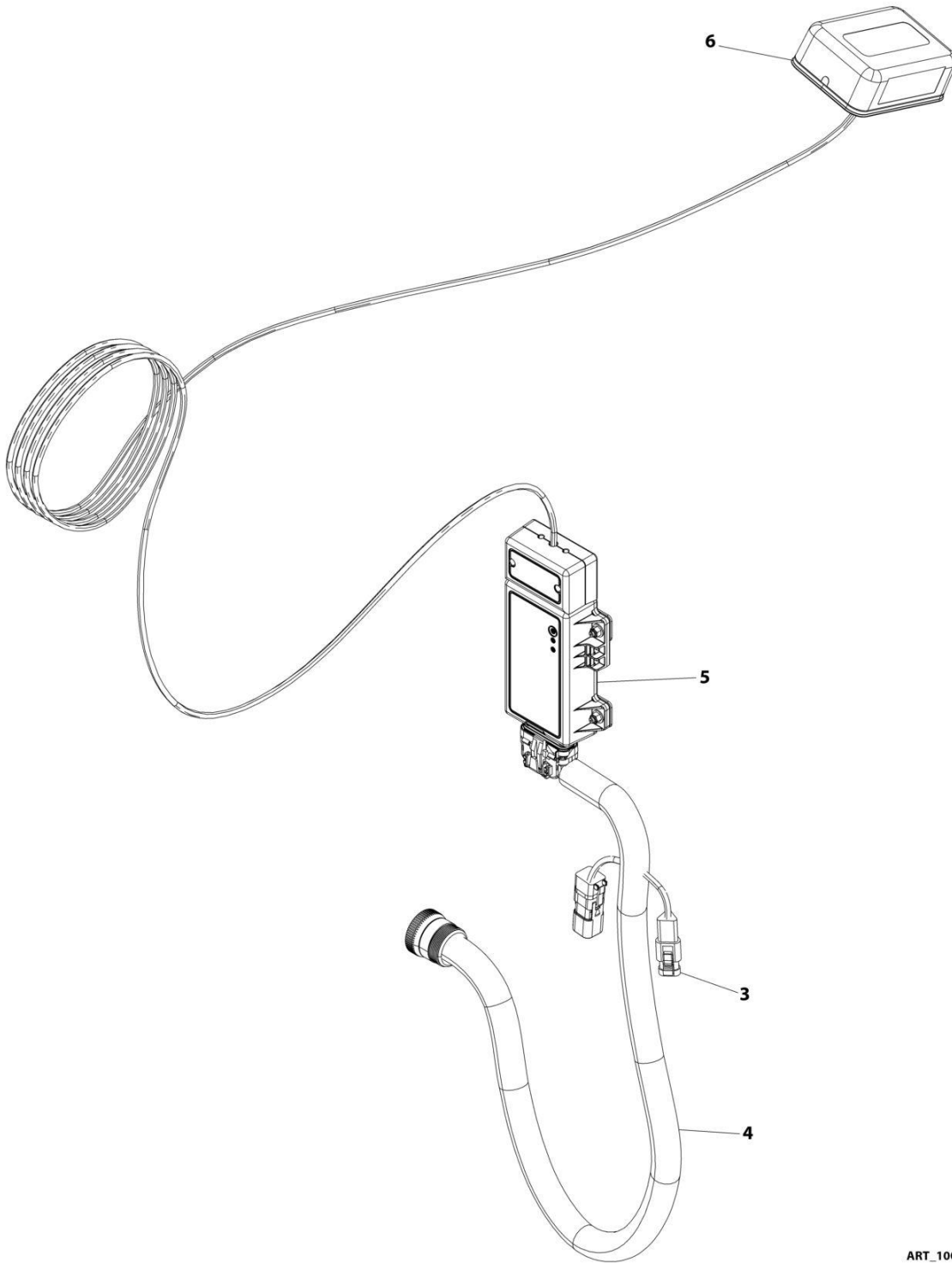
ITEM	PART NUMBER	QTY	DESCRIPTION	REV
	1001149975	Ref	CHASSIS HARNESS	I
1	4460852	1	Connector - 8 Position	
2	1001155743	1	Holder	
3	4460876	1	Connector - 35 Position	
3	4460871	4	Socket, Female	
3	4460905	31	Seal, Plug	
4	1001230931	1	Connector - 6 Position	
4	1001116748	6	Terminal	
5	4460761	1	Connector - 4 Position	
5	4460227	4	Pin, Male	
6	4460872	1	Connector - 14 Position	
6	4460871	5	Socket, Female	
6	4460905	9	Seal, Plug	
7	4460875	1	Connector - 35 Position	
7	4460871	21	Socket, Female	
7	4460905	14	Seal, Plug	
8	4460874	1	Connector - 35 Position	
8	4460871	10	Socket, Female	
8	4460905	25	Seal, Plug	
9	4460851	1	Connector - 8 Position	
9	4460465	7	Socket, Female	
9	4460466	1	Seal, Plug	
10	4460950	1	Connector - 12 Position	
10	4460943	3	Pin, Male (Gold)	
10	4460464	3	Pin, Male	
10	4460466	6	Seal, Plug	
11	1001113961	1	Connector - 8 Position	
11	4460871	1	Socket, Female	
11	4460905	7	Seal, Plug	
12	4460873	1	Connector - 35 Position	
12	4460871	22	Socket, Female	
12	4460905	13	Seal, Plug	
13	4461271	1	Connector - 1 Position	
14	4460891	1	Connector - 2 Position	
14	4460465	2	Socket, Female	
15	4460891	1	Connector - 2 Position	
15	4460465	2	Socket, Female	
16	4460891	1	Connector - 2 Position	
16	4460465	2	Socket, Female	
17	4460891	1	Connector - 2 Position	
17	4460465	2	Socket, Female	
18	4460891	1	Connector - 2 Position	
18	4460465	2	Socket, Female	
19	4460891	1	Connector - 2 Position	
19	4460465	2	Socket, Female	
20	4460899	1	Connector - 6 Position	
20	4460464	4	Pin, Male	
20	4460466	2	Plug, Seal	
21	4460899	1	Connector - 6 Position	
21	4460464	4	Pin, Male	

SECTION 8 - ELECTRICAL

ITEM	PART NUMBER	QTY	DESCRIPTION	REV
21	4460466	2	Plug, Seal	
22	4460911	1	Connector - 3 Position	
23	4460911	1	Connector - 3 Position	
24	4460891	1	Connector - 2 Position	
24	4460465	2	Socket, Female	
25	4460891	1	Connector - 2 Position	
25	4460465	2	Socket, Female	
26	4460891	1	Connector - 2 Position	
26	4460465	2	Socket, Female	
27	4460891	1	Connector - 2 Position	
27	4460465	2	Socket, Female	
28	4460891	1	Connector - 2 Position	
28	4460465	2	Socket, Female	
29	4460891	1	Connector - 2 Position	
29	4460465	2	Socket, Female	
30	4460899	1	Connector - 6 Position	
30	4460464	4	Pin, Male	
30	4460466	2	Plug, Seal	
31	4460899	1	Connector - 6 Position	
31	4460464	4	Pin, Male	
31	4460466	2	Plug, Seal	
32	4460911	1	Connector - 3 Position	
33	4460891	1	Connector - 2 Position	
33	4460465	2	Socket, Female	
34	1001263923	1	Connector - 3 Position	
35	4460891	1	Connector - 2 Position	
35	4460465	2	Socket, Female	
36	4460911	1	Connector - 3 Position	

SECTION 8 - ELECTRICAL

FIGURE 8-30. CLEARSKY INSTALLATION - 4G CANBUS CONNECTION (ALL SPECS EXCEPT CHINA SPECS)



ART_1001227457

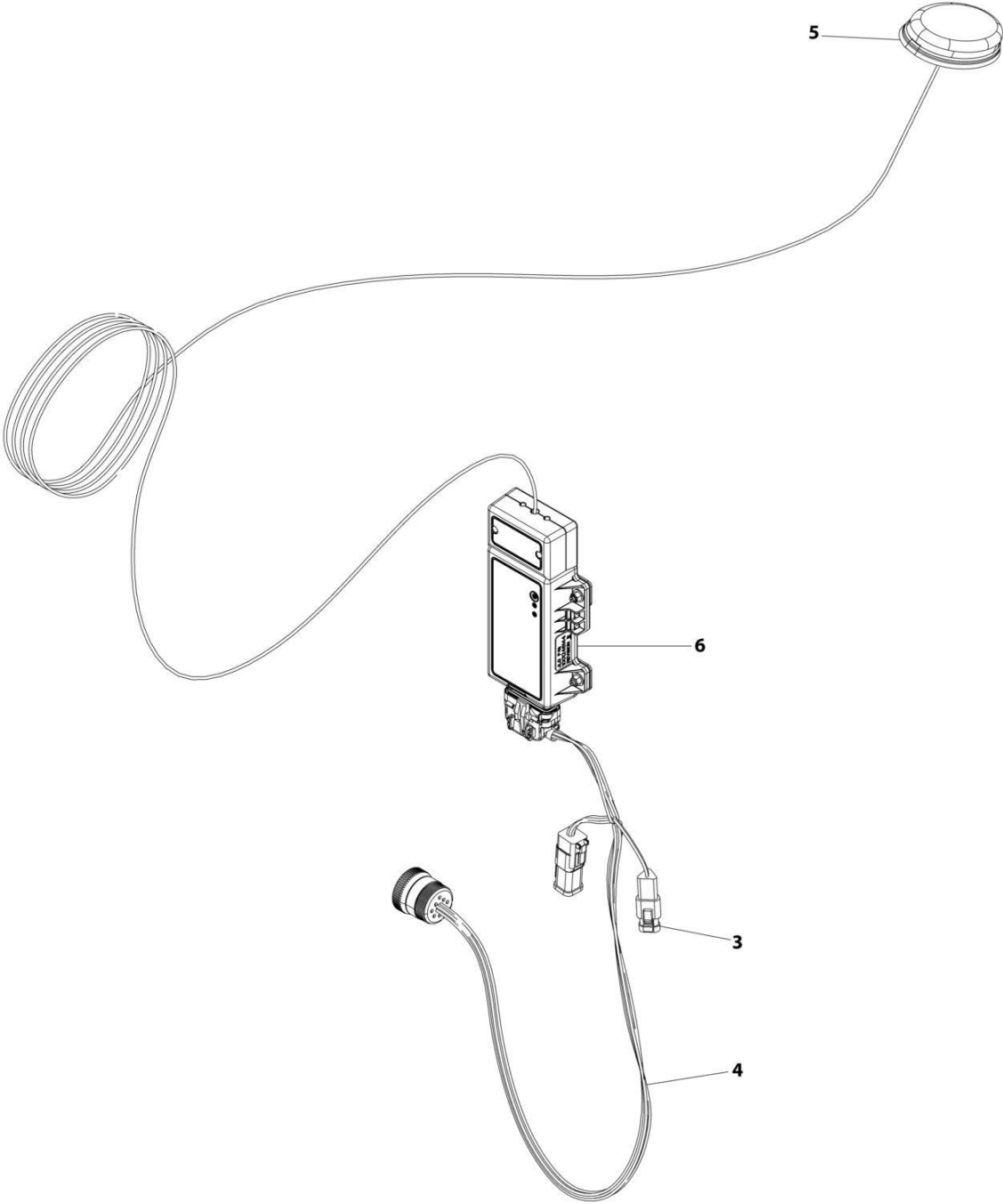
SECTION 8 - ELECTRICAL

FIGURE 8-30. CLEARSKY INSTALLATION - 4G CANBUS CONNECTION (ALL SPECS EXCEPT CHINA SPECS)

ITEM	PART NUMBER	QTY	DESCRIPTION	REV
	1001227457	REF	CLEARSKY INSTALLATION CANBUS CONNECTION	B
1	4240032	AR	Tie-Strap (Not Shown)	
2	4460234	AR	Strap, Cable Tie (Not Shown)	
3	1001129408	1	Connector	
4	1001226739	1	ClearSky Harness (See Separate Breakdown in this Section)	
5	1001262322	1	Telematics Control Module (Note: Re-calibration Required when Replaced)	
6	1001262326	1	Antenna	

SECTION 8 - ELECTRICAL

FIGURE 8-31. CLEARSKY INSTALLATION - 4G CANBUS CONNECTION (CHINA SPECS)



ART_1001246472

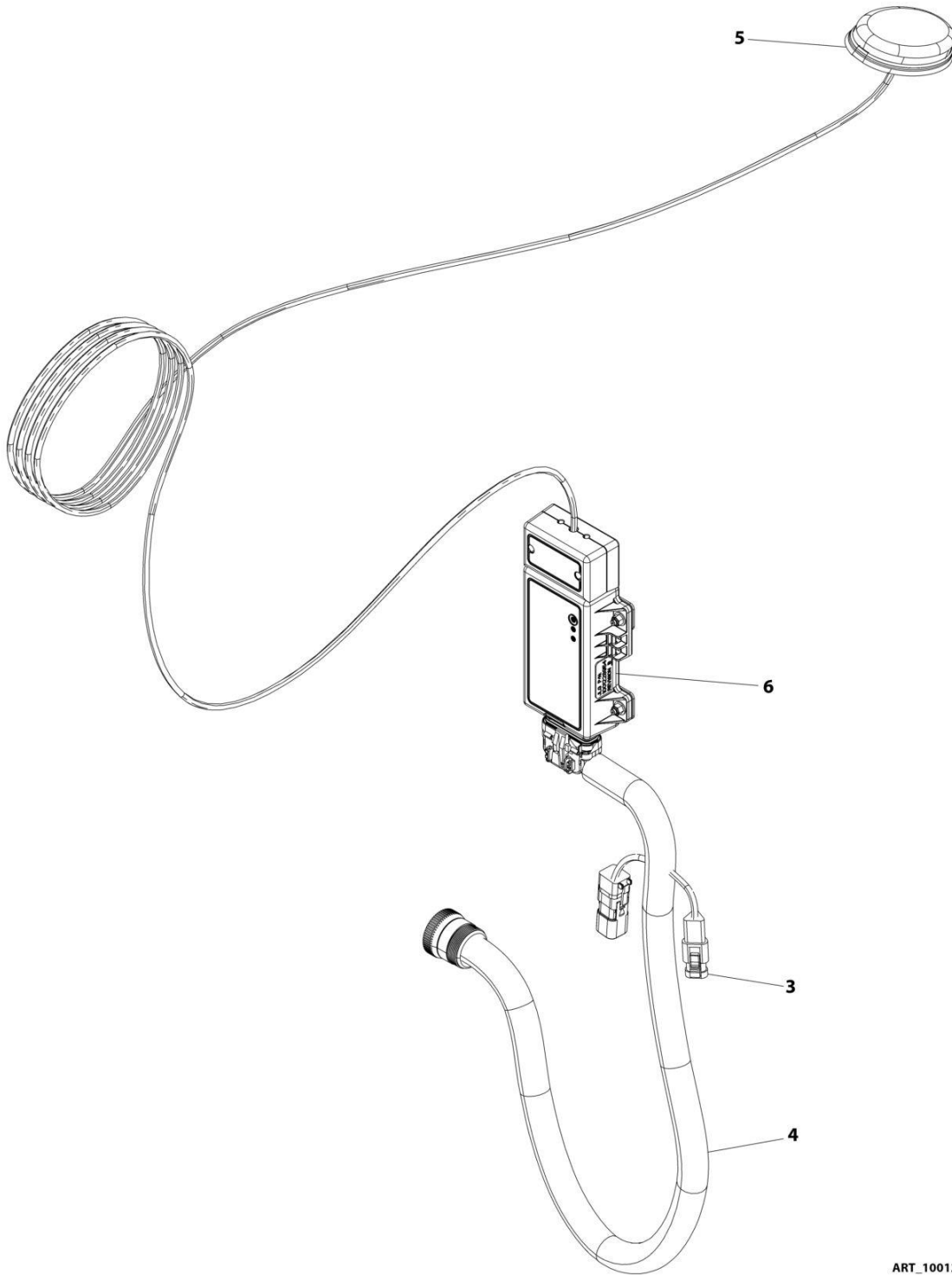
SECTION 8 - ELECTRICAL

FIGURE 8-31. CLEARSKY INSTALLATION - 4G CANBUS CONNECTION (CHINA SPECS)

ITEM	PART NUMBER	QTY	DESCRIPTION	REV
	1001246472	REF	CLEARSKY INSTALLATION CANBUS CONNECTION	A
1	4240032	AR	Tie-Strap (Not Shown)	
2	4460234	AR	Strap, Cable -Tie (Not Shown)	
3	1001129408	1	Connector	
4	1001226739	1	ClearSky Harness (See Separate Breakdown in this Section)	
5	1001226799	1	Antenna	
6	1001246145	1	Telematics Control Module (Note: Re-calibration Required when Replaced)	

SECTION 8 - ELECTRICAL

FIGURE 8-32. CLEARSKY INSTALLATION - 3G CANBUS CONNECTION (ANSI EXPORT, CE, AND UK CA SPECS)



ART_1001228959

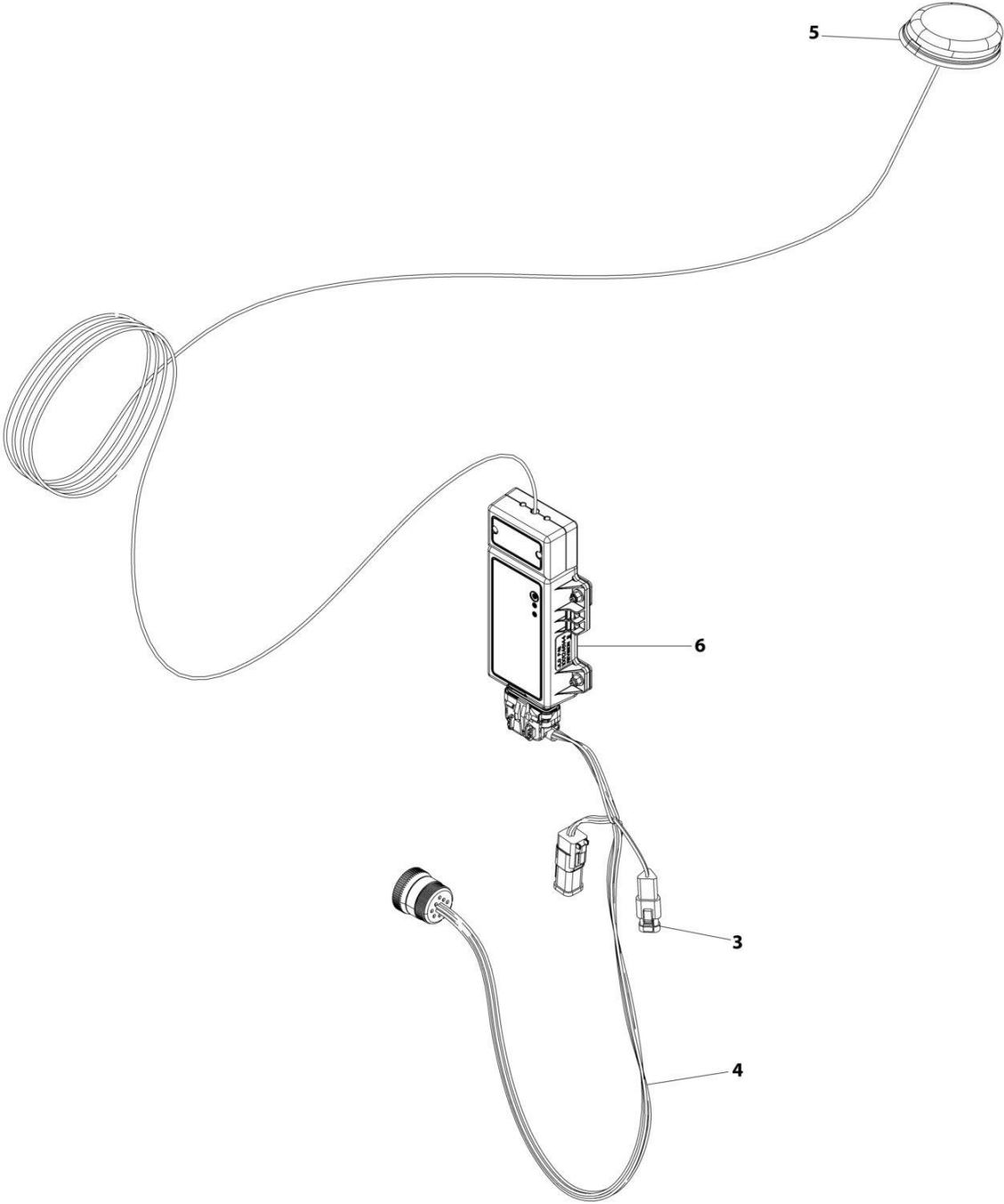
SECTION 8 - ELECTRICAL

FIGURE 8-32. CLEARSKY INSTALLATION - 3G CANBUS CONNECTION (ANSI EXPORT, CE, AND UK CA SPECS)

ITEM	PART NUMBER	QTY	DESCRIPTION	REV
	1001228959	REF	CLEARSKY INSTALLATION CANBUS CONNECTION	A
1	4240032	AR	Tie-Strap (Not Shown)	
2	4460234	AR	Strap, Cable Tie (Not Shown)	
3	1001129408	1	Connector	
4	1001226739	1	ClearSky Harness (See Separate Breakdown in this Section)	
5	1001226799	1	Antenna	
6	1001228954	1	Telematics Control Module (Note: Re-calibration Required when Replaced)	

SECTION 8 - ELECTRICAL

FIGURE 8-33. CLEARSKY INSTALLATION - 3G CANBUS CONNECTION (AUSTRALIAN SPECS)



ART_1001246471

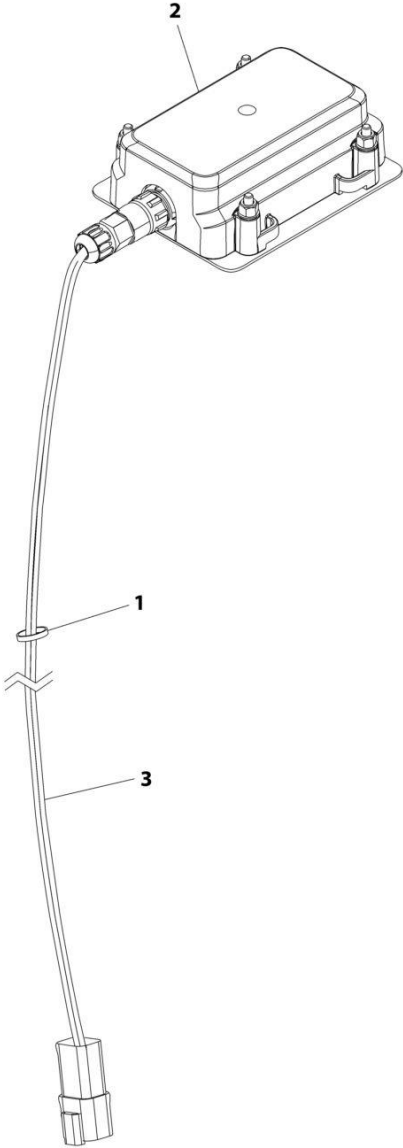
SECTION 8 - ELECTRICAL

FIGURE 8-33. CLEARSKY INSTALLATION - 3G CANBUS CONNECTION (AUSTRALIAN SPECS)

ITEM	PART NUMBER	QTY	DESCRIPTION	REV
	1001246471	REF	CLEARSKY INSTALLATION CANBUS CONNECTION	A
1	4240032	AR	Tie-Strap (Not Shown)	
2	4460234	AR	Strap, Cable -Tie (Not Shown)	
3	1001129408	1	Connector	
4	1001226739	1	ClearSky Harness (See Separate Breakdown in this Section)	
5	1001226799	1	Antenna	
6	1001246144	1	Telematics Control Module (Note: Re-calibration Required when Replaced)	

SECTION 8 - ELECTRICAL

FIGURE 8-34. CLEARSKY INSTALLATION - 3 WIRE GT1030 (ALL SPECS EXCEPT CHINA SPECS)



ART_1001276610

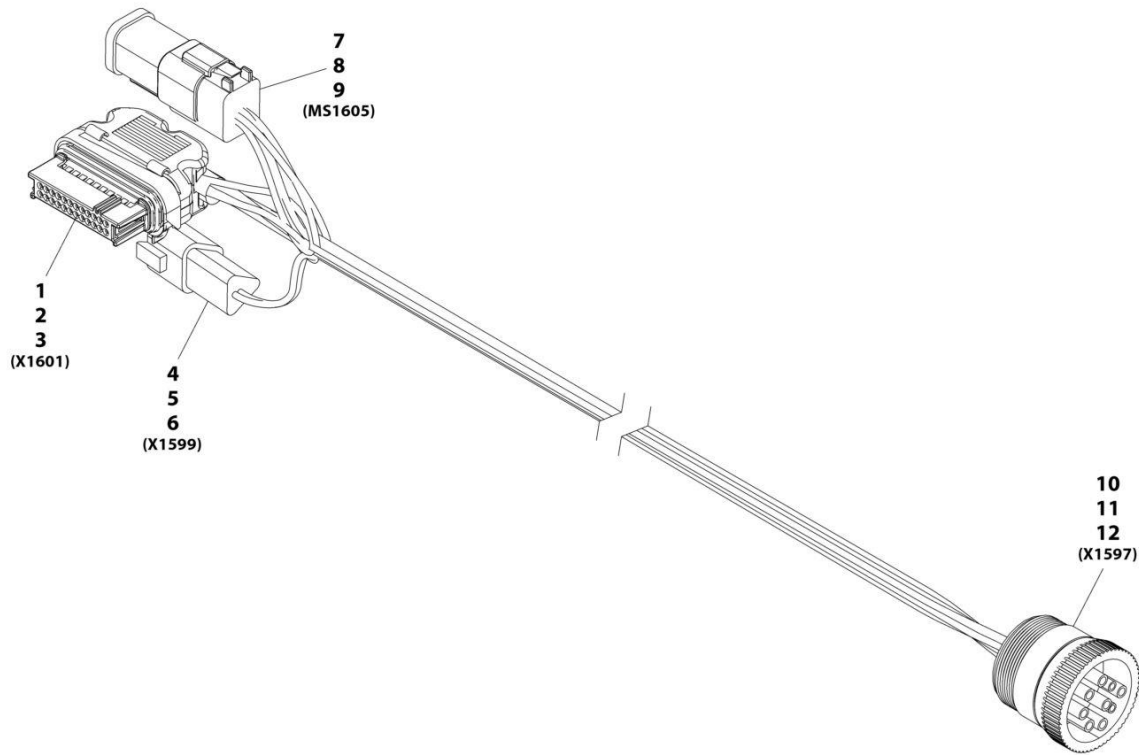
SECTION 8 - ELECTRICAL

FIGURE 8-34. CLEARSKY INSTALLATION - 3 WIRE GT1030 (ALL SPECS EXCEPT CHINA SPECS)

ITEM	PART NUMBER	QTY	DESCRIPTION	REV
1	1001276610 4240032	Ref AR	CLEARSKY INSTALLATION 3-WIRE CONNECTION Tie-Strap	A
2	1001272659	1	Telematics Control Module Assembly (Note: Re-calibration Required when Replaced)	
3	1001273012	1	ClearSky Harness (See Separate Breakdown in this Section)	

SECTION 8 - ELECTRICAL

FIGURE 8-35. CLEARSKY HARNESS - 3G & 4G CANBUS CONNECTIONS



ART_1001226739-A

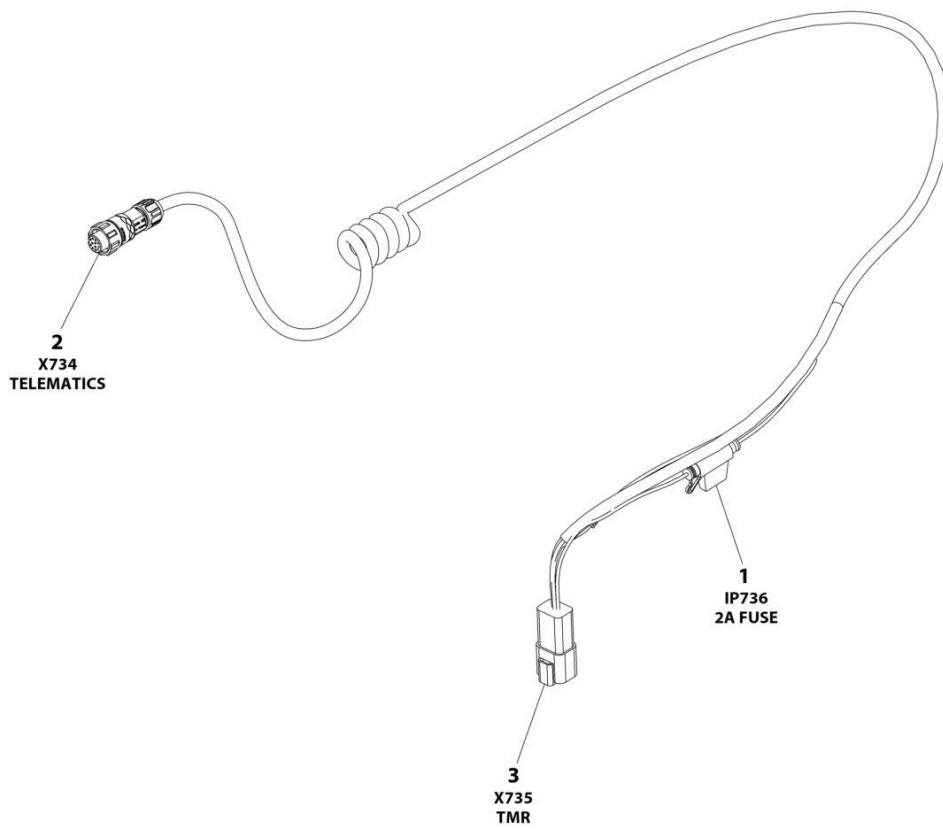
SECTION 8 - ELECTRICAL

FIGURE 8-35. CLEARSKY HARNESS - 3G & 4G CANBUS CONNECTIONS

ITEM	PART NUMBER	QTY	DESCRIPTION	REV
	1001226739	Ref	Clearsky Harness	A
1	1001226636	1	Connector	
2	1001116731	16	Plug, Terminal	
3	1001226637	8	Terminal	
4	1001144147	1	Connector	
5	4460464	2	Terminal	
6	4460466	1	Plug, Terminal	
7	4460894	1	Connector	
8	4460465	6	Terminal	
9	1001226541	1	Connector- 6 Pin Bussbar	
10	1001112796	1	Connector	
11	4460465	8	Terminal	
12	4460466	1	Plug, Terminal	

SECTION 8 - ELECTRICAL

FIGURE 8-36. CLEARSKY HARNESS - 3 WIRE GT1030



ART_1001273012

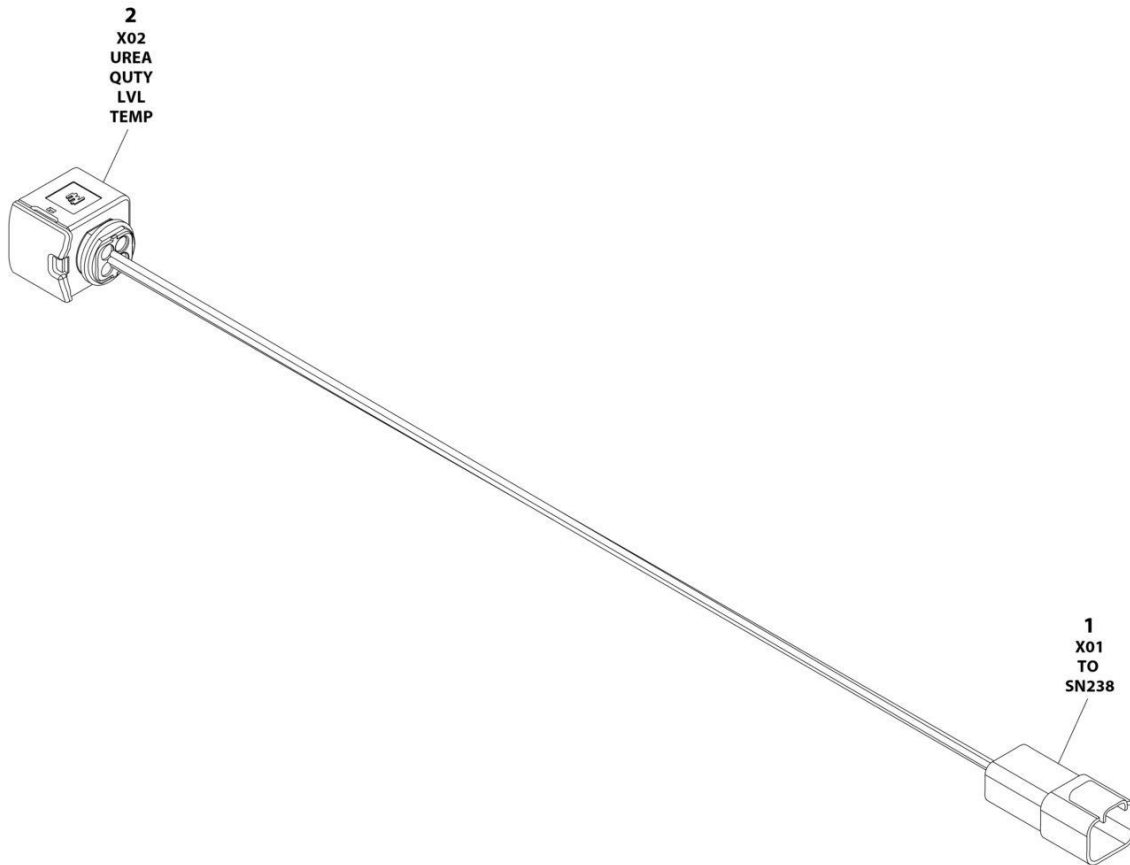
SECTION 8 - ELECTRICAL

FIGURE 8-36. CLEARSKY HARNESS - 3 WIRE GT1030

ITEM	PART NUMBER	QTY	DESCRIPTION	REV
	1001273012	Ref	CLEARSKY TELEMATICS HARNESS - GT1030	D
1	1001255901	1	Fuseholder	
1	1001196634	1	Fuse - 2Amp	
2	1001272997	1	Connector - 12 Position	
2		Ref	Terminal	
3	4460932	1	Receptacle, Female - 4 Position	
3	4460464	4	Pin, Male	

SECTION 8 - ELECTRICAL

FIGURE 8-37. DEF TANK EXTENSION HARNESS



ART_1001238483

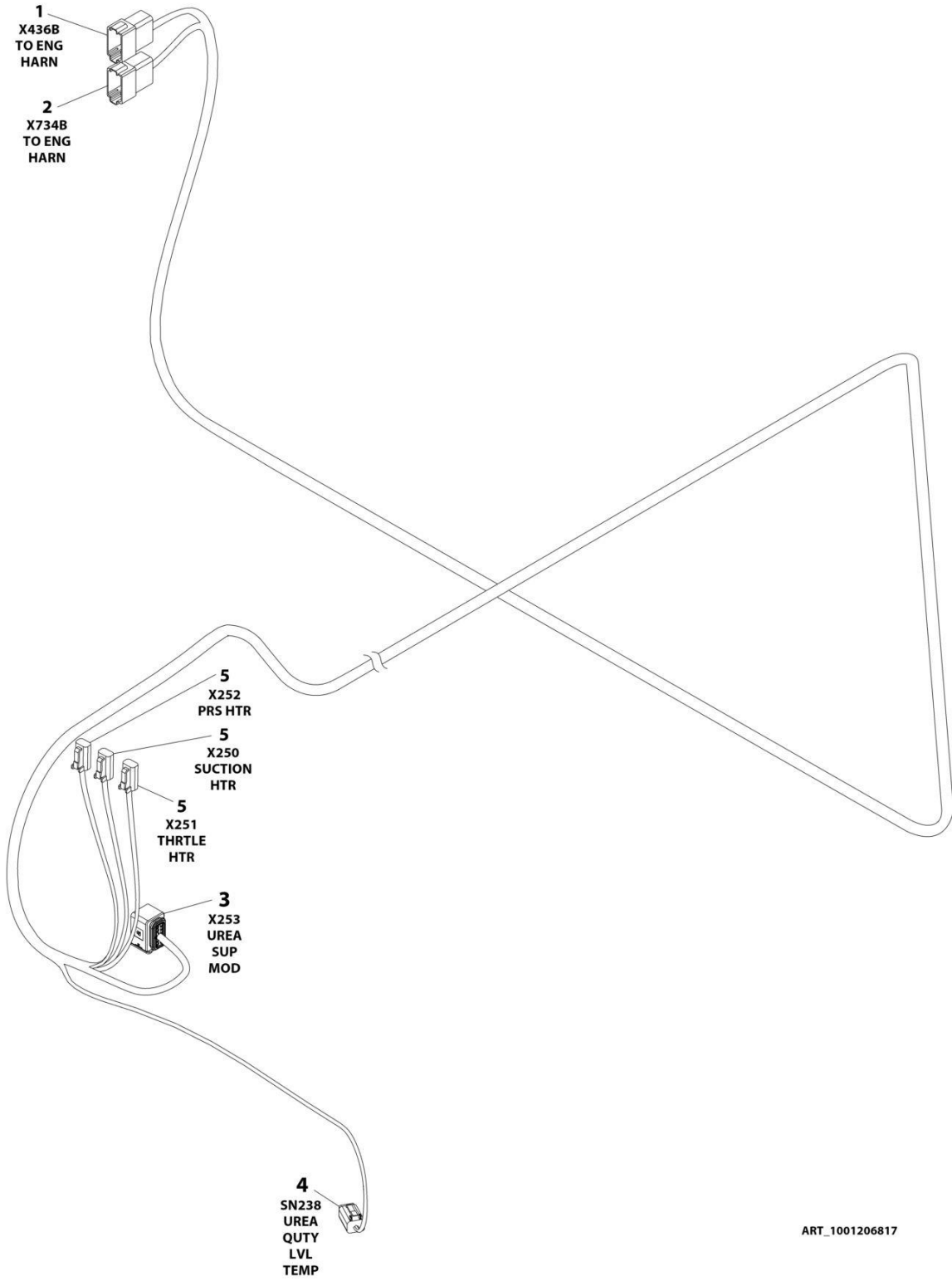
SECTION 8 - ELECTRICAL

FIGURE 8-37. DEF TANK EXTENSION HARNESS

ITEM	PART NUMBER	QTY	DESCRIPTION	REV
	1001238483	Ref	DEF TANK EXTENSION HARNESS	A
1	4460932	1	Receptacle, Female - 4 Position	
1	4460464	2	Pin, Male	
1	4460943	2	Pin, Male	
2	1001167528	1	Connector - 4 Position	
2	1001167632	2	Terminal	
2	1001166704	2	Terminal	
2	1001137578	4	Seal	

SECTION 8 - ELECTRICAL

FIGURE 8-38. DIESEL EXHAUST FLUID TANK HARNESS



ART_1001206817

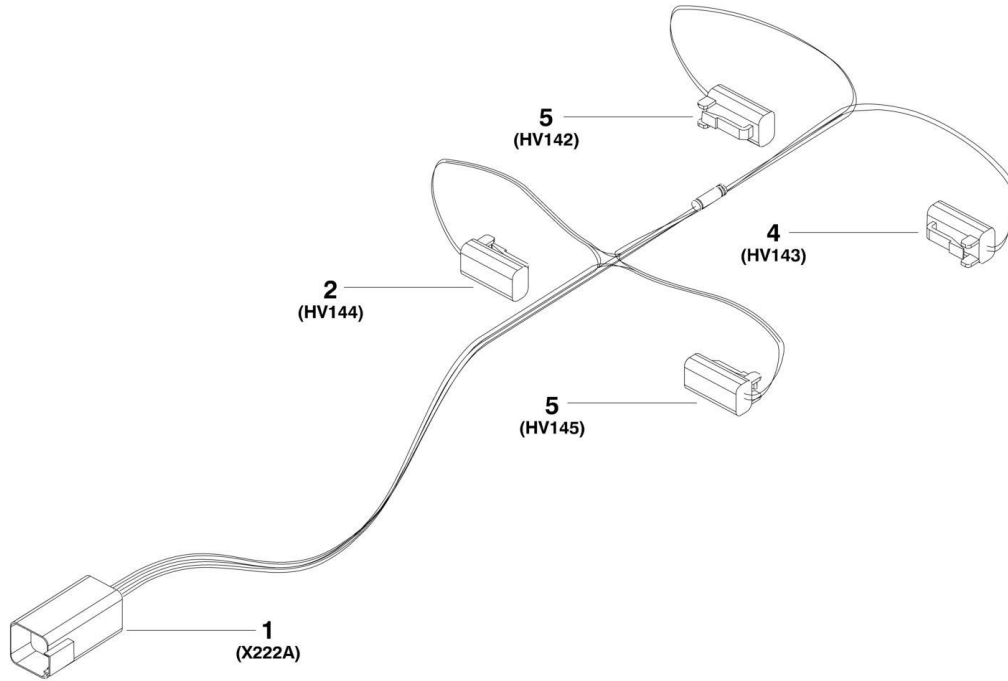
SECTION 8 - ELECTRICAL

FIGURE 8-38. DIESEL EXHAUST FLUID TANK HARNESS

ITEM	PART NUMBER	QTY	DESCRIPTION	REV
	1001206817	Ref	DIESEL EXHAUST FLUID TANK HARNESS	B
1	4460982	1	Receptacle, Female - 12 Position	
1	1001157891	6	Pin, Male	
1	4460464	2	Pin, Male	
1	4460943	2	Pin, Male	
1	4460466	2	Plug, Terminal	
2	1001152742	1	Receptacle, Female - 12 Position	
2	4460941	2	Pin, Male	
2	4460464	8	Pin, Male	
2	4460466	2	Plug, Terminal	
3	1001165194	1	Plug, Male - 12 Position	
3	1001166556	8	Socket, Female	
3	1001166774	2	Socket, Female	
3	1001126391	2	Plug, Terminal	
4	4460884	1	Plug, Male - 4 Position	
4	4460944	2	Socket, Female	
4	4460465	2	Socket, Female	
5	4460891	3	Plug, Male - 2 Position	
5	4460942	6	Socket, Female	

SECTION 8 - ELECTRICAL

FIGURE 8-39. DRIVE PUMP HARNESS



1001149970

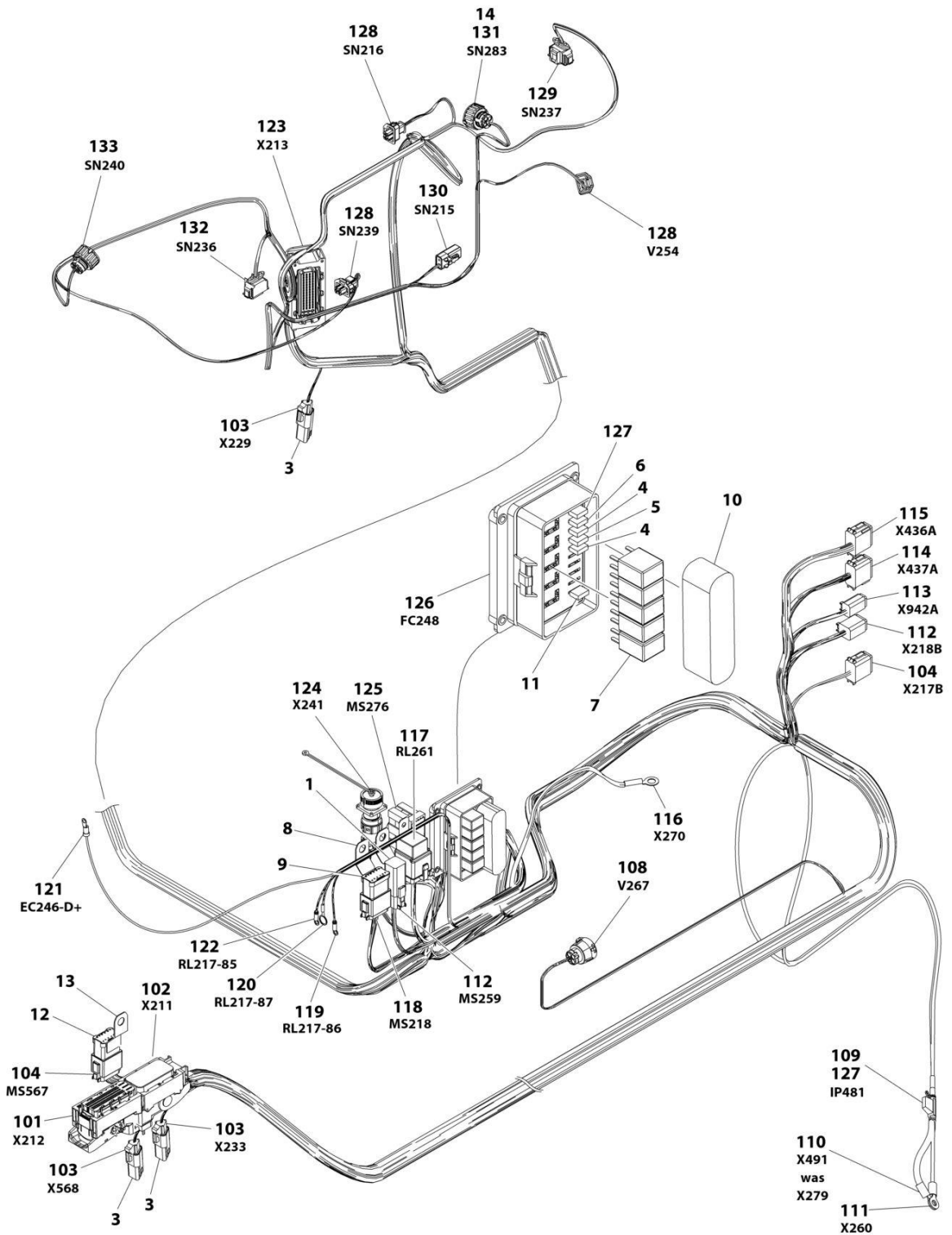
SECTION 8 - ELECTRICAL

FIGURE 8-39. DRIVE PUMP HARNESS

ITEM	PART NUMBER	QTY	DESCRIPTION	REV
	1001149970	Ref	DRIVE PUMP HARNESS	B
1	4460899	1	Connector - 6 Position	
1	4460464	5	Pin, Male	
1	4460466	1	Plug, Seal	
2	4460891	1	Connector - 2 Position	
2	4460465	2	Socket, Female	
3	4460891	1	Connector - 2 Position	
3	4460465	2	Socket, Female	
4	4460891	1	Connector - 2 Position	
4	4460465	2	Socket, Female	
5	4460891	1	Connector - 2 Position	
5	4460465	2	Socket, Female	

SECTION 8 - ELECTRICAL

FIGURE 8-40. ENGINE HARNESS - DEUTZ (HRC)



ART_1001188922

SECTION 8 - ELECTRICAL

FIGURE 8-40. ENGINE HARNESS - DEUTZ (HRC)

ITEM	PART NUMBER	QTY	DESCRIPTION	REV
	1001188922	Ref	ENGINE HARNESS	K
1	4460892	1	Buss Bar - 6 Position	
3	4461070	3	Connector, Terminating - 3 Position	
4	8229242	2	Fuse, 5 Amp	
5	8229244	1	Fuse, 15 Amp	
6	8229247	1	Fuse, 25 Amp	
7	1001095704	5	Relay	
8	1001120328	2	Mount	
9	1001125677	1	Connector, Bussbar	
10	1001190921	1	Seal	
11	1001197719	1	Resistor 620ohm	
12	4460984	1	Receptacle, Female - 8 Position	
13	1001155743	1	Mount	
14	1001216318	1	Cover	
101	1001167615	1	Connector - 91 Position	
101	1001166551	6	Terminal	
101	1001167621	20	Terminal	
101	1001167622	65	Plug, Terminal	
101	1001126353	6	Seal	
102	1001167625	1	Connector - 105 Position	
102	1001166555	13	Terminal	
102	1001167621	50	Terminal	
102	1001167622	36	Plug, Terminal	
102	1001167623	6	Seal	
103	4461095	3	Connector - 3 Position	
103	4460944	4	Socket, Female	
103	4460465	2	Socket, Female	
103	4460466	3	Plug, Terminal	
104	4460930	2	Connector - 8 Position	
104	4460465	10	Socket, Female	
104	4460466	6	Plug, Terminal	
108	1001167620	1	Connector - 4 Position	
108	1001176004	2	Socket, Female	
108	1001167624	2	Plug, Terminal	
108	1001176002	2	Seal	
109	2400066	1	Fuseholder with Leads	
110	1001117107	1	Terminal, Ring	
111	8220045	1	Terminal, Ring	
112	4460894	2	Plug, Male - 6 Position	
112	4460465	7	Socket, Female	
112	4460944	2	Socket, Female	
112	4460942	1	Socket, Female	
112	4460466	2	Plug, Socket	
113	4460884	1	Plug, Male - 4 Position	
113	4460465	2	Socket, Female	
113	4460942	2	Socket, Female	
114	4460934	1	Plug, Male - 12 Position	
114	4460942	2	Socket, Female	
114	4460465	8	Socket, Female	
114	4460466	2	Plug, Socket	

SECTION 8 - ELECTRICAL

ITEM	PART NUMBER	QTY	DESCRIPTION	REV
115	4460935	1	Plug, Male - 12 Position	
115	1001157890	6	Socket, Female	
115	4460465	2	Socket, Female	
115	4460944	2	Socket, Female	
115	4460466	2	Plug, Socket	
116	1001117108	1	Ring, Terminal	
117	1001118282	1	Connector - 5 Position	
117	1001116734	2	Terminal	
117	1001116733	2	Terminal	
117	1001128128	1	Plug, Socket	
118	4460933	1	Plug, Male - 12 Position	
118	4460944	12	Socket, Female	
119	4460247	1	Terminal, Ring	
120	4460703	1	Terminal, Ring	
121	4460042	1	Terminal, Ring	
122	4460247	1	Terminal, Ring	
123	1001126362	1	Connector - 62 Position	
123	1001166556	30	Socket, Female	
123	1001166774	10	Socket, Female	
123	1001166541	2	Socket, Female	
123	1001166543	2	Socket, Female	
123	1001126391	16	Plug, Terminal	
123	4461008	2	Plug, Terminal	
123	1001166701	30	Seal, Terminal	
123	1001126393	10	Seal, Terminal	
123	4461006	2	Seal, Terminal (Blue)	
123	4461054	2	Seal, Terminal (White)	
124	2902443	1	Kit, Receptacle	
124	4461071	8	Socket, Female	
124	4461072	1	Connector	
124	4461043	1	Cap, Dust	
124	4461074	1	Shell, Back	
125	1001184846	1	Plug, Male - 10 Position	
125	4460509	10	Socket, Female	
126	1001167616	1	Main Fuse Box Assembly	
126	1001116725	6	Socket, Female	
126	8220097	19	Terminal	
126	8220098	7	Terminal	
126	4460748	13	Plug, Terminal	
126	80963067	6	Seal (Blue)	
126	1001175265	12	Seal, Terminal	
126	4460458	14	Seal, Terminal	
127	8229245	2	Fuse, 30 Amp	
128	1001126487	3	Connector - 2 Position	
128	1001167634	4	Socket, Female	
128	1001167635	2	Socket, Female	
128	1001126485	3	Seal, Terminal	
129	1001167629	1	Connector - 4 Position	
129	1001167630	4	Socket, Female	
129	1001126485	4	Seal, Terminal	
130	1001126245	1	Plug, Male - 2 Position	

SECTION 8 - ELECTRICAL

ITEM	PART NUMBER	QTY	DESCRIPTION	REV
130	1001126008	2	Socket, Female	
131	1001167633	1	Connector - 3 Position	
131	1001133715	3	Socket, Female	
131	1001135650	3	Seal, Terminal	
132	1001167631	1	Connector - 4 Position	
132	1001167630	4	Socket, Female	
132	1001126485	4	Seal, Terminal	
133	1001133714	1	Connector - 4 Position	
133	1001133715	3	Socket, Female	
133	1001135650	3	Seal, Terminal	

SECTION 8 - ELECTRICAL

FIGURE 8-41. ENGINE HARNESS - DEUTZ T4F ENGINES (HRC) (SN 0300305079 to Present)

ITEM	PART NUMBER	QTY	DESCRIPTION	REV
	1001291589	Ref	ENGINE HARNESS - DEUTZ T4F ENGINES (HRC)	B
1	1001133956	1	Connector	
1	1001182361	6	Socket (14-16AWG)	
1	1001126351	3	Socket (15-18AWG)	
1	1001230934	42	Socket (19AWG)	
1	1001230935	43	Plug	
1	1001182365	6	Seal	
2	1001133957	1	Connector	
2	1001126351	14	Socket (15-18AWG)	
2	1001230934	25	Socket (19AWG)	
2	1001230935	9	Plug	
2	1001230936	12	Plug	
3	4461095	2	Connector	
3	4460465	4	Socket	
3	4460466	2	Plug	
4	4460933	1	Connector	
4	4460465	6	Socket	
5	1001167620	1	Connector	
5	1001176004	2	Socket	
5	1001176002	2	Seal	
5	1001167624	2	Plug	
6	2400066	1	Fuseholder	
7	8220045	1	Terminal, Ring	
8	4460019	1	Terminal, Ring	
9	8220115	1	Terminal, Ring	
10	4460930	1	Connector	
10	4460465	1	Socket (16-20AWG)	
10	4460942	1	Socket (14-16AWG)	
10	4460466	6	Plug	
11	4460894	1	Connector	
11	4460942	1	Socket (14-16AWG) (Nickel)	
11	4460465	2	Socket (16-20AWG) (Nickel)	
11	4460944	2	Socket (16-20AWG) (Gold)	
11	4460466	1	Plug	
12	4460884	1	Connector	
12	4460465	2	Socket (16-20AWG)	
12	1001157890	2	Socket (12-16AWG)	
13	4460934	1	Connector	
13	4460465	8	Socket (12-16AWG)	
13	4460942	2	Socket (14-16AWG)	
13	4460466	2	Plug	
14	4460935	1	Connector	
14	1001157890	6	Socket (12-16AWG) (Nickel)	
14	4460465	2	Socket (16-20AWG) (Nickel)	
14	4460944	2	Socket (16-20AWG) (Gold)	
14	4460466	2	Plug	
15	4460042	1	Terminal, Ring	
16	4460247	2	Terminal, Ring	
17	4460703	1	Terminal, Ring	
18	1001118282	1	Connector	

SECTION 8 - ELECTRICAL

ITEM	PART NUMBER	QTY	DESCRIPTION	REV
18	1001116733	2	Socket (14-17AWG)	
18	1001116734	2	Socket (12AWG)	
18	1001128128	1	Plug	
19	1001167631	1	Connector	
19	1001167630	4	Socket	
19	1001126485	4	Seal	
20	1001167629	1	Connector	
20	1001167630	4	Socket	
20	1001126485	4	Seal	
21	1001126487	2	Connector	
21	1001167634	4	Socket	
21	1001126485	4	Seal	
22	1001133714	1	Connector	
22	1001133715	3	Socket	
22	1001135650	3	Seal	
23	4460894	1	Connector	
23	4460465	6	Socket	
24	4460933	1	Connector	
24	4460465	8	Socket	
24	4460466	4	Plug	
25	2902443	1	Connector	
25	4461071	6	Socket	
26	1001126245	1	Connector	
26	1001126008	2	Socket	
27	1001291588	1	Connector	
27	1001166795	3	Socket	
27	1001166796	3	Seal	
28	1001126487	1	Connector	
28	1001167635	2	Socket	
28	1001126485	2	Seal	
29	1001126362	1	Connector	
29	1001126363	36	Socket (17-20AWG)	
29	1001126392	12	Socket (16AWG)	
29	1001126365	2	Socket (17-18AWG)	
29	1001126391	8	Plug	
29	4461008	4	Plug	
29	1001126364	36	Seal	
29	1001126393	12	Seal	
29	4461054	2	Seal	
30	1001167616	1	Connector	
30	1001116725	6	Socket (10-12AWG)	
30	8220097	19	Socket (16-18AWG)	
30	4460748	13	Plug	
30	8220098	7	Socket (14AWG)	
30	80963067	6	Seal	
30	4460458	16	Seal	
30	1001175265	10	Seal	
31	1001275151	2	Terminal, Ring	
32	1001275153	1	Terminal, Ring	
33	1001116812	1	Connector	
33	4460465	2	Socket	

SECTION 8 - ELECTRICAL

ITEM	PART NUMBER	QTY	DESCRIPTION	REV
33	4460466	1	Plug	
34	4460539	1	Connector	
34	4460465	2	Socket	
34	4460466	1	Plug	
101	4460892	1	Plug	
102	4460945	1	Plug, 3-Way	
103	4461070	2	Connector	
104	8229242	2	Fuse 5Amp	
105	8229244	1	Fuse 15Amp	
106	8229245	1	Fuse 30 Amp	
107	8229247	1	Fuse 25 Amp	
108	1001095704	5	Relay	
109	1001116815	1	Connector	
110	1001120328	3	Mount	
111	1001125677	2	Connector	

SECTION 8 - ELECTRICAL

FIGURE 8-42. ENGINE HARNESS STAGE V (HRC)

ITEM	PART NUMBER	QTY	DESCRIPTION	REV
	1001262056	Ref	ENGINE HARNESS	F
1	1001133956	1	Connector - 94 Position	
1	1001182361	6	Terminal	
1	1001126351	3	Terminal	
1	1001230934	42	Terminal	
1	1001230935	43	Plug	
1	1001182365	6	Seal	
2	1001133957	1	Connector - 60 Position	
2	1001230936	10	Plug	
2	1001126351	14	Terminal	
2	1001230935	7	Plug	
2	1001230934	27	Terminal	
3	4461095	1	Connector - 3 Position	
3	4460465	2	Socket, Female	
3	4460466	1	Plug, Socket	
4	4461095	1	Connector - 3 Position	
4	4460465	2	Socket, Female	
4	4460466	1	Plug, Socket	
5	4460933	1	Connector - 12 Position	
5	4460465	10	Socket, Female	
5	4460466	2	Plug, Socket	
6	1001167620	1	Connector - 4 Position	
6	1001176004	2	Socket, Female	
6	1001167624	2	Plug, Terminal	
6	1001176002	2	Seal	
7	2400066	1	Fuseholder with Leads	
8	8220045	1	Terminal, Ring	
9	4460930	1	Connector - 8 Position	
9	4460465	1	Socket, Female	
9	4460466	6	Plug, Terminal	
9	4460942	1	Socket, Female	
10	4460894	1	Plug, Male - 6 Position	
10	4460942	1	Socket, Female	
10	4460465	2	Socket, Female	
10	4460944	2	Socket, Female	
10	4460466	1	Plug, Terminal	
11	4460884	1	Plug, Male - 4 Position	
11	4460465	2	Socket, Female	
11	1001157890	2	Socket, Female	
12	4460934	1	Plug, Male - 12 Position	
12	4460465	8	Socket, Female	
12	4460942	2	Terminal	
12	4460466	2	Plug, Terminal	
13	4460935	1	Plug, Male - 12 Position	
13	1001157890	6	Socket, Female	
13	4460465	2	Socket, Female	
13	4460944	2	Socket, Female	
13	4460466	2	Plug, Socket	
14	4460042	1	Terminal, Ring	
15	4460247	2	Terminal, Ring	

SECTION 8 - ELECTRICAL

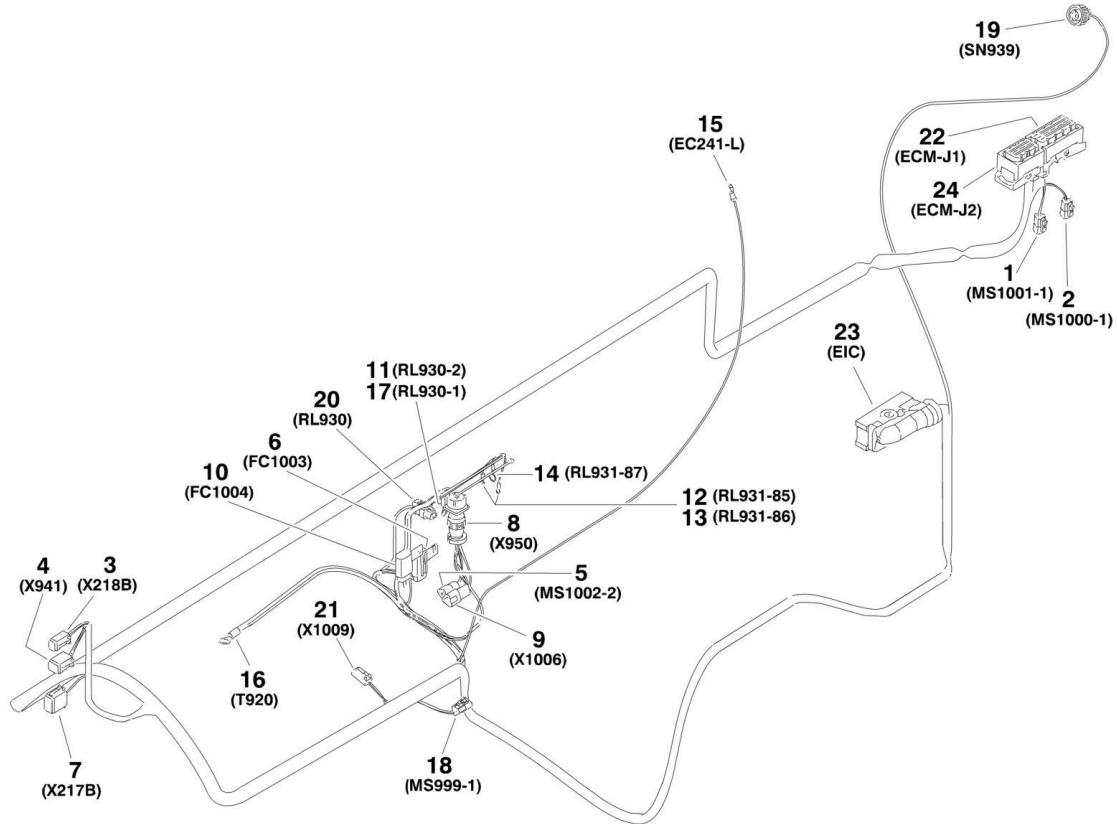
ITEM	PART NUMBER	QTY	DESCRIPTION	REV
16	4460703	1	Terminal, Ring	
17	1001118282	1	Connector - 5 Position	
17	1001116734	2	Terminal	
17	1001116733	2	Terminal	
17	1001128128	1	Plug, Socket	
18	1001268946	1	Connector - 21 Position	
18	1001167632	15	Terminal	
18	4461008	6	Plug	
18	4461054	15	Seal	
19	4460894	1	Plug, Male - 6 Position	
19	4460465	6	Socket, Female	
20	4460933	1	Plug, Male - 12 Position	
20	4460465	8	Socket, Female	
20	4460466	4	Plug, Socket	
21	2902443	1	Kit, Receptacle	
21	4461071	6	Socket, Female	
22	1001126487	1	Connector - 2 Position	
22	1001167634	2	Socket, Female	
22	1001126485	2	Seal, Terminal	
23	1001133714	1	Connector - 4 Position	
23	1001133715	3	Socket, Female	
23	1001135650	3	Seal, Terminal	
24	1001126362	1	Connector - 62 Position	
24	1001126363	36	Terminal	
24	1001126391	8	Plug, Socket	
24	1001126392	12	Terminal	
24	1001126365	2	Terminal	
24	4461008	4	Plug, Socket	
25	1001167616	1	Main Fuse Box Assembly	
25	1001116725	6	Socket, Female	
25	8220097	19	Terminal	
25	4460748	13	Plug, Terminal	
25	8220098	7	Terminal	
26	1001275151	1	Terminal, Ring	
27	1001275153	1	Terminal, Ring	
28	1001275151	1	Terminal, Ring	
29	1001116812	1	Connector - 3 Position	
29	4460465	2	Socket, Female	
29	4460466	1	Plug, Socket	
30	4460539	1	Connector - 3 Position	
30	4460465	2	Socket, Female	
30	4460466	1	Plug, Socket	
31	8220115	1	Terminal, Ring	
32	4460019	1	Terminal, Ring	
101	4460892	1	Receptacle, Female Buss Bar - 6 Position	
102	4460945	1	Receptacle, Female Bussbar - 6 Position	
103	4461070	2	Connector, Terminating - 3 Position	
104	8229242	2	Connector - 3 Position	
105	8229244	1	Fuse 15Amp	
106	8229245	1	Fuse, 30 Amp	
107	8229247	1	Fuse, 25 Amp	

SECTION 8 - ELECTRICAL

ITEM	PART NUMBER	QTY	DESCRIPTION	REV
108	1001095704	5	Relay	
109	1001116815	1	Connector - 3 Position	
110	1001120328	3	Mount	
111	1001125677	2	Connector, Bussbar	

SECTION 8 - ELECTRICAL

FIGURE 8-43. ENGINE HARNESS (LRC)



1001149971

SECTION 8 - ELECTRICAL

FIGURE 8-43. ENGINE HARNESS (LRC)

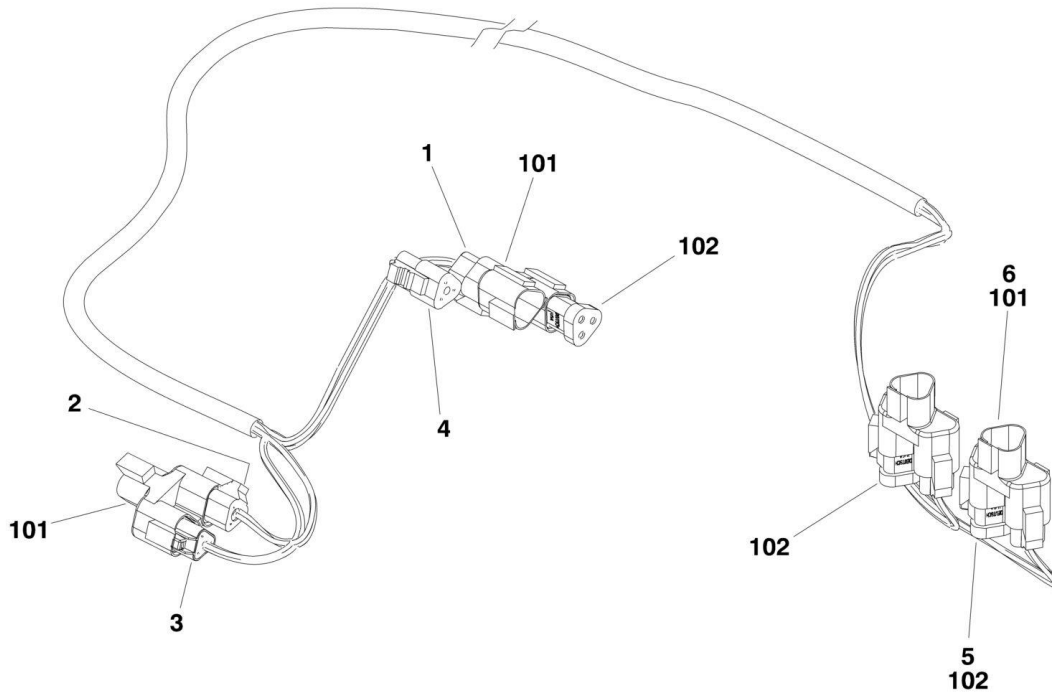
ITEM	PART NUMBER	QTY	DESCRIPTION	REV
	1001149971	Ref	ENGINE HARNESS	F
1	1001116812	1	Connector - 3 Position	
1	4460944	2	Socket, Female	
1	4460466	1	Plug, Socket	
2	1001116812	1	Connector - 3 Position	
2	4460944	2	Socket, Female	
2	4460466	1	Plug, Socket	
3	4460894	1	Connector - 6 Position	
3	4460944	3	Socket, Female	
3	4460466	3	Plug, Socket	
4	1001220379	1	Connector - 4 Position	
4	4460942	2	Socket, Female	
4	4460465	2	Socket, Female	
4	4460466	4	Plug, Socket	
5	4460539	1	Connector - 3 Position	
5	4460944	2	Socket, Female	
5	4460466	1	Plug, Socket	
6	1001119412	1	Fuseholder	
6	See Note	NSS	Fuse 5A (Note: Purchase Locally)	
6	1001116732	1	Terminal	
6	1001128128	1	Plug, Socket	
7	4460930	1	Connector, Female - 8 Position	
7	4460944	1	Socket, Female	
7	4460466	7	Plug, Seal	
8	2902443	1	Kit, Receptacle	
8	4461071	8	Socket, Female	
8	4461072	1	Connector	
8	4461043	1	Cap, Dust	
8	4461074	1	Shell, Back	
9	4460536	1	Connector - 3 Position	
9	4460943	2	Pin, Male	
9	4460466	1	Plug, Socket	
10	1001117023	1	Fuseholder	
10	See Note	NSS	Fuse 10A (Note: Purchase Locally)	
10	1001116732	1	Terminal	
10	1001128128	1	Plug, Socket	
11	1001117106	1	Ring, Terminal	
12	4460247	1	Ring, Terminal	
13	4460247	1	Ring, Terminal	
14	4460703	1	Ring, Terminal	
15	4460042	1	Ring, Terminal	
16	8220115	1	Ring, Terminal	
17	4460043	1	Ring, Terminal	
18	1001116812	1	Connector - 3 Position	
18	4460944	3	Socket, Female	
19	1001133714	1	Connector - 4 Position	
19	1001133715	3	Socket, Female	
20	1001116952	1	Connector - 2 Position	
20	4460465	1	Socket, Female	
20	4460466	1	Seal, Plug	

SECTION 8 - ELECTRICAL

ITEM	PART NUMBER	QTY	DESCRIPTION	REV
21	4460891	1	Connector, Male - 2 Position	
21	4460465	2	Socket, Female	
21	4460897	1	Connector, Female - 2 Position	
21	4460464	2	Pin, Male	
21	See Note	NSS	Resistor 1.5ohm (Note: Not Available for Purchase)	
21	1001156692	AR	Heat Shrink	
22	1001133956	1	Connector - 94 Position	
22	1001126352	6	Terminal 13-17Ga	
22	1001126384	21	Terminal 18-20Ga	
22	1001126351	2	Terminal 15-18Ga	
22	1001126357	2	Plug, Socket	
22	1001126356	63	Plug, Socket	
23	1001126362	1	Connector - 62 Position	
23	1001126365	2	Terminal 17-20Ga	
23	1001126363	35	Terminal 17-20Ga (Gold)	
23	1001126391	21	Plug, Socket	
23	4461008	4	Plug, Socket	
24	1001133957	1	Connector - 60 Position	
24	1001126351	13	Terminal 15-18Ga	
24	1001126384	17	Terminal 18-20Ga	
24	1001126357	11	Plug, Socket	
24	1001126356	19	Plug, Socket	

SECTION 8 - ELECTRICAL

FIGURE 8-44. ENGINE CAN HARNESS



1001156001

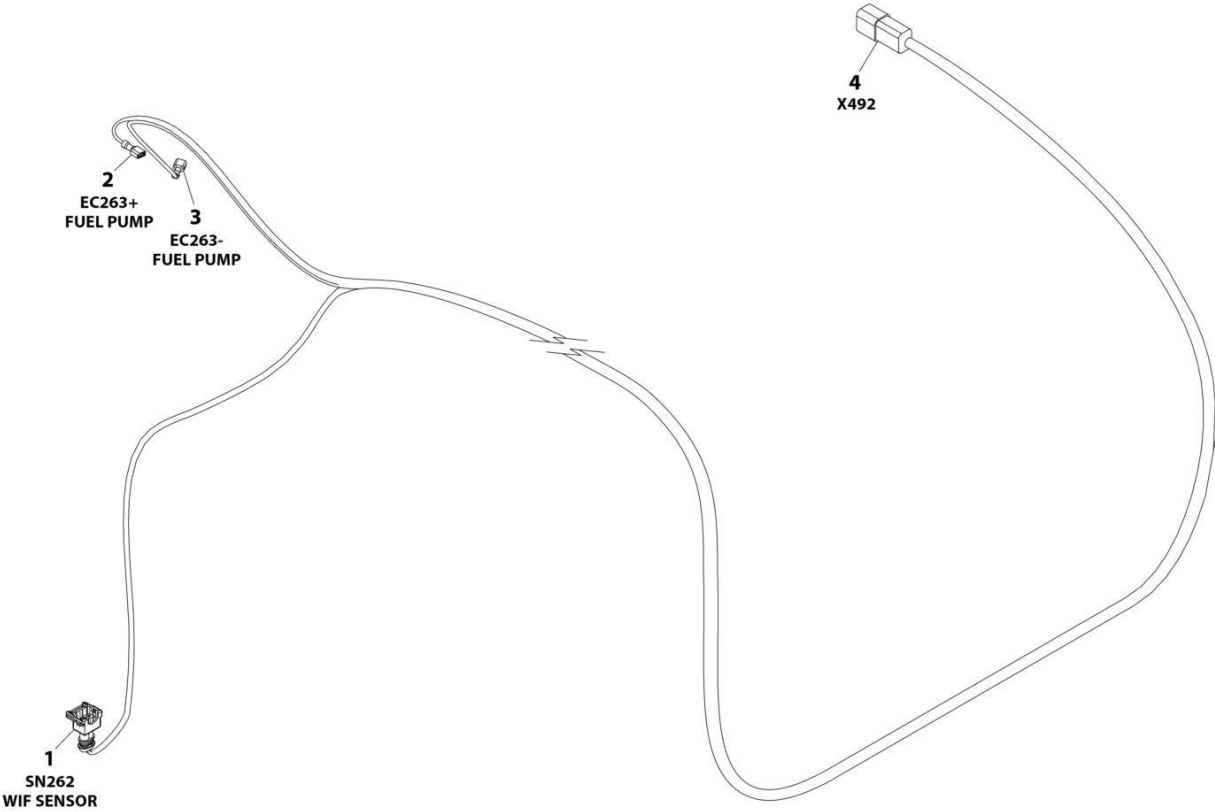
SECTION 8 - ELECTRICAL

FIGURE 8-44. ENGINE CAN HARNESS

ITEM	PART NUMBER	QTY	DESCRIPTION	REV
	1001156001	Ref	ENGINE CAN HARNESS	B
1	1001116812	1	Connector - 3 Position	
1	4460944	3	Socket, Female	
2	4460539	1	Connector - 3 Position	
2	4460944	3	Socket, Female	
3	1001116812	1	Connector - 3 Position	
3	4460944	3	Socket, Female	
4	4460539	1	Connector - 3 Position	
4	4460944	3	Socket, Female	
5	4460539	1	Connector - 3 Position	
5	4460944	3	Socket, Female	
6	4460539	1	Connector - 3 Position	
6	4460944	3	Socket, Female	
101	4460945	4	Connector, Tee	
102	1001116815	3	Connector - 3 Position	

SECTION 8 - ELECTRICAL

FIGURE 8-45. FUEL PUMP AND WIF HARNESS



ART_1001211885

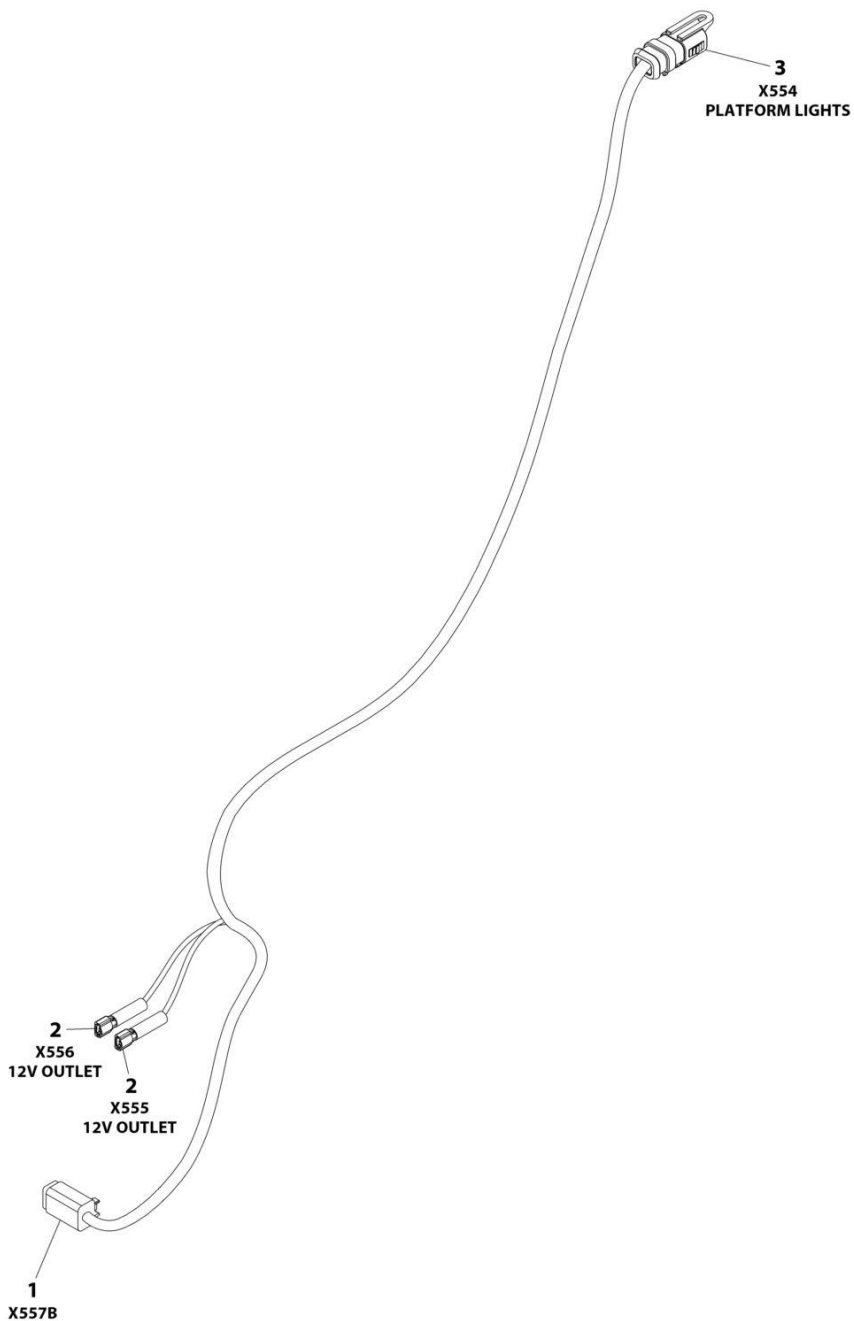
SECTION 8 - ELECTRICAL

FIGURE 8-45. FUEL PUMP AND WIF HARNESS

ITEM	PART NUMBER	QTY	DESCRIPTION	REV
	1001211885	Ref	FUEL PUMP AND WIF HARNESS	B
1	1001116983	1	Connector - 2 Position	
1	4461060	2	Pin, Male	
2	8220051	1	Terminal, Ring	
3	8220051	1	Terminal, Ring	
4	4460932	1	Connector - 4 Position	
4	4460464	2	Pin, Male	
4	4460941	2	Pin, Male	

SECTION 8 - ELECTRICAL

FIGURE 8-46. PLATFORM OUTLET HARNESS



ART_1001206506

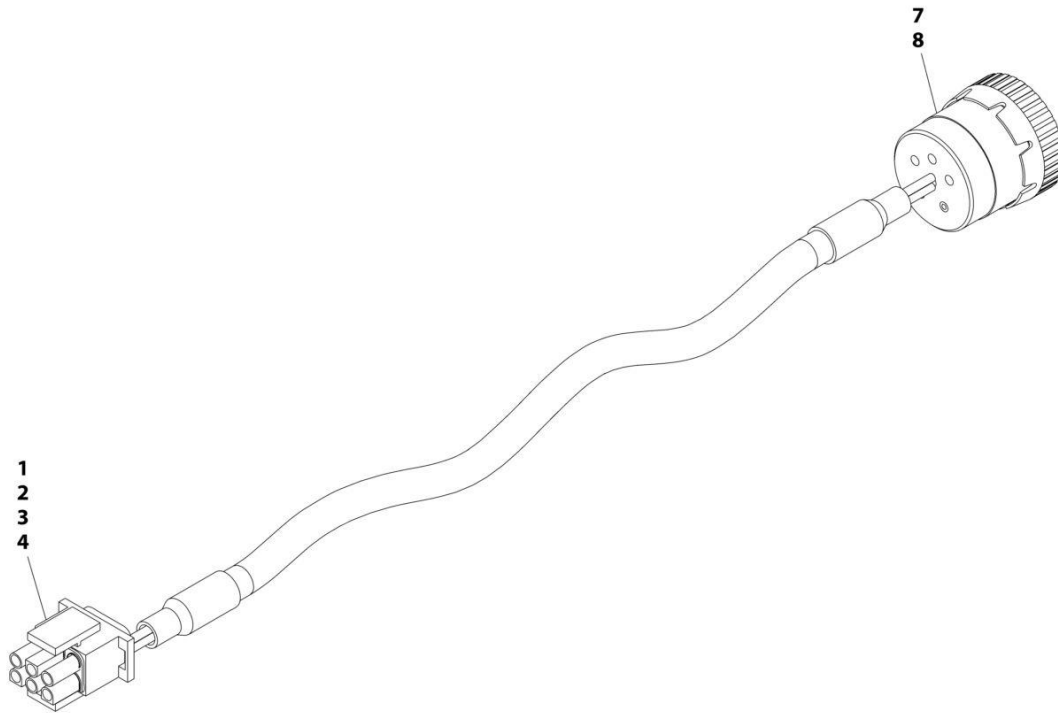
SECTION 8 - ELECTRICAL

FIGURE 8-46. PLATFORM OUTLET HARNESS

ITEM	PART NUMBER	QTY	DESCRIPTION	REV
	1001206506	Ref	PLATFORM OUTLET HARNESS	C
1	4460884	1	Plug, Male - 4 Position	
1	4460465	4	Socket, Female	
2	1001206509	2	Terminal	
3	1001210079	1	Plug, Male - 4 Position	
3	4460465	4	Socket, Female	
3	1001192401	1	Cap, Dust	

SECTION 8 - ELECTRICAL

FIGURE 8-47. GENERATOR TO CONTROL BOX HARNESS (4000W GENERATOR)



ART_1001152532

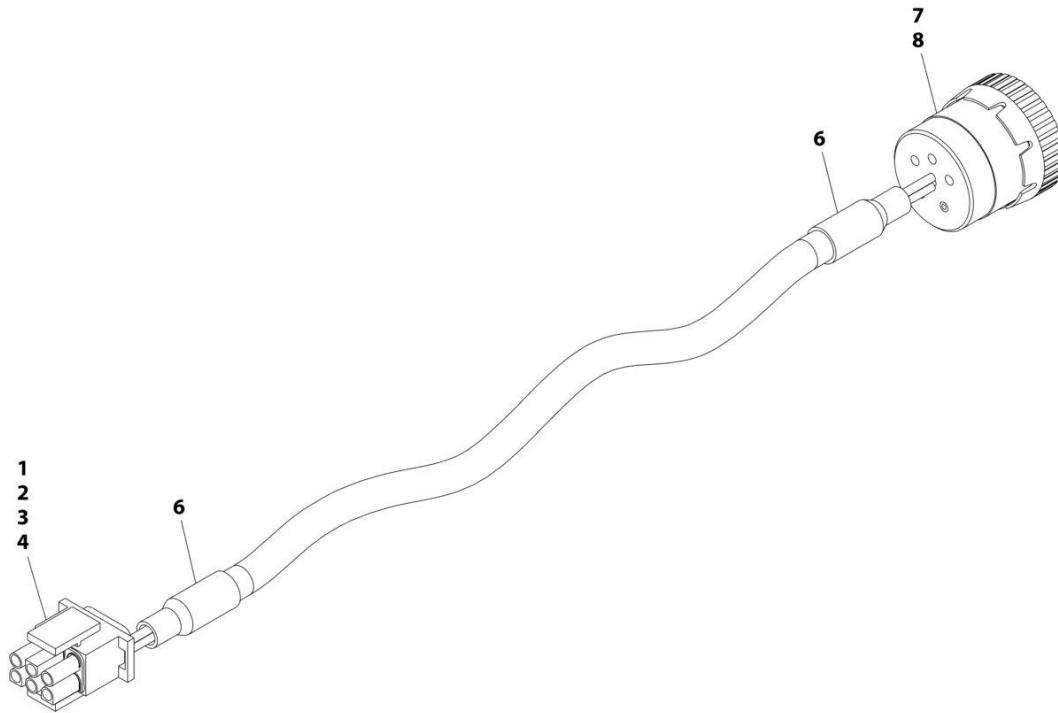
SECTION 8 - ELECTRICAL

FIGURE 8-47. GENERATOR TO CONTROL BOX HARNESS (4000W GENERATOR)

ITEM	PART NUMBER	QTY	DESCRIPTION	REV
	1001152532	Ref	GENERATOR HARNESS	A
1	4460225	1	Connector - 6 Position	
2	4460268	2	Socket, Female	
3	4460807	1	Seal	
4	4460808	1	Seal	
7	4460465	2	Socket, Female	
8	77363233	1	Connector - 6 Position	

SECTION 8 - ELECTRICAL

FIGURE 8-48. GENERATOR TO CONTROL BOX HARNESS (7500W GENERATOR)



ART_4922925

SECTION 8 - ELECTRICAL

FIGURE 8-48. GENERATOR TO CONTROL BOX HARNESS (7500W GENERATOR)

ITEM	PART NUMBER	QTY	DESCRIPTION	REV
	4922925	Ref	GENERATOR TO CONTROL BOX HARNESS (7500W GENERATOR)	C
1	4460225	1	Plug, Male - 2 Position	
2	4460268	6	Socket, Female	
3	4460807	1	Seal	
4	4460808	1	Seal	
6	2820019	AR	Heat Shrink	
7	4460465	6	Socket, Female	
8	77363233	1	Connector - 6 Position	

SECTION 8 - ELECTRICAL

FIGURE 8-49. GENERATOR TO PLATFORM HARNESS (4000W-60HZ GENERATOR)



ART_1001153259

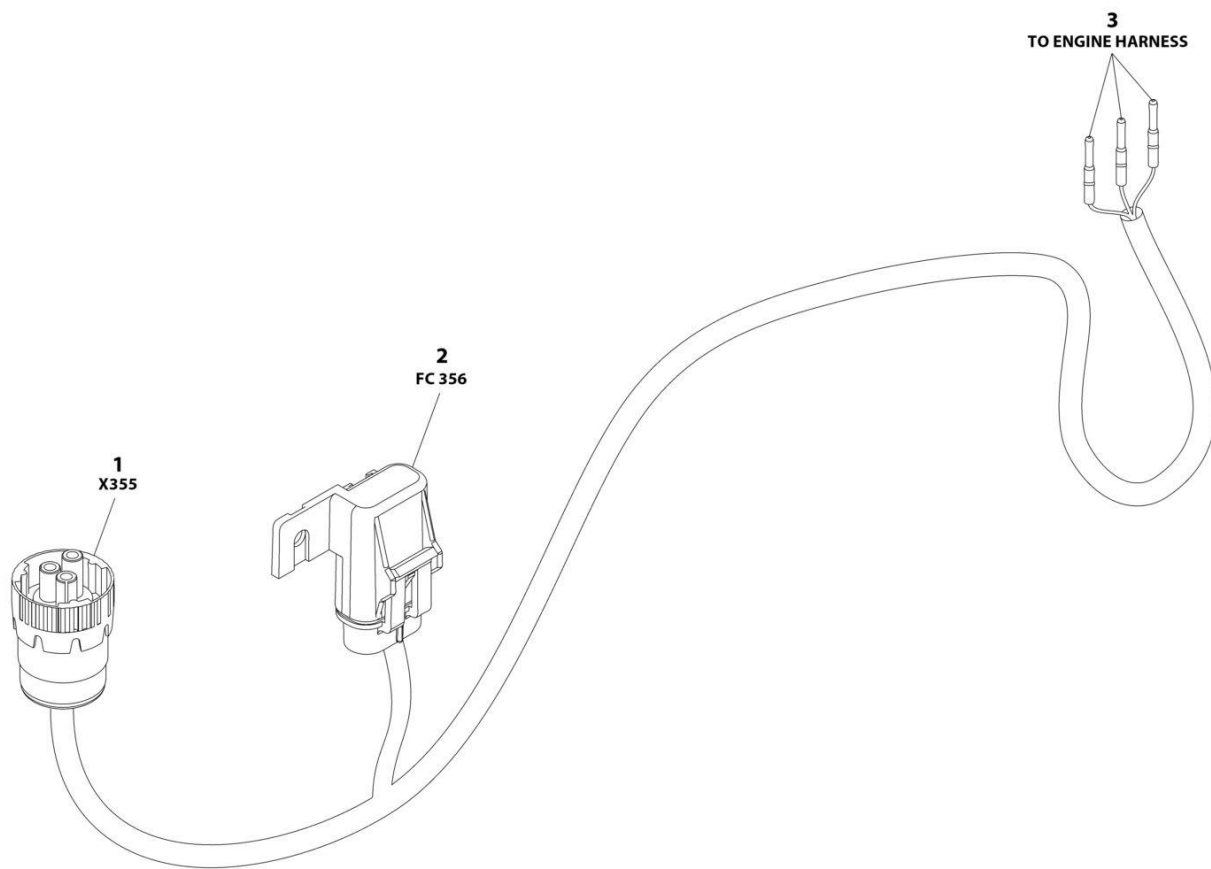
SECTION 8 - ELECTRICAL

FIGURE 8-49. GENERATOR TO PLATFORM HARNESS (4000W-60HZ GENERATOR)

ITEM	PART NUMBER	QTY	DESCRIPTION	REV
	1001153259	Ref	GENERATOR TO PLATFORM HARNESS (4000W-60HZ GENERATOR)	B
1	4460967	1	Connector - 3 Position	
1	4460465	2	Socket, Female	
2	4460465	2	Socket, Female	

SECTION 8 - ELECTRICAL

FIGURE 8-50. GENERATOR TO PLATFORM HARNESS (4000W-50HZ & 7500W GENERATOR)



ART_1001156030

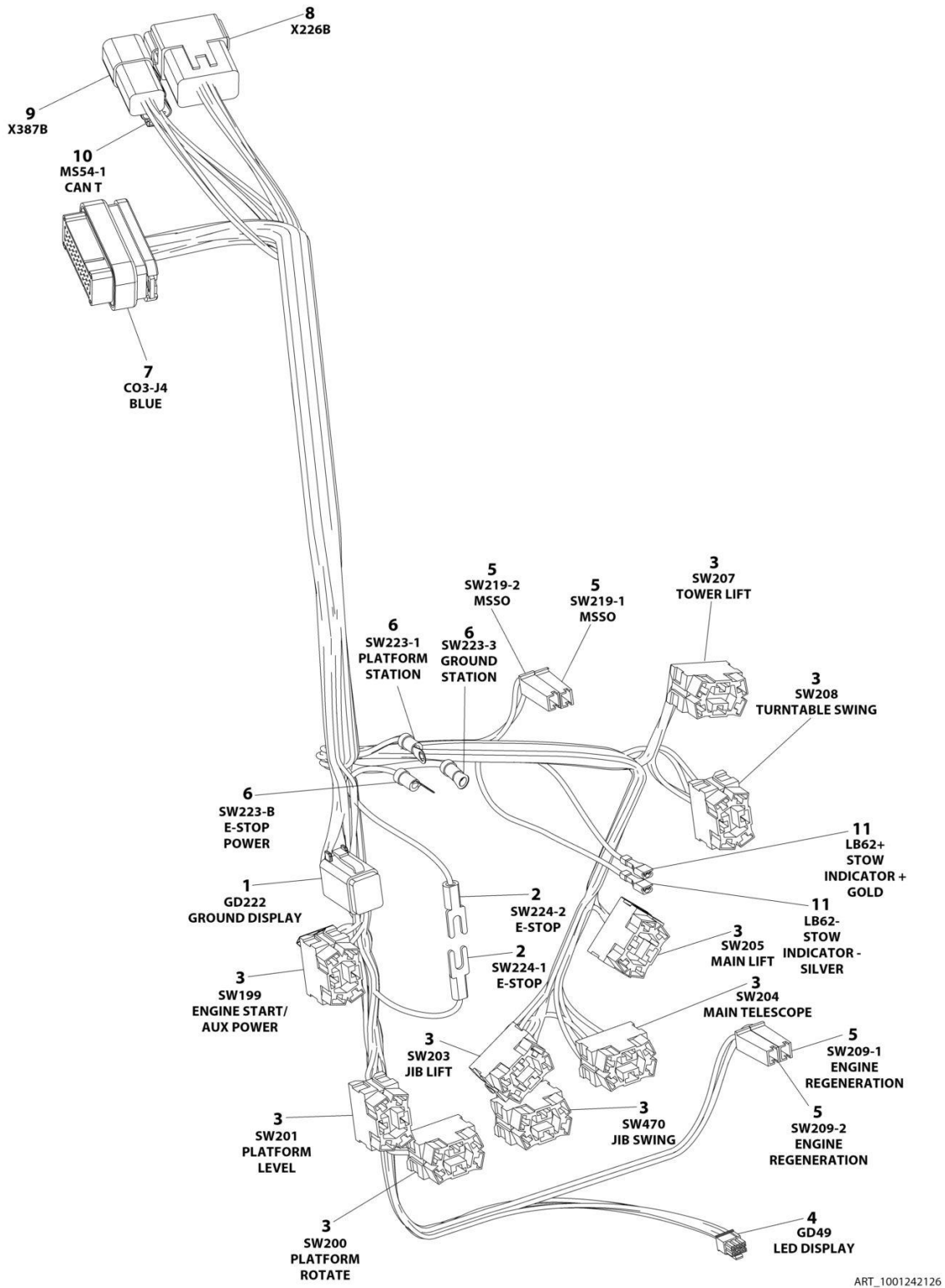
SECTION 8 - ELECTRICAL

FIGURE 8-50. GENERATOR TO PLATFORM HARNESS (4000W-50HZ & 7500W GENERATOR)

ITEM	PART NUMBER	QTY	DESCRIPTION	REV
	1001156030	Ref	GENERATOR ENABLE HARNESS - 7500W GENERATOR	B
1	4460967	1	Connector - 3 Position	
1	4460465	3	Socket, Female	
2	1001119412	1	Connector, Metri-Pack with 5Amp Fuse	
2	1001116733	2	Terminal	
3	4460465	3	Socket, Female	

SECTION 8 - ELECTRICAL

FIGURE 8-51. GROUND CONTROL HARNESS



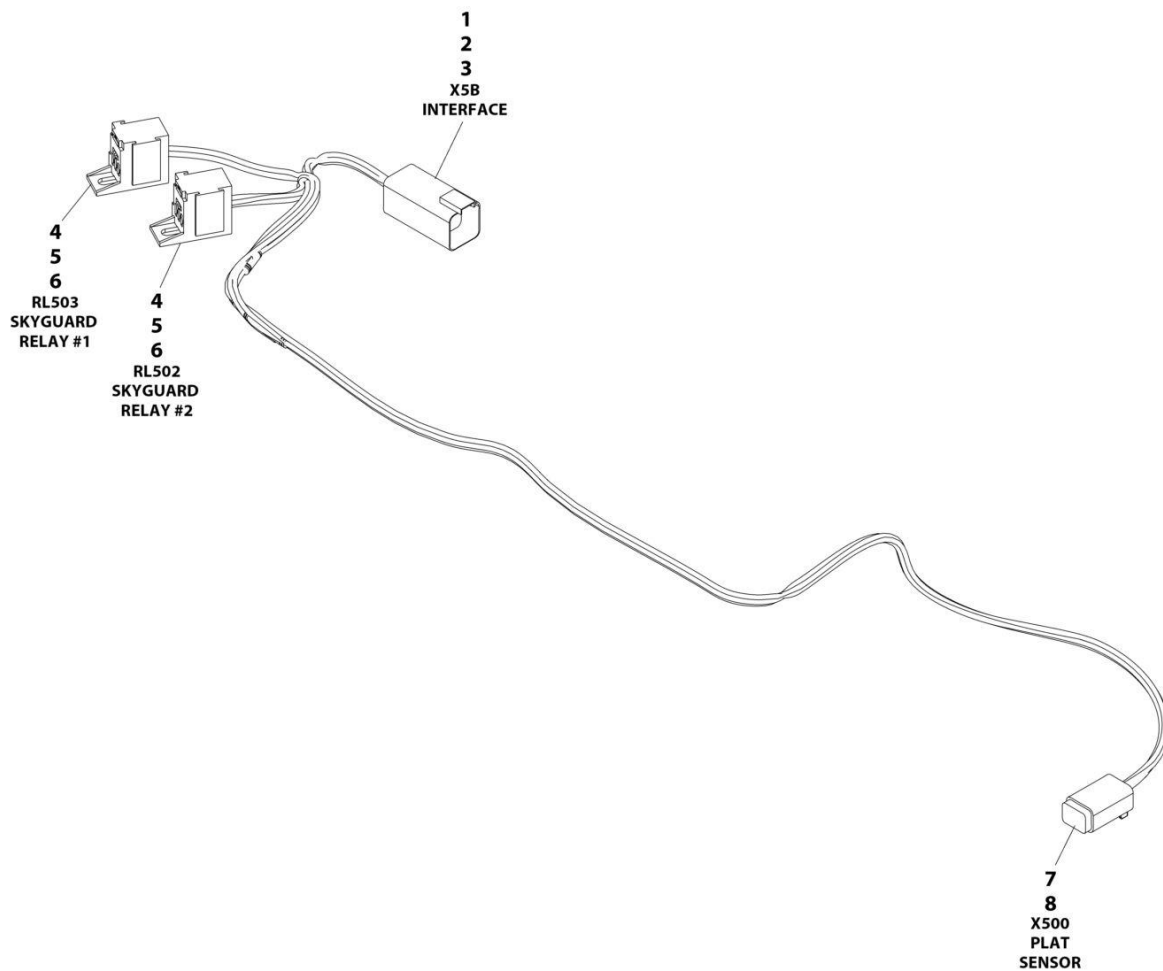
SECTION 8 - ELECTRICAL

FIGURE 8-51. GROUND CONTROL HARNESS

ITEM	PART NUMBER	QTY	DESCRIPTION	REV
	1001242126	Ref	GROUND CONTROL HARNESS	C
1	4460894	1	Plug, Male - 6 Position	
1	4460465	2	Socket, Female	
1	4460944	2	Socket, Female	
1	4460466	2	Plug, Terminal	
2	4460144	2	Terminal, Fork	
3	4460418	9	Connector - 6 Position	
3	4460419	16	Terminal	
3	1001159186	19	Terminal	
4	1001237667	1	Plug Male - 6 Position	
4	1001237668	5	Terminal	
5	4460260	4	Cover, Terminal	
5	4460259	4	Terminal	
6	4460042	3	Terminal, Ring	
7	4460876	1	Connector - 35 Position	
7	4460871	22	Socket, Female	
7	4460905	13	Plug, Terminal	
8	4460970	1	Receptacle, Female - 12 Position	
8	4460464	9	Pin, Male	
8	4460943	2	Pin, Male	
8	4460466	1	Plug, Terminal	
9	4460932	1	Receptacle, Female - 4 Position	
9	4460464	4	Pin, Male	
10	1001116812	1	Plug, Male - 3 Position	
10	4460944	2	Socket, Female	
10	4460466	1	Plug, Terminal	
11	1001201885	2	Terminal	

SECTION 8 - ELECTRICAL

FIGURE 8-52. INTERFACE HARNESS - WITH 1 CELL LSS



ART_1001225580

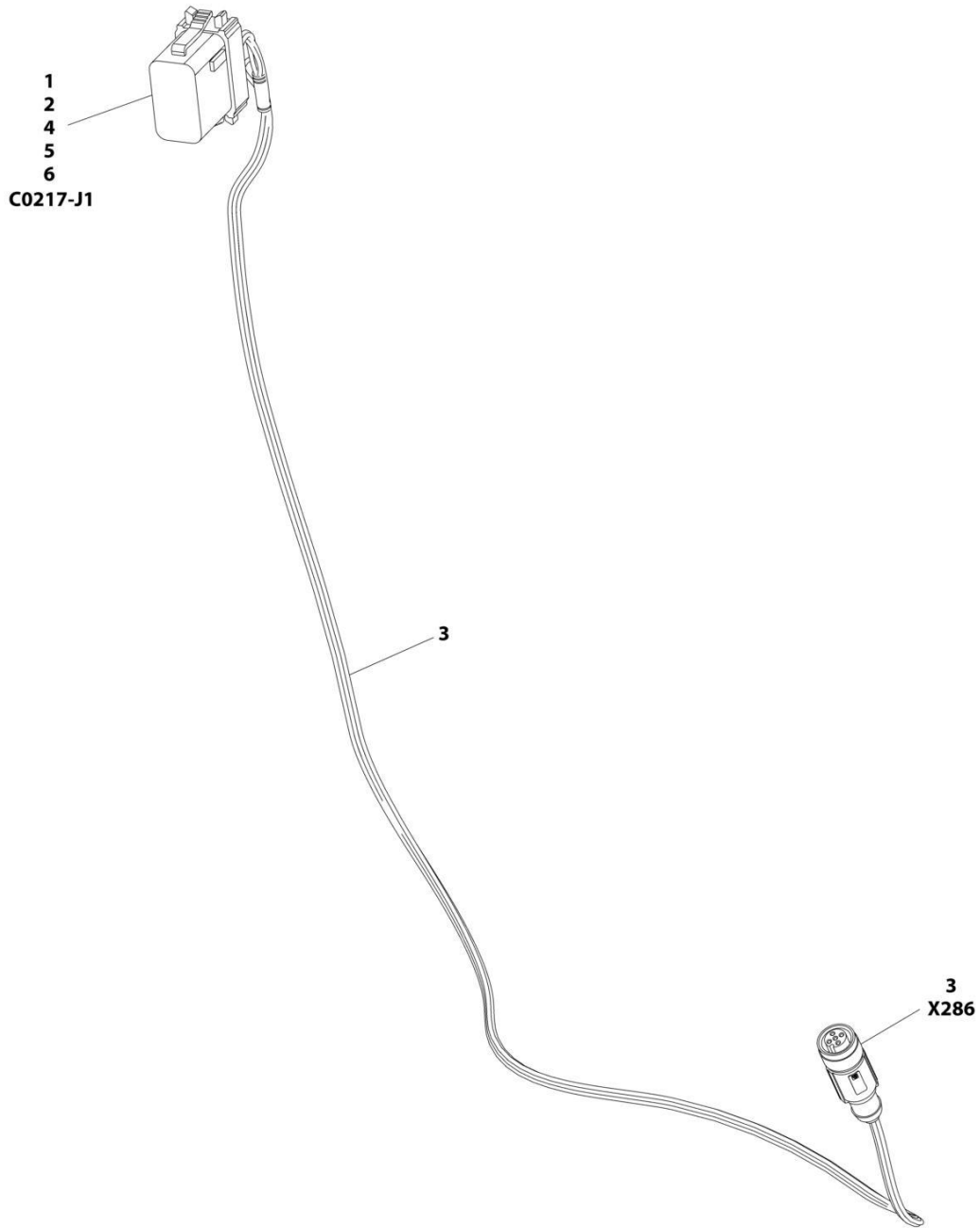
SECTION 8 - ELECTRICAL

FIGURE 8-52. INTERFACE HARNESS - WITH 1 CELL LSS

ITEM	PART NUMBER	QTY	DESCRIPTION	REV
	1001225580	Ref	INTERFACE HARNESS - WITH 1 CELL LSS	D
1	4460899	1	Connector	
2	4460464	4	Terminal	
3	4460466	2	Plug	
4	1001186432	2	Connector	
5	1001116720	4	Terminal	
6	1001118388	4	Terminal	
7	4460884	1	Connector	
8	4460465	4	Terminal	

SECTION 8 - ELECTRICAL

FIGURE 8-53. LCD DISPLAY HARNESS



ART_1001220482

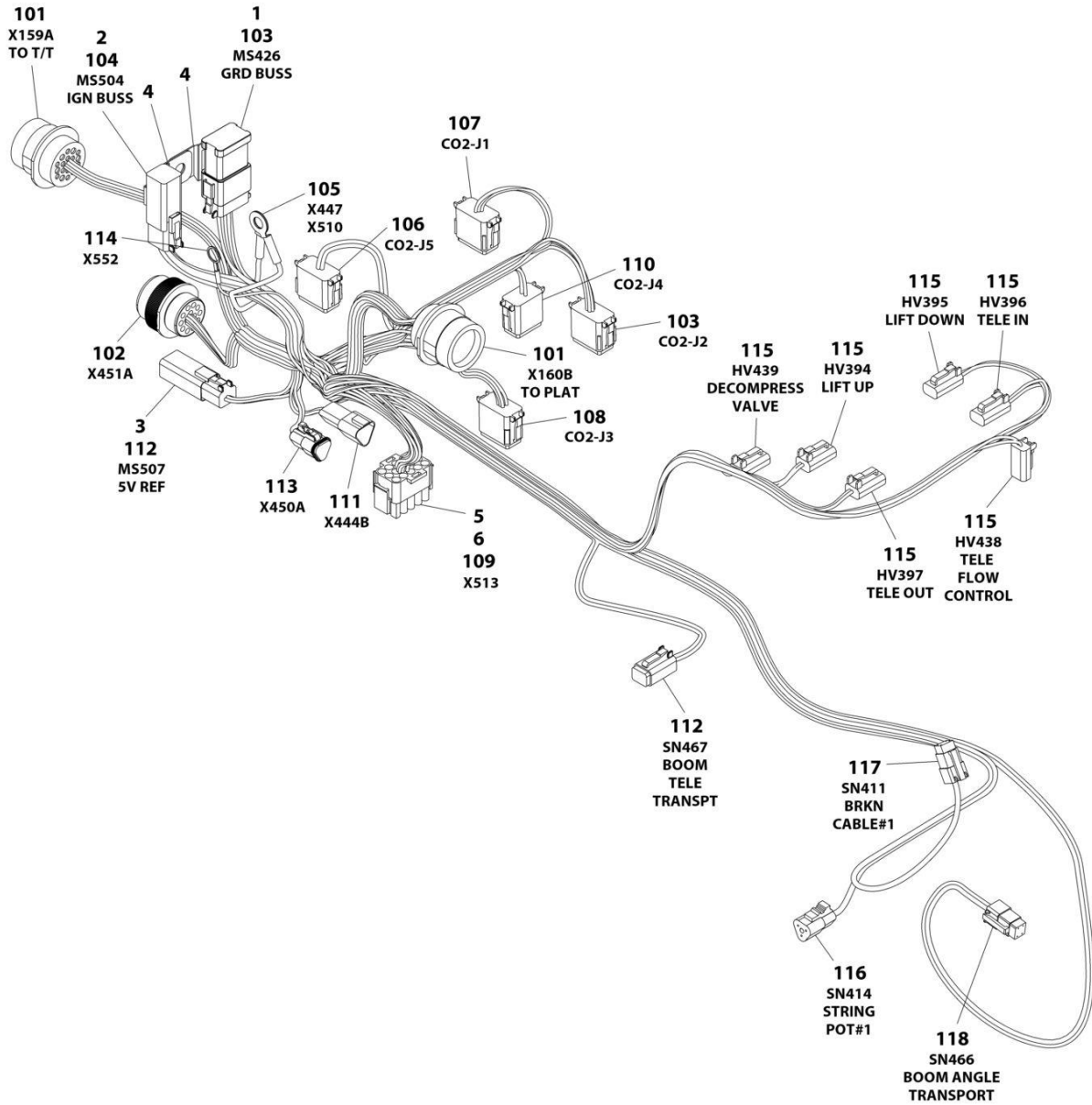
SECTION 8 - ELECTRICAL

FIGURE 8-53. LCD DISPLAY HARNESS

ITEM	PART NUMBER	QTY	DESCRIPTION	REV
	1001220482	Ref	LCD DISPLAY HARNESS	A
1	4460465	3	Socket, Female	
2	4460944	2	Socket, Female (Gold)	
3	1001125295	1	Connector with Cable	
4	1001176333	1	Connector - 12 Position	
5	4460466	13	Plug, Seal	
6	2820171	3	Tube, Heat Shrink	

SECTION 8 - ELECTRICAL

FIGURE 8-54. MAIN BOOM CONTROL BOX HARNESS



ART_1001216638

SECTION 8 - ELECTRICAL

FIGURE 8-54. MAIN BOOM CONTROL BOX HARNESS

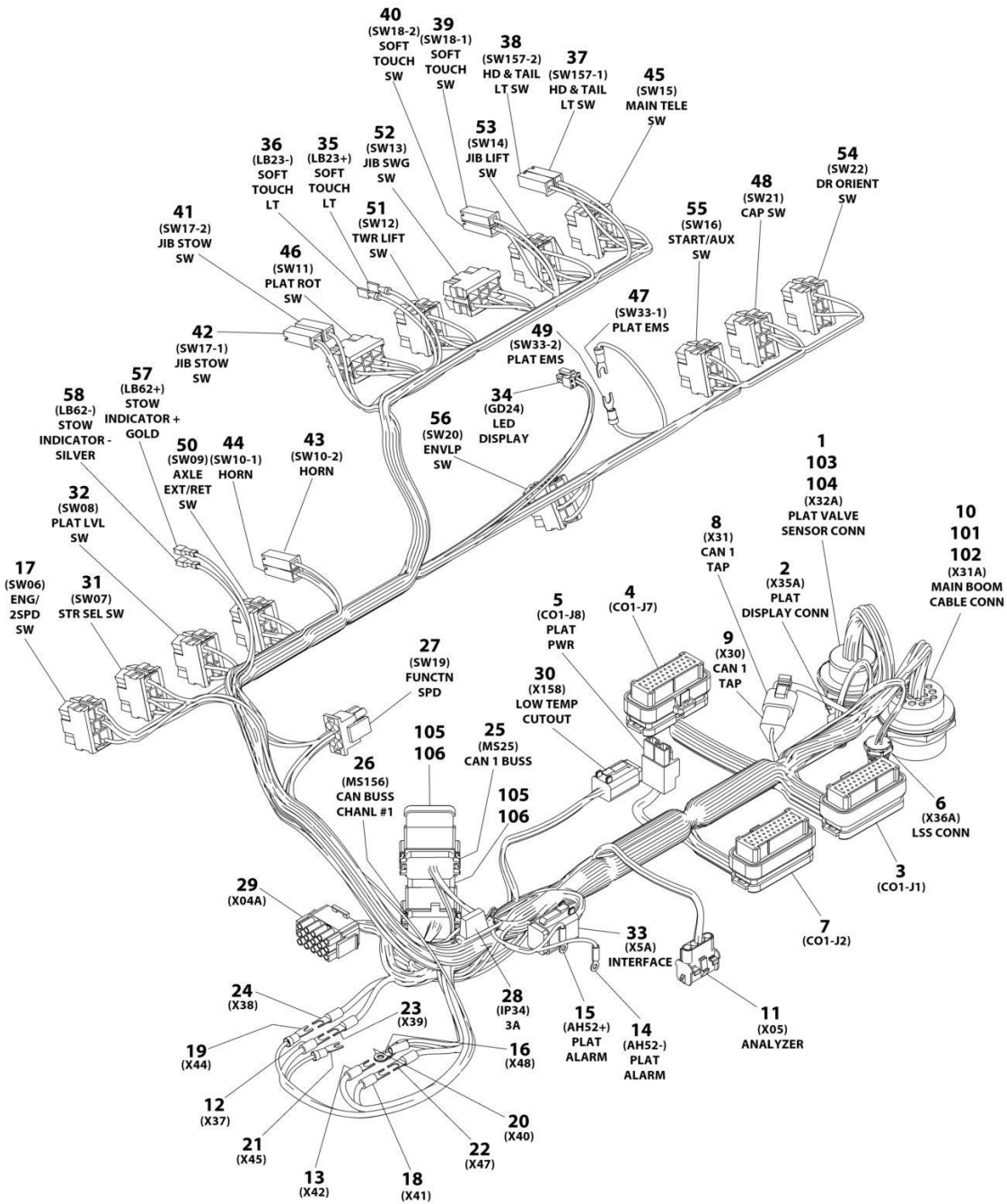
ITEM	PART NUMBER	QTY	DESCRIPTION	REV
	1001216638	Ref	MAIN BOOM CONTROL BOX HARNESS	B
1	4460837	1	Receptacle, Female Termination - 12 Position	
2	4460892	1	Receptacle, Female Buss Bar - 6 Position	
3	4460893	1	Receptacle, Female Buss Bar - 4 Position	
4	1001155967	2	Mount	
5	1001216625	1	Seal	
6	1001216626	1	Seal	
101	4460866	2	Connector - 19 Position	
101	4460943	4	Pin, Male	
101	4460464	16	Pin, Male	
101	4460508	8	Pin, Male	
101	4460466	10	Plug, Terminal	
102	4461016	1	Connector - 12 Position	
102	4460464	9	Pin, Male	
102	4460466	5	Plug, Terminal	
103	4460836	2	Plug, Male - 12 Position	
103	1001157890	4	Socket, Female	
103	4460465	12	Socket, Female	
103	4460466	8	Plug, Terminal	
104	4460894	1	Plug, Male - 6 Position	
104	1001157890	4	Socket, Female	
104	4460465	2	Socket, Female	
105	1001117110	2	Terminal, Ring	
106	4460935	1	Plug, Male - 12 Position	
106	4460465	8	Socket, Female	
106	4460466	4	Plug, Terminal	
107	4460933	1	Plug, Male - 12 Position	
107	4460465	3	Socket, Female	
107	4460944	2	Socket, Female	
107	4460466	7	Plug, Terminal	
108	4460934	1	Plug, Male - 12 Position	
108	4460465	11	Socket, Female	
108	4460466	1	Plug, Terminal	
109	4460434	1	Plug, Male - 15 Position	
109	4460268	13	Socket, Female	
109	4460906	2	Socket, Female	
110	4460930	1	Plug, Male - 8 Position	
110	4460465	2	Socket, Female	
110	4460944	2	Socket, Female	
110	4460466	4	Plug, Terminal	
111	4460536	1	Receptacle, Female - 3 Position	
111	4460464	3	Pin, Male	
112	4460884	2	Plug, Male - 4 Position	
112	4460465	8	Socket, Female	
113	1001116812	1	Plug, Male - 3 Position	
113	4460465	3	Socket, Female	
114	4460722	1	Terminal, Ring	
115	4460891	6	Plug, Male - 2 Position	
115	4460465	12	Socket, Female	
116	4460539	1	Plug, Male - 3 Position	

SECTION 8 - ELECTRICAL

ITEM	PART NUMBER	QTY	DESCRIPTION	REV
116	4460465	2	Socket, Female	
117	4461077	1	Plug, Male - 4 Position	
117	4460928	3	Socket, Female	
117	4460518	1	Plug, Terminal	
118	4461077	1	Plug, Male - 4 Position	
118	1001126008	4	Socket, Female	

SECTION 8 - ELECTRICAL

FIGURE 8-55. PLATFORM CONSOLE HARNESS - WITH SKYGUARD



ART_1001242124

SECTION 8 - ELECTRICAL

FIGURE 8-55. PLATFORM CONSOLE HARNESS - WITH SKYGUARD

ITEM	PART NUMBER	QTY	DESCRIPTION	REV
	1001242124	Ref	PLATFORM CONSOLE HARNESS - WITH SKYGUARD	E
1	4460925	1	Connector - 21 Position	
1	1001126011	20	Pin, Male	
1	4460518	1	Plug, Socket	
2	1001120055	1	Connector - 5 Position with Cable	
3	4460874	1	Connector - 35 Position	
3	4460871	35	Socket, Female	
4	4460873	1	Connector - 35 Position	
4	4460871	28	Socket, Female	
4	4460905	7	Plug, Terminal	
5	4460879	1	Connector - 2 Position	
5	4460887	2	Terminal	
6	1001213447	1	Connector - 5 Position with Cable	
7	4460876	1	Connector - 35 Position	
7	4460871	14	Socket, Female	
7	4460905	21	Plug, Terminal	
8	4460539	1	Connector - 3 Position	
8	4460944	2	Socket, Female	
8	4460466	1	Plug, Socket	
9	4460536	1	Connector - 3 Position	
9	4460943	2	Pin, Male	
9	4460466	1	Plug, Socket	
10	4460866	1	Connector - 19 Position	
10	4460943	2	Pin, Male	
10	4460508	4	Pin, Male	
10	4460464	7	Pin, Male	
10	4460466	5	Plug, Terminal	
11	4460761	1	Receptacle, Female - 4 Position	
11	4460227	4	Pin, Male	
12	4460314	1	Terminal, Fork	
13	4460315	1	Terminal, Fork	
14	1001098122	1	Terminal, Ring	
15	1001098122	1	Terminal, Ring	
16	8220007	1	Terminal, Ring	
17	4460418	1	Connector - 6 Position	
17	1001159186	2	Terminal	
17	4460419	2	Terminal	
18	4460315	1	Terminal, Fork	
19	4460315	1	Terminal, Fork	
20	4460315	1	Terminal, Fork	
21	4460314	1	Terminal, Fork	
22	4460315	1	Terminal, Fork	
23	4460315	1	Terminal, Fork	
24	4460315	1	Terminal, Fork	
25	4460933	1	Connector - 12 Position	
25	4460944	6	Socket, Female	
25	4460466	6	Plug, Terminal	
26	4460933	1	Connector - 12 Position	
26	4460944	12	Socket, Female	
27	4460225	5	Plug, Male - 6 Position	

SECTION 8 - ELECTRICAL

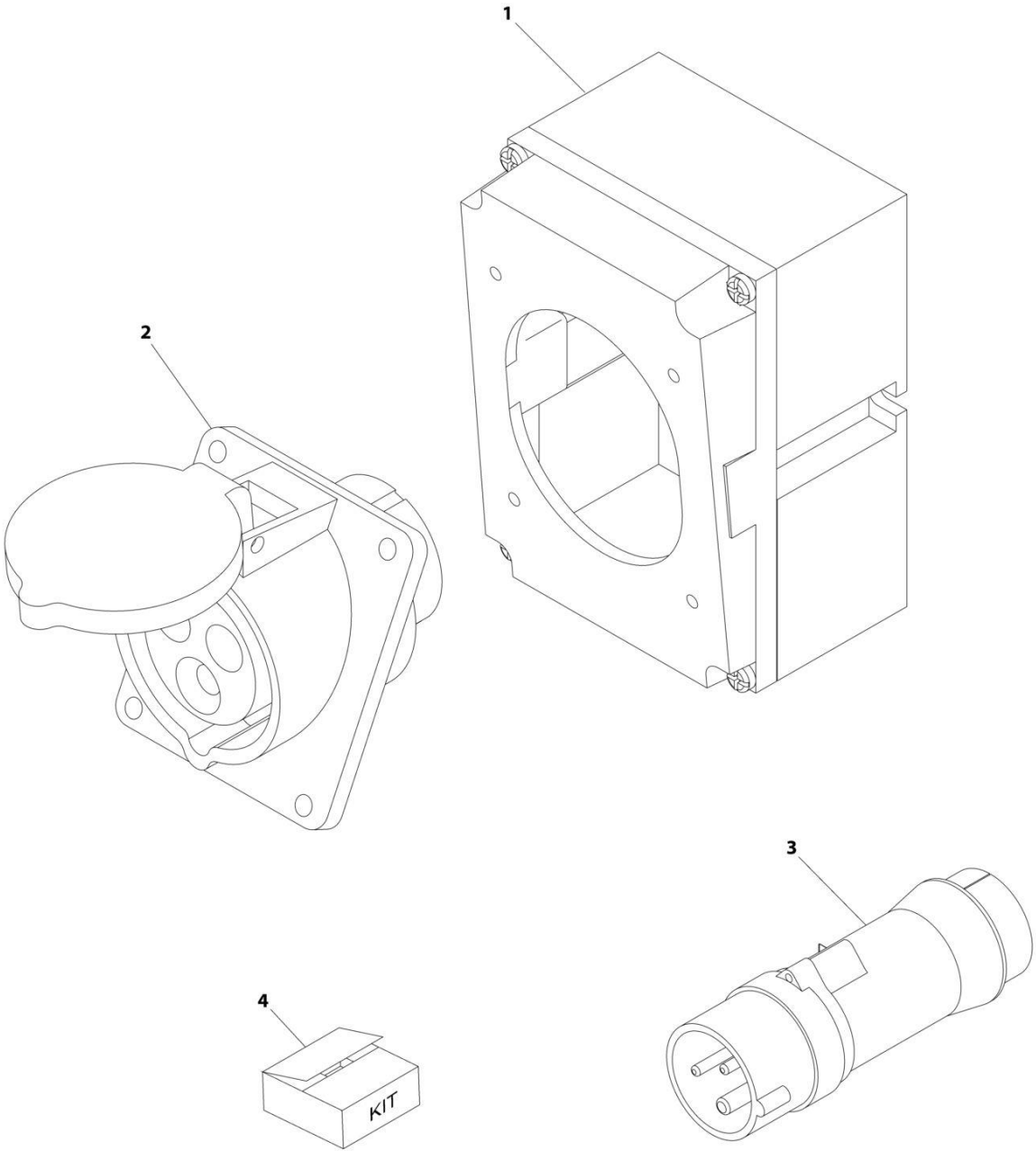
ITEM	PART NUMBER	QTY	DESCRIPTION	REV
27	4460227	4	Pin, Male	
27	4460267	2	Pin, Male	
28	2400060	1	Fuseholder with Cover	
28	2400030	1	Fuse 3 Amp	
29	4460434	1	Plug, Male - 15 Position	
29	4460227	10	Pin, Male	
29	4460267	2	Pin, Male	
30	4460884	1	Plug, Male - 4 Position	
30	4460465	2	Socket, Female	
30	4460944	2	Socket, Female	
31	4460418	1	Connector - 6 Position	
31	1001159186	2	Terminal	
31	4460419	2	Terminal	
32	4460418	1	Connector - 6 Position	
32	1001159186	2	Terminal	
32	4460419	2	Terminal	
33	4460894	1	Connector - 6 Position	
33	4460465	6	Socket, Female	
34	1001237667	1	Plug Male - 6 Position	
34	1001237668	1	Terminal	
35	4460016	1	Terminal	
36	4460016	1	Terminal	
37	4460260	1	Cover, Connector - 1 Position	
37	4460259	1	Terminal	
38	4460260	1	Cover, Connector - 1 Position	
38	4460259	1	Terminal	
39	4460260	1	Cover, Connector - 1 Position	
39	4460259	1	Terminal	
40	4460260	1	Cover, Connector - 1 Position	
40	4460259	1	Terminal	
41	4460260	1	Cover, Connector - 1 Position	
41	4460259	1	Terminal	
42	4460260	1	Cover, Connector - 1 Position	
42	4460259	1	Terminal	
43	4460260	1	Cover, Connector - 1 Position	
43	4460259	1	Terminal	
44	4460260	1	Cover, Connector - 1 Position	
44	4460259	1	Terminal	
45	4460418	1	Connector - 6 Position	
45	1001159186	2	Terminal	
45	4460419	2	Terminal	
46	4460418	1	Connector - 6 Position	
46	1001159186	2	Terminal	
46	4460419	2	Terminal	
47	4460183	1	Terminal, Fork	
48	4460418	1	Connector - 6 Position	
48	1001159186	2	Terminal	
48	4460419	2	Terminal	
49	4460183	1	Terminal, Fork	
50	4460418	1	Connector - 6 Position	
50	1001159186	2	Terminal	

SECTION 8 - ELECTRICAL

ITEM	PART NUMBER	QTY	DESCRIPTION	REV
50	4460419	2	Terminal	
51	4460418	1	Connector - 6 Position	
51	1001159186	2	Terminal	
51	4460419	2	Terminal	
52	4460418	1	Connector - 6 Position	
52	1001159186	2	Terminal	
52	4460419	2	Terminal	
53	4460418	1	Connector - 6 Position	
53	1001159186	2	Terminal	
53	4460419	2	Terminal	
54	4460418	1	Connector - 6 Position	
54	1001159186	2	Terminal	
55	4460418	1	Connector - 6 Position	
55	1001159186	2	Terminal	
55	4460419	2	Terminal	
56	4460418	1	Connector - 6 Position	
56	1001159186	1	Terminal	
56	4460419	2	Terminal	
57	1001201885	1	Terminal	
58	1001201885	1	Terminal	
101	4460470	1	Nut, Terminal	
102	4460471	1	Washer, Terminal	
103	4460496	1	Washer, Terminal	
104	4460497	1	Nut, Terminal	
105	1001120328	1	Mount	
106	1001125677	1	Bussbar, Female - 12 Position	

SECTION 8 - ELECTRICAL

FIGURE 8-56. RECEPTACLE BOX KIT - 110V IEC YELLOW (CE & UK CA SPEC)



ART_0275216

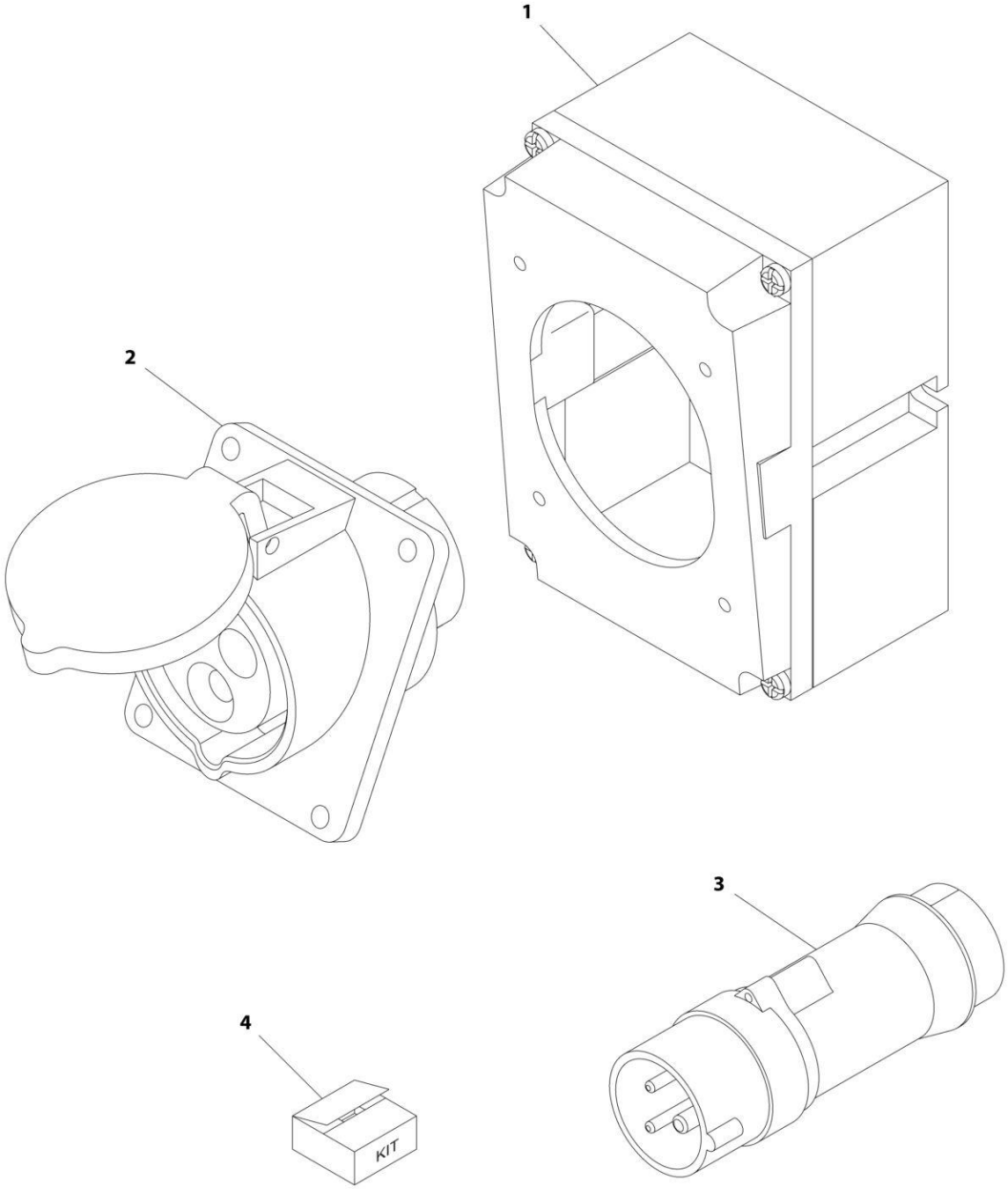
SECTION 8 - ELECTRICAL

FIGURE 8-56. RECEPTACLE BOX KIT - 110V IEC YELLOW (CE & UK CA SPEC)

ITEM	PART NUMBER	QTY	DESCRIPTION	REV
	0275216	Ref	RECEPTACLE BOX KIT - 110V IEC YELLOW	B
1	0861781	1	Box, Switch	
2	4461198	1	Receptacle	
3	4461196	1	Plug, Male	
4	1001100341	1	Plug and Socket Kit (Includes Items 1-3 and Female Plug p/n 4461197)	

SECTION 8 - ELECTRICAL

FIGURE 8-57. RECEPTACLE BOX KIT - 220V IEC BLUE (CE & UK CA SPEC)



ART_0275217

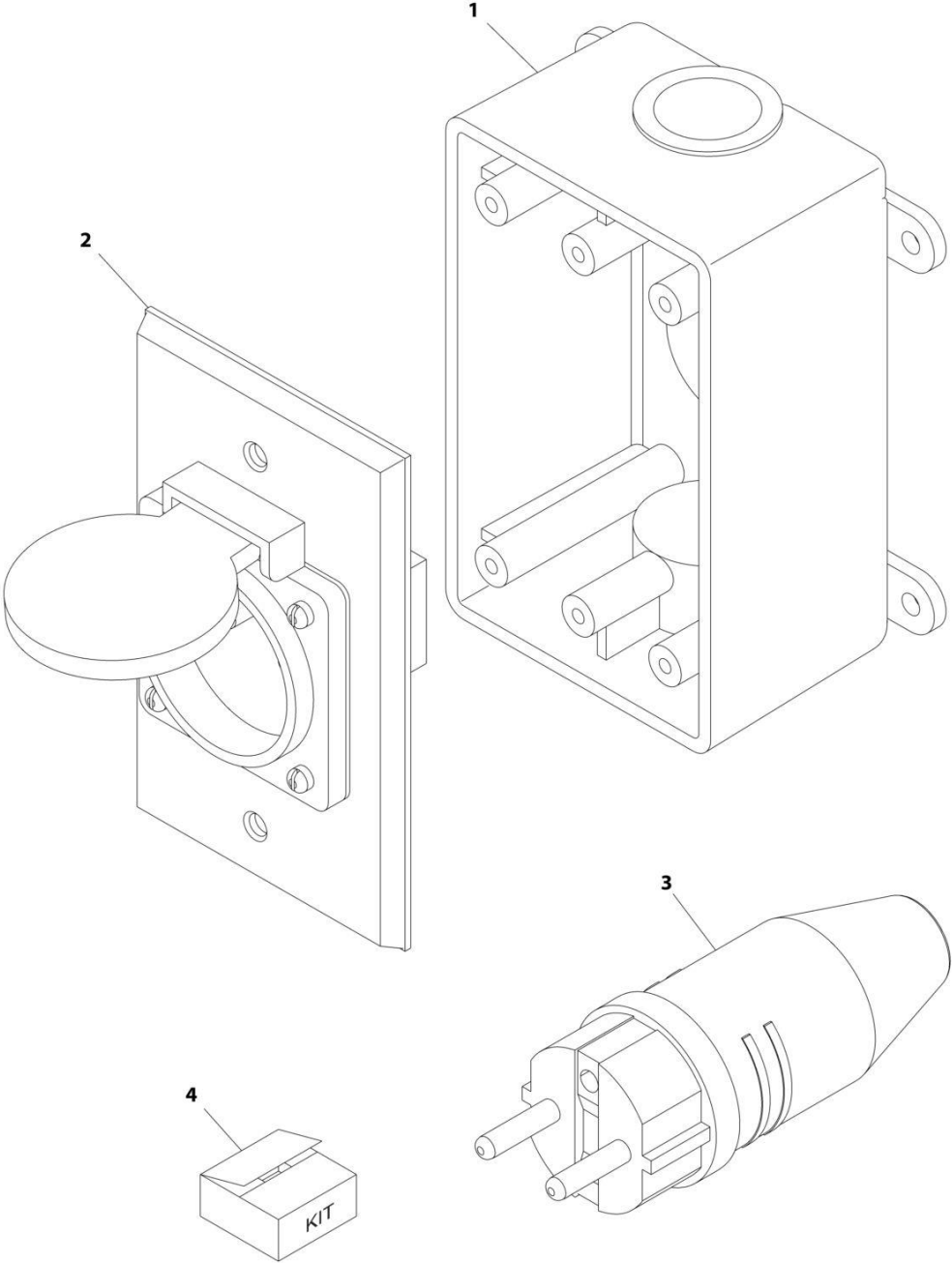
SECTION 8 - ELECTRICAL

FIGURE 8-57. RECEPTACLE BOX KIT - 220V IEC BLUE (CE & UK CA SPEC)

ITEM	PART NUMBER	QTY	DESCRIPTION	REV
	0275217	Ref	RECEPTACLE BOX KIT - 220V IEC BLUE	B
1	0861781	1	Box, Switch	
2	4461201	1	Receptacle	
3	4461199	1	Plug, Male	
4	1001100342	1	Plug and Socket Kit (Includes Items 1-3 and Female Plug p/n 4461200)	

SECTION 8 - ELECTRICAL

FIGURE 8-58. RECEPTACLE BOX KIT - 220V CEE7 POST GROUND (CE & UK CA SPEC)



ART_0275452-C

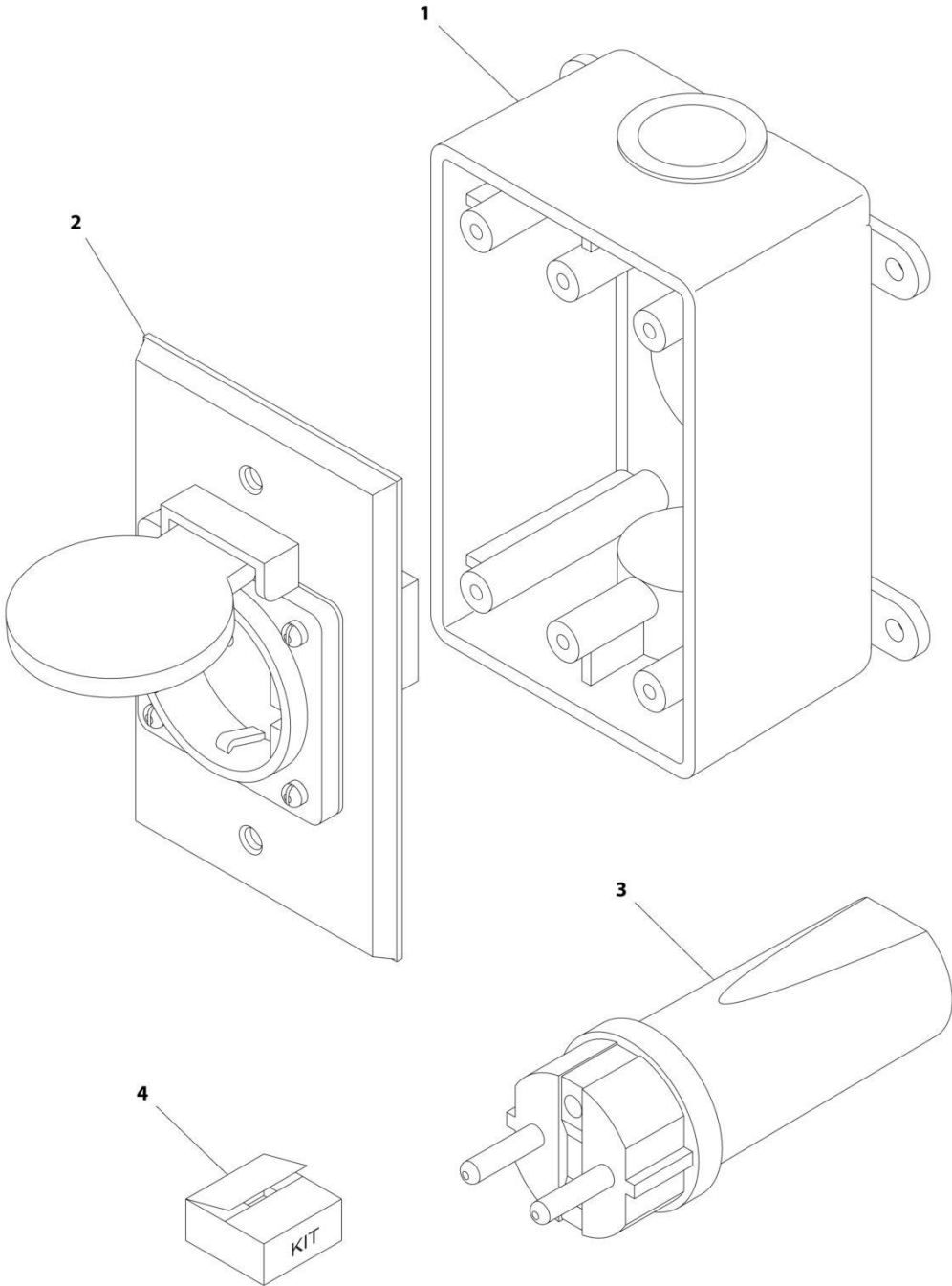
SECTION 8 - ELECTRICAL

FIGURE 8-58. RECEPTACLE BOX KIT - 220V CEE7 POST GROUND (CE & UK CA SPEC)

ITEM	PART NUMBER	QTY	DESCRIPTION	REV
	0275452	Ref	RECEPTACLE BOX KIT - 220V CEE7 POST GROUND 2IN X 4IN BOX	C
1	0861731	1	Box, Switch	
2	4461244	1	Receptacle	
3	4461205	1	Plug, Male	
4	1001100345	1	Plug and Socket Kit (Includes Items 1-3 and Female Plug p/n 4461203)	

SECTION 8 - ELECTRICAL

FIGURE 8-59. RECEPTACLE BOX KIT - 220V CEE7 SIDE GROUND (CE & UK CA SPEC)



ART_0275453

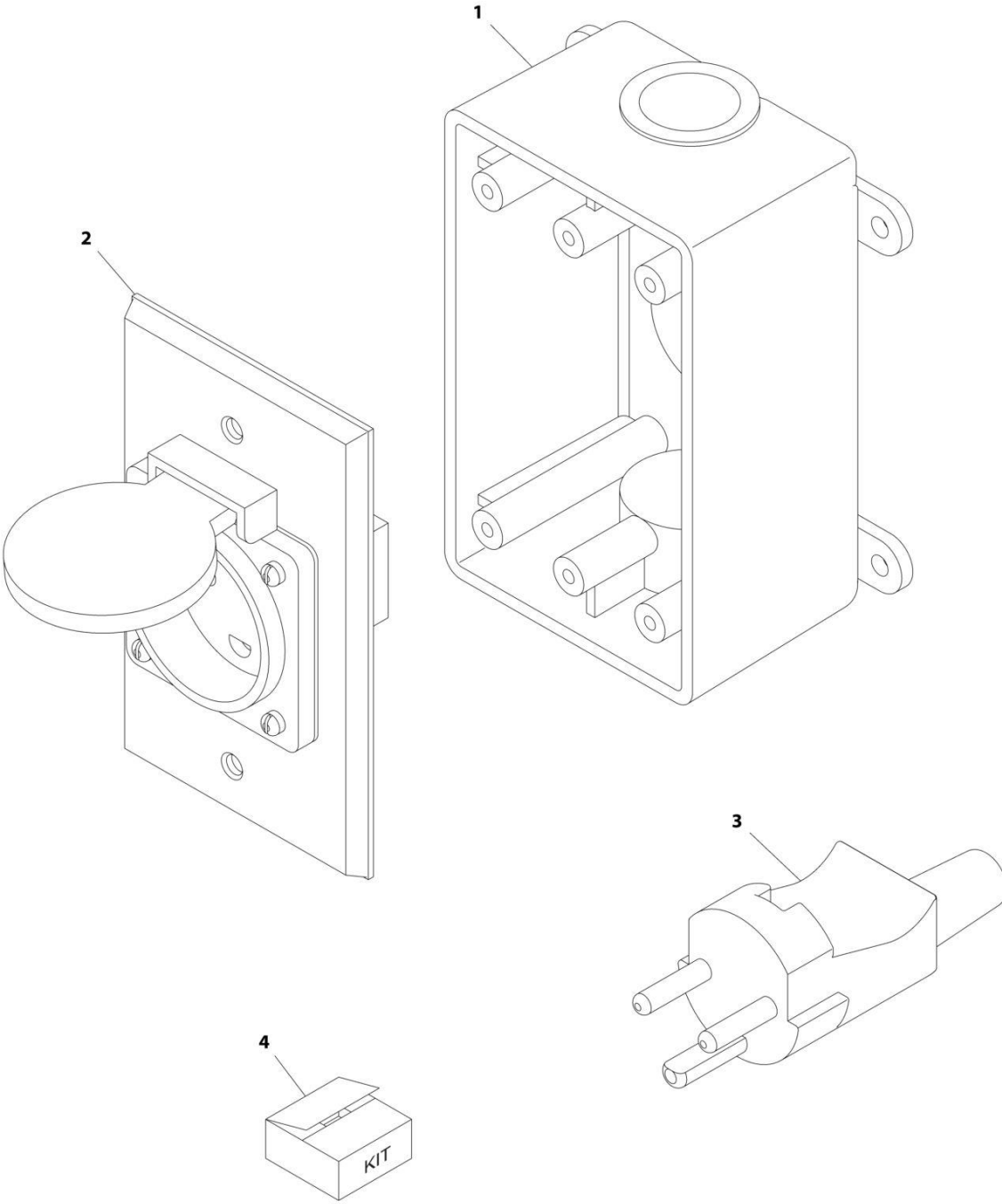
SECTION 8 - ELECTRICAL

FIGURE 8-59. RECEPTACLE BOX KIT - 220V CEE7 SIDE GROUND (CE & UK CA SPEC)

ITEM	PART NUMBER	QTY	DESCRIPTION	REV
	0275453	Ref	RECEPTACLE BOX KIT - 220V CEE7 SIDE GROUND	B
1	0861731	1	Box, Switch	
2	4461245	1	Receptacle	
3	4461205	1	Plug, Male	
4	1001100347	1	Plug and Socket Kit (Includes Items 1-3 and Female Plug p/n 4461206)	

SECTION 8 - ELECTRICAL

FIGURE 8-60. RECEPTACLE BOX KIT - 220V AFSINT 107 (CE & UK CA SPEC)



ART_0275454

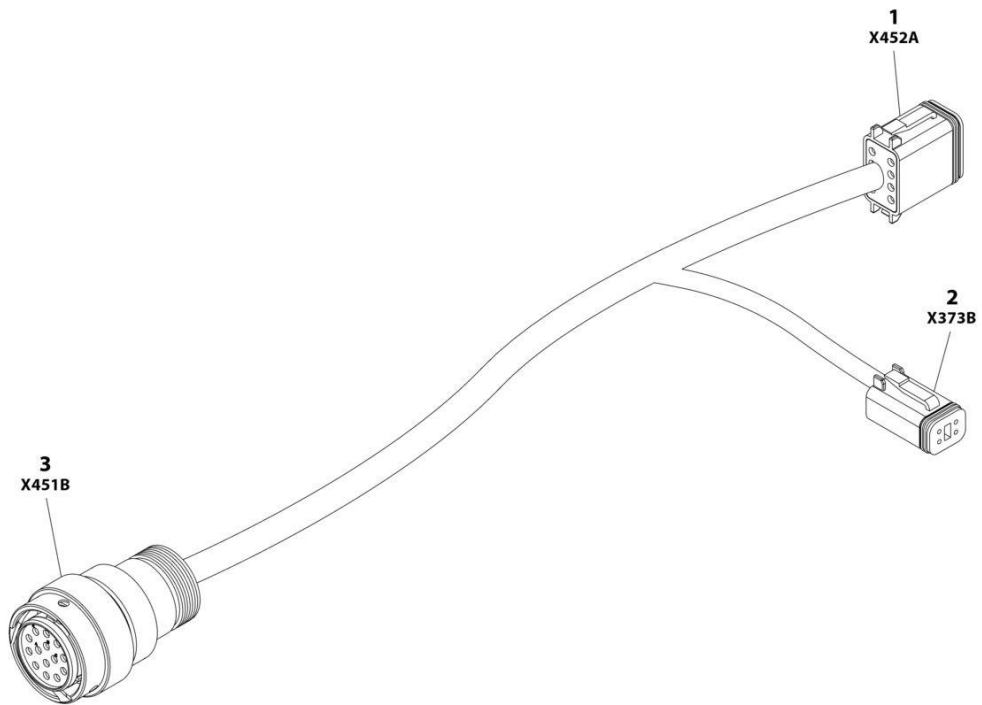
SECTION 8 - ELECTRICAL

FIGURE 8-60. RECEPTACLE BOX KIT - 220V AFSINT 107 (CE & UK CA SPEC)

ITEM	PART NUMBER	QTY	DESCRIPTION	REV
	0275454	Ref	RECEPTACLE BOX KIT - 220V AFSINT 107	B
1	0861731	1	Box, Switch	
2	4461246	1	Receptacle	
3	4461249	1	Plug, Male	
4	1001100346	1	Plug and Socket Kit (Includes Items 1-3 and Female Plug p/n 4461250)	

SECTION 8 - ELECTRICAL

FIGURE 8-61. SECONDARY CONTROL HARNESS



ART_1001202785

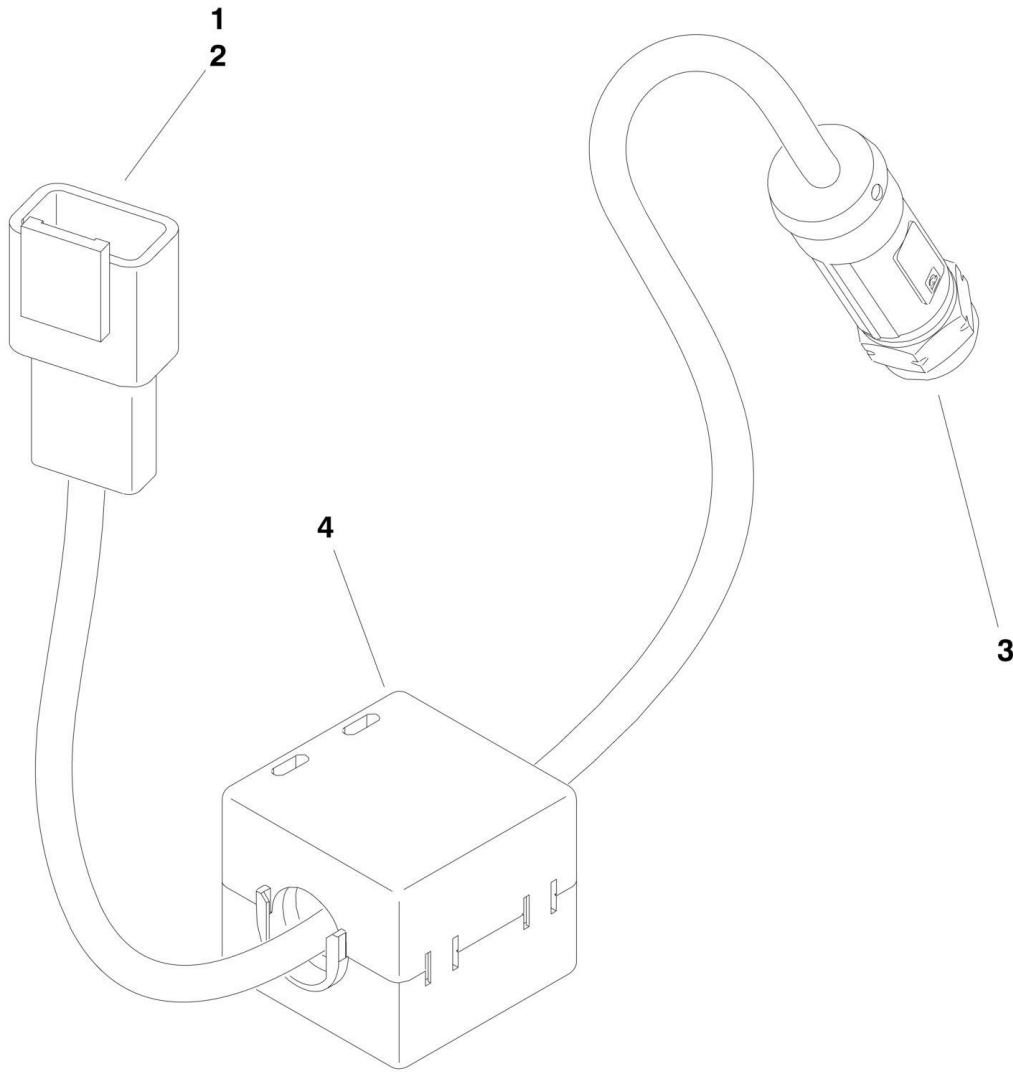
SECTION 8 - ELECTRICAL

FIGURE 8-61. SECONDARY CONTROL HARNESS

ITEM	PART NUMBER	QTY	DESCRIPTION	REV
	1001202785	Ref	SECONDARY CONTROL HARNESS	C
1	4460930	1	Plug, Male - 8 Position	
1	4460465	8	Socket, Female	
2	4460884	1	Plug, Male - 4 Position	
2	1001157890	4	Socket, Female	
3	1001212188	1	Connector - 14 Position	
3	4460465	8	Socket, Female	
3	1001157890	4	Socket, Female	
3	4460466	2	Plug, Terminal	

SECTION 8 - ELECTRICAL

FIGURE 8-62. SENSOR HARNESS - AXLE



1001163631

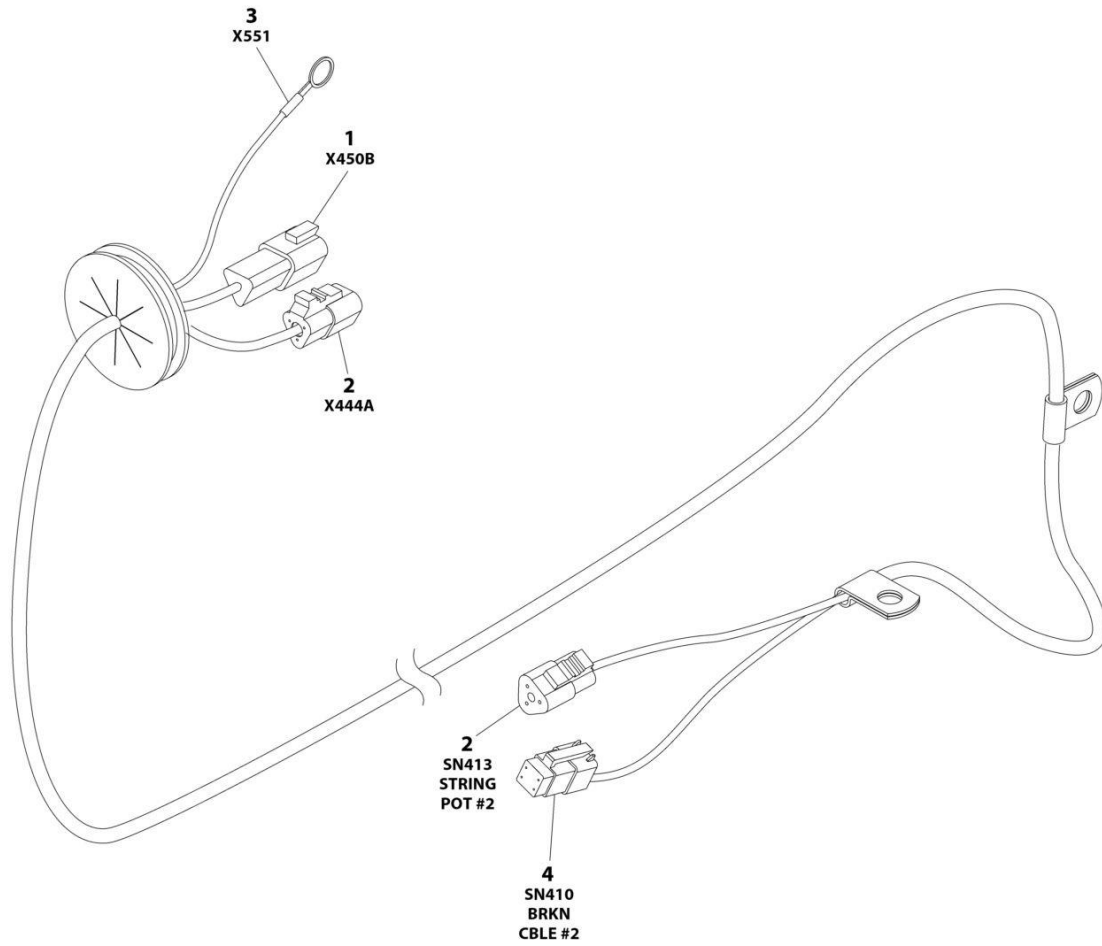
SECTION 8 - ELECTRICAL

FIGURE 8-62. SENSOR HARNESS - AXLE

ITEM	PART NUMBER	QTY	DESCRIPTION	REV
	1001163631	Ref	MTS CONNECTION CABLE	B
1	4460910	1	Connector - 3 Position	
2	4460929	3	Pin, Male	
3	See Note	NSS	Sensor with Cable (Note: Purchase p/n 1001163631)	
4	1001102594	1	Ferrite, LMI	

SECTION 8 - ELECTRICAL

FIGURE 8-63. SENSOR HARNESS - BOOM



ART_1001201062

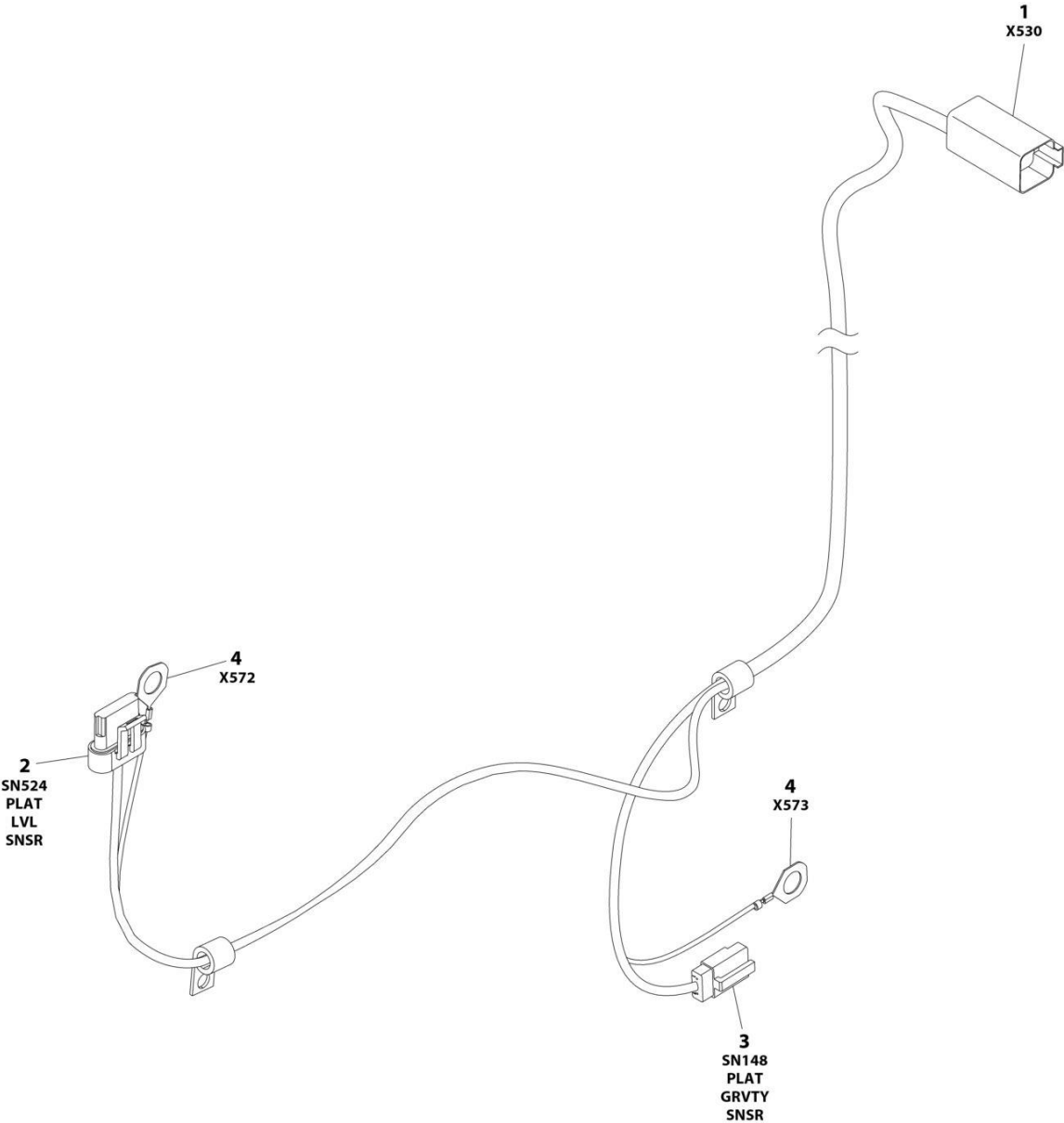
SECTION 8 - ELECTRICAL

FIGURE 8-63. SENSOR HARNESS - BOOM

ITEM	PART NUMBER	QTY	DESCRIPTION	REV
	1001201062	Ref	SENSOR HARNESS - BOOM	C
1	1001144147	1	Receptacle, Female - 3 Position	
1	4460464	3	Pin, Male	
2	4460539	2	Plug, Male - 3 Position	
2	4460465	6	Socket, Female	
3	4460722	1	Terminal, Ring	
4	4461077	1	Plug, Male - 4 Position	
4	4460928	3	Socket, Female	
4	4460518	1	Plug, Terminal	

SECTION 8 - ELECTRICAL

FIGURE 8-64. SENSOR HARNESS - PLATFORM LEVEL



ART_1001204028

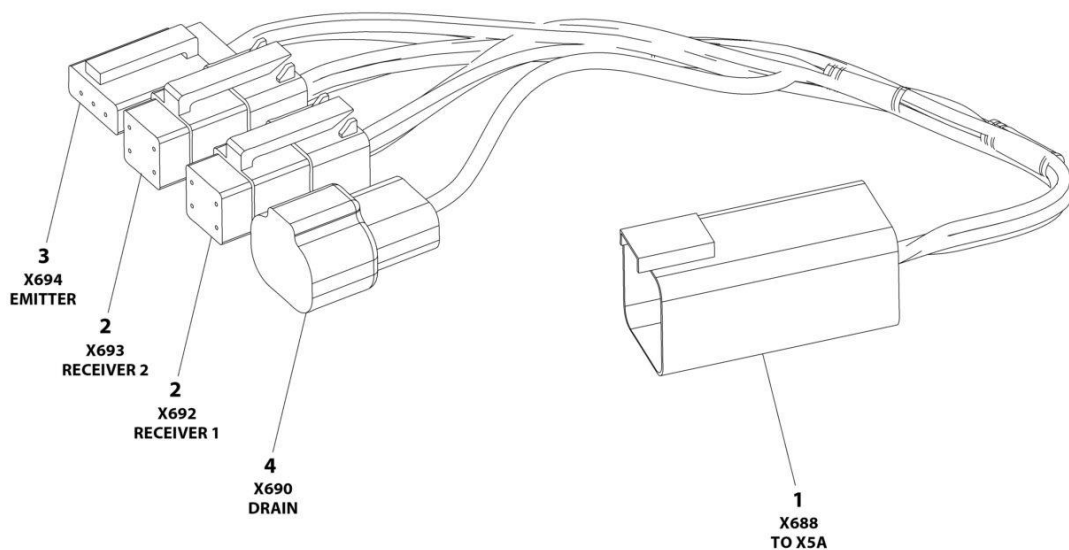
SECTION 8 - ELECTRICAL

FIGURE 8-64. SENSOR HARNESS - PLATFORM LEVEL

ITEM	PART NUMBER	QTY	DESCRIPTION	REV
	1001204028	Ref	SENSOR HARNESS - PLATFORM LEVEL	C
1	4460899	1	Receptacle, Female - 6 Position	
1	4460464	6	Pin, Male	
2	1001230931	1	Plug, Male - 6 Position	
2	1001116748	3	Terminal	
2	1001116751	3	Plug, Terminal	
3	4460911	1	Plug, Male - 3 Position	
3	4460918	3	Socket, Female	
4	1001187077	2	Terminal, Ring	

SECTION 8 - ELECTRICAL

FIGURE 8-65. SKYEYE INTERMEDIATE HARNESS



ART_1001237865

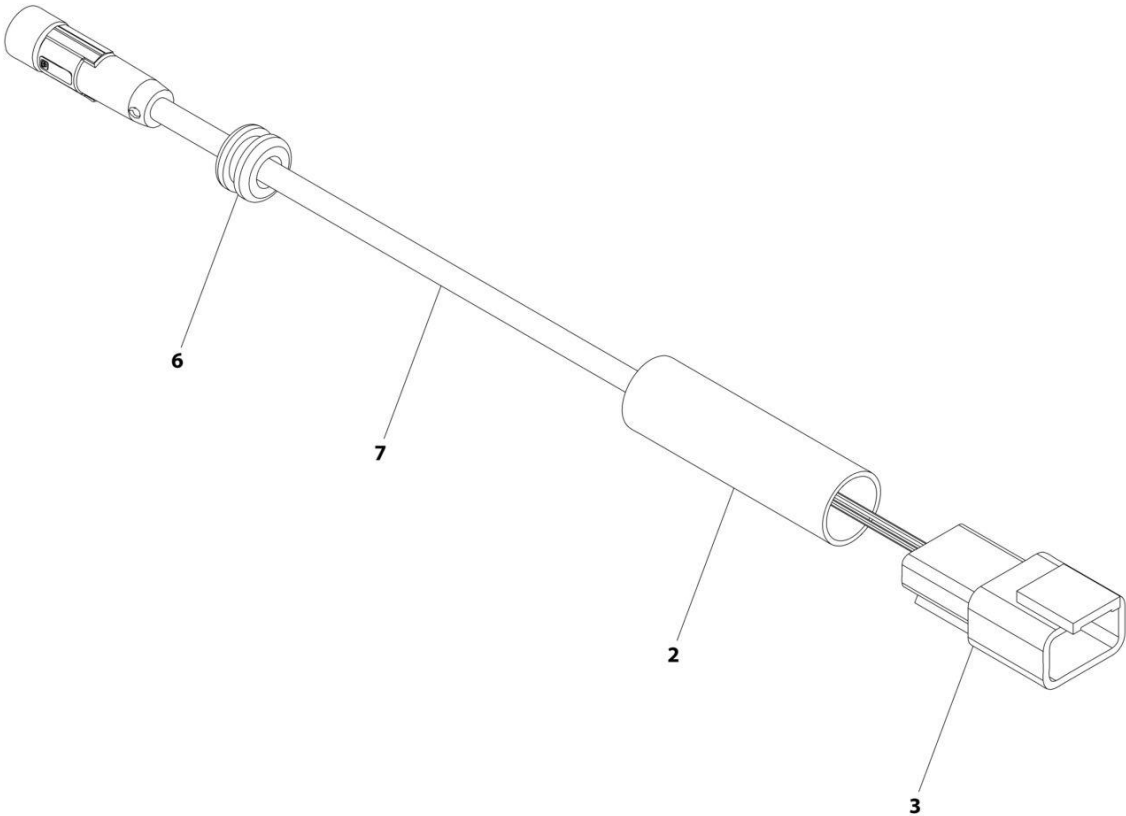
SECTION 8 - ELECTRICAL

FIGURE 8-65. SKYEYE INTERMEDIATE HARNESS

ITEM	PART NUMBER	QTY	DESCRIPTION	REV
	1001237865	Ref	SKYEYE INTERMEDIATE HARNESS	A
1	4460899	1	Connector - 6 Position	
1	4460943	4	Pin, Male	
1	4460466	2	Plug, Terminal	
2	4461077	2	Connector - 4 Position	
2	1001119619	8	Socket, Female	
3	4460911	1	Connector - 3 Position	
3	1001119619	3	Socket, Female	
4	1001187681	1	Connector - 2 Position	
4	4460941	1	Pin, Male	
4	4460466	1	Plug, Terminal	

SECTION 8 - ELECTRICAL

FIGURE 8-66. SKYEYE EMITTER HARNESS



ART_1001237864

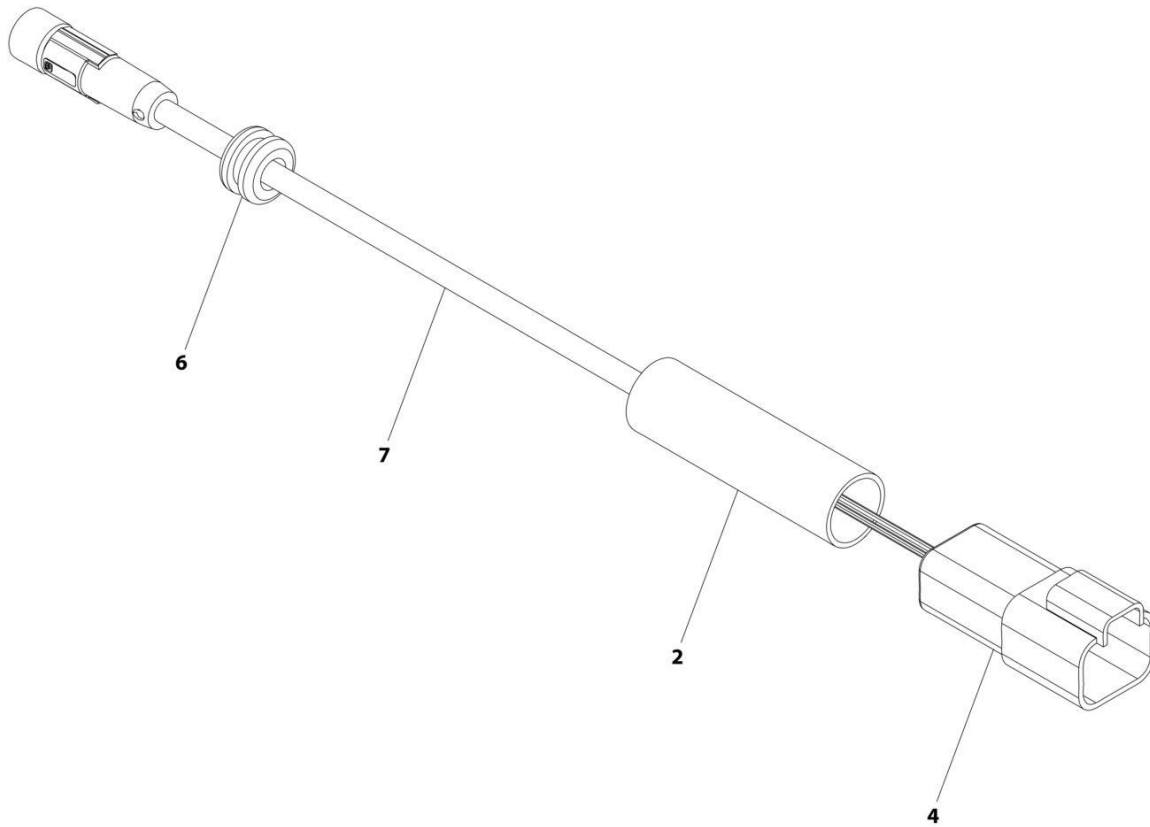
SECTION 8 - ELECTRICAL

FIGURE 8-66. SKYEYE EMITTER HARNESS

ITEM	PART NUMBER	QTY	DESCRIPTION	REV
	1001237864	Ref	SKYEYE EMITTER HARNESS	A
2	2820247	AR	Tubing, Heat Shrink	
3	4460910	1	Connector - 3 Position	
3	1001119620	3	Pin, Male	
6	1001227996	1	Grommet	
7	1001237862	1	Cable, M8 Female Cordset	

SECTION 8 - ELECTRICAL

FIGURE 8-67. SKYEYE RECEIVER HARNESS



ART_1001237863

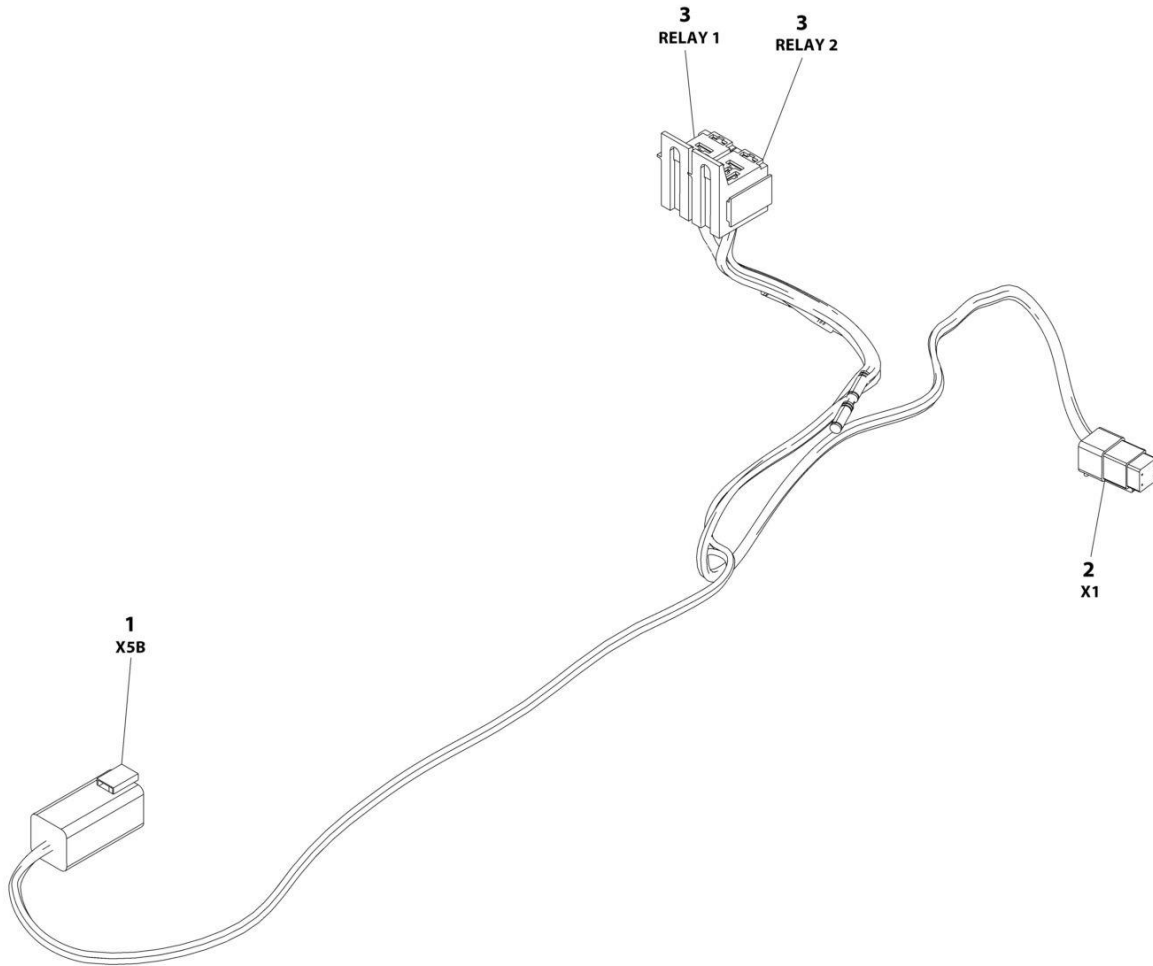
SECTION 8 - ELECTRICAL

FIGURE 8-67. SKYEYE RECEIVER HARNESS

ITEM	PART NUMBER	QTY	DESCRIPTION	REV
	1001237863	Ref	SKYEYE RECEIVER HARNESS	A
2	2820247	AR	Tubing, Heat Shrink	
4	1001097051	1	Connector - 4 Position	
4	1001119620	4	Pin, Male	
6	1001227996	1	Grommet	
7	1001237862	1	Cable, M8 Female Cordset	

SECTION 8 - ELECTRICAL

FIGURE 8-68. SKYLINE HARNESS



ART_1001238418

SECTION 8 - ELECTRICAL

FIGURE 8-68. SKYLINE HARNESS

ITEM	PART NUMBER	QTY	DESCRIPTION	REV
	1001238418	Ref	SKYLINE HARNESS	B
1	4460899	1	Connector - 6 Position	
1	4460464	4	Pin, Male	
1	4460466	2	Plug, Terminal	
2	4461077	1	Connector - 4 Position	
2	1001126009	4	Socket, Female	
3	1001186432	2	Plug, Relay	
3	1001118388	5	Terminal	
3	1001118384	3	Terminal	
3	3740086	2	Relay	

SECTION 8 - ELECTRICAL

FIGURE 8-69. STEER HARNESS



ART_1001155817

SECTION 8 - ELECTRICAL

FIGURE 8-69. STEER HARNESS

ITEM	PART NUMBER	QTY	DESCRIPTION	REV
	1001155817	Ref	STEER HARNESS	B
1	4460894	1	Connector - 6 Position	
1	4460465	4	Socket, Female	
1	4460466	2	Seal, Plug	
2	4460894	1	Connector - 6 Position	
2	4460465	3	Socket, Female	
2	4460466	3	Seal, Plug	

SECTION 8 - ELECTRICAL

FIGURE 8-70. STROBE LIGHT HARNESS - AMBER LIGHTS



ART_1001202787

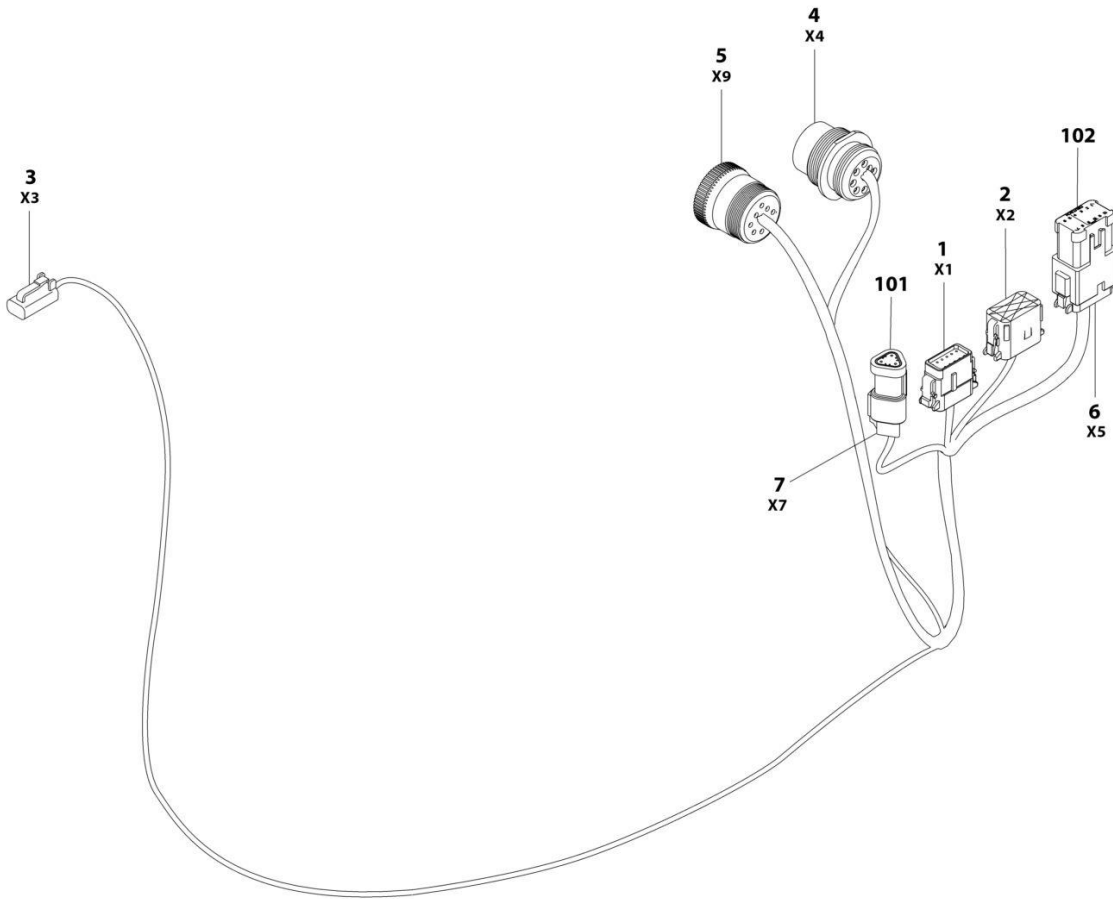
SECTION 8 - ELECTRICAL

FIGURE 8-70. STROBE LIGHT HARNESS - AMBER LIGHTS

ITEM	PART NUMBER	QTY	DESCRIPTION	REV
	1001202787	Ref	STROBE LIGHT (AMBER) HARNESS	B
1	4460897	2	Connector	
1	4460464	4	Pin	

SECTION 8 - ELECTRICAL

FIGURE 8-71. STROBE LIGHT HARNESS - BLUE & RED LIGHTS



ART_1001210781

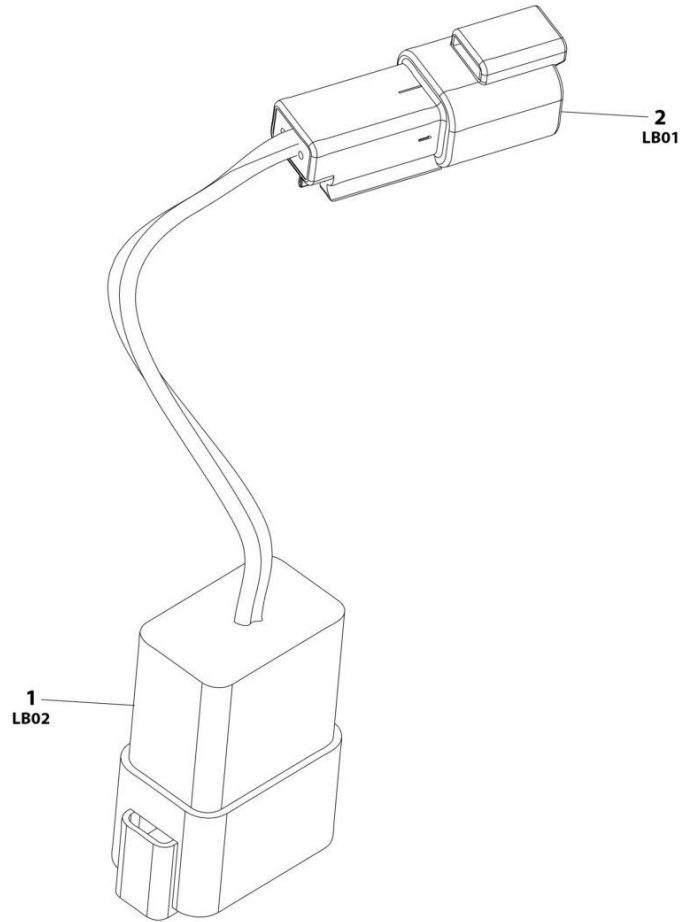
SECTION 8 - ELECTRICAL

FIGURE 8-71. STROBE LIGHT HARNESS - BLUE & RED LIGHTS

ITEM	PART NUMBER	QTY	DESCRIPTION	REV
	1001210781	Ref	STROBE LIGHT HARNESS	C
1	1001116808	1	Connector - 12 Position	
1	1001116694	3	Socket, Female	
1	4460518	9	Plug, Socket	
2	1001116774	1	Connector - 12 Position	
2	1001116694	3	Socket, Female	
2	4460518	9	Plug, Socket	
3	4460891	1	Connector - 2 Position	
3	4460465	2	Socket, Female	
4	1001249095	1	Connector - 9 Position	
4	4460464	6	Pin, Male	
4	4460466	3	Plug, Socket	
5	1001112796	1	Connector - 9 Position	
5	4460465	6	Socket, Female	
5	4460466	3	Plug, Socket	
6	4460933	1	Connector - 12 Position	
6	4460465	12	Socket, Female	
7	4461095	1	Connector - 3 Position	
7	4460465	3	Socket, Female	
101	4461070	1	Connector - 3 Position	
101	1001144296	1	Dust Cap	
102	1001119020	1	Connector, Female Bussbar - 12 Position	

SECTION 8 - ELECTRICAL

FIGURE 8-72. STROBE LIGHT JUMPER HARNESS - AMBER



ART_1001283776

SECTION 8 - ELECTRICAL

FIGURE 8-72. STROBE LIGHT JUMPER HARNESS - AMBER

ITEM	PART NUMBER	QTY	DESCRIPTION	REV
	1001283776	Ref	STROBE LIGHT HARNESS (AMBER)	A
1	4460931	1	Connector	
1	4460464	2	Pin	
1	4460466	6	Plug	
2	4460897	1	Connector	
2	4460464	2	Pin	

SECTION 8 - ELECTRICAL

FIGURE 8-73. TURNTABLE HARNESS

ITEM	PART NUMBER	QTY	DESCRIPTION	REV
	1001286088	Ref	TURNTABLE HARNESS	B
1	4460873	1	Connector	
1	4460871	27	Socket	
1	4460905	8	Plug	
2	1001117110	1	Terminal, Ring	
3	4460878	1	Connector	
3	4460887	3	Socket	
4	4460874	1	Connector	
4	4460871	26	Socket	
4	4460905	9	Plug	
5	4460761	1	Connector	
5	4460267	4	Socket	
6	1001113961	1	Connector	
6	4460905	1	Plug	
6	4460871	7	Socket	
7	4460933	1	Connector	
7	4460944	12	Socket	
8	4460970	1	Connector	
8	4460464	12	Pin	
9	4460933	1	Connector	
9	4460466	4	Plug	
9	4460944	8	Socket	
10	4460950	1	Connector	
10	4460464	12	Socket	
11	4460884	4	Connector	
11	4460465	4	Socket	
12	4460933	1	Connector	
12	4460465	9	Socket (Nickel)	
12	4460944	2	Socket (Gold)	
12	4460466	1	Plug	
13	4460970	1	Connector	
13	1001116693	10	Pin (Nickel)	
13	4460943	2	Pin (Gold)	
14	1001112612	1	Connector	
14	4460464	3	Socket	
14	4460943	2	Pin	
14	4460466	4	Plug	
15	4460894	1	Connector	
15	4460465	4	Socket (Nickel)	
15	4460944	2	Socket (Gold)	
16	1001144147	1	Connector	
16	4460943	2	Pin	
16	4460466	1	Plug	
17	4460894	2	Connector	
17	4460465	12	Socket	
18	4460930	1	Connector	
18	4460465	8	Socket	
19	4461018	1	Connector	
19	1001150611	2	Socket	
20	4460836	1	Connector	

SECTION 8 - ELECTRICAL

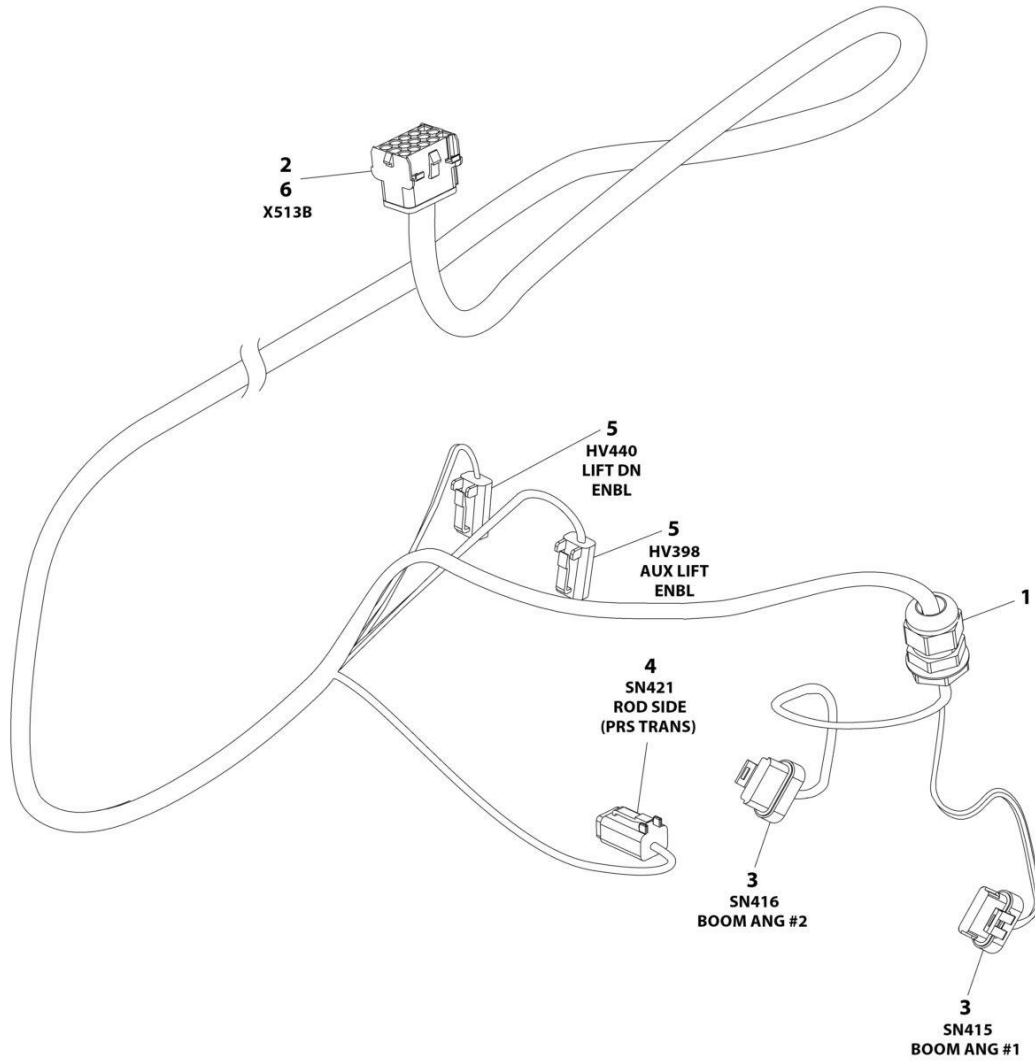
ITEM	PART NUMBER	QTY	DESCRIPTION	REV
20	4460944	2	Socket (Gold)	
20	4460466	9	Plug	
20	4460465	1	Socket (Nickel)	
21	4460899	1	Connector	
21	1001116693	3	Pin (Nickel)	
21	4460943	2	Pin (Gold)	
21	4460466	1	Plug	
22	4460703	1	Terminal, Ring	
23	4460722	4	Terminal, Ring(22-16AWG)	
24	4460019	5	Terminal, Ring(12-10AWG)	
25	4460256	2	Terminal, Ring(16-14AWG)	
26	4460539	1	Connector	
26	4460465	3	Socket	
27	4460891	1	Connector	
27	4460465	2	Socket	
28	1001103012	2	Connector	
28	1001104498	8	Socket	
29	4460247	1	Terminal, Ring	
30	4460670	1	Terminal, Ring	
31	4460443	1	Terminal, Ring	
32	4460931	1	Connector	
32	1001116693	7	Plug	
32	4460466	1	Plug	
33	1001196605	1	Fuse Box Assembly	
33	8220098	6	Socket (14AWG)	
33	1001116725	1	Socket (12-10AWG)	
33	8220097	17	Socket (18AWG)	
33	4460748	11	Plug	
33	4460458	23	Seal (Green)	
33	80963067	1	Seal (Blue)	
33A	8229242	7	Fuse 5AMP	
33B	8229244	4	Fuse 15AMP	
33D	1001196603	1	Cover (Not Shown)	
33E	1001196634	3	Fuse 2AMP	
33F	1001196635	1	Fuse 3AMP	
33G	1001196636	2	Diode 1AMP	
34	8220116	1	Terminal, Ring	
35	4460866	1	Connector	
35	4460466	3	Plug	
35	4460943	2	Pin (20-16AWG, Gold)	
35	4460464	8	Pin (20-16AWG, Nickel)	
35	4460508	4	Pin (14-12AWG, Nickel)	
36	4460931	1	Connector	
36	4460464	8	Pin	
37	4460932	1	Connector	
37	1001157891	3	Pin (16-12AWG)	
37	1001116693	1	Pin (18-14AWG)	
38	1001246859	1	Connector	
38	4460871	4	Socket	
38	4460905	10	Plug	
39	4460891	1	Connector	

SECTION 8 - ELECTRICAL

ITEM	PART NUMBER	QTY	DESCRIPTION	REV
39	4460465	1	Socket	
39	4460466	1	Plug	
40	1001116812	1	Connector	
40	4460944	2	Socket	
40	4460466	1	Plug	
41	4460539	1	Connector	
41	4460944	2	Socket	
41	4460466	1	Plug	
101	4460470	1	Nut, Terminal	
102	4460471	1	Washer, Lock	
103	4460945	1	Connector	
104	4460893	1	Connector, Buss Bar	
105	1001116815	1	Connector	
106	1001125677	2	Connector, Buss Bar	
107	1001120328	1	Mount	
108	1001155967	1	Mount	
109	1001192401	1	Cap, Dust	
110	1001202914	1	Mount	
111	1001213448	1	Cap, Dust	
112	1001226541	3	Connector, Buss Bar	

SECTION 8 - ELECTRICAL

FIGURE 8-74. VALVE HARNESS - BOOM



ART_1001216806

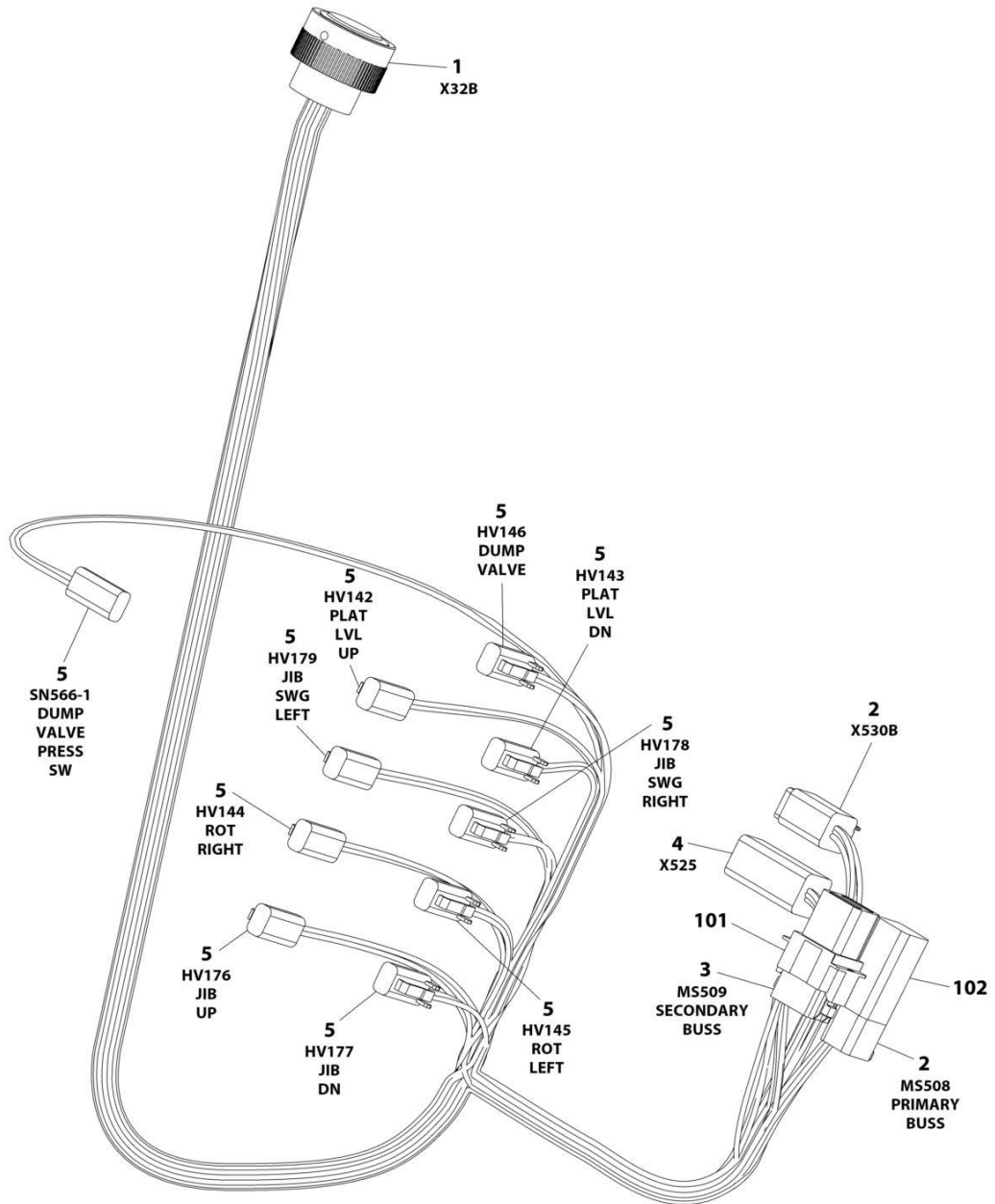
SECTION 8 - ELECTRICAL

FIGURE 8-74. VALVE HARNESS - BOOM

ITEM	PART NUMBER	QTY	DESCRIPTION	REV
	1001216806	Ref	VALVE HARNESS - BOOM	C
1	4460633	1	Connector, Strain Relief	
2	1001216626	1	Seal	
3	1001230931	3	Plug, Male - 6 Position	
3	1001116748	3	Terminal	
3	1001116751	3	Plug, Terminal	
4	4460884	1	Plug, Male - 4 Position	
4	4460465	4	Socket, Female	
5	4460891	2	Plug, Male - 2 Position	
5	4460465	4	Socket, Female	
6	4460708	1	Receptacle, Female - 15 Position	
6	4460267	15	Pin, Male	

SECTION 8 - ELECTRICAL

FIGURE 8-75. VALVE HARNESS - PLATFORM



ART_1001196682

SECTION 8 - ELECTRICAL

FIGURE 8-75. VALVE HARNESS - PLATFORM

ITEM	PART NUMBER	QTY	DESCRIPTION	REV
	1001196682	Ref	VALVE HARNESS - PLATFORM	E
1	4460926	1	Connector - 21 Position	
1	1001126008	20	Socket, Female	
1	4460518	1	Plug, Terminal	
2	4460894	2	Plug, Male - 6 Position	
2	4460465	11	Socket, Female	
2	4460466	1	Plug, Terminal	
3	4460851	1	Plug, Male - 8 Position	
3	4460465	7	Socket, Female	
3	4460466	1	Plug, Terminal	
4	4460899	1	Receptacle, Female - 6 Position	
4	4460464	5	Pin, Male	
4	4460466	1	Plug, Terminal	
5	4460891	10	Plug, Male - 2 Position	
5	4460465	20	Socket, Female	
101	4460852	1	Receptacle, Female Termination - 8 Position	
102	4460892	1	Receptacle, Female Bussbar - 6 Position	

SECTION 8 - ELECTRICAL

FIGURE 8-76. VALVE HARNESS - TURNTABLE

ITEM	PART NUMBER	QTY	DESCRIPTION	REV
	1001286089	Ref	VALVE HARNESS	C
1	4460891	20	Connector	
1	4460465	40	Socket	
2	4460884	4	Connector	
2	4460465	13	Socket	
2	4460466	4	Plug	
3	4460539	3	Connector	
3	4460465	9	Socket	
4	4460843	1	Connector	
4	91554014	2	Socket	
5	8220068	1	Connector	
5	1001117125	1	Socket	
6	4460930	1	Connector	
6	4460465	6	Socket	
6	4460466	2	Plug	
7	4460836	1	Connector	
7	4460465	12	Socket	
8	4460933	1	Connector	
8	4460465	12	Socket	
9	4460872	1	Connector	
9	4460871	11	Socket	
9	4460905	3	Plug	
10	4460875	1	Connector	
10	4460871	33	Socket	
10	4460905	2	Plug	
11	4460884	1	Connector	
11	4460465	4	Socket	
12	1001128127	1	Terminal, Ring	
13	4460897	1	Connector	
13	4460464	1	Pin	
13	4460466	1	Plug	
101	4460984	1	Cap	
102	1001196636	1	Diode 1Amp	
103	1001152266	1	Connector, Diode	

SECTION 8 - ELECTRICAL

FIGURE 8-77. WHITE NOISE MOTION ALARM HARNESS



ART_1001231008

SECTION 8 - ELECTRICAL

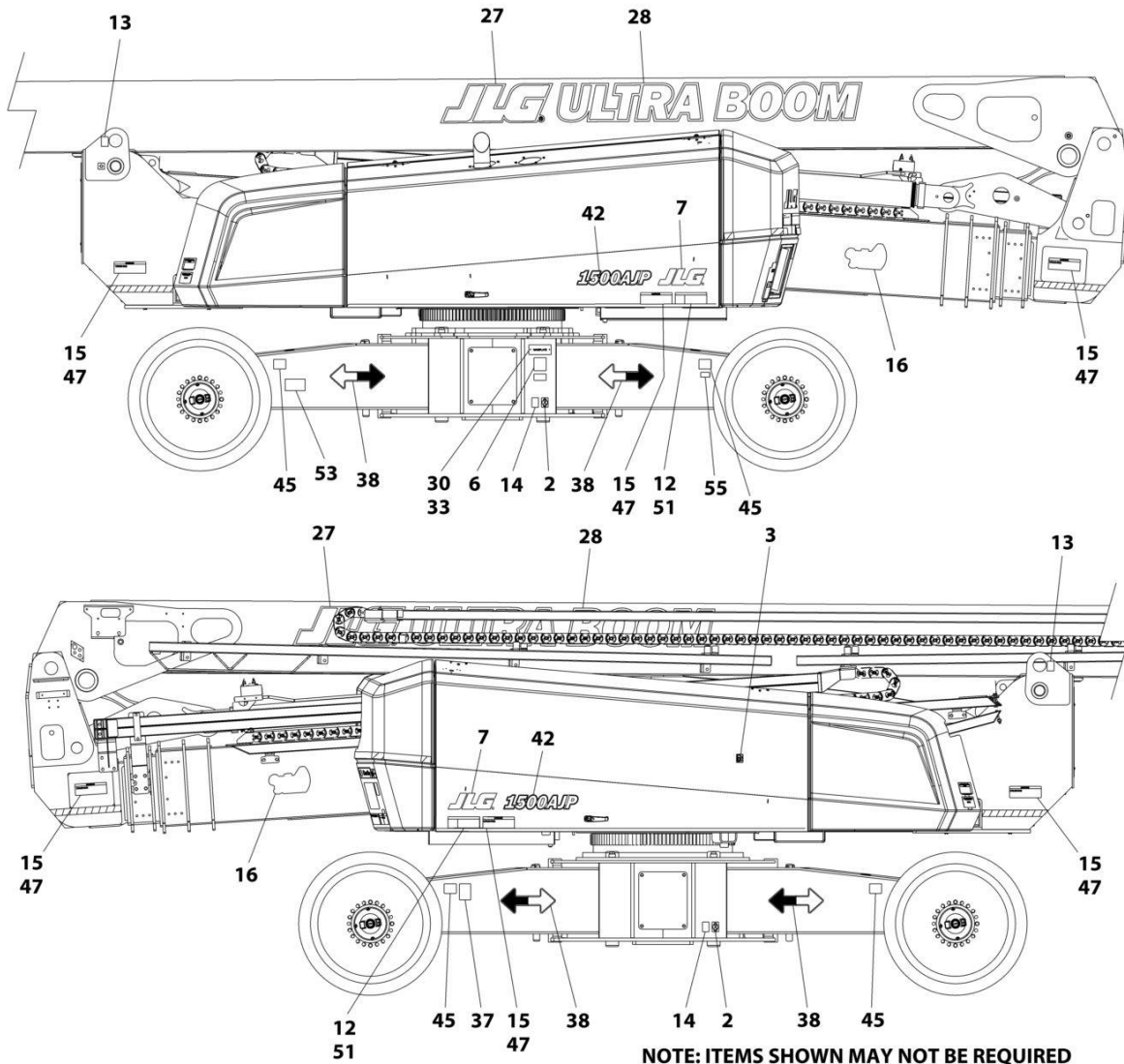
FIGURE 8-77. WHITE NOISE MOTION ALARM HARNESS

ITEM	PART NUMBER	QTY	DESCRIPTION	REV
	1001231008	Ref	WHITE NOISE MOTION ALARM HARNESS	B
1	4460871	1	Socket, Female	
2	4460891	1	Plug, Male - 2 Position	
2	4460465	2	Socket, Female	
3	4460536	1	Connector - 3 Position	
3	4460464	3	Pin, Male	

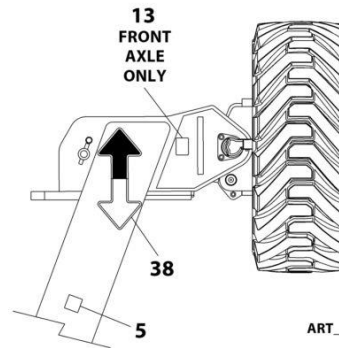
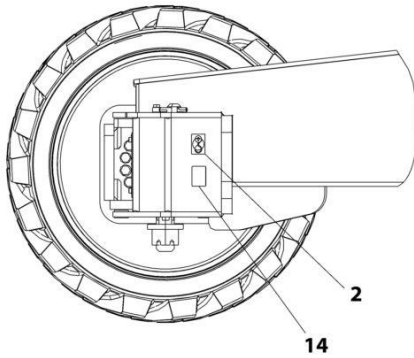
SECTION 9 - DECALS

SECTION 9 - DECALS

FIGURE 9-1. DECAL INSTALLATION - ANSI SPEC

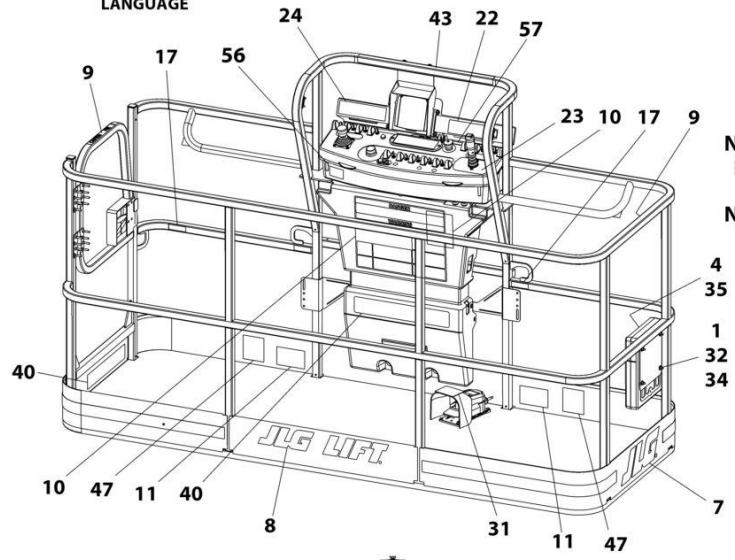
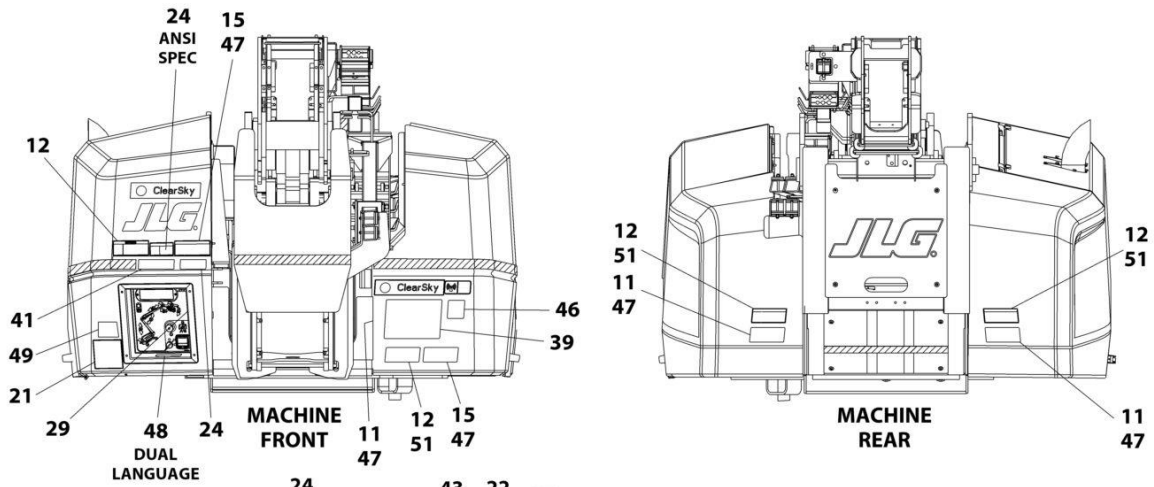


NOTE: ITEMS SHOWN MAY NOT BE REQUIRED FOR ALL SPECS. REFER TO PARTS LISTS FOR USAGE.
 NOTE: ADDITIONAL DECALS CALLED OUT ON DECAL INSTALLATION - OPTIONS.

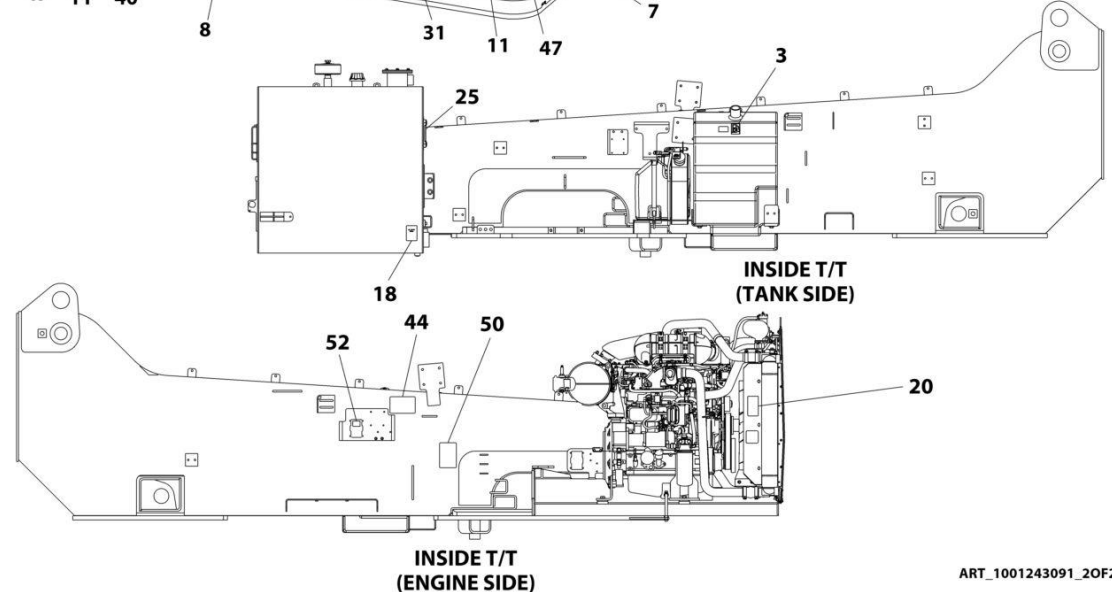


ART_1001243091_10F2

SECTION 9 - DECALS



NOTE: ITEMS SHOWN MAY NOT BE REQUIRED FOR ALL SPECS. REFER TO PARTS LISTS FOR USAGE.
NOTE: ADDITIONAL DECALS CALLED OUT ON DECAL INSTALLATION - OPTIONS.



ART_1001243091_20F2

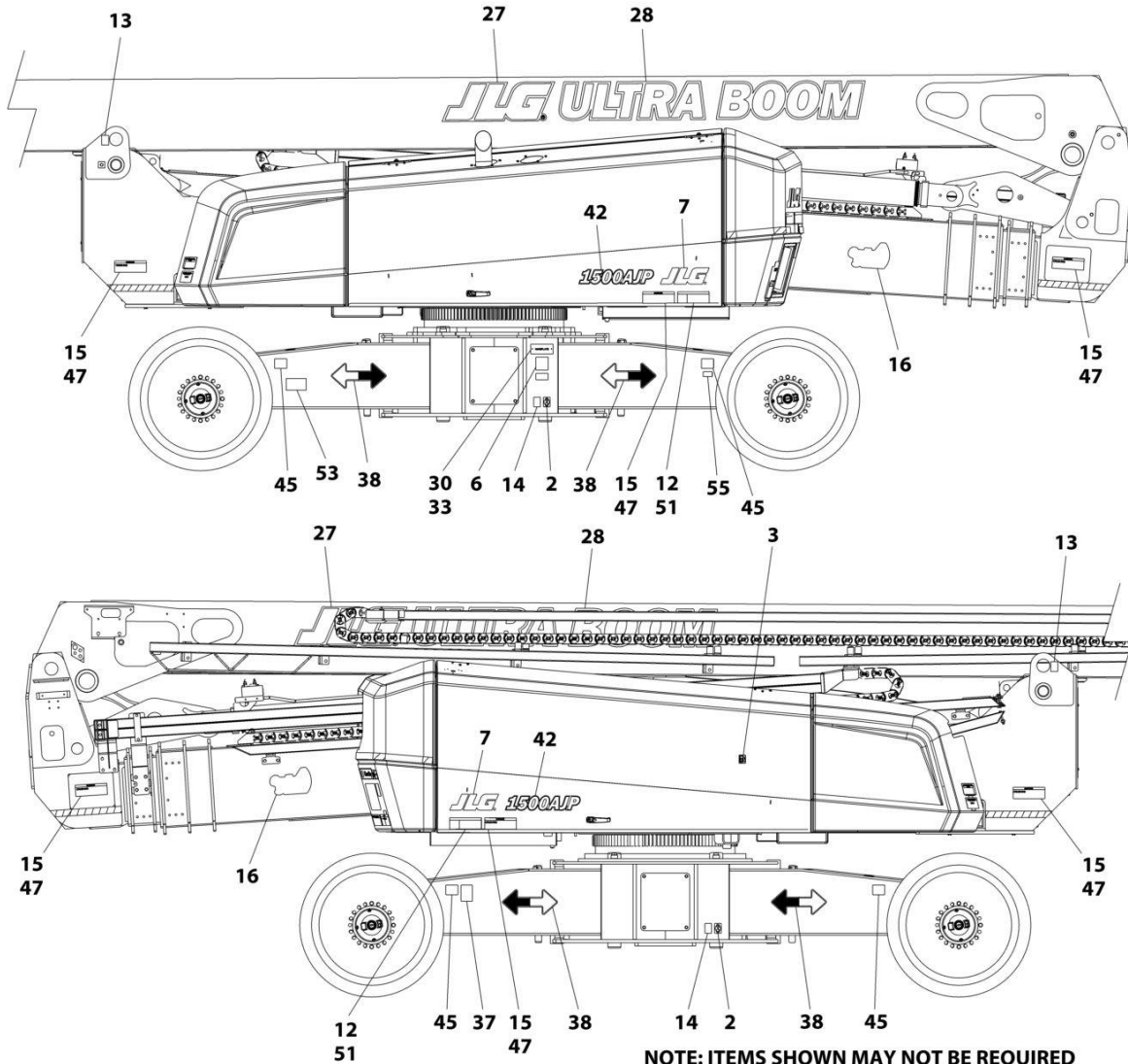
SECTION 9 - DECALS

FIGURE 9-1. DECAL INSTALLATION - ANSI SPEC

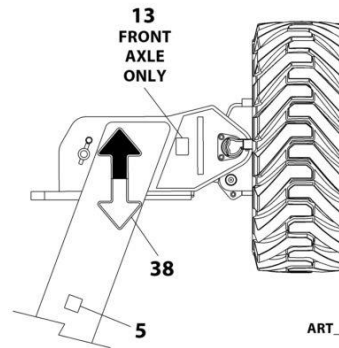
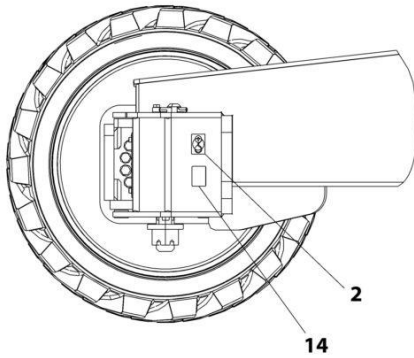
ITEM	PART NUMBER	QTY	DESCRIPTION	REV
	1001243091	Ref	DECAL INSTALLATION - ANSI SPEC	F
	1001197315	Ref	DECAL INSTALLATION - REFERENCE	N
1	0641406	4	Bolt 1/4 x 3/4	
2	1701499	6	Decal - No Tie Down/Lift	
3	1701505	2	Decal - Diesel Fuel	
4	1701509	1	Decal - Manual	
5	1701691	4	Decal - No Step	
6	See Note	NSS	Decal - Bar Code (Note: Not Available for Purchase)	
7	1702773	3	Decal - JLG	
8	1702774	1	Decal - JLG Lift	
9	1702868	2	Decal - No Hands	
10	1001231315	1	Decal - Danger/Warning	
11	1703804	6	Decal - Warning Crushing	
12	1703805	6	Decal - Electrocution	
13	1703811	4	Decal - Lifting Lug	
14	1703814	6	Decal - Tie Down	
15	1703953	8	Decal - Warning Crushing	
16	1703959	2	Decal - Quik Stik	
17	1704277	3	Decal - Lanyard Attach	
18	1704412	1	Decal - Hydraulic Oil	
20	1704972	1	Decal - Glow Plugs Warning	
21	1705336	1	Decal - Danger/Warning	
23	1705351	1	Decal - Drive/Steer Instructions	
24	1705492	1	Decal - Tip-Over	
25	1705511	1	Decal - Oil Level	
27	1705864	2	Decal - JLG	
28	1705865	2	Decal - Ultraboom (Prior to SN 0300281037)	
28	1001267315	2	Decal - Ultraboom (SN 0300281037 to Present)	
29	1001225220	1	Decal - Legend	
31	3252347	1	Nameplate - Footswitch	
32	3311405	4	Nut 1/4	
33	3820001	2	Rivet	
34	4751400	8	Washer 1/4	
35	91403230	1	Box, Manual Storage	
37	1001131269	1	Decal - Patent	
38	1001160445	8	Decal - Arrow	
39	1001284691	1	Decal - Lift Diagram	
40	1001254474	1	Decal - Warning Dual Capacity	
41	1001254475	1	Decal - Warning Dual Capacity	
42	1001200707	2	Decal - 1500AJP (Prior to SN 0300280111)	
42	1001268243	2	Decal - 1500AJP (SN 0300280111 to Present)	
43	1001204096	1	Decal - Legend	
44	1001234789	1	Decal - Jump Start/Dual Battery	
45	1001209896	4	Decal - Maximum Tire Load	
50	1001211904	1	Decal - Fuse Box	
52	1001224045	1	Decal - Fuse Box Cover	
53	1001223055	1	Decal - Decal Yearly Inspection	
55	1001223453	1	Decal - ICES	
57	1001195947	1	Decal - Stop and Auxiliary Power	

SECTION 9 - DECALS

FIGURE 9-2. DECAL INSTALLATION - AUSTRALIAN SPEC

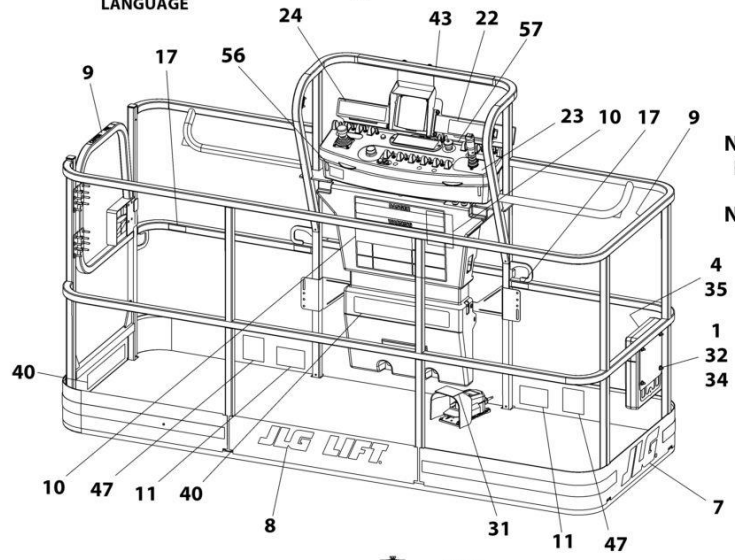
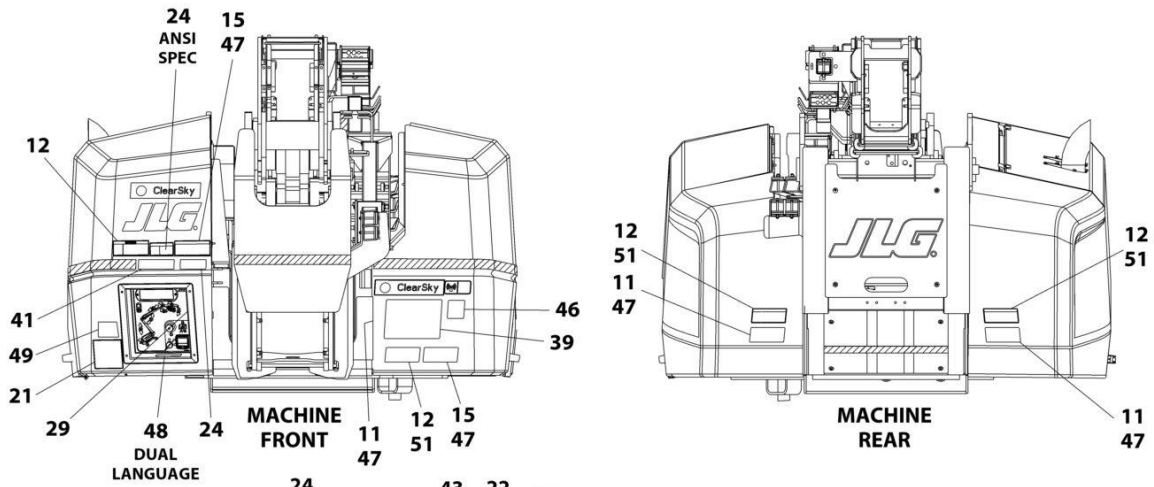


NOTE: ITEMS SHOWN MAY NOT BE REQUIRED FOR ALL SPECS. REFER TO PARTS LISTS FOR USAGE.
NOTE: ADDITIONAL DECALS CALLED OUT ON DECAL INSTALLATION - OPTIONS.

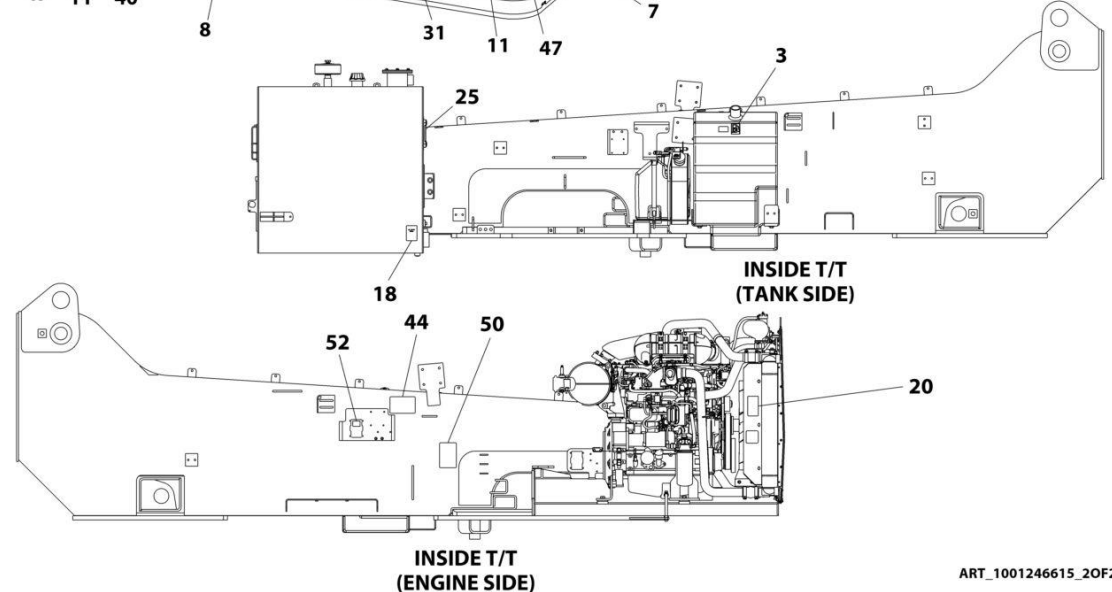


ART_1001246615_10F2

SECTION 9 - DECALS



NOTE: ITEMS SHOWN MAY NOT BE REQUIRED FOR ALL SPECS. REFER TO PARTS LISTS FOR USAGE.
NOTE: ADDITIONAL DECALS CALLED OUT ON DECAL INSTALLATION - OPTIONS.



ART_1001246615_20F2

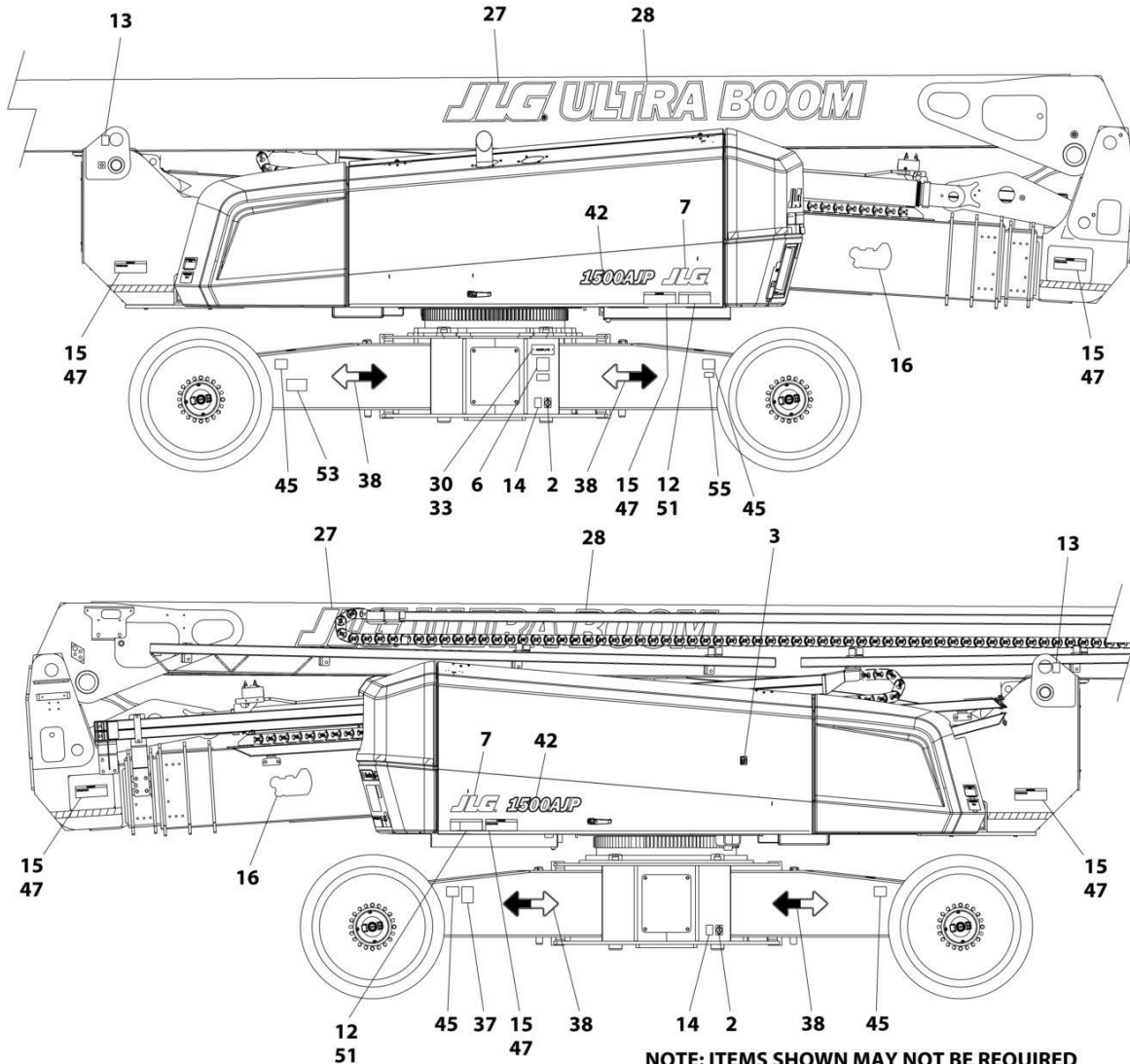
SECTION 9 - DECALS

FIGURE 9-2. DECAL INSTALLATION - AUSTRALIAN SPEC

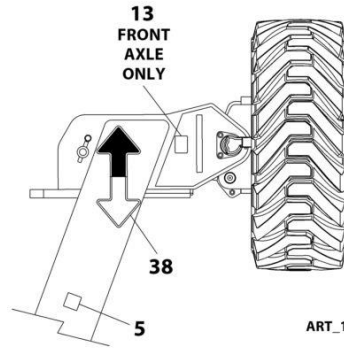
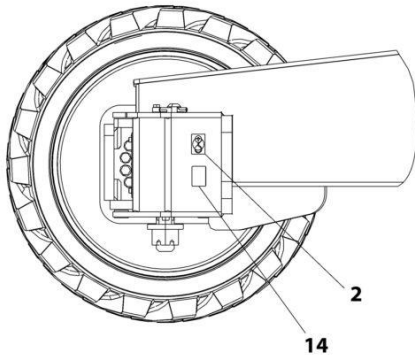
ITEM	PART NUMBER	QTY	DESCRIPTION	REV
	1001246615	Ref	DECAL INSTALLATION - AUSTRALIAN SPEC	F
	1001197315	Ref	DECAL INSTALLATION - REFERENCE	P
1	0641406	4	Bolt 1/4 x 3/4	
2	1701499	6	Decal - No Tie Down/Lift	
3	1701505	2	Decal - Diesel Fuel	
4	1701509	1	Decal - Manual	
5	1701691	4	Decal - No Step	
6	See Note	NSS	Decal - Bar Code (Note: Not Available for Purchase)	
7	1702773	3	Decal - JLG	
8	1702774	1	Decal - JLG Lift	
10	1705921	1	Decal - Tipping/Electrocution	
13	1703811	4	Decal - Lifting Lug	
14	1703814	6	Decal - Tie Down	
16	1703959	2	Decal - Quik Stik	
17	1704277	3	Decal - Lanyard Attach	
18	1704412	1	Decal - Hydraulic Oil	
20	1706098	1	Decal - Warning Ether Start	
21	1705822	1	Decal - Electrical/Safety Manual	
25	1705511	1	Decal - Oil Level	
27	1705864	2	Decal - JLG	
28	1705865	2	Decal - Ultraboom (Prior to SN 0300306809)	
28	1001267315	2	Decal - Ultraboom (SN 0300306809 to Present)	
30	See Note	NSS	Nameplate - Serial Number (Note: Not Available for Purchase)	
31	1705828	1	Nameplate - Footswitch	
32	3311405	4	Nut 1/4	
33	3820001	4	Rivet	
34	4751400	8	Washer 1/4	
35	91403230	1	Box, Manual Storage	
38	1001160445	8	Decal - Arrow	
39	1001284691	1	Decal - Lift Diagram	
40	1001200118	2	Decal - Warning Dual Capacity	
41	1001200117	1	Decal - Warning Dual Capacity	
42	1001200707	1	Decal - 1500AJP (Prior to SN 0300280111)	
42	1001268243	2	Decal - 1500AJP (SN 0300280111 to Present)	
44	1001234789	1	Decal - Jump Start/Dual Battery	
45	1001209896	4	Decal - Maximum Tire Load	
46	1705515	1	Decal - Sound Level	
47	1701518	14	Decal - Crushing	
49	1001112551	1	Decal - Emergency Controls	
50	1001211904	1	Decal - Fuse Box	
51	1705961	5	Decal - Electrocution	
52	1001224045	1	Decal - Fuse Box Cover	
54	1001229782	1	Decal - Wheel Assembly Mass	
57	1001184619	1	Decal - Stop	

SECTION 9 - DECALS

FIGURE 9-3. DECAL INSTALLATION - BRAZIL SPEC (ENGLISH/PORTUGUESE)

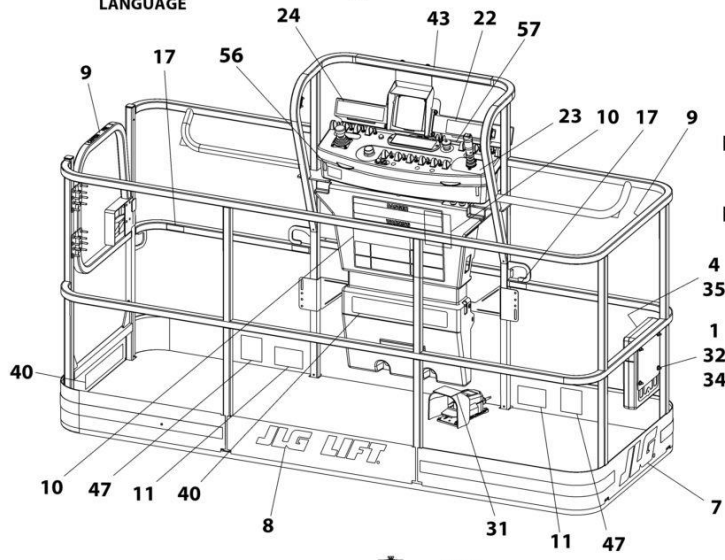
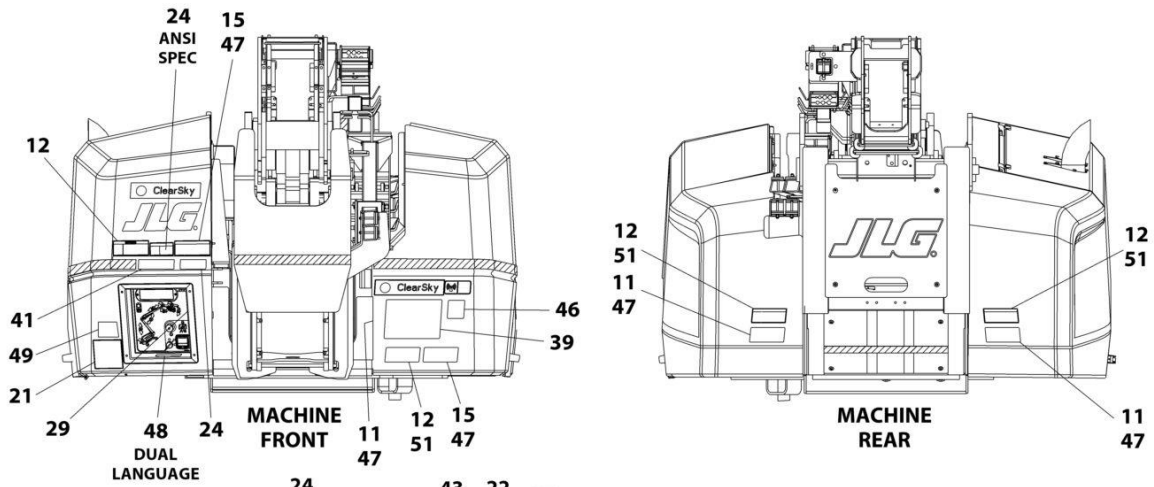


NOTE: ITEMS SHOWN MAY NOT BE REQUIRED FOR ALL SPECS. REFER TO PARTS LISTS FOR USAGE.
 NOTE: ADDITIONAL DECALS CALLED OUT ON DECAL INSTALLATION - OPTIONS.

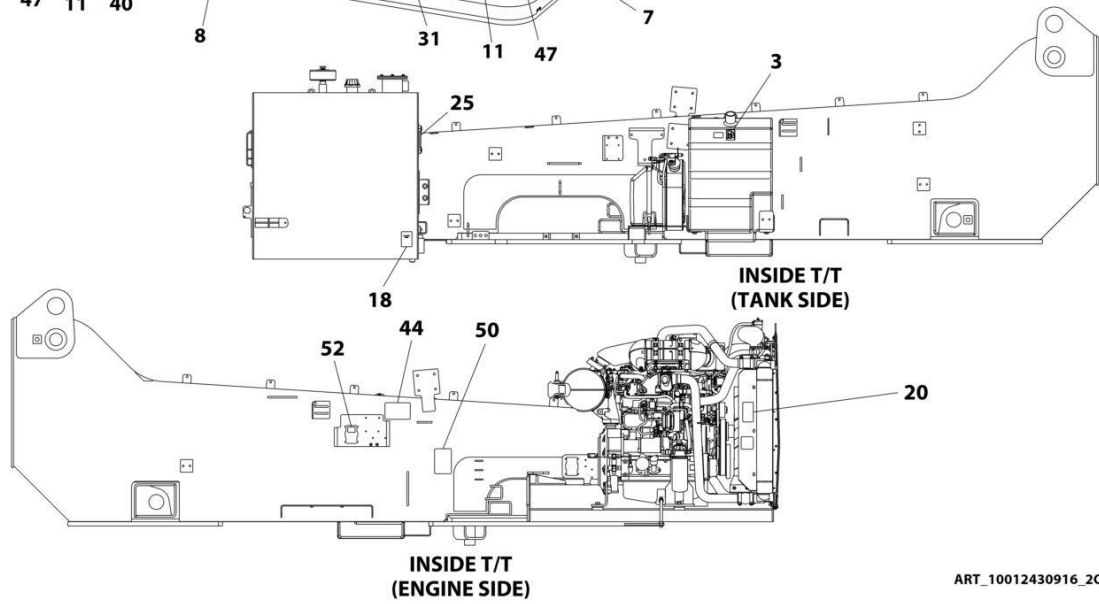


ART_1001243096_10F2

SECTION 9 - DECALS



NOTE: ITEMS SHOWN MAY NOT BE REQUIRED FOR ALL SPECS. REFER TO PARTS LISTS FOR USAGE.
NOTE: ADDITIONAL DECALS CALLED OUT ON DECAL INSTALLATION - OPTIONS.



ART_10012430916_20F2

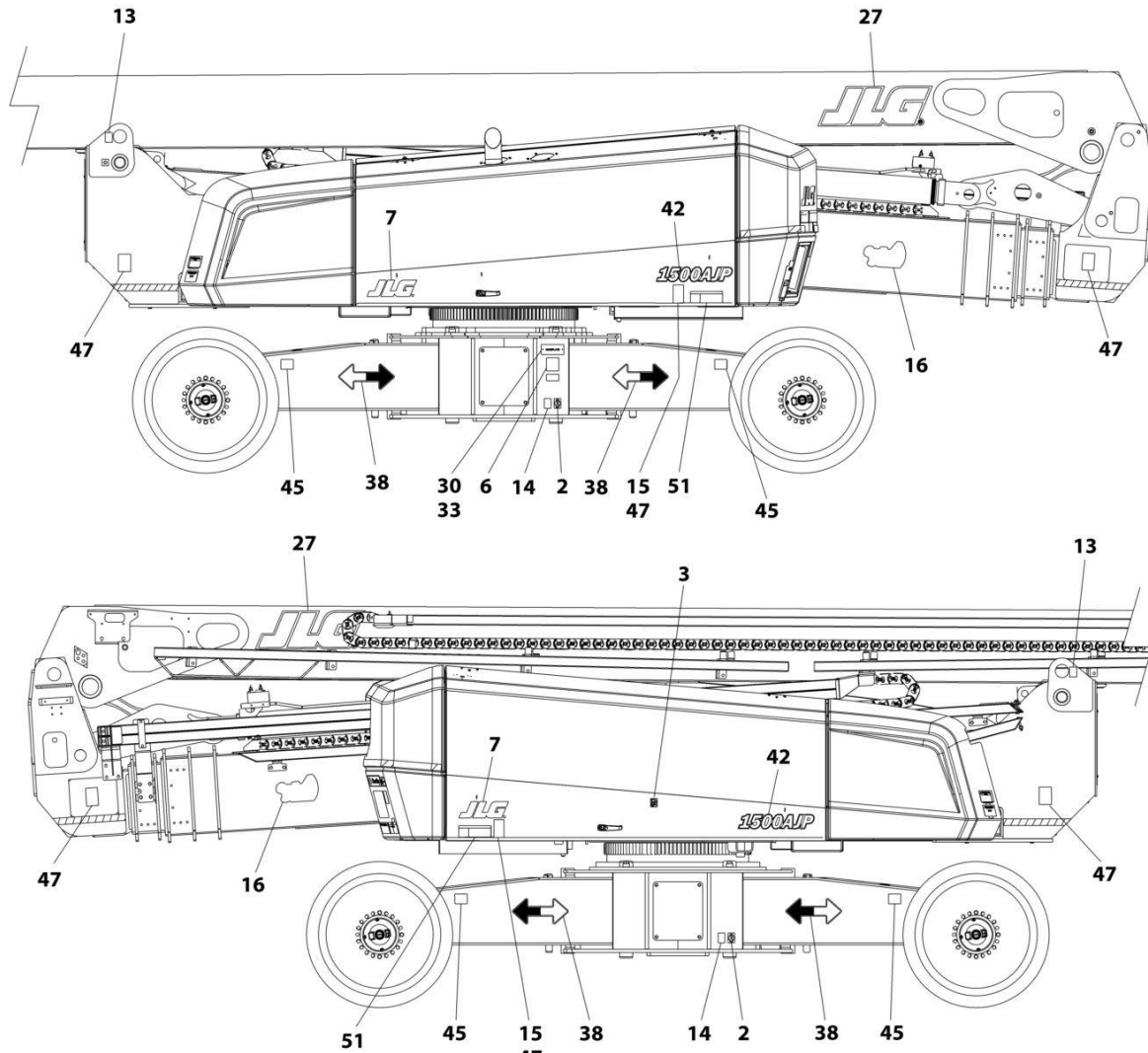
SECTION 9 - DECALS

FIGURE 9-3. DECAL INSTALLATION - BRAZIL SPEC (ENGLISH/PORTUGUESE)

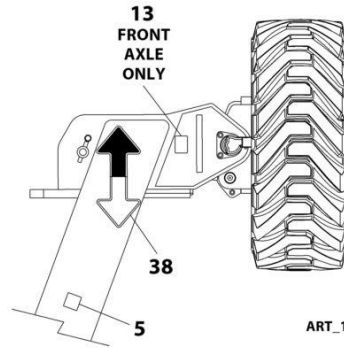
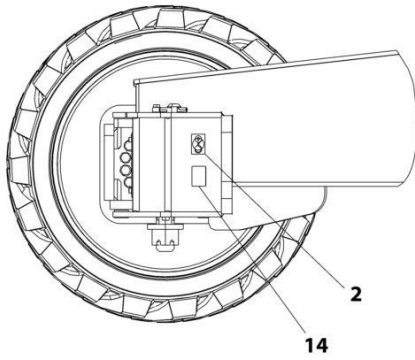
ITEM	PART NUMBER	QTY	DESCRIPTION	REV
	1001243096	Ref	DECAL INSTALLATION - BRAZIL SPEC (ENGLISH/PORTUGUESE)	F
	1001197315	Ref	DECAL INSTALLATION - REFERENCE	N
1	0641406	4	Bolt 1/4 x 3/4	
2	1701499	6	Decal - No Tie Down/Lift	
3	1701505	2	Decal - Diesel Fuel	
4	1701509	1	Decal - Manual	
5	1701691	4	Decal - No Step	
6	See Note	NSS	Decal - Bar Code (Note: Not Available for Purchase)	
7	1702773	3	Decal - JLG	
8	1702774	1	Decal - JLG Lift	
9	1705967	2	Decal - No Hands	
10	1001231319	1	Decal - Danger/Warning	
11	1705898	6	Decal - Crushing	
12	1705897	6	Decal - Danger Electrocution	
13	1703811	4	Decal - Lifting Lug	
14	1703814	6	Decal - Tie Down	
15	1705903	8	Decal - Warning Crushing	
16	1703959	2	Decal - Quik Stik	
17	1704277	3	Decal - Lanyard Attach	
18	1704412	1	Decal - Hydraulic Oil	
20	1706059	1	Decal - Warning Explosion	
21	1705896	1	Decal - Warning Inspection	
23	1705905	1	Decal - Drive/Steer Instruction	
24	1705906	1	Decal - Tip-Over Hazard	
25	1705511	1	Decal - Oil Level	
27	1705864	2	Decal - JLG	
28	1705865	2	Decal - Ultraboom (Prior to SN 0300281037)	
28	1001267315	2	Decal - Ultraboom (SN 0300281037 to Present)	
29	1001225220	1	Decal - Legend	
30	See Note	NSS	Nameplate - Serial Number (Note: Not Available for Purchase)	
31	1705902	1	Decal - Footswitch	
32	3311405	4	Nut 1/4	
33	3820001	2	Rivet	
34	4751400	8	Washer 1/4	
35	91403230	1	Box, Manual Storage	
38	1001160445	8	Decal - Arrow	
39	1001284691	1	Decal - Lift Diagram	
40	1001254482	1	Decal - Warning Dual Capacity	
41	1001254483	1	Decal - Warning Dual Capacity	
42	1001200707	2	Decal - 1500AJP (Prior to SN 0300280111)	
42	1001268243	2	Decal - 1500AJP (SN 0300280111 to Present)	
43	1001204096	1	Decal - Legend	
44	1001234789	1	Decal - Jump Start/Dual Battery	
45	1001209896	4	Decal - Maximum Tire Load	
50	1001211904	1	Decal - Fuse Box	
52	1001224045	1	Decal - Fuse Box Cover	
53	1001224052	1	Decal - Yearly Inspection	
57	1001195947	1	Decal - Stop and Auxiliary Power	

SECTION 9 - DECALS

FIGURE 9-4. DECAL INSTALLATION - CE & UK CA SPEC

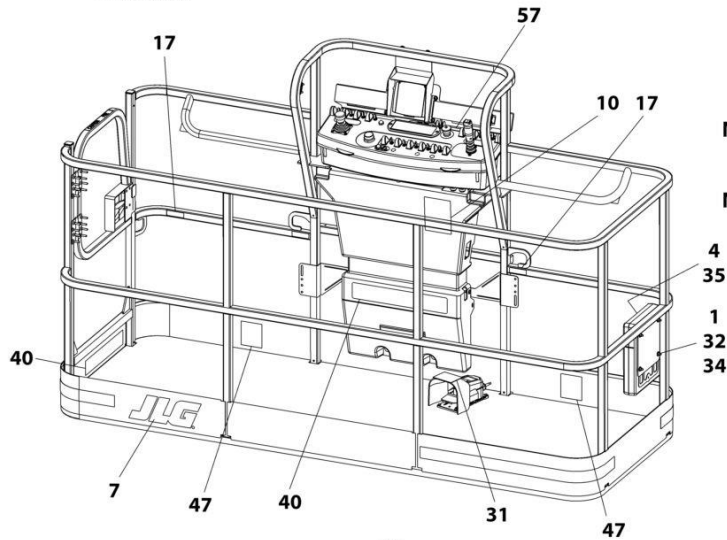
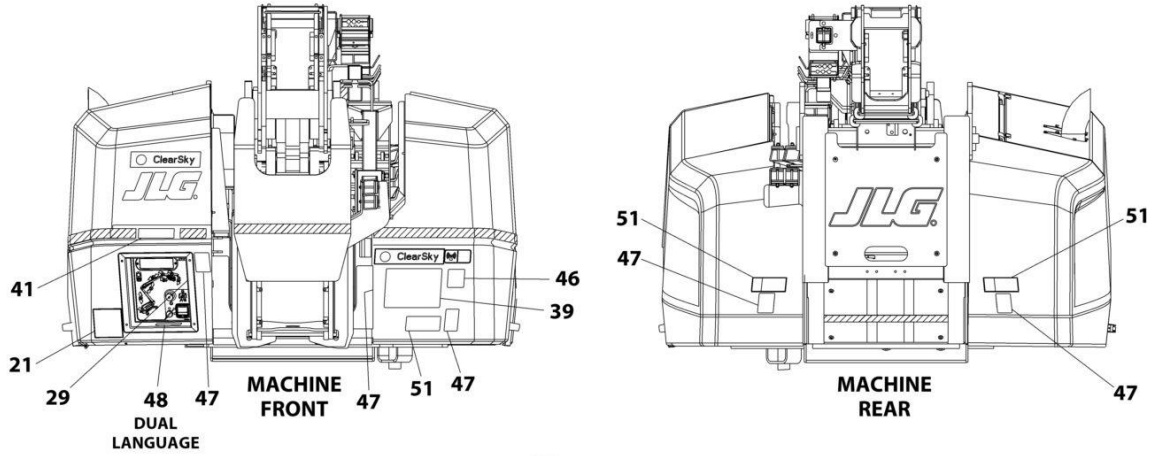


NOTE: ITEMS SHOWN MAY NOT BE REQUIRED FOR ALL SPECS. REFER TO PARTS LISTS FOR USAGE.
NOTE: ADDITIONAL DECALS CALLED OUT ON DECAL INSTALLATION - OPTIONS.

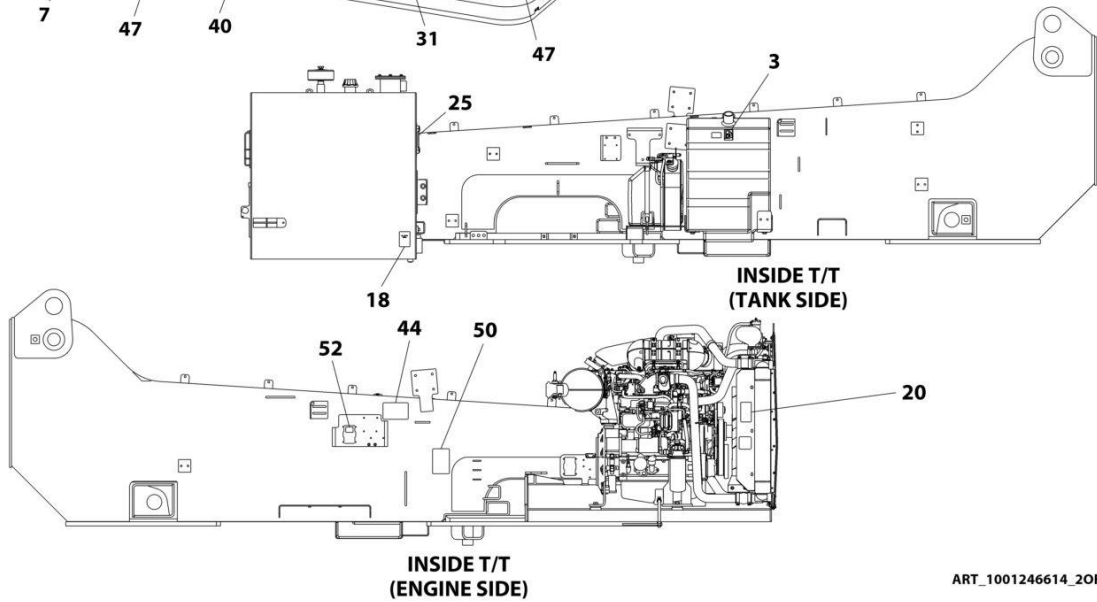


ART_1001246614_10F2

SECTION 9 - DECALS



NOTE: ITEMS SHOWN MAY NOT BE REQUIRED FOR ALL SPECS. REFER TO PARTS LISTS FOR USAGE.
NOTE: ADDITIONAL DECALS CALLED OUT ON DECAL INSTALLATION - OPTIONS.



ART_1001246614_20F2

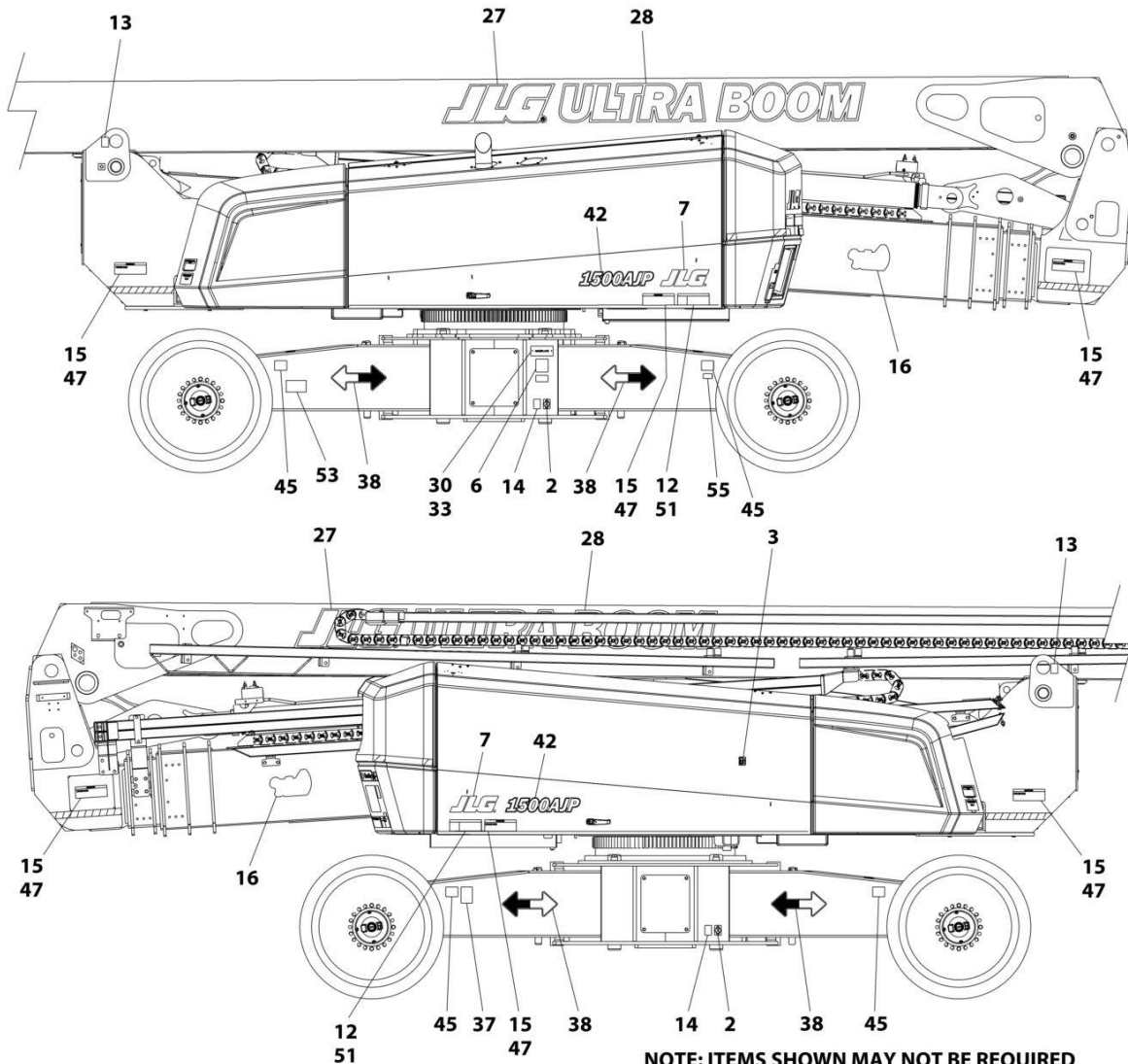
SECTION 9 - DECALS

FIGURE 9-4. DECAL INSTALLATION - CE & UK CA SPEC

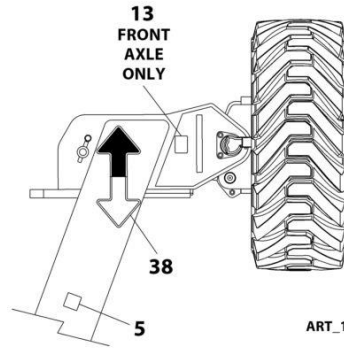
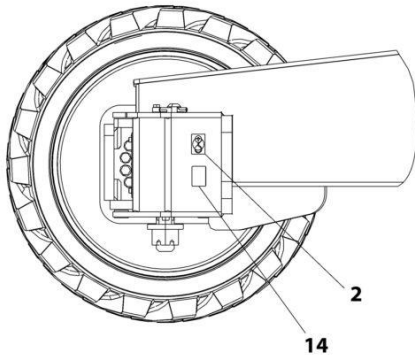
ITEM	PART NUMBER	QTY	DESCRIPTION	REV
	1001246614	Ref	DECAL INSTALLATION - CE & UK CA SPEC	E
	1001234408	Ref	DECAL INSTALLATION - REFERENCE	D
1	0641406	4	Bolt 1/4 x 3/4	
2	1701499	6	Decal - No Tie Down/Lift	
3	1701505	2	Decal - Diesel Fuel	
4	1701509	1	Decal - Manual	
5	1701691	4	Decal - No Step	
6	See Note	NSS	Decal - Bar Code (Note: Not Available for Purchase)	
7	1702773	3	Decal - JLG	
10	1705921	1	Decal - Tipping/Electrocution	
13	1703811	4	Decal - Lifting Lug	
14	1703814	6	Decal - Tie Down	
16	1703959	2	Decal - Quik Stik	
17	1704277	3	Decal - Lanyard Attach	
18	1704412	1	Decal - Hydraulic Oil	
20	1706098	1	Decal - Warning Ether Start	
21	1705822	1	Decal - Electrical/Safety Manual	
25	1705511	1	Decal - Oil Level	
27	1705864	2	Decal - JLG	
30	See Note	NSS	Decal - Serial Number (Note: Not Available for Purchase)	
31	1705828	1	Nameplate - Footswitch	
32	3311405	4	Nut 1/4	
33	3820001	4	Rivet	
34	4751400	8	Washer 1/4	
35	91403230	1	Box, Manual Storage	
38	1001160445	8	Decal - Arrow	
39	1001284691	1	Decal - Lift Diagram	
40	1001200118	1	Decal - Warning Dual Capacity	
41	1001200117	1	Decal - Warning Dual Capacity	
42	1001200707	1	Decal - 1500AJP (Prior to SN 0300280111)	
42	1001268243	2	Decal - 1500AJP (SN 0300280111 to Present)	
44	1001234789	1	Decal - Jump Start/Dual Battery	
45	1001209896	4	Decal - Maximum Tire Load	
46	1705515	1	Decal - Sound Level	
47	1701518	14	Decal - Crushing	
48	1001189882	1	Decal - MSSO Operation	
50	1001211904	1	Decal - Fuse Box	
51	1705961	5	Decal - Electrocution	
52	1001224045	1	Decal - Fuse Box Cover	
57	1001184619	1	Decal - Stop	

SECTION 9 - DECALS

FIGURE 9-5. DECAL INSTALLATION - CHINA SPEC (ENGLISH/CHINESE)

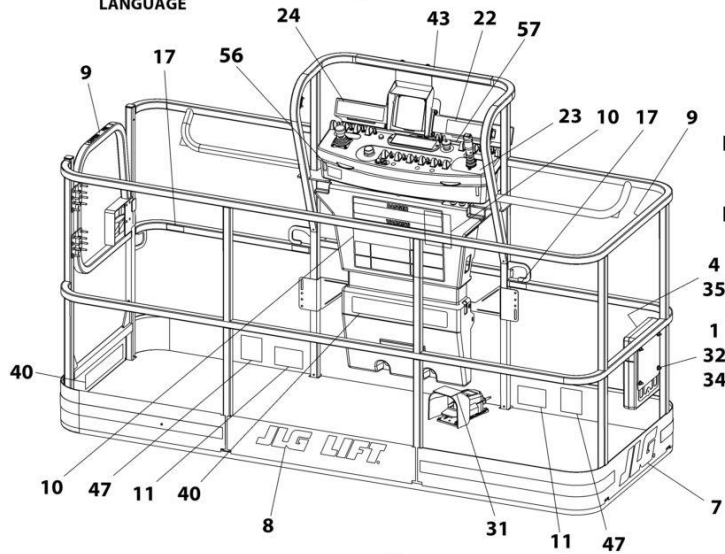
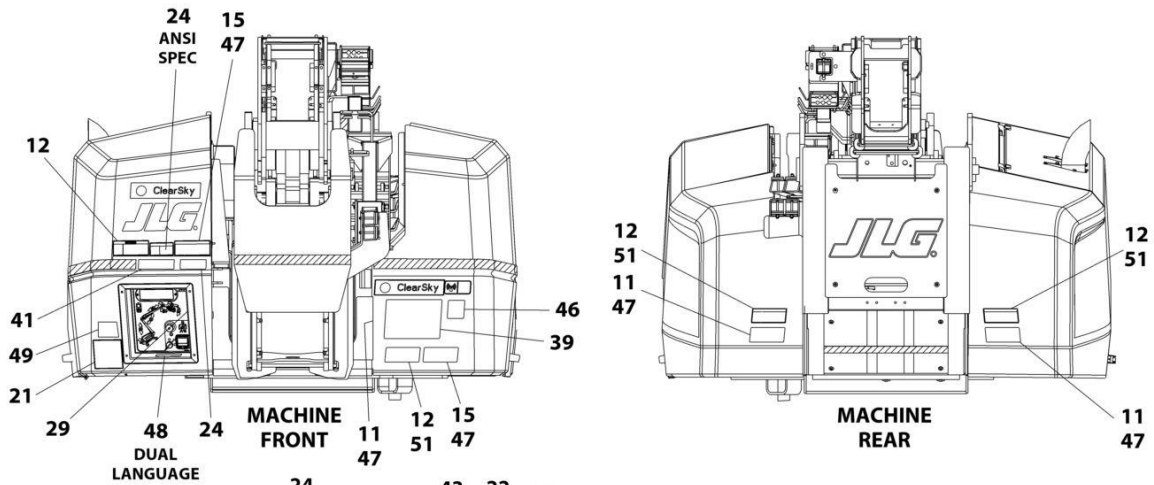


NOTE: ITEMS SHOWN MAY NOT BE REQUIRED FOR ALL SPECS. REFER TO PARTS LISTS FOR USAGE.
 NOTE: ADDITIONAL DECALS CALLED OUT ON DECAL INSTALLATION - OPTIONS.

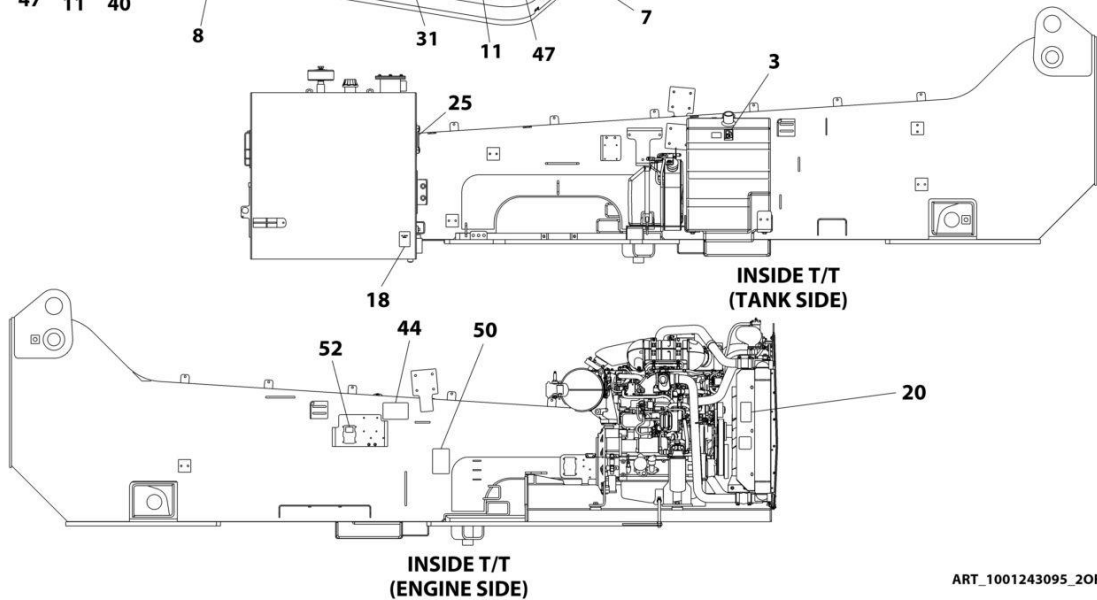


ART_1001243095_10F2

SECTION 9 - DECALS



NOTE: ITEMS SHOWN MAY NOT BE REQUIRED FOR ALL SPECS. REFER TO PARTS LISTS FOR USAGE.
NOTE: ADDITIONAL DECALS CALLED OUT ON DECAL INSTALLATION - OPTIONS.



ART_1001243095_20F2

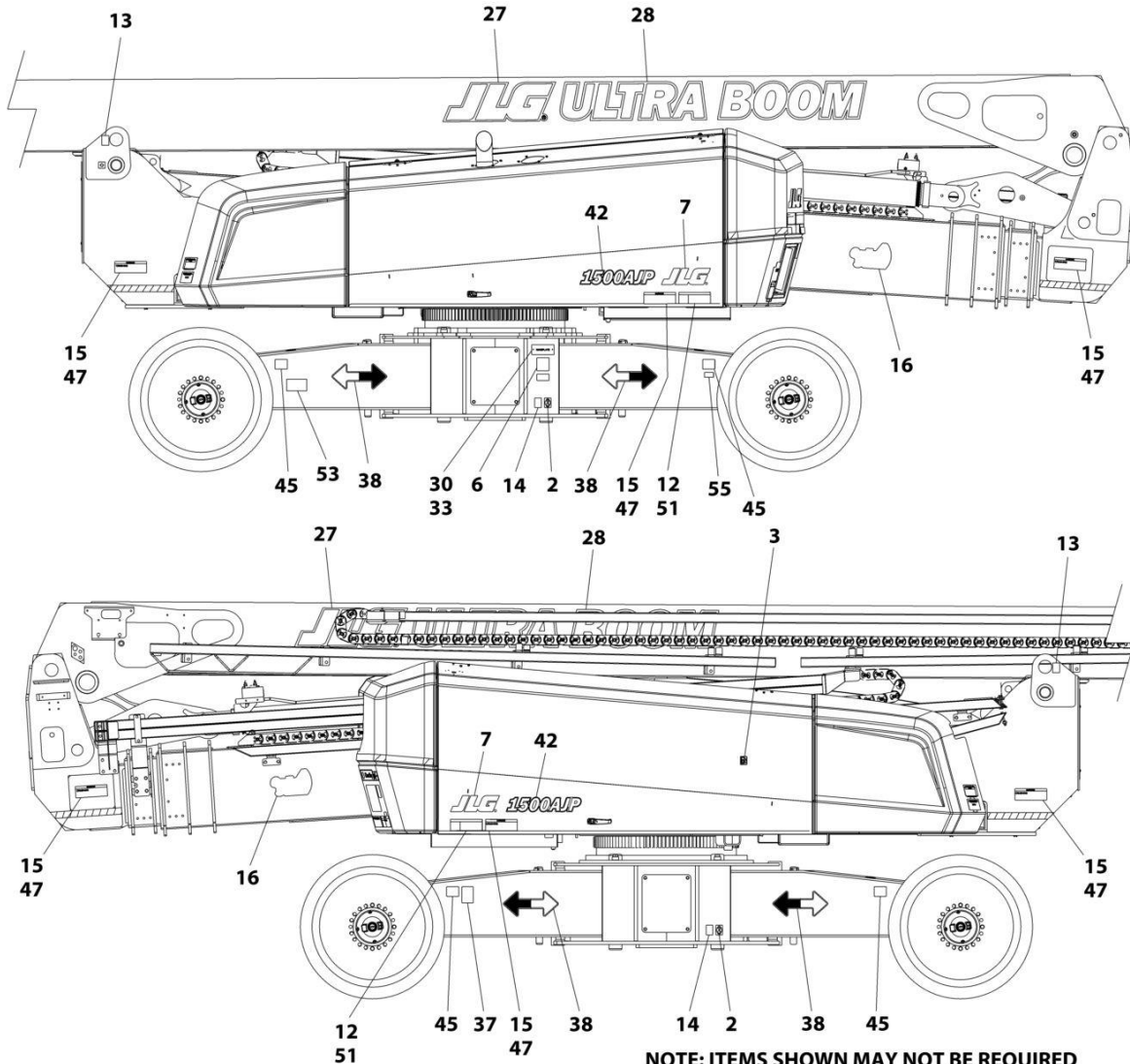
SECTION 9 - DECALS

FIGURE 9-5. DECAL INSTALLATION - CHINA SPEC (ENGLISH/CHINESE)

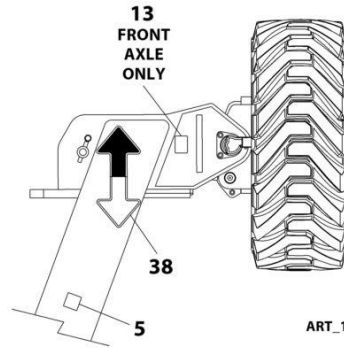
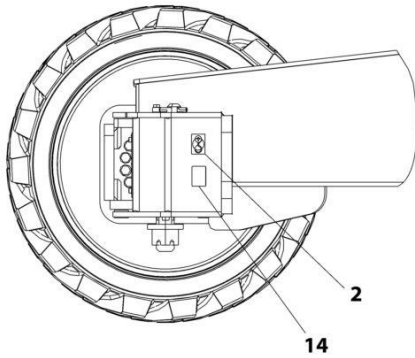
ITEM	PART NUMBER	QTY	DESCRIPTION	REV
	1001243095	Ref	DECAL INSTALLATION - CHINA SPEC (ENGLISH/CHINESE)	F
	1001197315	Ref	DECAL INSTALLATION - REFERENCE	N
1	0641406	4	Bolt 1/4 x 3/4	
2	1701499	6	Decal - No Tie Down/Lift	
3	1701505	2	Decal - Diesel Fuel	
4	1701509	1	Decal - Manual	
5	1701691	4	Decal - No Step	
6	See Note	NSS	Decal - Bar Code (Note: Not Available for Purchase)	
7	1702773	3	Decal - JLG	
8	1702774	1	Decal - JLG Lift	
9	1001116846	2	Decal - Caution No Hands	
10	1001231321	1	Decal - Warning/Danger	
11	1703949	6	Decal - Crushing	
12	1001116851	6	Decal - Electrocutation	
13	1703811	4	Decal - Lifting Lug	
14	1703814	6	Decal - Tie Down	
15	1703943	8	Decal - Warning Crushing	
16	1703959	2	Decal - Quik Stik	
17	1704277	3	Decal - Lanyard Attach	
18	1704412	1	Decal - Hydraulic Oil	
20	1706060	1	Decal - Warning Fire Hazard	
21	1001116849	1	Decal - Warning Inspection	
23	1705430	1	Decal - Drive Steer	
24	1001117035	1	Decal - Tip-Over	
25	1705511	1	Decal - Oil Level	
27	1705864	2	Decal - JLG	
28	1705865	2	Decal - Ultraboom (Prior to SN 0300281037)	
28	1001267315	2	Decal - Ultraboom (SN 0300281037 to Present)	
31	1703982	1	Decal - Footswitch	
32	3311405	4	Nut 1/4	
33	3820001	2	Rivet	
34	4751400	8	Washer 1/4	
35	91403230	1	Box, Manual Storage	
38	1001160445	8	Decal - Arrow	
39	1001284691	1	Decal - Lift Diagram	
40	1001254480	1	Decal - Warning Dual Capacity	
41	1001254481	1	Decal - Warning Dual Capacity	
42	1001200707	2	Decal - 1500AJP (Prior to SN 0300280111)	
42	1001268243	2	Decal - 1500AJP (SN 0300280111 to Present)	
44	1001234789	1	Decal - Jump Start/Dual Battery	
45	1001209896	4	Decal - Maximum Tire Load	
50	1001211904	1	Decal - Fuse Box	
52	1001224045	1	Decal - Fuse Box Cover	
53	1001224050	1	Decal - Decal Yearly Inspection	
57	1001195947	1	Decal - Stop and Auxiliary Power	

SECTION 9 - DECALS

FIGURE 9-6. DECAL INSTALLATION - CSA SPEC (ENGLISH/FRENCH)

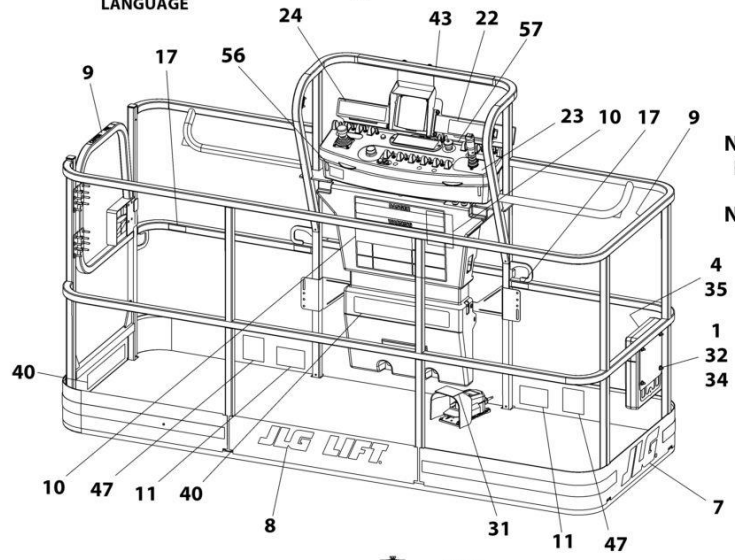
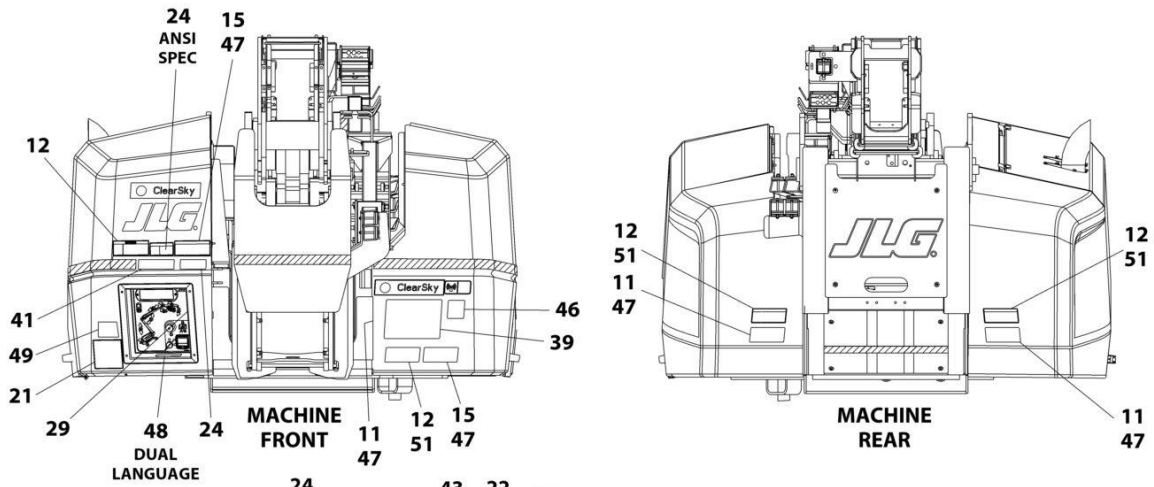


NOTE: ITEMS SHOWN MAY NOT BE REQUIRED FOR ALL SPECS. REFER TO PARTS LISTS FOR USAGE.
 NOTE: ADDITIONAL DECALS CALLED OUT ON DECAL INSTALLATION - OPTIONS.

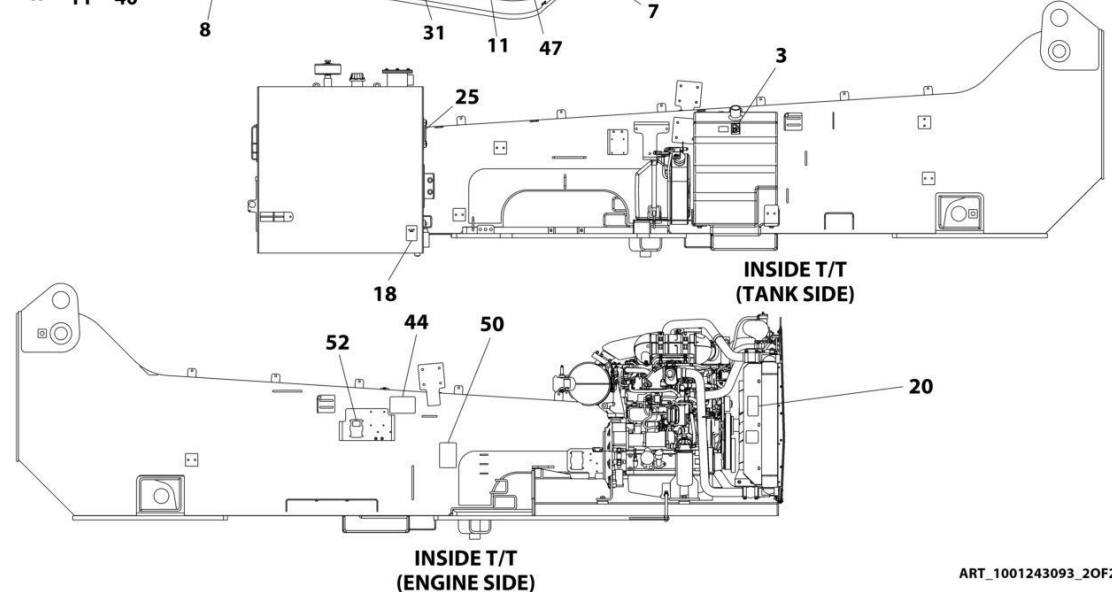


ART_1001243093_10F2

SECTION 9 - DECALS



NOTE: ITEMS SHOWN MAY NOT BE REQUIRED FOR ALL SPECS. REFER TO PARTS LISTS FOR USAGE.
NOTE: ADDITIONAL DECALS CALLED OUT ON DECAL INSTALLATION - OPTIONS.



ART_1001243093_20F2

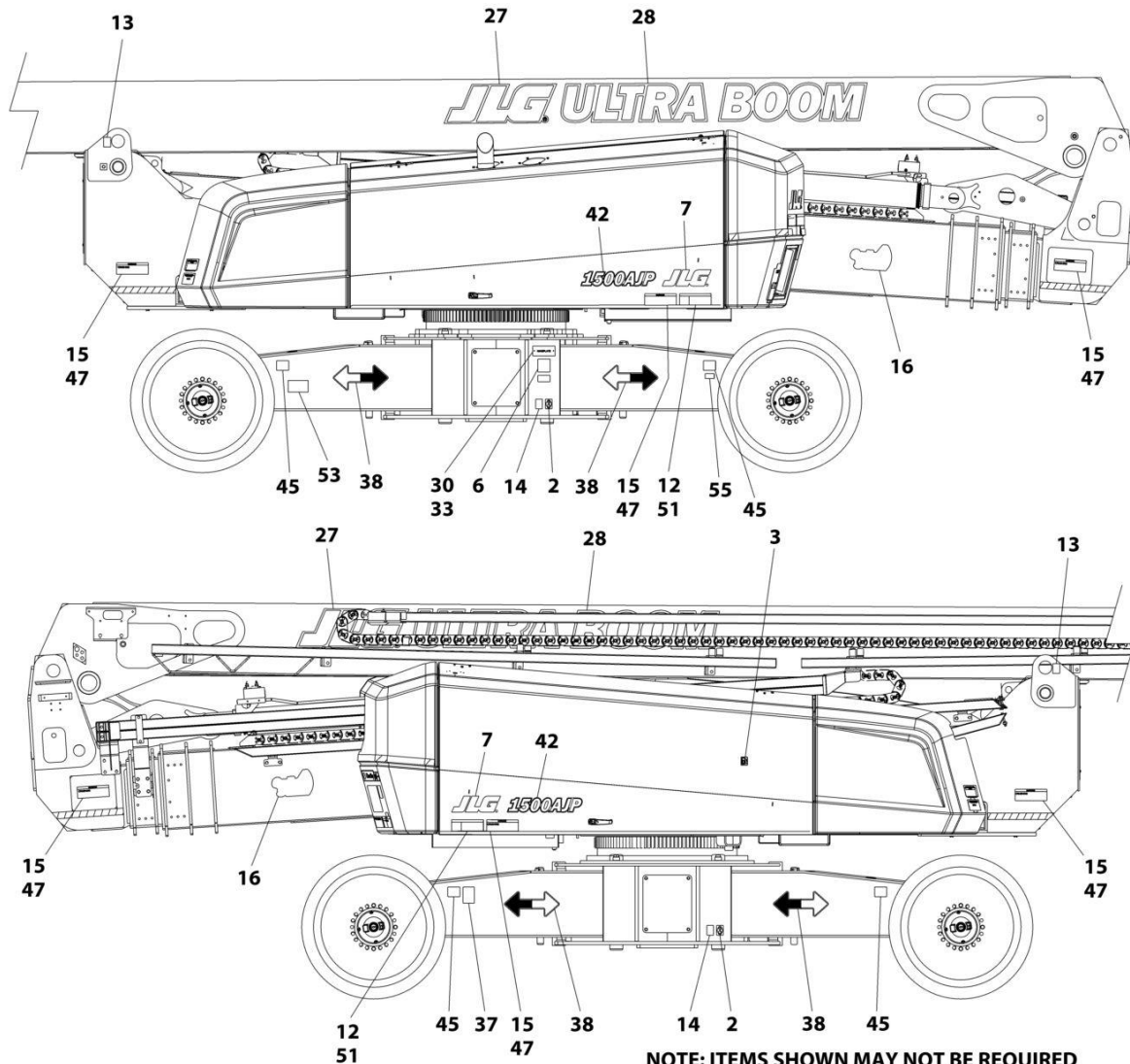
SECTION 9 - DECALS

FIGURE 9-6. DECAL INSTALLATION - CSA SPEC (ENGLISH/FRENCH)

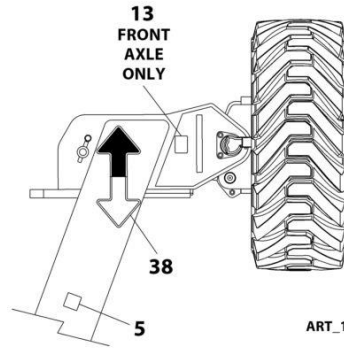
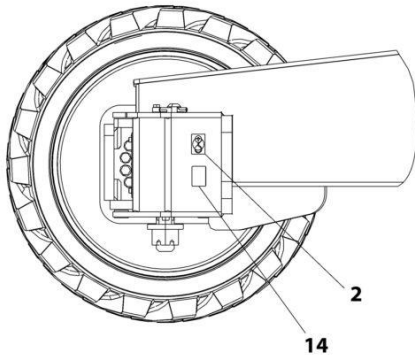
ITEM	PART NUMBER	QTY	DESCRIPTION	REV
	1001243093	Ref	DECAL INSTALLATION - CSA SPEC (ENGLISH/FRENCH)	G
	1001197315	Ref	DECAL INSTALLATION - REFERENCE	N
1	0641406	4	Bolt 1/4 x 3/4	
2	1701499	6	Decal - No Tie Down/Lift	
3	1701505	2	Decal - Diesel Fuel	
4	1701509	1	Decal - Manual	
5	1701691	4	Decal - No Step	
6	See Note	NSS	Decal - Bar Code (Note: Not Available for Purchase)	
7	1702773	3	Decal - JLG	
8	1702774	1	Decal - JLG Lift	
9	1704000	2	Decal - No Hands	
10	1001231316	1	Decal - Danger/Warning	
11	1703948	6	Decal - Warning Crushing	
12	1703936	6	Decal - Electrocution	
13	1703811	4	Decal - Lifting Lug	
14	1703814	6	Decal - Tie Down	
15	1703942	8	Decal - Crushing	
16	1703959	2	Decal - Quik Stik	
17	1704277	3	Decal - Lanyard Attach	
18	1704412	1	Decal - Hydraulic Oil	
20	1706064	1	Decal - Warning Fire Hazard	
21	1705347	1	Decal - Warning Inspection	
23	1705429	1	Decal - Drive/Steer Instructions	
24	1705505	1	Decal - Tip-Over	
25	1705511	1	Decal - Oil Level	
27	1705864	2	Decal - JLG	
28	1705865	2	Decal - Ultraboom (Prior to SN 0300281037)	
28	1001267315	2	Decal - Ultraboom (SN 0300281037 to Present)	
31	1703984	1	Decal - Footswitch	
32	3311405	4	Nut 1/4	
33	3820001	2	Rivet	
34	4751400	8	Washer 1/4	
35	91403230	1	Box, Manual Storage	
37	1001131269	1	Decal - Patent	
38	1001160445	8	Decal - Arrow	
39	1001284691	1	Decal - Lift Diagram	
40	1001254476	1	Decal - Warning Dual Capacity	
41	1001254477	1	Decal - Warning Dual Capacity	
42	1001200707	2	Decal - 1500AJP (Prior to SN 0300280111)	
42	1001268243	2	Decal - 1500AJP (SN 0300280111 to Present)	
43	1001204096	1	Decal - Legend	
44	1001234789	1	Decal - Jump Start/Dual Battery	
45	1001209896	4	Decal - Maximum Tire Load	
50	1001211904	1	Decal - Fuse Box	
52	1001224045	1	Decal - Fuse Box Cover	
53	1001223971	1	Decal - Decal Yearly Inspection	
55	1001223453	1	Decal - ICES	
57	1001184619	1	Decal - Stop	

SECTION 9 - DECALS

FIGURE 9-7. DECAL INSTALLATION - JAPAN SPEC (ENGLISH/JAPANESE)

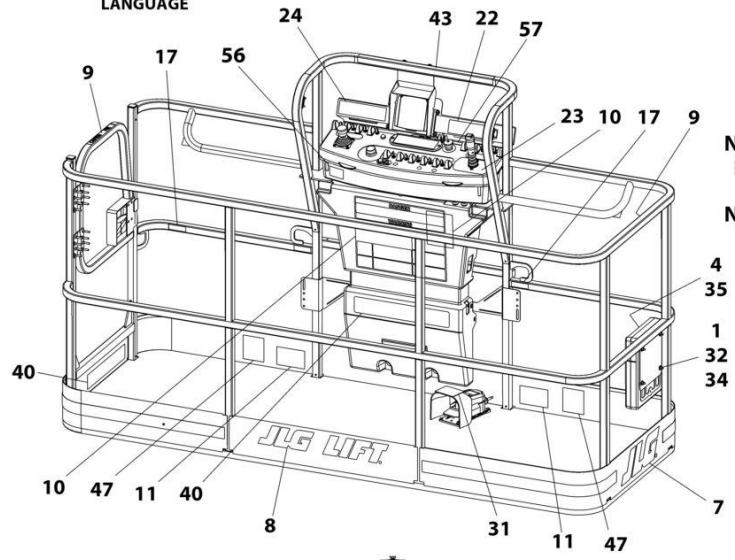
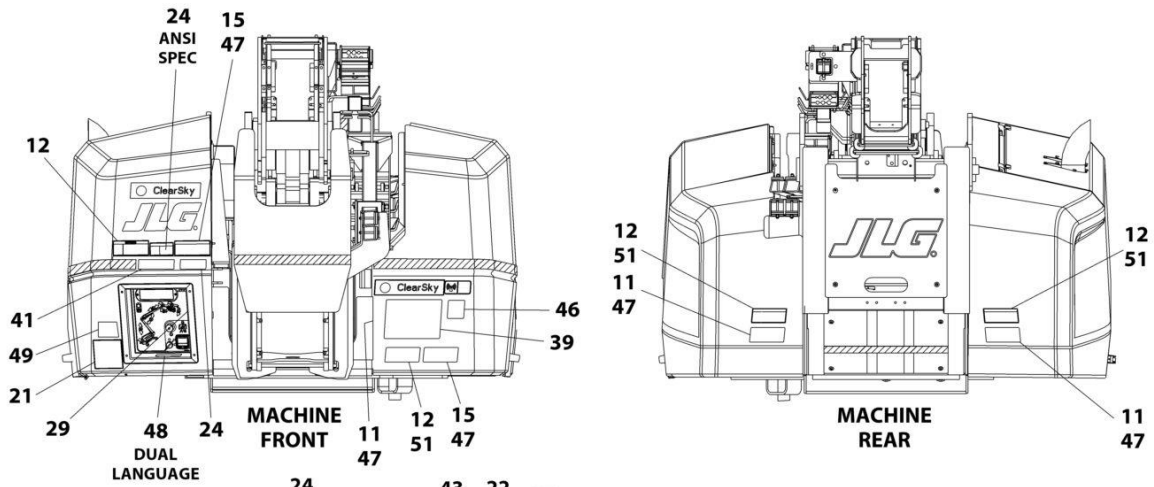


NOTE: ITEMS SHOWN MAY NOT BE REQUIRED FOR ALL SPECS. REFER TO PARTS LISTS FOR USAGE.
 NOTE: ADDITIONAL DECALS CALLED OUT ON DECAL INSTALLATION - OPTIONS.

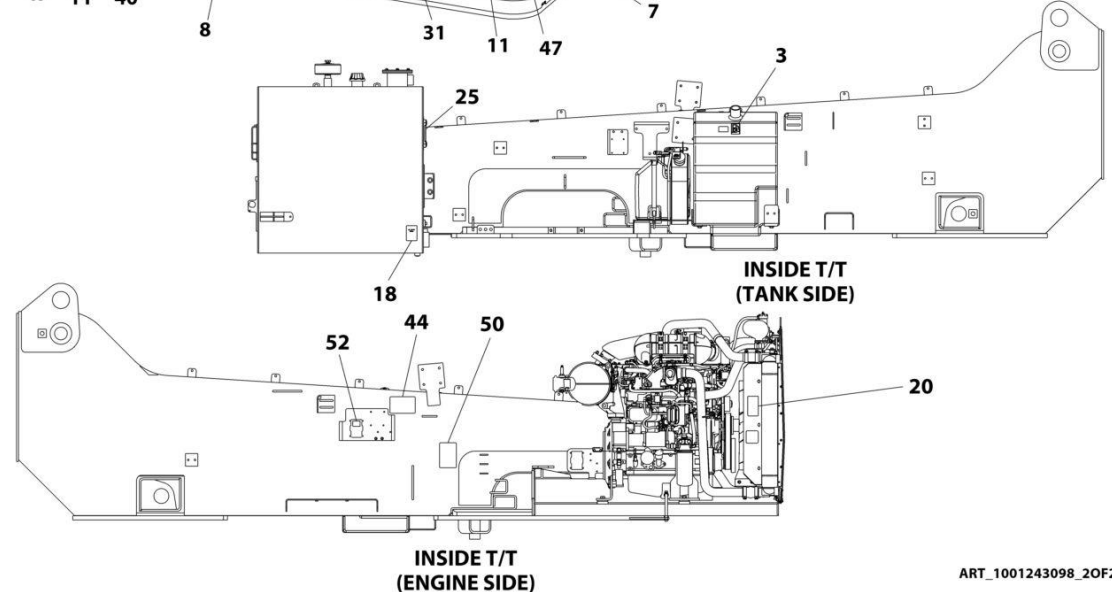


ART_1001243098_10F2

SECTION 9 - DECALS



NOTE: ITEMS SHOWN MAY NOT BE REQUIRED FOR ALL SPECS. REFER TO PARTS LISTS FOR USAGE.
NOTE: ADDITIONAL DECALS CALLED OUT ON DECAL INSTALLATION - OPTIONS.



ART_1001243098_20F2

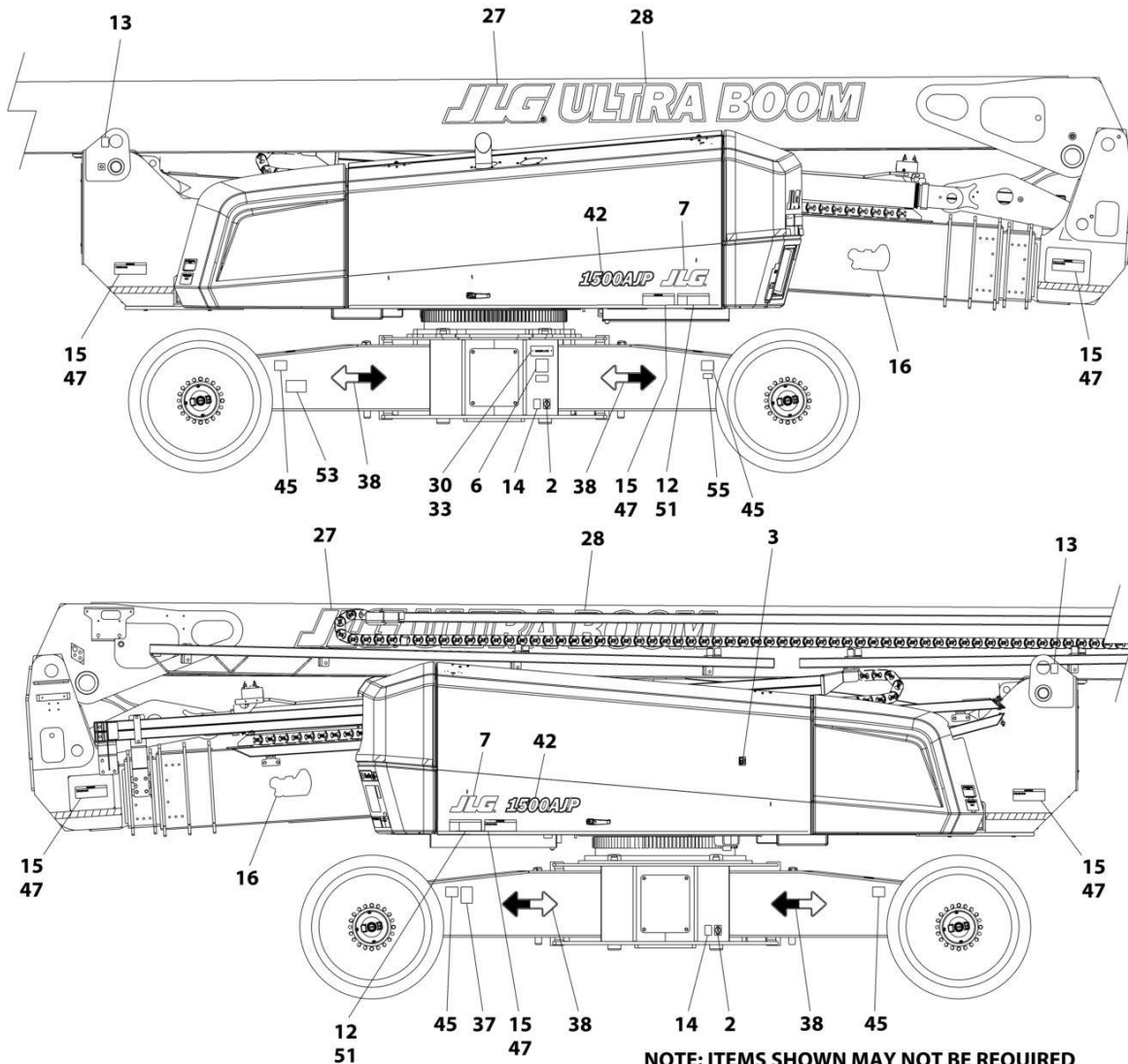
SECTION 9 - DECALS

FIGURE 9-7. DECAL INSTALLATION - JAPAN SPEC (ENGLISH/JAPANESE)

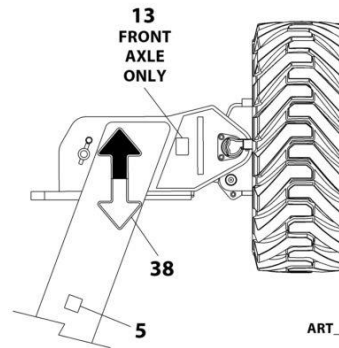
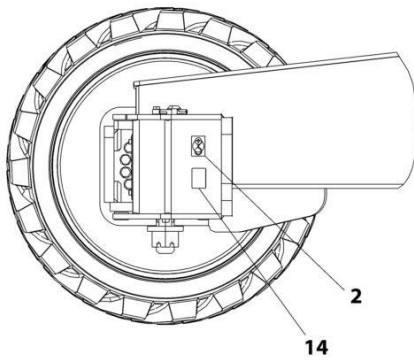
ITEM	PART NUMBER	QTY	DESCRIPTION	REV
	1001243098	Ref	DECAL INSTALLATION - JAPAN SPEC (ENGLISH/JAPANESE)	F
	1001197315	Ref	DECAL INSTALLATION - REFERENCE	N
1	0641406	4	Bolt 1/4 x 3/4	
2	1701499	6	Decal - No Tie Down/Lift	
3	1701505	2	Decal - Diesel Fuel	
4	1701509	1	Decal - Manual	
5	1701691	4	Decal - No Step	
6	See Note	NSS	Decal - Bar Code (Note: Not Available for Purchase)	
7	1702773	3	Decal - JLG	
8	1702774	1	Decal - JLG Lift	
10	1001231320	1	Decal - Danger/Warning	
11	1703950	6	Decal - Crushing	
12	1703938	6	Decal - Electrocution	
13	1703811	4	Decal - Lifting Lug	
14	1703814	6	Decal - Tie Down	
15	1703944	8	Decal - Warning Crushing	
16	1703959	2	Decal - Quik Stik	
17	1704277	3	Decal - Lanyard Attach	
18	1704412	1	Decal - Hydraulic Oil	
20	1704972	1	Decal - Glow Plugs Warning	
21	1705344	1	Decal - Warning Inspection	
23	1705426	1	Decal - Drive/Steer Instruction	
24	1705493	1	Decal - Warning Tip-Over	
25	1705511	1	Decal - Oil Level	
27	1705864	2	Decal - JLG	
28	1705865	2	Decal - Ultraboom (Prior to SN 0300281037)	
28	1001267315	2	Decal - Ultraboom (SN 0300281037 to Present)	
31	1703980	1	Decal - Footswitch	
32	3311405	4	Nut 1/4	
33	3820001	2	Rivet	
34	4751400	8	Washer 1/4	
35	91403230	1	Box, Manual Storage	
38	1001160445	8	Decal - Arrow	
39	1001284691	1	Decal - Lift Diagram	
40	1001254486	1	Decal - Warning Dual Capacity	
41	1001254487	1	Decal - Warning Dual Capacity	
42	1001200707	2	Decal - 1500AJP (Prior to SN 0300280111)	
42	1001268243	2	Decal - 1500AJP (SN 0300280111 to Present)	
44	1001234789	1	Decal - Jump Start/Dual Battery	
45	1001209896	4	Decal - Maximum Tire Load	
50	1001211904	1	Decal - Fuse Box	
52	1001224045	1	Decal - Fuse Box Cover	
53	1001224053	1	Decal - Decal Yearly Inspection	
57	1001195947	1	Decal - Stop and Auxiliary Power	

SECTION 9 - DECALS

FIGURE 9-8. DECAL INSTALLATION - KOREA SPEC (ENGLISH/KOREAN)

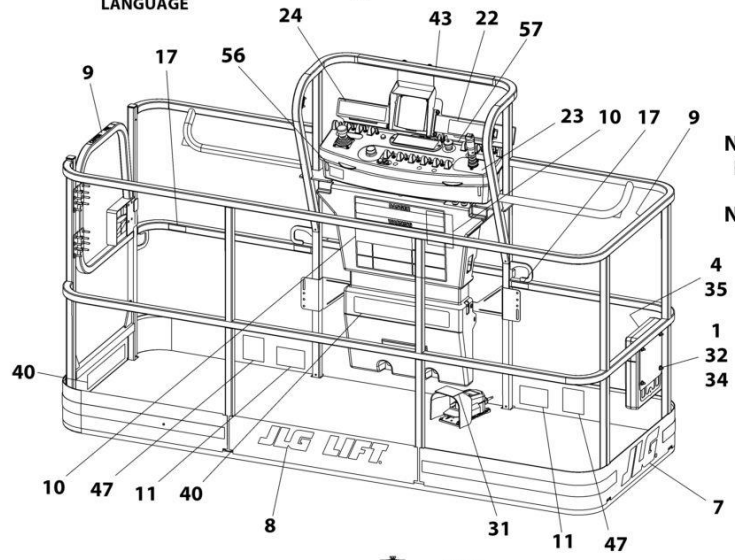
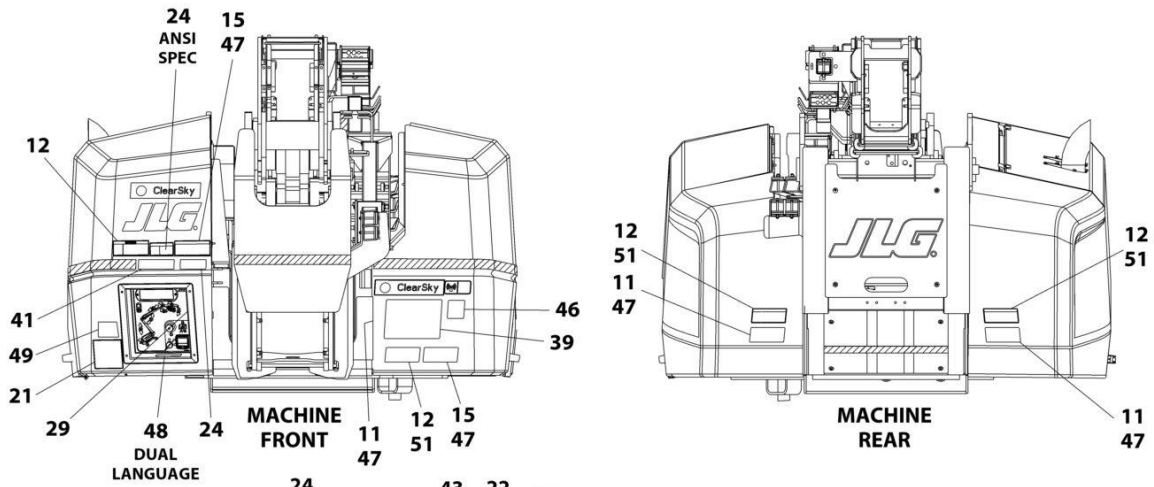


NOTE: ITEMS SHOWN MAY NOT BE REQUIRED FOR ALL SPECS. REFER TO PARTS LISTS FOR USAGE.
 NOTE: ADDITIONAL DECALS CALLED OUT ON DECAL INSTALLATION - OPTIONS.

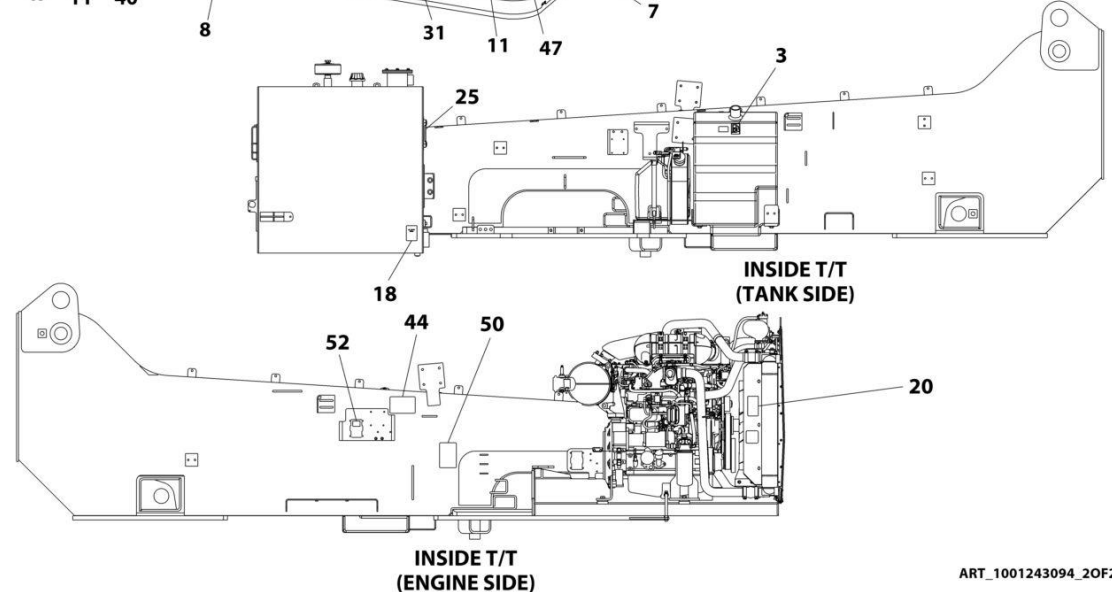


ART_1001243094_10F2

SECTION 9 - DECALS



NOTE: ITEMS SHOWN MAY NOT BE REQUIRED FOR ALL SPECS. REFER TO PARTS LISTS FOR USAGE.
NOTE: ADDITIONAL DECALS CALLED OUT ON DECAL INSTALLATION - OPTIONS.



ART_1001243094_20F2

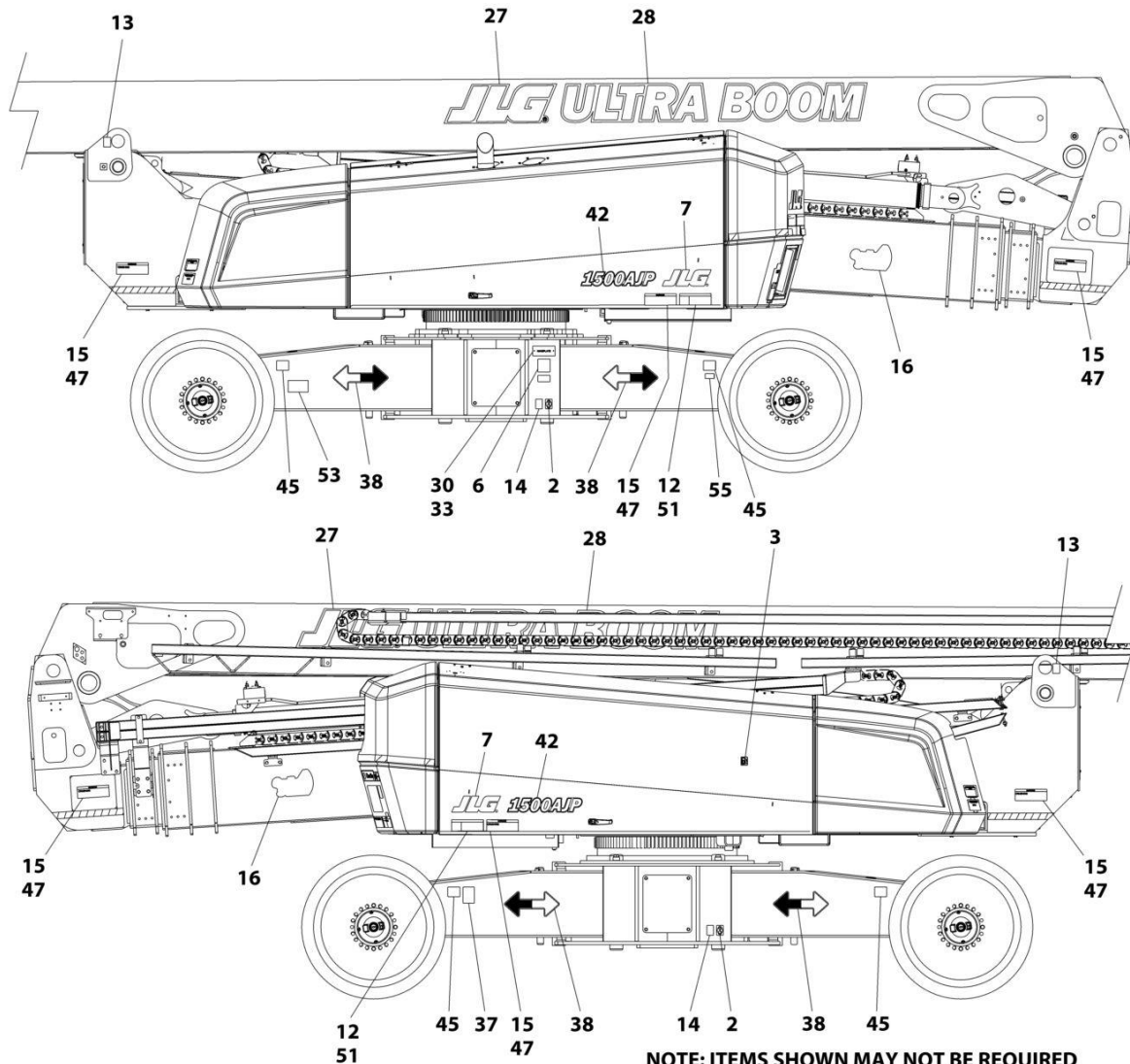
SECTION 9 - DECALS

FIGURE 9-8. DECAL INSTALLATION - KOREA SPEC (ENGLISH/KOREAN)

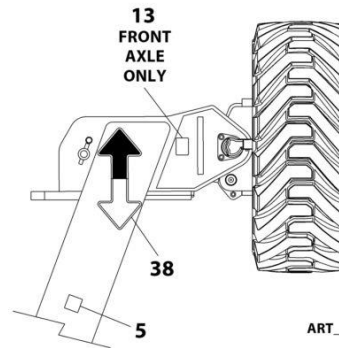
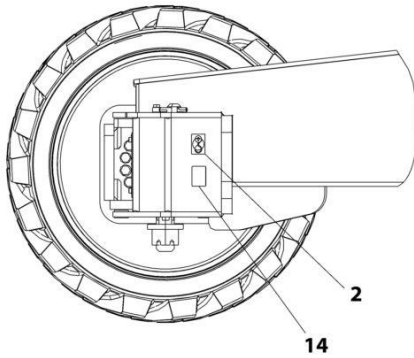
ITEM	PART NUMBER	QTY	DESCRIPTION	REV
	1001243094	Ref	DECAL INSTALLATION - KOREA SPEC (ENGLISH/KOREAN)	F
	1001197315	Ref	DECAL INSTALLATION - REFERENCE	N
1	0641406	4	Bolt 1/4 x 3/4	
2	1701499	6	Decal - No Tie Down/Lift	
3	1701505	2	Decal - Diesel Fuel	
4	1701509	1	Decal - Manual	
5	1701691	4	Decal - No Step	
6	See Note	NSS	Decal - Bar Code (Note: Not Available for Purchase)	
7	1702773	3	Decal - JLG	
8	1702774	1	Decal - JLG Lift	
9	1705969	2	Decal - No Hands	
10	1001231317	1	Decal - Danger/Warning	
11	1703951	6	Decal - Warning Crushing	
12	1703939	6	Decal - Danger Electrocution	
13	1703811	4	Decal - Lifting Lug	
14	1703814	6	Decal - Tie Down	
15	1703945	8	Decal - Warning Crushing	
16	1703959	2	Decal - Quik Stik	
17	1704277	3	Decal - Lanyard Attach	
18	1704412	1	Decal - Hydraulic Oil	
20	1706061	1	Decal - Warning Fire Hazard	
21	1705345	1	Decal - Warning Inspection	
23	1705427	1	Decal - Drive/Steer Instruction	
24	1705503	1	Decal - Warning Tip-Over	
25	1705511	1	Decal - Oil Level	
27	1705864	2	Decal - JLG	
28	1705865	2	Decal - Ultraboom (Prior to SN 0300281037)	
28	1001267315	1	Decal - Ultraboom (SN 0300281037 to Present)	
31	1703981	1	Decal - Footswitch	
32	3311405	4	Nut 1/4	
33	3820001	2	Rivet	
34	4751400	8	Washer 1/4	
35	91403230	1	Box, Manual Storage	
38	1001160445	8	Decal - Arrow	
39	1001284691	1	Decal - Lift Diagram	
40	1001254478	1	Decal - Warning Dual Capacity	
41	1001254479	1	Decal - Warning Dual Capacity	
42	1001200707	2	Decal - 1500AJP (Prior to SN 0300280111)	
42	1001268243	2	Decal - 1500AJP (SN 0300280111 to Present)	
44	1001234789	1	Decal - Jump Start/Dual Battery	
45	1001209896	4	Decal - Maximum Tire Load	
50	1001211904	1	Decal - Fuse Box	
52	1001224045	1	Decal - Fuse Box Cover	
53	1001224048	1	Decal - Decal Yearly Inspection	
57	1001195947	1	Decal - Stop and Auxiliary Power	

SECTION 9 - DECALS

FIGURE 9-9. DECAL INSTALLATION - CSA SPEC (ENGLISH/FRENCH)

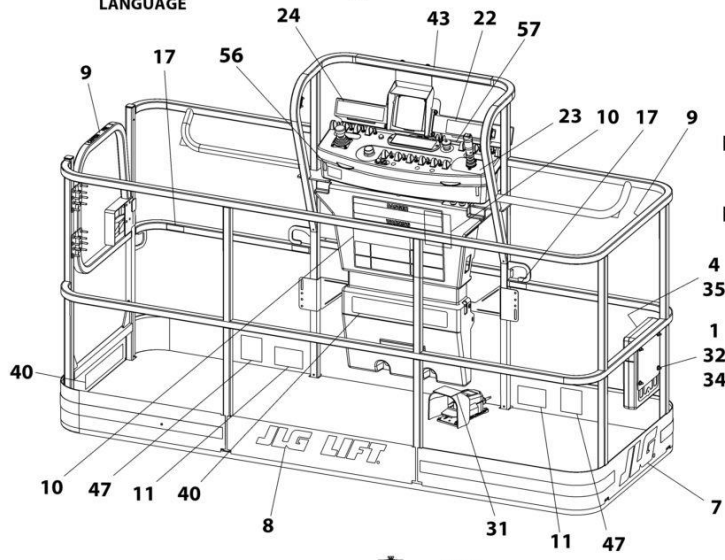
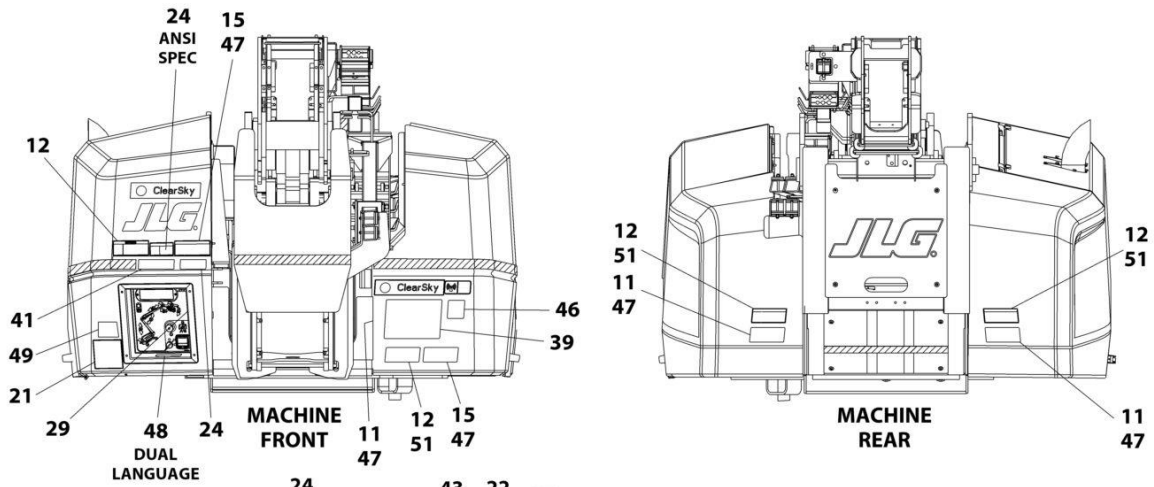


NOTE: ITEMS SHOWN MAY NOT BE REQUIRED FOR ALL SPECS. REFER TO PARTS LISTS FOR USAGE.
 NOTE: ADDITIONAL DECALS CALLED OUT ON DECAL INSTALLATION - OPTIONS.

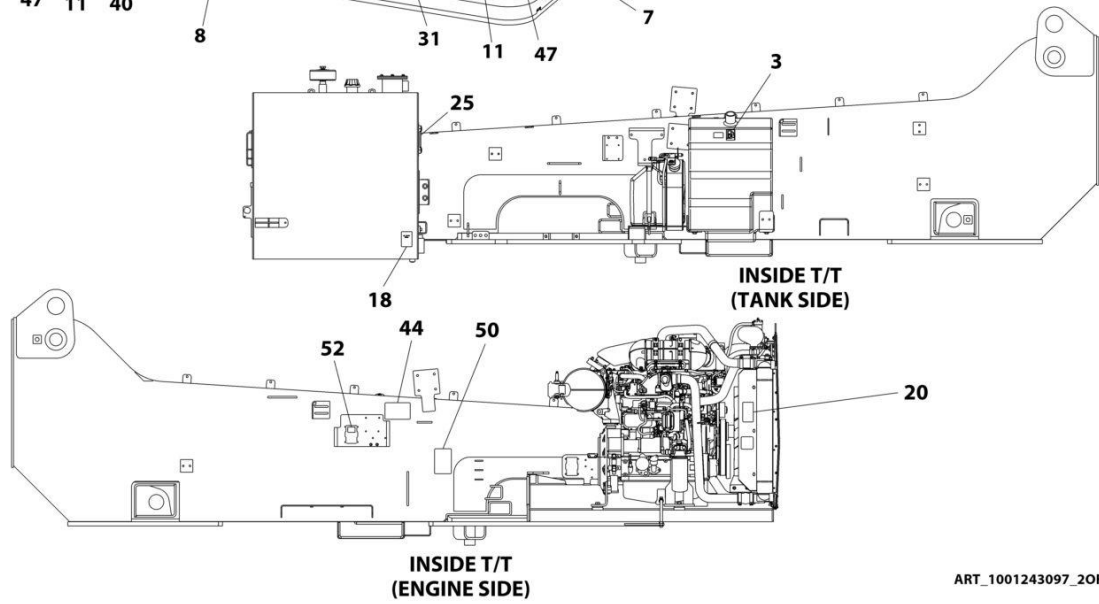


ART_1001243097_10F2

SECTION 9 - DECALS



NOTE: ITEMS SHOWN MAY NOT BE REQUIRED FOR ALL SPECS. REFER TO PARTS LISTS FOR USAGE.
NOTE: ADDITIONAL DECALS CALLED OUT ON DECAL INSTALLATION - OPTIONS.



ART_1001243097_20F2

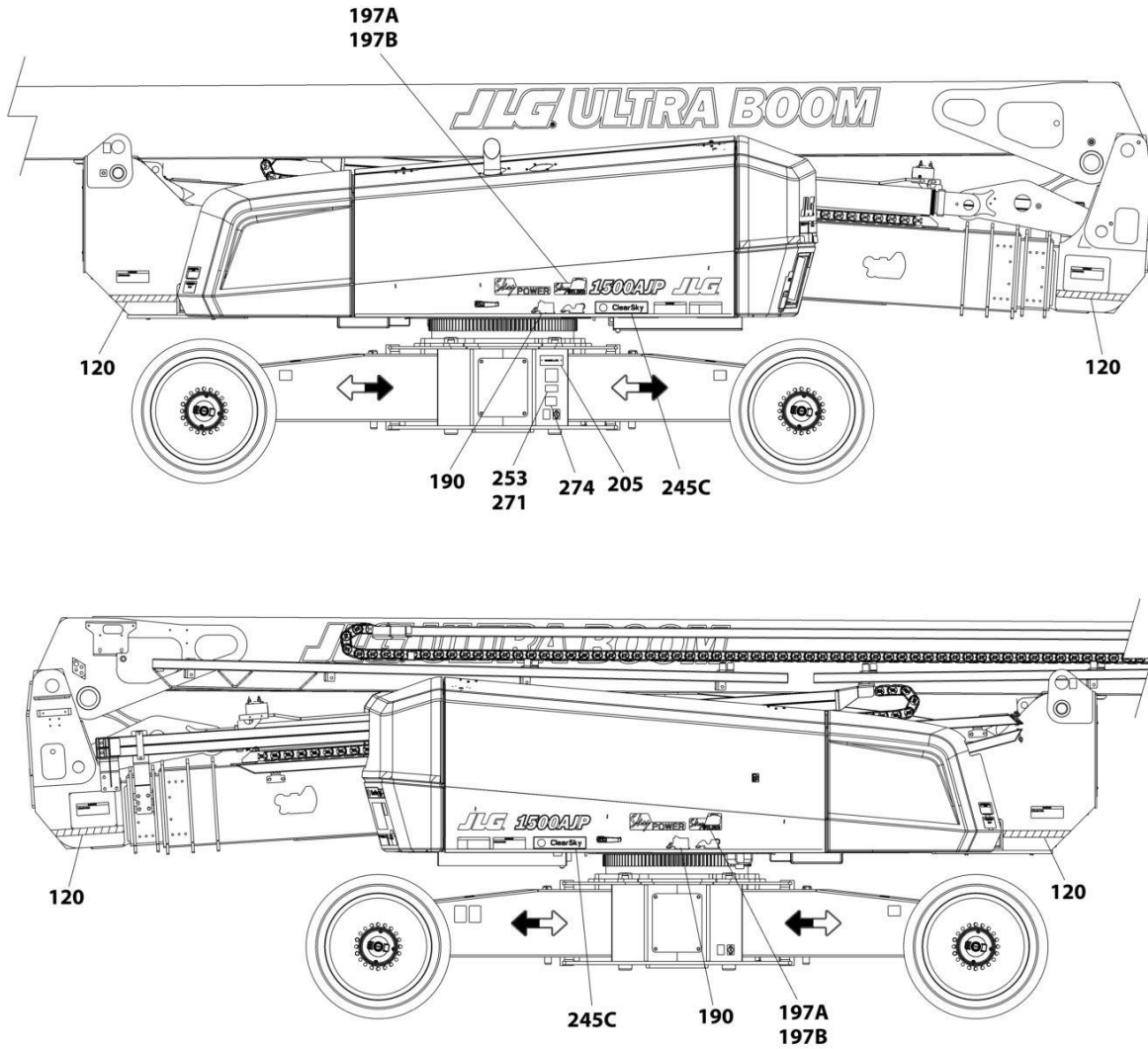
SECTION 9 - DECALS

FIGURE 9-9. DECAL INSTALLATION - CSA SPEC (ENGLISH/FRENCH)

ITEM	PART NUMBER	QTY	DESCRIPTION	REV
	1001243097	Ref	DECAL INSTALLATION - LATIN AMERICA SPEC (ENGLISH/SPANISH)	F
	1001197315	Ref	DECAL INSTALLATION - REFERENCE	N
1	0641406	4	Bolt 1/4 x 3/4	
2	1701499	6	Decal - No Tie Down/Lift	
3	1701505	2	Decal - Diesel Fuel	
4	1701509	1	Decal - Manual	
5	1701691	4	Decal - No Step	
6	See Note	NSS	Decal - Bar Code (Note: Not Available for Purchase)	
7	1702773	3	Decal - JLG	
8	1702774	1	Decal - JLG Lift	
9	1704001	2	Decal - No Hands	
10	1001231318	1	Decal - Danger/Warning	
11	1703947	6	Decal - Warning Crushing	
12	1703935	6	Decal - Electrocutation	
13	1703811	4	Decal - Lifting Lug	
14	1703814	6	Decal - Tie Down	
15	1703941	8	Decal - Warning Crushing	
16	1703959	2	Decal - Quik Stik	
17	1704277	3	Decal - Lanyard Attach	
18	1704412	1	Decal - Hydraulic Oil	
20	1706063	1	Decal - Warning Fire Hazard	
21	1705917	1	Decal - Warning Inspection	
23	1705910	1	Decal - Drive/Steer Instruction	
24	1705915	1	Decal - Tip-Over Hazard	
25	1705511	1	Decal - Oil Level	
27	1705864	2	Decal - JLG	
28	1705865	2	Decal - Ultraboom (Prior to SN 0300281037)	
28	1001267315	2	Decal - Ultraboom (SN 0300281037 to Present)	
31	1703983	1	Decal - Footswitch	
32	3311405	4	Nut 1/4	
33	3820001	2	Rivet	
34	4751400	8	Washer 1/4	
35	91403230	1	Box Manual Storage	
38	1001160445	8	Decal - Arrow	
39	1001284691	1	Decal - Lift Diagram	
40	1001254484	1	Decal - Warning Dual Capacity	
41	1001254485	1	Decal - Warning Dual Capacity	
42	1001200707	2	Decal - 1500AJP (Prior to SN 0300280111)	
42	1001268243	2	Decal - 1500AJP (SN 0300280111 to Present)	
44	1001234789	1	Decal - Jump Start/Dual Battery	
45	1001209896	4	Decal - Max Tire Load	
50	1001211904	1	Decal - Fuse Box	
52	1001224045	1	Decal - Fuse Box Cover	
53	1001224049	1	Decal - Decal Yearly Inspection	
57	1001195947	1	Decal - Stop and Auxiliary Power	

SECTION 9 - DECALS

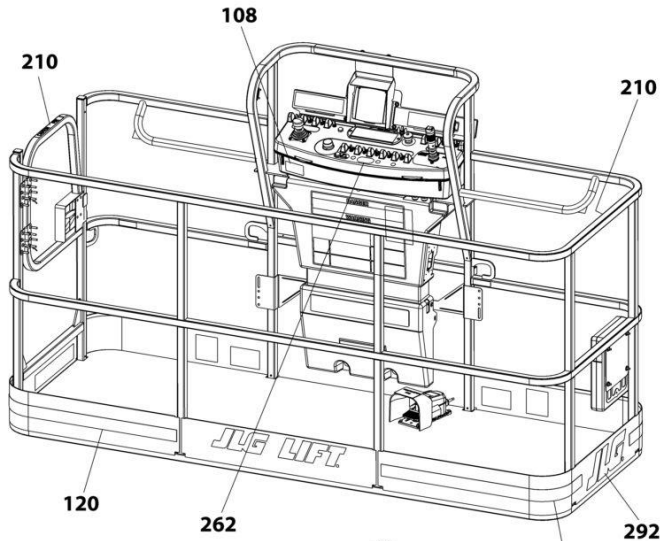
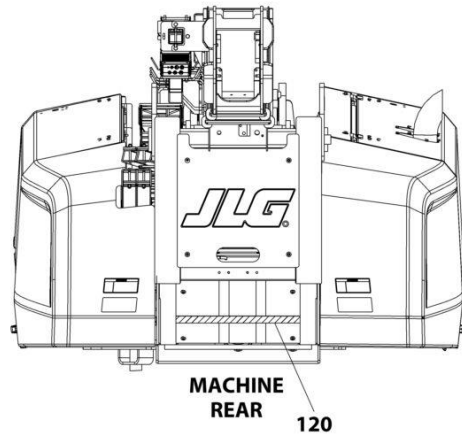
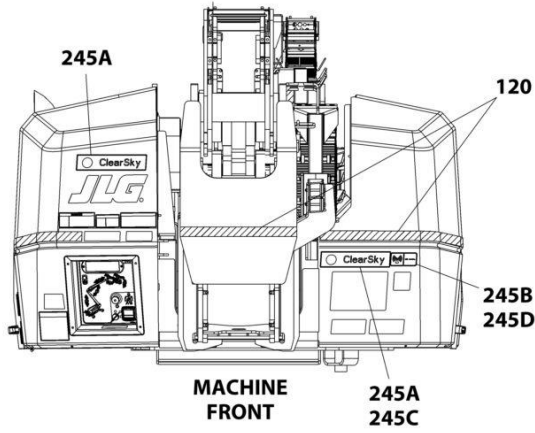
FIGURE 9-10. DECAL INSTALLATION - OPTIONS



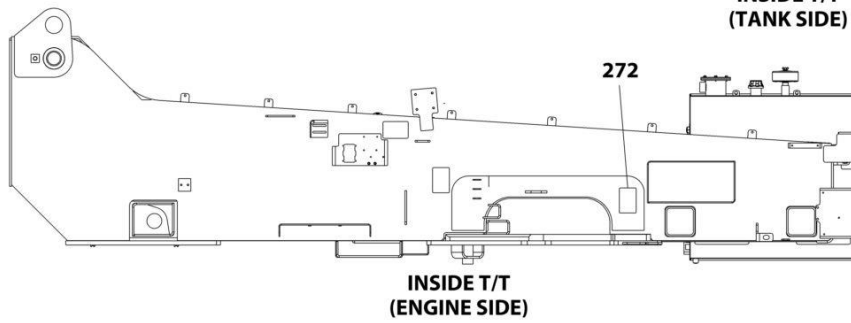
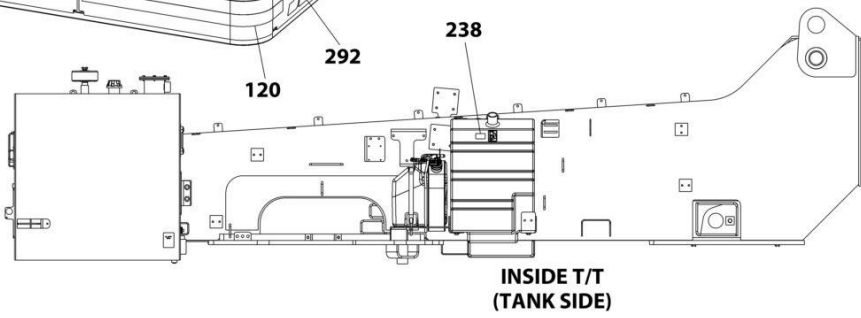
NOTE: ITEMS SHOWN MAY NOT BE REQUIRED FOR ALL SPECS. REFER TO PARTS LISTS FOR USAGE.

ART_DECAL_OPTIONS_10F2

SECTION 9 - DECALS



NOTE: ITEMS SHOWN MAY NOT BE REQUIRED FOR ALL SPECS. REFER TO PARTS LISTS FOR USAGE.



ART_DECAL_OPTIONS_20F2

SECTION 9 - DECALS

FIGURE 9-10. DECAL INSTALLATION - OPTIONS

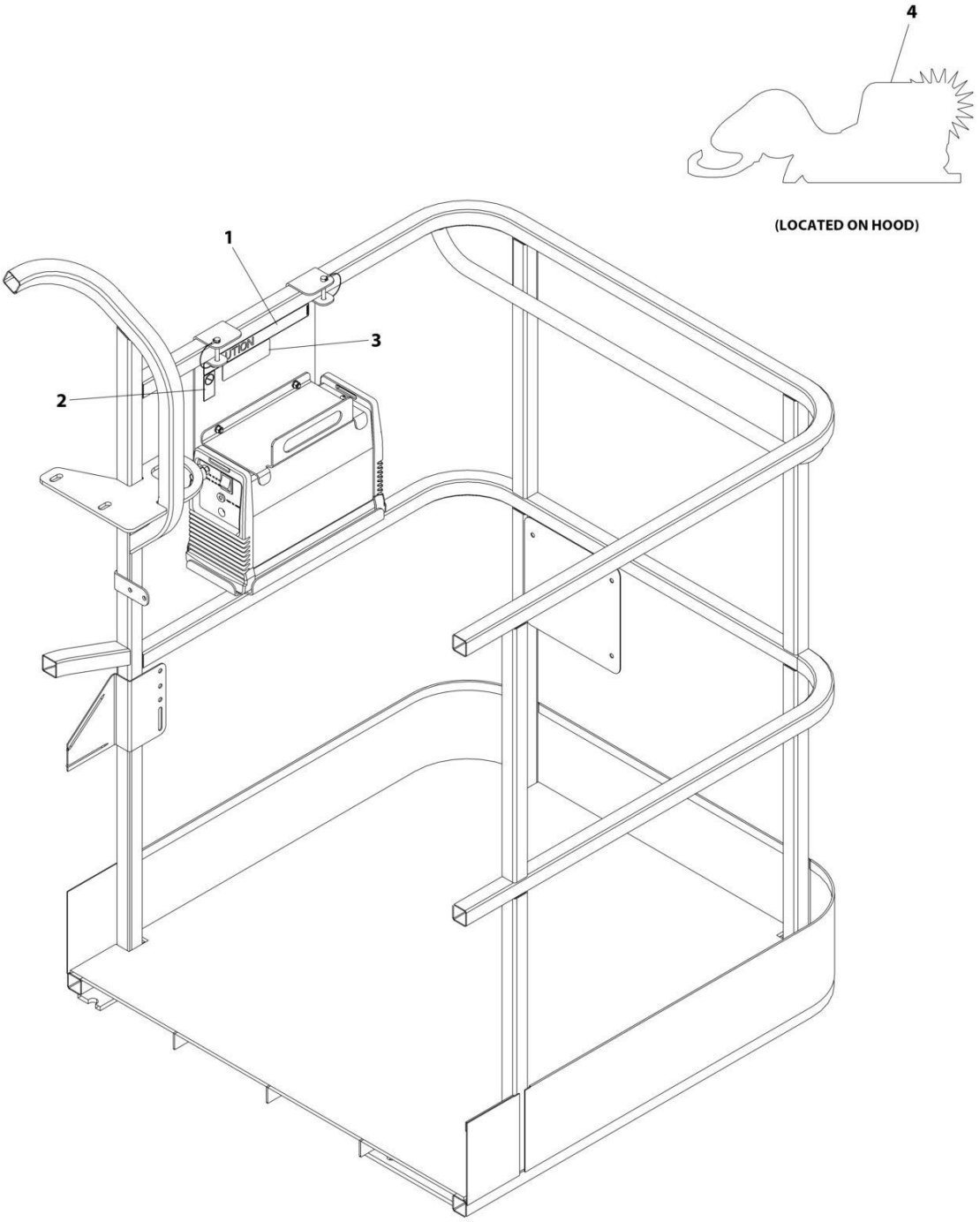
ITEM	PART NUMBER	QTY	DESCRIPTION	REV
		Ref	DECAL INSTALLATION - OPTIONS	
108	1001231801	1	Decal - Warning Prop 65 Diesel (ANSI Specs)	
120	4420051	29 ft /8.8m	Decal - Warning Stripes	
190	1001172570	1	Decal - SkyGlazier (English Language) (ANSI)	
190	1001172620	1	Decal - SkyGlazier (English Language) (Australian)	
190	1001172576	1	Decal - SkyGlazier (English Language) (UK)	
190	1001172573	1	Decal - SkyGlazier (French Language)	
190	1001172574	1	Decal - SkyGlazier (German Language)	
190	1001172575	1	Decal - SkyGlazier (Italian Language)	
190	1001172572	1	Decal - SkyGlazier (Portuguese Language) (Brazil)	
190	1001193136	1	Decal - SkyGlazier (Portuguese Language) (Europe)	
190	1001193135	1	Decal - SkyGlazier (Spanish Language) (Europe)	
190	1001172571	1	Decal - SkyGlazier (Spanish Language) (Latin American)	
197A	0272448	1	Decal - SkyGlazier 60Hz (ANSI, ANSI Export, and CSA Specs)	
197A	1705355	1	Decal - SkyWelder	
197A	1702868	1	Decal - No Hands (Not Shown)	
197A	1705305	1	Decal - Weld Lead (Not Shown)	
197A	1705375	1	Decal - 240V - 3 Phase - 60Hz (Not Shown)	
197A	1001228988	1	Decal - Weight (Not Shown)	
197B	0272588	1	Decal - SkyWelder 50Hz (Australian, Japanese and China Specs)	
197B	1705355	1	Decal - SkyWelder	
197B	1705305	1	Decal - Weld Lead (Not Shown)	
197B	1001228988	1	Decal - Weight (Not Shown)	
205	See Note	1	Nameplate, Serial Number (Note: Not Available for Purchase)	
210		Ref	Decal - No Hands (Required with Soft Touch Platform or Mesh to Top Rail Options Only)	
210	1702868	2	Decal - No Hands (ANSI and Australian Spec) (English)	
210	1705967	2	Decal - No Hands (Brazil Spec) (English/Portuguese)	
210	1001116846	2	Decal - No Hands (China Spec) (English/Chinese)	
210	1704000	2	Decal - No Hands (CSA Spec) (English/French)	
210	1705969	2	Decal - No Hands (Korean Spec) (English/Korean)	
210	1704001	2	Decal - No Hands (Latin American Spec) (English/Spanish)	
238	1001125387	1	Decal - Ultra Low Sulfur Fuel (ANSI, ANSI Export (HRC) and CSA Specs Only)	
238	1001139654	1	Decal - Ultra Low Sulfur Fuel (ANSI Export (LRC), Australian, China, Japanese, CE & UK CA Specs Only)	
245	1001216618	Ref	Decal - ClearSky Telematics	A
245C	1001116208	3	Decal - ClearSky	
245D	1001120989	1	Decal - Radio Frequency	
253	1001143852	1	Decal - Emissions Compliance (ANSI Export (LRC), Australian, China, CE & UK CA (LRC) Specs Only)	
262	1001141300	1	Decal - SkyGuard Override	
265	1001271930	1	Decal - Soft Touch (ANSI) (English) (Not Shown)	
265	1001271932	1	Decal - Soft Touch (China Spec) (English/Chinese) (Not Shown)	
265	1001271934	1	Decal - Soft Touch (Latin American Spec) (English/Spanish) (Not Shown)	
265	1001271936	1	Decal - Soft Touch (CSA Spec) (English/French) (Not Shown)	
265	1001271938	1	Decal - Soft Touch (Japanese Spec) (English/Japanese) (Not Shown)	
265	1001271939	1	Decal - Soft Touch (Korean Spec) (English/Korean) (Not Shown)	

SECTION 9 - DECALS

ITEM	PART NUMBER	QTY	DESCRIPTION	REV
265	1001271940	1	Decal - Soft Touch (Brazil Spec) (English/Portuguese) (Not Shown)	
265	1001271941	1	Decal - Soft Touch (Australian, CE & UK CA Spec) (Not Shown)	
274	1001214029	1	Decal - EAC (CE Russian Spec)	

SECTION 9 - DECALS

FIGURE 9-11. SKYCUTTER DECAL INSTALLATION (ANSI, ANSI EXPORT AND CSA SPECS)



ART_0272599

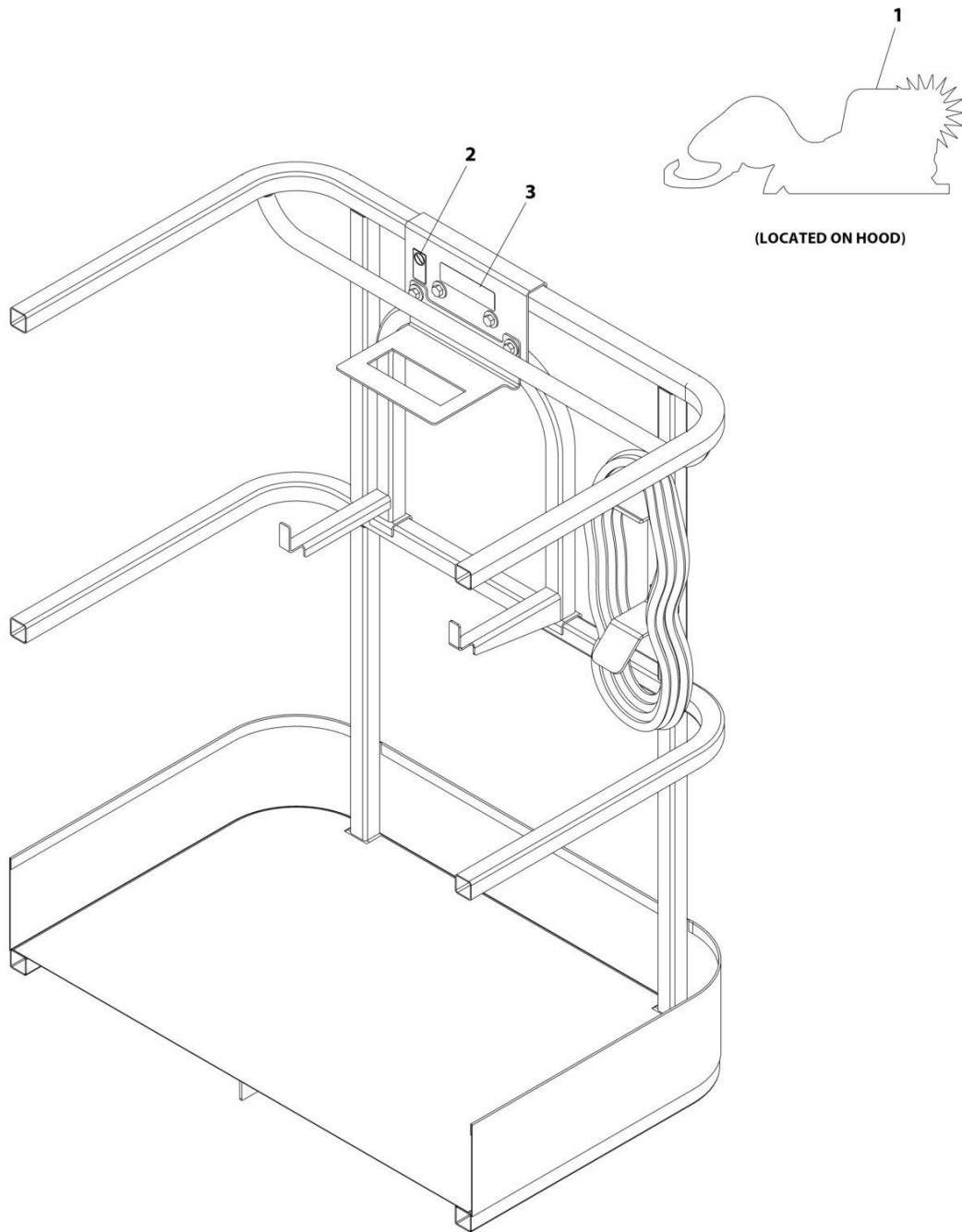
SECTION 9 - DECALS

FIGURE 9-11. SKYCUTTER DECAL INSTALLATION (ANSI, ANSI EXPORT AND CSA SPECS)

ITEM	PART NUMBER	QTY	DESCRIPTION	REV
	0272599	Ref	SKYCUTTER DECAL INSTALLATION	C
1	1702868	1	Decal - No Hands	
2	1705305	1	Decal - Weld Leads	
3	1001252627	1	Decal - Weight	
4	1705490	2	Decal - SkyCutter	

SECTION 9 - DECALS

FIGURE 9-12. SKYCUTTER DECAL INSTALLATION (JAPANESE SPECS)



ART_0272607_C

SECTION 9 - DECALS

FIGURE 9-12. SKYCUTTER DECAL INSTALLATION (JAPANESE SPECS)

ITEM	PART NUMBER	QTY	DESCRIPTION	REV
	0272607	1	SKYCUTTER DECAL INSTALLATION	C
1	1705490	2	Decal - SkyCutter	
2	1705305	1	Decal - Weld Lead	
3	1001252627	1	Decal - Weight	

SECTION 10 - RECOMMENDED SERVICE PARTS STOCK

SECTION 10 - RECOMMENDED SERVICE PARTS STOCK

SECTION 10 - RECOMMENDED SERVICE PARTS STOCK

FIGURE 10-1. RECOMMENDED SERVICE PARTS STOCK

ITEM	PART NUMBER	QTY	DESCRIPTION	REV
		Ref	Note: The following list will service one machine (built to current production per date on the front cover) with emergency repair parts which can be installed in the field. Parts from the list should be replaced when inventory is depleted to keep service parts stock supplied. For further information, contact your JLG dealer or the JLG Industries Parts Department.	
	7024485	1	Breaker, Circuit 30Amp (7500W Generators)	
	1001181045	1	Breaker - 30mA/16Amp (Breaker Box with 2 Breakers and 4000W 50Hz Breaker Box)	
	1001189171	1	Breaker 30mA (Breaker Box with 3 Breakers)	
	1001189172	1	Breaker 16Amp Double (Breaker Box with 3 Breakers)	
	70001431	1	Breaker, Circuit (Plasma Cutter)	
	4360070	1	Breaker, Circuit - 15Amp (4000W 60Hz and all 7500W Generators)	
	70002386	1	Coil (Traction Valve)	
	70004460	1	Coil (Steer/Axle Extend Valve, Main Valve & Boom Valve)	
	70004463	1	Coil (Steer/Axle Extend Valve)	
	70004588	1	Coil (Main Valve & Boom Valve)	
	70004595	1	Coil (Main Valve & Boom Valve)	
	70003788	1	Coil (Boom & Cylinders Installation)	
	70006004	1	Coil (Boom & Cylinders Installation)	
	70004653	1	Coil (Platform Valve)	
	7024885	1	Coil (Platform Valve)	
	1001138566	1	Control, Box (4000w Generator)	
	0861572	1	Control, Box (7500w 50Hz Generator)	
	0861538	1	Control, Box (7500w 60Hz Generator)	
	1001275628	1	Controller, Drive/Steer	
	1001275629	1	Controller, Lift/Swing	
	4360407	1	Controller, Speed (Potentiometer) (Platform Console Box)	
	70008358	12	Element, Hydraulic Filter (Donaldson) (Valves & Filters - Turntable)	
	70002231	12	Element, Hydraulic Filter (Parker) (Valves & Filters - Turntable)	
	1001161232	12	Element, Hydraulic High Pressure Filter (Valves & Filters - Turntable)	
	70002097	12	Element, Hydraulic Pressure (Valves & Filters - Boom)	
	70006405	12	Element, Fuel (LRC Engines)	
	70023809	12	Element, Primary Air (All Engines)	
	70023872	12	Element - Secondary Air (All Engines)	
	1001228872	12	Filter, Coolant Screen (HRC Engines)	
	1001196634	2	Fuse, 2A (Breather Heater)	
	8229249	2	Fuse, 3 Amp (USB Charger)	
	2400030	2	Fuse, 3A (Console Box Harness)	
	8229242	2	Fuse, 5A (Engine Harness HRC)	
	8229244	2	Fuse, 15A (Engine Harness HRC)	
	70023592	2	Fuse, 20A (LRC Engines)	
	8229247	2	Fuse, 25A (Engine Harness HRC)	
	70023593	2	Fuse, 30A (LRC Engines)	
	8229245	2	Fuse, 30A (Engine Harness HRC)	
	2860030	1	Key, Replacement	
	2940074	1	Latch (Platforms with Swing Gate)	
	1001247468	1	Loadcell (Platform Support)	
	1001142683	1	Module, Beacon Control	

SECTION 10 - RECOMMENDED SERVICE PARTS STOCK

ITEM	PART NUMBER	QTY	DESCRIPTION	REV
	1001150162	1	Module, Control (Frame)	
	1001281500	1	Module, Ground Control	
	1001277209	1	Module, Control (Boom)	
	1001199483	1	Module, Platform	
	1001138228	1	Module, Relay (LRC Engines)	
	3740067	1	Relay (Electrical Components - Turntable)	
	1001216021	1	Relay (Electrical Components - Turntable)	
	70006553	1	Relay (4000W Generators)	
	1001186431	1	Relay (SkyGuard)	
	1001095704	1	Relay (HRC Engines)	
	3740086	1	Relay (SkyLine)	
	1001117308	1	Relay, 200Amp (All Engines)	
	1001146963	1	Sensor, Angle (Steer)	
	1001200345	1	Sensor, Angle (Boom Sensors)	
	1001200848	1	Sensor, Angle (Boom Sensors)	
	1001201095	1	Sensor, Angle Gravity (Boom Sensors)	
	1001200764	1	Sensor, BEI Angle (Boom Sensors)	
	1001197960	1	Sensor, Boom Length (Boom Sensors)	
	1001197961	1	Sensor, Boom Length (Boom Sensors)	
	1001138827	1	Sensor (Engine Coolant Level)	
	1001219601	1	Sensor, Dual Axis	
	1001228225	1	Sensor, Emitter (SkyEye)	
	4360548	1	Sensor, Limit (Boom Sensors)	
	70005966	1	Sensor, Pressure (Platform Valve)	
	1001200550	1	Sensor, Pressure Transducer (Turntable Hydraulics)	
	4000008	1	Sensor, Proximity (Boom Sensors)	
	1001120104	1	Sensor, Proximity (Boom Sensors)	
	1001204043	1	Sensor, Proximity (Boom Sensors)	
	1001232667	1	Sensor, Proximity (SkyLine)	
	7026031	1	Sensor, Proximity (Coupling/Collector Ring)	
	1001196517	1	Sensor, Proximity (Boom Sensors)	
	1001228224	1	Sensor, Receiver (SkyEye)	
	1001237902	1	Sensor, SkySense	
	70004614	1	Sensor, Temp (Junction Valve)	
	1001225346	1	Switch, Disconnect (Battery Disconnect)	
	1001117174	1	Switch, Foot	
	4360469	1	Switch, Key	
	4360387	1	Switch, Pushbutton Yellow (Console Box & Ground control Box)	
	4360475	1	Switch, Push-Pull Emergency	
	70001432	1	Switch, Rocker (Plasma Cutter)	
	1001137673	1	Switch, SkyGuard	
	4360336	1	Switch, Toggle (Generators)	
	1001155045	1	Switch, Toggle (Platform Console Box)	
	1001159256	1	Switch, Toggle (Platform Console Box)	
	1001161709	1	Switch, Toggle (Platform Console Box)	
	1001161710	1	Switch, Toggle (Platform Console Box)	
	4360328	1	Switch, Toggle (Ground Control Assembly)	

SECTION 11 - SPECIAL OPTIONS/ACCESSORIES/KITS

SECTION 11 - SPECIAL OPTIONS/ACCESSORIES/KITS

SECTION 11 - SPECIAL OPTIONS/ACCESSORIES/KITS

FIGURE 11-1. SPECIAL OPTIONS/ACCESSORIES/KITS

ITEM	PART NUMBER	QTY	DESCRIPTION	REV
		Ref	Note: This list is to accommodate machines ordered with special equipment. Options may not be applicable to all models. For more specific parts information contact JLG Parts Department.	
		Ref	MISCELLANEOUS SPECIAL OPTIONS/ACCESSORIES/KITS	
	1001197342	Ref	Airline Installation - 1/2	
	1001202401	Ref	Air Intake Shut-off Valve (Deutz Engines - HRC) (ANSI and CSA Specs)	
	1001197329	Ref	Bellows Installation - Boom	
	1001158014	Ref	Bellows Installation - Chassis	
	1001197330	Ref	Boom Wipers Installation	
	1001242192	Ref	ClearSky Access Control Add-on Kit	
		Ref	ClearSky Telematics Installation (Dealer Installed)	
	1001265378	Ref	ClearSky (Telematics) Add-on Kit (Dealer Installed) (ANSI, ANSI Export and CSA Specs)	
	1001246142	Ref	ClearSky (Telematics) Add-on Kit (Dealer Installed) (Australian Specs)	
	1001243184	Ref	ClearSky (Telematics) Add-on Kit (Dealer Installed) (CE & UK CA Specs)	
	1001276923	Ref	ClearSky (Telematics) Add-on Kit (Contact JLG for Approved Countries)	
	1001197336	Ref	Cold Weather Package (Machines without Arctic Package)	
	1001197336	Ref	Cold Weather Package (Machines with Arctic Package)	
	1001233047	Ref	Crankcase Breather Heater Kit	
	1001200137	Ref	Cribbing Switch Installation (ANSI Spec Only)	
		Ref	Decal Installations	
	1001220864	Ref	Decal - Boom Transport Decals Kit	
	1001241344	Ref	Decal - Platform Console Box Decal Kit	
	1001241335	Ref	Decal - Platform Decal Kit	
		Ref	Electrical Connector Kits	
	1001148902	Ref	Amp/Tyco Electrical Connector Kit	
	1001148903	Ref	Deutsch DT Electrical Connector Kit	
	1001148904	Ref	Deutsch HD Electrical Connector Kit	
	1001148905	Ref	Packard Electrical Connector Kit	
	1001148906	Ref	Various Electrical Connectors Kit	
	1001244863	Ref	DEF Tank Replacement Kit	
	1001235962	Ref	Engine Coolant Strainer Kit	
	1001237883	Ref	Fall Arrest Bolt On Kit (6FT x 1.83M) (ANSI, ANSI Export, China, CSA, and Japanese Specs) (Fits Platform p/ns 1001186384 & 1001228376)	
	1001237882	Ref	Fall Arrest Bolt On Kit (8FT x 2.44M) (ANSI, ANSI Export, China, CSA, and Japanese Specs) (Fits Platform p/ns 1001186383)	
	1001197775	Ref	Fan Guard Installation (HRC)	
	1001155069	Ref	Fan Guard Installation (LRC)	
	1001225639	Ref	Combined Filter Kit (Deutz HRC & LRC Engines)	
	1001139099	Ref	Fire Extinguisher Installation	
	1001274833	Ref	Floor Mat Add-on Kit (30x48 Platform) (Dealer Installed)	
	1001274830	Ref	Floor Mat Add-on Kit (36x72 Platform) (Dealer Installed)	
	1001274829	Ref	Floor Mat Add-on Kit (36x96 Platform) (Dealer Installed)	
	1001117294	Ref	Foot Switch Shield	
	1001205812	Ref	Fuel Cap Installation - Lockable	
	1001197340	Ref	Headlight and Taillights Installation	

SECTION 11 - SPECIAL OPTIONS/ACCESSORIES/KITS

ITEM	PART NUMBER	QTY	DESCRIPTION	REV
	1001237402	Ref	Hose/Cable Protection Installation (Boom)	
	1001239627	Ref	Hose Kit - Platform Valve	
	1001239625	Ref	Hose Kit - Upper Powertrack	
	1001241419	Ref	Hostile Environment Kit	
	1001197341	Ref	Illumination Lights Installation	
	1001236952	Ref	Low Temperature Cut Out Installation	
	1001236268	Ref	Main Control Valve Kit	
	1001253618	Ref	Module Box Assembly Kit (Service Kit for P/N 1001246867)	
	1001253619	Ref	Module Box Assembly Kit (Service Kit for P/N 1001246860)	
	1001155064	Ref	Oil Cooler Installation	
	1001272166	Ref	Pipe Rack Kit	
	1001197436	Ref	Platform Console Cover Installation	
	1580013	Ref	Platform Corner Storage Tray	
		Ref	Platform Entry Kits	
	1001142504	Ref	Drop Bar (Replacing Swing Gate with Drop Bar)	
	1001142505	Ref	Swing Gate (Replacing Drop Bar with Swing Gate)	
	1001202917	Ref	Platform Floodlights Installation	
		Ref	Platform Mesh to Top Rail Add-On Kits: (ANSI, ANSI Export, Australian and CSA Specs)	
	1001281456	Ref	30in x 4ft (76cm x 1.22m) with Gate	
	1001281453	Ref	36in x 6ft (91.5cm x 1.83m) with Gate	
	1001281452	Ref	36in x 8ft (91.5cm x 2.44m) with Gate	
		Ref	Platform Mesh to Top Rail Installations (ANSI, ANSI Export, Australian and CSA Specs)	
	1001272182	Ref	30in x 4ft (76cm x 1.22m)	
	1001271642	Ref	36in x 6ft (91.5cm x 1.83m)	
	1001269187	Ref	36in x 8ft (91.5cm x 2.44m)	
		Ref	Platform Plastic Mesh to Top Rail Installations (ANSI, ANSI Export, Australian and CSA Specs)	
	1001266807	Ref	30in x 4ft (76cm x 1.22m)	
	1001266489	Ref	36in x 6ft (91.5cm x 1.83m)	
	1001266056	Ref	36in x 8ft (91.5cm x 2.44m)	
		Ref	Platform Mesh to Mid Rail Add-On Kits: (ANSI, ANSI Export, Australian and CSA Specs)	
	1001281461	Ref	30in x 4ft (76cm x 1.22m) with Gate	
	1001281458	Ref	36in x 6ft (91.5cm x 1.83m) with Gate	
	1001281457	Ref	36in x 8ft (91.5cm x 2.44m) with Gate	
		Ref	Platform Mesh to Mid Rail Installation (ANSI, ANSI Export, Australian and CSA Specs)	
	1001272274	Ref	30in x 4ft (76cm x 1.22m)	
	1001271760	Ref	36in x 6ft (91.5cm x 1.83m)	
	1001269389	Ref	36in x 8ft (91.5cm x 2.44m)	
		Ref	Platform Plastic Mesh to Mid Rail Installation (ANSI, ANSI Export, Australian and CSA Specs)	
	1001266969	Ref	30in x 4ft (76cm x 1.22m)	
	1001266284	Ref	36in x 6ft (91.5cm x 1.83m)	
	1001266098	Ref	36in x 8ft (91.5cm x 2.44m)	
	0272725	Ref	Platform Rail Extension - 8ft Platform	
	2902217	Ref	Platform Weld Leads	
	1001202916	Ref	Platform Worklights Installation	
	1001233732	Ref	Service Tools & Kits	Q
	1001266828	Ref	Strobe Light Installation Kit - Blue	
	1001266826	Ref	Strobe Light Installation Kit - Red	

SECTION 11 - SPECIAL OPTIONS/ACCESSORIES/KITS

ITEM	PART NUMBER	QTY	DESCRIPTION	REV
	1001247073	Ref	SkyEye Retrofit Kit	
	1001250035	Ref	SkyGuard Platform Sensor Kit	
	1001249052	Ref	SkyGuard Retrofit Kit	
	1001241547	Ref	SkyEye Housing Repair Kit (LH)	
	1001241548	Ref	SkyEye Housing Repair Kit (RH)	
	1001250595	Ref	SkyGuard 6-Pin Retrofit Installation Kit	
	1001262016	Ref	SkyLine Kit	
	1001289905	Ref	SkySense/Enhanced Detection System (EDS) Level 1 (2-Bar) Installation Kit (Dealer Installed)	
	1001289906	Ref	SkySense/Enhanced Detection System (EDS) Level 2 (3-Bar) Installation Kit (Dealer Installed)	
	1001250465	Ref	SkySense/Enhanced Detection System (EDS) Level 1 (2-Bar) Installation Kit (Factory Installed)	
	1001250466	Ref	SkySense/Enhanced Detection System (EDS) Level 2 (3-Bar) Installation Kit (Factory Installed)	
	1001282461	Ref	SkySense Padding Installation - For 36 x 48 Platforms equipped with SkySense	
	1001282434	Ref	SkySense Pre-cut Bumper Kit (use with 1001282461)	
	1001275642	Ref	SkySense Padding Installation - For 36 x 72 Platforms equipped with SkySense	
	1001275650	Ref	SkySense Pre-cut Bumper Kit (use with 1001275642)	
	1001269655	Ref	SkySense Padding Installation - For 36 x 96 Platforms equipped with SkySense	
	1001276062	Ref	SkySense Pre-cut Bumper Kit (use with 1001269655)	
	4530028	Ref	SkyWelder (Welder Assembly only)	
	1001231235	Ref	SkyWelder Locking Bracket Installation	
		Ref	Tools For Service:	
	2901443	Ref	Analyzer Kit	
	1001249695	Ref	Analyzer, Machine System with Cable	
	1001249941	Ref	Analyzer, Machine System with Cable (Battery Powered)	
	1001197359	Ref	Boom Cable Adjustment Socket Installation	
	7002821	Ref	Crimper, Wire	
	7002823	Ref	Pin Extractor - Universal (For Electrical Connectors with Pins and Sockets)	
	4460467	Ref	Extractor - 16-18 Gauge (For Removal of Pin/Sockets from Deutsch Connectors)	
	4460510	Ref	Extractor - 12-14 Gauge (For Removal of Pin/Sockets from Deutsch Connectors)	
	7016654	Ref	Screwdriver, Magnetic	
	7002822	Ref	Screwdriver, Potentiometer	
	7004275	Ref	Seal Tool 1 in (For Cylinders)	
	7004276	Ref	Seal Tool 1-1/2 in (For Cylinders)	
	1001137005	Ref	Software Cable Kit (Service Kit)	
	7002828	Ref	Stripper, Wire	
	70004185	Ref	Torque Multiplier	
	7016655	Ref	Wire Rope Sheave Gauge	
	1001193630	Ref	Turntable Bearing Kit	
	1001241273	Ref	Tower Boom Wear Pad Kit	
	1001265328	Ref	Tower Stow Sensor Kit	
	1001278007	Ref	UCM Replacement Kit	
	1001277846	Ref	UGM Kit	
	1001274249	Ref	USB Charger Add-on Kit (Dealer Installed)	
	1001262959	Ref	Voltage Regulator Relocation Kit (ClearSky)	
	1001277341	Ref	White Noise Alarm Kit	

SECTION 11 - SPECIAL OPTIONS/ACCESSORIES/KITS

ITEM	PART NUMBER	QTY	DESCRIPTION	REV
	1001277285	Ref	White Noise Ambient Alarm Kit	
	1001241673	Ref	Wire Rope Kit	

SECTION 11 - SPECIAL OPTIONS/ACCESSORIES/KITS

PART NUMBER INDEX

SECTION 11 - SPECIAL OPTIONS/ACCESSORIES/KITS

0100009	371, 375	0641406 363, 636, 640, 644,	0701015	81, 83, 155, 174,	0760614..	83, 174, 186, 204,	
0100011 ..	17, 19, 21, 31, 53,	648, 652, 656, 660, 664,		186, 202, 214, 235, 251		215, 235, 251	
	57, 59, 77, 83, 87, 91, 95,	668	0701016	174, 186, 202, 214,	0760614001	328	
	99, 103, 107, 111, 115,	0641406001		235, 251	0760807	246	
	119, 155, 156, 157, 168,	0641408	0701017	174, 186, 202, 214,	0760807001	319	
	171, 174, 180, 183, 186,	0641414 371, 375, 385, 389,		235, 251	0760808001	19, 319	
	196, 199, 202, 208, 211,	391, 405, 407	0701018 ..	71, 277, 281, 285,	0760810	91, 95, 99, 103,	
	214, 222, 229, 235, 240,	0641416 465, 467, 469, 471,		289, 307		107, 111, 115, 119, 155,	
	246, 251, 277, 281, 285,	473, 475, 477, 479, 481,	0701019	174, 186, 202, 214,		168, 174, 180, 186, 202,	
	289, 297, 302, 307, 315,	483, 485		235, 251		214, 235, 251, 327	
	317, 319, 327, 331, 335,	0641418 335, 339, 343, 345,	0701020	307	0760810001	91, 95, 99, 103,	
	339, 343, 345, 347, 353,	347, 353, 355, 357	0701022	307		107, 111, 115, 119, 155	
	355, 357, 385, 387, 396,	0641504	0701024001	302, 315	0760812	31, 91, 95, 99, 103,	
	399, 401, 403, 405, 407,	0641506	0701025001	319		107, 111, 115, 119, 155,	
	435, 495, 497, 499, 501	0641508	0701026001	315		168, 174, 180, 186, 196,	
0100019	19, 21, 67, 71, 277,	0641510	0701027001	315, 317		202, 208, 214, 235, 251,	
	281, 285, 289, 297, 307,	0641511001	0701028001	458		491	
	458	0641606 174, 186, 202, 214,	0701031	307	0760812001 ..	155, 331, 463,	
0100020	168, 174, 180, 186,	396, 399, 401, 403	0701032001	317		489, 509, 511	
	196, 202, 208, 214, 222,	0641607	0701034001	315	0760814..	83, 156, 168, 180,	
	235, 240, 251, 281, 289,	0641608	0701220	81, 83		327	
	381, 396, 411, 465, 467,	0641812 171, 183, 199, 211,	0701222	307	0760814001	156	
	469, 471, 473, 475, 477,	229, 246	0701224	77	0760815	156	
	479, 481, 483, 485	0642012	0701420001	17	0760815001	19	
0100035 ..	19, 171, 183, 199,	0642212	0701422001	19	0760818001 ..	495, 497, 499,	
	211, 229, 246, 327, 371,	0642220 168, 180, 196, 208,	0701619001	29		501	
	375, 379	222, 240	0701627 174, 186, 202, 214,		0760822001	458	
0100038	329, 435	0681607	235, 251		0761007001	155, 315	
0100048	277, 281, 285, 289,	0681608	0702022001	297	0761008 ..	174, 186, 202, 214	
	507	0681620 415, 417, 419, 421	0702426001	297	0761009	168, 180, 197, 209,	
0100071	17	0681814	0711015 168, 180, 196, 208,			222, 240	
0100081	174, 186, 204, 216,	349, 359, 361	222, 240		0761009001	327, 449	
	235, 251, 315, 317, 393	0681822	0711214 174, 186, 202, 214,			0761010 495, 497, 499, 501	
0140011	371, 375	0682220	235, 251		076101000157,	59, 308, 319	
0140043	141	0682424 415, 417, 419, 421	0711214001	302	0761011	156, 307	
0200048	405, 407	0700408 465, 467, 469, 471,	0711215001	302	0761011001	308	
0236768	87	473, 475, 477, 479, 481,	0711217001	302	0761012	31, 57, 59, 155,	
0272254	401	483, 485	0711218 174, 186, 204, 216,			174, 186, 202, 214, 235,	
0272427	405	0700412	235, 251			251, 307, 319, 507	
0272435	290	107, 111, 115, 119	0711222001	331	0761012001	59, 156, 157,	
0272448	672	0700510	0711626001	308		315, 327	
0272521	399	0700610 ..	0712435	67	0761013001	91, 95, 99, 103,	
0272588	672	83, 143, 145, 168,	0712445001	331		107, 111, 115, 119	
0272589	286	174, 180, 186, 222, 235,	0721005	405, 407	0761014	155, 327	
0272599	675	240, 251	0731007	81, 83	0761014001 ..	302, 308, 331	
0272607	677	0700612 141, 174, 186, 202,	0741607 277, 281, 285, 289		0761015	91, 95, 99, 103,	
0272725	685	214, 235, 251, 509, 511	0760408 168, 180, 196, 208,			107, 111, 115, 119, 156,	
0273353	396	0700614 168, 180, 197, 209,	222, 240			168, 171, 180, 183, 196,	
0273706	407	222, 240	0700615	149, 151		199, 208, 211, 222, 229,	
0275216	465, 587	0700616	0700616	156, 157		240, 246, 307, 327, 367,	
0275217	469, 589	0700620	0700620	91, 95, 99, 103,		369	
0275452	473, 591	91, 95, 99, 103,		107, 111, 115, 119	0761015001	17, 458	
0275453	477, 593	107, 111, 115, 119	0700815 174, 186, 202, 214,			0761016001	17, 297, 317
0275454	481, 595	0700815 174, 186, 202, 214,	235, 251, 495, 497, 499,			0761018	271
0400020	87	501	501			0761210 171, 174, 183, 186,	
0440162 168, 180, 196, 208,		0700816	0700816			199, 202, 211, 214, 229,	
222, 240		0700818 168, 180, 196, 208,	0700818 168, 180, 196, 208,			246	
0440273	17, 297	222, 240	222, 240			0761212 277, 281, 285, 289	
0561380	297	0700818001 ...	0700818001 ...			0761212001	315
0630462	405, 407	281, 285, 289	277			0761214	21, 155, 273
0630518 139, 379, 396, 399,		0700820 168, 180, 222, 240	0700820 168, 180, 222, 240			0761214001 ...	155, 308, 317
401, 403, 411		0700822 168, 180, 222, 240	0700822 168, 180, 222, 240			0761215	229, 246
0630535	441	0700823001	0700823001			0761216 ..	77, 156, 171, 183,
0630568	372, 376	458	458				199, 211, 229, 246
0630615001	155	0700827 168, 180, 222, 240	0700827 168, 180, 222, 240			0761216001	331
0641404	387	0701013 ..	0701013 ..			0761217	156
0641405	371, 375, 387	87, 174, 186, 202,	87, 174, 186, 202,				
		214, 235, 251	214, 235, 251				
		0701014001 ...	0701014001 ...				
		155, 161, 163	155, 161, 163				

SECTION 11 - SPECIAL OPTIONS/ACCESSORIES/KITS

0761218001 .. 31, 37, 39, 41, 43, 45, 47, 49, 51, 315	1001097051.....493, 609	1001116851 652	1001126384556
0761614001 308	1001097150.....513, 517	1001116952.....555	1001126391 ..539, 544, 548, 552, 556
0761616 307	1001097244....367, 369, 423	1001116983.....561	1001126392548, 552
0762014001 297	1001097587..... 67	1001117023.....555	1001126393544, 548
0762016001 297	1001097588...175, 187, 229, 236, 246, 252	1001117035.....652	1001126485 ..544, 545, 548, 552
0762018001 21	1001098012....396, 411, 413	1001117106.....555	1001126487 ...544, 548, 552
0762418001 17, 297	1001098122.....381, 583	1001117107.....543	1001128127629
0762422001 297	1001098149..... 411	1001117108.....544	1001128128 ..544, 548, 552, 555
0771010001 308	1001099366.....393	1001117110... 493, 579, 621	1001128527403
0771012001 308, 331	1001099367.....393	1001117125.....629	1001128556403
0771014001 308	1001099367.....393	1001117172.....381	1001129408 ..523, 525, 527, 529
0771016001 308	1001100231..... 513	1001117174.. 371, 375, 381, 681	1001131130156
0771018001 308	1001100319.....237, 252	1001117244.. 175, 187, 236, 252	1001131269636, 656
0771212001 302	1001100341..... 587	1001117294.....684	1001133714 ..545, 548, 552, 555
0771218001 302	1001100342..... 589	1001117308.. 175, 187, 203, 215, 236, 252, 681	1001133715 ..545, 548, 552, 555
0771415 174, 186, 202, 214, 235, 251	1001100345..... 591	1001118274.. 31, 91, 95, 99, 103, 107, 111, 115, 119, 155	1001133927435
0771416 168, 180, 196, 208, 222, 240	1001100346..... 595	1001118282... 544, 547, 552	1001133956 ...547, 551, 556
0771419 235, 251	1001100347..... 593	1001118287308	1001133957 ...547, 551, 556
0771617001 308	1001101191...465, 469, 473, 477, 481, 513, 515	1001118384.....611	1001134314297
0772016001 308	1001101196.....465, 469	1001118388..... 575, 611	1001134488 .. 175, 187, 203, 215, 236, 252
0801550 307	1001101197...473, 477, 481	1001118878.. 37, 39, 41, 43, 45, 47, 49, 51	1001135196 ..169, 181, 196, 208, 223, 241
0860038 281, 289, 463	1001101580...169, 181, 196, 208, 223, 241	1001118972..... 155, 327	1001135497 .. 169, 181, 196, 208, 223, 241
0861538 289, 680	1001102594..... 599	1001119020..... 617	1001135650 ...545, 548, 552
0861572 285, 680	1001103012..... 622	1001119215.....507	1001135943 .. 175, 187, 203, 215, 236, 252
0861731 475, 479, 483, 485, 591, 593, 595	1001104497..... 328	1001119412..... 555, 571	1001135943 .. 175, 187, 203, 215, 236, 252
0861781 . 467, 471, 587, 589	1001104498.....493, 622	1001119455..... 458	1001136583308
0861880 513, 517	1001107854..... 493	1001119619.....605	1001136834 .. 175, 187, 203, 215, 236, 252
0902888 . 277, 281, 285, 289	1001108616...171, 183, 199, 211, 229, 246, 262	1001119620 607, 609	1001136975 .. 169, 181, 197, 209, 223, 241
0940049 155	1001108617..... 57	1001119727 203, 215	1001137005686
0940092 405, 407	1001109048..... 81, 83	1001119899308	1001137032302
0940094 405, 407	1001109654.....509, 513	1001120000 17	1001137263458
0940102 393	1001110604..... 458	1001120055583	1001137364 ..131, 133, 135, 137, 375
0940103 405	1001110872..... 487	1001120104 681	1001137578537
0940133 407	1001110873...282, 290, 463	1001120328..... 92, 96, 100, 104, 108, 112, 116, 120, 385, 387, 543, 549, 553, 585, 623	1001137673385, 681
0961845 335, 339, 343, 345, 347, 353, 355, 357	1001111116.....203, 215	1001120471423	1001138173 .. 175, 187, 203, 215, 236, 252
0961897 441	1001112551..... 640	1001120477 423	1001138175 .. 175, 187, 203, 215, 236, 252
0961949 429	1001112612..... 621	1001120484 423	1001138228 ...203, 215, 681
0961950 437	1001112796.....533, 617	1001120989 672	1001138248 .. 175, 187, 203, 215, 236, 252
0961951 174, 186, 202, 214, 235, 251, 307, 441, 445	1001112927...171, 183, 199, 211, 229, 246, 269	1001125295577	1001138253236, 252
0962051 168, 180, 196, 208, 222, 240	1001113961.....519, 621	1001125387 672	1001138494 ..339, 343, 345, 347, 353, 355, 357
0962224 307, 309	1001116208..... 672	1001125677 .. 543, 549, 553, 585, 623	1001138514 ..339, 345, 347, 355, 357
0962257 431	1001116692..... 493	1001126008 .. 545, 548, 580, 627	1001138559 .. 175, 187, 203, 215, 236, 252
0962270 349, 359, 361	1001116693.....621, 622	1001126009 611	1001138566 ...277, 281, 680
0962423 19	1001116694.....493, 617	1001126011583	1001138827 .. 175, 187, 203, 215, 236, 252, 681
0962520 . 277, 281, 285, 289	1001116695..... 493	1001126245 544, 548	1001139099684
0962556 307	1001116720..... 575	1001126351 ... 547, 551, 556	1001139240 .. 175, 187, 203, 215, 236, 252
0962561 427, 429	1001116725...544, 548, 552, 622	1001126352.....556	1001139654672
0962562 435	1001116731..... 533	1001126353.....543	
1001008559 .. 149, 151, 495, 497, 499, 501	1001116732..... 555	1001126356.....556	
1001091102 ... 159, 509, 511	1001116733...544, 548, 552, 571	1001126357.....556	
1001091969465	1001116734...544, 548, 552	1001126362.. 544, 548, 552, 556	
1001091970469	1001116748...519, 603, 625	1001126363... 548, 552, 556	
1001091973473	1001116751.....603, 625	1001126364 548	
1001091974477	1001116774..... 617	1001126365 ... 548, 552, 556	
1001091975481	1001116808..... 617		
1001095704 .. 543, 549, 553, 681	1001116812...548, 552, 555, 559, 573, 579, 623		
1001096612 277, 517	1001116815...549, 553, 559, 623		
1001096653 31	1001116846.....652, 672		
	1001116849..... 652		

SECTION 11 - SPECIAL OPTIONS/ACCESSORIES/KITS

1001140429...335, 339, 343, 345, 347, 353, 355, 357	1001150611 621	1001155563 ..176, 188, 204, 216, 237, 253	1001157292..... 371, 375
1001140564...175, 187, 203, 215, 236, 252	1001150725 71	1001155564 ..176, 188, 204, 216, 237, 253	1001157300... 188, 216, 253
1001141300..... 672	1001150942..... 435	1001155565 ..176, 188, 204, 216, 237, 253	1001157301... 188, 216, 253
1001141304..... 246	1001151393.. 123, 125, 127, 129, 131, 133, 135, 137	1001155566 ..176, 188, 204, 216, 237, 253	1001157454..... 308
1001141995...175, 187, 203, 215, 236, 252	1001151432..... 203, 215	1001155584157	1001157467..... 29
1001142501...169, 175, 181, 187, 197, 203, 209, 215, 223, 241	1001151491 .. 175, 187, 203, 216, 237, 253	1001155591155	1001157520..... 286, 290
1001142504..... 685	1001151503..... 435	1001155728 ..176, 188, 204, 216, 237, 253	1001157521..... 286, 290
1001142505..... 685	1001151749 .. 175, 187, 204, 216, 237, 253	100115581719, 613	1001157525..... 286
1001142683...149, 151, 680	1001151761 204, 216	1001155823 ..169, 181, 197, 209, 223, 241	1001157528..... 286, 290
1001143390...175, 187, 203, 215, 236, 252	1001152112... 187, 216, 253	1001155832155	1001157592..... 290
1001143852..... 672	1001152266..... 629	100115583619, 327	1001157670..... 53
1001144147...533, 601, 621	1001152457 281	1001155939 ..169, 181, 197, 209, 223, 241	1001157849..... 21
1001144296..... 617	1001152458 277	1001155967 91, 95, 99, 103, 107, 111, 115, 119, 327, 579, 623	1001157850..... 21
1001144433..... 385	1001152483..... 515	1001156001 ...199, 211, 559	1001157862.. 176, 188, 204, 216, 237, 253
1001144629...337, 341, 343, 351, 353	1001152489 .. 175, 187, 204, 216, 237, 253	1001156006427	1001157872..... 308
1001145405..... 396, 411	1001152525 286, 290	1001156016427	1001157885..... 308
1001146588...229, 246, 495, 497, 499, 501	1001152530..... 277, 281	1001156030 ...286, 290, 571	1001157887..... 297
1001146940..... 297	1001152532... 278, 282, 565	1001156033433	1001157890.. 544, 547, 551, 579, 597
1001146963..... 19, 681	1001152742 539	1001156034 ..176, 188, 204, 216, 237, 253	1001157891.. 495, 497, 499, 501, 539, 622
1001147567...175, 187, 236, 252	1001153259 ... 278, 282, 569	1001156035 ..176, 188, 204, 216, 237, 253	1001157906..... 157
1001147616..... 29	1001153785..... 308	1001156062 ..176, 188, 204, 216, 237, 253	1001157907..... 157
1001147617..... 29	1001153827..... 308	1001156091 ..176, 188, 204, 216, 237, 253	1001158007..... 286, 290
1001147618..... 29	1001153981 71	1001156107 91, 95, 99, 103, 107, 111, 115, 119, 171, 183, 199, 211, 229, 246, 327	1001158008..... 286, 290
1001147847...175, 187, 203, 215, 236, 252	1001153983 71	1001156112204, 216	1001158014..... 684
1001148012..... 309	1001153984 71, 73	1001156347157	1001158017..... 17
1001148059..... 277, 286	1001154035 87	100115660619	1001158026..... 204, 216
1001148641...175, 187, 203, 215, 236, 252	1001154196 77	1001156613308	1001158263..... 275
1001148675..... 487	1001154247 308	1001156644 ..176, 188, 204, 216, 237, 253	1001158289..... 204, 216
1001148902..... 684	1001154262.. 169, 181, 223, 241	1001156650297	1001158363..... 277, 281
1001148903..... 684	1001154377 71	100115667819	1001158412..... 57, 59
1001148904..... 684	1001154405.. 169, 176, 181, 188, 197, 204, 209, 216, 223, 237, 241, 253, 271	100115667919	1001158529..... 211, 214
1001148905..... 684	1001154759 21	1001156692556	1001158607..... 275
1001148906..... 684	1001154772 21	1001156718 ..171, 183, 199, 211, 229, 246	1001159118..... 487
1001149160.91, 95, 99, 103, 107, 111, 115, 119, 155	1001155023 .. 175, 187, 204, 216, 237, 253	1001156719241, 246	1001159119..... 487
1001149517...175, 187, 203, 215, 236, 252	1001155041 .. 277, 281, 285, 289	100115677819, 327	1001159120..... 487
1001149711..... 29	1001155044 371, 375	100115678519	1001159121..... 487
1001149746...175, 187, 203, 215, 236, 252	1001155045 ... 371, 375, 681	100115681519	1001159186.. 573, 583, 584, 585
1001149823..... 67	1001155064 685	100115686753	1001159256... 371, 375, 681
1001149867..... 199, 202	1001155069 684	1001156926371, 375	1001160169..... 435
1001149921..... 21, 25	1001155133 17	100115699119	1001160445.. 636, 640, 644, 648, 652, 656, 660, 664, 668
1001149970.91, 95, 99, 103, 107, 111, 115, 119, 541	1001155262 327	100115700717, 308	1001160505..... 157
1001149971...199, 211, 555	1001155303 282, 290	1001157073 ..171, 183, 199, 211, 229, 246	1001160518.. 176, 188, 204, 216, 237, 253
1001149975...37, 39, 41, 43, 45, 47, 49, 51, 519	1001155338 .. 277, 282, 285, 289	1001157080427	1001161232..... 57, 59, 680
1001150162..... 681	1001155348 285, 289	100115708417	1001161269..... 453
1001150174..... 281, 289	1001155363 17	100115720731, 35	1001161270..... 453
1001150498..... 203, 215	1001155496.. 176, 188, 204, 216, 237, 253	100115721629	1001161271..... 453
1001150499..... 203, 215	1001155498 .. 176, 188, 204, 216, 237, 253	1001157241453	1001161272..... 453
1001150504...175, 203, 236	1001155525 .. 176, 188, 204, 216, 237, 253		1001161273..... 453
1001150505..... 203, 215	1001155527 161		1001161274..... 453
1001150553...175, 187, 203, 215, 237, 253	1001155540.. 176, 188, 204, 216, 237, 253		1001161275..... 453
	1001155557 .. 176, 188, 204, 216, 237, 253		1001161276..... 453
	1001155561 53		1001161277..... 453

SECTION 11 - SPECIAL OPTIONS/ACCESSORIES/KITS

1001161290.....453	1001172576..... 672	1001189002.....331	1001197312317
1001161470.....163	1001172577..... 393	1001189171515, 680	1001197315 ..636, 640, 644, 652, 656, 660, 664, 668
1001161488..... 161	1001172578..... 393	1001189172..... 515, 680	1001197317 ..176, 188, 237, 253
1001161647.....459	1001172620.....393, 672	1001189291..... 176, 188	1001197326495
1001161709...371, 375, 681	1001172760.....371, 375	1001189882..... 648	1001197327497
1001161710...371, 375, 681	1001173609..... 365	1001190032..... 163	1001197328501
1001162212.. 169, 181, 223, 241	1001173662..... 302	1001190418.. 176, 188, 237, 253	1001197329684
1001162880..... 87, 89	1001173763..... 317	1001190475..... 169, 181	1001197330684
1001163631.. 37, 39, 41, 43, 45, 47, 49, 51, 599	1001173846..... 57	1001190921..... 543	1001197331141
1001164354.. 31, 37, 39, 41, 43, 45, 47, 49, 51	1001174345..... 19	1001190927..... 161, 163	1001197332489
1001164700.....89	1001175201..... 83	1001190949..... 17	1001197333463
1001165035.. 169, 174, 181, 186, 197, 202, 209, 214, 223, 237, 241, 253	1001175265.....544, 548	1001190950..... 17	1001197335509
1001165194.....539	1001175568..176, 188, 237, 253	1001190951..... 17	1001197336684
1001166393.. 176, 188, 203, 215, 237, 253	1001176002...543, 547, 551	1001190952..... 17	1001197340684
1001166541..... 544	1001176004...543, 547, 551	1001190953..... 17	1001197341685
1001166543..... 544	1001176333..... 577	1001190985..... 331	1001197342684
1001166551.....543	1001176469...125, 129, 133, 137	1001191122.. 176, 188, 203, 215, 237, 253	100119734587
1001166555.....543	1001176582..... 365	1001191620.. 223, 230, 241, 247	1001197359686
1001166556..... 539, 544	1001176636..... 365	1001192138.. 176, 188, 203, 215, 237, 253	1001197361449
1001166701..... 544	1001177134.....203, 215	1001192401..... 563, 623	1001197436685
1001166704.....537	1001177137.....203, 215	1001193018.. 465, 467, 469, 471, 473, 475, 477, 479, 481, 483, 485	1001197445171, 183
1001166774..... 539, 544	1001177635..... 365	1001193135..... 672	100119762781
1001166795..... 548	1001178797..... 271	1001193136..... 672	1001197719543
1001166796..... 548	1001179154..... 290	1001193599..... 176, 188	1001197760315
1001167497.....308	1001180153..... 297	1001193630..... 67, 686	100119776167
1001167528..... 537	1001180491..... 365	1001193980.. 169, 181, 223, 241	1001197766315
1001167565..... 331	1001180620..... 156	1001194197475	1001197775684
1001167567..... 331	1001181045...513, 517, 680	1001194198479	1001197899302
1001167615..... 543	1001181625..169, 181, 223, 241	1001194200..... 483	1001197901302
1001167616... 544, 548, 552	1001181899...176, 188, 223, 229, 237, 241, 247, 253	1001194203..... 467	1001197902297, 302
1001167620... 543, 547, 551	1001182361.....547, 551	1001194204..... 471	1001197937155
1001167621.....543	1001182365.....547, 551	1001194365..... 485	1001197960328, 681
1001167622..... 543	1001182806..... 145	1001195588..... 77, 79	1001197961328, 681
1001167623..... 543	1001184619...640, 648, 656	1001195906..... 315	1001197969297
1001167624... 543, 547, 551	1001184682..... 143	1001195924..... 308	1001197973297
1001167625..... 543	1001184846..... 544	1001195939..... 308, 311	1001198376317
1001167629..... 544, 548	1001185281.....371, 375	1001195940..... 308, 313	1001198377317
1001167630... 544, 545, 548	1001186318..... 361	1001195947.. 636, 644, 652, 660, 664, 668	1001198382317
1001167631..... 545, 548	1001186333..... 349	1001196517..... 327, 681	1001198383317
1001167632..... 537, 552	1001186334..... 359	1001196562..... 155	1001198386317
1001167633..... 545	1001186342...169, 181, 197, 209, 223, 241	1001196603..... 622	1001198388317
1001167634... 544, 548, 552	1001186375..... 339	1001196605..... 622	1001198389317
1001167635..... 544, 548	1001186379..... 345	1001196634.. 293, 535, 622, 680	1001198587441
1001168402..... 331	1001186382..... 355	1001196635..... 622	1001198594442
1001168734..... 199, 211	1001186383..... 351	1001196636..... 622, 629	1001198640302
1001169085... 147, 149, 151	1001186384..... 341	1001196682.. 495, 497, 499, 501, 627	1001198641302
1001169409..... 223, 241	1001186387..... 337	1001196733..... 297	1001198642302
1001170982.. 176, 188, 204, 216, 237, 253	1001186389..... 361	1001196806..... 83	1001198643302
1001171324..... 329	1001186431.....385, 681	1001196917..... 297, 307	1001198644302
1001172356.....29	1001186432.....575, 611	1001197017..... 405, 407	1001198645302
1001172358..... 17, 59, 155, 157, 161, 163, 297, 302, 308, 315, 317, 328, 331, 449, 458	1001186433..... 603	1001197118..... 77	1001198685155
1001172570..... 393, 672	1001187518.....169, 181	1001197142..... 69	1001198732302
1001172571..... 672	1001187674..... 383	1001197292..... 81, 83, 85	1001198749297
1001172572..... 672	1001187681..... 605	1001197307..... 196	1001198757297
1001172573..... 672	1001187744.91, 95, 99, 103, 107, 111, 115, 119	1001197308..... 208	1001198758297
1001172574..... 672	1001188491..... 81, 83	1001197311..... 327	1001198759297
1001172575..... 672	1001188622..... 331		1001198761297
	1001188844..... 331		1001198762433
	1001188922...171, 183, 543		1001198864308
	1001189001..... 331		1001199035393
			1001199036393
			1001199043329
			1001199083308
			1001199084308

SECTION 11 - SPECIAL OPTIONS/ACCESSORIES/KITS

1001199085.....	308	1001200726 91, 95, 99, 103,	1001202263	497	1001205103.....	459
1001199086.....	308	107, 111, 115, 119	1001202264	497	1001205104.....	459
1001199117.....	308	1001200727..... 92, 96, 100,	1001202267	499	1001205105.....	459
1001199310.....	155	104, 107, 111, 115, 119	1001202268	499	1001205106.....	459
1001199315.....	317	1001200732.....	1001202269 .. 495, 497, 499,	501	1001205108.....	459
1001199319.....	155	1001200733.....	1001202320	459	1001205110.....	459
1001199320.....	308	1001200734.....	1001202355 .. 171, 183, 199,	211, 230, 247	1001205111.....	459
1001199465.....	155	1001200736.....	1001202401	684	1001205113.....	459
1001199468.....	155	1001200739.....	1001202692	319	1001205114.....	459
1001199470... 171, 183, 199,		1001200741	1001202705	459	1001205115.....	459
211, 230, 247, 265		1001200764.....	1001202706	459	1001205116.....	459
1001199483... 372, 376, 681		1001200779.....	1001202707	459	1001205117.....	459
1001199583.....	197, 199	1001200780.....	1001202708	459	1001205124.....	459
1001199587.....	209, 211	1001200834.....	1001202709	459	1001205125.....	459
1001199610.....	308	1001200836.....	1001202708	459	1001205660.....	509, 511
1001199641.....	308	1001200837.....	1001202709	459	1001205682.....	511
1001199670... 169, 181, 223,		1001200838.....	1001202733	156	1001205683.....	441, 445
241		1001200839.....	1001202734	156	1001205690.....	511, 515
1001199671.....	317	1001200848.....	1001202742 .. 495, 497, 499,	501	1001205812.....	684
1001199753.....	155	1001200849.....	1001202743 .. 495, 497, 499,	501	1001205949.....	459
1001199754.....	155	1001200977.....	1001202785 .. 495, 497, 499,	501, 597	1001205958.. 473, 475, 477,	479, 481, 483
1001199755.....	155	1001200988.....	1001202787	615	1001206119.....	278
1001199764.....	155	1001201007.....	1001202793	309	1001206184.....	435
1001199778.....	155	1001201062.. 495, 497, 499,	1001202914	623	1001206476.....	491
1001199780.....	155	501, 601	1001202916	685	1001206506.. 495, 497, 499,	501, 563
1001199782.....	155	1001201068.....	1001202917	685	1001206509.....	563
1001199804.....	297	1001201069.....	1001202950	328	1001206532.....	371, 376
1001199812.....	297	1001201095.....	1001203413	147	1001206747.. 169, 171, 181,	183, 197, 199, 209, 211,
1001199990.....	308	1001201103..... 92, 96, 100,	1001203655	349	223, 229	
1001200091.....	309	104, 108, 112, 116, 120	1001203656	359, 361	1001206817.....	92, 96, 108,
1001200092.....	309	1001201130.....	1001203753	309	112, 539	
1001200093.....	309	1001201131.....	1001203754	309	1001207004.....	151
1001200094.....	309	1001201132.....	1001203755	309	1001207102.....	459
1001200117.....	640, 648	1001201133.....	1001203898	328	1001207279.....	459
1001200118.....	640, 648	1001201134.....	1001203899	328	1001207388.....	331
1001200137.....	684	1001201135.....	1001203900	328	1001207937.....	297
1001200154.....	297	1001201136.....	1001203904	328	1001207963.. 127, 129, 135,	137
1001200183.....	507	1001201333.....	1001204027 .. 495, 497, 499,	501	1001207969.....	319
1001200199... 495, 497, 499,		1001201334.....	1001204028 .. 495, 497, 499,	501, 603	1001208297.. 176, 188, 204,	216, 237, 253
501, 507		1001201335.....	1001204041	433	1001208298.. 176, 188, 204,	216, 237, 253
1001200203.....	507	1001201351.....	1001204043	328, 681	1001208299.. 176, 188, 204,	216, 237, 253
1001200345.....	328, 681	1001201485.....	1001204073	331	1001208596.....	317
1001200491.....	331	1001201503.....	1001204096 ... 636, 644, 656	278	1001209368.....	302
1001200494.....	331	1001201710.....	1001204650	278	1001209372.....	302
1001200501.....	155	1001201772.....	1001204725	331	1001209373.....	302
1001200502.....	155	1001201846.....	1001204911	331	1001209374.....	302
1001200519.....	155	1001201885.....	1001204914	302	1001209375.....	302
1001200522.....	155	1001201885.....	1001205083	459	1001209375.....	302
1001200522.....	155	1001201938.....	1001205084	459	1001209432.....	491
1001200532.....	155	1001201986.....	1001205087	459	1001209474.....	491
1001200550... 328, 459, 681		1001201997.....	1001205088	459	1001209626.....	156
1001200565.....	282	1001202000.....	1001205089	459	1001209633.....	317
1001200574.....	297	1001202002.....	1001205090	459	1001209664.....	385
1001200576.....	297	1001202005.....	1001205092	459	1001209896.. 636, 640, 644,	648, 652, 656, 660, 664,
1001200587.....	328	1001202055.....	1001205093	459	668	
1001200604.91, 95, 99, 103,		1001202136.....	1001205094	459	1001209935.....	156
107, 111, 115, 119		1001202169.....	1001205095	459	1001209961.....	156
1001200605.91, 95, 99, 103,		1001202179.....	1001205096	459	1001210079.....	563
107, 111, 115, 119		1001202181.....	1001205098	459	1001210116.....	156
1001200606.91, 95, 99, 103,		1001202182.....	1001205100	459	1001210259.....	156
107, 111, 115, 119		1001202225.....	1001205102	459		
1001200686.....	317	1001202225.....				
1001200698.....	277	1001202245.....				
1001200699.....	281	1001202259.. 495, 497, 499,				
1001200707... 636, 640, 644,		501, 505				
648, 652, 656, 660, 664,		1001202260.. 495, 497, 499,				
668		501, 503				
		1001202261.....				
		1001202262.....				

SECTION 11 - SPECIAL OPTIONS/ACCESSORIES/KITS

1001210283.....156	1001216638.....507, 579	1001226799...525, 527, 529	100123424757, 59, 61
1001210294.....156	1001216806...495, 497, 499, 501, 625	1001226872.....335	1001234408648
1001210636...367, 369, 423	1001216976..31, 57, 59, 319	1001226902.....449	1001234789 ..636, 640, 644, 648, 652, 656, 660, 664, 668
1001210781...149, 151, 617	1001217007.....92, 96, 100, 104, 108, 112, 116, 120, 495, 497, 499, 501	1001226923.....271	1001234791 ..171, 183, 199, 211, 230, 247
1001211885.....92, 96, 100, 104, 108, 112, 116, 120, 561	1001217086.....459	1001227457.....523	1001235962684
1001211904..636, 640, 644, 648, 652, 656, 660, 664, 668	1001217087.....459	1001227633.....383	1001236268685
1001212056..169, 181, 223, 241	1001218037.....297	1001227634.....383	1001236504491
1001212188.....597	1001218572.....156	1001227710.....155	1001236505491
1001212199.....435	1001218622.....501	1001227912.....271	1001236552387
1001212328.....459	1001218623.....501	1001227948.....271	1001236746421
1001212491.....459	1001219110.....31, 33	1001227960.....92, 96, 100, 104, 108, 112, 116	1001236747417
1001212492.....459	1001219583.....308	1001227985.....383	1001236891 ..415, 417, 419, 421
1001212494.....459	1001219590.....308	1001227987.....383	1001236895 ..415, 417, 419, 421
1001212495.....459	1001219599.....309	1001227996.....607, 609	1001236952685
1001212502.....459	1001219600.....309	1001228090.....297, 435	1001237402685
1001212503.....459	1001219601.....92, 96, 100, 104, 108, 112, 116, 120, 681	1001228091.....441	1001237667573, 584
1001212504.....459	1001219622.....501	1001228215.....335	1001237668573, 584
1001212505.....460	1001220379.....555	1001228224.....383, 681	1001237862607, 609
1001212507.....460	1001220470.....328	1001228225.....383, 681	1001237863383, 609
1001212509.....460	1001220482.....365, 577	1001228243.....353	1001237864383, 607
1001212512.....458	1001220486.....372, 376	1001228364.....92, 96, 100, 104, 108, 112, 116, 120	1001237865383, 605
1001212663.....329	1001220864.....684	1001228375.....357	1001237882684
1001212669.....302	1001220955.....365	1001228376.....343	1001237883684
1001212810.....176, 188	1001221425.....298	1001228377.....347	1001237888389, 391
1001212817..176, 188, 204, 216, 237, 253	1001221585.....92, 96, 100, 104, 108, 112, 116, 120	1001228872..169, 181, 223, 241, 680	1001237891391
1001212825.....169, 181	1001222385.....308	1001228954.....527	1001237898389, 391
1001212826.....176, 188	1001222387.....308	1001228959.....527	1001237902 ...389, 391, 681
1001213053.....329	1001222388.....403, 672	1001228976.....365	100123815883
1001213292.....62	1001222402.....308	1001228988.....403, 672	100123823657
1001213293.....62	1001222404.....308	1001229341.....383	100123826283
1001213294.....62	1001222404.....308	1001229485.....365	1001238263 ..415, 417, 419, 421
1001213295.....62	1001222817.....271	1001229782.....640	1001238319383
1001213296.....62	1001222918.....199, 211	1001229922.....365	1001238401 ..169, 181, 223, 241
1001213297.....62	1001223055.....636	1001230931...519, 603, 625	1001238402 ..169, 181, 223, 241
1001213298.....62	1001223453.....636, 656	1001230934.....547, 551	1001238418387, 611
1001213392.....57, 59	1001223971.....656	1001230935.....547, 551	1001238463419
1001213447.....583	1001224045...636, 640, 644, 648, 652, 656, 660, 664, 668	1001230936.....547, 551	1001238470 ..169, 181, 224, 242
1001213448.....623	1001224046..169, 181, 223, 241	1001231008...143, 145, 631	1001238472387
1001213836.....329	1001224048.....664	1001231235.....686	100123848392, 96, 108, 112, 537
1001213882.....372, 376	1001224049.....668	1001231291.....460	1001238495385
1001214029.....673	1001224050.....652	1001231315.....636	1001238559387
1001214098.....329	1001224052.....644	1001231316.....656	1001238732139
1001214570.....491	1001224052.....644	1001231317.....664	1001239344493
1001214571.....491	1001224053.....660	1001231318.....668	1001239345493
1001214756.....319	1001225167.....92, 96, 100, 104, 108, 112, 116, 120	1001231319.....644	1001239625685
1001215375.....365	1001225220.....636, 644	1001231320.....660	1001239627685
1001215379.....365	1001225279.....92, 96, 100, 104, 108, 112, 116, 120	1001231321.....652	1001239805491
1001215380.....365	1001225279.....92, 96, 100, 104, 108, 112, 116, 120	1001231711.....143, 145	1001239874491
1001215836.....507	1001225346.....491, 681	1001231801.....672	1001239957491
1001216021.....92, 96, 100, 104, 108, 112, 116, 120, 681	1001225580.....385, 575	1001231949.....421	1001241162389
1001216238.....92, 96, 100, 104, 108, 112, 116, 120	1001225639.....684	1001231950.....417, 419	1001241273686
1001216258.....328	1001226102.....92, 96, 100, 104, 108, 112, 116, 120	1001232010...417, 419, 421	1001241335684
1001216318.....543	1001226291.....501	1001232011...417, 419, 421	1001241344684
1001216579.....327	1001226292.....501	1001232034.....143	1001241419685
1001216618.....672	1001226531.....491	1001232035.....145	1001241547686
1001216625.....579	1001226541.....533, 623	1001232164.....383	1001241548686
1001216626.....579, 625	1001226636.....533	1001232165.....383	1001241586491
1001216630.....331	1001226637.....533	1001232201.....460	
	1001226739...523, 525, 527, 529, 533	1001232642.....387	
		1001232667.....387, 681	
		1001232842.....293	
		1001233047.....684	
		1001233732.....685	
		1001233763.....293	

SECTION 11 - SPECIAL OPTIONS/ACCESSORIES/KITS

1001241631..... 83	1001248141 .. 415, 417, 419, 421	1001261338415	1001274830..... 684
1001241673..... 687	1001249052..... 686	1001262016686	1001274833..... 684
1001241965..... 387	1001249095..... 617	1001262056 ...230, 247, 551	1001274992..... 230, 247
1001242124...372, 376, 583	1001249695..... 686	1001262322523	1001275151..... 548, 552
1001242126.....92, 96, 100, 104, 108, 112, 116, 120, 573	1001249941 686	1001262326523	1001275153..... 548, 552
1001242192..... 684	1001250035..... 686	1001262959686	1001275628... 371, 375, 680
1001242378..... 171, 174	1001250302..... 156	1001263626151	1001275629... 371, 375, 680
1001242380..... 183, 186	1001250303..... 156	1001263923520	1001275642..... 686
1001242382..... 169, 171	1001250465..... 686	1001265163423	1001275650..... 686
1001242383..... 181, 183	1001250466..... 686	1001265328686	1001276062..... 686
1001242384..... 168	1001250595..... 686	1001265342423	1001276610..... 531
1001242386..... 180	1001251025 307, 431	1001265378684	1001276923..... 684
1001242390..... 83	1001251034 307, 429	1001265857131, 135	1001277132.. 37, 39, 41, 43, 45, 47, 49, 51
1001243047..... 37, 91	1001251065 19, 437	1001265858133, 137	1001277208..... 120
1001243048..... 92, 123	1001251066 17, 427	1001265870108, 131	1001277209..... 681
1001243049..... 123, 127	1001251091 302, 445	1001265871112, 133	1001277285..... 687
1001243050..... 39, 95	1001251093 308, 439	1001265872116, 135	1001277296..... 240
1001243051..... 125, 129	1001251094 297, 433	1001265873120, 137	1001277297..... 242, 246
1001243052..... 96, 125	1001251857 ... 203, 215, 219	1001265902369	1001277298..... 247, 251
1001243053..... 41, 99	1001251858 ... 176, 188, 191	1001265904369, 375	1001277341..... 686
1001243054..... 100, 127	1001252627 675, 677	1001265905372, 376	1001277846..... 686
1001243055..... 43, 103	1001252629 .. 415, 417, 419, 421	1001266056685	1001278007..... 686
1001243056..... 104, 129	1001253618 685	1001266098685	1001281298..... 273
1001243091..... 636	1001253619 685	1001266284685	1001281301..... 273
1001243092..... 389	1001254472 387	1001266489685	1001281302..... 273
1001243093..... 656	1001254473 387	1001266807685	1001281304..... 273
1001243094..... 664	1001254474 636	1001266826685	1001281305..... 273
1001243095..... 652	1001254475 636	1001266828685	1001281309..... 273
1001243096..... 644	1001254476 656	1001266969685	1001281310..... 273
1001243097..... 668	1001254477 656	1001267315 ..636, 640, 644, 652, 656, 660, 664, 668	1001281311..... 273
1001243098..... 660	1001254478 664	1001267388367	1001281359..... 273
1001243184..... 684	1001254479 664	1001267390367, 371	1001281360..... 273
1001243205..... 389	1001254480 652	100126765945, 107	1001281452..... 685
1001243414..... 156	1001254481 652	100126766047, 111	1001281453..... 685
1001243895..... 293	1001254482 644	100126766149, 115	1001281456..... 685
1001244335..... 391	1001254483 644	100126766251, 119	1001281457..... 685
1001244336..... 389	1001254484 668	1001268243 ..636, 640, 644, 648, 652, 656, 660, 664, 668	1001281458..... 685
1001244452..... 149	1001254485 668	1001268946552	1001281461..... 685
1001244462..... 159	1001254486 660	1001269187685	1001281500 91, 95, 99, 103, 107, 111, 115, 119, 681
1001244671..... 391	1001254487 660	1001269389685	1001281656..... 273
1001244709..... 391	1001255901 535	1001269655686	1001282106..... 379
1001244710..... 391	1001256823 ... 237, 253, 255	1001270339493	1001282434..... 686
1001244732..... 391	1001256862 .. 176, 188, 203, 215, 237, 253	1001270340493	1001282461..... 686
1001244733..... 391	1001257271 415	1001270594147	1001282725..... 273
1001244863..... 684	1001257274 415	1001271642685	1001283776..... 147, 619
1001245160..... 139	1001258191 91, 95, 99, 103, 108, 112, 116, 120, 493	1001271760685	1001284138..... 273
1001245176..... 139, 379	1001258730 389, 391	1001271930672	1001284139..... 273
1001245206..... 139	1001259191 230, 235	1001271932672	1001284257..... 273
1001246142..... 684	1001259192 224, 229	1001271934672	1001284272..... 273
1001246144..... 529	1001259193 222	1001271936672	1001284587..... 379
1001246145..... 525	1001259203 237, 253	1001271938672	1001284588..... 379
1001246389..... 389	1001259204 224, 242	1001271939672	1001284691 .. 636, 640, 644, 648, 652, 656, 660, 664, 668
1001246471..... 529	1001259208 237, 253	1001271940673	1001285878..... 327
1001246472..... 525	1001259278 237, 253	1001271941673	1001285891..... 159
1001246477..... 525	1001259281 237, 253	1001272166685	1001285892..... 159
1001246614..... 648	1001260287 224, 242	1001272182685	1001286088..... 92, 96, 100, 104, 108, 112, 116, 120, 621
1001246615..... 640	1001260307 .. 230, 237, 247, 253	1001272274685	1001286089..... 92, 96, 100, 104, 108, 112, 116, 120, 629
1001246859.....92, 96, 100, 104, 108, 112, 116, 120, 622	1001260524 389	1001272659531	1001286280..... 157
1001247073..... 686	1001260525 389, 391	1001272681149	1001286281..... 155, 156
1001247252..... 389	1001260889 237, 253	1001272997535	
1001247468..... 331, 680	1001260937 376	1001273012531, 535	
1001248140...415, 417, 419, 421	1001261335 415	1001274249686	
		1001274559371, 375	
		1001274829684	

SECTION 11 - SPECIAL OPTIONS/ACCESSORIES/KITS

1001286283.....	157	1701691 636, 640, 644, 648,	652, 656, 660, 664, 668	1705430.....	652	2160002.....	67
1001286284.....	155, 157	1702565.....	371, 375	1705460.....	286, 290	2170204.....	458
1001287191.....	159	1702566.....	371, 375	1705461.....	286	2171310.....	458
1001289905.....	686	1702773 349, 359, 361, 636,	640, 644, 648, 652, 656,	1705489.....	277, 286	2180344.....	67
1001289906.....	686	660, 664, 668		1705490.....	675, 677	2180832 168, 180, 196, 208,	
1001291543.....	237, 253	1702774 636, 640, 644, 652,	656, 660, 664, 668	1705492.....	636	222, 240, 396, 411	
1001291588.....	548	656, 660, 664, 668		1705493.....	660	2220235.....	453
1001291589.....	547	1702868 .403, 636, 672, 675		1705503.....	664	2220313 168, 180, 196, 208,	
1001293066.....	191, 255	1702942.....	214	1705505.....	656	222, 240	
1001293701.....	59	1703162 174, 186, 204, 216,	235, 251	1705511 636, 640, 644, 648,	652, 656, 660, 664, 668	2220366.....	449, 458
1001296427.....	92, 96, 100,	1703804.....	636	1705515.....	640, 648	2220371.....	35, 65
1001297397..	131, 133, 135,	1703805.....	636	1705745.....	371, 375	2220372.....	453
	137	1703811 636, 640, 644, 648,	652, 656, 660, 664, 668	1705822.....	640, 648	2220373.....	321, 323, 458
1001297399..	123, 125, 127,	652, 656, 660, 664, 668		1705828.....	640, 648	2220374.....	62, 458
	129	1703814 636, 640, 644, 648,	652, 656, 660, 664, 668	1705864 636, 640, 644, 648,	652, 656, 660, 664, 668	2220375.....	458
1001311034.....	387	652, 656, 660, 664, 668		1705865 636, 640, 644, 652,	656, 660, 664, 668	2220415	21, 33, 323, 449,
1060341.....	405, 407	1703935.....	668	652, 656, 660, 664, 668		458	
1060343.....	290	1703936.....	656	1705896.....	644	2220435.....	65, 321
1060545.....	515	1703938.....	660	1705897.....	644	2220465.....	62
1060903.....	405, 407	1703939.....	664	1705898.....	644	2220472.....	21, 62
1060908.....	513, 517	1703941.....	668	1705902.....	644	2220473.....	453, 458
1060918.....	381	1703942.....	656	1705903.....	644	2220478.....	458
1060945.....	501	1703943.....	652	1705905.....	644	2220479.....	458
10702077.....	286, 290	1703944.....	660	1705906.....	644	2220498.....	79, 458
10702082.....	286, 290	1703945.....	664	1705910.....	668	2220499.....	321
10836804.....	123, 125, 127,	1703947.....	668	1705915.....	668	2220500.....	321, 458
	129, 131, 133, 135, 137	1703948.....	656	1705917.....	668	2220502.....	449
1120549.....	19	1703949.....	652	1705921.....	640, 648	2220504.....	453
1120555.....	393	1703950.....	660	1705961.....	640, 648	2220578.....	458
1260017.....	69	1703951.....	664	1705967.....	644, 672	2220582.....	62, 321, 323
1320022.....	83, 204, 216	1703953.....	636	1705969.....	664, 672	2220600.....	323
1320041..	83, 171, 183, 199,	1703959 636, 640, 644, 648,	652, 656, 660, 664, 668	1706059.....	644	2220602.....	458
	211, 229, 246	652, 656, 660, 664, 668		1706060.....	652	2220618.....	458
1320061.....	229, 246	1703980.....	660	1706061.....	664	2220816.....	271
1320136 171, 183, 199, 211,	229, 246	1703981.....	664	1706063.....	668	2220861.....	33
1320159.....	449	1703982.....	652	1706064.....	656	2220865.....	62, 65, 458
1320177.....	396, 411	1703983.....	668	1706098.....	640, 648	2220881.....	33, 427
1320263.....	449	1703984.....	656	1706385.....	349, 359	2220883 ..	33, 427, 429, 431,
1320288.....	315, 317	1704000.....	656, 672	1706493.....	361	433, 435, 441, 445	
1320296.....	449	1704001.....	668, 672	1706741.....	371, 375	2220885 ...	33, 437, 441, 445
1320302. 396, 399, 401, 403		1704260.....	371, 375	1706501.....	361	2220886.....	427, 433, 435
1320328.....	315	1704277 636, 640, 644, 648,	652, 656, 660, 664, 668	2030010 396, 399, 401, 403,	411	2220887.....	435
1321385.....	449	652, 656, 660, 664, 668		2080040 337, 341, 343, 351,	353	2220888.....	435
1321716 168, 174, 180, 186,		1704412 636, 640, 644, 648,	652, 656, 660, 664, 668	411		2220906.....	62, 79
202, 214, 222, 229, 235,		652, 656, 660, 664, 668		2080069.....	389, 391	2220940.....	449
240, 246, 251		1704972.....	636, 660	2080091.....	19	2220947.....	79, 321
1380147 168, 180, 196, 208,	222, 240	1705014.....	349, 359	2110406.....	62	2221034.....	458
1580012.....	363	1705132.....	371, 375	2110604.....	458	2221050.....	458
1580013.....	685	1705171.....	371, 375	2110808.....	21, 453, 458	2221077.....	458
1670603.....	485	1705305 .403, 672, 675, 677		2110810.....	33, 35, 458	222108633, 35, 62, 321, 323	
1671039.....	327	1705325.....	465, 467	2110812.....	453	2221114 168, 180, 196, 208,	
1671040.....	19	1705336.....	636	2111010.....	79, 321, 458	222, 240	
1671092.....	290, 499	1705344.....	660	2111012.....	21, 33	2221155.....	65
1671093.....	396, 401, 499	1705345.....	664	2111016.....	33, 458	2230025.....	458
1671122.....	327	1705347.....	656	2111620.....	458	2230026.....	458
1701499 636, 640, 644, 648,		1705351.....	636	2120217.....	319	2230031.....	458
652, 656, 660, 664, 668		1705355.....	672	2130101.....	62, 79	2230036.....	458
1701505 636, 640, 644, 648,		1705358.....	393	2131012.....	21	2360030 123, 125, 127, 129,	
652, 656, 660, 664, 668		1705374.....	282, 487	2150606.....	62	131, 133, 135, 137	
1701509 393, 636, 640, 644,		1705375.....	291, 403, 672	2150806.....	321	2400030.....	584, 680
648, 652, 656, 660, 664,		1705387.....	282, 291	2150808.....	321	2400060.....	293, 423, 584
668		1705426.....	660	2150810.....	321	2400066.....	543, 547, 551
1701518.....	640, 648	1705427.....	664	2151010.....	79	2410014.....	349, 359, 361
		1705429.....	656	2151616.....	62	24861170.....	236, 252
						2540044.....	449

SECTION 11 - SPECIAL OPTIONS/ACCESSORIES/KITS

2560136	371, 375	3290605001	328, 365	481, 483, 485, 491, 636,	3760383	19, 327
2560187	156, 157	3290606 339, 345, 347, 355,	357	640, 644, 648, 652, 656,	3790012	371, 375
2600281 337, 341, 343, 351,	353	3290607.. 31, 171, 174, 183,	186, 199, 202, 211, 214,	660, 664, 668	3790152 171, 183, 199, 211,	229, 246
2720015 174, 186, 202, 214,	235, 251	3290801001	458	3311501	3790155 171, 183, 199, 211,	229, 246
2720160	396, 411	3290805	91, 95, 99, 103,	3311601	3790158	21
2750528	67	107, 111, 115, 119, 155,	168, 174, 180, 186, 202,	107, 111, 115, 119, 156,	3820001 636, 640, 644, 648,	652, 656, 660, 664, 668
2750532 169, 181, 197, 209,	222, 240	214, 222, 235, 240, 251,	327, 491, 495, 497, 499,	372, 376, 387	3820020 337, 341, 343, 351,	353
2751032	67	501	3290805001 19, 92, 96, 100,	3311605 271, 349, 359, 361,	3820032 174, 186, 202, 214,	235, 251
2820019	567	104, 108, 112, 116, 120,	156, 277, 281, 285, 289,	396, 399, 401, 403	3841143 168, 180, 196, 208,	222, 240, 307, 331
2820031 .277, 281, 285, 289		331, 463, 489, 495, 497,	499, 501, 509, 511	3312002 ..71, 415, 417, 419,	3841203	307
2820035	293	3290807 168, 174, 180, 186,	196, 202, 208, 214, 222,	421	3841258	17, 19, 307
2820171	577	235, 240, 251	3290807001	3312005	3841287	297
2820247	607, 609	319	3291001001	3322201	3841356	17, 297
2840016 168, 180, 196, 208,	222, 240	331, 458	3291005 ..71, 156, 174, 186,	3331411 168, 180, 196, 208,	3900054	349, 359, 361
2860030	680	202, 214, 235, 251, 307,	327, 367, 369, 507	222, 240	3900260	449
2900770 431, 435, 439, 441,	445	3291005001 .. 156, 161, 163,	309, 315, 317, 319, 331,	3331611001	3900283	319
2901443	686	458	3291007 ..81, 83, 87, 91, 95,	3332415001	3900349	371, 375
2902065 174, 186, 202, 214,	235, 251, 259	3291007001	99, 103, 107, 111, 115,	3340763	3900363	156, 157, 327
2902212	393	119, 155, 168, 171, 174,	180, 183, 186, 196, 199,	3340764	3900393001	315
2902217 .396, 399, 401, 685		202, 208, 211, 214, 222,	229, 235, 240, 246, 251	3340934	3910408 171, 183, 199, 211,	229, 246
2902443 .544, 548, 552, 555		3291007001	156	3340941	3910606 .281, 289, 463, 487	
2940074 337, 341, 343, 351,	353, 680	3291201 .277, 281, 285, 289	3291201001	3340956	3910612	463
2940173	156, 157	3291205	77, 81, 83	3380434	3910804 123, 125, 127, 129,	131, 133, 135, 137
3010136	307	3291205001 .. 31, 37, 39, 41,	43, 45, 47, 49, 51, 331	3421453	3911010	151
3020037	229, 246	3291207	229, 246	3421563	3931012	371, 375
3020039	17, 307	3291407	235, 251	3421565	3931016 .277, 281, 285, 289	
3020042	302, 307	3291407001	17, 19	3422178	3931408	385
3160339	21, 23	3291601 174, 186, 202, 214,	235, 251	3422912	3931512	79
3251102 .277, 281, 285, 289		3292201	307	3422917	3931620 .171, 183, 229, 246	
3251242 469, 471, 473, 475,	477, 479, 481, 483, 485	3292401001	297	3422957	3932264	435
3251243	282, 291, 463	3300151 335, 339, 343, 345,	347, 353, 355, 357, 396,	3422958	3952020	71
3252347	636	399, 401, 403	3300353	3423190	3960389	327
3271501	155	3300396	281, 286, 290	3430616	3960422 .281, 289, 463, 487	
3271605 .415, 417, 419, 421		3300408	139	3430816 168, 180, 196, 208,	3960525	81, 83
3271805	349, 359, 361	3300430	385, 391	222, 240	3960551	19
3272001 .415, 417, 419, 421		3300464001	19	3450404 168, 180, 196, 208,	3980006	87
3290301 168, 180, 196, 208,	222, 240	3300492	449	222, 240	4000008	327, 681
3290405	91, 95, 99, 103,	3310401 171, 183, 199, 211,	229, 246	3451214	4010308 168, 180, 196, 208,	222, 240
107, 111, 115, 119, 147,	149, 159, 168, 180, 196,	3311001	286, 290	3460334	4010408	277, 509, 511
208, 222, 240, 367, 369,	423, 465, 467, 469, 471,	3311005 151, 281, 285, 289,	371, 375, 396, 399, 401,	3470003	4010608	396, 411
473, 475, 477, 479, 481,	483, 485, 509, 511	403, 411	3311005001	3520026	4010618 339, 345, 347, 355,	357
3290405001	277	371, 375	3300353	3520071	4031505	383
3290507	91, 95, 99, 103,	3300396	281, 286, 290	3520072 335, 337, 339, 341,	4031507	159
107, 111, 115, 119, 199,	211	3300408	139	343, 345, 347, 349, 351,	4031509	147, 149, 327
3290601	91, 95, 99, 103,	3300430	385, 391	353, 355, 357, 359, 361	4031510	327
107, 111, 115, 119, 156,	157	3300464001	19	3520173	4031512	19, 327
3290605 ..37, 39, 41, 43, 45,	47, 49, 51, 83, 91, 95, 99,	3300492	449	3520189	4031516	387
103, 107, 111, 115, 119,	141, 143, 145, 149, 151,	3310401 171, 183, 199, 211,	229, 246	3520192	4031707	19, 327
156, 168, 180, 196, 208,	222, 240, 367, 369, 396,	3311001	286, 290	3520198 335, 337, 339, 341,	4031708001	365
411, 507, 509, 511		3311005001	277	343, 345, 347, 351, 353,	4031710	83
		3311401	405, 407	355, 357	4031912	202, 214
		3311405 387, 465, 467, 469,	471, 473, 475, 477, 479,	3538758	4032311001	19
				3573400 .396, 399, 401, 403	4060802 .277, 281, 285, 289	
				3573642 .396, 399, 401, 403	4060807 174, 186, 204, 216,	235, 251
				3574091	4060906	371, 375
				3576799	4070863	307
				3577121 .396, 399, 401, 403		
				3580317 .277, 281, 285, 289		
				3580318		
				3740067		
				91, 95, 99, 103,		
				107, 111, 115, 119, 681		
				3740086		
				611, 681		
				3760133		
				307		
				3760170		
				69		
				3760217		
				307		
				3760233		
				307		

SECTION 11 - SPECIAL OPTIONS/ACCESSORIES/KITS

4070864.....	307	375, 405, 407, 523, 525,	4460539 328, 493, 549, 552,	4460931.....	389, 619, 622
4070897.....	307	527, 529	555, 559, 579, 583, 601,	4460932 327, 423, 493, 495,	
4070898.....	307	4460247 544, 547, 551, 555,	622, 623, 629	497, 499, 501, 535, 537,	
4071044.....	307	622	4460612.....	561, 573, 622	
4071045.....	307	4460256.....	487	4460933 493, 544, 547, 548,	
4071073.....	307	493, 622	4460633.....	551, 552, 579, 583, 617,	
4071076.....	315	4460259.....	625	621, 629	
4100063.....	449	4460260.....	4460662. 475, 479, 483, 485	4460934 .543, 547, 551, 579	
4100101.....	307	4460267.....	4460670.....	4460935 .544, 547, 551, 579	
4160197.....	307	584, 621, 625	622	4460941.....	539, 561, 605
4220189.....	315	4460268.....	4460703 544, 547, 552, 555,	4460942 383, 539, 543, 547,	
4220190.....	315	4460314.....	622	551, 555	
4240018 277, 281, 285, 289,		4460315.....	4460708.....	4460943 .79, 141, 328, 389,	
449, 453, 458, 487		463, 583	625	391, 519, 537, 539, 555,	
4240032.... 92, 96, 100, 104,		4460346.....	4460722. 293, 579, 601, 622	573, 579, 583, 605, 621,	
108, 112, 116, 120, 523,		4460384.....	4460748. 544, 548, 552, 622	622	
525, 527, 529, 531		485	4460761.....	4460944 .79, 493, 539, 543,	
4240033 .383, 385, 387, 449		4460418 .573, 583, 584, 585	519, 583, 621	544, 547, 551, 555, 559,	
4240099..... 91, 95, 99, 103,		4460419 .573, 583, 584, 585	4460806. 473, 475, 477, 479	573, 577, 579, 583, 584,	
107, 111, 115, 119, 168,		4460425 277, 281, 286, 290,	4460807.....	621, 622, 623	
174, 180, 186, 196, 202,		405, 407, 487	565, 567	4460945 .549, 552, 559, 623	
208, 214, 222, 229, 240,		4460426 277, 281, 286, 290,	4460836... 79, 579, 621, 629	4460950.....	519, 621
246, 293, 372, 376, 396,		507	4460837.....	4460956.....	513, 517
399, 401, 405, 407		371, 375	79, 579	4460957.....	513, 517
4240149.....	393	4460428.....	4460843.....	4460958.....	487
4240155.....	460	4460434.....	629	4460962.....	396, 401, 499
4360057.....	405, 407	4460443.....	4460851.....	4460963.....	290, 499
4360070. 281, 286, 290, 680		4460458.....	519, 627	4460967.....	569, 571
4360328 123, 125, 127, 129,		446046419, 79, 149, 151,	4460852.....	4460968.....	327, 467, 471
131, 133, 135, 137, 681		327, 381, 423, 493, 519,	519, 627	4460970.....	573, 621
4360336 277, 281, 285, 289,		520, 533, 535, 537, 539,	4460865.....	4460971.....	396, 411
681		541, 556, 561, 573, 575,	503, 505	4460982.....	539
4360387 123, 125, 129, 131,		579, 583, 601, 603, 611,	4460866.....	4460984.....	543, 629
133, 137, 371, 375, 681		615, 617, 619, 621, 622,	579, 583, 622	4461006.....	544
4360407.....	371, 375, 680	627, 629, 631	4460871 519, 573, 583, 621,	4461008 .544, 548, 552, 556	
4360469 123, 125, 127, 129,		4460465 ..79, 147, 423, 493,	622, 629, 631	4461016.....	579
131, 133, 135, 137, 681		495, 497, 499, 501, 503,	4460872.....	4461017.....	79
4360475 123, 125, 127, 129,		505, 519, 520, 533, 539,	519, 629	4461018.....	621
131, 133, 135, 137, 681		541, 543, 544, 547, 548,	4460873.....	4461043.....	544, 555
4360476 123, 125, 127, 129,		549, 551, 552, 555, 556,	519, 583, 621	4461054.....	544, 548, 552
131, 133, 135, 137		563, 565, 567, 569, 571,	4460874.....	4461060.....	561
4360548.....	327, 681	573, 575, 577, 579, 580,	519, 583, 621	4461070 .543, 549, 552, 617	
4420014.....	393	584, 597, 601, 613, 617,	4460875.....	4461071 .544, 548, 552, 555	
4420037 .396, 399, 401, 403		621, 622, 623, 625, 627,	519, 629	4461072.....	544, 555
4420038.....	87	629, 631	4460876.....	4461074.....	544, 555
4420051.....	672	4460466 ..79, 328, 383, 389,	519, 573, 583	4461076.....	327
4420066.....	393	423, 493, 495, 497, 499,	79, 621	4461077 328, 580, 601, 605,	
4460016.....	584	501, 503, 505, 519, 520,	4460879.....	611	
4460019.....	547, 552, 622	533, 539, 541, 543, 544,	423, 583	4461095 .543, 547, 551, 617	
4460042 544, 547, 551, 555,		547, 548, 549, 551, 552,	4460884 423, 539, 543, 547,	4461117.....	493
573		555, 573, 575, 577, 579,	551, 563, 575, 579, 584,	4461196.....	587
4460043.....	293, 555	621, 622, 623, 625, 627,	597, 621, 625, 629	4461198.....	467, 587
4460049.....	405, 407	629, 631	4460887... 79, 423, 583, 621	4461199.....	589
4460051.....	463	4460467.....	4460891 147, 519, 520, 539,	4461201.....	471, 589
4460071.....	281, 289, 381	4460470 371, 375, 507, 585,	541, 556, 579, 617, 622,	4461205.....	591, 593
4460134.....	495, 497	623	625, 627, 629, 631	4461228.....	328
4460144.....	573	4460471 371, 375, 507, 585,	4460892 543, 549, 552, 579,	4461244.....	475, 591
4460183.....	584	623	627	4461245.....	479, 593
4460205.....	463, 495, 497	4460473.....	4460893.....	4461246.....	483, 595
4460224.....	371, 375	503, 505	579, 623	4461249.....	595
4460225.....	565, 567, 583	4460488.....	4460894 493, 495, 497, 499,	4461271.....	519
4460226 371, 375, 381, 405,		4460496 .371, 375, 507, 585	501, 533, 543, 547, 548,	4530028 396, 399, 401, 409,	
407		4460497 .371, 375, 507, 585	551, 552, 555, 573, 579,	686	
4460227.....	519, 583, 584	4460508 .383, 579, 583, 622	584, 613, 621, 627	4562516.....	449
4460234.... 92, 96, 100, 104,		4460509.....	4460897 149, 151, 556, 615,	4640452.....	431
108, 112, 116, 120, 371,		503, 505, 544	619, 629	4640746.....	439
		4460510.....	4460899.. 19, 519, 520, 541,		
		686	575, 603, 605, 611, 622,		
		4460516.....	627		
		79	4460905 519, 573, 583, 621,		
		4460518 580, 583, 601, 617,	622, 629		
		627	622, 629		
		4460536 141, 328, 391, 555,	4460906.....		
		579, 583, 631	579		
			4460910... 17, 328, 599, 607		
			4460911. 493, 520, 603, 605		
			4460912.....		
			493		
			4460913.....		
			328		
			4460914.....		
			19		
			4460917.....		
			17, 327, 328		
			4460918.....		
			328, 603		
			4460925.....		
			583		
			4460926.....		
			627		
			4460928.....		
			580, 601		
			4460929.....		
			599		
			4460930 493, 543, 547, 551,		
			555, 579, 597, 621, 629		

SECTION 11 - SPECIAL OPTIONS/ACCESSORIES/KITS

4640751 174, 186, 202, 214, 235, 251	4811600..... 91, 95, 99, 103, 107, 111, 115, 119, 171, 174, 183, 186, 199, 202, 211, 214, 229, 235, 246, 251	481220000117, 19 4812700001297 4846482307 4846627 .396, 399, 401, 403 4846673405, 407 4871200 169, 181, 196, 208, 222, 240 487170091, 95, 99, 103, 107, 111, 115, 119, 277, 281, 285, 289 4891600 156, 171, 183, 199, 211, 229, 246 4891800 169, 171, 181, 183, 196, 199, 208, 211, 223, 229, 241, 246 4922641 .278, 282, 286, 291 4922925286, 290, 567 5241000 169, 175, 181, 187, 196, 202, 208, 214, 223, 241 5241000001309, 331 5241200 ..21, 277, 281, 285, 289, 307 5241200001302, 331 5241600 175, 187, 202, 214, 235, 251 524200000121 524240067 5242400001331 5250608 .223, 235, 241, 251 5250611 .229, 236, 246, 252 5250806001328 5250808 .223, 237, 241, 253 5250810 223, 229, 236, 241, 246, 252 5250810001328 5250812 223, 229, 236, 241, 246, 252 5251008001329, 331 5251010236, 252 5251010001309, 328 5251012001328 5251016236, 252 5251016001328, 331 5251022 175, 187, 202, 214, 236, 252 5251210236, 252 525121000153 5251215 .223, 229, 241, 246 5260600 223, 229, 236, 241, 246, 252 5260800 223, 229, 236, 241, 246, 252 5261000236, 252 5261018327 5261200 .223, 229, 241, 246 5271614202, 214 5272025435 70000342311 70000619285, 289 70000778433 7000078162 70000793259 70000796313 7000080333 7000080433 7000080533	70000852.....23 70000853.....23 70000854.....23 70000855.....23 70000856.....23 70000857.....23 70000858.....23 70000859.....23 70000860.....23 70000861.....23 70000862.....23 70000863.....285, 290 70001100.....285, 289 70001384.....285, 289 70001424.....413 70001425.....413 70001427.....413 70001428.....413 70001429.....413 70001430.....413 70001431.....413, 680 70001432.....413, 681 70001639.....311 70001640.....313 70001696.....286, 290 70001697.....311 70001870.....256 70001955.....265 70001956.....265 70001958.....263 70001966278, 282, 286, 290 70001973278, 282, 286, 290 70001974.....286, 290 70002028.....25 70002031.....25 70002032.....25 70002036.....25 70002052.....25 70002057.....25, 73 70002097.....319, 680 70002132.....262 70002133.....262, 265 70002134.....262 70002135.....262 70002136.....262 70002137.....262 70002138.....262 70002139.....262 70002140.....262 70002141.....262 70002142.....262 70002145.....262 70002148.....262 70002150.....262 70002151.....262 70002152.....262 70002153.....262 70002154.....262 70002155.....262 70002156.....262 70002157.....262 70002158.....262 70002159.....262 70002160.....262 70002161.....262 70002162.....262 70002163.....262
4641114 431 4641155 31 4641260 431 4641386 429 4641388 429 4641393 429 4711000151, 286, 290 4711400 156, 157, 335, 339, 343, 345, 347, 353, 355, 357, 385, 387, 389, 465, 467, 469, 471, 473, 475, 477, 479, 481, 483, 485 4711500 155 4711600 ..87, 174, 186, 202, 214, 271, 372, 376, 415, 417, 419, 421, 449 4711600001.....57, 59, 319 4711700 285, 289 4711800 ..19, 168, 180, 196, 208, 222, 240, 349, 359, 361 4712000 393, 415, 417, 419, 421 4712200 168, 180, 196, 208, 222, 240, 393 4740057 71 4740171 171, 183, 199, 211, 229, 246 4740229 17, 19 4740362 367, 369 4740505 19 4750400 171, 183, 199, 211, 229, 246 475100081, 83, 281, 285, 289, 371, 375, 396, 399, 401, 403, 411 4751000001..... 277 4751400 363, 371, 375, 391, 396, 399, 401, 403, 405, 407, 491, 636, 640, 644, 648, 652, 656, 660, 664, 668 4751400001..... 365 4751500 405, 407 475160091, 95, 99, 103, 107, 111, 115, 119, 396, 399, 401, 403 4751800 349, 359, 361, 405, 407 4755000001..... 19 4760600 463 4761400 363 476160091, 95, 99, 103, 107, 111, 115, 119 479140091, 95, 99, 103, 107, 111, 115, 119 481140091, 95, 99, 103, 107, 111, 115, 119, 147, 149, 168, 180, 196, 208, 222, 240, 327, 367, 369, 423, 465, 467, 469, 471, 473, 475, 477, 479, 481, 483, 485 4811400001..... 277	4811700..31, 37, 39, 41, 43, 45, 47, 49, 51, 83, 91, 95, 99, 103, 107, 111, 115, 119, 141, 143, 145, 149, 151, 156, 168, 171, 174, 180, 183, 186, 196, 199, 202, 208, 211, 214, 222, 229, 235, 240, 246, 251, 277, 281, 339, 345, 347, 355, 357, 396, 411, 509, 511 4811700001 ... 328, 365, 449 4811702 83, 91, 95, 99, 103, 107, 111, 115, 119, 168, 174, 180, 186, 202, 214, 222, 235, 240, 251, 367, 369, 507 4811702001365 4811900..... 91, 95, 99, 103, 107, 111, 115, 119, 156, 157, 168, 174, 180, 186, 196, 202, 208, 214, 222, 235, 240, 246, 251, 327, 491, 495, 497, 499, 501 4811900001 .. 19, 31, 92, 96, 100, 104, 108, 112, 116, 120, 156, 277, 281, 285, 289, 319, 331, 458, 463, 489, 495, 497, 499, 501, 509, 511 4811902 83, 91, 95, 99, 103, 107, 111, 115, 119, 155, 169, 174, 181, 186, 202, 214, 222, 235, 240, 251, 327 4811902001 92, 96, 100, 104, 108, 112, 116, 120, 156 4812000.. 31, 57, 59, 71, 87, 91, 95, 99, 103, 107, 111, 115, 119, 155, 169, 171, 174, 181, 183, 186, 196, 199, 202, 208, 211, 214, 222, 229, 235, 240, 246, 251, 277, 281, 285, 289, 307, 319, 495, 497, 499, 501 4812002.... 81, 83, 155, 174, 186, 202, 214, 235, 251, 307, 367, 369, 507 4812002001 156 4812100.. 77, 155, 171, 175, 183, 187, 199, 202, 211, 214, 229, 235, 246, 251, 273, 327 4812100001 .. 31, 37, 39, 41, 43, 45, 47, 49, 51, 156, 315, 317, 331 4812102..... 77, 81, 83 4812200 169, 175, 181, 187, 196, 202, 208, 214, 222, 235, 240, 251		

SECTION 11 - SPECIAL OPTIONS/ACCESSORIES/KITS

70002164.....	262	70003784.....	371, 375	70004452.....	26	70004609.....	61
70002165.....	262	70003788.....	297, 680	70004453.....	26	70004610.....	62
70002168.....	263	70003919.....	315	70004456.....	321	70004613.....	62
70002174.....	263	70003920.....	315	70004457.....	62, 323	70004614.....	65, 681
70002175.....	263	70003948.....	311	70004459.....	35, 61, 321	70004615.....	65
70002177.....	263	70004005.....	89	70004460.....	35, 61, 321, 680	70004617.....	62, 321, 323
70002178.....	263	70004006.....	89	70004461.....	35	70004618.....	62
70002179.....	263	70004007.....	89	70004462.....	35	70004619.....	62
70002231.....	57, 680	70004017.....	33	70004463.....	35, 680	70004653.....	323, 680
70002297.....	285, 290	70004050.....	62, 323	70004464.....	35	70004676.....	278, 282
70002373.....	431	70004051.....	321, 323	70004465.....	35	70004678.....	278, 282
70002386.....	33, 680	70004052.....	61, 62, 321, 323	70004466.....	73	70004679.....	278, 282
70002410.....	437	70004055.....	35, 61	70004467.....	73	70004680.....	278, 282
70002460.....	286, 290	70004071.....	317	70004468.....	73	70004681.....	278
70002576.....	269	70004092.....	278, 282, 286, 290	70004469.....	73	70004682.....	278
70002578.....	266	70004093.....	290	70004470.....	73	70004683.....	278, 282
70002580.....	265	70004094.....	286, 290	70004471.....	73	70004685.....	282
70002582.....	265	70004095.....	290	70004472.....	73	70005143.....	431
70002583.....	265	70004096.....	286, 290	70004473.....	73	70005199.....	65
70002585.....	266	70004097.....	286, 290	70004474.....	73	70005433.....	433, 441, 445
70002586.....	265	70004098.....	278, 282, 286, 290	70004475.....	73	70005492.....	191
70002588.....	265	70004099.....	290	70004476.....	73	70005498.....	192, 256
70002589.....	265	70004150.....	85	70004477.....	73	70005504.....	191
70002590.....	265	70004164.....	35	70004478.....	73	70005511.....	191, 255
70002592.....	265	70004171.....	278, 282, 285	70004479.....	73	70005513.....	191
70002593.....	265	70004185.....	686	70004480.....	73	70005516.....	192, 256
70002595.....	266	70004363.....	25	70004481.....	73	70005517.....	191, 255
70002599.....	266	70004383.....	33	70004482.....	73	70005522.....	191
70002600.....	262	70004384.....	33	70004483.....	73	70005523.....	191
70002601.....	262	70004386.....	33	70004484.....	73	70005524.....	191
70002602.....	262	70004406.....	433, 439	70004485.....	73	70005544.....	191
70002604.....	263	70004407.....	439	70004486.....	73	70005548.....	192, 255
70002605.....	263	70004411.....	85	70004487.....	73	70005549.....	192
70002606.....	263	70004412.....	85	70004488.....	74	70005556.....	191
70002607.....	263	70004416.....	265	70004489.....	74	70005559.....	191, 255
70002608.....	263	70004417.....	265	70004490.....	74	70005564.....	219
70002609.....	263	70004418.....	265	70004491.....	73	70005565.....	81, 83
70002610.....	263	70004419.....	265	70004492.....	74	70005598.....	433, 435
70002612.....	263	70004420.....	265	70004493.....	74	70005599.....	441, 445
70002616.....	263	70004421.....	265	70004494.....	74	70005600.....	441, 445
70002617.....	263	70004422.....	265	70004508.....	255	70005601.....	441, 445
70002618.....	262	70004423.....	266	70004511.....	255	70005602.....	441, 445
70002619.....	262	70004425.....	266	70004512.....	191, 219, 255	70005603.....	441, 445
70002620.....	262	70004426.....	266	70004515.....	191, 219, 255	70005615.....	89
70002621.....	263	70004429.....	25	70004517.....	219	70005616.....	89
70002622.....	263	70004430.....	25	70004518.....	219	70005617.....	89
70002623.....	263	70004431.....	25	70004519.....	219	70005618.....	89
70002758.....	62, 321	70004432.....	25	70004520.....	191, 219, 255	70005619.....	89
70002759.....	62, 321	70004433.....	25	70004583.....	61	70005620.....	313
70002838.....	85	70004434.....	25	70004584.....	61	70005621.....	313
70002859.....	313	70004435.....	25	70004585.....	61, 321, 323	70005622.....	313
70002902.....	381	70004436.....	25	70004586.....	61	70005624.....	278, 282
70002903.....	381	70004437.....	25	70004587.....	61	70005625.....	282
70002904.....	381	70004438.....	25	70004588.....	61, 62, 321, 680	70005633.....	435
70002905.....	381	70004439.....	25	70004589.....	61	70005651.....	285
70002962.....	62	70004440.....	25	70004590.....	61	70005652.....	286
70003019.....	323	70004441.....	25	70004591.....	61	70005654.....	435, 439
70003020.....	323	70004442.....	25	70004592.....	61	70005655.....	435
70003021.....	323	70004443.....	25	70004593.....	61, 321	70005656.....	435
70003023.....	323	70004444.....	25	70004594.....	61, 62, 321	70005657.....	297
70003027.....	323	70004445.....	25	70004595.....	61, 62, 321, 680	70005658.....	433
70003408.....	33	70004446.....	25	70004596.....	61, 62, 321	70005659.....	433
70003484.....	79	70004447.....	25	70004597.....	61, 62, 321	70005666.....	317
70003628.....	23	70004448.....	25	70004600.....	61	70005678.....	79
70003631.....	285, 290	70004449.....	26	70004601.....	62, 321	70005679.....	79
70003708.....	278, 282, 286, 290	70004450.....	26	70004602.....	62, 321	70005804.....	441, 446
70003709.....	278, 282, 286, 290	70004451.....	26	70004603.....	62	70005839.....	429, 433, 445

SECTION 11 - SPECIAL OPTIONS/ACCESSORIES/KITS

70005943.....	61	70007995.....	431	70023862.....	61	7010543.....	33
70005944.....	61	70007996.....	431	70023866.....	65	7011346.....	435, 441, 445
70005945.....	61	70007997.....	431	70023867.....	65	7011351.....	433, 439, 441, 445
70005946.....	61	70007998.....	431	70023872.....	175, 187, 203, 215, 236, 252, 680	7011353.....	429
70005947.....	61, 62	70008012.....	437	70024039.....	265	7011361.....	435, 441, 445
70005948.....	61	70008013.....	437	70024040.....	265	7011368.....	441, 445
70005950.....	62	70008014.....	427	70024072.....	435	7011371.....	441, 445
70005951.....	62	70008015.....	427	70024212.....	427	7011376.....	427, 429, 433, 435
70005952.....	62	70008016.....	427	70024328.....	175, 187, 203, 215, 236, 252	7011381.....	439
70005953.....	62	70008017.....	427	70024329.....	175, 187, 203, 215, 236, 252	7012773.....	35, 61, 321
70005954.....	321	70008018.....	427	70024472.....	219	7012941.....	33
70005955.....	321	70008019.....	427	70024474.....	191, 219, 255	7012973.....	33
70005958.....	62, 65, 321	70008067.....	429	70024480.....	191, 255	7012998.....	33, 431
70005959.....	65	70008068.....	429	70024481.....	192, 219	7016322.....	168, 180, 196, 208, 222, 240
70005961.....	65	70008069.....	429	70024485.....	191, 219, 255	7016331.....	192, 219, 256
70005962.....	321	70008070.....	429	70024487.....	191, 219	7016374.....	168, 180, 196, 208, 222, 240
70005963.....	321	70008211.....	445	70024494.....	192, 219, 256	7016654.....	686
70005964.....	321	70008212.....	445	70024495.....	256	7016655.....	686
70005965.....	321	70008213.....	445	70024504.....	191, 219, 255	7017142.....	311
70005966.....	323, 681	70008214.....	445	70024507.....	191, 219, 255	7017159.....	311
70005967.....	323	70008215.....	445	70024513.....	255	7017163.....	311
70005999.....	439	70008216.....	445	70024961.....	255	7017164.....	311
70006003.....	297	70008217.....	445	70025088.....	192, 219, 256	7017187.....	313
70006004.....	298, 680	70008218.....	445	70025153.....	191, 219, 255	7017189.....	313
70006005.....	297	70008219.....	445	70025707.....	192, 256	7017195.....	311
70006006.....	298	70008220.....	445	70025745.....	192, 219, 256	7017402.....	323
70006137.....	57, 59	70008221.....	445	70025780.....	191, 219, 255	7017493.....	33
70006144.....	191, 219, 255	70008222.....	445	70025789.....	192, 219	7018942.....	62, 321
70006344.....	441	70008223.....	445	70025979.....	266	7020175.....	123, 125, 127, 129, 131, 133, 135, 137
70006363.....	446	70008224.....	445	70026210.....	191, 219, 255	7020176.....	123, 125, 127, 129, 131, 133, 135, 137
70006403.....	271	70008225.....	446	70026446.....	297	7020404.....	192, 219, 256
70006404.....	271	70008226.....	446	70027405.....	191	7020465.....	192, 219, 256
70006405.....	271, 680	70008228.....	433	70027420.....	191	7021249.....	23
70006406.....	271	70008229.....	433	70027425.....	255	7021256.....	263
70006407.....	271	70008230.....	433	70027460.....	191	7021265.....	263
70006408.....	271	70008231.....	433	70027463.....	191, 255	7021275.....	23, 262, 265
70006409.....	271	70008232.....	433	70027464.....	191, 255	7021293.....	263
70006410.....	271	70008233.....	433	70027467.....	191, 255	7021293.....	263
70006510.....	435	70008234.....	433	70027495.....	191, 255	7021375.....	35, 61, 321
70006511.....	435	70008235.....	433	70027569.....	219	7021625.....	33
70006512.....	435	70008236.....	433	7002821.....	686	7022300.....	263
70006552.....	277, 281	70008358.....	59, 680	7002822.....	686	7022301.....	262
70006553.....	277, 281, 681	70008368.....	59	7002823.....	686	7022311.....	23
70006596.....	431, 437	70008369.....	59	7002828.....	686	7022314.....	23
70006653.....	191, 219, 255	70008612.....	191, 255	70028540.....	191, 219	7022321.....	23
70006707.....	61	70008613.....	191, 255	70029401.....	191, 219, 255	7022340.....	265
70006708.....	61	70022286.....	265	70029407.....	255	7022368.....	23
70006731.....	442	70022287.....	265	70029468.....	427	7022371.....	23
70006732.....	441	70022564.....	427, 431, 437	7004237.....	437	7022390.....	323
70006853.....	441	70023351.....	265	7004275.....	686	7022399.....	33
70006854.....	441	70023352.....	265	7004276.....	686	7022523.....	321
70006856.....	441	70023353.....	265	70052577.....	427	7023377.....	265
70006857.....	441	70023354.....	265	7007207.....	262, 265	7023922.....	323
70006858.....	441	70023355.....	265	7007415.....	263, 265, 266	7023962.....	265
70006859.....	441, 446	70023357.....	265	7007418.....	262	7023964.....	265, 266
70006860.....	441, 446	70023358.....	265	7007419.....	262	7024441.....	85
70006861.....	441	70023359.....	265	7007420.....	23	7024462.....	409
70006862.....	441	70023361.....	265	7007437.....	23	7024463.....	409
70006863.....	442	70023362.....	265	7007438.....	23	7024467.....	409
70006864.....	442, 446	70023363.....	265	7007439.....	23, 263	7024469.....	409
70006865.....	442, 446	70023380.....	445	7007446.....	23, 262, 265	7024470.....	409
70006867.....	441	70023592.....	203, 215, 680	7007489.....	269	7024471.....	409, 413
70007083.....	191, 255	70023593.....	203, 215, 680	7008010.....	437	7024472.....	409
70007085.....	191	70023809.....	175, 187, 203, 215, 236, 252, 680	7008011.....	437	7024473.....	409
70007093.....	191	70023859.....	61				
70007993.....	431	70023860.....	61, 62				
70007994.....	431						

SECTION 11 - SPECIAL OPTIONS/ACCESSORIES/KITS

7024474.....409	7027777..... 409	8305919 169, 181, 197, 209, 224, 242, 277, 281, 285, 289	8406201 .169, 181, 223, 241
7024475.....409	7027778..... 409	8307109 175, 187, 203, 215, 236, 252	8406303 .203, 215, 223, 241
7024478.....409	7027779..... 409	8310067 169, 181, 196, 208, 223, 241	8410009 .169, 181, 223, 241
7024485..... 286, 290, 680	7027780..... 409	8310129.....393	8410011 175, 187, 203, 215, 236, 252
7024488..... 285, 289	7027799.....286, 290	8310548 175, 187, 203, 215, 236, 252	8410012 175, 187, 204, 216, 236, 252
7024489..... 285, 289	7300435 175, 187, 202, 214, 236, 252	8310614.....329	8410013 169, 175, 181, 187, 203, 215, 223, 236, 241, 252
7024530.....413	77133089..... 458	8310643001..... 92, 96, 100, 104, 108, 112, 116, 120, 156, 319	8750014 169, 181, 196, 208, 223, 241
7024531.....413	77133137169, 181, 223, 241	8310686..... 91, 95, 99, 103, 107, 111, 115, 119, 327	8750031 169, 181, 196, 208, 223, 241
7024532.....413	77363232277, 281, 285, 289	8405006.....271	8760554.....458
7024533.....413	77363233.....565, 567	8405007 175, 187, 203, 215, 236, 252	8769122.....453
7024534.....413	7894000042..... 329	8405009. 175, 187, 236, 252	8769127 .169, 181, 223, 241
7024535.....413	80963067544, 548, 622	8405104 175, 187, 203, 215, 236, 252	8769128.....453
7024536.....413	82033995169, 181, 223, 241	8405211. 175, 187, 236, 252	88261128.....57, 59
7024537.....413	8220007..... 583	8406003.....327	88411013.....491
7024574.....433	8220045543, 547, 551	8406101 83, 91, 95, 99, 103, 107, 111, 115, 119, 169, 181, 196, 208, 223, 241	88521214415, 417, 419, 421
7024598 168, 180, 196, 208, 222, 240	8220051 561	8406102. 169, 181, 223, 241	88662013.....458
7024800..... 263	8220068..... 629	8406105 169, 181, 197, 209, 223, 241	91043147.....246
7024865..... 23	8220097 .544, 548, 552, 622	8406109 175, 187, 203, 215, 236, 252, 463, 489, 509, 511	91203039.....331
7024867..... 23	8220098 .544, 548, 552, 622	8406110. 175, 187, 204, 216	91403230636, 640, 644, 648, 652, 656, 660, 664, 668
7024868..... 23	8220115547, 552, 555		91554014.....629
7024885..... 323, 680	8220116 622		91563070175, 187, 203, 215, 236, 252
7024899..... 323	8229242 543, 549, 552, 622, 680		
7026004.....433	8229244 543, 549, 552, 622, 680		
7026030..... 79	8229245 .544, 549, 552, 680		
7026031..... 79, 681	8229247 .543, 549, 552, 680		
7026032..... 79	8229249423, 680		
7026597..... 286, 290	8278020 175, 187, 202, 215, 236, 252		
7026626..... 286, 290	8305401 175, 187, 203, 215, 236, 252		
7027740..... 23			
7027773.....409			
7027774.....409			
7027775.....409			
7027776.....409			



**Corporate Office
JLG Industries, Inc.
1 JLG Drive
McConnellsburg, PA 17233-9533 USA
☎ (717) 485-5161 (Corporate)
☎ (877) 554-5438 (Customer Support)
📠 (717) 485-6417**

**Visit our website for JLG Worldwide Locations.
www.jlg.com**



OSHKOSH™