



Illustrated Parts Manual

***Model
1850SJ***

**PVC
2301**

**P/N
31221393**

September 1, 2023 - Rev C

ANSI

CE



**UK
CA**

AS/NZS



An Oshkosh Corporation Company

REVISION LOG

January 9, 2023 - A - Original Issue of Manual (Edited to B/M 1001261850 Revision N)

July 10, 2023 - B - Revised Manual (Edited to B/M 1001261850 Revision S)

September 1, 2023 - C - Revised Manual (Edited to B/M 1001261850 Revision S)

GENERAL INFORMATION



1) MACHINE IDENTIFICATION

Machines are identified by model and in some cases a combination of models, serial number (SN) or regional standard (i.e ANSI, CE, CSA). Components may also be identified by SN or manufacturer. Common components that may be identified by these characteristics are engines and hydraulic components.

2) PARTS MANUAL ORGANIZATION

Product information in this manual is organized under section titles. Frame, Cylinder, Hydraulic and Electrical are a few examples. Each section is organized by figure and page number. The information within the Figure is then organized by item number, part number, description and corresponding illustration (s).

3) TABLE OF CONTENTS (NOT SHOWN)

A table of contents is found toward the beginning of the manual. Figure number, description and page number are provided for quick reference to the page containing the related information.

4) RECOMMENDED SPARE PARTS (NOT SHOWN)

The Recommended Spare Parts List, located near the end of the manual, reference most frequently used maintenance parts.

5) PART NUMBER INDEX (NOT SHOWN)

A numerical index listing all part numbers and the corresponding page number(s) appears at the back of the manual.

GENERAL INFORMATION

6) NON-SERVICED PARTS

In some instances, it is necessary to display non-serviced parts, assemblies or installations. In the case of assemblies and installations there will be a Ref in the Qty. column. In case of parts that are not available for service within assemblies or components, there will be a NSS (Not Sold Separately) or NLA (No Longer Available) listed in the Qty. column of the manual.

7) PARTS LIST ITEM NUMBERS

Numbers shown in the item# column correspond to numbers used in the associated illustration (s). Item numbers which are missing from the sequence in the parts list are not used on that page.

8) INDENTED PARTS DESCRIPTION

An indented part description is included in the item under which it is indented.

9) ABBREVIATION AND SYMBOLS

AC.....	Alternating Current	L.....	Liter
ADE.....	Advanced Design Electronics	LB(LBS).....	Pounds
AG.....	Agricultural	LCD.....	Liquid Crystal Display
ANSI.....	American National Standards Institute	LED.....	Light Emitting Diodes
AR.....	As Required	LH.....	Left Hand
ASSY.....	Assembly	LRC.....	Low Rated Countries
AUS.....	Australia	LSS.....	Load Sensing System
AUX.....	Auxiliary	M(m).....	Metric/Meter
AWG.....	American Wire Gauge	MM(mm).....	Milimeter
B/M.....	Bill of Material	mA.....	Miliamps
CAC.....	Charge Air Cooler	NLA.....	No Longer Available
CE.....	European Conformity	NPT.....	National Pipe Threads
CCW.....	Counter Clockwise	NSS.....	Not Sold Separately
CM.....	Centimeter	OD.....	Outside Diameter
CW.....	Clockwise	ORB.....	O-Ring Boss
CSA.....	Canadian Standards Association	ORFS.....	O-Ring Face Seal
CYL.....	Cylinder	OZ (oz).....	Ounces
DIA.....	Diameter	PG.....	Page
DC.....	Direct Current	PN.....	Part Number
DEF.....	Diesel Exhaust Fluid	QT(qt.).....	Quarts
EMS.....	Emergency Stop	QTY.....	Quantity
ENG.....	Engine	REF.....	Reference
FT(ft).....	Feet	REV.....	Revision Level
GA(Ga).....	Gauge	RH.....	Right Hand
HRC.....	High Rated Countries	SAE.....	Society of Automotive Engineers
HVAC.....	Heating, Ventilating, and Air Conditioning	SN.....	Serial Number
HYD.....	Hydraulic	SPEC(S).....	Specifications
Hz.....	Hertz	T/T.....	Turntable
ID.....	Inside Diameter	UGM.....	Universal Ground Module
IN.....	inches	V.....	Volts
ISO.....	International Organization for Standards	W.....	Watts
JIC.....	Joint Industry Council	#.....	Number
KG.....	Kilogram		

10) ILLUSTRATION REFERENCE LETTERS

When necessary, illustrations may contain reference letters that are intended to track information (i. e. hoses, harnesses) from one point to another or to track visual enlargement of components to show details that may be located in another area on the illustration.

Note: Due to continuous product improvements, JLG Industries, Inc. reserves the right to make specification changes without prior notification. Contact JLG Industries, Inc. for updated information.

TABLE OF CONTENTS

SECTION 1 - FRAME.....	15
FIGURE 1-1. AXLES INSTALLATION	16
FIGURE 1-2. STEERING INSTALLATION	18
FIGURE 1-3. WHEEL DRIVE INSTALLATION.....	20
FIGURE 1-4. DRIVE MOTOR ASSEMBLY	22
FIGURE 1-5. DRIVE HUB ASSEMBLY	24
FIGURE 1-6. TIRE/WHEEL INSTALLATION - IN445/50D710 FOAM-FILLED.....	28
FIGURE 1-7. VALVES INSTALLATION - FRAME (WITH LSS).....	30
FIGURE 1-8. VALVES INSTALLATION - FRAME (WITH LSS) (SN 0300303845 to Present, Excluding 0300303846)	32
FIGURE 1-9. VALVES AND HYDRULIC FILTERS INSTALLATION - TURNTABLE (WITH LSS) (SN 0300303845 to Present, Excluding 0300303846)	34
FIGURE 1-10. VALVES INSTALLATION - BOOM (WITH LSS) (SN 0300303845 to Present, Excluding 0300303846)	36
FIGURE 1-11. TRACTION VALVE ASSEMBLY.....	38
FIGURE 1-12. STEER/AXLE EXTEND VALVE ASSEMBLY.....	40
FIGURE 1-13. COVERS INSTALLATION - FRAME.....	42
FIGURE 1-14. ELECTRICAL COMPONENTS INSTALLATION - FRAME (ANSI EXPORT (LRC), AUSTRALIAN AND CHINA SPECS)	44
FIGURE 1-15. ELECTRICAL COMPONENTS INSTALLATION - FRAME (ANSI, ANSI EXPORT (HRC), CSA AND JAPANESE SPECS)	46
FIGURE 1-16. ELECTRICAL COMPONENTS INSTALLATION - FRAME (CE & UK CA SPECS) (LRC)	48
FIGURE 1-17. ELECTRICAL COMPONENTS INSTALLATION - FRAME (CE & UK CA SPECS).....	50
FIGURE 1-18. ELECTRICAL COMPONENTS INSTALLATION - FRAME (DUETZ TCD3.6L (CHINA IV) ENGINES) (CHINA SPECS ONLY).....	52
SECTION 2 - TURNTABLE.....	55
FIGURE 2-1. VALVES AND FILTERS INSTALLATION - TURNTABLE (PARKER HYDRAULIC FILTER)	56
FIGURE 2-2. VALVES AND FILTERS INSTALLATION - TURNTABLE (DONALDSON HYDRAULIC FILTER)	58
FIGURE 2-3. MAIN VALVE ASSEMBLY	60
FIGURE 2-4. TURNTABLE BEARING INSTALLATION	64
FIGURE 2-5. TURNTABLE LOCK INSTALLATION.....	66
FIGURE 2-6. SWING DRIVE INSTALLATION	68
FIGURE 2-7. SWING HUB/BRAKE/ MOTOR ASSEMBLY.....	70
FIGURE 2-8. COUPLING AND COLLECTOR RING INSTALLATION.....	74
FIGURE 2-9. COUPLING AND COLLECTOR RING ASSEMBLY	76
FIGURE 2-10. TANKS INSTALLATION.....	78
FIGURE 2-11. TANKS INSTALLATION - WITH DIESEL EXHAUST FLUID TANK.....	80
FIGURE 2-12. HYDRAULIC TANK ASSEMBLY.....	82
FIGURE 2-13. AUXILIARY POWER/BATTERIES INSTALLATIONS	84
FIGURE 2-14. AUXILIARY PUMP AND MOTOR ASSEMBLY.....	86
FIGURE 2-15. TURNTABLE ELECTRICAL COMPONENTS INSTALLATION (ANSI EXPORT (LRC), AUSTRALIAN AND CHINA SPECS)	88
FIGURE 2-16. TURNTABLE ELECTRICAL COMPONENTS INSTALLATION (ANSI EXPORT (LRC), AUSTRALIAN AND CHINA SPECS)	92
FIGURE 2-17. TURNTABLE ELECTRICAL COMPONENTS INSTALLATION (ANSI, ANSI EXPORT (HRC), CSA AND JAPANESE SPECS).....	96
FIGURE 2-18. TURNTABLE ELECTRICAL COMPONENTS INSTALLATION (ANSI, ANSI EXPORT (HRC), CSA AND JAPANESE SPECS).....	100

TABLE OF CONTENTS

FIGURE 2-19. TURNTABLE ELECTRICAL COMPONENTS INSTALLATION (CE & UK CA (LRC) SPECS)	104
FIGURE 2-20. TURNTABLE ELECTRICAL COMPONENTS INSTALLATION (CE & UK CA (LRC) SPECS)	108
FIGURE 2-21. TURNTABLE ELECTRICAL COMPONENTS INSTALLATION (CE & UK CA SPECS).....	112
FIGURE 2-22. TURNTABLE ELECTRICAL COMPONENTS INSTALLATION (CE & UK CA SPECS).....	116
FIGURE 2-23. TURNTABLE ELECTRICAL COMPONENTS INSTALLATION - DUETZ TCD3.6L (CHINA IV) ENGINES (CHINA SPECS ONLY)	120
FIGURE 2-24. GROUND CONTROL CONSOLE ASSEMBLY (ANSI EXPORT (LRC), AUSTRALIAN AND CHINA SPECS)	124
FIGURE 2-25. GROUND CONTROL CONSOLE ASSEMBLY (ANSI, ANSI EXPORT (HRC), CSA AND JAPANESE SPECS) ..	126
FIGURE 2-26. GROUND CONTROL CONSOLE ASSEMBLY (CE & UK CA (LRC) SPECS)	128
FIGURE 2-27. GROUND CONTROL CONSOLE ASSEMBLY (CE & UK CA SPECS).....	130
FIGURE 2-28. KEY SWITCH	132
FIGURE 2-29. LIGHT PANEL	134
FIGURE 2-30. ELECTRICAL PANEL ASSEMBLY	136
FIGURE 2-31. ALARM INSTALLATION.....	138
FIGURE 2-32. BEACON LIGHT INSTALLATION - AMBER.....	140
FIGURE 2-33. BEACON LIGHT INSTALLATION - AMBER.....	142
FIGURE 2-34. STROBE LIGHT INSTALLATION - BLUE	144
FIGURE 2-35. STROBE LIGHT INSTALLATION - BLUE	146
FIGURE 2-36. STROBE LIGHT INSTALLATION - RED	148
FIGURE 2-37. STROBE LIGHT INSTALLATION - RED	150
FIGURE 2-38. HOOD INSTALLATION	152
FIGURE 2-39. HOOD INSTALLATION	158
FIGURE 2-40. VENTURI INSTALLATION (HRC) (ANSI, ANSI EXPORT, CSA, JAPANESE, CE & UK CA)	164
FIGURE 2-41. VENTURI INSTALLATION (LRC) (ANSI EXPORT, AUSTRALIAN, CHINA, CE & UK CA).....	166
SECTION 3 - ENGINE	169
FIGURE 3-1. DEUTZ LRC ENGINE INSTALLATION - WITHOUT COLD WEATHER PKG	170
FIGURE 3-2. DEUTZ LRC ENGINE/PUMP ASSEMBLY - WITHOUT COLD WEATHER PKG	174
FIGURE 3-3. DEUTZ LRC ENGINE ASSEMBLY - WITHOUT COLD WEATHER PKG	176
FIGURE 3-4. DEUTZ LRC ENGINE INSTALLATION - WITH COLD WEATHER PKG.....	182
FIGURE 3-5. DEUTZ LRC ENGINE/PUMP ASSEMBLY - WITH COLD WEATHER PKG.....	186
FIGURE 3-6. DEUTZ LRC ENGINE ASSEMBLY - WITH COLD WEATHER PKG	188
FIGURE 3-7. DEUTZ LRC ENGINE COMPONENTS	194
FIGURE 3-8. DEUTZ HRC ENGINE INSTALLATION - WITHOUT COLD WEATHER PKG.....	196
FIGURE 3-9. DEUTZ HRC ENGINE/PUMP ASSEMBLY - WITHOUT COLD WEATHER PKG	200
FIGURE 3-10. DEUTZ HRC ENGINE ASSEMBLY - WITHOUT COLD WEATHER PKG.....	202
FIGURE 3-11. DEUTZ HRC ENGINE INSTALLATION - WITH COLD WEATHER PKG	208
FIGURE 3-12. DEUTZ HRC ENGINE/PUMP ASSEMBLY - WITH COLD WEATHER PKG	212
FIGURE 3-13. DEUTZ HRC ENGINE ASSEMBLY - WITH COLD WEATHER PKG	214
FIGURE 3-14. DEUTZ HRC ENGINE COMPONENTS.....	220
FIGURE 3-15. DEUTZ HRC (STAGE V) ENGINE INSTALLATION - WITHOUT COLD WEATHER PKG.....	224
FIGURE 3-16. DEUTZ HRC (STAGE V) ENGINE/PUMP ASSEMBLY - WITHOUT COLD WEATHER PKG.....	228
FIGURE 3-17. DEUTZ HRC (STAGE V) ENGINE/PUMP ASSEMBLY - WITHOUT COLD WEATHER PKG.....	230
FIGURE 3-18. DEUTZ HRC (STAGE V) ENGINE ASSEMBLY - WITHOUT COLD WEATHER PKG.....	234
FIGURE 3-19. DEUTZ HRC (STAGE V) ENGINE ASSEMBLY - WITHOUT COLD WEATHER PKG	236
FIGURE 3-20. DEUTZ HRC (STAGE V) ENGINE COMPONENTS.....	240

TABLE OF CONTENTS

FIGURE 3-21. DEUTZ TCD3.6L ENGINE INSTALLATION (CHINA IV).....	244
FIGURE 3-22. DEUTZ TCD3.6L ENGINE AND PUMPS ASSEMBLY (CHINA IV).....	248
FIGURE 3-23. DEUTZ TCD3.6L ENGINE ASSEMBLY (CHINA IV).....	252
FIGURE 3-24. DUETZ TCD3.6L ENGINE COMPONENTS (CHINA IV).....	258
FIGURE 3-25. EXHAUST TEMPERATURE SENSOR INSTALLATION (DEUTZ TCD3.6L (CHINA IV) ENGINE).....	260
FIGURE 3-26. EXHAUST TEMPERATRUE SENSOR ASSEMBLY (DEUTZ TCD3.6L (CHINA IV) ENGINE).....	262
FIGURE 3-27. PUMP COUPLING KIT	264
FIGURE 3-28. TANDEM PUMP ASSEMBLY	266
FIGURE 3-29. PISTON PUMP ASSEMBLY	270
FIGURE 3-30. GEAR PUMP ASSEMBLY	274
FIGURE 3-31. FUEL FILTER/WATER SEPARATOR INSTALLATION	276
FIGURE 3-32. FUEL FILTER ASSEMBLY	278
FIGURE 3-33. SPARK ARRESTOR INSTALLATION - DEUTZ LRC (OPTIONAL).....	280
FIGURE 3-34. SPARK ARRESTOR INSTALLATION - DEUTZ T4F (OPTIONAL).....	282
FIGURE 3-35. 4000W GENERATOR INSTALLATION - 50HZ SPEC (OPTIONAL).....	284
FIGURE 3-36. 7500W SKYPOWER GENERATOR INSTALLATION - 60HZ (OPTIONAL).....	288
FIGURE 3-37. 7500W SKYPOWER GENERATOR INSTALLATION - 50HZ (OPTIONAL).....	292
SECTION 4 - BOOM.....	295
FIGURE 4-1. BOOM INSTALLATION.....	296
FIGURE 4-2. BOOM ASSEMBLY.....	298
FIGURE 4-3. JIB INSTALLATION	306
FIGURE 4-4. JIB ASSEMBLY	310
FIGURE 4-5. PLATFORM ROTATOR ASSEMBLY.....	312
FIGURE 4-6. JIB ROTATOR ASSEMBLY.....	314
FIGURE 4-7. PLATFORM SUPPORT INSTALLATION.....	316
FIGURE 4-8. BOOM CABLES INSTALLATION - 4000W 50HZ GENERATOR (ANSI EXPORT, AUSTRALIAN, CHINA, JAPANESE, CE & UK CA SPECS)	318
FIGURE 4-9. BOOM CABLES (AUSTRALIAN, CHINA, CE & UK CA SPECS).....	320
FIGURE 4-10. BOOM CABLES - ANSI, ANSI EXPORT, CSA AND JAPANESE SPECS.....	322
FIGURE 4-11. BOOM CABLES - SKYPOWER	324
FIGURE 4-12. BOOM SENSORS AND SWITCHES INSTALLATION.....	326
FIGURE 4-13. JIB ENCLOSURE BOX ASSEMBLY.....	332
FIGURE 4-14. POWER TRACK INSTALLATION - BOOM.....	334
FIGURE 4-15. VALVES INSTALLATION - BOOM (WITH LSS)	338
FIGURE 4-16. JIB VALVE ASSEMBLY	340
FIGURE 4-17. PLATFORM VALVE ASSEMBLY.....	342
SECTION 5 - PLATFORM.....	345
FIGURE 5-1. PLATFORM ASSEMBLY - 30IN X 3FT (76CM X 91.5CM) DROP BAR ENTRY	346
FIGURE 5-2. PLATFORM ASSEMBLY - 36IN X 6FT (91.5CM X 1.83M) SIDE GATE ENTRY	348
FIGURE 5-3. PLATFORM ASSEMBLY - 36IN X 6FT (91.5CM X 1.83M) SIDE GATE/DROP BAR TRI-ENTRY.....	350
FIGURE 5-4. PLATFORM ASSEMBLY - 36IN X 6FT (91.5CM X 1.83M) DROP BAR TRI-ENTRY.....	352
FIGURE 5-5. PLATFORM ASSEMBLY - 36IN X 8FT (91.5CM X 2.44M) SIDE GATE ENTRY	354
FIGURE 5-6. PLATFORM ASSEMBLY - 36IN X 8FT (91.5CM X 2.44M) DROP BAR ENTRY.....	356
FIGURE 5-7. PLATFORM ASSEMBLY - 36IN X 8FT (91.5CM X 2.44M) WITH TRI-ENTRY (1 GATE/2 DROP BARS)	358

TABLE OF CONTENTS

FIGURE 5-8. PLATFORM ASSEMBLY - 36IN X 8FT (91.5CM X 2.44M) WITH TRI-ENTRY (3 DROP BARS).....	360
FIGURE 5-9. PLATFORM ASSEMBLY - 36IN X 8FT (91.5CM X 2.44M) FALL ARREST - ANSI SPEC	362
FIGURE 5-10. TRAY INSTALLATION.....	364
FIGURE 5-11. LCD DISPLAY INSTALLATION.....	366
FIGURE 5-12. PLATFORM CONTROLS INSTALLATION - WITH SKYGUARD	368
FIGURE 5-13. PLATFORM CONSOLE ASSEMBLY - WITH SKYGUARD	370
FIGURE 5-14. LIGHT PANEL	374
FIGURE 5-15. FOOTSWITCH ASSEMBLY	376
FIGURE 5-16. SKYGUARD BAR INSTALLATION.....	378
FIGURE 5-17. SKYCUTTER INSTALLATION (ANSI, ANSI EXPORT, CHINA, CSA AND JAPANESE SPECS)	380
FIGURE 5-18. SKYEYE INSTALLATION.....	382
FIGURE 5-19. SKYGLAZIER INSTALLATION (ANSI AND CSA SPECS).....	384
FIGURE 5-20. SKYGLAZIER INSTALLATION (DANISH SPECS).....	386
FIGURE 5-21. SKYGLAZIER INSTALLATION (ENGLISH/FRENCH SPECS).....	388
FIGURE 5-22. SKYGLAZIER INSTALLATION (GERMAN SPECS)	390
FIGURE 5-23. SKYGLAZIER INSTALLATION (ITALIAN SPECS).....	392
FIGURE 5-24. SKYGLAZIER INSTALLATION (PORTUGUESE SPECS)	394
FIGURE 5-25. SKYGLAZIER INSTALLATION (SPANISH SPECS)	396
FIGURE 5-26. SKYGLAZIER INSTALLATION (SWEDISH SPECS).....	398
FIGURE 5-27. SKYGLAZIER INSTALLATION (UK SPECS)	400
FIGURE 5-28. SKYLINE INSTALLATION	402
FIGURE 5-29. SKYSENSE MID TUBE SENSOR ASSEMBLY	404
FIGURE 5-30. SKYSENSE OVERHEAD SENSOR ASSEMBLY	406
FIGURE 5-31. SKYWELDER INSTALLATION (50HZ).....	408
FIGURE 5-32. SKYWELDER INSTALLATION (60HZ).....	410
FIGURE 5-33. SKYWELDER PREP PACKAGE (60HZ)	412
FIGURE 5-34. SKYWELDER/SKYCUTTER COMBO INSTALLATION (60HZ) (ANSI, ANSI EXPORT, CHINA, CSA & JAPANESE SPECS).....	414
FIGURE 5-35. SOFT TOUCH INSTALLATION - 8FT (2.4M) PLATFORM (OPTIONAL)	418
FIGURE 5-36. SOFT TOUCH INSTALLATION - 8FT (2.4M) FALL ARREST PLATFORM (OPTIONAL)	420
FIGURE 5-37. PLASMA CUTTER ASSEMBLY	422
FIGURE 5-38. WELDER ASSEMBLY	424
FIGURE 5-39. FALL ARREST INSTALLATION (BOLT - ON) (6FT/1.82M PLATFORM).....	426
FIGURE 5-40. FALL ARREST INSTALLATION (BOLT-ON) (6FT/1.82M TRI-ENTRY PLATFORM).....	428
FIGURE 5-41. FALL ARREST INSTALLATION (BOLT - ON) (8FT/2.4M PLATFORM).....	430
FIGURE 5-42. USB CHARGER INSTALLATION	432
SECTION 6 - CYLINDER.....	435
FIGURE 6-1. AXLE EXTEND CYLINDER ASSEMBLY.....	436
FIGURE 6-2. LEVEL CYLINDER ASSEMBLY - JIB SLAVE	438
FIGURE 6-3. LEVEL CYLINDER ASSEMBLY - PLATFORM SLAVE	440
FIGURE 6-4. LIFT CYLINDER ASSEMBLY - BOOM.....	442
FIGURE 6-5. LIFT CYLINDER ASSEMBLY - JIB	444
FIGURE 6-6. LOCK CYLINDER ASSEMBLY - JIB	446
FIGURE 6-7. STEER CYLINDER ASSEMBLY	448
FIGURE 6-8. TELESCOPE CYLINDER ASSEMBLY - BOOM.....	450

TABLE OF CONTENTS

FIGURE 6-9. TELESCOPE CYLINDER ASSEMBLY - JIB.....	452
SECTION 7 - HYDRAULIC	455
FIGURE 7-1. BOOM AND JIB HYDRAULIC DIAGRAM	456
FIGURE 7-2. CHASSIS HYDRAULIC DIAGRAM.....	458
FIGURE 7-3. TURNTABLE HYDRAULIC DIAGRAM	462
FIGURE 7-4. HYDRAULIC DIAGRAM LIST	466
SECTION 8 - ELECTRICAL	467
FIGURE 8-1. ELECTRICAL DIAGRAM LIST.....	468
FIGURE 8-2. AC BOX AT PLATFORM INSTALLATION - 110V IEC 60309 YELLOW WITHOUT 4000W GENERATOR (CE & UK CA SPECS)	470
FIGURE 8-3. AC BOX AT PLATFORM INSTALLATION - 110V IEC 60309 YELLOW WITH 4000W GENERATOR (CE & UK CA SPECS)	472
FIGURE 8-4. AC BOX AT PLATFORM INSTALLATION - 220V IEC 60309 BLUE WITHOUT 4000W GENERATOR (CE & UK CA SPECS)	474
FIGURE 8-5. AC BOX AT PLATFORM INSTALLATION - 220V IEC 60309 BLUE WITH 4000W GENERATOR (CE & UK CA SPECS)	476
FIGURE 8-6. AC BOX AT PLATFORM INSTALLATION - 220V CEE7 POST GROUND (2X4 BOX) WITHOUT 4000W GENERATOR (CE & UK CA SPECS)	478
FIGURE 8-7. AC BOX AT PLATFORM INSTALLATION - 220V CEE7 POST GROUND (2X4 BOX) WITH 4000W GENERATOR (CE & UK CA SPECS).....	480
FIGURE 8-8. AC BOX AT PLATFORM INSTALLATION - 220V AFSINT 107 KEYED GROUND (2X4 BOX) WITHOUT 4000W GENERATOR (CE & UK CA SPECS)	482
FIGURE 8-9. AC BOX AT PLATFORM INSTALLATION - 220V AFSINT 107 KEYED GROUND (2X4 BOX) WITH 4000W GENERATOR (CE & UK CA SPECS)	484
FIGURE 8-10. AC BOX AT PLATFORM INSTALLATION - 220V CEE7 SIDE GROUND (2X4 BOX) WITHOUT 4000W GENERATOR (CE & UK CA SPECS)	486
FIGURE 8-11. AC BOX AT PLATFORM INSTALLATION - 220V CEE7 SIDE GROUND (2X4 BOX) WITH 4000W GENERATOR (CE & UK CA SPECS).....	488
FIGURE 8-12. AC BOX AT PLATFORM INSTALLATION - BOX WITH COVER (2X4 BOX) WITH 4000W GENERATOR (ANSI EXPORT, AUSTRALIAN, CHINA, JAPANESE, CE & UK CA SPECS)	490
FIGURE 8-13. AC BOX AT PLATFORM INSTALLATION - 240V (WITH 7500W SKYPOWER GENERATOR) (ALL SPECS EXCEPT AUSTRALIAN, CE & UK CA SPECS)	492
FIGURE 8-14. BATTERY CABLE KIT - DEUTZ LRC ENGINES.....	494
FIGURE 8-15. BATTERY CABLE KIT - DEUTZ HRC ENGINES	496
FIGURE 8-16. BATTERY DISCONNECT INSTALLATION	498
FIGURE 8-17. BEACON CONTROL HARNESS	500
FIGURE 8-18. BEACON HARNESS - AMBER.....	502
FIGURE 8-19. BEACON JUMPER HARNESS - AMBER	504
FIGURE 8-20. BEACON JUMPER HARNESS - BLUE & RED	506
FIGURE 8-21. BLAM HARNESS.....	508
FIGURE 8-22. BOOM AC CABLE - ANSI, ANSI EXPORT, CSA AND JAPANESE SPECS	510
FIGURE 8-23. BOOM AC CABLE – AUSTRALIAN, CHINA, CE & UK CA SPECS.....	512
FIGURE 8-24. BOOM AC CABLE - SKYPOWER.....	514
FIGURE 8-25. BOOM AC CABLE - MAIN BOOM WITH 4000W 50HZ GENERATOR (ANSI EXPORT, AUSTRALIAN, CHINA, JAPANESE, CE & UK CA SPECS)	516
FIGURE 8-26. BOOM AC CABLE - JIB BOOM WITH 4000W 50HZ GENERATOR (ANSI EXPORT, AUSTRALIAN, CHINA, JAPANESE, CE & UK CA SPECS)	518
FIGURE 8-27. BOOM SENSOR HARNESS.....	520

TABLE OF CONTENTS

FIGURE 8-28. BREAKER BOX ASSEMBLY - AC CABLE (CE & UK CA SPEC)	522
FIGURE 8-29. BREAKER BOX KIT - AC CABLE	524
FIGURE 8-30. BREAKER BOX KIT - 4000W 50HZ GENERATOR	526
FIGURE 8-31. CLEARSKY INSTALLATION - 3G CANBUS CONNECTION (ANSI EXPORT, CE & UK CA SPECS)	528
FIGURE 8-32. CLEARSKY INSTALLATION - 3G CANBUS CONNECTION (AUSTRALIAN SPECS)	530
FIGURE 8-33. CLEARSKY INSTALLATION - 4G CANBUS CONNECTION (ALL SPECS EXCEPT CHINA SPECS)	532
FIGURE 8-34. CLEARSKY INSTALLATION - 4G CANBUS CONNECTION (CHINA SPECS).....	534
FIGURE 8-35. CLEARSKY INSTALLATION 3-WIRE CONNECTION (ALL SPECS EXCEPT CHINA SPECS)	536
FIGURE 8-36. CLEARSKY INSTALLATION - WITH DEUTZ TD2.9L4 (CHINA IV) ENGINES (CHINA SPECS).....	538
FIGURE 8-37. CLEARSKY HARNESS - 3G & 4G CANBUS CONNECTIONS	540
FIGURE 8-38. CLEARSKY HARNESS - 3 WIRE GT1030.....	542
FIGURE 8-39. CLEARSKY HARNESS - WITH DEUTZ TD2.9L4 (CHINA IV) ENGINES	544
FIGURE 8-40. CLEARSKY TELEMATICS JUMPER HARNESS	546
FIGURE 8-41. TELEMATICS CONTROL MODULE ASSEMBLY	548
FIGURE 8-42. CHASSIS HARNESS.....	550
FIGURE 8-43. DEF TANK EXTENSION HARNESS.....	554
FIGURE 8-44. DRIVE PUMP HARNESS	556
FIGURE 8-45. ENGINE CAN HARNESS	558
FIGURE 8-46. ENGINE HARNESS - DEUTZ LRC ENGINES	560
FIGURE 8-47. ENGINE HARNESS - DEUTZ HRC ENGINES.....	564
FIGURE 8-48. ENGINE HARNESS - DEUTZ HRC STAGE V ENGINES	568
FIGURE 8-49. ENGINE HARNESS - DEUTZ TCD3.6L (CHINA IV)	572
FIGURE 8-50. FUEL PUMP AND WIF HARNESS.....	576
FIGURE 8-51. GENERATOR HARNESS - 4000W GENERATOR	578
FIGURE 8-52. GENERATOR ENABLE HARNESS - 7500W GENERATOR	580
FIGURE 8-53. GROUND CONTROL PANEL HARNESS	582
FIGURE 8-54. JIB AC CABLE - ANSI, ANSI EXPORT, CSA AND JAPANESE SPECS.....	586
FIGURE 8-55. JIB AC CABLE – AUSTRALIAN, CHINA, CE & UK CA SPECS	588
FIGURE 8-56. JIB AC CABLE - SKYPOWER.....	590
FIGURE 8-57. JIB CONTROL CABLE	592
FIGURE 8-58. JIB VALVE HARNESS.....	594
FIGURE 8-59. LCD DISPLAY HARNESS	598
FIGURE 8-60. LOAD SENSOR CABLE	600
FIGURE 8-61. MAIN BOOM 16/4 CABLE	602
FIGURE 8-62. MAIN BOOM CONTROL CABLE	604
FIGURE 8-63. MAIN VALVE HARNESS.....	606
FIGURE 8-64. MTS CONNECTION CABLE	608
FIGURE 8-65. PLATFORM CONSOLE HARNESS - WITH SKYGUARD	610
FIGURE 8-66. PLATFORM INTERFACE HARNESS.....	614
FIGURE 8-67. PLATFORM VALVE HARNESS	616
FIGURE 8-68. RECEPTACLE BOX KIT - 110V IEC YELLOW (CE & UK CA SPEC).....	618
FIGURE 8-69. RECEPTACLE BOX KIT - 220V IEC BLUE (CE & UK CA SPEC)	620
FIGURE 8-70. RECEPTACLE BOX KIT - 220V CEE7 POST GROUND 2IN X 4IN (CE & UK CA SPEC)	622
FIGURE 8-71. RECEPTACLE BOX KIT - 220V CEE7 SIDE GROUND 2IN X 4IN (CE & UK CA SPEC).....	624
FIGURE 8-72. RECEPTACLE BOX KIT - 220V AFSINT 107 (CE & UK CA SPEC)	626

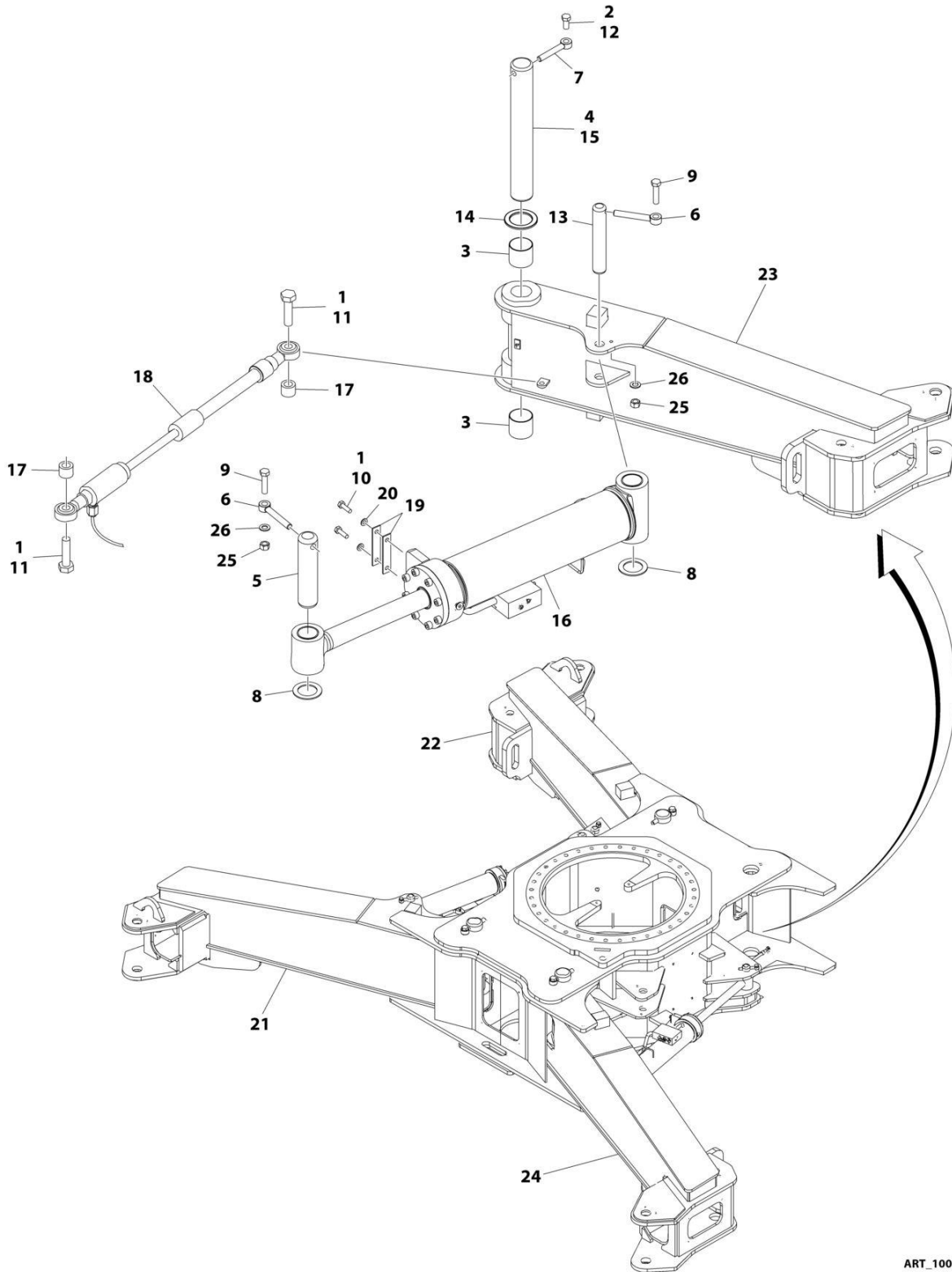
TABLE OF CONTENTS

FIGURE 8-73. RECEPTACLE AND CLAMP INSTALLATION - 110V - ANSI, CSA AND JAPANESE SPECS	628
FIGURE 8-74. RECEPTACLE AND CLAMP INSTALLATION - 220V – ANSI, CSA AND JAPANESE SPECS.....	630
FIGURE 8-75. RECEPTACLE AND CLAMP INSTALLATION - SUPPLIED LOCALLY	632
FIGURE 8-76. SKYEYE INTERMEDIATE HARNESS.....	634
FIGURE 8-77. SKYEYE RECEIVER HARNESS	636
FIGURE 8-78. SKYEYE EMITTER HARNESS.....	638
FIGURE 8-79. SKYLINE HARNESS.....	640
FIGURE 8-80. STEER HARNESS.....	642
FIGURE 8-81. TURNTABLE HARNESS	644
FIGURE 8-82. TRANSPORT SWITCH HARNESS.....	648
FIGURE 8-83. UREA TANK HARNESS	650
SECTION 9 - DECALS.....	653
FIGURE 9-1. DECAL INSTALLATION - ANSI SPECS	654
FIGURE 9-2. DECAL INSTALLATION - ANSI EXPORT SPECS (DUAL LANGUAGE - ENGLISH AND SPANISH)	656
FIGURE 9-3. DECAL INSTALLATION - AUSTRALIAN SPECS.....	658
FIGURE 9-4. DECAL INSTALLATION - BRAZIL SPECS (DUAL LANGUAGE - ENGLISH AND PORTUGUESE)	660
FIGURE 9-5. DECAL INSTALLATION - CE & UK CA SPECS	662
FIGURE 9-6. DECAL INSTALLATION - CHINA SPECS (DUAL LANGUAGE - ENGLISH AND CHINESE)	664
FIGURE 9-7. DECAL INSTALLATION - CSA SPECS (DUAL LANGUAGE - ENGLISH AND FRENCH).....	666
FIGURE 9-8. DECAL INSTALLATION - JAPANESE SPECS (DUAL LANGUAGE – ENGLISH AND JAPANESE)	668
FIGURE 9-9. DECAL INSTALLATION - KOREAN SPECS (DUAL LANGUAGE - ENGLISH AND KOREAN)	670
FIGURE 9-10. DECALS INSTALLATION - OPTIONS.....	672
FIGURE 9-11. SKYCUTTER DECAL INSTALLATION.....	676
FIGURE 9-12. SKYWELDER DECAL INSTALLATION - 50HZ	678
FIGURE 9-13. SKYWELDER DECAL INSTALLATION - 60HZ	680
FIGURE 9-14. SKYCUTTER DECAL INSTALLATION.....	682
SECTION 10 - RECOMMENDED SERVICE PARTS STOCK	685
FIGURE 10-1. RECOMMENDED SERVICE PARTS STOCK	686
SECTION 11 - SPECIAL OPTIONS/ACCESSORIES/KITS	689
FIGURE 11-1. SPECIAL OPTIONS/ACCESSORIES/KITS	690
PART NUMBER INDEX	695

SECTION 1 - FRAME

SECTION 1 - FRAME

FIGURE 1-1. AXLES INSTALLATION



ART_1001195541_D

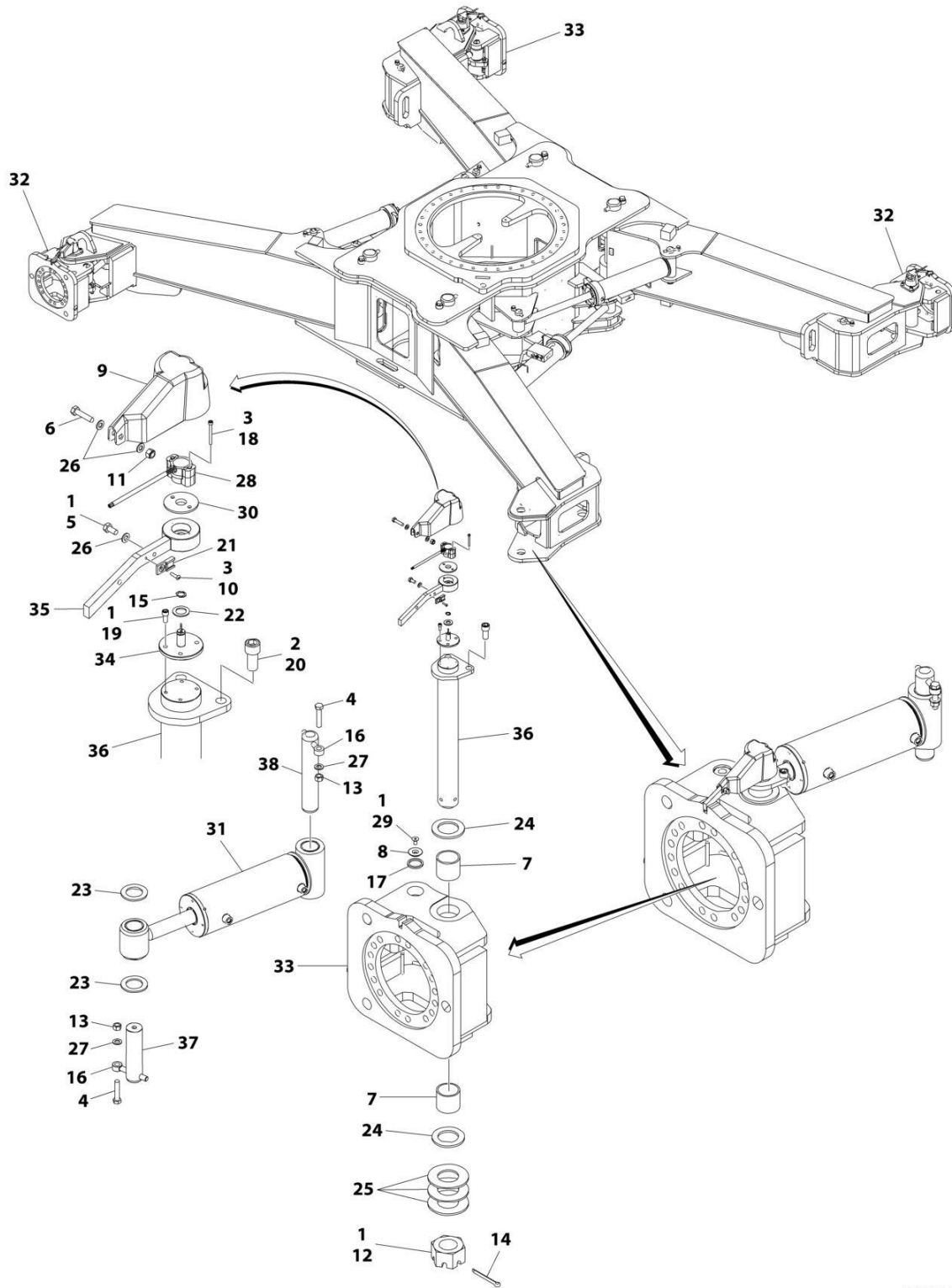
SECTION 1 - FRAME

FIGURE 1-1. AXLES INSTALLATION

ITEM	PART NUMBER	QTY	DESCRIPTION	REV
	1001195541	Ref	AXLES INSTALLATION	D
1	0100011	AR	Compound, Locking	
2	0100071	AR	Compound, Locking	
3	0440273	8	Bushing	
4	3020039	AR	Lubricant	
5	3422912	4	Pin	
6	3841258	8	Keeper, Pin	
7	3841356	4	Keeper, Pin	
8	4740229	8	Washer, Thrust	
9	0701420001	8	Bolt M14 x 60	
10	0761015001	8	Bolt M10 x 35	
11	0761016001	8	Bolt M10 x 40	
12	0762418001	4	Bolt M24 x 50	
13	1001120000	4	Pin	
14	1001155133	4	Washer, Thrust	
15	1001155363	4	Pin	
16	1001251066	4	Axle Extend Cylinder Assembly (See Separate Breakdown in CYLINDER Section)	
17	1001157007	8	Sleeve	
18	1001157084	4	Axle Sensor and Harness Assembly	
18	4460910	1	Receptacle, Female - 3 Position	
18	4460917	6	Pin, Male	
19	1001158017	AR	Shim	
20	1001172358	8	Washer M10	
21	1001197553	1	Axle - Front RH	
22	1001197554	1	Axle - Front LH	
23	1001197555	1	Axle - Rear RH	
24	1001197556	1	Axle - Rear LH	
25	3291407001	8	Nut M14	
26	4812200001	8	Washer M14	

SECTION 1 - FRAME

FIGURE 1-2. STEERING INSTALLATION



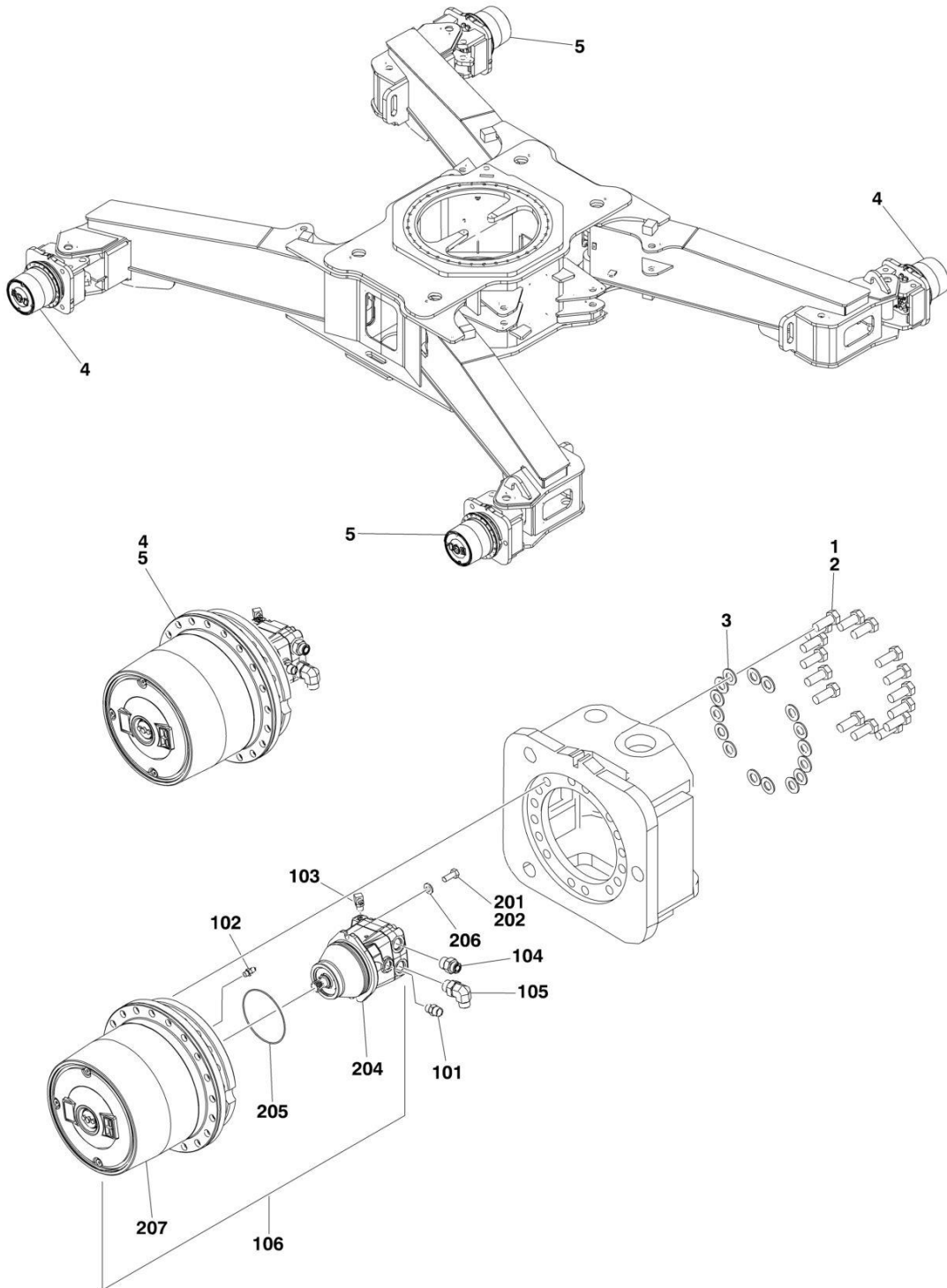
ART_1001156606_G

FIGURE 1-2. STEERING INSTALLATION

ITEM	PART NUMBER	QTY	DESCRIPTION	REV
	1001156606	Ref	STEER INSTALLATION	G
1	0100011	AR	Compound, Locking	
2	0100019	AR	Compound, Locking	
3	0100035	AR	Compound, Locking	
4	0701422001	8	Bolt M14 x 70	
5	0760808001	4	Bolt M8 x 16	
6	0760815001	4	Bolt M8 x 35	
7	0962423	8	Bushing	
8	1120549	4	Cap	
9	1671040	4	Cover	
10	2080091	4	Screw M4 x 16	
11	3290805001	4	Nut M8	
12	3300464001	4	Nut	
13	3291407001	8	Nut M14	
14	3451214	4	Pin, Cotter	
15	3760383	4	Ring	
16	3841258	8	Keeper, Pin	
17	3960551	4	Seal	
18	4031512	8	Capscrew M4 x 40	
19	4031707	16	Capscrew M6 x 16	
20	4032311001	8	Capscrew M16 x 35	
21	4460914	4	Base, Terminal	
22	4711800	4	Washer 1/2	
23	4740229	8	Washer, Thrust	
24	4740505	8	Washer, Thrust	
25	4755000001	18	Washer 2-1/2	
26	4811900001	12	Washer M8	
27	4812200001	8	Washer M14	
28	1001146963	4	Sensor Assembly	
28	4460899	1	Connector - 6 Position	
28	4460464	6	Socket, Female	
29	1001174345	4	Screw M20 x 20	
30	1001155836	4	Adapter	
31	1001251065	4	Steer Cylinder Assembly (See Separate Breakdown in CYLINDER Section)	
32	1001156678	2	Spindle - Front LH and Rear RH	
33	1001156679	2	Spindle - Front RH and Rear LH	
34	1001156778	4	Pin	
35	1001156785	4	Link	
36	1001156815	4	Kingpin	
37	1001156991	4	Pin	
38	1001156996	4	Pin	
39	1001155817	4	Steer Harness (Not Shown - See Separate Breakdown in ELECTRICAL SECTION)	

SECTION 1 - FRAME

FIGURE 1-3. WHEEL DRIVE INSTALLATION



ART_1001157850

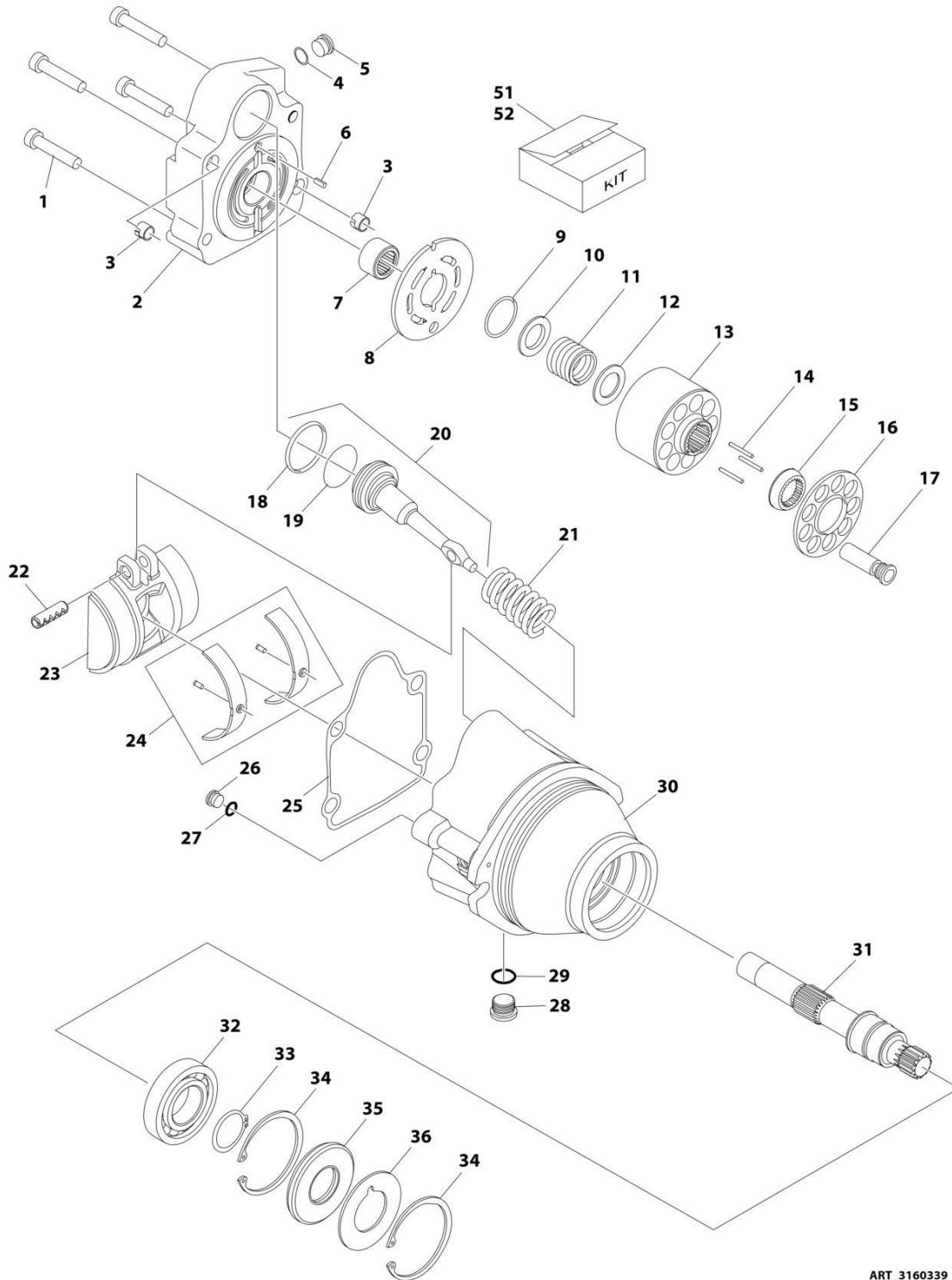
SECTION 1 - FRAME

FIGURE 1-3. WHEEL DRIVE INSTALLATION

ITEM	PART NUMBER	QTY	DESCRIPTION	REV
	1001157850	Ref	WHEEL DRIVE INSTALLATION	F
1	0100019	AR	Compound, Locking	
2	0762018001	64	Bolt M20 x 50	
3	5242000001	64	Washer M20	
4	1001154759	2	Drive Hub/Motor with Fittings - Front LH and Rear RH (See Items 101-106 for Breakdown)	
5	1001157849	2	Drive Hub/Motor with Fittings - Front RH and Rear LH (See Items 101-106 for Breakdown)	
	1001154759	Ref	HUB/MOTOR ASSEMBLY WITH FITTINGS - FRONT LH AND REAR RH	E
	1001157849	Ref	HUB/MOTOR ASSEMBLY WITH FITTINGS - FRONT RH AND REAR LH	E
101	2110808	1	Fitting, Straight ORFS/ORB	
102	2220415	1	Fitting, Straight JIC/ORB	
103	2220472	1	Fitting, 90 JIC/ORB	
104	2111012	1	Fitting, Straight ORFS/ORB	
105	2131012	1	Fitting, 90 ORFS/ORB	
106	1001154772	1	Drive Hub/Motor (See Items 201-207 for Breakdown)	
	1001154772	Ref	DRIVE HUB/MOTOR ASSEMBLY	E
201	0100011	AR	Compound, Locking	
202	0761214	2	Bolt M12 x 30	
204	3160339	1	Motor - Drive (See Separate Breakdown in this Section)	
205	3790158	1	O-Ring	
206	5241200	2	Washer M12	
207	1001149921	1	Hub - Drive (See Separate Breakdown in this Section)	

SECTION 1 - FRAME

FIGURE 1-4. DRIVE MOTOR ASSEMBLY



ART_3160339

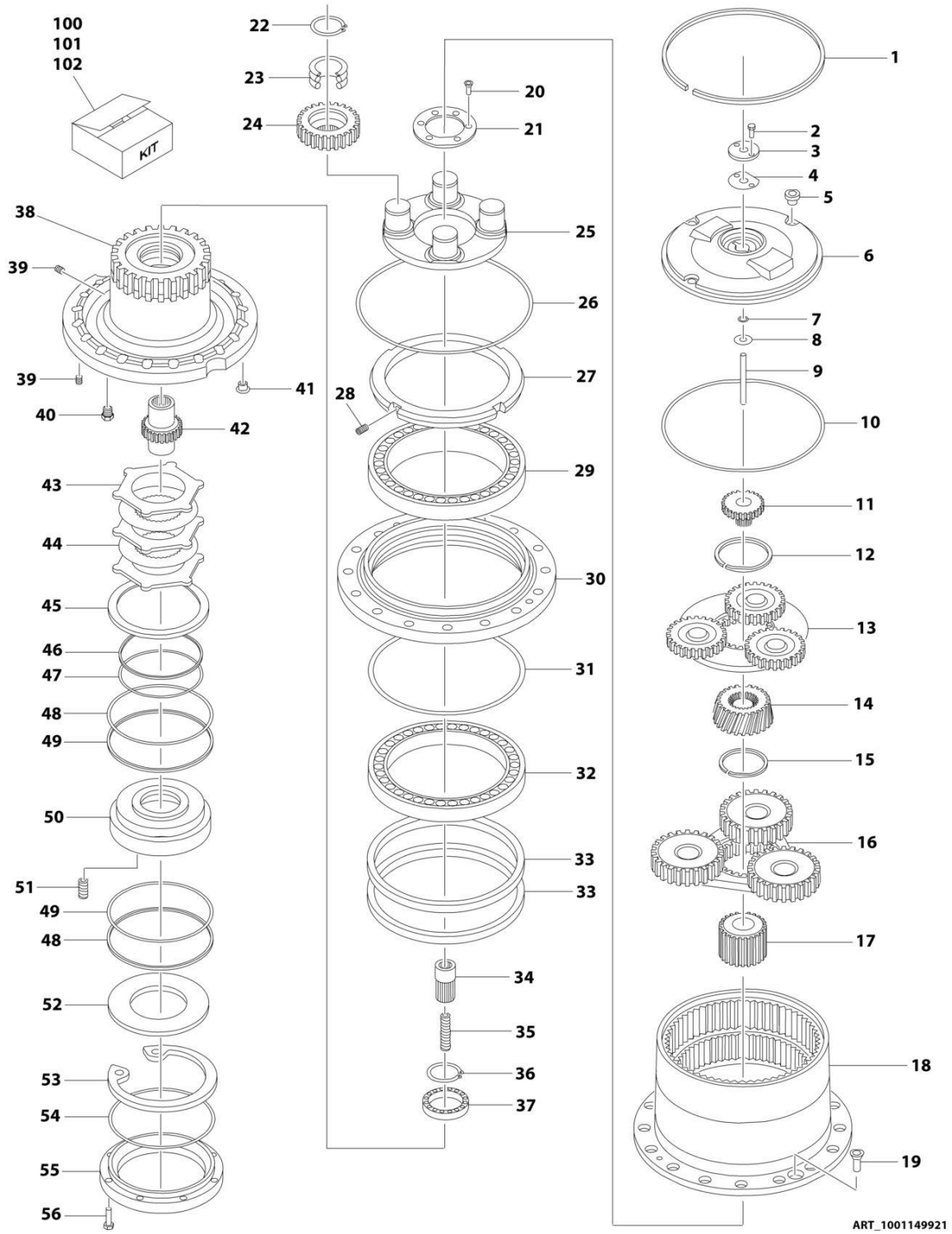
SECTION 1 - FRAME

FIGURE 1-4. DRIVE MOTOR ASSEMBLY

ITEM	PART NUMBER	QTY	DESCRIPTION	REV
	3160339	Ref	DRIVE MOTOR ASSEMBLY	D
1	7022368	4	Bolt	
2	70000859	1	End Cap, Motor	
3	70003628	2	Locating Pin	
4	See Note	NSS	O-Ring (Note: Use Item 51)	
5	7007420	1	Plug (Includes Item 4)	
6	7007446	1	Pin, Dowel	
7	7021249	1	Bearing, Needle	
8	70000854	1	Plate, Valve	
9	7022311	1	Snap Ring	
10	7022314	1	Retainer, Spring	
11	7024867	1	Spring	
12	7024868	1	Washer	
13	70000855	1	Block, Cylinder	
14	7021275	3	Pin, Slipper	
15	70000856	1	Guide	
16	70000857	1	Retainer, Slipper	
17	7024865	9	Piston, Cylinder	
18	See Note	NSS	Ring, Piston (Note: Use Item 51)	
19	See Note	NSS	O-Ring (Note: Use Item 51)	
20	70000860	1	Piston, Servo (Includes Items 18 & 19)	
21	70000861	1	Spring	
22	See Note	NSS	Pin (Note: Not Available for Purchase)	
23	70000853	1	Swash Plate	
24	70000852	1	Bearing Kit	
25	See Note	NSS	Gasket (Note: Use Item 51)	
26	See Note	NSS	Plug (Note: Not Available for Purchase)	
27	See Note	NSS	O-Ring (Note: Use Item 51)	
28	7022321	1	Plug (Includes Item 29)	
29	See Note	NSS	O-Ring (Note: Use Item 51)	
30	See Note	NSS	Housing (Note: Not Available - Purchase Complete Motor)	
31	70000858	1	Shaft	
32	7007437	1	Bearing	
33	7007439	1	Snap Ring	
34	7007438	2	Snap Ring	
35	See Note	NSS	Seal (Note: Use Item 51)	
36	7022371	1	Washer, Seal Support	
51	70000862	1	Kit 1 - Motor Seal Kit (Includes Items 4, 18, 19, 25, 27, 29 & 35)	
52	7027740	1	Kit 2 - Cylinder Block Kit (Includes Items 9-17)	

SECTION 1 - FRAME

FIGURE 1-5. DRIVE HUB ASSEMBLY



SECTION 1 - FRAME

FIGURE 1-5. DRIVE HUB ASSEMBLY

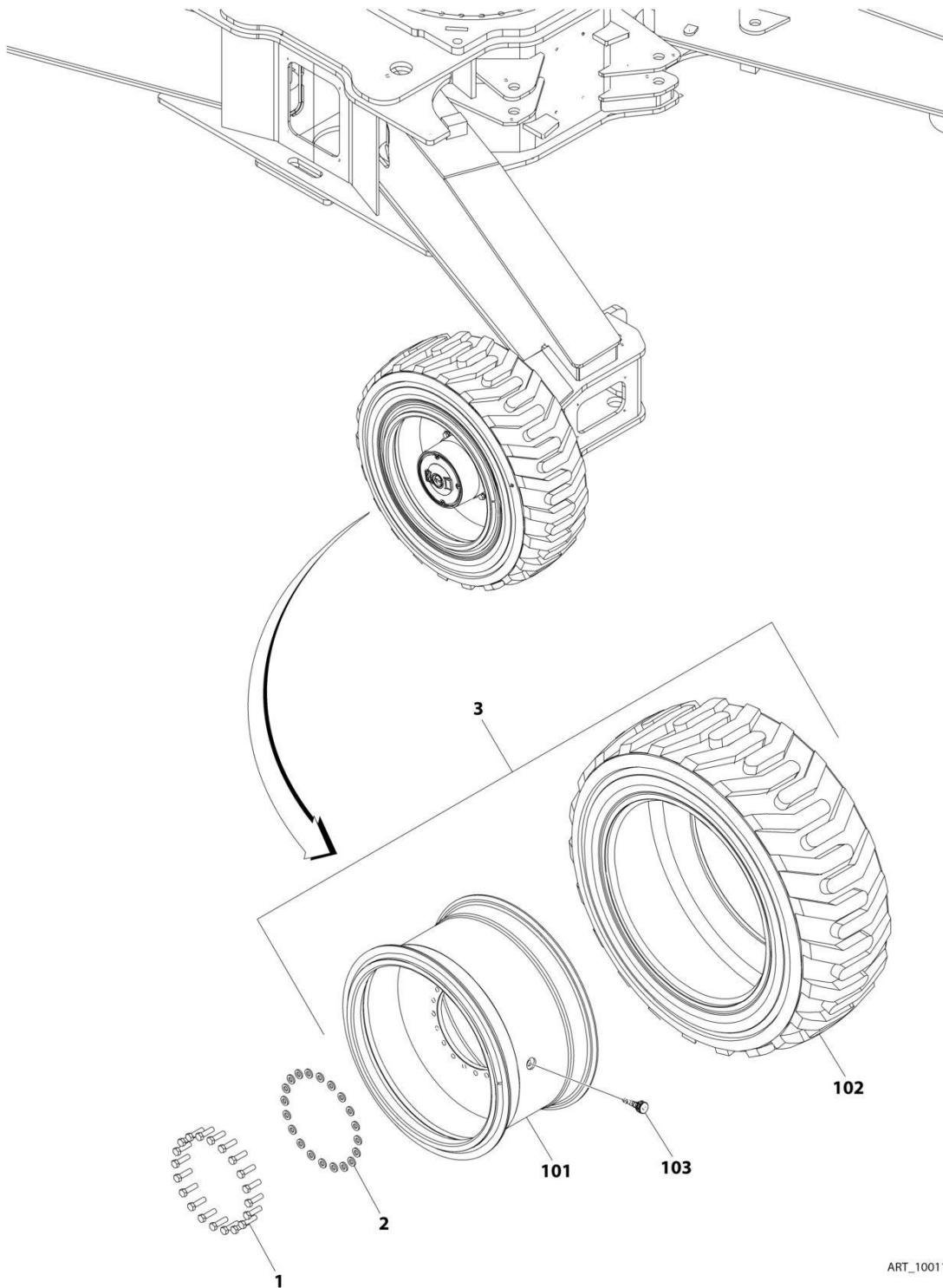
ITEM	PART NUMBER	QTY	DESCRIPTION	REV
	1001149921	Ref	DRIVE HUB ASSEMBLY	G
1	70004429	1	Ring	
2	See Note	NSS	Screw M6 x 20 (Note: Use Item 101)	
3	See Note	NSS	Cover (Note: Use Item 101)	
4	70004429	1	Gasket	
5	70002057	3	Plug	
6	See Note	NSS	Cover (Note: Use Item 101)	
7	See Note	NSS	O-Ring (Note: Use Item 100 or 101)	
8	See Note	NSS	Shim (Note: Use Item 101)	
9	See Note	NSS	Pin (Note: Use Item 101)	
10	See Note	NSS	O-Ring (Note: Use Item 100 or 101)	
11	70004430	1	Pinion	
12	70004431	1	Ring, Retaining	
13	70004432	1	Assembly, Gear Reduction	
14	70004433	1	Pinion	
15	70004434	1	Ring	
16	70004435	1	Assembly, Gear Reduction	
17	70004436	1	Pinion	
18	See Note	NSS	Housing, Hub (Note: Use p/n 1001149921)	
19	70002052	2	Screw M10 x 25	
20	70004437	6	Screw M6 x 14	
21	70004438	1	Plug	
22	70002032	4	Ring, Retaining	
23	70002031	4	Bearing	
24	70004439	4	Wheel, Planet	
25	70004440	1	Flange	
26	See Note	NSS	O-Ring (Note: Use Item 100)	
27	70004441	1	Nut	
28	70004363	2	Screw M6 x 10	
29	70004442	1	Bearing	
30	See Note	NSS	Support, Hub (Note: Use p/n 1001149921)	
31	See Note	NSS	O-Ring (Note: Use Item 100)	
32	70004443	1	Bearing	
33	See Note	1	Seal (Note: Use Item 100)	
34	70004444	1	Coupling	
35	70002036	1	Spring	
36	70004445	1	Ring, Retaining	
37	70004446	1	Bearing	
38	See Note	NSS	Axle (Note: Use p/n 1001149921)	
39	70004447	3	Plug	
40	70002057	3	Plug (Includes O-Ring)	
41	70002028	1	Plug, Plastic	
42	70004448	1	Shaft, Input	
43	See Note	NSS	Disc, Iron (Note: Use Item 102)	
44	See Note	NSS	Disc, Brake (Note: Use Item 102)	
45	See Note	NSS	Spacer (Note: Use Item 102)	
46	See Note	NSS	Seal (Note: Use Item 100 or 102)	
47	See Note	NSS	O-Ring (Note: Use Item 100 or 102)	
48	See Note	NSS	Seal (Note: Use Item 100 or 102)	
49	See Note	NSS	O-Ring (Note: Use Item 100 or 102)	

SECTION 1 - FRAME

ITEM	PART NUMBER	QTY	DESCRIPTION	REV
50	See Note	NSS	Piston, Brake (Note: Use Item 102)	
51	See Note	NSS	Spring, Brake (Note: Use Item 102)	
52	See Note	NSS	Spacer (Note: Use Item 102)	
53	See Note	NSS	Ring, Retaining (Note: Use Item 102)	
54	See Note	NSS	O-Ring (Note: Use Item 100)	
55	70004449	1	Support, Motor	
56	70004450	6	Screw M8 x 25	
100	70004451	1	Kit, Seal (Includes Items 4, 7, 10, 26, 31, 33, 46-49 & 54)	
101	70004452	1	Kit, Cover (Includes Items 2-10)	
102	70004453	1	Kit, Brake (Includes Items 43-53)	

SECTION 1 - FRAME

FIGURE 1-6. TIRE/WHEEL INSTALLATION - IN445/50D710 FOAM-FILLED



ART_1001157216

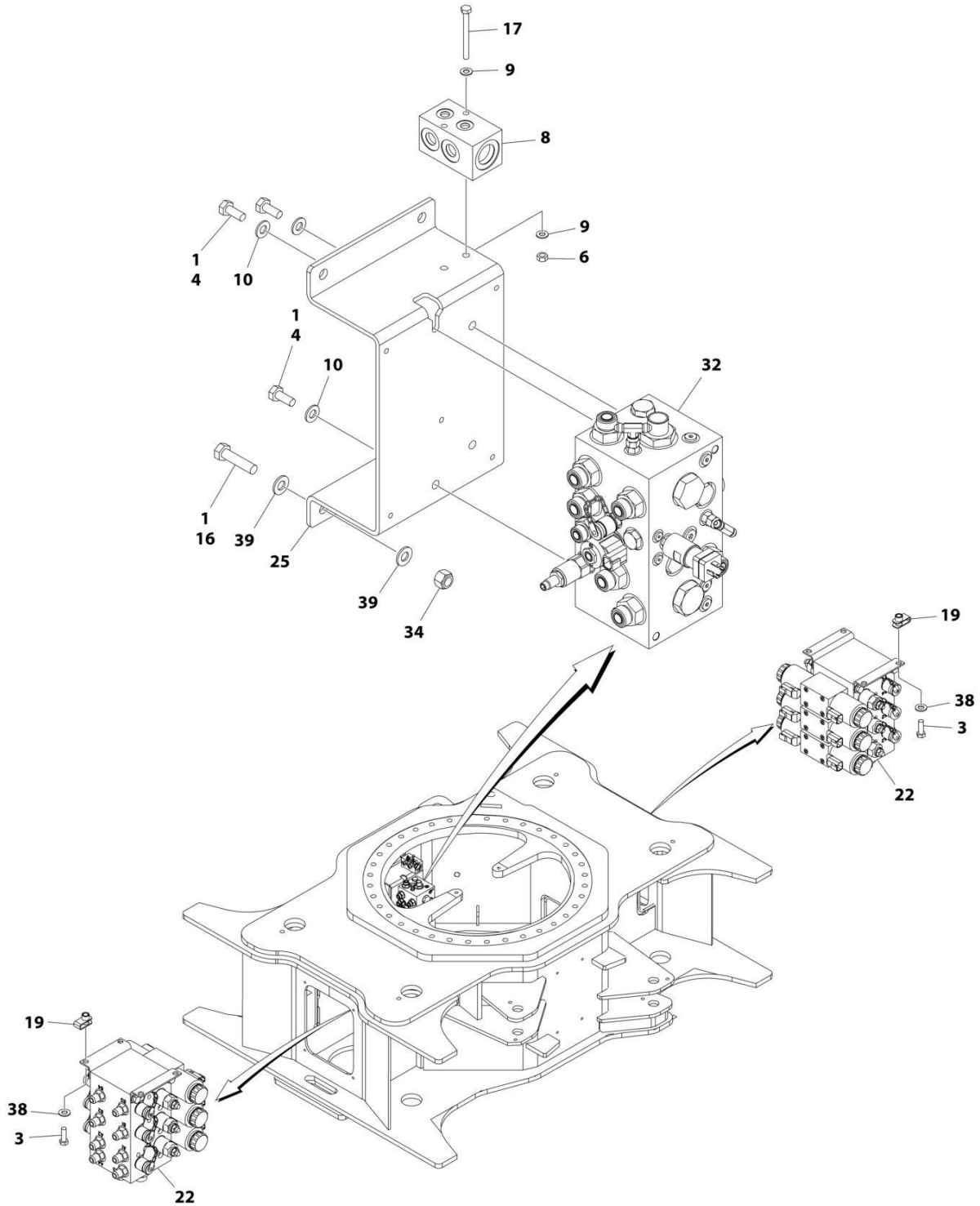
SECTION 1 - FRAME

FIGURE 1-6. TIRE/WHEEL INSTALLATION - IN445/50D710 FOAM-FILLED

ITEM	PART NUMBER	QTY	DESCRIPTION	REV
	1001157216	Ref	TIRE/WHEEL INSTALLATION	F
		Ref	Note: Requires ballast/foam filling to manufacturer's specifications prior to installing on a machine. Refer to Service and Maintenance Manuals. Purchase individual tire and/or rim only if able to foam fill tire and wheel assembly, otherwise, purchase complete.	
1	0701619001	80	Bolt M16 x 55 (20 Per Wheel)	
2	1001172356	80	Washer 5/8 (20 Per Wheel)	
3	1001147616	2	Tire/Wheel (RH Side)	
3	1001149711	2	Tire/Wheel (LH Side)	
	1001147616	Ref	TIRE/WHEEL ASSEMBLY (RH SIDE)	I
	1001149711	Ref	TIRE/WHEEL ASSEMBLY (LH SIDE)	I
101	1001147617	4	Wheel (1 per Tire/Wheel)	
102	1001147618	4	Tire (1 per Tire/Wheel)	
103	1001157467	4	Valve (1 per Tire/Wheel)	

SECTION 1 - FRAME

FIGURE 1-7. VALVES INSTALLATION - FRAME (WITH LSS)



ART_1001219995_10F3

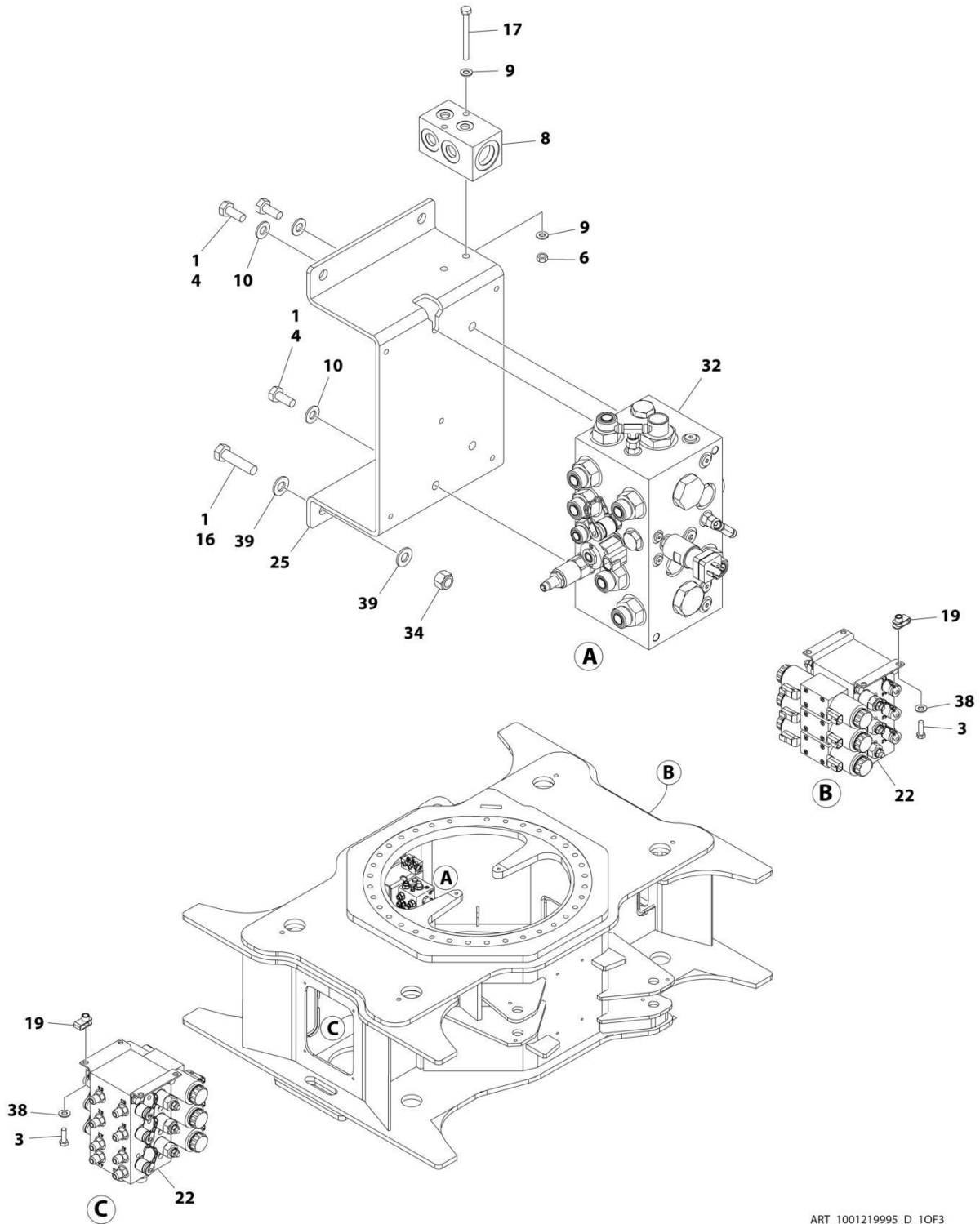
SECTION 1 - FRAME

FIGURE 1-7. VALVES INSTALLATION - FRAME (WITH LSS)

ITEM	PART NUMBER	QTY	DESCRIPTION	REV
	1001219995	Ref	VALVES INSTALLATION - FRAME (WITH LSS)	B
1	0100011	AR	Compound, Locking	
3	0760812	8	Bolt M8 x 25	
4	0761012	4	Bolt M10 x 25	
6	3290607	2	Nut M6	
8	4641155	1	Manifold, Junction	
9	4811700	4	Washer M6	
10	4812000	4	Washer M10	
16	0761218001	4	Bolt M12 x 50	
17	1001096653	2	Bolt M6 x 70	
19	1001118274	8	Nut M8	
22	1001157207	2	Steer/Axle Extend Valve Assembly (See Separate Breakdown in this Section)	
25	1001164354	1	Bracket	
32	1001219110	1	Traction Valve Assembly (See Separate Breakdown in this Section)	
34	3291205001	4	Nut M12	
38	4811900001	4	Washer M8	
39	4812100001	8	Washer M12	

SECTION 1 - FRAME

FIGURE 1-8. VALVES INSTALLATION - FRAME (WITH LSS) (SN 0300303845 to Present, Excluding 0300303846)



ART_1001219995_D_10F3

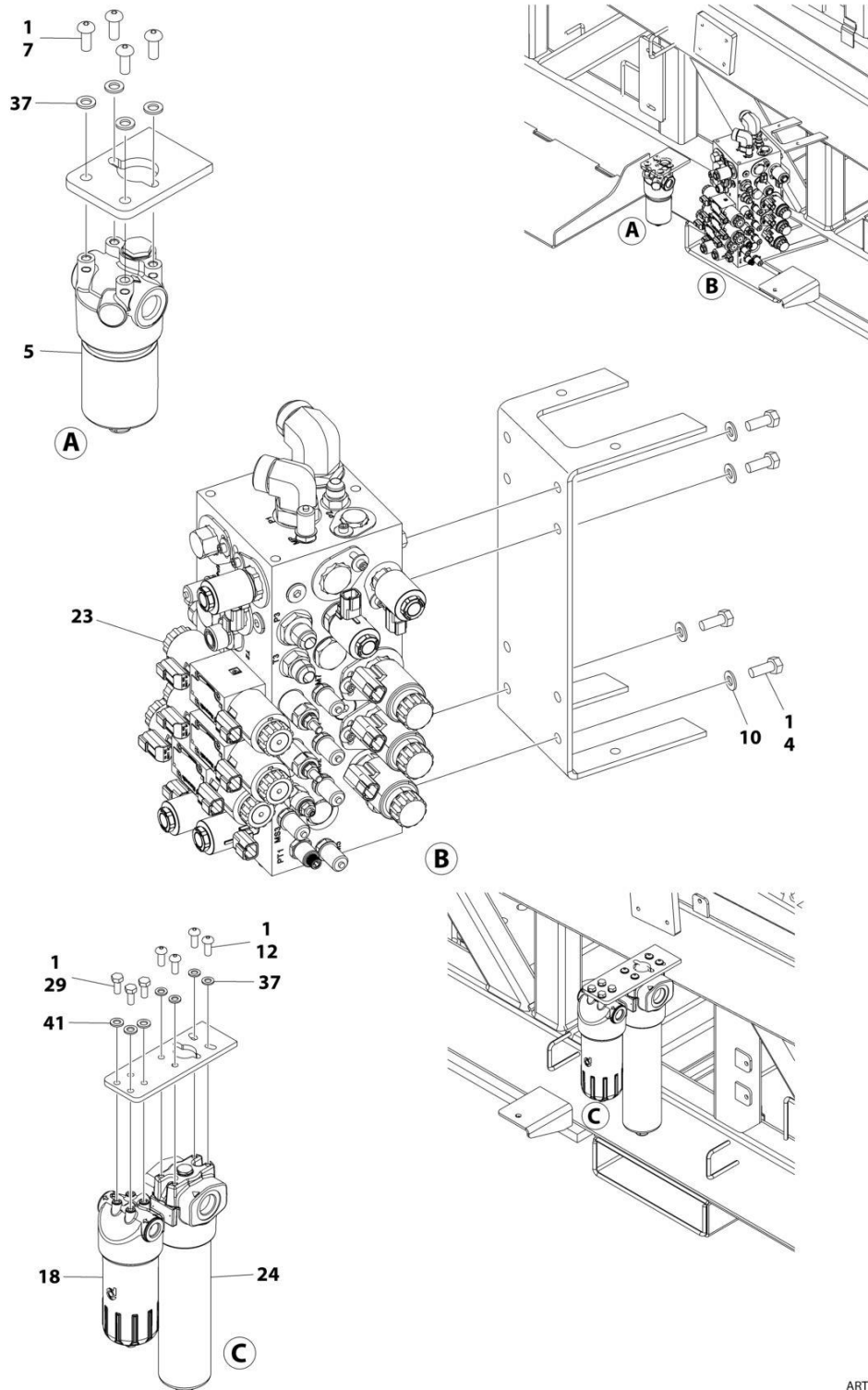
SECTION 1 - FRAME

FIGURE 1-8. VALVES INSTALLATION - FRAME (WITH LSS) (SN 0300303845 to Present, Excluding 0300303846)

ITEM	PART NUMBER	QTY	DESCRIPTION	REV
	1001219995	Ref	VALVES INSTALLATION - FRAME (WITH LSS)	D
1	0100011	AR	Compound, Locking	
3	0760812	8	Bolt M8 x 25	
4	0761012	4	Bolt M10 x 25	
6	3290607	2	Nut M6	
8	4641155	1	Manifold, Junction	
9	4811700	4	Washer M6	
10	4812000	4	Washer M10	
16	0761218001	4	Bolt M12 x 50	
17	1001096653	2	Bolt M6 x 70	
19	1001118274	8	Nut M8	
22	1001157207	2	Steer/Axle Extend Valve Assembly (See Separate Breakdown in this Section)	
25	1001164354	1	Bracket	
32	1001219110	1	Traction Valve Assembly (See Separate Breakdown in this Section)	
34	3291205001	4	Nut M12	
38	4811900001	8	Washer M8	
39	4812100001	8	Washer M12	

SECTION 1 - FRAME

FIGURE 1-9. VALVES AND HYDRULIC FILTERS INSTALLATION - TURNTABLE (WITH LSS) (SN 0300303845 to Present, Excluding 0300303846)



ART_1001219995_D_20F3

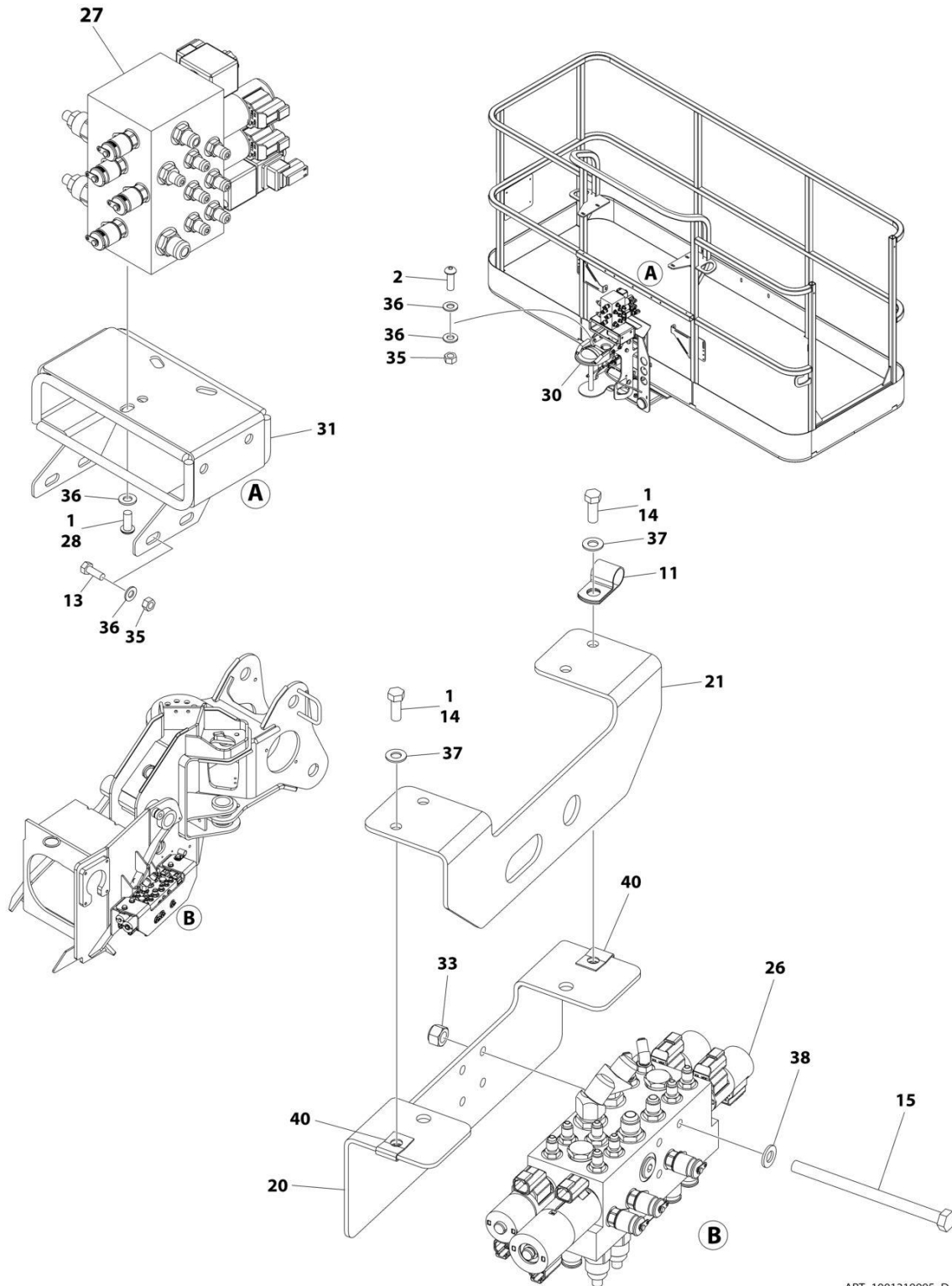
SECTION 1 - FRAME

FIGURE 1-9. VALVES AND HYDRULIC FILTERS INSTALLATION - TURNTABLE (WITH LSS) (SN 0300303845 to Present, Excluding 0300303846)

ITEM	PART NUMBER	QTY	DESCRIPTION	REV
	1001219995	Ref	VALVES AND HYDRAULIC FILTERS INSTALLATION - TURNTABLE (WITH LSS)	D
1	0100011	AR	Compound, Locking	
4	0761012	4	Bolt M10 x 25	
5	2120217	1	Filter, High Pressure (Tank Side)	
5	70002097	1	Element, High Pressure Filter (Tank Side)	
5	70001499	1	Kit, Seal	
7	3900316	4	Screw 3/8 x 1	
10	4812000	4	Washer M10	
12	88261128	4	Screw 3/8 x 1	
18	1001293701	1	Filter	
18	70008358	1	Element, Filter	
18	70008368	1	Head, Filter	
18	70008369	1	Housing, Filter	
23	1001234548	1	Main Valve Assembly (See Separate Breakdown in this Section)	
24	1001158412	1	Filter, High Pressure (Engine Side)	
24	1001161232	1	Element, High Pressure Filter (Engine Side)	
24	70006137	1	Seal Kit - 1001158412 Filter	
29	0761012001	4	Screw M10 x 25	
37	4711600001	8	Washer 3/8	
41	1001172358	4	Washer M10	

SECTION 1 - FRAME

FIGURE 1-10. VALVES INSTALLATION - BOOM (WITH LSS) (SN 0300303845 to Present, Excluding 0300303846)



ART_1001219995_D_3OF3

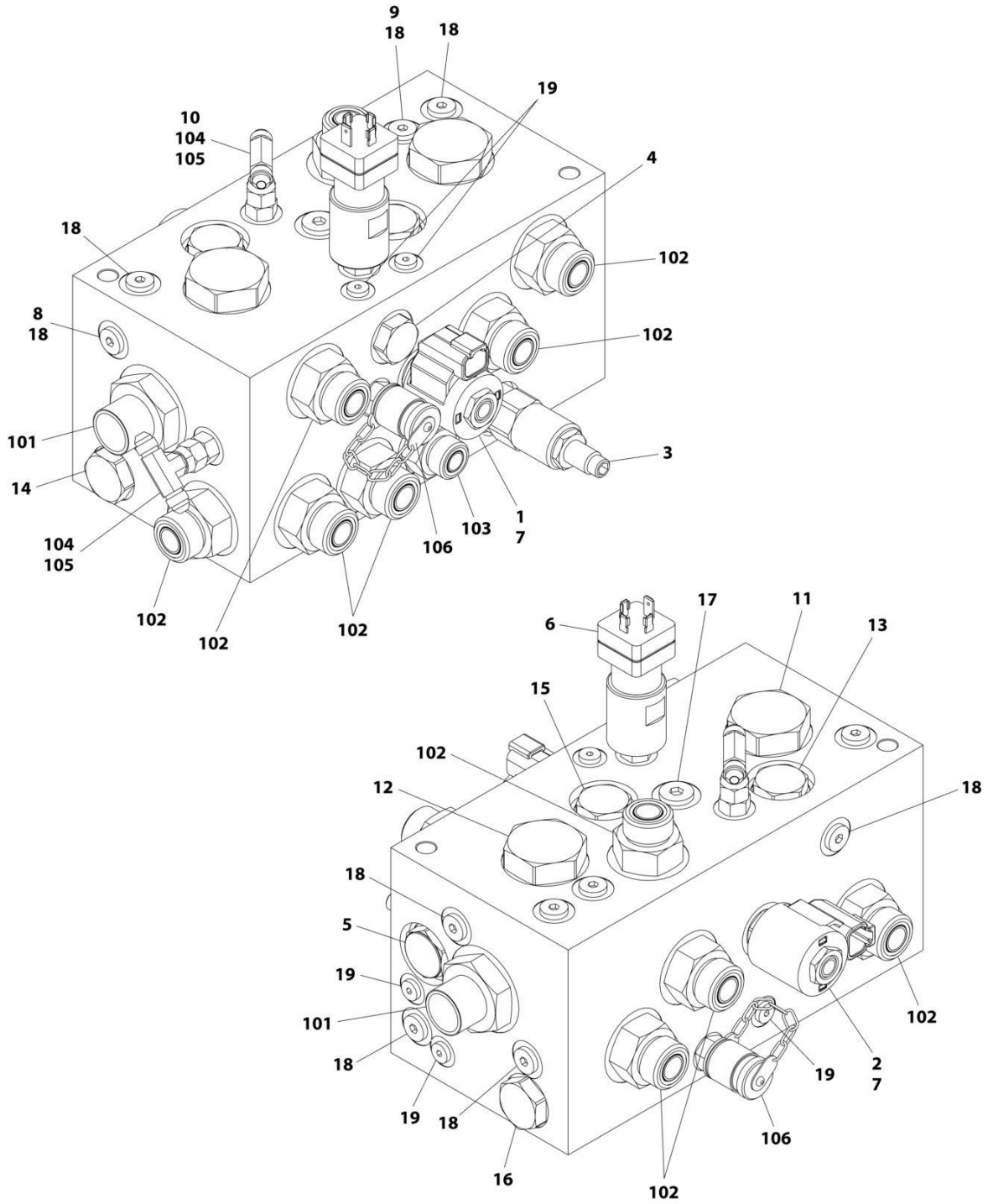
SECTION 1 - FRAME

FIGURE 1-10. VALVES INSTALLATION - BOOM (WITH LSS) (SN 0300303845 to Present, Excluding 0300303846)

ITEM	PART NUMBER	QTY	DESCRIPTION	REV
	1001219995	Ref	VALVES INSTALLATION - BOOM (WITH LSS)	D
1	0100011	AR	Compound, Locking	
2	0630468	2	Screw 5/16 x 1	
11	8406105	1	Clip	
13	0641507001	4	Bolt 5/16 x 7/8	
14	0641608001	4	Bolt 1/2 x 1	
15	0700829001	4	Bolt M8 x 120	
20	1001119703	1	Plate	
21	1001119704	1	Plate	
26	1001168283	1	Jib Valve Assembly (See Separate Breakdown in this Section)	
27	1001168284	1	Platform Valve Assembly (See Separate Breakdown in this Section)	
28	1001173845	3	Screw 5/16 x 3/4	
30	1001207969	1	Cover	
31	1001208994	1	Mount	
33	3290805001	4	Nut M8	
35	3311505001	6	Nut 5/16	
36	4711500001	15	Washer 5/16	
37	4711600001	4	Washer 3/8	
38	4811900001	8	Washer M8	
40	88662523	4	Nut, Retainer	

SECTION 1 - FRAME

FIGURE 1-11. TRACTION VALVE ASSEMBLY



ART_1001219110

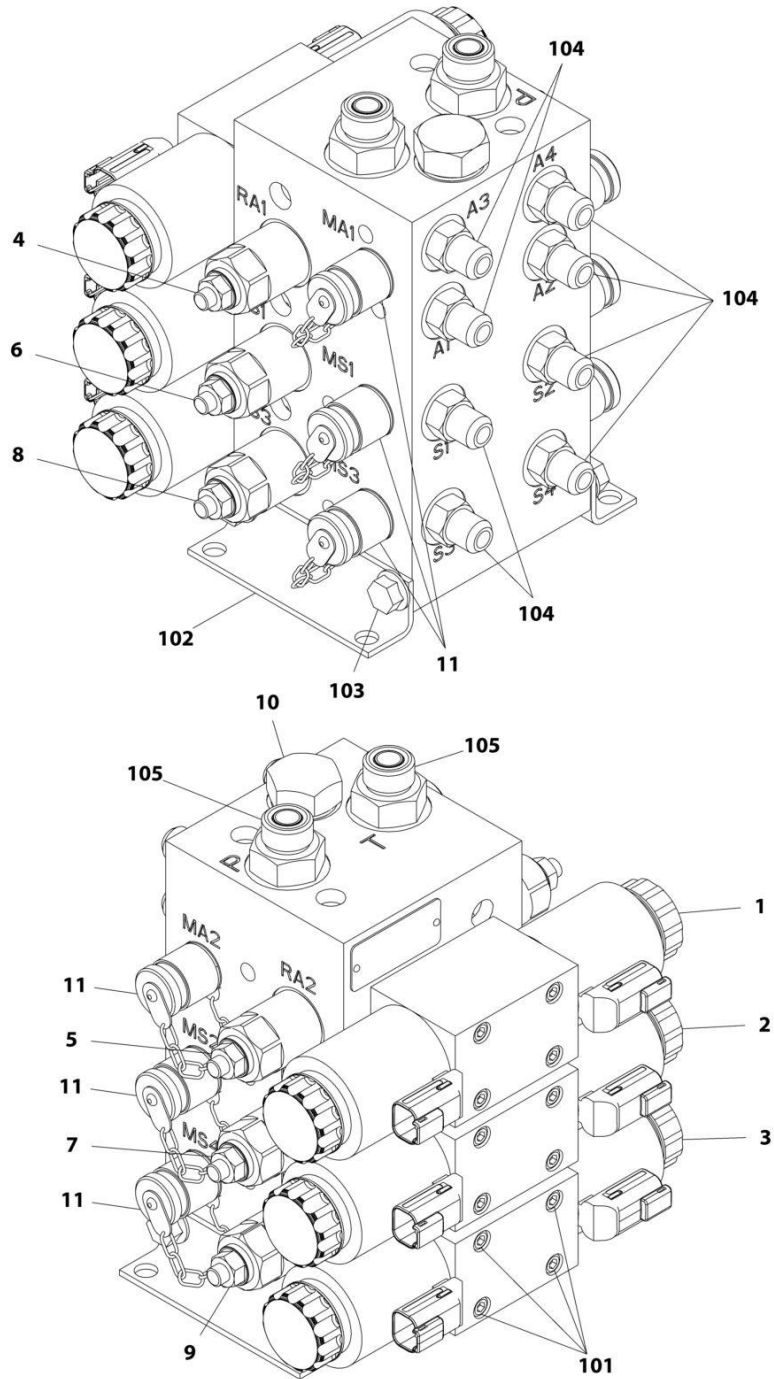
SECTION 1 - FRAME

FIGURE 1-11. TRACTION VALVE ASSEMBLY

ITEM	PART NUMBER	QTY	DESCRIPTION	REV
	1001219110	Ref	TRACTION VALVE ASSEMBLY	B
1	7012941	1	Cartridge, Solenoid Less Coil	
1	7010543	1	Kit, Seal	
2	7012941	1	Cartridge, Solenoid Less Coil	
2	7010543	1	Kit, Seal	
3	70004383	1	Cartridge, Relief	
3	7012998	1	Kit, Seal	
4	70004384	1	Cartridge, Load Shuttle	
4	7012973	1	Kit, Seal	
5	70000804	1	Cartridge	
5	70000805	1	Kit, Seal	
6	70000803	1	Cartridge, Pressure Switch	
7	70002386	2	Coil	
8	7017493	1	Orifice	
9	7017493	1	Orifice	
10	70004386	1	Orifice	
11	70004017	1	Cartridge, Flow Divider	
11	7021625	1	Kit, Seal	
12	70004017	1	Cartridge, Flow Divider	
12	7021625	1	Kit, Seal	
13	70003408	1	Cartridge, Check	
13	7022399	1	Kit, Seal	
14	70003408	1	Cartridge, Check	
14	7022399	1	Kit, Seal	
15	70003408	1	Cartridge, Check	
15	7022399	1	Kit, Seal	
16	70003408	1	Cartridge, Check	
16	7022399	1	Kit, Seal	
17	2220885	1	Plug	
18	2220883	9	Plug	
19	2220881	8	Plug	
101	2111016	2	Fitting, Straight ORB/ORFS	
102	2111012	10	Fitting, Straight ORB/ORFS	
103	2110810	1	Fitting, Straight ORB/ORFS	
104	2220415	2	Fitting, Straight JIC/ORB	
105	2220861	2	Fitting, Tee JIC/ORB	
106	2221086	2	Fitting, Test	

SECTION 1 - FRAME

FIGURE 1-12. STEER/AXLE EXTEND VALVE ASSEMBLY



ART_1001157207

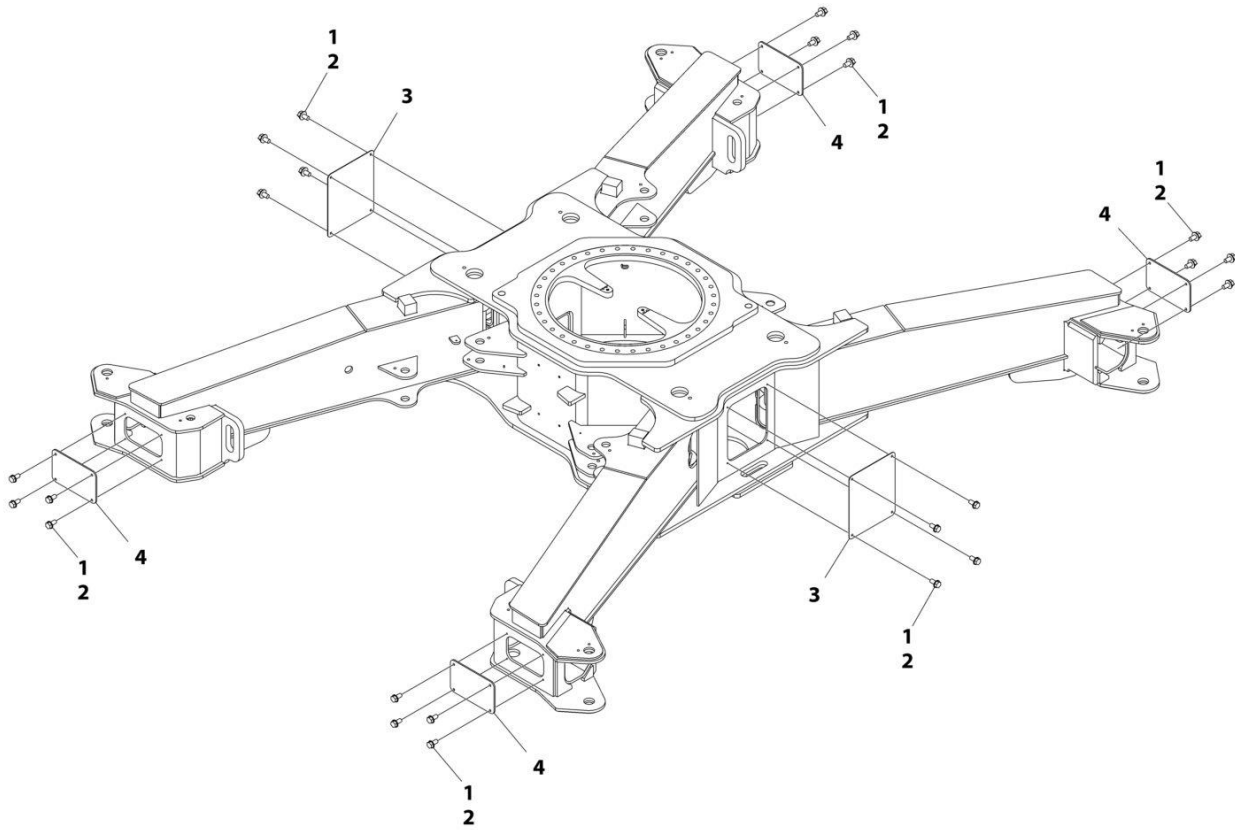
SECTION 1 - FRAME

FIGURE 1-12. STEER/AXLE EXTEND VALVE ASSEMBLY

ITEM	PART NUMBER	QTY	DESCRIPTION	REV
	1001157207	Ref	STEER/AXLE EXTEND VALVE ASSEMBLY	G
1	70004459	1	Valve, Direction Control	
1	7012773	1	Kit, Seal	
1	70004460	2	Coil	
1	7021375	2	Nut, Coil	
1	70004461	2	O-Ring, Solenoid Pole	
2	70004462	1	Valve, Direction Control	
2	7012773	1	Kit, Seal	
2	70004463	2	Coil	
2	7021375	2	Nut, Coil	
2	70004461	2	O-Ring, Solenoid Pole	
3	70004462	1	Valve, Direction Control	
3	7012773	1	Kit, Seal	
3	70004463	2	Coil	
3	7021375	2	Nut, Coil	
3	70004461	2	O-Ring, Solenoid Pole	
4	70004464	1	Cartridge, Relief	
4	70004055	1	Kit, Seal	
5	70004464	1	Cartridge, Relief	
5	70004055	1	Kit, Seal	
6	70004464	1	Cartridge, Relief	
6	70004055	1	Kit, Seal	
7	70004464	1	Cartridge, Relief	
7	70004055	1	Kit, Seal	
8	70004464	1	Cartridge, Relief	
8	70004055	1	Kit, Seal	
9	70004464	1	Cartridge, Relief	
9	70004055	1	Kit, Seal	
10	70004465	1	Cartridge, Flow Divider	
10	70004164	1	Kit, Seal	
11	2221086	6	Fitting, Test	
101	See Note	NSS	Capscrew #10 x 2 (Note: Purchase Locally)	
102	See Note	NSS	Bracket (Note: Not Available for Purchase)	
103	0641504	4	Bolt 5/16 x 1/2	
104	2220371	8	Fitting, Straight JIC/ORB	
105	2110810	2	Fitting, Straight ORB/ORFS	

SECTION 1 - FRAME

FIGURE 1-13. COVERS INSTALLATION - FRAME



ART_1001157670

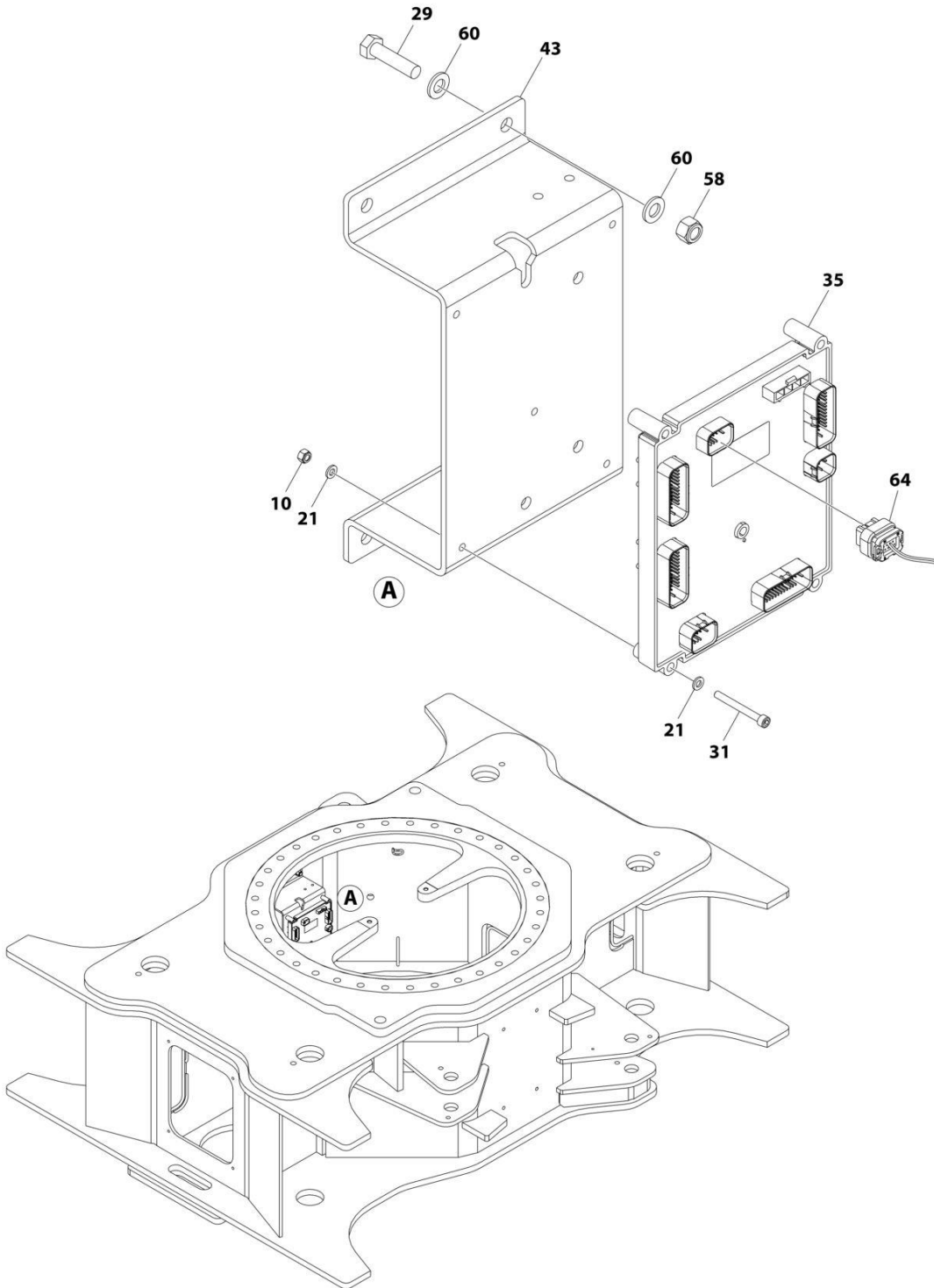
SECTION 1 - FRAME

FIGURE 1-13. COVERS INSTALLATION - FRAME

ITEM	PART NUMBER	QTY	DESCRIPTION	REV
	1001157670	Ref	COVERS INSTALLATION - FRAME	B
1	0100011	AR	Compound, Locking	
2	5251210001	24	Bolt M12 x 20	
3	1001155561	2	Cover	
4	1001156867	4	Cover	

SECTION 1 - FRAME

FIGURE 1-14. ELECTRICAL COMPONENTS INSTALLATION - FRAME (ANSI EXPORT (LRC), AUSTRALIAN AND CHINA SPECS)



ART_1001223250_H_1OF2

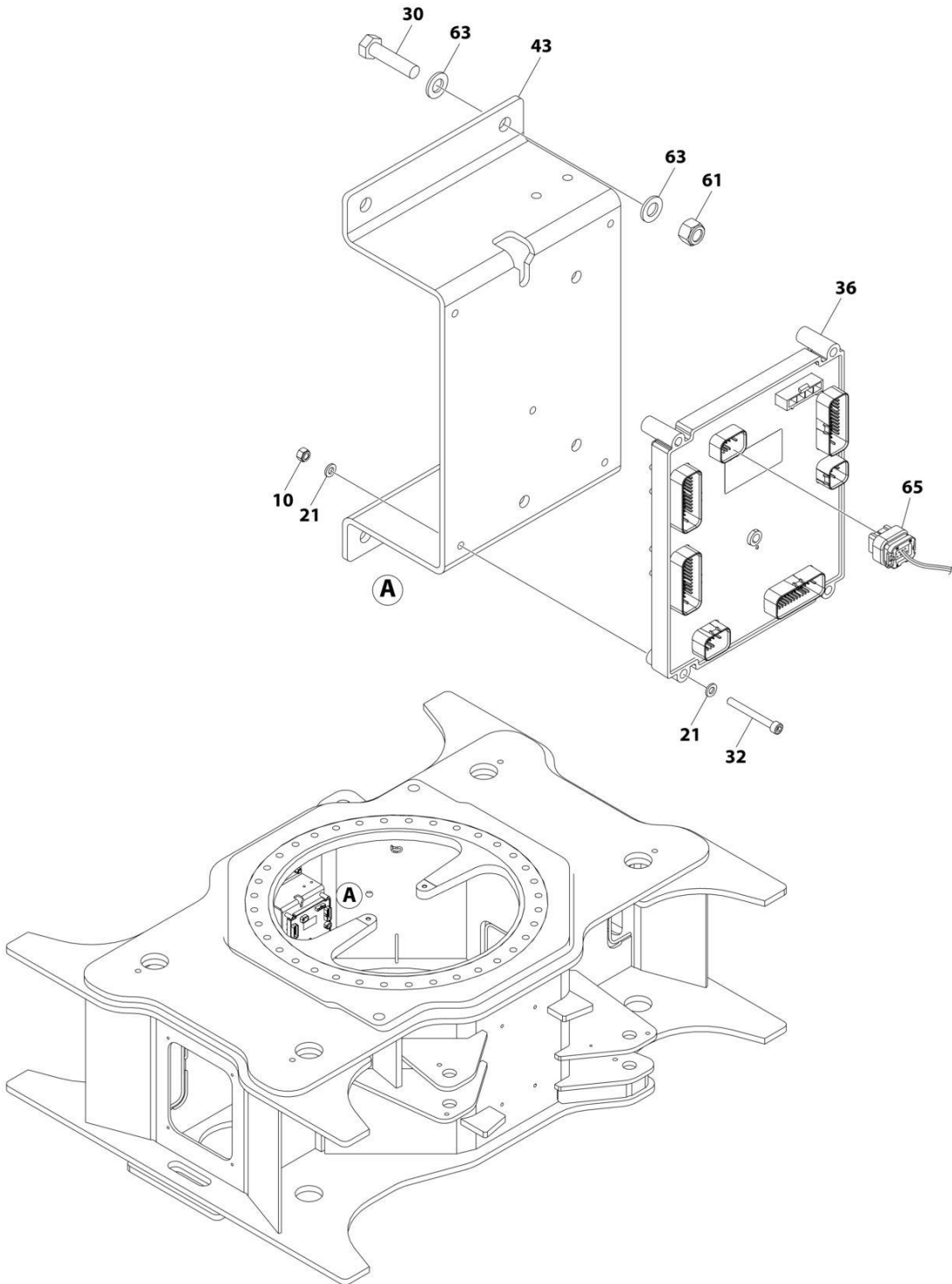
SECTION 1 - FRAME

FIGURE 1-14. ELECTRICAL COMPONENTS INSTALLATION - FRAME (ANSI EXPORT (LRC), AUSTRALIAN AND CHINA SPECS)

ITEM	PART NUMBER	QTY	DESCRIPTION	REV
	1001223250	Ref	ELECTRICAL COMPONENTS INSTALLATION - FRAME	H
10	3290605	6	Nut M6	
21	4811700	10	Washer M6	
29	0761218001	4	Bolt M12 x 50	
31	1001118878	5	Capscrew M6 x 55	
34	1001149975	1	Chassis Harness (Not Shown - See Separate Breakdown in ELECTRICAL Section)	
35	1001277132	1	Module, Control (Note: Re-calibration Required When Replaced)	
43	1001164354	1	Bracket	
58	3291205001	4	Nut M12	
60	4812100001	8	Washer M12	
64	1001246859	1	Connector	

SECTION 1 - FRAME

FIGURE 1-15. ELECTRICAL COMPONENTS INSTALLATION - FRAME (ANSI, ANSI EXPORT (HRC), CSA AND JAPANESE SPECS)



ART_1001242681_F_10F2

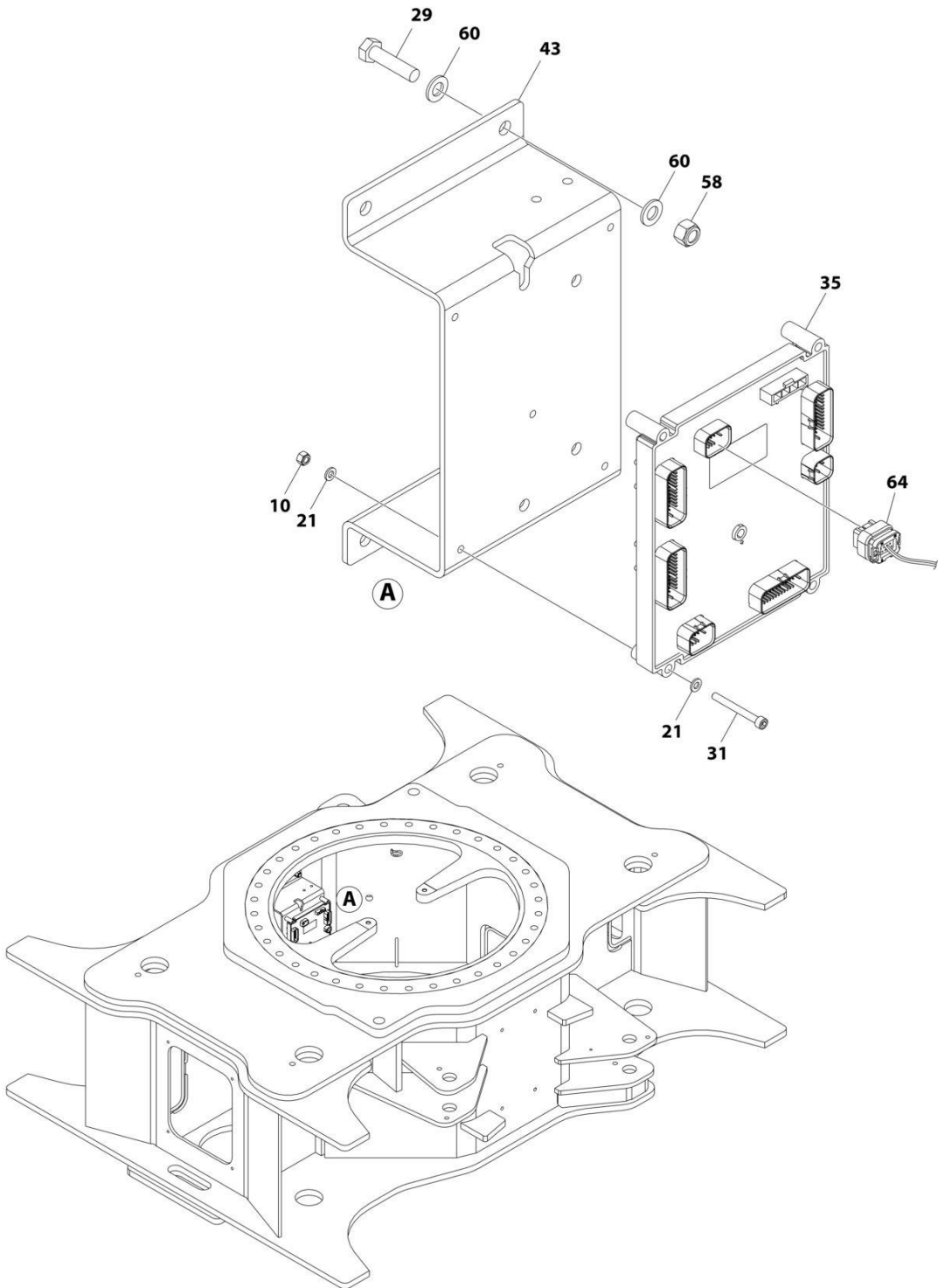
SECTION 1 - FRAME

FIGURE 1-15. ELECTRICAL COMPONENTS INSTALLATION - FRAME (ANSI, ANSI EXPORT (HRC), CSA AND JAPANESE SPECS)

ITEM	PART NUMBER	QTY	DESCRIPTION	REV
	1001242681	Ref	ELECTRICAL COMPONENTS INSTALLATION - FRAME	F
10	3290605	5	Nut M6	
21	4811700	10	Washer M6	
30	0761218001	4	Bolt M12 x 50	
32	1001118878	5	Capscrew M6 x 55	
35	1001149975	1	Chassis Harness (Not Shown - See Separate Breakdown in ELECTRICAL Section)	
36	1001277132	1	Module, Control (Note: Re-calibration Required When Replaced)	
43	1001164354	1	Bracket	
61	3291205001	4	Nut M12	
63	4812100001	8	Washer M12	
65	1001246859	1	Connector	

SECTION 1 - FRAME

FIGURE 1-16. ELECTRICAL COMPONENTS INSTALLATION - FRAME (CE & UK CA SPECS) (LRC)



ART_1001223251_H_1OF2

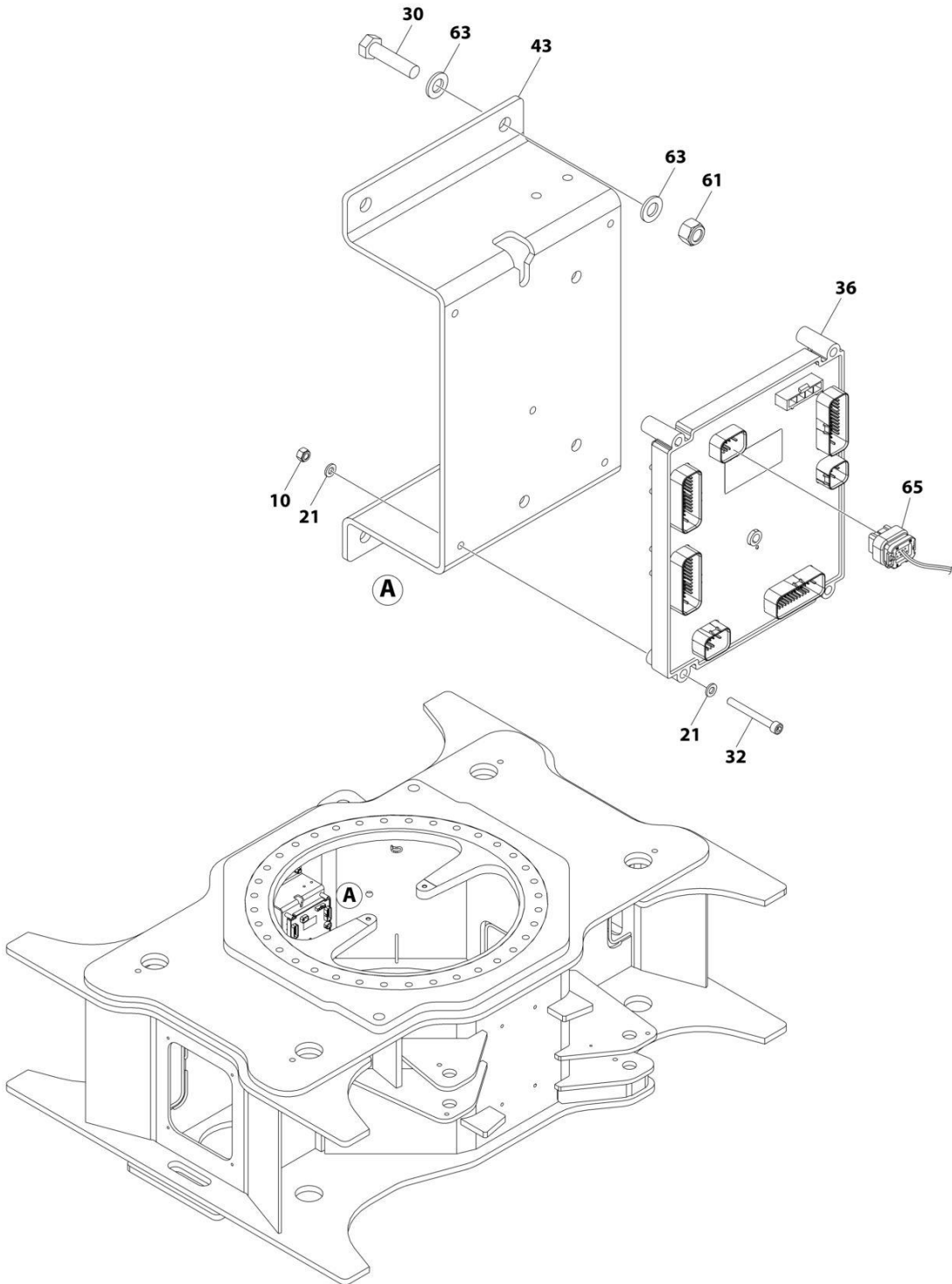
SECTION 1 - FRAME

FIGURE 1-16. ELECTRICAL COMPONENTS INSTALLATION - FRAME (CE & UK CA SPECS) (LRC)

ITEM	PART NUMBER	QTY	DESCRIPTION	REV
	1001223251	Ref	ELECTRICAL COMPONENTS INSTALLATION - FRAME	H
10	3290605	5	Nut M6	
21	4811700	10	Washer M6	
29	0761218001	4	Bolt M12 x 50	
31	1001118878	5	Capscrew M6 x 55	
34	1001149975	1	Chassis Harness (Not Shown - See Separate Breakdown in ELECTRICAL Section)	
35	1001277132	1	Module, Control (Note: Re-calibration Required When Replaced)	
43	1001164354	1	Bracket	
58	3291205001	4	Nut M12	
60	4812100001	8	Washer M12	
64	1001246859	1	Connector	

SECTION 1 - FRAME

FIGURE 1-17. ELECTRICAL COMPONENTS INSTALLATION - FRAME (CE & UK CA SPECS)



ART_1001242861_F_10F2

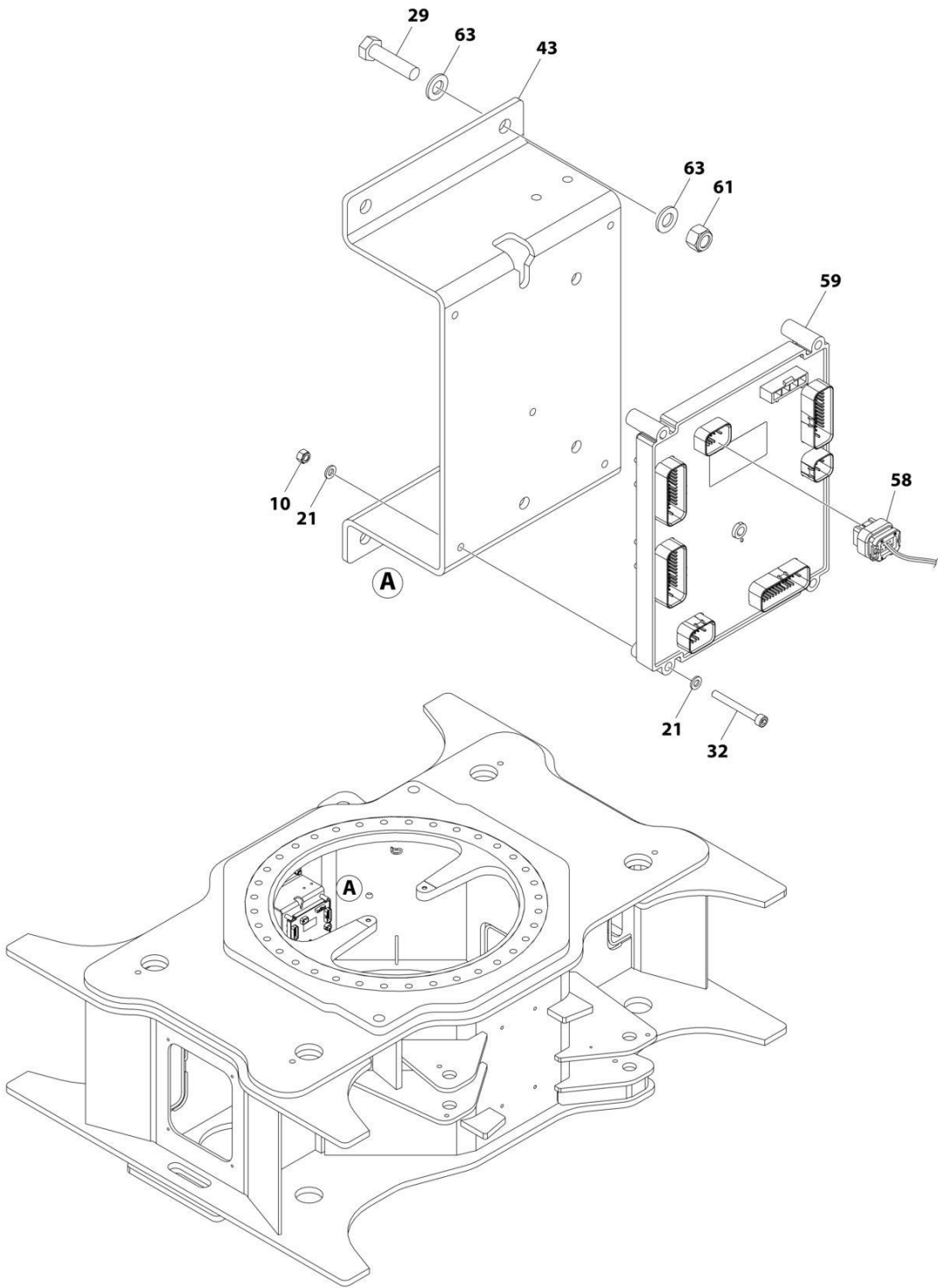
SECTION 1 - FRAME

FIGURE 1-17. ELECTRICAL COMPONENTS INSTALLATION - FRAME (CE & UK CA SPECS)

ITEM	PART NUMBER	QTY	DESCRIPTION	REV
	1001242861	Ref	ELECTRICAL COMPONENTS INSTALLATION - FRAME	F
10	3290605	5	Nut M6	
21	4811700	10	Washer M6	
30	0761218001	4	Bolt M12 x 50	
32	1001118878	5	Capscrew M6 x 55	
35	1001149975	1	Chassis Harness (Not Shown - See Separate Breakdown in ELECTRICAL Section)	
36	1001277132	1	Module, Control (Note: Re-calibration Required When Replaced)	
43	1001164354	1	Bracket	
61	3291205001	4	Nut M12	
63	4812100001	8	Washer M12	
65	1001246859	1	Connector	

SECTION 1 - FRAME

FIGURE 1-18. ELECTRICAL COMPONENTS INSTALLATION - FRAME (DUETZ TCD3.6L (CHINA IV) ENGINES) (CHINA SPECS ONLY)



ART_1001286018_D_10F2

SECTION 1 - FRAME

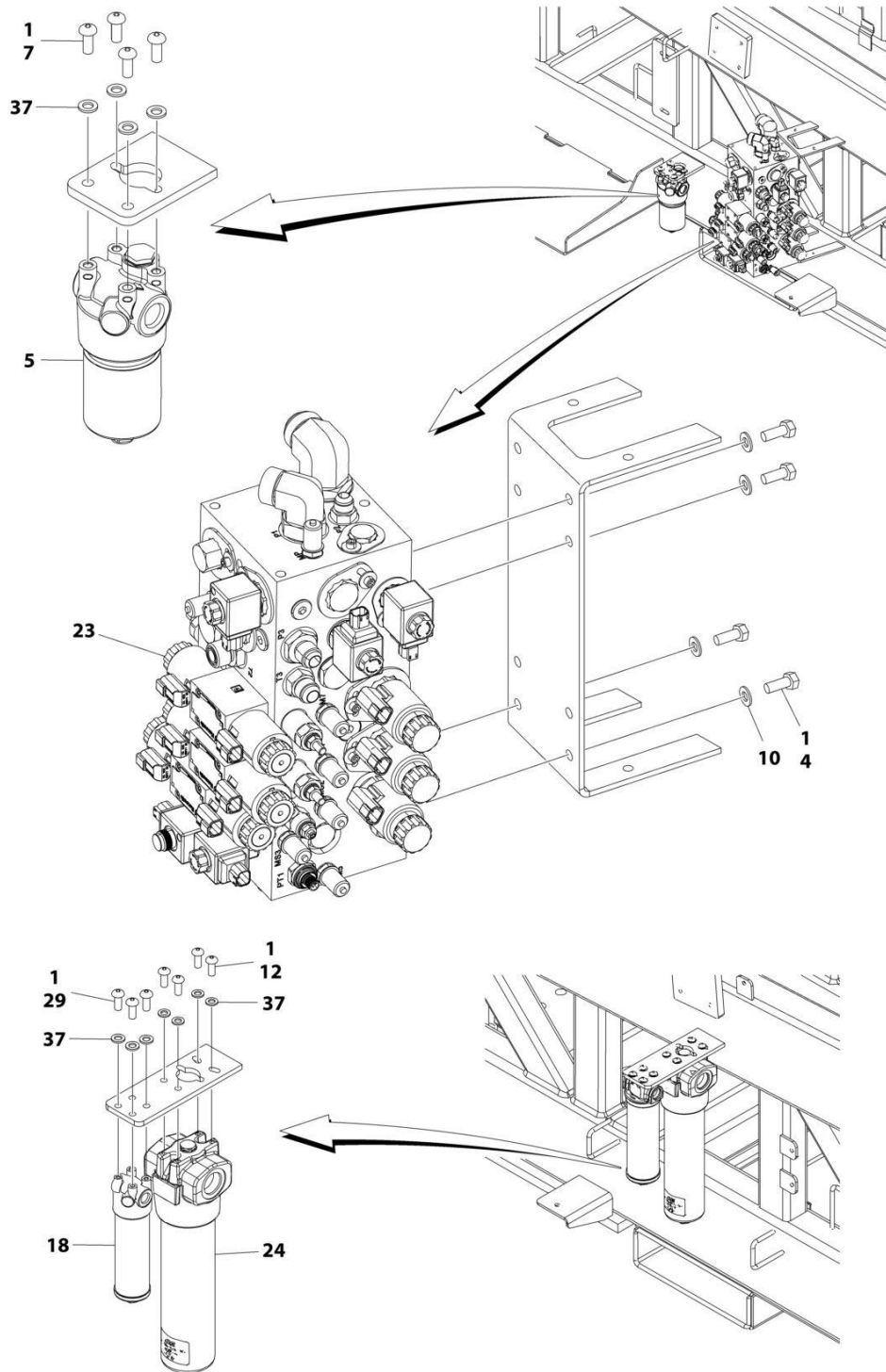
**FIGURE 1-18. ELECTRICAL COMPONENTS INSTALLATION - FRAME (DUETZ TCD3.6L (CHINA IV)
ENGINES) (CHINA SPECS ONLY)**

ITEM	PART NUMBER	QTY	DESCRIPTION	REV
	1001286018	Ref	ELECTRICAL COMPONENTS INSTALLATION - FRAME	D
10	3290605	6	Nut M6	
21	4811700	10	Washer M6	
29	0761218001	4	Bolt M12 x 50	
32	1001118878	5	Capscrew M6 x 55	
35	1001149975	1	Chassis Harness (Not Shown - See Separate Breakdown in ELECTRICAL Section)	
43	1001164354	1	Bracket	
58	1001246859	1	Connector	
59	1001150162	1	Module, Control (Note: Re-calibration Required When Replaced)	
61	3291205001	4	Nut M12	
63	4812100001	8	Washer M12	

SECTION 2 - TURNTABLE

SECTION 2 - TURNTABLE

FIGURE 2-1. VALVES AND FILTERS INSTALLATION - TURNTABLE (PARKER HYDRAULIC FILTER)



ART_1001219995_20F3

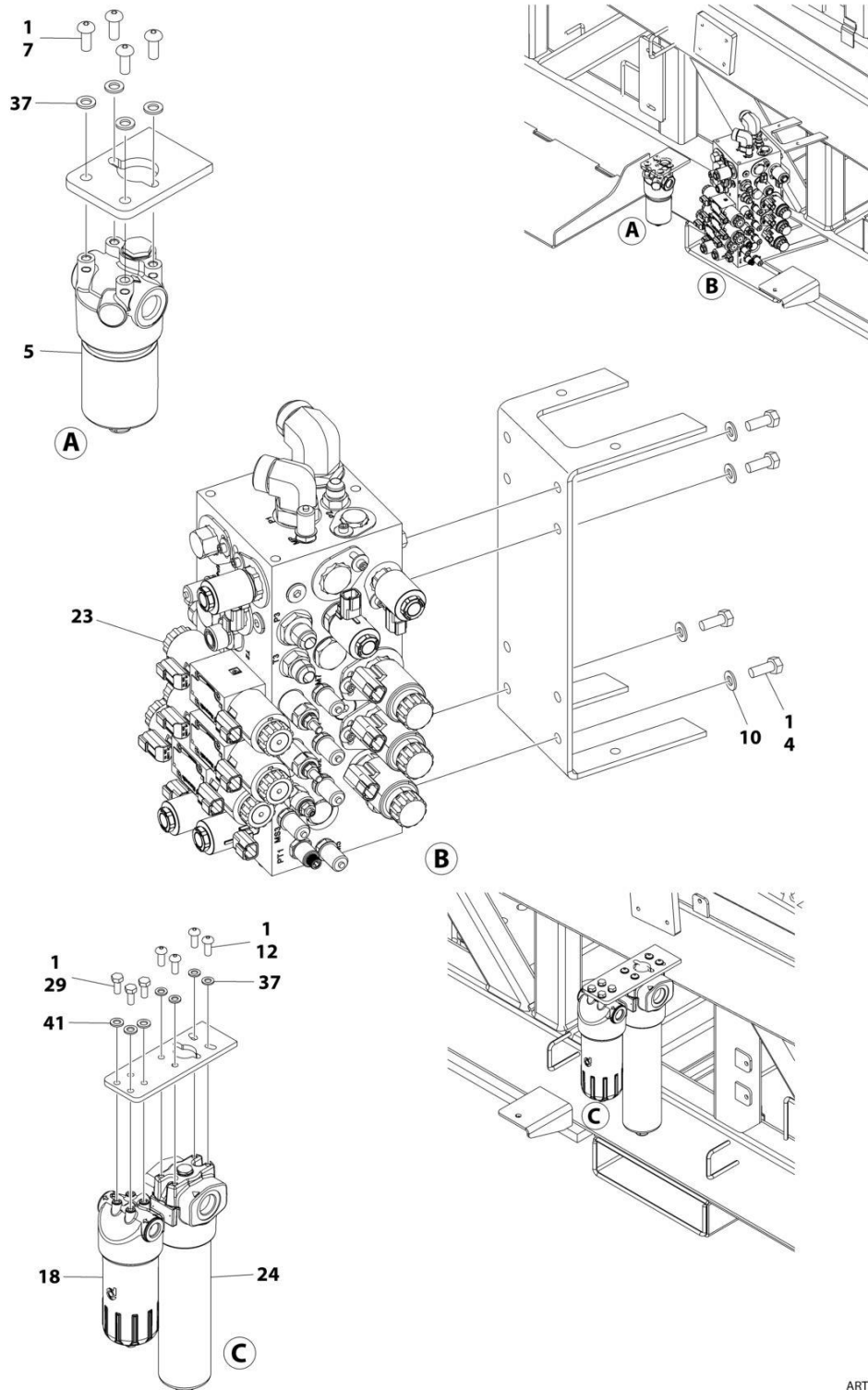
SECTION 2 - TURNTABLE

FIGURE 2-1. VALVES AND FILTERS INSTALLATION - TURNTABLE (PARKER HYDRAULIC FILTER)

ITEM	PART NUMBER	QTY	DESCRIPTION	REV
	1001219995	Ref	VALVES AND HYDRAULIC FILTERS INSTALLATION - TURNTABLE (WITH LSS)	B
1	0100011	AR	Compound, Locking	
4	0761012	4	Bolt M10 x 25	
5	2120217	1	Filter, High Pressure (Tank Side)	
5	70002097	1	Element, High Pressure Filter (Tank Side)	
5	70001499	1	Kit, Seal	
7	3900316	4	Screw 3/8 x 1	
10	4812000	4	Washer M10	
12	88261128	4	Screw 3/8 x 1	
18	1001108617	1	Filter	
18	70002231	1	Element, Filter	
23	1001234548	1	Main Valve Assembly (See Separate Breakdown in this Section)	
24	1001158412	1	Filter, High Pressure (Engine Side)	
24	1001161232	1	Element, High Pressure Filter (Engine Side)	
24	70006137	1	Seal Kit - 1001158412 Filter	
29	1001173846	4	Screw 3/8 x 3/4	
29	1001238236	4	Screw 3/8 x 7/8	
37	4711600001	12	Washer 3/8	

SECTION 2 - TURNTABLE

FIGURE 2-2. VALVES AND FILTERS INSTALLATION - TURNTABLE (DONALDSON HYDRAULIC FILTER)



ART_1001219995_D_20F3

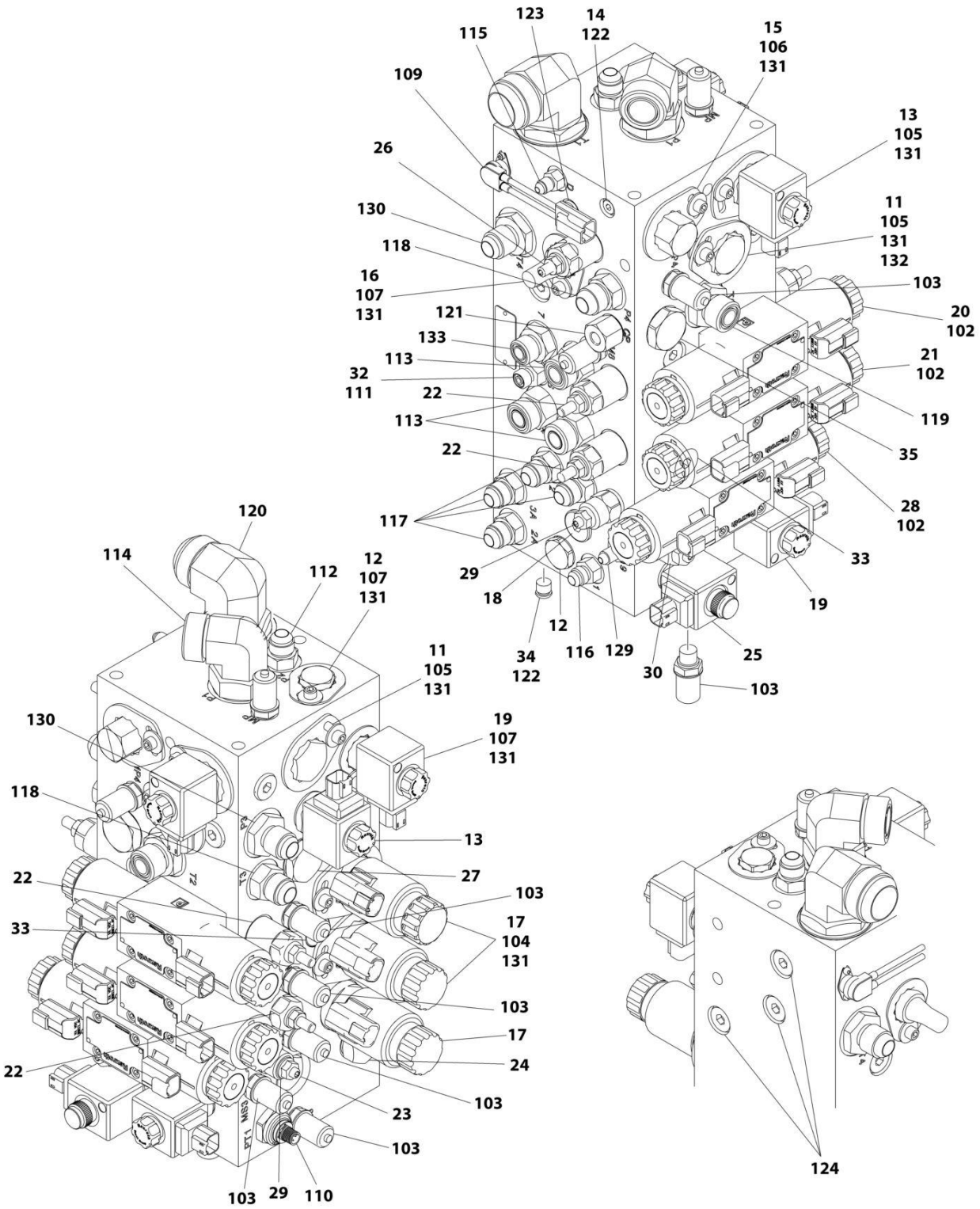
SECTION 2 - TURNTABLE

FIGURE 2-2. VALVES AND FILTERS INSTALLATION - TURNTABLE (DONALDSON HYDRAULIC FILTER)

ITEM	PART NUMBER	QTY	DESCRIPTION	REV
	1001219995	Ref	VALVES AND HYDRAULIC FILTERS INSTALLATION - TURNTABLE (WITH LSS)	D
1	0100011	AR	Compound, Locking	
4	0761012	4	Bolt M10 x 25	
5	2120217	1	Filter, High Pressure (Tank Side)	
5	70002097	1	Element, High Pressure Filter (Tank Side)	
5	70001499	1	Kit, Seal	
7	3900316	4	Screw 3/8 x 1	
10	4812000	4	Washer M10	
12	88261128	4	Screw 3/8 x 1	
18	1001293701	1	Filter	
18	70008358	1	Element, Filter	
18	70008368	1	Head, Filter	
18	70008369	1	Housing, Filter	
23	1001234548	1	Main Valve Assembly (See Separate Breakdown in this Section)	
24	1001158412	1	Filter, High Pressure (Engine Side)	
24	1001161232	1	Element, High Pressure Filter (Engine Side)	
24	70006137	1	Seal Kit - 1001158412 Filter	
29	0761012001	4	Screw M10 x 25	
37	4711600001	8	Washer 3/8	
41	1001172358	4	Washer M10	

SECTION 2 - TURNTABLE

FIGURE 2-3. MAIN VALVE ASSEMBLY



ART_1001234548

SECTION 2 - TURNTABLE

FIGURE 2-3. MAIN VALVE ASSEMBLY

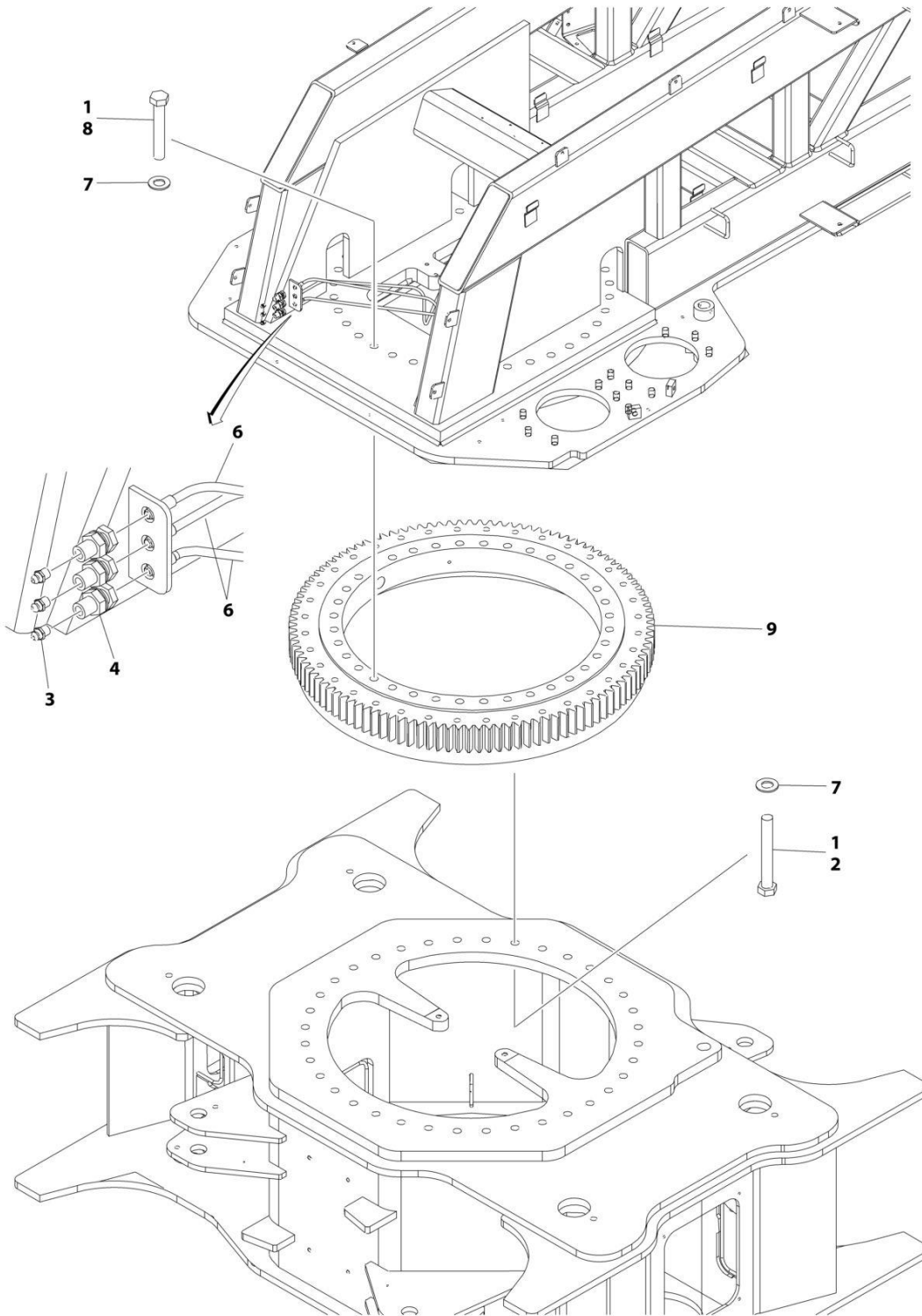
ITEM	PART NUMBER	QTY	DESCRIPTION	REV
	1001234548	Ref	MAIN VALVE ASSEMBLY	C
11	70004583	3	Cartridge, Check	
11	70004584	3	Kit, Seal	
12	70004585	2	Cartridge, Check	
12	70004052	2	Kit, Seal	
13	70004586	2	Cartridge, Solenoid	
13	70004587	2	Kit, Seal	
13	70004588	5	Coil	
14	70004589	1	Orifice	
15	70004590	1	Cartridge, Directional	
15	70023862	1	Kit, Seal	
16	70004591	1	Cartridge, Pressure Reducing	
16	70004592	1	Kit, Seal	
17	70004593	3	Cartridge, Solenoid	
17	70004594	3	Kit, Seal	
17	70004595	3	Coil	
18	70023859	1	Cartridge, Shuttle	
18	70023860	1	Kit, Seal	
19	70004598	2	Cartridge, Dump	
19	70004055	2	Kit, Seal	
19	70004588	2	Coil	
20	70004459	1	Valve	
20	7012773	1	Kit, Seal	
20	70004460	2	Coil	
20	7021375	2	Nut	
21	70004600	1	Valve	
21	7012773	1	Kit, Seal	
21	70004463	2	Coil	
21	7021375	2	Nut	
22	70004601	4	Cartridge, Relief Valve	
22	70004602	4	Kit, Seal	
23	70023866	1	Valve, Cartridge (Check)	
23	70023867	1	Kit, Seal	
24	70004604	1	Cartridge, Pilot Check	
24	70004605	1	Kit, Seal	
25	70004606	1	Cartridge, Solenoid	
25	70004053	1	Kit, Seal	
25	70004599	1	Coil	
26	70004607	1	Cartridge, Relief Valve	
26	70004602	1	Kit, Seal	
27	70004608	1	Cartridge, Check	
27	70004584	1	Kit, Seal	
28	70004609	1	Valve	
28	7012773	1	Kit, Seal	
28	70004463	2	Coil	
28	7021375	2	Nut	
29	70004610	2	Cartridge, Counterbalance	
29	70004611	1	Kit, Seal	
30	70004612	1	Cartridge, Throttle	
30	70004052	1	Kit, Seal	

SECTION 2 - TURNTABLE

ITEM	PART NUMBER	QTY	DESCRIPTION	REV
32	7023821	1	Orifice	
33	70004613	2	Cartridge, Shuttle	
34	70004668	1	Plug, Orifice	
35	10837489	NLA	Cartridge, Check Valve (Use p/n 1001235159)	
102	7018942	12	Capscrew #10 x 2	
103	2221086	9	Fitting, Test	
104	70000781	2	Kit, Locking	
105	70002962	3	Kit, Locking	
106	70004618	1	Kit, Locking	
107	70004619	3	Kit, Locking	
109	70004614	1	Sensor, Thermostat	
109	70004615	2	Capscrew #6 x 3/8-16	
109	70005961	2	Insert, Threaded	
110	70004616	1	Switch, Transducer Switch	
111	2110406	1	Fitting, Straight ORB/ORFS	
112	2220373	1	Fitting, Straight JIC/ORB	
113	2111010	3	Fitting, Straight ORB/ORFS	
114	2131616	1	Fitting, Elbow ORFS/ORB	
115	2220415	1	Fitting, Straight JIC/ORB	
116	2220371	1	Fitting, Straight JIC/ORB	
117	2220373	4	Fitting, Straight JIC/ORB	
118	2220947	2	Fitting, Straight JIC/ORB	
119	2111012	1	Fitting, Straight JIC/ORB	
120	88662070	1	Fitting, 90 JIC/ORB	
121	See Note	NSS	Fitting, Straight (Note: Not Available for Purchase)	
122	70002758	2	Plug, Zero Leak	
123	70004617	1	Plug, Zero Leak	
124	70002759	AR	Plug, Zero Leak	
129	2220582	1	Fitting, Straight JIC/ORB	
130	2220865	2	Fitting, Straight JIC/ORB	
131	70005958	9	Capscrew	
132	4751400	1	Washer 1/4	
133	2110810	1	Fitting, Straight ORB/ORFS	

SECTION 2 - TURNTABLE

FIGURE 2-4. TURNTABLE BEARING INSTALLATION



ART_1001153979

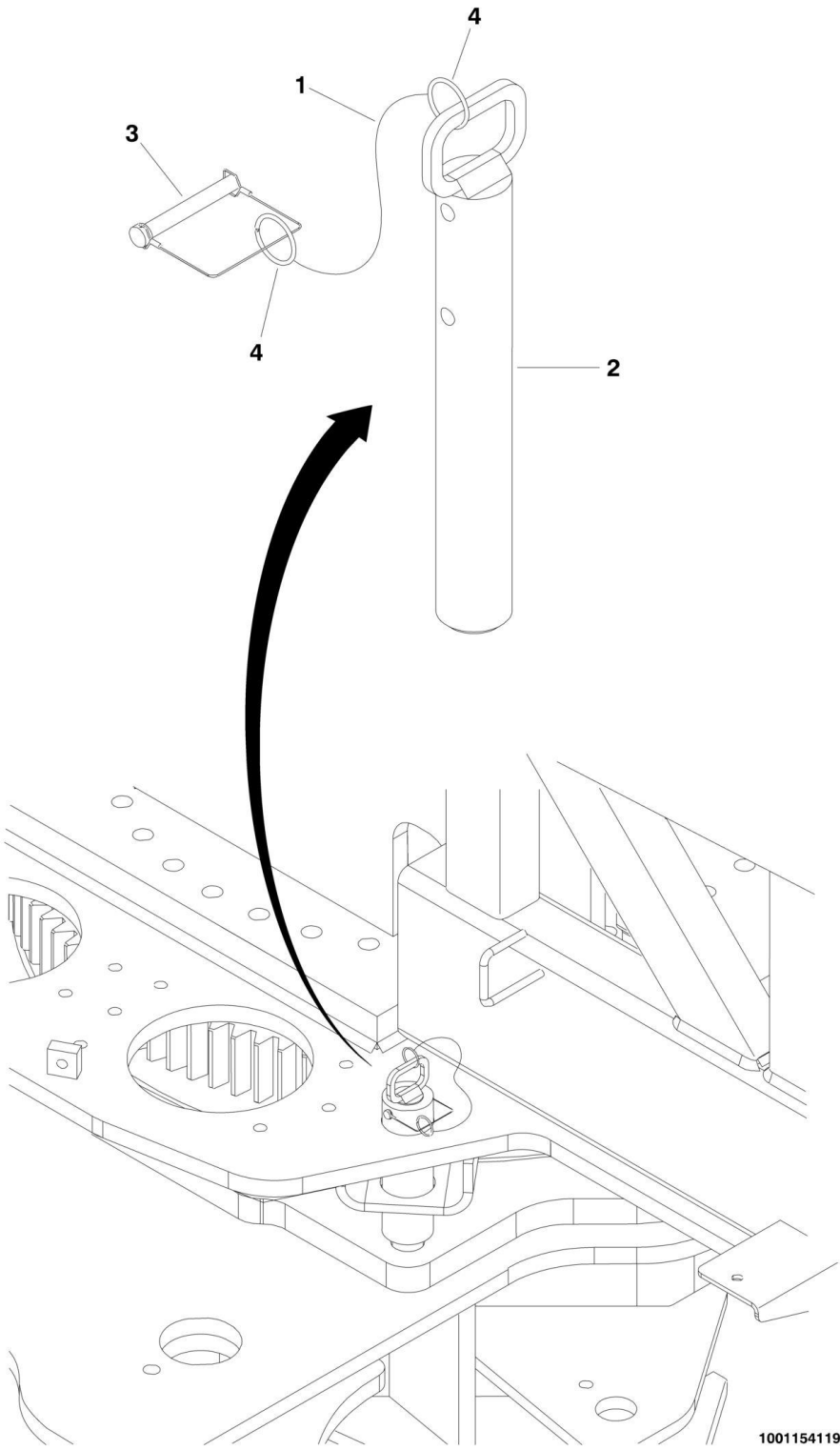
SECTION 2 - TURNTABLE

FIGURE 2-4. TURNTABLE BEARING INSTALLATION

ITEM	PART NUMBER	QTY	DESCRIPTION	REV
	1001153979	Ref	TURNTABLE BEARING INSTALLATION	C
1	0100019	AR	Compound, Locking	
2	0712435	36	Bolt M24 x 180 Grade 10.9	
3	2160002	1	Fitting, Grease	
4	2180344	3	Fitting, Bulkhead NPT	
6	2751032	1	Hose	
7	5242400	71	Washer M24	
8	1001097587	35	Bolt M24 x 150 Grade 10.9	
9	1001149823	1	Bearing, Swing	

SECTION 2 - TURNTABLE

FIGURE 2-5. TURNTABLE LOCK INSTALLATION



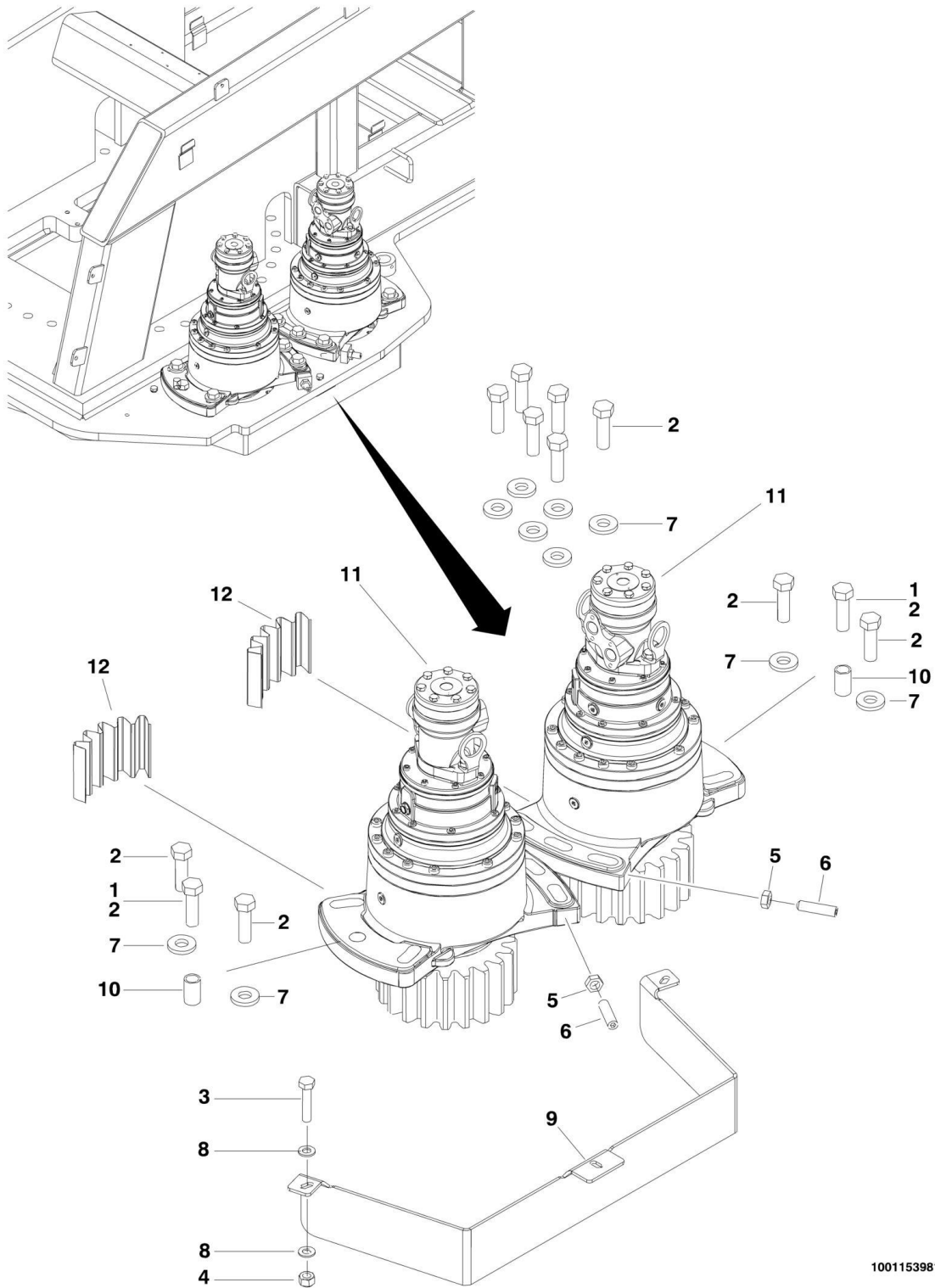
SECTION 2 - TURNTABLE

FIGURE 2-5. TURNTABLE LOCK INSTALLATION

ITEM	PART NUMBER	QTY	DESCRIPTION	REV
	1001154119	Ref	TURNTABLE LOCK INSTALLATION	A
1	1260017	8 in/20cm	Chain	
2	3421563	1	Pin	
3	3421565	1	Pin	
4	3760170	2	Ring	

SECTION 2 - TURNTABLE

FIGURE 2-6. SWING DRIVE INSTALLATION



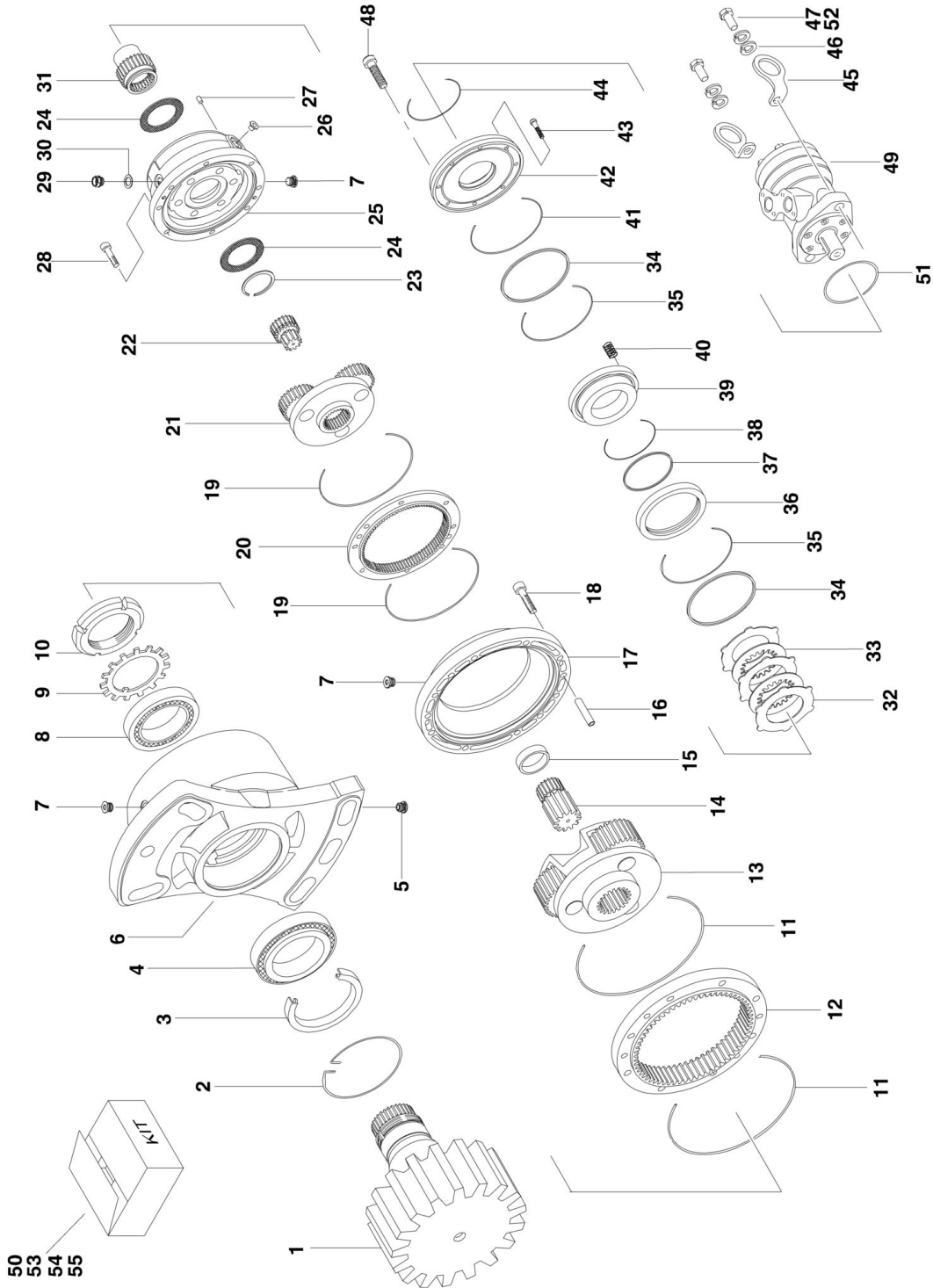
SECTION 2 - TURNTABLE

FIGURE 2-6. SWING DRIVE INSTALLATION

ITEM	PART NUMBER	QTY	DESCRIPTION	REV
	1001153981	Ref	SWING DRIVE INSTALLATION	C
1	0100019	AR	Compound, Locking	
2	0682220	12	Bolt 3/4 x 2-1/2 Grade 8	
3	0701018	3	Bolt M10 x 50	
4	3291005	3	Nut M10	
5	3312002	2	Nut 5/8	
6	3952020	2	Setscrew 5/8 x 2-1/2	
7	4740057	10	Washer	
8	4812000	6	Washer M10	
9	1001150725	1	Shield	
10	1001153983	2	Bar	
11	1001153984	2	Swing Hub/Brake/Motor Assembly (See Separate Breakdown in this Section)	
12	1001154377	2	Shim	

SECTION 2 - TURNTABLE

FIGURE 2-7. SWING HUB/BRAKE/ MOTOR ASSEMBLY



1001153984

SECTION 2 - TURNTABLE

FIGURE 2-7. SWING HUB/BRAKE/ MOTOR ASSEMBLY

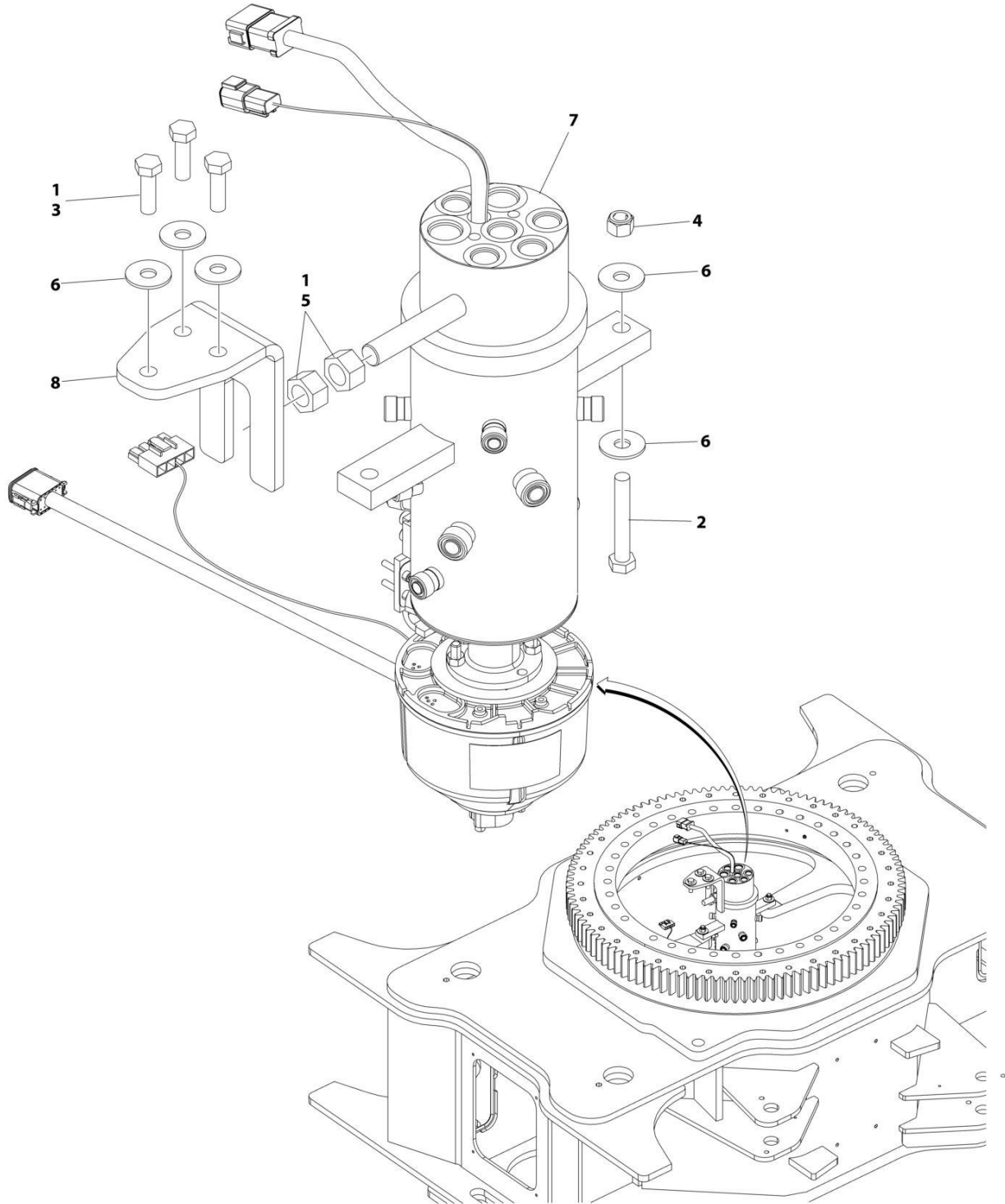
ITEM	PART NUMBER	QTY	DESCRIPTION	REV
	1001153984	Ref	HUB/BRAKE/MOTOR - SWING	E
1	70004466	1	Shaft	
2	70004467	1	Ring	
3	See Note	NSS	Seal, Oil (Use p/n 70004489)	
4	70004468	1	Bearing	
5	70004469	1	Plug with O-Ring	
6	70004470	1	Support, Output	
7	70002057	5	Plug with O-Ring	
8	70004471	1	Bearing	
9	70004472	1	Washer	
10	70004473	1	Nut, Ring	
11	See Note	NSS	O-Ring (Use p/n 70004489)	
12	70004474	1	Ring, Planetary	
13	70004475	1	Reduction, Gear - Complete	
14	70004476	1	Pinion	
15	70004477	1	Spacer	
16	70004478	4	Pin, Spring	
17	70004479	1	Spacer	
18	70004480	8	Capscrew M10x55	
19	See Note	NSS	O-Ring (Use p/n 70004489)	
20	70004481	1	Ring, Planetary	
21	70004482	1	Reduction, Gear - Complete	
22	70004483	1	Pinion	
23	See Note	NSS	Ring (Use p/n 70004488)	
24	See Note	NSS	Washer (Use p/n 70004488)	
25	See Note	NSS	Housing, Brake (Use p/n 70004488)	
26	See Note	NSS	Plug (Use p/n 70004488)	
27	See Note	NSS	Plug (Use p/n 70004488)	
28	See Note	NSS	Capscrew M8x35 (Use p/n 70004488)	
29	See Note	NSS	Plug (Use p/n 70004488)	
30	See Note	NSS	Washer (Use p/n 70004488)	
31	See Note	NSS	Shaft, Input (Use p/n 70004488)	
32	See Note	NSS	Disc, Steel (Use p/n 70004488)	
33	See Note	NSS	Disc (Use p/n 70004488)	
34	See Note	NSS	Seal (Use p/n 70004488 or 70004490)	
35	See Note	NSS	O-Ring (Use p/n 70004488 or 70004490)	
36	See Note	NSS	Spacer (Use p/n 70004488)	
37	See Note	NSS	Seal (Use p/n 70004488 or 70004490)	
38	See Note	NSS	O-Ring (Use p/n 70004488 or 70004490)	
39	See Note	NSS	Piston, Brake (Use p/n 70004488)	
40	See Note	NSS	Spring, Brake (Use p/n 70004488)	
41	See Note	NSS	O-Ring (Use p/n 70004488 or 70004490)	
42	See Note	NSS	Cover (Use p/n 70004488 or 70004490)	
43	See Note	NSS	Screw M6x25 (Use p/n 70004488)	
44	See Note	NSS	O-Ring (Use p/n 70004488 or 70004490)	
45	70004484	2	Lug, Lifting	
46	70004485	4	Washer, Lock	
47	70004486	2	Capscrew M12x25	
48	70004487	2	Capscrew M12x35	
49	70004491	1	Motor	

SECTION 2 - TURNTABLE

ITEM	PART NUMBER	QTY	DESCRIPTION	REV
		Ref	Note: Seal Kit is the only replacement component available. Otherwise, replacement complete motor.	
50	70004492	1	Kit, Seal - Motor	
51	70004493	1	O-Ring	
52	70004494	2	Bolt	
53	70004488	1	Kit, Brake (Includes Items 23-44)	
54	70004489	1	Kit, Seal - Gearbox (Includes Items 3, 11 & 19)	
55	70004490	1	Kit, Brake Seal (Includes Items 34, 35, 37, 38 & 44)	

SECTION 2 - TURNTABLE

FIGURE 2-8. COUPLING AND COLLECTOR RING INSTALLATION



ART_1001154192_B

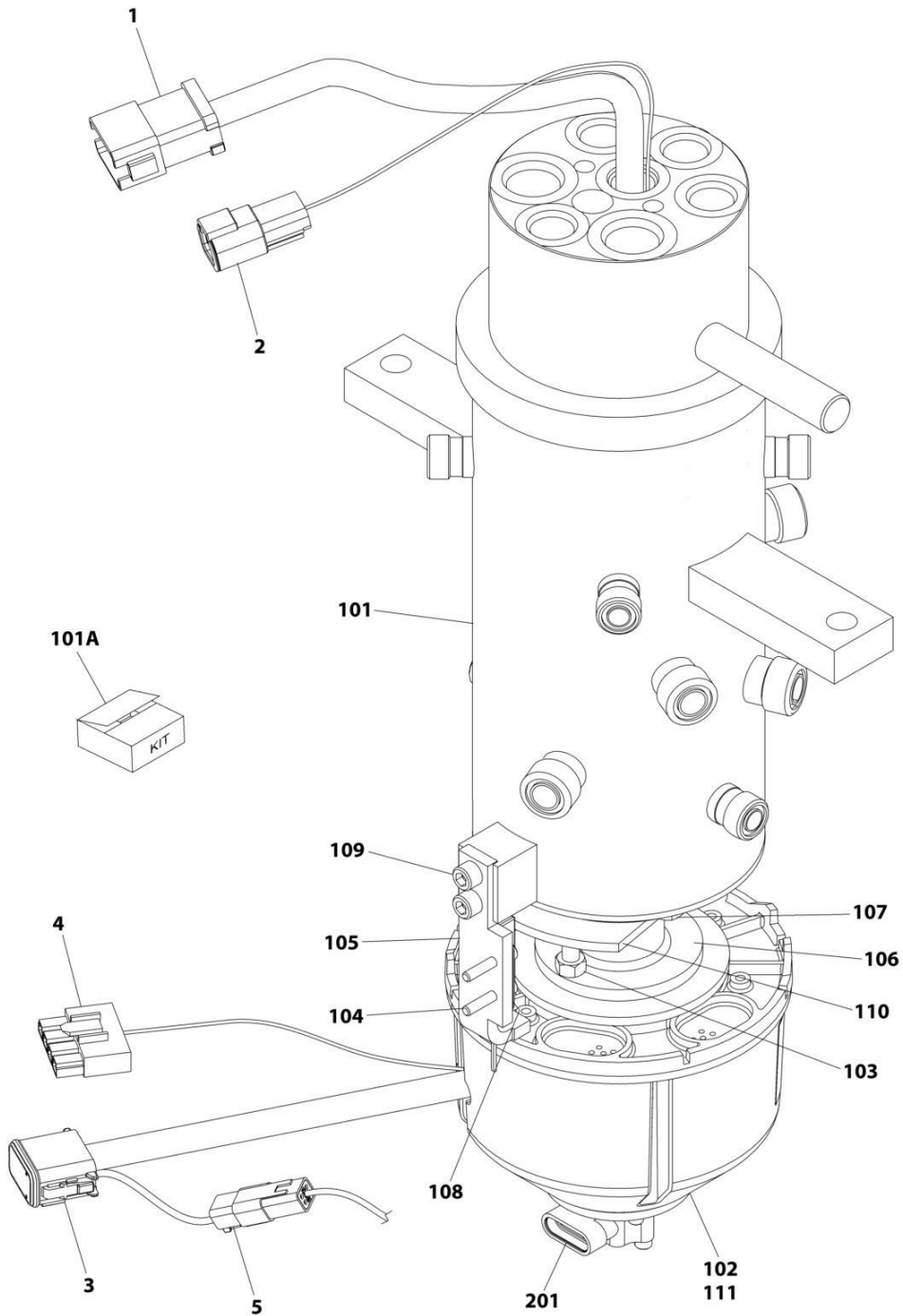
SECTION 2 - TURNTABLE

FIGURE 2-8. COUPLING AND COLLECTOR RING INSTALLATION

ITEM	PART NUMBER	QTY	DESCRIPTION	REV
	1001154192	Ref	COUPLING/COLLECTOR RING INSTALLATION	B
1	0100011	AR	Compound, Locking	
2	0701224	2	Bolt M12 x 80	
3	0761216	3	Bolt M12 x 40	
4	3291205	2	Nut M12	
5	3322201	2	Nut 3/4	
6	4812102	7	Washer M12	
7	1001278610	1	Coupling/Collector Ring Assembly (See Separate Breakdown in this Section)	
8	1001154196	1	Bracket	

SECTION 2 - TURNTABLE

FIGURE 2-9. COUPLING AND COLLECTOR RING ASSEMBLY



ART_1001278610

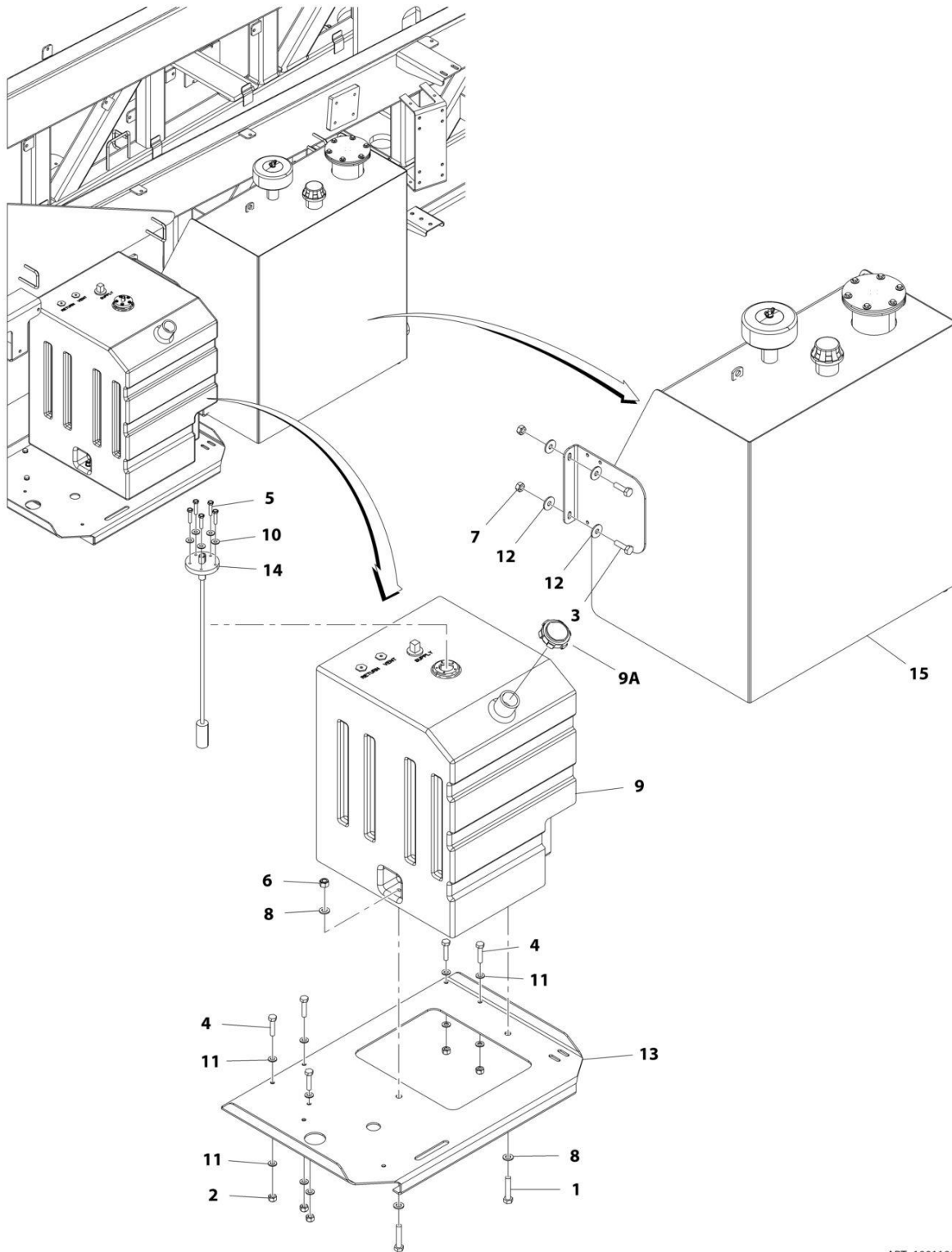
SECTION 2 - TURNTABLE

FIGURE 2-9. COUPLING AND COLLECTOR RING ASSEMBLY

ITEM	PART NUMBER	QTY	DESCRIPTION	REV
	1001278610	Ref	ROTARY COUPLING AND RING ASSEMBLY	A
1	4460837	1	Connector	
1	4460943	3	Pin	
1	4460464	3	Pin	
1	4460466	6	Plug	
1	80604015	1	Wedge Lock	
2	4461017	1	Connector	
2	4460508	2	Pin	
3	4460836	1	Connector	
3	4460944	5	Socket	
3	4460465	3	Socket	
3	4460466	4	Plug	
3	80604016	1	Wedge Lock	
4	4460878	1	Connector	
4	4460887	1	Terminal	
5	4460884	1	Connector	
5	80604021	1	Wedge Lock	
101	70004324	1	Rotary Coupling Assembly	
101A	70004325	1	Seal Kit - 70004324 Coupling	
102	70008366	1	Collector Ring Assembly	
103	70008360	2	Nut 5/16	
104	70007510	2	Capscrew #10 x 1/2	
105	70008361	1	Arm	
106	70008362	1	Adaptor, Spool	
107	70008363	2	Bolt 5/16 x 1	
108	70008364	1	Sensor	
109	3931512	2	Capscrew 5/16 x 3/4	
110	70008365	1	Plate, Cam	
111	0100048	AR	Silicone	
201	70008629	1	Sensor, Rotary Angle	

SECTION 2 - TURNTABLE

FIGURE 2-10. TANKS INSTALLATION



ART_1001191215

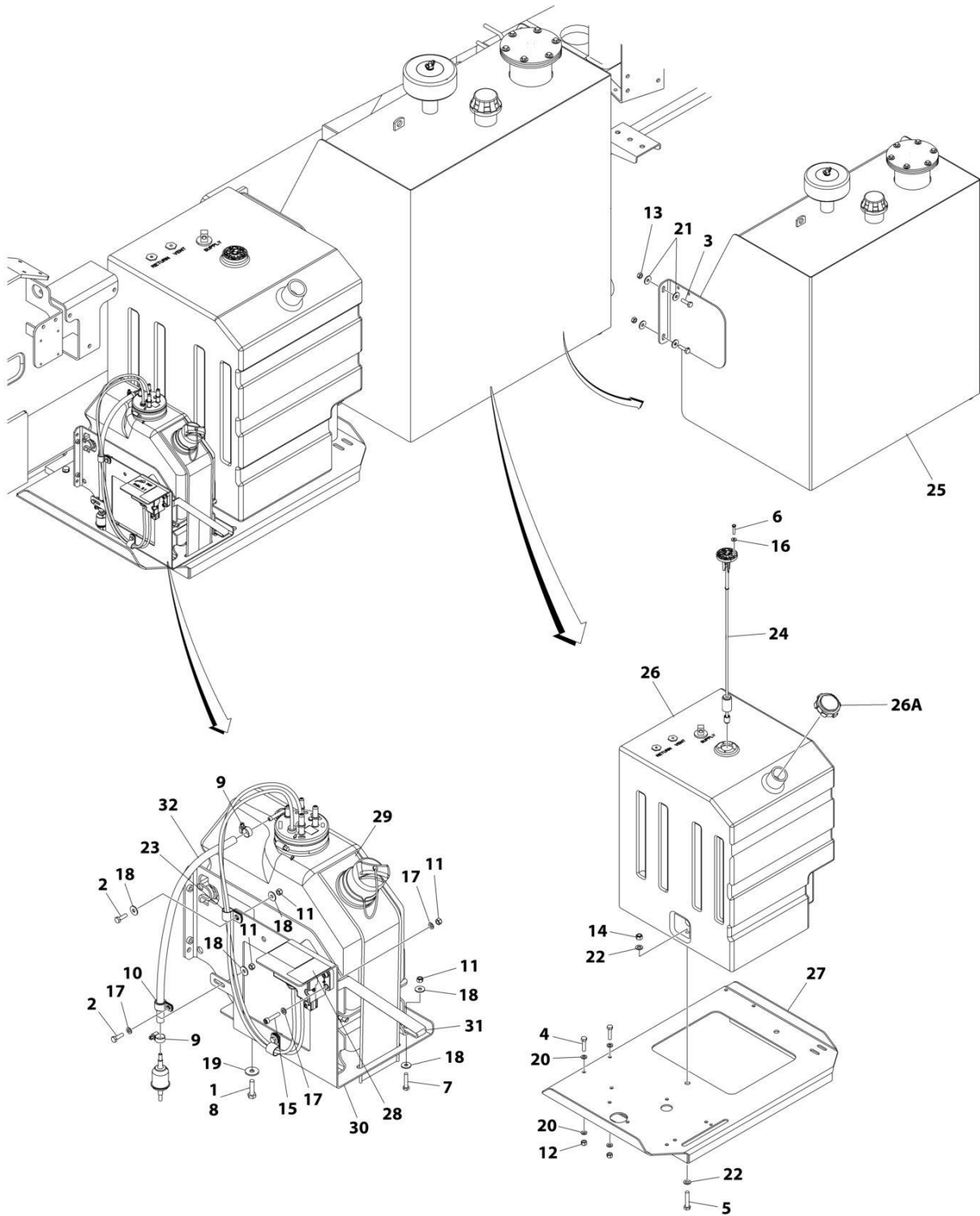
SECTION 2 - TURNTABLE

FIGURE 2-10. TANKS INSTALLATION

ITEM	PART NUMBER	QTY	DESCRIPTION	REV
	1001191215	Ref	TANKS INSTALLATION	A
1	0701220	2	Bolt M12 x 60	
2	3291005	5	Nut M10	
3	0701015	4	Bolt M10 x 35	
4	0701017	5	Bolt M10 x 45	
5	0731007	5	Screw, Machine #10 x 7/8	
6	3291205	2	Nut M12	
7	3291007	4	Nut M10	
8	4812100	4	Washer M12	
9	1001188491	1	Tank, Fuel	
9A	70005565	1	Cap, Fuel	
10	4751000	5	Washer #10	
11	4812000	10	Washer M10	
12	4812002	8	Washer M10	
13	1001189008	1	Tray	
14	1001109048	1	Gauge, Fuel	
14	3960525	1	Gasket (Gauge to Tank)	
15	1001147879	1	Tank, Hydraulic (See Separate Breakdown in this Section)	

SECTION 2 - TURNTABLE

FIGURE 2-11. TANKS INSTALLATION - WITH DIESEL EXHAUST FLUID TANK



ART_1001242389

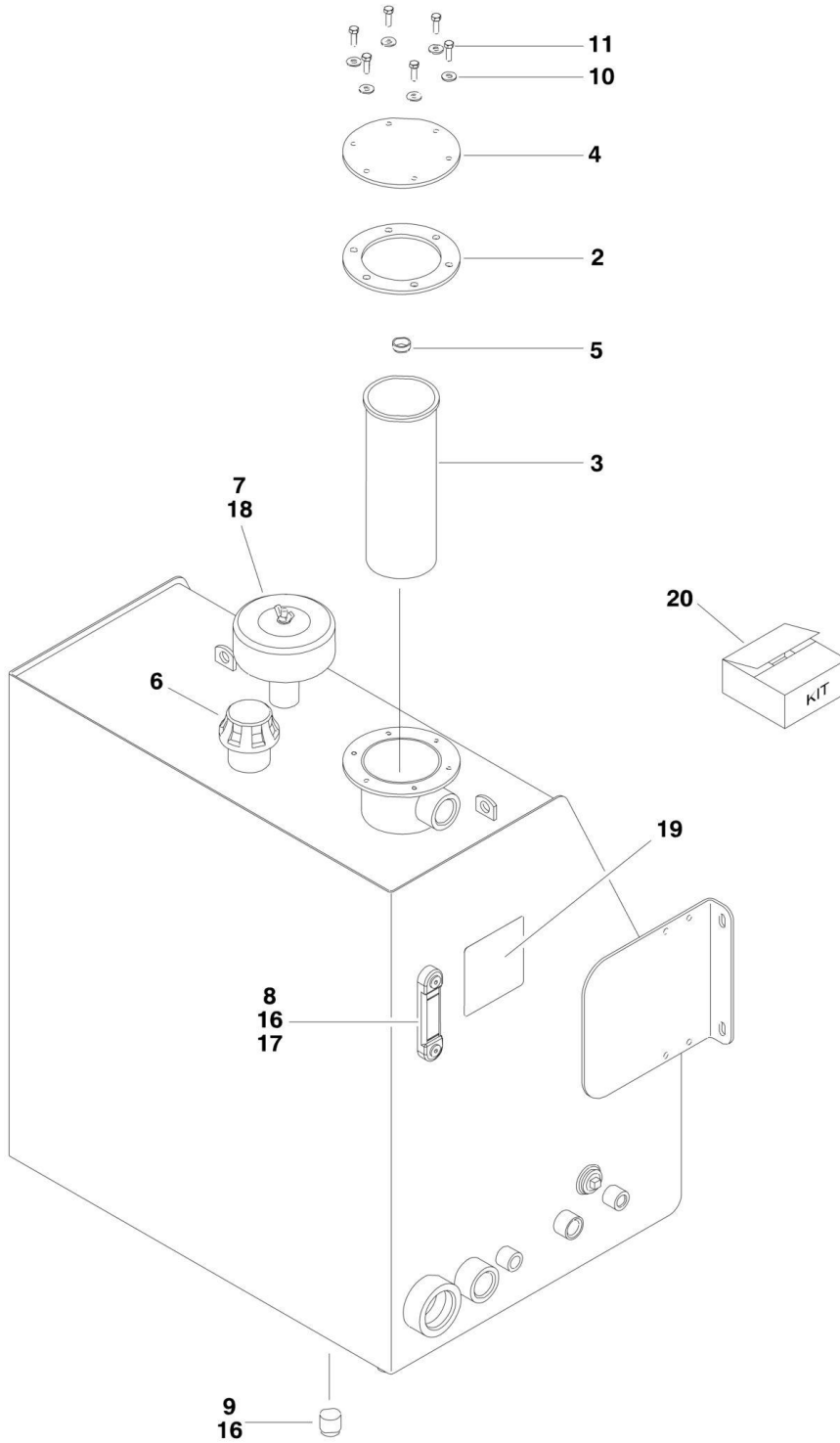
SECTION 2 - TURNTABLE

FIGURE 2-11. TANKS INSTALLATION - WITH DIESEL EXHAUST FLUID TANK

ITEM	PART NUMBER	QTY	DESCRIPTION	REV
	1001242389	Ref	TANKS INSTALLATION - WITH DIESEL EXHAUST FLUID TANK	A
1	0100011	AR	Compound, Locking (Not Shown)	
2	0700610	3	Bolt M6 x 20	
3	0701015	4	Bolt M10 x 35	
4	0701017	5	Bolt M10 x 45	
5	0701220	2	Bolt M12 x 60	
6	0731007	5	Screw, Machine #10 x 7/8	
7	0760614	1	Bolt M6 X 30	
8	0760814	4	Bolt M8 x 30	
9	1320022	2	Clamp	
10	1320041	1	Clamp	
11	3290605	8	Nut, M6	
12	3291005	5	Nut M10	
13	3291007	4	Nut M10	
14	3291205	2	Nut M12	
15	4031710	4	Bolt M6 x 30	
16	4751000	5	Washer #10	
17	4811700	9	Washer M6	
18	4811702	7	Washer M6	
19	4811902	4	Washer M8	
20	4812000	12	Washer M10	
21	4812002	8	Washer M10	
22	4812100	4	Washer M12	
23	8406101	2	Clip	
24	1001109048	1	Gauge, Fuel	
24	3960525	1	Gasket (Gauge to Tank)	
25	1001147879	1	Tank, Hydraulic (See Separate Breakdown in this Section)	
26	1001188491	1	Tank, Fuel	
26A	70005565	1	Cap, Fuel	
27	1001189008	1	Tray	
28	1001196806	1	Decal, Exhaust Fluid	
29	1001238158	1	Sleeve, Spill Guard	
30	1001238262	1	Support	
31	1001241631	1	Brace	
32	1001175201	17 in/ 0.43m	Hose	

SECTION 2 - TURNTABLE

FIGURE 2-12. HYDRAULIC TANK ASSEMBLY



1001147879

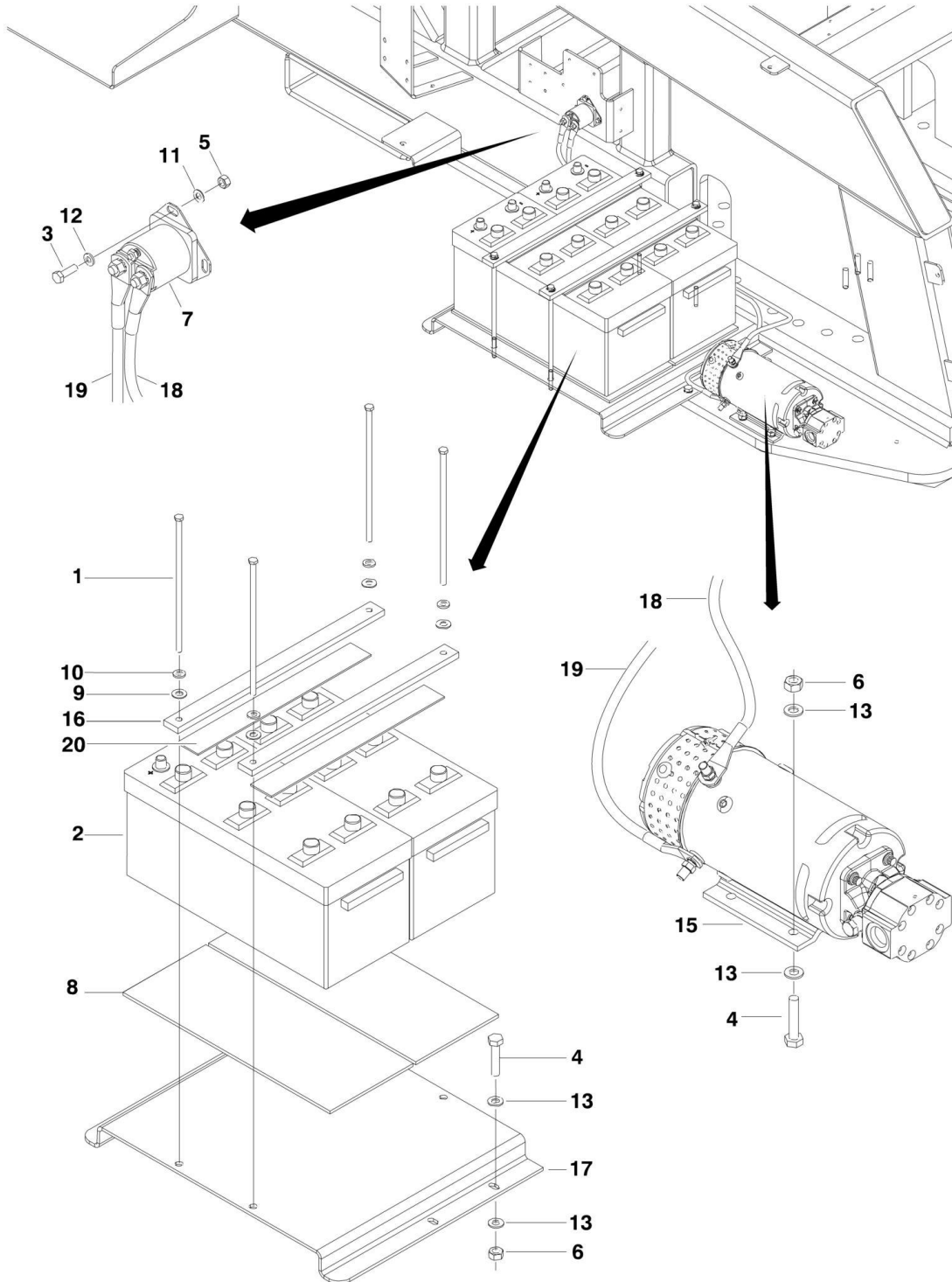
SECTION 2 - TURNTABLE

FIGURE 2-12. HYDRAULIC TANK ASSEMBLY

ITEM	PART NUMBER	QTY	DESCRIPTION	REV
	1001147879	Ref	HYDRAULIC TANK ASSEMBLY	G
2	See Note	NSS	Gasket (Use p/n 70004150)	
3	See Note	NSS	Element, Filter (Use p/n 70004150)	
4	See Note	NSS	Cover (Note: Not Available for Purchase)	
5	70004412	1	Spring	
6	70002838	1	Cap, Fill	
7	See Note	NSS	Breather (Use p/n 70004150)	
8	7024441	1	Gauge	
9	See Note	NSS	Plug (Note: Purchase Locally)	
10	See Note	NSS	Washer 5/16in Stainless Steel (Note: Purchase Locally)	
11	See Note	NSS	Bolt 5/16-18 x 1 Stainless Steel (Note: Purchase Locally)	
16	See Note	AR	Loctite #243 (Note: Purchase Locally)	
17	See Note	AR	Lubricant (Note: Purchase Locally)	
18	See Note	AR	Loctite #565 (Note: Purchase Locally)	
19	70004411	1	Decal, Service	
20	70004150	1	Kit, Service (Includes Item 2, 3 & 7)	

SECTION 2 - TURNTABLE

FIGURE 2-13. AUXILIARY POWER/BATTERIES INSTALLATIONS



1001154034

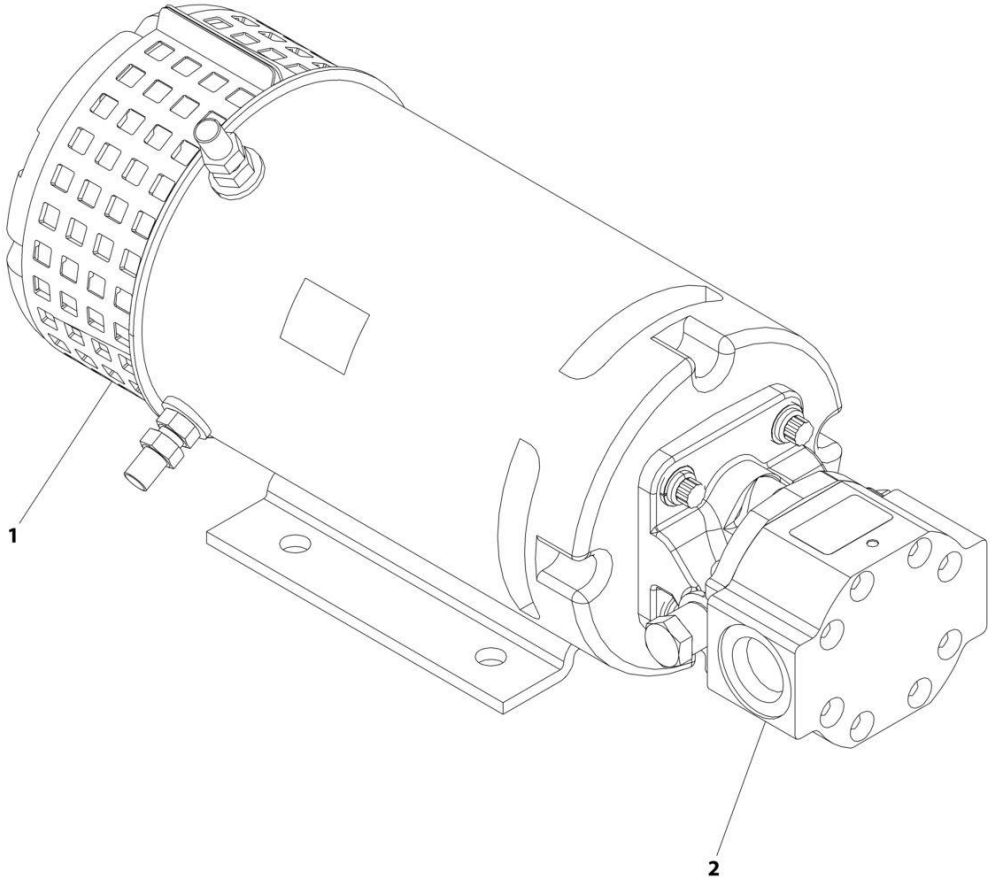
SECTION 2 - TURNTABLE

FIGURE 2-13. AUXILIARY POWER/BATTERIES INSTALLATIONS

ITEM	PART NUMBER	QTY	DESCRIPTION	REV
	1001154034	Ref	AUXILIARY POWER/BATTERIES INSTALLATIONS	D
1	0236768	4	Bolt, Tie-Down	
2	0400020	2	Battery	
3	0700610	2	Bolt M6 x 20	
4	0701018	8	Bolt M10 x 50	
5	3290607	2	Nut M6	
6	3291007	8	Nut M10	
7	3740067	1	Relay	
8	3980006	2	Seat, battery	
9	4711600	4	Washer 3/8	
10	4761600	4	Washer 3/8	
11	4791400	2	Washer 1/4	
12	4811700	2	Washer M6	
13	4812000	16	Washer M10	
15	1001224066	1	Pump/Motor, Auxiliary (See Separate Breakdown in this Section)	
16	1001154035	2	Plate	
17	1001164056	1	Bracket	
18	1001154144	1	Cable, Electrical (Positive)	
19	1001154145	1	Cable, Electrical (Negative)	
20	4420038	34 in /85cm	Tape	

SECTION 2 - TURNTABLE

FIGURE 2-14. AUXILIARY PUMP AND MOTOR ASSEMBLY



ART_1001224066

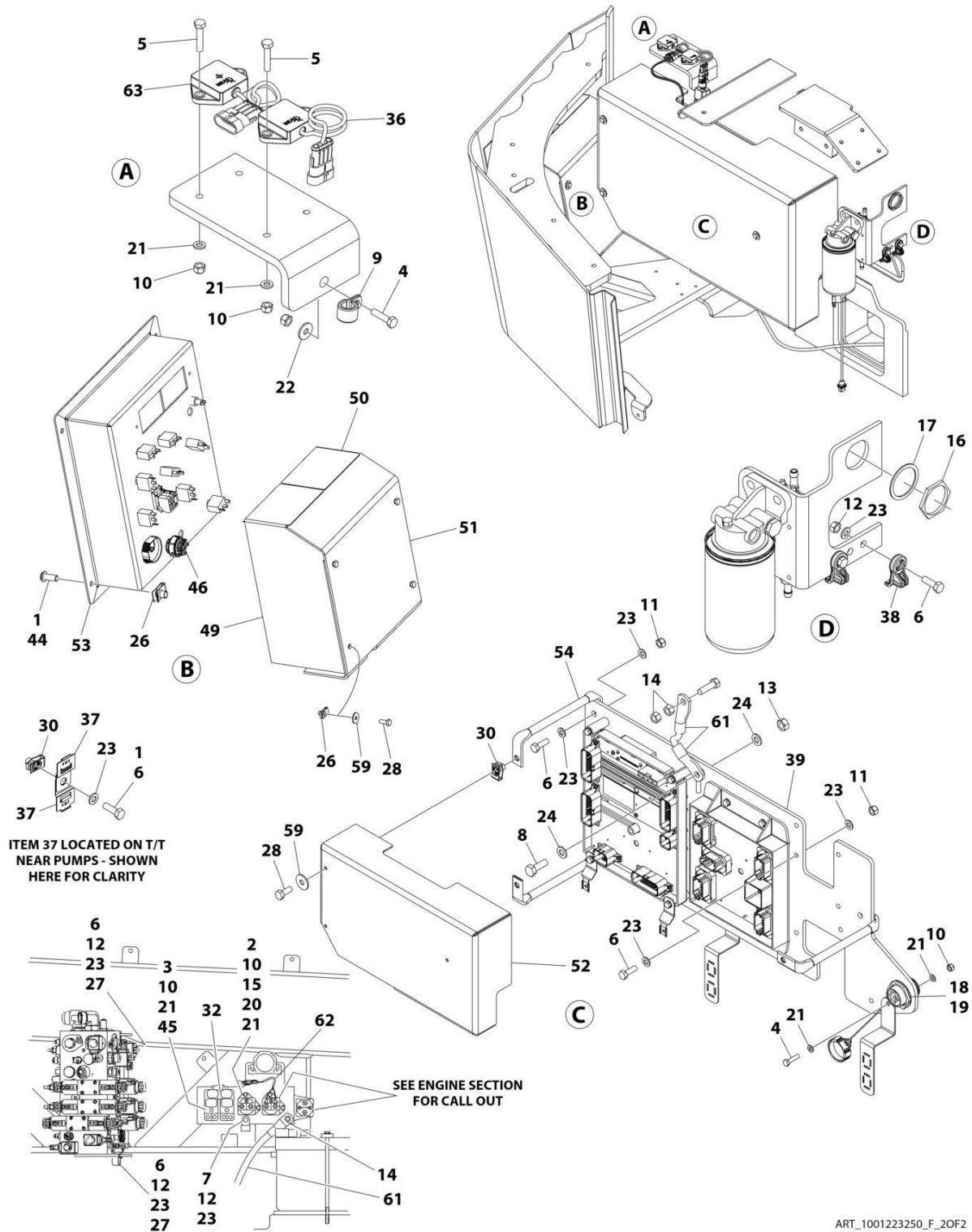
SECTION 2 - TURNTABLE

FIGURE 2-14. AUXILIARY PUMP AND MOTOR ASSEMBLY

ITEM	PART NUMBER	QTY	DESCRIPTION	REV
	1001224066	Ref	AUXILIARY PUMP ASSEMBLY	B
1	7010924	1	Motor	
1	7010639	2	Brush	
1	7010640	8	Spring, Brush	
1	7011044	1	Gasket, Adapter to Motor	
2	70001001	1	Pump Kit (Includes Pump, Adapter to Motor Gasket p/n 7011044 and Mounting Hardware)	
2	70001000	1	Seal Kit (Includes Adapter to Motor Gasket p/n 7011044, Pump to Adapter Gasket, Shaft Seal and O-Rings for Hex Caps on Adapter)	

SECTION 2 - TURNTABLE

FIGURE 2-15. TURNTABLE ELECTRICAL COMPONENTS INSTALLATION (ANSI EXPORT (LRC), AUSTRALIAN AND CHINA SPECS)



ART_1001223250_F_20F2

SECTION 2 - TURNTABLE

FIGURE 2-15. TURNTABLE ELECTRICAL COMPONENTS INSTALLATION (ANSI EXPORT (LRC), AUSTRALIAN AND CHINA SPECS)

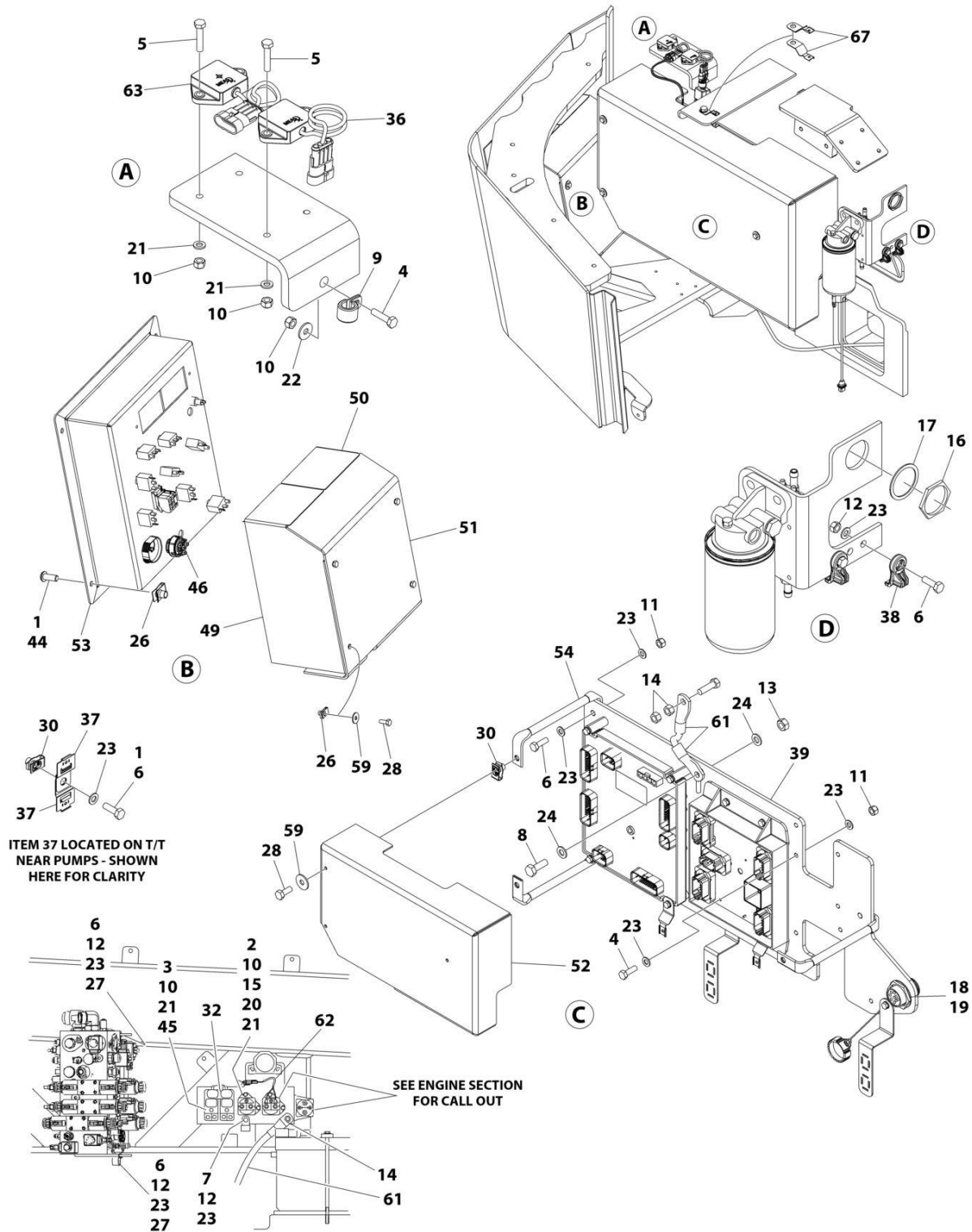
ITEM	PART NUMBER	QTY	DESCRIPTION	REV
	1001223250	Ref	TURNTABLE ELECTRICAL COMPONENTS INSTALLATION	F
1	0100035	AR	Compound, Locking	
2	0700610	2	Bolt M6 x 20	
3	0700618	2	Bolt M6 x 50	
4	0760612	5	Bolt M6 x 25	
5	0760614	4	Bolt M6 x 30	
6	0760812	13	Bolt M8 x 25	
7	0760815	1	Bolt M8 x 35	
8	0761014	1	Bolt M10 x 30	
9	1320041	1	Clamp	
10	3290605	18	Nut M6	
11	3290805	3	Nut M8	
12	3290807	9	Nut M8	
13	3291007	1	Nut M10	
14	3311601	4	Nut 3/8	
15	3740067	1	Relay	
16	4460470	1	Nut	
17	4460471	1	Washer	
18	4460496	1	Washer, Terminal	
19	4460497	1	Nut, Terminal	
20	4791400	2	Washer 1/4	
21	4811700	26	Washer M6	
22	4811702	1	Washer M6	
23	4811900	19	Washer M8	
24	4812000	2	Washer M10	
26	8310686	8	Nut, Retainer, M8	
27	8406201	2	Clip	
28	0760810001	7	Bolt M8 x 20	
30	1001118274	5	Nut M8	
32	1001135027	1	Bussbar	
33	1001149970	1	Harness - Drive Pump (Not Shown - See Separate Breakdown in ELECTRICAL SECTION)	
36	1001151895	1	Sensor, Tilt	
37	1001155967	4	Holder, Side Mount	
38	1001156107	6	Holder, Cable	
38		Ref	Note: Qty 4 Not Shown - Located Behind Hydraulic Tank	
39	1001156859	1	Panel, Electrical (See Separate Breakdown in this Section)	
40	1001157646	1	Cable, Load Sensor (Not Shown - Runs from Item 36 RH Module to Lift Cylinder) (See Separate Breakdown in ELECTRICAL SECTION)	
41	1001158922	1	Kit, Battery Cable (Not Shown - See Separate Breakdown in ELECTRICAL SECTION)	
42	1001163631	4	Cable, MTS Connection (Not Shown - See Separate Breakdown in ELECTRICAL SECTION)	
44	1001164726	4	Capscrew M8 X 20	
45	1001174871	2	Fuse, Power Module	
46	1001187744	AR	Chemical, Battery Protector and Sealer	
47	1001197446	1	Harness - Main Valve (Not Shown - See Separate Breakdown in ELECTRICAL SECTION)	

SECTION 2 - TURNTABLE

ITEM	PART NUMBER	QTY	DESCRIPTION	REV
48	1001211885	1	Harness - Fuel Pump (Not Shown - See Separate Breakdown in ELECTRICAL SECTION)	
49	1001223167	1	Cover	
50	1001223168	1	Cover	
51	1001223169	1	Cover	
52	1001223170	1	Cover	
53	1001266006	1	Ground Control Panel Assembly (See Separate Breakdown in this Section)	
54	1001225279	3	Brace	
55	1001241865	1	Harness - Blam (Not Shown - See Separate Breakdown in ELECTRICAL SECTION)	
56	1001279152	1	Harness - Turntable (Not Shown - See Separate Breakdown in ELECTRICAL Section)	
57	1001241884	1	Harness - Ground Control Panel (Not Shown - See Separate Breakdown in ELECTRICAL SECTION)	
59	4811902001	7	Washer M8	
61	6611172	2	Cable, Ground to Frame	
62	1001114999	1	Harness, Fuel Sensor	
63	1001219601	1	Sensor, Tilt Dual Axis CAN	

SECTION 2 - TURNTABLE

FIGURE 2-16. TURNTABLE ELECTRICAL COMPONENTS INSTALLATION (ANSI EXPORT (LRC), AUSTRALIAN AND CHINA SPECS)



ART_1001223250_H_20F2

SECTION 2 - TURNTABLE

FIGURE 2-16. TURNTABLE ELECTRICAL COMPONENTS INSTALLATION (ANSI EXPORT (LRC), AUSTRALIAN AND CHINA SPECS)

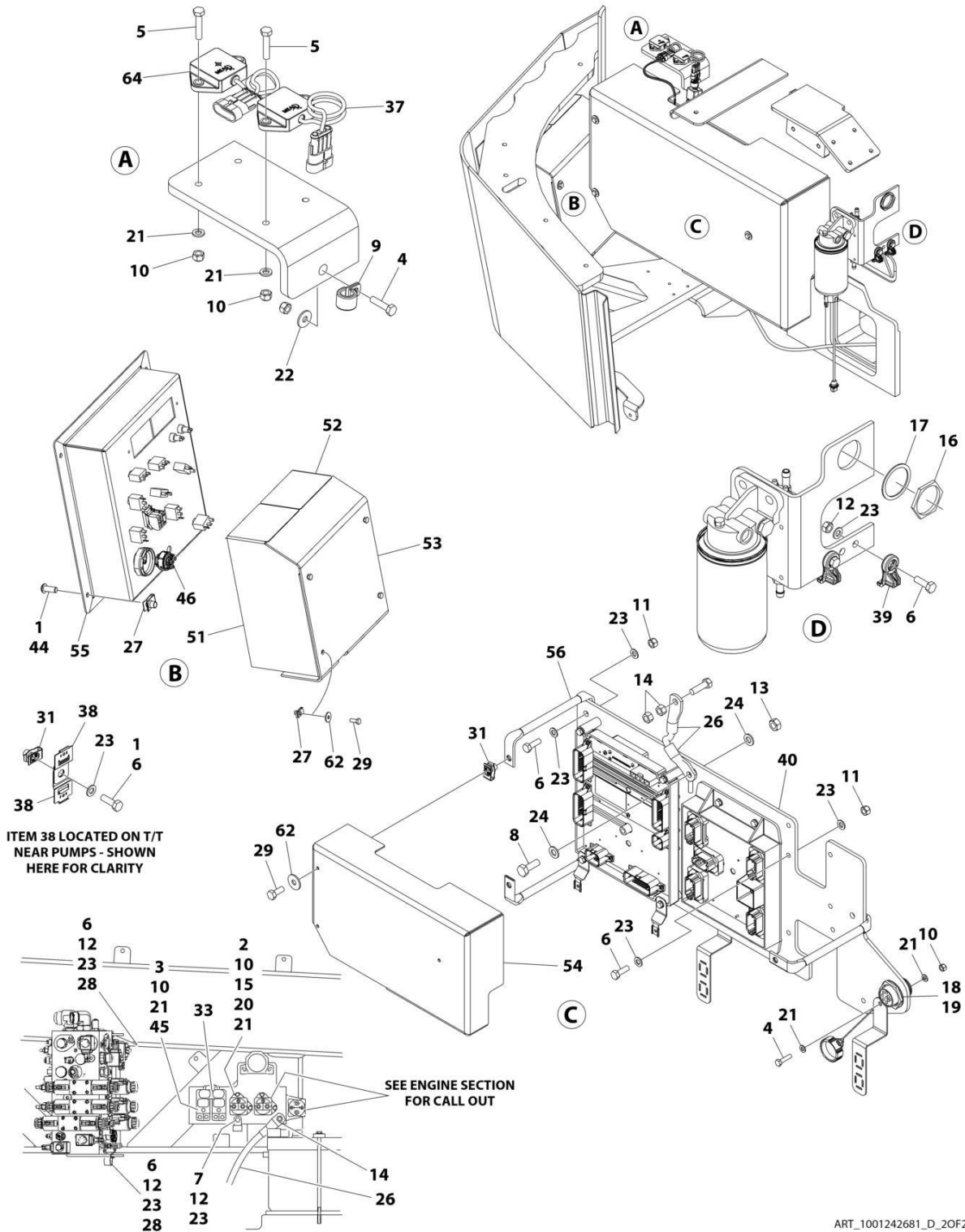
ITEM	PART NUMBER	QTY	DESCRIPTION	REV
	1001223250	Ref	TURNTABLE ELECTRICAL COMPONENTS INSTALLATION	H
1	0100035	AR	Compound, Locking	
2	0700610	2	Bolt M6 x 20	
3	0700618	2	Bolt M6 x 50	
4	0760612	5	Bolt M6 x 25	
5	0760614	4	Bolt M6 x 30	
6	0760812	13	Bolt M8 x 25	
7	0760815	1	Bolt M8 x 35	
8	0761014	1	Bolt M10 x 30	
9	1320041	1	Clamp	
10	3290605	13	Nut M6	
11	3290805	3	Nut M8	
12	3290807	9	Nut M8	
13	3291007	1	Nut M10	
14	3311601	4	Nut 3/8	
15	3740067	1	Relay	
16	4460470	1	Nut	
17	4460471	1	Washer	
18	4460496	1	Washer, Terminal	
19	4460497	1	Nut, Terminal	
20	4791400	2	Washer 1/4	
21	4811700	16	Washer M6	
22	4811702	1	Washer M6	
23	4811900	19	Washer M8	
24	4812000	2	Washer M10	
26	8310686	8	Nut, Retainer, M8	
27	8406201	2	Clip	
28	0760810001	7	Bolt M8 x 20	
30	1001118274	5	Nut M8	
32	1001135027	1	Bussbar	
33	1001149970	1	Harness - Drive Pump (Not Shown - See Separate Breakdown in ELECTRICAL Section)	
36	1001151895	1	Sensor, Tilt	
37	1001155967	4	Holder, Side Mount	
38	1001156107	6	Holder, Cable	
38		Ref	Note: Qty 4 Not Shown - Located Behind Hydraulic Tank	
39	1001156859	1	Panel, Electrical (See Separate Breakdown in this Section)	
40	1001157646	1	Cable, Load Sensor (Not Shown - Runs from Item 36 RH Module to Lift Cylinder) (See Separate Breakdown in ELECTRICAL Section)	
41	1001158922	1	Kit, Battery Cable (Not Shown - See Separate Breakdown in ELECTRICAL Section)	
42	1001163631	4	Cable, MTS Connection (Not Shown - See Separate Breakdown in ELECTRICAL Section)	
44	1001164726	4	Capscrew M8 X 20	
45	1001174871	2	Fuse, Power Module	
46	1001187744	AR	Chemical, Battery Protector and Sealer	
47	1001285583	1	Harness - Main Valve (Not Shown - See Separate Breakdown in ELECTRICAL Section)	

SECTION 2 - TURNTABLE

ITEM	PART NUMBER	QTY	DESCRIPTION	REV
48	1001211885	1	Harness - Fuel Pump (Not Shown - See Separate Breakdown in ELECTRICAL Section)	
49	1001223167	1	Cover	
50	1001223168	1	Cover	
51	1001223169	1	Cover	
52	1001223170	1	Cover	
53	1001266006	1	Ground Control Panel Assembly (See Separate Breakdown in this Section)	
54	1001225279	3	Brace	
55	1001241865	1	Harness - Blam (Not Shown - See Separate Breakdown in ELECTRICAL Section)	
56	1001285582	1	Harness - Turntable (Not Shown - See Separate Breakdown in ELECTRICAL Section)	
57	1001241884	1	Harness - Ground Control Panel (Not Shown - See Separate Breakdown in ELECTRICAL Section)	
59	4811902001	7	Washer M8	
61	6611172	2	Cable, Ground to Frame	
62	1001114999	1	Harness, Fuel Sensor	
63	1001219601	1	Sensor, Tilt Dual Axis CAN	
65	4240032	AR	Tie-Strap (Not Shown)	
66	4460234	AR	Mount, Tie-Strap (Not Shown)	
67	1001120328	2	Mount, Connector	
68	1001296427	1	Hourmeter Jumper Harness (Not Shown)	

SECTION 2 - TURNTABLE

FIGURE 2-17. TURNTABLE ELECTRICAL COMPONENTS INSTALLATION (ANSI, ANSI EXPORT (HRC), CSA AND JAPANESE SPECS)



ART_1001242681_D_20F2

SECTION 2 - TURNTABLE

FIGURE 2-17. TURNTABLE ELECTRICAL COMPONENTS INSTALLATION (ANSI, ANSI EXPORT (HRC), CSA AND JAPANESE SPECS)

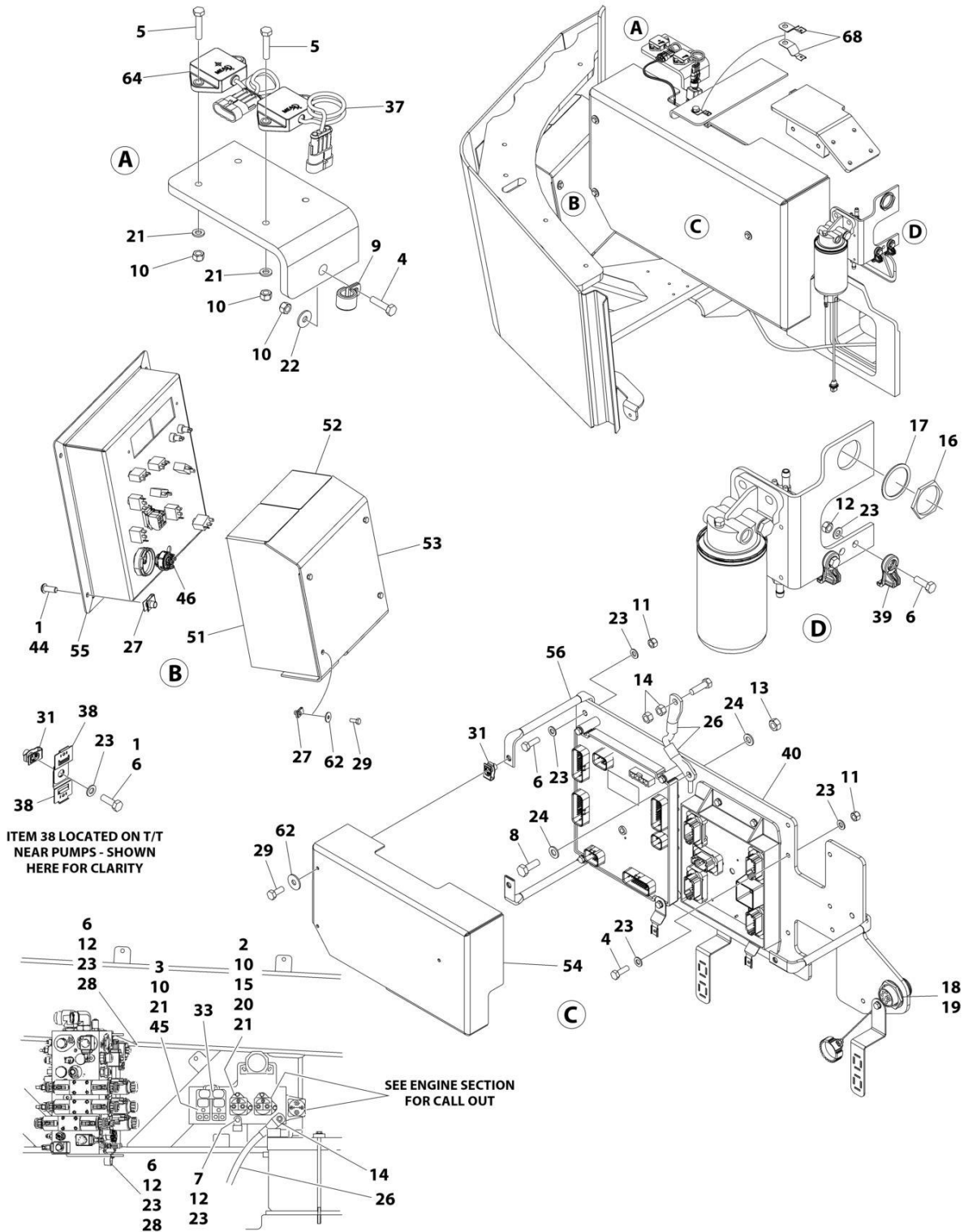
ITEM	PART NUMBER	QTY	DESCRIPTION	REV
	1001242681	Ref	TURNTABLE ELECTRICAL COMPONENTS INSTALLATION	D
1	0100035	AR	Compound, Locking	
2	0700610	2	Bolt M6 x 20	
3	0700618	2	Bolt M6 x 50	
4	0760612	5	Bolt M6 x 25	
5	0760614	4	Bolt M6 x 30	
6	0760812	13	Bolt M8 x 25	
7	0760815	1	Bolt M8 x 35	
8	0761014	1	Bolt M10 x 30	
9	1320041	1	Clamp	
10	3290605	18	Nut M6	
11	3290805	3	Nut M8	
12	3290807	9	Nut M8	
13	3291007	1	Nut M10	
14	3311601	4	Nut 3/8	
15	3740067	1	Relay	
16	4460470	1	Nut	
17	4460471	1	Washer	
18	4460496	1	Washer, Terminal	
19	4460497	1	Nut, Terminal	
20	4791400	2	Washer 1/4	
21	4811700	26	Washer M6	
22	4811702	1	Washer M6	
23	4811900	19	Washer M8	
24	4812000	2	Washer M10	
26	6611172	2	Cable, Ground to Frame	
27	8310686	8	Nut, Retainer, M8	
28	8406201	2	Clip	
29	0760810001	7	Bolt M8 x 20	
31	1001118274	5	Nut M8	
33	1001135027	1	Bussbar	
37	1001149970	1	Harness - Drive Pump (Not Shown - See Separate Breakdown in ELECTRICAL Section)	
37	1001151895	1	Sensor, Tilt	
38	1001155967	4	Holder, Side Mount	
39	1001156107	6	Holder, Cable	
39		Ref	Note: Qty 4 Not Shown - Located Behind Hydraulic Tank	
40	1001156859	1	Panel, Electrical (See Separate Breakdown in this Section)	
41	1001157646	1	Cable, Load Sensor (Not Shown - Runs from Item 36 RH Module to Lift Cylinder) (See Separate Breakdown in ELECTRICAL Section)	
42	1001163631	4	Cable, MTS Connection (Not Shown - See Separate Breakdown in ELECTRICAL Section)	
44	1001164726	4	Capscrew M8 x 20	
45	1001174871	2	Fuse, Power Module	
46	1001187744	AR	Chemical, Battery Protector and Sealer	
47	1001191166	1	Harness, UREA Tank (Not Shown - See Separate Breakdown in ELECTRICAL Section)	
48	1001197442	1	Kit, Battery Cable (Not Shown - See Separate Breakdown in ELECTRICAL Section)	

SECTION 2 - TURNTABLE

ITEM	PART NUMBER	QTY	DESCRIPTION	REV
49	1001197446	1	Harness - Main Valve (Not Shown - See Separate Breakdown in ELECTRICAL Section)	
50	1001211885	1	Harness - Fuel Pump (Not Shown - See Separate Breakdown in ELECTRICAL Section)	
51	1001223167	1	Cover	
52	1001223168	1	Cover	
53	1001223169	1	Cover	
54	1001223170	1	Cover	
55	1001223248	1	Panel, Ground Control (See Separate Breakdown in this Section)	
56	1001225279	3	Brace	
57	1001238483	1	Harness, Def Tank Extension (Not Shown - See Separate Breakdown in ELECTRICAL Section)	
58	1001241865	1	Harness - Blam (Not Shown - See Separate Breakdown in ELECTRICAL Section)	
59	1001279152	1	Harness - Turntable (Not Shown - See Separate Breakdown in ELECTRICAL Section)	
60	1001241884	1	Harness - Ground Control Panel (Not Shown - See Separate Breakdown in ELECTRICAL Section)	
62	4811902001	7	Washer M8	
64	1001219601	1	Sensor, Tilt Dual Axis CAN	

SECTION 2 - TURNTABLE

FIGURE 2-18. TURNTABLE ELECTRICAL COMPONENTS INSTALLATION (ANSI, ANSI EXPORT (HRC), CSA AND JAPANESE SPECS)



ART_1001242681_F_2OF2

SECTION 2 - TURNTABLE

FIGURE 2-18. TURNTABLE ELECTRICAL COMPONENTS INSTALLATION (ANSI, ANSI EXPORT (HRC), CSA AND JAPANESE SPECS)

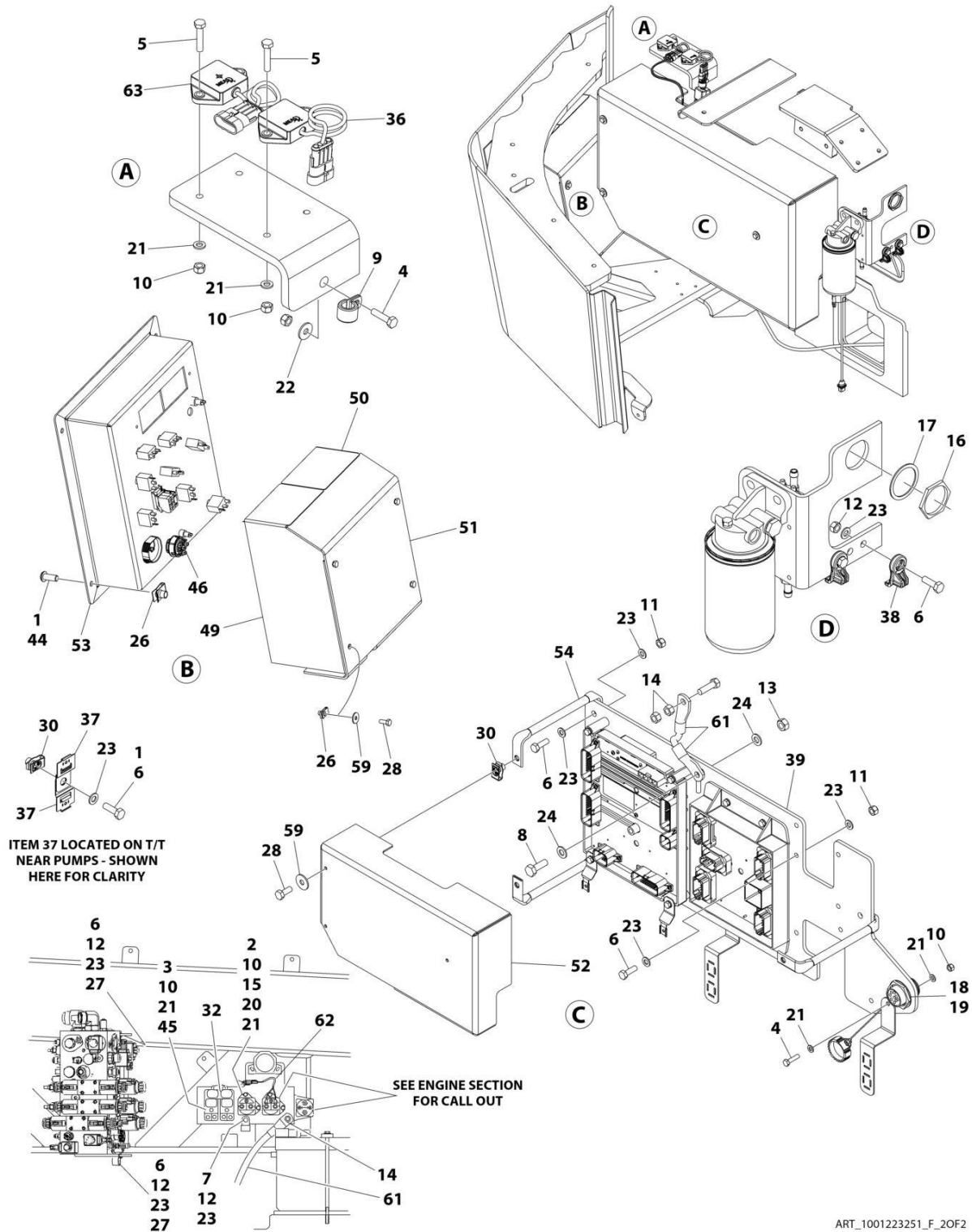
ITEM	PART NUMBER	QTY	DESCRIPTION	REV
	1001242681	Ref	TURNTABLE ELECTRICAL COMPONENTS INSTALLATION	F
1	0100035	AR	Compound, Locking	
2	0700610	2	Bolt M6 x 20	
3	0700618	2	Bolt M6 x 50	
4	0760612	5	Bolt M6 x 25	
5	0760614	4	Bolt M6 x 30	
6	0760812	13	Bolt M8 x 25	
7	0760815	1	Bolt M8 x 35	
8	0761014	1	Bolt M10 x 30	
9	1320041	1	Clamp	
10	3290605	13	Nut M6	
11	3290805	3	Nut M8	
12	3290807	9	Nut M8	
13	3291007	1	Nut M10	
14	3311601	4	Nut 3/8	
15	3740067	1	Relay	
16	4460470	1	Nut	
17	4460471	1	Washer	
18	4460496	1	Washer, Terminal	
19	4460497	1	Nut, Terminal	
20	4791400	2	Washer 1/4	
21	4811700	16	Washer M6	
22	4811702	1	Washer M6	
23	4811900	19	Washer M8	
24	4812000	2	Washer M10	
26	6611172	2	Cable, Ground to Frame	
27	8310686	8	Nut, Retainer, M8	
28	8406201	2	Clip	
29	0760810001	7	Bolt M8 x 20	
31	1001118274	5	Nut M8	
33	1001135027	1	Bussbar	
37	1001149970	1	Harness - Drive Pump (Not Shown - See Separate Breakdown in ELECTRICAL Section)	
37	1001151895	1	Sensor, Tilt	
38	1001155967	4	Holder, Side Mount	
39	1001156107	6	Holder, Cable	
39		Ref	Note: Qty 4 Not Shown - Located Behind Hydraulic Tank	
40	1001156859	1	Panel, Electrical (See Separate Breakdown in this Section)	
41	1001157646	1	Cable, Load Sensor (Not Shown - Runs from Item 36 RH Module to Lift Cylinder) (See Separate Breakdown in ELECTRICAL Section)	
42	1001163631	4	Cable, MTS Connection (Not Shown - See Separate Breakdown in ELECTRICAL Section)	
44	1001164726	4	Capscrew M8 x 20	
45	1001174871	2	Fuse, Power Module	
46	1001187744	AR	Chemical, Battery Protector and Sealer	
47	1001191166	1	Harness, UREA Tank (Not Shown - See Separate Breakdown in ELECTRICAL Section)	
48	1001197442	1	Kit, Battery Cable (Not Shown - See Separate Breakdown in ELECTRICAL Section)	

SECTION 2 - TURNTABLE

ITEM	PART NUMBER	QTY	DESCRIPTION	REV
49	1001285583	1	Harness - Main Valve (Not Shown - See Separate Breakdown in ELECTRICAL Section)	
50	1001211885	1	Harness - Fuel Pump (Not Shown - See Separate Breakdown in ELECTRICAL Section)	
51	1001223167	1	Cover	
52	1001223168	1	Cover	
53	1001223169	1	Cover	
54	1001223170	1	Cover	
55	1001223248	1	Panel, Ground Control (See Separate Breakdown in this Section)	
56	1001225279	3	Brace	
57	1001238483	1	Harness, Def Tank Extension (Not Shown - See Separate Breakdown in ELECTRICAL Section)	
58	1001241865	1	Harness - Blam (Not Shown - See Separate Breakdown in ELECTRICAL Section)	
59	1001285582	1	Harness - Turntable (Not Shown - See Separate Breakdown in ELECTRICAL Section)	
60	1001241884	1	Harness - Ground Control Panel (Not Shown - See Separate Breakdown in ELECTRICAL Section)	
62	4811902001	7	Washer M8	
64	1001219601	1	Sensor, Tilt Dual Axis CAN	
66	4240032	AR	Tie-Strap (Not Shown)	
67	4460234	AR	Mount, Tie-Strap (Not Shown)	
68	1001120328	2	Mount, Connector	
69	1001296427	1	Hourmeter Jumper Harness (Not Shown)	

SECTION 2 - TURNTABLE

FIGURE 2-19. TURNTABLE ELECTRICAL COMPONENTS INSTALLATION (CE & UK CA (LRC) SPECS)



SECTION 2 - TURNTABLE

FIGURE 2-19. TURNTABLE ELECTRICAL COMPONENTS INSTALLATION (CE & UK CA (LRC) SPECS)

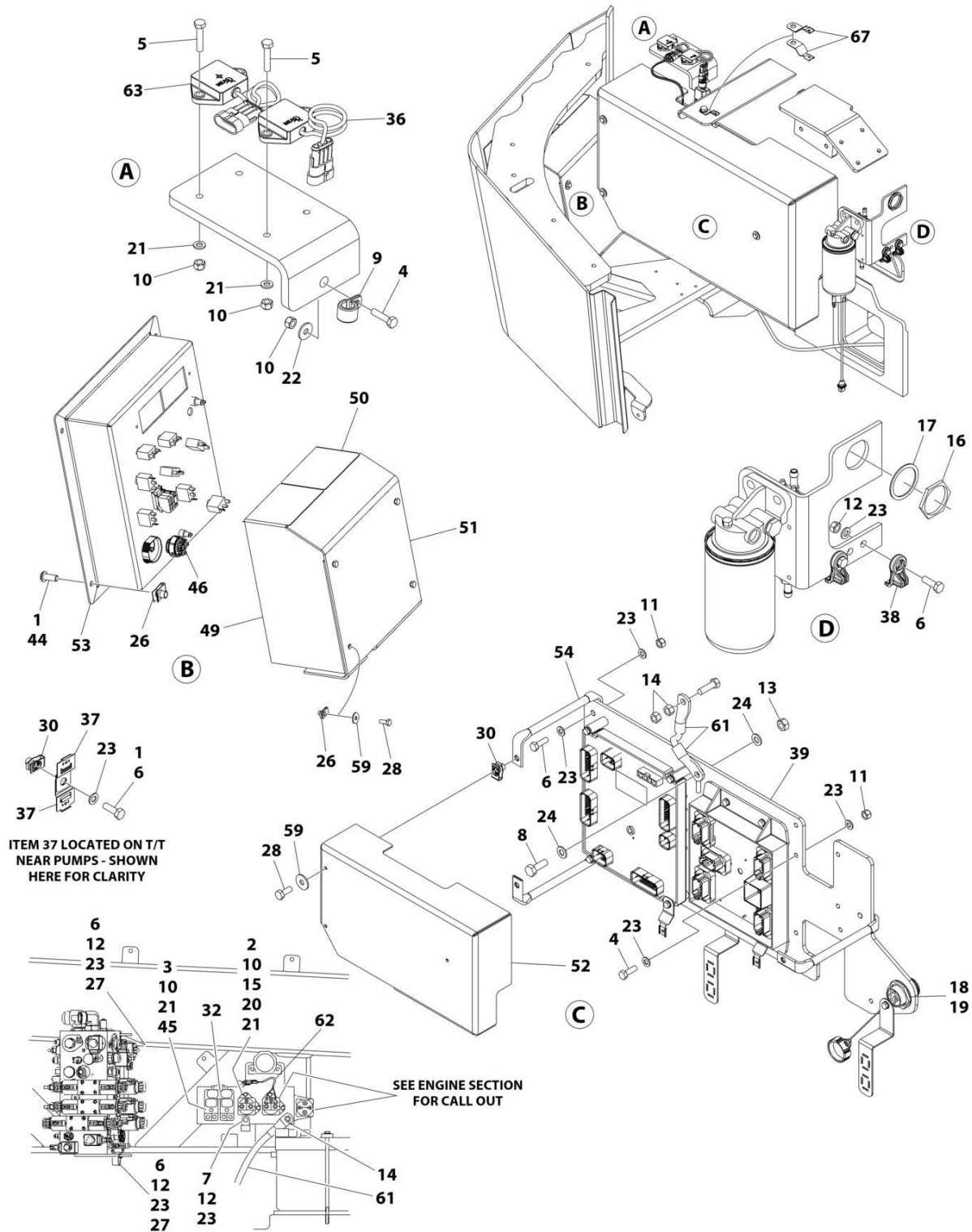
ITEM	PART NUMBER	QTY	DESCRIPTION	REV
	1001223251	Ref	TURNTABLE ELECTRICAL COMPONENTS INSTALLATION	F
1	0100035	AR	Compound, Locking	
2	0700610	2	Bolt M6 x 20	
3	0700618	2	Bolt M6 x 50	
4	0760612	5	Bolt M6 x 25	
5	0760614	4	Bolt M6 x 30	
6	0760812	13	Bolt M8 x 25	
7	0760815	1	Bolt M8 x 35	
8	0761014	1	Bolt M10 x 30	
9	1320041	1	Clamp	
10	3290605	18	Nut M6	
11	3290805	3	Nut M8	
12	3290807	9	Nut M8	
13	3291007	1	Nut M10	
14	3311601	4	Nut 3/8	
15	3740067	1	Relay	
16	4460470	1	Nut	
17	4460471	1	Washer	
18	4460496	1	Washer, Terminal	
19	4460497	1	Nut, Terminal	
20	4791400	2	Washer 1/4	
21	4811700	26	Washer M6	
22	4811702	1	Washer M6	
23	4811900	19	Washer M8	
24	4812000	2	Washer M10	
26	8310686	8	Nut, Retainer, M8	
27	8406201	2	Clip	
28	0760810001	7	Bolt M8 x 20	
30	1001118274	5	Nut M8	
32	1001135027	1	Bussbar	
33	1001149970	1	Harness - Drive Pump (Not Shown - See Separate Breakdown in ELECTRICAL SECTION)	
36	1001151895	1	Sensor, Tilt	
37	1001155967	4	Holder, Side Mount	
38	1001156107	6	Holder, Cable	
38		Ref	Note: Qty 4 Not Shown - Located Behind Hydraulic Tank	
39	1001156859	1	Panel, Electrical (See Separate Breakdown in this Section)	
40	1001157646	1	Cable, Load Sensor (Not Shown - Runs from Item 36 RH Module to Lift Cylinder) (See Separate Breakdown in ELECTRICAL SECTION)	
41	1001158922	1	Kit, Battery Cable (Not Shown - See Separate Breakdown in ELECTRICAL SECTION)	
42	1001163631	4	Cable, MTS Connection (Not Shown - See Separate Breakdown in ELECTRICAL SECTION)	
44	1001164726	4	Capscrew M8 X 20	
45	1001174871	2	Fuse, Power Module	
46	1001187744	AR	Chemical, Battery Protector and Sealer	
47	1001197446	1	Harness - Main Valve (Not Shown - See Separate Breakdown in ELECTRICAL SECTION)	

SECTION 2 - TURNTABLE

ITEM	PART NUMBER	QTY	DESCRIPTION	REV
48	1001211885	1	Harness - Fuel Pump (Not Shown - See Separate Breakdown in ELECTRICAL SECTION)	
49	1001223167	1	Cover	
50	1001223168	1	Cover	
51	1001223169	1	Cover	
52	1001223170	1	Cover	
53	1001266007	1	Ground Control Panel Assembly (See Separate Breakdown in this Section)	
54	1001225279	3	Brace	
55	1001241865	1	Harness - Blam (Not Shown - See Separate Breakdown in ELECTRICAL Section)	
56	1001279152	1	Harness - Turntable (Not Shown - See Separate Breakdown in ELECTRICAL Section)	
57	1001241884	1	Harness - Ground Control Panel (Not Shown - See Separate Breakdown in ELECTRICAL Section)	
59	4811902001	7	Washer M8	
61	6611172	2	Cable, Ground to Frame	
62	1001114999	1	Harness, Fuel Sensor	
63	1001219601	1	Sensor, Tilt Dual Axis CAN	

SECTION 2 - TURNTABLE

FIGURE 2-20. TURNTABLE ELECTRICAL COMPONENTS INSTALLATION (CE & UK CA (LRC) SPECS)



ART_1001223251_H_20F2

SECTION 2 - TURNTABLE

FIGURE 2-20. TURNTABLE ELECTRICAL COMPONENTS INSTALLATION (CE & UK CA (LRC) SPECS)

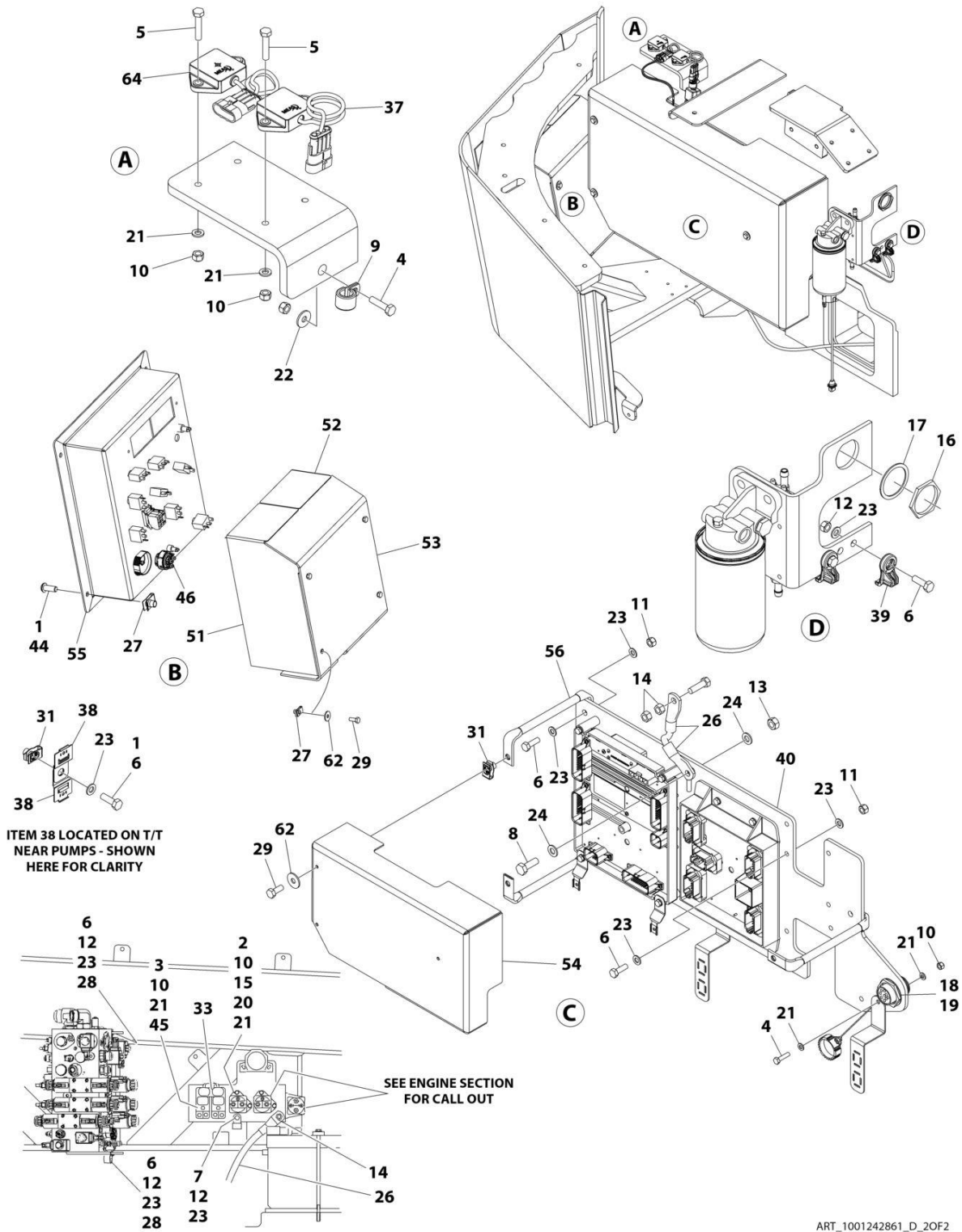
ITEM	PART NUMBER	QTY	DESCRIPTION	REV
	1001223251	Ref	TURNTABLE ELECTRICAL COMPONENTS INSTALLATION	H
1	0100035	AR	Compound, Locking	
2	0700610	2	Bolt M6 x 20	
3	0700618	2	Bolt M6 x 50	
4	0760612	5	Bolt M6 x 25	
5	0760614	4	Bolt M6 x 30	
6	0760812	13	Bolt M8 x 25	
7	0760815	1	Bolt M8 x 35	
8	0761014	1	Bolt M10 x 30	
9	1320041	1	Clamp	
10	3290605	13	Nut M6	
11	3290805	3	Nut M8	
12	3290807	9	Nut M8	
13	3291007	1	Nut M10	
14	3311601	4	Nut 3/8	
15	3740067	1	Relay	
16	4460470	1	Nut	
17	4460471	1	Washer	
18	4460496	1	Washer, Terminal	
19	4460497	1	Nut, Terminal	
20	4791400	2	Washer 1/4	
21	4811700	16	Washer M6	
22	4811702	1	Washer M6	
23	4811900	19	Washer M8	
24	4812000	2	Washer M10	
26	8310686	8	Nut, Retainer, M8	
27	8406201	2	Clip	
28	0760810001	7	Bolt M8 x 20	
30	1001118274	5	Nut M8	
32	1001135027	1	Bussbar	
33	1001149970	1	Harness - Drive Pump (Not Shown - See Separate Breakdown in ELECTRICAL Section)	
36	1001151895	1	Sensor, Tilt	
37	1001155967	4	Holder, Side Mount	
38	1001156107	6	Holder, Cable	
38		Ref	Note: Qty 4 Not Shown - Located Behind Hydraulic Tank	
39	1001156859	1	Panel, Electrical (See Separate Breakdown in this Section)	
40	1001157646	1	Cable, Load Sensor (Not Shown - Runs from Item 36 RH Module to Lift Cylinder) (See Separate Breakdown in ELECTRICAL Section)	
41	1001158922	1	Kit, Battery Cable (Not Shown - See Separate Breakdown in ELECTRICAL Section)	
42	1001163631	4	Cable, MTS Connection (Not Shown - See Separate Breakdown in ELECTRICAL Section)	
44	1001164726	4	Capscrew M8 X 20	
45	1001174871	2	Fuse, Power Module	
46	1001187744	AR	Chemical, Battery Protector and Sealer	
47	1001285583	1	Harness - Main Valve (Not Shown - See Separate Breakdown in ELECTRICAL Section)	

SECTION 2 - TURNTABLE

ITEM	PART NUMBER	QTY	DESCRIPTION	REV
48	1001211885	1	Harness - Fuel Pump (Not Shown - See Separate Breakdown in ELECTRICAL Section)	
49	1001223167	1	Cover	
50	1001223168	1	Cover	
51	1001223169	1	Cover	
52	1001223170	1	Cover	
53	1001266007	1	Ground Control Panel Assembly (See Separate Breakdown in this Section)	
54	1001225279	3	Brace	
55	1001241865	1	Harness - Blam (Not Shown - See Separate Breakdown in ELECTRICAL Section)	
56	1001285582	1	Harness - Turntable (Not Shown - See Separate Breakdown in ELECTRICAL Section)	
57	1001241884	1	Harness - Ground Control Panel (Not Shown - See Separate Breakdown in ELECTRICAL Section)	
59	4811902001	7	Washer M8	
61	6611172	2	Cable, Ground to Frame	
62	1001114999	1	Harness, Fuel Sensor	
63	1001219601	1	Sensor, Tilt Dual Axis CAN	
65	4240032	AR	Tie-Strap (Not Shown)	
66	4460234	AR	Mount, Tie-Strap (Not Shown)	
67	1001120328	2	Mount, Connector	
68	1001296427	1	Hourmeter Jumper Harness (Not Shown)	

SECTION 2 - TURNTABLE

FIGURE 2-21. TURNTABLE ELECTRICAL COMPONENTS INSTALLATION (CE & UK CA SPECS)



ART_1001242861_D_20F2

SECTION 2 - TURNTABLE

FIGURE 2-21. TURNTABLE ELECTRICAL COMPONENTS INSTALLATION (CE & UK CA SPECS)

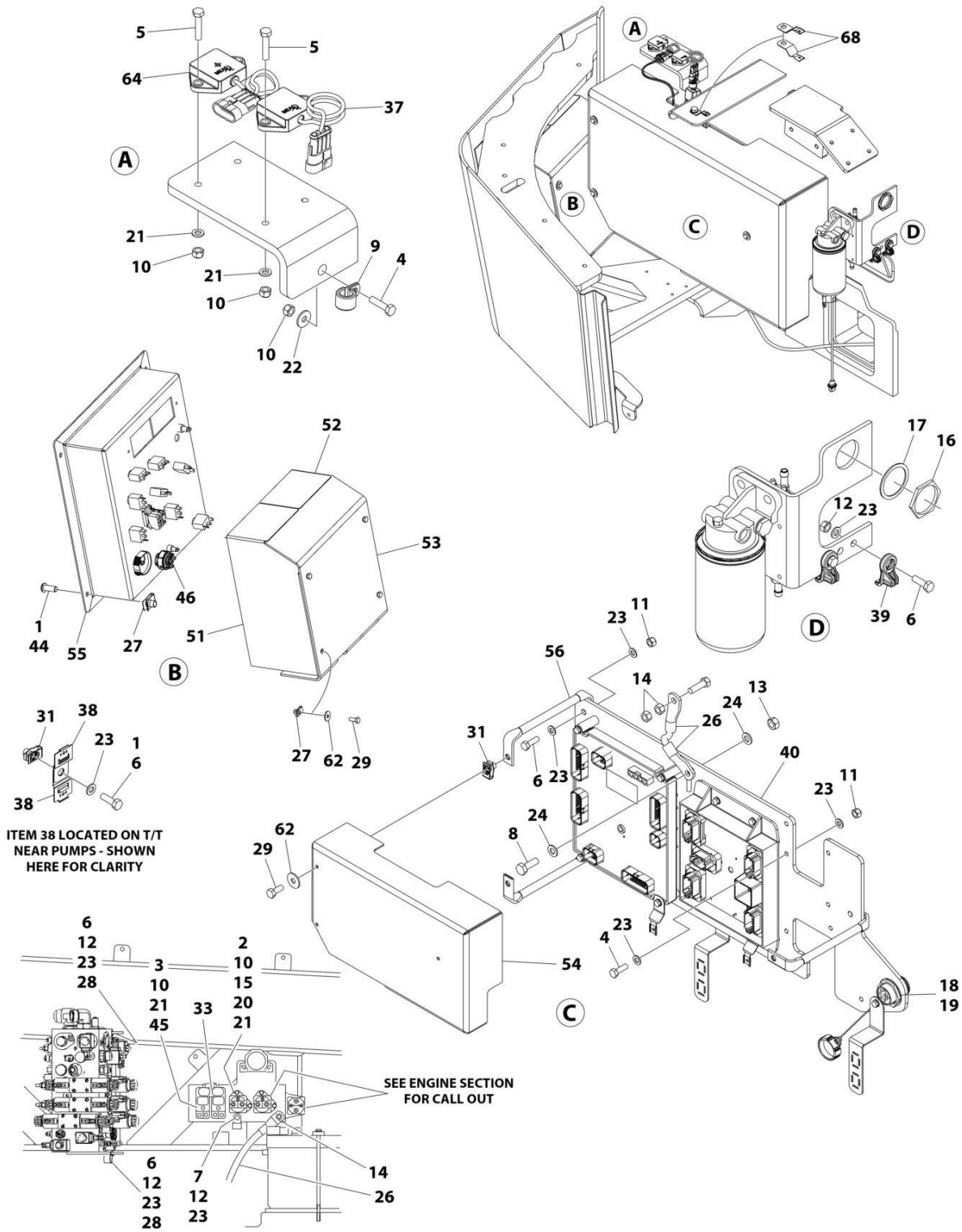
ITEM	PART NUMBER	QTY	DESCRIPTION	REV
	1001242861	Ref	TURNTABLE ELECTRICAL COMPONENTS INSTALLATION	D
1	0100035	AR	Compound, Locking	
2	0700610	2	Bolt M6 x 20	
3	0700618	2	Bolt M6 x 50	
4	0760612	5	Bolt M6 x 25	
5	0760614	4	Bolt M6 x 30	
6	0760812	13	Bolt M8 x 25	
7	0760815	1	Bolt M8 x 35	
8	0761014	1	Bolt M10 x 30	
9	1320041	1	Clamp	
10	3290605	18	Nut M6	
11	3290805	3	Nut M8	
12	3290807	9	Nut M8	
13	3291007	1	Nut M10	
14	3311601	4	Nut 3/8	
15	3740067	1	Relay	
16	4460470	1	Nut	
17	4460471	1	Washer	
18	4460496	1	Washer, Terminal	
19	4460497	1	Nut, Terminal	
20	4791400	2	Washer 1/4	
21	4811700	26	Washer M6	
22	4811702	1	Washer M6	
23	4811900	19	Washer M8	
24	4812000	2	Washer M10	
26	6611172	2	Cable, Ground to Frame	
27	8310686	8	Nut, Retainer, M8	
28	8406201	2	Clip	
29	0760810001	7	Bolt M8 x 20	
31	1001118274	5	Nut M8	
33	1001135027	1	Bussbar	
34	1001149970	1	Harness - Drive Pump (Not Shown - See Separate Breakdown in ELECTRICAL Section)	
37	1001151895	1	Sensor, Tilt	
38	1001155967	4	Holder, Side Mount	
39	1001156107	6	Holder, Cable	
39		Ref	Note: Qty 4 Not Shown - Located Behind Hydraulic Tank	
40	1001156859	1	Panel, Electrical (See Separate Breakdown in this Section)	
41	1001157646	1	Cable, Load Sensor (Not Shown - Runs from Item 36 RH Module to Lift Cylinder) (See Separate Breakdown in ELECTRICAL Section)	
42	1001163631	4	Cable, MTS Connection (Not Shown - See Separate Breakdown in ELECTRICAL Section)	
44	1001164726	4	Capscrew M8 x 20	
45	1001174871	2	Fuse, Power Module	
46	1001187744	AR	Chemical, Battery Protector and Sealer	
47	1001191166	1	Harness, UREA Tank (Not Shown - See Separate Breakdown in ELECTRICAL Section)	
48	1001197442	1	Kit, Battery Cable (Not Shown - See Separate Breakdown in ELECTRICAL Section)	

SECTION 2 - TURNTABLE

ITEM	PART NUMBER	QTY	DESCRIPTION	REV
49	1001197446	1	Harness - Main Valve (Not Shown - See Separate Breakdown in ELECTRICAL Section)	
50	1001211885	1	Harness - Fuel Pump (Not Shown - See Separate Breakdown in ELECTRICAL Section)	
51	1001223167	1	Cover	
52	1001223168	1	Cover	
53	1001223169	1	Cover	
54	1001223170	1	Cover	
55	1001223249	1	Ground Control Panel Assembly (See Separate Breakdown in this Section)	
56	1001225279	3	Brace	
57	1001238483	1	Harness, Def Tank Extension (Not Shown - See Separate Breakdown in ELECTRICAL Section)	
58	1001241865	1	Harness - Blam (Not Shown - See Separate Breakdown in ELECTRICAL Section)	
59	1001279152	1	Harness - Turntable (Not Shown - See Separate Breakdown in ELECTRICAL Section)	
60	1001241884	1	Harness - Ground Control Panel (Not Shown - See Separate Breakdown in ELECTRICAL Section)	
62	4811902001	7	Washer M8	
64	1001219601	1	Sensor, Tilt Dual Axis CAN	

SECTION 2 - TURNTABLE

FIGURE 2-22. TURNTABLE ELECTRICAL COMPONENTS INSTALLATION (CE & UK CA SPECS)



ART_1001242861_F_20F2

SECTION 2 - TURNTABLE

FIGURE 2-22. TURNTABLE ELECTRICAL COMPONENTS INSTALLATION (CE & UK CA SPECS)

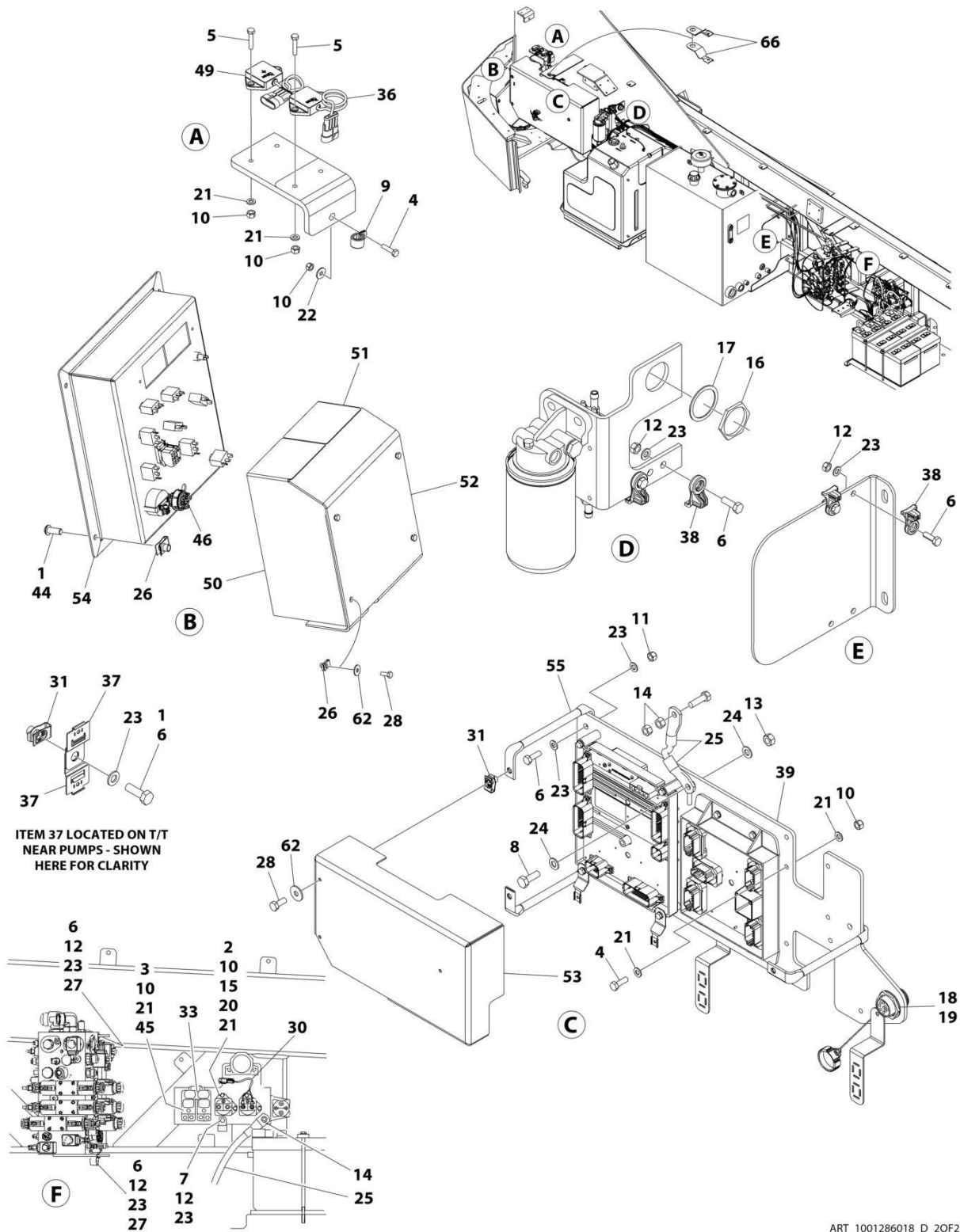
ITEM	PART NUMBER	QTY	DESCRIPTION	REV
	1001242861	Ref	TURNTABLE ELECTRICAL COMPONENTS INSTALLATION	F
1	0100035	AR	Compound, Locking	
2	0700610	2	Bolt M6 x 20	
3	0700618	2	Bolt M6 x 50	
4	0760612	5	Bolt M6 x 25	
5	0760614	4	Bolt M6 x 30	
6	0760812	13	Bolt M8 x 25	
7	0760815	1	Bolt M8 x 35	
8	0761014	1	Bolt M10 x 30	
9	1320041	1	Clamp	
10	3290605	13	Nut M6	
11	3290805	3	Nut M8	
12	3290807	9	Nut M8	
13	3291007	1	Nut M10	
14	3311601	4	Nut 3/8	
15	3740067	1	Relay	
16	4460470	1	Nut	
17	4460471	1	Washer	
18	4460496	1	Washer, Terminal	
19	4460497	1	Nut, Terminal	
20	4791400	2	Washer 1/4	
21	4811700	16	Washer M6	
22	4811702	1	Washer M6	
23	4811900	19	Washer M8	
24	4812000	2	Washer M10	
26	6611172	2	Cable, Ground to Frame	
27	8310686	8	Nut, Retainer, M8	
28	8406201	2	Clip	
29	0760810001	7	Bolt M8 x 20	
31	1001118274	5	Nut M8	
33	1001135027	1	Bussbar	
34	1001149970	1	Harness - Drive Pump (Not Shown - See Separate Breakdown in ELECTRICAL Section)	
37	1001151895	1	Sensor, Tilt	
38	1001155967	4	Holder, Side Mount	
39	1001156107	6	Holder, Cable	
39		Ref	Note: Qty 4 Not Shown - Located Behind Hydraulic Tank	
40	1001156859	1	Panel, Electrical (See Separate Breakdown in this Section)	
41	1001157646	1	Cable, Load Sensor (Not Shown - Runs from Item 36 RH Module to Lift Cylinder) (See Separate Breakdown in ELECTRICAL Section)	
42	1001163631	4	Cable, MTS Connection (Not Shown - See Separate Breakdown in ELECTRICAL Section)	
44	1001164726	4	Capscrew M8 x 20	
45	1001174871	2	Fuse, Power Module	
46	1001187744	AR	Chemical, Battery Protector and Sealer	
47	1001191166	1	Harness, UREA Tank (Not Shown - See Separate Breakdown in ELECTRICAL Section)	
48	1001197442	1	Kit, Battery Cable (Not Shown - See Separate Breakdown in ELECTRICAL Section)	

SECTION 2 - TURNTABLE

ITEM	PART NUMBER	QTY	DESCRIPTION	REV
49	1001285583	1	Harness - Main Valve (Not Shown - See Separate Breakdown in ELECTRICAL Section)	
50	1001211885	1	Harness - Fuel Pump (Not Shown - See Separate Breakdown in ELECTRICAL Section)	
51	1001223167	1	Cover	
52	1001223168	1	Cover	
53	1001223169	1	Cover	
54	1001223170	1	Cover	
55	1001223249	1	Ground Control Panel Assembly (See Separate Breakdown in this Section)	
56	1001225279	3	Brace	
57	1001238483	1	Harness, Def Tank Extension (Not Shown - See Separate Breakdown in ELECTRICAL Section)	
58	1001241865	1	Harness - Blam (Not Shown - See Separate Breakdown in ELECTRICAL Section)	
59	1001285582	1	Harness - Turntable (Not Shown - See Separate Breakdown in ELECTRICAL Section)	
60	1001241884	1	Harness - Ground Control Panel (Not Shown - See Separate Breakdown in ELECTRICAL Section)	
62	4811902001	7	Washer M8	
64	1001219601	1	Sensor, Tilt Dual Axis CAN	
66	4240032	AR	Tie-Strap (Not Shown)	
67	4460234	AR	Mount, Tie-Strap (Not Shown)	
68	1001120328	2	Mount, Connector	
69	1001296427	1	Hourmeter Jumper Harness (Not Shown)	

SECTION 2 - TURNTABLE

FIGURE 2-23. TURNTABLE ELECTRICAL COMPONENTS INSTALLATION - DUETZ TCD3.6L (CHINA IV) ENGINES (CHINA SPECS ONLY)



SECTION 2 - TURNTABLE

FIGURE 2-23. TURNTABLE ELECTRICAL COMPONENTS INSTALLATION - DUETZ TCD3.6L (CHINA IV) ENGINES (CHINA SPECS ONLY)

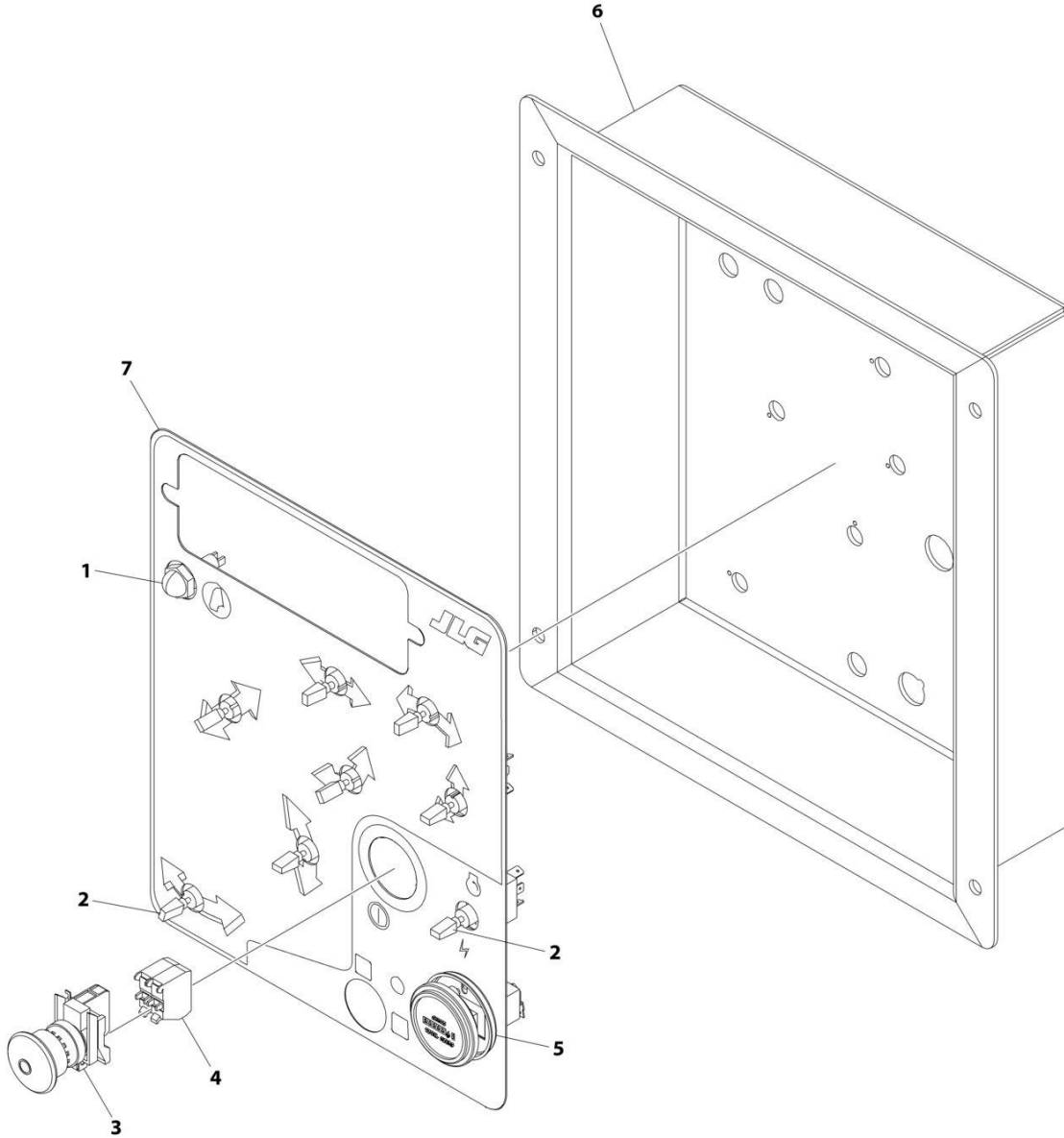
ITEM	PART NUMBER	QTY	DESCRIPTION	REV
	1001286018	Ref	TURNTABLE ELECTRICAL COMPONENTS INSTALLATION	D
1	0100035	AR	Compound, Locking	
2	0700610	2	Bolt M6 x 20	
3	0700618	2	Bolt M6 x 50	
4	0760612	5	Bolt M6 x 25	
5	0760614	4	Bolt M6 x 30	
6	0760812	13	Bolt M8 x 25	
7	0760815	1	Bolt M8 x 35	
8	0761014	1	Bolt M10 x 30	
9	1320041	1	Clamp	
10	3290605	12	Nut, Lock M6	
11	3290805	3	Nut, Lock M8	
12	3290807	9	Nut, Lock M8	
13	3291007	1	Nut, Lock M10	
14	3311601	4	Nut 3/8	
15	3740067	1	Relay	
16	4460470	1	Nut, Terminal	
17	4460471	1	Washer, Terminal	
18	4460496	1	Washer, Terminal	
19	4460497	1	Nut, Terminal	
20	4791400	2	Washer 1/4	
21	4811700	16	Washer M6	
22	4811702	1	Washer M6	
23	4811900	19	Washer M8	
24	4812000	2	Washer M10	
25	6611172	2	Cable, Ground to Frame	
26	8310686	8	Nut, Retainer M8	
27	8406201	2	Clip	
28	0760810001	7	Bolt M8 x 20	
30	1001114999	1	Harness, Fuel Sensor	
31	1001118274	5	Nut, Tinnerman M8	
33	1001135027	1	Bussbar	
34	1001149970	1	Harness - Drive Pump (Not Shown - See Separate Breakdown in ELECTRICAL Section)	
36	1001151895	1	Sensor, Tilt	
37	1001155967	4	Holder, Side Mount	
38	1001156107	6	Holder, Cable	
39	1001156859	1	Panel, Electrical (See Separate Breakdown in this Section)	
40	1001157646	1	Cable, Load Sensor (Not Shown - Runs from Item 36 RH Module to Lift Cylinder) (See Separate Breakdown in ELECTRICAL Section)	
41	1001158922	1	Kit, Battery Cable (Not Shown - See Separate Breakdown in ELECTRICAL Section)	
42	1001163631	4	Cable, MTS Connection (Not Shown - See Separate Breakdown in ELECTRICAL Section)	
44	1001164726	4	Capscrew M8 X 20	
45	1001174871	2	Fuse, Power Module	
46	1001187744	AR	Chemical, Battery Protector and Sealer	
47	1001285583	1	Harness - Main Valve (Not Shown - See Separate Breakdown in ELECTRICAL Section)	

SECTION 2 - TURNTABLE

ITEM	PART NUMBER	QTY	DESCRIPTION	REV
48	1001211885	1	Harness - Fuel Pump (Not Shown - See Separate Breakdown in ELECTRICAL Section)	
49	1001219601	1	Sensor, Tilt Dual Axis CAN	
50	1001223167	1	Cover	
51	1001223168	1	Cover	
52	1001223169	1	Cover	
53	1001223170	1	Cover	
54	1001223248	1	Ground Control Panel Assembly (See Separate Breakdown in this Section)	
55	1001225279	3	Brace	
56	1001241865	1	Harness - Blam (Not Shown - See Separate Breakdown in ELECTRICAL Section)	
57	1001241884	1	Harness - Ground Control Panel (Not Shown - See Separate Breakdown in ELECTRICAL Section)	
60	1001285582	1	Harness - Turntable (Not Shown - See Separate Breakdown in ELECTRICAL Section)	
62	4811902001	7	Washer M8	
64	4240032	AR	Tie-Strap (Not Shown)	
65	4460234	AR	Mount, Tie-Strap (Not Shown)	
66	1001120328	2	Mount, Connector	
67	1001296427	1	Hourmeter Jumper Harness (Not Shown)	

SECTION 2 - TURNTABLE

FIGURE 2-24. GROUND CONTROL CONSOLE ASSEMBLY (ANSI EXPORT (LRC), AUSTRALIAN AND CHINA SPECS)



ART_1001266006_B

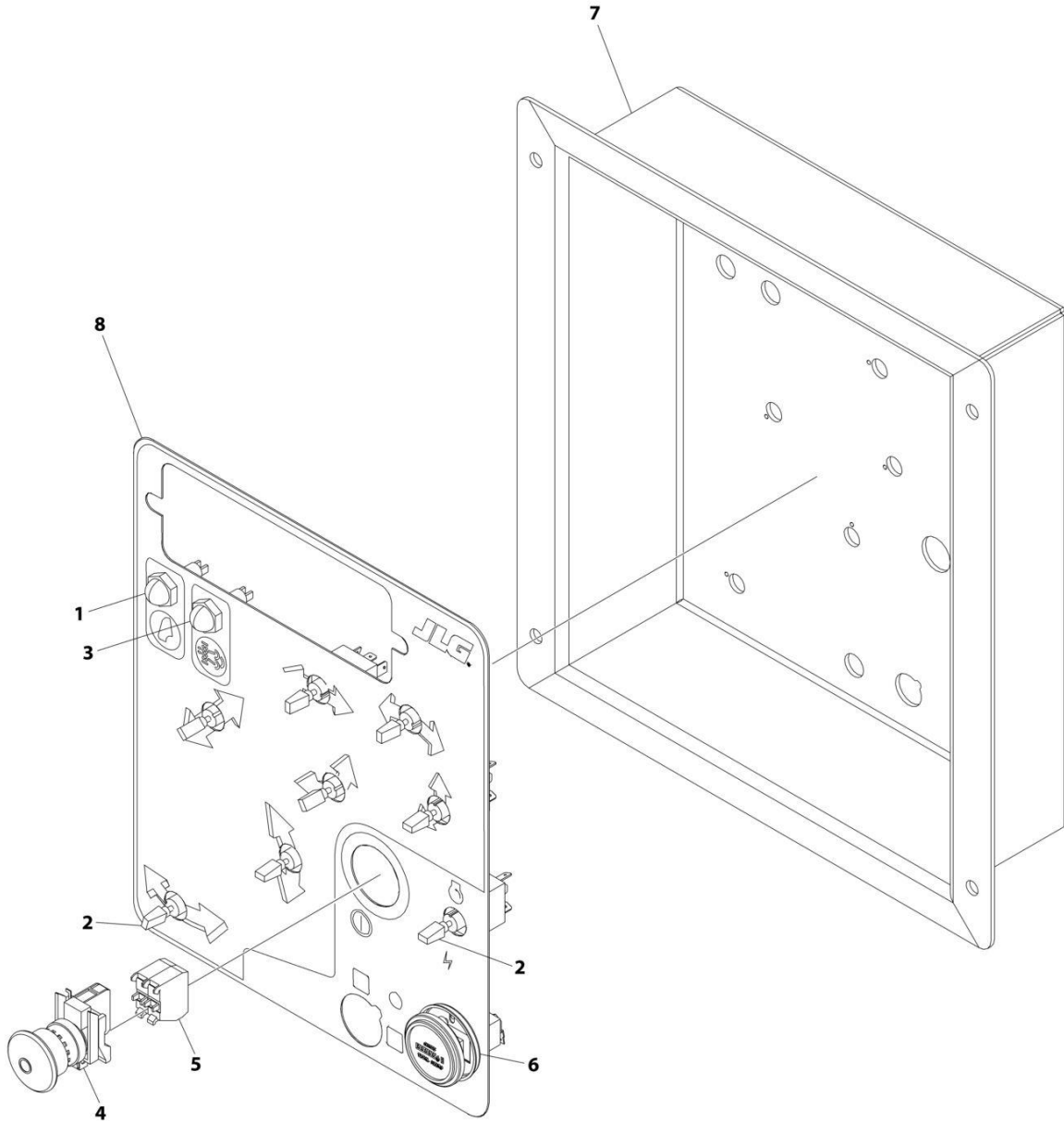
SECTION 2 - TURNTABLE

FIGURE 2-24. GROUND CONTROL CONSOLE ASSEMBLY (ANSI EXPORT (LRC), AUSTRALIAN AND CHINA SPECS)

ITEM	PART NUMBER	QTY	DESCRIPTION	REV
	1001266006	Ref	GROUND CONTROL CONSOLE ASSEMBLY	B
1	4360274	1	Switch, Pushbutton	
2	4360328	8	Switch, Toggle	
3	4360475	1	Switch, Push-Pull Emergency	
3	7020175	1	Cap	
3	7020176	1	Block, Contact	
4	4360476	2	Block, Contact	
5	10836804	1	Gauge	
6	1001297398	1	Panel	
7	1001266008	1	Decal - Ground Control	

SECTION 2 - TURNTABLE

FIGURE 2-25. GROUND CONTROL CONSOLE ASSEMBLY (ANSI, ANSI EXPORT (HRC), CSA AND JAPANESE SPECS)



ART_1001223248_B

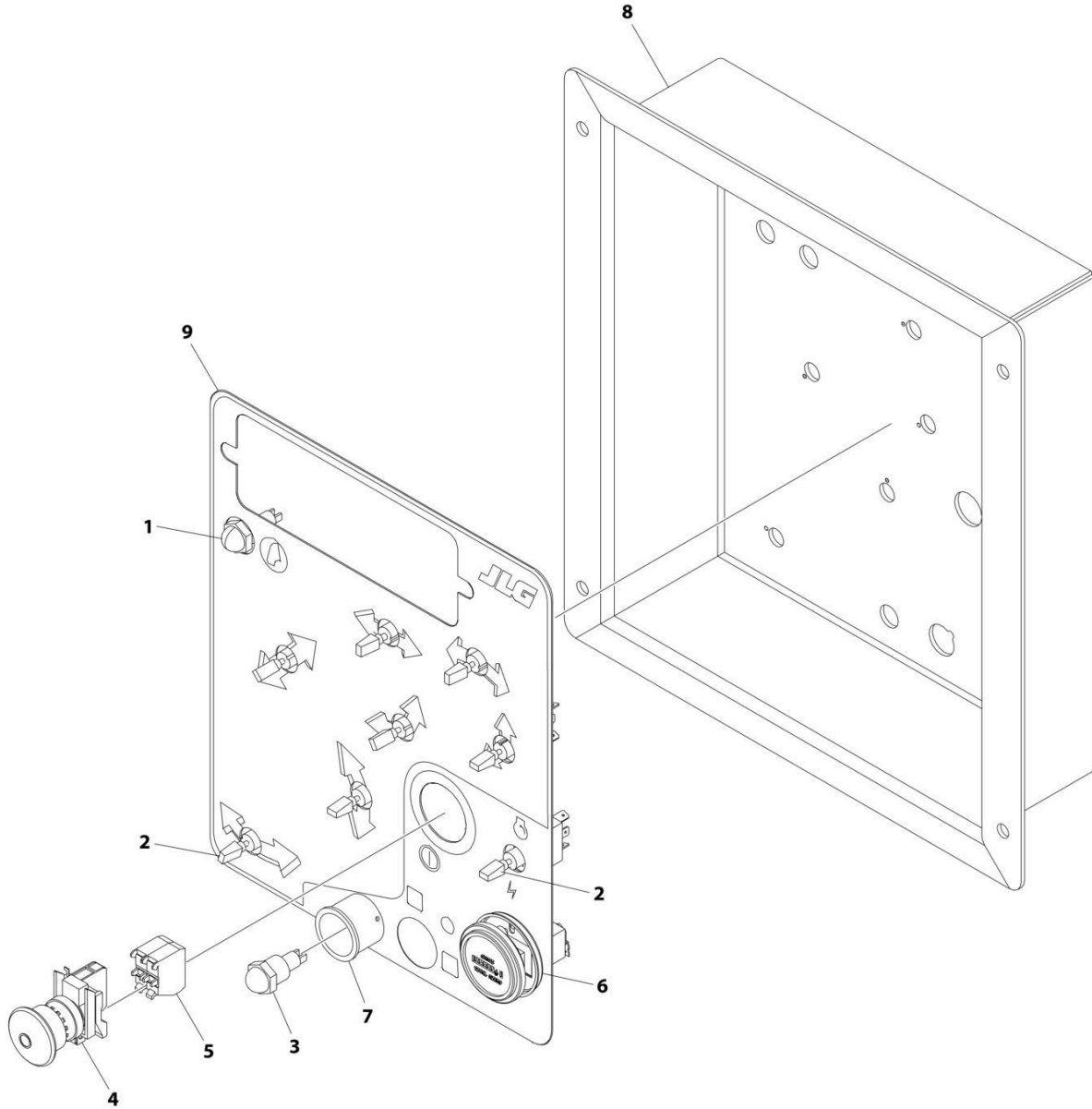
SECTION 2 - TURNTABLE

FIGURE 2-25. GROUND CONTROL CONSOLE ASSEMBLY (ANSI, ANSI EXPORT (HRC), CSA AND JAPANESE SPECS)

ITEM	PART NUMBER	QTY	DESCRIPTION	REV
	1001223248	Ref	GROUND CONTROL CONSOLE ASSEMBLY	B
1	4360274	1	Switch, Pushbutton	
2	4360328	8	Switch, Toggle	
3	4360387	1	Switch, Push Button	
4	4360475	1	Switch, Push-Pull Emergency	
4	7020175	1	Cap	
4	7020176	1	Block, Contact	
5	4360476	2	Block, Contact	
6	10836804	1	Gauge	
7	1001297398	1	Panel	
8	1001221445	1	Decal - Ground Control	

SECTION 2 - TURNTABLE

FIGURE 2-26. GROUND CONTROL CONSOLE ASSEMBLY (CE & UK CA (LRC) SPECS)



ART_1001266007_B

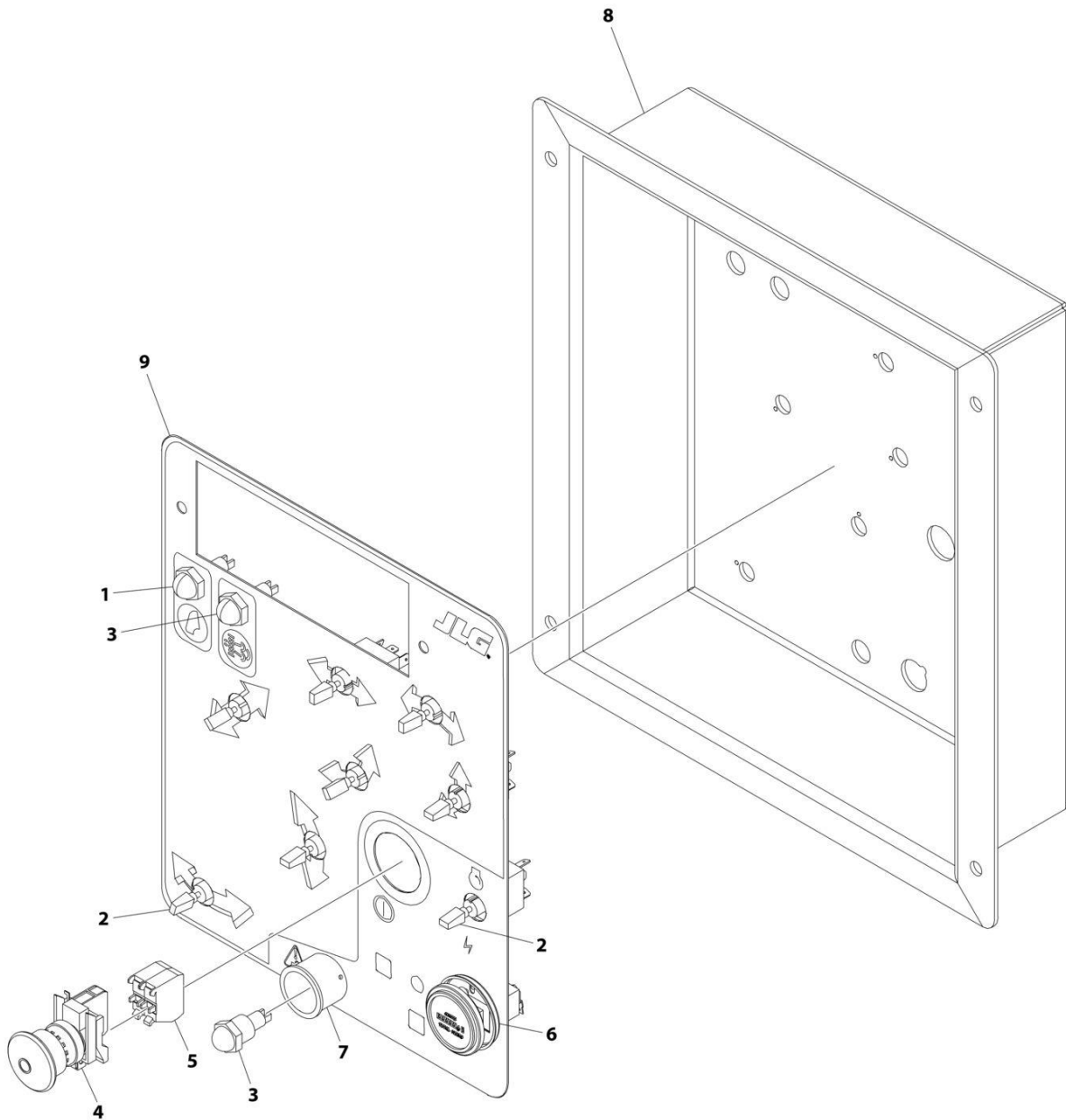
SECTION 2 - TURNTABLE

FIGURE 2-26. GROUND CONTROL CONSOLE ASSEMBLY (CE & UK CA (LRC) SPECS)

ITEM	PART NUMBER	QTY	DESCRIPTION	REV
	1001266007	Ref	GROUND CONTROL CONSOLE ASSEMBLY	B
1	4360274	1	Switch, Pushbutton	
2	4360328	8	Switch, Toggle	
3	4360387	1	Switch, Push Button	
4	4360475	1	Switch, Push-Pull Emergency	
4	7020175	1	Cap	
4	7020176	1	Block, Contact	
5	4360476	2	Block, Contact	
6	10836804	1	Gauge	
7	1001176469	1	Shroud	
8	1001297398	1	Panel	
9	1001266009	1	Decal - Ground Control	

SECTION 2 - TURNTABLE

FIGURE 2-27. GROUND CONTROL CONSOLE ASSEMBLY (CE & UK CA SPECS)



ART_1001223249_B

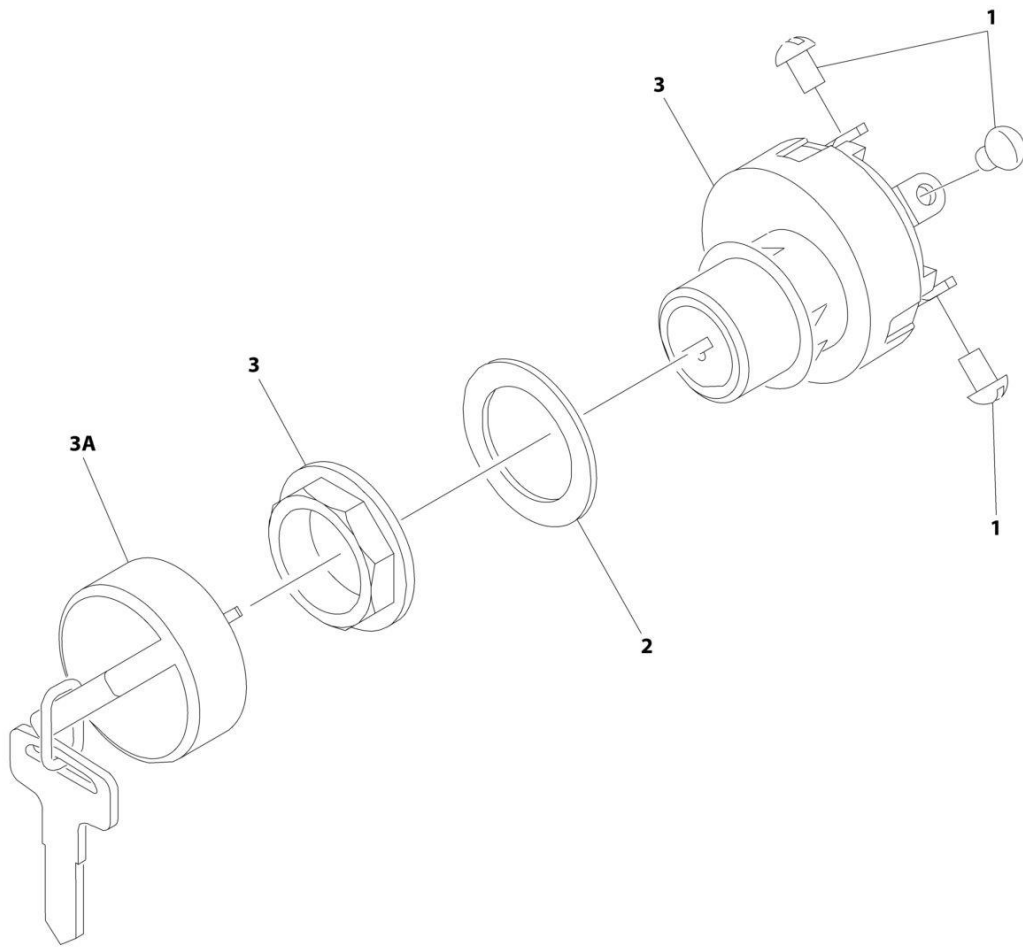
SECTION 2 - TURNTABLE

FIGURE 2-27. GROUND CONTROL CONSOLE ASSEMBLY (CE & UK CA SPECS)

ITEM	PART NUMBER	QTY	DESCRIPTION	REV
	1001223249	Ref	GROUND CONTROL CONSOLE ASSEMBLY	B
1	4360274	1	Switch, Pushbutton	
2	4360328	8	Switch, Toggle	
3	4360387	2	Switch, Push Button	
4	4360475	1	Switch, Push-Pull Emergency	
4	7020175	1	Cap	
4	7020176	1	Block, Contact	
5	4360476	2	Block, Contact	
6	10836804	1	Gauge	
7	1001176469	1	Shroud	
8	1001297398	1	Panel	
9	1001221446	1	Decal - Ground Control	

SECTION 2 - TURNTABLE

FIGURE 2-28. KEY SWITCH



ART_0259666

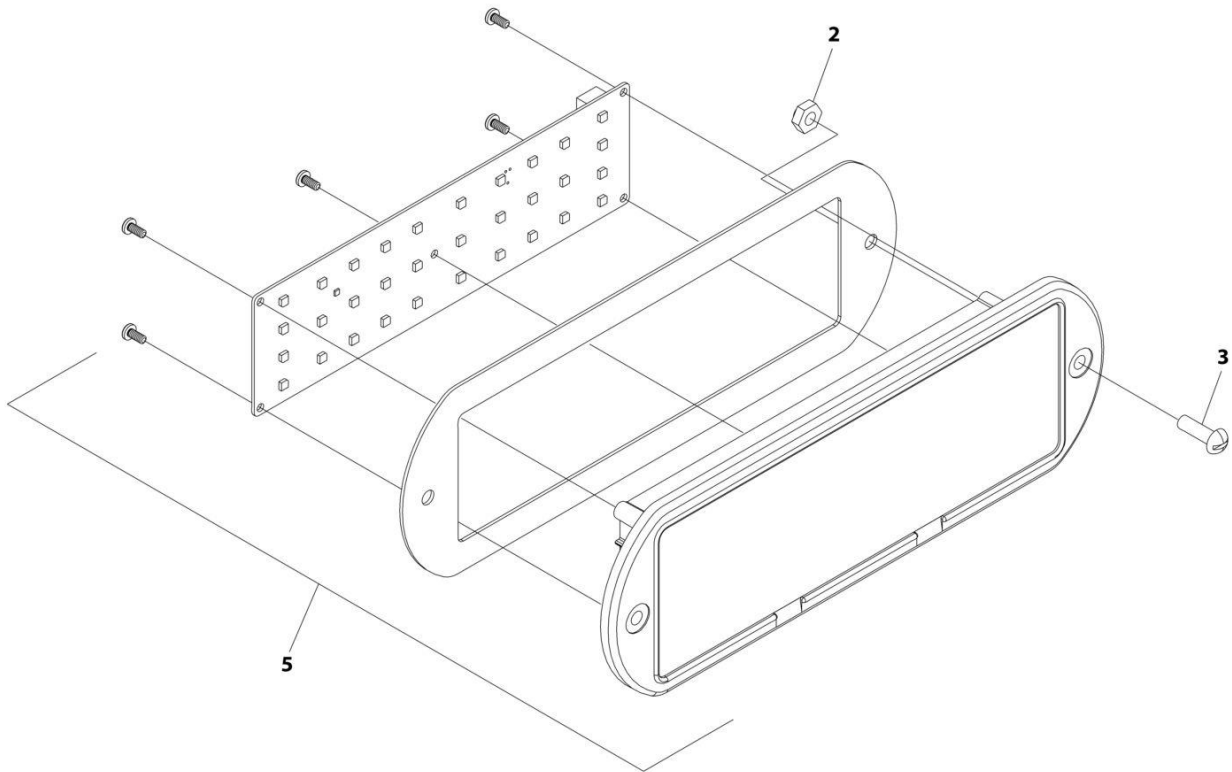
SECTION 2 - TURNTABLE

FIGURE 2-28. KEY SWITCH

ITEM	PART NUMBER	QTY	DESCRIPTION	REV
	0259666	Ref	KEYSWITCH INSTALLATION	B
1	3910804	6	Screw #8 x 1/8	
2	1001151393	1	Shim .063	
3	4360469	1	Keyswitch	
3A	2860030	1	Key, Replacement	

SECTION 2 - TURNTABLE

FIGURE 2-29. LIGHT PANEL



ART_1001245176_10F2

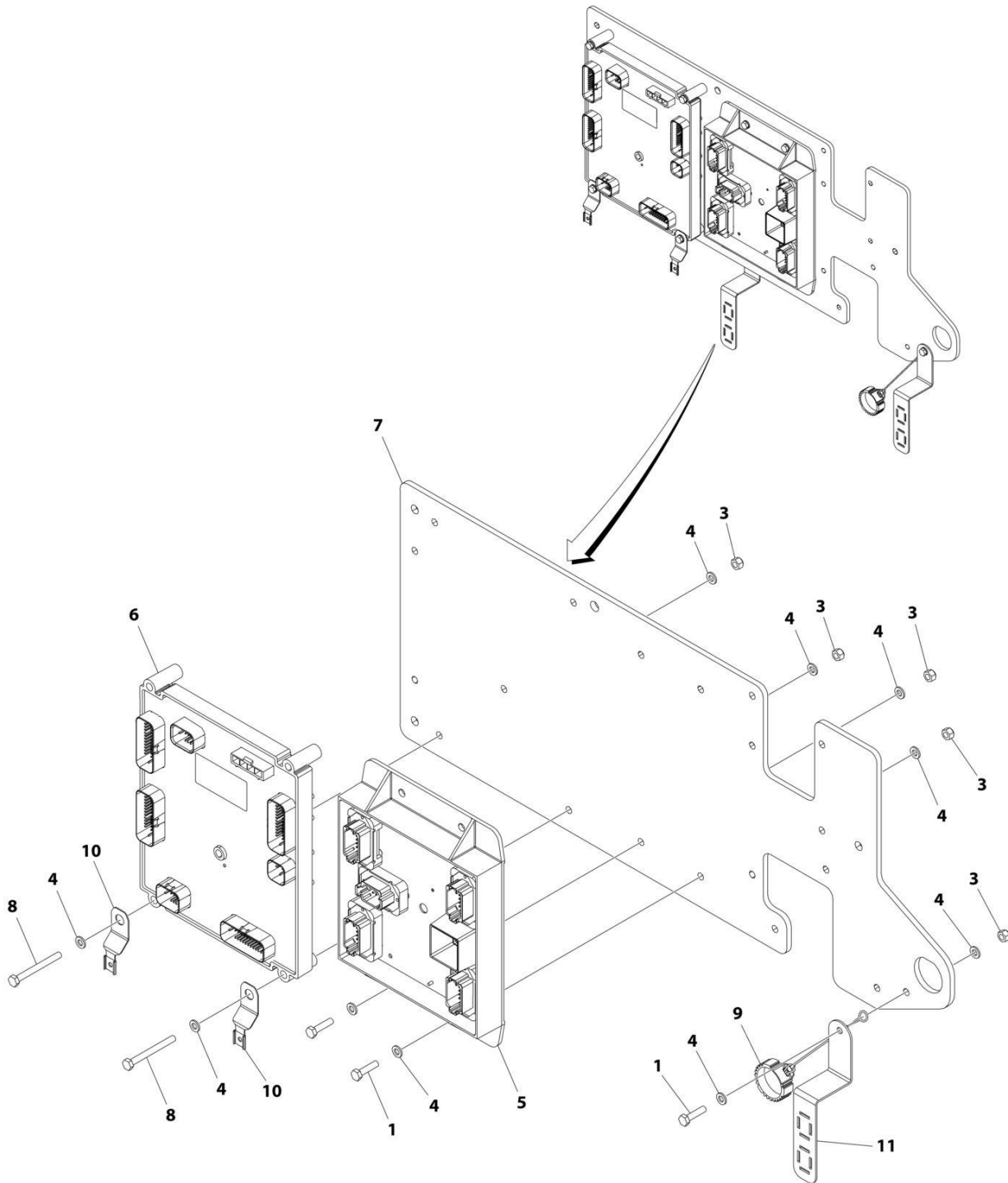
SECTION 2 - TURNTABLE

FIGURE 2-29. LIGHT PANEL

ITEM	PART NUMBER	QTY	DESCRIPTION	REV
	1001245176	Ref	LIGHT PANEL INSTALLATION	C
2	3300408	2	Nut	
3	0630518	4	Screw 10 x 3/4	
5	1001245206	1	Light Panel Assembly	
5	1001245160	1	Overlay	
5	1001238732	1	Light Panel	

SECTION 2 - TURNTABLE

FIGURE 2-30. ELECTRICAL PANEL ASSEMBLY



ART_1001156859_I

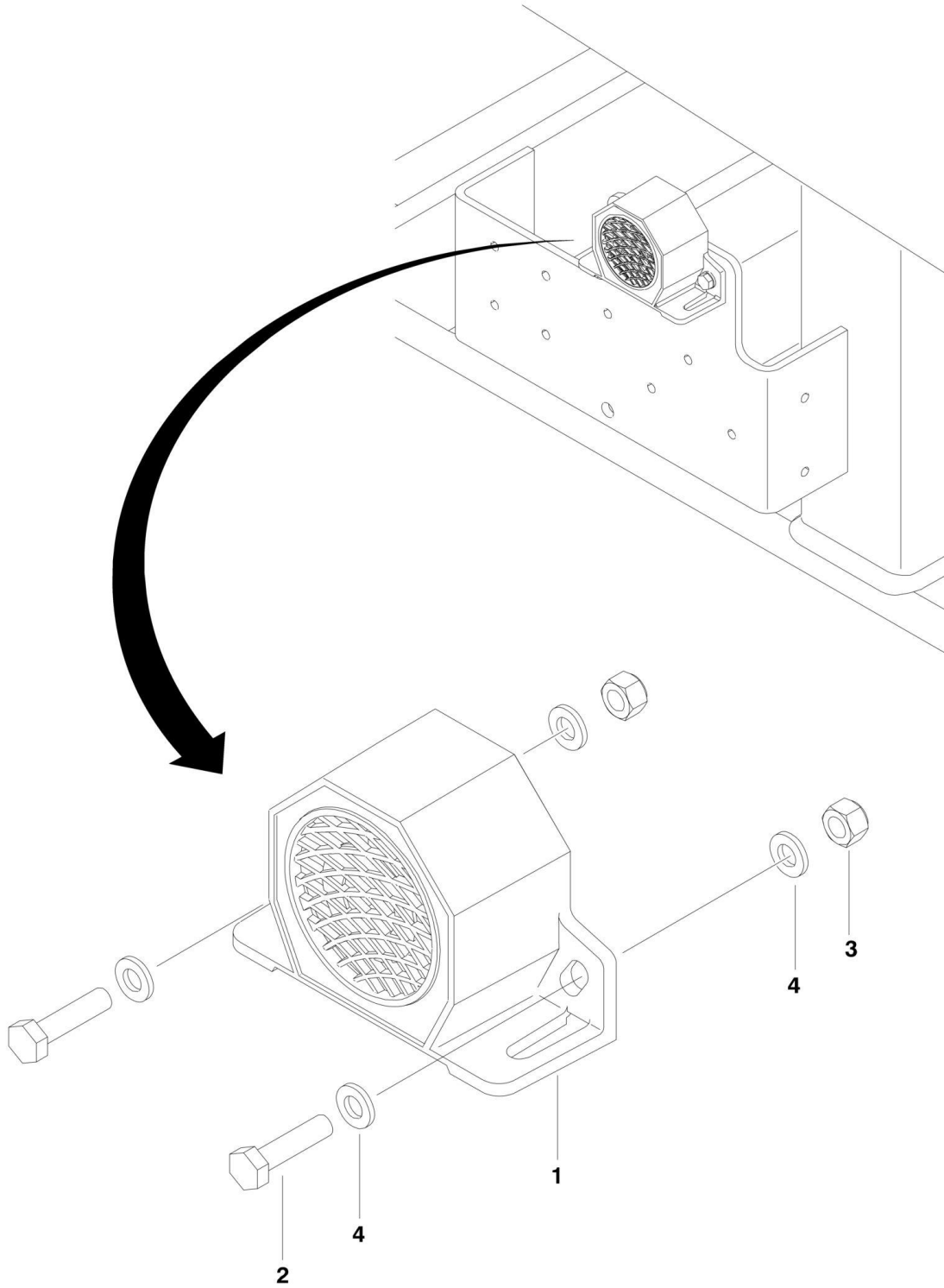
SECTION 2 - TURNTABLE

FIGURE 2-30. ELECTRICAL PANEL ASSEMBLY

ITEM	PART NUMBER	QTY	DESCRIPTION	REV
	1001156859	Ref	ELECTRICAL PANEL ASSEMBLY	I
1	0760612	5	Bolt M6 x 25	
3	3290605	9	Nut M6	
4	4811700	18	Washer M6	
5	1001227960	1	Module, Controller (Note: Control System Must Be Recalibrated When Controller is Replaced.)	
6	1001281100	1	Module, Controller (Note: Control System Must Be Recalibrated When Controller is Replaced.)	
7	1001227704	1	Plate	
8	0700620	4	Bolt M6 x 60	
9	1001106736	1	Cap, Dust	
10	1001120328	2	Mount, Connector	
11	1001159162	2	Bracket	

SECTION 2 - TURNTABLE

FIGURE 2-31. ALARM INSTALLATION



1001147879

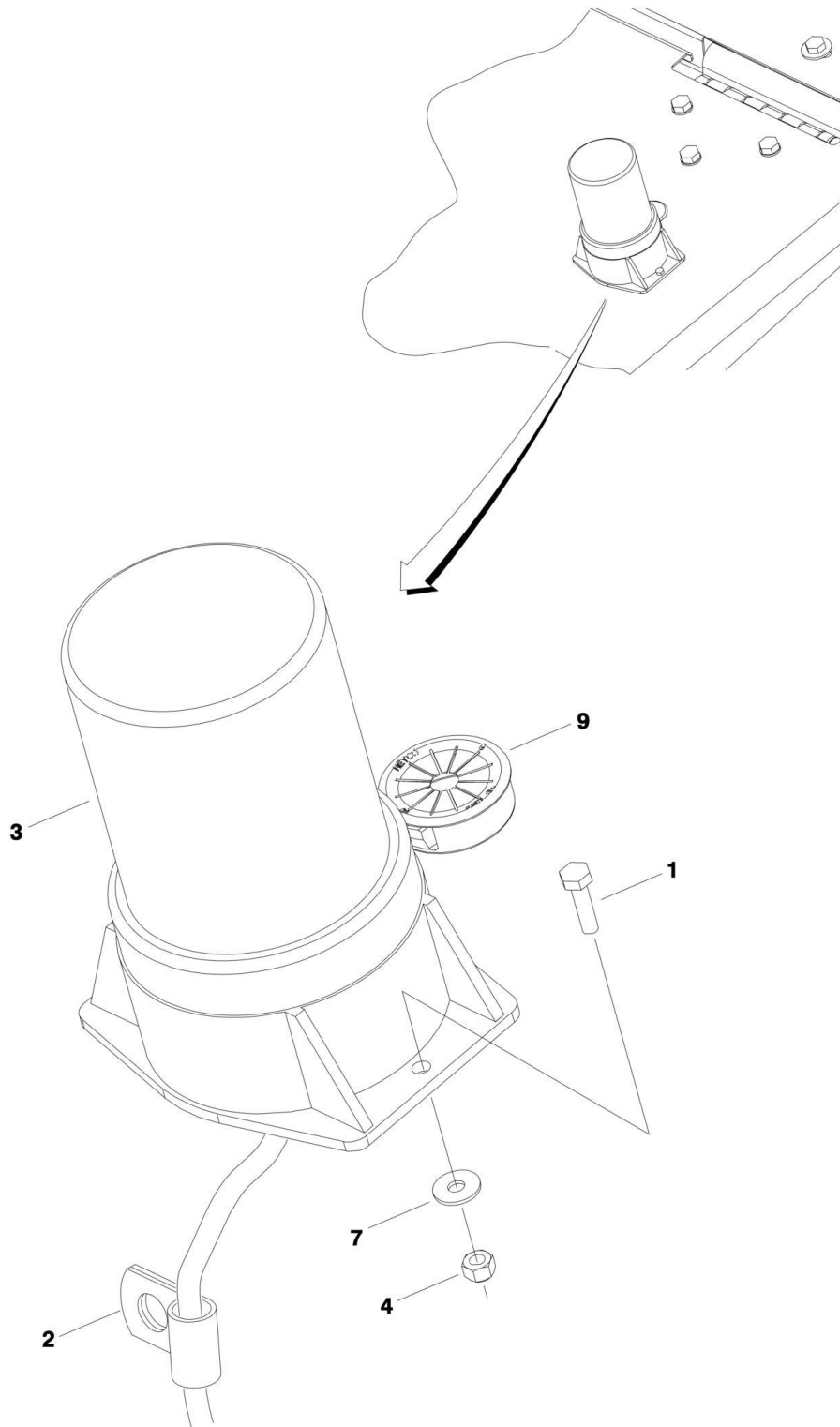
SECTION 2 - TURNTABLE

FIGURE 2-31. ALARM INSTALLATION

ITEM	PART NUMBER	QTY	DESCRIPTION	REV
	1001154030	Ref	ALARM INSTALLATION	A
1	0140043	1	Alarm	
1	4460536	1	Receptacle, Female - 3 Position	
1	4460943	3	Pin, Male	
2	0700612	2	Bolt M6 x 25	
3	3290605	2	Nut M6	
4	4811700	4	Washer M6	

SECTION 2 - TURNTABLE

FIGURE 2-32. BEACON LIGHT INSTALLATION - AMBER



ART_1001157031_D

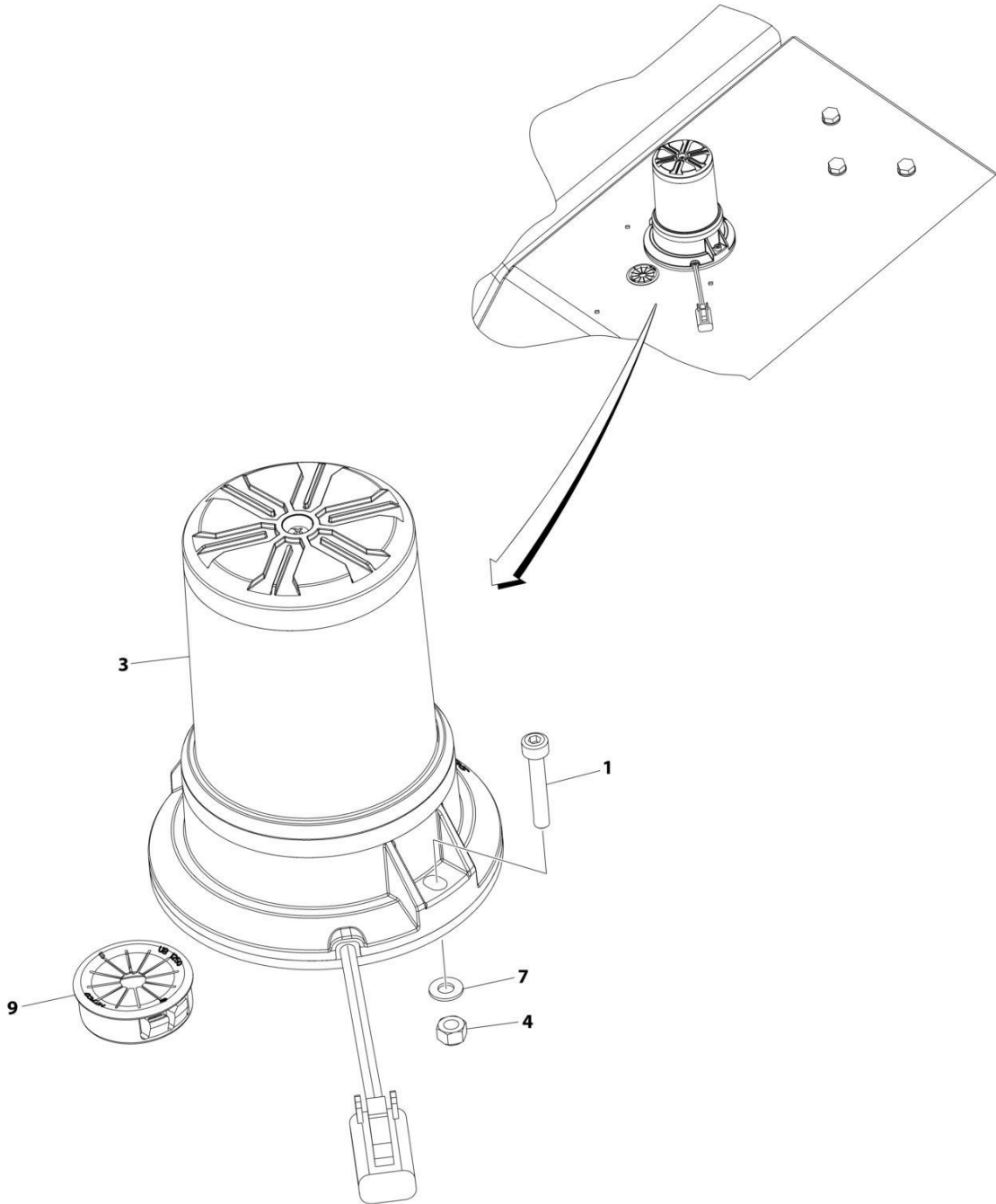
SECTION 2 - TURNTABLE

FIGURE 2-32. BEACON LIGHT INSTALLATION - AMBER

ITEM	PART NUMBER	QTY	DESCRIPTION	REV
	1001157031	Ref	BEACON LIGHT INSTALLATION - AMBER	D
1	4031509	2	Bolt M4 x 25	
2	1320263	2	Clamp	
3	1001270594	1	Strobe Light Assembly	
3	4460891	1	Connector	
3	4460465	2	Socket	
4	3290405	2	Nut M4	
7	4811400	2	Washer M4	
8	1001158989	1	Beacon Harness (Not Shown - See Separate Breakdown in ELECTRICAL Section)	
9	1001169085	1	Grommet	

SECTION 2 - TURNTABLE

FIGURE 2-33. BEACON LIGHT INSTALLATION - AMBER



ART_1001157031_E

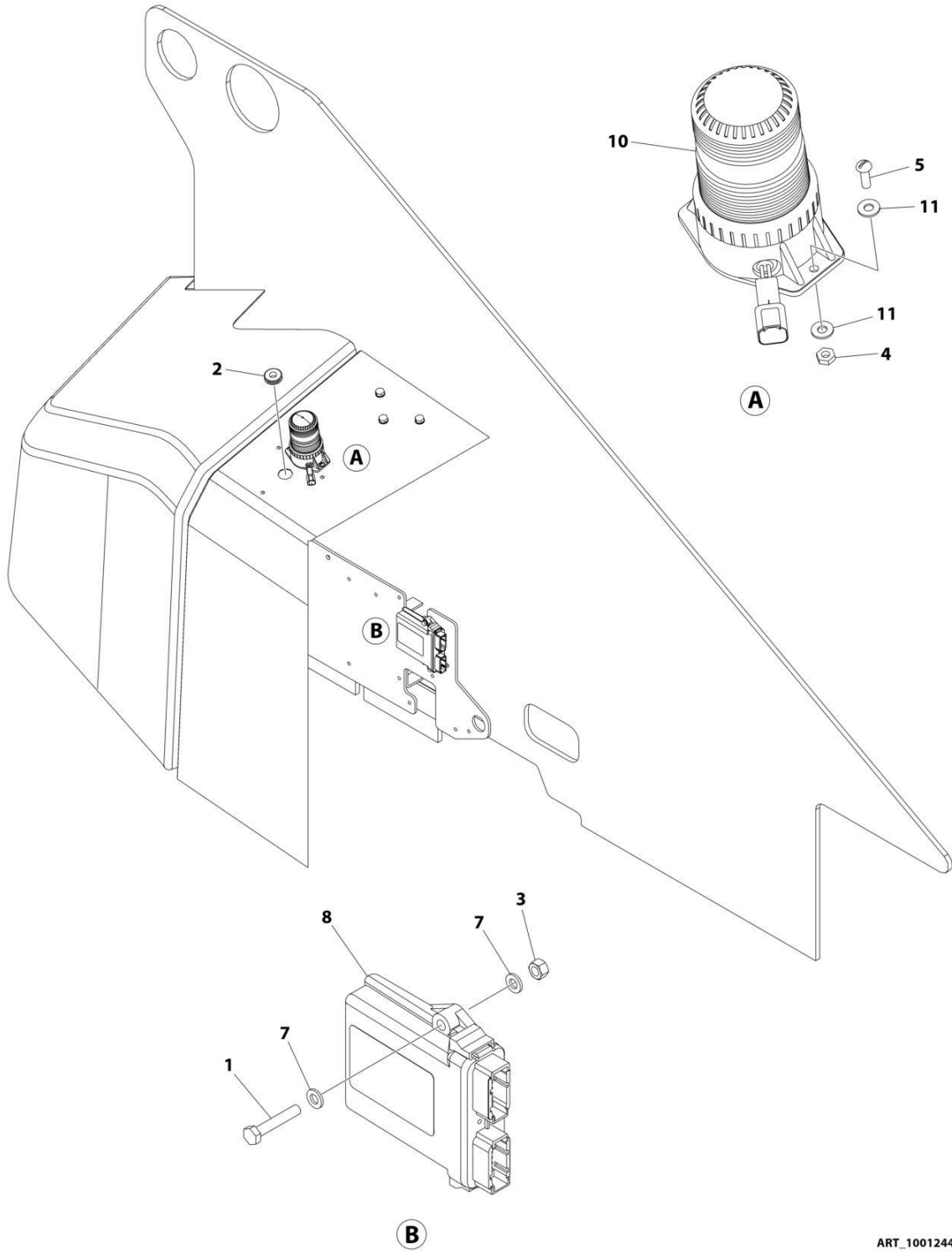
SECTION 2 - TURNTABLE

FIGURE 2-33. BEACON LIGHT INSTALLATION - AMBER

ITEM	PART NUMBER	QTY	DESCRIPTION	REV
	1001157031	Ref	BEACON LIGHT INSTALLATION - AMBER	E
1	4031509	2	Bolt M4 x 25	
3	1001270594	1	Strobe Light Assembly	
3	4460891	1	Connector	
3	4460465	2	Socket	
4	3290405	2	Nut M4	
7	4811400	2	Washer M4	
9	1001169085	1	Grommet	
10	1001283776	1	Harness, Jumper (Not Shown - See Separate Breakdown in ELECTRICAL Section)	

SECTION 2 - TURNTABLE

FIGURE 2-34. STROBE LIGHT INSTALLATION - BLUE



ART_100124453_B

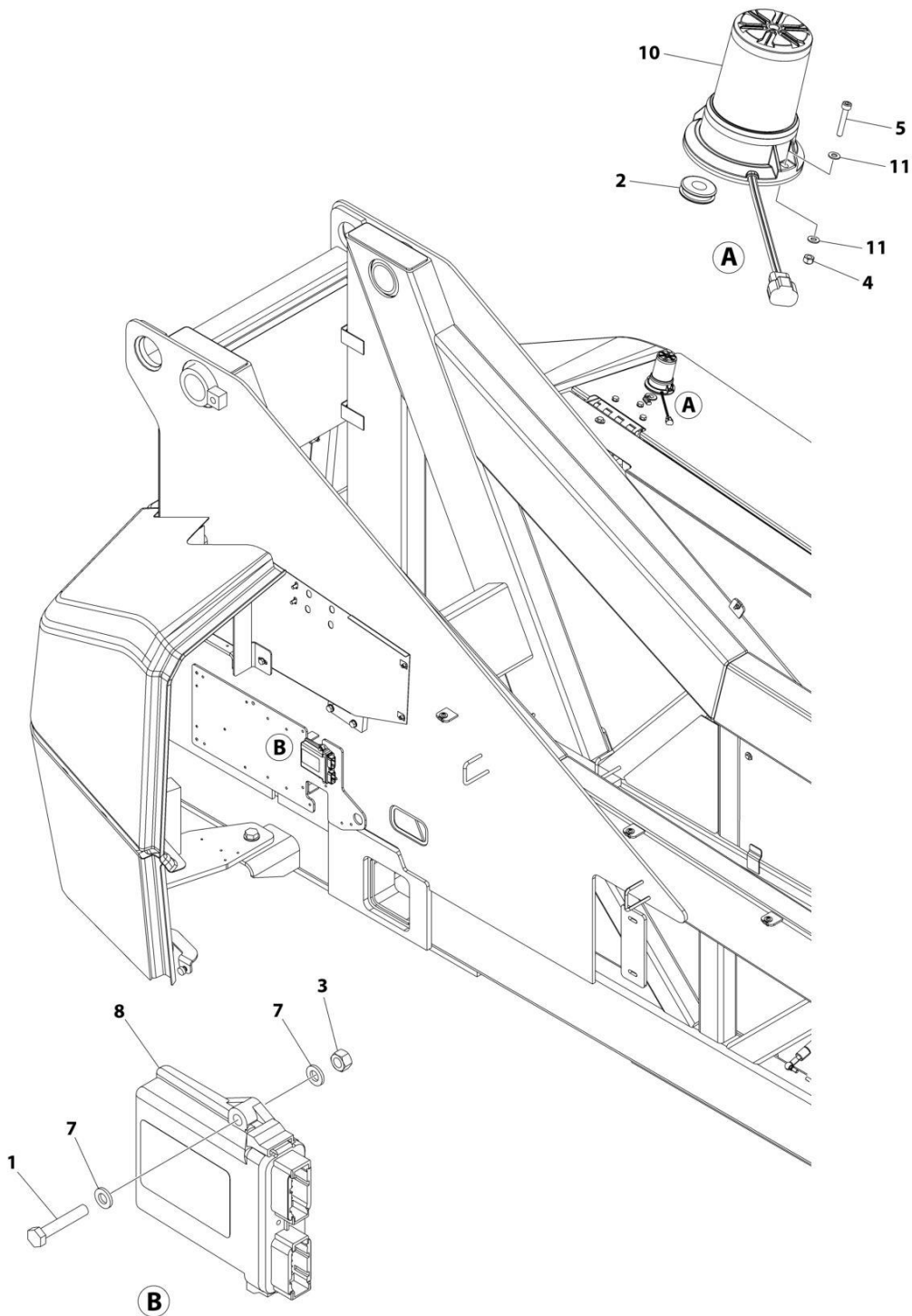
SECTION 2 - TURNTABLE

FIGURE 2-34. STROBE LIGHT INSTALLATION - BLUE

ITEM	PART NUMBER	QTY	DESCRIPTION	REV
	1001244453	Ref	STROBE LIGHT INSTALLATION - BLUE	B
1	0700615	2	Bolt M6 x 35	
2	2540020	1	Grommet	
3	3290607	2	Nut M6	
4	3290405	2	Nut, Lock M4	
5	4031509	2	Bolt M4 x 25	
7	4811700	4	Washer M6	
8	1001142683	1	Module, Control Beacon	
9	1001142736	1	Beacon Control Harness (Not Shown - See Separate Breakdown in ELECTRICAL Section)	
10	1001272681	1	Lamp, Blue Beacon	
10	4460897	1	Connector	
10	4460464	2	Pin	
11	4811400	2	Washer M4	

SECTION 2 - TURNTABLE

FIGURE 2-35. STROBE LIGHT INSTALLATION - BLUE



ART_1001244453_C

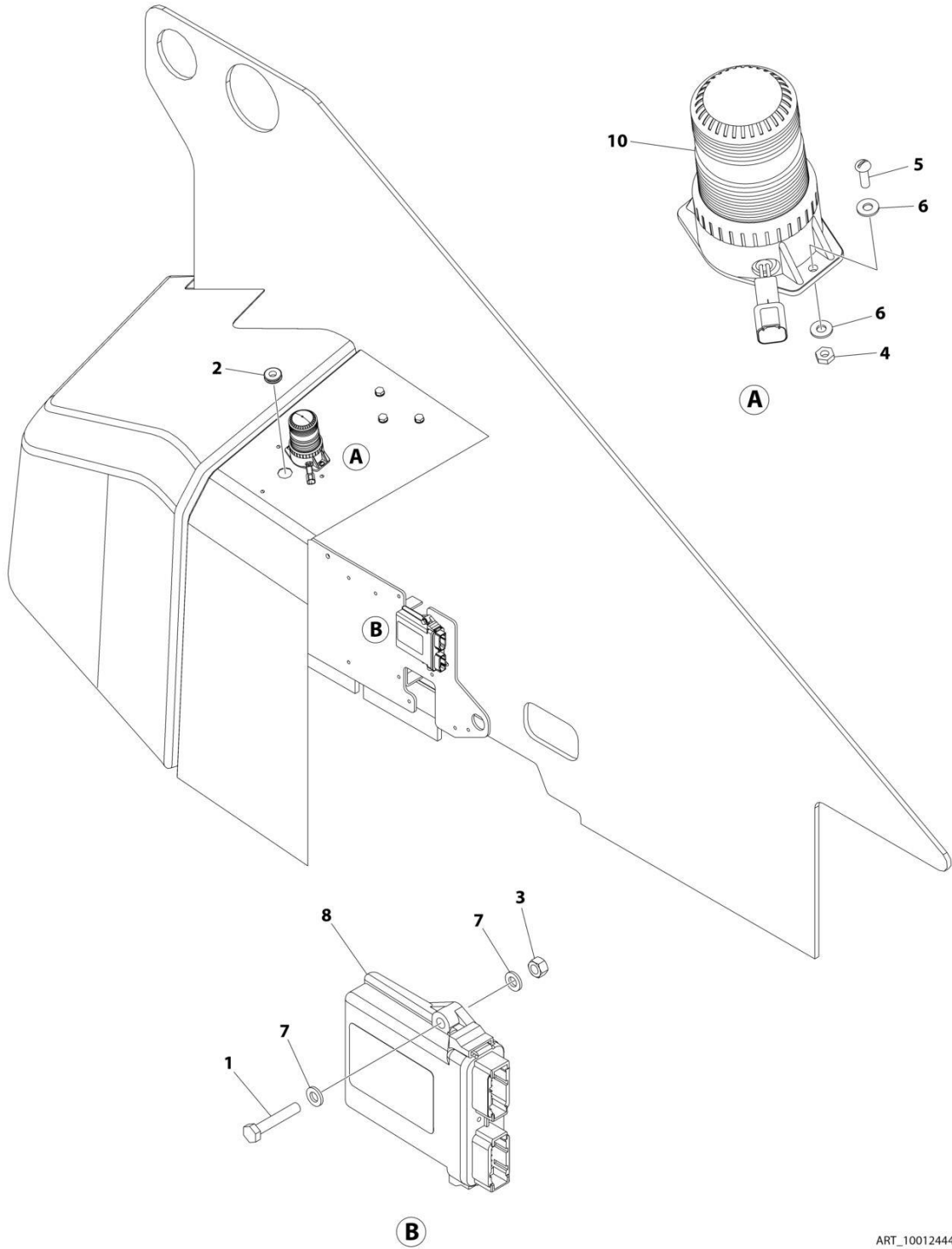
SECTION 2 - TURNTABLE

FIGURE 2-35. STROBE LIGHT INSTALLATION - BLUE

ITEM	PART NUMBER	QTY	DESCRIPTION	REV
	1001244453	Ref	STROBE LIGHT INSTALLATION - BLUE	C
1	0700615	2	Bolt M6 x 35	
2	2540020	1	Grommet	
3	3290607	2	Nut M6	
4	3290405	2	Nut, Lock M4	
5	4031509	2	Bolt M4 x 25	
7	4811700	4	Washer M6	
8	1001142683	1	Module, Control Beacon	
9	1001142736	1	Beacon Control Harness (Not Shown - See Separate Breakdown in ELECTRICAL Section)	
10	1001272681	1	Lamp, Blue Beacon	
10	4460897	1	Connector	
10	4460464	2	Pin	
11	4811400	4	Washer M4	
12	1001285733	1	Harness, Jumper (Not Shown - See Separate Breakdown in ELECTRICAL Section)	

SECTION 2 - TURNTABLE

FIGURE 2-36. STROBE LIGHT INSTALLATION - RED



ART_1001244454

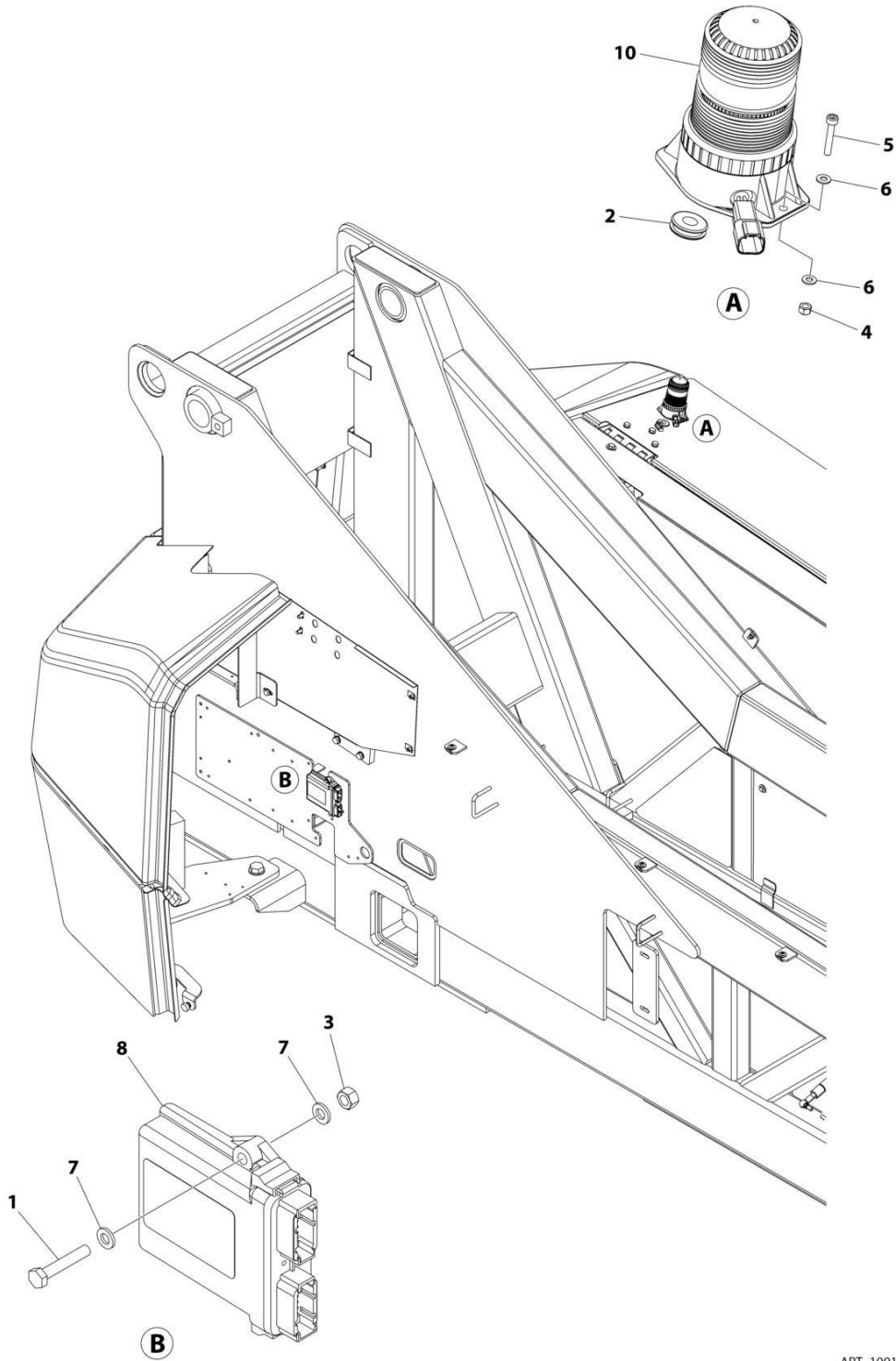
SECTION 2 - TURNTABLE

FIGURE 2-36. STROBE LIGHT INSTALLATION - RED

ITEM	PART NUMBER	QTY	DESCRIPTION	REV
	1001244454	Ref	STROBE LIGHT INSTALLATION - RED	A
1	0700615	2	Bolt M6 x 35	
2	2540020	1	Grommet	
3	3290607	2	Nut M6	
4	3311005	2	Nut #10	
5	3911010	2	Screw #10 x 5/8	
6	4711000	4	Washer #10	
7	4811700	4	Washer M6	
8	1001142683	1	Module, Beacon Control	
9	1001142736	1	Beacon Control Harness (Not Shown - See Separate Breakdown in ELECTRICAL SECTION)	
10	1001207004	1	Light, Strobe	
10	7028909	1	Connector - 2 Position	
10	4460943	2	Pin, Male	

SECTION 2 - TURNTABLE

FIGURE 2-37. STROBE LIGHT INSTALLATION - RED



ART_1001244454_B

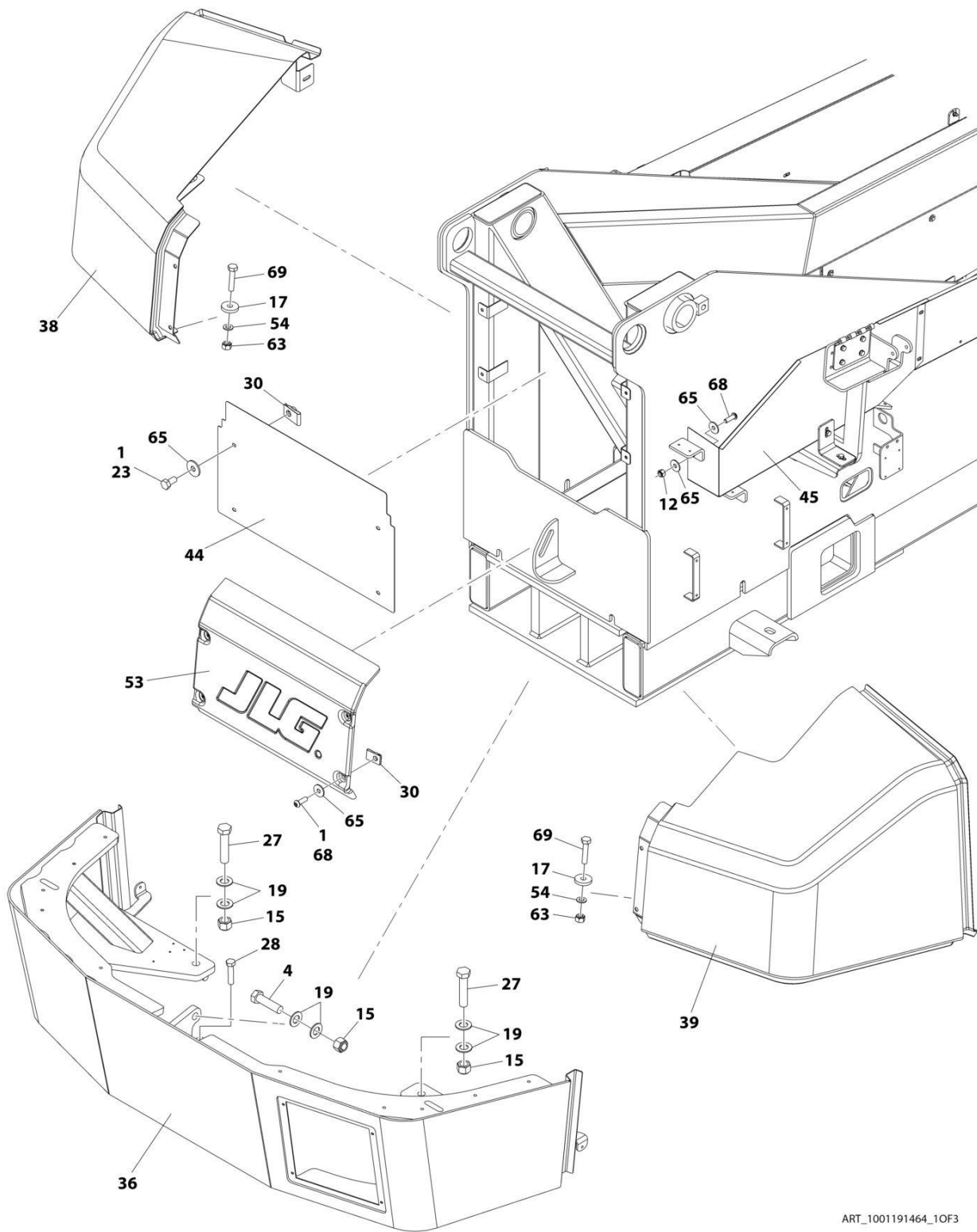
SECTION 2 - TURNTABLE

FIGURE 2-37. STROBE LIGHT INSTALLATION - RED

ITEM	PART NUMBER	QTY	DESCRIPTION	REV
	1001244454	Ref	STROBE LIGHT INSTALLATION - RED	B
1	0700615	2	Bolt M6 x 35	
2	2540020	1	Grommet	
3	3290607	2	Nut M6	
4	3290405	2	Nut, Lock M4	
5	4031509	2	Bolt M4 x 25	
6	4811400	4	Washer M4	
7	4811700	4	Washer M6	
8	1001142683	1	Module, Beacon Control	
9	1001142736	1	Beacon Control Harness (Not Shown - See Separate Breakdown in ELECTRICAL Section)	
10	1001207004	1	Light, Strobe	
10	7028909	1	Connector	
10	4460943	2	Pin	
11	1001285733	1	Harness, Jumper (Not Shown - See Separate Breakdown in ELECTRICAL Section)	

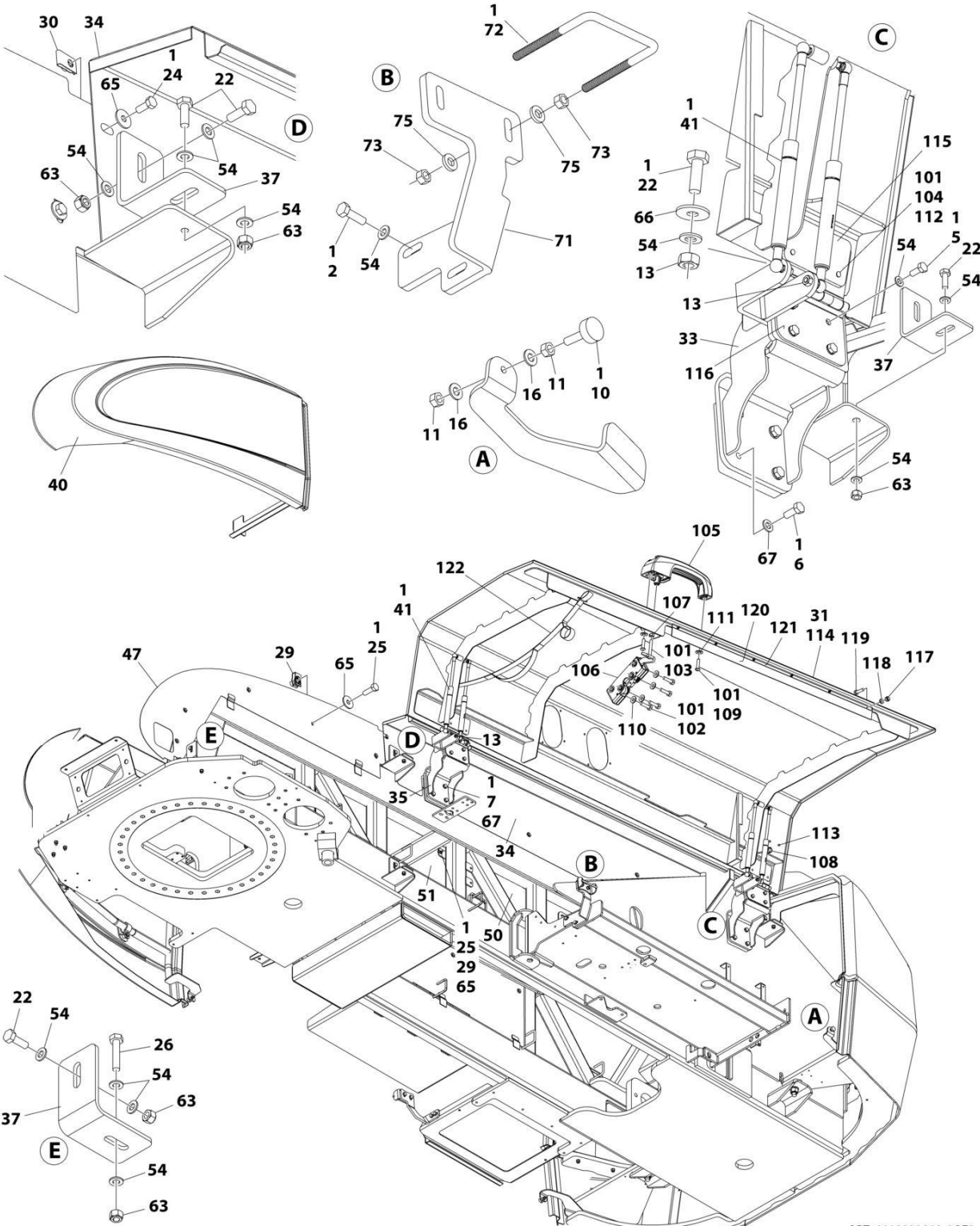
SECTION 2 - TURNTABLE

FIGURE 2-38. HOOD INSTALLATION



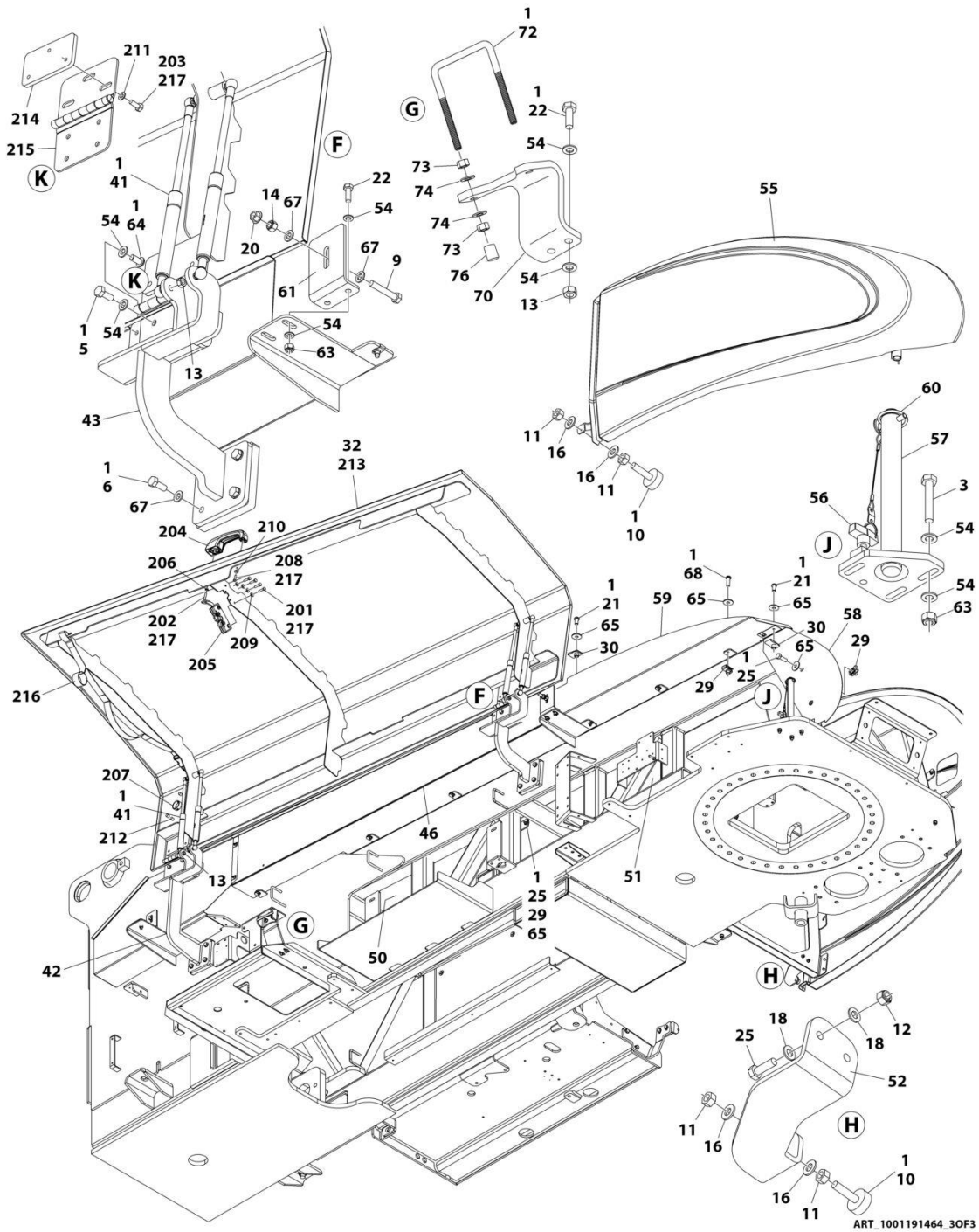
ART_1001191464_10F3

SECTION 2 - TURNTABLE



ART_1001191464_20F3

SECTION 2 - TURNTABLE



ART_1001191464_3OF3

SECTION 2 - TURNTABLE

FIGURE 2-38. HOOD INSTALLATION

ITEM	PART NUMBER	QTY	DESCRIPTION	REV
	1001191464	Ref	HOOD INSTALLATION	G
		Ref	Note: Replacement Decals Must Be Ordered Separately - See DECALS SECTION.	
1	0100011	AR	Compound, Locking	
2	0701015	2	Bolt M10 x 35	
3	0701020	3	Bolt M10 x 60	
4	0712426	1	Bolt M24 x 90 Grade 10.9	
5	0761012	16	Bolt M10 x 25	
6	0761214	12	Bolt M12 x 30	
7	0761216	4	Bolt M12 x 40	
9	0761222	1	Bolt M12 x 70	
10	0940049	4	Stopper	
11	3271501	8	Nut 5/16 Grade 8	
12	3290805	3	Nut M8	
13	3291007	11	Nut M10	
14	3291205	1	Nut, Lock M12	
15	3292405	3	Nut M24	
16	4711500	8	Washer 5/16	
17	4740572	10	Washer M10	
18	4811900	4	Washer M8	
19	5242400	6	Washer M24	
20	5261200	1	Nut M12	
21	0630615001	8	Bolt M8 x 16	
22	0701014001	15	Bolt M10 x 30	
23	0760808001	4	Bolt M8 x 16	
24	0760810001	2	Bolt M8 x 20	
25	0760812001	24	Bolt M8 x 25	
26	0761018001	1	Bolt M10 x 50	
27	1001095136	2	Screw M24 x 110 Grade 10.9	
28	1001110853	1	Bolt M16 x 70	
29	1001118274	28	Nut M8	
30	1001149160	18	Nut, Tinnerman	
31	1001155438	1	Hood - Engine Side (See Items 101-122 for Breakdown)	
32	1001155456	1	Hood - Tank Side (See Items 201-217 for Breakdown)	
33	1001155591	2	Bracket	
34	1001155734	1	Cover	
35	1001155832	1	Plate	
36	1001196553	1	Cover, Counterweight	
37	1001155902	5	Bracket	
38	1001155908	1	Cover	
39	1001155909	1	Cover	
40	1001155918	1	Cover	
41	1001227710	8	Spring, Gas	
42	1001156456	1	Bracket	
43	1001156457	1	Bracket	
44	1001156520	1	Panel	
45	1001157217	1	Trough	
46	1001157218	1	Trough	
47	1001157224	1	Panel	
50	1001159652	2	Cover	

SECTION 2 - TURNTABLE

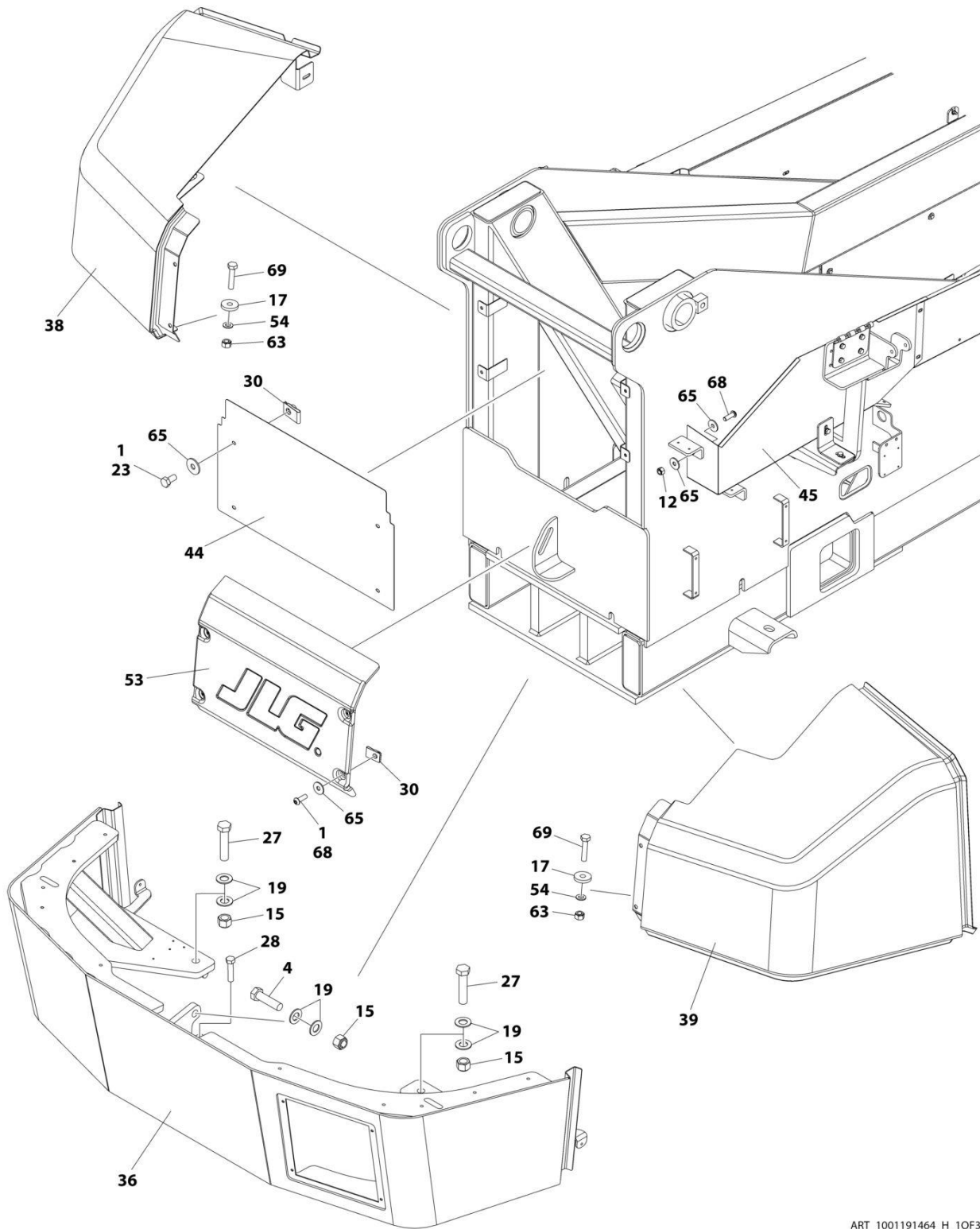
ITEM	PART NUMBER	QTY	DESCRIPTION	REV
51	1001159653	2	Cover	
52	1001165306	1	Brace	
53	1001169081	1	Cover	
54	1001172358	68	Washer M10	
55	1001172781	1	Cover	
55	1001174516	1	Receiver	
55	1001183003	2	Bearing, Flange	
56	1001174514	1	Pin, T-Handle	
57	1001174520	1	Pin, Hood Hinge	
58	1001174596	1	Panel	
59	1001174597	1	Though	
60	1001183022	1	Pin	
61	1001183047	1	Bracket	
63	3291005001	25	Nut, Lock M10	
64	3900393001	4	Screw M10 x 20	
65	4811902001	48	Washer M8	
66	4812002001	2	Washer M10	
67	4812100001	18	Washer M12	
68	8310643001	11	Bolt M8 x 25	
69	0761016001	10	Bolt M10 x 40	
70	1001250304	1	Bracket	
71	1001250302	1	Bracket	
72	1001243414	2	Bolt 3/8 x 4 x 4 5/8	
73	3311601	8	Nut 3/8	
74	4711600	4	Washer 3/8	
75	4891600	1	Washer 3/8	
76	1001218572	2	Cap, Vinyl	
	1001155438	Ref	HOOD ASSEMBLY - ENGINE SIDE	F
		Ref	Note: Replacement Decals Must be Ordered Separately - See DECAL SECTION.	
101	0100011	AR	Compound, Locking	
102	0641408	4	Bolt 1/4 x1	
103	0700616	1	Bolt 5/16 x 3/4	
104	0761012	6	Bolt M10 x 25 (Yellow)	
104	0761012001	6	Bolt M10 x 25 (Black)	
105	2560187	1	Handle, Push Button	
106	2940173	1	Latch	
107	3290601	1	Nut M6	
108	3520032	1	Plug	
109	3900363	2	Screw M6 x 25	
110	4711400	4	Washer 1/4	
111	4811900	2	Washer M8	
112	4812000	6	Washer M10 (Yellow)	
112	1001172358	6	Washer M10 (Black)	
113	3520173	2	Plug	
114	1001155437	1	Hood	
115	1001155584	2	Plate	
116	1001156347	2	Hinge	
117	3290605	6	Nut M6	
118	4811700	6	Washer M6	
119	0760612	6	Bolt M6 x 25	
120	1001157906	1	Seal	

SECTION 2 - TURNTABLE

ITEM	PART NUMBER	QTY	DESCRIPTION	REV
121	1001157907	1	Plate	F
122	1001160505	1	Strap	
	1001155456	Ref	HOOD ASSEMBLY - TANK SIDE	
		Ref	Note: Replacement Decals Must be Ordered Separately - See DECAL SECTION.	
201	0641408	4	Bolt 1/4 x1	
202	0700616	1	Bolt 5/16 x 3/4	
203	0761012001	6	Bolt M10 x 25	
204	2560187	1	Handle, Push Button	
205	2940173	1	Latch	
206	3290601	1	Nut M6	
207	3520032	1	Plug	
208	3900363	2	Screw M6 x 25	
209	4711400	4	Washer 1/4	
210	4811900	2	Washer M8	
211	1001172358	6	Washer M10	
212	3520173	5	Plug	
213	1001155454	1	Hood	
214	1001155584	2	Plate	
215	1001156347	2	Hinge	
216	1001160505	1	Strap	
217	0100011	AR	Compound, Locking	

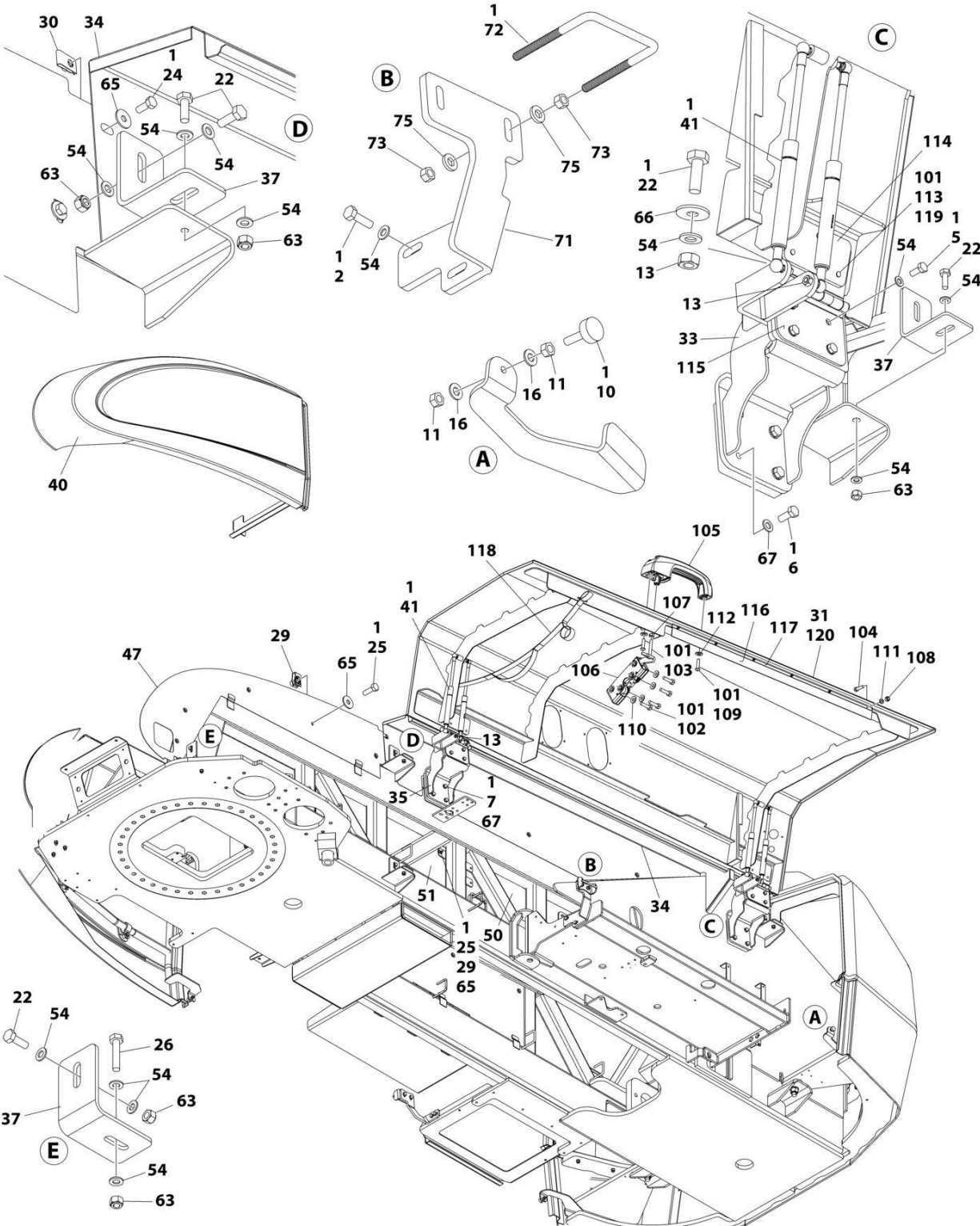
SECTION 2 - TURNTABLE

FIGURE 2-39. HOOD INSTALLATION



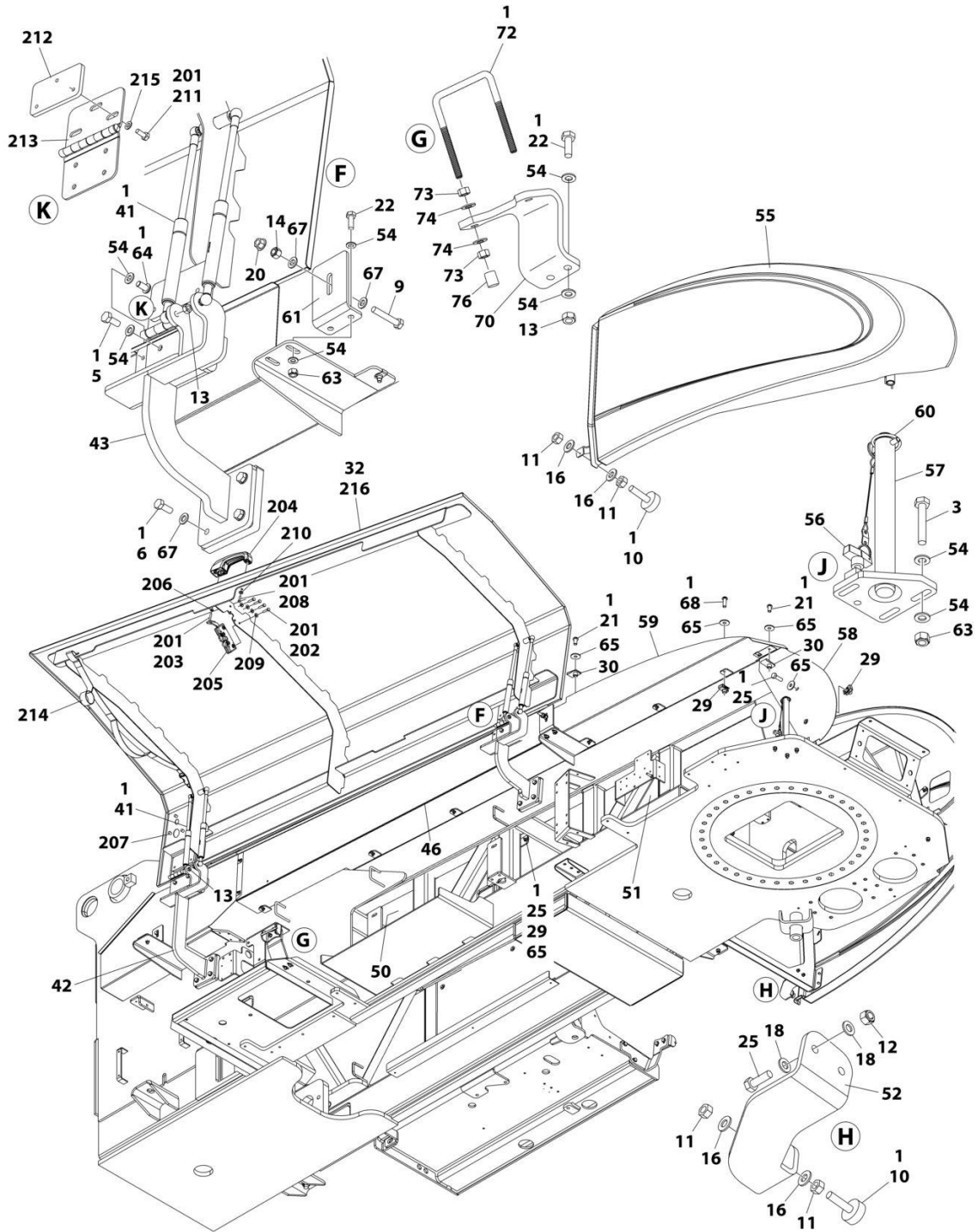
ART_1001191464_H_10F3

SECTION 2 - TURNTABLE



ART_1001191464_H_20F3

SECTION 2 - TURNTABLE



ART_1001191464_H_30F3

SECTION 2 - TURNTABLE

FIGURE 2-39. HOOD INSTALLATION

ITEM	PART NUMBER	QTY	DESCRIPTION	REV
	1001191464	Ref	HOOD INSTALLATION	H
		Ref	Note: Replacement Decals Must Be Ordered Separately - See DECALS Section.	
1	0100011	AR	Compound, Locking	
2	0701015	2	Bolt M10 x 35	
3	0701020	3	Bolt M10 x 60	
4	0712426	1	Bolt M24 x 90 Grade 10.9	
5	0761012	16	Bolt M10 x 25	
6	0761214	12	Bolt M12 x 30	
7	0761216	4	Bolt M12 x 40	
9	0761222	1	Bolt M12 x 70	
10	0940049	4	Stopper	
11	3271501	8	Nut 5/16 Grade 8	
12	3290805	3	Nut M8	
13	3291007	11	Nut M10	
14	3291205	1	Nut, Lock M12	
15	3292405	3	Nut M24	
16	4711500	8	Washer 5/16	
17	4740572	10	Washer M10	
18	4811900	4	Washer M8	
19	5242400	6	Washer M24	
20	5261200	1	Nut M12	
21	0630615001	8	Bolt M8 x 16	
22	0701014001	15	Bolt M10 x 30	
23	0760808001	4	Bolt M8 x 16	
24	0760810001	2	Bolt M8 x 20	
25	0760812001	24	Bolt M8 x 25	
26	0761018001	1	Bolt M10 x 50	
27	1001095136	2	Screw M24 x 110 Grade 10.9	
28	1001110853	1	Bolt M16 x 70	
29	1001118274	28	Nut M8	
30	1001149160	18	Nut, Tinnerman	
31	1001286281	1	Hood - Engine Side (See Items 101-120 for Breakdown)	
32	1001286284	1	Hood - Tank Side (See Items 201-216 for Breakdown)	
33	1001155591	2	Bracket	
34	1001155734	1	Cover	
35	1001155832	1	Plate	
36	1001196553	1	Cover, Counterweight	
37	1001155902	5	Bracket	
38	1001155908	1	Cover	
39	1001155909	1	Cover	
40	1001155918	1	Cover	
41	1001227710	8	Spring, Gas	
42	1001156456	1	Bracket	
43	1001156457	1	Bracket	
44	1001156520	1	Panel	
45	1001157217	1	Trough	
46	1001157218	1	Trough	
47	1001157224	1	Panel	
50	1001159652	2	Cover	

SECTION 2 - TURNTABLE

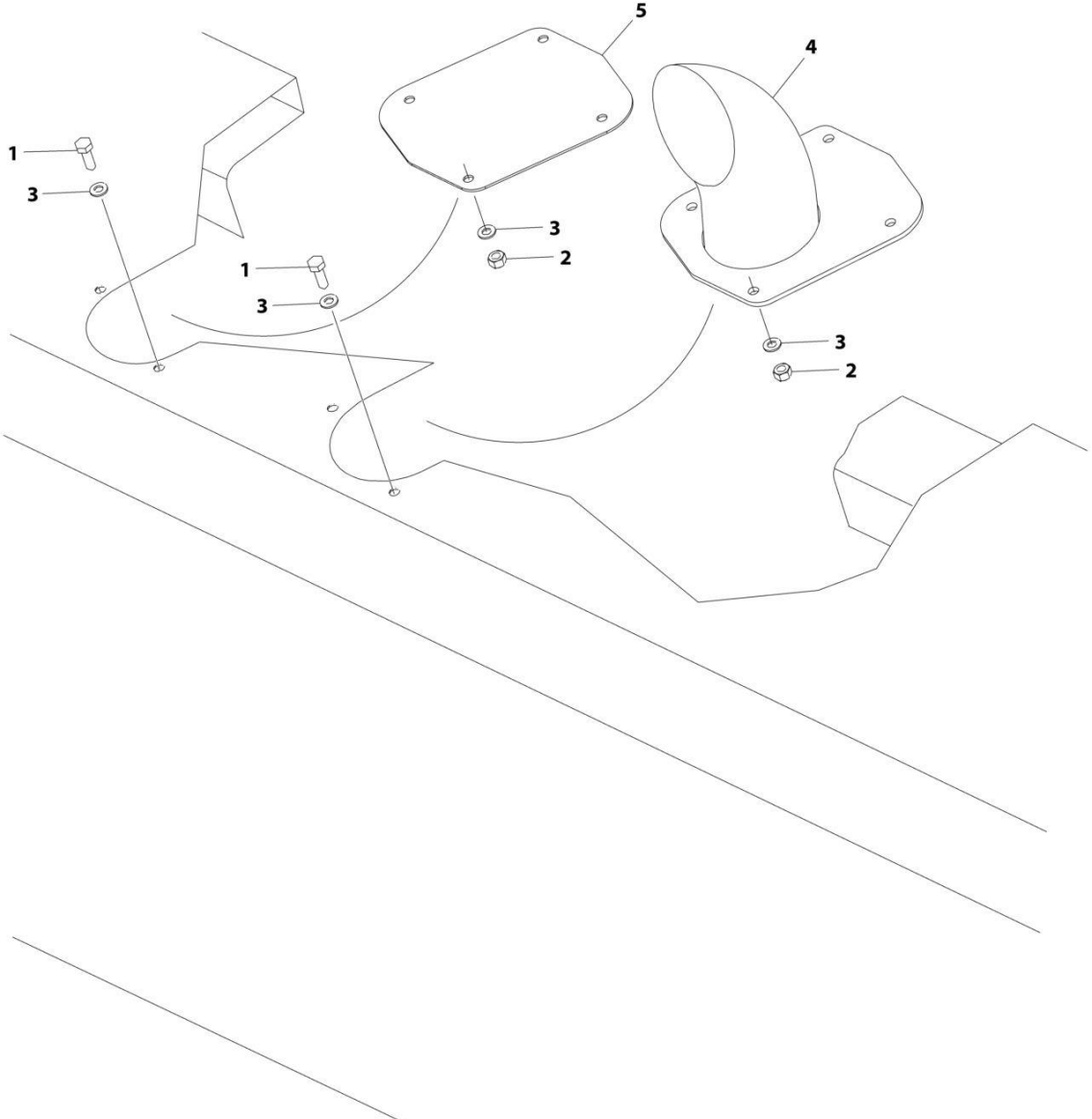
ITEM	PART NUMBER	QTY	DESCRIPTION	REV
51	1001159653	2	Cover	
52	1001165306	1	Brace	
53	1001169081	1	Cover	
54	1001172358	68	Washer M10	
55	1001172781	1	Cover	
55	1001174516	1	Receiver	
55	1001183003	2	Bearing, Flange	
56	1001174514	1	Pin, T-Handle	
57	1001174520	1	Pin, Hood Hinge	
58	1001174596	1	Panel	
59	1001174597	1	Though	
60	1001183022	1	Pin	
61	1001183047	1	Bracket	
63	3291005001	25	Nut, Lock M10	
64	3900393001	4	Screw M10 x 20	
65	4811902001	48	Washer M8	
66	4812002001	2	Washer M10	
67	4812100001	18	Washer M12	
68	8310643001	11	Bolt M8 x 25	
69	0761016001	10	Bolt M10 x 40	
70	1001250304	1	Bracket	
71	1001250302	1	Bracket	
72	1001243414	2	Bolt 3/8 x 4 x 4 5/8	
73	3311601	8	Nut 3/8	
74	4711600	4	Washer 3/8	
75	4891600	4	Washer 3/8	
76	1001218572	2	Cap, Vinyl	
	1001286281	Ref	HOOD ASSEMBLY - ENGINE SIDE	A
		Ref	Note: Replacement Decals Must be Ordered Separately - See DECAL Section.	
101	0100011	AR	Compound, Locking	
102	0641408	4	Bolt 1/4 x 1	
103	0700616	1	Bolt M6 x 40	
104	0760612	6	Bolt M6 x 25	
105	2560187	1	Handle, Push Button	
106	2940173	1	Latch	
107	3290601	1	Nut M6	
108	3290605	6	Nut, Lock M6	
109	3900363	2	Capscrew M6 x 25	
110	4711400	4	Washer 1/4	
111	4811700	6	Washer M6	
112	4811900	2	Washer M8	
113	0761012001	6	Bolt M10 x 25	
114	1001155584	2	Plate	
115	1001156347	2	Hinge	
116	1001157906	1	Seal	
117	1001157907	1	Plate	
118	1001160505	1	Strap	
119	1001172358	6	Washer M10	
120	1001286280	1	Hood	
	1001286284	Ref	HOOD ASSEMBLY - TANK SIDE	A

SECTION 2 - TURNTABLE

ITEM	PART NUMBER	QTY	DESCRIPTION	REV
		Ref	Note: Replacement Decals Must be Ordered Separately - See DECAL Section.	
201	0100011	AR	Compound, Locking	
202	0641408	4	Bolt 1/4 x 1	
203	0700616	1	Bolt M6 x 40	
204	2560187	1	Handle, Push Button	
205	2940173	1	Latch	
206	3290601	1	Nut M6	
207	3520173	3	Plug	
208	3900363	2	Capscrew M6 x 25	
209	4711400	4	Washer 1/4	
210	4811900	2	Washer M8	
211	0761012001	6	Bolt M10 x 25	
212	1001155584	2	Plate	
213	1001156347	2	Hinge	
214	1001160505	1	Strap	
215	1001172358	6	Washer M10	
216	1001286283	1	Hood	

SECTION 2 - TURNTABLE

FIGURE 2-40. VENTURI INSTALLATION (HRC) (ANSI, ANSI EXPORT, CSA, JAPANESE, CE & UK CA)



ART_1001161488

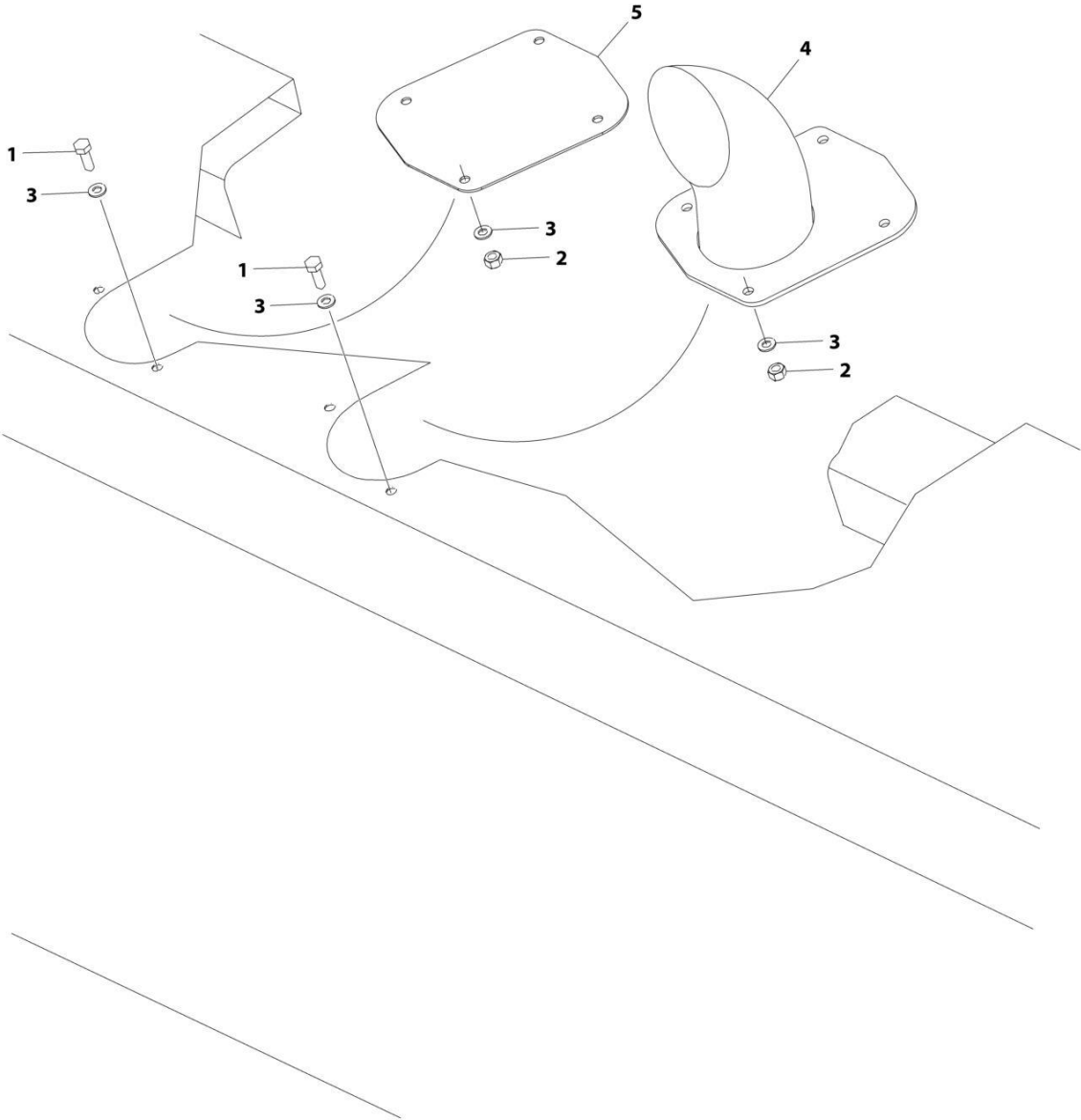
SECTION 2 - TURNTABLE

FIGURE 2-40. VENTURI INSTALLATION (HRC) (ANSI, ANSI EXPORT, CSA, JAPANESE, CE & UK CA)

ITEM	PART NUMBER	QTY	DESCRIPTION	REV
	1001161488	Ref	VENTURI INSTALLATION (HRC)	E
1	0701014001	8	Bolt M10 x 30	
2	3291005001	8	Nut M10	
3	1001172358	16	Washer M10	
4	1001155527	1	Venturi, Exhaust	
5	1001190927	1	Panel	

SECTION 2 - TURNTABLE

FIGURE 2-41. VENTURI INSTALLATION (LRC) (ANSI EXPORT, AUSTRALIAN, CHINA, CE & UK CA)



ART_1001190032

SECTION 2 - TURNTABLE

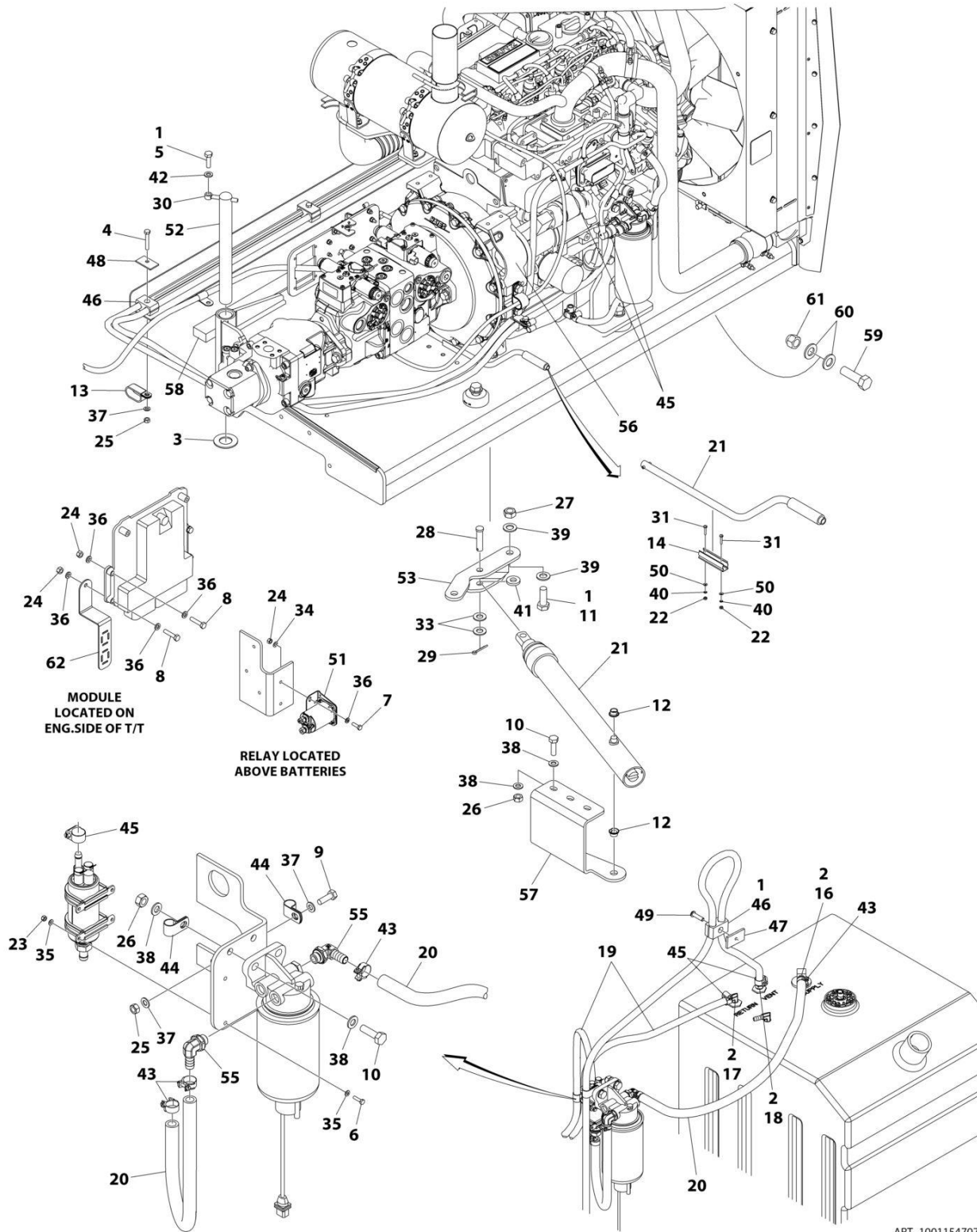
FIGURE 2-41. VENTURI INSTALLATION (LRC) (ANSI EXPORT, AUSTRALIAN, CHINA, CE & UK CA)

ITEM	PART NUMBER	QTY	DESCRIPTION	REV
	1001190032	Ref	VENTURI INSTALLATION (LRC)	B
1	0701014001	8	Bolt M10 x 30	
2	3291005001	8	Nut M10	
3	1001172358	16	Washer M10	
4	1001161470	1	Venturi, Exhaust	
5	1001190927	1	Panel	

SECTION 3 - ENGINE

SECTION 3 - ENGINE

FIGURE 3-1. DEUTZ LRC ENGINE INSTALLATION - WITHOUT COLD WEATHER PKG



SECTION 3 - ENGINE

FIGURE 3-1. DEUTZ LRC ENGINE INSTALLATION - WITHOUT COLD WEATHER PKG

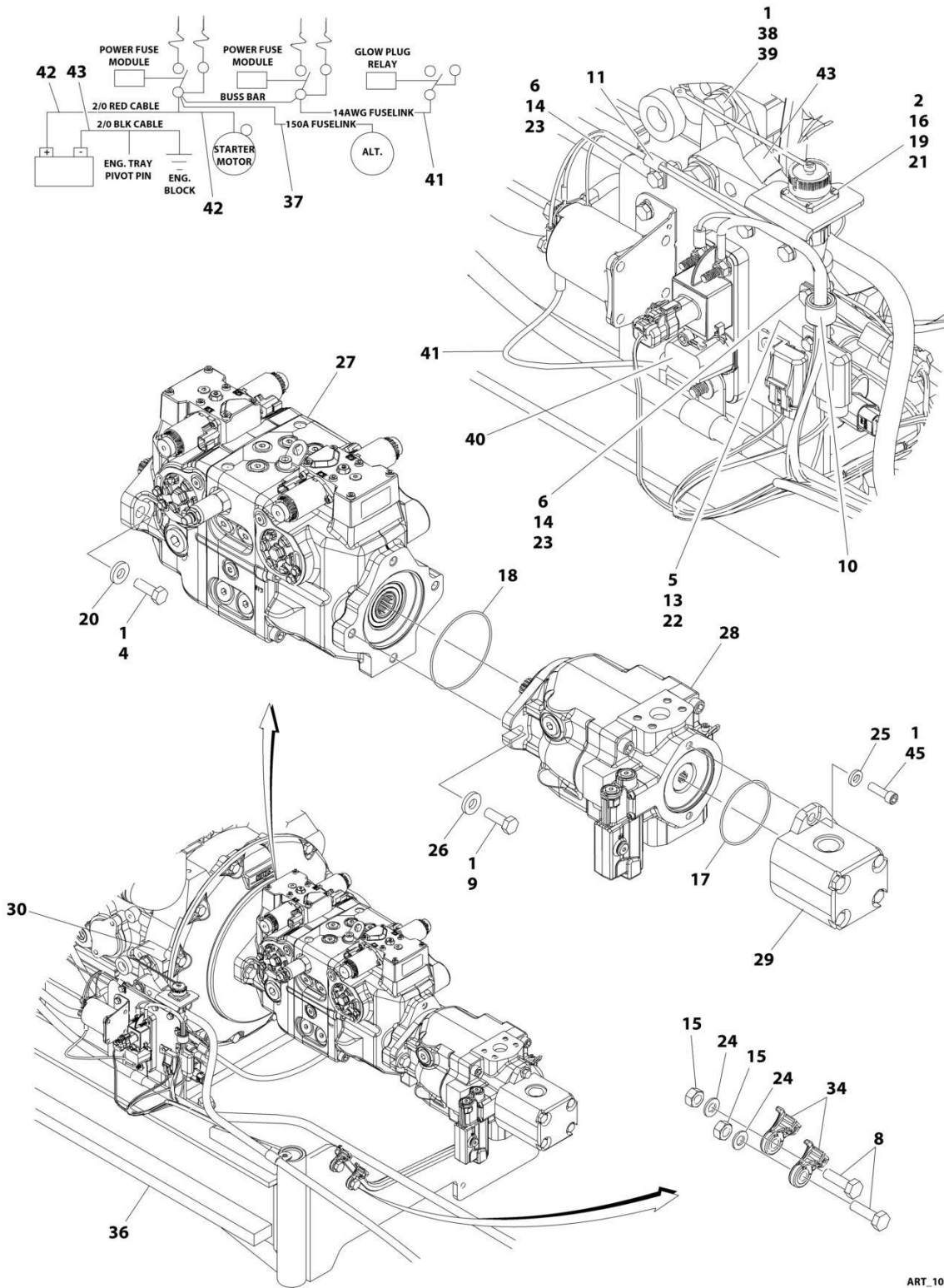
ITEM	PART NUMBER	QTY	DESCRIPTION	REV
	1001154707	Ref	DEUTZ LRC ENGINE INSTALLATION	M
1	0100011	AR	Compound, Locking	
2	0100020	AR	Sealant	
3	0440162	1	Bearing, Thrust	
4	0700818	3	Bolt M8 x 50	
5	0711015	1	Bolt M10 x 35 Grade 10.9	
6	0760408	4	Bolt M4 x 16	
7	0760610	2	Bolt M6 x 20	
8	0760613	4	Bolt M6 x 28	
9	0760812	1	Bolt M8 x 25	
10	0761015	5	Bolt M10 x 35	
11	0771416	2	Bolt M14 x 40 Grade 10.9	
12	0962051	2	Bearing, Flange	
13	1321716	3	Clamp	
14	1380147	1	Clip	
16	2180832	1	Fitting, Straight NPT/Barbed	
17	2220313	1	Fitting, 90 NPT/Barbed	
18	2221114	1	Fitting, Straight NPT/Barbed	
19	1001165035	34.5 ft /10.5m	Hose	
20	1001154405	4.5 ft /1.37m	Hose	
21	2840016	1	Jack with Handle	
21	7016374	1	Handle (Burr Manufacturing Brand)	
21	7024598	1	Handle (Hammerblow Corp Brand)	
21	7016322	1	Wiper (Burr Manufacturing Brand Only)	
22	3290301	2	Nut M3	
23	3290405	4	Nut M4	
24	3290607	6	Nut M6	
25	3290807	4	Nut M8	
26	3291007	5	Nut M10	
27	3331411	2	Nut M14	
28	3430816	1	Pin	
29	3450404	1	Pin, Cotter 1/8 x 1	
30	3841143	1	Keeper	
31	4010308	2	Screw M3 x16	
32	4240099	AR	Tie-Strap (Not Shown)	
33	4711800	2	Washer 1/2	
34	4791400	2	Washer 1/4	
35	4811400	8	Washer M4	
36	4811700	10	Washer M6	
37	4811900	5	Washer M8	
38	4812000	10	Washer M10	
39	4812200	4	Washer M14	
40	4871200	2	Washer M3	
41	4891800	1	Washer 1/2	
42	5241000	1	Washer M10	
43	1001186342	4	Clamp	
44	8406101	2	Clip	
45	8410013	5	Clamp	

SECTION 3 - ENGINE

ITEM	PART NUMBER	QTY	DESCRIPTION	REV
46	8750014	4	Clamp	
47	8750031	1	Plate	
48	8769128	3	Cover	
49	1001101580	1	Screw M8 x 30	
50	1001110544	2	Washer M3	
51	1001117308	1	Relay	
52	1001135196	1	Pin	
53	1001135497	1	Support	
55	1001142501	AR	Fitting, 90 NPT/Barbed	
56	1001154706	1	Deutz LRC Engine and Pump Assembly – Without Cold Weather Package (See Separate Breakdown in this Section)	
57	1001155939	1	Plate	
58	1001156719	1	Seal	
59	0642220	1	Bolt 3/4 x 2-1/2	
60	4712200	2	Washer 3/4	
61	8310067	1	Nut 3/4	
62	1001159162	1	Bracket, Support	
63	2750532	7 ft/2.1m	Hose	

SECTION 3 - ENGINE

FIGURE 3-2. DEUTZ LRC ENGINE/PUMP ASSEMBLY - WITHOUT COLD WEATHER PKG



ART_1001154706

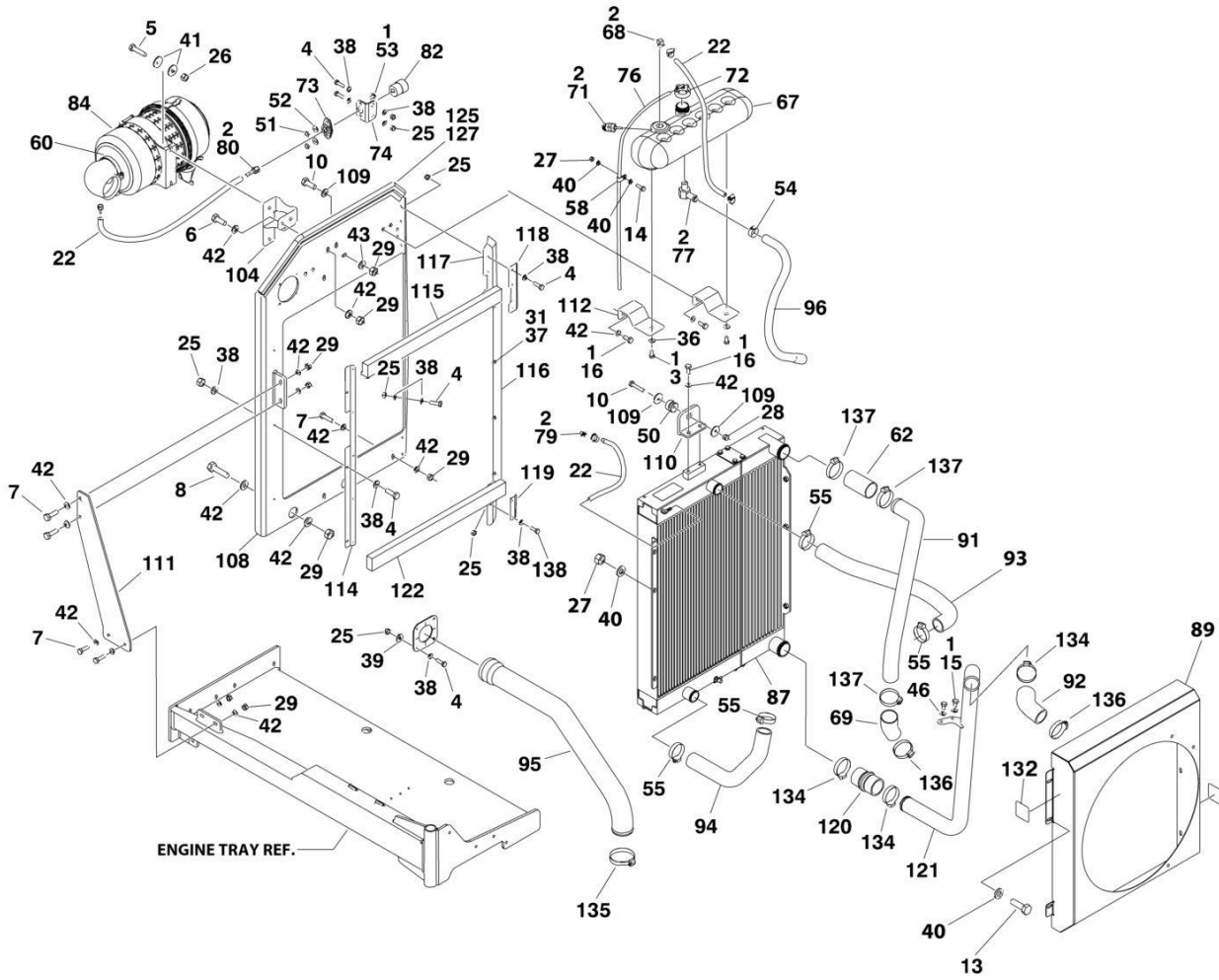
SECTION 3 - ENGINE

FIGURE 3-2. DEUTZ LRC ENGINE/PUMP ASSEMBLY - WITHOUT COLD WEATHER PKG

ITEM	PART NUMBER	QTY	DESCRIPTION	REV
	1001154706	Ref	DEUTZ LRC ENGINE/PUMP ASSEMBLY	K
1	0100011	AR	Compound, Locking	
2	0100035	AR	Compound, Locking	
4	0841812	2	Bolt 1/2 x 1-1/2	
5	0700510	1	Bolt M5 x 20	
6	0760610	2	Bolt M6 x 20	
8	0761015	2	Bolt M10 x 35	
9	0761215	2	Bolt M12 x 35	
10	1320041	1	Clamp	
11	1320136	1	Clamp	
13	3290507	1	Nut M5	
14	3290607	2	Nut M6	
15	3291007	2	Nut M10	
16	3310401	3	Nut #4	
17	3790152	1	O-Ring	
18	3790155	1	O-Ring	
19	3910408	3	Screw #4 x 1/2	
20	4740171	2	Washer	
21	4750400	3	Washer #4	
22	4811600	2	Washer M5	
23	4811700	2	Washer M6	
24	4812000	2	Washer M10	
25	4891600	2	Washer 3/8	
26	4891800	2	Washer 1/2	
27	1001108616	1	Tandem Pump Assembly (See Separate Breakdown in this Section)	
28	1001169892	1	Piston Pump Assembly (See Separate Breakdown in this Section)	
29	1001112927	1	Gear Pump Assembly (See Separate Breakdown in this Section)	
30	1001149867	1	Deutz LRC Engine Assembly – Without Cold Weather Package (See Separate Breakdown in this Section)	
31	1001149971	1	Harness, Engine (Not Shown - See Separate Breakdown in ELECTRICAL SECTION)	
33	1001156001	1	Harness Can (Not Shown - See Separate Breakdown in ELECTRICAL SECTION)	
34	1001156107	2	Holder, Cable	
35	1001156718	1	Seal (Not Shown - Located on Side of Radiator Mounting Plate)	
36	1001156719	1	Seal	
37	1001157073	1	Cable, Alternator Power	
38	0761210	1	Bolt M12 x 20	
39	4812100	1	Washer M12	
40	1001135027	1	Insulator	
41	1001141304	1	Wire, Glow Plug	
42	1001154142	1	Cable, Battery (Positive)	
43	1001154143	1	Cable, Battery (Negative)	
44	1001168734	1	Wire, Glow Plug (Not Shown)	
45	3931620	2	Screw 3/8 x 1-1/4	

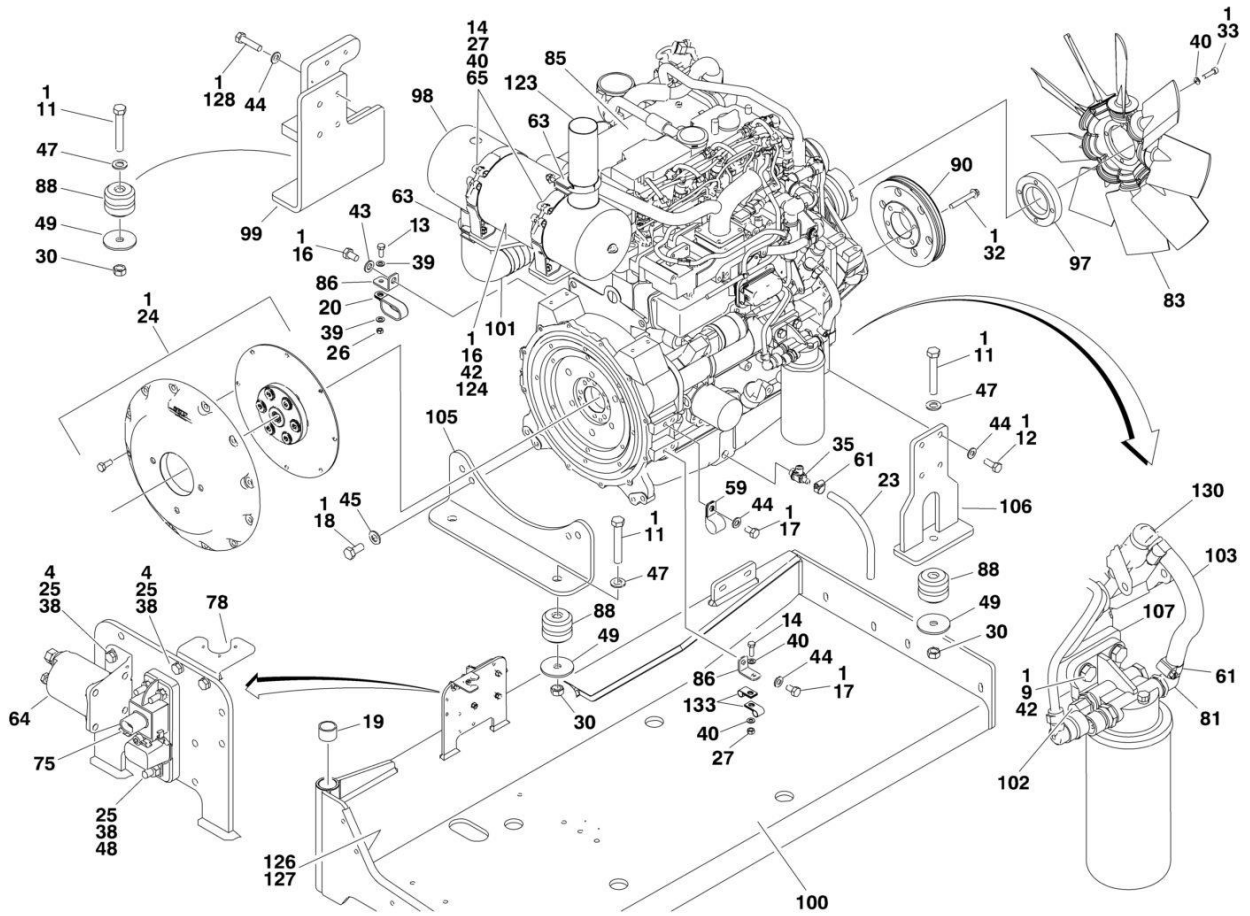
SECTION 3 - ENGINE

FIGURE 3-3. DEUTZ LRC ENGINE ASSEMBLY - WITHOUT COLD WEATHER PKG



ART_1001149867_S_10F2

SECTION 3 - ENGINE



ART_1001149867_S_20F2

SECTION 3 - ENGINE

FIGURE 3-3. DEUTZ LRC ENGINE ASSEMBLY - WITHOUT COLD WEATHER PKG

ITEM	PART NUMBER	QTY	DESCRIPTION	REV
	1001149867	Ref	DEUTZ LRC ENGINE ASSEMBLY	T
1	0100011	AR	Compound, Locking	
2	0100020	AR	Sealant	
3	0641606	2	Bolt 3/8 x 3/4	
4	0700612	20	Bolt M6 x 25	
5	0700815	2	Bolt M8 x 35	
6	0701013	2	Bolt M10 x 28	
7	0701015	6	Bolt M10 x 35	
8	0701016	2	Bolt M10 x 40	
9	0701017	2	Bolt M10 x 45	
10	0701019	1	Bolt M10 x 55	
11	0701627	4	Bolt M16 x 100	
12	0711214	4	Bolt M12 x 30 Grade 10.9	
13	0760810	5	Bolt M8 x 20	
14	0760812	7	Bolt M8 x 25	
15	0761008	2	Bolt M10 x 16	
16	0761012	10	Bolt M10 x 25	
17	0761210	3	Bolt M12 x 20	
18	0771415	4	Bolt M14 x 35 Grade 10.9	
19	0961951	2	Bushing	
20	1321716	1	Clamp	
22	2720015	5 ft/1.5m	Hose	
23	1001165035	1 ft/30.5m	Hose	
24	2902065	1	Pump Coupling Kit (See Separate Breakdown in this Section)	
25	3290607	23	Nut M6	
26	3290805	2	Nut M8	
27	3290807	9	Nut M8	
28	3291005	1	Nut M10	
29	3291007	10	Nut M10	
30	3291601	4	Nut M16	
31	3820032	9	Rivet	
32	5251022	6	Bolt M10 x 70	
33	4031912	4	Capscrew M8 x 40	
34	4240099	AR	Tie-Strap (Not Shown)	
35	4640751	1	Valve, Oil Drain	
36	4711600	2	Washer 3/8	
37	4811600	4	Washer M5	
38	4811700	41	Washer M6	
39	4811702	4	Washer M6	
40	4811900	25	Washer M8	
41	4811902	4	Washer M8	
42	4812000	34	Washer M10	
43	4812002	1	Washer M10	
44	4812100	11	Washer M12	
45	4812200	4	Washer M14	
46	5241000	2	Washer M10	
47	5241600	4	Washer M16	
48	5271614	1	Capscrew M16 x 50	
49	7300435	4	Washer	
50	8278020	1	Mount	

SECTION 3 - ENGINE

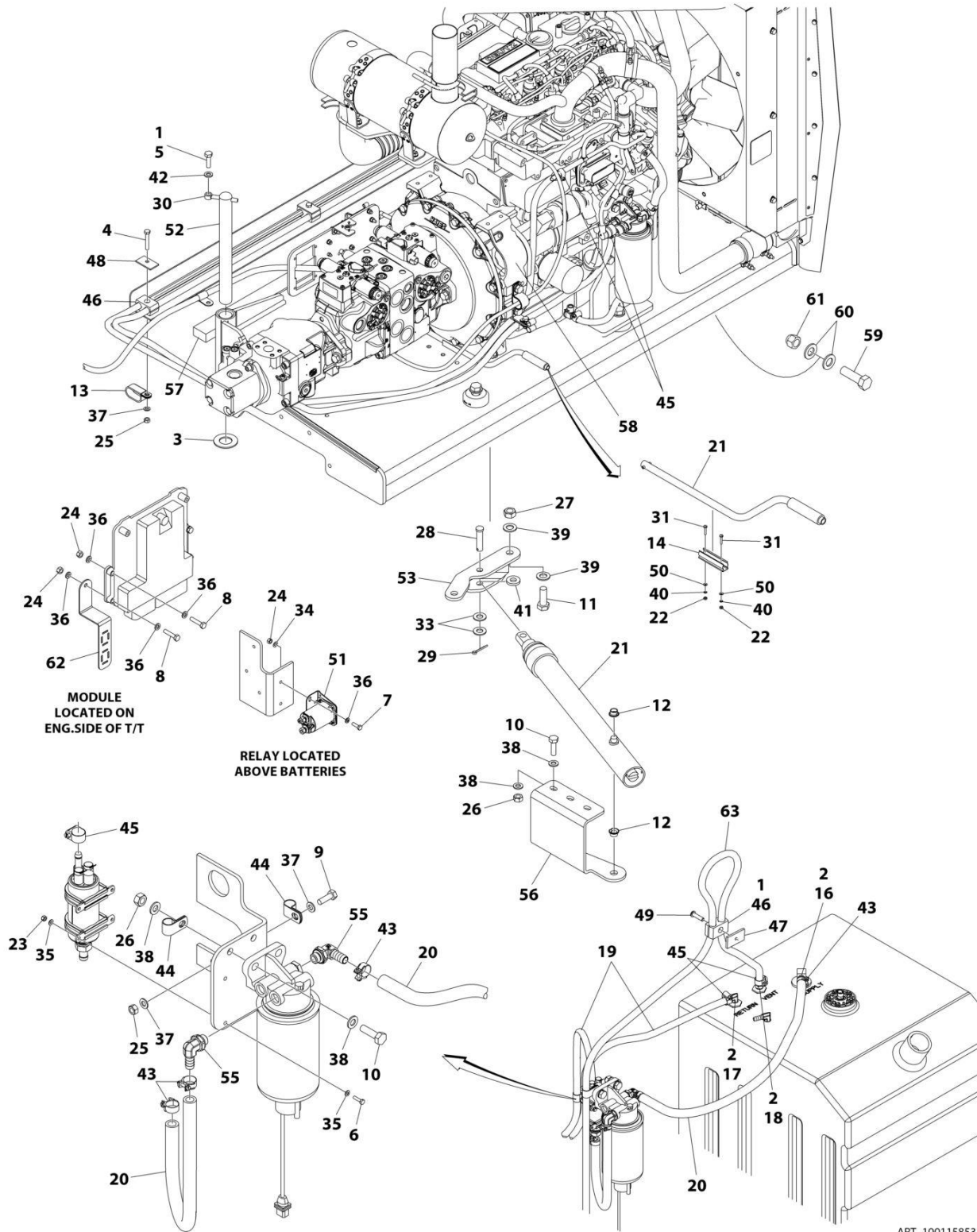
ITEM	PART NUMBER	QTY	DESCRIPTION	REV
51	8305401	2	Nut 1/4	
52	8307109	2	Washer 1/4	
53	8310548	2	Screw 1/4 x 1/2	
54	8405007	2	Clamp	
55	8405104	4	Clamp	
58	8406109	2	Clamp	
59	8406303	1	Clip	
60	8410011	1	Clamp	
61	8410013	3	Clamp	
62	91563070	1	Coupling, Rubber	
63	1001111116	2	Clamp	
64	1001117308	1	Relay	
65	1001119727	2	Clamp	
67	1001166393	1	Tank	
68	1001134488	1	Fitting, 90 NPT/Barbed	
69	1001135943	1	Coupling	
71	1001138827	1	Sensor	
72	1001136834	1	Cap	
73	1001138173	1	Support	
74	1001138175	1	Bracket	
75	1001138228	1	Module, Relay	
75	70023592	1	Fuse 20Amp	
75	70023593	1	Fuse 30Amp	
76	1001138248	5 ft/1.5m	Tubing	
77	1001138559	1	Fitting, 90 NPT	
78	1001139240	1	Bracket	
79	1001140564	1	Fitting, 90 NPT/Barbed	
80	1001141995	1	Fitting, Straight NPT/Barbed	
81	1001142501	1	Fitting, 90 NPT/Barbed	
82	1001143390	1	Indicator, Air Restriction	
83	1001177137	1	Fan	
84	1001147847	1	Filter, Air	
84	70023809	1	Element, Primary	
84	70023872	1	Element, Secondary	
84	70024328	1	Elbow, Rubber	
84	70024329	1	Clamp, Mounting	
85	1001251857	1	Deutz LRC Engine Components (See Separate Breakdown in this Section)	
86	1001148641	2	Bracket	
87	1001256862	1	Radiator	
88	1001149517	4	Mount, Motor	
89	1001192138	1	Shroud	
90	1001149746	1	Pulley	
91	1001150498	1	Tube	
92	1001150499	1	Hose	
93	1001191122	1	Hose	
94	1001150504	1	Hose	
95	1001150505	1	Pipe	
96	1001150553	1	Hose	
97	1001177134	1	Adapter	
98	1001151432	1	Muffler	
99	1001151491	1	Support	

SECTION 3 - ENGINE

ITEM	PART NUMBER	QTY	DESCRIPTION	REV
100	1001151749	1	Tray	
101	1001151761	1	Pipe, Exhaust	
102	1001152489	1	Fitting, 90 Barbed	
103	1001154405	8.5 in/ 21cm	Hose	
104	1001155023	1	Plate	
105	1001155496	1	Support	
106	1001160518	1	Support	
107	1001155498	1	Plate	
108	1001155525	1	Support	
109	1001155540	2	Washer	
110	1001157862	1	Bracket	
111	1001212817	1	Plate	
112	1001155557	2	Plate	
113	1001155563	1	Seal	
114	1001155564	1	Bracket	
115	1001155565	1	Seal	
116	1001155566	1	Bracket	
117	1001156034	1	Seal	
118	1001156035	1	Bracket	
119	1001156062	1	Bracket	
120	1001156091	1	Hose	
121	1001156112	1	Tube	
122	1001156644	2	Seal	
123	1001158262	1	Pipe, Exhaust	
124	1001158289	1	Bracket	
125	1001155728	1	Seal	
126	4060807	22 in/ 55cm	Flex-Trim	
127	0100081	AR	Adhesive	
128	0711218	4	Bolt M12 x 50 Grade 10.9	
129	1320022	4	Clamp	
130	1001170982	1	Fitting, 90 SAE/Barbed	
132	1703162	2	Decal - Fan Blade	
133	8406110	2	Clip	
134	8410012	3	Clamp	
135	1001208297	1	Clamp	
136	1001208298	2	Clamp	
137	1001208299	3	Clamp	
138	0760614	2	Bolt M6 x 30	

SECTION 3 - ENGINE

FIGURE 3-4. DEUTZ LRC ENGINE INSTALLATION - WITH COLD WEATHER PKG



ART_1001158531

SECTION 3 - ENGINE

FIGURE 3-4. DEUTZ LRC ENGINE INSTALLATION - WITH COLD WEATHER PKG

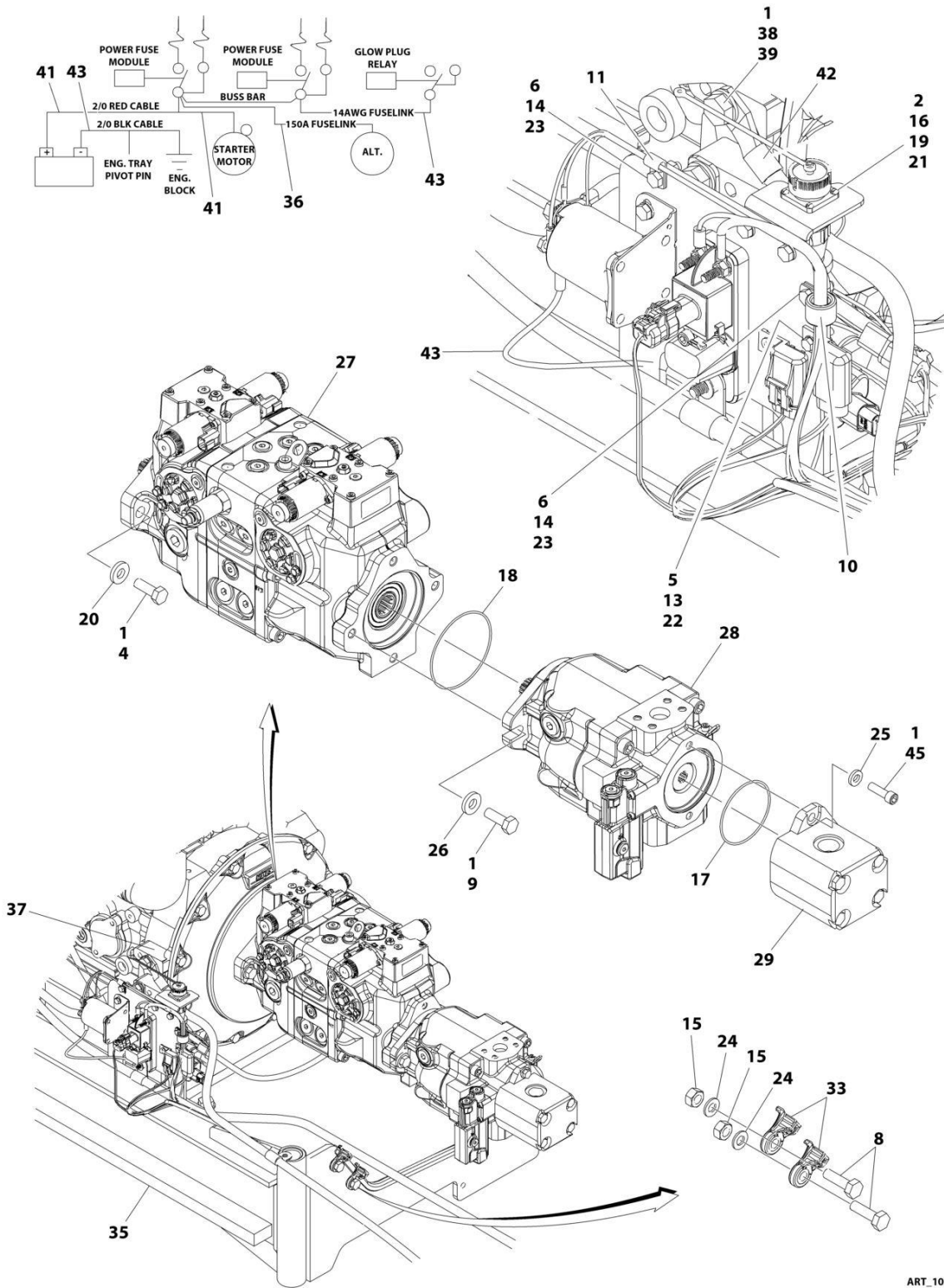
ITEM	PART NUMBER	QTY	DESCRIPTION	REV
	1001158531	Ref	DEUTZ LRC ENGINE INSTALLATION	M
1	0100011	AR	Compound, Locking	
2	0100020	AR	Sealant	
3	0440162	1	Bearing, Thrust	
4	0700818	3	Bolt M8 x 50	
5	0711015	1	Bolt M10 x 35 Grade 10.9	
6	0760408	4	Bolt M4 x 16	
7	0760610	2	Bolt M6 x 20	
8	0760613	4	Bolt M6 x 28	
9	0760812	1	Bolt M8 x 25	
10	0761015	5	Bolt M10 x 35	
11	0771416	2	Bolt M14 x 40 Grade 10.9	
12	0962051	2	Bearing, Flange	
13	1321716	3	Clamp	
14	1380147	1	Clip	
16	2180832	1	Fitting, Straight NPT/Barbed	
17	2220313	1	Fitting, 90 NPT/Barbed	
18	2221114	1	Fitting, Straight NPT/Barbed	
19	1001165035	35 ft/10.5m	Hose	
20	1001154405	4.5 ft /1.37m	Hose	
21	2840016	1	Jack with Handle	
21	7016374	1	Handle (Burr Manufacturing Brand)	
21	7024598	1	Handle (Hammerblow Corp Brand)	
21	7016322	1	Wiper (Burr Manufacturing Brand Only)	
22	3290301	2	Nut M3	
23	3290405	4	Nut M4	
24	3290607	6	Nut M6	
25	3290807	4	Nut M8	
26	3291007	5	Nut M10	
27	3331411	2	Nut M14	
28	3430816	1	Pin	
29	3450404	1	Pin, Cotter 1/8 x 1	
30	3841143	1	Keeper	
31	4010308	2	Screw M3 x16	
32	4240099	AR	Tie-Strap (Not Shown)	
33	4711800	2	Washer 1/2	
34	4791400	2	Washer 1/4	
35	4811400	8	Washer M4	
36	4811700	10	Washer M6	
37	4811900	5	Washer M8	
38	4812000	10	Washer M10	
39	4812200	4	Washer M14	
40	4871200	2	Washer M3	
41	4891800	1	Washer 1/2	
42	5241000	1	Washer M10	
43	1001186342	4	Clamp	
44	8406101	2	Clip	
45	8410013	5	Clamp	

SECTION 3 - ENGINE

ITEM	PART NUMBER	QTY	DESCRIPTION	REV
46	8750014	4	Clamp	
47	8750031	1	Plate	
48	8769128	3	Cover	
49	1001101580	1	Screw M8 x 30	
50	1001110544	2	Washer M3	
51	1001117308	1	Relay	
52	1001135196	1	Pin	
53	1001135497	1	Support	
55	1001142501	2	Fitting, 90 NPT/Barbed	
56	1001155939	1	Plate	
57	1001156719	1	Seal	
58	1001158530	1	Deutz LRC Engine/Pump Assembly – With Cold Weather Package (See Separate Breakdown in this Section)	
59	0642220	1	Bolt 3/4 x 2-1/2	
60	4712200	2	Washer 3/4	
61	8310067	1	Nut 3/4	
62	1001159162	1	Bracket, Support	
63	2750532	7 ft/2.1m	Hose	

SECTION 3 - ENGINE

FIGURE 3-5. DEUTZ LRC ENGINE/PUMP ASSEMBLY - WITH COLD WEATHER PKG



ART_1001158530

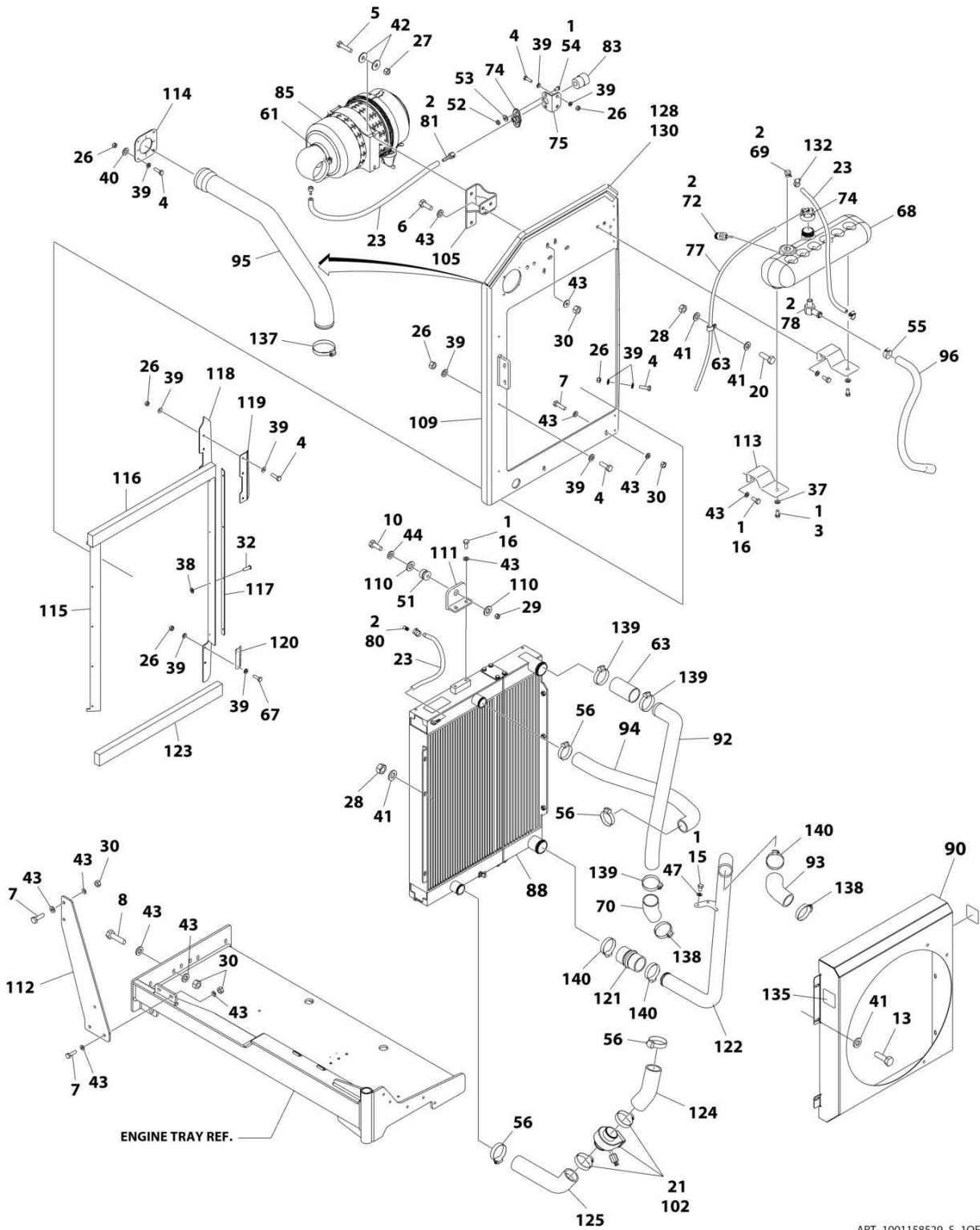
SECTION 3 - ENGINE

FIGURE 3-5. DEUTZ LRC ENGINE/PUMP ASSEMBLY - WITH COLD WEATHER PKG

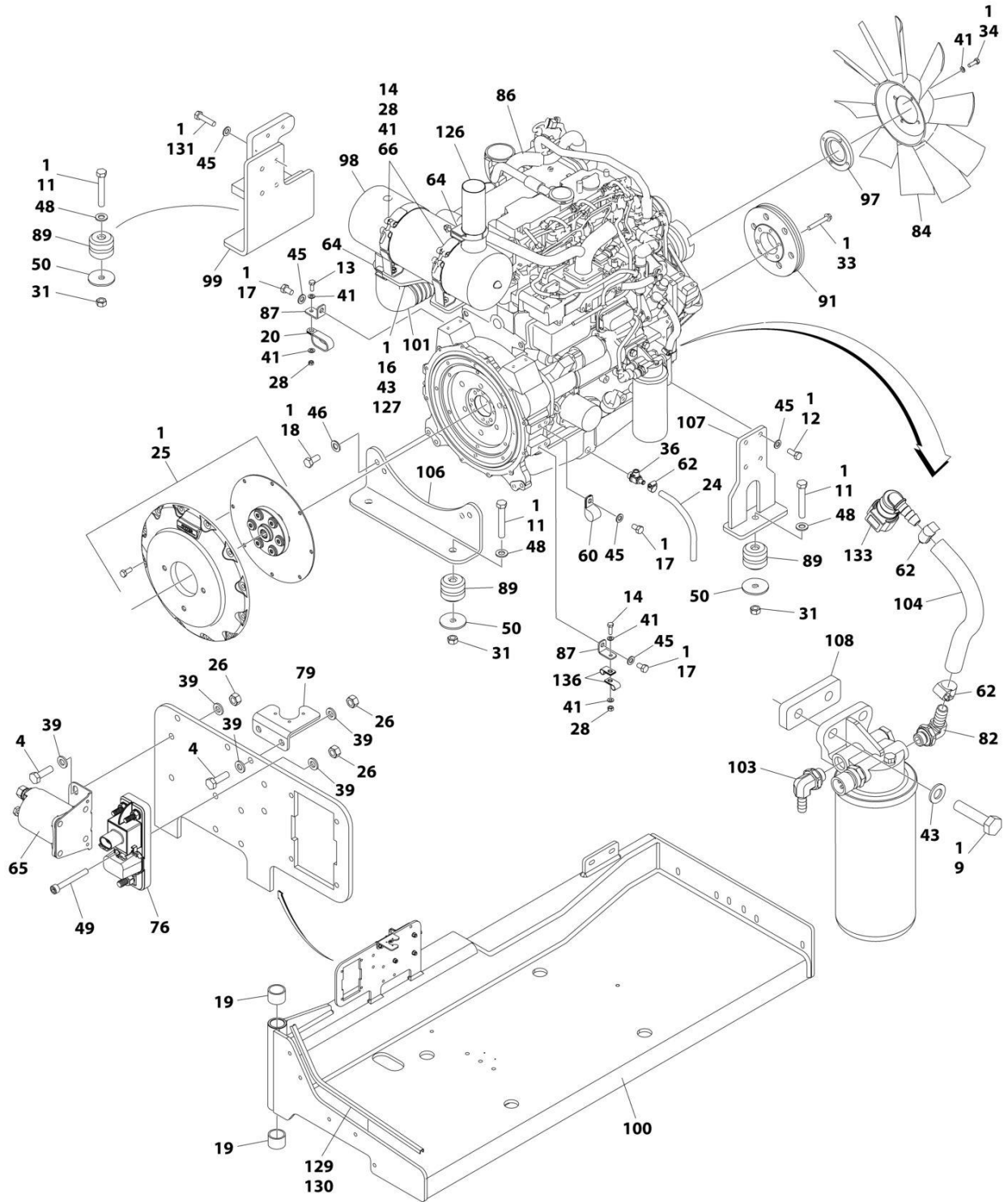
ITEM	PART NUMBER	QTY	DESCRIPTION	REV
	1001158530	Ref	DEUTZ LRC ENGINE/PUMP ASSEMBLY	K
1	0100011	AR	Compound, Locking	
2	0100035	AR	Compound, Locking	
4	0841812	2	Bolt 1/2 x 1-1/2	
5	0700510	1	Bolt M5 x 20	
6	0760610	2	Bolt M6 x 20	
8	0761015	2	Bolt M10 x 35	
9	0761215	2	Bolt M12 x 35	
10	1320041	1	Clamp	
11	1320136	1	Clamp	
13	3290507	1	Nut M5	
14	3290607	2	Nut M6	
15	3291007	2	Nut M10	
16	3310401	3	Nut #4	
17	3790152	1	O-Ring	
18	3790155	1	O-Ring	
19	3910408	3	Screw #4 x 1/2	
20	4740171	2	Washer	
21	4750400	3	Washer #4	
22	4811600	2	Washer M5	
23	4811700	2	Washer M6	
24	4812000	2	Washer M10	
25	4891600	2	Washer 3/8	
26	4891800	2	Washer 1/2	
27	1001108616	1	Pump, Tandem (See Separate Breakdown in this Section)	
28	1001169892	1	Pump, Piston (See Separate Breakdown in this Section)	
29	1001112927	1	Pump, Gear (See Separate Breakdown in this Section)	
30	1001149971	1	Harness, Engine (Not Shown - See Separate Breakdown in ELECTRICAL SECTION)	
32	1001156001	1	Harness Can (Not Shown - See Separate Breakdown in ELECTRICAL SECTION)	
33	1001156107	2	Holder, Cable	
34	1001156718	1	Seal (Not Shown - Located on Side of Radiator Mounting Plate)	
35	1001156719	1	Seal	
36	1001157073	1	Cable, Alternator Power	
37	1001158529	1	Deutz LRC Engine Assembly – With Cold Weather Package (See Separate Breakdown in this Section)	
38	0761210	1	Bolt M12 x 20	
39	4812100	1	Washer M12	
41	1001154142	1	Cable, Battery (Positive)	
42	1001154143	1	Cable, Battery (Negative)	
43	1001141304	1	Wire, Glow Plug	
44	1001168734	1	Wire, Glow Plug (Not Shown)	
45	3931620	2	Screw 3/8 x 1-1/4	

SECTION 3 - ENGINE

FIGURE 3-6. DEUTZ LRC ENGINE ASSEMBLY - WITH COLD WEATHER PKG



SECTION 3 - ENGINE



ART_1001158529_S_20F2

SECTION 3 - ENGINE

FIGURE 3-6. DEUTZ LRC ENGINE ASSEMBLY - WITH COLD WEATHER PKG

ITEM	PART NUMBER	QTY	DESCRIPTION	REV
	1001158529	Ref	DEUTZ LRC ENGINE ASSEMBLY - WITH COLD WEATHER PKG	T
1	0100011	AR	Compound, Locking	
2	0100020	AR	Sealant	
3	0641606	2	Bolt 3/8 x 3/4	
4	0700612	20	Bolt M6 x 25	
5	0700815	2	Bolt M8 x 35	
6	0701013	2	Bolt M10 x 28	
7	0701015	6	Bolt M10 x 35	
8	0701016	2	Bolt M10 x 40	
9	0701017	2	Bolt M10 x 45	
10	0701019	1	Bolt M10 x 55	
11	0701627	4	Bolt M16 x 100	
12	0711214	4	Bolt M12 x 30 Grade 10.9	
13	0760810	5	Bolt M8 x 20	
14	0760812	7	Bolt M8 x 25	
15	0761008	2	Bolt M10 x 16	
16	0761012	10	Bolt M10 x 25	
17	0761210	3	Bolt M12 x 20	
18	0771415	4	Bolt M14 x 35 Grade 10.9	
19	0961951	2	Bushing	
20	1321716	1	Clamp	
21	1702942	1	Decal - Engine Block Heater	
23	2720015	5 ft/1.5m	Hose	
24	1001165035	1 ft/30.5m	Hose	
25	2902065	1	Pump Coupling Kit (See Separate Breakdown in this Section)	
26	3290607	23	Nut M6	
27	3290805	2	Nut M8	
28	3290807	9	Nut M8	
29	3291005	1	Nut M10	
30	3291007	10	Nut M10	
31	3291601	4	Nut M16	
32	3820032	9	Rivet	
33	5251022	6	Bolt M10 x 70	
34	4031912	4	Capscrew M8 x 40	
35	4240099	AR	Tie-Strap (Not Shown)	
36	4640751	1	Valve, Oil Drain	
37	4711600	2	Washer 3/8	
38	4811600	4	Washer M5	
39	4811700	41	Washer M6	
40	4811702	4	Washer M6	
41	4811900	25	Washer M8	
42	4811902	4	Washer M8	
43	4812000	34	Washer M10	
44	4812002	1	Washer M10	
45	4812100	11	Washer M12	
46	4812200	4	Washer M14	
47	5241000	2	Washer M10	
48	5241600	4	Washer M16	
49	5271614	1	Capscrew M16 x 50	
50	7300435	4	Washer	

SECTION 3 - ENGINE

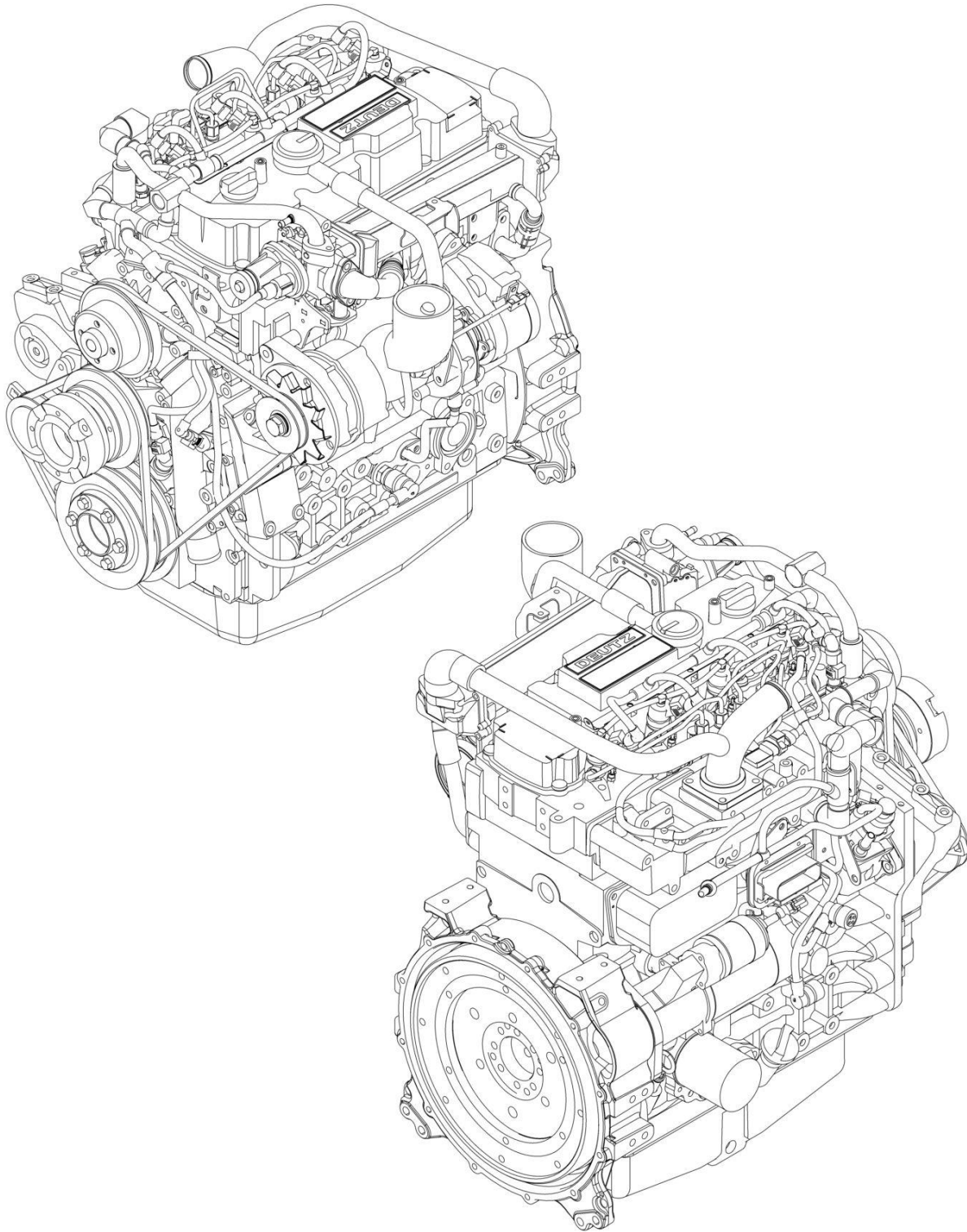
ITEM	PART NUMBER	QTY	DESCRIPTION	REV
51	8278020	1	Mount	
52	8305401	2	Nut 1/4	
53	8307109	2	Washer 1/4	
54	8310548	2	Screw 1/4 x 1/2	
55	8405007	2	Clamp	
56	8405104	4	Clamp	
59	8406109	2	Clamp	
60	8406303	1	Clip	
61	8410011	1	Clamp	
62	8410013	3	Clamp	
63	91563070	1	Coupling, Rubber	
64	1001111116	2	Clamp	
65	1001117308	1	Relay	
66	1001119727	2	Clamp	
67	0760614	2	Bolt M6 x 30	
68	1001166393	1	Tank	
69	1001134488	1	Fitting, 90 NPT/Barbed	
70	1001135943	1	Coupling	
72	1001138827	1	Sensor	
73	1001136834	1	Cap	
74	1001138173	1	Support	
75	1001138175	1	Bracket	
76	1001138228	1	Module, Relay	
76	70023592	1	Fuse 20Amp	
76	70023593	1	Fuse 30Amp	
77	1001138248	5 ft/1.5m	Tubing	
78	1001138559	1	Fitting, 90 NPT	
79	1001139240	1	Bracket	
80	1001140564	1	Fitting, 90 NPT/Barbed	
81	1001141995	1	Fitting, Straight NPT/Barbed	
82	1001142501	1	Fitting, 90 NPT/Barbed	
83	1001143390	1	Indicator, Air Restriction	
84	1001177137	1	Fan	
85	1001147847	1	Filter, Air	
85	70023809	1	Element, Primary	
85	70023872	1	Element, Secondary	
85	70024328	1	Elbow, Rubber	
85	70024329	1	Clamp, Mounting	
86	1001251857	1	Deutz LRC Engine Components (See Separate Breakdown in this Section)	
87	1001148641	2	Bracket	
88	1001256862	1	Radiator	
89	1001149517	4	Mount, Motor	
90	1001192138	1	Shroud	
91	1001149746	1	Pulley	
92	1001150498	1	Tube	
93	1001150499	1	Hose	
94	1001191122	1	Hose	
95	1001150505	1	Pipe	
96	1001150553	1	Hose	
97	1001177134	1	Adapter	
98	1001151432	1	Muffler	

SECTION 3 - ENGINE

ITEM	PART NUMBER	QTY	DESCRIPTION	REV
99	1001151491	1	Support	
100	1001151749	1	Tray	
101	1001151761	1	Pipe, Exhaust	
102	1001152112	1	Heater, Engine Block	
103	1001152489	1	Fitting, 90 Barbed	
104	1001154405	8.5 in /21cm	Hose	
105	1001155023	1	Plate	
106	1001155496	1	Support	
107	1001160518	1	Support	
108	1001155498	1	Plate	
109	1001155525	1	Support	
110	1001155540	2	Washer	
111	1001157862	1	Bracket	
112	1001212817	1	Plate	
113	1001155557	2	Plate	
114	1001155563	1	Seal	
115	1001155564	1	Bracket	
116	1001155565	1	Seal	
117	1001155566	1	Bracket	
118	1001156034	1	Seal	
119	1001156035	1	Bracket	
120	1001156062	1	Bracket	
121	1001156091	1	Hose	
122	1001156112	1	Tube	
123	1001156644	2	Seal	
124	1001157300	1	Hose, Lower Radiator (Top Section)	
125	1001157301	1	Hose, Lower Radiator (Bottom Section)	
126	1001158262	1	Pipe, Exhaust	
127	1001158289	1	Bracket	
128	1001155728	1	Seal	
129	4060807	22 in/ 55cm	Flex-Trim	
130	0100081	AR	Adhesive	
131	0711218	4	Bolt M12 x 50 Grade 10.9	
132	1320022	4	Clamp	
133	1001170982	1	Fitting, 90 SAE/Barbed	
135	1703162	2	Decal - Fan Blade	
136	8406110	2	Clip	
137	1001208297	1	Clamp	
138	1001208298	2	Clamp	
139	1001208299	3	Clamp	
140	8410012	3	Clamp	

SECTION 3 - ENGINE

FIGURE 3-7. DEUTZ LRC ENGINE COMPONENTS



ART_1001251857

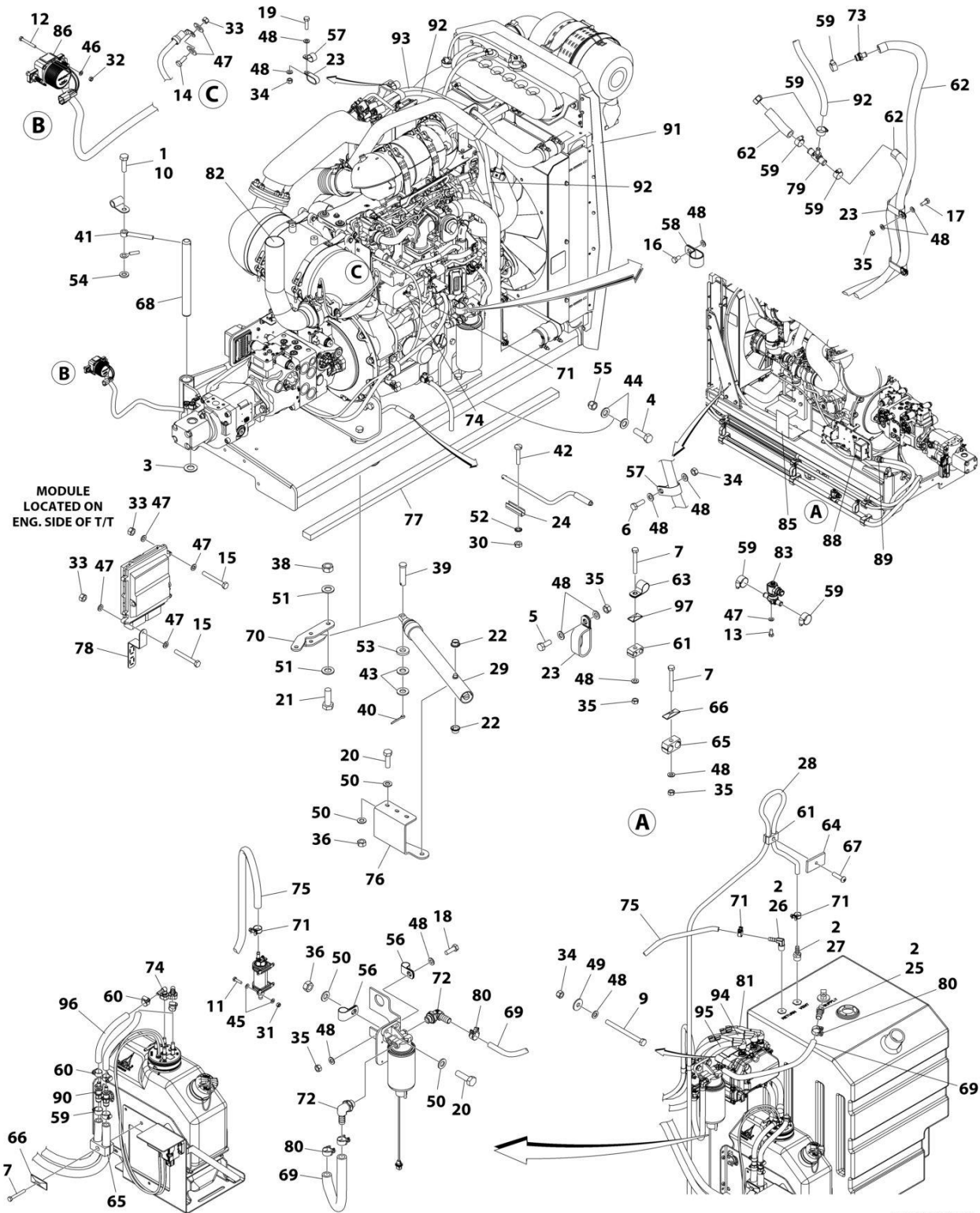
SECTION 3 - ENGINE

FIGURE 3-7. DEUTZ LRC ENGINE COMPONENTS

ITEM	PART NUMBER	QTY	DESCRIPTION	REV
	1001251857	Ref	DEUTZ ENGINE COMPONENTS	A
		Ref	Note: For complete list of parts, contact JLG Parts Department	
		Ref	Air Intake System Components	
	70004518	1	Turbocharger	
		Ref	Cooling System Components	
	70004515	1	Pump, Coolant	
		Ref	Electrical System Components	
	70024472	1	Module, ECU/ECM	
	70029401	1	Generator (Includes Regulator & Fan)	
	70006653	1	Regulator	
	70004520	1	Starter (Includes Solenoid)	
	70025780	1	Relay	
	70005564	1	Harness, Engine	
	70026210	1	Sender, Tacho-Generator (Speed) (On Front Cover) (Includes Seal)	
	70028540	1	Sender, Temperature (On Thermostat Housing)	
	70024507	1	Sensor, Pressure (Includes Seal) (On Air Intake Manifold)	
	70024504	1	Sensor, Pressure (Includes Seal) (On Block)	
	70024474	4	Plug, Glow	
		Ref	Exhaust System Components	
	70027569	1	Valve, EGR	
		Ref	Fuel System Components	
	70024487	1	Pump, Fuel Injector	
	70024485	4	Injector (Includes Seal, Clamp & O-Ring)	
	70006144	1	Pump, Fuel Supply (Includes Clamps)	
	70025153	1	Filter, Fuel (Pre-Filter)	
	70004512	1	Filter, Fuel	
		Ref	Lubricating System Components	
	70025745	1	Dipstick	
	7020465	2	Cap, Oil Fill	
	70025088	1	Plug, Oil Drain	
	7020404	2	Seal, Oil Drain Plug	
		Ref	Pump, Oil (Includes Bolts & Bushing)	
	7016331	1	Filter, Oil	
	70024494	1	Cooler, Oil	
		Ref	Mechanical Components	
	70004517	1	V-Belt	
	70004519	1	V-Belt	
	70024481	1	Gasket, Valve Cover	
	70025789	1	Gasket, Head	

SECTION 3 - ENGINE

FIGURE 3-8. DEUTZ HRC ENGINE INSTALLATION - WITHOUT COLD WEATHER PKG



ART_1001242374

SECTION 3 - ENGINE

FIGURE 3-8. DEUTZ HRC ENGINE INSTALLATION - WITHOUT COLD WEATHER PKG

ITEM	PART NUMBER	QTY	DESCRIPTION	REV
	1001242374	Ref	DEUTZ T4F ENGINE INSTALLATION	E
1	0100011	AR	Compound, Locking	
2	0100020	AR	Sealant	
3	0440162	1	Bearing, Thrust	
4	0642220	1	Bolt 3/4 x 2-1/2	
5	0700810	3	Bolt M8 x 20	
6	0700812	1	Bolt M8 x 25	
7	0700820	7	Bolt M8 x 60	
9	0700827	3	Bolt M8 x 100	
10	0711015	1	Bolt M10 x 35 Grade 10.9	
11	0760408	4	Bolt M4 x 16	
12	0760516	2	Bolt M5 x 40	
13	0760606	4	Bolt M6 x 12	
14	0760608	1	Bolt M6 x 16	
15	0760613	4	Bolt M6 x 28	
16	0760807	1	Bolt M8 x 14	
17	0760810	2	Bolt M8 x 20	
18	0760812	1	Bolt M8 x 25	
19	0760814	1	Bolt M8 x 30	
20	0761015	5	Bolt M10 x 35	
21	0771416	2	Bolt M14 x 40 Grade 10.9	
22	0962051	2	Bearing, Flange	
23	1321716	6	Clamp	
24	1380147	1	Clip	
25	2180832	1	Fitting, Straight NPT/Barbed	
26	2220313	1	Fitting, 90 NPT/Barbed	
27	2221114	1	Fitting, Straight NPT/Barbed	
28	2750532	6.9 ft/ 2.1m	Hose	
29	2840016	1	Jack with Handle	
29	7016374	1	Handle (Burr Manufacturing Brand)	
29	7024598	1	Handle (Hammerblow Corp Brand)	
29	7016322	1	Wiper (Burr Manufacturing Brand Only)	
30	3290301	2	Nut M3	
31	3290405	4	Nut M4	
32	3290501	2	Nut M5	
33	3290605	5	Nut M6 x 1	
34	3290805	6	Nut M8	
35	3290807	12	Nut M8	
36	3291007	5	Nut M10	
37	4240099	AR	Tie-Strap (Not Shown)	
38	3331411	2	Nut M14	
39	3430816	1	Pin	
40	3450404	1	Pin, Cotter 1/8 x 1	
41	3841143	1	Keeper	
42	4010308	2	Screw M3 x16	
43	4711800	2	Washer 1/2	
44	4712200	2	Washer 3/4	
45	4811400	8	Washer M4	
46	4811600	2	Washer M5	

SECTION 3 - ENGINE

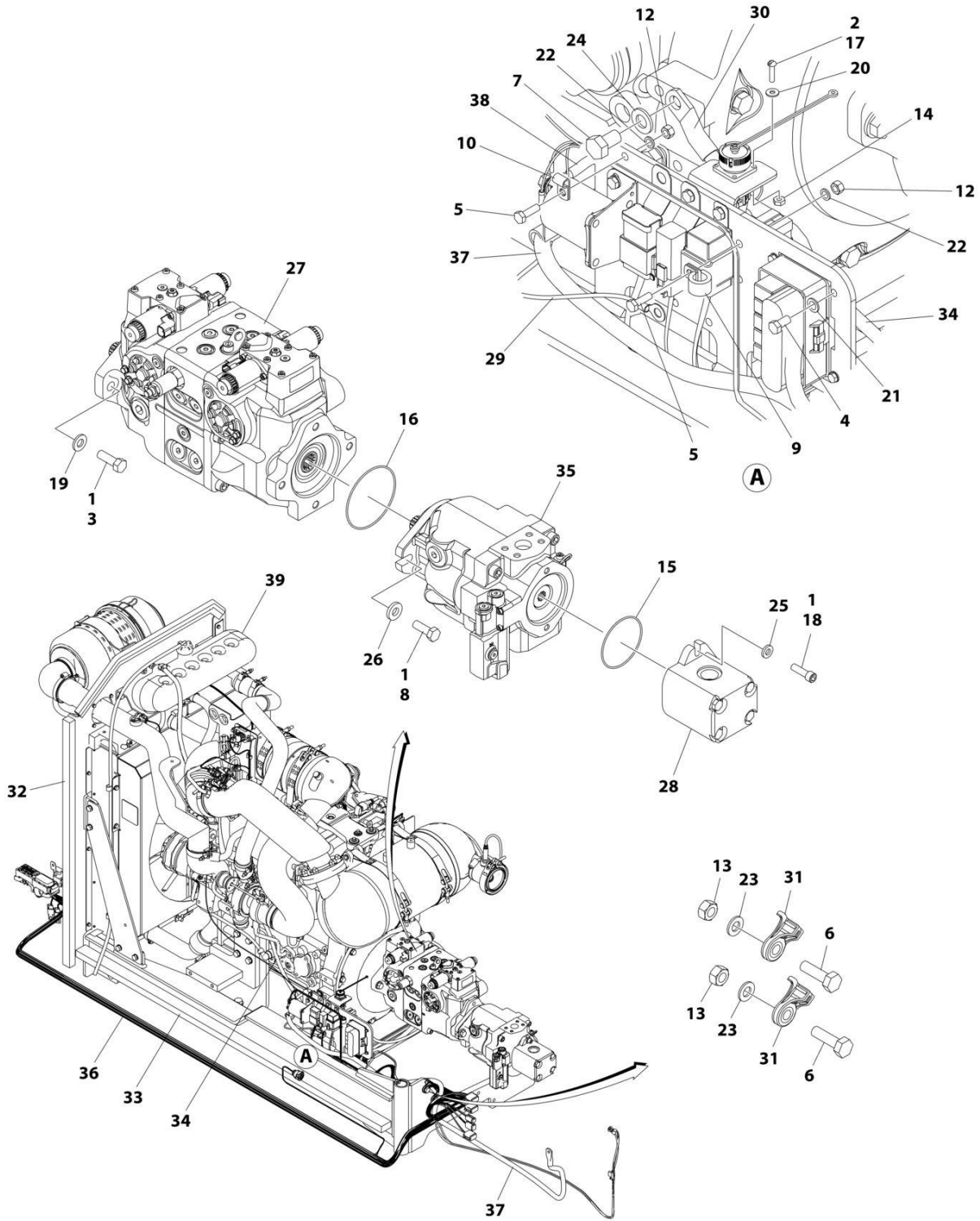
ITEM	PART NUMBER	QTY	DESCRIPTION	REV
47	4811700	14	Washer M6	
48	4811900	30	Washer M8	
49	4811902	3	Washer M8	
50	4812000	10	Washer M10	
51	4812200	4	Washer M14	
52	4871200	2	Washer M3	
53	4891800	1	Washer 1/2	
54	5241000	1	Washer M10	
55	8310067	1	Nut 3/4	
56	8406101	2	Clip	
57	8406201	2	Clip	
58	8406303	1	Clip	
59	8410009	14	Clamp	
60	8410013	4	Clamp	
61	8750014	4	Clamp	
62	82033995	41 ft/ 12.5m	Hose	
63	8406102	3	Clip	
64	8750031	1	Plate	
65	8769127	4	Clamp	
66	77133137	4	Cover	
67	1001101580	1	Screw M8 x 30	
68	1001135196	1	Pin	
69	1001154405	5 ft/ 1.5m	Hose	
70	1001135497	1	Support	
71	1001136975	5	Clamp	
72	1001142501	2	Fitting, 90 NPT/Barbed	
73	1001154262	2	Fitting, Adaptor	
74	1001155823	3	Coupling	
75	1001165035	34.5 ft/ 10.5m	Hose	
76	1001155939	1	Plate	
77	1001156719	1	Seal	
78	1001159162	1	Bracket, Support	
79	1001162212	2	Fitting, Tee	
80	1001186342	4	Clip	
81	1001213643	1	Hose, Pressure	
82	1001190475	1	Pipe, Exhaust	
83	1001199670	1	Valve, Tank Coolant	
85	1001212056	1	Decal - Engine Fuse Box	
86	1001216021	1	Relay	
88	1001224046	1	Decal – Engine Fuse Box Cover	
89	1001228872	1	Filter, Coolant Screen	
90	1001238470	2	Adapter	
91	1001242379	1	Deutz HRC Engine Assembly – Without Cold Weather Package (See Separate Breakdown in this Section)	
92	1001193980	1	Hose, Coolant	
93	1001212825	1	Hose, Coolant	
94	1001238401	1	Hose, Backflow	
95	1001238402	1	Hose, Suction	
96	1001181625	2 ft/ 0.61m	Hose	

SECTION 3 - ENGINE

ITEM	PART NUMBER	QTY	DESCRIPTION	REV
97	8769123	3	Cover	

SECTION 3 - ENGINE

FIGURE 3-9. DEUTZ HRC ENGINE/PUMP ASSEMBLY - WITHOUT COLD WEATHER PKG



ART_1001242379

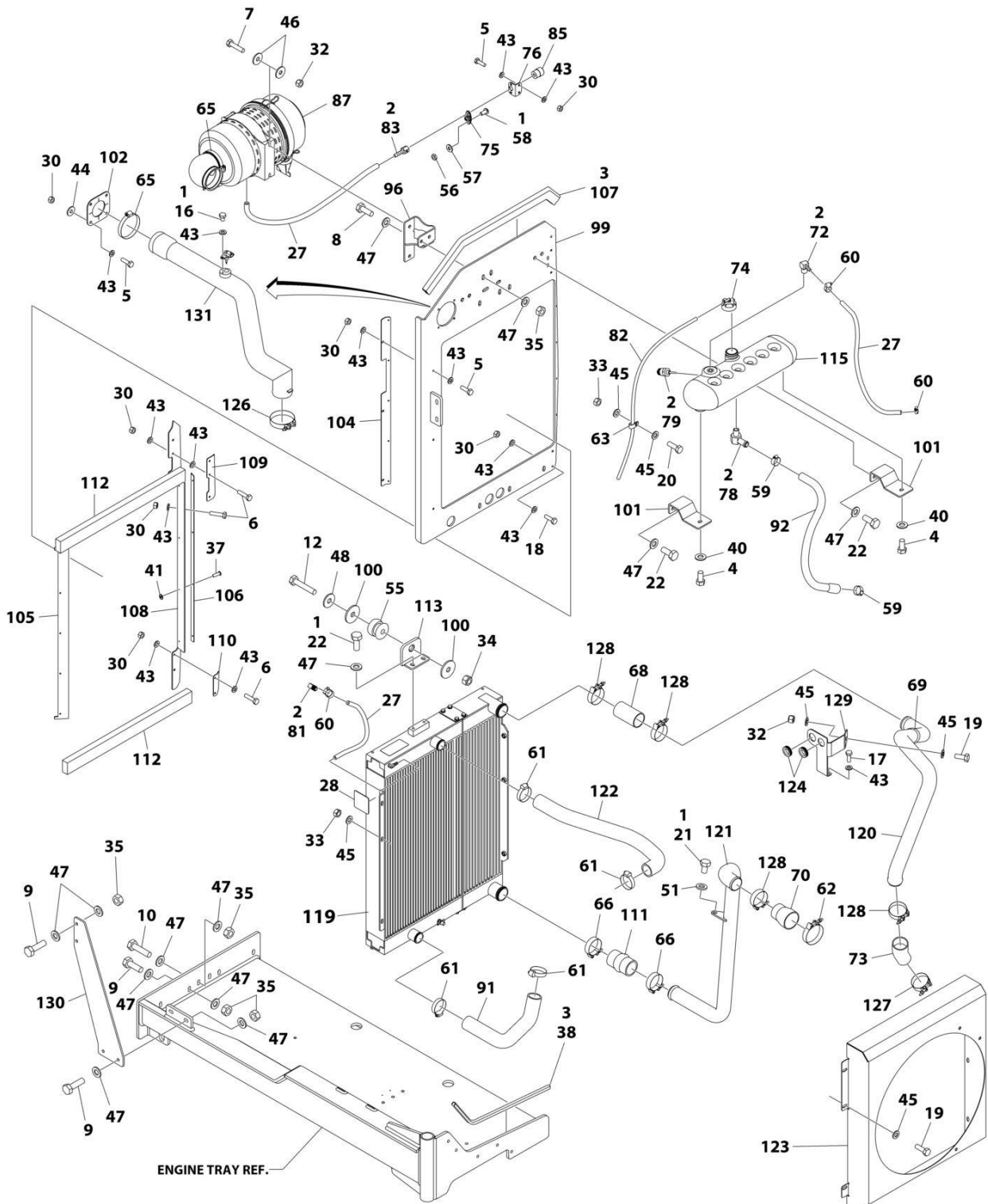
SECTION 3 - ENGINE

FIGURE 3-9. DEUTZ HRC ENGINE/PUMP ASSEMBLY - WITHOUT COLD WEATHER PKG

ITEM	PART NUMBER	QTY	DESCRIPTION	REV
	1001242379	Ref	DEUTZ T4F ENGINE/PUMP ASSEMBLY	D
1	0100011	AR	Compound, Locking	
2	0100035	AR	Compound, Locking	
3	0841812	2	Bolt 1/2 x 1-1/2	
4	0760508	4	Bolt M5 x 16	
5	0760610	2	Bolt M6 x 20	
6	0761015	2	Bolt M10 x 35	
7	0761210	1	Bolt M12 x 20	
8	0761215	2	Bolt M12 x 35	
9	1320041	1	Clamp	
10	1320136	1	Clamp	
12	3290607	2	Nut M6	
13	3291007	2	Nut M10	
14	3310401	3	Nut #4-40NC	
15	3790152	1	O-Ring	
16	3790155	1	O-Ring	
17	3910408	3	Screw #4 x 1/2	
18	3931620	2	Capscrew 3/8 x 1-1/4	
19	4740171	2	Washer	
20	4750400	3	Washer #4	
21	4811600	4	Washer M5	
22	4811700	2	Washer M6	
23	4812000	2	Washer M10	
24	4812100	1	Washer M12	
25	4891600	2	Washer 3/8	
26	4891800	2	Washer 1/2	
27	1001108616	1	Tandem Pump Assembly (See Separate Breakdown in this Section)	
28	1001112927	1	Gear Pump Assembly (See Separate Breakdown in this Section)	
29	1001141304	AR	Wire, Glow Plug Fuse	
30	1001154143	1	Cable, Battery (Negative)	
31	1001156107	2	Holder, Cable	
32	1001156718	1	Seal (Not Shown - Located on Side of Radiator Mounting Plate)	
33	1001156719	1	Seal	
34	1001157073	1	Cable, Alternator Power	
35	1001169892	1	Piston Pump Assembly (See Separate Breakdown in this Section)	
36	1001188922	1	Harness, Engine (Not Shown - See Separate Breakdown in ELECTRICAL SECTION)	
37	1001197443	1	Cable, Battery (Positive)	
38	1001197445	1	Wire, Glow Plug	
39	1001242378	1	Deutz HRC Engine Assembly – Without Cold Weather Package (See Separate Breakdown in this Section)	

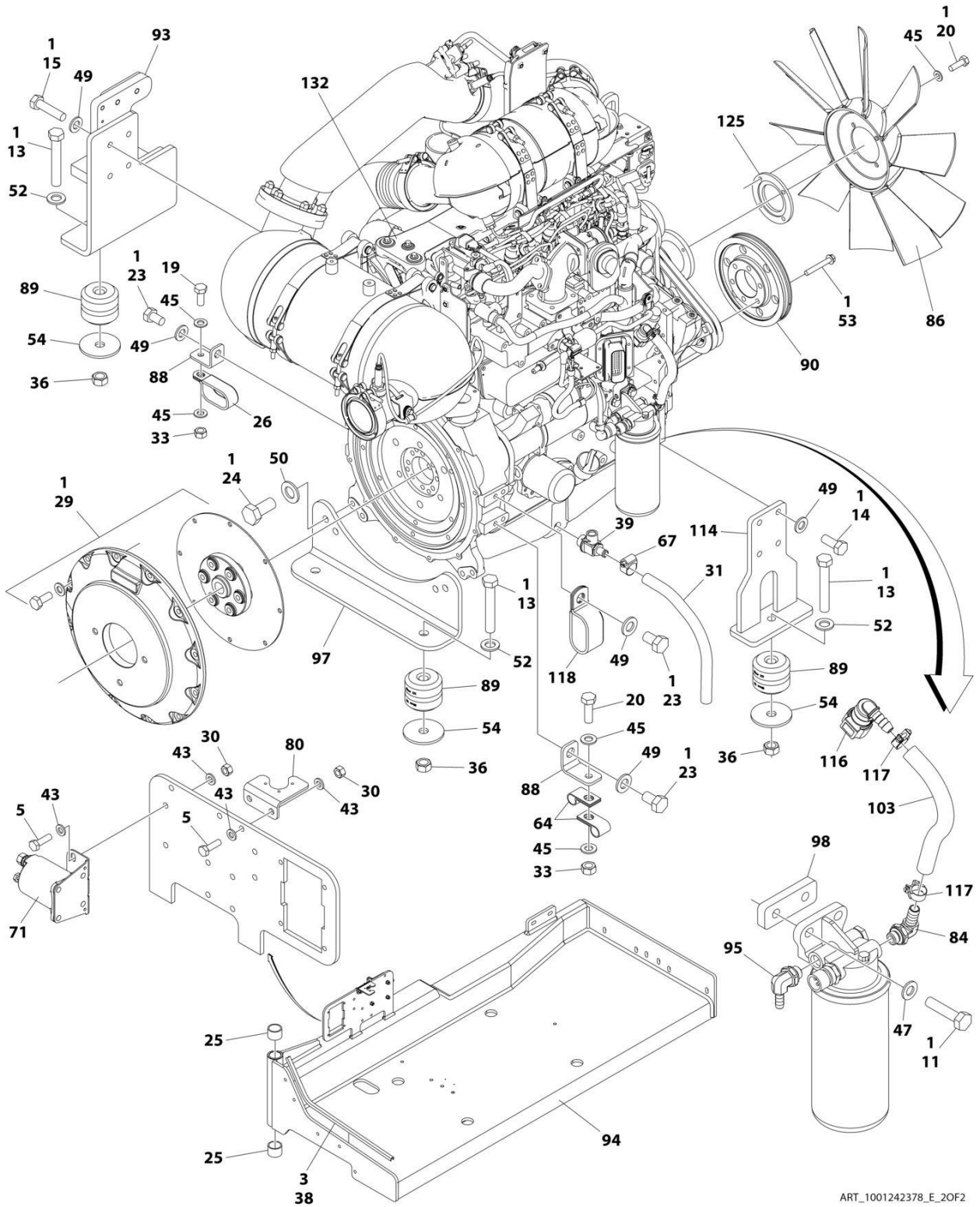
SECTION 3 - ENGINE

FIGURE 3-10. DEUTZ HRC ENGINE ASSEMBLY - WITHOUT COLD WEATHER PKG



ART_1001242378_E_10F2

SECTION 3 - ENGINE



ART_1001242378_E_20F2

SECTION 3 - ENGINE

FIGURE 3-10. DEUTZ HRC ENGINE ASSEMBLY - WITHOUT COLD WEATHER PKG

ITEM	PART NUMBER	QTY	DESCRIPTION	REV
	1001242378	Ref	DEUTZ T4F ENGINE ASSEMBLY	F
1	0100011	AR	Compound, Locking	
2	0100020	AR	Sealant	
3	0100081	AR	Adhesive	
4	0641606	2	Bolt 3/8 x 3/4	
5	0700610	13	Bolt M6 x 20	
6	0700612	7	Bolt M6 x 25	
7	0700815	2	Bolt M8 x 35	
8	0701013	2	Bolt M10 x 28	
9	0701015	6	Bolt M10 x 35	
10	0701016	2	Bolt M10 x 40	
11	0701017	2	Bolt M10 x 45	
12	0701019	1	Bolt M10 x 55	
13	0701627	4	Bolt M16 x 100	
14	0711214	4	Bolt M12 x 30 Grade 10.9	
15	0711218	4	Bolt M12 x 50 Grade 10.9	
16	0760604	1	Bolt M6 x 8	
17	0760608	2	Bolt M6 x 16	
18	0760614	2	Bolt M6 x 30	
19	0760810	6	Bolt M8 x 20	
20	0760812	7	Bolt M8 x 25	
21	0761008	1	Bolt M10 x 16	
22	0761012	6	Bolt M10 x 25	
23	0761210	3	Bolt M12 x 20	
24	0771415	4	Bolt M14 x 35 Grade 10.9	
25	0961951	2	Bushing	
26	1321716	1	Clamp	
27	2720015	5 ft/ 1.5m	Hose	
28	1703162	2	Decal - Fan Blade	
29	2902065	1	Pump Coupling Kit (See Separate Breakdown in this Section)	
30	3290607	22	Nut M6	
31	1001165035	1 ft/ 0.3m	Hose	
32	3290805	3	Nut M8	
33	3290807	5	Nut M8	
34	3291005	1	Nut M10	
35	3291007	10	Nut M10	
36	3291601	4	Nut M16	
37	3820032	9	Rivet	
38	4060807	22 in/ 55cm	Flex-Trim	
39	4640751	1	Valve, Oil Drain	
40	4711600	2	Washer 3/8	
41	4811600	4	Washer M5	
42	4240099	AR	Tie-Strap (Not Shown)	
43	4811700	43	Washer M6	
44	4811702	4	Washer M6	
45	4811900	19	Washer M8	
46	4811902	4	Washer M8	
47	4812000	30	Washer M10	
48	4812002	1	Washer M10	

SECTION 3 - ENGINE

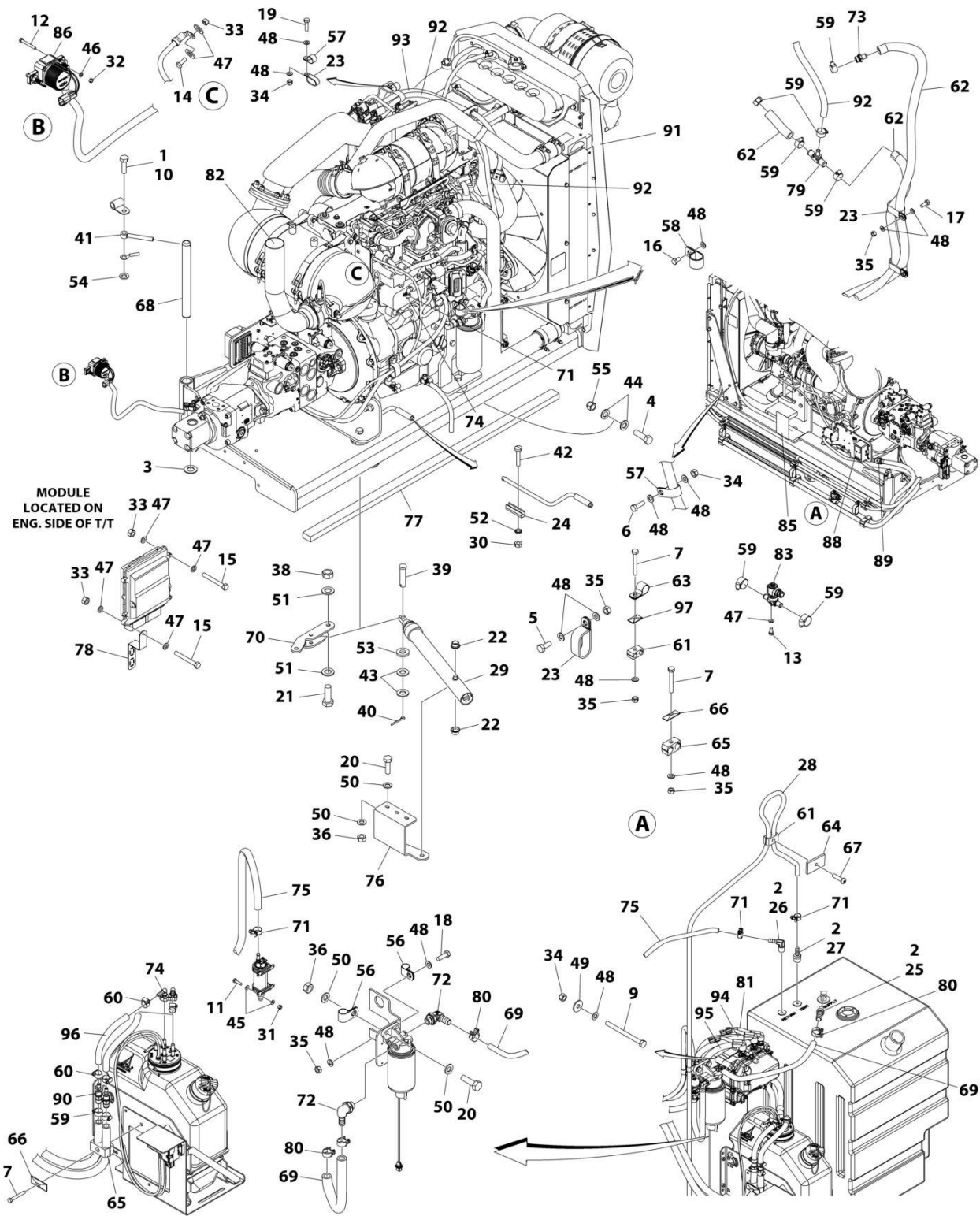
ITEM	PART NUMBER	QTY	DESCRIPTION	REV
49	4812100	11	Washer M12	
50	4812200	4	Washer M14	
51	5241000	1	Washer M10	
52	5241600	4	Washer M16	
53	5251022	6	Bolt M10 x 70	
54	7300435	4	Washer	
55	8278020	1	Mount	
56	8305401	2	Nut 1/4	
57	8307109	2	Washer 1/4	
58	8310548	2	Screw 1/4 x 1/2	
59	8405007	2	Clamp	
60	8405009	4	Clamp	
61	8405104	4	Clamp	
62	8405211	1	Clamp	
63	8406109	2	Clip	
64	8406110	2	Clip	
65	8410011	2	Clamp	
66	8410012	2	Clamp	
67	8410013	1	Clamp	
68	91563070	1	Coupling, Rubber	
69	1001097588	1	Clip	
70	1001117244	1	Reducer	
71	1001117308	1	Relay, 200Amp	
72	1001134488	1	Fitting, 90 NPT/Barbed	
73	1001135943	1	Coupling	
74	1001136834	1	Cap	
75	1001138173	1	Support	
76	1001138175	1	Bracket	
78	1001138559	1	Fitting, 90 NPT	
79	1001138827	1	Sensor	
80	1001139240	1	Bracket	
81	1001140564	1	Fitting, 90 NPT/Barbed	
82	1001138248	5 ft/ 1.5m	Tubing	
83	1001141995	1	Fitting, Straight NPT/Barbed	
84	1001142501	1	Fitting, 90 NPT/Barbed	
85	1001143390	1	Indicator, Air Restriction	
86	1001147567	1	Fan	
87	1001147847	1	Filter, Air	
87	70023809	1	Element, Primary	
87	70023872	1	Element, Secondary	
87	70024328	1	Elbow, Rubber	
87	70024329	1	Clamp, Mounting	
88	1001148641	2	Bracket	
89	1001149517	4	Mount, Motor	
90	1001149746	1	Pulley	
91	1001150504	1	Hose	
92	1001150553	1	Hose	
93	1001151491	1	Support	
94	1001151749	1	Tray	
95	1001152489	1	Fitting, 90 Barbed	
96	1001155023	1	Plate	

SECTION 3 - ENGINE

ITEM	PART NUMBER	QTY	DESCRIPTION	REV
97	1001155496	1	Support	
98	1001155498	1	Plate	
99	1001155525	1	Support	
100	1001155540	2	Washer	
101	1001155557	2	Plate	
102	1001155563	1	Seal	
103	1001154405	8.5 in/ 21cm	Hose	
104	1001155564	1	Bracket	
105	1001155565	1	Seal	
106	1001155566	1	Bracket	
107	1001155728	1	Seal	
108	1001156034	1	Seal	
109	1001156035	1	Bracket	
110	1001156062	1	Bracket	
111	1001156091	1	Hose	
112	1001156644	2	Seal	
113	1001157862	1	Bracket	
114	1001160518	1	Support	
115	1001166393	1	Tank	
116	1001170982	1	Fitting, 90 SAE/Barbed	
117	1001175568	2	Clip	
118	1001181899	1	Clamp	
119	1001256862	1	Radiator	
120	1001189291	1	Pipe, Exhaust	
121	1001190418	1	Tube	
122	1001191122	1	Hose, Upper	
123	1001192138	1	Shroud	
124	1001193599	2	Grommet	
125	1001197317	1	Spacer	
126	1001208297	1	Clamp	
127	1001208298	1	Clamp	
128	1001208299	4	Clamp	
129	1001212810	1	Support	
130	1001212817	1	Plate	
131	1001212826	1	Tube, Intake	
132	1001251858	1	Deutz HRC Engine Components (See Separate Breakdown in this Section)	

SECTION 3 - ENGINE

FIGURE 3-11. DEUTZ HRC ENGINE INSTALLATION - WITH COLD WEATHER PKG



ART_1001242385

SECTION 3 - ENGINE

FIGURE 3-11. DEUTZ HRC ENGINE INSTALLATION - WITH COLD WEATHER PKG

ITEM	PART NUMBER	QTY	DESCRIPTION	REV
	1001242385	Ref	DEUTZ T4F ENGINE INSTALLATION	E
1	0100011	AR	Compound, Locking	
2	0100020	AR	Sealant	
3	0440162	1	Bearing, Thrust	
4	0642220	1	Bolt 3/4 x 2-1/2	
5	0700810	3	Bolt M8 x 20	
6	0700812	1	Bolt M8 x 25	
7	0700820	7	Bolt M8 x 60	
9	0700827	3	Bolt M8 x 100	
10	0711015	1	Bolt M10 x 35 Grade 10.9	
11	0760408	4	Bolt M4 x 16	
12	0760516	2	Bolt M5 x 40	
13	0760606	4	Bolt M6 x 12	
14	0760608	1	Bolt M6 x 16	
15	0760613	4	Bolt M6 x 28	
16	0760807	1	Bolt M8 x 14	
17	0760810	2	Bolt M8 x 20	
18	0760812	1	Bolt M8 x 25	
19	0760814	1	Bolt M8 x 30	
20	0761015	5	Bolt M10 x 35	
21	0771416	2	Bolt M14 x 40 Grade 10.9	
22	0962051	2	Bearing, Flange	
23	1321716	6	Clamp	
24	1380147	1	Clip	
25	2180832	1	Fitting, Straight NPT/Barbed	
26	2220313	1	Fitting, 90 NPT/Barbed	
27	2221114	1	Fitting, Straight NPT/Barbed	
28	2750532	6.9 ft /2.1m	Hose (Not Shown)	
29	2840016	1	Jack with Handle	
29	7016374	1	Handle (Burr Manufacturing Brand)	
29	7024598	1	Handle (Hammerblow Corp Brand)	
29	7016322	1	Wiper (Burr Manufacturing Brand Only)	
30	3290301	2	Nut M3	
31	3290405	4	Nut M4	
32	3290501	2	Nut M5	
33	3290605	5	Nut M6	
34	3290805	6	Nut M8	
35	3290807	12	Nut M8	
36	3291007	5	Nut M10	
37	4240099	AR	Tie-Strap (Not Shown)	
38	3331411	2	Nut M14	
39	3430816	1	Pin	
40	3450404	1	Pin, Cotter 1/8 x 1	
41	3841143	1	Keeper	
42	4010308	2	Screw M3 x16	
43	4711800	2	Washer 1/2	
44	4712200	2	Washer 3/4	
45	4811400	8	Washer M4	
46	4811600	2	Washer M5	

SECTION 3 - ENGINE

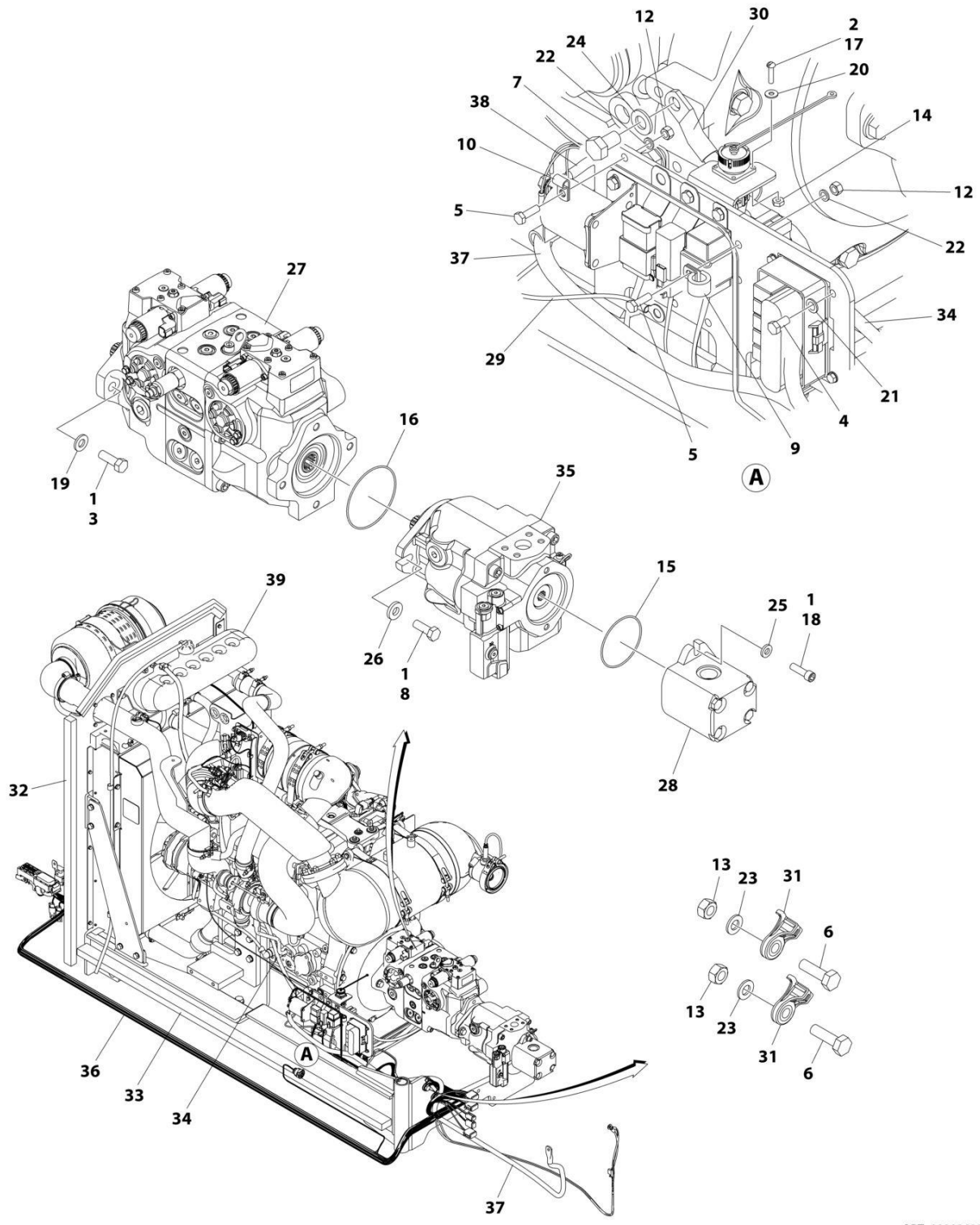
ITEM	PART NUMBER	QTY	DESCRIPTION	REV
47	4811700	14	Washer M6	
48	4811900	30	Washer M8	
49	4811902	3	Washer M8	
50	4812000	10	Washer M10	
51	4812200	4	Washer M14	
52	4871200	2	Washer M3	
53	4891800	1	Washer 1/2	
54	5241000	1	Washer M10	
55	8310067	1	Nut 3/4	
56	8406101	2	Clip	
57	8406201	2	Clip	
58	8406303	1	Clip	
59	8410009	14	Clamp	
60	8410013	4	Clamp	
61	8750014	4	Clamp	
62	82033995	41 ft /12.5m	Hose	
63	8406102	3	Clip	
64	8750031	1	Plate	
65	8769127	4	Clamp	
66	77133137	4	Cover	
67	1001101580	1	Screw M8 x 30	
68	1001135196	1	Pin	
69	1001154405	5 ft /1.5m	Hose	
70	1001135497	1	Support	
71	1001136975	5	Clamp	
72	1001142501	2	Fitting, 90 NPT/Barbed	
73	1001154262	2	Fitting, Adaptor	
74	1001155823	3	Coupling	
75	1001165035	34.5 ft /10.5m	Hose	
76	1001155939	1	Plate	
77	1001156719	1	Seal	
78	1001159162	1	Bracket, Support	
79	1001162212	2	Fitting, Tee	
80	1001186342	4	Clip	
81	1001213643	1	Hose, Pressure	
82	1001190475	1	Pipe, Exhaust	
83	1001199670	1	Valve, Tank Coolant	
85	1001212056	1	Decal - Engine Fuse Box	
86	1001216021	1	Relay	
88	1001224046	1	Decal – Engine Fuse Box Cover	
89	1001228872	1	Filter, Coolant Screen	
90	1001238470	2	Adapter	
91	1001242381	1	Deutz HRC Engine Assembly – With Cold Weather Package (See Separate Breakdown in this Section)	
92	1001193980	1	Hose, Coolant	
93	1001212825	1	Hose, Coolant	
94	1001238401	1	Hose, Backflow	
95	1001238402	1	Hose, Suction	
96	1001181625	2 ft/ 0.61m	Hose	

SECTION 3 - ENGINE

ITEM	PART NUMBER	QTY	DESCRIPTION	REV
97	8769123	3	Cover	

SECTION 3 - ENGINE

FIGURE 3-12. DEUTZ HRC ENGINE/PUMP ASSEMBLY - WITH COLD WEATHER PKG



ART_1001242381

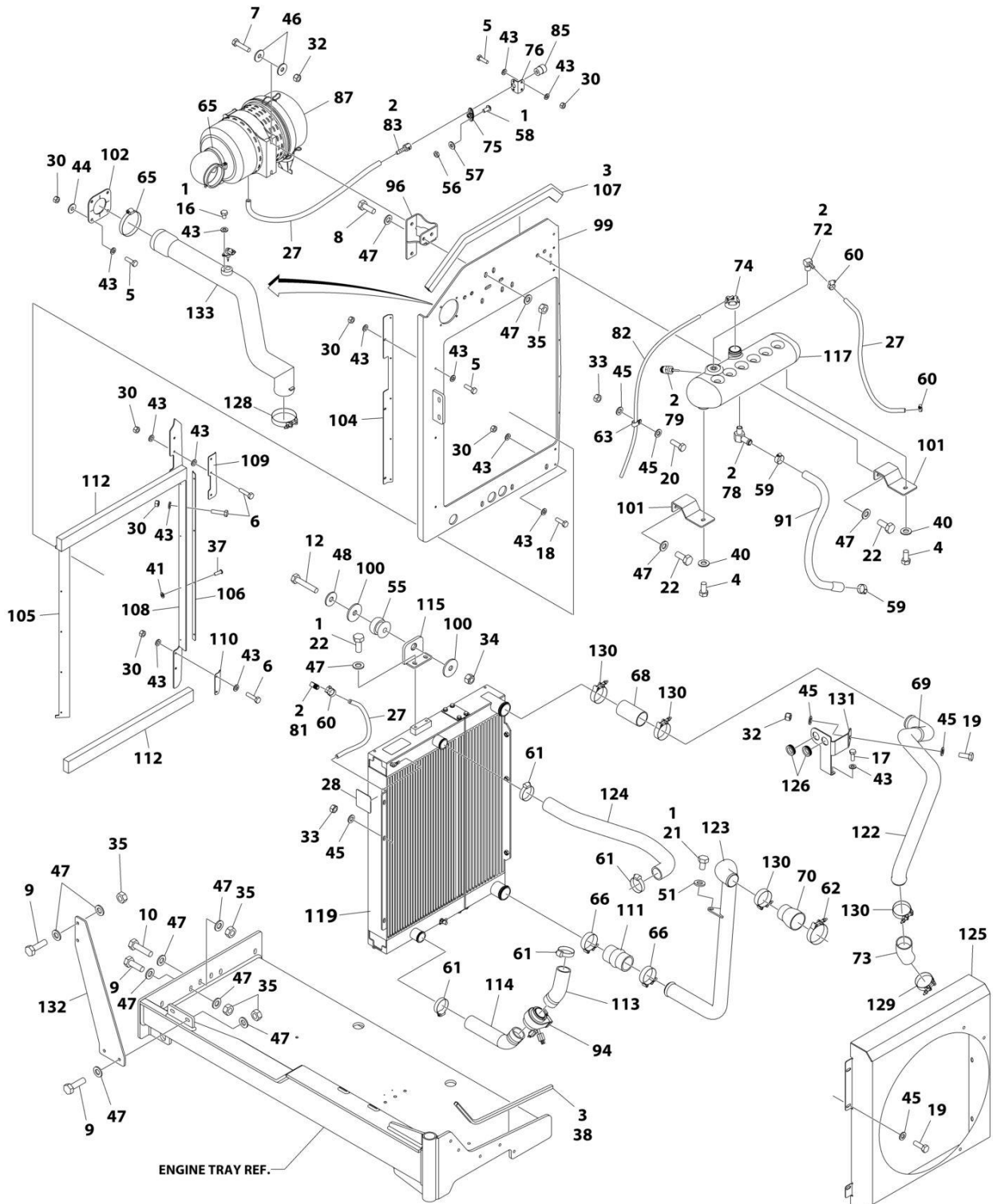
SECTION 3 - ENGINE

FIGURE 3-12. DEUTZ HRC ENGINE/PUMP ASSEMBLY - WITH COLD WEATHER PKG

ITEM	PART NUMBER	QTY	DESCRIPTION	REV
	1001242381	Ref	DEUTZ T4F ENGINE/PUMP ASSEMBLY	D
1	0100011	AR	Compound, Locking	
2	0100035	AR	Compound, Locking	
3	0841812	2	Bolt 1/2 x 1-1/2	
4	0760508	4	Bolt M5 x 16	
5	0760610	2	Bolt M6 x 20	
6	0761015	2	Bolt M10 x 35	
7	0761210	1	Bolt M12 x 20	
8	0761215	2	Bolt M12 x 35	
9	1320041	1	Clamp	
10	1320136	1	Clamp	
12	3290607	2	Nut M6	
13	3291007	2	Nut M10	
14	3310401	3	Nut #4-40NC	
15	3790152	1	O-Ring	
16	3790155	1	O-Ring	
17	3910408	3	Screw #4 x 1/2	
18	3931620	2	Capscrew 3/8 x 1-1/4	
19	4740171	2	Washer,	
20	4750400	3	Washer #4	
21	4811600	4	Washer M5	
22	4811700	2	Washer M6	
23	4812000	2	Washer M10	
24	4812100	1	Washer M12	
25	4891600	2	Washer 3/8	
26	4891800	2	Washer 1/2	
27	1001108616	1	Tandem Pump Assembly (See Separate Breakdown in this Section)	
28	1001112927	1	Gear Pump Assembly (See Separate Breakdown in this Section)	
29	1001141304	AR	Wire, Glow Plug Fuse	
30	1001154143	1	Cable, Battery (Negative)	
31	1001156107	2	Holder, Cable	
32	1001156718	1	Seal (Not Shown - Located on Side of Radiator Mounting Plate)	
33	1001156719	1	Seal	
34	1001157073	1	Cable, Alternator Power	
35	1001169892	1	Piston Pump Assembly (See Separate Breakdown in this Section)	
36	1001188922	1	Harness, Engine (Not Shown - See Separate Breakdown in ELECTRICAL SECTION)	
37	1001197443	1	Cable, Battery (Positive)	
38	1001197445	1	Wire, Glow Plug	
39	1001242380	1	Deutz HRC Engine Assembly – With Cold Weather Package (See Separate Breakdown in this Section)	

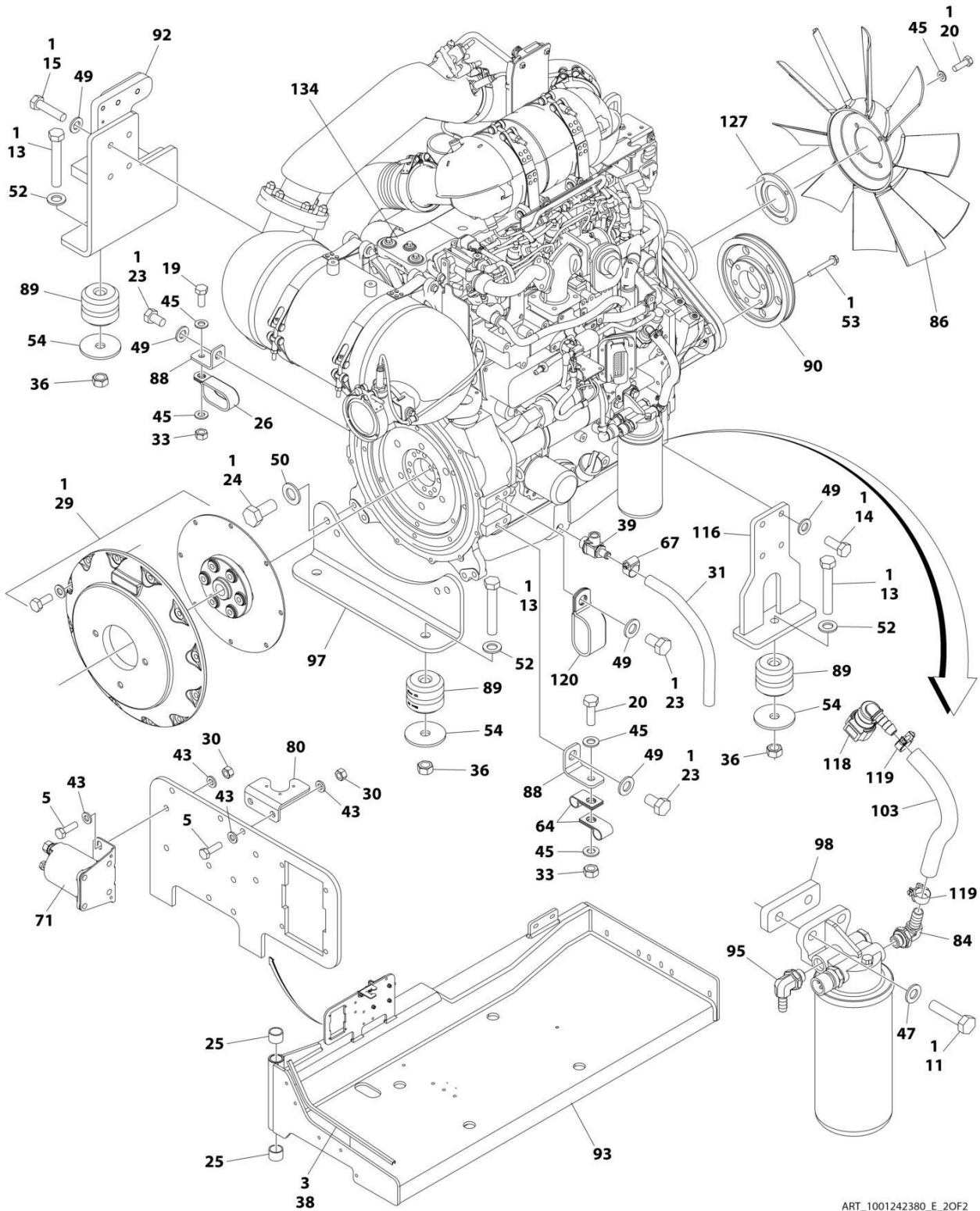
SECTION 3 - ENGINE

FIGURE 3-13. DEUTZ HRC ENGINE ASSEMBLY - WITH COLD WEATHER PKG



ART_1001242380_E_1OF2

SECTION 3 - ENGINE



ART_1001242380_E_20F2

SECTION 3 - ENGINE

FIGURE 3-13. DEUTZ HRC ENGINE ASSEMBLY - WITH COLD WEATHER PKG

ITEM	PART NUMBER	QTY	DESCRIPTION	REV
	1001242380	Ref	DEUTZ T4F ENGINE ASSEMBLY	F
1	0100011	AR	Compound, Locking	
2	0100020	AR	Sealant	
3	0100081	AR	Adhesive	
4	0641606	2	Bolt 3/8 x 3/4	
5	0700610	13	Bolt M6 x 20	
6	0700612	7	Bolt M6 x 25	
7	0700815	2	Bolt M8 x 35	
8	0701013	2	Bolt M10 x 28	
9	0701015	6	Bolt M10 x 35	
10	0701016	2	Bolt M10 x 40	
11	0701017	2	Bolt M10 x 45	
12	0701019	1	Bolt M10 x 55	
13	0701627	4	Bolt M16 x 100	
14	0711214	4	Bolt M12 x 30 Grade 10.9	
15	0711218	4	Bolt M12 x 50 Grade 10.9	
16	0760604	1	Bolt M6 x 8	
17	0760608	2	Bolt M6 x 16	
18	0760614	2	Bolt M6 x 30	
19	0760810	6	Bolt M8 x 20	
20	0760812	7	Bolt M8 x 25	
21	0761008	1	Bolt M10 x 16	
22	0761012	6	Bolt M10 x 25	
23	0761210	3	Bolt M12 x 20	
24	0771415	4	Bolt M14 x 35 Grade 10.9	
25	0961951	2	Bushing	
26	1321716	1	Clamp	
27	2720015	5 ft/ 1.5m	Hose	
28	1703162	2	Decal - Fan Blade	
29	2902065	1	Pump Coupling Kit (See Separate Breakdown in this Section)	
30	3290607	22	Nut M6	
31	1001165035	1 ft/ 0.3m	Hose	
32	3290805	3	Nut M8	
33	3290807	5	Nut M8	
34	3291005	1	Nut M10	
35	3291007	10	Nut M10	
36	3291601	4	Nut M16	
37	3820032	9	Rivet	
38	4060807	22 in/ 55cm	Flex-Trim	
39	4640751	1	Valve, Oil Drain	
40	4711600	2	Washer 3/8	
41	4811600	4	Washer M5	
42	4240099	AR	Tie-Strap (Not Shown)	
43	4811700	43	Washer M6	
44	4811702	4	Washer M6	
45	4811900	19	Washer M8	
46	4811902	4	Washer M8	
47	4812000	30	Washer M10	
48	4812002	1	Washer M10	

SECTION 3 - ENGINE

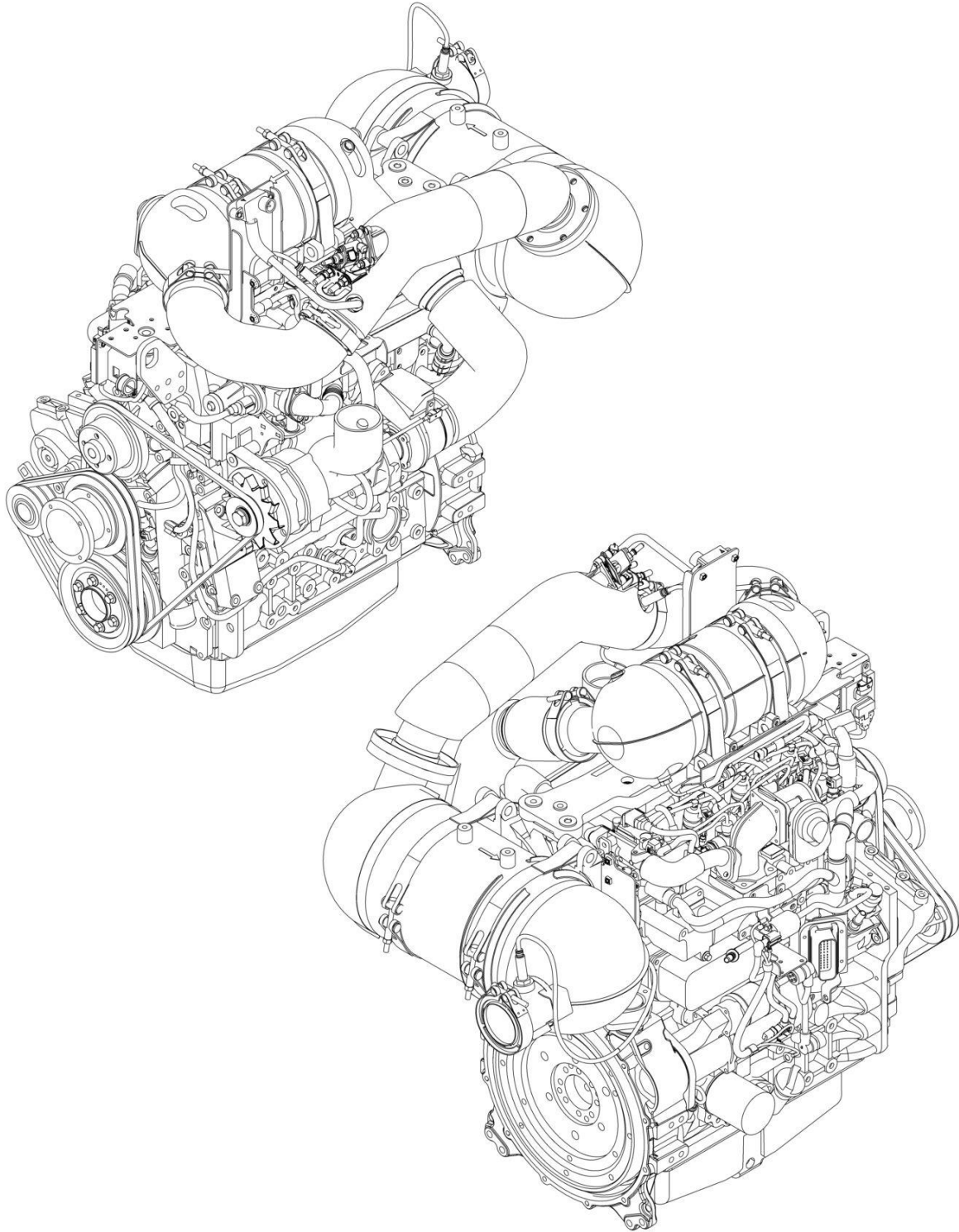
ITEM	PART NUMBER	QTY	DESCRIPTION	REV
49	4812100	11	Washer M12	
50	4812200	4	Washer M14	
51	5241000	1	Washer M10	
52	5241600	4	Washer M16	
53	5251022	6	Bolt M10 x 70	
54	7300435	4	Washer	
55	8278020	1	Mount	
56	8305401	2	Nut 1/4	
57	8307109	2	Washer 1/4	
58	8310548	2	Screw 1/4 x 1/2	
59	8405007	2	Clamp	
60	8405009	4	Clamp	
61	8405104	4	Clamp	
62	8405211	1	Clamp	
63	8406109	2	Clip	
64	8406110	2	Clip	
65	8410011	2	Clamp	
66	8410012	2	Clamp	
67	8410013	1	Clamp	
68	91563070	1	Coupling, Rubber	
69	1001097588	1	Clip	
70	1001117244	1	Reducer	
71	1001117308	1	Relay, 200Amp	
72	1001134488	1	Fitting, 90 NPT/Barbed	
73	1001135943	1	Coupling	
74	1001136834	1	Cap	
75	1001138173	1	Support	
76	1001138175	1	Bracket	
78	1001138559	1	Fitting, 90 NPT	
79	1001138827	1	Sensor	
80	1001139240	1	Bracket	
81	1001140564	1	Fitting, 90 NPT/Barbed	
82	1001138248	5 ft/ 1.5m	Tubing	
83	1001141995	1	Fitting, Straight NPT/Barbed	
84	1001142501	1	Fitting, 90 NPT/Barbed	
85	1001143390	1	Indicator, Air Restriction	
86	1001147567	1	Fan	
87	1001147847	1	Filter, Air	
87	70023809	1	Element, Primary	
87	70023872	1	Element, Secondary	
87	70024328	1	Elbow, Rubber	
87	70024329	1	Clamp, Mounting	
88	1001148641	2	Bracket	
89	1001149517	4	Mount, Motor	
90	1001149746	1	Pulley	
91	1001150553	1	Hose	
92	1001151491	1	Support	
93	1001151749	1	Tray	
94	1001152112	1	Heater	
95	1001152489	1	Fitting, 90 Barbed	
96	1001155023	1	Plate	

SECTION 3 - ENGINE

ITEM	PART NUMBER	QTY	DESCRIPTION	REV
97	1001155496	1	Support	
98	1001155498	1	Plate	
99	1001155525	1	Support	
100	1001155540	2	Washer	
101	1001155557	2	Plate	
102	1001155563	1	Seal	
103	1001154405	8.5 in/ 21cm	Hose	
104	1001155564	1	Bracket	
105	1001155565	1	Seal	
106	1001155566	1	Bracket	
107	1001155728	1	Seal	
108	1001156034	1	Seal	
109	1001156035	1	Bracket	
110	1001156062	1	Bracket	
111	1001156091	1	Hose	
112	1001156644	2	Seal	
113	1001157300	1	Hose	
114	1001157301	1	Hose	
115	1001157862	1	Bracket	
116	1001160518	1	Support	
117	1001166393	1	Tank	
118	1001170982	1	Fitting, 90 SAE/Barbed	
119	1001175568	2	Clip	
120	1001181899	1	Clamp	
121	1001256862	1	Radiator	
122	1001189291	1	Pipe, Exhaust	
123	1001190418	1	Tube	
124	1001191122	1	Hose, Upper	
125	1001192138	1	Shroud	
126	1001193599	2	Grommet	
127	1001197317	1	Spacer	
128	1001208297	1	Clamp	
129	1001208298	1	Clamp	
130	1001208299	4	Clamp	
131	1001212810	1	Support	
132	1001212817	1	Plate	
133	1001212826	1	Tube, Intake	
134	1001251858	1	Deutz HRC Engine Components (See Separate Breakdown in this Section)	

SECTION 3 - ENGINE

FIGURE 3-14. DEUTZ HRC ENGINE COMPONENTS



ART_1001251858

SECTION 3 - ENGINE

FIGURE 3-14. DEUTZ HRC ENGINE COMPONENTS

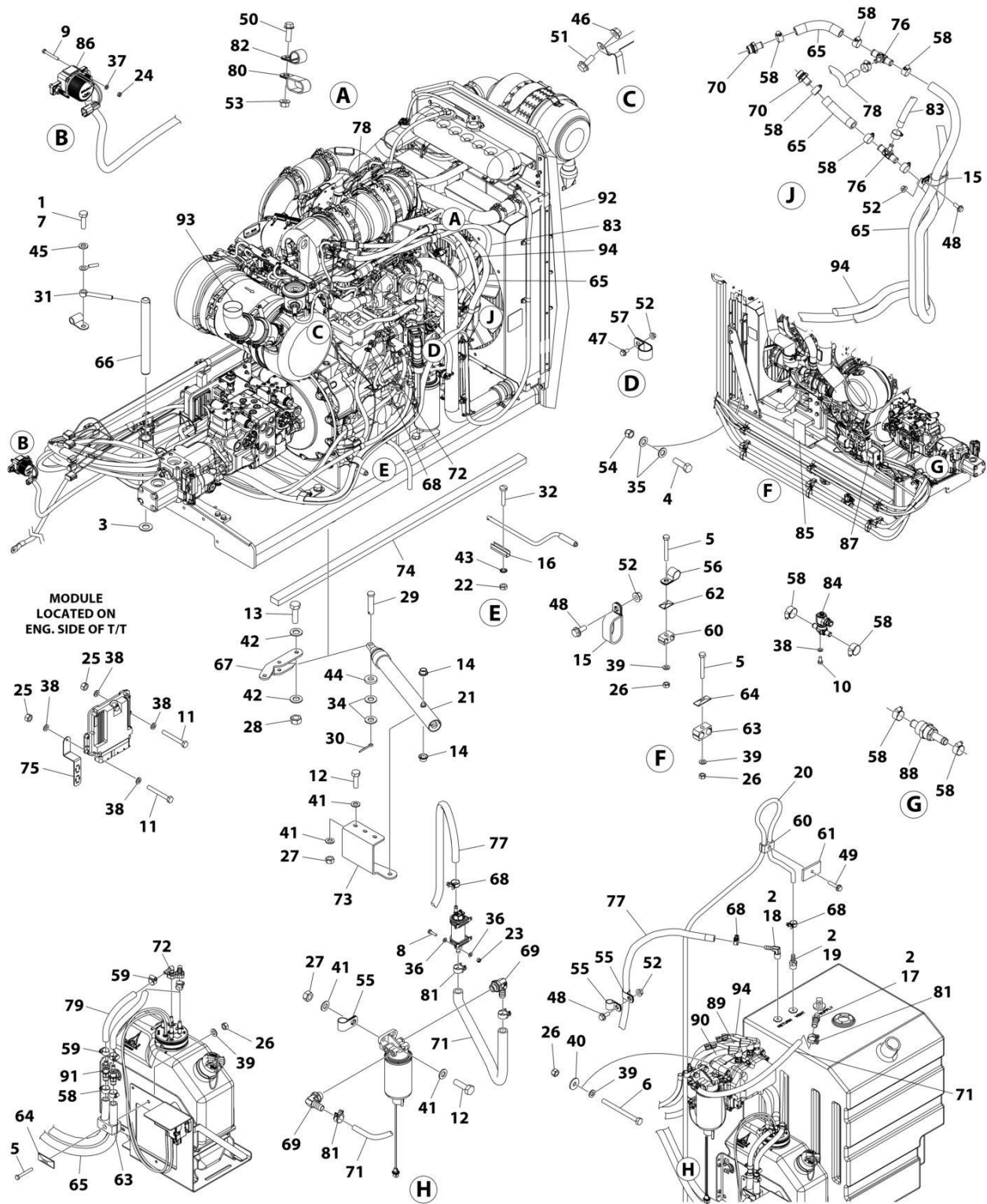
ITEM	PART NUMBER	QTY	DESCRIPTION	REV
	1001251858	Ref	DEUTZ ENGINE COMPONENTS	B
		Ref	Note: For complete list of parts, contact JLG Parts Department	
		Ref	Air Intake System Components	
	70007083	1	Turbocharger	
		Ref	Cooling System Components	
	70004515	1	Pump, Coolant	
		Ref	Electrical System Components	
	70027420	1	Module, ECU/ECM	
	70029401	1	Generator (Includes Regulator & Fan)	
	70006653	1	Regulator	
	70004520	1	Starter (Includes Solenoid)	
	70025780	1	Relay	
	70007085	1	Harness, Engine	
	70005517	1	Harness, Starter	
	70026210	2	Sender, Tacho-Generator (Speed) (Includes Seal)	
	70005559	1	Sender, Temperature	
	70028540	1	Sender, Temperature (On Thermostat Housing)	
	70027405	2	Sender, Temperature (On Exhaust) (Includes Seal)	
	70005556	1	Sender, Temperature (On Exhaust) (Includes Seal)	
	70005524	1	Sensor (On Exhaust)	
	70005522	1	Sensor, Pressure (O2) (On Exhaust)	
	70005523	1	Sensor, Pressure (O2) (On Exhaust)	
	70024507	1	Sensor, Pressure (Includes Seal) (On Air Intake Manifold)	
	70005504	1	Sensor, Pressure (Includes Seal) (On Exhaust)	
	70024504	1	Sensor, Pressure (Includes Seal) (On Block)	
	70024474	4	Plug, Glow	
	70005544	1	Unit, Exhaust Metering (Includes Gasket)	
		Ref	Exhaust System Components	
	70005513	1	Valve, EGR	
	70005511	1	Gasket, Exhaust (Manifold to Head)	
	70024480	1	Gasket, Exhaust (Manifold to TurboCharger)	
	70007083	1	Turbocharger	
	70027460	1	Tank, DEF (Includes Filter, Cover & Breather)	
	70027464	1	Filter (Inside DEF Tank)	
	70027467	1	Breather (On DEF Tank)	
	70007093	1	Catalyst	
	70008612	1	DEF Tank Assembly (Includes Cap, Filler Filter & Venting Valve)	
	70027495	1	Filter, Filler - DEF Tank	
	70008613	1	Cap/Cover, DEF Tank	
	70027467	1	Valve, Venting - DEF Tank	
	1001293066	1	Sensor, Level - DEF Tank	
	70027463	1	Clip, Level Sensor - DEF Tank	
	70027464	1	Filter, DEF In-line	
		Ref	Fuel System Components	
	70024487	1	Pump, Fuel Injector	
	70024485	4	Injector (Includes Seal, Clamp & O-Ring)	
	70006144	1	Pump, Fuel Supply (Includes Clamps)	
	70025153	1	Filter, Fuel (Pre-Filter)	
	70004512	1	Filter, Fuel	
	70005492	1	Valve, Throttle	

SECTION 3 - ENGINE

ITEM	PART NUMBER	QTY	DESCRIPTION	REV
	70005548	1	Pump, Fuel Supply (Includes Filter)	
	70005549	1	Filter (Inside Fuel Supply Pump)	
		Ref	Lubricating System Components	
	70025745	1	Dipstick	
	7020465	2	Cap, Oil Fill	
	70025088	1	Plug, Oil Drain	
	7020404	2	Seal, Oil Drain Plug	
		Ref	Pump, Oil (Includes Bolts & Bushing)	
	7016331	1	Filter, Oil	
	70024494	1	Cooler, Oil	
		Ref	Mechanical Components	
	70005498	1	V-Belt (Set of 2)	
	70005516	1	V-Belt (Generator)	
	70024481	1	Gasket, Valve Cover	
	70025789	1	Gasket, Head	
	70025707	1	Gasket Kit - Complete	

SECTION 3 - ENGINE

FIGURE 3-15. DEUTZ HRC (STAGE V) ENGINE INSTALLATION - WITHOUT COLD WEATHER PKG



SECTION 3 - ENGINE

FIGURE 3-15. DEUTZ HRC (STAGE V) ENGINE INSTALLATION - WITHOUT COLD WEATHER PKG

ITEM	PART NUMBER	QTY	DESCRIPTION	REV
	1001259195	Ref	DEUTZ T4F ENGINE INSTALLATION	B
1	0100011	AR	Compound, Locking	
2	0100020	AR	Sealant	
3	0440162	1	Bearing, Thrust	
4	0642220	1	Bolt 3/4 x 2-1/2	
5	0700820	7	Bolt M8 x 60	
6	0700827	3	Bolt M8 x 100	
7	0711015	1	Bolt M10 x 35 Grade 10.9	
8	0760408	4	Bolt M4 x 16	
9	0760516	2	Bolt M5 x 40	
10	0760606	4	Bolt M6 x 12	
11	0760613	4	Bolt M6 x 28	
12	0761015	5	Bolt M10 x 35	
13	0771416	2	Bolt M14 x 40 Grade 10.9	
14	0962051	2	Bearing, Flange	
15	1321716	4	Clamp	
16	1380147	1	Clip	
17	2180832	1	Fitting, Straight NPT/Barbed	
18	2220313	1	Fitting, 90 NPT/Barbed	
19	2221114	1	Fitting, Straight NPT/Barbed	
20	2750532	6.9 ft/ 2.1m	Hose	
21	2840016	1	Jack with Handle	
21	7016322	1	Wiper (Burr Manufacturing Brand Only)	
21	7016374	1	Handle (Burr Manufacturing Brand)	
21	7024598	1	Handle (Hammerblow Corp Brand)	
22	3290301	2	Nut M3	
23	3290405	4	Nut M4	
24	3290501	2	Nut M5	
25	3290605	4	Nut M6 x 1	
26	3290805	10	Nut M8	
27	3291007	5	Nut M10	
28	3331411	2	Nut M14	
29	3430816	1	Pin	
30	3450404	1	Pin, Cotter 1/8 x 1	
31	3841143	1	Keeper	
32	4010308	2	Screw M3 x16	
33	4240099	AR	Tie-Strap (Not Shown)	
34	4711800	2	Washer 1/2	
35	4712200	2	Washer 3/4	
36	4811400	8	Washer M4	
37	4811600	2	Washer M5	
38	4811700	12	Washer M6	
39	4811900	13	Washer M8	
40	4811902	3	Washer M8	
41	4812000	10	Washer M10	
42	4812200	4	Washer M14	
43	4871200	2	Washer M3	
44	4891800	1	Washer 1/2	
45	5241000	1	Washer M10	

SECTION 3 - ENGINE

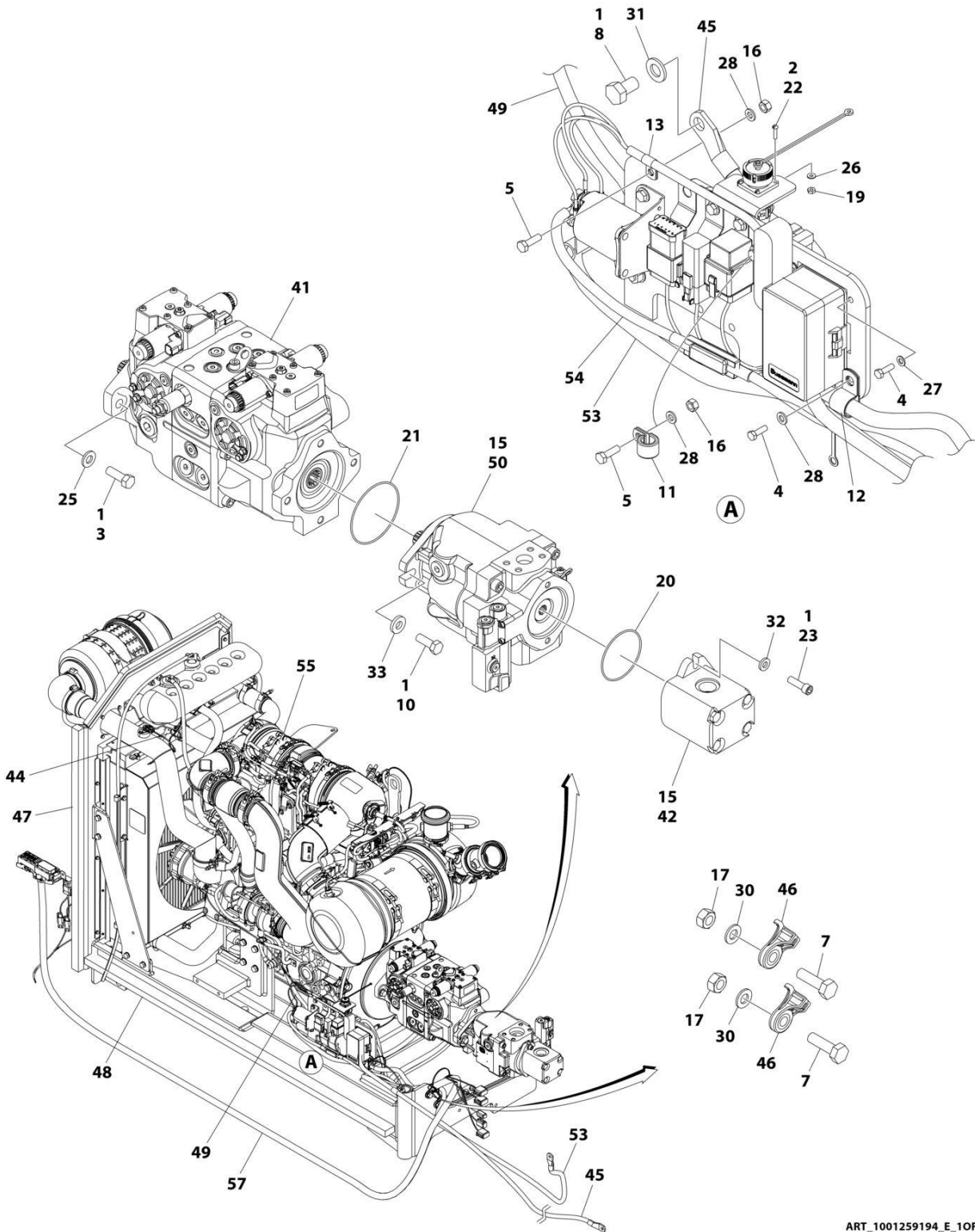
ITEM	PART NUMBER	QTY	DESCRIPTION	REV
46	5250608	1	Bolt M6 x 16	
47	5250808	1	Bolt M8 x 16	
48	5250810	5	Bolt M8 x 20	
49	5250814	1	Bolt M8 x 30	
50	5251215	1	Bolt M12 x 35	
51	5260600	1	Nut M6	
52	5260800	6	Nut M8	
53	5261200	1	Nut M12	
54	8310067	1	Nut 3/4	
55	8406101	3	Clip	
56	8406102	3	Clip	
57	8406303	1	Clip	
58	8410009	14	Clamp	
59	8410013	4	Clamp	
60	8750014	4	Clamp	
61	8750031	1	Plate	
62	8769123	3	Cover	
63	8769127	4	Clamp	
64	77133137	4	Cover	
65	82033995	46 ft/ 14m	Hose	
66	1001135196	1	Pin	
67	1001135497	1	Support	
68	1001136975	5	Clamp	
69	1001142501	2	Fitting, 90 NPT/Barbed	
70	1001154262	2	Fitting, Adaptor	
71	1001154405	3.6 ft/ 1.1m	Hose	
72	1001155823	3	Coupling	
73	1001155939	1	Plate	
74	1001156719	1	Seal	
75	1001159162	1	Bracket, Support	
76	1001162212	2	Fitting, Tee	
77	1001165035	37.4 ft/ 11.4m	Hose	
78	1001169409	1	Hose	
79	1001181625	1.3 ft/ 0.4m	Hose	
80	1001181899	1	Clamp	
81	1001186342	4	Clip	
82	1001191620	1	Clamp	
83	1001193980	1	Hose, Coolant	
84	1001199670	1	Valve, Tank Coolant	
85	1001212056	1	Decal - Engine Fuse Box	
86	1001216021	1	Relay	
87	1001224046	1	Decal – Engine Fuse Box Cover	
88	1001228872	1	Filter, Coolant Screen	
89	1001238401	1	Hose, Backflow	
90	1001238402	1	Hose, Suction	
91	1001238470	2	Adapter	
92	1001259194	1	Deutz HRC (Stage V) Engine Assembly – Without Cold Weather Package (See Separate Breakdown in this Section)	
93	1001259204	1	Pipe	

SECTION 3 - ENGINE

ITEM	PART NUMBER	QTY	DESCRIPTION	REV
94	1001260943	1	Hose	

SECTION 3 - ENGINE

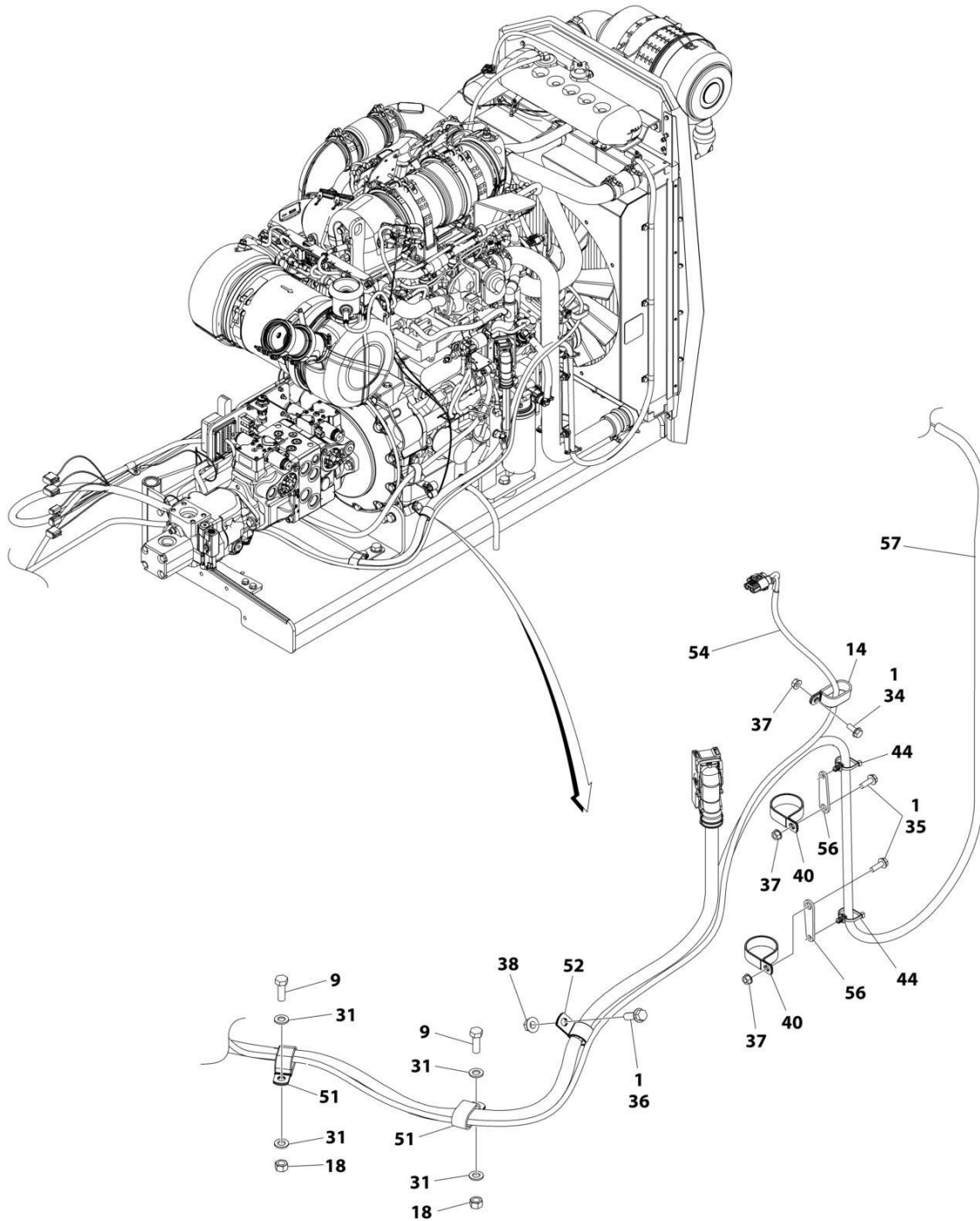
FIGURE 3-16. DEUTZ HRC (STAGE V) ENGINE/PUMP ASSEMBLY - WITHOUT COLD WEATHER PKG



ART_1001259194_E_10F2

SECTION 3 - ENGINE

FIGURE 3-17. DEUTZ HRC (STAGE V) ENGINE/PUMP ASSEMBLY - WITHOUT COLD WEATHER PKG



ART_1001259194_E_20F2

SECTION 3 - ENGINE

FIGURE 3-17. DEUTZ HRC (STAGE V) ENGINE/PUMP ASSEMBLY - WITHOUT COLD WEATHER PKG

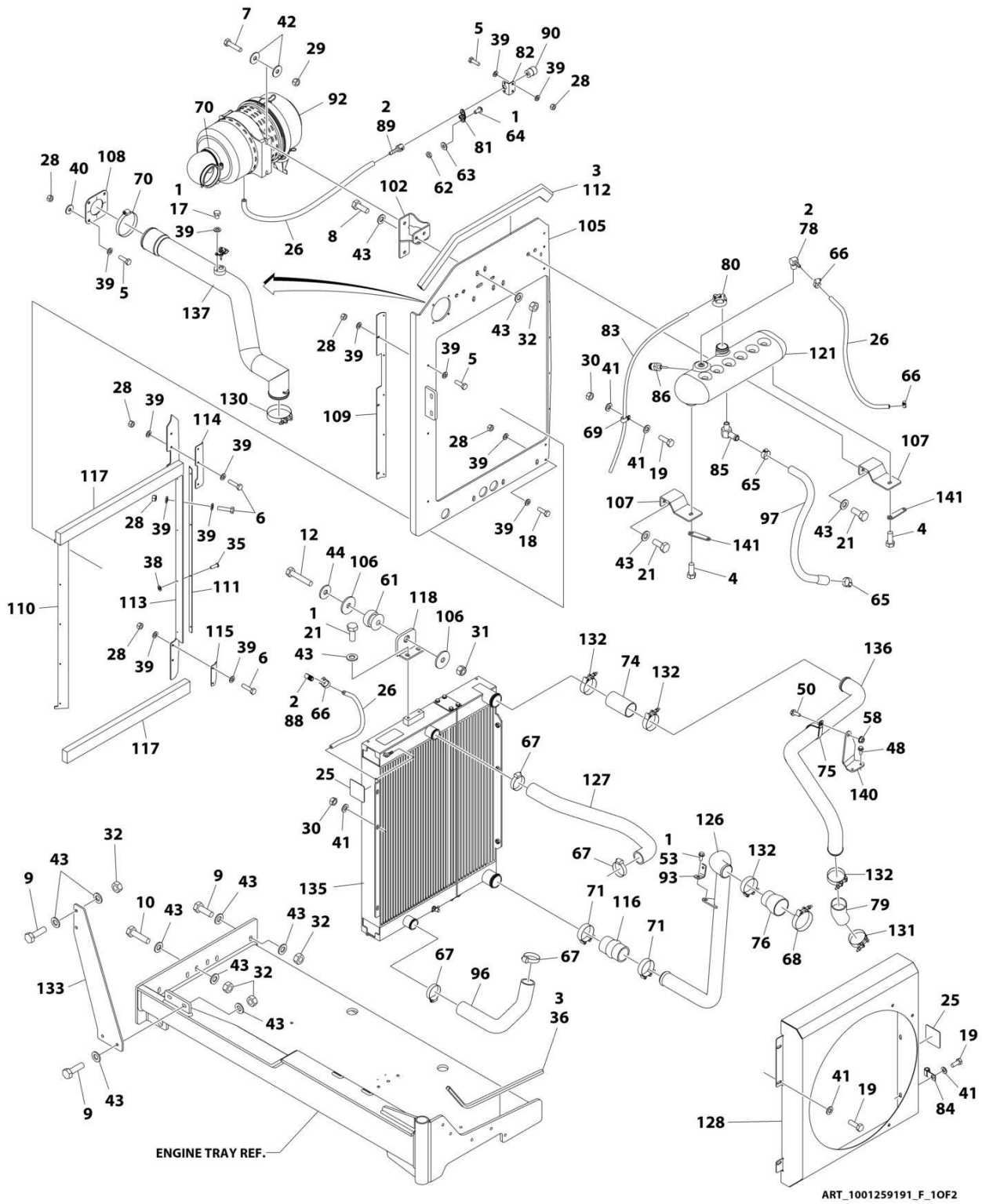
ITEM	PART NUMBER	QTY	DESCRIPTION	REV
	1001259194	Ref	DEUTZ T4F ENGINE/PUMP ASSEMBLY	E
1	0100011	AR	Compound, Locking	
2	0100035	AR	Compound, Locking	
3	0641812	2	Bolt 1/2 x 1-1/2	
4	0760508	4	Bolt M5 x 16	
5	0760610	2	Bolt M6 x 20	
7	0761015	2	Bolt M10 x 35	
8	0761210	1	Bolt M12 x 20	
9	0761215	2	Bolt M12 x 35	
10	0761216	2	Bolt M12 x 40	
11	1320041	1	Clamp	
12	1320061	1	Clamp	
13	1320136	1	Clamp	
14	1321716	1	Clamp	
15	3020037	AR	Grease, Dielectric	
16	3290607	2	Nut M6	
17	3291007	2	Nut M10	
18	3291207	2	Nut M12	
19	3310401	3	Nut #4	
20	3790152	1	O-Ring	
21	3790155	1	O-Ring	
22	3910408	3	Screw #4 x 1/2	
23	3931620	2	Screw 3/8 x 1-1/4	
24	4240099	AR	Tie-Strap (Not Shown)	
25	4740171	2	Washer	
26	4750400	3	Washer #4	
27	4811600	3	Washer M5	
28	4811700	3	Washer M6	
30	4812000	2	Washer M10	
31	4812100	5	Washer M12	
32	4891600	2	Washer 3/8	
33	4891800	2	Washer 1/2	
34	5250810	1	Bolt M8 x 20	
35	5250812	2	Bolt M8 x 25	
36	5251215	1	Bolt M12 x 35	
37	5260800	3	Nut M8	
38	5261200	1	Nut M10	
40	1001097588	2	Clamp	
41	1001108616	1	Pump, Tandem (See Separate Breakdown in this Section)	
42	1001112927	1	Pump, Gear (See Separate Breakdown in this Section)	
44	1001146588	4	Tie-Strap	
45	1001154143	1	Cable, Battery (Negative)	
46	1001156107	2	Holder, Cable	
47	1001156718	1	Seal	
48	1001156719	1	Seal	
49	1001157073	1	Cable, Alternator Power	
50	1001169892	1	Pump, Piston (See Separate Breakdown in this Section)	
51	1001181899	2	Clamp	
52	1001191620	1	Clamp	
53	1001197443	1	Cable, Battery (Positive)	

SECTION 3 - ENGINE

ITEM	PART NUMBER	QTY	DESCRIPTION	REV
54	1001274992	1	Cable, Glow Plug	
55	1001259191	1	Deutz HRC Engine Assembly – With Cold Weather Package (See Separate Breakdown in this Section)	
56	1001260307	2	Bracket	
57	1001262056	1	Harness, Engine (See Separate Breakdown in ELECTRICAL Section)	

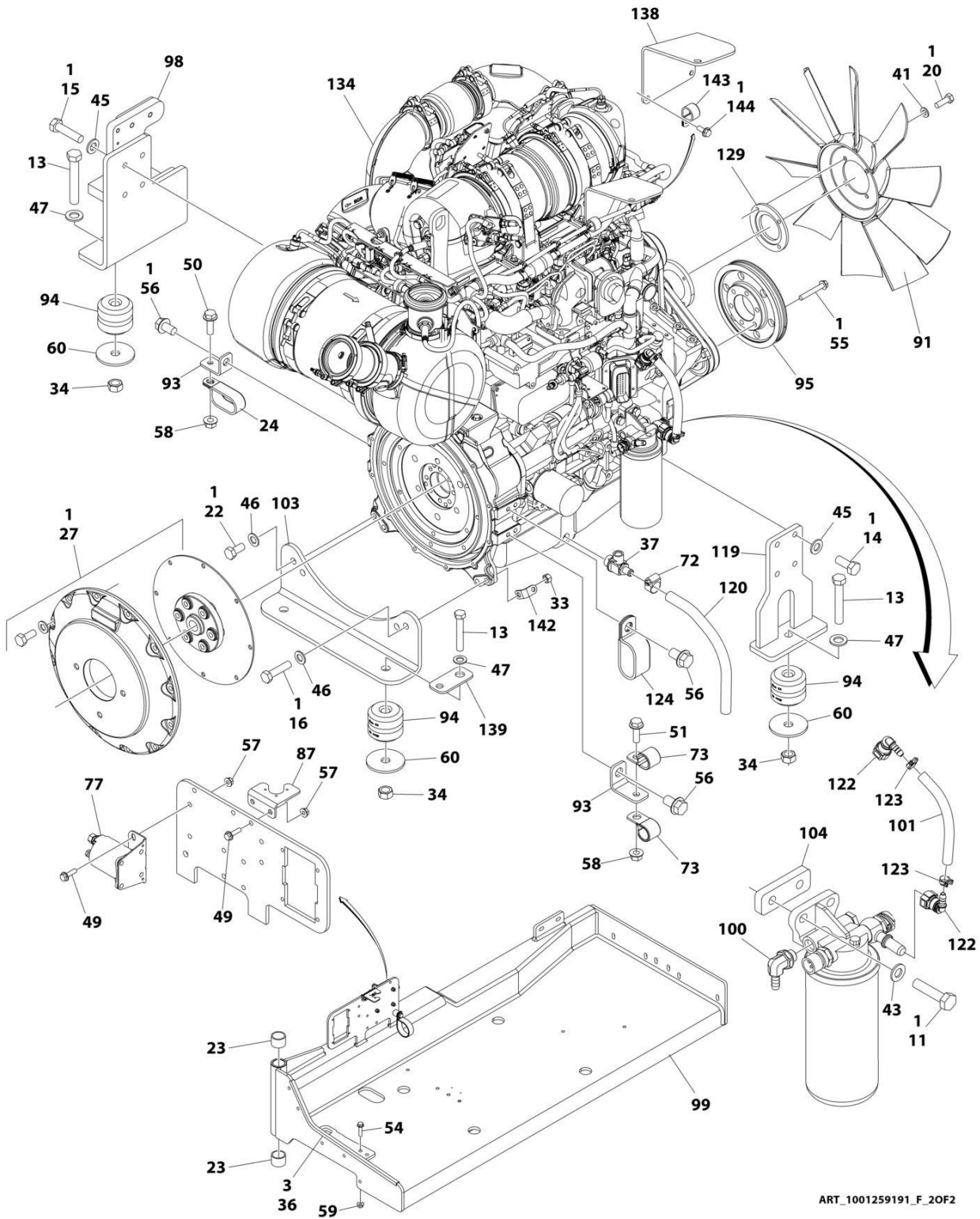
SECTION 3 - ENGINE

FIGURE 3-18. DEUTZ HRC (STAGE V) ENGINE ASSEMBLY - WITHOUT COLD WEATHER PKG



SECTION 3 - ENGINE

FIGURE 3-19. DEUTZ HRC (STAGE V) ENGINE ASSEMBLY - WITHOUT COLD WEATHER PKG



ART_1001259191_F_20F2

SECTION 3 - ENGINE

FIGURE 3-19. DEUTZ HRC (STAGE V) ENGINE ASSEMBLY - WITHOUT COLD WEATHER PKG

ITEM	PART NUMBER	QTY	DESCRIPTION	REV
	1001259191	Ref	DEUTZ T4F ENGINE ASSEMBLY	F
1	0100011	AR	Compound, Locking	
2	0100020	AR	Sealant	
3	0100081	AR	Adhesive	
4	0641607	2	Bolt 3/8 x 7/8	
5	0700610	9	Bolt M6 x 20	
6	0700612	7	Bolt M6 x 25	
7	0700815	2	Bolt M8 x 35	
8	0701013	2	Bolt M10 x 28	
9	0701015	6	Bolt M10 x 35	
10	0701016	2	Bolt M10 x 40	
11	0701017	2	Bolt M10 x 45	
12	0701019	1	Bolt M10 x 55	
13	0701627	4	Bolt M16 x 100	
14	0711214	4	Bolt M12 x 30 Class 10.9	
15	0711218	4	Bolt M12 x 50 Class 10.9	
16	0771419	1	Bolt M14 x 55 Class 10.9	
17	0760604	1	Bolt M6 x 8	
18	0760614	2	Bolt M6 x 30	
19	0760810	6	Bolt M8 x 20	
20	0760812	4	Bolt M8 x 25	
21	0761012	6	Bolt M10 x 25	
22	0771415	3	Bolt M14 x 35 Class 10.9	
23	0961951	2	Bushing	
24	1321716	1	Clamp	
25	1703162	2	Decal - Fan Blade	
26	2720015	5 ft/ 1.5m	Hose	
27	2902065	1	Pump Coupling Kit (See Separate Breakdown in this Section)	
28	3290607	18	Nut M6	
29	3290805	2	Nut M8	
30	3290807	3	Nut M8	
31	3291005	1	Nut M10	
32	3291007	10	Nut M10	
33	3291407	1	Nut M14	
34	3291601	4	Nut M16	
35	3820032	9	Rivet	
36	4060807	22 in/ 56cm	Flex-Trim	
37	4640751	1	Valve, Oil Drain	
38	4811600	4	Washer M5	
39	4811700	33	Washer M6	
40	4811702	4	Washer M6	
41	4811900	13	Washer M8	
42	4811902	4	Washer M8	
43	4812000	30	Washer M10	
44	4812002	1	Washer M10	
45	4812100	8	Washer M12	
46	4812200	4	Washer M14	
47	5241600	4	Washer M16	
48	5250608	2	Bolt M6 x 16	

SECTION 3 - ENGINE

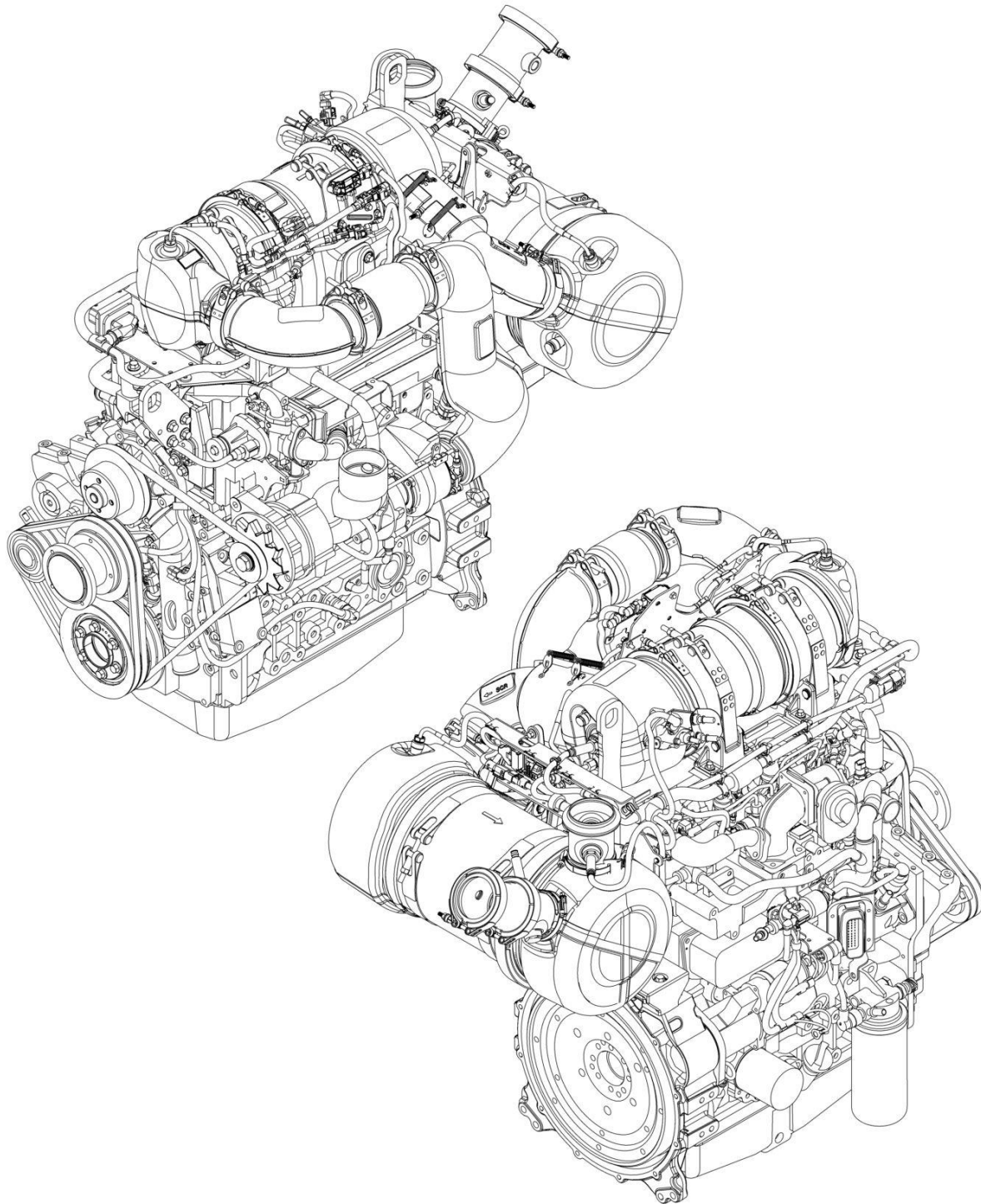
ITEM	PART NUMBER	QTY	DESCRIPTION	REV
49	5250611	4	Bolt M6 x 22	
50	5250810	2	Bolt M8 x 20 Class 10.9	
51	5250812	1	Bolt M8 x 25 Class 10.9	
53	5251010	1	Bolt M10 x 20 Class 10.9	
54	5251016	2	Bolt M10 x 40 Class 10.9	
55	5251022	6	Bolt M10 x 70 Class 10.9	
56	5251210	3	Bolt M12 x 20 Class 10.9	
57	5260600	4	Nut M6	
58	5260800	3	Nut M8	
59	5261000	2	Nut M10	
60	7300435	4	Washer	
61	8278020	1	Mount	
62	8305401	2	Nut 1/4	
63	8307109	2	Washer 1/4	
64	8310548	2	Screw 1/4 x 1/2	
65	8405007	2	Clamp	
66	8405009	4	Clamp	
67	8405104	4	Clamp	
68	8405211	1	Clamp	
69	8406109	2	Clip	
70	8410011	2	Clamp	
71	8410012	2	Clamp	
72	8410013	1	Clamp	
73	24861170	2	Clamp	
74	91563070	1	Coupling, Rubber	
75	1001097588	1	Clip	
76	1001117244	1	Reducer	
77	1001117308	1	Relay, 200Amp	
78	1001134488	1	Fitting, 90 NPT/Barbed	
79	1001135943	1	Coupling	
80	1001136834	1	Cap	
81	1001138173	1	Support	
82	1001138175	1	Bracket	
83	1001138248	5 ft/ 1.5m	Tubing	
84	1001138253	3	Clamp	
85	1001138559	1	Fitting, 90 NPT	
86	1001138827	1	Sensor	
87	1001139240	1	Bracket	
88	1001140564	1	Fitting, 90 NPT/Barbed	
89	1001141995	1	Fitting, Straight NPT/Barbed	
90	1001143390	1	Indicator, Air Restriction	
91	1001147567	1	Fan	
92	1001147847	1	Filter, Air	
92	70023809	1	Element, Primary	
92	70023872	1	Element, Secondary	
92	70024328	1	Elbow, Rubber	
92	70024329	1	Clamp, Mounting	
93	1001148641	3	Bracket	
94	1001149517	4	Mount, Motor	
95	1001149746	1	Pulley	
96	1001150504	1	Hose	

SECTION 3 - ENGINE

ITEM	PART NUMBER	QTY	DESCRIPTION	REV
97	1001150553	1	Hose	
98	1001151491	1	Support	
99	1001151749	1	Tray	
100	1001152489	1	Fitting, 90 Barbed	
101	1001154405	8.5 in/ 21cm	Hose	
102	1001155023	1	Plate	
103	1001155496	1	Support	
104	1001155498	1	Plate	
105	1001155525	1	Support	
106	1001155540	2	Washer	
107	1001155557	2	Plate	
108	1001155563	1	Seal	
109	1001155564	1	Bracket	
110	1001155565	1	Seal	
111	1001155566	1	Bracket	
112	1001155728	1	Seal	
113	1001156034	1	Seal	
114	1001156035	1	Bracket	
115	1001156062	1	Bracket	
116	1001156091	1	Hose	
117	1001156644	2	Seal	
118	1001157862	1	Bracket	
119	1001160518	1	Support	
120	1001165035	1 ft/ 0.3m	Hose	
121	1001166393	1	Tank	
122	1001170982	2	Fitting, 90 SAE/Barbed	
123	1001175568	2	Clip	
124	1001181899	1	Clamp	
126	1001190418	1	Tube	
127	1001191122	1	Hose, Upper	
128	1001192138	1	Shroud	
129	1001197317	1	Spacer	
130	1001208297	1	Clamp	
131	1001208298	1	Clamp	
132	1001208299	4	Clamp	
133	1001212817	1	Plate	
134	1001256823	1	Deutz HRC (Stage V) Engine Components (See Separate Breakdown in this Section)	
135	1001256862	1	Radiator	
136	1001259203	1	Hose	
137	1001259208	1	Hose	
138	1001259278	1	Bracket	
139	1001259281	1	Bracket	
140	1001291543	1	Support, Hose	
141	1001260307	2	Bracket	
142	1001260889	1	Bracket	
143	1001100319	1	Clip	
144	5250808	2	Bolt M8 X 16 Class 10.9	

SECTION 3 - ENGINE

FIGURE 3-20. DEUTZ HRC (STAGE V) ENGINE COMPONENTS



ART_1001256823

SECTION 3 - ENGINE

FIGURE 3-20. DEUTZ HRC (STAGE V) ENGINE COMPONENTS

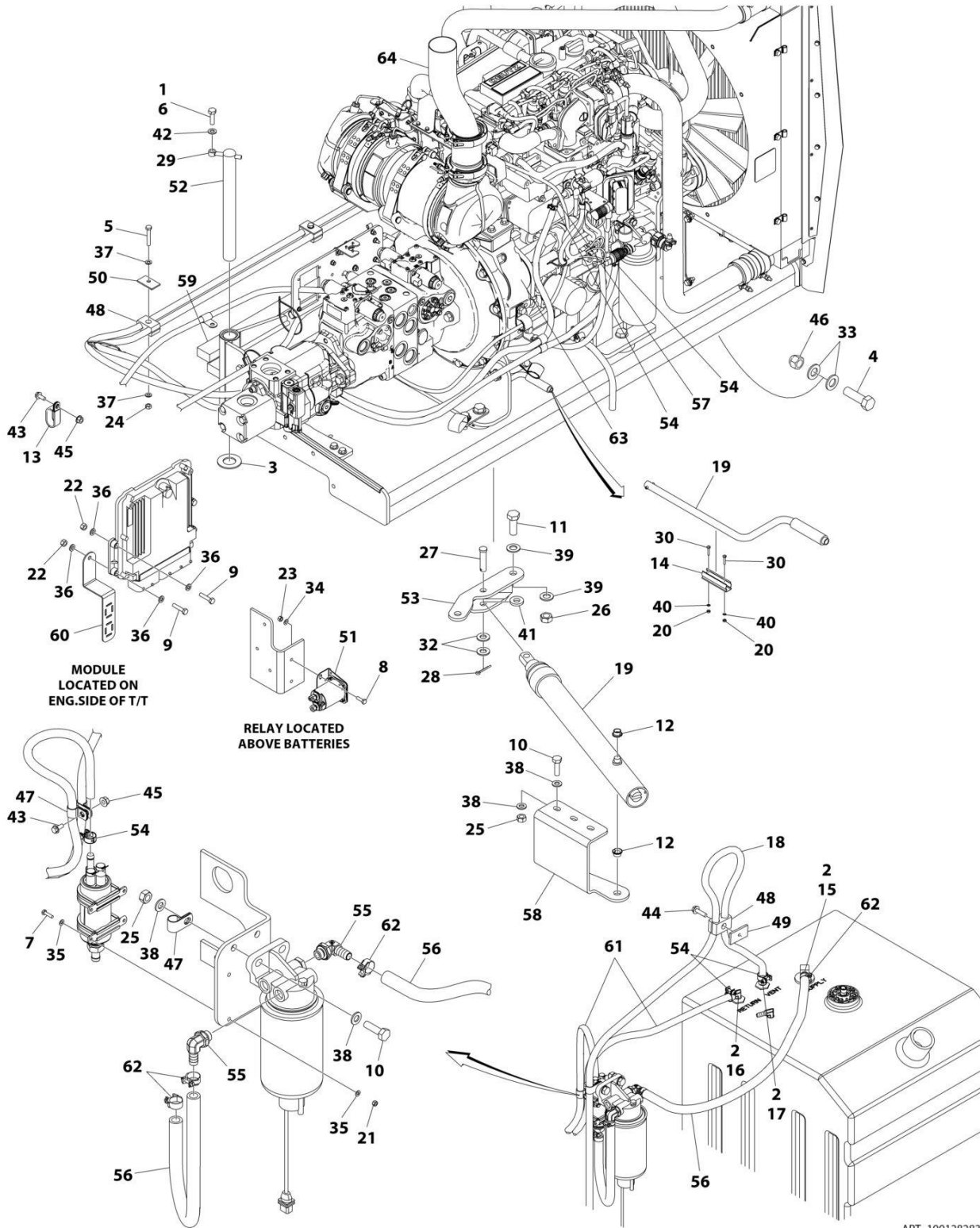
ITEM	PART NUMBER	QTY	DESCRIPTION	REV
	1001256823	Ref	DEUTZ ENGINE COMPONENTS	E
		Ref	Note: For complete list of parts, contact JLG Parts Department	
		Ref	Air Intake System Components	
	70007083	1	Turbocharger	
		Ref	Cooling System Components	
	70004515	1	Pump, Coolant	
		Ref	Electrical System Components	
		Ref	Module, ECU/ECM	
	70029401	1	Generator (Includes Regulator & Fan)	
	70006653	1	Regulator	
	70004520	1	Starter (Includes Solenoid)	
	70025780	1	Relay, Starter	
	70005517	1	Harness, Starter to Relay	
		Ref	Harness, Injector	
	70026210	1	Sender, Tacho-Generator (Speed) (On Rear of Block & Front Cover) (Includes Seal)	
	70005559	1	Sender, Temperature (Includes Seal) (On Air Intake Manifold)	
	70024507	1	Sensor, Pressure (Includes Seal) (On Air Intake Manifold)	
	70024504	1	Sensor, Pressure (Includes Seal) (On Fuel Filter & Side of Block)	
	70029407	1	Sensor, Pressure (Includes Seal) (On Exhaust Manifold)	
	70024474	4	Plug, Glow	
		Ref	Exhaust System Components	
		Ref	Valve, EGR	
	70027425	8	Bolt, Exhaust Manifold	
	70005511	1	Gasket, Exhaust Manifold	
		Ref	Outlet, Muffler	
		Ref	Muffler	
		Ref	Bracket, Muffler Mounting	
		Ref	Compensator, Exhaust	
	70024480	1	Gasket, Turbo to Exhaust Manifold	
	70008612	1	DEF Tank Assembly (Includes Cap, Filler Filter & Venting Valve)	
	70027495	1	Filter, Filler - DEF Tank	
	70008613	1	Cap/Cover, DEF Tank	
	70027467	1	Valve, Venting - DEF Tank	
	1001293066	1	Sensor, Level - DEF Tank	
	70027463	1	Clip, Level Sensor - DEF Tank	
	70027464	1	Filter, DEF In-line	
		Ref	Fuel System Components	
		Ref	Pump, High Pressure	
	70024485	1	Injector (Includes Sealing washer, Clamp & O-Ring)	
	70006144	1	Pump, Fuel Supply (Includes Clamps)	
	70024961	1	Filter, Fuel (Pre-Filter Assembly) (Includes Head, Spin on filter, Sensor Cable & Seal)	
	70025153	1	Filter, Fuel Spin On	
	70024513	1	Sensor Cable (Includes Seal)	
	70004511	1	Filter, Fuel (Assembly) (Includes Head & Spin on Filter)	
	70004512	1	Filter, Fuel Spin On	
	70004508	1	Vol. Control Valve (Includes O-Ring & Gasket)	
	70005548	1	Pump, DEF Supply (Includes Filter, Cover & Fittings)	
		Ref	Lubricating System Components	

SECTION 3 - ENGINE

ITEM	PART NUMBER	QTY	DESCRIPTION	REV
	7020465	2	Cap, Oil Fill	
	70025088	2	Plug, Oil Drain	
	7020404	2	Seal, Oil Drain Plug	
		Ref	Pump, Oil (Includes seal 7 Gasket)	
	7016331	1	Filter, Oil	
	70024494	1	Cooler, Oil	
	70024495	1	Gasket, Oil Cooler	
	70025745	1	Dipstick (Includes Seal)	
		Ref	Mechanical Components	
	70001870	1	Flywheel (includes Gear)	
	70005498	1	Set, Narrow V-Belts	
	70005516	1	V-Belt	
	70025707	1	Gasket Set - Complete	

SECTION 3 - ENGINE

FIGURE 3-21. DEUTZ TCD3.6L ENGINE INSTALLATION (CHINA IV)



ART_1001282837

SECTION 3 - ENGINE

FIGURE 3-21. DEUTZ TCD3.6L ENGINE INSTALLATION (CHINA IV)

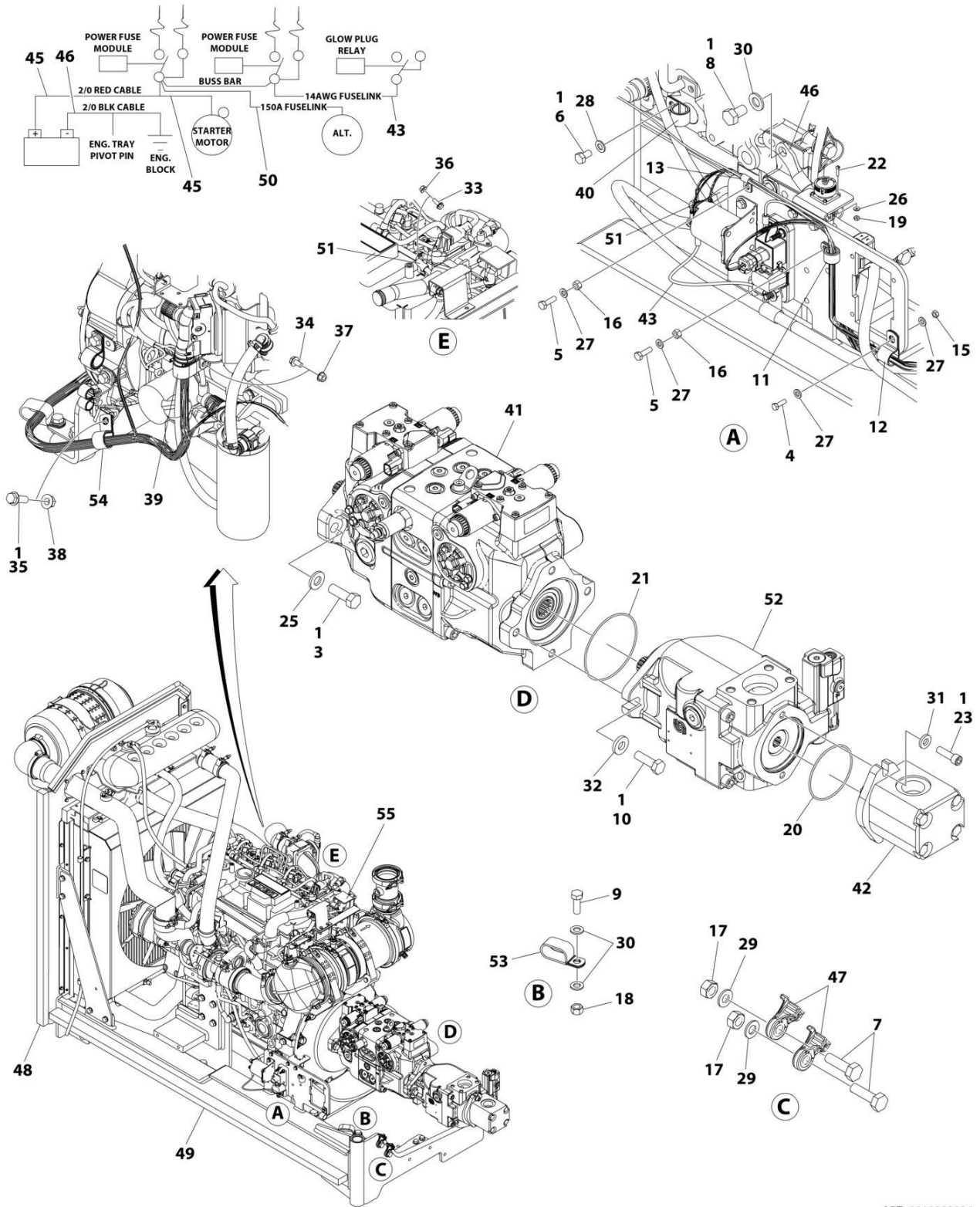
ITEM	PART NUMBER	QTY	DESCRIPTION	REV
	1001282837	Ref	DEUTZ TCD3.6L ENGINE INSTALLATION	C
1	0100011	AR	Compound, Locking	
2	0100020	AR	Sealant	
3	0440162	1	Bearing, Thrust	
4	0642220	1	Bolt 3/4 x 2-1/2	
5	0700818	3	Bolt M8 x 50	
6	0711015	1	Bolt M10 x 35 Class 10.9	
7	0760408	4	Bolt M4 x 16	
8	0760610	2	Bolt M6 x 20	
9	0760613	4	Bolt M6 x 28	
10	0761015	5	Bolt M10 x 35	
11	0771416	2	Bolt M14 x 40 Class 10.9	
12	0962051	2	Bearing, Flange	
13	1321716	3	Clamp	
14	1380147	1	Clip	
15	2180832	1	Fitting, Straight NPT/Barbed	
16	2220313	1	Fitting, 90 NPT/Barbed	
17	2221114	1	Fitting, Straight NPT/Barbed	
18	2750532	7 ft/2.1m	Hose	
19	2840016	1	Jack with Handle	
19	7016374	1	Handle (Burr Manufacturing Brand)	
19	7024598	1	Handle (Hammerblow Corp Brand)	
19	7016322	1	Wiper (Burr Manufacturing Brand Only)	
20	3290301	2	Nut M3	
21	3290405	4	Nut, Lock M4	
22	3290605	4	Nut, Lock M6	
23	3290607	2	Nut, Lock M6	
24	3290805	3	Nut, Lock M8	
25	3291007	5	Nut, Lock M10	
26	3331411	2	Nut M14 Class 10	
27	3430816	1	Pin	
28	3450404	1	Pin, Cotter 1/8 x 1	
29	3841143	1	Keeper	
30	4010308	2	Screw M3 x16	
31	4240099	AR	Tie-Strap (Not Shown)	
32	4711800	2	Washer 1/2	
33	4712200	2	Washer 3/4	
34	4791400	2	Washer 1/4	
35	4811400	8	Washer M4	
36	4811700	10	Washer M6	
37	4811900	6	Washer M8	
38	4812000	10	Washer M10	
39	4812200	4	Washer M14	
40	4871200	2	Washer, Lock M3	
41	4891800	1	Washer 1/2	
42	5241000	1	Washer M10	
43	5250810	4	Bolt M8 x 20	
44	5250814	1	Bolt M8 x 30	
45	5260800	4	Nut M8 Class 10	
46	8310067	1	Nut, lock 3/4	

SECTION 3 - ENGINE

ITEM	PART NUMBER	QTY	DESCRIPTION	REV
47	8406101	3	Clip	
48	8750014	4	Clamp	
49	8750031	1	Plate	
50	8769128	3	Cover	
51	1001117308	1	Relay	
52	1001135196	1	Pin	
53	1001135497	1	Support	
54	1001136975	5	Clamp	
55	1001142501	2	Fitting, 90 NPT/Barbed	
56	1001154405	4.5 ft /1.37m	Hose	
57	1001155823	1	Coupling	
58	1001155939	1	Plate	
59	1001156719	1	Seal	
60	1001159162	1	Bracket, Support	
61	1001165035	37.75 ft /1.37m	Hose	
62	1001186342	4	Clamp	
63	1001282836	1	Deutz TCD3.6L Engine and Pumps Assembly (See Separate Breakdown in this Section)	
64	1001288430	1	Pipe, Exhaust	
65	1001211885	1	Fuel Harness (Not Shown - See Separate Breakdown in ELECTRICAL Section)	

SECTION 3 - ENGINE

FIGURE 3-22. DEUTZ TCD3.6L ENGINE AND PUMPS ASSEMBLY (CHINA IV)



ART_1001282836

SECTION 3 - ENGINE

FIGURE 3-22. DEUTZ TCD3.6L ENGINE AND PUMPS ASSEMBLY (CHINA IV)

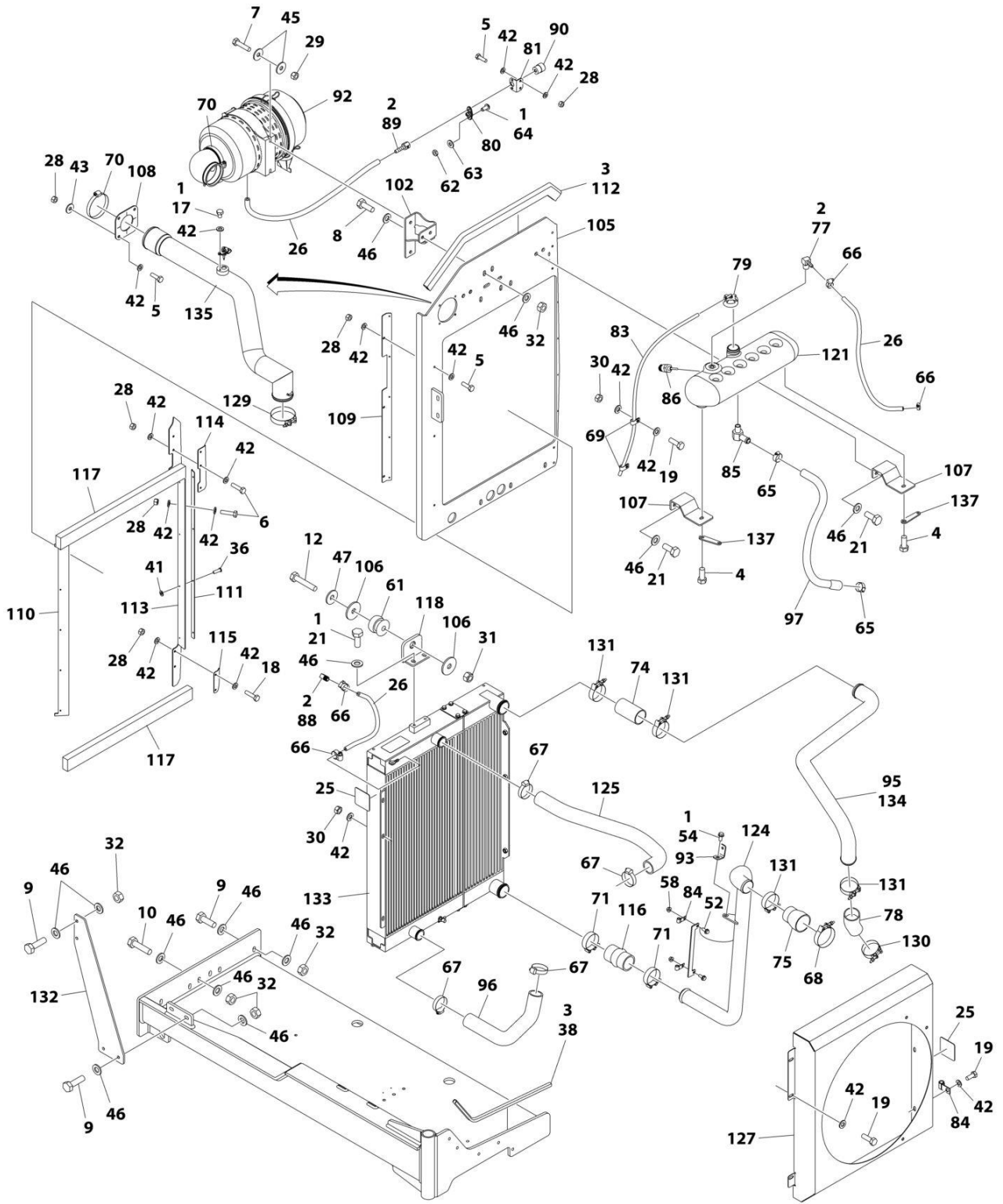
ITEM	PART NUMBER	QTY	DESCRIPTION	REV
	1001282836	Ref	DEUTZ TCD3.6L ENGINE/PUMPS ASSEMBLY	C
1	0100011	AR	Compound, Locking	
2	0100035	AR	Compound, Locking	
3	0641812	2	Bolt 1/2 x 1-1/2	
4	0760508	1	Bolt M5 x 16	
5	0760610	2	Bolt M6 x 20	
6	0760807	1	Bolt M8 x 14	
7	0761015	2	Bolt M10 x 35	
8	0761210	1	Bolt M12 x 20	
9	0761215	2	Bolt M12 x 35	
10	0761216	2	Bolt M12 x 40	
11	1320041	1	Clamp	
12	1320061	1	Clamp	
13	1320136	1	Clamp	
15	3290501	1	Nut M5	
16	3290607	2	Nut, Lock M6	
17	3291007	2	Nut, Lock M10	
18	3291207	2	Nut, Lock M12	
19	3310401	3	Nut #4	
20	3790152	1	O-Ring	
21	3790155	1	O-Ring	
22	3910408	3	Screw #4 x 1/2	
23	3931620	2	Bolt 3/8 x 1-1/4	
24	4240099	AR	Tie-Strap (Not Shown)	
25	4740171	2	Washer	
26	4750400	3	Washer #4	
27	4811700	4	Washer M6	
28	4811900	1	Washer M8	
29	4812000	2	Washer M10	
30	4812100	5	Washer M12	
31	4891600	2	Washer 3/8	
32	4891800	2	Washer 1/2	
33	5250608	1	Bolt M6 x 16 Class 10.9	
34	5250808	1	Bolt M8 x 16 Class 10.9	
35	5251215	1	Bolt M12 x 35 Class 10.9	
36	5260600	1	Nut M6 Class 10	
38	5261200	1	Nut M12 Class 10	
39	8406303	1	Clip	
40	91043147	1	Clamp	
41	1001108616	1	Tandem Pump Assembly (See Separate Breakdown in this Section)	
42	1001112927	1	Gear Pump Assembly (See Separate Breakdown in this Section)	
43	1001141304	1	Wire, Glow Plug	
44	1001146588	AR	Fir Tree (Not Shown)	
45	1001154142	1	Cable, Battery (Positive)	
46	1001154143	1	Cable, Battery (Negative)	
47	1001156107	2	Holder, Cable	
48	1001156718	1	Seal	
49	1001156719	1	Seal	
50	1001157073	1	Cable, Alternator Power	

SECTION 3 - ENGINE

ITEM	PART NUMBER	QTY	DESCRIPTION	REV
51	1001168734	1	Wire, Glow Plug	
52	1001169892	1	Piston Pump Assembly (See Separate Breakdown in this Section)	
53	1001181899	2	Clamp	
54	1001191620	1	Clamp	
55	1001282835	1	Deutz TCD3.6L Engine Assembly (See Separate Breakdown in this Section)	
56	1001285004	1	Harness, Engine (Not Shown) (See Separate Separate Breakdown in this Section)	

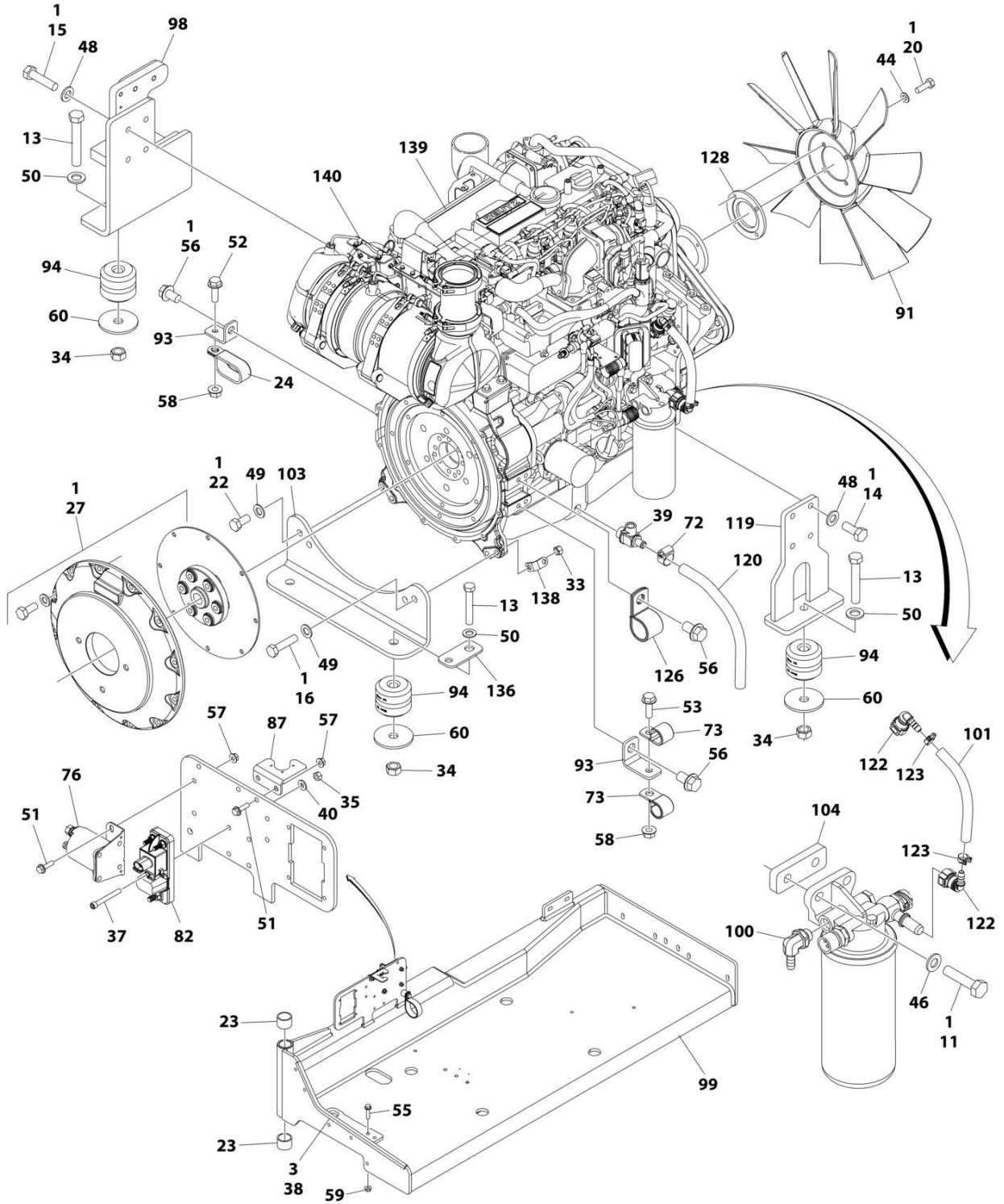
SECTION 3 - ENGINE

FIGURE 3-23. DEUTZ TCD3.6L ENGINE ASSEMBLY (CHINA IV)



ART_1001282835_10F2

SECTION 3 - ENGINE



ART_1001282835_20F2

SECTION 3 - ENGINE

FIGURE 3-23. DEUTZ TCD3.6L ENGINE ASSEMBLY (CHINA IV)

ITEM	PART NUMBER	QTY	DESCRIPTION	REV
	1001282835	Ref	DEUTZ TCD3.6L ENGINE ASSEMBLY	C
1	0100011	AR	Compound, Locking	
2	0100020	AR	Sealant	
3	0100081	AR	Adhesive	
4	0641607	2	Bolt 3/8 x 7/8	
5	0700610	9	Bolt M6 x 20	
6	0700612	7	Bolt M6 x 25	
7	0700815	2	Bolt M8 x 35	
8	0701013	2	Bolt M10 x 28	
9	0701015	6	Bolt M10 x 35	
10	0701016	2	Bolt M10 x 40	
11	0701017	2	Bolt M10 x 45	
12	0701019	1	Bolt M10 x 55	
13	0701627	4	Bolt M16 x 100	
14	0711214	4	Bolt M12 x 30 Class 10.9	
15	0711218	4	Bolt M12 x 50 Class 10.9	
16	0711419	1	Bolt M14 x 55 Class 10.9	
17	0760604	1	Bolt M6 x 8	
18	0760614	2	Bolt M6 x 30	
19	0760810	6	Bolt M8 x 20	
20	0760812	4	Bolt M8 x 25	
21	0761012	6	Bolt M10 x 25	
22	0771415	3	Bolt M14 x 35 Class 10.9	
23	0961951	2	Bushing	
24	1321716	1	Clamp	
25	1703162	2	Decal - Fan Blade	
26	2720015	5 ft/ 1.5m	Hose	
27	2902065	1	Pump Coupling Kit (See Separate Breakdown in this Section)	
28	3290607	18	Nut, Lock M8	
29	3290805	2	Nut, Lock M8	
30	3290807	3	Nut, Lock M8	
31	3291005	1	Nut, Lock M10	
32	3291007	10	Nut, Lock M10	
33	3291407	1	Nut, Lock M14	
34	3291601	4	Nut M16	
35	3311405	1	Nut, Lock 1/4	
36	3820032	9	Rivet	
37	3931432	1	Bolt 1/4 x 2	
38	4060807	22 in/ 56cm	Flex-Trim	
39	4640751	1	Valve, Oil Drain	
40	4711400	1	Washer 1/4	
41	4811600	4	Washer M5	
42	4811700	33	Washer M6	
43	4811702	4	Washer M6	
44	4811900	13	Washer M8	
45	4811902	4	Washer M8	
46	4812000	30	Washer M10	
47	4812002	1	Washer M10	
48	4812100	8	Washer M12	

SECTION 3 - ENGINE

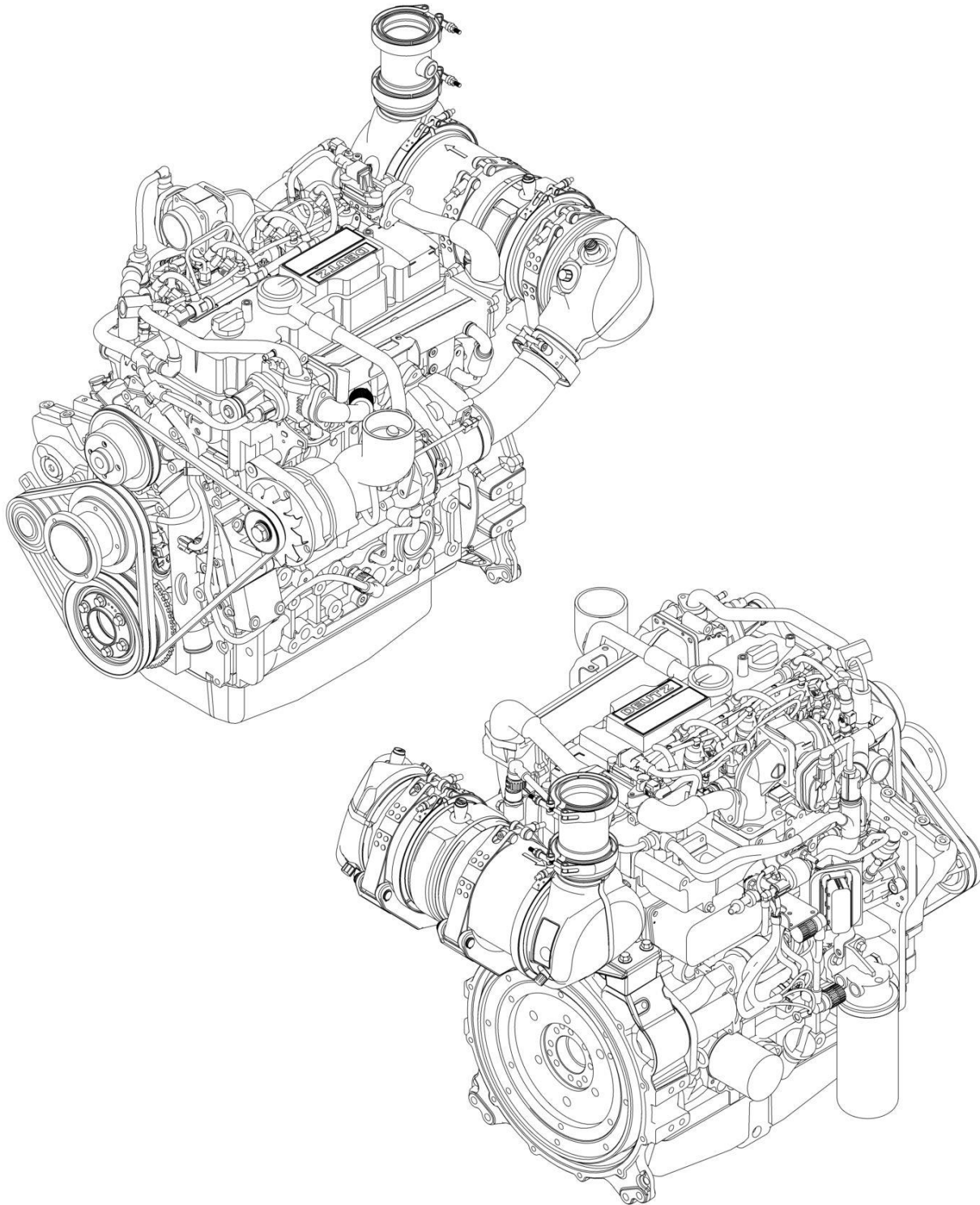
ITEM	PART NUMBER	QTY	DESCRIPTION	REV
49	4812200	4	Washer M14	
50	5241600	4	Washer M16	
51	5250611	4	Bolt M6 x 22 Class 10.9	
52	5250810	3	Bolt M8 x 20 Class 10.9	
53	5250812	1	Bolt M8 x 25 Class 10.9	
54	5251008	1	Bolt M10 x 16 Class 10.9	
55	5251016	2	Bolt M10 x 40 Class 10.9	
56	5251210	3	Bolt M12 x 20 Class 10.9	
57	5260600	4	Nut M6 Class 10	
58	5260800	4	Nut M8 Class 10	
59	5261000	2	Nut M10 Class 10	
60	7300435	4	Washer	
61	8278020	1	Mount	
62	8305401	2	Nut 1/4	
63	8307109	2	Washer 1/4	
64	8310548	2	Bolt 1/4 x 1/2	
65	8405007	2	Clamp	
66	1320022	4	Clamp	
67	8405104	4	Clamp	
68	8405211	1	Clamp	
69	8406109	2	Clip	
70	8410011	2	Clamp	
71	8410012	2	Clamp	
72	8410013	1	Clamp	
73	24861170	2	Clamp	
74	91563070	1	Coupling, Rubber	
75	1001117244	1	Reducer	
76	1001117308	1	Relay, 200Amp	
77	1001134488	1	Fitting, 90 NPT/Barbed	
78	1001135943	1	Coupling	
79	1001136834	1	Cap	
80	1001138173	1	Support	
81	1001138175	1	Bracket	
82	1001138228	1	Relay	
83	1001138248	5 ft/ 1.5m	Tubing	
84	1001138253	5	Clamp	
85	1001138559	1	Fitting, 90 NPT	
86	1001138827	1	Sensor	
87	1001139240	1	Bracket	
88	1001140564	1	Fitting, 90 NPT/Barbed	
89	1001141995	1	Fitting, Straight NPT/Barbed	
90	1001143390	1	Indicator, Air Restriction	
91	1001147567	1	Fan	
92	1001147847	1	Filter, Air	
92	70023809	1	Element, Primary	
92	70023872	1	Element, Secondary	
92	70024328	1	Elbow, Rubber	
92	70024329	1	Clamp, Mounting	
93	1001148641	3	Bracket	
94	1001149517	4	Mount, Motor	
95	1001150498	1	Tube	

SECTION 3 - ENGINE

ITEM	PART NUMBER	QTY	DESCRIPTION	REV
96	1001150504	1	Hose	
97	1001150553	1	Hose	
98	1001151491	1	Support	
99	1001151749	1	Tray	
100	1001152489	1	Fitting, 90 Barbed	
101	1001154405	8.5 in/ 21cm	Hose	
102	1001155023	1	Plate	
103	1001155496	1	Support	
104	1001155498	1	Plate	
105	1001155525	1	Support	
106	1001155540	2	Washer	
107	1001155557	2	Plate	
108	1001155563	1	Seal	
109	1001155564	1	Bracket	
110	1001155565	1	Seal	
111	1001155566	1	Bracket	
112	1001155728	1	Seal	
113	1001156034	1	Seal	
114	1001156035	1	Bracket	
115	1001156062	1	Bracket	
116	1001156091	1	Hose	
117	1001156644	2	Seal	
118	1001157862	1	Bracket	
119	1001160518	1	Support	
120	1001165035	1 ft/ 0.3m	Hose	
121	1001166393	1	Tank	
122	1001170982	2	Fitting, 90 SAE/Barbed	
123	1001175568	2	Clip	
124	1001190418	1	Tube	
125	1001191122	1	Hose, Upper	
126	1001191620	1	Clamp	
127	1001192138	1	Shroud	
128	1001197317	1	Spacer	
129	1001208297	1	Clamp	
130	1001208298	1	Clamp	
131	1001208299	4	Clamp	
132	1001212817	1	Plate	
133	1001256862	1	Radiator	
134	1001259203	1	Hose	
135	1001259208	1	Hose	
136	1001259281	1	Bracket	
137	1001260307	2	Bracket	
138	1001260889	1	Bracket	
139	1001282834	1	Deutz TCD3.6L Engine Components (See Separate Breakdown in this Section)	
140	1001288463	1	Exhaust Sensor Installation (See Separate Breakdown in this Section)	

SECTION 3 - ENGINE

FIGURE 3-24. DUETZ TCD3.6L ENGINE COMPONENTS (CHINA IV)



ART_1001282834

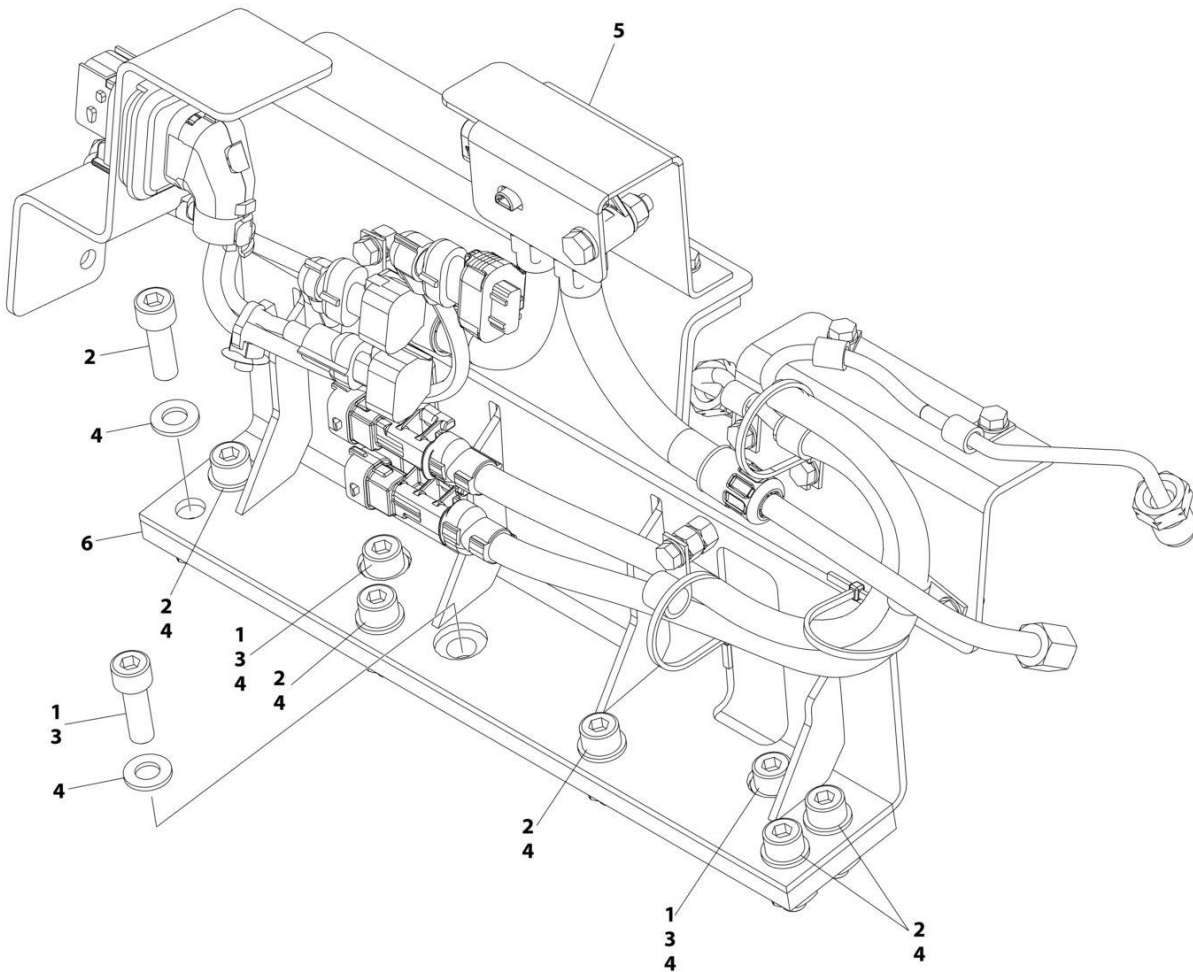
SECTION 3 - ENGINE

FIGURE 3-24. DEUTZ TCD3.6L ENGINE COMPONENTS (CHINA IV)

ITEM	PART NUMBER	QTY	DESCRIPTION	REV
	1001282834	Ref	DEUTZ TCD3.6L ENGINE COMPONENTS	A
	SEE NOTE	Ref	Note: No Service Parts Available at Time of Printing.	

SECTION 3 - ENGINE

FIGURE 3-25. EXHAUST TEMPERATURE SENSOR INSTALLATION (DEUTZ TCD3.6L (CHINA IV) ENGINE)



ART_1001288463_B

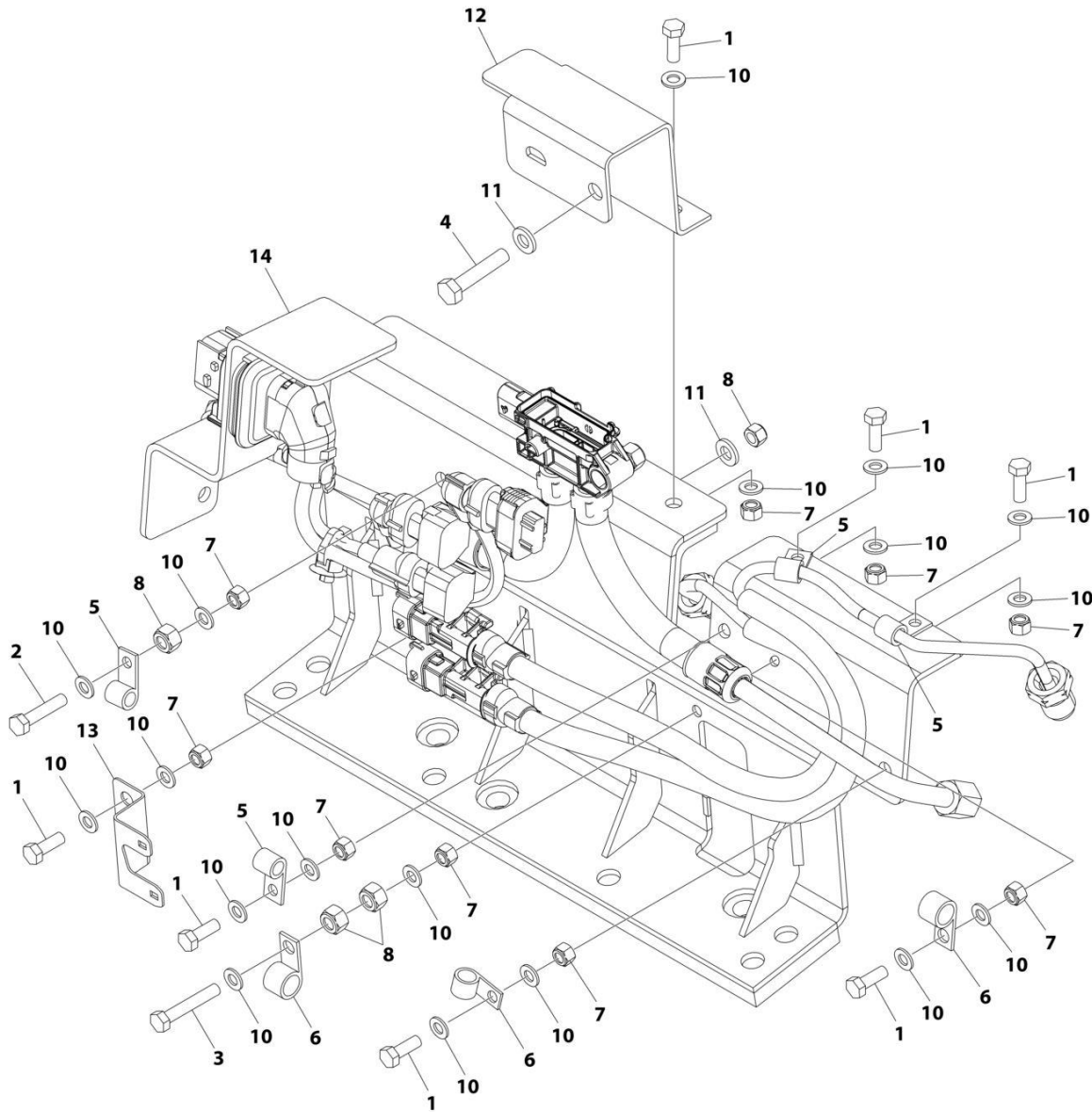
SECTION 3 - ENGINE

FIGURE 3-25. EXHAUST TEMPERATURE SENSOR INSTALLATION (DEUTZ TCD3.6L (CHINA IV) ENGINE)

ITEM	PART NUMBER	QTY	DESCRIPTION	REV
	1001288463	Ref	EXHAUST TEMPERATURE SENSOR INSTALLATION	B
1	0100011	AR	Compound, Locking	
2	4031909	6	Bolt M8 x 25	
3	4031910	3	Bolt M8 x 30	
4	4811900	9	Washer M8	
5	1001293499	1	Exhaust Temperature Sensor Assembly (See Separate Breakdown in this Section)	
6	1001288464	1	Plate, Mounting	

SECTION 3 - ENGINE

FIGURE 3-26. EXHAUST TEMPERATURE SENSOR ASSEMBLY (DEUTZ TCD3.6L (CHINA IV) ENGINE)



ART_1001293499

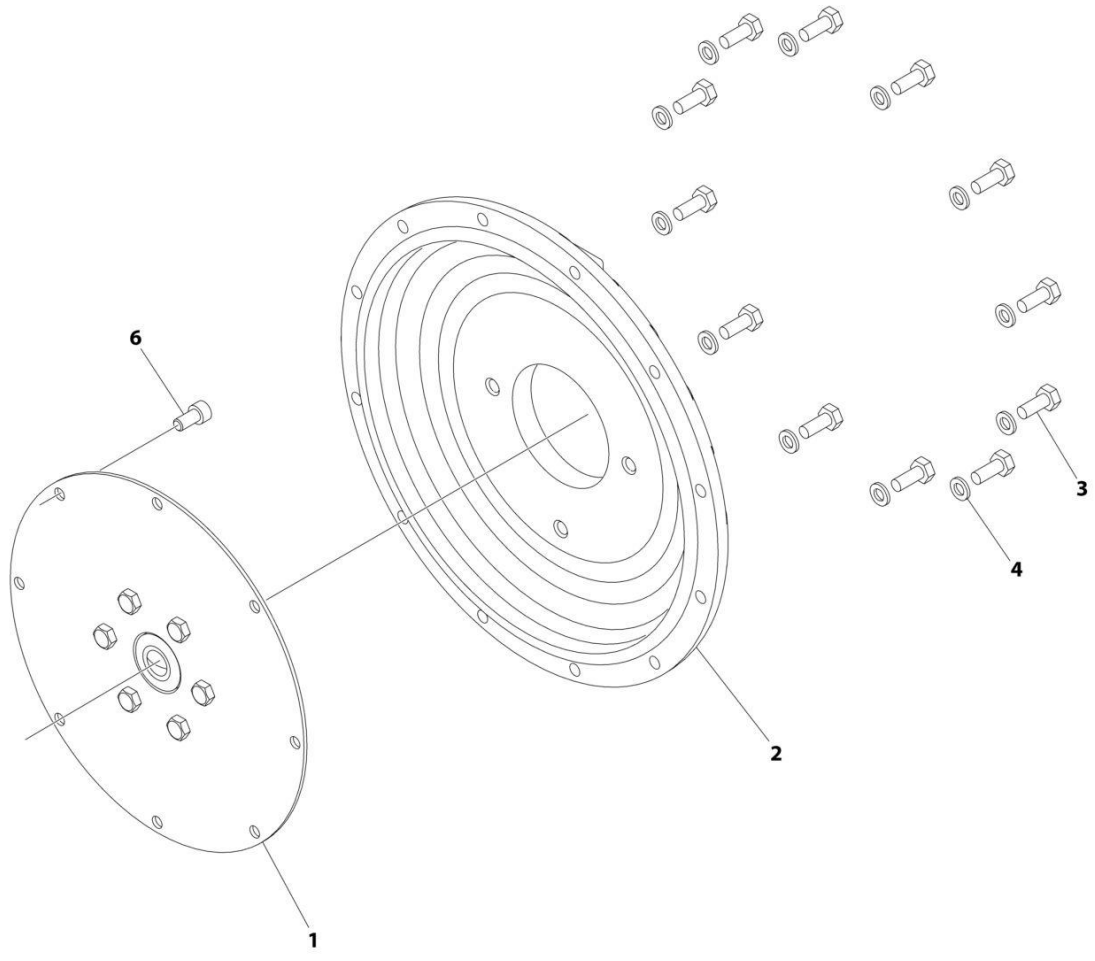
SECTION 3 - ENGINE

FIGURE 3-26. EXHAUST TEMPERATURE SENSOR ASSEMBLY (DEUTZ TCD3.6L (CHINA IV) ENGINE)

ITEM	PART NUMBER	QTY	DESCRIPTION	REV
	1001293499	Ref	EXHAUST TEMPERATURE SENSOR ASSEMBLY	C
1	0760507	6	Bolt M5 x 14	
2	0760512	1	Bolt M5 x 25	
3	0760514	1	Bolt M5 x 30	
4	0760614	1	Bolt M6 x 30	
5	1320040	1	Clamp	
6	1320043	3	Clamp	
7	3290505	8	Nut M5	
8	3290605	4	Nut M6	
9	4240099	AR	Tie Strap (Not Shown)	
10	4811600	16	Washer M5	
11	4811700	2	Washer M6	
12	1001288445	1	Cover	
13	1001288446	1	Bracket	
14	1001293498	1	Mount	

SECTION 3 - ENGINE

FIGURE 3-27. PUMP COUPLING KIT



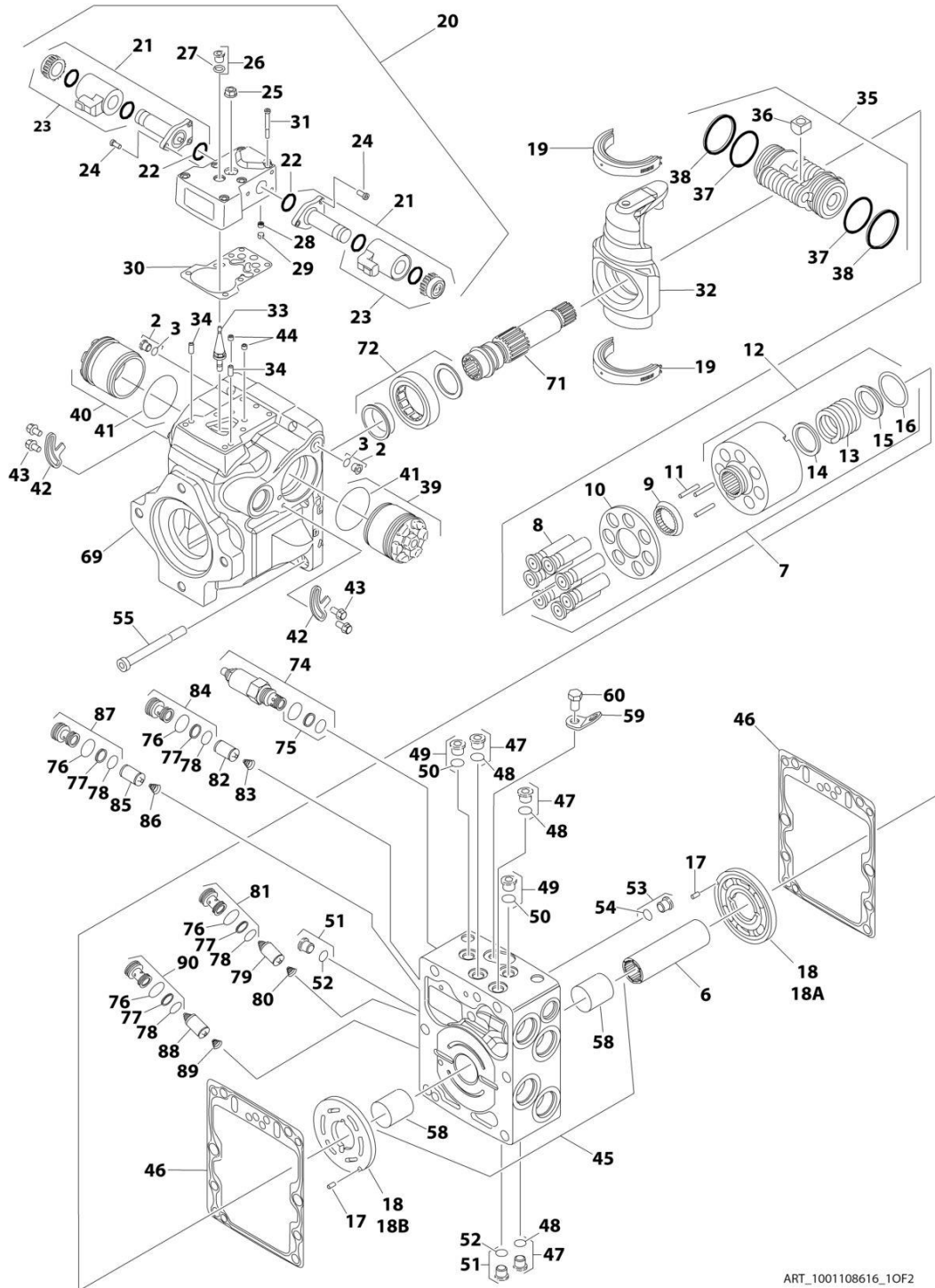
ART_2902065

FIGURE 3-27. PUMP COUPLING KIT

ITEM	PART NUMBER	QTY	DESCRIPTION	REV
	2902065	Ref	PUMP COUPLING KIT	L
1	70000793	1	Coupling, Hayes	
2	See Note	NSS	Plate, Pump Adapter (Note: Use p/n 2902065)	
3	See Note	NSS	Bolt M10 x 30 Grade 10.9 (Note: Use p/n 2902065)	
4	See Note	NSS	Washer M10 (Note: Use p/n 2902065)	
6	See Note	NSS	Bolt M10 x 20 Grade 10.9 (Note: Use p/n 2902065)	

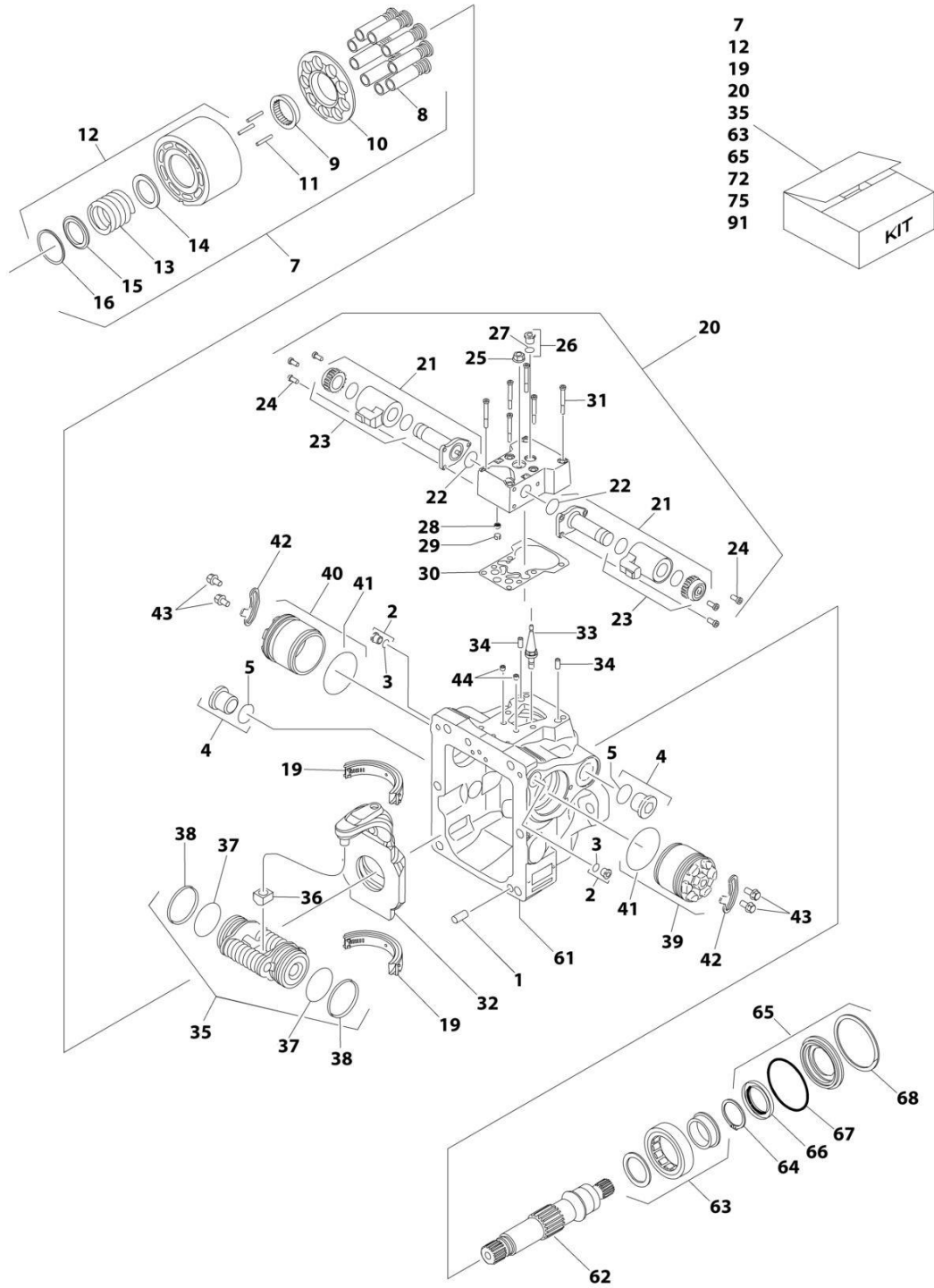
SECTION 3 - ENGINE

FIGURE 3-28. TANDEM PUMP ASSEMBLY



ART_1001108616_10F2

SECTION 3 - ENGINE



ART_1001108616_2OF2

SECTION 3 - ENGINE

FIGURE 3-28. TANDEM PUMP ASSEMBLY

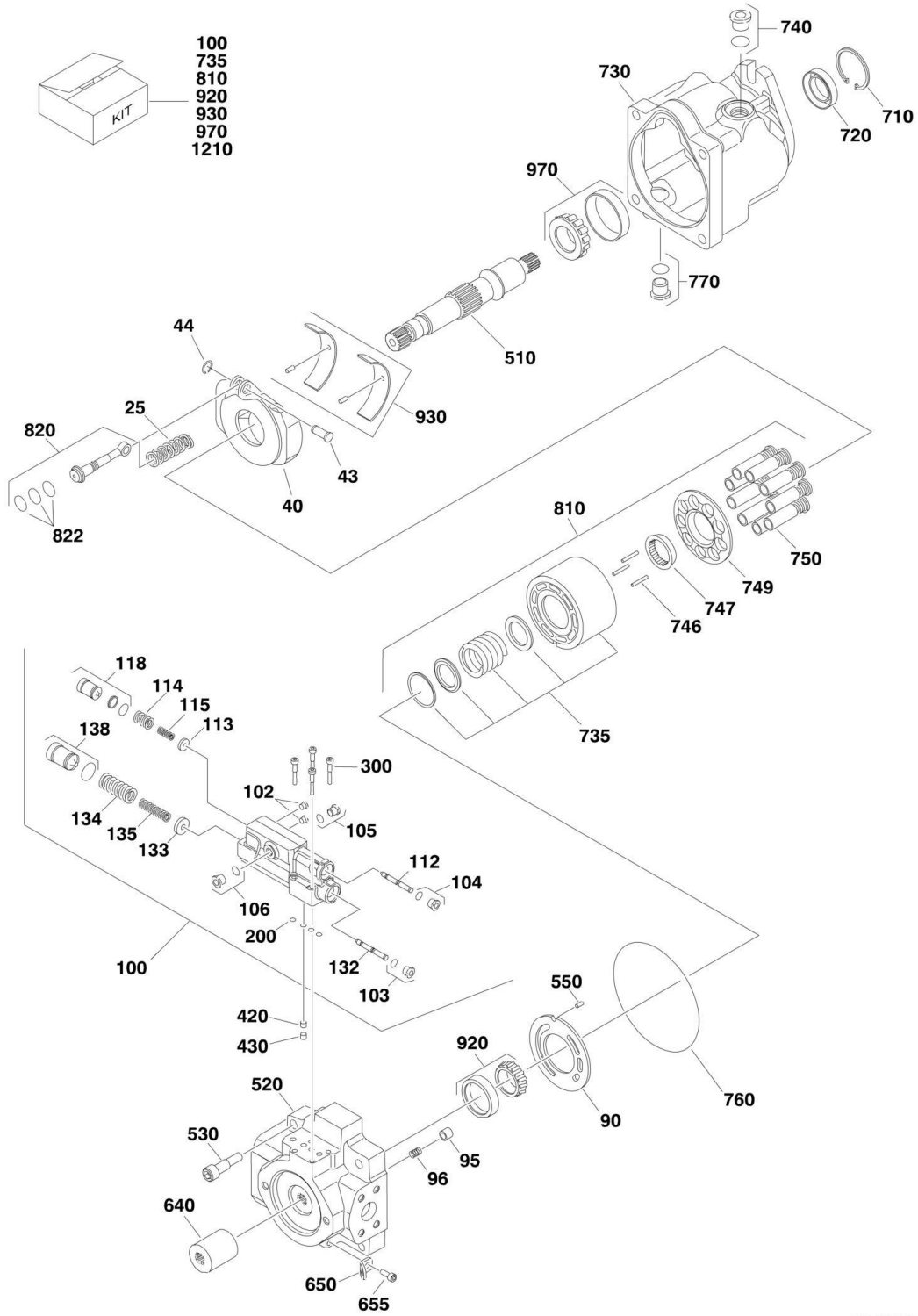
ITEM	PART NUMBER	QTY	DESCRIPTION	REV
	1001108616	Ref	PUMP ASSEMBLY (SAUER TANDEM)	D
1	70002132	4	Pin	
2	70002133	4	Plug Assembly (Includes Item 3)	
3	7007207	4	O-Ring (Part of Item 2)	
4	7007419	2	Plug Assembly (Includes Item 5)	
5	7007418	2	O-Ring (Part of Item 4)	
6	70002600	1	Coupling	
7	70002135	2	Cylinder Block Kit (Each Kit Includes Qty 1 of Items 8-10 & 12-16 & Qty 3 of Item 11)	
8	70002136	2	Piston Assembly Kit (Includes Qty 9 Piston Assemblies) (Part of Item 7)	
9	70002137	2	Guide, Slipper Retainer (Part of Item 7)	
10	70002138	2	Retainer, Slipper (Part of Item 7)	
11	7021275	6	Pin, Slipper Retainer Holddown (Part of Item 7)	
12	70002135	2	Cylinder Block Assembly (Includes Qty 1 of Item 13-16) (Part of Item 7)	
13	70002139	2	Spring (Part of Item 12)	
14	70002140	2	Washer (Part of Item 12)	
15	70002141	2	Washer (Part of Item 12)	
16	70002142	2	Ring, Retaining (Part of Item 12)	
17	7007446	2	Pin	
18		Ref	Plate, Valve Options:	
18A	70002601	1	Plate, CW Valve	
18B	70002602	1	Plate, CCW Valve	
19	70002145	2	Swash Plate Bearing Kit (Includes Qty 2 Bearings)	
20	70002618	2	EDC Kit (Includes Items 21-31)	
21	70002619	4	Solenoid Valve Assembly (Includes Items 22 & 23) (Part of Item 20)	
22	70002148	4	O-Ring (2 Per EDC Assembly) (Part of Item 21)	
23	70002620	4	Coil, Nut and Seals Kit (2 Per EDC Assembly) (Part of Item 21)	
24	70002150	12	Screw (Part of Item 20)	
25	7022301	2	Nut, Seal (Part of Item 20)	
26	70002151	2	Plug Assembly (Part of Item 20) (Includes Item 27)	
27	7007207	2	O-Ring (Part of Item 26)	
28	70002134	2	Screen (Part of Item 20)	
29	70002153	2	Ring, Locking (Part of Item 20)	
30	70002154	2	Gasket, Control (Part of Item 20)	
31	70002156	12	Capscrew (Part of Item 20)	
32	70002152	2	Swash Plate	
33	70002155	2	Link, Swash Plate	
34	70002157	4	Pin, Dowel	
35	70002158	2	Servo Piston Assembly (Includes Items 36-38)	
36	70002159	2	Block, Slider (Part of Item 35)	
37	70002160	2	O-Ring (Part of Item 35)	
38	70002161	2	Ring, Piston (Part of Item 35)	
39	70002162	2	Cylinder, Servo	
40	70002162	2	Cylinder, Servo	
41	70002163	4	O-Ring	
42	70002164	4	Plate, Locking	
43	70002165	8	Screw	

SECTION 3 - ENGINE

ITEM	PART NUMBER	QTY	DESCRIPTION	REV
44	70002604	4	Orifice	
45	70002605	1	Center Section Assembly (Includes Item 58)	
46	70002168	2	Gasket, End Cap	
47	70001958	2	Plug Assembly (Includes Item 48)	
48	7021256	2	O-Ring (Part of Item 47)	
49	70001958	2	Plug Assembly (Includes Item 50)	
50	7021256	2	O-Ring (Part of Item 49)	
51	70001958	2	Plug Assembly (Includes Item 52)	
52	7021256	2	O-Ring (Part of Item 51)	
53	70001958	2	Plug Assembly (Includes Item 54)	
54	7021256	2	O-Ring (Part of Item 53)	
55	70002606	4	Capscrew	
58	70002607	2	Bearing, Journal (Part of Item 45)	
59	70002608	1	Bracket, Lifting	
60	70002609	1	Screw	
61	See Note	1	Housing (Note: Not Available for Purchase)	
62	70002175	1	Shaft	
63	70002610	1	Ball Bearing Kit	
	7007439	1	Ring, Retaining	
65	70002174	1	Shaft Seal Kit (Includes Items 66-68) (Note: This is a universal kit and will contain extra pieces that are not used on this pump assembly)	
66	70002177	1	Seal, Lip	
67	70002178	1	O-Ring	
68	70002179	1	Ring, Retaining	
69	See Note	1	Housing (Note: Not Available for Purchase)	
71	70002612	1	Shaft	
72	70002610	1	Ball Bearing Kit	
74	70002621	1	High Pressure Relief Valve Cartridge Assembly (Includes Item 75)	
75	70002622	1	Seal Kit - 70002621 Valve (Part of Item 74)	
76	7007415	1	O-Ring (Part of Items 81, 84, 87 & 90)	
77	7021293	1	Ring, Back-up (Part of Items 81, 84, 87 & 90)	
78	7022300	1	O-Ring (Part of Items 81, 84, 87 & 90)	
79	70002616	1	SCR Valve Assembly	
80	7024800	1	Spring	
81	7021265	1	Plug Assembly (Includes Qty 1 of Items 76-78)	
82	70002616	1	SCR Valve Assembly	
83	7024800	1	Spring	
84	7021265	1	Plug Assembly (Includes Qty 1 of Item 76-78)	
85	70002616	1	SCR Valve Assembly	
86	7024800	1	Spring	
87	70002617	1	Plug Assembly (Includes Qty 1 of Item 76-78)	
88	70002616	1	SCR Valve Assembly	
89	7024800	1	Spring	
90	7021265	1	Plug Assembly (Includes Qty 1 of Items 76-78)	
91	70002623	1	Overhaul Seal Kit (Includes Items 3, 5, 22, 27, 30, 37, 38, 41, 46, 48, 50, 52, 54, 66, 67, 75, 76, 77 & 78)	

SECTION 3 - ENGINE

FIGURE 3-29. PISTON PUMP ASSEMBLY



1001169892

SECTION 3 - ENGINE

FIGURE 3-29. PISTON PUMP ASSEMBLY

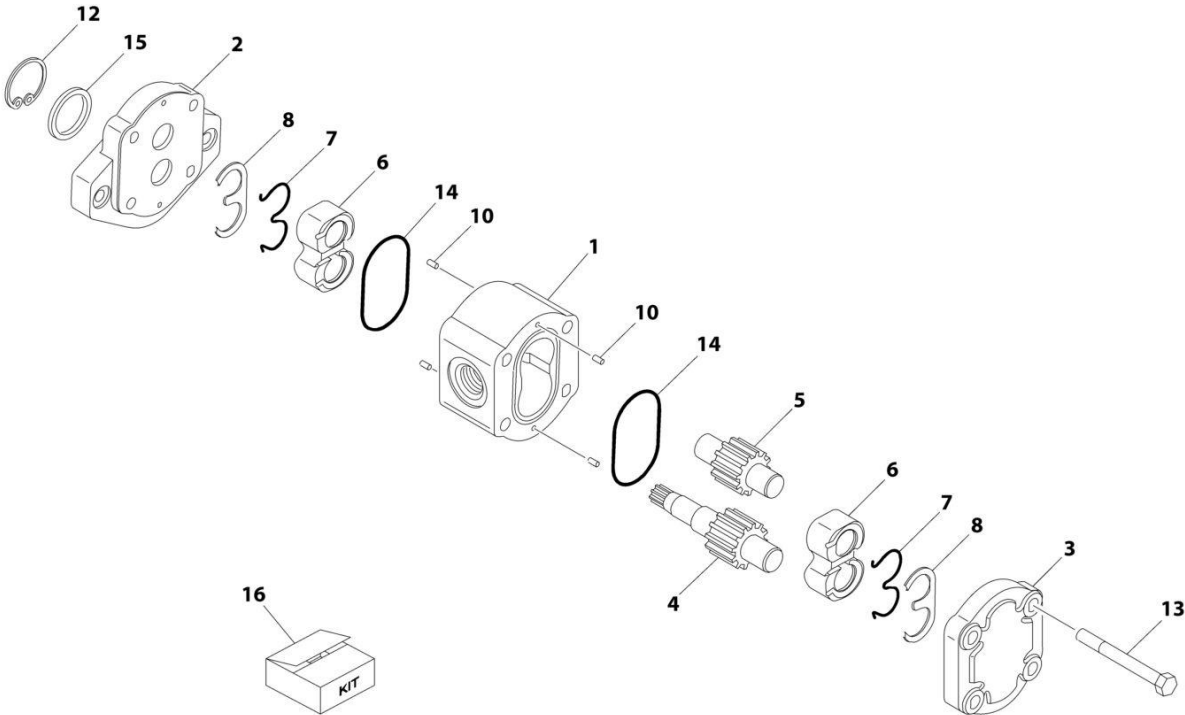
ITEM	PART NUMBER	QTY	DESCRIPTION	REV
	1001169892	Ref	PISTON PUMP ASSEMBLY	D
25	70002580	1	Spring, Bias	
40	70004416	1	Swashplate Assembly	
43	70002582	1	Shaft	
44	70002583	1	Ring, Retaining	
90	70004417	1	Plate, Valve	
95	70001956	1	Poppet, Check Valve	
96	70001955	1	Spring	
100	70022286	1	Kit, Control (Includes Items 102 - 300)	
102	70023351	1	Setscrew	
103	70002133	1	Plug Assembly (Includes O-Ring)	
103	7007207	1	O-Ring	
104	70002133	1	Plug Assembly (Includes O-Ring)	
104	7007207	1	O-Ring	
105	70002133	1	Plug Assembly (Includes O-Ring)	
105	7007207	1	O-Ring	
106	70002133	1	Plug Assembly (Includes O-Ring)	
106	7007207	1	O-Ring	
112	70004418	1	Spool	
113	70023353	1	Guide, Spring LS	
114	70023354	1	Spring, Outer LS	
115	70023355	1	Spring, Inner LS	
118	70024039	1	Plug, Adjusting LS	
132	70023352	1	Spool, Control	
133	70023357	1	Guide, Spring PC	
134	70023358	1	Spring, Outer PC	
135	70023359	1	Spring, Inner PC	
138	70024040	1	Plug, Adjusting PC (Includes O-Ring)	
138	70023361	1	O-Ring	
200	70023362	4	Ring, Seal	
300	70023363	4	Capscrew	
420	7023377	1	Plug, Orifice	
430	70004419	1	Plug, Orifice	
510	70023364	1	Shaft	
520	70004420	1	Cap, End	
530	70002588	4	Capscrew	
550	7007446	1	Pin, Slotted	
640	70002589	1	Coupling	
650	7022340	1	Bracket, Lifting	
655	70002590	1	Capscrew	
710	7023962	1	Ring, Retaining	
720	70022287	1	Seal, Lip	
730	See Note	NSS	Housing (Note: Not Available for Purchase)	
735	70002596	1	Block, Cylinder	
740	7023964	1	Plug Assembly (Includes O-Ring)	
740	7007415	1	O-Ring	
746	7021275	3	Pin, Hold-down	
747	70002592	1	Guide, Slipper Retainer	
749	70002593	1	Retainer, Slipper	
750	70004422	9	Piston Assembly	

SECTION 3 - ENGINE

ITEM	PART NUMBER	QTY	DESCRIPTION	REV
760	70002595	1	Seal, End Cap	
770	7023964	1	Plug, O-Ring (Includes O-Ring)	
770	7007415	1	O-Ring	
810	70004423	1	Kit, Cylinder Block (Includes Items 735, 746, 747, 749 & 750)	
820	70004424	1	Piston, Servo (Includes Item 822)	
822	70004425	3	Ring, Piston (Part of Item 820)	
920	70002585	1	Kit, Bearing - Rear (Includes Cup and Cone)	
930	70004426	1	Kit, Swashplate Bearing (Includes Qty 2 Bearings and Retainer Pins)	
970	70002578	1	Bearing Kit - Front (Includes Cup and Cone)	
1210	70002599	1	Kit, Complete Seal (Includes Items 200, 720, 760, 822 and Plug O-Rings)	

SECTION 3 - ENGINE

FIGURE 3-30. GEAR PUMP ASSEMBLY



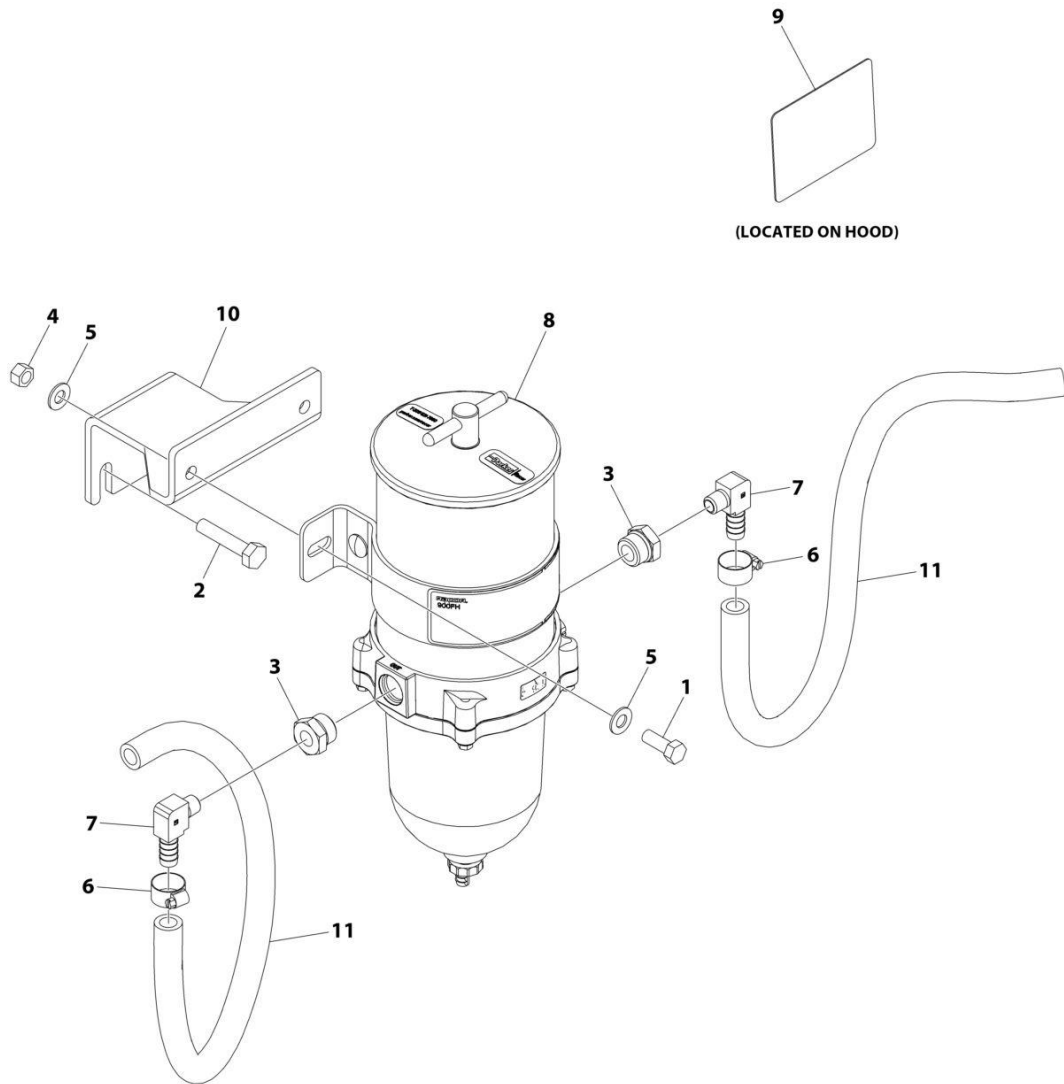
ART_1001112927

FIGURE 3-30. GEAR PUMP ASSEMBLY

ITEM	PART NUMBER	QTY	DESCRIPTION	REV
	1001112927	Ref	PUMP ASSEMBLY (SAUER GEAR)	A
1	See Note	NSS	Body (Note: Use p/n 1001112927)	
2	See Note	NSS	Cover, Front (Note: Use p/n 1001112927)	
3	See Note	NSS	Cover, Rear (Note: Use p/n 1001112927)	
4	See Note	NSS	Shaft, Gear (Note: Use p/n 1001112927)	
5	See Note	NSS	Gear, Idler (Note: Use p/n 1001112927)	
6	See Note	NSS	Block, Bearing (Note: Use p/n 1001112927)	
7	7007489	2	Ring, Anti-Extrusion	
8	7007489	2	Ring, Seal	
10	See Note	NSS	Pin, Dowel (Note: Use p/n 1001112927)	
12	70002576	1	Ring, Retaining	
13	See Note	NSS	Capscrew (Note: Use p/n 1001112927)	
14	7007489	2	O-Ring	
15	7007489	1	Seal, Lip	
16	7007489	1	Seal Kit - 1001112927 Pump (Includes Items 7, 8, 14 & 15)	

SECTION 3 - ENGINE

FIGURE 3-31. FUEL FILTER/WATER SEPARATOR INSTALLATION



ART_1001227913-A

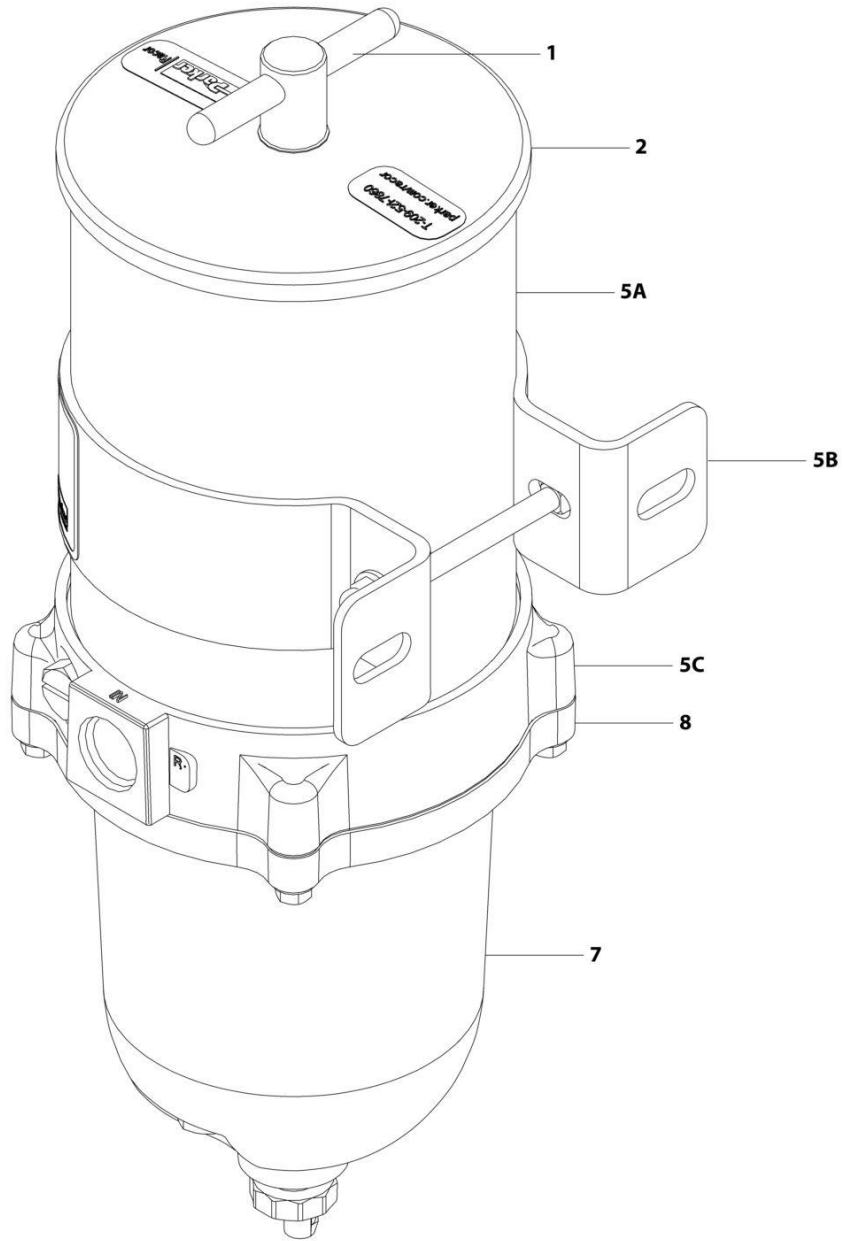
SECTION 3 - ENGINE

FIGURE 3-31. FUEL FILTER/WATER SEPARATOR INSTALLATION

ITEM	PART NUMBER	QTY	DESCRIPTION	REV
	1001227913	Ref	FUEL FILTER/WATER INSTALLATION	A
1	0641608	2	Bolt 3/8 x 1	
2	0761018	2	Bolt M10 x 50	
3	2220816	2	Adapter, Straight FNPTF/ORB	
4	3311605	2	Nut 3/8	
5	4711600	4	Washer 3/8	
6	8405006	2	Clamp	
7	1001178797	2	Fitting, 90 NPTF/Barbed	
8	1001222817	1	Filter, Fuel (See Separate Breakdown in this Section)	
9	1001226923	1	Decal - Fuel Water Separator	
10	1001227948	1	Mount	
11	1001154405	1	Hose	

SECTION 3 - ENGINE

FIGURE 3-32. FUEL FILTER ASSEMBLY



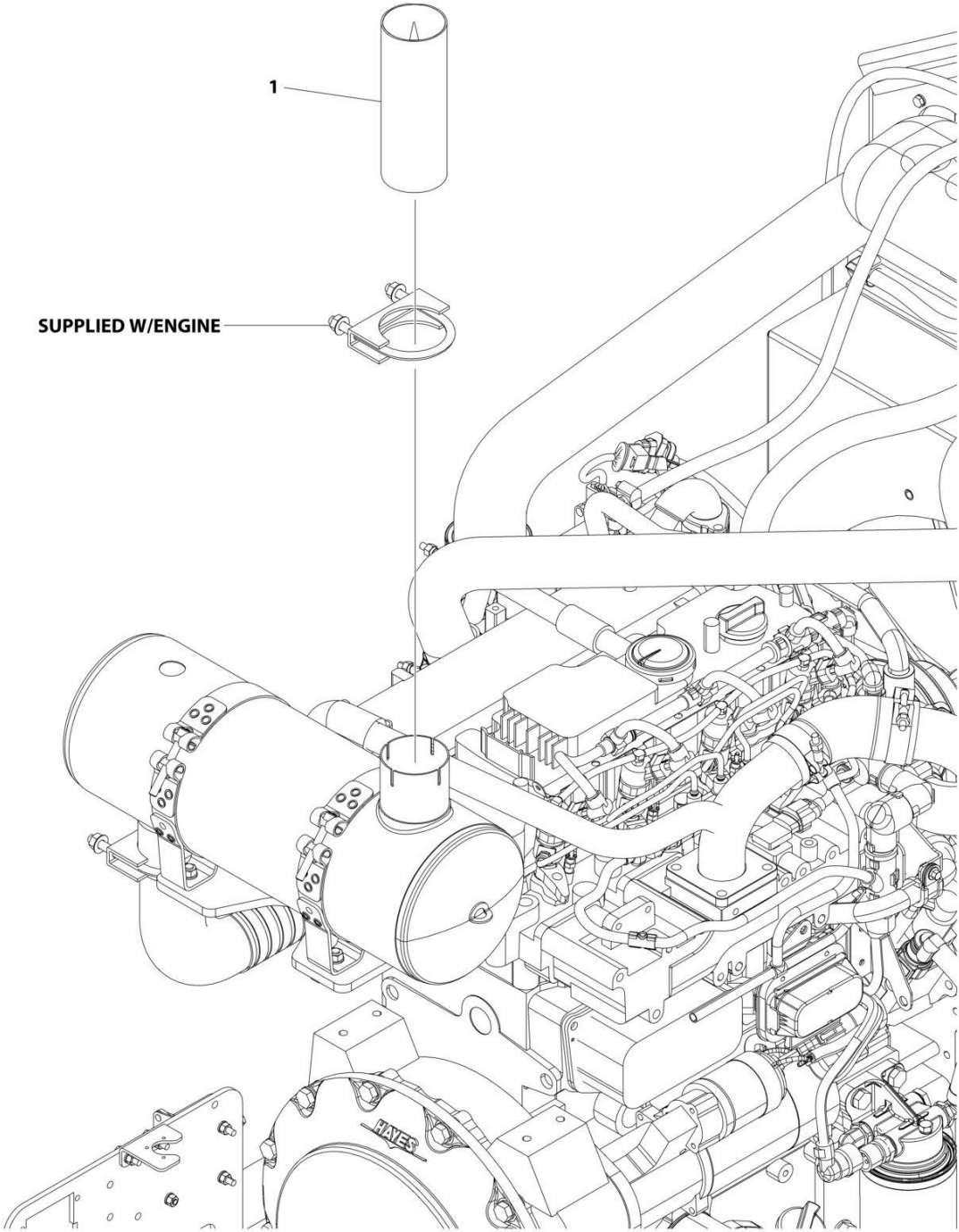
ART_1001222817

FIGURE 3-32. FUEL FILTER ASSEMBLY

ITEM	PART NUMBER	QTY	DESCRIPTION	REV
	1001222817	Ref	FUEL FILTER ASSEMBLY	A
1	70006403	1	Handle Kit (Includes Handle, Handle O-Ring & Lid Gasket)	
2	70006404	1	Lid Kit (Includes Lid, Handle O-Ring & Lid Gasket)	
3	70006405	1	Element, Filter (Not Shown)	
5A	See Note	NSS	Housing (Note: Use p/n 1001222817)	
5B	See Note	NSS	Bracket (Note: Use p/n 1001222817)	
5C	See Note	NSS	Tube, Return (Note: Use p/n 1001222817)	
6	70006407	1	Certrfuge & Baffle Kit (Not Shown - Located at Bottom of 5C) (Also Includes p/n 70006406 & Bowl Gasket)	
6	70006406	1	Checkball & Gasket Kit (Not Shown - Located at Bottom of 5C)	
7	70006409	1	Bowl Kit (Includes Bowl Gasket, Plug with O-Ring & Drain)	
7	70006408	1	Gasket, Bowl	
8	70006410	1	Bowl Ring Kit (Includes Bowl Gasket & Bolts)	

SECTION 3 - ENGINE

FIGURE 3-33. SPARK ARRESTOR INSTALLATION - DEUTZ LRC (OPTIONAL)



ART_1001158607

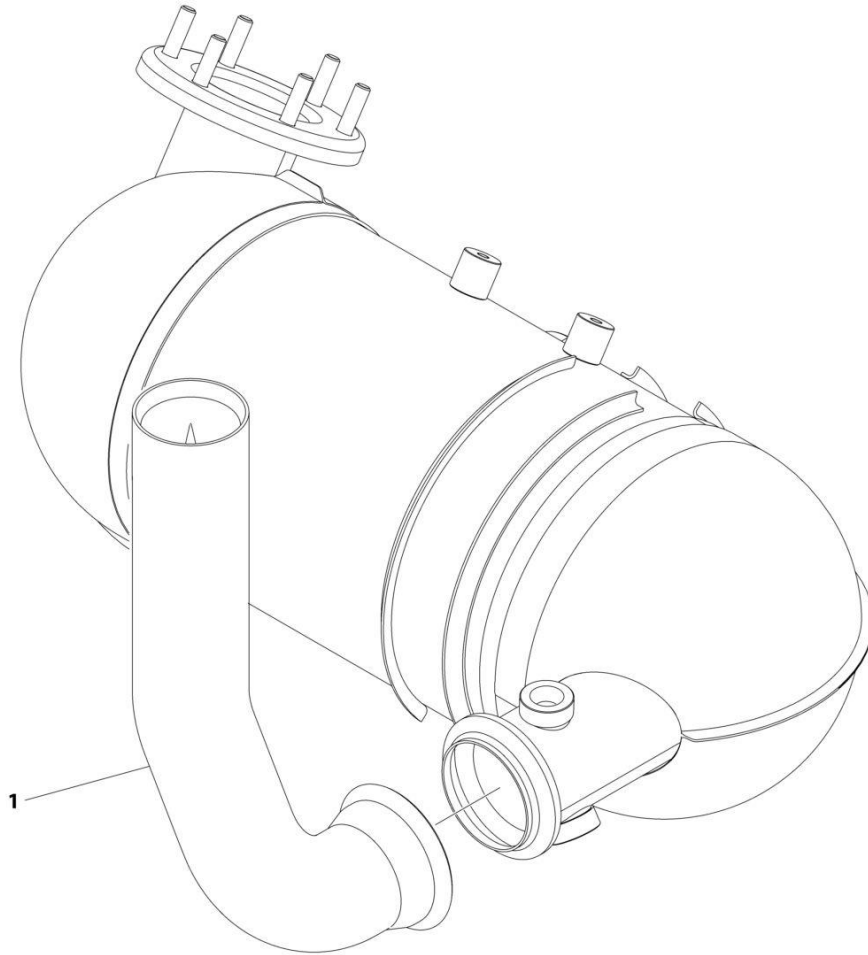
SECTION 3 - ENGINE

FIGURE 3-33. SPARK ARRESTOR INSTALLATION - DEUTZ LRC (OPTIONAL)

ITEM	PART NUMBER	QTY	DESCRIPTION	REV
1	1001158607 1001158263	Ref 1	SPARK ARRESTOR INSTALLATION Arrestor, Spark	B

SECTION 3 - ENGINE

FIGURE 3-34. SPARK ARRESTOR INSTALLATION - DEUTZ T4F (OPTIONAL)



ART_1001191390

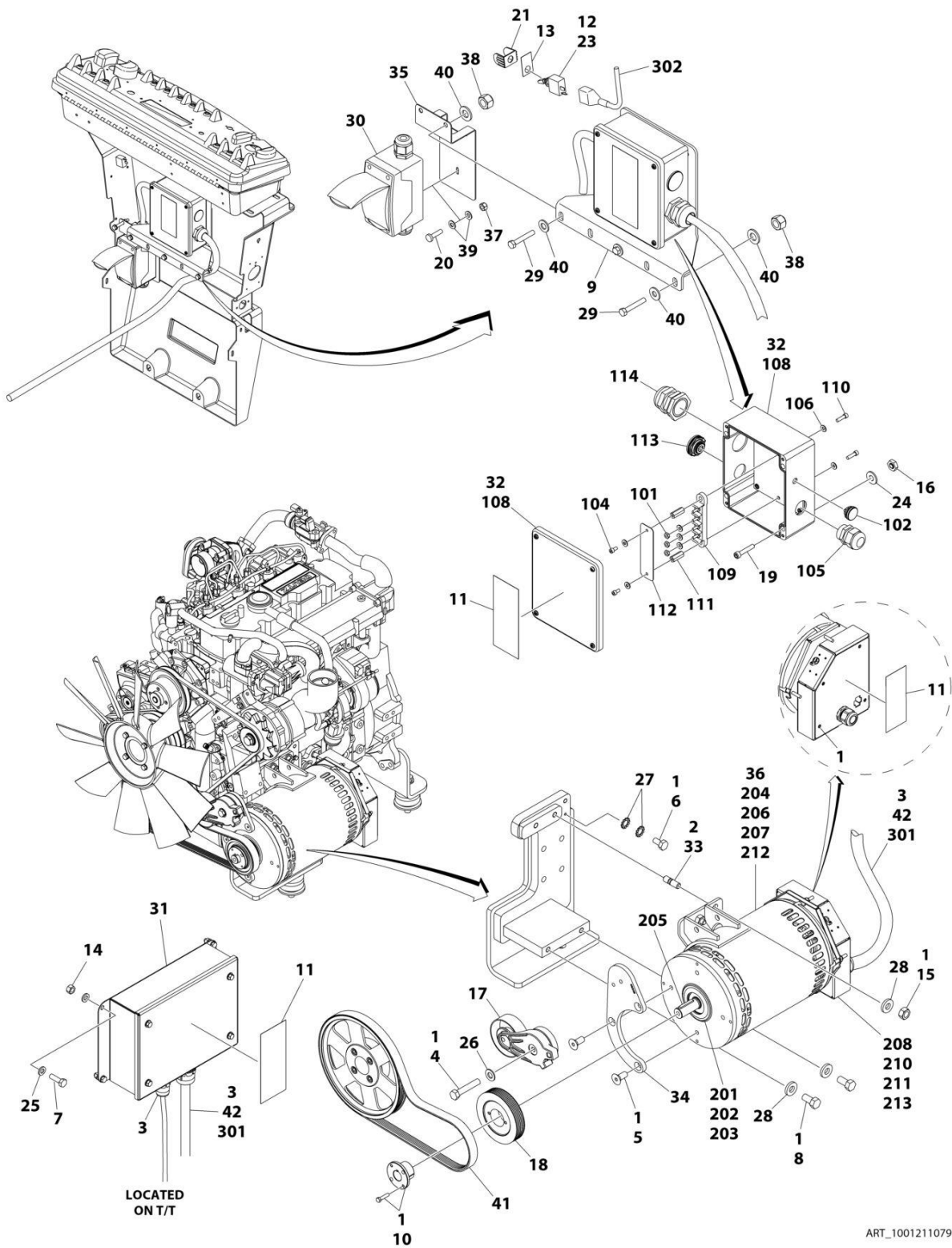
SECTION 3 - ENGINE

FIGURE 3-34. SPARK ARRESTOR INSTALLATION - DEUTZ T4F (OPTIONAL)

ITEM	PART NUMBER	QTY	DESCRIPTION	REV
1	1001191390 1001191368	Ref 1	SPARK ARRESTOR INSTALLATION Arrestor, Spark	A

SECTION 3 - ENGINE

FIGURE 3-35. 4000W GENERATOR INSTALLATION - 50HZ SPEC (OPTIONAL)



SECTION 3 - ENGINE

FIGURE 3-35. 4000W GENERATOR INSTALLATION - 50HZ SPEC (OPTIONAL)

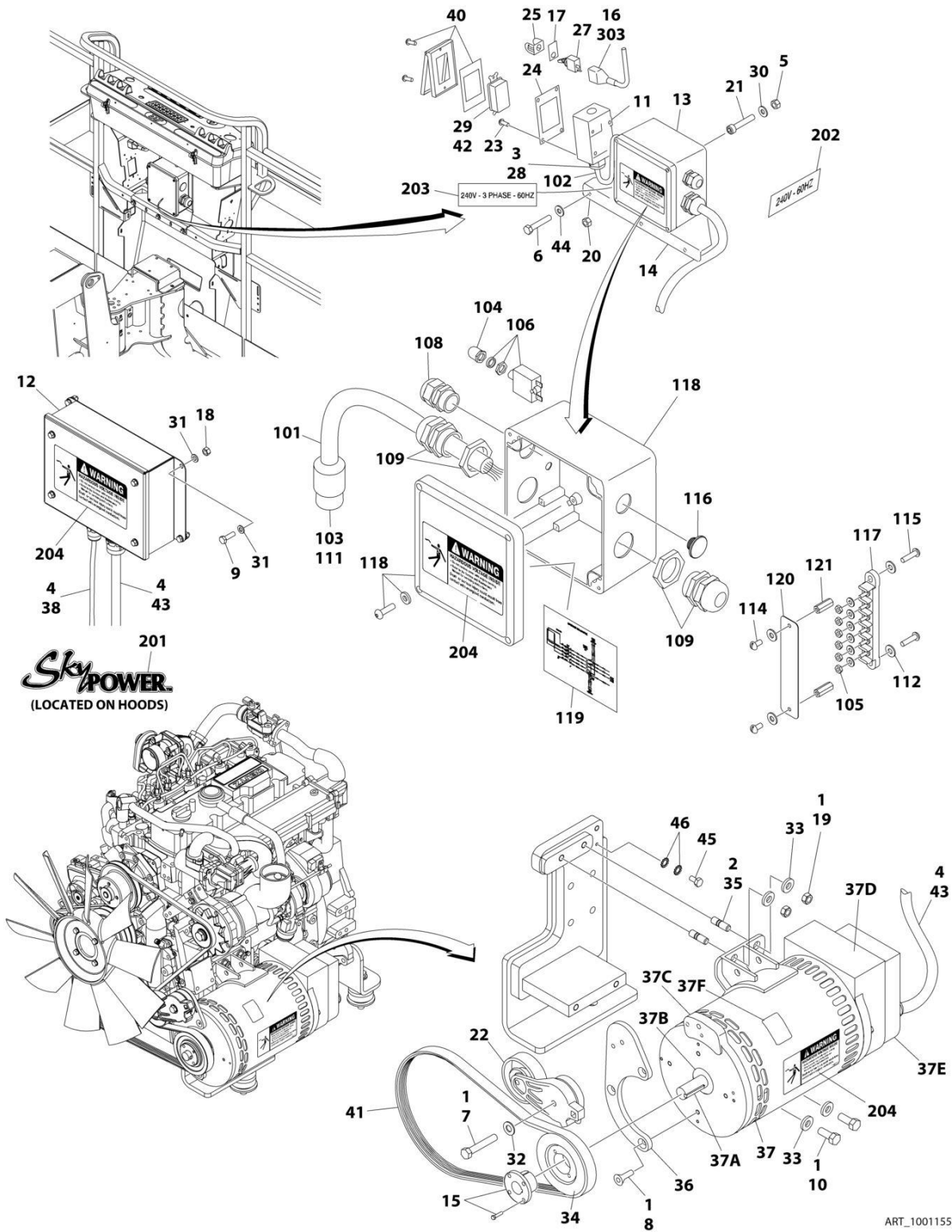
ITEM	PART NUMBER	QTY	DESCRIPTION	REV
	1001211079	Ref	4000W GENERATOR INSTALLATION	A
		Ref	Note: See ELECTRICAL SECTION for Boom Cable Installation.	
1	0100011	AR	Compound, Locking	
2	0100019	AR	Compound, Locking	
3	0100048	AR	Grease, Dielectric	
4	0701018	1	Bolt M10 x 50	
5	0741607	3	Screw 3/8 x 0.88	
6	0760606	1	Bolt M6 x 12	
7	0760610	4	Bolt M6 x 20	
8	0761212	2	Bolt M12 x 25	
9	0902888	1	Bracket, Generator Junction Box	
10	0962520	1	Bushing, Taper	
11	1705489	3	Decal - Hazardous Voltage	
12	2820031	AR	Insulator, Heat Shrink	
13	3251102	1	Nameplate, Generator	
14	3290607	4	Nut M6	
15	3291201	2	Nut M10	
16	3311005	4	Nut #10	
17	3580317	1	Pulley, Belt Tensioner	
18	3580318	1	Pulley, Generator	
19	3931016	4	Screw 1/4 x 1	
20	4010408	2	Screw M4 x 16	
21	4060802	1	Guard, Switch	
22	4240018	AR	Strap, Tie (Not Shown)	
23	4360336	1	Switch, Toggle	
24	4751000	4	Washer #10	
25	4811700	8	Washer M6	
26	4812000	1	Washer M10	
27	4871700	2	Washer M6	
28	5241200	4	Washer M12	
29	0700819001	4	Bolt M8 x 55	
30	1001096612	1	Kit, Box and Breaker (See Separate Breakdown in ELECTRICAL SECTION)	
31	1001138566	1	Box, Generator Control	
31	70006552	1	Capacitor	
31	70006553	1	Relay	
32	1001152458	1	Box, Junction Assembly (See Items 101-113 for Breakdown)	
33	1001155041	2	Stud	
34	1001155338	1	Bracket	
35	1001204650	1	Plate, Mounting	
36	1001206119	1	Generator, 4000W Assembly (See Items 200-213 for Breakdown)	
37	3290405001	2	Nut M4	
38	3290805001	4	Nut M8	
39	4811400001	4	Washer M4	
40	4811900001	8	Washer M8	
41	1001148059	1	Belt	
42	1001152532	1	Harness, Generator Cable (See Separate Breakdown in ELECTRICAL SECTION)	
	1001152458	Ref	JUNCTION BOX ASSEMBLY	C
101	3311001	3	Nut #10	

SECTION 3 - ENGINE

ITEM	PART NUMBER	QTY	DESCRIPTION	REV
102	1001155813	1	Plug, Hole Pluggit	
104	3900300	2	Screw, Spec, Cap	
105	4460425	1	Terminal, Strain Relief	
106	4711000	7	Washer #10	
108	1001152456	1	Box, Junction	
109	1001152530	1	Terminal, Block, 4 Pole	
110	3900267	2	Screw, Spec, Cap	
111	1001158008	2	Stand-Off, Female, Threaded	
112	1001158363	1	Plate, Cover, PVC	
113	1001152525	1	Plug	
114	4460426	1	Connector, Strain Relief	
	1001206119	Ref	4000W GENERATOR ASSEMBLY	
201	70003709	1	Ring, Retaining	
202	70003708	1	Ring, Retaining	
203	70001966	1	Bearing, Ball	
204	70004092	1	Endbell	
205	70004171	1	Key	
206	70004676	1	Rotor Assembly	
207	70005624	1	Stator, Generator 4000W	
208	70004678	1	Endbell	
210	70004680	1	Enclosure	
211	70004681	1	Cover, Enclosure	
212	70004282	1	Switch, Reset	
213	70004683	1	Bushing, Strain Relief	
		Ref	ELECTRICAL DIAGRAM COMPONENTS	
301	1001156030	1	Generator Harness (See Separate Breakdown in ELECTRICAL SECTION)	
302	4922641	1	Generator Switch Harness	
303	1001164091	1	Generator Ground Harness (Not Shown) (ANSI Export, CE and Japanese Specs)	
303	1001154121	1	Generator Ground Harness (Not Shown) (Australian Specs)	

SECTION 3 - ENGINE

FIGURE 3-36. 7500W SKYPOWER GENERATOR INSTALLATION - 60HZ (OPTIONAL)



SECTION 3 - ENGINE

FIGURE 3-36. 7500W SKYPOWER GENERATOR INSTALLATION - 60HZ (OPTIONAL)

ITEM	PART NUMBER	QTY	DESCRIPTION	REV
	1001155066	Ref	7500W SKYPOWER GENERATOR INSTALLATION - 60HZ (OPTIONAL)	F
1	0100011	AR	Compound, Locking	
2	0100019	AR	Compound, Locking	
3	0100020	AR	Sealant, Pipe	
4	0100048	AR	Grease, Dielectric	
5	3311005	4	Nut #10	
6	0700818	3	Bolt M8 x 50	
7	0701018	1	Bolt M10 x 50	
8	0741607	3	Screw 3/8 x 7/8	
9	0760610	4	Bolt M6 x 20	
10	0761212	2	Bolt M12 x 25	
11	0860038	1	Box, Switch	
12	0861538	1	Box, Generator Control	
12	7024488	1	Card, Circuit - Generator Power (Not Shown)	
12	See Note	1	Fuse (Note: Not Available Purchase Locally)	
12	7024489	1	Card, Circuit - Control (Not Shown)	
12		Ref	Note: When replacing card, rocker switch on card must be set for required application.	
12	70000619	1	Circuit Card Harness	
12	77363232	1	Connector - 6 Position	
12	See Note	1	Connector - 3 Position (Note: Not Available for Purchase)	
13	1001157592	1	Junction Box Assembly (See Items 101-121 for Breakdown)	
14	0902888	1	Bracket, Generator Junction Box	
15	0962520	1	Bushing, Taper	
16	2820031	AR	Insulator, Heat Shrink	
17	3251102	1	Nameplate, Generator	
18	3290607	4	Nut M6	
19	3291201	2	Nut M10	
20	3290805	3	Nut M8	
21	3931016	4	Capscrew #10 x 1	
22	3580317	1	Tensioner, Belt with Pulley	
23	3910606	4	Screw #6 x 3/8	
24	3960422	1	Gasket, AC Receptacle	
25	4060802	1	Guard, Switch	
26	4240018	AR	Tie-Strap (Not Shown)	
27	4360336	1	Switch, Toggle	
28	4460071	1	Connector, Strain Relief	
29	4460346	1	Terminal, Receptacle	
30	4751000	4	Washer #10	
31	4811700	8	Washer M6	
32	4812000	1	Washer M10	
33	5241200	4	Washer M12	
34	1001150174	1	Pulley, Generator	
35	1001155041	2	Stud	
36	1001155338	1	Bracket	
37	1001155348	1	Generator, 7500W	
37	70001100	1	Rotor (Includes p/n 70001384 & 70000863) (Not Shown)	
37	70001384	1	Bearing, Shaft (Rear) (Not Shown)	
37	70000863	1	Fan, Generator (Not Shown)	

SECTION 3 - ENGINE

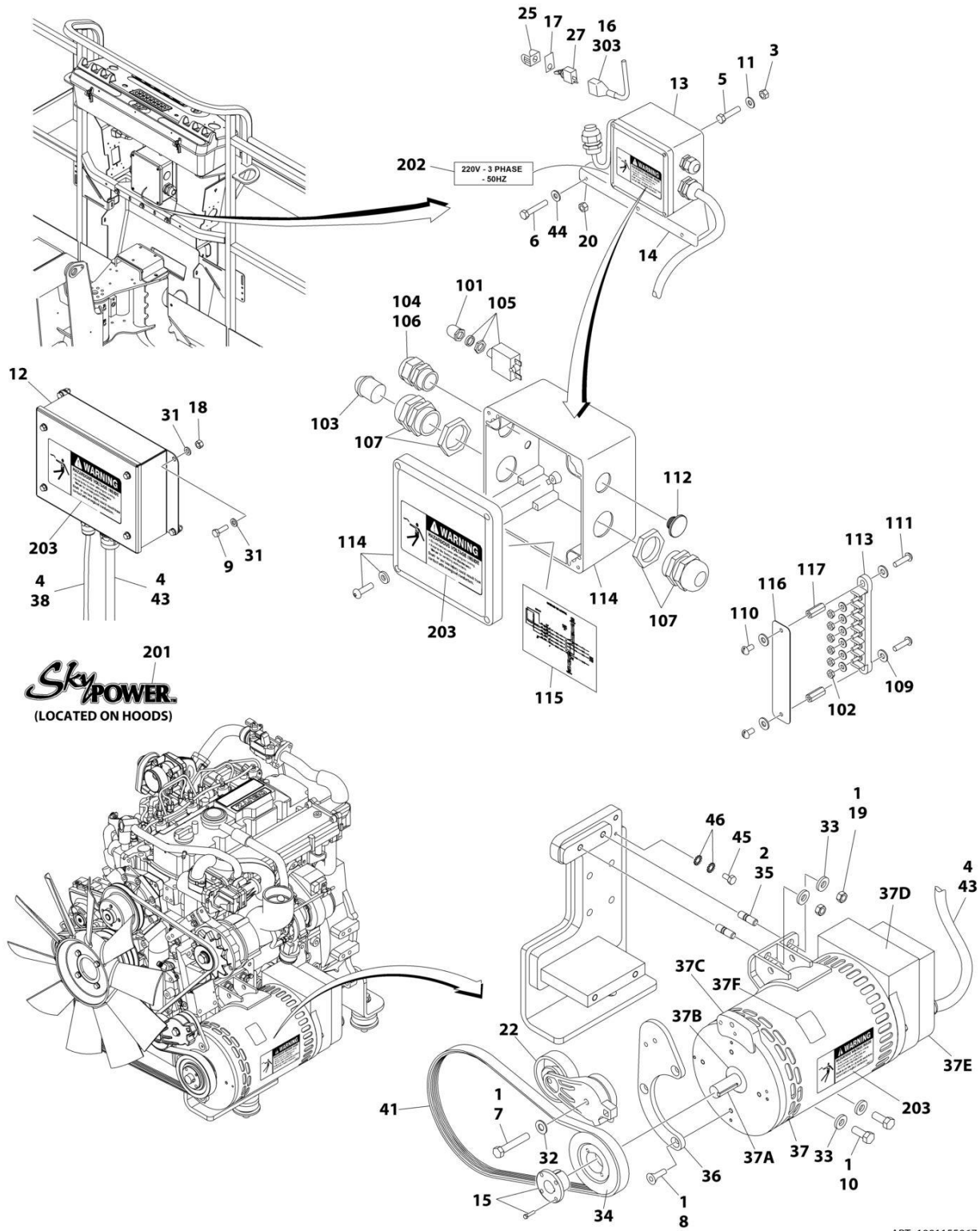
ITEM	PART NUMBER	QTY	DESCRIPTION	REV
37	70004093	1	Stator (Not Shown)	
37	70002297	2	Stud 1/4-20 x 12-7/8 (Not Shown)	
37	70003631	1	Brushholder Assembly (Not Shown)	
37A	70004099	1	Key	
37B	70001966	1	Bearing, Ball Radial (Located in Belt Tensioner Endbell)	
37B	70003709	1	Ring, Retaining (Small)	
37B	70003708	1	Ring, Retaining (Large)	
37C	70004092	1	Endbell, Belt Tensioner	
37D	70004094	1	Endbell, Brush Block	
37E	70004096	1	Shroud Assembly	
37E	7027799	1	Block, Connector - 6 Position (Not Shown)	
37E	70002460	6	Nut, Brass (Attaches p/n 7027799 to Cover) (Not Shown)	
37E	7024485	1	Breaker, Circuit 30Amp (Not Shown)	
37E	70001696	1	Boot, Breaker (Not Shown)	
37E	7026597	1	Connector with Leads (Not Shown)	
37E	7026626	1	Connector with Pins (Not Shown)	
37E	70004098	1	Clamp, Cable (Not Shown)	
37E	70004095	1	Plate, End Panel (Not Shown)	
37E	70004097	1	Insulator, End Panel (Not Shown)	
37E	70001974	1	Decal - Terminal Connections (Not Shown)	
37F	70001973	1	Decal - Warning Moving Parts	
38	1001156030	1	Generator Harness (See Separate Breakdown in ELECTRICAL SECTION)	
40	1001110873	1	Shield, Receptacle Cover	
41	1001155303	1	Belt, Generator	
42	4460315	2	Terminal, Spade	
43	4922925	1	Generator Harness	
43	4460225	1	Plug, Male 6 Position (Plugs into Generator)	
43	See Note	NSS	Socket, Female (Use with 4460225)	
43	See Note	NSS	Seal, Plug (Use with 4460225)	
43	See Note	NSS	Seal, Interface (Use with 4460225)	
44	4811900	6	Washer M8	
45	0760606	1	Bolt M6 x 12	
46	4871700	2	Washer M6	
	1001157592	Ref	JUNCTION BOX ASSEMBLY	C
101	1060343	1.5 ft /0.5m	Cable, Electrical 10/4	
102	1001179154	2.5 ft /0.8m	Cable, Electrical 12/3	
103	1671092	1	Cover	
104	3300396	1	Cover, Fuse	
105	3311001	6	Nut #10	
106	4360070	1	Circuit Breaker - 15Amp	
108	4460425	1	Strain Relief, Terminal	
109	4460426	2	Connector, Strain Relief	
111	4460963	1	Connector	
112	4711000	10	Washer #10	
114	10702077	2	Screw #10 x 3/8	
115	10702082	2	Screw #10 x 3/4	
116	1001152525	1	Plug	
117	1001157520	1	Block, Terminal	
118	1001157521	1	Box, Junction	

SECTION 3 - ENGINE

ITEM	PART NUMBER	QTY	DESCRIPTION	REV
119	1001157528	1	Decal - Wiring Schematic	D
120	1001158007	1	Cover, PVC	
121	1001158008	2	Stand-Off	
	0272435	Ref	DECAL INSTALLATION	
201	1705460	2	Decal - SkyPower	
202	3251243	1	Decal - 120-60Hz	
203	1705375	1	Decal - 240V - 3 Phase	
204	1705387	3	Decal - Hazardous Voltage	
		Ref	ELECTRICAL DIAGRAM COMPONENTS	
303	4922641	1	Generator Switch Harness	

SECTION 3 - ENGINE

FIGURE 3-37. 7500W SKYPOWER GENERATOR INSTALLATION - 50HZ (OPTIONAL)



SECTION 3 - ENGINE

FIGURE 3-37. 7500W SKYPOWER GENERATOR INSTALLATION - 50HZ (OPTIONAL)

ITEM	PART NUMBER	QTY	DESCRIPTION	REV
	1001155067	Ref	7500W SKYPOWER GENERATOR INSTALLATION - 50HZ (OPTIONAL)	J
1	0100011	AR	Compound, Locking	
2	0100019	AR	Compound, Locking	
3	3311005	4	Nut #10	
4	0100048	AR	Grease, Dielectric	
5	3931016	4	Capscrew #10 x 1	
6	0700818	3	Bolt M8 x 50	
7	0701018	1	Bolt M10 x 50	
8	0741607	3	Screw 3/8 x 7/8	
9	0760610	4	Bolt M6 x 20	
10	0761212	2	Bolt M12 x 25	
11	4751000	4	Washer #10	
12	0861572	1	Box, Generator Control	
12	7024488	1	Card, Circuit - Generator Power (Not Shown)	
12	See Note	1	Fuse (Note: Not Available Purchase Locally)	
12	7024489	1	Card, Circuit - Control (Not Shown)	
12		Ref	Note: When replacing card, rocker switch on card must be set for required application.	
12	70000619	1	Circuit Card Harness	
12	77363232	1	Connector - 6 Position	
12	See Note	NSS	Connector - 3 Position (Note: Not Available for Purchase)	
13	1001157525	1	Junction Box Assembly (See Items 101-117 for Breakdown)	
14	0902888	1	Bracket	
15	0962520	1	Bushing	
16	2820031	AR	Heat Shrink	
17	3251102	1	Nameplate, Generator	
18	3290607	4	Nut M6	
19	3291201	2	Nut M12	
20	3290805	3	Nut M8	
22	3580317	1	Tensioner, Belt with Pulley	
25	4060802	1	Guard, Switch	
26	4240018	AR	Tie-Strap (Not Shown)	
27	4360336	1	Switch, Toggle	
31	4811700	8	Washer M6	
32	4812000	1	Washer M10	
33	5241200	4	Washer M12	
34	3580318	1	Pulley, Generator	
35	1001155041	2	Stud	
36	1001155338	1	Bracket	
37	1001155348	1	Generator, 7500W	
37	70001100	1	Rotor (Includes p/n 70001384 & 70000863) (Not Shown)	
37	70001384	1	Bearing, Shaft (Rear) (Not Shown)	
37	70000863	1	Fan, Generator (Not Shown)	
37	70005651	1	Stator (Not Shown)	
37	70002297	2	Stud 1/4 x 12-7/8 (Not Shown)	
37	70003631	1	Brushholder Assembly (Not Shown)	
37A	70004171	1	Key	
37B	70001966	1	Bearing, Ball Radial (Located in Belt Tensioner Endbell)	
37B	70003709	1	Ring, Retaining (Small)	

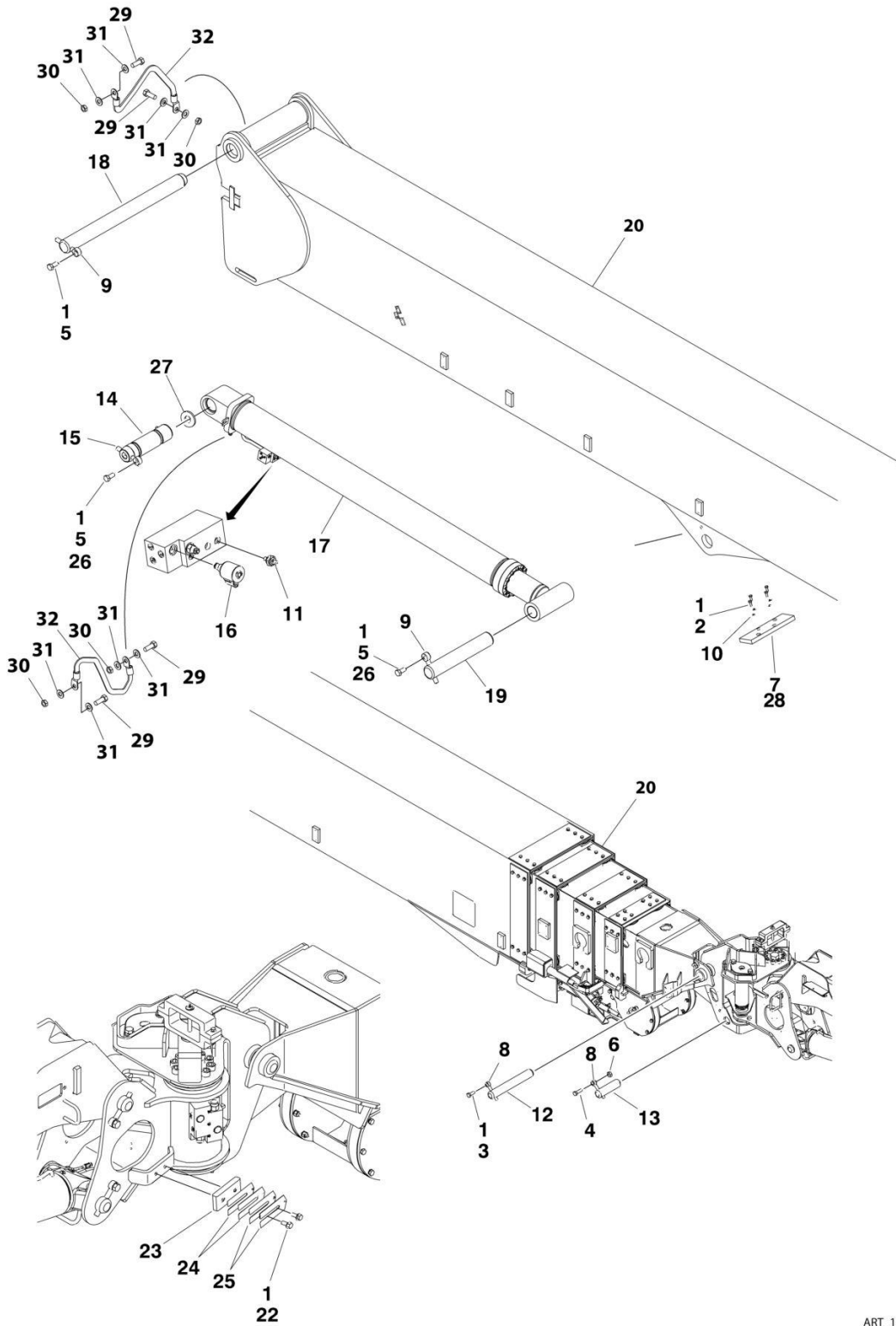
SECTION 3 - ENGINE

ITEM	PART NUMBER	QTY	DESCRIPTION	REV
37B	70003708	1	Ring, Retaining (Large)	
37C	70004092	1	Endbell, Belt Tensioner	
37D	70004094	1	Endbell, Brush Block	
37E	70004096	1	Shroud Assembly	
37E	7027799	1	Block, Connector - 6 Position (Not Shown)	
37E	70002460	6	Nut, Brass (Attaches p/n 7027799 to Cover) (Not Shown)	
37E	7024485	1	Breaker, Circuit 30Amp (Not Shown)	
37E	70001696	1	Boot, Breaker (Not Shown)	
37E	7026597	1	Connector with Leads (Not Shown)	
37E	7026626	1	Connector with Pins (Not Shown)	
37E	70004098	1	Clamp, Cable (Not Shown)	
37E	70005652	1	Plate, End Panel (Not Shown)	
37E	70004097	1	Insulator, End Panel (Not Shown)	
37E	70001974	1	Decal - Terminal Connections (Not Shown)	
37F	70001973	1	Decal - Warning Moving Parts	
38	1001156030	1	Generator Harness (See Separate Breakdown in ELECTRICAL SECTION)	
41	1001148059	1	Belt, Generator	
43	4922925	1	Generator Harness	
43	4460225	1	Plug, Male 6 Position (Plugs into Generator)	
43	See Note	NSS	Socket, Female (Use with 4460225)	
43	See Note	NSS	Seal, Plug (Use with 4460225)	
43	See Note	NSS	Seal, Interface (Use with 4460225)	
44	4811900	6	Washer M8	
45	0760606	1	Bolt M6 x 12	
46	4871700	2	Washer M6	
	1001157525	Ref	JUNCTION BOX ASSEMBLY	B
101	3300396	1	Cover, Fuse	
102	3311001	6	Nut #10	
103	3520189	1	Plug (50Hz Spec Only)	
104	3520192	1	Plug	
105	4360070	1	Circuit Breaker - 15Amp	
106	4460425	1	Strain Relief, Terminal	
107	4460426	2	Connector, Strain Relief	
109	4711000	10	Washer #10	
110	10702077	2	Screw #10 x 3/8	
111	10702082	2	Screw #10 x 3/4	
112	1001152525	1	Plug	
113	1001157520	1	Block, Terminal	
114	1001157521	1	Box, Junction	
115	1001157528	1	Decal - Wiring Schematic	
116	1001158007	1	Cover, PVC	
117	1001158008	2	Stand-Off	
	0272589	Ref	DECAL INSTALLATION	A
201	1705460	2	Decal - SkyPower	
202	1705461	1	Decal - 240V - 3 Phase	
203	1705489	3	Decal - Hazardous Voltage	
		Ref	ELECTRICAL DIAGRAM COMPONENTS	
303	4922641	1	Generator Switch Harness	

SECTION 4 - BOOM

SECTION 4 - BOOM

FIGURE 4-1. BOOM INSTALLATION



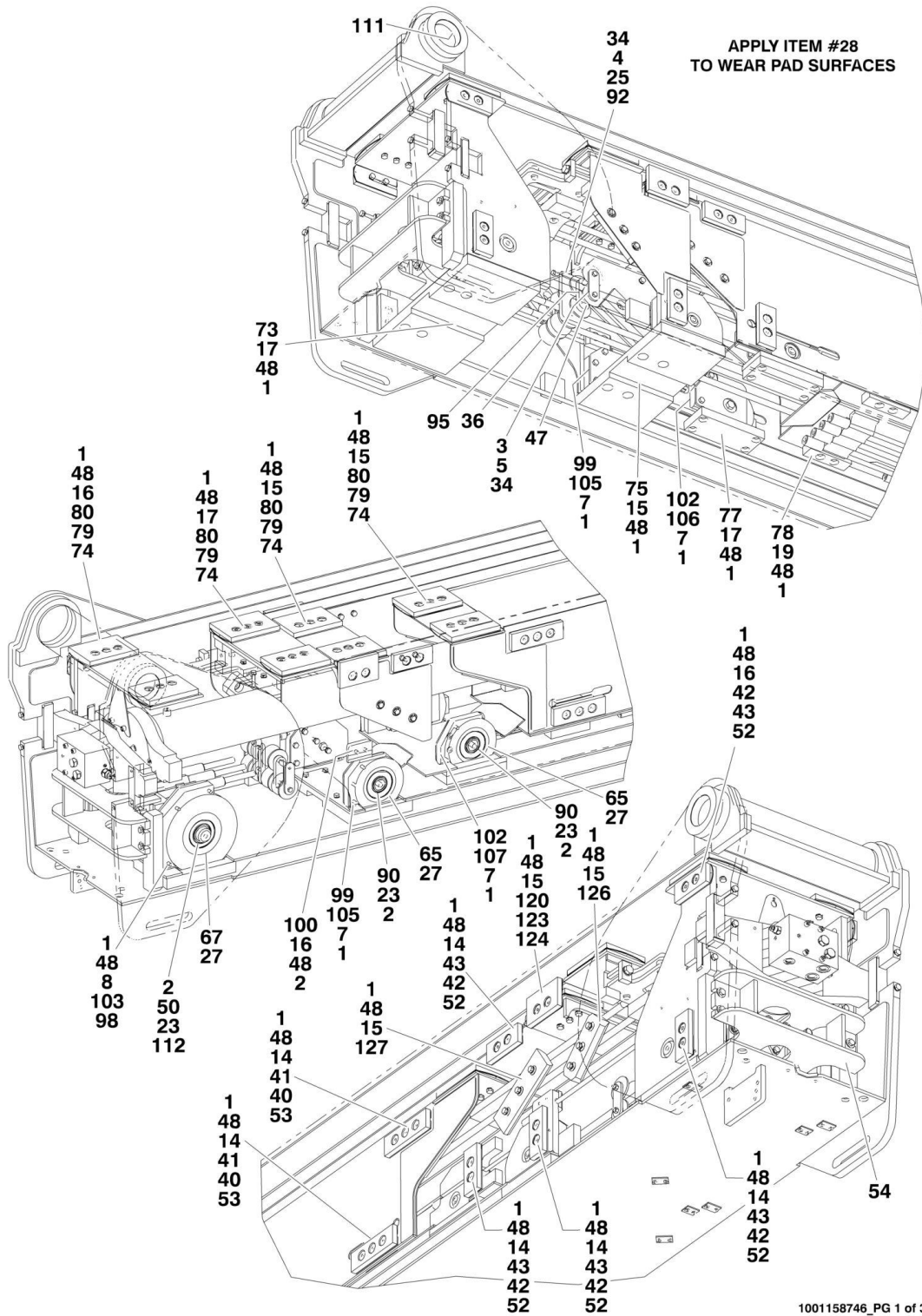
ART_1001154085

FIGURE 4-1. BOOM INSTALLATION

ITEM	PART NUMBER	QTY	DESCRIPTION	REV
	1001154085	Ref	BOOM INSTALLATION	N
1	0100011	AR	Compound, Locking	
2	0771015001	8	Bolt M10 x 35 (Grade 10.9)	
3	0701616	1	Bolt M16	
4	0701618	1	Bolt M16 X 50	
5	0762418	3	Bolt M24 X 50	
6	3291605	1	Nut M16	
7	1001203653	1	Pad	
8	3841258	2	Keeper, Pin	
9	3841356	2	Keeper, Pin	
10	5241000001	8	Washer, M10	
11	1001119614	1	Switch, Pressure Transducer	
12	1001119899	1	Pin	
13	1001119999	1	Pin	
14	1001146896	1	Pin	
15	1001146940	1	Keeper, Pin	
16	1001148972	1	Valve, Solenoid Cartridge	
16	70002401	1	Cartridge Less Coil	
16	7017496	1	Kit, Seal - 70002401 & 1001148972 Valve	
16	70003788	1	Coil	
17	1001228072	1	Boom Lift Cylinder Assembly (See Separate Breakdown in CYLINDER SECTION)	
18	1001197969	1	Pin	
19	1001156650	1	Pin	
20	1001158746	1	Boom Assembly (See Separate Breakdown in this Section)	
22	0811610001	2	Screw 3/8 X 1-1/4	
23	1001118369	1	Pad	
24	91471226	1	Shim 16Ga	
25	91471227	3	Shim 11Ga	
26	0100071	AR	Compound, Locking	
27	1001180153	1	Washer, Thrust	
28	3020039	AR	Lubricant	
29	0761015	4	Bolt M10 x 35	
30	3291007	4	Nut M10	
31	4812000	8	Washer M10	
32	1001217007	2	Cable, Ground Strap	

SECTION 4 - BOOM

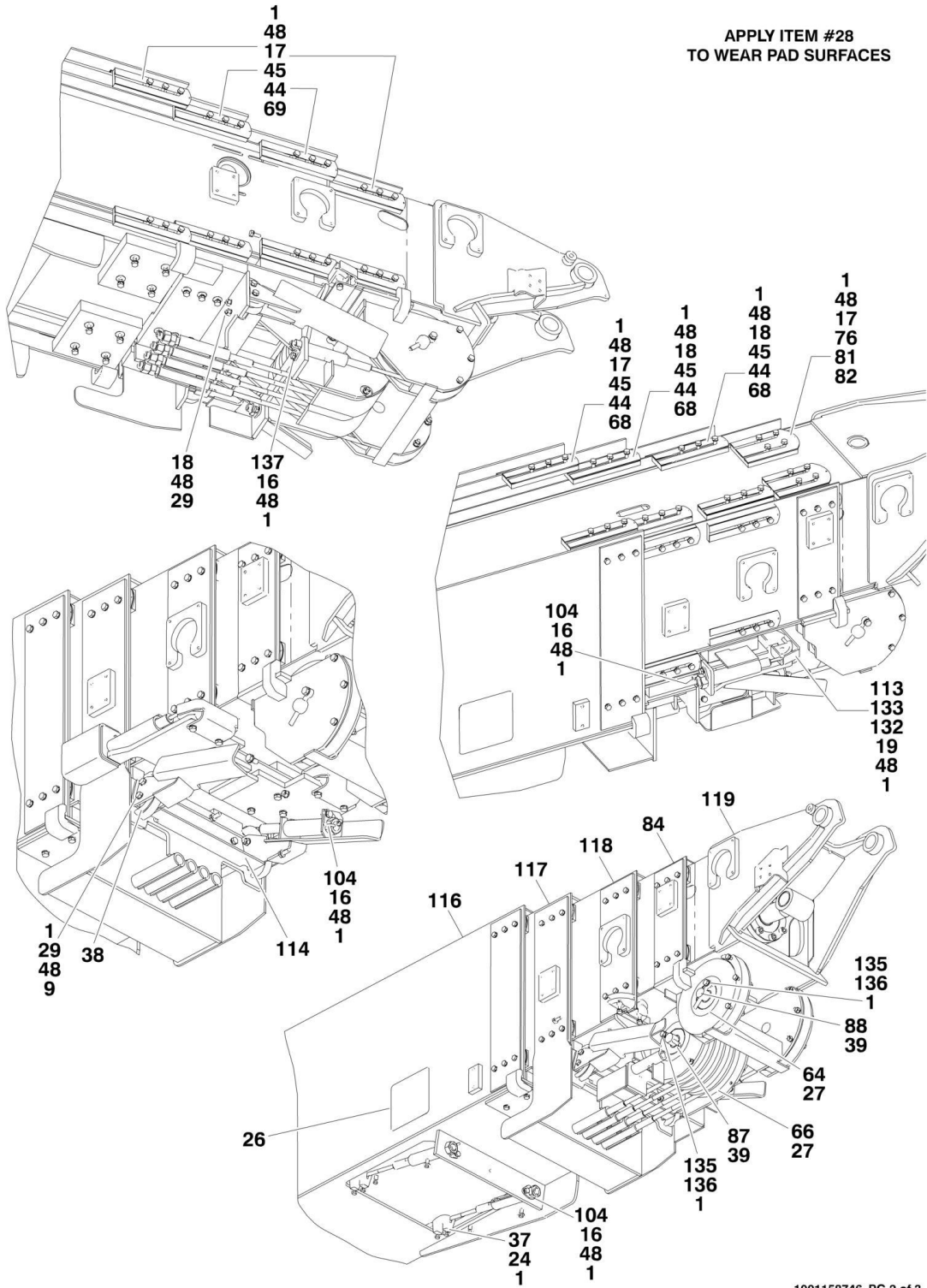
FIGURE 4-2. BOOM ASSEMBLY



1001158746_PG 1 of 3

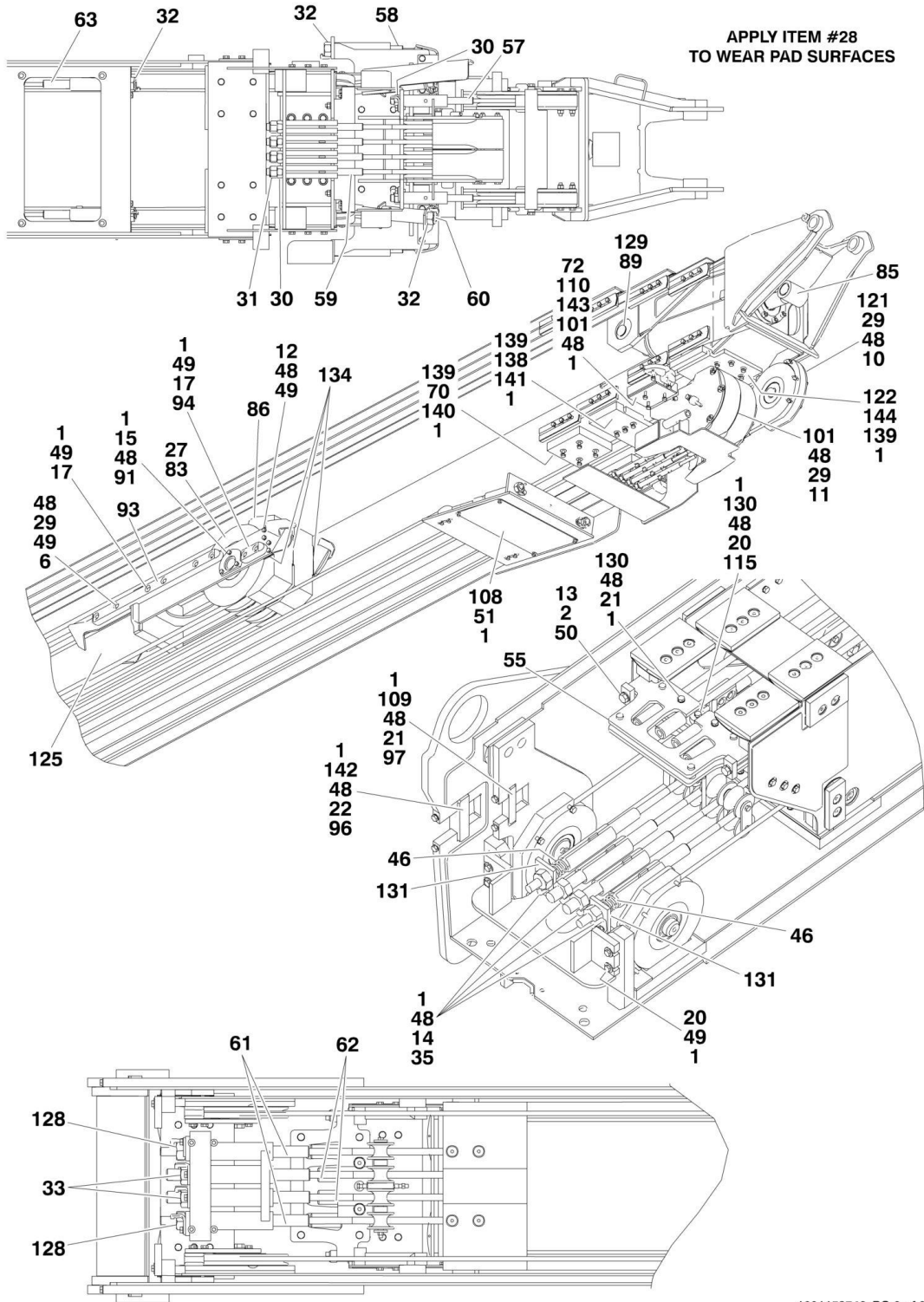
SECTION 4 - BOOM

APPLY ITEM #28
TO WEAR PAD SURFACES



1001158746_PG 2 of 3

SECTION 4 - BOOM



1001158746_PG 3 of 3

SECTION 4 - BOOM

FIGURE 4-2. BOOM ASSEMBLY

ITEM	PART NUMBER	QTY	DESCRIPTION	REV
	1001158746	Ref	BOOM ASSEMBLY	L
1	0100011	AR	Compound, Locking	
2	0100019	AR	Compound, Locking	
3	0363066	2	Bar, Stabilizer	
4	0641644	1	Bolt 3/8 X 5-1/2	
5	0641688	2	Bolt 3/8 X 11	
6	0701017	4	Bolt M10 x 45	
7	0701018	10	Bolt M10 x 50	
8	0701021	6	Bolt M10 X 65	
9	0701022001	4	Bolt M10 X 70	
10	0701024001	6	Bolt M10 X 80	
11	0701039	3	Bolt M10 X 220	
12	0701047	4	Bolt M10 X 300	
13	0701628	2	Bolt M16 X 110	
14	0761009	24	Bolt M10 X 18	
15	0761011001	27	Bolt M10 X 22	
16	0761012001	32	Bolt M10 x 25	
17	0761014001	74	Bolt M10 X 30	
18	0761015001	16	Bolt M10 x 35	
19	0761016001	8	Bolt M10 X 40	
20	0761018001	5	Bolt M10 X 50	
21	0761020	6	Bolt M10 X 60	
22	0761027	4	Bolt M10 X 100	
23	0761616	6	Bolt M16 X 40	
24	0811607001	4	Screw 3/8 X 7/8	
25	0962447	2	Bearing, Flanged	
26	1671033	1	Cover	
27	3020039	AR	Lubricant	
28	3020042	AR	Lubricant	
29	3291005001	25	Nut M10	
30	3292201	6	Nut M22	
31	3292205	4	Nut M22	
32	3292701	6	Nut M27	
33	3293301	2	Nut M33	
34	3311605	3	Nut 3/8	
35	3573444	4	Plate, Lock	
36	3580306	8	Pulley	
37	3580341	2	Deflector	
38	3580342	2	Deflector	
39	3841203	3	Keeper, Pin	
40	4070863	4	Shim 11Ga	
41	4070864	4	Shim 18Ga	
42	4070897	10	Shim .05	
43	4070898	10	Shim .12	
44	4071028	22	Shim 16Ga	
45	4071029	22	Shim 11Ga	
46	4160197	2	Spring, Proximity Switch	
47	4568423	8	Tube, Spacer	
48	1001172358	AR	Washer M10	
49	4812002	AR	Washer M10	

SECTION 4 - BOOM

ITEM	PART NUMBER	QTY	DESCRIPTION	REV
50	4812300	AR	Washer M16	
51	5251210001	4	Bolt M12 x 20	
52	1001123044	10	Pad, Wear	
53	1001136583	4	Pad, Wear	
54	1001151117	1	Mount, Switch/Adjuster	
55	1001151124	1	Support, Extend Rope	
57	1001153433	2	Rope, Section 5 Extend	
58	1001153437	2	Rope, Section 5 Retract	
59	1001153443	4	Rope, Section 4 Extend	
60	1001153450	2	Rope, Section 4 Retract	
61	1001153452	2	Rope, Section 3 Extend	
62	1001153453	2	Rope, Section 3 Extend	
63	1001153465	2	Rope, Section 3 Retract	
64	1001153760	2	Sheave	B
64	1001153692	2	Bearing, Bronze (1 Per Assembly)	
64	1001153710	2	Bearing, Composite (1 Per Assembly)	
65	1001153797	4	Sheave	B
65	1001153786	4	Bearing, Bronze (1 Per Assembly)	
65	1001153785	4	Bearing, Composite (1 Per Assembly)	
66	1001153817	4	Sheave	B
66	1001153815	4	Bearing, Bronze (1 Per Assembly)	
66	1001153816	4	Bearing, Composite (1 Per Assembly)	
66	1001154247	4	Ring, Retaining (1 Per Assembly)	
67	1001153846	2	Sheave	B
67	1001153828	2	Bearing, Bronze (1 Per Assembly)	
67	1001153827	2	Bearing, Composite (1 Per Assembly)	
68	1001154086	6	Pad	
69	1001154087	16	Pad	
70	1001154088	2	Pad	
72	1001154091	2	Pad	
73	1001154092	1	Pad	
74	1001154093	8	Pad	
75	1001154094	1	Pad	
76	1001154095	2	Pad	
77	1001154097	2	Pad	
78	1001154099	2	Pad	
79	1001154232	8	Shim 18Ga	
80	1001154233	8	Shim 11Ga	
81	1001154234	2	Shim 18Ga	
82	1001154235	2	Shim 11Ga	
83	1001154260	4	Sheave	C
83	1001154306	4	Bearing, Bronze (1 Per Assembly)	
83	1001154304	4	Bearing, Composite (1 Per Assembly)	
83	1001154294	4	Ring, Retaining (1 Per Assembly)	
84	1001155523	1	Boom, Section 4	
85	1001228064	1	Jib Level (Slave) Cylinder Assembly (See Separate Breakdown in CYLINDER Section)	
86	1001155900	2	Block, Rope Retainer	
87	1001156549	1	Pin	
88	1001156562	2	Pin	
89	1001156565	1	Pin	
90	1001156613	4	Bushing, Sheave	

SECTION 4 - BOOM

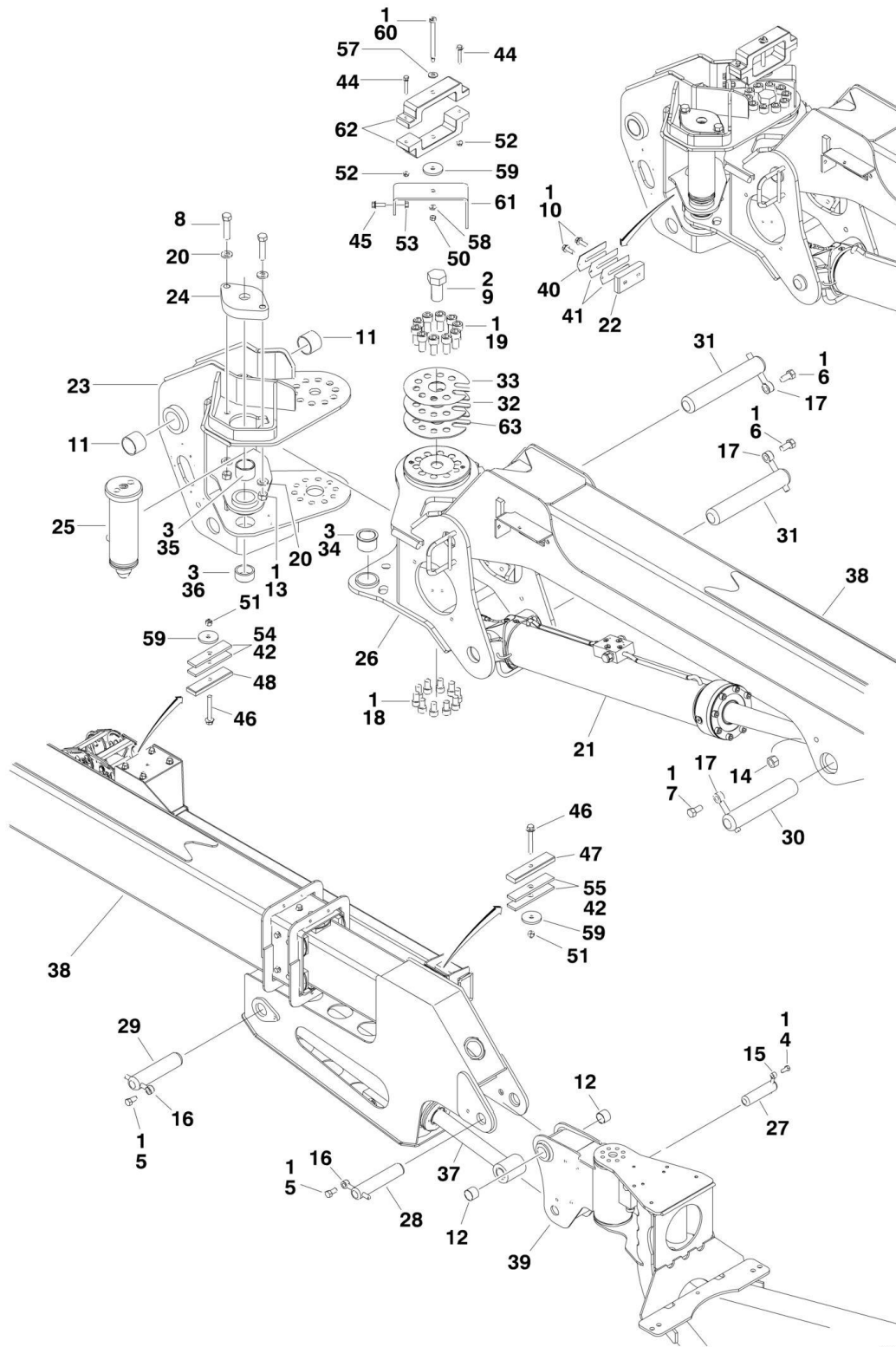
ITEM	PART NUMBER	QTY	DESCRIPTION	REV
91	1001157097	1	Pin	
92	1001157412	1	Plate	
93	1001157453	2	Pad, Wear	
94	1001157454	2	Pad, Wear	
95	1001157459	2	Plate, Spacer	
96	1001177591	2	Block, Trunnion Keeper	
97	1001157872	2	Block, Trunnion Keeper	
98	1001157873	2	Block, Cable Retainer	
99	1001157874	2	Block, Rope Retainer	
100	1001157875	2	Block, Cable Keeper	
101	1001157876	2	Block, Rope Retainer	
102	1001157878	2	Block, Rope Retainer	
103	1001157879	2	Plate, Sheave	
104	1001157880	6	Plate, Keeper	
105	1001157881	2	Plate, Sheave	
106	1001157882	1	Plate, Sheave	
107	1001157883	1	Plate, heave	
108	1001157884	1	Panel, Adjuster	
109	1001157885	4	Shim, Trunnion Block	
110	1001157886	2	Shim, Wear Pad	
111	1001157887	2	Bearing, Boom Pivot	
112	1001157888	2	Socket, Sheave	
113	1001157889	2	Shield, Sheave	
114	1001158355	1	Bracket, Rope Adjustment	
115	1001158517	1	Pad, Wear	
116	1001158757	1	Boom, Section 1	
117	1001158771	1	Boom, Section 2	
118	1001158772	1	Boom, Section 3	
119	1001158774	1	Boom, Section 5	
120	1001159061	2	Pad, Wear	
121	1001159167	2	Block, Rope Retainer	
122	1001159168	1	Pad, Wear	
123	1001159169	2	Shim 18Ga	
124	1001159170	2	Shim 11Ga	
125	1001228082	1	Boom Telescope Cylinder Assembly (See Separate Breakdown in CYLINDER Section)	
126	1001159245	2	Pad, Wear	
127	1001159875	2	Pad, Wear	
128	1001160138	2	Nut M24	
129	1001160589	1	Capscrew M12 X 20	
130	1001160743	3	Disc, Rope Spacer	
131	1001160744	2	Block, Switch Adjuster	
132	1001160989	2	Sheave, Deflector	
133	1001160990	2	Sheave, Deflector	
134	1001163429	3	Plate, Spacer	
135	0761212001	3	Bolt M12 X 25	
136	4812100001	3	Washer M12	
137	1001167497	2	Plate, Keeper	
138	1001169679	1	Pad, Wear	
139	5241000001	AR	Washer M10	
140	0771016001	8	Bolt M10 x 40 Grade 10.9	
141	0771014001	6	Bolt M10 X 30 Grade 10.9	

SECTION 4 - BOOM

ITEM	PART NUMBER	QTY	DESCRIPTION	REV
142	1001173662	2	Shim	
143	0771018001	6	Bolt M10 X 50 Grade 10.9	
144	0771012001	22	Bolt M10 X 25 Grade 10.9	

SECTION 4 - BOOM

FIGURE 4-3. JIB INSTALLATION



ART_1001158944_L

FIGURE 4-3. JIB INSTALLATION

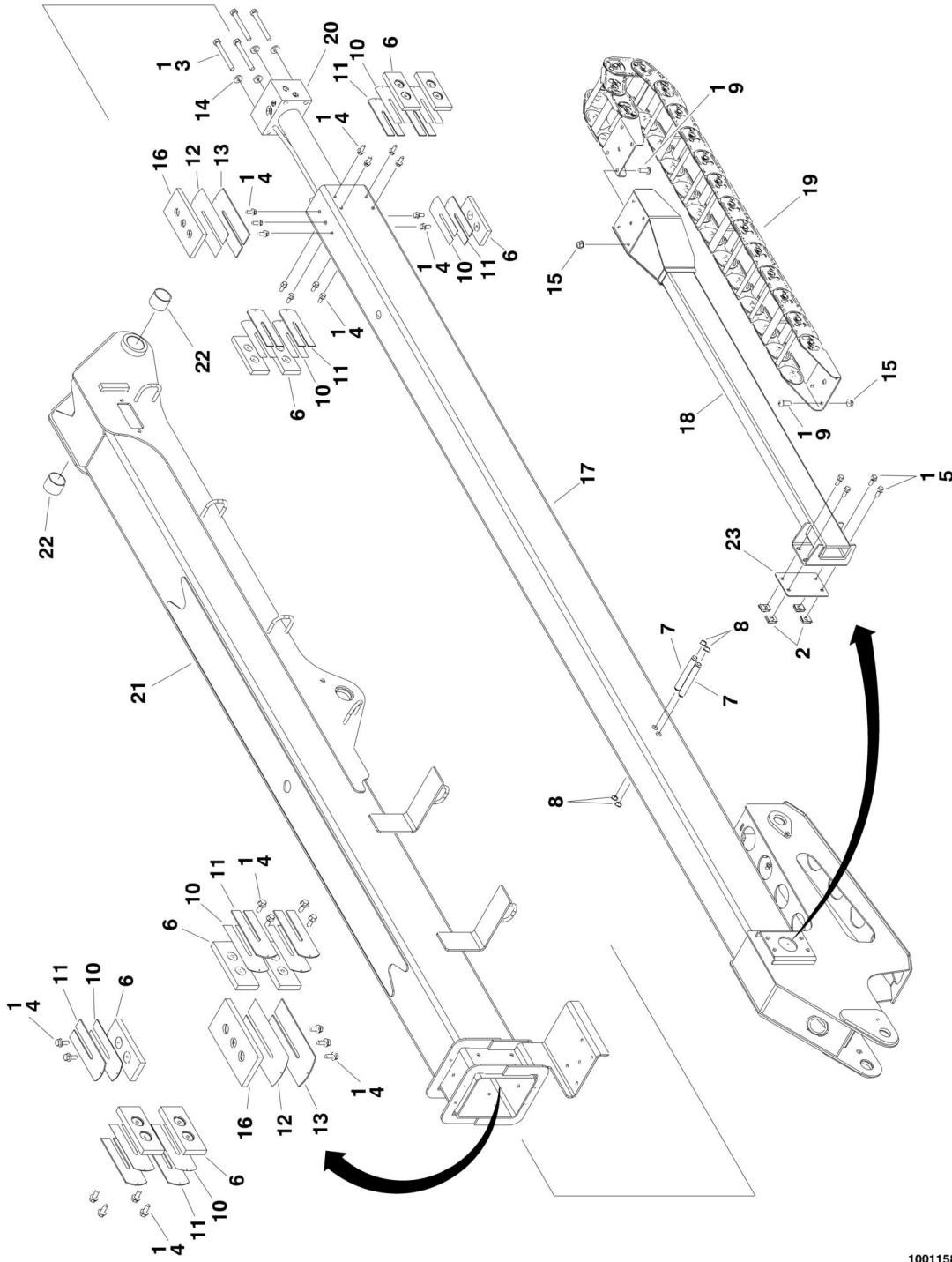
ITEM	PART NUMBER	QTY	DESCRIPTION	REV
	1001158944	Ref	JIB INSTALLATION	L
1	0100011	AR	Compound, Locking	
2	0100019	AR	Compound, Locking	
3	0100063	AR	Compound, Locking	
4	0641606001	1	Bolt 3/8 X 3/4	
5	0641808001	2	Bolt 1/2 X 1	
6	0642010001	2	Bolt 5/8 X 1-1/4	
7	0642014001	1	Bolt 5/8 X 1-3/4	
8	0682022001	2	Bolt, 5/8 X 2-3/4	
9	0683020001	1	Bolt 1-1/4 X 2-1/2	
10	0811608001	2	Screw 3/8 X 1	
11	0961950	2	Bearing, Composite	
12	0962181	2	Bushing, Composite	
13	3272001001	2	Nut 5/8	
14	3312001001	1	Nut 5/8	
15	3841143	1	Keeper	
16	3841203	2	Keeper	
17	3841258	3	Keeper	
18	3932016	10	Capscrew 5/8 X 1	
19	3932224	10	Capscrew 3/4 X 1-1/2	
20	1001172356	4	Washer 5/8	
21	1001251058	1	Jib Lift Cylinder Assembly (See Separate Breakdown in CYLINDER Section)	
22	1001118369	1	Pad, Wear	
23	1001118564	1	Pivot, Jib	
24	1001119042	1	Cap	
25	1001251046	1	Jib Lock Cylinder Assembly (See Separate Breakdown in CYLINDER Section)	
26	1001181063	1	Jib Rotator Assembly (See Separate Breakdown in this Section)	
27	1001119985	1	Pin	
28	1001119990	1	Pin	
29	1001119991	1	Pin	
30	1001119998	1	Pin	
31	1001120000	2	Pin	
32	1001120014	1	Shim 11Ga	
33	1001120015	1	Shim 18Ga	
34	1001120037	1	Bearing	
35	1001120038	1	Bearing	
36	1001120039	1	Bearing	
37	1001251057	1	Platform Level (Slave) Cylinder Assembly (See Separate Breakdown in CYLINDER Section)	
38	1001158923	1	Jib Assembly (See Separate Breakdown in this Section)	
39	1001181062	1	Platform Rotator Assembly (See Separate Breakdown in this Section)	
40	91471226	1	Shim 16Ga	
41	91471227	2	Shim 20Ga	
42	0100081	AR	Adhesive	
44	0791516001	2	Screw 5/16 X 2	
45	0791609001	2	Screw 3/8 X 1-1/8	
46	0791622001	2	Screw 3/8 X 2-3/4	

SECTION 4 - BOOM

ITEM	PART NUMBER	QTY	DESCRIPTION	REV
47	1320294	1	Clamp, Bar	
48	1320298	1	Clamp, Hose	
50	3271601001	1	Nut 3/8	
51	1001173663	2	Nut 3/8	
52	3311508001	2	Nut 5/16	
53	3311608001	2	Nut 3/8	
54	3340939	2	Pad, Rubber	
55	3340942	2	Pad, Rubber	
57	4711800001	1	Washer 1/2	
58	1001173666	1	Washer	
59	4891600001	AR	Washer 3/8	
60	1001173680	1	Setscrew 1/2 X 3/8	
61	1001120209	1	Bracket, Guide Block	
62	1001120257	2	Pad	
63	1001225266	1	Shim	

SECTION 4 - BOOM

FIGURE 4-4. JIB ASSEMBLY



1001158923

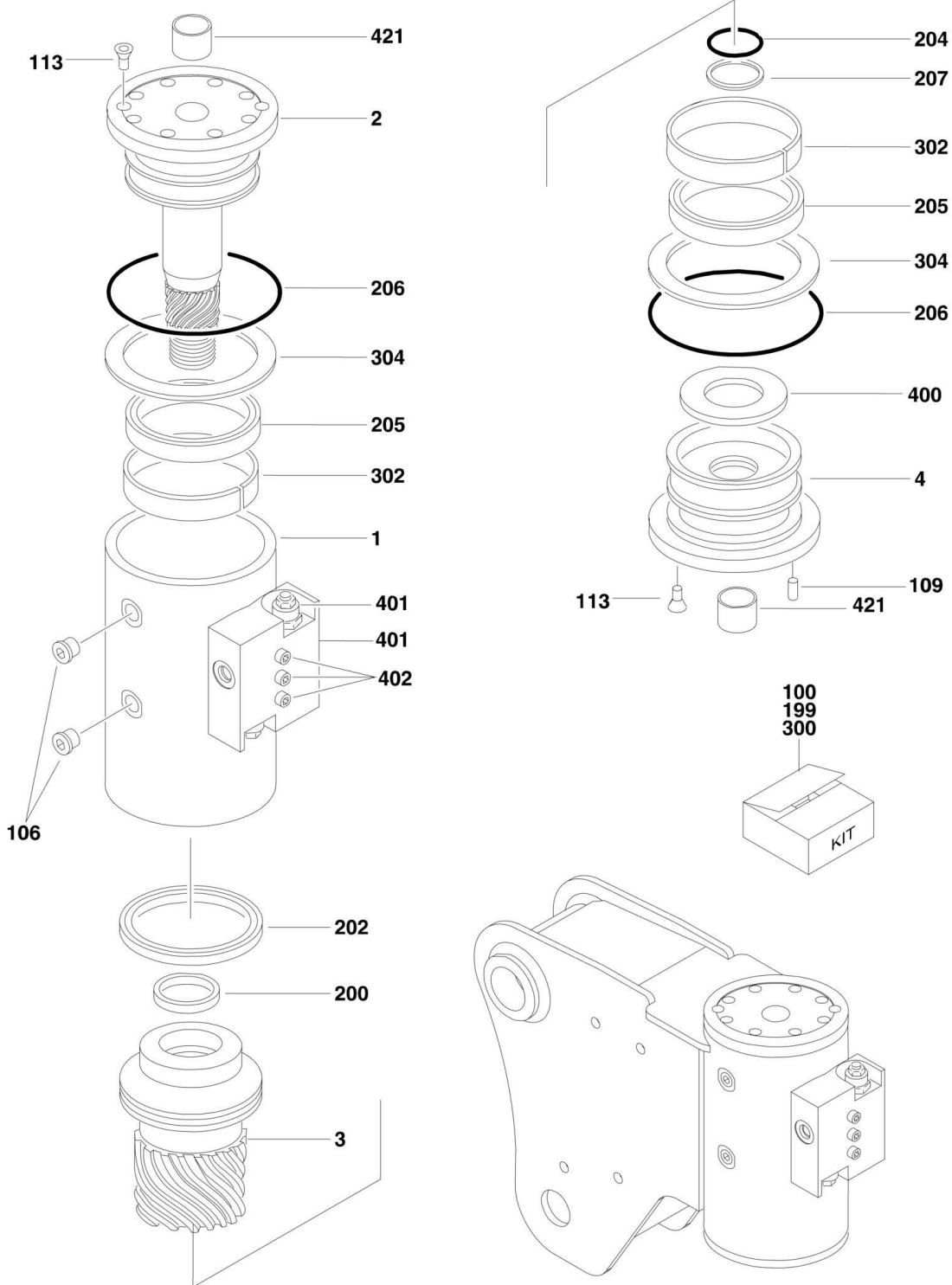
SECTION 4 - BOOM

FIGURE 4-4. JIB ASSEMBLY

ITEM	PART NUMBER	QTY	DESCRIPTION	REV
	1001158923	Ref	JIB ASSEMBLY	Q
1	0100011	AR	Compound, Locking	
2	88662523	4	Nut, Retainer	
3	0681836001	4	Bolt 1/2 X 4-1/2	
4	0811607001	26	Bolt 3/8 X 7/8	
5	0811608001	4	Bolt 3/8 X 1	
6	3340881	10	Pad, Wear	
7	3423161	2	Pin	
8	3760351	4	Ring, Retaining	
9	1001173763	8	Screw M10 X 25	
10	4070897	10	Shim 18Ga	
11	4070898	10	Shim 11Ga	
12	4071039	2	Shim 18Ga	
13	4071040	2	Shim 11Ga	
14	4891800001	4	Washer 1/2	
15	5261012	8	Nut M10 Grade 10.9	
16	1001129961	2	Pad, Wear	
17	1001158933	1	Boom, Fly	
18	1001158993	1	Tube, Push	
19	1001158992	1	Power Track Assembly	D
19	70004409	AR	Repair Section	
19	70004410	2	Mounting Feet Kit	
20	1001158991	1	Jib Telescope Cylinder Assembly (See Separate Breakdown in CYLINDER SECTION)	
21	1001158925	1	Boom, Base	
22	0961950	2	Bearing	
23	1001119710	1	Shim .125	

SECTION 4 - BOOM

FIGURE 4-5. PLATFORM ROTATOR ASSEMBLY



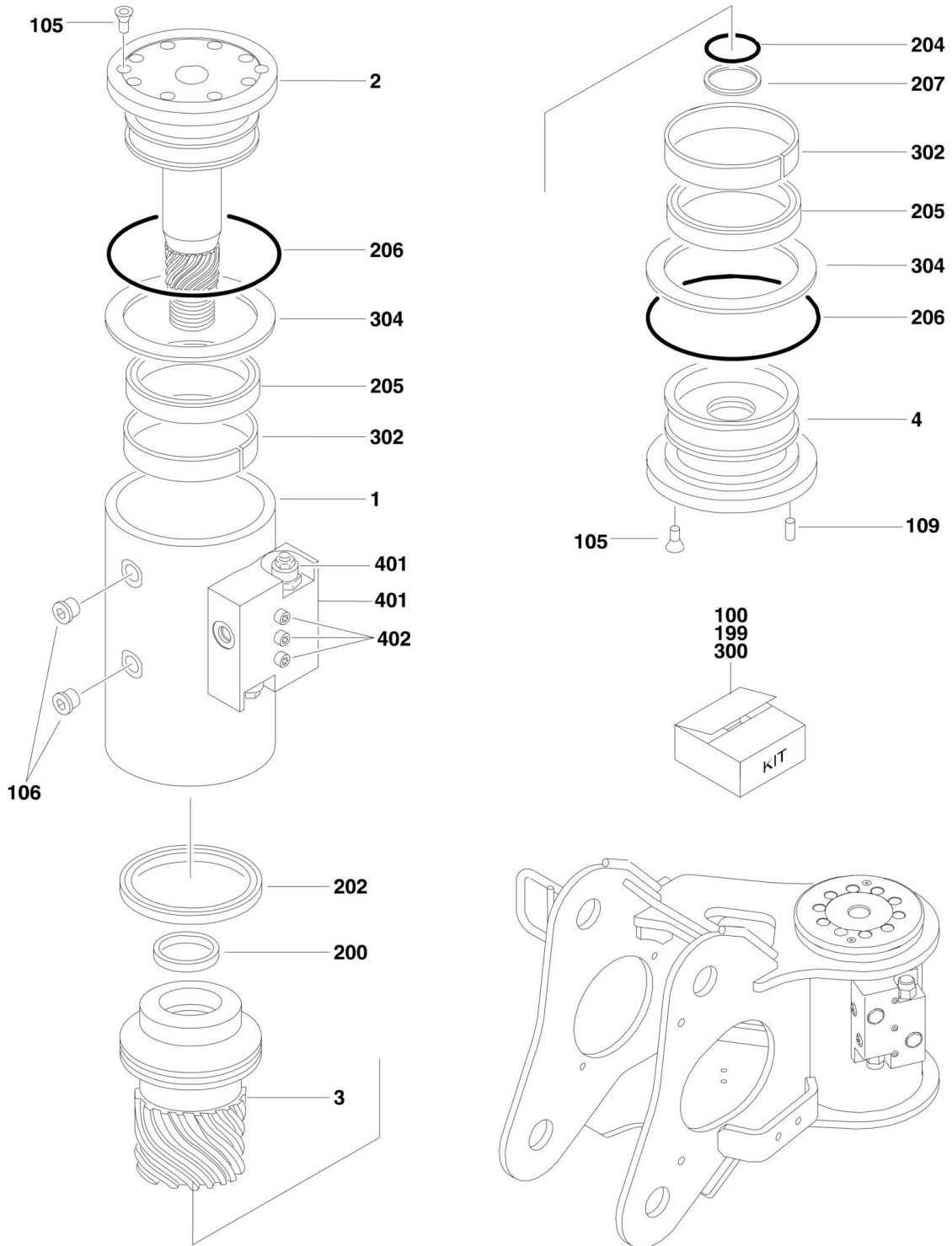
ART_1001181062

FIGURE 4-5. PLATFORM ROTATOR ASSEMBLY

ITEM	PART NUMBER	QTY	DESCRIPTION	REV
	1001181062	Ref	PLATFORM ROTATOR ASSEMBLY	A
1	See Note	NSS	Housing/Ring Gear (Note: Purchase Complete Assembly)	
2	7017162	1	Shaft	
3	7017163	1	Piston	
4	7017164	1	Cap	
100	7017142	1	Hardware Kit (Includes Items 106-109)	
106	See Note	NSS	Plug (Note: Use p/n 7017142)	
109	See Note	NSS	Pin, Dowel (Note: Use p/n 7017142)	
113	70001697	6	Screw 1/4 x 3/8	
199	70000342	1	Seal Kit - Low Temperature (Includes Items 200-207)	
200	See Note	NSS	T-Seal (Note: Use p/n 70000342)	
202	See Note	NSS	T-Seal (Note: Use p/n 70000342)	
204	See Note	NSS	O-Ring (Note: Use p/n 770000342)	
205	See Note	NSS	Seal (Note: Use p/n 70000342)	
206	See Note	NSS	O-Ring (Note: Use p/n 70000342)	
207	See Note	1	Ring, Back-up (Note: Use p/n 70000342)	
300	7017159	1	Bearing Kit (Includes Item 302-304)	
302	See Note	NSS	Bearing (Note: Use p/n 7017159)	
304	See Note	NSS	Washer, Thrust (Note: Use p/n 7017159)	
400	70004402	1	Tube, Stop	
401	7017183	1	Valve, Control	
401	7017193	2	Cartridge, Valve	
401	See Note	NSS	Seal Kit - 7017193 Cartridge (Note: Use p/n 7017193)	
402	See Note	NSS	Capscrew 1/4 x 1-1/2 Grade 8 (Note: Purchase Locally)	
421	7017195	2	Bushing	

SECTION 4 - BOOM

FIGURE 4-6. JIB ROTATOR ASSEMBLY



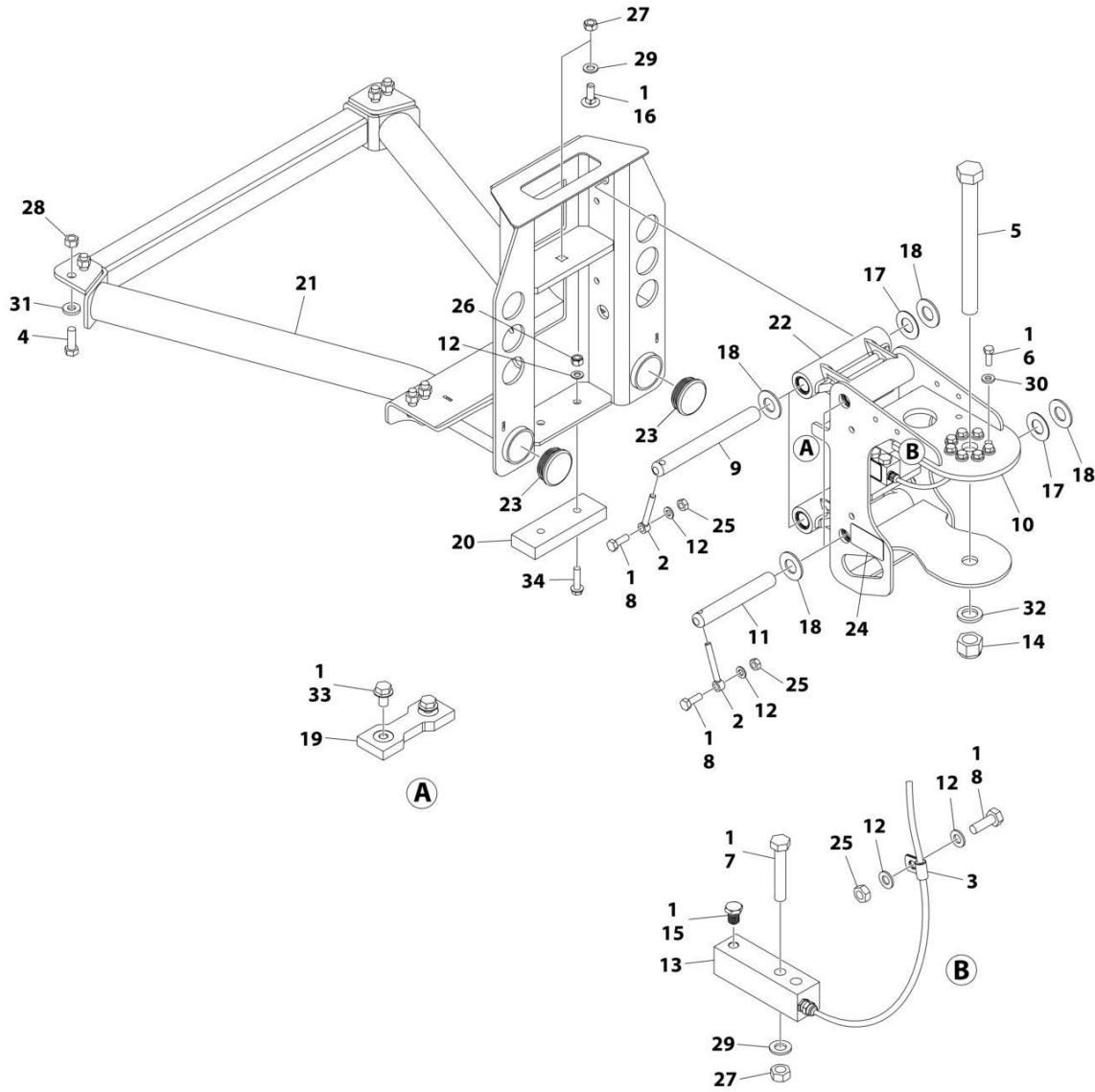
ART_1001181063

FIGURE 4-6. JIB ROTATOR ASSEMBLY

ITEM	PART NUMBER	QTY	DESCRIPTION	REV
	1001181063	Ref	JIB ROTATOR ASSEMBLY	A
1	See Note	NSS	Housing/Ring Gear (Note: Purchase Complete Assembly)	
2	70002853	1	Shaft	
3	70002854	1	Piston	
4	70002855	1	Cap	
5	70004403	1	Nut	
100	70002858	1	Hardware Kit (Includes Items 105-109)	
105	See Note	NSS	Screw (Note: Use p/n 70002858)	
106	See Note	NSS	Plug (Note: Use p/n 70002858)	
109	See Note	NSS	Setscrew (Note: Use p/n 70002858)	
199	70005170	1	Seal Kit - Low Temperature (Includes Items 200-207)	
200	See Note	NSS	T-Seal (Note: Use p/n 70005170)	
202	See Note	NSS	T-Seal (Note: Use p/n 70005170)	
204	See Note	NSS	O-Ring (Note: Use p/n 70005170)	
205	See Note	NSS	Seal (Note: Use p/n 70005170)	
206	See Note	NSS	O-Ring (Note: Use p/n 70005170)	
207	See Note	NSS	Ring, Back-up (Note: Use p/n 70005170)	
300	70002857	1	Bearing Kit (Includes Items 302-304)	
302	See Note	NSS	Bearing (Note: Use p/n 70002857)	
304	See Note	2	Washer, Thrust (Note: Use p/n 70002857)	
401	70002859	1	Valve, Control	
401	See Note	NSS	Cartridge, Valve (Note: Use p/n 70002859)	
401	See Note	NSS	Seal Kit - Cartridge (Note: Use p/n 70002859)	
402	See Note	NSS	Capscrew 1/4 x 1-1/2 Grade 8 (Note: Purchase Locally)	

SECTION 4 - BOOM

FIGURE 4-7. PLATFORM SUPPORT INSTALLATION



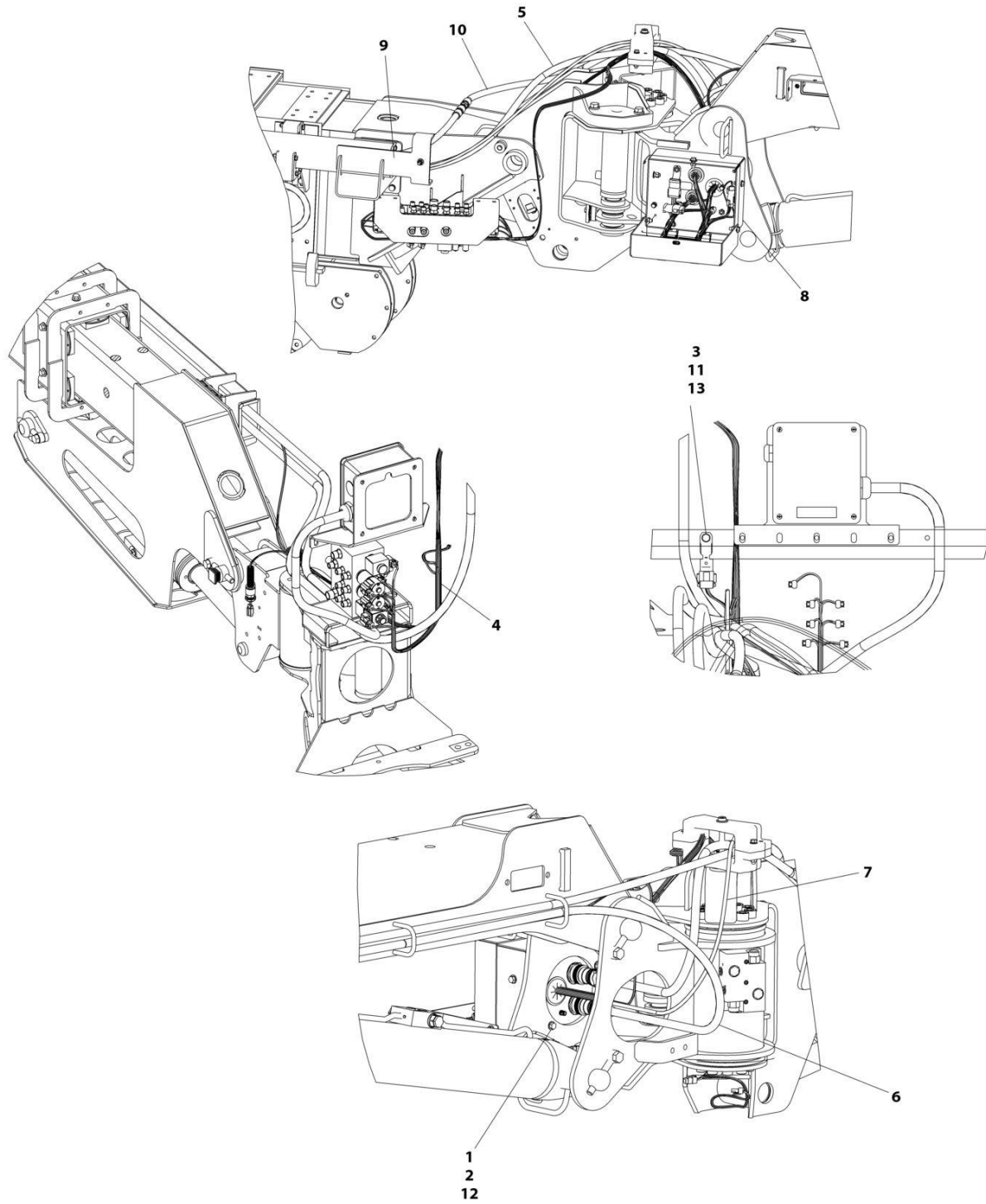
ART_1001219996_F

FIGURE 4-7. PLATFORM SUPPORT INSTALLATION

ITEM	PART NUMBER	QTY	DESCRIPTION	REV
	1001219996	Ref	PLATFORM SUPPORT INSTALLATION - WITH 1 CELL LSS	F
1	0100011	AR	Compound, Locking	
2	3841143	4	Keeper	
3	91203039	1	Clamp	
4	0761216001	8	Bolt M12 x 40	
5	1001255133	1	Bolt 1 x 11	
6	0681608001	8	Bolt 3/8 x 1 Grade 8	
7	0711222001	2	Bolt M12 x 70 Grade 10.9	
8	0761014001	5	Bolt M10 x 30	
9	1001167565	2	Pin	
10	1001167567	1	Support, Rotary Side	
11	1001168402	2	Pin	
12	1001172358	8	Washer M10	
13	1001247468	1	Cell, Load Sensing	
14	1001174040	1	Nut 1	
15	1001188622	1	Screw	
16	1001188844	1	Bolt M12 x 35	
17	1001189001	4	Bearing	
18	1001189002	8	Bearing	
19	1001190985	1	Wear Pad	
20	1001200491	1	Plate	
21	1001200494	1	Support	
22	1001201351	2	Link, LSS Assembly	
22	1001187382	4	Bearing	
22	1001187383	4	Seal	
23	1001204725	2	Plug	
24	1001216630	2	Decal - Tie Down/No Lift	
25	3291001001	5	Nut M10	
26	3291005001	2	Nut M10	
27	3291201001	3	Nut M12	
28	3291205001	8	Nut M12	
29	4812100001	3	Washer M12	
30	4891600001	8	Washer 3/8	
31	5241200001	8	Washer M12	
32	4892600001	1	Washer 1	
33	5251008001	2	Bolt M10 x 16	
34	5251016001	2	Bolt M10 x 40	

SECTION 4 - BOOM

FIGURE 4-8. BOOM CABLES INSTALLATION - 4000W 50HZ GENERATOR (ANSI EXPORT, AUSTRALIAN, CHINA, JAPANESE, CE & UK CA SPECS)



ART_1001211129

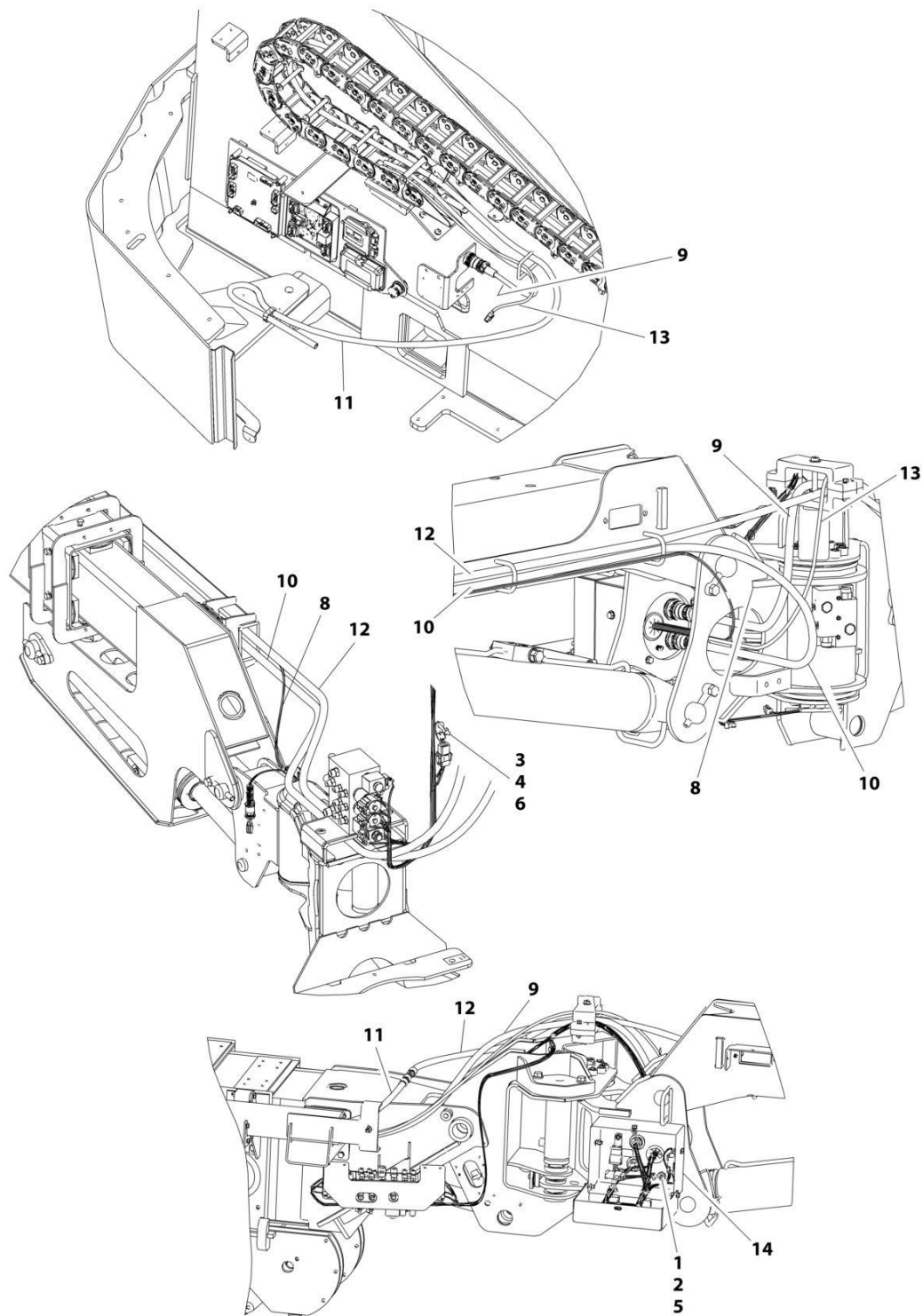
SECTION 4 - BOOM

FIGURE 4-8. BOOM CABLES INSTALLATION - 4000W 50HZ GENERATOR (ANSI EXPORT, AUSTRALIAN, CHINA, JAPANESE, CE & UK CA SPECS)

ITEM	PART NUMBER	QTY	DESCRIPTION	REV
	1001211129	Ref	BOOM CABLES INSTALLATION - 4000W 50HZ GENERATOR	A
1	0100011	AR	Compound, Locking	
2	0641608001	2	Bolt 3/8 x 1	
3	0700818001	1	Bolt M8 x 50	
4	1001149977	1	Harness, Platform Valve (See Separate Breakdown in ELECTRICAL SECTION)	
5	1001156893	1	Cable, Main Boom Control (See Separate Breakdown in ELECTRICAL SECTION)	
6	1001156897	1	Cable, Jib Control (See Separate Breakdown in ELECTRICAL SECTION)	
7	1001158207	1	Cable, Main Boom 16/4 (See Separate Breakdown in ELECTRICAL SECTION)	
8	1001159621	1	Box, Jib Enclosure (See Separate Breakdown in this Section)	
9	1001211130	1	Cable, Main Boom AC (See Separate Breakdown in ELECTRICAL SECTION)	
10	1001211131	1	Cable, Jib AC (See Separate Breakdown in ELECTRICAL SECTION)	
11	3290805001	1	Nut M8	
12	4711600001	2	Washer 3/8	
13	4811900001	2	Washer M8	

SECTION 4 - BOOM

FIGURE 4-9. BOOM CABLES (AUSTRALIAN, CHINA, CE & UK CA SPECS)



ART_1001156217

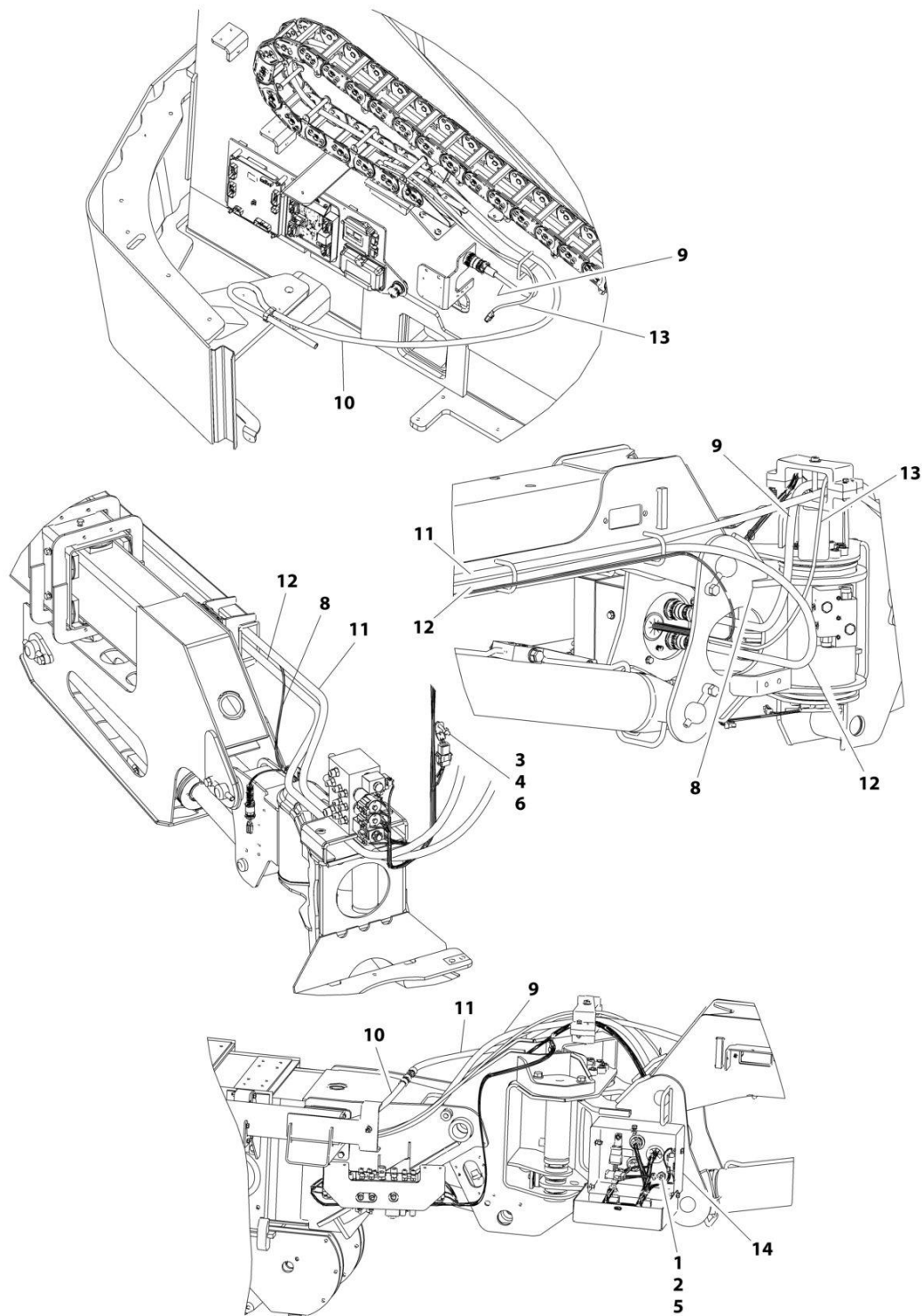
SECTION 4 - BOOM

FIGURE 4-9. BOOM CABLES (AUSTRALIAN, CHINA, CE & UK CA SPECS)

ITEM	PART NUMBER	QTY	DESCRIPTION	REV
	1001156217	Ref	BOOM CABLES INSTALLATION	D
1	0100011	AR	Compound, Locking	
2	0641608001	2	Bolt 3/8-16 x 1	
3	0700818001	1	Bolt M8 x 50	
4	3290805001	1	Nut M8	
5	4711600001	2	Washer 3/8	
6	4811900001	2	Washer M8	
8	1001149977	1	Harness, Platform Valve (See Separate Breakdown in ELECTRICAL SECTION)	
9	1001156893	1	Cable, Main Boom Control (See Separate Breakdown in ELECTRICAL SECTION)	
10	1001156897	1	Cable, Jib Control (See Separate Breakdown in ELECTRICAL SECTION)	
11	1001157636	1	Cable, Main Boom AC (See Separate Breakdown in ELECTRICAL SECTION)	
12	1001157637	1	Cable, Jib AC (See Separate Breakdown in ELECTRICAL SECTION)	
13	1001158207	1	Cable, Main Boom 16/4 (See Separate Breakdown in ELECTRICAL SECTION)	
14	1001159621	1	Box, Jib Enclosure (See Separate Breakdown in this Section)	

SECTION 4 - BOOM

FIGURE 4-10. BOOM CABLES - ANSI, ANSI EXPORT, CSA AND JAPANESE SPECS



ART_1001156216

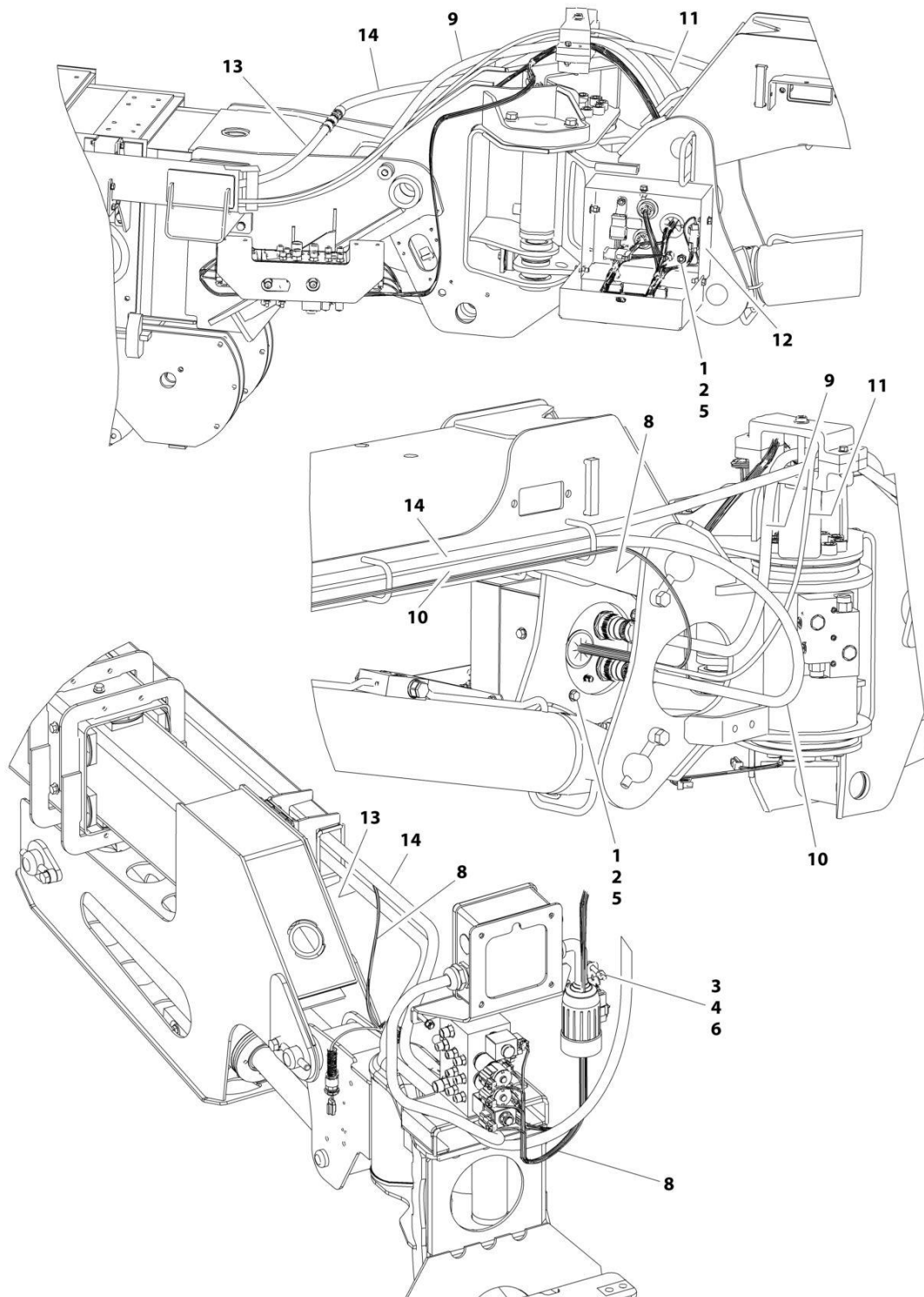
SECTION 4 - BOOM

FIGURE 4-10. BOOM CABLES - ANSI, ANSI EXPORT, CSA AND JAPANESE SPECS

ITEM	PART NUMBER	QTY	DESCRIPTION	REV
	1001156216	Ref	BOOM CABLES INSTALLATION	D
1	0100011	AR	Compound, Locking	
2	0641608001	2	Bolt 3/8 x 1	
3	0700818001	1	Bolt M8 x 50	
4	3290805001	1	Nut M8	
5	4711600001	2	Washer 3/8	
6	4811900001	2	Washer M8	
8	1001149977	1	Harness, Platform Valve (See Separate Breakdown in ELECTRICAL SECTION)	
9	1001156893	1	Cable, Main Boom Control (See Separate Breakdown in ELECTRICAL SECTION)	
10	1001156894	1	Cable, Main Boom AC (See Separate Breakdown in ELECTRICAL SECTION)	
11	1001156896	1	Cable, Jib AC (See Separate Breakdown in ELECTRICAL SECTION)	
12	1001156897	1	Cable, Jib Control (See Separate Breakdown in ELECTRICAL SECTION)	
13	1001158207	1	Cable, Main Boom 16/4 (See Separate Breakdown in ELECTRICAL SECTION)	
14	1001159621	1	Box, Jib Enclosure (See Separate Breakdown in this Section)	

SECTION 4 - BOOM

FIGURE 4-11. BOOM CABLES - SKYPOWER



ART_1001161729

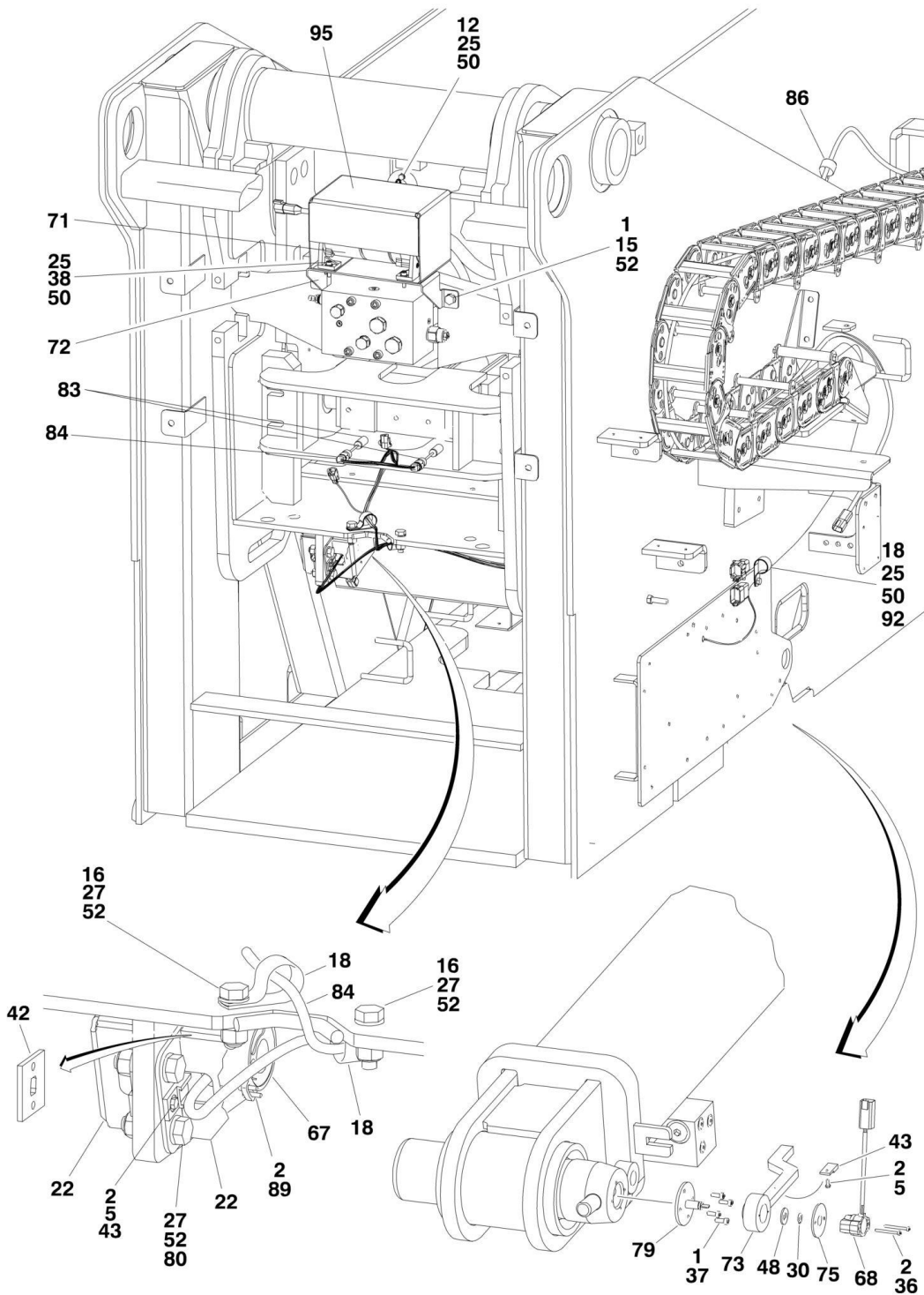
SECTION 4 - BOOM

FIGURE 4-11. BOOM CABLES - SKYPOWER

ITEM	PART NUMBER	QTY	DESCRIPTION	REV
	1001161729	Ref	BOOM CABLES INSTALLATION - SKYPOWER	D
1	0100011	AR	Compound, Locking	
2	0641608001	2	Bolt 3/8 x 1	
3	0700818001	1	Bolt M8 x 50	
4	3290805001	1	Nut M8	
5	4711600001	2	Washer 3/8	
6	4811900001	2	Washer M8	
8	1001149977	1	Harness, Platform Valve (See Separate Breakdown in ELECTRICAL SECTION)	
9	1001156893	1	Cable, Main Boom Control (See Separate Breakdown in ELECTRICAL SECTION)	
10	1001156897	1	Cable, Jib Control (See Separate Breakdown in ELECTRICAL SECTION)	
11	1001158207	1	Cable, Main Boom 16/4 (See Separate Breakdown in ELECTRICAL SECTION)	
12	1001159621	1	Box, Jib Enclosure (See Separate Breakdown in this Section)	
13	1001226287	1	Cable, Main Boom Generator Power (See Separate Breakdown in ELECTRICAL SECTION)	
14	1001226288	1	Cable, Jib Generator Power (See Separate Breakdown in ELECTRICAL SECTION)	

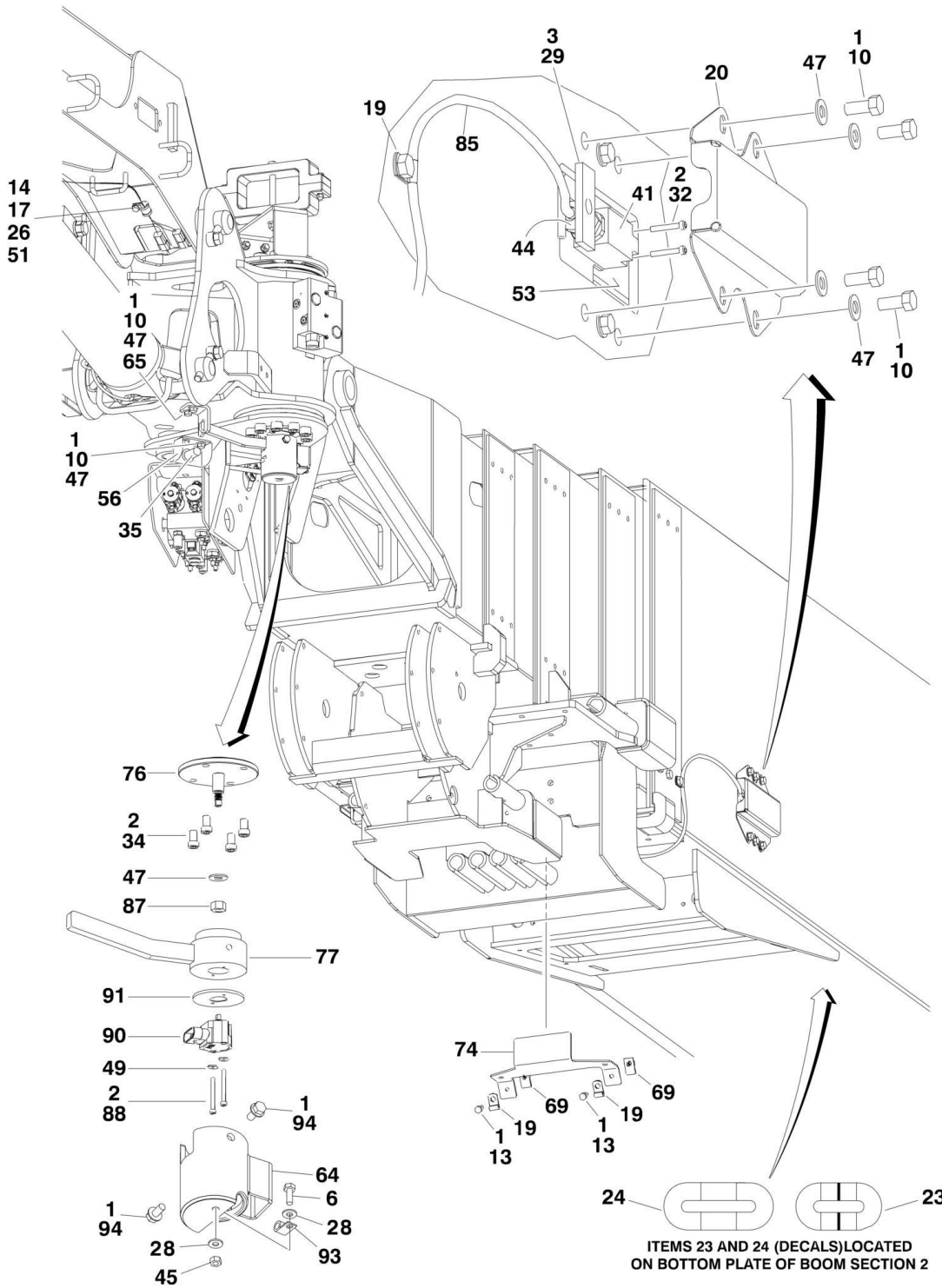
SECTION 4 - BOOM

FIGURE 4-12. BOOM SENSORS AND SWITCHES INSTALLATION



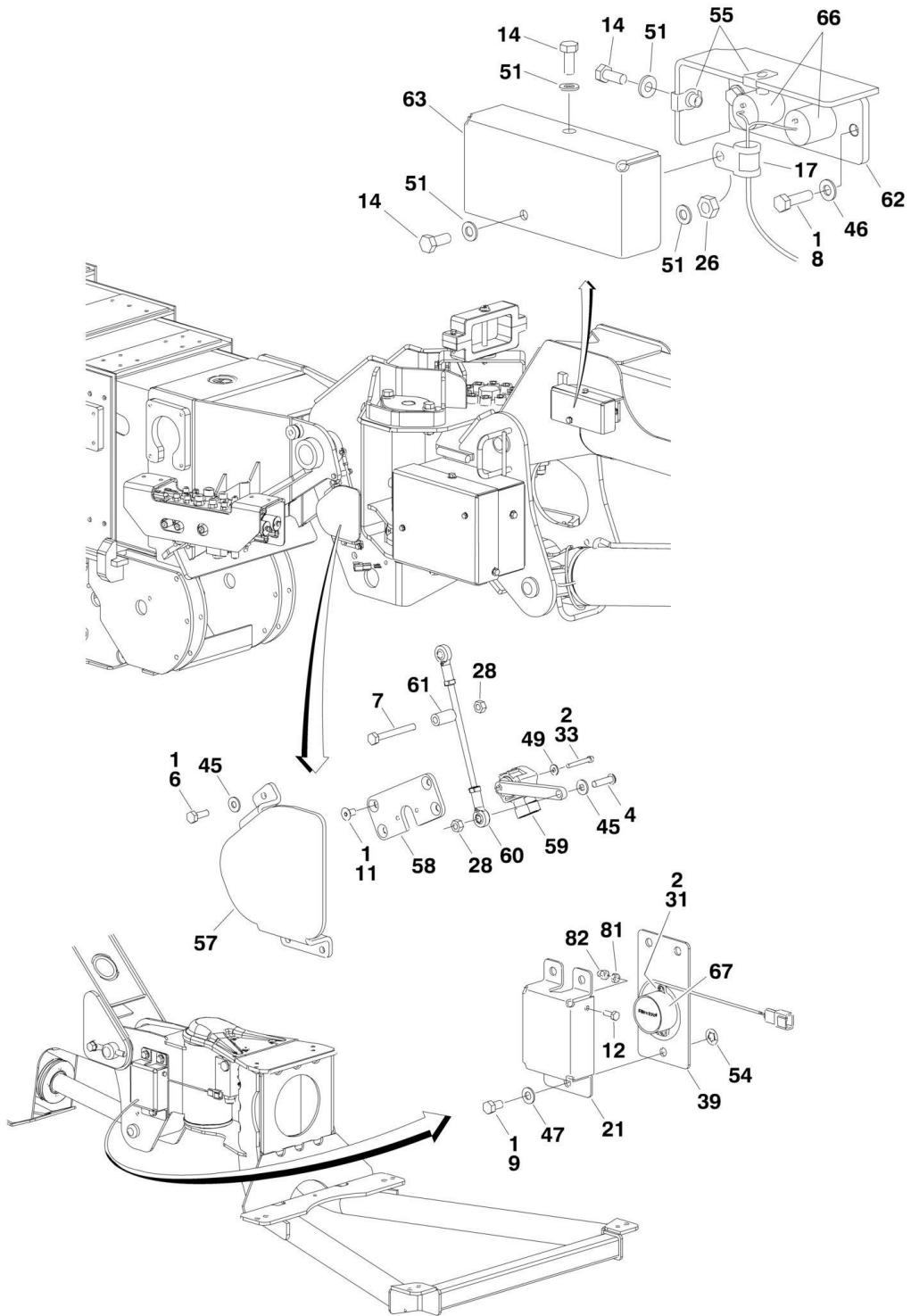
ART_1001155440_10F3

SECTION 4 - BOOM



ART_1001155440_2OF3

SECTION 4 - BOOM



ART_1001155440_3OF3

SECTION 4 - BOOM

FIGURE 4-12. BOOM SENSORS AND SWITCHES INSTALLATION

ITEM	PART NUMBER	QTY	DESCRIPTION	REV
	1001155440	Ref	BOOM SENSORS AND SWITCHES INSTALLATIONS	P
1	0100011	AR	Compound, Locking	
2	0100035	AR	Compound, Locking	
3	0100081	AR	Adhesive	
4	0630457	1	Screw 1/4 X 1	
5	0760405	3	Bolt M4 X 10	
6	0641406001	4	Bolt 1/4 x 3/4	
7	0641418001	1	Bolt 1/4 x 2-1/4	
8	0641509	2	Bolt 5/16 X 1-1/8	
9	0641605001	6	Bolt 3/8 x 5/8	
10	0641607001	10	Bolt 3/8 x 7/8	
11	1001177609	4	Screw 1/4 X 1/2	
12	0760608001	3	Bolt M6 X 16	
13	0760808001	2	Bolt M8 X 16	
14	0760810001	4	Bolt M8 x 20	
15	0761010	2	Bolt M10 X 20	
16	0761015	2	Bolt M10 x 35	
17	1320061	2	Clamp, Hose	
18	1320130	3	Clamp, Hose	
19	1320301	3	Clamp, Cable	
20	1671031	1	Cover	
21	1671044	2	Cover	
22	1001167262	2	Plate	
23	1705366	1	Decal - Boom Length (500lb Cap)	
24	1705367	1	Decal - Boom Length (1000lb Cap)	
25	3290605	6	Nut M6	
26	3290805001	2	Nut M8	
27	3291005	5	Nut M10	
28	3311405001	3	Nut 1/4	
29	3340941	1	Pad	
30	3760383	1	Ring	
31	3930606	6	Capscrew #6 X 3/8	
32	3930816	2	Capscrew #8 x 1	
33	3930820	2	Capscrew #8- X 1-1/4	
34	3931508	4	Capscrew 5/16 x 1/2	
35	4000008	1	Proximity Sensor Assembly (Note: Control System must be recalibrated when Switch is replaced.)	
35	4461076	1	Connector - 4 Position	
35	4460917	4	Pin, Male	
36	4031512	2	Capscrew M4 x 40	
37	4031707	4	Capscrew M6 x 16	
38	4031709	4	Capscrew M6 X 25	
39	4341158	2	Mount, Sensor	
41	4360578	1	Limit Switch Assembly (Note: Control System must be recalibrated when Switch is replaced.)	
42	4460234	2	Mount, Cable Tie	
43	4460914	3	Terminal, Base	
44	4460968	1	Connector, Strain Relief	
45	4711400001	6	Washer 1/4	
46	4711500	2	Washer 5/16	

SECTION 4 - BOOM

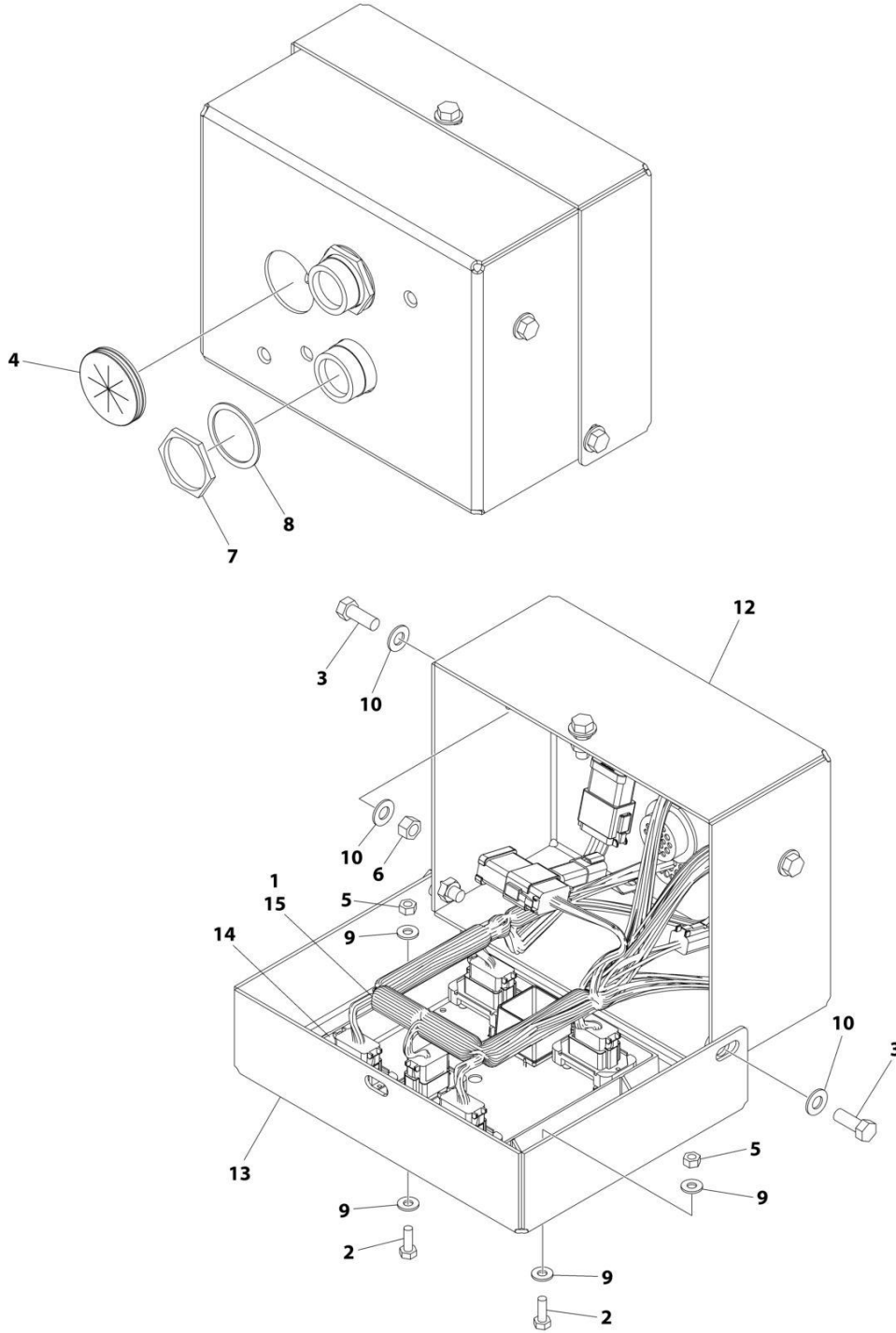
ITEM	PART NUMBER	QTY	DESCRIPTION	REV
47	4711600001	17	Washer 3/8	
48	4711800	1	Washer 1/2	
49	4750800	4	Washer #8	
50	4811700	12	Washer M6	
51	4811900001	6	Washer M8	
52	4812000	13	Washer M10	
53	4846484	1	Mount, Switch	
54	8310070	6	Pushnut 3/8	
55	1001118274	2	Nut, Tinnerman M8	
56	1001118373	1	Bracket	
57	1001118930	1	Cover	
58	1001118931	1	Mount	
59	1001118971	1	Sensor, Angle (Note: Control System must be recalibrated when Switch is replaced.)	
60	1001119033	1	Link, Sensor	
61	1001119137	1	Sleeve, Spacer	
62	1001120028	1	Mount, Sensor	
63	1001120048	1	Cover	
64	1001179510	1	Cover	
65	1001120084	1	Bracket	
66	1001285878	1	Proximity Sensor Assembly (Note: Control System must be recalibrated when Switch is replaced.)	
66	4460932	1	Connector - 4 Position	
66	4460464	4	Socket, Female	
67	1001147479	4	Angle Sensor Switch Assembly (Note: Control System must be recalibrated when Switch is replaced.)	
67	4460910	1	Connector - 3 Position	
67	4460917	3	Pin, Male	
67	4460913	1	Lock, Wedge	
68	1001146963	1	BEI Angle Sensor Assembly (Note: Control System must be recalibrated when Switch is replaced.)	
68	4460899	1	Connector - 6 Position	
68	4460464	6	Socket, Female	
69	1001149160	2	Nut, Tinnerman M8	
71	1001150999	1	Boom Length Sensor Assembly (Note: Control System must be recalibrated when Switch is replaced.)	
71	4460536	1	Receptacle, Female - 3 Position	
71	4460464	1	Pin, Male	
72	1001151000	1	Mount, Switch	
73	1001155262	1	Link, Angle Sensor (Note: Control System must be recalibrated when Switch is replaced.)	
74	1001155835	1	Plate	
75	1001155836	1	Adapter, Sensor	
76	1001135483	1	Pin	
77	1001120076	1	Mount, Sensor	
79	1001156778	1	Pin	
80	0761016	3	Bolt M10 X 40	
81	3290601	2	Nut M6	
82	3290606	2	Nut M6	
83	1001196517	2	Cable, Sensor	
83	1001097051	2	Connector - 4 Position	
83	1001116695	6	Socket, Female	
83	4460518	2	Plug, Socket	

SECTION 4 - BOOM

ITEM	PART NUMBER	QTY	DESCRIPTION	REV
84	1001215949	1	Harness, Base Boom (See Separate Breakdown in ELECTRICAL SECTION)	
85	1001159363	1	Cable, Transport Switch (See Separate Breakdown in ELECTRICAL SECTION)	
86	1321385	3	Clamp	
87	3281601	1	Nut 3/8	
88	3930824	2	Capscrew #8 X 1-1/2	
89	4031205	6	Capscrew M3 X 10	
90	1001135479	1	Sensor, Angle (Note: Control System must be recalibrated when Switch is replaced.)	
91	1001135484	1	Adapter, Sensor	
92	0760612	1	Bolt, M6 x 25	
93	1321293	1	Clamp, Cable	
94	0791505001	2	Screw, 5/16 x 5/8	
95	1001216790	1	Cover	

SECTION 4 - BOOM

FIGURE 4-13. JIB ENCLOSURE BOX ASSEMBLY



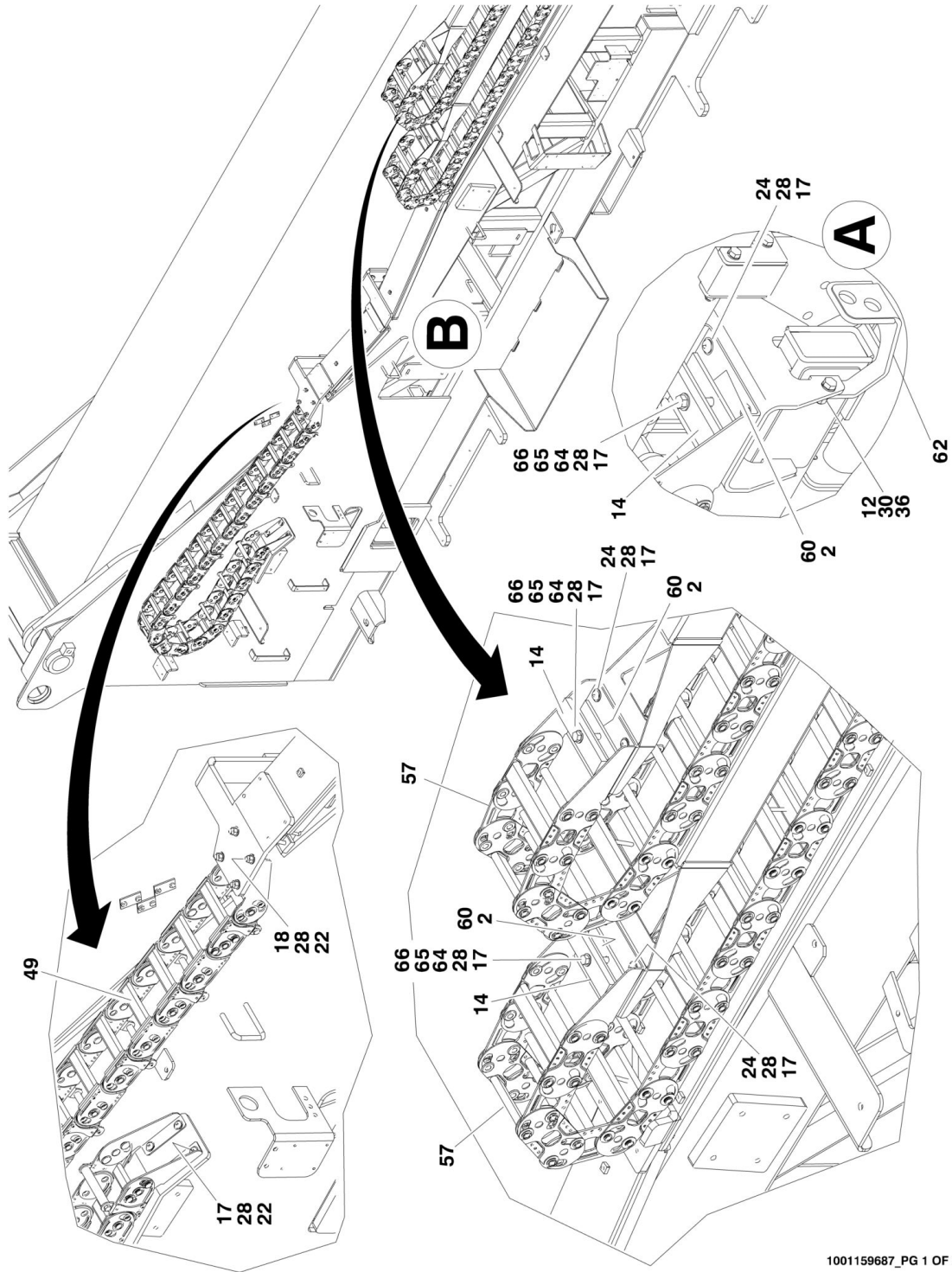
ART_1001159621_G

FIGURE 4-13. JIB ENCLOSURE BOX ASSEMBLY

ITEM	PART NUMBER	QTY	DESCRIPTION	REV
	1001159621	Ref	JIB ENCLOSURE BOX ASSEMBLY	G
1	0100048	AR	Grease, Dielectric	
2	0641406001	2	Bolt 1/4 x 3/4	
3	0641608001	5	Bolt 3/8 x 1	
4	1001227254	1	Grommet	
5	3311405001	2	Nut 1/4	
6	3311605001	2	Nut 3/8	
7	4460470	2	Nut, Terminal	
8	4460471	2	Washer, Terminal	
9	4711400001	4	Washer 1/4	
10	4711600001	7	Washer 3/8	
12	1001119214	1	Box	
13	1001119215	1	Cover	
14	1001119262	1	Module, Jib Control (Note: Control System Must Be Recalibrated When Controller is Replaced)	
15	1001149978	1	Harness - Jib Valve (See Separate Breakdown in ELECTRICAL Section)	

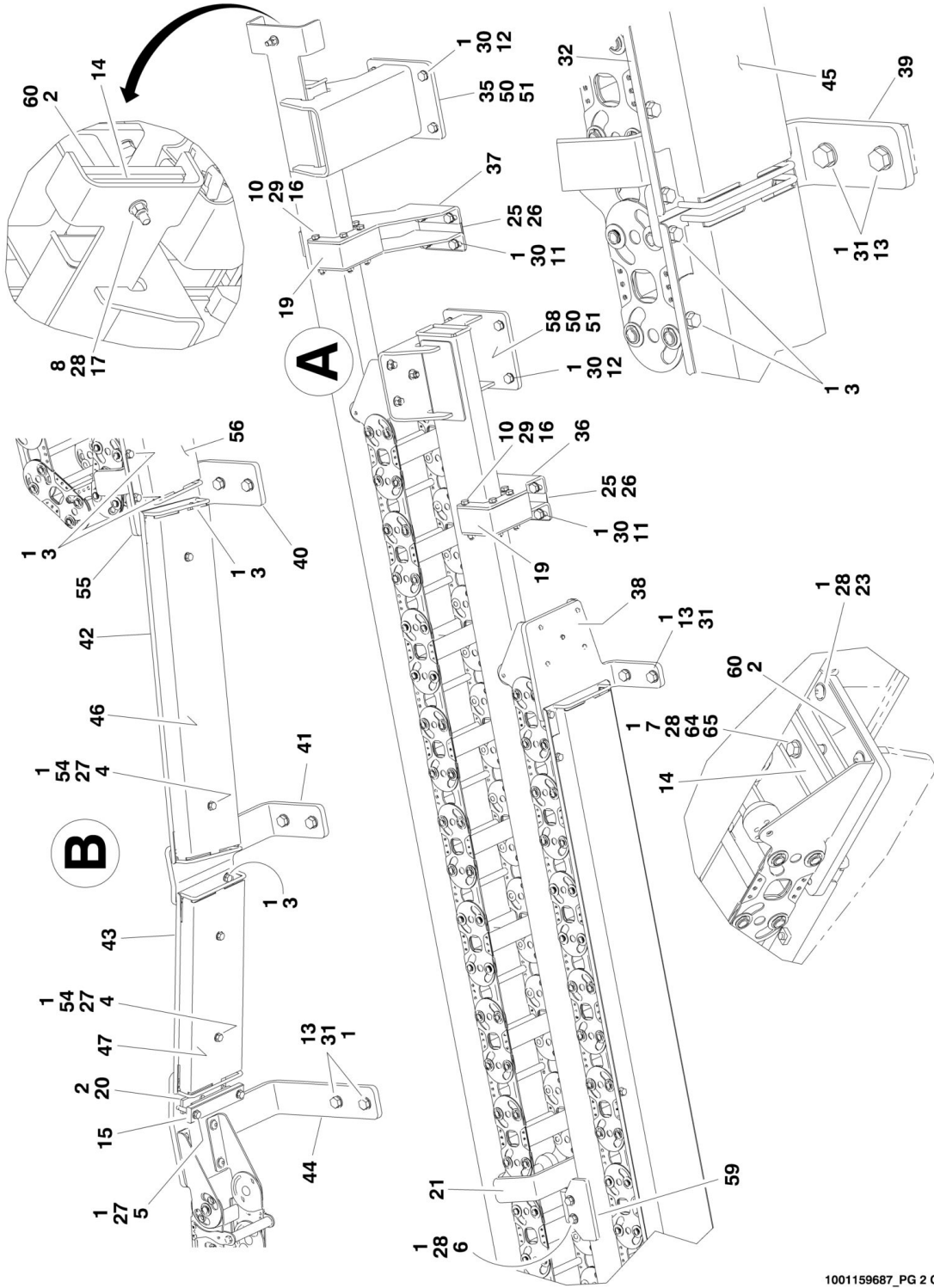
SECTION 4 - BOOM

FIGURE 4-14. POWER TRACK INSTALLATION - BOOM



1001159687_PG 1 OF 2

SECTION 4 - BOOM



1001159687_PG 2 OF 2

SECTION 4 - BOOM

FIGURE 4-14. POWER TRACK INSTALLATION - BOOM

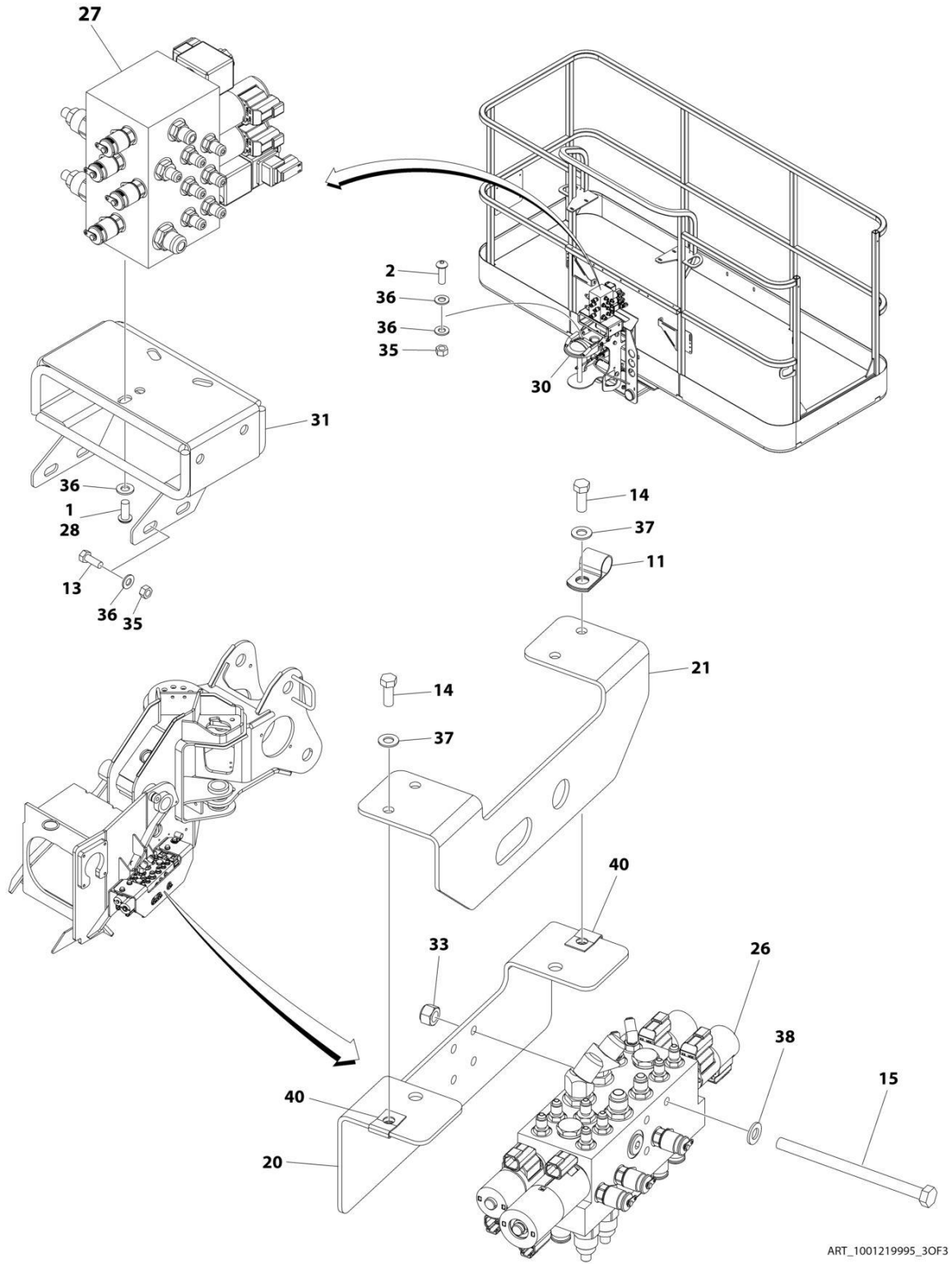
ITEM	PART NUMBER	QTY	DESCRIPTION	REV
	1001159687	Ref	POWER TRACK INSTALLATION - BOOM	L
1	0100011	AR	Compound, Locking	
2	0100019	AR	Compound, Locking	
3	0791504001	66	Screw 5/16 X 1/2	
4	0641516001	4	Bolt 5/16 X 2	
5	0641520001	2	Bolt 5/16 X 2-1/2	
6	0641607001	10	Bolt 3/8 X 7/8	
7	0641626001	2	Bolt, 3/8 X 3-1/4	
8	0641622001	1	Bolt 3/8 X 2-3/4	
10	0700823001	12	Bolt M8 X 75	
11	0761012001	8	Bolt M10 x 25	
12	0761014001	10	Bolt M10 X 30	
13	0761214001	18	Bolt M12 X 30	
14	1001162869	1	Plate, Clamp	
15	1320295	1	Clamp, Bar	
16	3290805001	12	Nut M8	
17	1001173663	17	Nut 3/8	
18	3311605001	4	Nut 3/8	
19	3340925	2	Pad	
20	3340940	2	Pad	
21	1001175817	5	Plate, Support	
22	3900232001	8	Screw 3/8 X 1-1/4	
23	1001173846	2	Screw 3/8 X 3/4	
24	3900316001	6	Screw 3/8 X 1	
25	4071021	AR	Shim 16Ga	
26	4071022	AR	Shim 11Ga	
27	4711500001	6	Washer 5/16	
28	4711600001	56	Washer 3/8	
29	4811900001	24	Washer M8	
30	1001172358	20	Washer M10	
31	4812100001	18	Washer M12	
32	4846423	5	Cover	
35	1001154751	1	Tube, Push (Upper)	
36	1001154768	2	Plate, Mounting	
37	1001154769	2	Plate, Mounting	
	1001180825	1	Bracket, Support	
39	1001154816	5	Bracket, Support	
40	1001154817	1	Bracket, Support	
41	1001154818	1	Bracket, Support	
42	1001154824	1	Support, Power Track	
43	1001154825	1	Support, Power Track	
44	1001154826	1	Bracket, Support	
45	1001154869	5	Cover	
46	1001154871	1	Cover	
47	1001154872	1	Cover	
49	1001155142	1	Power Track Assembly	
49	70004454	1	Section, 6 Link Repair	
49	70004455	1	Mounting Feet Kit	
50	1001156103	AR	Shim 16Ga	
51	1001156104	AR	Shim 11Ga	

SECTION 4 - BOOM

ITEM	PART NUMBER	QTY	DESCRIPTION	REV
54	1001157665	4	Tube, Spacer	
55	1001154823	1	Support, Power Track	
56	1001154870	1	Cover	
57	1001162745	Ref	Power Track Assembly	
57	70004649	2	Repair Section	
57	70004650	2	Mounting Feet Kit	
58	1001159255	1	Tube, Push (Lower)	
59	0100040	AR	Adhesive	
60	1001167907	10	Pad, Rubber	
61	9141453	AR	Shim	
62	1001182134	1	Bracket, Bulkhead	
63	3291005001	2	Nut M10	
64	1001180947	4	Plate, Clamp	
65	1001180816	4	Clamp, Powertrack hoses	
66	0641628001	6	Bolt 3/8 X 3 1/2	

SECTION 4 - BOOM

FIGURE 4-15. VALVES INSTALLATION - BOOM (WITH LSS)



ART_1001219995_3OF3

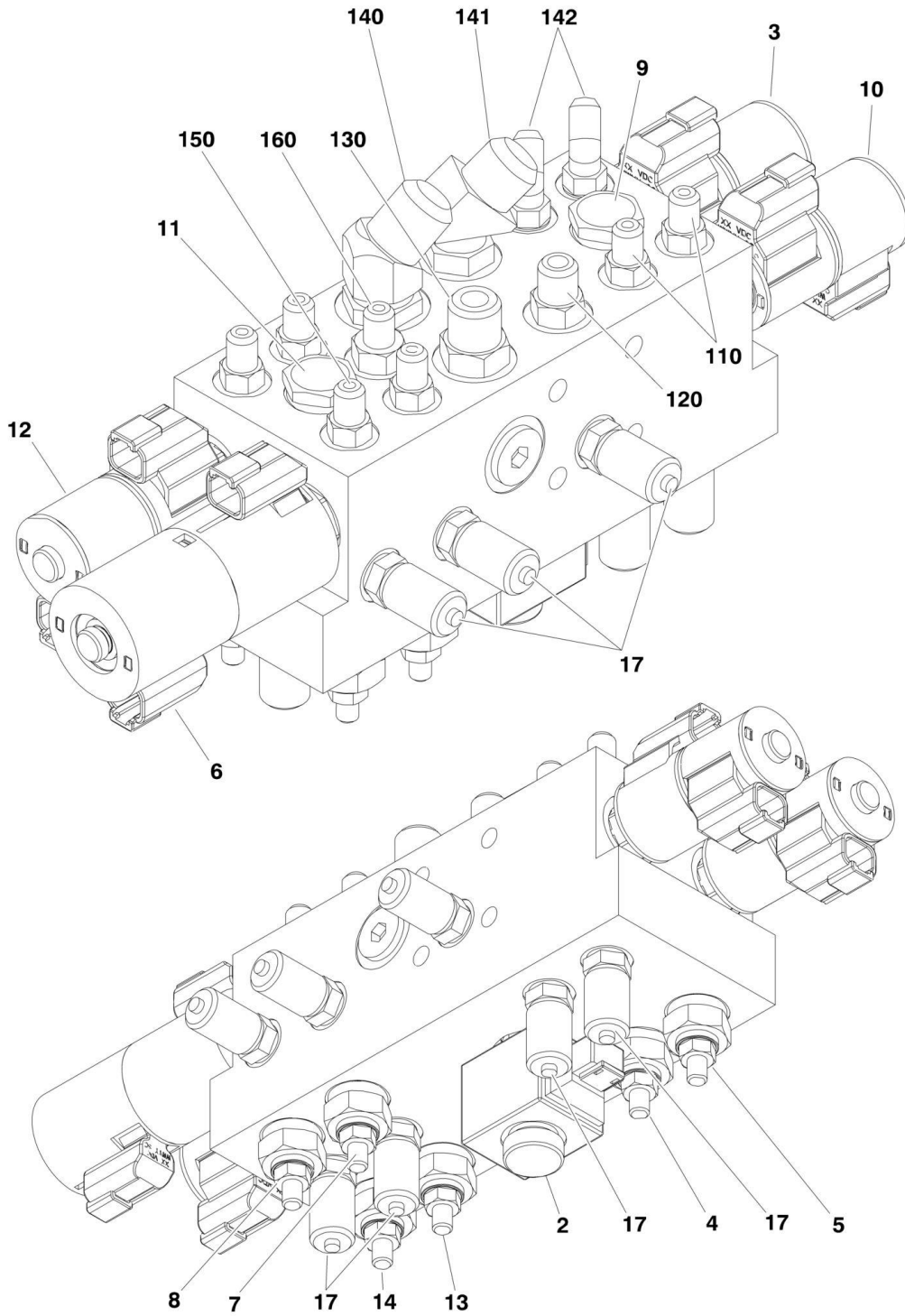
SECTION 4 - BOOM

FIGURE 4-15. VALVES INSTALLATION - BOOM (WITH LSS)

ITEM	PART NUMBER	QTY	DESCRIPTION	REV
	1001219995	Ref	VALVES INSTALLATION - BOOM (WITH LSS)	B
1	0100011	AR	Compound, Locking	
2	0630468	2	Screw 5/16 x 1	
11	8406105	1	Clip	
13	0641507001	4	Bolt 5/16 x 7/8	
14	0641608001	4	Bolt 1/2 x 1	
15	0700829001	4	Bolt M8 x 120	
20	1001119703	1	Plate	
21	1001119704	1	Plate	
26	1001168283	1	Jib Valve Assembly (See Separate Breakdown in this Section)	
27	1001168284	1	Platform Valve Assembly (See Separate Breakdown in this Section)	
28	1001173845	3	Screw 5/16 x 3/4	
30	1001207969	1	Cover	
31	1001208994	1	Mount	
33	3290805001	4	Nut M8	
35	3311505001	6	Nut 5/16	
36	4711500001	15	Washer 5/16	
37	4711600001	4	Washer 3/8	
38	4811900001	8	Washer M8	
40	88662523	4	Nut, Retainer	

SECTION 4 - BOOM

FIGURE 4-16. JIB VALVE ASSEMBLY



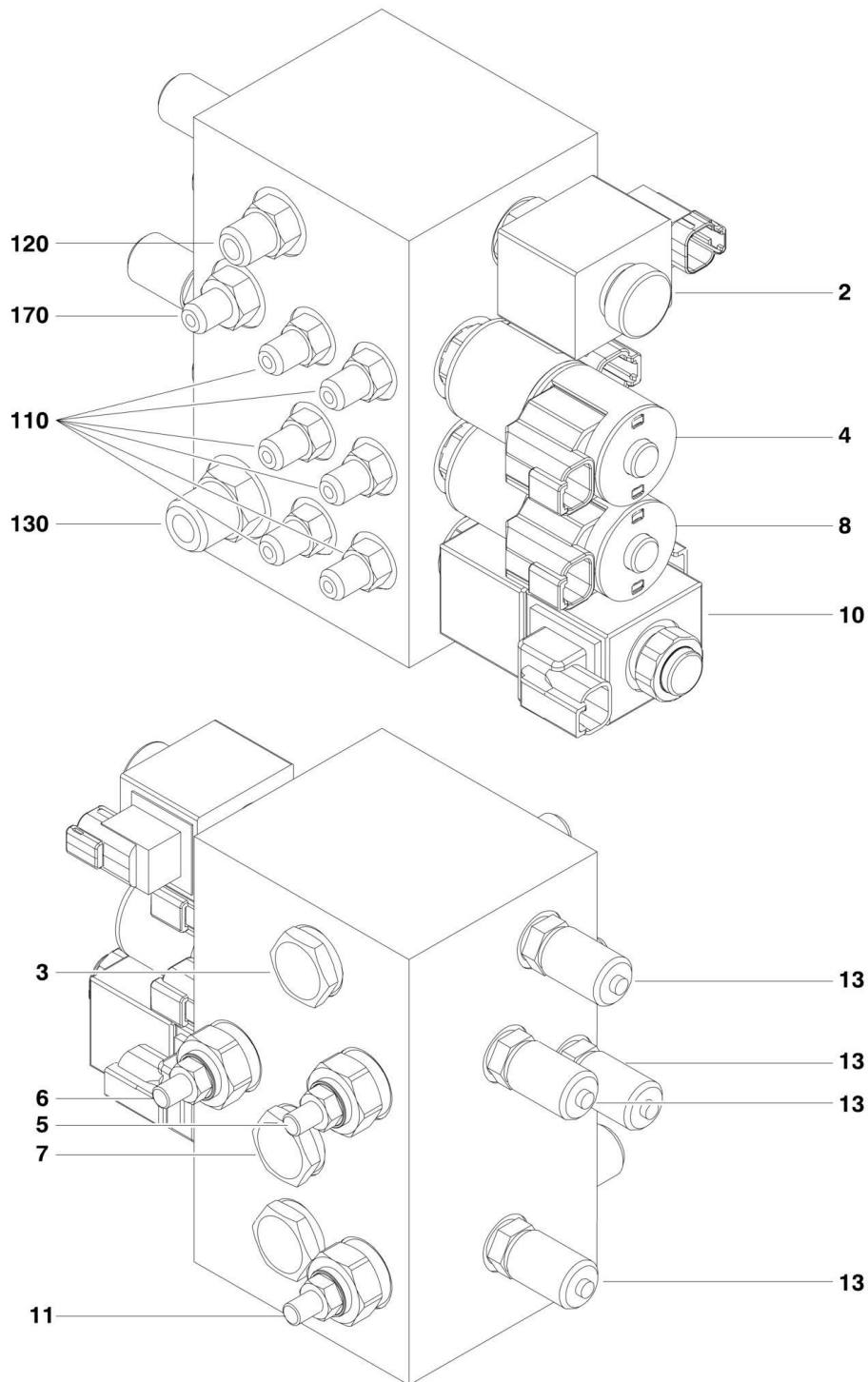
1001168283

FIGURE 4-16. JIB VALVE ASSEMBLY

ITEM	PART NUMBER	QTY	DESCRIPTION	REV
	1001168283	Ref	JIB VALVE ASSEMBLY	D
2	70003017	1	Valve, Solenoid (Inlet)	
2	70004055	1	Kit, Seal - Valve	
2	70022147	1	Coil	
2	70004051	1	Nut, Coil	
3	7023922	1	Valve, Solenoid (Level Up/Down)	
3	7017402	1	Kit, Seal - Valve	
3	7024885	2	Coil	
3	7022390	1	Nut, Coil	
3	70003023	1	Spacer, Coil	
4	70003019	1	Valve, Relief	
4	70004052	1	Kit, Seal - Valve	
5	70003019	1	Valve, Relief	
5	70004052	1	Kit, Seal - Valve	
6	70003022	1	Valve, Solenoid (Tele In/Out)	
6	7012903	1	Kit, Seal - Valve	
6	7024883	2	Coil	
6	70003024	1	Spacer, Coil	
6	70003019	1	Valve, Relief	
7	70003019	1	Valve, Relief	
7	70004052	1	Kit, Seal - Valve	
8	70003019	1	Valve, Relief	
8	70004052	1	Kit, Seal - Valve	
9	70003020	1	Valve, Flow Control	
9	70004052	1	Kit, Seal - Valve	
10	7024899	1	Valve, Solenoid (Swing Left/Right)	
10	7017402	1	Kit, Seal - Valve	
10	7024885	2	Coil	
10	7022390	1	Nut, Coil	
10	70003023	1	Spacer, Coil	
11	70003021	1	Valve, Flow Control	
11	70004052	1	Kit, Seal - Valve	
12	7023922	1	Valve, Solenoid (Lift Up/Down)	
12	7017402	1	Kit, Seal - Valve	
12	7024885	2	Coil	
12	7022390	1	Nut, Coil	
12	70003023	1	Spacer, Coil	
13	70003019	1	Valve, Relief	
13	70004052	1	Kit, Seal - Valve	
14	70003019	1	Valve, Relief	
14	70004052	1	Kit, Seal - Valve	
17	2221086	7	Valve, Check, Pressure	
110	2220415	2	Fitting, Straight JIC/ORB	
120	2220371	1	Fitting, Straight JIC/ORB	
130	2220373	1	Fitting, Straight JIC/ORB	
140	2221050	1	Fitting, 45 JIC/ORB	
141	2220950	1	Fitting, 45 JIC/ORB	
142	2220502	2	Fitting, 45 JIC/ORB	
150	2220415	4	Fitting, Straight JIC/ORB	
160	2220582	1	Fitting, Straight JIC/ORB	

SECTION 4 - BOOM

FIGURE 4-17. PLATFORM VALVE ASSEMBLY



1001168284

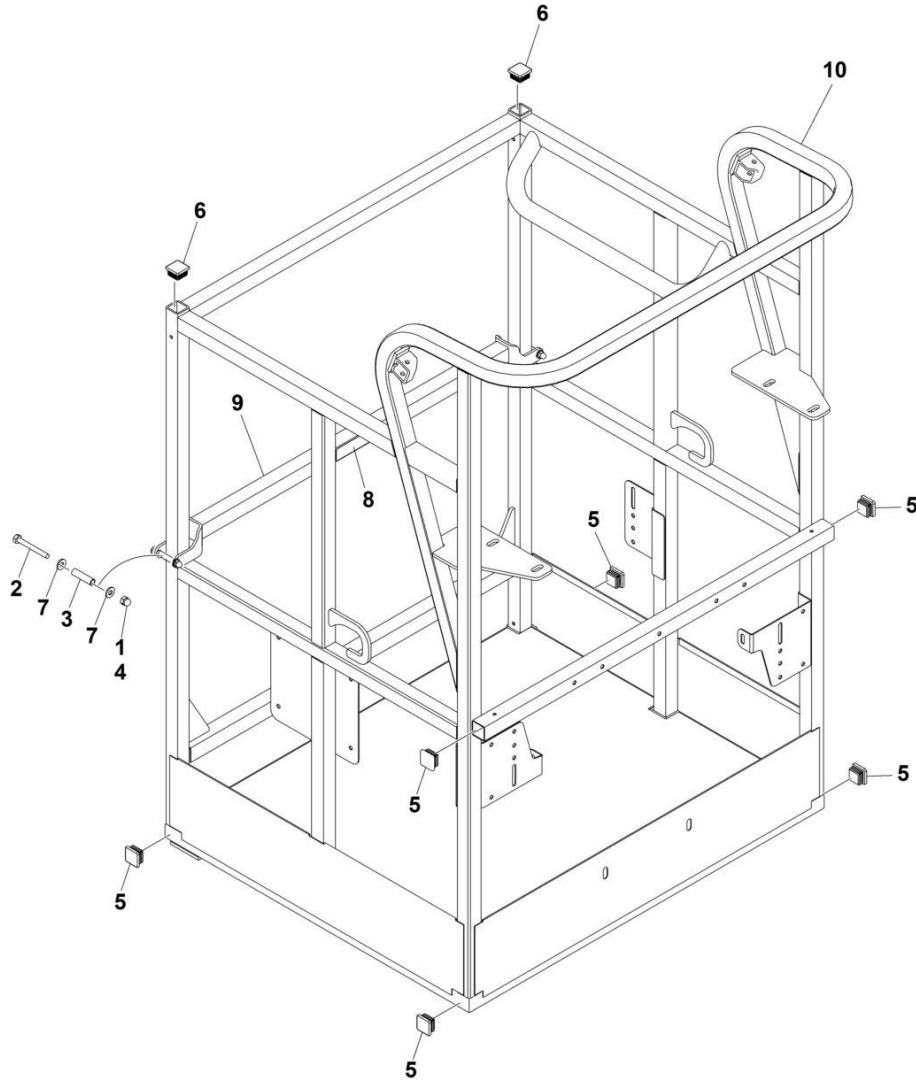
FIGURE 4-17. PLATFORM VALVE ASSEMBLY

ITEM	PART NUMBER	QTY	DESCRIPTION	REV
	1001168284	Ref	PLATFORM VALVE ASSEMBLY	C
2	70004457	1	Valve, Solenoid (Inlet)	
2	70004050	1	Seal Kit - Valve	
2	70003026	1	Coil	
2	70004051	1	Nut, Coil	
3	70003021	1	Valve, Flow Control	
3	70004052	1	Seal Kit - Valve	
4	7024899	1	Valve, Solenoid (Level Up/Down)	
4	7017402	1	Seal Kit - Valve	
4	7024885	2	Coil	
4	7022390	1	Nut, Coil	
4	70003023	1	Spacer, Coil	
5	70003019	1	Valve, Relief	
5	70004052	1	Seal Kit - Valve	
6	70003019	1	Valve, Relief	
6	70004052	1	Seal Kit - Valve	
7	70003027	1	Valve, Flow Control	
7	70004052	1	Seal Kit - Valve	
8	7024899	1	Valve, Solenoid (Rotate Left/Right)	
8	7017402	1	Seal Kit - Valve	
8	7024885	2	Coil	
8	7022390	1	Nut, Coil	
8	70003023	1	Spacer, Coil	
10	70003028	1	Valve, Solenoid (Jib Lock In/Out)	
10	70004053	1	Seal Kit - Valve	
10	70003026	2	Coil	
10	70004051	1	Nut, Coil	
11	70003019	1	Valve, Relief	
11	70004052	1	Seal Kit - Valve	
13	2221086	4	Valve, Check, Pressure	
110	2220415	6	Fitting, Straight JIC/ORB	
120	2220371	1	Fitting, Straight JIC/ORB	
130	2220373	1	Fitting, Straight JIC/ORB	
170	2220582	1	Fitting, Straight JIC/ORB	

SECTION 5 - PLATFORM

SECTION 5 - PLATFORM

FIGURE 5-1. PLATFORM ASSEMBLY - 30IN X 3FT (76CM X 91.5CM) DROP BAR ENTRY



ART_1001228215

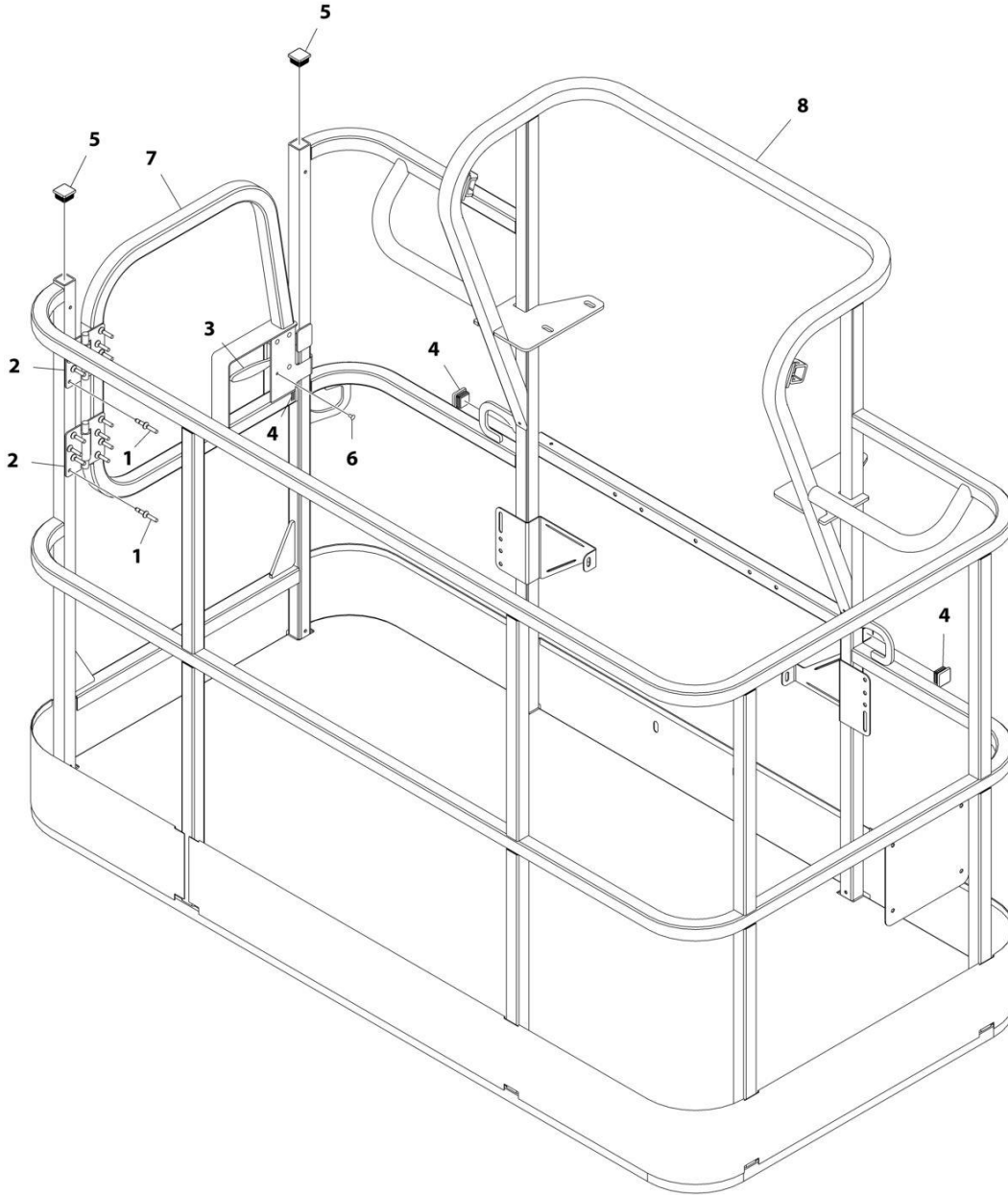
SECTION 5 - PLATFORM

FIGURE 5-1. PLATFORM ASSEMBLY - 30IN X 3FT (76CM X 91.5CM) DROP BAR ENTRY

ITEM	PART NUMBER	QTY	DESCRIPTION	REV
	1001228215	Ref	PLATFORM ASSEMBLY	A
	See Note	Ref	Note: Platform and Mesh must be ordered separately for Platforms with Mesh. See SPECIAL OPTIONS SECTION for Mesh Installations.	
	See Note	Ref	Note: Replacement Decals Must be Ordered Separately - See DECAL SECTION.	
1	0100011	AR	Compound, Locking	
2	0641418	2	Bolt 1/4 x 2-1/4	
3	0961845	2	Bushing	
4	3300151	2	Nut 1/4	
5	3520072	6	Cap, Plug	
6	3520198	2	Cap, Plug	
7	4711400	4	Washer 1/4	
8	1001140429	1	Decal - Drop Bar	
9	1001226872	1	Bar, Drop	
10	See Note	NSS	Platform (Note: Not Available - Purchase Platform Assembly)	

SECTION 5 - PLATFORM

FIGURE 5-2. PLATFORM ASSEMBLY - 36IN X 6FT (91.5CM X 1.83M) SIDE GATE ENTRY



ART_1001186384

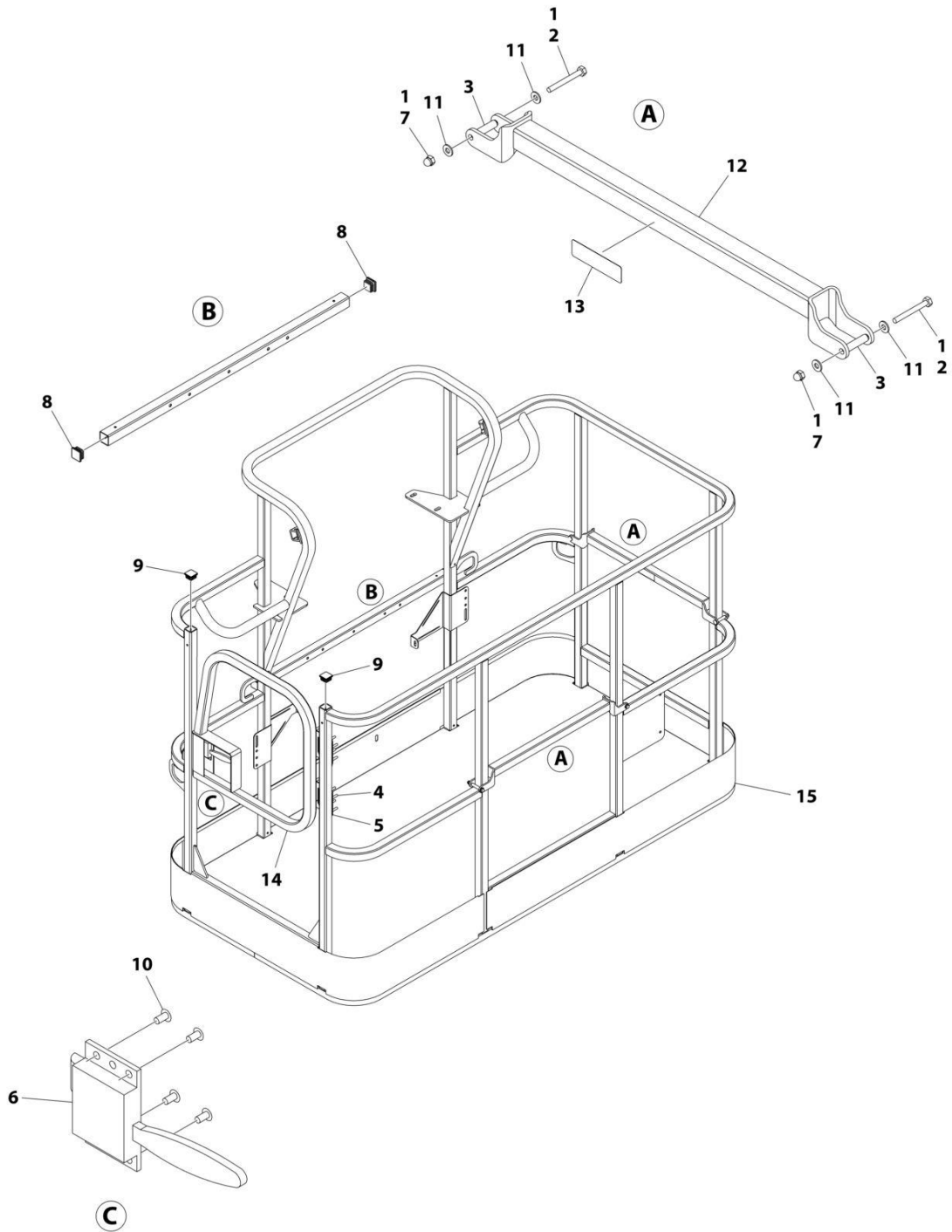
SECTION 5 - PLATFORM

FIGURE 5-2. PLATFORM ASSEMBLY - 36IN X 6FT (91.5CM X 1.83M) SIDE GATE ENTRY

ITEM	PART NUMBER	QTY	DESCRIPTION	REV
	1001186384	Ref	PLATFORM ASSEMBLY - 36IN X 6FT (91.5CM X 1.83M) WITH SWING GATE	C
	See Note	Ref	Note: Platform and Mesh must be ordered separately for Platforms with Mesh. See SPECIAL OPTIONS SECTION for Mesh Installations.	
	See Note	Ref	Note: Replacement Decals Must be Ordered Separately - See DECALS SECTION.	
1	2080040	16	Fastener, Huck	
2	2600281	2	Hinge	
3	2940074	1	Latch	
4	3520072	3	Plug	
5	3520198	2	Plug	
6	3820020	4	Rivet	
7	1001144629	1	Gate	
8	See Note	NSS	Platform (Note: Not Available - Purchase Platform Assembly)	

SECTION 5 - PLATFORM

FIGURE 5-3. PLATFORM ASSEMBLY - 36IN X 6FT (91.5CM X 1.83M) SIDE GATE/DROP BAR TRI-ENTRY



ART_1001228376

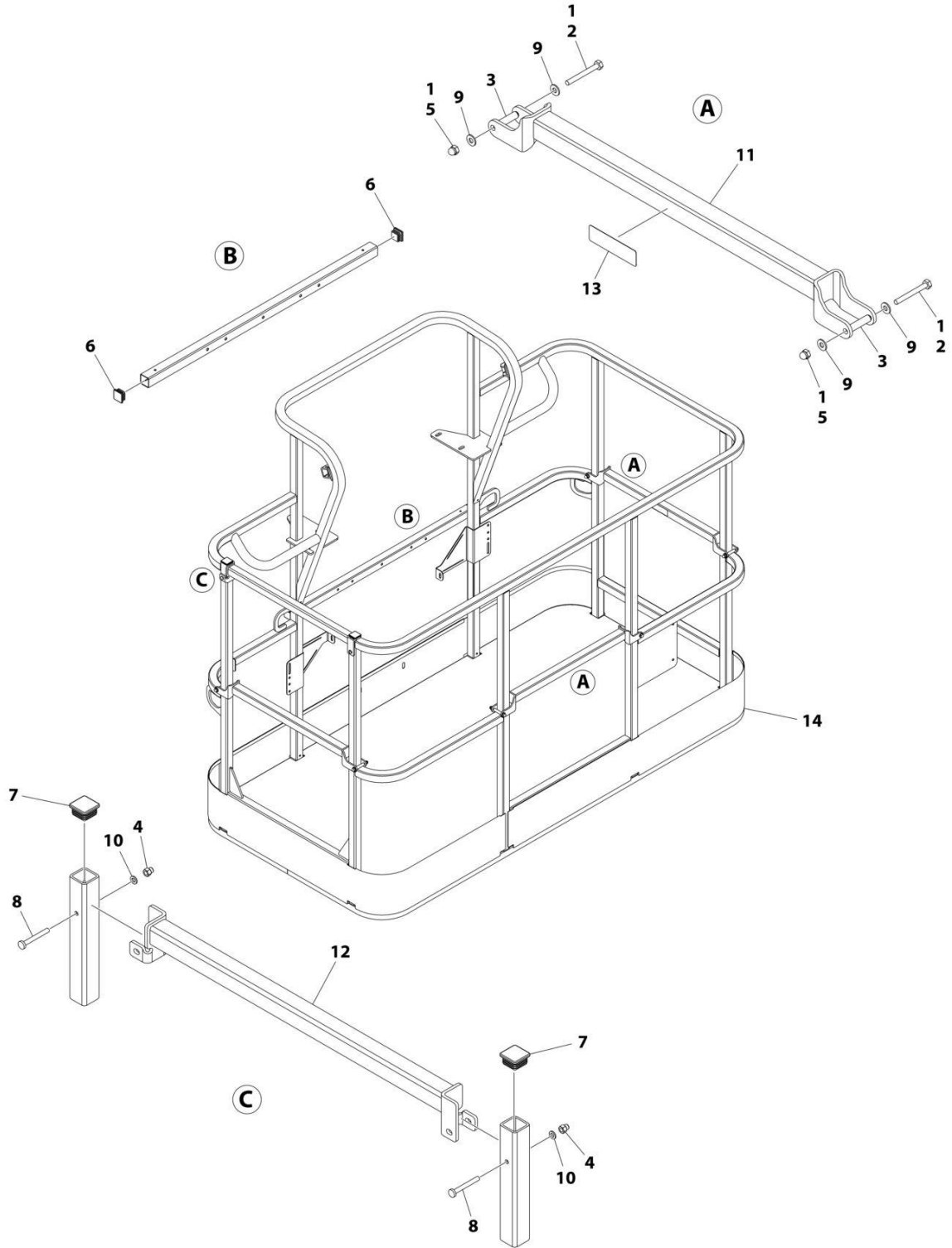
SECTION 5 - PLATFORM

FIGURE 5-3. PLATFORM ASSEMBLY - 36IN X 6FT (91.5CM X 1.83M) SIDE GATE/DROP BAR TRI-ENTRY

ITEM	PART NUMBER	QTY	DESCRIPTION	REV
	1001228376	Ref	PLATFORM ASSEMBLY - 36IN x 6FT (91.5CM x 1.83M)	B
		Ref	Note: Platform and Mesh must be ordered separately for Platforms with Mesh. See SPECIAL OPTIONS SECTION for Mesh Installations.	
		Ref	Note: Replacement Decals Must be Ordered Separately - See DECAL SECTION.	
1	0100011	AR	Compound, Locking	
2	0641418	4	Bolt 1/4 x 2-1/4	
3	0961845	4	Bushing	
4	2080040	16	Fastener	
5	2600281	2	Hinge	
6	2940074	1	Latch	
7	3300151	4	Nut 1/4	
8	3520072	3	Plug	
9	3520198	2	Plug	
10	3820020	4	Rivet	
11	4711400	8	Washer 1/4	
12	1001138494	2	Bar, Drop	
13	1001140429	2	Decal - Drop Bar	
14	1001144629	1	Gate	
15	See Note	NSS	Platform (Note: Not Available - Purchase Platform Assembly)	

SECTION 5 - PLATFORM

FIGURE 5-4. PLATFORM ASSEMBLY - 36IN X 6FT (91.5CM X 1.83M) DROP BAR TRI-ENTRY



ART_1001228377

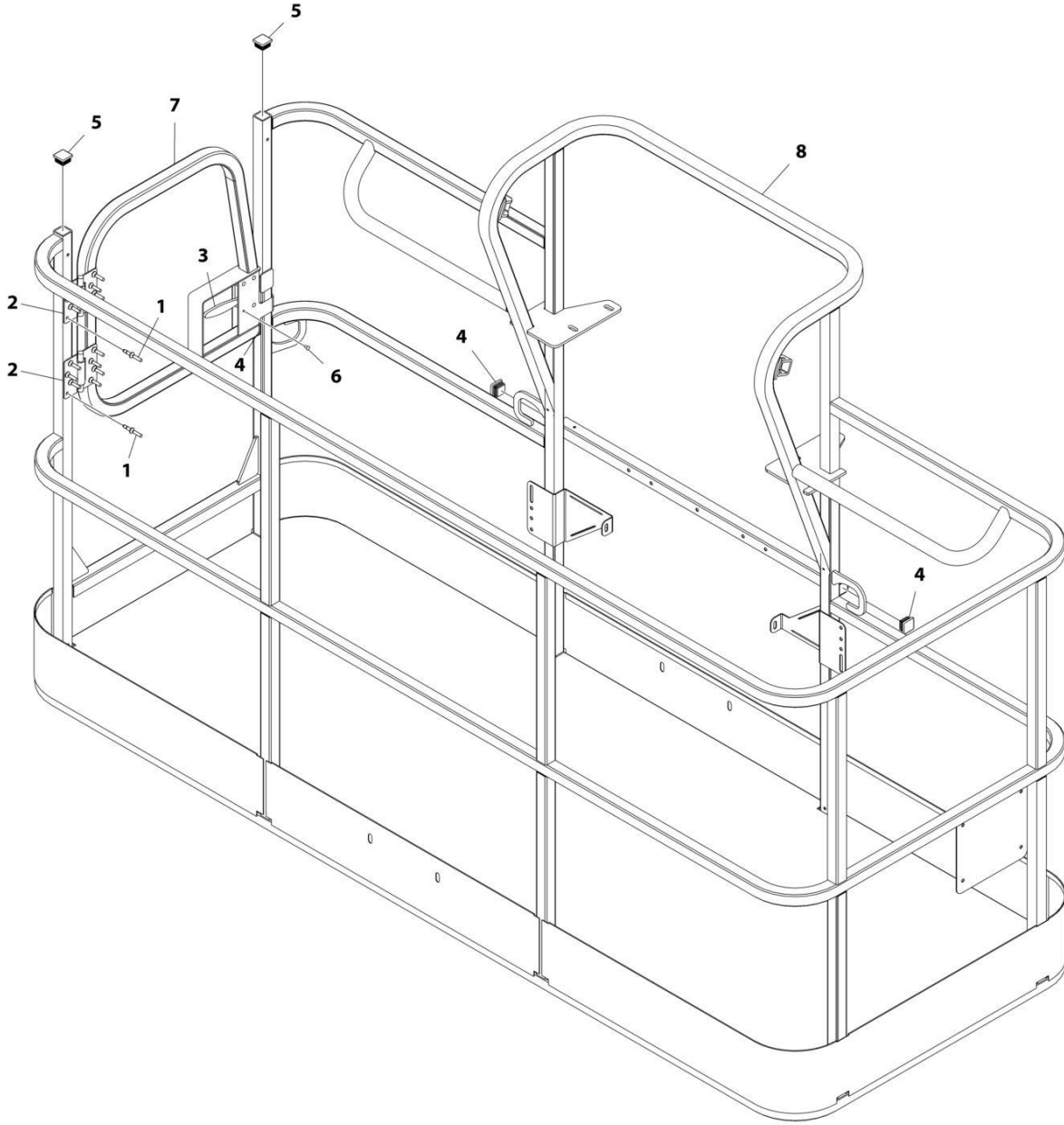
SECTION 5 - PLATFORM

FIGURE 5-4. PLATFORM ASSEMBLY - 36IN X 6FT (91.5CM X 1.83M) DROP BAR TRI-ENTRY

ITEM	PART NUMBER	QTY	DESCRIPTION	REV
	1001228377	Ref	PLATFORM ASSEMBLY - 36IN x 6FT (91.5CM x 1.83M)	B
		Ref	Note: Platform and Mesh must be ordered separately for Platforms with Mesh. See SPECIAL OPTIONS SECTION for Mesh Installations.	
		Ref	Note: Replacement Decals Must be Ordered Separately - See DECAL SECTION.	
1	0100011	1	Compound, Locking	
2	0641418	6	Bolt 1/4 x 2-1/4	
3	0961845	6	Bushing	
4	3290606	2	Nut M6	
5	3300151	6	Nut 1/4	
6	3520072	2	Plug	
7	3520198	2	Plug	
8	4010618	2	Screw M6 x 50	
9	4711400	12	Washer 1/4	
10	4811700	2	Washer M6	
11	1001138494	3	Bar, Drop	
12	1001138514	1	Rail (Top)	
13	1001140429	3	Decal - Drop Bar	
14	See Note	NSS	Platform, Weldment (Note: Not Available - Purchase Platform Assembly)	

SECTION 5 - PLATFORM

FIGURE 5-5. PLATFORM ASSEMBLY - 36IN X 8FT (91.5CM X 2.44M) SIDE GATE ENTRY



ART_1001186383

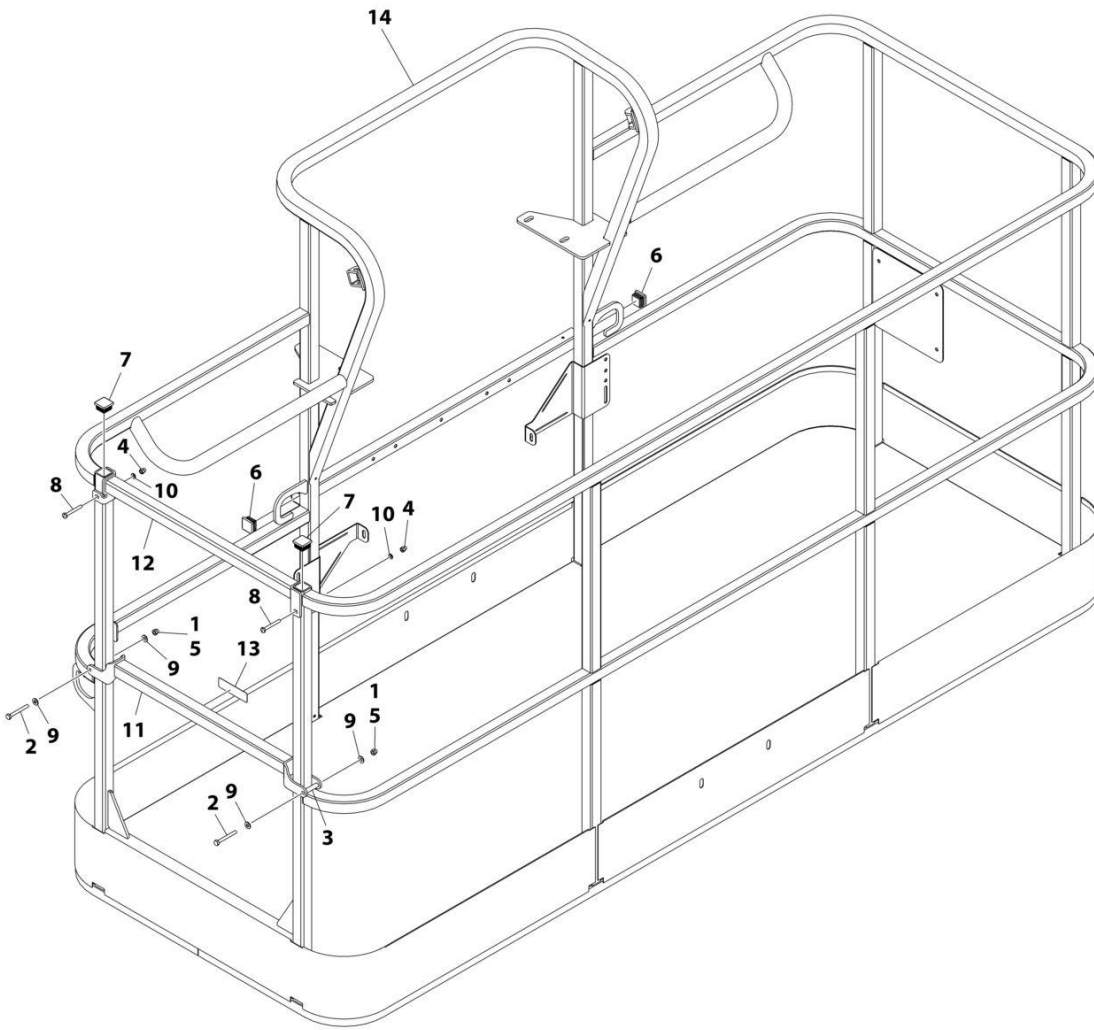
SECTION 5 - PLATFORM

FIGURE 5-5. PLATFORM ASSEMBLY - 36IN X 8FT (91.5CM X 2.44M) SIDE GATE ENTRY

ITEM	PART NUMBER	QTY	DESCRIPTION	REV
	1001186383	Ref	PLATFORM ASSEMBLY - 36IN X 8FT (91.5CM X 2.44M) WITH SWING GATE	D
		Ref	Note: Platform and Mesh must be ordered separately for Platforms with Mesh. See SPECIAL OPTIONS SECTION for Mesh Installations.	
		Ref	Note: Replacement Decals Must be Ordered Separately - See DECALS SECTION.	
1	2080040	16	Fastener, Huck	
2	2600281	2	Hinge	
3	2940074	1	Latch	
4	3520072	3	Plug	
5	3520198	2	Plug	
6	3820020	4	Rivet	
7	1001144629	1	Gate	
8	See Note	NSS	Platform (Note: Not Available - Purchase Platform Assembly)	

SECTION 5 - PLATFORM

FIGURE 5-6. PLATFORM ASSEMBLY - 36IN X 8FT (91.5CM X 2.44M) DROP BAR ENTRY



ART_1001186382

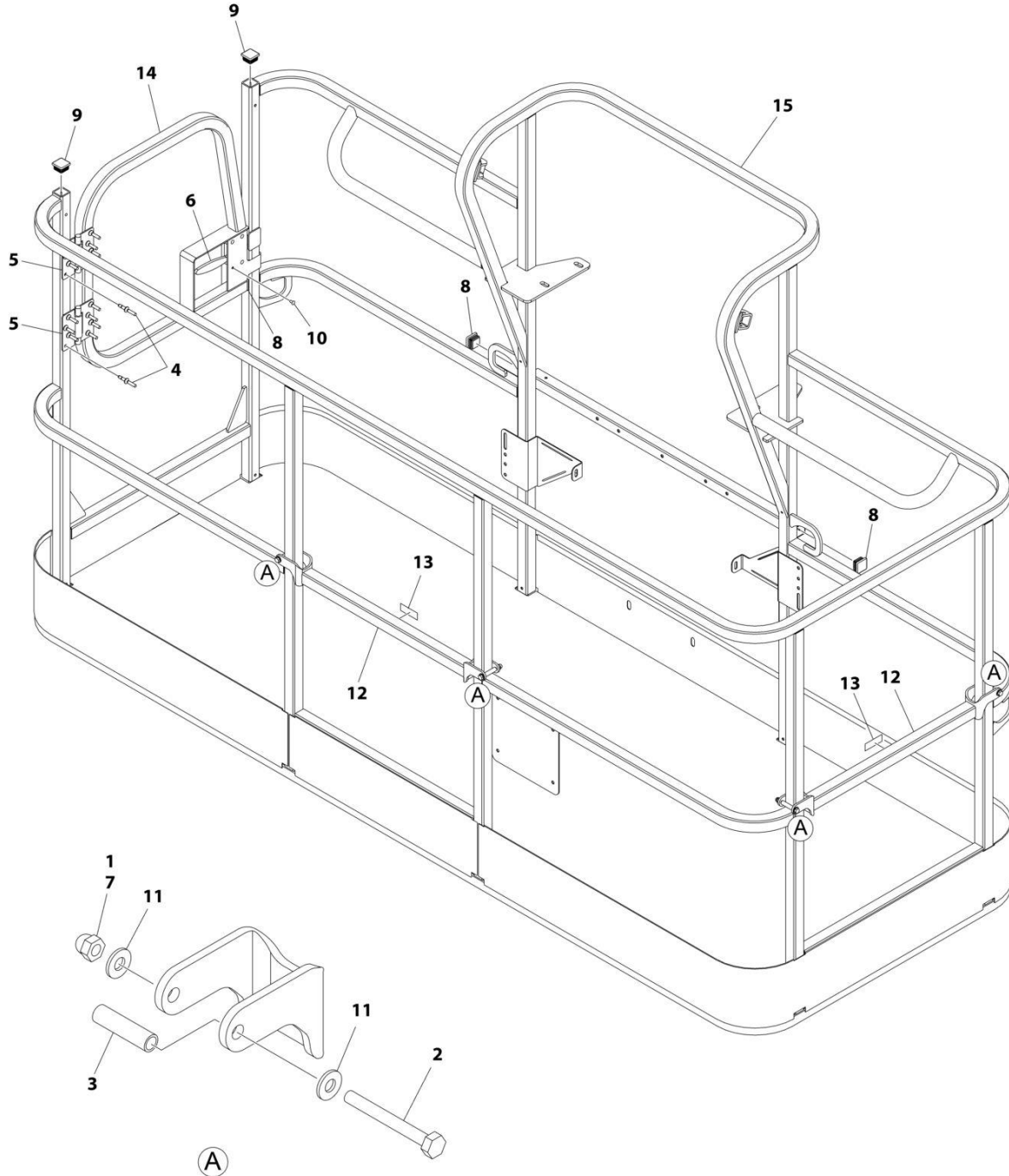
SECTION 5 - PLATFORM

FIGURE 5-6. PLATFORM ASSEMBLY - 36IN X 8FT (91.5CM X 2.44M) DROP BAR ENTRY

ITEM	PART NUMBER	QTY	DESCRIPTION	REV
	1001186382	Ref	PLATFORM ASSEMBLY - 36IN X 8FT (91.5CM X 2.44M) WITH DROP BAR	C
		Ref	Note: Platform and Mesh must be ordered separately for Platforms with Mesh. See SPECIAL OPTIONS SECTION for Mesh Installations.	
		Ref	Note: Replacement Decals Must be Ordered Separately - See DECALS SECTION.	
1	0100011	AR	Compound, Locking	
2	0641418	2	Bolt 1/4 x 2-1/4	
3	0961845	2	Bushing	
4	3290606	2	Nut M6	
5	3300151	2	Nut 1/4	
6	3520072	2	Plug	
7	3520198	2	Plug	
8	4010618	2	Screw M6 x 50	
9	4711400	4	Washer 1/4	
10	4811700	2	Washer M6	
11	1001138494	1	Bar, Drop	
12	1001138514	1	Rail (Top)	
13	1001140429	1	Decal - Drop Bar	
14	See Note	NSS	Platform (Note: Not Available - Purchase Platform Assembly)	

SECTION 5 - PLATFORM

FIGURE 5-7. PLATFORM ASSEMBLY - 36IN X 8FT (91.5CM X 2.44M) WITH TRI-ENTRY (1 GATE/2 DROP BARS)



ART_1001228243

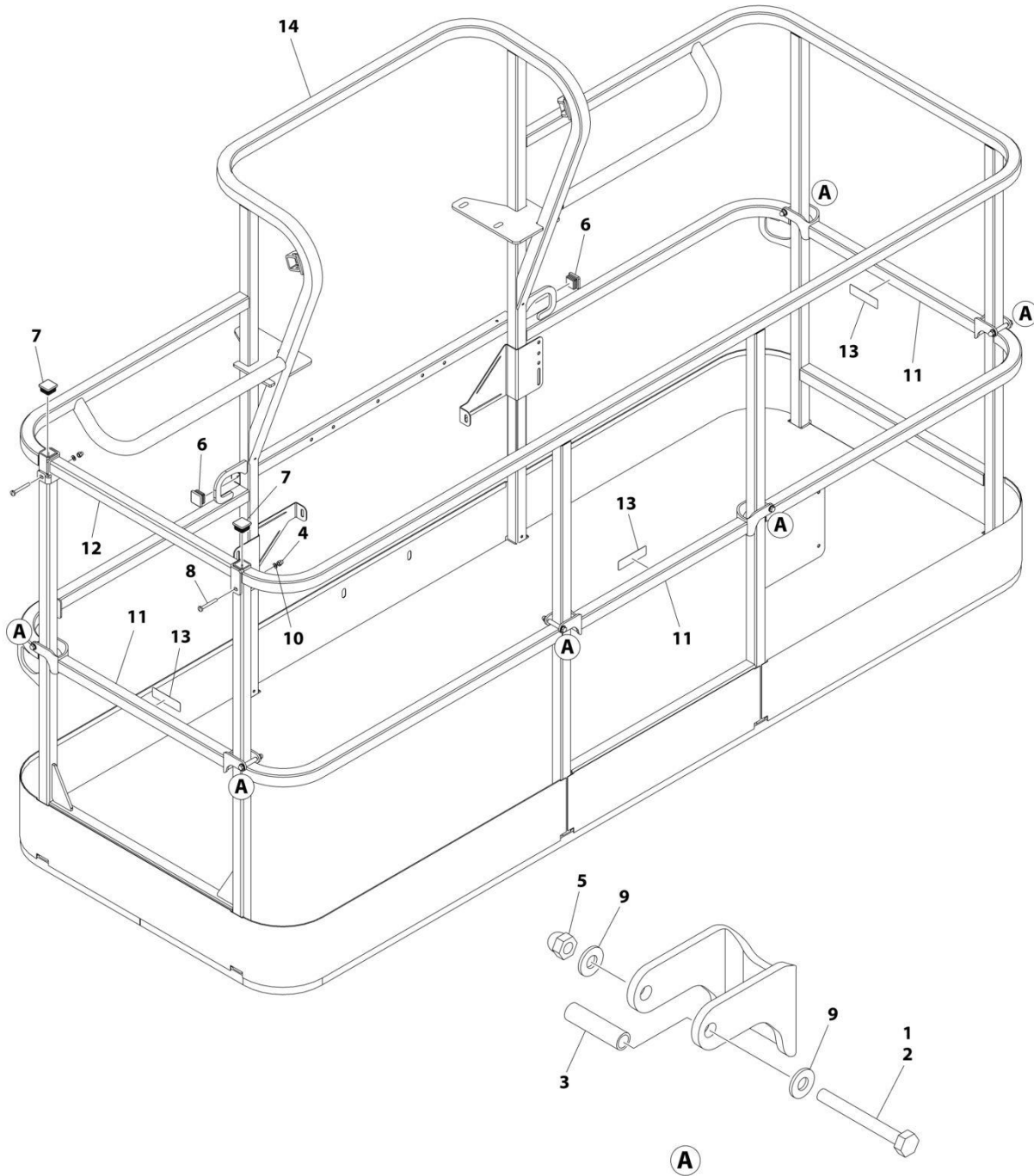
SECTION 5 - PLATFORM

FIGURE 5-7. PLATFORM ASSEMBLY - 36IN X 8FT (91.5CM X 2.44M) WITH TRI-ENTRY (1 GATE/2 DROP BARS)

ITEM	PART NUMBER	QTY	DESCRIPTION	REV
	1001228243	Ref	PLATFORM ASSEMBLY - 36IN X 8FT (91.5CM X 2.44M) WITH TRI-ENTRY	A
		Ref	Note: Platform and Mesh must be ordered separately for Platforms with Mesh. See SPECIAL OPTIONS SECTION for Mesh Installations.	
1	0100011	AR	Compound, Locking	
2	0641418	4	Bolt 1/4 x 2-1/4	
3	0961845	4	Bushing	
4	2080040	16	Fastener, Huck	
5	2600281	2	Hinge, Self-Closing	
6	2940074	1	Latch	
7	3300151	4	Nut 1/4	
8	3520072	3	Cap, Plug	
9	3520198	2	Cap, Plug	
10	3820020	4	Rivet	
11	4711400	8	Washer 1/4	
12	1001138494	2	Bar, Drop	
13	1001140429	2	Decal - Drop Bar	
14	1001144629	1	Gate, Weldment	
15	See Note	1	Platform (Note: Not Available - Purchase Platform Assembly)	

SECTION 5 - PLATFORM

FIGURE 5-8. PLATFORM ASSEMBLY - 36IN X 8FT (91.5CM X 2.44M) WITH TRI-ENTRY (3 DROP BARS)



ART_1001228375

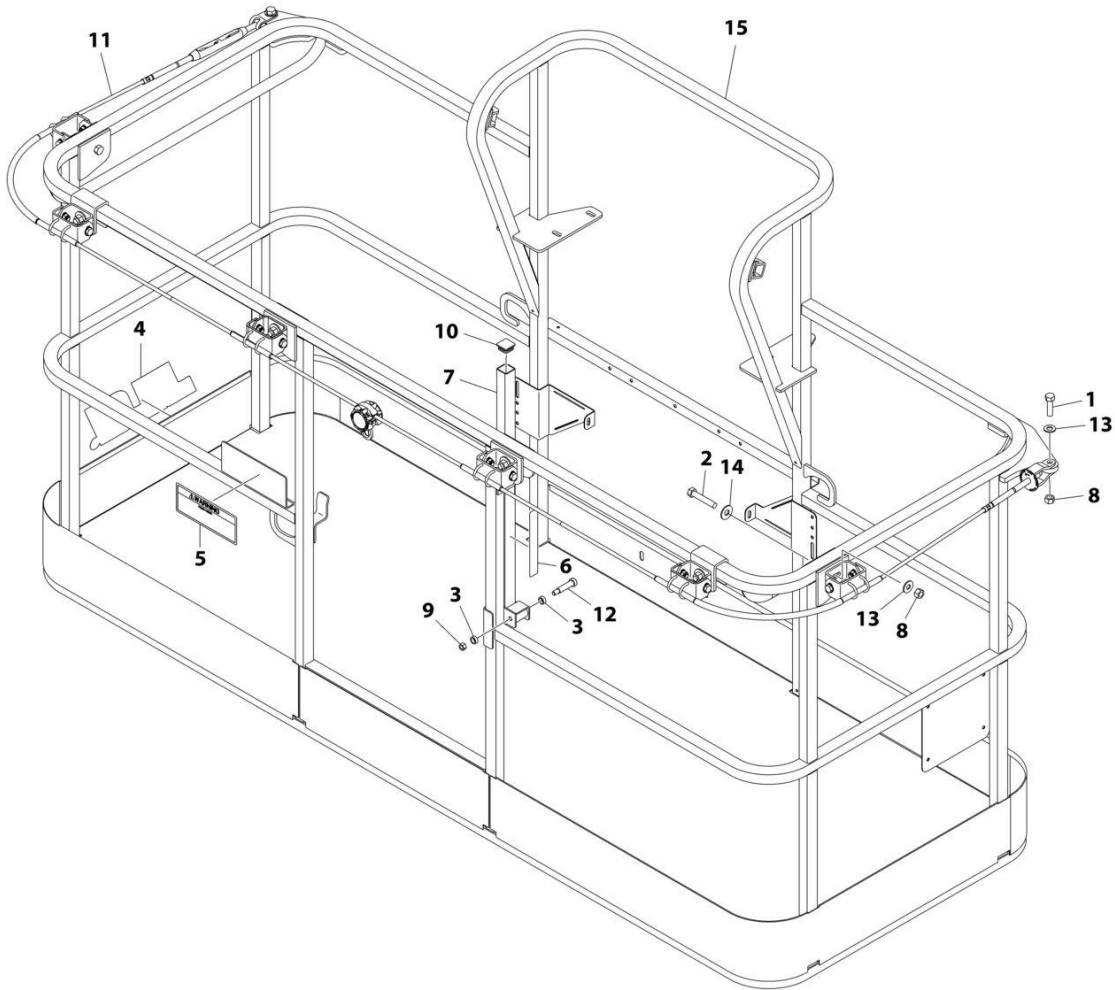
SECTION 5 - PLATFORM

FIGURE 5-8. PLATFORM ASSEMBLY - 36IN X 8FT (91.5CM X 2.44M) WITH TRI-ENTRY (3 DROP BARS)

ITEM	PART NUMBER	QTY	DESCRIPTION	REV
	1001228375	Ref	PLATFORM ASSEMBLY - 36IN X 8FT (91.5CM X 2.44M) WITH TRI-ENTRY	A
		Ref	Note: Platform and Mesh must be ordered separately for Platforms with Mesh. See SPECIAL OPTIONS SECTION for Mesh Installations.	
		Ref	Note: Replacement Decals Must be Ordered Separately - See DECAL SECTION.	
1	0100011	AR	Compound, Locking	
2	0641418	6	Bolt 1/4 x 2-1/4	
3	0961845	6	Bushing	
4	3290606	2	Nut M6 x 1	
5	3300151	6	Nut 1/4	
6	3520072	2	Cap, Plug	
7	3520198	2	Cap, Plug	
8	4010618	2	Screw M6 x 50	
9	4711400	12	Washer 1/4	
10	4811700	2	Washer M6	
11	1001138494	3	Bar, Drop	
12	1001138514	1	Rail (Top)	
13	1001140429	3	Decal - Drop Bar	
14	See Note	1	Platform (Note: Not Available - Purchase Platform Assembly)	

SECTION 5 - PLATFORM

FIGURE 5-9. PLATFORM ASSEMBLY - 36IN X 8FT (91.5CM X 2.44M) FALL ARREST - ANSI SPEC



ART_1001186334

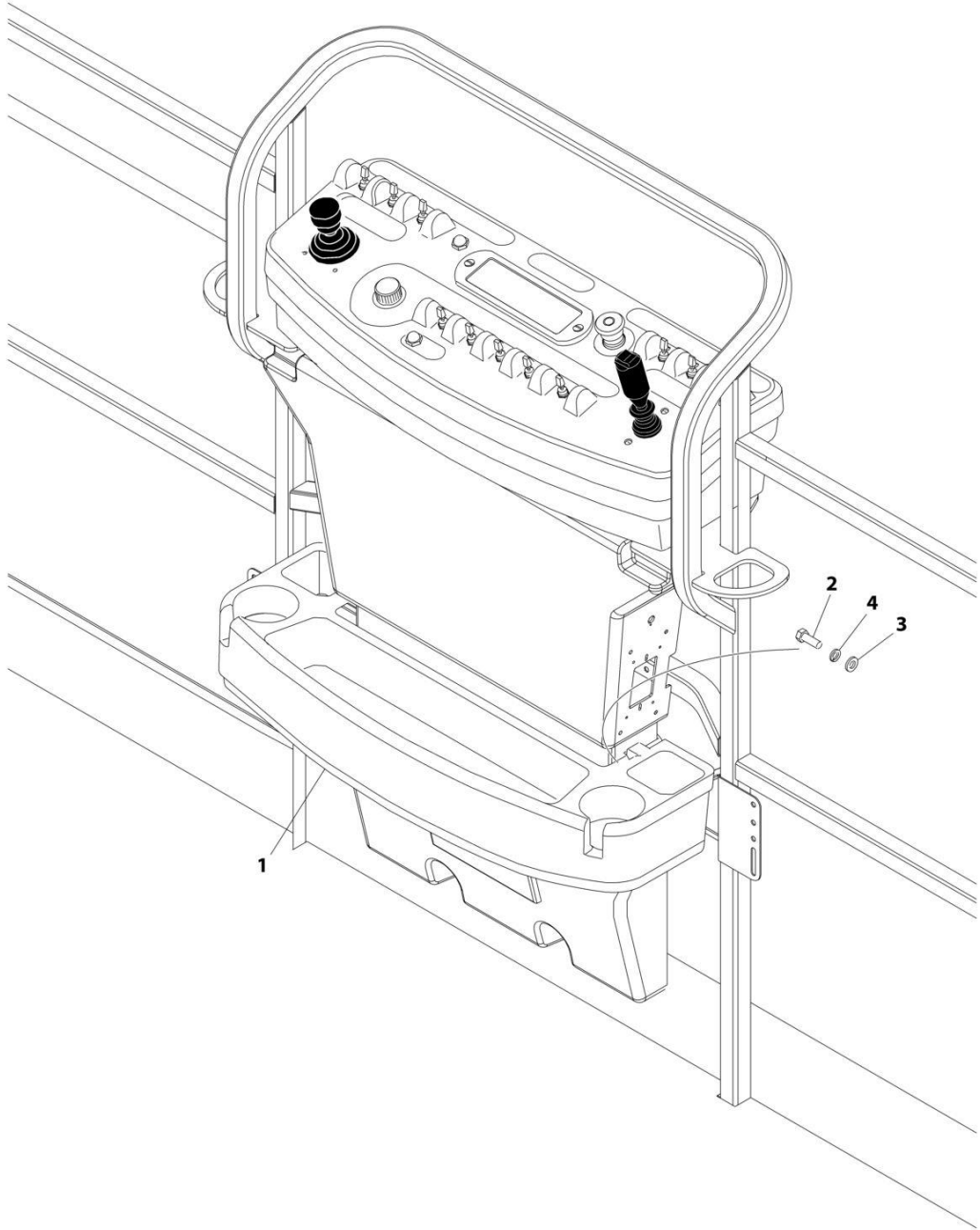
SECTION 5 - PLATFORM

FIGURE 5-9. PLATFORM ASSEMBLY - 36IN X 8FT (91.5CM X 2.44M) FALL ARREST - ANSI SPEC

ITEM	PART NUMBER	QTY	DESCRIPTION	REV
	1001186334	Ref	PLATFORM ASSEMBLY	D
		Ref	Note: Replacement Decals Must be Ordered Separately - See DECALS SECTION.	
1	0681814	2	Bolt 1/2 x 1-3/4 Grade 8	
2	0681822	6	Bolt 1/2 x 2-3/4 Grade 8	
3	0962270	2	Bearing	
4	1702773	1	Decal - JLG	
5	1705014	1	Decal - Safety	
6	1706385	1	Decal - Drop Bar	
7	2410014	1	Bar, Drop	
8	3271805	8	Nut 1/2 Grade 8	
9	3311605	1	Nut 3/8	
10	3520072	1	Plug	
11	1001203656	1	Cable	
12	3900054	1	Bolt 1/2 x 1-3/4	
13	4711800	2	Washer 1/2	
14	4751800	6	Washer 1/2	
15	See Note	NSS	Platform (Note: Purchase Platform Assembly)	

SECTION 5 - PLATFORM

FIGURE 5-10. TRAY INSTALLATION



ART_1580012

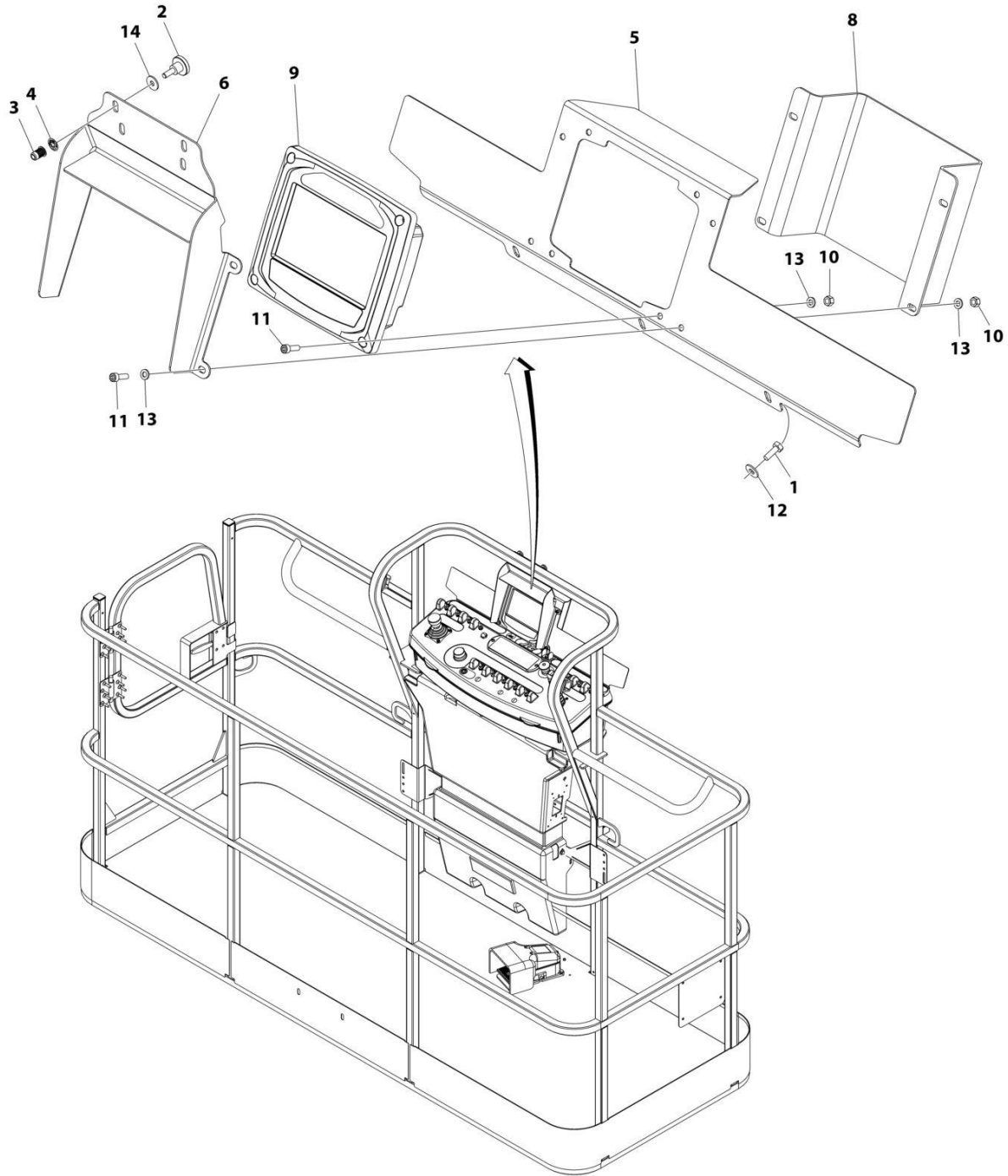
SECTION 5 - PLATFORM

FIGURE 5-10. TRAY INSTALLATION

ITEM	PART NUMBER	QTY	DESCRIPTION	REV
	1580012	Ref	TRAY ASSEMBLY	C
1	See Note	NSS	Tray, Storage (Center) (Note: Purchase p/n 1580012)	
2	0641406	2	Bolt 1/4 x 3/4	
3	4751400	2	Washer 1/4	
4	4761400	2	Washer 1/4	

SECTION 5 - PLATFORM

FIGURE 5-11. LCD DISPLAY INSTALLATION



ART_1001215375

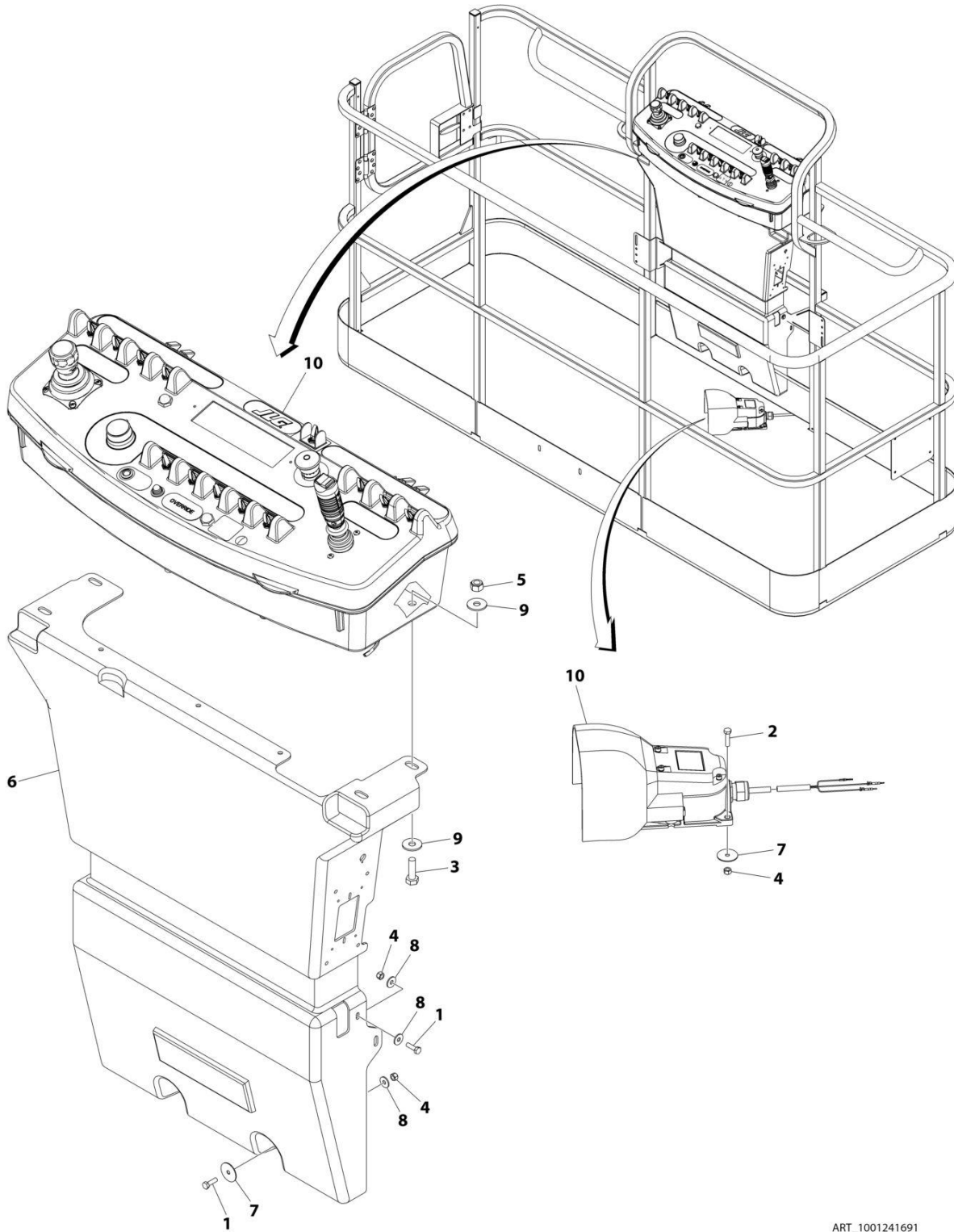
SECTION 5 - PLATFORM

FIGURE 5-11. LCD DISPLAY INSTALLATION

ITEM	PART NUMBER	QTY	DESCRIPTION	REV
	1001215375	Ref	LCD DISPLAY INSTALLATION	A
1	0641406001	3	Bolt 1/4 x 3/4	
2	1001173609	2	Screw, Thumb M6 x 16	
3	1001176636	2	Rivet, Nut M6	
4	1001177635	2	Nut M6	
5	1001215379	1	Bracket, Mounting	
6	1001215380	1	Bracket, Visor	
7	1001220482	1	Harness, LCD Display (Not Shown - See Separate Breakdown in ELECTRICAL SECTION)	
8	1001228976	1	Cover	
9	1001229485	1	Electrical Assembly	
9	1001220955	1	Gauge, LCD Display	
9	1001176582	1	Decal - Platform Display	
9	1001180491	4	Screw #10	
9	1001229922	1	Screen Protector, LCD Display	
10	3290605001	8	Nut M6	
11	4031708001	8	Bolt M6 x 20	
12	4751400001	3	Washer 1/4	
13	4811700001	12	Washer M6	
14	4811702001	2	Washer M6	

SECTION 5 - PLATFORM

FIGURE 5-12. PLATFORM CONTROLS INSTALLATION - WITH SKYGUARD



ART_1001241691

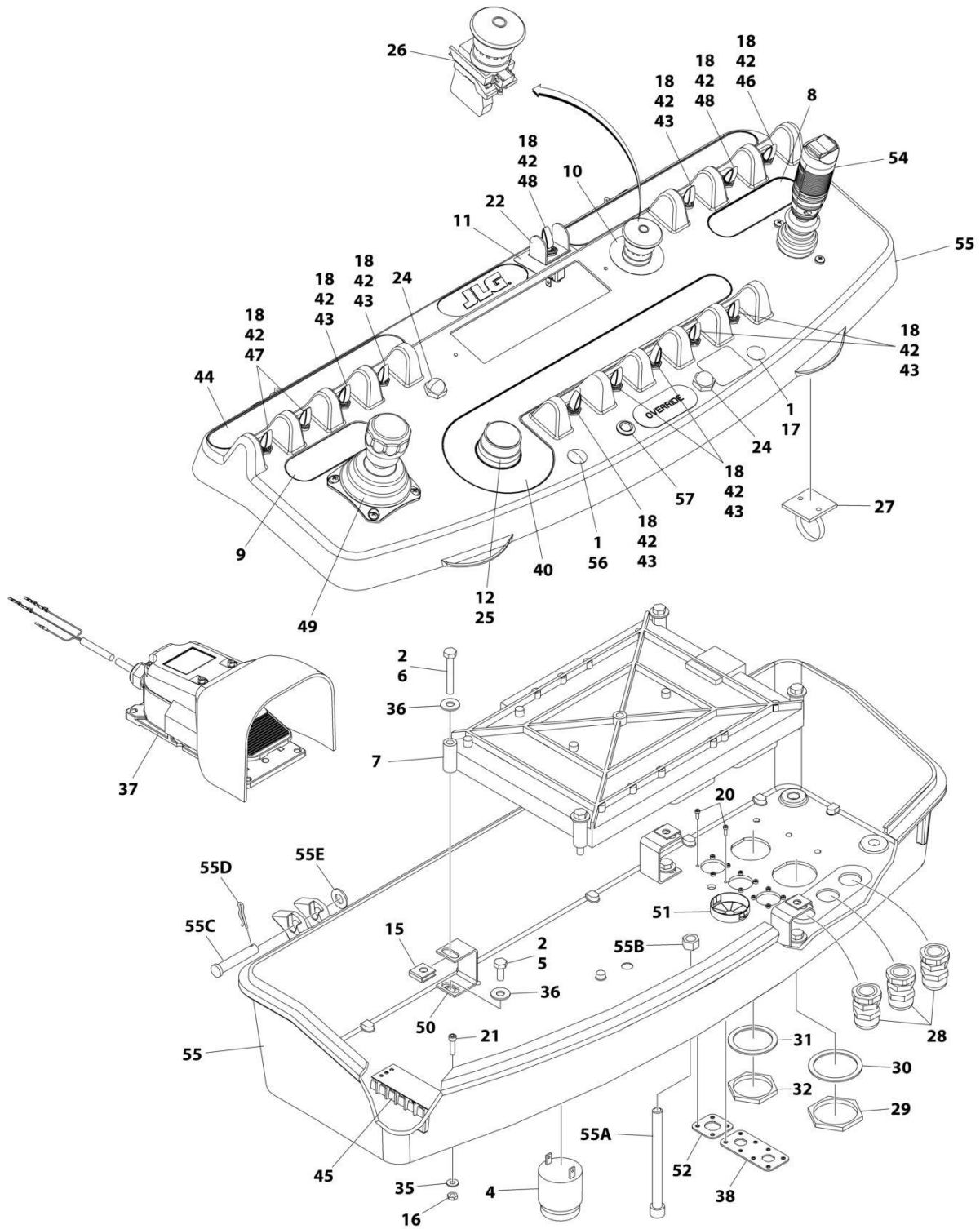
SECTION 5 - PLATFORM

FIGURE 5-12. PLATFORM CONTROLS INSTALLATION - WITH SKYGUARD

ITEM	PART NUMBER	QTY	DESCRIPTION	REV
	1001241691	Ref	PLATFORM CONTROLS INSTALLATION - WITH SKYGUARD	A
1	0760610	4	Bolt M6 x 20	
2	0760612	4	Bolt M6 x 25	
3	0761015	4	Bolt M10 x 35	
4	3290605	8	Locknut M6	
5	3291005	4	Locknut M10	
6	3380434	1	Panel, Molded	
7	4740362	6	Washer, Fender	
8	4811702	6	Flatwasher M6	
9	4812002	8	Washer M10	
10	1001241690	1	Platform Console Assembly - With SkyGuard (See Separate Breakdown in this Section)	

SECTION 5 - PLATFORM

FIGURE 5-13. PLATFORM CONSOLE ASSEMBLY - WITH SKYGUARD



ART_1001241690_F

SECTION 5 - PLATFORM

FIGURE 5-13. PLATFORM CONSOLE ASSEMBLY - WITH SKYGUARD

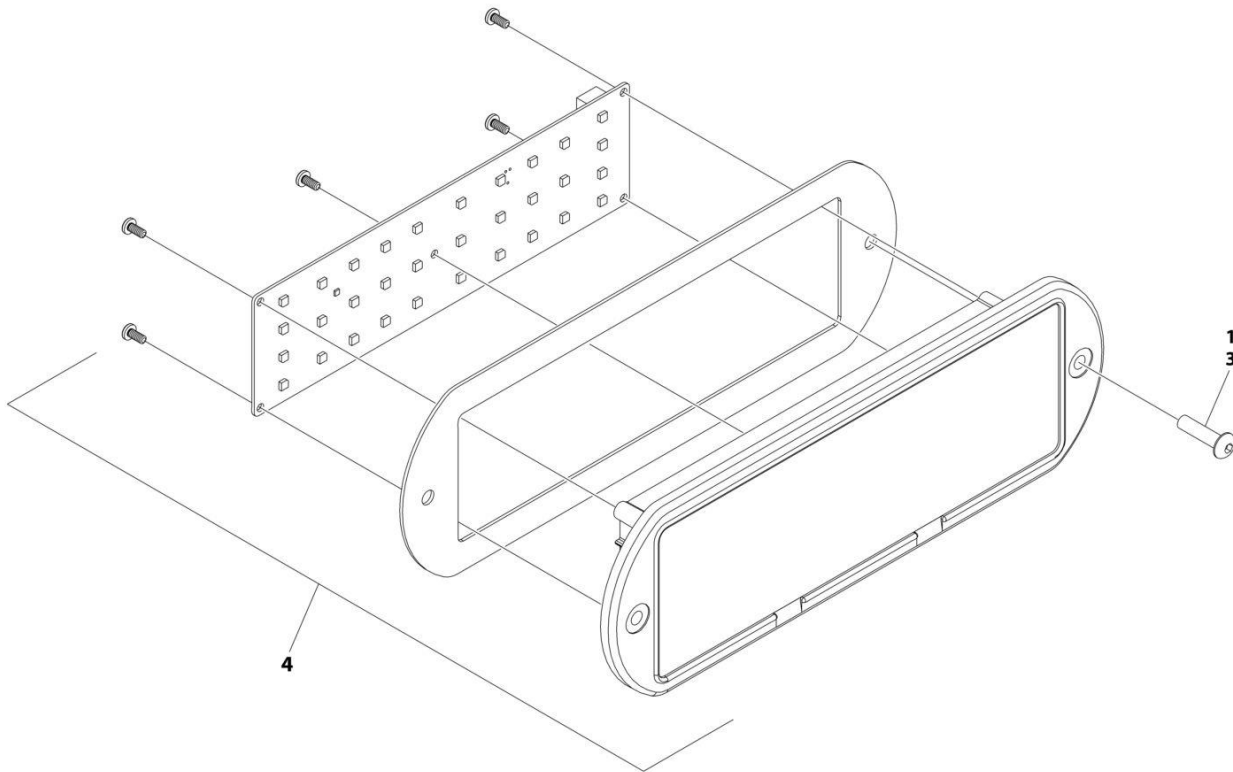
ITEM	PART NUMBER	QTY	DESCRIPTION	REV
	1001241690	Ref	PLATFORM CONSOLE ASSEMBLY - WITH SKYGUARD	F
1	0100009	AR	Sealant	
2	0100035	AR	Compound, Locking	
4	0140011	1	Alarm	
5	0641405	4	Bolt 1/4 x 5/8	
6	0641414	4	Bolt 1/4 x 1-3/4	
7	1600343	1	Module, Control (Note: Control System needs recalibrated when replaced)	
8	1702565	1	Decal - Drive and Steer	
9	1702566	1	Decal - Lift and Swing	
10	1704260	1	Decal - EMS	
11	1706741	1	Decal - Boom Control Select	
12	2560136	1	Handle, Knob	
15	3300353	4	Nut, Tinnerman	
16	3311005	2	Nut #10	
17	3520026	1	Plug	
18	3790012	13	O-Ring	
20	3900349	12	Capscrew M2.5	
21	3931012	2	Bolt #10 x 3/4	
22	4060906	1	Guard, Switch	
24	4360387	2	Switch, Push Button	
25	4360407	1	Switch, Flow Control	
26	1001274559	1	Switch, Emergency Stop	
27	4460234	AR	Mount, Tie-Strap	
28	4460428	3	Connector, Strain Relief	
29	4460470	1	Nut, Terminal	
30	4460471	1	Washer, Terminal	
31	4460496	1	Washer, Terminal	
32	4460497	1	Nut, Terminal	
35	4751000	2	Washer #10	
36	4751400	8	Washer 1/4	
37	1001117174	1	Footswitch Assembly (See Separate Breakdown in this Section)	
38	1001120338	1	Mount, Connector	
40	1001125195	1	Decal - Function Speed	
42	1001155044	13	Nut 15/32	
43	1001155045	8	Switch, Toggle	
44	1001156926	1	Decal - Horn	
45	1001157292	1	Bussbar	
46	1001159256	1	Switch, Toggle	
47	1001161709	2	Switch, Toggle	
48	1001161710	2	Switch, Toggle	
49	1001275629	1	Lift and Swing Controller Assembly	
50	1001172760	4	Bracket	
51	1001185281	1	Plug, Bushing	
52	1001220929	1	Connector	
53	1001241864	1	Harness, Console Box (Not Shown - See Separate Breakdown in ELECTRICAL Section)	
54	1001275628	1	Drive and Steer Controller Assembly	
55	1001245916	1	Box, Console Assembly	C
55A	0630568	1	Bolt 3/8 x 4-1/2	

SECTION 5 - PLATFORM

ITEM	PART NUMBER	QTY	DESCRIPTION	REV
55B	3311601	1	Nut 3/8	
55C	3430616	2	Pin	
55D	3470003	2	Pin	
55E	4711600	2	Washer 3/8	
56	3520027	1	Plug, Hole	
57	1001206532	1	Light, Indicator	
58	4240099	AR	Tie-strap (Not Shown)	

SECTION 5 - PLATFORM

FIGURE 5-14. LIGHT PANEL



ART_1001245176_20F2

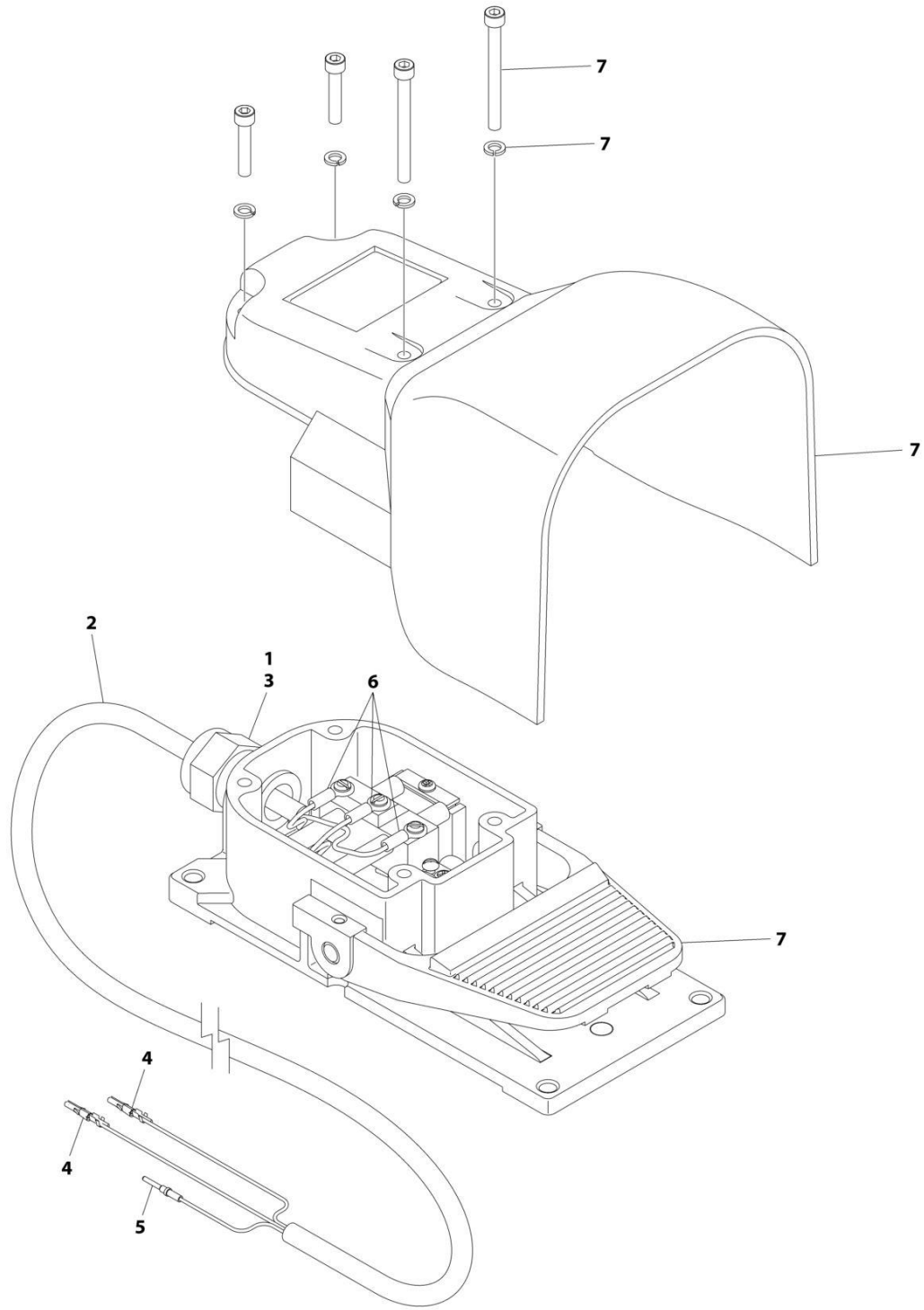
SECTION 5 - PLATFORM

FIGURE 5-14. LIGHT PANEL

ITEM	PART NUMBER	QTY	DESCRIPTION	REV
	1001245176	Ref	LIGHT PANEL INSTALLATION	C
1	0100035	AR	Compound, Locking	
3	0630518	2	Screw #10 x 3/4	
	1001284588	1	Light Panel Electrical Assembly	
4	1001282106	1	Housing and Seal	
4	1001284587	1	Light Panel (LED)	

SECTION 5 - PLATFORM

FIGURE 5-15. FOOTSWITCH ASSEMBLY



ART_1001117174

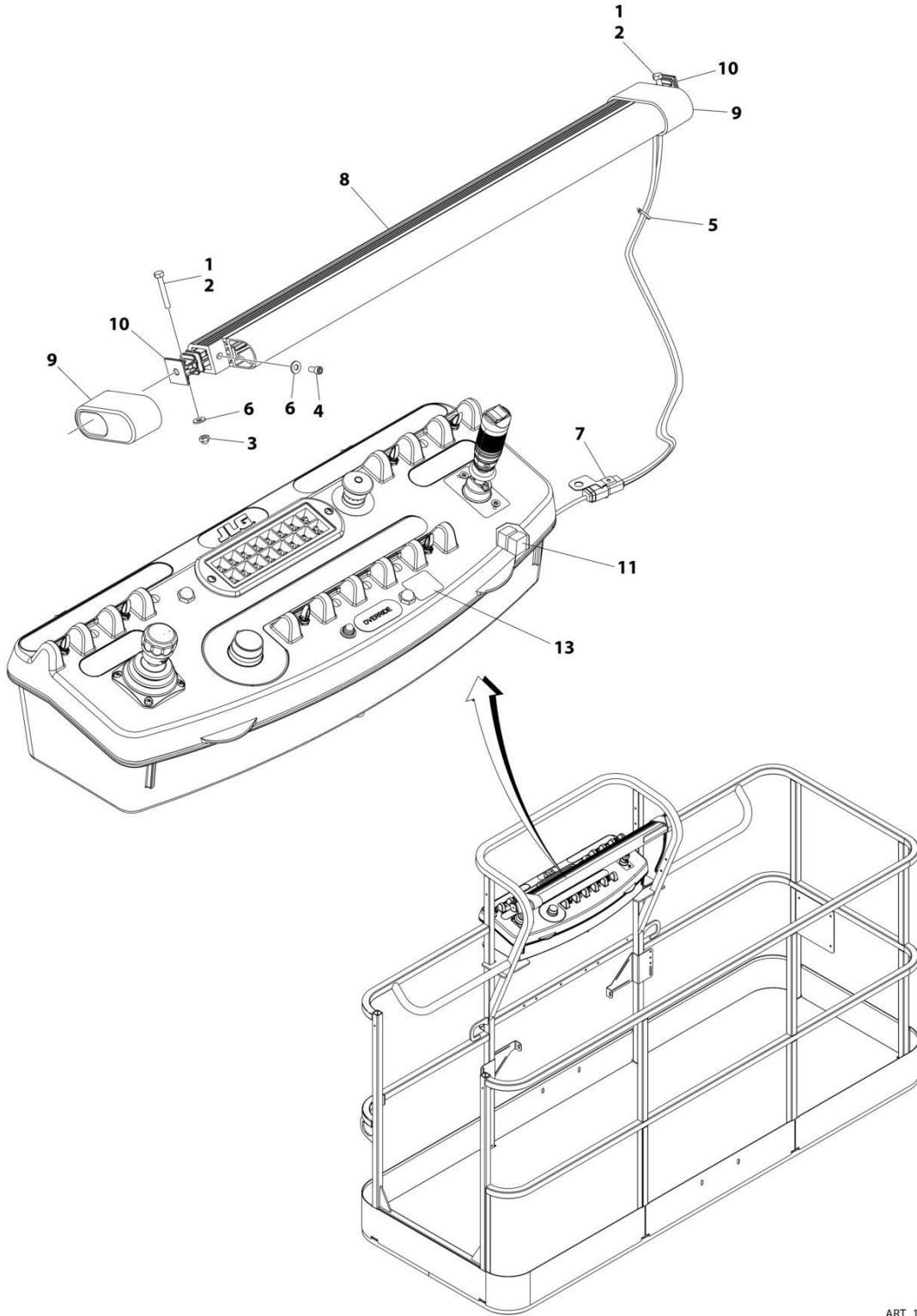
SECTION 5 - PLATFORM

FIGURE 5-15. FOOTSWITCH ASSEMBLY

ITEM	PART NUMBER	QTY	DESCRIPTION	REV
	1001117174	Ref	FOOTSWITCH ASSEMBLY	C
1	0100020	AR	Sealant	
2	1060918	7.5 ft/ 2.3m	Cable, Electrical - 18/3	
3	4460071	1	Connector, Strain Relief	
4	4460226	2	Socket, Female	
5	4460464	1	Pin, Male	
6	1001098122	3	Terminal	
7	1001117172	1	Footswitch	
7	70002902	1	Switch, 20Amp	
7	70002903	1	Gasket	
7	70002905	1	Cover	
7	70002904	1	Kit, Replacement Bolt	

SECTION 5 - PLATFORM

FIGURE 5-16. SKYGUARD BAR INSTALLATION



ART_1001238495

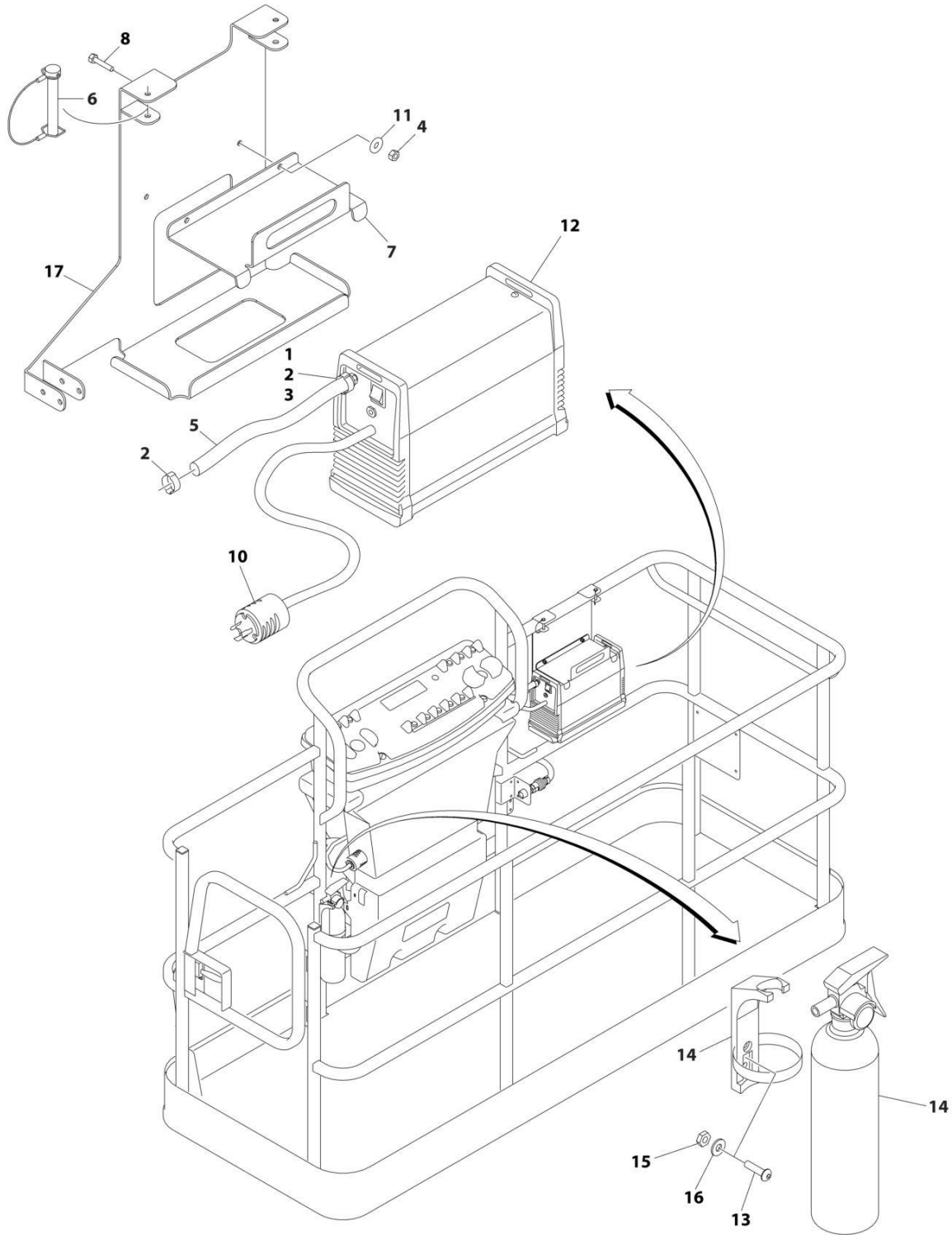
SECTION 5 - PLATFORM

FIGURE 5-16. SKYGUARD BAR INSTALLATION

ITEM	PART NUMBER	QTY	DESCRIPTION	REV
	1001238495	Ref	SKYGUARD BAR INSTALLATION	A
1	0100011	AR	Compound, Locking	
2	0641414	2	Bolt 1/4 x 1-3/4	
3	3300430	2	Nut 1/4	
4	3931408	2	Capscrew 1/4 x 1/2	
5	4240033	8	Tie-Strap	
6	4711400	6	Washer 1/4	
7	1001120328	1	Mount	
8	1001137673	1	SkyGuard Switch Assembly	
9	1001186517	2	Cover, Platform Sensor	
10	1001209664	2	Support, Block	
11	1001186431	2	Relay	
12	1001225580	1	Interface Harness Assembly (Not Shown - Located Inside Console Box) (See Separate Breakdown in ELECTRICAL Section)	
13	1001144433	1	Decal - No Weight SkyGuard	

SECTION 5 - PLATFORM

FIGURE 5-17. SKYCUTTER INSTALLATION (ANSI, ANSI EXPORT, CHINA, CSA AND JAPANESE SPECS)



ART_1001098149_D

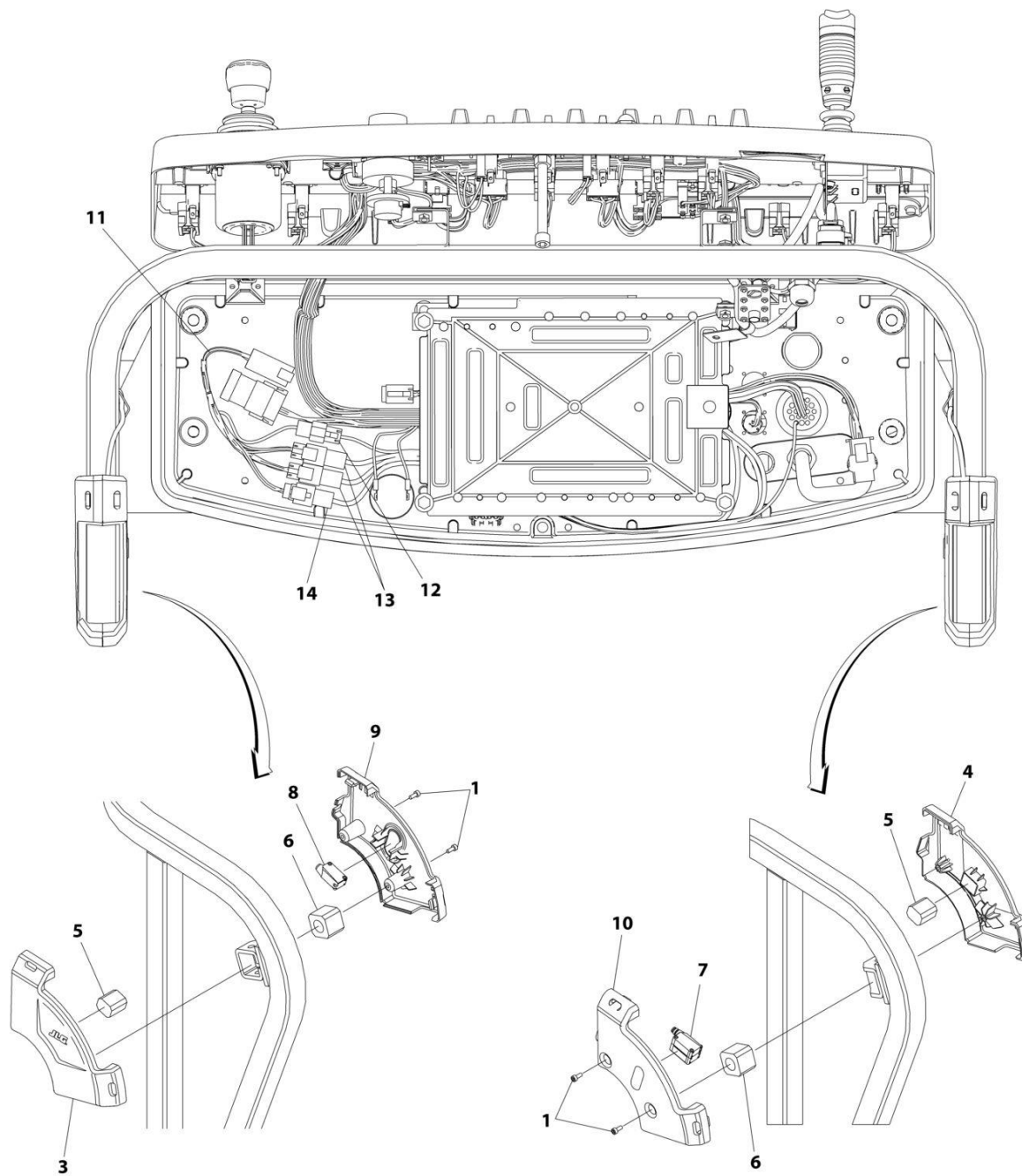
SECTION 5 - PLATFORM

FIGURE 5-17. SKYCUTTER INSTALLATION (ANSI, ANSI EXPORT, CHINA, CSA AND JAPANESE SPECS)

ITEM	PART NUMBER	QTY	DESCRIPTION	REV
	1001098149	Ref	SKYCUTTER INSTALLATION	D
		Ref	Note: When replacing platform on machines with SkyCutter option, new bracket p/n 1001145405 must be purchased to accommodate SkyCutter components.	
1	0100020	AR	Sealant	
2	1320177	2	Clamp, Hose	
3	2180832	1	Fitting, NPT/Barbed	
4	3290605	2	Nut M6	
5	2720160	3 ft /.9m	Hose	
6	3421453	3	Pin	
7	3576799	1	Plate, Hold-Down	
8	4010608	2	Screw M6 x 16	
10	4460971	1	Plug, Twistlock	
11	4811700	2	Washer M6	
12	1001098012	1	Plasma Cutter Assembly (See Separate Breakdown in this Section)	
13	0630518	2	Screw #10 x 3/4	
14	2030010	1	Extinguisher, Fire	
15	3311005	2	Nut #10	
16	4751000	2	Washer #10	
17	1001145405	1	Support	

SECTION 5 - PLATFORM

FIGURE 5-18. SKYEYE INSTALLATION



ART_1001229341

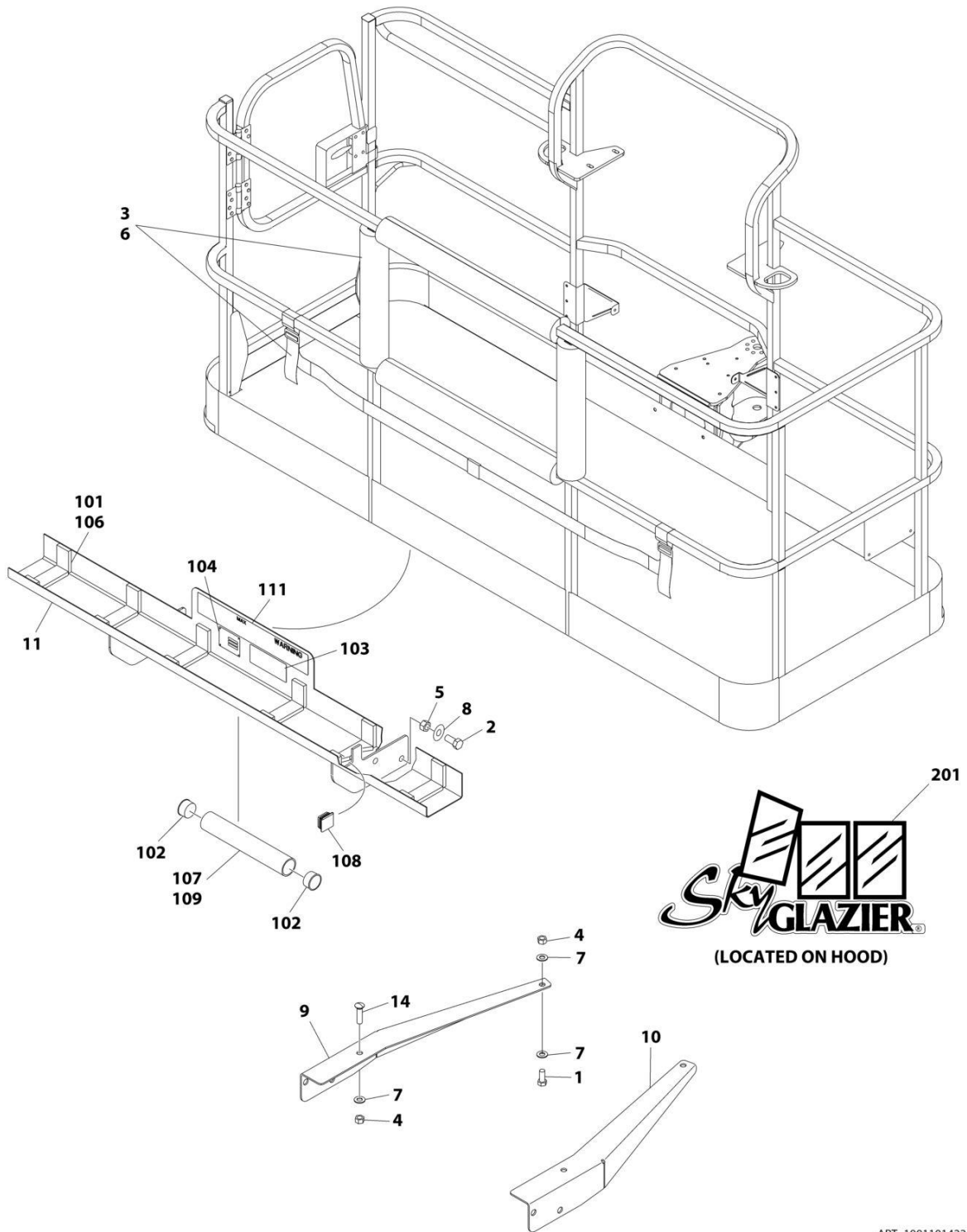
SECTION 5 - PLATFORM

FIGURE 5-18. SKYEYE INSTALLATION

ITEM	PART NUMBER	QTY	DESCRIPTION	REV
	1001229341	Ref	SKYEYE INSTALLATION	B
1	4031505	4	Bolt M4 x 10	
2	4240033	AR	Tie-Strap (Not Shown)	
3	1001227633	1	Housing, LH Outer	
4	1001227634	1	Housing, RH Outer	
5	1001227985	2	Shim	
6	1001227987	2	Shim	
7	1001228224	2	Sensor, Receiver	
8	1001228225	1	Sensor, Emitter	
9	1001232164	1	Housing, LH Inner	
10	1001232165	1	Housing, RH Inner	
11	1001237865	1	Harness, Skyeeye Intermediate (See Separate Breakdown in ELECTRICAL Section)	
12	1001238319	NLA	Harness, Skyeeye Drain Jumper	
12	1001187674	1	Plug, Male - 2 Position	
12	4460942	1	Terminal	
12	4460466	1	Plug, Terminal	
12	4460508	1	Pin, Male	
13	1001237863	2	Harness, Skyeeye Receiver (See Separate Breakdown in ELECTRICAL Section)	
14	1001237864	1	Harness, Skyeeye Emitter (See Separate Breakdown in ELECTRICAL Section)	

SECTION 5 - PLATFORM

FIGURE 5-19. SKYGLAZIER INSTALLATION (ANSI AND CSA SPECS)



ART_1001101422

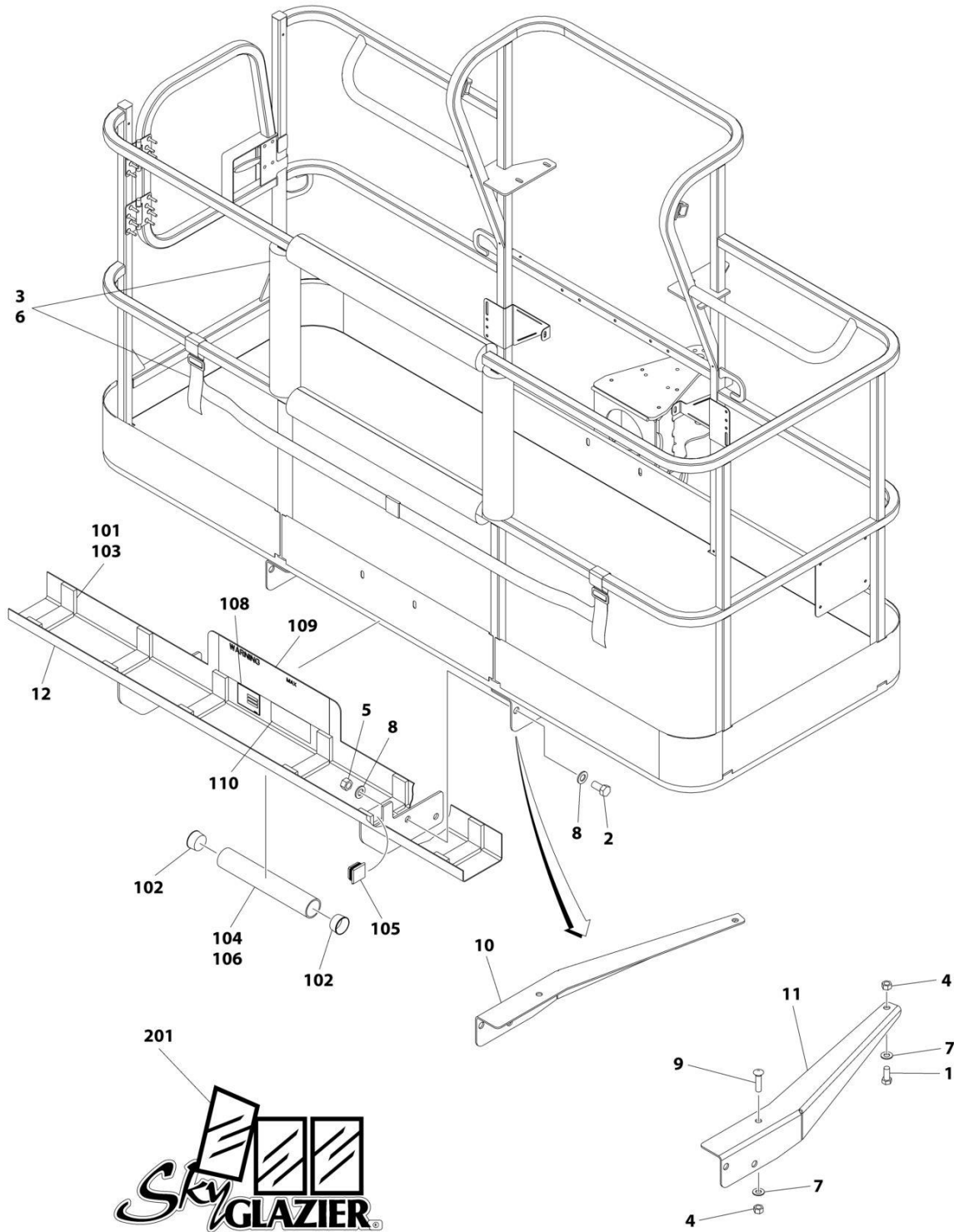
SECTION 5 - PLATFORM

FIGURE 5-19. SKYGLAZIER INSTALLATION (ANSI AND CSA SPECS)

ITEM	PART NUMBER	QTY	DESCRIPTION	REV
	1001101422	Ref	SKYGLAZIER INSTALLATION	C
1	0642012	2	Bolt 5/8 x 1-1/2	
2	0642212	4	Bolt 3/4 x 1-1/2	
3	2902212	1	Bumpers and Strap Kit	
3	0940102	1	Bumper Only	
3	4240149	1	Strap Only	
4	3312005	4	Nut 5/8	
5	3312205	4	Nut 3/4	
6	4420014	AR	Tape	
7	4712000	6	Washer 5/8	
8	4712200	8	Washer 3/4	
9	1001099366	1	Support	
10	1001099367	1	Support	
11	1001101421	1	Tray Assembly (See Items 101-111 for Breakdown)	
14	8310129	2	Bolt 3/4 x 2-1/2	
	1001101421	Ref	TRAY ASSEMBLY	F
101	0100081	AR	Adhesive	
102	1120555	2	Cap, Tube	
103	1701509	1	Decal - Manual	
104	See Note	NSS	Nameplate - Serial Number (Note: Not Available for Purchase)	
106	3340956	1	Pad Kit	
107	3460334	1	Tube	
108	3520071	2	Plug	
109	4420066	AR	Tape, Double Sided	
111	1001163131	2	Decal - Glazier Capacity	
	0272418	Ref	SKYGLAZIER DECAL INSTALLATION	4
201	1705358	2	Decal - SkyGlazier	

SECTION 5 - PLATFORM

FIGURE 5-20. SKYGLAZIER INSTALLATION (DANISH SPECS)



ART_1001238462

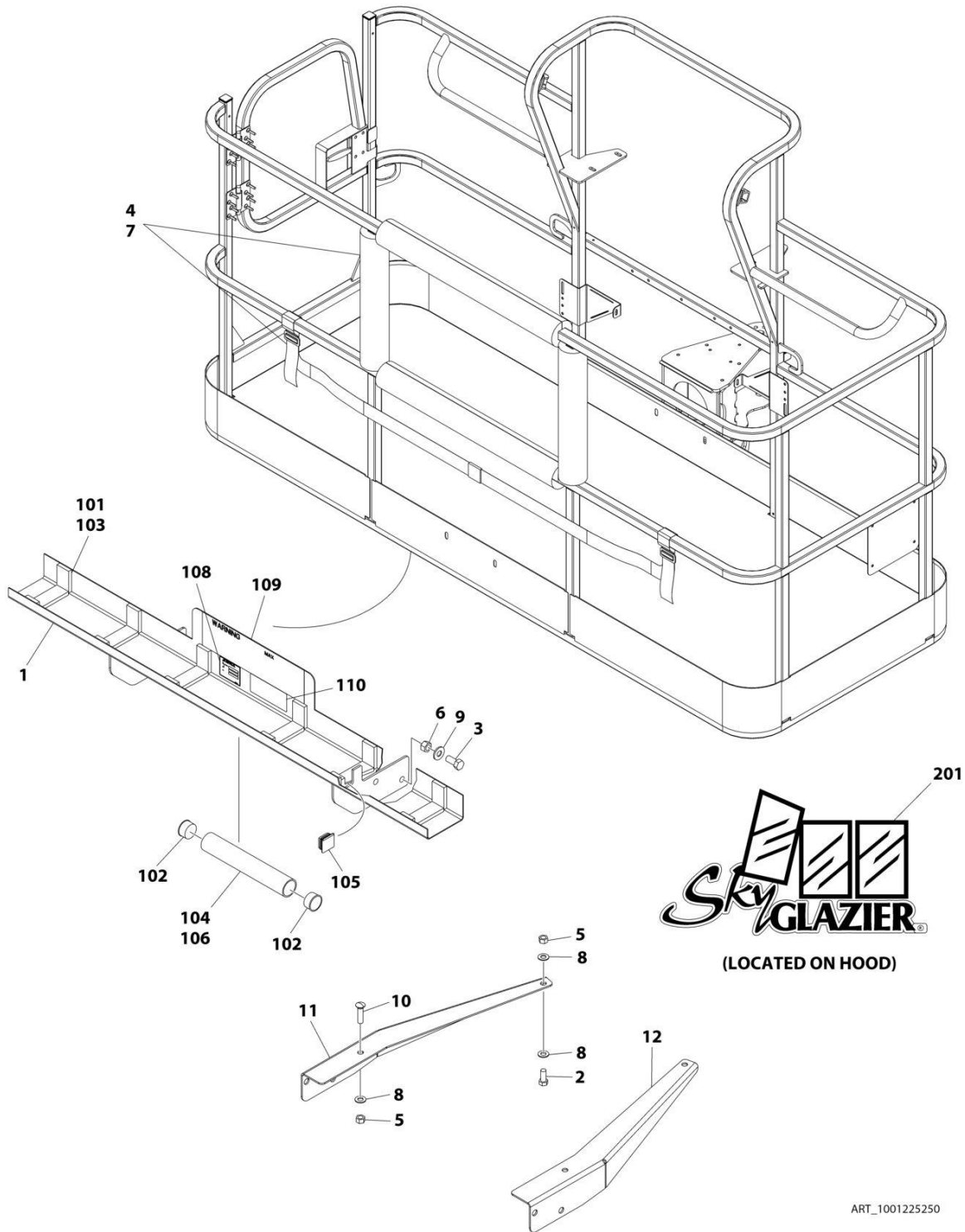
SECTION 5 - PLATFORM

FIGURE 5-20. SKYGLAZIER INSTALLATION (DANISH SPECS)

ITEM	PART NUMBER	QTY	DESCRIPTION	REV
	1001238462	Ref	SKYGLAZIER INSTALLATION	A
1	0642012	2	Bolt 5/8 x 1-1/2	
2	0642212	4	Bolt 3/4 x 1-1/2	
3	2902212	1	Bumpers and Strap Kit	
3	0940102	1	Bumper Only	
3	4240149	1	Strap Only	
4	3312005	4	Nut 5/8	
5	3312205	4	Nut 3/4	
6	4420014	AR	Tape	
7	4712000	4	Washer 5/8	
8	4712200	8	Washer 3/4	
9	8310129	2	Bolt 5/8 x 2-1/2	
10	1001099366	1	Support	
11	1001099367	1	Support	
12	1001238423	1	Tray Assembly (See Items 101-110 for Breakdown)	
	1001238423	Ref	TRAY ASSEMBLY	B
101	0100081	AR	Adhesive	
102	1120555	2	Cap, Tube	
103	3340956	1	Pad Kit	
104	3460334	1	Tube	
105	3520071	2	Plug	
106	4420066	AR	Tape, Double Sided	
108	See Note	NSS	Nameplate - Serial Number (Note: Not Available for Purchase)	
109	1001237705	2	Decal - Glazier Capacity	
110	1701509	1	Decal - Manual	
	0272418	Ref	SKYGLAZIER DECAL INSTALLATION	4
201	1705358	2	Decal - SkyGlazier	

SECTION 5 - PLATFORM

FIGURE 5-21. SKYGLAZIER INSTALLATION (ENGLISH/FRENCH SPECS)



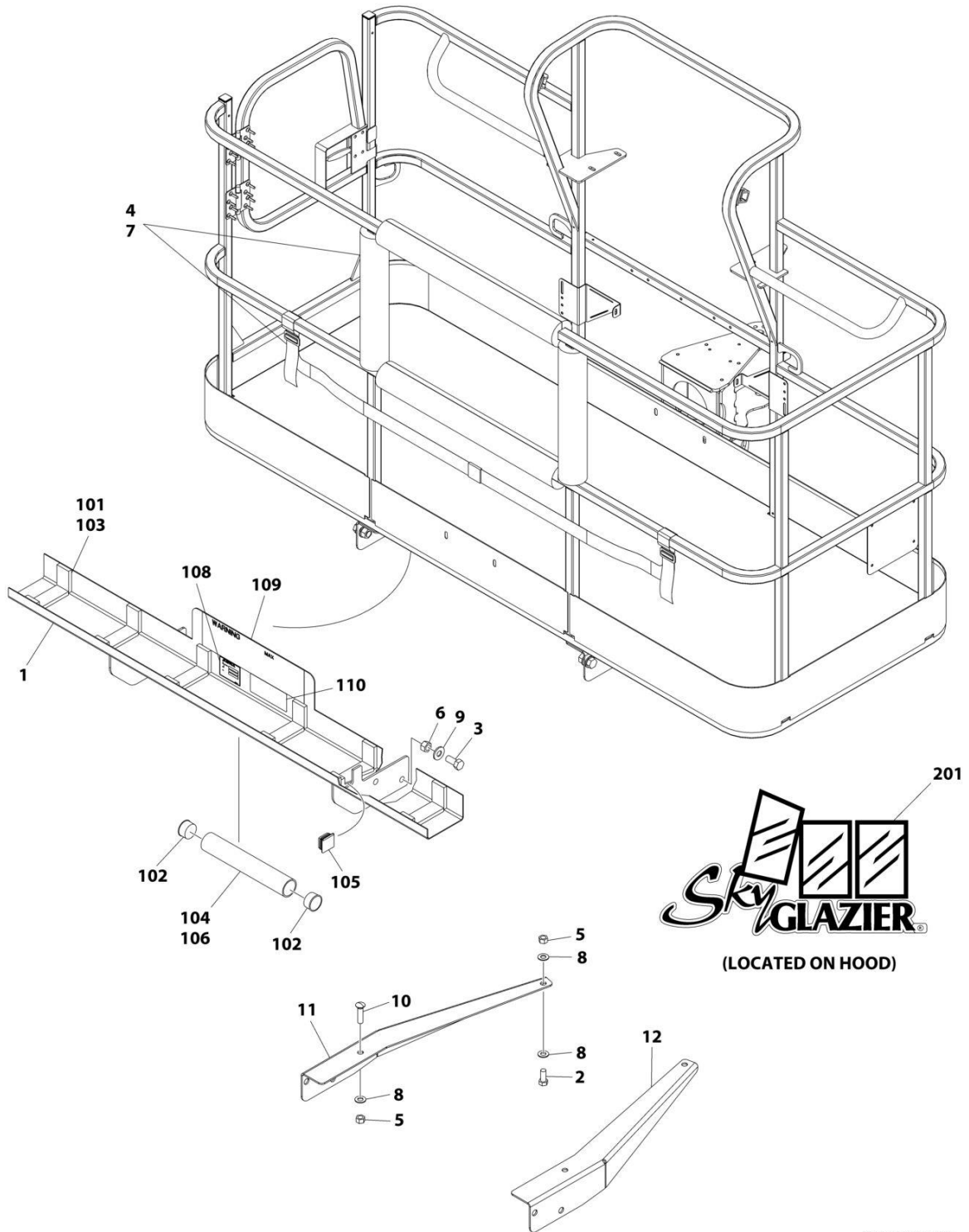
SECTION 5 - PLATFORM

FIGURE 5-21. SKYGLAZIER INSTALLATION (ENGLISH/FRENCH SPECS)

ITEM	PART NUMBER	QTY	DESCRIPTION	REV
	1001225250	Ref	SKYGLAZIER INSTALLATION	A
1	0272949	1	Tray Assembly (See Items 101-110 for Breakdown)	
2	0642012	2	Bolt 5/8 x 1-1/2	
3	0642212	4	Bolt 3/4 x 1-1/2	
4	2902212	1	Bumpers and Strap Kit	
4	0940102	1	Bumper Only	
4	4240149	1	Strap Only	
5	3312005	4	Nut 5/8	
6	3312205	4	Nut 3/4	
7	4420014	AR	Tape	
8	4712000	6	Washer 5/8	
9	4712200	8	Washer 3/4	
10	8310129	2	Bolt 5/8 x 2-1/2	
11	1001099366	1	Support	
12	1001099367	1	Support	
	0272949	Ref	TRAY ASSEMBLY	E
101	0100081	AR	Adhesive	
102	1120555	2	Cap, Tube	
103	3340956	1	Pad Kit	
104	3460334	1	Tube	
105	3520071	2	Plug	
106	4420066	AR	Tape, Double Sided	
108	See Note	NSS	Nameplate - Serial Number (Note: Not Available for Purchase)	
109	1001163293	2	Decal - Glazier Capacity	
110	1701509	1	Decal - Manual	
	0272418	Ref	SKYGLAZIER DECAL INSTALLATION	4
201	1705358	2	Decal - SkyGlazier	

SECTION 5 - PLATFORM

FIGURE 5-22. SKYGLAZIER INSTALLATION (GERMAN SPECS)



ART_1001225249

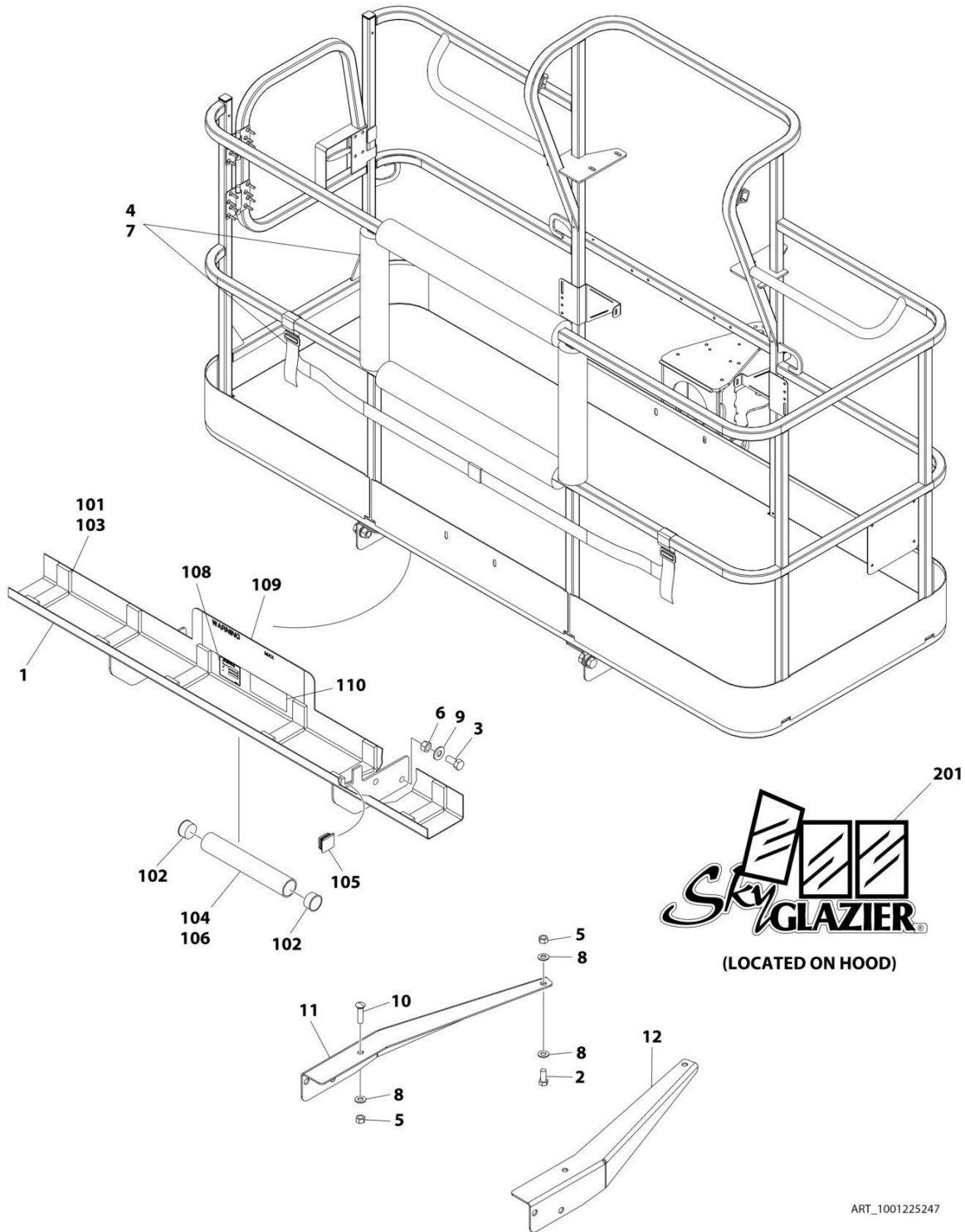
SECTION 5 - PLATFORM

FIGURE 5-22. SKYGLAZIER INSTALLATION (GERMAN SPECS)

ITEM	PART NUMBER	QTY	DESCRIPTION	REV
	1001225249	Ref	SKYGLAZIER INSTALLATION	A
1	0272950	1	Tray Assembly (See Items 101-110 for Breakdown)	
2	0642012	2	Bolt 5/8 x 1-1/2	
3	0642212	4	Bolt 3/4 x 1-1/2	
4	2902212	1	Bumpers and Strap Kit	
4	0940102	1	Bumper Only	
4	4240149	1	Strap Only	
5	3312005	4	Nut 5/8	
6	3312205	4	Nut 3/4	
7	4420014	AR	Tape	
8	4712000	6	Washer 5/8	
9	4712200	8	Washer 3/4	
10	8310129	2	Bolt 5/8 x 2-1/2	
11	1001099366	1	Support	
12	1001099367	1	Support	
	0272950	Ref	TRAY ASSEMBLY	E
101	0100081	AR	Adhesive	
102	1120555	2	Cap, Tube	
103	3340956	1	Pad Kit	
104	3460334	1	Tube	
105	3520071	2	Plug	
106	4420066	AR	Tape, Double Sided	
108	See Note	NSS	Nameplate - Serial Number (Note: Not Available for Purchase)	
109	1001163298	2	Decal - Glazier Capacity	
110	1701509	1	Decal - Manual	
	0272418	Ref	SKYGLAZIER DECAL INSTALLATION	4
201	1705358	2	Decal - SkyGlazier	

SECTION 5 - PLATFORM

FIGURE 5-23. SKYGLAZIER INSTALLATION (ITALIAN SPECS)



ART_1001225247

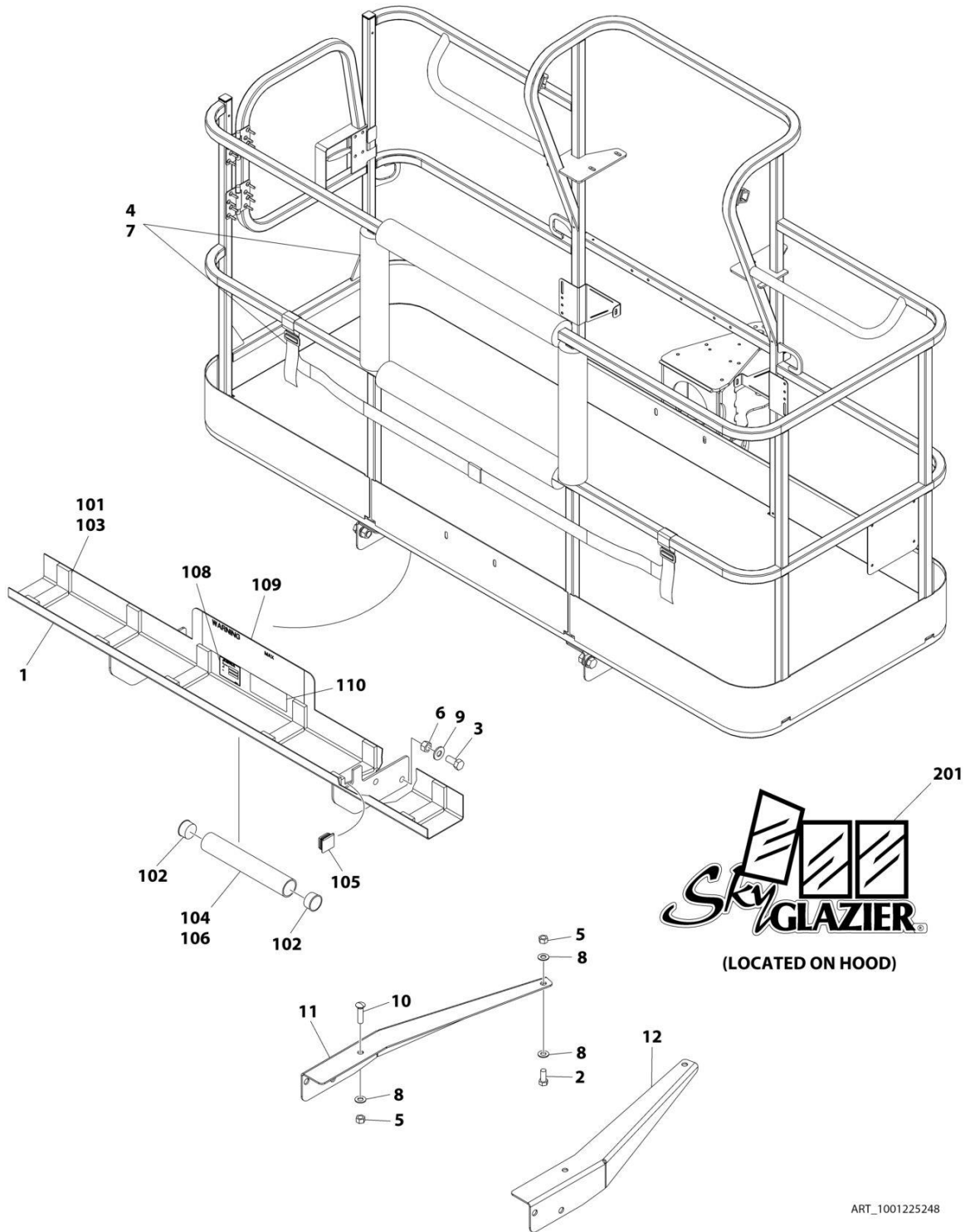
SECTION 5 - PLATFORM

FIGURE 5-23. SKYGLAZIER INSTALLATION (ITALIAN SPECS)

ITEM	PART NUMBER	QTY	DESCRIPTION	REV
	1001225247	Ref	SKYGLAZIER INSTALLATION	A
1	0272952	1	Tray Assembly (See Items 101-110 for Breakdown)	
2	0642012	2	Bolt 5/8 x 1-1/2	
3	0642212	4	Bolt 3/4 x 1-1/2	
4	2902212	1	Bumpers and Strap Kit	
4	0940102	1	Bumper Only	
4	4240149	1	Strap Only	
5	3312005	4	Nut 5/8	
6	3312205	4	Nut 3/4	
7	4420014	AR	Tape	
8	4712000	6	Washer 5/8	
9	4712200	8	Washer 3/4	
10	8310129	2	Bolt 5/8 x 2-1/2	
11	1001099366	1	Support	
12	1001099367	1	Support	
	0272952	Ref	TRAY ASSEMBLY	E
101	0100081	AR	Adhesive	
102	1120555	2	Cap, Tube	
103	3340956	1	Pad Kit	
104	3460334	1	Tube	
105	3520071	2	Plug	
106	4420066	AR	Tape, Double Sided	
108	See Note	NSS	Nameplate - Serial Number (Note: Not Available for Purchase)	
109	1001163287	2	Decal - Glazier Capacity	
110	1701509	1	Decal - Manual	
	0272418	Ref	SKYGLAZIER DECAL INSTALLATION	4
201	1705358	2	Decal - SkyGlazier	

SECTION 5 - PLATFORM

FIGURE 5-24. SKYGLAZIER INSTALLATION (PORTUGUESE SPECS)



ART_1001225248

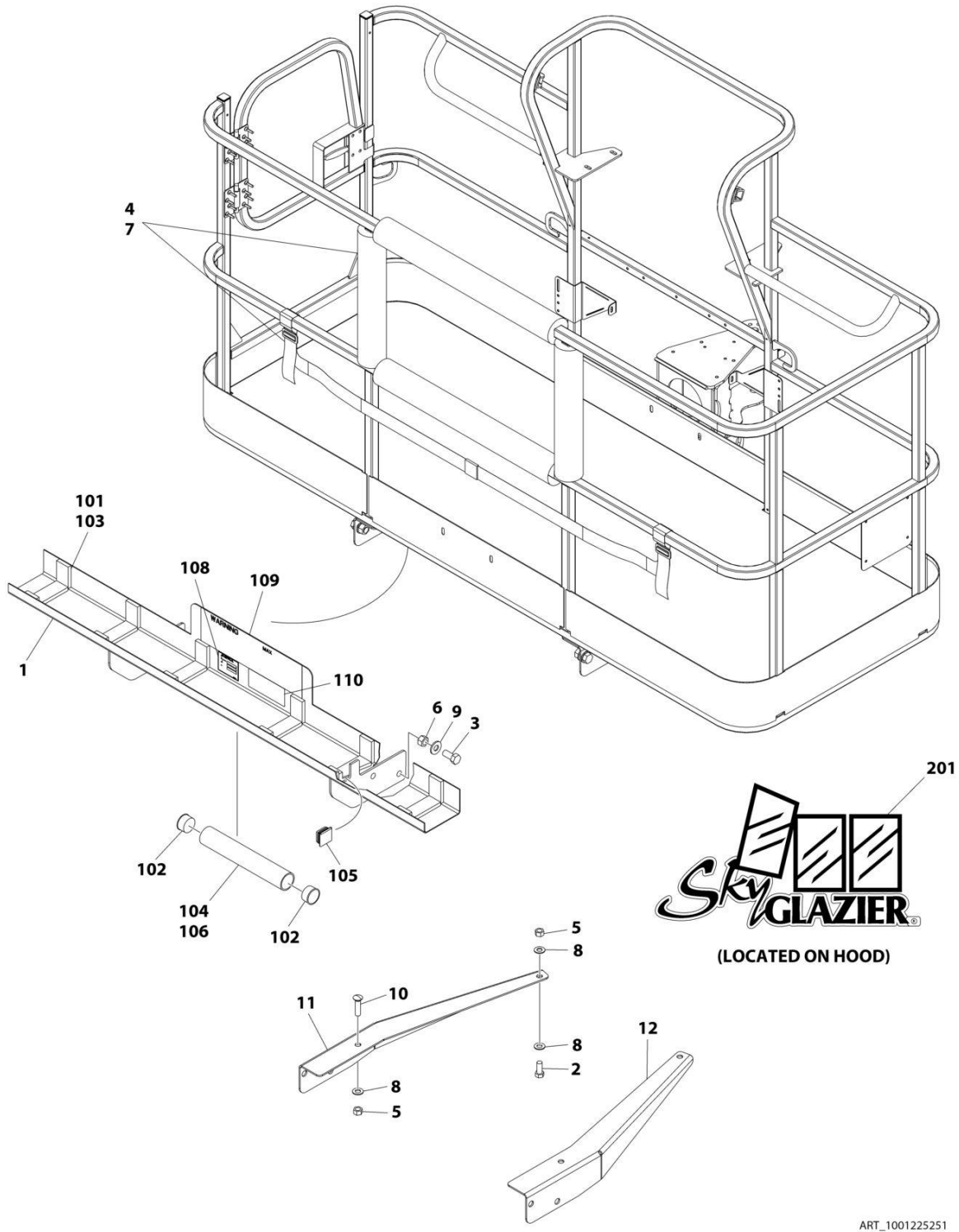
SECTION 5 - PLATFORM

FIGURE 5-24. SKYGLAZIER INSTALLATION (PORTUGUESE SPECS)

ITEM	PART NUMBER	QTY	DESCRIPTION	REV
	1001225248	Ref	SKYGLAZIER INSTALLATION	A
1	0273406	1	Tray Assembly (See Items 101-110 for Breakdown)	
2	0642012	2	Bolt 5/8 x 1-1/2	
3	0642212	4	Bolt 3/4 x 1-1/2	
4	2902212	1	Bumpers and Strap Kit	
4	0940102	1	Bumper Only	
4	4240149	1	Strap Only	
5	3312005	4	Nut 5/8	
6	3312205	4	Nut 3/4	
7	4420014	AR	Tape	
8	4712000	6	Washer 5/8	
9	4712200	8	Washer 3/4	
10	8310129	2	Bolt 5/8 x 2-1/2	
11	1001099366	1	Support	
12	1001099367	1	Support	
	0273406	Ref	TRAY ASSEMBLY	E
101	0100081	AR	Adhesive	
102	1120555	2	Cap, Tube	
103	3340956	1	Pad Kit	
104	3460334	1	Tube	
105	3520071	2	Plug	
106	4420066	AR	Tape, Double Sided	
108	See Note	NSS	Nameplate - Serial Number (Note: Not Available for Purchase)	
109	1001163289	2	Decal - Glazier Capacity	
110	1701509	1	Decal - Manual	
	0272418	Ref	SKYGLAZIER DECAL INSTALLATION	4
201	1705358	2	Decal - SkyGlazier	

SECTION 5 - PLATFORM

FIGURE 5-25. SKYGLAZIER INSTALLATION (SPANISH SPECS)



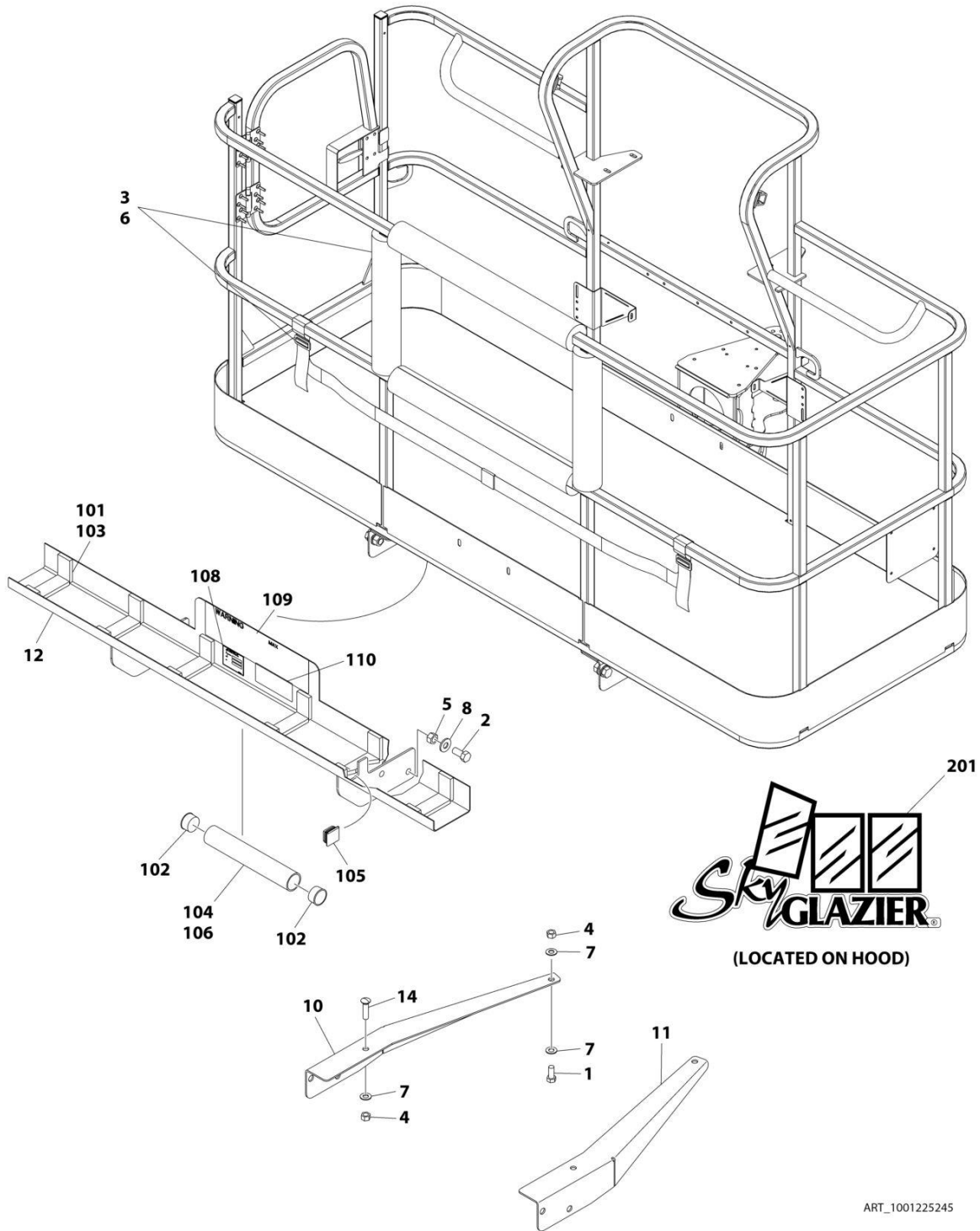
SECTION 5 - PLATFORM

FIGURE 5-25. SKYGLAZIER INSTALLATION (SPANISH SPECS)

ITEM	PART NUMBER	QTY	DESCRIPTION	REV
	1001225251	Ref	SKYGLAZIER INSTALLATION	A
1	0273405	1	Tray Assembly (See Items 101-110 for Breakdown)	
2	0642012	2	Bolt 5/8 x 1-1/2	
3	0642212	4	Bolt 3/4 x 1-1/2	
4	2902212	1	Bumpers and Strap Kit	
4	0940102	1	Bumper Only	
4	4240149	1	Strap Only	
5	3312005	4	Nut 5/8	
6	3312205	4	Nut 3/4	
7	4420014	AR	Tape	
8	4712000	6	Washer 5/8	
9	4712200	8	Washer 3/4	
10	8310129	2	Bolt 5/8 x 2-1/2	
11	1001099366	1	Support	
12	1001099367	1	Support	
	0273405	Ref	TRAY ASSEMBLY	E
101	0100081	AR	Adhesive	
102	1120555	2	Cap, Tube	
103	3340956	1	Pad Kit	
104	3460334	1	Tube	
105	3520071	2	Plug	
106	4420066	AR	Tape, Double Sided	
108	See Note	NSS	Nameplate - Serial Number (Note: Not Available for Purchase)	
109	1001163288	2	Decal - Glazier Capacity	
110	1701509	1	Decal - Manual	
	0272418	Ref	SKYGLAZIER DECAL INSTALLATION	4
201	1705358	2	Decal - SkyGlazier	

SECTION 5 - PLATFORM

FIGURE 5-26. SKYGLAZIER INSTALLATION (SWEDISH SPECS)



ART_1001225245

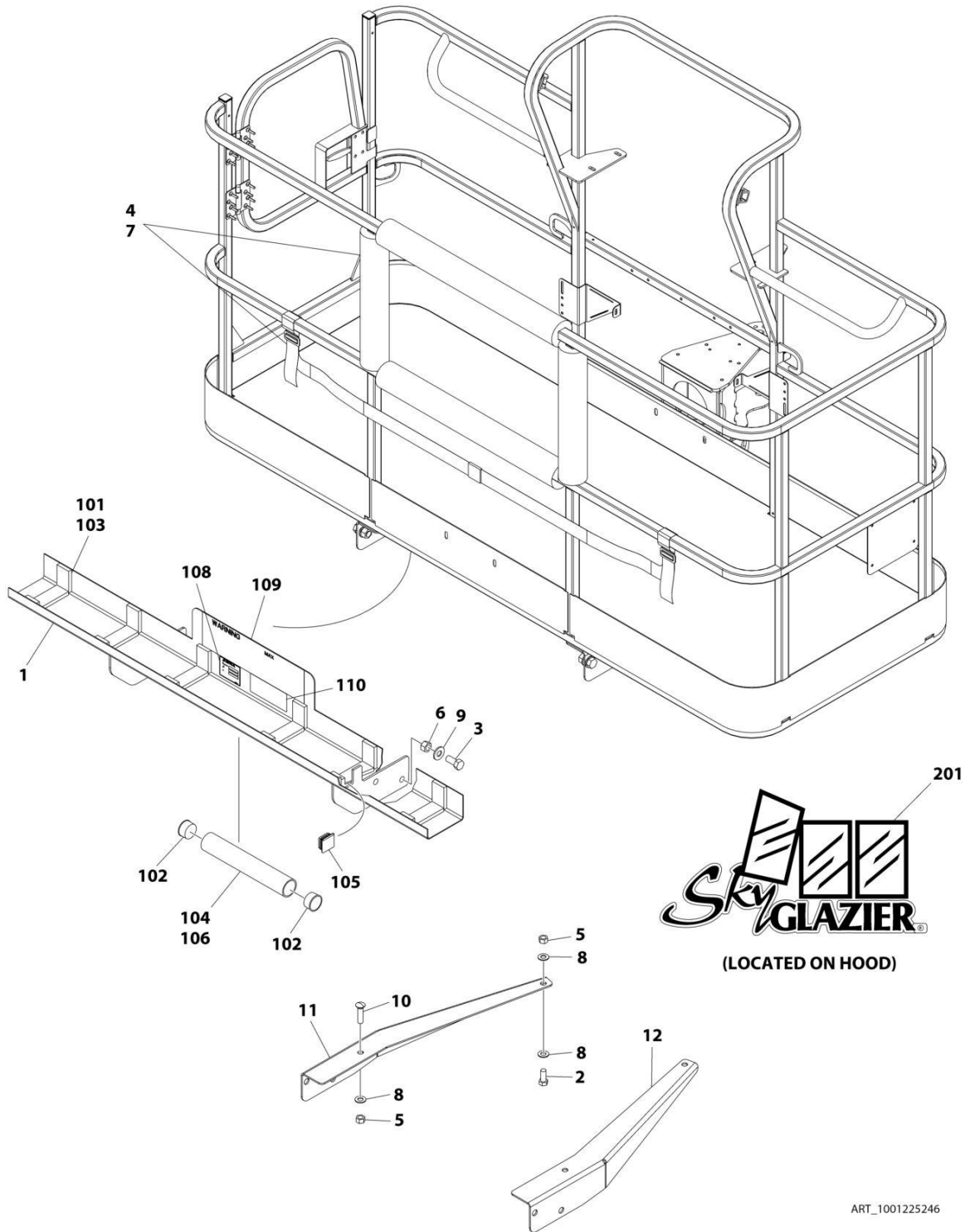
SECTION 5 - PLATFORM

FIGURE 5-26. SKYGLAZIER INSTALLATION (SWEDISH SPECS)

ITEM	PART NUMBER	QTY	DESCRIPTION	REV
	1001225245	Ref	SKYGLAZIER INSTALLATION	B
1	0642012	2	Bolt 5/8 x 1-1/2	
2	0642212	4	Bolt 3/4 x 1-1/2	
3	2902212	1	Bumpers and Strap Kit	
3	0940102	1	Bumper Only	
3	4240149	1	Strap Only	
4	3312005	4	Nut 5/8	
5	3312205	4	Nut 3/4	
6	4420014	AR	Tape	
7	4712000	6	Washer 5/8	
8	4712200	8	Washer 3/4	
9	8310129	2	Bolt 5/8 x 2-1/2	
10	1001099366	1	Support	
11	1001099367	1	Support	
12	1001115603	1	Tray Assembly (See Items 101-110 for Breakdown)	
	1001115603	Ref	TRAY ASSEMBLY	D
101	0100081	AR	Adhesive	
102	1120555	2	Cap, Tube	
103	3340956	1	Pad Kit	
104	3460334	1	Tube	
105	3520071	2	Plug	
106	4420066	AR	Tape, Double Sided	
108	See Note	NSS	Nameplate - Serial Number (Note: Not Available for Purchase)	
109	1001163292	2	Decal - Glazier Capacity	
110	1701509	1	Decal - Manual	
	0272418	Ref	SKYGLAZIER DECAL INSTALLATION	4
201	1705358	2	Decal - SkyGlazier	

SECTION 5 - PLATFORM

FIGURE 5-27. SKYGLAZIER INSTALLATION (UK SPECS)



ART_1001225246

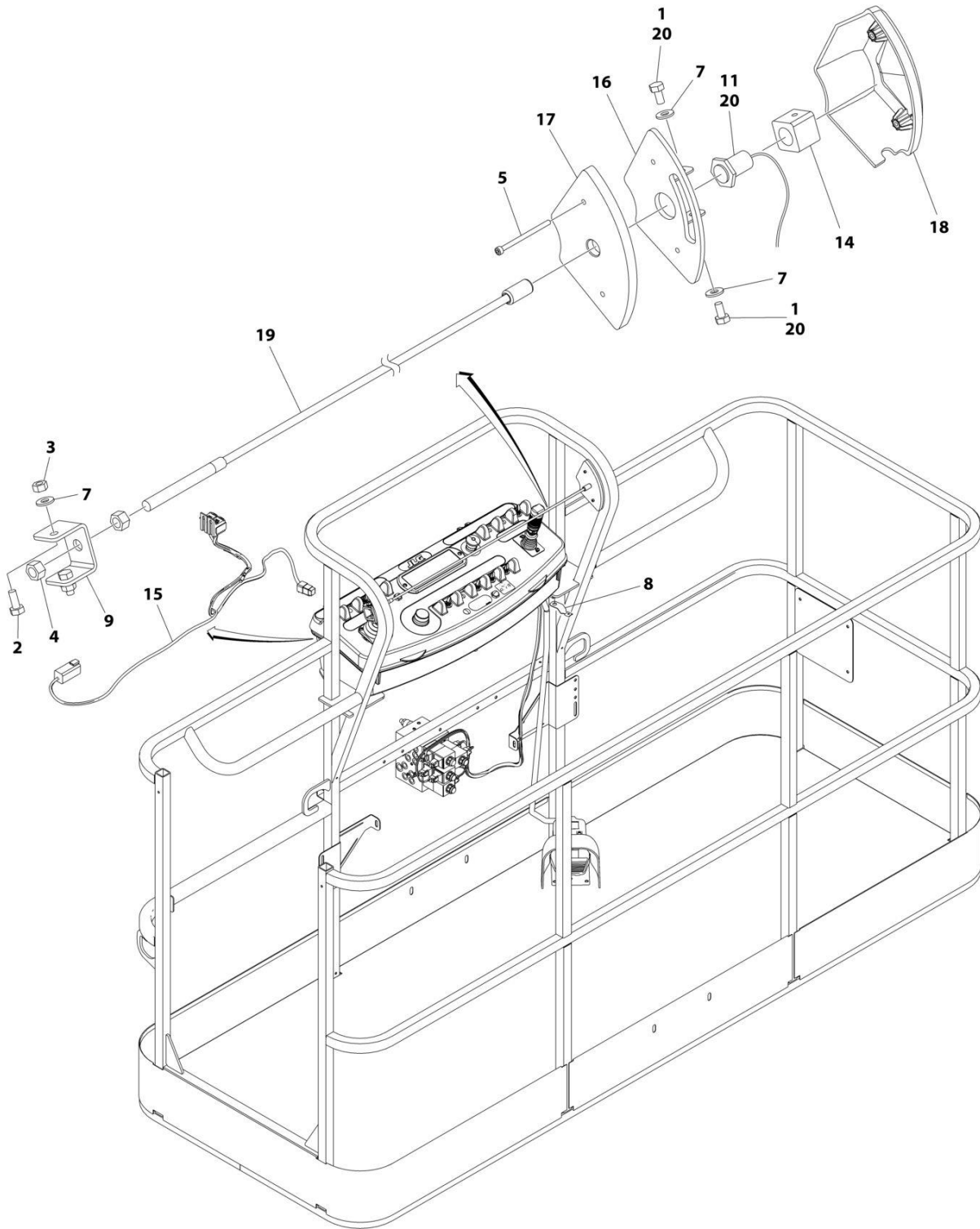
SECTION 5 - PLATFORM

FIGURE 5-27. SKYGLAZIER INSTALLATION (UK SPECS)

ITEM	PART NUMBER	QTY	DESCRIPTION	REV
	1001225246	Ref	SKYGLAZIER INSTALLATION	A
1	0273404	1	Tray Assembly (See Items 101-110 for Breakdown)	
2	0642012	2	Bolt 5/8 x 1-1/2	
3	0642212	4	Bolt 3/4 x 1-1/2	
4	2902212	1	Bumpers and Strap Kit	
4	0940102	1	Bumper Only	
4	4240149	1	Strap Only	
5	3312005	4	Nut 3/4	
6	3312205	4	Nut 3/4	
7	4420014	AR	Tape	
8	4712000	6	Washer 5/8	
9	4712200	8	Washer 3/4	
10	8310129	2	Bolt 5/8 x 2-1/2	
11	1001099366	1	Support	
12	1001099367	1	Support	
	0273404	Ref	TRAY ASSEMBLY	F
101	0100081	AR	Adhesive	
102	1120555	2	Cap, Tube	
103	3340956	1	Pad Kit	
104	3460334	1	Tube	
105	3520071	2	Plug	
106	4420066	AR	Tape, Double Sided	
108	See Note	NSS	Nameplate - Serial Number (Note: Not Available for Purchase)	
109	1001163295	2	Decal - Glazier Capacity	
110	1701509	1	Decal - Manual	
	0272418	Ref	SKYGLAZIER DECAL INSTALLATION	4
201	1705358	2	Decal - SkyGlazier	

SECTION 5 - PLATFORM

FIGURE 5-28. SKYLINE INSTALLATION



ART_1001238559_D

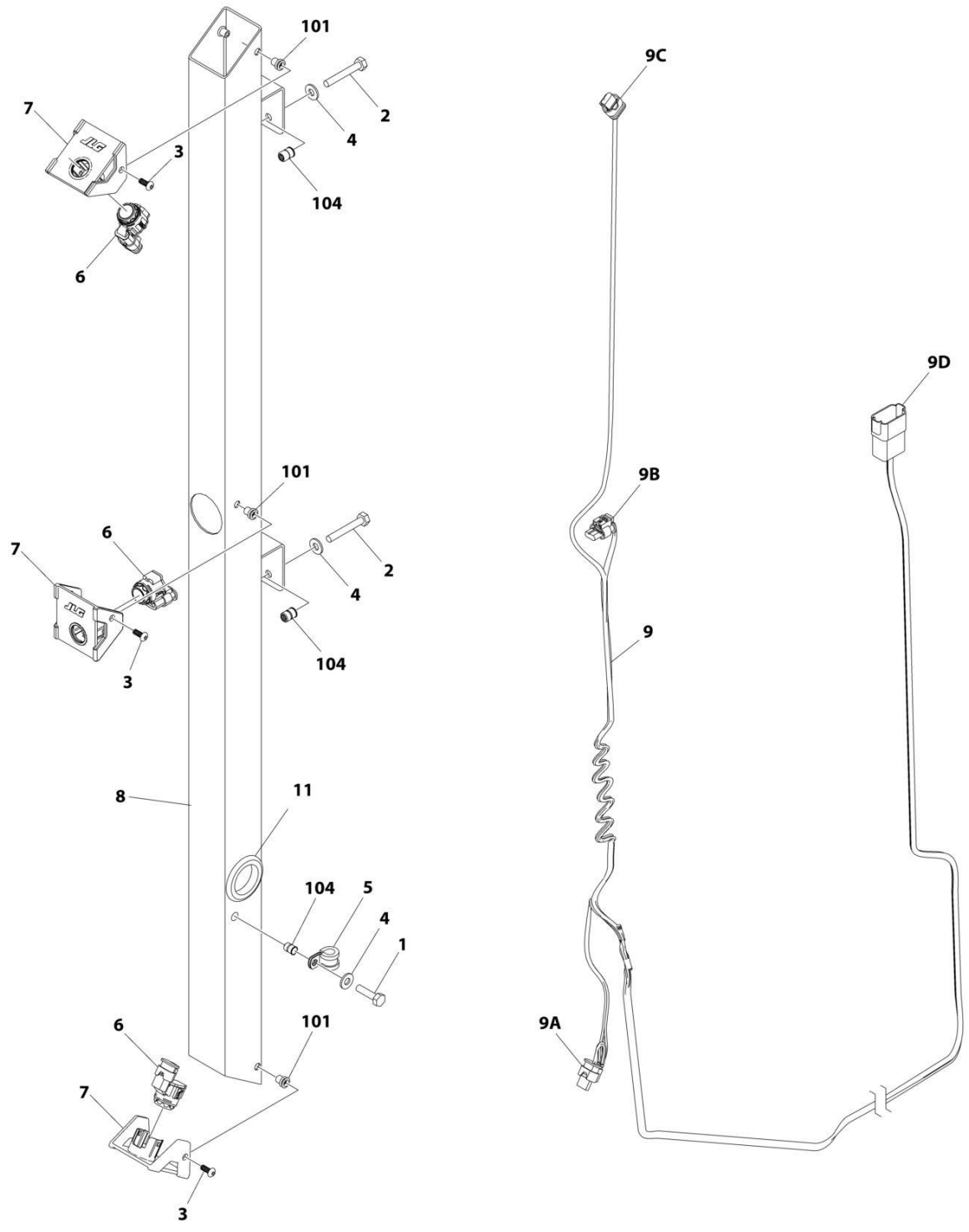
SECTION 5 - PLATFORM

FIGURE 5-28. SKYLINE INSTALLATION

ITEM	PART NUMBER	QTY	DESCRIPTION	REV
	1001238559	Ref	SKYLINE INSTALLATION	D
1	0641404	2	Bolt 1/4 x 1/2	
2	0641405	2	Bolt 1/4 x 5/8	
3	3311405	2	Nut 1/4	
4	3311601	2	Nut 3/8	
5	4031516	2	Capscrew M4 x 60	
6	4240033	AR	Tie-Strap (Not Shown)	
7	4711400	4	Washer 1/4	
8	1001120328	1	Mount	
9	1001232642	1	Bracket	
11	1001232667	1	Sensor, Proximity	
11	1001311034	1	Sensor, Proximity	
14	1001236552	1	Block	
15	1001238418	1	Harness, Skyline (See Separate Breakdown in ELECTRICAL Section)	
16	1001238472	1	Mount	
17	1001254473	1	Housing, LH	
18	1001241965	1	Housing, RH	
19	1001254472	1	Rod	
20	0100011	AR	Compound, Locking	

SECTION 5 - PLATFORM

FIGURE 5-29. SKYSENSE MID TUBE SENSOR ASSEMBLY



ART_1001243205

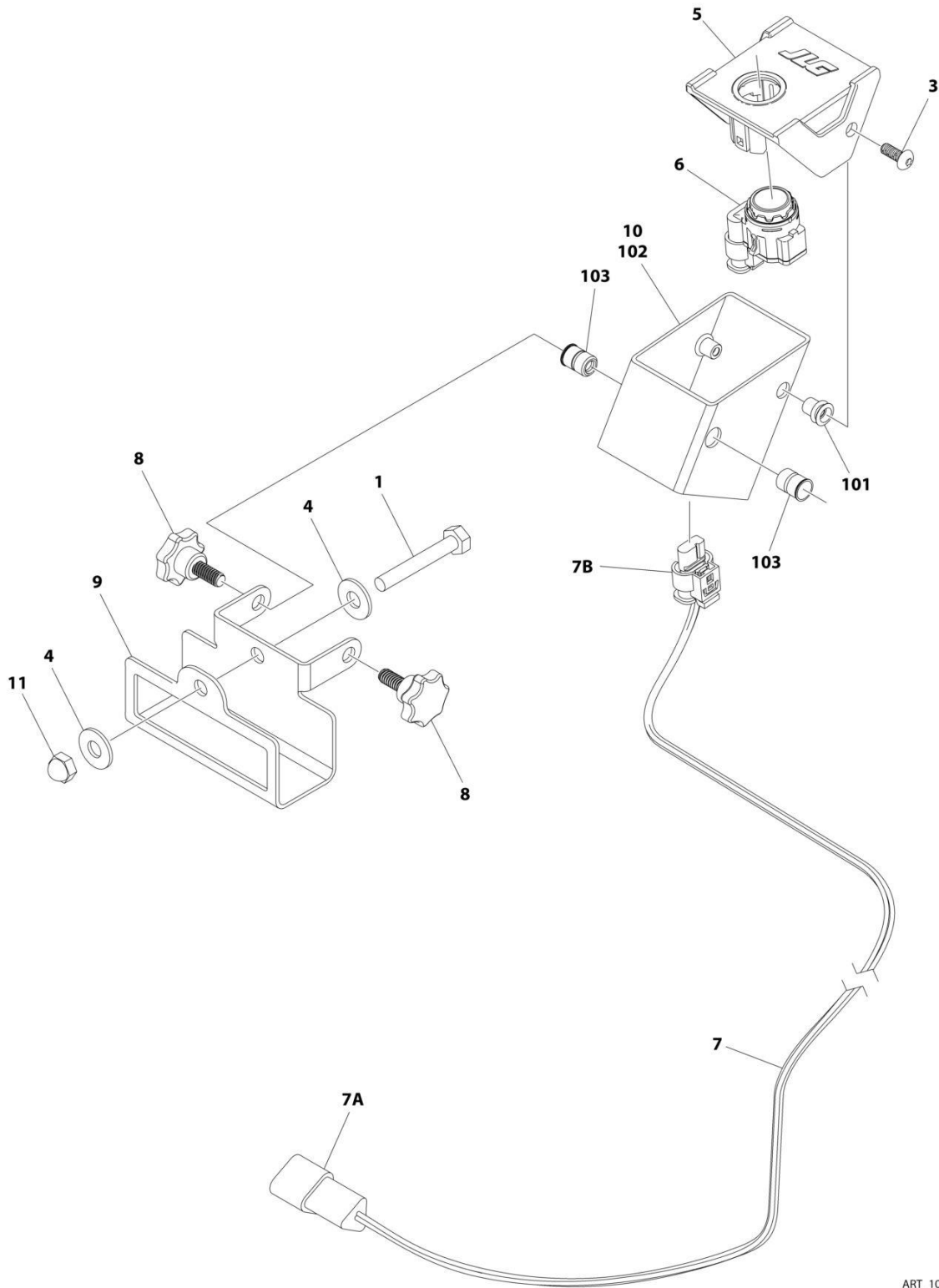
SECTION 5 - PLATFORM

FIGURE 5-29. SKYSENSE MID TUBE SENSOR ASSEMBLY

ITEM	PART NUMBER	QTY	DESCRIPTION	REV
	1001243205	Ref	SKYSENSE MID TUBE SENSOR ASSEMBLY	C
1	0641408	1	Bolt 1/4 x 1	
2	0641414	2	Bolt 1/4 x 1-3/4	
3	1001260525	6	Screw #10 x 1/2	
4	4711400	3	Washer 1/4	
5	1001260524	1	Clamp	
6	1001237902	3	Sensor, SkySense	
7	1001241162	3	Mount, Sensor	
8	1001243092	1	Tube Assembly (Includes items 101 through 104)	C
9	1001244336	1	Harness, SkySense Mid Tube	D
9A	1001237898	1	Connector	
9A	1001237888	3	Terminal	
9B	1001237898	1	Connector	
9B	1001237888	3	Terminal	
9C	1001237898	1	Connector	
9C	1001237888	3	Terminal	
9D	4460931	1	Connector	
9D	4460943	7	Pin	
9D	4460466	1	Plug	
10	1001246389	1	Decal (Not Shown)	
11	1001247252	1	Grommet	
101	2080069	6	Fastener	
104	1001258730	3	Rivnut	

SECTION 5 - PLATFORM

FIGURE 5-30. SKYSENSE OVERHEAD SENSOR ASSEMBLY



ART_1001244733

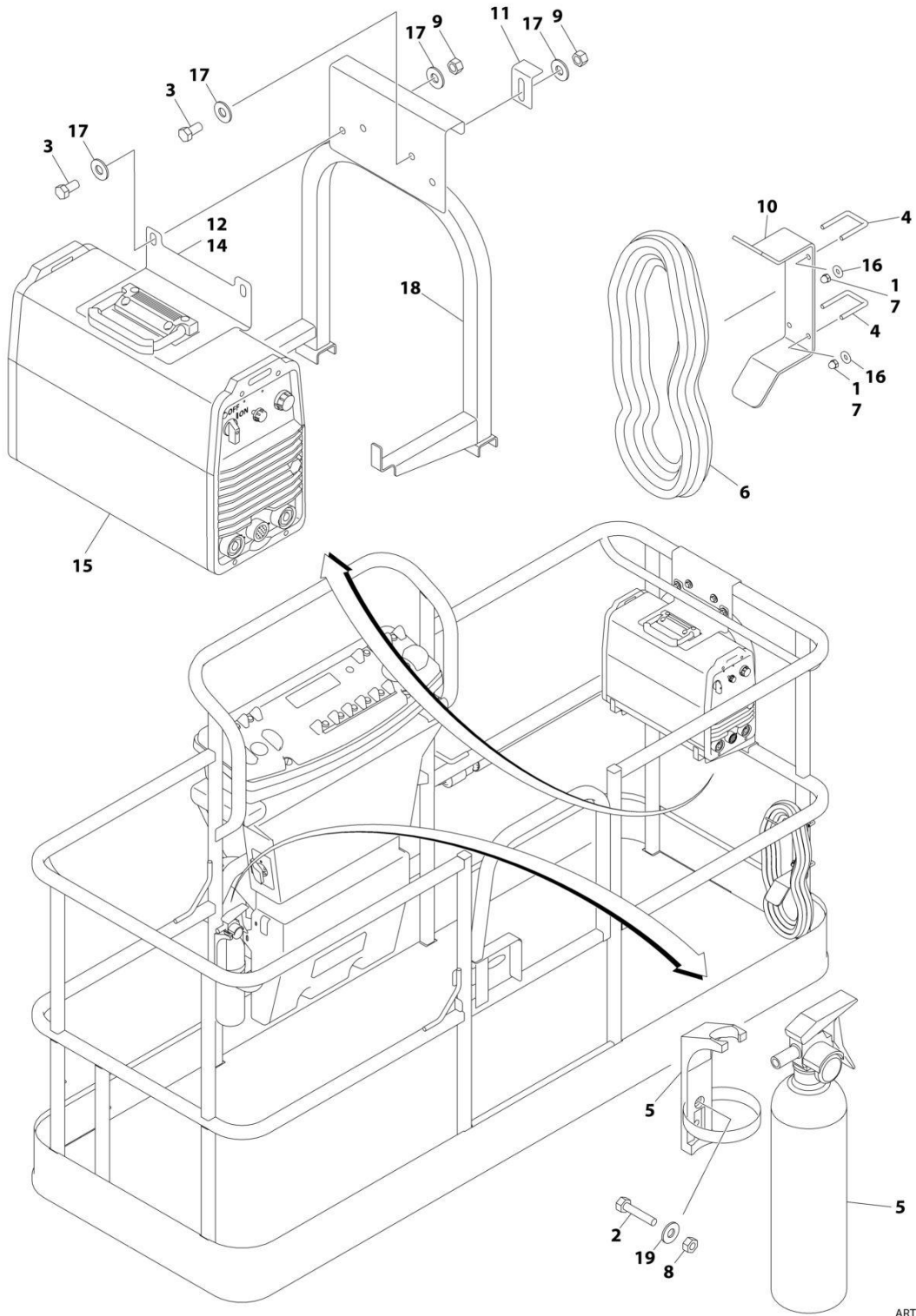
SECTION 5 - PLATFORM

FIGURE 5-30. SKYSENSE OVERHEAD SENSOR ASSEMBLY

ITEM	PART NUMBER	QTY	DESCRIPTION	REV
	1001244733	Ref	SKYSENSE OVERHEAD SENSOR ASSEMBLY	D
1	0641414	1	Bolt 1/4 x 1-3/4	
3	1001260525	2	Screw #10 x 1/2	
4	4751400	2	Washer 1/4	
5	1001237891	1	Mount, Sensor	
6	1001237902	1	Sensor, SkySense	
7	1001244335	1	Harness, SkySense Overhead	D
7A	4460536	1	Connector	
7A	4460943	3	Pin	
7B	1001237898	1	Connector	
7B	1001237888	1	Terminal	
8	1001244671	2	Knob	
9	1001244709	1	Bracket, Mounting	
10	1001244732	1	Housing Assembly (Includes items 101 through 103)	B
11	3300430	1	Nut	
101	2080069	2	Fastener	
102	1001244710	1	Housing, Sensor	
103	1001258730	2	Rivnut	

SECTION 5 - PLATFORM

FIGURE 5-31. SKYWELDER INSTALLATION (50HZ)



ART_0272521_F

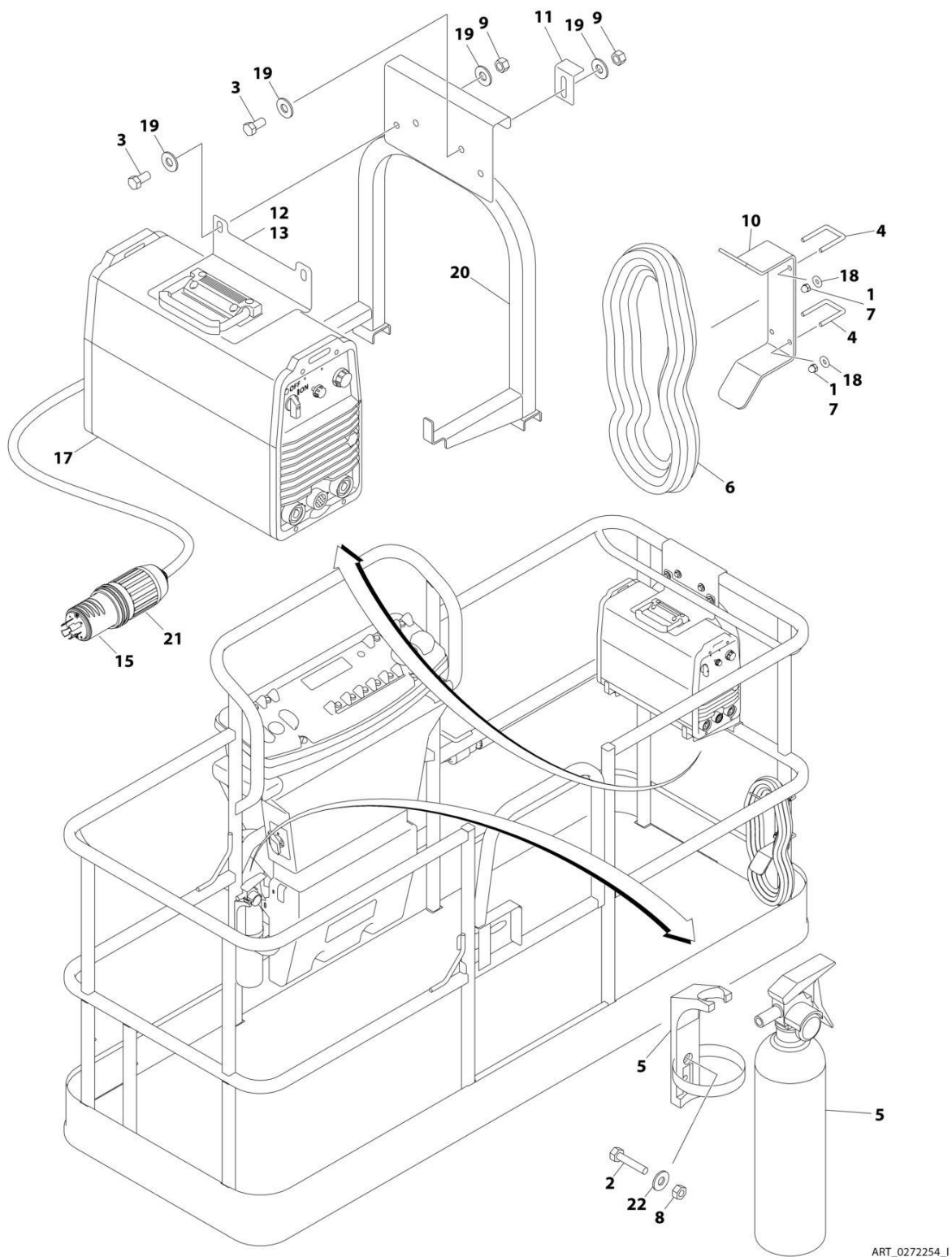
SECTION 5 - PLATFORM

FIGURE 5-31. SKYWELDER INSTALLATION (50HZ)

ITEM	PART NUMBER	QTY	DESCRIPTION	REV
	0272521	Ref	SKYWELDER INSTALLATION	F
1	0100011	AR	Compound, Locking	
2	0630518	2	Screw #10 x 3/4	
3	0641606	4	Bolt 3/8 x 3/4	
4	1320302	2	U-Clamp	
5	2030010	1	Extinguisher, Fire	
6	2902217	1	Weld Leads Kit	
7	3300151	4	Nut 1/4	
8	3311005	2	Nut #10	
9	3311605	4	Nut 3/8	
10	3573400	1	Bracket	
11	3577121	2	Angle	
12	3573642	1	Plate	
13	4240099	AR	Tie-Strap (Not Shown)	
14	4420037	AR	Tape	
15	4530028	1	Welder Assembly (See Separate Breakdown in this Section)	
16	4751400	4	Washer 1/4	
17	4751600	8	Washer 3/8	
18	4846627	1	Support	
19	4751000	2	Washer #10	

SECTION 5 - PLATFORM

FIGURE 5-32. SKYWELDER INSTALLATION (60HZ)



ART_0272254_I

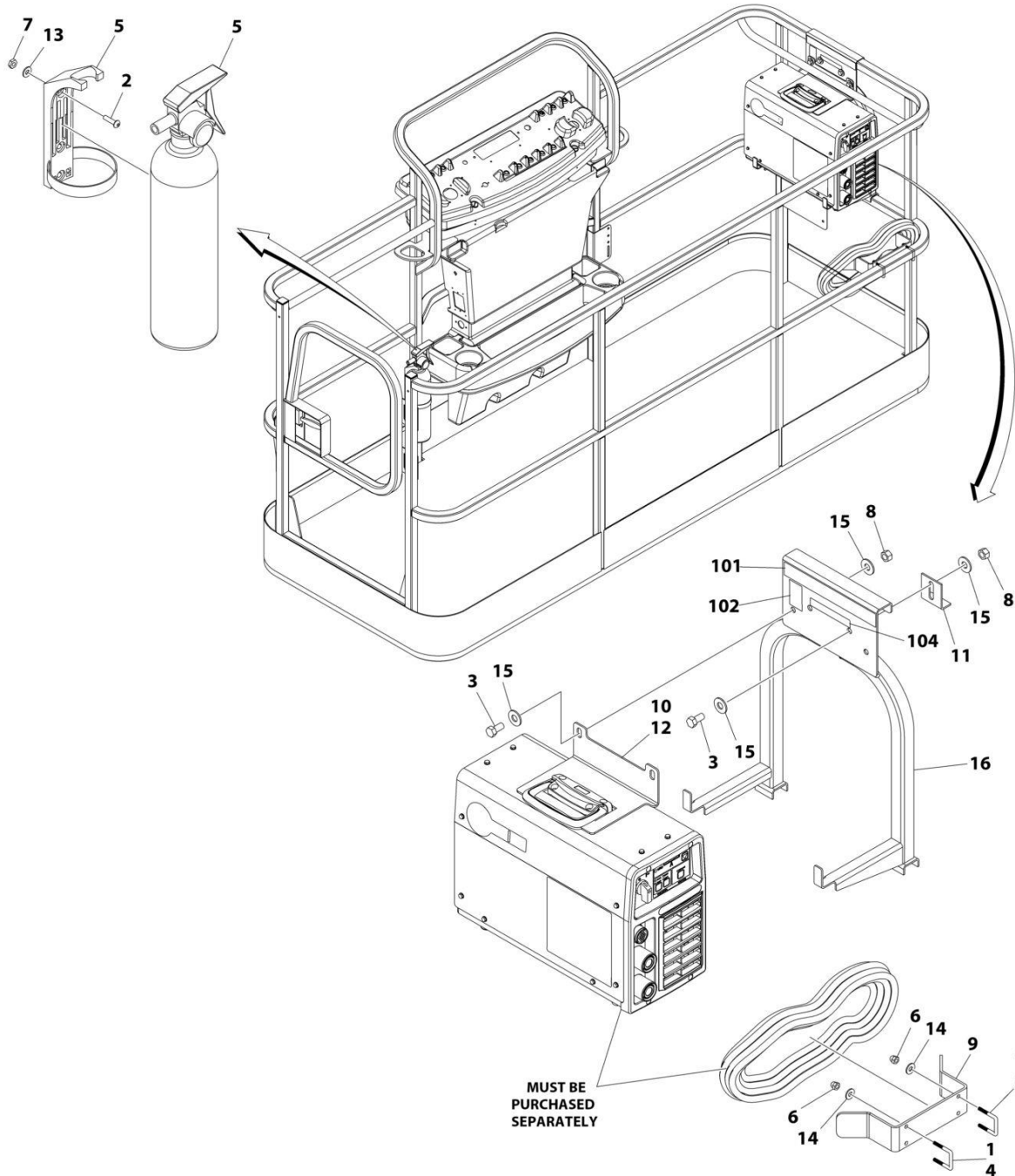
SECTION 5 - PLATFORM

FIGURE 5-32. SKYWELDER INSTALLATION (60HZ)

ITEM	PART NUMBER	QTY	DESCRIPTION	REV
	0272254	Ref	SKYWELDER INSTALLATION	1
1	0100011	AR	Compound, Locking	
2	0630518	2	Screw #10 x 3/4	
3	0641606	4	Bolt 3/8 x 3/4	
4	1320302	2	U-Clamp	
5	2030010	1	Extinguisher, Fire	
6	2902217	1	Weld Leads Kit	
7	3300151	4	Nut 1/4	
8	3311005	2	Nut #10	
9	3311605	4	Nut 3/8	
10	3573400	1	Bracket	
11	3577121	2	Angle	
12	3573642	1	Plate	
13	4420037	AR	Tape	
14	4240099	AR	Tie-Strap (Not Shown)	
15	4460962	1	Plug, Male Twistlock	
17	4530028	1	Welder Assembly (See Separate Breakdown in this Section)	
18	4751400	4	Washer 1/4	
19	4751600	8	Washer 3/8	
20	4846627	1	Support	
21	1671093	1	Cover, Plug	
22	4751000	2	Washer #10	

SECTION 5 - PLATFORM

FIGURE 5-33. SKYWELDER PREP PACKAGE (60HZ)



ART_1001128527_C

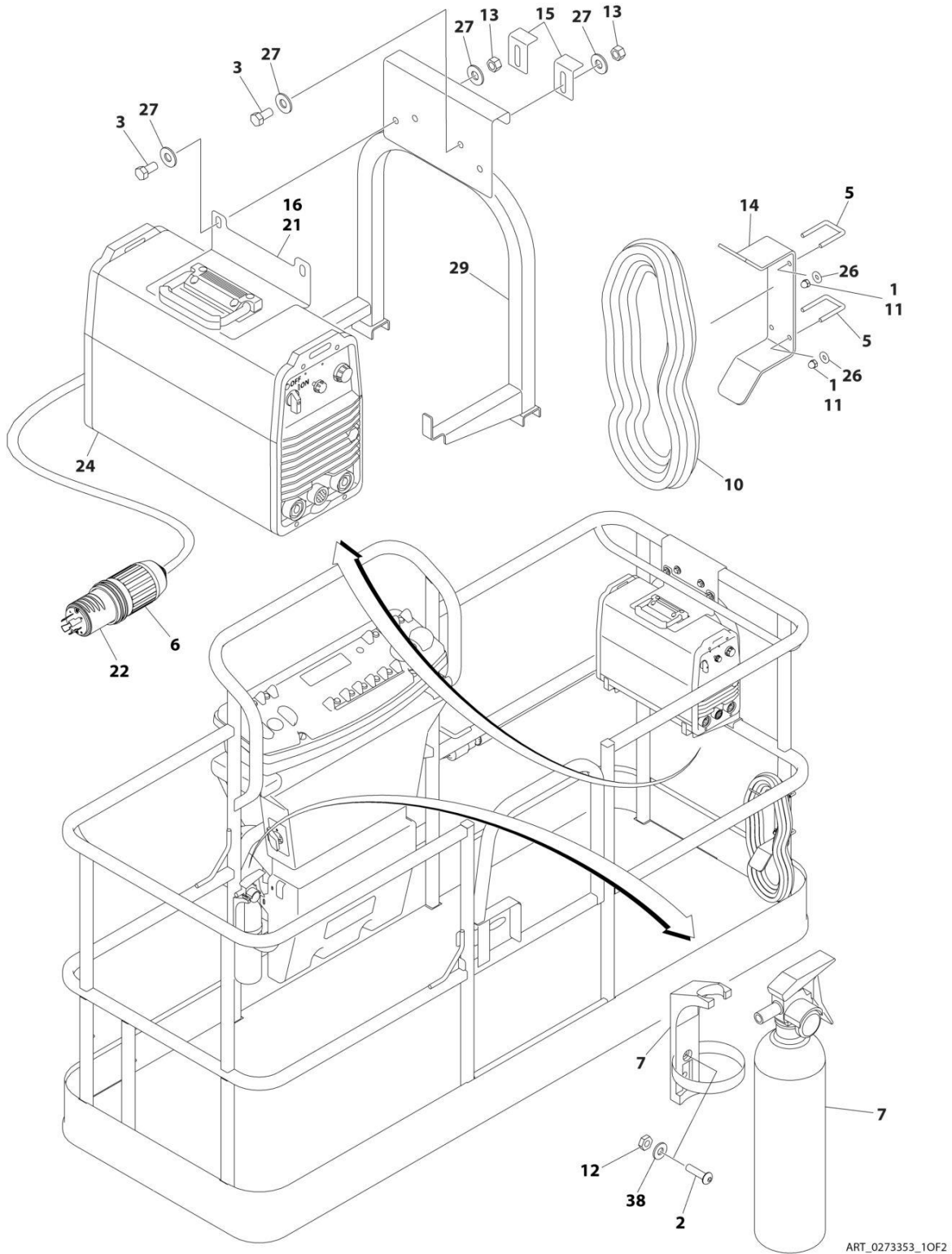
SECTION 5 - PLATFORM

FIGURE 5-33. SKYWELDER PREP PACKAGE (60HZ)

ITEM	PART NUMBER	QTY	DESCRIPTION	REV
	1001128527	Ref	SKYWELDER PREP PACKAGE	C
1	0100011	AR	Compound, Locking	
2	0630518	2	Screw #10 x 3/4	
3	0641606	4	Bolt 3/8 x 3/4	
4	1320302	2	U-Clamp	
5	2030010	1	Extinguisher, Fire	
6	3300151	4	Nut 1/4	
7	3311005	2	Nut #10	
8	3311605	4	Nut 3/8	
9	3573400	1	Bracket	
10	1001269573	1	Plate	
11	3577121	2	Angle	
12	4420037	AR	Tape	
13	4751000	2	Washer #10	
14	4751400	4	Washer 1/4	
15	4751600	8	Washer 3/8	
16	1001269322	1	Support	
	1001128556	Ref	SKYWELDER DECAL INSTALLATION	D
101	1702868	1	Decal - No Hands	
102	1705305	1	Decal - Weld Lead	
104	1001228988	1	Decal - Weight	

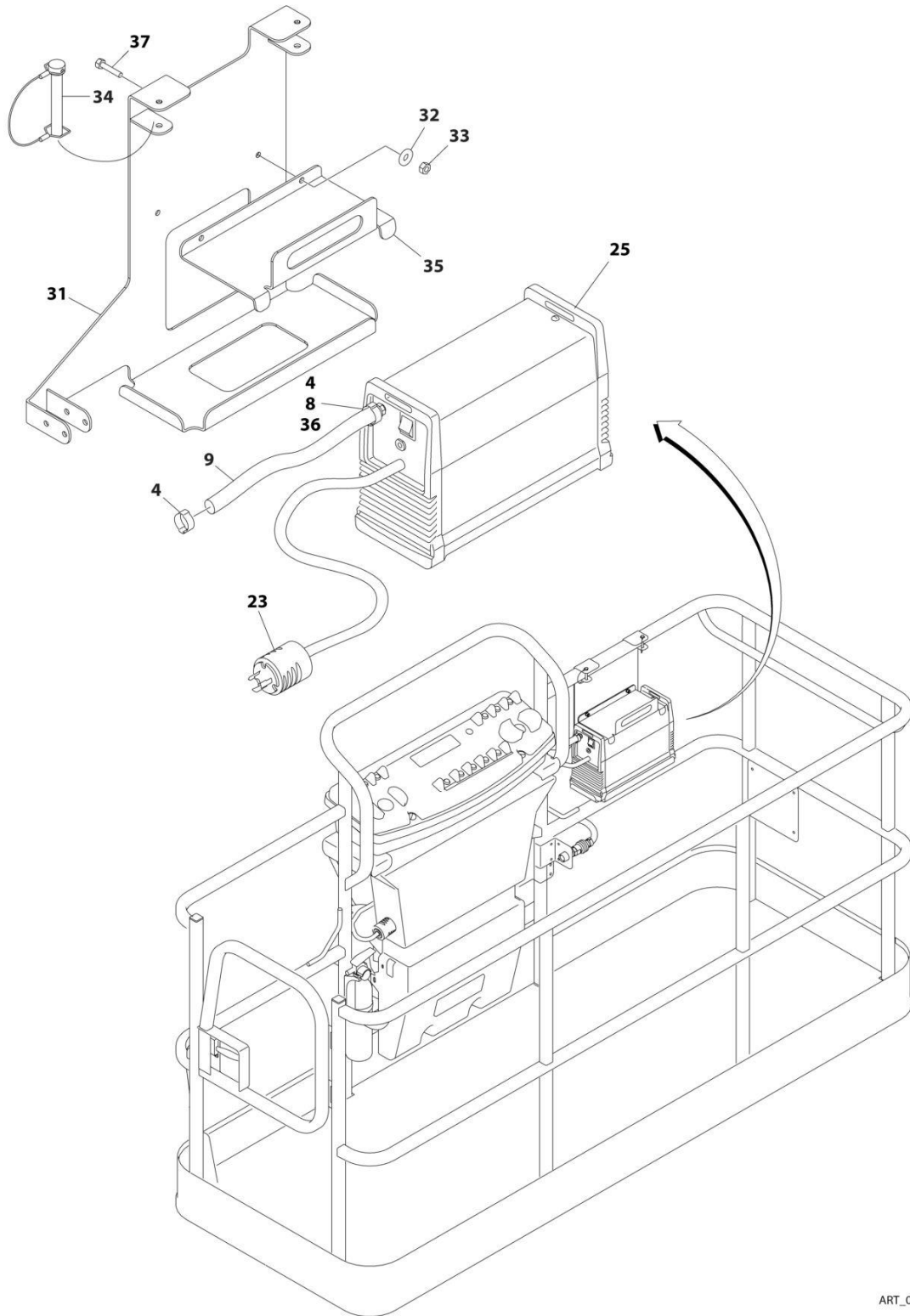
SECTION 5 - PLATFORM

FIGURE 5-34. SKYWELDER/SKYCUTTER COMBO INSTALLATION (60HZ) (ANSI, ANSI EXPORT, CHINA, CSA & JAPANESE SPECS)



ART_0273353_10F2

SECTION 5 - PLATFORM



ART_0273353_20F2

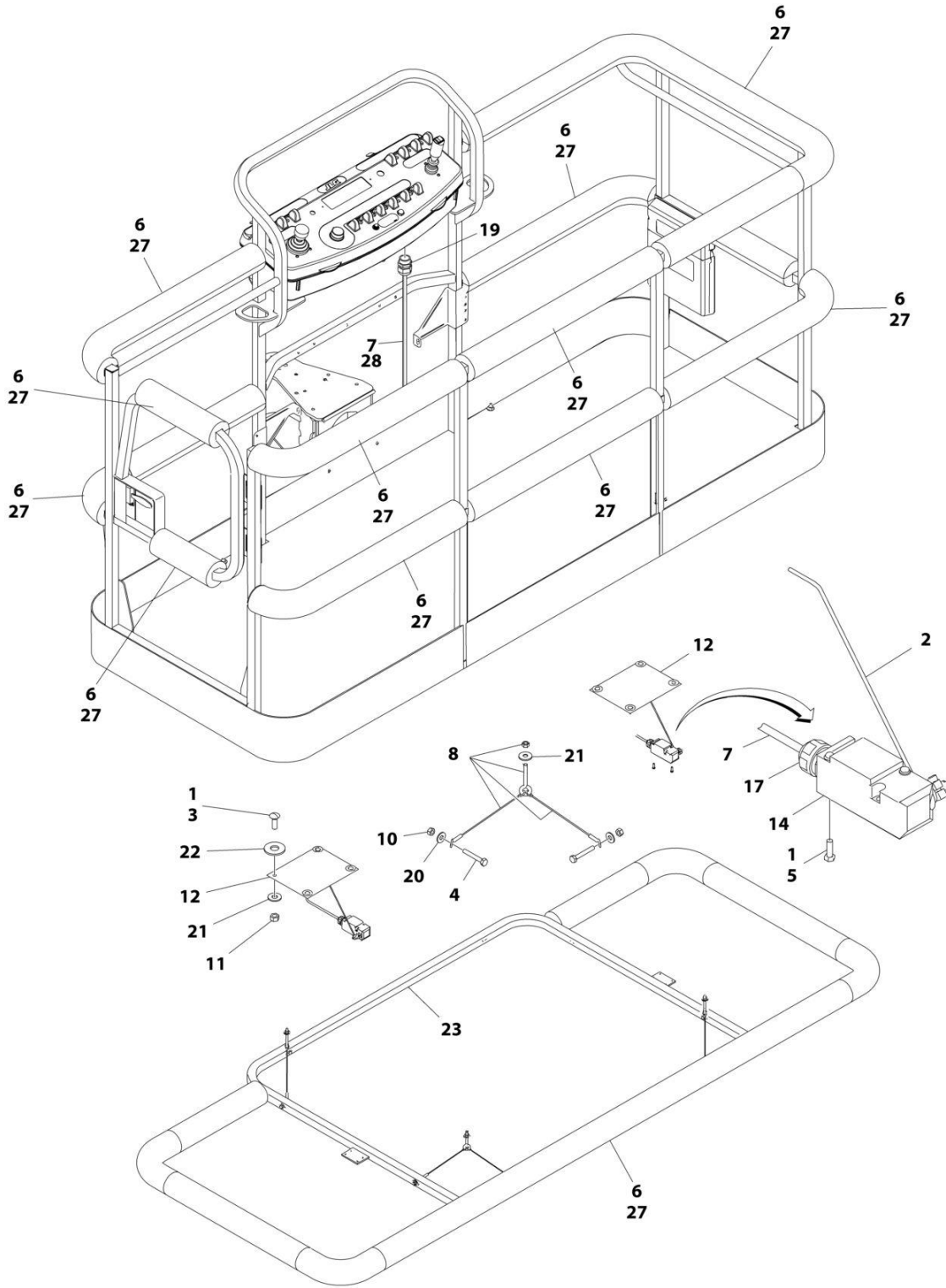
SECTION 5 - PLATFORM

FIGURE 5-34. SKYWELDER/SKYCUTTER COMBO INSTALLATION (60HZ) (ANSI, ANSI EXPORT, CHINA, CSA & JAPANESE SPECS)

ITEM	PART NUMBER	QTY	DESCRIPTION	REV
	0273353	Ref	SKYWELDER/SKYCUTTER COMBO INSTALLATION (60HZ)	G
1	0100011	AR	Compound, Locking	
2	0630518	2	Screw #10 x 3/4	
3	0641606	4	Bolt 3/8 x 3/4	
4	1320177	2	Clamp	
5	1320302	2	Clamp	
6	1671093	1	Cover, Plug	
7	2030010	1	Extinguisher, Fire	
8	2180832	1	Fitting, Barbed/NPT	
9	2720160	4.5 ft /1.37m	Hose	
10	2902217	1	Weld Leads Kit	
11	3300151	4	Nut 1/4	
12	3311005	2	Nut #10	
13	3311605	4	Nut 3/8	
14	3573400	1	Bracket	
15	3577121	2	Angle	
16	3573642	1	Plate	
20	4240099	AR	Tie-Strap (Not Shown)	
21	4420037	2.36 ft /.71m	Tape	
22	4460962	1	Plug, Twist Lock	
23	4460971	1	Plug, Twist Lock	
24	4530028	1	Welder Assembly (See Separate Breakdown in this section)	
25	1001098012	1	Plasma Cutter Assembly (See Separate Breakdown in this Section)	
26	4751400	4	Washer 1/4	
27	4751600	8	Washer 3/8	
29	4846627	1	Support	
31	1001145405	1	Bracket	
32	4811700	2	Washer M6	
33	3290605	2	Nut M6	
34	3421453	3	Pin	
35	3576799	1	Plate, Hold-Down	
36	0100020	1	Sealant	
37	4010608	2	Screw M6 x 16	
38	4751000	2	Washer #10	

SECTION 5 - PLATFORM

FIGURE 5-35. SOFT TOUCH INSTALLATION - 8FT (2.4M) PLATFORM (OPTIONAL)



ART_0272427_H

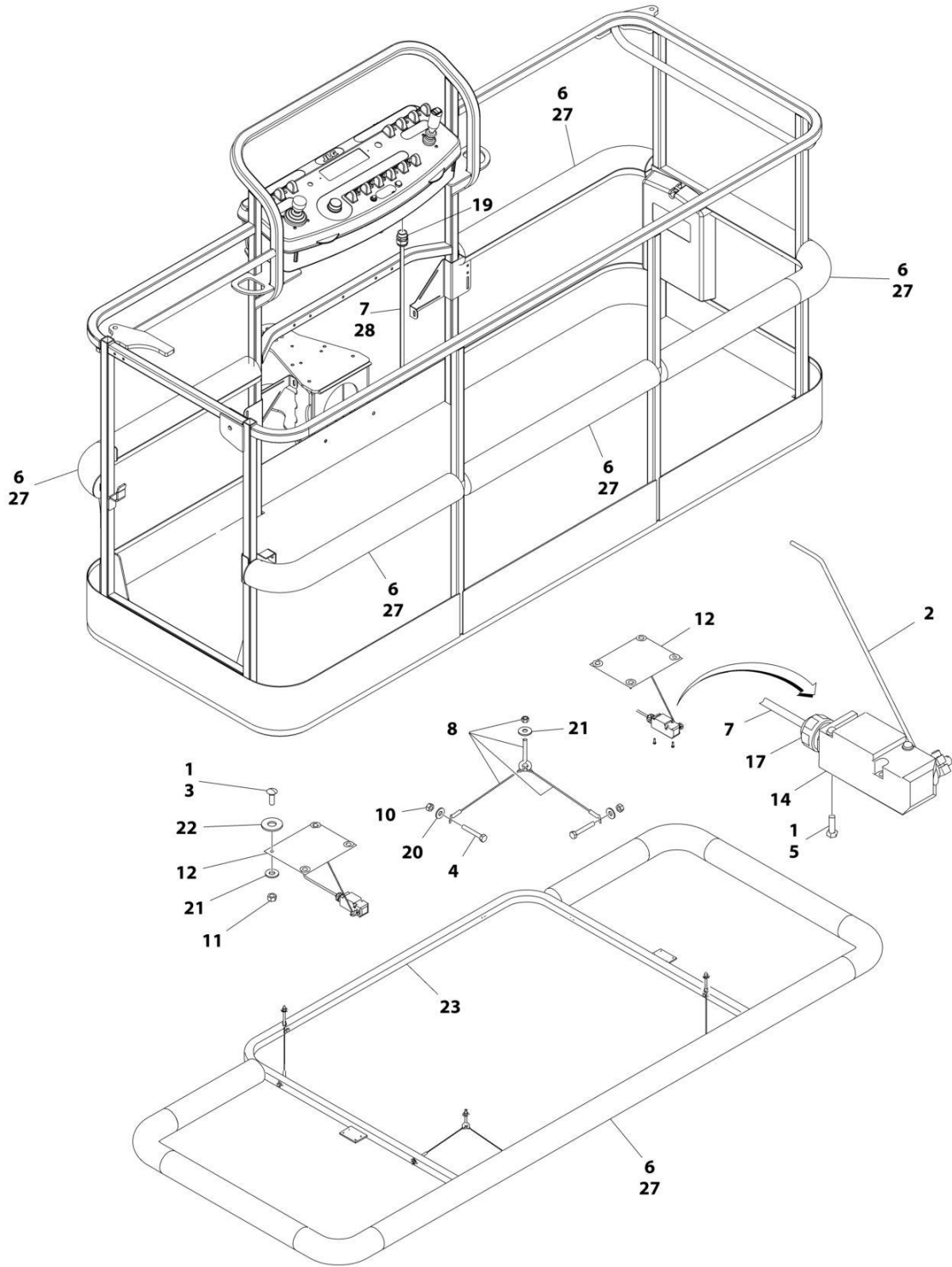
SECTION 5 - PLATFORM

FIGURE 5-35. SOFT TOUCH INSTALLATION - 8FT (2.4M) PLATFORM (OPTIONAL)

ITEM	PART NUMBER	QTY	DESCRIPTION	REV
	0272427	Ref	SOFT TOUCH INSTALLATION - 36IN X 8FT (91.5CM X 2.44M) PLATFORM	H
1	0100011	AR	Compound, Locking	
2	0200048	2	Arm, Switch	
3	0630462	8	Bolt	
4	0641414	8	Bolt 1/4 x 1-3/4	
5	0721005	4	Bolt #10 x 5/8	
6	0940103	1	Bumper Kit (Includes Corners and Enough Straight Material for One Platform)	
6	0940092	12	Bumper (Corner)	
6	0940094	AR	Bumper (12ft Length)	
7	1060341	23 ft/7m	Cable, Soft Touch - 16/2	
8	1060903	4	Wire Rope and Eyebolt Assembly	
10	3311401	8	Nut 1/4	
11	3311501	8	Nut 5/16	
12	3574091	2	Plate, Switch Strike	
13	4240099	7	Tie-Strap (Not Shown)	
14	4360057	2	Switch, Limit	
17	4460049	2	Connector, Strain Relief	
18	4460234	7	Tie-Strap (Not Shown)	
19	4460425	1	Connector, Strain Relief	
20	4751400	8	Washer 1/4	
21	4751500	12	Washer 5/16	
22	4751800	8	Washer 1/2	
23	4846673	1	Rail, Soft Touch	
27	1001197017	AR	Tie-Strap	
28	4460226	1	Socket	

SECTION 5 - PLATFORM

FIGURE 5-36. SOFT TOUCH INSTALLATION - 8FT (2.4M) FALL ARREST PLATFORM (OPTIONAL)



ART_0273706_E

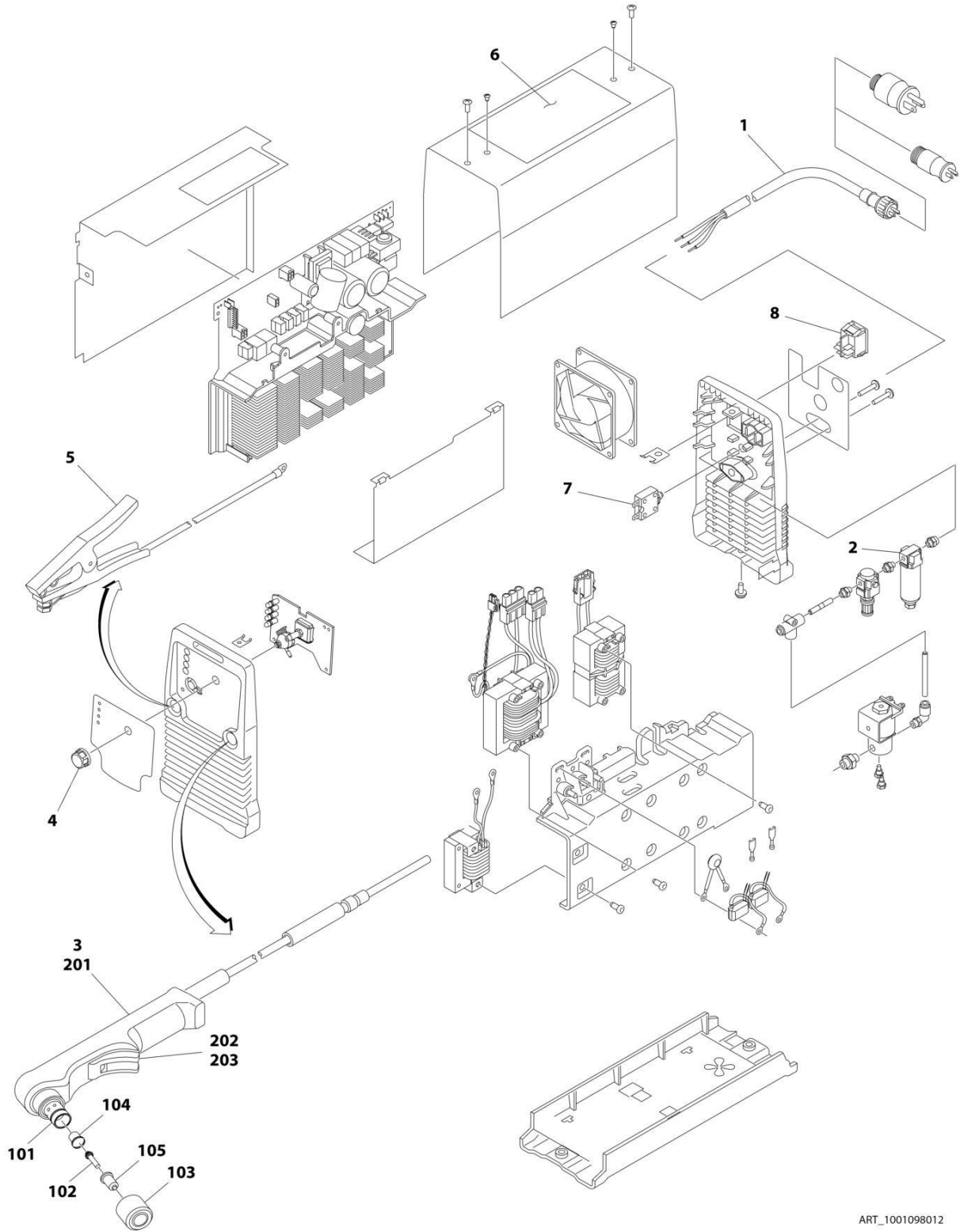
SECTION 5 - PLATFORM

FIGURE 5-36. SOFT TOUCH INSTALLATION - 8FT (2.4M) FALL ARREST PLATFORM (OPTIONAL)

ITEM	PART NUMBER	QTY	DESCRIPTION	REV
	0273706	Ref	SOFT TOUCH INSTALLATION	E
1	0100011	AR	Compound, Locking	
2	0200048	2	Arm, Switch	
3	0630462	8	Bolt	
4	0641414	8	Bolt 1/4 x 1-3/4	
5	0721005	4	Bolt #10 x 5/8	
6	0940133	1	Bumper Kit (Includes Corners and Enough Straight Material for One Platform)	
6	0940092	8	Bumper (Corner)	
6	0940094	AR	Bumper (12ft Length)	
7	1060341	23 ft/7m	Cable, Soft Touch - 16/2	
8	1060903	4	Wire Rope and Eyebolt Assembly	
10	3311401	8	Nut 1/4	
11	3311501	8	Nut 5/16	
12	3574091	2	Plate, Switch Strike	
13	4240099	7	Tie-Strap (Not Shown)	
14	4360057	2	Switch, Limit	
17	4460049	2	Connector, Strain Relief	
18	4460234	7	Tie-Strap (Not Shown)	
19	4460425	1	Connector, Strain Relief	
20	4751400	8	Washer 1/4	
21	4751500	12	Washer 5/16	
22	4751800	8	Washer 1/2	
23	4846673	1	Rail, Soft Touch	
27	1001197017	AR	Tie-Strap	
28	4460226	4	Socket	

SECTION 5 - PLATFORM

FIGURE 5-37. PLASMA CUTTER ASSEMBLY



ART_1001098012

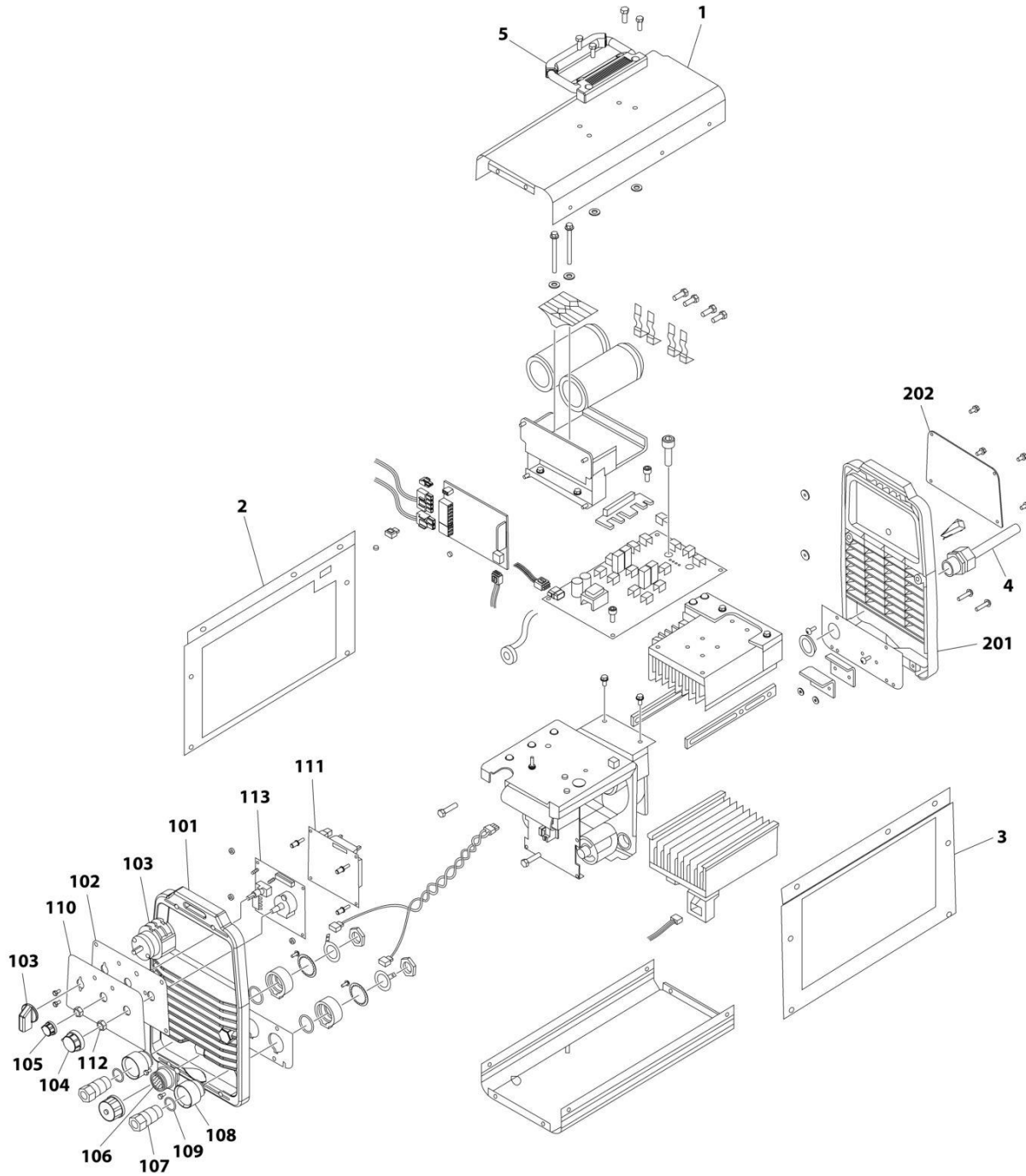
SECTION 5 - PLATFORM

FIGURE 5-37. PLASMA CUTTER ASSEMBLY

ITEM	PART NUMBER	QTY	DESCRIPTION	REV
	1001098012	Ref	PLASMA CUTTER ASSEMBLY	A
		Ref	Note: For Other Components, contact your Miller Welder Dealer.	
1	70001424	1	Cable, Power	
1	70001425	1	Decal - Voltage Warning	
2	70001427	1	Filter, Regulator	
3	70001428	1	Torch Assembly (See Items 101-203 for Breakdown)	
4	7024471	1	Knob	
5	70001429	1	Clamp with Cable	
6	70001430	1	Decal - Caution	
7	70001431	1	Breaker, Circuit	
8	70001432	1	Switch, Rocker	
	70001428	Ref	TORCH ASSEMBLY	
101	7024530	1	O-Ring	
102	7024531	1	Electrode	
103	7024532	1	Cup, Retaining	
104	7024533	1	Swirl Ring	
105	7024534	1	Tip	
201	7024535	1	Handle, Torch	
202	7024536	1	Switch	
203	7024537	1	Trigger	

SECTION 5 - PLATFORM

FIGURE 5-38. WELDER ASSEMBLY



ART_4530028

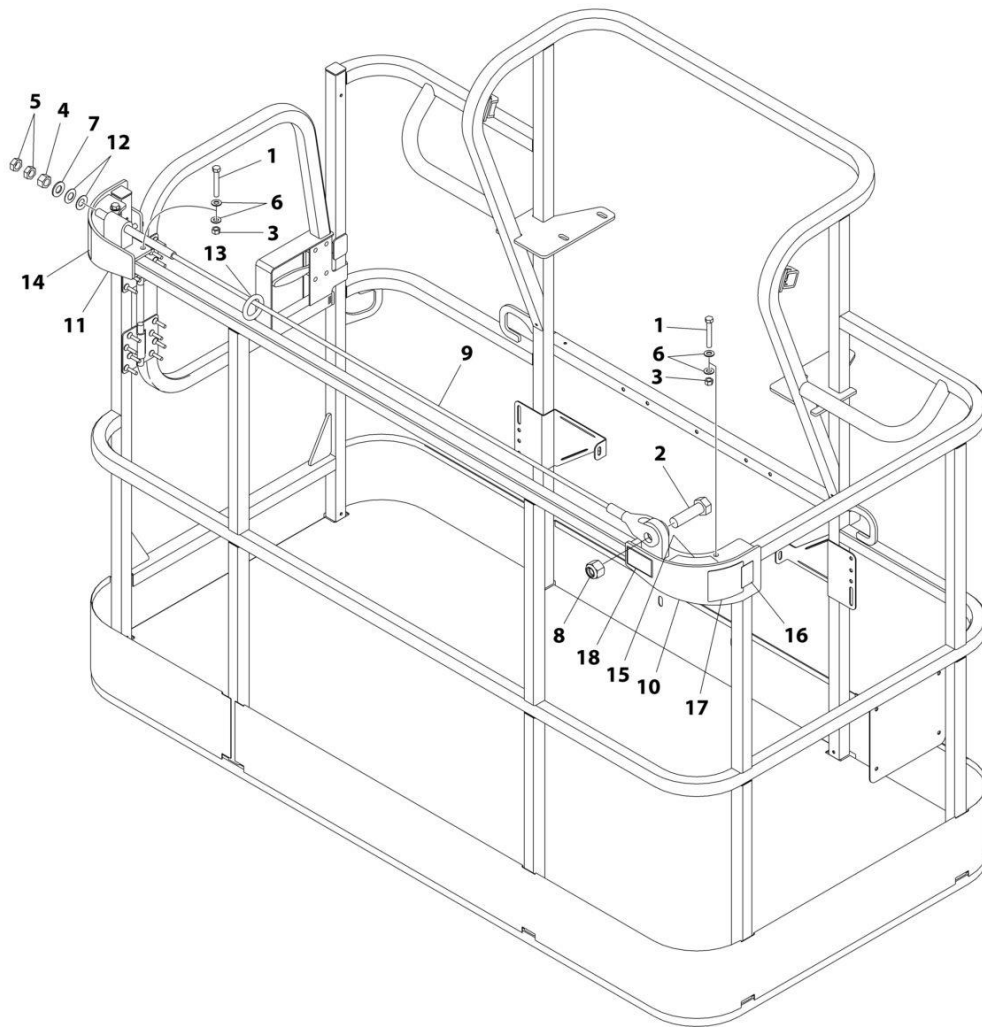
SECTION 5 - PLATFORM

FIGURE 5-38. WELDER ASSEMBLY

ITEM	PART NUMBER	QTY	DESCRIPTION	REV
	4530028	Ref	WELDER ASSEMBLY	B
		Ref	Note: For Other Components, contact your Miller Welder Dealer.	
1	7027773	1	Cover, Top	
1	7027774	1	Decal - Static Precautionary Warning	
2	See Note	NSS	Panel, LH Side (Note: Part of Item 1. Purchase Item 1)	
3	See Note	NSS	Panel, RH Side (Note: Part of Item 1. Purchase Item 1)	
4	7024467	1	Cable, Power	
4	7027775	1	Decal - Electrical Shock Warning (Not Shown)	
5	7027776	1	Handle, Carrying	
101	7024462	1	Panel, Front	
102	7024463	1	Panel, Console	
103	7024469	1	Switch with Lead	
104	7024470	1	Knob	
105	7024471	1	Knob	
106	7024472	1	Receptacle with Leads and Plugs	
107	7024473	2	Receptacle, Twistlock Female	
108	7024474	2	Insulator	
109	7024475	2	O-Ring	
110	7027777	1	Nameplate	
111	7027779	1	Circuit Card Assembly (Process Control)	
112	7024478	2	Nut	
113	7027778	1	Circuit Card Assembly (Operator Interface)	
201	7024462	1	Panel, Rear	
202	7027780	1	Panel, Cover	

SECTION 5 - PLATFORM

FIGURE 5-39. FALL ARREST INSTALLATION (BOLT - ON) (6FT/1.82M PLATFORM)



ART_1001236747

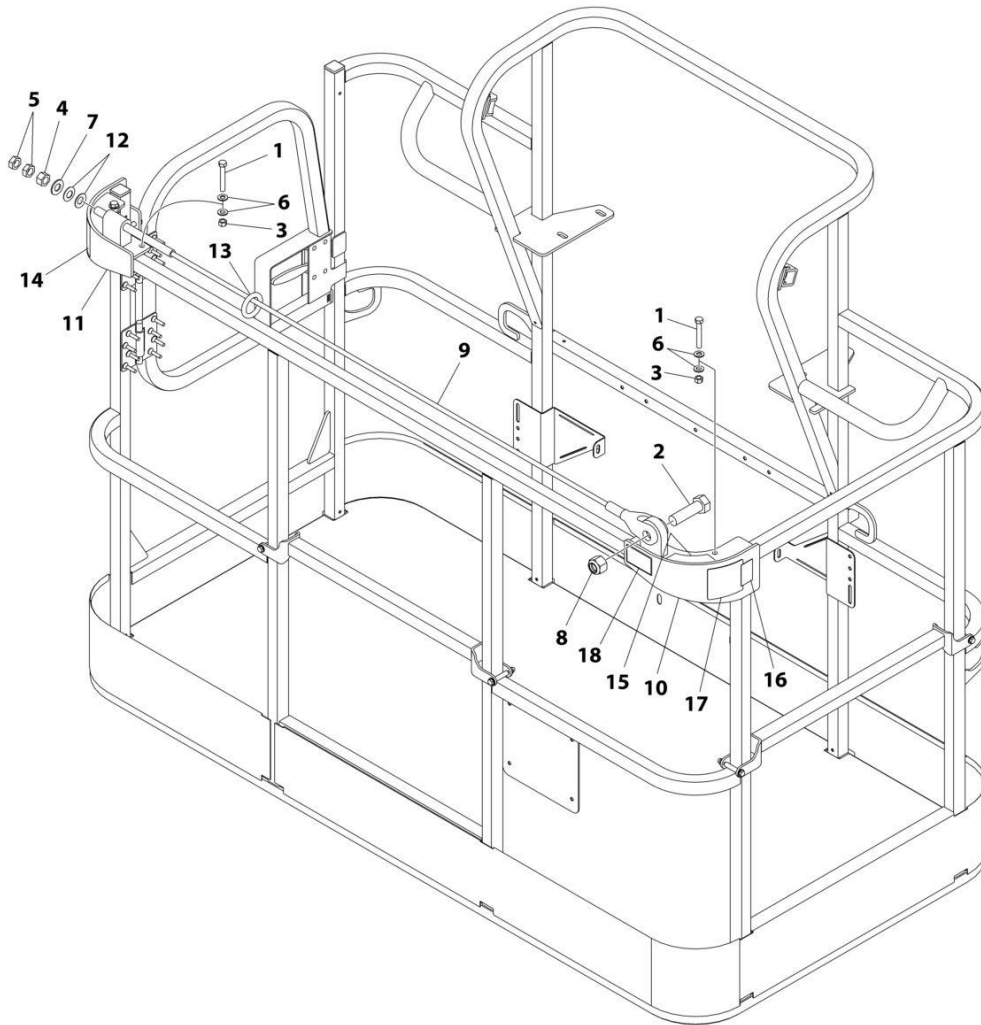
SECTION 5 - PLATFORM

FIGURE 5-39. FALL ARREST INSTALLATION (BOLT - ON) (6FT/1.82M PLATFORM)

ITEM	PART NUMBER	QTY	DESCRIPTION	REV
	1001236747	Ref	FALL ARREST INSTALLATION (BOLT - ON) 6FT/1.82M PLATFORM	C
1	0681620	6	Bolt 3/8 x 2-1/2	
2	0682424	1	Bolt 7/8 x 3	
3	3271605	6	Nut 3/8	
4	3272001	1	Nut 5/8	
5	3312002	2	Nut 5/8	
6	4711600	12	Washer 3/8	
7	4712000	1	Washer 5/8	
8	88521214	1	Nut 7/8	
9	1001231950	1	Rope	
10	1001232010	1	Bracket (RH)	
11	1001232011	1	Bracket (LH)	
12	1001236891	2	Washer	
13	1001236895	1	Ring	
14	1001238263	1	Decal - Warning Falling Hazard	
15	1001252629	1	Decal - Weight	
16	1001248140	1	Decal - Bolt Fall Arrest Re-Cert	
17	1001248141	1	Decal - Inscription	

SECTION 5 - PLATFORM

FIGURE 5-40. FALL ARREST INSTALLATION (BOLT-ON) (6FT/1.82M TRI-ENTRY PLATFORM)



ART_1001238463

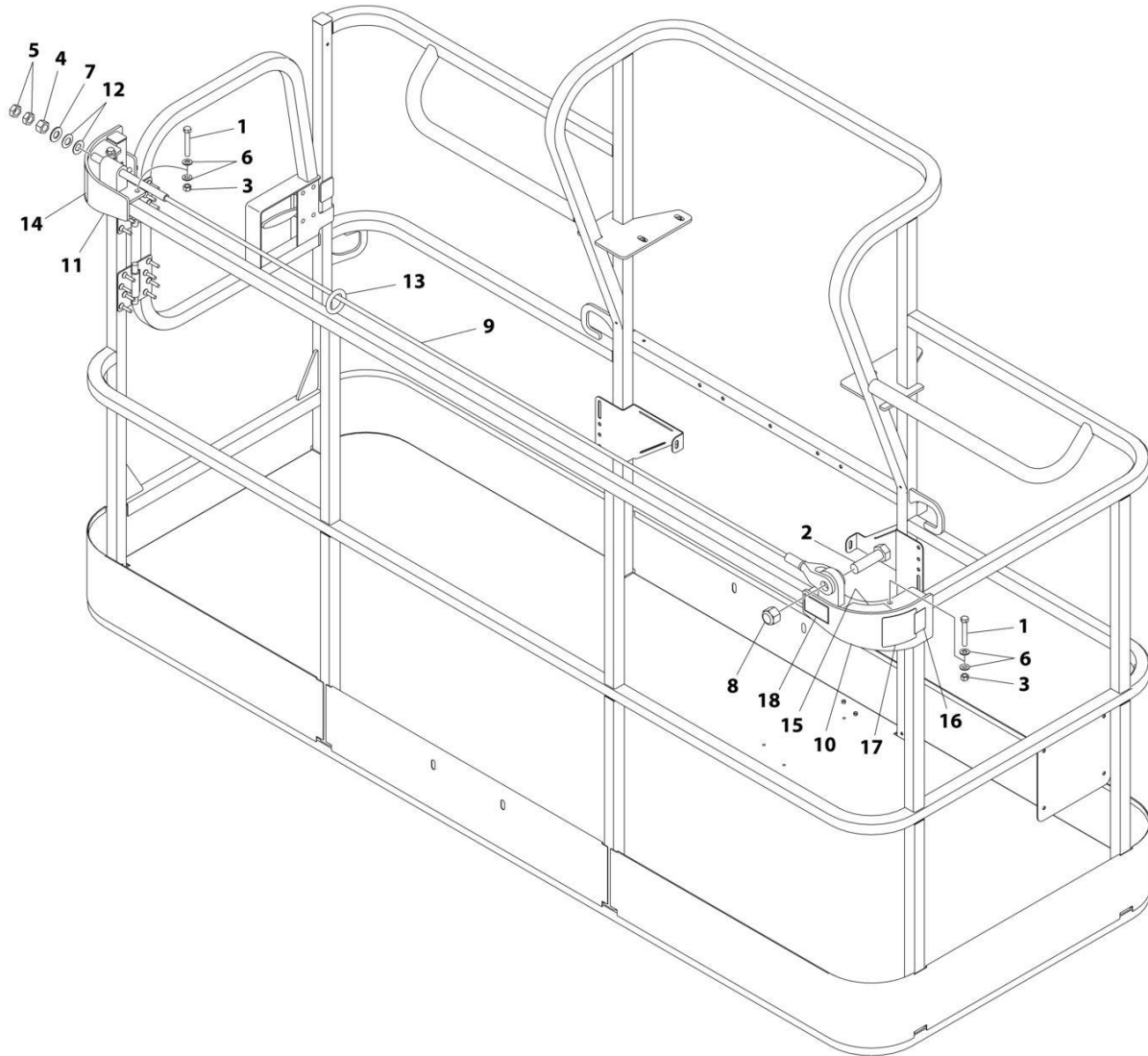
SECTION 5 - PLATFORM

FIGURE 5-40. FALL ARREST INSTALLATION (BOLT-ON) (6FT/1.82M TRI-ENTRY PLATFORM)

ITEM	PART NUMBER	QTY	DESCRIPTION	REV
	1001238463	Ref	FALL ARREST INSTALLATION (BOLT - ON) 6FT/1.82M PLATFORM	C
1	0681620	6	Bolt 3/8 x 2-1/2	
2	0682424	1	Bolt 7/8 x 3	
3	3271605	6	Nut 3/8	
4	3272001	1	Nut 5/8	
5	3312002	2	Nut 5/8	
6	4711600	12	Washer 3/8	
7	4712000	1	Washer 5/8	
8	88521214	1	Nut 7/8	
9	1001231950	1	Rope	
10	1001232010	1	Bracket (RH)	
11	1001232011	1	Bracket (LH)	
12	1001236891	2	Washer	
13	1001236895	1	Ring	
14	1001238263	1	Decal - Warning Falling Hazard	
15	1001252629	1	Decal - Weight	
16	1001248140	1	Decal - Bolt Fall Arrest Re-Cert	
17	1001248141	1	Decal - Inscription	

SECTION 5 - PLATFORM

FIGURE 5-41. FALL ARREST INSTALLATION (BOLT - ON) (8FT/2.4M PLATFORM)



ART_1001236746

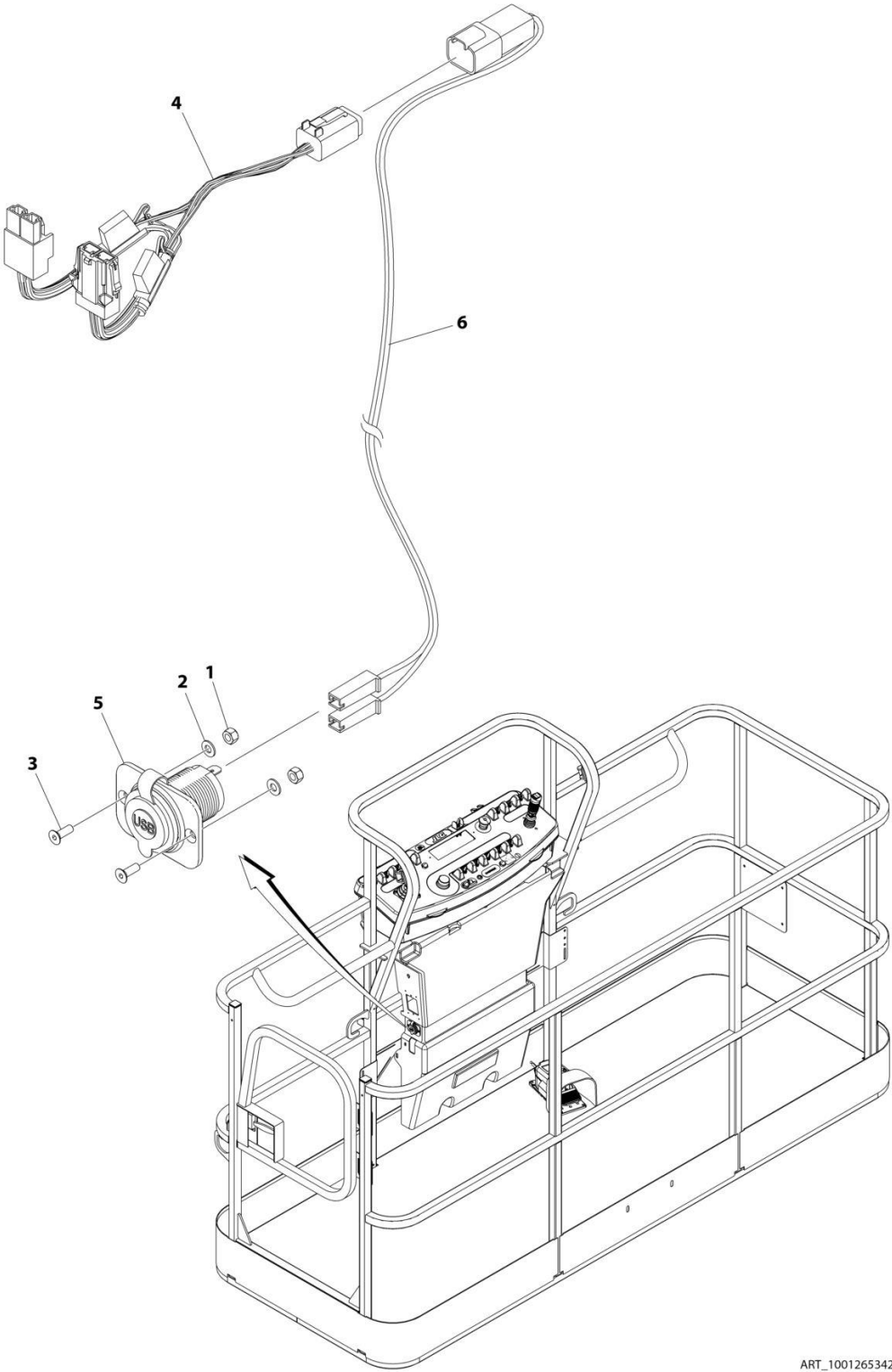
SECTION 5 - PLATFORM

FIGURE 5-41. FALL ARREST INSTALLATION (BOLT - ON) (8FT/2.4M PLATFORM)

ITEM	PART NUMBER	QTY	DESCRIPTION	REV
	1001236746	Ref	FALL ARREST INSTALLATION (BOLT - ON) 8FT/2.4M PLATFORM	C
1	0681620	6	Bolt 3/8 x 2-1/2	
2	0682424	1	Bolt 7/8 x 3	
3	3271605	6	Nut 3/8	
4	3272001	1	Nut 5/8	
5	3312002	2	Nut 5/8	
6	4711600	12	Washer 3/8	
7	4712000	1	Washer 5/8	
8	88521214	1	Nut 7/8	
9	1001231949	1	Rope	
10	1001232010	1	Bracket (RH)	
11	1001232011	1	Bracket (LH)	
12	1001236891	2	Washer	
13	1001236895	1	Ring	
14	1001238263	1	Decal - Warning Falling Hazard	
15	1001252629	1	Decal - Weight 23LBS/10.4KG	
16	1001248140	1	Decal - Bolt Fall Arrest Re-Cert	
17	1001248141	1	Decal - Inscription	

SECTION 5 - PLATFORM

FIGURE 5-42. USB CHARGER INSTALLATION



ART_1001265342

SECTION 5 - PLATFORM

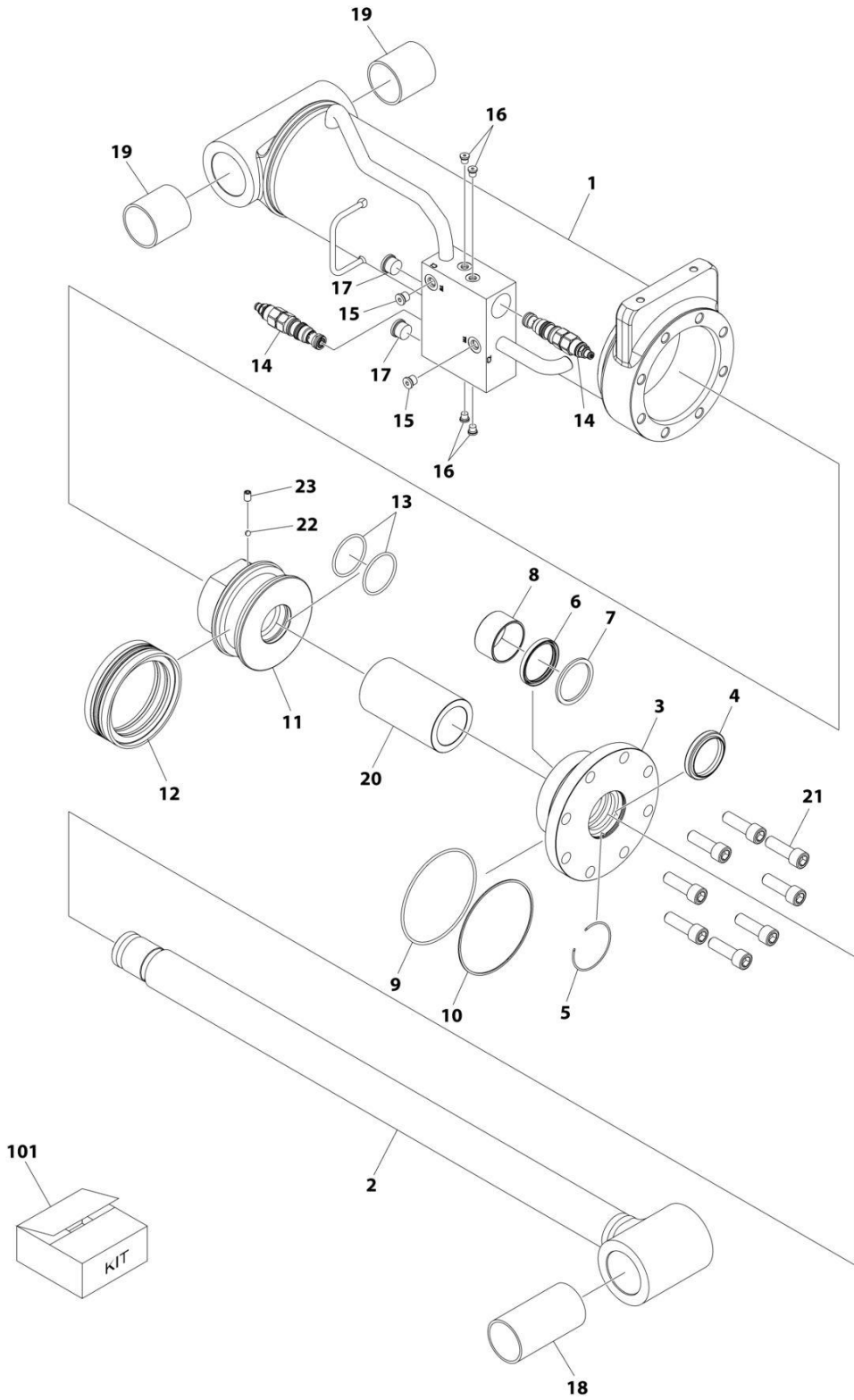
FIGURE 5-42. USB CHARGER INSTALLATION

ITEM	PART NUMBER	QTY	DESCRIPTION	REV
	1001265342	Ref	USB CHARGER INSTALLATION	A
1	3290405	2	Nut M4	
2	4811400	2	Washer M4	
3	1001097244	2	Screw M4 x 12	
4	1001120484	1	Harness, Work Lights	
4	4460879	1	Plug, Male - 2 Position	
4	4460887	2	Terminal	
4	2400060	2	Fuseholder Includes Cover	
4	8229249	2	Fuse, 3 Amp	
4	4460884	1	Connector - 4 Position	
4	4460465	4	Socket, Female	
4	1001120471	1	Connector - 2 Position	
4	1001120477	2	Terminal	
5	1001210636	1	Receptacle, USB	
6	1001265163	1	Harness, USB	A
6	4460260	2	Cover, Terminal	
6	4460259	2	Terminal	
6	4460932	1	Receptacle, Bussbar - 4 Position	
6	4460464	2	Pin, Male	
6	4460466	2	Plug, Terminal	

SECTION 6 - CYLINDER

SECTION 6 - CYLINDER

FIGURE 6-1. AXLE EXTEND CYLINDER ASSEMBLY



ART_1001251066

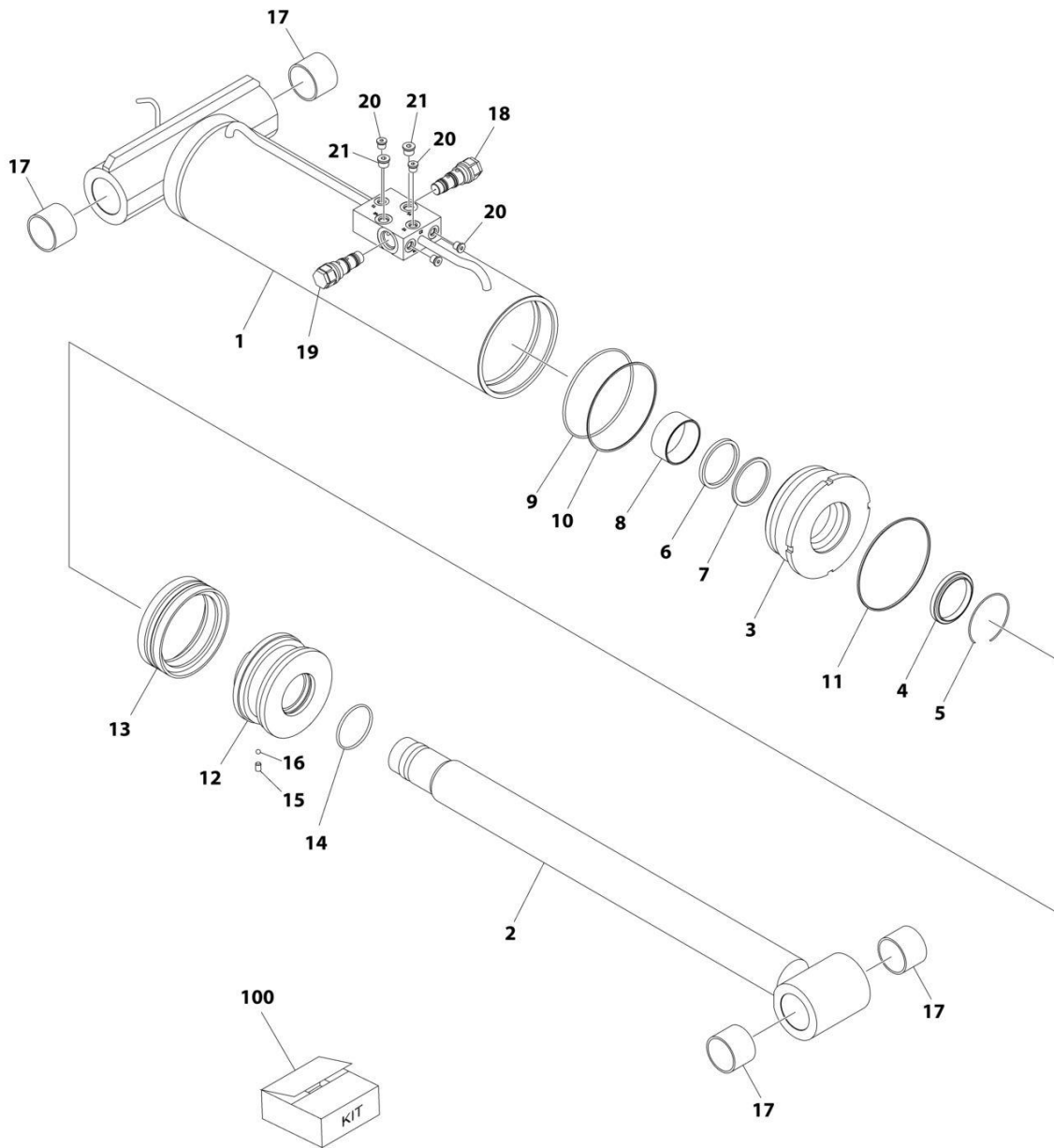
SECTION 6 - CYLINDER

FIGURE 6-1. AXLE EXTEND CYLINDER ASSEMBLY

ITEM	PART NUMBER	QTY	DESCRIPTION	REV
	1001251066	Ref	AXLE EXTEND CYLINDER ASSEMBLY	A
		Ref	Note: Original Cylinder May Have Been Replaced with Service Replacement. Identify PN Stamped on Cylinder Before Ordering Parts.	
1	See Note	NSS	Barrel (Note: Not Available for Purchase)	
2	70008014	1	Rod	
3	70008015	1	Head	
4	See Note	NSS	Wiper (Note: Use Item 101)	
5	7002412	1	Ring, Retaining	
6	See Note	NSS	Seal, Rod (Note: Use Item 101)	
7	See Note	NSS	Ring, Backup (Note: Use Item 101)	
8	70052577	1	Bushing	
9	See Note	NSS	O-Ring (Note: Use Item 101)	
10	See Note	NSS	Ring, Backup (Note: Use Item 101)	
11	70008016	1	Piston	
12	See Note	NSS	Seal, Piston (Note: Use Item 101)	
13	See Note	NSS	O-Ring (Note: Use Item 101)	
14	1001156016	2	Valve, Counterbalance	
14	7011376	2	Seal Kit (Use with 1001156016)	
15	2220883	2	Plug - 7/16	
16	2220881	4	Plug - 5/16	
17	2220886	2	Plug - 3/4	
18	1001157080	1	Bushing	
19	0962561	2	Bushing	
20	70008017	1	Spacer	
21	70008018	8	Bolt M14 x 45	
22	70022564	1	Ball, Steel	
23	70029468	1	Setscrew M8 x 14	
101	70008019	1	Seal Kit (Includes Items 4, 6-7, 9-10 & 12-13)	

SECTION 6 - CYLINDER

FIGURE 6-2. LEVEL CYLINDER ASSEMBLY - JIB SLAVE



ART_1001228064

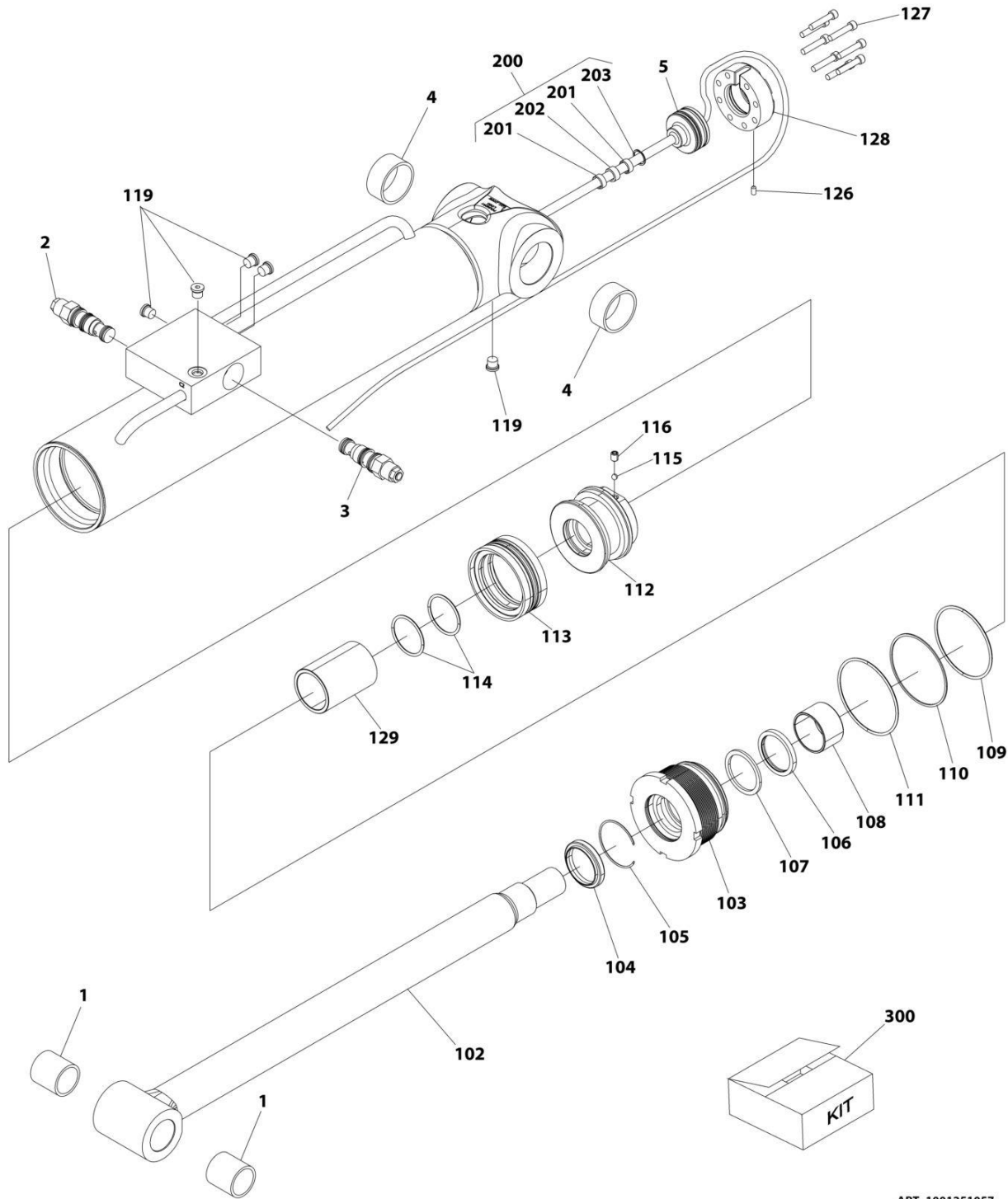
SECTION 6 - CYLINDER

FIGURE 6-2. LEVEL CYLINDER ASSEMBLY - JIB SLAVE

ITEM	PART NUMBER	QTY	DESCRIPTION	REV
	1001228064	Ref	LEVEL CYLINDER ASSEMBLY - JIB SLAVE	C
		Ref	Note: Original Cylinder May Have Been Replaced with Service Replacement. Identify PN Stamped on Cylinder Before Ordering Parts.	
1	See Note	NSS	Barrel Weldment (Note: Not Available for Purchase)	
2	70006634	1	Rod Weldment	
3	70006635	1	Head	
4	See Note	NSS	Wiper, Rod (Note: Use Item 100)	
5	70050795	1	Retainer	
6	See Note	NSS	Seal, Rod (Note: Use Item 100)	
7	See Note	NSS	Ring, Back-up (Note: Use Item 100)	
8	See Note	NSS	Ring, Wear (Note: Use Item 100)	
9	See Note	NSS	O-Ring (Note: Use Item 100)	
10	See Note	NSS	Ring, Back-up (Note: Use Item 100)	
11	See Note	NSS	O-Ring (Note: Use Item 100)	
12	70006637	1	Piston	
13	See Note	NSS	Seal, Piston (Note: Use Item 100)	
14	See Note	NSS	O-Ring (Note: Use Item 100)	
15	70006596	1	Setscrew M8 x 12	
16	70022564	1	Ball, Steel	
17	0961950	4	Bushing	
18	4640999	1	Valve, Counterbalance Non-Vented	
18	2900792	1	Seal Kit - 4640999 Valve	
19	4641248	1	Valve, Counterbalance Non-Vented	
19	70004186	1	Seal Kit - 4641248 Valve	
20	2220883	4	Plug	
21	2220885	2	Plug	
100	2900792	1	Seal Kit (Includes Items 4-11, 13 & 14)	

SECTION 6 - CYLINDER

FIGURE 6-3. LEVEL CYLINDER ASSEMBLY - PLATFORM SLAVE



ART_1001251057

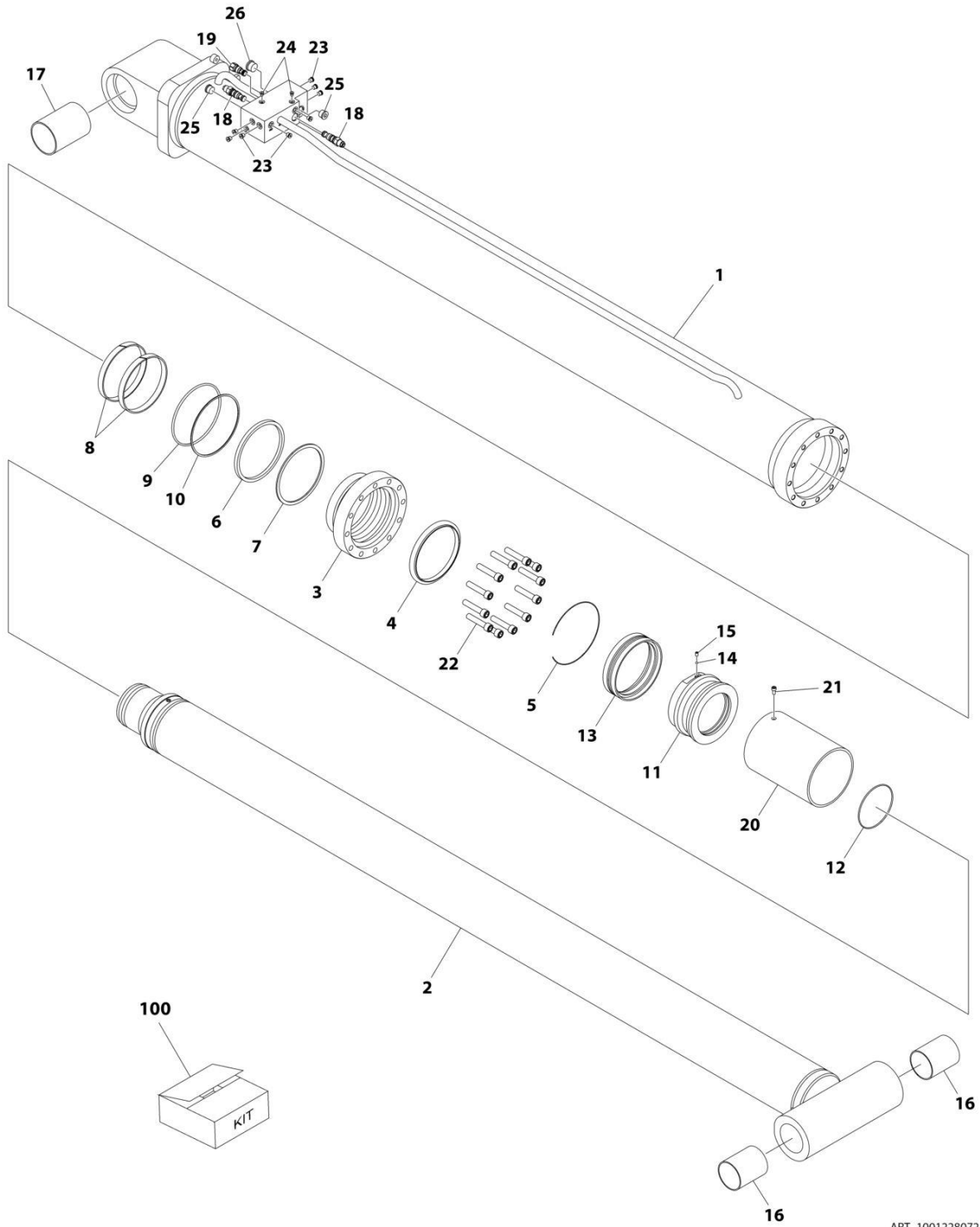
SECTION 6 - CYLINDER

FIGURE 6-3. LEVEL CYLINDER ASSEMBLY - PLATFORM SLAVE

ITEM	PART NUMBER	QTY	DESCRIPTION	REV
	1001251057	Ref	LEVEL (PLATFORM) CYLINDER ASSEMBLY	A
		Ref	Note: Original Cylinder May Have Been Replaced with Service Replacement. Identify PN Stamped on Cylinder Before Ordering Parts.	
1	0962006	2	Bushing	
2	4640489	1	Cartridge, Counterbalance Valve	
2	2900770	1	Seal Kit - For 4640489 Counterbalance Valve	
3	4641260	1	Cartridge, Counterbalance Valve	
3	2900770	1	Seal Kit - For 4641260 Counterbalance Valve	
4	1001117969	2	Bushing	
5	1001117990	1	Sensor, Cylinder Length	
102	70008028	1	Rod	
103	70008029	1	Head	
104	See Note	NSS	Wiper (Note: Use Item 300)	
105	70002410	1	Ring, Retaining	
106	See Note	NSS	Seal (Note: Use Item 300)	
107	See Note	NSS	Ring (Note: Use Item 300)	
108	70004237	1	Bearing	
109	See Note	NSS	O-Ring (Note: Use Item 300)	
110	See Note	NSS	Ring (Note: Use Item 300)	
111	See Note	NSS	O-Ring (Note: Use Item 300)	
112	70008030	1	Piston	
113	See Note	NSS	Seal (Note: Use Item 300)	
114	See Note	NSS	O-Ring (Note: Use Item 300)	
115	70022564	1	Ball, Steel	
116	70023369	1	Setscrew M8 x 1-1/4	
119	2220883	5	Plug	
126	70006464	1	Setscrew M5 x 10	
127	70008031	8	Bolt M6 x 35	
128	70008024	1	Cover	
129	70008032	1	Spacer	
200	1001119105	1	Sensor Magnet Kit (Includes Items 201-203)	
201	1001117994	2	Sleeve, Spacer	
202	1001118066	1	Magnet, Sensor	
203	1001118069	1	Ring, Internal Retaining	
300	70008033	1	Seal Kit (Includes Items 104, 106, 107, 109-111, 113 & 114)	

SECTION 6 - CYLINDER

FIGURE 6-4. LIFT CYLINDER ASSEMBLY - BOOM



ART_1001228072

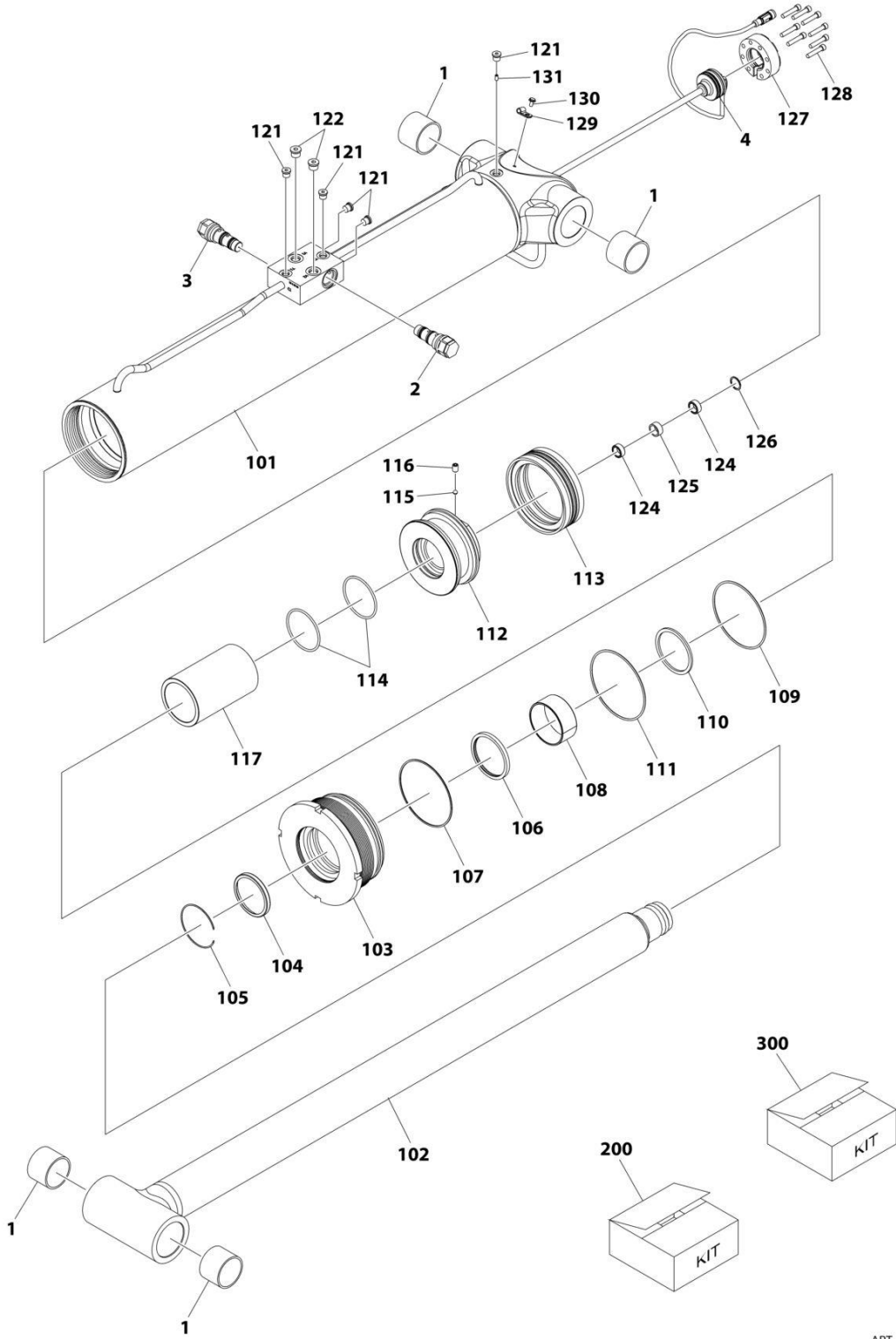
SECTION 6 - CYLINDER

FIGURE 6-4. LIFT CYLINDER ASSEMBLY - BOOM

ITEM	PART NUMBER	QTY	DESCRIPTION	REV
	1001228072	Ref	LIFT CYLINDER ASSEMBLY - BOOM	B
		Ref	Note: Original Cylinder May Have Been Replaced with Service Replacement. Identify PN Stamped on Cylinder Before Ordering Parts.	
1	See Note	NSS	Barrel Weldment (Note: Not Available for Purchase)	
2	70006624	1	Rod Weldment	
3	70006625	1	Head	
4	See Note	NSS	Wiper (Note: Use Item 100)	
5	70006626	1	Retainer	
6	See Note	NSS	Seal, Rod (Note: Use Item 100)	
7	See Note	NSS	Ring, Back-up (Note: Use Item 100)	
8	See Note	NSS	Ring, Wear (Note: Use Item 100)	
9	See Note	NSS	O-Ring (Note: Use Item 100)	
10	See Note	NSS	Ring, Back-up (Note: Use Item 100)	
11	70006627	1	Piston	
12	See Note	NSS	O-Ring (Note: Use Item 100)	
13	See Note	NSS	Seal, Piston (Note: Use Item 100)	
14	70006628	1	Ball, Steel	
15	70006629	1	Setscrew	
16	1001150942	2	Bushing	
17	1001150887	1	Bushing	
18	1001156016	2	Valve, Counterbalance	
18	7011376	1	Seal Kit - 1001156016 Cartridge	
19	4641285	1	Valve, Shuttle	
19	7011311	1	Seal Kit - 4641285 Cartridge	
20	70006630	1	Spacer	
21	70006631	1	Capscrew M8 x 16	
22	70006632	12	Capscrew M16 x 80	
23	2220883	9	Plug	
24	2220881	2	Plug	
25	2220887	2	Plug	
26	2220888	1	Plug	
100	70006633	1	Seal Kit (Includes Items 4, 6-10, 12 & 13)	

SECTION 6 - CYLINDER

FIGURE 6-5. LIFT CYLINDER ASSEMBLY - JIB



ART_1001251058

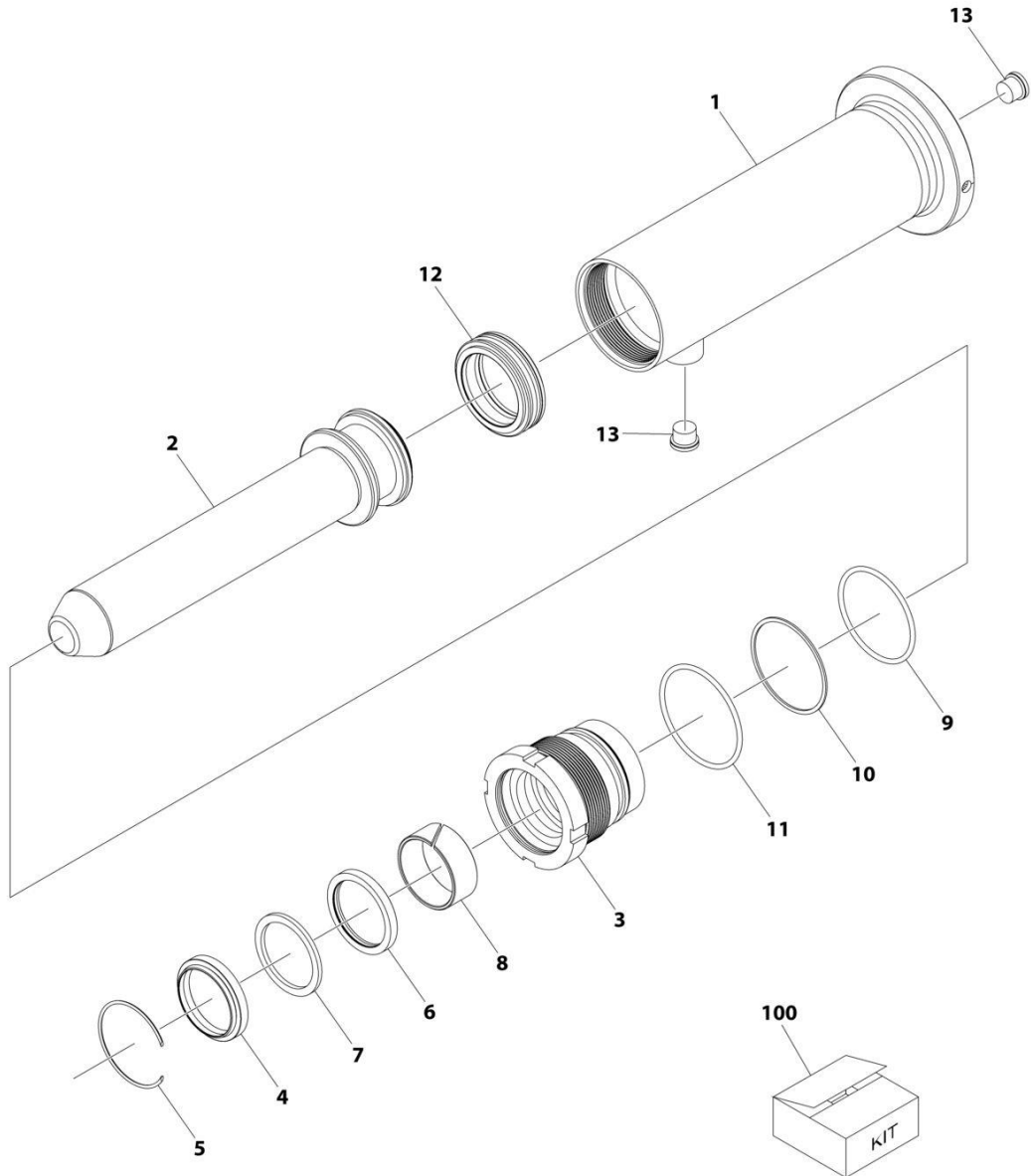
SECTION 6 - CYLINDER

FIGURE 6-5. LIFT CYLINDER ASSEMBLY - JIB

ITEM	PART NUMBER	QTY	DESCRIPTION	REV
	1001251058	Ref	LIFT (JIB) CYLINDER ASSEMBLY	A
		Ref	Note: Original Cylinder May Have Been Replaced with Service Replacement. Identify PN Stamped on Cylinder Before Ordering Parts.	
1	0961950	4	Bushing	
2	4641248	1	Cartridge, Counterbalance Valve	
2	70004186	1	Seal Kit - 4641248 Counterbalance Valve	
3	4640999	1	Cartridge, Holding Valve	
3	2900792	1	Seal Kit - 4640999 Cartridge Valve	
4	1001117991	1	Sensor	
101	See Note	NSS	Barrel (Note: Not available for Purchase)	
102	70008020	1	Rod	
103	70008021	1	Head	
104	See Note	NSS	Wiper (Note: Use Item 200)	
105	70050795	1	Ring, Retaining	
106	See Note	NSS	Seal, Rod (Note: Use Item 200)	
107	See Note	NSS	Ring, Backup (Note: Use Item 200)	
108	70006636	1	Bushing	
109	See Note	NSS	O-Ring (Note: Use Item 200)	
110	See Note	NSS	Ring, Backup (Note Use Item 200)	
111	See Note	NSS	O-Ring (Note: Use Item 200)	
112	70008022	1	Piston	
113	See Note	NSS	Seal, Piston (Note: Use Item 200)	
114	See Note	NSS	O-Ring (Note: Use Item 200)	
115	70022564	1	Ball, Steel	
116	70006596	1	Setscrew M8 x 12	
117	70008023	1	Spacer	
121	2220883	5	Plug 7/16	
122	2220885	2	Plug 9/16	
124	See Note	2	Sleeve (Note: Use Item 300)	
125	See Note	1	Magnet (Note: Use Item 300)	
126	See Note	1	Ring, Retaining (Note: Use Item 300)	
127	70008024	1	Cover	
128	70008025	8	Bolt M6 x 35	
129	70008026	1	Clamp	
130	70006462	1	Bolt M5 x 8	
131	70006464	1	Set Screw M5 X 10	
200	70008027	1	Seal Kit (Includes Items 104, 106-107, 109-111, 113-114)	
300	1001119105	1	Magnet Kit (Includes Items 124-126)	

SECTION 6 - CYLINDER

FIGURE 6-6. LOCK CYLINDER ASSEMBLY - JIB



ART_1001251046

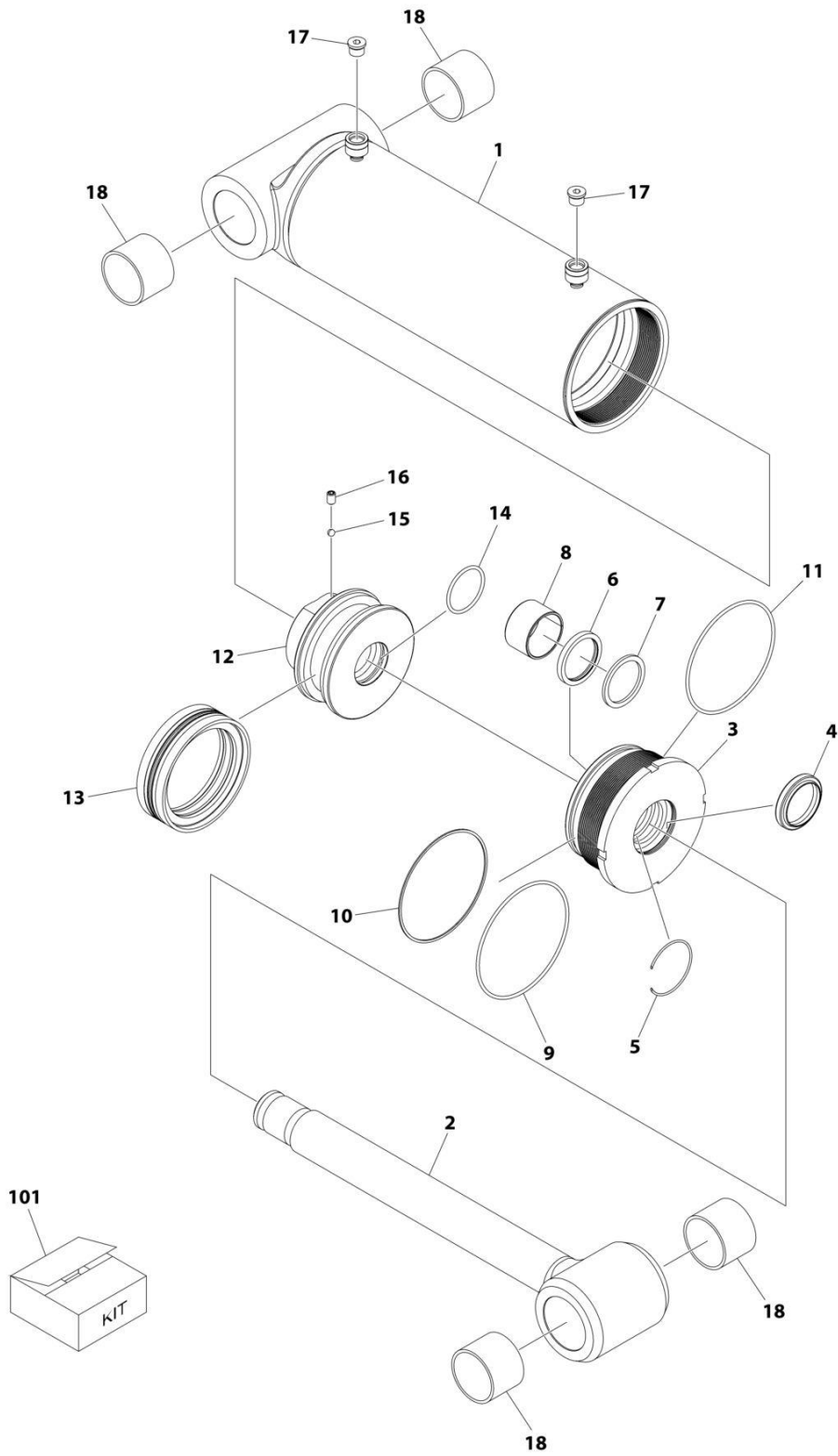
SECTION 6 - CYLINDER

FIGURE 6-6. LOCK CYLINDER ASSEMBLY - JIB

ITEM	PART NUMBER	QTY	DESCRIPTION	REV
	1001251046	Ref	LOCK (JIB) CYLINDER ASSEMBLY	A
		Ref	Note: Original Cylinder May Have Been Replaced with Service Replacement. Identify PN Stamped on Cylinder Before Ordering Parts.	
1	See Note	NSS	Barrel (Note: Not Available for Purchase)	
2	70008036	1	Rod	
3	70008037	1	Gland	
4	See Note	1	Dust Wiper (Note: Use Item 100)	
5	70002410	1	Ring, Retaining	
6	See Note	1	Rod Seal (Note: Use Item 100)	
7	See Note	1	Ring, Backup (Note: Use Item 100)	
8	See Note	1	Ring, Wear (Note: Use Item 100)	
9	See Note	1	O-Ring (Note: Use Item 100)	
10	See Note	1	Ring, Backup (Note: Use Item 100)	
11	See Note	1	O-Ring (Note: Use Item 100)	
12	See Note	1	Seal, Piston (Note: Use Item 100)	
13	2220885	2	Plug 9/16	
100	70008038	1	Seal Kit (Includes Items 4 & 6-12)	

SECTION 6 - CYLINDER

FIGURE 6-7. STEER CYLINDER ASSEMBLY



ART_1001251065

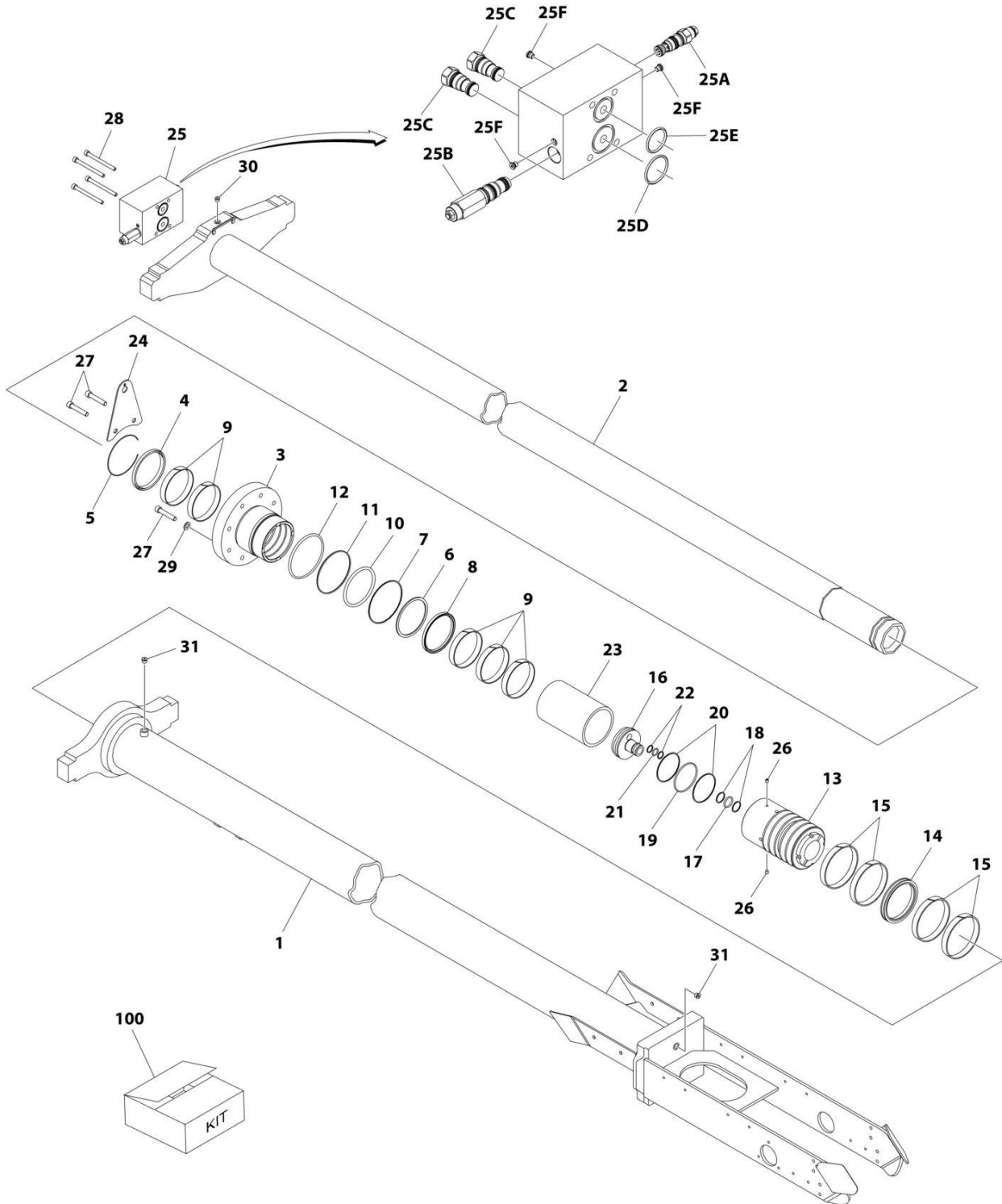
SECTION 6 - CYLINDER

FIGURE 6-7. STEER CYLINDER ASSEMBLY

ITEM	PART NUMBER	QTY	DESCRIPTION	REV
	1001251065	Ref	STEER CYLINDER ASSEMBLY	A
		Ref	Note: Original Cylinder May Have Been Replaced with Service Replacement. Identify PN Stamped on Cylinder Before Ordering Parts.	
1	See Note	NSS	Barrel (Note: Not Available for Purchase)	
2	7008010	1	Rod	
3	7008011	1	Head	
4	See Note	NSS	Wiper (Note: Use Item 101)	
5	70002410	1	Ring, Retaining	
6	See Note	NSS	Seal, Rod (Note: Use Item 101)	
7	See Note	NSS	Ring, Backup (Note: Use Item 101)	
8	7004237	1	Bushing	
9	See Note	NSS	O-Ring (Note: Use Item 101)	
10	See Note	NSS	Ring, Backup (Note: Use Item 101)	
11	See Note	NSS	O-Ring (Note: Use Item 101)	
12	70008012	1	Piston	
13	See Note	NSS	Seal, Piston (Note: Use Item 101)	
14	See Note	NSS	O-Ring (Note: Use Item 101)	
15	70022564	1	Ball, Steel	
16	70006596	1	Setscrew M8 x 12	
17	2220885	2	Plug 9/16	
18	0961950	4	Bushing	
101	70008013	1	Seal Kit (Includes Items 4, 6-7, 9-11 & 13-14)	

SECTION 6 - CYLINDER

FIGURE 6-8. TELESCOPE CYLINDER ASSEMBLY - BOOM



ART_1001228082

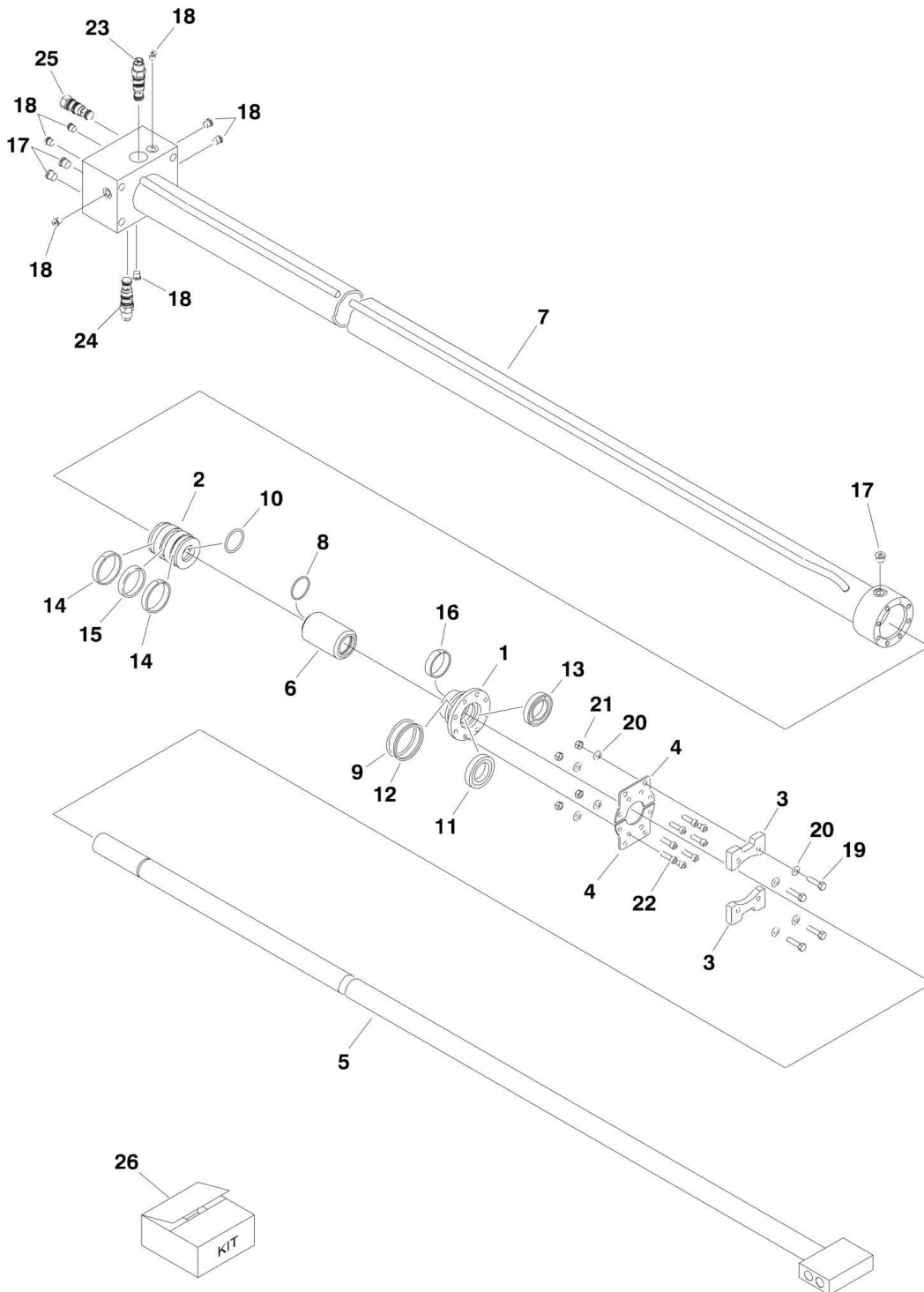
SECTION 6 - CYLINDER

FIGURE 6-8. TELESCOPE CYLINDER ASSEMBLY - BOOM

ITEM	PART NUMBER	QTY	DESCRIPTION	REV
	1001228082	Ref	TELESCOPE CYLINDER ASSEMBLY - BOOM	D
		Ref	Note: Original Cylinder May Have Been Replaced with Service Replacement. Identify PN Stamped on Cylinder Before Ordering Parts.	
1	See Note	NSS	Barrel Weldment (Note: Not Available for Purchase)	
2	70006834	1	Rod Weldment	
3	70006835	1	Head	
4	See Note	NSS	Wiper (Note: Use Item 100)	
5	70006836	1	Ring, Retaining	
6	See Note	NSS	Seal, Rod (Note: Use Item 100)	
7	See Note	NSS	Ring, Back-up (Note: Use Item 100)	
8	See Note	NSS	Ring, Buffer (Note: Use Item 100)	
9	See Note	NSS	Ring, Wear (Note: Use Item 100)	
10	See Note	NSS	O-Ring (Note: Use Item 100)	
11	See Note	NSS	Ring, Back-up (Note: Use Item 100)	
12	See Note	NSS	O-Ring (Note: Use Item 100)	
13	70006837	1	Piston	
14	See Note	NSS	Seal, Piston (Note: Use Item 100)	
15	See Note	NSS	Ring, Wear (Note: Use Item 100)	
16	70006838	1	End, Rod	
17	See Note	NSS	O-Ring (Note: Use Item 100)	
18	See Note	NSS	Ring, Back-up (Note: Use Item 100)	
19	See Note	NSS	O-Ring (Note: Use Item 100)	
20	See Note	NSS	Ring, Back-up (Note: Use Item 100)	
21	See Note	NSS	O-Ring (Note: Use Item 100)	
22	See Note	NSS	Ring, Back-up (Note: Use Item 100)	
23	70006839	1	Spacer	
24	70006840	1	Bracket	
25	1001155378	1	Valve	D
25A	70004404	1	Cartridge, Counterbalance	
25A	2900770	1	Seal Kit - 70004404 Cartridge	
25B	1001182256	1	Cartridge, Counterbalance	
25B	7011367	1	Seal Kit - 1001182256 Cartridge	
25C	70004406	2	Cartridge, Check	
25C	2900770	2	Seal Kit - 70004406 Cartridge	
25D	70004407	1	O-Ring	
25E	70004408	1	O-Ring	
25F	70003031	3	Plug	
26	3951405	2	Setscrew	
27	70005882	8	Plug	
28	70006841	4	Bolt	
29	70005883	6	Washer	
30	2220883	1	Plug	
31	2220885	2	Plug	
100	70006842	1	Seal Kit - Cylinder (Includes Items 4, 6-12, 14, 15 & 17-22)	

SECTION 6 - CYLINDER

FIGURE 6-9. TELESCOPE CYLINDER ASSEMBLY - JIB



1001158991

SECTION 6 - CYLINDER

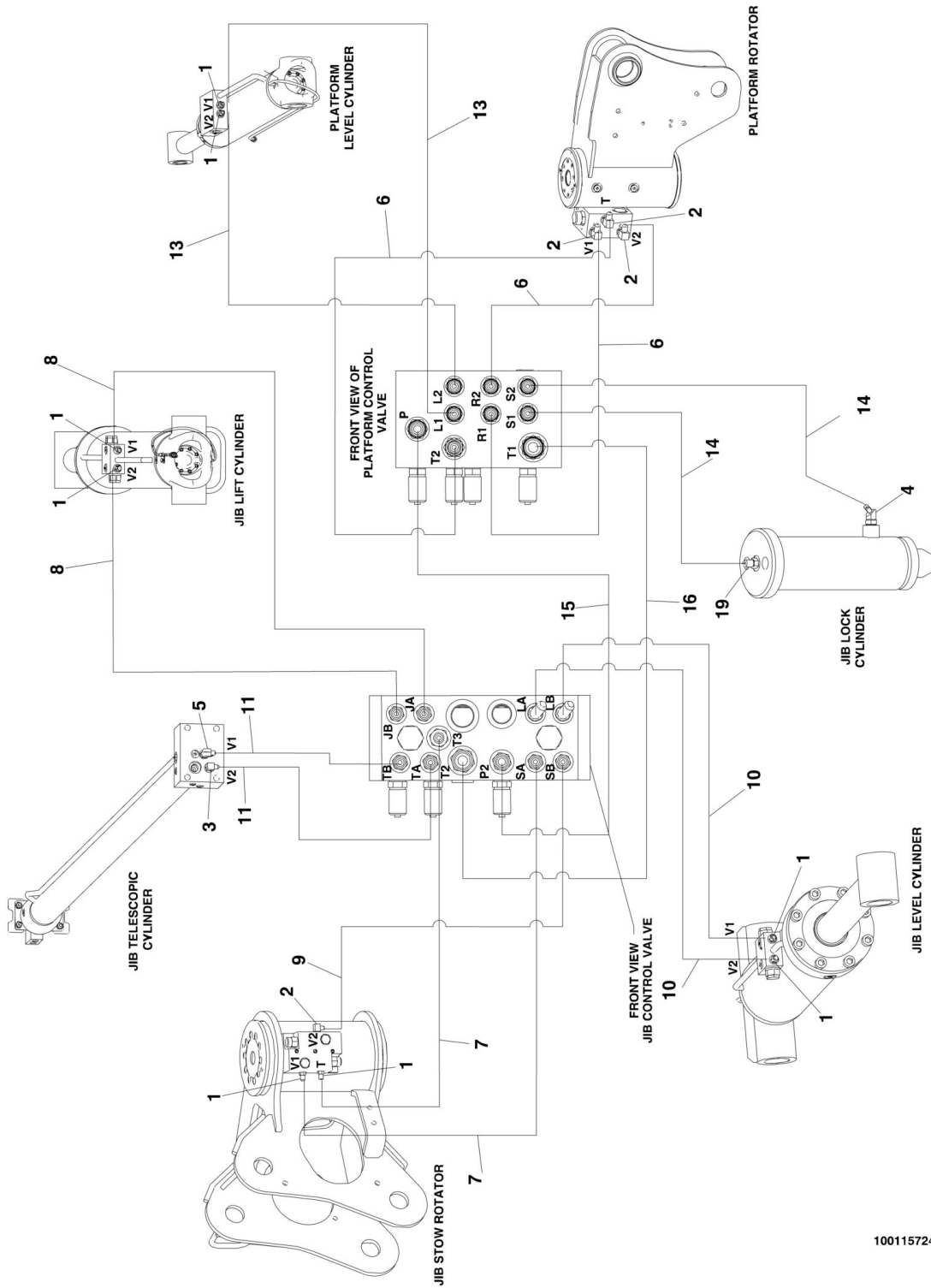
FIGURE 6-9. TELESCOPE CYLINDER ASSEMBLY - JIB

ITEM	PART NUMBER	QTY	DESCRIPTION	REV
	1001158991	Ref	TELESCOPE CYLINDER ASSEMBLY - JIB	D
		Ref	Note: Original Cylinder May Have Been Replaced with Service Replacement. Identify PN Stamped on Cylinder Before Ordering Parts.	
1	70003050	1	Head	
2	70003046	1	Piston	
2	0100011	AR	Compound, Locking	
3	70003047	2	Pad, Wear	
4	70004498	2	Support, Pad	
5	70004497	1	Rod	
6	70004496	1	Spacer	
7	70004495	1	Barrel	
8	See Note	NSS	O-Ring (Note: Use Item 26)	
9	See Note	NSS	O-Ring (Note: Use Item 26)	
10	See Note	NSS	O-Ring (Note: Use Item 26)	
11	See Note	NSS	Seal (Note: Use Item 26)	
12	See Note	NSS	Ring, Back-up (Note: Use Item 26)	
13	See Note	NSS	Wiper (Note: Use Item 26)	
14	See Note	NSS	Ring, Wear (Note: Use Item 26)	
15	See Note	NSS	Seal (Note: Use Item 26)	
16	See Note	1	Ring, Wear (Note: Use Item 26)	
17	See Note	NSS	Plug #6 (Note: Not Available for Purchase)	
18	See Note	NSS	Plug #4 (Note: Not Available for Purchase)	
19	0641510	4	Bolt 5/16 x 1-1/4	
20	4711500	8	Washer 5/16	
21	3311505	4	Nut 5/16	
22	3931516	8	Capscrew 5/16 x 1	
22	0100011	AR	Compound, Locking	
23	4640771	1	Valve, Cartridge	
23	2900770	1	Seal Kit - 4640771 Valve	
24	70003045	1	Valve, Cartridge	
24	2900770	1	Seal Kit- 70003045 Valve	
25	10837580	1	Valve, Cartridge	
25	7010543	1	Seal Kit - 10837580 Valve	
26	70004499	1	Seal Kit - Cylinder (Includes Items 8-16)	

SECTION 7 - HYDRAULIC

SECTION 7 - HYDRAULIC

FIGURE 7-1. BOOM AND JIB HYDRAULIC DIAGRAM



1001157243

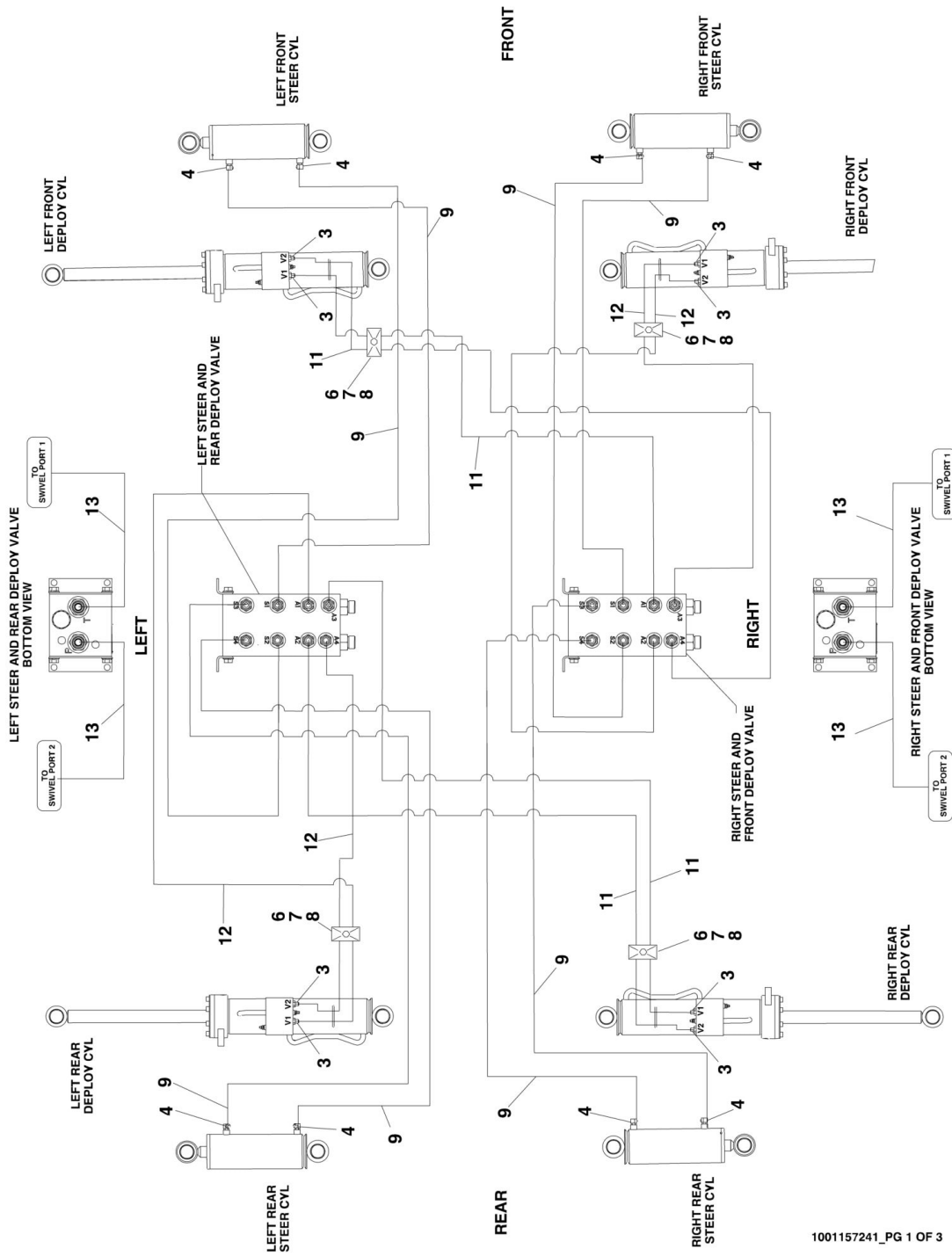
SECTION 7 - HYDRAULIC

FIGURE 7-1. BOOM AND JIB HYDRAULIC DIAGRAM

ITEM	PART NUMBER	QTY	DESCRIPTION	REV
	1001157243	Ref	HYDRAULIC DIAGRAM - BOOM AND JIB	C
1	2220415	8	Fitting, Straight JIC/ORB	
2	2220466	4	Fitting, 90 JIC/ORB	
3	2220472	1	Fitting, 90 JIC/ORB	
4	2221040	1	Fitting, 45 JIC/ORB	
5	1001160955	1	Fitting, 90 JIC/ORB	
6	1001161626	3	Hose	
7	1001161627	2	Hose	
8	1001161628	2	Hose	
9	1001161629	1	Hose	
10	1001161630	2	Hose	
11	1001161631	2	Hose	
13	1001161633	2	Hose	
14	1001161634	2	Hose	
15	1001161635	1	Hose	
16	1001161636	1	Hose	
17	4240018	2	Tie-Strap (Not Shown)	
18	4240155	15	Strap, Cinch (Not Shown)	
19	2220582	1	Fitting, Straight JIC/ORB	

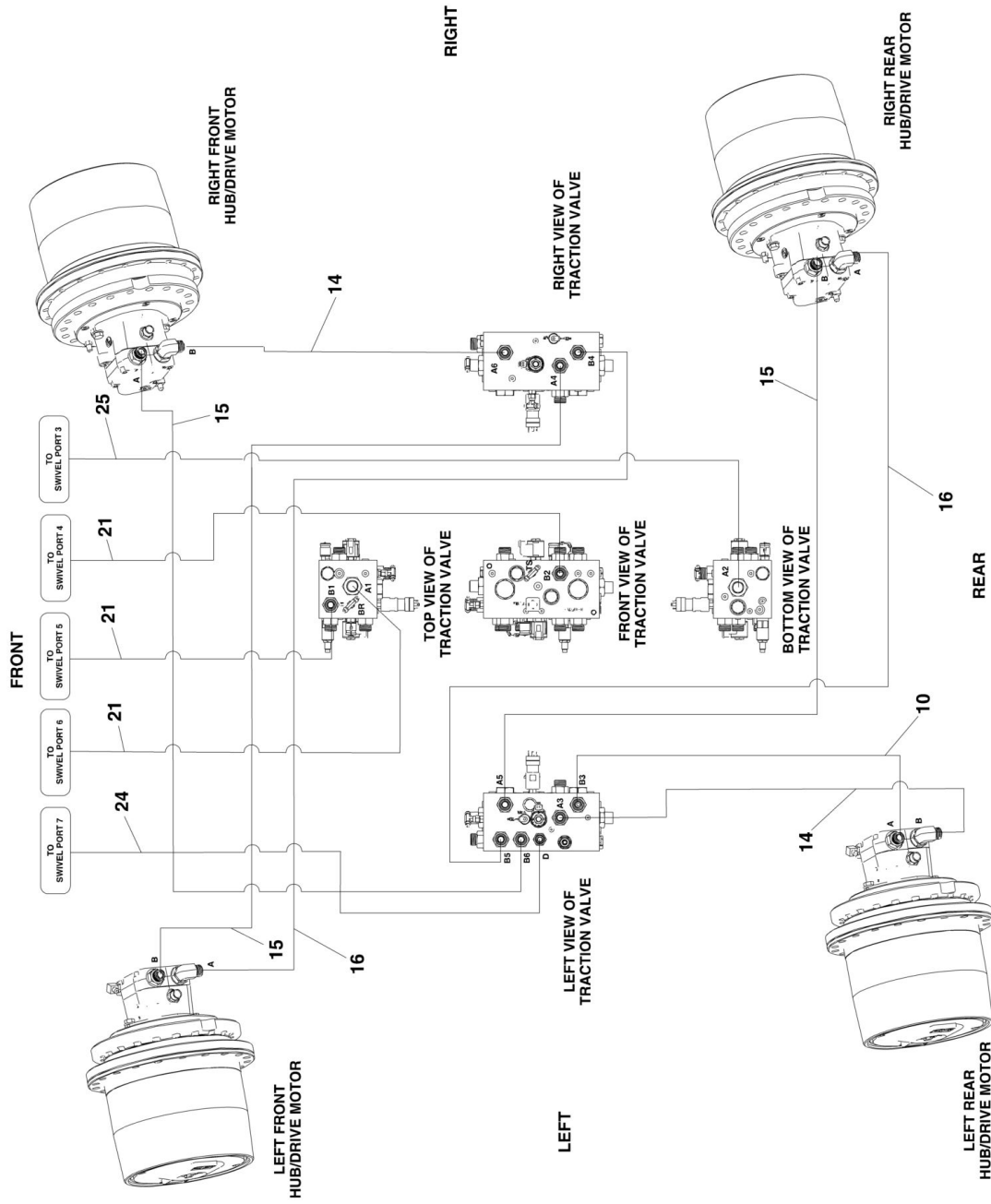
SECTION 7 - HYDRAULIC

FIGURE 7-2. CHASSIS HYDRAULIC DIAGRAM



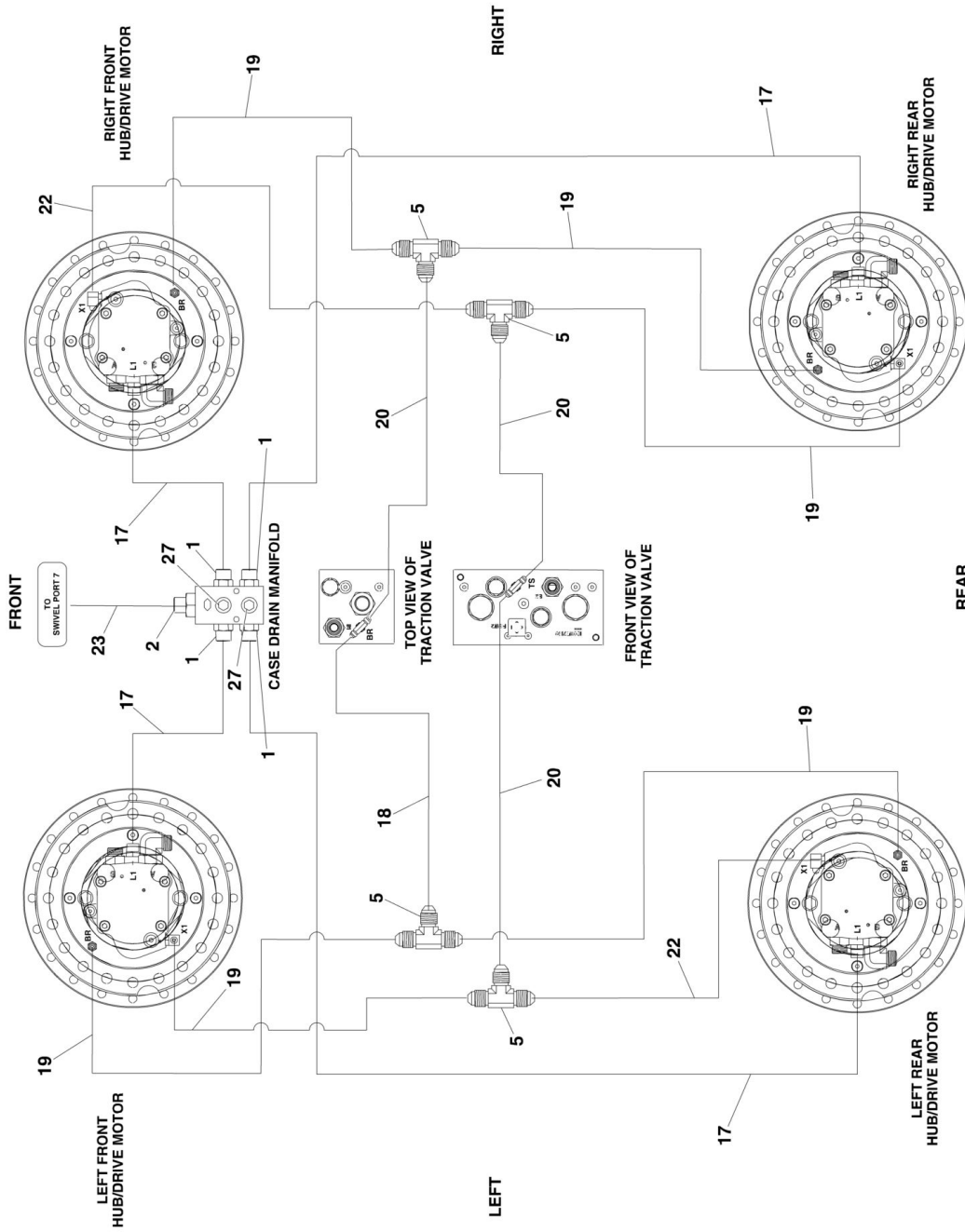
1001157241_PG 1 OF 3

SECTION 7 - HYDRAULIC



1001157241_PG 2 OF 3

SECTION 7 - HYDRAULIC



1001157241_PG 3 OF 3

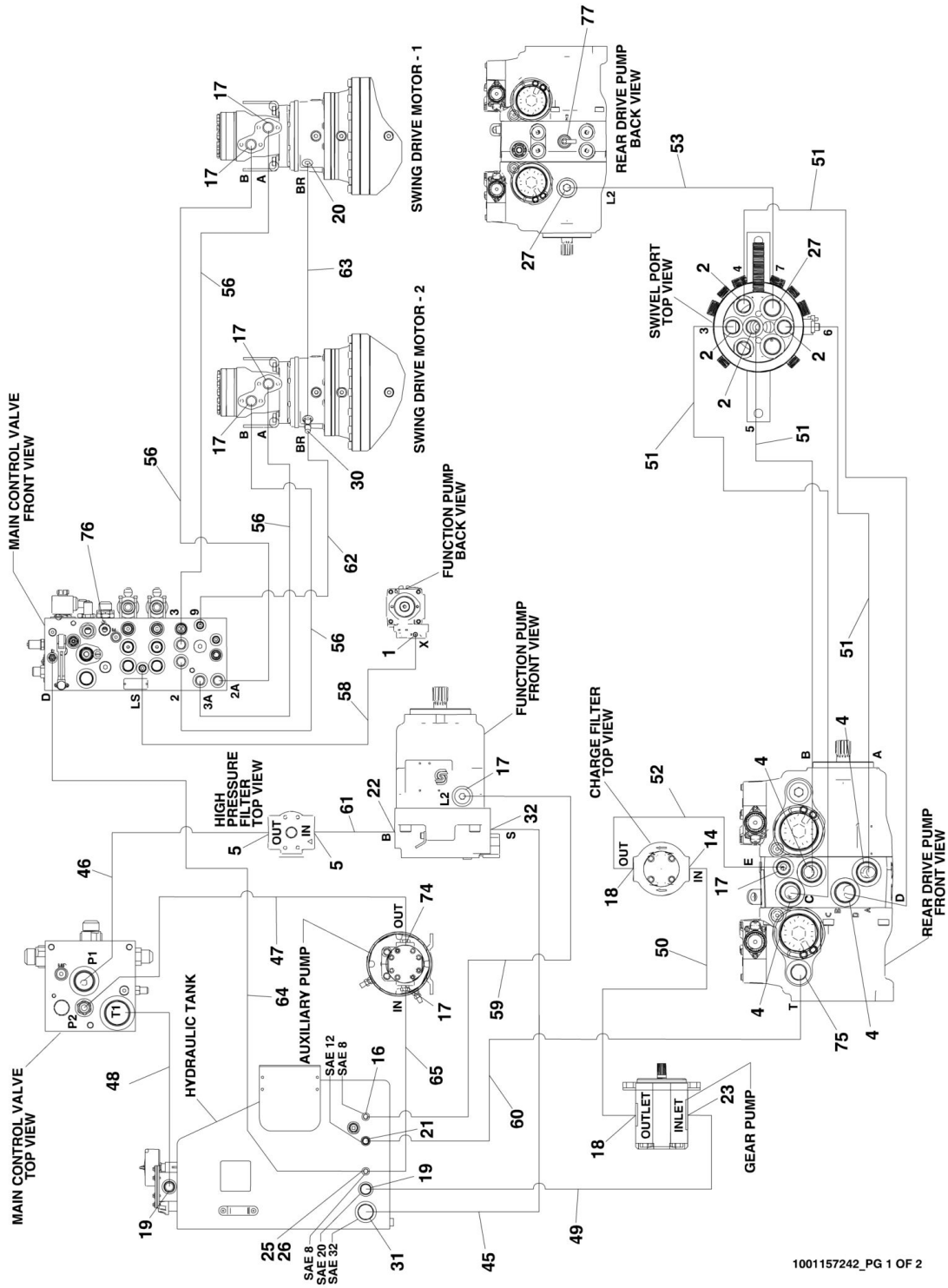
SECTION 7 - HYDRAULIC

FIGURE 7-2. CHASSIS HYDRAULIC DIAGRAM

ITEM	PART NUMBER	QTY	DESCRIPTION	REV
	1001157241	Ref	CHASSIS HYDRAULIC DIAGRAM	D
1	2110808	4	Fitting, Straight ORFS/ORB	
2	2110812	1	Fitting, Straight ORFS/ORB	
3	2220372	8	Fitting, Straight JIC/ORB	
4	2220473	8	Fitting, 90 JIC/ORB	
5	2220504	4	Fitting, Tee JIC/JIC/JIC	
6	8769122	4	Clamp Set	
7	8769128	4	Cover	
8	0641511001	4	Bolt 5/16 x 1-3/8	
9	1001161269	8	Hose	
10	1001161270	1	Hose	
11	1001161271	4	Hose	
12	1001161272	4	Hose	
13	1001161273	4	Hose	
14	1001161274	2	Hose	
15	1001161275	3	Hose	
16	1001161276	2	Hose	
17	1001161277	4	Hose	
18	1001161278	1	Hose	
19	1001161279	6	Hose	
20	1001161280	3	Hose	
21	1001161281	3	Hose	
22	1001161282	2	Hose	
23	1001161283	1	Hose	
24	1001161289	1	Hose	
25	1001161290	1	Hose	
26	4240018	18	Tie-Strap (Not Shown)	
27	2220235	2	Fitting, O-Ring	

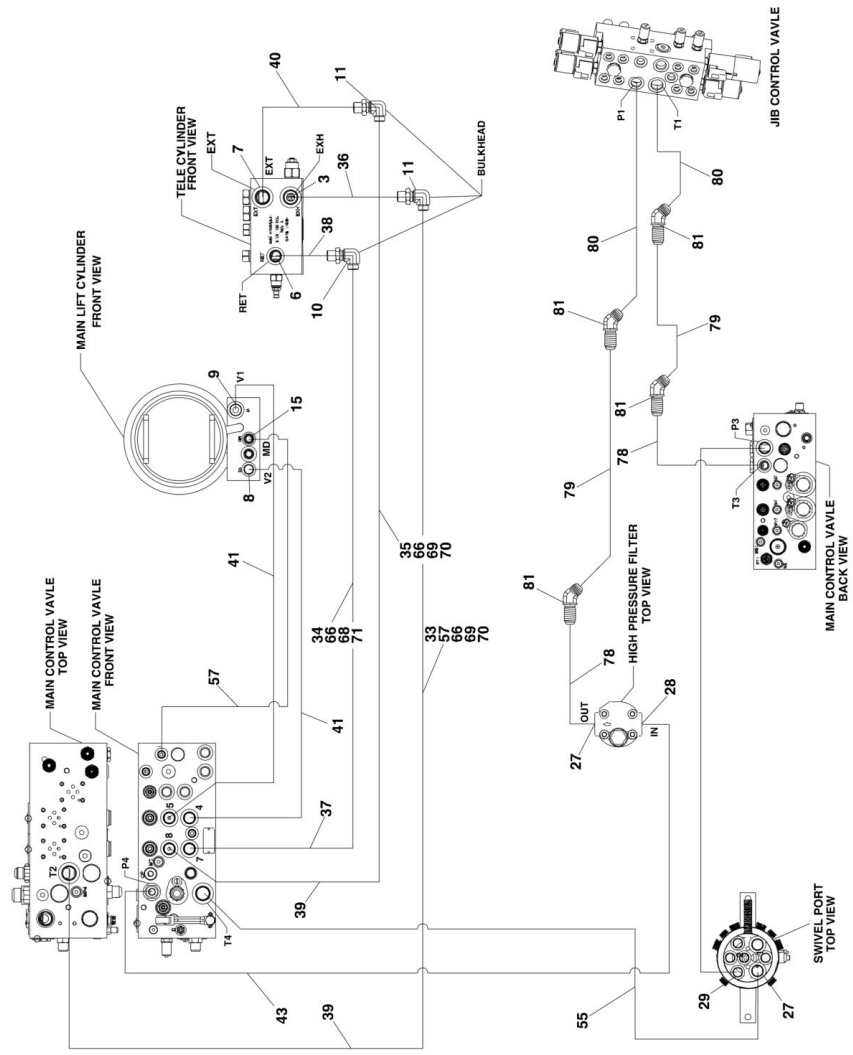
SECTION 7 - HYDRAULIC

FIGURE 7-3. TURNTABLE HYDRAULIC DIAGRAM



1001157242_PG 1 OF 2

SECTION 7 - HYDRAULIC



1001157242_PG 2 OF 2

SECTION 7 - HYDRAULIC

FIGURE 7-3. TURNTABLE HYDRAULIC DIAGRAM

ITEM	PART NUMBER	QTY	DESCRIPTION	REV
	1001157242	Ref	HYDRAULIC DIAGRAM - TURNTABLE	H
1	2110404	1	Fitting, Straight ORFS/ORB	
2	2111010	4	Fitting, Straight ORFS/ORB	
3	2111012	1	Fitting, Straight ORFS/ORB	
4	2111016	4	Fitting, Straight ORFS/ORB	
5	2111620	2	Fitting, Straight ORFS/ORB	
6	2130810	1	Fitting, 90 ORFS/ORB	
7	2131012	1	Fitting, 90 ORFS/ORB	
8	2151010	1	Fitting, 45 ORFS/ORB	
9	2151012	1	Fitting, 45 ORFS/ORB	
10	2171208	1	Fitting, 90 ORFS/ORFS	
11	2171210	2	Fitting, 90 ORFS/ORFS	
14	2220366	1	Fitting, 90 JIC/ORB	
15	2220603	1	Fitting, Straight JIC/ORB	
16	2220373	1	Fitting, Straight JIC/ORB	
17	2220374	7	Fitting, Straight JIC/ORB	
18	2220375	2	Fitting, Straight JIC/ORB	
19	2220380	2	Fitting, Straight JIC/ORB	
20	2220415	1	Fitting, Straight JIC/ORB	
21	2220451	1	Fitting, Straight JIC/ORB	
22	2220478	1	Kit, Split Flange	
23	2220479	1	Fitting, Straight JIC/ORB	
25	2220602	1	Fitting, Tee JIC/ORB/JIC	
26	2220618	1	Fitting, Straight JIC/FSJIC	
27	2220865	4	Fitting, Straight JIC/ORB	
28	2220906	1	Fitting, 90 JIC/ORB	
29	2220947	1	Fitting, Straight JIC/ORB	
30	2221034	1	Fitting, Tee JIC/ORB/JIC	
31	88662013	1	Fitting, Straight JIC/ORB	
32	1001110604	1	Kit, Split Flange	
33	1001158817	1	Pipe, Low Pressure	
34	1001158818	1	Pipe, High Pressure	
35	1001158819	1	Pipe, High Pressure	
36	1001161609	1	Hose	
37	1001161610	1	Hose	
38	1001161611	1	Hose	
39	1001161612	2	Hose	
40	1001161613	1	Hose	
41	1001161614	2	Hose	
43	1001161616	1	Hose	
45	1001161618	1	Hose	
46	1001161619	1	Hose	
47	1001161620	1	Hose	
48	1001161621	1	Hose	
49	1001161622	1	Hose	
50	1001161623	1	Hose	
51	1001161624	4	Hose	
52	1001161625	1	Hose	
53	1001161637	1	Hose	
54	1001161638	1	Hose	

SECTION 7 - HYDRAULIC

ITEM	PART NUMBER	QTY	DESCRIPTION	REV
55	1001161639	1	Hose	
56	1001161640	4	Hose	
57	1001161641	1	Hose	
58	1001161642	1	Hose	
59	1001161643	1	Hose	
60	1001161644	1	Hose	
61	1001161645	1	Hose	
62	1001161646	1	Hose	
63	1001161647	1	Hose	
64	1001161837	1	Hose	
65	1001161869	1	Hose	
66	0641412001	17	Bolt 1/4 x 1-1/2	
67	0641413001	3	Bolt 1/4 X 1-5/8	
68	8769146	3	Cover	
69	8769153	7	Cover	
70	8769154	7	Clamp Set	
71	8769199	3	Clamp Set	
72	4240018	AR	Tie-Strap (Not Shown)	
73	4240155	1	Strap, Cinch (Not Shown)	
74	2220500	1	Fitting, 45 S JIC/ORB	
75	2220578	1	Fitting, 90 S JIC/ORB	
76	1001119455	1	Valve, Oil Sampling	
77	77133089	1	Mini-Check	
78	1001184111	2	Hose	
79	1001184112	2	Hose	
80	1001184113	2	Hose	
81	2230035	4	Fitting, BH 45, JIC/JIC	

SECTION 7 - HYDRAULIC

FIGURE 7-4. HYDRAULIC DIAGRAM LIST

ITEM	PART NUMBER	QTY	DESCRIPTION	REV
		Ref	Note: Diagrams are available from JLG Service/Parts Department.	
	1001157243	Ref	Hydraulic Diagram - Boom and Jib	
	1001157241	Ref	Hydraulic Diagram - Chassis	
	1001157242	Ref	Hydraulic Diagram - Turntable	
	1001149709	Ref	Hydraulic Schematic	

SECTION 8 - ELECTRICAL

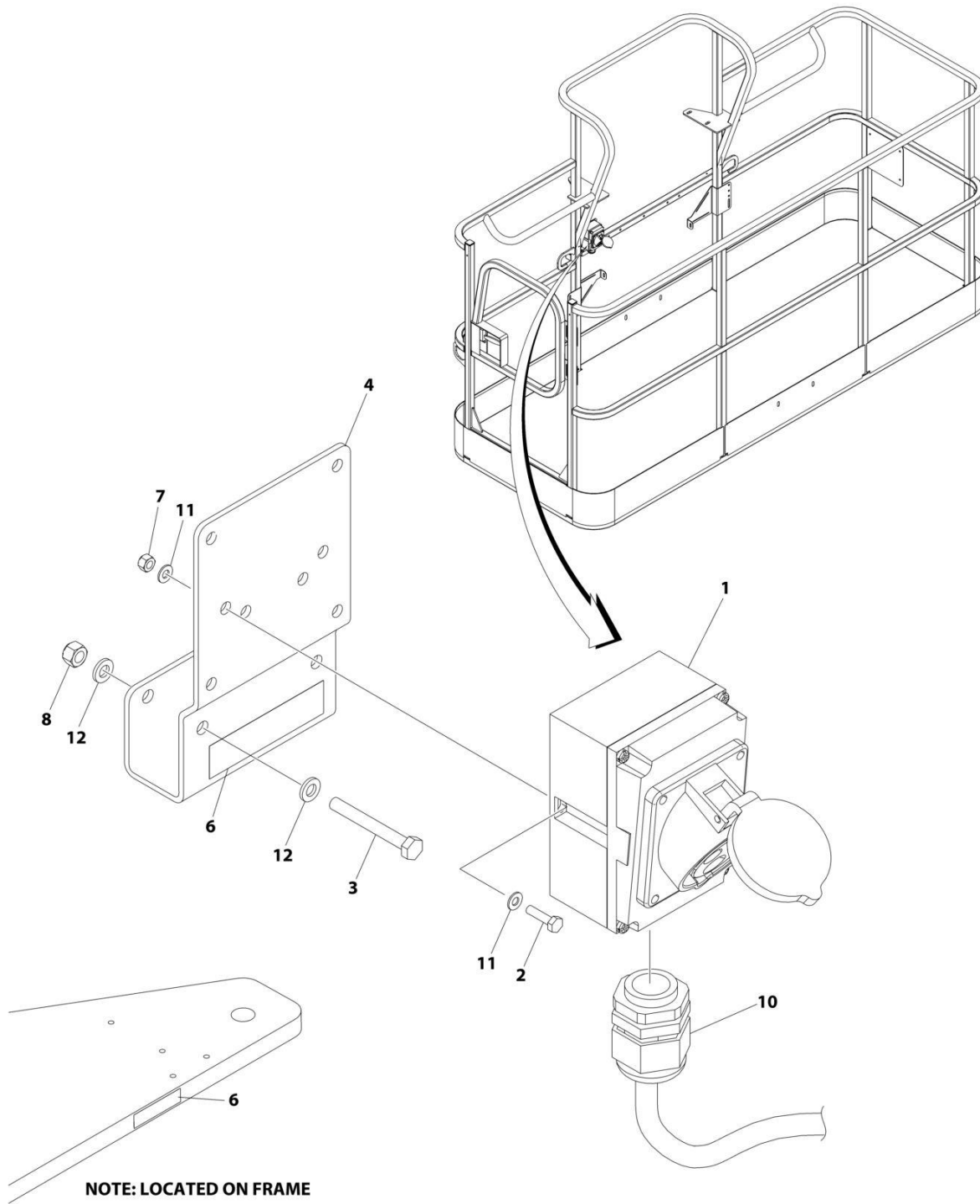
SECTION 8 - ELECTRICAL

FIGURE 8-1. ELECTRICAL DIAGRAM LIST

ITEM	PART NUMBER	QTY	DESCRIPTION	REV
		Ref	Note: Diagrams are available from JLG Service/Parts Departments.	
	1001205405	Ref	GENERATOR ELECTRICAL DIAGRAM - 4000W (ANSI Export, CE, China and Japanese Specs)	
	1001205406	Ref	GENERATOR ELECTRICAL DIAGRAM - 4000W (Australian Specs)	
	1001205407	Ref	GENERATOR ELECTRICAL DIAGRAM - 4000W (CE/UK Specs)	
	1001156083	Ref	GENERATOR ELECTRICAL DIAGRAM - 7500W	
	4933218	Ref	SOFT-TOUCH PLATFORM ELECTRICAL DIAGRAM	
	1001241868	Ref	STANDARD ELECTRICAL SCHEMATIC	

SECTION 8 - ELECTRICAL

FIGURE 8-2. AC BOX AT PLATFORM INSTALLATION - 110V IEC 60309 YELLOW WITHOUT 4000W GENERATOR (CE & UK CA SPECS)



ART_1001161667

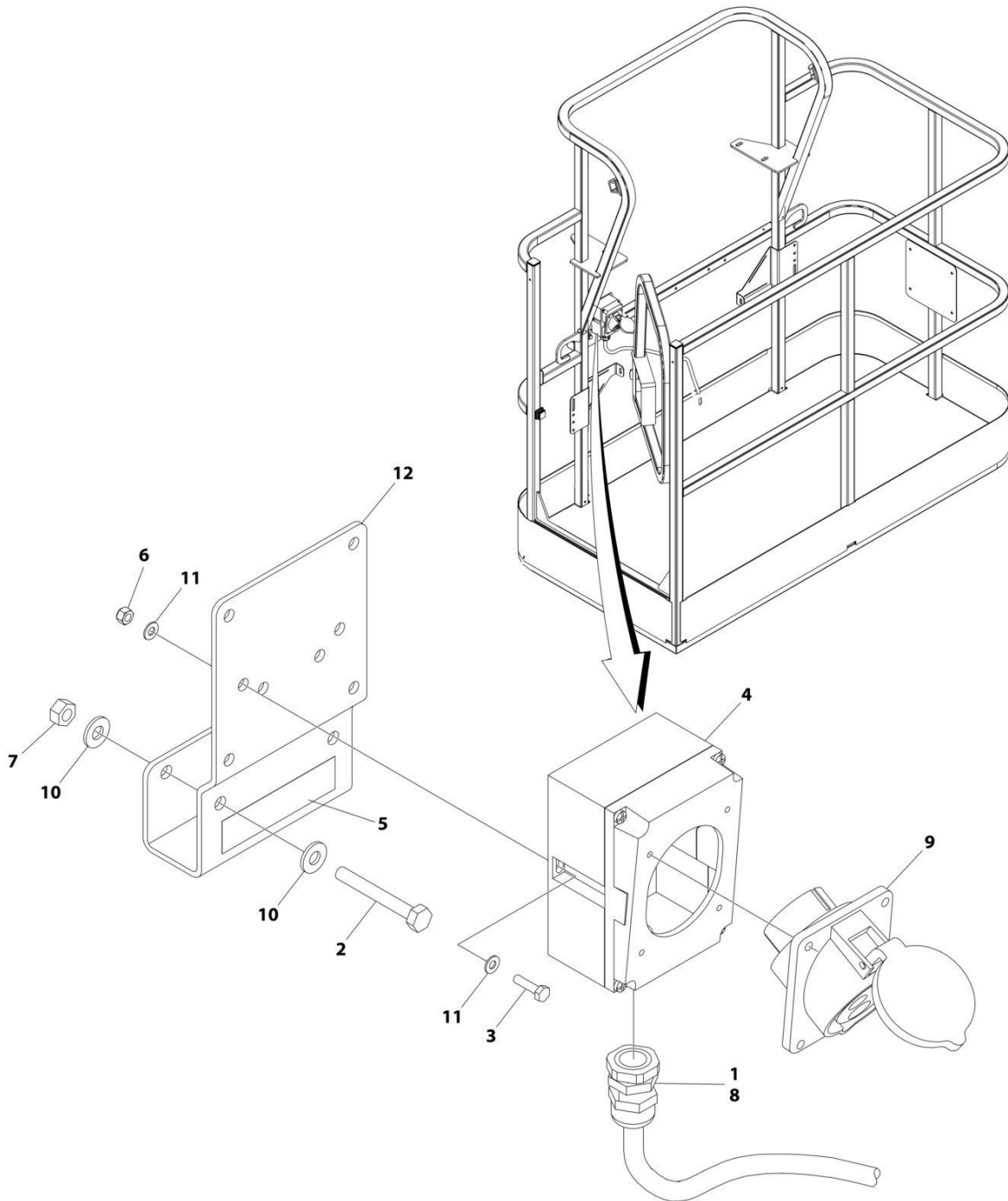
SECTION 8 - ELECTRICAL

FIGURE 8-2. AC BOX AT PLATFORM INSTALLATION - 110V IEC 60309 YELLOW WITHOUT 4000W GENERATOR (CE & UK CA SPECS)

ITEM	PART NUMBER	QTY	DESCRIPTION	REV
	1001161667	Ref	AC BOX AT PLATFORM INSTALLATION	C
1	0275216	1	Receptacle Box Kit - 110V IEC Yellow (See Separate Breakdown in this Section)	
2	0700408	2	Bolt M4 x 16	
3	0700618	2	Bolt M6 x 50	
4	1001193018	1	Bracket	
6	1705325	2	Decal - 110V	
7	3290405	2	Nut M4	
8	3290605	2	Nut M6	
10	1001101191	1	Connector, Strain Relief	
11	4811400	4	Washer M4	
12	4811700	4	Washer M6	

SECTION 8 - ELECTRICAL

FIGURE 8-3. AC BOX AT PLATFORM INSTALLATION - 110V IEC 60309 YELLOW WITH 4000W GENERATOR (CE & UK CA SPECS)



ART_1001194203

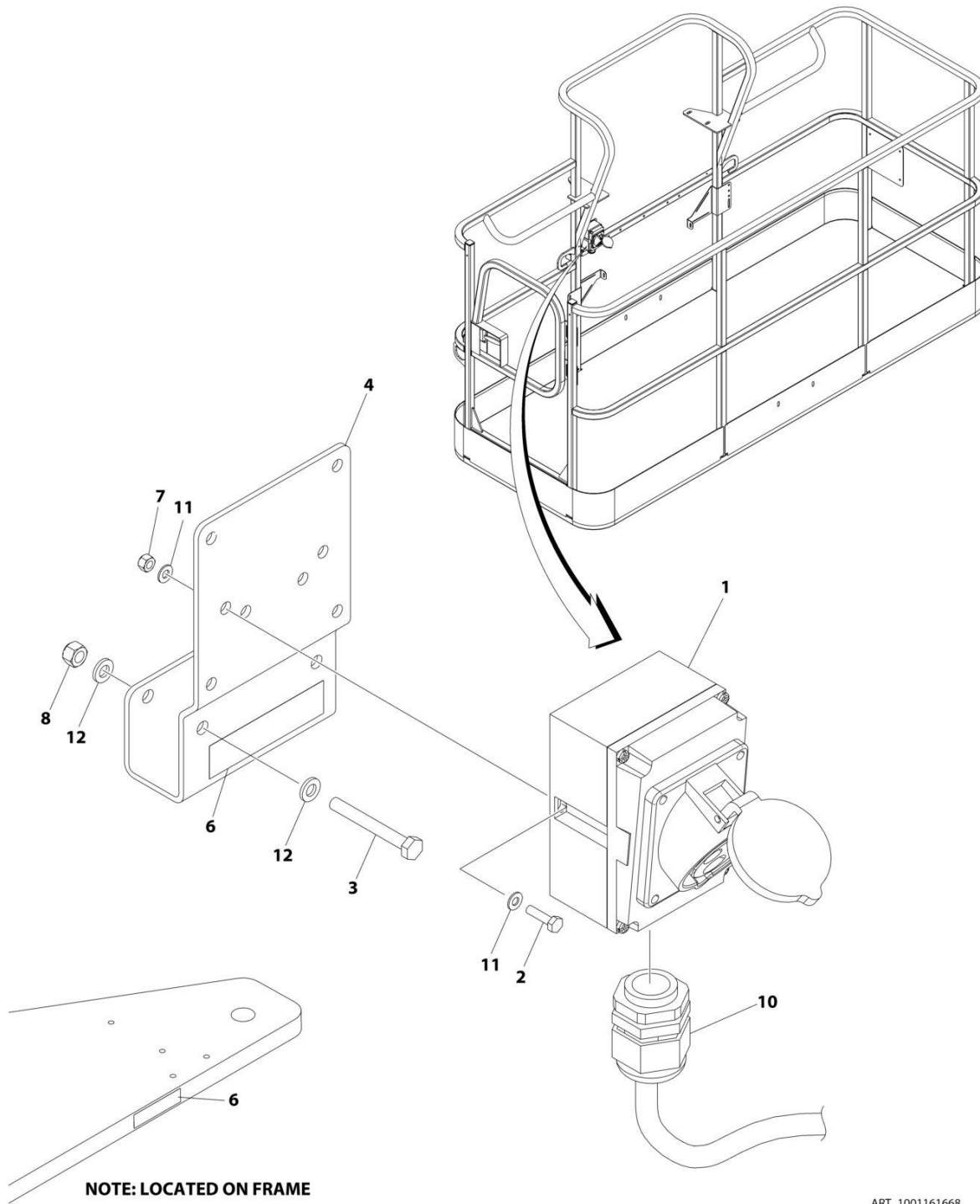
SECTION 8 - ELECTRICAL

FIGURE 8-3. AC BOX AT PLATFORM INSTALLATION - 110V IEC 60309 YELLOW WITH 4000W GENERATOR (CE & UK CA SPECS)

ITEM	PART NUMBER	QTY	DESCRIPTION	REV
	1001194203	Ref	AC BOX AT PLATFORM INSTALLATION	B
1	0100020	AR	Sealant, Pipe	
2	0641416	2	Bolt 1/4 x 2	
3	0700408	2	Bolt M4 x 16	
4	0861781	1	Box, Switch	
5	1705325	1	Decal - 110V	
6	3290405	2	Nut M4	
7	3311405	2	Nut 1/4	
8	4460968	1	Connector, Strain Relief	
9	4461198	1	Receptacle	
10	4711400	4	Washer 1/4	
11	4811400	4	Washer M4	
12	1001193018	1	Bracket, AC Receptacle	

SECTION 8 - ELECTRICAL

FIGURE 8-4. AC BOX AT PLATFORM INSTALLATION - 220V IEC 60309 BLUE WITHOUT 4000W GENERATOR (CE & UK CA SPECS)



ART_1001161668

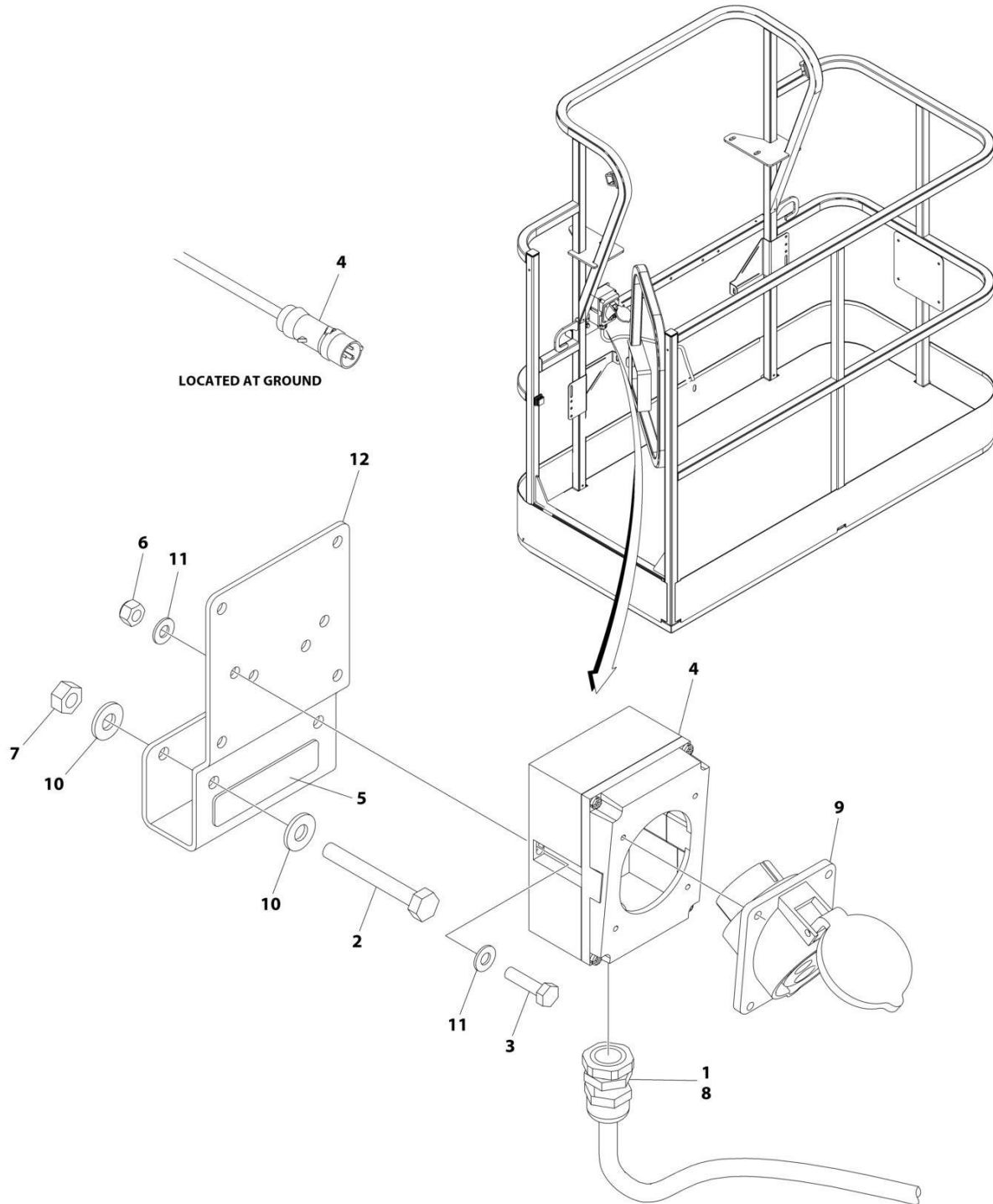
SECTION 8 - ELECTRICAL

FIGURE 8-4. AC BOX AT PLATFORM INSTALLATION - 220V IEC 60309 BLUE WITHOUT 4000W GENERATOR (CE & UK CA SPECS)

ITEM	PART NUMBER	QTY	DESCRIPTION	REV
	1001161668	Ref	AC BOX AT PLATFORM INSTALLATION	C
1	0275217	1	Receptacle Box Kit (See Separate Breakdown in this Section)	
2	0700408	2	Bolt M4 x 16	
3	0700618	2	Bolt M6 x 50	
4	1001193018	1	Bracket	
6	3252507	2	Decal - 110V	
7	3290405	2	Nut M4	
8	3290605	2	Nut M6	
10	1001101191	1	Connector, Strain Relief	
11	4811400	4	Washer M4	
12	4811700	4	Washer M6	

SECTION 8 - ELECTRICAL

FIGURE 8-5. AC BOX AT PLATFORM INSTALLATION - 220V IEC 60309 BLUE WITH 4000W GENERATOR (CE & UK CA SPECS)



ART_1001194204

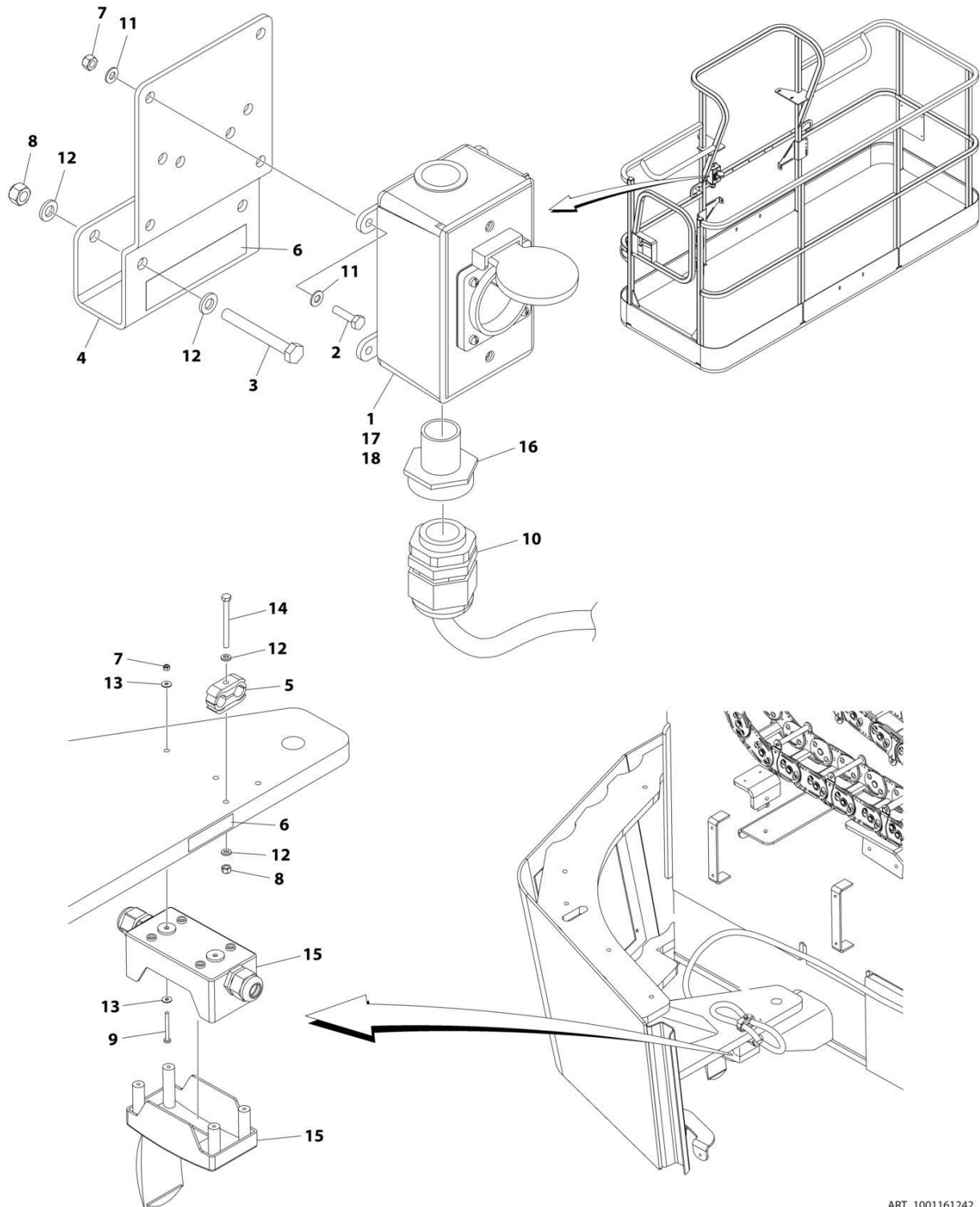
SECTION 8 - ELECTRICAL

FIGURE 8-5. AC BOX AT PLATFORM INSTALLATION - 220V IEC 60309 BLUE WITH 4000W GENERATOR (CE & UK CA SPECS)

ITEM	PART NUMBER	QTY	DESCRIPTION	REV
	1001194204	Ref	AC BOX AT PLATFORM INSTALLATION	B
1	0100020	AR	Sealant, Pipe	
2	0641416	2	Bolt 1/4 x 2	
3	0700408	2	Bolt M4 x 16	
4	0861781	1	Box, Switch	
5	3251242	1	Decal - 240V/50Hz	
6	3290405	2	Nut M4	
7	3311405	2	Nut 1/4	
8	4460968	1	Connector, Strain Relief	
9	4461201	1	Receptacle	
10	4711400	4	Washer 1/4	
11	4811400	4	Washer M4	
12	1001193018	1	Bracket, AC Receptacle	

SECTION 8 - ELECTRICAL

FIGURE 8-6. AC BOX AT PLATFORM INSTALLATION - 220V CEE7 POST GROUND (2X4 BOX) WITHOUT 4000W GENERATOR (CE & UK CA SPECS)



ART_1001161242

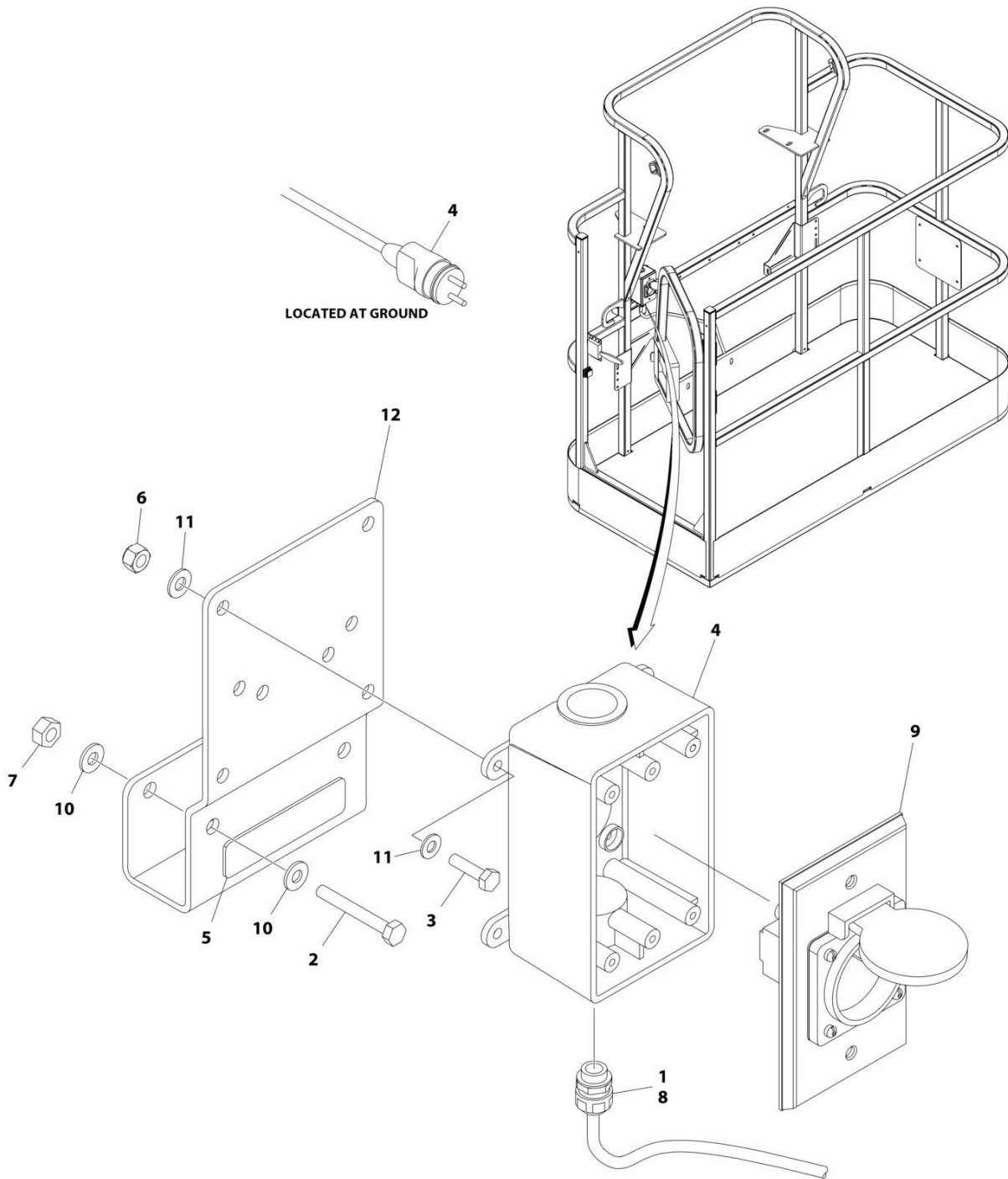
SECTION 8 - ELECTRICAL

**FIGURE 8-6. AC BOX AT PLATFORM INSTALLATION - 220V CEE7 POST GROUND (2X4 BOX)
WITHOUT 4000W GENERATOR (CE & UK CA SPECS)**

ITEM	PART NUMBER	QTY	DESCRIPTION	REV
	1001161242	Ref	AC BOX AT PLATFORM INSTALLATION	D
1	0275452	1	Receptacle Box Kit (See Separate Breakdown in this Section)	
2	0700408	2	Bolt M4 x 16	
3	0700618	2	Bolt M6 x 50	
4	1001193018	1	Bracket	
5	1320146	1	Clamp	
6	3252507	2	Decal - 240V-50Hz	
7	3290405	2	Nut M4	
8	3290605	2	Nut M6	
9	4010416	2	Screw M4 x 40	
10	1001101191	1	Connector, Strain Relief	
11	4811400	4	Washer M4	
12	4811700	4	Washer M6	
13	1001091102	4	Washer M4	
14	1001096653	1	Bolt M6 x 70	
15	1001158080	1	Kit, Breaker Box (See Separate Breakdown in this Section)	
16	1001101197	1	Adapter	
17	4460806	2	Terminal, Fork	
18	1001205958	1	Terminal	

SECTION 8 - ELECTRICAL

FIGURE 8-7. AC BOX AT PLATFORM INSTALLATION - 220V CEE7 POST GROUND (2X4 BOX) WITH 4000W GENERATOR (CE & UK CA SPECS)



ART_1001194197

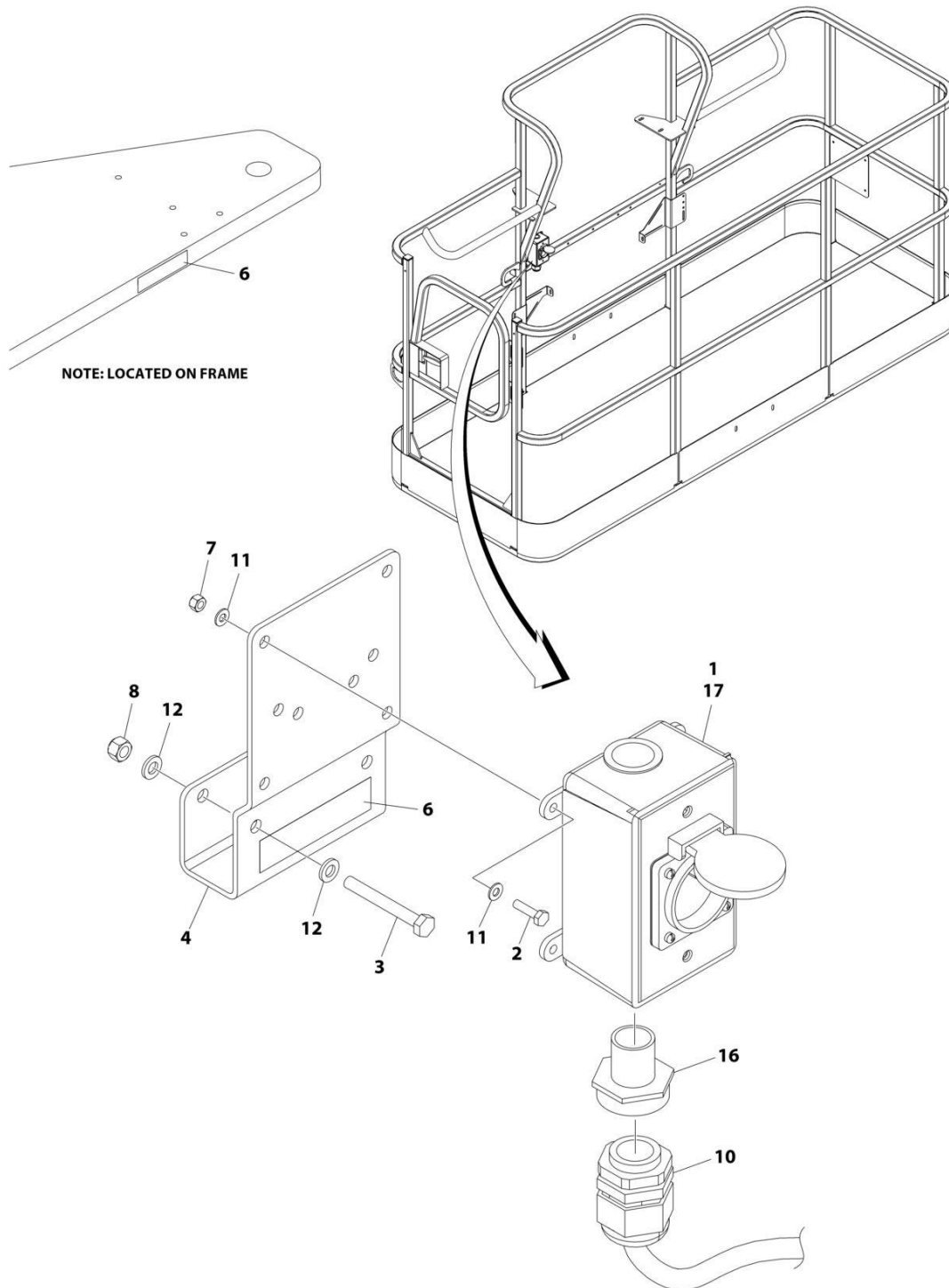
SECTION 8 - ELECTRICAL

**FIGURE 8-7. AC BOX AT PLATFORM INSTALLATION - 220V CEE7 POST GROUND (2X4 BOX) WITH
4000W GENERATOR (CE & UK CA SPECS)**

ITEM	PART NUMBER	QTY	DESCRIPTION	REV
	1001194197	Ref	AC BOX AT PLATFORM INSTALLATION	B
1	0100020	AR	Sealant, Pipe	
2	0641416	2	Bolt 1/4 x 2	
3	0700408	4	Bolt M4 x 16	
4	0861731	1	Box, Switch	
5	3251242	1	Decal - 240V/50Hz	
6	3290405	4	Nut M4	
7	3311405	2	Nut 1/4	
8	4460662	1	Connector, Strain Relief	
9	4461244	1	Receptacle	
10	4711400	4	Washer 1/4	
11	4811400	8	Washer M4	
12	1001193018	1	Bracket, AC Receptacle	
13	4460806	2	Terminal, Fork (Not Shown)	
14	1001205958	1	Terminal (Not Shown)	

SECTION 8 - ELECTRICAL

FIGURE 8-8. AC BOX AT PLATFORM INSTALLATION - 220V AFSINT 107 KEYED GROUND (2X4 BOX) WITHOUT 4000W GENERATOR (CE & UK CA SPECS)



ART_1001161244

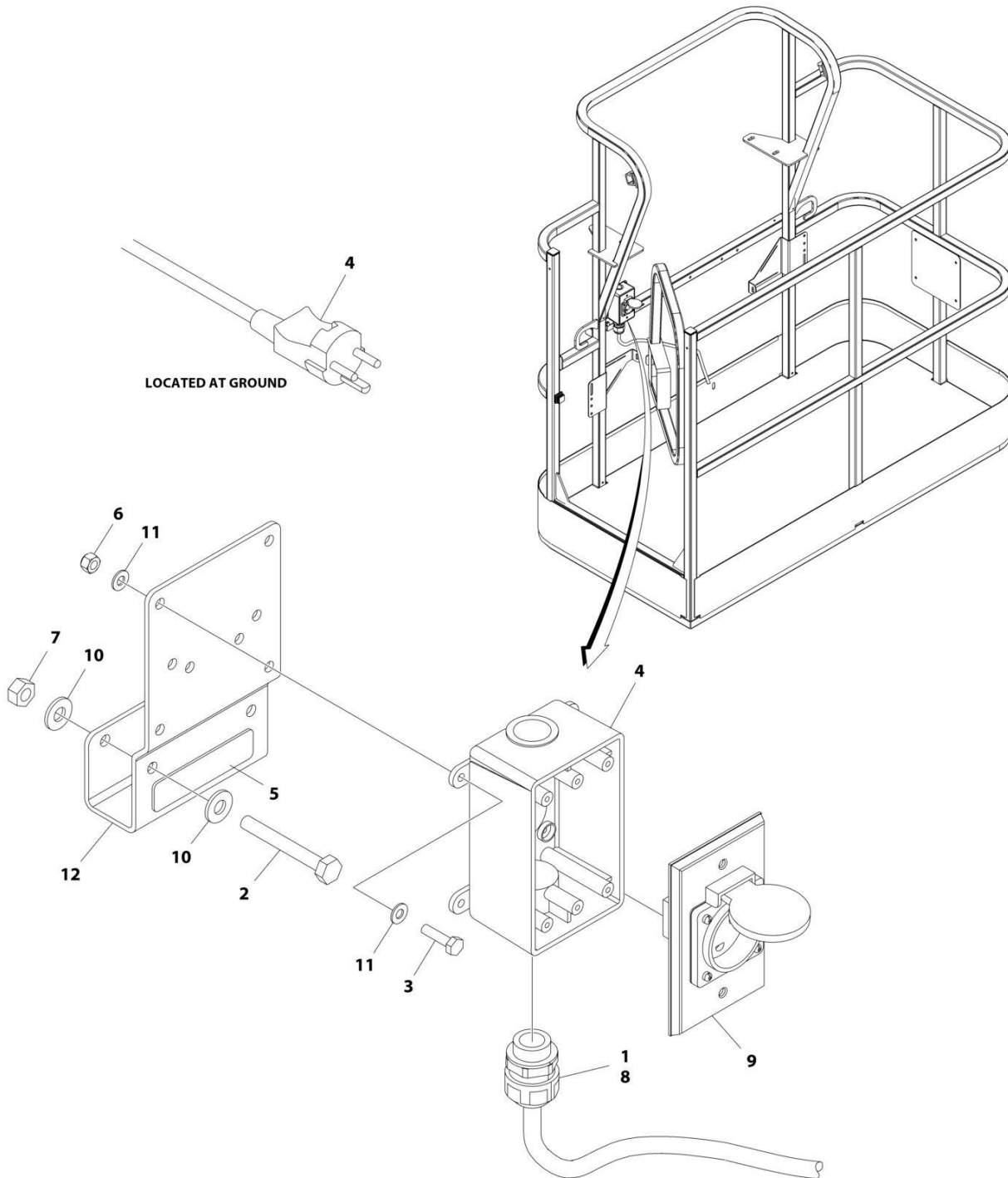
SECTION 8 - ELECTRICAL

**FIGURE 8-8. AC BOX AT PLATFORM INSTALLATION - 220V AFSINT 107 KEYED GROUND (2X4 BOX)
WITHOUT 4000W GENERATOR (CE & UK CA SPECS)**

ITEM	PART NUMBER	QTY	DESCRIPTION	REV
	1001161244	Ref	AC BOX AT PLATFORM INSTALLATION	E
1	0275454	1	Receptacle Box Kit (See Separate Breakdown in this Section)	
2	0700408	4	Bolt M4 x 16	
3	0700618	2	Bolt M6 x 50	
4	1001193018	1	Bracket	
6	3252507	2	Decal - 240V-50Hz	
7	3290405	4	Nut M4	
8	3290605	2	Nut M6	
10	1001101191	1	Connector, Strain Relief	
11	4811400	8	Washer M4	
12	4811700	4	Washer M6	
16	1001101197	1	Adapter	
17	1001205958	3	Terminal	

SECTION 8 - ELECTRICAL

FIGURE 8-9. AC BOX AT PLATFORM INSTALLATION - 220V AFSINT 107 KEYED GROUND (2X4 BOX) WITH 4000W GENERATOR (CE & UK CA SPECS)



ART_1001194200

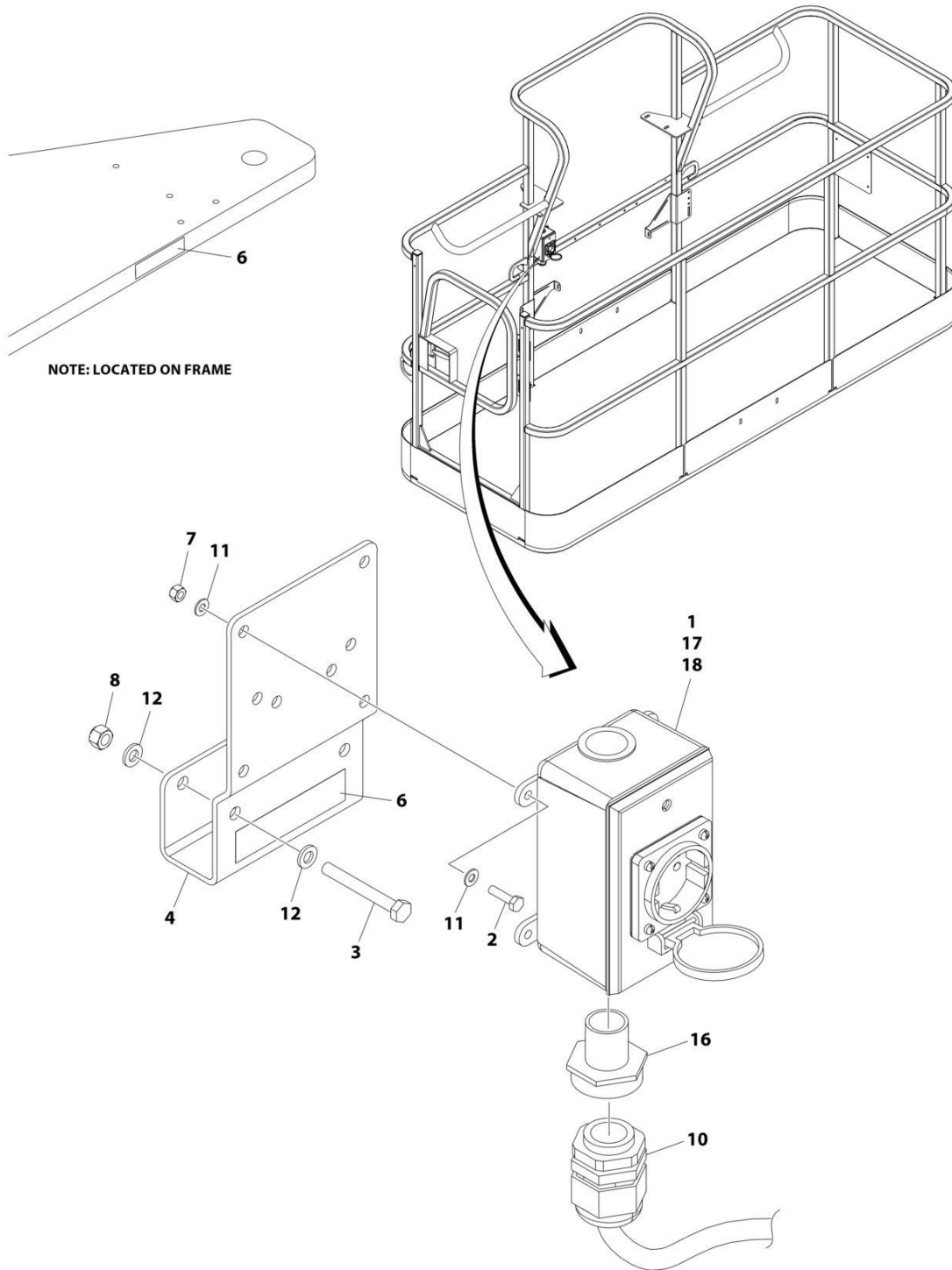
SECTION 8 - ELECTRICAL

**FIGURE 8-9. AC BOX AT PLATFORM INSTALLATION - 220V AFSINT 107 KEYED GROUND (2X4 BOX)
WITH 4000W GENERATOR (CE & UK CA SPECS)**

ITEM	PART NUMBER	QTY	DESCRIPTION	REV
	1001194200	Ref	AC BOX AT PLATFORM INSTALLATION	B
1	0100020	AR	Sealant, Pipe	
2	0641416	2	Bolt 1/4 x 2	
3	0700408	4	Bolt M4 x 16	
4	0861731	1	Box, Switch	
5	3251242	1	Decal - 240V/50Hz	
6	3290405	4	Nut M4	
7	3311405	2	Nut 1/4	
8	4460662	1	Connector, Strain Relief	
9	4461246	1	Receptacle	
10	4711400	4	Washer 1/4	
11	4811400	8	Washer M4	
12	1001193018	1	Bracket, AC Receptacle	
13	1001205958	1	Terminal (Not Shown)	

SECTION 8 - ELECTRICAL

FIGURE 8-10. AC BOX AT PLATFORM INSTALLATION - 220V CEE7 SIDE GROUND (2X4 BOX) WITHOUT 4000W GENERATOR (CE & UK CA SPECS)



ART_1001161243

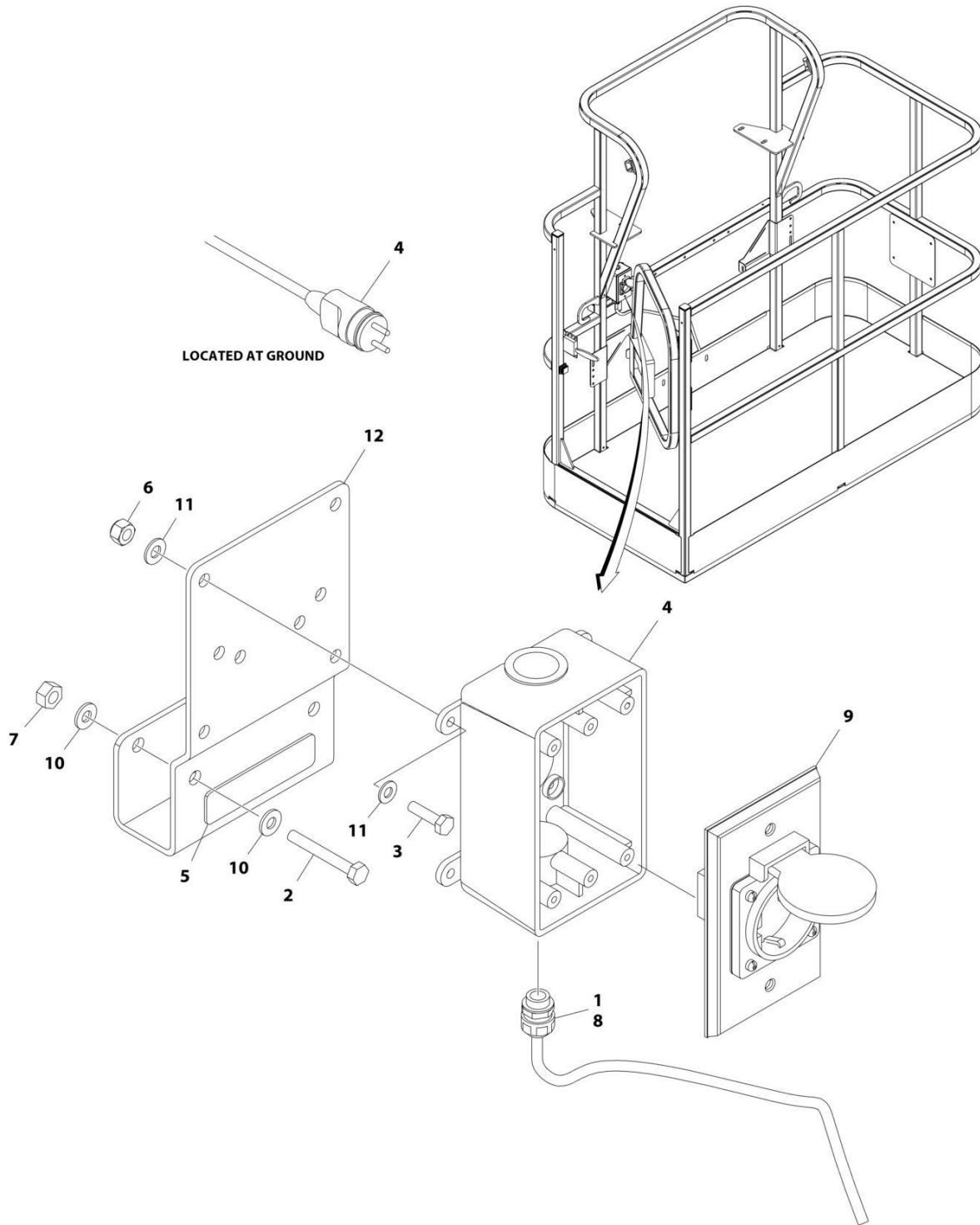
SECTION 8 - ELECTRICAL

**FIGURE 8-10. AC BOX AT PLATFORM INSTALLATION - 220V CEE7 SIDE GROUND (2X4 BOX)
WITHOUT 4000W GENERATOR (CE & UK CA SPECS)**

ITEM	PART NUMBER	QTY	DESCRIPTION	REV
	1001161243	Ref	AC BOX AT PLATFORM INSTALLATION	E
1	0275453	1	Receptacle Box Kit (See Separate Breakdown in this Section)	
2	0700408	4	Bolt M4 x 16	
3	0700618	2	Bolt M6 x 50	
4	1001193018	1	Bracket	
6	3252507	2	Decal - 240V-50Hz	
7	3290405	4	Nut M4	
8	3290605	2	Nut M6	
10	1001101191	1	Connector, Strain Relief	
11	4811400	8	Washer M4	
12	4811700	4	Washer M6	
16	1001101197	1	Adapter	
17	4460806	2	Terminal, Fork	
18	1001205958	1	Terminal	

SECTION 8 - ELECTRICAL

FIGURE 8-11. AC BOX AT PLATFORM INSTALLATION - 220V CEE7 SIDE GROUND (2X4 BOX) WITH 4000W GENERATOR (CE & UK CA SPECS)



ART_1001194198

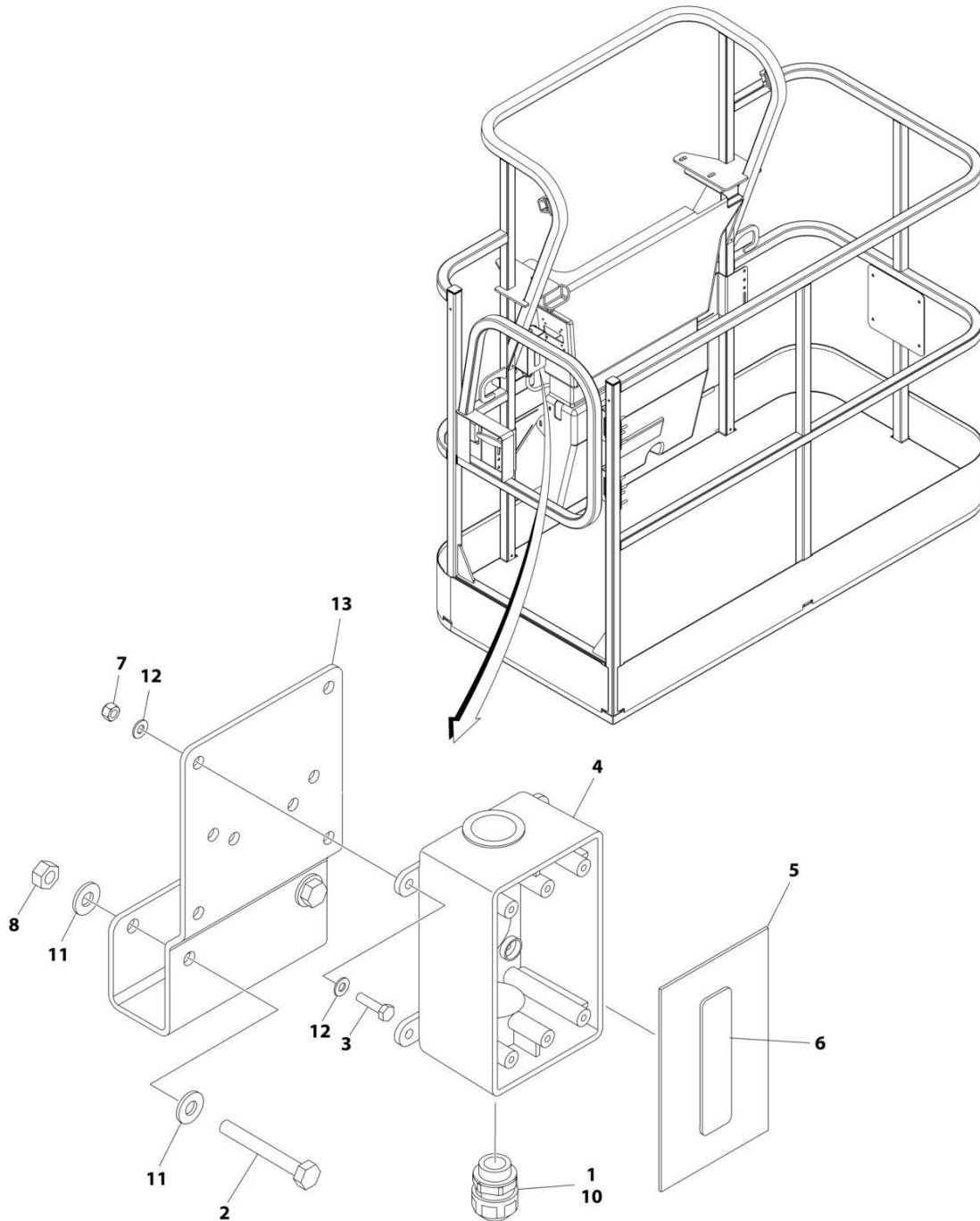
SECTION 8 - ELECTRICAL

FIGURE 8-11. AC BOX AT PLATFORM INSTALLATION - 220V CEE7 SIDE GROUND (2X4 BOX) WITH 4000W GENERATOR (CE & UK CA SPECS)

ITEM	PART NUMBER	QTY	DESCRIPTION	REV
	1001194198	Ref	AC BOX AT PLATFORM INSTALLATION	B
1	0100020	AR	Sealant, Pipe	
2	0641416	2	Bolt 1/4 x 2	
3	0700408	4	Bolt M4 x 16	
4	0861731	1	Box, Switch	
5	3251242	1	Decal - 240V/50Hz	
6	3290405	4	Nut M4	
7	3311405	2	Nut 1/4	
8	4460662	1	Connector, Strain Relief	
9	4461245	1	Receptacle	
10	4711400	4	Washer 1/4	
11	4811400	8	Washer M4	
12	1001193018	1	Bracket, AC Receptacle	
13	4460806	2	Terminal, Fork (Not Shown)	
14	1001205958	1	Terminal (Not Shown)	

SECTION 8 - ELECTRICAL

FIGURE 8-12. AC BOX AT PLATFORM INSTALLATION - BOX WITH COVER (2X4 BOX) WITH 4000W GENERATOR (ANSI EXPORT, AUSTRALIAN, CHINA, JAPANESE, CE & UK CA SPECS)



ART_1001194365

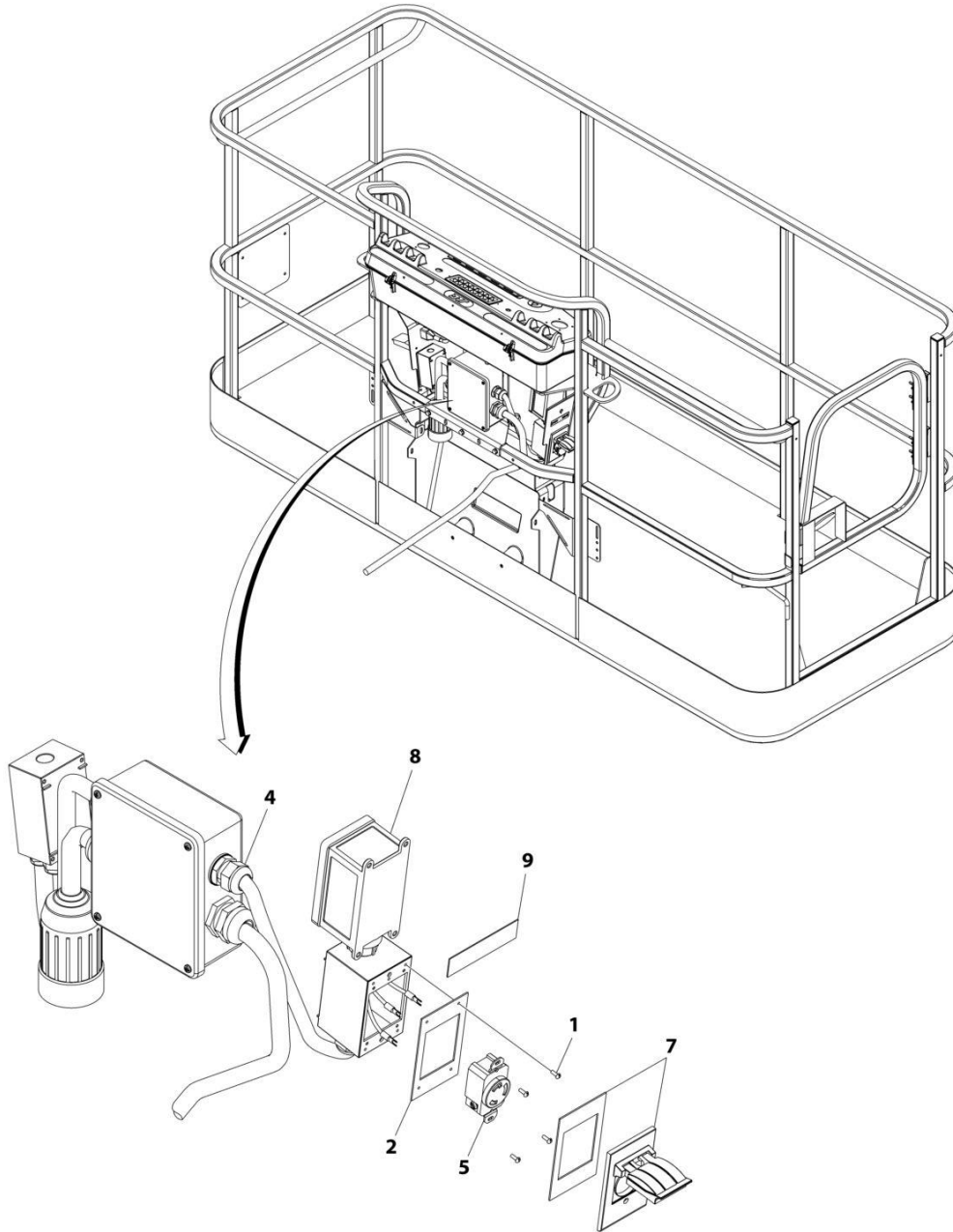
SECTION 8 - ELECTRICAL

FIGURE 8-12. AC BOX AT PLATFORM INSTALLATION - BOX WITH COVER (2X4 BOX) WITH 4000W GENERATOR (ANSI EXPORT, AUSTRALIAN, CHINA, JAPANESE, CE & UK CA SPECS)

ITEM	PART NUMBER	QTY	DESCRIPTION	REV
	1001194365	Ref	AC BOX AT PLATFORM INSTALLATION - BOX WITH COVER (2X4 BOX)	A
1	0100020	AR	Sealant	
2	0641416	2	Bolt 1/4 x 2	
3	0700408	4	Bolt M4 x 16	
4	0861731	1	Box, Switch	
5	1670603	1	Cover	
6	3251242	1	Decal - 240V/50Hz	
7	3290405	4	Nut M4	
8	3311405	2	Nut 1/4	
9	4460384	3	Terminal (Not Shown)	
10	4460662	1	Connector, Strain Relief	
11	4711400	4	Washer 1/4	
12	4811400	8	Washer M4	
13	1001193018	1	Bracket, AC Receptacle	

SECTION 8 - ELECTRICAL

FIGURE 8-13. AC BOX AT PLATFORM INSTALLATION - 240V (WITH 7500W SKYPOWER GENERATOR) (ALL SPECS EXCEPT AUSTRALIAN, CE & UK CA SPECS)



ART_1001159121

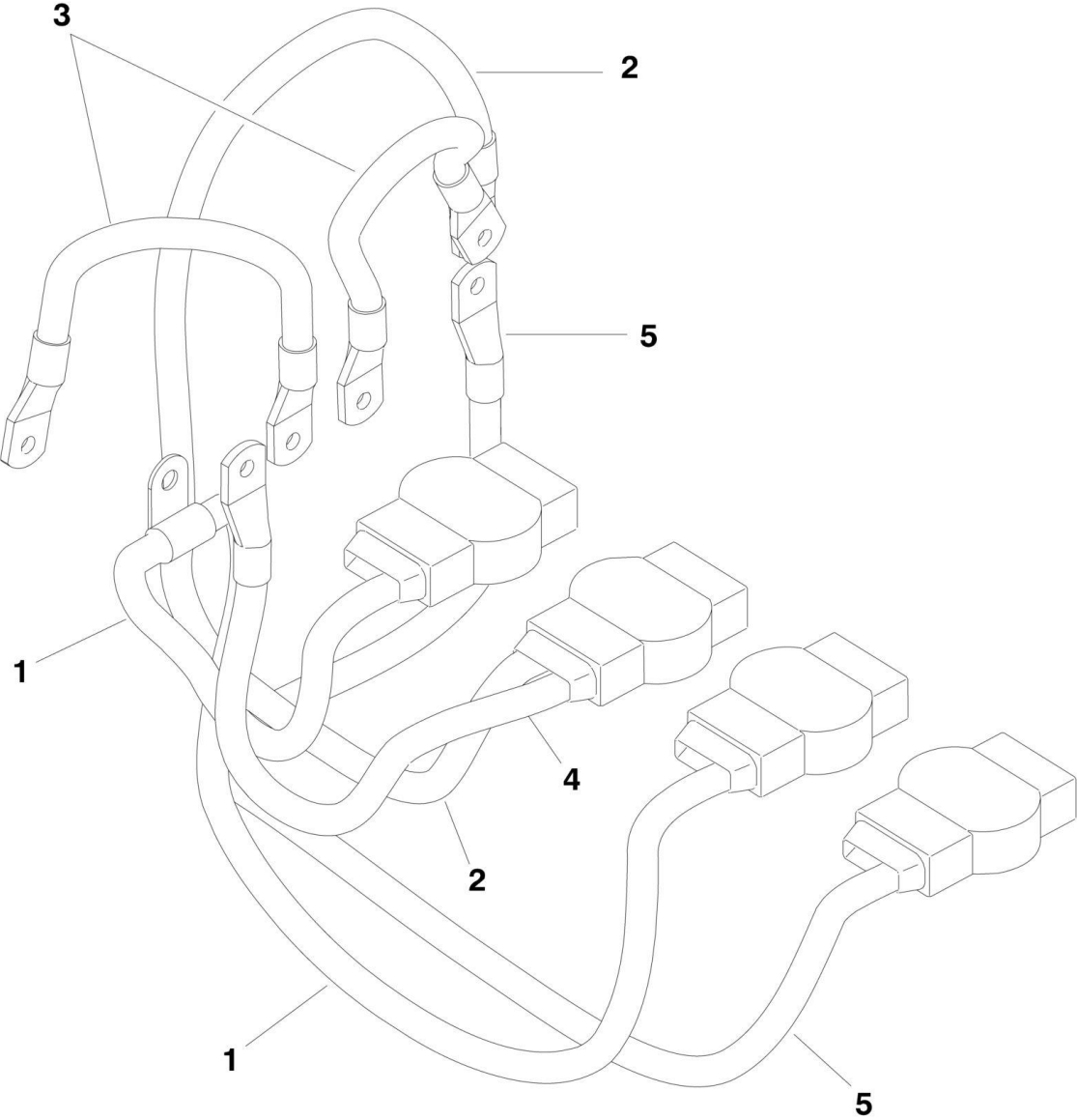
SECTION 8 - ELECTRICAL

FIGURE 8-13. AC BOX AT PLATFORM INSTALLATION - 240V (WITH 7500W SKYPOWER GENERATOR) (ALL SPECS EXCEPT AUSTRALIAN, CE & UK CA SPECS)

ITEM	PART NUMBER	QTY	DESCRIPTION	REV
	1001159121	Ref	AC BOX AT PLATFORM INSTALLATION - 240V RECEPTACLE	B
1	3910606	4	Screw 6 x 3/8	
2	3960422	1	Gasket	
3	4240018	AR	Tie-Strap (Not Shown)	
4	4460425	1	Connector, Strain Relief	
5	4460958	1	Receptacle	
7	1001110872	1	Cover, Receptacle	
8	1001159120	1	Receptacle/Breaker Box Assembly	
8	1001148675	1	Box, Receptacle	
8	1001159118	1	Breaker Box Assembly	
8	4460612	1	Connector, Strain Relief	
8	1001159119	1	Connector (Between Boxes)	
9	1705374	1	Decal - 240V/60Hz	

SECTION 8 - ELECTRICAL

FIGURE 8-14. BATTERY CABLE KIT - DEUTZ LRC ENGINES



1001158922

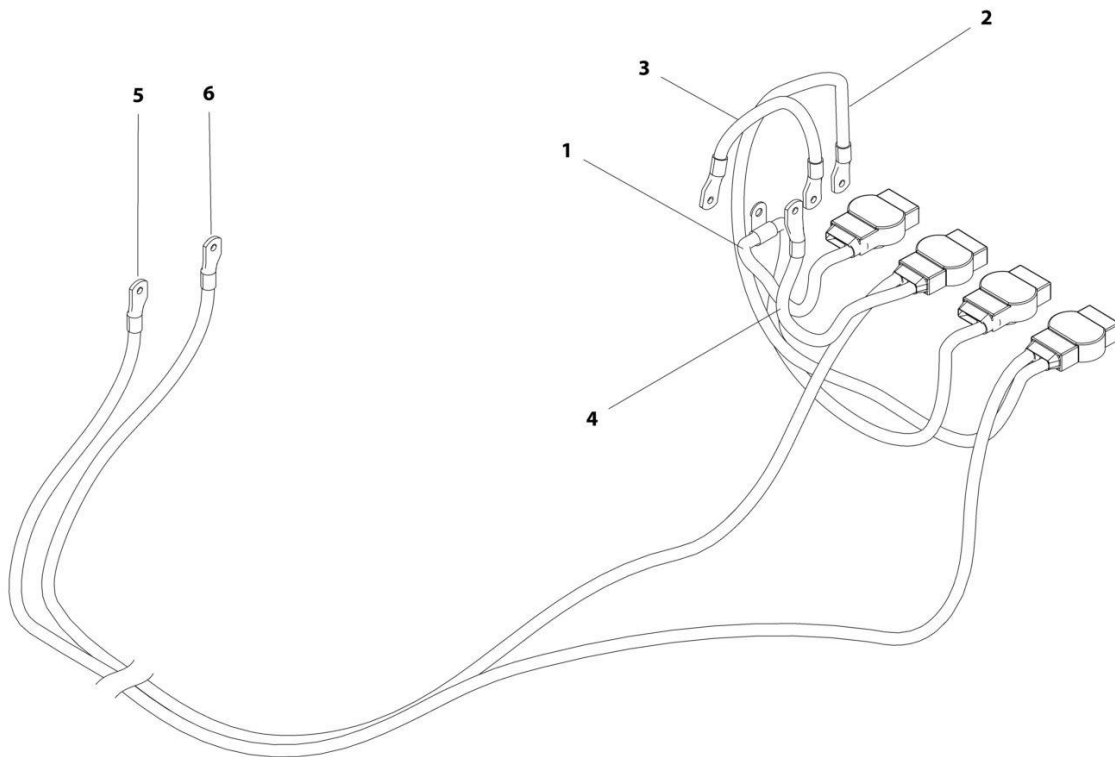
SECTION 8 - ELECTRICAL

FIGURE 8-14. BATTERY CABLE KIT - DEUTZ LRC ENGINES

ITEM	PART NUMBER	QTY	DESCRIPTION	REV
	1001158922	Ref	BATTERY CABLE KIT	B
1	7027096	1	Cable, Negative Battery	
2	7027097	1	Cable, Positive Battery	
3	7027098	2	Cable, Battery	
4	7027099	1	Cable, Battery	
5	70009000	1	Cable, Battery	

SECTION 8 - ELECTRICAL

FIGURE 8-15. BATTERY CABLE KIT - DEUTZ HRC ENGINES



ART_1001197442

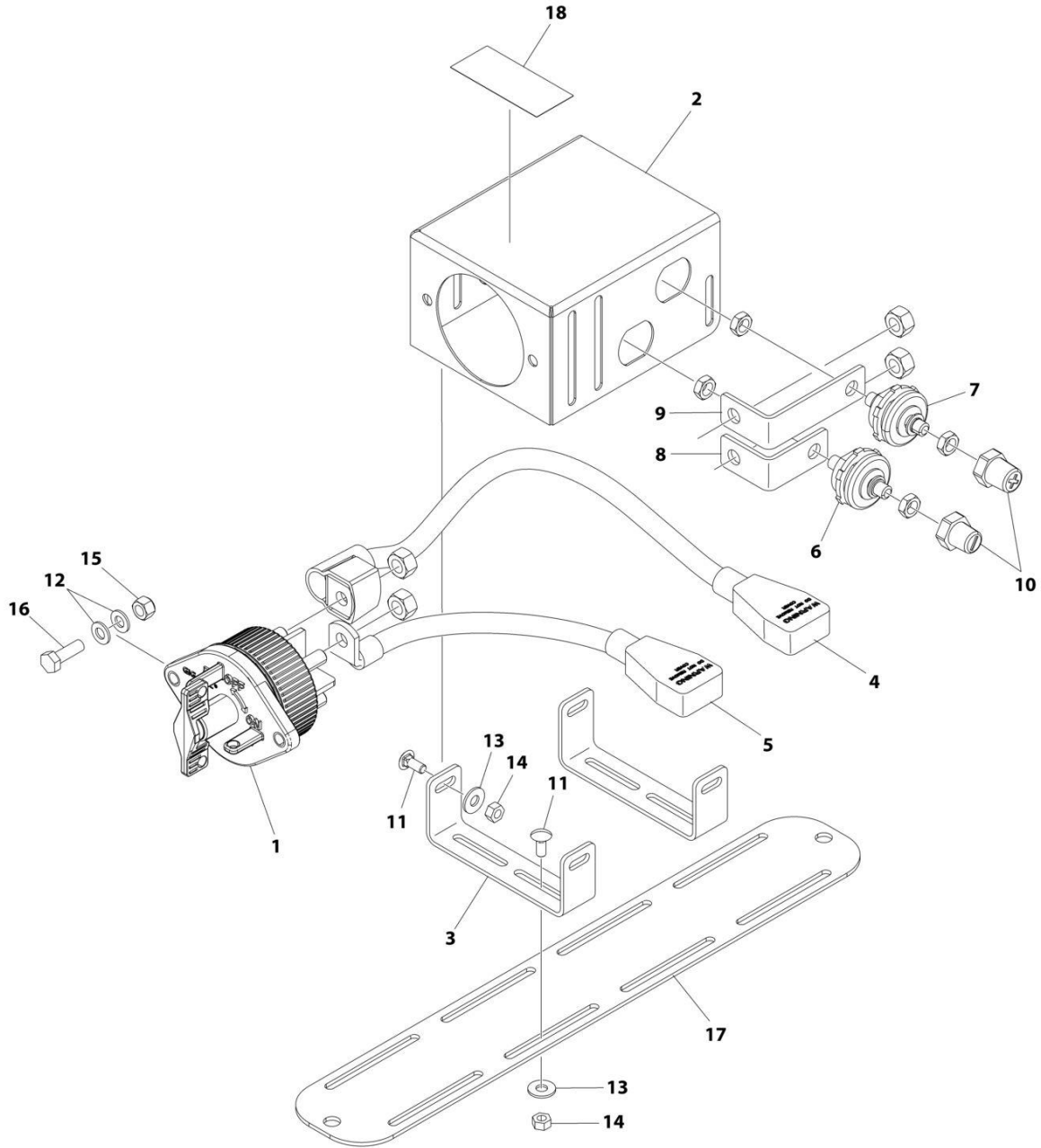
SECTION 8 - ELECTRICAL

FIGURE 8-15. BATTERY CABLE KIT - DEUTZ HRC ENGINES

ITEM	PART NUMBER	QTY	DESCRIPTION	REV
	1001197442	Ref	BATTERY CABLE KIT	B
1	70009012	1	Cable, Negative Battery	
2	70009013	1	Cable, Positive Battery	
3	70009014	1	Cable, Battery	
4	70009015	1	Cable, Battery	
5	70009016	1	Cable, Battery	
6	70009017	1	Cable, Battery	

SECTION 8 - ELECTRICAL

FIGURE 8-16. BATTERY DISCONNECT INSTALLATION



ART_1001239874

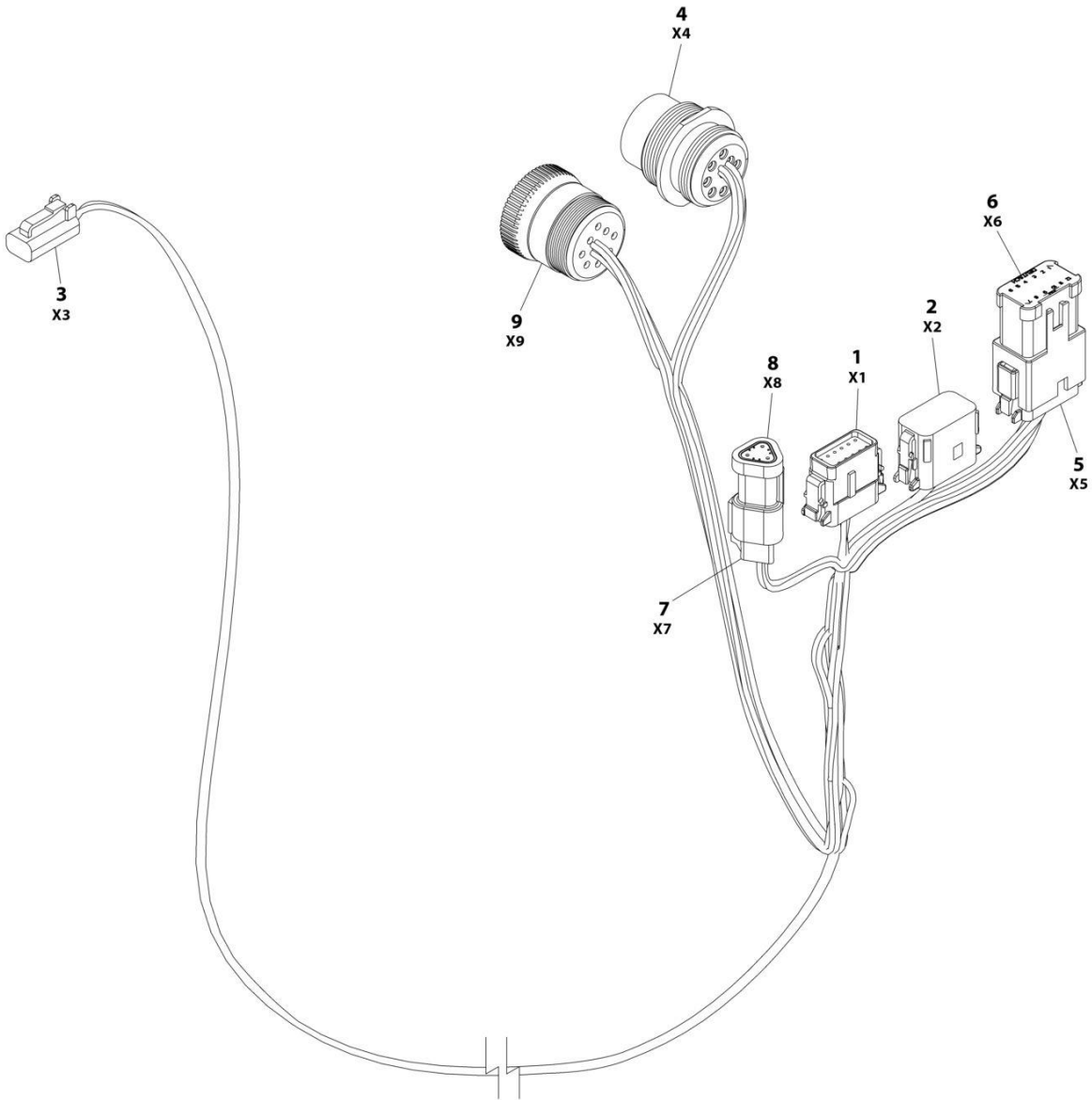
SECTION 8 - ELECTRICAL

FIGURE 8-16. BATTERY DISCONNECT INSTALLATION

ITEM	PART NUMBER	QTY	DESCRIPTION	REV
	1001239874	Ref	BATTERY DISCONNECT INSTALLATION	A
1	1001225346	1	Switch, Disconnect	
2	1001226531	1	Mount	
3	1001239805	2	Mount	
4	1001236504	1	Cable (Positive)	
5	1001236505	1	Cable (Negative)	
6	1001214571	1	Connector (Black)	
7	1001214570	1	Connector (Red)	
8	1001209474	1	Buss bar	
9	1001209432	1	Buss bar	
10	1001206476	1	Connector	
11	88411013	8	Bolt 1/4 x 3/4	
12	4811900	4	Washer M8	
13	4751400	8	Washer 1/4	
14	3311405	8	Nut 1/4	
15	3290805	2	Nut M8	
16	0760812	2	Bolt M8 x 25	
17	1001241586	1	Plate	
18	1001239957	1	Decal - Battery Disconnect	

SECTION 8 - ELECTRICAL

FIGURE 8-17. BEACON CONTROL HARNESS



ART_1001142736

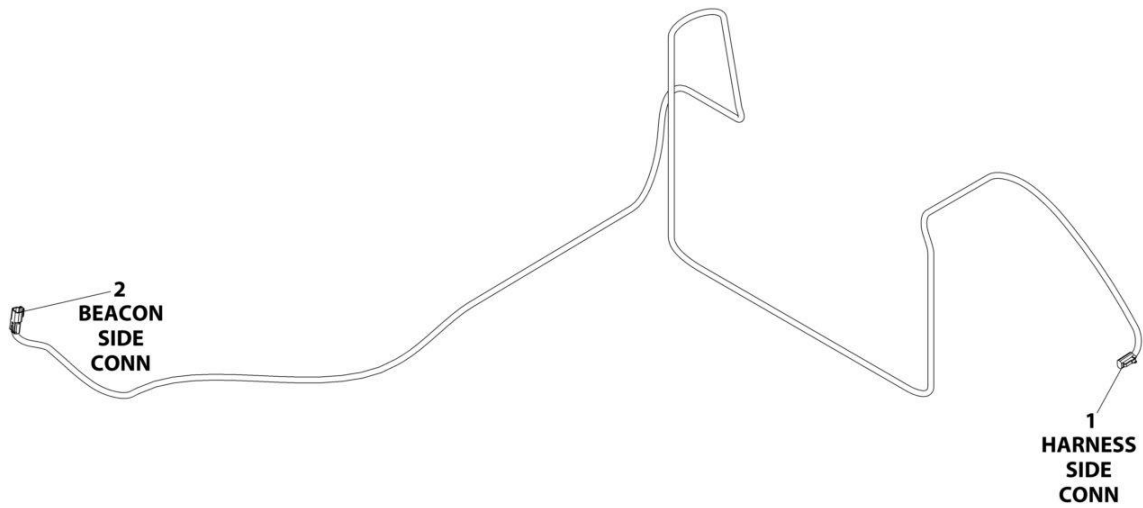
SECTION 8 - ELECTRICAL

FIGURE 8-17. BEACON CONTROL HARNESS

ITEM	PART NUMBER	QTY	DESCRIPTION	REV
	1001142736	Ref	STROBE LIGHT HARNESS	F
1	1001116808	1	Plug, Male - 12 Position	
1	4460928	3	Socket, Female	
1	4460518	9	Plug, Terminal	
2	1001116774	1	Plug, Male - 12 Position	
2	4460928	3	Socket, Female	
2	4460518	9	Plug, Terminal	
3	4460891	1	Plug, Male - 2 Position	
3	4460465	2	Socket, Female	
4	1001112612	1	Connector - 9 Position	
4	4460464	6	Pin, Male	
4	4460466	3	Plug, Terminal	
5	4460933	1	Plug, Male - 12 Position	
5	4460465	12	Socket, Female	
6	1001119020	1	Bussbar - 12 Position	
7	4461095	1	Plug, Male - 3 Position	
7	4460465	3	Socket, Female	
8	4461070	1	Bussbar - 3 Position	
9	1001112796	1	Connector - 9 Position	
9	4460465	6	Socket, Female	
9	4460466	3	Plug, Terminal	

SECTION 8 - ELECTRICAL

FIGURE 8-18. BEACON HARNESS - AMBER



ART_1001158989

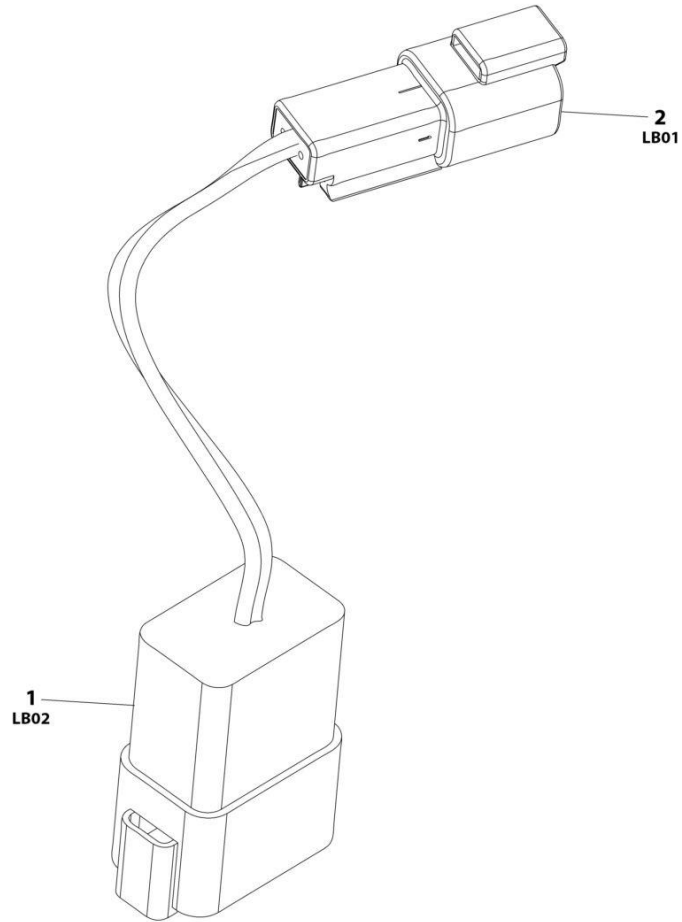
SECTION 8 - ELECTRICAL

FIGURE 8-18. BEACON HARNESS - AMBER

ITEM	PART NUMBER	QTY	DESCRIPTION	REV
	1001158989	Ref	BEACON HARNESS	A
1	4460891	1	Connector	
1	4460465	2	Socket	
2	4460897	1	Connector	
2	4460464	2	Pin	

SECTION 8 - ELECTRICAL

FIGURE 8-19. BEACON JUMPER HARNESS - AMBER



ART_1001283776

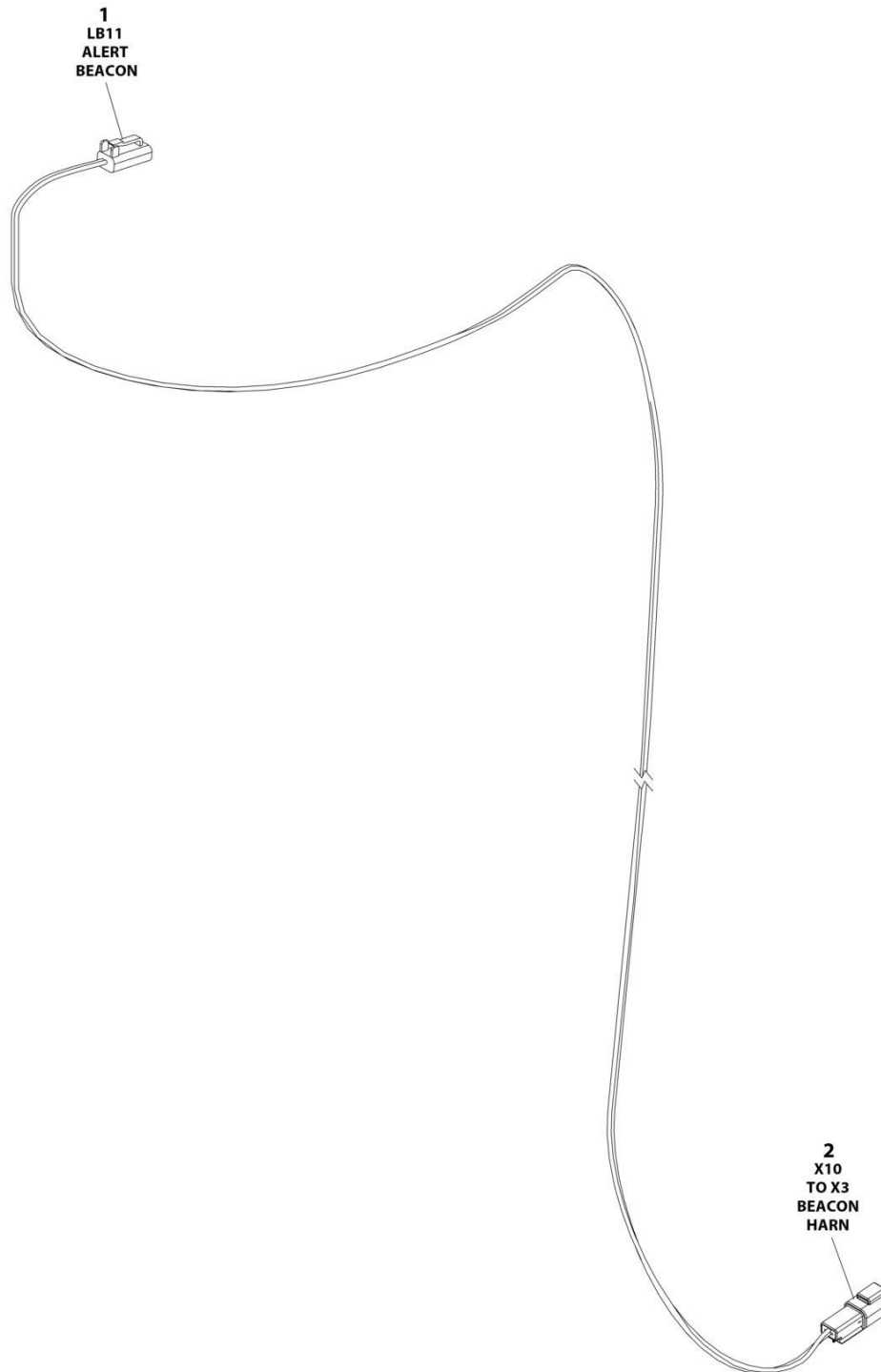
SECTION 8 - ELECTRICAL

FIGURE 8-19. BEACON JUMPER HARNESS - AMBER

ITEM	PART NUMBER	QTY	DESCRIPTION	REV
	1001283776	Ref	STROBE LIGHT HARNESS (AMBER)	A
1	4460931	1	Connector	
1	4460464	2	Pin	
1	4460466	6	Plug	
2	4460897	1	Connector	
2	4460464	2	Pin	

SECTION 8 - ELECTRICAL

FIGURE 8-20. BEACON JUMPER HARNESS - BLUE & RED



ART_1001285733

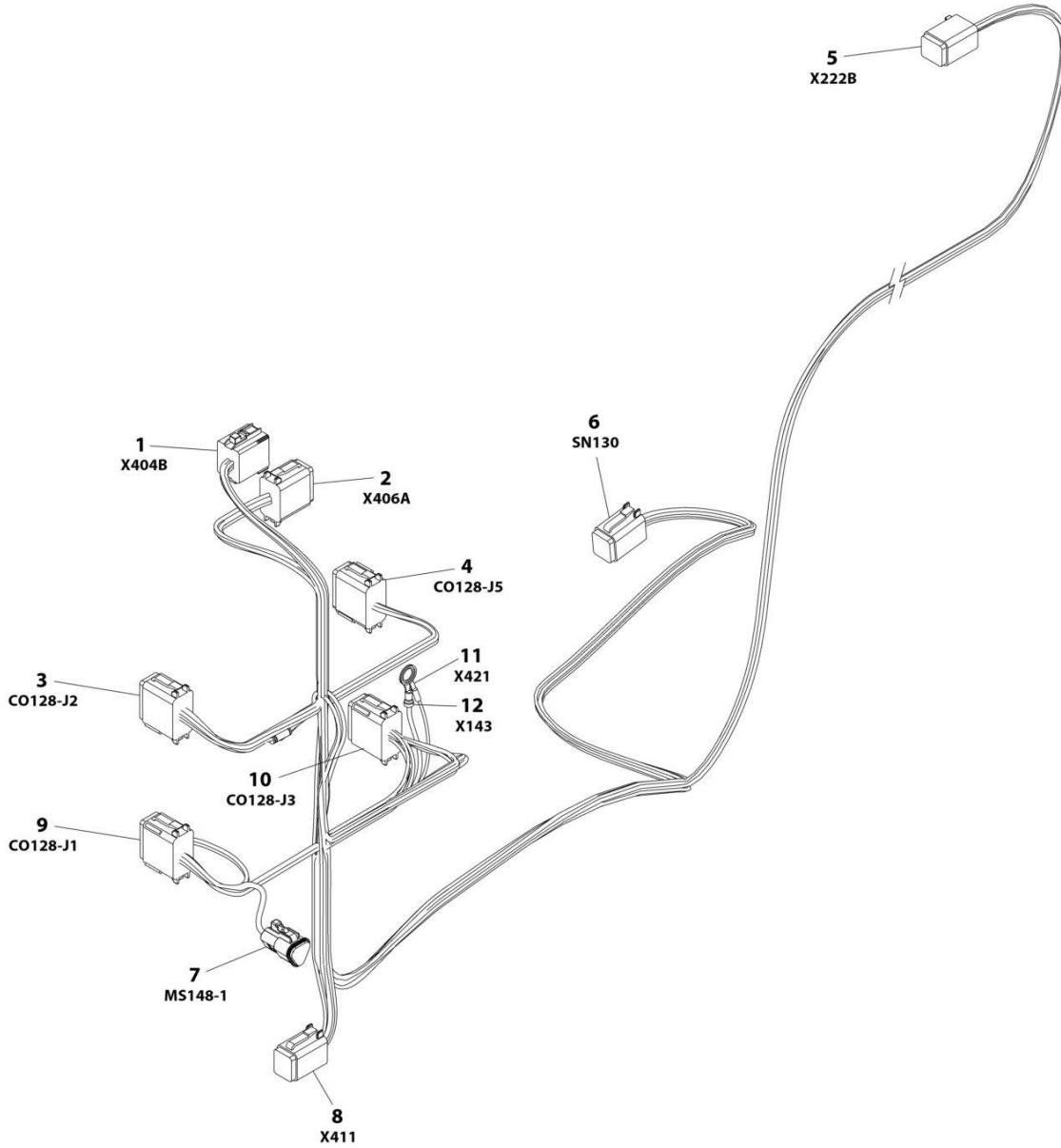
SECTION 8 - ELECTRICAL

FIGURE 8-20. BEACON JUMPER HARNESS - BLUE & RED

ITEM	PART NUMBER	QTY	DESCRIPTION	REV
	1001285733	Ref	BEACON JUMPER HARNESS	A
1	4460891	1	Connector	
1	4460465	2	Socket	
2	4460897	1	Connector	
2	4460464	2	Pin	

SECTION 8 - ELECTRICAL

FIGURE 8-21. BLAM HARNESS



ART_1001241865

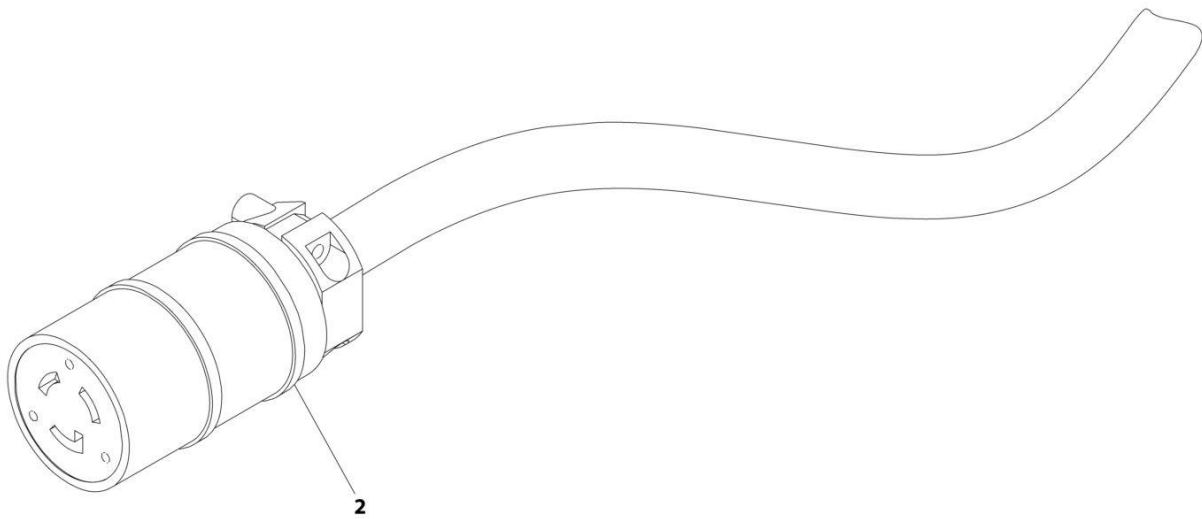
SECTION 8 - ELECTRICAL

FIGURE 8-21. BLAM HARNESS

ITEM	PART NUMBER	QTY	DESCRIPTION	REV
	1001241865	Ref	BLAM HARNESS	C
1	4460851	1	Connector - 8 Position	
1	4460465	7	Socket, Female	
1	4460466	1	Plug, Socket	
2	4460930	1	Connector - 8 Position	
2	4460465	6	Socket, Female	
2	4460466	2	Plug, Socket	
3	1001270340	1	Connector - 12 Position	
3	4460465	8	Socket, Female	
3	4460466	4	Plug, Socket	
4	1001239345	1	Connector - 12 Position	
4	4460465	4	Socket, Female	
4	4460466	8	Plug, Socket	
5	4460894	1	Connector - 6 Position	
5	4460465	5	Socket, Female	
5	4460466	1	Plug, Socket	
6	4460894	1	Connector - 6 Position	
6	4460465	6	Socket, Female	
7	1001116812	1	Connector - 3 Position	
7	4460944	2	Socket, Female	
7	4460466	1	Plug, Socket	
8	4460894	1	Connector - 6 Position	
8	4460465	4	Socket, Female	
8	4460942	2	Socket, Female	
9	1001270339	1	Connector - 12 Position	
9	4460465	6	Socket, Female	
9	4460942	2	Socket, Female	
9	4460466	4	Plug, Socket	
10	1001239344	1	Connector - 12 Position	
10	4460465	11	Socket, Female	
10	4460466	1	Plug, Socket	
11	4460703	1	Terminal, Ring	
12	4460670	1	Terminal, Ring	

SECTION 8 - ELECTRICAL

FIGURE 8-22. BOOM AC CABLE - ANSI, ANSI EXPORT, CSA AND JAPANESE SPECS



ART_1001156894

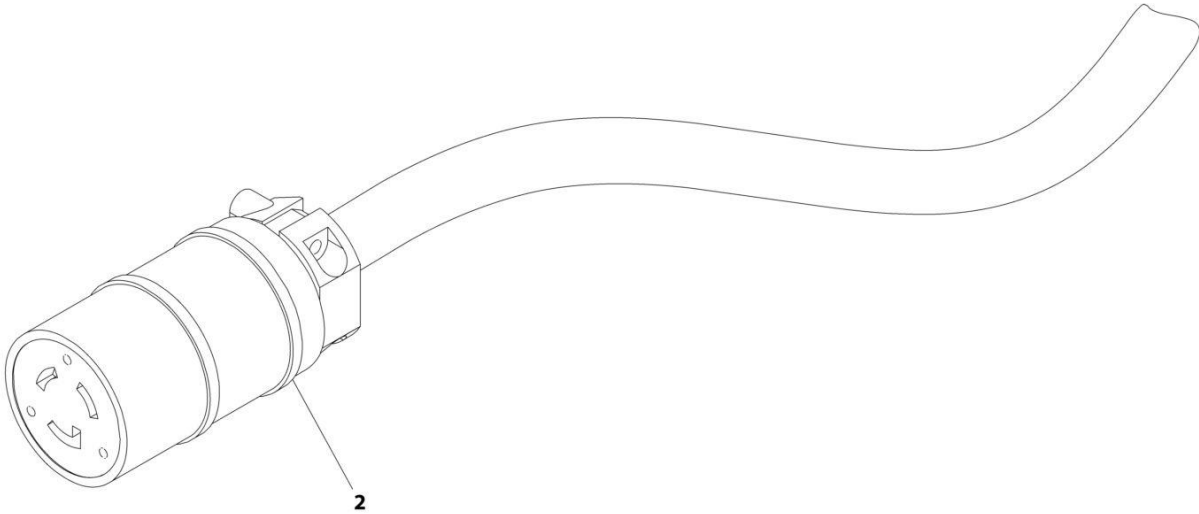
SECTION 8 - ELECTRICAL

FIGURE 8-22. BOOM AC CABLE - ANSI, ANSI EXPORT, CSA AND JAPANESE SPECS

ITEM	PART NUMBER	QTY	DESCRIPTION	REV
2	1001156894 4460134	Ref 1	BOOM AC CABLE Receptacle	A

SECTION 8 - ELECTRICAL

FIGURE 8-23. BOOM AC CABLE – AUSTRALIAN, CHINA, CE & UK CA SPECS



ART_1001157636

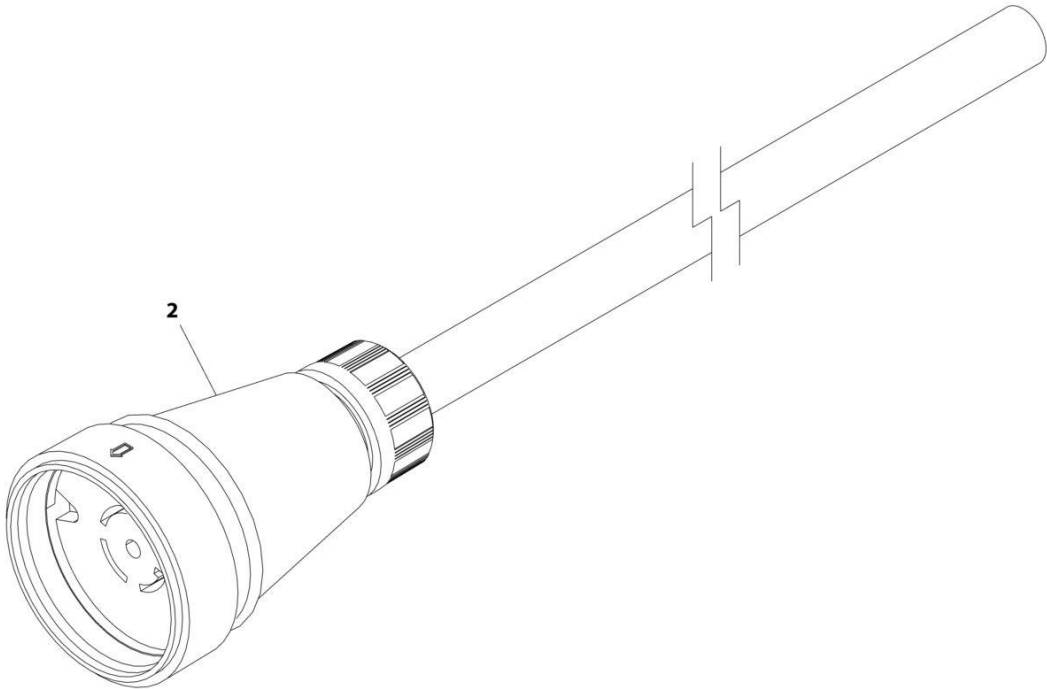
SECTION 8 - ELECTRICAL

FIGURE 8-23. BOOM AC CABLE – AUSTRALIAN, CHINA, CE & UK CA SPECS

ITEM	PART NUMBER	QTY	DESCRIPTION	REV
2	1001157636 4460134	Ref 1	BOOM AC CABLE Receptacle	A

SECTION 8 - ELECTRICAL

FIGURE 8-24. BOOM AC CABLE - SKYPOWER



ART_1001226287

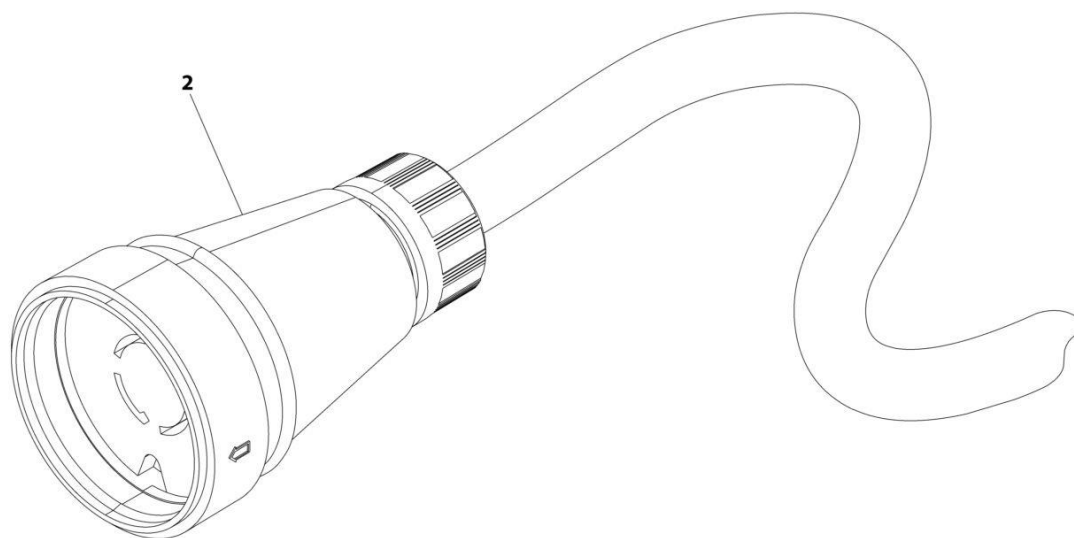
SECTION 8 - ELECTRICAL

FIGURE 8-24. BOOM AC CABLE - SKYPOWER

ITEM	PART NUMBER	QTY	DESCRIPTION	REV
2	1001226287	Ref	BOOM AC CABLE - SKYPOWER	A
	1001218623	1	Receptacle	

SECTION 8 - ELECTRICAL

FIGURE 8-25. BOOM AC CABLE - MAIN BOOM WITH 4000W 50HZ GENERATOR (ANSI EXPORT, AUSTRALIAN, CHINA, JAPANESE, CE & UK CA SPECS)



ART_1001211130

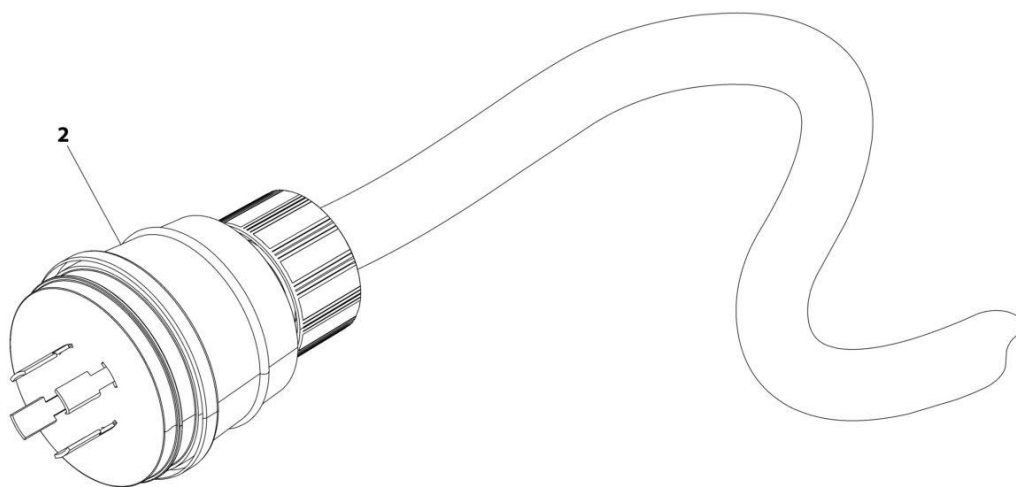
SECTION 8 - ELECTRICAL

FIGURE 8-25. BOOM AC CABLE - MAIN BOOM WITH 4000W 50HZ GENERATOR (ANSI EXPORT, AUSTRALIAN, CHINA, JAPANESE, CE & UK CA SPECS)

ITEM	PART NUMBER	QTY	DESCRIPTION	REV
	1001211130	Ref	BOOM AC CABLE - MAIN BOOM WITH 4000W 50HZ GENERATOR	A
2	1001211315	1	Receptacle	

SECTION 8 - ELECTRICAL

FIGURE 8-26. BOOM AC CABLE - JIB BOOM WITH 4000W 50HZ GENERATOR (ANSI EXPORT, AUSTRALIAN, CHINA, JAPANESE, CE & UK CA SPECS)



ART_1001211131

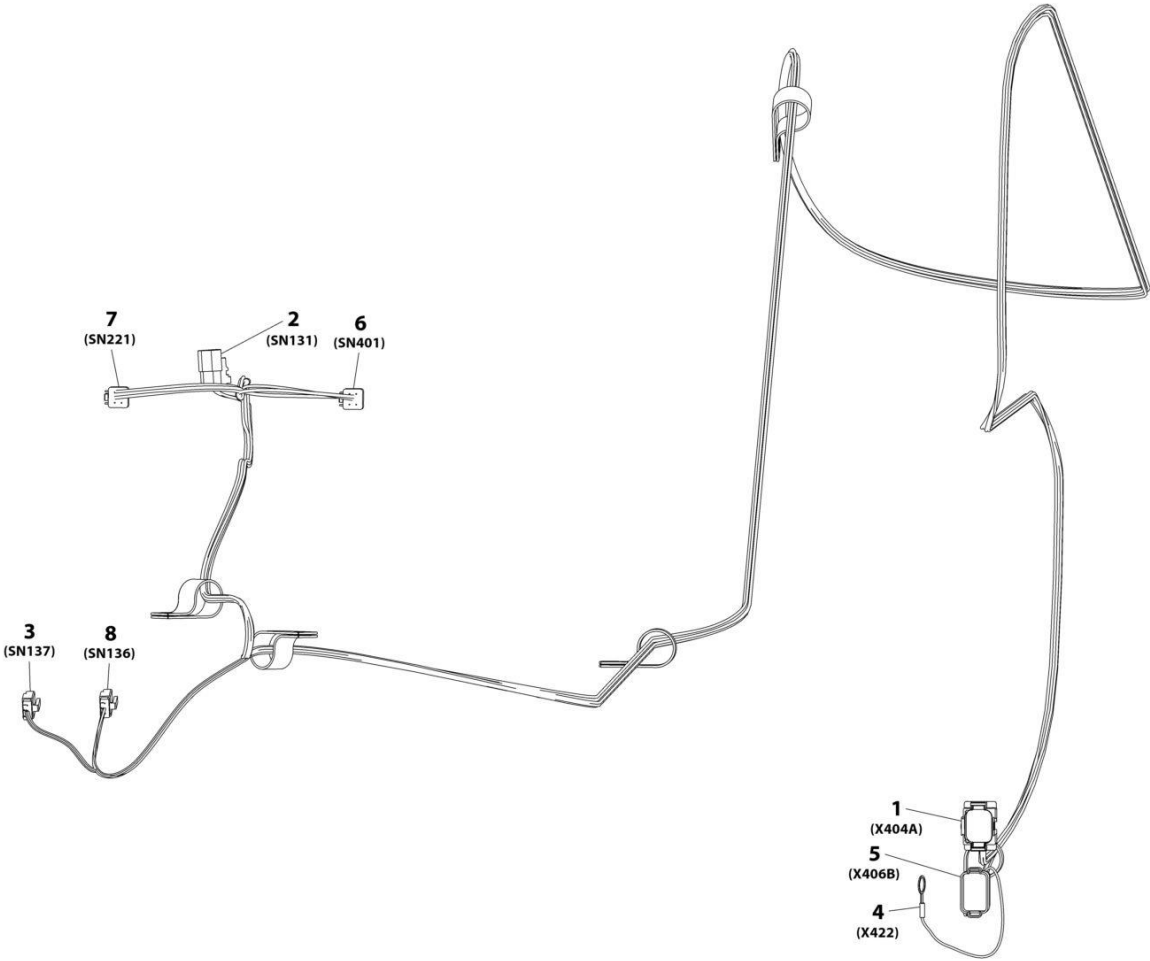
SECTION 8 - ELECTRICAL

FIGURE 8-26. BOOM AC CABLE - JIB BOOM WITH 4000W 50HZ GENERATOR (ANSI EXPORT, AUSTRALIAN, CHINA, JAPANESE, CE & UK CA SPECS)

ITEM	PART NUMBER	QTY	DESCRIPTION	REV
2	1001211131	Ref	BOOM AC CABLE - JIB BOOM WITH 4000W 50HZ GENERATOR	A
	1001211314	1	Receptacle	

SECTION 8 - ELECTRICAL

FIGURE 8-27. BOOM SENSOR HARNESS



ART_1001215949

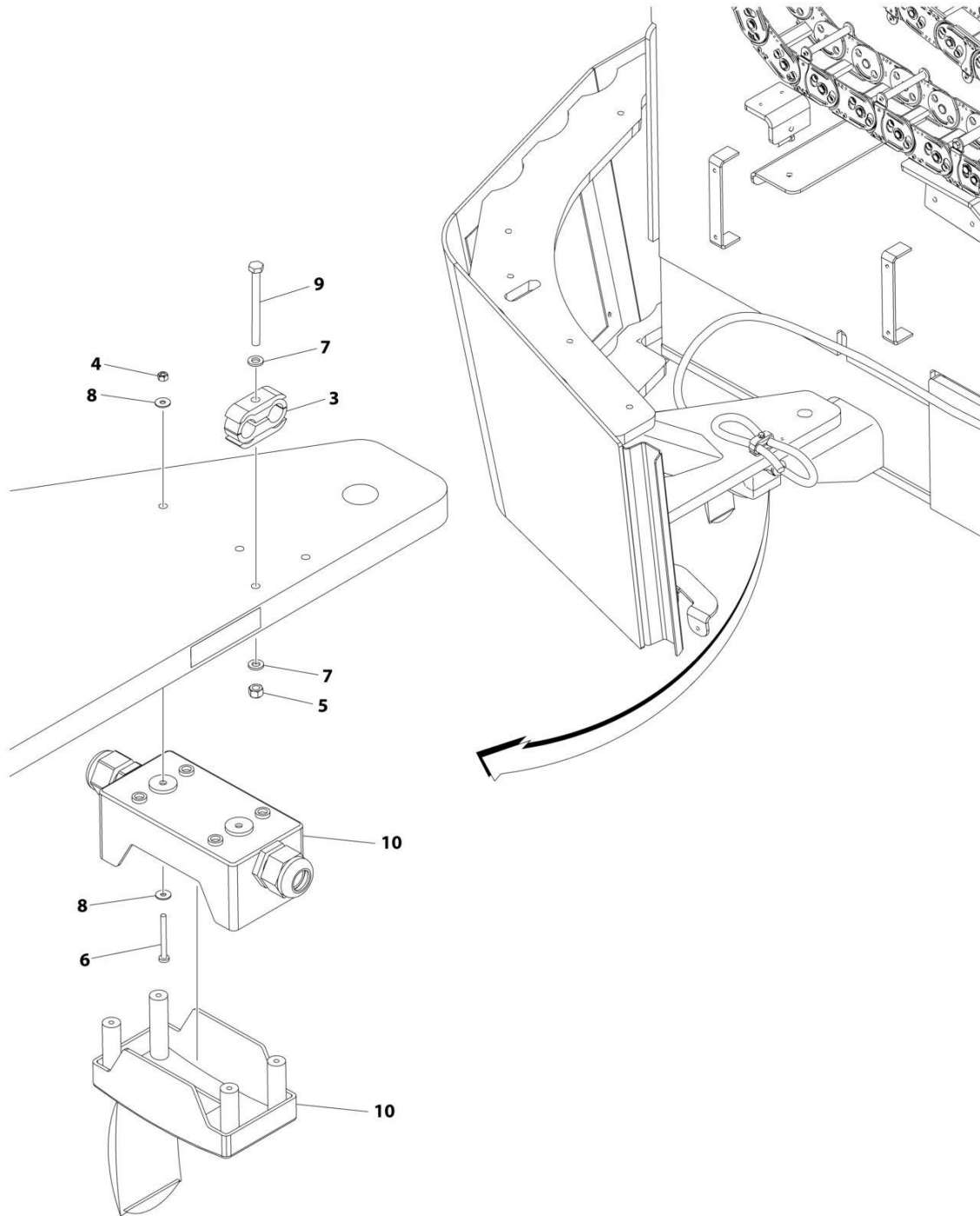
SECTION 8 - ELECTRICAL

FIGURE 8-27. BOOM SENSOR HARNESS

ITEM	PART NUMBER	QTY	DESCRIPTION	REV
	1001215949	Ref	BOOM SENSOR HARNESS	E
1	1001116813	1	Connector - 8 Position	
1	4460464	4	Pin, Male	
1	4460943	3	Pin, Male	
1	4460941	1	Pin, Male	
2	4460539	1	Connector - 3 Position	
2	4460944	3	Socket, Female	
3	4460911	1	Connector - 3 Position	
3	1001126008	3	Socket, Female	
3	4460912	1	Wedge, Locking	
4	4460703	1	Ring, Terminal	
5	4460931	1	Connector - 8 Position	
5	4460464	6	Pin, Male	
5	4460466	2	Seal, Plug	
6	4461077	1	Connector - 4 Position	
6	1001126008	3	Socket, Female	
7	4461077	1	Connector - 4 Position	
7	1001126008	3	Socket, Female	
8	4460911	1	Connector - 3 Position	
8	1001126008	3	Socket, Female	
8	4460912	1	Wedge, Locking	

SECTION 8 - ELECTRICAL

FIGURE 8-28. BREAKER BOX ASSEMBLY - AC CABLE (CE & UK CA SPEC)



ART_1001156221

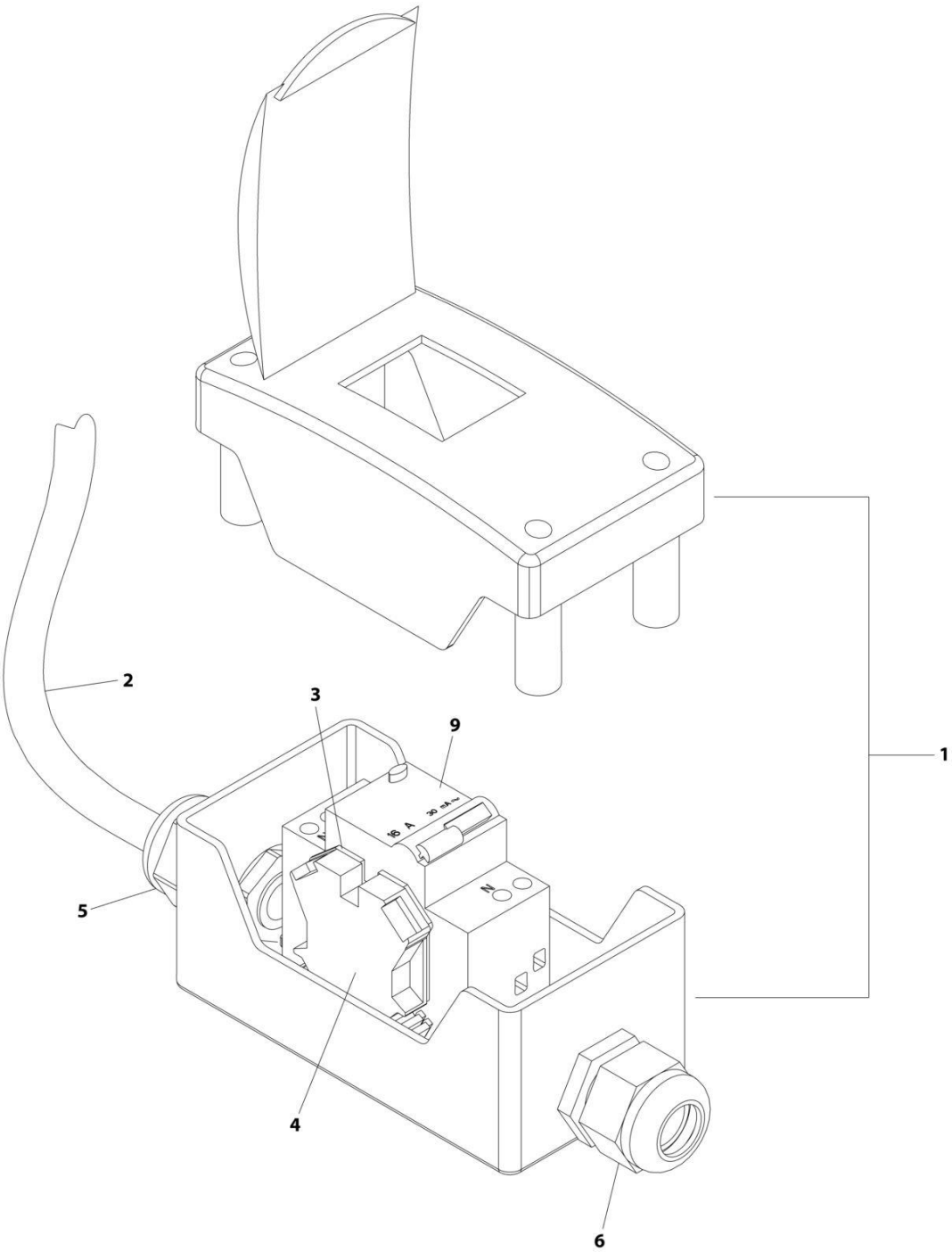
SECTION 8 - ELECTRICAL

FIGURE 8-28. BREAKER BOX ASSEMBLY - AC CABLE (CE & UK CA SPEC)

ITEM	PART NUMBER	QTY	DESCRIPTION	REV
	1001156221	Ref	BREAKER BOX ASSEMBLY - AC CABLE	B
3	1320146	1	Clamp	
4	3290405	2	Locknut M4	
5	3290605	AR	Locknut M6	
6	4010416	2	Screw M4 x 40	
7	4811700	AR	Washer M6	
8	1001091102	4	Washer M4	
9	1001096653	1	Bolt M6 x 70	
10	1001158080	1	Kit, Breaker Box (See Separate Breakdown in this Section)	

SECTION 8 - ELECTRICAL

FIGURE 8-29. BREAKER BOX KIT - AC CABLE



ART_1001158080

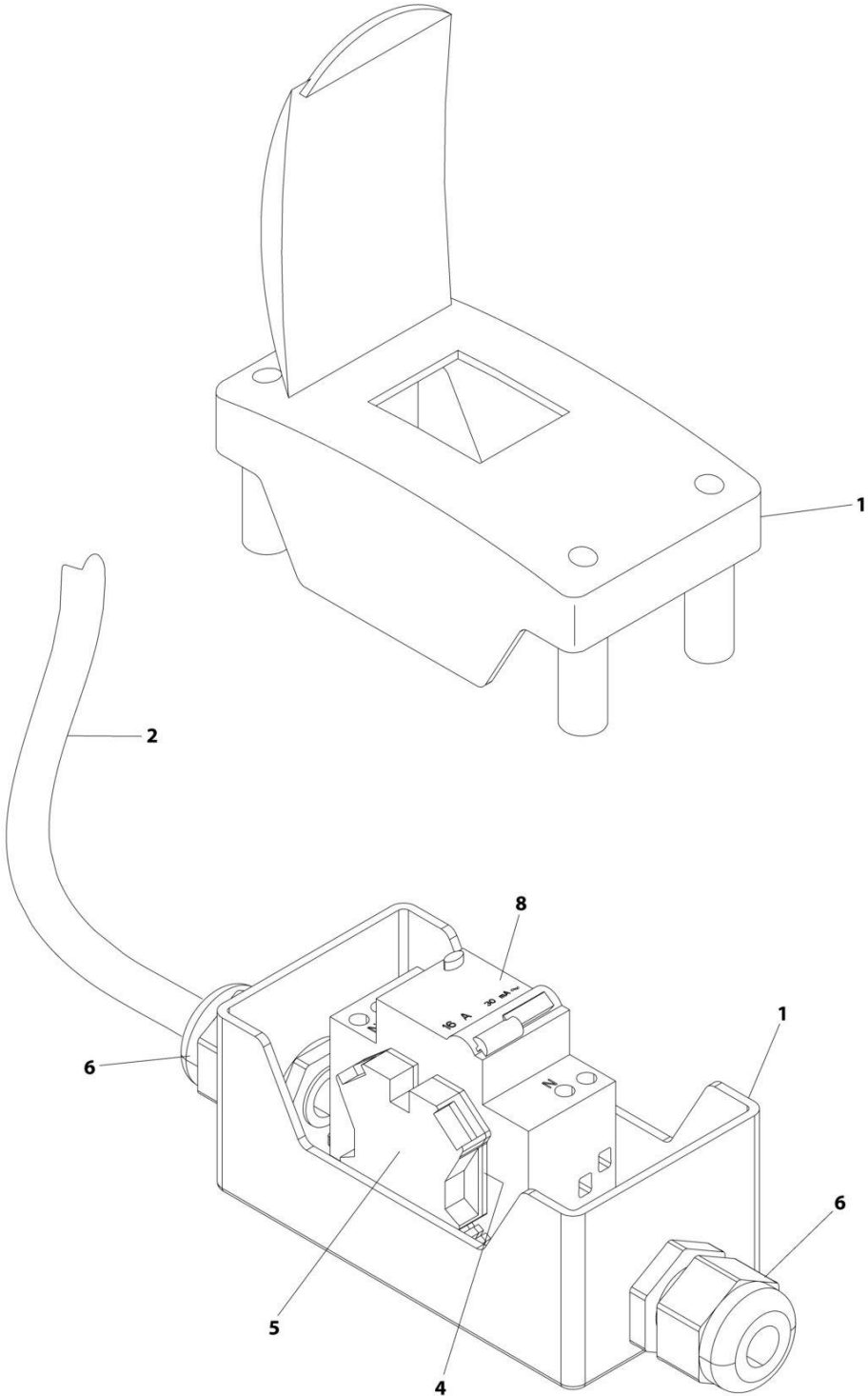
SECTION 8 - ELECTRICAL

FIGURE 8-29. BREAKER BOX KIT - AC CABLE

ITEM	PART NUMBER	QTY	DESCRIPTION	REV
	1001158080	Ref	BREAKER BOX KIT - AC CABLE	B
1	0861880	1	Box	
2	1060908	39 in/1m	Cable, 12/3	
3	4460956	1	Barrier, Terminal	
4	4460957	1	Block, Terminal	
5	1001097150	1	Connector, Strain Relief	
6	1001101191	1	Connector, Strain Relief	
9	1001181045	1	Breaker, Double 30mAmp/16Amp	

SECTION 8 - ELECTRICAL

FIGURE 8-30. BREAKER BOX KIT - 4000W 50HZ GENERATOR



ART_1001096612

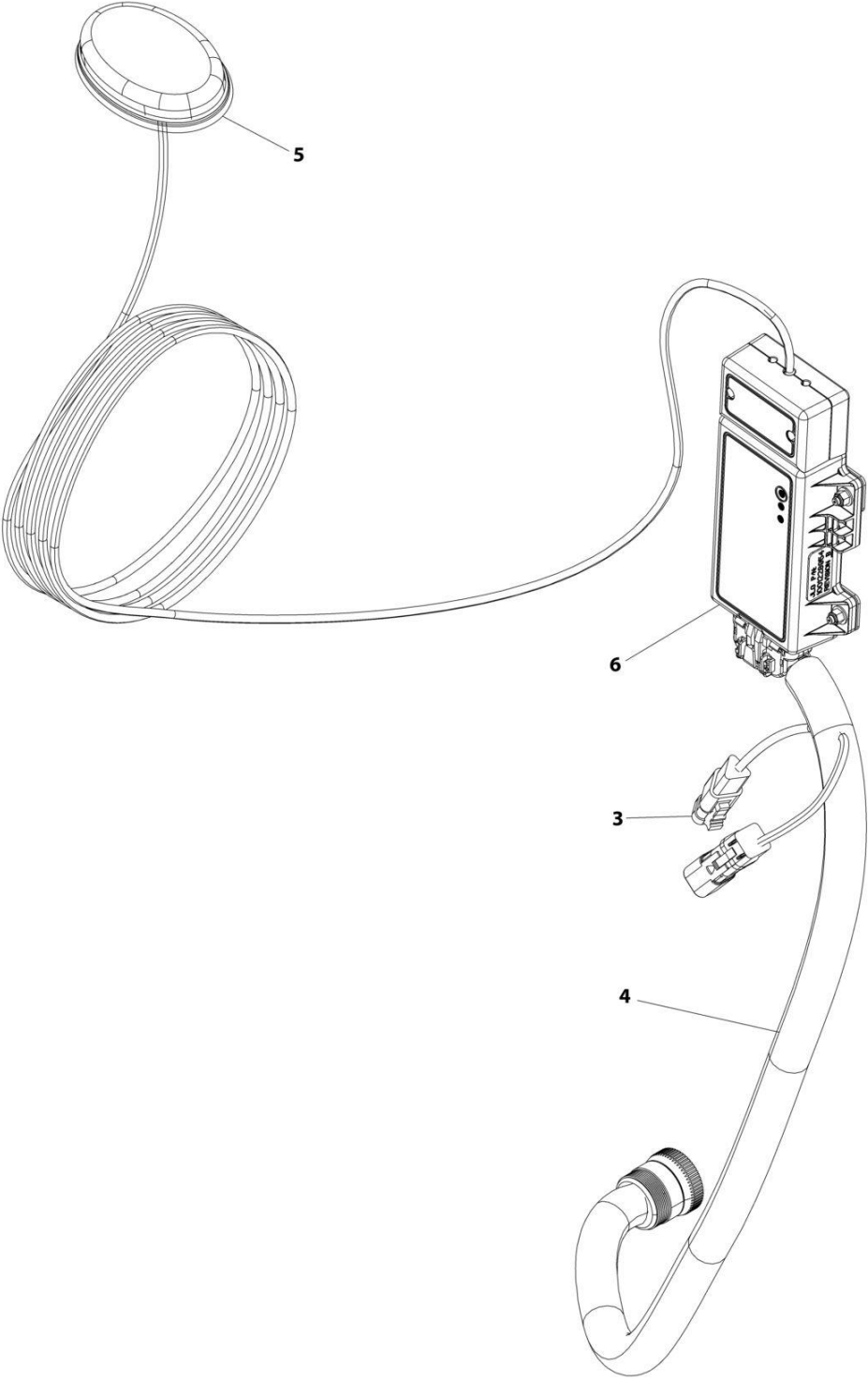
SECTION 8 - ELECTRICAL

FIGURE 8-30. BREAKER BOX KIT - 4000W 50HZ GENERATOR

ITEM	PART NUMBER	QTY	DESCRIPTION	REV
	1001096612	Ref	BREAKER BOX ASSEMBLY	C
1	0861880	1	Box	
2	1060908	4.5 ft /1.4m	Cable, 12/3	
4	4460956	1	Barrier, Terminal	
5	4460957	1	Block, Terminal	
6	1001097150	2	Connector, Strain Relief	
8	1001181045	1	Breaker, Double 30mAmp/16Amp	

SECTION 8 - ELECTRICAL

FIGURE 8-31. CLEARSKY INSTALLATION - 3G CANBUS CONNECTION (ANSI EXPORT, CE & UK CA SPECS)



ART_1001228958

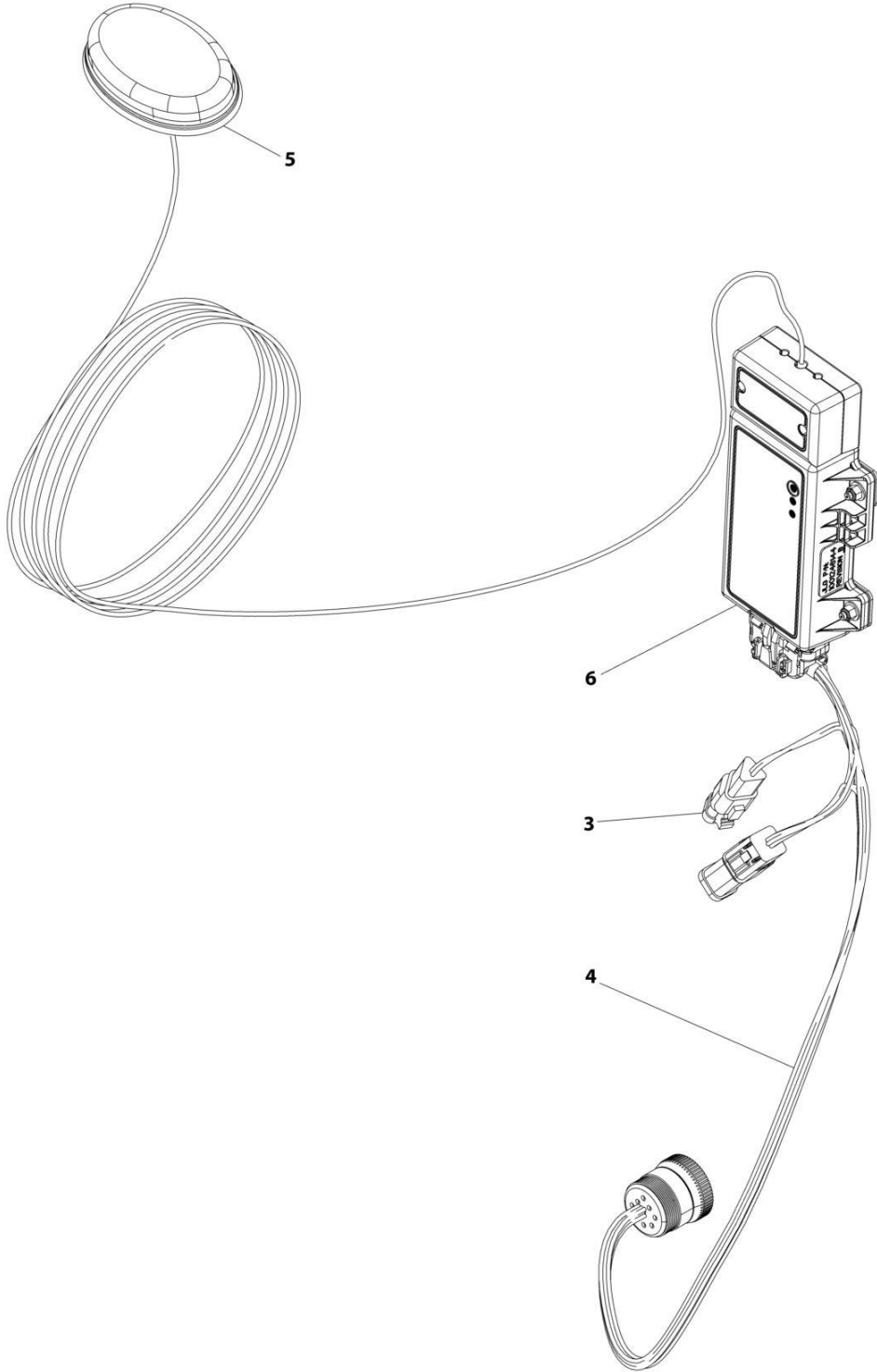
SECTION 8 - ELECTRICAL

FIGURE 8-31. CLEARSKY INSTALLATION - 3G CANBUS CONNECTION (ANSI EXPORT, CE & UK CA SPECS)

ITEM	PART NUMBER	QTY	DESCRIPTION	REV
	1001228958	Ref	CLEARSKY INSTALLATION CANBUS CONNECTION	A
1	4240032	AR	Tie-Strap (Not Shown)	
2	4460234	AR	Strap, Cable Tie (Not Shown)	
3	1001129408	1	Connector	
4	1001226739	1	ClearSky Harness (See Separate Breakdown in this Section)	
5	1001226799	1	Antenna	
6	1001228954	1	Telematics Control Module (Note: Re-calibration Required when Replaced)	

SECTION 8 - ELECTRICAL

FIGURE 8-32. CLEARSKY INSTALLATION - 3G CANBUS CONNECTION (AUSTRALIAN SPECS)



ART_1001246437

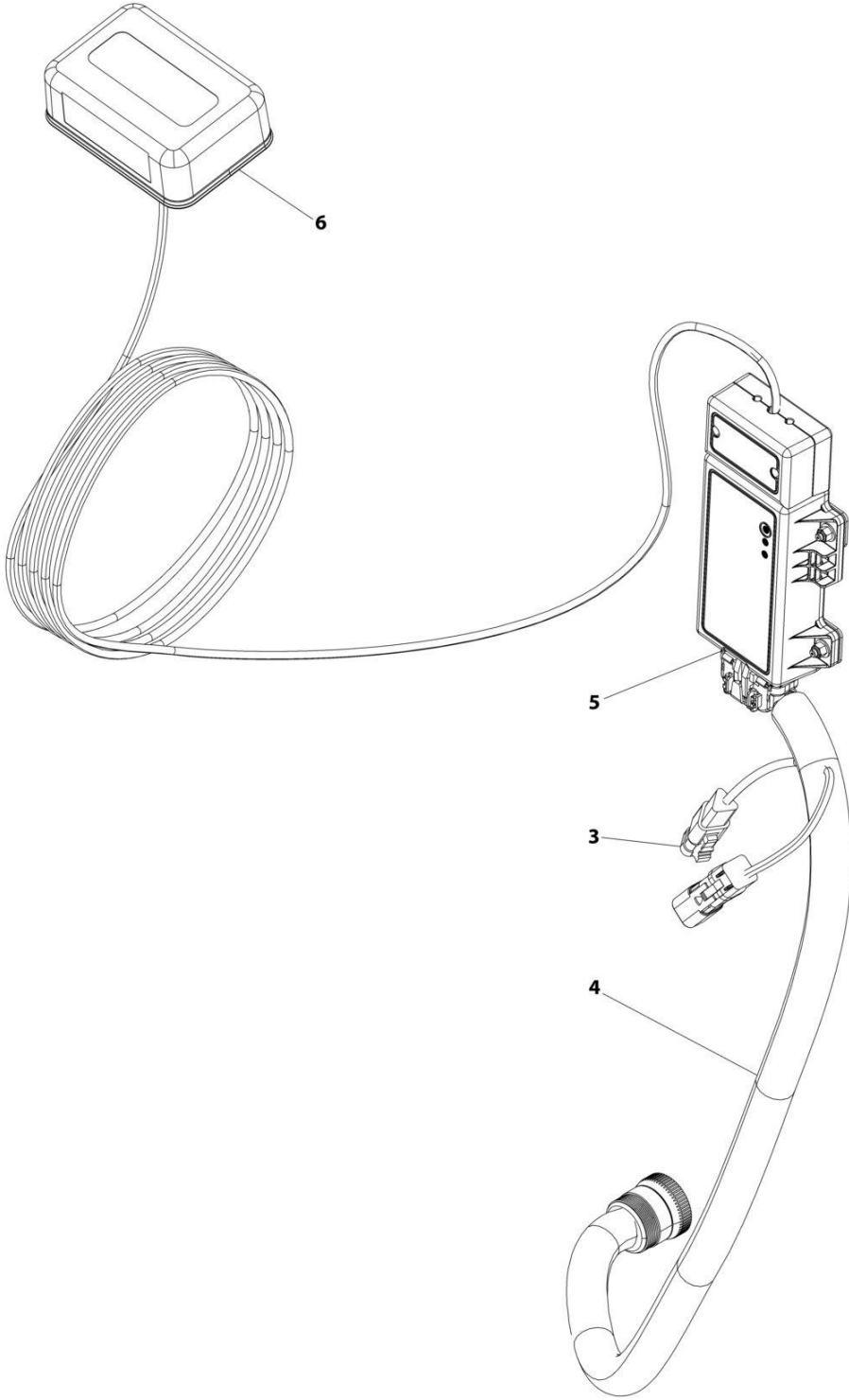
SECTION 8 - ELECTRICAL

FIGURE 8-32. CLEARSKY INSTALLATION - 3G CANBUS CONNECTION (AUSTRALIAN SPECS)

ITEM	PART NUMBER	QTY	DESCRIPTION	REV
	1001246437	Ref	CLEARSKY INSTALLATION CANBUS CONNECTION	A
1	4240032	AR	Tie-Strap (Not Shown)	
2	4460234	AR	Strap, Cable Tie (Not Shown)	
3	1001129408	1	Connector	
4	1001226739	1	ClearSky Harness (See Separate Breakdown in this Section)	
5	1001226799	1	Antenna	
6	1001246144	1	Telematics Control Module (Note: Re-calibration Required when Replaced)	

SECTION 8 - ELECTRICAL

FIGURE 8-33. CLEARSKY INSTALLATION - 4G CANBUS CONNECTION (ALL SPECS EXCEPT CHINA SPECS)



ART_1001227456

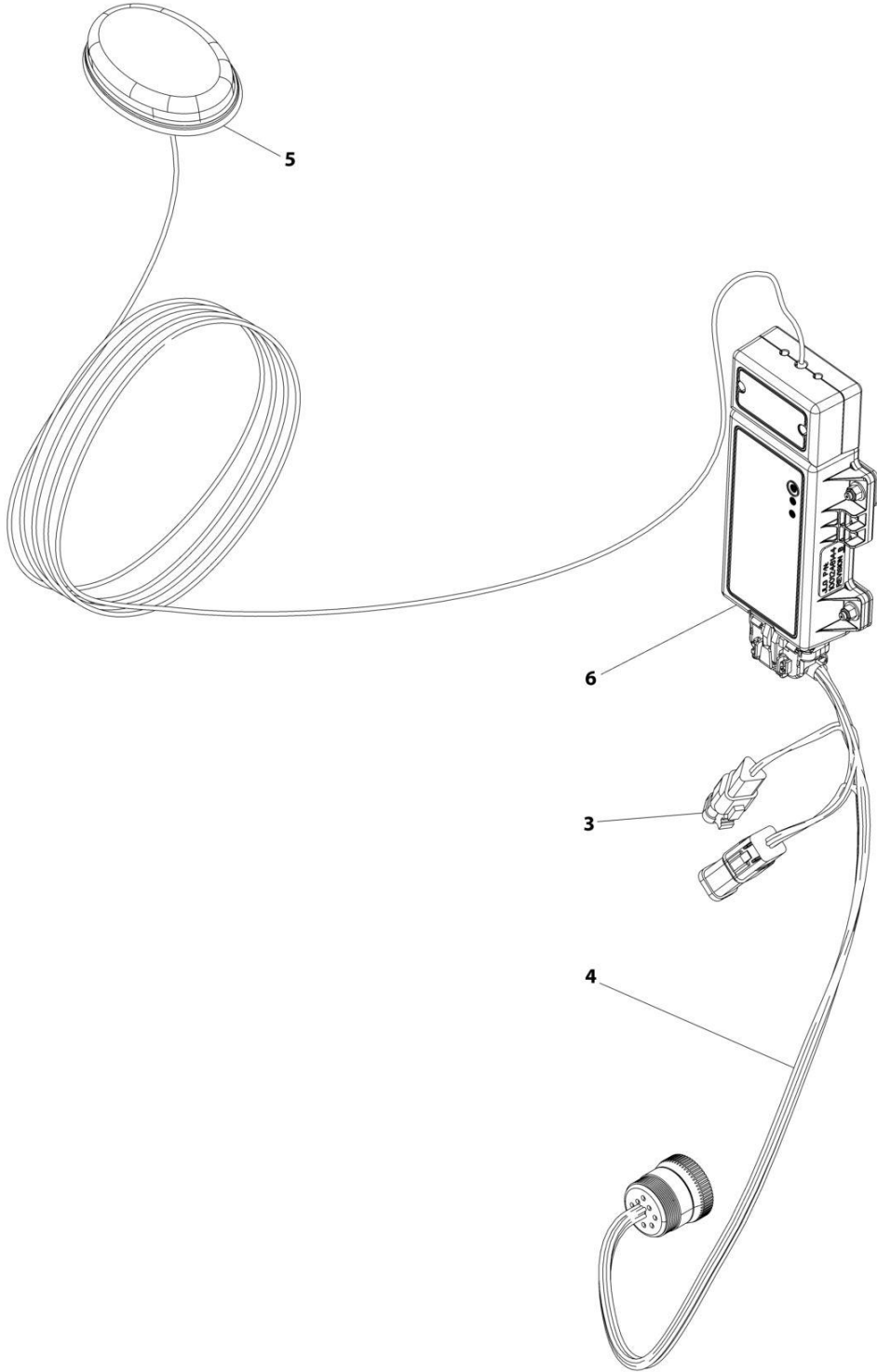
SECTION 8 - ELECTRICAL

FIGURE 8-33. CLEARSKY INSTALLATION - 4G CANBUS CONNECTION (ALL SPECS EXCEPT CHINA SPECS)

ITEM	PART NUMBER	QTY	DESCRIPTION	REV
	1001227456	Ref	CLEARSKY INSTALLATION CANBUS CONNECTION	B
1	4240032	AR	Tie-Strap (Not Shown)	
2	4460234	AR	Strap, Cable Tie (Not Shown)	
3	1001129408	1	Connector	
4	1001226739	1	ClearSky Harness (See Separate Breakdown in this Section)	
5	1001262322	1	Telematics Control Module (Note: Re-calibration Required when Replaced)	
6	1001262326	1	Antenna	

SECTION 8 - ELECTRICAL

FIGURE 8-34. CLEARSKY INSTALLATION - 4G CANBUS CONNECTION (CHINA SPECS)



ART_1001246438

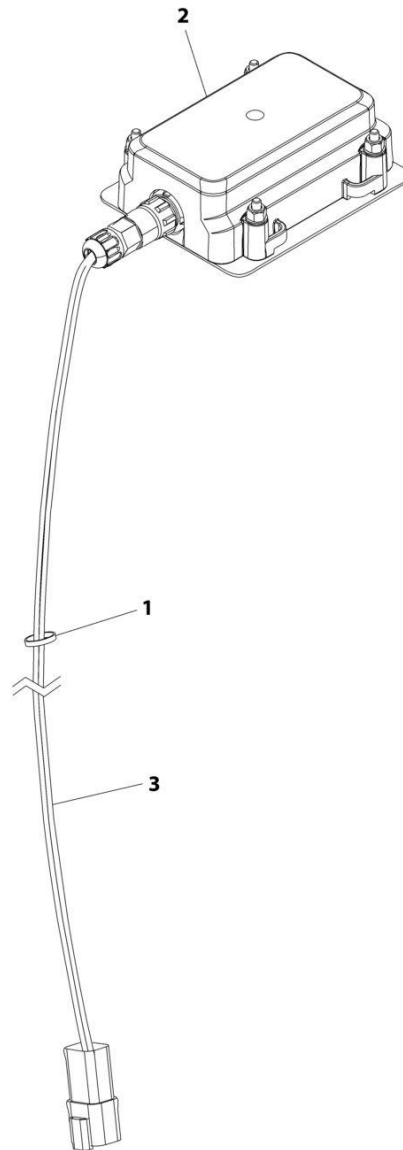
SECTION 8 - ELECTRICAL

FIGURE 8-34. CLEARSKY INSTALLATION - 4G CANBUS CONNECTION (CHINA SPECS)

ITEM	PART NUMBER	QTY	DESCRIPTION	REV
	1001246438	Ref	CLEARSKY INSTALLATION CANBUS CONNECTION	A
1	4240032	AR	Tie-Strap (Not Shown)	
2	4460234	AR	Strap, Cable Tie (Not Shown)	
3	1001129408	1	Connector	
4	1001226739	1	ClearSky Harness (See Separate Breakdown in this Section)	
5	1001226799	1	Antenna	
6	1001246145	1	Telematics Control Module (Note: Re-calibration Required when Replaced)	

SECTION 8 - ELECTRICAL

FIGURE 8-35. CLEARSKY INSTALLATION 3-WIRE CONNECTION (ALL SPECS EXCEPT CHINA SPECS)



ART_1001276610

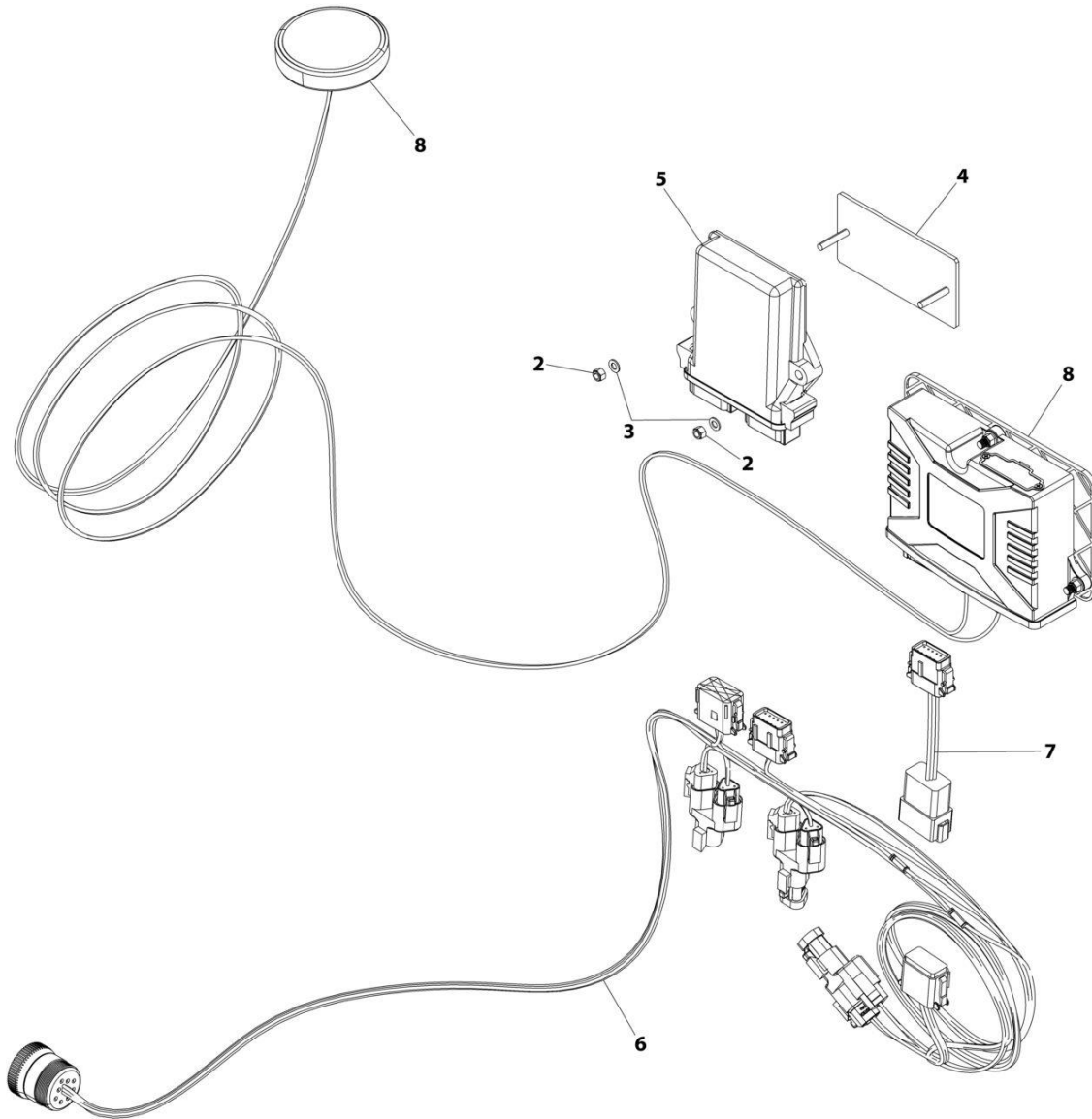
SECTION 8 - ELECTRICAL

FIGURE 8-35. CLEARSKY INSTALLATION 3-WIRE CONNECTION (ALL SPECS EXCEPT CHINA SPECS)

ITEM	PART NUMBER	QTY	DESCRIPTION	REV
	1001276610	Ref	CLEARSKY INSTALLATION 3-WIRE CONNECTION	A
1	4240032	AR	Tie-Strap	
2	1001272659	1	Telematics Control Module Assembly (Note: Re-calibration Required when Replaced)	
3	1001273012	1	ClearSky Harness (See Separate Breakdown in this Section)	

SECTION 8 - ELECTRICAL

FIGURE 8-36. CLEARSKY INSTALLATION - WITH DEUTZ TD2.9L4 (CHINA IV) ENGINES (CHINA SPECS)



ART_1001289786

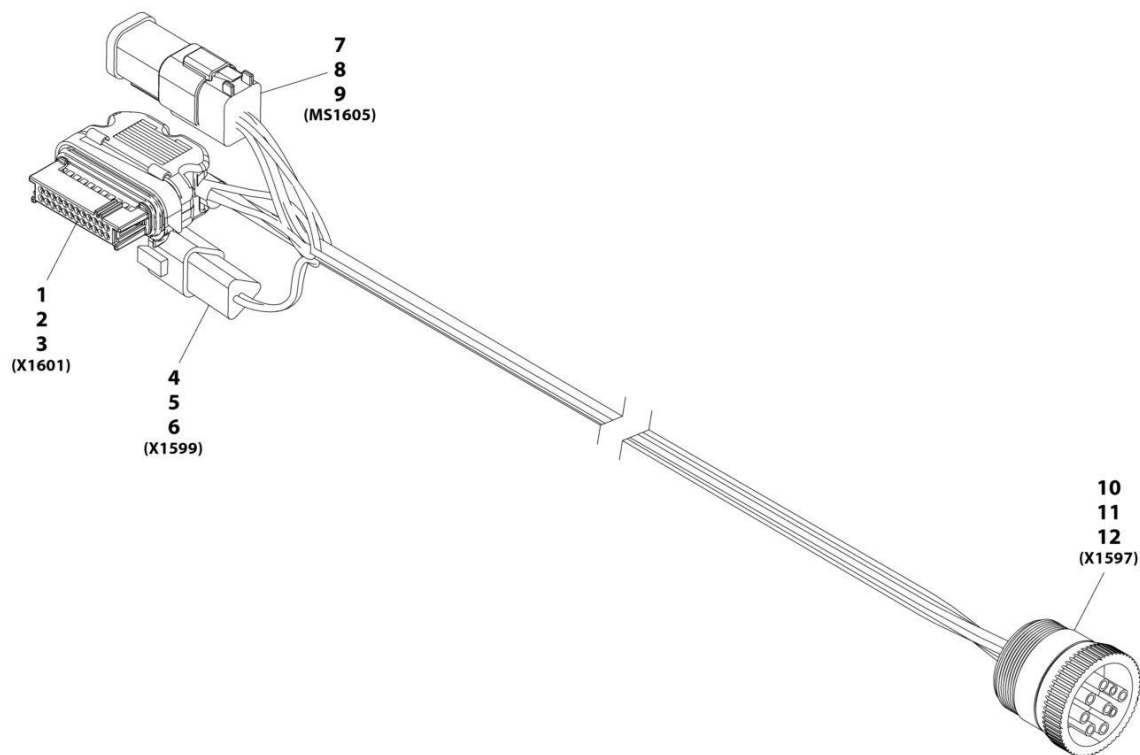
SECTION 8 - ELECTRICAL

FIGURE 8-36. CLEARSKY INSTALLATION - WITH DEUTZ TD2.9L4 (CHINA IV) ENGINES (CHINA SPECS)

ITEM	PART NUMBER	QTY	DESCRIPTION	REV
	1001289786	Ref	CLEARSKY INSTALLATION	B
1	1062255	AR	Tie-Strap (Not Shown)	
2	3290505	2	Nut, Lock M5	
3	4811600	2	Washer M5	
4	1001219082	1	Bracket	
5	1001229458	1	Gateway Controller	
6	1001226831	1	ClearSky Harness (See Separate Breakdown in this Section)	
7	1001282406	1	Telematics Jumper Harness (See Separate Breakdown in this Section)	

SECTION 8 - ELECTRICAL

FIGURE 8-37. CLEARSKY HARNESS - 3G & 4G CANBUS CONNECTIONS



ART_1001226739-A

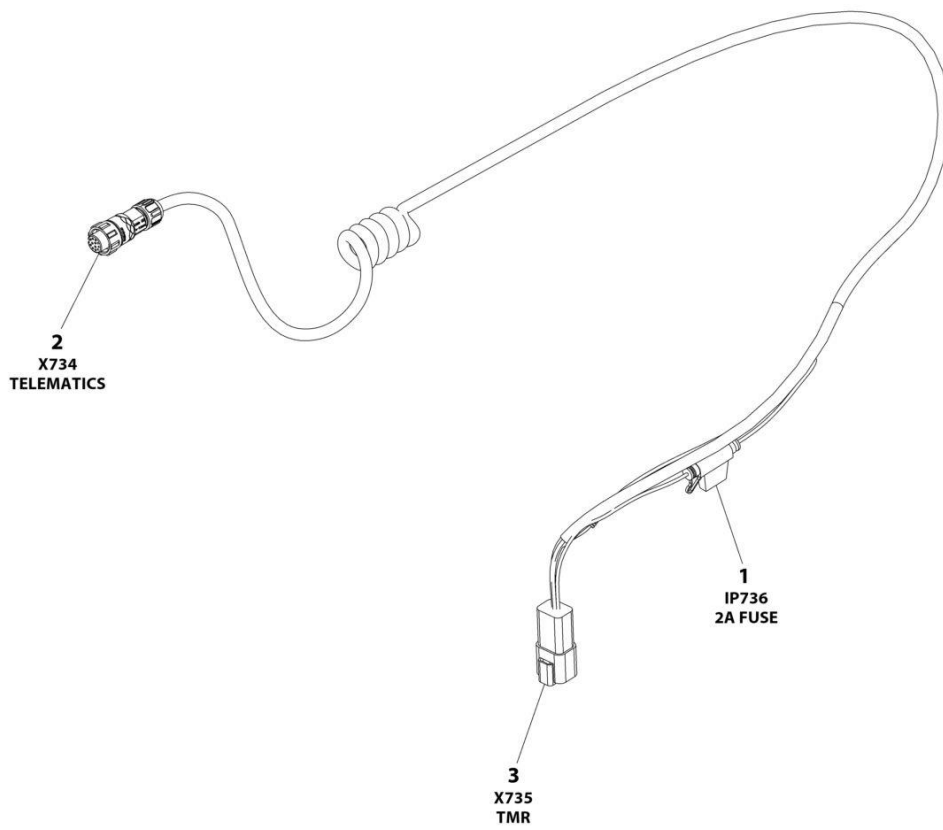
SECTION 8 - ELECTRICAL

FIGURE 8-37. CLEARSKY HARNESS - 3G & 4G CANBUS CONNECTIONS

ITEM	PART NUMBER	QTY	DESCRIPTION	REV
	1001226739	Ref	Clearsky Harness	A
1	1001226636	1	Connector	
2	1001116731	16	Plug, Terminal	
3	1001226637	8	Terminal	
4	1001144147	1	Connector	
5	4460464	2	Terminal	
6	4460466	1	Plug, Terminal	
7	4460894	1	Connector	
8	4460465	6	Terminal	
9	1001226541	1	Connector- 6 Pin Bussbar	
10	1001112796	1	Connector	
11	4460465	8	Terminal	
12	4460466	1	Plug, Terminal	

SECTION 8 - ELECTRICAL

FIGURE 8-38. CLEARSKY HARNESS - 3 WIRE GT1030



ART_1001273012

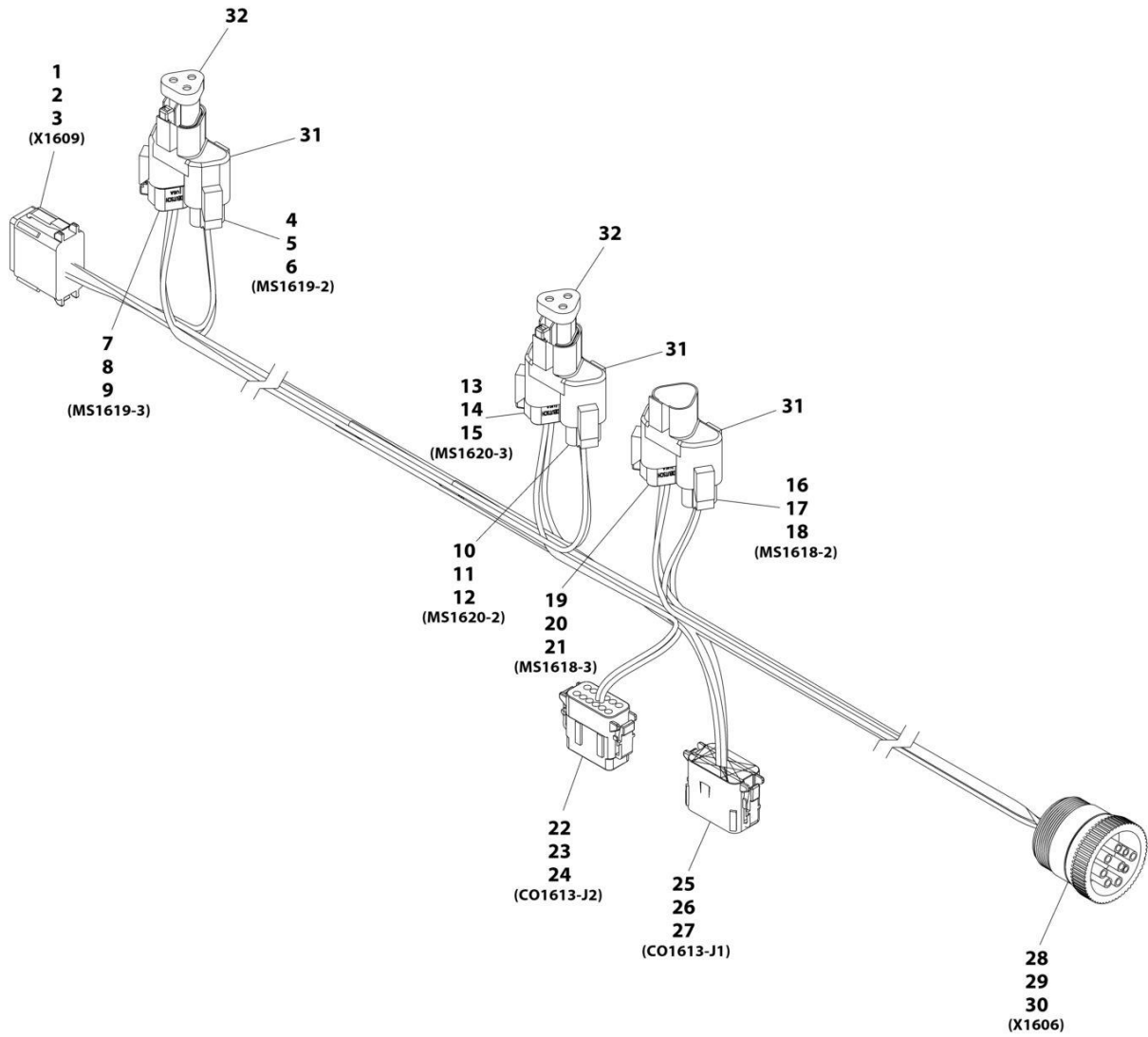
SECTION 8 - ELECTRICAL

FIGURE 8-38. CLEARSKY HARNESS - 3 WIRE GT1030

ITEM	PART NUMBER	QTY	DESCRIPTION	REV
	1001273012	Ref	CLEARSKY TELEMATICS HARNESS - GT1030	D
1	1001255901	1	Fuseholder	
1	1001196634	1	Fuse - 2Amp	
2	1001272997	1	Connector - 12 Position	
2		Ref	Terminal	
3	4460932	1	Receptacle, Female - 4 Position	
3	4460464	4	Pin, Male	

SECTION 8 - ELECTRICAL

FIGURE 8-39. CLEARSKY HARNESS - WITH DEUTZ TD2.9L4 (CHINA IV) ENGINES



ART_1001226831-A

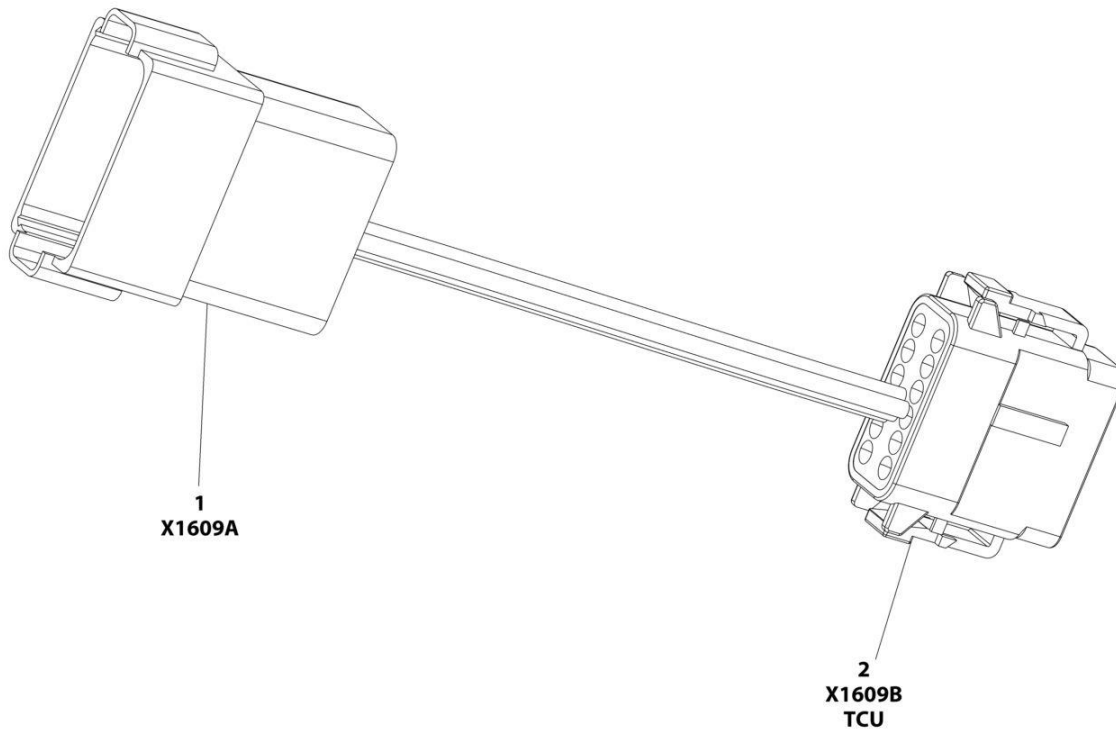
SECTION 8 - ELECTRICAL

FIGURE 8-39. CLEARSKY HARNESS - WITH DEUTZ TD2.9L4 (CHINA IV) ENGINES

ITEM	PART NUMBER	QTY	DESCRIPTION	REV
	1001226831	Ref	Telematics Gateway Harness	A
1	4460933	1	Connector	
2	1001116692	5	Terminal	
3	4460466	7	Plug	
4	4460539	1	Connector	
5	4460465	2	Terminal	
6	4460466	1	Plug	
7	1001116812	1	Connector	
8	4460465	2	Terminal	
9	4460466	1	Plug	
10	4460539	1	Connector	
11	4460465	2	Terminal	
12	4460466	1	Plug	
13	1001116812	1	Connector	
14	4460465	2	Terminal	
15	4460466	1	Plug	
16	4460539	1	Connector	
17	4460465	2	Terminal	
18	4460466	1	Plug	
19	1001116812	1	Connector	
20	4460465	2	Terminal	
21	4460466	1	Plug	
22	1001116808	1	Connector	
23	1001116694	2	Terminal	
24	4460518	10	Plug	
25	1001116774	1	Connector	
26	1001116694	4	Terminal	
27	4460518	8	Plug	
28	1001112796	1	Connector	
29	1001116692	5	Terminal	
30	4460466	3	Plug	
31	4460945	3	Terminal, 3 Way "T" Receptacle	
32	1001116815	2	Connector, Plug 3-Pin	

SECTION 8 - ELECTRICAL

FIGURE 8-40. CLEARSKY TELEMATICS JUMPER HARNESS



ART_1001282406

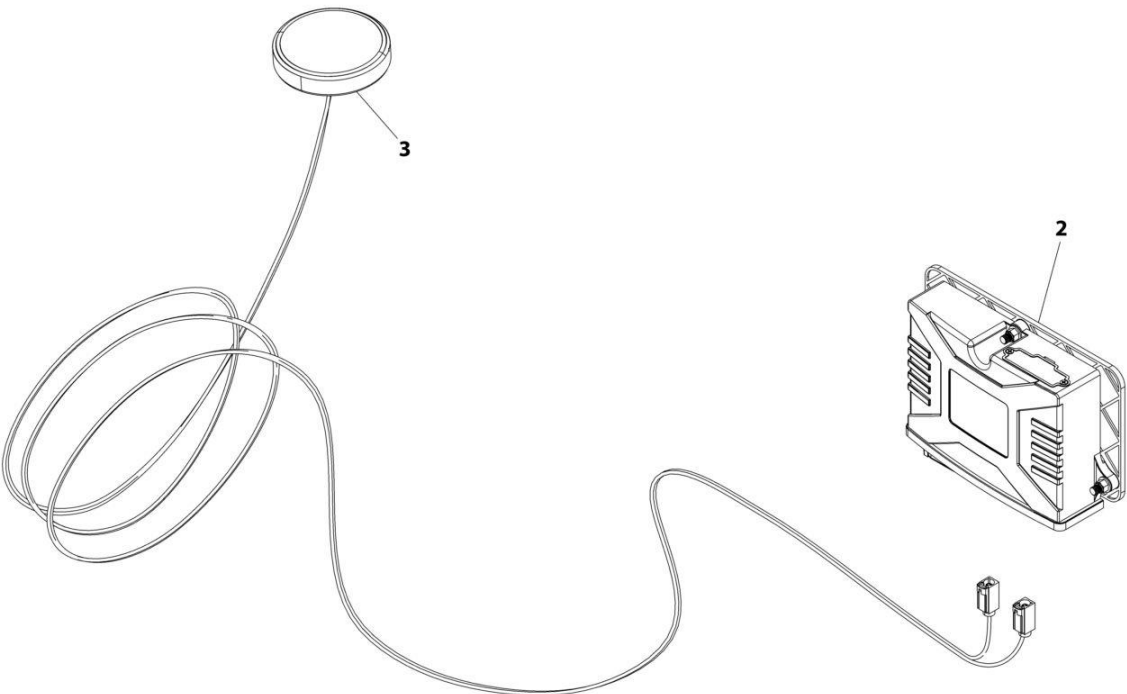
SECTION 8 - ELECTRICAL

FIGURE 8-40. CLEARSKY TELEMATICS JUMPER HARNESS

ITEM	PART NUMBER	QTY	DESCRIPTION	REV
	1001282406	REF	TELEMATICS JUMPER HARNESS	B
1	4460970	1	Connector	
1	1001116693	5	Socket	
1	4460466	7	Plug, Sealing	
2	1001116774	1	Connector	
2	4460518	5	Plug Sealing	
2	1001116694	7	Socket	

SECTION 8 - ELECTRICAL

FIGURE 8-41. TELEMATICS CONTROL MODULE ASSEMBLY



ART_1001289138

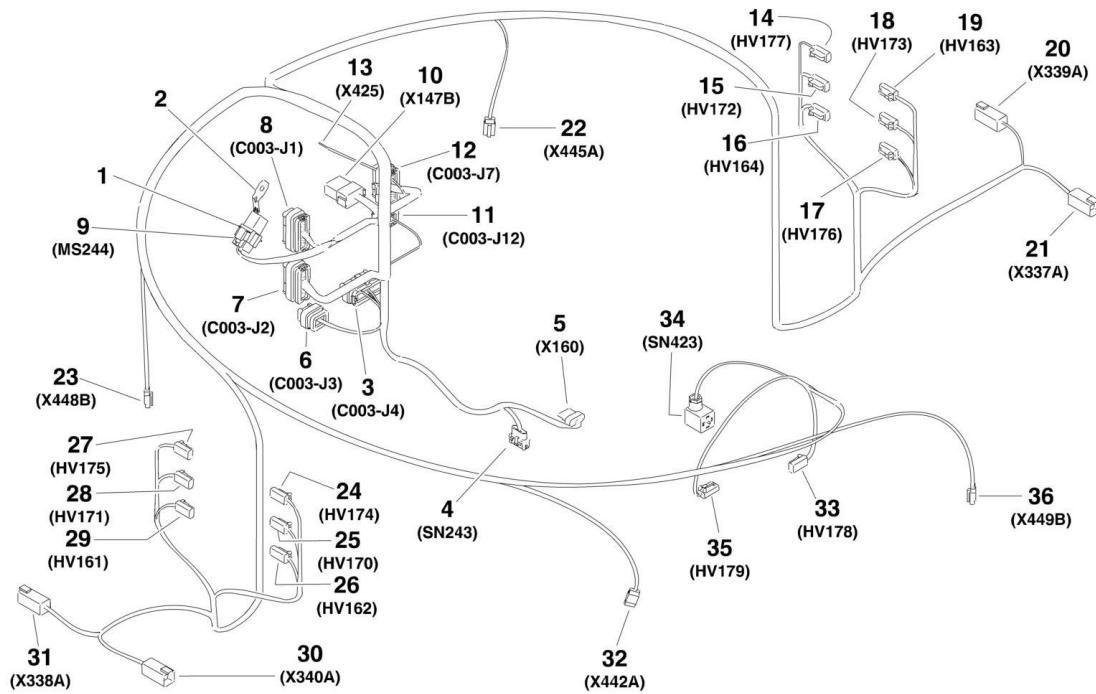
SECTION 8 - ELECTRICAL

FIGURE 8-41. TELEMATICS CONTROL MODULE ASSEMBLY

ITEM	PART NUMBER	QTY	DESCRIPTION	REV
	1001289138	Ref	CLEARSKY CONTROL MODULE ASSEMBLY	A
2	1001289140	1	ClearSky Control Module	
3	1001289199	1	Antenna	

SECTION 8 - ELECTRICAL

FIGURE 8-42. CHASSIS HARNESS



1001149975

SECTION 8 - ELECTRICAL

FIGURE 8-42. CHASSIS HARNESS

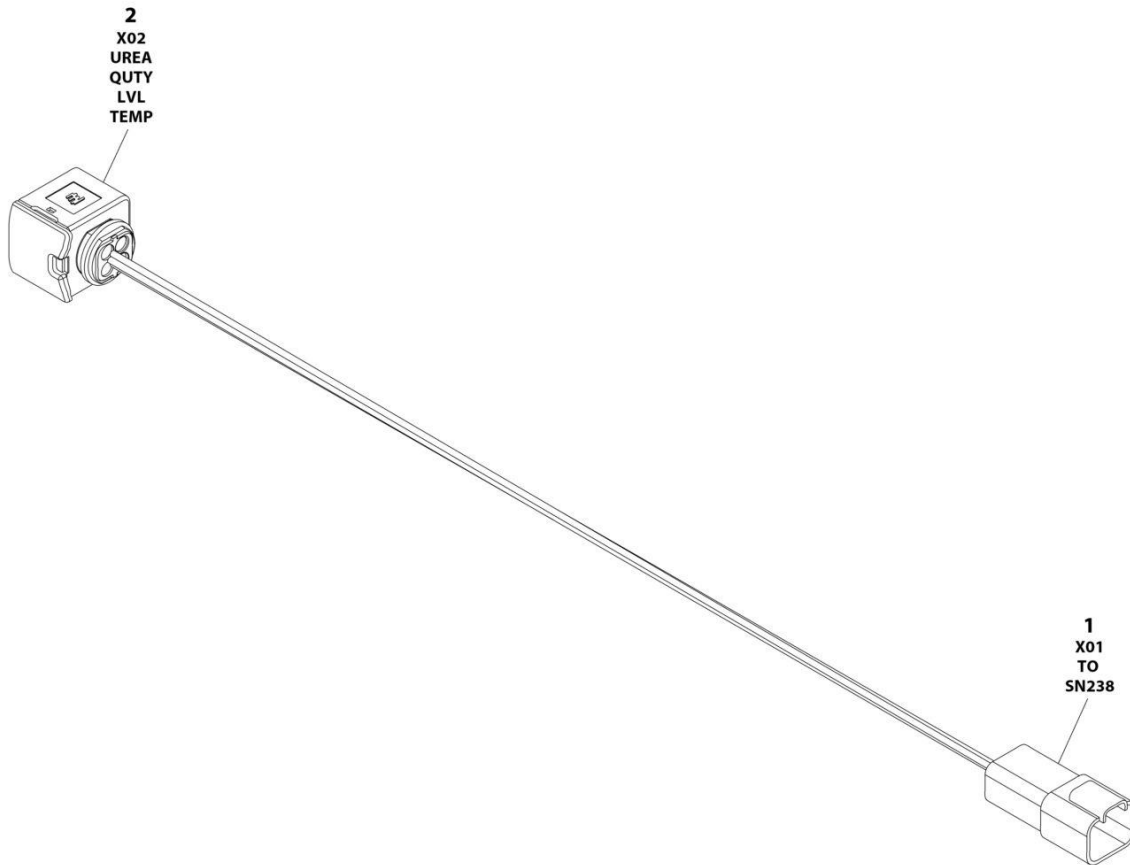
ITEM	PART NUMBER	QTY	DESCRIPTION	REV
	1001149975	Ref	CHASSIS HARNESS	I
1	4460852	1	Connector - 8 Position	
2	1001155743	1	Holder	
3	4460876	1	Connector - 35 Position	
3	4460871	4	Socket, Female	
3	4460905	31	Seal, Plug	
4	1001230931	1	Connector - 6 Position	
4	1001116748	6	Terminal	
5	4460761	1	Connector - 4 Position	
5	4460227	4	Pin, Male	
6	4460872	1	Connector - 14 Position	
6	4460871	5	Socket, Female	
6	4460905	9	Seal, Plug	
7	4460875	1	Connector - 35 Position	
7	4460871	21	Socket, Female	
7	4460905	14	Seal, Plug	
8	4460874	1	Connector - 35 Position	
8	4460871	10	Socket, Female	
8	4460905	25	Seal, Plug	
9	4460851	1	Connector - 8 Position	
9	4460465	7	Socket, Female	
9	4460466	1	Seal, Plug	
10	4460950	1	Connector - 12 Position	
10	4460943	3	Pin, Male (Gold)	
10	4460464	3	Pin, Male	
10	4460466	6	Seal, Plug	
11	1001113961	1	Connector - 8 Position	
11	4460871	1	Socket, Female	
11	4460905	7	Seal, Plug	
12	4460873	1	Connector - 35 Position	
12	4460871	22	Socket, Female	
12	4460905	13	Seal, Plug	
13	4461271	1	Connector - 1 Position	
14	4460891	1	Connector - 2 Position	
14	4460465	2	Socket, Female	
15	4460891	1	Connector - 2 Position	
15	4460465	2	Socket, Female	
16	4460891	1	Connector - 2 Position	
16	4460465	2	Socket, Female	
17	4460891	1	Connector - 2 Position	
17	4460465	2	Socket, Female	
18	4460891	1	Connector - 2 Position	
18	4460465	2	Socket, Female	
19	4460891	1	Connector - 2 Position	
19	4460465	2	Socket, Female	
20	4460899	1	Connector - 6 Position	
20	4460464	4	Pin, Male	
20	4460466	2	Plug, Seal	
21	4460899	1	Connector - 6 Position	
21	4460464	4	Pin, Male	

SECTION 8 - ELECTRICAL

ITEM	PART NUMBER	QTY	DESCRIPTION	REV
21	4460466	2	Plug, Seal	
22	4460911	1	Connector - 3 Position	
23	4460911	1	Connector - 3 Position	
24	4460891	1	Connector - 2 Position	
24	4460465	2	Socket, Female	
25	4460891	1	Connector - 2 Position	
25	4460465	2	Socket, Female	
26	4460891	1	Connector - 2 Position	
26	4460465	2	Socket, Female	
27	4460891	1	Connector - 2 Position	
27	4460465	2	Socket, Female	
28	4460891	1	Connector - 2 Position	
28	4460465	2	Socket, Female	
29	4460891	1	Connector - 2 Position	
29	4460465	2	Socket, Female	
30	4460899	1	Connector - 6 Position	
30	4460464	4	Pin, Male	
30	4460466	2	Plug, Seal	
31	4460899	1	Connector - 6 Position	
31	4460464	4	Pin, Male	
31	4460466	2	Plug, Seal	
32	4460911	1	Connector - 3 Position	
33	4460891	1	Connector - 2 Position	
33	4460465	2	Socket, Female	
34	1001263923	1	Connector - 3 Position	
35	4460891	1	Connector - 2 Position	
35	4460465	2	Socket, Female	
36	4460911	1	Connector - 3 Position	

SECTION 8 - ELECTRICAL

FIGURE 8-43. DEF TANK EXTENSION HARNESS



ART_1001238483

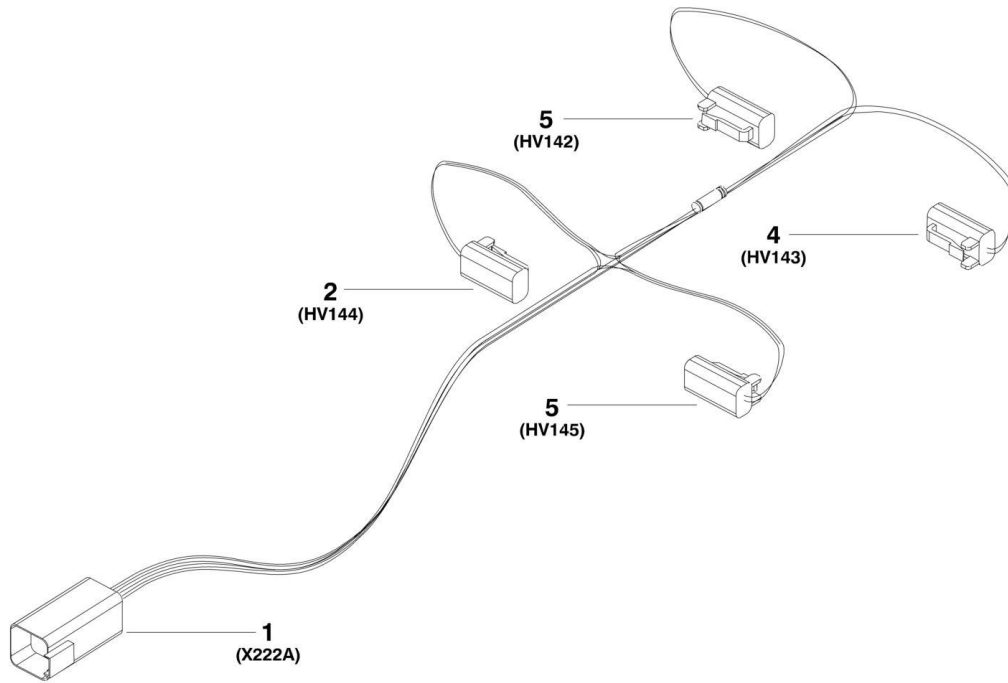
SECTION 8 - ELECTRICAL

FIGURE 8-43. DEF TANK EXTENSION HARNESS

ITEM	PART NUMBER	QTY	DESCRIPTION	REV
	1001238483	Ref	DEF TANK EXTENSION HARNESS	A
1	4460932	1	Receptacle, Female - 4 Position	
1	4460464	2	Pin, Male	
1	4460943	2	Pin, Male	
2	1001167528	1	Connector - 4 Position	
2	1001167632	2	Terminal	
2	1001166704	2	Terminal	
2	1001137578	4	Seal	

SECTION 8 - ELECTRICAL

FIGURE 8-44. DRIVE PUMP HARNESS



1001149970

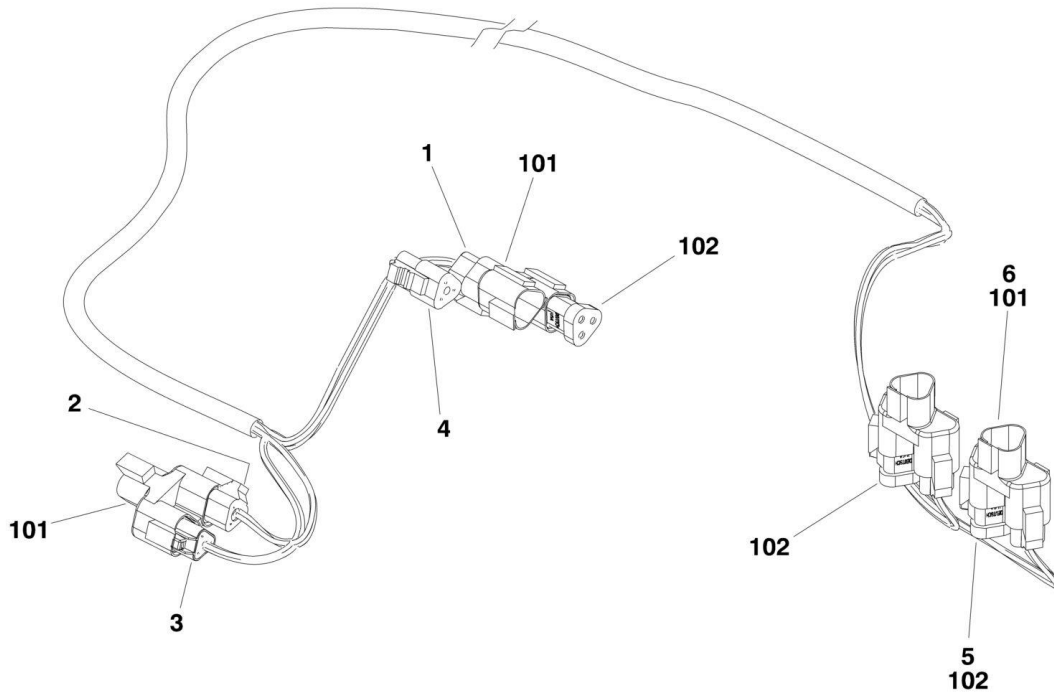
SECTION 8 - ELECTRICAL

FIGURE 8-44. DRIVE PUMP HARNESS

ITEM	PART NUMBER	QTY	DESCRIPTION	REV
	1001149970	Ref	DRIVE PUMP HARNESS	B
1	4460899	1	Connector - 6 Position	
1	4460464	5	Pin, Male	
1	4460466	1	Plug, Seal	
2	4460891	1	Connector - 2 Position	
2	4460465	2	Socket, Female	
3	4460891	1	Connector - 2 Position	
3	4460465	2	Socket, Female	
4	4460891	1	Connector - 2 Position	
4	4460465	2	Socket, Female	
5	4460891	1	Connector - 2 Position	
5	4460465	2	Socket, Female	

SECTION 8 - ELECTRICAL

FIGURE 8-45. ENGINE CAN HARNESS



1001156001

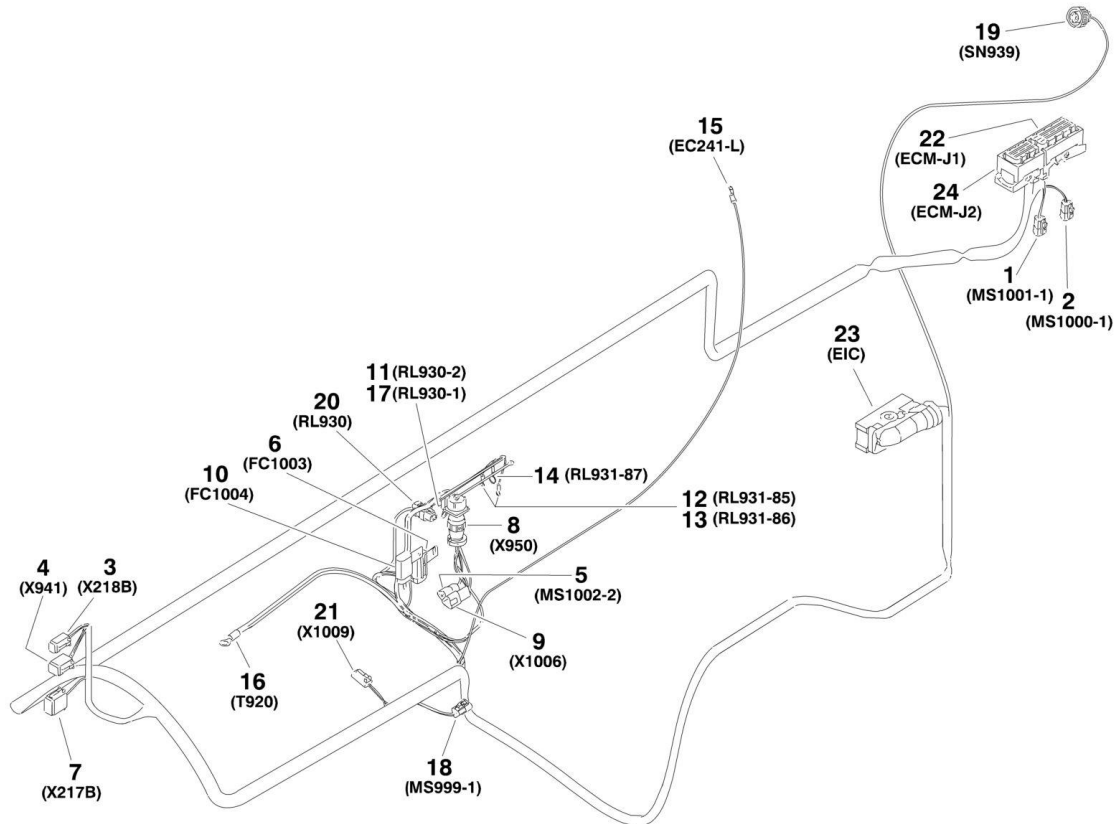
SECTION 8 - ELECTRICAL

FIGURE 8-45. ENGINE CAN HARNESS

ITEM	PART NUMBER	QTY	DESCRIPTION	REV
	1001156001	Ref	ENGINE CAN HARNESS	B
1	1001116812	1	Connector - 3 Position	
1	4460944	3	Socket, Female	
2	4460539	1	Connector - 3 Position	
2	4460944	3	Socket, Female	
3	1001116812	1	Connector - 3 Position	
3	4460944	3	Socket, Female	
4	4460539	1	Connector - 3 Position	
4	4460944	3	Socket, Female	
5	4460539	1	Connector - 3 Position	
5	4460944	3	Socket, Female	
6	4460539	1	Connector - 3 Position	
6	4460944	3	Socket, Female	
101	4460945	4	Connector, Tee	
102	1001116815	3	Connector - 3 Position	

SECTION 8 - ELECTRICAL

FIGURE 8-46. ENGINE HARNESS - DEUTZ LRC ENGINES



1001149971

SECTION 8 - ELECTRICAL

FIGURE 8-46. ENGINE HARNESS - DEUTZ LRC ENGINES

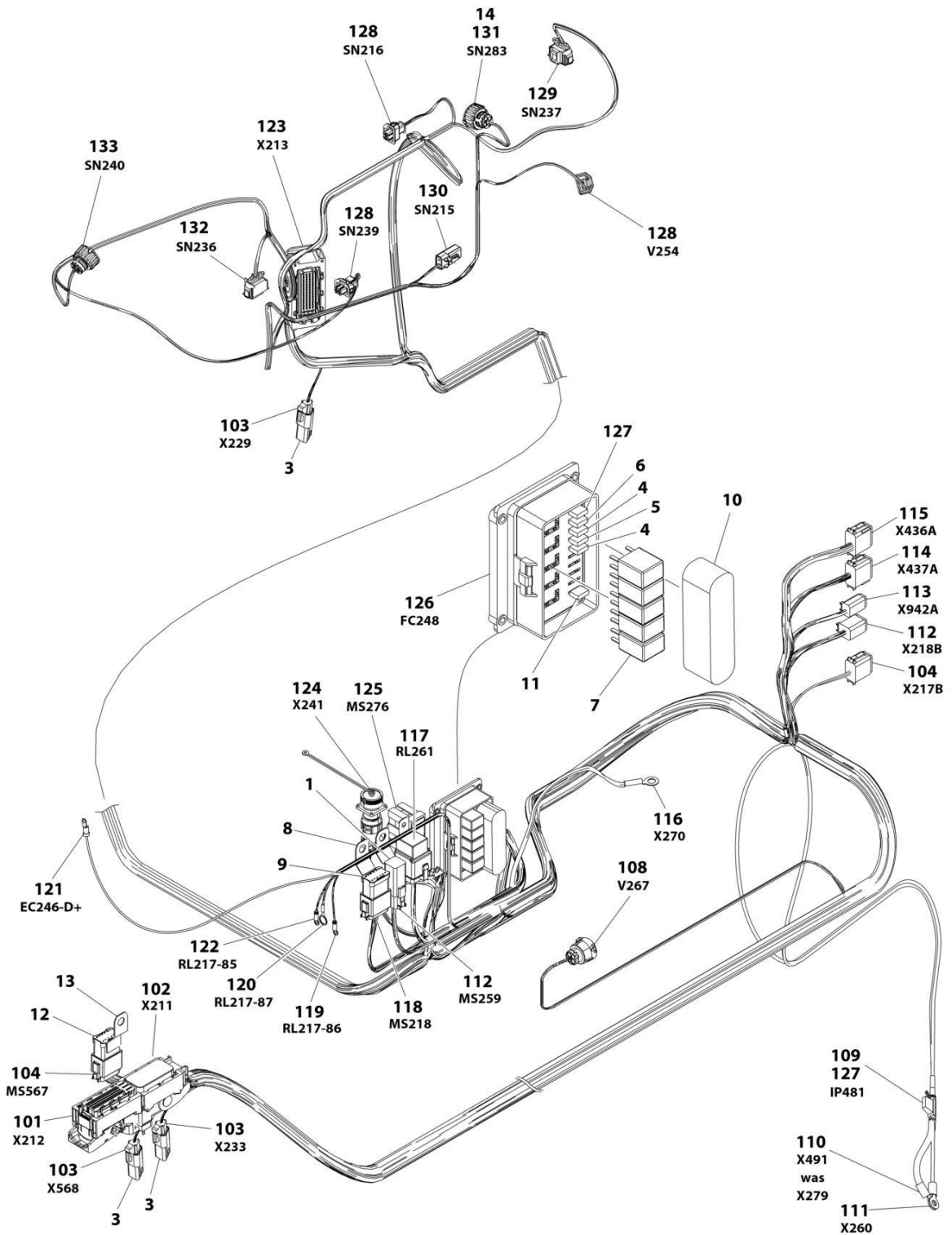
ITEM	PART NUMBER	QTY	DESCRIPTION	REV
	1001149971	Ref	ENGINE HARNESS	F
1	1001116812	1	Connector - 3 Position	
1	4460944	2	Socket, Female	
1	4460466	1	Plug, Socket	
2	1001116812	1	Connector - 3 Position	
2	4460944	2	Socket, Female	
2	4460466	1	Plug, Socket	
3	4460894	1	Connector - 6 Position	
3	4460944	3	Socket, Female	
3	4460466	3	Plug, Socket	
4	1001220379	1	Connector - 4 Position	
4	4460942	2	Socket, Female	
4	4460465	2	Socket, Female	
4	4460466	4	Plug, Socket	
5	4460539	1	Connector - 3 Position	
5	4460944	2	Socket, Female	
5	4460466	1	Plug, Socket	
6	1001119412	1	Fuseholder	
6	See Note	NSS	Fuse 5A (Note: Purchase Locally)	
6	1001116732	1	Terminal	
6	1001128128	1	Plug, Socket	
7	4460930	1	Connector, Female - 8 Position	
7	4460944	1	Socket, Female	
7	4460466	7	Plug, Seal	
8	2902443	1	Kit, Receptacle	
8	4461071	8	Socket, Female	
8	4461072	1	Connector	
8	4461043	1	Cap, Dust	
8	4461074	1	Shell, Back	
9	4460536	1	Connector - 3 Position	
9	4460943	2	Pin, Male	
9	4460466	1	Plug, Socket	
10	1001117023	1	Fuseholder	
10	See Note	NSS	Fuse 10A (Note: Purchase Locally)	
10	1001116732	1	Terminal	
10	1001128128	1	Plug, Socket	
11	1001117106	1	Ring, Terminal	
12	4460247	1	Ring, Terminal	
13	4460247	1	Ring, Terminal	
14	4460703	1	Ring, Terminal	
15	4460042	1	Ring, Terminal	
16	8220115	1	Ring, Terminal	
17	4460043	1	Ring, Terminal	
18	1001116812	1	Connector - 3 Position	
18	4460944	3	Socket, Female	
19	1001133714	1	Connector - 4 Position	
19	1001133715	3	Socket, Female	
20	1001116952	1	Connector - 2 Position	
20	4460465	1	Socket, Female	
20	4460466	1	Seal, Plug	

SECTION 8 - ELECTRICAL

ITEM	PART NUMBER	QTY	DESCRIPTION	REV
21	4460891	1	Connector, Male - 2 Position	
21	4460465	2	Socket, Female	
21	4460897	1	Connector, Female - 2 Position	
21	4460464	2	Pin, Male	
21	See Note	NSS	Resistor 1.5ohm (Note: Not Available for Purchase)	
21	1001156692	AR	Heat Shrink	
22	1001133956	1	Connector - 94 Position	
22	1001126352	6	Terminal 13-17Ga	
22	1001126384	21	Terminal 18-20Ga	
22	1001126351	2	Terminal 15-18Ga	
22	1001126357	2	Plug, Socket	
22	1001126356	63	Plug, Socket	
23	1001126362	1	Connector - 62 Position	
23	1001126365	2	Terminal 17-20Ga	
23	1001126363	35	Terminal 17-20Ga (Gold)	
23	1001126391	21	Plug, Socket	
23	4461008	4	Plug, Socket	
24	1001133957	1	Connector - 60 Position	
24	1001126351	13	Terminal 15-18Ga	
24	1001126384	17	Terminal 18-20Ga	
24	1001126357	11	Plug, Socket	
24	1001126356	19	Plug, Socket	

SECTION 8 - ELECTRICAL

FIGURE 8-47. ENGINE HARNESS - DEUTZ HRC ENGINES



ART_1001188922

SECTION 8 - ELECTRICAL

FIGURE 8-47. ENGINE HARNESS - DEUTZ HRC ENGINES

ITEM	PART NUMBER	QTY	DESCRIPTION	REV
	1001188922	Ref	ENGINE HARNESS	K
1	4460892	1	Buss Bar - 6 Position	
3	4461070	3	Connector, Terminating - 3 Position	
4	8229242	2	Fuse, 5 Amp	
5	8229244	1	Fuse, 15 Amp	
6	8229247	1	Fuse, 25 Amp	
7	1001095704	5	Relay	
8	1001120328	2	Mount	
9	1001125677	1	Connector, Bussbar	
10	1001190921	1	Seal	
11	1001197719	1	Resistor 620ohm	
12	4460984	1	Receptacle, Female - 8 Position	
13	1001155743	1	Mount	
14	1001216318	1	Cover	
101	1001167615	1	Connector - 91 Position	
101	1001166551	6	Terminal	
101	1001167621	20	Terminal	
101	1001167622	65	Plug, Terminal	
101	1001126353	6	Seal	
102	1001167625	1	Connector - 105 Position	
102	1001166555	13	Terminal	
102	1001167621	50	Terminal	
102	1001167622	36	Plug, Terminal	
102	1001167623	6	Seal	
103	4461095	3	Connector - 3 Position	
103	4460944	4	Socket, Female	
103	4460465	2	Socket, Female	
103	4460466	3	Plug, Terminal	
104	4460930	2	Connector - 8 Position	
104	4460465	10	Socket, Female	
104	4460466	6	Plug, Terminal	
108	1001167620	1	Connector - 4 Position	
108	1001176004	2	Socket, Female	
108	1001167624	2	Plug, Terminal	
108	1001176002	2	Seal	
109	2400066	1	Fuseholder with Leads	
110	1001117107	1	Terminal, Ring	
111	8220045	1	Terminal, Ring	
112	4460894	2	Plug, Male - 6 Position	
112	4460465	7	Socket, Female	
112	4460944	2	Socket, Female	
112	4460942	1	Socket, Female	
112	4460466	2	Plug, Socket	
113	4460884	1	Plug, Male - 4 Position	
113	4460465	2	Socket, Female	
113	4460942	2	Socket, Female	
114	4460934	1	Plug, Male - 12 Position	
114	4460942	2	Socket, Female	
114	4460465	8	Socket, Female	
114	4460466	2	Plug, Socket	

SECTION 8 - ELECTRICAL

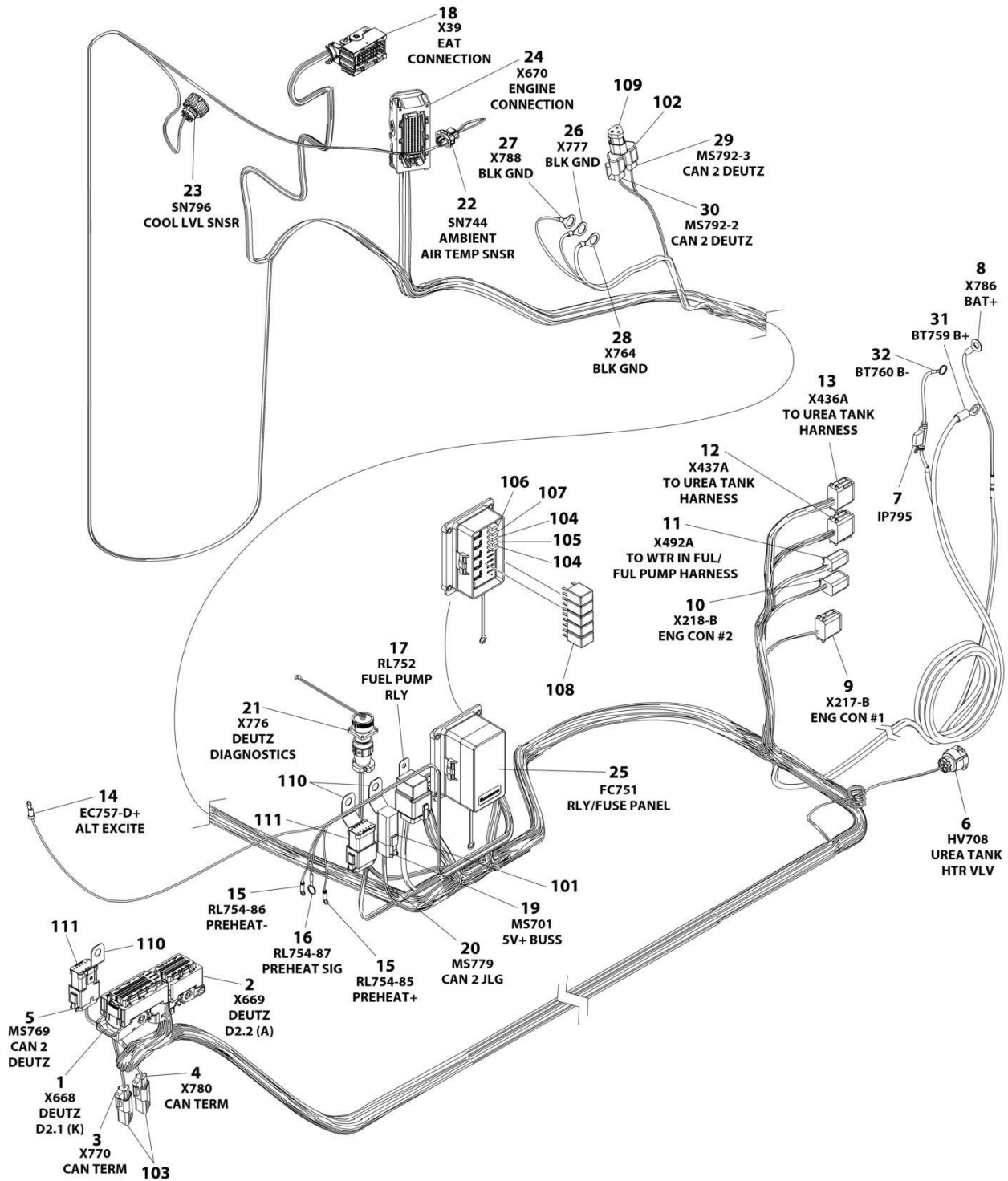
ITEM	PART NUMBER	QTY	DESCRIPTION	REV
115	4460935	1	Plug, Male - 12 Position	
115	1001157890	6	Socket, Female	
115	4460465	2	Socket, Female	
115	4460944	2	Socket, Female	
115	4460466	2	Plug, Socket	
116	1001117108	1	Ring, Terminal	
117	1001118282	1	Connector - 5 Position	
117	1001116734	2	Terminal	
117	1001116733	2	Terminal	
117	1001128128	1	Plug, Socket	
118	4460933	1	Plug, Male - 12 Position	
118	4460944	12	Socket, Female	
119	4460247	1	Terminal, Ring	
120	4460703	1	Terminal, Ring	
121	4460042	1	Terminal, Ring	
122	4460247	1	Terminal, Ring	
123	1001126362	1	Connector - 62 Position	
123	1001166556	30	Socket, Female	
123	1001166774	10	Socket, Female	
123	1001166541	2	Socket, Female	
123	1001166543	2	Socket, Female	
123	1001126391	16	Plug, Terminal	
123	4461008	2	Plug, Terminal	
123	1001166701	30	Seal, Terminal	
123	1001126393	10	Seal, Terminal	
123	4461006	2	Seal, Terminal (Blue)	
123	4461054	2	Seal, Terminal (White)	
124	2902443	1	Kit, Receptacle	
124	4461071	8	Socket, Female	
124	4461072	1	Connector	
124	4461043	1	Cap, Dust	
124	4461074	1	Shell, Back	
125	1001184846	1	Plug, Male - 10 Position	
125	4460509	10	Socket, Female	
126	1001167616	1	Main Fuse Box Assembly	
126	1001116725	6	Socket, Female	
126	8220097	19	Terminal	
126	8220098	7	Terminal	
126	4460748	13	Plug, Terminal	
126	80963067	6	Seal (Blue)	
126	1001175265	12	Seal, Terminal	
126	4460458	14	Seal, Terminal	
127	8229245	2	Fuse, 30 Amp	
128	1001126487	3	Connector - 2 Position	
128	1001167634	4	Socket, Female	
128	1001167635	2	Socket, Female	
128	1001126485	3	Seal, Terminal	
129	1001167629	1	Connector - 4 Position	
129	1001167630	4	Socket, Female	
129	1001126485	4	Seal, Terminal	
130	1001126245	1	Plug, Male - 2 Position	

SECTION 8 - ELECTRICAL

ITEM	PART NUMBER	QTY	DESCRIPTION	REV
130	1001126008	2	Socket, Female	
131	1001167633	1	Connector - 3 Position	
131	1001133715	3	Socket, Female	
131	1001135650	3	Seal, Terminal	
132	1001167631	1	Connector - 4 Position	
132	1001167630	4	Socket, Female	
132	1001126485	4	Seal, Terminal	
133	1001133714	1	Connector - 4 Position	
133	1001133715	3	Socket, Female	
133	1001135650	3	Seal, Terminal	

SECTION 8 - ELECTRICAL

FIGURE 8-48. ENGINE HARNESS - DEUTZ HRC STAGE V ENGINES



ART_1001262056_F

SECTION 8 - ELECTRICAL

FIGURE 8-48. ENGINE HARNESS - DEUTZ HRC STAGE V ENGINES

ITEM	PART NUMBER	QTY	DESCRIPTION	REV
	1001262056	Ref	ENGINE HARNESS	F
1	1001133956	1	Connector - 94 Position	
1	1001182361	6	Terminal	
1	1001126351	3	Terminal	
1	1001230934	42	Terminal	
1	1001230935	43	Plug	
1	1001182365	6	Seal	
2	1001133957	1	Connector - 60 Position	
2	1001230936	10	Plug	
2	1001126351	14	Terminal	
2	1001230935	7	Plug	
2	1001230934	27	Terminal	
3	4461095	1	Connector - 3 Position	
3	4460465	2	Socket, Female	
3	4460466	1	Plug, Socket	
4	4461095	1	Connector - 3 Position	
4	4460465	2	Socket, Female	
4	4460466	1	Plug, Socket	
5	4460933	1	Connector - 12 Position	
5	4460465	10	Socket, Female	
5	4460466	2	Plug, Socket	
6	1001167620	1	Connector - 4 Position	
6	1001176004	2	Socket, Female	
6	1001167624	2	Plug, Terminal	
6	1001176002	2	Seal	
7	2400066	1	Fuseholder with Leads	
8	8220045	1	Terminal, Ring	
9	4460930	1	Connector - 8 Position	
9	4460465	1	Socket, Female	
9	4460466	6	Plug, Terminal	
9	4460942	1	Socket, Female	
10	4460894	1	Plug, Male - 6 Position	
10	4460942	1	Socket, Female	
10	4460465	2	Socket, Female	
10	4460944	2	Socket, Female	
10	4460466	1	Plug, Terminal	
11	4460884	1	Plug, Male - 4 Position	
11	4460465	2	Socket, Female	
11	1001157890	2	Socket, Female	
12	4460934	1	Plug, Male - 12 Position	
12	4460465	8	Socket, Female	
12	4460942	2	Terminal	
12	4460466	2	Plug, Terminal	
13	4460935	1	Plug, Male - 12 Position	
13	1001157890	6	Socket, Female	
13	4460465	2	Socket, Female	
13	4460944	2	Socket, Female	
13	4460466	2	Plug, Socket	
14	4460042	1	Terminal, Ring	
15	4460247	2	Terminal, Ring	

SECTION 8 - ELECTRICAL

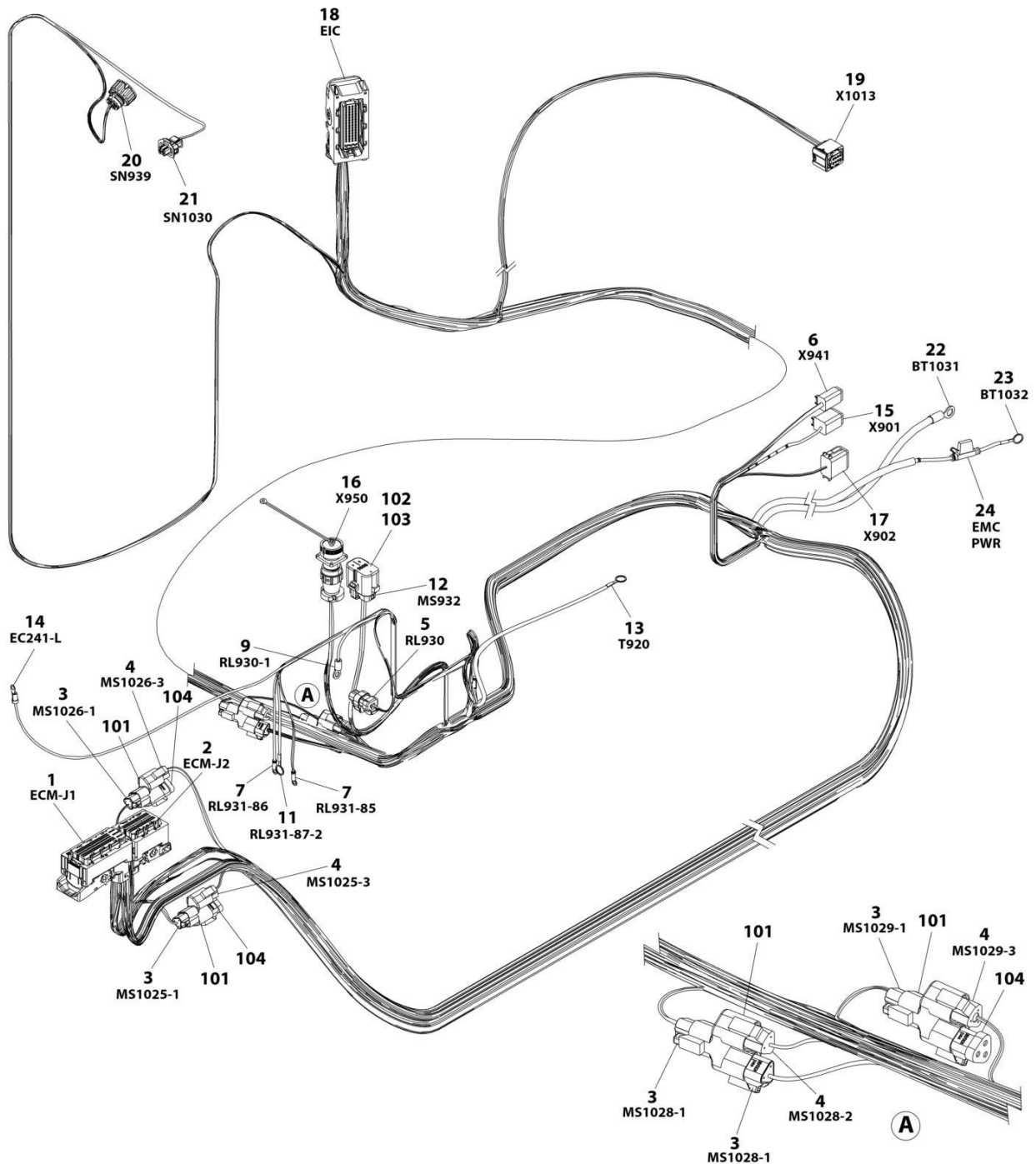
ITEM	PART NUMBER	QTY	DESCRIPTION	REV
16	4460703	1	Terminal, Ring	
17	1001118282	1	Connector - 5 Position	
17	1001116734	2	Terminal	
17	1001116733	2	Terminal	
17	1001128128	1	Plug, Socket	
18	1001268946	1	Connector - 21 Position	
18	1001167632	15	Terminal	
18	4461008	6	Plug	
18	4461054	15	Seal	
19	4460894	1	Plug, Male - 6 Position	
19	4460465	6	Socket, Female	
20	4460933	1	Plug, Male - 12 Position	
20	4460465	8	Socket, Female	
20	4460466	4	Plug, Socket	
21	2902443	1	Kit, Receptacle	
21	4461071	6	Socket, Female	
22	1001126487	1	Connector - 2 Position	
22	1001167634	2	Socket, Female	
22	1001126485	2	Seal, Terminal	
23	1001133714	1	Connector - 4 Position	
23	1001133715	3	Socket, Female	
23	1001135650	3	Seal, Terminal	
24	1001126362	1	Connector - 62 Position	
24	1001126363	36	Terminal	
24	1001126391	8	Plug, Socket	
24	1001126392	12	Terminal	
24	1001126365	2	Terminal	
24	4461008	4	Plug, Socket	
25	1001167616	1	Main Fuse Box Assembly	
25	1001116725	6	Socket, Female	
25	8220097	19	Terminal	
25	4460748	13	Plug, Terminal	
25	8220098	7	Terminal	
26	1001275151	1	Terminal, Ring	
27	1001275153	1	Terminal, Ring	
28	1001275151	1	Terminal, Ring	
29	1001116812	1	Connector - 3 Position	
29	4460465	2	Socket, Female	
29	4460466	1	Plug, Socket	
30	4460539	1	Connector - 3 Position	
30	4460465	2	Socket, Female	
30	4460466	1	Plug, Socket	
31	8220115	1	Terminal, Ring	
32	4460019	1	Terminal, Ring	
101	4460892	1	Receptacle, Female Buss Bar - 6 Position	
102	4460945	1	Receptacle, Female Bussbar - 6 Position	
103	4461070	2	Connector, Terminating - 3 Position	
104	8229242	2	Connector - 3 Position	
105	8229244	1	Fuse 15Amp	
106	8229245	1	Fuse, 30 Amp	
107	8229247	1	Fuse, 25 Amp	

SECTION 8 - ELECTRICAL

ITEM	PART NUMBER	QTY	DESCRIPTION	REV
108	1001095704	5	Relay	
109	1001116815	1	Connector - 3 Position	
110	1001120328	3	Mount	
111	1001125677	2	Connector, Bussbar	

SECTION 8 - ELECTRICAL

FIGURE 8-49. ENGINE HARNESS - DEUTZ TCD3.6L (CHINA IV)



ART_1001285004_B

SECTION 8 - ELECTRICAL

FIGURE 8-49. ENGINE HARNESS - DEUTZ TCD3.6L (CHINA IV)

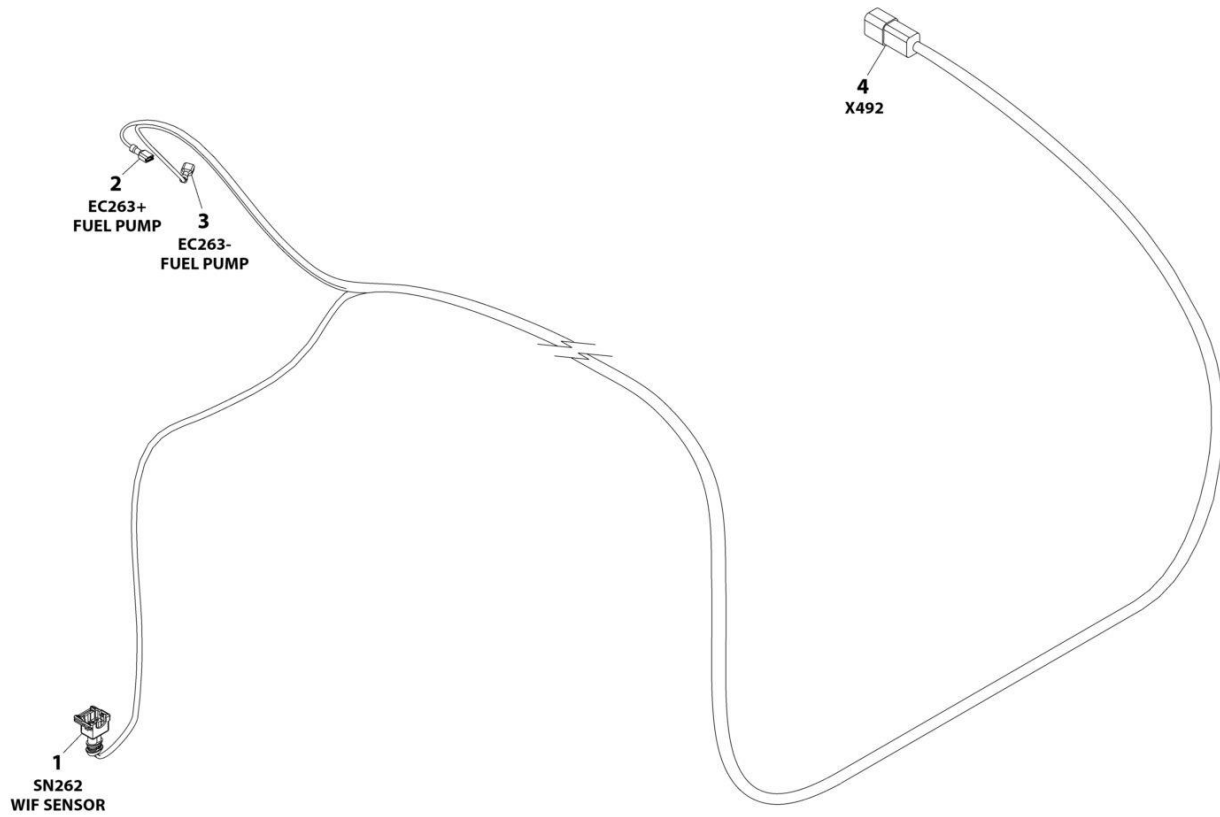
ITEM	PART NUMBER	QTY	DESCRIPTION	REV
	1001285004	Ref	ENGINE HARNESS	B
1	1001133956	1	Connector	
1	1001182361	6	Socket	
1	1001126351	3	Socket	
1	1001230934	23	Socket	
1	1001230935	57	Pin	
1	1001230936	1	Pin	
1	1001252527	4	Socket	
1	1001182365	6	Seal	
2	1001133957	1	Connector	
2	1001230936	11	Pin	
2	1001126351	13	Socket	
2	1001230935	10	Pin	
2	1001230934	26	Socket	
3	1001116812	5	Connector	
3	4460944	10	Socket	
3	4460466	5	Plug, Terminal	
4	4460539	4	Connector	
4	4460944	8	Socket	
4	4460466	4	Plug, Terminal	
5	1001116952	1	Connector	
5	4460465	2	Socket	
6	4460884	1	Connector	
6	4460465	2	Socket	
6	4460942	2	Socket	
7	4460247	2	Terminal, Ring	
9	4460043	1	Terminal, Ring	
11	4460703	1	Terminal, Ring	
12	80484084	1	Connector	
12	4460748	7	Plug, Socket	
12	1001234800	1	Socket	
12	4460458	4	Seal	
13	4460019	1	Terminal, Ring	
14	4460042	1	Terminal, Ring	
15	4460894	1	Connector	
15	4460466	2	Plug, Terminal	
15	4460465	2	Socket	
15	4460944	2	Socket	
16	2902443	1	Connector	
16	4461071	6	Socket	
17	4460930	1	Connector	
17	4460465	1	Socket	
17	4460466	7	Plug, Terminal	
18	1001126362	1	Connector	
18	1001126363	37	Socket	
18	1001126391	7	Plug, Terminal	
18	1001126392	12	Socket	
18	4461008	4	Plug, Terminal	
18	1001167632	2	Connector	
18	1001126364	37	Plug, Terminal	

SECTION 8 - ELECTRICAL

ITEM	PART NUMBER	QTY	DESCRIPTION	REV
18	1001223459	12	Seal	
18	4461054	2	Seal	
19	1001239202	1	Connector	
19	1001126363	7	Socket	
19	1001135651	1	Plug, Terminal	
19	1001126364	7	Plug, Terminal	
20	1001133714	1	Connector	
20	1001133715	3	Socket	
20	1001135651	1	Plug, Terminal	
20	1001135650	3	Seal	
21	1001126487	1	Connector	
21	1001167635	2	Socket	
21	1001126485	2	Seal	
22	8220115	1	Terminal, Ring	
23	4460019	1	Terminal, Ring	
24	1001172064	1	Fuseholder	
24	1001172065	1	Fuse 30 Amp	
101	4460945	4	Socket	
102	8229242	1	Fuse 5 Amp	
103	80983191	1	Fuse 10 Amp	
104	1001116815	3	Connector	

SECTION 8 - ELECTRICAL

FIGURE 8-50. FUEL PUMP AND WIF HARNESS



ART_1001211885

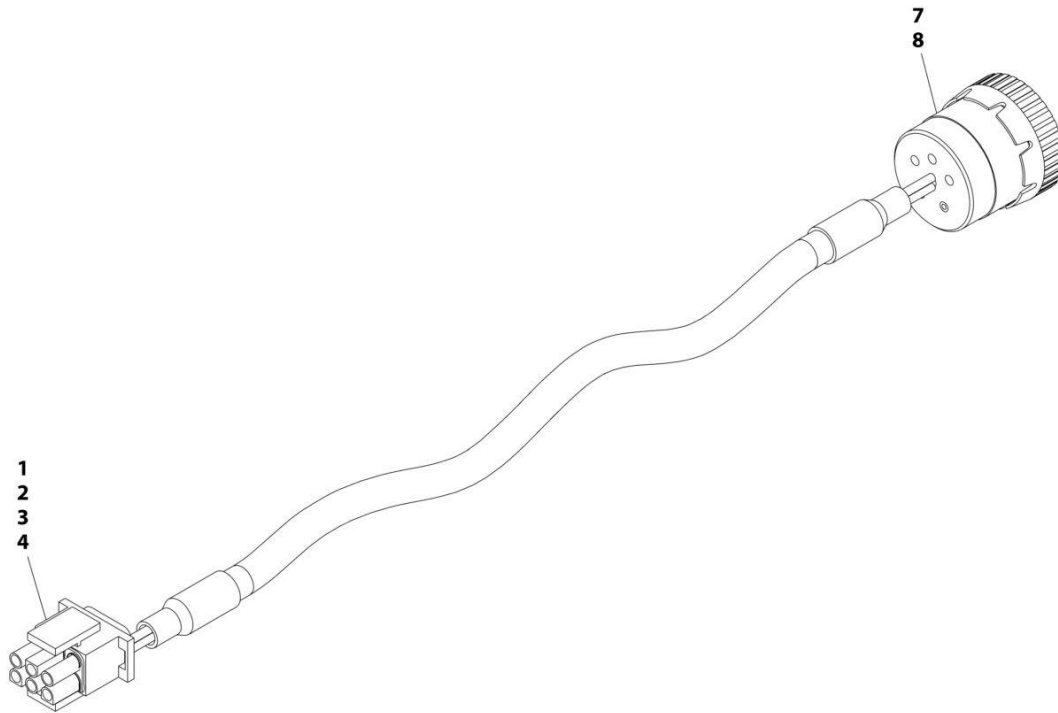
SECTION 8 - ELECTRICAL

FIGURE 8-50. FUEL PUMP AND WIF HARNESS

ITEM	PART NUMBER	QTY	DESCRIPTION	REV
	1001211885	Ref	FUEL PUMP AND WIF HARNESS	B
1	1001116983	1	Connector - 2 Position	
1	4461060	2	Pin, Male	
2	8220051	1	Terminal, Ring	
3	8220051	1	Terminal, Ring	
4	4460932	1	Connector - 4 Position	
4	4460464	2	Pin, Male	
4	4460941	2	Pin, Male	

SECTION 8 - ELECTRICAL

FIGURE 8-51. GENERATOR HARNESS - 4000W GENERATOR



ART_1001152532

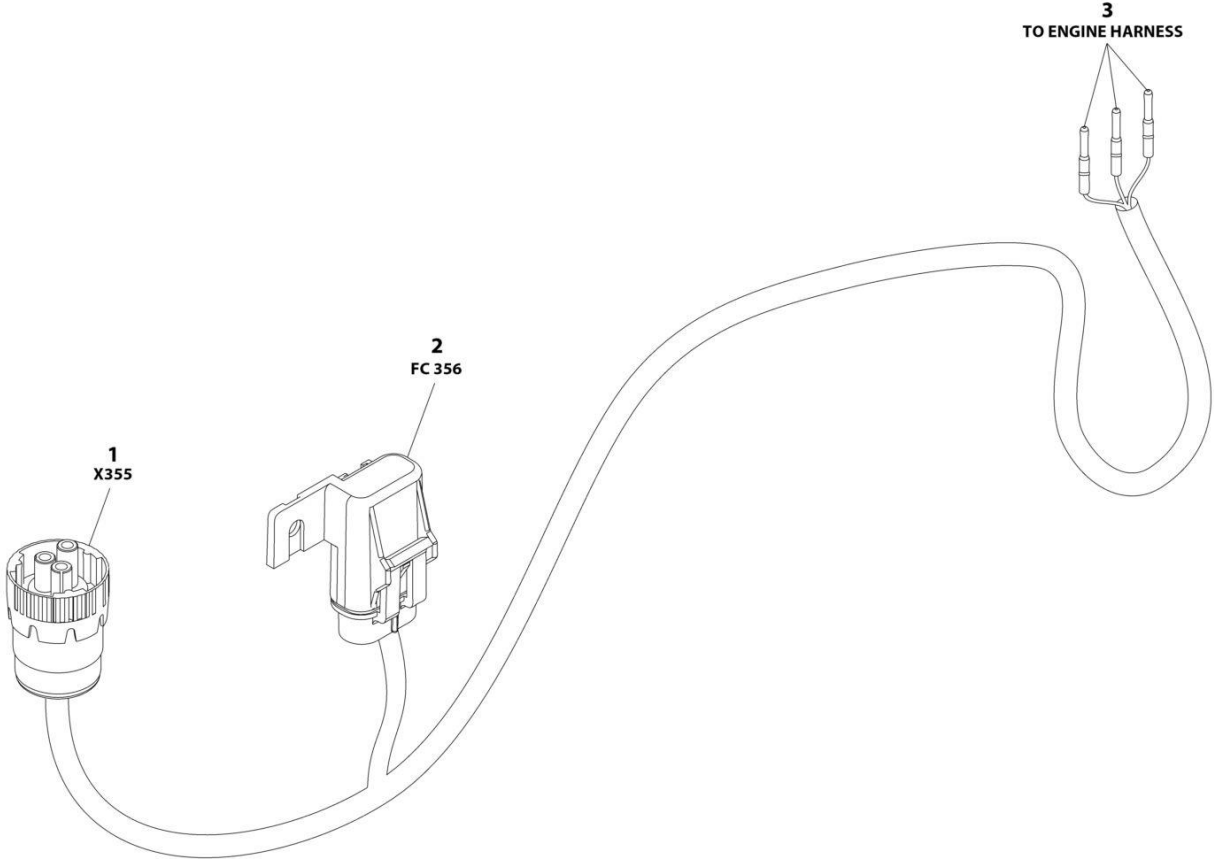
SECTION 8 - ELECTRICAL

FIGURE 8-51. GENERATOR HARNESS - 4000W GENERATOR

ITEM	PART NUMBER	QTY	DESCRIPTION	REV
	1001152532	Ref	GENERATOR HARNESS	A
1	4460225	1	Connector - 6 Position	
2	4460268	2	Socket, Female	
3	4460807	1	Seal	
4	4460808	1	Seal	
7	4460465	2	Socket, Female	
8	77363233	1	Connector - 6 Position	

SECTION 8 - ELECTRICAL

FIGURE 8-52. GENERATOR ENABLE HARNESS - 7500W GENERATOR



ART_1001156030

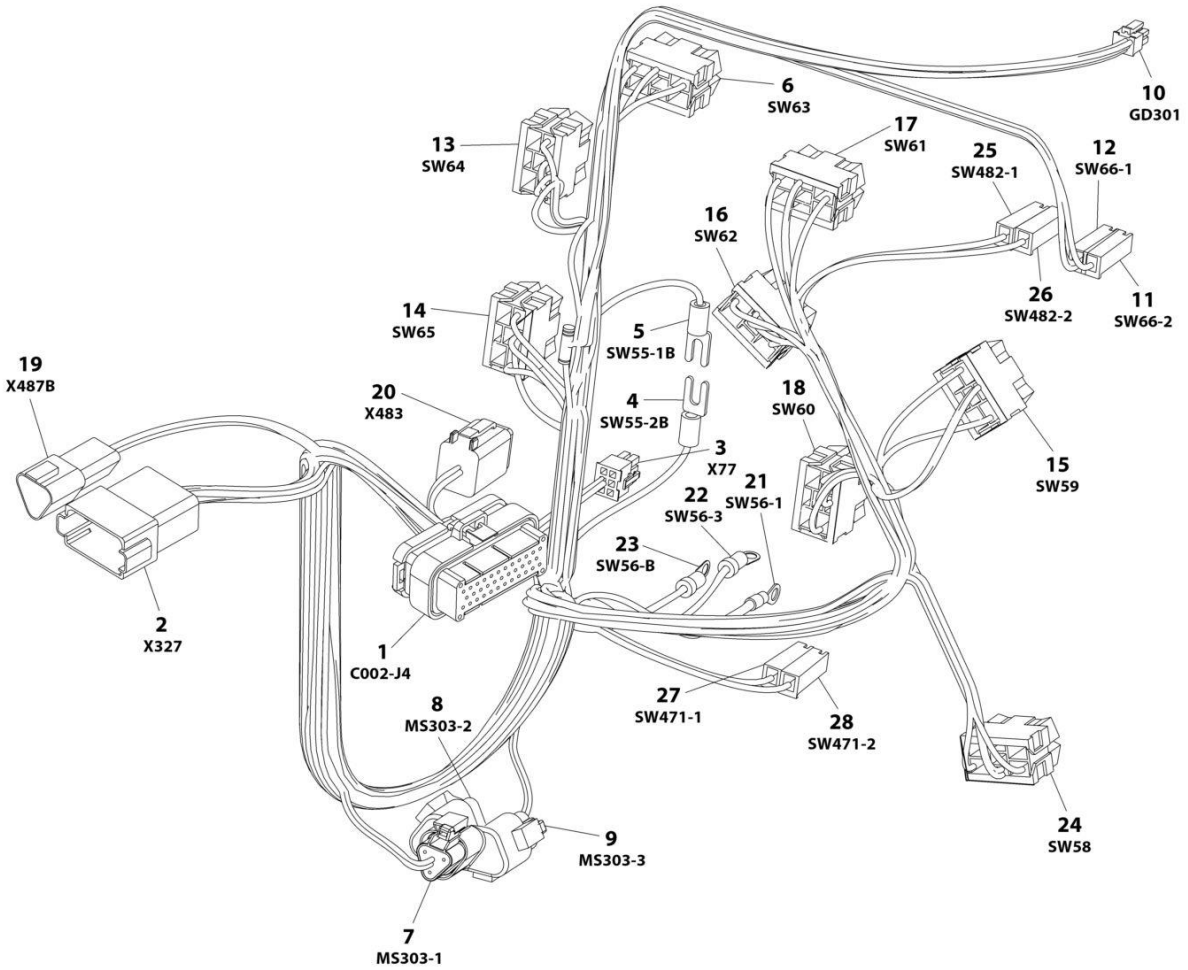
SECTION 8 - ELECTRICAL

FIGURE 8-52. GENERATOR ENABLE HARNESS - 7500W GENERATOR

ITEM	PART NUMBER	QTY	DESCRIPTION	REV
	1001156030	Ref	GENERATOR ENABLE HARNESS - 7500W GENERATOR	B
1	4460967	1	Connector - 3 Position	
1	4460465	3	Socket, Female	
2	1001119412	1	Connector, Metri-Pack with 5Amp Fuse	
2	1001116733	2	Terminal	
3	4460465	3	Socket, Female	

SECTION 8 - ELECTRICAL

FIGURE 8-53. GROUND CONTROL PANEL HARNESS



ART_1001241884

SECTION 8 - ELECTRICAL

FIGURE 8-53. GROUND CONTROL PANEL HARNESS

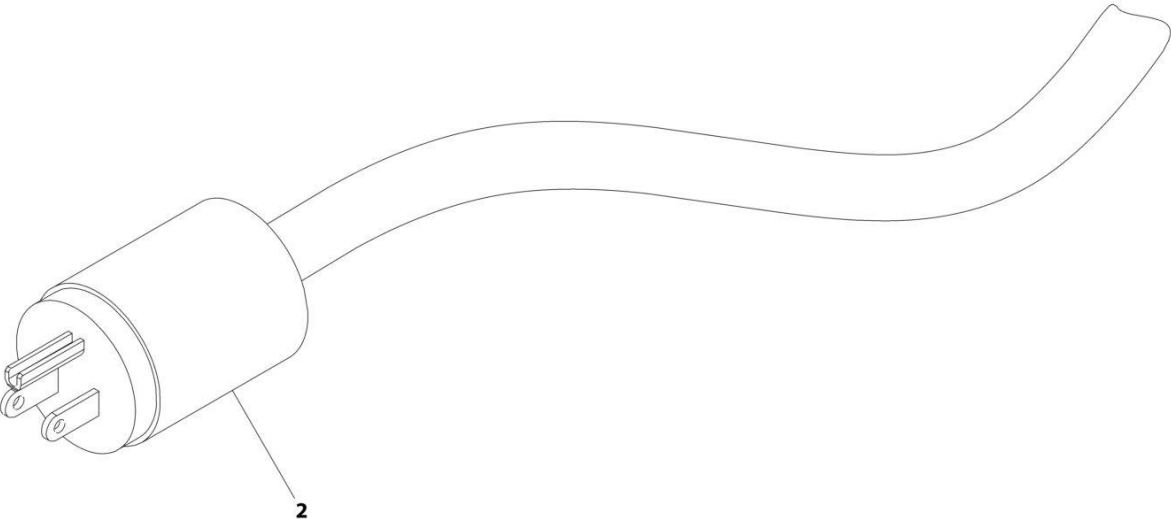
ITEM	PART NUMBER	QTY	DESCRIPTION	REV
	1001241884	Ref	GROUND CONTROL PANEL HARNESS	A
1	4460876	1	Connector - 35 Position	
1	4460871	20	Socket, Female	
1	4460905	15	Plug	
2	4460970	1	Connector - 12 Position	
2	4460464	11	Pin, Male	
2	4460466	1	Plug, Socket	
3	4460868	1	Connector - 6 Position	
3	4460877	4	Socket, Female	
4	4460144	1	Terminal	
5	4460144	1	Terminal	
6	4460418	1	Connector - 3 Position	
6	1001159186	2	Terminal	
6	4460419	2	Terminal	
7	1001116812	1	Connector - 4 Position	
7	4460944	1	Socket, Female	
7	4460466	2	Plug, Socket	
8	4460539	1	Connector - 4 Position	
8	4460944	1	Socket, Female	
8	4460466	2	Plug, Socket	
9	1001116812	1	Connector - 4 Position	
9	4460944	2	Socket, Female	
9	4460466	1	Plug, Socket	
10	1001237667	1	Connector - 6 Position	
10	1001237668	5	Socket, Female	
11	4460260	1	Connector - 1 Position	
11	4460259	1	Terminal	
12	4460260	1	Connector - 1 Position	
12	4460259	2	Terminal	
13	4460418	1	Connector - 3 Position	
13	1001159186	2	Terminal	
13	4460419	2	Terminal	
14	4460418	1	Connector - 3 Position	
14	1001159186	2	Terminal	
14	4460419	2	Terminal	
15	4460418	1	Connector - 3 Position	
15	1001159186	2	Terminal	
15	4460419	2	Terminal	
16	4460418	1	Connector - 3 Position	
16	1001159186	2	Terminal	
16	4460419	2	Terminal	
17	4460418	1	Connector - 3 Position	
17	1001159186	2	Terminal	
17	4460419	2	Terminal	
18	4460418	1	Connector - 3 Position	
18	1001159186	2	Terminal	
18	4460419	2	Terminal	
19	4460536	1	Connector - 3 Position	
19	4460464	2	Pin, Male	
19	4460466	1	Plug, Socket	

SECTION 8 - ELECTRICAL

ITEM	PART NUMBER	QTY	DESCRIPTION	REV
20	4460894	1	Connector - 6 Position	
20	4460465	4	Socket, Female	
21	4460313	1	Ring, Terminal	
22	4460042	1	Ring, Terminal	
23	4460042	1	Ring, Terminal	
24	4460418	1	Connector - 3 Position	
24	1001159186	2	Terminal	
24	4460419	2	Terminal	
25	4460260	1	Connector - 1 Position	
26	4460260	1	Connector - 1 Position	
27	4460260	1	Connector - 1 Position	
28	4460260	1	Connector - 1 Position	

SECTION 8 - ELECTRICAL

FIGURE 8-54. JIB AC CABLE - ANSI, ANSI EXPORT, CSA AND JAPANESE SPECS



ART_1001156896

SECTION 8 - ELECTRICAL

FIGURE 8-54. JIB AC CABLE - ANSI, ANSI EXPORT, CSA AND JAPANESE SPECS

ITEM	PART NUMBER	QTY	DESCRIPTION	REV
2	1001156896 4460205	Ref 1	JIB AC CABLE Plug	A

SECTION 8 - ELECTRICAL

FIGURE 8-55. JIB AC CABLE – AUSTRALIAN, CHINA, CE & UK CA SPECS



ART_1001157637

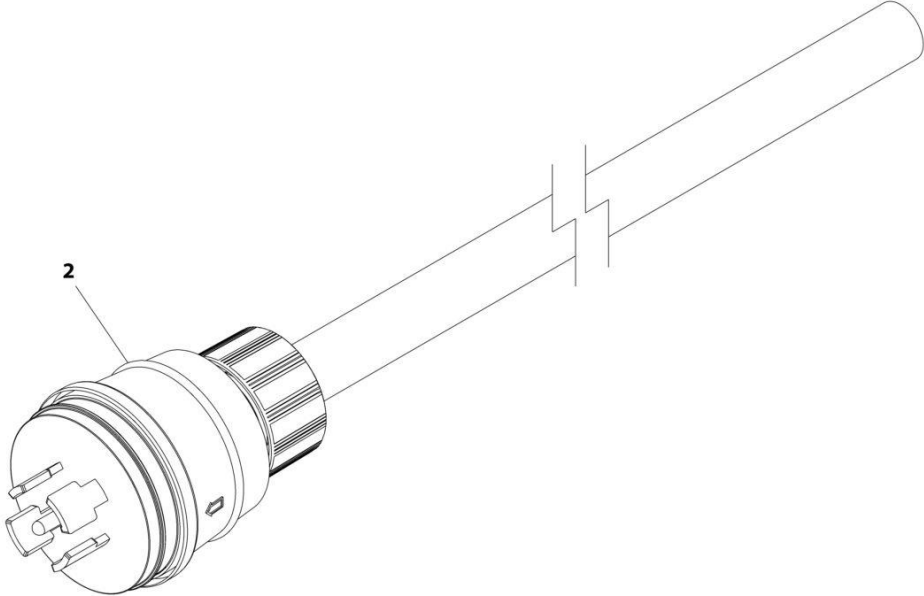
SECTION 8 - ELECTRICAL

FIGURE 8-55. JIB AC CABLE – AUSTRALIAN, CHINA, CE & UK CA SPECS

ITEM	PART NUMBER	QTY	DESCRIPTION	REV
2	1001157637 4460205	Ref 1	JIB AC CABLE Plug	A

SECTION 8 - ELECTRICAL

FIGURE 8-56. JIB AC CABLE - SKYPOWER



ART_1001226288

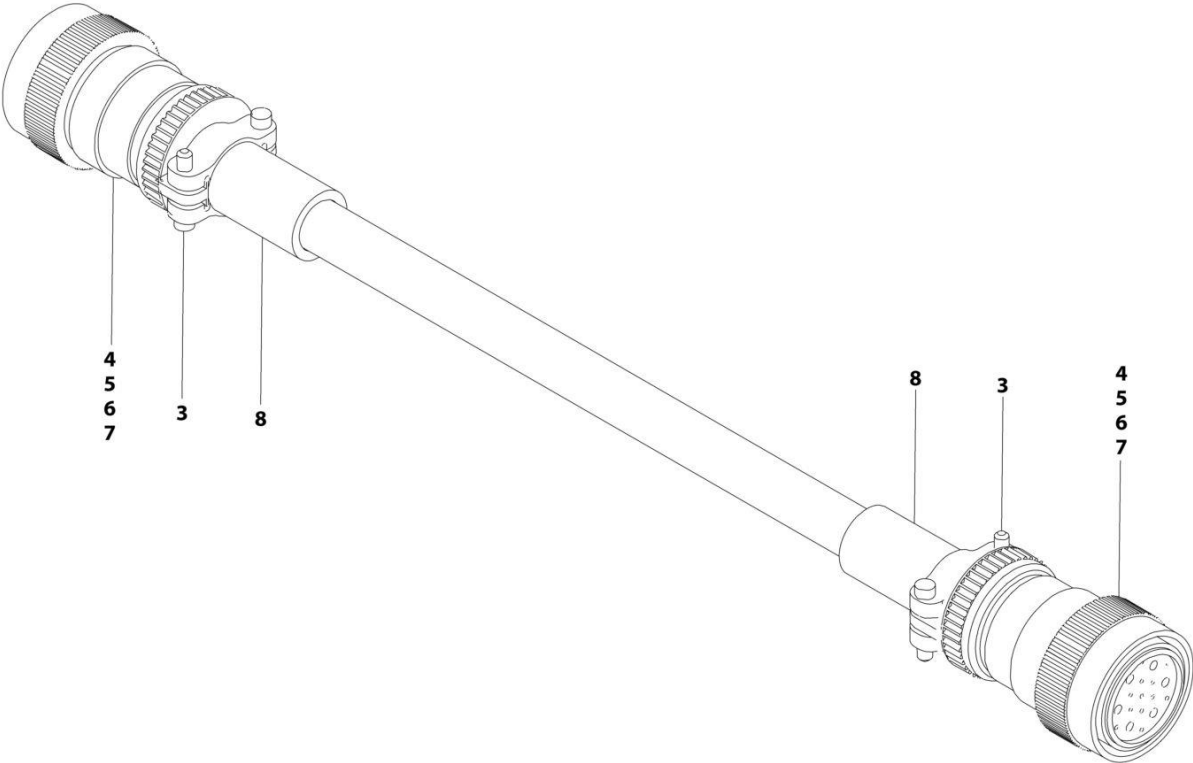
SECTION 8 - ELECTRICAL

FIGURE 8-56. JIB AC CABLE - SKYPOWER

ITEM	PART NUMBER	QTY	DESCRIPTION	REV
2	1001226288 1001218622	Ref 1	JIB AC CABLE - SKYPOWER Plug	A

SECTION 8 - ELECTRICAL

FIGURE 8-57. JIB CONTROL CABLE



ART_1001156897

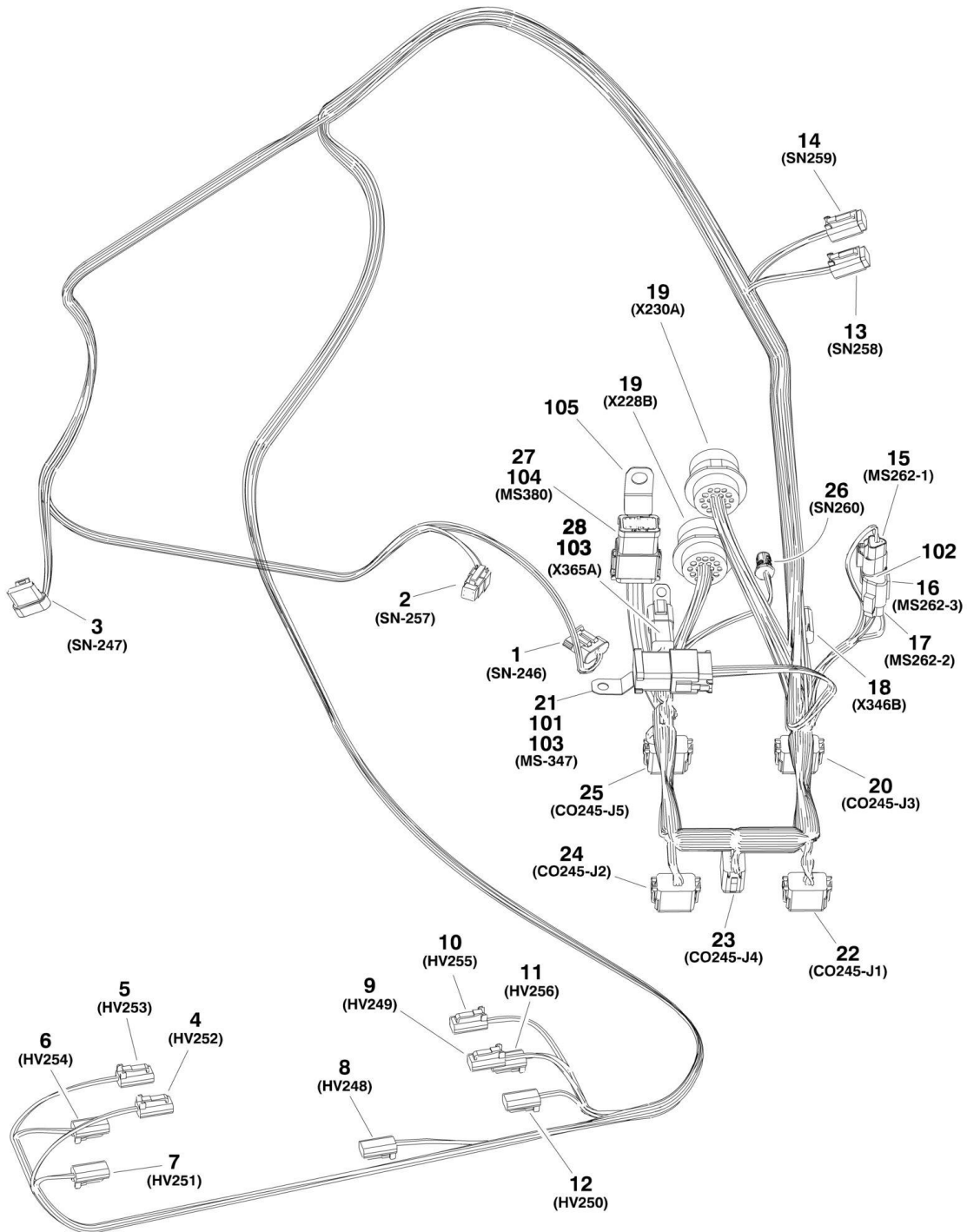
SECTION 8 - ELECTRICAL

FIGURE 8-57. JIB CONTROL CABLE

ITEM	PART NUMBER	QTY	DESCRIPTION	REV
	1001156897	Ref	JIB CONTROL CABLE	C
3	4460473	2	Clamp	
4	4460509	8	Socket, Female	
5	4460865	2	Connector - 19 Position	
6	4460465	20	Socket, Female	
7	4460466	10	Plug, Socket	
8	1001226400	2	Insulator, Heat Shrink	

SECTION 8 - ELECTRICAL

FIGURE 8-58. JIB VALVE HARNESS



1001149978

SECTION 8 - ELECTRICAL

FIGURE 8-58. JIB VALVE HARNESS

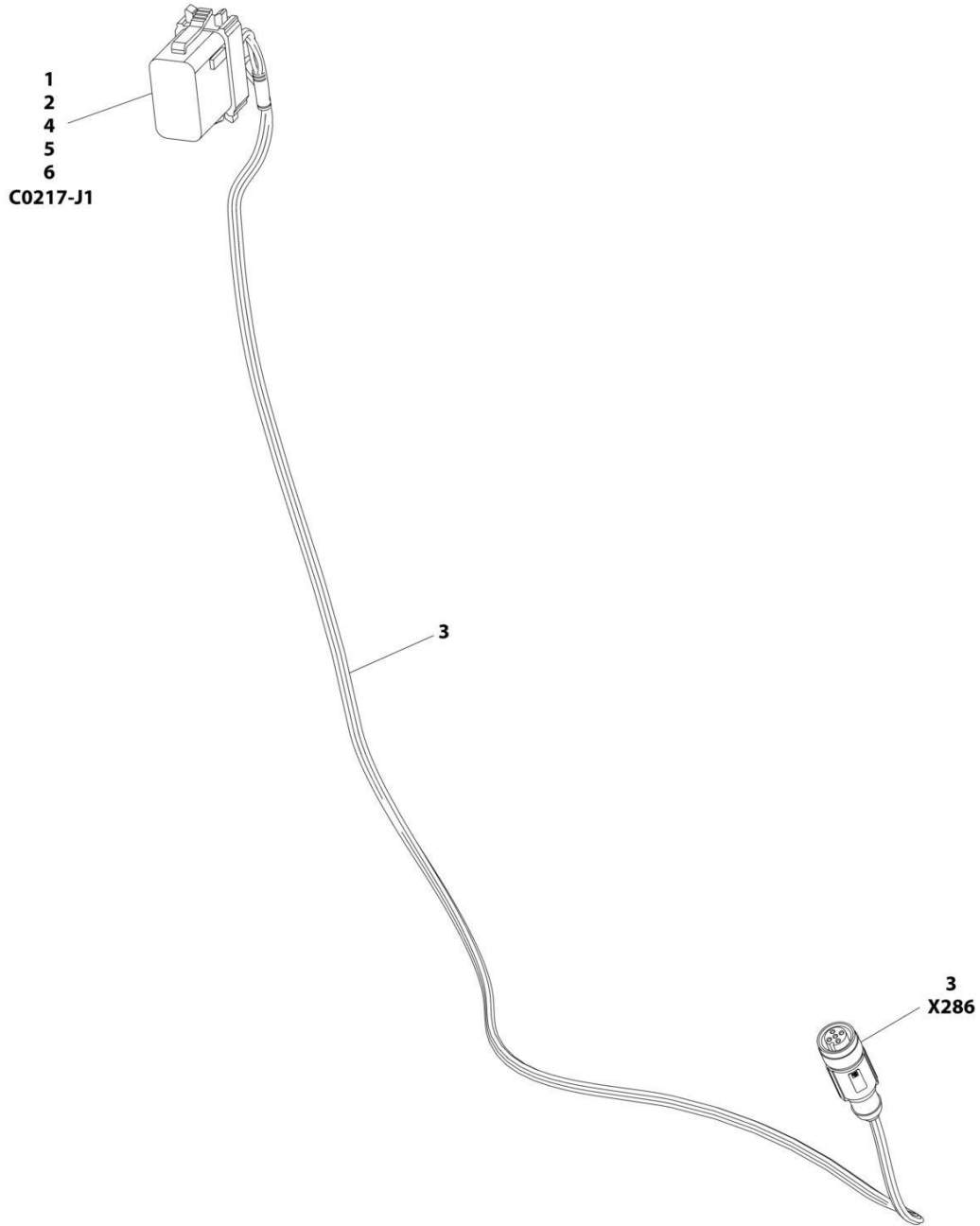
ITEM	PART NUMBER	QTY	DESCRIPTION	REV
	1001149978	Ref	JIB VALVE HARNESS	H
1	1001117064	1	Connector - 6 Position	
1	91554014	6	Terminal	
2	4461077	1	Connector - 4 Position	
2	1001116694	4	Socket, Female	
3	1001230931	1	Connector - 6 Position	
3	1001116748	6	Terminal	
4	4460891	1	Connector - 2 Position	
4	4460465	2	Socket, Female	
5	4460891	1	Connector - 2 Position	
5	4460465	2	Socket, Female	
6	4460891	1	Connector - 2 Position	
6	4460465	2	Socket, Female	
7	4460891	1	Connector - 2 Position	
7	4460465	2	Socket, Female	
8	4460891	1	Connector - 2 Position	
8	4460465	2	Socket, Female	
9	4460891	1	Connector - 2 Position	
9	4460465	2	Socket, Female	
10	4460891	1	Connector - 2 Position	
10	4460465	2	Socket, Female	
11	4460891	1	Connector - 2 Position	
11	4460465	2	Socket, Female	
12	4460891	1	Connector - 2 Position	
12	4460465	2	Socket, Female	
13	4460884	1	Connector - 4 Position	
13	4460465	4	Socket, Female	
14	4460884	1	Connector - 4 Position	
14	4460465	4	Socket, Female	
15	1001116812	1	Connector - 4 Position	
15	4460944	4	Socket, Female	
16	1001116812	1	Connector - 4 Position	
16	4460944	4	Socket, Female	
17	4460539	1	Connector - 4 Position	
17	4460944	4	Socket, Female	
18	4460884	1	Connector - 4 Position	
18	4460465	4	Socket, Female	
19	4460866	19	Connector - 19 Position	
19	4460508	4	Pin, Male	
19	4460464	11	Pin, Male	
19	4460466	4	Plug, Socket	
20	4460935	1	Connector - 12 Position	
20	4460465	12	Socket, Female	
21	4460836	1	Connector - 12 Position	
21	4460465	10	Socket, Female	
21	4460466	2	Plug, Socket	
22	4460933	1	Connector - 12 Position	
22	4460465	4	Socket, Female	
22	4460944	3	Socket, Female	
22	4460942	2	Socket, Female	

SECTION 8 - ELECTRICAL

ITEM	PART NUMBER	QTY	DESCRIPTION	REV
22	4460466	3	Plug, Socket	
23	4460930	1	Connector - 8 Position	
23	4460465	4	Socket, Female	
23	4460944	3	Socket, Female	
23	4460466	1	Plug, Socket	
24	4460836	1	Connector - 12 Position	
24	4460465	11	Socket, Female	
24	4460466	3	Plug, Socket	
25	4460935	1	Connector - 12 Position	
25	4460465	7	Socket, Female	
25	4460466	5	Plug, Socket	
26	1001120055	1	Connector - 5 Position	
26	4460944	3	Socket, Female	
27	4460933	1	Connector - 12 Position	
27	4460465	2	Socket, Female	
27	1001157890	8	Socket, Female	
27	4460942	2	Socket, Female	
28	4460932	1	Connector - 4 Position	
28	4460464	3	Pin, Male	
28	4460466	1	Plug, Socket	
29	4460866	19	Connector - 19 Position	
29	4460508	4	Pin, Male	
29	4460464	11	Pin, Male	
29	4460466	4	Plug, Socket	
101	1001249244	1	Connector, Housing	
102	4460945	1	Connector, 3 Way	
103	1001120328	2	Mount, Connector	
104	1001125677	1	Connector, Bussbar	
105	1001157028	1	Holder, Connector	

SECTION 8 - ELECTRICAL

FIGURE 8-59. LCD DISPLAY HARNESS



ART_1001220482

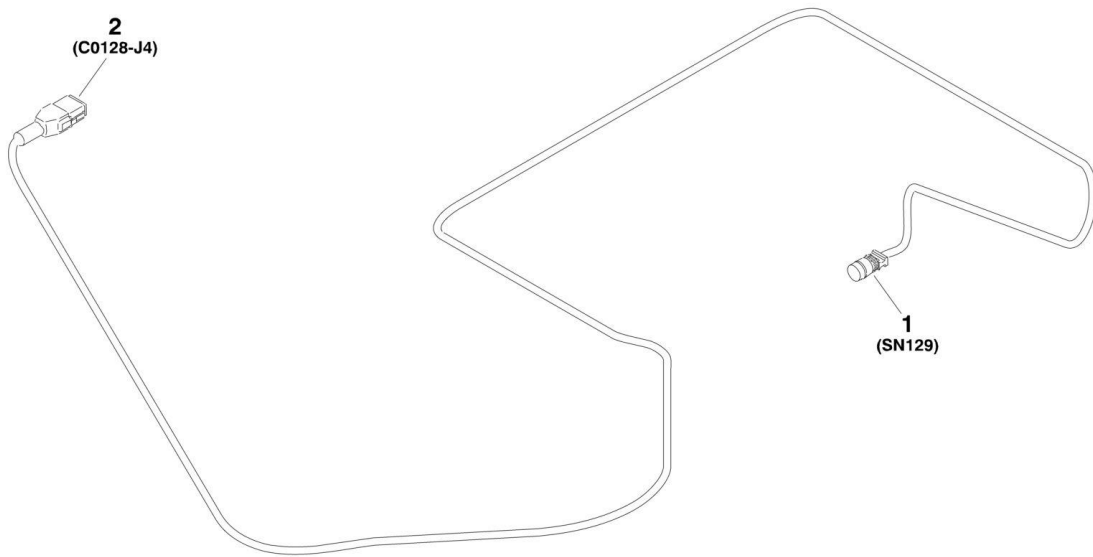
SECTION 8 - ELECTRICAL

FIGURE 8-59. LCD DISPLAY HARNESS

ITEM	PART NUMBER	QTY	DESCRIPTION	REV
	1001220482	Ref	LCD DISPLAY HARNESS	A
1	4460465	3	Socket, Female	
2	4460944	2	Socket, Female (Gold)	
3	1001125295	1	Connector with Cable	
4	1001176333	1	Connector - 12 Position	
5	4460466	13	Plug, Seal	
6	2820171	3	Tube, Heat Shrink	

SECTION 8 - ELECTRICAL

FIGURE 8-60. LOAD SENSOR CABLE



1001157646

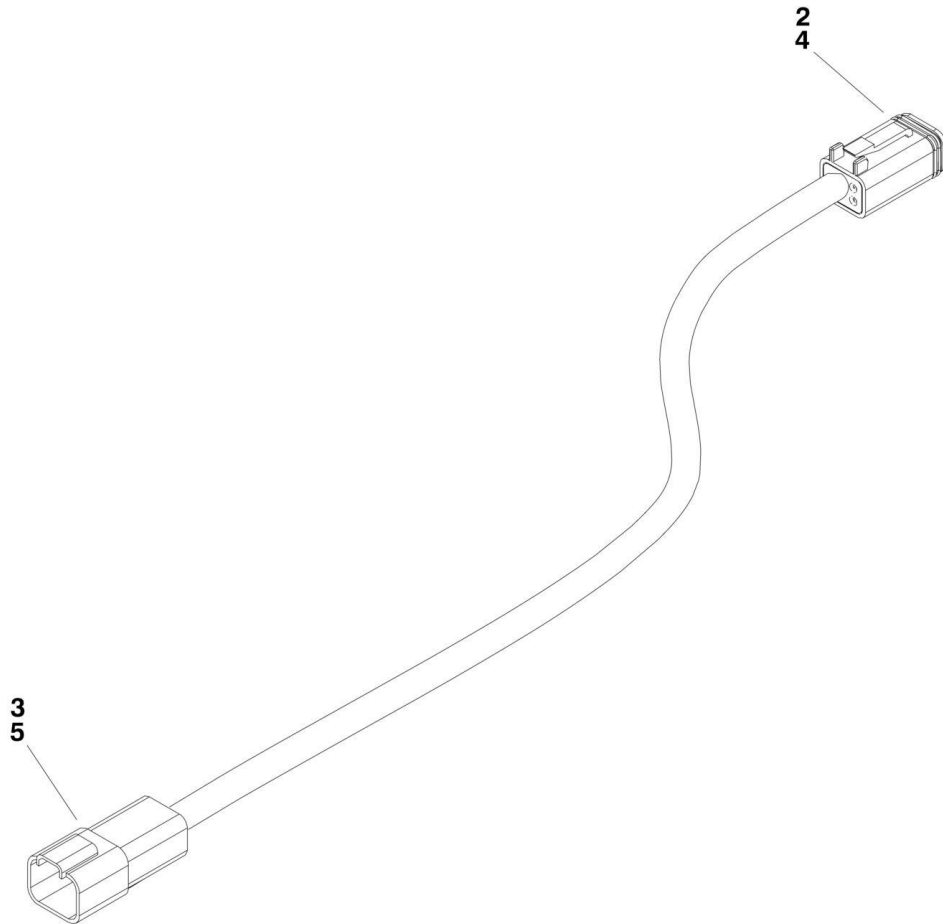
SECTION 8 - ELECTRICAL

FIGURE 8-60. LOAD SENSOR CABLE

ITEM	PART NUMBER	QTY	DESCRIPTION	REV
	1001157646	Ref	LOAD SENSOR CABLE	A
1	1001157649	1	Connector - 6 Position	
1	1001157723	2	Terminal	
2	4460930	1	Connector - 8 Position	
2	4460465	2	Socket, Female	
2	4460944	3	Socket, Female	
2	4460466	3	Plug, Socket	
2	0840062	1	Boot	

SECTION 8 - ELECTRICAL

FIGURE 8-61. MAIN BOOM 16/4 CABLE



1001158207

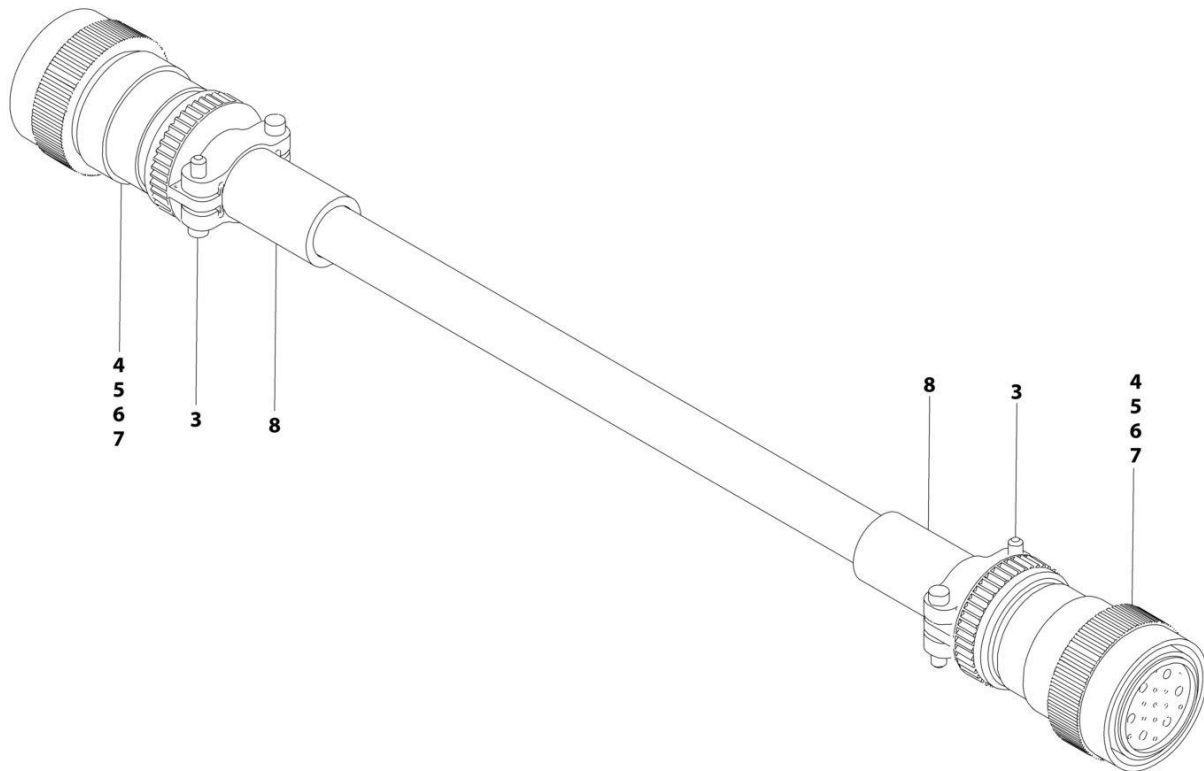
SECTION 8 - ELECTRICAL

FIGURE 8-61. MAIN BOOM 16/4 CABLE

ITEM	PART NUMBER	QTY	DESCRIPTION	REV
	1001158207	Ref	MAIN BOOM 16/4 CABLE	B
2	4460884	1	Connector - 4 Position	
3	4460932	1	Connector - 4 Position	
4	4460465	4	Socket, Female	
5	4460464	4	Pin, Male	

SECTION 8 - ELECTRICAL

FIGURE 8-62. MAIN BOOM CONTROL CABLE



ART_1001156893

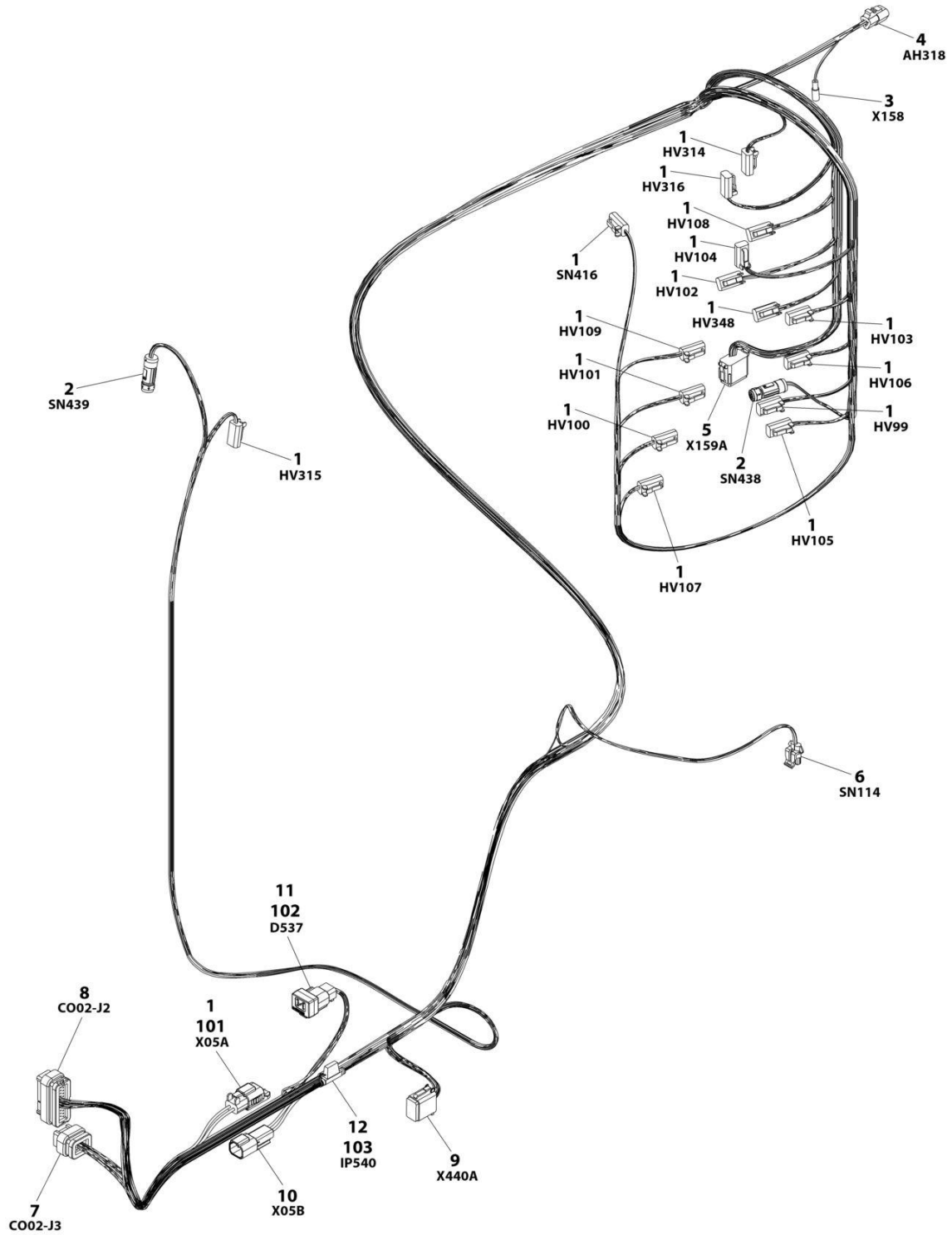
SECTION 8 - ELECTRICAL

FIGURE 8-62. MAIN BOOM CONTROL CABLE

ITEM	PART NUMBER	QTY	DESCRIPTION	REV
	1001156893	Ref	MAIN BOOM CONTROL CABLE	C
3	4460473	2	Clamp	
4	4460509	8	Socket, Female	
5	4460865	2	Connector - 19 Position	
6	4460465	20	Socket, Female	
7	4460466	10	Plug, Socket	
8	1001226400	2	Insulator, Heat Shrink	

SECTION 8 - ELECTRICAL

FIGURE 8-63. MAIN VALVE HARNESS



ART_1001285583

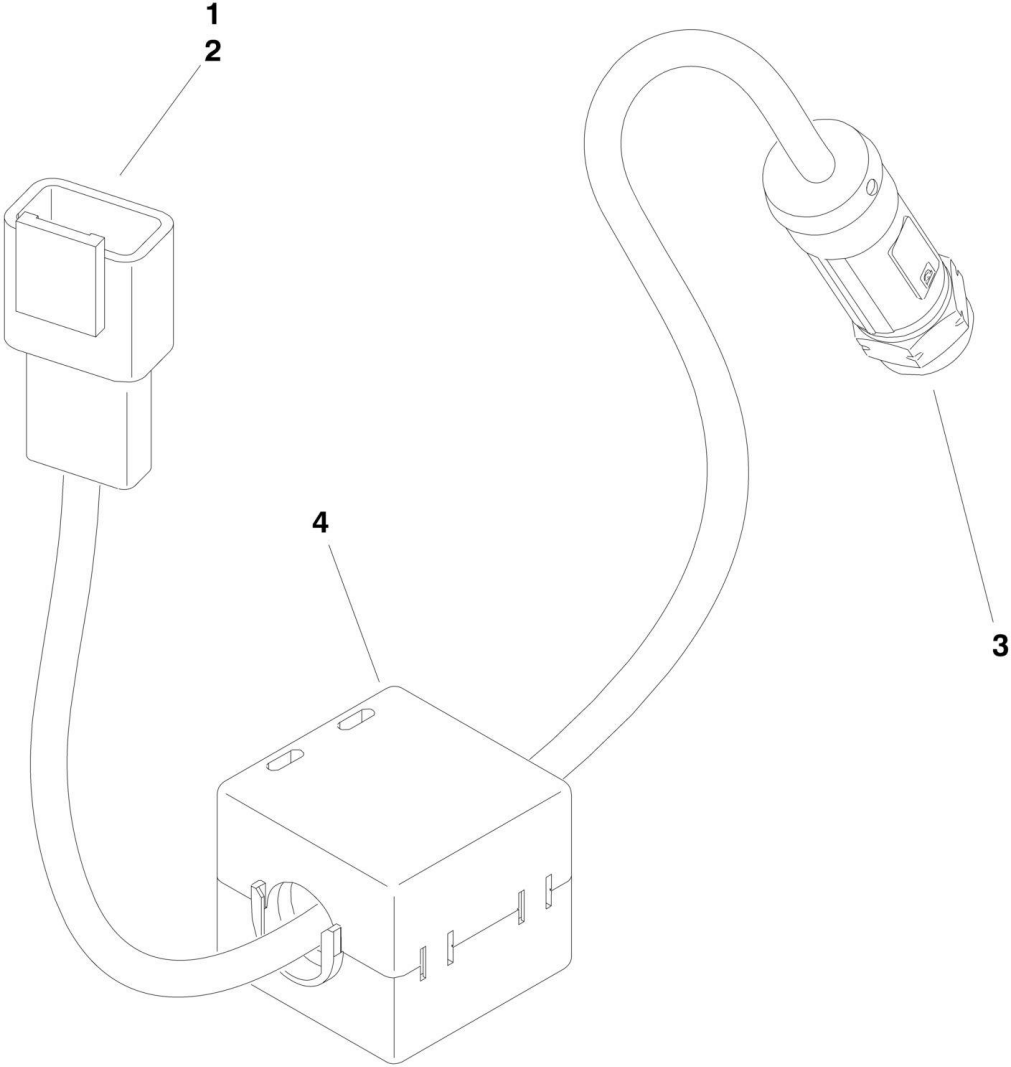
SECTION 8 - ELECTRICAL

FIGURE 8-63. MAIN VALVE HARNESS

ITEM	PART NUMBER	QTY	DESCRIPTION	REV
	1001285583	Ref	MAIN VALVE HARNESS	A
1	4460891	17	Connector	
1	4460465	34	Socket	
2	1001163747	2	Sensor	
3	8220068	1	Connector	
4	4460539	1	Connector	
4	4460465	3	Socket	
5	4460836	1	Connector	
5	4460465	10	Socket	
5	4460466	2	Plug	
6	4460843	1	Connector	
6	91554014	2	Socket	
7	4460872	1	Connector	
7	4460871	8	Socket	
7	4460905	6	Plug	
8	4460875	1	Connector	
8	4460871	28	Socket	
8	4460905	7	Plug	
9	4460930	1	Connector	
9	4460465	8	Socket	
10	4460897	1	Connector	
10	4460464	2	Socket	
11	4460884	1	Connector	
11	4460465	4	Socket	
12	1001170764	1	Fuse Holder (Includes Fuse)	
101	1001144295	1	Cap	
102	1001152266	1	Connector	
103	1001196636	1	Diode 1 Amp	

SECTION 8 - ELECTRICAL

FIGURE 8-64. MTS CONNECTION CABLE



1001163631

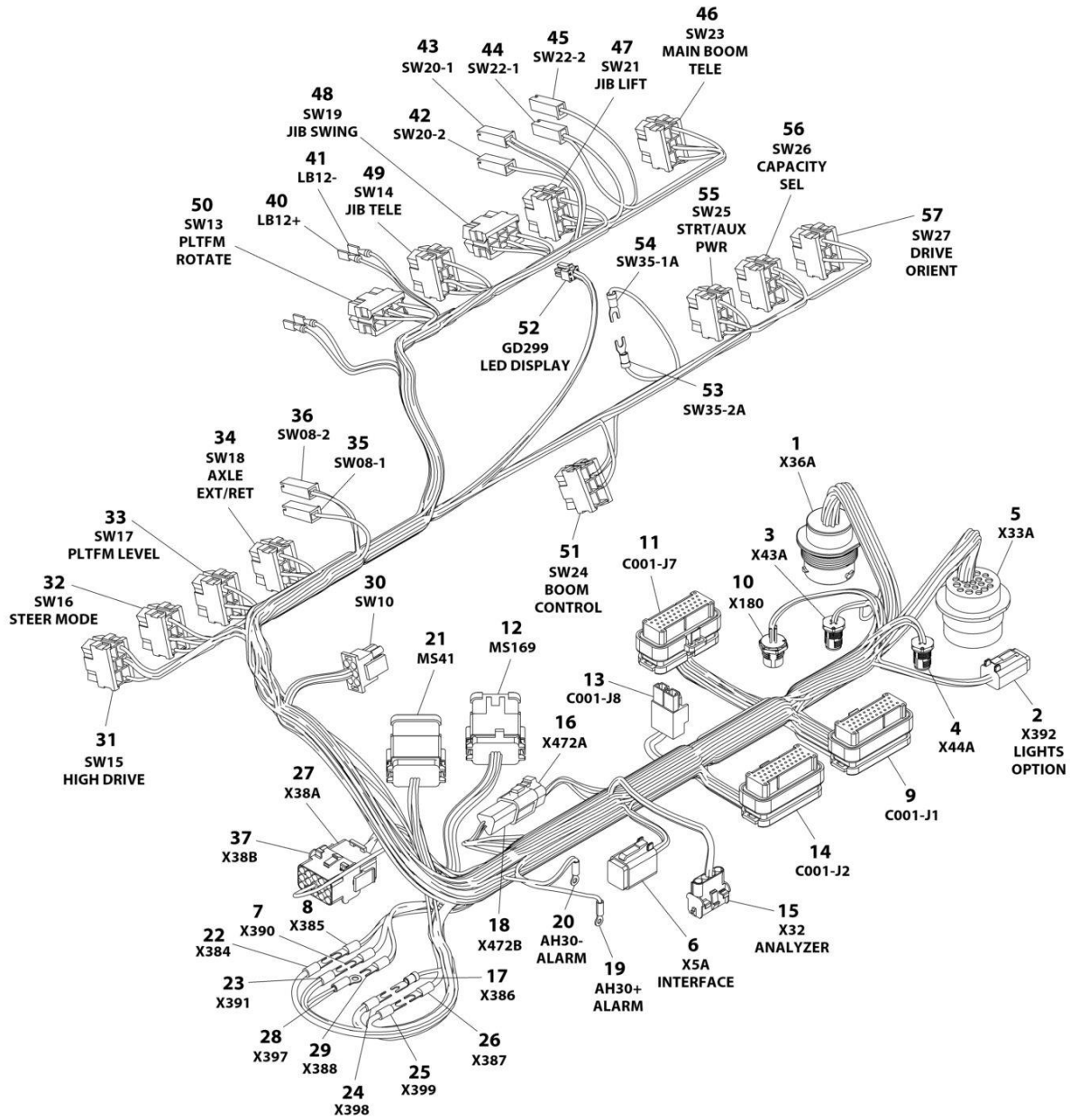
SECTION 8 - ELECTRICAL

FIGURE 8-64. MTS CONNECTION CABLE

ITEM	PART NUMBER	QTY	DESCRIPTION	REV
	1001163631	Ref	MTS CONNECTION CABLE	B
1	4460910	1	Connector - 3 Position	
2	4460929	3	Pin, Male	
3	See Note	NSS	Sensor with Cable (Note: Purchase p/n 1001163631)	
4	1001102594	1	Ferrite, LMI	

SECTION 8 - ELECTRICAL

FIGURE 8-65. PLATFORM CONSOLE HARNESS - WITH SKYGUARD



ART_1001241864

SECTION 8 - ELECTRICAL

FIGURE 8-65. PLATFORM CONSOLE HARNESS - WITH SKYGUARD

ITEM	PART NUMBER	QTY	DESCRIPTION	REV
	1001241864	Ref	PLATFORM CONSOLE HARNESS - WITH SKYGUARD	F
1	4460925	1	Connector - 21 Position	
1	1001126011	20	Pin, Male	
1	4460518	1	Plug, Socket	
2	4460884	1	Connector - 4 Position	
2	4460465	4	Socket, Female	
3	1001120055	1	Connector - 5 Position with Cable	
4	1001120055	1	Connector - 5 Position with Cable	
5	4460866	1	Connector - 19 Position	
5	4460943	3	Pin, Male	
5	4460508	4	Pin, Male	
5	4460464	8	Pin, Male	
5	4460466	4	Plug, Socket	
6	4460894	1	Connector - 6 Position	
6	4460465	5	Socket, Female	
6	4460466	1	Seal, Plug	
7	4460315	1	Terminal, Spade	
8	4460315	1	Terminal, Spade	
9	4460874	1	Connector - 35 Position	
9	4460871	34	Socket, Female	
9	4460905	1	Plug, Socket	
10	10011213447	1	Connector - 5 Position with Cable	
11	4460873	1	Connector - 35 Position	
11	4460871	24	Socket, Female	
11	4460905	11	Plug, Socket	
12	4460933	1	Connector - 12 Position	
12	4460465	10	Socket, Female	
12	4460466	2	Seal, Plug	
13	4460879	1	Connector - 2 Position	
13	4460887	2	Terminal	
14	4460876	1	Connector - 35 Position	
14	4460871	12	Socket, Female	
14	4460905	23	Plug, Socket	
15	4460761	1	Connector - 4 Position	
15	4460227	4	Pin, Male	
16	4460539	1	Plug, Male - 3 Position	
16	4460944	3	Socket, Female	
17	4460314	1	Terminal, Spade (16-14AWG)	
17	4460183	1	Terminal, Spade (22-16AWG)	
18	4460536	1	Receptacle, Female - 3 Position	
18	4460943	3	Pin, Male	
19	1001098122	1	Terminal, Ring	
20	8220035	1	Terminal, Ring	
21	4460933	1	Connector - 12 Position	
21	4460465	12	Socket, Female	
22	4460315	1	Terminal, Spade	
23	4460315	1	Terminal, Spade	
24	4460315	1	Terminal, Spade	
25	4460315	1	Terminal, Spade	
26	4460315	1	Terminal, Spade	

SECTION 8 - ELECTRICAL

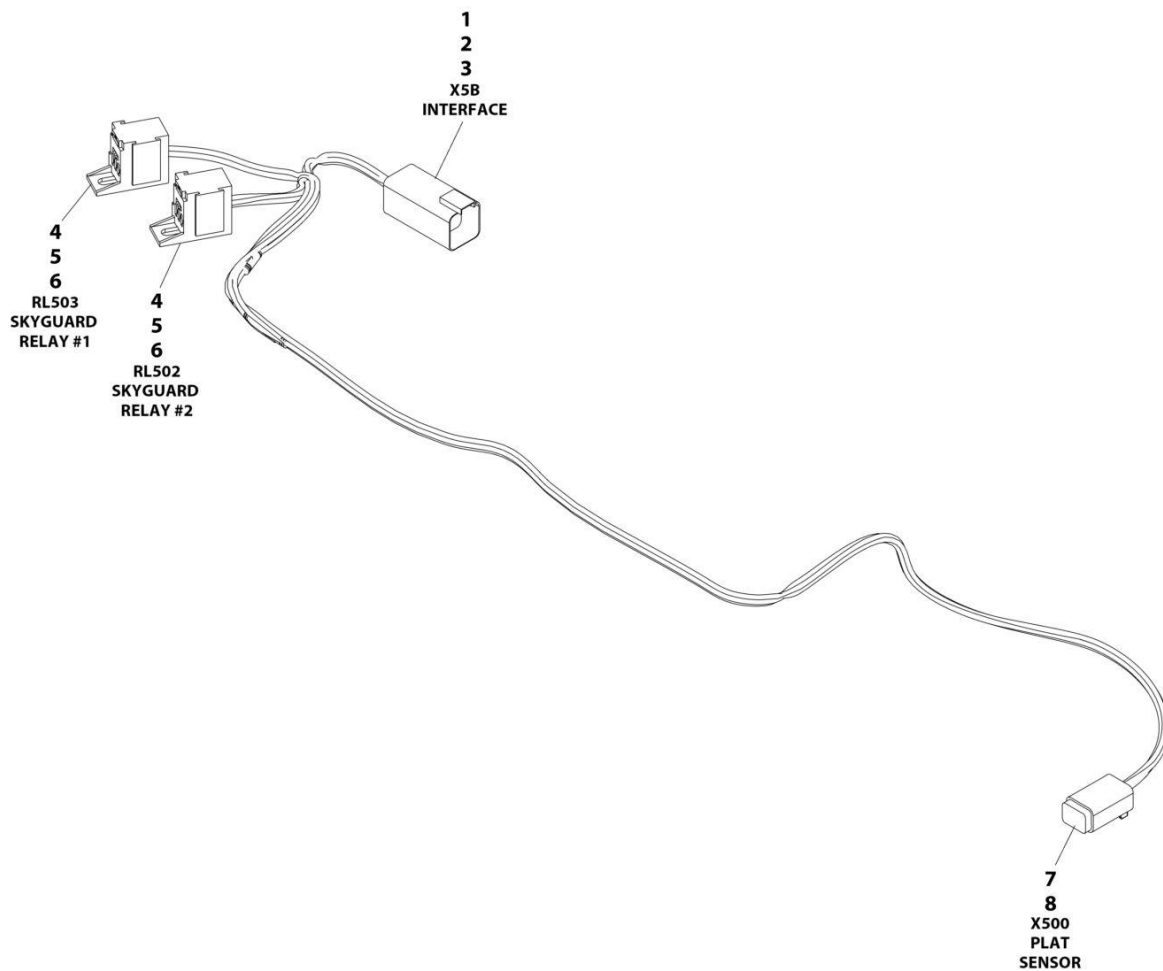
ITEM	PART NUMBER	QTY	DESCRIPTION	REV
27	4460434	1	Connector - 15 Position	
27	4460227	9	Pin, Male	
27	4460267	2	Pin, Male	
28	8220007	1	Terminal, Ring	
29	4460315	1	Terminal, Spade	
30	4460225	1	Connector - 6 Position	
30	4460227	4	Pin, Male	
30	4460267	2	Pin, Male	
31	4460418	1	Connector - 6 Position	
31	1001159186	2	Terminal	
31	4460419	2	Terminal	
32	4460418	1	Connector - 6 Position	
32	1001159186	2	Terminal	
32	4460419	2	Terminal	
33	4460418	1	Connector - 6 Position	
33	1001159186	2	Terminal	
33	4460419	2	Terminal	
34	4460418	1	Connector - 6 Position	
34	1001159186	2	Terminal	
34	4460419	2	Terminal	
35	4460260	1	Connector - 1 Position	
35	4460259	1	Terminal	
36	4460260	1	Connector - 1 Position	
36	4460259	1	Terminal	
37	4460708	1	Connector - 15 Position	
37	4460226	2	Socket, Female	
40	4460016	1	Terminal	
41	4460016	1	Terminal	
42	4460260	1	Connector - 1 Position	
42	4460259	1	Terminal	
43	4460260	1	Connector - 1 Position	
43	4460259	1	Terminal	
44	4460260	1	Connector - 1 Position	
44	4460259	1	Terminal	
45	4460260	1	Connector - 1 Position	
45	4460259	1	Terminal	
46	4460418	1	Connector - 6 Position	
46	1001159186	2	Terminal	
46	4460419	2	Terminal	
47	4460418	1	Connector - 6 Position	
47	1001159186	2	Terminal	
47	4460419	2	Terminal	
48	4460418	1	Connector - 6 Position	
48	1001159186	2	Terminal	
48	4460419	2	Terminal	
49	4460418	1	Connector - 6 Position	
49	1001159186	2	Terminal	
49	4460419	2	Terminal	
50	4460418	1	Connector - 6 Position	
50	1001159186	2	Terminal	
50	4460419	2	Terminal	

SECTION 8 - ELECTRICAL

ITEM	PART NUMBER	QTY	DESCRIPTION	REV
51	4460418	1	Connector - 6 Position	
51	1001159186	1	Terminal	
51	4460419	2	Terminal	
52	1001237668	4	Socket, Female	
52	1001237667	1	Connector - 6 Position	
53	4460183	1	Terminal, Spade	
54	4460183	1	Terminal, Spade	
55	4460418	1	Connector - 6 Position	
55	1001159186	2	Terminal	
55	4460419	2	Terminal	
56	4460418	1	Connector - 6 Position	
56	1001159186	1	Terminal	
56	4460419	2	Terminal	
57	4460418	1	Connector - 6 Position	
57	1001159186	2	Terminal	

SECTION 8 - ELECTRICAL

FIGURE 8-66. PLATFORM INTERFACE HARNESS



ART_1001225580

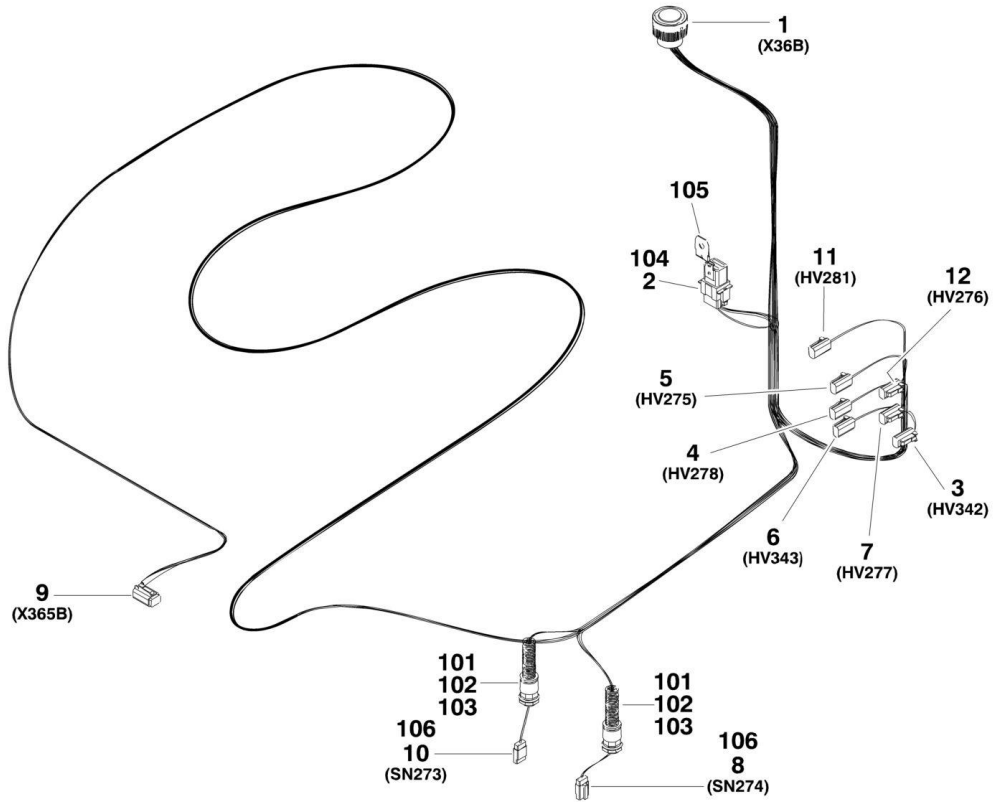
SECTION 8 - ELECTRICAL

FIGURE 8-66. PLATFORM INTERFACE HARNESS

ITEM	PART NUMBER	QTY	DESCRIPTION	REV
	1001225580	Ref	INTERFACE HARNESS - WITH 1 CELL LSS	D
1	4460899	1	Connector	
2	4460464	4	Terminal	
3	4460466	2	Plug	
4	1001186432	2	Connector	
5	1001116720	4	Terminal	
6	1001118388	4	Terminal	
7	4460884	1	Connector	
8	4460465	4	Terminal	

SECTION 8 - ELECTRICAL

FIGURE 8-67. PLATFORM VALVE HARNESS



1001149977

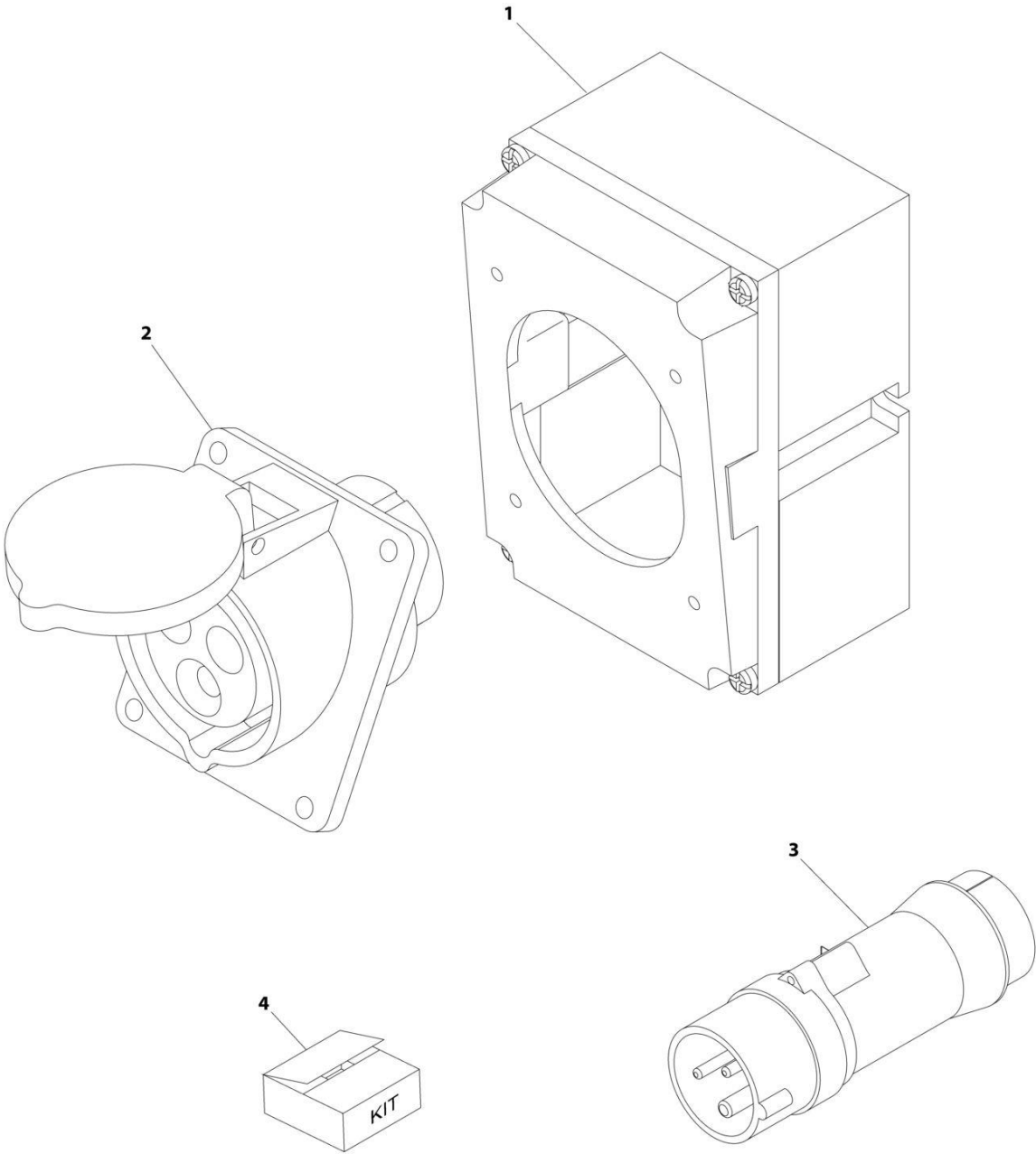
SECTION 8 - ELECTRICAL

FIGURE 8-67. PLATFORM VALVE HARNESS

ITEM	PART NUMBER	QTY	DESCRIPTION	REV
	1001149977	Ref	PLATFORM VALVE HARNESS	F
1	4460926	1	Connector - 21 Position	
1	1001126008	16	Socket, Female	
1	1001249206	4	Socket, Female	
1	4460518	1	Plug, Socket	
2	4460458	1	Connector - 8 Position	
2	4460465	3	Socket, Female	
2	4460466	1	Plug, Socket	
3	4460891	1	Connector - 2 Position	
3	4460465	2	Socket, Female	
4	4460891	1	Connector - 2 Position	
4	4460465	2	Socket, Female	
5	4460891	1	Connector - 2 Position	
5	4460465	2	Socket, Female	
6	4460891	1	Connector - 2 Position	
6	4460465	2	Socket, Female	
7	4460891	1	Connector - 2 Position	
7	4460465	2	Socket, Female	
8	4460911	1	Connector - 3 Position	
8	1001126008	3	Socket, Female	
9	4460884	1	Connector - 3 Position	
9	4460465	3	Socket, Female	
10	4460911	1	Connector - 3 Position	
10	1001126008	3	Socket, Female	
11	4460891	1	Connector - 2 Position	
11	4460465	2	Socket, Female	
12	4460891	1	Connector - 2 Position	
12	4460465	2	Socket, Female	
101	1560010	2	Conduit	
102	1560011	2	Connector, Conduit	
103	1560012	2	Nut, Conduit	
104	4460852	1	Connector - 8 Position	
105	1001155743	1	Clip, Mounting	
106	4460912	AR	Wedge, Locking	

SECTION 8 - ELECTRICAL

FIGURE 8-68. RECEPTACLE BOX KIT - 110V IEC YELLOW (CE & UK CA SPEC)



ART_0275216

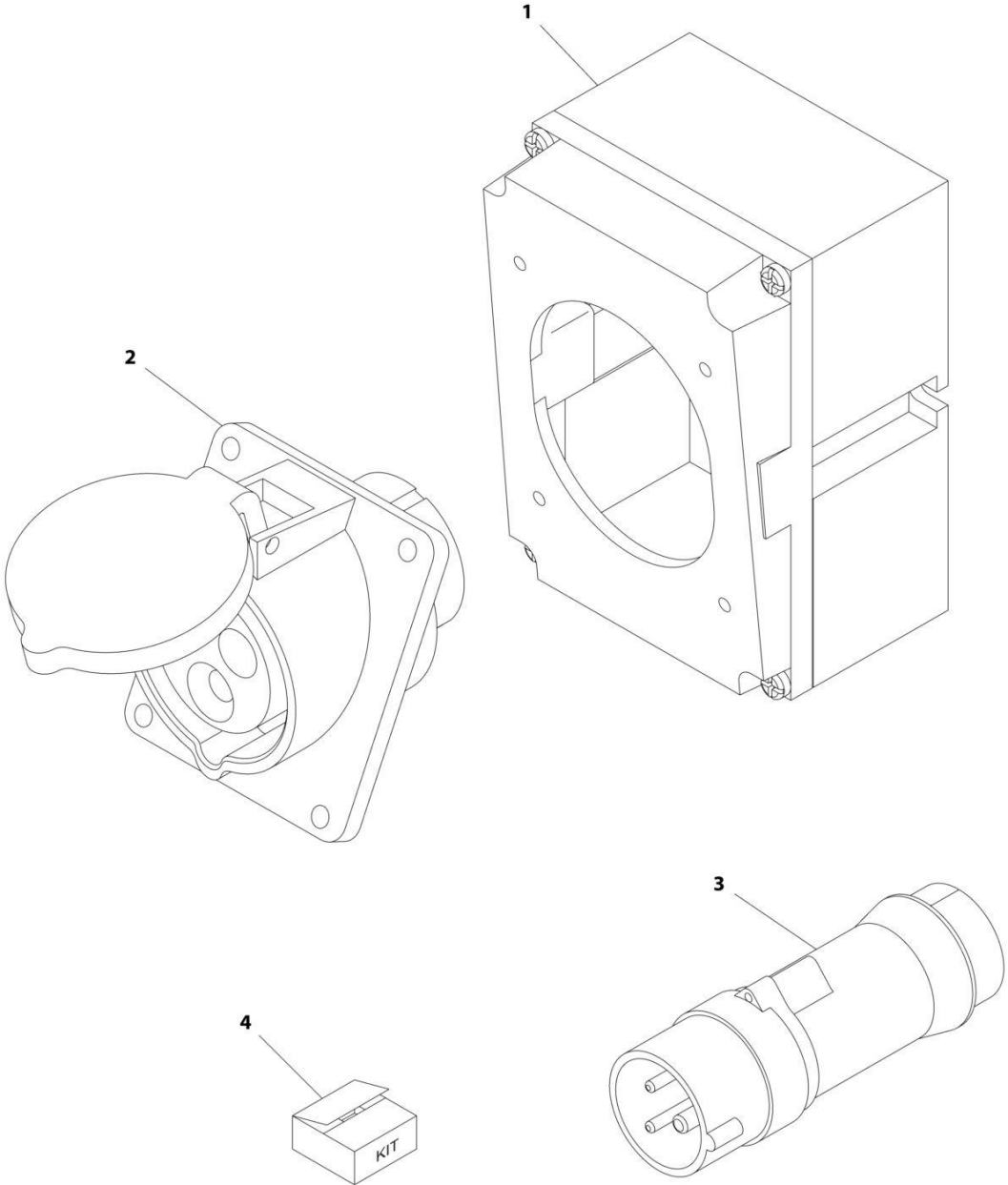
SECTION 8 - ELECTRICAL

FIGURE 8-68. RECEPTACLE BOX KIT - 110V IEC YELLOW (CE & UK CA SPEC)

ITEM	PART NUMBER	QTY	DESCRIPTION	REV
	0275216	Ref	RECEPTACLE BOX KIT - 110V IEC YELLOW	B
1	0861781	1	Box, Switch	
2	4461198	1	Receptacle	
3	4461196	1	Plug, Male	
4	1001100341	1	Plug and Socket Kit (Includes Items 1-3 and Female Plug p/n 4461197)	

SECTION 8 - ELECTRICAL

FIGURE 8-69. RECEPTACLE BOX KIT - 220V IEC BLUE (CE & UK CA SPEC)



ART_0275217

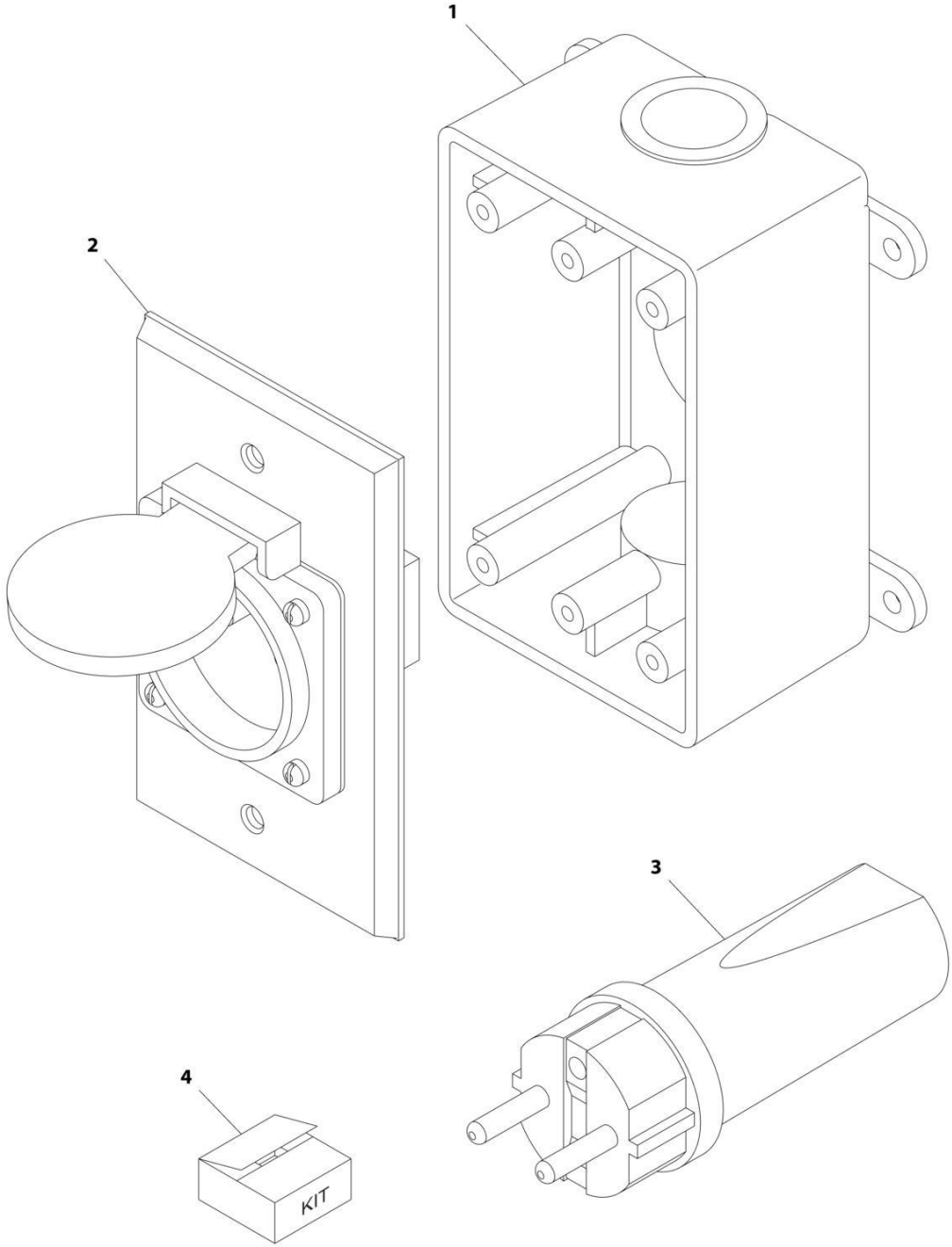
SECTION 8 - ELECTRICAL

FIGURE 8-69. RECEPTACLE BOX KIT - 220V IEC BLUE (CE & UK CA SPEC)

ITEM	PART NUMBER	QTY	DESCRIPTION	REV
	0275217	Ref	RECEPTACLE BOX KIT - 220V IEC BLUE	B
1	0861781	1	Box, Switch	
2	4461201	1	Receptacle	
3	4461199	1	Plug, Male	
4	1001100342	1	Plug and Socket Kit (Includes Items 1-3 and Female Plug p/n 4461200)	

SECTION 8 - ELECTRICAL

FIGURE 8-70. RECEPTACLE BOX KIT - 220V CEE7 POST GROUND 2IN X 4IN (CE & UK CA SPEC)



ART_0275452

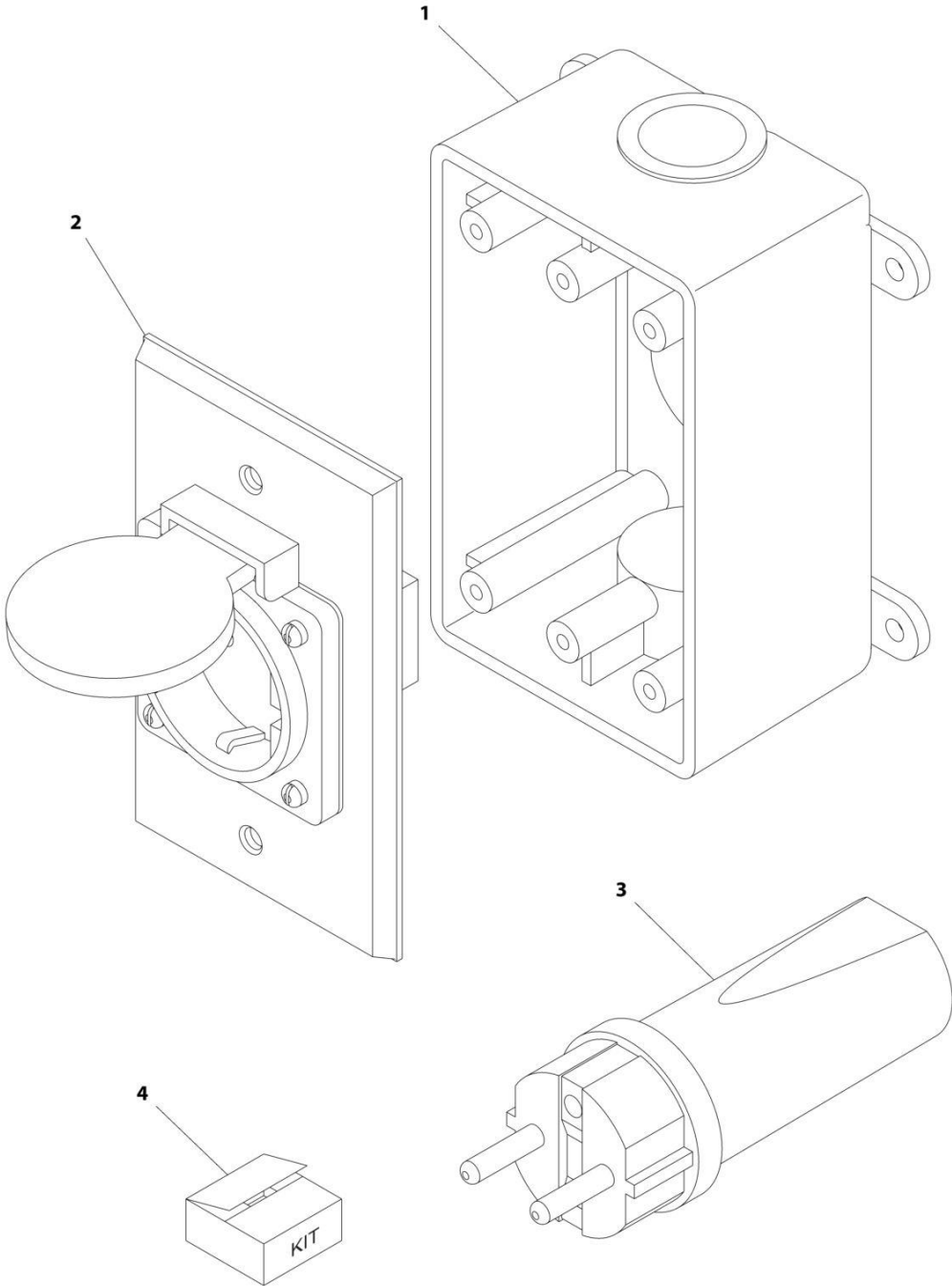
SECTION 8 - ELECTRICAL

FIGURE 8-70. RECEPTACLE BOX KIT - 220V CEE7 POST GROUND 2IN X 4IN (CE & UK CA SPEC)

ITEM	PART NUMBER	QTY	DESCRIPTION	REV
	0275452	Ref	RECEPTACLE BOX KIT - 220V CEE7 POST GROUND	C
1	0861731	1	Box, Switch	
2	4461244	1	Receptacle	
3	4461205	1	Plug, Male	
4	1001100345	1	Plug and Socket Kit (Includes Items 1-3 and Female Plug p/n 4461206)	

SECTION 8 - ELECTRICAL

FIGURE 8-71. RECEPTACLE BOX KIT - 220V CEE7 SIDE GROUND 2IN X 4IN (CE & UK CA SPEC)



ART_0275453

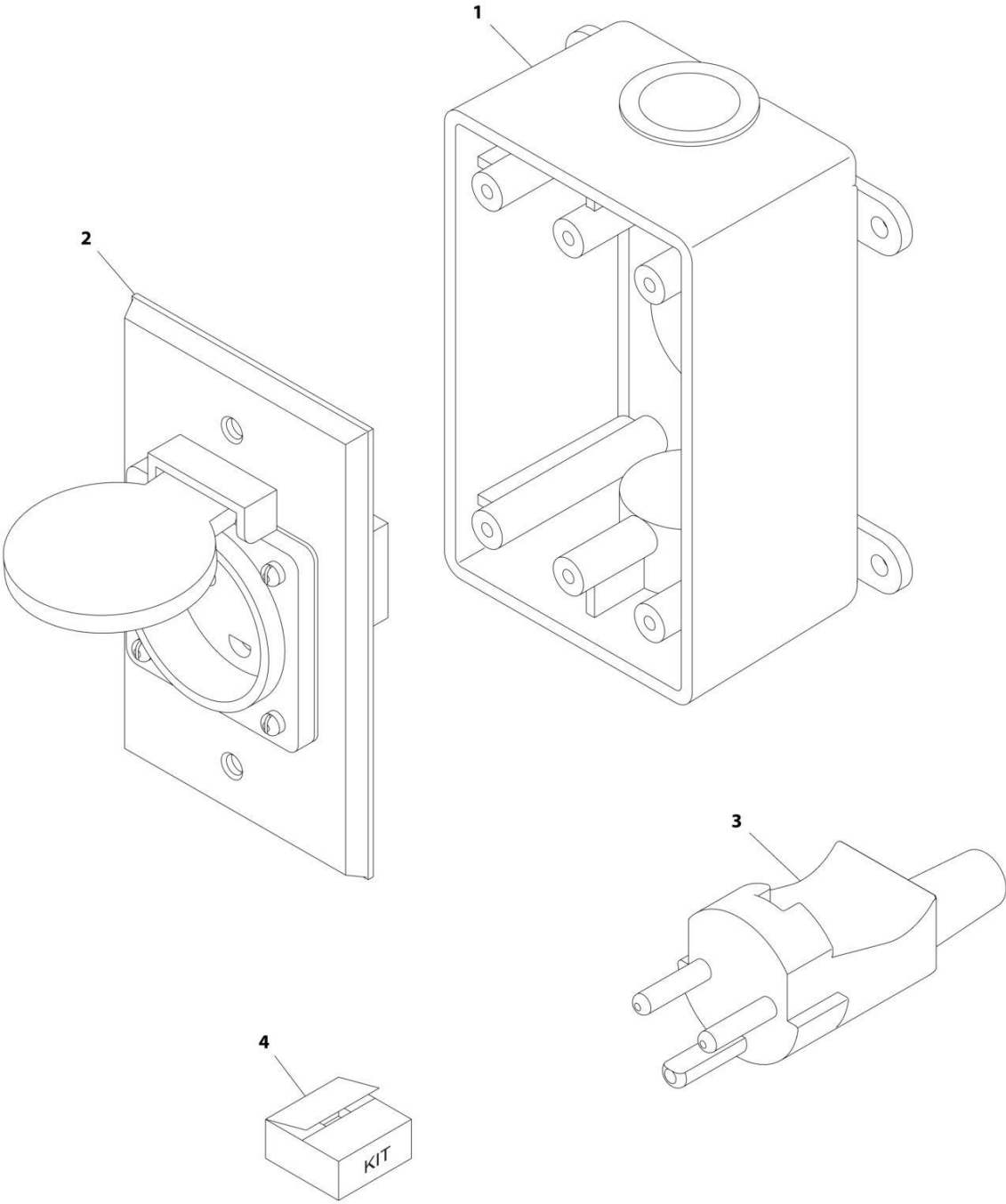
SECTION 8 - ELECTRICAL

FIGURE 8-71. RECEPTACLE BOX KIT - 220V CEE7 SIDE GROUND 2IN X 4IN (CE & UK CA SPEC)

ITEM	PART NUMBER	QTY	DESCRIPTION	REV
	0275453	Ref	RECEPTACLE BOX KIT - 220V CEE7 SIDE GROUND	B
1	0861731	1	Box, Switch	
2	4461245	1	Receptacle	
3	4461205	1	Plug, Male	
4	1001100347	1	Plug and Socket Kit (Includes Items 1-3 and Female Plug p/n 4461206)	

SECTION 8 - ELECTRICAL

FIGURE 8-72. RECEPTACLE BOX KIT - 220V AFSINT 107 (CE & UK CA SPEC)



ART_0275454

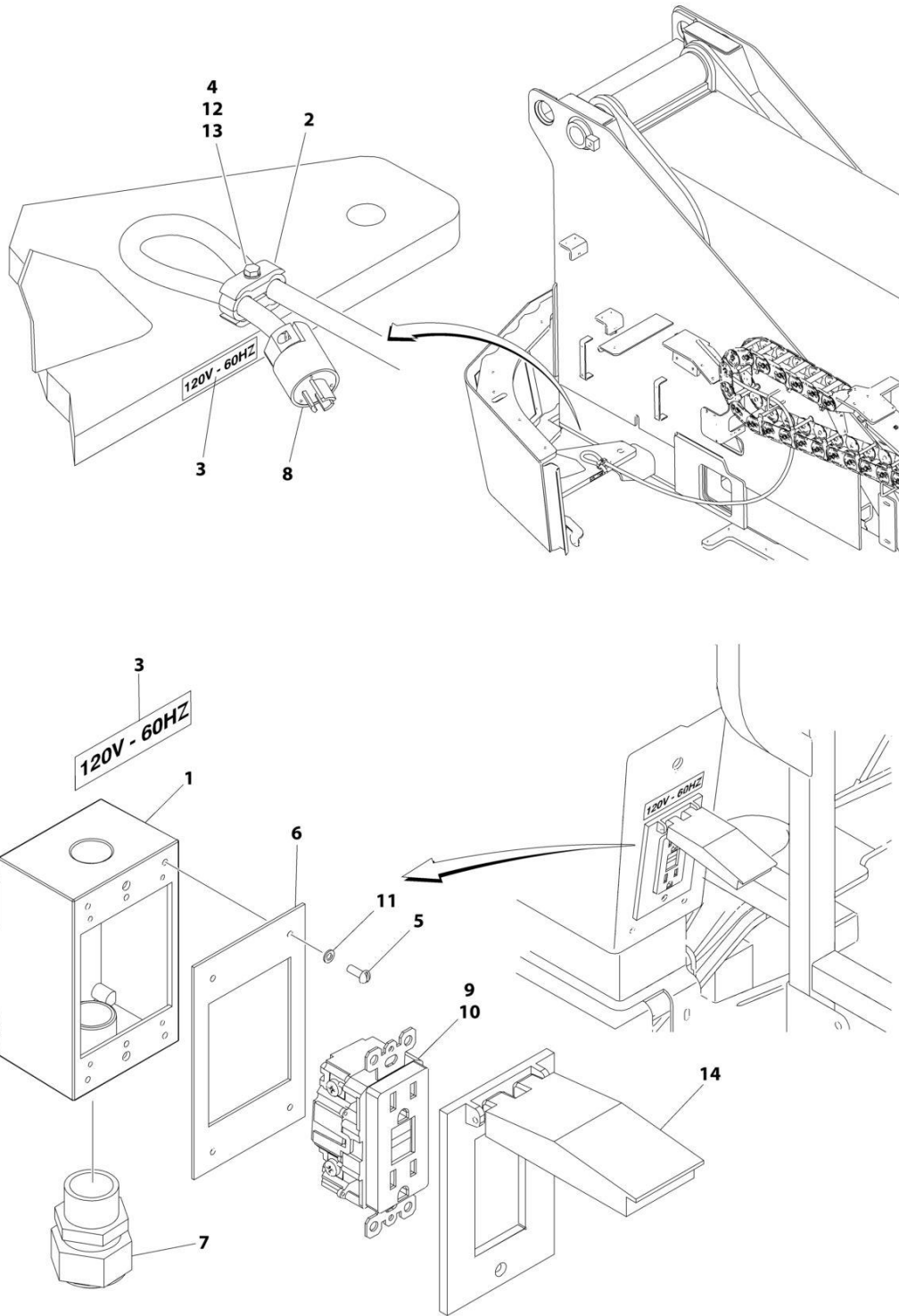
SECTION 8 - ELECTRICAL

FIGURE 8-72. RECEPTACLE BOX KIT - 220V AFSINT 107 (CE & UK CA SPEC)

ITEM	PART NUMBER	QTY	DESCRIPTION	REV
	0275454	Ref	RECEPTACLE BOX KIT - 220V AFSINT 107	B
1	0861731	1	Box, Switch	
2	4461246	1	Receptacle	
3	4461249	1	Plug, Male	
4	1001100346	1	Plug and Socket Kit (Includes Items 1-3 and Female Plug p/n 4461250)	

SECTION 8 - ELECTRICAL

FIGURE 8-73. RECEPTACLE AND CLAMP INSTALLATION - 110V - ANSI, CSA AND JAPANESE SPECS



ART_1001156219

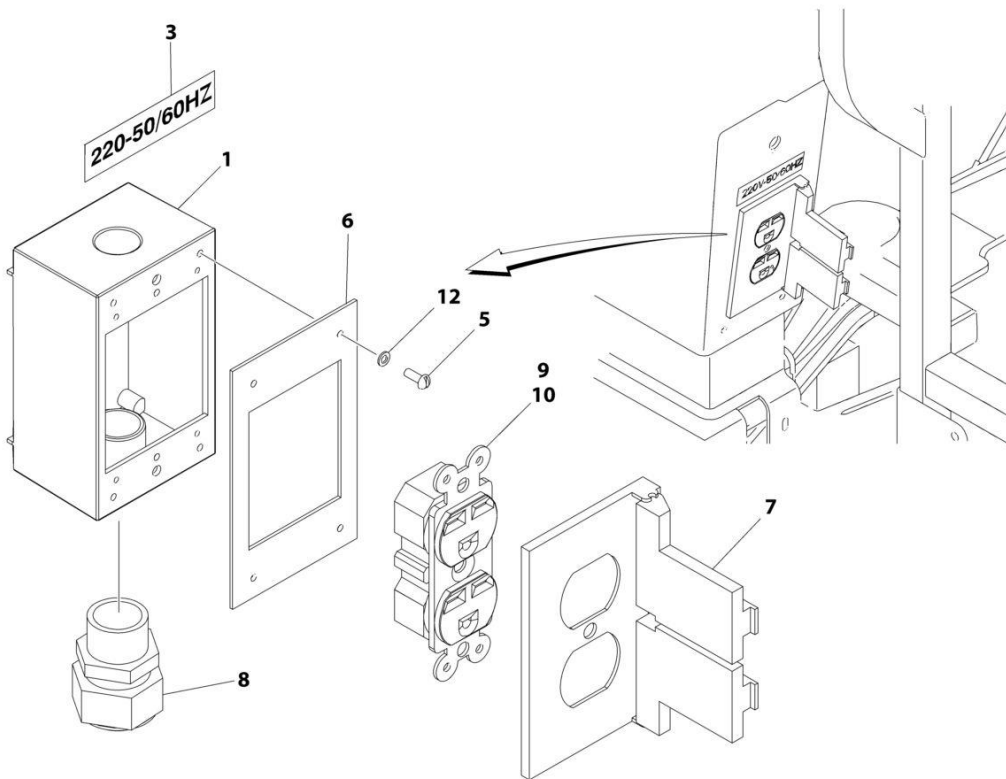
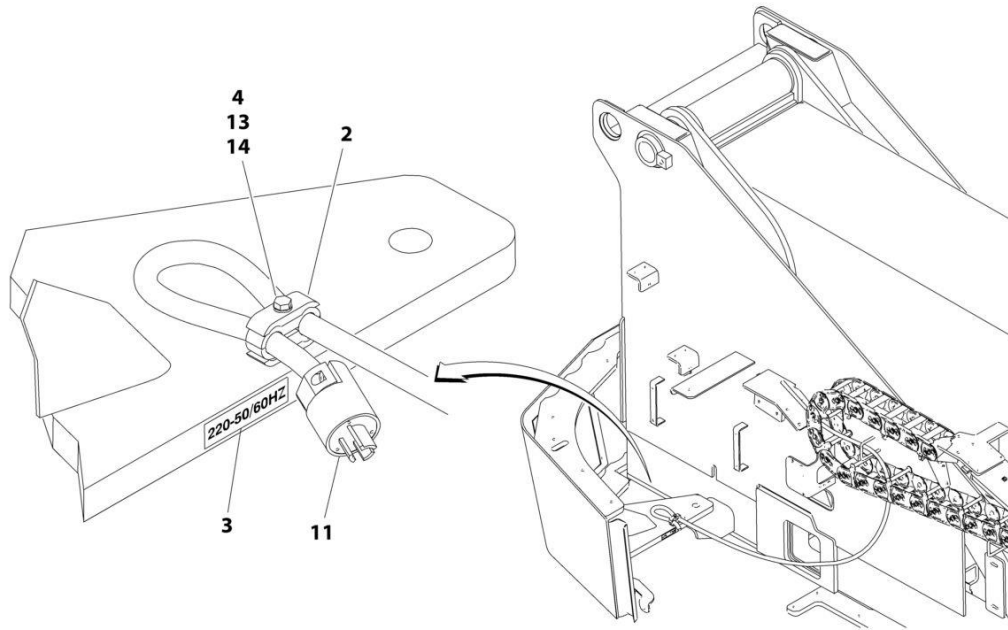
SECTION 8 - ELECTRICAL

FIGURE 8-73. RECEPTACLE AND CLAMP INSTALLATION - 110V - ANSI, CSA AND JAPANESE SPECS

ITEM	PART NUMBER	QTY	DESCRIPTION	REV
	1001156219	Ref	RECEPTACLE AND CLAMP INSTALLATION - 110V	A
1	0860038	1	Box, Switch	
2	1320146	1	Clamp	
3	3251243	2	Decal - 120V-60HZ	
4	3290605	1	Nut M6	
5	3910606	4	Screw #6 x 3/8	
6	3960422	1	Gasket, Receptacle Cover	
7	4460051	1	Connector, Strain Relief	
8	4460205	1	Plug	
9	4460315	3	Terminal, Spade	
10	4460346	1	Receptacle, GFI	
11	4760600	4	Washer #6	
12	4811700	2	Washer M6	
13	1001096653	1	Bolt M6 x 70	
14	1001110873	1	Cover, Receptacle Box	

SECTION 8 - ELECTRICAL

FIGURE 8-74. RECEPTACLE AND CLAMP INSTALLATION - 220V – ANSI, CSA AND JAPANESE SPECS



ART_1001156224

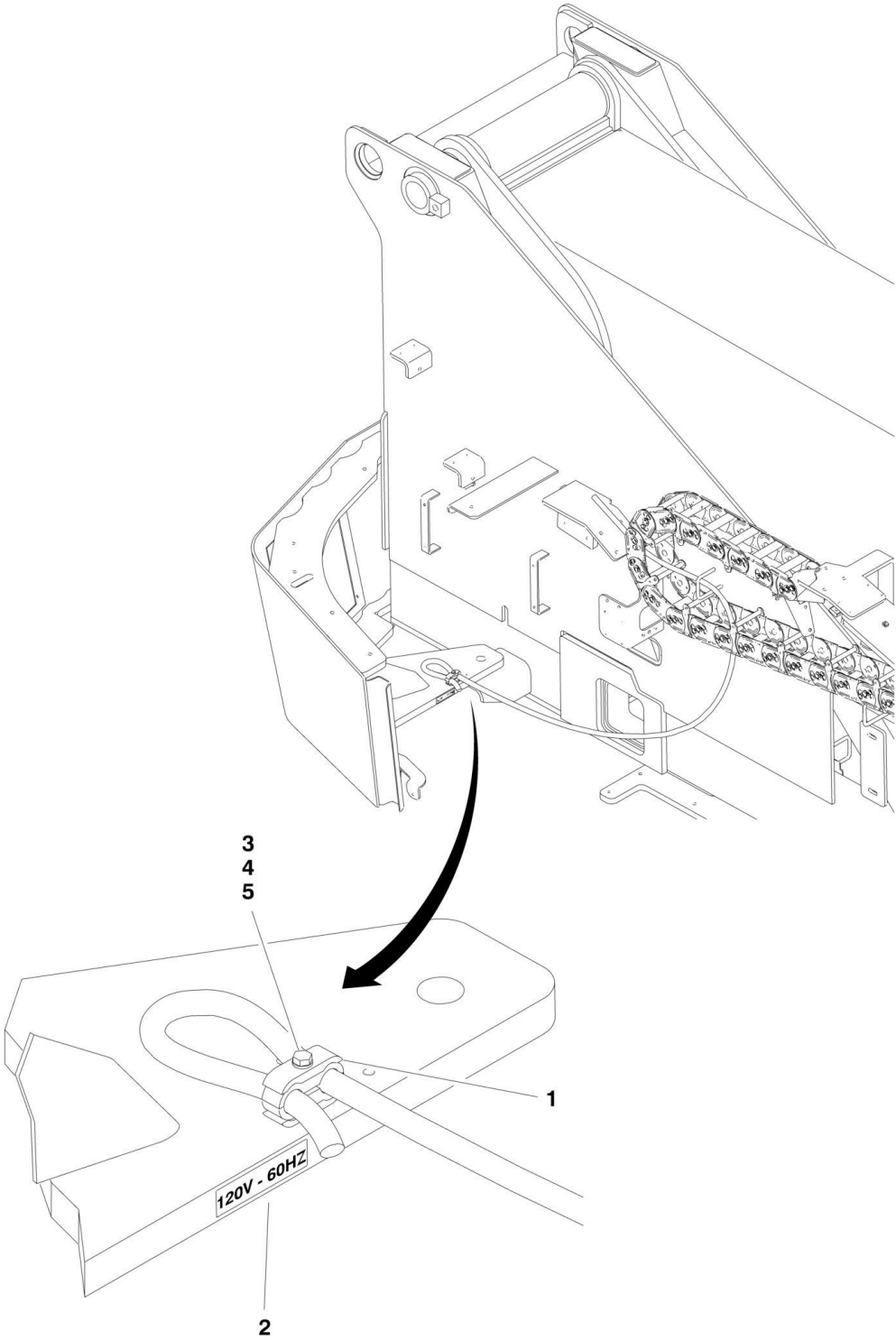
SECTION 8 - ELECTRICAL

FIGURE 8-74. RECEPTACLE AND CLAMP INSTALLATION - 220V – ANSI, CSA AND JAPANESE SPECS

ITEM	PART NUMBER	QTY	DESCRIPTION	REV
	1001156224	Ref	RECEPTACLE AND CLAMP INSTALLATION - 220V	A
1	0860038	1	Box, Switch	
2	1320146	1	Clamp	
3	3252507	2	Decal - 220V-50/60Hz	
4	3290605	1	Nut M6	
5	3910606	4	Screw #6 x 3/8	
6	3960422	1	Gasket, Receptacle Cover	
7	4060092	1	Cover, Receptacle Box	
8	4460051	1	Connector, Strain Relief	
9	4460125	1	Receptacle	
10	4460315	3	Terminal, Spade	
11	4460709	1	Plug	
12	4760600	4	Washer #6	
13	4811700	2	Washer M6	
14	1001096653	1	Bolt M6 x 70	

SECTION 8 - ELECTRICAL

FIGURE 8-75. RECEPTACLE AND CLAMP INSTALLATION - SUPPLIED LOCALLY



1001156218

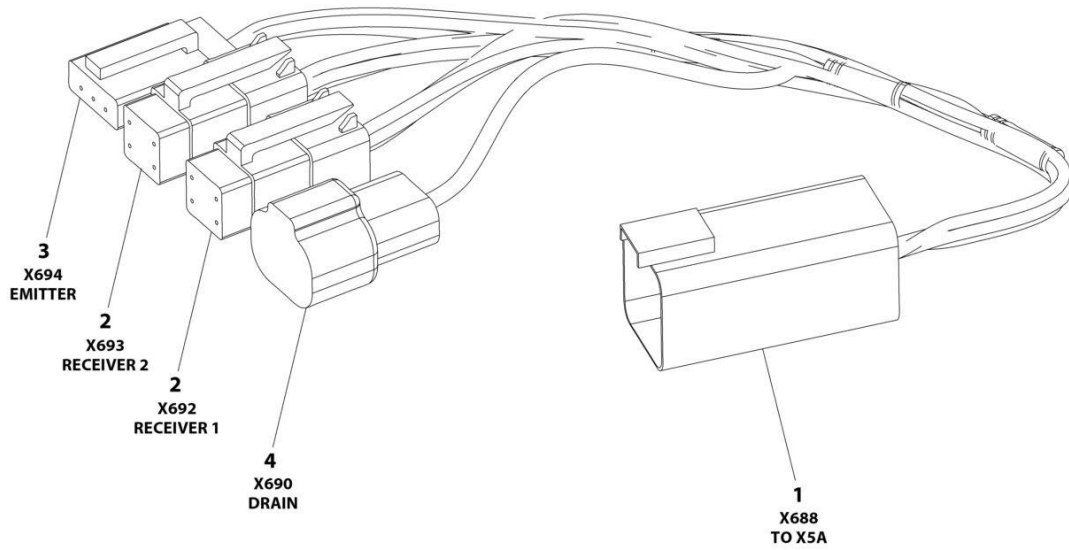
SECTION 8 - ELECTRICAL

FIGURE 8-75. RECEPTACLE AND CLAMP INSTALLATION - SUPPLIED LOCALLY

ITEM	PART NUMBER	QTY	DESCRIPTION	REV
	1001156218	Ref	RECEPTACLE AND CLAMP INSTALLATION	A
1	1320146	1	Clamp	
2	3251243	1	Decal - 120V-60HZ	
3	3290605	1	Nut M6	
4	4811700	2	Washer M6	
5	1001096653	1	Bolt M6 x 70	

SECTION 8 - ELECTRICAL

FIGURE 8-76. SKYEYE INTERMEDIATE HARNESS



ART_1001237865

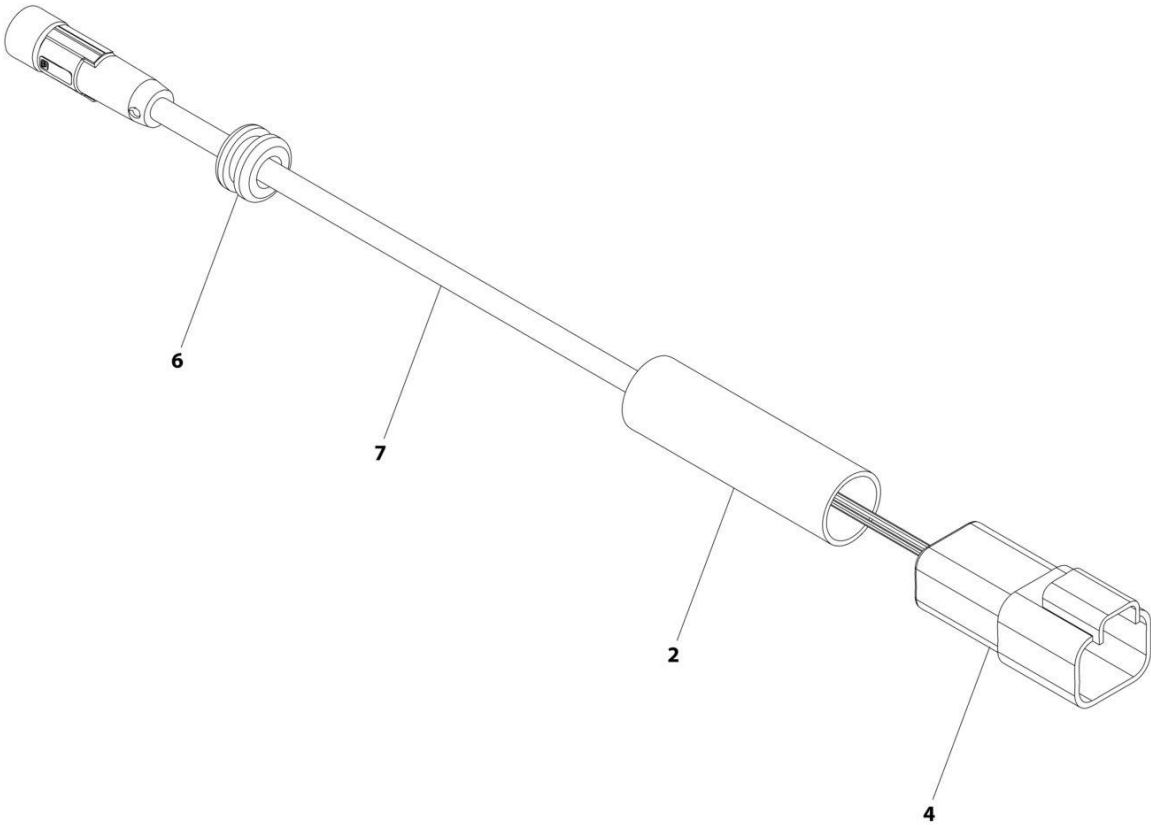
SECTION 8 - ELECTRICAL

FIGURE 8-76. SKYEYE INTERMEDIATE HARNESS

ITEM	PART NUMBER	QTY	DESCRIPTION	REV
	1001237865	Ref	SKYEYE INTERMEDIATE HARNESS	A
1	4460899	1	Connector - 6 Position	
1	4460943	4	Pin, Male	
1	4460466	2	Plug, Terminal	
2	4461077	2	Connector - 4 Position	
2	1001119619	8	Socket, Female	
3	4460911	1	Connector - 3 Position	
3	1001119619	3	Socket, Female	
4	1001187681	1	Connector - 2 Position	
4	4460941	1	Pin, Male	
4	4460466	1	Plug, Terminal	

SECTION 8 - ELECTRICAL

FIGURE 8-77. SKYEYE RECEIVER HARNESS



ART_1001237863

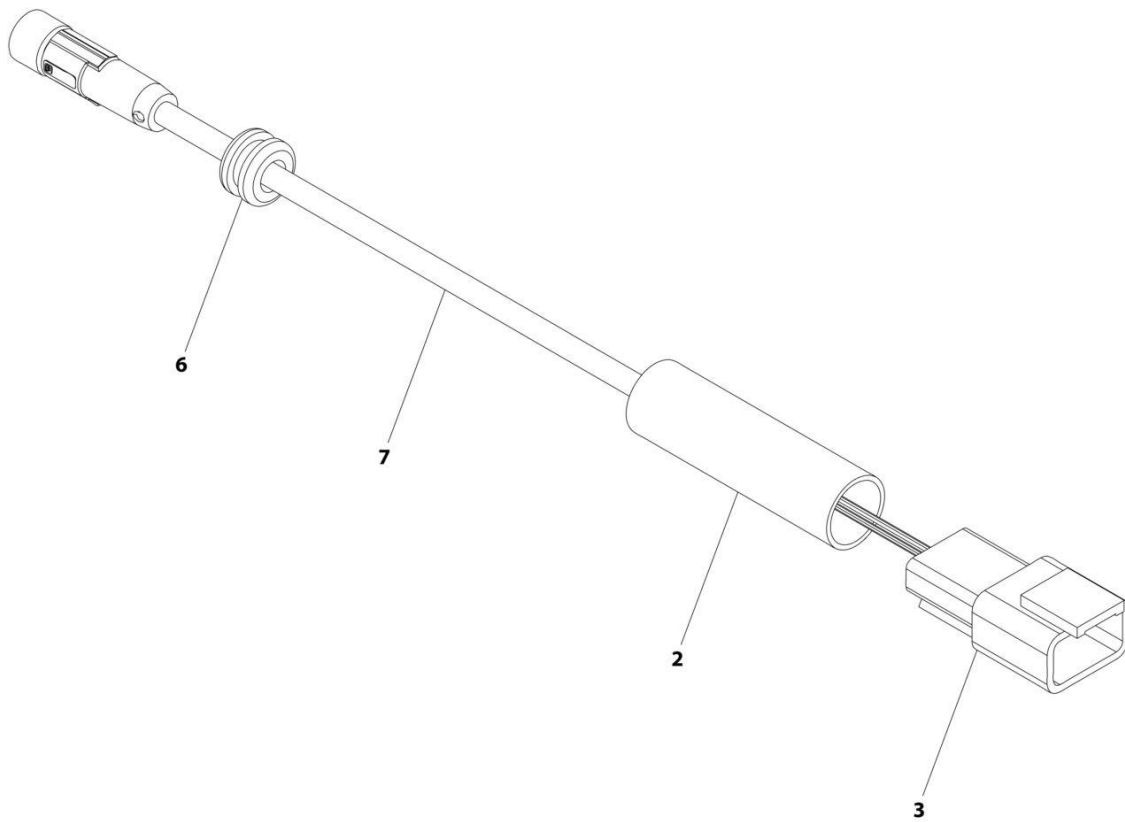
SECTION 8 - ELECTRICAL

FIGURE 8-77. SKYEYE RECEIVER HARNESS

ITEM	PART NUMBER	QTY	DESCRIPTION	REV
	1001237863	Ref	SKYEYE RECEIVER HARNESS	A
2	2820247	AR	Tubing, Heat Shrink	
4	1001097051	1	Connector - 4 Position	
4	1001119620	4	Pin, Male	
6	1001227996	1	Grommet	
7	1001237862	1	Cable, M8 Female Cordset	

SECTION 8 - ELECTRICAL

FIGURE 8-78. SKYEYE EMITTER HARNESS



ART_1001237864

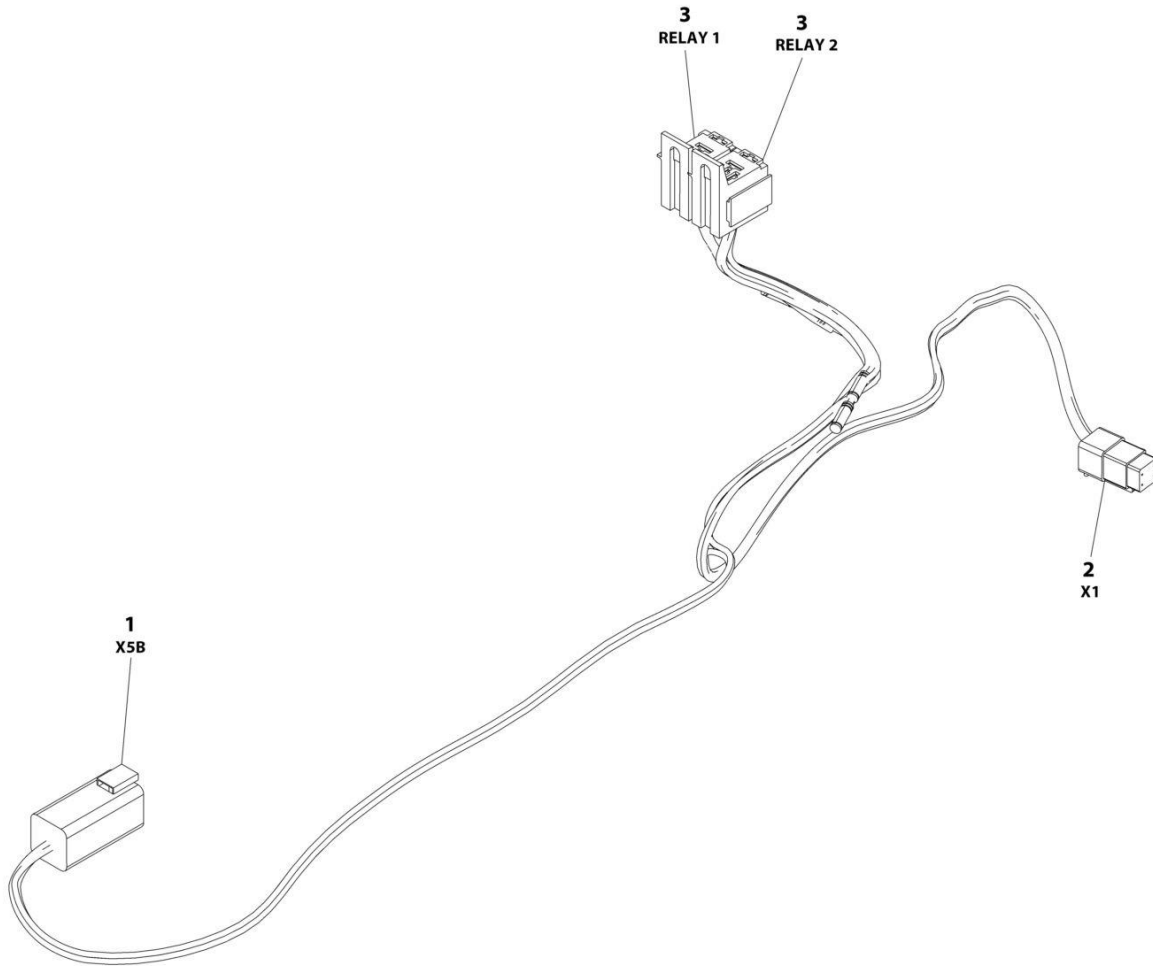
SECTION 8 - ELECTRICAL

FIGURE 8-78. SKYEYE EMITTER HARNESS

ITEM	PART NUMBER	QTY	DESCRIPTION	REV
	1001237864	Ref	SKYEYE EMITTER HARNESS	A
2	2820247	AR	Tubing, Heat Shrink	
3	4460910	1	Connector - 3 Position	
3	1001119620	3	Pin, Male	
6	1001227996	1	Grommet	
7	1001237862	1	Cable, M8 Female Cordset	

SECTION 8 - ELECTRICAL

FIGURE 8-79. SKYLINE HARNESS



ART_1001238418

SECTION 8 - ELECTRICAL

FIGURE 8-79. SKYLINE HARNESS

ITEM	PART NUMBER	QTY	DESCRIPTION	REV
	1001238418	Ref	SKYLINE HARNESS	B
1	4460899	1	Connector - 6 Position	
1	4460464	4	Pin, Male	
1	4460466	2	Plug, Terminal	
2	4461077	1	Connector - 4 Position	
2	1001126009	4	Socket, Female	
3	1001186432	2	Plug, Relay	
3	1001118388	5	Terminal	
3	1001118384	3	Terminal	
3	3740086	2	Relay	

SECTION 8 - ELECTRICAL

FIGURE 8-80. STEER HARNESS



ART_1001155817

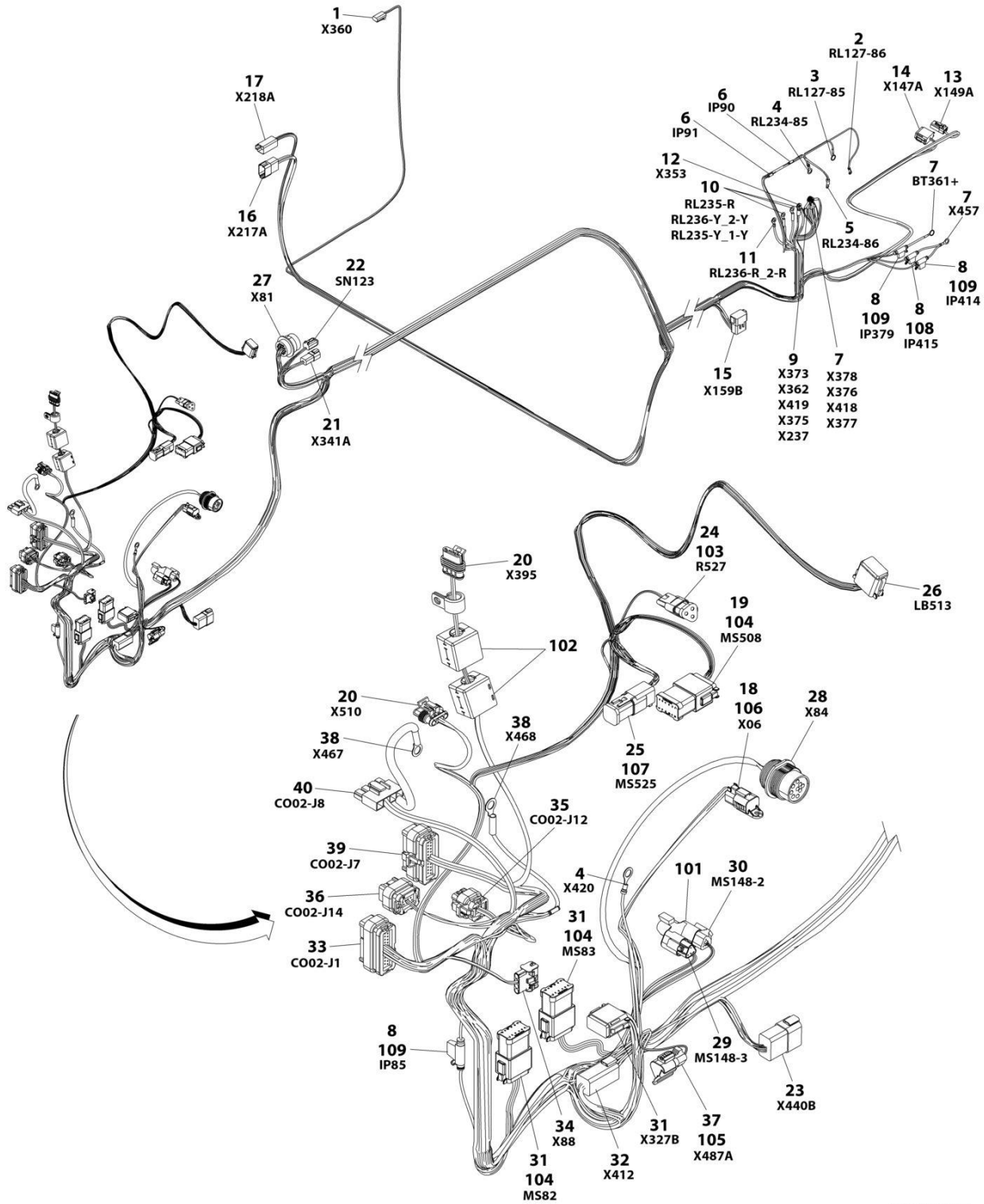
SECTION 8 - ELECTRICAL

FIGURE 8-80. STEER HARNESS

ITEM	PART NUMBER	QTY	DESCRIPTION	REV
	1001155817	Ref	STEER HARNESS	B
1	4460894	1	Connector - 6 Position	
1	4460465	4	Socket, Female	
1	4460466	2	Seal, Plug	
2	4460894	1	Connector - 6 Position	
2	4460465	3	Socket, Female	
2	4460466	3	Seal, Plug	

SECTION 8 - ELECTRICAL

FIGURE 8-81. TURNTABLE HARNESS



ART_1001285582

SECTION 8 - ELECTRICAL

FIGURE 8-81. TURNTABLE HARNESS

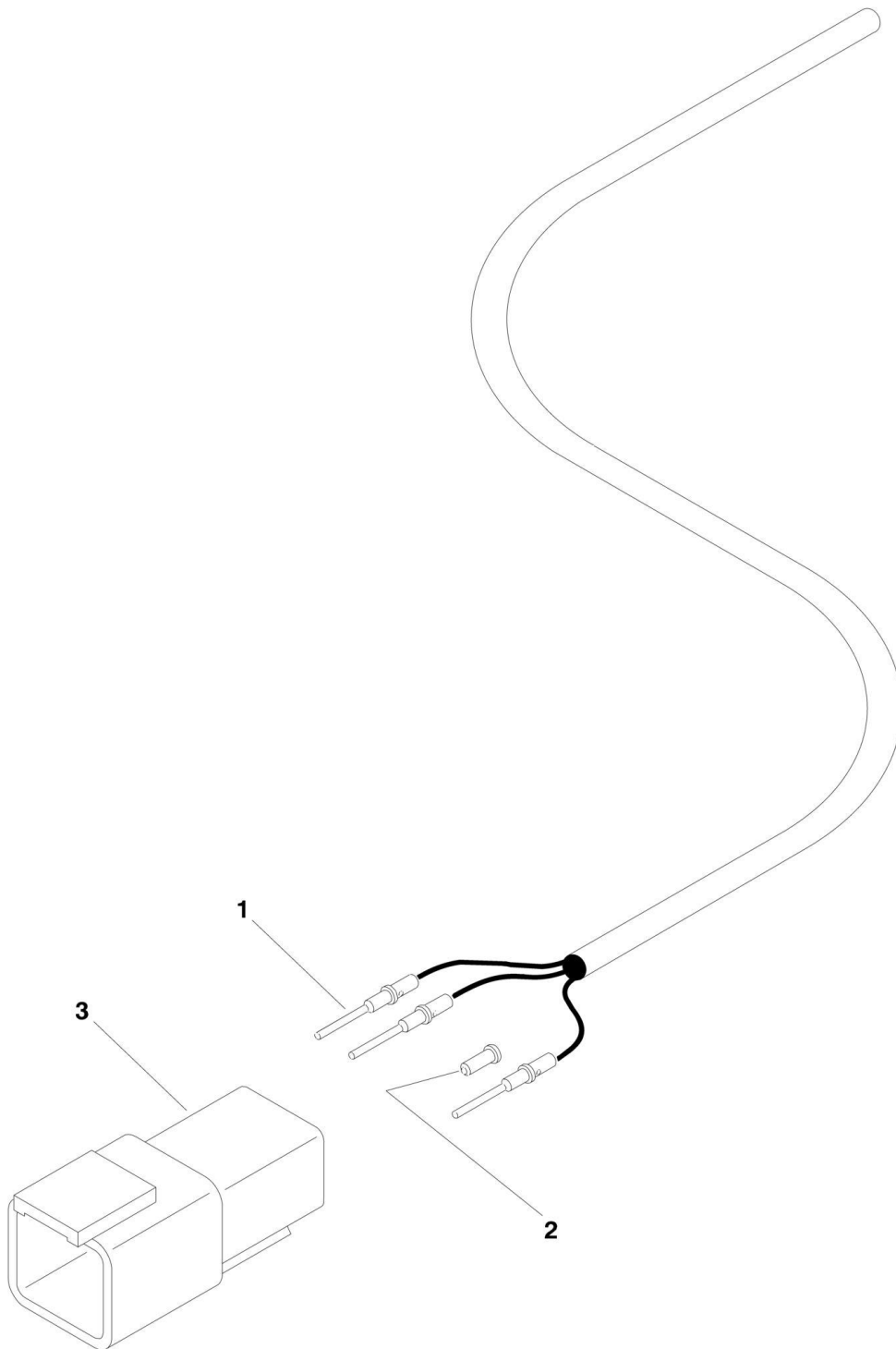
ITEM	PART NUMBER	QTY	DESCRIPTION	REV
	1001285582	Ref	TURNTABLE HARNESS	A
1	4460891	1	Connector	
1	4460465	2	Socket	
2	4460247	1	Terminal, Ring (3/16)	
3	4460703	1	Terminal, Ring (5/16)	
4	4460670	2	Terminal, Ring (5/16)	
5	4460042	1	Terminal, Ring (3/16)	
6	IN4004	2	Diode 6Amp	
7	4460019	6	Terminal, Ring (3/8)	
8	2400066	4	Fuse Holder	
9	4460256	5	Terminal, Ring (3/8)	
10	1001117106	3	Terminal, Ring (1/4)	
11	4460312	1	Terminal, Ring (1/4)	
12	4460043	1	Terminal, Ring (1/4)	
13	4461018	1	Connector	
13	4460509	2	Socket	
14	4460836	1	Connector	
14	4460944	3	Socket (Gold)	
14	4460465	1	Socket (Nickel)	
14	4460466	8	Plug	
15	4460950	1	Connector	
15	4460464	10	Pin	
15	4460466	2	Plug	
16	4460931	1	Connector	
16	4460464	1	Pin	
16	4460466	1	Plug	
17	4460899	1	Connector	
17	4460464	3	Pin (Nickel)	
17	4460943	3	Pin (Gold)	
18	4460884	1	Connector	
18	4460465	4	Socket	
19	4460933	1	Connector	
19	4460944	10	Socket	
19	4460466	2	Plug	
20	1001103012	2	Connector	
20	1001107854	4	Socket	
20	1001104498	4	Seal	
21	4460932	1	Connector	
21	4460465	4	Socket	
22	4460884	1	Connector	
22	4460465	3	Pin	
22	4460466	1	Plug	
23	4460931	1	Connector	
23	4460464	8	Pin	
24	1001144147	1	Connector	
24	4460943	2	Pin	
24	4460466	1	Plug	
25	4460894	1	Connector	
25	4460465	6	Socket	
26	4460930	1	Connector	

SECTION 8 - ELECTRICAL

ITEM	PART NUMBER	QTY	DESCRIPTION	REV
26	4460465	8	Socket	
27	4460866	1	Connector	
27	4460943	3	Pin (Gold 20-16 AWG)	
27	4460464	8	Pin (Nickel 20-16 AWG)	
27	4460508	4	Pin (Nickel 14-12 AWG)	
27	4460466	4	Plug	
28	1001112612	1	Connector	
28	4460464	3	Pin (Nickel)	
28	4460943	3	Pin (Gold)	
28	4460466	3	Plug	
29	1001116812	1	Connector	
29	4460944	3	Socket	
30	4460539	1	Connector	
30	4460944	3	Socket	
31	4460933	3	Connector	
31	4460465	33	Socket	
31	4460466	3	Plug	
32	4460899	1	Connector	
32	4460464	11	Pin	
33	4460874	1	Connector	
33	4460871	18	Socket	
33	4460905	16	Plug	
34	4460761	1	Connector	
34	4460267	4	Pin	
35	1001113961	1	Connector	
35	4460871	6	Socket	
35	4460905	2	Plug	
36	1001246859	1	Connector	
36	4460871	6	Socket	
36	4460905	8	Plug	
37	4460539	1	Connector	
37	4460465	2	Socket	
37	4460466	1	Plug	
38	1001187079	2	Terminal, Ring	
39	4460873	1	Connector	
39	4460871	25	Socket	
39	4460905	10	Plug	
40	4460878	1	Connector	
40	4460887	3	Socket	
101	4460945	1	Connector	
102	1001102594	2	Ferrite	
103	1001116815	1	Connector	
104	1001119020	3	Connector	
105	1001144296	1	Cap	
106	1001192401	1	Cap, Dust	
107	1001226541	1	Connector	
108	8229249	1	Fuse 3Amp	
109	8229242	3	Fuse 5Amp	

SECTION 8 - ELECTRICAL

FIGURE 8-82. TRANSPORT SWITCH HARNESS



1001159363

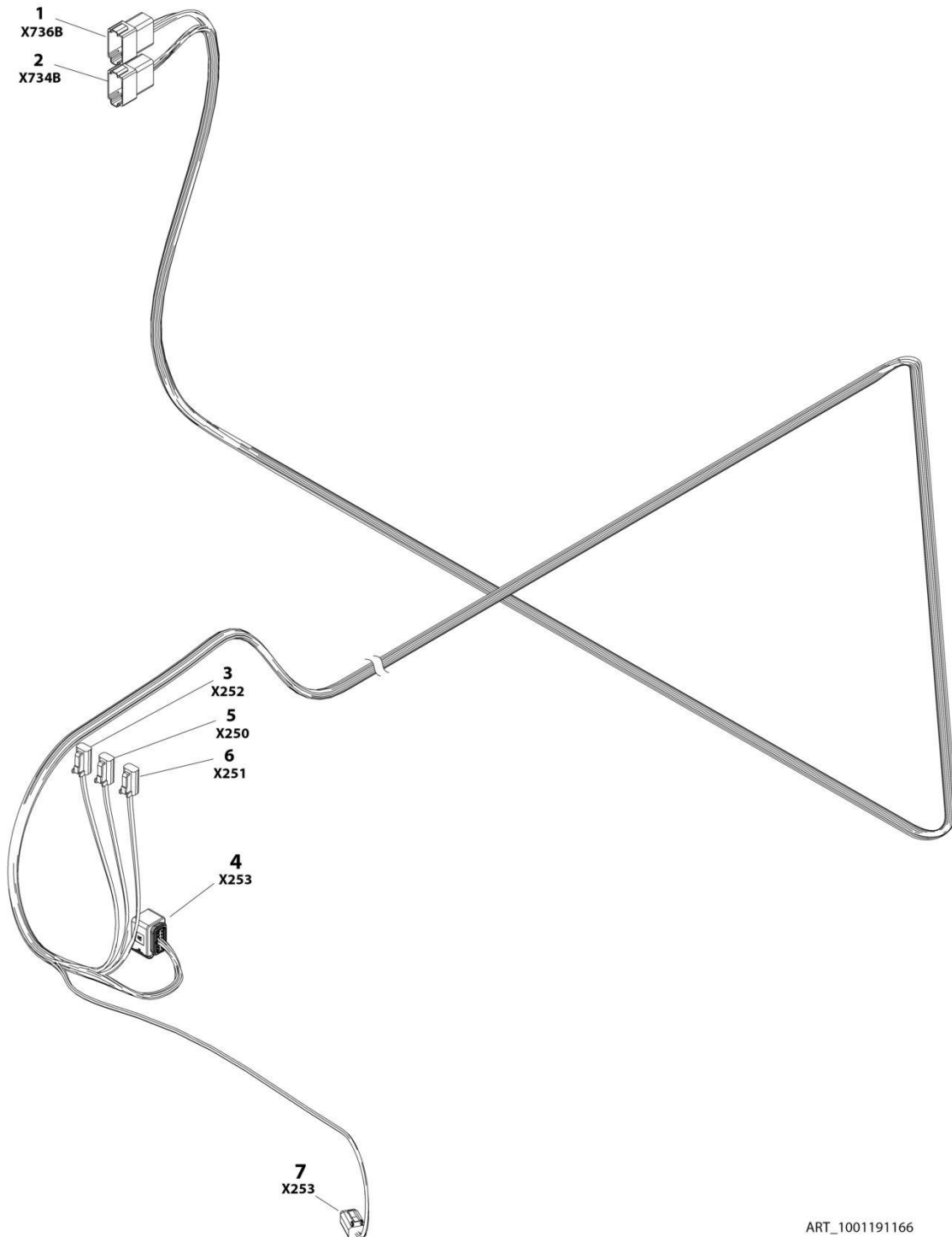
SECTION 8 - ELECTRICAL

FIGURE 8-82. TRANSPORT SWITCH HARNESS

ITEM	PART NUMBER	QTY	DESCRIPTION	REV
	1001159363	Ref	TRANSPORT CABLE HARNESS	B
1	4460464	3	Pin, Male	
2	4460466	1	Plug, Socket	
3	4460932	1	Connector - 4 Position	

SECTION 8 - ELECTRICAL

FIGURE 8-83. UREA TANK HARNESS



ART_1001191166

SECTION 8 - ELECTRICAL

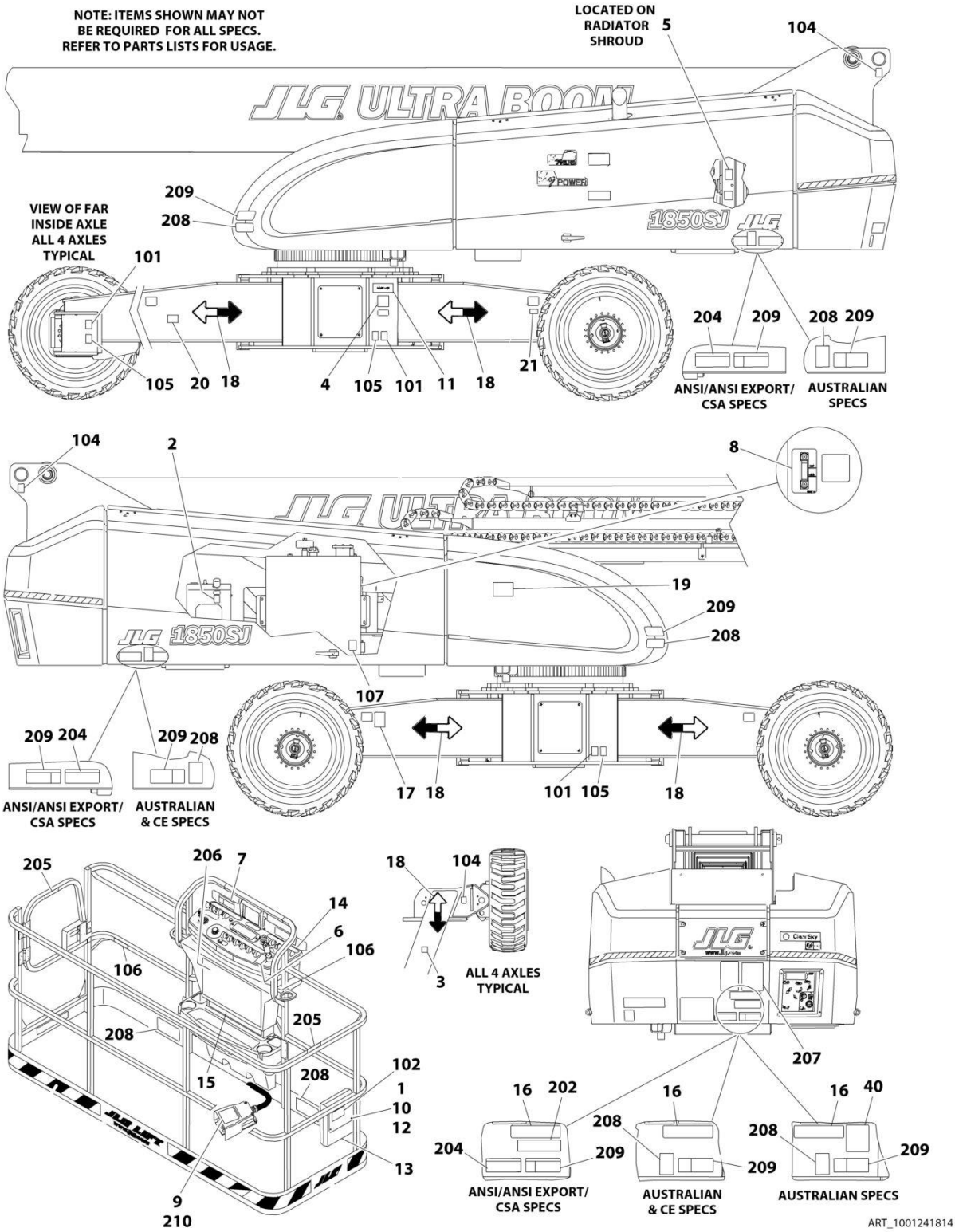
FIGURE 8-83. UREA TANK HARNESS

ITEM	PART NUMBER	QTY	DESCRIPTION	REV
	1001191166	Ref	UREA TANK HARNESS	C
1	4460982	1	Connector - 12 Position	
1	1001157891	6	Pin, Male	
1	4460464	2	Pin, Male	
1	4460943	2	Pin, Male (Gold)	
1	4460466	2	Seal, Plug	
2	1001152742	1	Connector - 12 Position	
2	4460941	2	Pin, Male 14-16GA	
2	4460464	8	Pin, Male	
2	4460466	2	Plug, Socket	
3	4460891	1	Connector - 2 Position	
3	4460942	2	Socket, Female	
4	1001165194	1	Connector - 12 Position	
4	1001166556	8	Socket, Female	
4	1001166774	2	Socket, Female	
4	1001126391	2	Seal, Plug	
5	4460891	1	Connector - 2 Position	
5	4460942	2	Socket, Female	
6	4460891	1	Connector - 2 Position	
6	4460942	2	Socket, Female	
7	4460884	1	Connector - 4 Position	
7	4460944	2	Socket, Female	
7	4460465	2	Socket, Female	

SECTION 9 - DECALS

SECTION 9 - DECALS

FIGURE 9-1. DECAL INSTALLATION - ANSI SPECS



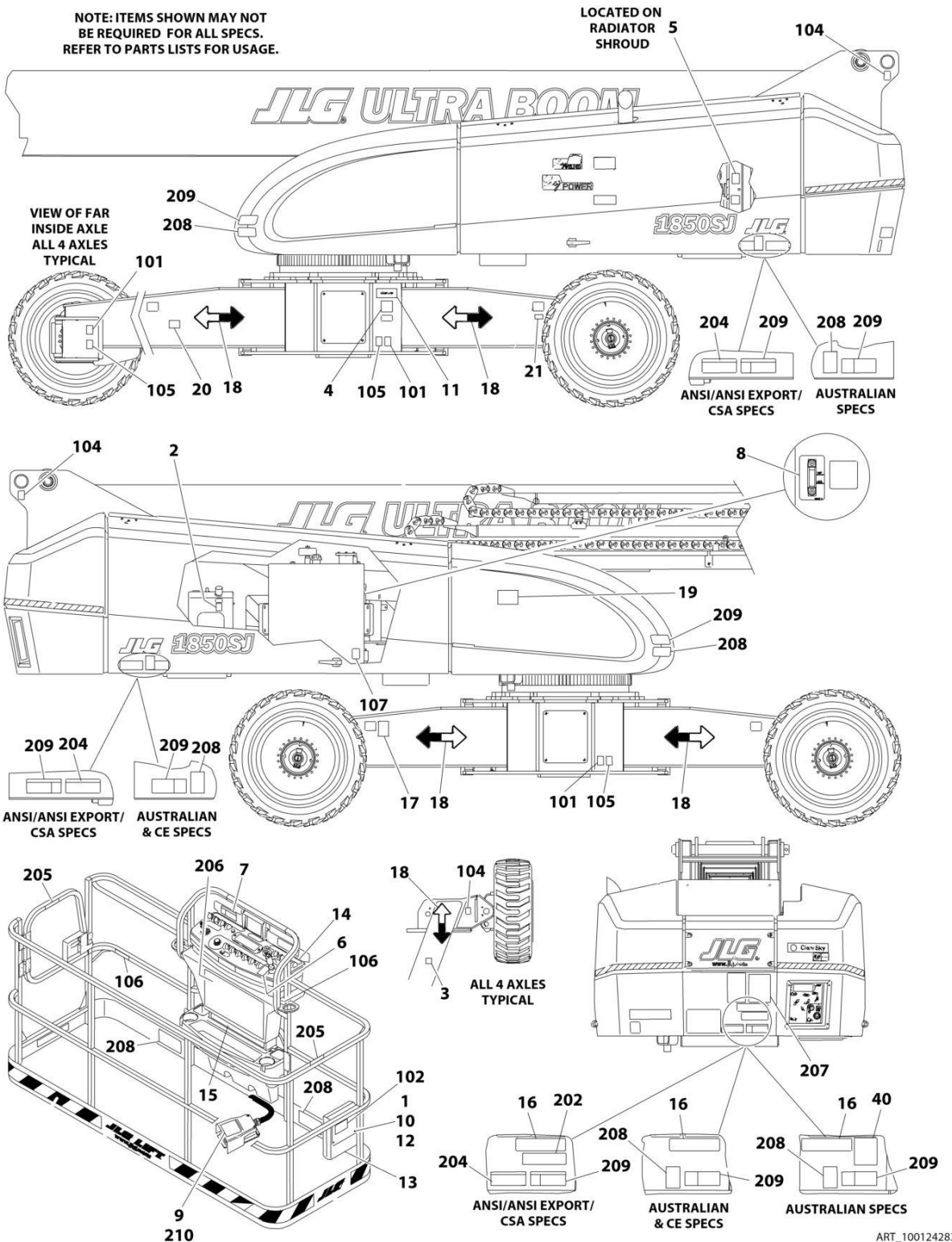
SECTION 9 - DECALS

FIGURE 9-1. DECAL INSTALLATION - ANSI SPECS

ITEM	PART NUMBER	QTY	DESCRIPTION	REV
	1001248556	Ref	DECAL INSTALLATION - REFERENCE CHART	A
	1001241814	Ref	Decal Installation	B
1	0641406	4	Bolt 1/4 x 3/4	
2	1701505	2	Decal - Fuel	
3	1701691	4	Decal - No Step	
4	See Note	NSS	Decal - Bar Code (Note: Not Available for Purchase)	
5	1704972	1	Decal - Warning Explosion/Fire	
6	1705351	1	Decal - Drive/Steer Instruction	
7	1705492	1	Decal - Tip-Over Hazard	
8	1705511	1	Decal - Oil Level	
9	3252347	1	Decal - Footswitch	
10	3311405	4	Nut 1/4	
11	3820001	2	Rivet	
12	4751400	4	Washer 1/4	
13	91403230	1	Box, Manual Storage	
14	1001122611	1	Decal - Stop	
15	1001253543	1	Decal - 500 Lbs/227 kg and 1000 Lbs/454 kg Capacity (Platform)	
16	1001253544	1	Decal - 500 Lbs/227 kg and 1000 Lbs/454 kg Capacity (Ground)	
17	1001131269	1	Decal - Patent	
18	1001160445	8	Decal - Arrow	
19	1001178165	1	Decal - Jump Start, Dual Battery	
20	1001223055	1	Decal - Yearly Inspection	
21	1001223453	1	Decal - ICES	
100	1001248541	1	Decal - Master Kit (Not Shown - Includes Items 101-107)	D
101	1701499	6	Decal - No Lift	
102	1701509	1	Decal - Manual	
104	1703811	4	Decal - Lift	
105	1703814	6	Decal - Tie Down	
106	1704277	4	Decal - Lanyard Attach	
107	1704412	1	Decal - Hydraulic Oil Chart	
200	1001248547	1	Decal - Kit (Not Shown - Includes Items 204-209)	
204	1703953	7	Decal - Warning Crushing (Rotate)	
205	1702868	2	Decal - No Hands	
206	1001231315	1	Decal - Warning/Danger	
207	1705336	1	Decal - Warning Inspection	
208	1703804	5	Decal - Warning Crushing	
209	1703805	5	Decal - Danger Electrocution	

SECTION 9 - DECALS

FIGURE 9-2. DECAL INSTALLATION - ANSI EXPORT SPECS (DUAL LANGUAGE - ENGLISH AND SPANISH)



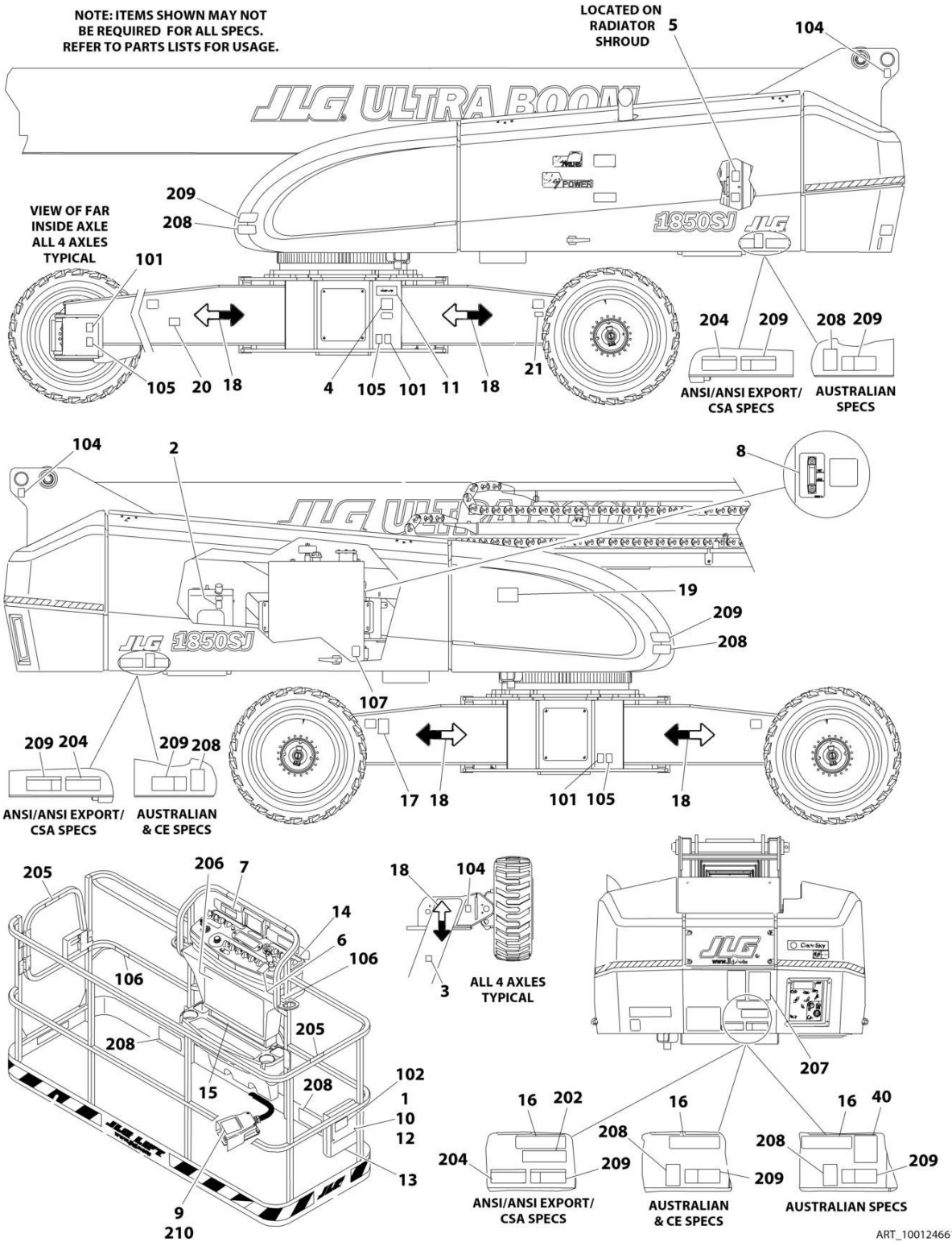
SECTION 9 - DECALS

FIGURE 9-2. DECAL INSTALLATION - ANSI EXPORT SPECS (DUAL LANGUAGE - ENGLISH AND SPANISH)

ITEM	PART NUMBER	QTY	DESCRIPTION	REV
	1001248556	Ref	DECAL INSTALLATION - REFERENCE CHART	A
	1001242831	Ref	Decal Installation	B
1	0641406	4	Bolt 1/4 x 3/4	
2	1701505	2	Decal - Fuel	
3	1701691	4	Decal - No Step	
4	See Note	NSS	Decal - Bar Code (Note: Not Available for Purchase)	
5	1706063	1	Decal - Warning Explosion/Fire	
6	1705910	1	Decal - Drive/Steer	
8	1705511	1	Decal - Oil Level	
9	3252347	1	Decal - Footswitch	
10	3311405	4	Nut 1/4	
11	3820001	2	Rivet	
12	4751400	4	Washer 1/4	
13	91403230	1	Box, Manual Storage	
14	1001122611	1	Decal - Stop	
15	1001253553	1	Decal, 500 Lbs/227 kg and 1000 Lbs/454 kg Capacity (Platform)	
16	1001253554	1	Decal, 500 Lbs/227 kg and 1000 Lbs/454 kg Capacity (Ground)	
18	1001160445	8	Decal - Arrow	
19	1001178165	1	Decal, Jump Start, Dual Battery	
20	1001224049	1	Decal - Yearly Inspection	
100	1001248541	1	Decal - Master Kit (Not Shown - Includes Items 101-107)	D
101	1701499	6	Decal - No Lift	
102	1701509	1	Decal - Manual	
104	1703811	4	Decal - Lift	
105	1703814	6	Decal - Tie Down	
106	1704277	4	Decal - Lanyard Attach	
107	1704412	1	Decal - Hydraulic Oil Chart	
200	1001248550	1	Decal - Kit (Not Shown - Includes Items 204-209)	
202	1705915	1	Decal - Warning Tip Over	
204	1703941	7	Decal - Warning Crushing	
205	1704001	2	Decal - Caution No Hands	
206	1001231318	1	Decal - Warning Platform	
207	1705917	1	Decal - Warning Inspection	
208	1703947	5	Decal - Warning Crushing	
209	1703935	5	Decal - Danger Electrocution	
210	1703983	1	Decal - Footswitch	

SECTION 9 - DECALS

FIGURE 9-3. DECAL INSTALLATION - AUSTRALIAN SPECS



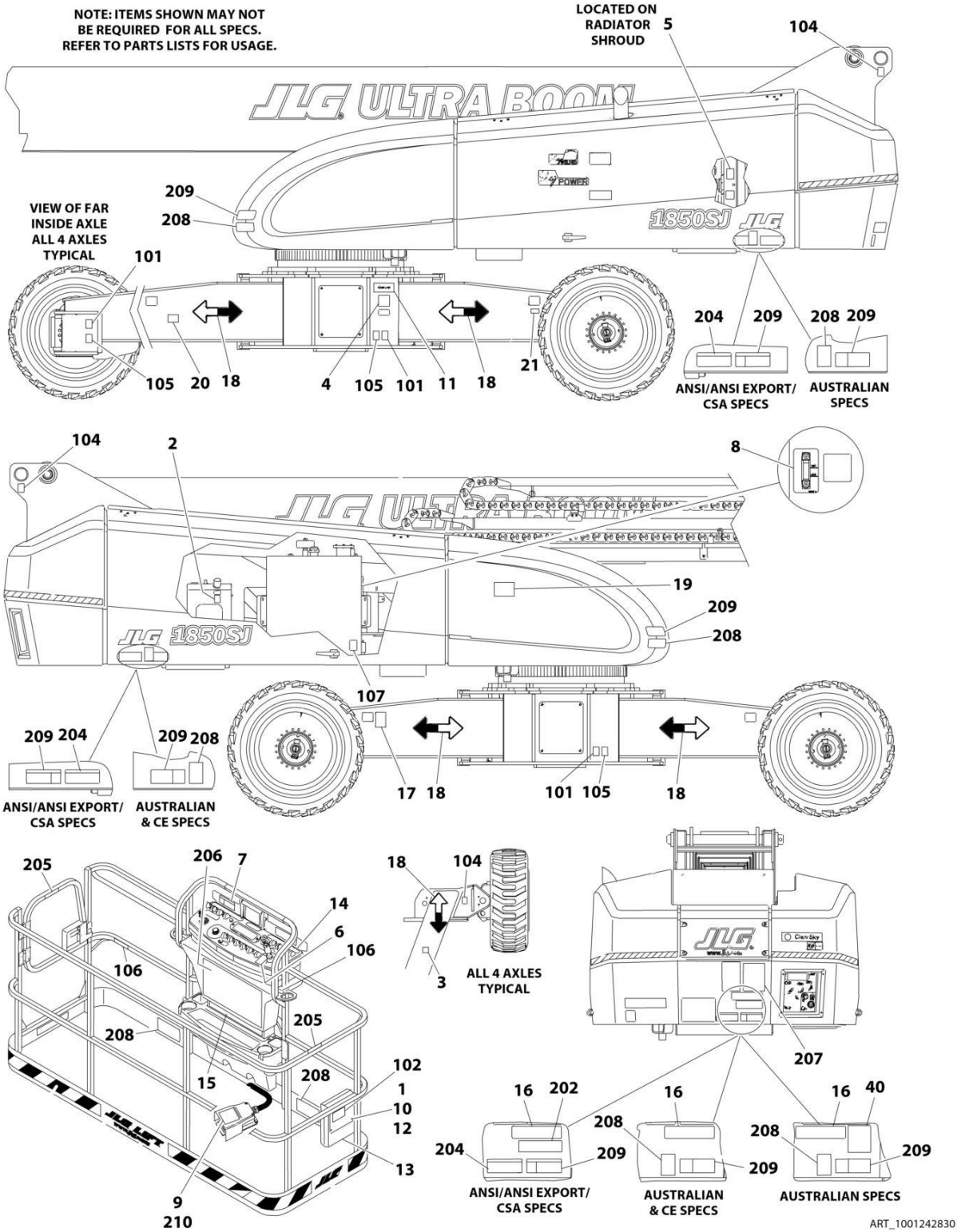
SECTION 9 - DECALS

FIGURE 9-3. DECAL INSTALLATION - AUSTRALIAN SPECS

ITEM	PART NUMBER	QTY	DESCRIPTION	REV
	1001248556	Ref	DECAL INSTALLATION - REFERENCE CHART	A
	1001246617	Ref	Decal Installation	A
1	0641406	4	Bolt 1/4 x 3/4	
2	1701505	2	Decal - Fuel	
3	1701691	4	Decal - No Step	
4	See Note	NSS	Decal - Bar Code (Note: Not Available for Purchase)	
5	1706098	1	Decal - Warning Explosion/Fire	
8	1705511	1	Decal - Oil Level	
10	3311405	4	Nut 1/4	
11	3820001	2	Rivet	
12	4751400	4	Washer 1/4	
13	91403230	1	Box, Manual Storage	
14	1001122611	1	Decal - Stop	
15	1001125177	1	Decal - 230 kg and 450 kg Capacity (Platform)	
16	1001125178	1	Decal - 230 kg and 450 kg Capacity (Ground)	
18	1001160445	8	Decal - Arrow	
19	1001178165	1	Decal - Jump Start, Dual Battery	
40	1001112551	1	Decal - Emergency Controls (Aus)	
100	1001248541	1	Decal - Master Kit (Not Shown - Includes Items 101-107)	D
101	1701499	6	Decal - No Lift	
102	1701509	1	Decal - Manual	
104	1703811	4	Decal - Lift	
105	1703814	6	Decal - Tie Down	
106	1704277	4	Decal - Lanyard Attach	
107	1704412	1	Decal - Hydraulic Oil Chart	
200	1001248546	1	Decal - Kit (Not Shown - Includes Items 206-2010)	
206	1705921	1	Decal - Tipping/Electrocution	
207	1705822	1	Decal - Safety Manual	
208	1701518	10	Decal - Crushing	
209	1705961	5	Decal - Electrocution	
210	1705828	1	Decal - Footswitch	

SECTION 9 - DECALS

FIGURE 9-4. DECAL INSTALLATION - BRAZIL SPECS (DUAL LANGUAGE - ENGLISH AND PORTUGUESE)



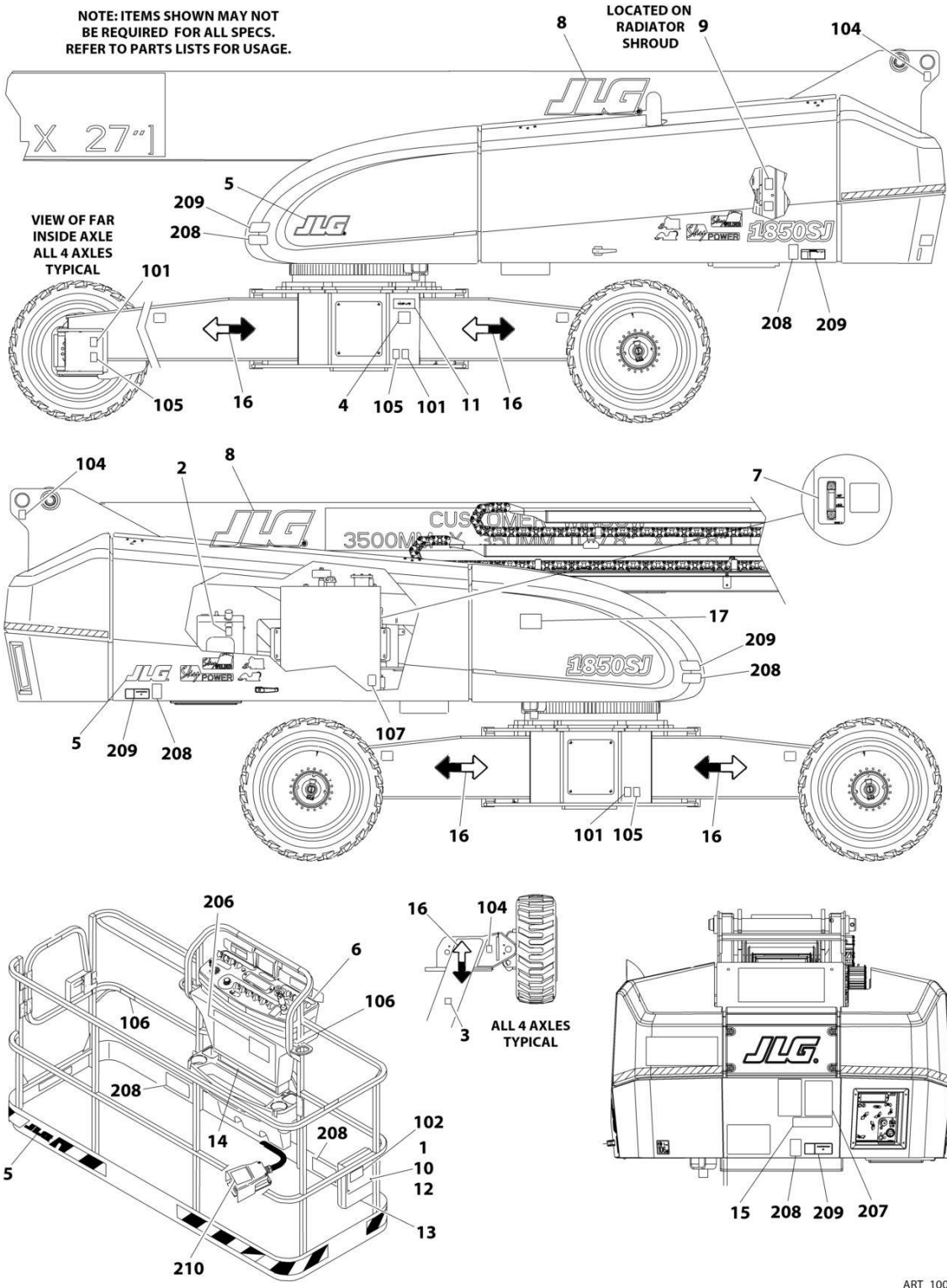
SECTION 9 - DECALS

FIGURE 9-4. DECAL INSTALLATION - BRAZIL SPECS (DUAL LANGUAGE - ENGLISH AND PORTUGUESE)

ITEM	PART NUMBER	QTY	DESCRIPTION	REV
	1001248556	Ref	DECAL INSTALLATION - REFERENCE CHART	A
	1001242830	Ref	Decal Installation	B
1	0641406	4	Bolt 1/4 x 3/4	
2	1701505	2	Decal - Fuel	
3	1701691	4	Decal - No Step	
4	See Note	NSS	Decal - Bar Code (Note: Not Available for Purchase)	
5	1706059	1	Decal, Warning Explosion/Fire	
8	1705511	1	Decal - Oil Level	
10	3311405	4	Nut 1/4	
11	3820001	2	Rivet	
12	4751400	4	Washer 1/4	
13	91403230	1	Box, Manual Storage	
14	1001122611	1	Decal - Stop	
15	1001253551	1	Decal, 500 Lbs/227 kg and 1000 Lbs/454 kg Capacity (Platform)	
16	1001253552	1	Decal, 500 Lbs/227 kg and 1000 Lbs/454 kg Capacity (Ground)	
18	1001160445	8	Decal - Arrow	
19	1001178165	1	Decal - Jump Start, Dual Battery	
20	1001224052	1	Decal - Yearly Inspection	
100	1001248541	1	Decal - Master Kit (Not Shown - Includes Items 101-107)	D
101	1701499	6	Decal - No Lift	
102	1701509	1	Decal - Manual	
104	1703811	4	Decal - Lift	
105	1703814	6	Decal - Tie Down	
106	1704277	4	Decal - Lanyard Attach	
107	1704412	1	Decal - Hydraulic Oil Chart	
200	1001248551	1	Decal - Kit (Not Shown - Includes Items 202-210)	
202	1705906	1	Decal, Tip-Over Hazard	
204	1705903	7	Decal, Warning - Crushing	
205	1705967	2	Decal, No Hands	
206	1001231319	1	Decal, Danger/Warning	
207	1705896	1	Decal, Warning - Inspection	
208	1705898	5	Decal, Warning/Crushing	
209	1705897	5	Decal, Danger/Electrocution	
210	1705902	1	Decal, Footswitch	

SECTION 9 - DECALS

FIGURE 9-5. DECAL INSTALLATION - CE & UK CA SPECS



ART_1001246616

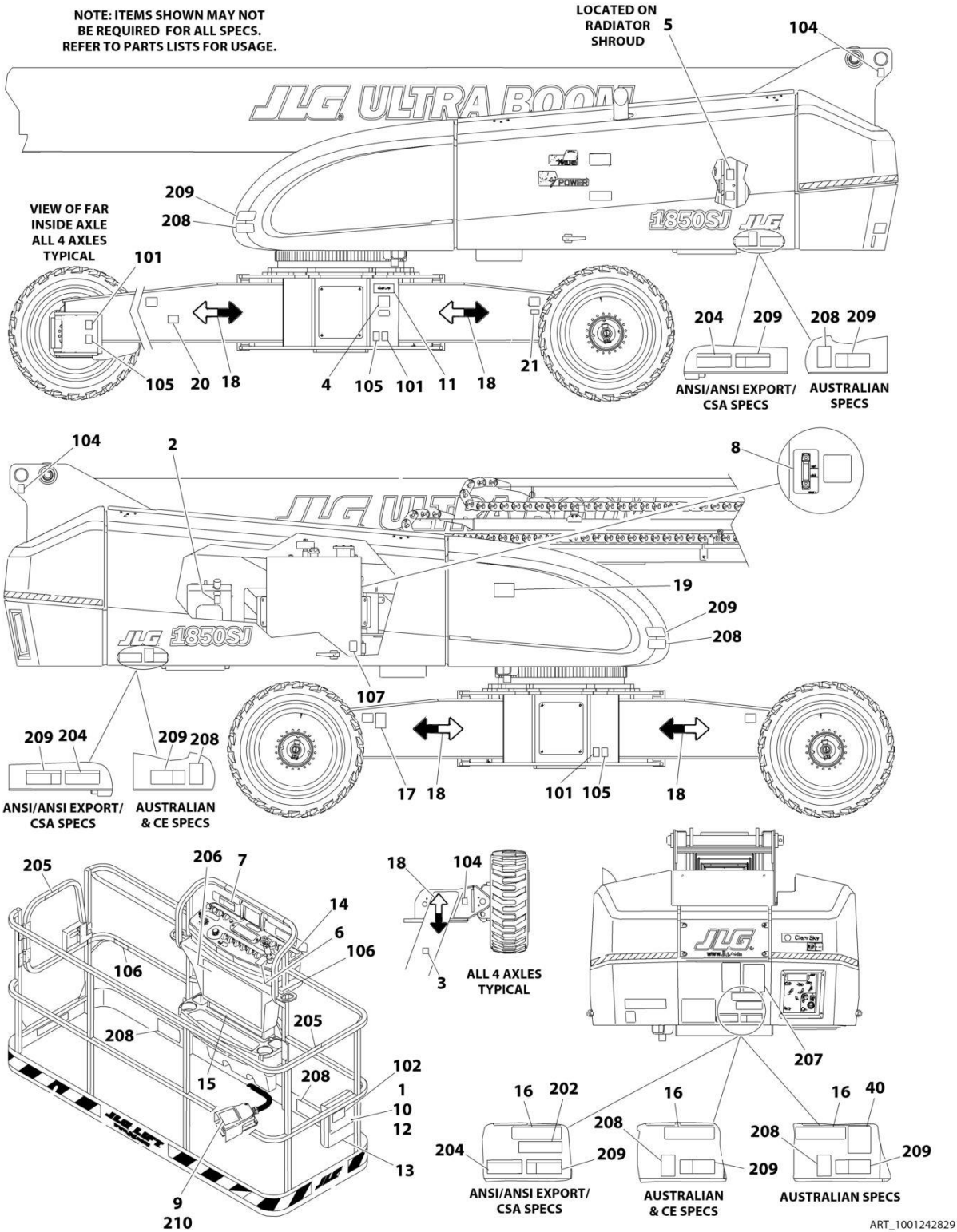
SECTION 9 - DECALS

FIGURE 9-5. DECAL INSTALLATION - CE & UK CA SPECS

ITEM	PART NUMBER	QTY	DESCRIPTION	REV
	1001248560	Ref	DECAL INSTALLATION - REFERENCE CHART	A
	1001246616	Ref	Decal Installation	A
1	0641406	4	Bolt 1/4 x 3/4	
2	1701505	2	Decal - Fuel	
3	1701691	4	Decal - No Step	
4	See Note	NSS	Decal - Bar Code (Note: Not Available for Purchase)	
5	1702773	3	Decal, JLG	
6	1705174	1	Decal - Stop	
7	1705511	1	Decal - Oil Level	
8	1705864	2	Decal - JLG	
9	1706098	1	Decal - Warning Explosion/Fire	
10	3311405	4	Nut 1/4	
11	3820001	2	Rivet	
12	4751400	4	Washer 1/4	
13	91403230	1	Box, Manual Storage	
14	1001125177	1	Decal - 230 kg and 450 kg Capacity (Platform)	
15	1001125178	1	Decal - 230 kg and 450 kg Capacity (Ground)	
16	1001160445	8	Decal - Arrow	
17	1001178165	1	Decal - Jump Start, Dual Battery	
100	1001248541	1	Decal - Master Kit (Not Shown - Includes Items 101-107)	D
101	1701499	6	Decal - No Lift	
102	1701509	1	Decal - Manual	
104	1703811	4	Decal - Lift	
105	1703814	6	Decal - Tie Down	
106	1704277	4	Decal - Lanyard Attach	
107	1704412	1	Decal - Hydraulic Oil Chart	
200	1001248546	1	Decal - Kit (Not Shown - Includes Items 206-2010)	
206	1705921	1	Decal - Tipping/Electrocution	
207	1705822	1	Decal - Safety Manual	
208	1701518	10	Decal - Crushing	
209	1705961	5	Decal - Electrocution	
210	1705828	1	Decal - Footswitch	

SECTION 9 - DECALS

FIGURE 9-6. DECAL INSTALLATION - CHINA SPECS (DUAL LANGUAGE - ENGLISH AND CHINESE)



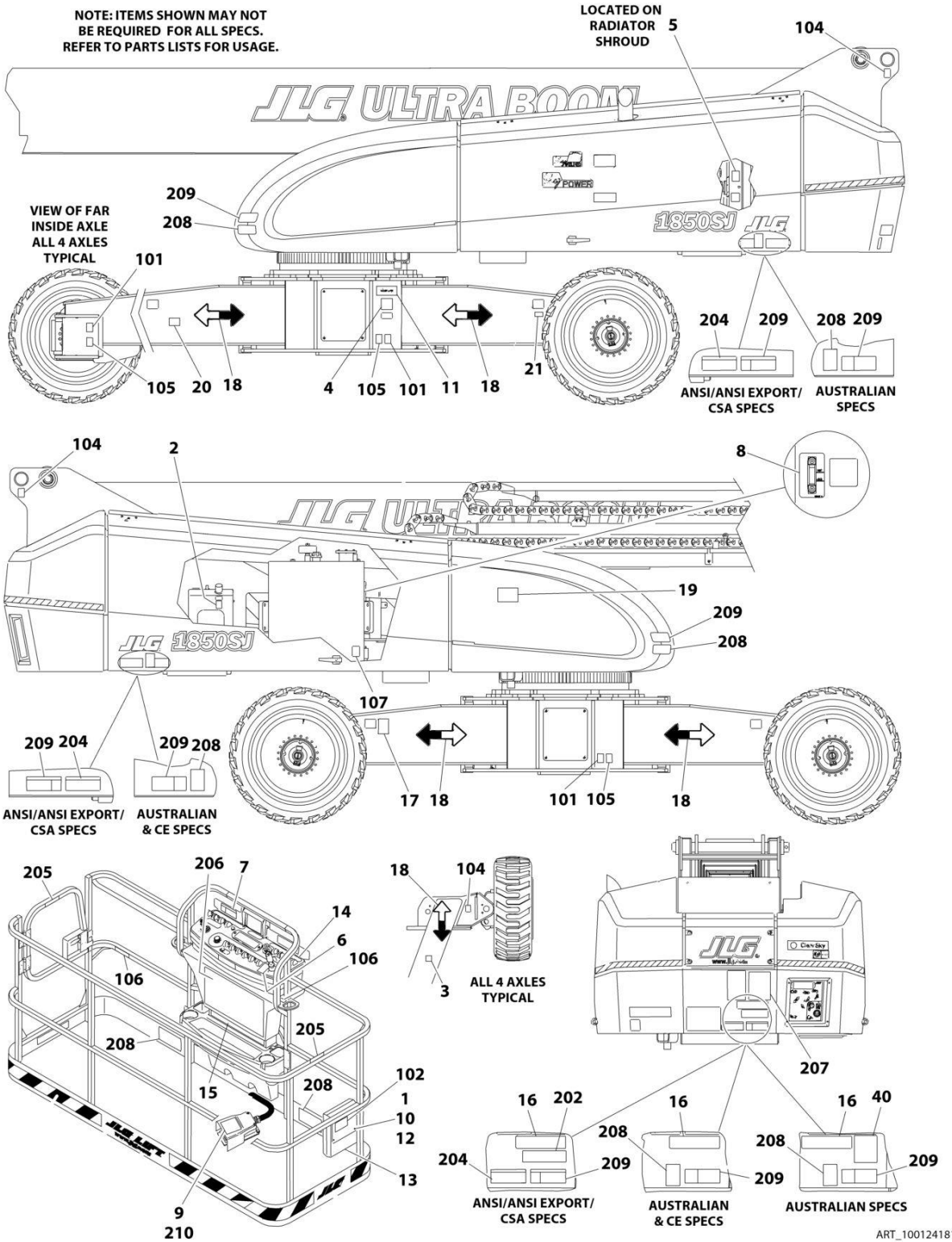
SECTION 9 - DECALS

FIGURE 9-6. DECAL INSTALLATION - CHINA SPECS (DUAL LANGUAGE - ENGLISH AND CHINESE)

ITEM	PART NUMBER	QTY	DESCRIPTION	REV
	1001248556	Ref	DECAL INSTALLATION - REFERENCE CHART	A
	1001242829	Ref	Decal Installation	B
1	0641406	4	Bolt 1/4 x 3/4	
2	1701505	2	Decal - Fuel	
3	1701691	4	Decal - No Step	
4	See Note	NSS	Decal - Bar Code (Note: Not Available for Purchase)	
5	1706060	1	Decal, Warning Explosion/Fire	
6	1705430	1	Decal, Drive/Steer Instructions	
8	1705511	1	Decal - Oil Level	
10	3311405	4	Nut 1/4	
11	3820001	2	Rivet	
12	4751400	4	Washer 1/4	
13	91403230	1	Box, Manual Storage	
14	1001122611	1	Decal - Stop	
15	1001253549	1	Decal, 500 Lbs/227 kg and 1000 Lbs/454 kg Capacity (Platform)	
16	1001253550	1	Decal, 500 Lbs/227 kg and 1000 Lbs/454 kg Capacity (Ground)	
18	1001160445	8	Decal - Arrow	
19	1001178165	1	Decal - Jump Start, Dual Battery	
20	1001224050	1	Decal - Yearly Inspection	
100	1001248541	1	Decal - Master Kit (Not Shown - Includes Items 101-107)	D
101	1701499	6	Decal - No Lift	
102	1701509	1	Decal - Manual	
104	1703811	4	Decal - Lift	
105	1703814	6	Decal - Tie Down	
106	1704277	4	Decal - Lanyard Attach	
107	1704412	1	Decal - Hydraulic Oil Chart	
200	1001248553	1	Decal - Kit (Not Shown - Includes Items 202-210)	
202	1001117035	1	Decal, Warning Tip Over	
204	1703943	7	Decal, Warning/Crushing	
205	1001116846	2	Decal, No Hands	
206	1001231321	1	Decal, Warning/Danger	
207	1001116849	2	Decal, Warning Inspection	
208	1703949	5	Decal, Crushing	
209	1001116851	5	Decal, Electrocution	
210	1703982	1	Decal, Footswitch	

SECTION 9 - DECALS

FIGURE 9-7. DECAL INSTALLATION - CSA SPECS (DUAL LANGUAGE - ENGLISH AND FRENCH)



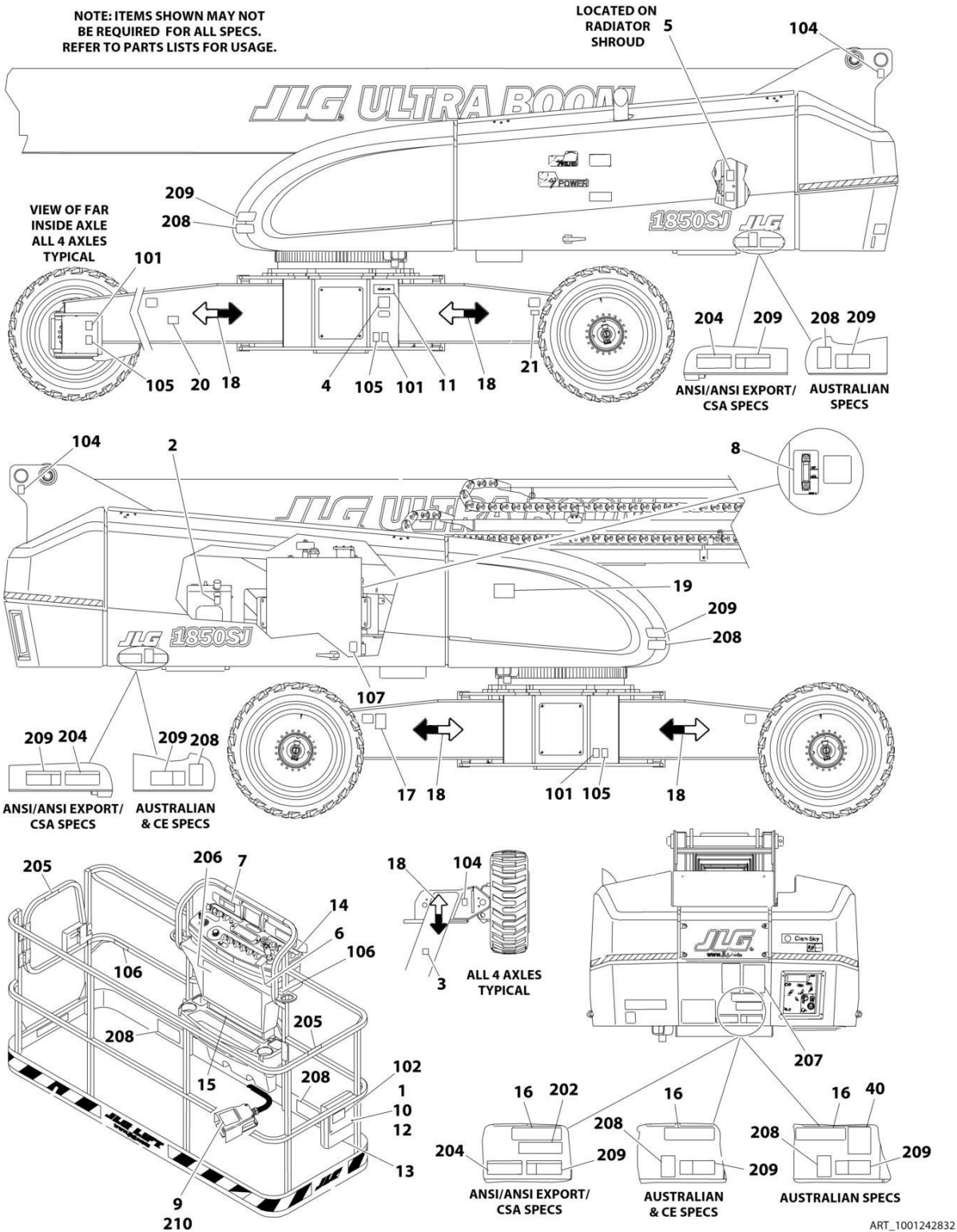
SECTION 9 - DECALS

FIGURE 9-7. DECAL INSTALLATION - CSA SPECS (DUAL LANGUAGE - ENGLISH AND FRENCH)

ITEM	PART NUMBER	QTY	DESCRIPTION	REV
	1001248556	Ref	DECAL INSTALLATION - REFERENCE CHART	A
	1001241816	Ref	Decal Installation	C
1	0641406	4	Bolt 1/4 x 3/4	
2	1701505	2	Decal - Fuel	
3	1701691	4	Decal - No Step	
4	See Note	NSS	Decal - Bar Code (Note: Not Available for Purchase)	
5	1706064	1	Decal, Warning Explosion/fire	
6	1705429	1	Decal, Drive/Steer Instruction	
8	1705511	1	Decal - Oil Level	
10	3311405	4	Nut 1/4	
11	3820001	2	Rivet	
12	4751400	4	Washer 1/4	
13	91403230	1	Box, Manual Storage	
14	1001122611	1	Decal - Stop	
15	1001253545	1	Decal, 500 Lbs/227 kg and 1000 Lbs/454 kg Capacity (Platform)	
16	1001253546	1	Decal, 500 Lbs/227 kg and 1000 Lbs/454 kg Capacity (Ground)	
17	1001131269	1	Decal - Patent	
18	1001160445	8	Decal - Arrow	
19	1001178165	1	Decal - Jump Start, Dual Battery	
20	1001223971	1	Decal - Yearly Inspection	
21	1001223453	1	Decal - ICES	
100	1001248541	1	Decal - Master Kit (Not Shown - Includes Items 101-107)	D
101	1701499	6	Decal - No Lift	
102	1701509	1	Decal - Manual	
104	1703811	4	Decal - Lift	
105	1703814	6	Decal - Tie Down	
106	1704277	4	Decal - Lanyard Attach	
107	1704412	1	Decal - Hydraulic Oil Chart	
200	1001248548	1	Decal - Kit (Not Shown - Includes Items 202-210)	
202	1705505	1	Decal, Tip-Over Hazard	
204	1703942	7	Decal, Warning/Crushing	
205	1704000	2	Decal, No Hands	
206	1001231316	1	Decal, Warning/Danger	
207	1705347	1	Decal, Warning Inspection	
208	1703948	5	Decal, Warning Crushing	
209	1703936	5	Decal, Danger Electrocution	
210	1703984	1	Decal, Footswitch	

SECTION 9 - DECALS

FIGURE 9-8. DECAL INSTALLATION - JAPANESE SPECS (DUAL LANGUAGE – ENGLISH AND JAPANESE)



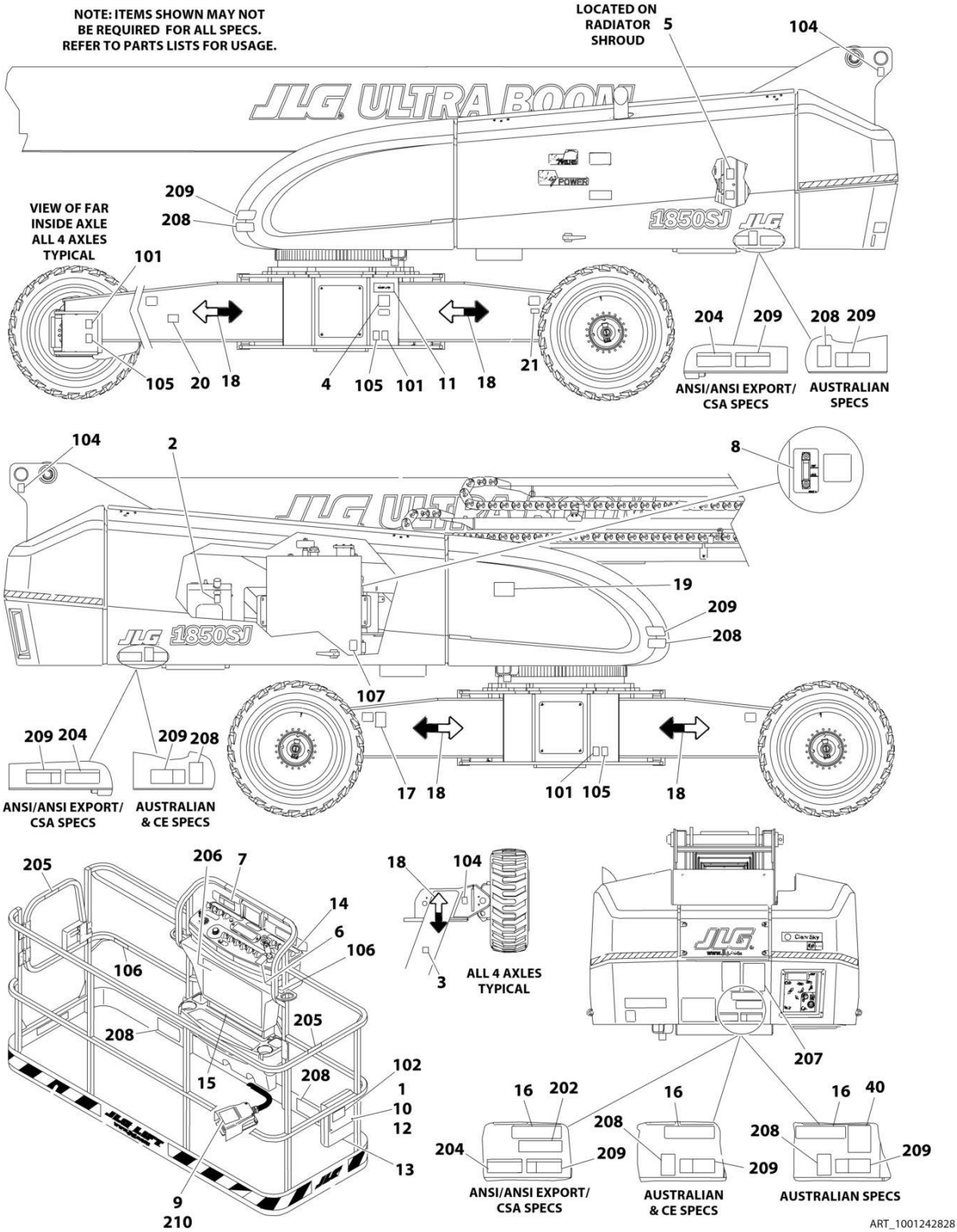
SECTION 9 - DECALS

FIGURE 9-8. DECAL INSTALLATION - JAPANESE SPECS (DUAL LANGUAGE – ENGLISH AND JAPANESE)

ITEM	PART NUMBER	QTY	DESCRIPTION	REV
	1001248556	Ref	DECAL INSTALLATION - REFERENCE CHART	A
	1001242832	Ref	Decal Installation	B
1	0641406	4	Bolt 1/4 x 3/4	
2	1701505	2	Decal - Fuel	
3	1701691	4	Decal - No Step	
4	See Note	NSS	Decal - Bar Code (Note: Not Available for Purchase)	
5	1704972	1	Decal, Warning Explosion/fire	
6	1705426	1	Decal, Drive/Steer Instructions	
8	1705511	1	Decal - Oil Level	
10	3311405	4	Nut 1/4-20	
11	3820001	2	Rivet	
12	4751400	4	Washer 1/4	
13	91403230	1	Box, Manual Storage	
14	1001122611	1	Decal - Stop	
15	1001253555	1	Decal, 500 Lbs/227 kg and 1000 Lbs/454 kg Capacity (Platform)	
16	1001253556	1	Decal, 500 Lbs/227 kg and 1000 Lbs/454 kg Capacity (Ground)	
18	1001160445	8	Decal - Arrow	
19	1001178165	1	Decal - Jump Start, Dual Battery	
20	1001224053	1	Decal - Yearly Inspection	
100	1001248541	1	Decal - Master Kit (Not Shown - Includes Items 101-107)	D
101	1701499	6	Decal - No Lift	
102	1701509	1	Decal - Manual	
104	1703811	4	Decal - Lift	
105	1703814	6	Decal - Tie Down	
106	1704277	4	Decal - Lanyard Attach	
107	1704412	1	Decal - Hydraulic Oil Chart	
200	1001248552	1	Decal - Kit (Not Shown – Includes Items 202-210)	
202	1705493	1	Decal, Warning Tip Over	
204	1703944	7	Decal, Warning/Crushing	
206	1001231320	1	Decal, Warning/Danger	
207	1705344	1	Decal, Warning Inspection	
208	1703950	5	Decal, Crushing	
209	1703938	5	Decal, Electrocution	
210	1703980	1	Decal, Footswitch	

SECTION 9 - DECALS

FIGURE 9-9. DECAL INSTALLATION - KOREAN SPECS (DUAL LANGUAGE - ENGLISH AND KOREAN)



SECTION 9 - DECALS

FIGURE 9-9. DECAL INSTALLATION - KOREAN SPECS (DUAL LANGUAGE - ENGLISH AND KOREAN)

ITEM	PART NUMBER	QTY	DESCRIPTION	REV
	1001248556	Ref	DECAL INSTALLATION - REFERENCE CHART	A
	1001242828	Ref	Decal Installation	B
1	0641406	4	Bolt 1/4 x 3/4	
2	1701505	2	Decal - Fuel	
3	1701691	4	Decal - No Step	
4	See Note	NSS	Decal - Bar Code (Note: Not Available for Purchase)	
5	1706061	1	Decal, Warning Explosion/Fire	
6	1705427	1	Decal, Drive/Steer Instructions	
8	1705511	1	Decal - Oil Level	
10	3311405	4	Nut 1/4-20	
11	3820001	2	Rivet	
12	4751400	4	Washer 1/4	
13	91403230	1	Box, Manual Storage	
14	1001122611	1	Decal - Stop	
15	1001253547	1	Decal, 500 Lbs/227 kg and 1000 Lbs/454 kg Capacity (Platform)	
16	1001253548	1	Decal, 500 Lbs/227 kg and 1000 Lbs/454 kg Capacity (Ground)	
18	1001160445	8	Decal - Arrow	
19	1001178165	1	Decal - Jump Start, Dual Battery	
20	1001224048	1	Decal - Yearly Inspection	
100	1001248541	1	Decal - Master Kit (Not Shown - Includes Items 101-107)	D
101	1701499	6	Decal - No Lift	
102	1701509	1	Decal - Manual	
104	1703811	4	Decal - Lift	
105	1703814	6	Decal - Tie Down	
106	1704277	4	Decal - Lanyard Attach	
107	1704412	1	Decal - Hydraulic Oil Chart	
200	1001248549	1	Decal - Kit (Not Shown - Includes Items 202-210)	
202	1705503	1	Decal, Warning Tip Over	
204	1703945	7	Decal, Warning/Crushing	
205	1705969	2	Decal, No Hands	
206	1001231317	1	Decal, Warning/Danger	
207	1705345	1	Decal, Warning Inspection	
208	1703951	5	Decal, Crushing	
209	1703939	5	Decal, Electrocution	
210	1703981	1	Decal, Footswitch	

SECTION 9 - DECALS

FIGURE 9-10. DECALS INSTALLATION - OPTIONS

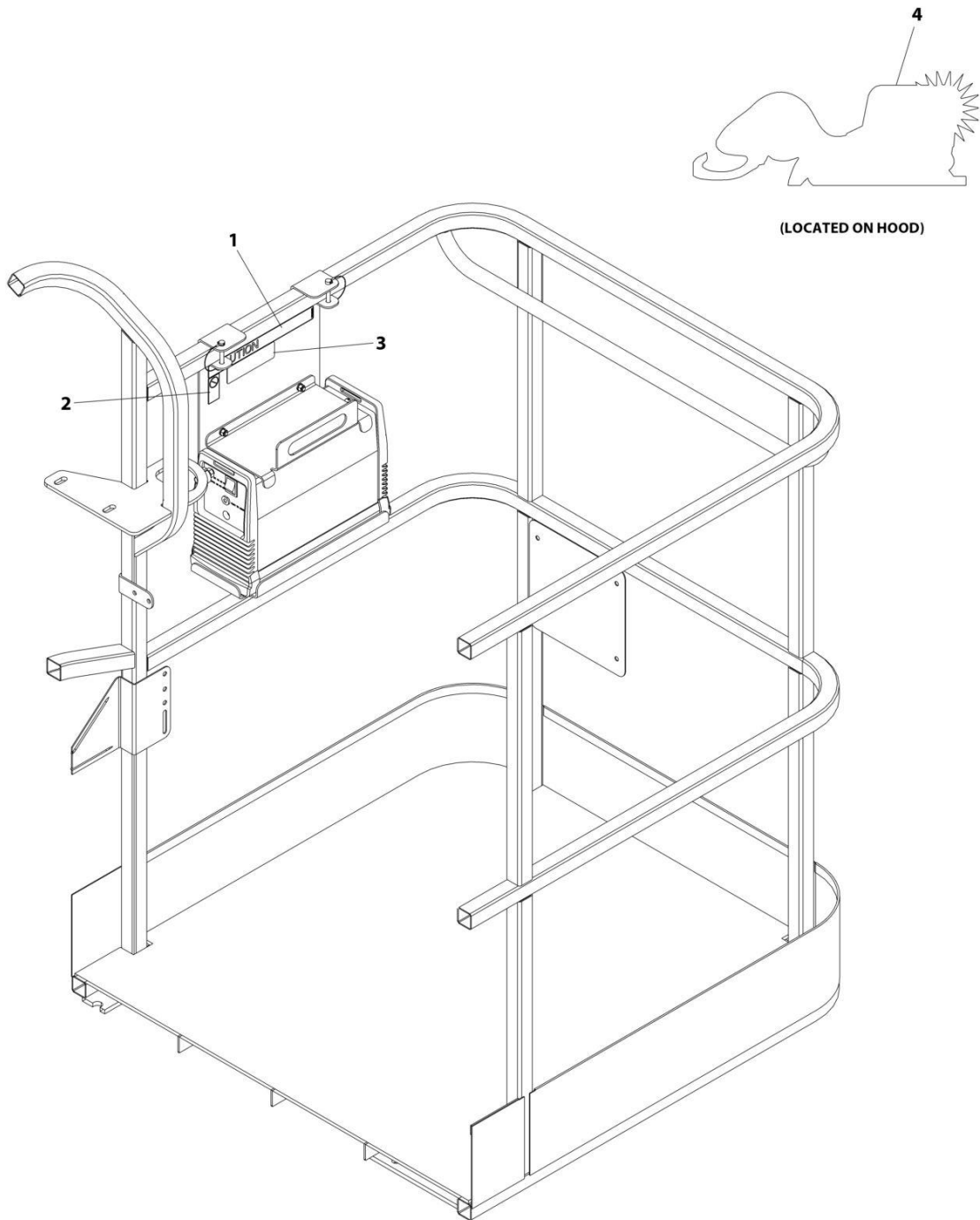
ITEM	PART NUMBER	QTY	DESCRIPTION	REV
	1001248556	Ref	DECAL INSTALLATION - REFERENCE CHART	A
	1001261850	Ref	Decal Installation - Options	
108	1001231801	1	Decal - Warning Prop 65 Diesel (ANSI Specs)	
120	4420051	20 ft /6m	Tape, Warning Stripes	
145	1001159981	Ref	Kit, Decal Model Designation	
145	1001159980	2	Decal, 1850SJ (Prior to SN 0300280594)	
145	1001267322	2	Decal, 1850SJ (SN 0300280594 to Present)	
146	1001160443	Ref	Kit, Decal Max Tire Load	
146	1001159855	4	Decal, Max Tire Load	
151	1001159983	1	Decal, Lift Diagram	
173	1001125209	1	Decal, Daily Check List (Danish Language)	
173	1001125203	1	Decal, Daily Check List (Dutch Language)	
173	1001125198	1	Decal, Daily Check List (English and Chinese Languages)	
173	1001125196	1	Decal, Daily Check List (English Language)	
173	1001125201	1	Decal, Daily Check List (English and French Languages)	
173	1001125202	1	Decal, Daily Check List (English and Japanese Languages)	
173	1001125197	1	Decal, Daily Check List (English and Korean Languages)	
173	1001125199	1	Decal, Daily Check List (English and Spanish Languages)	
173	1001125207	1	Decal, Daily Check List (Finnish Languages)	
173	1001125204	1	Decal, Daily Check List (French Languages)	
173	1001125211	1	Decal, Daily Check List (German Languages)	
173	1001125205	1	Decal, Daily Check List (Italian Languages)	
173	1001125210	1	Decal, Daily Check List (Norwegian Languages)	
173	1001125212	1	Decal, Daily Check List (Polish Language)	
173	1001125200	1	Decal, Daily Check List (Portuguese Language)	
173	1001125206	1	Decal, Daily Check List (Spanish Languages)	
173	1001125208	1	Decal, Daily Check List (Swedish Languages)	
205	See Note	NSS	Nameplate, Serial Number (Note: Not Available for Purchase)	
210	1702868	2	Decal - No Hands (English Language)	
210	1001116846	2	Decal - No Hands (English and Chinese Languages)	
210	1704000	2	Decal - No Hands (English and French Languages)	
210	1705969	2	Decal - No Hands (English and Korean Languages)	
210	1705967	2	Decal - No Hands (English and Portuguese Languages)	
210	1704001	2	Decal - No Hands (English and Spanish Languages)	
215	1001116025	Ref	Kit, JLG Decal (Includes items 215A - 215E)	
215A	1702774	1	Decal, JLG Lift	
215B	1702773	3	Decal, JLG	
215C	1704885	1	Decal, WWW.JLG.COM	
215D	1705864	2	Decal, JLG	
215E	1705865	2	Decal, Ultra Boom	
238	1001125387	1	Decal, Ultra Low Sulfur Fuel (ANSI and CSA Specs)	
238	1001139654	1	Decal, Ultra Low Sulfur Fuel (ANSI Export, Australian, China, Japanese, CE & UK CA Specs)	
245	1001160444	Ref	Decal - ClearSky	
245A	1001116208	2	Decal - ClearSky	
245B	1001120989	1	Decal - Radio Frequency	
253	1001143852	1	Decal, LRC EPA (ANSI Export, China, Australian, CE and UK CA Specs Only)	
262A	1001141300	1	Decal - SkyGuard Override	
262B	1001141302	1	Decal - SkyGuard Soft Touch Override	

SECTION 9 - DECALS

ITEM	PART NUMBER	QTY	DESCRIPTION	REV
263	1001197408	1	Decal - MSSO	
267	1001200065	1	Decal - Quick Reference (Dutch) (Lomax Rentals)	
267	1001200067	1	Decal - Quick Reference (Danish) (Lomax Rentals)	
267	1001177562	1	Decal - Quick Reference (English) (Lomax Rentals)	
267	1001200064	1	Decal - Quick Reference (French) (Lomax Rentals)	
267	1001200066	1	Decal - Quick Reference (German) (Lomax Rentals)	
267	1001200071	1	Decal - Quick Reference (Norwegian) (Lomax Rentals)	
267	1001200070	1	Decal - Quick Reference (Spanish) (Lomax Rentals)	
267	1001200069	1	Decal - Quick Reference (Swedish) (Lomax Rentals)	
287A	1001292241	1	Decal Installation - ECO	
287A	3820001	8	Rivet	
287A	See Note	NSS	Plate - Mein Code (Note: Not available for purchase)	
287A	See Note	NSS	Plate - Environmental Protection (Note: Not Available for purchase)	

SECTION 9 - DECALS

FIGURE 9-11. SKYCUTTER DECAL INSTALLATION



ART_0272599

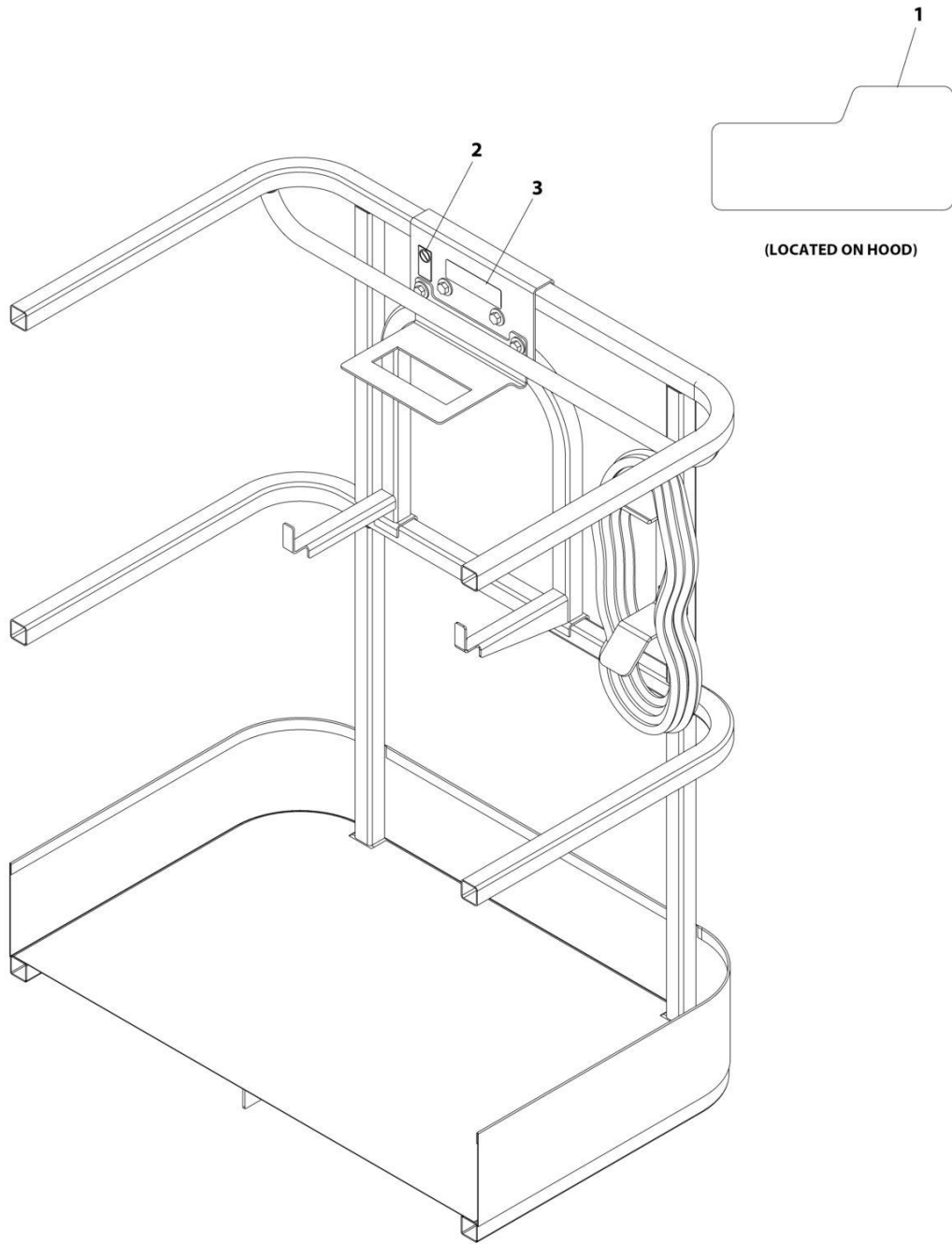
SECTION 9 - DECALS

FIGURE 9-11. SKYCUTTER DECAL INSTALLATION

ITEM	PART NUMBER	QTY	DESCRIPTION	REV
	0272599	Ref	SKYCUTTER DECAL INSTALLATION	C
1	1702868	1	Decal - No Hands	
2	1705305	1	Decal - Weld Leads	
3	1001252627	1	Decal - Weight	
4	1705490	2	Decal - SkyCutter	

SECTION 9 - DECALS

FIGURE 9-12. SKYWELDER DECAL INSTALLATION - 50HZ



ART_0272588

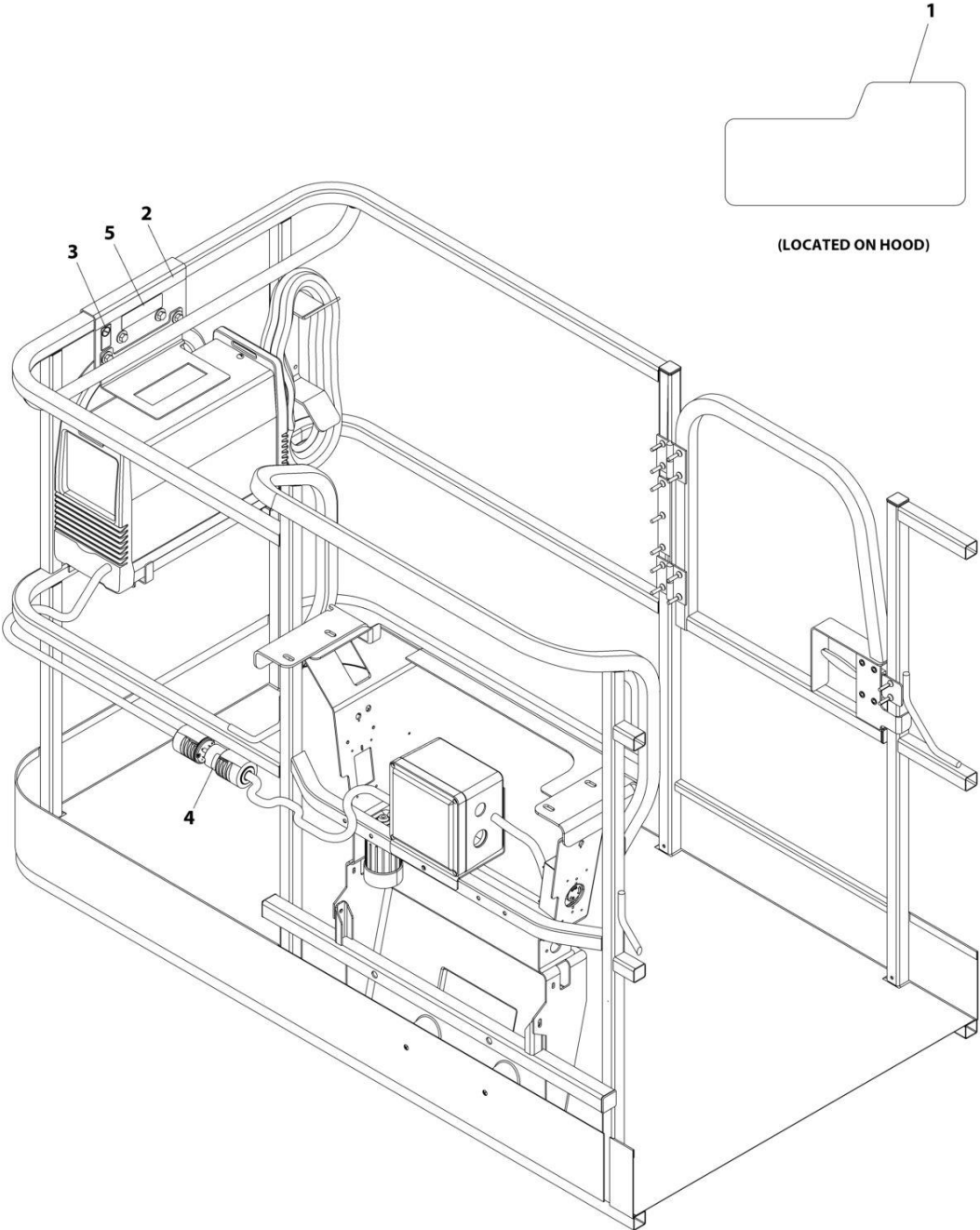
SECTION 9 - DECALS

FIGURE 9-12. SKYWELDER DECAL INSTALLATION - 50HZ

ITEM	PART NUMBER	QTY	DESCRIPTION	REV
	0272588	Ref	SKYWELDER DECAL INSTALLATION - 50Hz	B
1	1705355	2	Decal - SkyWelder	
2	1705305	1	Decal - Weld Lead	
3	1001228988	1	Decal - Weight	

SECTION 9 - DECALS

FIGURE 9-13. SKYWELDER DECAL INSTALLATION - 60HZ



ART_0272448

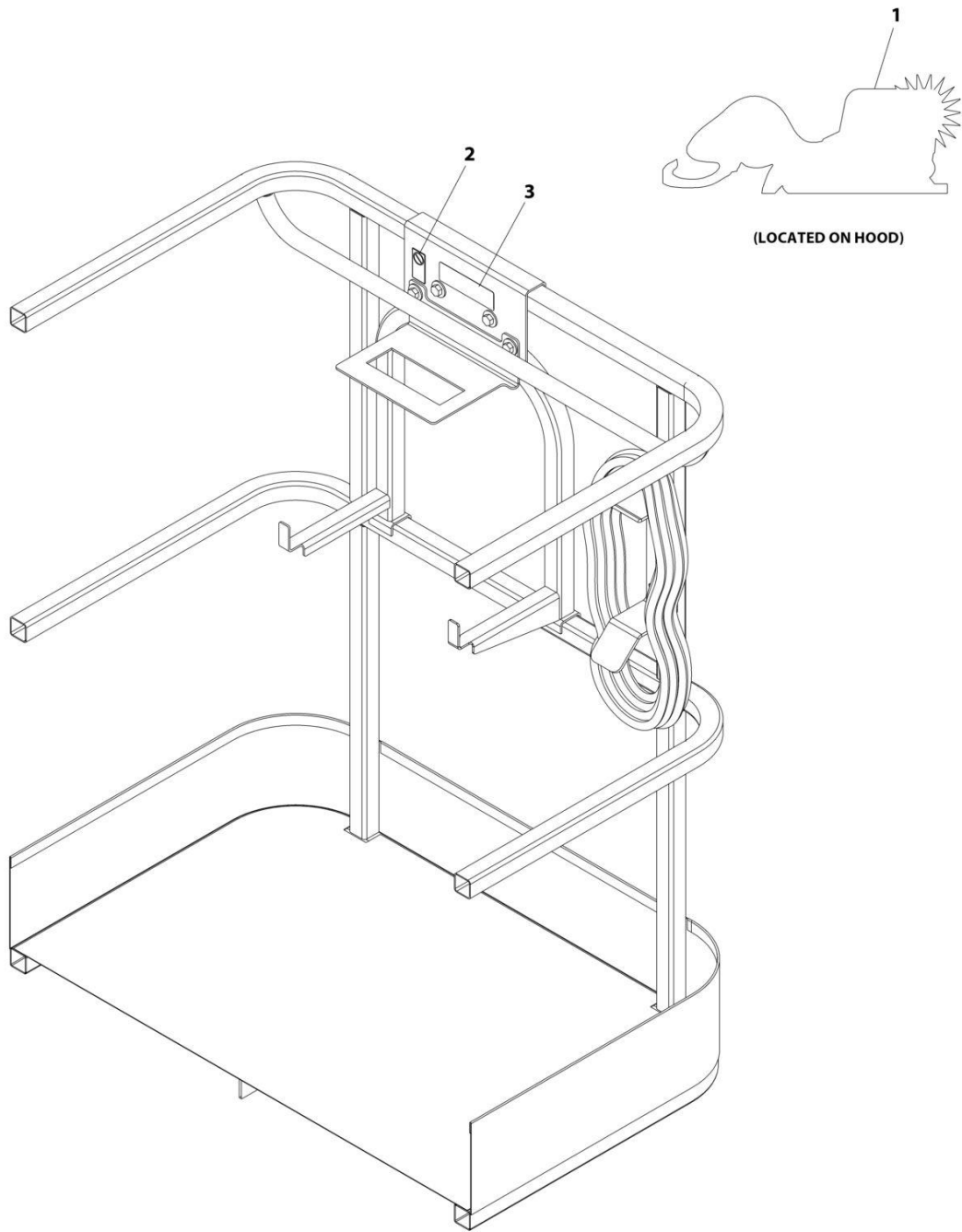
SECTION 9 - DECALS

FIGURE 9-13. SKYWELDER DECAL INSTALLATION - 60HZ

ITEM	PART NUMBER	QTY	DESCRIPTION	REV
	0272448	Ref	SKYWELDER DECAL INSTALLATION - 60Hz	B
1	1705355	2	Decal - SkyWelder	
2	1702868	1	Decal - No Hands	
3	1705305	1	Decal - Weld Lead	
4	1705375	1	Decal - 240V - 3 Phase - 60Hz	
5	1001228988	1	Decal - Weight	

SECTION 9 - DECALS

FIGURE 9-14. SKYCUTTER DECAL INSTALLATION



ART_0272588

SECTION 9 - DECALS

FIGURE 9-14. SKYCUTTER DECAL INSTALLATION

ITEM	PART NUMBER	QTY	DESCRIPTION	REV
	0272607	1	SKYCUTTER DECAL INSTALLATION	B
1	1705490	2	Decal - SkyCutter	
2	1705305	1	Decal - Weld Lead	
3	1001228988	1	Decal - Weight	

SECTION 10 - RECOMMENDED SERVICE PARTS STOCK

SECTION 10 - RECOMMENDED SERVICE PARTS STOCK

SECTION 10 - RECOMMENDED SERVICE PARTS STOCK

FIGURE 10-1. RECOMMENDED SERVICE PARTS STOCK

ITEM	PART NUMBER	QTY	DESCRIPTION	REV
		Ref	Note: The following list will service one machine (built to current production per date on the front cover) with emergency repair parts which can be installed in the field. Parts from the list should be replaced when inventory is depleted to keep service parts stock supplied. For further information, contact your JLG dealer or the JLG Industries Parts Department.	
	70001431	1	Breaker, Circuit (Plasma Cutter)	
	4360070	1	Breaker, Circuit 15Amp (7500W Generators)	
	7024485	1	Breaker, Circuit 30Amp (7500W Generators)	
	1001181045	1	Breaker, Double 30mAmp/16Amp (4000W Generator and AC Box at Platform (CE & UK CA Specs))	
	70003788	1	Coil (Boom Installation)	
	70022147	1	Coil (Jib Valve)	
	7024883	1	Coil (Jib Valve)	
	7024885	1	Coil (Jib Valve & Platform Valve)	
	70004588	1	Coil (Main Control Valve)	
	70004595	1	Coil (Main Control Valve)	
	70004599	1	Coil (Main Control Valve)	
	70003026	1	Coil (Platform Valve)	
	70004460	1	Coil (Steer/Axle Extend Valve & Main Control Valve)	
	70004463	1	Coil (Steer/Axle Extend Valve & Main Control Valve)	
	70002386	1	Coil (Traction Valve)	
	70003485	1	Contact, Circuit (Coupler/Collector Ring)	
	1001138566	1	Control, Generator Box (4000w Generator)	
	0861538	1	Control, Generator Box (7500w 60Hz Generator)	
	0861572	1	Control, Generator Box (7500w 50Hz Generator)	
	1001275628	1	Controller, Drive/Steer (Note: Use p/n 1001212415)	
	1001275629	1	Controller, Lift/Swing (Note: Use p/n 1001129555)	
	70006405	12	Element, Fuel Filter (Fuel Filter Assembly)	
	70008358	12	Element, Hydraulic Filter (Donaldson) (Valves & Filters - Turntable)	
	70002231	12	Element, Hydraulic Filter (Parker) (Valves & Filters - Turntable)	
	1001161232	12	Element, Hydraulic High Pressure Filter (Engine Side) (Valves & Filters - Turntable)	
	70002097	12	Element, Hydraulic High Pressure Filter (Tank Side) (Valves & Filters - Turntable)	
	70023809	12	Element, Primary Air	
	70023872	12	Element, Secondary Air	
	8229249	2	Fuse, 3A (USB Charger)	
	8229242	2	Fuse 5A (HRC Engine Harness)	
	8229244	2	Fuse, 15A (HRC Engine Harness)	
	70023592	2	Fuse 20A (Deutz LRC Engine)	
	8229247	2	Fuse, 25A (HRC Engine Harness)	
	70023593	2	Fuse 30A (Deutz LRC Engine)	
	8229245	2	Fuse, 30A (HRC Engine Harness)	
	1001174871	2	Fuse, Power Module (Turntable Electrical Installation)	
	2860030	1	Key, Replacement	
	2940074	1	Latch (Platforms with Gate)	
	1001247468	1	Loadcell (Platform Support)	
	1001277132	1	Module, Control (Electrical Components - Frame)	
	1001227960	1	Module, Controller (Electrical Panel)	

SECTION 10 - RECOMMENDED SERVICE PARTS STOCK

ITEM	PART NUMBER	QTY	DESCRIPTION	REV
	1001281100	1	Module, Controller (Electrical Panel)	
	1001142683	1	Module, Control Beacon (Blue and Red Beacons)	
	1001277211	1	Module, Jib Control (Jib Enclosure Box)	
	1001261326	1	Module, Control (Platform Console Box)	
	3740067	1	Relay (Aux Power/Batteries & Turntable Electrical)	
	1001117308	1	Relay (Deutz Engines)	
	1001216021	1	Relay (Deutz HRC and StageV Engines)	
	1001186431	1	Relay (SkyGuard)	
	1001095704	1	Relay (Deutz HRC and StageV Engines)	
	3740086	1	Relay (SkyLine)	
	1001138228	1	Relay, Module (Deutz LRC Engine)	
	1001118971	1	Sensor, Angle (Boom Sensors & Switches)	
	1001135479	1	Sensor, Angle (Boom Sensors & Switches)	
	1001133759	1	Sensor, Angle (Coupler/Collector Ring)	
	1001157084	1	Sensor, Axle (Axle Installation)	
	1001146963	1	Sensor, BEI Angle (Boom Sensors & Switches)	
	1001150999	1	Sensor, Boom Length (Boom Sensors & Switches)	
	1001138827	1	Sensor, Coolant (All Deutz Engines)	
	1001117990	1	Sensor, Cylinder Length (Level Cylinder)	
	1001117991	1	Sensor, Cylinder Length (Lift Cylinder)	
	1001228225	1	Sensor, Emitter (SkyEye)	
	4000008	1	Sensor, Proximity (Boom Sensors & Switches)	
	1001232667	1	Sensor, Proximity (SkyLine)	
	1001228224	1	Sensor, Receiver (SkyEye)	
	1001237902	1	Sensor, SkySense	
	1001146963	1	Sensor, Steer	
	70004614	1	Sensor, Thermostat (Main Valve)	
	1001151895	1	Sensor, Tilt (Turntable Electrical Components)	
	1001219601	1	Sensor, Tilt Dual Axis CAN	
	1001225346	1	Switch, Disconnect (Battery Disconnect)	
	4360407	1	Switch, Flow Control (Platform Control Box)	
	1001117172	1	Switch, Foot (Footswitch Assembly)	
	4360469	1	Switch, Key	
	4360274	1	Switch, Pushbutton Gray (Ground Control)	
	4360387	1	Switch, Pushbutton Yellow (Ground Control, Platform Control Box & Soft Touch)	
	4360475	1	Switch, Emergency Stop	
	70004282	1	Switch, Reset (4000w Generator)	
	70001432	1	Switch, Rocker (Plasma Cutter)	
	1001137673	1	Switch, SkyGuard Bar	
	4360328	1	Switch, Toggle (Ground Control)	
	4360336	1	Switch, Toggle (Generator)	
	1001155045	1	Switch, Toggle (Platform Control Box)	
	1001159256	1	Switch, Toggle (Platform Control Box)	
	1001161709	1	Switch, Toggle (Platform Control Box)	
	1001161710	1	Switch, Toggle (Platform Control Box)	

SECTION 11 - SPECIAL OPTIONS/ACCESSORIES/KITS

SECTION 11 - SPECIAL OPTIONS/ACCESSORIES/KITS

SECTION 11 - SPECIAL OPTIONS/ACCESSORIES/KITS

FIGURE 11-1. SPECIAL OPTIONS/ACCESSORIES/KITS

ITEM	PART NUMBER	QTY	DESCRIPTION	REV
		Ref	Note: This list is to accommodate machines ordered with special equipment. Options may not be applicable to all models. For more specific parts information contact JLG Parts Department.	
	1001156330	Ref	Airline Installation	
	1001202401	Ref	Air Intake Shut-off Valve (Deutz HRC Engines) (ANSI and CSA Specs)	
	1001232865	Ref	Battery Isolator Replacement Kit	
	1001158180	Ref	Bellows Installations - Boom Cylinders	
	1001158014	Ref	Bellows Installations - Chassis Cylinders	
	1001206793	Ref	Belt and Fan Shield Kit - Deutz T4I Engine	
	1001206795	Ref	Belt and Fan Shield Kit - Deutz T4F Engine	
	1001208900	Ref	Boom Rest Replacement Kit	
	1001187507	Ref	Boom Wear Pad Kit (ANSI Specs)	
	1001160266	Ref	Boom Wipers Installation - Boom Only	
	1001156271	Ref	Boom Wipers Installation - Jib Only	
	1001187506	Ref	Boom Wire Rope Kit (ANSI Specs)	
	1001261338	Ref	Bolt-On Fall Arrest - 30in X 4ft (76cm x 1.22m)	
	1001261339	Ref	Bolt-On Fall Arrest - 30in X 6ft (76cm x 1.83m)	
	1001236746	Ref	Bolt-On Fall Arrest - 36in X 8ft (91cm x 2.44m)	
	1001236747	Ref	Bolt-On Fall Arrest - 36in X 6ft (91cm x 1.83m)	
	1001237883	Ref	Bolt-On Fall Arrest (6FT x 1.83M) (ANSI, ANSI Export, China, CSA, and Japanese Specs) (Fits Platform p/ns1001228376)	
	1001237882	Ref	Bolt-On Fall Arrest (8FT x 2.44M) (ANSI, ANSI Export, China, CSA, and Japanese Specs) (Fits Platform p/ns 1001186383 & 1001144023)	
	1001238463	Ref	Bolt-On Fall Arrest - 36in X 6ft (91cm x 1.83m) Tri-Entry	
	1001232149	Ref	Capping Service Kit (Used to cap Turntable Harness unused connector RL 360-85 and RL 360-86)	
		Ref	ClearSky Telematics Add-on Kits (Dealer Installed):	
	1001246142	Ref	ClearSky Telematics Add-on Kit (Australian Spec)	
	1001276923	Ref	ClearSky (Telematics) Add-on Kit (Contact JLG for Approved Countries)	
	1001243183	Ref	ClearSky Telematics Access Control Add-on Kit (ANSI, ANSI Export and CSA Specs)	
	1001243184	Ref	ClearSky Telematics Access Control Add-on Kit (CE & UK CA Specs)	
	1001242192	Ref	ClearSky Telematics Access Control Add-on Kit (ANSI, ANSI Export, CE and CSA Specs)	
	1001180171	Ref	Cold Weather/Cold Weather Plus Package	
	1001233047	Ref	Crankcase Breather Heater Kit - Deutz T4F Engine	
	1001216361	Ref	Cribbing Enable Installation	
		Ref	Decal Kits	
	1001248541	Ref	Decal Kit- Master (All Specs)	
	1001248547	Ref	Decal Kit - Country Spec (ANSI Spec)	
	1001248550	Ref	Decal Kit - Country Spec (ANSI Export Spec)	
	1001248546	Ref	Decal Kit- Country Spec (Australian Spec)	
	1001248551	Ref	Decal Kit- Country Spec (Brazil Spec)	
	1001248546	Ref	Decal Kit - Country Spec (CE & UK CA Spec)	
	1001248553	Ref	Decal Kit - Country Spec (Chinese Spec)	
	1001248548	Ref	Decal Kit - Country Spec (CSA Spec)	
	1001248552	Ref	Decal Kit - Country Spec (Japanese Spec)	

SECTION 11 - SPECIAL OPTIONS/ACCESSORIES/KITS

ITEM	PART NUMBER	QTY	DESCRIPTION	REV
	1001248549	Ref	Decal Kit - Country Spec (Korean Spec)	
	1001270522	Ref	Decal Kit - Machine (ANSI Specs)	
	1001272092	Ref	Decal Kit - Console Box (ANSI Specs)	
	1001272204	Ref	Decal Kit - Platform (ANSI Specs)	
	1001244863	Ref	DEF Tank Replacement Kit	
	1001233763	Ref	Deutz Breather Heater Installation (ANSI, ANSI Export (HRC), CE, CSA and Japanese Specs)	
		Ref	Electrical Connector Kits	
	1001148902	Ref	Electrical Connector Kit - Amp/Tyco Electrical Connectors	
	1001148903	Ref	Electrical Connector Kit - Deutsch DT Electrical Connectors	
	1001148904	Ref	Electrical Connector Kit - Deutsch HD Electrical Connectors	
	1001148905	Ref	Electrical Connector Kit - Packard Electrical Connectors	
	1001148906	Ref	Electrical Connector Kit - Various Electrical Connectors	
	1001253618	Ref	Electrical Assembly Module Box 4/8 Kit	
	1001253619	Ref	Electrical Assembly Module Box 12 Kit	
	1001235962	Ref	Engine Coolant Strainer Kit	
	1001155069	Ref	Fan Guard Installation - Deutz LRC Engine	
	1001197775	Ref	Fan Guard Installation - Deutz HRC Engine	
	1001225639	Ref	Filter Combined Kit – Deutz T4I Engine (Hydraulic/Air and Fuel/Engine Oil)	
	1001139099	Ref	Fire Extinguisher Installation	
	1001274830	Ref	Floor Mat Add-on Kit (36x72 Platform) (Dealer Installed)	
	1001274829	Ref	Floor Mat Add-on Kit (36x96 Platform) (Dealer Installed)	
	1001117294	Ref	Footswitch Shield (ANSI, ANSI Export and CSA Specs)	
	1001191395	Ref	Fuel Cap Cover - Lockable (Green) (Note: p/n 1001102157 must be Purchase Separately)	
	1001202749	Ref	Fuel Cap Cover - Lockable (Black) (Note: p/n 1001102157 must be Purchase Separately)	
	1001230650	Ref	Fuel Filter/Water Separator Kit (China Specs)	
	1001187505	Ref	Hose Kit - Boom (Upper)	
	1001239640	Ref	Hose Kit - Jib Valve	
	1001239638	Ref	Hose Kit - Platform Valve	
	1001241422	Ref	Hostile Environment Kit	
	1001148971	Ref	Lanyard (Bolt-On) Add-on Kit	
	1001158083	Ref	Lights Installation - Chassis Illumination Lights	
	1001202453	Ref	Lights Installation - Headlights and Taillights	
	1001220136	Ref	Lights Installation - Platform Work Lights	
	1001220137	Ref	Lights Installation - Platform Floodlights	
	1001236951	Ref	Low Temperature Cutout Installation (Russian Specs)	
	1001237930	Ref	Main Control Valve Kit	
	1001155064	Ref	Oil Cooler Installation - Deutz Engines	
	1001272166	Ref	Pipe Rack Kit	
	1001197436	Ref	Platform Console Cover Installation	
	1580013	Ref	Platform Corner Storage Tray	
	1001142504	Ref	Platform Entry Kit - Drop Bar (Replaces Swing Gate with Drop Bar)	
	1001142505	Ref	Platform Entry Kit - Swing Gate (Replaces Drop Bar with Swing Gate)	
	1001269389	Ref	Platform Mesh to Mid Rail Installation - 36in X 6ft (91.5cm x 1.83m) (ANSI, ANSI Export, Australian and China Specs)	
	1001269187	Ref	Platform Mesh to Top Rail Installation - 36in X 6ft (91.5cm x 1.83m) (ANSI, ANSI Export, CSA and China Specs)	
	1001266098	Ref	Platform Plastic Mesh to Mid Rail Installation - 36in X 6ft (91.5cm x 1.83m) (ANSI, ANSI Export, CSA and China Specs)	

SECTION 11 - SPECIAL OPTIONS/ACCESSORIES/KITS

ITEM	PART NUMBER	QTY	DESCRIPTION	REV
	1001266056	Ref	Platform Plastic Mesh to Top Rail Installation - 36in X 6ft (91.5cm x 1.83m) (ANSI, ANSI Export, Australian and China Specs)	
	1001281457	Ref	Platform Mesh (Steel) to Top Rail Add-On Kit - 36in x 8ft (91.5cm x 2.44m) with Gate (ANSI, ANSI EXPORT, CSA, AND CHINA SPECS)	
	1001281452	Ref	Platform Mesh (Steel) to Top Rail Add-On Kit - 36in x 8ft (91.5cm x 2.44m) with Gate (ANSI, ANSI EXPORT, AUSTRALIAN, AND CHINA SPECS)	
	1001149730	Ref	Platform Mid Rail Repair Kit	
	0272725	Ref	Platform Rail Extensions Installation (8ft Platform)	
	1001209059	Ref	Platform Work Surface	
	1001190894	Ref	Service Kits	X
	1001247073	Ref	SkyEye Retrofit Kit	
	1001241547	Ref	SkyEye Housing Repair Kit - LH	
	1001241548	Ref	SkyEye Housing Repair Kit - RH	
	1001206825	Ref	SkyGuard Installation Add-on Kit - Complete (Blue Beacon) (Dealer Installed)	
	1001210031	Ref	SkyGuard Installation Add-on Kit - Complete (Red Beacon) (Dealer Installed)	
	1001206884	Ref	SkyGuard Blue Beacon Add-on Kit (Dealer Installed)	
	1001210030	Ref	SkyGuard Red Beacon Add-on Kit (Dealer Installed)	
	1001249052	Ref	SkyGuard Retrofit Kit	
	1001250035	Ref	SkyGuard Platform Sensor Retrofit Kit	
	1001137672	Ref	SkyGuard Platform Sensor Add-on Kit (Dealer Installed)	
	1001137440	Ref	Platform Sensor Harness	
	1001186431	Ref	Relay	
	1001250595	Ref	6 Pin SkyGuard Retrofit Kit	
	1001232643	Ref	SkyLine Add-on Kit	
	1001262016	Ref	SkyLine Installation Kit	
	1001289905	Ref	SkySense (EDS) Level 1 Booms Installation (Factory Installed)	
	1001289906	Ref	SkySense (EDS) Level 2 Booms Installation (Factory Installed)	
	1001246867	Ref	SkySense (EDS) Level 1 Booms Add-on Kit (Dealer Installed)	
	1001246860	Ref	SkySense (EDS) Level 2 Booms Add-on Kit (Dealer Installed)	
	1001275642	Ref	SkySense Padding Installation - For 36 x 72 Platforms equipped with SkySense	
	1001275650	Ref	SkySense Pre-cut Bumper Kit (use with 1001275642)	
	1001269655	Ref	SkySense Padding Installation - For 36 x 96 Platforms equipped with SkySense	
	1001276062	Ref	SkySense Pre-cut Bumper Kit (use with 1001269655)	
	1001231235	Ref	SkyWelder Locking Bracket Installation	
	1001284520	Ref	Telematics Gateway (Dealer Installed)	
		Ref	Tools for Service	
	2901443	Ref	Analyzer Kit	
	1001249941	Ref	Analyzer Kit (Battery Powered)	
	1001249695	Ref	Analyzer & Cable Kit	
	1001162227	Ref	Boom Cable Adjustment Tools Installation	
	1001137005	Ref	Cable Kit, Software (Not Shown)	
	7002821	Ref	Crimper, Wire	
	4460510	Ref	Pin Extractor - 12-14 Gauge (For Removal of Pin/Sockets from Deutsch Connectors)	
	4460467	Ref	Pin Extractor - 16-18 Gauge (For Removal of Pin/Sockets from Deutsch Connectors)	
	7002823	Ref	Pin Extractor - Universal (For Electrical Connectors with Pins and Sockets)	

SECTION 11 - SPECIAL OPTIONS/ACCESSORIES/KITS

ITEM	PART NUMBER	QTY	DESCRIPTION	REV
	7016654	Ref	Screwdriver, Magnetic	
	7002822	Ref	Screwdriver, Potentiometer	
	7004275	Ref	Seal Tool 1in (For Cylinders)	
	7004276	Ref	Seal Tool 1-1/2in (For Cylinders)	
	1001162216	Ref	Socket 32mm	
	1001162217	Ref	Socket 41mm	
	1001162218	Ref	Socket 55mm	
	7002828	Ref	Stripper, Wire	
	4921850	Ref	Throttle Service Harness	
	70004185	Ref	Torque Multiplier	
	7016655	Ref	Wire Rope Sheave Gauge	
	1001193630	Ref	Turntable Bearing Kit	
	1001278007	Ref	UCM Retrofit Kit	
	1001277847	Ref	UGM2 Retrofit Kit	
	1001274249	Ref	USB Charger Add-on Kit (Dealer Installed)	
	1001262959	Ref	Voltage Regulator Clearsky Locate Kit	
	1001232037	Ref	White Noise Alarm (Factory Installed)	
	1001232038	Ref	White Noise Ambient Alarm (Factory Installed)	
	1001277398	1	White Noise Alarm Kit (Dealer Installed)	
	1001277420	1	White Noise Ambient Alarm Kit (Dealer Installed)	

SECTION 11 - SPECIAL OPTIONS/ACCESSORIES/KITS

PART NUMBER INDEX

SECTION 11 - SPECIAL OPTIONS/ACCESSORIES/KITS

0100009	371	0440162 171, 183, 197, 209,		0700408 471, 473, 475, 477,		0712426.....	155, 161
0100011 ..17, 19, 21, 31, 33,		225, 245		479, 481, 483, 485, 487,		0712435.....	65
35, 37, 43, 57, 59, 75, 81,		0440273.....	17	489, 491		0721005.....	419, 421
155, 156, 157, 161, 162,		0630457.....	329	0700510	175, 187	0731007.....	79, 81
163, 171, 175, 178, 183,		0630462.....	419, 421	0700610 ..81, 85, 89, 93, 97,		0741607.....	285, 289, 293
187, 190, 197, 201, 204,		0630468.....	37, 339	101, 105, 109, 113, 117,		0760405.....	329
209, 213, 216, 225, 231,		0630518 135, 375, 381, 409,		121, 204, 216, 237, 254		0760408 171, 183, 197, 209,	
237, 245, 249, 254, 261,		411, 413, 416		0700612 139, 178, 190, 204,		225, 245	
285, 289, 293, 297, 301,		0630568.....	371	216, 237, 254		0760507.....	263
307, 311, 317, 319, 321,		0630615001	155, 161	0700615 .145, 147, 149, 151		0760508. 201, 213, 231, 249	
323, 325, 329, 336, 339,		0641404.....	403	0700616 .156, 157, 162, 163		0760512.....	263
347, 351, 353, 357, 359,		0641405.....	371, 403	070061889, 93, 97, 101,		0760514.....	263
361, 379, 403, 409, 411,		0641406 365, 655, 657, 659,		105, 109, 113, 117, 121,		0760516.....	197, 209, 225
413, 416, 419, 421, 453		661, 663, 665, 667, 669,		471, 475, 479, 483, 487		0760604. 204, 216, 237, 254	
0100019 19, 21, 65, 69, 285,		671		0700620	137	0760606 197, 209, 225, 285,	
289, 293, 301, 307, 336		0641406001 ...	329, 333, 367	0700810	197, 209	290, 294	
0100020 171, 178, 183, 190,		0641408 156, 157, 162, 163,		0700812	197, 209	0760608. 197, 204, 209, 216	
197, 204, 209, 216, 225,		405		0700815 178, 190, 204, 216,		0760608001.....	329
237, 245, 254, 289, 377,		0641412001	465	237, 254		0760610 171, 175, 183, 187,	
381, 416, 473, 477, 481,		0641413001	465	0700818 171, 183, 245, 289,		201, 213, 231, 245, 249,	
485, 489, 491		0641414 371, 379, 405, 407,		293		285, 289, 293, 369	
0100035 19, 89, 93, 97, 101,		419, 421		0700818001 ..319, 321, 323,		0760612.....	89, 93, 97, 101,
105, 109, 113, 117, 121,		0641416 473, 477, 481, 485,		325		105, 109, 113, 117, 121,	
175, 187, 201, 213, 231,		489, 491		0700819001	285	137, 156, 162, 331, 369	
249, 329, 371, 375		0641418 347, 351, 353, 357,		0700820	197, 209, 225	0760613 171, 183, 197, 209,	
0100040	337	359, 361		0700823001	336	225, 245	
0100048 ..77, 285, 289, 293,		0641418001	329	0700827	197, 209, 225	0760614 81, 89, 93, 97, 101,	
333		0641504.....	41	0700829001	37, 339	105, 109, 113, 117, 121,	
0100063	307	0641507001	37, 339	0701013 178, 190, 204, 216,		180, 191, 204, 216, 237,	
0100071	17, 297	0641509.....	329	237, 254		254, 263	
0100081 180, 192, 204, 216,		0641510.....	453	0701014001 ..155, 161, 165,		0760807.....	197, 209, 249
237, 254, 307, 329, 385,		0641511001	461	167		0760808001....	19, 155, 161,
387, 389, 391, 393, 395,		0641516001	336	070101579, 81, 155, 161,		329	
397, 399, 401		0641520001	336	178, 190, 204, 216, 237,		0760810 178, 190, 197, 204,	
0140011	371	0641605001	329	254		209, 216, 237, 254	
0140043	139	0641606 178, 190, 204, 216,		0701016 178, 190, 204, 216,		0760810001 89, 93, 97, 101,	
0200048	419, 421	409, 411, 413, 416		237, 254		105, 109, 113, 117, 121,	
0236768	85	0641606001	307	070101779, 81, 178, 190,		155, 161, 329	
0259666	133	0641607	237, 254	204, 216, 237, 254, 301		0760812.. 31, 33, 89, 93, 97,	
0272254	411	0641607001	329, 336	070101869, 85, 285, 289,		101, 105, 109, 113, 117,	
0272418 385, 387, 389, 391,		0641608.....	277	293, 301		121, 171, 178, 183, 190,	
393, 395, 397, 399, 401		0641608001	37, 319, 321,	0701019 178, 190, 204, 216,		197, 204, 209, 216, 237,	
0272427	419	323, 325, 333, 339		237, 254		254, 499	
0272435	291	0641622001	336	0701020	155, 161	0760812001.....	155, 161
0272448	681	0641626001	336	0701021	301	0760814.....	81, 197, 209
0272521	409	0641628001	337	0701022001	301	0760815.....	89, 93, 97, 101,
0272588	679	0641644.....	301	0701024001	301	105, 109, 113, 117, 121	
0272589	294	0641688.....	301	0701039	301	0760815001.....	19
0272599	677	0641808001	307	0701047	301	0761008. 178, 190, 204, 216	
0272607	683	0641812.....	231, 249	07010220	79, 81	0761009.....	301
0272725	692	0642010001	307	0701224	75	0761010.....	329
0272949	389	0642012 385, 387, 389, 391,		0701420001	17	0761011001.....	301
0272950	391	393, 395, 397, 399, 401		0701422001	19	0761012.. 31, 33, 35, 57, 59,	
0272952	393	0642014001	307	0701616	297	155, 156, 161, 178, 190,	
0273353	416	0642212 385, 387, 389, 391,		0701618	297	204, 216, 237, 254	
0273404	401	393, 395, 397, 399, 401		0701619001	29	0761012001.....	35, 59, 156,
0273405	397	0642220 172, 184, 197, 209,		0701627 178, 190, 204, 216,		157, 162, 163, 301, 336	
0273406	395	225, 245		237, 254		0761014.....	89, 93, 97, 101,
0273706	421	0681608001	317	0701628	301	105, 109, 113, 117, 121	
0275216	471, 619	0681620.....	427, 429, 431	0711015 171, 183, 197, 209,		0761014001... 301, 317, 336	
0275217	475, 621	0681814.....	363	225, 245		0761015 171, 175, 183, 187,	
0275452	479, 623	0681822.....	363	0711214 178, 190, 204, 216,		197, 201, 209, 213, 225,	
0275453	487, 625	0681836001	311	237, 254		231, 245, 249, 297, 329,	
0275454	483, 627	0682022001	307	0711218 180, 192, 204, 216,		369	
0363066	301	0682220.....	69	237, 254		0761015001.....	17, 301
0400020	85	0682424.....	427, 429, 431	0711222001	317	0761016.....	330
		0683020001	307	0711419	254		

SECTION 11 - SPECIAL OPTIONS/ACCESSORIES/KITS

0761016001 17, 156, 162, 301	0962051 171, 183, 197, 209, 225, 245	1001116208..... 673	1001119412561, 581
0761018..... 277	0962181 307	1001116692..... 545	1001119455465
0761018001 ... 155, 161, 301	0962270 363	1001116693..... 547	1001119614297
0761020..... 301	0962423 19	1001116694... 545, 547, 595	1001119619635
0761027..... 301	0962447 301	1001116695..... 330	1001119620637, 639
0761210 175, 178, 187, 190, 201, 204, 213, 216, 231, 249	0962520285, 289, 293	1001116720..... 615	100111970337, 339
0761212..... 285, 289, 293	0962561 437	1001116725..... 566, 570	100111970437, 339
0761212001 303	1001091102.....479, 523	1001116731..... 541	1001119710311
0761214..... 21, 155, 161	1001095136.....155, 161	1001116732..... 561	1001119727 179, 191
0761214001336	1001095704...565, 571, 687	1001116733... 566, 570, 581	1001119899297
0761215 175, 187, 201, 213, 231, 249	1001096612.....285, 527	1001116734..... 566, 570	1001119985307
0761216.. 75, 155, 161, 231, 249	1001096653.....31, 33, 479, 523, 629, 631, 633	1001116748..... 551, 595	1001119990307
0761216001 317	1001097051.....330, 637	1001116774... 501, 545, 547	1001119991307
0761218001 .. 31, 33, 45, 47, 49, 51, 53	1001097150.....525, 527	1001116808..... 501, 545	1001119998307
0761222..... 155, 161	1001097244..... 433	1001116812.. 509, 545, 559, 561, 570, 573, 583, 595, 646	1001119999297
0761616..... 301	1001097587..... 65	1001116813..... 521	1001120000 17, 307
0762018001 21	1001097588...205, 217, 231, 238	1001116815.. 545, 559, 571, 574, 646	1001120014307
0762418297	1001098012...381, 416, 423	1001116846..... 665, 673	1001120015307
0762418001 17	1001098122.....377, 611	1001116849 665	1001120028330
0771012001 304	1001098149..... 381	1001116851 665	1001120037307
0771014001 303	1001099366...385, 387, 389, 391, 393, 395, 397, 399, 401	1001116852..... 561, 573	1001120038307
0771015001 297	1001099367...385, 387, 389, 391, 393, 395, 397, 399, 401	1001116952..... 561, 573	1001120039307
0771016001 303	1001100319..... 239	1001116983..... 577	1001120048330
0771018001 304	1001100341..... 619	1001117023..... 561	1001120055596, 611
0771415 178, 190, 204, 216, 237, 254	1001100342..... 621	1001117035..... 665	1001120076330
0771416 171, 183, 197, 209, 225, 245	1001100345..... 623	1001117064 595	1001120084330
0771419 237	1001100346..... 627	1001117106..... 561, 645	1001120209308
0791504001 336	1001100347..... 625	1001117107..... 565	1001120257308
0791505001 331	1001101191...471, 475, 479, 483, 487, 525	1001117108..... 566	1001120328 ...94, 102, 110, 118, 122, 137, 379, 403, 565, 571, 596
0791516001 307	1001101197...479, 483, 487	1001117172..... 377, 687	1001120338371
0791609001 307	1001101421..... 385	1001117174..... 371, 377	1001120471433
0791622001 307	1001101422..... 385	1001117244.. 205, 217, 238, 255	1001120477433
0811607001 301, 311	1001101580...172, 184, 198, 210	1001117294..... 691	1001120484433
0811608001 307, 311	1001102594.....609, 646	1001117308.. 172, 179, 184, 191, 205, 217, 238, 246, 255, 687	1001120989673
0811610001 297	1001103012..... 645	1001117969..... 441	10011213447611
0840062 601	1001104498..... 645	1001117990..... 441, 687	1001122611 ..655, 657, 659, 661, 665, 667, 669, 671
0841812.. 175, 187, 201, 213	1001106736..... 137	1001117991 445, 687	1001123044302
0860038 289, 629, 631	1001107854..... 645	1001117994..... 441	1001125177 659, 663
0861538 289, 686	1001108616...175, 187, 201, 213, 231, 249, 268	1001117996..... 441	1001125178 659, 663
0861572 293, 686	1001108617..... 57	1001118066..... 441	1001125195371
0861731 481, 485, 489, 491, 623, 625, 627	1001109048..... 79, 81	1001118069..... 441	1001125196673
0861781 .473, 477, 619, 621	1001110544.....172, 184	1001118274.. 31, 33, 89, 93, 97, 101, 105, 109, 113, 117, 121, 155, 161, 330	1001125197673
0861880525, 527	1001110604..... 464	1001118282..... 566, 570	1001125198673
0902888 285, 289, 293	1001110853.....155, 161	1001118369..... 297, 307	1001125199673
0940049 155, 161	1001110872..... 493	1001118373..... 330	1001125200673
0940092 419, 421	1001110873.....290, 629	1001118384..... 641	1001125196673
0940094 419, 421	1001111116.....179, 191	1001118388..... 615, 641	1001125197673
0940102 385, 387, 389, 391, 393, 395, 397, 399, 401	1001112551..... 659	1001118564..... 307	1001125198673
0940103 419	1001112612.....501, 646	1001118878.. 45, 47, 49, 51, 53	1001125199673
0940133 421	1001112796...501, 541, 545	1001118930 330	1001125200673
0961845 347, 351, 353, 357, 359, 361	1001112927...175, 187, 201, 213, 231, 249, 275	1001118931 330, 687	1001125201673
0961950 307, 311, 439, 445, 449	1001113961.....551, 646	1001119020 501, 646	1001125202673
0961951 178, 190, 204, 216, 237, 254	1001114999.....90, 94, 106, 110, 121	1001119033..... 330	1001125203673
0962006 441	1001115603..... 399	1001119042..... 307	1001125204673
	1001116025..... 673	1001119105..... 441, 445	1001125205673
		1001119137 330	1001125206673
		1001119214..... 333	1001125207673
		1001119215..... 333	1001125208673
		1001119262..... 333	1001125209673
			1001125210673
			1001125211673
			1001125212673
			1001125295599
			1001125387673
			1001125677 ...565, 571, 596
			1001126008 ...521, 567, 617
			1001126009641
			1001126011611
			1001126245566

SECTION 11 - SPECIAL OPTIONS/ACCESSORIES/KITS

1001126351.....562, 569, 573	1001138253.....238, 255	1001149517 ..179, 191, 205, 217, 238, 255	1001153797..... 302
1001126352..... 562	1001138494 ..351, 353, 357, 359, 361	1001149709466	1001153815..... 302
1001126353..... 565	1001138514 ... 353, 357, 361	100114971129	1001153816..... 302
1001126356..... 562	1001138559 ..179, 191, 205, 217, 238, 255	1001149730692	1001153817..... 302
1001126357..... 562	1001138566..... 285, 686	1001149746 ..179, 191, 205, 217, 238	1001153827..... 302
1001126362...562, 566, 570, 573	1001138827 ..179, 191, 205, 217, 238, 255, 687	100114982365	1001153828..... 302
1001126363...562, 570, 573, 574	1001139099691	1001149867175, 178	1001153846..... 302
1001126364..... 573, 574	1001139240 ..179, 191, 205, 217, 238, 255	100114992121, 25	1001153979..... 65
1001126365..... 562, 570	1001139654673	1001149970 89, 93, 97, 101, 105, 109, 113, 117, 121, 557	1001153981..... 69
1001126384..... 562	1001140429 ..347, 351, 353, 357, 359, 361	1001149971 ...175, 187, 561	1001153983..... 69
1001126391...562, 566, 570, 573, 651	1001140564 ..179, 191, 205, 217, 238, 255	1001149975 ..45, 47, 49, 51, 53, 551	1001153984..... 69, 71
1001126392..... 570, 573	1001141300..... 673	1001149977 ..319, 321, 323, 325, 617	1001154030..... 139
1001126393..... 566	1001141302..... 673	1001149978333, 595	1001154034..... 85
1001126485...566, 567, 570, 574	1001141304 ..175, 187, 201, 213, 249	100115016253	1001154035..... 85
1001126487...566, 570, 574	1001141995 ..179, 191, 205, 217, 238, 255	1001150174289	1001154085..... 297
1001128128...561, 566, 570	1001142501 ..172, 179, 184, 191, 198, 205, 210, 217, 226, 246	1001150498 ...179, 191, 255	1001154086..... 302
1001128527..... 413	1001142504691	1001150499179, 191	1001154087..... 302
1001128556..... 413	1001142505691	1001150504 ..179, 205, 238, 256	1001154088..... 302
1001129408...529, 531, 533, 535	1001142683 ..145, 147, 149, 151, 687	1001150505179, 191	1001154091..... 302
1001129961..... 311	1001142736 ..145, 147, 149, 151, 501	1001150553 ..179, 191, 205, 217, 239, 256	1001154092..... 302
1001131269..... 655, 667	1001143390 ..179, 191, 205, 217, 238, 255	100115072569	1001154093..... 302
1001133714...561, 567, 570, 574	1001143852673	1001150887443	1001154094..... 302
1001133715...561, 567, 570, 574	1001144147541, 645	1001150942443	1001154095..... 302
1001133759..... 687	1001144295607	1001150999330, 687	1001154096..... 302
1001133956...562, 569, 573	1001144296646	1001151000330	1001154097..... 302
1001133957...562, 569, 573	1001144433379	1001151117302	1001154099..... 302
1001134488...179, 191, 205, 217, 238, 255	1001144629 ..349, 351, 355, 359	1001151124302	1001154119..... 67
1001135027.89, 93, 97, 101, 105, 109, 113, 117, 121, 175	1001145405381, 416	1001151393133	1001154121..... 286
1001135196...172, 184, 198, 210, 226, 246	1001146588231, 249	1001151432179, 191	1001154142... 175, 187, 249
1001135479..... 331, 687	1001146896297	1001151491 ..179, 192, 205, 217, 239, 256	1001154143.. 175, 187, 201, 213, 231, 249
1001135483..... 330	1001146940297	1001151749 ..180, 192, 205, 217, 239, 256	1001154144..... 85
1001135484..... 331	1001147567 ..205, 217, 238, 255	1001151761180, 192	1001154145..... 85
1001135497...172, 184, 198, 210, 226, 246	1001147616..... 29	1001151895 89, 93, 97, 101, 105, 109, 113, 117, 121, 687	1001154192..... 75
1001135650...567, 570, 574	1001147617 29	1001152112192, 217	1001154196..... 75
1001135651..... 574	1001147618 29	1001152266607	1001154232..... 302
1001135943...179, 191, 205, 217, 238, 255	1001147847 ..179, 191, 205, 217, 238, 255	1001152456286	1001154233..... 302
1001136583..... 302	1001147879 79, 81, 83	1001152458285	1001154234..... 302
1001136834...179, 191, 205, 217, 238, 255	1001148059 285, 294	1001152489 ..180, 192, 205, 217, 239, 256	1001154235..... 302
1001136975...198, 210, 226, 246	1001148641 ..179, 191, 205, 217, 238, 255	1001152525 ...286, 290, 294	1001154247..... 302
1001137005..... 692	1001148675493	1001152530286	1001154260..... 302
1001137440..... 692	1001148759 285, 294	1001152532285, 579	1001154262... 198, 210, 226
1001137578..... 555	1001148902691	1001152742651	1001154294..... 302
1001137672..... 692	1001148903691	1001153433302	1001154304..... 302
1001137673..... 379, 687	1001148904691	1001153437302	1001154306..... 302
1001138173...179, 191, 205, 217, 238, 255	1001148905691	1001153443302	1001154377..... 69
1001138175...179, 191, 205, 217, 238, 255	1001148906691	1001153450302	1001154405.. 171, 180, 183, 192, 198, 206, 210, 218, 226, 239, 246, 256, 277
1001138228...179, 191, 255, 687	1001148971691	1001153452302	1001154706..... 172, 175
1001138248...179, 191, 205, 217, 238, 255	1001148972297	1001153453302	1001154707..... 171
	1001149160 ... 155, 161, 330	1001153465302	1001154751..... 336
		1001153692302	1001154759..... 21
		1001153710302	1001154768..... 336
		1001153760302	1001154769..... 336
		1001153785302	1001154772..... 21
		1001153786302	1001154816..... 336

SECTION 11 - SPECIAL OPTIONS/ACCESSORIES/KITS

1001155023 .. 180, 192, 205, 217, 239, 256	1001156016.....437, 443	1001157073 .. 175, 187, 201, 213, 231, 249	1001158207 ..319, 321, 323, 325, 603
1001155041 ... 285, 289, 293	1001156030...286, 290, 294, 581	1001157080..... 437	1001158262180, 192
1001155044 371	1001156034...180, 192, 206, 218, 239, 256	1001157084..... 17, 687	1001158263281
1001155045 371, 687	1001156035...180, 192, 206, 218, 239, 256	1001157097..... 303	1001158289180, 192
1001155064 691	1001156062...180, 192, 206, 218, 239, 256	1001157207..... 31, 33, 41	1001158355303
1001155066 289	1001156083..... 468	1001157216..... 29	1001158363286
1001155067 293	1001156091...180, 192, 206, 218, 239, 256	1001157217..... 155, 161	1001158412 35, 57, 59
1001155069 691	1001156103..... 336	1001157218..... 155, 161	1001158517303
1001155133 17	1001156104..... 336	1001157224..... 155, 161	1001158529187, 190
1001155142 336	1001156107.89, 93, 97, 101, 105, 109, 113, 117, 121, 175, 187, 201, 213, 231, 249	1001157241 461, 466	1001158530184, 187
1001155262 330	1001156112.....180, 192	1001157242 464, 466	1001158531183
1001155303 290	1001156216..... 323	1001157243 457, 466	1001158607281
1001155338 ... 285, 289, 293	1001156217..... 321	1001157292..... 371	1001158746297, 301
1001155348 289, 293	1001156218..... 633	1001157300..... 192, 218	1001158757303
1001155363 17	1001156219..... 629	1001157301..... 192, 218	1001158771303
1001155378 451	1001156221..... 523	1001157412 303	1001158772303
1001155437 156	1001156222..... 631	1001157453 303	1001158774303
1001155438 155, 156	1001156271..... 690	1001157454 303	1001158817464
1001155440 329	1001156330..... 690	1001157459 303	1001158818464
1001155454 157	1001156347...156, 157, 162, 163	1001157467 29	1001158819464
1001155456 155, 157	1001156456.....155, 161	1001157520 290, 294	1001158922 89, 93, 105, 109, 121, 495
1001155496 .. 180, 192, 206, 218, 239, 256	1001156457.....155, 161	1001157521 290, 294	1001158923307, 311
1001155498 .. 180, 192, 206, 218, 239, 256	1001156520.....155, 161	1001157525 293, 294	1001158925311
1001155523 302	1001156549..... 302	1001157528 291, 294	1001158933311
1001155525 .. 180, 192, 206, 218, 239, 256	1001156562..... 302	1001157592 289, 290	1001158944307
1001155527 165	1001156565..... 302	1001157636 321, 513	1001158989141, 503
1001155540 .. 180, 192, 206, 218, 239, 256	1001156606..... 19	1001157637 321, 589	1001158991311, 453
1001155557 .. 180, 192, 206, 218, 239, 256	1001156613..... 302	1001157646 89, 93, 97, 101, 105, 109, 113, 117, 121, 601	1001158992311
1001155561 43	1001156644...180, 192, 206, 218, 239, 256	1001157649 601	1001158993311
1001155563 .. 180, 192, 206, 218, 239, 256	1001156650..... 297	1001157665 337	1001159061303
1001155564 .. 180, 192, 206, 218, 239, 256	1001156678..... 19	1001157670 43	1001159118493
1001155565 .. 180, 192, 206, 218, 239, 256	1001156679..... 19	1001157723 601	1001159119493
1001155566 .. 180, 192, 206, 218, 239, 256	1001156692..... 562	1001157849 21	1001159120493
1001155584 .. 156, 157, 162, 163	1001156718...175, 187, 201, 213, 231, 249	1001157850 21	1001159121493
1001155591 155, 161	1001156778.....19, 330	1001157852 .. 180, 192, 206, 218, 239, 256	1001159162 .. 137, 172, 184, 198, 210, 226, 246
1001155728 .. 180, 192, 206, 218, 239, 256	1001156785..... 19	1001157862 .. 180, 192, 206, 218, 239, 256	1001159167303
1001155734 155, 161	1001156815..... 19	1001157872 303	1001159168303
1001155743 ... 551, 565, 617	1001156859.89, 93, 97, 101, 105, 109, 113, 117, 121, 137	1001157873 303	1001159169303
1001155813 286	1001156867..... 43	1001157874 303	1001159170303
1001155817 19, 643	1001156893...319, 321, 323, 325, 605	1001157875 303	1001159186 ..583, 584, 612, 613
1001155823 .. 198, 210, 226, 246	1001156894.....323, 511	1001157876 303	1001159245303
1001155832 155, 161	1001156896.....323, 587	1001157877 303	1001159255337
1001155835 330	1001156897...319, 321, 323, 325, 593	1001157878 303	1001159256371, 687
1001155836 19, 330	1001156926..... 371	1001157881 303	1001159363331, 649
1001155900 302	1001156991..... 19	1001157882 303	1001159621 ..319, 321, 323, 325, 333
1001155902 155, 161	1001156996..... 19	1001157883 303	1001159652155, 161
1001155908 155, 161	1001157007..... 17	1001157884 303	1001159653156, 162
1001155909 155, 161	1001157028..... 596	1001157885 303	1001159687336
1001155918 155, 161	1001157031.....141, 143	1001157886 303	1001159855673
1001155939 .. 172, 184, 198, 210, 226, 246		1001157887 303	1001159875303
1001155967 89, 93, 97, 101, 105, 109, 113, 117, 121		1001157888 303	1001159980673
1001156001 ... 175, 187, 559		1001157889 303	1001159981673
		1001157890 ... 566, 569, 596	1001159983673
		1001157891 651	1001159984673
		1001157906 156, 162	1001160138303
		1001157907 157, 162	1001160266690
		1001158007 291, 294	1001160443673
		1001158008 ... 286, 291, 294	1001160444673
		1001158014 690	1001160445 ..655, 657, 659, 661, 663, 665, 667, 669, 671
		1001158017 17	1001160505 ...157, 162, 163
		1001158080 ... 479, 523, 525	
		1001158083 691	
		1001158180 690	

SECTION 11 - SPECIAL OPTIONS/ACCESSORIES/KITS

1001160518...180, 192, 206, 218, 239, 256	1001161667471	1001167635566, 574	1001180816..... 337
1001160589..... 303	1001161668475	1001167907337	1001180825..... 336
1001160743..... 303	1001161709..... 371, 687	100116828337, 339, 341	1001180947..... 337
1001160744..... 303	1001161710..... 371, 687	100116828437, 339, 343	1001181045... 525, 527, 686
1001160955..... 457	1001161729..... 325	1001168402317	1001181062..... 307, 313
1001160989..... 303	1001161837465	1001168734 ...175, 187, 250	1001181063..... 307, 315
1001160990..... 303	1001161869..... 465	1001169081156, 162	1001181625... 198, 210, 226
1001161232..35, 57, 59, 686	1001162212... 198, 210, 226	1001169085141, 143	1001181899.. 206, 218, 226, 231, 239, 250
1001161242..... 479	1001162216..... 693	1001169409226	1001182134..... 337
1001161243..... 487	1001162217..... 693	1001169679303	1001182256..... 451
1001161244..... 483	1001162218..... 693	1001169892 ..175, 187, 201, 213, 231, 250, 271	1001182361..... 569, 573
1001161269..... 461	1001162227..... 692	1001170764607	1001182365..... 569, 573
1001161270..... 461	1001162745..... 337	1001170982 ..180, 192, 206, 218, 239, 256	1001183003..... 156, 162
1001161271..... 461	1001162869..... 336	1001172064574	1001183022..... 156, 162
1001161272..... 461	1001163131385	1001172065574	1001183047..... 156, 162
1001161273..... 461	1001163287..... 393	100117235629, 307	1001184111..... 465
1001161274..... 461	1001163288..... 397	1001172358 17, 35, 59, 156, 157, 162, 163, 165, 167, 301, 317, 336	1001184112..... 465
1001161275..... 461	1001163289..... 395	1001172760371	1001184113..... 465
1001161276..... 461	1001163292..... 399	1001172781156, 162	1001184846..... 566
1001161277..... 461	1001163293..... 389	1001173609367	1001185281..... 371
1001161278..... 461	1001163295..... 401	1001173662304	1001186334..... 363
1001161279..... 461	1001163298..... 391	1001173663308, 336	1001186342.. 171, 183, 198, 210, 226, 246
1001161280..... 461	1001163429..... 303	1001173666308	1001186382..... 357
1001161281..... 461	1001163631 89, 93, 97, 101, 105, 109, 113, 117, 121, 609	1001173680308	1001186383..... 355
1001161282..... 461	1001163747 607	1001173763311	1001186384..... 349
1001161283..... 461	1001164056..... 85	100117384537, 339	1001186431... 379, 687, 692
1001161289..... 461	1001164091..... 286	100117384657, 336	1001186432..... 615, 641
1001161290..... 461	1001164354 .. 31, 33, 45, 47, 49, 51, 53	1001174040317	1001186517..... 379
1001161470..... 167	1001164726 89, 93, 97, 101, 105, 109, 113, 117, 121	100117434519	1001187079..... 646
1001161488..... 165	1001165035 .. 171, 178, 183, 190, 198, 204, 210, 216, 226, 239, 246, 256	1001174514156, 162	1001187382..... 317
1001161609..... 464	1001165194 651	1001174516156, 162	1001187383..... 317
1001161610..... 464	1001165306 156, 162	1001174520156, 162	1001187505..... 691
1001161611..... 464	1001166393 .. 179, 191, 206, 218, 239, 256	1001174597156, 162	1001187506..... 690
1001161612..... 464	1001166541566	1001174871 89, 93, 97, 101, 105, 109, 113, 117, 121, 686	1001187507..... 690
1001161613..... 464	1001166543566	100117520181	1001187674..... 383
1001161614..... 464	1001166551565	1001175265566	1001187681..... 635
1001161616..... 464	1001166555565	1001175568 ..206, 218, 239, 256	1001187744 89, 93, 97, 101, 105, 109, 113, 117, 121
1001161618..... 464	1001166556566, 651	1001175817336	1001188491..... 79, 81
1001161619..... 464	1001166701566	1001176002565, 569	1001188622..... 317
1001161620..... 464	1001166704555	1001176004565, 569	1001188844..... 317
1001161621..... 464	1001166774566, 651	1001176333599	1001188922... 201, 213, 565
1001161622..... 464	1001167262329	1001176469129, 131	1001189001..... 317
1001161623..... 464	1001167497303	1001176582367	1001189002..... 317
1001161624..... 464	1001167528555	1001176636367	1001189008..... 79, 81
1001161625..... 464	1001167565317	1001177134179, 191	1001189291..... 206, 218
1001161626..... 457	1001167567317	1001177137179, 191	1001190032..... 167
1001161627..... 457	1001167615565	1001177562674	1001190418.. 206, 218, 239, 256
1001161628..... 457	1001167616566, 570	1001177591303	1001190475..... 198, 210
1001161629..... 457	1001167620565, 569	1001177609329	1001190894..... 692
1001161630..... 457	1001167621565	1001177635367	1001190921..... 565
1001161631..... 457	1001167622565	1001178165 ..655, 657, 659, 661, 663, 665, 667, 669, 671	1001190927..... 165, 167
1001161633..... 457	1001167623565	1001180153297	1001190985..... 317
1001161634..... 457	1001167624565, 569	1001180171690	1001191122.. 179, 191, 206, 218, 239, 256
1001161635..... 457	1001167625565	1001180491367	1001191166.... 97, 101, 113, 117, 651
1001161636..... 457	1001167629566		1001191215..... 79
1001161637..... 464	1001167630566, 567		1001191368..... 283
1001161638..... 464	1001167631567		1001191390..... 283
1001161639..... 465	1001167632... 555, 570, 573		1001191395..... 691
1001161640..... 465	1001167633567		1001191464..... 155, 161
1001161641..... 465	1001167634566, 570		1001191620.. 226, 231, 250, 256
1001161642..... 465			
1001161643..... 465			
1001161644..... 465			
1001161645..... 465			
1001161646..... 465			
1001161647..... 465			

SECTION 11 - SPECIAL OPTIONS/ACCESSORIES/KITS

1001192138.. 179, 191, 206, 218, 239, 256	1001206884..... 692	1001223055..... 655	1001228225383, 687
1001192401 646	1001207004.....149, 151	1001223167 90, 94, 98, 102, 106, 110, 114, 118, 122	1001228243359
1001193018.. 471, 473, 475, 477, 479, 481, 483, 485, 487, 489, 491	1001207969.....37, 339	1001223168 90, 94, 98, 102, 106, 110, 114, 118, 122	1001228375361
1001193599 206, 218	1001208297...180, 192, 206, 218, 239, 256	1001223169 90, 94, 98, 102, 106, 110, 114, 118, 122	1001228376351
1001193630 693	1001208298...180, 192, 206, 218, 239, 256	1001223170 90, 94, 98, 102, 106, 110, 114, 118, 122	1001228377353
1001193980 ... 198, 210, 226	1001208299...180, 192, 206, 218, 239, 256	1001223248 ... 98, 102, 122, 127	1001228872 ... 198, 210, 226
1001194197 481	1001208900..... 690	1001223249 ... 114, 118, 131	1001228954529
1001194198 489	1001208994.....37, 339	1001223250 45, 89, 93	1001228958529
1001194200 485	1001209059..... 692	1001223251 49, 105, 109	1001228976367
1001194203 473	1001209432..... 499	1001223453 655, 667	1001228988 ..413, 679, 681, 683
1001194204 477	1001209474..... 499	1001223459 574	1001229341383
1001194365 491	1001209664..... 379	1001223971 667	1001229458539
1001195541 17	1001210030..... 692	1001224046... 198, 210, 226	1001229485367
1001196517 330	1001210031..... 692	1001224048 671	1001229922367
1001196553 155, 161	1001210636..... 433	1001224049 657	1001230650691
1001196634 543	1001211079..... 285	1001224050 665	1001230931551, 595
1001196636 607	1001211129..... 319	1001224052 661	1001230934569, 573
1001196806 81	1001211130.....319, 517	1001224053 669	1001230935569, 573
1001197017 419, 421	1001211131.....319, 519	1001224066 85, 87	1001230936569, 573
1001197317 .. 206, 218, 239, 256	1001211314..... 519	1001225245 399	1001231235692
1001197408 674	1001211315..... 517	1001225246 401	1001231315655
1001197436 691	1001211885.90, 94, 98, 102, 106, 110, 114, 118, 122, 246, 577	1001225247 393	1001231316667
1001197442 ... 97, 101, 113, 117, 497	1001212056...198, 210, 226	1001225248 395	1001231317671
1001197443 ... 201, 213, 231	1001212810.....206, 218	1001225249 391	1001231318657
1001197445 201, 213	1001212817...180, 192, 206, 218, 239, 256	1001225250 389	1001231319661
100119744689, 98, 105, 114	1001212825.....198, 210	1001225251 397	1001231320669
1001197553 17	1001212826.....206, 218	1001225252 308	1001231321665
1001197554 17	1001212826.....206, 218	1001225279 90, 94, 98, 102, 106, 110, 114, 118, 122	1001231801673
1001197555 17	1001213643.....198, 210	1001225346 499, 687	1001231949431
1001197556 17	1001214570..... 499	1001225580 379, 615	1001231950427, 429
1001197719 565	1001214571..... 499	1001225639 691	1001232010 ...427, 429, 431
1001197775 691	1001215375..... 367	1001226287 325, 515	1001232011 ...427, 429, 431
1001197969 297	1001215379..... 367	1001226288 325, 591	1001232037693
1001199670 ... 198, 210, 226	1001215380..... 367	1001226400 593, 605	1001232038693
1001200064 674	1001215949.....331, 521	1001226531 499	1001232149690
1001200065 674	1001216021...198, 210, 226, 687	1001226541 541, 646	1001232164383
1001200066 674	1001216318..... 565	1001226636 541	1001232165383
1001200067 674	1001216361..... 690	1001226637 541	1001232642403
1001200069 674	1001216630..... 317	1001226739 .. 529, 531, 533, 535, 541	1001232643692
1001200070 674	1001216790..... 331	1001226799 ... 529, 531, 535	1001232667403, 687
1001200071 674	1001217007..... 297	1001226831 539, 545	1001232865690
1001200491 317	1001218572.....156, 162	1001226872 347	1001233047690
1001200494 317	1001218622..... 591	1001226923 277	1001233763691
1001201351 317	1001218623..... 515	1001227254 333	1001234548 ...35, 57, 59, 61
1001202401 690	1001219082..... 539	1001227456 533	1001234800573
1001202453 691	1001219110.....31, 33, 39	1001227633 383	1001235962691
1001202749 691	1001219601.90, 94, 98, 102, 106, 110, 114, 118, 122, 687	1001227634 383	1001236504499
1001203653 297	1001219995...31, 33, 35, 37, 57, 59, 339	1001227704 137	1001236505499
1001203656 363	1001219996..... 317	1001227710 155, 161	1001236552403
1001204650 285	1001220136..... 691	10012277913 277	1001236746431, 690
1001204725 317	1001220137..... 691	1001227948 277	1001236747427, 690
1001204725 317	1001220379..... 561	1001227960 137, 686	1001236891 ...427, 429, 431
1001205405 468	1001220482.....367, 599	1001227985 383	1001236895 ...427, 429, 431
1001205406 468	1001220929..... 371	1001227987 383	1001236951691
1001205407 468	1001220955..... 367	1001227996 637, 639	1001237667583, 613
1001205958 .. 479, 481, 483, 485, 487, 489	1001221445..... 127	1001228064 302, 439	1001237668583, 613
1001206119 285, 286	1001221446..... 131	1001228072 297, 443	1001237705387
1001206476 499	1001222817.....277, 279	1001228082 303, 451	1001237862637, 639
1001206532 372		1001228215 347	1001237863383, 637
1001206793 690		1001228224 383, 687	1001237864383, 639
1001206795 690			1001237865383, 635
1001206825 692			1001237882690
			1001237883690
			1001237888405, 407
			1001237891407
			1001237898405, 407

SECTION 11 - SPECIAL OPTIONS/ACCESSORIES/KITS

1001237902.....405, 407, 687	1001244335.....407	1001253545.....667	1001272659.....537
1001237930.....691	1001244336.....405	1001253546.....667	1001272681.....145, 147
1001238158.....81	1001244453.....145, 147	1001253547.....671	1001272997.....543
1001238236.....57	1001244454.....149, 151	1001253548.....671	1001273012.....537, 543
1001238262.....81	1001244671.....407	1001253549.....665	1001274249.....693
1001238263.....427, 429, 431	1001244709.....407	1001253550.....665	1001274559.....371
1001238319.....383	1001244710.....407	1001253551.....661	1001274829.....691
1001238401.....198, 210, 226	1001244732.....407	1001253552.....661	1001274830.....691
1001238402.....198, 210, 226	1001244733.....407	1001253553.....657	1001274992.....232
1001238418.....403, 641	1001244863.....691	1001253554.....657	1001275151.....570
1001238423.....387	1001245160.....135	1001253555.....669	1001275153.....570
1001238462.....387	1001245176.....135, 375	1001253556.....669	1001275628.....371, 686
1001238463.....429, 690	1001245206.....135	1001253618.....691	1001275629.....371, 686
1001238470.....198, 210, 226	1001245916.....371	1001253619.....691	1001275642.....692
1001238472.....403	1001246142.....690	1001254472.....403	1001275650.....692
1001238483.....98, 102, 114, 118, 555	1001246144.....531	1001254473.....403	1001276062.....692
1001238495.....379	1001246145.....535	1001255133.....317	1001276610.....537
1001238559.....403	1001246389.....405	1001255901.....543	1001276923.....690
1001238732.....135	1001246437.....531	1001256823.....239, 241	1001277132..45, 47, 49, 51, 686
1001239202.....574	1001246438.....535	1001256862..179, 191, 206, 218, 239, 256	1001277211.....687
1001239344.....509	1001246616.....663	1001258730.....405, 407	1001277398.....693
1001239345.....509	1001246617.....659	1001259191.....232, 237	1001277420.....693
1001239638.....691	1001246859..45, 47, 49, 51, 53, 646	1001259194.....226, 231	1001277847.....693
1001239640.....691	1001246860.....692	1001259195.....225	1001278007.....693
1001239805.....499	1001246867.....692	1001259203.....239, 256	1001278610.....75, 77
1001239874.....499	1001247073.....692	1001259204.....226	100127915290, 98, 106, 114
1001239957.....499	1001247252.....405	1001259208.....239, 256	1001281100.....137, 687
1001241162.....405	1001247468.....317, 686	1001259278.....239	1001281452.....692
1001241422.....691	1001248140...427, 429, 431	1001259281.....239, 256	1001281457.....692
1001241547.....692	1001248141...427, 429, 431	1001260307...232, 239, 256	1001282106.....375
1001241548.....692	1001248541..655, 657, 659, 661, 663, 665, 667, 669, 671, 690	1001260524.....405	1001282406.....539, 547
1001241586.....499	1001248546...659, 663, 690	1001260525.....405, 407	1001282834.....256, 259
1001241631.....81	1001248547.....655, 690	1001260889.....239, 256	1001282835.....250, 254
1001241690.....369, 371	1001248548.....667, 690	1001260943.....227	1001282836.....246, 249
1001241691.....369	1001248549.....671, 691	1001261326.....687	1001282837.....245
1001241814.....655	1001248550.....657, 690	1001261338.....690	1001283776.....143, 505
1001241816.....667	1001248551.....661, 690	1001261339.....690	1001284520.....692
1001241864.....371, 611	1001248552.....669, 690	1001261850.....673	1001284587.....375
1001241865.90, 94, 98, 102, 106, 110, 114, 118, 122, 509	1001248553.....665, 690	1001262016.....692	1001284588.....375
1001241868.....468	1001248556..655, 657, 659, 661, 665, 667, 669, 671, 673	1001262056.....232, 569	1001285004.....250, 573
1001241884.90, 94, 98, 102, 106, 110, 114, 118, 122, 583	1001248560.....663	1001262322.....533	1001285582...94, 102, 110, 118, 122, 645
1001241965.....403	1001249052.....692	1001262959.....693	1001285583...93, 102, 109, 118, 121, 607
1001242192.....690	1001249206.....617	1001263923.....552	1001285733...147, 151, 507
1001242374.....197	1001249244.....596	1001265163.....433	1001285878.....330
1001242378.....201, 204	1001249695.....692	1001265342.....433	1001286018.....53, 121
1001242379.....198, 201	1001249941.....692	1001266006.....90, 94, 125	1001286280.....162
1001242380.....213, 216	1001250035.....692	1001266007...106, 110, 129	1001286280.....162
1001242381.....210, 213	1001250302.....156, 162	1001266008.....125	1001286281.....161, 162
1001242385.....209	1001250304.....156, 162	1001266009.....129	1001286283.....163
1001242389.....81	1001250595.....692	1001266056.....692	1001286284.....161, 162
1001242681.....47, 97, 101	1001251046.....307, 447	1001266098.....691	1001288430.....246
1001242828.....671	1001251057.....307, 441	1001267322.....673	1001288445.....263
1001242829.....665	1001251058.....307, 445	1001268946.....570	1001288446.....263
1001242830.....661	1001251065.....19, 449	1001269187.....691	1001288463.....256, 261
1001242831.....657	1001251066.....17, 437	1001269322.....413	1001288464.....261
1001242832.....669	1001251857...179, 191, 195	1001269389.....691	1001289138.....549
1001242861.....51, 113, 117	1001251858...206, 218, 221	1001269573.....413	1001289140.....549
1001243092.....405	1001252527.....573	1001269655.....692	1001289199.....549
1001243183.....690	1001252627.....677	1001270339.....509	1001289786.....539
1001243184.....690	1001252629...427, 429, 431	1001270340.....509	1001289905.....692
1001243205.....405	1001253543.....655	1001270522.....691	1001289906.....692
1001243414.....156, 162	1001253544.....655	1001270594.....141, 143	1001291543.....239
		1001272092.....691	1001292241.....674
		1001272166.....691	1001293066.....221, 241
		1001272204.....691	1001293498.....263

SECTION 11 - SPECIAL OPTIONS/ACCESSORIES/KITS

1001293499.....261, 263	1701509 385, 387, 389, 391, 393, 395, 397, 399, 401, 655, 657, 659, 661, 663, 665, 667, 669, 671	1705375.....291, 681	2220235461
100129370135, 59	1701518659, 663	1705387291	2220313 171, 183, 197, 209, 225, 245
100129642794, 102, 110, 118, 122	1701691 655, 657, 659, 661, 663, 665, 667, 669, 671	1705426.....669	2220366464
1001297398..125, 127, 129, 131	1702565371	1705427.....671	222037141, 62, 341, 343
1001311034403	1702566371	1705429.....667	2220372461
1060341419, 421	1702773363, 663, 673	1705430.....665	2220373 ...62, 341, 343, 464
1060343290	1702774673	1705460.....291, 294	2220374464
1060903419, 421	1702868 413, 655, 673, 677, 681	1705461.....294	2220375464
1060908525, 527	1702942190	1705489285, 294	2220380464
1060918377	1703162 180, 192, 204, 216, 237, 254	1705490.....677, 683	222041521, 39, 62, 341, 343, 457, 464
1062255539	1703804655	1705492.....655	2220451464
10702077290, 294	1703805655	1705493.....669	2220451464
10702082290, 294	1703811 655, 657, 659, 661, 663, 665, 667, 669, 671	1705503.....671	2220466457
10836804125, 127, 129, 131	1703814 655, 657, 659, 661, 663, 665, 667, 669, 671	1705505.....667	222047221, 457
1083748962	1703935657	1705511 655, 657, 659, 661, 663, 665, 667, 669, 671	2220473461
10837580453	1703936667	1705822659, 663	2220478464
112054919	1703938669	1705828659, 663	2220479464
1120555 385, 387, 389, 391, 393, 395, 397, 399, 401	1703939671	1705864663, 673	2220500465
126001767	1703941657	1705865673	2220502341
1320022 ...81, 180, 192, 255	1703942667	1705896661	2220504461
1320040263	1703943665	1705897661	2220578465
1320041 81, 89, 93, 97, 101, 105, 109, 113, 117, 121, 175, 187, 201, 213, 231, 249	1703944669	1705898661	2220582 ...62, 341, 343, 457
1320043263	1703945671	1705902661	2220602464
1320061231, 249, 329	1703947657	1705903661	2220603464
1320130329	1703948667	1705906661	2220618464
1320136 175, 187, 201, 213, 231, 249	1703949665	1705910657	2220618464
1320146 479, 523, 629, 631, 633	1703950669	1705915657	2220816277
1320177381, 416	1703951671	1705917657	222086139
1320263141	1703953655	1705921659, 663	222086562, 464
1320294308	1703980669	1705961659, 663	222088139, 437, 443
1320295336	1703981671	1705967661, 673	2220883 ..39, 437, 439, 441, 443, 445, 451
1320298308	1703982665	1705969671, 673	2220885 ..39, 439, 445, 447, 449, 451
1320301329	1703983657	1706059661	2220886437
1320302 .409, 411, 413, 416	1703984667	1706060665	2220887443
1321293331	1704000667, 673	1706061671	2220888443
1321385331	1704001657, 673	1706063657	2220906464
1321716 171, 178, 183, 190, 197, 204, 209, 216, 225, 231, 237, 245, 254	1704260371	1706064667	222094762, 464
1380147 171, 183, 197, 209, 225, 245	1704277 655, 657, 659, 661, 663, 665, 667, 669, 671	1706098659, 663	2220950341
1560010617	1704412 655, 657, 659, 661, 663, 665, 667, 669, 671	1706385363	2221034464
1560011617	1704885673	1706741371	2221040457
1560012617	1704972655, 669	2030010 381, 409, 411, 413, 416	2221050341
1580012365	1705014363	2080040 .349, 351, 355, 359	222108639, 41, 62, 341, 343
1580013691	1705174663	2080069405, 407	2221114 171, 183, 197, 209, 225, 245
1600343371	1705305 413, 677, 679, 681, 683	208009119	2230035465
1670603491	1705325471, 473	2110404464	2400060433
1671031329	1705336655	211040662	2400066565, 569, 645
1671033301	1705344669	211080821, 461	2410014363
167104019	1705345671	211081039, 41, 62	24861170238, 255
1671044329	1705347667	2110812461	2540020 .145, 147, 149, 151
1671092290	1705351655	211101062, 464	2560136371
1671093411, 416	1705355679, 681	211101221, 39, 62, 464	2560187 .156, 157, 162, 163
1701499 655, 657, 659, 661, 663, 665, 667, 669, 671	1705358 385, 387, 389, 391, 393, 395, 397, 399, 401	211101639, 464	2600281 .349, 351, 355, 359
1701505 655, 657, 659, 661, 663, 665, 667, 669, 671	1705366329	2111620464	2720015 178, 190, 204, 216, 237, 254
	1705367329	212021735, 57, 59	2720160381, 416
	1705374493	2130810464	2750532 172, 184, 197, 209, 225, 245
		213101221, 464	275103265
		213161662	2820031285, 289, 293
		2151010464	2820171599
		2151012464	2820247637, 639
		216000265	2840016 171, 183, 197, 209, 225, 245
		2171208464	2860030133, 686
		2171210464	
		218034465	
		2180832 171, 183, 197, 209, 225, 245, 381, 416	

SECTION 11 - SPECIAL OPTIONS/ACCESSORIES/KITS

2900770441, 451, 453	3290807..... 89, 93, 97, 101,	3312005 385, 387, 389, 391,	3820001 655, 657, 659, 661,
2900792 439, 445	105, 109, 113, 117, 121,	393, 395, 397, 399, 401	663, 665, 667, 669, 671,
2901443 692	171, 178, 183, 190, 197,	3312205 385, 387, 389, 391,	674
2902065 178, 190, 204, 216,	204, 209, 216, 237, 254	393, 395, 397, 399, 401	3820020. 349, 351, 355, 359
237, 254, 265	3291001001317	332220175	3820032 178, 190, 204, 216,
2902212 385, 387, 389, 391,	3291005 69, 79, 81, 178,	3331411 171, 183, 197, 209,	237, 254
393, 395, 397, 399, 401	190, 204, 216, 237, 254,	225, 245	3841143 171, 183, 197, 209,
2902217409, 411, 416	329, 369	3340881311	225, 245, 307, 317
2902443 .561, 566, 570, 573	3291005001 .. 156, 162, 165,	3340925336	3841203..... 301, 307
2940074 349, 351, 355, 359,	167, 301, 317, 337	3340939308	3841258..... 17, 19, 297, 307
686	3291007.. 79, 81, 85, 89, 93,	3340940336	3841356..... 17, 297
2940173 .156, 157, 162, 163	97, 101, 105, 109, 113,	3340941329	3900054..... 363
3020037 231	117, 121, 155, 161, 171,	3340942308	3900232001 336
302003917, 297, 301	175, 178, 183, 187, 190,	3340956 385, 387, 389, 391,	3900267..... 286
3020042 301	197, 201, 204, 209, 213,	393, 395, 397, 399, 401	3900300..... 286
3160339 21, 23	216, 225, 231, 237, 245,	3380434369	3900316..... 35, 57, 59
3251102285, 289, 293	249, 254, 297	3421453381, 416	3900316001 336
3251242 477, 481, 485, 489,	3291201 285, 289, 293	342156367	3900349..... 371
491	3291201001317	342156567	3900363. 156, 157, 162, 163
3251243291, 629, 633	329120575, 79, 81, 155, 161	342291217	3900393001 156, 162
3252347 655, 657	3291205001 .. 31, 33, 45, 47,	3423161311	3910408 175, 187, 201, 213,
3252507 475, 479, 483, 487,	49, 51, 53, 317	3430616372	231, 249
631	3291207..... 231, 249	3430816 171, 183, 197, 209,	3910606. 289, 493, 629, 631
3271501 155, 161	3291407 237, 254	225, 245	3910804..... 133
3271601001..... 308	3291407001 17, 19	3450404 171, 183, 197, 209,	3911010..... 149
3271605427, 429, 431	3291601 178, 190, 204, 216,	225, 245	3930606..... 329
3271805 363	237, 254	345121419	3930816..... 329
3272001427, 429, 431	3291605297	3460334 385, 387, 389, 391,	3930820..... 329
3272001001..... 307	3292201 301	393, 395, 397, 399, 401	3930824..... 331
3281601 331	3292205 301	3470003372	3931012..... 371
3290301 171, 183, 197, 209,	3292405 155, 161	3520026371	3931016..... 285, 289, 293
225, 245	3292701 301	3520027372	3931408..... 379
3290405 141, 143, 145, 147,	3293301 301	3520032156, 157	3931432..... 254
151, 171, 183, 197, 209,	3300151 347, 351, 353, 357,	3520071 385, 387, 389, 391,	3931508..... 329
225, 245, 433, 471, 473,	359, 361, 409, 411, 413,	393, 395, 397, 399, 401	3931512..... 77
475, 477, 479, 481, 483,	416	3520072 347, 349, 351, 353,	3931516..... 453
485, 487, 489, 491, 523	3300353371	355, 357, 359, 361, 363	3931620 175, 187, 201, 213,
3290405001..... 285	3300396 290, 294	3520173 156, 157, 163	231, 249
3290501 .197, 209, 225, 249	3300408 135	3520189294	3932016..... 307
3290505 263, 539	3300430 379, 407	3520192294	3932224..... 307
3290507 175, 187	3300464001 19	3520198 347, 349, 351, 353,	3951405..... 451
3290601 156, 157, 162, 163,	3310401 175, 187, 201, 213,	355, 357, 359, 361	3952020..... 69
330	231, 249	3573400 .409, 411, 413, 416	3960422. 289, 493, 629, 631
3290605 ..45, 47, 49, 51, 53,	3311001 285, 290, 294	3573444301	3960525 79, 81
81, 89, 93, 97, 101, 105,	3311005 149, 285, 289, 293,	3573642409, 411, 416	3960551..... 19
109, 113, 117, 121, 137,	371, 381, 409, 411, 413,	3574091419, 421	3980006..... 85
139, 156, 162, 197, 209,	416	3576799381, 416	4000008..... 329, 687
225, 245, 263, 329, 369,	3311401 419, 421	3577121 .409, 411, 413, 416	4010308 171, 183, 197, 209,
381, 416, 471, 475, 479,	3311405 254, 403, 473, 477,	3580306301	225, 245
483, 487, 523, 629, 631,	481, 485, 489, 491, 499,	3580317285, 289, 293	4010408..... 285
633	655, 657, 659, 661, 663,	3580318285, 293	4010416..... 479, 523
3290605001..... 367	665, 667, 669, 671	3580341301	4010608 381, 416
3290606 .330, 353, 357, 361	3311405001 329, 333	3580342301	4010618..... 353, 357, 361
329060731, 33, 85, 145,	3311501419, 421	3740067 85, 89, 93, 97, 101,	4031205 331
147, 149, 151, 171, 175,	3311505 453	105, 109, 113, 117, 121,	4031505..... 383
178, 183, 187, 190, 201,	3311505001 37, 339	687	4031509 141, 143, 145, 147,
204, 213, 216, 231, 237,	3311508001 308	3740086641, 687	151
245, 249, 254, 285, 289,	3311601 89, 93, 97, 101,	376017067	4031512..... 19, 329
293	105, 109, 113, 117, 121,	3760351311	4031516..... 403
329080589, 93, 97, 101,	156, 162, 372, 403	376038319, 329	4031707..... 19, 329
105, 109, 113, 117, 121,	3311605 277, 301, 363, 409,	3790012371	4031708001 367
155, 161, 178, 190, 197,	411, 413, 416	3790152 175, 187, 201, 213,	4031709..... 329
204, 209, 216, 225, 237,	3311605001 333, 336	231, 249	4031710..... 81
245, 254, 289, 293, 499	3311608001 308	3790155 175, 187, 201, 213,	4031909..... 261
3290805001.....19, 37, 285,	3312001001 307	231, 249	4031910..... 261
319, 321, 323, 325, 329,	3312002... 69, 427, 429, 431	379015821	4031912..... 178, 190
336, 339			4032311001 19

SECTION 11 - SPECIAL OPTIONS/ACCESSORIES/KITS

4060092.....631	4460227551, 611, 612	4460518 330, 501, 545, 547, 611, 617	4460930 509, 561, 565, 569, 573, 596, 601, 607, 645
4060802.....285, 289, 293	4460234 ..94, 102, 110, 118, 122, 329, 371, 419, 421, 529, 531, 533, 535	4460536 139, 330, 407, 561, 583, 611	4460931 .405, 505, 521, 645
4060807 180, 192, 204, 216, 237, 254	4460247 561, 566, 569, 573, 645	4460539 521, 545, 559, 561, 570, 573, 583, 595, 607, 611, 646	4460932 330, 433, 543, 555, 577, 596, 603, 645, 649
4060906.....371	4460256645	4460612.....493	4460933 501, 545, 566, 569, 570, 595, 596, 611, 645, 646
4070863301	4460259433, 583, 612	4460662 .481, 485, 489, 491	4460934565, 569
4070864301	4460260 .433, 583, 584, 612	4460670.....509, 645	4460935 .566, 569, 595, 596
4070897301, 311	4460267612, 646	4460703 509, 521, 561, 566, 570, 573, 645	4460941 .521, 577, 635, 651
4070898301, 311	4460268579	4460708.....612	4460942 383, 509, 561, 565, 569, 573, 595, 596, 651
4071021336	4460312645	4460709.....631	4460943 ..77, 139, 149, 151, 405, 407, 521, 551, 555, 561, 611, 635, 645, 646, 651
4071022336	4460313584	4460748.....566, 570, 573	4460944 ..77, 509, 521, 559, 561, 565, 566, 569, 573, 583, 595, 596, 599, 601, 611, 645, 646, 651
4071028301	4460314611	4460761.....551, 611, 646	4460945 545, 559, 570, 574, 596, 646
4071029301	4460315 290, 611, 612, 629, 631	4460806 .479, 481, 487, 489	4460950551, 645
4071039311	4460346289, 629	4460807.....579	4460956525, 527
4071040311	4460384491	4460808.....579	4460957525, 527
4160197301	4460418 .583, 584, 612, 613	4460836.. 77, 595, 596, 607, 645	4460958493
4240018 285, 289, 293, 457, 461, 465, 493	4460425 286, 290, 294, 419, 421, 493	4460837.....77	4460962411, 416
4240032 ..94, 102, 110, 118, 122, 529, 531, 533, 535, 537	4460426286, 290, 294	4460843.....607	4460963290
4240033379, 383, 403	4460428371	4460851.....509, 551	4460967581
4240099 171, 178, 183, 190, 197, 204, 209, 216, 225, 231, 245, 249, 263, 372, 409, 411, 416, 419, 421	4460434612	4460852.....551, 617	4460968329, 473, 477
4240149 385, 387, 389, 391, 393, 395, 397, 399, 401	4460458566, 573, 617	4460865.....593, 605	4460970547, 583
4240155457, 465	446046419, 77, 145, 147, 330, 377, 433, 501, 503, 505, 507, 521, 541, 543, 551, 552, 555, 557, 562, 577, 583, 595, 596, 603, 607, 611, 615, 641, 645, 646, 649, 651	4460866 .595, 596, 611, 646	4460971381, 416
4341158329	4460465 ..77, 141, 143, 433, 501, 503, 507, 509, 541, 545, 551, 552, 557, 561, 562, 565, 566, 569, 570, 573, 579, 581, 584, 593, 595, 596, 599, 601, 603, 605, 607, 611, 615, 617, 643, 645, 646, 651	4460868.....583	4460982651
4360057419, 421	4460466 ..77, 383, 405, 433, 501, 505, 509, 521, 541, 545, 547, 551, 552, 557, 561, 565, 566, 569, 570, 573, 583, 593, 595, 596, 599, 601, 605, 607, 611, 615, 617, 635, 641, 643, 645, 646, 649, 651	4460871 551, 583, 607, 611, 646	4460984565
4360070290, 294, 686	4460467692	4460872.....551, 607	4461006566
4360274 125, 127, 129, 131, 687	446047089, 93, 97, 101, 105, 109, 113, 117, 121, 333, 371	4460873.....551, 611, 646	4461008 .562, 566, 570, 573
4360328 125, 127, 129, 131, 687	446047189, 93, 97, 101, 105, 109, 113, 117, 121, 333, 371	4460874.....551, 611, 646	446101777
4360336 .285, 289, 293, 687	4460473593, 605	4460875.....551, 607	4461018645
4360387 127, 129, 131, 371, 687	446049689, 93, 97, 101, 105, 109, 113, 117, 121, 371	4460876.....551, 583, 611	4461043561, 566
4360407371, 687	446049789, 93, 97, 101, 105, 109, 113, 117, 121, 371	4460877.....583	4461054566, 570, 574
4360469133, 687	4460508 ..77, 383, 595, 596, 611, 646	4460878.....77, 646	4461060577
4360475 125, 127, 129, 131, 687	4460509 .566, 593, 605, 645	4460879.....433, 611	4461070501, 565, 570
4360476 .125, 127, 129, 131	4460510692	4460884.. 77, 433, 565, 569, 573, 595, 603, 607, 611, 615, 617, 645, 651	4461071 .561, 566, 570, 573
4360578329		4460887... 77, 433, 611, 646	4461072561, 566
4420014 385, 387, 389, 391, 393, 395, 397, 399, 401		4460889.. 19, 330, 551, 552, 557, 615, 635, 641, 645, 646	4461074561, 566
4420037 .409, 411, 413, 416		4460891 141, 143, 501, 503, 507, 551, 552, 557, 562, 595, 607, 617, 645, 651	4461076329
442003885		4460892.....565, 570	4461077 .521, 595, 635, 641
4420051673		4460894 509, 541, 561, 565, 569, 570, 573, 584, 611, 643, 645	4461095501, 565, 569
4420066 385, 387, 389, 391, 393, 395, 397, 399, 401		4460897 145, 147, 503, 505, 507, 562, 607	4461196619
4460016612		4460899.. 19, 330, 551, 552, 557, 615, 635, 641, 645, 646	4461198473, 619
4460019 .570, 573, 574, 645		4460905 551, 583, 607, 611, 646	4461199621
4460042 561, 566, 569, 573, 584, 645		4460910... 17, 330, 609, 639	4461201477, 621
4460043561, 573, 645		4460911 .521, 552, 617, 635	4461205623, 625
4460049419, 421		4460912.....521, 617	4461244481, 623
4460051629, 631		4460913.....330	4461245489, 625
4460071289, 377		4460914.....19, 329	4461246485, 627
4460125631		4460917.....17, 329, 330	4461249627
4460134511, 513		4460925.....611	4461271551
4460144583		4460926.....617	4530028 .409, 411, 416, 425
4460183611, 613		4460928.....501	4568423301
4460205587, 589, 629		4460929.....609	4640489441
4460225 .290, 294, 579, 612			4640751 178, 190, 204, 216, 237, 254
4460226 .377, 419, 421, 612			4640771453

SECTION 11 - SPECIAL OPTIONS/ACCESSORIES/KITS

4641248	439, 445	4811700..	31, 33, 45, 47, 49, 51, 53, 81, 85, 89, 93, 97, 101, 105, 109, 113, 117, 121, 137, 139, 145, 147, 149, 151, 156, 162, 171, 175, 178, 183, 187, 190, 198, 201, 204, 210, 213, 216, 225, 231, 237, 245, 249, 254, 263, 285, 289, 293, 330, 353, 357, 361, 381, 416, 471, 475, 479, 483, 487, 523, 629, 631, 633	4891600	156, 162, 175, 187, 201, 213, 231, 249	70000863.....	289, 293
4641260	441	4811700001	367	4891600001	308, 317	70001000.....	87
4641285	443	4811702	81, 89, 93, 97, 101, 105, 109, 113, 117, 121, 178, 190, 204, 216, 237, 254, 369	4891800	171, 175, 183, 187, 198, 201, 210, 213, 225, 231, 245, 249	70001001.....	87
4711000 .	149, 286, 290, 294	4811702001	367	4891800001	311	70001100.....	289, 293
4711400	156, 157, 162, 163, 254, 347, 351, 353, 357, 359, 361, 379, 403, 405, 473, 477, 481, 485, 489, 491	4811900.....	89, 93, 97, 101, 105, 109, 113, 117, 121, 155, 156, 157, 161, 162, 163, 171, 178, 183, 190, 198, 204, 210, 216, 225, 237, 245, 249, 254, 261, 290, 294, 499	4892600001	317	70001384.....	289, 293
4711400001.....	329, 333	4811902..	81, 178, 190, 198, 204, 210, 216, 225, 237, 254	4921850	693	70001424.....	423
4711500 .	155, 161, 329, 453	4811902001	90, 94, 98, 102, 106, 110, 114, 118, 122, 156, 162	4922641	286, 291, 294	70001425.....	423
4711500001.....	37, 336, 339	4812000..	31, 33, 35, 57, 59, 69, 79, 81, 85, 89, 93, 97, 101, 105, 109, 113, 117, 121, 156, 171, 175, 178, 183, 187, 190, 198, 201, 204, 210, 213, 216, 225, 231, 237, 245, 249, 254, 285, 289, 293, 297, 330	49322925	290, 294	70001427.....	423
4711600 ..	85, 156, 162, 178, 190, 204, 216, 277, 372, 427, 429, 431	4812002....	79, 81, 178, 190, 204, 216, 237, 254, 301, 369	4933218	468	70001428.....	423
4711600001....	35, 37, 57, 59, 319, 321, 323, 325, 330, 333, 336, 339	4812002001	156, 162	5241000	171, 178, 183, 190, 198, 205, 210, 217, 225, 245	70001429.....	423
4711800 ..	19, 171, 183, 197, 209, 225, 245, 330, 363	4812002001	156, 162	5241200 ...	21, 285, 289, 293	70001430.....	423
4711800001.....	308	4812002001	156, 162	5241200001	317	70001431.....	423, 686
4712000	385, 387, 389, 391, 393, 395, 397, 399, 401, 427, 429, 431	4812002001	156, 162	5241600	178, 190, 205, 217, 237, 255	70001432.....	423, 687
4712200	172, 184, 197, 209, 225, 245, 385, 387, 389, 391, 393, 395, 397, 399, 401	4812002001	156, 162	5242000001	21	70001499.....	35, 57, 59
4740057	69	4812002001	156, 162	5242400	65, 155, 161	70001696.....	290, 294
4740171	175, 187, 201, 213, 231, 249	4812002001	156, 162	5250608	226, 237, 249	70001697.....	313
4740229	17, 19	4812002001	156, 162	5250611	238, 255	70001870.....	242
4740362	369	4812002001	156, 162	5250808	226, 239, 249	70001955.....	271
4740505	19	4812002001	156, 162	5250810	226, 231, 238, 245, 255	70001956.....	271
4740572	155, 161	4812002001	156, 162	5250812	231, 238, 255	70001958.....	269
4750400	175, 187, 201, 213, 231, 249	4812002001	156, 162	5250814	226, 245	70001966.....	286, 290, 293
4750800	330	4812002001	156, 162	5251008	255	70001973.....	290, 294
4751000	79, 81, 285, 289, 293, 371, 381, 409, 411, 413, 416	4812002001	156, 162	5251008001	317	70001974.....	290, 294
4751400 ..	62, 365, 371, 407, 409, 411, 413, 416, 419, 421, 499, 655, 657, 659, 661, 663, 665, 667, 669, 671	4812002001	156, 162	5251010	238	70002028.....	25
4751400001.....	367	4812002001	156, 162	5251016	238, 255	70002031.....	25
4751500	419, 421	4812002001	156, 162	5251016001	317	70002032.....	25
4751600 .	409, 411, 413, 416	4812002001	156, 162	5251022	178, 190, 205, 217, 238	70002036.....	25
4751800	363, 419, 421	4812002001	156, 162	5251210	238, 255	70002052.....	25
4755000001.....	19	4812002001	156, 162	5251210001	43, 302	70002057.....	25, 71
4760600	629, 631	4812002001	156, 162	5251215	226, 231, 249	70002097.....	35, 57, 59, 686
4761400	365	4812002001	156, 162	5260600 .	226, 238, 249, 255	70002132.....	268
4761600	85	4812002001	156, 162	5260800	226, 231, 238, 245, 255	70002133.....	268, 271
4791400	85, 89, 93, 97, 101, 105, 109, 113, 117, 121, 171, 183, 245	4812002001	156, 162	5261000	238, 255	70002134.....	268
4811400	141, 143, 145, 147, 151, 171, 183, 197, 209, 225, 245, 433, 471, 473, 475, 477, 479, 481, 483, 485, 487, 489, 491	4812002001	156, 162	5261012	311	70002135.....	268
4811400001.....	285	4812002001	156, 162	5261200	155, 161, 226, 231, 249	70002136.....	268
4811600	175, 178, 187, 190, 197, 201, 204, 209, 213, 216, 225, 231, 237, 254, 263, 539	4812002001	156, 162	5271614	178, 190	70002137.....	268
		4812100....	79, 81, 175, 178, 187, 190, 201, 205, 213, 217, 231, 237, 249, 254	6611172	90, 94, 97, 101, 106, 110, 113, 117, 121	70002138.....	268
		4812100001	31, 33, 45, 47, 49, 51, 53, 156, 162, 303, 317, 336	70000342	313	70002139.....	268
		4812102.....	75	70000619	289, 293	70002140.....	268
		4812200	171, 178, 183, 190, 198, 205, 210, 217, 225, 237, 245, 255	70000781	62	70002141.....	268
		4812200001	17, 19	70000793	265	70002142.....	268
		4812300.....	302	70000803	39	70002145.....	268
		4846423.....	336	70000804	39	70002148.....	268
		4846484.....	330	70000805	39	70002150.....	268
		4846627.....	409, 411, 416	70000852	23	70002151.....	268
		4846673.....	419, 421	70000853	23	70002152.....	268
		4871200	171, 183, 198, 210, 225, 245	70000854	23	70002153.....	268
		4871700.....	285, 290, 294	70000855	23	70002154.....	268
				70000856	23	70002155.....	268
				70000857	23	70002156.....	268
				70000858	23	70002157.....	268
				70000859	23	70002158.....	268
				70000860	23	70002159.....	268
				70000861	23	70002160.....	268
				70000862	23	70002161.....	268
						70002162.....	268
						70002163.....	268
						70002164.....	268
						70002165.....	268
						70002168.....	269
						70002174.....	269
						70002175.....	269
						70002177.....	269
						70002178.....	269
						70002179.....	269
						70002231.....	57, 686
						70002297.....	290, 293

SECTION 11 - SPECIAL OPTIONS/ACCESSORIES/KITS

70002386.....	39, 686	70003485.....	686	70004443.....	25	70004587.....	61
70002401.....	297	70003628.....	23	70004444.....	25	70004588.....	61, 686
70002410.....	441, 447, 449	70003631.....	290, 293	70004445.....	25	70004589.....	61
70002460.....	290, 294	70003708.....	286, 290, 294	70004446.....	25	70004590.....	61
70002576.....	275	70003709.....	286, 290, 293	70004447.....	25	70004591.....	61
70002578.....	272	70003788.....	297, 686	70004448.....	25	70004592.....	61
70002580.....	271	70004017.....	39	70004449.....	26	70004593.....	61
70002582.....	271	70004050.....	343	70004450.....	26	70004594.....	61
70002583.....	271	70004051.....	341, 343	70004451.....	26	70004595.....	61, 686
70002585.....	272	70004052.....	61, 341, 343	70004452.....	26	70004598.....	61
70002588.....	271	70004053.....	61, 343	70004453.....	26	70004599.....	61, 686
70002589.....	271	70004055.....	41, 61, 341	70004454.....	336	70004600.....	61
70002590.....	271	70004092.....	286, 290, 294	70004455.....	336	70004601.....	61
70002592.....	271	70004093.....	290	70004457.....	343	70004602.....	61
70002593.....	271	70004094.....	290, 294	70004459.....	41, 61	70004604.....	61
70002595.....	272	70004095.....	290	70004460.....	41, 61, 686	70004605.....	61
70002596.....	271	70004096.....	290, 294	70004461.....	41	70004606.....	61
70002599.....	272	70004097.....	290, 294	70004462.....	41	70004607.....	61
70002600.....	268	70004098.....	290, 294	70004463.....	41, 61, 686	70004608.....	61
70002601.....	268	70004099.....	290	70004464.....	41	70004609.....	61
70002602.....	268	70004150.....	83	70004465.....	41	70004610.....	61
70002604.....	269	70004164.....	41	70004466.....	71	70004611.....	61
70002605.....	269	70004171.....	286, 293	70004467.....	71	70004612.....	61
70002606.....	269	70004185.....	693	70004468.....	71	70004613.....	62
70002607.....	269	70004186.....	439, 445	70004469.....	71	70004614.....	62, 687
70002608.....	269	70004237.....	441	70004470.....	71	70004615.....	62
70002609.....	269	70004282.....	286, 687	70004471.....	71	70004616.....	62
70002610.....	269	70004324.....	77	70004472.....	71	70004617.....	62
70002612.....	269	70004325.....	77	70004473.....	71	70004618.....	62
70002616.....	269	70004363.....	25	70004474.....	71	70004619.....	62
70002617.....	269	70004383.....	39	70004475.....	71	70004649.....	337
70002618.....	268	70004384.....	39	70004476.....	71	70004650.....	337
70002619.....	268	70004386.....	39	70004477.....	71	70004668.....	62
70002620.....	268	70004402.....	313	70004478.....	71	70004676.....	286
70002621.....	269	70004403.....	315	70004479.....	71	70004678.....	286
70002622.....	269	70004404.....	451	70004480.....	71	70004680.....	286
70002623.....	269	70004406.....	451	70004481.....	71	70004681.....	286
70002758.....	62	70004407.....	451	70004482.....	71	70004683.....	286
70002759.....	62	70004408.....	451	70004483.....	71	70005170.....	315
70002838.....	83	70004409.....	311	70004484.....	71	70005492.....	221
70002853.....	315	70004410.....	311	70004485.....	71	70005498.....	222, 242
70002854.....	315	70004411.....	83	70004486.....	71	70005504.....	221
70002855.....	315	70004412.....	83	70004487.....	71	70005511.....	221, 241
70002857.....	315	70004416.....	271	70004488.....	72	70005513.....	221
70002858.....	315	70004417.....	271	70004489.....	72	70005516.....	222, 242
70002859.....	315	70004418.....	271	70004490.....	72	70005517.....	221, 241
70002902.....	377	70004419.....	271	70004491.....	71	70005522.....	221
70002903.....	377	70004420.....	271	70004492.....	72	70005523.....	221
70002904.....	377	70004422.....	271	70004493.....	72	70005524.....	221
70002905.....	377	70004423.....	272	70004494.....	72	70005544.....	221
70002962.....	62	70004424.....	272	70004495.....	453	70005548.....	222, 241
70003017.....	341	70004425.....	272	70004496.....	453	70005549.....	222
70003019.....	341, 343	70004426.....	272	70004497.....	453	70005556.....	221
70003020.....	341	70004429.....	25	70004498.....	453	70005559.....	221, 241
70003021.....	341, 343	70004430.....	25	70004499.....	453	70005564.....	195
70003022.....	341	70004431.....	25	70004508.....	241	70005565.....	79, 81
70003023.....	341, 343	70004432.....	25	70004511.....	241	70005624.....	286
70003024.....	341	70004433.....	25	70004512.....	195, 221, 241	70005651.....	293
70003026.....	343, 686	70004434.....	25	70004515.....	195, 221, 241	70005652.....	294
70003027.....	343	70004435.....	25	70004517.....	195	70005882.....	451
70003028.....	343	70004436.....	25	70004518.....	195	70005883.....	451
70003031.....	451	70004437.....	25	70004519.....	195	70005958.....	62
70003045.....	453	70004438.....	25	70004520.....	195, 221, 241	70005961.....	62
70003046.....	453	70004439.....	25	70004583.....	61	70006137.....	35, 57, 59
70003047.....	453	70004440.....	25	70004584.....	61	70006144.....	195, 221, 241
70003050.....	453	70004441.....	25	70004585.....	61	70006403.....	279
70003408.....	39	70004442.....	25	70004586.....	61	70006404.....	279

SECTION 11 - SPECIAL OPTIONS/ACCESSORIES/KITS

70006405.....	279, 686	70008362.....	77	70025707.....	222, 242	7017402.....	341, 343
70006406.....	279	70008363.....	77	70025745.....	195, 222, 242	7017493.....	39
70006407.....	279	70008364.....	77	70025780.....	195, 221, 241	7017496.....	297
70006408.....	279	70008365.....	77	70025789.....	195, 222	7018942.....	62
70006409.....	279	70008366.....	77	70026210.....	195, 221, 241	7020175.....	125, 127, 129, 131
70006410.....	279	70008368.....	35, 59	70027405.....	221	7020176.....	125, 127, 129, 131
70006462.....	445	70008369.....	35, 59	70027420.....	221	7020404.....	195, 222, 242
70006464.....	441, 445	70008612.....	221, 241	70027425.....	241	7020465.....	195, 222, 242
70006552.....	285	70008613.....	221, 241	70027460.....	221	7021249.....	23
70006553.....	285	70008629.....	77	70027463.....	221, 241	7021256.....	269
70006596.....	439, 445, 449	70009000.....	495	70027464.....	221, 241	7021265.....	269
70006624.....	443	70009012.....	497	70027467.....	221, 241	7021275.....	23, 268, 271
70006625.....	443	70009013.....	497	70027495.....	221, 241	7021293.....	269
70006626.....	443	70009014.....	497	70027569.....	195	7021375.....	41, 61
70006627.....	443	70009015.....	497	7002821.....	692	7021625.....	39
70006628.....	443	70009016.....	497	7002822.....	693	7022300.....	269
70006629.....	443	70009017.....	497	7002823.....	692	7022301.....	268
70006630.....	443	70022147.....	341, 686	7002828.....	693	7022311.....	23
70006631.....	443	70022286.....	271	70028540.....	195, 221	7022314.....	23
70006632.....	443	70022287.....	271	70029401.....	195, 221, 241	7022321.....	23
70006633.....	443	70022564.....	437, 439, 441, 445, 449	70029407.....	241	7022340.....	271
70006634.....	439	70023351.....	271	70029468.....	437	7022368.....	23
70006635.....	439	70023352.....	271	7004237.....	449	7022371.....	23
70006636.....	445	70023353.....	271	7004275.....	693	7022390.....	341, 343
70006637.....	439	70023354.....	271	7004276.....	693	7022399.....	39
70006653.....	195, 221, 241	70023355.....	271	70050795.....	439, 445	7023377.....	271
70006834.....	451	70023357.....	271	70052577.....	437	7023821.....	62
70006835.....	451	70023358.....	271	7007207.....	268, 271	7023922.....	341
70006836.....	451	70023359.....	271	7007415.....	269, 271, 272	7023962.....	271
70006837.....	451	70023361.....	271	7007418.....	268	7023964.....	271, 272
70006838.....	451	70023362.....	271	7007419.....	268	7024441.....	83
70006839.....	451	70023363.....	271	7007420.....	23	7024462.....	425
70006840.....	451	70023364.....	271	7007437.....	23	7024463.....	425
70006841.....	451	70023366.....	271	7007438.....	23	7024467.....	425
70006842.....	451	70023369.....	441	7007439.....	23, 269	7024469.....	425
70007083.....	221, 241	70023592.....	179, 191, 686	7007446.....	23, 268, 271	7024470.....	425
70007085.....	221	70023593.....	179, 191, 686	7007489.....	275	7024471.....	423, 425
70007093.....	221	70023809.....	179, 191, 205, 217, 238, 255, 686	7008010.....	449	7024472.....	425
70007510.....	77	70023859.....	61	7008011.....	449	7024473.....	425
70008012.....	449	70023860.....	61	7010543.....	39, 453	7024474.....	425
70008013.....	449	70023862.....	61	7010639.....	87	7024475.....	425
70008014.....	437	70023866.....	61	7010640.....	87	7024478.....	425
70008015.....	437	70023867.....	61	7010924.....	87	7024485.....	290, 294, 686
70008016.....	437	70023872.....	179, 191, 205, 217, 238, 255, 686	7011044.....	87	7024488.....	289, 293
70008017.....	437	70024039.....	271	7011311.....	443	7024489.....	289, 293
70008018.....	437	70024040.....	271	7011367.....	451	7024530.....	423
70008019.....	437	7002412.....	437	7011376.....	437, 443	7024531.....	423
70008020.....	445	70024328.....	179, 191, 205, 217, 238, 255	7012773.....	41, 61	7024532.....	423
70008021.....	445	70024329.....	179, 191, 205, 217, 238, 255	7012903.....	341	7024533.....	423
70008022.....	445	70024472.....	195	7012941.....	39	7024534.....	423
70008023.....	445	70024474.....	195, 221, 241	7012973.....	39	7024535.....	423
70008024.....	441, 445	70024480.....	221, 241	7012998.....	39	7024536.....	423
70008025.....	445	70024481.....	195, 222	7016322.....	171, 183, 197, 209, 225, 245	7024537.....	423
70008026.....	445	70024485.....	195, 221, 241	7016331.....	195, 222, 242	7024598.....	171, 183, 197, 209, 225, 245
70008027.....	445	70024487.....	195, 221	7016374.....	171, 183, 197, 209, 225, 245	7024800.....	269
70008028.....	441	70024494.....	195, 222, 242	7016654.....	693	7024865.....	23
70008029.....	441	70024495.....	242	7016655.....	693	7024867.....	23
70008030.....	441	70024504.....	195, 221, 241	7017142.....	313	7024883.....	341, 686
70008031.....	441	70024507.....	195, 221, 241	7017159.....	313	7024885.....	341, 343, 686
70008032.....	441	70024513.....	241	7017162.....	313	7024899.....	341, 343
70008033.....	441	70024961.....	241	7017163.....	313	7026597.....	290, 294
70008036.....	447	70025088.....	195, 222, 242	7017164.....	313	7026626.....	290, 294
70008037.....	447	70025153.....	195, 221, 241	7017183.....	313	7027096.....	495
70008038.....	447			7017193.....	313	7027097.....	495
70008358.....	35, 59, 686			7017195.....	313	7027098.....	495
70008360.....	77						
70008361.....	77						

SECTION 11 - SPECIAL OPTIONS/ACCESSORIES/KITS

7027099.....495	8220068..... 607	8405009.....205, 217, 238	8769123.....199, 211, 226
7027740.....23	8220097.....566, 570	8405104 179, 191, 205, 217, 238, 255	8769127.....198, 210, 226
7027773.....425	8220098.....566, 570	8405211. 205, 217, 238, 255	8769128.172, 184, 246, 461
7027774.....425	8220115.....561, 570, 574	8406101.. 81, 171, 183, 198, 210, 226, 246	8769146.....465
7027775.....425	8229242 565, 570, 574, 646, 686	8406102..... 198, 210, 226	8769153.....465
7027776.....425	8229244.....565, 570, 686	8406105..... 37, 339	8769154.....465
7027777.....425	8229245.....566, 570, 686	8406109 179, 191, 205, 217, 238, 255	8769199.....465
7027778.....425	8229247.....565, 570, 686	8406201..... 89, 93, 97, 101, 105, 109, 113, 117, 121, 198, 210	88261128.....35, 57, 59
7027779.....290, 294	8229249.....433, 646, 686	8406303 179, 191, 198, 210, 226, 249	88411013.....499
7028909.....149, 151	8278020 178, 191, 205, 217, 238, 255	8410009..... 198, 210, 226	88521214.....427, 429, 431
7300435 178, 190, 205, 217, 238, 255	8305401 179, 191, 205, 217, 238, 255	8410011 179, 191, 205, 217, 238, 255	88662013.....464
77133089.....465	8307109 179, 191, 205, 217, 238, 255	8410012 180, 192, 205, 217, 238, 255	88662070.....62
77133137..... 198, 210, 226	8310067 172, 184, 198, 210, 226, 245	8410013 171, 179, 183, 191, 198, 205, 210, 217, 226, 238, 255	88662523.....37, 311, 339
77363232.....289, 293	8310070..... 330	8410014 172, 184, 198, 210, 226, 246	91043147.....249
77363233.....579	8310129 385, 387, 389, 391, 393, 395, 397, 399, 401	8410031 172, 184, 198, 210, 226, 246	91203039.....317
80484084.....573	8310548 179, 191, 205, 217, 238, 255	8410012..... 461	91403230.....655, 657, 659, 661, 663, 665, 667, 669, 671
80604015.....77	8310643001.....156, 162		9141453.....337
80604016.....77	8310686.....89, 93, 97, 101, 105, 109, 113, 117, 121		91471226.....297, 307
80604021.....77	8405006..... 277		91471227.....297, 307
80963067.....566	8405007 179, 191, 205, 217, 238, 255		91554014.....595, 607
80983191.....574			91563070..... 179, 191, 205, 217, 238, 255
82033995..... 198, 210, 226			IN4004.....645
8220007.....612			SEE NOTE.....259
8220035.....611			
8220045.....565, 569			
8220051.....577			



Corporate Office
JLG Industries, Inc.
1 JLG Drive
McConnellsburg, PA 17233-9533 USA
☎ **(717) 485-5161 (Corporate)**
☎ **(877) 554-5438 (Customer Support)**
📠 **(717) 485-6417**

Visit our website for JLG Worldwide Locations.
www.jlg.com



OSHKOSH™