



Illustrated Parts Manual

Model
400S
460SJ

PVC
2301

P/N
31221351

July 10, 2023 - Rev B

ANSI

CE



UK
CA

AS/NZS



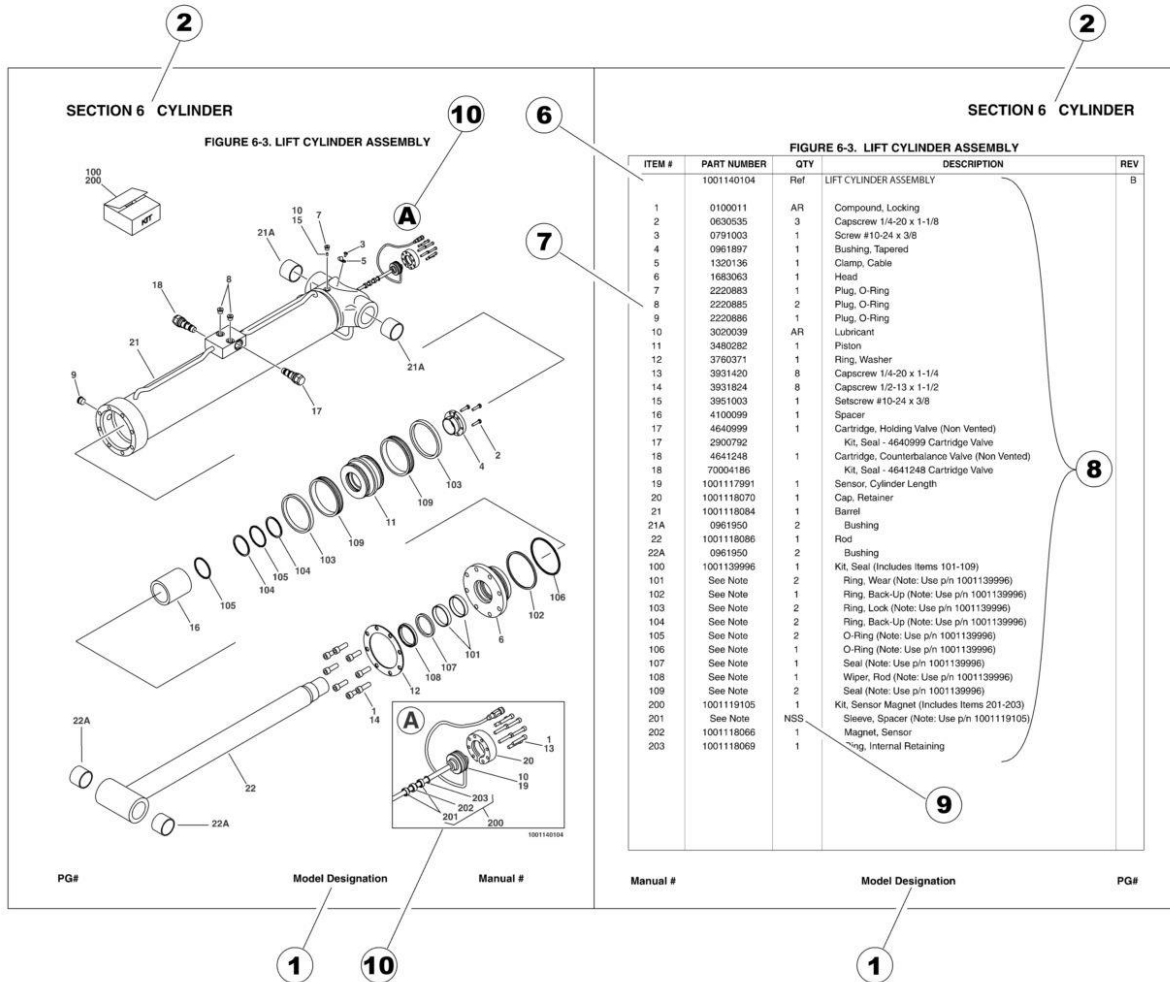
An Oshkosh Corporation Company

REVISION LOG

January 9, 2023 - A - Original Issue of Manual (Edited to B/M 1001245658 Revision AA)

July 10, 2023 - B - Revised Manual (Edited to B/M 1001245658 Revision AB)

GENERAL INFORMATION



1) MACHINE IDENTIFICATION

Machines are identified by model and in some cases a combination of models, serial number (SN) or regional standard (i.e ANSI, CE, CSA). Components may also be identified by SN or manufacturer. Common components that may be identified by these characteristics are engines and hydraulic components.

2) PARTS MANUAL ORGANIZATION

Product information in this manual is organized under section titles. Frame, Cylinder, Hydraulic and Electrical are a few examples. Each section is organized by figure and page number. The information within the Figure is then organized by item number, part number, description and corresponding illustration (s).

3) TABLE OF CONTENTS (NOT SHOWN)

A table of contents is found toward the beginning of the manual. Figure number, description and page number are provided for quick reference to the page containing the related information.

4) RECOMMENDED SPARE PARTS (NOT SHOWN)

The Recommended Spare Parts List, located near the end of the manual, reference most frequently used maintenance parts.

5) PART NUMBER INDEX (NOT SHOWN)

A numerical index listing all part numbers and the corresponding page number(s) appears at the back of the manual.

GENERAL INFORMATION

6) NON-SERVICED PARTS

In some instances, it is necessary to display non-serviced parts, assemblies or installations. In the case of assemblies and installations there will be a Ref in the Qty. column. In case of parts that are not available for service within assemblies or components, there will be a NSS (Not Sold Separately) or NLA (No Longer Available) listed in the Qty. column of the manual.

7) PARTS LIST ITEM NUMBERS

Numbers shown in the item# column correspond to numbers used in the associated illustration (s). Item numbers which are missing from the sequence in the parts list are not used on that page.

8) INDENTED PARTS DESCRIPTION

An indented part description is included in the item under which it is indented.

9) ABBREVIATION AND SYMBOLS

AC.....	Alternating Current	L.....	Liter
ADE.....	Advanced Design Electronics	LB(LBS).....	Pounds
AG.....	Agricultural	LCD.....	Liquid Crystal Display
ANSI.....	American National Standards Institute	LED.....	Light Emitting Diodes
AR.....	As Required	LH.....	Left Hand
ASSY.....	Assembly	LRC.....	Low Rated Countries
AUS.....	Australia	LSS.....	Load Sensing System
AUX.....	Auxiliary	M(m).....	Metric/Meter
AWG.....	American Wire Gauge	MM(mm).....	Milimeter
B/M.....	Bill of Material	mA.....	Miliamps
CAC.....	Charge Air Cooler	NLA.....	No Longer Available
CE.....	European Conformity	NPT.....	National Pipe Threads
CCW.....	Counter Clockwise	NSS.....	Not Sold Separately
CM.....	Centimeter	OD.....	Outside Diameter
CW.....	Clockwise	ORB.....	O-Ring Boss
CSA.....	Canadian Standards Association	ORFS.....	O-Ring Face Seal
CYL.....	Cylinder	OZ (oz).....	Ounces
DIA.....	Diameter	PG.....	Page
DC.....	Direct Current	PN.....	Part Number
DEF.....	Diesel Exhaust Fluid	QT(qt.).....	Quarts
EMS.....	Emergency Stop	QTY.....	Quantity
ENG.....	Engine	REF.....	Reference
FT(ft).....	Feet	REV.....	Revision Level
GA(Ga).....	Gauge	RH.....	Right Hand
HRC.....	High Rated Countries	SAE.....	Society of Automotive Engineers
HVAC.....	Heating, Ventilating, and Air Conditioning	SN.....	Serial Number
HYD.....	Hydraulic	SPEC(S).....	Specifications
Hz.....	Hertz	T/T.....	Turntable
ID.....	Inside Diameter	UGM.....	Universal Ground Module
IN.....	inches	V.....	Volts
ISO.....	International Organization for Standards	W.....	Watts
JIC.....	Joint Industry Council	#.....	Number
KG.....	Kilogram		

10) ILLUSTRATION REFERENCE LETTERS

When necessary, illustrations may contain reference letters that are intended to track information (i. e. hoses, harnesses) from one point to another or to track visual enlargement of components to show details that may be located in another area on the illustration.

Note: Due to continuous product improvements, JLG Industries, Inc. reserves the right to make specification changes without prior notification. Contact JLG Industries, Inc. for updated information.

TABLE OF CONTENTS

SECTION 1 - FRAME.....	15
FIGURE 1-1. AXLE INSTALLATION	16
FIGURE 1-2. STEER INSTALLATION WITHOUT TOW PACKAGE	18
FIGURE 1-3. STEER INSTALLATION WITH TOW PACKAGE.....	20
FIGURE 1-4. WHEEL DRIVE INSTALLATION (2WD).....	22
FIGURE 1-5. WHEEL DRIVE INSTALLATION (4WD).....	24
FIGURE 1-6. DRIVE HUB AND BRAKE ASSEMBLY - REAR	26
FIGURE 1-7. DRIVE HUB ASSEMBLY - FRONT.....	30
FIGURE 1-8. HUB - SPINDLE ASSEMBLY (2WD)	32
FIGURE 1-9. DRIVE MOTOR ASSEMBLY (2WD)	34
FIGURE 1-10. DRIVE MOTOR ASSEMBLY (4WD)	36
FIGURE 1-11. TRACTION VALVE ASSEMBLY (2WD).....	38
FIGURE 1-12. TRACTION VALVE ASSEMBLY (4WD).....	40
FIGURE 1-13. TIRE AND WHEEL INSTALLATION - 12 X 16.5 FOAM FILLED (ALL SPECS)	42
FIGURE 1-14. TIRE AND WHEEL INSTALLATION - 12 X 16.5 FOAM-FILLED NON-MARKING (ALL SPECS)	44
FIGURE 1-15. TIRE AND WHEEL INSTALLATION - 14 X 17.5 FOAM FILLED (ALL SPECS)	46
FIGURE 1-16. TIRE AND WHEEL INSTALLATION - 14 X 17.5 FOAM FILLED NON-MARKING (ALL SPECS).....	48
FIGURE 1-17. TIRE AND WHEEL INSTALLATION - 33/16LL X 16.1 FOAM FILLED TURF (ANSI AND ANSI EXPORT SPECS)	50
FIGURE 1-18. TIRE AND WHEEL INSTALLATION - 33 X 12 FOAM FILLED (ALL SPECS)	52
FIGURE 1-19. TOW BAR INSTALLATION.....	54
FIGURE 1-20. TOW BAR ASSEMBLY	56
FIGURE 1-21. FRAME SHIELD INSTALLATION - WITHOUT TOW BAR.....	58
FIGURE 1-22. FRAME SHIELD INSTALLATION - WITH TOW BAR	60
FIGURE 1-23. LP TANK BRACKETS INSTALLATION	62
SECTION 2 - TURNTABLE	65
FIGURE 2-1. CONTROL VALVES INSTALLATION - 400S.....	66
FIGURE 2-2. CONTROL VALVES INSTALLATION - 460SJ.....	68
FIGURE 2-3. CONTROL VALVES INSTALLATION - 460SJ 1K45FT	70
FIGURE 2-4. MAIN VALVE ASSEMBLY - 400S.....	72
FIGURE 2-5. MAIN VALVE ASSEMBLY - 460SJ.....	76
FIGURE 2-6. MAIN VALVE ASSEMBLY - 460SJ 1K45FT	80
FIGURE 2-7. AXLE VALVE ASSEMBLY	84
FIGURE 2-8. AUXILIARY PUMP AND BATTERY WITH DISCONNECT SWITCH INSTALLATION.....	86
FIGURE 2-9. AUXILIARY PUMP AND BATTERY INSTALLATION.....	88
FIGURE 2-10. AUXILIARY PUMP ASSEMBLY.....	90
FIGURE 2-11. ROTARY COUPLING INSTALLATION.....	92
FIGURE 2-12. SWING DRIVE INSTALLATION	94
FIGURE 2-13. SWING HUB/MOTOR ASSEMBLY.....	96
FIGURE 2-14. TURNTABLE BEARING INSTALLATION	100
FIGURE 2-15. BEARING LUBE INSTALLATION	102
FIGURE 2-16. TURNTABLE LOCK INSTALLATION.....	104
FIGURE 2-17. TURNTABLE COVERS INSTALLATION	106
FIGURE 2-18. TANKS INSTALLATION - DIESEL MACHINES (WITH 17.3 GAL HYDRAULIC TANK)	108

TABLE OF CONTENTS

FIGURE 2-19. TANKS INSTALLATION - DIESEL MACHINES (WITH 36 GAL HYDRAULIC TANK).....	110
FIGURE 2-20. TANKS INSTALLATION - GAS MACHINES (WITH 17.3 GAL HYDRAULIC TANK).....	112
FIGURE 2-21. TANKS INSTALLATION - GAS MACHINES (WITH 36 GAL HYDRAULIC TANK).....	114
FIGURE 2-22. HYDRAULIC TANK ASSEMBLY - 17.3 GALLON	116
FIGURE 2-23. HYDRAULIC TANK ASSEMBLY - 36 GALLON	118
FIGURE 2-24. ELECTRICAL INSTALLATION - 400S.....	120
FIGURE 2-25. ELECTRICAL INSTALLATION - 460SJ.....	122
FIGURE 2-26. ELECTRICAL INSTALLATION - 460SJ WITH DEUTZ (STAGE V).....	124
FIGURE 2-27. ELECTRICAL INSTALLATION - 460SJ 1K45FT	126
FIGURE 2-28. ELECTRICAL PANEL ASSEMBLY	128
FIGURE 2-29. GROUND CONTROL MOUNTING - 400S	130
FIGURE 2-30. GROUND CONTROL MOUNTING - 460SJ & 460SJ 1K45FT	132
FIGURE 2-31. GROUND CONTROL MOUNTING - DEUTZ (STAGE V) (460SJ) (CE & UK CA SPECS).....	134
FIGURE 2-32. GROUND CONTROL ASSEMBLY - 400S	136
FIGURE 2-33. GROUND CONTROL ASSEMBLY - 460SJ & 460SJ 1K45FT	138
FIGURE 2-34. GROUND CONTROL ASSEMBLY - DEUTZ (STAGE V) (460SJ) (CE & UK CA SPECS).....	140
FIGURE 2-35. GROUND CONTROL DECAL AND KEYSWITCH INSTALLATION - 400S (ALL SPECS EXCEPT AUSTRALIAN, CE & UK CA SPECS).....	142
FIGURE 2-36. GROUND CONTROL DECAL AND KEYSWITCH INSTALLATION - 460SJ & 460SJ 1K45FT (ALL SPECS EXCEPT CE & UK CA SPEC).....	144
FIGURE 2-37. GROUND CONTROL DECAL AND KEYSWITCH INSTALLATION - 460SJ (CE(LRC) & UK CA SPEC).....	146
FIGURE 2-38. GROUND CONTROL DECAL AND KEYSWITCH INSTALLATION - 460SJ (STAGE V) (CE & UK CA SPECS)	148
FIGURE 2-39. LIGHT PANEL INSTALLATION - 400S & 460SJ.....	150
FIGURE 2-40. LIGHT PANEL INSTALLATION - 460SJ 1K45FT.....	152
FIGURE 2-41. BEACON LIGHT INSTALLATION - AMBER.....	154
FIGURE 2-42. BEACON LIGHT INSTALLATION - BLUE.....	156
FIGURE 2-43. BEACON LIGHT INSTALLATION - RED.....	158
FIGURE 2-44. WHITE NOISE ALARM INSTALLATION (AMBIENT).....	160
FIGURE 2-45. WHITE NOISE ALARM INSTALLATION (CONSTANT)	162
FIGURE 2-46. HOOD INSTALLATION - ABS (DEUTZ ENGINES).....	164
FIGURE 2-47. HOOD INSTALLATION - ABS (KUBOTA ENGINES).....	168
FIGURE 2-48. HOOD INSTALLATION - STEEL.....	172
FIGURE 2-49. ABS HOOD ASSEMBLY - ENGINE SIDE	176
FIGURE 2-50. ABS HOOD ASSEMBLY - TANK SIDE	178
FIGURE 2-51. STEEL HOOD ASSEMBLY - ENGINE SIDE	180
FIGURE 2-52. STEEL HOOD ASSEMBLY - TANK SIDE	182
FIGURE 2-53. SOUND REDUCTION INSTALLATION - KUBOTA ENGINE MACHINES WITH STEEL HOODS	184
FIGURE 2-54. HOOD PLUGS INSTALLATION (HOODS WITHOUT STROBE LIGHT)	186
SECTION 3 - ENGINE.....	189
FIGURE 3-1. ENGINE INSTALLATION - DEUTZ D2011 ENGINE (WITHOUT ARCTIC PACKAGE) (ANSI EXPORT(LRC), AUSTRALIAN, CE(LRC), CHINA & UK CA SPECS).....	190
FIGURE 3-2. ENGINE AND PUMP SUB-ASSEMBLY - DEUTZ D2011 (WITHOUT ARCTIC PACKAGE) (AUSTRALIAN AND CHINA SPECS).....	196
FIGURE 3-3. ENGINE ASSEMBLY - DEUTZ D2011 ENGINE (WITHOUT ARCTIC PACKAGE) (AUSTRALIAN AND CHINA SPECS).....	198
FIGURE 3-4. ENGINE INSTALLATION - DEUTZ D2011 ENGINE (WITH ARCTIC PACKAGE) (ANSI EXPORT(LRC), AUSTRALIAN, CE(LRC), CHINA & UK CA SPECS).....	202

TABLE OF CONTENTS

FIGURE 3-5. ENGINE AND PUMP SUB-ASSEMBLY - DEUTZ D2011 (WITH ARCTIC PACKAGE) (ANSI EXPORT AND CHINA SPECS)	208
FIGURE 3-6. ENGINE ASSEMBLY - DEUTZ D2011 ENGINE (WITH ARCTIC PACKAGE) (ANSI EXPORT AND CHINA SPECS)	210
FIGURE 3-7. ENGINE COMPONENTS - DEUTZ D2011	214
FIGURE 3-8. ENGINE INSTALLATION - DEUTZ D2.9L4 ENGINE (WITHOUT ARCTIC PACKAGE) (ANSI, ANSI EXPORT(HRC), CSA AND JAPANESE SPECS).....	218
FIGURE 3-9. ENGINE AND PUMP SUB-ASSEMBLY - DEUTZ D2.9L4 (WITHOUT ARCTIC PACKAGE) (ANSI, ANSI EXPORT AND CSA SPECS)	222
FIGURE 3-10. ENGINE ASSEMBLY - DEUTZ D2.9L4 ENGINE (WITHOUT ARCTIC PACKAGE) (ANSI, ANSI EXPORT AND CSA SPECS).....	224
FIGURE 3-11. ENGINE INSTALLATION - DEUTZ D2.9L4 ENGINE (WITH ARCTIC PACKAGE) (ANSI AND CSA SPECS).....	230
FIGURE 3-12. ENGINE AND PUMP SUB-ASSEMBLY - DEUTZ D2.9L4 (WITH ARCTIC PACKAGE) (ANSI, ANSI EXPORT AND CSA SPECS).....	234
FIGURE 3-13. ENGINE ASSEMBLY - DEUTZ D2.9L4 ENGINE (WITH ARCTIC PACKAGE) (ANSI, ANSI EXPORT AND CSA SPECS)	236
FIGURE 3-14. ENGINE COMPONENTS - DEUTZ D2.9L4 ENGINE (ANSI, ANSI EXPORT AND CSA SPECS).....	242
FIGURE 3-15. ENGINE INSTALLATION - DEUTZ D2.9L4 ENGINE (STAGE V) (CE & UK CA SPECS)	246
FIGURE 3-16. ENGINE AND PUMP SUB-ASSEMBLY - DEUTZ D2.9L4 ENGINE (STAGE V) (CE & UK CA SPECS).....	252
FIGURE 3-17. ENGINE ASSEMBLY – DEUTZ D2.9L4 ENGINE (STAGE V) (CE & UK CA SPECS)	254
FIGURE 3-18. ENGINE ASSEMBLY – DEUTZ D2.9L4 ENGINE (STAGE V) (CE & UK CA SPECS)	256
FIGURE 3-19. ENGINE COMPONENTS - DEUTZ D2.9L4 ENGINE (STAGE V) (CE & UK CA SPECS).....	260
FIGURE 3-20. BREATHER HEATER INSTALLATION - DEUTZ D2.9L4 ENGINE WITH ARCTIC PACKAGE	264
FIGURE 3-21. BRACKET ASSEMBLY - FUEL PUMP AND FILTER (DEUTZ D2.9L4 ENGINE).....	266
FIGURE 3-22. BRACKET ASSEMBLY - FUEL PUMP AND FILTER (DEUTZ D2.9L4 ENGINE) (STAGE V)	268
FIGURE 3-23. PUMP COUPLING KIT (DEUTZ ENGINES)	270
FIGURE 3-24. ENGINE INSTALLATION - DEUTZ D2.9L4 ENGINE (CHINA IV)	272
FIGURE 3-25. ENGINE AND PUMP SUB-ASSEMBLY - DEUTZ D2.9L4 ENGINE (CHINA IV)	276
FIGURE 3-26. ENGINE ASSEMBLY - DEUTZ D2.9L4 (CHINA IV)	278
FIGURE 3-27. ENGINE COMPONENTS - DEUTZ D2.9L4 (CHINA IV)	284
FIGURE 3-28. QUICKFIT OIL DRAIN INSTALLATION (DEUTZ D2.9L4 ENGINES)	286
FIGURE 3-29. QUICKFIT OIL DRAIN INSTALLATION (KUBOTA 2.5L DF) (SN 0300305401 to Present)	288
FIGURE 3-30. ENGINE INSTALLATION - KUBOTA ENGINE (WITHOUT ARCTIC PACKAGE).....	290
FIGURE 3-31. ENGINE AND PUMP SUB-ASSEMBLY - KUBOTA ENGINE (WITHOUT ARCTIC PACKAGE)	296
FIGURE 3-32. ENGINE ASSEMBLY - KUBOTA ENGINE (WITHOUT ARCTIC PACKAGE).....	298
FIGURE 3-33. ENGINE INSTALLATION - KUBOTA ENGINE (WITH ARCTIC PACKAGE)	304
FIGURE 3-34. ENGINE AND PUMP SUB-ASSEMBLY - KUBOTA ENGINE (WITH ARCTIC PACKAGE)	310
FIGURE 3-35. ENGINE ASSEMBLY - KUBOTA ENGINE (WITH ARCTIC PACKAGE)	312
FIGURE 3-36. ENGINE COMPONENTS - KUBOTA.....	318
FIGURE 3-37. PUMP COUPLING KIT - KUBOTA ENGINE	322
FIGURE 3-38. PISTON PUMP ASSEMBLY	324
FIGURE 3-39. SPARK ARRESTOR INSTALLATION - DEUTZ D2011 ENGINE	328
FIGURE 3-40. ENGINE BAFFLE INSTALLATION - ABS HOODS (DEUTZ & GM ENGINES)	330
FIGURE 3-41. ENGINE BAFFLE INSTALLATION - ABS HOODS (KUBOTA ENGINES).....	332
FIGURE 3-42. ENGINE BAFFLE INSTALLATION - STEEL HOODS.....	334
FIGURE 3-43. FUEL/WATER SEPARATOR INSTALLATION DUETZ D2.9L4 (CHINA IV) ENGINE.....	336
FIGURE 3-44. FUEL PUMP AND FILTER INSTALLATION DUETZ D2.9L4 (CHINA IV) ENGINE	338
FIGURE 3-45. ENGINE MOUNT (WITH GENERATOR) - DEUTZ D2.9L4 AND DEUTZ D2.9L4 (STAGE V) ENGINES.....	340

TABLE OF CONTENTS

FIGURE 3-46. ENGINE MOUNT (WITHOUT GENERATOR) - DEUTZ D2.9L4, DEUTZ D2.9L4 (STAGE V) AND DEUTZ D2.9L4 (CHINA IV) ENGINES	342
FIGURE 3-47. ENGINE TRAY JACK INSTALLATION.....	344
FIGURE 3-48. GENERATOR INSTALLATION - 2500W/60HZ (DEUTZ D2011 ENGINE).....	346
FIGURE 3-49. GENERATOR INSTALLATION - 2500W/60HZ (DEUTZ D2.9L4 ENGINE).....	350
FIGURE 3-50. GENERATOR INSTALLATION - 2500W/60HZ (KUBOTA ENGINE)	354
FIGURE 3-51. GENERATOR INSTALLATION - 4000W/50HZ (DEUTZ D2011 ENGINES)	358
FIGURE 3-52. GENERATOR INSTALLATION - 4000W/60HZ (DEUTZ D2011 ENGINE).....	362
FIGURE 3-53. GENERATOR INSTALLATION - 4000W/60HZ (DEUTZ D2.9L4 ENGINE).....	366
FIGURE 3-54. GENERATOR INSTALLATION - 4000W/50HZ (DEUTZ STAGE V ENGINE).....	370
FIGURE 3-55. GENERATOR INSTALLATION - 7500W/50HZ (DEUTZ D2011 ENGINE).....	374
FIGURE 3-56. GENERATOR INSTALLATION - 7500W/60HZ (DEUTZ D2011 ENGINE).....	378
FIGURE 3-57. GENERATOR INSTALLATION - 7500W/60HZ (DEUTZ D2.9L4 ENGINE).....	382
FIGURE 3-58. GENERATOR INSTALLATION - 7500W/60HZ (KUBOTA ENGINE)	386
SECTION 4 - BOOM.....	391
FIGURE 4-1. BOOM AND CYLINDERS INSTALLATION - 400S.....	392
FIGURE 4-2. BOOM AND CYLINDERS INSTALLATION - 460SJ.....	394
FIGURE 4-3. BOOM AND CYLINDERS INSTALLATION - 460SJ 1K45FT	396
FIGURE 4-4. MAIN BOOM ASSEMBLY - 400S.....	398
FIGURE 4-5. MAIN BOOM ASSEMBLY - 460SJ.....	400
FIGURE 4-6. MAIN BOOM ASSEMBLY - 460SJ 1K45FT	402
FIGURE 4-7. JIB BOOM ASSEMBLY - 460SJ.....	404
FIGURE 4-8. JIB BOOM ASSEMBLY - 460SJ 1K45FT	406
FIGURE 4-9. ROTATOR ASSEMBLY - 400S	408
FIGURE 4-10. ROTATOR ASSEMBLY - 460SJ	410
FIGURE 4-11. ROTATOR ASSEMBLY - 460SJ 1K45FT.....	412
FIGURE 4-12. POWER TRACK INSTALLATION - 400S & 460SJ.....	414
FIGURE 4-13. POWER TRACK INSTALLATION - 460SJ 1K45FT.....	416
FIGURE 4-14. CAPACITY SWITCH INSTALLATION - 400S & 460SJ	418
FIGURE 4-15. CAPACITY SWITCH INSTALLATION - 460SJ 1K45FT	420
FIGURE 4-16. TRANSPORT SWITCHES INSTALLATION - 400S & 460SJ	422
FIGURE 4-17. TRANSPORT SWITCHES INSTALLATION - 460SJ 1K45FT	424
FIGURE 4-18. PLATFORM SUPPORT INSTALLATION	426
SECTION 5 - PLATFORM.....	429
FIGURE 5-1. PLATFORM ASSEMBLY - 30IN X 5FT (76.2CM X 1.52M) WITH SWING GATE	430
FIGURE 5-2. PLATFORM ASSEMBLY - 36IN X 6FT (91.5CM X 1.83M) WITH SWING GATE	432
FIGURE 5-3. PLATFORM ASSEMBLY - 36IN X 8FT (91.5CM X 2.44M) WITH SWING GATE	434
FIGURE 5-4. PLATFORM ASSEMBLY - 30IN X 5FT (76.2CM X 1.52M) WITH DROP BAR	436
FIGURE 5-5. PLATFORM ASSEMBLY - 36IN X 6FT (91.5CM X 1.83M) WITH DROP BAR	438
FIGURE 5-6. PLATFORM ASSEMBLY - 36IN X 8FT (91.5CM X 2.44M) WITH DROP BAR	440
FIGURE 5-7. PLATFORM ASSEMBLY - 36IN X 6FT (91.5CM X 1.83M) WITH FALL ARREST (ALL SPECS EXCEPT CE AND AUSTRALIAN SPECS)	442
FIGURE 5-8. PLATFORM ASSEMBLY - 36IN X 6FT (91.5CM X 1.83M) TRI-ENTRY WITH GATE	444
FIGURE 5-9. PLATFORM ASSEMBLY - 36IN X 6FT (91.5CM X 1.83M) TRI-ENTRY WITH DROPBAR	446
FIGURE 5-10. PLATFORM ASSEMBLY - 36IN X 8FT (91.5CM X 2.44M) WITH TRI-ENTRY (1 GATE/2 DROP BARS).....	448

TABLE OF CONTENTS

FIGURE 5-11. PLATFORM ASSEMBLY - 36IN X 8FT (91.5CM X 2.44M) WITH TRI-ENTRY (3 DROP BARS)	450
FIGURE 5-12. PLATFORM ASSEMBLY - 30IN X 3FT (76CM X .91M) - DROP BAR ENTRY	452
FIGURE 5-13. PLATFORM CONSOLE BOX INSTALLATION	454
FIGURE 5-14. PLATFORM CONSOLE BOX ASSEMBLY	456
FIGURE 5-15. FOOTSWITCH ASSEMBLY.....	458
FIGURE 5-16. LIGHT PANEL INSTALLATION - 400S & 460SJ	460
FIGURE 5-17. LIGHT PANEL INSTALLATION - 460SJ 1K45FT	462
FIGURE 5-18. FALL ARREST (BOLT-ON) INSTALLATION - 5FTX3FT PLATFORM (ALL SPECS EXCEPT CE & UK CA SPECS)	464
FIGURE 5-19. FALL ARREST (BOLT-ON) INSTALLATION - 6FTX3FT PLATFORM (ALL SPECS EXCEPT CE & UK CA SPECS)	466
FIGURE 5-20. FALL ARREST (BOLT-ON) INSTALLATION - 6FTX3FT TRI-ENTRY PLATFORM (ALL SPECS EXCEPT CE & UK CA SPECS)	468
FIGURE 5-21. FALL ARREST (BOLT-ON) INSTALLATION - 8FTX3FT PLATFORM (ALL SPECS EXCEPT CE & UK CA SPECS)	470
FIGURE 5-22. SOFT TOUCH INSTALLATION - 6FT (1.83M) FALL ARREST PLATFORM	472
FIGURE 5-23. SOFT TOUCH INSTALLATION - 8FT (2.4M) PLATFORM	474
FIGURE 5-24. SKYGUARD BAR INSTALLATION	476
FIGURE 5-25. SKYEYE INSTALLATION	478
FIGURE 5-26. SKYLINE INSTALLATION	480
FIGURE 5-27. SKYGLAZIER INSTALLATION	482
FIGURE 5-28. SKYSENSE MID TUBE SENSOR ASSEMBLY	484
FIGURE 5-29. SKYSENSE OVERHEAD SENSOR ASSEMBLY	486
FIGURE 5-30. SKYWELDER INSTALLATION (50HZ)	488
FIGURE 5-31. SKYWELDER INSTALLATION (60HZ)	490
FIGURE 5-32. SKYWELDER PREP PACKAGE (60HZ)	492
FIGURE 5-33. TRAY INSTALLATION	494
FIGURE 5-34. USB CHARGER INSTALLATION	496
FIGURE 5-35. WELDER ASSEMBLY	498
SECTION 6 - CYLINDER	501
FIGURE 6-1. AXLE LOCKOUT CYLINDER ASSEMBLY	502
FIGURE 6-2. LEVEL (PLATFORM SLAVE) CYLINDER ASSEMBLY - 400S & 460SJ	504
FIGURE 6-3. LEVEL (PLATFORM SLAVE) CYLINDER ASSEMBLY - 460SJ 1K45FT	506
FIGURE 6-4. LIFT CYLINDER ASSEMBLY - MAIN BOOM	508
FIGURE 6-5. LIFT CYLINDER ASSEMBLY - JIB - 400S & 460SJ	510
FIGURE 6-6. LIFT CYLINDER ASSEMBLY - JIB - 460SJ 1K45FT	512
FIGURE 6-7. MASTER CYLINDER ASSEMBLY - 400S & 460SJ	514
FIGURE 6-8. MASTER CYLINDER ASSEMBLY - 460SJ 1K45FT	516
FIGURE 6-9. STEER CYLINDER ASSEMBLY	518
FIGURE 6-10. TELESCOPE CYLINDER ASSEMBLY - 400S & 460SJ	520
FIGURE 6-11. TELESCOPE CYLINDER ASSEMBLY - 460SJ 1K45FT	522
SECTION 7 - HYDRAULIC	525
FIGURE 7-1. 400S 2WD HYDRAULIC SYSTEM INSTALLATION	526
FIGURE 7-2. 400S 4WD HYDRAULIC SYSTEM INSTALLATION	534
FIGURE 7-3. 460SJ 2WD HYDRAULIC SYSTEM INSTALLATION	542

TABLE OF CONTENTS

FIGURE 7-4. 460SJ 4WD HYDRAULIC SYSTEM INSTALLATION.....	550
FIGURE 7-5. 460SJ 1K45FT 4WD HYDRAULIC SYSTEM INSTALLATION	558
SECTION 8 - ELECTRICAL.....	567
FIGURE 8-1. AC BOX AT PLATFORM INSTALLATION - 110V (ANSI, ANSI EXPORT(HRC), CSA AND JAPANESE SPECS).....	568
FIGURE 8-2. AC BOX AT PLATFORM INSTALLATION - 110V IEC YELLOW (CE & UK CA SPECS WITH 4000W/50HZ GENERATOR)	570
FIGURE 8-3. AC BOX AT PLATFORM - 110V IEC YELLOW (CE & UK CA SPEC WITHOUT GENERATOR)	572
FIGURE 8-4. AC BOX AT PLATFORM INSTALLATION - 220V IEC BLUE (CE & UK CA SPECS WITH 4000W/50HZ GENERATOR)	574
FIGURE 8-5. AC BOX AT PLATFORM - 220V IEC BLUE (CE & UK CA SPEC WITHOUT GENERATOR).....	576
FIGURE 8-6. AC BOX AT PLATFORM - 220V CEE7 2IN X 4IN POST GROUND (CE & UK CA SPEC WITHOUT GENERATOR)	578
FIGURE 8-7. AC BOX AT PLATFORM - 220V CEE7 2IN X 4IN SIDE GROUND (CE & UK CA SPEC WITHOUT GENERATOR)	580
FIGURE 8-8. AC BOX AT PLATFORM INSTALLATION - 220V CEE7 2IN X 4IN POST GROUND (CE & UK CA SPECS WITH 4000W/50HZ GENERATOR)	582
FIGURE 8-9. AC BOX AT PLATFORM INSTALLATION - 220V CEE7 2IN X 4IN SIDE GROUND (CE & UK CA SPECS WITH 4000W/50HZ GENERATOR)	584
FIGURE 8-10. AC BOX AT PLATFORM INSTALLATION - 220V AFSINT107 (CE & UK CA SPECS WITH 4000W/50HZ GENERATOR)	586
FIGURE 8-11. AC BOX AT PLATFORM - 220V AFSINT107 (CE & UK CA SPEC WITHOUT GENERATOR)	588
FIGURE 8-12. AC BOX AT PLATFORM INSTALLATION - 220V CUSTOMER SUPPLIED COMPONENTS (ALL SPECS EXCEPT CSA SPECS)	590
FIGURE 8-13. AC BOX AT PLATFORM INSTALLATION - 240V (WITH 4000W GENERATOR) (ANSI, ANSI EXPORT(HRC), CSA AND JAPANESE SPECS)	592
FIGURE 8-14. AC BOX AT PLATFORM INSTALLATION - 240V (WITH 7500W SKYPOWER GENERATOR) (ANSI, ANSI EXPORT(HRC), CSA AND JAPANESE SPECS).....	594
FIGURE 8-15. AC CABLE INSTALLATION - WITH THREE BREAKERS (CE & UK CA SPECS).....	596
FIGURE 8-16. BATTERY DISCONNECT SWITCH	598
FIGURE 8-17. BEACON HARNESS (AMBER LIGHT).....	600
FIGURE 8-18. BEACON HARNESS (BLUE/RED BEACON LIGHT)	602
FIGURE 8-19. BOOM HARNESS - 400S.....	604
FIGURE 8-20. BOOM HARNESS - 460SJ & 460SJ 1K45FT.....	606
FIGURE 8-21. BOOM CAPACITY PROXIMITY SWITCH HARNESS - 400S	608
FIGURE 8-22. BOOM CAPACITY PROXIMITY SWITCH HARNESS - 460SJ 1K45FT	610
FIGURE 8-23. BOOM HI-CAPACITY HARNESS - 460SJ 1K45FT.....	612
FIGURE 8-24. BOOM TELE IN PROXIMITY SWITCH HARNESS	614
FIGURE 8-25. BREAKER BOX INSTALLATION - 110/220V 16AMP BREAKER (CE & UK CA SPEC).....	616
FIGURE 8-26. BREAKER BOX KIT - 110/220V 16AMP BREAKER (CE & UK CA SPEC).....	618
FIGURE 8-27. BREAKER BOX KIT - 30MA/16 AMP	620
FIGURE 8-28. BREAKER BOX KIT WITH THREE BREAKERS.....	622
FIGURE 8-29. CABLES AND CLAMPS INSTALLATION - 400S (2500W GENERATOR OR NO GENERATOR).....	624
FIGURE 8-30. CABLES AND CLAMPS INSTALLATION - 400S (4000W GENERATOR 60HZ)	626
FIGURE 8-31. CABLES AND CLAMPS INSTALLATION - 400S (4000W GENERATOR 50HZ)	628
FIGURE 8-32. CABLES AND CLAMPS INSTALLATION - 400S (7500W GENERATOR).....	630
FIGURE 8-33. CABLES AND CLAMPS INSTALLATION - 460SJ (2500W GENERATOR OR NO GENERATOR).....	632
FIGURE 8-34. CABLES AND CLAMPS INSTALLATION - 460SJ (4000W GENERATOR 60HZ)	634
FIGURE 8-35. CABLES AND CLAMPS INSTALLATION - 460SJ (4000W GENERATOR 50HZ)	636

TABLE OF CONTENTS

FIGURE 8-36. CABLES AND CLAMPS INSTALLATION - 460SJ (7500W GENERATOR).....	638
FIGURE 8-37. CABLES AND CLAMPS INSTALLATION - 460SJ 1K45FT (2500W GENERATOR OR NO GENERATOR).....	640
FIGURE 8-38. CABLES AND CLAMPS INSTALLATION - 460SJ 1K45FT (4000W GENERATOR 60HZ)	642
FIGURE 8-39. CABLES AND CLAMPS INSTALLATION - 460SJ 1K45FT (7500W GENERATOR)	644
FIGURE 8-40. CLEARSKY (TELEMATICS) INSTALLATION - CANBUS 4G (ALL SPECS EXCEPT CHINA SPECS).....	646
FIGURE 8-41. CLEARSKY (TELEMATICS) INSTALLATION - CANBUS 4G (CHINA SPECS)	648
FIGURE 8-42. CLEARSKY (TELEMATICS) INSTALLATION - CANBUS 3G (ANSI EXPORT, CE, JAPANESE & UK CA SPECS)	650
FIGURE 8-43. CLEARSKY (TELEMATICS) INSTALLATION - CANBUS 3G (AUSTRALIAN SPECS)	652
FIGURE 8-44. CLEARSKY (TELEMATICS) INSTALLATION - 3 WIRE GT1030	654
FIGURE 8-45. CLEARSKY (TELEMATICS) INSTALLATION - GT1030.....	656
FIGURE 8-46. CLEARSKY HARNESS - CANBUS.....	658
FIGURE 8-47. ENGINE HARNESS - DEUTZ D2011	660
FIGURE 8-48. ENGINE HARNESS - DEUTZ D2.9L4	662
FIGURE 8-49. ENGINE HARNESS - DEUTZ D2.9L4 (STAGE V).....	666
FIGURE 8-50. ENGINE HARNESS - DEUTZ D2.9L4 (CHINA IV)	670
FIGURE 8-51. ENGINE HARNESS - KUBOTA	674
FIGURE 8-52. FUEL HARNESS - DEUTZ D2.9L4 ENGINE	676
FIGURE 8-53. FUEL HARNESS - KUBOTA ENGINE	678
FIGURE 8-54. GENERATOR HARNESS - 2500W.....	680
FIGURE 8-55. GENERATOR HARNESS - 4000W.....	682
FIGURE 8-56. GROUND CONTROL BOX HARNESS.....	684
FIGURE 8-57. HOUR METER JUMPER HARNESS	686
FIGURE 8-58. INTERFACE HARNESS - WITH 1 CELL LSS	688
FIGURE 8-59. PLATFORM CONSOLE BOX HARNESS	690
FIGURE 8-60. RECEPTACLE BOX KIT - 110V IEC YELLOW (CE & UK CA SPEC)	692
FIGURE 8-61. RECEPTACLE BOX KIT - 220V IEC BLUE (CE & UK CA SPEC).....	694
FIGURE 8-62. RECEPTACLE BOX KIT - 220V CEE7 POST GROUND 2IN X 4IN (CE & UK CA SPEC).....	696
FIGURE 8-63. RECEPTACLE BOX KIT - 220V CEE7 SIDE GROUND 2IN X 4IN (CE & UK CA SPEC)	698
FIGURE 8-64. RECEPTACLE BOX KIT - 220V AFSINT 107 (CE & UK CA SPEC).....	700
FIGURE 8-65. TURNTABLE HARNESS	702
FIGURE 8-66. VALVE HARNESS - MAIN VALVE - 400S & 460SJ.....	706
FIGURE 8-67. VALVE HARNESS - MAIN VALVE - 460SJ 1K45FT.....	708
FIGURE 8-68. SKYLINE HARNESS.....	710
FIGURE 8-69. SKYEYE INTERMEDIATE HARNESS.....	712
FIGURE 8-70. SKYEYE RECEIVER HARNESS	714
FIGURE 8-71. SKYEYE EMITTER HARNESS.....	716
SECTION 9 - DECAL	719
FIGURE 9-1. DECAL INSTALLATION - ANSI, ANSI EXPORT AND CSA SPECS - ENGLISH (400S).....	720
FIGURE 9-2. DECAL INSTALLATION - ANSI, ANSI EXPORT AND CSA SPECS - ENGLISH (460SJ).....	722
FIGURE 9-3. DECAL INSTALLATION - ANSI AND CSA SPECS - ENGLISH (460SJ 1K45FT)	724
FIGURE 9-4. DECAL INSTALLATION - AUSTRALIAN SPEC (460SJ).....	726
FIGURE 9-5. DECAL INSTALLATION - CE & UK CA SPEC (460SJ).....	728
FIGURE 9-6. INSTALLATION - BRAZIL SPEC (DUAL LANGUAGE - PORTUGUESE/SPANISH) (400S).....	730
FIGURE 9-7. DECAL INSTALLATION - BRAZIL SPEC (DUAL LANGUAGE - PORTUGUESE/SPANISH) (460SJ)	732

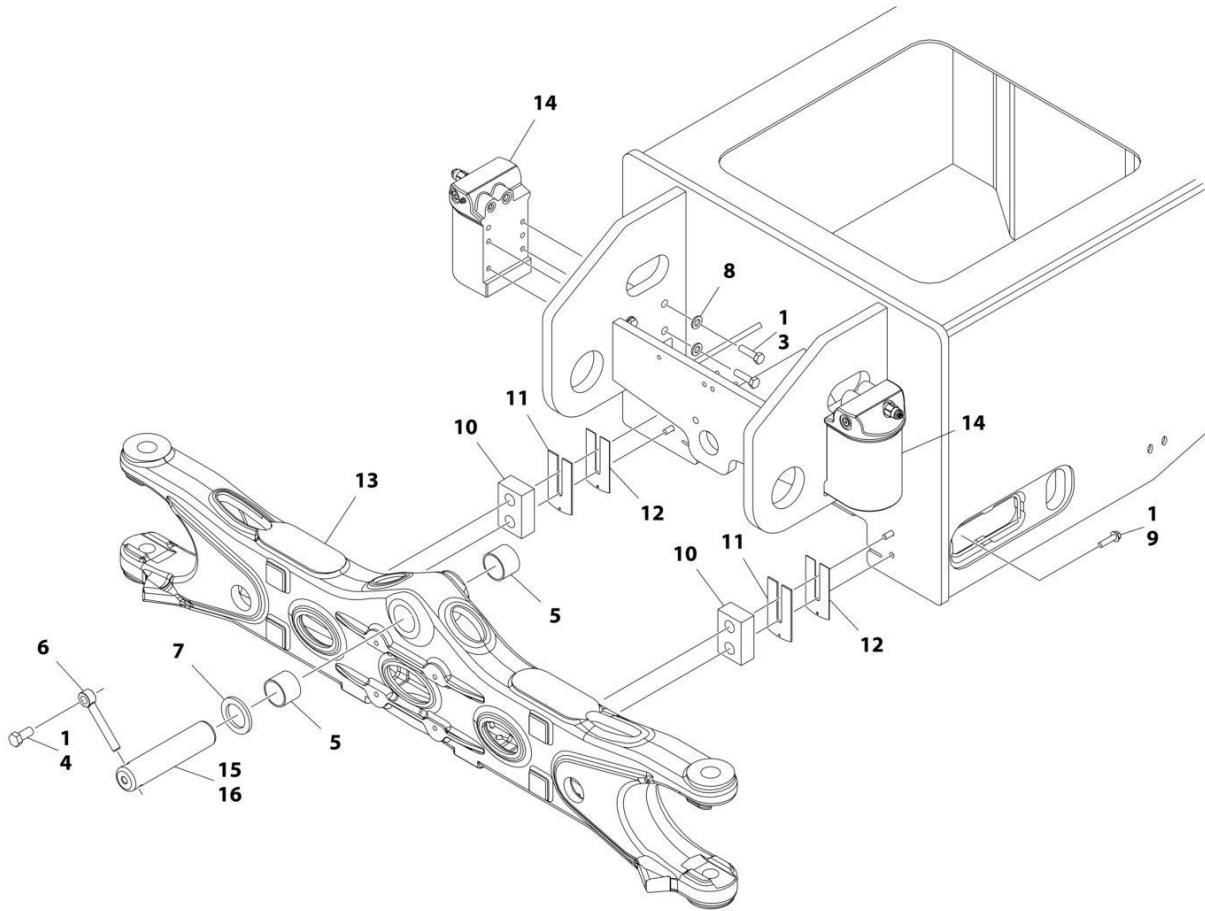
TABLE OF CONTENTS

FIGURE 9-8. DECAL INSTALLATION - CHINESE SPEC (DUAL LANGUAGE - ENGLISH/CHINESE) (400S)	734
FIGURE 9-9. DECAL INSTALLATION - CHINESE SPEC (DUAL LANGUAGE - ENGLISH/CHINESE) (460SJ)	736
FIGURE 9-10. DECAL INSTALLATION - CSA SPEC (DUAL LANGUAGE - ENGLISH/FRENCH) (400S)	738
FIGURE 9-11. DECAL INSTALLATION - CSA SPEC (DUAL LANGUAGE - ENGLISH/FRENCH) (460SJ)	740
FIGURE 9-12. DECAL INSTALLATION - CSA SPEC (DUAL LANGUAGE - ENGLISH/FRENCH) (460SJ 1K45FT)	742
FIGURE 9-13. DECAL INSTALLATION - JAPANESE SPEC (DUAL LANGUAGE - ENGLISH/JAPANESE) (400S)	744
FIGURE 9-14. DECAL INSTALLATION - JAPANESE SPEC (DUAL LANGUAGE - ENGLISH/JAPANESE) (460SJ)	746
FIGURE 9-15. DECAL INSTALLATION - KOREAN SPEC (DUAL LANGUAGE - ENGLISH/KOREAN) (400S)	748
FIGURE 9-16. DECAL INSTALLATION - KOREAN SPEC (DUAL LANGUAGE - ENGLISH/KOREAN) (460SJ)	750
FIGURE 9-17. DECAL INSTALLATION - LATIN AMERICAN SPEC (DUAL LANGUAGE - ENGLISH/SPANISH) (400S)	752
FIGURE 9-18. DECAL INSTALLATION - LATIN AMERICAN SPEC (DUAL LANGUAGE - ENGLISH/SPANISH) (460SJ)	754
FIGURE 9-19. DECAL INSTALLATION - OPTIONS	756
FIGURE 9-20. SKYWELDER DECAL INSTALLATION - 50HZ	760
FIGURE 9-21. SKYWELDER DECAL INSTALLATION - 60HZ	762
SECTION 10 - RECOMMENDED SERVICE PARTS STOCK	765
FIGURE 10-1. RECOMMENDED SERVICE PARTS STOCK	766
SECTION 11 - SPECIAL OPTIONS/ACCESSORIES/KITS	769
FIGURE 11-1. SPECIAL OPTIONS/ACCESSORIES/KITS	770
PART NUMBER INDEX	775

SECTION 1 - FRAME

SECTION 1 - FRAME

FIGURE 1-1. AXLE INSTALLATION



ART_1001164094

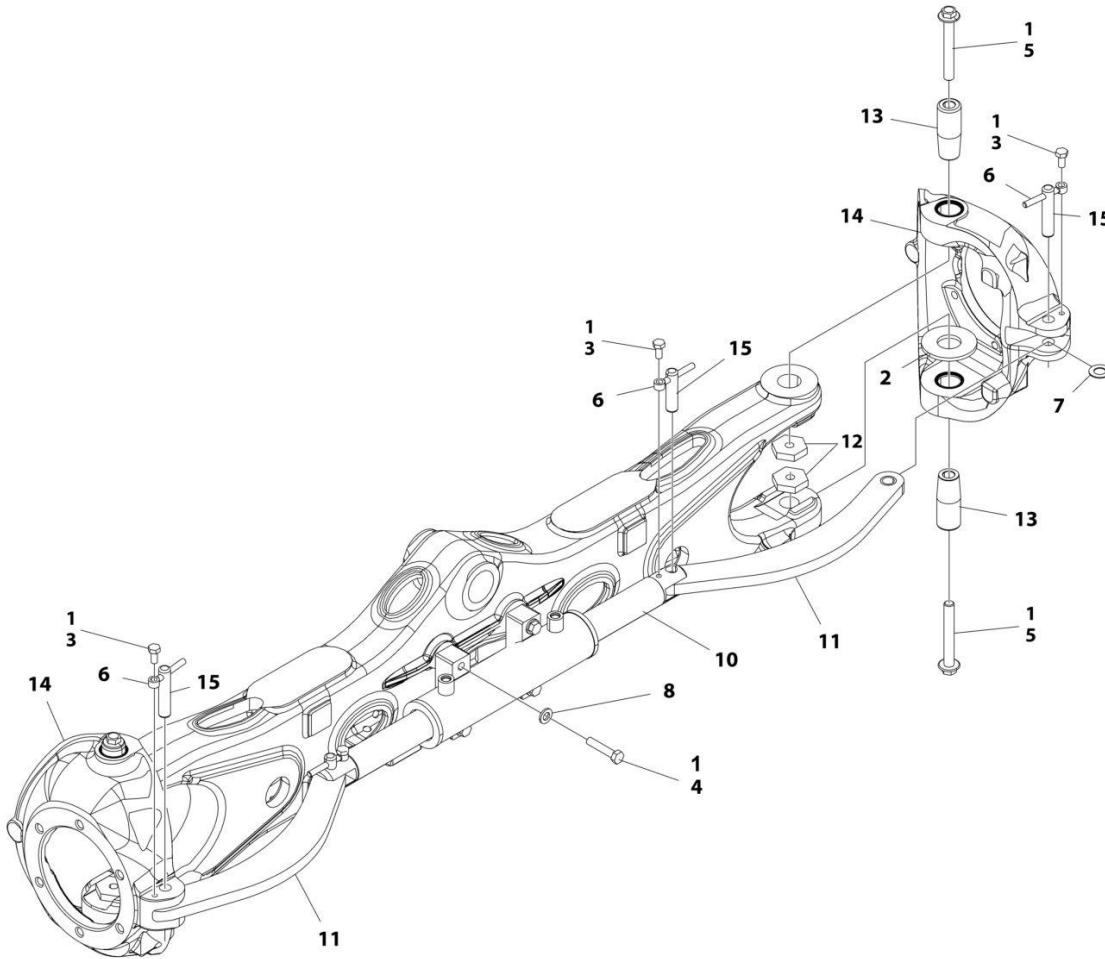
SECTION 1 - FRAME

FIGURE 1-1. AXLE INSTALLATION

ITEM	PART NUMBER	QTY	DESCRIPTION	REV
	1001164094	Ref	AXLE INSTALLATION	C
1	0100011	AR	Compound, Locking	
3	0701217	8	Bolt M12 x 45	
4	0761615	1	Bolt M16 x 35	
5	0961950	2	Bearing	
6	3841258	1	Keeper, Pin	
7	4740158	1	Washer	
8	5241200	8	Washer M12	
9	5251016	4	Bolt M10 x 40	
10	1001166563	2	Pad, Wear	
11	1001150324	2	Shim, 3	
12	1001150326	2	Shim, 1.2	
13	1001162995	1	Axle	
14	1001163580	2	Axle Lockout Cylinder Assembly (See Separate Breakdown in CYLINDER SECTION)	
15	1001164552	1	Pin	
16	3020039	AR	Lube	

SECTION 1 - FRAME

FIGURE 1-2. STEER INSTALLATION WITHOUT TOW PACKAGE



ART_1001164092

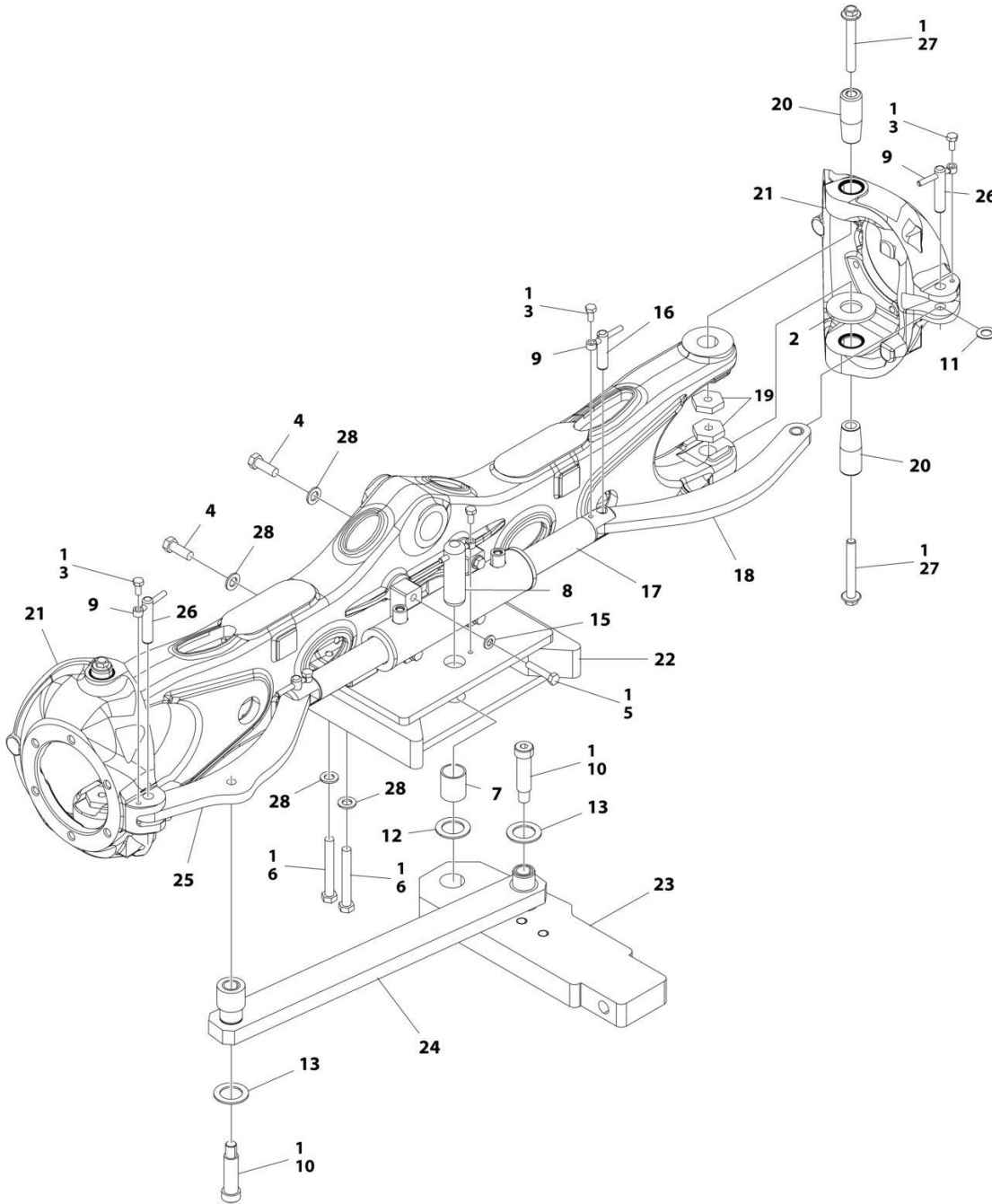
SECTION 1 - FRAME

FIGURE 1-2. STEER INSTALLATION WITHOUT TOW PACKAGE

ITEM	PART NUMBER	QTY	DESCRIPTION	REV
	1001164092	Ref	STEER INSTALLATION WITHOUT TOW PACKAGE	F
1	0100011	AR	Compound, Locking	
2	1001233139	2	Bearing, Thrust	
3	0761011	4	Bolt M10 x 22	
4	0711220	4	Bolt M12 x 60 Grade 10.9	
5	1001190368	4	Bolt M16 x 120	
6	3841143	4	Keeper, Pin	
7	4740086	4	Washer	
8	5241200	4	Washer M12	
10	1001163178	1	Steer Cylinder Assembly (See Separate Breakdown in CYLINDER SECTION)	
11	1001163179	2	Link	
11	1001164209	4	Bearing (2 Per Link)	
12	1001176848	4	Nut M16	
13	1001163405	4	Kingpin	
14	1001163715	2	Spindle	
14	0961948	4	Bearing (2 Per Spindle)	
14	1001163716	8	Seal (4 Per Spindle)	
15	3423304	4	Pin	

SECTION 1 - FRAME

FIGURE 1-3. STEER INSTALLATION WITH TOW PACKAGE



ART_1001164095

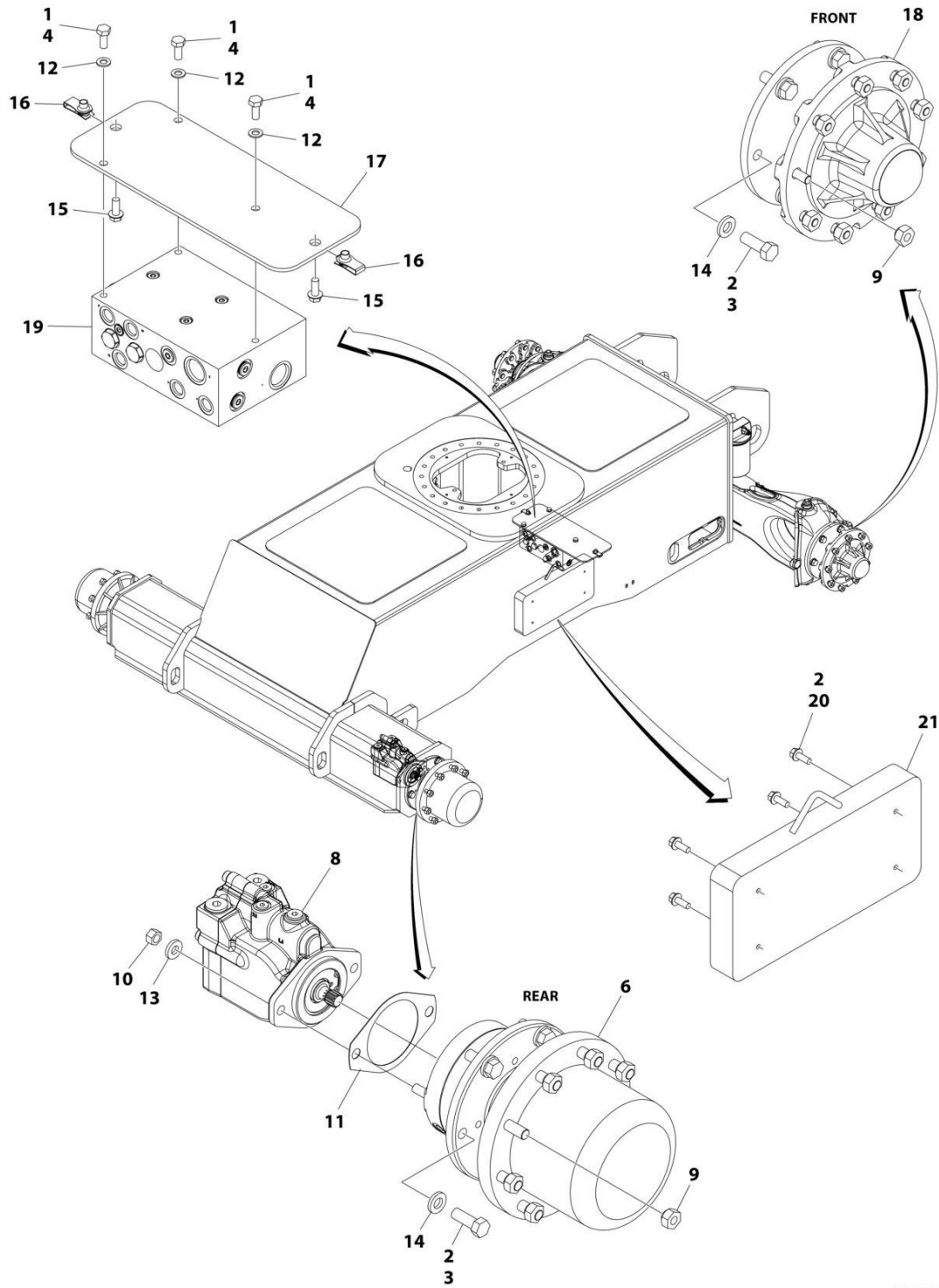
SECTION 1 - FRAME

FIGURE 1-3. STEER INSTALLATION WITH TOW PACKAGE

ITEM	PART NUMBER	QTY	DESCRIPTION	REV
	1001164095	Ref	STEER INSTALLATION WITH TOW PACKAGE	D
1	0100011	AR	Compound, Locking	
2	0440271	2	Bearing, Thrust	
3	0761011	5	Bolt M10 x 22	
4	0701617	2	Bolt M16 x 45	
5	0711220	4	Bolt M12 x 60 Grade 10.9	
6	0711629	4	Bolt M16 x 120	
7	0962348	1	Bearing	
8	3422848	1	Pin	
9	3841143	5	Keeper, Pin	
10	3900295	2	Bolt 1 X 3	
11	4740086	4	Washer	
12	4740155	1	Washer	
13	4740491	2	Washer	
15	5241200	4	Washer M12	
16	1001139586	2	Pin	
17	1001163178	1	Steer Cylinder Assembly (See Separate Breakdown in CYLINDER SECTION)	
18	1001163179	1	Link	
18	1001164209	2	Bearing	
19	1001176848	4	Nut M16	
20	1001163405	4	Kingpin	
21	1001163715	2	Spindle	
21	0961948	4	Bearing (2 per Spindle)	
21	1001163716	8	Seal (4 per Spindle)	
22	1001163717	1	Bracket, Tow	
23	1001163722	1	Plate	
24	1001163724	1	Link	
24	0962292	4	Bearing	
25	1001163726	1	Link	
25	1001164209	2	Bearing	
26	3423304	2	Pin	
27	1001190368	4	Bolt M16 x 120	
28	5241600	6	Washer M16	

SECTION 1 - FRAME

FIGURE 1-4. WHEEL DRIVE INSTALLATION (2WD)



ART_1001214162

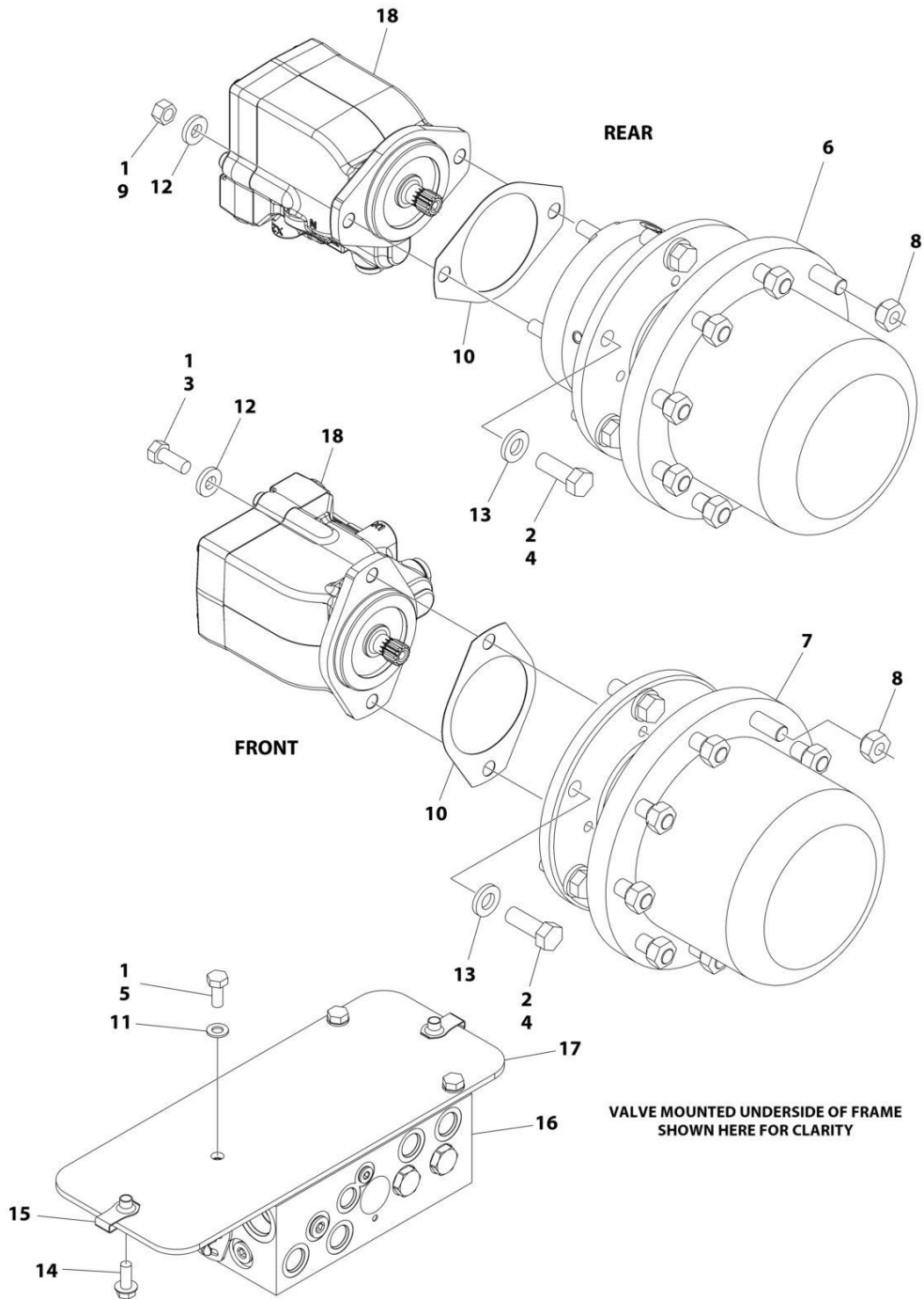
SECTION 1 - FRAME

FIGURE 1-4. WHEEL DRIVE INSTALLATION (2WD)

ITEM	PART NUMBER	QTY	DESCRIPTION	REV
	1001214162	Ref	WHEEL DRIVE INSTALLATION (2WD)	D
1	0100011	AR	Compound, Locking	
2	0100019	AR	Compound, Locking	
3	0682014	24	Bolt, 5/8 x 1-3/4 (Grade 8)	
4	0761012	3	Bolt, M10 x 25	
6	2780267	2	Drive Hub Assembly - Rear (See Separate Breakdown in this Section)	
8	3160351	2	Drive Motor Assembly (See Separate Breakdown in this Section)	
9	3300106	36	Lugnut	
10	3311801	4	Nut, 1/2	
11	3960526	2	Gasket, Brake	
12	4812000	3	Washer, M10	
13	4891800	4	Washer, 1/2	
14	4892000	24	Washer, 5/8	
15	5251012	2	Bolt, M10 x 25	
16	1001118972	2	Nut, M10 x 1.5	
17	1001163959	1	Plate, Mounting	
18	1001214174	2	Hub Spindle Assembly - Front (See Separate Breakdown in this Section)	
19	1001214317	1	Traction Valve Assembly - 2WD (See Separate Breakdown in this Section)	
20	0811608	8	Bolt 3/8 x 1	
21	1001215509	2	Weight	

SECTION 1 - FRAME

FIGURE 1-5. WHEEL DRIVE INSTALLATION (4WD)



ART_1001285010

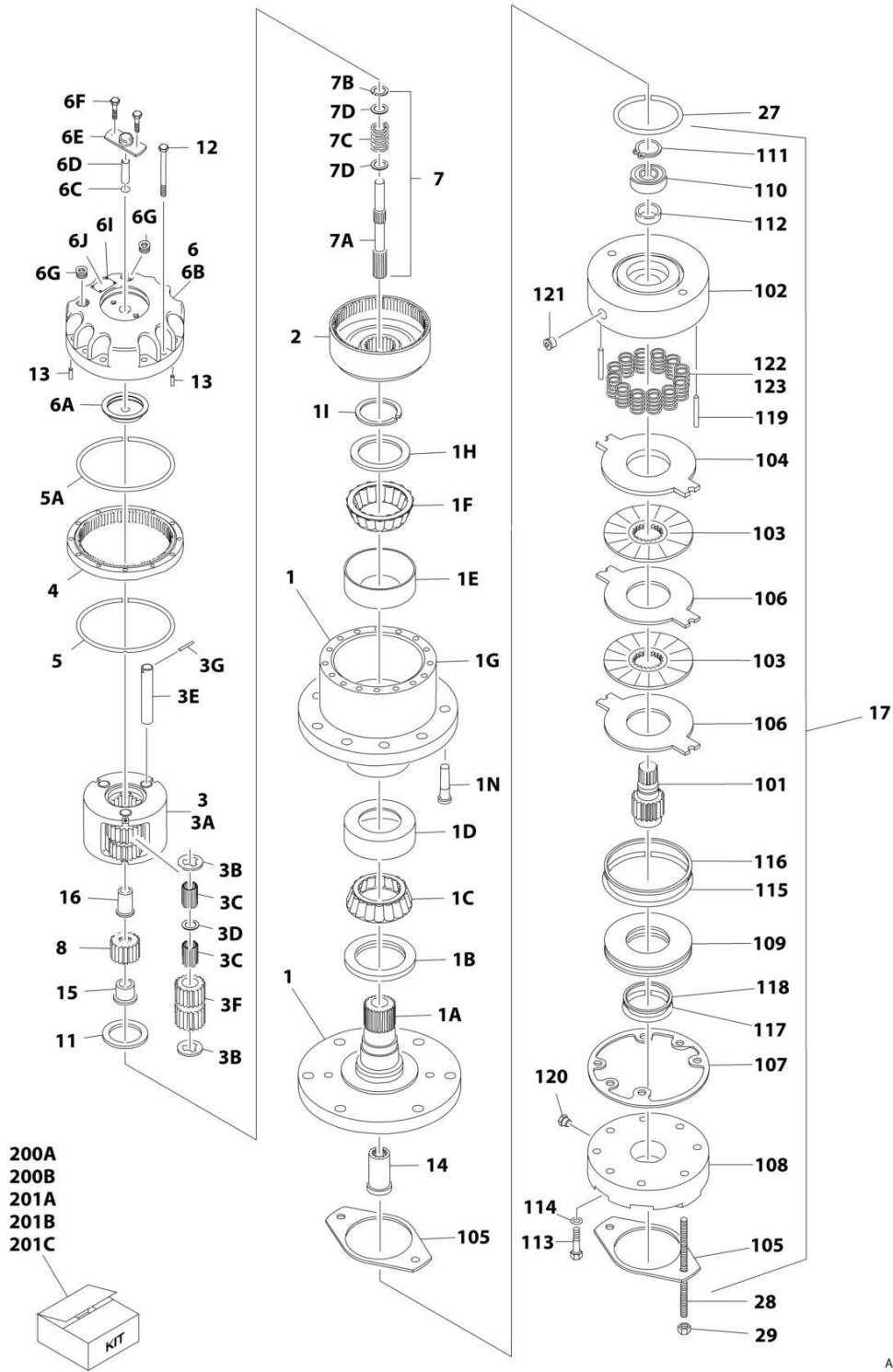
SECTION 1 - FRAME

FIGURE 1-5. WHEEL DRIVE INSTALLATION (4WD)

ITEM	PART NUMBER	QTY	DESCRIPTION	REV
	1001285010	Ref	WHEEL DRIVE INSTALLATION (4WD)	A
1	0100011	AR	Compound, Locking	
2	0100019	AR	Compound, Locking	
3	0681810	4	Bolt 1/2 x 1-1/4 (Grade 8)	
4	0682014	24	Bolt 5/8 x 1-3/4 (Grade 8)	
5	0761012	3	Bolt M10 x 25	
6	2780267	2	Drive Hub Assembly - Rear (See Separate Breakdown in this Section)	
7	2780268	2	Drive Hub Assembly - Front (See Separate Breakdown in this Section)	
8	3300106	36	Lugnut	
9	3311801	4	Nut 1/2	
10	3960526	4	Gasket, Brake	
11	4812000	3	Washer M10	
12	4891800	8	Washer 1/2	
13	4892000	24	Washer 5/8	
14	5251012	2	Bolt M10 x 25	
15	1001118972	2	Nut M10	
16	1001162537	1	Traction Valve Assembly (See Separate Breakdown in this Section)	
17	1001163959	1	Plate, Mounting	
18	1001278022	4	Drive Motor Assembly (See Separate Breakdown in this Section)	

SECTION 1 - FRAME

FIGURE 1-6. DRIVE HUB AND BRAKE ASSEMBLY - REAR



ART_2780267

SECTION 1 - FRAME

FIGURE 1-6. DRIVE HUB AND BRAKE ASSEMBLY - REAR

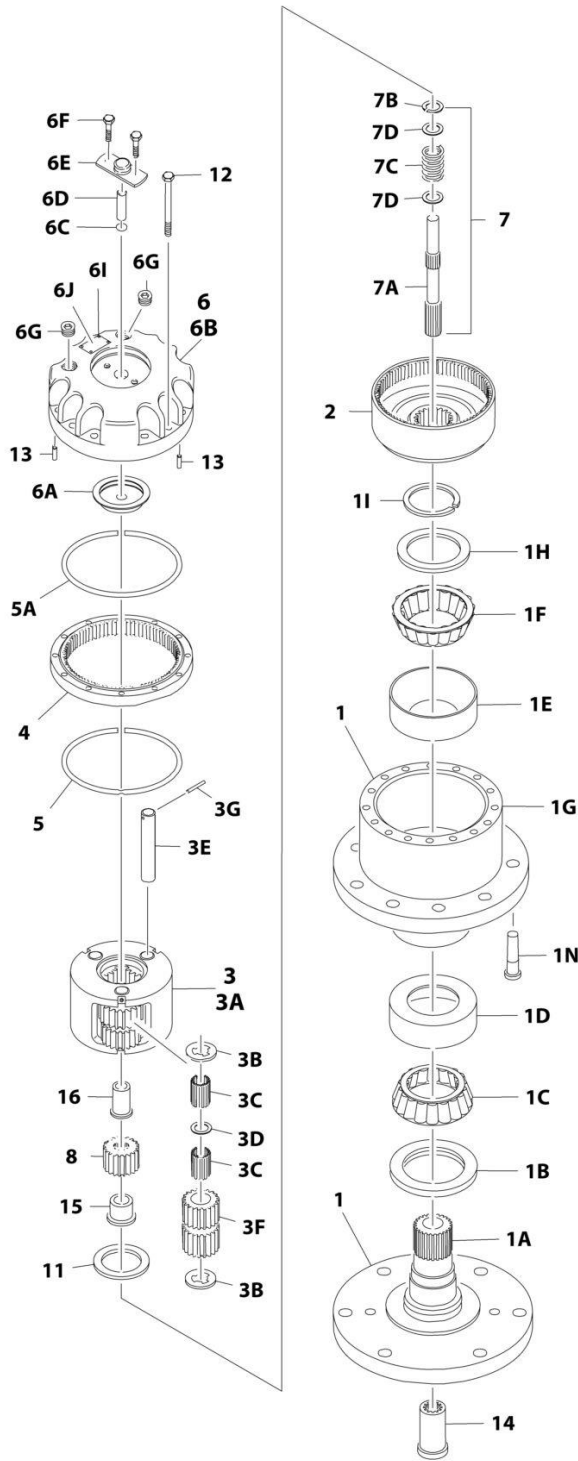
ITEM	PART NUMBER	QTY	DESCRIPTION	REV
	2780267	Ref	DRIVE HUB AND BRAKE ASSEMBLY - REAR	I
1	See Note	1	Spindle/Housing Assembly (Note: Purchase Individual Components)	
1A	7017059	1	Spindle	
1B	7001998	1	Seal	
1C	7010429	1	Cone, Bearing (Includes Item 1D)	
1D	7010429	1	Cup, Bearing (Includes Item 1C)	
1E	7000257	1	Cup, Bearing	
1F	7000258	1	Cone, Bearing	
1G	7007601	1	Housing/Ring Gear	
1H	7000232	1	Washer, Thrust	
1I	7000229	1	Ring, Retaining	
1N	7007640	9	Stud, Wheel	
2	7000246	1	Gear, Internal	
3	7024712	1	Carrier Assembly	
3A	See Note	1	Carrier (Note: Use Item 3)	
3B	See Note	6	Ring, Retaining (Note: Use Item 3)	
3C	See Note	AR	Bearing, Needle (Note: Use Item 3)	
3D	See Note	3	Washer, Thrust (Note: Use Item 3)	
3E	See Note	3	Shaft, Planet (Note: Use Item 3)	
3F	See Note	3	Gear, Planet (Note: Use Item 3)	
3G	See Note	3	Roll Pin (Note: Use Item 3)	
4	7000248	1	Ring Gear	
5	7000230	1	O-Ring	
5A	7017070	1	O-Ring	
6	70001349	1	Cover Assembly Kit	
6A	See Note	1	Spacer, Thrust (Note: Use Item 6)	
6B	See Note	1	Plate, Cover (Note: Use Item 6)	
6C	See Note	1	O-Ring (Note: Use Item 6)	
6D	See Note	1	Rod, Disconnect (Note: Use Item 6)	
6E	See Note	1	Cap, Disengage (Note: Use Item 6)	
6F	See Note	2	Bolt (Note: Use Item 6)	
6G	See Note	1	Plug, Pipe (Note: Use Item 6)	
6I	See Note	4	Rivet (Note: Not Available for Purchase)	
6J	See Note	1	Plate, ID (Note: Not Available for Purchase)	
7		Ref	Input Shaft Assembly	
7A	7024714	1	Shaft	
7B	7000261	1	Ring, Retaining	
7C	7000262	1	Spring	
7D	7000263	2	Spacer, Thrust	
8	7024713	1	Gear, Sun	
11	7000253	1	Washer, Thrust	
12	7017067	12	Bolt	
13	7017080	4	Pin, Dowel	
14	7000206	1	Coupling	
15	7024715	1	Spacer, Input	
16	7024716	1	Spacer, Input	
17	7024182	1	Brake Assembly (See Items 101-123 for Breakdown)	
27	7024705	1	O-Ring	
28	7024717	2	Rod, Threaded	

SECTION 1 - FRAME

ITEM	PART NUMBER	QTY	DESCRIPTION	REV
29	7024718	2	Nut 1/2in-13NC	
	7024182	Ref	BRAKE ASSEMBLY	
101	7024189	1	Shaft	
102	See Note	1	Housing (Note: Use Item 17)	
103	See Note	2	Plate, Friction (Note: Use Item 201B)	
104	See Note	1	Plate, Pressure (Note: Use Item 201B)	
105	7000731	2	Gasket	
106	See Note	2	Plate, Outer (Note: Use Item 201B)	
107	See Note	1	Gasket (Note: Use Item 200A, 201B or 201C)	
108	7024191	1	Cylinder	
109	7024192	1	Piston	
110	See Note	1	Bearing, Ball (Note: Use Item 201C)	
111	See Note	1	Ring, Retaining (Note: Use Item 201C)	
112	See Note	1	Seal, Shaft (Note: Use Item 201C)	
113	See Note	6	Capscrew (Note: Use Item 17)	
114	See Note	6	Lockwasher (Note: Use Item 17)	
115	See Note	1	O-Ring (Note: Use Item 200B)	
116	See Note	1	Ring, Back-up (Note: Use Item 200B)	
117	See Note	1	O-Ring (Note: Use Item 200B)	
118	See Note	1	Ring, Back-up (Note: Use Item 200B)	
119	7024190	2	Pin, Dowel	
120	See Note	1	Plug (Note: Use Item 17)	
121	See Note	2	Plug (Note: Use Item 17)	
122	See Note	12	Spring Kit (Natural) (Note: Use Item 201A)	
123	See Note	2	Spring Kit (Blue) (Note: Use Item 201A)	
		Ref	Kit Options	
200		Ref	Seal Kit Options:	
200A	See Note	1	Hub Seal Kit (Note: Purchase Individual Components)	
200B	7024194	1	Brake Seal Kit (Includes Items 105, 107 & 115-118)	
201		Ref	Repair Kit Options:	
201A	7024196	1	Brake Spring Kit (Includes 12 Natural Colored and 2 Blue Colored Springs Items 122 & 123)	
201B	7024193	1	Brake Friction Disc Kit (Includes Items 103, 104, 106 & 107)	
201C	7024197	1	Brake Bearing Kit (Includes Items 107 & 110-112)	

SECTION 1 - FRAME

FIGURE 1-7. DRIVE HUB ASSEMBLY - FRONT



ART_2780268

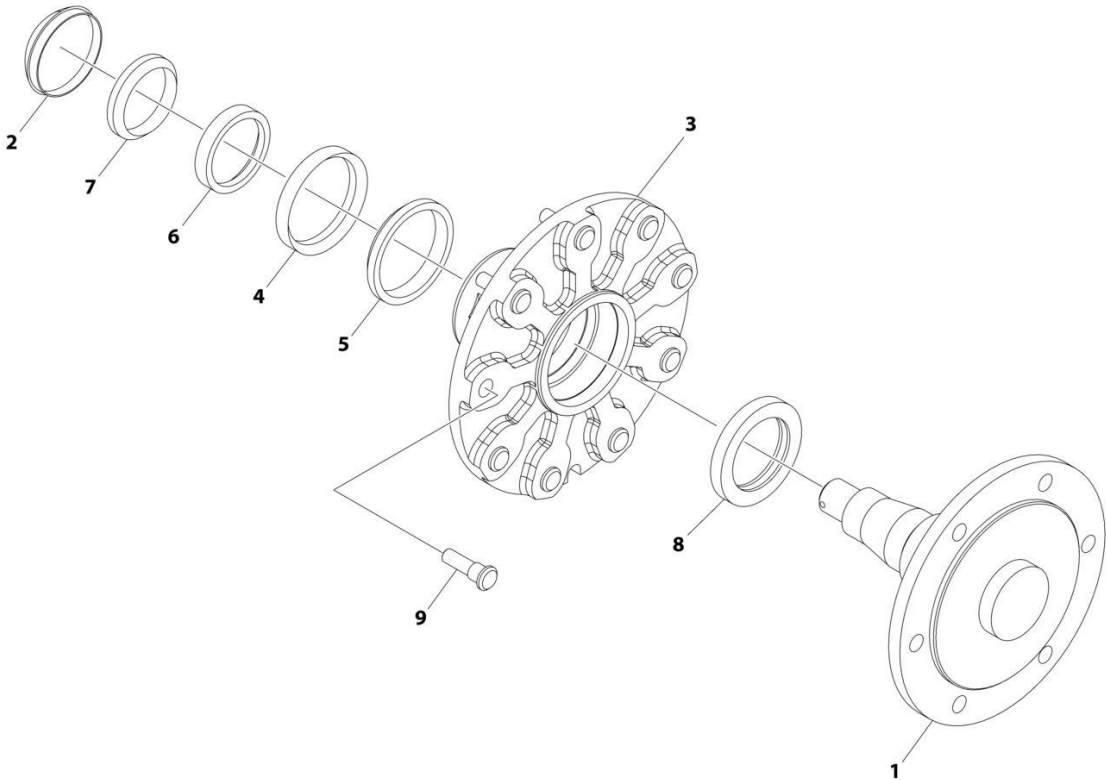
SECTION 1 - FRAME

FIGURE 1-7. DRIVE HUB ASSEMBLY - FRONT

ITEM	PART NUMBER	QTY	DESCRIPTION	REV
	2780268	Ref	DRIVE HUB ASSEMBLY - FRONT	F
1	See Note	1	Spindle/Housing Assembly (Note: Purchase Individual Components)	
1A	7017059	1	Spindle	
1B	7001998	1	Seal	
1C	7010429	1	Cone, Bearing (Includes Item 1D)	
1D	7010429	1	Cup, Bearing (Includes Item 1C)	
1E	7000257	1	Cup, Bearing	
1F	7000258	1	Cone, Bearing	
1G	7007601	1	Housing/Ring Gear	
1H	7000232	1	Washer, Thrust	
1I	7000229	1	Ring, Retaining	
1N	7007640	9	Stud, Wheel	
2	7000246	1	Gear, Internal	
3	7024712	1	Carrier Assembly	
3A	See Note	1	Carrier (Note: Use Item 3)	
3B	See Note	6	Ring, Retaining (Note: Use Item 3)	
3C	See Note	AR	Bearing, Needle (Note: Use Item 3)	
3D	See Note	3	Washer, Thrust (Note: Use Item 3)	
3E	See Note	3	Shaft, Planet (Note: Use Item 3)	
3F	See Note	3	Gear, Planet (Note: Use Item 3)	
3G	See Note	3	Roll Pin (Note: Use Item 3)	
4	7000248	1	Ring Gear	
5	7000230	1	O-Ring	
5A	7017070	1	O-Ring	
6	70001349	1	Cover Assembly Kit	
6A	See Note	1	Spacer, Thrust (Note: Use Item 6)	
6B	See Note	1	Plate, Cover (Note: Use Item 6)	
6C	See Note	1	O-Ring (Note: Use Item 6)	
6D	See Note	1	Rod, Disconnect (Note: Use Item 6)	
6E	See Note	1	Cap, Disengage (Note: Use Item 6)	
6F	See Note	2	Bolt (Note: Use Item 6)	
6G	See Note	1	Plug, Pipe (Note: Use Item 6)	
6I	See Note	4	Rivet (Note: Not Available for Purchase)	
6J	See Note	1	Plate, ID (Note: Not Available for Purchase)	
7		Ref	Input Shaft Assembly	
7A	7024714	1	Shaft	
7B	7000261	1	Ring, Retaining	
7C	7000262	1	Spring	
7D	7000263	2	Spacer, Thrust	
8	7024713	1	Gear, Sun	
11	7000253	1	Washer, Thrust	
12	7017067	12	Bolt	
13	7017080	4	Pin, Dowel	
14	7000206	1	Coupling	
15	7024715	1	Spacer, Input	
16	7024716	1	Spacer, Input	

SECTION 1 - FRAME

FIGURE 1-8. HUB - SPINDLE ASSEMBLY (2WD)



ART_1001214174

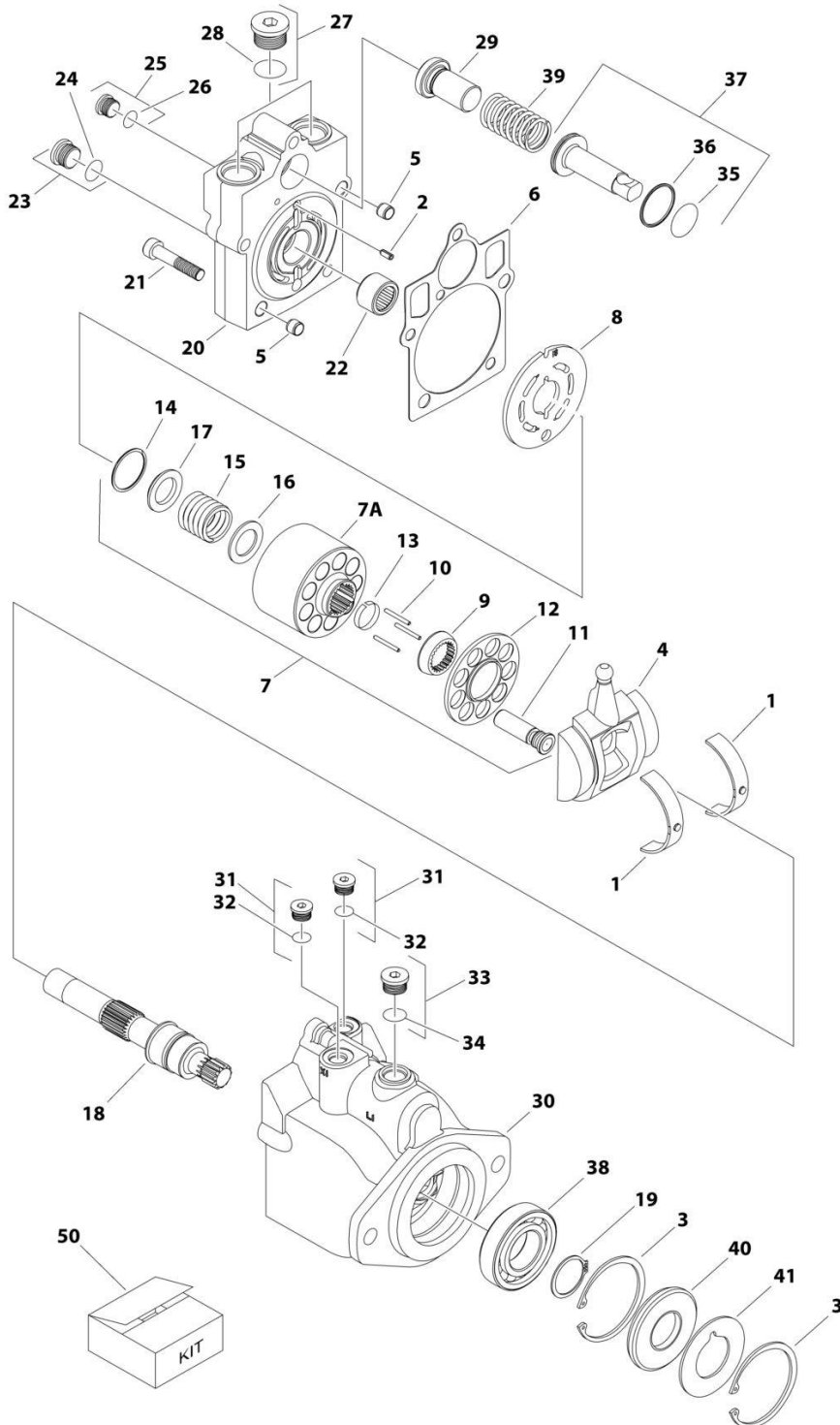
SECTION 1 - FRAME

FIGURE 1-8. HUB - SPINDLE ASSEMBLY (2WD)

ITEM	PART NUMBER	QTY	DESCRIPTION	REV
	1001214174	Ref	HUB - SPINDLE ASSEMBLY (2WD)	C
1	See Note	NSS	Spindle, Adapter (Note: Not Available for Purchase)	
2	7020033	1	Cap, Dust	
3	7020035	1	Hub, Casting	
4	7020036	1	Cup, Bearing	
5	7020037	1	Cone, Bearing	
6	7020038	1	Cup, Bearing	
7	7020039	1	Cone, Bearing	
8	7020040	1	Seal	
9	7020041	9	Stud	

SECTION 1 - FRAME

FIGURE 1-9. DRIVE MOTOR ASSEMBLY (2WD)



ART_3160351

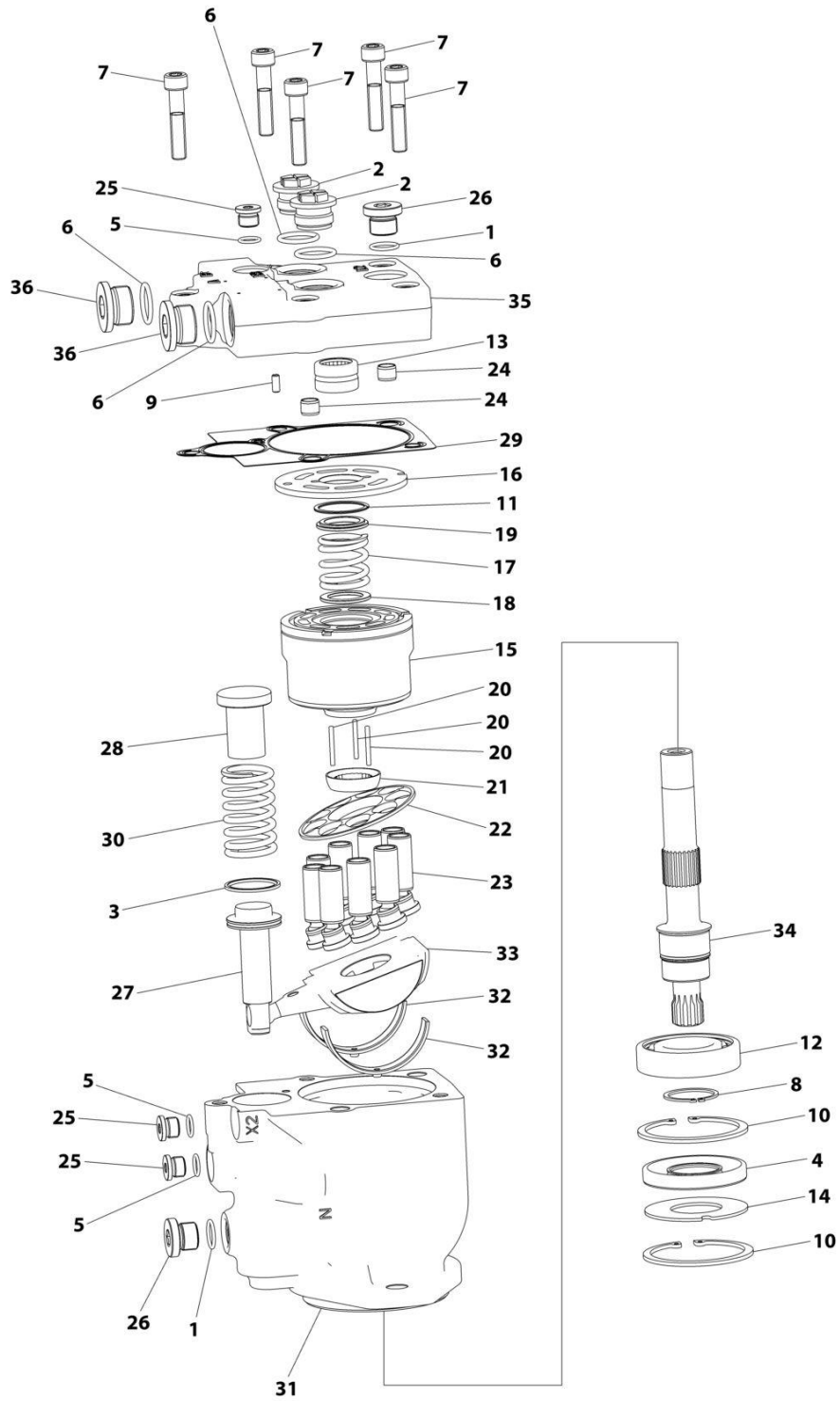
SECTION 1 - FRAME

FIGURE 1-9. DRIVE MOTOR ASSEMBLY (2WD)

ITEM	PART NUMBER	QTY	DESCRIPTION	REV
	3160351	Ref	DRIVE MOTOR ASSEMBLY (2WD)	D
1	7022302	2	Bearing, Journal	
2	7007446	1	Pin	
3	7007438	2	Ring, Retaining	
4	7022305	1	Swashplate	
5	See Note	2	Pin (Note: Not Available for Purchase)	
6	7022328	1	Gasket	
7	7023907	1	Cylinder Block Kit (Includes Items 7A & 9-17)	
7A	7023907	1	Block, Cylinder	
8	7023908	1	Plate, Valve	
9	7021277	1	Guide, Slipper Retainer	
10	7021275	3	Pin, Slipper Hold Down	
11	7023907	9	Piston Assembly	
12	7021276	1	Retainer, Hold Down Pin	
13	7023907	1	Retainer, Slipper	
14	7022311	1	Ring, Retaining	
15	7022312	1	Spring	
16	7024868	1	Washer	
17	7022314	1	Retainer, Spring	
18	7023910	1	Shaft	
19	7007439	1	Ring, Retaining	
20	70000797	1	Cap, End - Axial	
21	7022368	5	Screw	
22	7021249	1	Bearing, Needle	
23	2220886	1	Plug (Includes Item 24)	
24	7022328	1	O-Ring	
25	2220883	1	Plug (Includes Item 26)	
26	7022328	1	O-Ring	
27	7027419	2	Plug (Includes Item 28)	
28	7022328	2	O-Ring	
29	7024853	1	Seat, Spring	
30	See Note	NSS	Housing (Note: Not Available for Purchase – Purchase complete motor)	
31	2220883	2	Plug (Includes Item 32)	
32	7022328	2	O-Ring	
33	2220886	1	Plug (Includes Item 34)	
34	7022328	1	O-Ring	
35	7022328	1	O-Ring	
36	7022328	1	Ring, Seal	
37	7024854	1	Piston, Servo (Includes Items 35 & 36)	
38	7007437	1	Bearing	
39	7022326	1	Spring	
40	7022328	1	Seal, Lip	
41	7022371	1	Washer, Support	
50	7022328	1	Seal Kit (Includes Items 6, 24, 26, 28, 32, 34, 35, 36 & 40)	

SECTION 1 - FRAME

FIGURE 1-10. DRIVE MOTOR ASSEMBLY (4WD)



ART_1001278022

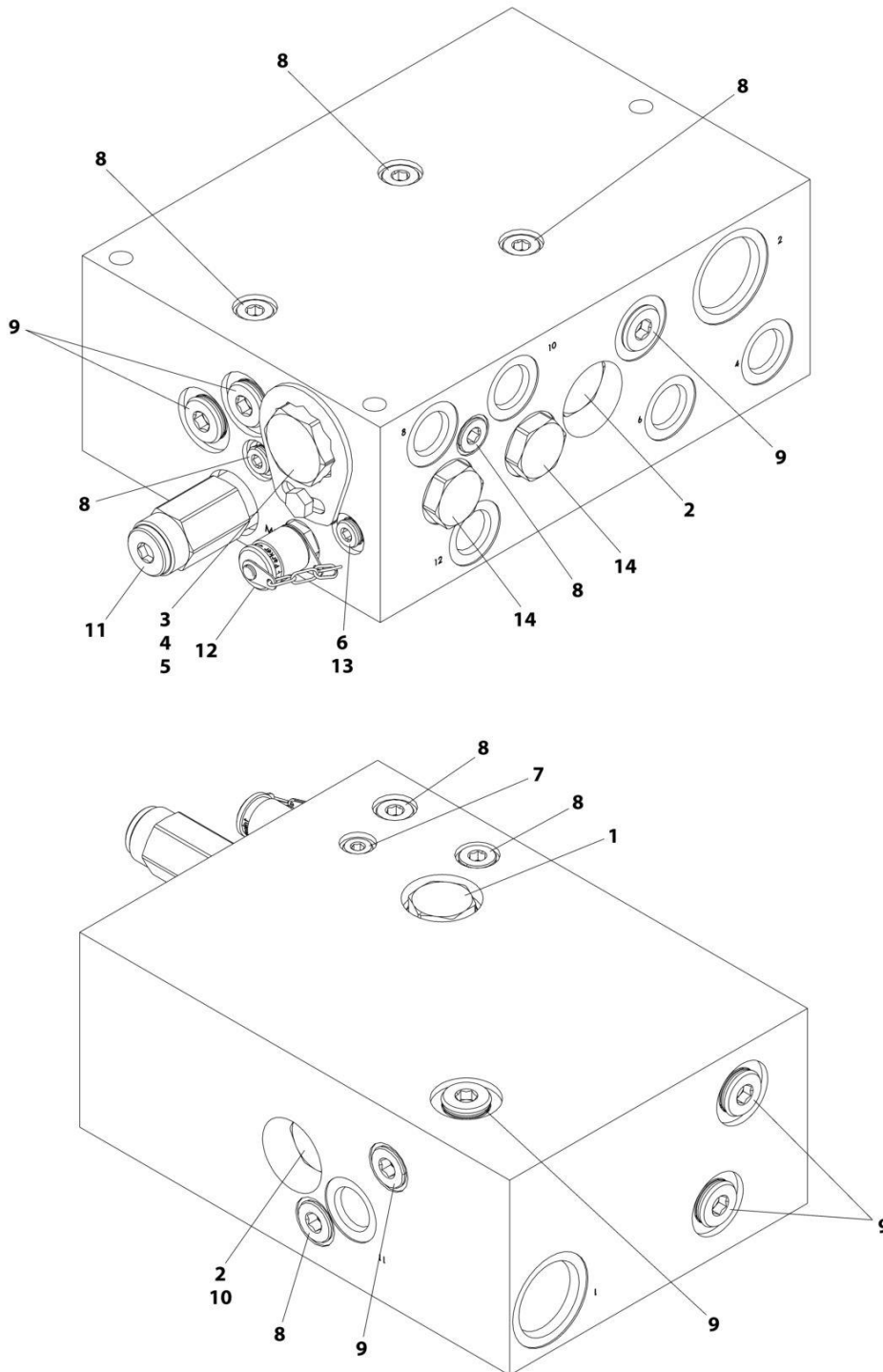
SECTION 1 - FRAME

FIGURE 1-10. DRIVE MOTOR ASSEMBLY (4WD)

ITEM	PART NUMBER	QTY	DESCRIPTION	REV
	1001278022	Ref	DRIVE MOTOR ASSEMBLY	B
1	70007847	2	O-Ring	
2	70007848	2	Plug	
3	70007849	1	Ring, Sealing	
4	70007850	1	Bearing	
5	70007851	3	O-Ring	
6	70007852	4	O-Ring	
7	70007853	5	Capscrew M10 x 50	
8	70007854	1	Circlip	
9	70007855	1	Pin	
10		Ref	Circlip	
11	70007856	1	Ring, Retaining	
12	70007857	1	Bearing	
13	70007858	1	Bearing	
14	70007859	1	Gasket	
15	70007860	1	Cylinder	
16	70007861	1	Plate, Valve	
17	70007862	1	Spring	
18	70007863	1	Gasket	
19	70007864	1	Gasket	
20	70007865	3	Pin	
21	70007866	1	Bushing	
22	70007867	1	Retainer	
23	70007868	9	Piston	
24	70007869	2	Pin	
25	70007870	3	Plug	
26	70007871	2	Plug	
27	70007872	1	Piston	
28	70007873	1	Seat, Spring	
29	70007874	1	Gasket	
30	70007875	1	Spring	
31	See Note	NSS	Housing (Note: Purchase Complete Assembly)	
32	70007876	2	Bushing	
33	70007877	1	Plate, Swash	
34	70007878	1	Shaft	
35	See Note	NSS	Cover (Note: Purchase Complete Assembly)	
36	See Note	Ref	Plug (Note: Shipping Use Only)	

SECTION 1 - FRAME

FIGURE 1-11. TRACTION VALVE ASSEMBLY (2WD)



ART_1001214317

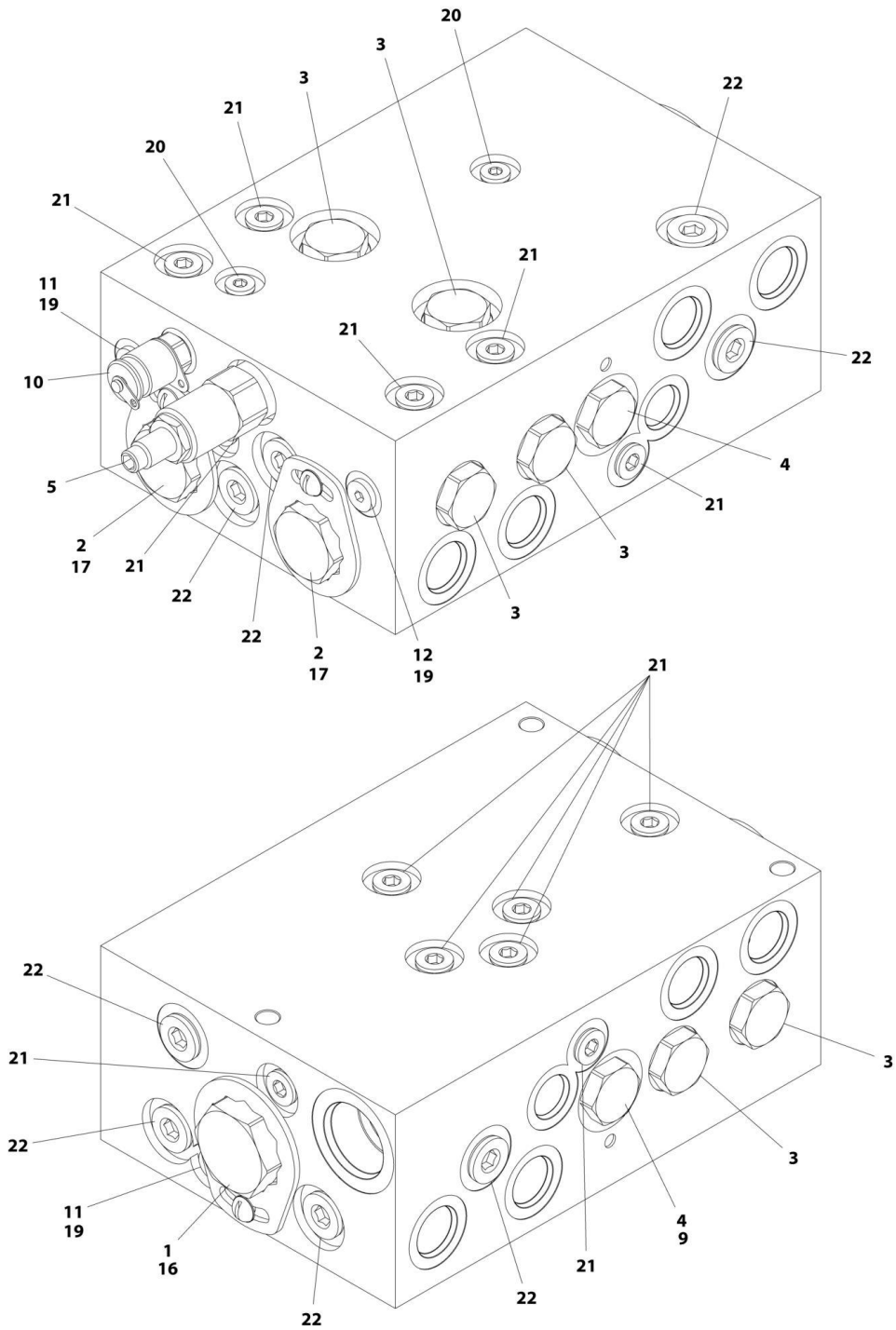
SECTION 1 - FRAME

FIGURE 1-11. TRACTION VALVE ASSEMBLY (2WD)

ITEM	PART NUMBER	QTY	DESCRIPTION	REV
	1001214317	Ref	TRACTION VALVE ASSEMBLY (2WD)	D
1	7022397	1	Cartridge, Check Valve	
1	7022399	1	Seal Kit - 7022397 Valve	
2	70002390	2	Cartridge, Check Valve	
2	7022399	2	Seal Kit - 70002390 Valve	
3	70004885	1	Cartridge, Flow Divider Valve	
3	70004577	1	Seal Kit - 70004885 Valve	
4	70000781	1	Lockdown Kit	
5	70005827	1	Screw	
6	7024810	1	Orifice	
7	70005833	1	Plug #4	
8	70005830	8	Plug #6	
9	70005834	7	Plug	
10	7024881	1	Piston, Pilot	
11	70005831	1	Cartridge, Relief Valve	
11	7017496	1	Seal Kit - 70005831 Valve	
12	70005832	1	Fitting, Diagnostic	
13	2220883	1	Plug #4	
14	70026444	2	Cartridge, Check Valve	
14	7022399	2	Seal Kit - 70026444 Valve	

SECTION 1 - FRAME

FIGURE 1-12. TRACTION VALVE ASSEMBLY (4WD)



ART_1001162537

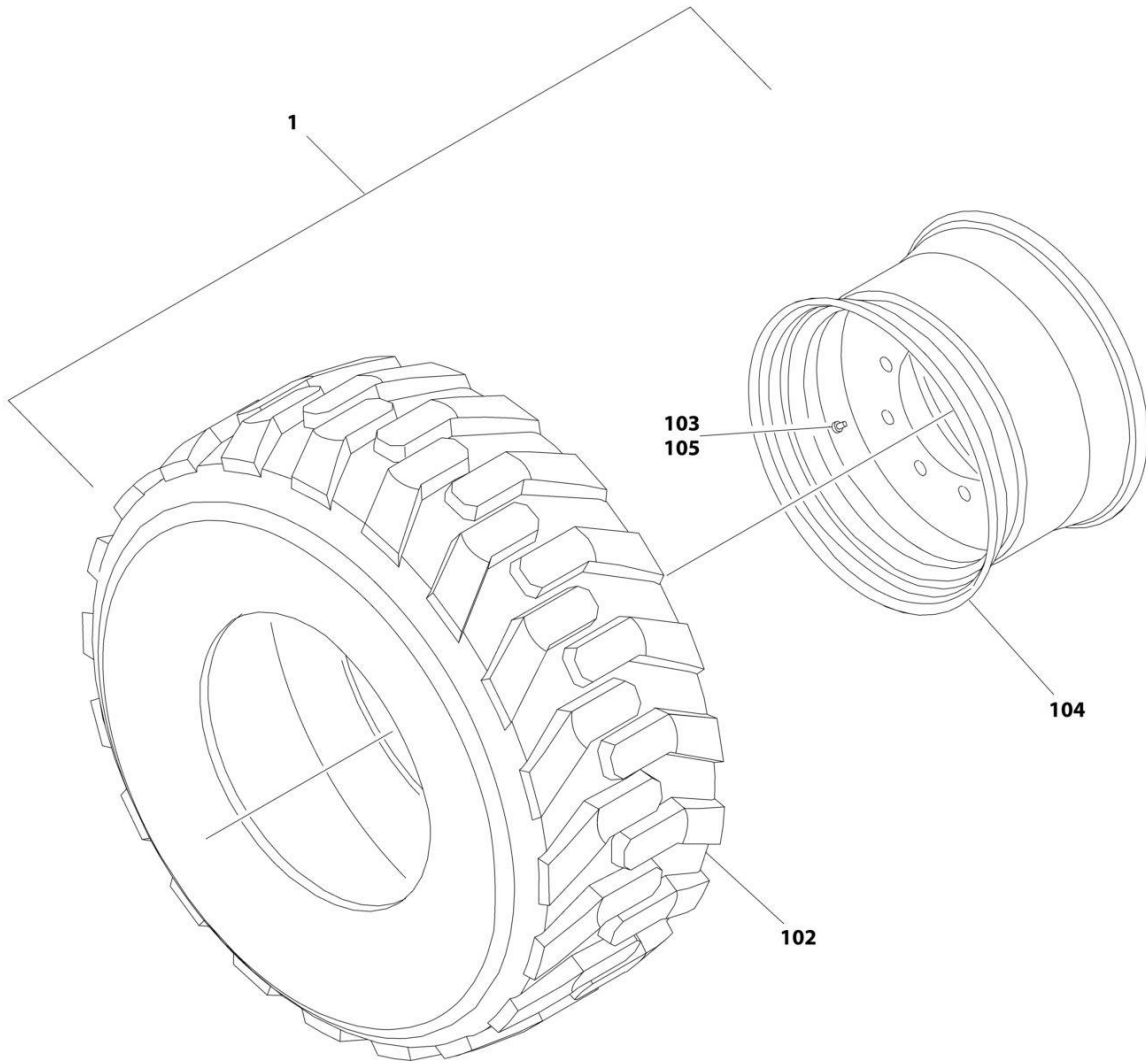
SECTION 1 - FRAME

FIGURE 1-12. TRACTION VALVE ASSEMBLY (4WD)

ITEM	PART NUMBER	QTY	DESCRIPTION	REV
	1001162537	Ref	TRACTION VALVE ASSEMBLY (4WD)	E
1	70004017	1	Cartridge, Flow Divider Valve	
1	7021625	1	Seal Kit - 70004017 Valve	
2	70004885	2	Cartridge, Flow Divider Valve	
2	70004577	2	Seal Kit - 70004885 Valve	
3	7022397	6	Cartridge, Check Valve	
3	7022399	6	Seal Kit - 7022397 Valve	
4	7021639	2	Cartridge, Check Valve	
4	2900756	2	Seal Kit - 7021639 Valve	
5	70004886	1	Cartridge, Relief Valve	
5	7017496	1	Seal Kit - 70004886 Valve	
9	7024881	1	Piston, Pilot	
10	2221086	1	Fitting, Test Port	
11	70004884	2	Orifice	
12	70002209	1	Orifice	
16	70000781	1	Lockdown Kit	
17	70002962	2	Lockdown Kit	
19	2220883	3	Plug, #4	
20	See Note	NSS	Plug (Note: Not Available for Purchase)	
21	91164079	13	Plug	
22	91164057	8	Plug	

SECTION 1 - FRAME

FIGURE 1-13. TIRE AND WHEEL INSTALLATION - 12 X 16.5 FOAM FILLED (ALL SPECS)



ART_0270092

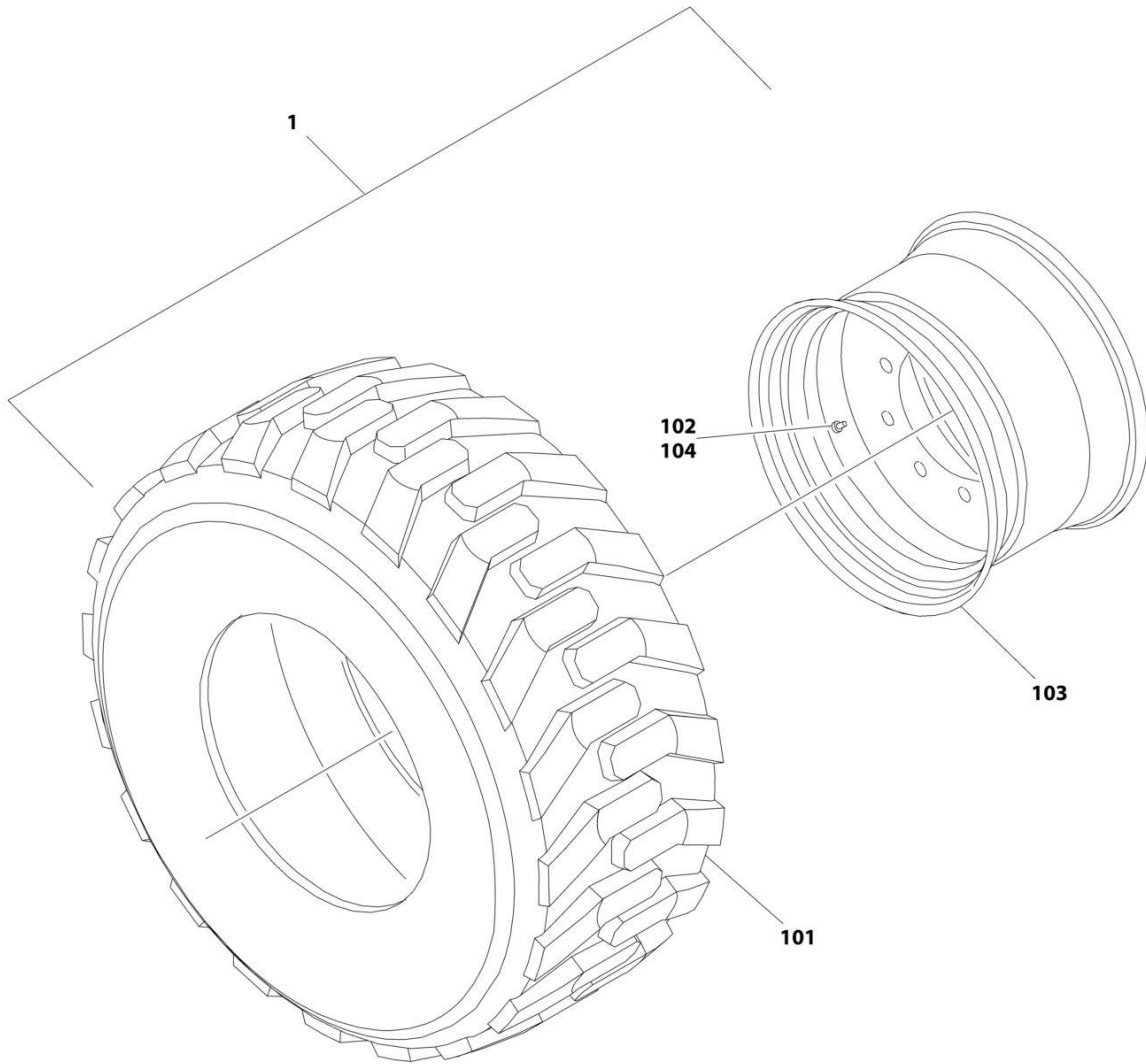
SECTION 1 - FRAME

FIGURE 1-13. TIRE AND WHEEL INSTALLATION - 12 X 16.5 FOAM FILLED (ALL SPECS)

ITEM	PART NUMBER	QTY	DESCRIPTION	REV
	0270092	Ref	TIRE AND WHEEL INSTALLATION - 12 X 16.5 FOAM FILLED	C
		Ref	Note: Assemblies may require ballast/foam filling to manufacturer's specifications prior to installing on a machine. Refer to Operation and Safety or Service and Maintenance Manuals. Purchase individual tire and/or rim only if able to foam fill tire and wheel assembly, otherwise, purchase complete assembly.	
1	1001148865	2	Tire and Wheel Assembly - 12 x 16.5 (RH Side)	G
1	1001148866	2	Tire and Wheel Assembly - 12 x 16.5 (LH Side)	G
102	4520216	4	Tire - 12 x 16.5	
103	4641122	4	Valve	
104	1001147274	4	Rim, Wheel	
105	1001149953	4	Cap, Valve Stem	

SECTION 1 - FRAME

FIGURE 1-14. TIRE AND WHEEL INSTALLATION - 12 X 16.5 FOAM-FILLED NON-MARKING (ALL SPECS)



ART_0270653

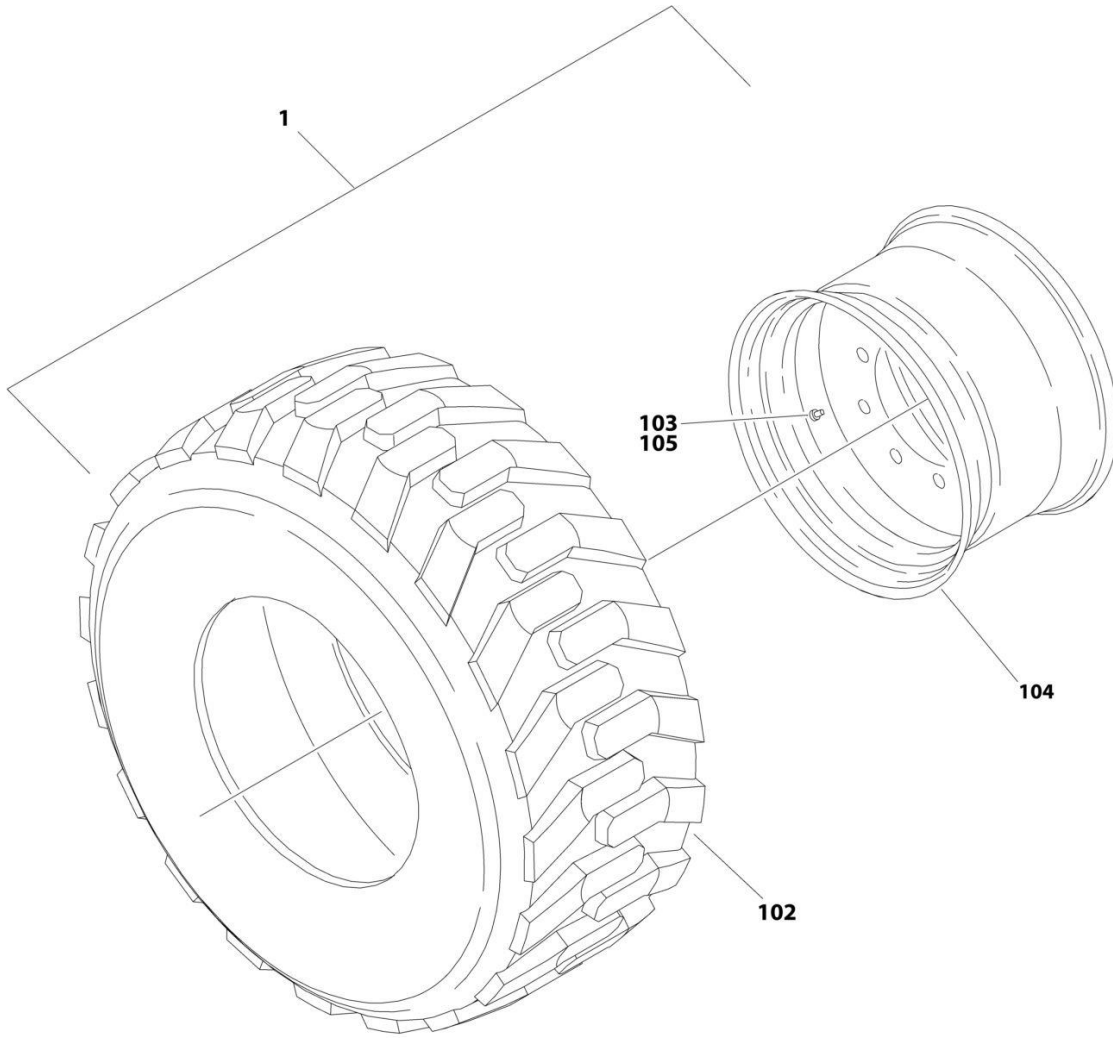
SECTION 1 - FRAME

FIGURE 1-14. TIRE AND WHEEL INSTALLATION - 12 X 16.5 FOAM-FILLED NON-MARKING (ALL SPECS)

ITEM	PART NUMBER	QTY	DESCRIPTION	REV
	0270653	Ref Ref	TIRE AND WHEEL INSTALLATION - 12 X 16.5 FOAM FILLED Note: Assemblies may require ballast/foam filling to manufacturer's specifications prior to installing on a machine. Refer to Operation and Safety or Service and Maintenance Manuals. Purchase individual tire and/or rim only if able to foam fill tire and wheel assembly, otherwise, purchase complete assembly.	B
1	1001148869	1	Tire and Wheel Assembly - Right Side	H
1	1001148870	1	Tire and Wheel Assembly - Left Side	H
101	4520240	1	Tire 12 x 16.5 Non-Marking	
102	4641122	1	Valve	
103	1001147274	1	Rim, Wheel	
104	1001149953	1	Cap, Valve Stem	

SECTION 1 - FRAME

FIGURE 1-15. TIRE AND WHEEL INSTALLATION - 14 X 17.5 FOAM FILLED (ALL SPECS)



ART_0271998

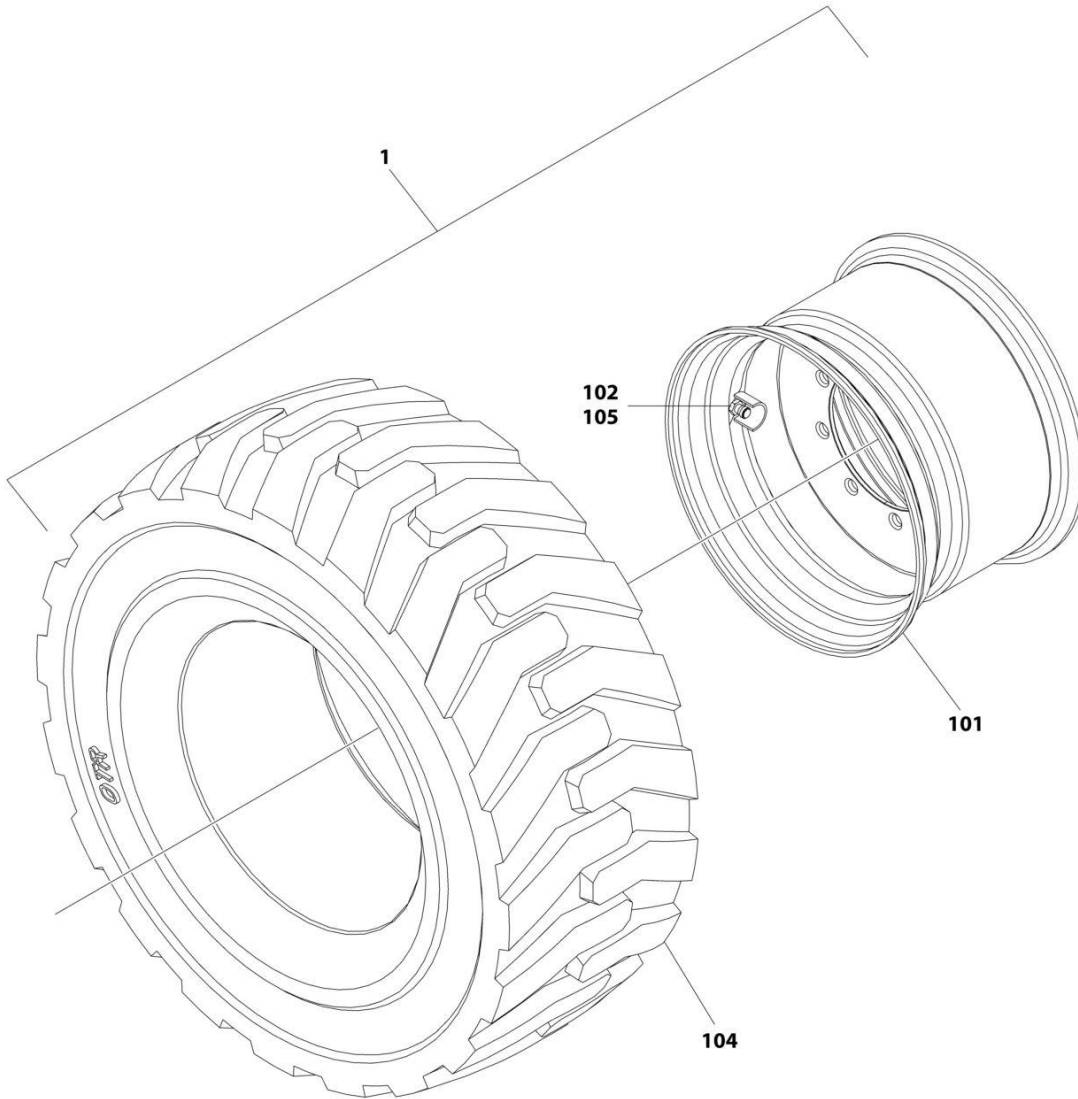
SECTION 1 - FRAME

FIGURE 1-15. TIRE AND WHEEL INSTALLATION - 14 X 17.5 FOAM FILLED (ALL SPECS)

ITEM	PART NUMBER	QTY	DESCRIPTION	REV
	0271998	Ref	TIRE AND WHEEL INSTALLATION - 14 X 17.5 FOAM FILLED	B
		Ref	Note: Assemblies may require ballast/foam filling to manufacturer's specifications prior to installing on a machine. Refer to Operation and Safety or Service and Maintenance Manuals. Purchase individual tire and/or rim only if able to foam fill tire and wheel assembly, otherwise, purchase complete assembly.	
1	1001148875	Ref	Tire and Wheel Assembly - 14 x 17.5 (RH Side)	F
1	1001148876	Ref	Tire and Wheel Assembly - 14 x 17.5 (LH Side)	F
102	4520259	4	Tire - 14 x 17.5	
103	4641122	4	Valve	
104	1001146397	4	Rim, Wheel	
105	1001149953	4	Cap, Valve Stem	

SECTION 1 - FRAME

FIGURE 1-16. TIRE AND WHEEL INSTALLATION - 14 X 17.5 FOAM FILLED NON-MARKING (ALL SPECS)



ART_1001258898

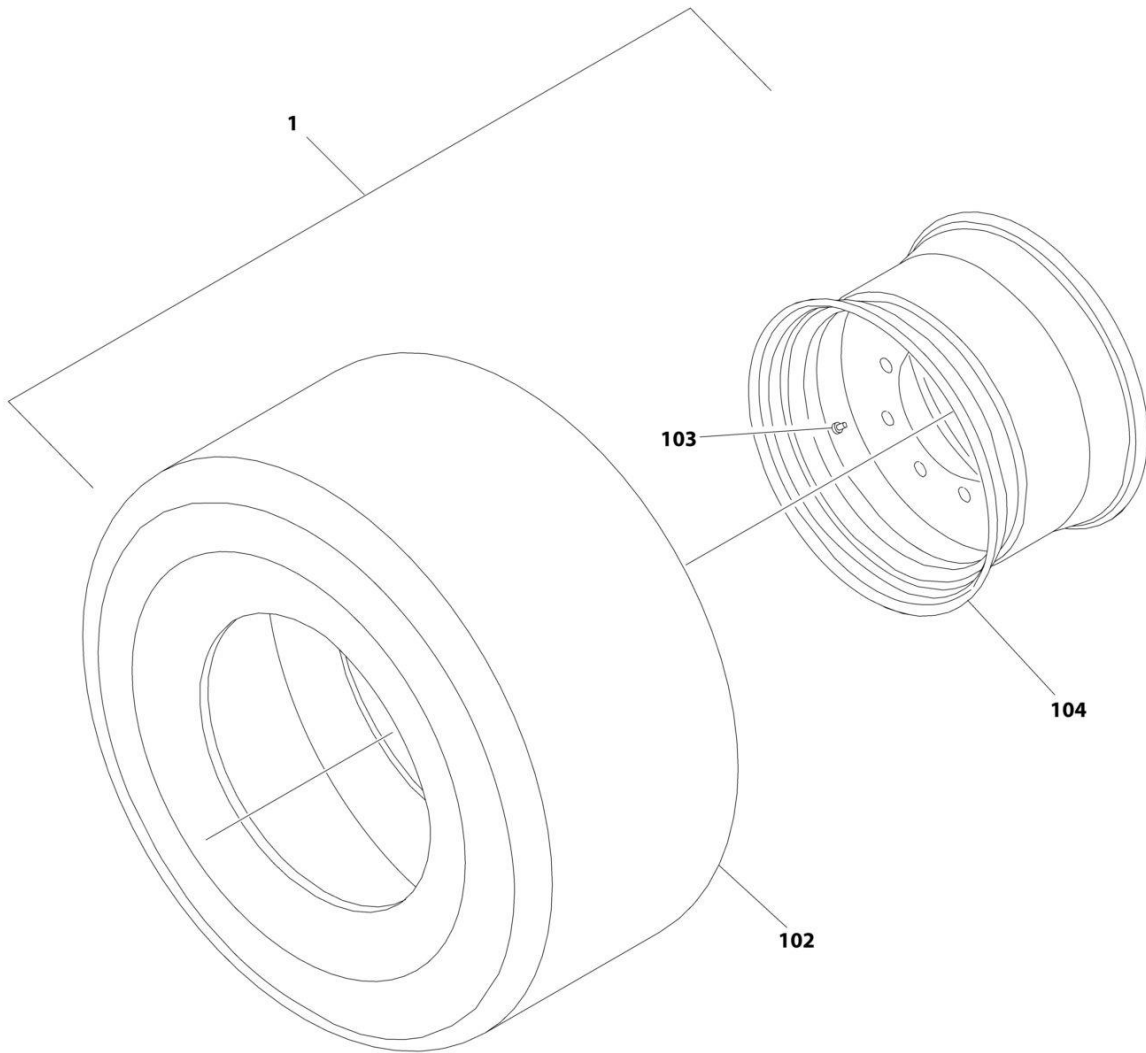
SECTION 1 - FRAME

FIGURE 1-16. TIRE AND WHEEL INSTALLATION - 14 X 17.5 FOAM FILLED NON-MARKING (ALL SPECS)

ITEM	PART NUMBER	QTY	DESCRIPTION	REV
	1001258898	Ref Ref	TIRE AND WHEEL INSTALLATION - 14 X 17.5 FF NON-MARKING Note: Assemblies may require ballast/foam filling to manufacturer's specifications prior to installing on a machine. Refer to Operation and Safety or Service and Maintenance Manuals. Purchase individual tire and/or rim only if able to foam fill tire and wheel assembly, otherwise, purchase complete assembly.	A
1	1001258896	1	Tire and Wheel Assembly - Right Side	H
1	1001258897	1	Tire and Wheel Assembly - Left Side	H
101	1001146397	1	Rim, Wheel	
102	1001149953	1	Cap, Valve Stem	
104	1001258895	1	Tire 14 x 17.5 Non-Marking	
105	4641122	1	Valve	

SECTION 1 - FRAME

FIGURE 1-17. TIRE AND WHEEL INSTALLATION - 33/16LL X 16.1 FOAM FILLED TURF (ANSI AND ANSI EXPORT SPECS)



ART_1001269298

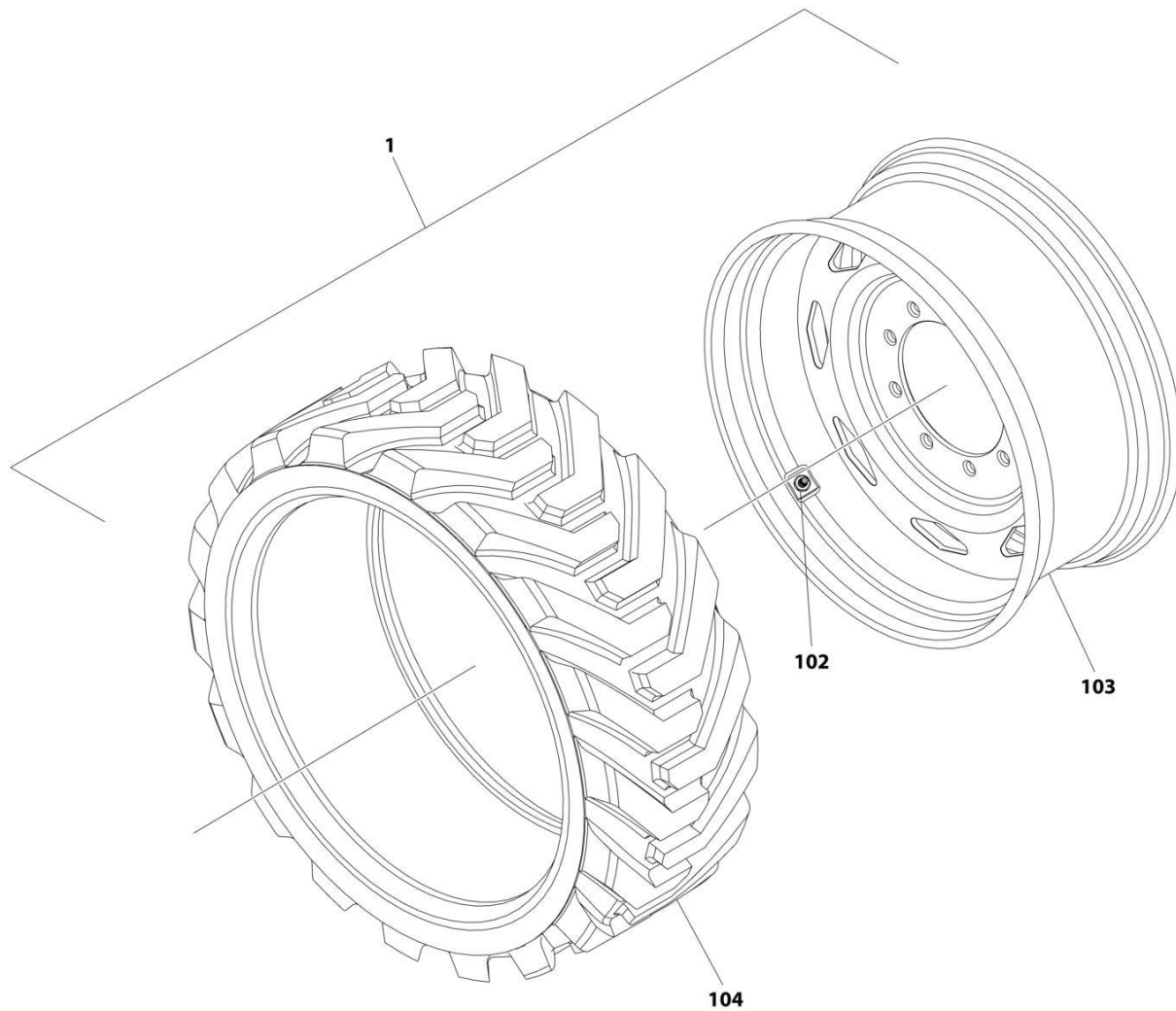
SECTION 1 - FRAME

FIGURE 1-17. TIRE AND WHEEL INSTALLATION - 33/16LL X 16.1 FOAM FILLED TURF (ANSI AND ANSI EXPORT SPECS)

ITEM	PART NUMBER	QTY	DESCRIPTION	REV
	1001269298	Ref	TIRE AND WHEEL INSTALLATION - 33/16LL X 16.1 FOAM FILLED TURF	A
		Ref	Note: Assemblies may require ballast/foam filling to manufacturer's specifications prior to installing on a machine. Refer to Operation and Safety or Service and Maintenance Manuals. Purchase individual tire and/or rim only if able to foam fill tire and wheel assembly, otherwise, purchase complete assembly.	
1	1001269297	2	Tire and Wheel Assembly 33/16LL X 16.1	A
102	1300018	4	Tire - 33/16LL X 16.1	
103	4641122	4	Valve	
104	4860214	4	Rim, Wheel	

SECTION 1 - FRAME

FIGURE 1-18. TIRE AND WHEEL INSTALLATION - 33 X 12 FOAM FILLED (ALL SPECS)



ART_1001245211

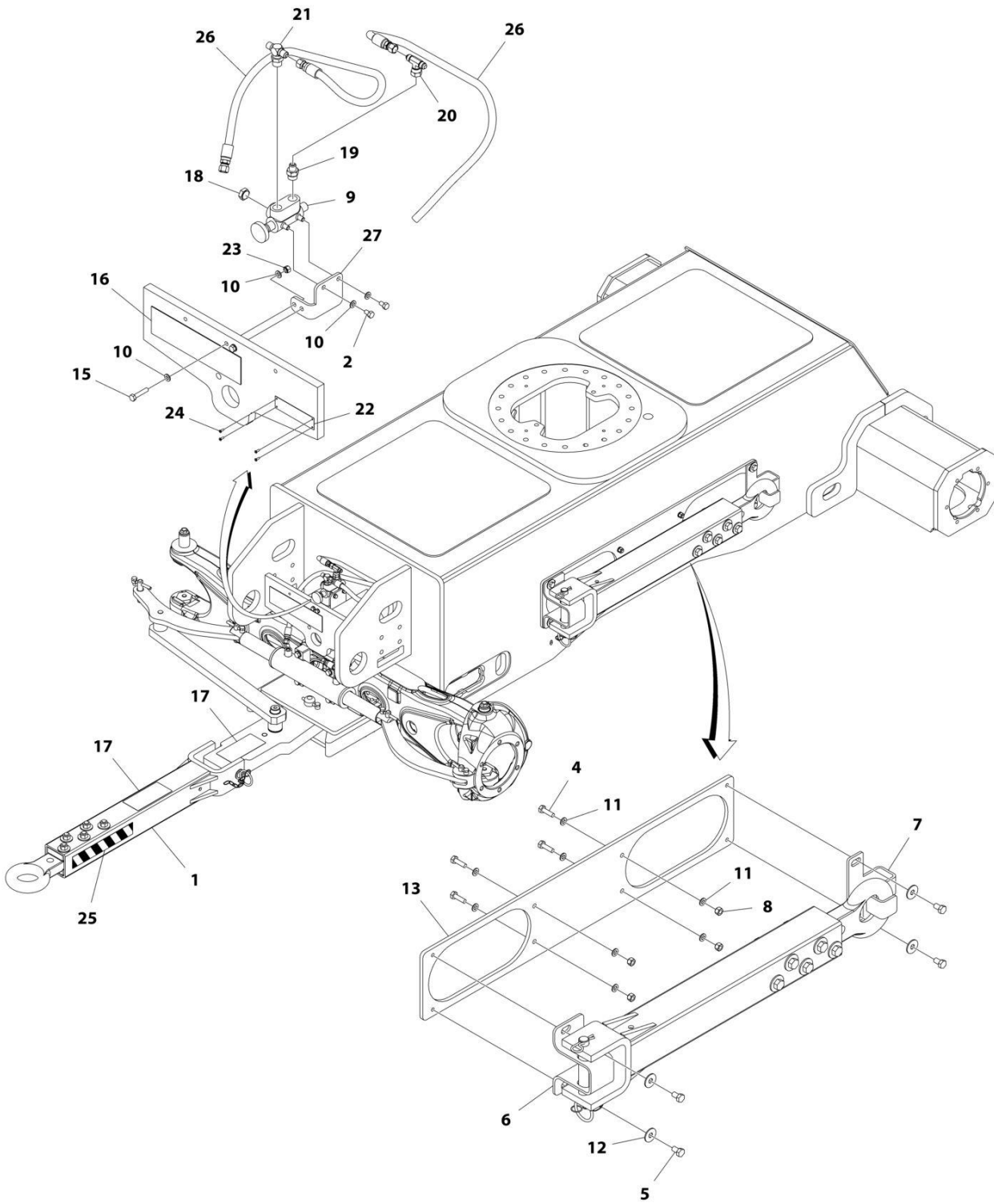
SECTION 1 - FRAME

FIGURE 1-18. TIRE AND WHEEL INSTALLATION - 33 X 12 FOAM FILLED (ALL SPECS)

ITEM	PART NUMBER	QTY	DESCRIPTION	REV
	1001245211	Ref	TIRE AND WHEEL INSTALLATION - 33 x 12D610 FOAM-FILLED	A
		Ref	Note: Assemblies may require ballast/foam filling to manufacturer's specifications prior to installing on a machine. Refer to Operation and Safety or Service and Maintenance Manuals.	
		Ref	Note: Purchase individual tire and/or rim only if able to foam fill tire and wheel assembly, otherwise, purchase complete assembly.	
1	1001245197	2	Tire and Wheel Assembly - 33 x 12 (RH Side)	
1	1001245198	2	Tire and Wheel Assembly - 33 x 12 (LH Side)	
102	4641122	1	Valve	
103	1001245195	1	Wheel	
104	1001245196	1	Tire - 33 x 12	

SECTION 1 - FRAME

FIGURE 1-19. TOW BAR INSTALLATION



ART_1001170736

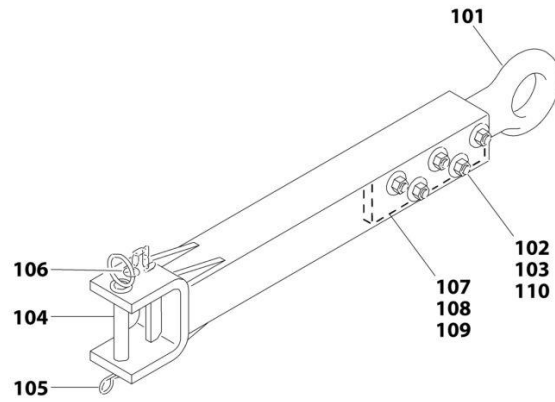
SECTION 1 - FRAME

FIGURE 1-19. TOW BAR INSTALLATION

ITEM	PART NUMBER	QTY	DESCRIPTION	REV
	1001170736	Ref	TOW BAR INSTALLATION	D
1	0363019	1	Tow Bar Assembly (See Separate Breakdown in this Section)	
2	0641504	2	Bolt 5/16 x 1/2	
4	0641612	4	Bolt 3/8 x 1-1/2	
5	0761210	4	Bolt M12 x 20	
6	0902733	1	Bracket, Storage (Front)	
7	0902734	1	Bracket, Storage (Rear)	
8	3311605	4	Nut 3/8	
9	4640261	1	Steer/Tow Select Valve	
10	4811900	6	Washer M8	
11	4891600	8	Washer 3/8	
12	4812102	4	Washer M12	
13	1001166478	1	Plate, Tow Bar Mount	
15	0760816	2	Bolt M8 x 40	
16	1702968	1	Decal - Towing Instructions	
17	1704578	3	Decal - Crushing	
18	2220238	1	Plug ORB	
19	2220372	1	Fitting, Straight JIC/ORB	
20	2220579	1	Fitting, Tee JIC/FSJIC/JIC	
21	2221052	1	Fitting, Tee JIC/ORB/JIC	
22	3250872	1	Nameplate, Steer/Tow Select Valve	
23	3290805	2	Nut M8 x 1.25	
24	3820001	4	Rivet	
25	4420051	48 in /1.21m	Tape, Safety	
26	1001181913	2	Hose	
27	1001182155	1	Bracket, Valve Mounting	

SECTION 1 - FRAME

FIGURE 1-20. TOW BAR ASSEMBLY



ART_0363019

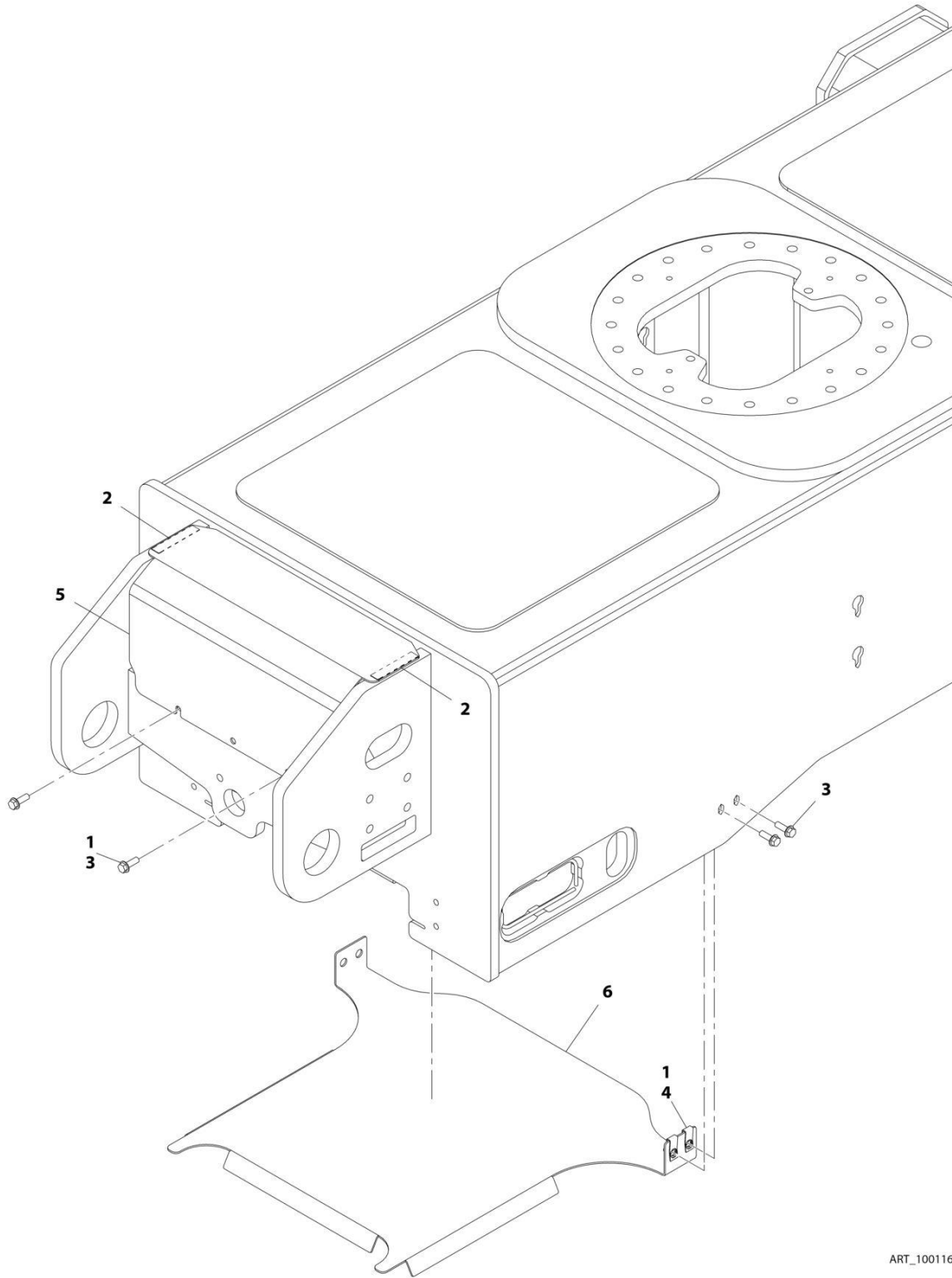
SECTION 1 - FRAME

FIGURE 1-20. TOW BAR ASSEMBLY

ITEM	PART NUMBER	QTY	DESCRIPTION	REV
	0363019	Ref	TOW BAR ASSEMBLY	B
101	0360406	1	Pintle, Draw Eye	
102	0682040	5	Bolt 5/8 x 5	
103	3312005	5	Nut 5/8	
104	3420352	1	Pin, Towing	
105	3420372	1	Hairpin	
106	3760170	1	Ring, Split	
107	4070450	2	Shim (.07)	
108	4070560	2	Shim (.88)	
109	4070561	2	Shim (.12)	
110	4752000	10	Washer 5/8	

SECTION 1 - FRAME

FIGURE 1-21. FRAME SHIELD INSTALLATION - WITHOUT TOW BAR



ART_1001169973

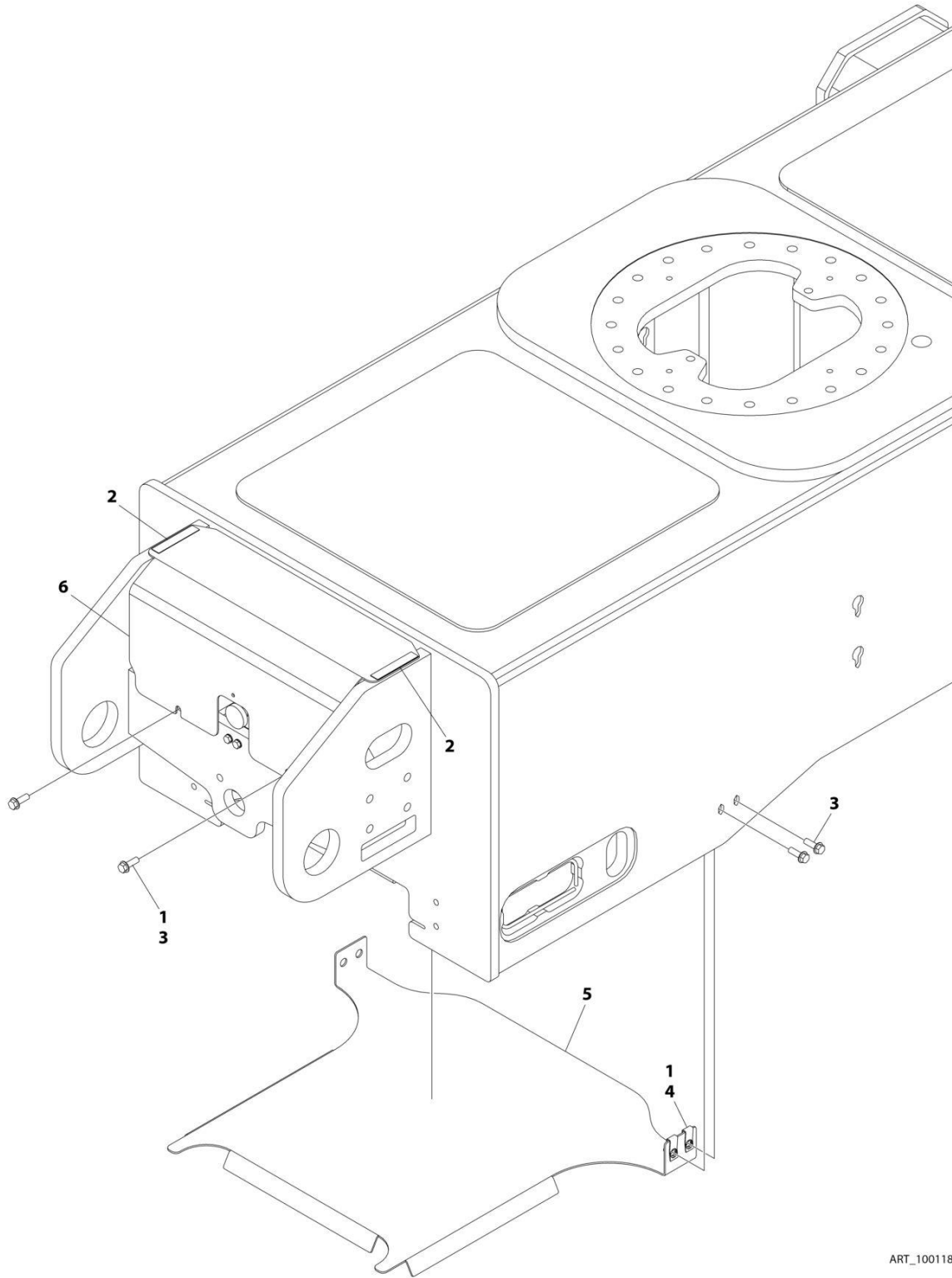
SECTION 1 - FRAME

FIGURE 1-21. FRAME SHIELD INSTALLATION - WITHOUT TOW BAR

ITEM	PART NUMBER	QTY	DESCRIPTION	REV
	1001169973	Ref	FRAME SHIELD INSTALLATION - WITHOUT TOW BAR	E
1	0100011	AR	Compound, Locking	
2	4280296	8 in / 20.3cm	Strip, Wear	
3	5251014	6	Bolt M10 x 30	
4	1001118972	4	Nut M10 x 1.5	
5	1001169086	1	Plate, Cover	
6	1001169955	1	Plate, Valve Cover	

SECTION 1 - FRAME

FIGURE 1-22. FRAME SHIELD INSTALLATION - WITH TOW BAR



ART_1001182245

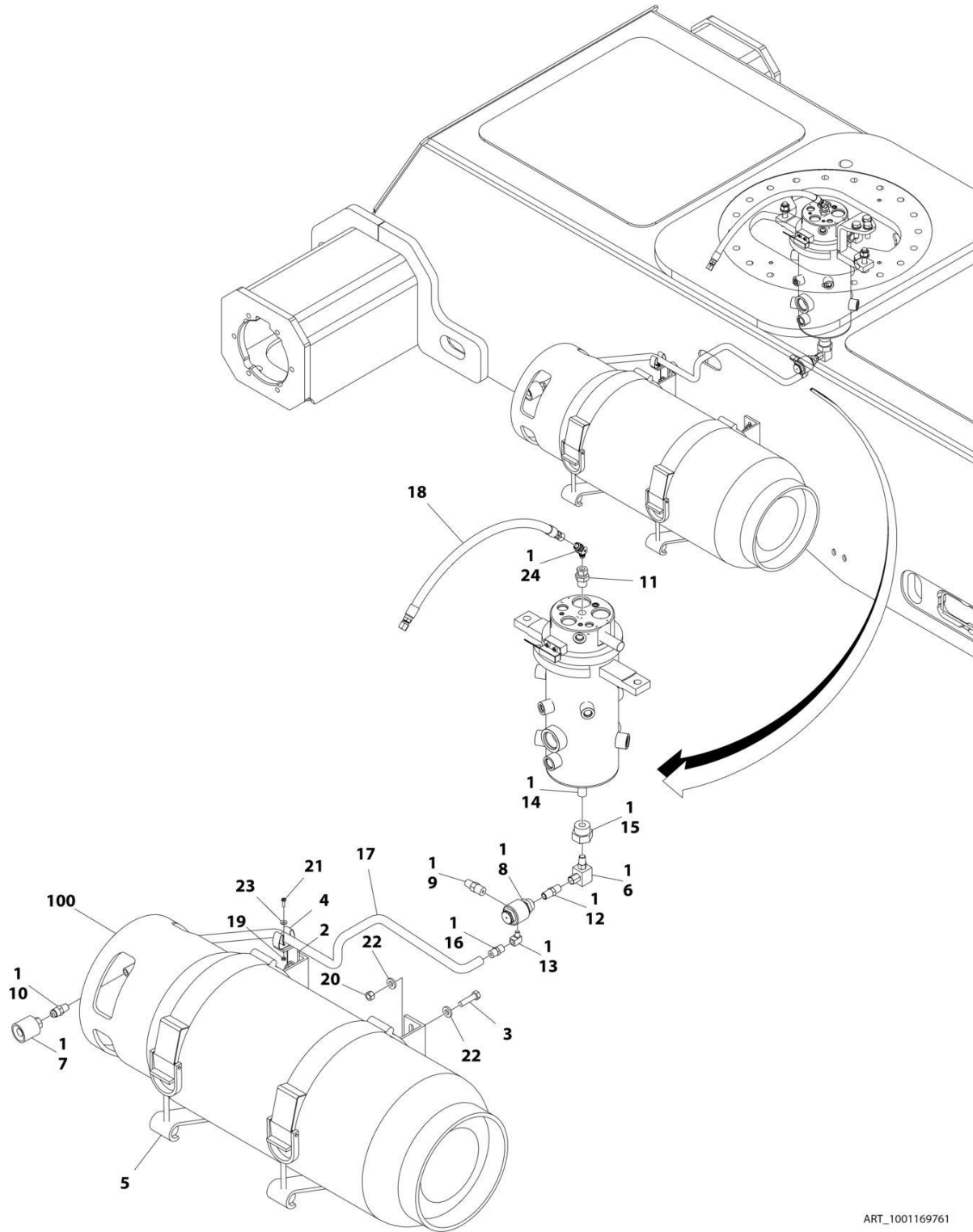
SECTION 1 - FRAME

FIGURE 1-22. FRAME SHIELD INSTALLATION - WITH TOW BAR

ITEM	PART NUMBER	QTY	DESCRIPTION	REV
	1001182245	Ref	FRAME SHIELD INSTALLATION - WITH TOW BAR	C
1	0100011	AR	Compound, Locking	
2	4280296	8 in / 20.3cm	Strip, Wear	
3	5251014	6	Bolt M10 x 30	
4	1001118972	4	Nut M10 x 1.5	
5	1001169955	1	Plate, Valve Cover	
6	1001182250	1	Plate, Cover	

SECTION 1 - FRAME

FIGURE 1-23. LP TANK BRACKETS INSTALLATION



ART_1001169761

SECTION 1 - FRAME

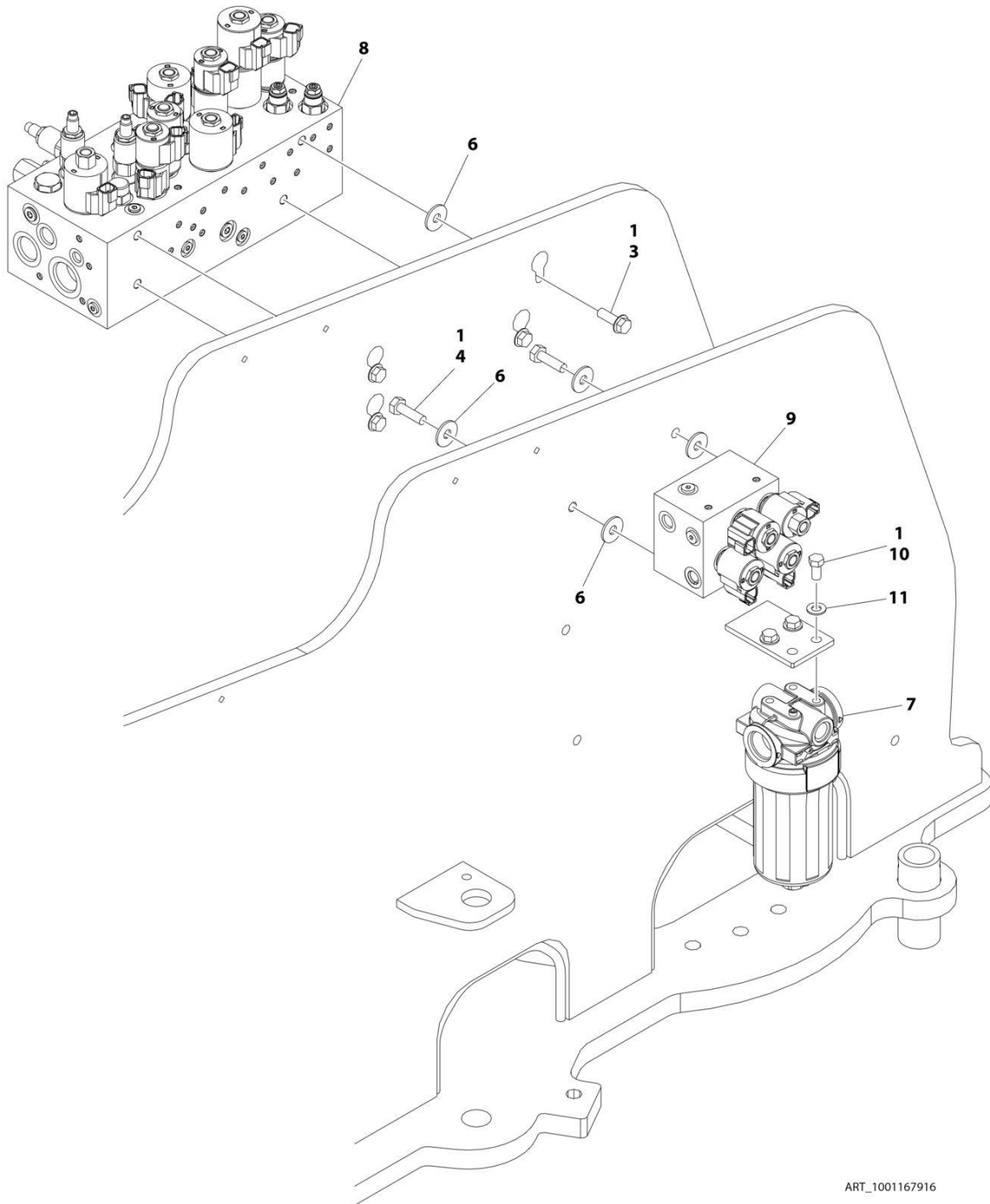
FIGURE 1-23. LP TANK BRACKETS INSTALLATION

ITEM	PART NUMBER	QTY	DESCRIPTION	REV
	1001169761	Ref	LP TANK BRACKETS INSTALLATION	E
1	0100020	AR	Sealant, Pipe	
2	0181949	1	Angle, Support	
4	1320218	1	Clamp	
5	1320220	1	Clamp	
6	2180125	1	Fitting, Swivel 90	
7	2180387	1	Fitting, Straight	
8	2180388	1	Fitting, Bulkhead	
9	2180389	1	Valve, Relief	
10	2180418	1	Fitting, Straight	
11	2220005	1	Fitting, Straight	
12	2220261	1	Fitting, Nipple	
13	2220648	1	Fitting, 90 FNPTF/NPTF	
14	2221018	1	Nipple, Pipe	
15	2221019	1	Fitting, Reducer	
16	2221024	1	Fitting, Nipple	
17	2720144	1	Hose	
18	2720392	1	Hose	
19	3290401	1	Nut M4 x 0.7	
21	3900332	1	Screw M4 x 14	
23	1001091102	1	Washer	
24	1001239802	1	Fitting, 45	
25	3311601	4	Nut 3/8	
26	4891600	8	Washer 3/8	
27	0641612	4	Bolt 3/8 x 1-1/2	
100	4400275	1	Tank, LP 43.5 Lbs (Aluminum)	

SECTION 2 - TURNTABLE

SECTION 2 - TURNTABLE

FIGURE 2-1. CONTROL VALVES INSTALLATION - 400S



ART_1001167916

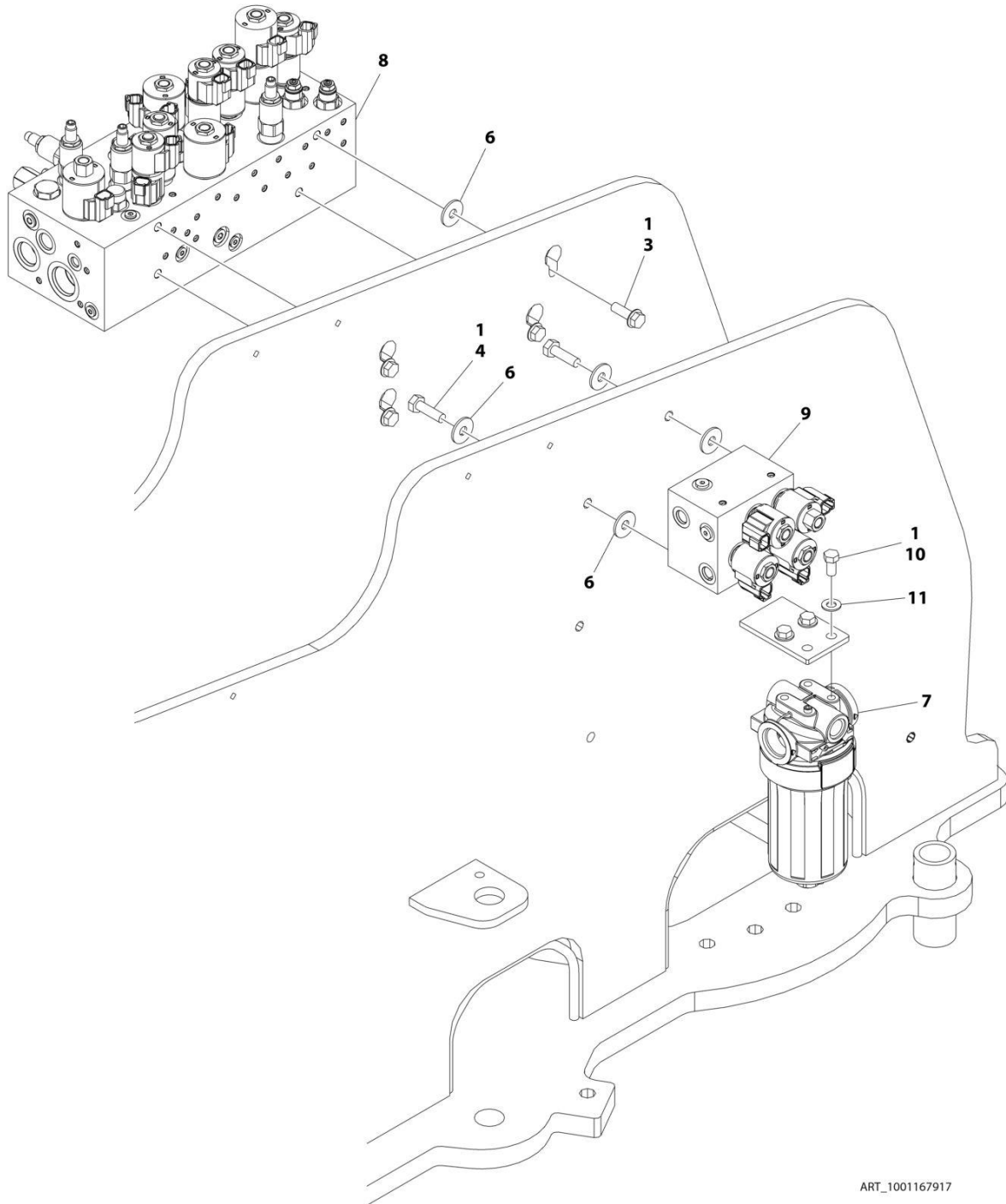
SECTION 2 - TURNTABLE

FIGURE 2-1. CONTROL VALVES INSTALLATION - 400S

ITEM	PART NUMBER	QTY	DESCRIPTION	REV
	1001167916	Ref	CONTROL VALVES INSTALLATION	F
1	0100011	AR	Compound, Locking	
3	5251014	4	Bolt M10 x 30	
4	0761015	2	Bolt M10 x 35	
6	4812002	8	Washer M10	
7	1001208874	1	Filter, Charge Pump	
7	70010383	1	Element, Filter (Includes O-Ring)	
8	1001162531	1	Main Valve Assembly (See Separate Breakdown in this Section)	
9	1001162538	1	Axle Valve Assembly (See Separate Breakdown in this Section)	
10	0761010	3	Bolt M10 x 20	
11	4812000	3	Washer M10	

SECTION 2 - TURNTABLE

FIGURE 2-2. CONTROL VALVES INSTALLATION - 460SJ



ART_1001167917

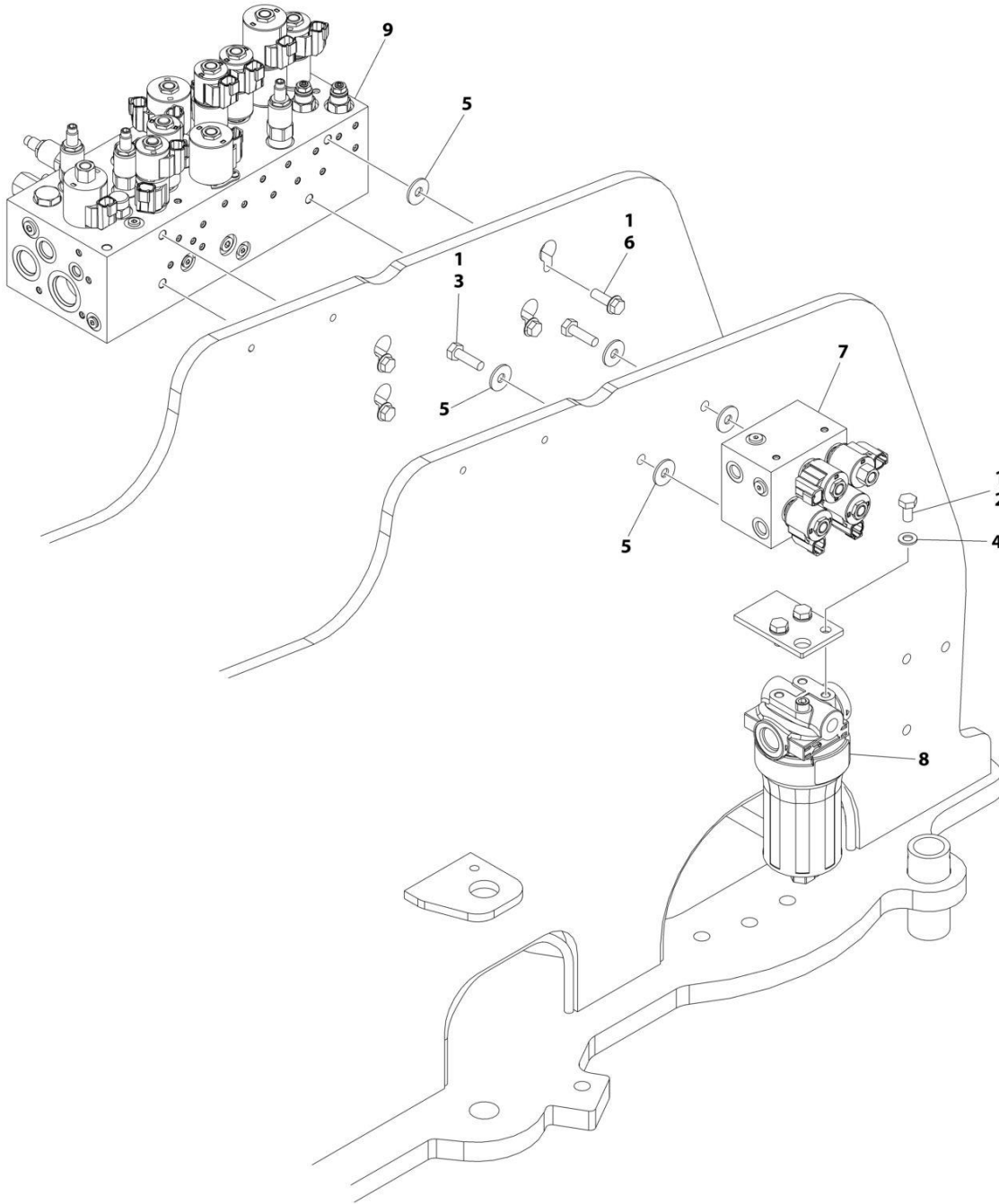
SECTION 2 - TURNTABLE

FIGURE 2-2. CONTROL VALVES INSTALLATION - 460SJ

ITEM	PART NUMBER	QTY	DESCRIPTION	REV
	1001167917	Ref	CONTROL VALVES INSTALLATION	F
1	0100011	AR	Compound, Locking	
3	5251014	4	Bolt M10 x 30	
4	0761015	2	Bolt M10 x 35	
6	4812002	8	Washer M10	
7	1001208874	1	Filter, Charge Pump	
7	70010383	1	Element, Filter (Includes O-Ring)	
8	1001162532	1	Main Valve Assembly (See Separate Breakdown in this Section)	
9	1001162538	1	Axle Valve Assembly (See Separate Breakdown in this Section)	
10	0761010	3	Bolt M10 x 20	
11	4812000	3	Washer M10	

SECTION 2 - TURNTABLE

FIGURE 2-3. CONTROL VALVES INSTALLATION - 460SJ 1K45FT



ART_1001249357

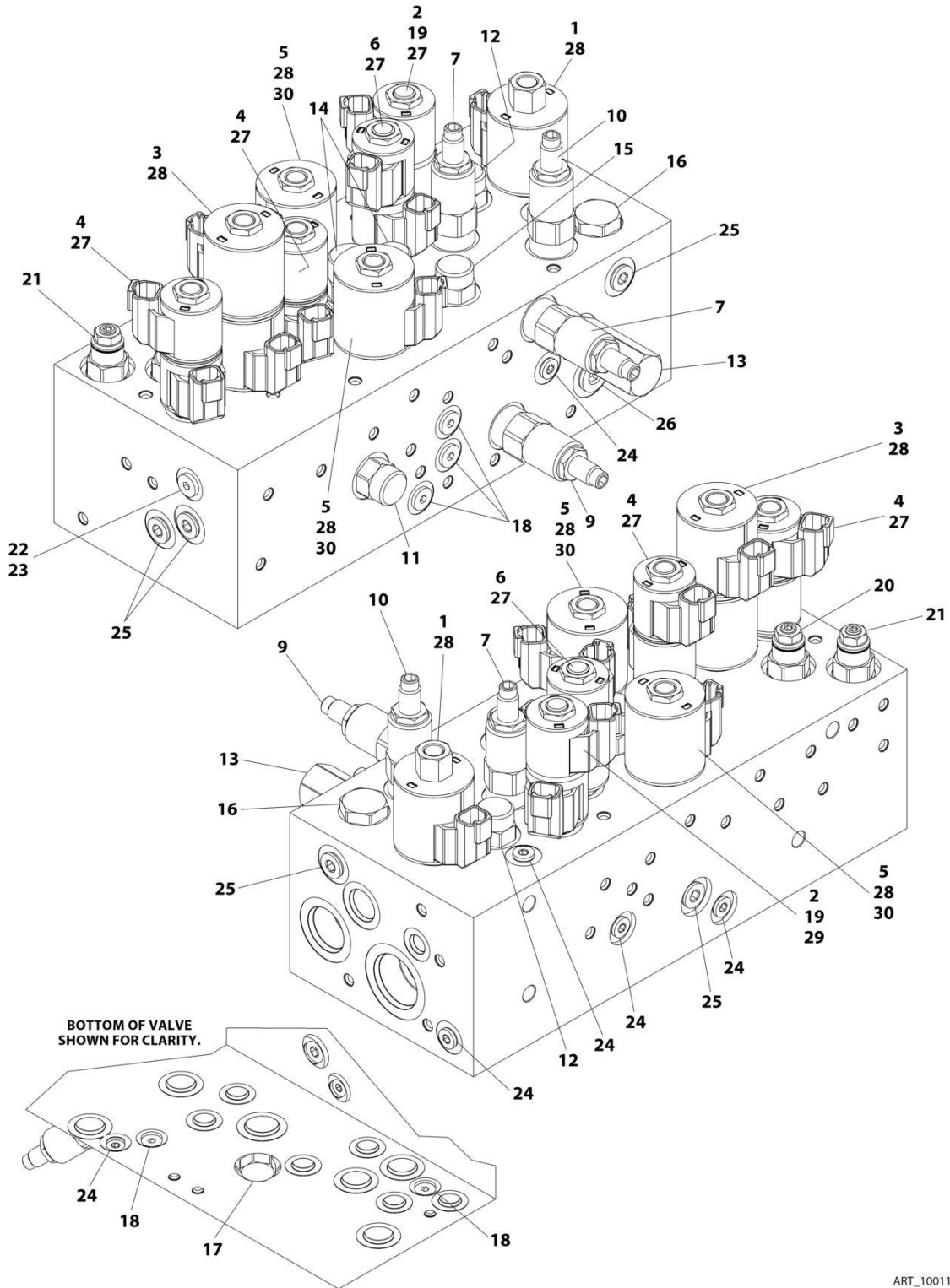
SECTION 2 - TURNTABLE

FIGURE 2-3. CONTROL VALVES INSTALLATION - 460SJ 1K45FT

ITEM	PART NUMBER	QTY	DESCRIPTION	REV
	1001249357	Ref	CONTROL VALVES INSTALLATION	A
1	0100011	AR	Compound, Locking	
2	0761010	3	Bolt M10 x 20	
3	0761015	2	Bolt M10 x 35	
4	4812000	3	Washer M10	
5	4812002	8	Washer M10	
6	5251014	4	Bolt M10 x 30	
7	1001162538	1	Axle Valve Assembly (See Separate Breakdown in this Section)	
8	1001208874	1	Filter, Charge Pump	
8	70010383	1	Element, Filter Charge Pump (Includes O-Ring)	
9	1001249356	1	Main Valve Assembly (See Separate Breakdown in this Section)	

SECTION 2 - TURNTABLE

FIGURE 2-4. MAIN VALVE ASSEMBLY - 400S



ART_1001162531

SECTION 2 - TURNTABLE

FIGURE 2-4. MAIN VALVE ASSEMBLY - 400S

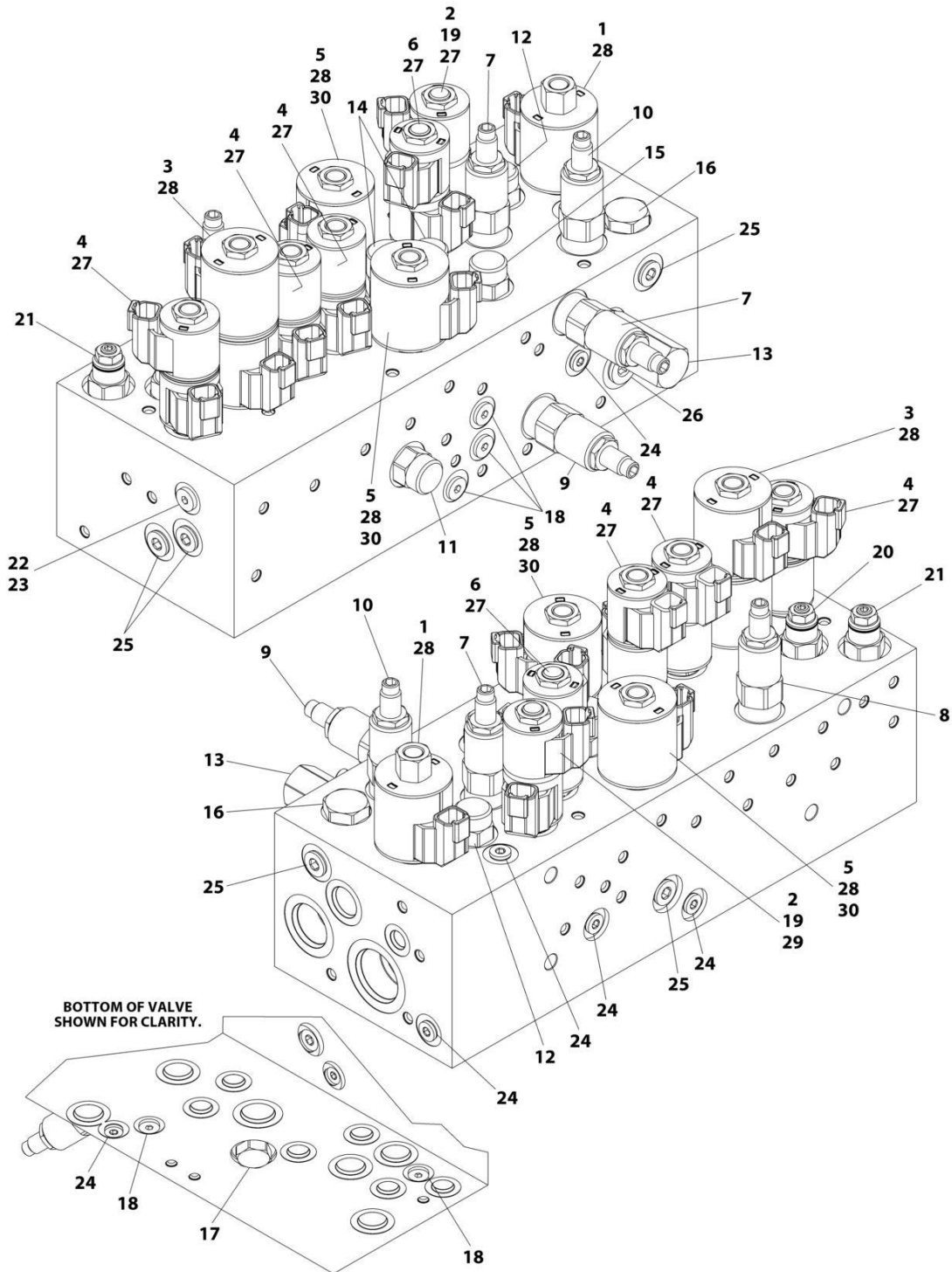
ITEM	PART NUMBER	QTY	DESCRIPTION	REV
	1001162531	Ref	MAIN VALVE ASSEMBLY	F
1	70005069	1	Cartridge, Solenoid Less Coil (Main Dump)	
1	7022399	1	Seal Kit - 70005069 Valve	
1	70003977	1	Nut, Coil	
2	70005217	1	Cartridge, Solenoid Less Coil (Steer)	
2	70005071	1	Seal Kit - 70005217 Valve	
2	7022390	1	Nut, Coil	
3	70005072	1	Cartridge, Solenoid Less Coil (Tele)	
3	70005073	1	Seal Kit - 70005072 Valve	
3	7022390	1	Nut, Coil	
3	70003024	1	Spacer, Coil	
4	70005074	2	Cartridge, Solenoid Valve Less Coil (Platform Level and Rotate)	
4	70005075	2	Seal Kit - 70005074 Valve	
4	7022390	2	Nut, Coil	
4	70003023	2	Spacer, Coil	
5	70005076	2	Cartridge, Solenoid Less Coil (Lift Up and Flow Control)	
5	7022399	2	Seal Kit - 70005076 Valve	
5	7022390	2	Nut, Coil	
6	70005077	1	Cartridge, Solenoid Valve Less Coil (Swing)	
6	70005071	1	Seal Kit - 70005077 Valve	
6	7022390	1	Nut, Coil	
6	70003023	1	Spacer, Coil	
7	70005078	2	Cartridge, Relief Valve	
7	7023936	2	Seal Kit - 70005078 Valve	
9	70005079	1	Cartridge, Relief Valve	
9	7023936	1	Seal Kit - 70005079 Valve	
10	70005080	1	Cartridge, Relief Valve	
10	7022399	1	Seal Kit - 70005080 Valve	
11	70005081	1	Cartridge, Valve	
11	70005082	1	Seal Kit - 70005081 Valve	
12	70005218	1	Cartridge, Valve	
12	70005082	1	Seal Kit - 70005218 Valve	
13	70005084	1	Cartridge, Valve	
13	70005085	1	Seal Kit - 70005084 Valve	
14	70005086	2	Cartridge, Valve	
14	70005087	2	Seal Kit - 70005086 Valve	
15	70005088	1	Cartridge, Valve	
15	7023900	1	Seal Kit - 70005088 Valve	
16	70003408	1	Cartridge, Valve	
16	7022399	1	Seal Kit - 70005100 Valve	
17	70005089	1	Cartridge, Check Valve	
17	7023936	1	Seal Kit - 70005089 Valve	
18	70005090	5	Cartridge, Check Valve	
18	70005092	5	Seal Kit - 70005090 Valve	
19	70002974	1	Disc, Check Valve	
20	70005108	1	Cartridge, Valve	
20	2900770	1	Seal Kit - 70005108 Valve	
21	70005109	1	Cartridge, Valve	
21	2900770	1	Seal Kit - 70005109 Valve	
22	70005091	1	Orifice	

SECTION 2 - TURNTABLE

ITEM	PART NUMBER	QTY	DESCRIPTION	REV
23	2220883	1	Plug, O-Ring #4	
24	91164059	6	Plug	
25	91164079	6	Plug	
26	91164057	1	Plug	
27	70002386	6	Coil	
28	70003788	5	Coil	
29	70005219	2	Coil	
30	70005724	2	Lockdown Kit	

SECTION 2 - TURNTABLE

FIGURE 2-5. MAIN VALVE ASSEMBLY - 460SJ



ART_1001162532

SECTION 2 - TURNTABLE

FIGURE 2-5. MAIN VALVE ASSEMBLY - 460SJ

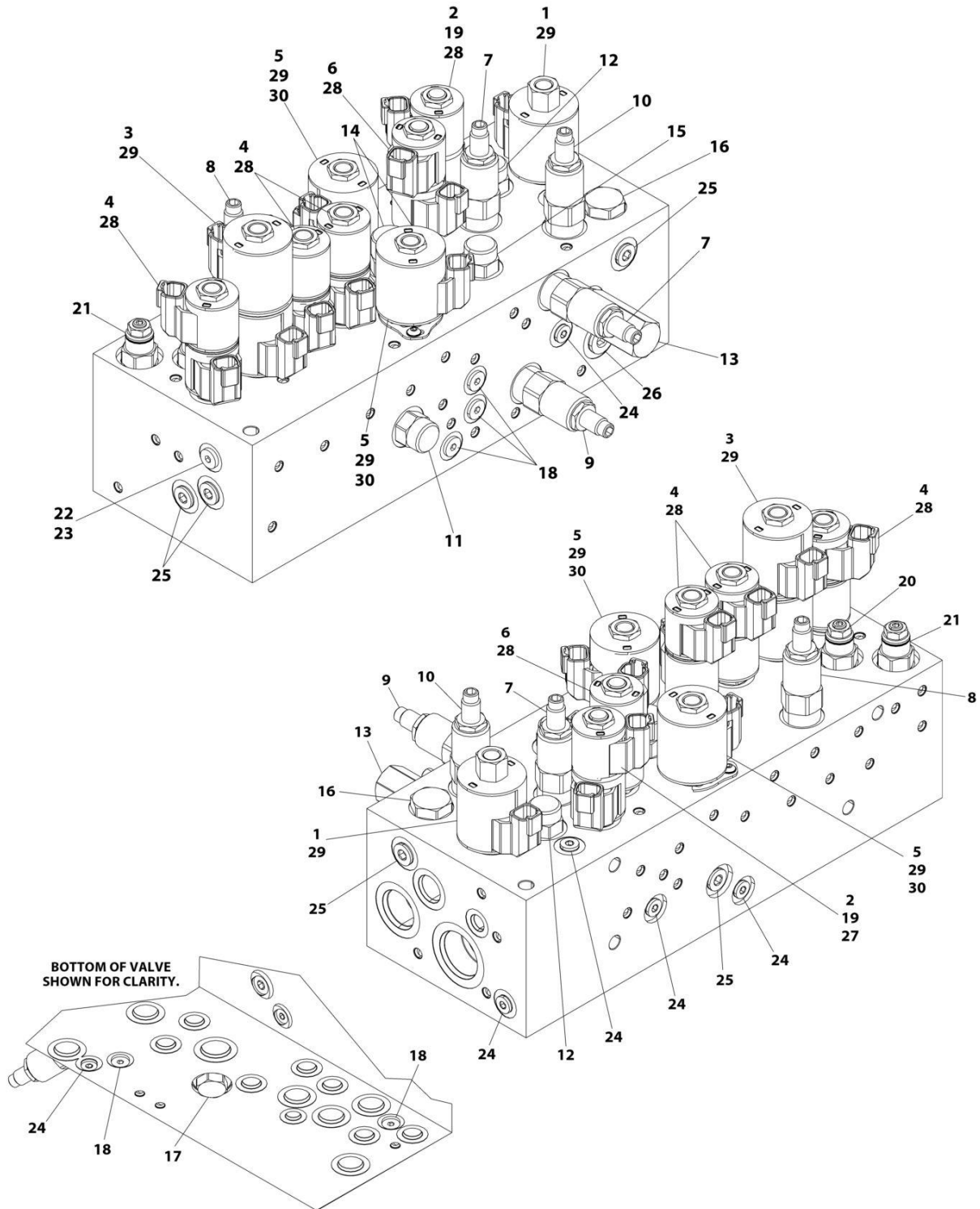
ITEM	PART NUMBER	QTY	DESCRIPTION	REV
	1001162532	Ref	MAIN VALVE ASSEMBLY	F
1	70005069	1	Cartridge, Solenoid Less Coil (Main Dump)	
1	7022399	1	Seal Kit - 70005069 Valve	
1	70003977	1	Nut, Coil	
2	70005217	1	Cartridge, Solenoid Less Coil (Steer)	
2	70005071	1	Seal Kit - 70005217 Valve	
2	7022390	1	Nut, Coil	
3	70005072	1	Cartridge, Solenoid Less Coil (Tele)	
3	70005073	1	Seal Kit - 70005072 Valve	
3	7022390	1	Nut, Coil	
3	70003024	1	Spacer, Coil	
4	70005074	3	Cartridge, Solenoid Valve Less Coil (Platform Level, Platform Rotate and Jib Lift)	
4	70005075	3	Seal Kit - 70005074 Valve	
4	7022390	3	Nut, Coil	
4	70003023	3	Spacer, Coil	
5	70005076	2	Cartridge, Solenoid Less Coil (Lift Up and Flow Control)	
5	7022399	2	Seal Kit - 70005076 Valve	
5	7022390	2	Nut, Coil	
6	70005077	1	Cartridge, Solenoid Valve Less Coil (Swing)	
6	70005071	1	Seal Kit - 70005077 Valve	
6	7022390	1	Nut, Coil	
6	70003023	1	Spacer, Coil	
7	70005078	2	Cartridge, Relief Valve	
7	7023936	2	Seal Kit - 70005078 Valve	
8	70005093	1	Cartridge, Valve	
8	7023936	1	Seal Kit - 70005093 Valve	
9	70005079	1	Cartridge, Relief Valve	
9	7023936	1	Seal Kit - 70005079 Valve	
10	70005080	1	Cartridge, Relief Valve	
10	7022399	1	Seal Kit - 70005080 Valve	
11	70005081	1	Cartridge, Valve	
11	70005082	1	Seal Kit - 70005081 Valve	
12	70005218	1	Cartridge, Valve	
12	70005082	1	Seal Kit - 70005218 Valve	
13	70005084	1	Cartridge, Valve	
13	70005085	1	Seal Kit - 70005084 Valve	
14	70005086	2	Cartridge, Valve	
14	70005087	2	Seal Kit - 70005086 Valve	
15	70005088	1	Cartridge, Valve	
15	7023900	1	Seal Kit - 70005088 Valve	
16	70003408	1	Cartridge, Valve	
16	7022399	1	Seal Kit - 70005100 Valve	
17	70005089	1	Cartridge, Check Valve	
17	7023936	1	Seal Kit - 70005089 Valve	
18	70005090	5	Cartridge, Check Valve	
18	70005092	5	Seal Kit - 70005090 Valve	
19	70002974	1	Disc, Check Valve	
20	70005108	1	Cartridge, Valve	
20	2900770	1	Seal Kit - 70005108 Valve	

SECTION 2 - TURNTABLE

ITEM	PART NUMBER	QTY	DESCRIPTION	REV
21	70005109	1	Cartridge, Valve	
21	2900770	1	Seal Kit - 70005109 Valve	
22	70005091	1	Orifice	
23	2220883	1	Plug, O-Ring #4	
24	91164059	6	Plug	
25	91164079	6	Plug	
26	91164057	1	Plug	
27	70002386	8	Coil	
28	70003788	5	Coil	
29	70005219	2	Coil	
30	70005724	2	Lockdown Kit	

SECTION 2 - TURNTABLE

FIGURE 2-6. MAIN VALVE ASSEMBLY - 460SJ 1K45FT



ART_1001249356

SECTION 2 - TURNTABLE

FIGURE 2-6. MAIN VALVE ASSEMBLY - 460SJ 1K45FT

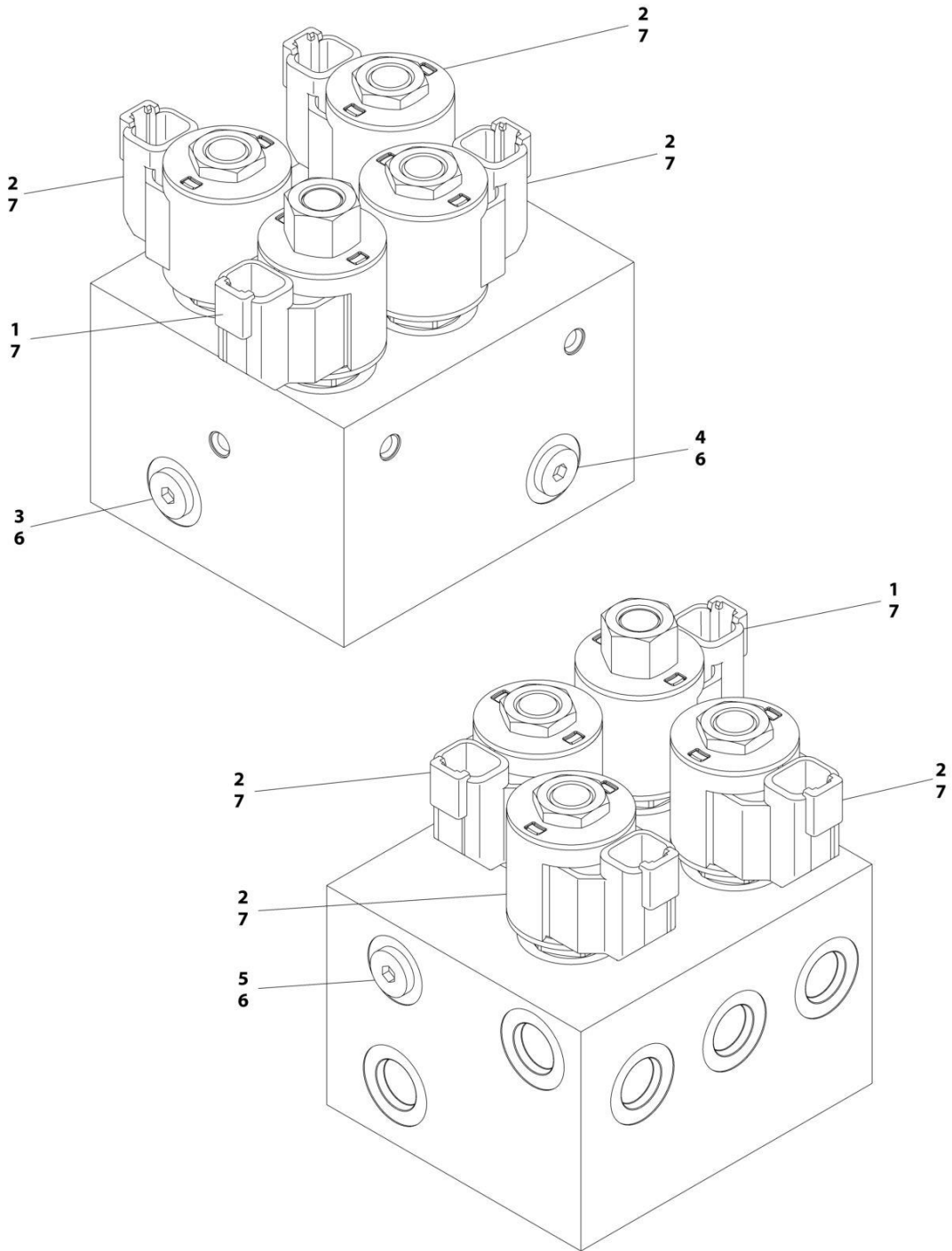
ITEM	PART NUMBER	QTY	DESCRIPTION	REV
	1001249356	Ref	MAIN VALVE ASSEMBLY	B
1	70005069	1	Cartridge, Solenoid Less Coil (Main Dump)	
1	7022399	1	Seal Kit - 70005069 Valve	
1	70003977	1	Nut, Coil	
2	70005217	1	Cartridge, Solenoid Less Coil (Steer)	
2	70005071	1	Seal Kit - 70005217 Valve	
2	7022390	1	Nut, Coil	
3	70005072	1	Cartridge, Solenoid Less Coil (Tele)	
3	70005073	1	Seal Kit - 70005072 Valve	
3	7022390	1	Nut, Coil	
3	70003024	1	Spacer, Coil	
4	70005074	3	Cartridge, Solenoid Valve Less Coil (Platform Level and Rotate)	
4	70005075	3	Seal Kit - 70005074 Valve	
4	7022390	3	Nut, Coil	
4	70003023	3	Spacer, Coil	
5	70005076	2	Cartridge, Solenoid Less Coil (Lift Up and Flow Control)	
5	7022399	2	Seal Kit - 70005076 Valve	
5	7022390	2	Nut, Coil	
6	70005077	1	Cartridge, Solenoid Valve Less Coil (Swing)	
6	70005071	1	Seal Kit - 70005077 Valve	
6	7022390	1	Nut, Coil	
6	70003023	1	Spacer, Coil	
7	70005097	1	Cartridge, Relief Valve	
7	70005082	1	Seal Kit - 70005097 Valve	
8	70005093	1	Cartridge Relief Valve	
8	7023936	1	Seal Kit - 70005093 Valve	
9	70005079	1	Cartridge, Relief Valve	
9	7023936	1	Seal Kit - 70005079 Valve	
10	70005080	1	Cartridge, Relief Valve	
10	7022399	1	Seal Kit - 70005080 Valve	
11	70005081	1	Cartridge, Valve	
11	70005082	1	Seal Kit - 70005081 Valve	
12	70005218	1	Cartridge, Valve	
12	70005082	1	Seal Kit - 70005218 Valve	
13	70005084	1	Cartridge, Valve	
13	70005085	1	Seal Kit - 70005084 Valve	
14	70005086	2	Cartridge, Valve	
14	70005087	2	Seal Kit - 70005086 Valve	
15	70005088	1	Cartridge, Valve	
15	7023900	1	Seal Kit - 70005088 Valve	
16	70003408	1	Cartridge, Valve	
16	7022399	1	Seal Kit - 70005100 Valve	
17	70005089	1	Cartridge, Check Valve	
17	7023936	1	Seal Kit - 70005089 Valve	
18	70005090	5	Cartridge, Check Valve	
18	70005092	5	Seal Kit - 70005090 Valve	
19	70002974	1	Disc, Check Valve	
20	10740145	1	Cartridge, Valve	
20	2900770	1	Seal Kit - 70005108 Valve	
21	70005109	1	Cartridge, Valve	

SECTION 2 - TURNTABLE

ITEM	PART NUMBER	QTY	DESCRIPTION	REV
21	2900770	1	Seal Kit - 70005109 Valve	
22	70005091	1	Orifice	
23	2220883	1	Plug, O-Ring #4	
24	91164059	6	Plug	
25	91164079	6	Plug	
26	91164057	1	Plug	
27	70005219	2	Coil	
28	70002386	8	Coil	
29	70003788	5	Coil	
30	70005724	2	Lockdown Kit	

SECTION 2 - TURNTABLE

FIGURE 2-7. AXLE VALVE ASSEMBLY



ART_1001162538

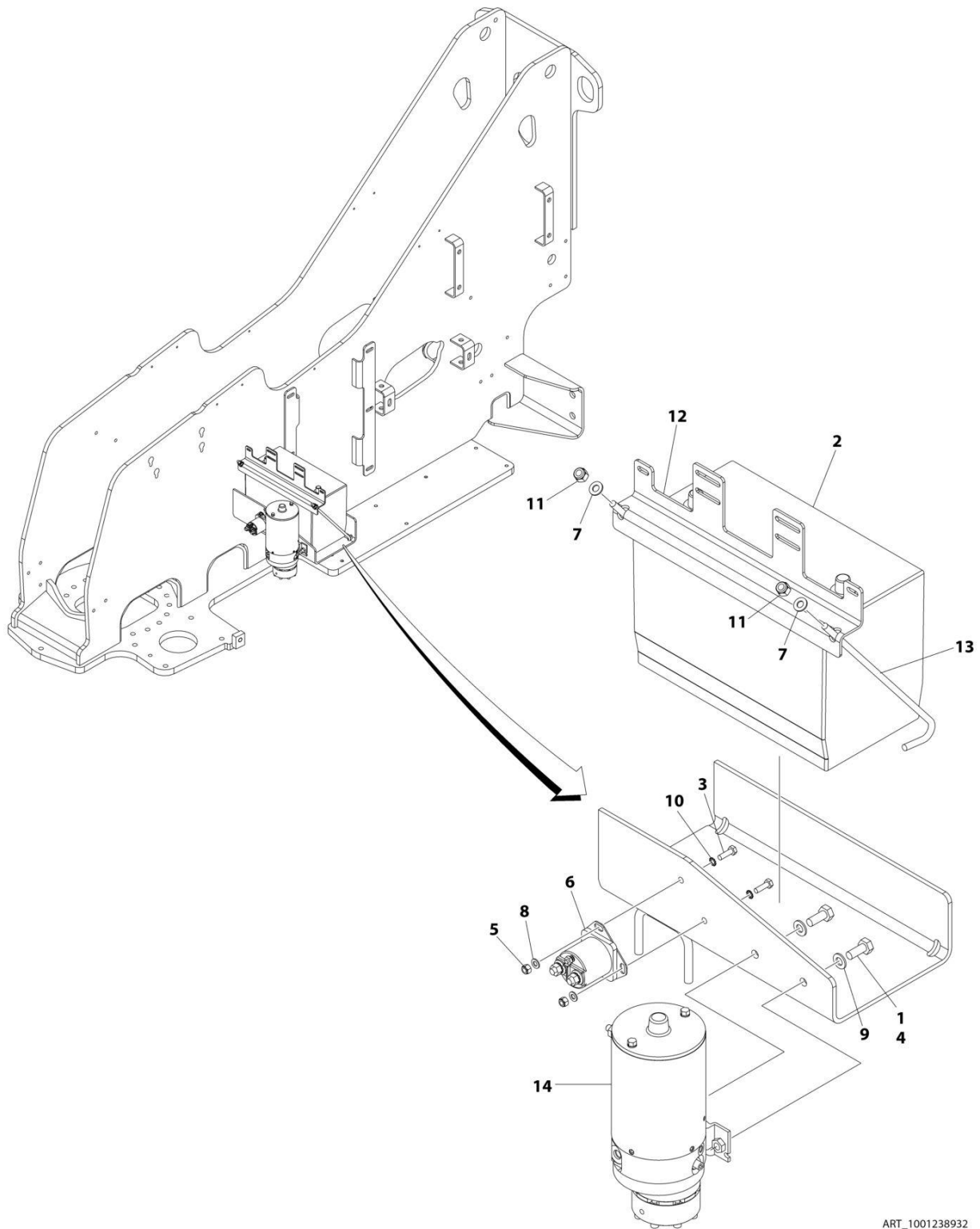
SECTION 2 - TURNTABLE

FIGURE 2-7. AXLE VALVE ASSEMBLY

ITEM	PART NUMBER	QTY	DESCRIPTION	REV
	1001162538	Ref	AXLE VALVE ASSEMBLY	D
1	7017410	1	Cartridge, Solenoid Valve Less Coil (Secondary Axle Release)	
1	7012967	1	Seal Kit - 7017410 Valve	
2	7012941	3	Cartridge, Solenoid Valve Less Coil (Brake Release, Primary Axle Release and 2 Speed)	
2	7010543	3	Seal Kit - 7012941 Valve	
3	70004883	1	Orifice	
4	70004884	1	Orifice	
5	70002063	1	Orifice	
6	2220883	3	Plug, O-Ring #4	
7	70002386	4	Coil	

SECTION 2 - TURNTABLE

FIGURE 2-8. AUXILIARY PUMP AND BATTERY WITH DISCONNECT SWITCH INSTALLATION



ART_1001238932

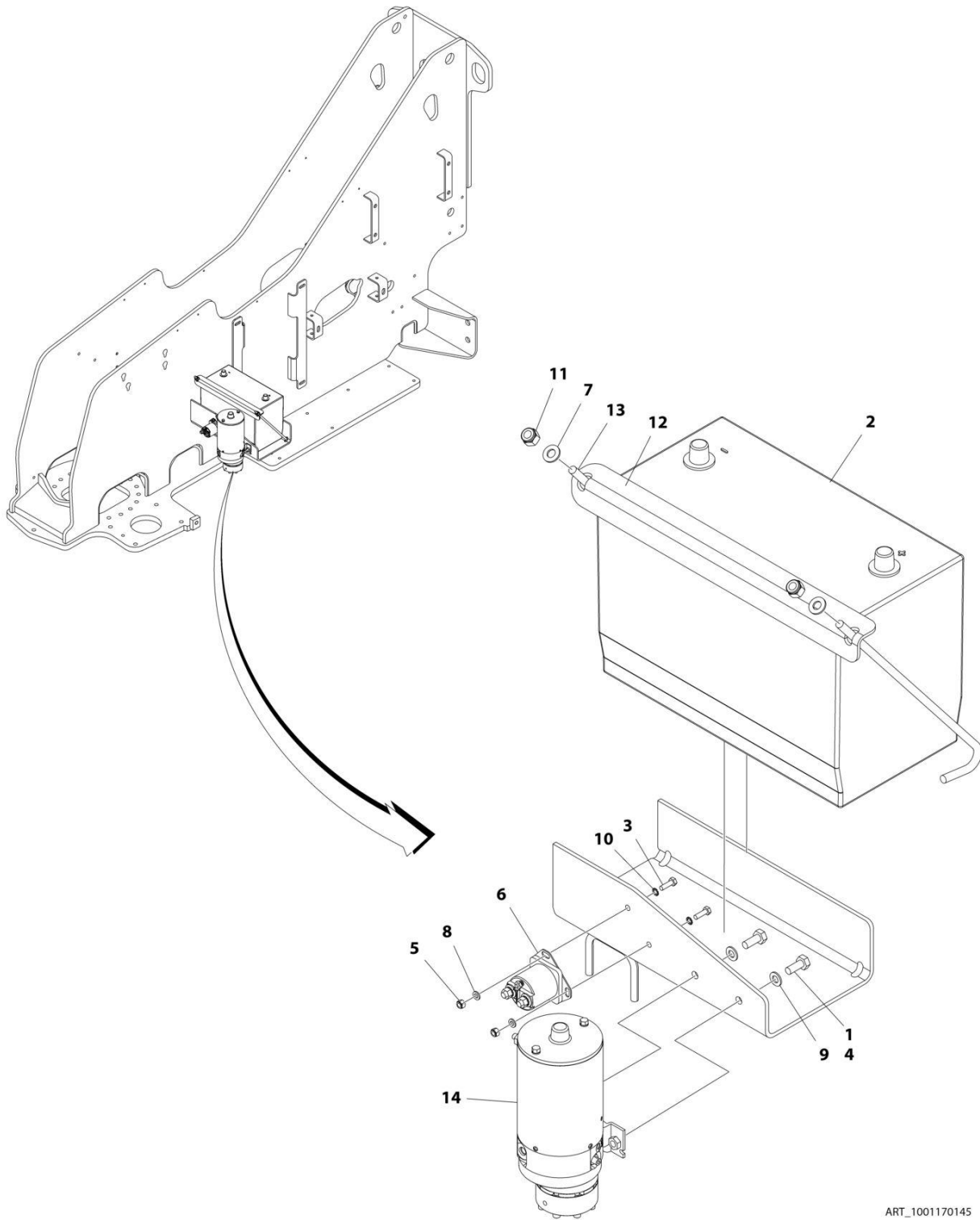
SECTION 2 - TURNTABLE

FIGURE 2-8. AUXILIARY PUMP AND BATTERY WITH DISCONNECT SWITCH INSTALLATION

ITEM	PART NUMBER	QTY	DESCRIPTION	REV
	1001238932	Ref	AUXILIARY PUMP AND BATTERY INSTALLATION WITH DISCONNECT	A
1	0100011	AR	Compound, Locking	
2	0400075	1	Battery	
3	0760610	2	Bolt M6 x 20	
4	0761012	2	Bolt M10 x 25	
5	3290605	2	Nut M6	
6	3740067	1	Relay	
6	3300220	2	Nut 3/8	
6	3321001	1	Nut #10	
6	4761000	1	Washer #10	
6	1001111424	2	Washer 3/8	
7	4711500	2	Washer 5/16	
8	4811700	2	Washer M6	
9	4812000	2	Washer M10	
10	4871700	2	Washer M6	
11	88521205	2	Nut 5/16	
12	1001236303	1	Bracket	
13	1001093382	2	J-Bolt	
14	1001185821	1	Auxiliary Pump Assembly (See Separate Breakdown in this Section)	

SECTION 2 - TURNTABLE

FIGURE 2-9. AUXILIARY PUMP AND BATTERY INSTALLATION



ART_1001170145

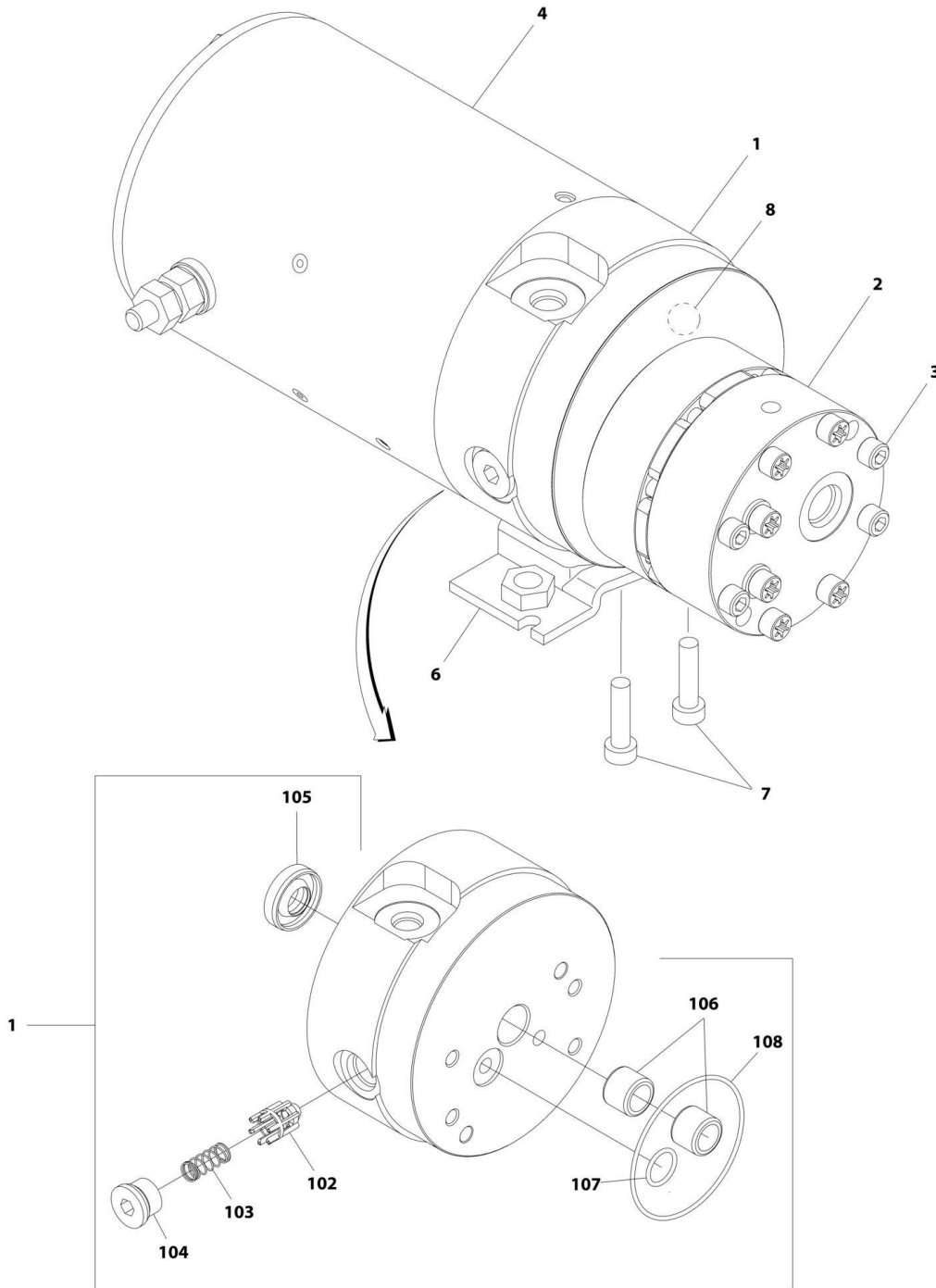
SECTION 2 - TURNTABLE

FIGURE 2-9. AUXILIARY PUMP AND BATTERY INSTALLATION

ITEM	PART NUMBER	QTY	DESCRIPTION	REV
	1001170145	Ref	AUXILIARY PUMP AND BATTERY INSTALLATION	C
1	0100011	AR	Compound, Locking	
2	0400075	1	Battery	
3	0760610	2	Bolt M6 x 20	
4	0761012	2	Bolt M10 x 25	
5	3290605	2	Nut M6	
6	3740067	1	Relay	
6	3300220	2	Nut 3/8	
6	3321001	1	Nut #10	
6	4761000	1	Washer #10	
6	1001111424	2	Washer 3/8	
7	4711500	2	Washer 5/16	
8	4811700	2	Washer M6	
9	4812000	2	Washer M10	
10	4871700	2	Washer M6	
11	88521205	2	Nut 5/16	
12	91401281	1	Bracket	
13	1001093382	2	J-Bolt	
14	1001185821	1	Auxiliary Pump Assembly (See Separate Breakdown in this Section)	

SECTION 2 - TURNTABLE

FIGURE 2-10. AUXILIARY PUMP ASSEMBLY



ART_1001185821

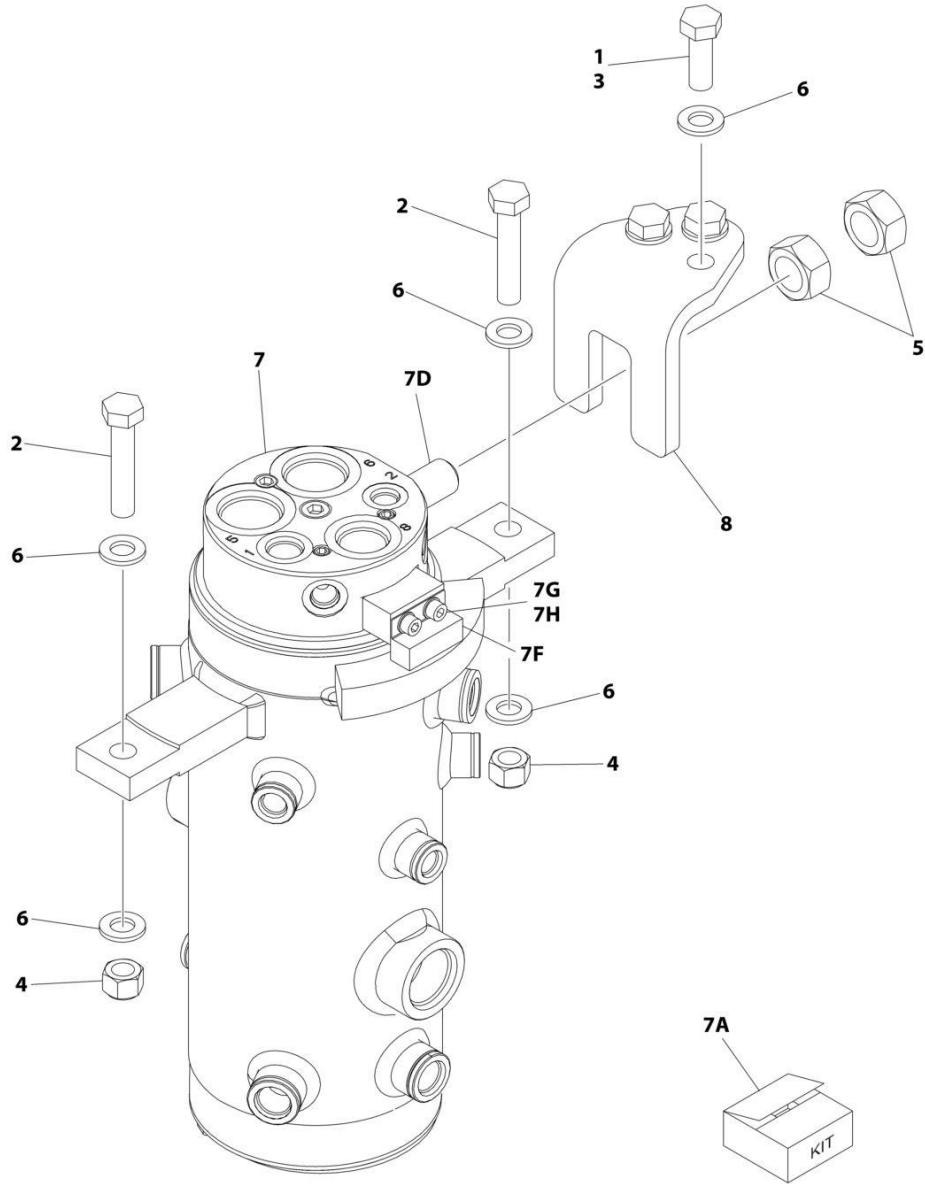
SECTION 2 - TURNTABLE

FIGURE 2-10. AUXILIARY PUMP ASSEMBLY

ITEM	PART NUMBER	QTY	DESCRIPTION	REV
	1001185821	Ref	AUXILIARY PUMP ASSEMBLY	B
1	70005065	1	Base Assembly (See Items 102-108 for Breakdown)	
2	70005066	1	Pump Assembly (Note: No Seal Kit or Internal Components are Available - Purchase Complete Pump Assembly)	
3	70005067	4	Capscrew 1/4 x 2-3/4	
4	70004013	1	Motor Assembly (Note: No Internal Components are Available - Purchase Complete Motor Assembly)	
6	70004014	1	Bracket	
7	70004000	2	Capscrew 3/8 x 1	
8	70005068	1	Relief Valve Assembly	
	70005065	Ref	BASE ASSEMBLY	
102	See Note	NSS	Poppet, Check (Note: Use p/n 70005065)	
103	See Note	NSS	Spring (Note: Use p/n 70005065)	
104	See Note	NSS	Plug (Note: Use p/n 70005065)	
105	7026330	1	Seal, Shaft	
106	70005139	2	Bearing	
107	70003612	1	O-Ring	
108	70004267	1	O-Ring	

SECTION 2 - TURNTABLE

FIGURE 2-11. ROTARY COUPLING INSTALLATION



ART_1001168855

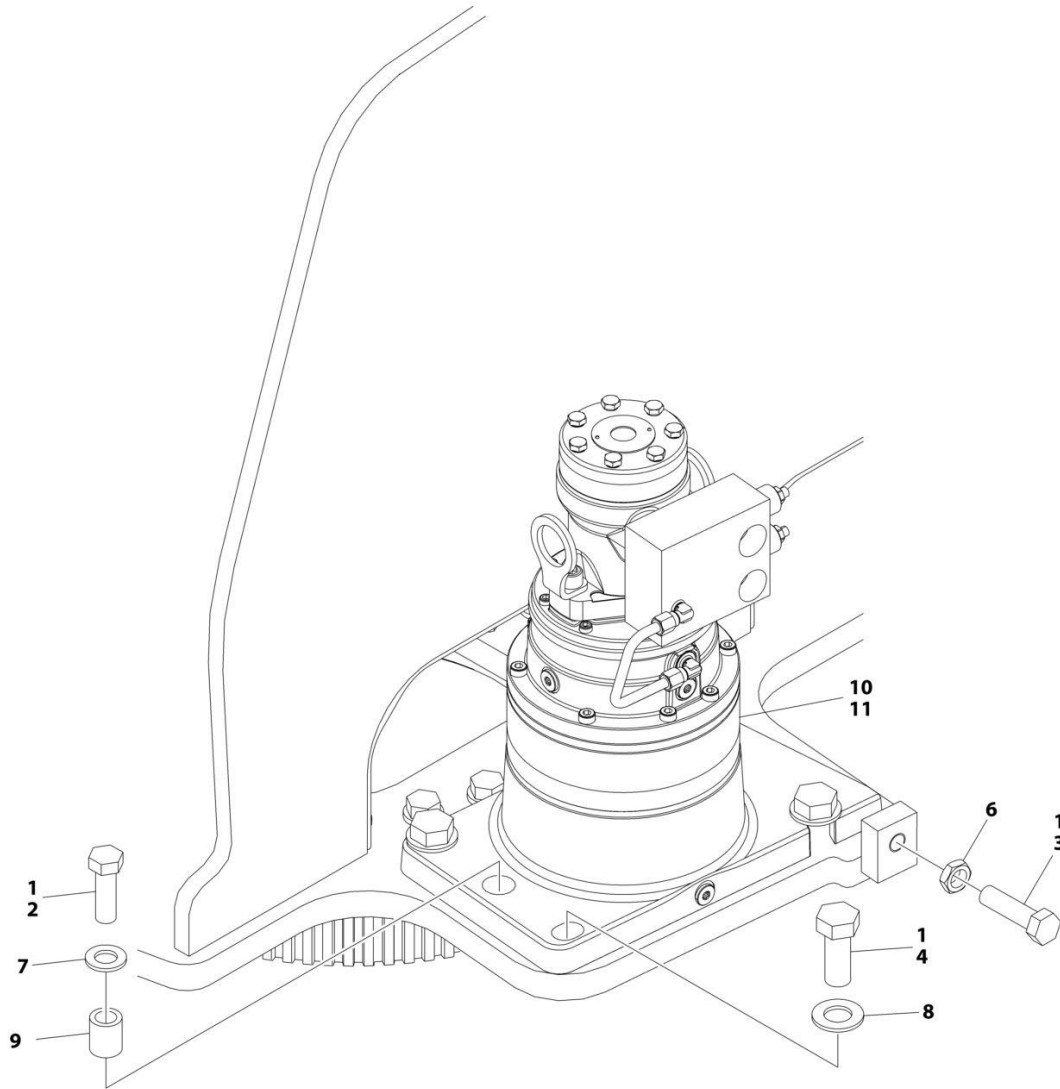
SECTION 2 - TURNTABLE

FIGURE 2-11. ROTARY COUPLING INSTALLATION

ITEM	PART NUMBER	QTY	DESCRIPTION	REV
	1001168855	Ref	ROTARY COUPLING INSTALLATION	C
1	0100011	AR	Compound, Locking	
2	0701220	2	Bolt M12 x 60	
3	0761215	3	Bolt M12 x 35	
4	3291201	2	Nut M12	
5	3292001	2	Nut M20	
6	4812100	7	Washer M12	
7	1001188334	1	Rotary Coupling Assembly	
7A	70005716	1	Seal Kit - 1001188334 Coupling	
7B	70005710	1	Spacer (Not Shown)	
7C	70005711	1	Spacer (Not Shown)	
7D	70005712	1	Threaded Spigot	
7E	70005713	1	Circlip (Not Shown)	
7F	4360517	1	Switch, Proximity	
7G	70005714	1	Bolt	
7H	70005715	1	Washer	
8	1001169185	1	Mount	
9	2220238	1	Fitting, Plug ORB (Not Shown)	

SECTION 2 - TURNTABLE

FIGURE 2-12. SWING DRIVE INSTALLATION



ART_1001228492

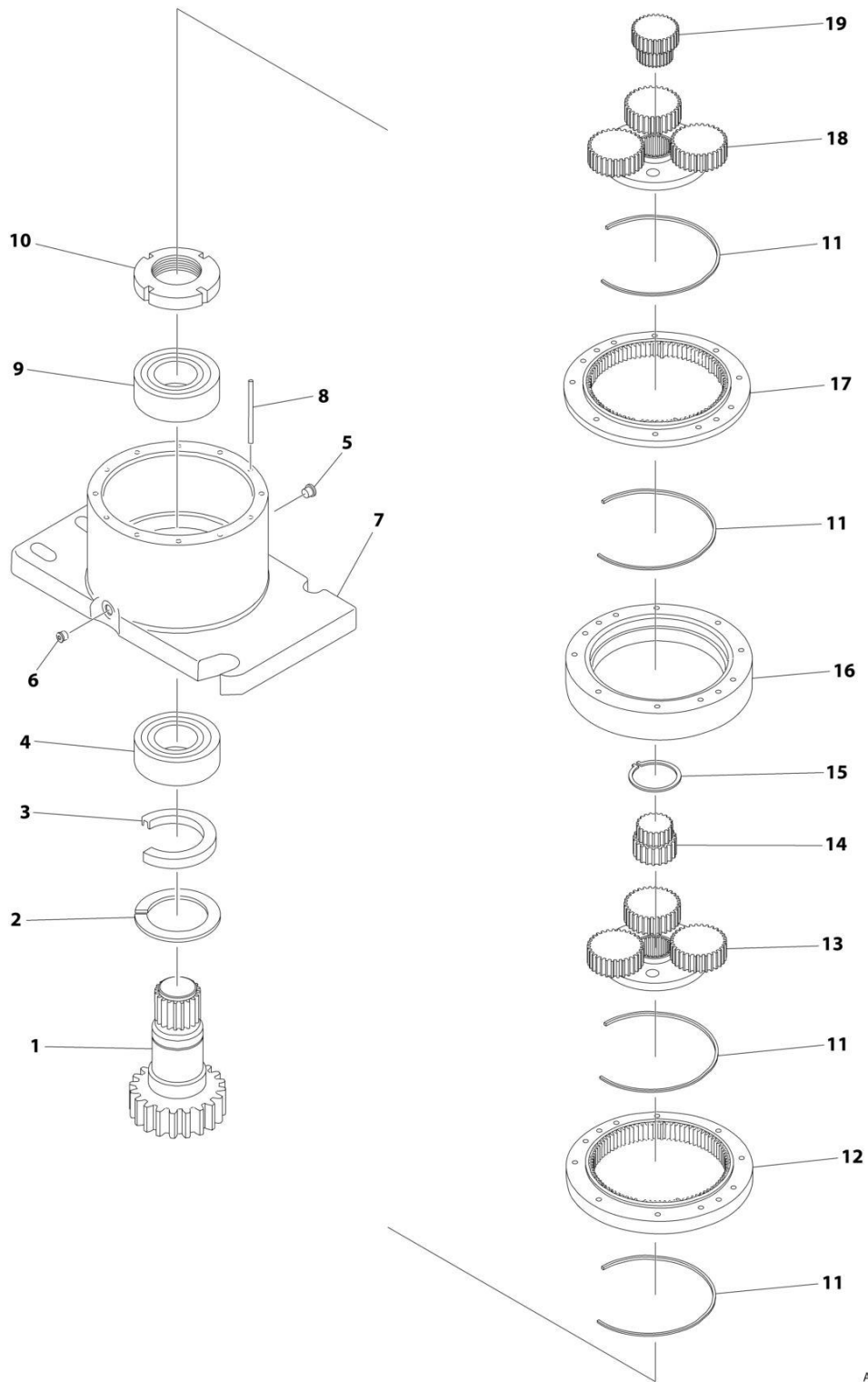
SECTION 2 - TURNTABLE

FIGURE 2-12. SWING DRIVE INSTALLATION

ITEM	PART NUMBER	QTY	DESCRIPTION	REV
	1001228492	Ref	SWING DRIVE INSTALLATION	C
1	0100019	AR	Compound, Locking	
2	0701618	1	Bolt M16 x 50	
3	0761620	1	Bolt M16 x 60	
4	0772018	4	Bolt M20 x 50 Grade 10.9	
6	3291602	1	Nut M16	
7	5241600	1	Washer M16	
8	5242000	4	Washer M20	
9	1001134543	1	Sleeve, Spacer	
10	4071009	1	Shim	
11	1001228487	1	Swing Hub/Motor Assembly (See Separate Breakdown in this Section)	

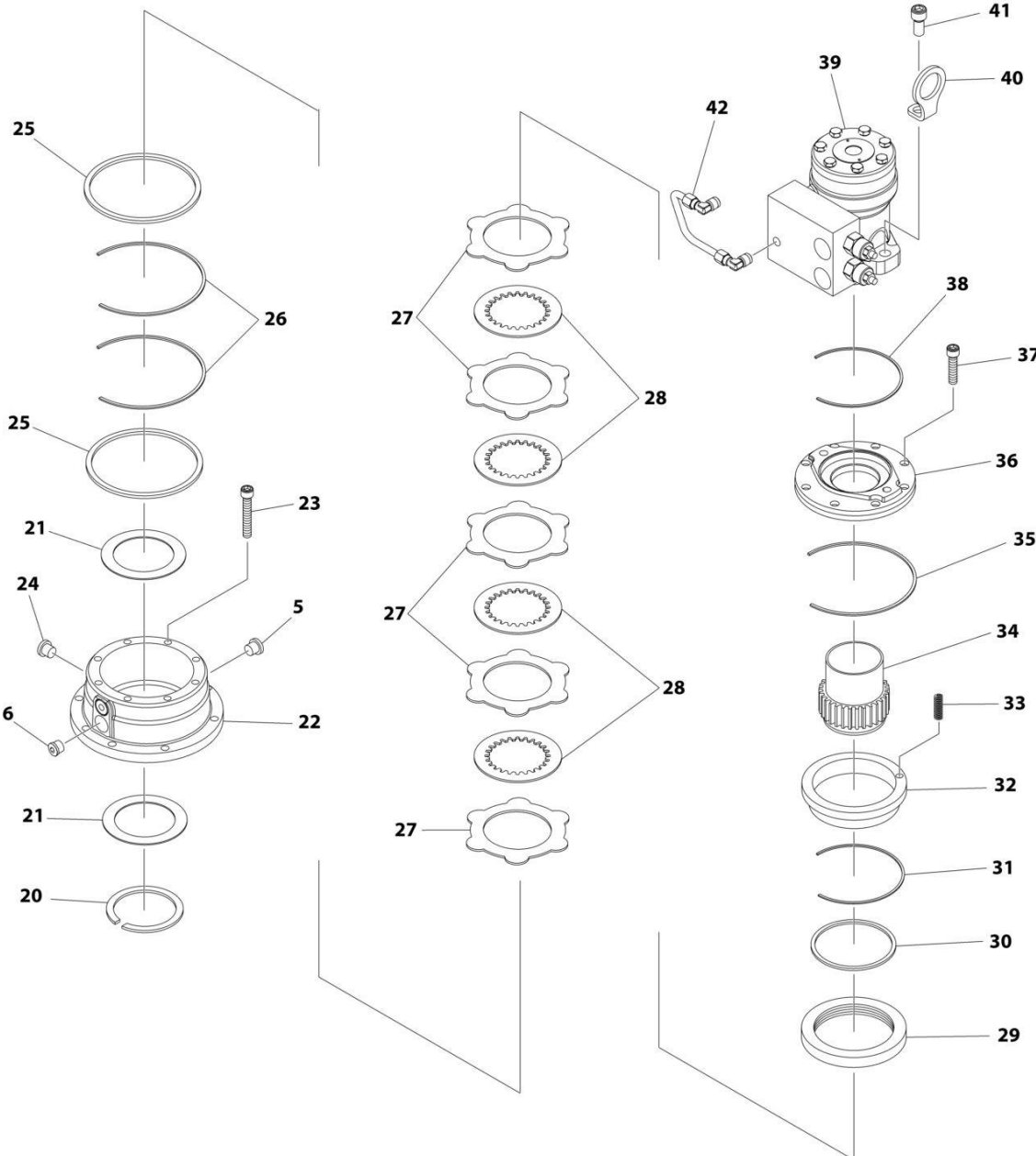
SECTION 2 - TURNTABLE

FIGURE 2-13. SWING HUB/MOTOR ASSEMBLY



ART_1001228487_10F2

SECTION 2 - TURNTABLE



ART_1001228487_2OF2

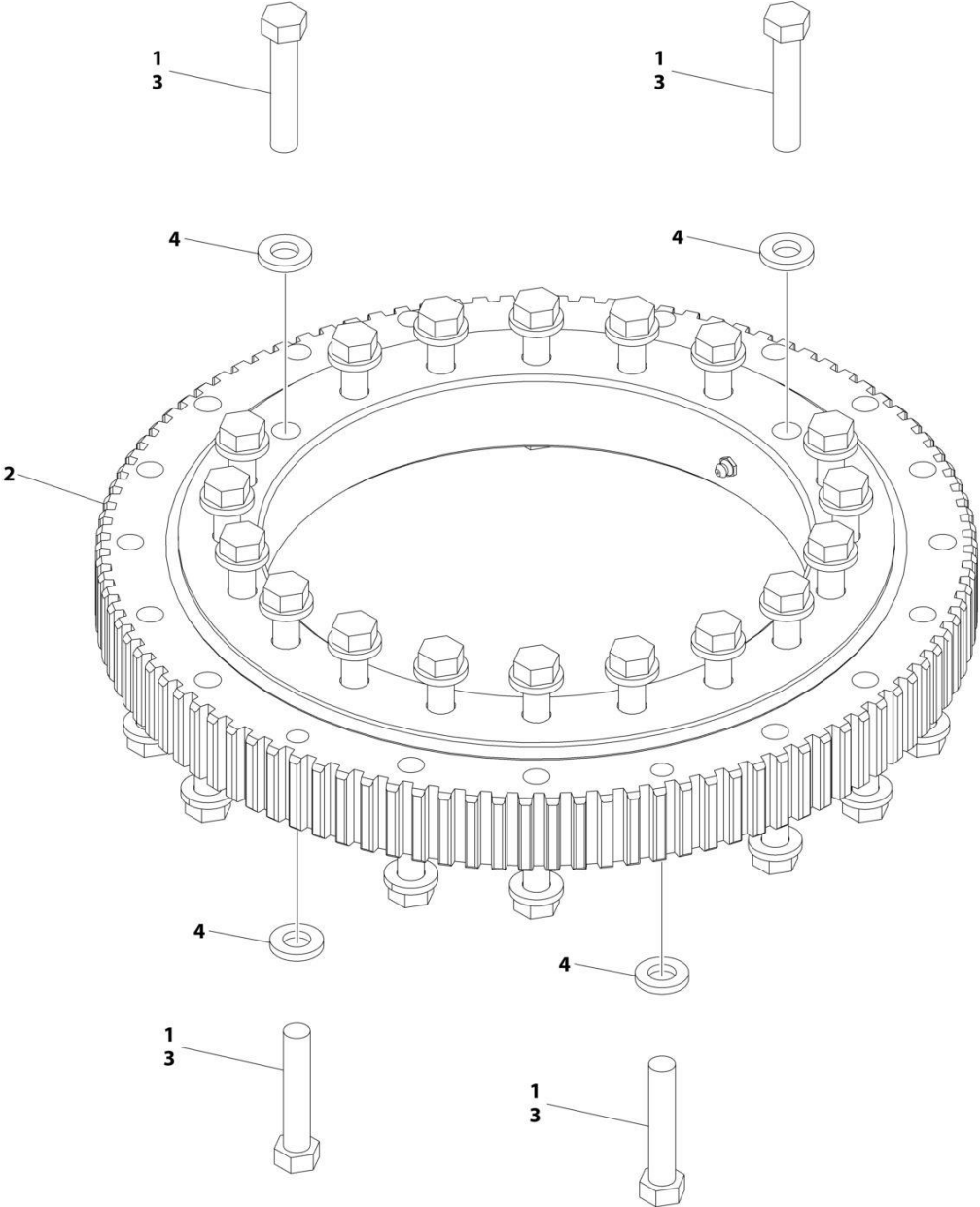
SECTION 2 - TURNTABLE

FIGURE 2-13. SWING HUB/MOTOR ASSEMBLY

ITEM	PART NUMBER	QTY	DESCRIPTION	REV
	1001228487	Ref	SWING HUB/MOTOR ASSEMBLY	C
1	70007022	1	Output Shaft	
2	70007023	1	Ring	
3		Ref	Oil Seal	
4	70007024	1	Tapered Roller Bearing	
5	70004469	2	Magnetic Plug with O-Ring	
6	70002057	4	Plug with O-Ring	
7	NSS	1	Output Support	
8	70007025	2	Spring Pin	
9	70007026	1	Tapered Roller Bearing	
10	70007027	1	Ring Nut	
11		Ref	O-Ring	
12	70006990	1	Planetary Ring	
13	70007028	1	Complete Reduction	
14	70007029	1	Pinion	
15	70007030	1	Seeger	
16	70006994	1	Spacer	
17	70004481	1	Planetary Ring	
18	70004482	1	Complete Reduction	
19	70007031	1	Pinion	
20	70006997	1	Ring	
21	70006998	2	Washer	
22	NSS	1	Brake Housing	
23	70007032	8	Screw	
24	70006999	1	Level Oil Plug	
25		Ref	Parbak	
26		Ref	O-Ring	
27		Ref	Iron Disc	
28		Ref	Sintered Disc	
29	70005317	1	Brake Spacer	
30		Ref	Parbak	
31		Ref	O-Ring	
32	70005318	1	Brake Piston	
33		Ref	Brake Spring	
34	70007001	1	Input Shaft	
35		Ref	O-Ring	
36	70007002	1	Cover	
37	70007003	8	Screw	
38		Ref	O-Ring	
39		Ref	Motor with Valve	
40	NSS	2	Vertical Lift Support	
41	70004494	2	Screw	
42	70007004	1	Brake/Valve Adapter	
43	70007046	1	Seal Kit	
44	70007006	1	Kit, Brake Repair	

SECTION 2 - TURNTABLE

FIGURE 2-14. TURNTABLE BEARING INSTALLATION



ART_1001168992

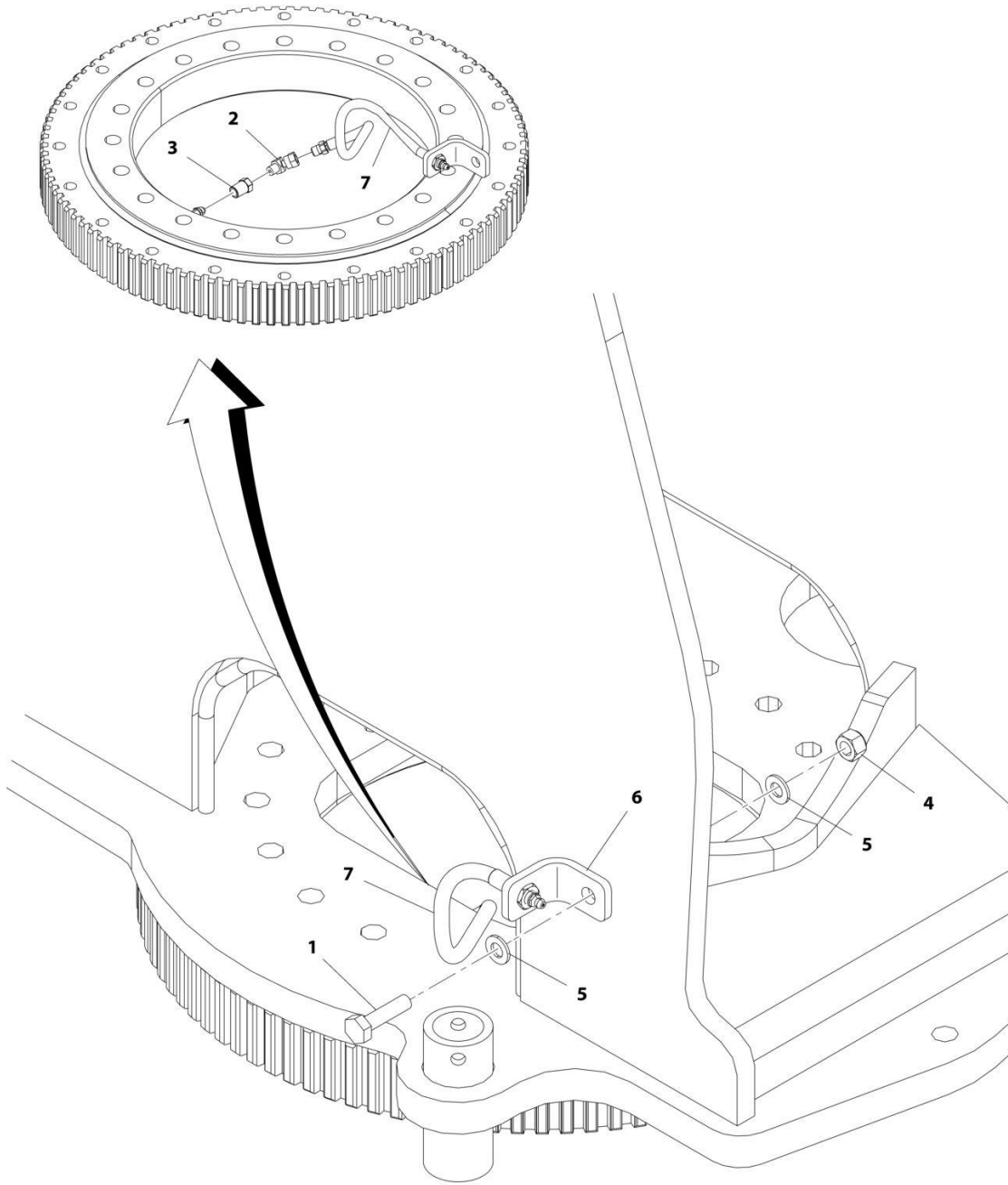
SECTION 2 - TURNTABLE

FIGURE 2-14. TURNTABLE BEARING INSTALLATION

ITEM	PART NUMBER	QTY	DESCRIPTION	REV
	1001168992	Ref	TURNTABLE BEARING INSTALLATION	A
1	0100019	AR	Compound, Locking	
2	0440240	1	Bearing, Turntable	
3	0682026	40	Bolt 5/8 x 3-1/4 Grade 8	
4	4892000	40	Washer 5/8	

SECTION 2 - TURNTABLE

FIGURE 2-15. BEARING LUBE INSTALLATION



ART_1001169191

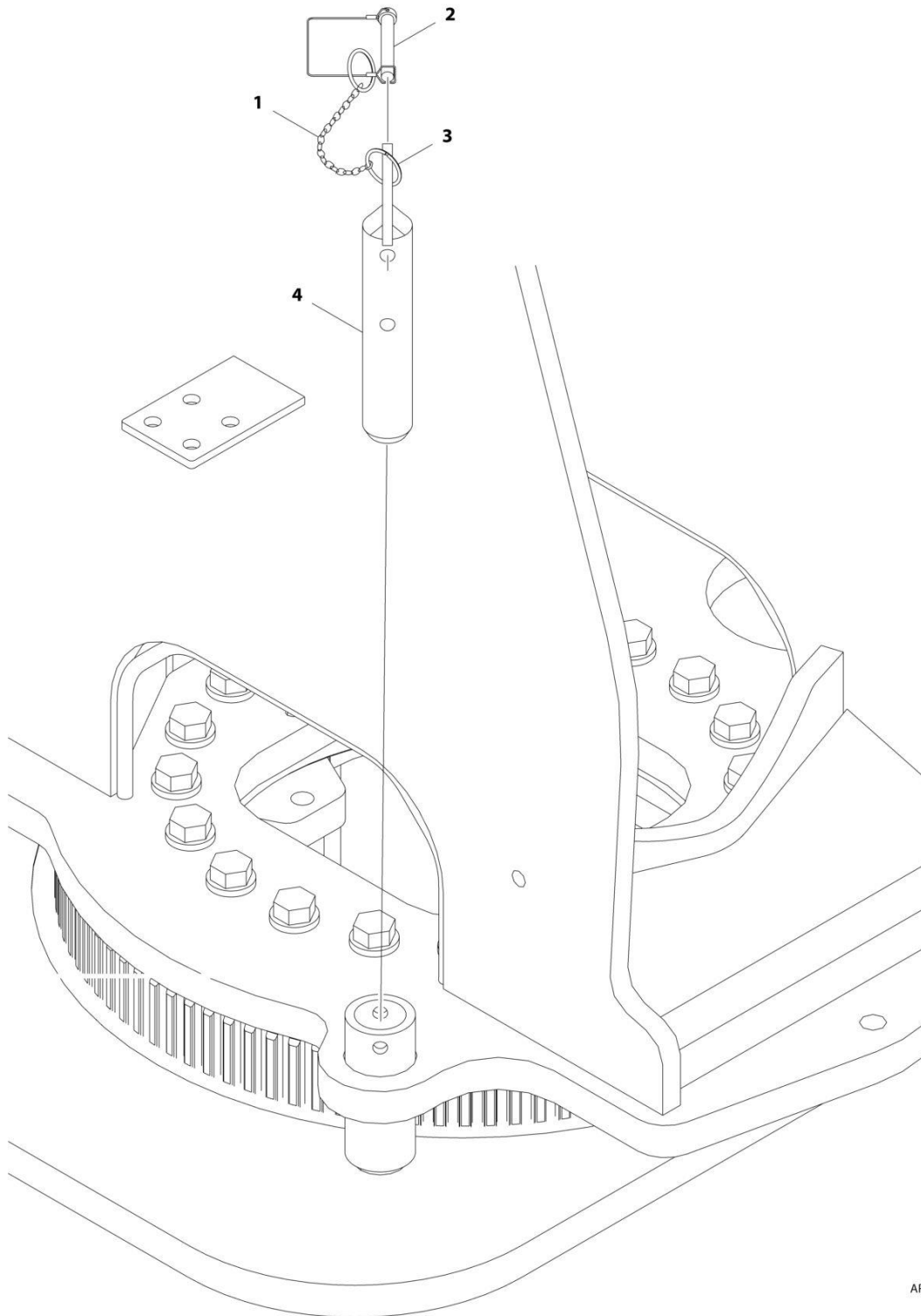
SECTION 2 - TURNTABLE

FIGURE 2-15. BEARING LUBE INSTALLATION

ITEM	PART NUMBER	QTY	DESCRIPTION	REV
	1001169191	Ref	BEARING LUBE INSTALLATION	A
1	0761016	1	Bolt M10 x 40	
2	2220124	1	Fitting, 45 1/8NPT	
3	2220273	1	Fitting, Straight FNPTF/NPTF	
4	3291005	1	Nut M10	
5	4812000	2	Washer M10	
6	1001169192	1	Mount, Bulkhead	
7	1001169193	1	Hose	

SECTION 2 - TURNTABLE

FIGURE 2-16. TURNTABLE LOCK INSTALLATION



ART_1001169496

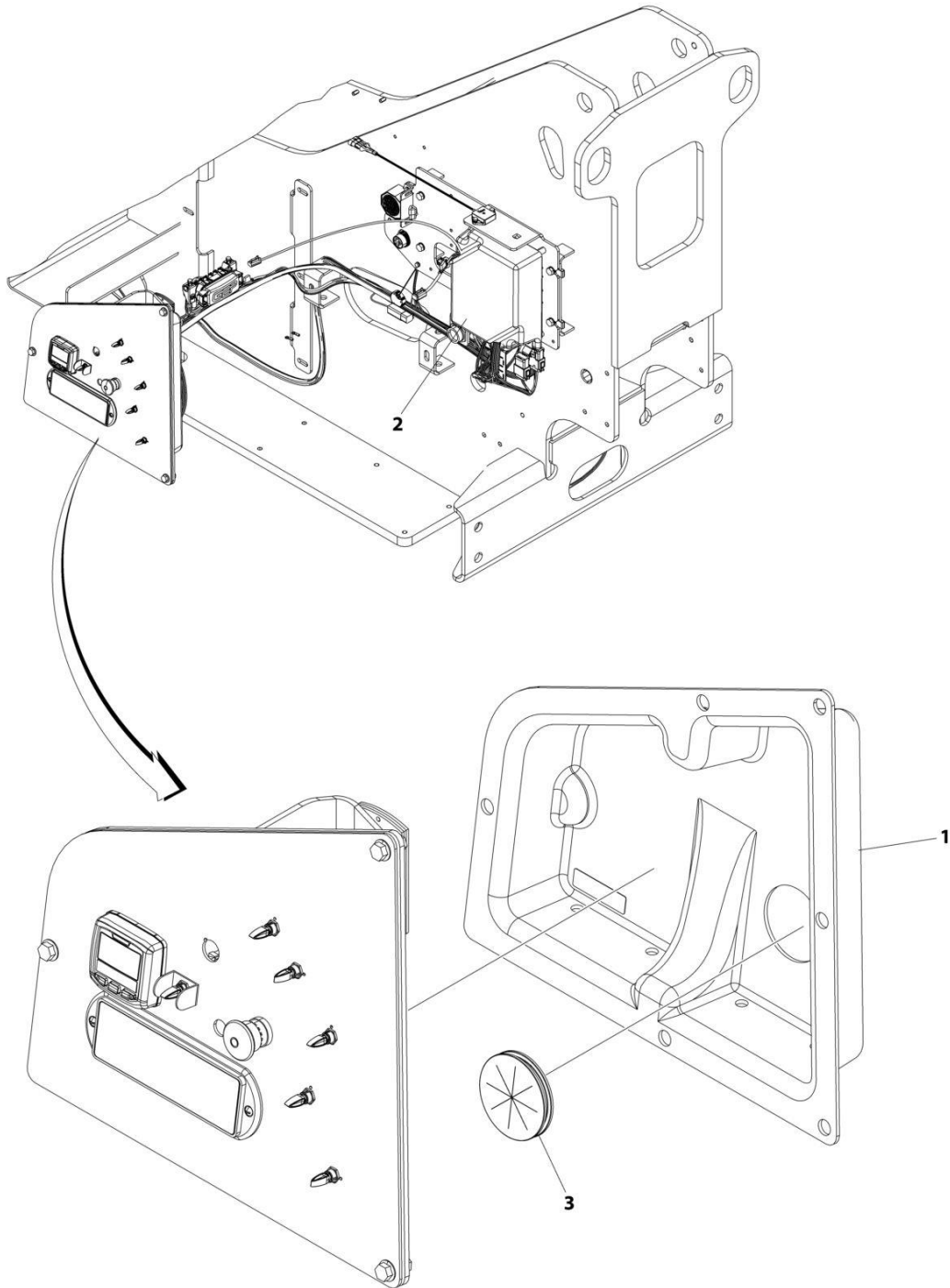
SECTION 2 - TURNTABLE

FIGURE 2-16. TURNTABLE LOCK INSTALLATION

ITEM	PART NUMBER	QTY	DESCRIPTION	REV
	1001169496	Ref	TURNTABLE LOCK INSTALLATION	B
1	1260017	1	Chain	
2	3421565	1	Pin, Snap	
3	3760170	2	Ring, Split	
4	1001169582	1	Pin	

SECTION 2 - TURNTABLE

FIGURE 2-17. TURNTABLE COVERS INSTALLATION



ART_1001219130_C

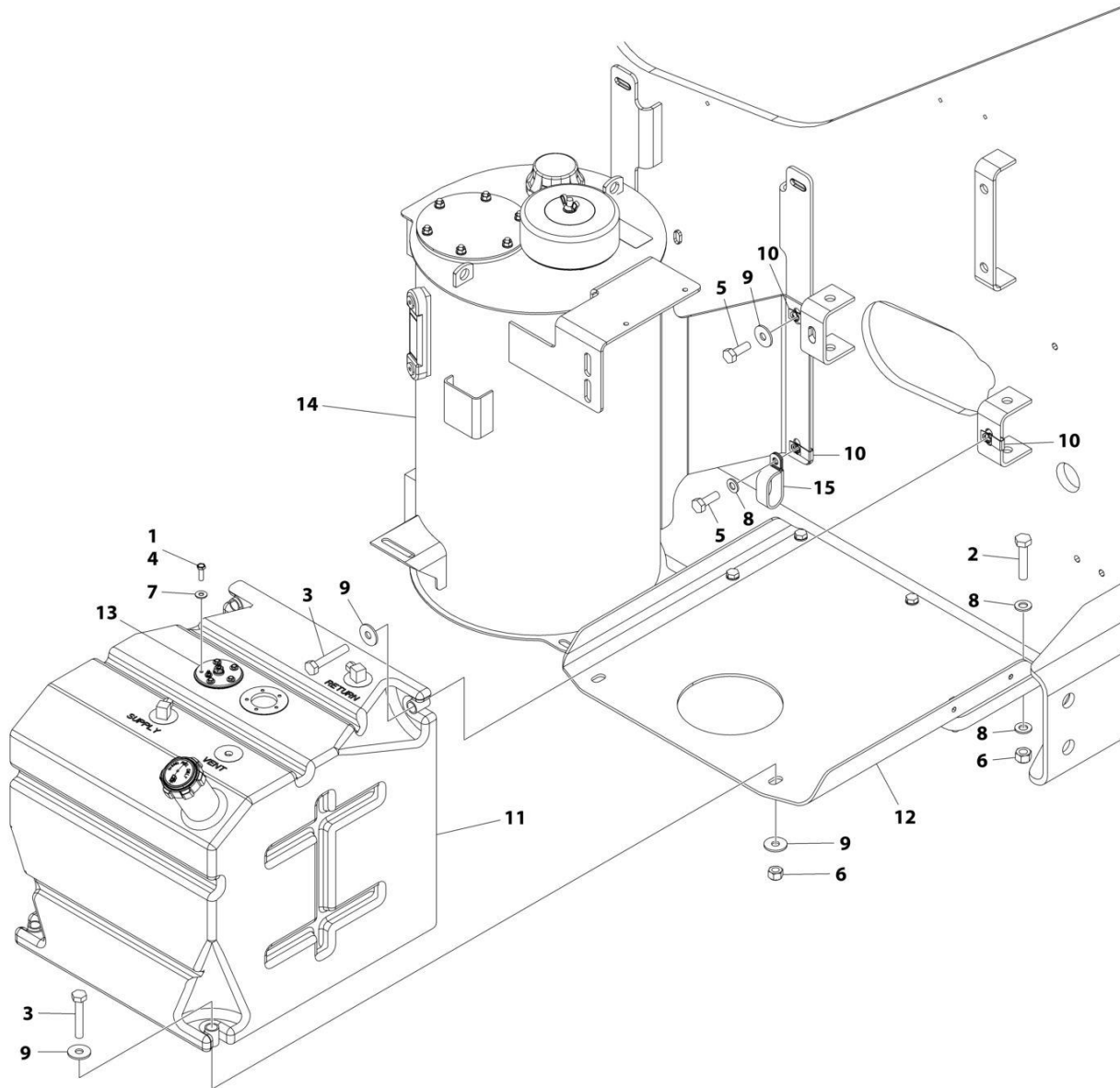
SECTION 2 - TURNTABLE

FIGURE 2-17. TURNTABLE COVERS INSTALLATION

ITEM	PART NUMBER	QTY	DESCRIPTION	REV
	1001219130	Ref	TURNTABLE COVERS INSTALLATION	B
1	1001246087	1	Cover, Control Panel	
2	1001218538	1	Cover, Controller	
3	1001218676	1	Grommet	

SECTION 2 - TURNTABLE

FIGURE 2-18. TANKS INSTALLATION - DIESEL MACHINES (WITH 17.3 GAL HYDRAULIC TANK)



ART_1001207349

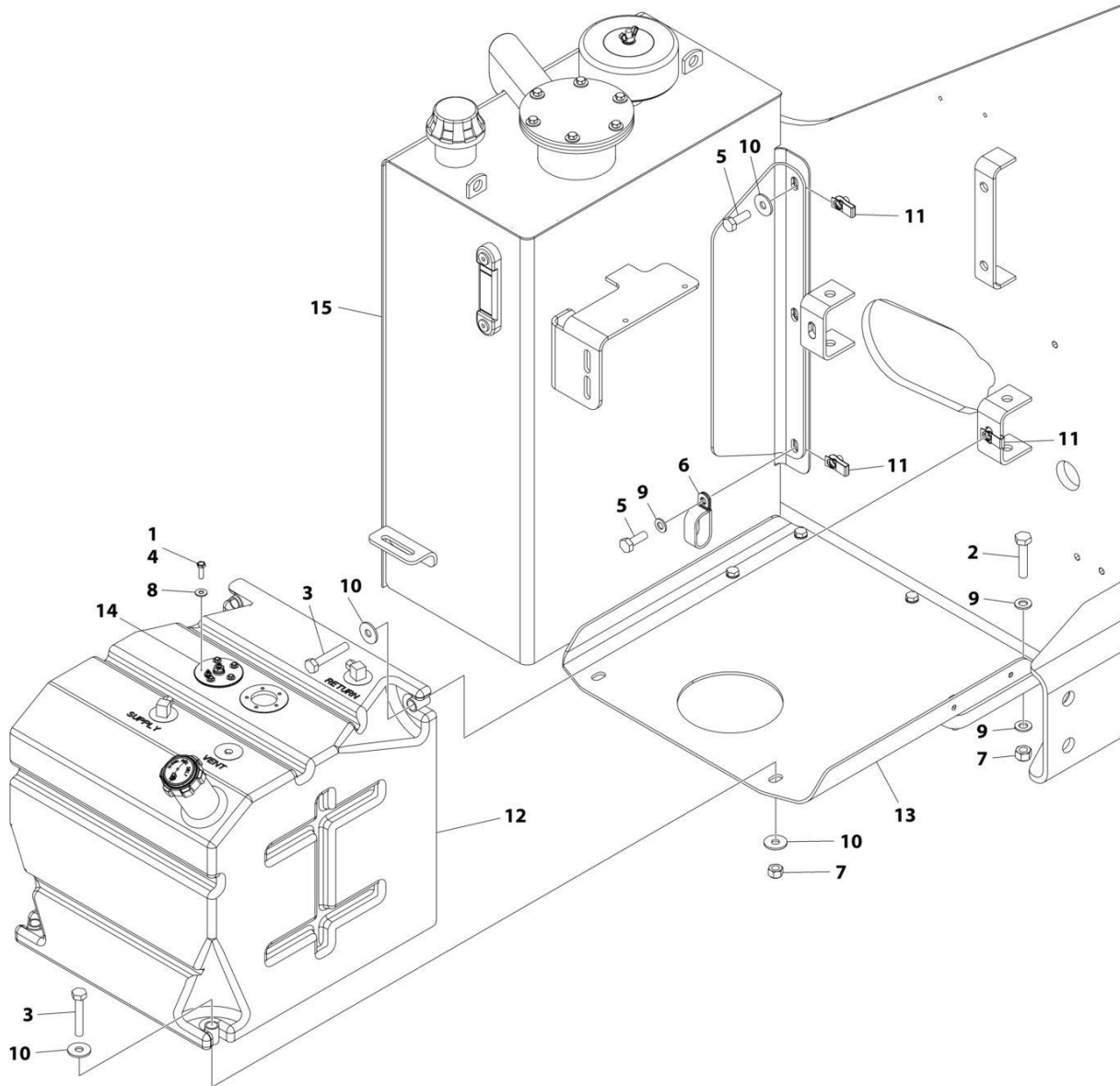
SECTION 2 - TURNTABLE

FIGURE 2-18. TANKS INSTALLATION - DIESEL MACHINES (WITH 17.3 GAL HYDRAULIC TANK)

ITEM	PART NUMBER	QTY	DESCRIPTION	REV
	1001207349	Ref	TANKS INSTALLATION - DIESEL MACHINES	C
1	0100035	AR	Compound, Locking	
2	0701018	5	Bolt M10 x 50	
3	0701020	4	Bolt M10 x 60	
4	0731005	5	Screw #10 x .625	
5	0761014	4	Bolt M10 x 30	
6	3291005	7	Nut M10	
7	4751000	5	Washer #10	
8	4812000	12	Washer M10	
9	4812002	8	Washer M10	
10	1001118972	6	Nut M10	
11	1001163418	1	Tank, Fuel	
11	1001193336	1	Cap, Fill with Chain and Stop Spring	
11	70004794	1	Tube, Pick-up	
12	1001166710	1	Plate	
13	1001231195	1	Sensor, Fuel Level	
14	1001206917	1	Tank, Hydraulic (See Separate Breakdown in this Section)	
15	1321716	2	Clamp	

SECTION 2 - TURNTABLE

FIGURE 2-19. TANKS INSTALLATION - DIESEL MACHINES (WITH 36 GAL HYDRAULIC TANK)



ART_1001286149

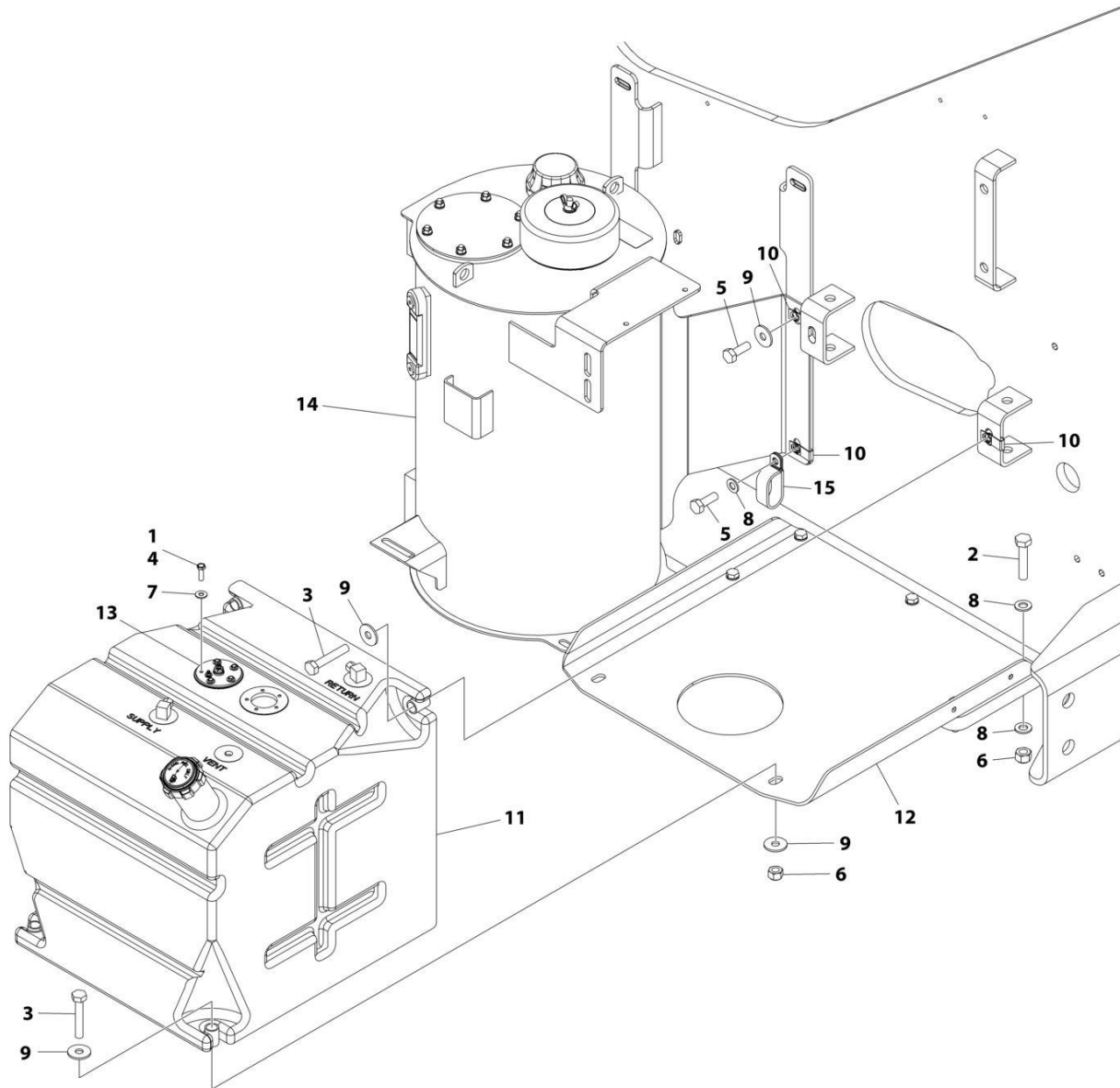
SECTION 2 - TURNTABLE

FIGURE 2-19. TANKS INSTALLATION - DIESEL MACHINES (WITH 36 GAL HYDRAULIC TANK)

ITEM	PART NUMBER	QTY	DESCRIPTION	REV
	1001286149	Ref	TANKS INSTALLATION - GAS MACHINES	A
1	0100035	AR	Compound, Locking	
2	0701018	5	Bolt M10 x 50	
3	0701020	4	Bolt M10 x 60	
4	0731005	5	Screw #10 x .625	
5	0761014	4	Bolt M10 x 30	
6	1321716	2	Clamp	
7	3291005	7	Nut M10	
8	4751000	5	Washer #10	
9	4812000	12	Washer M10	
10	4812002	8	Washer M10	
11	1001118972	6	Nut M10	
12	1001163418	1	Tank, Fuel	
12	1001193336	1	Cap, Fill with Chain and Stop Spring	
12	70004794	1	Tube, Pick-up	
13	1001166710	1	Plate	
14	1001231195	1	Sensor, Fuel Level	
15	1001286148	1	Tank, Hydraulic (See Separate Breakdown in this Section)	

SECTION 2 - TURNTABLE

FIGURE 2-20. TANKS INSTALLATION - GAS MACHINES (WITH 17.3 GAL HYDRAULIC TANK)



ART_1001207350

SECTION 2 - TURNTABLE

FIGURE 2-20. TANKS INSTALLATION - GAS MACHINES (WITH 17.3 GAL HYDRAULIC TANK)

ITEM	PART NUMBER	QTY	DESCRIPTION	REV
	1001207350	Ref	TANKS INSTALLATION - GAS MACHINES	D
1	0100035	AR	Compound, Locking	
2	0701018	5	Bolt M10 x 50	
3	0701020	4	Bolt M10 x 60	
4	0731005	5	Screw #10 x 5/8	
5	0761014	4	Bolt M10 x 30	
6	3291005	7	Nut M10	
7	4751000	5	Washer #10	
8	4812000	12	Washer M10	
9	4812002	8	Washer M10	
10	1001118972	6	Nut M10	
11	1001163671	1	Tank, Fuel	
11	1001211336	1	Cap, Fill with Lanyard and Stop	
11	70004794	2	Tube, Pick up	
12	1001166710	1	Plate	
13	1001231195	1	Sensor, Fuel Level	
14	1001206917	1	Tank, Hydraulic (See Separate Breakdown in this Section)	
15	1321716	2	Clamp	

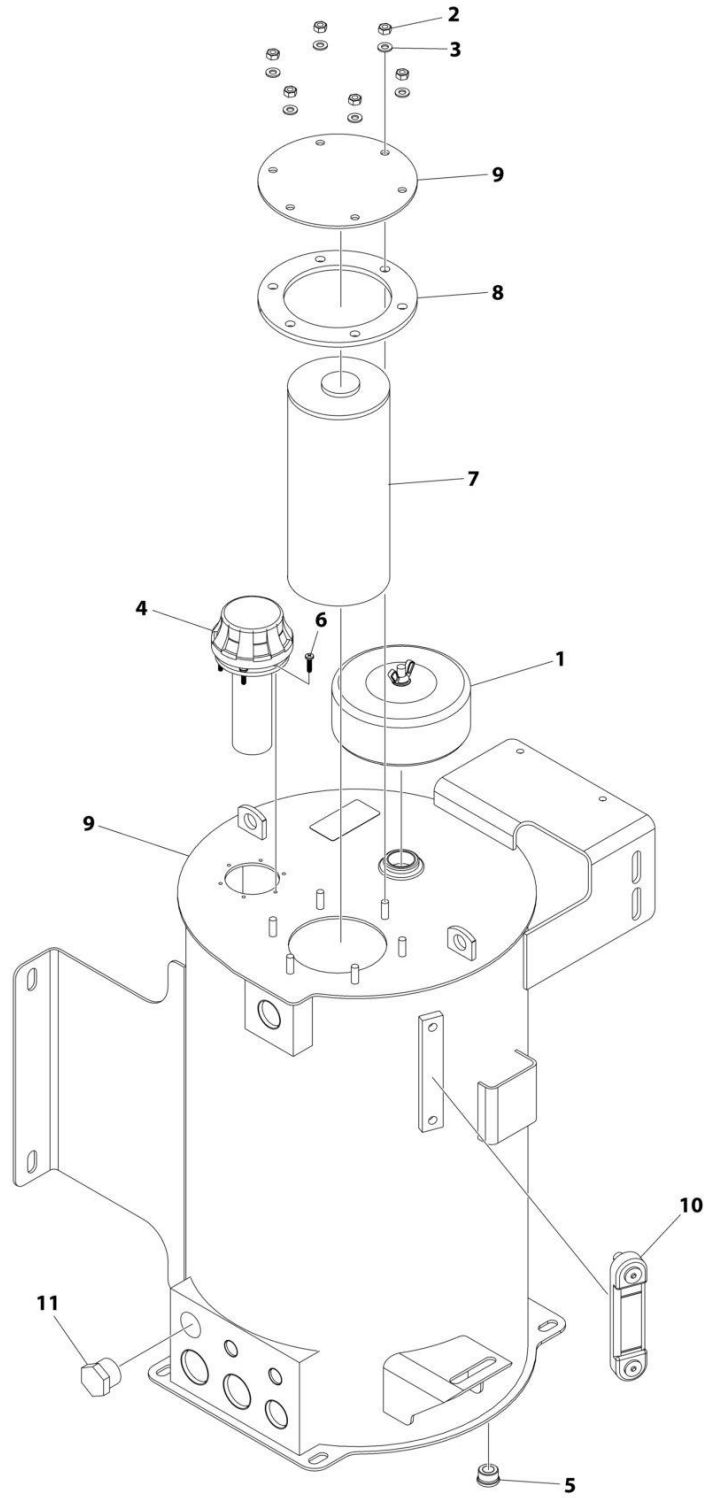
SECTION 2 - TURNTABLE

FIGURE 2-21. TANKS INSTALLATION - GAS MACHINES (WITH 36 GAL HYDRAULIC TANK)

ITEM	PART NUMBER	QTY	DESCRIPTION	REV
	1001286150	Ref	TANKS INSTALLATION - GAS MACHINES	A
1	0100035	AR	Compound, Locking	
2	0701018	5	Bolt M10 x 50	
3	0701020	4	Bolt M10 x 60	
4	0731005	5	Screw #10 x 5/8	
5	0761014	4	Bolt M10 x 30	
6	1321716	2	Clamp	
7	3291005	7	Nut M10	
8	4751000	5	Washer #10	
9	4812000	12	Washer M10	
10	4812002	8	Washer M10	
11	1001118972	6	Nut M10	
12	1001163671	1	Tank, Fuel	
12	1001211336	1	Cap, Fill with Lanyard and Stop	
12	70004794	2	Tube, Pick up	
13	1001166710	1	Plate	
14	1001231195	1	Sensor, Fuel Level	
15	1001286148	1	Tank, Hydraulic (See Separate Breakdown in this Section)	

SECTION 2 - TURNTABLE

FIGURE 2-22. HYDRAULIC TANK ASSEMBLY - 17.3 GALLON



ART_1001206917

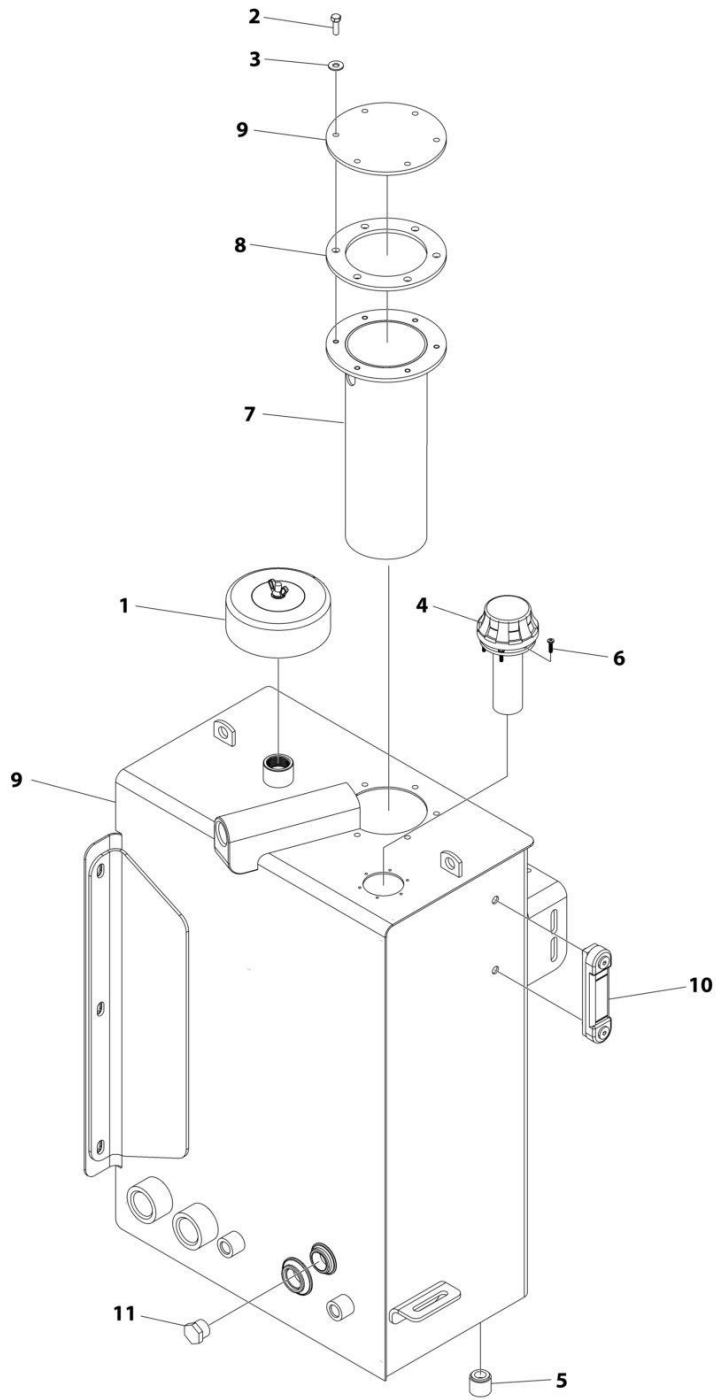
SECTION 2 - TURNTABLE

FIGURE 2-22. HYDRAULIC TANK ASSEMBLY - 17.3 GALLON

ITEM	PART NUMBER	QTY	DESCRIPTION	REV
	1001206917	Ref	HYDRAULIC TANK ASSEMBLY	A
1	See Note	NSS	Breather Assembly (Note: Use p/n 70003614)	
2	3311501	6	Nut 5/16	
3	4751400	6	Washer 1/4	
4	70002838	1	Cap, Fill	
5	70002112	1	Plug	
6	See Note	NSS	Screw #10 x 3/4 (Note: Not Available for purchase)	
7	See Note	NSS	Element, Filter (Note: Use p/n 70003614)	
8	1001199177	1	Gasket	
9	See Note	NSS	Reservoir (Note: Not Available for purchase)	
10	7024441	1	Gauge, Level	
11	2220887	1	Plug	

SECTION 2 - TURNTABLE

FIGURE 2-23. HYDRAULIC TANK ASSEMBLY - 36 GALLON



ART_1001286148

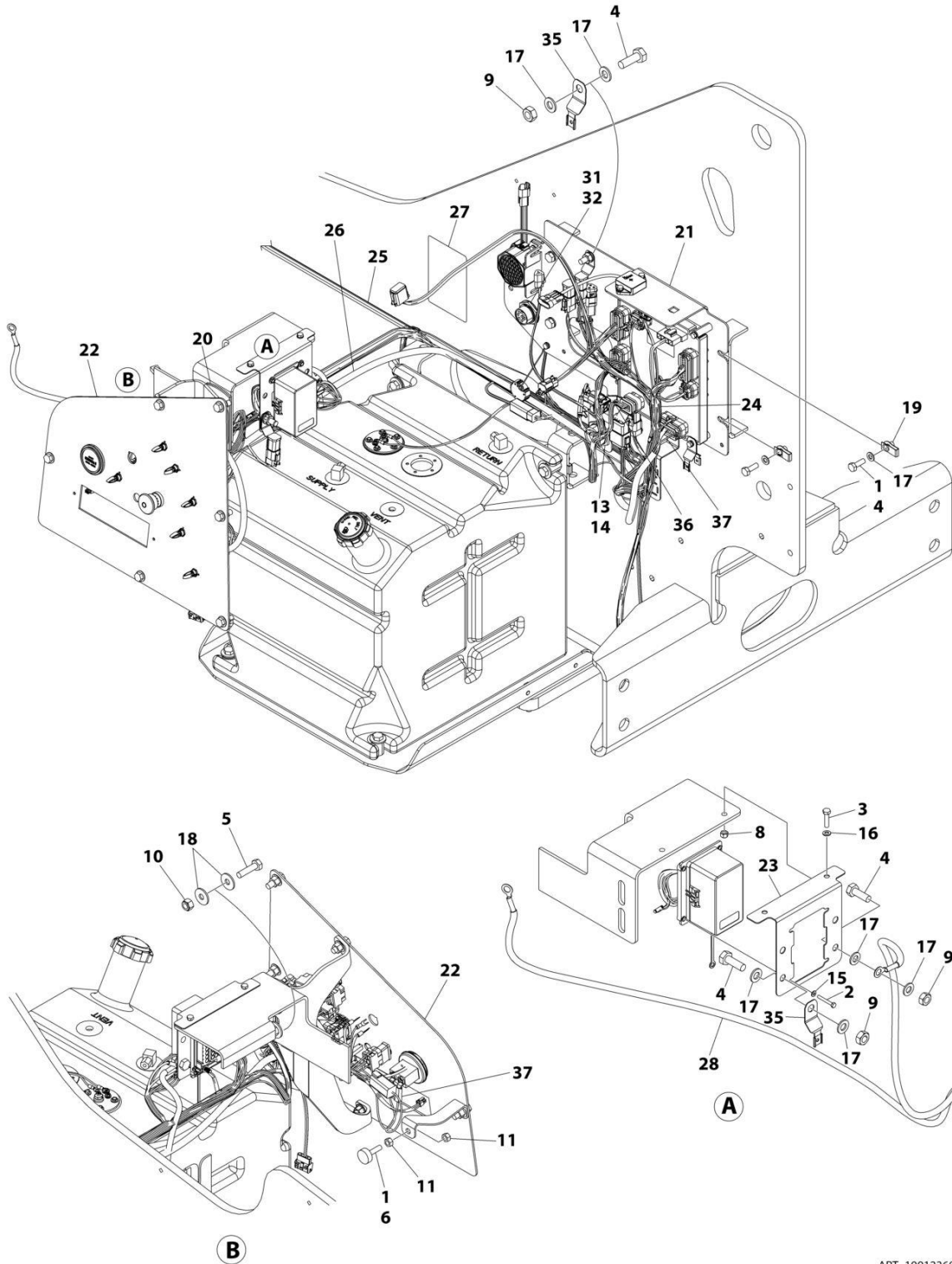
SECTION 2 - TURNTABLE

FIGURE 2-23. HYDRAULIC TANK ASSEMBLY - 36 GALLON

ITEM	PART NUMBER	QTY	DESCRIPTION	REV
	1001286148	Ref	HYDRAULIC TANK ASSEMBLY	A
1	See Note	NSS	Breather Assembly (Note: Use p/n 70003614)	
2		Ref	Bolt	
3	4751400	6	Washer 1/4	
4	70002838	1	Cap, Fill	
5	70002112	1	Plug	
6	See Note	NSS	Screw #10 x 3/4 (Note: Not Available for purchase)	
7	See Note	NSS	Element, Filter (Note: Use p/n 70003614)	
8	1001199177	1	Gasket	
9	See Note	NSS	Reservoir (Note: Not Available for purchase)	
10	7024441	1	Gauge, Level	
11	2220887	1	Plug	

SECTION 2 - TURNTABLE

FIGURE 2-24. ELECTRICAL INSTALLATION - 400S



ART_1001236965_H

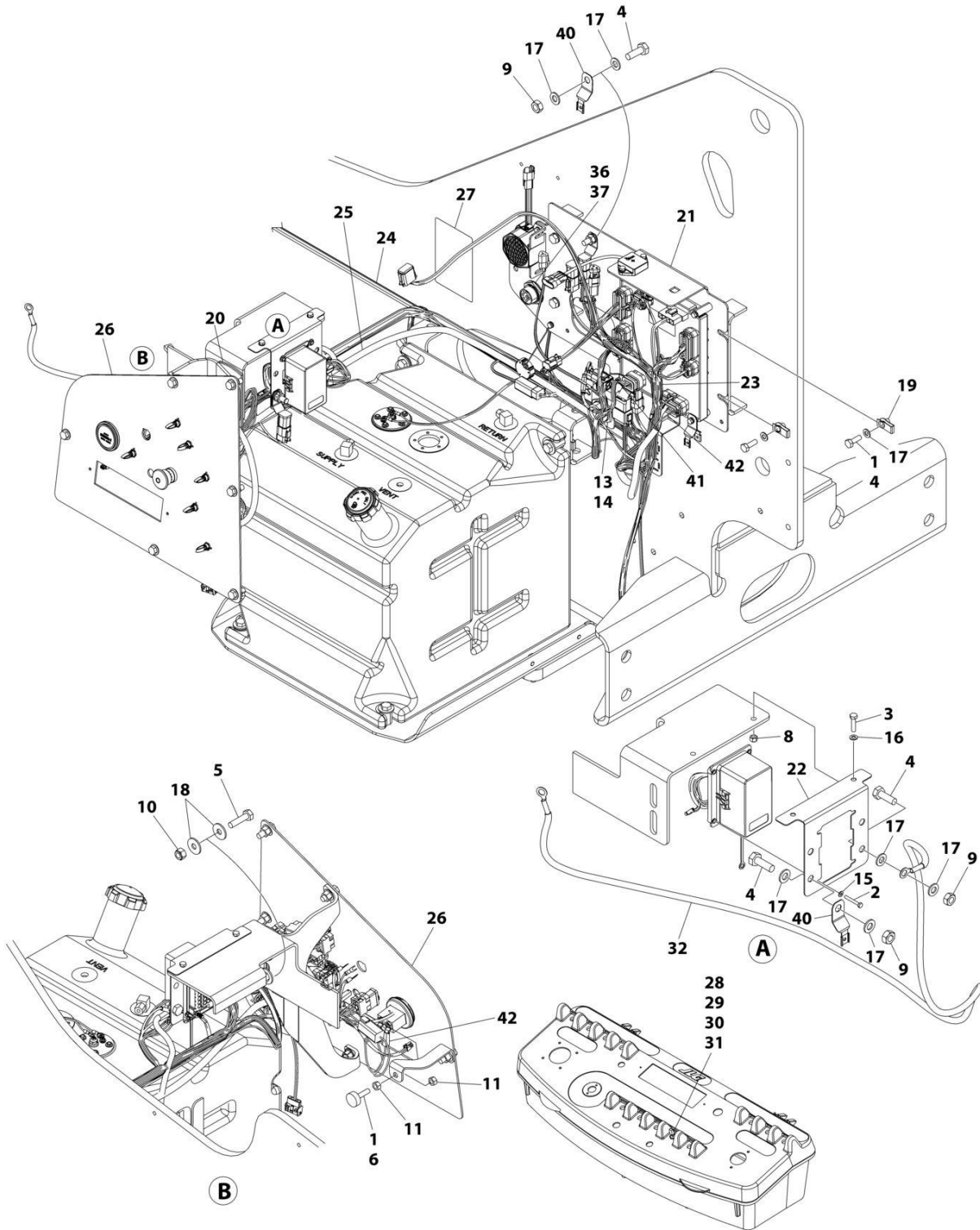
SECTION 2 - TURNTABLE

FIGURE 2-24. ELECTRICAL INSTALLATION - 400S

ITEM	PART NUMBER	QTY	DESCRIPTION	REV
	1001236965	Ref	ELECTRICAL INSTALLATION - 400S	H
1	0100011	AR	Compound, Locking	
2	0731005	4	Bolt #10 x .625	
3	0760612	2	Bolt M6 x 25	
4	0761014	7	Bolt M10 x 30	
5	0761016	2	Bolt M10 x 40	
6	0940049	1	Stopper, Hood	
8	3290605	2	Nut M6	
9	3291001	3	Nut M10	
10	3291005	2	Nut M10	
11	3311501	2	Nut 5/16	
12	4240099	AR	Tie-Strap (Not Shown)	
13	4460470	1	Nut, Terminal	
14	4460471	1	Washer, Terminal	
15	4711000	4	Washer #10	
16	4811700	4	Washer M6	
17	4812000	10	Washer M10	
18	4812002	4	Washer M10	
19	1001118972	4	Nut M10	
20	1001150324	AR	Shim 3	
21	1001172757	1	Electrical Panel Assembly (See Separate Breakdown in this Section)	
22	1001239294	1	Ground Control Assembly (See Separate Breakdown in this Section)	
23	1001237822	1	Plate	
24	1001288194	1	Turntable Harness (See Separate Breakdown in ELECTRICAL Section)	
25	1001282532	1	Valve Harness (See Separate Breakdown in ELECTRICAL Section)	
26	1001238161	1	Ground Control Box Harness (See Separate Breakdown in ELECTRICAL Section)	
27	1001239512	1	Decal - Fuse Box	
28	1001250681	1	Battery Cable (Negative)	
29	4460466	8	Seal, Terminal (Not Shown)	
30	4460931	1	Connector - 8 Position (Not Shown)	
31	4460496	1	Washer, Lock	
32	4460497	1	Nut	
33	4460234	AR	Mount, Tie-Strap (Not Shown)	
34	4240032	AR	Tie-Strap (Not Shown)	
35	1001120328	2	Clip, Mounting	
36	1001155743	1	Holder	
37	1001296426	1	Hour Meter Jumper Harness (See Separate Breakdown in ELECTRICAL Section)	

SECTION 2 - TURNTABLE

FIGURE 2-25. ELECTRICAL INSTALLATION - 460SJ



CONSOLE BOX ASSEMBLY

ART_1001242106_H

SECTION 2 - TURNTABLE

FIGURE 2-25. ELECTRICAL INSTALLATION - 460SJ

ITEM	PART NUMBER	QTY	DESCRIPTION	REV
	1001242106	Ref	ELECTRICAL INSTALLATION - 460SJ	H
1	0100011	AR	Compound, Locking	
2	0731005	4	Bolt #10 x .625	
3	0760612	2	Bolt M6 x 25	
4	0761014	7	Bolt M10 x 30	
5	0761016	2	Bolt M10 x 40	
6	0940049	1	Stopper, Hood	
8	3290605	2	Nut M6	
9	3291001	3	Nut M10	
10	3291005	2	Nut M10	
11	3311501	2	Nut 5/16	
12	4240099	AR	Tie-Strap (Not Shown)	
13	4460470	1	Nut, Terminal	
14	4460471	1	Washer, Terminal	
15	4711000	4	Washer #10	
16	4811700	4	Washer M6	
17	4812000	10	Washer M10	
18	4812002	4	Washer M10	
19	1001118972	4	Nut M10	
20	1001150324	AR	Shim 3	
21	1001172757	1	Electrical Panel Assembly (See Separate Breakdown in this Section)	
22	1001237822	1	Plate	
23	1001288194	1	Turntable Harness (See Separate Breakdown in ELECTRICAL Section)	
24	1001282532	1	Valve Harness (See Separate Breakdown in ELECTRICAL Section)	
25	1001238161	1	Ground Control Box Harness (See Separate Breakdown in ELECTRICAL Section)	
26	1001239293	1	Ground Control Assembly (See Separate Breakdown in this Section)	
27	1001239512	1	Decal - Fuse Box	
28	3790012	1	O-Ring	
29	4360328	1	Switch, Toggle	
30	4740397	1	Spacer	
31	1001155044	1	Nut 15/32	
32	1001250681	1	Battery Cable (Negative)	
33	4460466	16	Seal, Terminal (Not Shown)	
34	4460930	1	Connector - 8 Position (Not Shown)	
35	4460931	1	Connector - 8 Position (Not Shown)	
36	4460496	1	Washer, Lock	
37	4460497	1	Nut	
38	4460234	AR	Mount, Tie-Strap (Not Shown)	
39	4240032	AR	Tie-Strap (Not Shown)	
40	1001120328	2	Clip, Mounting	
41	1001155743	1	Holder	
42	1001296426	1	Hour Meter Jumper Harness (See Separate Breakdown in ELECTRICAL Section)	

SECTION 2 - TURNTABLE

FIGURE 2-26. ELECTRICAL INSTALLATION - 460SJ WITH DEUTZ (STAGE V)

ITEM	PART NUMBER	QTY	DESCRIPTION	REV
	1001245993	Ref	ELECTRICAL INSTALLATION - DEUTZ (STAGE V)	E
1	0100011	AR	Compound, Locking	
2	0700612	1	Screw M6 x 25	
3	0731005	4	Screw #10 x 5/8	
4	0760610	2	Bolt M6 x 20	
5	0761014	7	Bolt M10 x 30	
6	0761016	2	Bolt M10 x 40	
7	0940049	1	Stopper, Hood	
8	3290605	4	Nut M6	
9	3291005	3	Nut M10	
10	3311501	2	Nut 5/16	
11	3790012	1	O-Ring	
12	4240099	AR	Tie-Strap (Not Shown)	
13	4360328	1	Switch, Toggle	
14	4460470	1	Nut, Terminal	
15	4460471	1	Washer, Terminal	
16	4711000	4	Washer #10	
17	4711700	7	Washer M6	
18	4812000	9	Washer M10	
19	4812002	4	Washer M10	
20	1001118972	4	Nut M10	
21	1001150324	AR	Shim 3	
22	1001172757	1	Electrical Panel Assembly (See Separate Breakdown in this Section)	
23	1001237822	1	Plate	
24	1001288194	1	Turntable Harness (See Separate Breakdown in ELECTRICAL Section)	
25	1001282532	1	Valve Harness (See Separate Breakdown in ELECTRICAL Section)	
26	1001238161	1	Ground Control Box Harness (See Separate Breakdown in ELECTRICAL Section)	
27	1001239512	1	Decal - Fuse Box	
28	1001245380	1	Electrical Assembly, Ground Control Panel (See Separate Breakdown in this Section)	
29	1001250681	1	Battery Cable (Negative)	
30	4460496	1	Washer	
31	4460497	1	Nut	
32	3291001	1	Nut M10	
33	4460234	AR	Mount, Tie-Strap (Not Shown)	
34	4240032	AR	Tie-Strap (Not Shown)	
35	1001120328	1	Clip, Mounting	
36	1001155743	1	Holder	
37	1001296426	1	Hour Meter Jumper Harness (See Separate Breakdown in ELECTRICAL Section)	

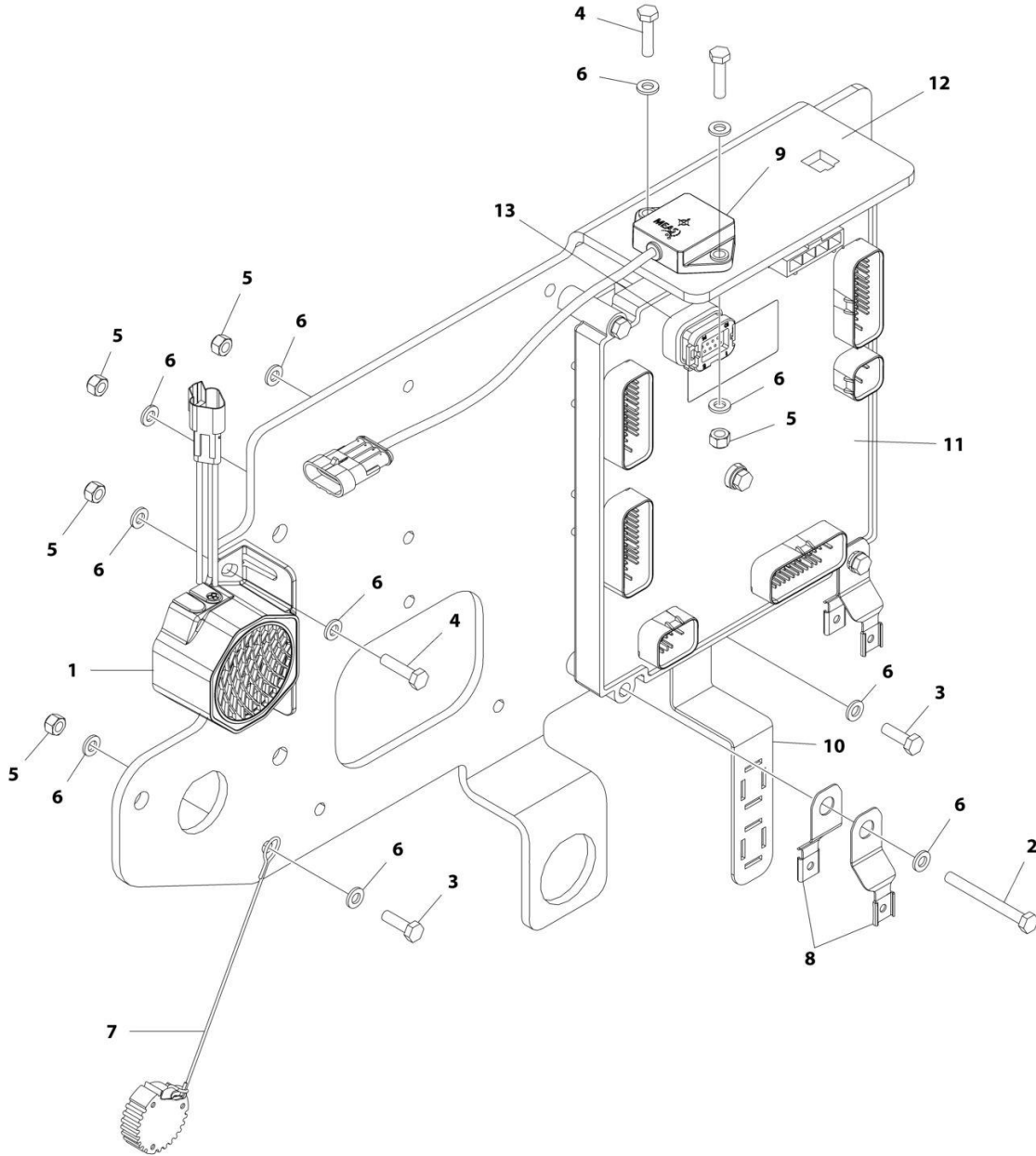
SECTION 2 - TURNTABLE

FIGURE 2-27. ELECTRICAL INSTALLATION - 460SJ 1K45FT

ITEM	PART NUMBER	QTY	DESCRIPTION	REV
	1001288259	Ref	ELECTRICAL INSTALLATION	B
1	0100011	AR	Compound, Locking	
2	0731005	4	Bolt #10 x .625	
3	0760612	2	Bolt M6 x 25	
4	0761014	7	Bolt M10 x 30	
5	0761016	2	Bolt M10 x 40	
6	0940049	1	Stopper, Hood	
7	3290605	2	Nut M6	
8	3291001	3	Nut M10	
9	3291005	2	Nut M10	
10	3311501	2	Nut 5/16	
11	3790012	1	O-Ring	
12	4240032	AR	Tie-Strap (Not Shown)	
13	4240099	AR	Tie-Strap (Not Shown)	
14	4360328	1	Switch, Toggle	
15	4460234	AR	Mount, Tie-Strap (Not Shown)	
16	4460466	16	Seal, Terminal (Not Shown)	
17	4460470	1	Nut, Terminal	
18	4460471	1	Washer, Terminal	
19	4460496	1	Washer, Lock	
20	4460497	1	Nut	
21	4460930	1	Connector - 8 Position (Not Shown)	
22	4460931	1	Connector - 8 Position (Not Shown)	
23	4711000	4	Washer #10	
24	4740397	1	Spacer	
25	4811700	4	Washer M6	
26	4812000	10	Washer M10	
27	4812002	4	Washer M10	
28	1001118972	4	Nut M10	
29	1001120328	2	Clip, Mounting	
30	1001150324	AR	Shim 3	
31	1001155044	1	Nut 15/32	
32	1001155743	1	Holder	
33	1001172757	1	Electrical Panel Assembly (See Separate Breakdown in this Section)	
34	1001237822	1	Plate	
35	1001238161	1	Ground Control Box Harness (See Separate Breakdown in ELECTRICAL Section)	
36	1001239293	1	Ground Control Assembly (See Separate Breakdown in this Section)	
37	1001239512	1	Decal - Fuse Box	
38	1001250681	1	Battery Cable (Negative)	
39	1001282532	1	Valve Harness (See Separate Breakdown in ELECTRICAL Section)	
40	1001288194	1	Turntable Harness (See Separate Breakdown in ELECTRICAL Section)	
41	1001296426	1	Hour Meter Jumper Harness (See Separate Breakdown in ELECTRICAL Section)	

SECTION 2 - TURNTABLE

FIGURE 2-28. ELECTRICAL PANEL ASSEMBLY



ART_1001172757_F

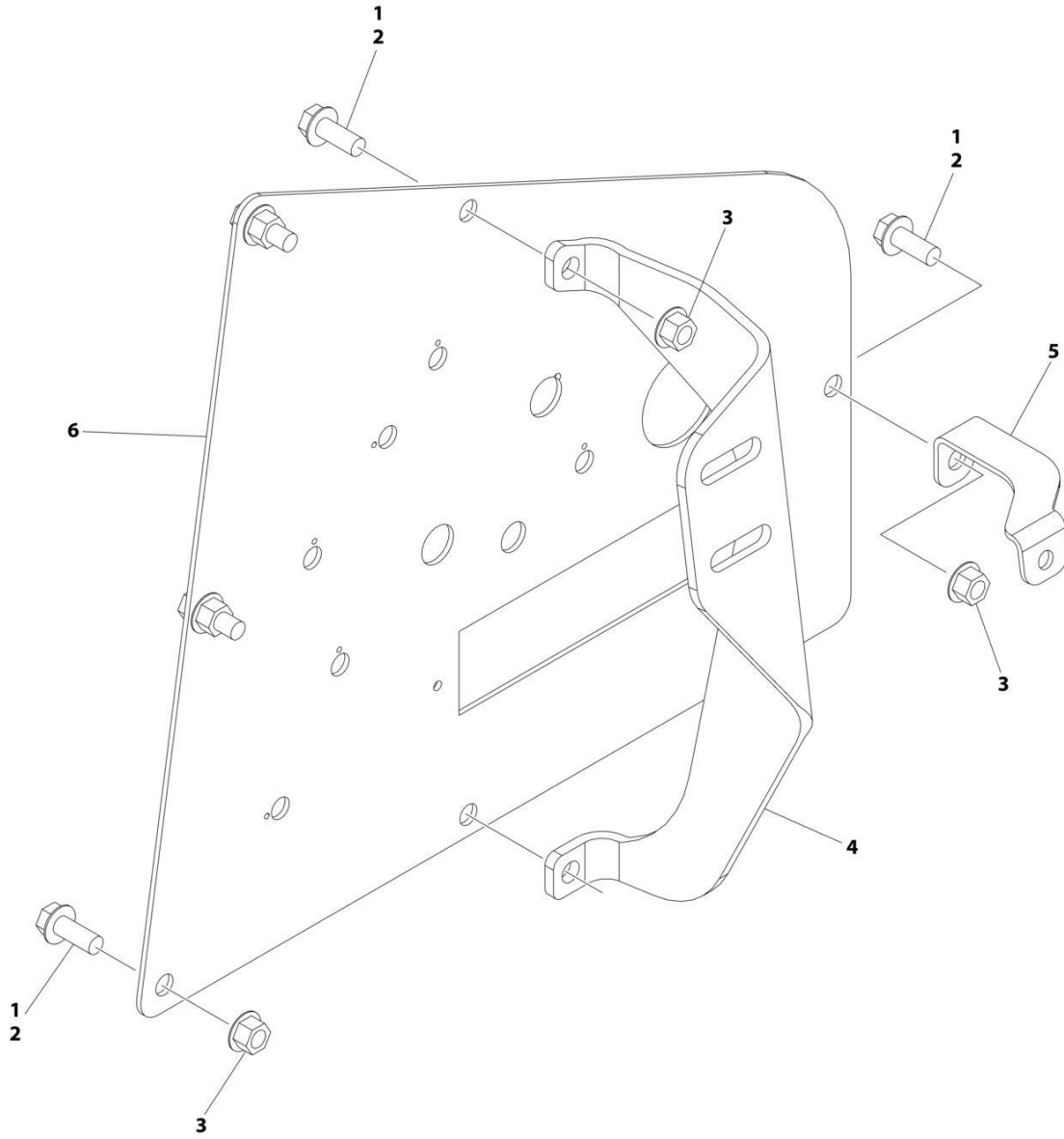
SECTION 2 - TURNTABLE

FIGURE 2-28. ELECTRICAL PANEL ASSEMBLY

ITEM	PART NUMBER	QTY	DESCRIPTION	REV
	1001172757	Ref	ELECTRICAL PANEL ASSEMBLY	F
1	0140043	1	Alarm	
1	4460536	1	Plug, Male - 3 Position	
1	4460943	3	Terminal	
2	0700620	5	Bolt M6 x 60	
3	0760610	2	Bolt M6 x 20	
4	0760612	4	Bolt M6 x 25	
5	3290605	11	Nut M6	
6	4811700	22	Washer M6	
7	1001106736	1	Cap, Dust	
8	1001120328	4	Clip, Mounting	
9	1001219601	1	Sensor	
10	1001159162	1	Bracket	
11	1001280340	1	Module, Ground Control (Note: Re-calibration Required when Replaced.)	
12	1001215373	1	Plate	
13	1001246859	1	Connector, 14 Position	

SECTION 2 - TURNTABLE

FIGURE 2-29. GROUND CONTROL MOUNTING - 400S



ART_1001238887_B

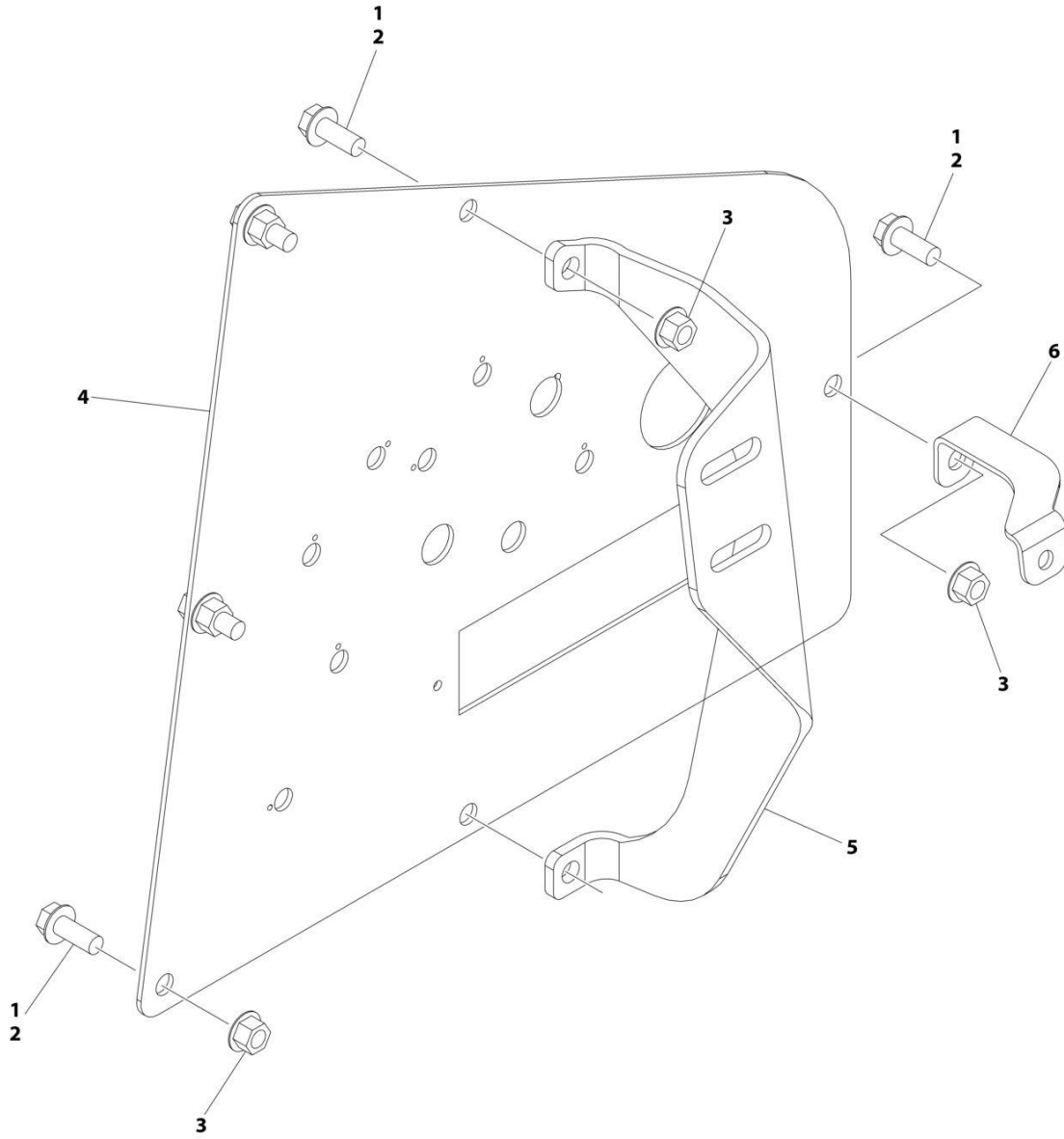
SECTION 2 - TURNTABLE

FIGURE 2-29. GROUND CONTROL MOUNTING - 400S

ITEM	PART NUMBER	QTY	DESCRIPTION	REV
	1001238887	Ref	GROUND CONTROL PANEL MOUNTING	B
1	0100011	AR	Compound, Locking	
2	5251012	6	Bolt M10 x 25	
3	5261000	6	Nut M10	
4	1001235528	1	Support	
5	1001235529	1	Bracket	
6	1001297390	1	Plate, Ground Control	

SECTION 2 - TURNTABLE

FIGURE 2-30. GROUND CONTROL MOUNTING - 460SJ & 460SJ 1K45FT



ART_1001235531_C

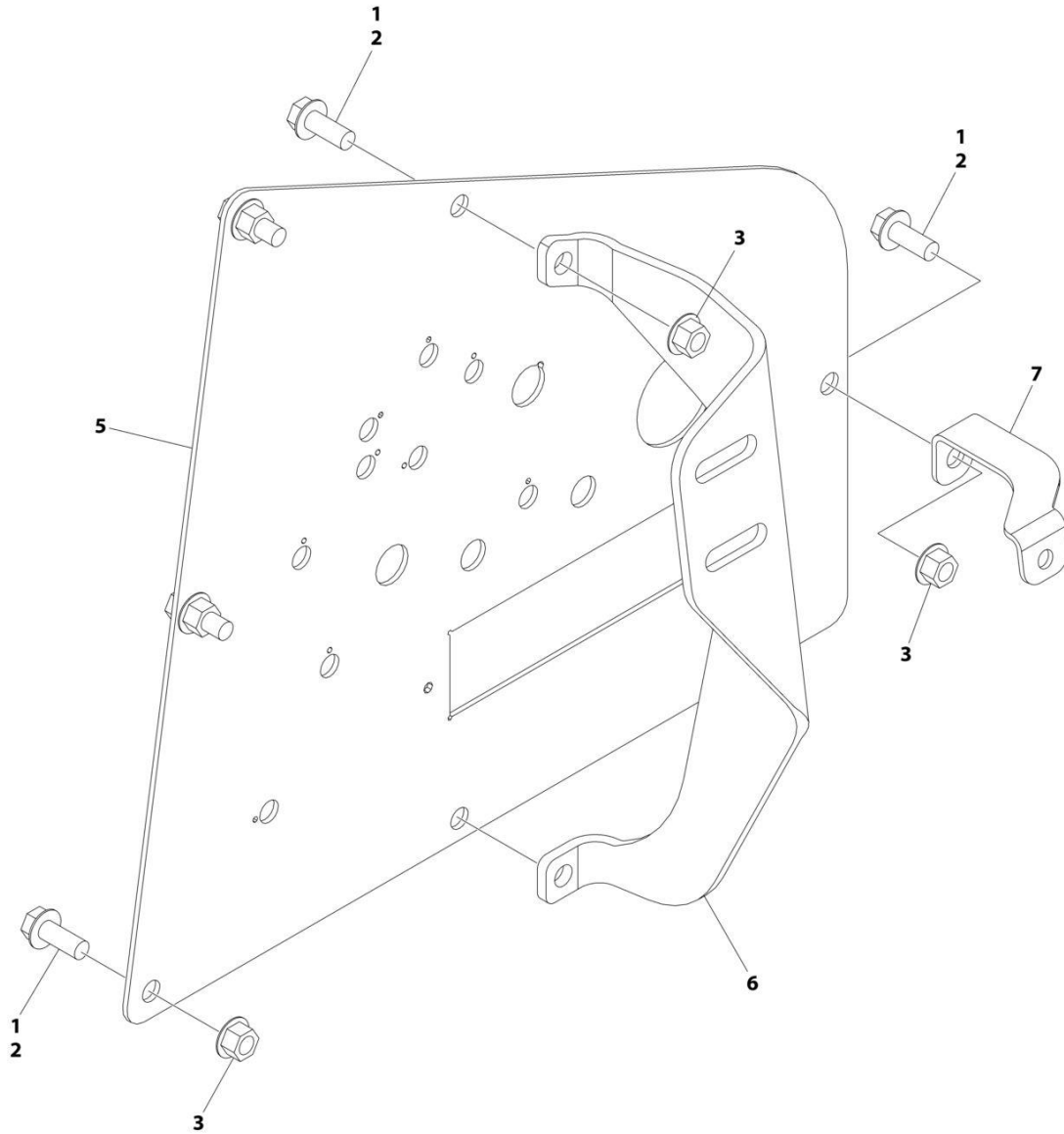
SECTION 2 - TURNTABLE

FIGURE 2-30. GROUND CONTROL MOUNTING - 460SJ & 460SJ 1K45FT

ITEM	PART NUMBER	QTY	DESCRIPTION	REV
	1001235531	Ref	GROUND CONTORL MOUNTING - 460SJ	C
1	0100011	AR	Compound, Locking	
2	5251012	6	Bolt M10 x 25	
3	5261000	6	Nut M10	
4	1001297385	1	Plate, Ground Control	
5	1001235528	1	Support	
6	1001235529	1	Bracket	

SECTION 2 - TURNTABLE

FIGURE 2-31. GROUND CONTROL MOUNTING - DEUTZ (STAGE V) (460SJ) (CE & UK CA SPECS)



ART_1001245379_C

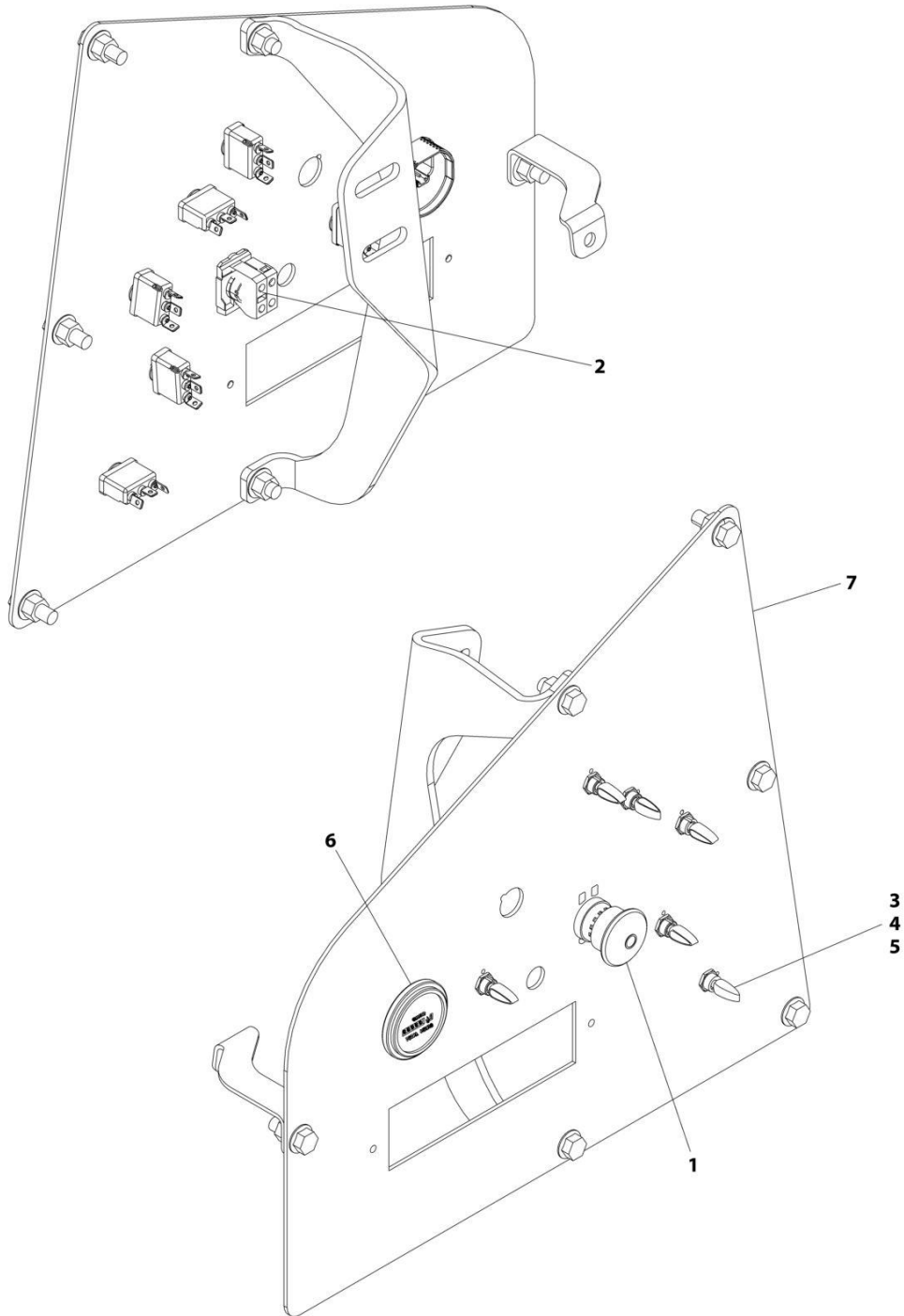
SECTION 2 - TURNTABLE

FIGURE 2-31. GROUND CONTROL MOUNTING - DEUTZ (STAGE V) (460SJ) (CE & UK CA SPECS)

ITEM	PART NUMBER	QTY	DESCRIPTION	REV
	1001245379	Ref	GROUND CONTORL MOUNTING	C
1	0100035	AR	Compound, Locking	
2	5251012	6	Bolt M10 x 25	
3	5261000	6	Nut M10	
5	1001297386	1	Plate, Ground Control	
6	1001235528	1	Support	
7	1001235529	1	Bracket	

SECTION 2 - TURNTABLE

FIGURE 2-32. GROUND CONTROL ASSEMBLY - 400S



ART_1001239294_C

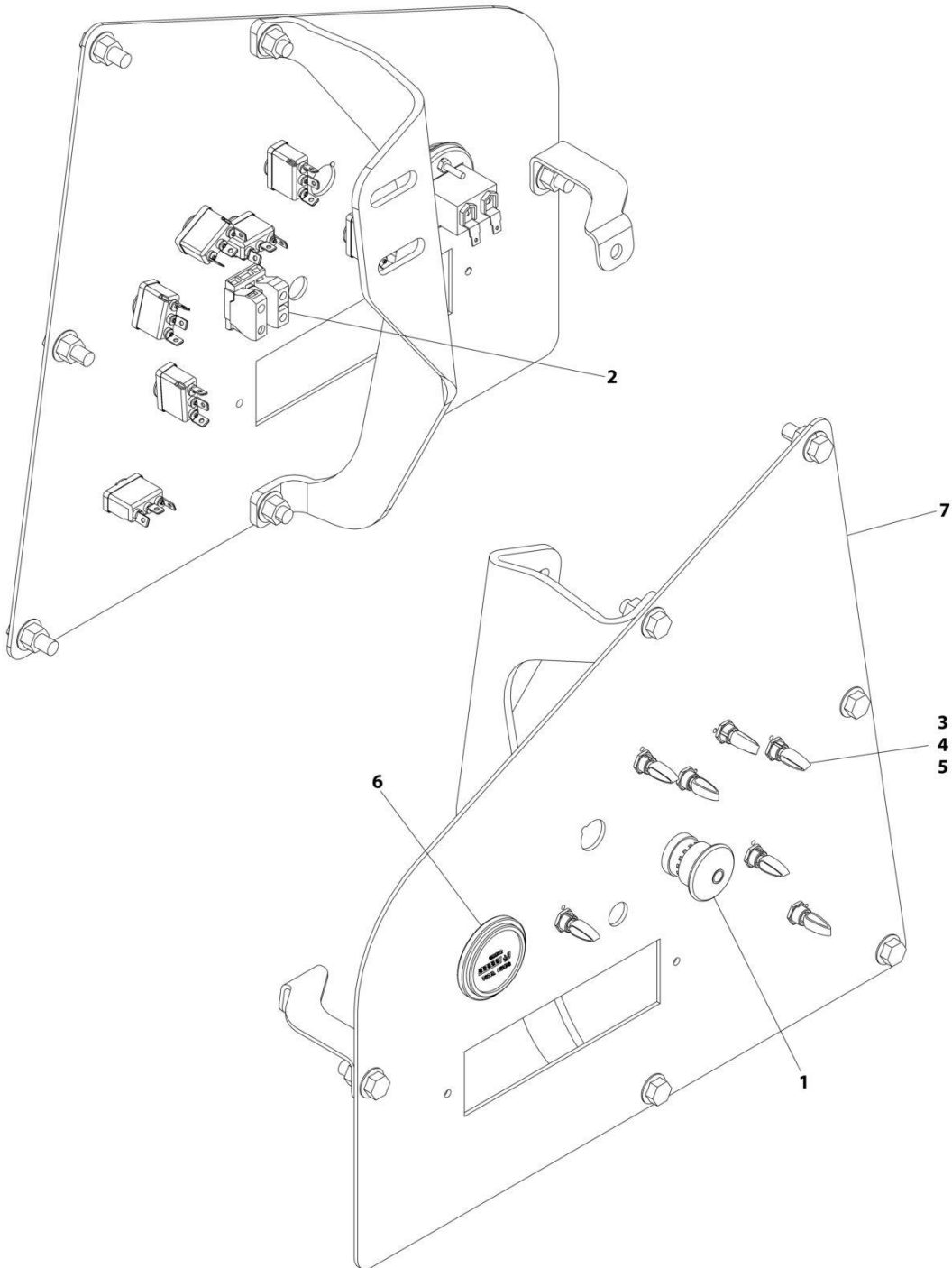
SECTION 2 - TURNTABLE

FIGURE 2-32. GROUND CONTROL ASSEMBLY - 400S

ITEM	PART NUMBER	QTY	DESCRIPTION	REV
	1001239294	Ref	GROUND CONTROL ASSEMBLY - 400S	C
1	1001274559	1	Switch, Emergency Stop	
2	4360476	1	Block, Contact	
3	1001155043	6	Washer	
4	1001155044	6	Nut 15/32	
5	1001155045	6	Switch, Toggle	
6	10836804	1	Gauge	
7	1001238887	1	Mount, Ground Control Panel (See Separate Breakdown in this Section)	

SECTION 2 - TURNTABLE

FIGURE 2-33. GROUND CONTROL ASSEMBLY - 460SJ & 460SJ 1K45FT



ART_1001239293_C

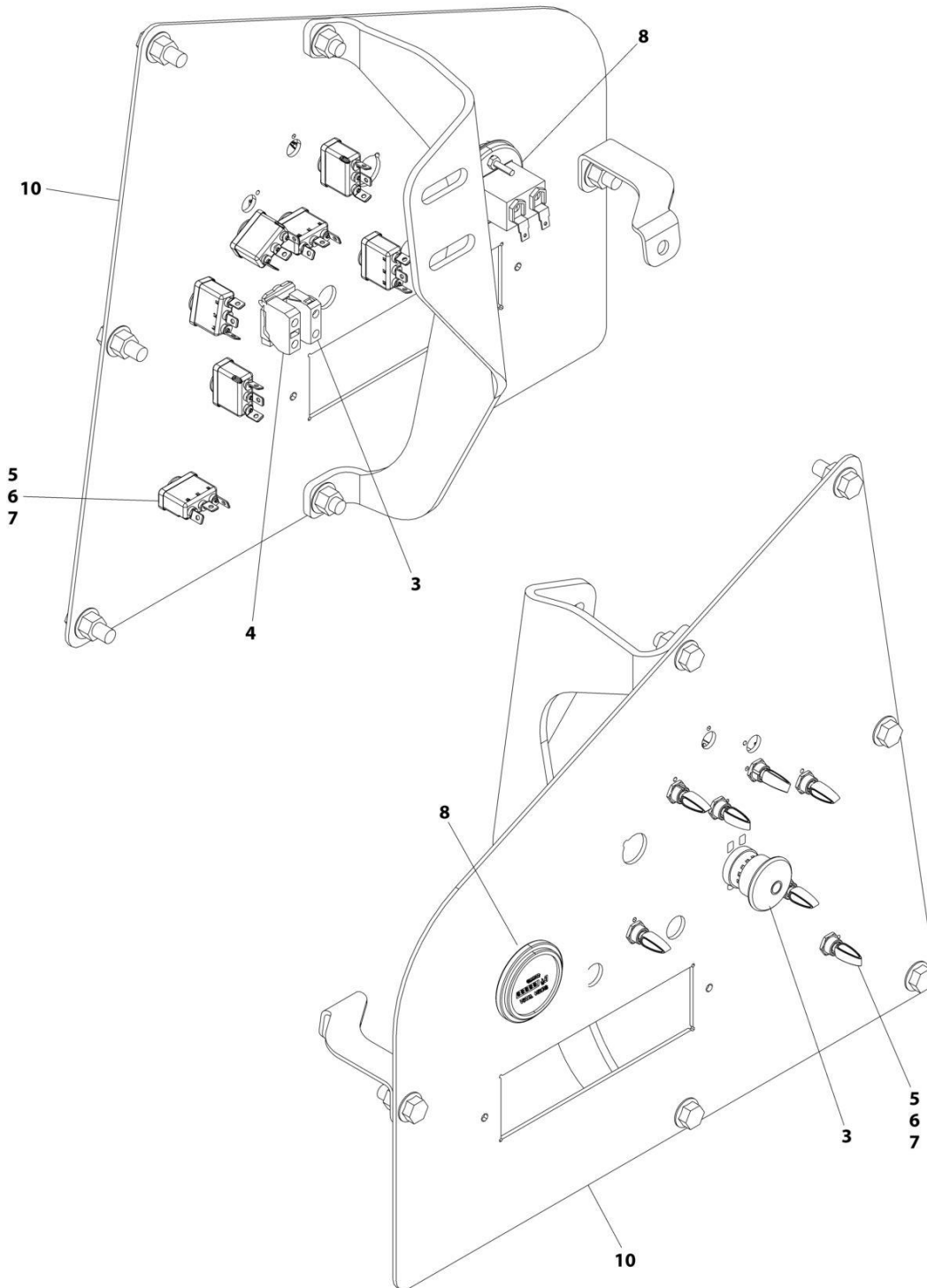
SECTION 2 - TURNTABLE

FIGURE 2-33. GROUND CONTROL ASSEMBLY - 460SJ & 460SJ 1K45FT

ITEM	PART NUMBER	QTY	DESCRIPTION	REV
	1001239293	Ref	GROUND CONTROL ASSEMBLY - 460SJ	C
1	1001274559	1	Switch, Emergency Stop	
2	4360476	1	Block, Contact	
3	1001155043	7	Washer	
4	1001155044	7	Nut 15/32	
5	1001155045	7	Switch, Toggle	
6	10836804	1	Gauge	
7	1001235531	1	Mount, Ground Control Panel (See Separate Breakdown in this Section)	

SECTION 2 - TURNTABLE

FIGURE 2-34. GROUND CONTROL ASSEMBLY - DEUTZ (STAGE V) (460SJ) (CE & UK CA SPECS)



ART_1001245380_D

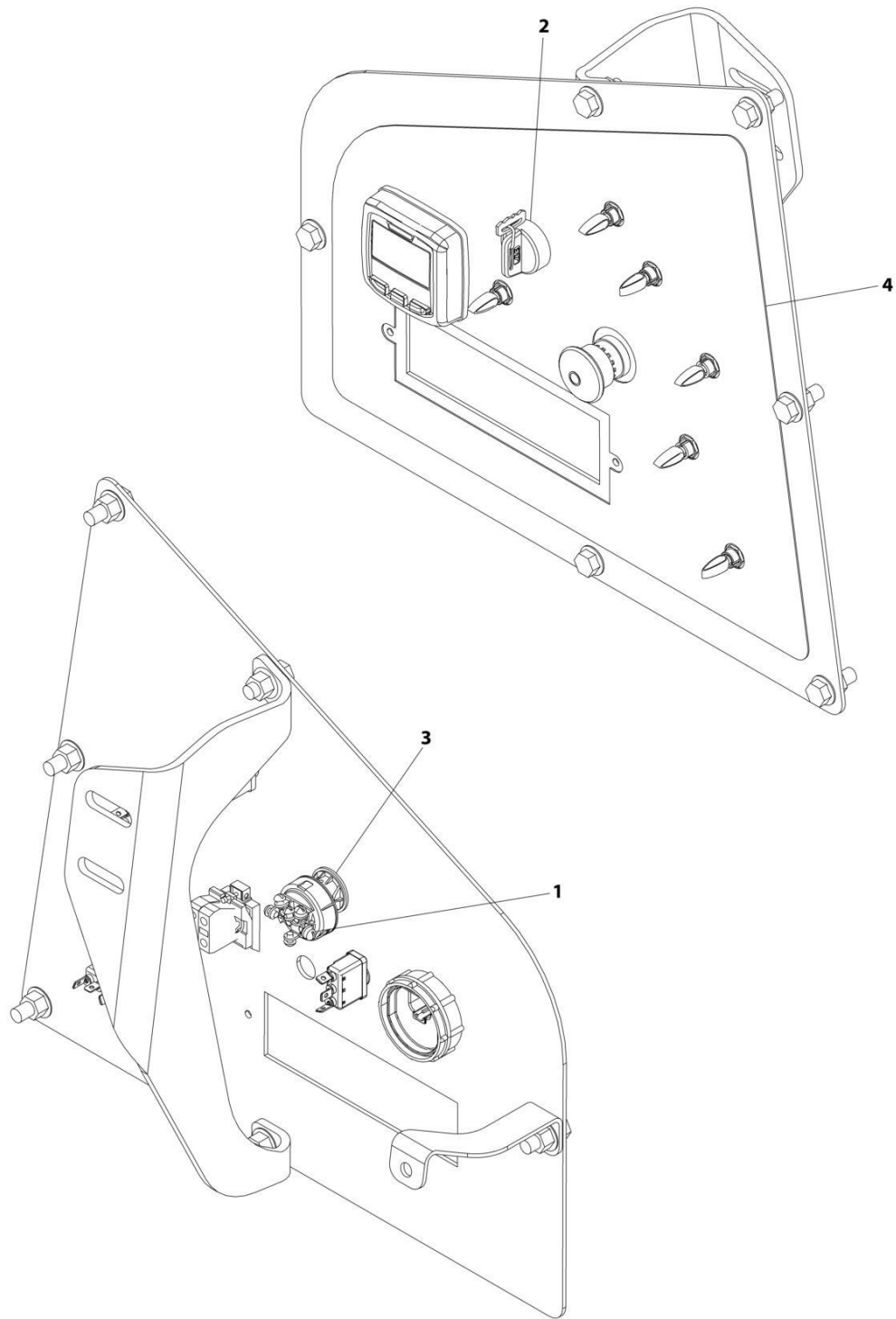
SECTION 2 - TURNTABLE

FIGURE 2-34. GROUND CONTROL ASSEMBLY - DEUTZ (STAGE V) (460SJ) (CE & UK CA SPECS)

ITEM	PART NUMBER	QTY	DESCRIPTION	REV
	1001245380	Ref	GROUND CONTROL ASSEMBLY	D
3	1001274559	1	Switch, Emergency Stop	
4	4360476	1	Block, Contact	
5	1001155043	7	Washer	
6	1001155044	7	Nut 15/32	
7	1001155045	7	Switch, Toggle	
8	10836804	1	Gauge	
10	1001245379	1	Ground Control Mounting (See Separate Breakdown in this Section)	

SECTION 2 - TURNTABLE

FIGURE 2-35. GROUND CONTROL DECAL AND KEYSWITCH INSTALLATION - 400S (ALL SPECS EXCEPT AUSTRALIAN, CE & UK CA SPECS)



ART_1001222139

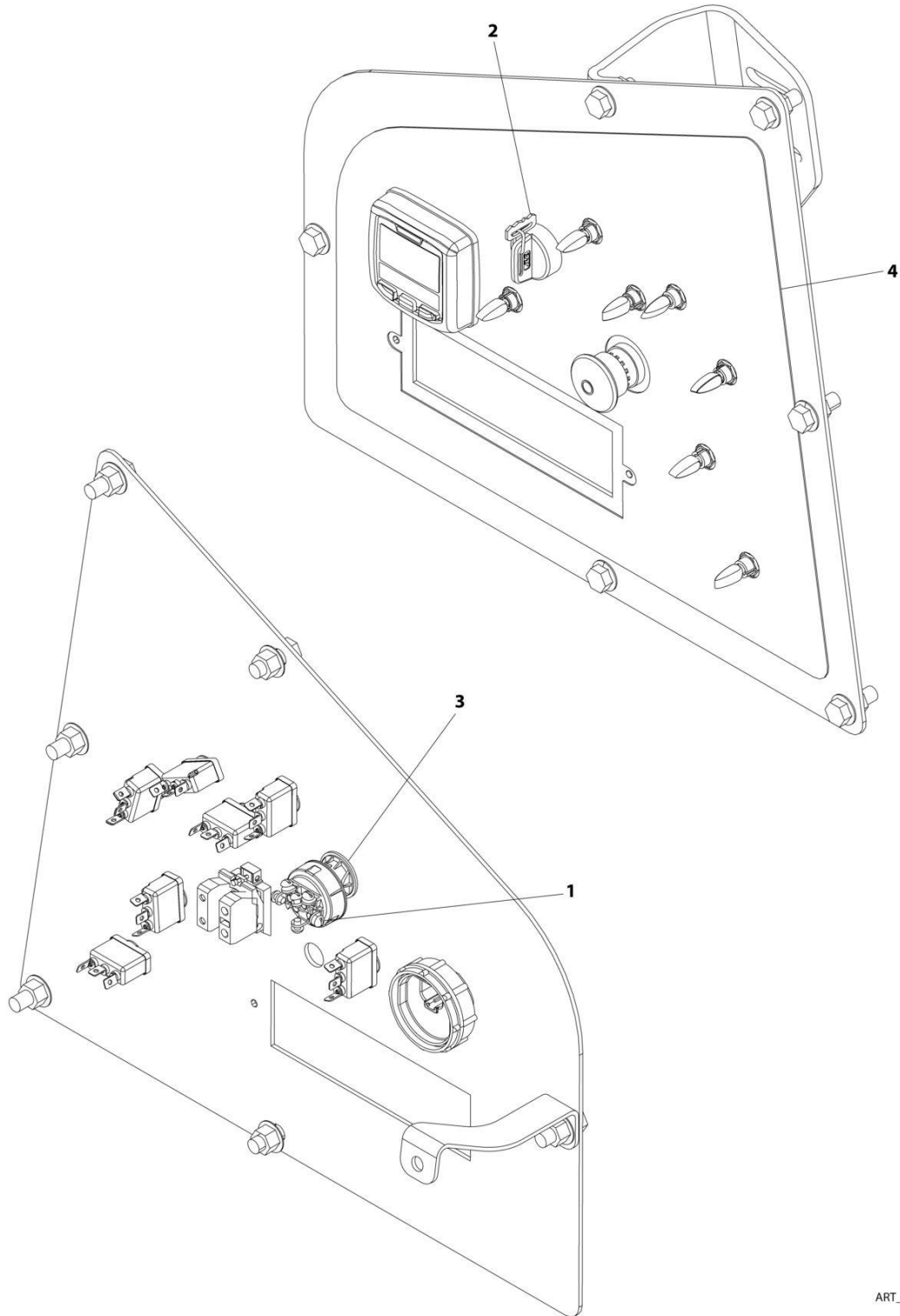
SECTION 2 - TURNTABLE

FIGURE 2-35. GROUND CONTROL DECAL AND KEYSWITCH INSTALLATION - 400S (ALL SPECS EXCEPT AUSTRALIAN, CE & UK CA SPECS)

ITEM	PART NUMBER	QTY	DESCRIPTION	REV
	1001222139	Ref	GROUND CONTROL DECAL AND KEYSWITCH INSTALLATION - 400S	B
1	3910804	6	Screw #8 x 1/4	
2	4360469	1	Switch, Key	
2	2860030	1	Key, Replacement	
3	1001151393	1	Shim .063	
4	1001221402	1	Decal - Ground Control	

SECTION 2 - TURNTABLE

FIGURE 2-36. GROUND CONTROL DECAL AND KEYSWITCH INSTALLATION - 460SJ & 460SJ
1K45FT (ALL SPECS EXCEPT CE & UK CA SPEC)



ART_1001222140

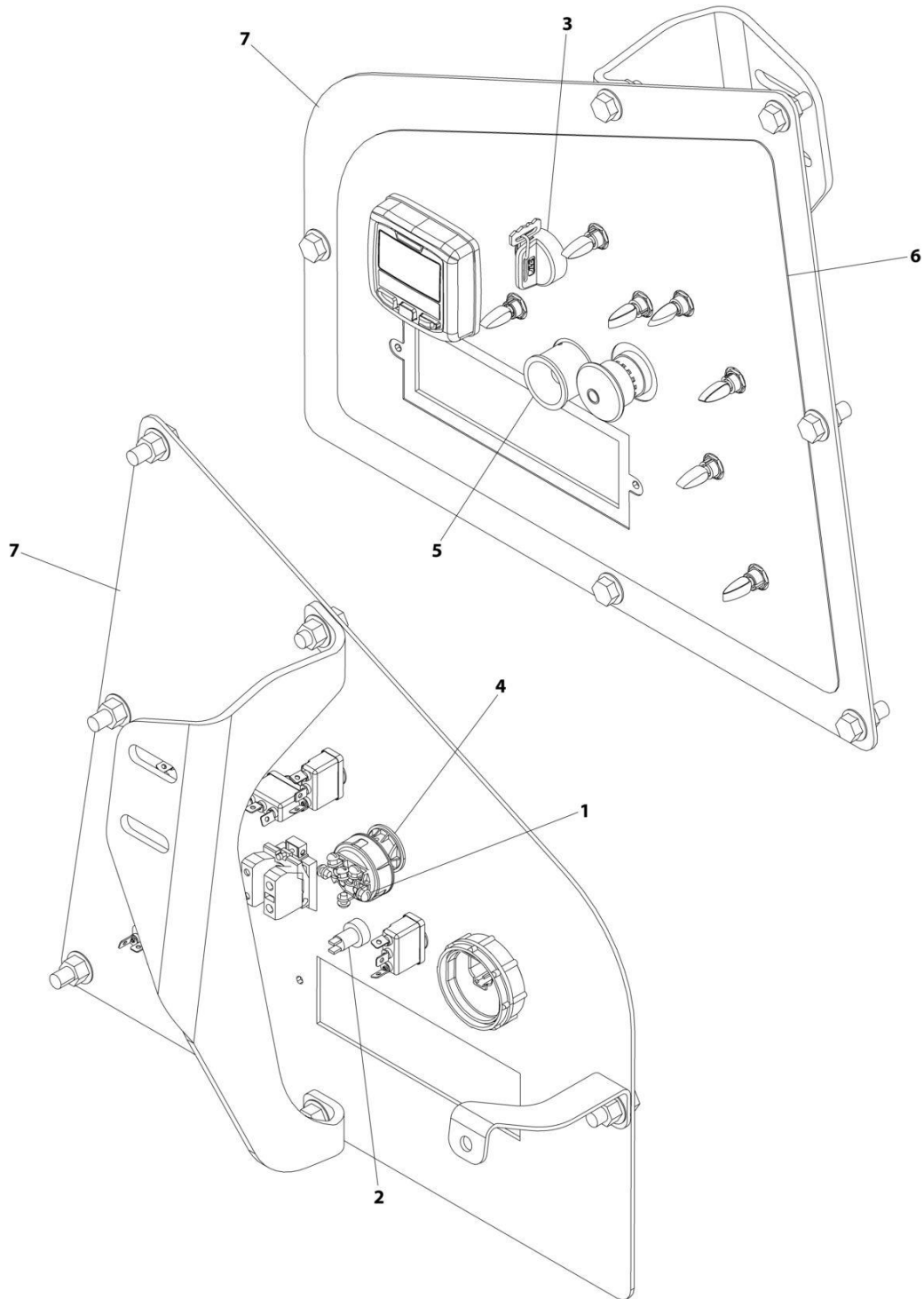
SECTION 2 - TURNTABLE

**FIGURE 2-36. GROUND CONTROL DECAL AND KEYSWITCH INSTALLATION - 460SJ & 460SJ
1K45FT (ALL SPECS EXCEPT CE & UK CA SPEC)**

ITEM	PART NUMBER	QTY	DESCRIPTION	REV
	1001222140	Ref	GROUND CONTROL DECAL AND KEYSWITCH INSTALLATION - 460SJ	B
1	3910804	6	Screw #8 x 1/4	
2	4360469	1	Switch, Key	
2	2860030	1	Key, Replacement	
3	1001151393	1	Shim .063	
4	1001221403	1	Decal - Ground Control	

SECTION 2 - TURNTABLE

FIGURE 2-37. GROUND CONTROL DECAL AND KEYSWITCH INSTALLATION - 460SJ (CE(LRC) & UK CA SPEC)



ART_1001222142

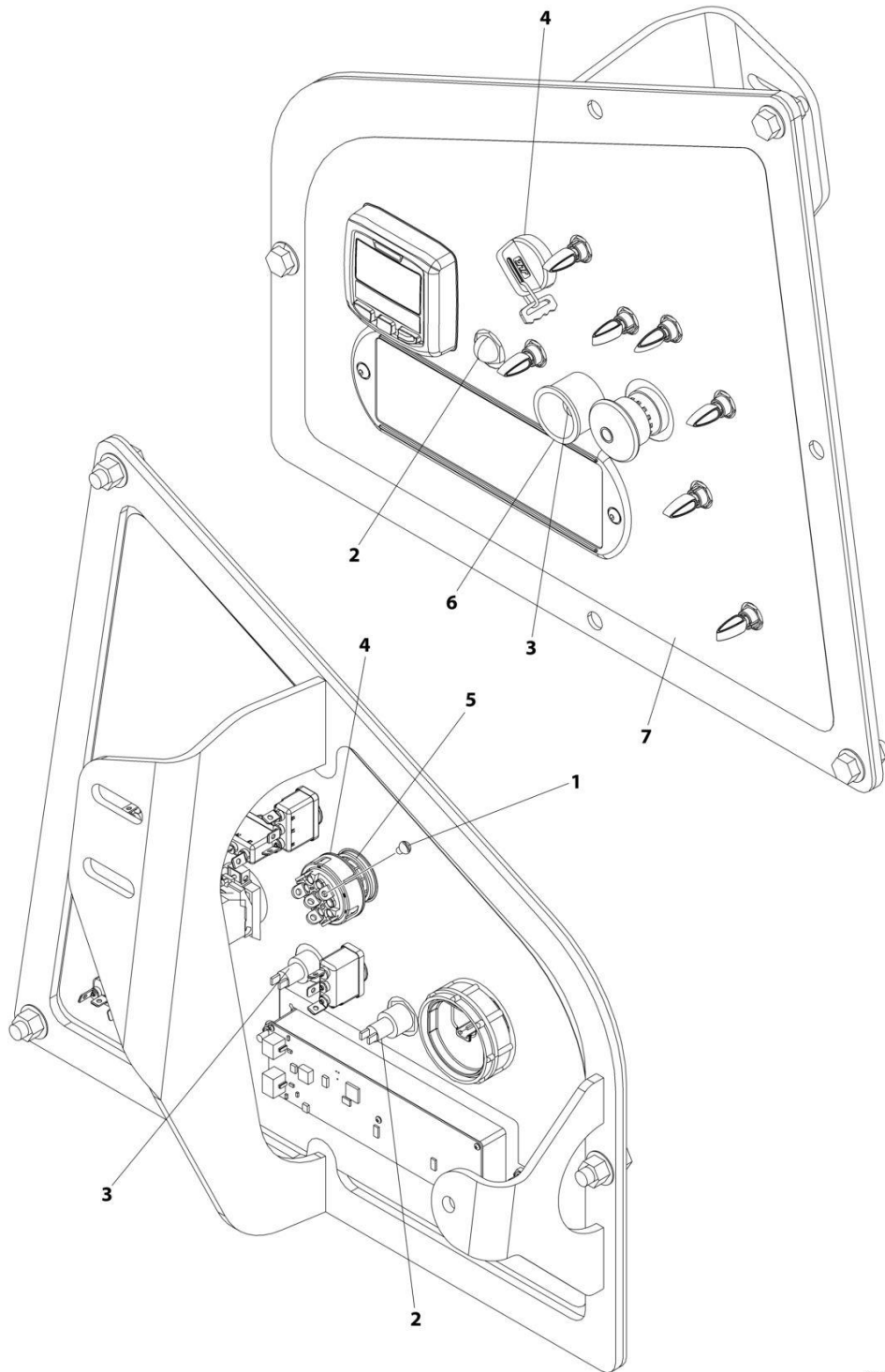
SECTION 2 - TURNTABLE

FIGURE 2-37. GROUND CONTROL DECAL AND KEYSWITCH INSTALLATION - 460SJ (CE(LRC) & UK CA SPEC)

ITEM	PART NUMBER	QTY	DESCRIPTION	REV
	1001222142	Ref	GROUND CONTROL DECAL AND KEYSWITCH INSTALLATION - 460SJ	C
1	3910804	6	Screw #8 x 1/4	
2	4360387	1	Switch, Push Button	
3	4360469	1	Switch, Key	
3	2860030	1 set	Key, Replacement	
4	1001151393	1	Shim .063	
5	1001176469	1	Shroud, Switch	
6	1001221405	1	Decal - Ground Control	
7	1001239293	1	Mount	

SECTION 2 - TURNTABLE

FIGURE 2-38. GROUND CONTROL DECAL AND KEYSWITCH INSTALLATION - 460SJ (STAGE V) (CE & UK CA SPECS)



ART_1001245831

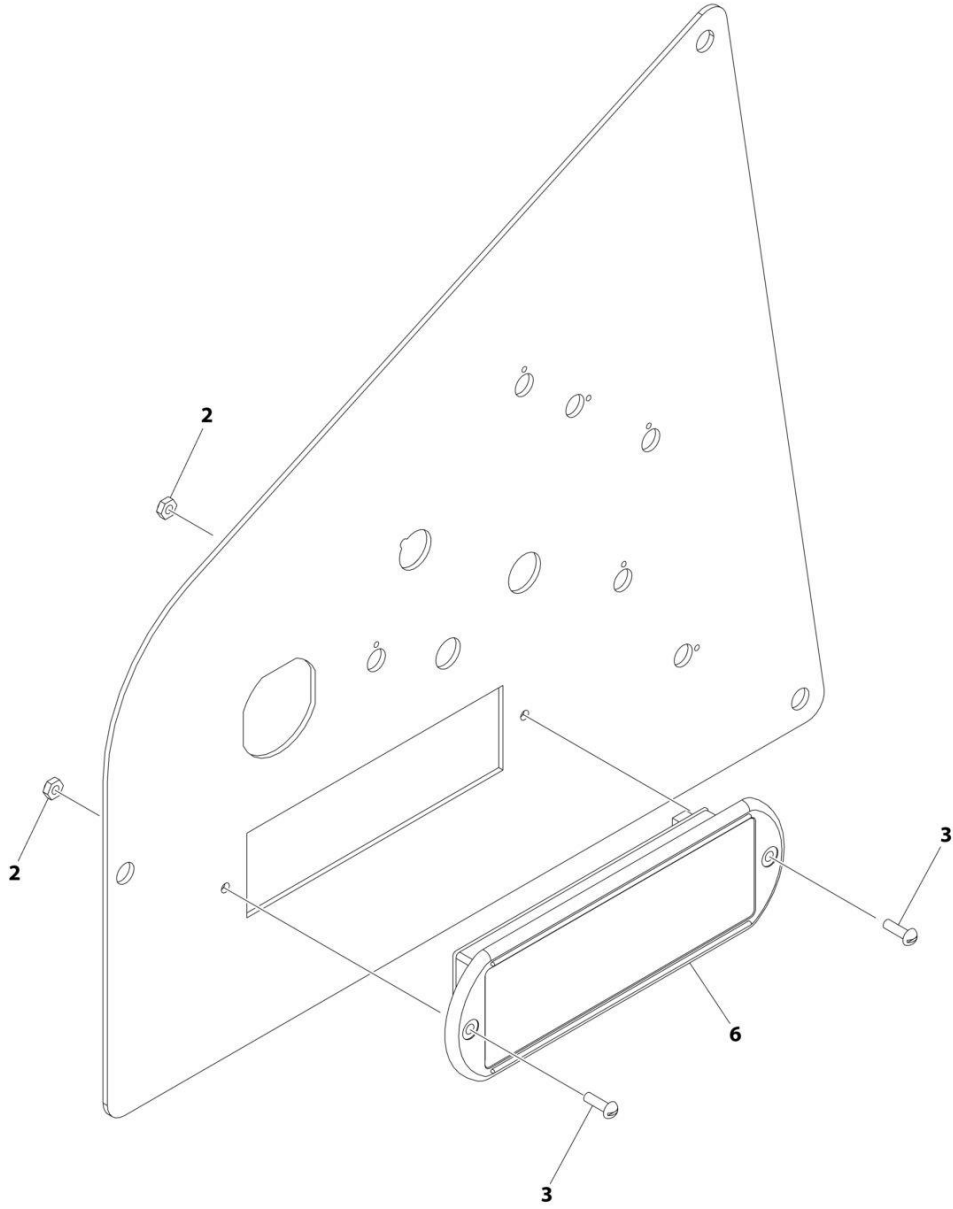
SECTION 2 - TURNTABLE

FIGURE 2-38. GROUND CONTROL DECAL AND KEYSWITCH INSTALLATION - 460SJ (STAGE V) (CE & UK CA SPECS)

ITEM	PART NUMBER	QTY	DESCRIPTION	REV
	1001245831	Ref	GROUND CONTROL DECAL AND KEYSWITCH INSTALLATION	B
1	3910804	6	Screw #8 x 1/4	
2	4360274	1	Switch, Push Button	
3	4360387	1	Switch, Push Button	
4	4360469	1	Switch, Key	
4	2860030	1	Key, Replacement	
5	1001151393	1	Shim .063	
6	1001176469	1	Shroud, Switch	
7	1001245827	1	Decal, Ground Control	

SECTION 2 - TURNTABLE

FIGURE 2-39. LIGHT PANEL INSTALLATION - 400S & 460SJ



ART_1001242680_B_10F2

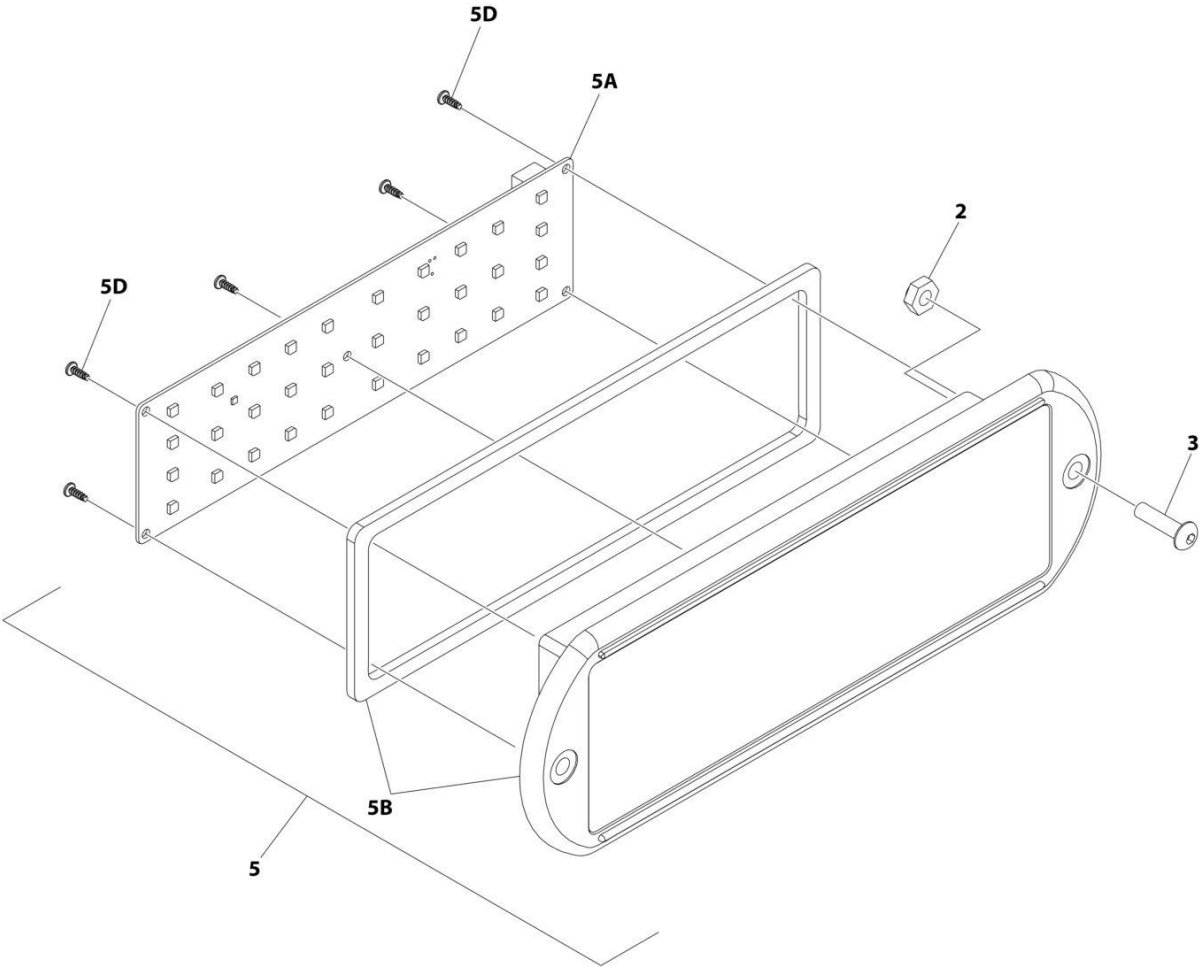
SECTION 2 - TURNTABLE

FIGURE 2-39. LIGHT PANEL INSTALLATION - 400S & 460SJ

ITEM	PART NUMBER	QTY	DESCRIPTION	REV
	1001242680	Ref	LIGHT PANEL INSTALLATION	B
2	3300408	2	Nut, Lock	
3	3911010	2	Screw #10 x 5/8	
6	1001237546	1	Light Panel Electrical Assembly	

SECTION 2 - TURNTABLE

FIGURE 2-40. LIGHT PANEL INSTALLATION - 460SJ 1K45FT



ART_1001233959_D_10F2

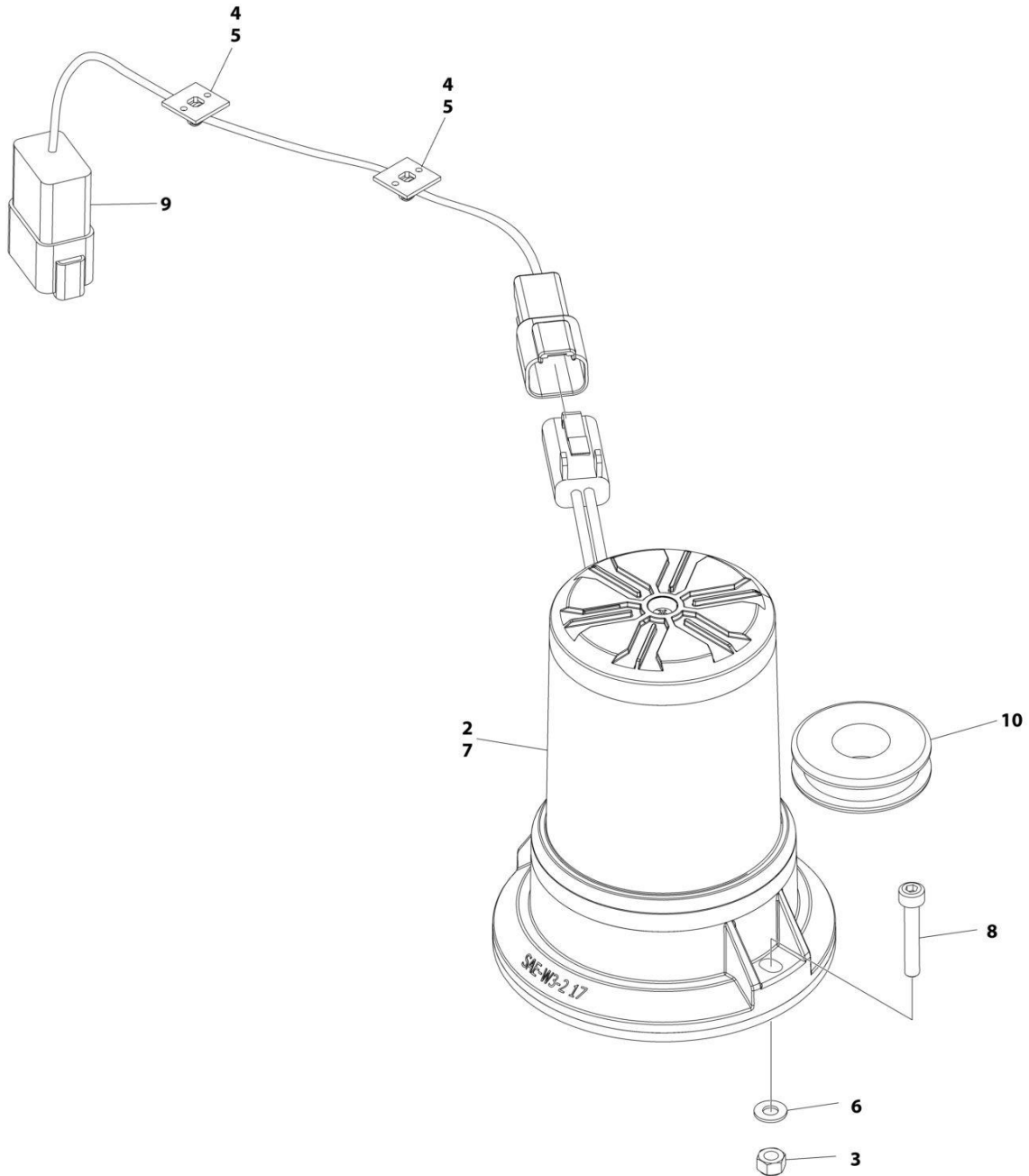
SECTION 2 - TURNTABLE

FIGURE 2-40. LIGHT PANEL INSTALLATION - 460SJ 1K45FT

ITEM	PART NUMBER	QTY	DESCRIPTION	REV
	1001233959	Ref	LIGHT PANEL INSTALLATION	D
2	3300408	2	Nut, Nylon Insert	
3	0630518	2	Screw #10 x 3/4	
5	1001237546	1	Light Panel Assembly	J
5A	1001282106	1	Panel, LED Light	
5B	1001236091	1	Lens, Icon (Includes Gasket)	
5D		Ref	Screw	

SECTION 2 - TURNTABLE

FIGURE 2-41. BEACON LIGHT INSTALLATION - AMBER



ART_1001172816_E

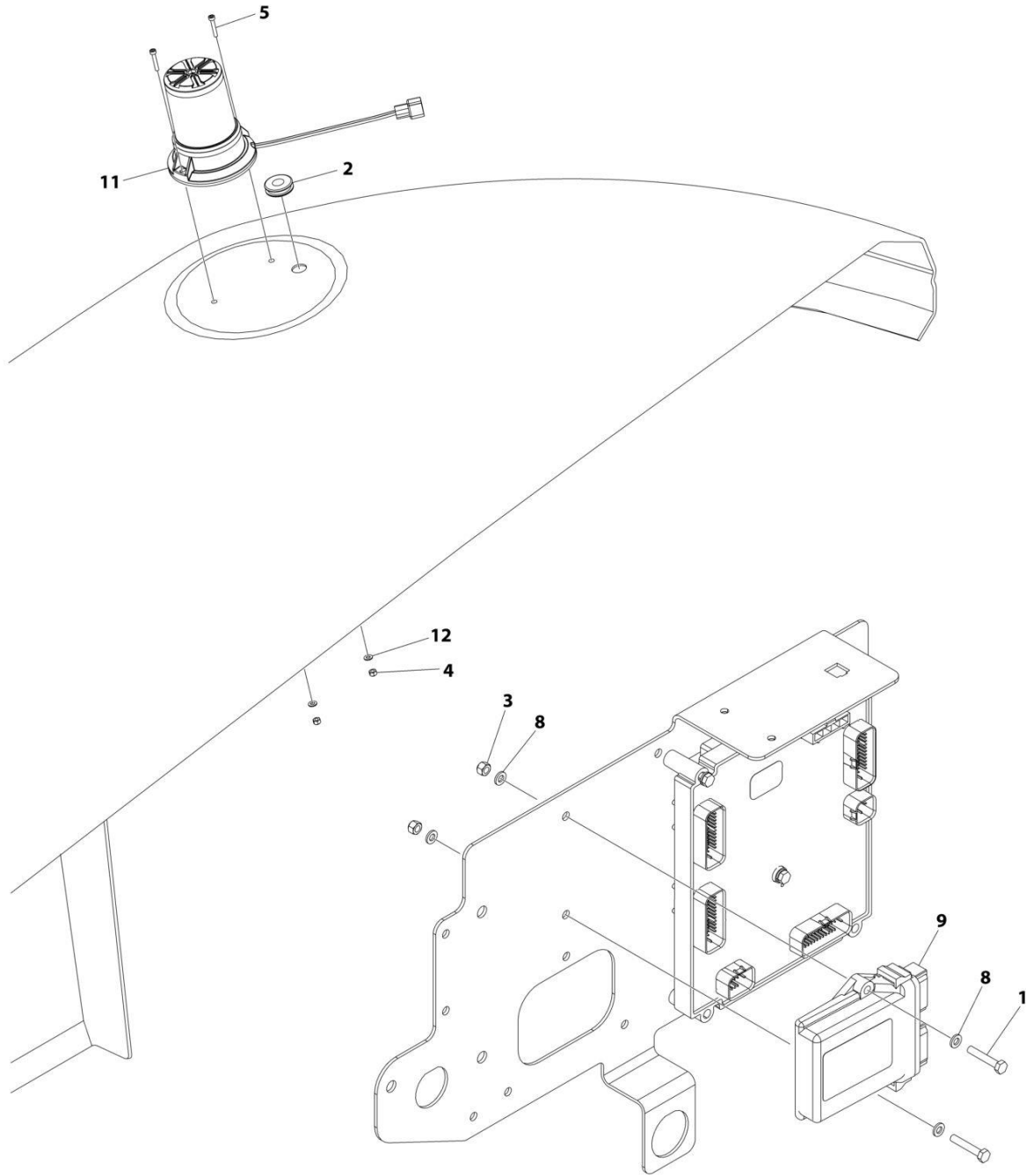
SECTION 2 - TURNTABLE

FIGURE 2-41. BEACON LIGHT INSTALLATION - AMBER

ITEM	PART NUMBER	QTY	DESCRIPTION	REV
	1001172816	Ref	BEACON LIGHT INSTALLATION - AMBER	E
2	1001270594	1	Light, Strobe (Amber)	
2	4460891	1	Connector	
2	4460465	2	Socket	
3	3290405	2	Nut M4	
4	4240032	AR	Tie-Strap	
5	4460234	2	Mount, Tie-Strap	
6	4811400	2	Washer M4	
7	0100048	AR	Grease, Terminal	
8	4031509	2	Capscrew M4 x 25	
9	1001283776	1	Beacon Harness (See Separate Breakdown in ELECTRICAL Section)	
10	2540020	1	Grommet	

SECTION 2 - TURNTABLE

FIGURE 2-42. BEACON LIGHT INSTALLATION - BLUE



ART_1001242851_B

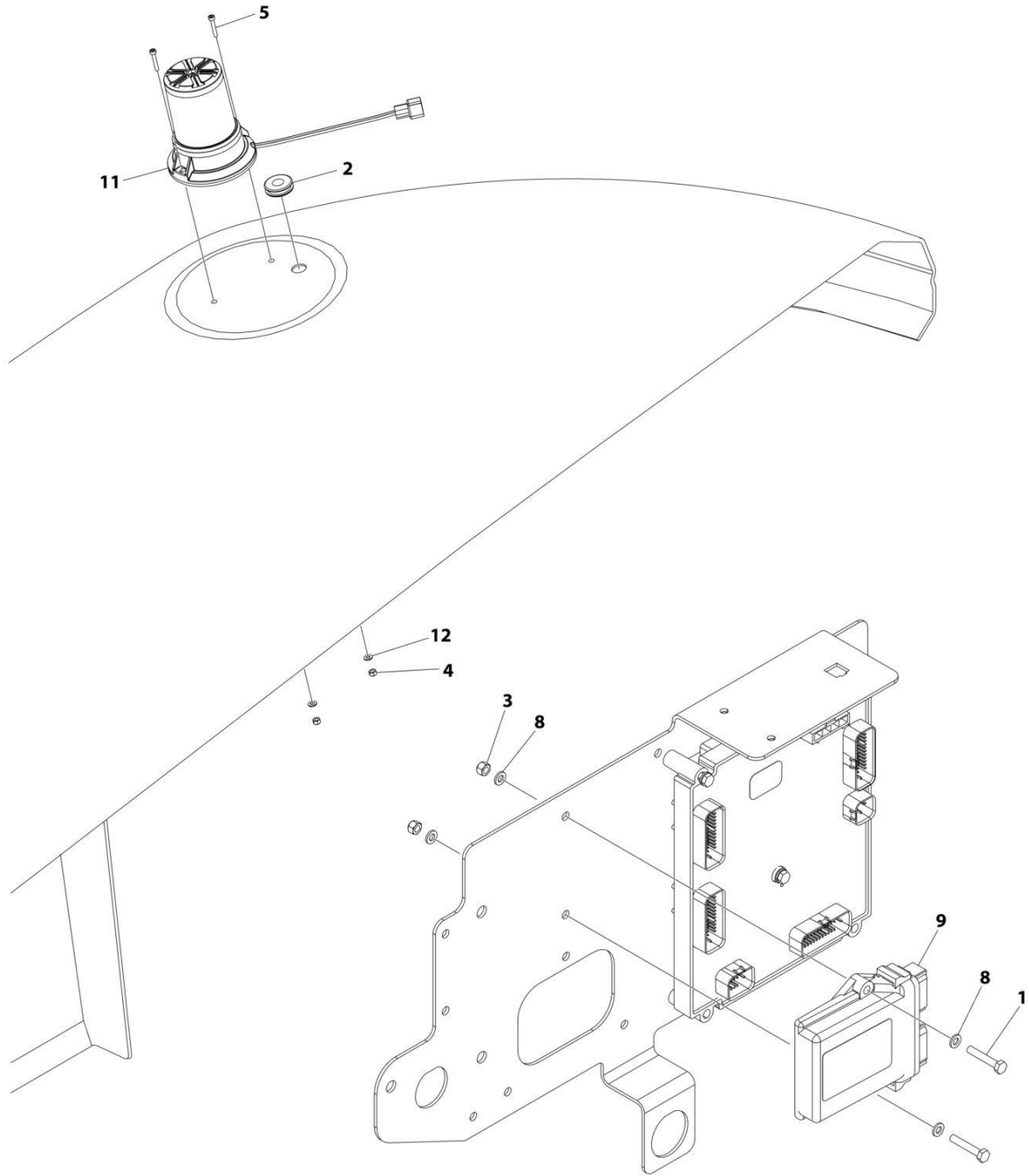
SECTION 2 - TURNTABLE

FIGURE 2-42. BEACON LIGHT INSTALLATION - BLUE

ITEM	PART NUMBER	QTY	DESCRIPTION	REV
	1001242851	Ref	BEACON LIGHT INSTALLATION - BLUE	B
1	0760615	2	Bolt M6 x 35	
2	2540020	1	Grommet, Insulation	
3	3290605	2	Nut M6	
4	3290405	2	Nut M4	
5	4031509	2	Capscrew M4 x 25	
6	4240099	AR	Tie-Strap (Not Shown)	
8	4811700	4	Washer M6	
9	1001142683	1	Control Module (Note: Re-calibration Required when Replaced)	
10	1001142736	1	Beacon Harness (Not Shown - See Separate Breakdown in ELECTRICAL Section)	
11	1001272681	1	Light, Beacon	
11	4460897	1	Receptacle, Female - 2 Position	
11	4460464	2	Pin, Male	
12	4811400	2	Washer M4	

SECTION 2 - TURNTABLE

FIGURE 2-43. BEACON LIGHT INSTALLATION - RED



ART_1001242852_B

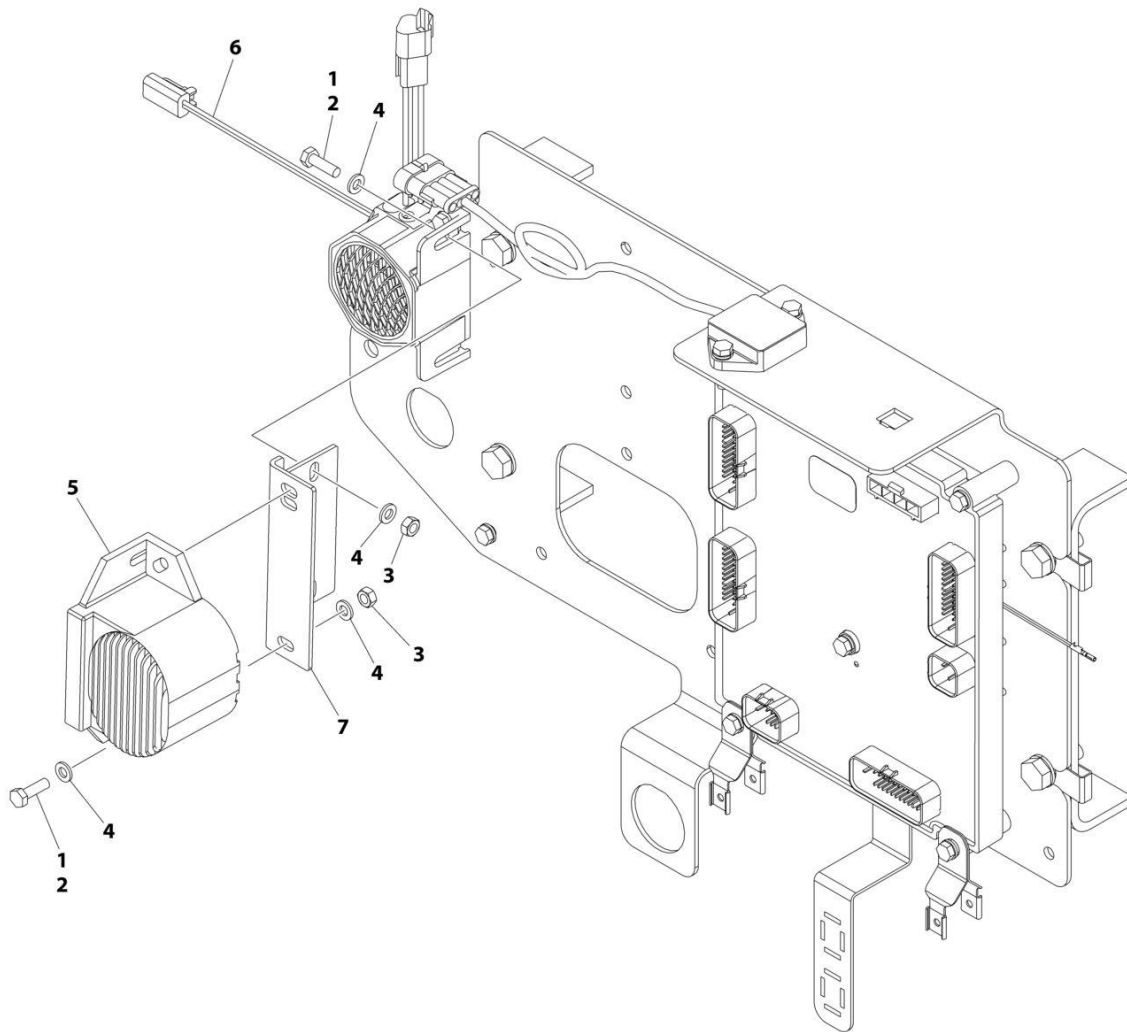
SECTION 2 - TURNTABLE

FIGURE 2-43. BEACON LIGHT INSTALLATION - RED

ITEM	PART NUMBER	QTY	DESCRIPTION	REV
	1001242852	Ref	BEACON LIGHT INSTALLATION - RED	B
1	0760615	2	Bolt M6 x 35	
2	2540020	1	Grommet, Insulation	
3	3290605	2	Nut M6	
4	3290405	2	Nut M4	
5	4031509	2	Capscrew M4 x 25	
6	4240099	AR	Tie-Strap (Not Shown)	
8	4811700	4	Washer M6	
9	1001142683	1	Control Module (Note: Re-calibration Required when Replaced)	
10	1001142736	1	Beacon Harness (Not Shown - See Separate Breakdown in ELECTRICAL Section)	
11	1001272682	1	Light, Beacon	
11	4460897	1	Receptacle, Female - 2 Position	
11	4460464	2	Pin, Male	
12	4811400	2	Washer M4	

SECTION 2 - TURNTABLE

FIGURE 2-44. WHITE NOISE ALARM INSTALLATION (AMBIENT)



ART_1001209618

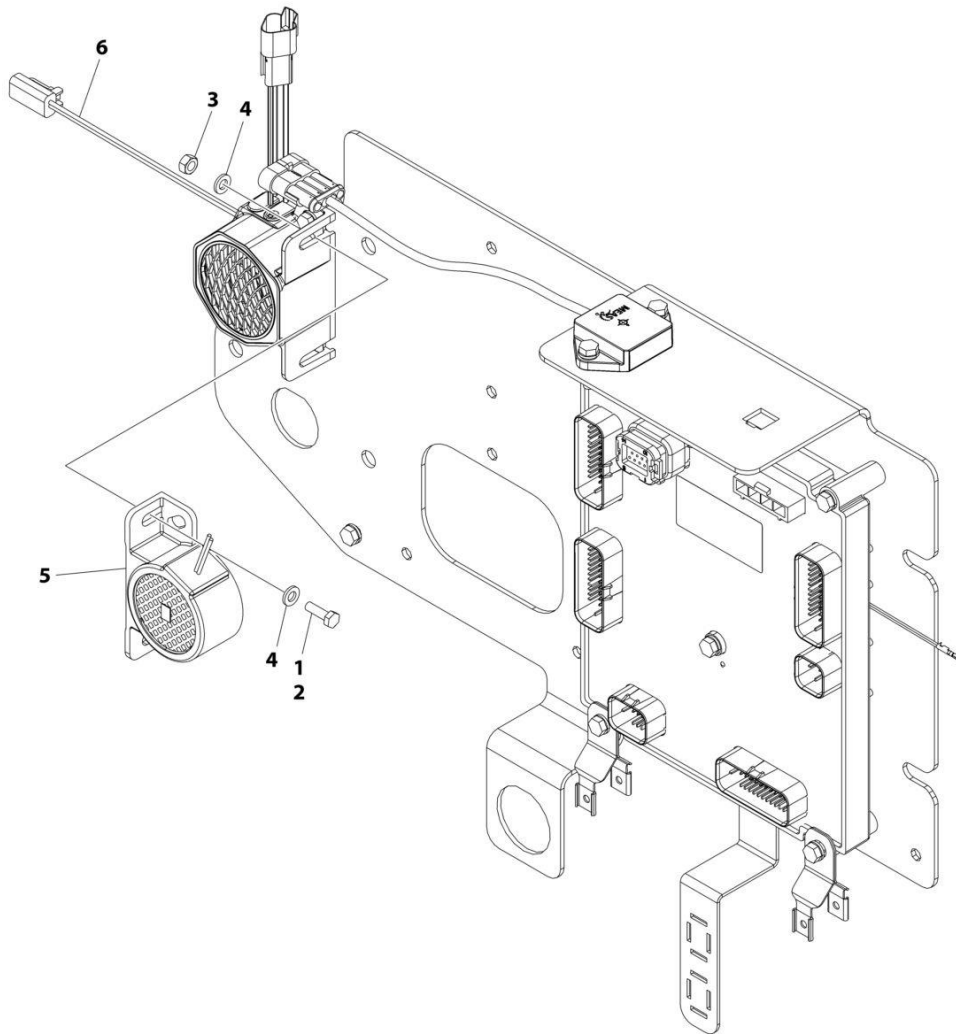
SECTION 2 - TURNTABLE

FIGURE 2-44. WHITE NOISE ALARM INSTALLATION (AMBIENT)

ITEM	PART NUMBER	QTY	DESCRIPTION	REV
	1001209618	Ref	WHITE NOISE ALARM INSTALLATION	C
1	0100011	AR	Compound, Locking	
2	0760610	4	Bolt M6 x 20	
3	3290601	4	Nut M6	
4	4811700	8	Washer M6	
5	1001182806	1	Alarm	
6	1001190663	1	Harness, Jumper	
6	4460891	1	Connector - 2 Position	
6	4460465	2	Socket, Female	
6	4460871	2	Socket, Female	
7	1001231886	1	Plate	

SECTION 2 - TURNTABLE

FIGURE 2-45. WHITE NOISE ALARM INSTALLATION (CONSTANT)



ART_1001263176

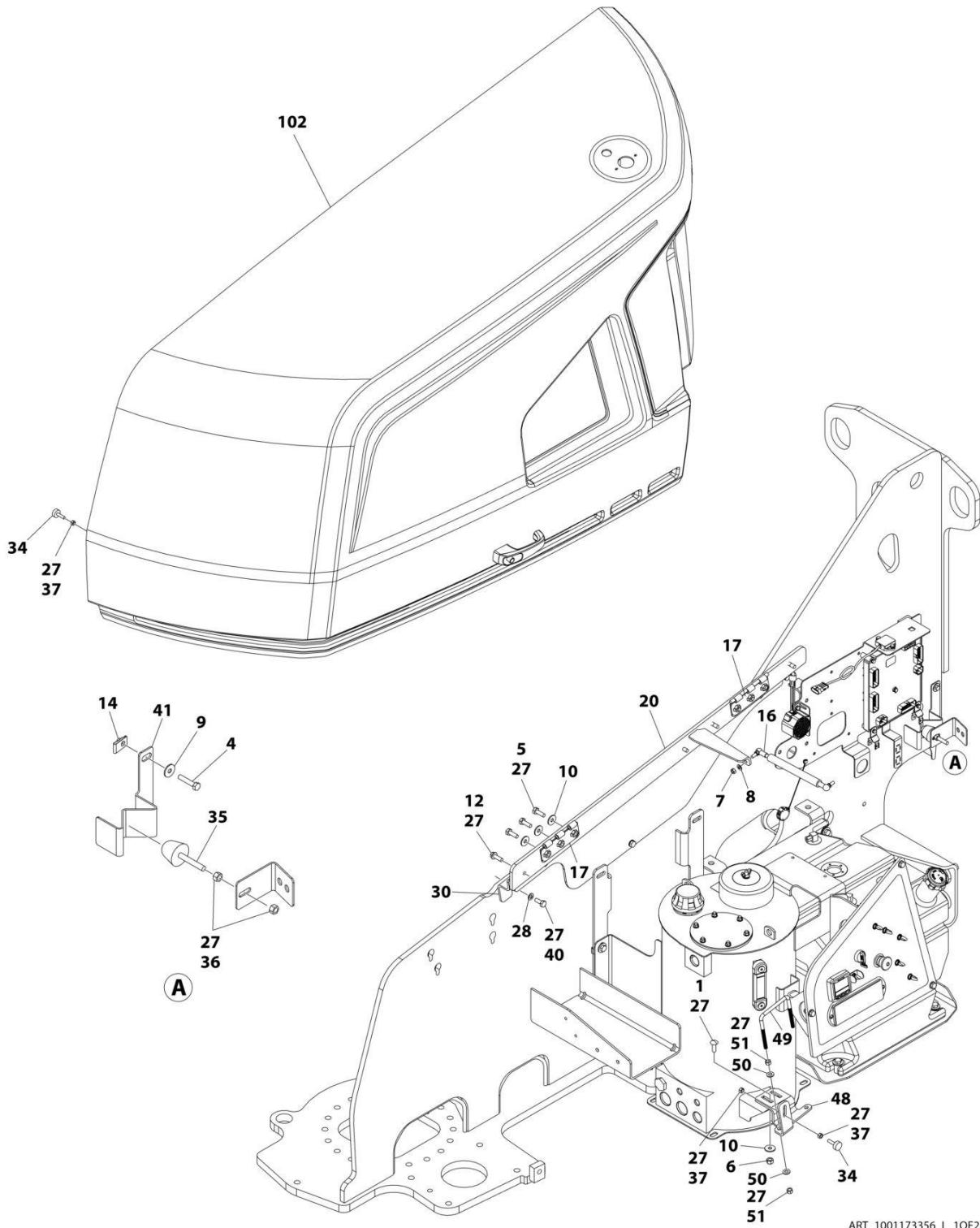
SECTION 2 - TURNTABLE

FIGURE 2-45. WHITE NOISE ALARM INSTALLATION (CONSTANT)

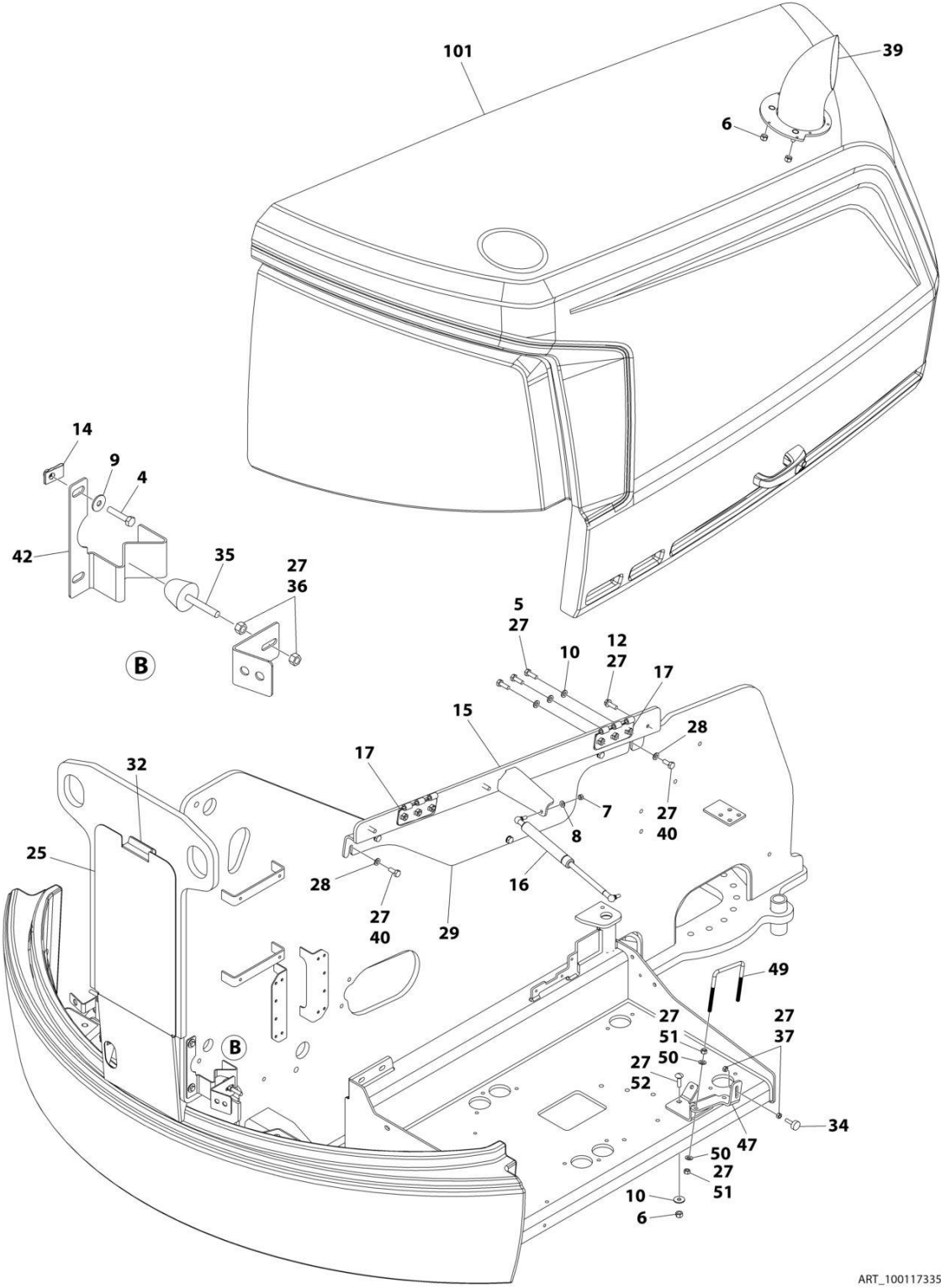
ITEM	PART NUMBER	QTY	DESCRIPTION	REV
	1001263176	Ref	WHITE NOISE ALARM INSTALLATION	A
1	0100011	AR	Compound, Locking	
2	0760610	2	Bolt M6 x 20	
3	3290601	2	Nut M6	
4	4811700	4	Washer M6	
5	1001184682	1	Alarm	
6	1001190663	1	Harness, Jumper	
6	4460891	2	Connector - 2 Position	
6	4460465	2	Socket, Female	
6	4460871	1	Socket, Female	

SECTION 2 - TURNTABLE

FIGURE 2-46. HOOD INSTALLATION - ABS (DEUTZ ENGINES)



SECTION 2 - TURNTABLE



ART_1001173356_L_20F2

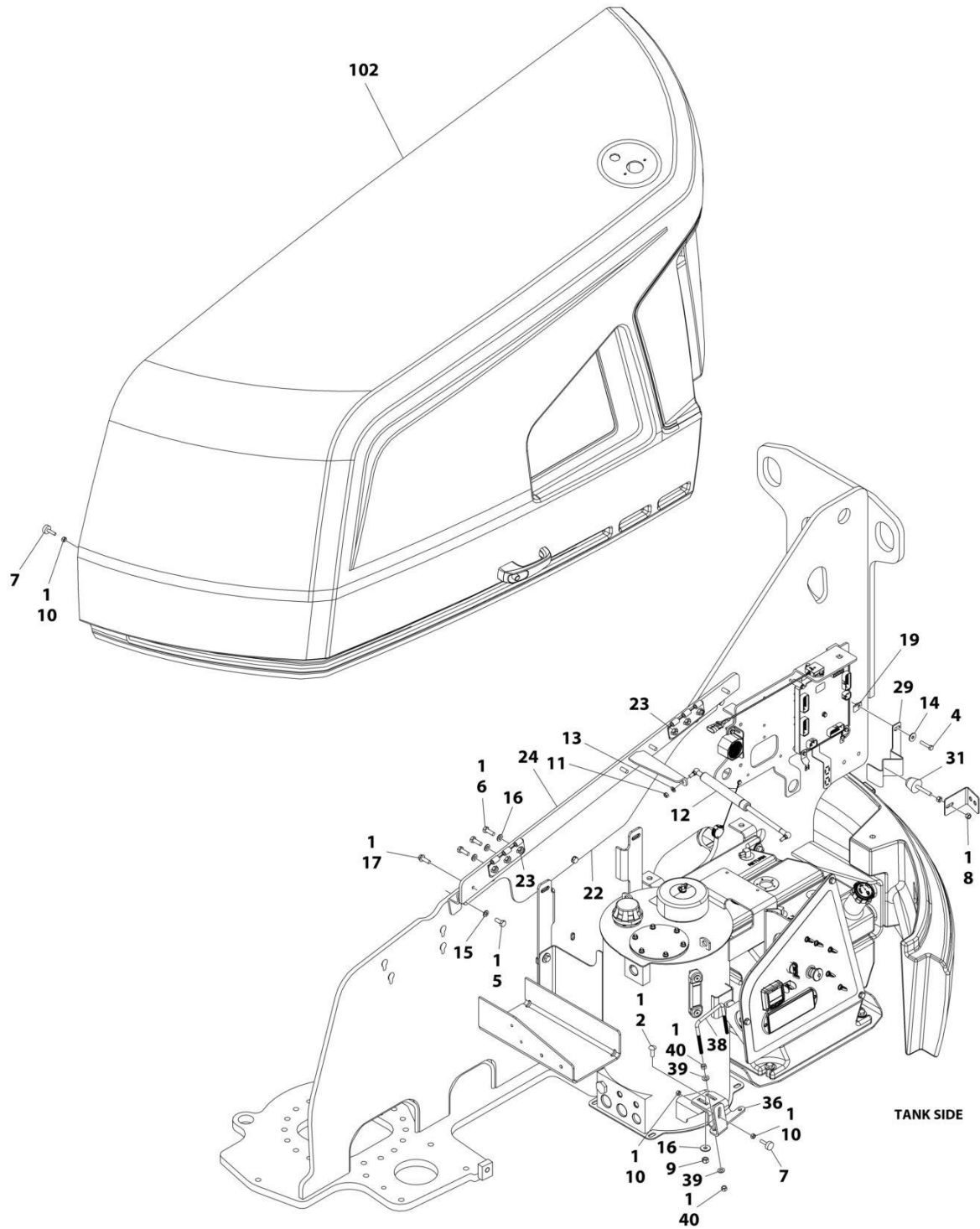
SECTION 2 - TURNTABLE

FIGURE 2-46. HOOD INSTALLATION - ABS (DEUTZ ENGINES)

ITEM	PART NUMBER	QTY	DESCRIPTION	REV
	1001173356	Ref	HOOD INSTALLATION	L
1	0630613	2	Bolt M10 x 30	
4	0760816	4	Bolt M8 x 40	
5	0761014	12	Bolt M10 x 30	
6	3291005	7	Nut M10	
7	3311505	2	Nut 5/16	
8	4711500	2	Washer 5/16	
9	4811902	4	Washer M8	
10	4812002	16	Washer M10	
12	5251014	8	Bolt M10 x 30	
14	1001149160	4	Nut, Tinnerman M8	
15	1001167159	1	Mount, Adjustment	
16	4160182	2	Spring, Gas	
17	1001169046	4	Nut	
20	1001170850	1	Mount, Adjustment	
25	1001173354	1	Cover	
27	0100011	AR	Compound, Locking	
28	4812000	10	Washer M10	
29	1001165060	1	Plate	
30	1001168173	1	Mount, Hinge	
32	90200755	3.35 in/ 8.5cm	Tape, Gasket	
34	0940049	4	Stopper	
35	1001206314	2	Bumper	
36	3271601	4	Nut 3/8	
37	3311501	8	Nut 5/16	
39	1001174098	1	Outlet, Exhaust	
40	0761012	10	Bolt M10 x 25	
41	1001199207	1	Bracket, Bumper	
42	1001199901	1	Bracket, Bumper	
47	1001250287	1	Bracket, Engine	
48	1001250289	1	Bracket, Tank	
49	1001243414	2	Bolt, U-Bolt	
50	4711600	8	Washer 3/8	
51	3311601	8	Nut 3/8	
52	1001228406	2	Bolt M10 x 35	
100	1001285518	1	Hood Kit (Not Shown) (Includes Items 101-102)	
101	1001170551	1	Hood Assembly - Engine Side (See Separate Breakdown in this Section)	
102	1001285517	1	Hood Assembly - Tank Side (See Separate Breakdown in this Section)	

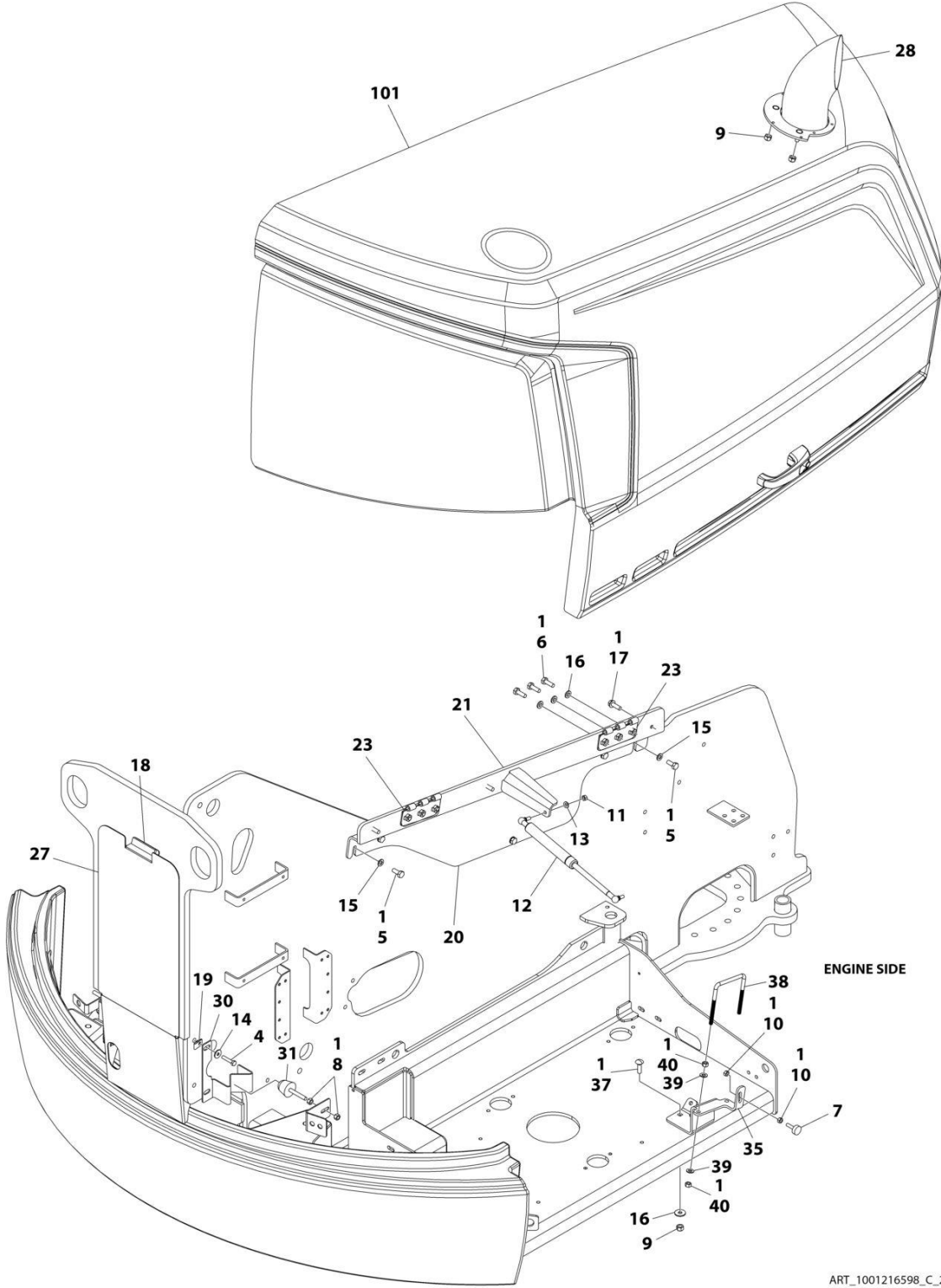
SECTION 2 - TURNTABLE

FIGURE 2-47. HOOD INSTALLATION - ABS (KUBOTA ENGINES)



ART_1001216598_C_10F2

SECTION 2 - TURNTABLE



ART_1001216598_C_2OF2

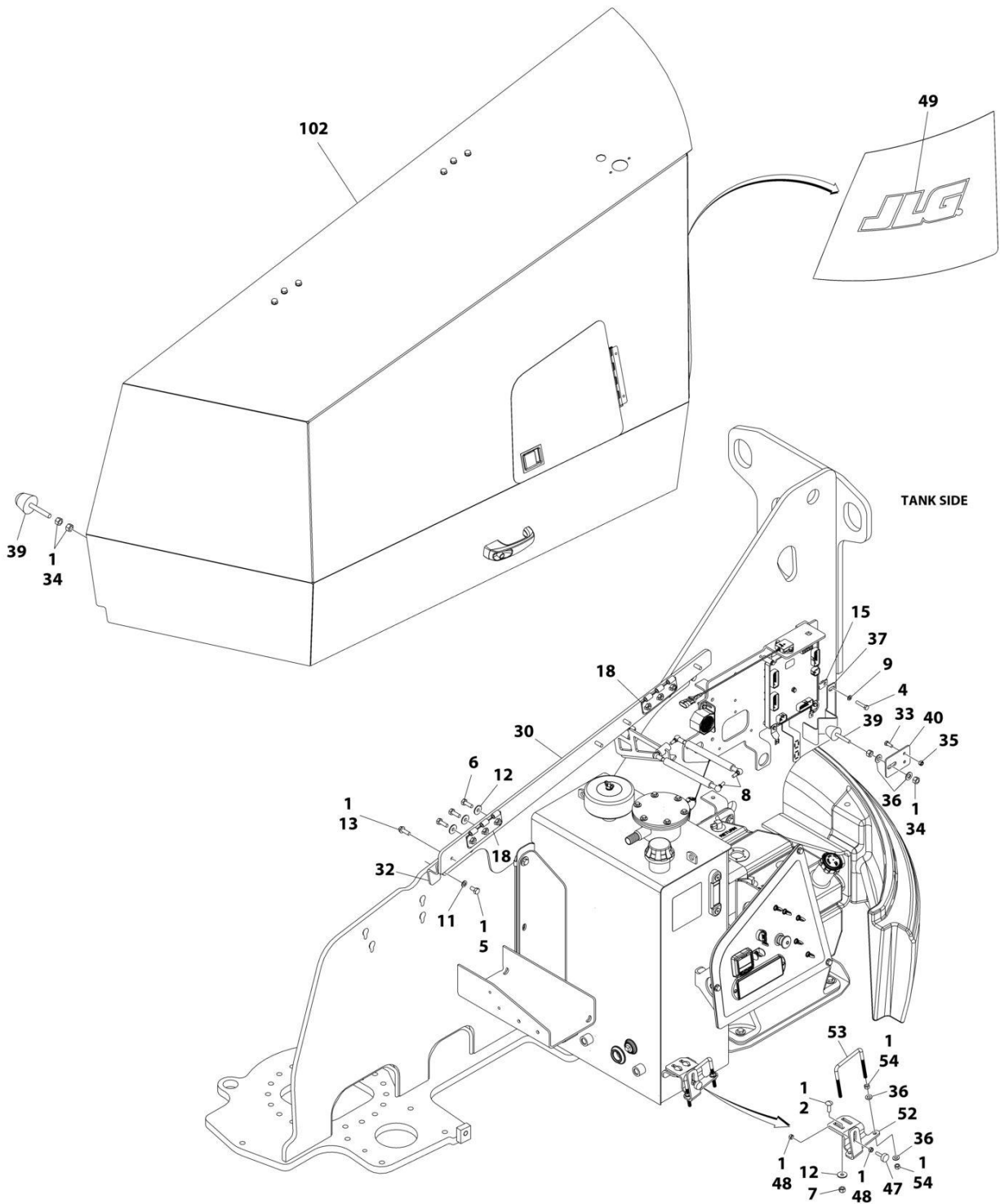
SECTION 2 - TURNTABLE

FIGURE 2-47. HOOD INSTALLATION - ABS (KUBOTA ENGINES)

ITEM	PART NUMBER	QTY	DESCRIPTION	REV
	1001216598	Ref	KUBOTA HOOD INSTALLATION	C
1	0100011	AR	Compound, Locking	
2	0630613	2	Bolt M10 x 30	
4	0760816	4	Bolt M8 x 40	
5	0761012	10	Bolt M10 x 25	
6	0761014	12	Bolt M10 x 30	
7	0940049	4	Stopper	
8	3271601	4	Nut 3/8	
9	3291005	7	Nut M10	
10	3311501	8	Nut 5/16	
11	3311505	2	Nut 5/16	
12	4160182	2	Spring, Gas	
13	4711500	2	Washer 5/16	
14	4811902	4	Washer M8	
15	4812000	10	Washer M10	
16	4812002	16	Washer M10	
17	5251014	8	Bolt M10 x 30	
18	90200755	3.35 in/ 8.5cm	Tape, Gasket	
19	1001149160	4	Nut, Tinnerman M8	
20	1001165060	1	Plate	
21	1001167159	1	Mount, Adjustment	
22	1001168173	1	Mount, Hinge	
23	1001169046	4	Nut	
24	1001170850	1	Mount, Adjustment	
27	1001173354	1	Cover	
28	1001174098	1	Outlet, Exhaust	
29	1001199207	1	Bracket, Bumper	
30	1001199901	1	Bracket, Bumper	
31	1001206314	2	Bumper	
35	1001250288	1	Bracket, Engine	
36	1001250289	1	Bracket, Tank	
37	1001228406	2	Bolt, Carriage	
38	1001243414	2	Bolt, U-bolt	
39	4711600	8	Washer 3/8	
40	3311601	8	Nut 3/8	
100	1001285518	1	Hood Kit (Not Shown - Includes Items 101 & 102)	
101	1001170551	1	Hood Assembly - Engine Side (See Separate Breakdown in this Section)	
102	1001285517	1	Hood Assembly - Tank Side (See Separate Breakdown in this Section)	

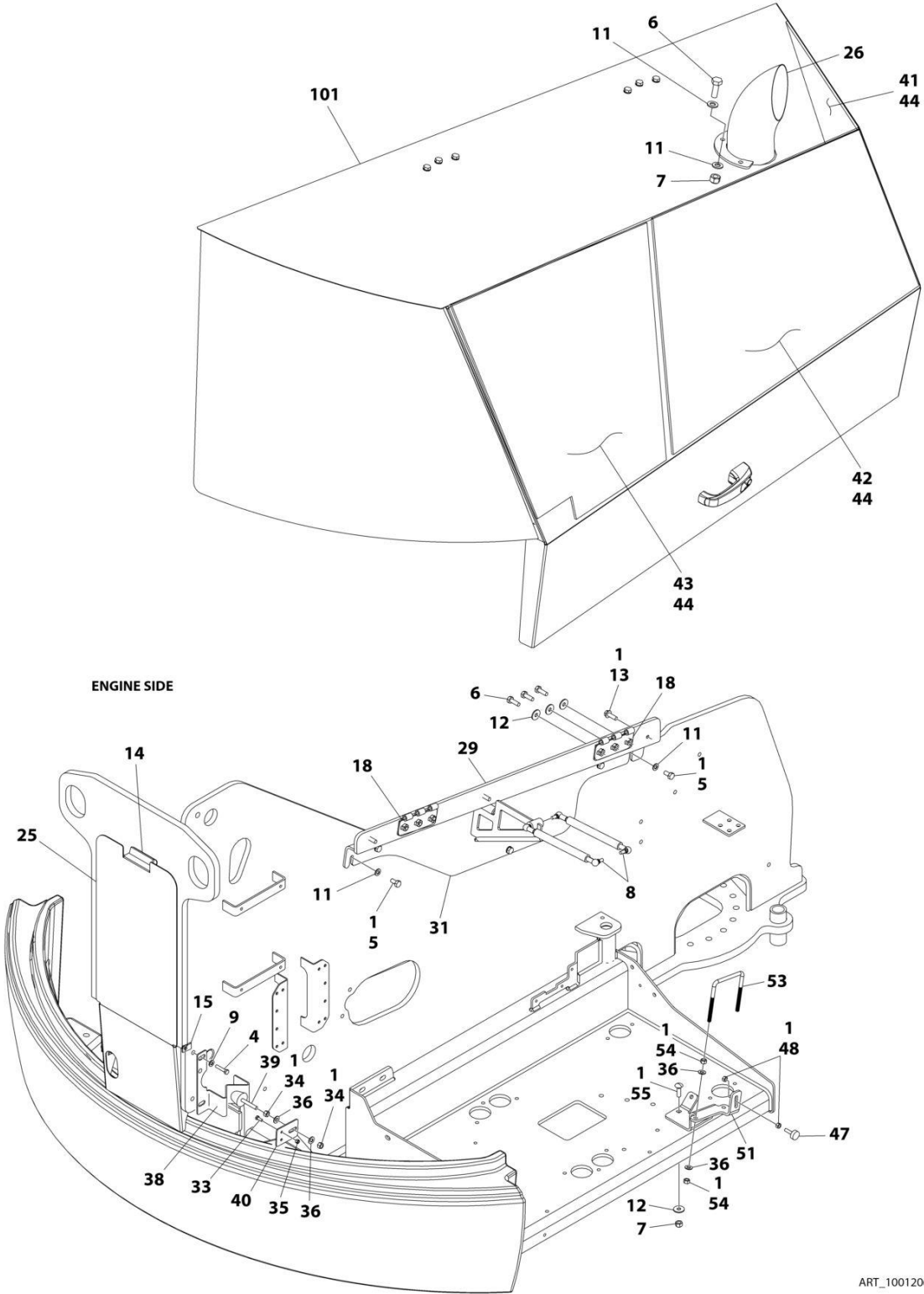
SECTION 2 - TURNTABLE

FIGURE 2-48. HOOD INSTALLATION - STEEL



ART_1001206402_L_10F2

SECTION 2 - TURNTABLE



ART_1001206402_L_20F2

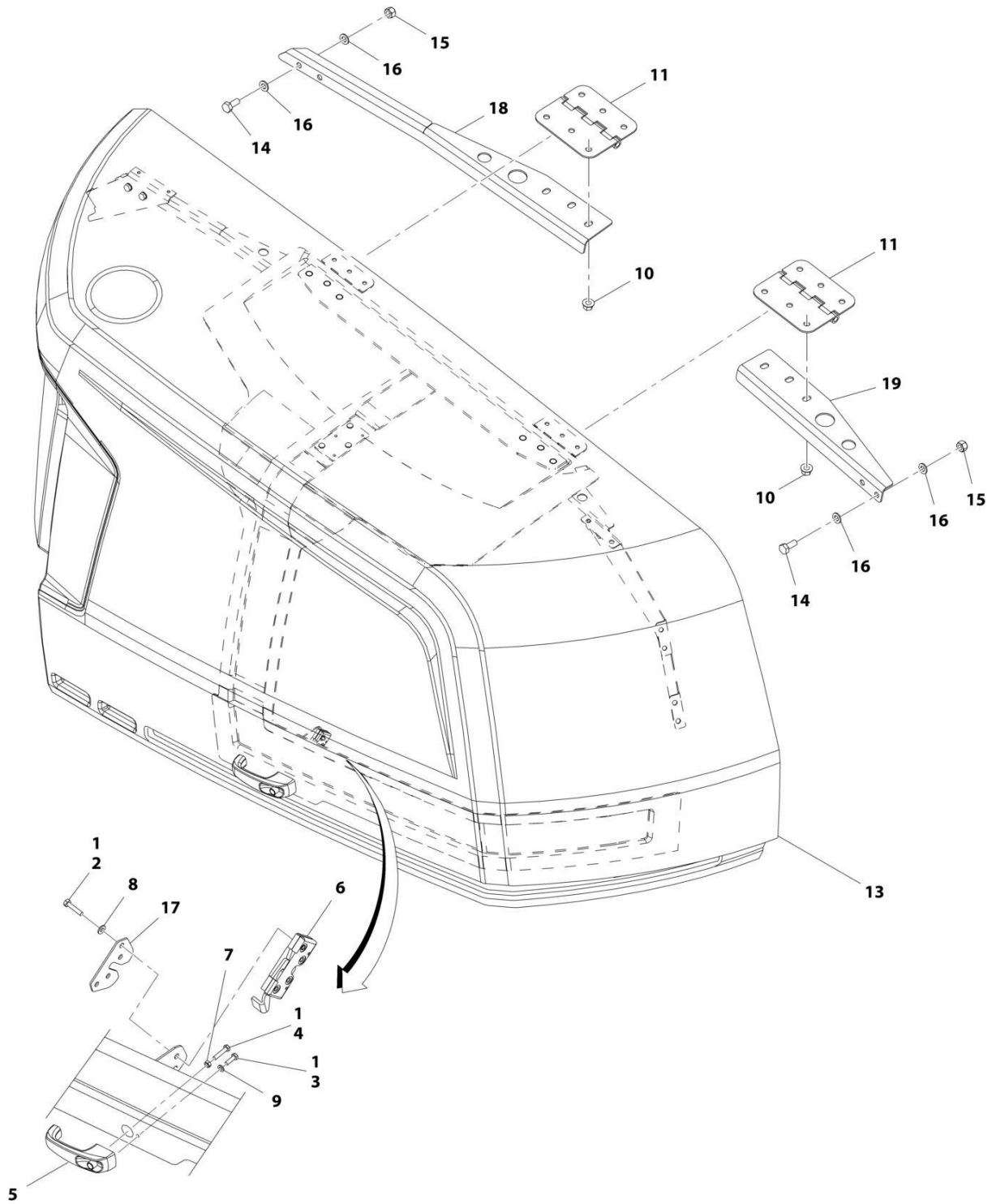
SECTION 2 - TURNTABLE

FIGURE 2-48. HOOD INSTALLATION - STEEL

ITEM	PART NUMBER	QTY	DESCRIPTION	REV
	1001206402	Ref	STEEL HOOD INSTALLATION	I
1	0100011	AR	Compound, Locking	
2	0630613	2	Bolt M10 x 30	
4	0760816	4	Bolt M8 x 40	
5	0761012	10	Bolt M10 x 25	
6	0761014	15	Bolt M10 x 30	
7	3291005	7	Nut M10	
8	1001167918	4	Spring, Gas	
9	4811900	4	Washer M8	
11	4812000	16	Washer M10	
12	4812002	16	Washer M10	
13	5251012	8	Bolt M10 x 25	
14	90200755	85 mm	Tape, Gasket	
15	1001149160	4	Nut, Tinnerman M8	
18	1001169046	4	Nut	
25	1001173354	1	Cover	
26	1001174098	1	Outlet, Exhaust	
29	1001211633	1	Plate	
30	1001211636	1	Plate	
31	1001212819	1	Mount, Hinge	
32	1001212822	1	Mount, Hinge	
33	0760608	4	Bolt M6 x 16	
34	3271601	8	Nut 3/8	
35	3290605	4	Nut M6	
36	4711600	12	Washer 3/8	
37	1001199207	1	Bracket, Bumper	
38	1001199901	1	Bracket, Bumper	
39	1001206314	4	Bumper	
40	1001219134	2	Plate, Bumper Mount	
41	1001222043	1	Insulate, Heat Shield	
42	1001222044	1	Insulate, Heat Shield	
43	1001223387	1	Insulate, Heat Shield	
44	1001117140	AR	Tape	
47	0940049	2	Stopper	
48	3311501	4	Nut	
49	1001159323	1	Decal - JLG	
50	1001113047	AR	Adhesive (Not Shown)	
51	1001250287	1	Bracket, Engine	
52	1001250289	1	Bracket, Tank	
53	1001243414	2	Bolt, U-Bolt	
54	3311601	8	Nut 3/8	
55	1001228406	2	Bolt, Carriage	
100	1001285143	1	Hood Kit (Not Shown - Includes Items 101 & 102)	
101	1001206404	1	Steel Hood Assembly - Engine Side (See Separate Breakdown in this Section)	
102	1001285142	1	Steel Hood Assembly - Tank Side (See Separate Breakdown in this Section)	

SECTION 2 - TURNTABLE

FIGURE 2-49. ABS HOOD ASSEMBLY - ENGINE SIDE



ART_1001170551

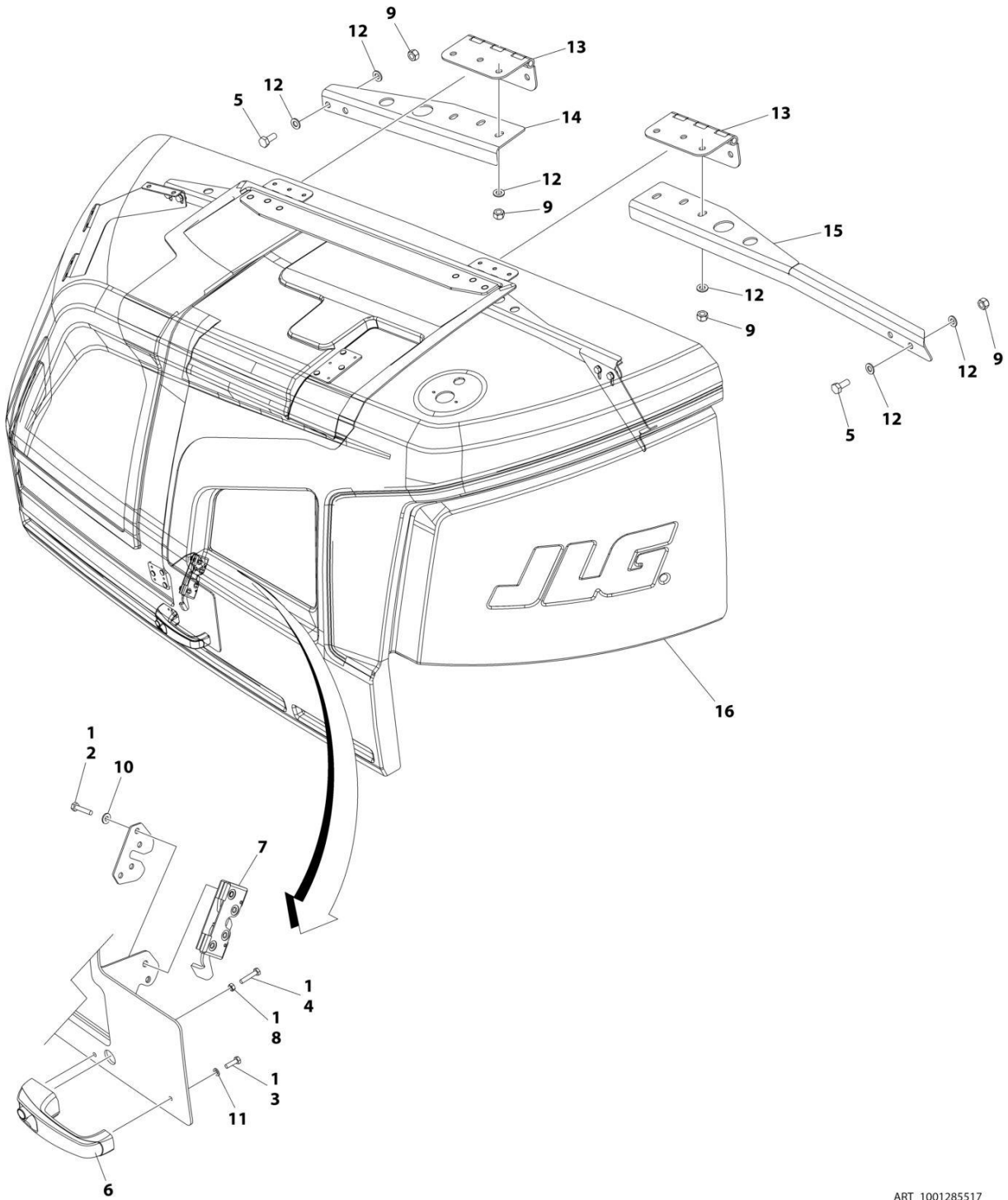
SECTION 2 - TURNTABLE

FIGURE 2-49. ABS HOOD ASSEMBLY - ENGINE SIDE

ITEM	PART NUMBER	QTY	DESCRIPTION	REV
	1001170551	Ref	HOOD ASSEMBLY - ENGINE SIDE	F
1	0100011	AR	Compound, Locking	
2	0641410	4	Bolt 1/4 x 1-1/4	
3	0760610	2	Bolt M6 x 20	
4	0760614	1	Bolt M6 x 30	
5	2560187	1	Handle, Push Button	
6	2940173	1	Latch, Rotary	
7	3290601	1	Nut M6	
8	4711400	4	Washer 1/4	
9	4811700	2	Washer M6	
10	5261018	6	Nut M10 Grade 10.9	
11	1001139384	2	Hinge	
13	See Note	NSS	Hood - Engine Side (Note: Purchase pn 1001170551)	
14	0761012	4	Bolt M10 x 25	
15	3291005	4	Nut M10	
16	4812000	8	Washer M10	
17	1001200458	1	Plate	
18	1001201636	1	Hood Support	
19	1001201635	1	Hood Support	

SECTION 2 - TURNTABLE

FIGURE 2-50. ABS HOOD ASSEMBLY - TANK SIDE



ART_1001285517

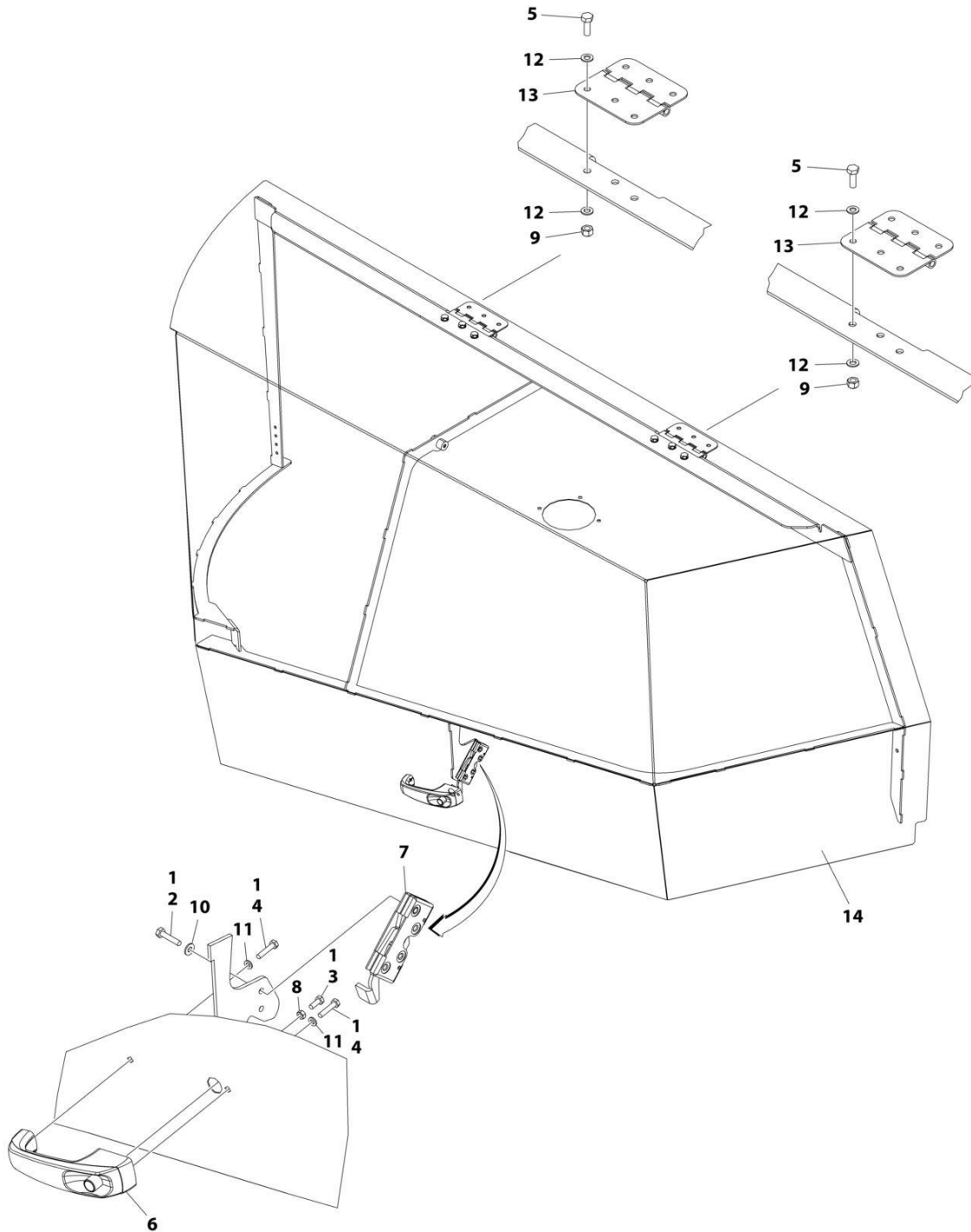
SECTION 2 - TURNTABLE

FIGURE 2-50. ABS HOOD ASSEMBLY - TANK SIDE

ITEM	PART NUMBER	QTY	DESCRIPTION	REV
	1001285517	Ref	ABS HOOD ASSEMBLY - TANK SIDE	A
1	0100011	AR	Compound, Locking	
2	0641410	4	Bolt 1/4 x 1-1/4	
3	0760610	2	Bolt M6 x 20	
4	0760614	1	Bolt M6 x 30	
5	0761012	4	Bolt M10 x 25	
6	2560187	1	Handle, Push Button	
7	2940173	1	Latch, Rotary	
8	3290601	1	Nut M6	
9	3291005	10	Nut M10	
10	4711400	4	Washer 1/4	
11	4811700	2	Washer M6	
12	4812000	14	Washer M10	
13	1001139384	2	Hinge	
14	1001201633	1	Hood Support	
15	1001201634	1	Hood Support	
16	See Note	NSS	Hood (Note: Use PN 1001285517)	

SECTION 2 - TURNTABLE

FIGURE 2-51. STEEL HOOD ASSEMBLY - ENGINE SIDE



ART_1001206404

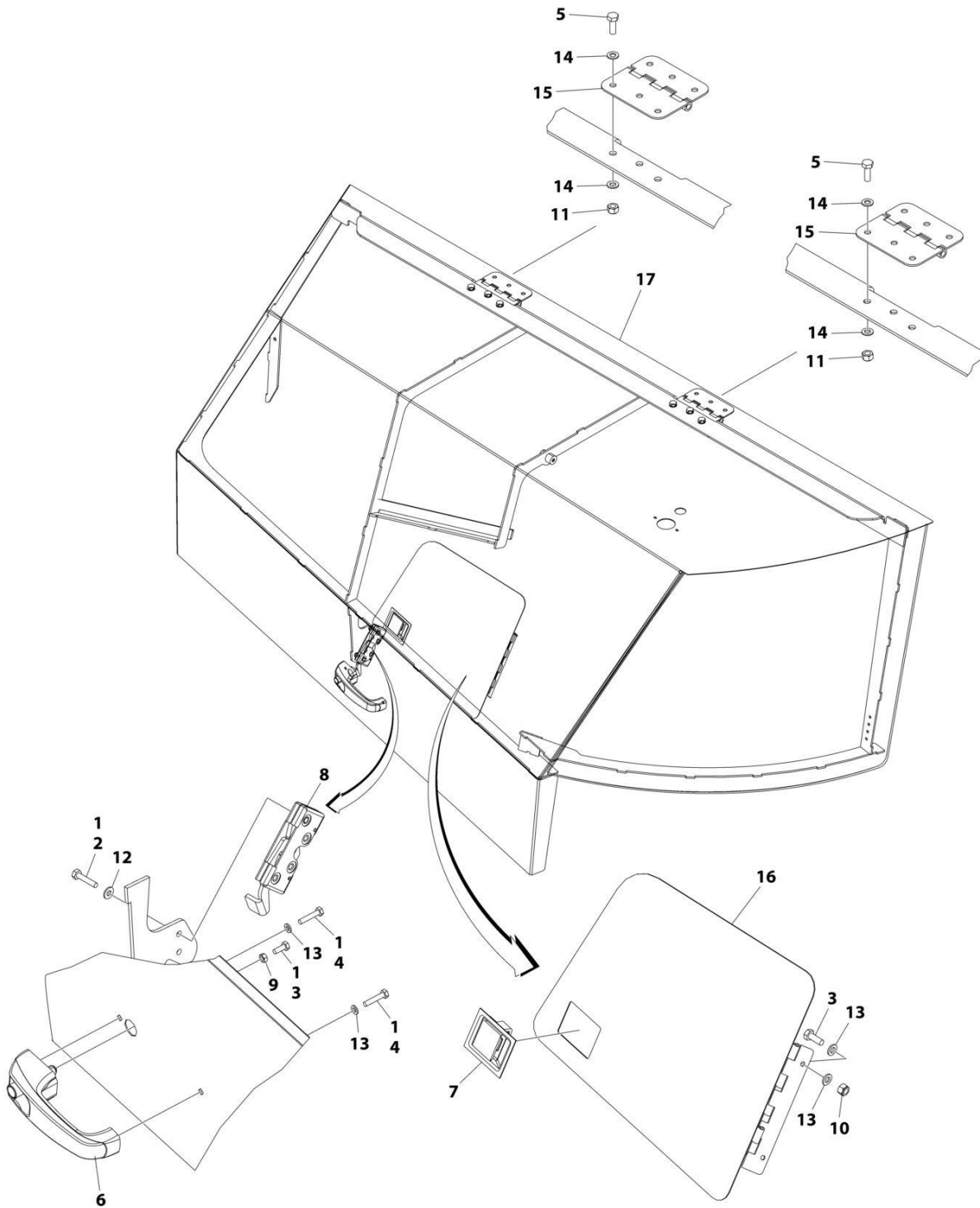
SECTION 2 - TURNTABLE

FIGURE 2-51. STEEL HOOD ASSEMBLY - ENGINE SIDE

ITEM	PART NUMBER	QTY	DESCRIPTION	REV
	1001206404	Ref	STEEL HOOD ASSEMBLY - ENGINE SIDE	E
1	0100011	AR	Compound, Locking	
2	0641410	4	Bolt 1/4 x 1-1/4	
3	0760608	1	Bolt M6 x 16	
4	0760614	2	Bolt M6 x 30	
5	0761014	6	Bolt M10 x 30	
6	2560187	1	Handle, Push Button	
7	2940173	1	Latch, Rotary	
8	3290601	1	Nut M6	
9	3291005	6	Nut M10	
10	4711400	4	Washer 1/4	
11	4811700	2	Washer M6	
12	4812000	12	Washer M10	
13	1001139384	2	Hinge	
14	1001206405	1	Hood, Engine Side	

SECTION 2 - TURNTABLE

FIGURE 2-52. STEEL HOOD ASSEMBLY - TANK SIDE



ART_1001285142

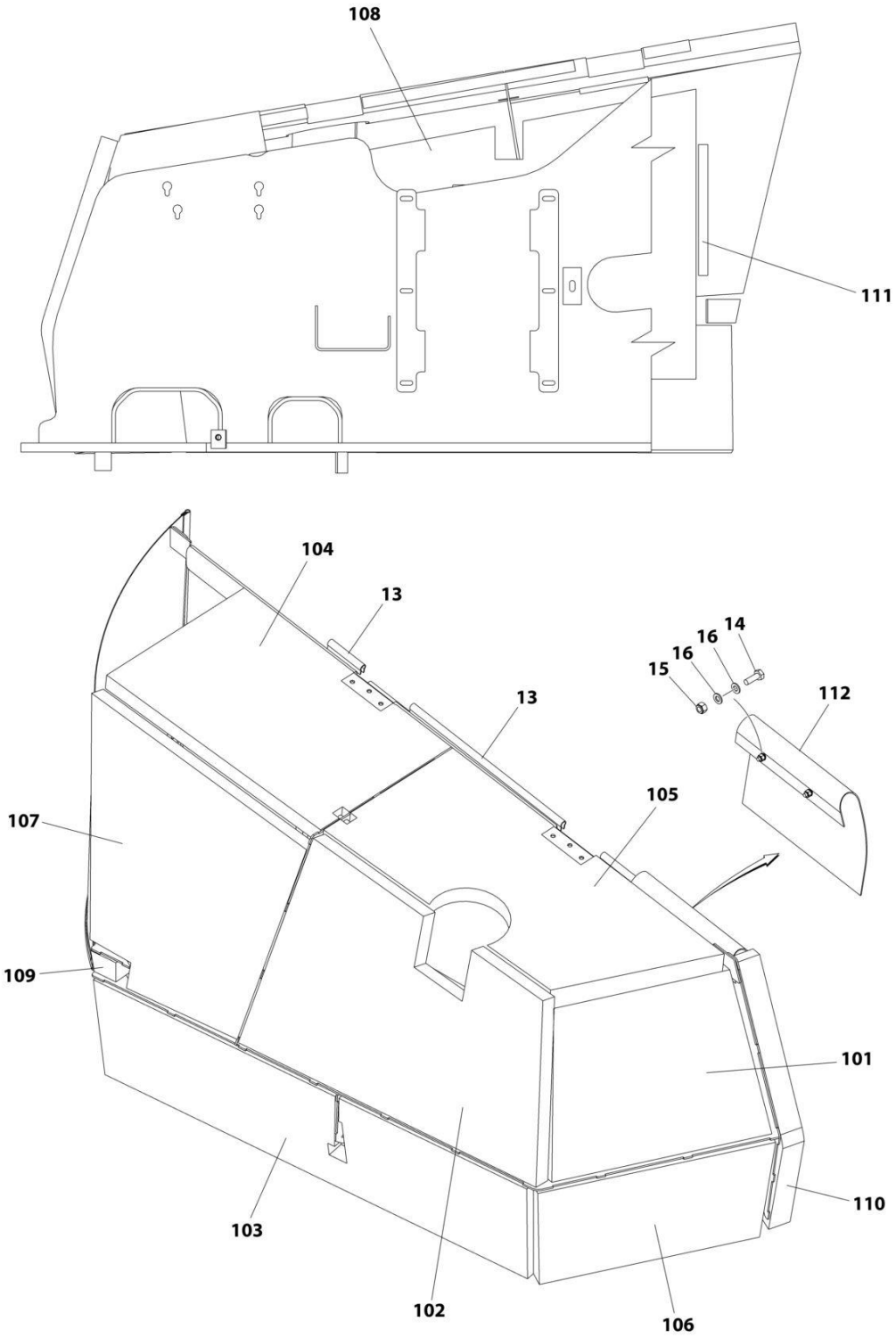
SECTION 2 - TURNTABLE

FIGURE 2-52. STEEL HOOD ASSEMBLY - TANK SIDE

ITEM	PART NUMBER	QTY	DESCRIPTION	REV
	1001285142	Ref	STEEL HOOD ASSEMBLY - TANK SIDE	B
1	0100011	AR	Compound, Locking	
2	0641410	4	Bolt 1/4 x 1-1/4	
3	0760608	3	Bolt M6 x 16	
4	0760614	2	Bolt M6 x 30	
5	0761014	6	Bolt M10 x 30	
6	2560187	1	Handle, Push Button	
7	2940045	1	Latch, Paddle	
8	2940173	1	Latch, Rotary	
9	3290601	1	Nut M6	
10	3290605	2	Nut M6	
11	3291005	6	Nut M10	
12	4711400	4	Washer 1/4	
13	4811700	6	Washer M6	
14	4812000	12	Washer M10	
15	1001139384	2	Hinge	
16	1001207726	1	Door, Ground Control Panel	
17	See Note	NSS	Hood (Note: Use PN 1001285142)	

SECTION 2 - TURNTABLE

FIGURE 2-53. SOUND REDUCTION INSTALLATION - KUBOTA ENGINE MACHINES WITH STEEL HOODS



ART_1001233048

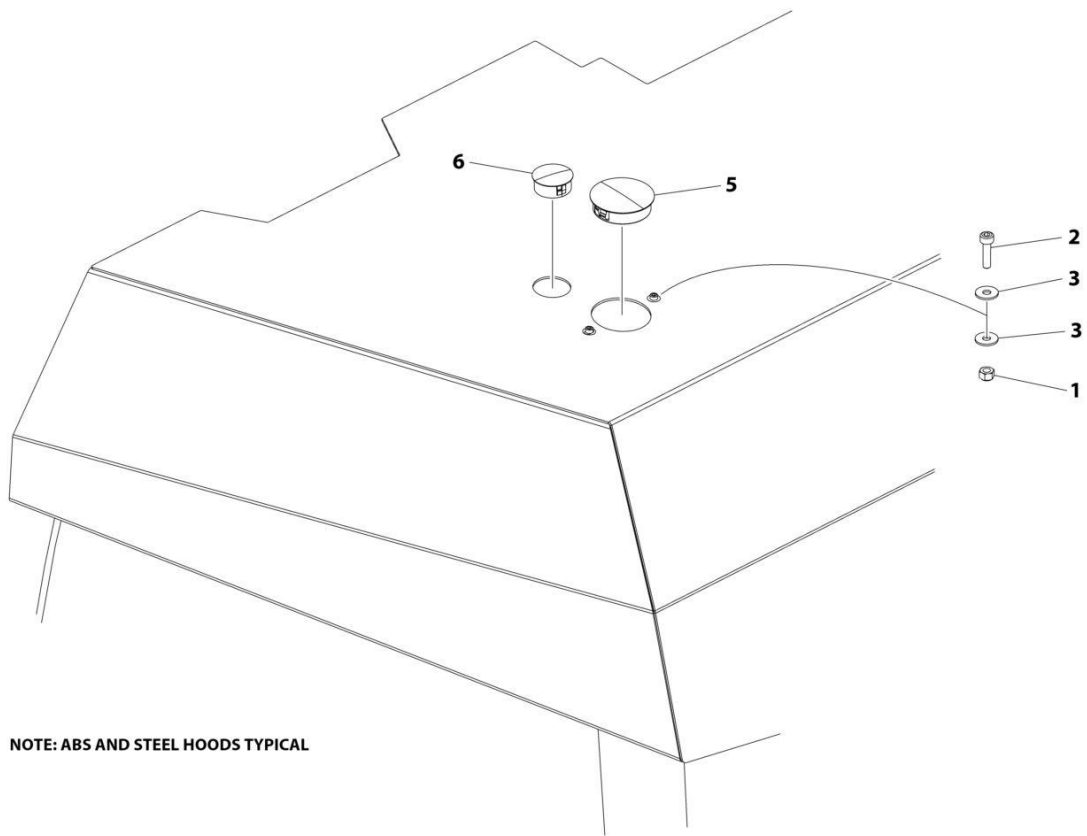
SECTION 2 - TURNTABLE

FIGURE 2-53. SOUND REDUCTION INSTALLATION - KUBOTA ENGINE MACHINES WITH STEEL HOODS

ITEM	PART NUMBER	QTY	DESCRIPTION	REV
	1001233048	Ref	SOUND REDUCTION INSTALLATION	C
13	3960389	11 ft/ 3.4m	Flex-Trim	
14	0761014	2	Bolt M10 x 30	
15	3291005	2	Nut M10	
16	4812000	4	Washer M10	
100	1001237549	Ref	Sound Insulation Kit (Includes Item 101-112)	
101	1001232907	1	Shield, Sound	
102	1001232908	1	Shield, Sound	
103	1001232913	1	Shield, Sound	
104	1001232915	1	Shield, Sound	
105	1001232916	1	Shield, Sound	
106	1001232917	1	Shield, Sound	
107	1001233075	1	Shield, Sound	
108	1001233076	1	Shield, Sound	
109	1001233077	1	Shield, Sound	
110	1001233412	1	Shield, Sound	
111	1001233413	2	Shield, Sound	
112	1001233436	1	Baffle Rubber	

SECTION 2 - TURNTABLE

FIGURE 2-54. HOOD PLUGS INSTALLATION (HOODS WITHOUT STROBE LIGHT)



NOTE: ABS AND STEEL HOODS TYPICAL

ART_1001285811

SECTION 2 - TURNTABLE

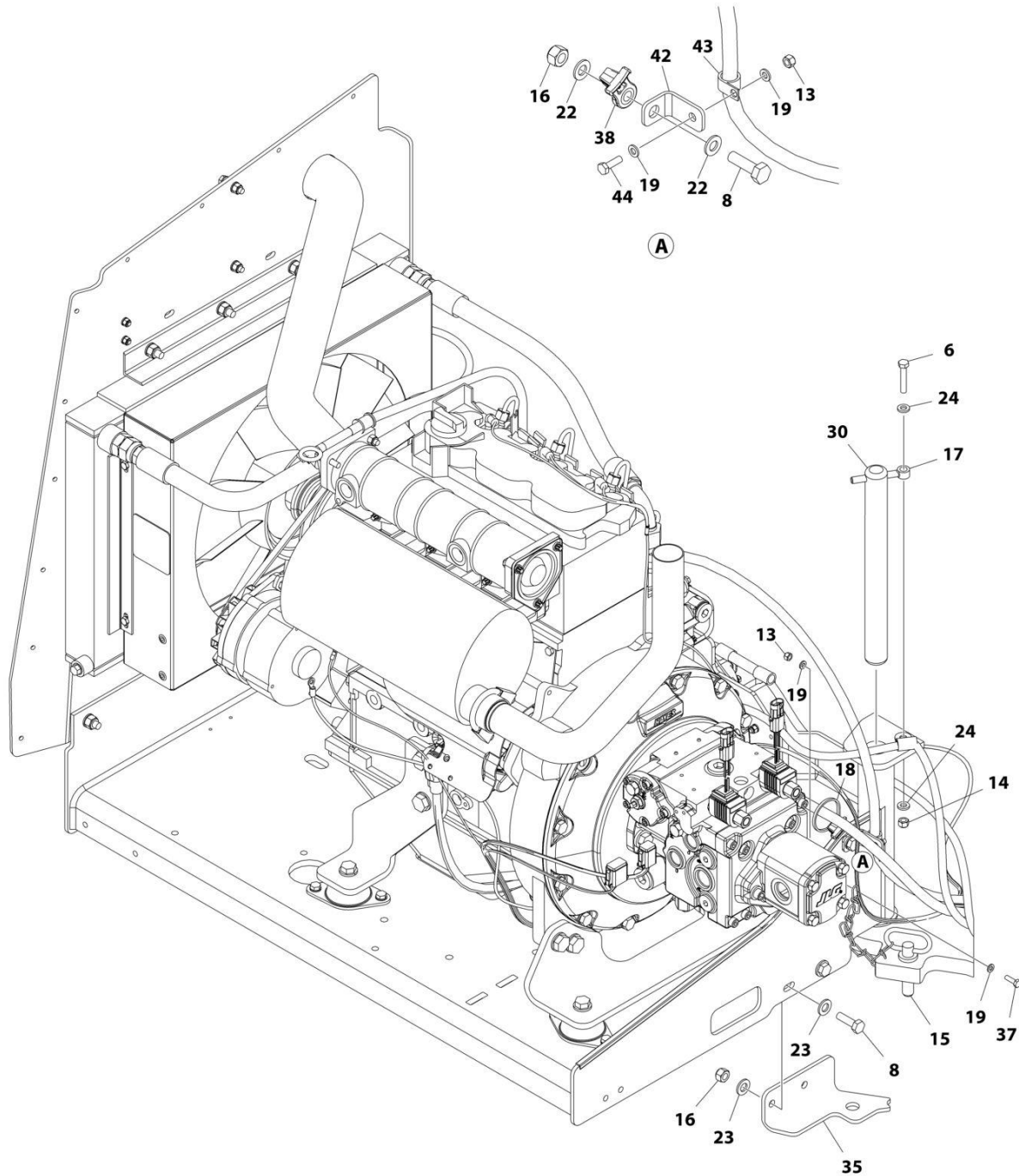
FIGURE 2-54. HOOD PLUGS INSTALLATION (HOODS WITHOUT STROBE LIGHT)

ITEM	PART NUMBER	QTY	DESCRIPTION	REV
	1001285811	Ref	HOOD PLUGS INSTALLATION	A
1	3290405	2	Nut M4	
2	4031507	2	Capscrew M4 x 16	
3	1001091102	4	Washer M6	
4	1001244462	1	Cap, Dust (Not Shown)	
5	1001285891	1	Plug	
6	1001285892	1	Plug	

SECTION 3 - ENGINE

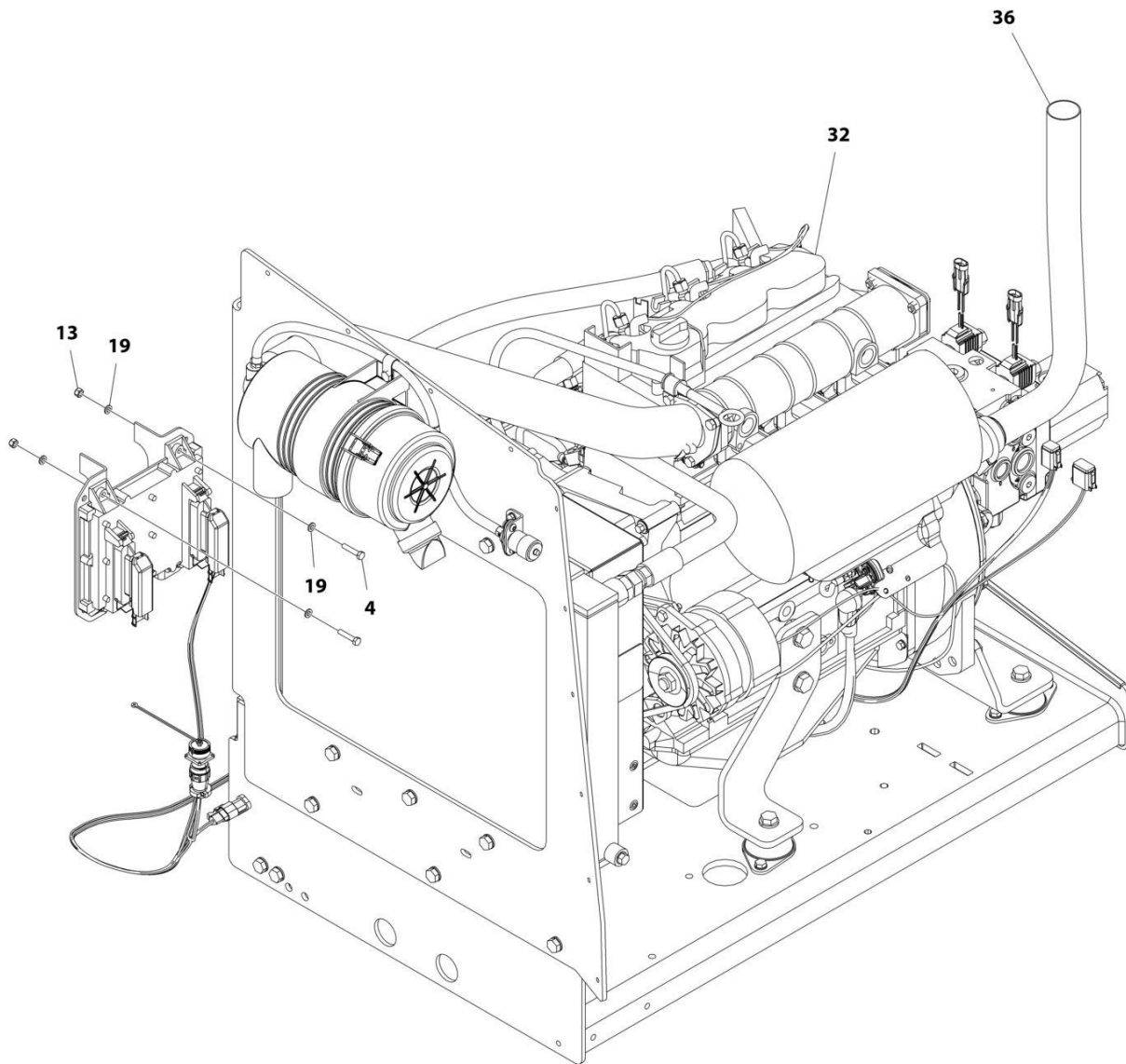
SECTION 3 - ENGINE

FIGURE 3-1. ENGINE INSTALLATION - DEUTZ D2011 ENGINE (WITHOUT ARCTIC PACKAGE) (ANSI EXPORT(LRC), AUSTRALIAN, CE(LRC), CHINA & UK CA SPECS)



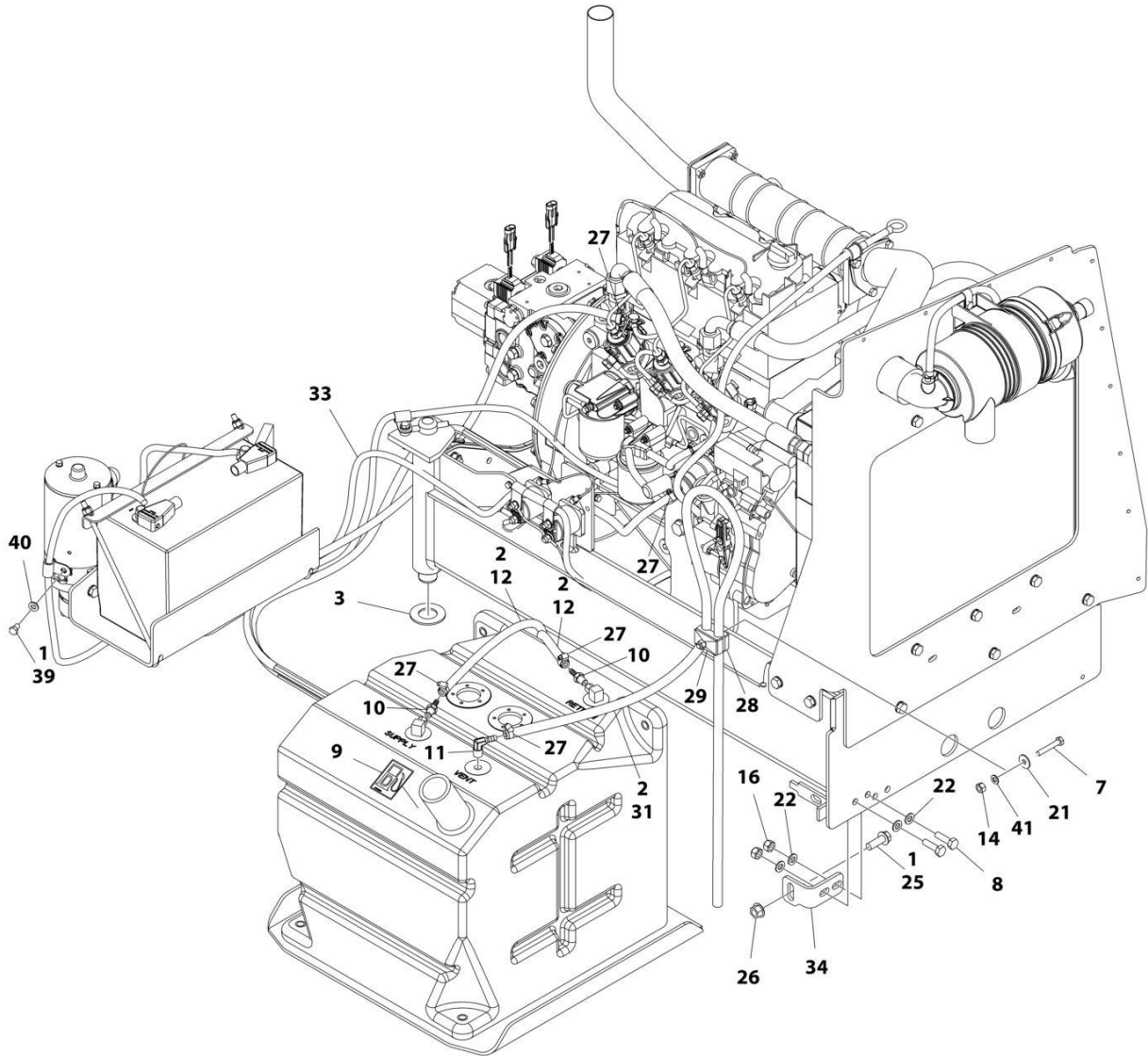
ART_1001166022_10F3

SECTION 3 - ENGINE



ART_1001166022_2OF3

SECTION 3 - ENGINE



ART_1001166022_30F3

SECTION 3 - ENGINE

FIGURE 3-1. ENGINE INSTALLATION - DEUTZ D2011 ENGINE (WITHOUT ARCTIC PACKAGE) (ANSI EXPORT(LRC), AUSTRALIAN, CE(LRC), CHINA & UK CA SPECS)

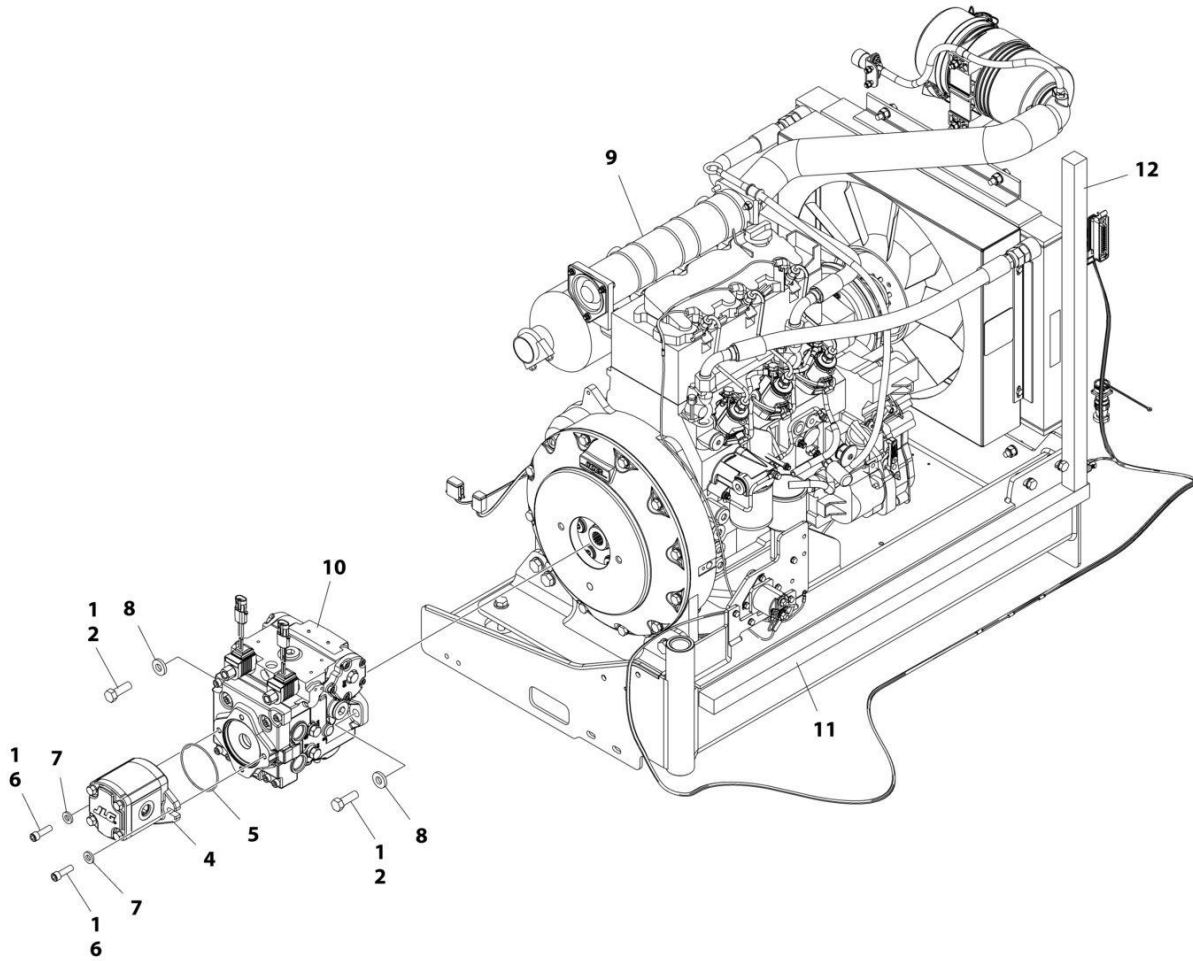
ITEM	PART NUMBER	QTY	DESCRIPTION	REV
	1001166022	Ref	ENGINE INSTALLATION - DEUTZ D2011 ENGINE (WITHOUT ARCTIC PACKAGE)	I
1	0100011	AR	Compound, Locking	
2	0100020	AR	Sealant, Pipe	
3	0440162	1	Bearing	
4	0700614	4	Bolt M6 x 30	
6	0700817	1	Bolt M8 x 45	
7	0700821	1	Bolt M8 x 65	
8	0761015	5	Bolt M10 x 35	
9	1701505	1	Decal - Diesel Fuel	
10	2180348	2	Fitting, Barbed	
11	2220313	1	Fitting, Barbed 90	
12	2720058	17 ft / 5.18m	Hose	
13	3290605	5	Nut M6	
14	3290805	2	Nut M8	
15	3422532	1	Pin	
16	3291005	5	Nut M10	
17	3841143	1	Pin	
18	4240099	AR	Tie-Strap	
19	4811700	12	Washer M6	
21	4811902	1	Washer M8	
22	4812000	6	Washer M10	
23	4812100	4	Washer M12	
24	5240800	2	Washer M8 Hardened	
25	5251215	1	Bolt M12 x 35	
26	5261200	1	Nut, Flange M12 Class10	
27	8405009	5	Clamp	
28	1320187	1	Clamp	
29	1320190	1	Clamp	
30	1001135196	1	Pin	
31	2750532	6 ft/ 1.83m	Hose	
32	1001166021	1	Engine and Pump Sub-Assembly - Deutz D2011 (Without Arctic Package) (See Separate Breakdown in this Section)	
33	1001167038	1	Battery Cable Kit	G
33	70009004	1	Cable, Battery (Black) (Battery Negative, Auxiliary Power Pump, Turntable Ground to Engine Ground)	
33	70009005	1	Cable, Battery (Red) (Battery Positive, Auxiliary Power Relay, Starter Relay to Starter)	
33	70009002	1	Cable, Battery (Red) (Auxiliary Power Relay to Auxiliary Power Pump)	
34	1001167512	1	Bracket, Engine	
35	1001169823	1	Plate, Engine Lock	
36	1001172195	1	Pipe, Exhaust	
37	0760610	1	Bolt M6 x 20	
38	1001156107	1	Holder, Cable	
39	0641504	1	Bolt 5/16 x 1/2	
40	4711500	1	Washer 5/16	
41	4811900	AR	Washer M8	

SECTION 3 - ENGINE

ITEM	PART NUMBER	QTY	DESCRIPTION	REV
42	1001148641	1	Bracket, Clamp Mounting	
43	1320224	1	Clamp, Cable	
44	0700610	1	Bolt M6 x 20	

SECTION 3 - ENGINE

FIGURE 3-2. ENGINE AND PUMP SUB-ASSEMBLY - DEUTZ D2011 (WITHOUT ARCTIC PACKAGE)
(AUSTRALIAN AND CHINA SPECS)



ART_1001166021_G

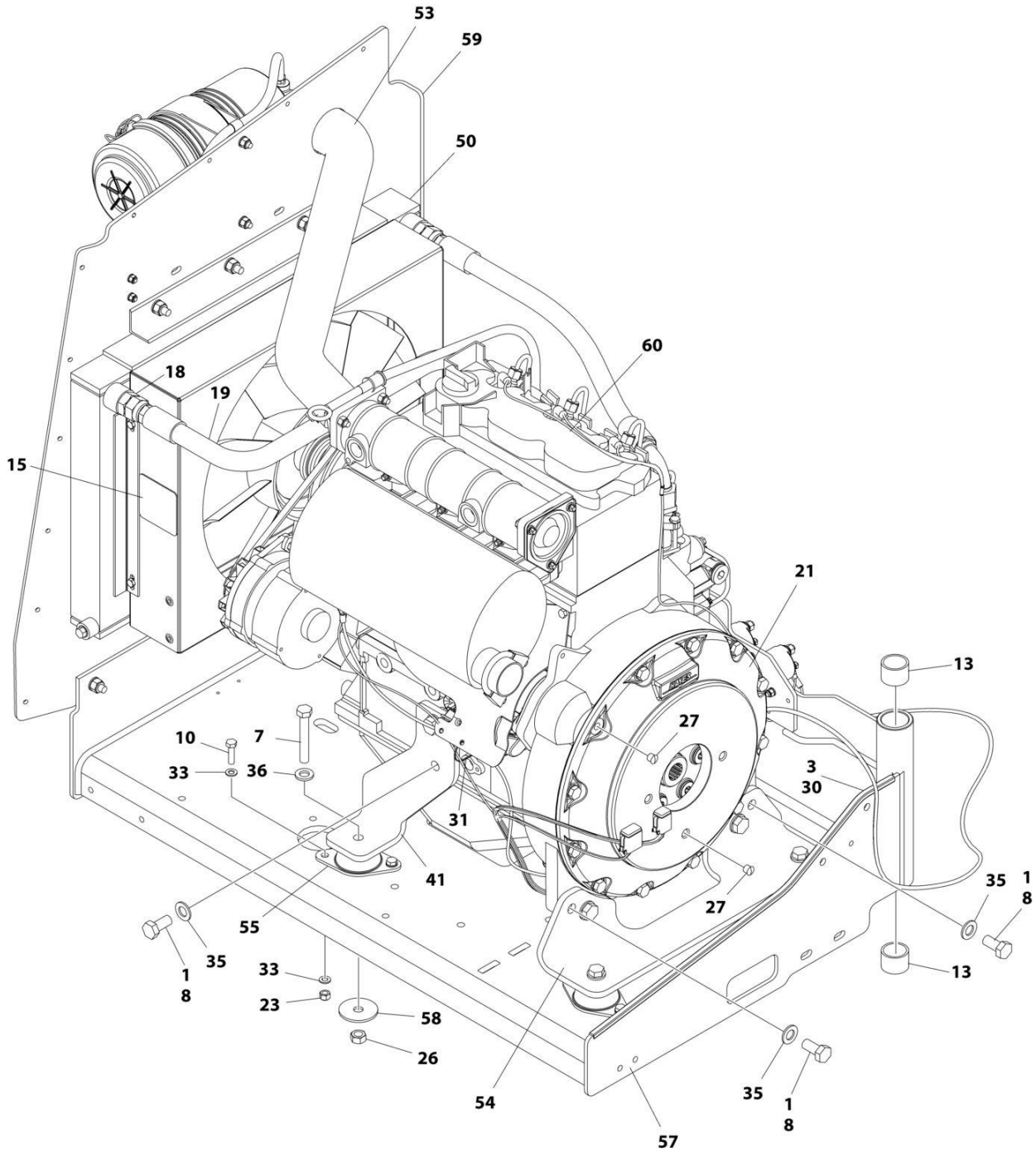
SECTION 3 - ENGINE

**FIGURE 3-2. ENGINE AND PUMP SUB-ASSEMBLY - DEUTZ D2011 (WITHOUT ARCTIC PACKAGE)
(AUSTRALIAN AND CHINA SPECS)**

ITEM	PART NUMBER	QTY	DESCRIPTION	REV
	1001166021	Ref	ENGINE AND PUMP SUB-ASSEMBLY - DEUTZ D2011 (WITHOUT ARCTIC PACKAGE)	G
1	0100011	AR	Compound, Locking	
2	0641812	2	Bolt 1/2 x 1-1/2	
4	1001214207	1	Gear Pump Assembly	
4	70006356	1	Seal Kit	
5	3790152	1	O-Ring	
6	3931618	2	Capscrew 3/8 x 1-1/8	
7	4891600	2	Washer 3/8 Hardened	
8	4891800	2	Washer 1/2 Hardened	
9	1001166020	1	Engine Assembly - Deutz D2011 Engine (Without Arctic Package) (See Separate Breakdown in this Section)	
10	1001167036	1	Piston Pump Assembly (See Separate Breakdown in this Section)	
11	1001171953	1	Seal	
12	1001171954	1	Seal	

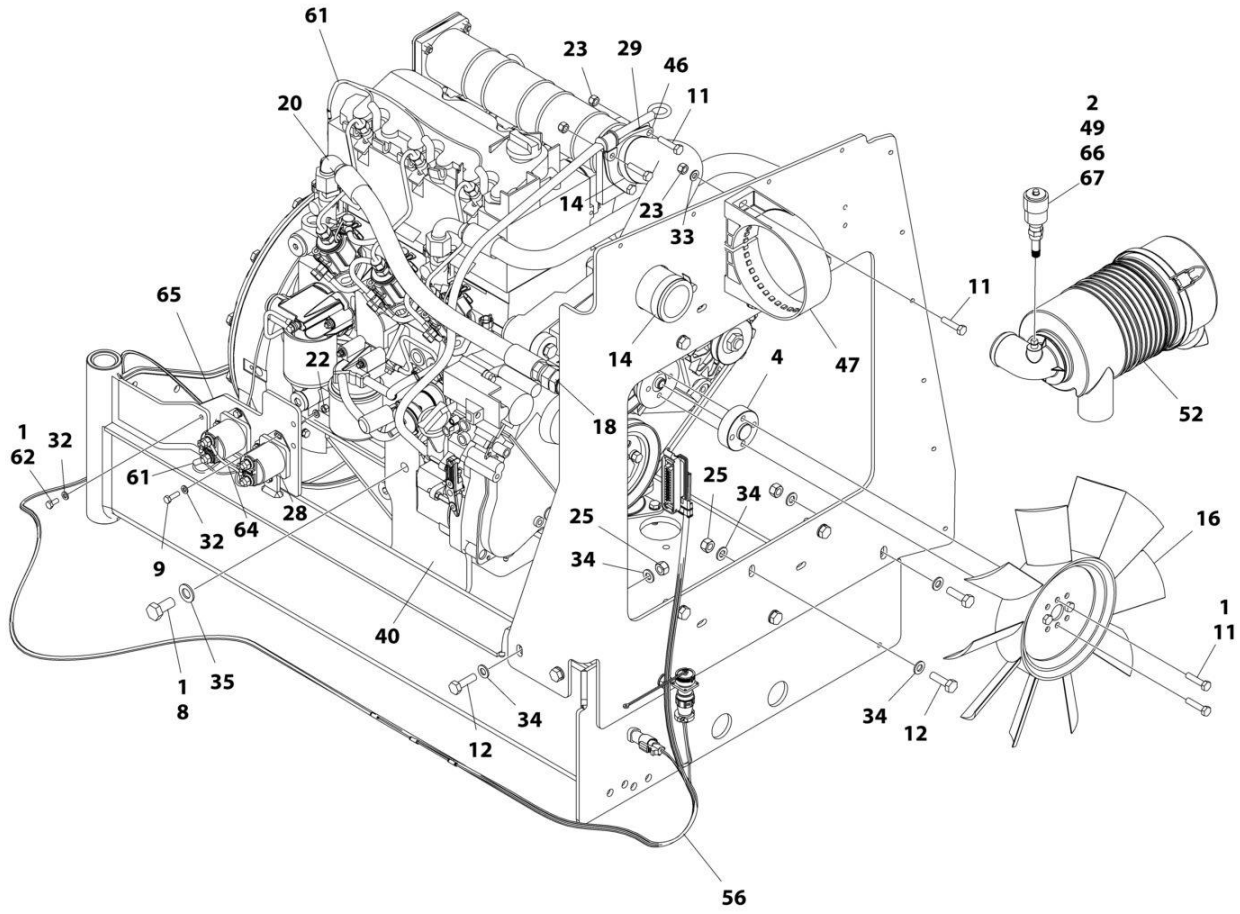
SECTION 3 - ENGINE

FIGURE 3-3. ENGINE ASSEMBLY - DEUTZ D2011 ENGINE (WITHOUT ARCTIC PACKAGE)
(AUSTRALIAN AND CHINA SPECS)



ART_1001166020_P_10F2

SECTION 3 - ENGINE



ART_1001166020_P_20F2

SECTION 3 - ENGINE

**FIGURE 3-3. ENGINE ASSEMBLY - DEUTZ D2011 ENGINE (WITHOUT ARCTIC PACKAGE)
(AUSTRALIAN AND CHINA SPECS)**

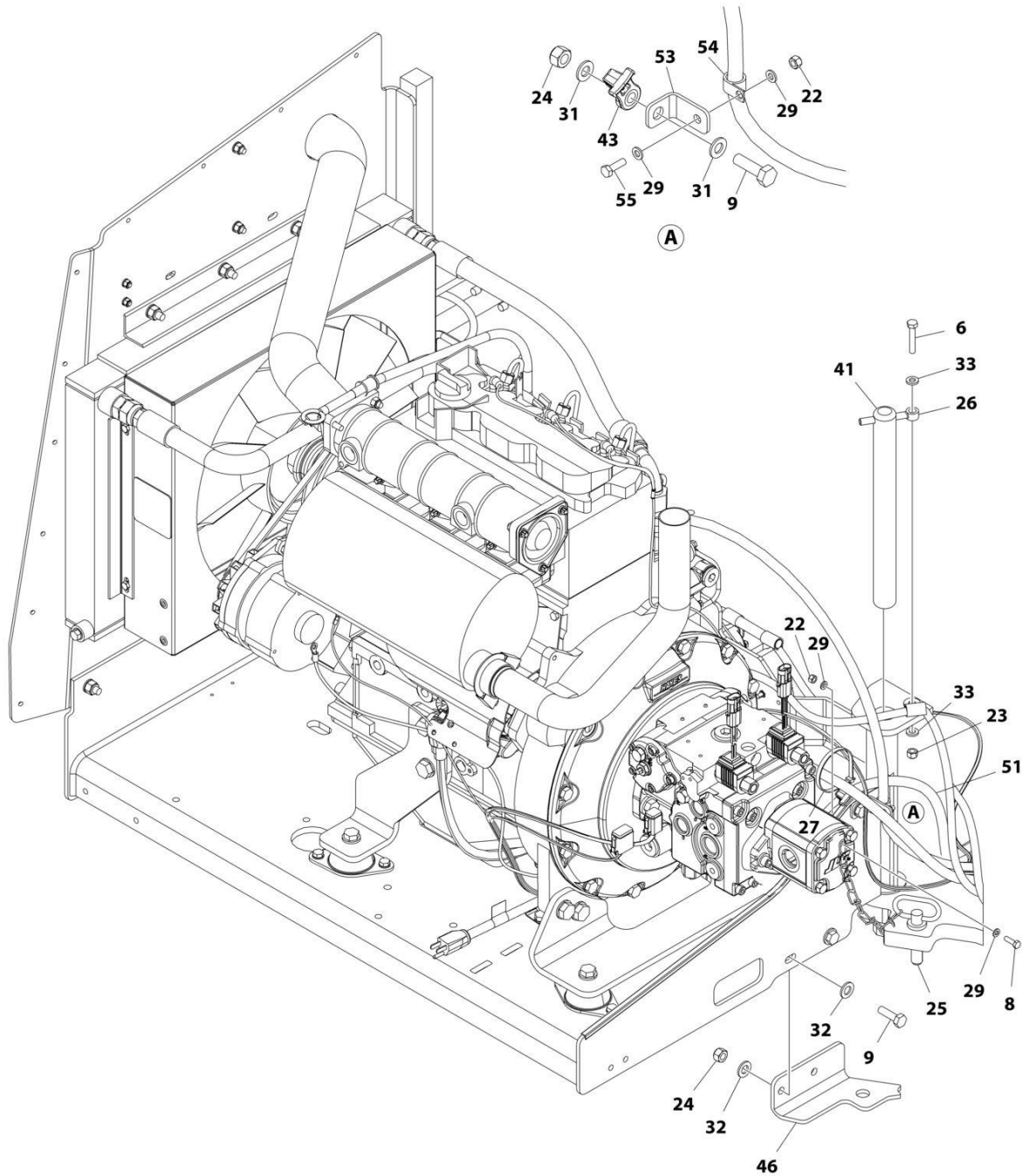
ITEM	PART NUMBER	QTY	DESCRIPTION	REV
	1001166020	Ref	ENGINE ASSEMBLY - DEUTZ D2011 ENGINE (WITHOUT ARCTIC PACKAGE)	P
1	0100011	AR	Compound, Locking	
2	0100020	AR	Sealant, Pipe	
3	0100081	AR	Adhesive	
4	0080231	1	Spacer, Fan	
7	0711224	4	Bolt M12 x 80 Class 10.9	
8	0771414	8	Bolt M14 x 30 Class 10.9	
9	0760610	4	Bolt M6 x 20	
10	0760814	8	Bolt M8 x 30	
11	0760815	9	Bolt M8 x 35	
12	0761015	11	Bolt M10 x 35	
13	0961951	2	Bushing	
14	1320016	2	Clamp	
15	1703162	2	Decal - Caution Fan	
16	2060025	1	Fan	
18	2220451	2	Fitting, Straight JIC/ORB	
19	2720398	1	Hose	
20	2720447	1	Hose	
21	2902065	1	Pump Coupling Kit (See Separate Breakdown in this Section)	
22	3290605	4	Nut M6 x 1	
23	3290805	13	Nut M8 x 1-1/4	
25	3291005	11	Nut M10 x 1-1/2	
26	3331215	4	Nut M12 x 1-3/4	
27	3520054	2	Plug	
28	3740067	2	Relay Assembly	
28	3300220	2	Nut	
28	3321001	1	Nut #10	
28	3740140	1	Relay	
28	4761000	1	Washer #10	
28	1001111424	2	Washer	
29	3960407	1	Gasket	
30	4060805	2.25 ft/ 0.69m	Trim-Flex	
31	4240099	AR	Tie-Strap	
32	4811700	11	Washer M6	
33	4811900	20	Washer M8	
34	4812000	22	Washer M10	
35	4812200	8	Washer M14	
36	5241200	4	Washer M12	
40	1001132195	1	Bracket, Engine Mount	
41	1001132196	1	Bracket, Engine Mount	
46	1001139819	1	Adapter, Air Intake	
47	1001141694	1	Clamp, Air Cleaner	
49	1001143390	1	Indicator	
50	1001150998	1	Radiator	
52	1001165388	1	Air Cleaner Assembly	
52	70003783	1	Element, Air Cleaner	
53	1001165389	1	Hose	

SECTION 3 - ENGINE

ITEM	PART NUMBER	QTY	DESCRIPTION	REV
54	1001166717	1	Bracket, Engine Mount	
55	1001166718	4	Isolator, Engine Mount	
56	1001167111	1	Harness Engine - Deutz D2011 (See Separate Breakdown in ELECTRICAL Section)	
57	1001167520	1	Tray, Engine	
58	1001168018	4	Washer, Snubbing	
59	1001168059	1	Plate, Radiator Mounting	
60	1001170693	1	Engine, Deutz D2011 (See Separate Breakdown in this Section)	
61	4923451	1	Harness, Glow Plugs	
62	0760614	3	Bolt M6 x 30	
64	1001178859	1	Cable, Alternator	
65	1001214975	1	Bracket	
66	2200261	1	Fitting	
67	1001277432	1	Spacer	

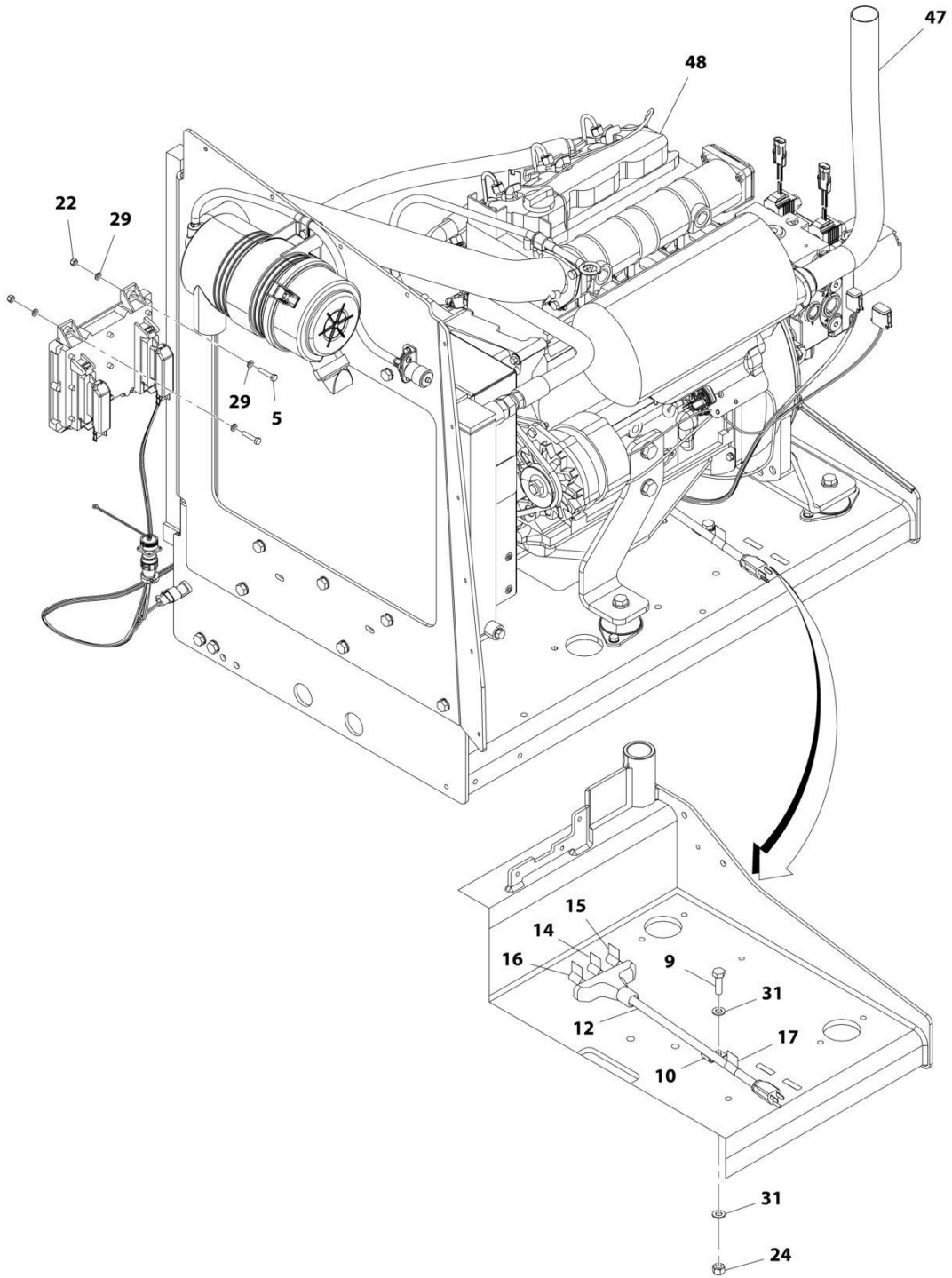
SECTION 3 - ENGINE

FIGURE 3-4. ENGINE INSTALLATION - DEUTZ D2011 ENGINE (WITH ARCTIC PACKAGE) (ANSI EXPORT(LRC), AUSTRALIAN, CE(LRC), CHINA & UK CA SPECS)



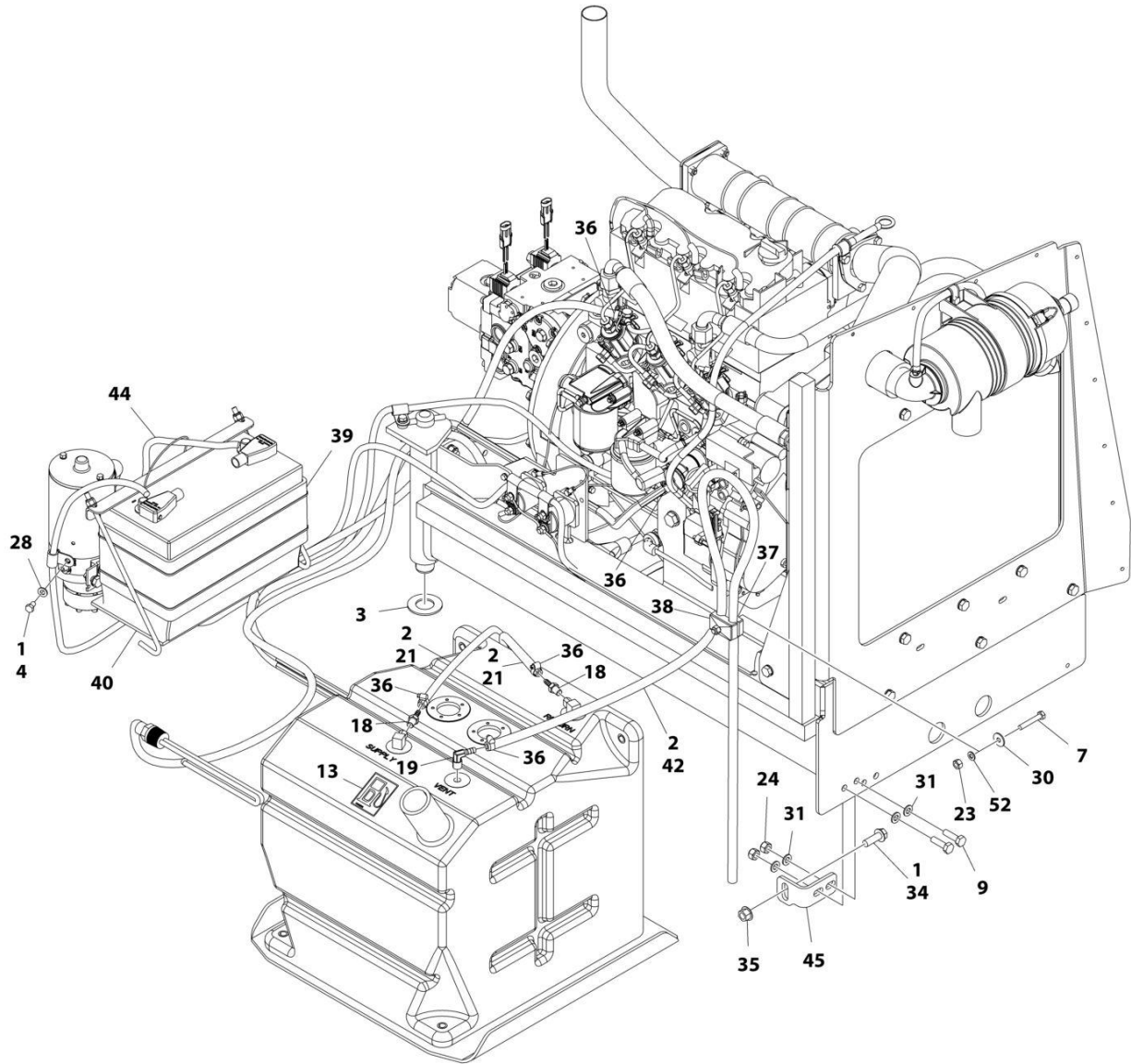
ART_1001166023_10F3

SECTION 3 - ENGINE



ART_1001166023_2OF3

SECTION 3 - ENGINE



ART_1001166023_30F3

SECTION 3 - ENGINE

FIGURE 3-4. ENGINE INSTALLATION - DEUTZ D2011 ENGINE (WITH ARCTIC PACKAGE) (ANSI EXPORT(LRC), AUSTRALIAN, CE(LRC), CHINA & UK CA SPECS)

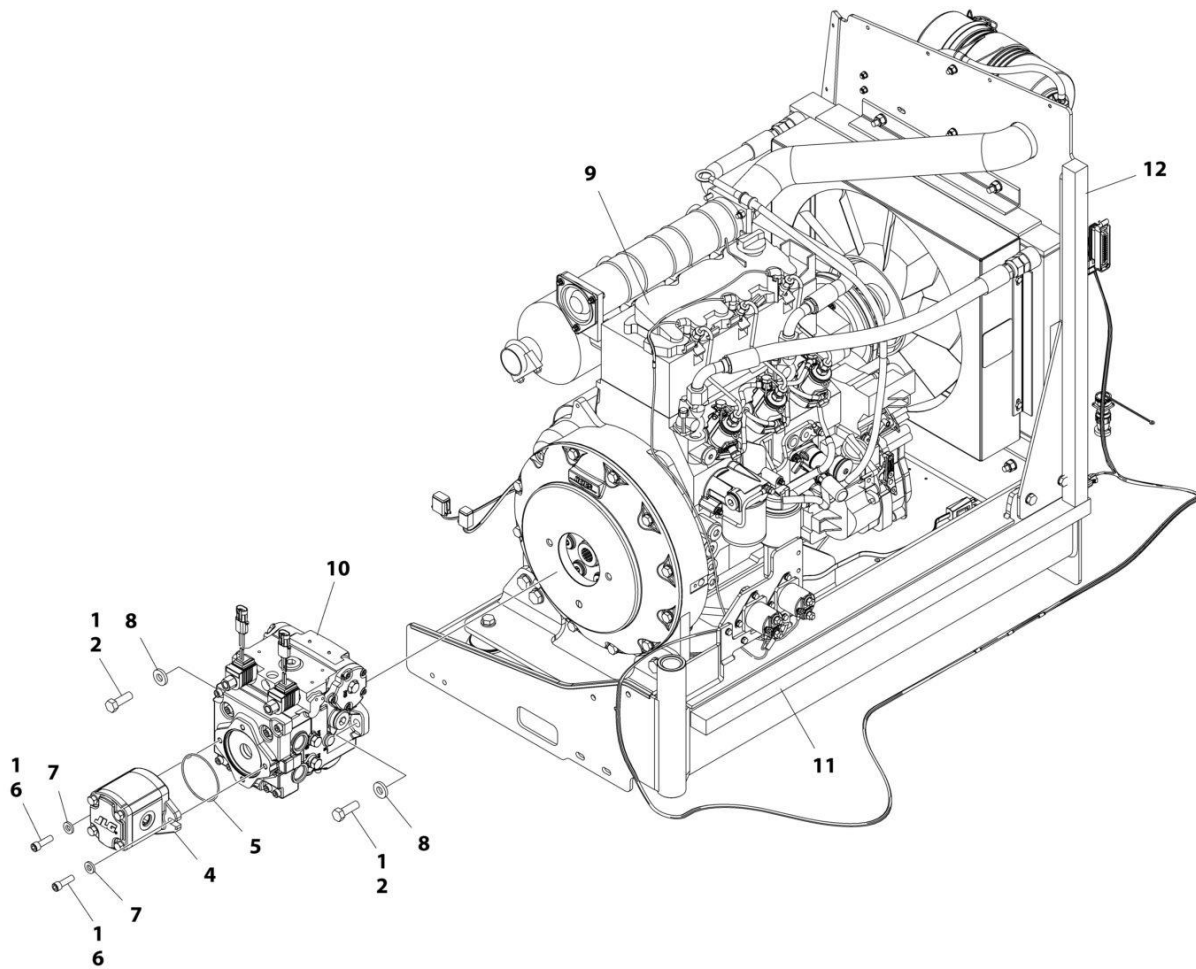
ITEM	PART NUMBER	QTY	DESCRIPTION	REV
	1001166023	Ref	ENGINE INSTALLATION - DEUTZ D2011 ENGINE (WITH ARCTIC PACKAGE)	G
1	0100011	AR	Compound, Locking	
2	0100020	AR	Sealant, Pipe	
3	0440162	1	Bearing	
4	0641504	1	Bolt 5/16 x 1/2	
5	0700614	4	Bolt M6 x 30	
6	0700817	1	Bolt M8 x 45	
7	0700821	1	Bolt M8 x 65	
8	0760610	1	Bolt M6 x 20	
9	0761015	6	Bolt M10 x 35	
10	1320223	1	Clip	
12	1060626	1	Plug, 3 Way	
13	1701505	1	Decal - Diesel Fuel	
14	1702941	1	Decal - Battery Heater	
15	1702942	1	Decal - Engine Block Heater	
16	1702943	1	Decal - Hydraulic Tank Heater	
17	1702944	1	Decal - Heater Cord	
18	2180348	2	Fitting, Barbed	
19	2220313	1	Fitting, Barbed 90	
20	1001188972	1	Heater, Hydraulic Tank	
21	2720058	17 ft / 5.18m	Hose	
22	3290605	6	Nut, Lock M6 x 1	
23	3290805	2	Nut, Lock M8	
24	3291005	6	Nut M10	
25	3422532	1	Pin	
26	3841143	1	Keeper, Pin	
27	4240099	AR	Tie-Strap	
28	4711500	1	Washer, 5/16	
29	4811700	12	Washer, M6	
30	4811902	1	Washer, M8	
31	4812000	8	Washer, M10	
32	4812100	4	Washer, M12	
33	5240800	2	Washer, M8 Hardened	
34	5251215	1	Bolt M12 x 35	
35	5261200	1	Nut, Flange M12 Class10	
36	8405009	5	Clamp	
37	1320187	1	Clamp	
38	1320190	1	Clamp	
39	2580024	1	Heater, Battery	
40	1001119278	1	Insulate	
41	1001135196	1	Pin	
42	2750532	6 ft/ 1.83m	Hose	
43	1001156107	1	Holder, Cable	
44	1001167038	1	Battery Cable Kit	G
44	70009004	1	Cable, Battery (Black) (Battery Negative, Auxiliary Power Pump, Turntable Ground to Engine Ground)	

SECTION 3 - ENGINE

ITEM	PART NUMBER	QTY	DESCRIPTION	REV
44	70009005	1	Cable, Battery (Red) (Battery Positive, Auxiliary Power Relay, Starter Relay to Starter)	
44	70009002	1	Cable, Battery (Red) (Auxiliary Power Relay to Auxiliary Power Pump)	
45	1001167512	1	Bracket, Engine	
46	1001169823	1	Plate, Engine Lock	
47	1001172195	1	Pipe, Exhaust	
48	1001174784	1	Engine and Pump Sub-Assembly - Deutz D2011 (With Arctic Package) (See Separate Breakdown in this Section)	
51	1001150918	1	Cable, Extension Cord	
52	4811900	1	Washer M8	
53	1001148641	1	Bracket, Clamp Mounting	
54	1320224	1	Clamp, Cable	
55	0700610	1	Bolt M6 x 20	

SECTION 3 - ENGINE

FIGURE 3-5. ENGINE AND PUMP SUB-ASSEMBLY - DEUTZ D2011 (WITH ARCTIC PACKAGE) (ANSI EXPORT AND CHINA SPECS)



ART_1001174784_G

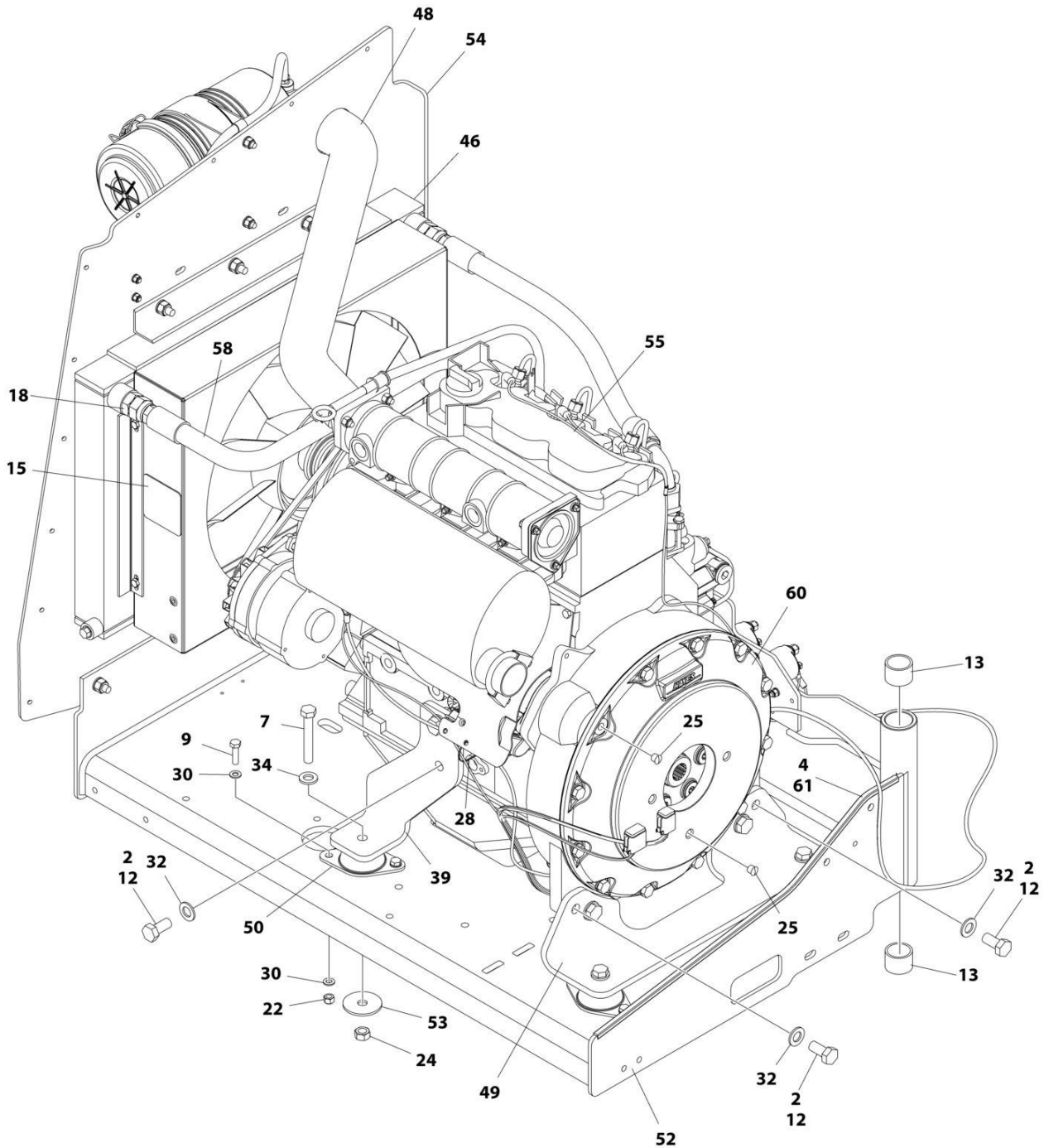
SECTION 3 - ENGINE

FIGURE 3-5. ENGINE AND PUMP SUB-ASSEMBLY - DEUTZ D2011 (WITH ARCTIC PACKAGE) (ANSI EXPORT AND CHINA SPECS)

ITEM	PART NUMBER	QTY	DESCRIPTION	REV
	1001174784	Ref	ENGINE AND PUMP SUB-ASSEMBLY - DEUTZ D2011 (WITH ARCTIC PACKAGE)	G
1	0100011	AR	Compound, Locking	
2	0641812	2	Bolt 1/2 x 1-1/2	
4	1001214207	1	Gear Pump Assembly	
4	70006356	1	Seal Kit - 1001214207 Pump	
5	3790152	1	O-Ring	
6	3931618	2	Capscrew 3/8 x 1 1/8	
7	4891600	2	Washer 3/8 Hardened	
8	4891800	2	Washer 1/2 Hardened	
9	1001174783	1	Engine Assembly - Deutz D2011 Engine (With Arctic Package) (See Separate Breakdown in this Section)	
10	1001167036	1	Piston Pump Assembly (See Separate Breakdown in this Section)	
11	1001171953	1	Seal	
12	1001171954	1	Seal	

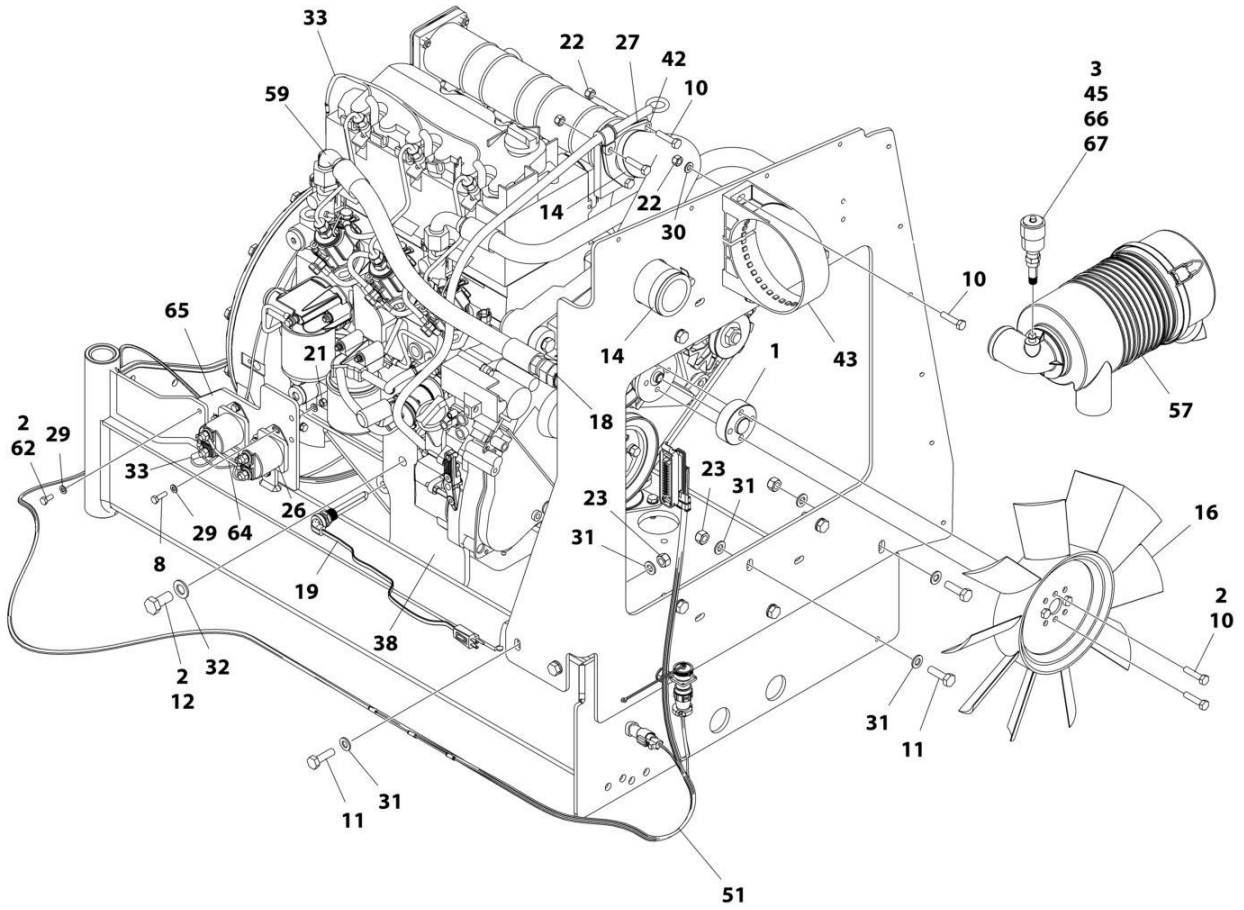
SECTION 3 - ENGINE

FIGURE 3-6. ENGINE ASSEMBLY - DEUTZ D2011 ENGINE (WITH ARCTIC PACKAGE) (ANSI EXPORT AND CHINA SPECS)



ART_1001174783_O_10F2

SECTION 3 - ENGINE



ART_1001174783_O_20F2

SECTION 3 - ENGINE

FIGURE 3-6. ENGINE ASSEMBLY - DEUTZ D2011 ENGINE (WITH ARCTIC PACKAGE) (ANSI EXPORT AND CHINA SPECS)

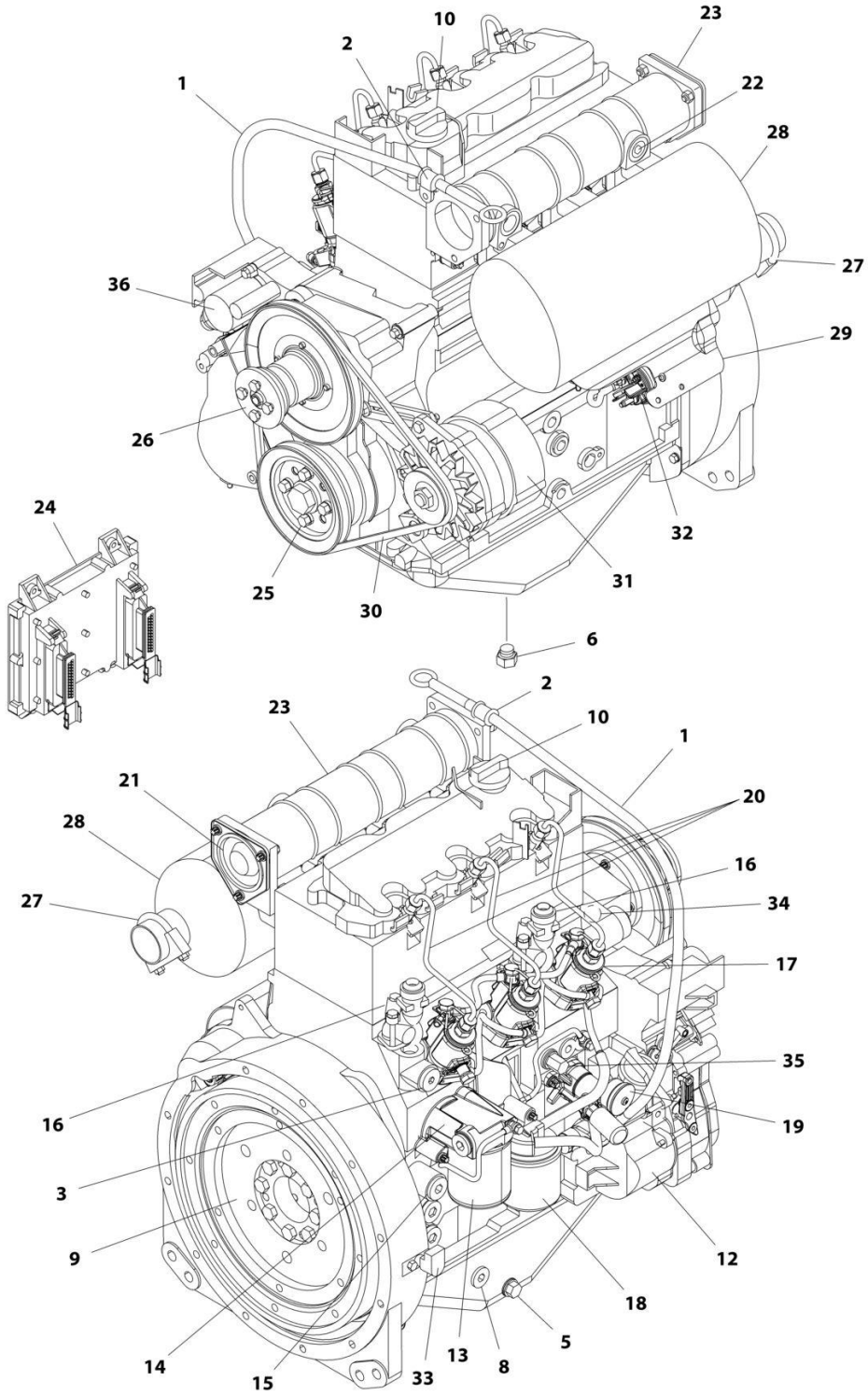
ITEM	PART NUMBER	QTY	DESCRIPTION	REV
	1001174783	Ref	ENGINE ASSEMBLY - DEUTZ D2011 (WITH ARCTIC PACKAGE)	O
1	0080231	1	Spacer, Fan	
2	0100011	AR	Compound, Locking	
3	0100020	AR	Sealant, Pipe	
4	0100081	AR	Adhesive	
7	0711224	4	Bolt M12 x 80 Class10.9	
8	0760610	4	Bolt M6 x 20	
9	0760814	8	Bolt M8 x 30	
10	0760815	9	Bolt M8 x 35	
11	0761015	11	Bolt M10 x 35	
12	0771414	8	Bolt M14 x 30 Class 10.9	
13	0961951	2	Bushing	
14	1320016	2	Clamp	
15	1703162	2	Decal - Caution Fan	
16	2060025	1	Fan	
18	2220451	2	Fitting, Straight JIC/ORB	
19	2580062	1	Heater, Engine Block	
21	3290605	4	Nut M6	
22	3290805	13	Nut M8	
23	3291005	11	Nut M10	
24	3331215	4	Nut M12	
25	3520054	2	Plug	
26	3740067	2	Relay Assembly	
26	3300220	2	Nut	
26	3321001	1	Nut #10	
26	3740140	1	Relay	
26	4761000	1	Washer #10	
26	1001111424	2	Washer	
27	3960407	1	Gasket	
28	4240099	AR	Tie-Strap (Not Shown)	
29	4811700	11	Washer M6	
30	4811900	20	Washer M8	
31	4812000	22	Washer M10	
32	4812200	8	Washer M14	
33	4923451	1	Harness, Glow Plugs	
34	5241200	4	Washer M12	
38	1001132195	1	Bracket, Engine Mount	
39	1001132196	1	Bracket, Engine Mount	
42	1001139819	1	Adapter, Air Intake	
43	1001141694	1	Clamp, Air Cleaner	
45	1001143390	1	Indicator	
46	1001150998	1	Radiator	
48	1001165389	1	Hose	
49	1001166717	1	Bracket, Engine Mount	
50	1001166718	4	Isolator, Engine Mount	
51	1001167111	1	Harness Engine - Deutz D2011 (See Separate Breakdown in ELECTRICAL Section)	
52	1001167520	1	Tray, Engine	
53	1001168018	4	Washer, Snubbing	

SECTION 3 - ENGINE

ITEM	PART NUMBER	QTY	DESCRIPTION	REV
54	1001168059	1	Plate, Radiator Mounting	
55	1001170693	1	Engine, Deutz D2011 (See Separate Breakdown in this Section)	
57	1001165388	1	Air Cleaner Assembly	
57	70003783	1	Element, Air Cleaner	
58	2720398	1	Hose	
59	2720447	1	Hose	
60	2902065	1	Pump Coupling Kit (See Separate Breakdown in this Section)	
61	4060805	2.25 ft/ 0.69m	Flex-Trim	
62	0760614	3	Bolt M6 x 30	
64	1001178859	1	Cable, Alternator	
65	1001214975	1	Bracket	
66	2200261	1	Fitting	
67	1001277432	1	Spacer	

SECTION 3 - ENGINE

FIGURE 3-7. ENGINE COMPONENTS - DEUTZ D2011



ART_1001170693

SECTION 3 - ENGINE

FIGURE 3-7. ENGINE COMPONENTS - DEUTZ D2011

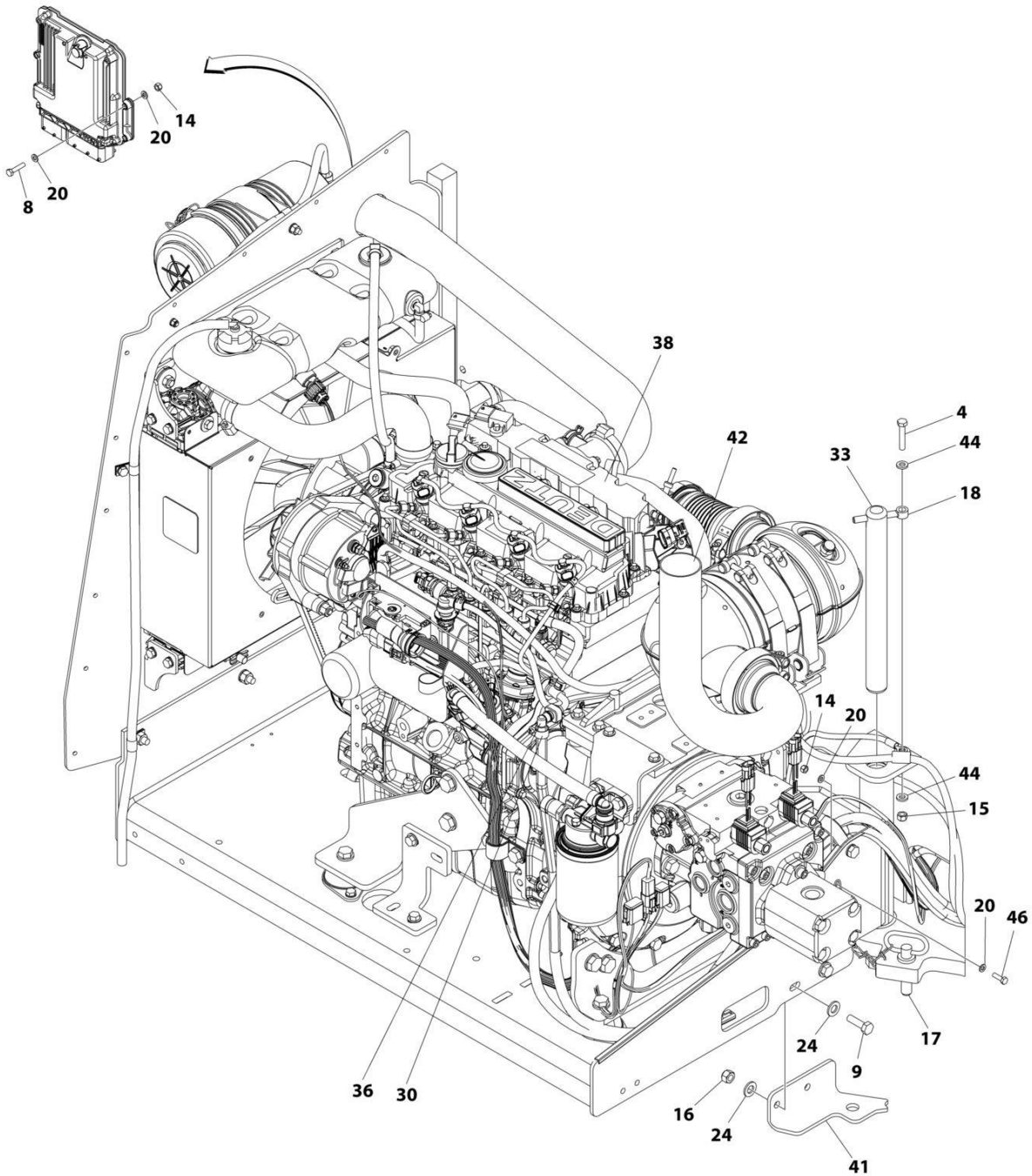
ITEM	PART NUMBER	QTY	DESCRIPTION	REV
	1001170693	Ref	ENGINE COMPONENTS - DEUTZ D2011	C
1	70001002	1	Tube, Dipstick	
1	7020403	1	Seal, Tube	
1	7020026	1	Dipstick	
2	70001654	1	Clamp	
2	70001655	1	Bolt	
3	70003475	1	Thermostat	
3	7020460	1	Spring	
4		Ref	Seal and Gasket Options (Not Shown):	
4	70002718	1	Seal, Rear Main	
4	7020430	1	Gasket, Valve Cover	
4	70003479	1	Gasket, Head - 1 Notch	
4	70003480	1	Gasket, Head - 2 Notch	
4	70003481	1	Gasket, Head - 3 Notch	
5	70025088	1	Plug	
6	70025667	1	Plug	
7	70025123	22	Bolt, Torx (Oil Pan Bolts) (Not Shown)	
8	7020492	1	Seal	
8	70025084	1	Plug	
9	70001870	1	Flywheel	
9	7024579	1	Ring Gear (Part of Flywheel)	
9	70025139	8	Bolt	
10	7020465	1	Cap, Oil Fill	
11	70000800	1	Timing Belt/Idler Kit (Includes Timing Belt, Tensioner and Tensioner Bolt) (Not Shown)	
12	70001850	1	Pump, Lubricating	
12	7020468	1	Seal, Pump to Engine Block (Not Shown)	
13	7016331	1	Filter, Oil	
14	70003472	1	Bracket, Oil Filter (Includes Plug with Seal, Temperature Sensor, Control Valve and Compression Spring)	
14	7027236	1	Sensor, Temperature	
14	70025082	1	Seal, Plug	
14	70025091	1	Plug	
14	70003473	1	Gasket, Bracket to Engine Block (Not Shown)	
15	70001181	1	Valve	
15	70025091	1	Plug	
15	70025082	1	Seal, Plug	
16	70004268	2	Connector, Radiator Neck	
16	70004269	2	Seal, Radiator Neck to Engine Block	
17	70000912	3	Pump, Fuel Injector - A Spec	
17	70000913	3	Pump, Fuel Injector - B Spec	
17	70000914	3	Pump, Fuel Injector - C Spec	
17	70000915	3	Pump, Fuel Injector - D Spec	
17	70003464	3	O-Ring, Pump to Engine Block	
18	7020023	1	Filter, Fuel	
18	70003463	1	Filter, Fuel - RME Resistant	
18	70001423	1	Bracket, Fuel Filter	
19	70000916	1	Pump Fuel Supply	
19	70000917	1	O-Seal Between Fuel Pump and Engine Block	
19	70000918	1	Sealing Ring Between Hand Pump and Supply Pump	

SECTION 3 - ENGINE

ITEM	PART NUMBER	QTY	DESCRIPTION	REV
19	70000919	1	Pump, Hand	
19	70001435	1	Repair Kit	
19	70025694	2	Bolt, Torx	
20	70000931	3	Pipe, High Pressure	
21	70003469	1	Flange, Intake	
21	70003468	1	Seal	
22	70025084	1	Plug	
22	7020492	1	Seal, Plug	
23	7027903	1	Manifold, Air Intake	
23	70001871	3	Gasket Between Manifold and Engine Block	
24	See Note	1	Module, Engine Control (Note: Not Currently Available)	
24	7027796	1	Cable, Electrical Between Module and Engine Harness (Not Shown)	
24	70001872	1	Harness, Engine (Connects to p/n 70004060) (Not Shown)	
24	70004060	1	Plug, Connector Located on Cable Near Module (Not Shown)	
24	70004059	1	Plug, Analyzer (Not Shown)	
25	70025123	4	Bolt, Torx	
26	70000787	1	Support, Fan (Includes Support, Internal Shaft, Bearings and Circlip)	
27	70001844	1	Clamp	
28	See Note	1	Muffler (Note: See Separate Breakdown in this Section)	
28	7020471	3	Gasket, Exhaust Between Muffler and Engine Block	
28	70004270	6	Stud, Muffler	
29	70001498	1	Shield, Starter	
29	70025693	3	Bolt	
30	70004102	1	V-Belt	
31	70004056	1	Alternator (Includes Voltage Regulator and Gaskets, Fan and Fan Mounting Hardware)	
31	70001868	1	Regulator, Voltage	
31	70001866	1	Gasket Set, Voltage Regulator	
31	70025131	1	Fan	
31	70025086	1	Nut, Fan	
31	70000851	1	Bracket, Alternator Mounting	
31	70002234	1	Bracket, Alternator Adjustment	
31	70004103	1	Harness, Alternator (Not Shown)	
32	7020479	1	Starter	
32	70025121	2	Bolt, Starter Mounting	
32	70004058	1	Relay	
32	70004062	1	Harness, Starter (Not Shown)	
33	7024565	1	Sensor, Speed	
33	70003931	1	Bolt	
33	70003932	1	Spacer, Sleeve	
34	7027791	1	Sensor, Temperature	
35	7027790	1	Sensor, Oil Pressure	
36	7027792	1	Actuator	
37	70000345	3	Plug, Glow (Not Shown)	

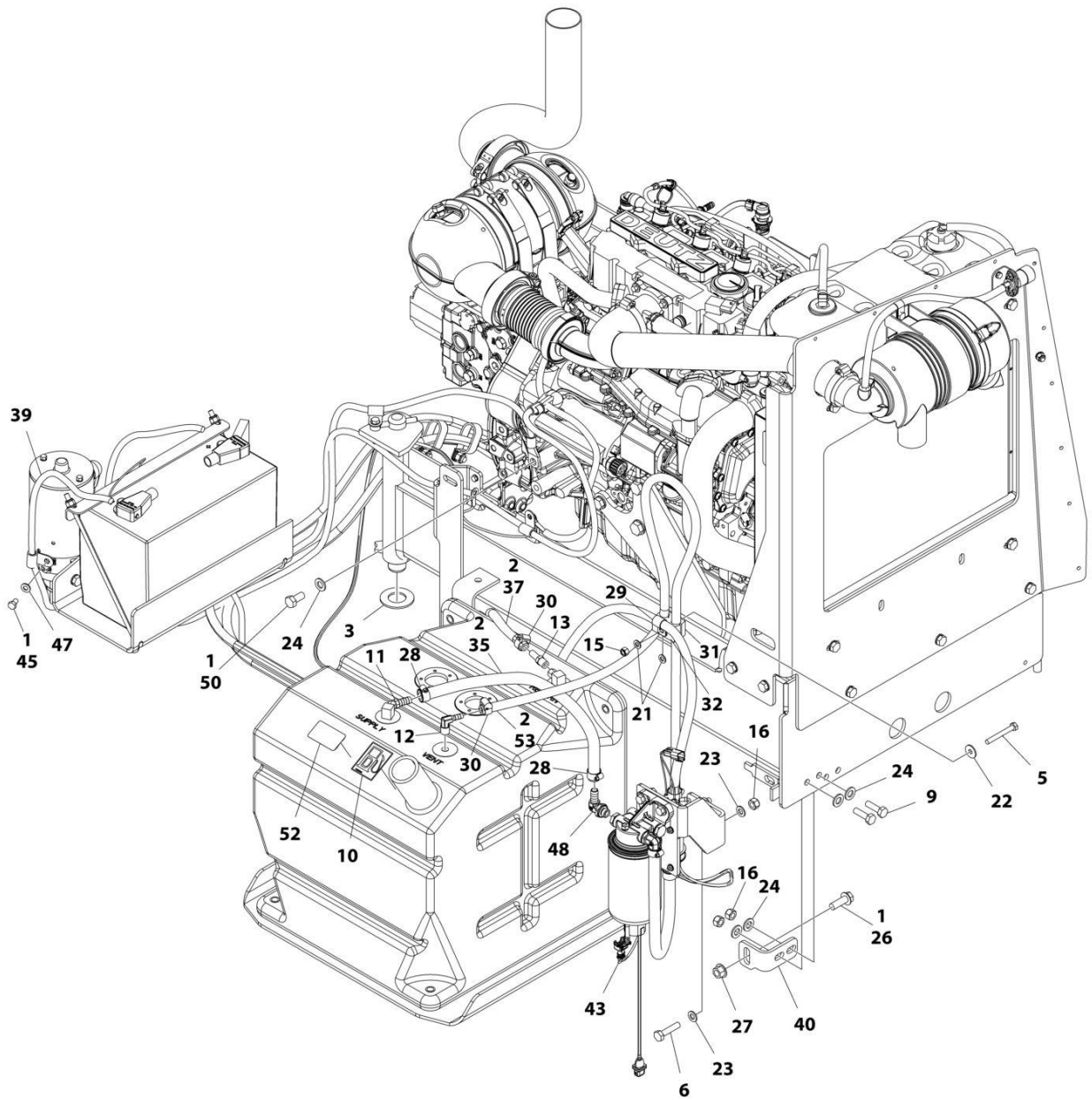
SECTION 3 - ENGINE

FIGURE 3-8. ENGINE INSTALLATION - DEUTZ D2.9L4 ENGINE (WITHOUT ARCTIC PACKAGE) (ANSI, ANSI EXPORT(HRC), CSA AND JAPANESE SPECS)



ART_1001166002_L_10F2

SECTION 3 - ENGINE



ART_1001166002_L_20F2

SECTION 3 - ENGINE

FIGURE 3-8. ENGINE INSTALLATION - DEUTZ D2.9L4 ENGINE (WITHOUT ARCTIC PACKAGE) (ANSI, ANSI EXPORT(HRC), CSA AND JAPANESE SPECS)

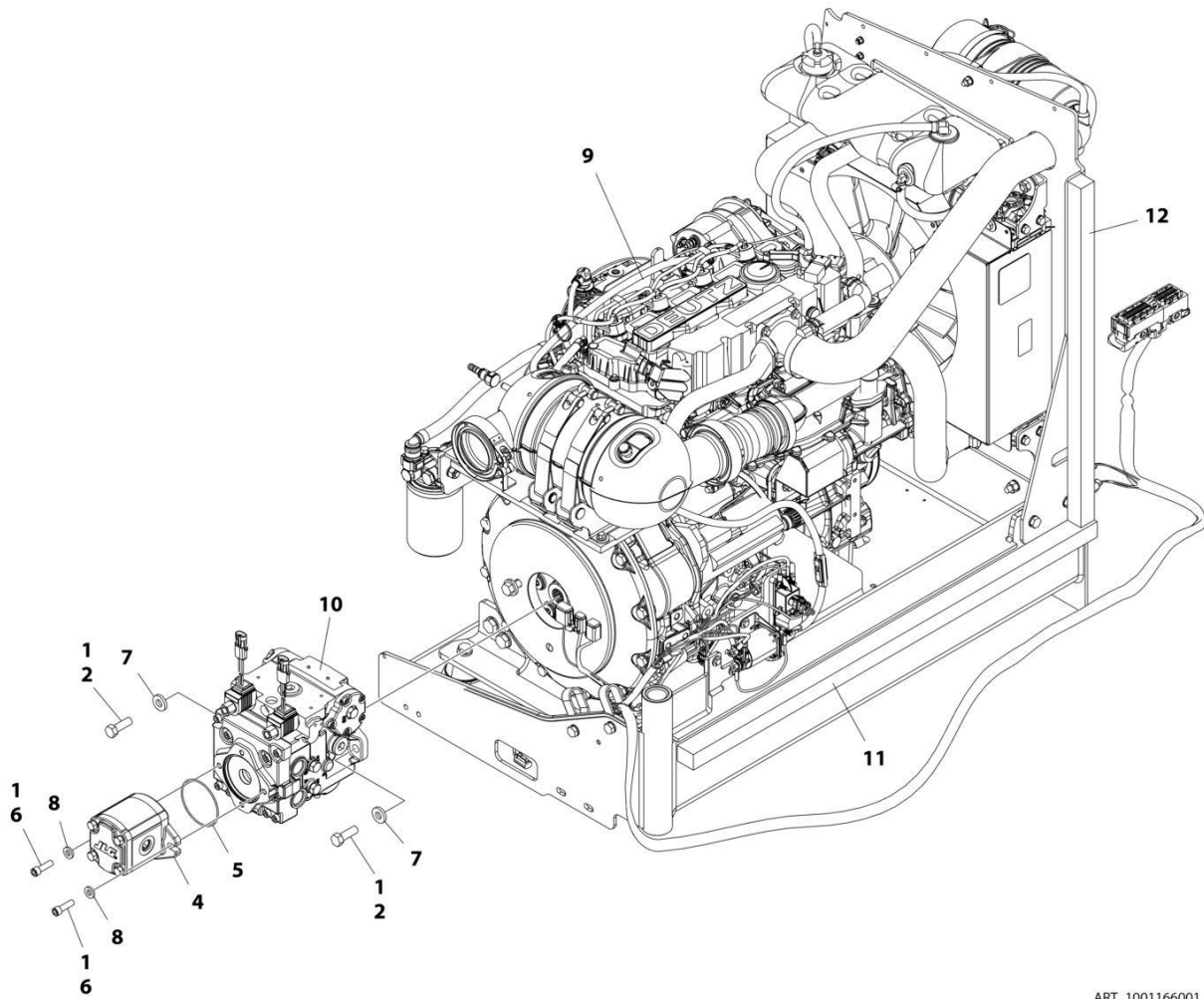
ITEM	PART NUMBER	QTY	DESCRIPTION	REV
	1001166002	Ref	ENGINE INSTALLATION - DEUTZ D2.9L4 ENGINE (WITHOUT ARCTIC PACKAGE)	L
1	0100011	AR	Compound, Locking	
2	0100020	AR	Sealant, Pipe	
3	0440162	1	Bearing	
4	0700817	1	Bolt M8 x 45	
5	0700821	1	Bolt M8 x 65	
6	0701017	2	Bolt M10 x 45	
8	0760613	4	Bolt M6 x 28	
9	0761015	4	Bolt M10 x 35	
10	1701505	2	Decal - Diesel Fuel	
11	2180832	1	Fitting, Barbed	
12	2220313	1	Fitting, Barbed 90	
13	2220767	1	Fitting, Barbed	
14	3290605	5	Nut, Lock M6 x 1	
15	3290805	2	Bolt, M8 x 1.25	
16	3291005	6	Nut, Lock M10 x 1.5	
17	3422532	1	Pin	
18	3841143	1	Keeper, Pin	
19	4240099	AR	Tie-Strap	
20	4811700	10	Washer, M6	
21	4811900	2	Washer, M8	
22	4811902	1	Washer, M8	
23	4812000	4	Washer, M10	
24	4812100	9	Washer, M12	
26	5251215	1	Bolt M12 x 35	
27	5261200	1	Nut, Flange M12	
28	8405006	3	Clamp	
29	8406101	1	Clip	
30	8410013	4	Clamp	
31	1320187	1	Clamp	
32	1320190	1	Clamp	
33	1001135196	1	Pin	
35	1001154405	27.56 in /70cm	Hose	
36	1001155823	1	Coupling, Quick Disconnect 90	
37	1001165035	21 ft /6.42m	Hose	
38	1001166001	1	Engine and Pump Sub-Assembly - Deutz D2.9L4 (Without Arctic Package) (See Separate Breakdown in this Section)	
39	1001166970	1	Battery and Auxiliary Power Pump Cable Kit	E
39	70009006	1	Cable, Battery (Black) (Battery to Ground)	
39	70009002	1	Cable, Battery (Red) (Auxiliary Power Relay to Auxiliary Power Pump)	
39	70009007	1	Cable, Battery (Red) (Battery to Auxiliary Power Relay)	
40	1001167512	1	Bracket, Engine Tray	
41	1001169823	1	Plate, Engine Lock	
42	1001172594	1	Pipe, Exhaust	
43	1001173342	1	Harness, Fuel Pump (See Separate Breakdown in ELECTRICAL SECTION)	

SECTION 3 - ENGINE

ITEM	PART NUMBER	QTY	DESCRIPTION	REV
44	5240800	2	Washer, M8 Hardened	
45	0641504	1	Bolt 5/16 x 1/2	
46	0760610	1	Bolt M6 x 20	
47	4711500	1	Washer, 5/16	
48	1001142501	1	Fitting, Barbed 90	
50	0771212	1	Bolt M12 x 25	
52	1001125387	1	Decal - Ultra Low Sulfur Fuel	
53	2750532	5.54 ft /1.69m	Hose	

SECTION 3 - ENGINE

FIGURE 3-9. ENGINE AND PUMP SUB-ASSEMBLY - DEUTZ D2.9L4 (WITHOUT ARCTIC PACKAGE)
(ANSI, ANSI EXPORT AND CSA SPECS)



ART_1001166001_J

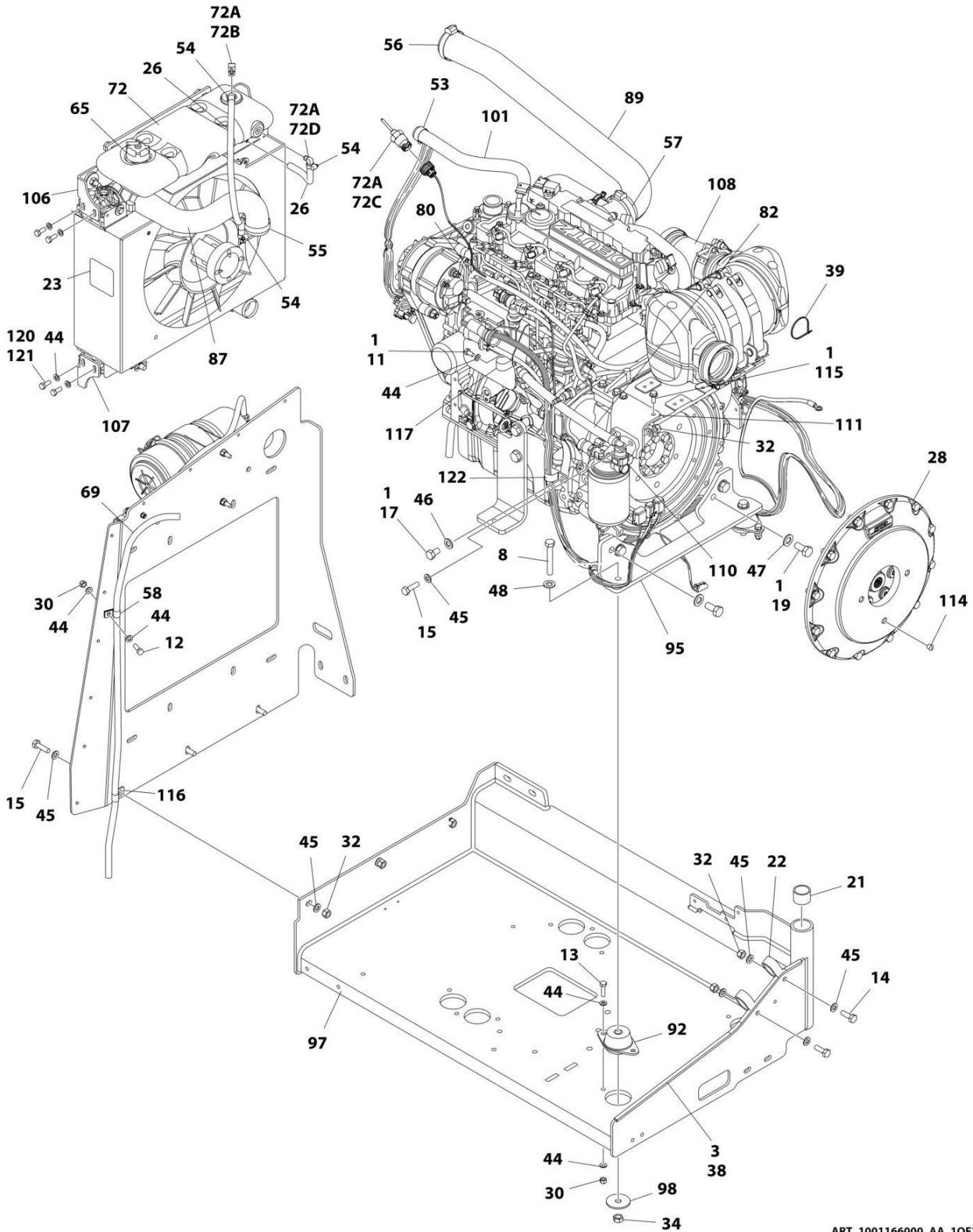
SECTION 3 - ENGINE

**FIGURE 3-9. ENGINE AND PUMP SUB-ASSEMBLY - DEUTZ D2.9L4 (WITHOUT ARCTIC PACKAGE)
(ANSI, ANSI EXPORT AND CSA SPECS)**

ITEM	PART NUMBER	QTY	DESCRIPTION	REV
	1001166001	Ref	ENGINE AND PUMP SUB-ASSEMBLY - DEUTZ D2.9L4 (WITHOUT ARCTIC PACKAGE)	J
1	0100011	AR	Compound, Locking	
2	0641812	2	Bolt 1/2 x 1-1/2	
4	1001214207	1	Gear Pump Assembly	
4	70006356	1	Seal Kit - 1001214207 Pump	
5	3790152	1	O-Ring	
6	3931618	2	Capscrew 3/8 x 1-1/8	
7	4891800	2	Washer 1/2 Hardened	
8	4891600	2	Washer 3/8 Hardened	
9	1001166000	1	Engine Assembly - Deutz D2.9L4 Engine (Without Arctic Package) (See Separate Breakdown in this Section)	
10	1001167036	1	Piston Pump Assembly (See Separate Breakdown in this Section)	
11	1001171953	1	Seal	
12	1001171954	1	Seal	

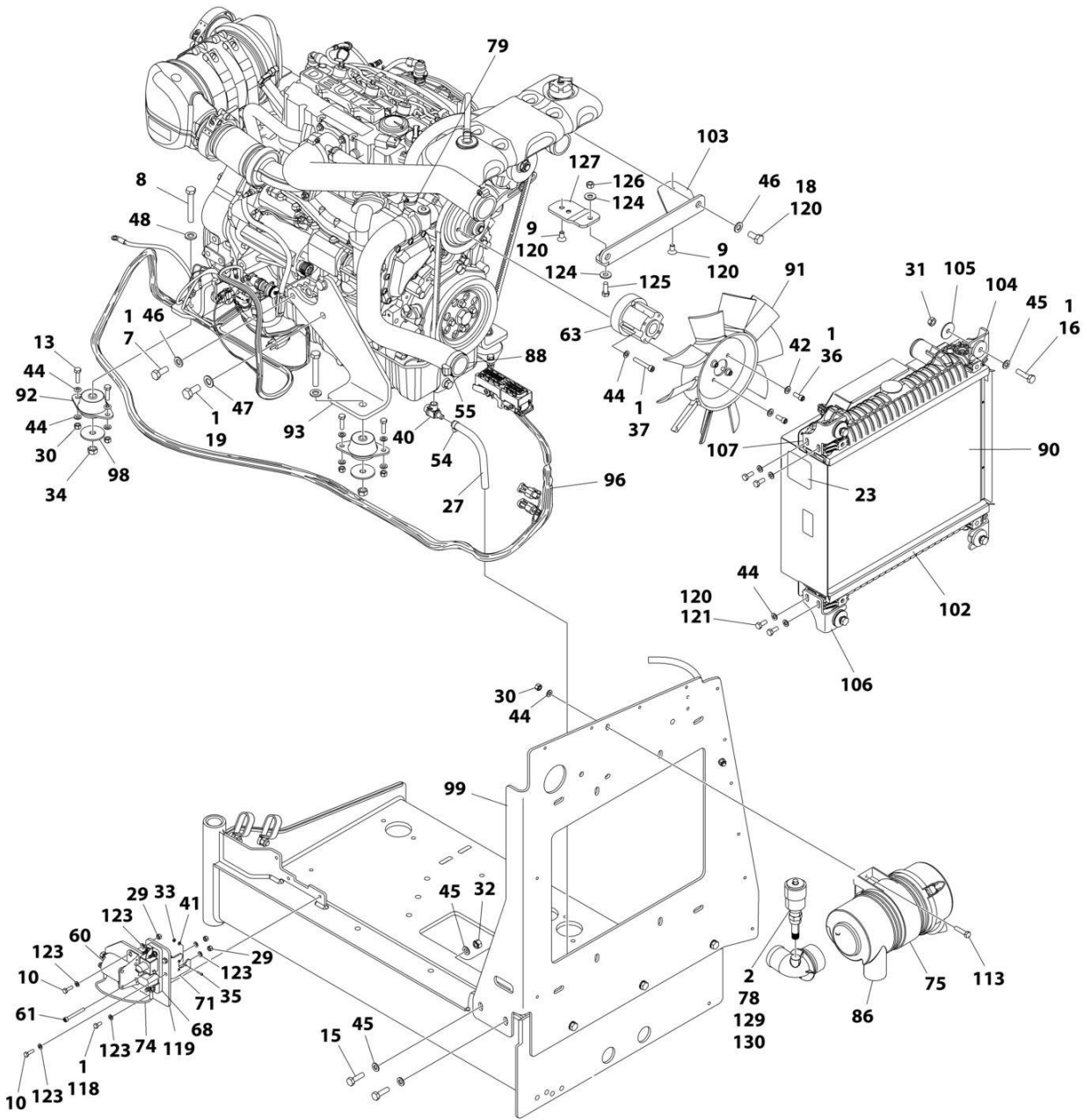
SECTION 3 - ENGINE

FIGURE 3-10. ENGINE ASSEMBLY - DEUTZ D2.9L4 ENGINE (WITHOUT ARCTIC PACKAGE) (ANSI, ANSI EXPORT AND CSA SPECS)



ART_1001166000_AA_10F2

SECTION 3 - ENGINE



ART_1001166000_AA_20F2

SECTION 3 - ENGINE

FIGURE 3-10. ENGINE ASSEMBLY - DEUTZ D2.9L4 ENGINE (WITHOUT ARCTIC PACKAGE) (ANSI, ANSI EXPORT AND CSA SPECS)

ITEM	PART NUMBER	QTY	DESCRIPTION	REV
	1001166000	Ref	ENGINE ASSEMBLY - DEUTZ D2.9L4 ENGINE (WITHOUT ARCTIC PACKAGE)	AA
1	0100011	AR	Compound, Locking	
2	0100020	AR	Sealant, Pipe	
3	0100081	AR	Adhesive	
7	0711214	1	Bolt M12 x 30 Class 10.9	
8	0711224	3	Bolt M12 x 80 Class 10.9	
9	0741606	2	Screw 3/8 x 3/4	
10	0760610	4	Bolt M6 x 20	
11	0760808	1	Bolt M8 x 16	
12	0760812	1	Bolt M8 x 25	
13	0760814	6	Bolt M8 x 30	
14	0761014	2	Bolt M10 x 30	
15	0761015	7	Bolt M10 x 35	
16	0761016	4	Bolt M10 x 40	
17	0761210	1	Bolt M12 x 20	
18	0761212	2	Bolt M12 x 25	
19	0771414	6	Bolt M14 x 30 Class 10.9	
21	0961951	2	Bushing	
22	1321716	2	Clamp	
23	1703162	2	Decal - Caution Fan	
26	2720015	2 ft/ 0.61m	Hose	
27	2720340	8 in/ 20.3cm	Hose	
28	2902065	1	Pump Coupling Kit (See Separate Breakdown in this Section)	
29	3290605	5	Nut M6	
30	3290805	9	Nut M8	
31	3291001	4	Nut M10	
32	3291005	9	Nut M10	
33	3310401	3	Nut #4	
34	3331215	3	Nut M12	
35	3910408	3	Screw #4- x 1/2	
36	3931512	4	Capscrew, 5/16 x 3/4	
37	4031914	4	Bolt M8 x 50	
38	4060805	2.25 ft/ 0.69m	Flex-Trim	
39	4240099	AR	Tie-Strap	
40	4640751	1	Valve, Oil Drain	
41	4710400	3	Washer #4	
42	4711500	4	Washer 5/16	
44	4811900	31	Washer M8	
45	4812000	22	Washer M10	
46	4812100	4	Washer M12	
47	4812200	6	Washer M14	
48	5241200	3	Washer M12 Hardened	
53	8405007	2	Clamp	
54	8405009	5	Clamp	
55	8405104	4	Clamp	
56	8405202	1	Clamp	

SECTION 3 - ENGINE

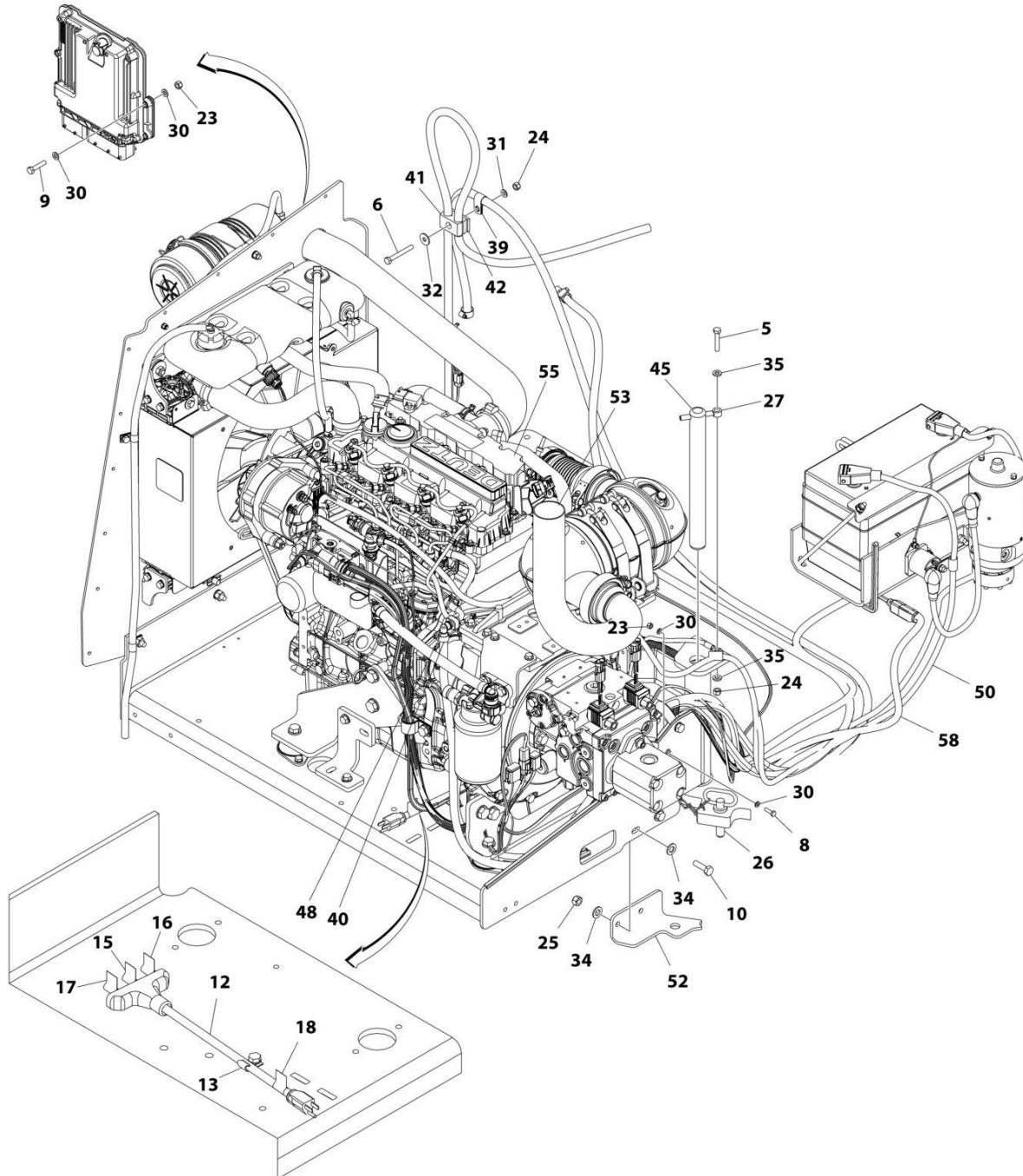
ITEM	PART NUMBER	QTY	DESCRIPTION	REV
57	8405204	1	Clamp	
58	8406109	1	Clip	
60	1001117308	1	Relay, 200Amp	
60	3300220	2	Nut	
60	3321001	2	Nut #10	
60	4761000	2	Washer #10	
60	1001111424	2	Washer	
61	1001118878	1	Bolt M6 x 55	
63	1001144116	1	Spacer, Fan	
65	1001136834	1	Cap, Tank	
68	1001138228	1	Relay, Power Module	
68	70023592	1	Fuse 20Amp	
68	70023593	1	Fuse 30Amp	
69	1001138248	41 in/ 1041mm	Tube	
71	1001139240	1	Bracket	
72	1001230635	1	Tank, Surge (Includes Items 72A-72D)	
72A	0100020	AR	Sealant, Pipe	
72B	1001134488	1	Fitting, Barbed	
72C	1001138827	1	Sensor, Coolant Level	
72D	1001140564	1	Fitting, Barbed 90	
74	1001141304	1	Harness, Glow Plug	
75	1001141694	1	Clamp, Air Cleaner	
78	1001143390	1	Indicator	
79	1001143797	1	Fitting, Barbed	
80	1001178788	1	Cable, Alternator	
82	1001152489	1	Fitting, Barbed 90	
86	1001165388	1	Air Cleaner Assembly	
86	70003783	1	Element, Air Cleaner	
87	1001165405	1	Hose, Upper Radiator	
88	1001165406	1	Hose, Lower Radiator	
89	1001165721	1	Hose, Air Intake	
90	1001165722	1	Radiator	
91	1001165849	1	Fan	
92	1001166718	3	Mount, Motor	
93	1001166921	1	Plate, Engine Mount	
95	1001166924	1	Plate, Engine Mount	
96	1001167108	1	Harness Engine - Deutz D2.9L4 (See Separate Breakdown in ELECTRICAL Section)	
97	1001167520	1	Tray, Engine	
98	1001168018	3	Washer, Special	
99	1001168026	1	Plate, Radiator Mounting	
101	1001168099	1	Hose	
102	1001168166	2	Seal	
103	1001260420	1	Bracket	
104	1001169054	4	Isolator	
105	1001169138	4	Washer, Snubbing	
106	1001169967	2	Bracket	
107	1001170035	2	Bracket	
108	1001249965	1	Engine, Deutz D2.9L4 (See Separate Breakdown in this Section)	
110	1001177359	1	Hose	
111	1001178876	1	Mount, Fuel Filter	

SECTION 3 - ENGINE

ITEM	PART NUMBER	QTY	DESCRIPTION	REV
113	0760815	2	Bolt M8 x 35	
114	3520054	1	Plug	
115	5250810	2	Bolt M8 x 20	
116	8406110	1	Clip	
117	8406201	1	Clip	
118	0760607	3	Bolt M6 x 14	
119	1001179903	1	Bracket	
120	1001180620	AR	Adhesive	
121	0760810	8	Bolt M8 x 20	
122	1001191620	1	Clamp	
123	4811702	12	Washer M6	
124	4751600	2	Washer 3/8	
125	0681608	1	Bolt 3/8 x 1	
126	3311605	1	Nut 3/8	
127	1001260412	1	Bracket	
128	1001162335	1	Bracket Assembly - Fuel Pump/Filter (Not Shown - See Separate Breakdown in this Section)	
129	2200261	1	Fitting	
130	1001277432	1	Spacer	

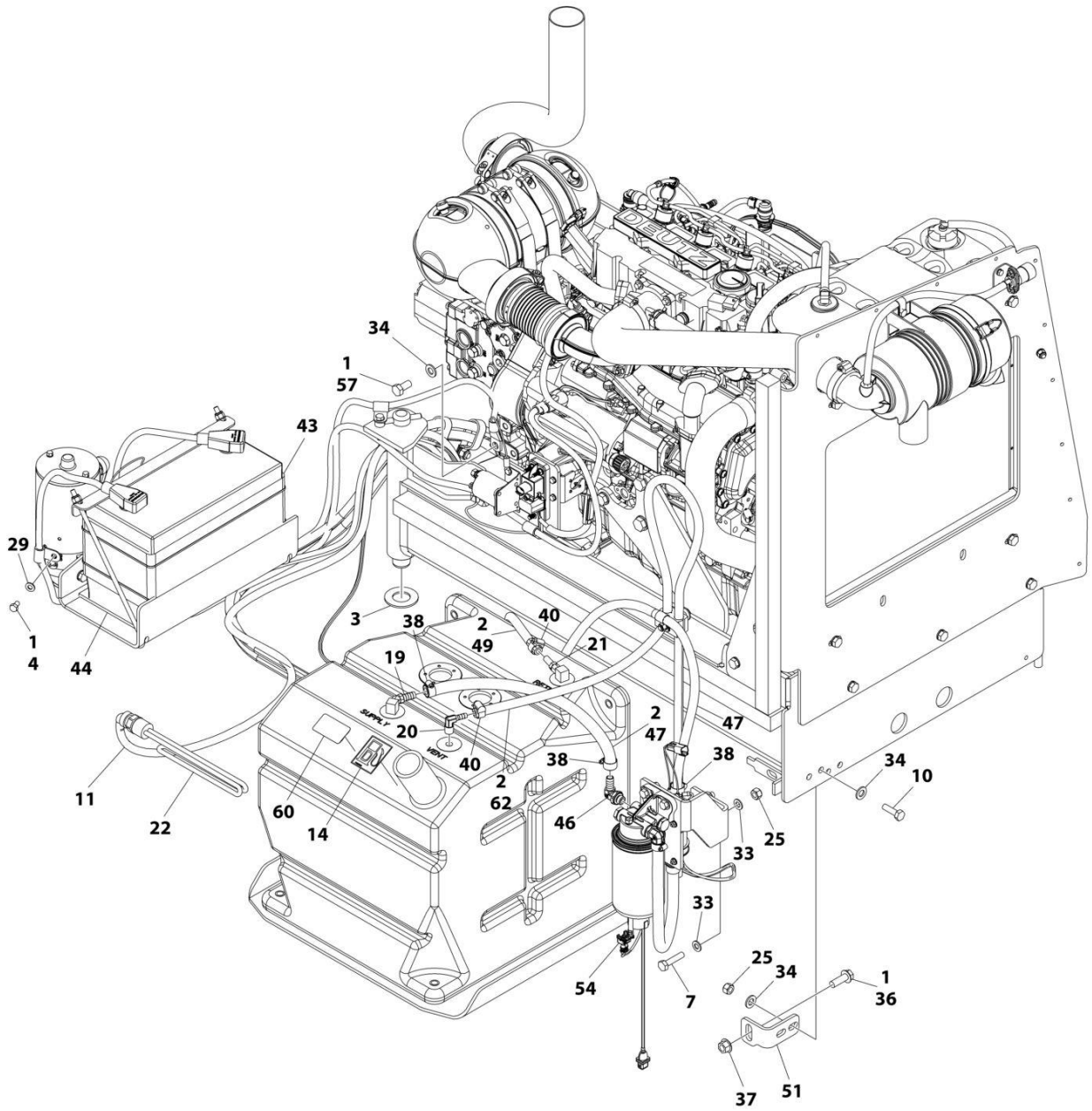
SECTION 3 - ENGINE

FIGURE 3-11. ENGINE INSTALLATION - DEUTZ D2.9L4 ENGINE (WITH ARCTIC PACKAGE) (ANSI AND CSA SPECS)



ART_1001166003_K_10F2

SECTION 3 - ENGINE



ART_1001166003_K_20F2

SECTION 3 - ENGINE

FIGURE 3-11. ENGINE INSTALLATION - DEUTZ D2.9L4 ENGINE (WITH ARCTIC PACKAGE) (ANSI AND CSA SPECS)

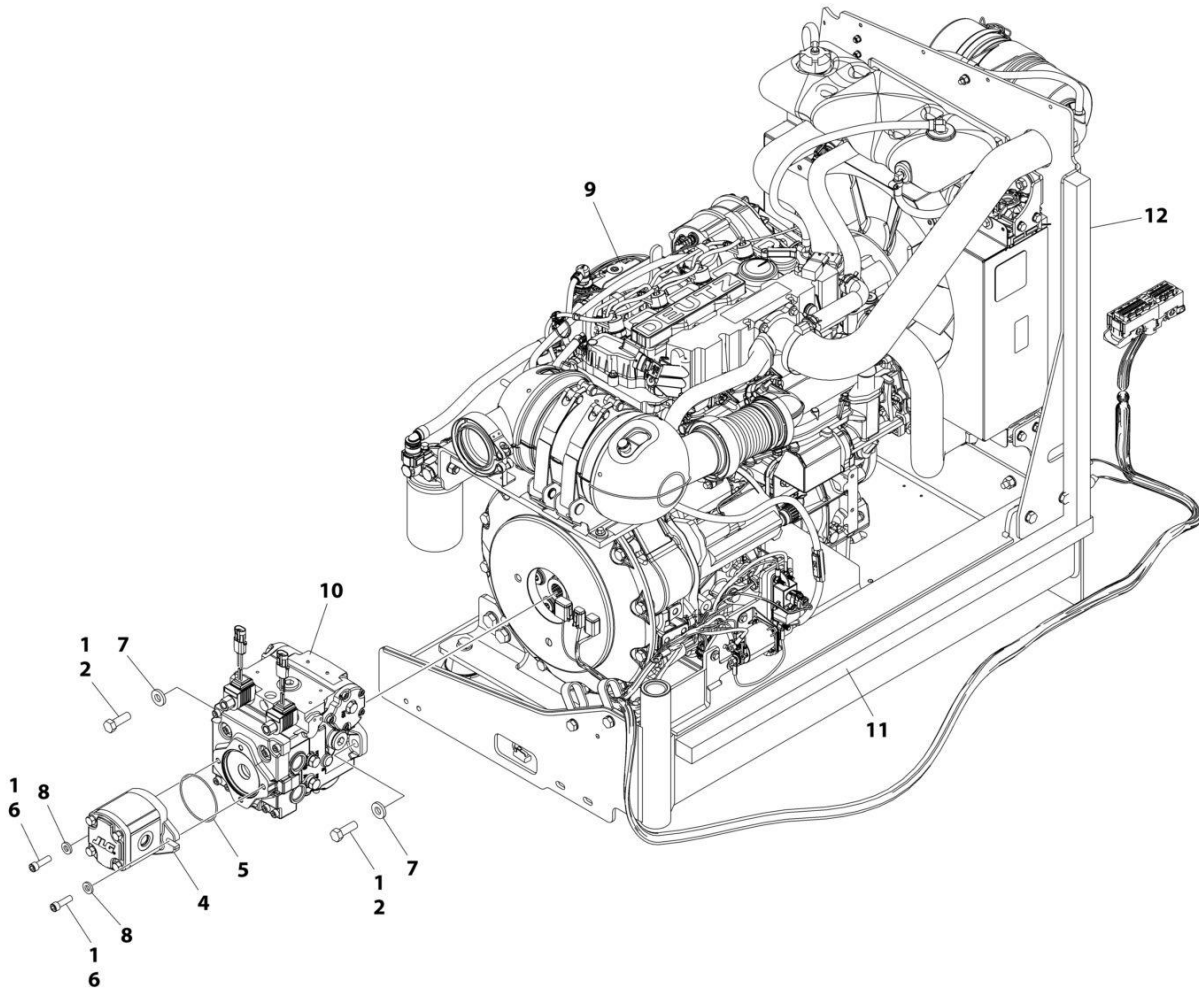
ITEM	PART NUMBER	QTY	DESCRIPTION	REV
	1001166003	Ref	ENGINE INSTALLATION - DEUTZ D2.9L4 ENGINE (WITH ARCTIC PACKAGE)	K
1	0100011	AR	Compound, Locking	
2	0100020	AR	Sealant, Pipe	
3	0440162	1	Bearing	
4	0641504	1	Bolt 5/16 x 1/2	
5	0700817	1	Bolt M8 x 45	
6	0700821	1	Bolt M8 x 65	
7	0701017	2	Bolt M10 x 45	
8	0760610	1	Bolt M6 x 20	
9	0760613	4	Bolt M6 x 28	
10	0761015	5	Bolt M10 x 35	
12	1060626	1	Plug, 3 Way	
13	1320223	1	Clamp	
14	1701505	2	Decal - Diesel Fuel	
15	1702941	1	Decal - Battery Heater	
16	1702942	1	Decal - Engine Block Heater	
17	1702943	1	Decal - Hydraulic Tank Heater	
18	1702944	1	Decal - Heater Cord	
19	2180832	1	Fitting, Barbed	
20	2220313	1	Fitting, Barbed 90	
21	2220767	1	Fitting, Barbed	
22	1001188972	1	Heater, Hydraulic Tank	
23	3290605	5	Nut, Lock M6 x 1	
24	3290805	2	Nut, Lock M8 x 1.25	
25	3291005	7	Nut, Lock M10 x 1.5	
26	3422532	1	Pin	
27	3841143	1	Keeper, Pin	
28	4240099	AR	Tie-Strap	
29	4711500	1	Washer, 5/16	
30	4811700	10	Washer, M6	
31	4811900	1	Washer, M8	
32	4811902	1	Washer, M8	
33	4812000	6	Washer, M10	
34	4812100	9	Washer, M12	
35	5240800	2	Washer, M8 Hardened	
36	5251215	1	Bolt M12 x 35	
37	5261200	1	Nut, Flange M12 Class10	
38	8405006	3	Clamp	
39	8406101	1	Clip	
40	8410013	4	Clamp	
41	1320187	1	Clamp	
42	1320190	1	Clamp	
43	2580024	1	Heater, Battery	
44	1001119278	1	Insulate	
45	1001135196	1	Pin	
46	1001142501	1	Fitting, Barbed 90	
47	1001154405	28 in/.7m	Hose	
48	1001155823	1	Coupling, Quick Disconnect 90	

SECTION 3 - ENGINE

ITEM	PART NUMBER	QTY	DESCRIPTION	REV
49	1001165035	21 ft /6.42m	Hose	
50	1001166970	1	Battery and Auxiliary Power Pump Cable Kit	E
50	70009006	1	Cable, Battery (Black) (Battery to Ground)	
50	70009002	1	Cable, Battery (Red) (Auxiliary Power Relay to Auxiliary Power Pump)	
50	70009007	1	Cable, Battery (Red) (Battery to Auxiliary Power Relay)	
51	1001167512	1	Bracket, Engine Tray	
52	1001169823	1	Plate, Engine Lock	
53	1001172594	1	Pipe, Exhaust	
54	1001173342	1	Harness, Fuel Pump (See Separate Breakdown in ELECTRICAL SECTION)	
55	1001174778	1	Engine and Pump Sub-Assembly - Deutz D2.9L4 (With Arctic Package) (See Separate Breakdown in this Section)	
57	0771212	1	Bolt M12 x 25	
58	1001150918	1	Cable, Extension Cord	
60	1001125387	1	Decal - Ultra Low Sulfur Fuel	
62	2750532	5.54 ft /1.69m	Hose	
63	1001233763	1	Breather Heater Installation (Not Shown - See Separate Breakdown in this Section)	

SECTION 3 - ENGINE

**FIGURE 3-12. ENGINE AND PUMP SUB-ASSEMBLY - DEUTZ D2.9L4 (WITH ARCTIC PACKAGE)
(ANSI, ANSI EXPORT AND CSA SPECS)**



ART_1001174778_I

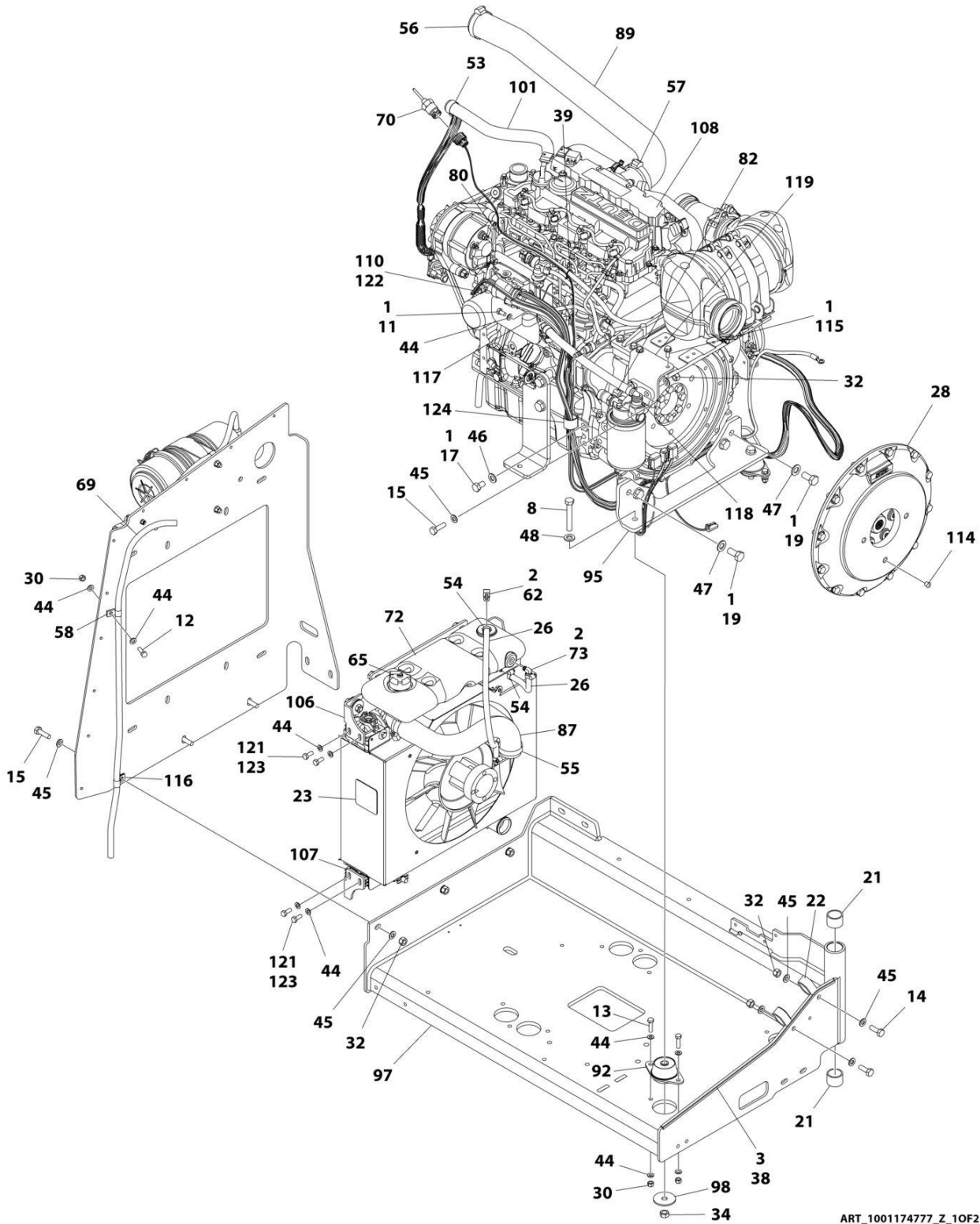
SECTION 3 - ENGINE

**FIGURE 3-12. ENGINE AND PUMP SUB-ASSEMBLY - DEUTZ D2.9L4 (WITH ARCTIC PACKAGE)
(ANSI, ANSI EXPORT AND CSA SPECS)**

ITEM	PART NUMBER	QTY	DESCRIPTION	REV
	1001174778	Ref	ENGINE AND PUMP SUB-ASSEMBLY - DEUTZ D2.9L4 (WITH ARCTIC PACKAGE)	I
1	0100011	AR	Compound, Locking	
2	0641812	2	Bolt 1/2 x 1-1/2	
4	1001214207	1	Gear Pump Assembly	
4	70006356	1	Seal Kit - 1001214207 Pump	
5	3790152	1	O-Ring	
6	3931618	2	Capscrew 3/8 x 1 1/8	
7	4891800	2	Washer 1/2 Hardened	
8	4891600	2	Washer 3/8 Hardened	
9	1001174777	1	Engine Assembly - Deutz D2.9L4 Engine (With Arctic Package) (See Separate Breakdown in this Section)	
10	1001167036	1	Piston Pump Assembly (See Separate Breakdown in this Section)	
11	1001171953	1	Seal	
12	1001171954	1	Seal	

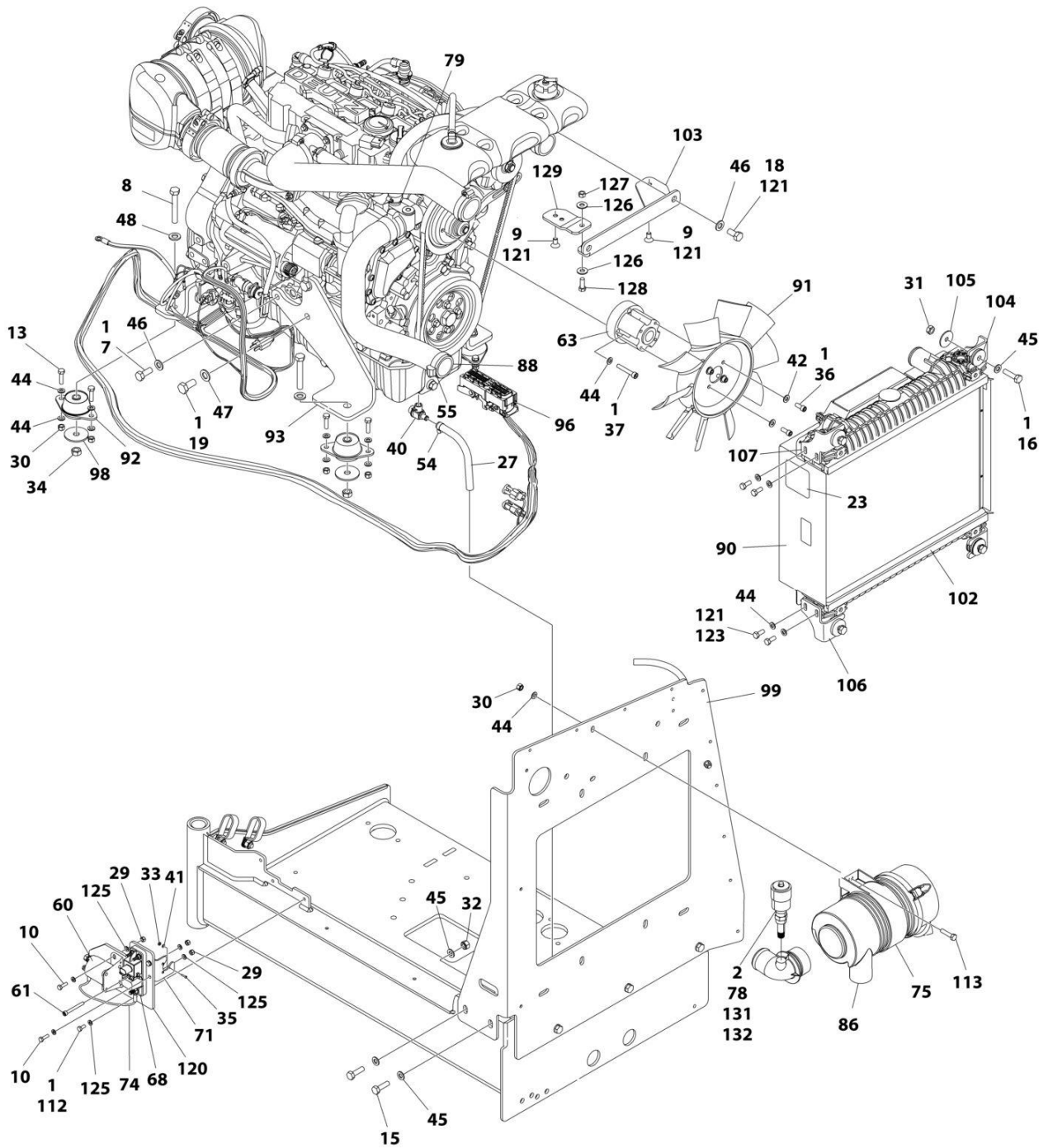
SECTION 3 - ENGINE

FIGURE 3-13. ENGINE ASSEMBLY - DEUTZ D2.9L4 ENGINE (WITH ARCTIC PACKAGE) (ANSI, ANSI EXPORT AND CSA SPECS)



ART_1001174777_Z_10F2

SECTION 3 - ENGINE



ART_1001174777_Z_20F2

SECTION 3 - ENGINE

FIGURE 3-13. ENGINE ASSEMBLY - DEUTZ D2.9L4 ENGINE (WITH ARCTIC PACKAGE) (ANSI, ANSI EXPORT AND CSA SPECS)

ITEM	PART NUMBER	QTY	DESCRIPTION	REV
	1001174777	Ref	ENGINE ASSEMBLY - DEUTZ D2.9L4 ENGINE (WITH ARCTIC PACKAGE)	Z
1	0100011	AR	Compound, Locking	
2	0100020	AR	Sealant, Pipe	
3	0100081	AR	Adhesive	
7	0711214	1	Bolt M12 x 30 Class 10.9	
8	0711224	3	Bolt M12 x 80 Class 10.9	
9	0741606	2	Screw 3/8 x 3/4	
10	0760610	4	Bolt M6 x 20	
11	0760808	1	Bolt M8 x 16	
12	0760812	1	Bolt M8 x 25	
13	0760814	6	Bolt M8 x 30	
14	0761014	2	Bolt M10 x 30	
15	0761015	7	Bolt M10 x 35	
16	0761016	4	Bolt M10 x 40	
17	0761210	1	Bolt M12 x 20	
18	0761212	2	Bolt M12 x 25	
19	0771414	6	Bolt M14 x 30 Class 10.9	
21	0961951	2	Bushing	
22	1321716	2	Clamp	
23	1703162	2	Decal - Caution Fan	
26	2720015	2 ft/0.61m	Hose	
27	2720340	8 in /0.2m	Hose	
28	2902065	1	Pump Coupling Kit (See Separate Breakdown in this Section)	
29	3290605	5	Nut M6	
30	3290805	9	Nut M8	
31	3291001	4	Nut M10	
32	3291005	9	Nut M10	
33	3310401	3	Nut #4	
34	3331215	3	Nut M12 x 1.75	
35	3910408	3	Screw #4- x 1/2	
36	3931512	4	Capscrew 5/16 x 3/4	
37	4031914	4	Bolt M8 x 50	
38	4060805	2.25 ft/ 0.69m	Flex-Trim	
39	4240099	AR	Tie-Strap	
40	4640751	1	Valve, Oil Drain	
41	4710400	3	Washer #4	
42	4711500	4	Washer 5/16	
44	4811900	31	Washer M8	
45	4812000	22	Washer M10	
46	4812100	4	Washer M12	
47	4812200	6	Washer M14	
48	5241200	3	Washer M12	
53	8405007	2	Clamp	
54	8405009	5	Clamp	
55	8405104	4	Clamp	
56	8405202	1	Clamp	
57	8405204	1	Clamp	

SECTION 3 - ENGINE

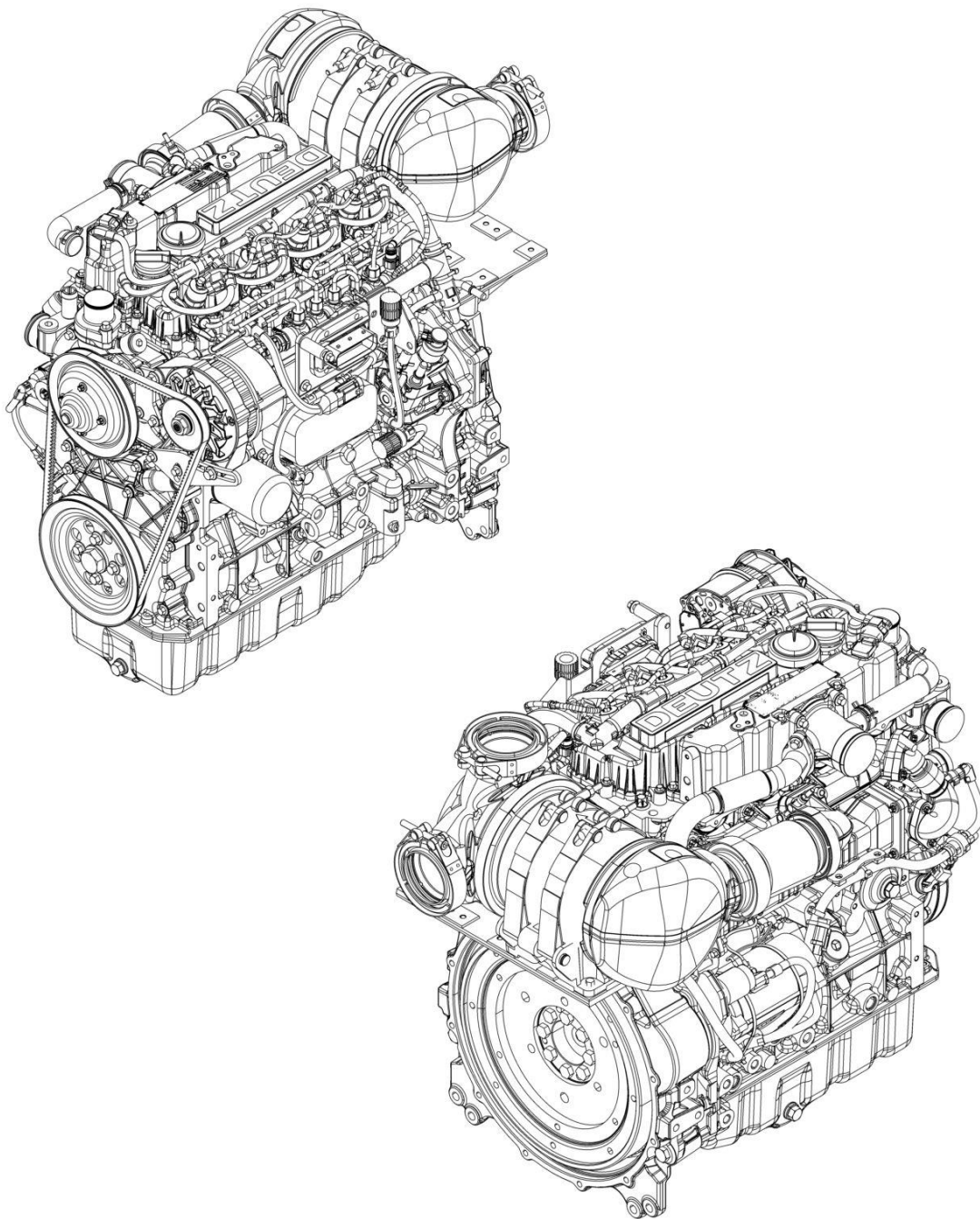
ITEM	PART NUMBER	QTY	DESCRIPTION	REV
58	8406109	1	Clip	
60	1001117308	1	Relay, 200Amp	
60	3300220	2	Nut	
60	3321001	2	Nut #10	
60	4761000	2	Washer #10	
60	1001111424	2	Washer	
61	1001118878	1	Bolt M6 x 55	
62	1001134488	1	Fitting, Barbed 90	
63	1001144116	1	Spacer, Fan	
65	1001136834	1	Cap, Tank	
68	1001138228	1	Relay, Power Module	
68	70023592	1	Fuse 20Amp	
68	70023593	1	Fuse 30Amp	
69	1001138248	41 in/ 1041mm	Tube	
70	1001138827	1	Sensor, Coolant Level	
71	1001139240	1	Bracket	
72	1001230635	1	Tank, Surge (Includes Items 62, 70 & 73)	
73	1001140564	1	Fitting, Barbed 90	
74	1001141304	1	Harness, Glow Plug	
75	1001141694	1	Clamp, Air Cleaner	
78	1001143390	1	Indicator	
79	1001143797	1	Fitting, Barbed	
80	1001178788	1	Cable, Alternator	
82	1001152489	1	Fitting, Barbed 90	
86	1001165388	1	Air Cleaner Assembly	
86	70003783	1	Element, Air Cleaner	
87	1001165405	1	Hose, Upper Radiator	
88	1001165406	1	Hose, Lower Radiator	
89	1001165721	1	Hose, Air Intake	
90	1001165722	1	Radiator	
91	1001165849	1	Fan	
92	1001166718	3	Mount, Motor	
93	1001166921	1	Plate, Engine Mount	
95	1001166924	1	Plate, Engine Mount	
96	1001167108	1	Harness Engine - Deutz D2.9L4 (See Separate Breakdown in ELECTRICAL Section)	
97	1001167520	1	Tray, Engine	
98	1001168018	3	Washer, Special	
99	1001168026	1	Plate, Radiator Mounting	
101	1001168099	1	Hose	
102	1001168166	2	Seal	
103	1001260420	1	Bracket	
104	1001169054	4	Isolator	
105	1001169138	4	Washer, Snubbing	
106	1001169967	2	Bracket	
107	1001170035	2	Bracket	
108	1001249965	1	Engine, Deutz D2.9L4 (See Separate Breakdown in this Section)	
110	1001140312	1	Heater, Engine Block	
112	0760607	3	Bolt M6 x 14	
113	0760815	2	Bolt M8 x 35	
114	3520054	1	Plug	

SECTION 3 - ENGINE

ITEM	PART NUMBER	QTY	DESCRIPTION	REV
115	5250810	2	Bolt M8 x 20	
116	8406110	1	Clip	
117	8406201	1	Clip	
118	1001177359	1	Hose	
119	1001178876	1	Mount, Fuel Filter	
120	1001179903	1	Bracket	
121	1001180620	AR	Adhesive	
122	1001181895	AR	Adhesive	
123	0760810	8	Bolt M8 x 20	
124	1001191620	1	Clamp	
125	4811702	12	Washer M6	
126	4751600	2	Washer 3/8	
127	3311605	1	Nut 3/8	
128	0681608	1	Bolt 3/8 x 1	
129	1001260412	1	Bracket	
130	1001162335	1	Bracket Assembly - Fuel Pump/Filter (Not Shown) (See Separate Breakdown in this Section)	
131	2200261	1	Fitting	
132	1001277432	1	Spacer	

SECTION 3 - ENGINE

FIGURE 3-14. ENGINE COMPONENTS - DEUTZ D2.9L4 ENGINE (ANSI, ANSI EXPORT AND CSA SPECS)



ART_1001249965

SECTION 3 - ENGINE

FIGURE 3-14. ENGINE COMPONENTS - DEUTZ D2.9L4 ENGINE (ANSI, ANSI EXPORT AND CSA SPECS)

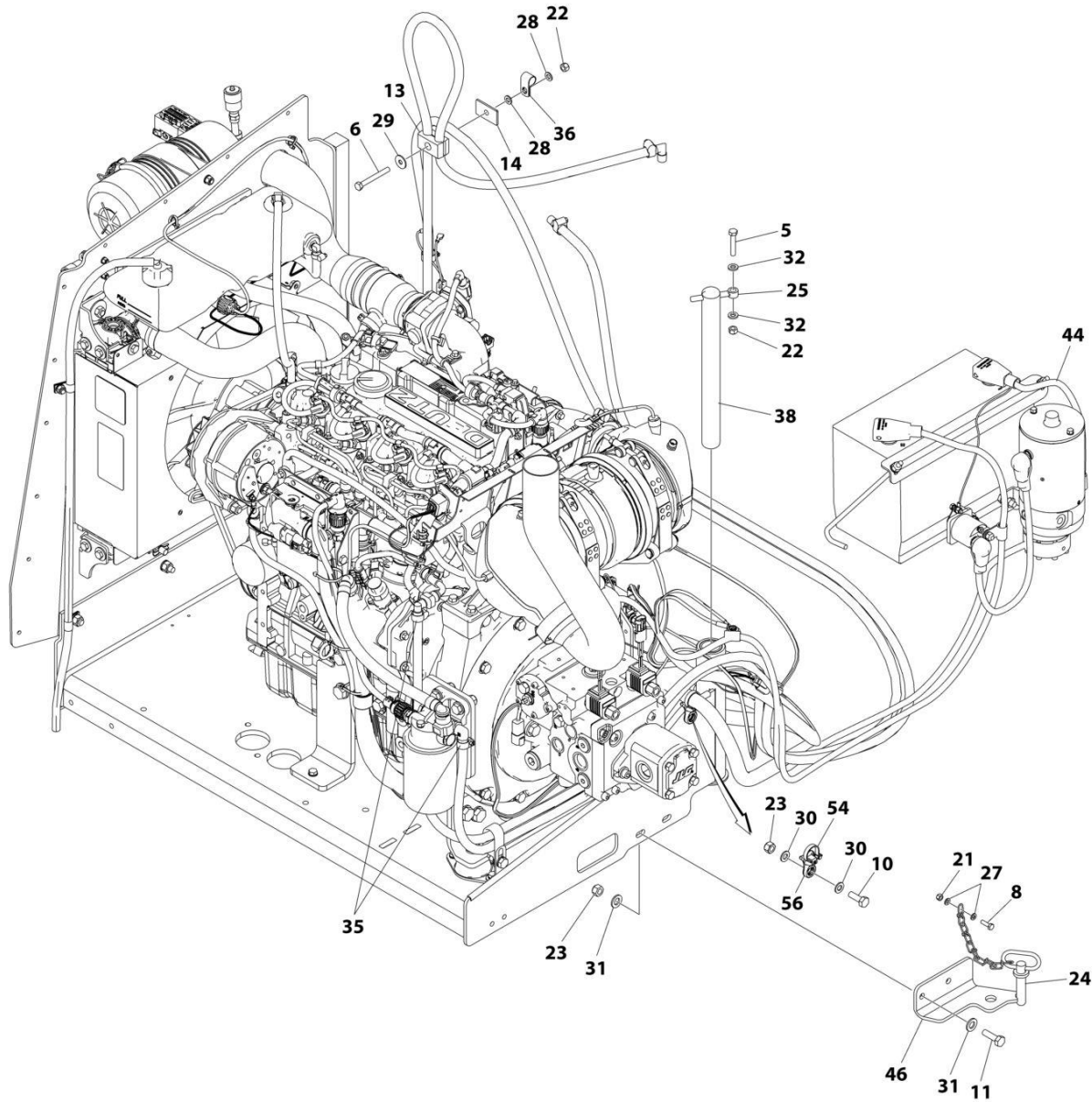
ITEM	PART NUMBER	QTY	DESCRIPTION	REV
	1001249965	Ref	DEUTZ D2.9L4 - EMR4 (49HP) ENGINE COMPONENTS	B
	See Note	Ref	Note: Contact JLG Customer Service for Availability of Additional Components.	
		Ref	Air Intake System	
	70005182	1	Charge Air Elbow	
	70005183	1	Breather Line	
		Ref	Cooling System Components	
	70030360	1	Pump, Coolant	
	70007603	1	Thermostat	
		Ref	Electrical Components	
	70025210	1	Module, Engine Control (ECM/ECU)	
	70024513	1	Harness, Fuel Filter Sensor	
	70024504	1	Sensor, Fuel Pressure	
	70006652	1	Generator	
	70024915	1	Starter	
	70025231	1	Harness, Glow Plug	
	70028540	1	Sensor, Temperature	
	70026210	1	Sensor, Speed	
	70024507	1	Sensor, Pressure (Air Intake)	
	70031145	4	Plug, Glow	
		Ref	Exhaust Components	
	70031136	1	Pipe, Exhaust	
	70004282	1	Exhaust Manifold	
		Ref	Fuel System Components	
	70030381	1	Pump, High Pressure	
	700004508	1	Valve, Volume Control	
	70004281	1	Injector, Fuel	
	70006144	1	Pump, Fuel Supply (Includes Qty 2 Mounting Clamps)	
	1001225430	1	Filter, Fuel (Pre-Filter) Assembly	
	70024961	1	Filter, Fuel	
	70025239	1	Seal	
	70024513	1	Cable, Sensor	
	70029451	1	Filter, Fuel	
		Ref	Gasket & Seal Components	
	70024905	1	Seal, Dipstick	
	70005942	2	Seal, Oil Plug	
	70024906	1	Gasket, Head	
	70005171	1	Gasket, Valve Cover	
	70002718	1	Seal, Rear Main	
	70025135	1	O-Ring, Oil Lube Pump	
	70005173	1	Gasket, Oil Lube Pump	
	70024925	1	Seal, Oil Cooler	
	70005177	1	Gasket, Charge Air Housing	
	70025200	1	O-Ring, Coolant Pump	
	70007325	1	Seal, Coolant Pump	
	70005184	1	O-Ring, Thermostat	
	70005931	1	Seal, Thermostat	
	70025164	1	Gasket, Exhaust Manifold to Head	
	70007354	1	Gasket, Short Exhaust Pipe to JLG supplied Exhaust	

SECTION 3 - ENGINE

ITEM	PART NUMBER	QTY	DESCRIPTION	REV
	70007326	1	Gasket EGR Valve	
	70031095	1	Gasket, Exhaust Return Pipe (to Air Intake Housing)	
		Ref	Other Components	
	70001870	1	Flywheel	
	7024579	1	Gear, Ring	
		Ref	Oil Lube System	
	7020465	1	Cap, Oil Fill	
	70024904	1	Dipstick	
	70005941	2	Plug, Oil (Includes Seal)	
	70005172	1	Pump, Oil Lube (Includes O-Ring & Gasket)	
	70024494	1	Oil Cooler	
	7016331	1	Filter, Oil	

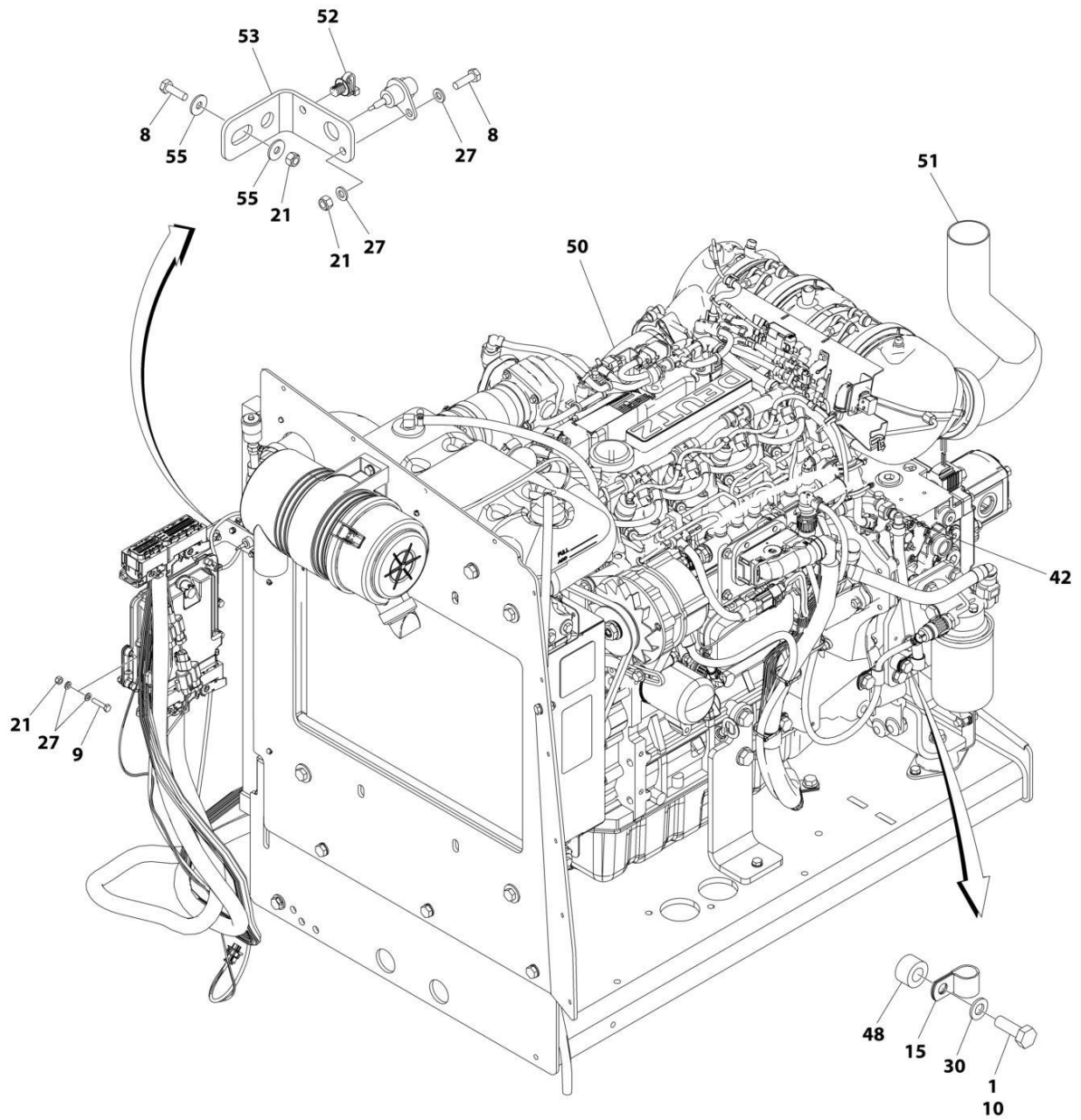
SECTION 3 - ENGINE

FIGURE 3-15. ENGINE INSTALLATION - DEUTZ D2.9L4 ENGINE (STAGE V) (CE & UK CA SPECS)



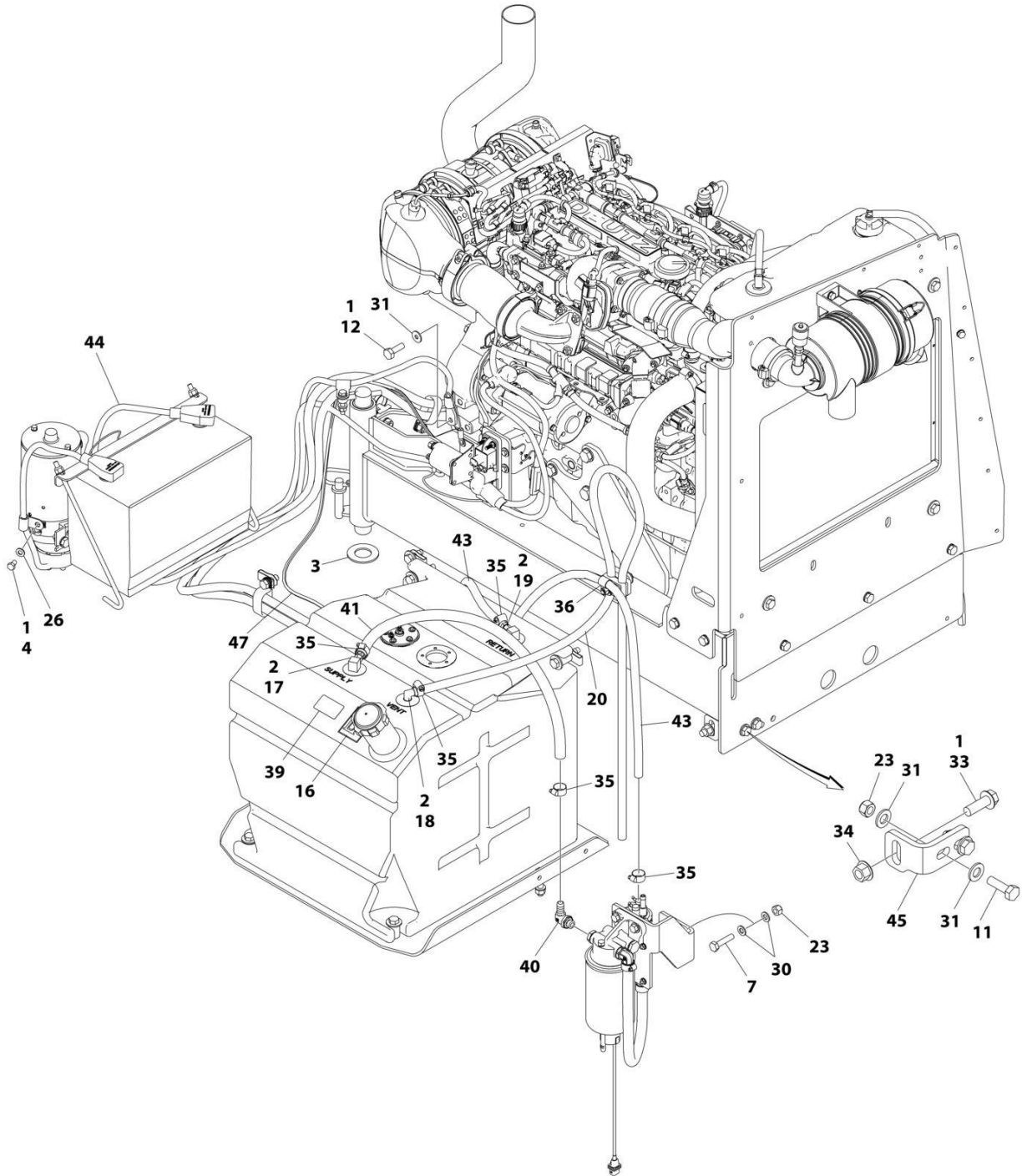
ART_1001244283_H_10F3

SECTION 3 - ENGINE



ART_1001244283_H_20F3

SECTION 3 - ENGINE



ART_1001244283_H_30F3

SECTION 3 - ENGINE

FIGURE 3-15. ENGINE INSTALLATION - DEUTZ D2.9L4 ENGINE (STAGE V) (CE & UK CA SPECS)

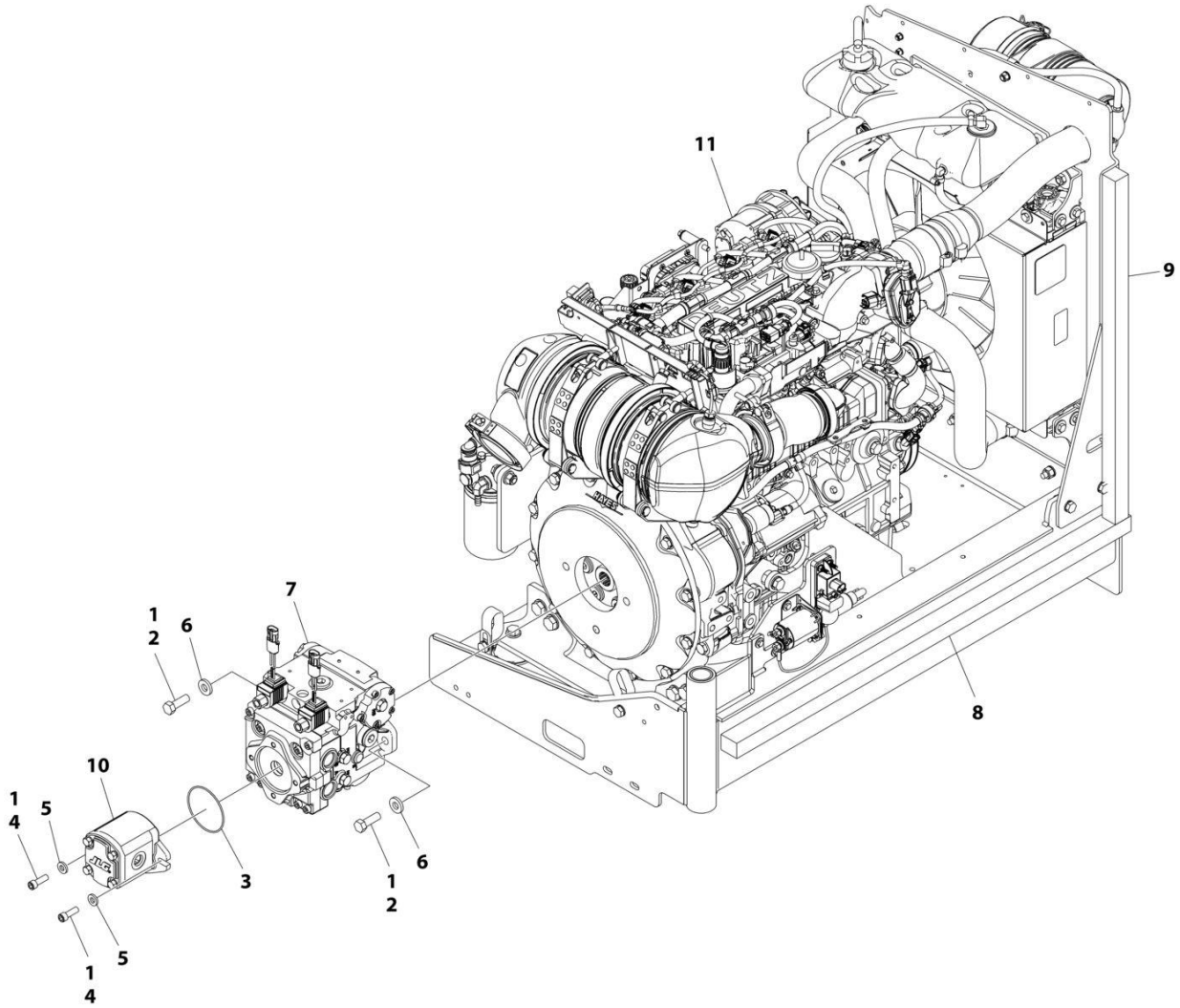
ITEM	PART NUMBER	QTY	DESCRIPTION	REV
	1001244283	Ref	ENGINE INSTALLATION - DEUTZ STAGE V ENGINE	H
1	0100011	AR	Compound, Locking	
2	0100020	1	Sealant, Pipe	
3	0440162	1	Bearing	
4	0641504	1	Bolt 5/16 x 1/2	
5	0700817	1	Bolt M8 x 45	
6	0700822	1	Bolt M8 x 70	
7	0701017	2	Bolt M10 x 45	
8	0760610	4	Bolt M6 x 20	
9	0760613	4	Bolt M6 x 28	
10	0761014	4	Bolt M10 x 30	
11	0761015	2	Bolt M10 x 35	
12	0771212	1	Bolt M12 x 25	
13	1320187	1	Clamp	
14	1320190	1	Clamp	
15	1320061	1	Clamp	
16	1701505	1	Decal - Diesel Fuel	
17	2180832	1	Fitting, Barbed	
18	2220313	1	Fitting, Barbed 90 3/8 NPTF / 3/8	
19	8430007	AR	Coupling	
20	2750532	5.5 ft /1.69m	Hose	
21	3290605	8	Nut M6	
22	3290805	2	Nut M8	
23	3291005	7	Nut M10	
24	3422532	1	Pin	
25	3841143	1	Keeper, Pin	
26	4711500	1	Washer, 5/16	
27	4811700	12	Washer, M6	
28	4811900	2	Washer, M8	
29	4811902	1	Washer, M8	
30	4812000	7	Washer, M10	
31	4812100	9	Washer, M12	
32	5240800	2	Washer, M8 Hardened	
33	5251215	1	Bolt M12 x 35	
34	5261200	1	Nut, Flange M12 Class10	
35	8405006	7	Clamp	
36	8406101	1	Clip	
38	1001135196	1	Pin	
39	1001139654	1	Decal, Ultra Low Sulfur Fuel	
40	1001142501	1	Fitting, Barbed 90	
41	1001154405	2.29 ft /0.70m	Hose	
42	1001155823	1	Coupling, Quick Disconnect 90	
43	1001165035	21.06 ft /6.42m	Hose	
44	1001166970	1	Battery and Auxiliary Power Pump Cable Kit	
45	1001167512	1	Bracket, Engine Tray	
46	1001169823	1	Plate, Engine Lock	

SECTION 3 - ENGINE

ITEM	PART NUMBER	QTY	DESCRIPTION	REV
47	1001173342	1	Harness, Fuel Pump (See Separate Breakdown in ELECTRICAL Section)	
48	1001220266	1	Bar, Spacer M12 x 12	
50	1001277600	1	Engine Assy, Deutz Stage V W/Pumps (See Separate Breakdown in this Section)	
51	1001245305	1	Pipe, Exhaust	
52	1001146588	2	Strap	
53	1001256879	1	Bracket	
54	1062255	AR	Tie-Strap (Not Shown)	
55	4811702	4	Washer M6	
56	1001156107	1	Holder	

SECTION 3 - ENGINE

FIGURE 3-16. ENGINE AND PUMP SUB-ASSEMBLY - DEUTZ D2.9L4 ENGINE (STAGE V) (CE & UK CA SPECS)



ART_1001277600

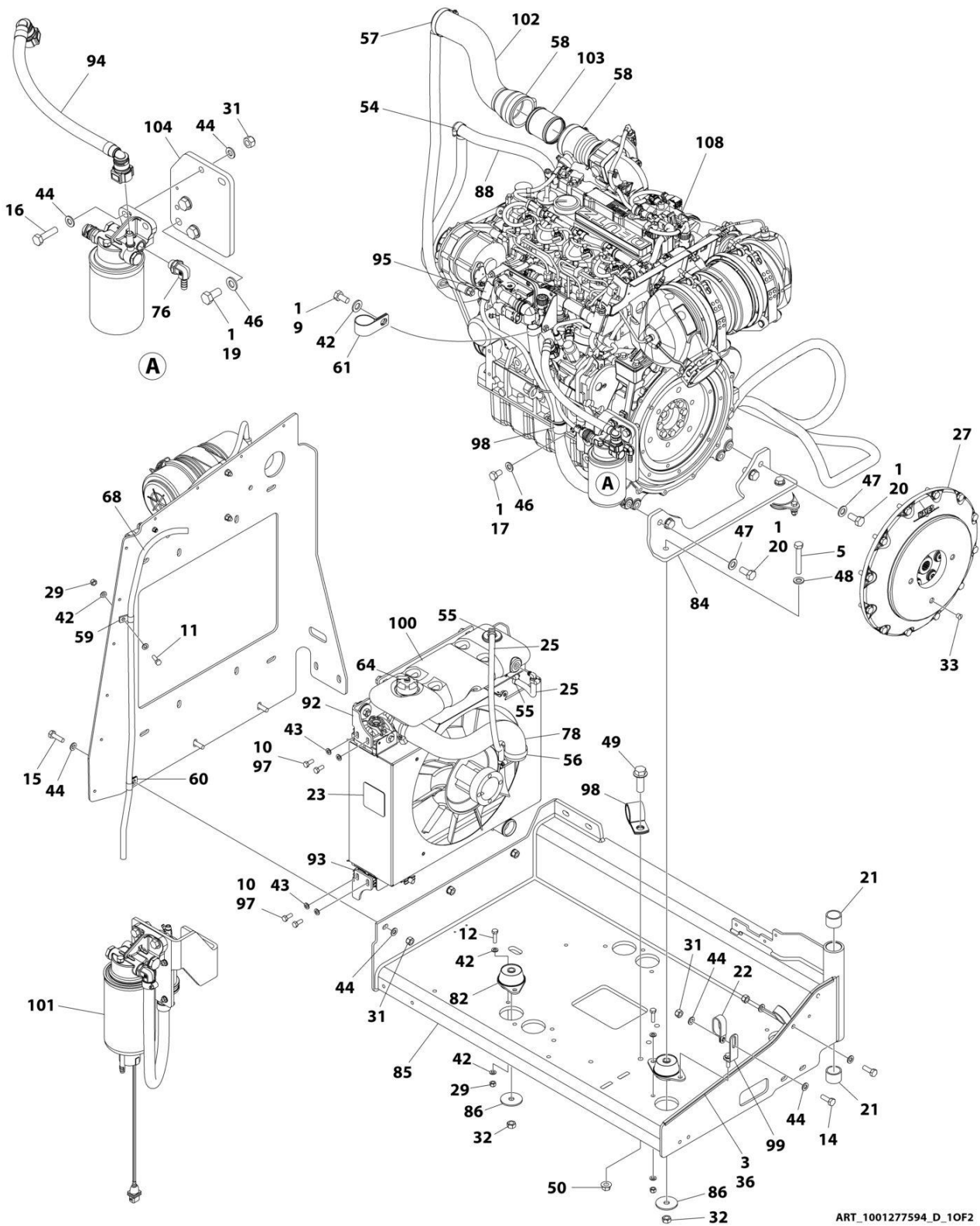
SECTION 3 - ENGINE

FIGURE 3-16. ENGINE AND PUMP SUB-ASSEMBLY - DEUTZ D2.9L4 ENGINE (STAGE V) (CE & UK CA SPECS)

ITEM	PART NUMBER	QTY	DESCRIPTION	REV
	1001277600	Ref	ENGINE AND PUMP SUB-ASSEMBLY - DEUTZ (STAGE V) ENGINE	B
1	0100011	AR	Compound, Locking	
2	0641812	2	Bolt 1/2 x 1-1/2	
3	3790152	1	O-Ring	
4	3931618	2	Capscrew 3/8 x 1-1/8	
5	4891600	2	Washer 3/8 Hardened	
6	4891800	2	Washer 1/2 Hardened	
7	1001167036	1	Piston Pump Assembly (See Separate Breakdown in this Section)	
8	1001171953	1	Seal	
9	1001171954	1	Seal	
10	1001214207	1	Gear Pump Assembly	
10	70006356	1	Seal Kit - 1001214207 Pump	
11	1001277594	1	Engine Assembly, Deutz (Stage V) Engine (See Separate Breakdown in this Section)	

SECTION 3 - ENGINE

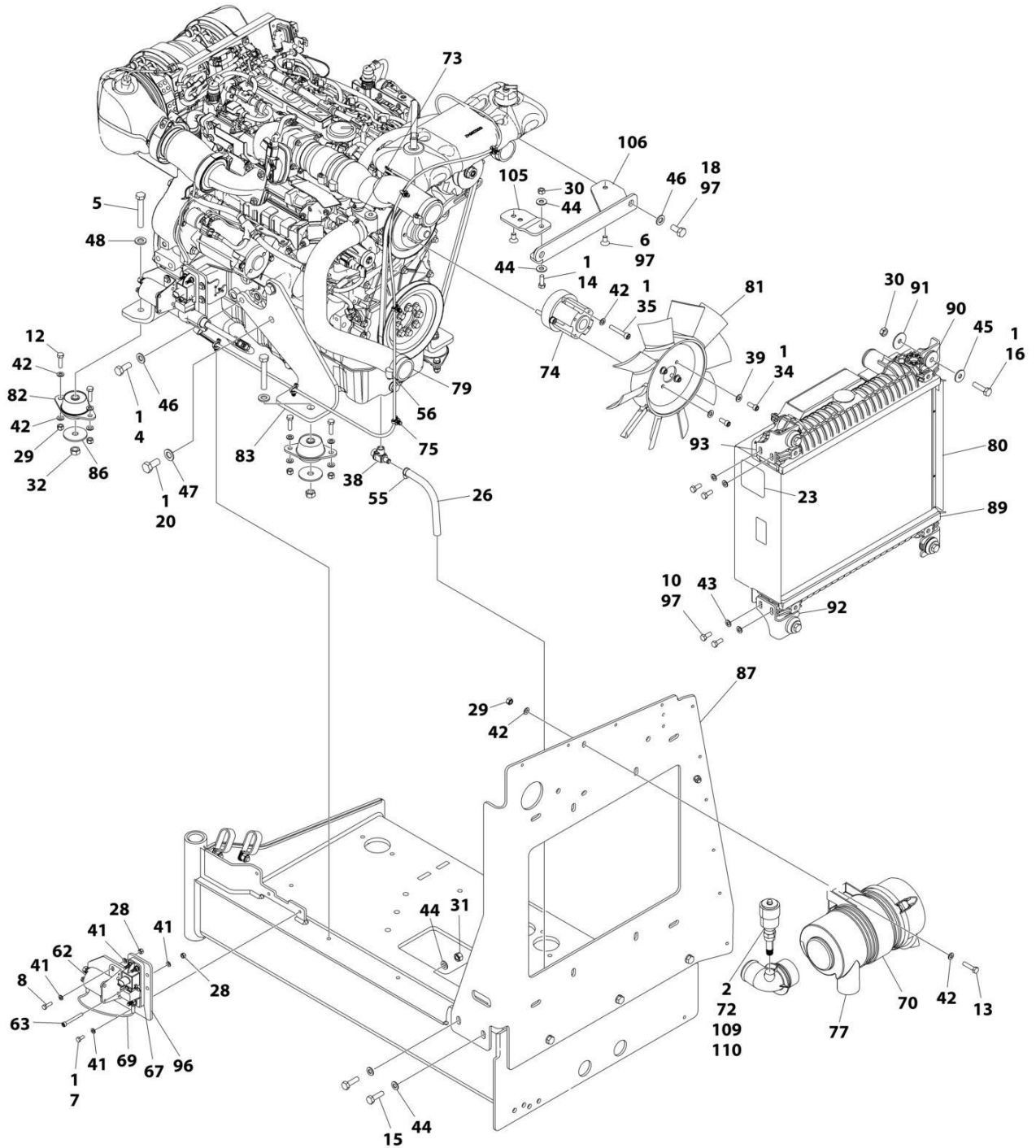
FIGURE 3-17. ENGINE ASSEMBLY – DEUTZ D2.9L4 ENGINE (STAGE V) (CE & UK CA SPECS)



ART_1001277594_D_10F2

SECTION 3 - ENGINE

FIGURE 3-18. ENGINE ASSEMBLY – DEUTZ D2.9L4 ENGINE (STAGE V) (CE & UK CA SPECS)



ART_1001277594_D_20F2

SECTION 3 - ENGINE

FIGURE 3-18. ENGINE ASSEMBLY – DEUTZ D2.9L4 ENGINE (STAGE V) (CE & UK CA SPECS)

ITEM	PART NUMBER	QTY	DESCRIPTION	REV
	1001277594	Ref	ENGINE ASSEMBLY - DEUTZ D2.9L4 (STAGE V)	D
1	0100011	AR	Compound, Locking	
2	0100020	AR	Sealant, Pipe	
3	0100081	AR	Adhesive	
4	0711214	1	Bolt M12 x 30 Class 10.9	
5	0711224	3	Bolt M12 x 80 Class 10.9	
6	0741606	2	Screw 3/8 x 3/4	
7	0760607	3	Bolt M6 x 14	
8	0760610	2	Bolt M6 x 20	
9	0760808	1	Bolt M8 x 16	
10	0760810	8	Bolt M8 x 20	
11	0760812	1	Bolt M8 x 25	
12	0760814	6	Bolt M8 x 30	
13	0760815	2	Bolt M8 x 35	
14	0761014	3	Bolt M10 x 30	
15	0761015	5	Bolt M8 x 35	
16	0761016	6	Bolt M10 x 40	
17	0761210	1	Bolt M12 x 20	
18	0761212	2	Bolt M12 x 25	
19	0771212	3	Bolt M12 x 25	
20	0771414	6	Bolt M14 x 30 Class 10.9	
21	0961951	2	Bushing	
22	1321716	2	Clamp	
23	1703162	2	Decal - Caution Fan	
25	2720015	1.94 ft /0.59m	Hose	
26	2720340	0.66 ft/ 0.20m	Hose	
27	2902065	1	Pump Coupling Kit (See Separate Breakdown in this Section)	
28	3290605	3	Nut M6	
29	3290805	9	Nut M8	
30	3291001	5	Nut M10	
31	3291005	9	Nut M10	
32	3331215	3	Nut M12 x 1.75	
33	3520054	1	Plug	
34	3931512	4	Capscrew, 5/16 x 3/4	
35	4031914	4	Bolt M8 x 50	
36	4060805	2.03 ft /0.62m	Flex-Trim	
37	4240099	AR	Tie-Strap (Not Shown)	
38	4640751	1	Valve, Oil Drain	
39	4711500	4	Washer 5/16	
40	4811700	2	Washer M6	
41	4811702	8	Washer M6	
42	4811900	23	Washer M8	
43	4811902	8	Washer M8	
44	4812000	20	Washer M10	
45	4812002	4	Washer M10	
46	4812100	7	Washer M12	
47	4812200	6	Washer M14	

SECTION 3 - ENGINE

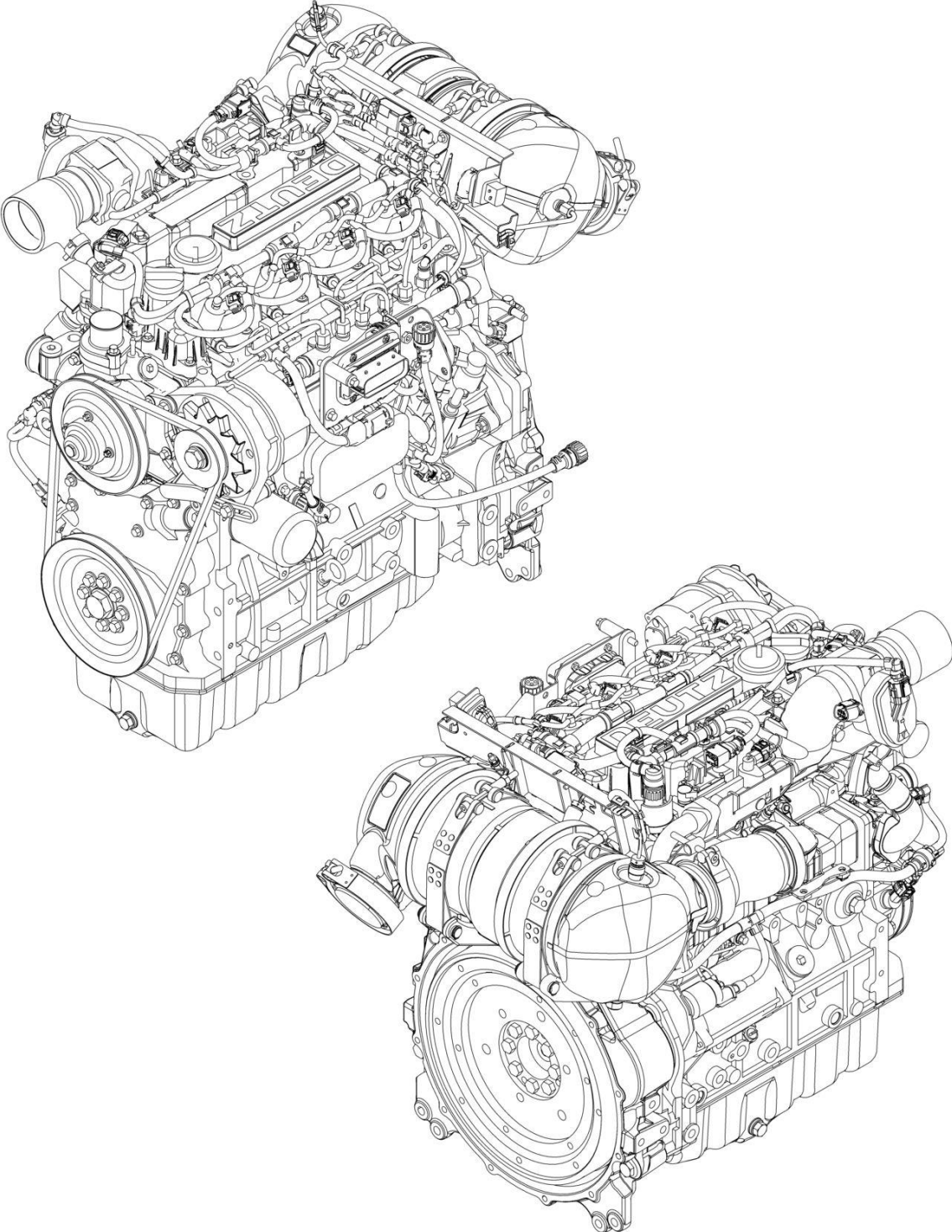
ITEM	PART NUMBER	QTY	DESCRIPTION	REV
48	5241200	3	Washer M12	
49	5251215	1	Bolt M12 x 35	
50	5261200	1	Nut, Flange M12 Class10	
54	8405007	2	Clamp	
55	8405009	5	Clamp	
56	8405104	4	Clamp	
57	8405202	1	Clamp	
58	8405204	2	Clamp	
59	8406109	1	Clip	
60	8406110	1	Clip	
61	8406201	1	Clip	
62	1001117308	1	Relay, 200Amp	
63	1001118878	1	Bolt M6 x 55	
64	1001136834	1	Cap, Tank	
67	1001138228	1	Relay, Power Module	
68	1001138248	41 in/ 1041mm	Tube	
69	1001141304	1	Harness, Glow Plug	
70	1001141694	1	Clamp, Air Cleaner	
72	1001143390	1	Indicator	
73	1001143797	1	Fitting, Barbed	
74	1001144116	1	Spacer, Fan	
75	1001146588	AR	Tie-Strap (Not Shown)	
76	1001152489	1	Fitting, Barbed 90	
77	1001165388	1	Air Cleaner Assembly	
78	1001165405	1	Hose, Upper Radiator	
79	1001165406	1	Hose, Lower Radiator	
80	1001165722	1	Radiator	
81	1001165849	1	Fan	
82	1001166718	3	Mount, Motor	
83	1001166921	1	Plate, Engine Mount	
84	1001166924	1	Plate, Engine Mount	
85	1001167520	1	Tray, Engine	
86	1001168018	3	Washer, Special	
87	1001168026	1	Plate, Radiator Mounting	
88	1001168099	1	Hose	
89	1001168166	2	Seal	
90	1001169054	4	Isolator	
91	1001169138	4	Washer, Snubbing	
92	1001169967	2	Bracket	
93	1001170035	2	Bracket	
94	1001177359	1	Hose	
95	1001178788	1	Cable, Alternator	
96	1001179903	1	Bracket	
97	1001180620	AR	Adhesive	
98	1001191620	2	Clamp	
99	1001223122	1	Support	
100	1001230635	1	Tank, Surge (Includes Items 62, 70, & 73)	
101	1001235949	1	Bracket (See Separate Breakdown in this Section)	
102	1001236780	1	Hose, Air Intake	
103	1001238911	1	Pipe, Air Intake	
104	1001258804	1	Mount, Fuel Filter	

SECTION 3 - ENGINE

ITEM	PART NUMBER	QTY	DESCRIPTION	REV
105	1001260412	1	Bracket	
106	1001260420	1	Bracket (note: may require P/N 1001260412)	
107	1001276643	1	Harness, Engine (Not Shown - See Separate Breakdown in ELECTRICAL Section)	
108	1001277589	1	Engine, Deutz 2.9L4 (Stage V) (See Separate Breakdown in this Section)	
109	2200261	1	Fitting	
110	1001277432	1	Spacer	

SECTION 3 - ENGINE

FIGURE 3-19. ENGINE COMPONENTS - DEUTZ D2.9L4 ENGINE (STAGE V) (CE & UK CA SPECS)



ART_1001277589

SECTION 3 - ENGINE

FIGURE 3-19. ENGINE COMPONENTS - DEUTZ D2.9L4 ENGINE (STAGE V) (CE & UK CA SPECS)

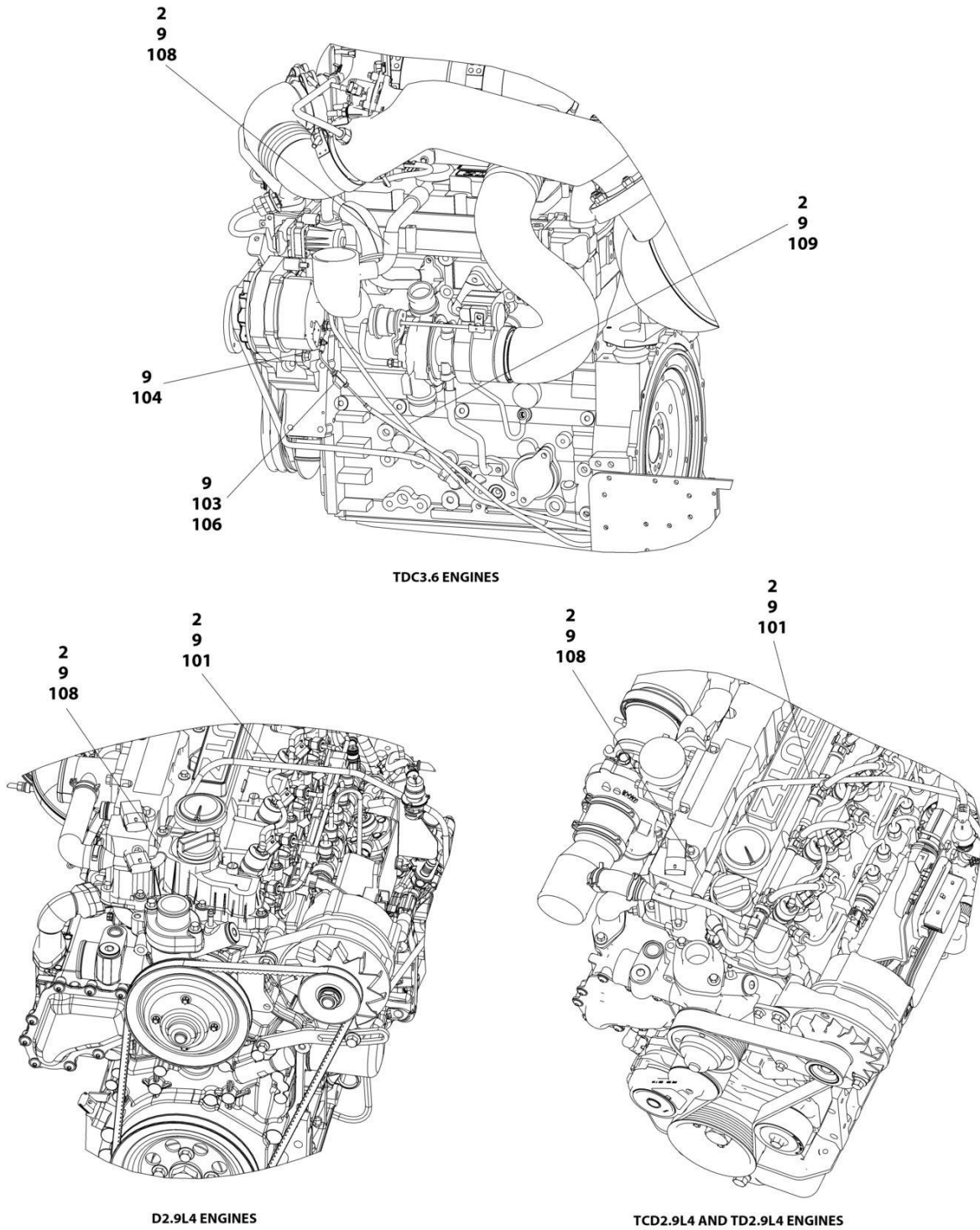
ITEM	PART NUMBER	QTY	DESCRIPTION	REV
	1001277589	Ref	DEUTZ ENGINE COMPONENTS	B
		Ref	COOLING SYSTEM COMPONENTS	
	70031474	1	Cooler, Oil	
	70031388	1	Seal, Oil Cooler	
	70030360	1	Pump, Coolant (Includes Gaskets & Seals)	
	70031055	1	O-Ring, Coolant Pump	
	70007325	1	Gasket	
	70007603	1	Thermostat	
	70005184	1	O-Ring, Thermostat	
	70005931	1	Gasket, Thermostat	
		Ref	ELECTRICAL SYSTEM COMPONENTS	
	70024513	1	Cable, Primary Fuel Filter Sensor (Includes Seal)	
	70025239	1	Seal	
	70028538	1	Sensor, Fuel Pressure (at Filter) (Includes Seal)	
	70024920	1	Seal	
	70029512	1	Module, ECU/ECM	
	70027405	1	Sensor, Exhaust Temperature	
	70031144	1	Starter	
	70008435	1	Generator (includes Regulator)	
	70031143	1	Regulator	
	70000345	4	Plug, Glow	
	70025231	1	Harness, Glow Plug	
	70008553	1	Cable, Interconnect	
	70008558	1	Harness, Engine	
	1001211556	1	Sensor, Temperature (Includes O-Seal)	
	70005507	1	O-Seal	
	70028540	1	Sensor, Temperature (in Cylinder Head)	
	70024504	1	Sensor, Oil Pressure (Side of Block) (Includes Seal)	
	70024920	1	Seal	
	70026210	2	Sensor, Speed (Includes O-Ring/Seal)	
	70005191	1	O-Ring	
	70024917	1	Seal	
	70008559	1	Sensor, Air Pressure (Air Exchange Manifold) (Includes O-Ring)	
	70008561	1	Sensor, Air Pressure (Air Exchange Manifold) (Includes O-Ring)	
	70024505	1	Sender, Exhaust Temperature	
	70029409	1	Sender, Exhaust Temperature	
	70008431	1	Sensor, Exhaust Pressure	
		Ref	EXHAUST SYSTEM COMPONENTS	
	70025130	8	Bolt, Exhaust Manifold	
	70025164	1	Gasket, Exhaust Manifold to Head	
	70005505	2	O-Seal	
	70008543	1	Pipe, Exhaust	
	70008544	1	O-Seal, Exhaust (Venturi Tube to Exhaust Pipe)	
	70008545	1	Gasket, Square Exhaust	
	70005504	1	Sensor, Exhaust Pressure (Includes O-Seals)	
	70031136	1	Gasket, Exhaust (Upper)	
	70007354	1	Gasket, Exhaust (Lower)	
	70008547	1	Module, EGR (Includes Gasket)	
	70007326	1	Gasket	
	70025242	2	Gasket, Compensator	

SECTION 3 - ENGINE

ITEM	PART NUMBER	QTY	DESCRIPTION	REV
	70004504	1	Compensator	
	70008564	1	Catalyst	
		Ref	FUEL SYSTEM COMPONENTS	
	1001225430	1	Filter, Primary Fuel	
	1001225431	1	Filter, Fuel	
	70030381	1	Pump, High Pressure	
	70025152	1	O-Ring (Between Pump AND Spacer)	
	70004505	1	Valve, Overflow (Includes O-Rings)	
	70004506	1	O-Ring	
	70004507	1	O-Ring	
	70004508	1	Valve, Volume Control (Includes O-Ring & Gasket)	
	70004509	1	O-Ring	
	70004510	1	Gasket	
	70004281	4	Injector, Fuel (Includes Sealing Washer & O-Ring)	
	70025140	1	Washer, Sealing	
	70025145	1	O-Rin	
	70008422	1	Pump, Fuel Supply (Includes Clamps)	
	70025144	2	Clamp	
	70008537	1	Valve, Throttle (Includes Gasket)	
	70008538	1	Gasket	
		Ref	GASKETS & SEAL & KITS	
	70024906	1	Gasket, Head	
	70005171	1	Gasket, Valve Cover	
	70002718	1	Seal, Rear Main	
	70028185	1	Gasket, Front Cover	
	70008296	1	Seal, Front Main	
	70025235	1	Kit, Repair - Fuel Rail	
	70005176	1	O-Ring, Charge Exchange Manifold	
	70005177	1	Gasket, Charge Exchange Manifold	
	70005938	1	Gasket Kit	
		Ref	LUBRICATION SYSTEM COMPONENTS	
	7016331	1	Filter, Oil	
	70024904	1	Dipstick (Includes O-Ring)	
	70024905	1	O-Ring, Dipstick	
	7020465	2	Cap, Oil Fill	
	70005941	1	Plug, Oil Drain	
	70005942	1	Washer, Oil Drain Plug	
	70005172	1	Pump, Oil Lube (Includes Gasket & O-Ring)	
		Ref	MECHANICAL COMPONENTS	
	70001870	1	Flywheel (Includes Ring Gear)	
	7024579	1	Gear, Ring	
	70024913	1	V-Belt	

SECTION 3 - ENGINE

FIGURE 3-20. BREATHER HEATER INSTALLATION - DEUTZ D2.9L4 ENGINE WITH ARCTIC PACKAGE



ART_1001233763

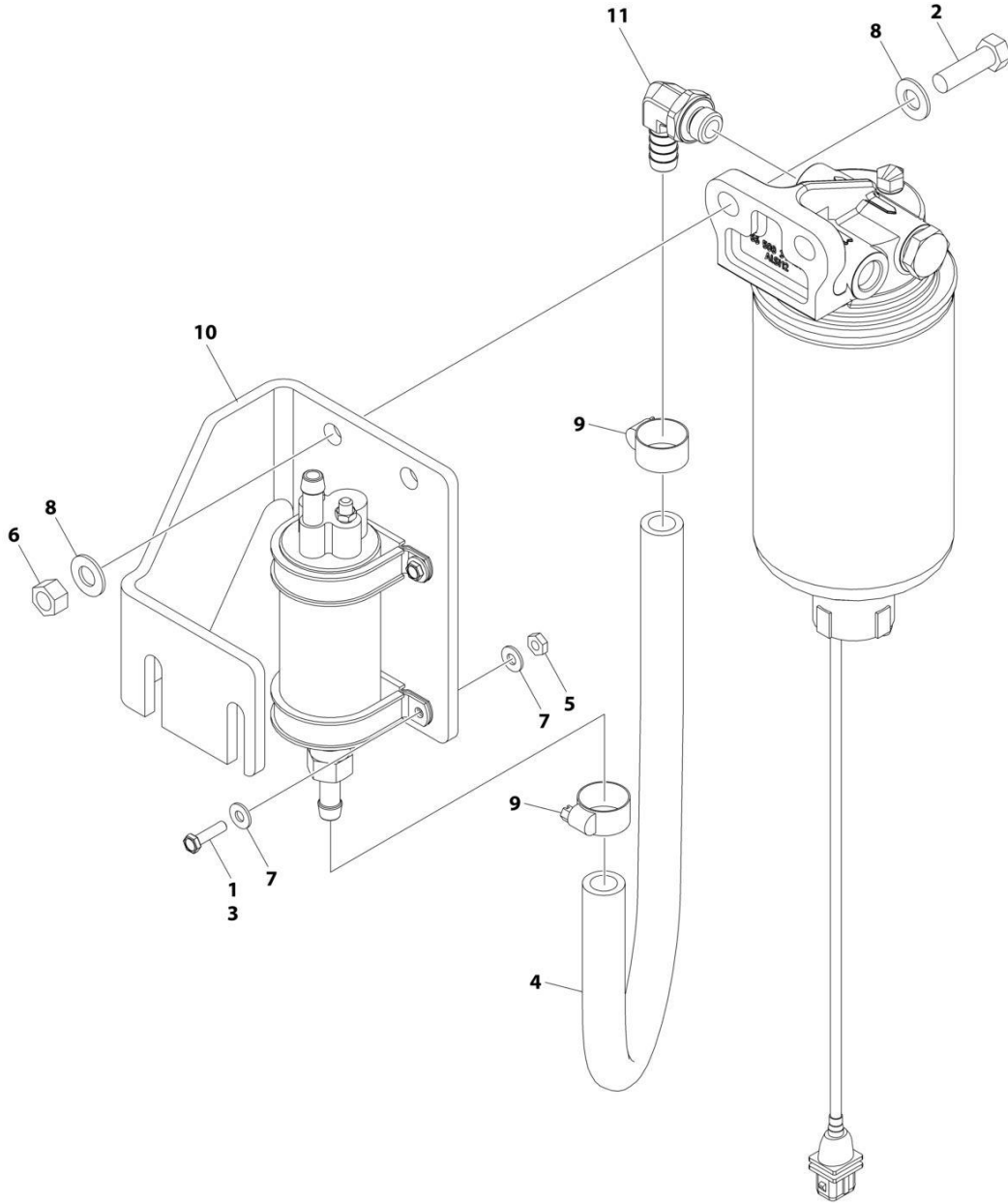
SECTION 3 - ENGINE

FIGURE 3-20. BREATHER HEATER INSTALLATION - DEUTZ D2.9L4 ENGINE WITH ARCTIC PACKAGE

ITEM	PART NUMBER	QTY	DESCRIPTION	REV
	1001233763	Ref	BREATHER HEATER INSTALLATION - DEUTZ ENGINES	D
2	4240099	AR	Tie-Strap	
9	1001243895	1	Breather Heater Harness	C
101	2820035	AR	Insulation	
103	2400060	1	Fuseholder with Cover	
104	4460043	1	Terminal, Ring	
105	4460722	1	Terminal, Ring (Not Shown)	
106	1001196634	1	Fuse - 2 Amp	
108	1001232842	1	Breather Heater Kit	

SECTION 3 - ENGINE

FIGURE 3-21. BRACKET ASSEMBLY - FUEL PUMP AND FILTER (DEUTZ D2.9L4 ENGINE)



ART_1001162335

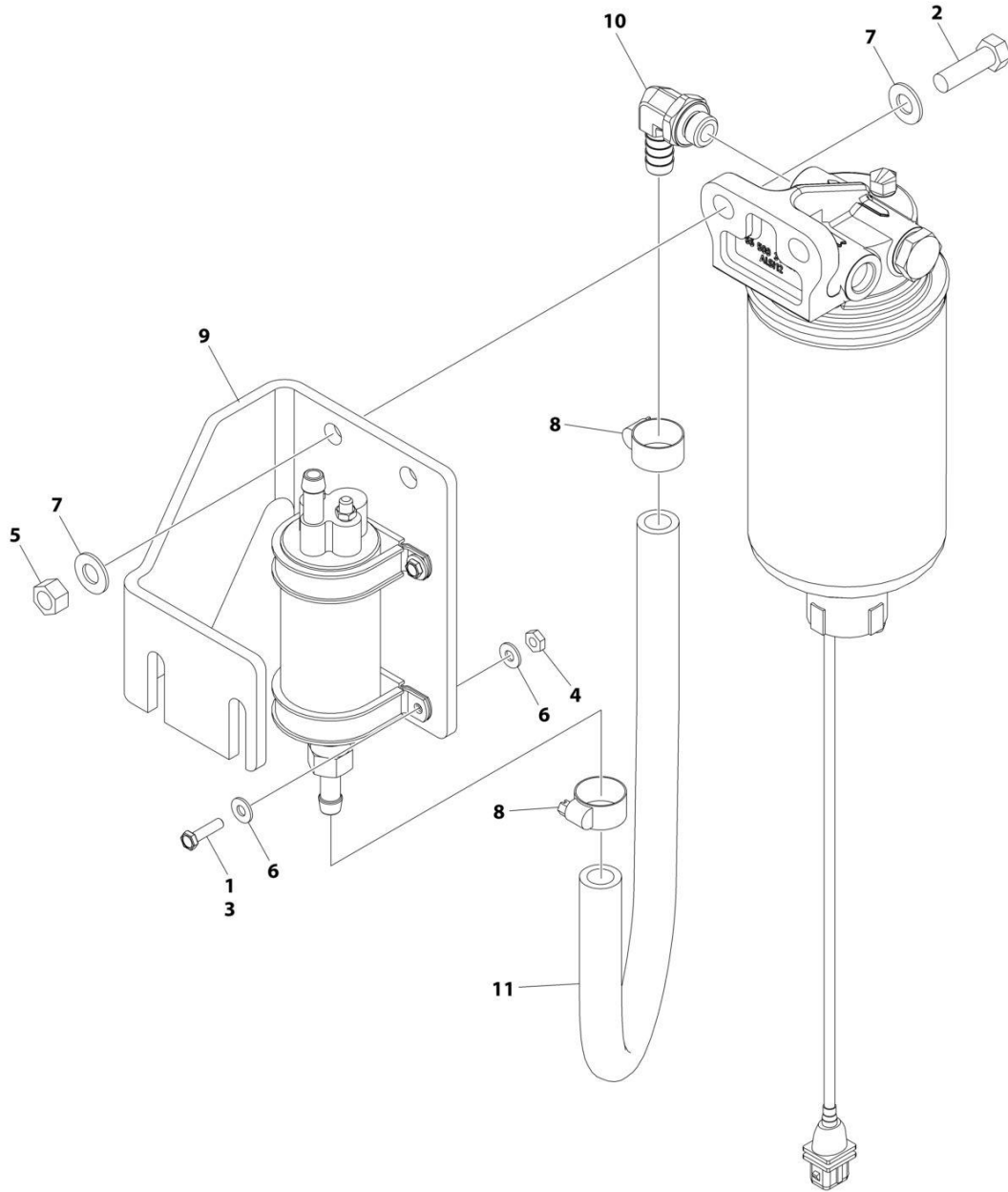
SECTION 3 - ENGINE

FIGURE 3-21. BRACKET ASSEMBLY - FUEL PUMP AND FILTER (DEUTZ D2.9L4 ENGINE)

ITEM	PART NUMBER	QTY	DESCRIPTION	REV
	1001162335	Ref	BRACKET ASSEMBLY - FUEL PUMP AND FILTER (DEUTZ D2.9L4 ENGINE)	E
1	0100011	AR	Compound, Locking	
2	0641610	2	Bolt 3/8 x 1-1/4	
3	0721006	4	Bolt #10 x 3/4	
4	1001154405	AR	Hose	
5	3311001	4	Nut #10	
6	3311605	2	Nut 3/8	
7	4711000	8	Washer #10	
8	4711600	4	Washer 3/8	
9	8405006	2	Clamp	
10	1001141870	1	Plate, Fuel Pump Mount	
11	1001142501	1	Fitting, Elbow Barbed	

SECTION 3 - ENGINE

FIGURE 3-22. BRACKET ASSEMBLY - FUEL PUMP AND FILTER (DEUTZ D2.9L4 ENGINE) (STAGE V)



ART_1001235949

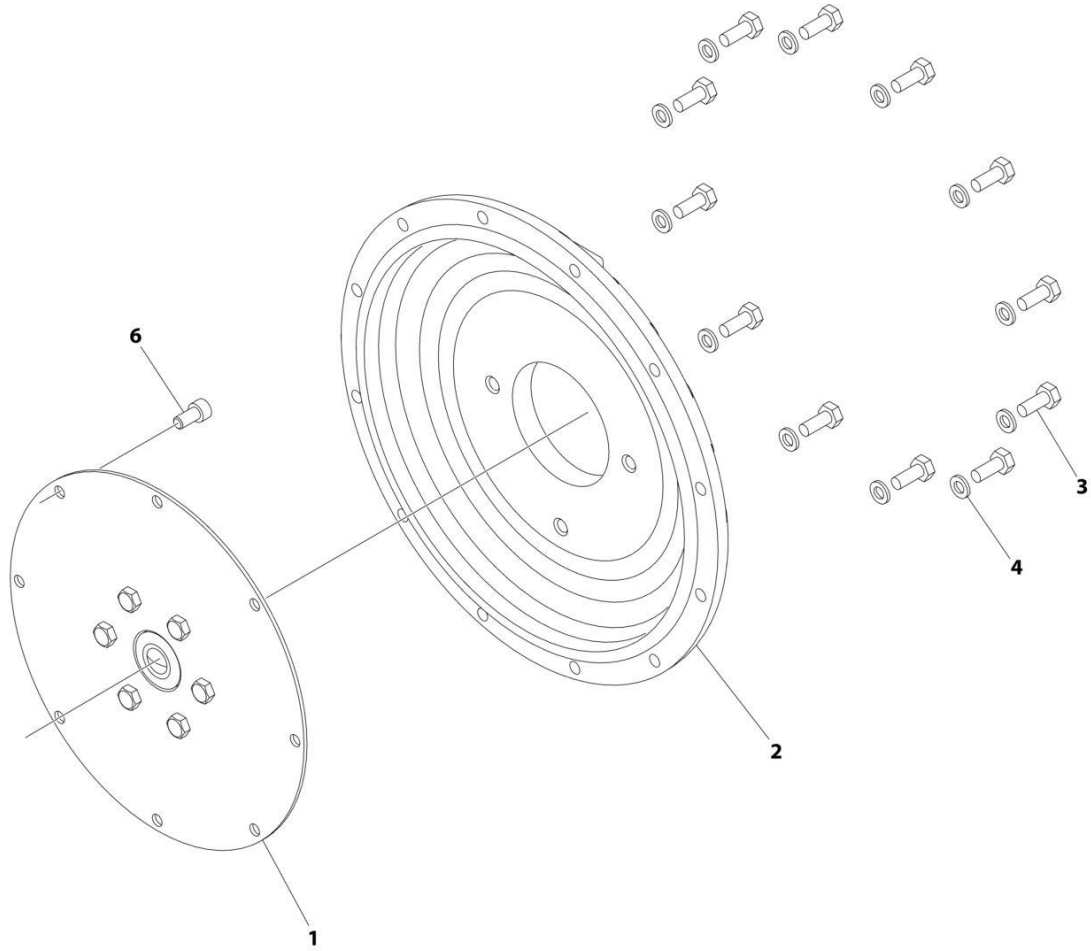
SECTION 3 - ENGINE

FIGURE 3-22. BRACKET ASSEMBLY - FUEL PUMP AND FILTER (DEUTZ D2.9L4 ENGINE) (STAGE V)

ITEM	PART NUMBER	QTY	DESCRIPTION	REV
	1001235949	Ref	BRACKET ASSEMBLY - FUEL PUMP AND FILTER (DEUTZ D2.9L4 (STAGE V) ENGINE)	A
1	0100035	AR	Compound, Locking	
2	0641610	2	Bolt 3/8 x 1-1/4	
3	0721006	4	Bolt #10 x 3/4	
4	3311001	4	Nut #10	
5	3311605	2	Nut 3/8	
6	4711000	8	Washer #10	
7	4711600	4	Washer 3/8	
8	8405006	2	Clamp	
9	1001141870	1	Plate, Fuel Pump Mount	
10	1001142501	1	Fitting, Elbow Barbed	
11	1001154405	1.5 ft /0.4m	Hose	

SECTION 3 - ENGINE

FIGURE 3-23. PUMP COUPLING KIT (DEUTZ ENGINES)



ART_2902065

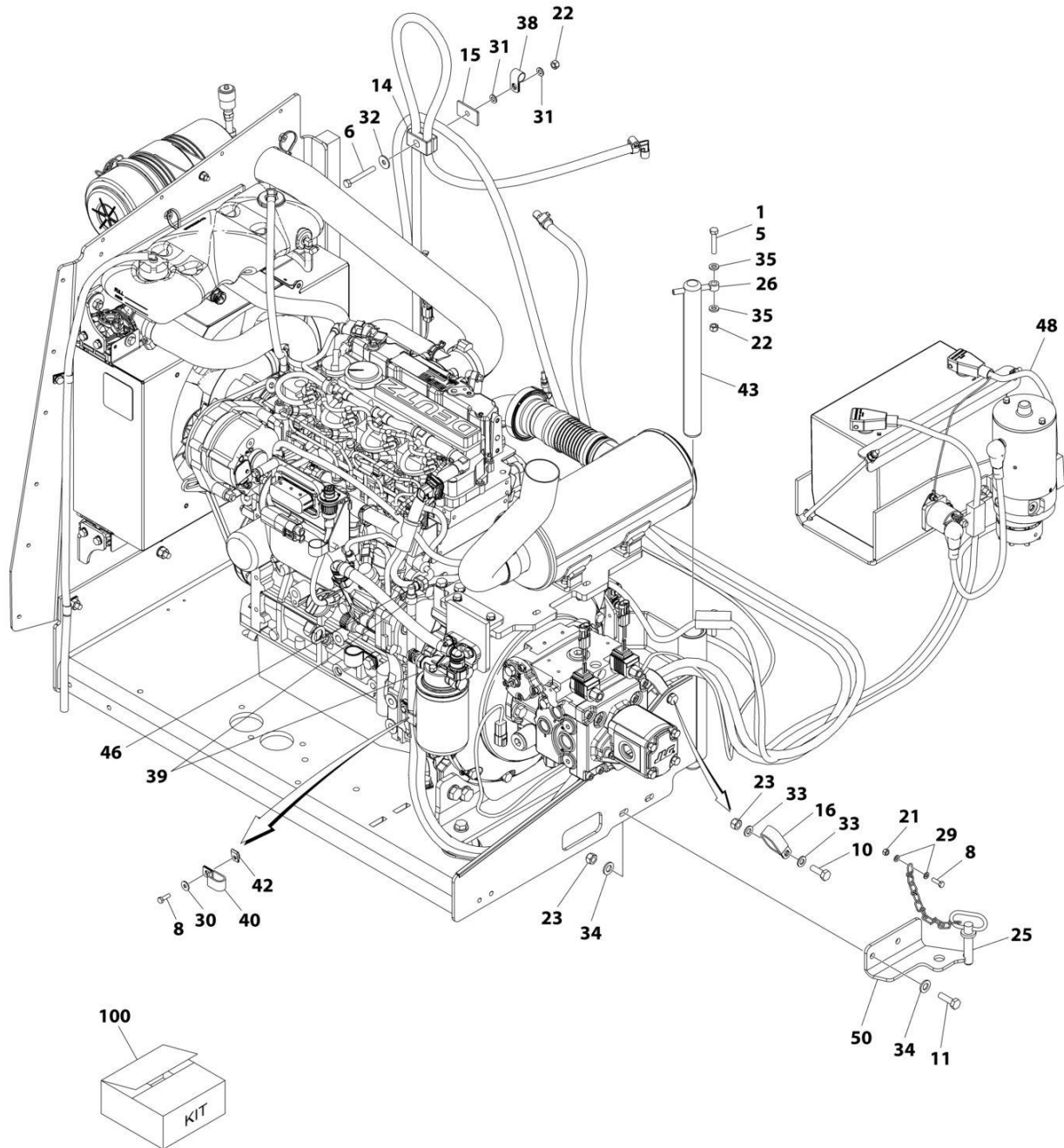
SECTION 3 - ENGINE

FIGURE 3-23. PUMP COUPLING KIT (DEUTZ ENGINES)

ITEM	PART NUMBER	QTY	DESCRIPTION	REV
	2902065	Ref	PUMP COUPLING KIT	L
1	70000793	1	Coupling, Hayes	
2	See Note	NSS	Plate, Pump Adapter (Note: Use p/n 2902065)	
3	See Note	NSS	Bolt M10 x 30 Grade 10.9 (Note: Use p/n 2902065)	
4	See Note	NSS	Washer M10 (Note: Use p/n 2902065)	
6	See Note	NSS	Bolt M10 x 20 Grade 10.9 (Note: Use p/n 2902065)	

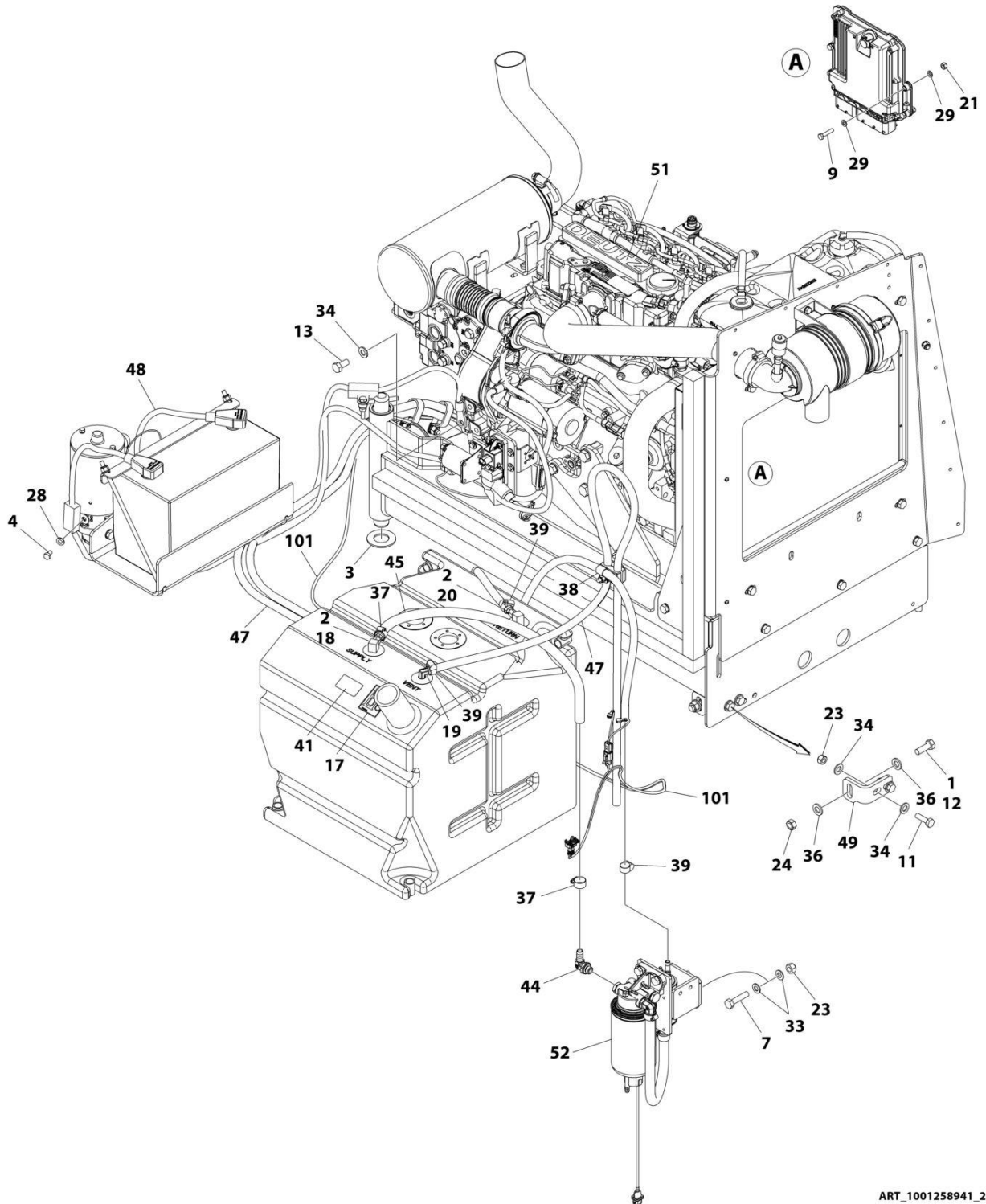
SECTION 3 - ENGINE

FIGURE 3-24. ENGINE INSTALLATION - DEUTZ D2.9L4 ENGINE (CHINA IV)



ART_1001258941_10F2

SECTION 3 - ENGINE



ART_1001258941_20F2

SECTION 3 - ENGINE

FIGURE 3-24. ENGINE INSTALLATION - DEUTZ D2.9L4 ENGINE (CHINA IV)

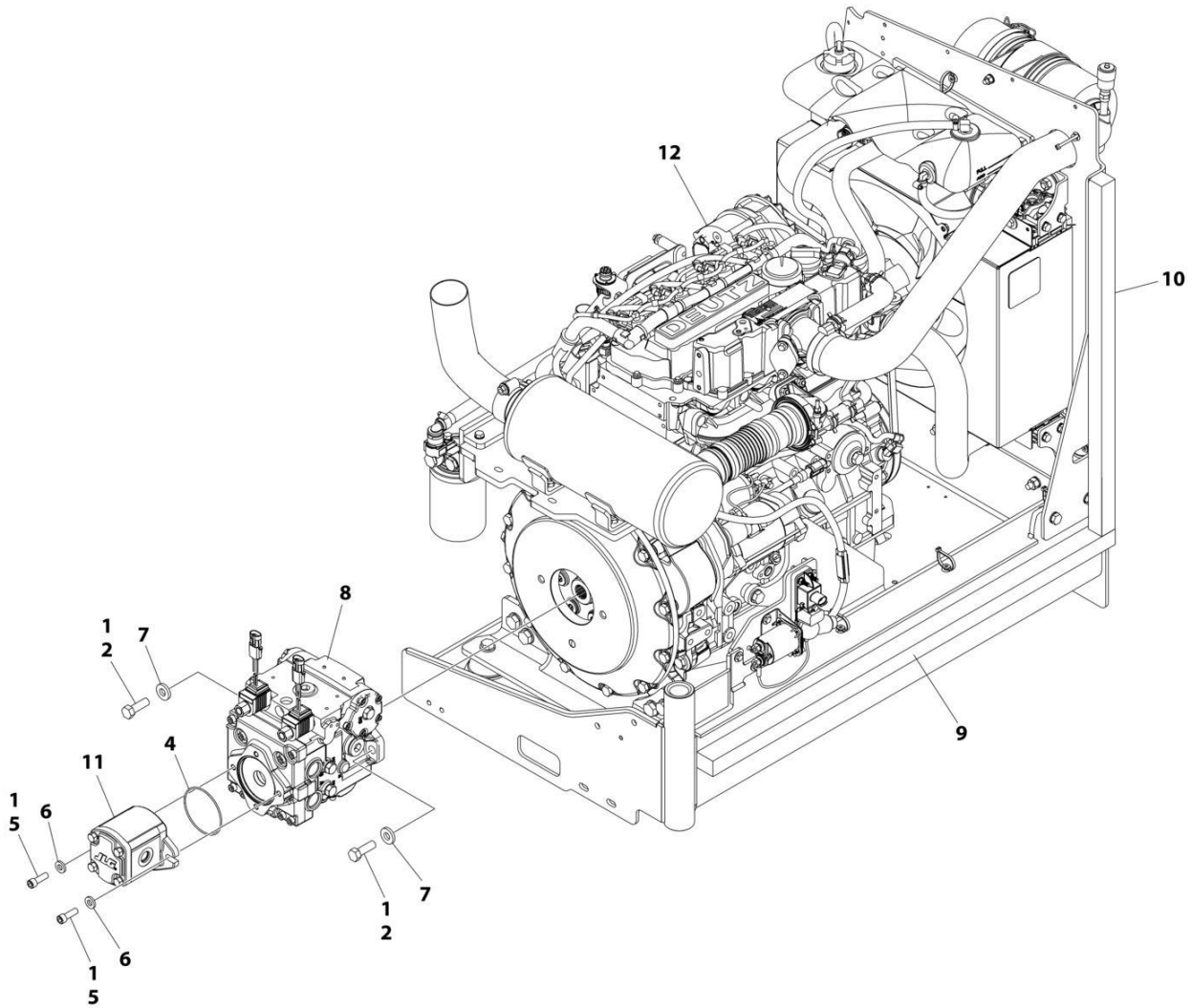
ITEM	PART NUMBER	QTY	DESCRIPTION	REV
	1001258941	Ref	DEUTZ D2.9L4 ENGINE INSTALLATION	A
1	0100011	AR	Compound, Locking	
2	0100020	AR	Sealant, Pipe	
3	0440162	1	Bearing	
4	0641504	1	Bolt 5/16 x 1/2	
5	0700817	1	Bolt M8 x 45	
6	0700821	1	Bolt M8 x 65	
7	0701017	2	Bolt M10 x 45	
8	0760610	2	Bolt M6 x 20	
9	0760613	4	Bolt M6 x 28	
10	0761014	2	Bolt M10 x 30	
11	0761015	4	Bolt M10 x 35	
12	0761215	1	Bolt M12 x 35	
13	0771212	1	Bolt M12 x 25 Class 10.9	
14	1320187	1	Clamp	
15	1320190	1	Clamp	
16	1321716	2	Clamp	
17	1701505	1	Decal - Diesel Fuel	
18	2180832	1	Fitting, Barbed	
19	2220313	1	Fitting, Barbed 90 3/8 NPTF / 3/8	
20	2220767	1	Fitting, Barbed 90	
21	3290605	5	Nut, Lock M8	
22	3290805	2	Nut, Lock M8	
23	3291005	8	Nut, Lock M10	
24	3331215	1	Nut, Lock M12	
25	3422532	1	Pin	
26	3841143	1	Keeper, Pin	
27	4240099	AR	Tie-Strap (Not Shown)	
28	4711500	1	Washer 5/16	
29	4811700	10	Washer M6	
30	4811702	1	Washer M6	
31	4811900	2	Washer M8	
32	4811902	1	Washer M8	
33	4812000	8	Washer M10	
34	4812100	9	Washer M12	
35	5240800	2	Washer M8 Hardened	
36	5241200	2	Washer M12	
37	8405006	2	Clamp	
38	8406101	1	Clip	
39	8410013	5	Clamp	
40	1001026127	1	Clamp	
41	1001125387	1	Decal - Ultra Low Sulfur	
42	1001130220	1	Nut, Tinnerman M6	
43	1001135196	1	Pin	
44	1001142501	1	Fitting, Barbed 90	
45	1001154405	2.29 ft / 0.70m	Hose	
46	1001155823	1	Coupling, Quick Disconnect 90	
47	1001165035	27 ft / 8.3 cm	Hose	

SECTION 3 - ENGINE

ITEM	PART NUMBER	QTY	DESCRIPTION	REV
48	1001166970	1	Battery and Auxiliary Power Pump Cable Kit	
49	1001167512	1	Bracket, Engine Tray	
50	1001169823	1	Plate, Engine Lock	
51	1001258942	1	Deutz D2.9L4 (China IV) Engine Sub-Assembly (See Separate Breakdown in this Section)	
52	1001259087	1	Fuel Pump & Filter Assembly (See Separate Breakdown in this Section)	
100	1001222660	1	Deutz Fuel Pump Harness Kit (Includes Items 101-103)	
101	1001173342	1	Harness, Fuel Pump (See Separate Breakdown in ELECTRICAL Section)	
103	4460042	1	Terminal (Not Shown)	

SECTION 3 - ENGINE

FIGURE 3-25. ENGINE AND PUMP SUB-ASSEMBLY - DEUTZ D2.9L4 ENGINE (CHINA IV)



ART_1001258942

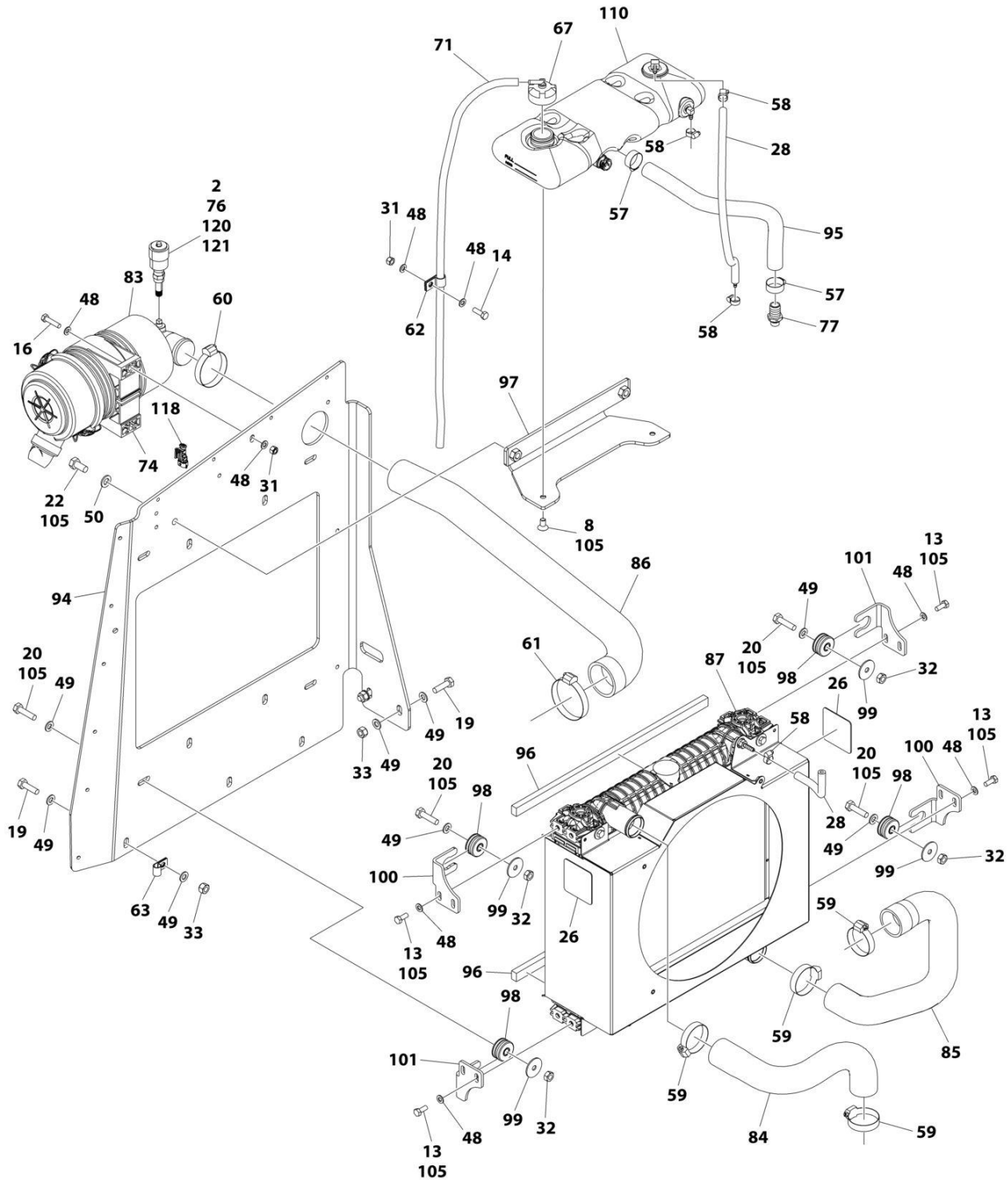
SECTION 3 - ENGINE

FIGURE 3-25. ENGINE AND PUMP SUB-ASSEMBLY - DEUTZ D2.9L4 ENGINE (CHINA IV)

ITEM	PART NUMBER	QTY	DESCRIPTION	REV
	1001258942	Ref	ENGINE AND PUMP SUB-ASSEMBLY	G
1	0100011	AR	Compound, Locking	
2	0641812	2	Bolt 1/2 x 1-1/2	
4	3790152	1	O-Ring	
5	3931618	2	Capscrew 3/8 x 1-1/8	
6	4891600	2	Washer 3/8 Hardened	
7	4891800	2	Washer 1/2 Hardened	
8	1001167036	1	Piston Pump Assembly (See Separate Breakdown in this Section)	
9	1001171953	1	Seal	
10	1001171954	1	Seal	
11	1001214207	1	Gear Pump Assembly	
11	70006356	1	Seal Kit - 1001214207 Pump	
12	1001258943	1	Engine Assembly, Deutz (China IV) Engine (See Separate Breakdown in this Section)	

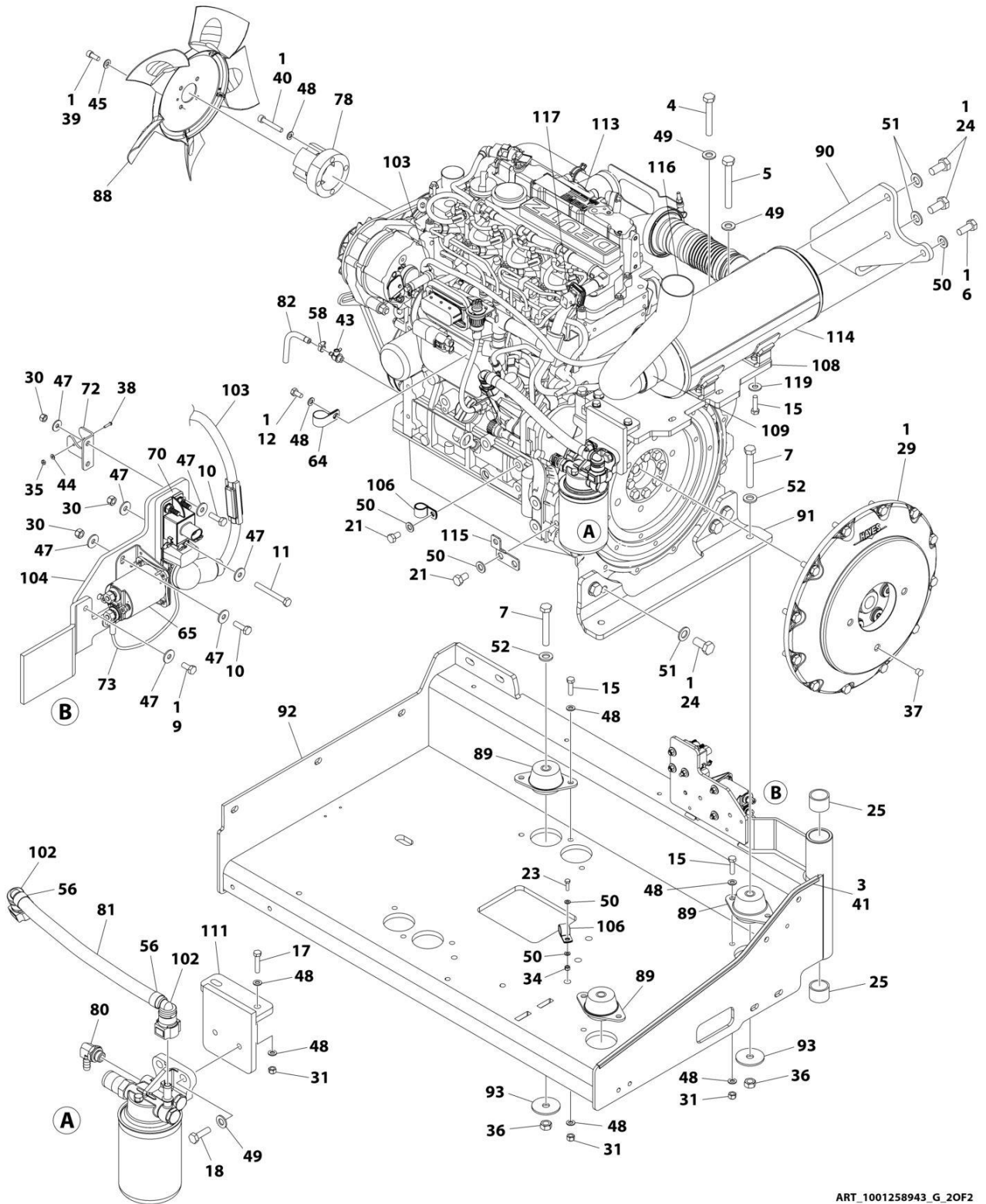
SECTION 3 - ENGINE

FIGURE 3-26. ENGINE ASSEMBLY - DEUTZ D2.9L4 (CHINA IV)



ART_1001258943_G_10F2

SECTION 3 - ENGINE



ART_1001258943_G_20F2

SECTION 3 - ENGINE

FIGURE 3-26. ENGINE ASSEMBLY - DEUTZ D2.9L4 (CHINA IV)

ITEM	PART NUMBER	QTY	DESCRIPTION	REV
	1001258943	Ref	DEUTZ D2.9L4 ENGINE ASSEMBLY	G
1	0100011	AR	Compound, Locking	
2	0100020	AR	Sealant	
3	0100081	AR	Compound, Locking	
4	0701022	2	Bolt M10 x 70	
5	0701025	2	Bolt M10 x 85	
6	0711214	1	Bolt M12 x 30 Class 10.9	
7	0711224	3	Bolt M12 x 80 Class 10.9	
8	0741606	2	Screw 3/8 x 3/4	
9	0760607	3	Bolt M6 x 14	
10	0760610	4	Bolt M6 x 20	
11	0760619	1	Bolt M6 x 55	
12	0760808	1	Bolt M8 x 16	
13	0760810	8	Bolt M8 x 20	
14	0760812	1	Bolt M8 x 25	
15	0760814	10	Bolt M8 x 30	
16	0760815	2	Bolt M8 x 35	
17	0760816	2	Bolt M8 x 40	
18	0761012	2	Bolt M10 x 25	
19	0761015	5	Bolt M10 x 35	
20	0761016	4	Bolt M10 x 40	
21	0761210	3	Bolt M12 x 20	
22	0761212	2	Bolt M12 x 25	
23	0761216	1	Bolt M12 x 40	
24	0771414	6	Bolt M14 x 30 Class 10.9	
25	0961951	2	Bushing	
26	1703162	2	Decal - Fan Blade	
28	2720015	26 in/ 65cm	Hose	
29	2902065	1	Pump Coupling Kit (See Separate Breakdown in this Section)	
30	3290605	5	Nut, Lock M6	
31	3290805	11	Nut, Lock M8	
32	3291001	4	Nut M10	
33	3291005	5	Nut, Lock M10	
34	3291205	1	Nut, Lock M12	
35	3310401	3	Nut #4	
36	3331215	3	Nut, Lock M12 Class 10	
37	3520054	1	Plug	
38	3910408	3	Bolt #4 x 1/2	
39	3931512	4	Capscrew 5/16 x 3/4	
40	4031914	4	Capscrew M8 x 50	
41	4060805	2 ft/ 0.62m	Trim	
42	4240099	AR	Tie-Strap (Not Shown)	
43	4640751	1	Valve, Oil Drain	
44	4710400	3	Washer #4	
45	4711500	4	Washer 5/16	
47	4811702	12	Washer M6	
48	4811900	35	Washer M8	
49	4812000	20	Washer M10	

SECTION 3 - ENGINE

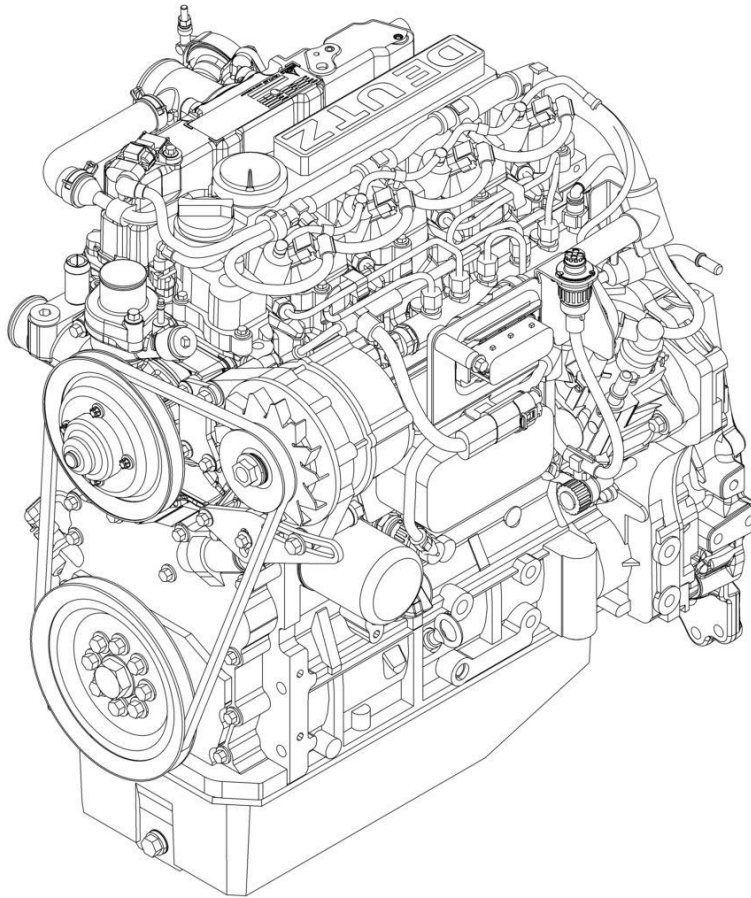
ITEM	PART NUMBER	QTY	DESCRIPTION	REV
50	4812100	8	Washer M12	
51	4812200	6	Washer M14	
52	5241200	3	Washer M12	
56	8405006	2	Clamp	
57	8405007	2	Clamp	
58	8405009	5	Clamp	
59	8405104	4	Clamp	
60	8405202	1	Clamp	
61	8405204	1	Clamp	
62	8406109	1	Clip	
63	8406110	1	Clip	
64	8406201	1	Clip	
65	1001117308	1	Contactora	
67	1001136834	1	Cap, Tank	
70	1001138228	1	Relay	
71	1001138248	43 in/ 1070mm	Tube	
72	1001139240	1	Bracket	
73	1001141304	1	Harness, Glow Fuse	
74	1001141694	1	Clamp	
76	1001143390	1	Indicator, Air Filter Service	
77	1001143797	1	Fitting, Straight Barbed	
78	1001286568	1	Adapter	
79	1001146588	AR	Fir Tree (Not Shown)	
80	1001152489	1	Fitting, 90 Barbed	
81	1001154405	10 in/ 25cm	Hose	
82	1001165035	8 in/ 20cm	Hose	
83	1001165388	1	Filter, Air Cleaner	
83	70003783	1	Element, Filter	
84	1001165405	1	Hose, Radiator (Top)	
85	1001165406	1	Hose, Radiator (Bottom)	
86	1001165721	1	Hose	
87	1001287643	1	Radiator	
88	1001288266	1	Fan	
89	1001166718	3	Isolator	
90	1001166921	1	Bracket, Engine - Right	
91	1001166924	1	Bracket, Engine - Rear	
92	1001167520	1	Tray, Engine	
93	1001168018	3	Washer	
94	1001168026	1	Support, Radiator	
95	1001168099	1	Hose	
96	1001168166	2	Seal	
97	1001168950	1	Bracket, Surge Tank	
98	1001169054	4	Isolator	
99	1001169138	4	Pad, Snubbing	
100	1001169967	2	Bracket	
101	1001170035	2	Bracket	
102	1001170982	2	Adapter	
103	1001178788	1	Cable, Alternator Power	
104	1001179903	1	Bracket	
105	1001180620	AR	Compound, Locking	

SECTION 3 - ENGINE

ITEM	PART NUMBER	QTY	DESCRIPTION	REV
106	1001191620	2	Clamp	
108	1001221203	1	Bracket, Muffler	
109	1001221212	1	Clamp	
110	1001230635	1	Tank, Surge	
110	1001134488	1	Fitting, 90 Barbed	
110	1001138827	1	Sensor, Coolant Level	
110	1001140564	1	Fitting, 90 Barbed	
111	1001288366	1	Bracket, Fuel Filter	
112	1001276643	1	Engine Harness - Deutz D2.9L4 (China IV) (Not Shown) (See Separate Breakdown in ELECTRICAL Section)	
113	1001258112	1	Deutz D2.9L4 (China IV) Engine (See Separate Breakdown in ELECTRICAL Section)	
114	1001280270	1	Muffler	
115	1001258502	1	Bracket	
116	1001260576	1	Pipe, Exhaust	
117	1001281985	1	Connector	
118	1001281986	1	Connector	
119	4811902	4	Washer M8	
120	2200261	1	Fitting	
121	1001277432	1	Spacer	

SECTION 3 - ENGINE

FIGURE 3-27. ENGINE COMPONENTS - DEUTZ D2.9L4 (CHINA IV)



ART_1001258112

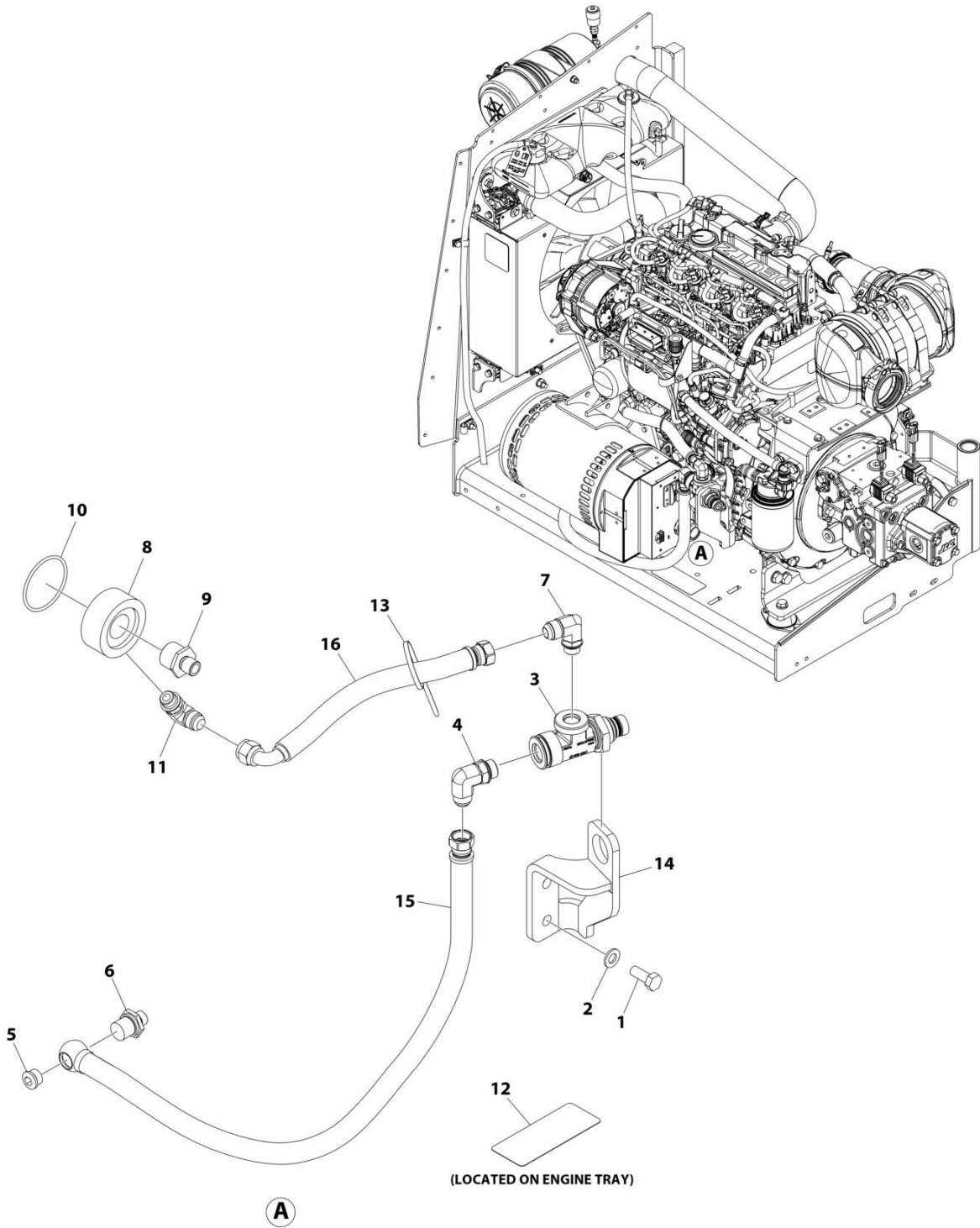
SECTION 3 - ENGINE

FIGURE 3-27. ENGINE COMPONENTS - DEUTZ D2.9L4 (CHINA IV)

ITEM	PART NUMBER	QTY	DESCRIPTION	REV
	1001258112	Ref	DEUTZ D2.9L4 ENGINE COMPONENTS	B
	See Note	Ref	Note: No Service Parts Available at Time of Printing.	

SECTION 3 - ENGINE

FIGURE 3-28. QUICKFIT OIL DRAIN INSTALLATION (DEUTZ D2.9L4 ENGINES)



ART_1001285636

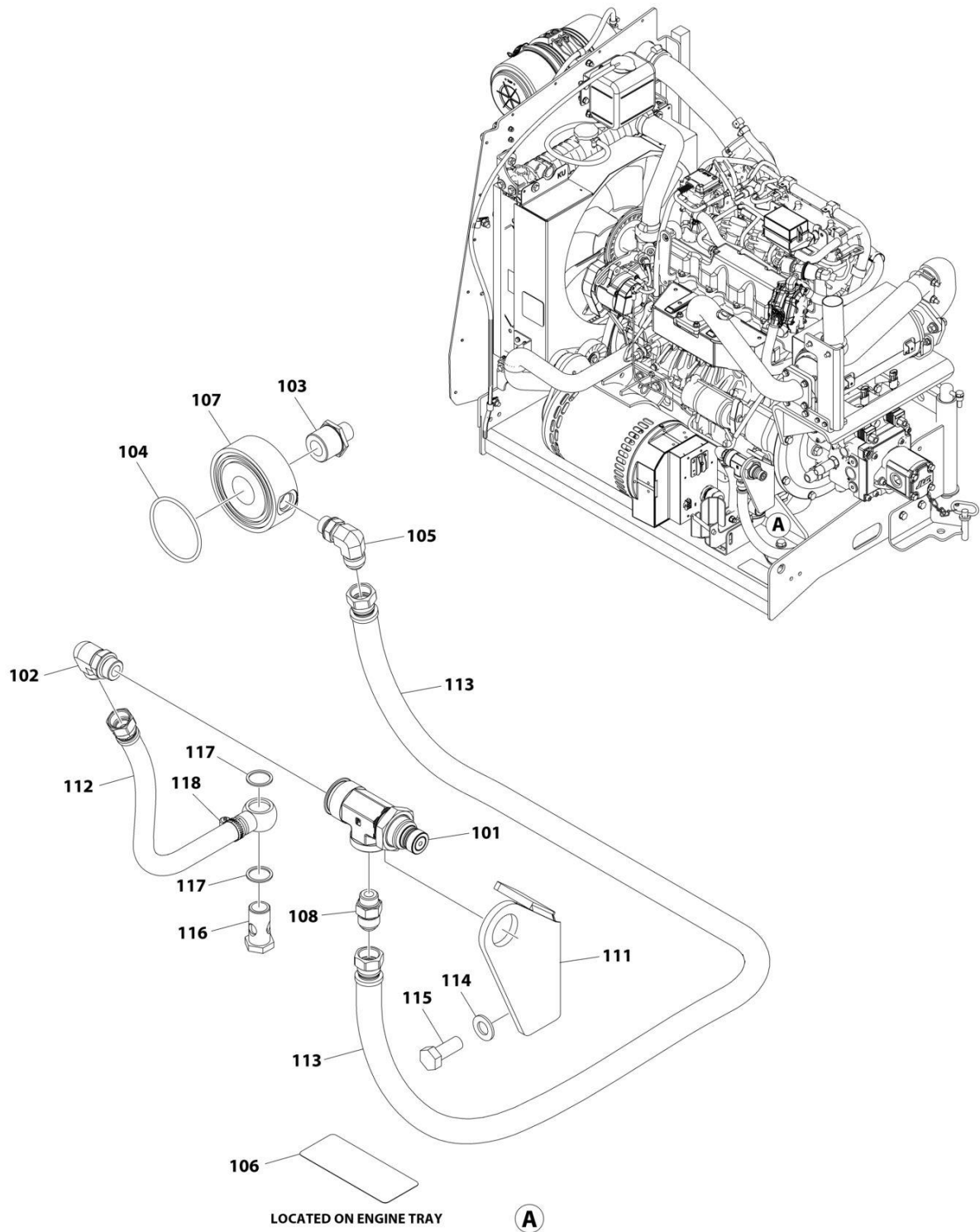
SECTION 3 - ENGINE

FIGURE 3-28. QUICKFIT OIL DRAIN INSTALLATION (DEUTZ D2.9L4 ENGINES)

ITEM	PART NUMBER	QTY	DESCRIPTION	REV
	1001285636	Ref	QUICKFIT OIL DRAIN INSTALLATION	A
1	0761214	2	Bolt M12 x 30	
2	4812100	2	Washer M12	
3	1001281298	1	Valve, Quickfit	
4	1001281301	1	Fitting, 90	
5	1001281304	1	Plug	
6	1001281305	1	Fitting, Banjo	
7	1001281307	1	Fitting, 90	
8	1001281309	1	Filter, Ring	
9	1001281310	1	Fitting, Straight	
10	1001281311	1	O-Ring	
11	1001281359	1	Valve, Check	
12	1001281360	1	Decal - RPM Quickfit	
13	1001281656	1	Tie-Strap	
14	1001287536	1	Bracket	
15	1001287552	1	Hose	
16	1001288113	1	Hose	

SECTION 3 - ENGINE

FIGURE 3-29. QUICKFIT OIL DRAIN INSTALLATION (KUBOTA 2.5L DF) (SN 0300305401 to Present)



ART_1001295060

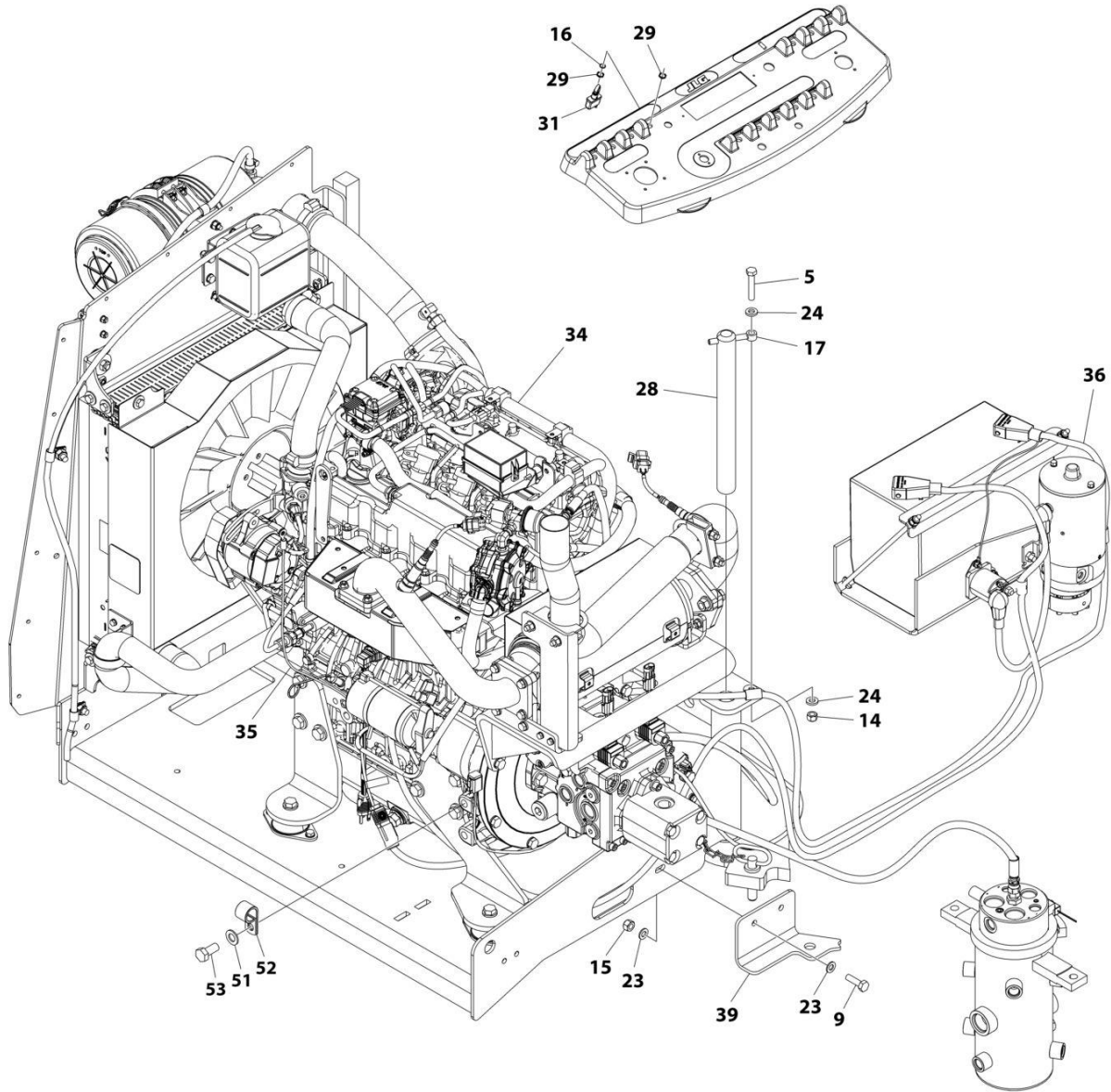
SECTION 3 - ENGINE

FIGURE 3-29. QUICKFIT OIL DRAIN INSTALLATION (KUBOTA 2.5L DF) (SN 0300305401 to Present)

ITEM	PART NUMBER	QTY	DESCRIPTION	REV
	1001295060	Ref	QUICKFIT OIL DRAIN INSTALLATION (KUBOTA)	B
1	1001295061	1	Valve, Quickfit (Kubota 2.5L DF) (Not Shown)	
101	1001281298	1	Valve, Small Quickfit	
102	1001281301	1	Fitting, 90	
103	1001281310	1	Fitting, Nipple Filter Ring	
104	1001281311	1	O-Ring	
105	1001281359	1	Valve, Check Valve	
106	1001281360	1	Decal - Quickfit	
107	1001281380	1	Filter	
108	1001281302	1	Fitting, Quickfit	
109	1001281656	AR	Tie-Strap (Not Shown)	
110	1001290385	AR	Cable Mount (Not Shown)	
111	1001295062	1	Bracket	
112	1001295063	1	Hose	
113	1001295064	1	Hose	
114	1001295067	2	Washer M14	
115	1001295068	2	Bolt M14 x 35	
116	1001297092	1	Bolt M22 x 1.5	
117	1001297093	2	Washer	
118	1001297094	1	Clamp	

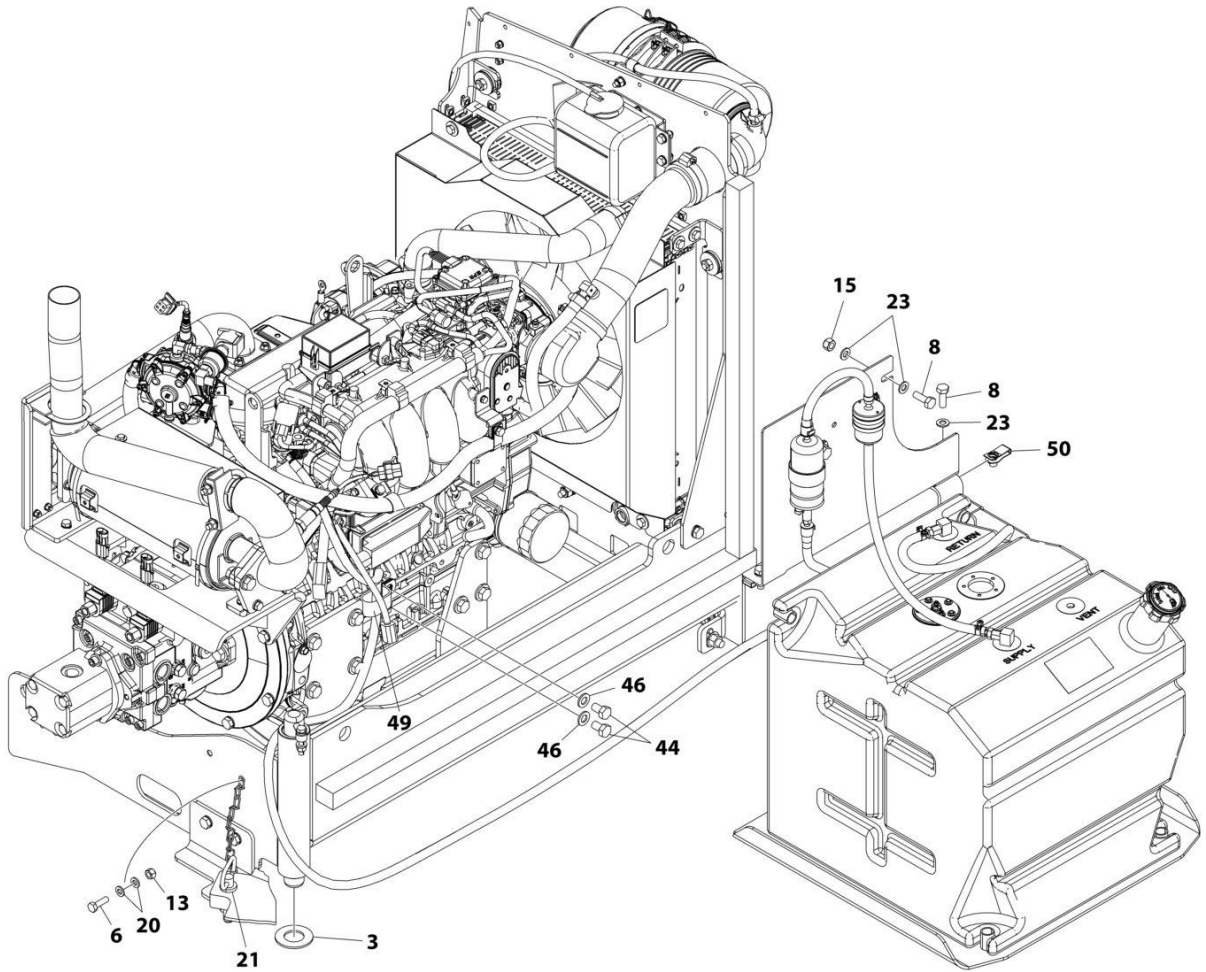
SECTION 3 - ENGINE

FIGURE 3-30. ENGINE INSTALLATION - KUBOTA ENGINE (WITHOUT ARCTIC PACKAGE)



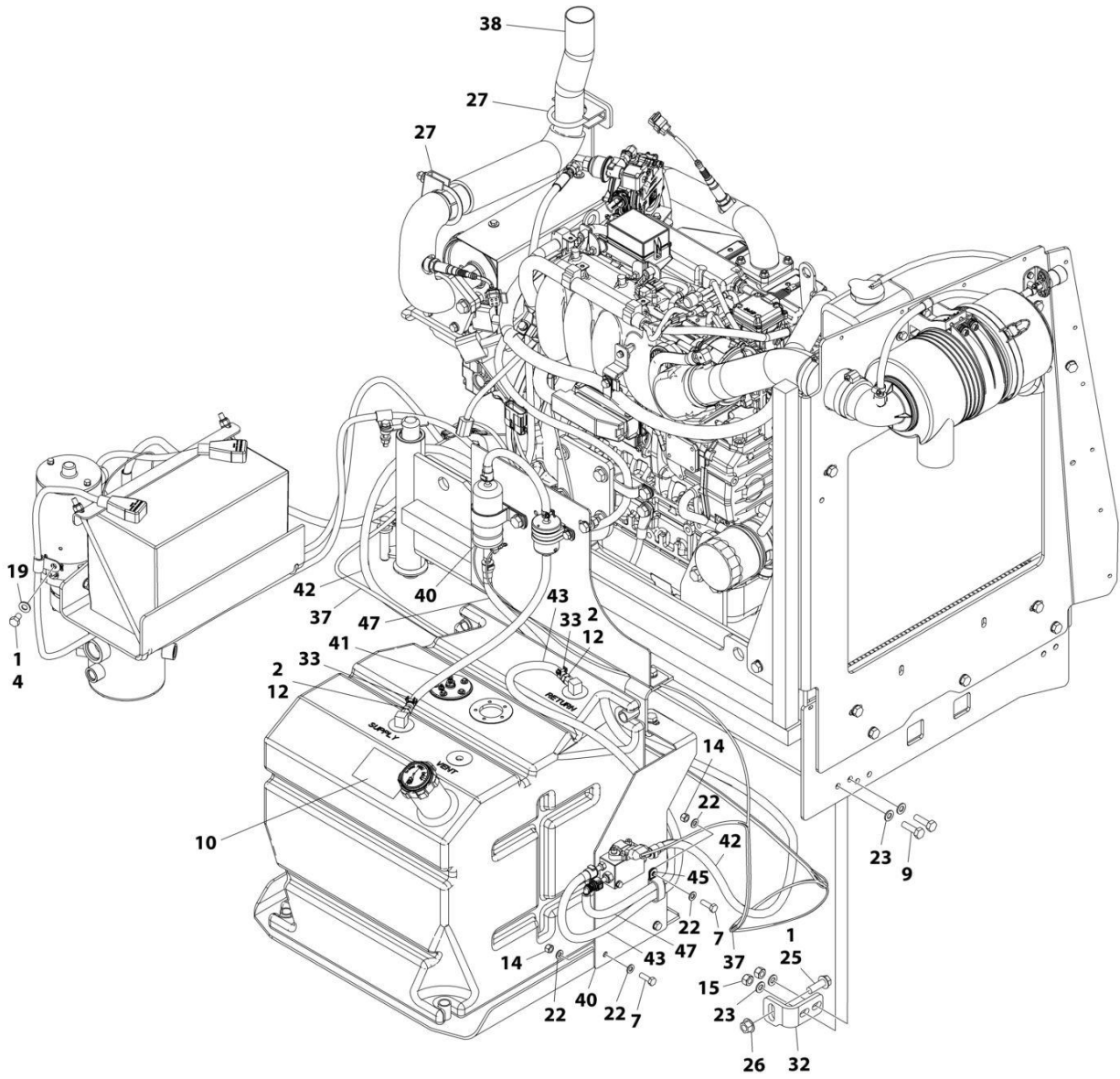
ART_1001236250_10F3

SECTION 3 - ENGINE



ART_1001236250_20F3

SECTION 3 - ENGINE



ART_1001236250_30F3

SECTION 3 - ENGINE

FIGURE 3-30. ENGINE INSTALLATION - KUBOTA ENGINE (WITHOUT ARCTIC PACKAGE)

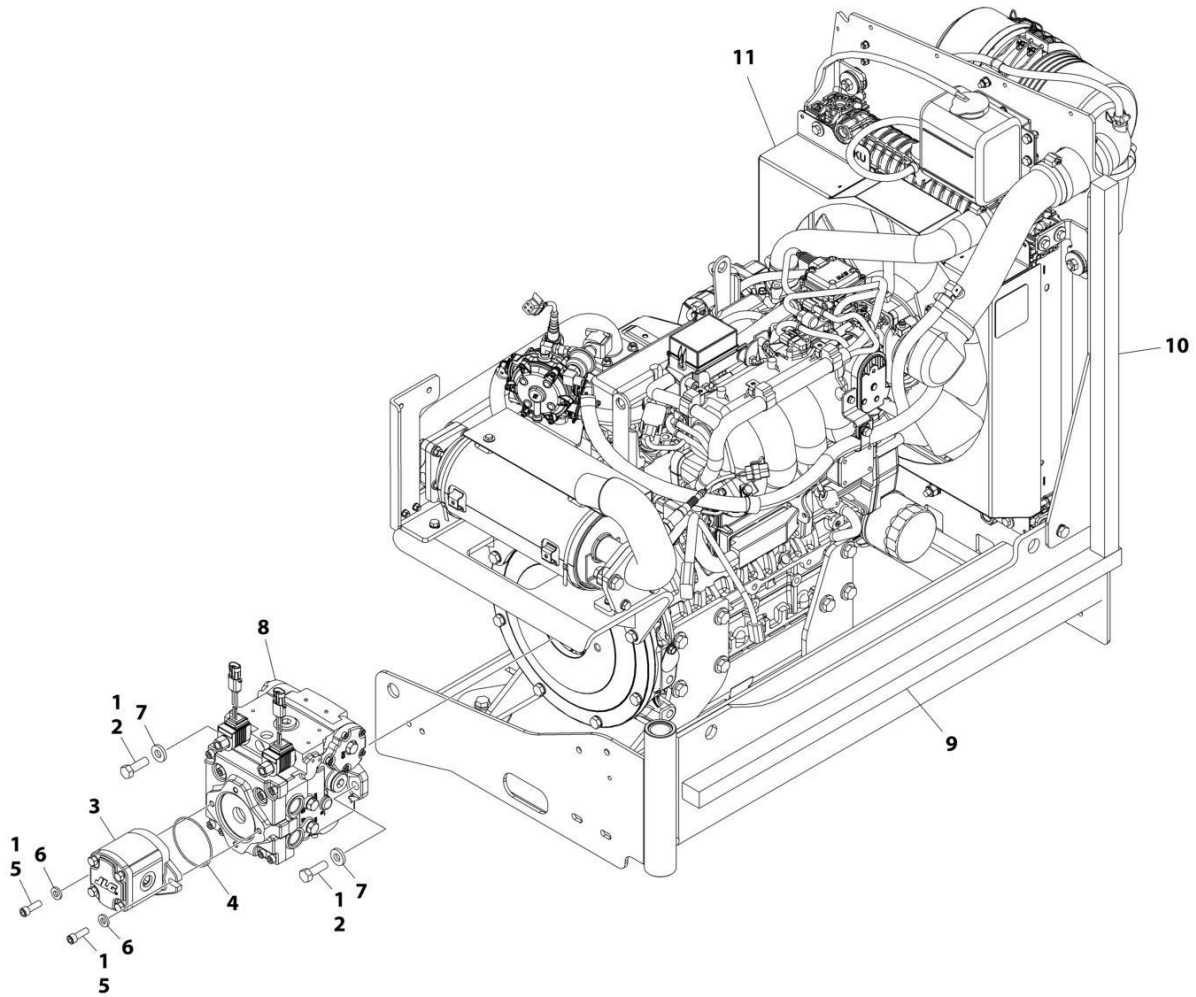
ITEM	PART NUMBER	QTY	DESCRIPTION	REV
	1001236250	Ref	ENGINE INSTALLATION - KUBOTA ENGINE (WITHOUT ARCTIC PACKAGE)	A
1	0100011	AR	Compound, Locking	
2	0100020	AR	Sealant, Pipe	
3	0440162	1	Bearing	
4	0641504	1	Bolt 5/16 x 1/2	
5	0700817	1	Bolt M8 x 45	
6	0760610	1	Bolt M6 x 20	
7	0760812	3	Bolt M8 x 25	
8	0761014	4	Bolt M10 x 30	
9	0761015	4	Bolt M10 x 35	
10	1701542	2	Decal - Gas	
11	1701543	1	Decal - LPG (Not Shown)	
12	2180348	2	Fitting, Barbed	
13	3290605	1	Nut M6	
14	3290805	4	Nut M8	
15	3291005	5	Nut M10	
16	3790012	1	O-Ring	
17	3841143	1	Keeper, Pin	
18	4240099	AR	Tie-Strap (Not Shown)	
19	4711500	1	Washer 5/16	
20	4811700	2	Washer M6	
21	3422532	1	Pin	
22	4811900	6	Washer M8	
23	4812000	13	Washer M10	
24	5240800	2	Washer M8	
25	5251215	1	Bolt M12 x 35	
26	5261200	1	Nut M12 (Grade 10.9)	
27	1001217785	2	Clamp, Muffler	
28	1001135196	1	Pin	
29	1001155044	2	Nut 15/32	
31	1001161710	1	Switch, Toggle	
32	1001167512	1	Bracket, Engine Tray Stow	
33	1001174486	2	Clamp	
34	1001236254	1	Engine and Pump Sub-Assembly - Kubota Engine (Without Arctic Package) (See Separate Breakdown in this Section)	
35	1001212257	1	Cable, Kubota Alternator	
36	1001213062	1	Cable, Battery Cable Kit	
37	1001213599	1	Harness Engine - Kubota Engine (See Separate Breakdown in ELECTRICAL SECTION)	
38	1001214502	1	Pipe, Tail Pipe	
39	1001215259	1	Plate, Engine Lock	
40	1001215801	1	Mount, Fuel System	
41	1001156819	20 in/ 53cm	Hose	
42	1001216396	1	Hose	
43	1001216397	1	Hose	
44	1001217494	2	Bolt M12 x 20	
45	1321283	1	Clamp	
46	4812100	2	Washer M12	

SECTION 3 - ENGINE

ITEM	PART NUMBER	QTY	DESCRIPTION	REV
47	1001216399	1	Hose	
49	1001195039	1	Clamp	
50	1001118972	3	Nut M10	
51	4812200	1	Washer M14	
52	24431386	1	Support Clamp 15/16	
53	1001217345	1	Bolt M14 x 30	
54	1001229798	1	Harness - Kubota Dual Fuel Power (Not Shown - See Separate Breakdown in ELECTRICAL SECTION)	
55	4460466	8	Terminal, Sealing Plug (Not Shown)	
56	4460930	1	Plug, Male - 8 Position (Deutsch) (Not Shown)	

SECTION 3 - ENGINE

FIGURE 3-31. ENGINE AND PUMP SUB-ASSEMBLY - KUBOTA ENGINE (WITHOUT ARCTIC PACKAGE)



ART_1001236254

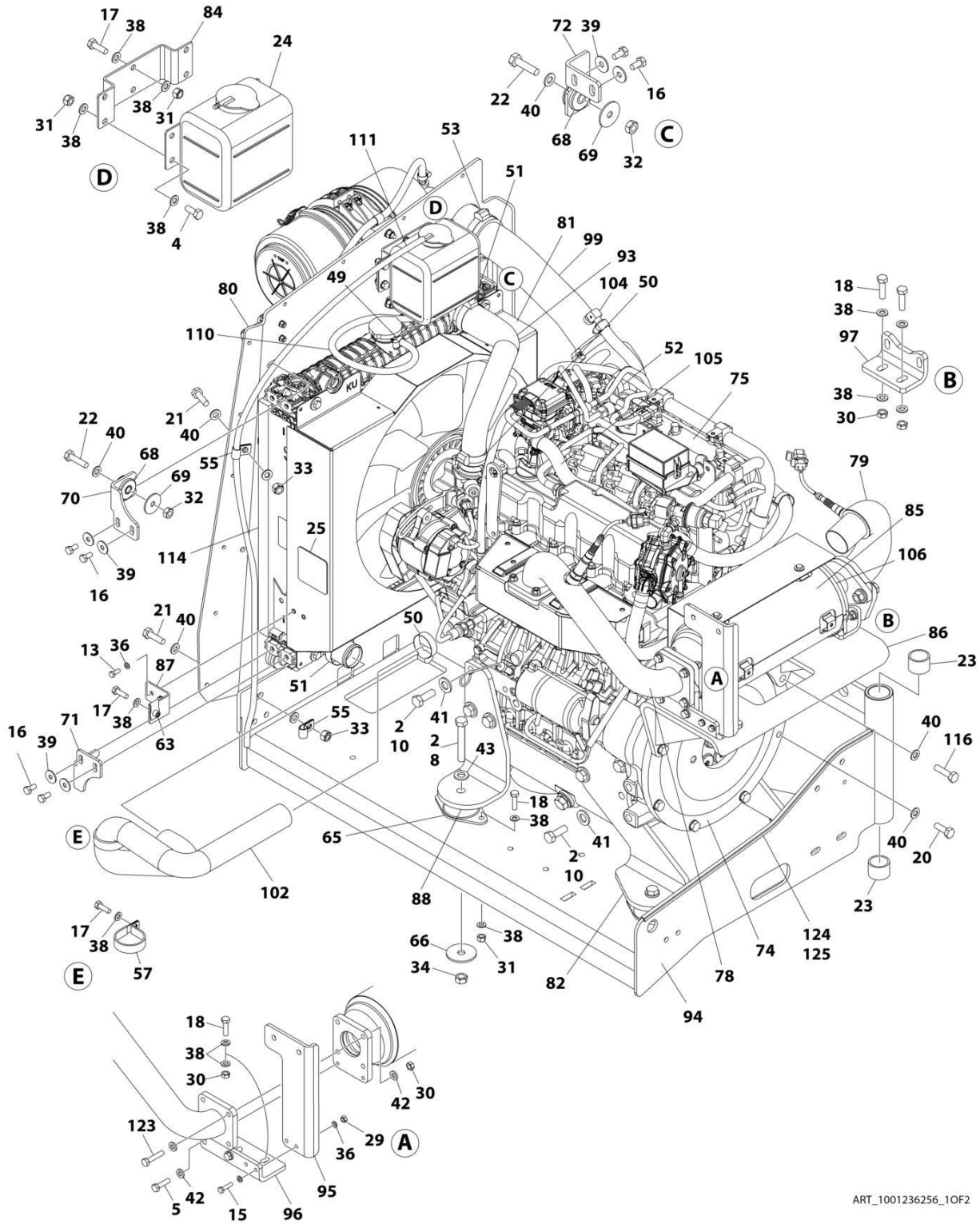
SECTION 3 - ENGINE

FIGURE 3-31. ENGINE AND PUMP SUB-ASSEMBLY - KUBOTA ENGINE (WITHOUT ARCTIC PACKAGE)

ITEM	PART NUMBER	QTY	DESCRIPTION	REV
	1001236254	Ref	ENGINE AND PUMP SUB-ASSEMBLY - KUBOTA ENGINE (WITHOUT ARCTIC PACKAGE)	A
1	0100011	AR	Compound, Locking	
2	0641812	2	Bolt 1/2 x 1-1/2	
3	1001214207	1	Pump, Gear	
3	70006356	1	Seal Kit - 1001214207 Pump	
4	3790152	1	O-Ring	
5	3931618	2	Bolt 3/8 x 1-1/8	
6	4891600	2	Washer 3/8	
7	4891800	2	Washer 1/2	
8	1001167036	1	Piston Pump Assembly (See Separate Breakdown in this Section)	
9	1001171953	1	Seal, Gasket	
10	1001171954	1	Seal, Gasket	
11	1001236256	1	Engine Assembly - Kubota Engine (Without Arctic Package) (See Separate Breakdown in this Section)	

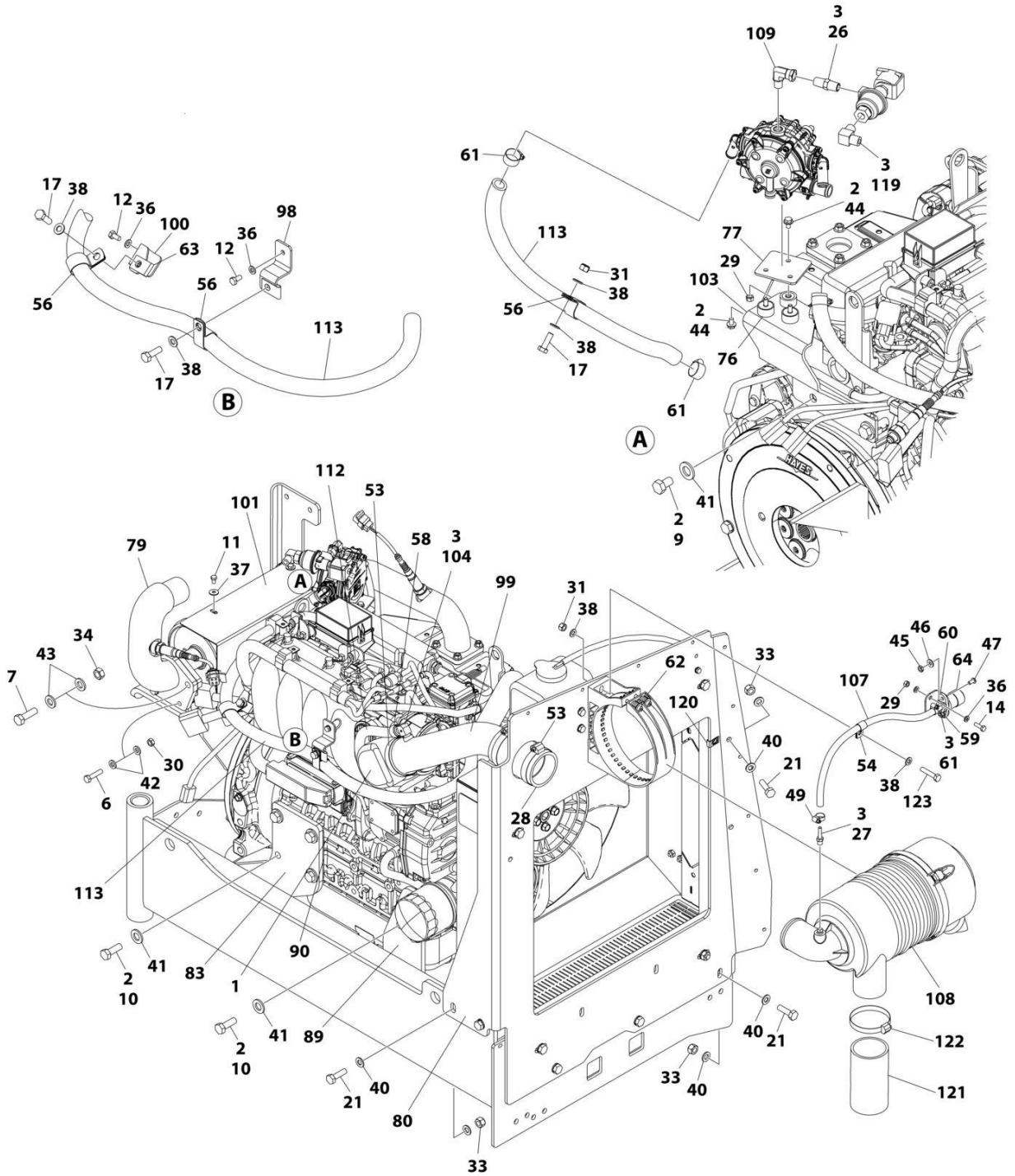
SECTION 3 - ENGINE

FIGURE 3-32. ENGINE ASSEMBLY - KUBOTA ENGINE (WITHOUT ARCTIC PACKAGE)



ART_1001236256_10F2

SECTION 3 - ENGINE



ART_1001236256_20F2

SECTION 3 - ENGINE

FIGURE 3-32. ENGINE ASSEMBLY - KUBOTA ENGINE (WITHOUT ARCTIC PACKAGE)

ITEM	PART NUMBER	QTY	DESCRIPTION	REV
	1001236256	Ref	ENGINE ASSEMBLY - KUBOTA ENGINE (WITHOUT ARCTIC PACKAGE)	E
1	0080201	1	Adapter, 90	
2	0100011	AR	Compound, Locking	
3	0100020	AR	Sealant, Pipe	
4	0700810	4	Bolt M8 x 20	
5	0700814	2	Bolt M8 x 30	
6	0700815	2	Bolt M8 x 35	
7	0701216	2	Bolt M12 x 40	
8	0701224	4	Bolt M12 x 80	
9	1001217494	2	Bolt M12 x 20	
10	1001217343	14	Bolt M12 x 35	
11	0760605	4	Bolt M6 x 10	
12	0760606	2	Bolt M6 x 12	
13	0760608	2	Bolt M6 x 16	
14	0760610	2	Bolt M6 x 20	
15	0760612	2	Bolt M6 x 25	
16	0760808	8	Bolt M8 x 16	
17	0760812	6	Bolt M8 x 25	
18	0760814	12	Bolt M8 x 30	
19	0760815	1	Bolt M8 x 35	
20	0761014	4	Bolt M10 x 30	
21	0761015	6	Bolt M10 x 35	
22	0761016	4	Bolt M10 x 40	
23	0961951	2	Bushing	
24	1580011	1	Container, Coolant Overflow	
25	1703162	2	Decal - Caution Fan	
26	2220261	1	Fitting, Nipple NPTF/NPTF	
27	2220315	1	Fitting, Barbed	
28	2720644	1	Hose	
29	3290607	5	Nut M6	
30	3290801	10	Nut M8	
31	3290805	17	Nut M8	
32	3291001	4	Nut M10	
33	3291005	6	Nut M10	
34	3291201	6	Nut M12	
35	4240099	AR	Tie-Strap (Not Shown)	
36	4811700	12	Washer M6	
37	4811702	4	Washer M6	
38	4811900	45	Washer M8	
39	4811902	8	Washer M8	
40	4812000	24	Washer M10	
41	5241400	16	Washer M14	
42	5240800	14	Washer M8	
43	5241200	8	Washer M12	
44	5250605	3	Bolt M6 x 10	
45	8305401	2	Nut 1/4	
46	8307109	2	Washer 1/4	
47	8310548	2	Screw 1/4 NC x 1/2	
48	1001173535	2	Clamp	

SECTION 3 - ENGINE

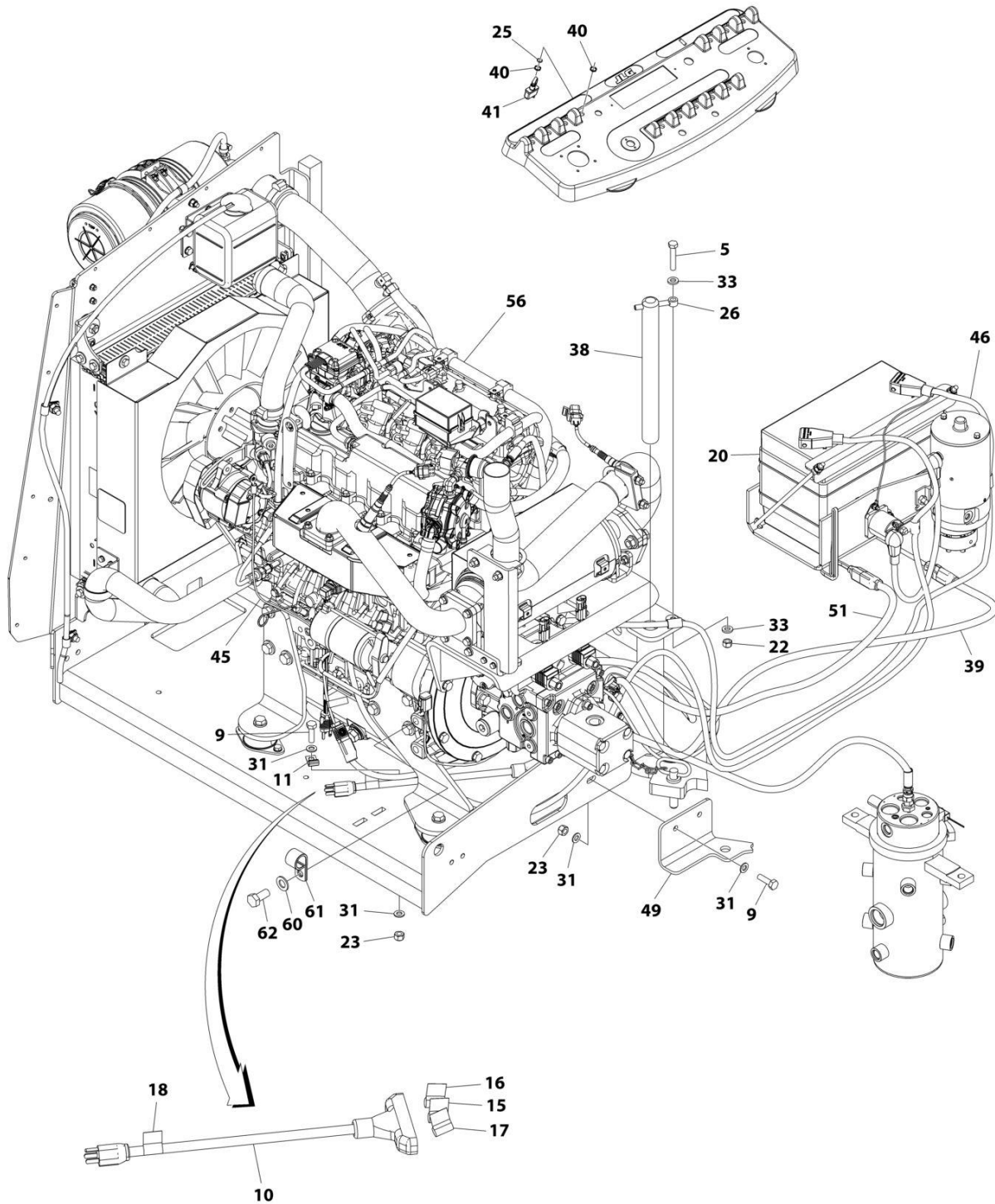
ITEM	PART NUMBER	QTY	DESCRIPTION	REV
49	8405009	4	Clamp	
50	8405102	2	Clamp	
51	8405104	2	Clamp	
52	8405202	1	Clamp	
53	8405203	3	Clamp	
54	8406109	1	Clip	
55	8406110	2	Clip	
56	8406201	3	Clip	
57	8410001	1	Clamp	
58	8410009	6	Clamp	
59	1001138173	1	Support, Service Indicator	
60	1001138175	1	Bracket, Service Indicator	
61	1001141995	1	Fitting, Barbed	
62	1001147812	1	Clamp, Air Cleaner	
63	1001149160	3	Nut M8	
64	1001149639	1	Indicator, Air Intake	
65	1001166718	4	Isolator, Engine Mount	
66	1001168018	4	Washer, Snubbing	
67	1001168166	2	Seal	
68	1001169054	4	Isolator, Radiator	
69	1001169138	4	Washer, Snubbing	
70	1001169967	2	Bracket	
71	1001170035	1	Bracket	
72	1001176330	1	Bracket	
73	1001180620	AR	Adhesive	
74	1001209844	1	Pump Coupling Kit (See Separate Breakdown in this Section)	
75	1001236393	1	Engine, Kubota (See Separate Breakdown in this Section)	
76	1001211794	3	Mount	
77	1001211797	1	Mount	
78	1001212989	1	Pipe, Exhaust (Inlet)	
79	1001212993	1	Pipe Exhaust (Outlet)	
80	1001213305	1	Plate, Mounting	
81	1001236257	1	Radiator	
82	1001213425	1	Plate, Engine Mount (Left Rear)	
83	1001213426	1	Plate, Engine Mount (Right Rear)	
84	1001213482	1	Bracket	
85	1001213824	1	Insulation	
86	1001214138	1	Bracket	
87	1001214205	1	Support	
88	1001214233	1	Plate (Front Left)	
89	1001214234	1	Plate (Front Right)	
90	1001214276	1	Shim	
91	1001214277	1	Shim	
92	1001214278	2	Shim	
93	1001214307	1	Hose	
94	1001214508	1	Support	
95	1001214553	1	Support	
96	1001214555	1	Bracket	
97	1001214556	1	Bracket	
98	1001214558	1	Bracket	
99	1001214598	1	Tube	

SECTION 3 - ENGINE

ITEM	PART NUMBER	QTY	DESCRIPTION	REV
100	1001214599	1	Bracket	
101	1001214664	1	Cover	
102	1001214694	1	Hose	
103	1001214841	1	Bracket	
104	1001215125	1	Fitting, 90	
105	1001215869	1	Hose	
106	1001137336	2	Strap	
107	1001138248	2 ft/ 0.61m	Tube	
108	1001147813	1	Air Cleaner Assembly Including Filter Element	
108	70004020	1	Element, Air Filter	
109	1001247359	1	Fitting, 90	
110	2720058	1.75 ft/ 0.53m	Hose	
111	2720271	4 ft/ 1.22m	Hose	
112	2720615	1.25 ft/ 0.38m	Hose	
113	82033995	5.5 ft/ 1.68m	Hose	
114	1001216825	2	Seal	
115	0700816	4	Bolt M8 x 40	
116	0701016	4	Bolt M10 x 40	
119	2180504	1	Fitting, Barbed	
120	1001118274	1	Nut, Special M8	
121	1001001939	1	Tube, Flex	
122	8410011	1	Clamp	
123	0760816	1	Bolt M8 x 40	
124	4060805	1.94 ft/ 0.59m	Flex-Trim	
125	0100081	AR	Adhesive	

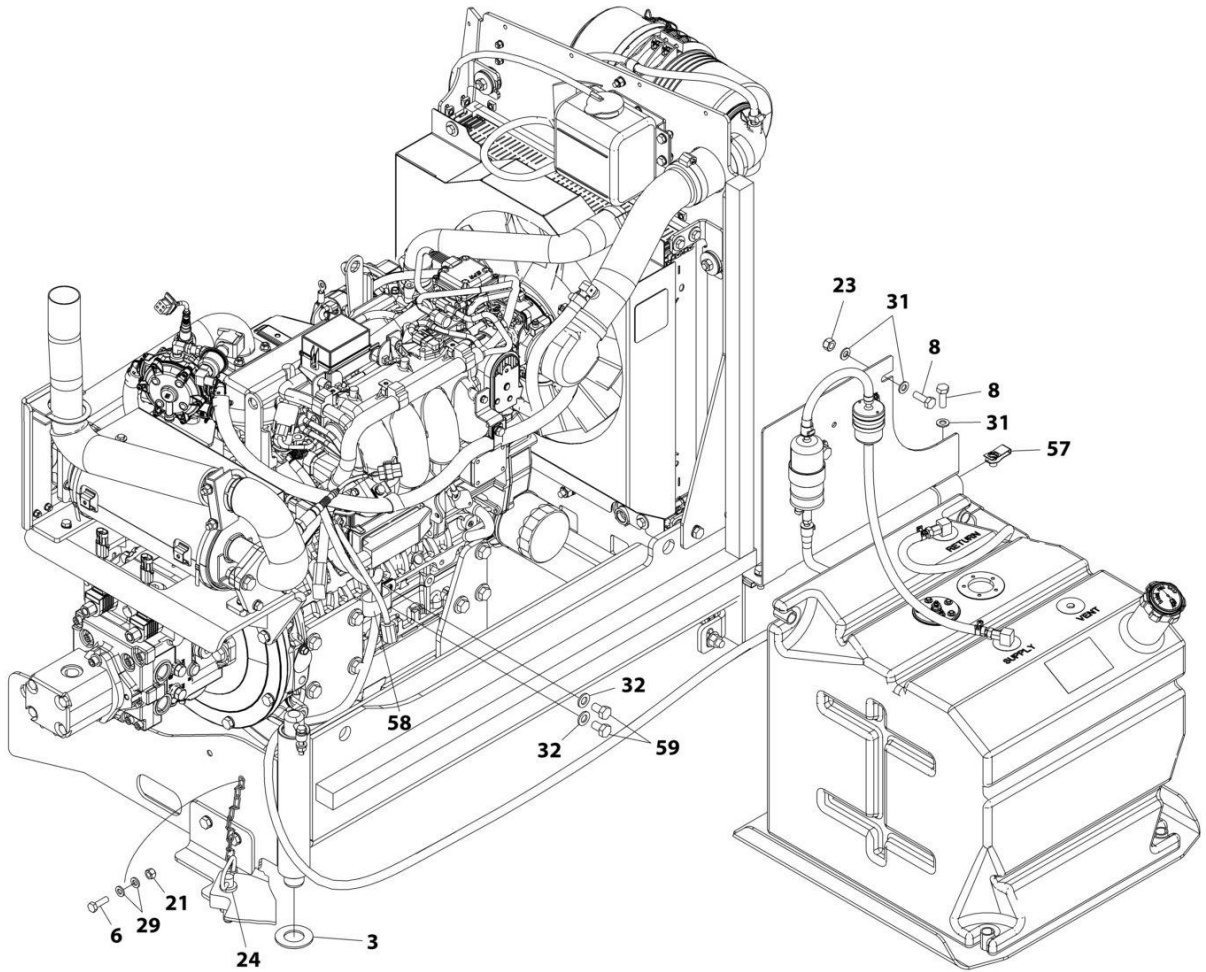
SECTION 3 - ENGINE

FIGURE 3-33. ENGINE INSTALLATION - KUBOTA ENGINE (WITH ARCTIC PACKAGE)



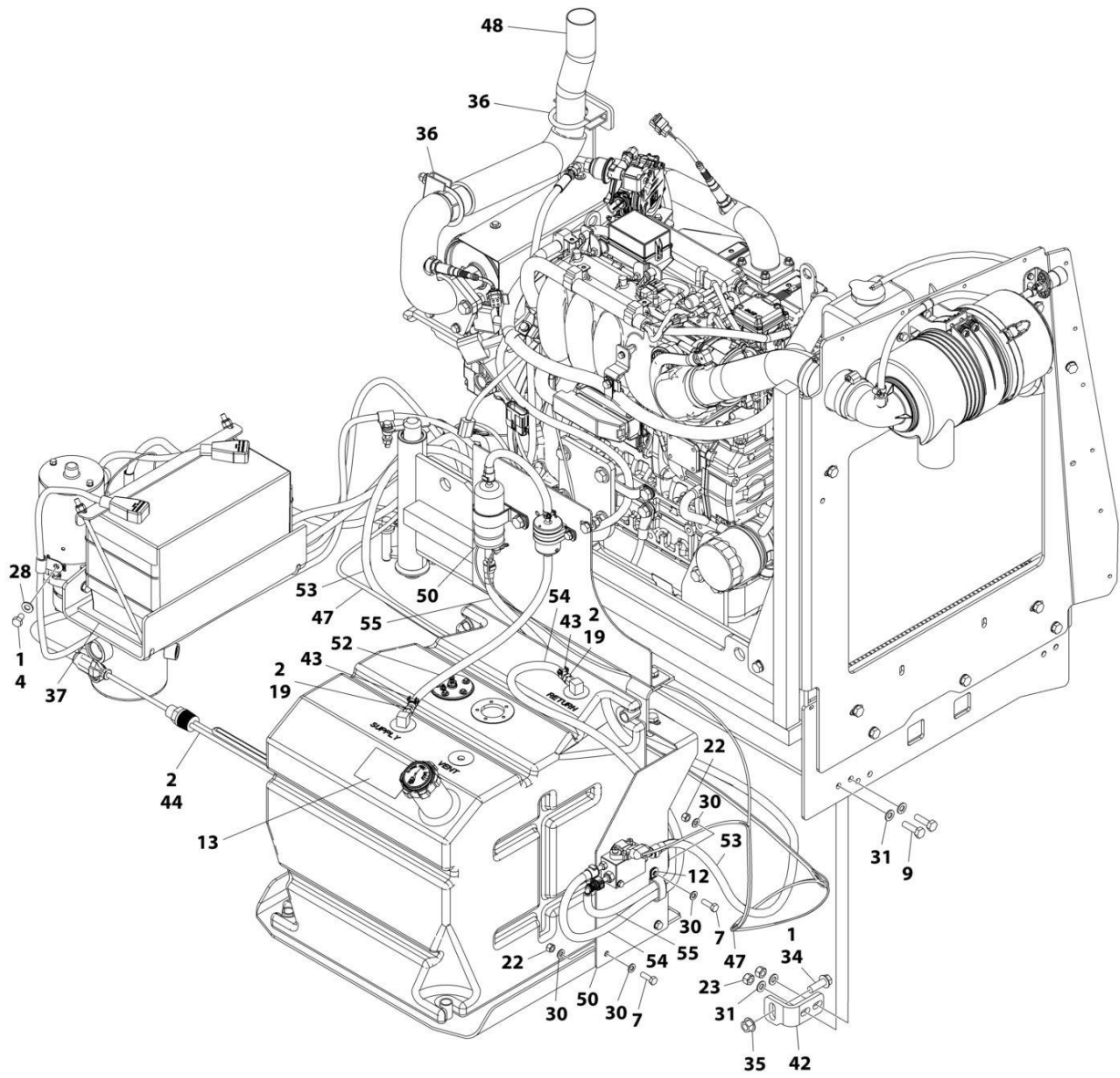
ART_1001236252_10F3

SECTION 3 - ENGINE



ART_1001236252_20F3

SECTION 3 - ENGINE



ART_1001236252_30F3

SECTION 3 - ENGINE

FIGURE 3-33. ENGINE INSTALLATION - KUBOTA ENGINE (WITH ARCTIC PACKAGE)

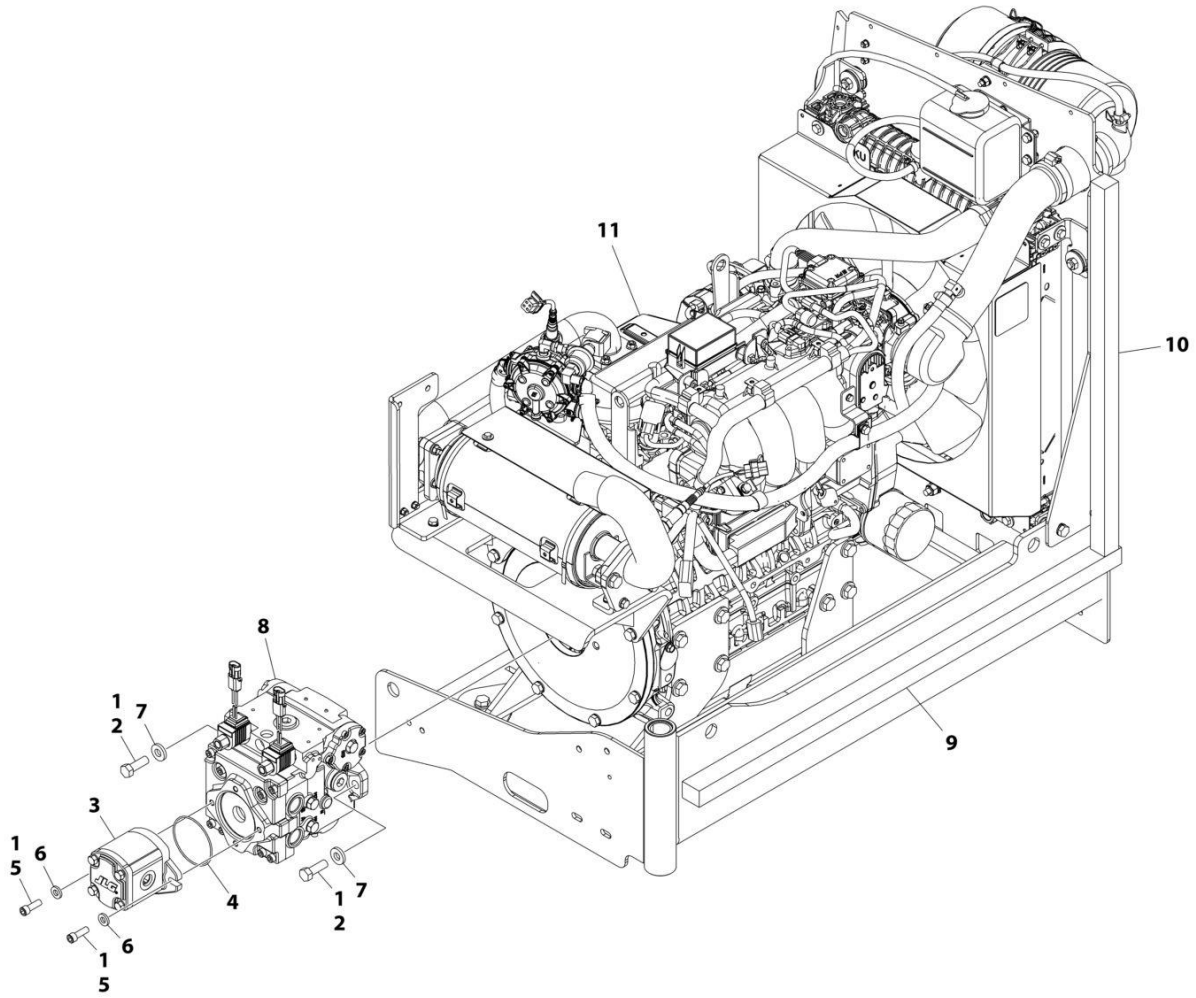
ITEM	PART NUMBER	QTY	DESCRIPTION	REV
	1001236252	Ref	ENGINE INSTALLATION - KUBOTA ENGINE (WITH ARCTIC PACKAGE)	B
1	0100011	AR	Compound, Locking	
2	0100020	AR	Sealant, Pipe	
3	0440162	1	Bearing	
4	0641504	1	Bolt 5/16 x 1/2	
5	0700817	1	Bolt M8 x 45	
6	0760610	1	Bolt M6 x 20	
7	0760812	3	Bolt M8 x 25	
8	0761014	4	Bolt M10 x 30	
9	0761015	5	Bolt M10 x 35	
10	1060626	1	Plug, 3 Way	
11	1320223	1	Clamp	
12	1321283	1	Clamp	
13	1701542	2	Decal - Gas	
14	1701543	1	Decal - LPG (Not Shown)	
15	1702941	1	Decal - Battery Heater	
16	1702942	1	Decal - Engine Block Heater	
17	1702943	1	Decal - Hydraulic Tank Heater	
18	1702944	1	Decal - Heater Cord	
19	2180348	2	Fitting, Barbed	
20	2580024	1	Heater, Battery	
21	3290605	1	Nut M6	
22	3290805	4	Nut M8	
23	3291005	6	Nut M10	
24	3422532	1	Pin	
25	3790012	1	O-Ring	
26	3841143	1	Keeper, Pin	
27	4240099	AR	Tie-Strap (Not Shown)	
28	4711500	1	Washer 5/16	
29	4811700	2	Washer M6	
30	4811900	6	Washer M8	
31	4812000	15	Washer M10	
32	4812100	2	Washer M12	
33	5240800	2	Washer M8	
34	5251215	1	Bolt M12 x 35	
35	5261200	1	Nut M12 Class10	
36	1001217785	2	Clamp, Muffler	
37	1001119278	1	Insulate	
38	1001135196	1	Pin	
39	1001150918	1	Cable, Extension Cord	
40	1001155044	2	Nut 15/32	
41	1001161710	1	Switch, Toggle	
42	1001167512	1	Bracket, Engine Tray Stow	
43	1001174486	2	Clamp	
44	1001188972	1	Heater, Hydraulic Tank	
45	1001212257	1	Cable, Kubota Alternator	
46	1001213062	1	Cable, Battery Cable Kit Kubota	
47	1001213599	1	Harness Engine - Kubota Engine (See Separate Breakdown in ELECTRICAL SECTION)	

SECTION 3 - ENGINE

ITEM	PART NUMBER	QTY	DESCRIPTION	REV
48	1001214502	1	Pipe, Tail Pipe	
49	1001215259	1	Plate, Engine Lock	
50	1001215801	1	Mount, Fuel System (Kubota)	
51	1001216080	2	Cable, Extension Cord	
52	1001156819	20.9 in/ 53cm	Hose	
53	1001216396	1	Hose	
54	1001216397	1	Hose	
55	1001216399	1	Hose	
56	1001236258	1	Engine and Pump Sub-Assembly - Kubota Engine (With Arctic Package) (See Separate Breakdown in this Section)	
57	1001118972	3	Nut M10	
58	1001195039	1	Clamp	
59	1001217494	2	Capscrew M12	
60	4812200	1	Washer M14	
61	24431386	1	Support, Clamp	
62	1001217345	1	Bolt M14 x 30	
63	1001229798	1	Harness - Kubota B6 D/F Power (Not Shown - See Separate Breakdown in ELECTRICAL SECTION)	
64	4460466	8	Terminal, Sealing Plug (Not Shown)	
65	4460930	1	Plug, Male - 8 Position (Deutsch) (Not Shown)	

SECTION 3 - ENGINE

FIGURE 3-34. ENGINE AND PUMP SUB-ASSEMBLY - KUBOTA ENGINE (WITH ARCTIC PACKAGE)



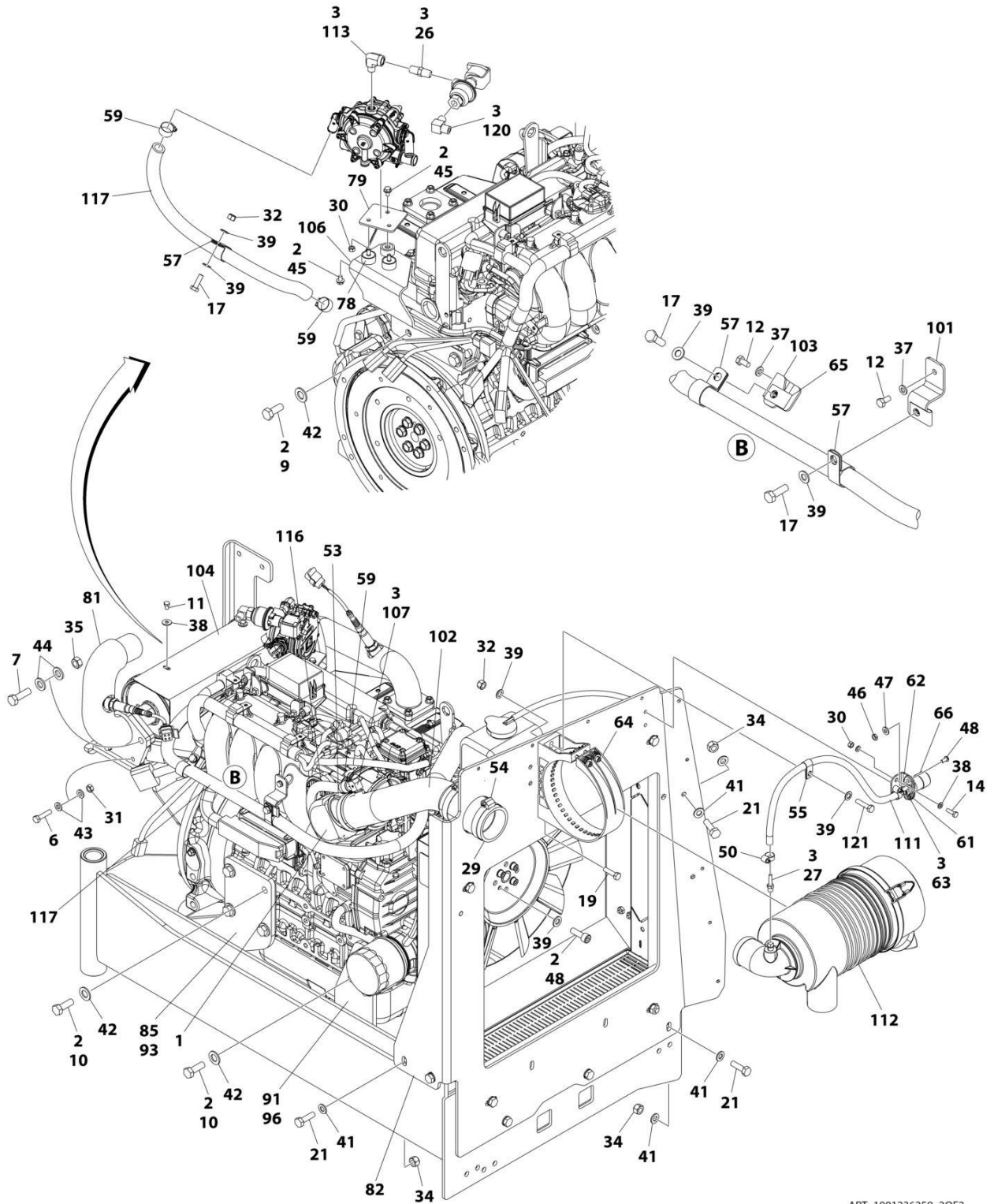
ART_1001236258

SECTION 3 - ENGINE

FIGURE 3-34. ENGINE AND PUMP SUB-ASSEMBLY - KUBOTA ENGINE (WITH ARCTIC PACKAGE)

ITEM	PART NUMBER	QTY	DESCRIPTION	REV
	1001236258	Ref	ENGINE AND PUMP SUB-ASSEMBLY - KUBOTA ENGINE (WITH ARCTIC PACKAGE)	A
1	0100011	AR	Compound, Locking	
2	0641812	2	Bolt 1/2 x 1-1/2	
3	1001214207	1	Gear Pump Assembly	
3	70006356	1	Seal Kit - 1001214207 Pump	
4	3790152	1	O-Ring	
5	3931618	2	Capscrew 3/8 x 1-1/8	
6	4891600	2	Washer 3/8	
7	4891800	2	Washer 1/2	
8	1001167036	1	Piston Pump Assembly (See Separate Breakdown in this Section)	
9	1001171953	1	Seal	
10	1001171954	1	Seal	
11	1001236259	1	Engine Assembly - Kubota Engine (With Arctic Package) (See Separate Breakdown in this Section)	

SECTION 3 - ENGINE



ART_1001236259_2OF2

SECTION 3 - ENGINE

FIGURE 3-35. ENGINE ASSEMBLY - KUBOTA ENGINE (WITH ARCTIC PACKAGE)

ITEM	PART NUMBER	QTY	DESCRIPTION	REV
	1001236259	Ref	ENGINE ASSEMBLY - KUBOTA ENGINE (WITH ARCTIC PACKAGE)	E
1	0080201	1	Adapter, 90	
2	0100011	AR	Compound, Locking	
3	0100020	AR	Sealant, Pipe	
4	0700810	4	Bolt M8 x 20	
5	0700814	2	Bolt M8 x 30	
6	0700815	2	Bolt M8 x 35	
7	0701216	2	Bolt M12 x 40	
8	0701224	4	Bolt M12 x 80	
9	1001217494	2	Bolt M12 x 20	
10	1001217343	14	Bolt M12 x 35	
11	0760605	4	Bolt M6 x 10	
12	0760606	2	Bolt M6 x 12	
13	0760608	2	Bolt M6 x 16	
14	0760610	2	Bolt M6 x 20	
15	0760612	2	Bolt M6 x 25	
16	0760808	8	Bolt M8 x 16	
17	0760812	6	Bolt M8 x 25	
18	0760814	12	Bolt M8 x 30	
19	0760815	1	Bolt M8 x 35	
20	0761014	4	Bolt M10 x 30	
21	0761015	6	Bolt M10 x 35	
22	0761016	4	Bolt M10 x 40	
23	0961951	2	Bushing	
24	1580011	1	Container, Coolant Overflow	
25	1703162	2	Decal - Caution Fan	
26	2220261	1	Fitting, Nipple NPTF/NPTF	
27	2220315	1	Fitting, Barbed	
29	2720644	1	Hose	
30	3290607	5	Nut M6	
31	3290801	10	Nut M8	
32	3290805	17	Nut M8	
33	3291001	4	Nut M10	
34	3291005	6	Nut M10	
35	3291201	6	Nut M12	
36	4240099	AR	Tie-Strap (Not Shown)	
37	4811700	16	Washer M6	
38	4811702	4	Washer M6	
39	4811900	45	Washer M8	
40	4811902	8	Washer M8	
41	4812000	24	Washer M10	
42	5241400	16	Washer M14	
43	5240800	14	Washer M8	
44	5241200	8	Washer M12	
45	5250605	3	Bolt M6 x 10	
46	8305401	2	Nut 1/4	
47	8307109	2	Washer 1/4	
48	8310548	2	Screw 1/4 x 1/2	
49	1001173535	2	Clamp	

SECTION 3 - ENGINE

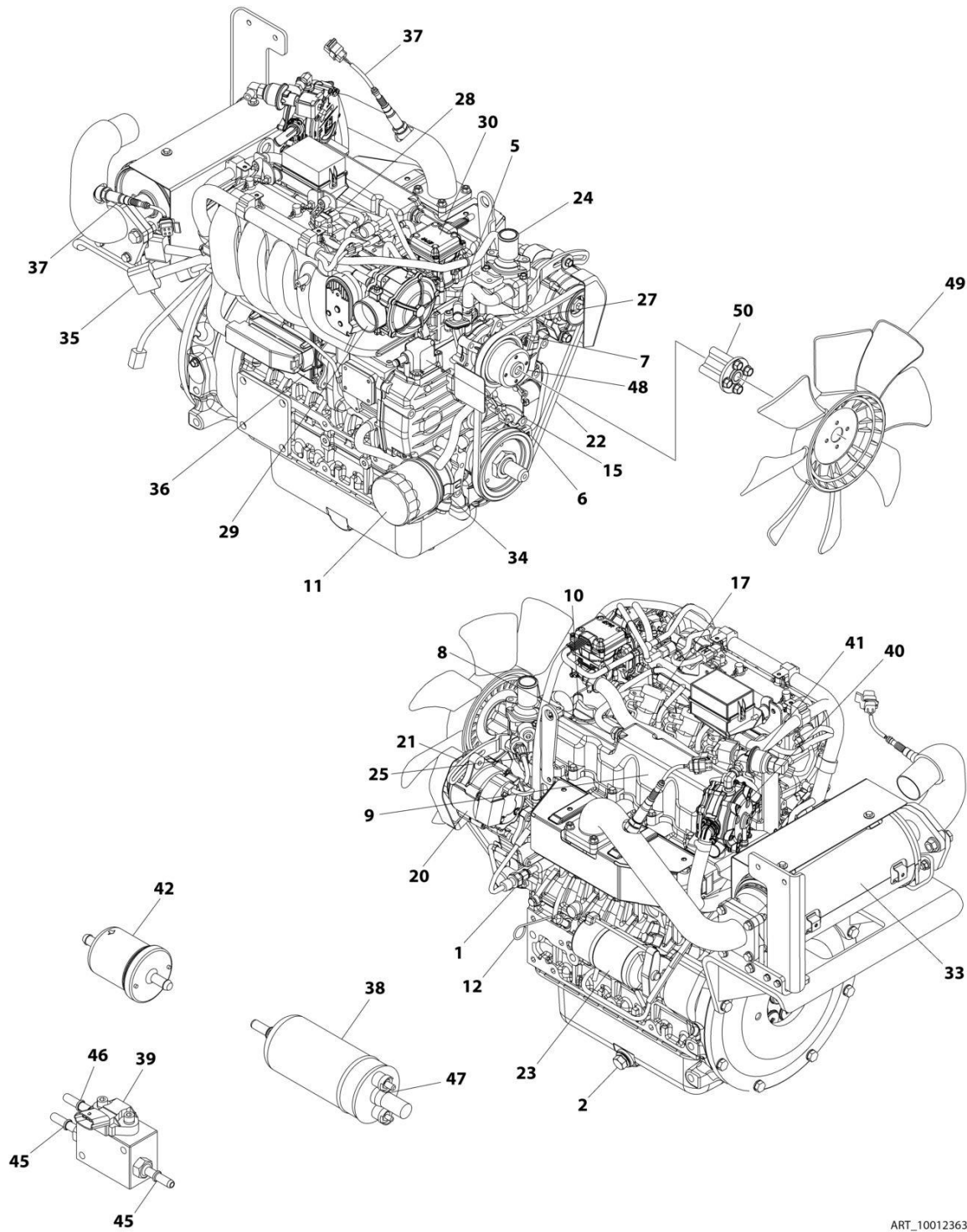
ITEM	PART NUMBER	QTY	DESCRIPTION	REV
50	8405009	4	Clamp	
51	8405102	2	Clamp	
52	8405104	2	Clamp	
53	8405202	1	Clamp	
54	8405203	3	Clamp	
55	8406109	1	Clip	
56	8406110	2	Clip	
57	8406201	3	Clip	
58	8410001	1	Clamp	
59	8410009	6	Clamp	
61	1001138173	1	Support, Service Indicator	
62	1001138175	1	Bracket, Service Indicator	
63	1001141995	1	Fitting, Barbed	
64	1001147812	1	Clamp, Air Cleaner	
65	1001149160	3	Nut M8	
66	1001149639	1	Indicator, Air Intake	
67	1001166718	4	Isolator, Engine Mount	
68	1001168018	4	Washer, Snubbing	
69	1001168166	2	Seal	
70	1001169054	4	Isolator, Radiator	
71	1001169138	4	Washer, Snubbing	
72	1001169967	2	Bracket	
73	1001170035	1	Bracket	
74	1001176330	1	Bracket	
75	1001180620	AR	Adhesive	
76	1001209844	1	Pump Coupling Kit (See Separate Breakdown in this Section)	
77	1001236393	1	Engine, Kubota (See Separate Breakdown in this Section)	
78	1001211794	3	Mount	
79	1001211797	1	Mount	
80	1001212989	1	Pipe, Exhaust (Inlet)	
81	1001212993	1	Pipe, Exhaust (Outlet)	
82	1001213305	1	Plate, Mounting	
83	1001236257	1	Radiator	
84	1001213425	1	Plate, Engine Mount (Left Rear)	
85	1001213426	1	Plate, Engine Mount (Right Rear)	
86	1001213482	1	Bracket	
87	1001213824	1	Insulation	
88	1001214138	1	Bracket	
89	1001214205	1	Support	
90	1001214233	1	Plate (Front Left)	
91	1001214234	1	Plate (Front Right)	
92	1001214269	1	Heater, Block	
93	1001214276	1	Shim	
94	1001214277	1	Shim	
95	1001214278	2	Shim	
96	1001214307	1	Hose	
97	1001214508	1	Support	
98	1001214553	1	Support	
99	1001214555	1	Bracket	
100	1001214556	1	Bracket	
101	1001214558	1	Bracket	

SECTION 3 - ENGINE

ITEM	PART NUMBER	QTY	DESCRIPTION	REV
102	1001214598	1	Tube	
103	1001214599	1	Bracket	
104	1001214664	1	Cover	
105	1001214694	1	Hose	
106	1001214841	1	Bracket	
107	1001215125	1	Fitting, 90	
108	1001215869	1	Hose	
109	1001216825	2	Seal	
110	1001137336	2	Strap	
111	1001138248	2 ft/ 0.6m	Tube	
112	1001147813	1	Air Cleaner Assembly Including Filter Element	
112	70004020	1	Element, Filter (Not Shown)	
113	1001247359	1	Fitting, Street Elbow	
114	2720058	1.8 ft/ 0.5m	Hose	
115	2720271	4 ft/ 1.2m	Hose	
116	2720615	1.2 ft/ 0.4m	Hose	
117	82033995	5.5 ft/ 1.7m	Hose	
118	0700816	4	Bolt M8 x 40	
119	0701016	4	Bolt M10 x 40	
120	2180504	1	Fitting, Barbed	
121	0760816	1	Bolt M8 x 40	
122	4060805	1.94 ft/ 59m	Flex-Trim	
123	0100081	AR	Adhesive	

SECTION 3 - ENGINE

FIGURE 3-36. ENGINE COMPONENTS - KUBOTA



ART_1001236393

SECTION 3 - ENGINE

FIGURE 3-36. ENGINE COMPONENTS - KUBOTA

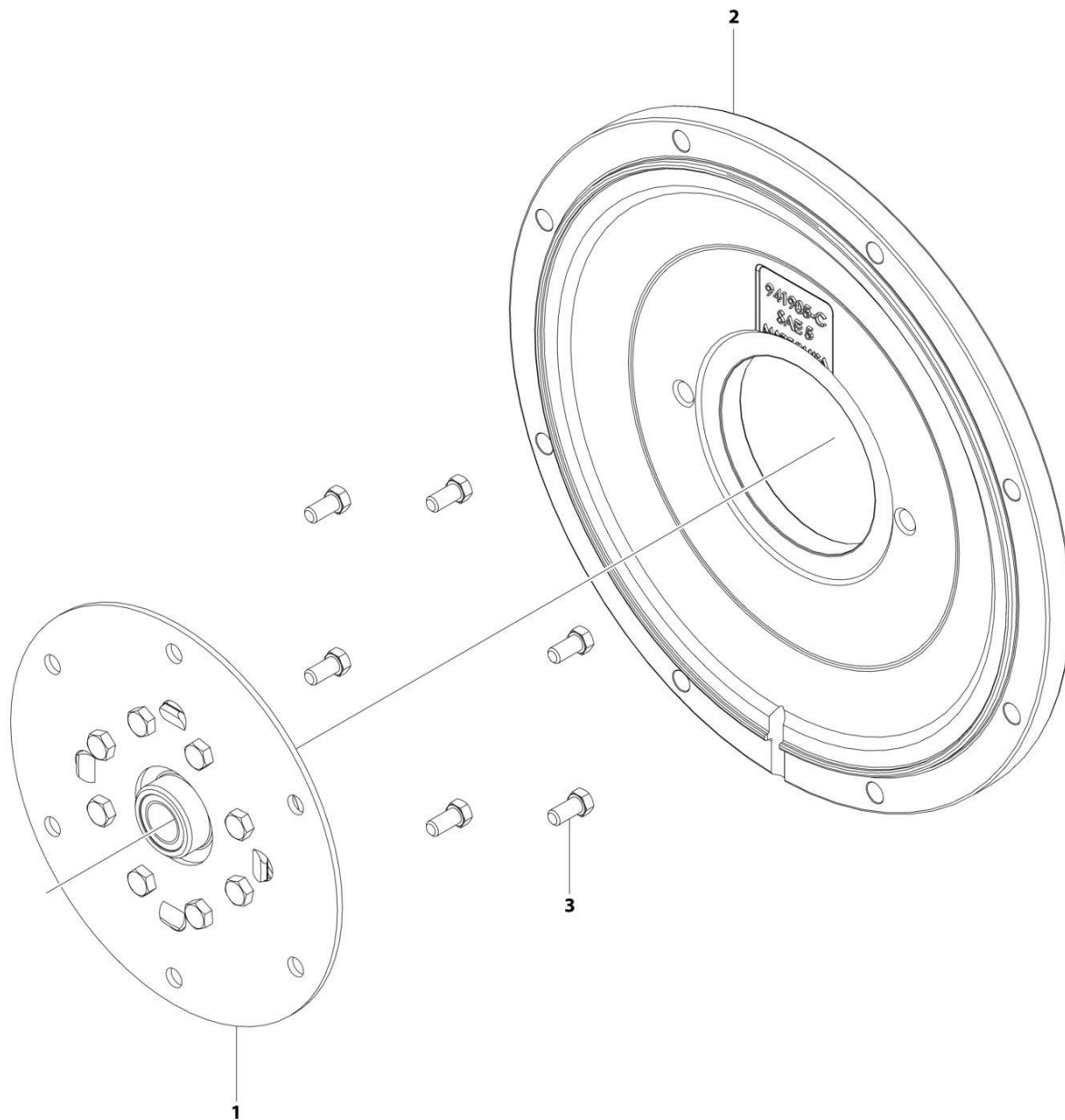
ITEM	PART NUMBER	QTY	DESCRIPTION	REV
	1001236393	Ref	ENGINE COMPONENTS - KUBOTA	D
1	70005745	1	Switch, Oil	
1	70006013	1	Adapter	
2	7023154	1	Plug, Drain	
2	7017904	1	Gasket, Oil Pan Drain	
3	70006014	1	Gasket, Cylinder Head (Not Shown)	
4	70006015	1	Sensor (Knock) (Not Shown - Located on Left Side of Engine)	
5	70006016	1	Flange Assembly (Water Return)	
5	70002316	1	Pipe	
5	70006017	1	Gasket	
6	70005737	1	Sensor Stick Assembly	
7	70006018	1	Sensor	
8	70006019	1	Valve (PCV)	
8	70006020	1	Seal	
9	7017932	3	Element, Breather	
9	70006021	1	Gasket	
10	70002318	1	Oil Filler Cap	
10	70006022	1	O-Ring	
11	70006023	1	Filter, Oil	
12	70006024	1	Dipstick	
13	70006025	1	Pump Assembly, Oil (Not Shown - Located Under Front Cover)	
13	70006026	1	Gasket	
13	70006027	1	Key	
14	70006028	1	Flywheel (Not Shown - Located Behind Coupling Plate)	
14	70006029	1	Ring Gear (Part of Flywheel)	
15	70006030	1	Flange Assembly (Breather)	
15	70002316	1	Pipe	
15	70006031	1	Gasket	
16	70006035	1	Pipe Assembly (Not Shown)	
16	70005727	1	Gasket	
17	70006034	4	Coil	
17	70006033	4	Spark Plug	
18	70006032	1	Gasket (Not Shown)	
19	70005751	4	Injector (Not Shown)	
20	70006036	1	Alternator (Includes Voltage Regulator and Gaskets, Fan and Fan Mounting Hardware)	
21	70006037	1	Bracket	
22	70006038	1	Belt	
23	70006039	1	Starter	
24	70006041	1	Thermostat	
24	70002326	1	Gasket	
25	70005726	1	Sensor	
25	70006042	1	O-Ring	
26	70006040	1	Gasket (Not Shown - Located Between Engine Head and Water Flange)	
27	70006043	1	Water Pump Assembly	
27	70004829	1	Pipe	
27	70006044	1	Gasket	
28	70005746	1	Sensor (TMAP)	
28	70005747	1	O-Ring	

SECTION 3 - ENGINE

ITEM	PART NUMBER	QTY	DESCRIPTION	REV
29	70006049	1	Mixer Assembly	
29	70006050	1	Seal, Rubber	
29	70006045	1	Throttle Body	
29	70006046	1	Gasket	
29	70006047	1	Adapter	
29	70006048	1	O-Ring	
30	70006051	1	Regulator Assembly	
30	70006052	1	Seal, Rubber	
30	70006053	1	Seal, Rubber	
30	70006054	1	Seal, Rubber	
31	70006055	1	Gasket (Not Shown - Located Between Intake Manifold and Engine Head)	
32	70006056	1	Gasket (Not Shown - Located Between Exhaust Manifold and Engine Head)	
33	70006057	1	Muffler	
33	70006065	1	Gasket	
33	70006066	1	Gasket	
33	70006072	1	Gasket	
34	70006058	1	Oil Cooler Assembly	
34	70006059	1	Seal	
34	7017959	2	Clamp	
35	70006060	1	Engine Harness	
36	70006061	1	Module, Engine Control	
37	70006062	2	Sensor (O2)	
38	70006063	1	Pump, Fuel	
39	70006064	1	Manifold (FPM)	
40	70006067	1	Regulator Assembly	
40	70006068	1	Connector	
40	70006069	3	Clip	
40	70006070	2	Connector	
41	70006071	1	Valve, Lockoff	
41	70006078	1	Valve, Lockoff Kit	
42	7017992	1	Filter, Fuel	
43	70006079	1	Gasket Kit (Upper) (Not Shown)	
44	70006080	1	Gasket Kit (Lower) (Not Shown)	
45	70006074	2	Joint (Includes O-Ring)	
46	70006075	1	Joint (Includes O-Ring)	
47	70006076	1	Joint (Includes O-Ring)	
47	70006077	1	Gasket	
48	70006379	1	Pulley	
49	70006639	1	Fan	
50	70006640	1	Collar, Fan	

SECTION 3 - ENGINE

FIGURE 3-37. PUMP COUPLING KIT - KUBOTA ENGINE



ART_1001209844

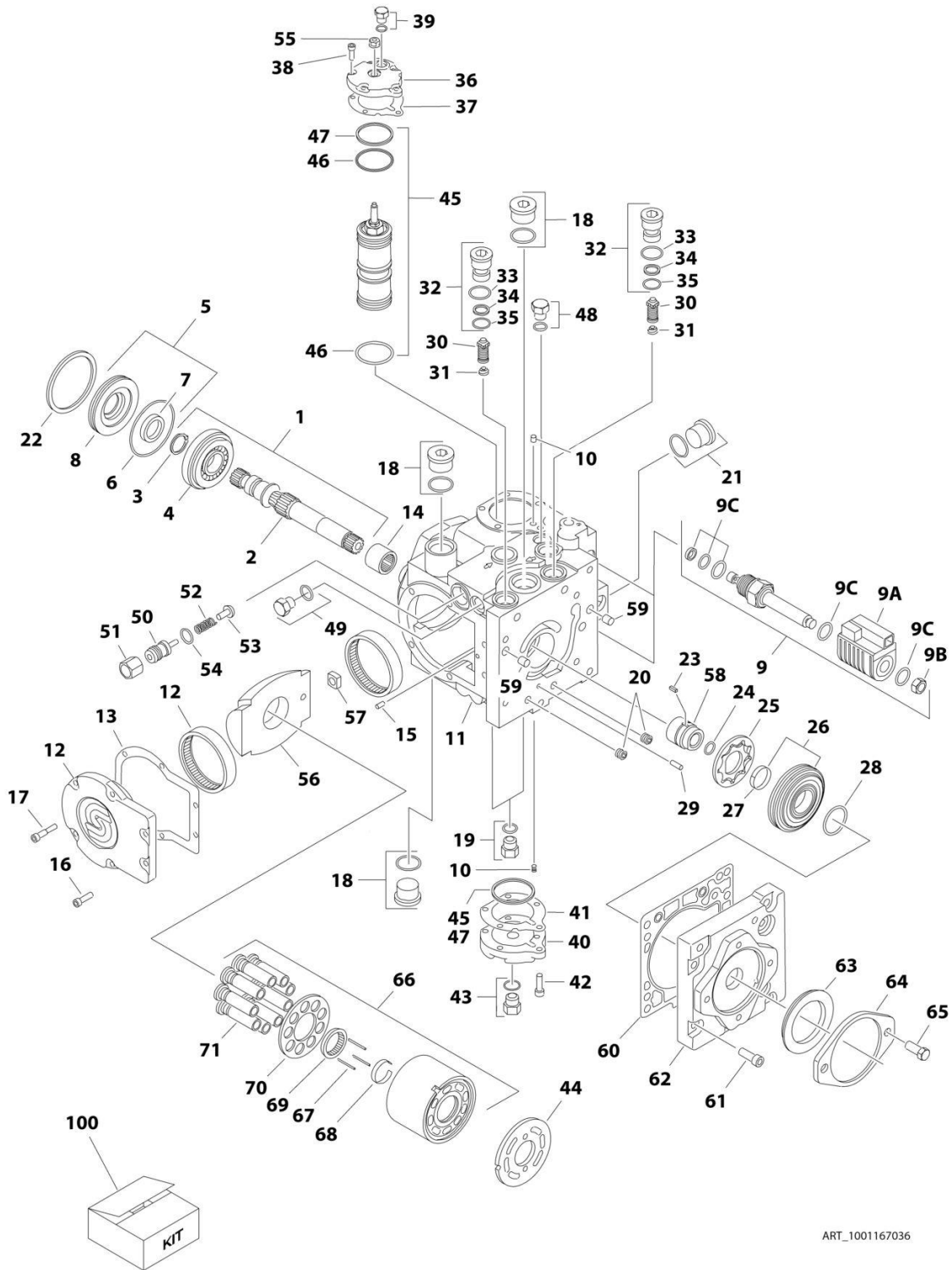
SECTION 3 - ENGINE

FIGURE 3-37. PUMP COUPLING KIT - KUBOTA ENGINE

ITEM	PART NUMBER	QTY	DESCRIPTION	REV
	1001209844	Ref	PUMP COUPLING KIT - KUBOTA ENGINE	C
1	70006010	1	Coupling Assembly, Hayes	
2	70006011	1	Plate, Pump Adapter	
3	70006012	1	Bolt Kit	

SECTION 3 - ENGINE

FIGURE 3-38. PISTON PUMP ASSEMBLY



ART_1001167036

SECTION 3 - ENGINE

FIGURE 3-38. PISTON PUMP ASSEMBLY

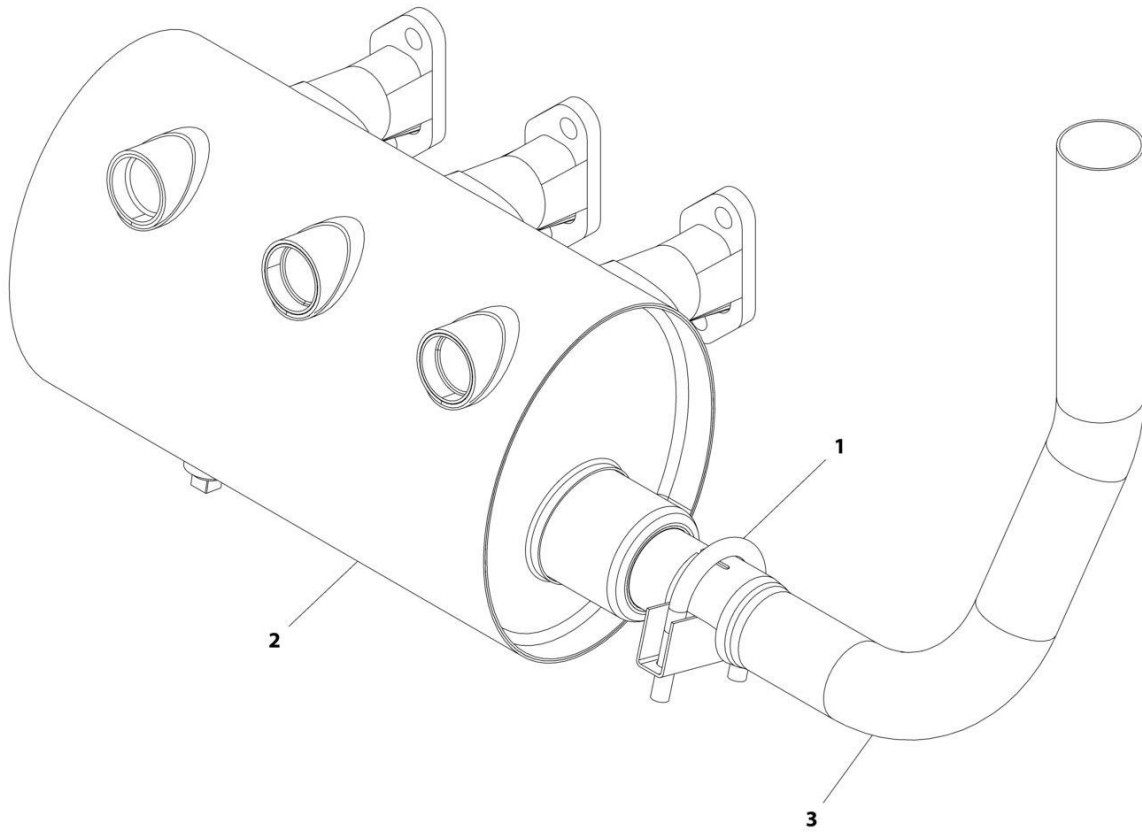
ITEM	PART NUMBER	QTY	DESCRIPTION	REV
	1001167036	Ref	PISTON PUMP ASSEMBLY	B
1	7021240	1	Shaft Assembly (Includes Items 2-4)	
2	7021237	1	Shaft	
3	7021238	1	Ring, Retaining	
4	7021239	1	Bearing, Roller	
5	70004896	1	Shaft Seal Kit (Includes Items 6-8)	
6	7021241	1	O-Ring	
7	7021242	1	Seal, Lip	
8	7021243	1	Carrier, Seal Shaft	
9	7024855	2	Solenoid Assembly	
9A	70004897	2	Coil (1 Per Assembly)	
9B	7024857	2	Nut (1 Per Assembly)	
9C	7024858	2	Seal Kit - 7024855 Cartridge (1 Per Assembly)	
10	70004889	2	Orifice	
11	See Note	NSS	Housing Assembly (Note: Not Available for Purchase)	
12	7021248	1	Side Cover Assembly (Includes Item 13)	
13	70004891	1	Gasket	
14	7021249	1	Bearing, Needle	
15	See Note	NSS	Pin (Note: Not Available for Purchase)	
16	70004890	2	Screw	
17	70004892	4	Screw	
18	7007419	2	Plug Assembly (Includes O-Ring)	
19	7007420	2	Plug Assembly (Includes O-Ring)	
20	See Note	NSS	Plug (Note: Not Available for Purchase)	
21	7007419	1	Plug Assembly (Includes O-Ring)	
22	7021257	1	Ring, Retaining	
23	70004893	1	Key	
24	7022341	1	Ring, Retaining	
25	7021258	1	Gerotor	
26	70004894	1	Gerotor Cover Assembly (Includes Item 27)	
27	7021259	1	Bearing, Journal	
28	7021262	1	O-Ring	
29	See Note	NSS	Pin (Note: Not Available for Purchase)	
30	7021263	2	Bypass Valve Assembly	
31	7024800	2	Spring	
32	7021265	2	Bypass Valve Assembly (Includes Items 32-34)	
33	7007415	2	O-Ring	
34	7021293	2	Ring, Back-up	
35	7022300	2	O-Ring	
36	70004895	1	Cover, Servo	
37	7021253	1	Gasket	
38	70004892	5	Screw	
39	7007420	1	Plug Assembly (Includes O-Ring)	
40	7021268	1	Cover, Servo	
41	7021253	1	Gasket	
42	70004892	5	Screw	
43	7007420	1	Plug Assembly (Includes O-Ring)	
44	7021281	1	Plate, Valve	
45	70004898	1	Servo Piston Kit (Includes Items 46 & 47)	
46	7007495	2	O-Ring	

SECTION 3 - ENGINE

ITEM	PART NUMBER	QTY	DESCRIPTION	REV
47	7007493	2	O-Ring	
48	7007420	1	Plug Assembly (Includes O-Ring)	
49	70004900	1	Plug Assembly (Includes O-Ring)	
50	7022346	1	Adjuster	
51	7021290	1	Nut	
52	7022347	1	Spring	
53	70004901	1	Poppet	
54	7007415	1	O-Ring	
55	70004902	1	Nut, Seal	
56	70004903	1	Swash Plate	
57	70004904	1	Bearing Assembly	
58	70004905	1	Coupling	
59	7001481	2	Pin	
60	70002257	1	Gasket	
61	70004906	8	Screw	
62	70004907	1	Cover, Charge Pump	
63	70004908	1	Seal	
64	7021299	1	Plate, Cover	
65	7007289	2	Screw	
66	70004909	1	Cylinder Block Assembly (Includes Items 67-71)	
67	70004910	3	Pin, Slipper Hold Down	
68	7021276	1	Retainer, Hold Down Pin	
69	7021277	1	Guide, Slipper Retainer	
70	7021278	1	Retainer, Slipper	
71	70004911	1	Piston Assembly	
100	70004899	1	Seal Kit (Includes Items 5-8, 33-35, 37, 41, 46, 47 & 54)	

SECTION 3 - ENGINE

FIGURE 3-39. SPARK ARRESTOR INSTALLATION - DEUTZ D2011 ENGINE



ART_1001175071

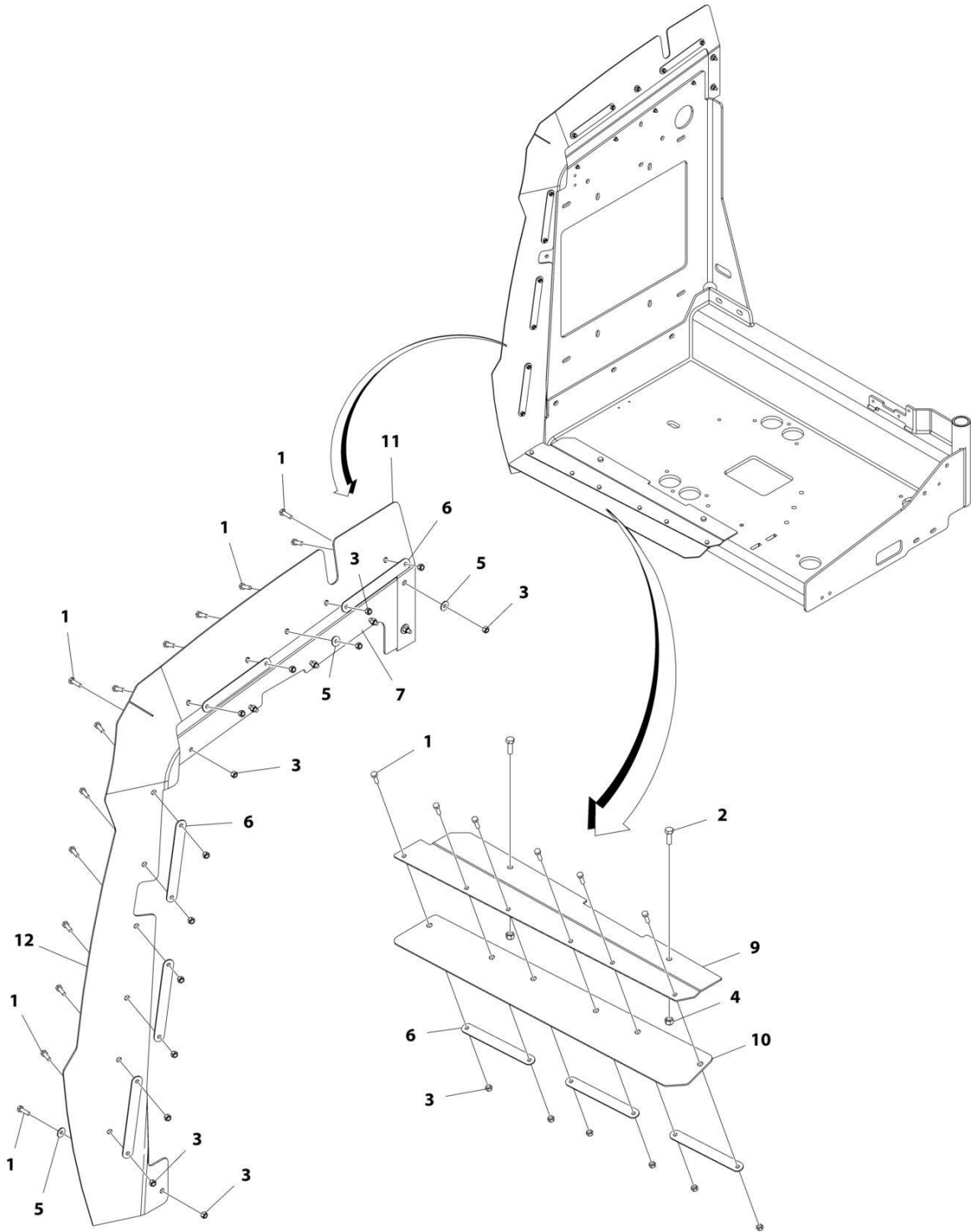
SECTION 3 - ENGINE

FIGURE 3-39. SPARK ARRESTOR INSTALLATION - DEUTZ D2011 ENGINE

ITEM	PART NUMBER	QTY	DESCRIPTION	REV
	1001175071	Ref	SPARK ARRESTOR INSTALLATION	A
1	1320176	1	Clamp	
2	1001170224	1	Muffler, Spark Arresting	
3	1001175068	1	Pipe, Exhaust	

SECTION 3 - ENGINE

FIGURE 3-40. ENGINE Baffle INSTALLATION - ABS HOODS (DEUTZ & GM ENGINES)



ART_1001170662

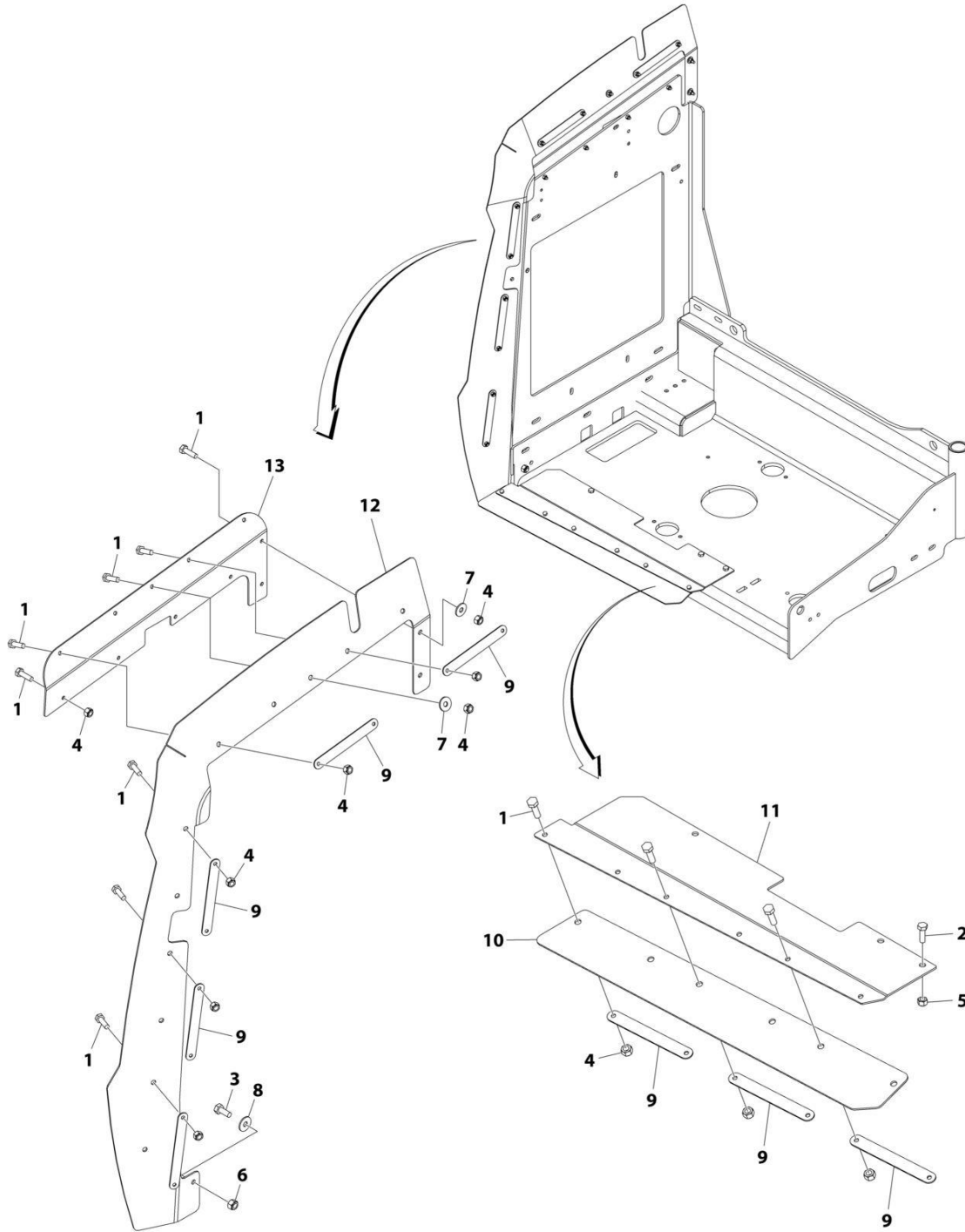
SECTION 3 - ENGINE

FIGURE 3-40. ENGINE BAFFLE INSTALLATION - ABS HOODS (DEUTZ & GM ENGINES)

ITEM	PART NUMBER	QTY	DESCRIPTION	REV
	1001170662	Ref	ENGINE BAFFLE INSTALLATION	F
1	0760610	24	Bolt M6 x 20	
2	0760812	2	Bolt M8 x 25	
3	3290605	24	Nut M6 x 1	
4	3290805	2	Nut M8 x 1.25	
5	4811702	4	Washer M6	
6	1001167164	8	Plate, Support	
7	1001170650	1	Bracket	
9	1001170663	1	Bracket	
10	1001170664	1	Seal	
11	1001211877	1	Seal	
12	1001211878	1	Seal	

SECTION 3 - ENGINE

FIGURE 3-41. ENGINE Baffle INSTALLATION - ABS HOODS (KUBOTA ENGINES)



ART_1001216547

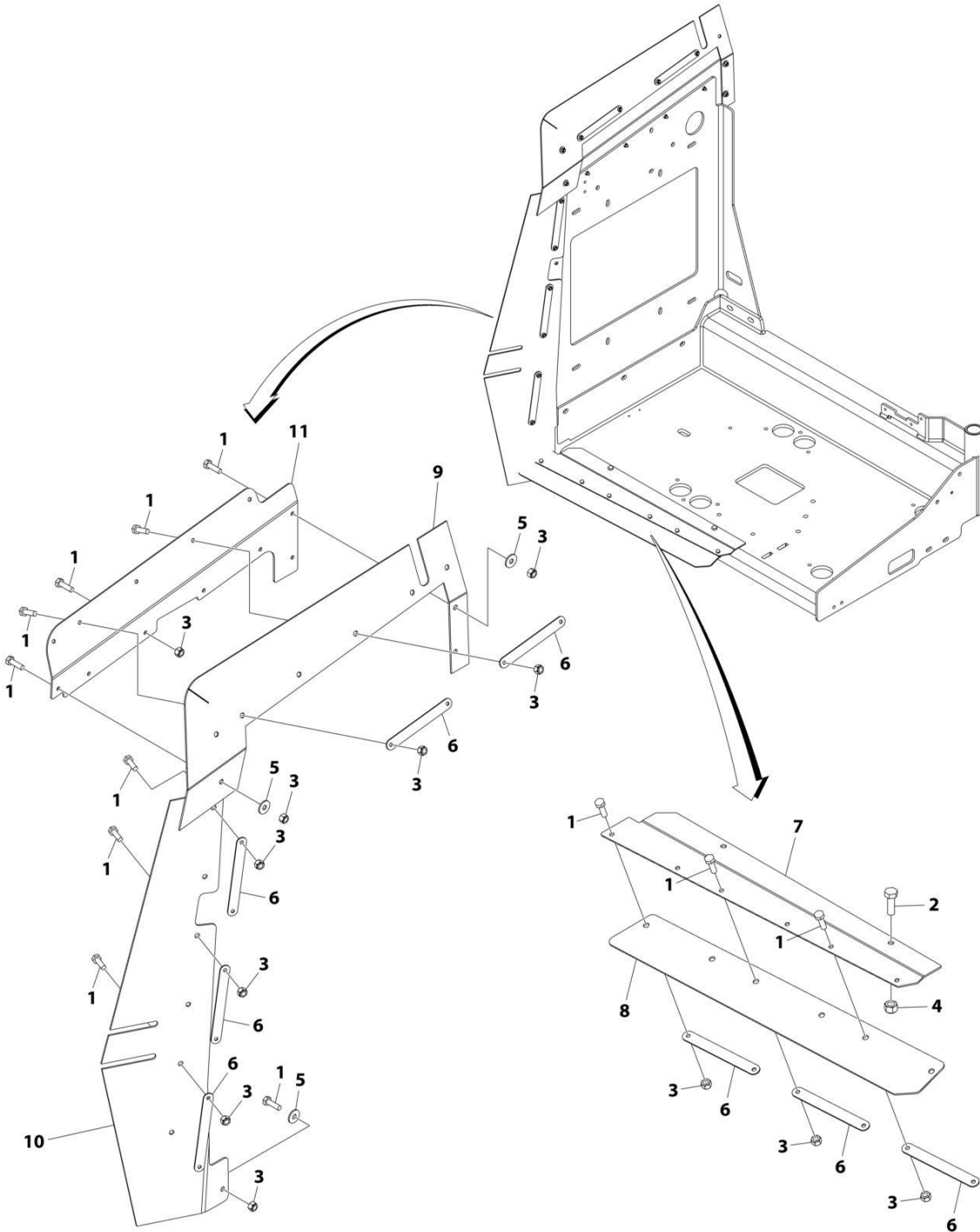
SECTION 3 - ENGINE

FIGURE 3-41. ENGINE BAFFLE INSTALLATION - ABS HOODS (KUBOTA ENGINES)

ITEM	PART NUMBER	QTY	DESCRIPTION	REV
	1001216547	Ref	KUBOTA ENGINE BAFFLE INSTALLATION	B
1	0760610	24	Bolt M6 x 20	
2	0760812	3	Bolt M8 x 25	
3	0761012	1	Bolt M10 x 25	
4	3290605	23	Nut M6 x 1	
5	3290805	3	Nut M8 x 1.25	
6	3291005	1	Nut M10	
7	4811702	3	Washer M6	
8	4812002	1	Washer M10	
9	1001167164	8	Plate, Support	
10	1001170664	1	Seal	
11	1001216512	1	Bracket	
12	1001216548	1	Seal	
13	1001216549	1	Bracket	

SECTION 3 - ENGINE

FIGURE 3-42. ENGINE Baffle INSTALLATION - STEEL HOODS



ART_1001223454

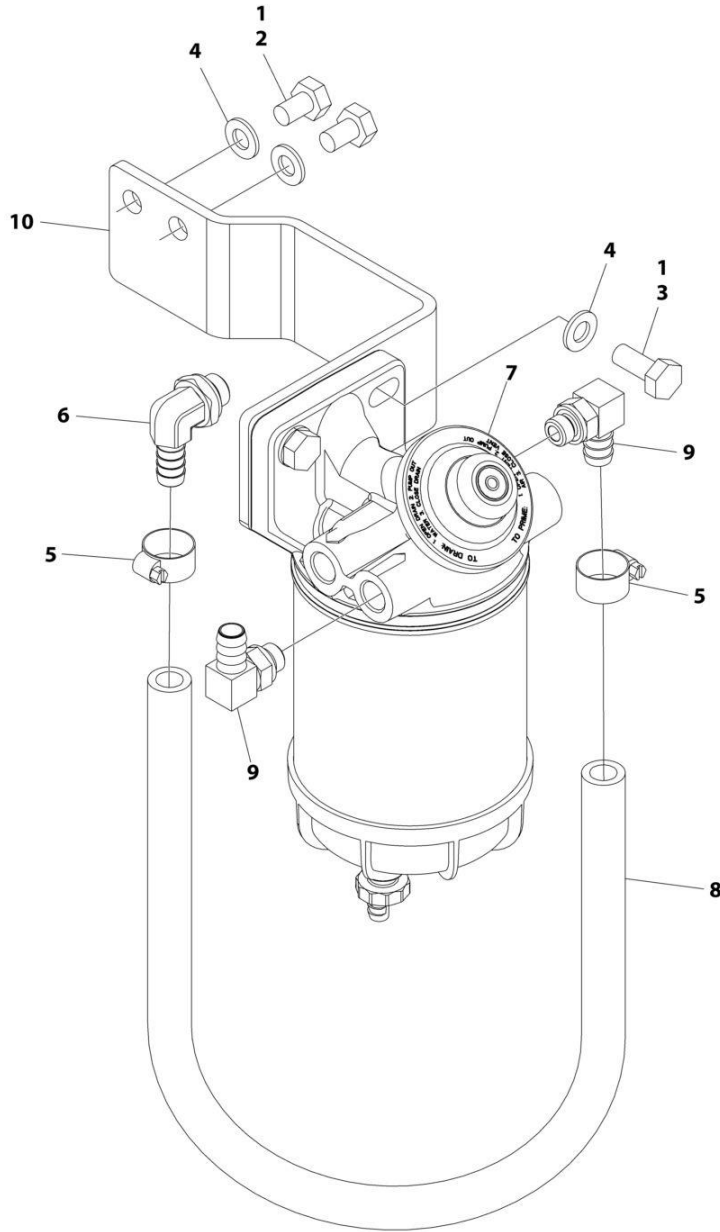
SECTION 3 - ENGINE

FIGURE 3-42. ENGINE BAFFLE INSTALLATION - STEEL HOODS

ITEM	PART NUMBER	QTY	DESCRIPTION	REV
	1001223454	Ref	STEEL HOOD ENGINE BAFFLE INSTALLATION	A
1	0760610	25	Bolt M6 x 20	
2	0760812	2	Bolt M8 x 25	
3	3290605	25	Nut M6 x 1	
4	3290805	2	Nut M8 x 1.25	
5	4811702	5	Washer M6	
6	1001167164	8	Plate, Support	
7	1001170663	1	Bracket	
8	1001170664	1	Seal	
9	1001223309	1	Seal	
10	1001223310	1	Seal	
11	1001223328	1	Bracket	

SECTION 3 - ENGINE

FIGURE 3-43. FUEL/WATER SEPARATOR INSTALLATION DUETZ D2.9L4 (CHINA IV) ENGINE



ART_1001259088

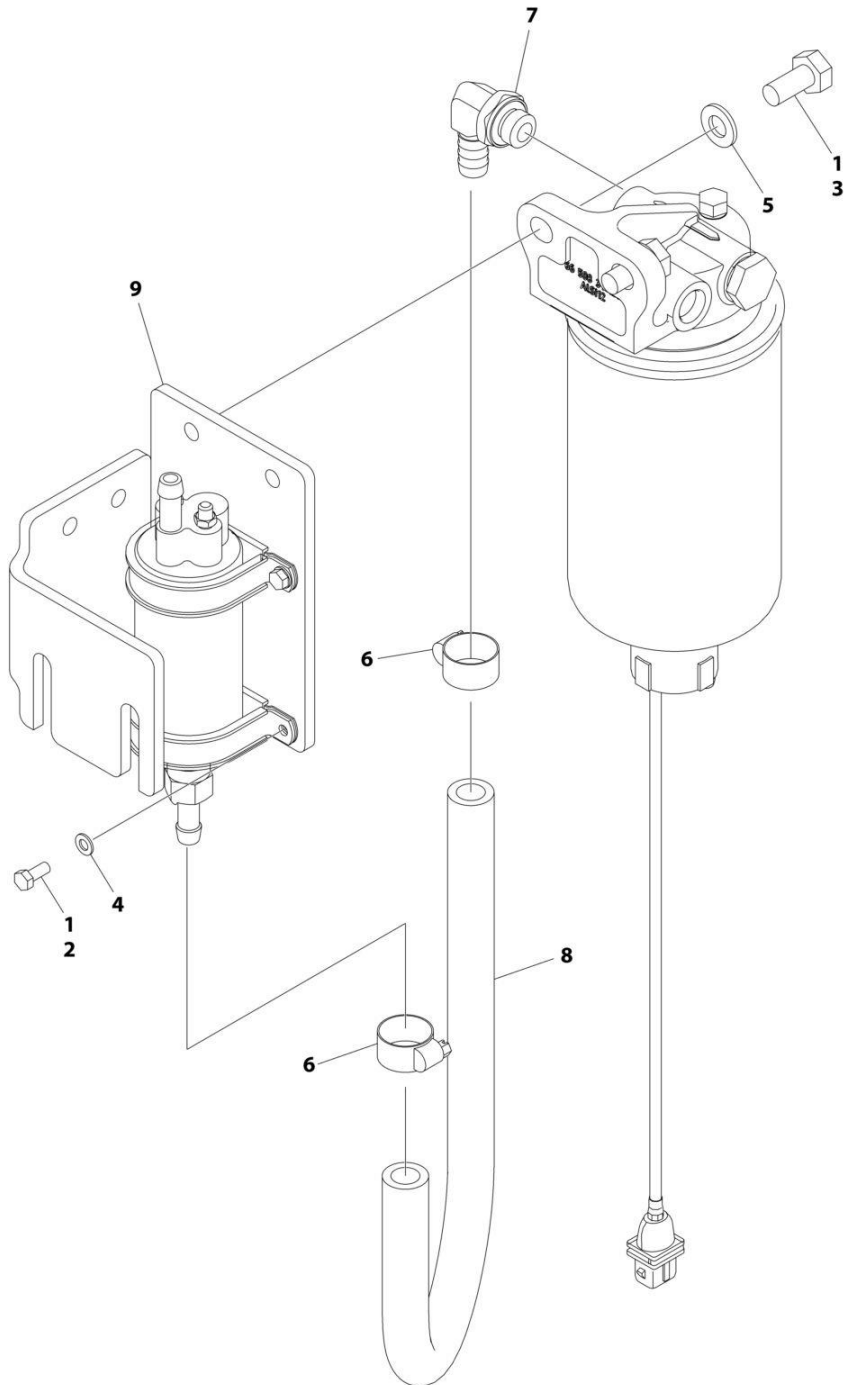
SECTION 3 - ENGINE

FIGURE 3-43. FUEL/WATER SEPARATOR INSTALLATION DUETZ D2.9L4 (CHINA IV) ENGINE

ITEM	PART NUMBER	QTY	DESCRIPTION	REV
	1001259088	Ref	FUEL WATER SEPARATOR INSTALLATION	A
1	0100011	AR	Compound, Locking	
2	0761008	2	Bolt M10 x 16	
3	0761012	2	Bolt M10 x 25	
4	4812000	4	Washer M10	
5	8405006	2	Clamp	
6	1001142501	1	Fitting 90 Barbed	
7	1001149452	1	Filter	
8	1001154405	27 in /67 cm	Hose	
9	1001258505	2	Fitting 90 Barbed	
10	1001259086	1	Bracket	

SECTION 3 - ENGINE

FIGURE 3-44. FUEL PUMP AND FILTER INSTALLATION DUETZ D2.9L4 (CHINA IV) ENGINE



ART_1001259087

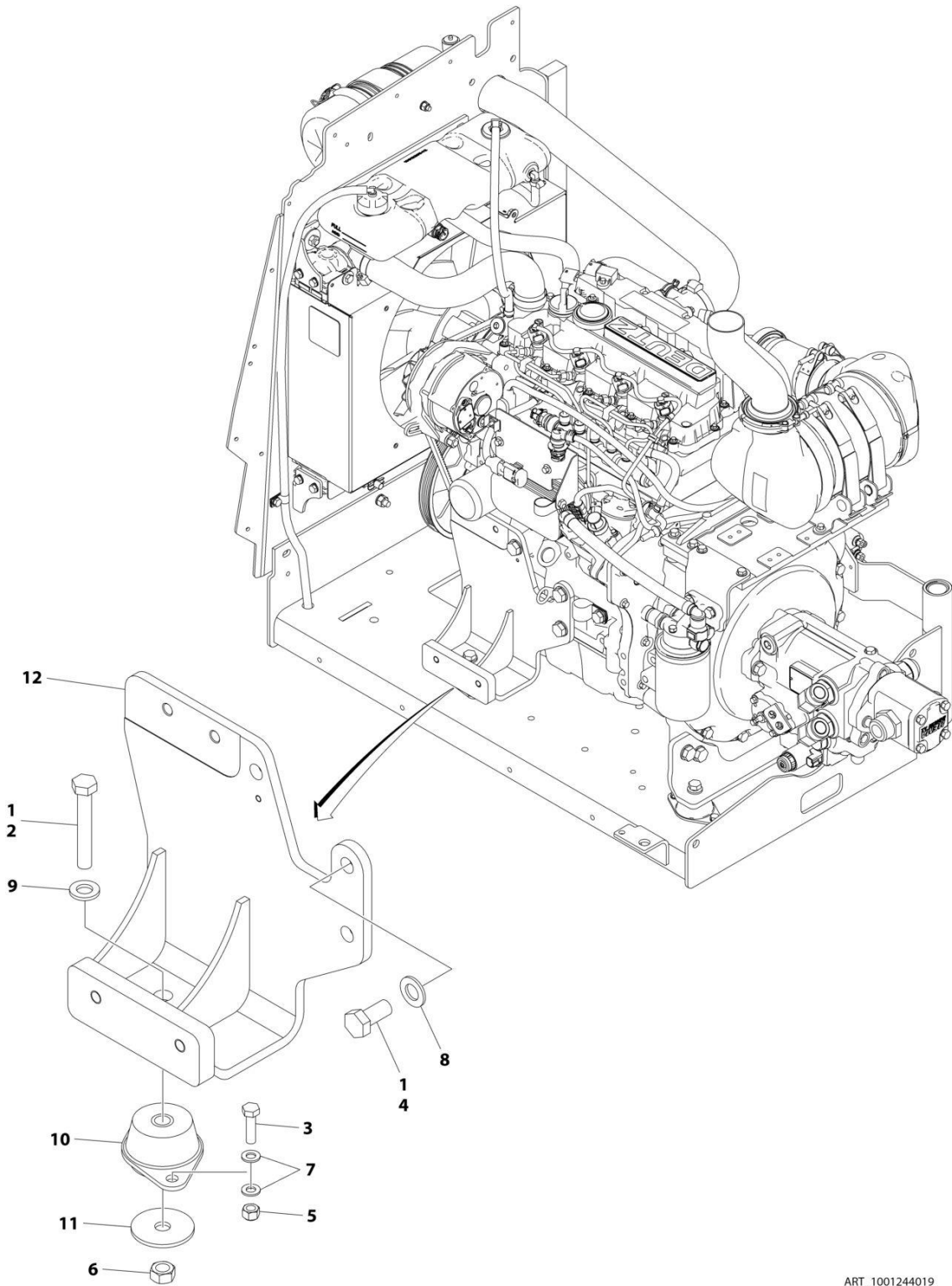
SECTION 3 - ENGINE

FIGURE 3-44. FUEL PUMP AND FILTER INSTALLATION DUETZ D2.9L4 (CHINA IV) ENGINE

ITEM	PART NUMBER	QTY	DESCRIPTION	REV
	1001259087	Ref	FUEL PUMP AND FILTER INSTALLATION	A
1	0100011	AR	Compound, Locking	
2	0760506	4	Bolt M5 x 12	
3	0761011	2	Bolt M10 x 22	
4	4811600	4	Washer M5	
5	4812000	2	Washer M10	
6	8405006	2	Clamp	
7	1001142501	1	Fitting 90 Barbed	
8	1001154405	17.75 in /45 cm	Hose	
9	1001259083	1	Bracket	

SECTION 3 - ENGINE

FIGURE 3-45. ENGINE MOUNT (WITH GENERATOR) - DEUTZ D2.9L4 AND DEUTZ D2.9L4 (STAGE V) ENGINES



ART_1001244019

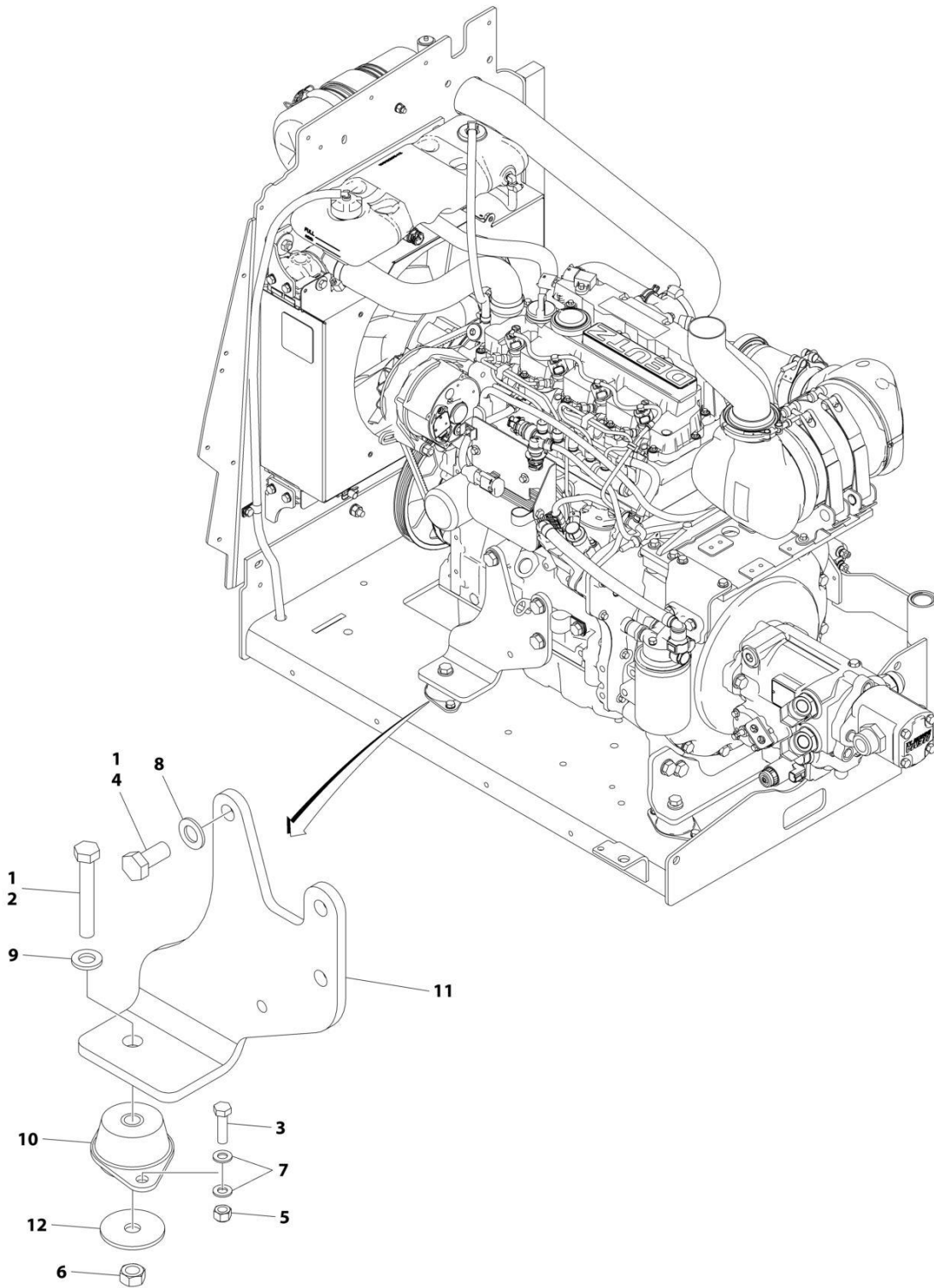
SECTION 3 - ENGINE

FIGURE 3-45. ENGINE MOUNT (WITH GENERATOR) - DEUTZ D2.9L4 AND DEUTZ D2.9L4 (STAGE V) ENGINES

ITEM	PART NUMBER	QTY	DESCRIPTION	REV
	1001244019	Ref	MOTOR MOUNT INSTALLATION	A
1	0100011	AR	Compound, Locking	
2	0711224	1	Bolt M12 x 80	
3	0760814	2	Bolt M8 x 30	
4	0771414	3	Bolt M14 x 30	
5	3290805	2	Nut M8	
6	3331211	1	Nut M12	
7	4811900	4	Washer M8	
8	4812200	3	Washer M14	
9	5241200	1	Washer M12	
10	1001166718	1	Mount, Motor	
11	1001168018	1	Washer	
12	1001168207	1	Mount	

SECTION 3 - ENGINE

FIGURE 3-46. ENGINE MOUNT (WITHOUT GENERATOR) - DEUTZ D2.9L4, DEUTZ D2.9L4 (STAGE V) AND DEUTZ D2.9L4 (CHINA IV) ENGINES



ART_1001244024

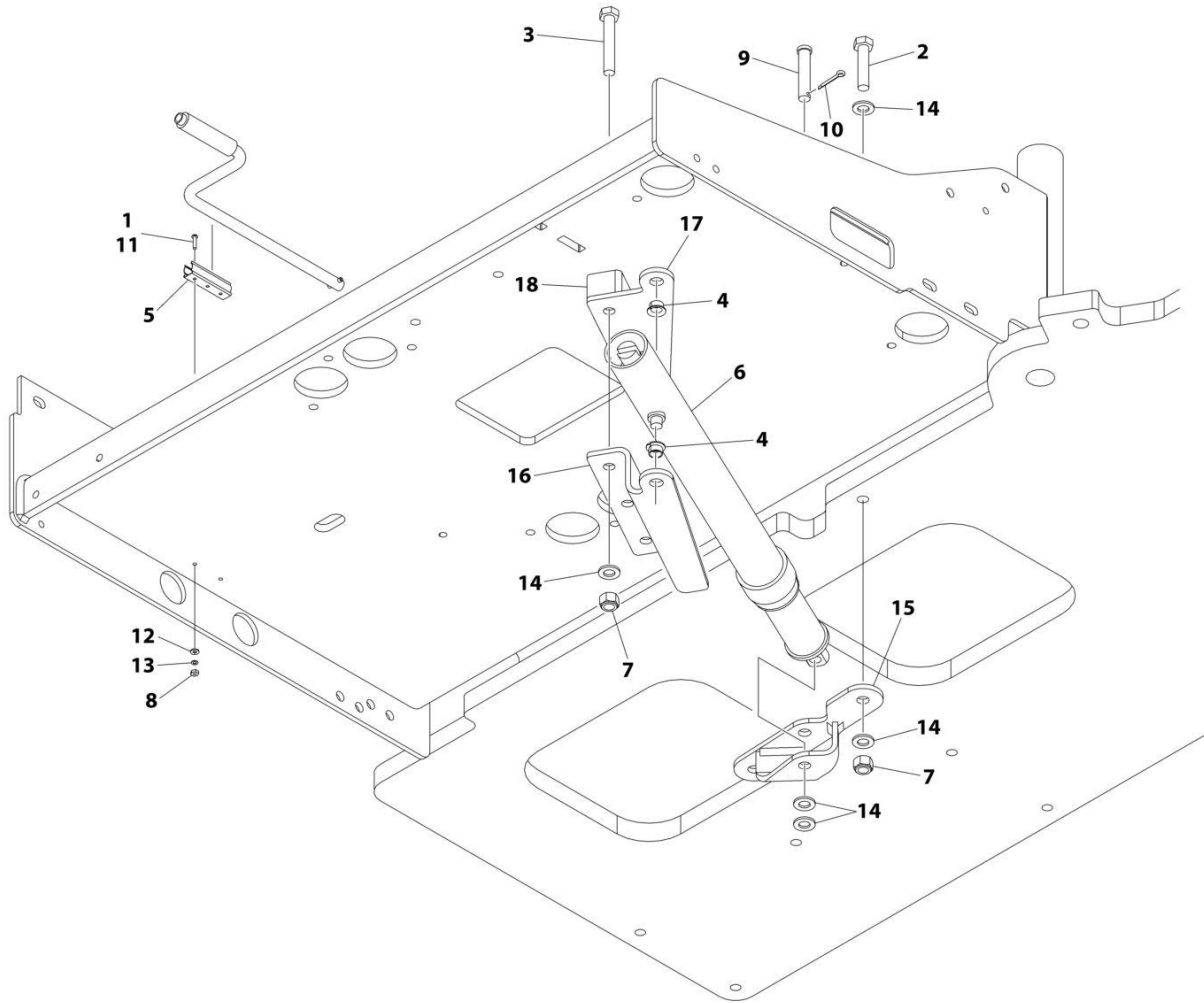
SECTION 3 - ENGINE

**FIGURE 3-46. ENGINE MOUNT (WITHOUT GENERATOR) - DEUTZ D2.9L4, DEUTZ D2.9L4 (STAGE V)
AND DEUTZ D2.9L4 (CHINA IV) ENGINES**

ITEM	PART NUMBER	QTY	DESCRIPTION	REV
	1001244024	Ref	MOTOR MOUNT INSTALLATION	A
1	0100011	AR	Compound, Locking	
2	0711224	1	Bolt M12 x 80	
3	0760814	2	Bolt M8 x 30	
4	0771414	3	Bolt M14 x 30	
5	3290805	2	Nut M8	
6	3331211	1	Nut M12	
7	4811900	4	Washer M8	
8	4812200	3	Washer M14	
9	5241200	1	Washer M12	
10	1001166718	1	Mount, Motor	
11	1001166922	1	Mount	
12	1001168018	1	Washer	

SECTION 3 - ENGINE

FIGURE 3-47. ENGINE TRAY JACK INSTALLATION



ART_1001243870

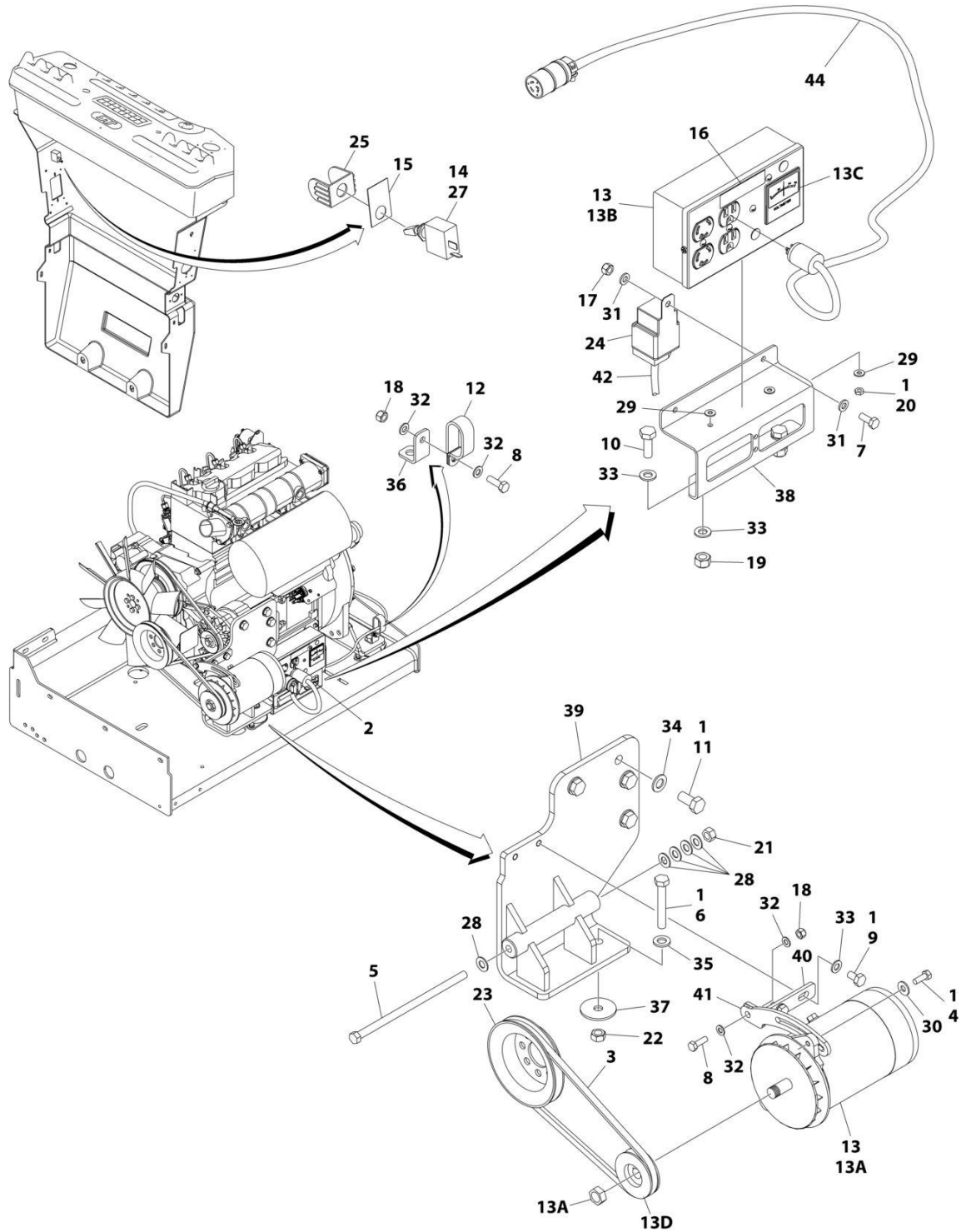
SECTION 3 - ENGINE

FIGURE 3-47. ENGINE TRAY JACK INSTALLATION

ITEM	PART NUMBER	QTY	DESCRIPTION	REV
	1001243870	Ref	ENGINE TRAY JACK	B
1	0100011	AR	Compound, Locking	
2	0701219	2	Bolt M12 x 55	
3	0701223	3	Bolt	
4	0962051	2	Bearing	
5	1380147	1	Clip	
6	2840016	1	Screw Jack Assembly	
6	7024598	1	Handle	
6	7016322	1	Wiper	
7	3291205	5	Nut M12 x 1.75	
8	3310601	2	Nut #6	
9	3430820	1	Pin, Clevis	
10	3450404	1	Pin, Cotter	
11	3910610	2	Screw 6 x 5/8	
12	4750600	2	Washer #6	
13	4770600	2	Washer #6	
14	4812100	9	Washer M12	
15	1001166894	1	Support, Engine Tray Jack	
16	1001175073	1	Support, Engine Tray Jack	
17	1001175074	1	Support, Engine Tray Jack	
18	1001243869	1	Shim	

SECTION 3 - ENGINE

FIGURE 3-48. GENERATOR INSTALLATION - 2500W/60HZ (DEUTZ D2011 ENGINE)



ART_1001180798

SECTION 3 - ENGINE

FIGURE 3-48. GENERATOR INSTALLATION - 2500W/60HZ (DEUTZ D2011 ENGINE)

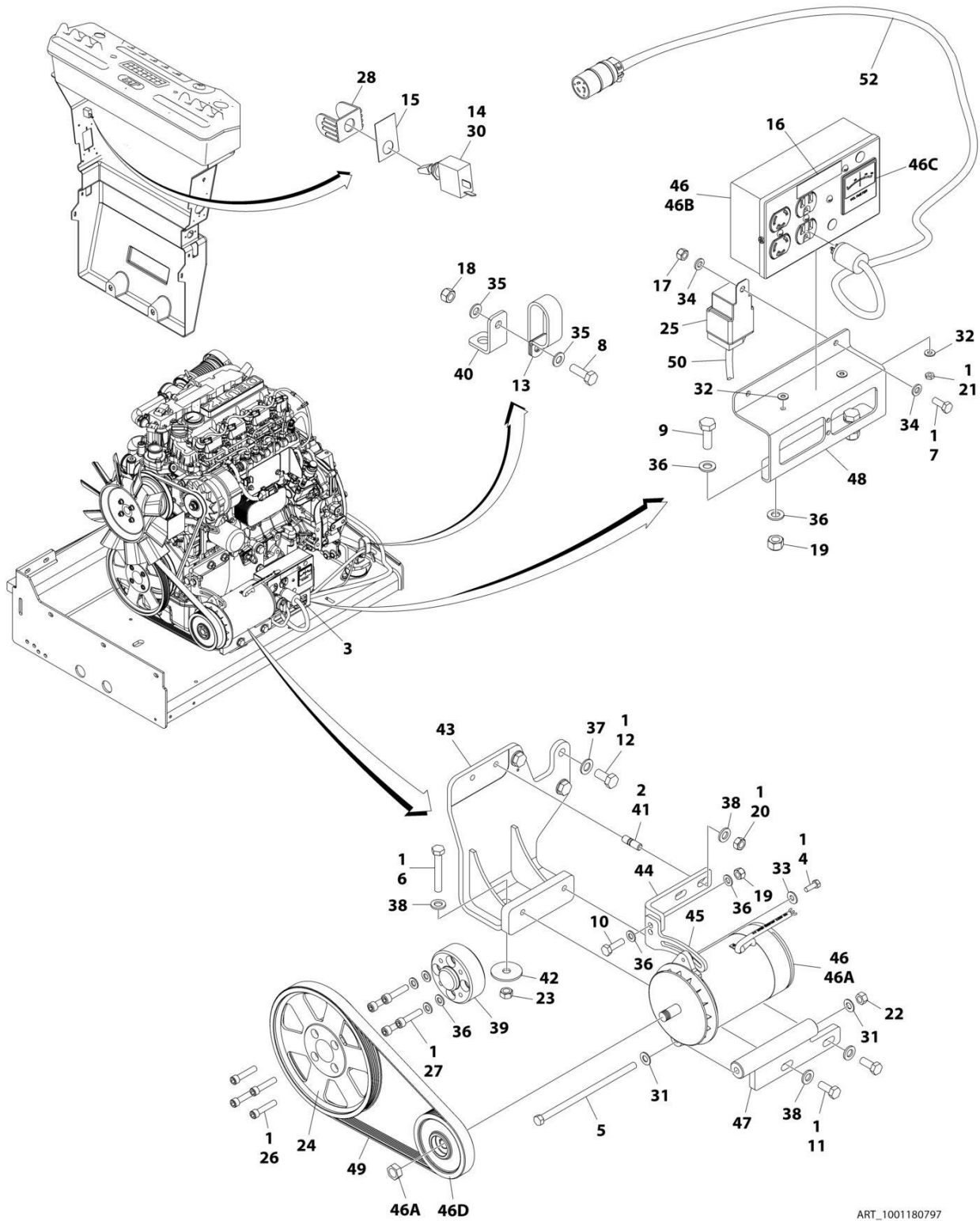
ITEM	PART NUMBER	QTY	DESCRIPTION	REV
	1001180798	Ref	GENERATOR INSTALLATION - 2500W/60HZ (DEUTZ D2011 ENGINE)	B
1	0100011	AR	Compound, Locking	
2	0100048	AR	Grease, Dielectric	
3	0480122	1	Belt	
4	0641507	1	Bolt 5/16 x 7/8	
5	0641772	1	Bolt 7/16 x 9	
6	0711224	1	Bolt M12 x 80 Grade 10.9	
7	0760608	1	Bolt M6 x 16	
8	0760812	2	Bolt M8 x 25	
9	0761009	2	Bolt M10 x 18	
10	0761014	2	Bolt M10 x 30	
11	0771414	4	Bolt M14 x 30 Grade 10.9	
12	1321716	1	Clamp	
13	2460055	1	Generator and Control Box Assembly	
13A	7012558	1	Generator	
	See Note	Ref	Note: Replacement Generators come standard with p/n 3580134 pulley. This pulley may not be correct for all applications. Refer to pulley options below.	
13A	7026199	1	Armature with Slip Rings	
13A	7012513	3	Cap, Brush Holder	
13A	7020108	4	Brush	
13A	7020109	4	Holder, Brush	
13A	7012514	1	Fan	
13A	7020110	1	Bell, Front	
13A	7020111	1	Bell, Rear	
13A	7020190	1	Bearing	
13B	7019680	1	Box, Control	
13B	4460190	1	Receptacle, Standard	
13B	4460027	1	Receptacle, Twistlock	
13B	4360542	1	Breaker, Circuit	
13B	3520028	1	Plug, Hole	
13B	4460961	1	Connector - 4 Position	
13B	4460705	4	Pin, Male	
13B	4460321	1	Connector - 4 Position (Note: Mate to p/n 4460961 Purchase Separately)	
13B	4460268	3	Socket, Female (Note: Mate to p/n 4460705 Purchase Separately)	
13C	2420203	1	Voltmeter	
13D	3580276	1	Pulley	
13D	7027887	1	Key, Woodruff	
14	2820031	AR	Heat Shrink	
15	See Note	1	Nameplate (Note: Not Available for Purchase)	
16	3251243	1	Nameplate 120V-60Hz	
17	3290605	1	Nut M6	
18	3290805	2	Nut M8	
19	3291005	2	Nut M10	
20	3311001	2	Nut #10	
21	3311705	1	Nut 7/16	
22	3331211	1	Nut M12	
23	3580158	1	Pulley	

SECTION 3 - ENGINE

ITEM	PART NUMBER	QTY	DESCRIPTION	REV
24	3740080	1	Relay	
25	4060802	1	Guard, Switch	
26	4240099	AR	Tie-Strap (Not Shown)	
27	4360336	1	Switch, Toggle	
28	4711700	5	Washer 7/16	
29	4751000	4	Washer #10	
30	4751500	1	Washer 5/16	
31	4811700	2	Washer M6	
32	4811900	4	Washer M8	
33	4812000	6	Washer M10	
34	4812200	4	Washer M14	
35	5241200	1	Washer M12 Hardened	
36	1001148641	1	Bracket	
37	1001168018	1	Washer, Snubbing	
38	1001183477	1	Support	
39	1001184637	1	Mount, Engine	
40	1001184644	1	Support	
41	1001184645	1	Bracket	
42	1001187522	1	Harness, Generator (See Separate Breakdown in ELECTRICAL SECTION)	
43	1001188731	1	Wiring Diagram (Not Shown)	
43	4922641	1	Harness, On/Off Switch (Not Shown - Located at Platform)	
44	1001182296	1	Harness, Inverter	
44	1060494	10 ft/3.5m	Cable, Electrical - 12/3	
44	4460134	1	Receptacle, Female	
44	4460138	1	Plug, Male	

SECTION 3 - ENGINE

FIGURE 3-49. GENERATOR INSTALLATION - 2500W/60HZ (DEUTZ D2.9L4 ENGINE)



ART_1001180797

SECTION 3 - ENGINE

FIGURE 3-49. GENERATOR INSTALLATION - 2500W/60HZ (DEUTZ D2.9L4 ENGINE)

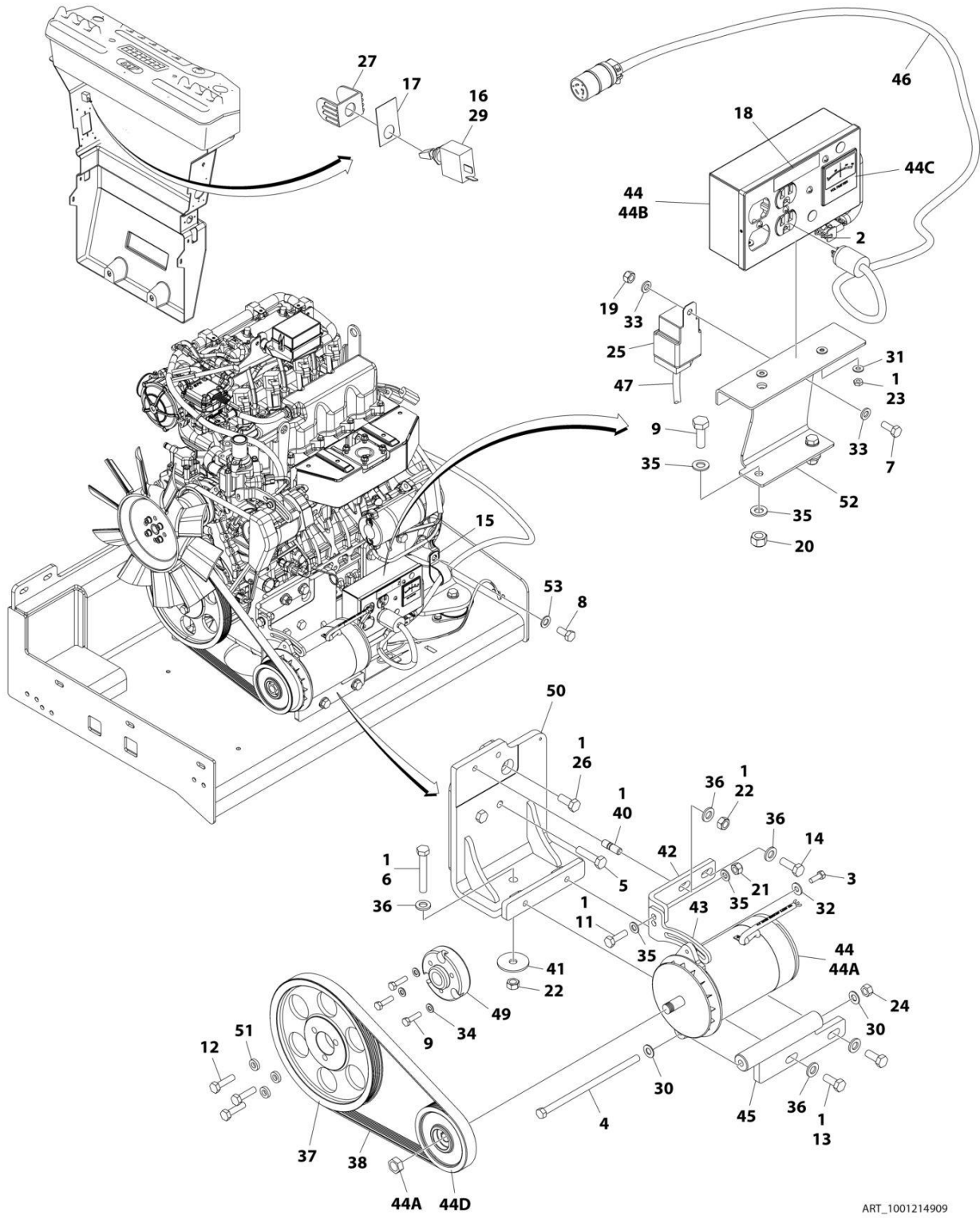
ITEM	PART NUMBER	QTY	DESCRIPTION	REV
	1001180797	Ref	GENERATOR INSTALLATION - 2500W/60HZ (DEUTZ D2.9L4 ENGINE)	F
1	0100011	AR	Compound, Locking	
2	0100019	AR	Compound, Locking	
3	0100048	AR	Grease, Dielectric	
4	0641507	1	Bolt 5/16 x 7/8	
5	0641772	1	Bolt 7/16 x 9	
6	0711224	AR	Bolt M12 x 80 Grade 10.9	
7	0760608	1	Bolt M6 x 16	
8	0760812	1	Bolt M8 x 25	
9	0761014	2	Bolt M10 x 30	
10	0761015	1	Bolt M10 x 35	
11	0761214	2	Bolt M12 x 30	
12	0771414	3	Bolt M14 x 30 Grade 10.9	
13	1321716	1	Clamp	
14	2820031	AR	Heat Shrink	
15	See Note	1	Nameplate (Note: Not Available for Purchase)	
16	3251243	1	Nameplate 120V-60Hz	
17	3290605	1	Nut M6	
18	3290805	1	Nut M8	
19	3291005	3	Nut M10	
20	3291201	2	Nut M12	
21	3311001	2	Nut #10	
22	3311705	1	Nut 7/16	
23	3331211	AR	Nut M12	
24	3580320	1	Pulley	
25	3740080	1	Relay	
26	3931628	4	Capscrew 3/8 x 1-3/4	
27	4032014	4	Bolt M10 x 50	
28	4060802	1	Guard, Switch	
29	4240099	AR	Tie-Strap (Not Shown)	
30	4360336	1	Switch, Toggle	
31	4711700	2	Washer 7/16	
32	4751000	4	Washer #10	
33	4751500	1	Washer 5/16	
34	4811700	2	Washer M6	
35	4811900	2	Washer M8	
36	4812000	AR	Washer M10	
37	4812200	AR	Washer M14	
38	5241200	AR	Washer M12 Hardened	
39	1001135679	1	Adapter	
40	1001148641	1	Bracket	
41	1001155041	2	Stud	
42	1001168018	AR	Washer, Snubbing	
43	1001168207	Ref	Support	
44	1001179836	1	Mount, Upper Generator	
45	1001179837	1	Arm Adjustment	
46	1001180001	1	Generator	
46A	7026199	1	Armature with Slip Rings	
46A	7012513	3	Cap, Brush Holder	

SECTION 3 - ENGINE

ITEM	PART NUMBER	QTY	DESCRIPTION	REV
46A	7020108	4	Brush	
46A	7020109	4	Holder, Brush	
46A	7012514	1	Fan	
46A	7020110	1	Bell, Front	
46A	7020111	1	Bell, Rear	
46A	7020190	1	Bearing	
46B	7019680	1	Box, Control	
46B	4460190	1	Receptacle, Standard	
46B	4460027	1	Receptacle, Twistlock	
46B	4360542	1	Breaker, Circuit	
46B	3520028	1	Plug, Hole	
46B	4460961	1	Connector - 4 Position	
46B	4460705	4	Pin, Male	
46B	4460321	1	Connector - 4 Position (Note: Mate to p/n 4460961 Purchase Separately)	
46B	4460268	3	Socket, Female (Note: Mate to p/n 4460705 Purchase Separately)	
46C	2420203	1	Voltmeter	
46D	1001179893	1	Pulley	
46D	7027887	1	Key, Woodruff	
47	1001181243	1	Mount, Lower Generator	
48	1001183477	1	Support	
49	1001148138	1	Belt	
50	1001187522	1	Harness, Generator (See Separate Breakdown in ELECTRICAL SECTION)	
51	1001188731	1	Wiring Diagram (Not Shown)	
51	4922641	1	Harness, On/Off Switch (Not Shown - Located at Platform)	
52	1001182296	1	Harness, Inverter	
52	1060494	10 ft/3.5m	Cable, Electrical - 12/3	
52	4460134	1	Receptacle, Female	
52	4460138	1	Plug, Male	

SECTION 3 - ENGINE

FIGURE 3-50. GENERATOR INSTALLATION - 2500W/60HZ (KUBOTA ENGINE)



ART_1001214909

SECTION 3 - ENGINE

FIGURE 3-50. GENERATOR INSTALLATION - 2500W/60HZ (KUBOTA ENGINE)

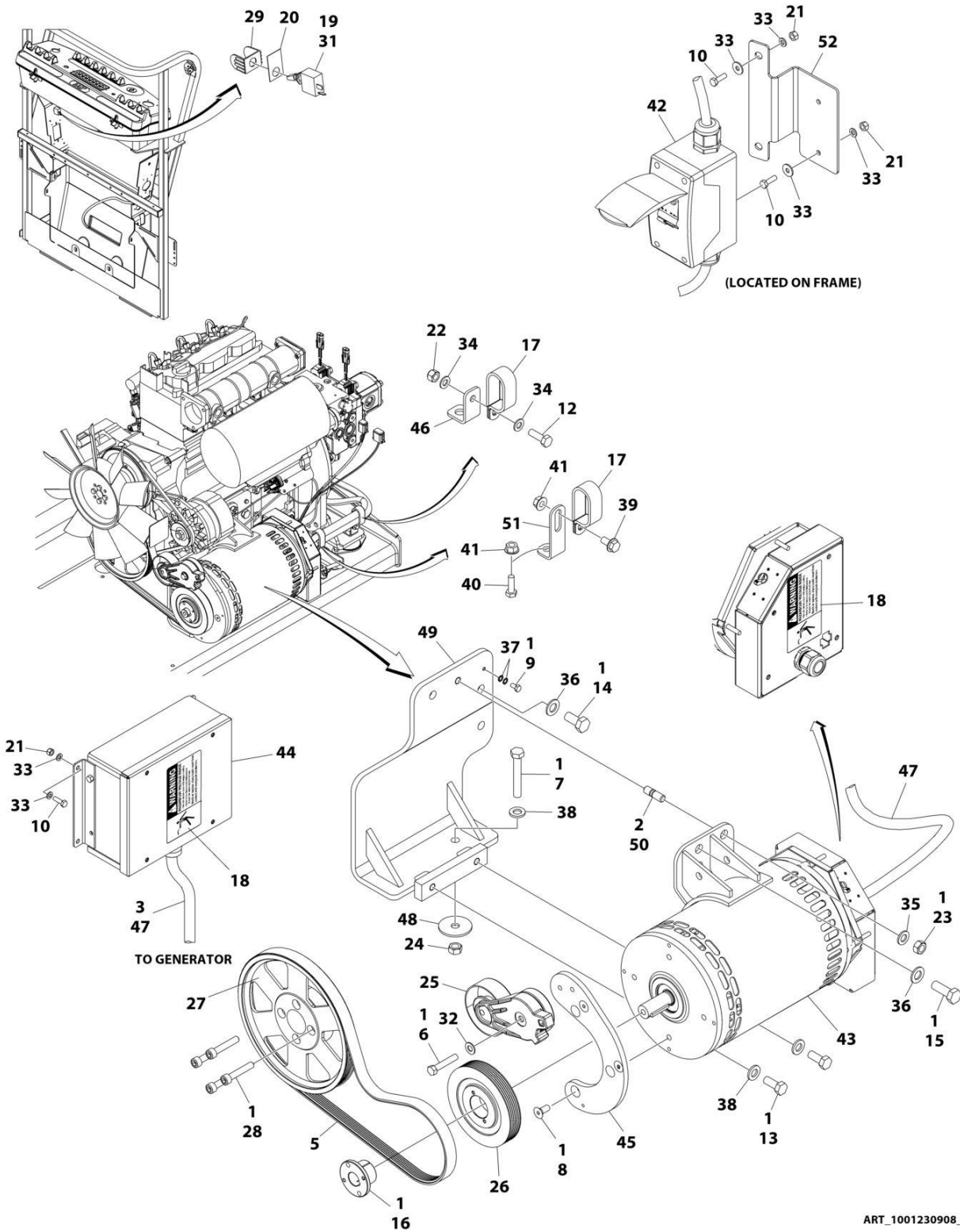
ITEM	PART NUMBER	QTY	DESCRIPTION	REV
	1001214909	Ref	GENERATOR INSTALLATION - 2500W/60Hz (KUBOTA ENGINE)	E
1	0100011	AR	Compound, Locking	
2	0100048	AR	Grease, Dielectric	
3	0641507	1	Bolt 5/16 x 7/8	
4	0641772	1	Bolt 7/16 x 9	
5	1001217344	2	Bolt M12 x 50	
6	0711224	AR	Bolt M12 x 80 Grade 10.9	
6	0701224	AR	Bolt M12 x 80	
7	0760608	1	Bolt M6 x 16	
8	1001217345	1	Bolt M14 x 30	
9	0760814	5	Bolt M8 x 30	
11	0761015	1	Bolt M10 x 35	
12	0761016	3	Bolt M10 x 40	
13	0761214	2	Bolt M12 x 30	
14	0761215	1	Bolt M12 x 35	
15	84521061	1	Clamp	
16	2820031	AR	Heat Shrink	
17	See Note	1	Nameplate (Note: Not Available for Purchase)	
18	3251243	1	Nameplate 120V-60Hz	
19	3290605	1	Nut M6	
20	3290805	2	Nut M8	
21	3291005	1	Nut M10	
22	3291201	2	Nut M12	
23	3311001	2	Nut #10	
24	3311705	1	Nut 7/16	
25	3740080	1	Relay	
26	1001217342	1	Bolt M12 x 30	
27	4060802	1	Guard, Switch	
28	4240099	AR	Tie-Strap (Not Shown)	
29	4360336	1	Switch, Toggle	
30	4711700	2	Washer 7/16	
31	4751000	4	Washer #10	
32	4751500	1	Washer 5/16	
33	4811700	2	Washer M6	
34	4811900	5	Washer M8	
35	4812000	4	Washer M10	
36	5241200	1	Washer M12 Hardened	
37	1001147233	1	Pulley	
38	1001148138	1	Belt	
40	1001155041	1	Stud	
41	1001168018	1	Washer, Snubbing	
42	1001179836	1	Mount, Upper Generator	
43	1001179837	1	Arm Adjustment	
44	1001180001	1	Generator	
44A	7026199	1	Armature with Slip Rings	
44A	7012513	3	Cap, Brush Holder	
44A	7020108	4	Brush	
44A	7020109	4	Holder, Brush	
44A	7012514	1	Fan	
44A	7020110	1	Bell, Front	

SECTION 3 - ENGINE

ITEM	PART NUMBER	QTY	DESCRIPTION	REV
44A	7020111	1	Bell, Rear	
44A	7020190	1	Bearing	
44B	7019680	1	Box, Control	
44B	4460190	1	Receptacle, Standard	
44B	4460027	1	Receptacle, Twistlock	
44B	4360542	1	Breaker, Circuit	
44B	3520028	1	Plug, Hole	
44B	4460961	1	Connector - 4 Position	
44B	4460705	4	Pin, Male	
44B	4460321	1	Connector - 4 Position (Note: Mate to p/n 4460961 Purchase Separately)	
44B	4460268	3	Socket, Female (Note: Mate to p/n 4460705 Purchase Separately)	
44C	2420203	1	Voltmeter	
44D	1001179893	1	Pulley	
44D	7027887	1	Key, Woodruff	
45	1001181243	1	Mount, Lower Generator	
46	1001182296	1	Harness, Inverter	
46	1060494	10 ft/ 3.5m	Cable, Electrical - 12/3	
46	4460134	1	Receptacle, Female	
46	4460138	1	Plug, Male	
47	1001187522	1	Harness, Generator (See Separate Breakdown in ELECTRICAL SECTION)	
48	1001188731	1	Wiring Diagram (Not Shown)	
48	4922641	1	Harness, On/Off Switch (Not Shown - Located at Platform)	
49	1001213029	1	Adapter, Pulley	
50	1001214546	1	Support	
51	1001216805	1	Spacer	
52	1001216840	1	Support	
53	4812200	1	Washer M14	

SECTION 3 - ENGINE

FIGURE 3-51. GENERATOR INSTALLATION - 4000W/50HZ (DEUTZ D2011 ENGINES)



SECTION 3 - ENGINE

FIGURE 3-51. GENERATOR INSTALLATION - 4000W/50HZ (DEUTZ D2011 ENGINES)

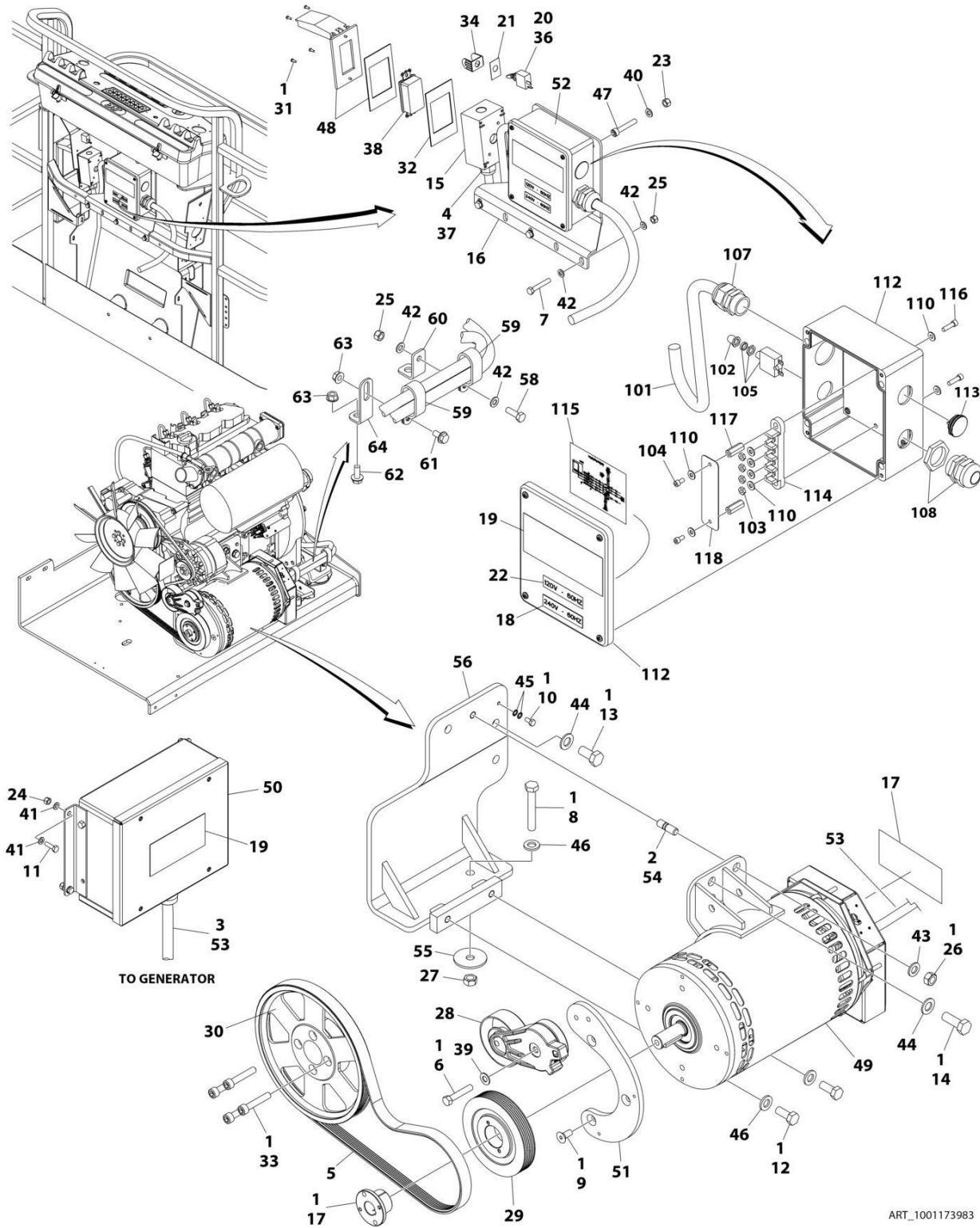
ITEM	PART NUMBER	QTY	DESCRIPTION	REV
	1001230908	Ref	4000W/50Hz GENERATOR INSTALLATION	C
1	0100011	AR	Compound, Locking	
2	0100019	AR	Compound, Locking	
3	0100048	AR	Grease, Dielectric	
4	0100079	AR	Sealant (Not Shown)	
5	0480126	1	Belt	
6	0641616	1	Bolt 3/8 x 2	
7	0711224	1	Bolt M12 x 80 Class 10.9	
8	0741607	3	Screw 3/8 x 7/8	
9	0760606	1	Bolt M6 x 12	
10	0760610	8	Bolt M6 x 20	
12	0760812	1	Bolt M8 x 25	
13	0761214	2	Bolt M12 x 30	
14	0771414	2	Bolt M14 x 30 Class 10.9	
15	0771416	1	Bolt M14 x 40 Class 10.9	
16	0962520	1	Bushing	
17	1321716	2	Clamp	
18	1705489	2	Decal - Hazardous Voltage	
19	2820031	0.3 ft/ 0.1m	Heat Shrink	
20	3251102	1	Nameplate, Generator	
21	3290605	8	Nut M6	
22	3290805	1	Nut M8	
23	3291201	1	Nut M12	
24	3331211	1	Nut M12	
25	3580317	1	Pulley	
26	3580319	1	Pulley	
27	3580320	1	Pulley	
28	4032015	4	Bolt M10 x 55	
29	4060802	1	Guard, Switch	
30	4240099	AR	Tie-Strap (Not Shown)	
31	4360336	1	Switch, Toggle	
32	4711600	1	Washer 3/8	
33	4811700	16	Washer M6	
34	4811900	2	Washer M8	
35	4812100	1	Washer M12	
36	4812200	3	Washer M14	
37	4871700	2	Washer M6	
38	5241200	3	Washer M12 Hardened	
39	5250808	1	Bolt M8 x 16	
40	5250810	1	Bolt M8 x 20	
41	5260800	2	Flange Nut M8	
42	1001096070	1	Breaker Box Kit (50Hz) (See Separate Breakdown in ELECTRICAL Section)	
43	1001138565	1	Generator Assembly	
43	70003709	1	Ring, Retaining (External)	
43	70003708	1	Ring, Retaining (Internal)	
43	70001966	1	Bearing	
43	70004092	1	Endbell (Shaft End)	
43	70004171	1	Key	

SECTION 3 - ENGINE

ITEM	PART NUMBER	QTY	DESCRIPTION	REV
43	70004676	1	Rotor	
43	70004677	1	Stator	
43	70004678	1	Endbell (Rear)	
43	70004679	1	Cover, Endbell (Rear)	
43	70004680	1	Enclosure, Wiring	
43	70004681	1	Cover, Enclosure	
43	70004682	1	Switch, Reset (Located on Enclosure Cover)	
43	70004683	1	Connector, Strain Relief (Located on Enclosure Cover)	
44	1001138566	1	Box, Control	
45	1001139357	1	Mount, Tensioner	
46	1001148641	1	Bracket	
47	1001152532	1	Harness, Generator (See Separate Breakdown in ELECTRICAL Section)	
48	1001168018	1	Washer, Snubbing	
49	1001173925	1	Mount	
50	1001196382	1	Stud	
51	1001223122	1	Support, P-Clamp	
52	1001293086	1	Bracket	
		Ref	ELECTRICAL DIAGRAM COMPONENTS	
101	4922641	1	Generator Switch Harness (Not Shown)	

SECTION 3 - ENGINE

FIGURE 3-52. GENERATOR INSTALLATION - 4000W/60HZ (DEUTZ D2011 ENGINE)



ART_1001173983

SECTION 3 - ENGINE

FIGURE 3-52. GENERATOR INSTALLATION - 4000W/60HZ (DEUTZ D2011 ENGINE)

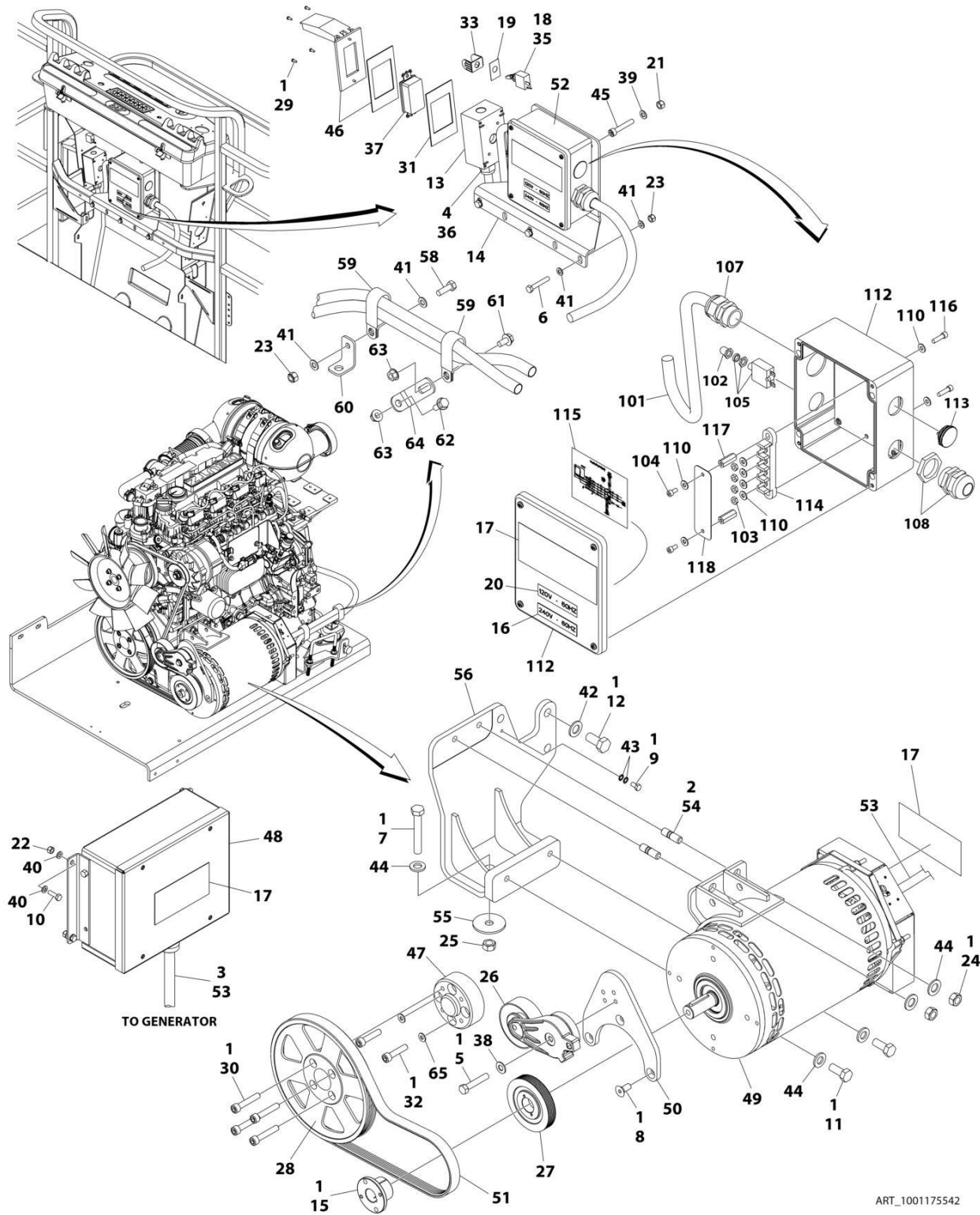
ITEM	PART NUMBER	QTY	DESCRIPTION	REV
	1001173983	Ref	GENERATOR INSTALLATION - 4000W/60HZ (DEUTZ D2011 ENGINE)	F
1	0100011	AR	Compound, Locking	
2	0100019	AR	Compound, Locking	
3	0100048	AR	Grease, Dielectric	
4	0100079	AR	Sealant	
5	0480128	1	Belt	
6	0641616	1	Bolt 3/8 x 2	
7	0700818	3	Bolt M8 x 50	
8	0711224	1	Bolt M12 x 80 Grade 10.9	
9	0741607	3	Screw 3/8 x 7/8	
10	0760606	1	Bolt M6 x 12	
11	0760610	4	Bolt M6 x 20	
12	0761214	2	Bolt M12 x 30	
13	0771414	2	Bolt M14 x 30 Grade 10.9	
14	0771416	1	Bolt M14 x 40	
15	0860038	1	Box, Switch	
16	0902888	1	Bracket	
17	0962520	1	Bushing	
18	1705374	1	Decal - 240V-60Hz	
19	1705387	3	Decal - Hazardous Voltage	
20	2820031	AR	Heat Shrink	
21	See Note	1	Nameplate (Note: Not Available for Purchase)	
22	3251243	1	Nameplate 120V-60Hz	
23	3290505	4	Nut M5	
24	3290605	4	Nut M6	
25	3290805	4	Nut M8	
26	3291201	2	Nut M12	
27	3331211	1	Nut M12	
28	3580317	1	Pulley	
29	3580318	1	Pulley	
30	3580320	1	Pulley	
31	3910606	4	Screw #6 x 3/8	
32	3960422	1	Gasket	
33	4032015	4	Bolt M10 x 55	
34	4060802	1	Guard, Switch	
35	4240099	AR	Tie-Strap (Not Shown)	
36	4360336	1	Switch, Toggle	
37	4460071	1	Connector, Strain Relief	
38	4460346	1	Receptacle	
39	4711600	1	Washer 3/8	
40	4811600	4	Washer M5	
41	4811700	8	Washer M6	
42	4811900	8	Washer M8	
43	4812100	1	Washer M12	
44	4812200	3	Washer M14	
45	4871700	2	Washer M6	
46	5241200	3	Washer M12 Hardened	
47	1001104029	4	Screw M5 x 30	
48	1001110873	1	Shield, Cover	

SECTION 3 - ENGINE

ITEM	PART NUMBER	QTY	DESCRIPTION	REV
49	1001129858	1	Generator	
49	70003709	1	Ring, Retaining (External)	
49	70003708	1	Ring, Retaining (Internal)	
49	70001966	1	Bearing	
49	70004092	1	Endbell (Shaft End)	
49	70004171	1	Key	
49	70004676	1	Rotor	
49	70004684	1	Stator	
49	70004678	1	Endbell (Rear)	
49	70004679	1	Cover, Endbell (Rear)	
49	70004680	1	Enclosure, Wiring	
49	70004685	1	Cover, Enclosure	
49	70004682	1	Switch, Reset (Located on Enclosure Cover)	
49	70004098	1	Connector, Strain Relief (Located on Enclosure Cover)	
50	1001138566	1	Box, Control	
50	70006552	1	Capacitor	
50	70006553	1	Relay	
51	1001139357	1	Mount, Tensioner	
52	1001152457	1	Generator Junction Box Assembly (See Items 101-118 for Breakdown)	
53	1001152532	1	Harness, Generator (See Separate Breakdown in ELECTRICAL SECTION)	
54	1001196382	1	Stud	
55	1001168018	1	Washer, Snubbing	
56	1001173925	1	Mount	
57	1001175631	1	Wiring Diagram (Not Shown)	
57	4922641	1	Harness, On/Off Switch (Not Shown - Located at Platform)	
58	0760812	1	Bolt M8 x 25	
59	1321716	2	Clamp	
60	1001148641	1	Bracket	
61	5250808	1	Bolt M8 x 16	
62	5250810	1	Bolt M8 x 20	
63	5260800	2	Nut M8	
64	1001223122	1	Support	
	1001152457	Ref	GENERATOR JUNCTION BOX COMPONENTS	
101	1001179154	2.5 ft/ 0.8m	Cable, Electrical - 12/3	
102	3300396	1	Cover, Breaker	
103	3311001	4	Nut #10	
104	3900300	2	Screw	
105	4360070	1	Breaker, Circuit - 15Amp	
107	4460425	1	Connector, Strain Relief (LH Side)	
108	4460426	1	Connector, Strain Relief (RH Side)	
110	4711000	8	Washer #10	
112	1001152456	1	Box, Junction	
113	1001152525	1	Plug	
114	1001152530	1	Terminal, Block	
115	1001153260	1	Decal - Wiring Diagram	
116	3900267	2	Screw	
117	1001158008	2	Stand-Off	
118	1001158363	1	Cover, Terminal Block	

SECTION 3 - ENGINE

FIGURE 3-53. GENERATOR INSTALLATION - 4000W/60HZ (DEUTZ D2.9L4 ENGINE)



ART_1001175542

SECTION 3 - ENGINE

FIGURE 3-53. GENERATOR INSTALLATION - 4000W/60HZ (DEUTZ D2.9L4 ENGINE)

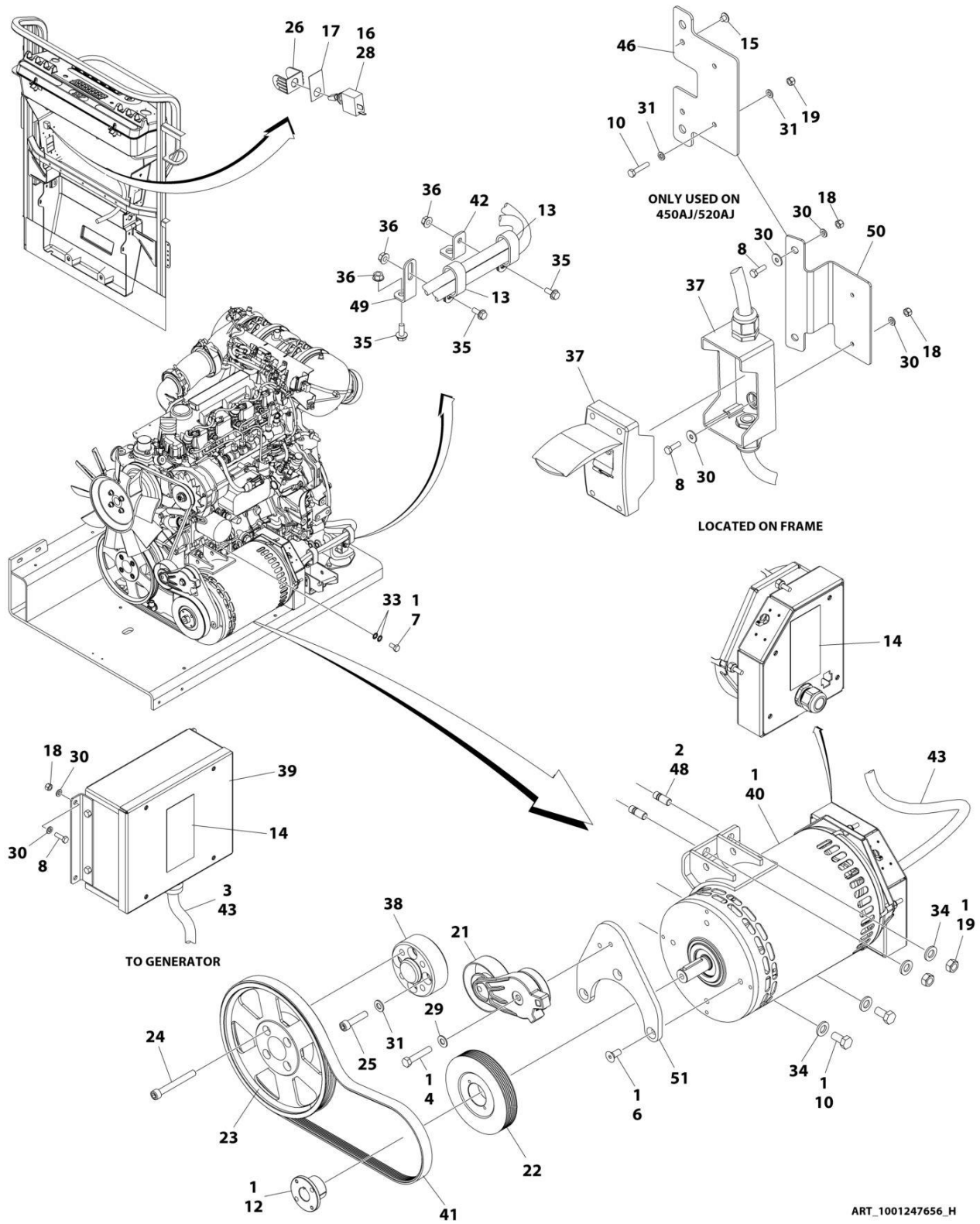
ITEM	PART NUMBER	QTY	DESCRIPTION	REV
	1001175542	Ref	GENERATOR INSTALLATION - 4000W/60HZ (DEUTZ D2.9L4 ENGINE)	J
1	0100011	AR	Compound, Locking	
2	0100019	AR	Compound, Locking	
3	0100048	AR	Grease, Dielectric	
4	0100079	AR	Sealant	
5	0641616	1	Bolt 3/8 x 2	
6	0700818	3	Bolt M8 x 50	
7	0711224	AR	Bolt M12 x 80 Grade 10.9	
8	0741607	3	Screw 3/8 x 7/8	
9	0760606	1	Bolt M6 x 12	
10	0760610	4	Bolt M6 x 20	
11	0761212	2	Bolt M12 x 25	
12	0771414	AR	Bolt M14 x 30 Grade 10.9	
13	0860038	1	Box, Switch	
14	0902888	1	Bracket	
15	0962520	1	Bushing	
16	1705374	1	Decal - 240V-60Hz	
17	1705387	3	Decal - Hazardous Voltage	
18	2820031	AR	Heat Shrink	
19	See Note	1	Nameplate (Note: Not Available for Purchase)	
20	3251243	1	Nameplate 120V-60Hz	
21	3290505	4	Nut M5	
22	3290605	4	Nut M6	
23	3290805	4	Nut M8	
24	3291201	2	Nut M12	
25	3331211	AR	Nut M12	
26	3580317	1	Pulley	
27	3580318	1	Pulley	
28	3580320	1	Pulley	
29	3910606	4	Screw #6 x 3/8	
30	3931628	4	Capscrew 3/8 x 1-3/4	
31	3960422	1	Gasket	
32	4032014	4	Capscrew M10 x 50	
33	4060802	1	Guard, Switch	
34	4240099	AR	Tie-Strap (Not Shown)	
35	4360336	1	Switch, Toggle	
36	4460071	1	Connector, Strain Relief	
37	4460346	1	Receptacle	
38	4711600	1	Washer 3/8	
39	4811600	4	Washer M5	
40	4811700	8	Washer M6	
41	4811900	8	Washer M8	
42	4812200	AR	Washer M14	
43	4871700	2	Washer M6	
44	5241200	AR	Washer M12 Hardened	
45	1001104029	4	Screw M5 x 30	
46	1001110873	1	Shield, Cover	
47	1001135679	1	Adapter	
48	1001138566	1	Box, Control	

SECTION 3 - ENGINE

ITEM	PART NUMBER	QTY	DESCRIPTION	REV
49	1001140346	1	Generator Assembly	
49	70003709	1	Ring, Retaining (External)	
49	70003708	1	Ring, Retaining (Internal)	
49	70001966	1	Bearing	
49	70004092	1	Endbell (Shaft End)	
49	70004099	1	Key	
49	70004676	1	Rotor	
49	70004687	1	Stator	
49	70004678	1	Endbell (Rear)	
49	70004679	1	Cover, Endbell (Rear)	
49	70004680	1	Enclosure, Wiring	
49	70004685	1	Cover, Enclosure	
49	70004682	1	Switch, Reset (Located on Enclosure Cover)	
49	70004098	1	Connector, Strain Relief (Located on Enclosure Cover)	
50	1001142643	1	Support	
51	1001142646	1	Belt	
52	1001152457	1	Generator Junction Box Assembly (See Items 101-118 for Breakdown)	
53	1001152532	1	Harness, Generator (See Separate Breakdown in ELECTRICAL SECTION)	
54	1001196382	2	Stud	
55	1001168018	AR	Washer, Snubbing	
56	1001168207	Ref	Support	
57	1001175631	1	Wiring Diagram (Not Shown)	
57	4922641	1	Harness, On/Off Switch (Not Shown - Located at Platform)	
58	0760812	1	Bolt M8 x 25	
59	1321716	2	Clamp	
60	1001148641	1	Bracket	
61	5250808	1	Bolt M8 x 16	
62	5250810	1	Bolt M8 x 20	
63	5260800	2	Nut M8	
64	1001223122	1	Support	
65	4812000	4	Washer M10	
	1001152457	Ref	GENERATOR JUNCTION BOX COMPONENTS	
101	1001179154	2.5 ft/ 0.8m	Cable, Electrical - 12/3	
102	3300396	1	Cover, Breaker	
103	3311001	4	Nut #10	
104	3900300	2	Screw	
105	4360070	1	Breaker, Circuit - 15Amp	
107	4460425	1	Connector, Strain Relief (LH Side)	
108	4460426	1	Connector, Strain Relief (RH Side)	
110	4711000	8	Washer #10	
112	1001152456	1	Box, Junction	
113	1001152525	1	Plug	
114	1001152530	1	Terminal, Block	
115	1001153260	1	Decal - Wiring Diagram	
116	3900267	2	Screw	
117	1001158008	2	Stand-Off	
118	1001158363	1	Cover, Terminal Block	

SECTION 3 - ENGINE

FIGURE 3-54. GENERATOR INSTALLATION - 4000W/50HZ (DEUTZ STAGE V ENGINE)



SECTION 3 - ENGINE

FIGURE 3-54. GENERATOR INSTALLATION - 4000W/50HZ (DEUTZ STAGE V ENGINE)

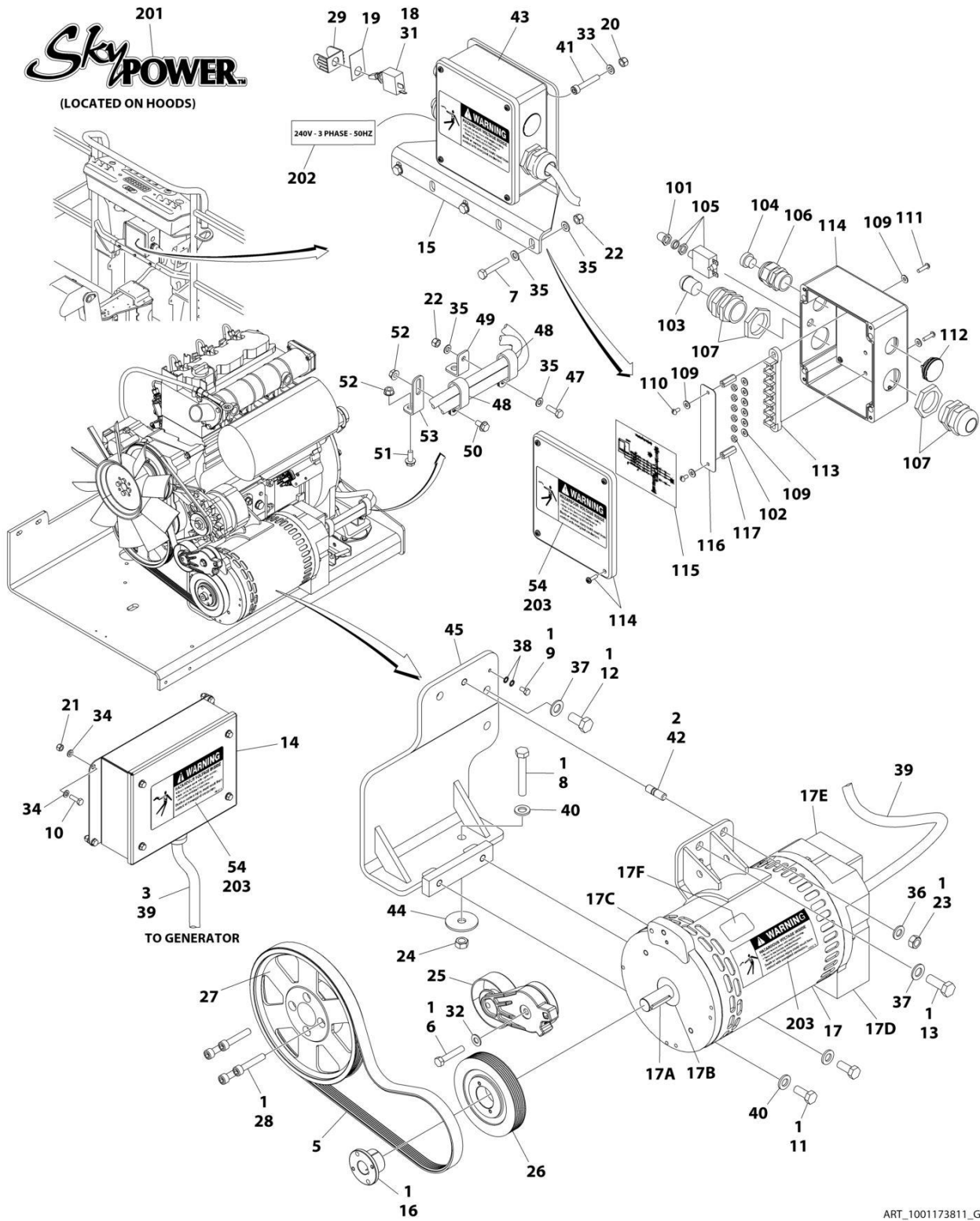
ITEM	PART NUMBER	QTY	DESCRIPTION	REV
	1001247656	Ref	GENERATOR INSTALLATION - 4000W/50HZ	H
1	0100011	AR	Compound, Locking	
2	0100019	AR	Compound, Locking	
3	0100048	AR	Grease, Dielectric	
4	0641616	1	Bolt 3/8 x 2	
6	0741607	3	Screw 3/8 x 7/8	
7	0760606	1	Bolt M6 x 12	
8	0760610	10	Bolt M6 x 20	
10	0761212	2	Bolt M12 x 25	
12	0962520	1	Bushing	
13	1321716	2	Clamp	
14	1705489	2	Decal - Hazardous Voltage	
15	2080040	2	Fastener, Huck	
16	2820031	0.33 ft /0.10m	Heat Shrink	
17	3251102	1	Nameplate, Generator	
18	3290605	10	Nut M6	
19	3291201	2	Nut M12	
21	3580317	1	Pulley	
22	3580319	1	Pulley	
23	1001281192	1	Pulley	
24	1001261085	4	Capscrew M10 x 85	
25	1001261045	4	Capscrew M10 x 45	
26	4060802	1	Guard, Switch	
27	4240099	AR	Tie-Strap (Not Shown)	
28	4360336	1	Switch, Toggle	
29	4711600	1	Washer 3/8	
30	4811700	18	Washer M6	
31	4812000	4	Washer M14	
33	4871700	2	Washer M6	
34	5241200	4	Washer M12 Hardened	
35	5250810	3	Bolt M8 x 20	
36	5260800	3	Nut M8	
37	1001096070	1	Breaker Box Kit (50Hz) (See Separate Breakdown in ELECTRICAL Section)	
38	1001258800	1	Adapter	
39	1001138566	1	Box, Control	
40	1001140347	1	Generator, 4000W/ 50HZ - Deutz Engine	
40	70003709	1	Ring, Retaining (External)	
40	70003708	1	Ring, Retaining (Internal)	
40	70001966	1	Bearing	
40	70004092	1	Endbell (Shaft End)	
40	70004099	1	Key	
40	70004676	1	Rotor	
40	70004686	1	Stator	
40	70004678	1	Endbell (Rear)	
40	70004679	1	Cover, Endbell (Rear)	
40	70004680	1	Enclosure, Wiring	
40	70004681	1	Cover, Enclosure	
40	70004682	1	Switch, Reset (Located on Enclosure Cover)	

SECTION 3 - ENGINE

ITEM	PART NUMBER	QTY	DESCRIPTION	REV
40	70004683	1	Connector, Strain Relief (Located on Enclosure Cover)	
41	1001148059	1	Belt, Generator	
42	1001148641	1	Bracket	
43	1001152532	1	Harness, Generator (See Separate Breakdown in ELECTRICAL Section)	
46	1001174158	1	Mount	
47	1001174675	1	Wiring Diagram (Not Shown)	
48	1001196382	2	Stud	
49	1001223122	1	Support	
50	1001293086	1	Bracket	
51	1001248190	1	Support	
52	4811702	2	Washer M6	
		Ref	ELECTRICAL DIAGRAM COMPONENTS	
101	4922641	1	Generator Switch Harness (Not Shown)	

SECTION 3 - ENGINE

FIGURE 3-55. GENERATOR INSTALLATION - 7500W/50HZ (DEUTZ D2011 ENGINE)



ART_1001173811_G

SECTION 3 - ENGINE

FIGURE 3-55. GENERATOR INSTALLATION - 7500W/50HZ (DEUTZ D2011 ENGINE)

ITEM	PART NUMBER	QTY	DESCRIPTION	REV
	1001173811	Ref	GENERATOR INSTALLATION - 7500W/50HZ (DEUTZ D2011 ENGINE)	G
1	0100011	AR	Compound, Locking	
2	0100019	AR	Compound, Locking	
3	0100048	AR	Grease, Dielectric	
4	0100079	AR	Sealant (Not Shown)	
5	0480126	1	Belt	
6	0641616	1	Bolt 3/8 x 2	
7	0700818	3	Bolt M8 x 50	
8	0711224	1	Bolt M12 x 80 Grade 10.9	
9	0760606	1	Bolt M6 x 12	
10	0760610	4	Bolt M6 x 20	
11	0761214	2	Bolt M12 x 30	
12	0771414	2	Bolt M14 x 30 Grade 10.9	
13	0771416	1	Bolt M14 x 40	
14	0861572	1	Control Box Assembly	
14	7024488	1	Card, Circuit - Generator Power	
14	See Note	NSS	Fuse (Note: Not Available - Purchase Locally)	
14	7024489	1	Card, Circuit - Control	
14	70000619	1	Harness, Control Box (Internal)	
15	0902888	1	Bracket	
16	0962520	1	Bushing	
17	2460048	1	Generator Assembly	
17	70001100	1	Rotor (Includes p/n 70001384 & 70000863) (Not Shown)	
17	70001384	1	Bearing, Ball Radial (Not Shown)	
17	70000863	1	Fan (Not Shown)	
17	70002088	1	Stator (Not Shown)	
17	70002297	1	Stud	
17	70003631	1	Brushholder Assembly (Not Shown)	
17A	70004171	1	Key	
17B	70001966	1	Bearing, Ball Radial (Located in Belt Tensioner Endbell)	
17B	70003708	1	Ring, Internal Retaining (Located in Belt Tensioner Endbell)	
17B	70003709	1	Ring, External Retaining (Located in Belt Tensioner Endbell)	
17C	70001953	1	Endbell, Belt Tensioner	
17D	70004169	1	Endbell, Brush Block	
17E	70004169	1	Shroud	
17E	See Note	NSS	Insulator, Endbell (Note: Not Available for Purchase)	
17E	7027799	1	Block, Connector 6 Position (Not Shown)	
17E	70002460	1	Nut, Brass (Attaches p/n 7027799 to Cover) (Not Shown)	
17E	7024485	1	Breaker, Circuit 30Amp (Not Shown)	
17E	70001696	1	Boot, Breaker (Not Shown)	
17E	7026626	1	Connector, 6 Position (Includes Seal) (Not Shown - Plugs into Item 39)	
17E	7026597	1	Connector, with Leads (Not Shown)	
17E	7026188	1	Clamp, Cable Options (Not Shown)	
17E	70004169	1	Plate, End Panel	
17E	70001974	1	Decal - Terminal Connections	
17F	70001973	1	Decal - Warning Moving Parts	
18	2820031	AR	Heat Shrink	
19	3252764	1	Nameplate	

SECTION 3 - ENGINE

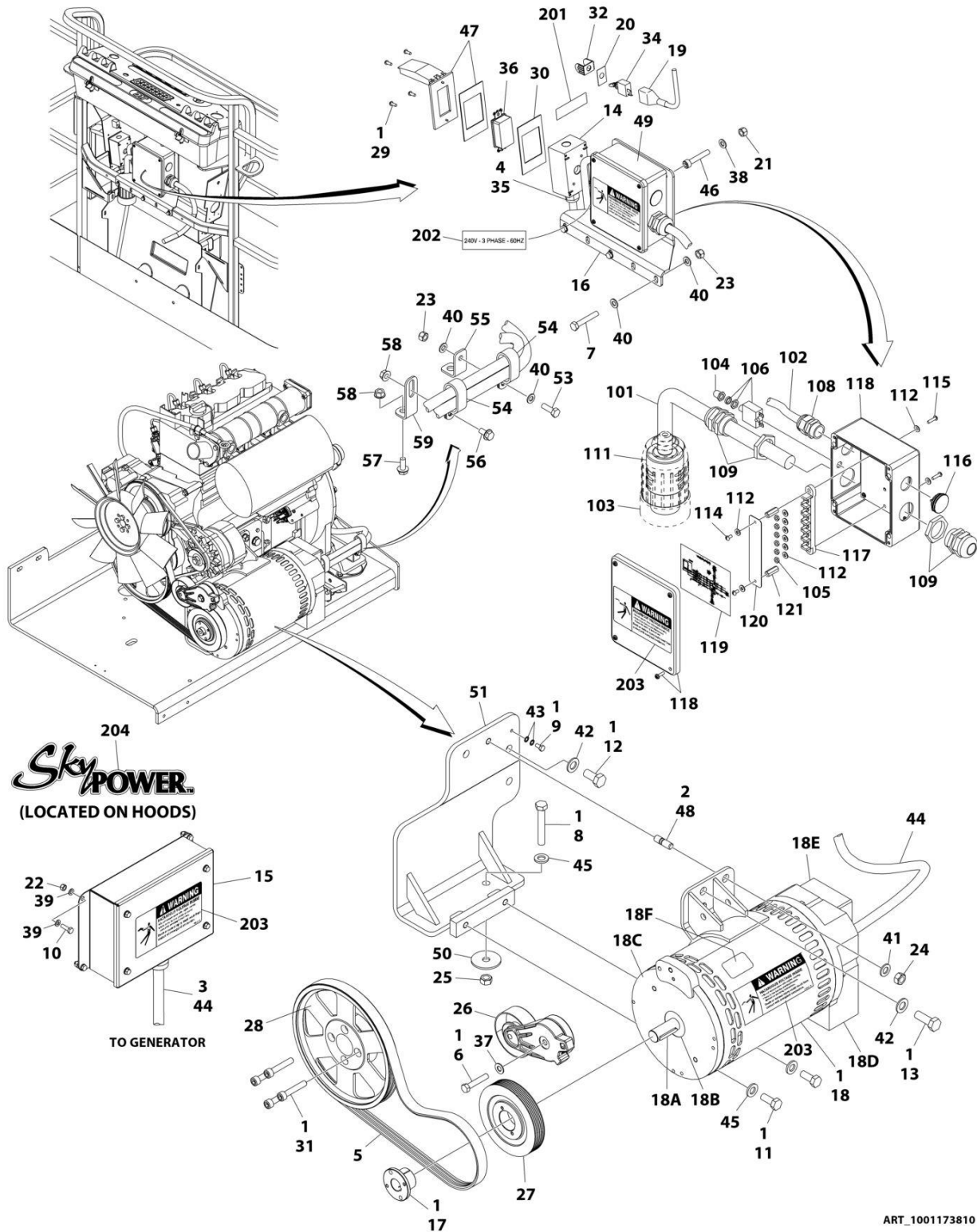
ITEM	PART NUMBER	QTY	DESCRIPTION	REV
20	3290505	4	Nut M5	
21	3290605	4	Nut M6	
22	3290805	4	Nut M8	
23	3291201	1	Nut M12	
24	3331211	1	Nut M12	
25	3580317	1	Pulley	
26	3580319	1	Pulley	
27	3580320	1	Pulley	
28	4032015	4	Bolt M10 x 55	
29	4060802	1	Guard, Switch	
30	4240099	AR	Tie-Strap (Not Shown)	
31	4360336	1	Switch, Toggle	
32	4711600	1	Washer 3/8	
33	4811600	4	Washer M5	
34	4811700	8	Washer M6	
35	4811900	8	Washer M8	
36	4812100	1	Washer M12	
37	4812200	3	Washer M14	
38	4871700	2	Washer M6	
39	4922925	1	Harness, Generator	
39	4460225	1	Plug, Male 6 Position (Plugs into Generator)	
39	See Note	NSS	Socket, Female (Use with 4460225)	
39	See Note	NSS	Seal, Plug (Use with 4460225)	
39	See Note	NSS	Seal, Interface (Use with 4460225)	
40	5241200	3	Washer M12 Hardened	
41	1001104029	4	Screw M5 x 30	
42	1001196382	1	Stud	
43	1001157525	1	Junction Box Assembly (See Items 101-117 for Breakdown)	
44	1001168018	1	Washer, Snubbing	
45	1001173925	1	Mount	
46	1001174675	1	Wiring Diagram (Not Shown)	
46	4922641	1	Harness, On/Off Switch (Not Shown - Located at Platform)	
47	0760812	1	Bolt M8 x 25	
48	1321716	2	Clamp	
49	1001148641	1	Bracket	
50	5250808	1	Bolt M8 x 16	
51	5250810	1	Bolt M8 x 20	
52	5260800	2	Nut M8	
53	1001223122	1	Support	
54	1705489	2	Decal - Hazardous Voltage	
	1001157525	Ref	JUNCTION BOX ASSEMBLY	B
101	3300396	1	Cover, Fuse	
102	3311001	6	Nut #10	
103	3520189	1	Plug	
104	3520192	1	Plug	
105	4360070	1	Circuit Breaker - 15Amp	
106	4460425	1	Connector, Strain Relief	
107	4460426	2	Connector, Strain Relief	
109	4711000	10	Flatwasher #10	
110	10702077	2	Screw #10 x 3/8	
111	10702082	2	Screw #10 x 3/4	

SECTION 3 - ENGINE

ITEM	PART NUMBER	QTY	DESCRIPTION	REV
112	1001152525	1	Plug	
113	1001157520	1	Block, Terminal	
114	1001157521	1	Box, Junction	
115	1001157528	1	Decal - Wiring Schematic	
116	1001158007	1	Cover, PVC	
117	1001158008	2	Stand-Off	
	0272589	Ref	DECAL INSTALLATION	A
201	1705460	2	Decal - SkyPower	
202	1705461	1	Decal - 240V - 3 Phase - 50Hz	
203	1705489	3	Decal - Hazardous Voltage	

SECTION 3 - ENGINE

FIGURE 3-56. GENERATOR INSTALLATION - 7500W/60HZ (DEUTZ D2011 ENGINE)



ART_1001173810

SECTION 3 - ENGINE

FIGURE 3-56. GENERATOR INSTALLATION - 7500W/60HZ (DEUTZ D2011 ENGINE)

ITEM	PART NUMBER	QTY	DESCRIPTION	REV
	1001173810	Ref	GENERATOR INSTALLATION - 7500W/60Hz (DEUTZ D2011 ENGINE)	F
1	0100011	AR	Compound, Locking	
2	0100019	AR	Compound, Locking	
3	0100048	AR	Grease, Dielectric	
4	0100079	AR	Sealant	
5	0480128	1	Belt	
6	0641616	1	Bolt 3/8 x 2	
7	0700818	3	Bolt M8 x 50	
8	0711224	1	Bolt M12 x 80 Grade 10.9	
9	0760606	1	Bolt M6 x 12	
10	0760610	4	Bolt M6 x 20	
11	0761214	2	Bolt M12 x 30	
12	0771414	2	Bolt M14 x 30 Grade 10.9	
13	0771416	1	Bolt M14 x 40	
14	0860038	1	Box, Switch	
15	0861538	1	Control Box Assembly	
15	7024488	1	Card, Circuit - Generator Power	
15	See Note	NSS	Fuse (Note: Not Available - Purchase Locally)	
15	7024489	1	Card, Circuit - Control	
15	70000619	1	Harness, Control Box (Internal)	
16	0902888	1	Bracket	
17	0962520	1	Bushing	
18	2460048	1	Generator Assembly	
18	70001100	1	Rotor (Includes p/n 70001384 & 70000863) (Not Shown)	
18	70001384	1	Bearing, Ball Radial (Not Shown)	
18	70000863	1	Fan (Not Shown)	
18	70002088	1	Stator (Not Shown)	
18	70002297	1	Stud	
18	70003631	1	Brushholder Assembly (Not Shown)	
18A	70004171	1	Key	
18B	70001966	1	Bearing, Ball Radial (Located in Belt Tensioner Endbell)	
18B	70003708	1	Ring, Internal Retaining (Located in Belt Tensioner Endbell)	
18B	70003709	1	Ring, External Retaining (Located in Belt Tensioner Endbell)	
18C	70001953	1	Endbell, Belt Tensioner	
18D	70004169	1	Endbell, Brush Block	
18E	70004169	1	Shroud	
18E	See Note	NSS	Insulator, Endbell (Note: Not Available for Purchase)	
18E	7027799	1	Block, Connector 6 Position (Not Shown)	
18E	70002460	1	Nut, Brass (Attaches p/n 7027799 to Cover) (Not Shown)	
18E	7024485	1	Breaker, Circuit 30Amp (Not Shown)	
18E	70001696	1	Boot, Breaker (Not Shown)	
18E	7026626	1	Connector, 6 Position (Includes Seal) (Not Shown - Plugs into Item 39)	
18E	7026597	1	Connector, with Leads (Not Shown)	
18E	7026188	1	Clamp, Cable Options (Not Shown)	
18E	70004169	1	Plate, End Panel	
18E	70001974	1	Decal - Terminal Connections	
18F	70001973	1	Decal - Warning Moving Parts	
19	2820031	AR	Heat Shrink	

SECTION 3 - ENGINE

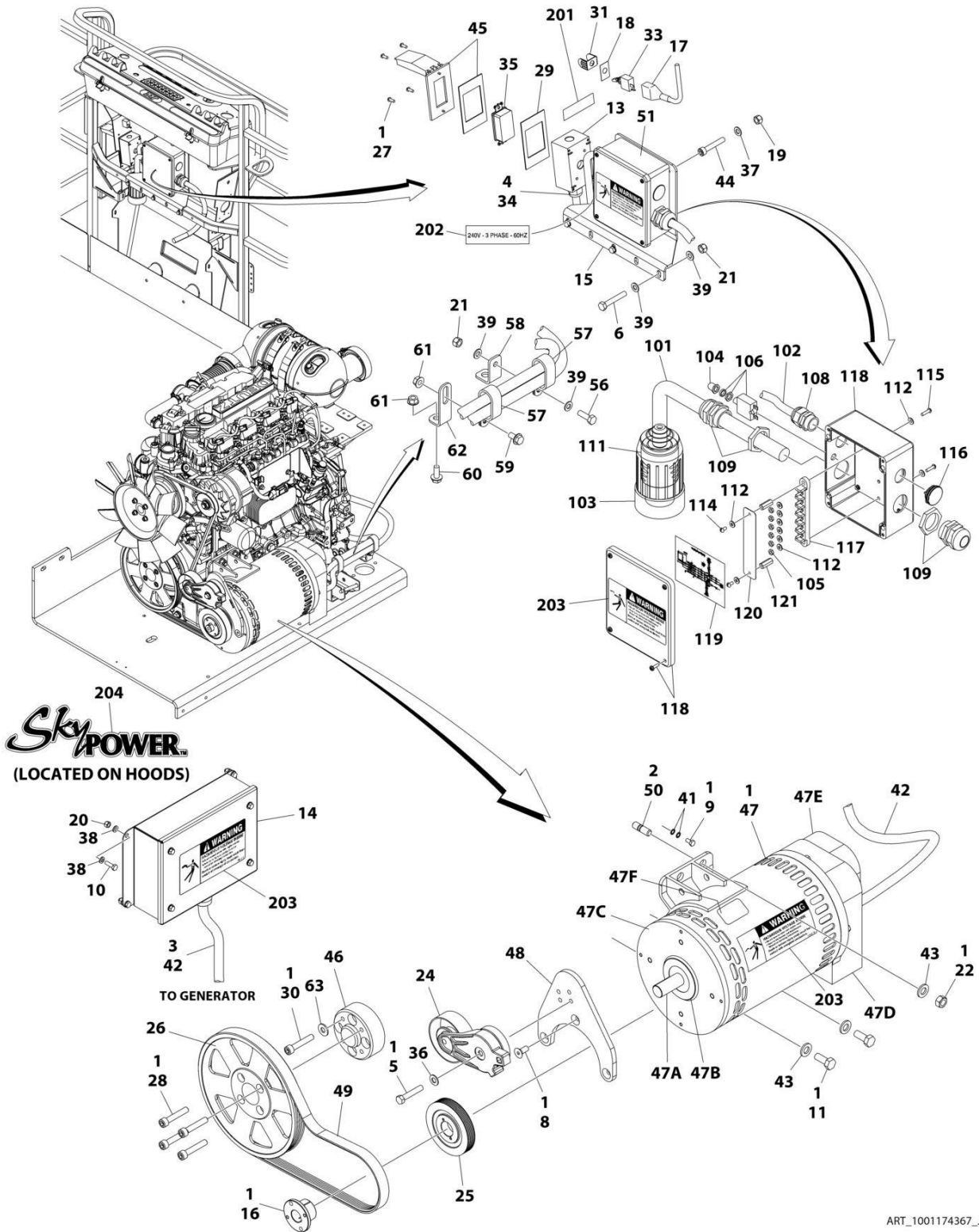
ITEM	PART NUMBER	QTY	DESCRIPTION	REV
20	3252764	1	Nameplate	
21	3290505	4	Nut M5	
22	3290605	4	Nut M6	
23	3290805	4	Nut M8	
24	3291201	1	Nut M12	
25	3331211	1	Nut M12	
26	3580317	1	Pulley	
27	3580318	1	Pulley	
28	3580320	1	Pulley	
29	3910606	4	Screw #6 x 3/8	
30	3960422	1	Gasket	
31	4032015	4	Bolt M10 x 55	
32	4060802	1	Guard, Switch	
33	4240099	AR	Tie-Strap (Not Shown)	
34	4360336	1	Switch, Toggle	
35	4460071	1	Connector, Strain Relief	
36	4460346	1	Receptacle	
37	4711600	1	Washer 3/8	
38	4811600	4	Washer M5	
39	4811700	8	Washer M6	
40	4811900	8	Washer M8	
41	4812100	1	Washer M12	
42	4812200	3	Washer M14	
43	4871700	2	Washer M6	
44	4922925	1	Harness, Generator	
44	4460225	1	Plug, Male 6 Position (Plugs into Generator)	
44	See Note	NSS	Socket, Female (Use with 4460225)	
44	See Note	NSS	Seal, Plug (Use with 4460225)	
44	See Note	NSS	Seal, Interface (Use with 4460225)	
45	5241200	3	Washer M12 Hardened	
46	1001104029	4	Screw M5 x 30	
47	1001110873	1	Shield, Cover	
48	1001196382	1	Stud	
49	1001157592	1	Junction Box Assembly Options (See Items 101-121 for Breakdown)	
50	1001168018	1	Washer, Snubbing	
51	1001173925	1	Mount	
52	1001174675	1	Wiring Diagram (Not Shown)	
52	4922641	1	Harness, On/Off Switch (Not Shown - Located at Platform)	
53	0760812	1	Bolt M8 x 25	
54	1321716	2	Clamp	
55	1001148641	1	Bracket	
56	5250808	1	Bolt M8 x 16	
57	5250810	1	Bolt M8 x 20	
58	5260800	2	Nut M8	
59	1001223122	1	Support	
	1001157592	Ref	JUNCTION BOX ASSEMBLY	C
101	1060343	1.5 ft /0.5m	Cable, Electrical 10/4	
102	1001179154	2.5 ft /0.8m	Cable, Electrical 12/3	
103	1671092	1	Cover	

SECTION 3 - ENGINE

ITEM	PART NUMBER	QTY	DESCRIPTION	REV
104	3300396	1	Cover, Fuse	
105	3311001	6	Nut #10	
106	4360070	1	Circuit Breaker - 15Amp	
108	4460425	1	Connector, Strain Relief	
109	4460426	2	Connector, Strain Relief	
111	4460963	1	Connector	
112	4711000	10	Flatwasher #10	
114	10702077	2	Screw #10 x 3/8	
115	10702082	2	Screw #10 x 3/4	
116	1001152525	1	Plug	
117	1001157520	1	Block, Terminal	
118	1001157521	1	Box, Junction	
119	1001157528	1	Decal - Wiring Schematic	
120	1001158007	1	Cover, PVC	
121	1001158008	2	Stand-Off	
	0272435	Ref	DECAL INSTALLATION	D
	0273380	Ref	DECAL INSTALLATION	B
201	3251243	1	Decal - 120V - 60Hz	
202	1705375	1	Decal - 240V - 3 Phase - 60Hz	
203	1705387	3	Decal - Hazardous Voltage	
204	1705460	2	Decal - SkyPower	

SECTION 3 - ENGINE

FIGURE 3-57. GENERATOR INSTALLATION - 7500W/60HZ (DEUTZ D2.9L4 ENGINE)



ART_1001174367_J

SECTION 3 - ENGINE

FIGURE 3-57. GENERATOR INSTALLATION - 7500W/60HZ (DEUTZ D2.9L4 ENGINE)

ITEM	PART NUMBER	QTY	DESCRIPTION	REV
	1001174367	Ref	GENERATOR INSTALLATION - 7500W/60Hz (DEUTZ D2.9L4 ENGINE)	J
1	0100011	AR	Compound, Locking	
2	0100019	AR	Compound, Locking	
3	0100048	AR	Grease, Dielectric	
4	0100079	AR	Sealant	
5	0641616	1	Bolt 3/8 x 2	
6	0700818	3	Bolt M8 x 50	
8	0741607	3	Screw 3/8 x 7/8	
9	0760606	1	Bolt M6 x 12	
10	0760610	4	Bolt M6 x 20	
11	0761212	2	Bolt M12 x 25	
13	0860038	1	Box, Switch	
14	0861538	1	Control Box Assembly	
14	7024488	1	Card, Circuit - Generator Power	
14	See Note	NSS	Fuse (Note: Not Available - Purchase Locally)	
14	7024489	1	Card, Circuit - Control	
14	70000619	1	Harness, Control Box (Internal)	
15	0902888	1	Bracket	
16	0962520	1	Bushing	
17	2820031	AR	Heat Shrink	
18	3252764	1	Nameplate	
19	3290505	4	Nut M5	
20	3290605	4	Nut M6	
21	3290805	4	Nut M8	
22	3291201	2	Nut M12	
24	3580317	1	Pulley	
25	3580318	1	Pulley	
26	3580320	1	Pulley	
27	3910606	4	Screw #6 x 3/8	
28	3931628	4	Capscrew 3/8 x 1-3/4	
29	3960422	1	Gasket	
30	4032014	4	Bolt M10 x 50	
31	4060802	1	Guard, Switch	
32	4240099	AR	Tie-Strap (Not Shown)	
33	4360336	1	Switch, Toggle	
34	4460071	1	Connector, Strain Relief	
35	4460346	1	Receptacle	
36	4711600	1	Washer 3/8	
37	4811600	4	Washer M5	
38	4811700	8	Washer M6	
39	4811900	8	Washer M8	
41	4871700	2	Washer M6	
42	4922925	1	Harness, Generator	
42	4460225	1	Plug, Male 6 Position (Plugs into Generator)	
42	See Note	NSS	Socket, Female (Use with 4460225)	
42	See Note	NSS	Seal, Plug (Use with 4460225)	
42	See Note	NSS	Seal, Interface (Use with 4460225)	
43	5241200	4	Washer M12 Hardened	
44	1001104029	4	Screw M5 x 30	

SECTION 3 - ENGINE

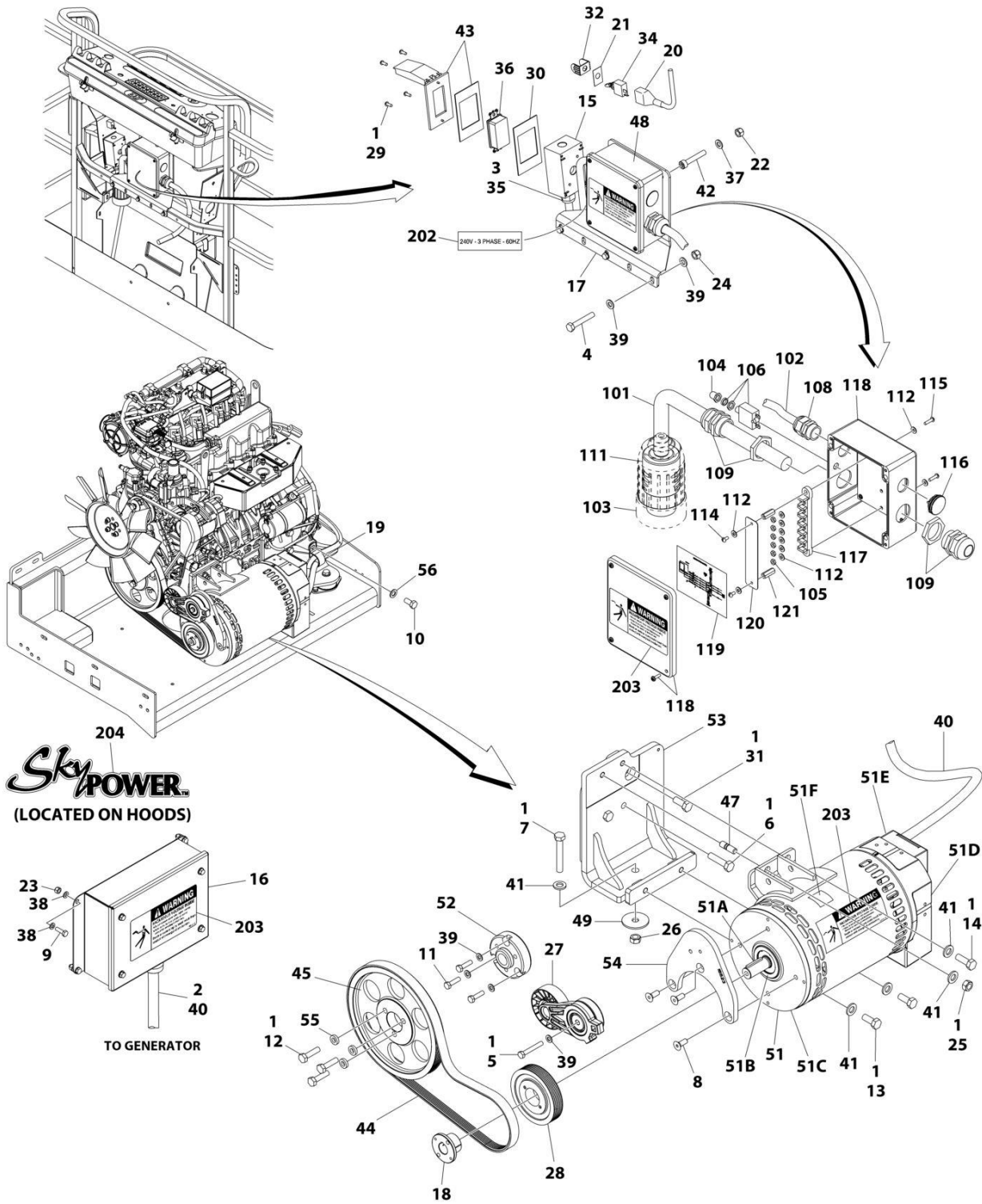
ITEM	PART NUMBER	QTY	DESCRIPTION	REV
45	1001110873	1	Shield, Cover	
46	1001135679	1	Adapter	
47	1001212223	1	Generator Assembly	
47	70001100	1	Rotor (Includes p/n 70001384 & 70000863) (Not Shown)	
47	70001384	1	Bearing, Ball Radial (Not Shown)	
47	70000863	1	Fan (Not Shown)	
47	70006093	1	Stator (Not Shown)	
47	70002297	1	Stud	
47	70003631	1	Brushholder Assembly (Not Shown)	
47A	70004099	1	Key	
47B	70001966	1	Bearing, Ball Radial (Located in Belt Tensioner Endbell)	
47B	70003708	1	Ring, Internal Retaining (Located in Belt Tensioner Endbell)	
47B	70003709	1	Ring, External Retaining (Located in Belt Tensioner Endbell)	
47C	70004092	1	Endbell, Belt Tensioner	
47D	70004094	1	Endbell, Brush Block	
47E	70006094	1	Shroud	
47E	70002291	1	Insulator, Endbell	
47E	7027799	1	Block, Connector 6 Position (Not Shown)	
47E	70002460	1	Nut, Brass (Attaches p/n 7027799 to Cover) (Not Shown)	
47E	70006095	1	Breaker, Circuit 30Amp (Not Shown)	
47E	70006096	1	Guard, Breaker (Not Shown)	
47E	7026626	1	Connector, 6 Position (Includes Seal) (Not Shown - Plugs into Item 36)	
47E	7026597	1	Connector, with Leads (Not Shown)	
47E	70004098	1	Clamp, Cable (Not Shown)	
47E	70006097	1	Plate, End Panel	
47E	70001974	1	Decal - Terminal Connections	
47F	70001973	1	Decal - Warning Moving Parts	
48	1001142643	1	Support	
49	1001142646	1	Belt	
50	1001196382	2	Stud	
51	1001157592	1	Junction Box Assembly Options (See Items 101-121 for Breakdown)	
55	1001174675	1	Wiring Diagram (Not Shown)	
55	4922641	1	Harness, On/Off Switch (Not Shown - Located at Platform)	
56	0760812	1	Bolt M8 x 25	
57	1321716	2	Clamp	
58	1001148641	1	Bracket	
59	5250808	1	Bolt M8 x 16	
60	5250810	1	Bolt M8 x 20	
61	5260800	2	Nut M8	
62	1001223122	1	Support	
63	4812000	4	Washer M10	
	1001157592	Ref	JUNCTION BOX ASSEMBLY	C
101	1060343	1.5 ft/ 0.5m	Cable, Electrical 10/4	
102	1001179154	2.5 ft/ 0.8m	Cable, Electrical 12/3	
103	1671092	1	Cover	
104	3300396	1	Cover, Fuse	
105	3311001	6	Nut #10	
106	4360070	1	Circuit Breaker - 15Amp	

SECTION 3 - ENGINE

ITEM	PART NUMBER	QTY	DESCRIPTION	REV
108	4460425	1	Connector, Strain Relief	
109	4460426	2	Connector, Strain Relief	
111	4460963	1	Connector	
112	4711000	10	Flatwasher #10	
114	10702077	2	Screw #10 x 3/8	
115	10702082	2	Screw #10 x 3/4	
116	1001152525	1	Plug	
117	1001157520	1	Block, Terminal	
118	1001157521	1	Box, Junction	
119	1001157528	1	Decal - Wiring Schematic	
120	1001158007	1	Cover, PVC	
121	1001158008	2	Stand-Off	
	0272435	Ref	DECAL INSTALLATION	D
	0273380	Ref	DECAL INSTALLATION	B
201	3251243	1	Decal - 120V - 60Hz	
202	1705375	1	Decal - 240V - 3 Phase - 60Hz	
203	1705387	3	Decal - Hazardous Voltage	
204	1705460	2	Decal - SkyPower	

SECTION 3 - ENGINE

FIGURE 3-58. GENERATOR INSTALLATION - 7500W/60HZ (KUBOTA ENGINE)



ART_1001214910

SECTION 3 - ENGINE

FIGURE 3-58. GENERATOR INSTALLATION - 7500W/60HZ (KUBOTA ENGINE)

ITEM	PART NUMBER	QTY	DESCRIPTION	REV
	1001214910	Ref	GENERATOR INSTALLATION - 7500W/60HZ (KUBOTA ENGINE)	C
1	0100011	AR	Compound, Locking	
2	0100048	AR	Grease, Dielectric	
3	0100079	AR	Sealant	
4	0700818	3	Bolt M8 x 50	
5	0700819	1	Bolt M8 x 55	
6	1001217344	2	Bolt M12 x 50	
7	0711224	AR	Bolt M12 x 80 Grade 10.9	
7	0701224	AR	Bolt M12 x 80	
8	0741608	3	Screw 3/8 x 1	
9	0760610	4	Bolt M6 x 20	
10	1001217345	1	Bolt M14 x 30	
11	0760814	3	Bolt M8 x 30	
12	0701016	3	Bolt M10 x 40	
13	0761214	2	Bolt M12 x 30	
14	0761215	1	Bolt M12 x 35	
15	0860038	1	Box, Switch	
16	0861538	1	Control Box Assembly	
16	7024488	1	Card, Circuit - Generator Power	
16	See Note	NSS	Fuse (Note: Not Available - Purchase Locally)	
16	7024489	1	Card, Circuit - Control	
16	70000619	1	Harness, Control Box (Internal)	
17	0902888	1	Bracket	
18	0962520	1	Bushing	
19	84521062	1	Clamp	
20	2820031	AR	Heat Shrink	
21	3252764	1	Nameplate	
22	3290505	4	Nut M5	
23	3290605	4	Nut M6	
24	3290805	3	Nut M8	
25	3291201	AR	Nut M12	
26	3331211	AR	Nut M12	
27	3580317	1	Pulley	
28	3580318	1	Pulley	
29	3910606	4	Screw #6 x 3/8	
30	3960422	1	Gasket	
31	1001217342	1	Bolt M12 x 30	
32	4060802	1	Guard, Switch	
33	4240099	AR	Tie-Strap (Not Shown)	
34	4360336	1	Switch, Toggle	
35	4460071	1	Connector, Strain Relief	
36	4460346	1	Receptacle	
37	4811600	4	Washer M5	
38	4811700	8	Washer M6	
39	4811900	10	Washer M8	
40	4922925	1	Harness, Generator	
40	4460225	1	Plug, Male - 6 Position (Plugs into Generator)	
40	See Note	NSS	Socket, Female (Use with 4460225)	
40	See Note	NSS	Seal, Plug (Use with 4460225)	
40	See Note	NSS	Seal, Interface (Use with 4460225)	

SECTION 3 - ENGINE

ITEM	PART NUMBER	QTY	DESCRIPTION	REV
41	5241200	5	Washer M12 Hardened	
42	1001104029	4	Screw M5 x 30	
43	1001110873	1	Shield, Cover	
44	0480129	1	Belt	
45	1001147233	1	Pulley	
47	1001155041	1	Stud	
48	1001157592	1	Junction Box Assembly (See Items 101-121 for Breakdown)	
49	1001168018	1	Washer, Snubbing	
50	1001174675	1	Wiring Diagram (Not Shown)	
50	4922641	1	Harness, On/Off Switch (Not Shown - Located at Platform)	
51	1001212223	1	Generator Assembly	
51	70001100	1	Rotor (Includes p/n 70001384 & 70000863) (Not Shown)	
51	70001384	1	Bearing, Ball Radial (Not Shown)	
51	70000863	1	Fan (Not Shown)	
51	70006093	1	Stator (Not Shown)	
51	70002297	1	Stud	
51	70003631	1	Brushholder Assembly (Not Shown)	
51A	70004099	1	Key	
51B	70001966	1	Bearing, Ball Radial (Located in Belt Tensioner Endbell)	
51B	70003708	1	Ring, Internal Retaining (Located in Belt Tensioner Endbell)	
51B	70003709	1	Ring, External Retaining (Located in Belt Tensioner Endbell)	
51C	70004092	1	Endbell, Belt Tensioner	
51D	70004094	1	Endbell, Brush Block	
51E	70006094	1	Shroud	
51E	70002291	1	Insulator, Endbell	
51E	7027799	1	Block, Connector 6 Position (Not Shown)	
51E	70002460	1	Nut, Brass (Attaches p/n 7027799 to Cover) (Not Shown)	
51E	70006095	1	Breaker, Circuit 30Amp (Not Shown)	
51E	70006096	1	Guard, Breaker (Not Shown)	
51E	7026626	1	Connector, 6 Position (Includes Seal) (Not Shown - Plugs into Item 36)	
51E	70004098	1	Clamp, Cable (Not Shown)	
51E	70006097	1	Plate, End Panel	
51E	70001974	1	Decal - Terminal Connections	
51F	70001973	1	Decal - Warning Moving Parts	
52	1001213029	1	Adapter, Pulley	
53	1001214546	1	Support	
54	1001215523	1	Support	
55	1001216805	3	Spacer	
56	4812200	1	Washer M14	
	1001157592	Ref	JUNCTION BOX ASSEMBLY	C
101	1060343	1.5 ft/ 0.5m	Cable, Electrical 10/4	
102	1001179154	2.5 ft/ 0.8m	Cable, Electrical 12/3	
103	1671092	1	Cover	
104	3300396	1	Cover, Fuse	
105	3311001	6	Nut #10	
106	4360070	1	Circuit Breaker - 15Amp	
108	4460425	1	Connector, Strain Relief	
109	4460426	2	Connector, Strain Relief	
111	4460963	1	Connector	

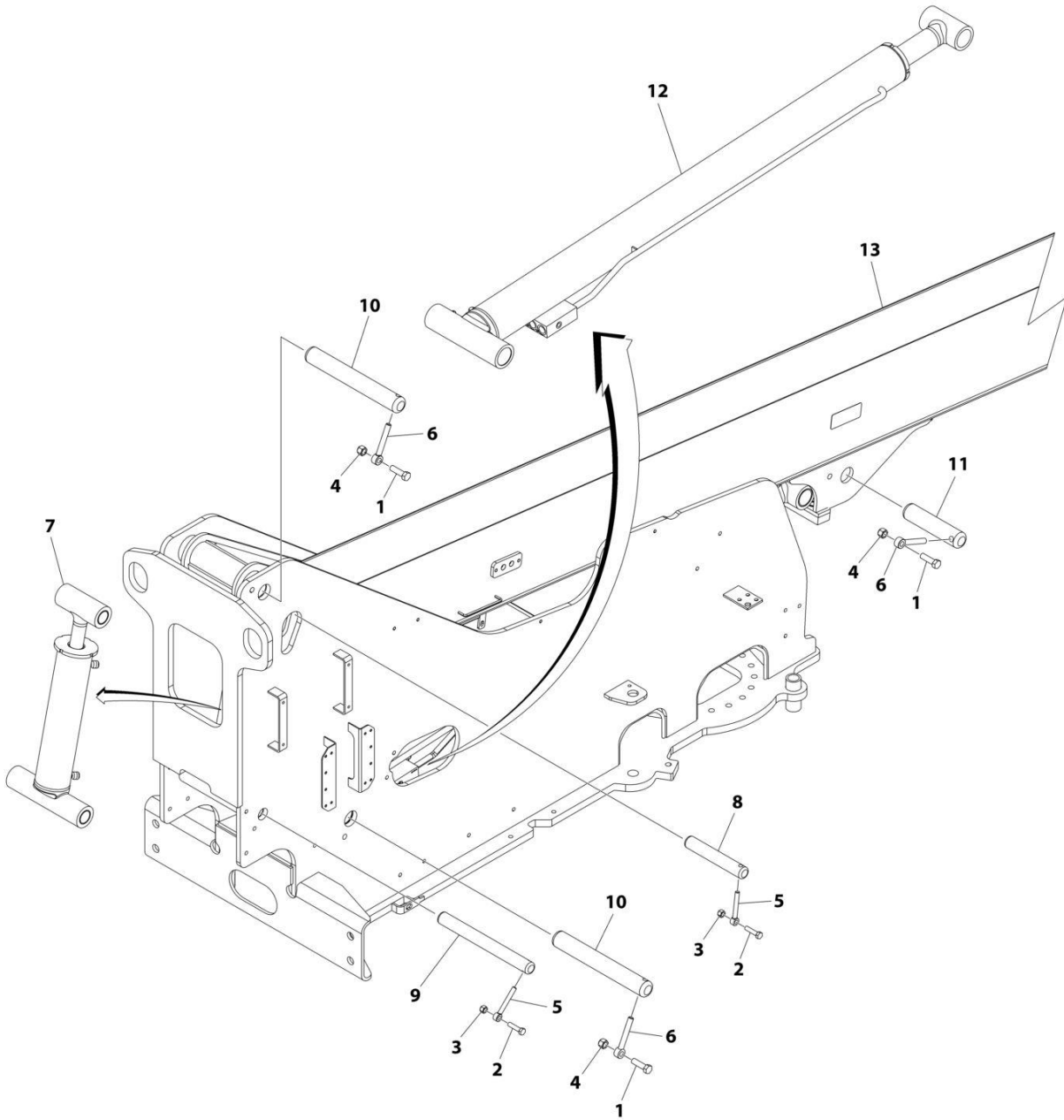
SECTION 3 - ENGINE

ITEM	PART NUMBER	QTY	DESCRIPTION	REV
112	4711000	10	Washer #10	
114	10702077	2	Screw #10 x 3/8	
115	10702082	2	Screw #10 x 3/4	
116	1001152525	1	Plug	
117	1001157520	1	Block, Terminal	
118	1001157521	1	Box, Junction	
119	1001157528	1	Decal - Wiring Schematic	
120	1001158007	1	Cover, PVC	
121	1001158008	2	Stand-Off	
	0272435	Ref	DECAL INSTALLATION	D
	0273380	Ref	DECAL INSTALLATION	B
201	3251243	1	Decal - 120V - 60Hz	
202	1705375	1	Decal - 240V-3 Phase-60Hz	
203	1705387	3	Decal - Hazardous Voltage	
204	1705460	2	Decal - SkyPower	

SECTION 4 - BOOM

SECTION 4 - BOOM

FIGURE 4-1. BOOM AND CYLINDERS INSTALLATION - 400S



ART_1001244873

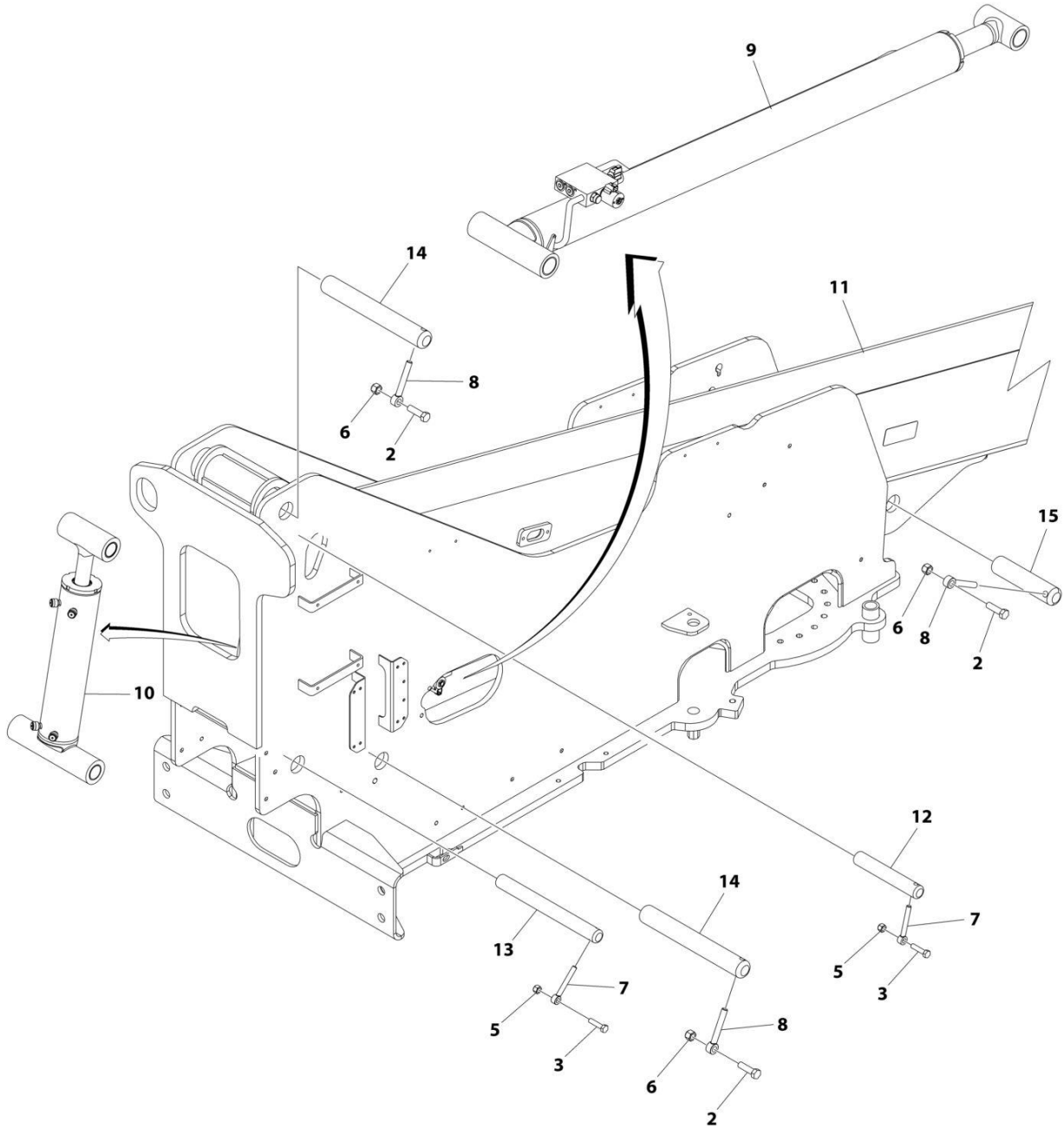
SECTION 4 - BOOM

FIGURE 4-1. BOOM AND CYLINDERS INSTALLATION - 400S

ITEM	PART NUMBER	QTY	DESCRIPTION	REV
	1001244873	Ref	BOOM AND CYLINDERS INSTALLATION	A
1	0701619	3	Bolt, M16 x 55	
2	0761218	2	Bolt, M12 x 50	
3	3291205	2	Nut, Lock M12 x 1.75	
4	3291605	3	Nut, Lock M16 x 2	
5	3841203	2	Keeper, Pin	
6	3841258	3	Keeper, Pin	
7	1001163385	1	Master Cylinder Assembly (See Separate Breakdown in CYLINDER SECTION)	
8	1001168843	1	Pin	
9	1001168844	1	Pin	
10	1001168845	2	Pin	
11	1001168854	1	Pin	
12	1001228092	1	Lift Cylinder Assembly (See Separate Breakdown in CYLINDER SECTION)	
13	1001244874	1	Main Boom Assembly (See Separate Breakdown in this Section)	

SECTION 4 - BOOM

FIGURE 4-2. BOOM AND CYLINDERS INSTALLATION - 460SJ



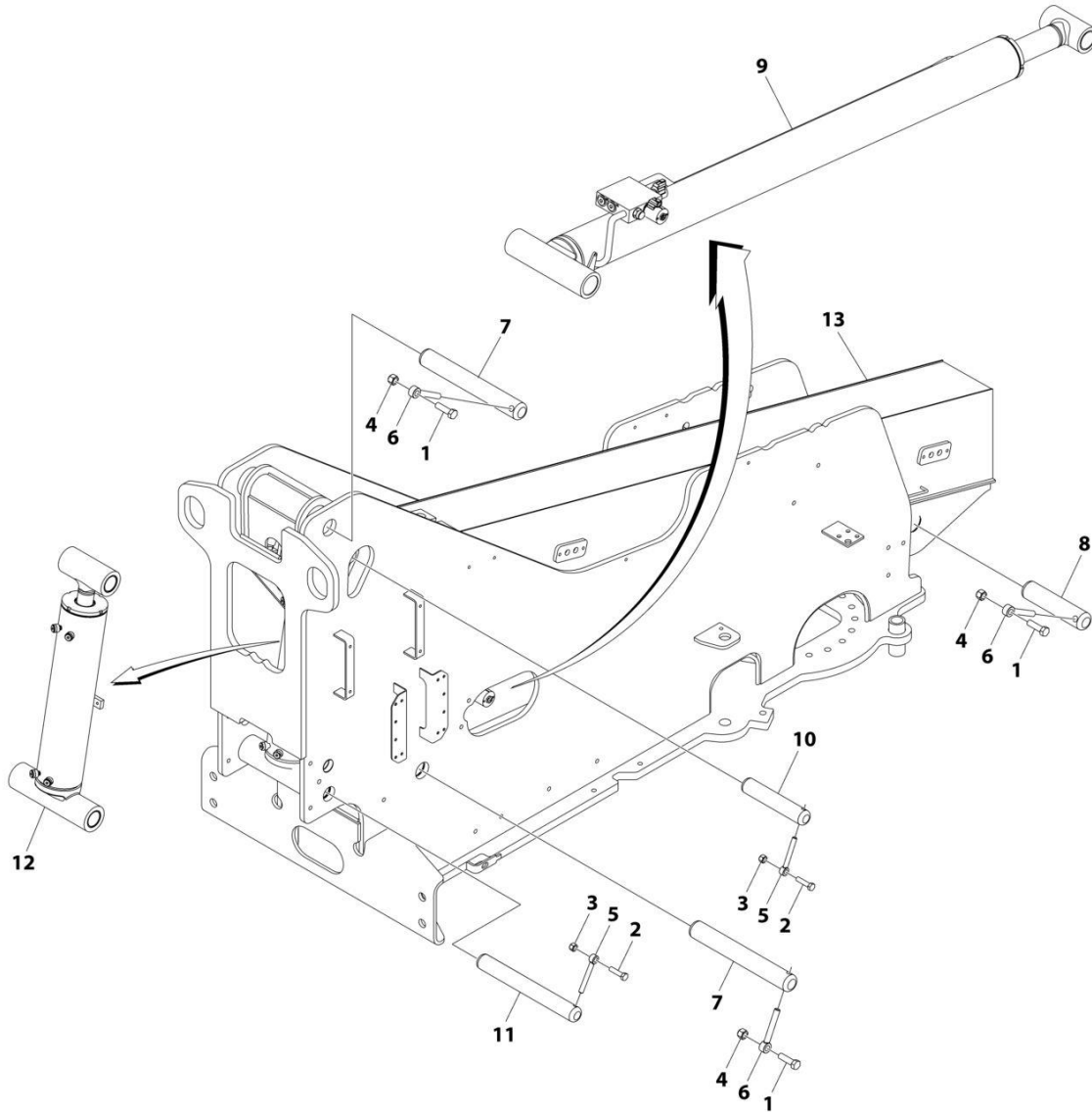
ART_1001169669

SECTION 4 - BOOM**FIGURE 4-2. BOOM AND CYLINDERS INSTALLATION - 460SJ**

ITEM	PART NUMBER	QTY	DESCRIPTION	REV
	1001169669	Ref	BOOM AND CYLINDERS INSTALLATION	H
2	0701619	3	Bolt M16 x 55	
3	0761218	2	Bolt M12 x 50	
5	3291205	2	Nut M12 x 1.75	
6	3291605	3	Nut M16 x 2	
7	3841203	2	Keeper, Pin	
8	3841258	3	Keeper, Pin	
9	1001228092	1	Lift Cylinder Assembly (See Separate Breakdown in CYLINDER SECTION)	
10	1001163385	1	Master Cylinder Assembly (See Separate Breakdown in CYLINDER SECTION)	
11	1001163482	1	Main Boom Assembly (See Separate Breakdown in this Section)	
12	1001168843	1	Pin	
13	1001168844	1	Pin	
14	1001168845	2	Pin	
15	1001168854	1	Pin	

SECTION 4 - BOOM

FIGURE 4-3. BOOM AND CYLINDERS INSTALLATION - 460SJ 1K45FT



ART_1001282649

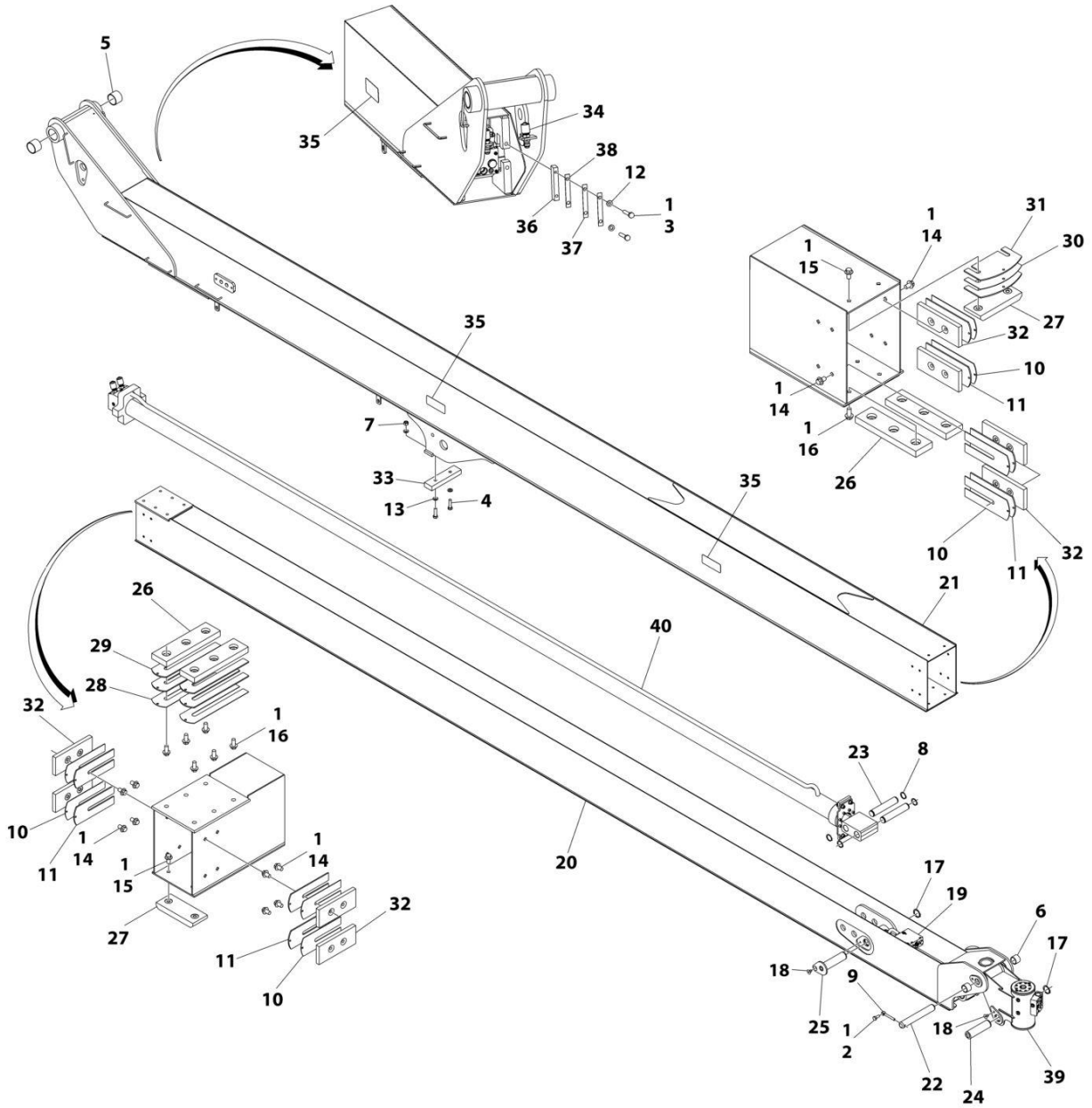
SECTION 4 - BOOM

FIGURE 4-3. BOOM AND CYLINDERS INSTALLATION - 460SJ 1K45FT

ITEM	PART NUMBER	QTY	DESCRIPTION	REV
	1001282649	Ref	BOOM AND CYLINDERS INSTALLATION	B
1	0701619	3	Bolt M16 x 55	
2	0761218	2	Bolt M12 x 50	
3	3291205	2	Nut M12	
4	3291605	3	Nut M16	
5	3841203	2	Keeper, Pin	
6	3841258	3	Keeper, Pin	
7	1001237143	2	Pin	
8	1001168854	1	Pin	
9	1001228092	1	Lift Cylinder Assembly (See Separate Breakdown in CYLINDER Section)	
10	1001237138	1	Pin	
11	1001237139	1	Pin	
12	1001237698	1	Master Cylinder Assembly (See Separate Breakdown in CYLINDER Section)	
13	1001281887	1	Main Boom Assembly (See Separate Breakdown in this Section)	

SECTION 4 - BOOM

FIGURE 4-4. MAIN BOOM ASSEMBLY - 400S



ART_1001244874

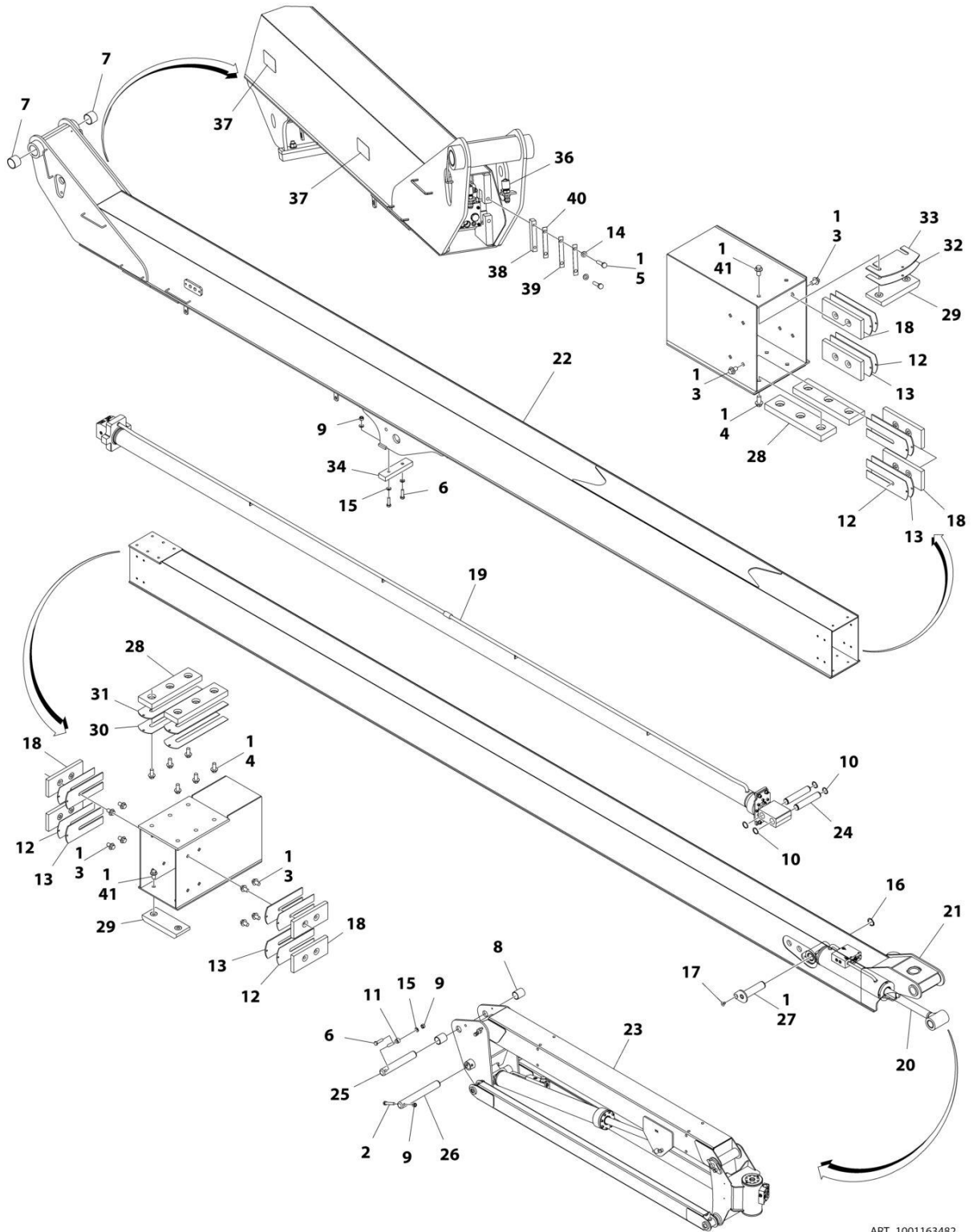
SECTION 4 - BOOM

FIGURE 4-4. MAIN BOOM ASSEMBLY - 400S

ITEM	PART NUMBER	QTY	DESCRIPTION	REV
	1001244874	Ref	MAIN BOOM ASSEMBLY	B
1	0100011	AR	Compound, Locking	
2	0761012	1	Bolt M10 x 25	
3	0761019	4	Bolt M10 x 55	
4	0761217	2	Bolt M12 x 45	
5	0961950	2	Bearing	
6	0961951	2	Bushing	
7	3291205	2	Nut M12	
8	3760133	4	Ring	
9	3841143	1	Keeper, Pin	
10	4070897	AR	Shim 18 Ga	
11	4070898	AR	Shim 11 Ga	
12	4812000	4	Washer M10	
13	4812100	4	Washer M12	
14	5251008	16	Bolt M10 x 16	
15	5251009	4	Bolt M10 x 18	
16	5251011	12	Bolt M10 x 22	
17	1001099560	2	Ring, Retaining	
18	1001137032	2	Screw M10 x 16	
19	1001163386	1	Level (Platform Slave) Cylinder Assembly (See Separate Breakdown in CYLINDER SECTION)	
20	1001163459	1	Fly, Boom	
21	1001163470	1	Base, Boom	
22	1001168841	1	Pin	
23	1001168842	2	Pin	
24	1001168848	1	Pin	
25	1001168849	1	Pin	
26	1001169284	4	Pad	
27	1001169285	2	Pad	
28	1001169286	AR	Shim	
29	1001169287	AR	Shim	
30	1001169288	AR	Shim	
31	1001169289	AR	Shim	
32	1001169380	8	Pad	
33	1001171067	1	Pad	
34	1001171112	2	Hose	
35	1001171324	6	Cover	
36	1001171667	2	Bar	
37	1001171966	AR	Shim 20Ga	
38	1001171967	AR	Shim 16Ga	
39	1001221927	1	Platform Rotator Assembly (See Separate Breakdown in this Section)	
40	1001251075	1	Telescope Cylinder Assembly (See Separate Breakdown in CYLINDER SECTION)	

SECTION 4 - BOOM

FIGURE 4-5. MAIN BOOM ASSEMBLY - 460SJ



ART_1001163482

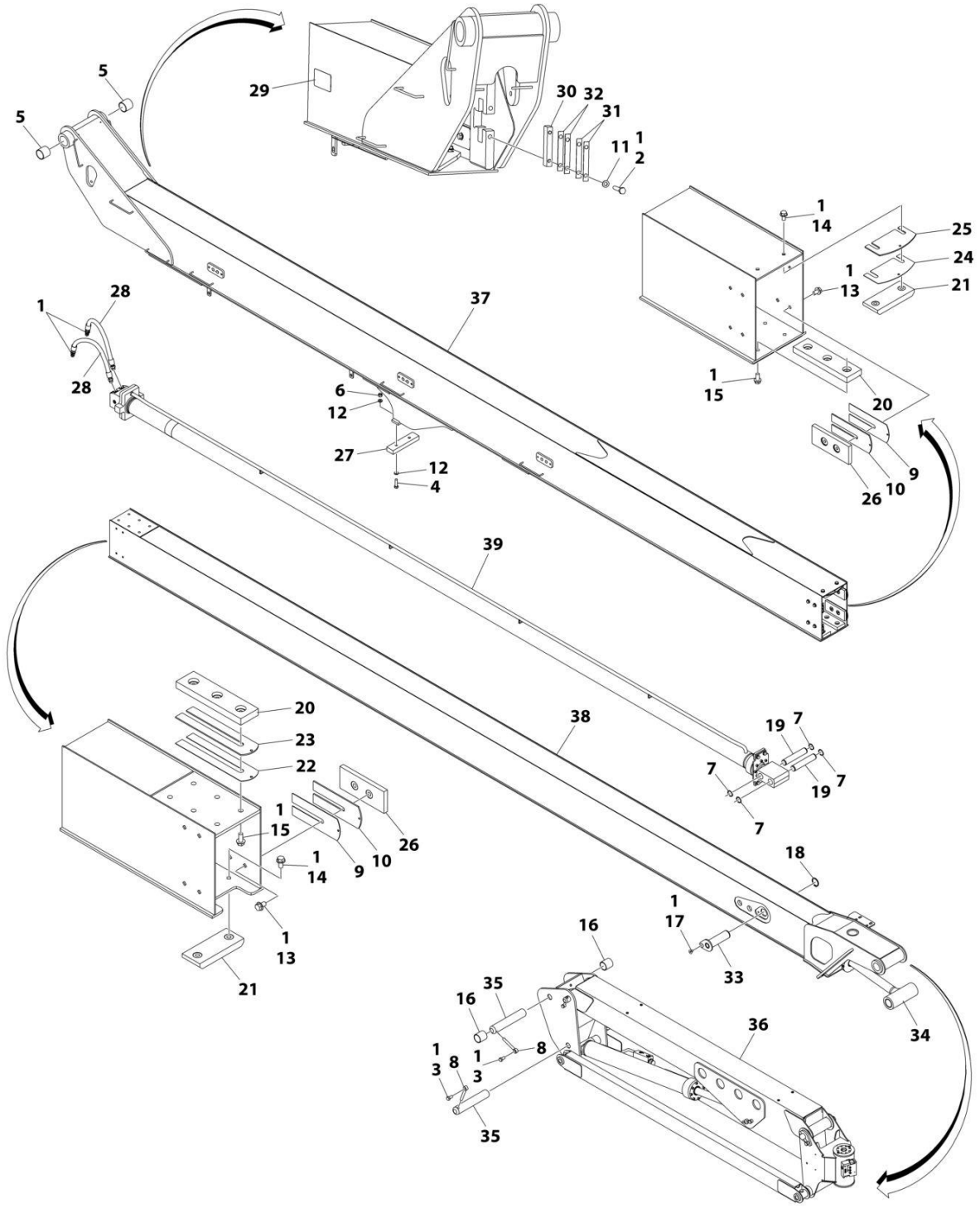
SECTION 4 - BOOM

FIGURE 4-5. MAIN BOOM ASSEMBLY - 460SJ

ITEM	PART NUMBER	QTY	DESCRIPTION	REV
	1001163482	Ref	MAIN BOOM ASSEMBLY	J
1	0100011	AR	Compound, Locking	
2	0701222	1	Bolt M12 x 70	
3	5251008	16	Bolt M10 x 16	
4	5251011	12	Bolt M10 x 22	
5	0761019	4	Bolt M10 x 55	
6	0761217	3	Bolt M12 x 45	
7	0961950	2	Bearing	
8	0962348	2	Bearing	
9	3291205	4	Nut M12 x 1.75	
10	3760133	4	Ring, Retaining	
11	3841203	1	Keeper, Pin	
12	4070897	AR	Shim, 18Ga	
13	4070898	AR	Shim, 11Ga	
14	4812000	4	Washer, M10	
15	4812100	5	Washer, M12	
16	1001099560	1	Ring, Retaining	
17	1001137032	1	Screw M10 x 16	
18	1001169380	8	Pad	
19	1001251075	1	Telescope Cylinder Assembly (See Separate Breakdown in CYLINDER SECTION)	
20	1001163386	1	Level (Platform Slave) Cylinder Assembly (See Separate Breakdown in CYLINDER SECTION)	
21	1001163483	1	Fly, Boom	
22	1001163492	1	Base, Boom	
23	1001247048	1	Jib Boom Assembly (See Separate Breakdown in this Section)	
24	1001168842	2	Pin	
25	3422793	1	Pin	
26	1001168847	1	Pin	
27	1001168849	1	Pin	
28	1001169284	4	Pad	
29	1001169285	2	Pad	
30	1001169286	AR	Shim	
31	1001169287	AR	Shim	
32	1001169288	AR	Shim	
33	1001169289	AR	Shim	
34	1001171067	1	Pad	
36	1001171112	2	Hose	
37	1001171324	2	Cover	
38	1001171667	2	Bar	
39	1001171966	AR	Shim, 20Ga	
40	1001171967	AR	Shim, 16Ga	
41	5251009	4	Bolt M10 x 18	

SECTION 4 - BOOM

FIGURE 4-6. MAIN BOOM ASSEMBLY - 460SJ 1K45FT



ART_1001281887

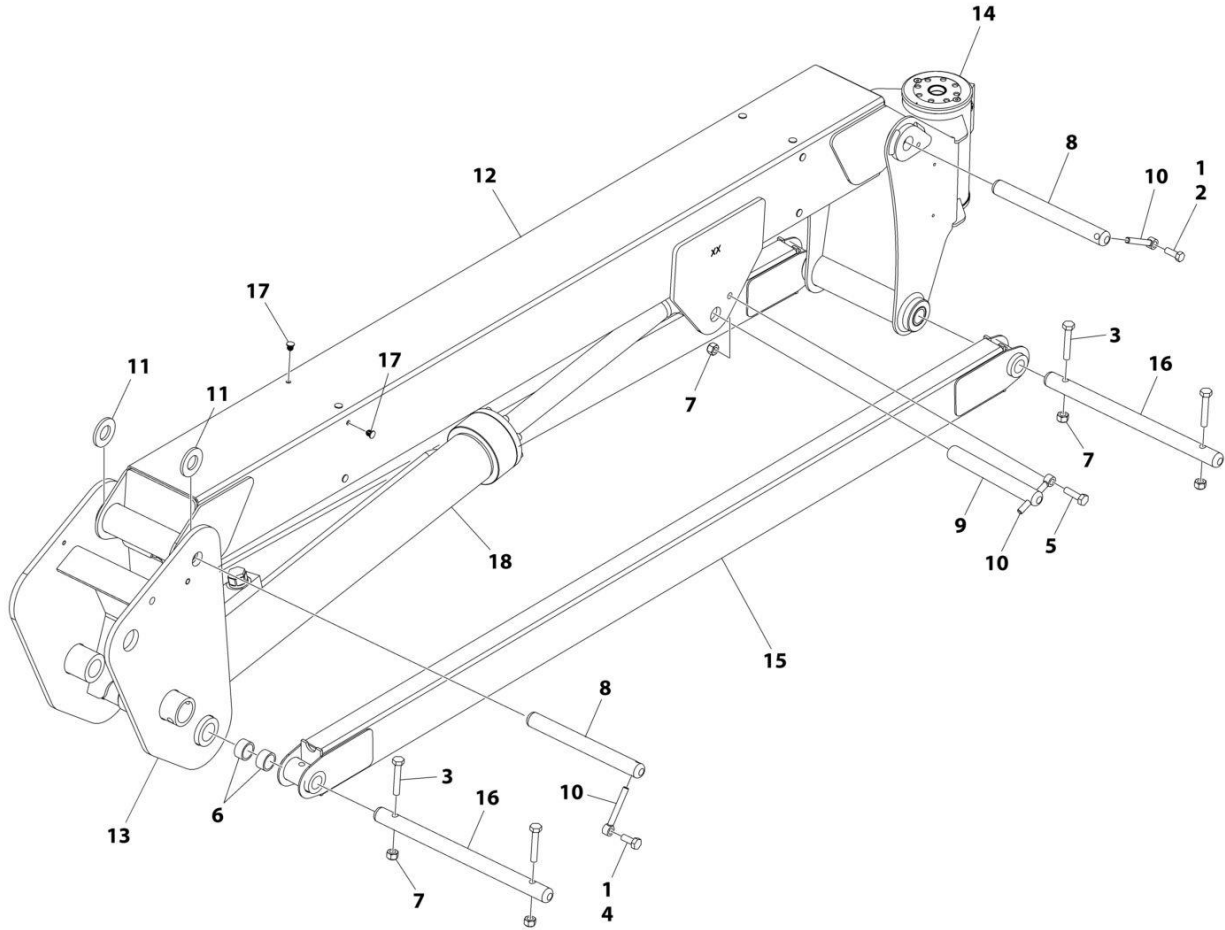
SECTION 4 - BOOM

FIGURE 4-6. MAIN BOOM ASSEMBLY - 460SJ 1K45FT

ITEM	PART NUMBER	QTY	DESCRIPTION	REV
	1001281887	Ref	MAIN BOOM ASSEMBLY	B
1	0100011	AR	Compound, Locking	
2	0761019	4	Bolt M10 x 55	
3	0761212	2	Bolt M12 x 25	
4	0761217	2	Bolt M12 x 45	
5	0962036	2	Bush	
6	3291205	2	Nut M12	
7	3760133	4	Ring	
8	3841203	2	Keeper, Pin	
9	4070897	AR	Shim 18 Ga	
10	4070898	AR	Shim 11 Ga	
11	4812000	4	Washer M10	
12	4812100	4	Washer M12	
13	5251008	16	Bolt M10 x 16	
14	5251009	4	Bolt M10 x 18	
15	5251011	12	Bolt M10 x 22	
16	1001118666	2	Bearing	
17	1001137032	1	Screw M10 x 16	
18	1001138671	1	Ring	
19	1001168842	2	Pin	
20	1001169284	4	Pad	
21	1001169285	2	Pad	
22	1001169286	AR	Shim	
23	1001169287	AR	Shim	
24	1001169288	AR	Shim	
25	1001169289	AR	Shim	
26	1001169380	8	Pad	
27	1001171067	1	Pad	
28	1001171112	2	Hose	
29	1001171324	5	Cover	
30	1001171667	2	Bar	
31	1001171966	AR	Shim 20Ga	
32	1001171967	AR	Shim 16Ga	
33	1001237142	1	Pin	
34	1001237697	1	Level Cylinder Assembly - Platform Slave (See Separate Breakdown in CYLINDER Section)	
35	1001237949	2	Pin	
36	1001238328	1	Jib Boom Assembly (See Separate Breakdown in this Section)	
37	1001281760	1	Boom, Base Weldment	
38	1001281886	1	Boom, Fly Weldment	
39	1001282095	1	Telescope Cylinder Assembly (See Separate Breakdown in CYLINDER Section)	

SECTION 4 - BOOM

FIGURE 4-7. JIB BOOM ASSEMBLY - 460SJ



ART_1001247048

SECTION 4 - BOOM

FIGURE 4-7. JIB BOOM ASSEMBLY - 460SJ

ITEM	PART NUMBER	QTY	DESCRIPTION	REV
	1001247048	Ref	JIB BOOM ASSEMBLY	B
1	0100011	AR	Compound, Locking	
2	0641608	1	Bolt 3/8 x 1	
3	0701020	4	Bolt M10 x 60	
4	0761012	1	Bolt M10 x 25	
5	0761015	1	Bolt M10 x 35	
6	0961947	4	Bearing	
7	3291005	5	Nut M10	
8	3422860	2	Pin	
9	3422867	1	Pin	
10	3841143	3	Keeper, Pin	
11	4740439	2	Washer, Thrust	
12	4844816	1	Tube (Upper)	
12	0962335	4	Bushing	
13	1001165567	1	Pivot	
14	1001181051	1	Rotator Assembly (See Separate Breakdown in this Section)	
15	4844817	2	Tube, Lower	
16	3422861	2	Pin	
17	1001223899	8	Fastener	
18	1001248012	1	Lift Cylinder Assembly - Jib (See Separate Breakdown in CYLINDER SECTION)	

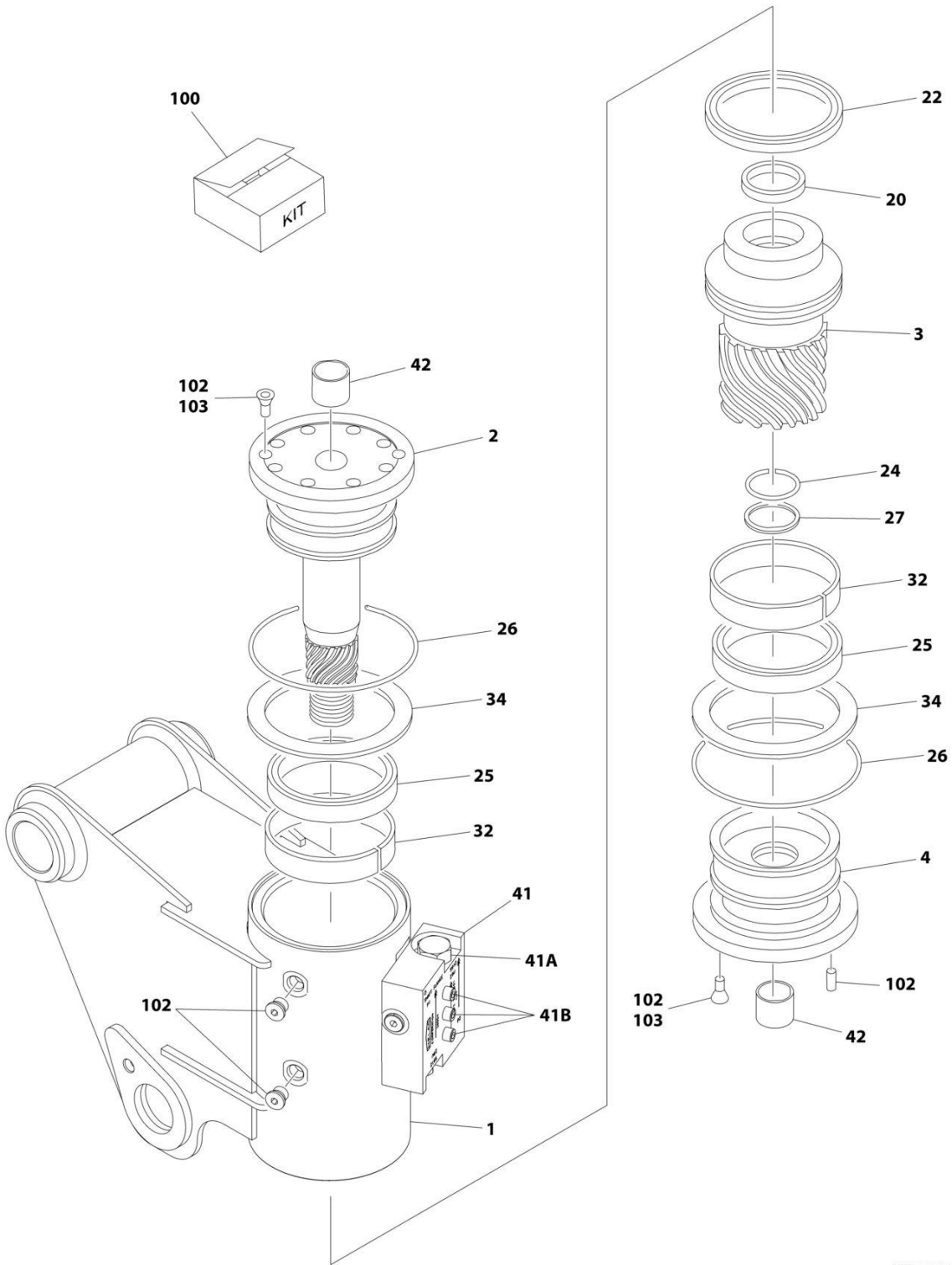
SECTION 4 - BOOM

FIGURE 4-8. JIB BOOM ASSEMBLY - 460SJ 1K45FT

ITEM	PART NUMBER	QTY	DESCRIPTION	REV
	1001238328	Ref	JIB BOOM ASSEMBLY	G
1	0100011	AR	Compound, Locking	
2	0440237	1	Thrustwasher	
3	0701020	1	Bolt M10 x 60	
4	0761012	2	Bolt M10 x 25	
5	0761015	1	Bolt M10 x 35	
6	1001134289	4	Bearing	
7	3291005	5	Nut M10	
8	3422867	1	Pin	
9	3841143	3	Keeper, Pin	
10	3422861	1	Pin	
11	1001264991	1	Lift Cylinder Assembly - Jib (See Separate Breakdown in CYLINDER Section)	
12	4844817	1	Link	
13	1001234811	1	Rotator Assembly (See Separate Breakdown in this Section)	
14	1001238168	1	Pivot	
15	1001238333	1	Tube (Upper)	
16	1001238398	2	Pin	

SECTION 4 - BOOM

FIGURE 4-9. ROTATOR ASSEMBLY - 400S



ART_1001221927

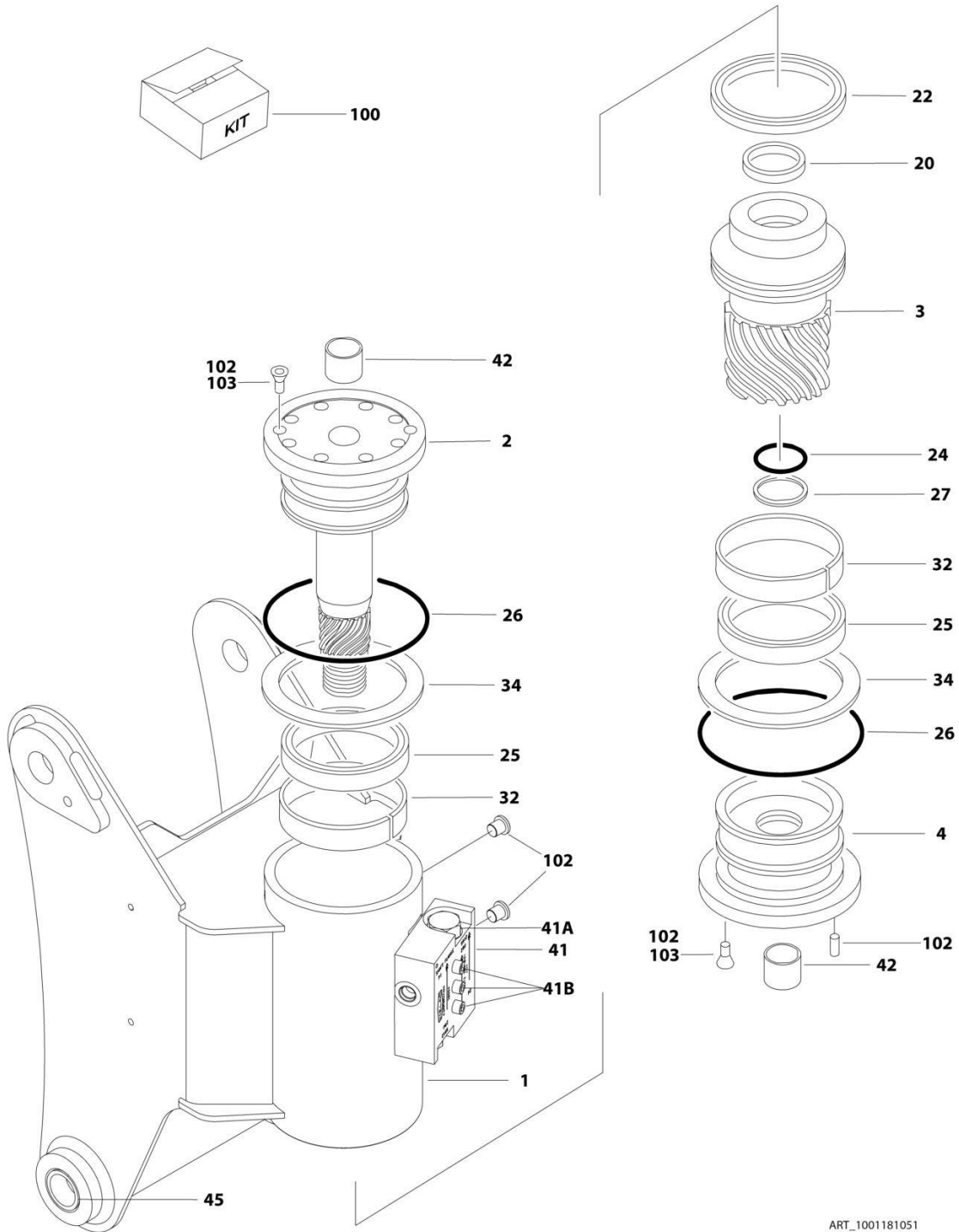
SECTION 4 - BOOM

FIGURE 4-9. ROTATOR ASSEMBLY - 400S

ITEM	PART NUMBER	QTY	DESCRIPTION	REV
	1001221927	Ref	ROTATOR ASSEMBLY - 400SC	A
1	See Note	NSS	Housing/Ring Gear Assembly (Note: Not Available - Purchase Complete Rotator Assembly)	
2	7017162	1	Shaft Weldment	
3	7017163	1	Piston/Sleeve Assembly	
4	7017164	1	Cap, End	
20	See Note	NSS	T-Seal (Note: Use Item 100)	
22	See Note	NSS	T-Seal (Note: Use Item 100)	
24	See Note	NSS	O-Ring (Note: Use Item 100)	
25	See Note	NSS	Seal (Note: Use Item 100)	
26	See Note	NSS	O-Ring (Note: Use Item 100)	
27	See Note	NSS	Ring, Back-up (Note: Use Item 100)	
32	See Note	NSS	Ring, Wear (Note: Use Item 101)	
34	See Note	NSS	Washer, Thrust (Note: Use Item 101)	
40	70006580	1	Tube, Stop (Not Shown)	
41	7017172	AR	Valve Assembly	
41A	7017192	2	Cartridge, Valve	
41A	See Note	NSS	Seal Kit - 7017192 Valve (Note: Not Available for Purchase)	
41B	See Note	3	Bolt 1/4 x 1-1/2 (Grade 8) (Note: Not Available - Purchase Locally)	
42	7017195	2	Bushing	
100	70000342	1	Seal Kit (Includes Items 20, 22, 24, 25, 27)	
101	7017159	1	Bearing Kit (Includes Items 32 & 34)	
102	7017142	1	Hardware Kit	
103	70001697	4	Screw, Countersunk 1/4 x 3/8 Grade 8	

SECTION 4 - BOOM

FIGURE 4-10. ROTATOR ASSEMBLY - 460SJ



ART_1001181051

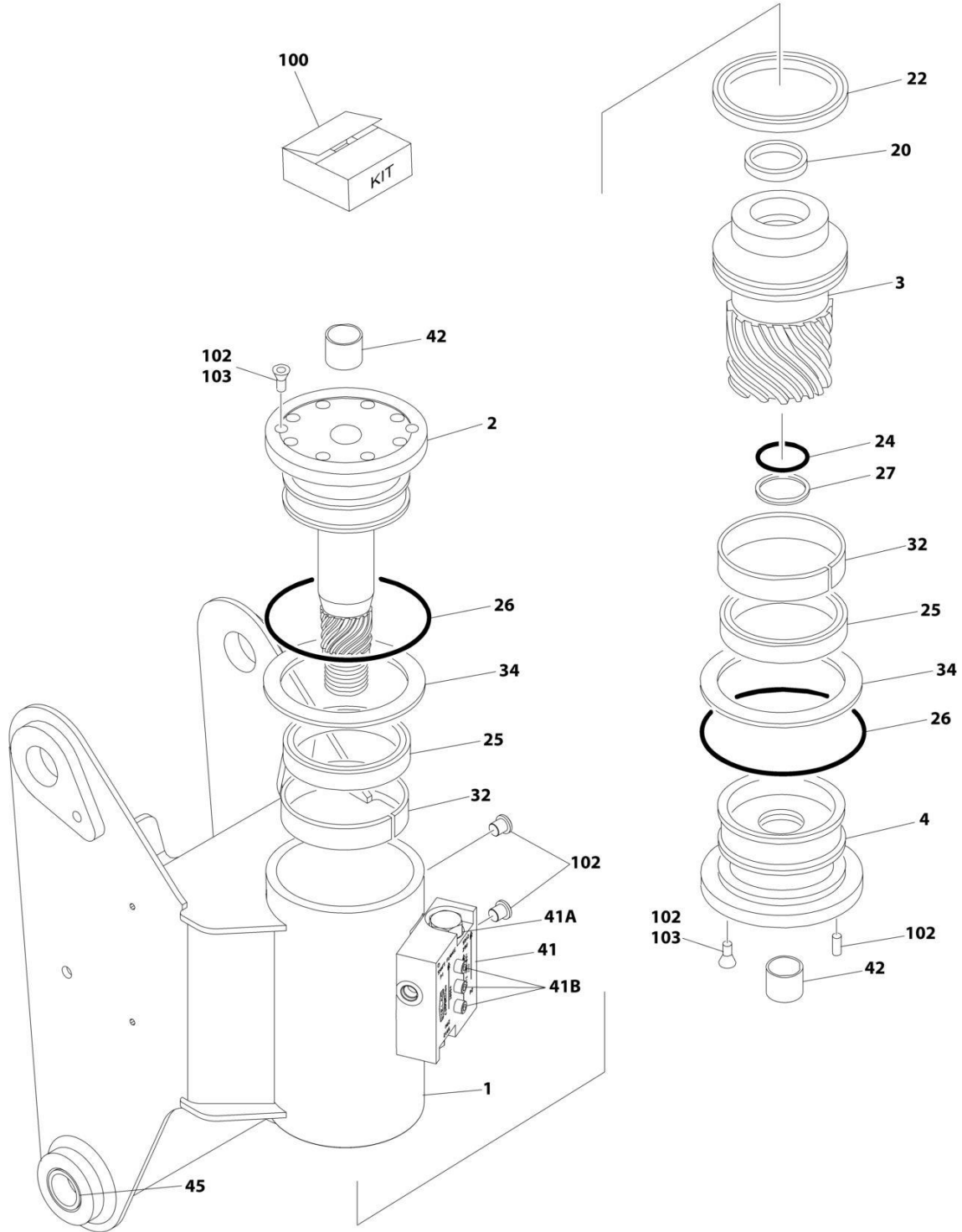
SECTION 4 - BOOM

FIGURE 4-10. ROTATOR ASSEMBLY - 460SJ

ITEM	PART NUMBER	QTY	DESCRIPTION	REV
	1001181051	Ref	ROTATOR ASSEMBLY	A
1	See Note	NSS	Housing/Ring Gear Assembly (Note: Not Available - Purchase Complete Rotator Assembly)	
2	7017162	1	Shaft Weldment	
3	7017163	1	Piston/Sleeve Assembly	
4	7017164	1	Cap, End	
20	See Note	NSS	T-Seal (Note: Use Item 100)	
22	See Note	NSS	T-Seal (Note: Use Item 100)	
24	See Note	NSS	O-Ring (Note: Use Item 100)	
25	See Note	NSS	Seal (Note: Use Item 100)	
26	See Note	NSS	O-Ring (Note: Use Item 100)	
27	See Note	NSS	Ring, Back-up (Note: Use Item 100)	
32	See Note	NSS	Ring, Wear (Note: Use Item 101)	
34	See Note	NSS	Washer, Thrust (Note: Use Item 101)	
41	7017172	AR	Valve Assembly	
41A	7017192	2	Cartridge, Valve	
41A	See Note	NSS	Seal Kit - 7017192 Valve (Note: Not Available for Purchase)	
41B	See Note	3	Bolt 1/4-20NC x 1-1/2 Grade 8 (Note: Not Available - Purchase Locally)	
42	7017195	2	Bushing	
45	7017150	2	Bushing	
100	70000342	1	Seal Kit (Includes Items 20, 22, 24, 25, 27 & 33)	
101	7017159	1	Bearing Kit (Includes Items 32 & 34)	
102	7017142	1	Hardware Kit	
103	70001697	4	Screw, Countersunk 1/4 x 3/8 Grade 8	

SECTION 4 - BOOM

FIGURE 4-11. ROTATOR ASSEMBLY - 460SJ 1K45FT



ART_1001234811

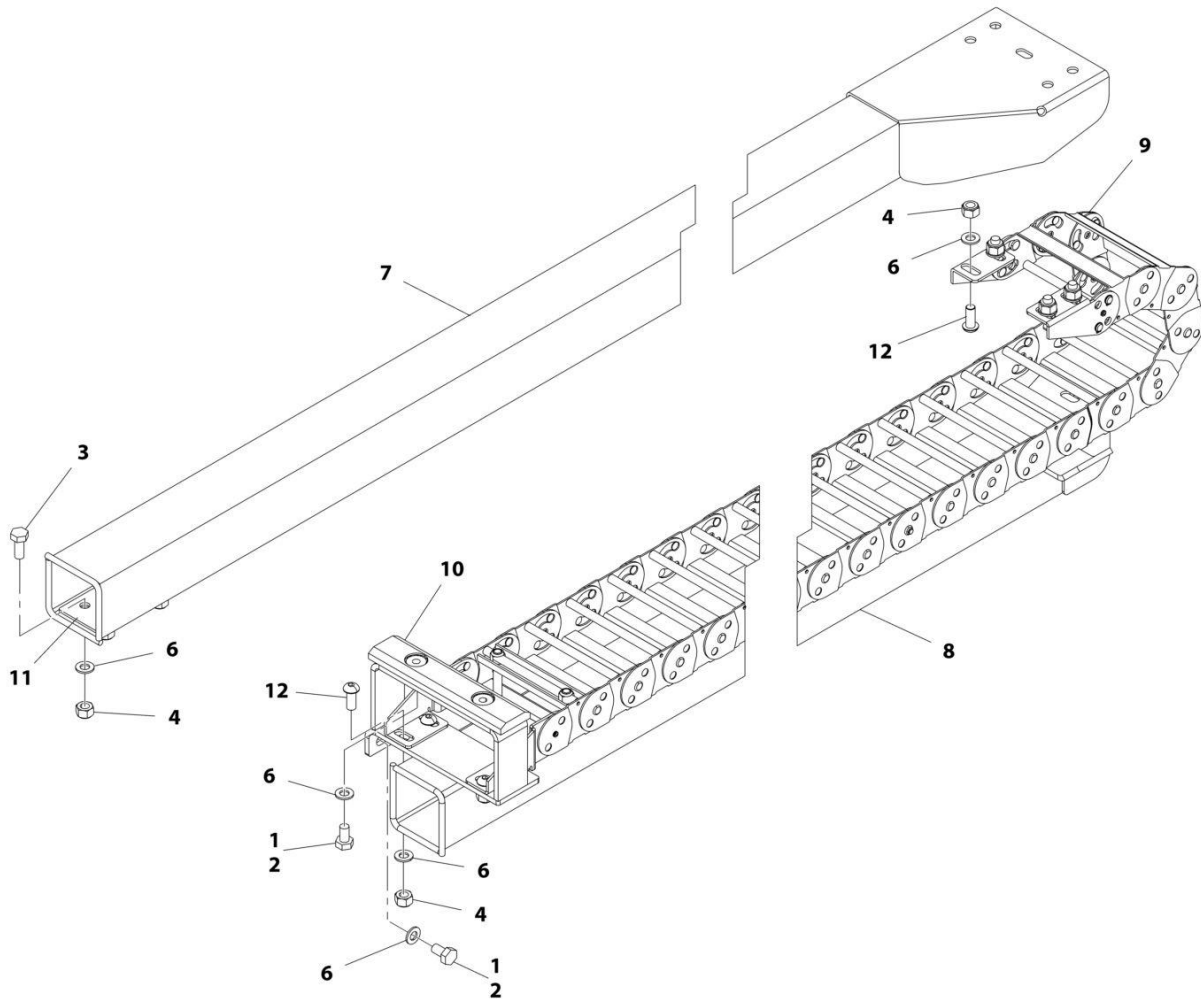
SECTION 4 - BOOM

FIGURE 4-11. ROTATOR ASSEMBLY - 460SJ 1K45FT

ITEM	PART NUMBER	QTY	DESCRIPTION	REV
	1001234811	Ref	ROTATOR ASSEMBLY	B
1	See Note	NSS	Housing/Ring Gear Assembly (Note: Not Available - Purchase Complete Rotator Assembly)	
2	7017162	1	Shaft Weldment	
3	7017163	1	Piston/Sleeve Assembly	
4	7017164	1	Cap, End	
20	See Note	NSS	T-Seal (Note: Use Item 100)	
22	See Note	NSS	T-Seal (Note: Use Item 100)	
24	See Note	NSS	O-Ring (Note: Use Item 100)	
25	See Note	NSS	Seal (Note: Use Item 100)	
26	See Note	NSS	O-Ring (Note: Use Item 100)	
27	See Note	NSS	Ring, Back-up (Note: Use Item 100)	
32	See Note	NSS	Ring, Wear (Note: Use Item 101)	
34	See Note	NSS	Washer, Thrust (Note: Use Item 101)	
41	7017172	AR	Valve Assembly	
41A	7017192	2	Cartridge, Valve	
41A	See Note	NSS	Seal Kit - 7017192 Valve (Note: Not Available for Purchase)	
41B	See Note	3	Bolt 1/4-20NC x 1-1/2 Grade 8 (Note: Not Available - Purchase Locally)	
42	7017195	2	Bushing	
45	0961947	2	Bushing 1IN ID x 1.25IN OD x 5/8IN L	
45	1001134289	2	Bushing 1IN ID x 1.5IN OD x 1IN L	
100	70000342	1	Seal Kit (Includes Items 20, 22, 24, 25, 27 & 33)	
101	7017159	1	Bearing Kit (Includes Items 32 & 34)	
102	7017142	1	Hardware Kit	
103	70001697	4	Screw, Countersunk 1/4 x 3/8 Grade 8	

SECTION 4 - BOOM

FIGURE 4-12. POWER TRACK INSTALLATION - 400S & 460SJ



ART_1001165538

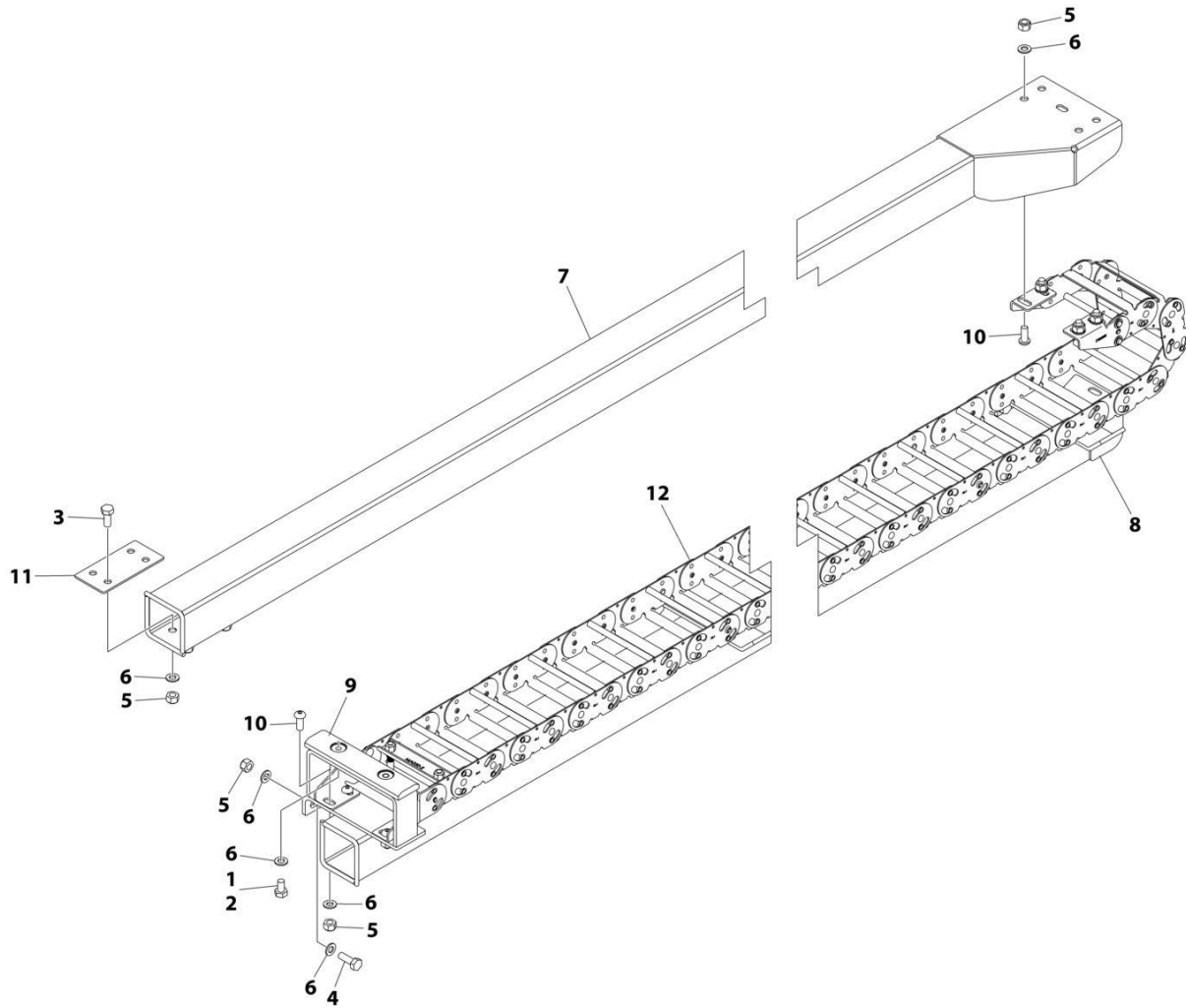
SECTION 4 - BOOM

FIGURE 4-12. POWER TRACK INSTALLATION - 400S & 460SJ

ITEM	PART NUMBER	QTY	DESCRIPTION	REV
	1001165538	Ref	POWER TRACK INSTALLATION	E
1	0100011	AR	Compound, Locking	
2	0761009	10	Bolt M10 x 18	
3	0761012	4	Bolt M10 x 25	
4	3291005	12	Nut M10	
6	4812000	22	Washer M10	
7	1001165531	1	Tube, Push	
8	1001165534	1	Tube, Carrier	
9	1001224888	1	Power Track	
9	70006255	1	Repair Section without Clamp - 10 Links	
9	70006270	1	Feet, Mounting (Includes 1 each Left and Right Mounting Feet)	
10	1001169611	1	Pad, Wear	
11	1001176899	1	Plate, Support	
12	1001173763	8	Screw M10 x 25	

SECTION 4 - BOOM

FIGURE 4-13. POWER TRACK INSTALLATION - 460SJ 1K45FT



ART_1001283125

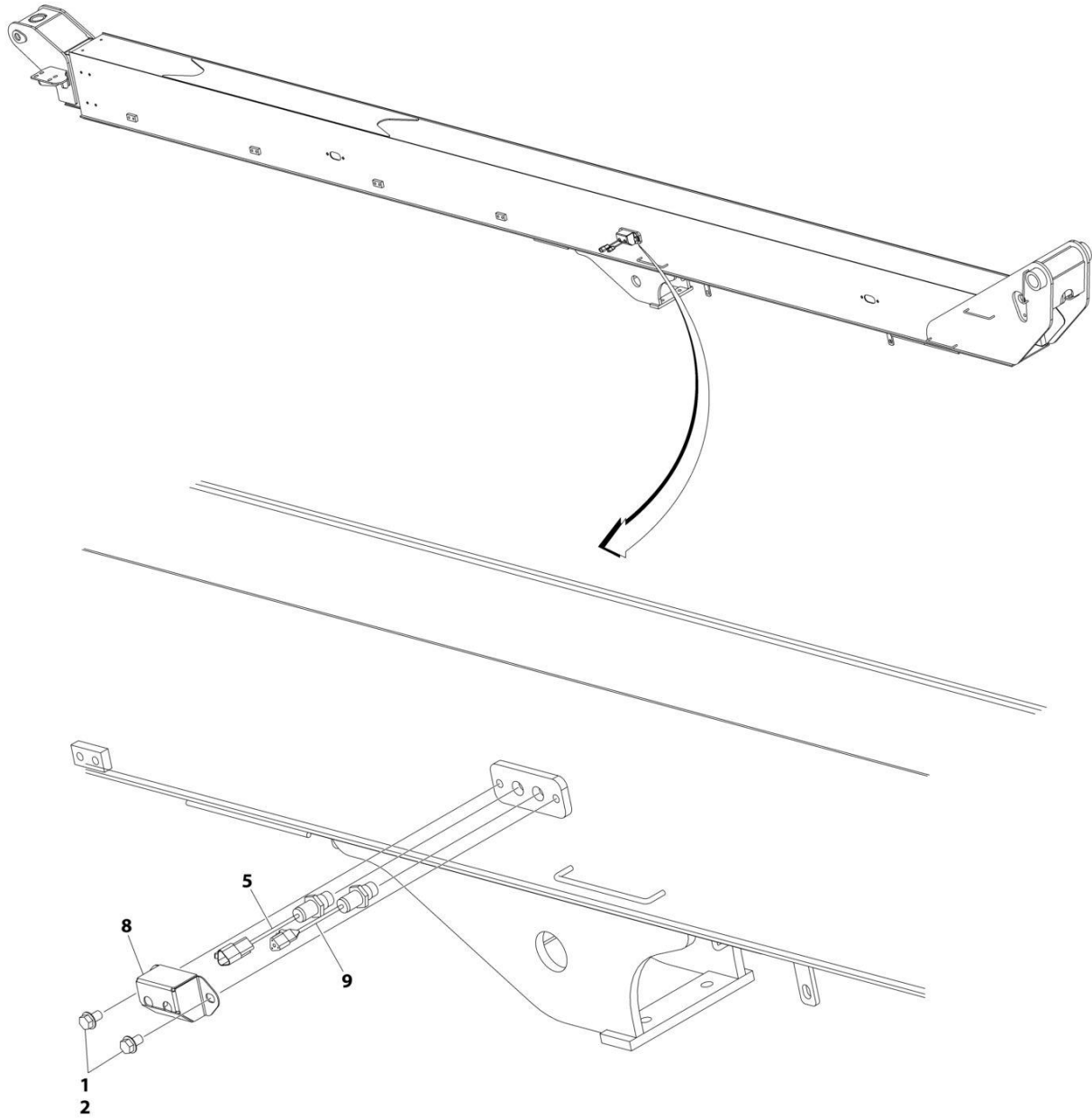
SECTION 4 - BOOM

FIGURE 4-13. POWER TRACK INSTALLATION - 460SJ 1K45FT

ITEM	PART NUMBER	QTY	DESCRIPTION	REV
	1001283125	Ref	POWER TRACK INSTALLATION	A
1	0100011	AR	Compound, Locking	
2	0761009	2	Bolt M10 x 18	
3	0761012	4	Bolt M10 x 25	
4	0761014	8	Bolt M10 x 30	
5	3291005	20	Nut M10	
6	4812000	30	Washer M10	
7	1001165531	1	Tube, Push	
8	1001165534	1	Tube, Carrier	
9	1001169611	1	Pad, Wear	
10	1001173763	8	Screw M10 x 25	
11	1001176899	1	Plate, Support	
12	1001224888	1	Power Track	
12	70006255	1	Repair Section without Clamp - 10 Links	
12	70006270	1	Feet, Mounting (Includes 1 each Left and Right Mounting Feet)	

SECTION 4 - BOOM

FIGURE 4-14. CAPACITY SWITCH INSTALLATION - 400S & 460SJ



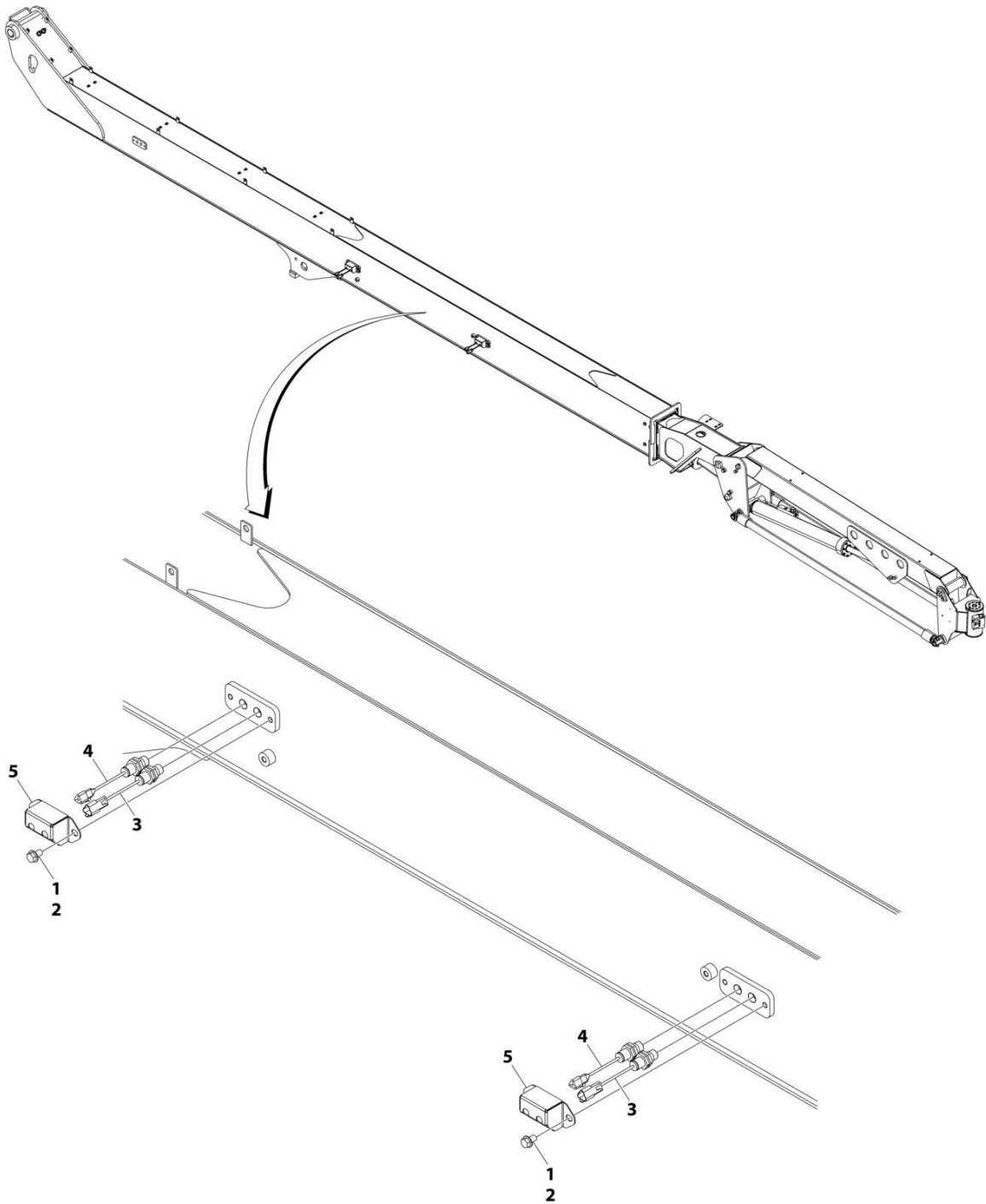
ART_1001173233

SECTION 4 - BOOM**FIGURE 4-14. CAPACITY SWITCH INSTALLATION - 400S & 460SJ**

ITEM	PART NUMBER	QTY	DESCRIPTION	REV
	1001173233	Ref	CAPACITY SWITCH INSTALLATION	D
1	0100011	AR	Compound, Locking	
2	5251008	2	Bolt, M10 x 16	
5	1001170847	1	Sensor, Proximity	
5	4460536	1	Connector - 3 Position	
5	4460464	3	Pin, Male	
8	1001204715	1	Bracket, Cover	
9	1001182570	1	Sensor, Proximity	
9	4460539	1	Connector 3 Position	
9	4460465	3	Socket, Female	

SECTION 4 - BOOM

FIGURE 4-15. CAPACITY SWITCH INSTALLATION - 460SJ 1K45FT



ART_1001246773

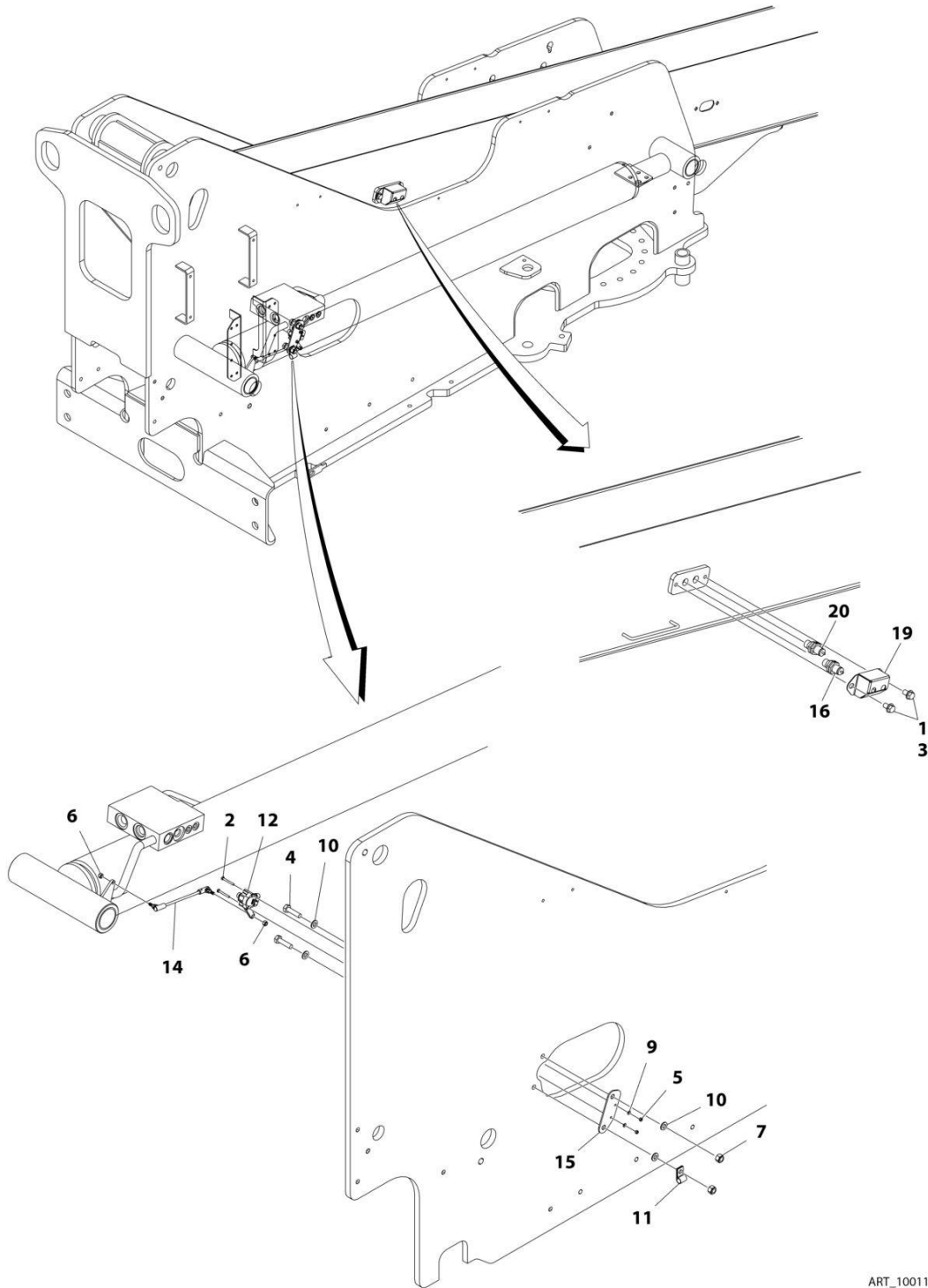
SECTION 4 - BOOM

FIGURE 4-15. CAPACITY SWITCH INSTALLATION - 460SJ 1K45FT

ITEM	PART NUMBER	QTY	DESCRIPTION	REV
	1001246773	Ref	CAPACITY SWITCH INSTALLATION	C
1	0100011	AR	Compound, Locking	
2	5251008	4	Bolt M10 x 16	
3	1001170847	2	Sensor, Proximity	
3	4460536	1	Connector - 3 Position	
3	4460464	3	Pin, Male	
4	1001182570	2	Sensor, Proximity	
4	4460539	1	Connector 3 Position	
4	4460465	3	Socket, Female	
5	1001204715	2	Bracket, Cover	

SECTION 4 - BOOM

FIGURE 4-16. TRANSPORT SWITCHES INSTALLATION - 400S & 460SJ



ART_1001170642

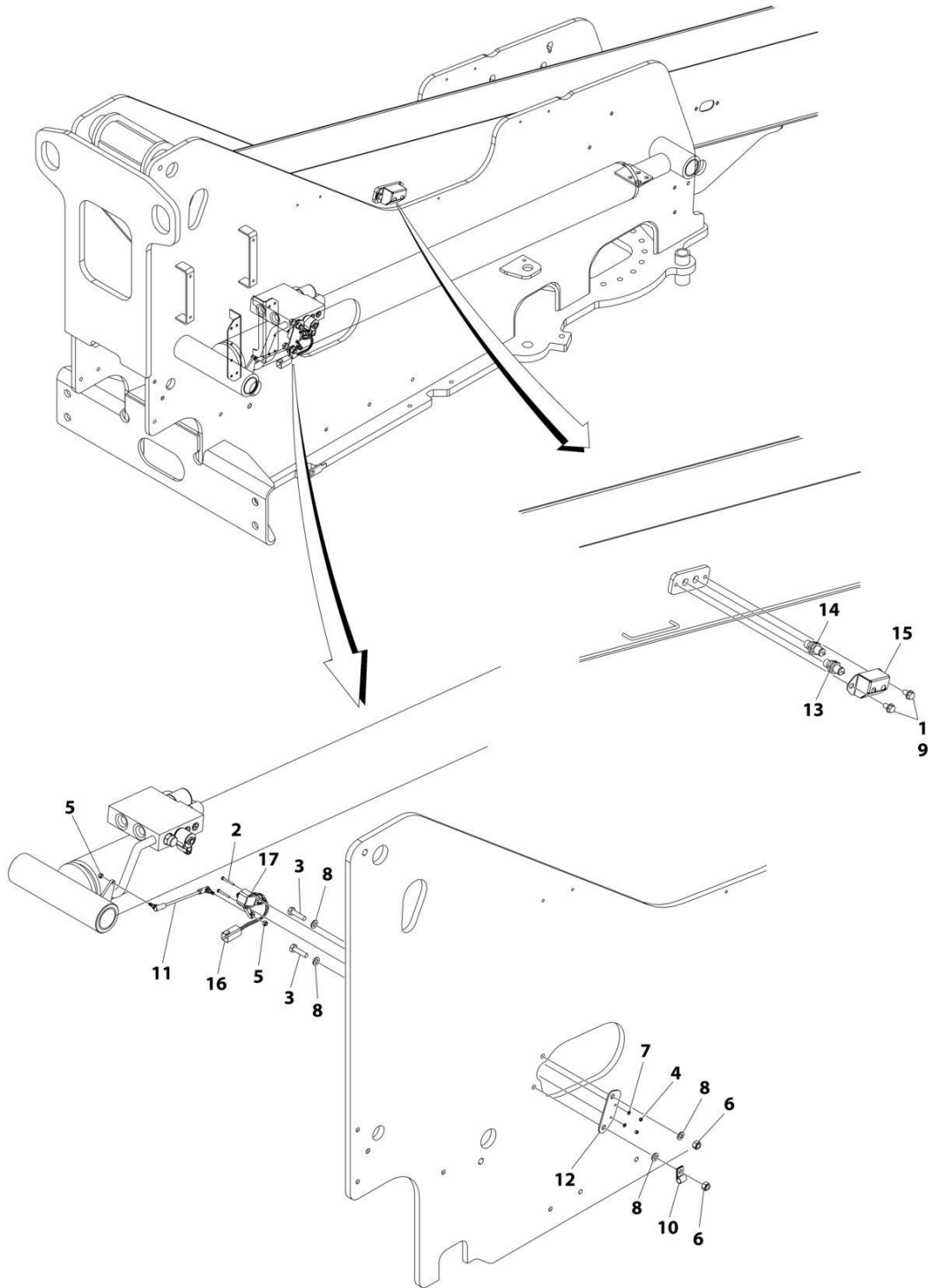
SECTION 4 - BOOM

FIGURE 4-16. TRANSPORT SWITCHES INSTALLATION - 400S & 460SJ

ITEM	PART NUMBER	QTY	DESCRIPTION	REV
	1001170642	Ref	TRANSPORT SWITCHES INSTALLATION	I
1	0100011	AR	Compound, Locking	
2	0760415	2	Bolt M4 x 35	
3	5251008	2	Bolt M10 x 16	
4	0761016	2	Bolt M10 x 40	
5	3290405	2	Nut M4 x 0.7	
6	3290605	2	Nut M6 x 1	
7	3291005	2	Nut M10 x 1.5	
9	4811400	2	Washer M4	
10	4812000	4	Washer M10	
11	8406110	1	Clip	
12	1001118971	1	Angle, Sensor	
14	1001170564	1	Link, Sensor	
15	1001170565	1	Bracket	
16	1001170847	1	Sensor, Proximity	
16	4460536	1	Connector - 3 Position	
16	4460464	3	Pin, Male	
19	1001204715	1	Bracket, Switch Cover	
20	1001182570	1	Sensor, Proximity	
20	4460539	1	Connector - 3 Position	
20	4460465	3	Socket, Female	
21	1001288195	1	Boom Angle Sensr Jumper Harness	

SECTION 4 - BOOM

FIGURE 4-17. TRANSPORT SWITCHES INSTALLATION - 460SJ 1K45FT



ART_1001288260

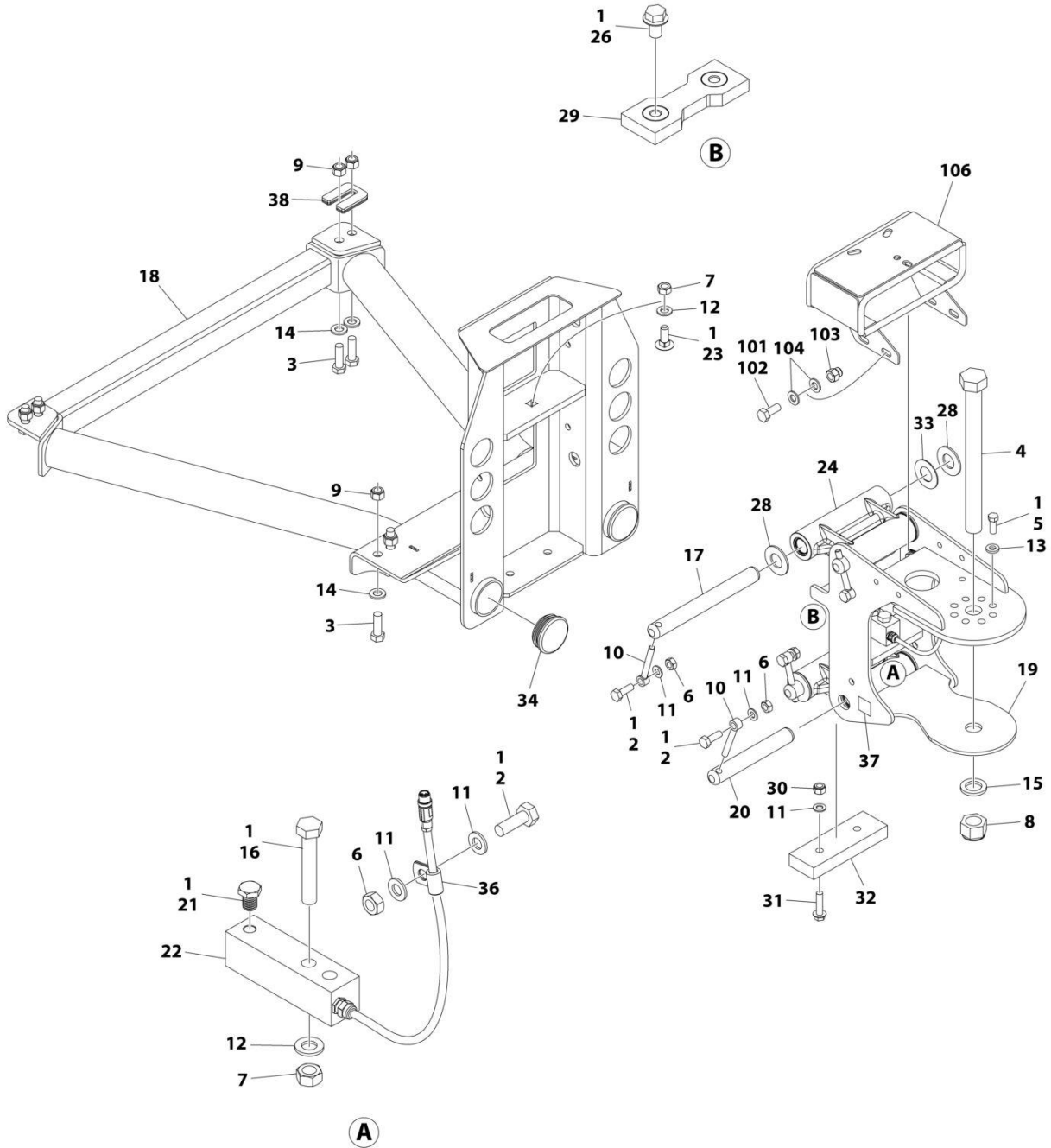
SECTION 4 - BOOM

FIGURE 4-17. TRANSPORT SWITCHES INSTALLATION - 460SJ 1K45FT

ITEM	PART NUMBER	QTY	DESCRIPTION	REV
	1001288260	Ref	TRANSPORT SWITCHES INSTALLATION	A
1	0100011	AR	Compound, Locking	
2	0760415	2	Bolt M4 x 35	
3	0761016	2	Bolt M10 x 40	
4	3290405	2	Nut M4 x 0.7	
5	3290605	2	Nut M6 x 1	
6	3291005	2	Nut M10 x 1.5	
7	4811400	2	Washer M4	
8	4812000	4	Washer M10	
9	5251008	2	Bolt M10 x 16	
10	8406110	1	Clip	
11	1001170564	1	Link, Sensor	
12	1001170565	1	Bracket	
13	1001170847	1	Sensor, Proximity	
14	1001182570	1	Sensor, Proximity	
15	1001204715	1	Bracket, Switch Cover	
16	1001288196	1	Harness, Angle Sensor Jumper	
16	1001166816	1	Plug, Male - 6 Position (at Sensor)	
16	4460465	6	Socket, Female (at Sensor)	
16	4460899	1	Receptacle, Female - 6 Position (to Harness)	
16	4460464	6	Pin, Male (to Harness)	
17	1001288258	1	Sensor, Angle	

SECTION 4 - BOOM

FIGURE 4-18. PLATFORM SUPPORT INSTALLATION



ART_1001167596_N

SECTION 4 - BOOM

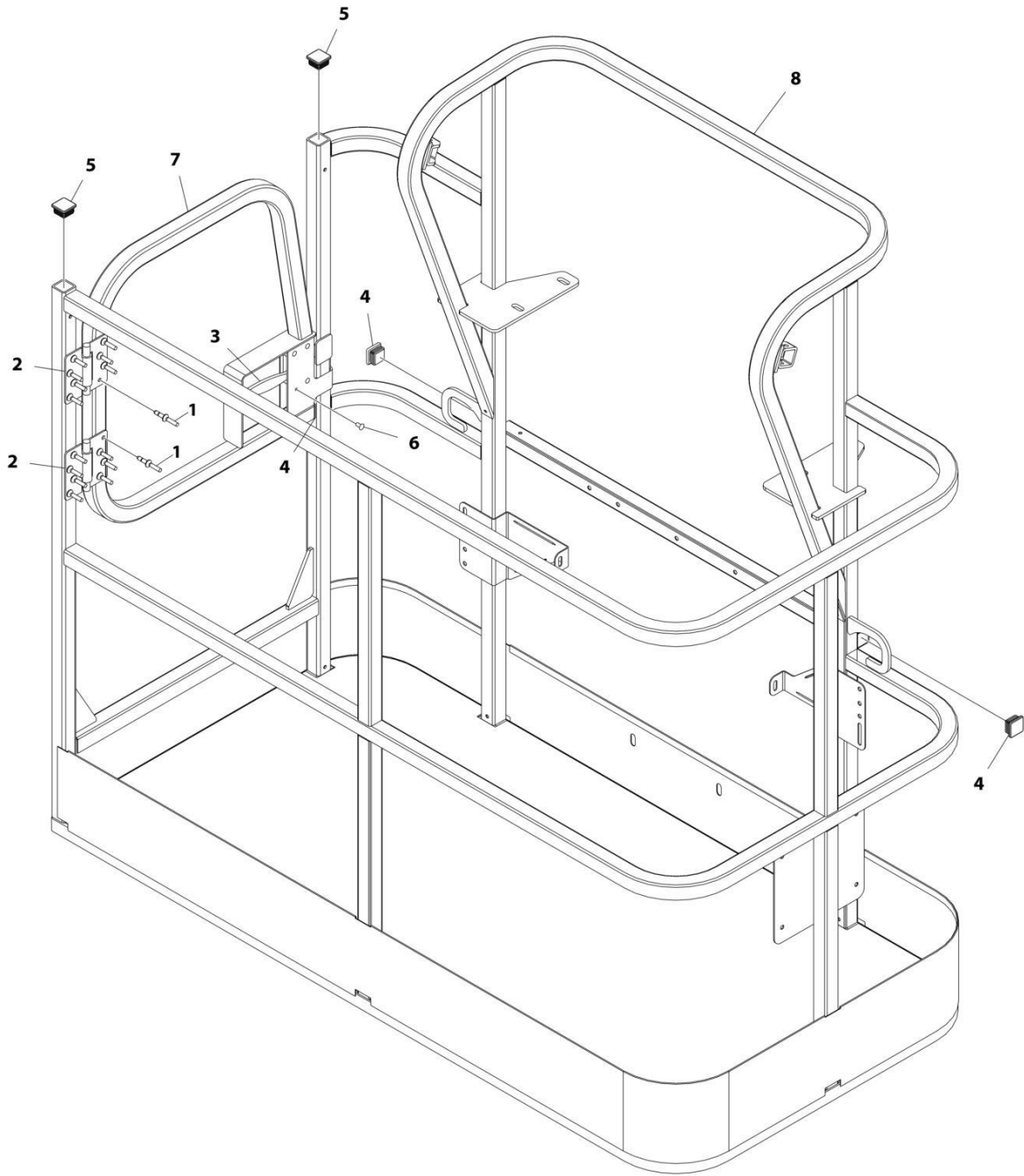
FIGURE 4-18. PLATFORM SUPPORT INSTALLATION

ITEM	PART NUMBER	QTY	DESCRIPTION	REV
	1001167596	Ref	PLATFORM SUPPORT INSTALLATION	N
1	0100011	AR	Compound, Locking	
2	0761014	5	Bolt M10 x 30	
3	0761216	8	Bolt M12 x 40	
4	1001255133	1	Bolt 1 x 11 GRD8	
5	0681608	8	Bolt 3/8 x 1 GRD8	
6	3291001	5	Nut M10	
7	3291201	3	Nut M12	
8	1001174040	1	Nut 1	
9	3291205	8	Nut M12	
10	3841143	4	Keeper, Pin	
11	4812000	8	Washer M10	
12	4812100	3	Washer M12	
13	4891600	8	Washer 3/8	
14	5241200	8	Washer M12	
15	4892600001	1	Washer 1	
16	1001098828	2	Bolt M12 x 70 CL10.9	
17	1001167565	2	Pin	
18	1001200494	1	Support, Platform	
19	1001167567	1	Support, Rotator	
20	1001168402	2	Pin	
21	1001188622	1	Screw	
22	1001247468	1	Loadcell	
23	1001188844	1	Bolt M12 x 35	
24	1001201351	2	Link	
24	1001187382	4	Bearing	
24	1001187383	4	Seal	
26	5251008	2	Bolt M10 x 16 CL10.9	
28	1001189002	8	Bearing	
29	1001190985	1	Pad, Wear	
30	3291005	2	Nut M10	
31	5251016	2	Bolt M10 x 40 CL10.9	
32	1001200491	1	Pad, Wear	
33	1001189001	4	Bearing	
34	1001204725	2	Plug	
36	91203039	1	Clamp	
37	1001216630	2	Decal - Tie Down/No Lift	
38	1001238421	Ref	Kit, Platform Leveling (Not Shown)	
	1001202687	Ref	VALVE MOUNT INSTALLATION	B
101	0100011	AR	Compound, Locking	
102	0760810	4	Bolt M8 x 20	
103	3290806	4	Nut M8	
104	4811900	8	Washer M8	
106	1001208994	1	Mount, Valve	

SECTION 5 - PLATFORM

SECTION 5 - PLATFORM

FIGURE 5-1. PLATFORM ASSEMBLY - 30IN X 5FT (76.2CM X 1.52M) WITH SWING GATE



ART_1001186386

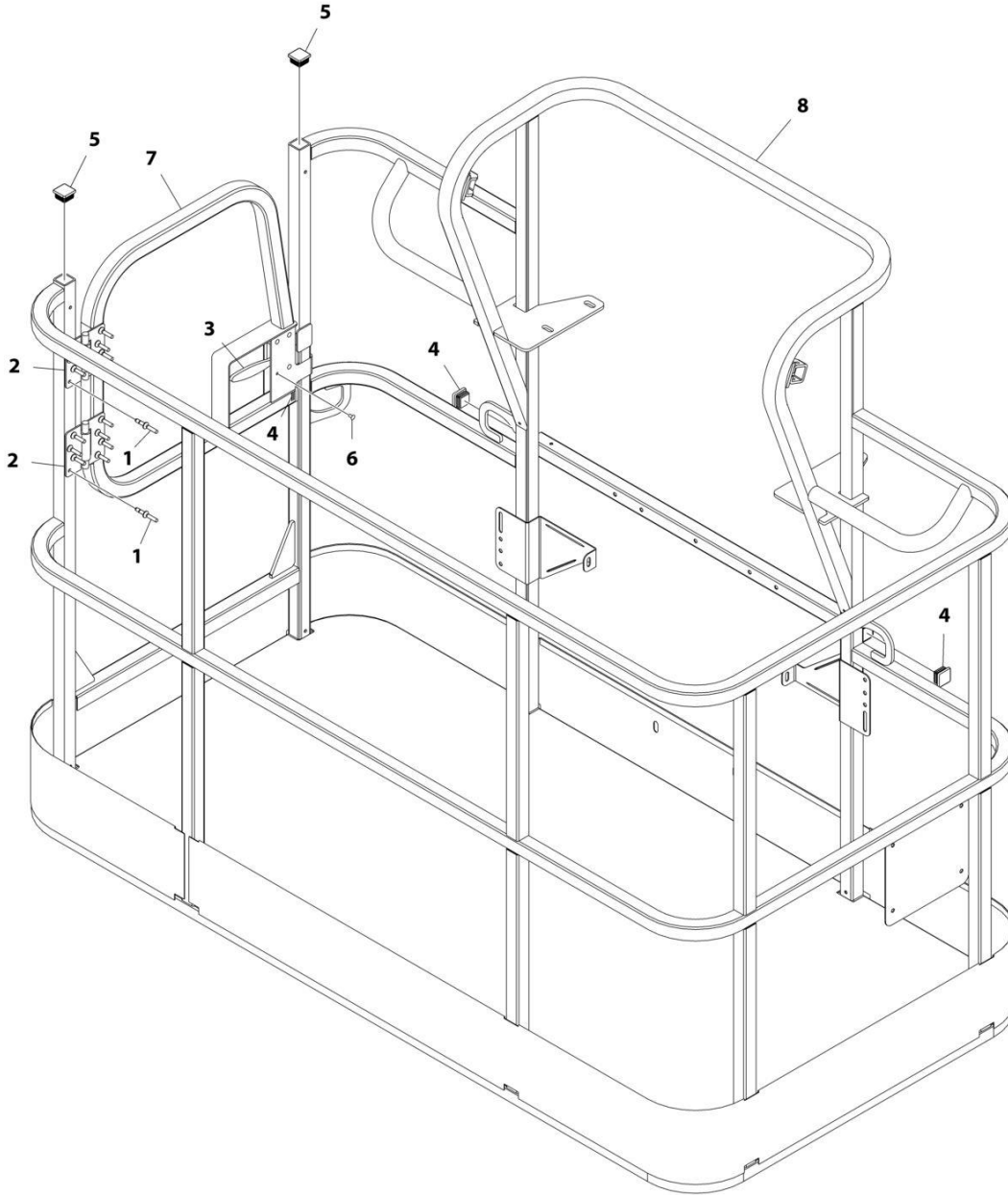
SECTION 5 - PLATFORM

FIGURE 5-1. PLATFORM ASSEMBLY - 30IN X 5FT (76.2CM X 1.52M) WITH SWING GATE

ITEM	PART NUMBER	QTY	DESCRIPTION	REV
	1001186386	Ref	PLATFORM ASSEMBLY	C
		Ref	Note: Platform and Mesh must be ordered separately for Platforms with Mesh. See SPECIAL OPTIONS SECTION for Mesh Installations.	
		Ref	Note: Replacement Decals Must be Ordered Separately - See DECALS SECTION.	
1	2080040	16	Fastener, Huck	
2	2600281	2	Hinge, Self-Closing	
3	2940074	1	Latch	
4	3520072	3	Plug	
5	3520198	2	Plug	
6	3820020	4	Rivet	
7	1001144629	1	Gate	
8	See Note	NSS	Platform (Note: Not Available - Purchase Platform Assembly)	

SECTION 5 - PLATFORM

FIGURE 5-2. PLATFORM ASSEMBLY - 36IN X 6FT (91.5CM X 1.83M) WITH SWING GATE



ART_1001186384

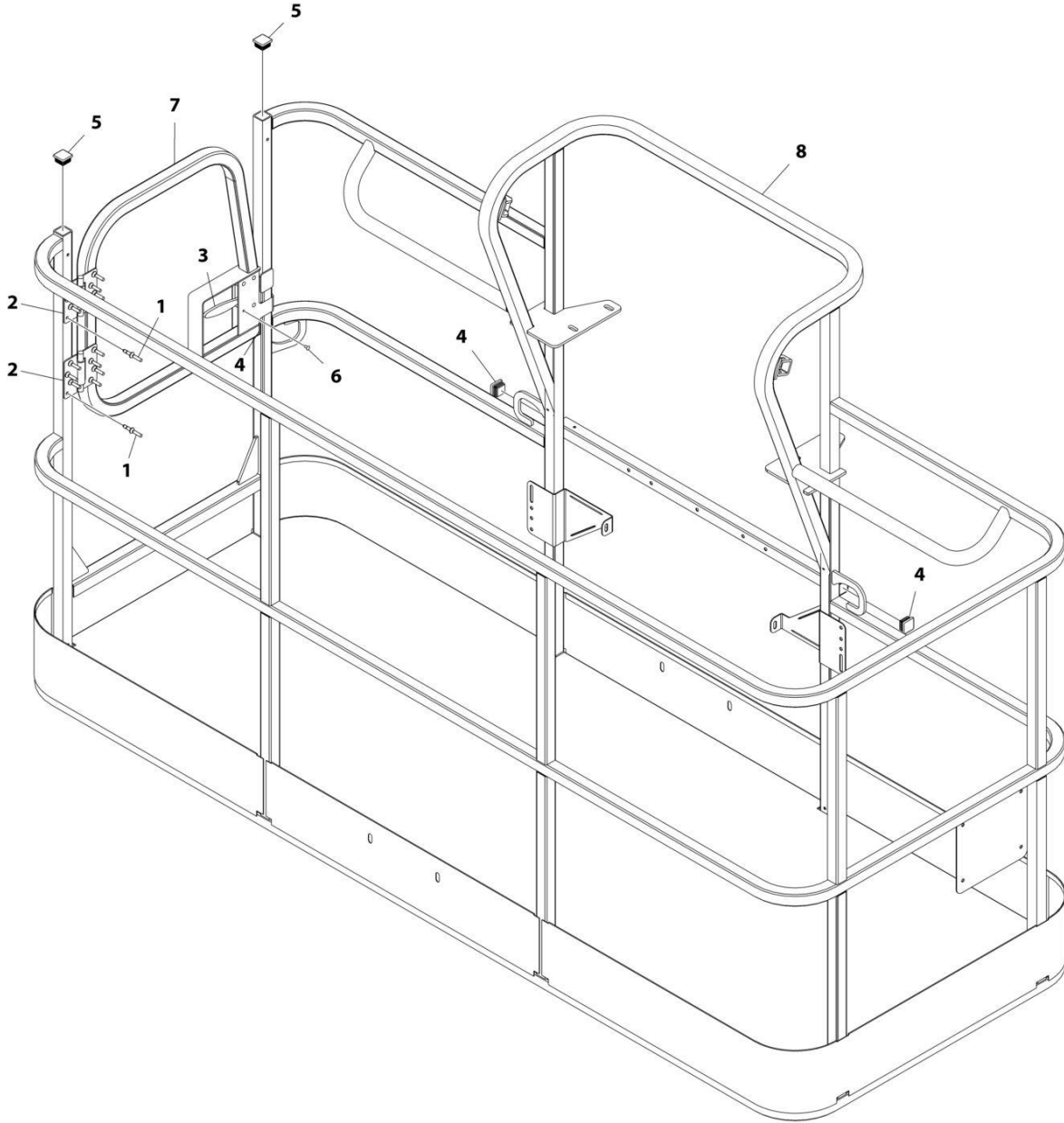
SECTION 5 - PLATFORM

FIGURE 5-2. PLATFORM ASSEMBLY - 36IN X 6FT (91.5CM X 1.83M) WITH SWING GATE

ITEM	PART NUMBER	QTY	DESCRIPTION	REV
	1001186384	Ref	PLATFORM ASSEMBLY - 36IN X 6FT (91.5CM X 1.83M) WITH SWING GATE	C
	See Note	Ref	Note: Platform and Mesh must be ordered separately for Platforms with Mesh. See SPECIAL OPTIONS SECTION for Mesh Installations.	
	See Note	Ref	Note: Replacement Decals Must be Ordered Separately - See DECALS SECTION.	
1	2080040	16	Fastener, Huck	
2	2600281	2	Hinge	
3	2940074	1	Latch	
4	3520072	3	Plug	
5	3520198	2	Plug	
6	3820020	4	Rivet	
7	1001144629	1	Gate	
8	See Note	NSS	Platform (Note: Not Available - Purchase Platform Assembly)	

SECTION 5 - PLATFORM

FIGURE 5-3. PLATFORM ASSEMBLY - 36IN X 8FT (91.5CM X 2.44M) WITH SWING GATE



ART_1001186383

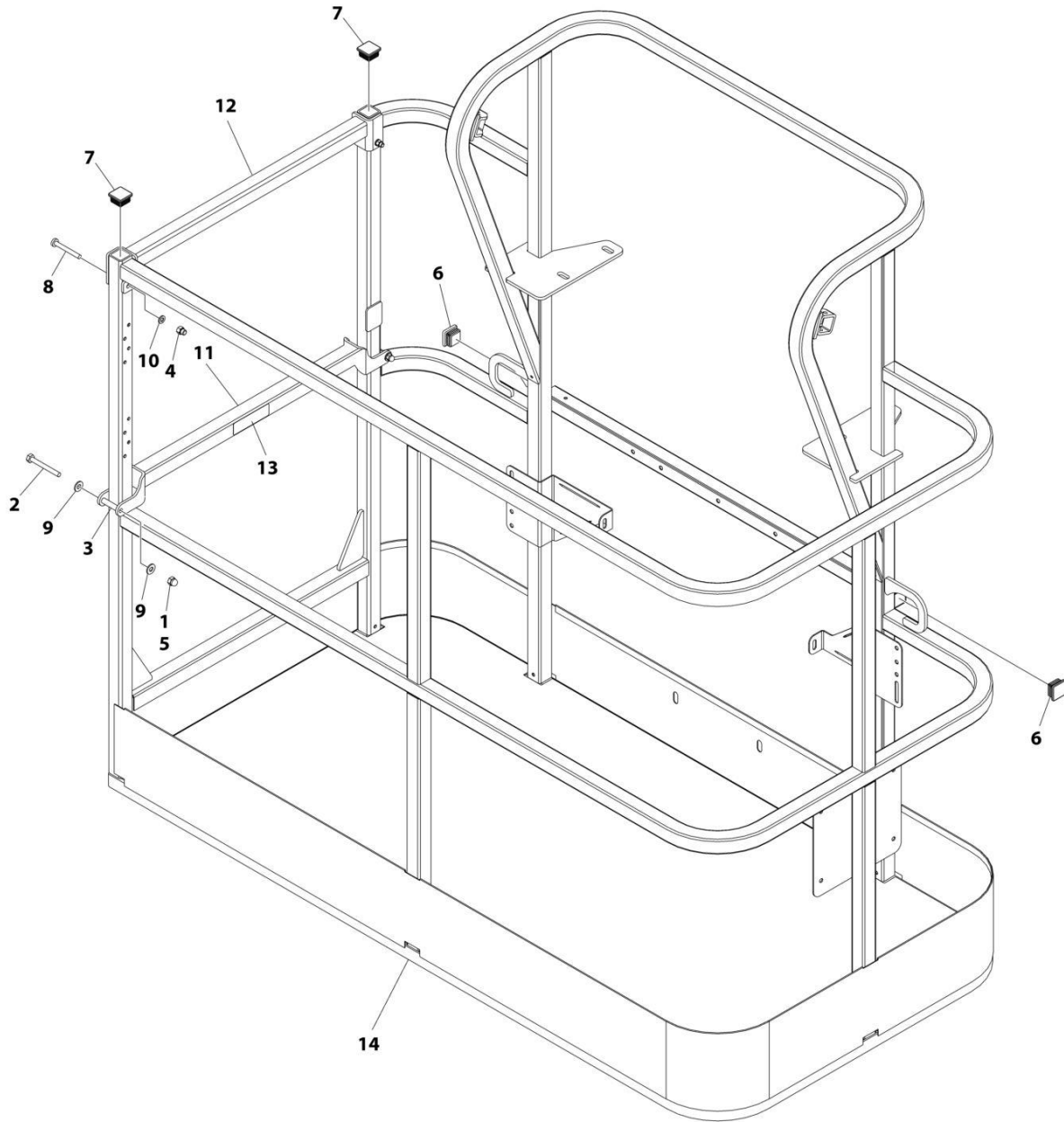
SECTION 5 - PLATFORM

FIGURE 5-3. PLATFORM ASSEMBLY - 36IN X 8FT (91.5CM X 2.44M) WITH SWING GATE

ITEM	PART NUMBER	QTY	DESCRIPTION	REV
	1001186383	Ref	PLATFORM ASSEMBLY - 36IN X 8FT (91.5CM X 2.44M) WITH SWING GATE	D
		Ref	Note: Platform and Mesh must be ordered separately for Platforms with Mesh. See SPECIAL OPTIONS SECTION for Mesh Installations.	
		Ref	Note: Replacement Decals Must be Ordered Separately - See DECALS SECTION.	
1	2080040	16	Fastener, Huck	
2	2600281	2	Hinge	
3	2940074	1	Latch	
4	3520072	3	Plug	
5	3520198	2	Plug	
6	3820020	4	Rivet	
7	1001144629	1	Gate	
8	See Note	NSS	Platform (Note: Not Available - Purchase Platform Assembly)	

SECTION 5 - PLATFORM

FIGURE 5-4. PLATFORM ASSEMBLY - 30IN X 5FT (76.2CM X 1.52M) WITH DROP BAR



ART_1001186377

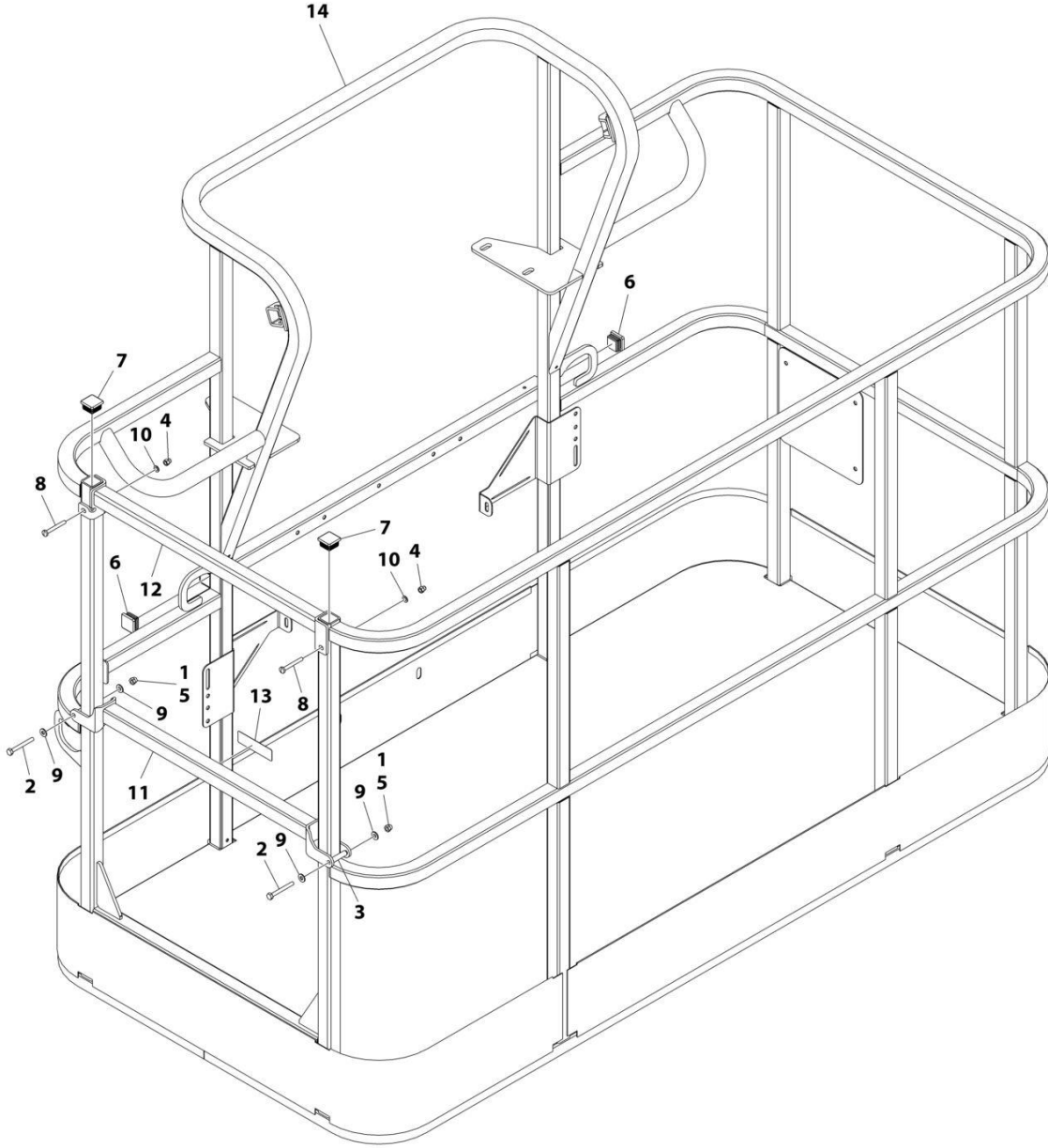
SECTION 5 - PLATFORM

FIGURE 5-4. PLATFORM ASSEMBLY - 30IN X 5FT (76.2CM X 1.52M) WITH DROP BAR

ITEM	PART NUMBER	QTY	DESCRIPTION	REV
	1001186377	Ref	PLATFORM ASSEMBLY	C
		Ref	Note: Platform and Mesh must be ordered separately for Platforms with Mesh. See SPECIAL OPTIONS SECTION for Mesh Installations.	
		Ref	Note: Replacement Decals Must be Ordered Separately - See DECALS SECTION.	
1	0100011	AR	Compound, Locking	
2	0641420	2	Bolt 1/4 x 2-1/2	
3	0961845	2	Bushing	
4	3290606	2	Nut M6	
5	3300151	2	Nut 1/4	
6	3520072	2	Plug	
7	3520198	2	Plug	
8	4010618	2	Screw M6 x 50	
9	4711400	4	Washer 1/4	
10	4811700	2	Washer M6	
11	1001138494	1	Bar, Drop	
12	1001138514	1	Rail (Top)	
13	1001140429	1	Decal - Drop Bar	
14	See Note	NSS	Platform (Note: Not Available - Purchase Platform Assembly)	

SECTION 5 - PLATFORM

FIGURE 5-5. PLATFORM ASSEMBLY - 36IN X 6FT (91.5CM X 1.83M) WITH DROP BAR



ART_1001186379

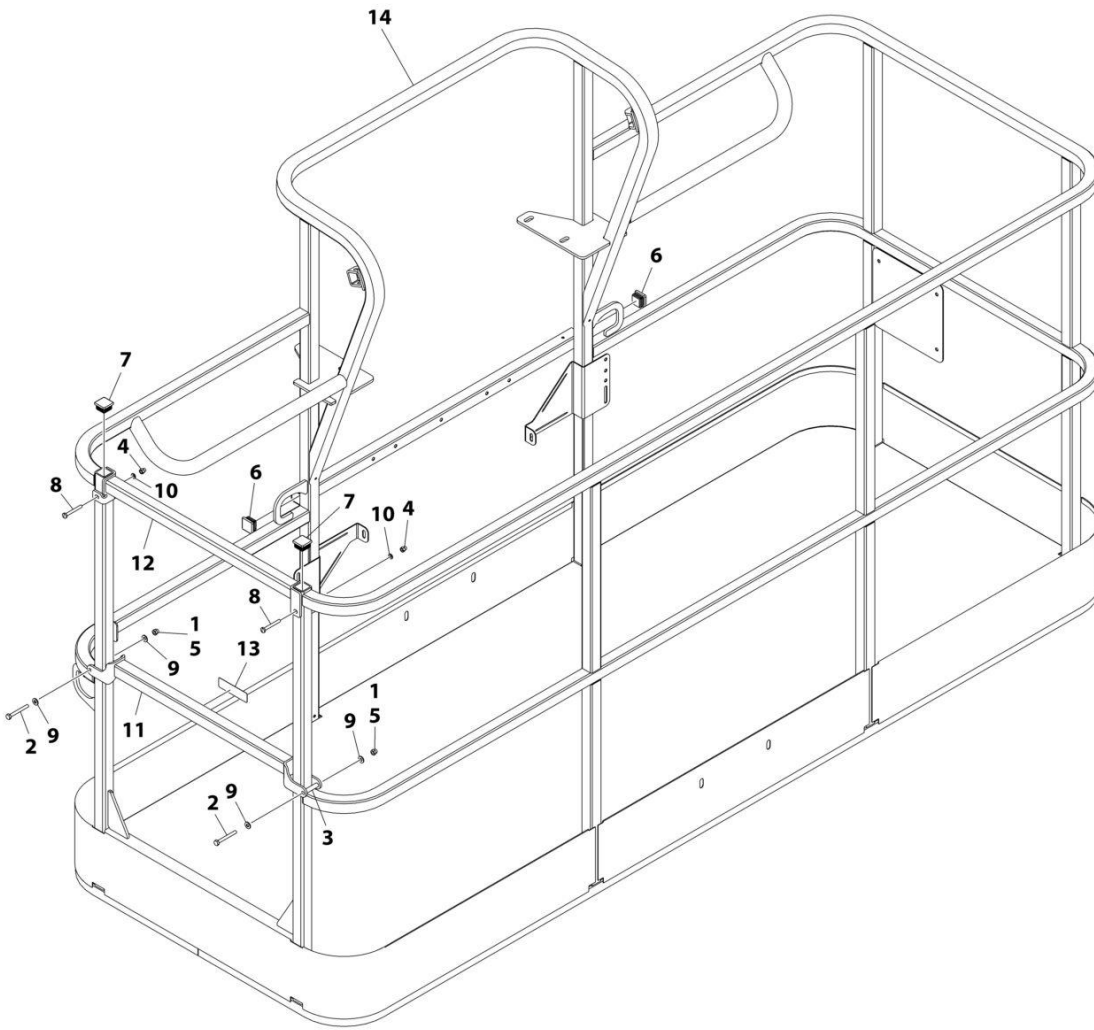
SECTION 5 - PLATFORM

FIGURE 5-5. PLATFORM ASSEMBLY - 36IN X 6FT (91.5CM X 1.83M) WITH DROP BAR

ITEM	PART NUMBER	QTY	DESCRIPTION	REV
	1001186379	Ref	PLATFORM ASSEMBLY - 36IN X 6FT (91.5CM X 1.83M) WITH DROP BAR	B
		Ref	Note: Platform and Mesh must be ordered separately for Platforms with Mesh. See SPECIAL OPTIONS SECTION for Mesh Installations.	
		Ref	Note: Replacement Decals Must be Ordered Separately - See DECALS SECTION.	
1	0100011	AR	Compound, Locking	
2	0641418	2	Bolt 1/4 x 2-1/4	
3	0961845	2	Bushing	
4	3290606	2	Nut M6	
5	3300151	2	Nut 1/4	
6	3520072	2	Plug	
7	3520198	2	Plug	
8	4010618	2	Screw M6 x 50	
9	4711400	4	Washer 1/4	
10	4811700	2	Washer M6	
11	1001138494	1	Bar, Drop	
12	1001138514	1	Rail (Top)	
13	1001140429	1	Decal - Drop Bar	
14	See Note	NSS	Platform (Note: Not Available - Purchase Platform Assembly)	

SECTION 5 - PLATFORM

FIGURE 5-6. PLATFORM ASSEMBLY - 36IN X 8FT (91.5CM X 2.44M) WITH DROP BAR



ART_1001186382

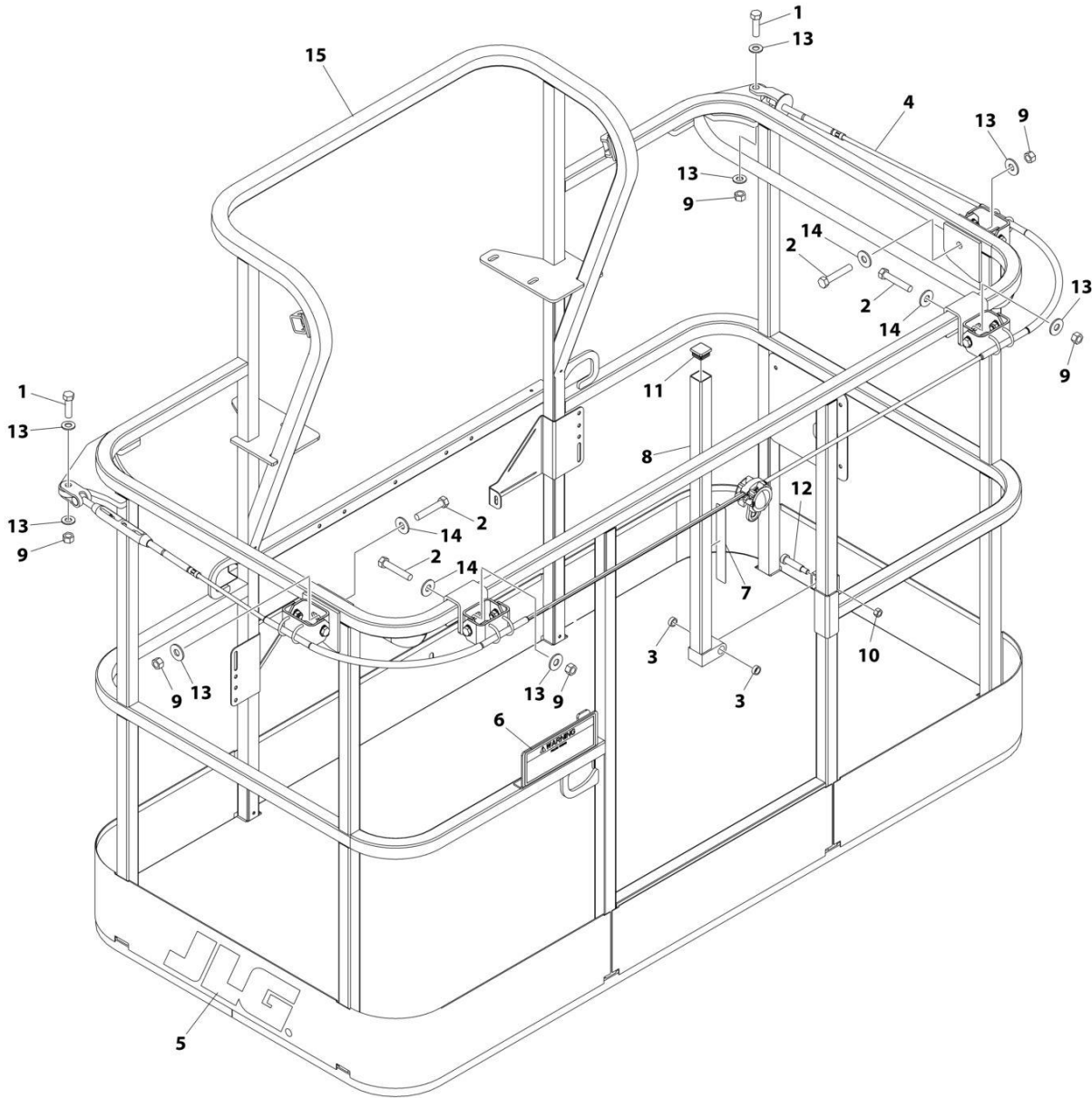
SECTION 5 - PLATFORM

FIGURE 5-6. PLATFORM ASSEMBLY - 36IN X 8FT (91.5CM X 2.44M) WITH DROP BAR

ITEM	PART NUMBER	QTY	DESCRIPTION	REV
	1001186382	Ref	PLATFORM ASSEMBLY - 36IN X 8FT (91.5CM X 2.44M) WITH DROP BAR	C
		Ref	Note: Platform and Mesh must be ordered separately for Platforms with Mesh. See SPECIAL OPTIONS SECTION for Mesh Installations.	
		Ref	Note: Replacement Decals Must be Ordered Separately - See DECALS SECTION.	
1	0100011	AR	Compound, Locking	
2	0641418	2	Bolt 1/4 x 2-1/4	
3	0961845	2	Bushing	
4	3290606	2	Nut M6	
5	3300151	2	Nut 1/4	
6	3520072	2	Plug	
7	3520198	2	Plug	
8	4010618	2	Screw M6 x 50	
9	4711400	4	Washer 1/4	
10	4811700	2	Washer M6	
11	1001138494	1	Bar, Drop	
12	1001138514	1	Rail (Top)	
13	1001140429	1	Decal - Drop Bar	
14	See Note	NSS	Platform (Note: Not Available - Purchase Platform Assembly)	

SECTION 5 - PLATFORM

FIGURE 5-7. PLATFORM ASSEMBLY - 36IN X 6FT (91.5CM X 1.83M) WITH FALL ARREST (ALL SPECS EXCEPT CE AND AUSTRALIAN SPECS)



ART_1001186333

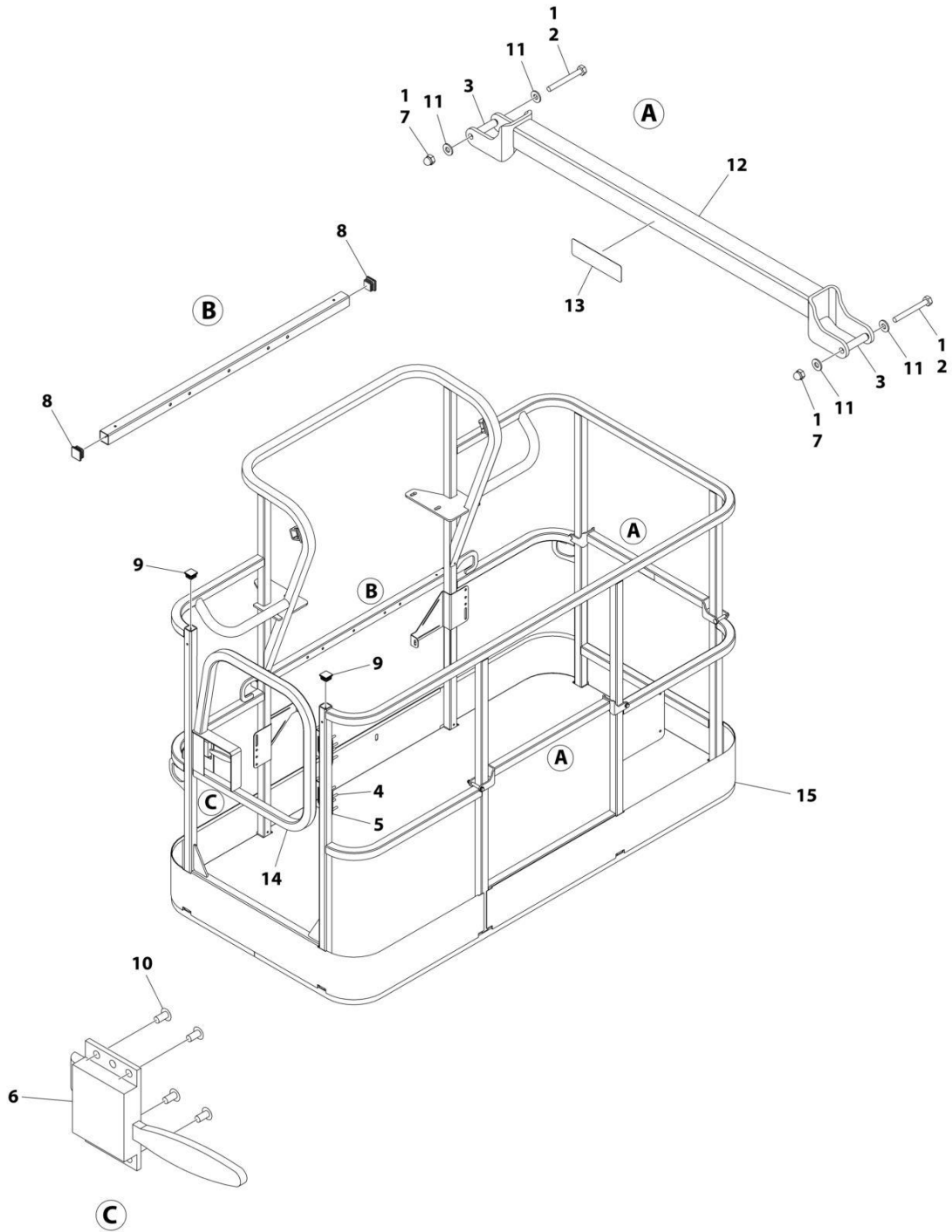
SECTION 5 - PLATFORM

FIGURE 5-7. PLATFORM ASSEMBLY - 36IN X 6FT (91.5CM X 1.83M) WITH FALL ARREST (ALL SPECS EXCEPT CE AND AUSTRALIAN SPECS)

ITEM	PART NUMBER	QTY	DESCRIPTION	REV
	1001186333	Ref	PLATFORM ASSEMBLY	C
		Ref	Note: Replacement Decals Must be Ordered Separately - See DECALS SECTION.	
1	0681814	2	Bolt 1/2 x 1-3/4 Grade 8	
2	0681822	4	Bolt 1/2 x 2-3/4 Grade 8	
3	0962270	2	Bearing	
4	1001203655	1	Cable	
5	1702773	1	Decal - JLG	
6	1705014	1	Decal - Safety	
7	1706385	1	Decal - Drop Bar	
8	2410014	1	Bar, Drop	
9	3271805	6	Nut 1/2 Grade 8	
10	3311605	1	Nut 3/8	
11	3520072	1	Plug	
12	3900054	1	Bolt 1/2 x 1-3/4	
13	4711800	8	Washer 1/2	
14	4751800	4	Washer 1/2	
15	See Note	NSS	Platform (Note: Not Available - Purchase Platform Assembly)	

SECTION 5 - PLATFORM

FIGURE 5-8. PLATFORM ASSEMBLY - 36IN X 6FT (91.5CM X 1.83M) TRI-ENTRY WITH GATE



ART_1001228376

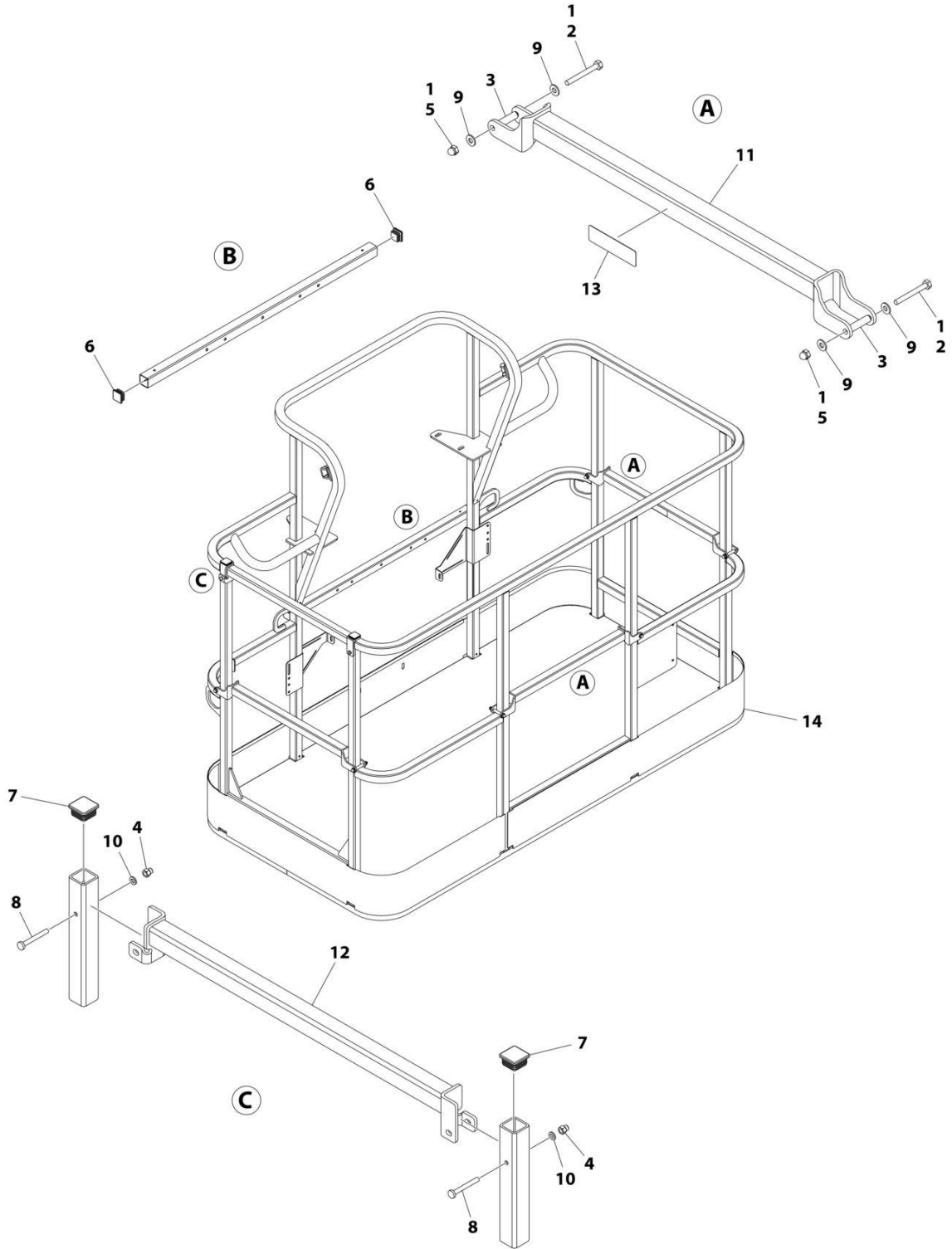
SECTION 5 - PLATFORM

FIGURE 5-8. PLATFORM ASSEMBLY - 36IN X 6FT (91.5CM X 1.83M) TRI-ENTRY WITH GATE

ITEM	PART NUMBER	QTY	DESCRIPTION	REV
	1001228376	Ref	PLATFORM ASSEMBLY - 36IN x 6FT (91.5CM x 1.83M)	B
		Ref	Note: Platform and Mesh must be ordered separately for Platforms with Mesh. See SPECIAL OPTIONS SECTION for Mesh Installations.	
		Ref	Note: Replacement Decals Must be Ordered Separately - See DECAL SECTION.	
1	0100011	AR	Compound, Locking	
2	0641418	4	Bolt 1/4 x 2-1/4	
3	0961845	4	Bushing	
4	2080040	16	Fastener	
5	2600281	2	Hinge	
6	2940074	1	Latch	
7	3300151	4	Nut 1/4	
8	3520072	3	Plug	
9	3520198	2	Plug	
10	3820020	4	Rivet	
11	4711400	8	Washer 1/4	
12	1001138494	2	Bar, Drop	
13	1001140429	2	Decal - Drop Bar	
14	1001144629	1	Gate	
15	See Note	NSS	Platform (Note: Not Available - Purchase Platform Assembly)	

SECTION 5 - PLATFORM

FIGURE 5-9. PLATFORM ASSEMBLY - 36IN X 6FT (91.5CM X 1.83M) TRI-ENTRY WITH DROPBAR



ART_1001228377

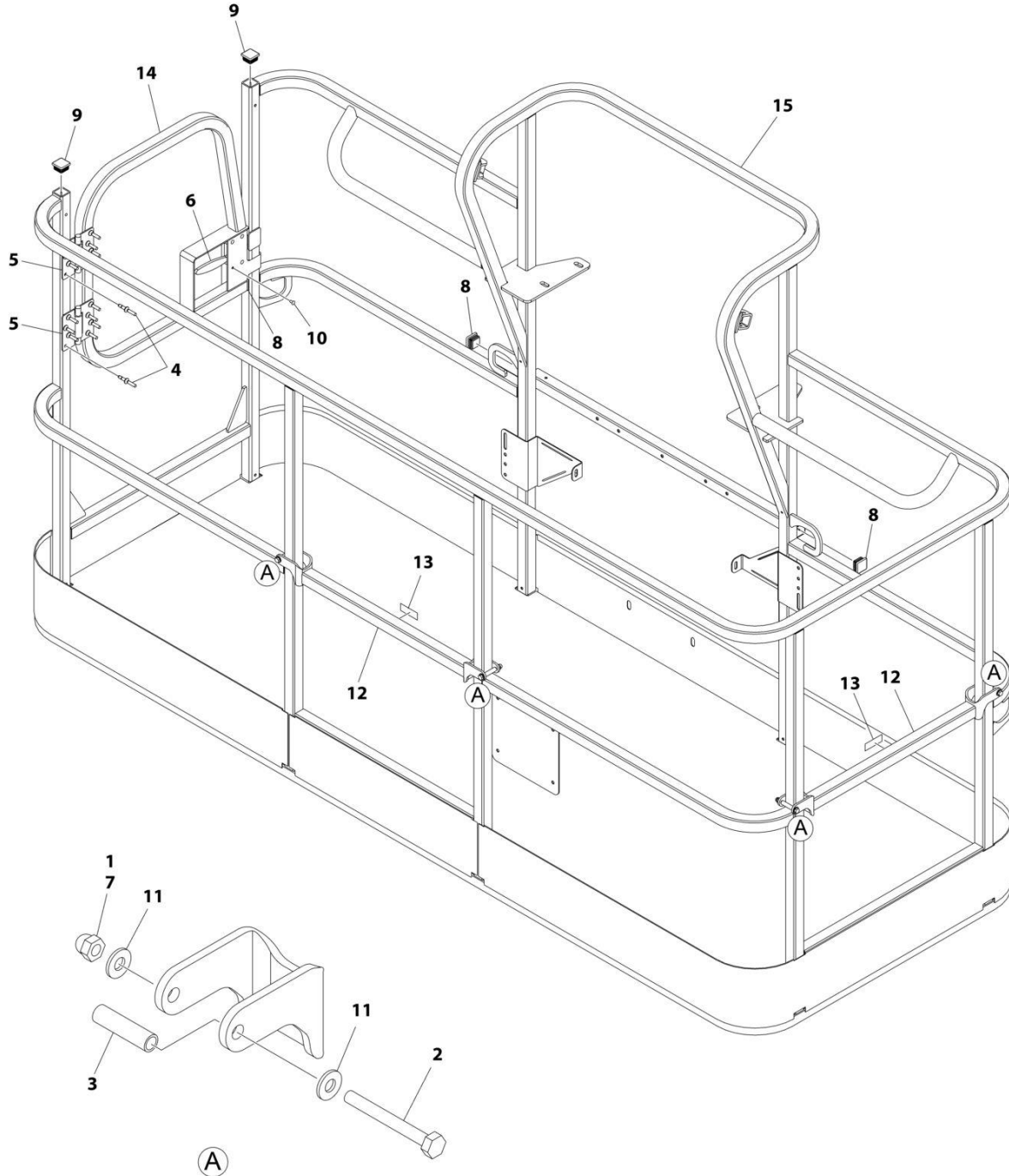
SECTION 5 - PLATFORM

FIGURE 5-9. PLATFORM ASSEMBLY - 36IN X 6FT (91.5CM X 1.83M) TRI-ENTRY WITH DROPBAR

ITEM	PART NUMBER	QTY	DESCRIPTION	REV
	1001228377	Ref	PLATFORM ASSEMBLY - 36IN x 6FT (91.5CM x 1.83M)	B
		Ref	Note: Platform and Mesh must be ordered separately for Platforms with Mesh. See SPECIAL OPTIONS SECTION for Mesh Installations.	
		Ref	Note: Replacement Decals Must be Ordered Separately - See DECAL SECTION.	
1	0100011	1	Compound, Locking	
2	0641418	6	Bolt 1/4 x 2-1/4	
3	0961845	6	Bushing	
4	3290606	2	Nut M6	
5	3300151	6	Nut 1/4	
6	3520072	2	Plug	
7	3520198	2	Plug	
8	4010618	2	Screw M6 x 50	
9	4711400	12	Washer 1/4	
10	4811700	2	Washer M6	
11	1001138494	3	Bar, Drop	
12	1001138514	1	Rail (Top)	
13	1001140429	3	Decal - Drop Bar	
14	See Note	NSS	Platform, Weldment (Note: Not Available - Purchase Platform Assembly)	

SECTION 5 - PLATFORM

FIGURE 5-10. PLATFORM ASSEMBLY - 36IN X 8FT (91.5CM X 2.44M) WITH TRI-ENTRY (1 GATE/2 DROP BARS)



ART_1001228243

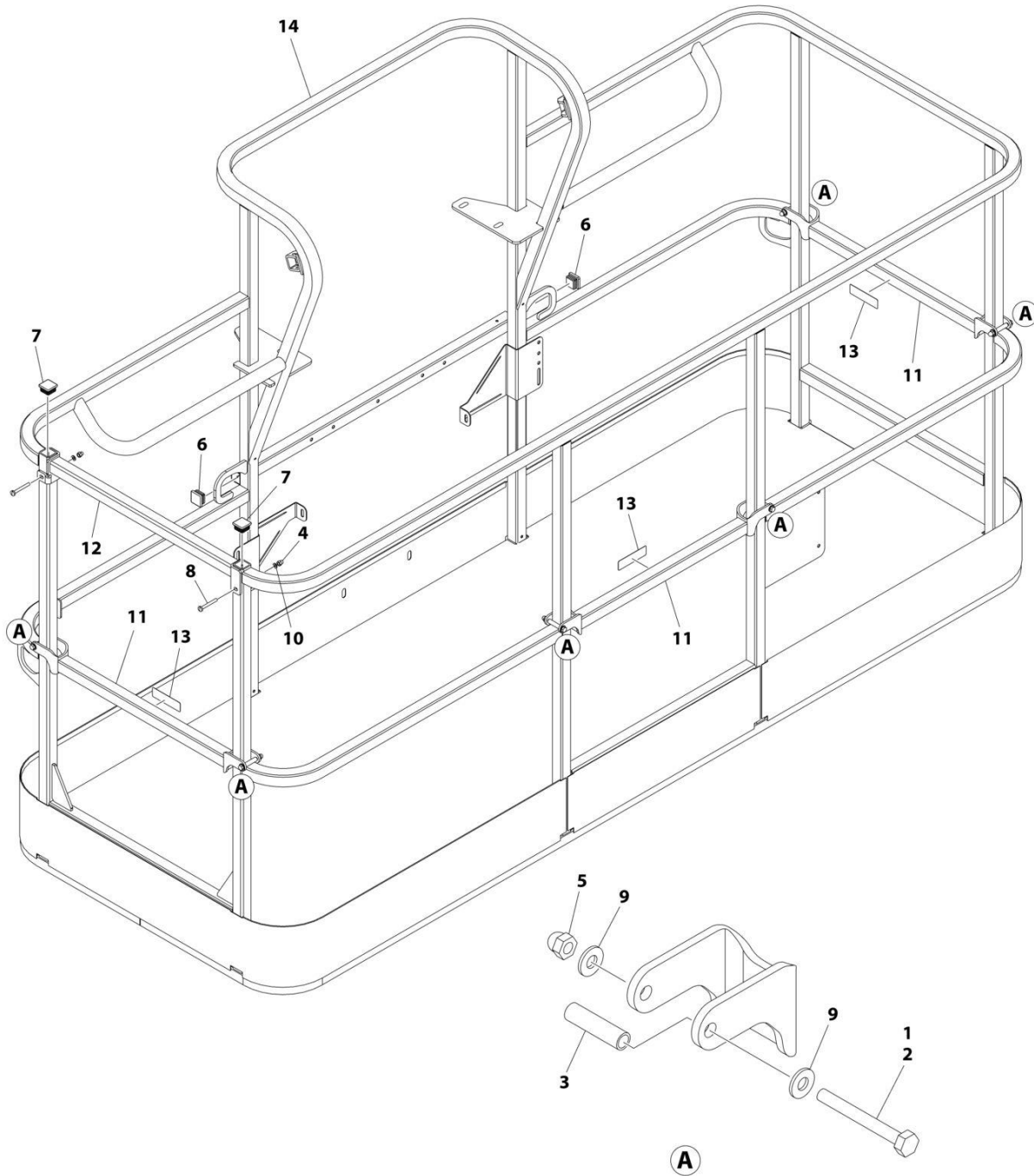
SECTION 5 - PLATFORM

FIGURE 5-10. PLATFORM ASSEMBLY - 36IN X 8FT (91.5CM X 2.44M) WITH TRI-ENTRY (1 GATE/2 DROP BARS)

ITEM	PART NUMBER	QTY	DESCRIPTION	REV
	1001228243	Ref	PLATFORM ASSEMBLY - 36IN X 8FT (91.5CM X 2.44M) WITH TRI-ENTRY	A
		Ref	Note: Platform and Mesh must be ordered separately for Platforms with Mesh. See SPECIAL OPTIONS SECTION for Mesh Installations.	
1	0100011	AR	Compound, Locking	
2	0641418	4	Bolt 1/4 x 2-1/4	
3	0961845	4	Bushing	
4	2080040	16	Fastener, Huck	
5	2600281	2	Hinge, Self-Closing	
6	2940074	1	Latch	
7	3300151	4	Nut 1/4	
8	3520072	3	Cap, Plug	
9	3520198	2	Cap, Plug	
10	3820020	4	Rivet	
11	4711400	8	Washer 1/4	
12	1001138494	2	Bar, Drop	
13	1001140429	2	Decal - Drop Bar	
14	1001144629	1	Gate, Weldment	
15	See Note	1	Platform (Note: Not Available - Purchase Platform Assembly)	

SECTION 5 - PLATFORM

FIGURE 5-11. PLATFORM ASSEMBLY - 36IN X 8FT (91.5CM X 2.44M) WITH TRI-ENTRY (3 DROP BARS)



ART_1001228375

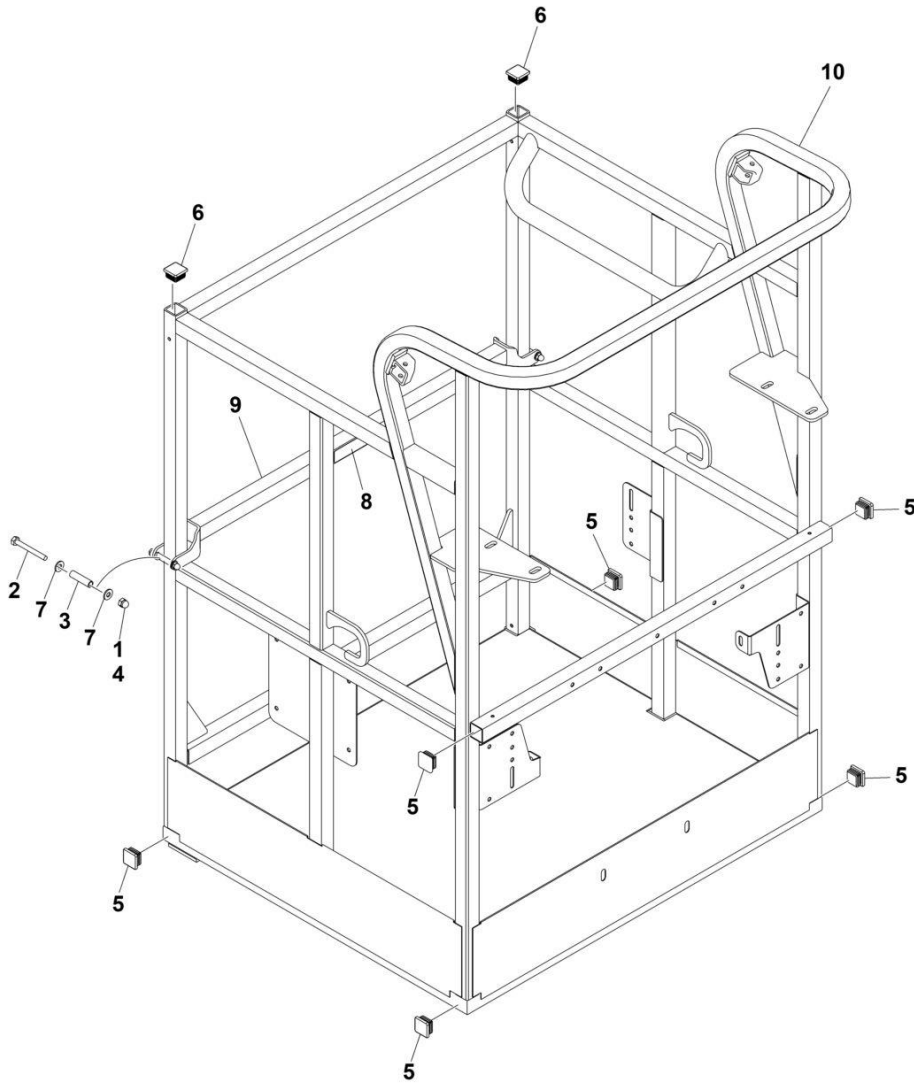
SECTION 5 - PLATFORM

FIGURE 5-11. PLATFORM ASSEMBLY - 36IN X 8FT (91.5CM X 2.44M) WITH TRI-ENTRY (3 DROP BARS)

ITEM	PART NUMBER	QTY	DESCRIPTION	REV
	1001228375	Ref	PLATFORM ASSEMBLY - 36IN X 8FT (91.5CM X 2.44M) WITH TRI-ENTRY	A
		Ref	Note: Platform and Mesh must be ordered separately for Platforms with Mesh. See SPECIAL OPTIONS SECTION for Mesh Installations.	
		Ref	Note: Replacement Decals Must be Ordered Separately - See DECAL SECTION.	
1	0100011	AR	Compound, Locking	
2	0641418	6	Bolt 1/4 x 2-1/4	
3	0961845	6	Bushing	
4	3290606	2	Nut M6 x 1	
5	3300151	6	Nut 1/4	
6	3520072	2	Cap, Plug	
7	3520198	2	Cap, Plug	
8	4010618	2	Screw M6 x 50	
9	4711400	12	Washer 1/4	
10	4811700	2	Washer M6	
11	1001138494	3	Bar, Drop	
12	1001138514	1	Rail (Top)	
13	1001140429	3	Decal - Drop Bar	
14	See Note	1	Platform (Note: Not Available - Purchase Platform Assembly)	

SECTION 5 - PLATFORM

FIGURE 5-12. PLATFORM ASSEMBLY - 30IN X 3FT (76CM X .91M) - DROP BAR ENTRY



ART_1001228215

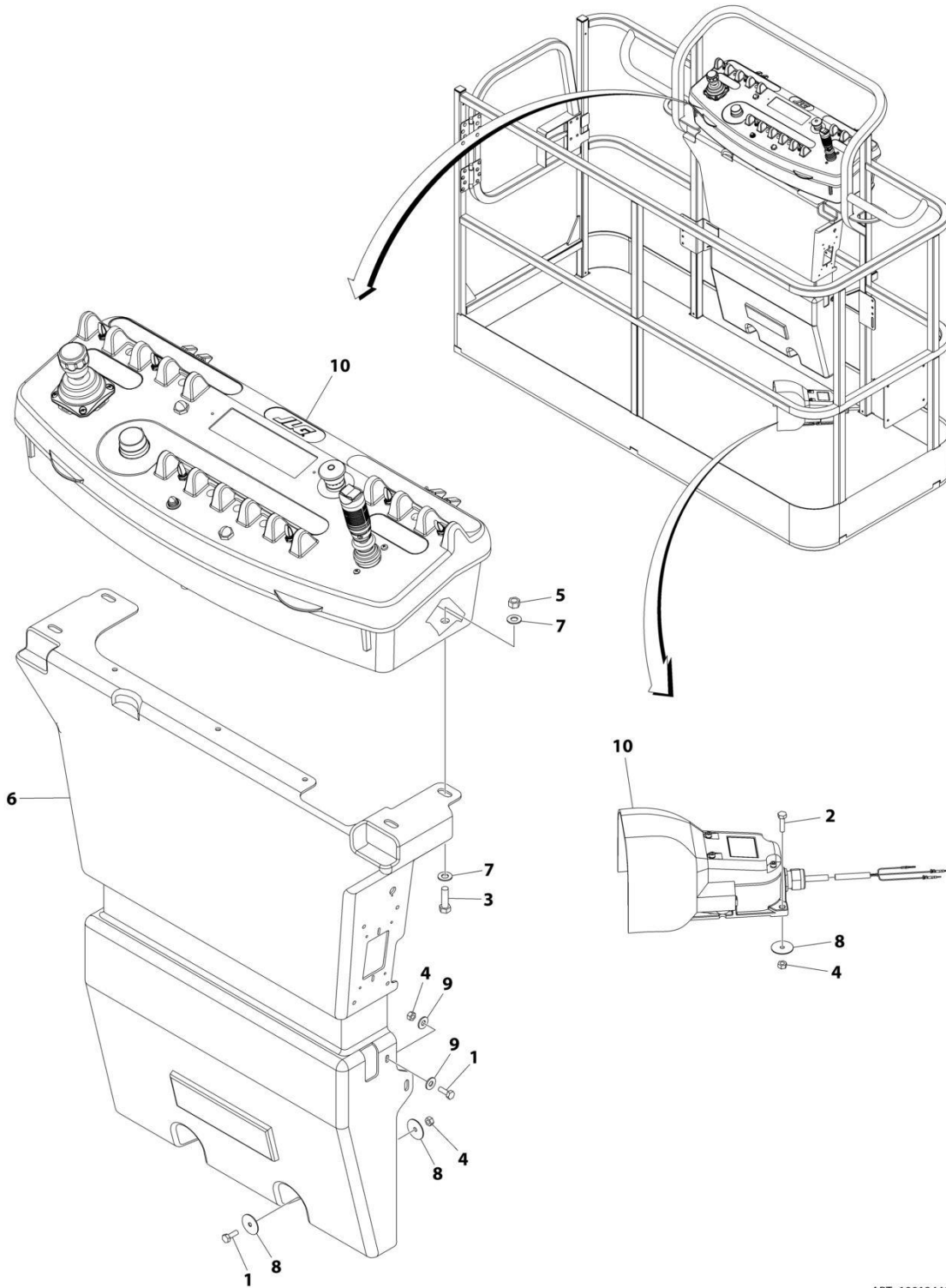
SECTION 5 - PLATFORM

FIGURE 5-12. PLATFORM ASSEMBLY - 30IN X 3FT (76CM X .91M) - DROP BAR ENTRY

ITEM	PART NUMBER	QTY	DESCRIPTION	REV
	1001228215	Ref	PLATFORM ASSEMBLY	A
	See Note	Ref	Note: Platform and Mesh must be ordered separately for Platforms with Mesh. See SPECIAL OPTIONS SECTION for Mesh Installations.	
	See Note	Ref	Note: Replacement Decals Must be Ordered Separately - See DECAL SECTION.	
1	0100011	AR	Compound, Locking	
2	0641418	2	Bolt 1/4 x 2-1/4	
3	0961845	2	Bushing	
4	3300151	2	Nut 1/4	
5	3520072	6	Cap, Plug	
6	3520198	2	Cap, Plug	
7	4711400	4	Washer 1/4	
8	1001140429	1	Decal - Drop Bar	
9	1001226872	1	Bar, Drop	
10	See Note	NSS	Platform (Note: Not Available - Purchase Platform Assembly)	

SECTION 5 - PLATFORM

FIGURE 5-13. PLATFORM CONSOLE BOX INSTALLATION



ART_1001244975

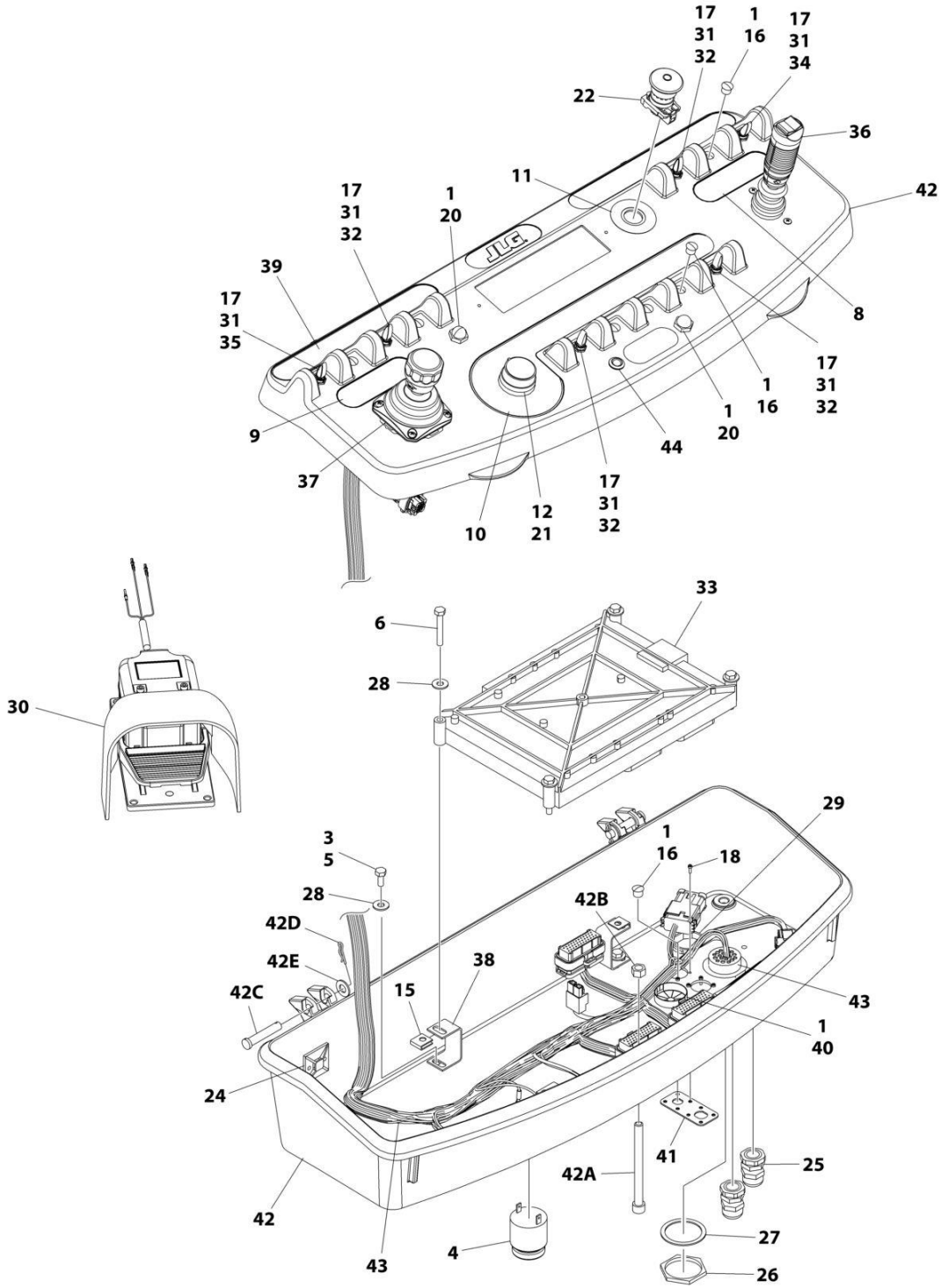
SECTION 5 - PLATFORM

FIGURE 5-13. PLATFORM CONSOLE BOX INSTALLATION

ITEM	PART NUMBER	QTY	DESCRIPTION	REV
	1001244975	Ref	PLATFORM CONSOLE BOX INSTALLATION	A
1	0641406	4	Bolt, 1/4 x 3/4	
2	0641408	3	Bolt, 1/4 x 1	
3	0641610	4	Bolt, 3/8 x 1-1/4	
4	3311405	7	Nut, Lock 1/4	
5	3311605	4	Nut, Lock 3/8	
6	3380434	1	Panel, Decal Mount	
7	4751600	8	Washer, 3/8	
8	4740362	7	Washer, 1/4	
9	4751400	4	Washer, 1/4	
10	1001244976	1	Platform Console Box Assembly (See Separate Breakdown in this Section)	

SECTION 5 - PLATFORM

FIGURE 5-14. PLATFORM CONSOLE BOX ASSEMBLY



ART_1001244976_C

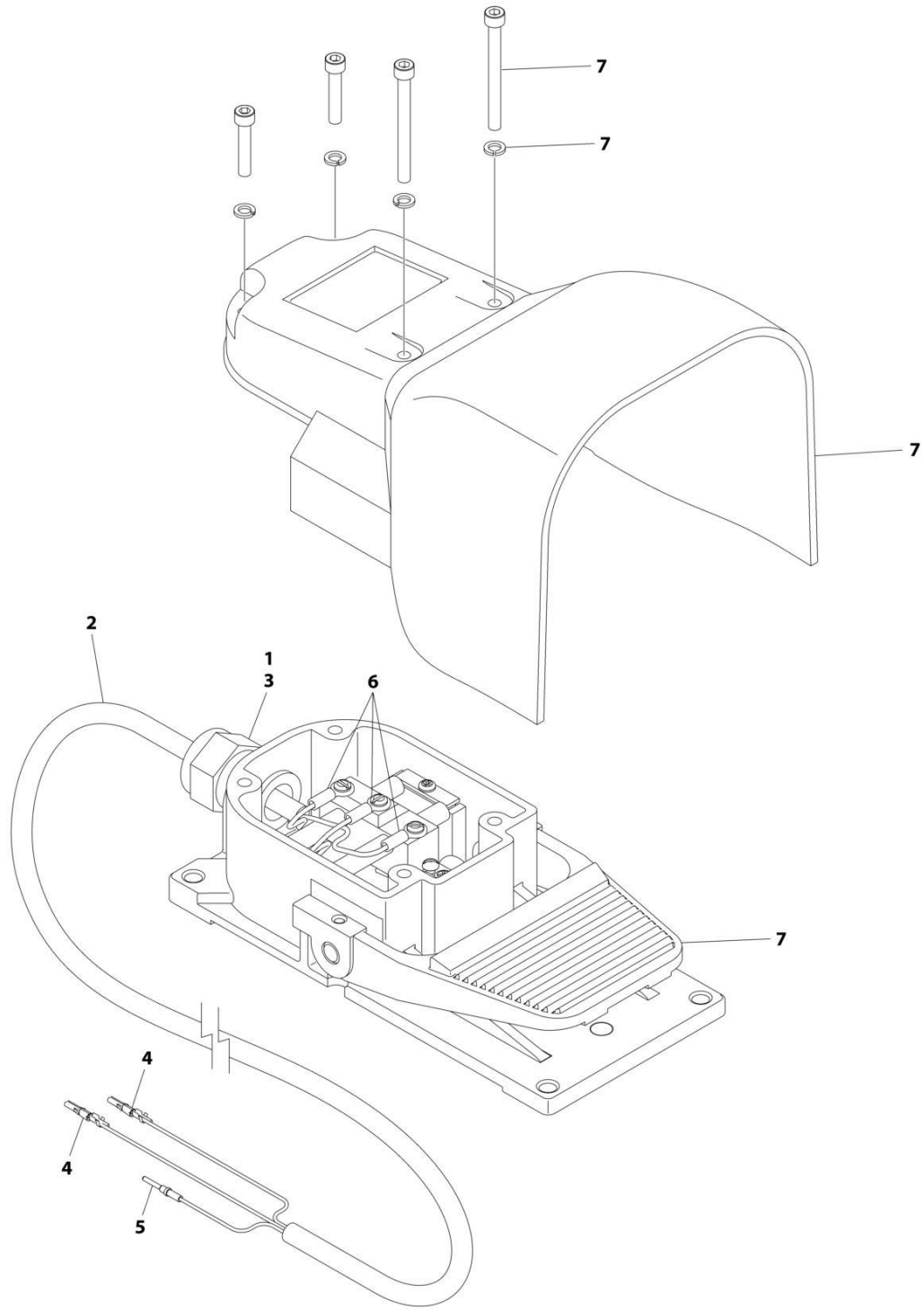
SECTION 5 - PLATFORM

FIGURE 5-14. PLATFORM CONSOLE BOX ASSEMBLY

ITEM	PART NUMBER	QTY	DESCRIPTION	REV
	1001244976	Ref	PLATFORM CONSOLE BOX ASSEMBLY	C
1	0100009	AR	Sealant	
3	0100035	AR	Compound, Locking	
4	0140011	1	Alarm	
5	0641405	4	Bolt 1/4 x 5/8	
6	0641414	4	Bolt 1/4 x 1-3/4	
8	1702565	1	Decal - Drive and Steer	
9	1702566	1	Decal - Lift and Swing	
10	1702567	1	Decal - Function Speed	
11	1704260	1	Decal - EMS	
12	2560136	1	Handle, Knob	
15	3300353	4	Nut, Tinnerman	
16	3520054	7	Plug	
17	3790012	6	O-Ring	
18	3900349	8	Screw M2.5	
19	4240099	AR	Tie-Strap (Not Shown)	
20	4360387	2	Switch, Pushbutton	
21	4360407	1	Switch, Potentiometer	
22	1001274559	1	Switch, Emergency	
24	4460234	6	Terminal	
25	4460428	2	Connector, Strain Relief	
26	4460470	1	Nut, Terminal	
27	4460471	1	Washer	
28	4751400	8	Washer 1/4	
29	1001110434	1	Plug	
30	1001117174	1	Footswitch Assembly (See Separate Breakdown in this Section)	
31	1001155044	6	Nut 15/32	
32	1001155045	4	Switch, Toggle	
33	1001157196	1	Controller, Module (Note: Re-calibration Required when Replaced)	
34	1001159256	1	Switch, Toggle	
35	1001161709	1	Switch, Toggle	
36	1001275628	1	Controller Assembly (Drive and Steer)	
37	1001275629	1	Controller Assembly (Lift and Swing)	
38	1001172760	4	Bracket	
39	1001184626	1	Decal - Horn	
40	1001185281	1	Plug	
41	1001213882	1	Connector Mount	
42	1001215228	1	Platform Console Box	
42A	0630568	1	Capscrew 3/8 x 4-1/2	
42B	3311601	1	Nut 3/8	
42C	3430616	2	Pin	
42D	3470003	2	Hairpin	
42E	4711600	2	Washer 3/8	
43	1001238254	1	Harness, Platform Console Box (See Separate Breakdown in ELECTRICAL Section)	
44	1001206532	1	Lamp, LED Indicator Yellow	

SECTION 5 - PLATFORM

FIGURE 5-15. FOOTSWITCH ASSEMBLY



ART_1001117174

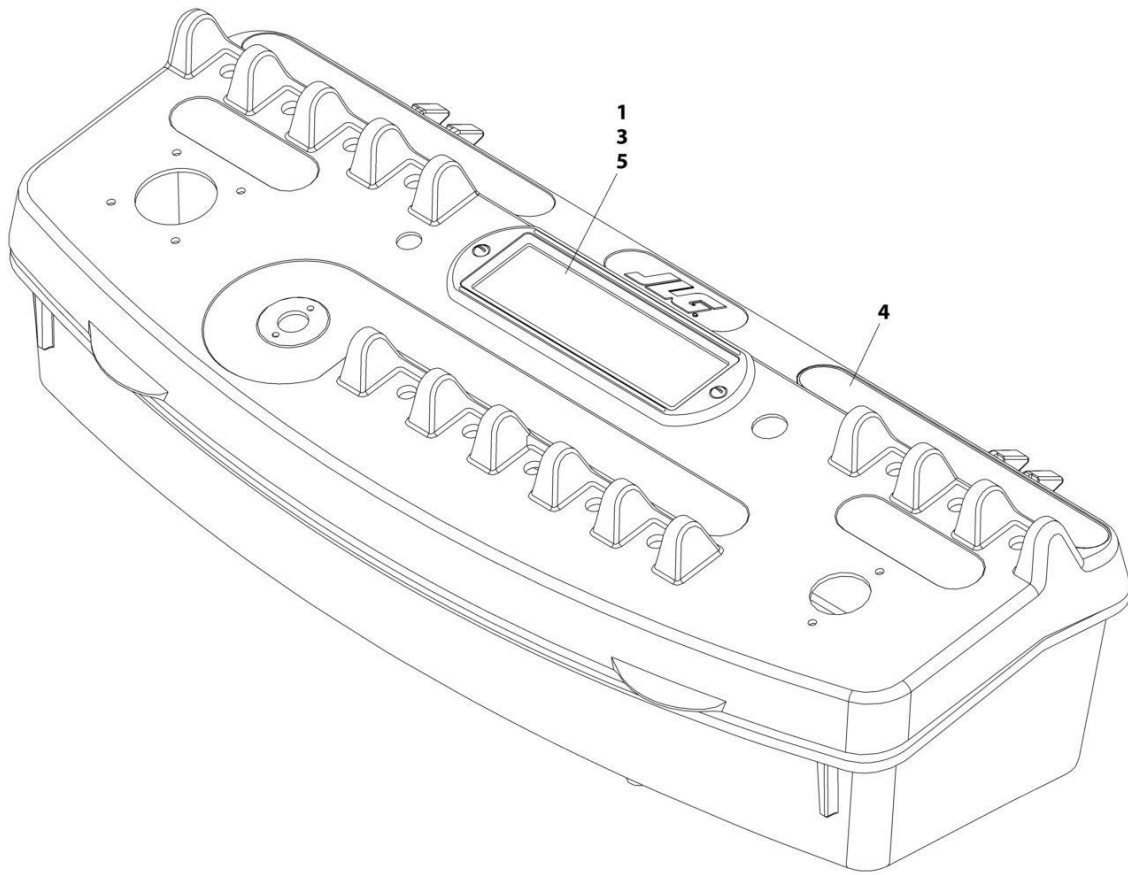
SECTION 5 - PLATFORM

FIGURE 5-15. FOOTSWITCH ASSEMBLY

ITEM	PART NUMBER	QTY	DESCRIPTION	REV
	1001117174	Ref	FOOTSWITCH ASSEMBLY	C
1	0100020	AR	Sealant	
2	1060918	7.5 ft/ 2.3m	Cable, Electrical - 18/3	
3	4460071	1	Connector, Strain Relief	
4	4460226	2	Socket, Female	
5	4460464	1	Pin, Male	
6	1001098122	3	Terminal	
7	1001117172	1	Footswitch	
7	70002902	1	Switch, 20Amp	
7	70002903	1	Gasket	
7	70002905	1	Cover	
7	70002904	1	Kit, Replacement Bolt	

SECTION 5 - PLATFORM

FIGURE 5-16. LIGHT PANEL INSTALLATION - 400S & 460SJ



ART_1001242680_B_2OF2

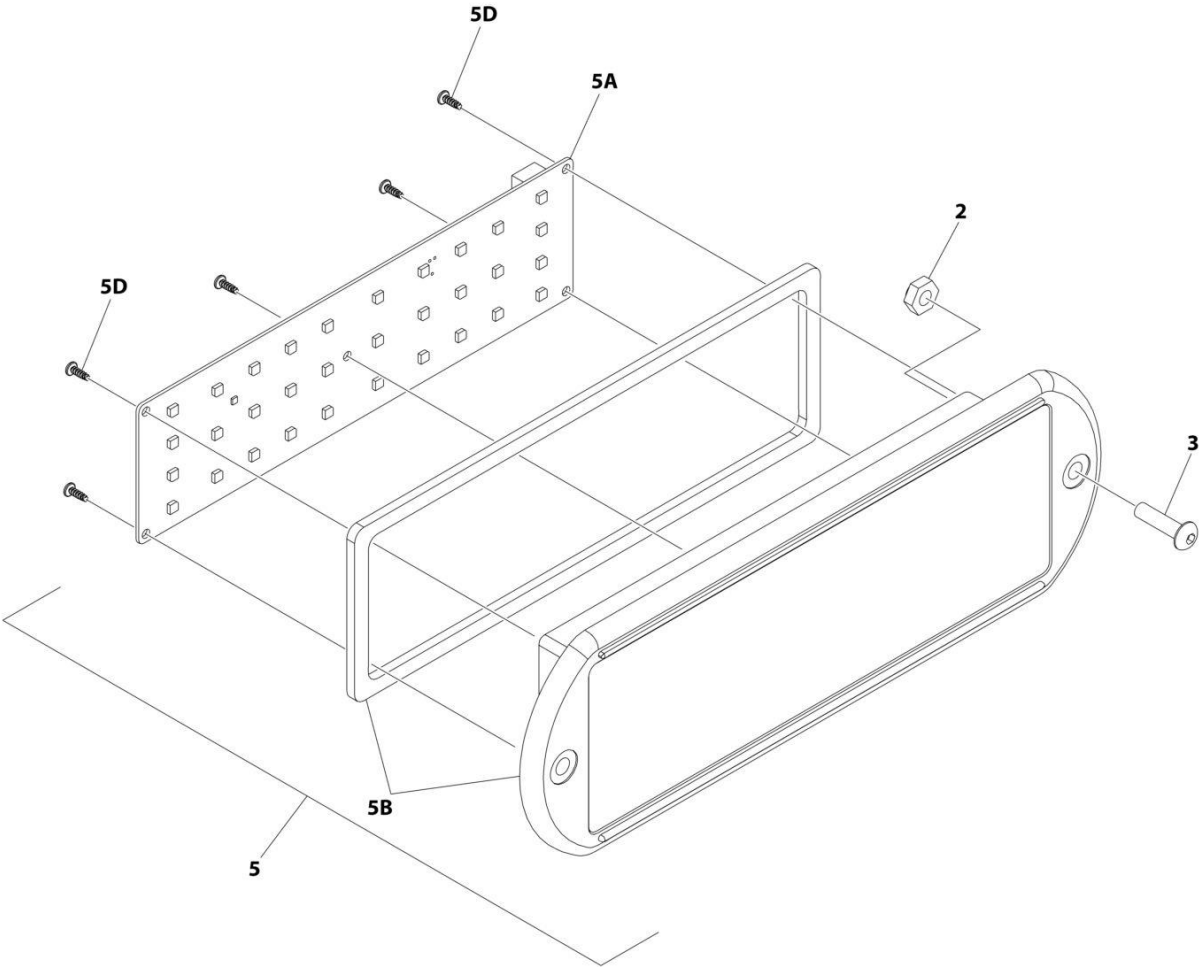
SECTION 5 - PLATFORM

FIGURE 5-16. LIGHT PANEL INSTALLATION - 400S & 460SJ

ITEM	PART NUMBER	QTY	DESCRIPTION	REV
	1001242680	Ref	LIGHT PANEL INSTALLATION	B
1	0100035	AR	Compound, Locking	
3	3911010	2	Screw #10 x 5/8	
4	1001184618	1	Decal - Stop and Auxiliary Power	
5	1001284583	1	Light Panel Electrical Assembly	

SECTION 5 - PLATFORM

FIGURE 5-17. LIGHT PANEL INSTALLATION - 460SJ 1K45FT



ART_1001233959_D_10F2

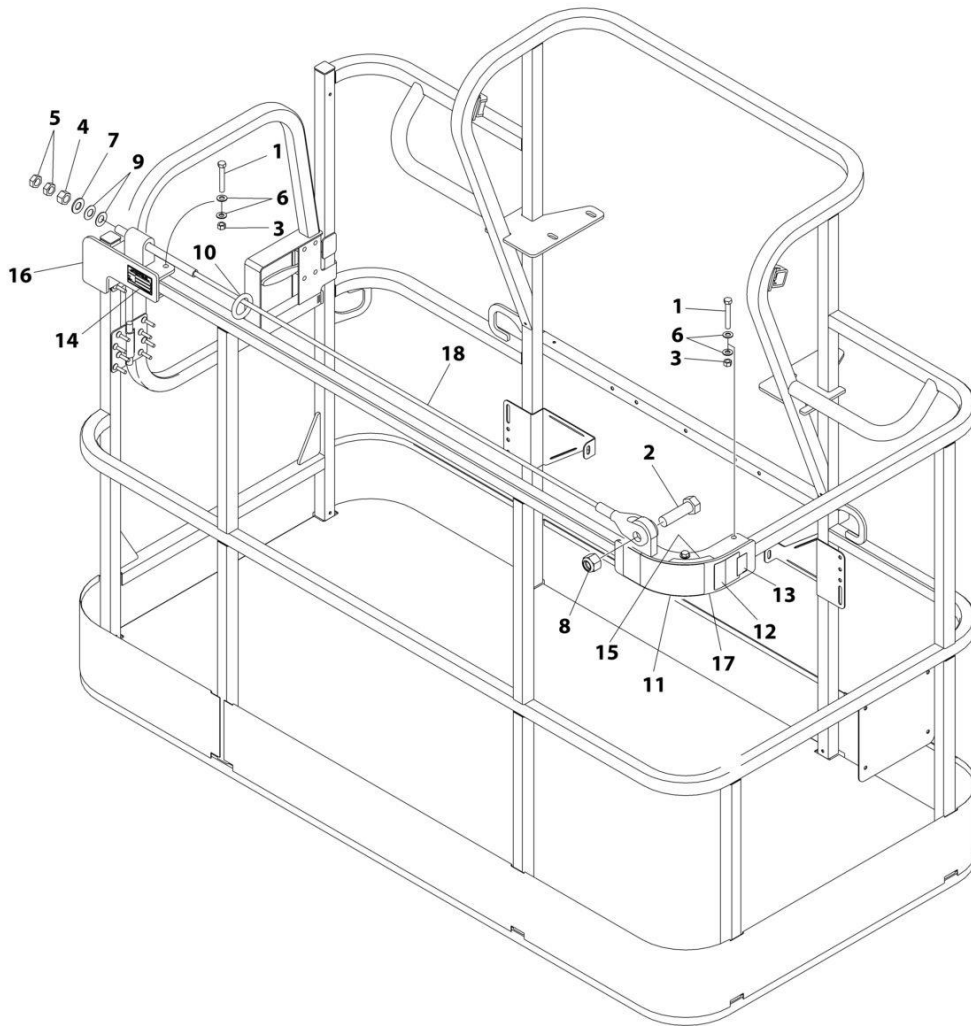
SECTION 5 - PLATFORM

FIGURE 5-17. LIGHT PANEL INSTALLATION - 460SJ 1K45FT

ITEM	PART NUMBER	QTY	DESCRIPTION	REV
	1001233959	Ref	LIGHT PANEL INSTALLATION	D
2	3300408	2	Nut, Nylon Insert	
3	0630518	2	Screw #10 x 3/4	
5	1001237546	1	Light Panel Assembly	J
5A	1001282106	1	Panel, LED Light	
5B	1001236091	1	Lens, Icon (Includes Gasket)	
5D		Ref	Screw	

SECTION 5 - PLATFORM

FIGURE 5-18. FALL ARREST (BOLT-ON) INSTALLATION - 5FTX3FT PLATFORM (ALL SPECS EXCEPT CE & UK CA SPECS)



ART_1001257275

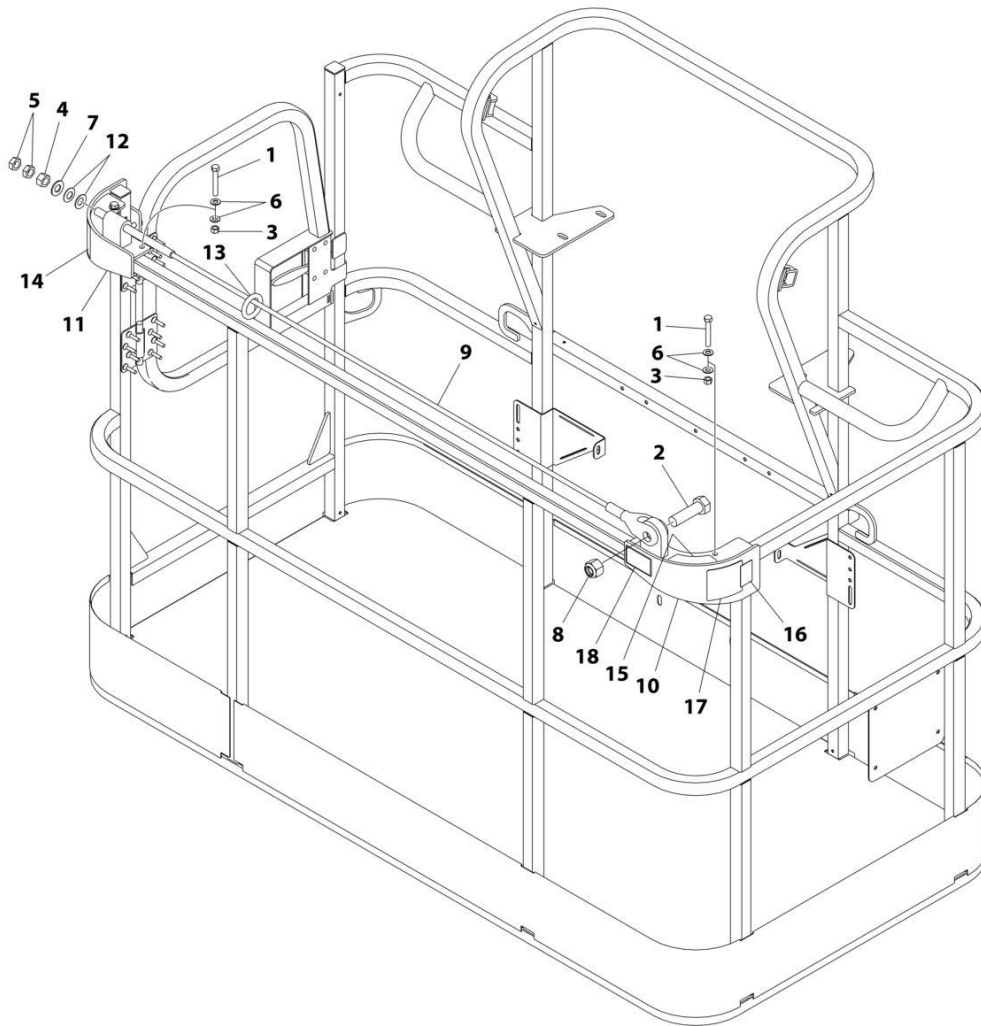
SECTION 5 - PLATFORM

FIGURE 5-18. FALL ARREST (BOLT-ON) INSTALLATION - 5FTX3FT PLATFORM (ALL SPECS EXCEPT CE & UK CA SPECS)

ITEM	PART NUMBER	QTY	DESCRIPTION	REV
	1001257275	Ref	FALL ARREST INSTALLATION (BOLT - ON) 6FT/1.82M PLATFORM	A
1	0681620	6	Bolt 3/8 x 2-1/2	
2	0682424	1	Bolt 7/8 x 3	
3	3271605	6	Nut 3/8	
4	3272001	1	Nut 5/8	
5	3312002	2	Nut 5/8	
6	4711600	12	Washer 3/8	
7	4712000	1	Washer 5/8	
8	88521214	1	Nut 7/8	
9	1001236891	2	Washer	
10	1001236895	1	Ring	
11	1001238263	1	Decal - Warning Falling Hazard	
12	1001248140	1	Decal - Bolt Fall Arrest Re-Cert	
13	1001248141	1	Decal - Incription	
14	See Note	NSS	Nameplate - Manufacturers Serial Number (Note: Not Available for Purchase)	
15	1001252629	1	Decal - Weight	
16	1001257271	1	Bracket (RH)	
17	1001257274	1	Bracket (LH)	
18	1001258005	1	Rope	

SECTION 5 - PLATFORM

FIGURE 5-19. FALL ARREST (BOLT-ON) INSTALLATION - 6FTX3FT PLATFORM (ALL SPECS EXCEPT CE & UK CA SPECS)



ART_1001236747

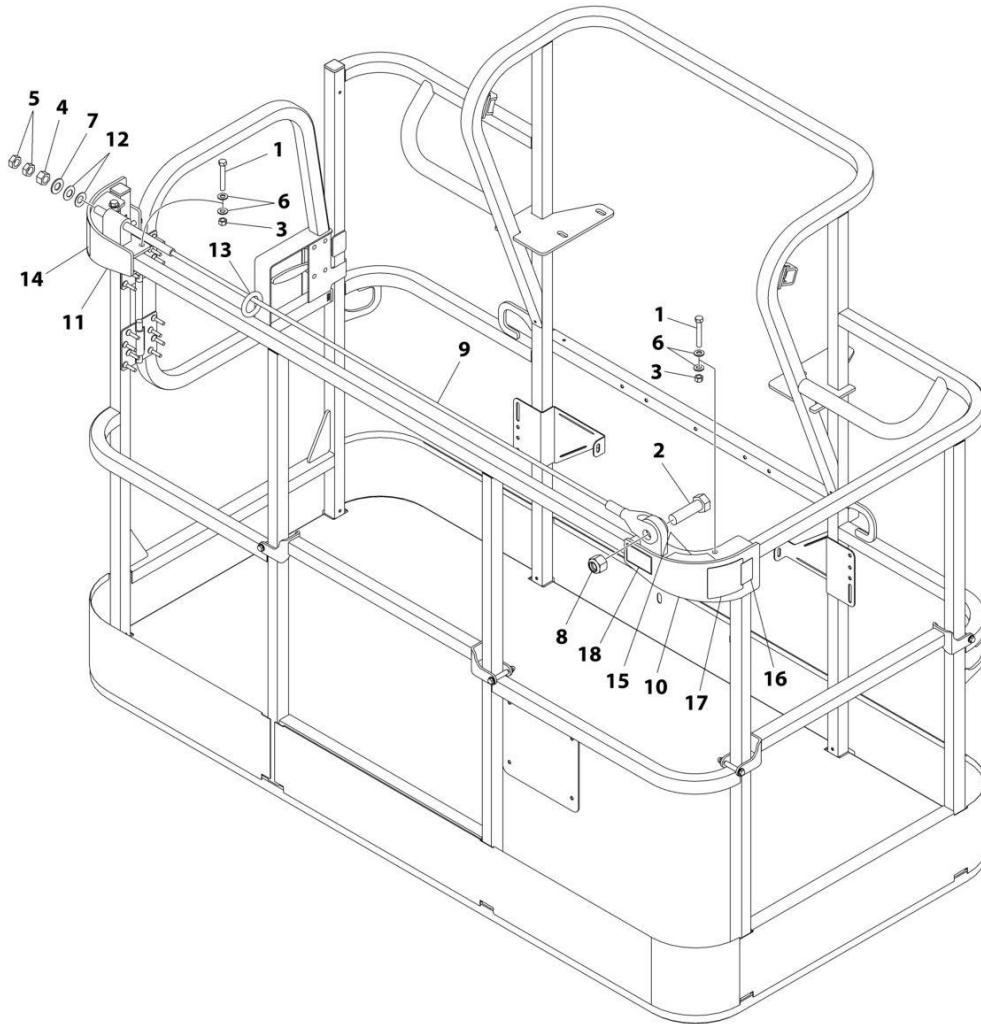
SECTION 5 - PLATFORM

FIGURE 5-19. FALL ARREST (BOLT-ON) INSTALLATION - 6FTX3FT PLATFORM (ALL SPECS EXCEPT CE & UK CA SPECS)

ITEM	PART NUMBER	QTY	DESCRIPTION	REV
	1001236747	Ref	FALL ARREST INSTALLATION (BOLT - ON) 6FT/1.82M PLATFORM	C
1	0681620	6	Bolt 3/8 x 2-1/2	
2	0682424	1	Bolt 7/8 x 3	
3	3271605	6	Nut 3/8	
4	3272001	1	Nut 5/8	
5	3312002	2	Nut 5/8	
6	4711600	12	Washer 3/8	
7	4712000	1	Washer 5/8	
8	88521214	1	Nut 7/8	
9	1001231950	1	Rope	
10	1001232010	1	Bracket (RH)	
11	1001232011	1	Bracket (LH)	
12	1001236891	2	Washer	
13	1001236895	1	Ring	
14	1001238263	1	Decal - Warning Falling Hazard	
15	1001252629	1	Decal - Weight	
16	1001248140	1	Decal - Bolt Fall Arrest Re-Cert	
17	1001248141	1	Decal - Inscription	

SECTION 5 - PLATFORM

FIGURE 5-20. FALL ARREST (BOLT-ON) INSTALLATION - 6FTX3FT TRI-ENTRY PLATFORM (ALL SPECS EXCEPT CE & UK CA SPECS)



ART_1001238463

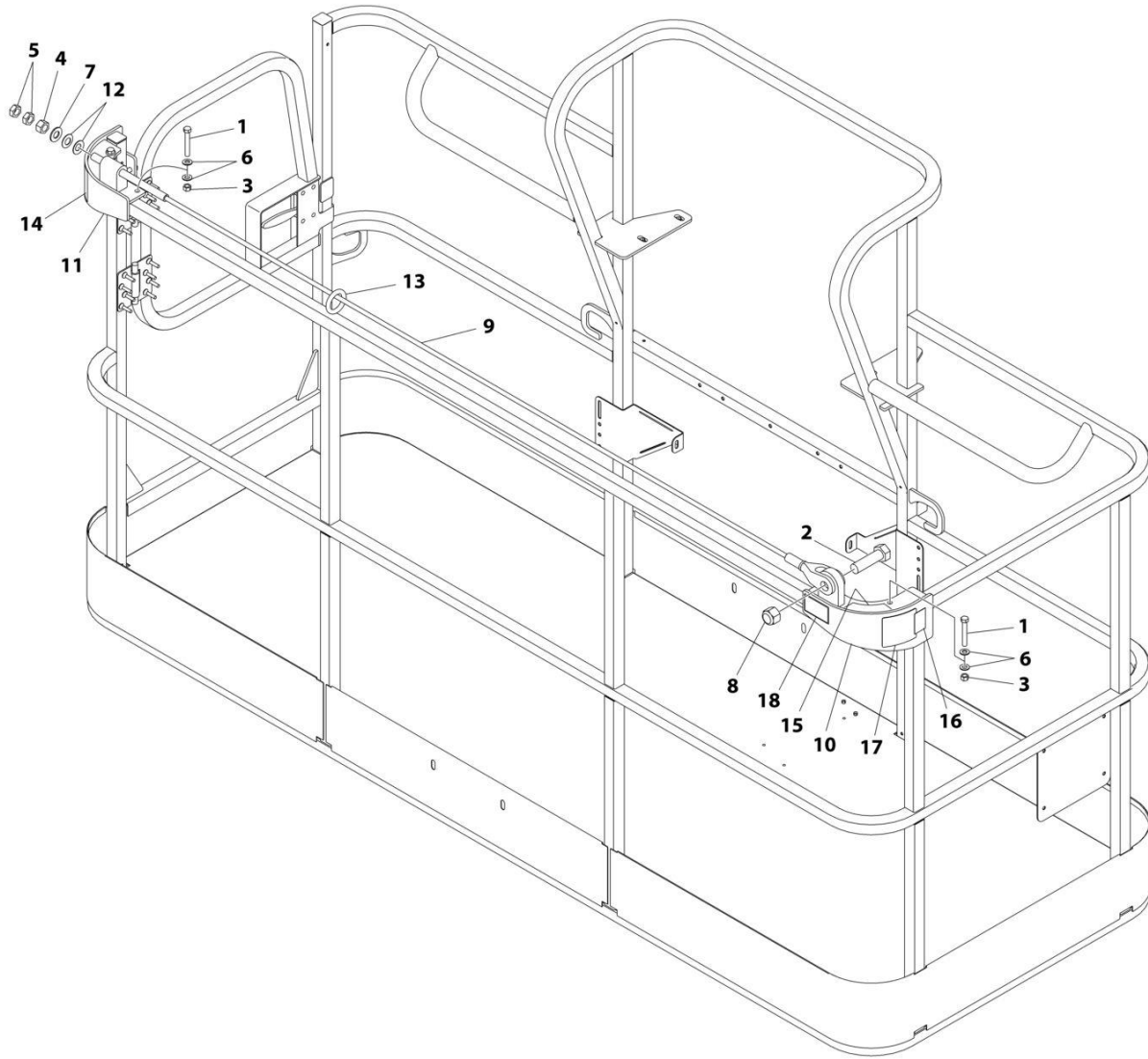
SECTION 5 - PLATFORM

FIGURE 5-20. FALL ARREST (BOLT-ON) INSTALLATION - 6FTX3FT TRI-ENTRY PLATFORM (ALL SPECS EXCEPT CE & UK CA SPECS)

ITEM	PART NUMBER	QTY	DESCRIPTION	REV
	1001238463	Ref	FALL ARREST INSTALLATION (BOLT - ON) 6FT/1.82M PLATFORM	C
1	0681620	6	Bolt 3/8 x 2-1/2	
2	0682424	1	Bolt 7/8 x 3	
3	3271605	6	Nut 3/8	
4	3272001	1	Nut 5/8	
5	3312002	2	Nut 5/8	
6	4711600	12	Washer 3/8	
7	4712000	1	Washer 5/8	
8	88521214	1	Nut 7/8	
9	1001231950	1	Rope	
10	1001232010	1	Bracket (RH)	
11	1001232011	1	Bracket (LH)	
12	1001236891	2	Washer	
13	1001236895	1	Ring	
14	1001238263	1	Decal - Warning Falling Hazard	
15	1001252629	1	Decal - Weight	
16	1001248140	1	Decal - Bolt Fall Arrest Re-Cert	
17	1001248141	1	Decal - Inscription	

SECTION 5 - PLATFORM

FIGURE 5-21. FALL ARREST (BOLT-ON) INSTALLATION - 8FTX3FT PLATFORM (ALL SPECS EXCEPT CE & UK CA SPECS)



ART_1001236746

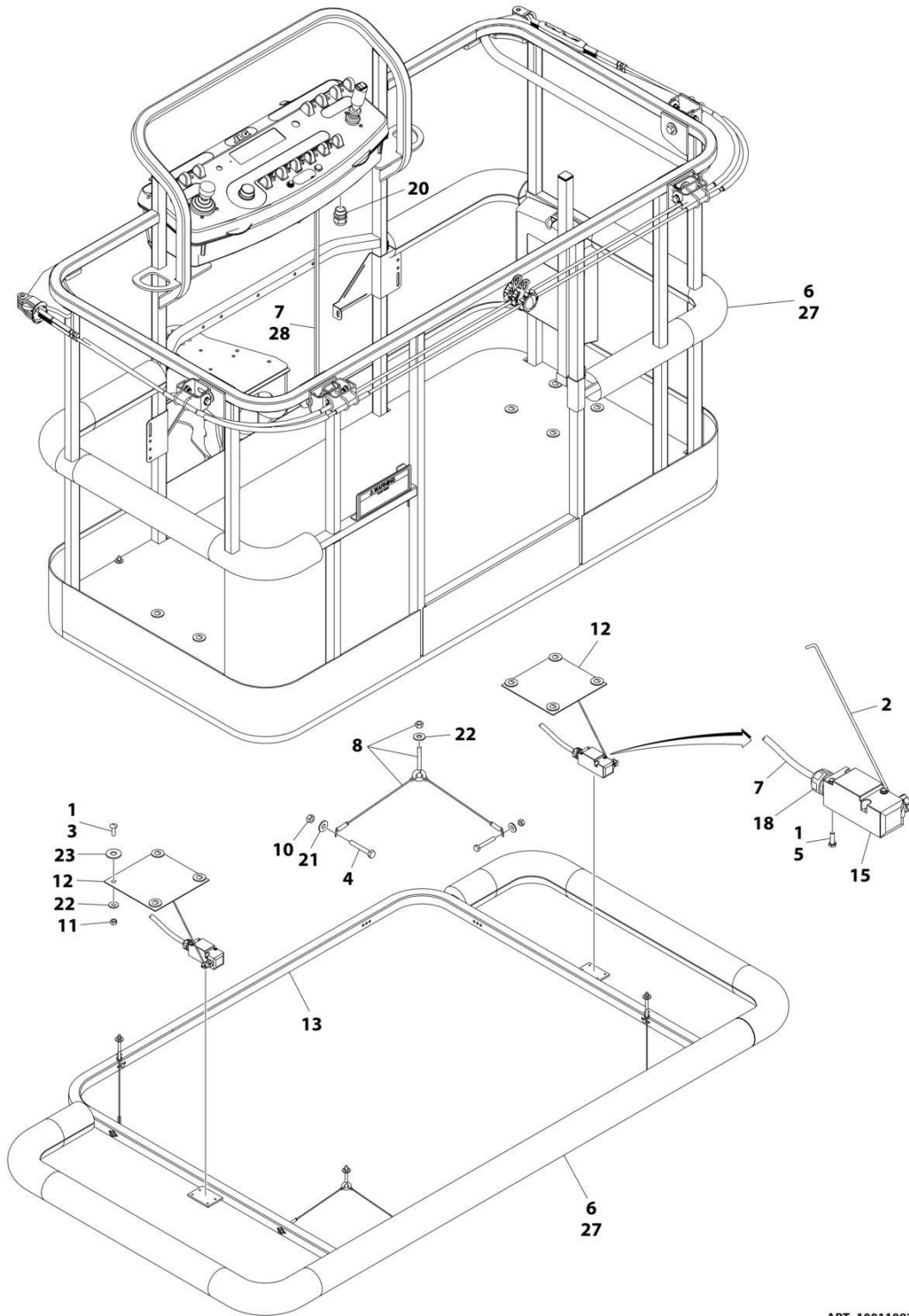
SECTION 5 - PLATFORM

FIGURE 5-21. FALL ARREST (BOLT-ON) INSTALLATION - 8FTX3FT PLATFORM (ALL SPECS EXCEPT CE & UK CA SPECS)

ITEM	PART NUMBER	QTY	DESCRIPTION	REV
	1001236746	Ref	FALL ARREST INSTALLATION (BOLT - ON) 8FT/2.4M PLATFORM	C
1	0681620	6	Bolt 3/8 x 2-1/2	
2	0682424	1	Bolt 7/8 x 3	
3	3271605	6	Nut 3/8	
4	3272001	1	Nut 5/8	
5	3312002	2	Nut 5/8	
6	4711600	12	Washer 3/8	
7	4712000	1	Washer 5/8	
8	88521214	1	Nut 7/8	
9	1001231949	1	Rope	
10	1001232010	1	Bracket (RH)	
11	1001232011	1	Bracket (LH)	
12	1001236891	2	Washer	
13	1001236895	1	Ring	
14	1001238263	1	Decal - Warning Falling Hazard	
15	1001252629	1	Decal - Weight 23LBS/10.4KG	
16	1001248140	1	Decal - Bolt Fall Arrest Re-Cert	
17	1001248141	1	Decal - Inscription	

SECTION 5 - PLATFORM

FIGURE 5-22. SOFT TOUCH INSTALLATION - 6FT (1.83M) FALL ARREST PLATFORM



ART_1001108256_D

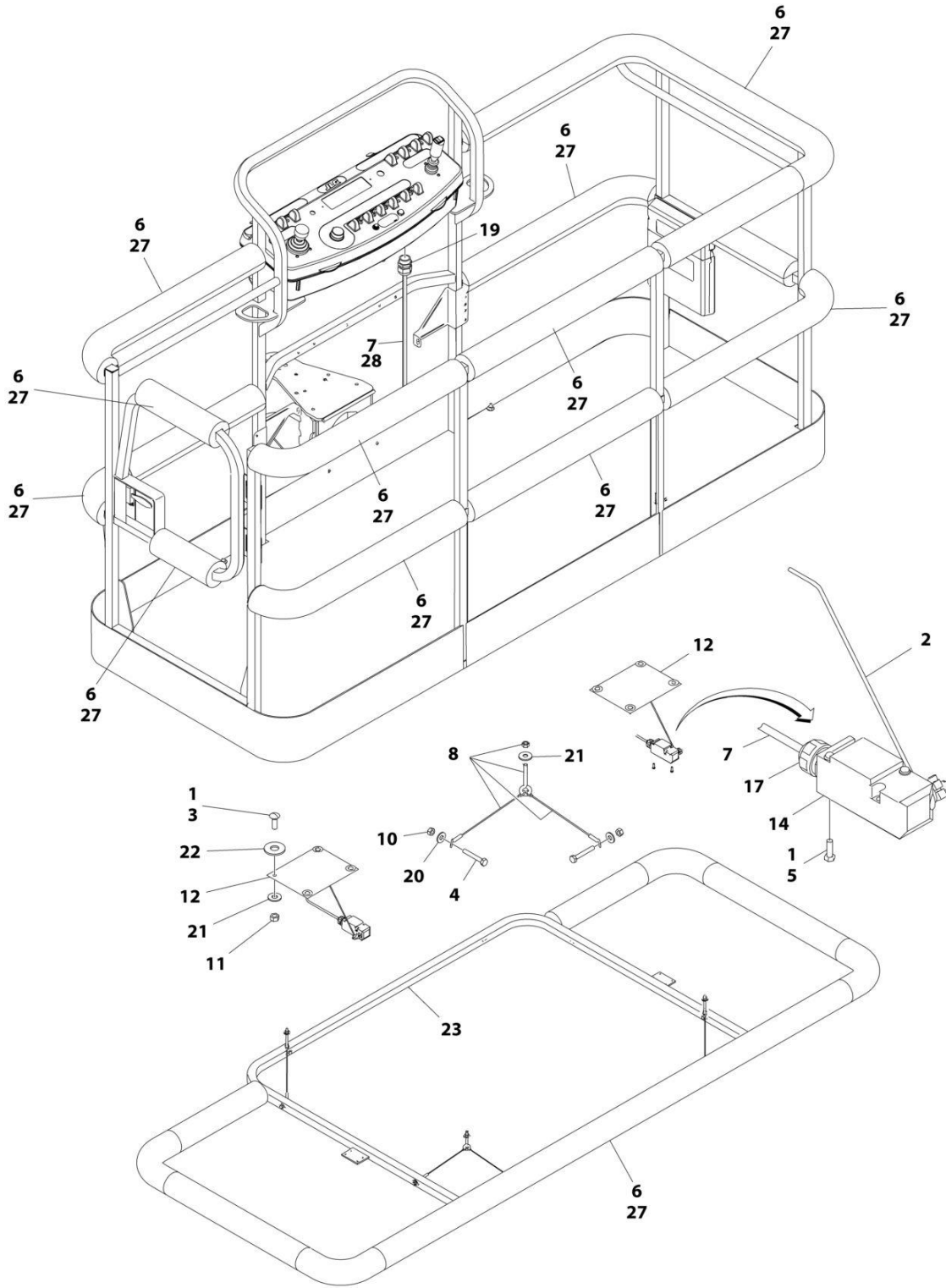
SECTION 5 - PLATFORM

FIGURE 5-22. SOFT TOUCH INSTALLATION - 6FT (1.83M) FALL ARREST PLATFORM

ITEM	PART NUMBER	QTY	DESCRIPTION	REV
	1001108256	Ref	SOFT TOUCH INSTALLATION	D
1	0100011	AR	Compound, Locking	
2	0200048	2	Arm, Switch	
3	0630462	8	Bolt	
4	0641414	8	Bolt 1/4 x 1-3/4	
5	0731005	4	Bolt #10 x 5/8	
6	0940177	1	Bumper Kit (Includes Corners and Enough Straight Material for One Platform)	
6	0940092	8	Bumper (Corner)	
6	0940094	AR	Bumper (12ft Length)	
7	1060341	23 ft/7m	Cable, Soft Touch - 16/2	
8	1060903	4	Wire Rope and Eyebolt Assembly	
10	3311401	8	Nut 1/4	
11	3311501	8	Nut 5/16	
12	3575359	2	Plate, Switch Strike	
13	3641569	1	Rail, Soft Touch	
14	4240099	7	Tie-Strap (Not Shown)	
15	4360057	2	Switch, Limit	
18	4460049	2	Connector, Strain Relief	
19	4460234	7	Tie-Strap (Not Shown)	
20	4460425	1	Connector, Strain Relief	
21	4751400	8	Washer 1/4	
22	4751500	9	Washer 5/16	
23	4751800	8	Washer 1/2	
27	1001197017	AR	Strap, Cable Tie (Yellow)	
28	4460226	4	Socket	

SECTION 5 - PLATFORM

FIGURE 5-23. SOFT TOUCH INSTALLATION - 8FT (2.4M) PLATFORM



ART_0272427_H

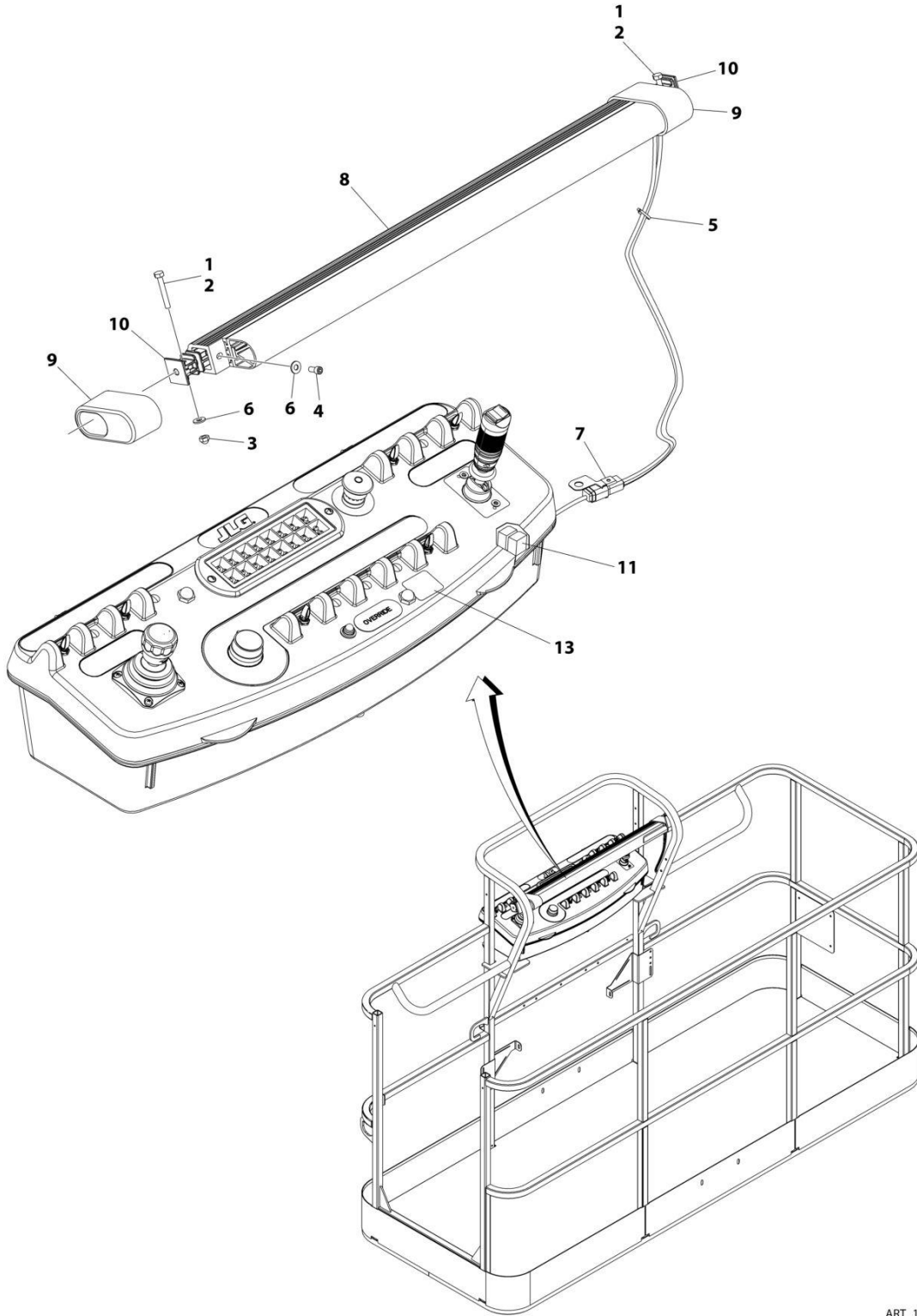
SECTION 5 - PLATFORM

FIGURE 5-23. SOFT TOUCH INSTALLATION - 8FT (2.4M) PLATFORM

ITEM	PART NUMBER	QTY	DESCRIPTION	REV
	0272427	Ref	SOFT TOUCH INSTALLATION - 36IN X 8FT (91.5CM X 2.44M) PLATFORM	H
1	0100011	AR	Compound, Locking	
2	0200048	2	Arm, Switch	
3	0630462	8	Bolt	
4	0641414	8	Bolt 1/4 x 1-3/4	
5	0721005	4	Bolt #10 x 5/8	
6	0940103	1	Bumper Kit (Includes Corners and Enough Straight Material for One Platform)	
6	0940092	12	Bumper (Corner)	
6	0940094	AR	Bumper (12ft Length)	
7	1060341	23 ft/7m	Cable, Soft Touch - 16/2	
8	1060903	4	Wire Rope and Eyebolt Assembly	
10	3311401	8	Nut 1/4	
11	3311501	8	Nut 5/16	
12	3574091	2	Plate, Switch Strike	
13	4240099	7	Tie-Strap (Not Shown)	
14	4360057	2	Switch, Limit	
17	4460049	2	Connector, Strain Relief	
18	4460234	7	Tie-Strap (Not Shown)	
19	4460425	1	Connector, Strain Relief	
20	4751400	8	Washer 1/4	
21	4751500	12	Washer 5/16	
22	4751800	8	Washer 1/2	
23	4846673	1	Rail, Soft Touch	
27	1001197017	AR	Tie-Strap	
28	4460226	1	Socket	

SECTION 5 - PLATFORM

FIGURE 5-24. SKYGUARD BAR INSTALLATION



ART_1001238495

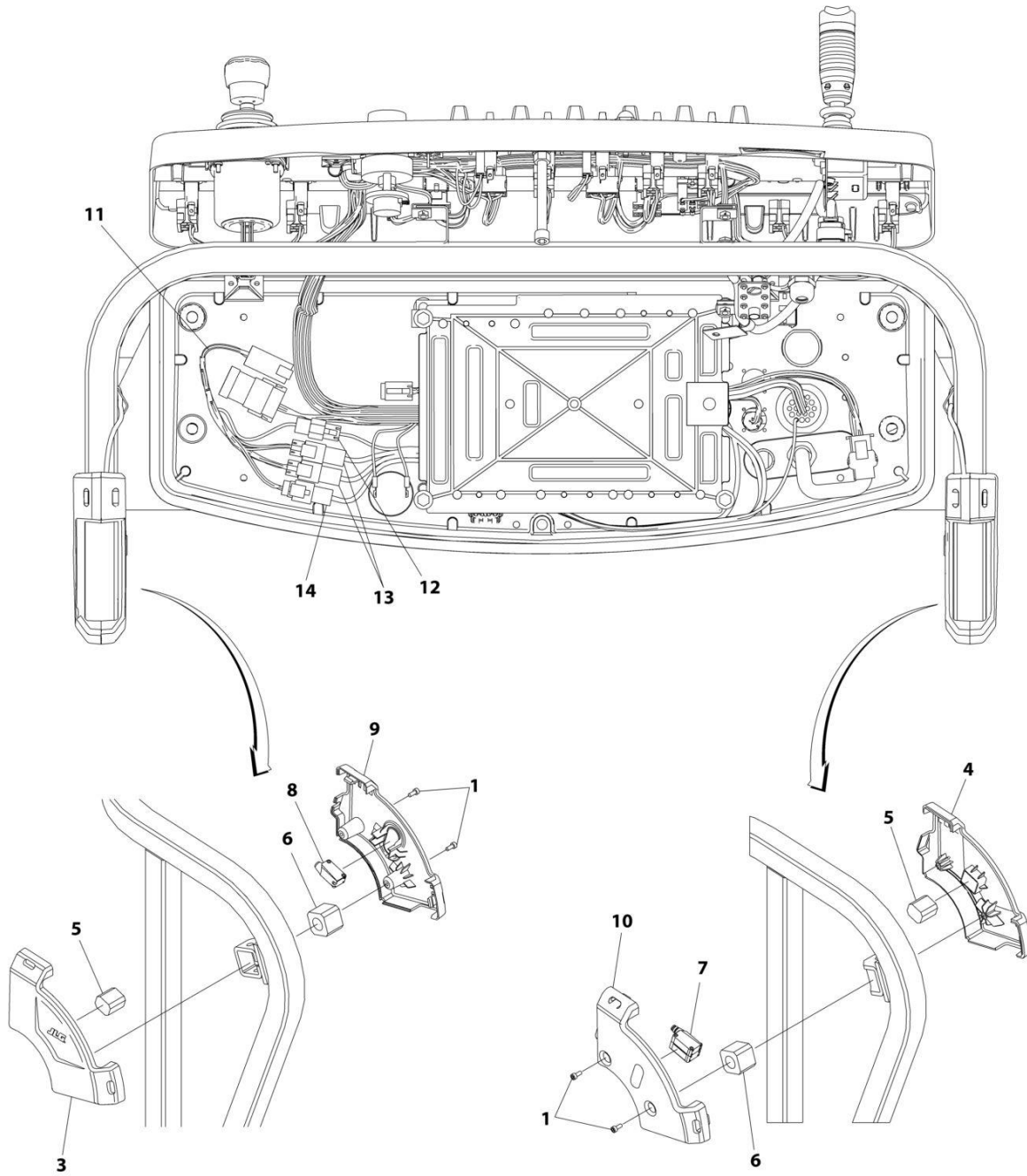
SECTION 5 - PLATFORM

FIGURE 5-24. SKYGUARD BAR INSTALLATION

ITEM	PART NUMBER	QTY	DESCRIPTION	REV
	1001238495	Ref	SKYGUARD BAR INSTALLATION	A
1	0100011	AR	Compound, Locking	
2	0641414	2	Bolt 1/4 x 1-3/4	
3	3300430	2	Nut 1/4	
4	3931408	2	Capscrew 1/4 x 1/2	
5	4240033	8	Tie-Strap	
6	4711400	6	Washer 1/4	
7	1001120328	1	Mount	
8	1001137673	1	SkyGuard Switch Assembly	
9	1001186517	2	Cover, Platform Sensor	
10	1001209664	2	Support, Block	
11	1001186431	2	Relay	
12	1001225580	1	Interface Harness Assembly (Not Shown - Located Inside Console Box) (See Separate Breakdown in ELECTRICAL Section)	
13	1001144433	1	Decal - No Weight SkyGuard	

SECTION 5 - PLATFORM

FIGURE 5-25. SKYEYE INSTALLATION



ART_1001229341

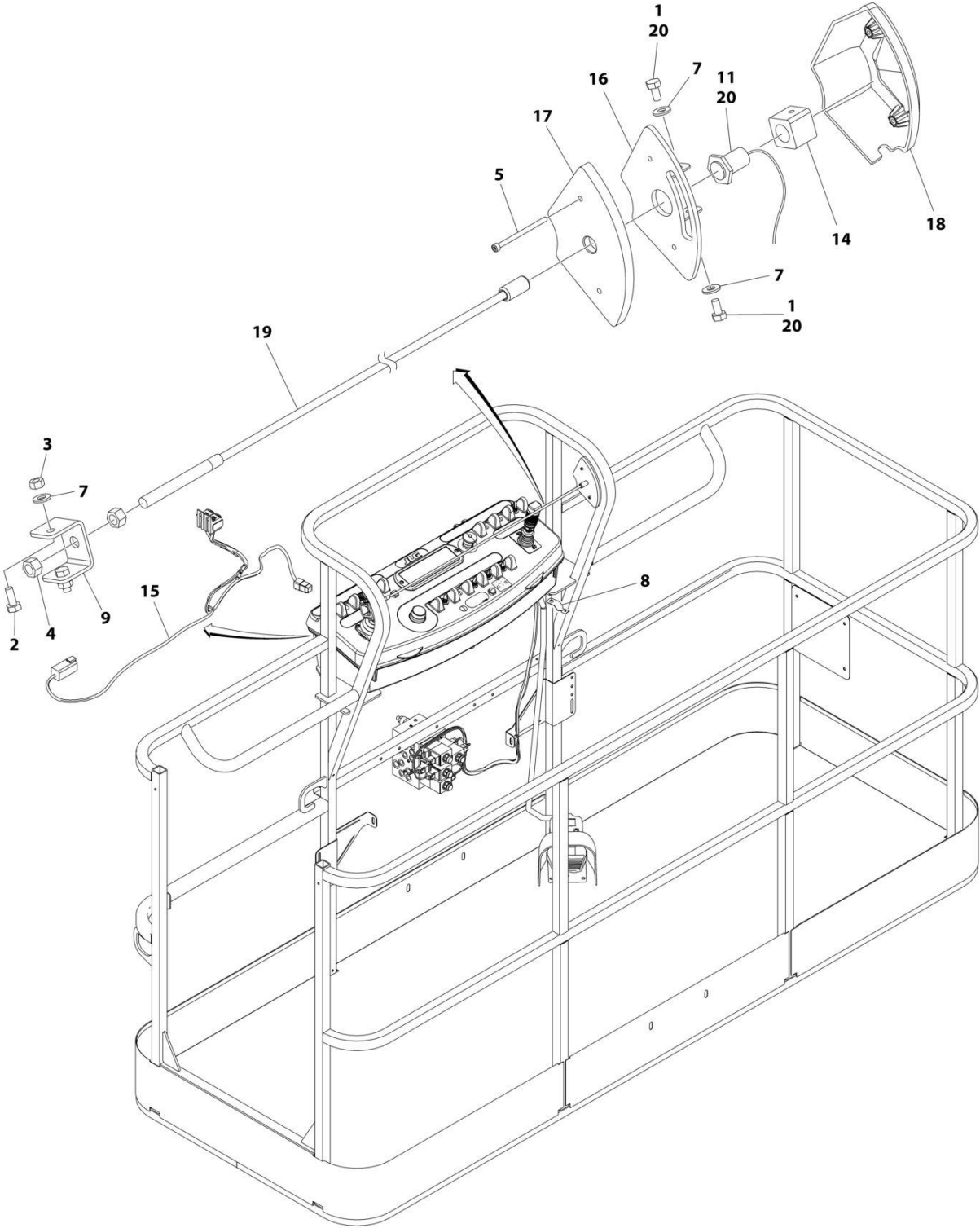
SECTION 5 - PLATFORM

FIGURE 5-25. SKYEYE INSTALLATION

ITEM	PART NUMBER	QTY	DESCRIPTION	REV
	1001229341	Ref	SKYEYE INSTALLATION	B
1	4031505	4	Bolt M4 x 10	
2	4240033	AR	Tie-Strap (Not Shown)	
3	1001227633	1	Housing, LH Outer	
4	1001227634	1	Housing, RH Outer	
5	1001227985	2	Shim	
6	1001227987	2	Shim	
7	1001228224	2	Sensor, Receiver	
8	1001228225	1	Sensor, Emitter	
9	1001232164	1	Housing, LH Inner	
10	1001232165	1	Housing, RH Inner	
11	1001237865	1	Harness, Skyeeye Intermediate (See Separate Breakdown in ELECTRICAL Section)	
12	1001238319	NLA	Harness, Skyeeye Drain Jumper	
12	1001187674	1	Plug, Male - 2 Position	
12	4460942	1	Terminal	
12	4460466	1	Plug, Terminal	
12	4460508	1	Pin, Male	
13	1001237863	2	Harness, Skyeeye Receiver (See Separate Breakdown in ELECTRICAL Section)	
14	1001237864	1	Harness, Skyeeye Emitter (See Separate Breakdown in ELECTRICAL Section)	

SECTION 5 - PLATFORM

FIGURE 5-26. SKYLINE INSTALLATION



ART_1001238559_D

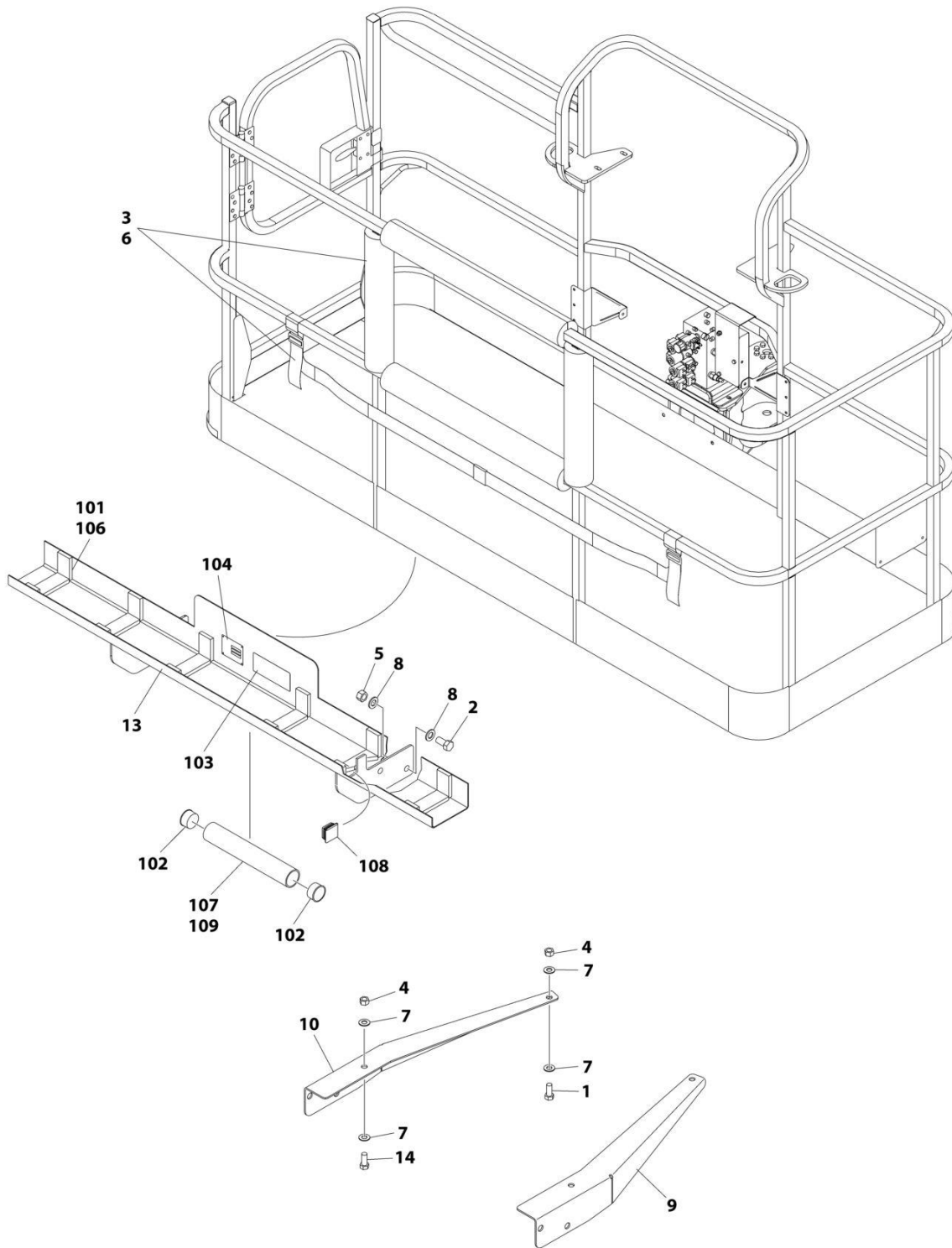
SECTION 5 - PLATFORM

FIGURE 5-26. SKYLINE INSTALLATION

ITEM	PART NUMBER	QTY	DESCRIPTION	REV
	1001238559	Ref	SKYLINE INSTALLATION	D
1	0641404	2	Bolt 1/4 x 1/2	
2	0641405	2	Bolt 1/4 x 5/8	
3	3311405	2	Nut 1/4	
4	3311601	2	Nut 3/8	
5	4031516	2	Capscrew M4 x 60	
6	4240033	AR	Tie-Strap (Not Shown)	
7	4711400	4	Washer 1/4	
8	1001120328	1	Mount	
9	1001232642	1	Bracket	
11	1001232667	1	Sensor, Proximity	
14	1001236552	1	Block	
15	1001238418	1	Harness, Skyline (See Separate Breakdown in ELECTRICAL Section)	
16	1001238472	1	Mount	
17	1001254473	1	Housing, LH	
18	1001241965	1	Housing, RH	
19	1001254472	1	Rod	
20	0100011	AR	Compound, Locking	

SECTION 5 - PLATFORM

FIGURE 5-27. SKYGLAZIER INSTALLATION



ART_1001172578_C

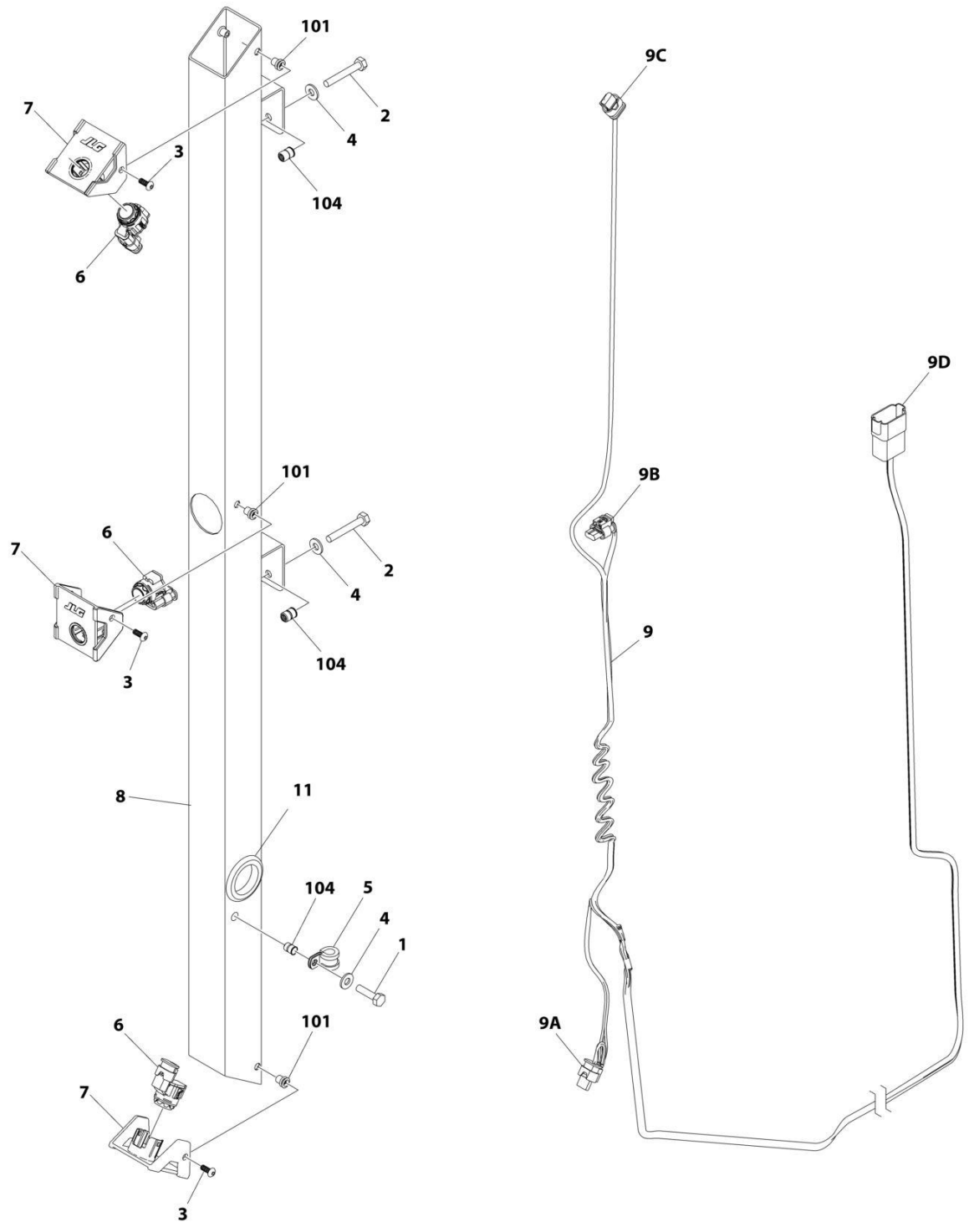
SECTION 5 - PLATFORM

FIGURE 5-27. SKYGLAZIER INSTALLATION

ITEM	PART NUMBER	QTY	DESCRIPTION	REV
	1001172578	Ref	SKYGLAZIER INSTALLATION	C
1	0642012	2	Bolt 5/8 x 1-1/2	
2	0642212	4	Bolt 3/4 x 1-1/2	
3	2902212	1	Bumpers and Strap Kit	
3	0940102	1	Bumper Only	
3	4240149	1	Strap Only	
4	3312005	1	Nut 5/8	
5	3312205	4	Nut 3/4	
6	4420014	AR	Tape	
7	4712000	6	Washer 5/8	
8	4712200	8	Washer 3/4	
9	1001099366	1	Support	
10	1001099367	1	Support	
13	1001172577	1	Tray Assembly (See Items 101-109 for Breakdown)	
14	8310129	2	Bolt 3/4 x 2-1/2	
	1001172577	Ref	TRAY ASSEMBLY	C
101	0100081	AR	Adhesive	
102	1120555	2	Cap, Tube	
103	1701509	1	Decal - Manual	
104	See Note	NSS	Nameplate - Serial Number (Note: Not Available for Purchase)	
106	3340956	1	Pad Kit	
107	3460334	1	Tube	
108	3520071	2	Plug	
109	4420066	AR	Tape, Double Sided	

SECTION 5 - PLATFORM

FIGURE 5-28. SKYSENSE MID TUBE SENSOR ASSEMBLY



ART_1001243205

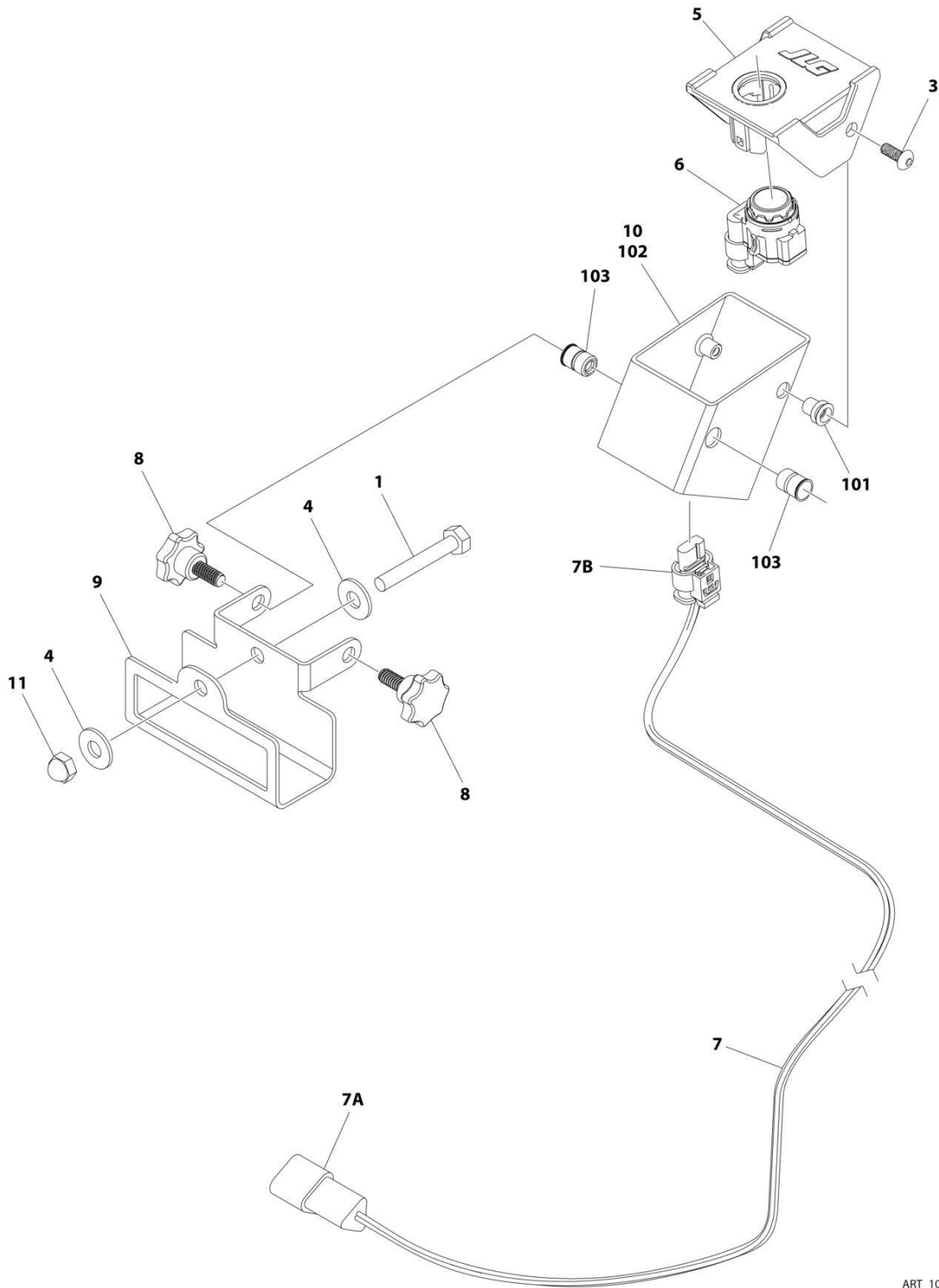
SECTION 5 - PLATFORM

FIGURE 5-28. SKYSENSE MID TUBE SENSOR ASSEMBLY

ITEM	PART NUMBER	QTY	DESCRIPTION	REV
	1001243205	Ref	SKYSENSE MID TUBE SENSOR ASSEMBLY	C
1	0641408	1	Bolt 1/4 x 1	
2	0641414	2	Bolt 1/4 x 1-3/4	
3	1001260525	6	Screw #10 x 1/2	
4	4711400	3	Washer 1/4	
5	1001260524	1	Clamp	
6	1001237902	3	Sensor, SkySense	
7	1001241162	3	Mount, Sensor	
8	1001243092	1	Tube Assembly (Includes items 101 through 104)	C
9	1001244336	1	Harness, SkySense Mid Tube	D
9A	1001237898	1	Connector	
9A	1001237888	3	Terminal	
9B	1001237898	1	Connector	
9B	1001237888	3	Terminal	
9C	1001237898	1	Connector	
9C	1001237888	3	Terminal	
9D	4460931	1	Connector	
9D	4460943	7	Pin	
9D	4460466	1	Plug	
10	1001246389	1	Decal (Not Shown)	
11	1001247252	1	Grommet	
101	2080069	6	Fastener	
104	1001258730	3	Rivnut	

SECTION 5 - PLATFORM

FIGURE 5-29. SKYSENSE OVERHEAD SENSOR ASSEMBLY



ART_1001244733

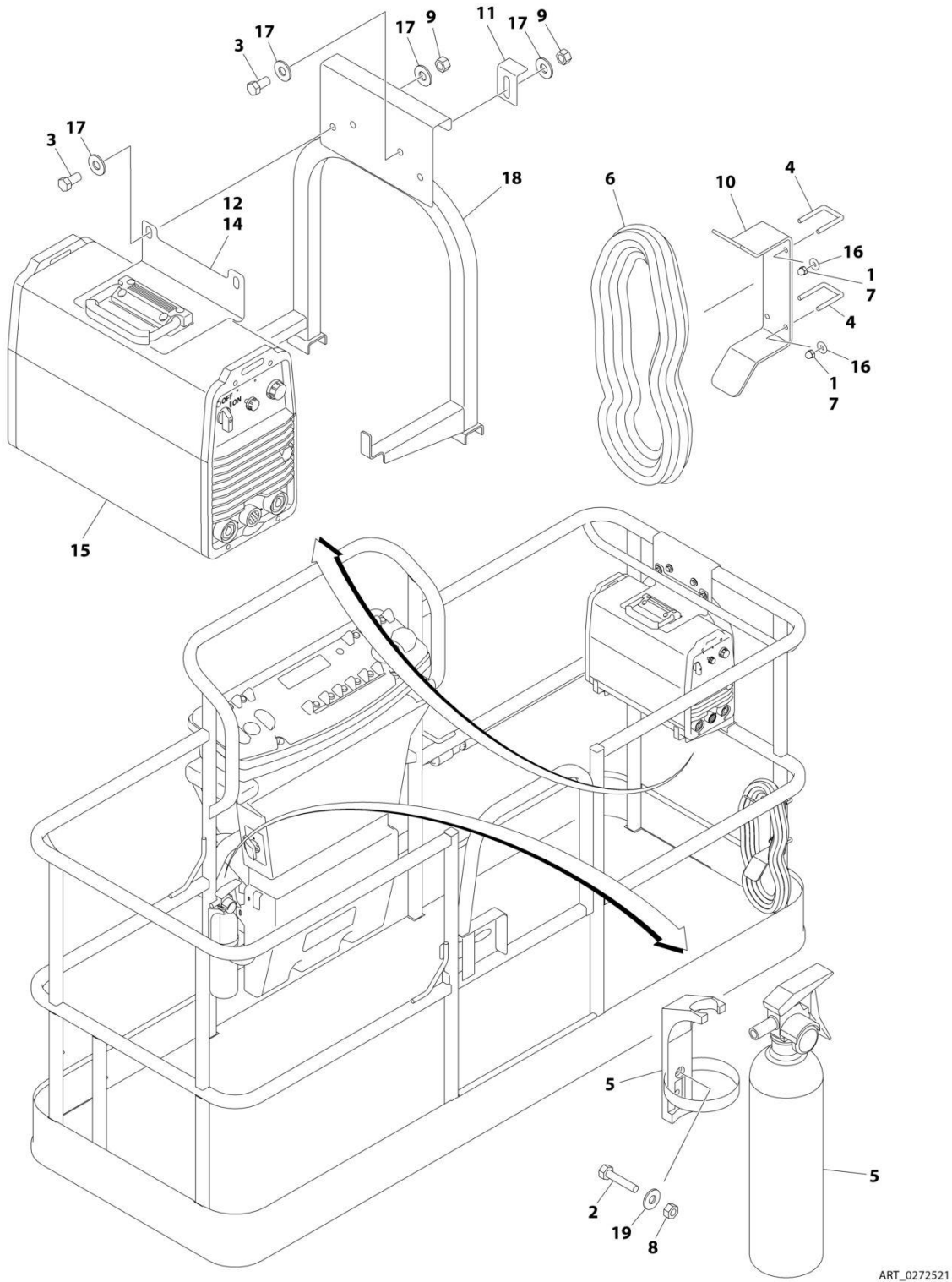
SECTION 5 - PLATFORM

FIGURE 5-29. SKYSENSE OVERHEAD SENSOR ASSEMBLY

ITEM	PART NUMBER	QTY	DESCRIPTION	REV
	1001244733	Ref	SKYSENSE OVERHEAD SENSOR ASSEMBLY	D
1	0641414	1	Bolt 1/4 x 1-3/4	
3	1001260525	2	Screw #10 x 1/2	
4	4751400	2	Washer 1/4	
5	1001237891	1	Mount, Sensor	
6	1001237902	1	Sensor, SkySense	
7	1001244335	1	Harness, SkySense Overhead	D
7A	4460536	1	Connector	
7A	4460943	3	Pin	
7B	1001237898	1	Connector	
7B	1001237888	1	Terminal	
8	1001244671	2	Knob	
9	1001244709	1	Bracket, Mounting	
10	1001244732	1	Housing Assembly (Includes items 101 through 103)	B
11	3300430	1	Nut	
101	2080069	2	Fastener	
102	1001244710	1	Housing, Sensor	
103	1001258730	2	Rivnut	

SECTION 5 - PLATFORM

FIGURE 5-30. SKYWELDER INSTALLATION (50HZ)



ART_0272521

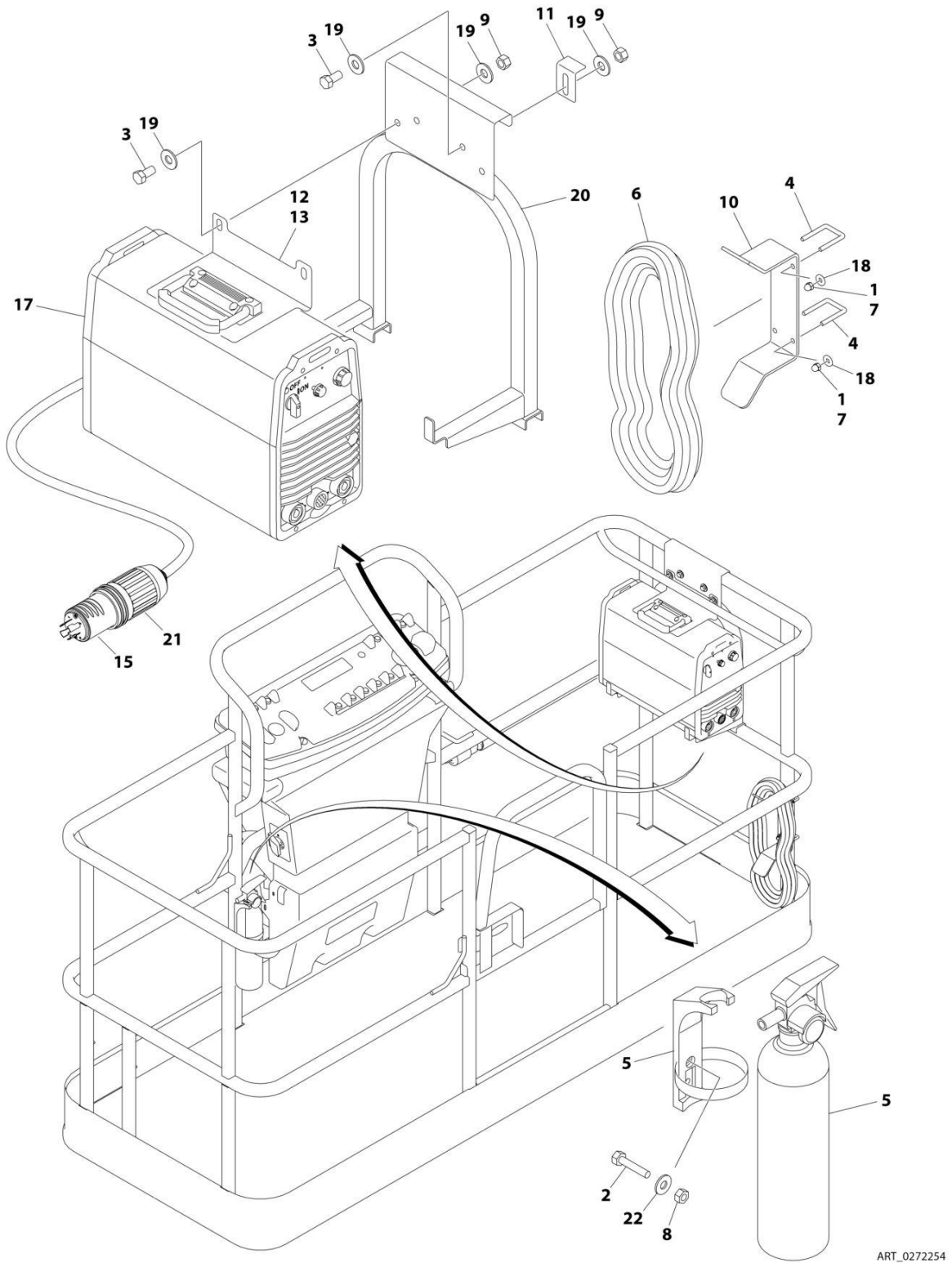
SECTION 5 - PLATFORM

FIGURE 5-30. SKYWELDER INSTALLATION (50HZ)

ITEM	PART NUMBER	QTY	DESCRIPTION	REV
	0272521	Ref	SKYWELDER INSTALLATION	F
1	0100011	AR	Compound, Locking	
2	0630518	2	Screw #10 x 3/4	
3	0641606	4	Bolt 3/8 x 3/4	
4	1320302	2	U-Clamp	
5	2030010	1	Extinguisher, Fire	
6	2902217	1	Weld Leads Kit	
7	3300151	4	Nut 1/4	
8	3311005	2	Nut #10	
9	3311605	4	Nut 3/8	
10	3573400	1	Bracket	
11	3577121	2	Angle	
12	3573642	1	Plate	
13	4240099	AR	Tie-Strap (Not Shown)	
14	4420037	AR	Tape	
15	4530028	1	Welder Assembly (See Separate Breakdown in this Section)	
16	4751400	4	Washer 1/4	
17	4751600	8	Washer 3/8	
18	4846627	1	Support	
19	4751000	2	Washer #10	

SECTION 5 - PLATFORM

FIGURE 5-31. SKYWELDER INSTALLATION (60HZ)



ART_0272254

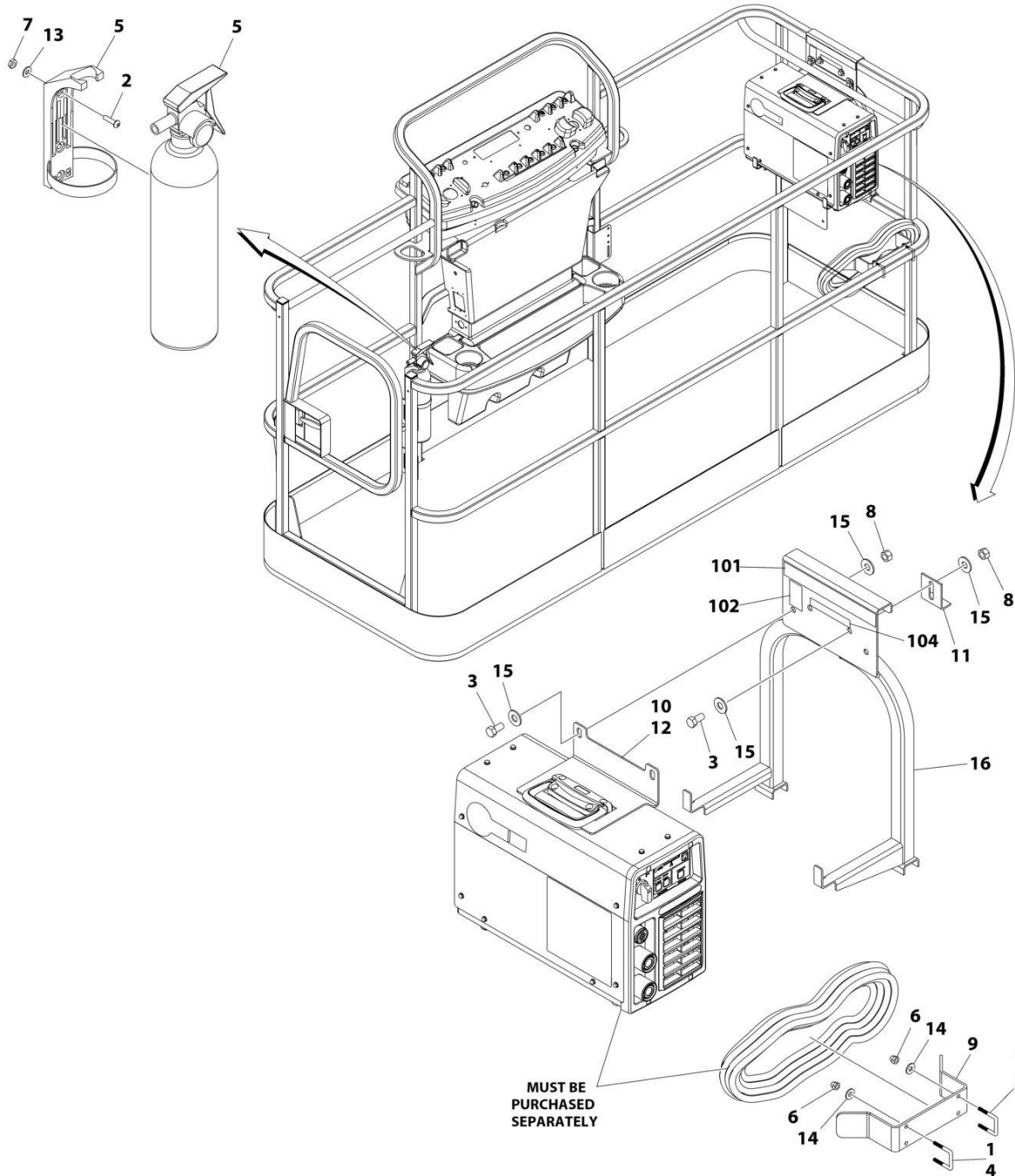
SECTION 5 - PLATFORM

FIGURE 5-31. SKYWELDER INSTALLATION (60HZ)

ITEM	PART NUMBER	QTY	DESCRIPTION	REV
	0272254	Ref	SKYWELDER INSTALLATION	1
1	0100011	AR	Compound, Locking	
2	0630518	2	Screw #10 x 3/4	
3	0641606	4	Bolt 3/8 x 3/4	
4	1320302	2	U-Clamp	
5	2030010	1	Extinguisher, Fire	
6	2902217	1	Weld Leads Kit	
7	3300151	4	Nut 1/4	
8	3311005	2	Nut #10	
9	3311605	4	Nut 3/8	
10	3573400	1	Bracket	
11	3577121	2	Angle	
12	3573642	1	Plate	
13	4420037	AR	Tape	
14	4240099	AR	Tie-Strap (Not Shown)	
15	4460962	1	Plug, Male Twistlock	
17	4530028	1	Welder Assembly (See Separate Breakdown in this Section)	
18	4751400	4	Washer 1/4	
19	4751600	8	Washer 3/8	
20	4846627	1	Support	
21	1671093	1	Cover, Plug	
22	4751000	2	Washer #10	

SECTION 5 - PLATFORM

FIGURE 5-32. SKYWELDER PREP PACKAGE (60HZ)



ART_1001128527_C

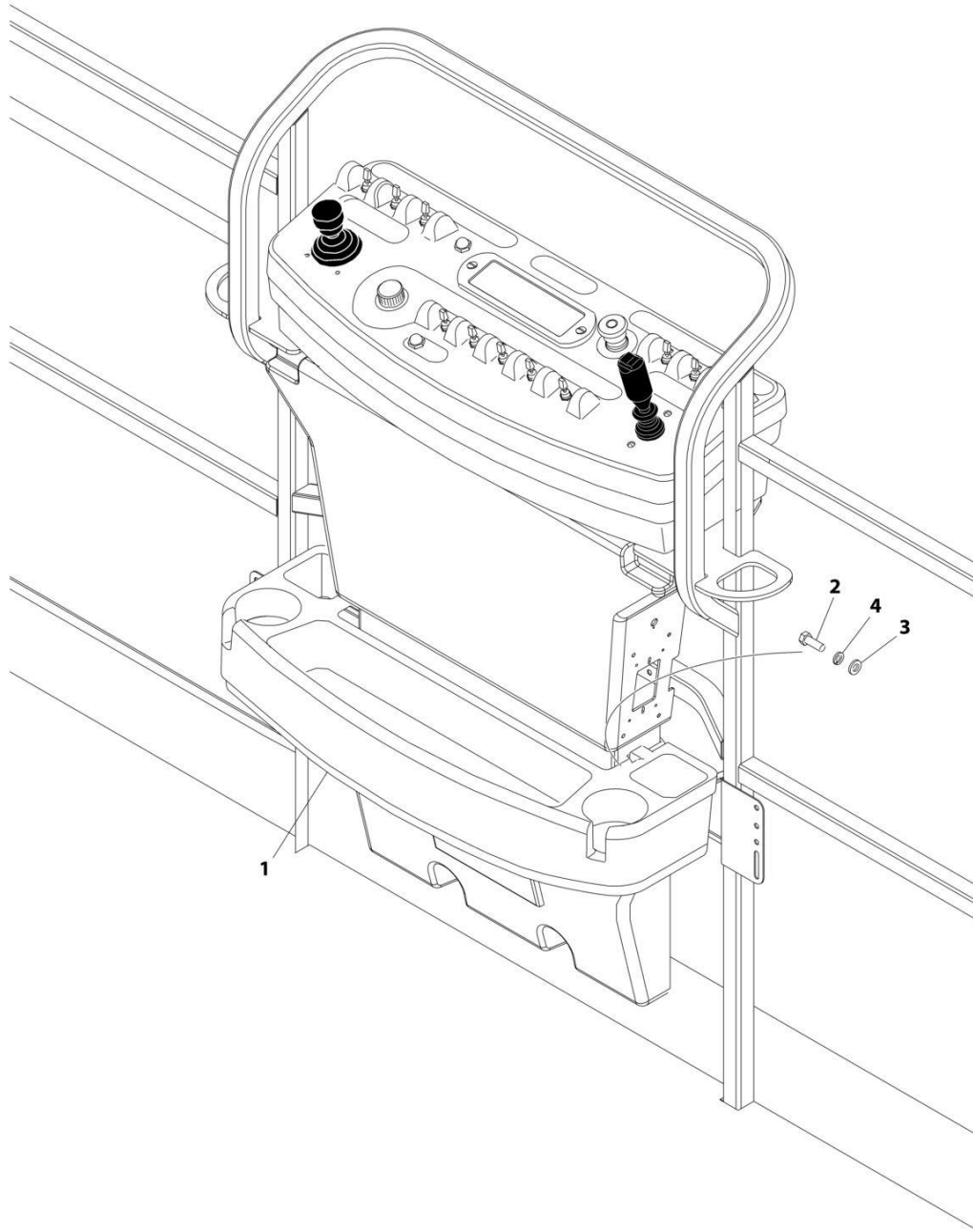
SECTION 5 - PLATFORM

FIGURE 5-32. SKYWELDER PREP PACKAGE (60HZ)

ITEM	PART NUMBER	QTY	DESCRIPTION	REV
	1001128527	Ref	SKYWELDER PREP PACKAGE	C
1	0100011	AR	Compound, Locking	
2	0630518	2	Screw #10 x 3/4	
3	0641606	4	Bolt 3/8 x 3/4	
4	1320302	2	U-Clamp	
5	2030010	1	Extinguisher, Fire	
6	3300151	4	Nut 1/4	
7	3311005	2	Nut #10	
8	3311605	4	Nut 3/8	
9	3573400	1	Bracket	
10	1001269573	1	Plate	
11	3577121	2	Angle	
12	4420037	AR	Tape	
13	4751000	2	Washer #10	
14	4751400	4	Washer 1/4	
15	4751600	8	Washer 3/8	
16	1001269322	1	Support	
	1001128556	Ref	SKYWELDER DECAL INSTALLATION	D
101	1702868	1	Decal - No Hands	
102	1705305	1	Decal - Weld Lead	
104	1001228988	1	Decal - Weight	

SECTION 5 - PLATFORM

FIGURE 5-33. TRAY INSTALLATION



ART_1580012

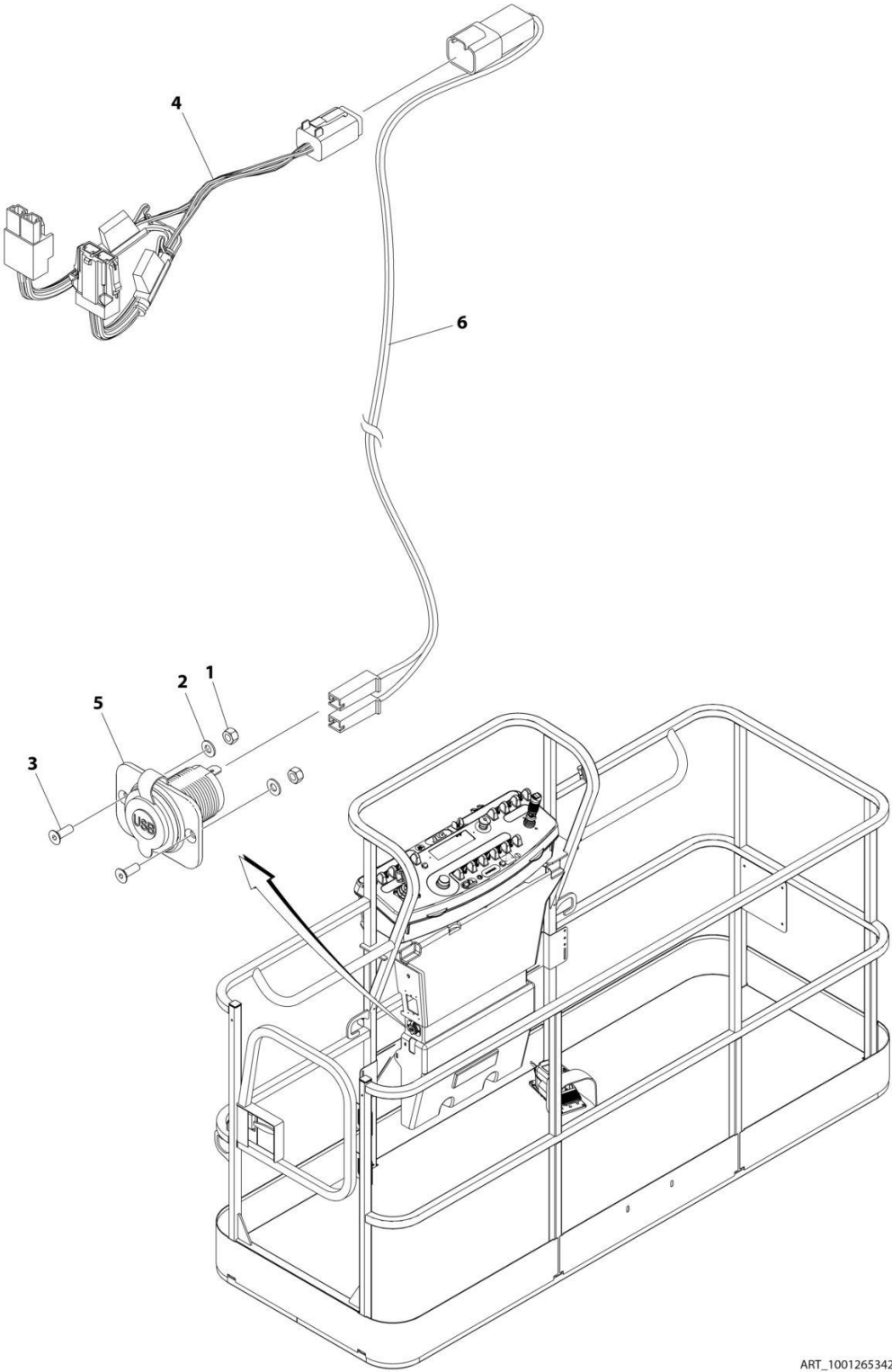
SECTION 5 - PLATFORM

FIGURE 5-33. TRAY INSTALLATION

ITEM	PART NUMBER	QTY	DESCRIPTION	REV
	1580012	Ref	TRAY ASSEMBLY	C
1	See Note	NSS	Tray, Storage (Center) (Note: Purchase p/n 1580012)	
2	0641406	2	Bolt 1/4 x 3/4	
3	4751400	2	Washer 1/4	
4	4761400	2	Washer 1/4	

SECTION 5 - PLATFORM

FIGURE 5-34. USB CHARGER INSTALLATION



ART_1001265342

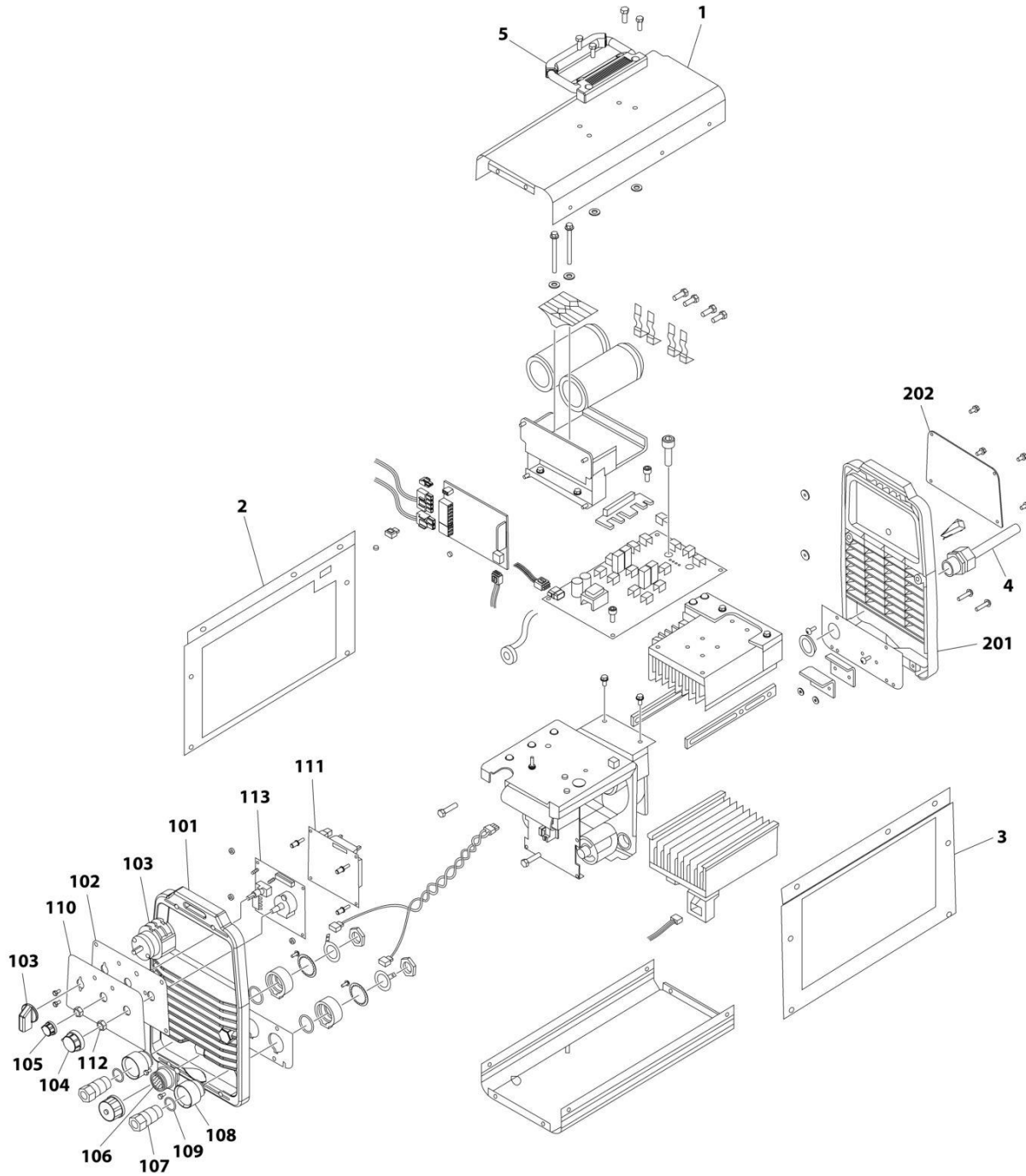
SECTION 5 - PLATFORM

FIGURE 5-34. USB CHARGER INSTALLATION

ITEM	PART NUMBER	QTY	DESCRIPTION	REV
	1001265342	Ref	USB CHARGER INSTALLATION	A
1	3290405	2	Nut M4	
2	4811400	2	Washer M4	
3	1001097244	2	Screw M4 x 12	
4	1001120484	1	Harness, Work Lights	
4	4460879	1	Plug, Male - 2 Position	
4	4460887	2	Terminal	
4	2400060	2	Fuseholder Includes Cover	
4	8229249	2	Fuse, 3 Amp	
4	4460884	1	Connector - 4 Position	
4	4460465	4	Socket, Female	
4	1001120471	1	Connector - 2 Position	
4	1001120477	2	Terminal	
5	1001210636	1	Receptacle, USB	
6	1001265163	1	Harness, USB	A
6	4460260	2	Cover, Terminal	
6	4460259	2	Terminal	
6	4460932	1	Receptacle, Bussbar - 4 Position	
6	4460464	2	Pin, Male	
6	4460466	2	Plug, Terminal	

SECTION 5 - PLATFORM

FIGURE 5-35. WELDER ASSEMBLY



ART_4530028

SECTION 5 - PLATFORM

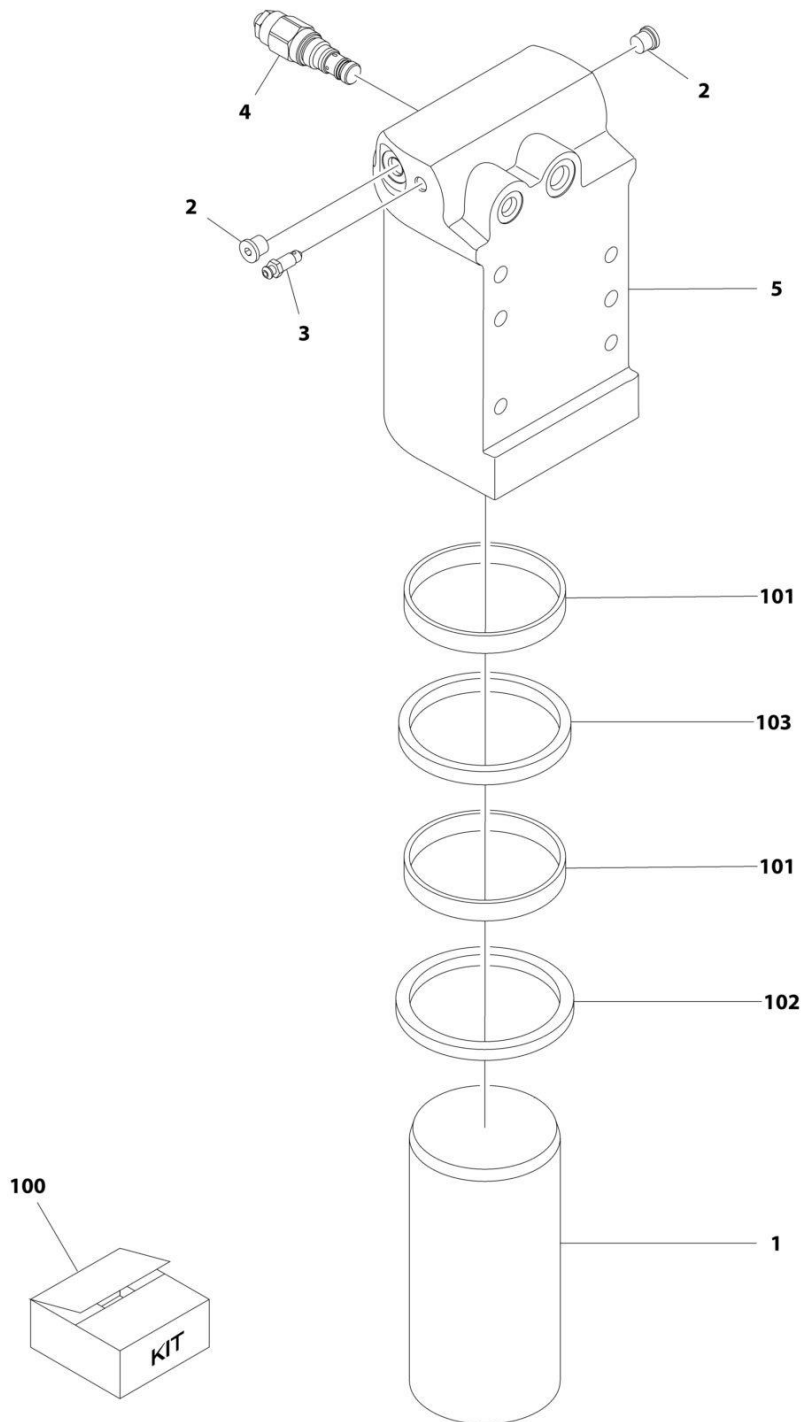
FIGURE 5-35. WELDER ASSEMBLY

ITEM	PART NUMBER	QTY	DESCRIPTION	REV
	4530028	Ref	WELDER ASSEMBLY	B
		Ref	Note: For Other Components, contact your Miller Welder Dealer.	
1	7027773	1	Cover, Top	
1	7027774	1	Decal - Static Precautionary Warning	
2	See Note	NSS	Panel, LH Side (Note: Part of Item 1. Purchase Item 1)	
3	See Note	NSS	Panel, RH Side (Note: Part of Item 1. Purchase Item 1)	
4	7024467	1	Cable, Power	
4	7027775	1	Decal - Electrical Shock Warning (Not Shown)	
5	7027776	1	Handle, Carrying	
101	7024462	1	Panel, Front	
102	7024463	1	Panel, Console	
103	7024469	1	Switch with Lead	
104	7024470	1	Knob	
105	7024471	1	Knob	
106	7024472	1	Receptacle with Leads and Plugs	
107	7024473	2	Receptacle, Twistlock Female	
108	7024474	2	Insulator	
109	7024475	2	O-Ring	
110	7027777	1	Nameplate	
111	7027779	1	Circuit Card Assembly (Process Control)	
112	7024478	2	Nut	
113	7027778	1	Circuit Card Assembly (Operator Interface)	
201	7024462	1	Panel, Rear	
202	7027780	1	Panel, Cover	

SECTION 6 - CYLINDER

SECTION 6 - CYLINDER

FIGURE 6-1. AXLE LOCKOUT CYLINDER ASSEMBLY



ART_1001163580

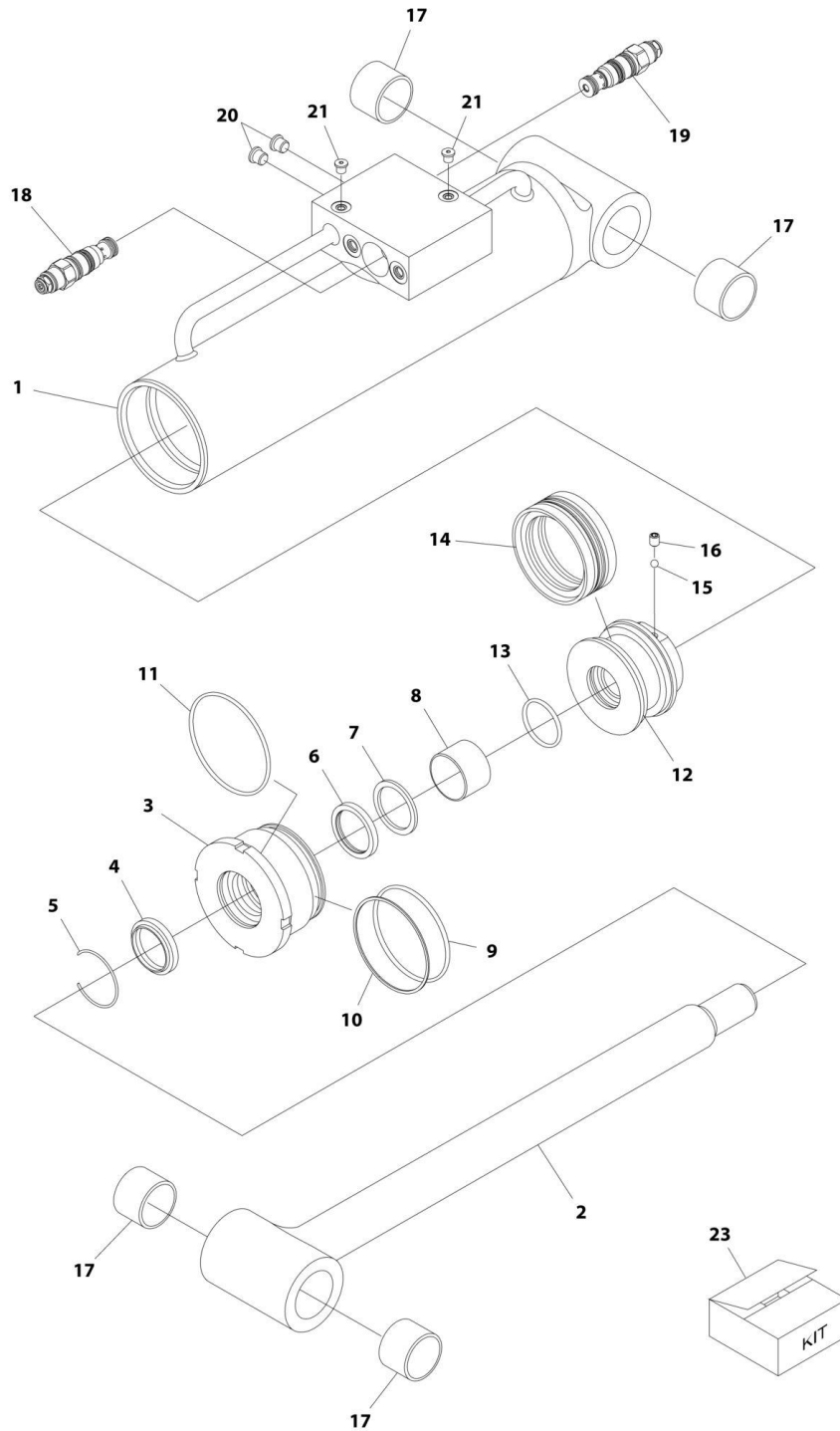
SECTION 6 - CYLINDER

FIGURE 6-1. AXLE LOCKOUT CYLINDER ASSEMBLY

ITEM	PART NUMBER	QTY	DESCRIPTION	REV
	1001163580	Ref	AXLE LOCKOUT CYLINDER ASSEMBLY	1
		Ref	Note: Original Cylinder May Have Been Replaced with Service Replacement. Identify PN Stamped on Cylinder Before Ordering Parts.	
1	1684290	1	Rod	
2	2220883	2	Plug #4	
3	4640858	1	Valve, Bleeder	
4	1001117372	1	Cartridge, Valve	
4	70002842	1	Seal Kit - 1001117372 Valve	
5	1001164817	1	Barrel	
100	2902266	NLA	Seal Kit - 1001163590 Cylinder (Includes Items 101-103)	
101	See Note	NSS	Ring, Wear (Note: Use Item 100)	
102	See Note	NSS	Seal (Note: Use Item 100)	
103	See Note	NSS	Wiper (Note: Use Item 100)	

SECTION 6 - CYLINDER

FIGURE 6-2. LEVEL (PLATFORM SLAVE) CYLINDER ASSEMBLY - 400S & 460SJ



ART_1001163386

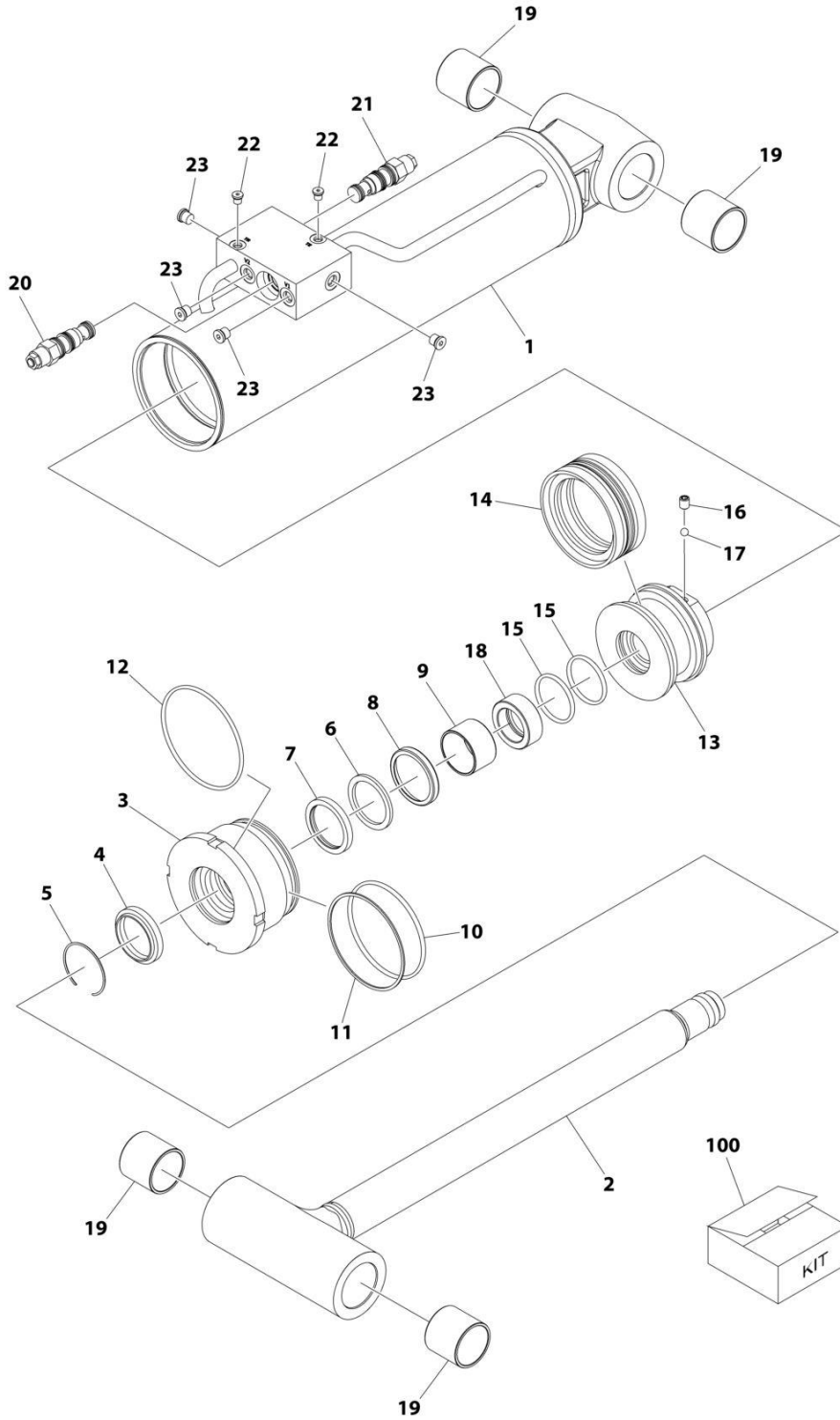
SECTION 6 - CYLINDER

FIGURE 6-2. LEVEL (PLATFORM SLAVE) CYLINDER ASSEMBLY - 400S & 460SJ

ITEM	PART NUMBER	QTY	DESCRIPTION	REV
	1001163386	Ref	LEVEL (PLATFORM SLAVE) CYLINDER ASSEMBLY	G
		Ref	Note: Original Cylinder May Have Been Replaced with Service Replacement. Identify PN Stamped on Cylinder Before Ordering Parts.	
1	70005147	1	Barrel	
2	70005148	1	Rod	
3	70005142	1	Head	
4	See Note	NSS	Wiper (Note: Use Item 23)	
5	70002373	1	Ring, Retaining	
6	See Note	NSS	Seal, Rod (Note: Use Item 23)	
7	See Note	NSS	Ring, Back-up (Note: Use Item 23)	
8	70005143	1	Bearing, Dry	
9	See Note	NSS	O-Ring (Note: Use Item 23)	
10	See Note	NSS	Ring, Back-up (Note: Use Item 23)	
11	See Note	NSS	O-Ring (Note: Use Item 23)	
12	70005144	1	Piston	
13	See Note	NSS	O-Ring (Note: Use Item 23)	
14	See Note	NSS	Seal, Piston (Note: Use Item 23)	
15	70022564	1	Ball	
16	70023369	1	Setscrew	
17	70005145	4	Bearing	
18	1001168209	1	Cartridge, Valve	
18	2900770	1	Seal Kit - 1001168209 Valve	
19	1001168210	1	Cartridge, Valve	
19	2900770	1	Seal Kit - 1001168210 Valve	
20	70023370	1	Plug 7/16	
21	2220881	1	Plug, O-Ring 5/16	
23	70005149	1	Seal Kit - 1001163386 Cylinder (Includes Items 4, 6, 7, 9, 10, 11, 13 & 14)	

SECTION 6 - CYLINDER

FIGURE 6-3. LEVEL (PLATFORM SLAVE) CYLINDER ASSEMBLY - 460SJ 1K45FT



ART_1001237697

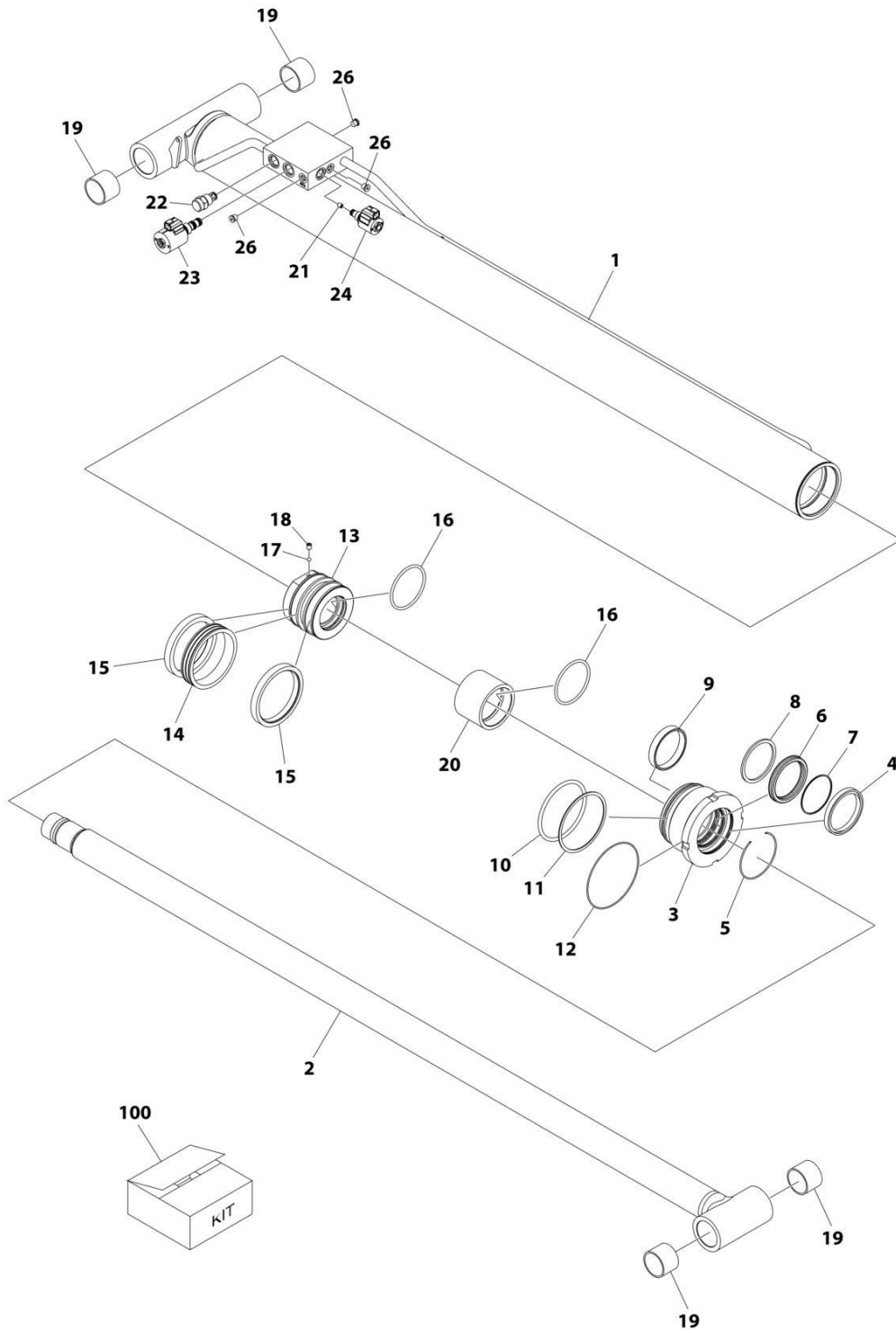
SECTION 6 - CYLINDER

FIGURE 6-3. LEVEL (PLATFORM SLAVE) CYLINDER ASSEMBLY - 460SJ 1K45FT

ITEM	PART NUMBER	QTY	DESCRIPTION	REV
	1001237697	Ref	LEVEL (PLATFORM SLAVE) CYLINDER ASSEMBLY	B
		Ref	Note: Original Cylinder May Have Been Replaced with Service Replacement. Identify PN Stamped on Cylinder Before Ordering Parts.	
1	See Note	NSS	Barrel (Note: Use PN 1001237697)	
2	70007168	1	Rod	
3	70007157	1	Head	
4	See Note	NSS	Wiper (Note: Use Item 100)	
5	70002410	1	Ring, Retaining	
6	See Note	NSS	Seal, Rod (Note: Use Item 100)	
7	See Note	NSS	Ring, Back-up (Note: Use Item 100)	
8	See Note	NSS	Ring (Note: Use Item 100)	
9	70004237	1	Bearing, Dry	
10	See Note	NSS	O-Ring (Note: Use Item 100)	
11	See Note	NSS	Ring, Back-up (Note: Use Item 100)	
12	See Note	NSS	O-Ring (Note: Use Item 100)	
13	70007161	1	Piston	
14	See Note	NSS	Seal, Piston (Note: Use Item 100)	
15	See Note	NSS	O-Ring (Note: Use Item 100)	
16	70023369	1	Setscrew	
17	70022564	1	Ball	
18	70007169	1	Spacer	
19	70007159	4	Bearing	
20	1001168209	1	Cartridge, Valve	
20	2900770	1	Seal Kit - 1001168209 Valve	
21	1001168210	1	Cartridge, Valve	
21	2900770	1	Seal Kit - 1001168210 Valve	
22	2220881	2	Plug, O-Ring 5/16	
23	2220883	4	Plug 7/16	
100	70007160	1	Seal Kit - 1001237697 Cylinder (Includes Items 4, 6, 7, 8, 10, 11, 12, 14 & 15)	

SECTION 6 - CYLINDER

FIGURE 6-4. LIFT CYLINDER ASSEMBLY - MAIN BOOM



ART_1001228092

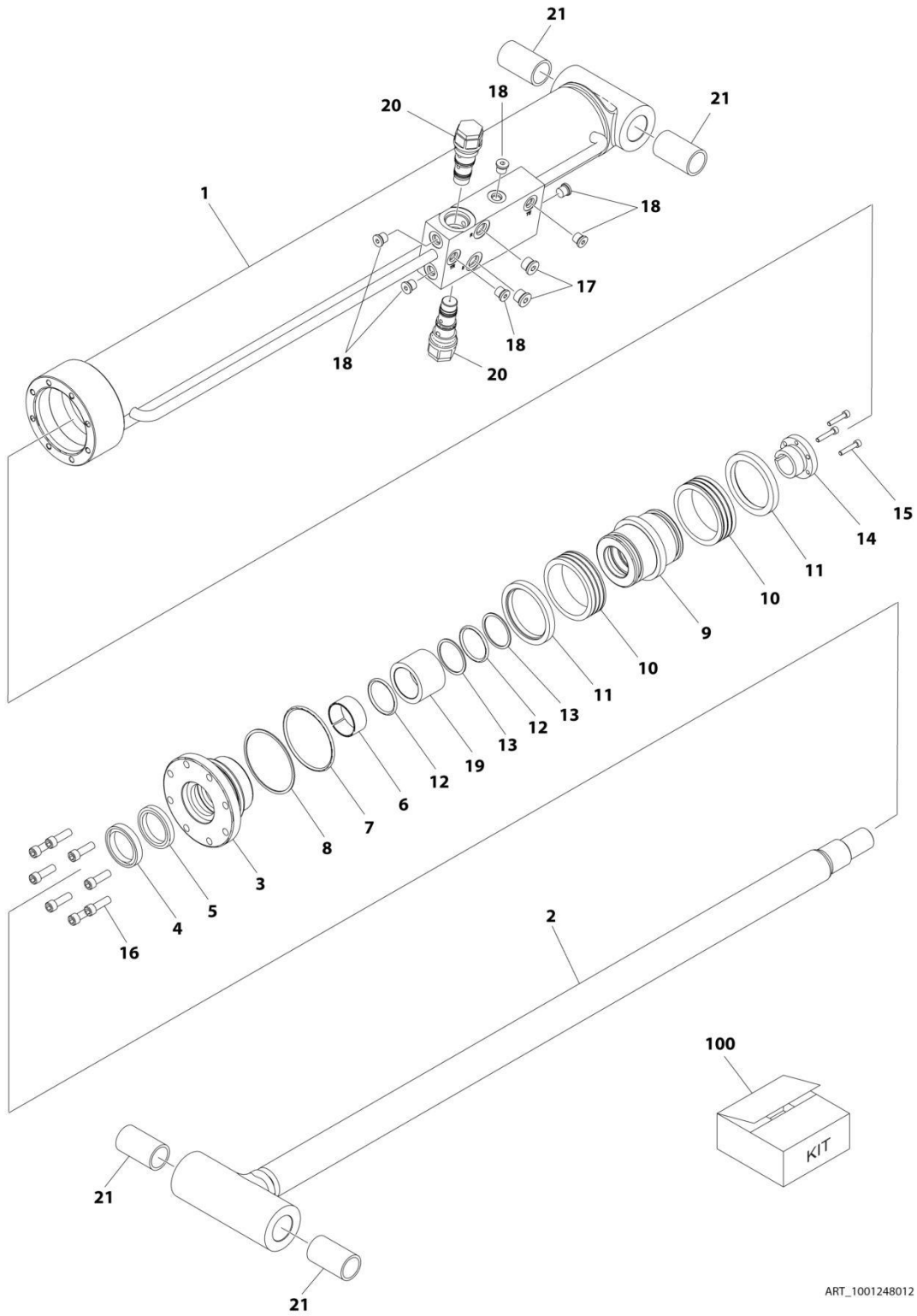
SECTION 6 - CYLINDER

FIGURE 6-4. LIFT CYLINDER ASSEMBLY - MAIN BOOM

ITEM	PART NUMBER	QTY	DESCRIPTION	REV
	1001228092	Ref	LIFT CYLINDER ASSEMBLY - MAIN BOOM	B
		Ref	Note: Original Cylinder May Have Been Replaced with Service Replacement. Identify PN Stamped on Cylinder Before Ordering Parts.	
1	See Note	NSS	Barrel (Use p/n 1001228092)	
2	70006702	1	Rod	
3	70006703	1	Head	
4	See Note	NSS	Wiper (Note: Use Item 100)	
5	70050795	1	Ring, Retainer	
6	See Note	NSS	Seal, Rod (Note: Use Item 100)	
7	See Note	NSS	O-Ring (Note: Use Item 100)	
8	See Note	NSS	Ring (Note: Use Item 100)	
9	70006636	1	Ring, Wear	
10	See Note	NSS	O-Ring (Note: Use Item 100)	
11	See Note	NSS	Ring, Back-up (Note: Use Item 100)	
12	See Note	NSS	O-Ring (Note: Use Item 100)	
13	70006704	1	Piston	
14	See Note	NSS	Seal (Note: Use Item 100)	
15	See Note	NSS	Ring, Wear (Note: Use Item 100)	
16	See Note	NSS	Seal (Note: Use Item 100)	
17	70022564	1	Ball	
18	70023369	1	Setscrew M8 x 10	
19	0961950	4	Bearing	
20	70006705	1	Spacer	
21	70004231	1	Orifice	
22	4641390	1	Cartridge, Check Valve	
22	7017496	1	Seal Kit - 4641390 Valve	
23	1001206625	1	Cartridge, Valve (Includes Coil)	
23	70006104	1	Cartridge, Less Coil	
23	70006105	1	Seal Kit - 70006104 & 1001206625 Cartridges	
23	70003788	1	Coil	
23	7022390	1	Nut, Coil	
24	1001164709	1	Cartridge, Valve (Includes Coil)	
24	7017467	1	Cartridge, Less Coil	
24	7012998	1	Seal Kit - 7017467 & 1001164709 Cartridges	
24	70002386	1	Coil	
26	2220883	3	Plug #4	
100	70006706	1	Seal Kit - 1001228092 Cylinder (Includes Item 4, 6-8, 10-12 & 14-16)	

SECTION 6 - CYLINDER

FIGURE 6-5. LIFT CYLINDER ASSEMBLY - JIB - 400S & 460SJ



ART_1001248012

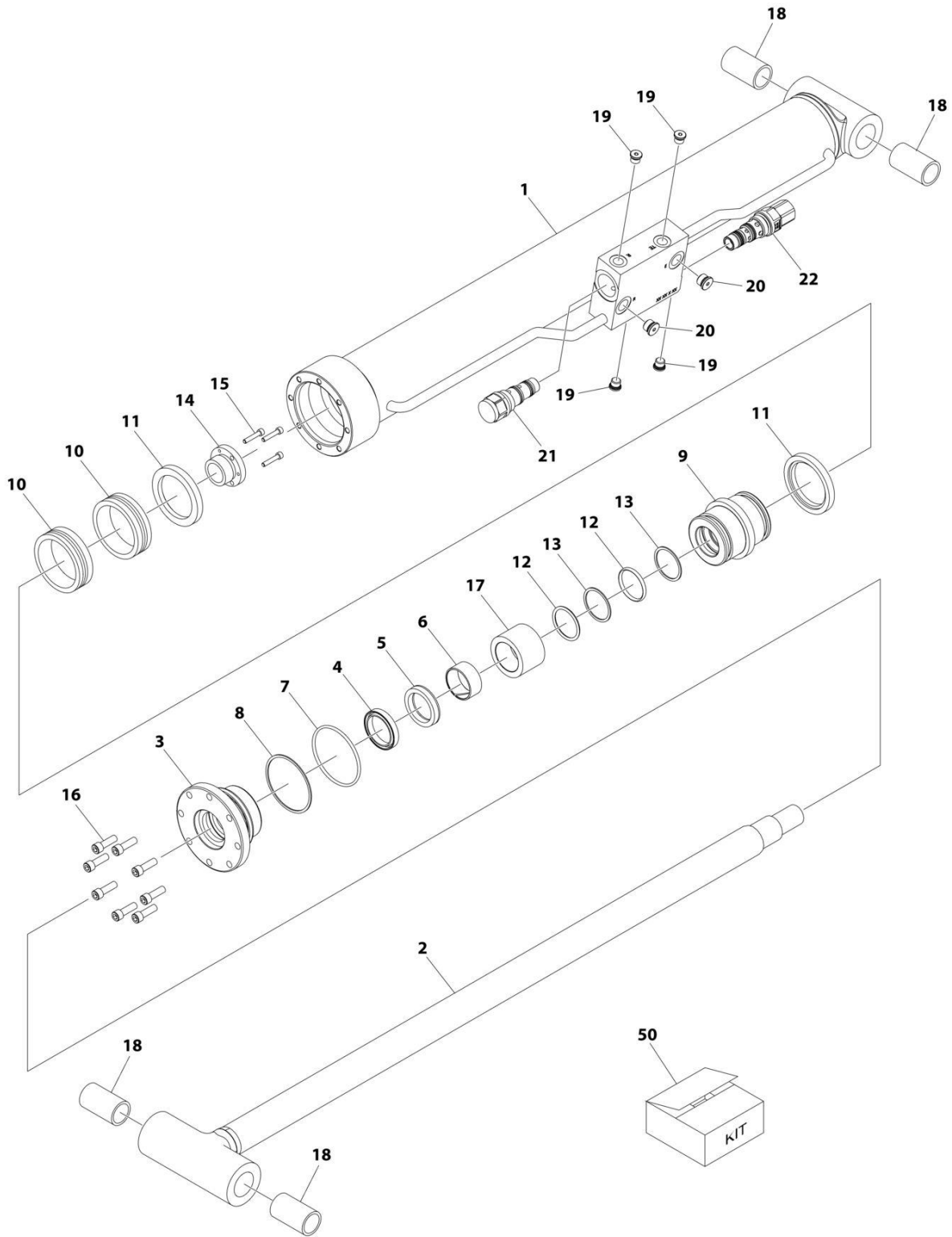
SECTION 6 - CYLINDER

FIGURE 6-5. LIFT CYLINDER ASSEMBLY - JIB - 400S & 460SJ

ITEM	PART NUMBER	QTY	DESCRIPTION	REV
	1001248012	Ref	LIFT CYLINDER ASSEMBLY - JIB	C
		Ref	Note: Original Cylinder May Have Been Replaced with Service Replacement. Identify PN Stamped on Cylinder Before Ordering Parts.	
1	See Note	NSS	Barrel (Note: Not Available for Purchase)	
2	70006734	1	Rod	
3	70006649	1	Head	
4	See Note	NSS	Wiper (Note: Use Item 100)	
5	See Note	NSS	Seal, Rod (Note: Use Item 100)	
6	See Note	NSS	Ring, Wear (Note: Use Item 100)	
7	See Note	NSS	O-Ring (Note: Use Item 100)	
8	See Note	NSS	Ring, Back-up (Note: Use Item 100)	
9	70006650	1	Piston	
10	See Note	NSS	Seal (Note: Use Item 100)	
11	See Note	NSS	Ring, Lock (Note: Use Item 100)	
12	See Note	NSS	O-Ring (Note: Use Item 100)	
13	See Note	NSS	Ring, Back-up (Note: Use Item 100)	
14	0961893	1	Bushing, Tapered	
15	0630534	3	Capscrew, Socket Head #10 x 1	
16	70006735	8	Capscrew 5/16	
17	2220885	2	Plug, O-Ring	
18	2220883	6	Plug, O-Ring	
19	70006736	1	Spacer	
20	4640509	2	Cartridge, Valve	
20	2900792	2	Seal Kit - 4640509 Valve	
21	0962336	4	Bushing	
100	1001138795	1	Seal Kit (Includes Items 4-8 & 10-13)	

SECTION 6 - CYLINDER

FIGURE 6-6. LIFT CYLINDER ASSEMBLY - JIB - 460SJ 1K45FT



ART_1001264991

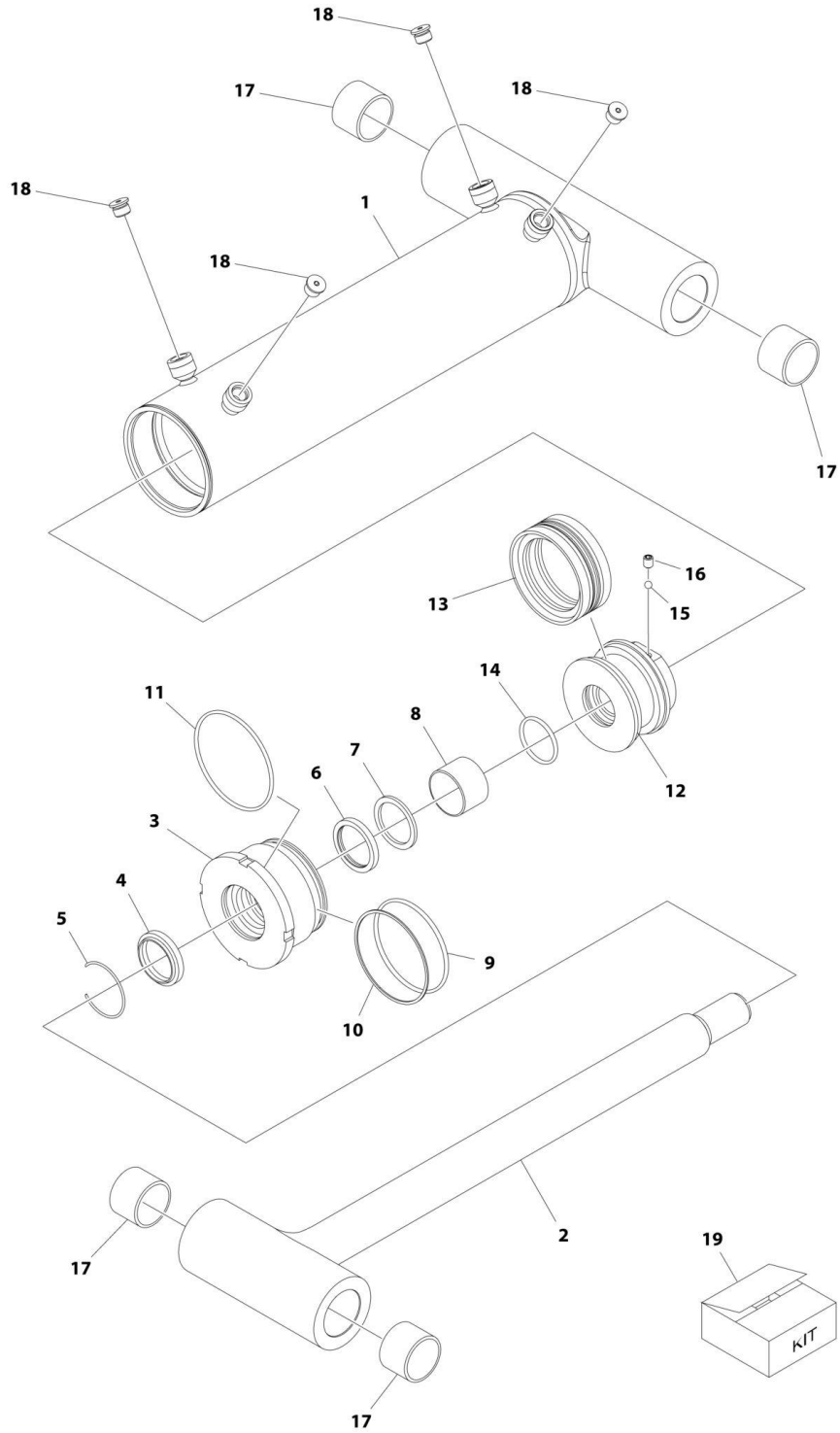
SECTION 6 - CYLINDER

FIGURE 6-6. LIFT CYLINDER ASSEMBLY - JIB - 460SJ 1K45FT

ITEM	PART NUMBER	QTY	DESCRIPTION	REV
	1001264991	Ref	LIFT CYLINDER ASSEMBLY - JIB	B
		Ref	Note: Original Cylinder May Have Been Replaced with Service Replacement. Identify PN Stamped on Cylinder Before Ordering Parts.	
1	See Note	NSS	Barrel (Note: Use PN 1001264991)	
2	70006734	1	Rod	
3	70006649	1	Head	
4	See Note	NSS	Wiper (Note: Use Item 50)	
5	See Note	NSS	Seal, Rod (Note: Use Item 50)	
6	See Note	NSS	Ring, Wear (Note: Use Item 50)	
7	See Note	NSS	O-Ring (Note: Use Item 50)	
8	See Note	NSS	Ring, Back-up (Note: Use Item 50)	
9	70006650	1	Piston	
10	See Note	NSS	Ring, Hydro Lock (Note: Use Item 50)	
11	See Note	NSS	Ring, Guide Lock (Note: Use Item 50)	
12	See Note	NSS	O-Ring (Note: Use Item 50)	
13	See Note	NSS	Ring, Back-up (Note: Use Item 50)	
14	0961893	1	Bushing, Tapered	
15	0630534	3	Capscrew	
16	70006735	8	Capscrew	
17	70006736	1	Spacer	
18	0962336	4	Bearing	
19	70023370	4	Plug	
20	70023371	2	Plug	
21	4640509	1	Cartridge, Counterbalance Valve	
21	2900792	1	Seal Kit - 4640509 Valve	
22	1001263800	1	Cartridge, Counterbalance Valve	
22	70004186	1	Seal Kit - 1001263800 Valve	
50	1001138795	1	Seal Kit - 1001264991 Cylinder (Includes Items 4-8 & 10-13)	

SECTION 6 - CYLINDER

FIGURE 6-7. MASTER CYLINDER ASSEMBLY - 400S & 460SJ



ART_1001163385

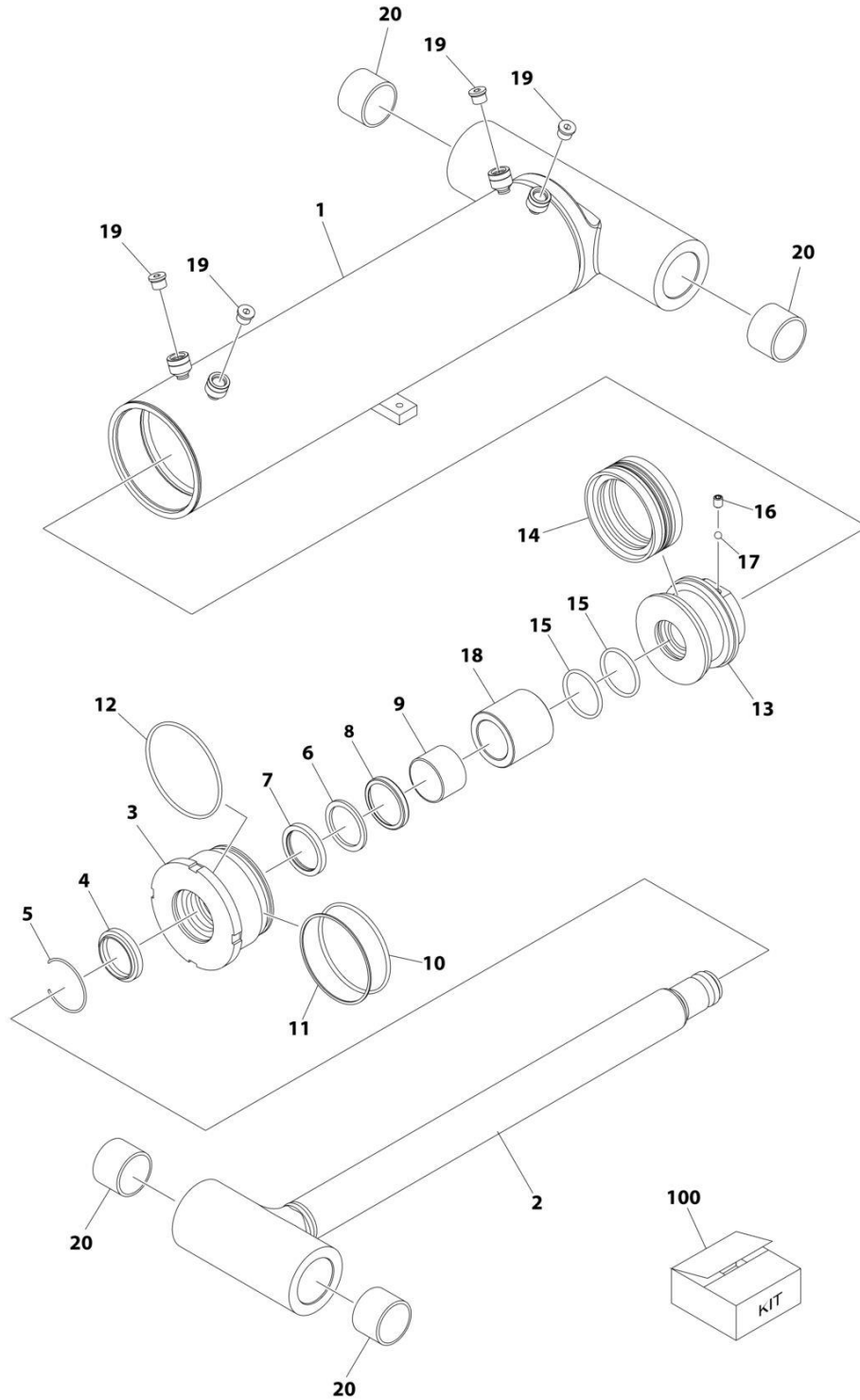
SECTION 6 - CYLINDER

FIGURE 6-7. MASTER CYLINDER ASSEMBLY - 400S & 460SJ

ITEM	PART NUMBER	QTY	DESCRIPTION	REV
	1001163385	Ref	MASTER CYLINDER ASSEMBLY	F
		Ref	Note: Original Cylinder May Have Been Replaced with Service Replacement. Identify PN Stamped on Cylinder Before Ordering Parts.	
1	70005140	1	Barrel	
2	70005141	1	Rod	
3	70005142	1	Head, Cylinder	
4	See Note	NSS	Wiper (Note: Use Item 19)	
5	70002373	1	Ring, Retaining	
6	See Note	NSS	Seal, Rod (Note: Use Item 19)	
7	See Note	NSS	Ring, Back-up (Note: Use Item 19)	
8	70005143	1	Bearing, Dry	
9	See Note	NSS	O-Ring (Note: Use Item 19)	
10	See Note	NSS	Ring, Back-up (Note: Use Item 19)	
11	See Note	NSS	O-Ring (Note: Use Item 19)	
12	70005144	1	Piston	
13	See Note	NSS	Seal, Piston	
14	See Note	NSS	O-Ring (Note: Use Item 19)	
15	70022564	1	Ball	
16	70023369	1	Setscrew M8 x 31.75	
17	70005145	4	Bearing	
18	700023371	4	Plug 9/16	
19	70005146	1	Seal Kit - 1001163385 Cylinder (Includes Items 4, 6, 7, 9, 10, 11, 13 & 14)	

SECTION 6 - CYLINDER

FIGURE 6-8. MASTER CYLINDER ASSEMBLY - 460SJ 1K45FT



ART_1001237698

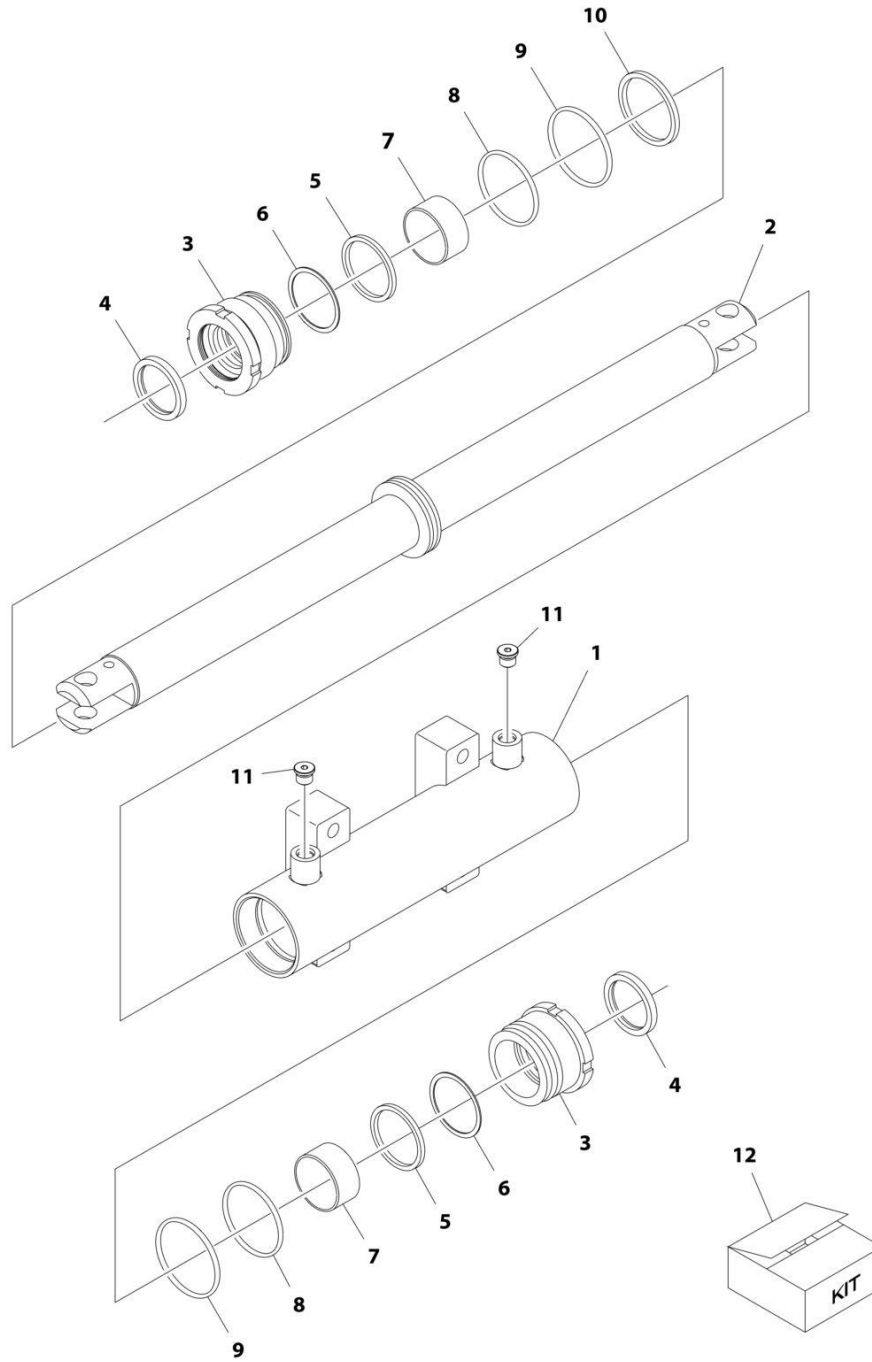
SECTION 6 - CYLINDER

FIGURE 6-8. MASTER CYLINDER ASSEMBLY - 460SJ 1K45FT

ITEM	PART NUMBER	QTY	DESCRIPTION	REV
	1001237698	Ref	MASTER CYLINDER ASSEMBLY	B
		Ref	Note: Original Cylinder May Have Been Replaced with Service Replacement. Identify PN Stamped on Cylinder Before Ordering Parts.	
1	See Note	NSS	Barrel	
2	70007156	1	Rod	
3	70007157	1	Head, Cylinder	
4	See Note	NSS	Wiper (Note: Use Item 100)	
5	70002410	1	Ring, Retaining	
6	See Note	NSS	Seal, Rod (Note: Use Item 100)	
7	See Note	NSS	Ring, Back-up (Note: Use Item 100)	
8	See Note	1	Ring (Note: Use Item 100)	
9	70004237	1	Bearing, Dry	
10	See Note	NSS	O-Ring (Note: Use Item 100)	
11	See Note	NSS	Ring, Back-up (Note: Use Item 100)	
12	See Note	NSS	O-Ring (Note: Use Item 100)	
13	70007161	1	Piston	
14	See Note	NSS	Seal, Piston	
15	See Note	NSS	O-Ring (Note: Use Item 100)	
16	70023369	1	Setscrew M8 x 31.75	
17	70022564	1	Ball	
18	70007158	1	Spacer	
19	2220885	1	Plug 9/16	
20	70005145	4	Bearing	
100	70005146	1	Seal Kit - 1001237698 Cylinder (Includes Items 4, 6, 7, 8, 10, 11, 12, 14 & 15)	

SECTION 6 - CYLINDER

FIGURE 6-9. STEER CYLINDER ASSEMBLY



ART_1001163178

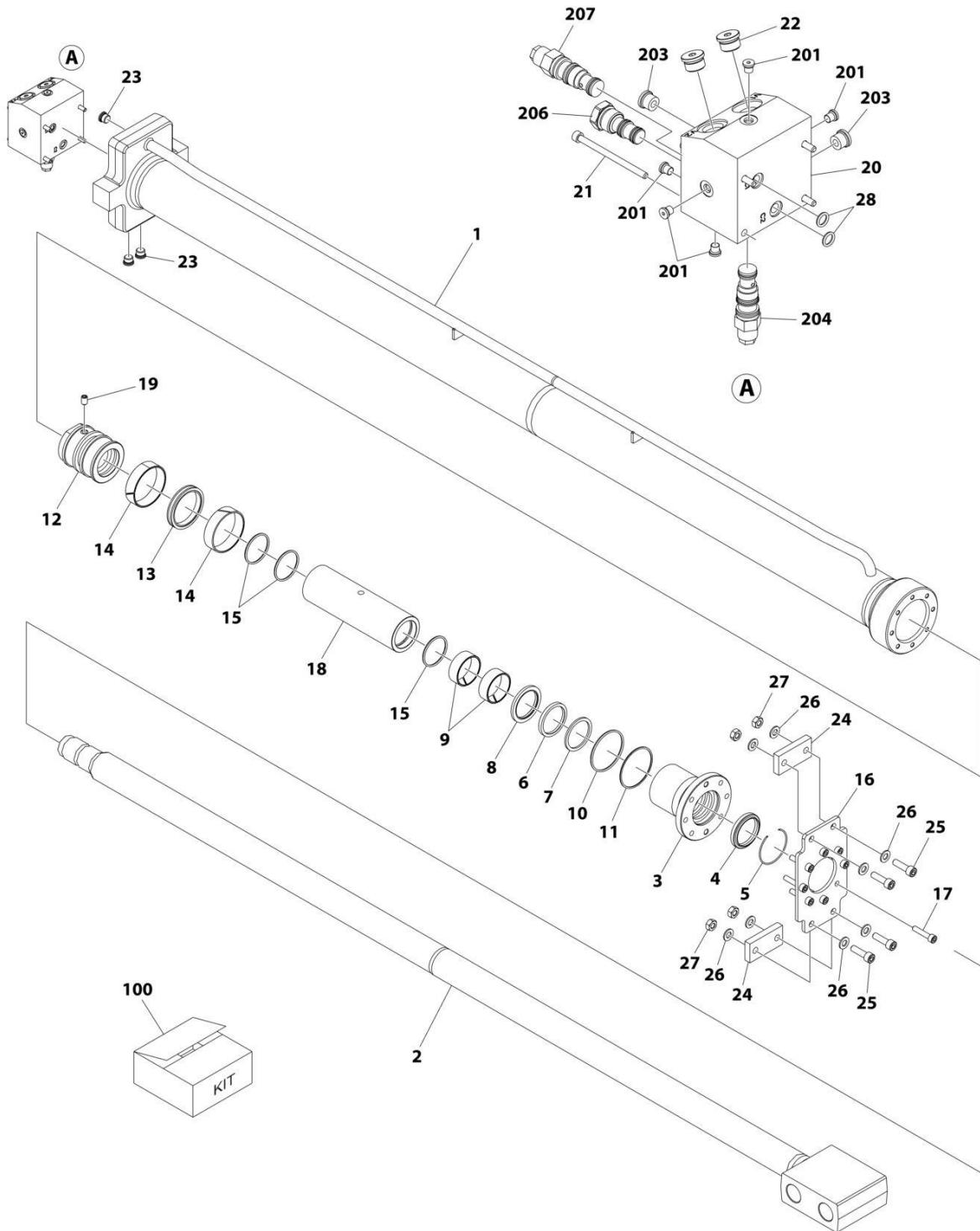
SECTION 6 - CYLINDER

FIGURE 6-9. STEER CYLINDER ASSEMBLY

ITEM	PART NUMBER	QTY	DESCRIPTION	REV
	1001163178	Ref	STEER CYLINDER ASSEMBLY	E
		Ref	Note: Original Cylinder May Have Been Replaced with Service Replacement. Identify PN Stamped on Cylinder Before Ordering Parts.	
1	70005150	1	Barrel	
2	70005151	1	Rod	
3	70005152	2	Head	
4	See Note	NSS	Wiper (Note: Use Item 12)	
5	See Note	NSS	Seal, Rod (Note: Use Item 12)	
6	See Note	NSS	Ring, Back-up (Note: Use Item 12)	
7	70005153	2	Bearing, Dry	
8	See Note	NSS	O-Ring (Note: Use Item 12)	
9	See Note	NSS	O-Ring (Note: Use Item 12)	
10	See Note	NSS	Seal, Piston (Note: Use Item 12)	
11	See Note	2	Plug 9/16 (Note: Not Available for Purchase)	
12	70005154	1	Seal Kit - 1001163178 Cylinder (Includes Items 4-6 & 8-10)	

SECTION 6 - CYLINDER

FIGURE 6-10. TELESCOPE CYLINDER ASSEMBLY - 400S & 460SJ



ART_1001251075

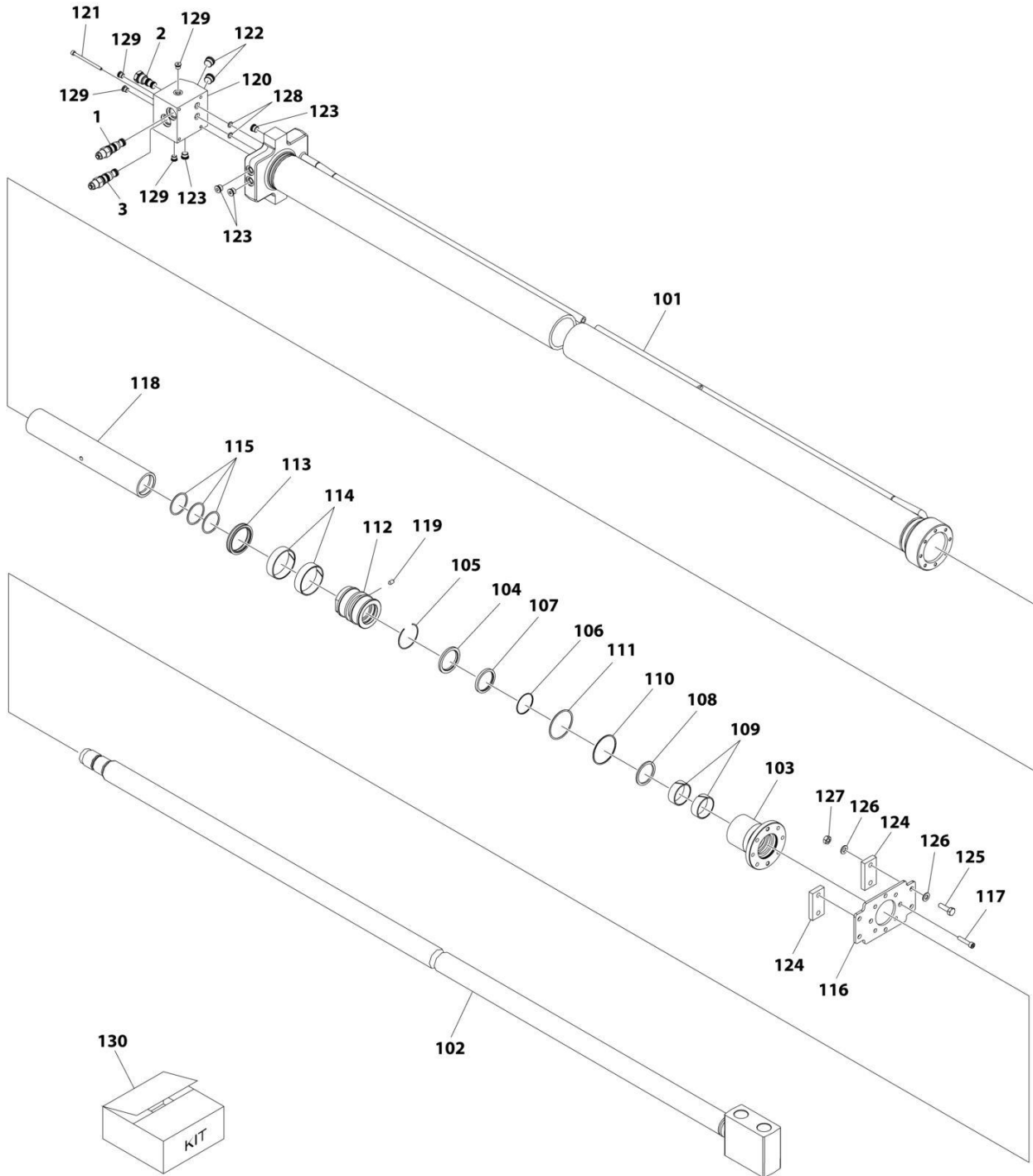
SECTION 6 - CYLINDER

FIGURE 6-10. TELESCOPE CYLINDER ASSEMBLY - 400S & 460SJ

ITEM	PART NUMBER	QTY	DESCRIPTION	REV
	1001251075	Ref	TELESCOPE CYLINDER ASSEMBLY	B
		Ref	Note: Original Cylinder May Have Been Replaced with Service Replacement. Identify PN Stamped on Cylinder Before Ordering Parts.	
1	See Note	NSS	Barrel (Note: Purchase Complete Assembly)	
2	70007062	1	Rod	
3	70007063	1	Head	
4	See Note	NSS	Wiper (Note: Use Item 100)	
5	70002412	1	Ring, Retaining	
6	See Note	NSS	Seal (Note: Use Item 100)	
7	See Note	NSS	Ring, Back-up (Note: Use Item 100)	
8	See Note	NSS	Ring, Wear (Note: Use Item 100)	
9	See Note	NSS	Ring, Wear (Note: Use Item 100)	
10	See Note	NSS	O-Ring (Note: Use Item 100)	
11	See Note	NSS	Ring, Back-up (Note: Use Item 100)	
12	70007064	1	Piston	
13	See Note	NSS	Seal (Note: Use Item 100)	
14	See Note	NSS	Ring, Wear (Note: Use Item 100)	
15	See Note	NSS	O-Ring (Note: Use Item 100)	
16	70007065	1	Plate	
17	70007066	8	Capscrew	
18	70007067	1	Spacer	
19	70006817	1	Set Screw	
20	1001166997	1	Valve Block Assembly (See Items 201-207 for Breakdown)	
21	70007068	4	Capscrew	
22	2220886	2	Plug, O-Ring	
23	2220885	3	Plug	
24	70007069	2	Pad, Wear	
25	70007070	4	Bolt	
26	70006344	8	Washer	
27	70007071	4	Nut	
28	See Note	NSS	O-Ring (Note: Use Item 100)	
100	70007072	1	Seal Kit - 1001251075 Cylinder (Includes Items 4, 6-11, 13-15 & 28)	
	1001166997	Ref	VALVE BLOCK ASSEMBLY	
201	2220881	5	Plug	
203	2220885	2	Plug	
204	4640452	1	Cartridge, Counterbalance Valve	
204	2900770	1	Seal Kit - 4640452 Valve	
206	1001165363	1	Cartridge, Shuttle Valve	
206	7012518	1	Seal Kit - 1001165363 Valve	
207	1001168209	1	Cartridge, Counterbalance Valve	
207	2900770	1	Seal Kit - 1001168209 Valve	

SECTION 6 - CYLINDER

FIGURE 6-11. TELESCOPE CYLINDER ASSEMBLY - 460SJ 1K45FT



ART_1001282095

SECTION 6 - CYLINDER

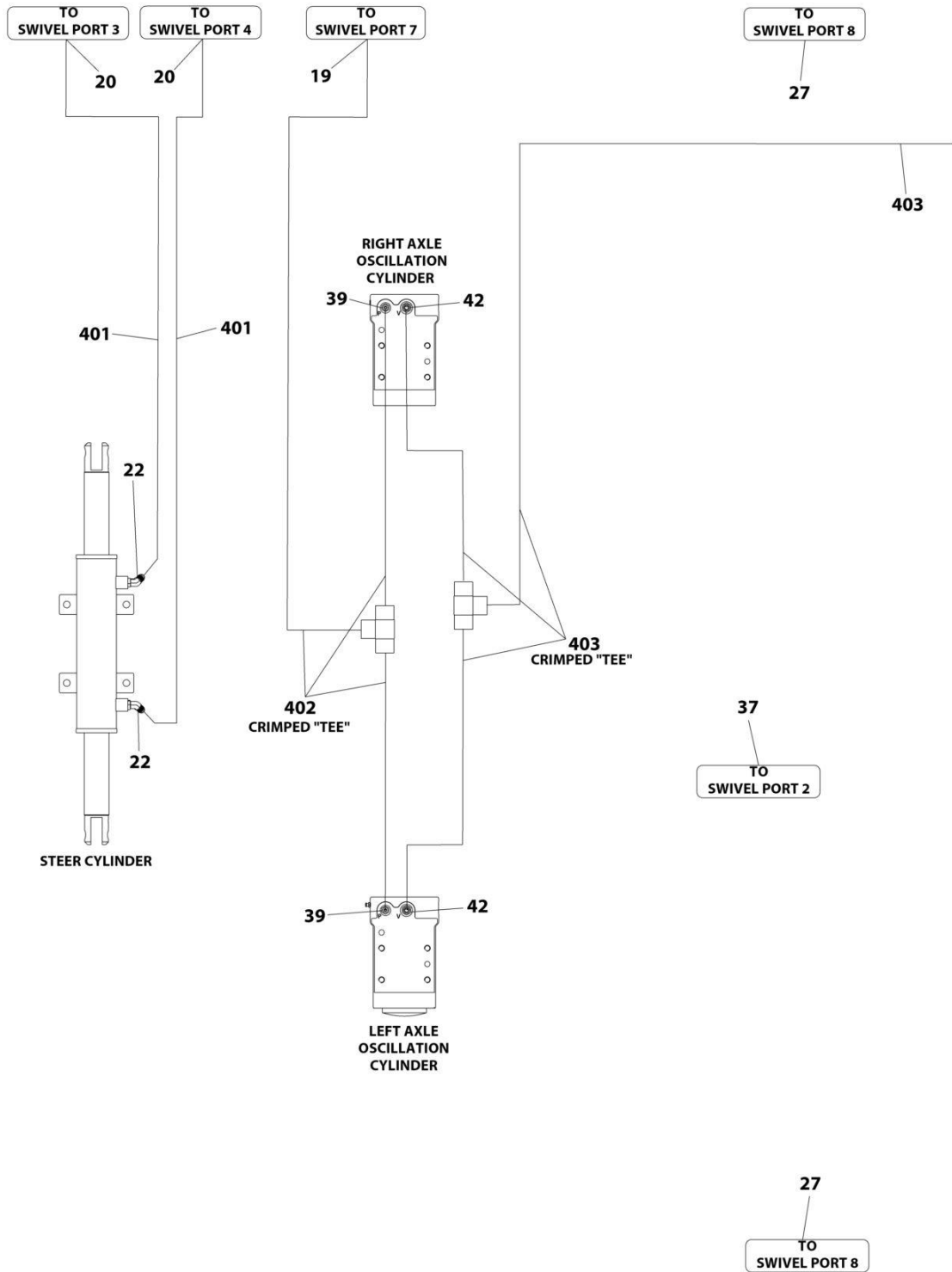
FIGURE 6-11. TELESCOPE CYLINDER ASSEMBLY - 460SJ 1K45FT

ITEM	PART NUMBER	QTY	DESCRIPTION	REV
	1001282095	Ref	TELESCOPE CYLINDER ASSEMBLY	A
		Ref	Note: Original Cylinder May Have Been Replaced with Service Replacement. Identify PN Stamped on Cylinder Before Ordering Parts.	
1	4640452	1	Cartridge, Counter Balance Valve (Note: No Seal Kit Available. Purchase Complete Assembly)	
2	1001165363	1	Cartridge, Shuttle Valve	
2	7012518	1	Seal Kit - 1001165363 Valve	
3	1001168209	1	Cartridge, Counter Balance Valve	
3	2900770	1	Seal Kit - 1001168209 Valve	
101	See Note	NSS	Tube (Note: Not Available for Purchase)	
102	70007062	1	Rod	
103	70007063	1	Head	
104	See Note	NSS	Wiper, Dust (Note: Use Item 130)	
105	70002412	1	Ring, Retaining	
106	See Note	NSS	Seal, Rod (Note: Use Item 130)	
107	See Note	NSS	Ring, Backup (Note: Use Item 130)	
108	See Note	NSS	Ring, Buffer (Note: Use Item 130)	
109	See Note	NSS	Ring, Wear (Note: Use Item 130)	
110	See Note	NSS	O-Ring (Note: Use Item 130)	
111	See Note	NSS	Ring, Backup (Note: Use Item 130)	
112	70007064	1	Piston	
113	See Note	NSS	Seal, Piston (Note: Use Item 130)	
114	See Note	NSS	Ring, Wear (Note: Use Item 130)	
115	See Note	NSS	O-Ring (Note: Use Item 130)	
116	70007065	1	Plate	
117	70007066	8	Bolt M8 x 40	
118	70008281	1	Spacer	
119	70005839	1	Screw, Set	
120	See Note	NSS	Valve Block (Note: Not Available for Purchase)	
121	70007068	4	Bolt M6 x 90	
122	2220886	2	Plug 3/4	
123	2220885	4	Plug 9/16	
124	70007069	2	Pad, Wear	
125	70007070	4	Bolt M10 x 35	
126	70006344	8	Washer	
127	70007071	4	Nut M10	
128	See Note	NSS	O-Ring (Note: Use Item 130)	
129	2220883	4	Plug 7/16	
130	70007072	1	Seal Kit (Includes Items 104, 106-111, 113-115, & 128)	

SECTION 7 - HYDRAULIC

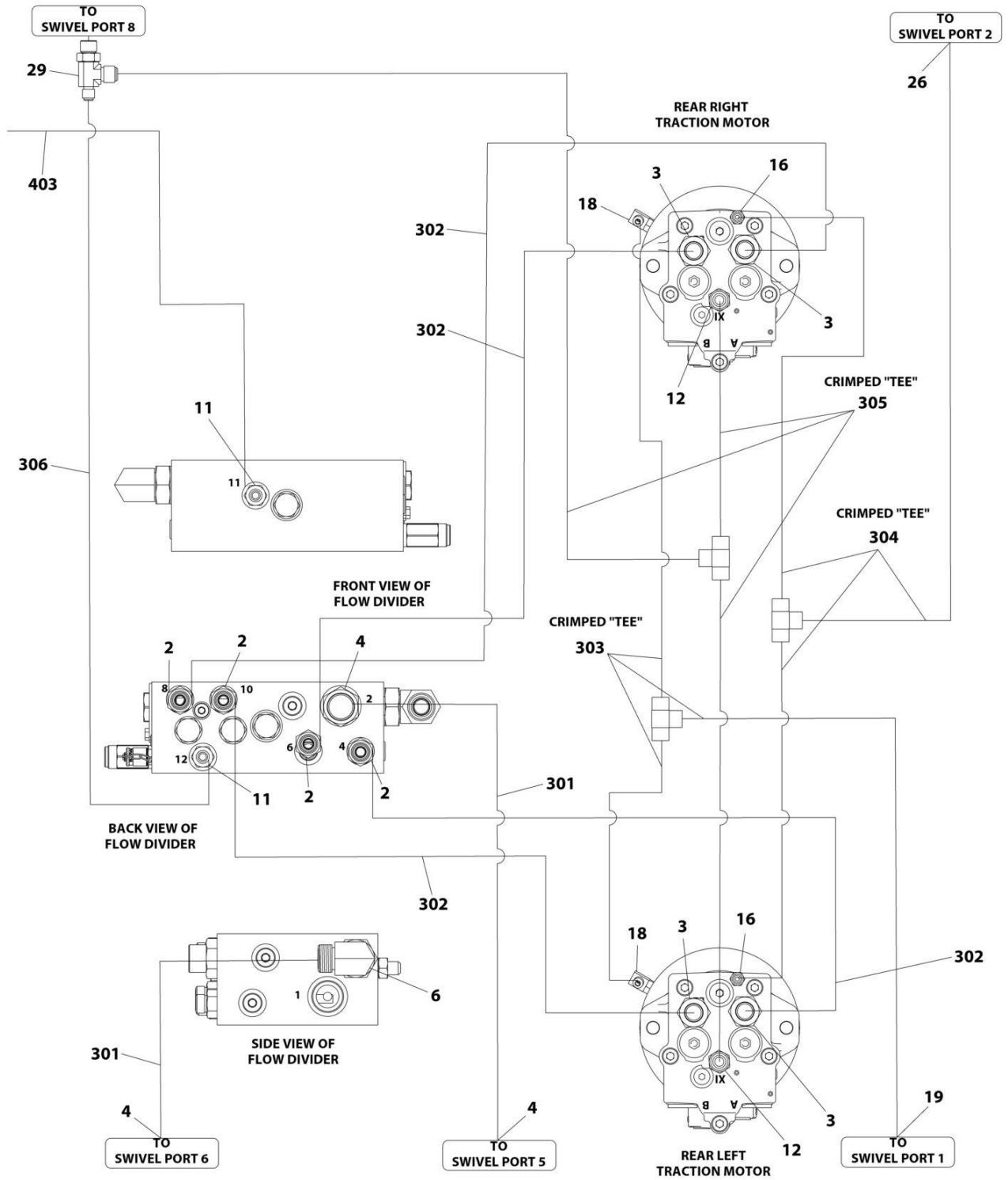
SECTION 7 - HYDRAULIC

FIGURE 7-1. 400S 2WD HYDRAULIC SYSTEM INSTALLATION



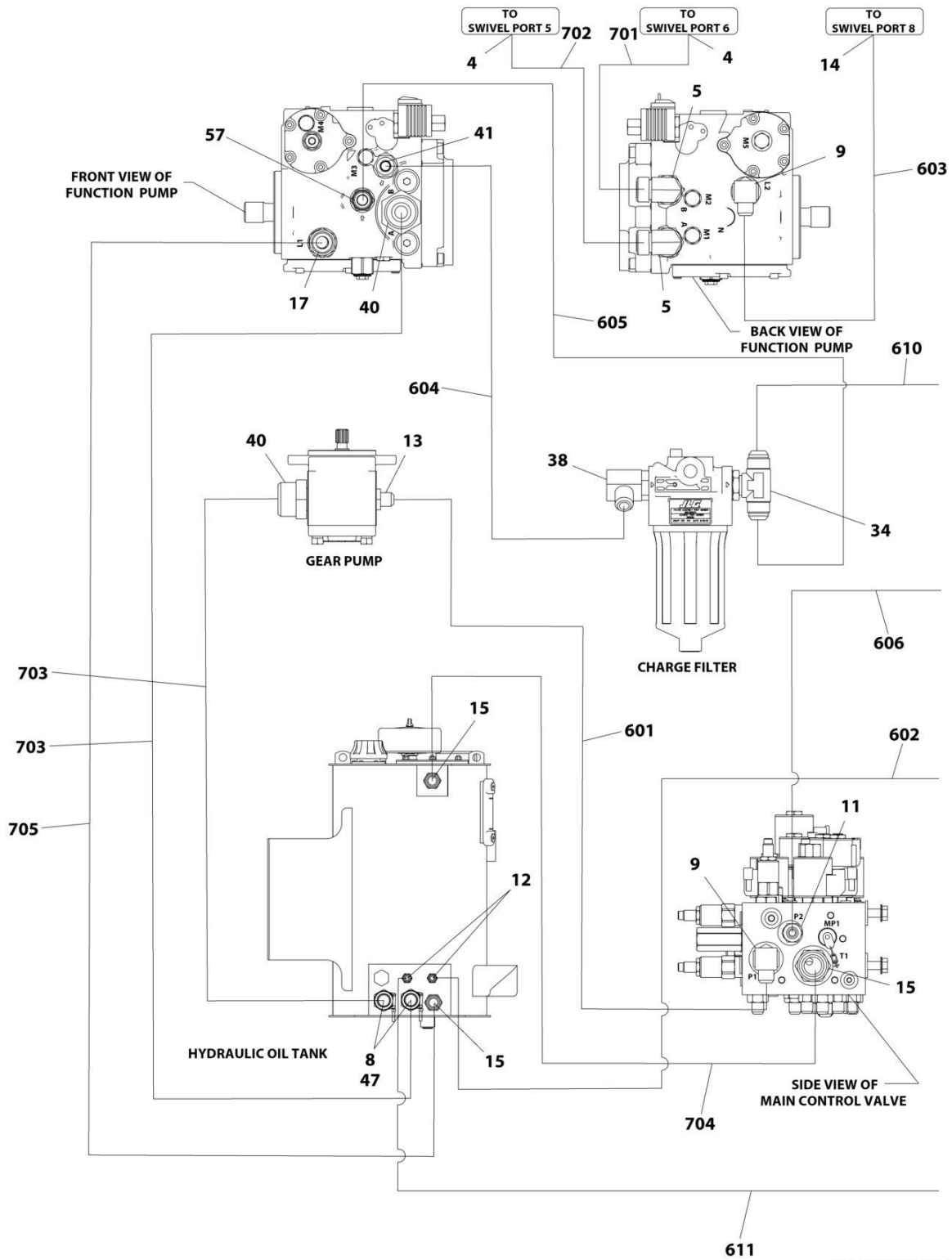
ART_1001216801_G_10F6

SECTION 7 - HYDRAULIC



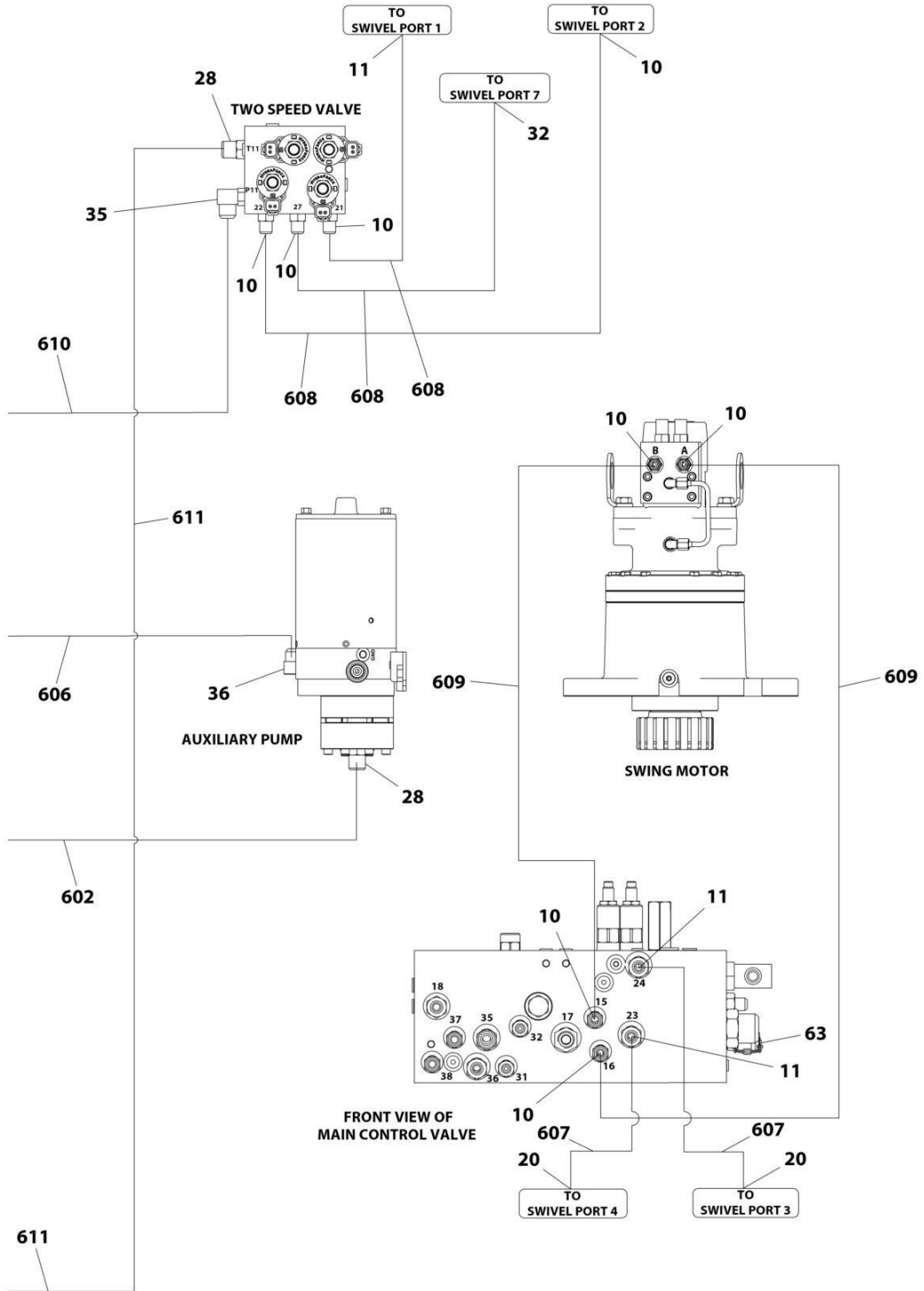
ART_1001216801_G_20F6

SECTION 7 - HYDRAULIC



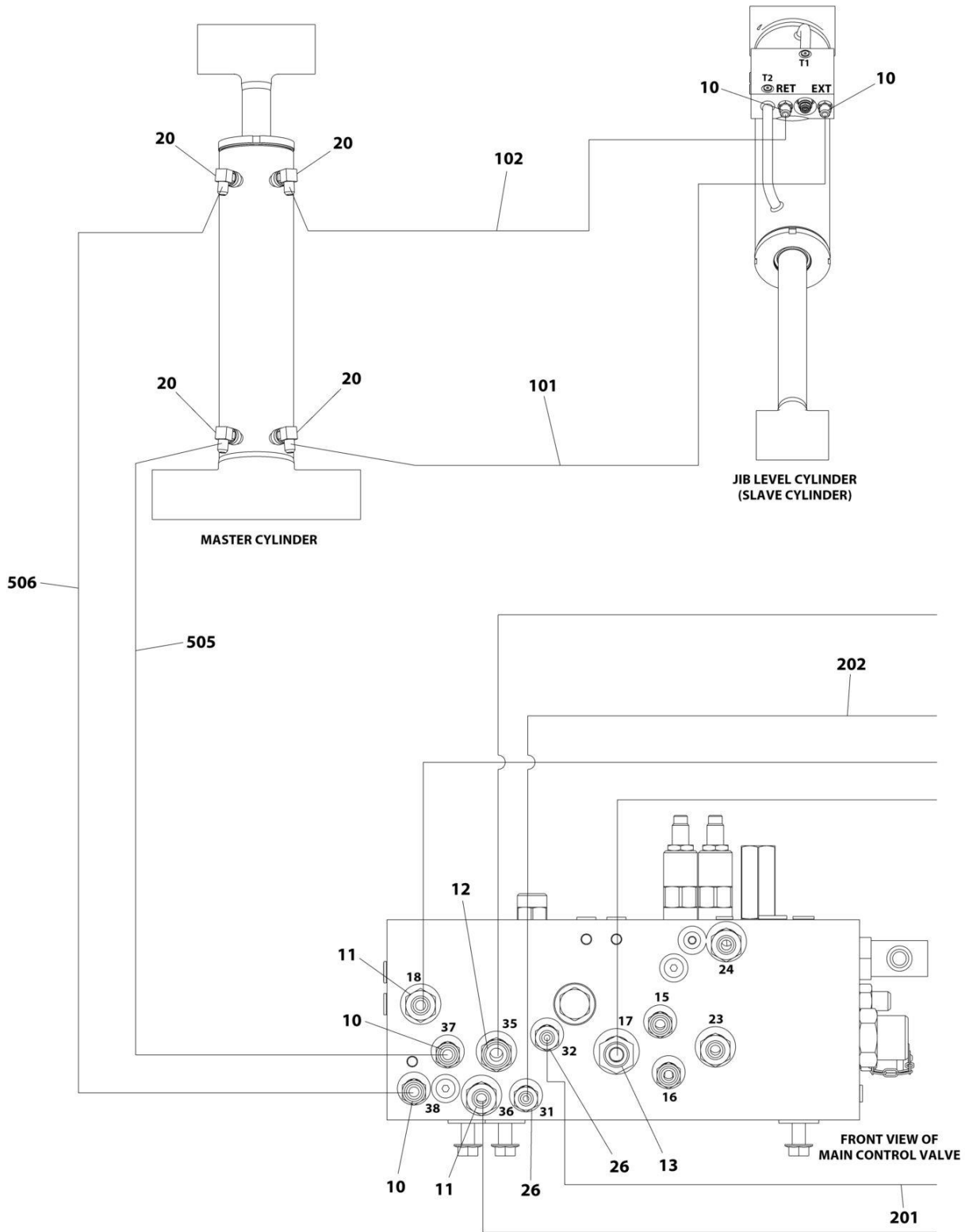
ART_1001216801_G_30F6

SECTION 7 - HYDRAULIC



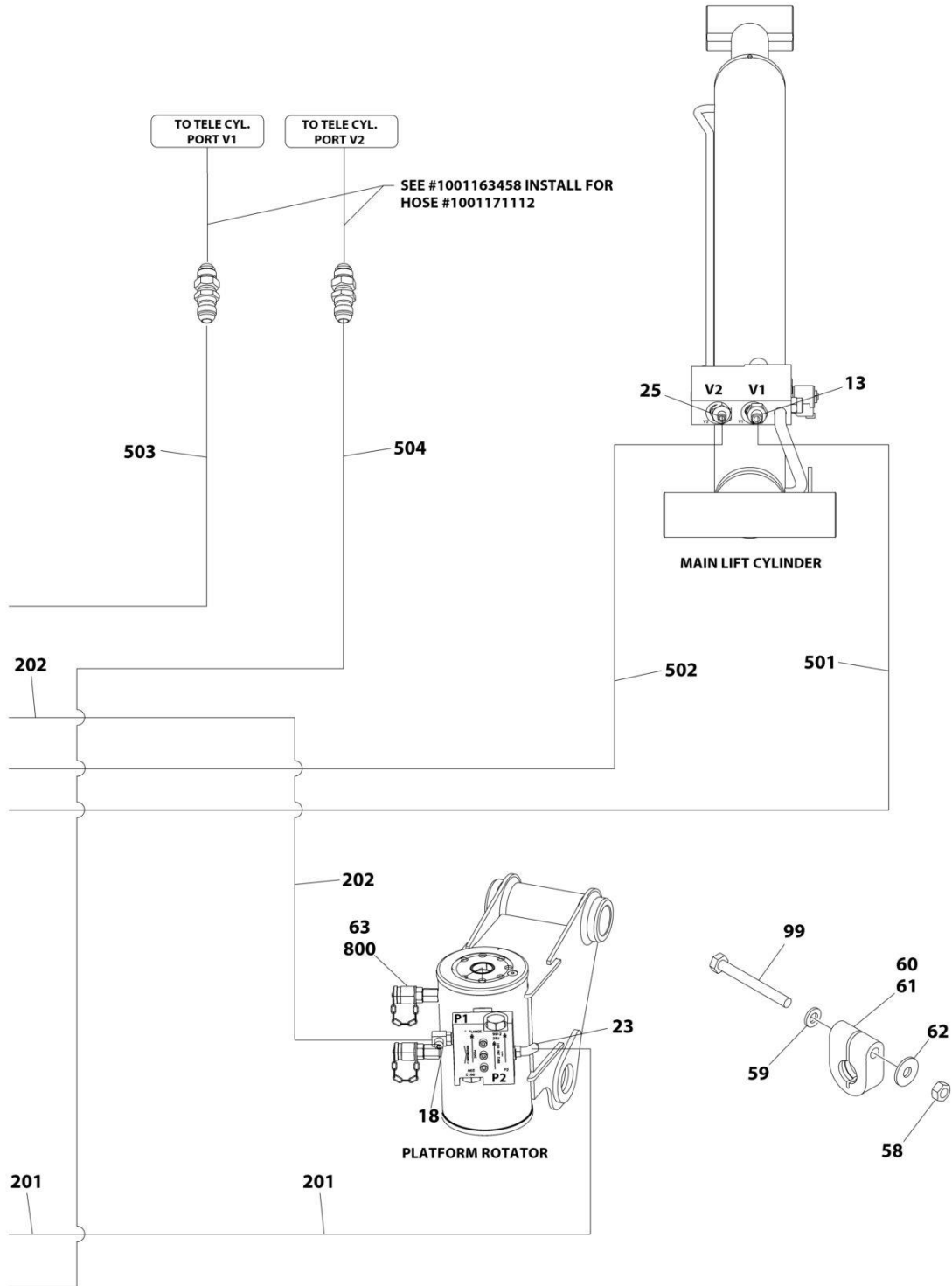
ART_1001216801_G_40F6

SECTION 7 - HYDRAULIC



ART_1001216801_G_50F6

SECTION 7 - HYDRAULIC



ART_1001216801_G_60F6

SECTION 7 - HYDRAULIC

FIGURE 7-1. 400S 2WD HYDRAULIC SYSTEM INSTALLATION

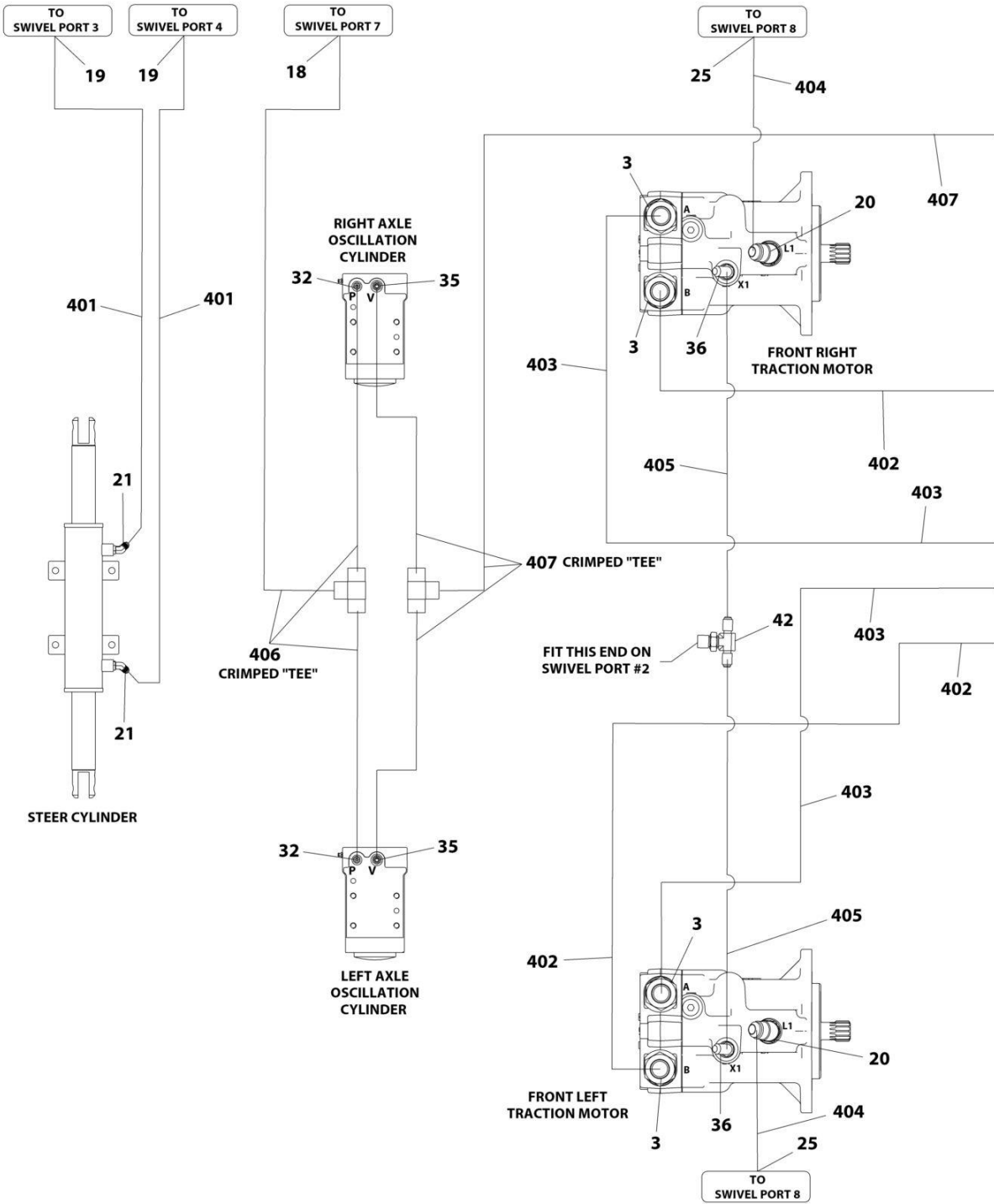
ITEM	PART NUMBER	QTY	DESCRIPTION	REV
	1001216801	Ref	2WD HYDRAULIC SYSTEM INSTALLATION	G
2	2110810	4	Fitting, Straight ORFS/ORB	
3	2110812	4	Fitting, Straight ORFS/ORB	
4	2111216	5	Fitting, Straight ORFS/ORB	
5	2131212	2	Fitting, 90 ORFS/ORB	
6	2131216	1	Fitting, 90 ORFS/ORB	
8	1001202910	2	Fitting, Straight MORB	
9	2220366	2	Fitting, 90 JIC/ORB	
10	2220371	12	Fitting, Straight JIC/ORB	
11	2220372	8	Fitting, Straight JIC/ORB	
12	2220373	5	Fitting, Straight JIC/ORB	
13	2220374	3	Fitting, Straight JIC/ORB	
14	2220375	1	Fitting, Straight JIC/ORB	
15	2220377	3	Fitting, Straight JIC/ORB	
16	2220415	2	Fitting, Straight JIC/ORB	
17	2220451	1	Fitting, Straight JIC/ORB	
18	2220466	3	Fitting, 90 JIC/ORB	
19	2220468	2	Fitting, Straight JIC/ORB	
20	2220473	8	Fitting, 90 JIC/ORB	
22	2220501	2	Fitting, 45 JIC/ORB	
23	2220502	1	Fitting, 45 JIC/ORB	
25	2220497	1	Fitting, Straight JIC/ORB	
26	2220582	3	Fitting, Straight JIC/ORB	
27	2220238	2	Plug ORB	
28	2220600	2	Fitting, Straight JIC/ORB	
29	1001197272	1	Fitting, Tee JIC/ORB/JIC	
32	2220628	1	Fitting, 90 JIC/ORB	
34	2220695	1	Fitting, Tee JIC/ORB/JIC	
35	2220726	1	Fitting, 90 JIC/ORB	
36	2220775	1	Fitting, 90 JIC/ORB	
37	2220237	1	Plug ORB	
38	2220906	1	Fitting, 90 JIC/ORB	
39	2220923	2	Fitting, Straight JIC/ORB	
40	2220946	2	Fitting, Straight JIC/ORB	
41	2220947	1	Fitting, Straight JIC/ORB	
42	2220998	2	Fitting, Straight JIC/ORB	
44	4240018	13	Tie-Strap (Not Shown)	
47	1001275635	2	Clamp	
49	1001098928	1	Clamp (Not Shown)	
57	88662037	1	Fitting, Straight JIC/ORB	
58	3290601	2	Nut M6 x 1	
59	4811700	2	Washer M6	
60	1001191275	1	Clamp	
61	1001191276	1	Clamp	
62	4811702	2	Washer M6	
63	2221086	3	Fitting, Diagnostic Test Port	
99	0700619	2	Bolt M6 x 55	
100	1001202940	1	Kit, Upper Boom (Not Shown)	
101	1001173909	1	Hose	
102	1001173937	1	Hose	

SECTION 7 - HYDRAULIC

ITEM	PART NUMBER	QTY	DESCRIPTION	REV
200	1001202941	1	Kit, S Boom (Not Shown)	
201	1001172694	1	Hose	
202	1001172696	1	Hose	
300	1001202943	1	Kit, Chassis Rear Hose (Not Shown)	
301	1001172695	2	Hose	
302	1001172697	4	Hose	
303	1001184561	1	Hose	
304	1001184562	1	Hose	
305	1001184563	1	Hose	
306	1001197284	1	Hose	
400	1001214614	1	Kit, Chassis Front Hose (Not Shown)	
401	1001172692	2	Hose	
402	1001184542	1	Hose	
403	1001184543	1	Hose	
500	1001202946	1	Kit, Turntable Hosing (Not Shown)	
501	1001173901	1	Hose	
502	1001173902	1	Hose	
503	1001173903	1	Hose	
504	1001173904	1	Hose	
505	1001173907	1	Hose	
506	1001173908	1	Hose	
600	1001252922	1	Kit, Turntable Hosing (Not Shown)	
601	2752500	1	Hose	
602	1001172716	1	Hose	
603	1001172717	1	Hose	
604	1001172718	1	Hose	
605	1001172719	1	Hose	
606	1001172721	1	Hose	
607	1001172722	2	Hose	
608	1001172723	3	Hose	
609	1001173900	1	Hose	
610	1001181075	1	Hose	
611	1001193654	1	Hose	
700	1001252923	1	Kit, Turntable Hosing (Not Shown)	
701	1001173898	1	Hose	
702	1001181074	1	Hose	
703	1001207332	1	Hose	
704	1001207333	1	Hose	
705	1001216655	1	Hose	
800	2060404	2	Fitting, Straight FORB/ORB	

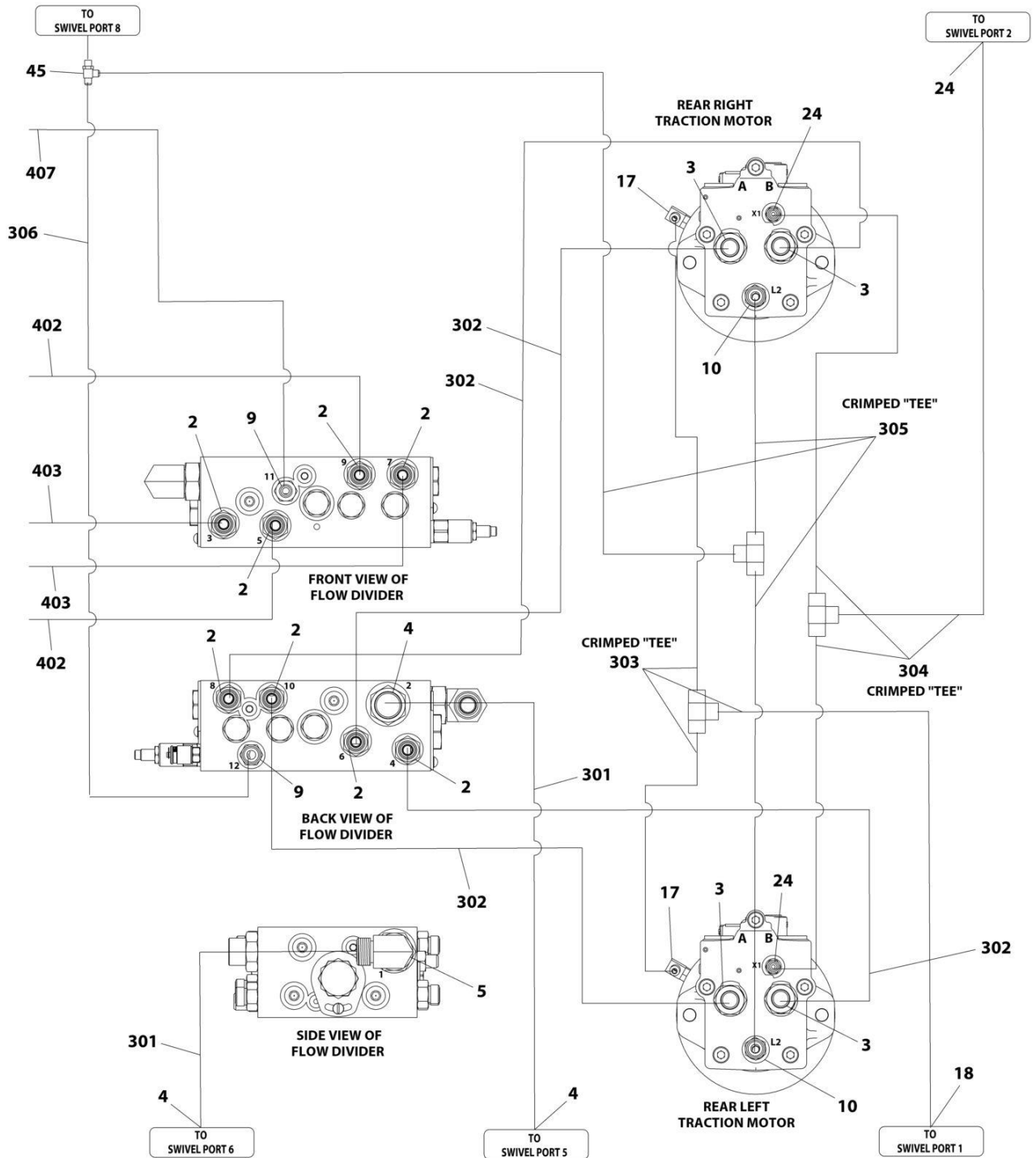
SECTION 7 - HYDRAULIC

FIGURE 7-2. 400S 4WD HYDRAULIC SYSTEM INSTALLATION



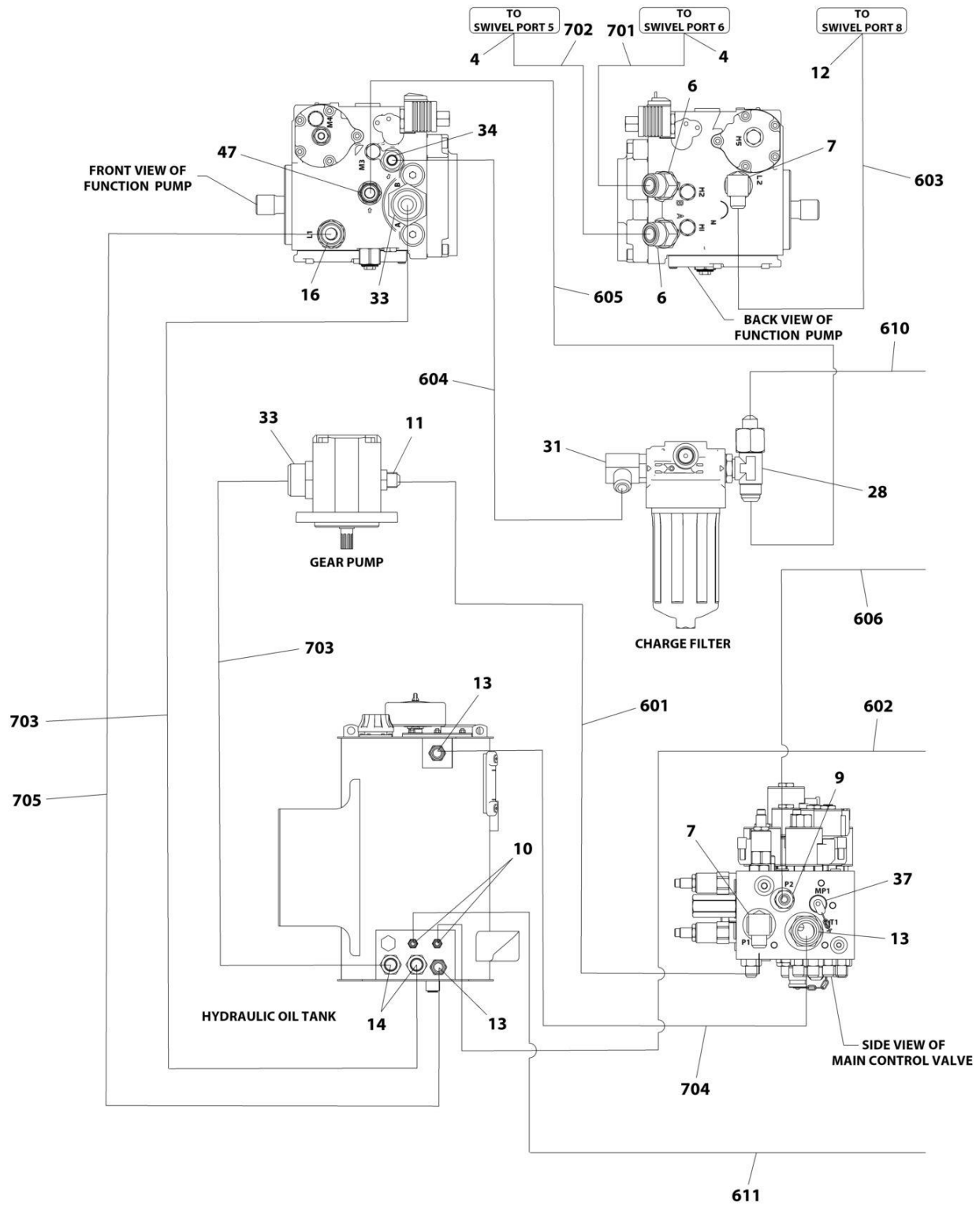
ART_1001207340_I_10F6

SECTION 7 - HYDRAULIC



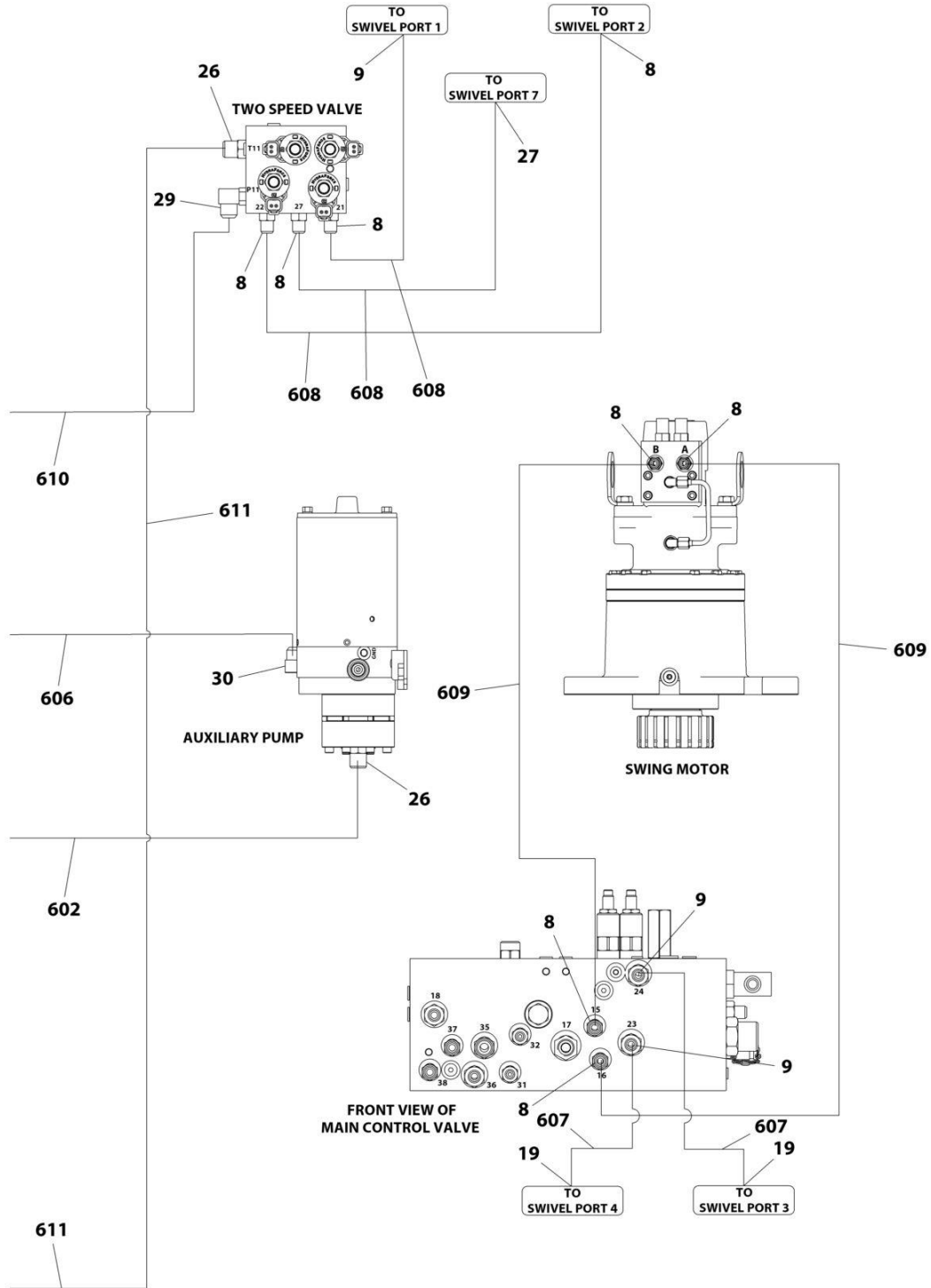
ART_1001207340_I_20F6

SECTION 7 - HYDRAULIC



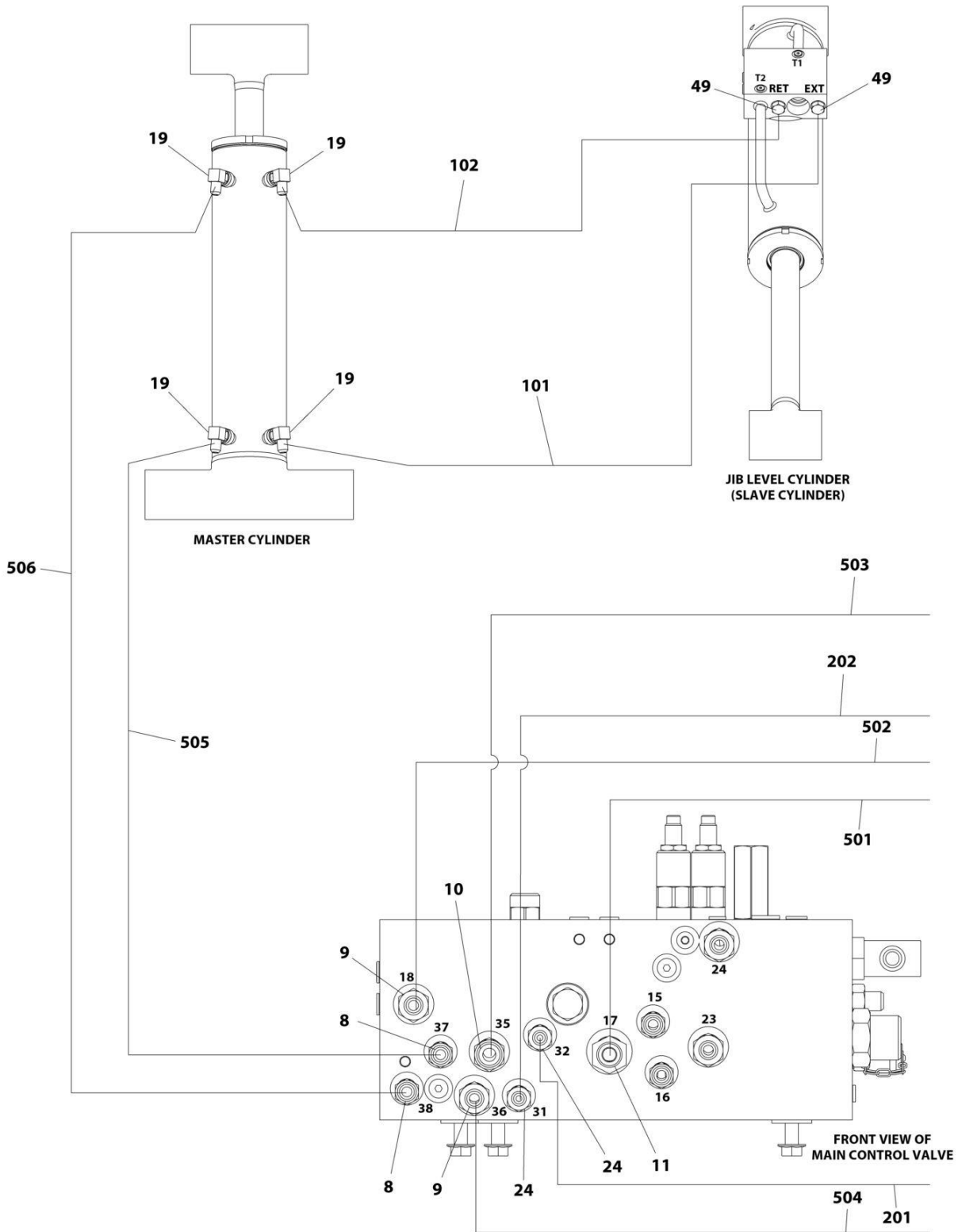
ART_1001207340_I_30F6

SECTION 7 - HYDRAULIC



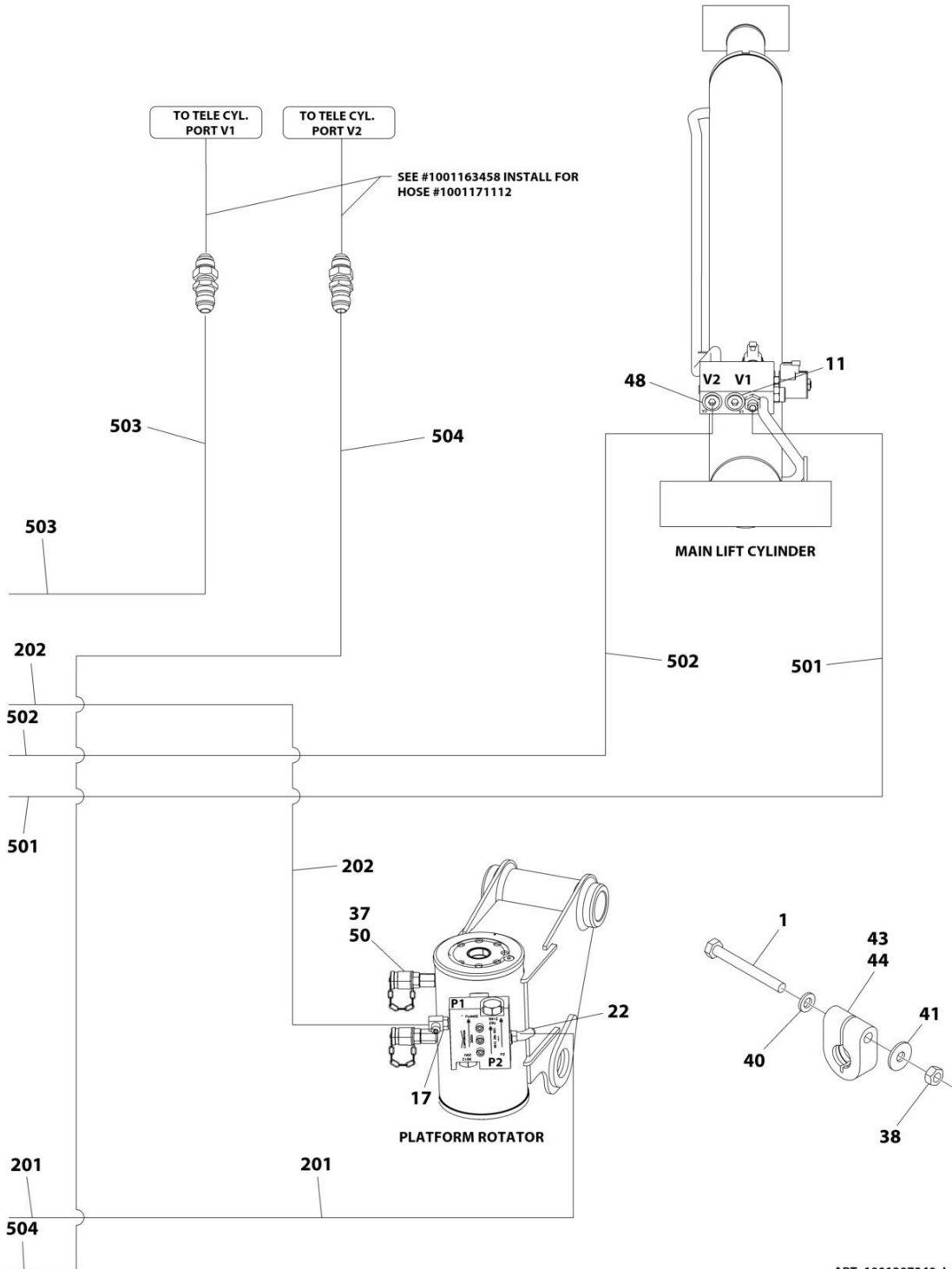
ART_1001207340_I_40F6

SECTION 7 - HYDRAULIC



ART_1001207340_I_50F6

SECTION 7 - HYDRAULIC



ART_1001207340_I_60F6

SECTION 7 - HYDRAULIC

FIGURE 7-2. 400S 4WD HYDRAULIC SYSTEM INSTALLATION

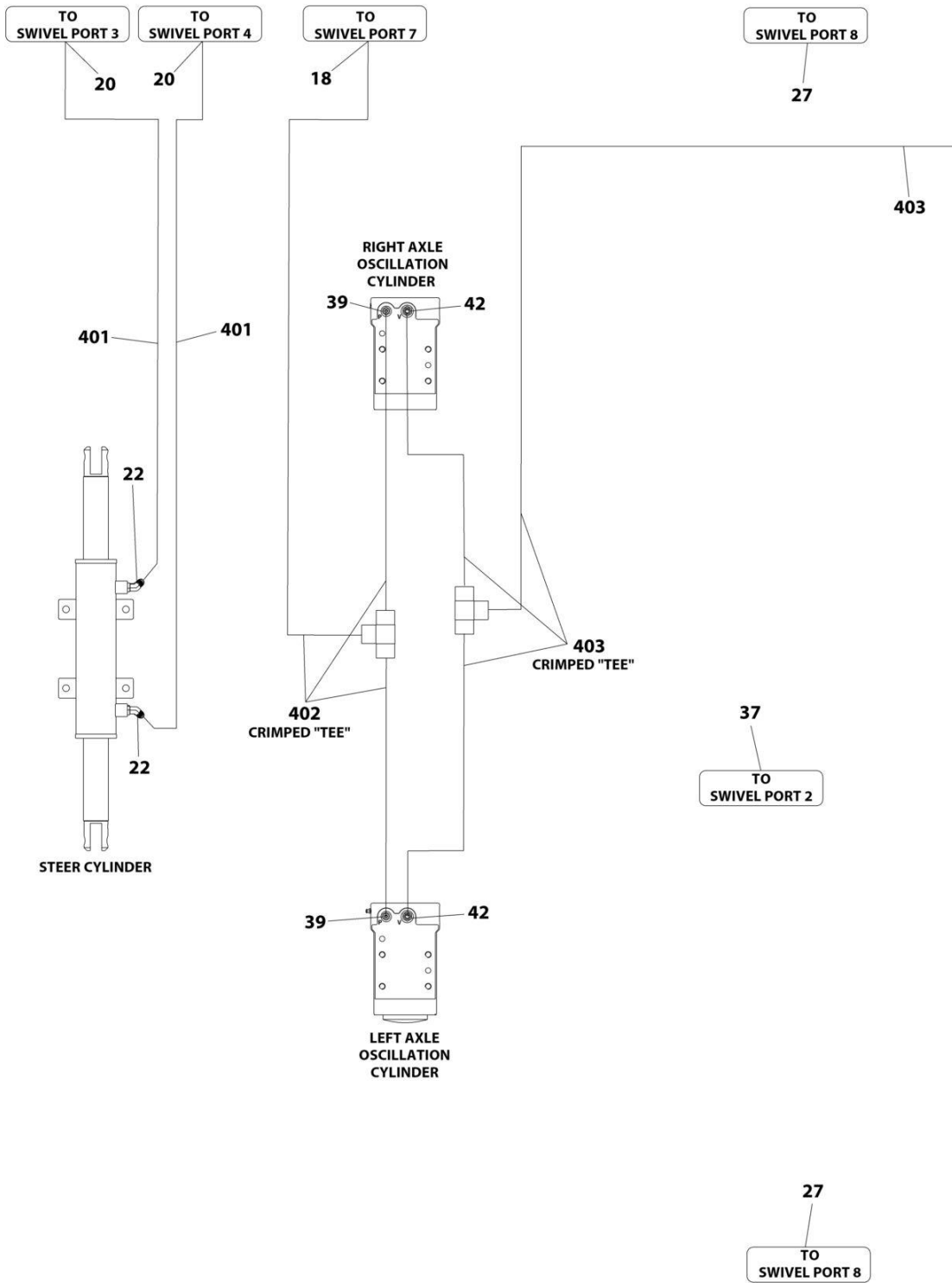
ITEM	PART NUMBER	QTY	DESCRIPTION	REV
	1001207340	Ref	HYDRAULIC SYSTEM INSTALLATION	I
1	0700619	2	Bolt M6 x 55	
2	2110810	8	Fitting, Straight ORFS/ORB	
3	2110812	8	Fitting, Straight ORFS/ORB	
4	2111216	5	Fitting, Straight ORFS/ORB	
5	2131216	1	Fitting, 90 ORFS/ORB	
6	2131212	2	Fitting, 90 ORFS/ORB	
7	2220366	2	Fitting, 90 JIC/ORB	
8	2220371	10	Fitting, Straight JIC/ORB	
9	2220372	8	Fitting, Straight JIC/ORB	
10	2220373	5	Fitting, Straight JIC/ORB	
11	2220374	3	Fitting, Straight JIC/ORB	
12	2220375	1	Fitting, Straight JIC/ORB	
13	2220377	3	Fitting, Straight JIC/ORB	
14	1001202910	2	Fitting, Straight MORB	
16	2220451	1	Fitting, Straight JIC/ORB	
17	2220466	3	Fitting, 90 JIC/ORB	
18	2220468	2	Fitting, Straight JIC/ORB	
19	2220473	8	Fitting, 90 JIC/ORB	
20	2220500	2	Fitting, 45 JIC/ORB	
21	2220501	2	Fitting, 45 JIC/ORB	
22	2220502	1	Fitting, 45 JIC/ORB	
24	2220582	5	Fitting, Straight JIC/ORB	
25	2220596	2	Fitting, 90 JIC/ORB	
26	2220600	2	Fitting, Straight JIC/ORB	
27	2220628	1	Fitting, 90 JIC/ORB	
28	2220695	1	Fitting, Tee JIC/ORB/JIC	
29	2220726	1	Fitting, 90 JIC/ORB	
30	2220775	1	Fitting, 90 JIC/ORB	
31	2220906	1	Fitting, 90 JIC/ORB	
32	2220923	2	Fitting, Straight JIC/ORB	
33	2220946	2	Fitting, Straight JIC/ORB	
34	2220947	1	Fitting, Straight JIC/ORB	
35	2220998	2	Fitting, Straight JIC/ORB	
36	2221040	2	Fitting, 45 JIC/ORB	
37	2221086	3	Fitting, Diagnostic Test Port	
38	3290601	2	Nut M6 x 1	
39	4240018	AR	Tie-Strap (Not Shown)	
40	4811700	2	Washer M6	
41	4811702	2	Washer M6	
42	1001175024	1	Fitting, Tee JIC/JIC/ORB	
43	1001191275	1	Clamp	
44	1001191276	1	Clamp	
45	1001197272	1	Fitting, Tee JIC/ORB/JIC	
46	1001275635	2	Clamp, Hose (Not Shown)	
47	88662037	1	Fitting, Straight JIC/ORB	
48	2220497	1	Fitting, Straight JIC/ORB	
49	2220603	2	Fitting, Straight JIC/ORB	
50	2060404	2	Fitting, Straight FORB/ORB	
100	1001202940	1	Kit, Upper Boom (Not Shown)	

SECTION 7 - HYDRAULIC

ITEM	PART NUMBER	QTY	DESCRIPTION	REV
101	1001173909	1	Hose	
102	1001173937	1	Hose	
200	1001202941	1	Kit, S Boom (Not Shown)	
201	1001172694	1	Hose	
202	1001172696	1	Hose	
300	1001202943	1	Kit, Chassis Rear Hose (Not Shown)	
301	1001172695	2	Hose	
302	1001172697	4	Hose	
303	1001184561	1	Hose	
304	1001184562	1	Hose	
305	1001184563	1	Hose	
306	1001197284	1	Hose	
400	1001202944	1	Kit, Chassis Front Hose (Not Shown)	
401	1001172692	2	Hose	
402	1001172698	2	Hose	
403	1001172699	2	Hose	
404	1001172703	2	Hose	
405	1001172707	2	Hose	
406	1001184542	1	Hose	
407	1001184543	1	Hose	
500	1001202946	1	Kit, Turntable Hosing (Not Shown)	
501	1001173901	1	Hose	
502	1001173902	1	Hose	
503	1001173903	1	Hose	
504	1001173904	1	Hose	
505	1001173907	1	Hose	
506	1001173908	1	Hose	
600	1001252922	1	Kit, Turntable Hosing (Not Shown)	
601	2752500	1	Hose	
602	1001172716	1	Hose	
603	1001172717	1	Hose	
604	1001172718	1	Hose	
605	1001172719	1	Hose	
606	1001172721	1	Hose	
607	1001172722	2	Hose	
608	1001172723	3	Hose	
609	1001173900	2	Hose	
610	1001181075	1	Hose	
611	1001193654	1	Hose	
700	1001252923	1	Kit, Turntable Hosing (Not Shown)	
701	1001173898	1	Hose	
702	1001181074	1	Hose	
703	1001207332	1	Hose	
704	1001207333	1	Hose	
705	1001216655	1	Hose	

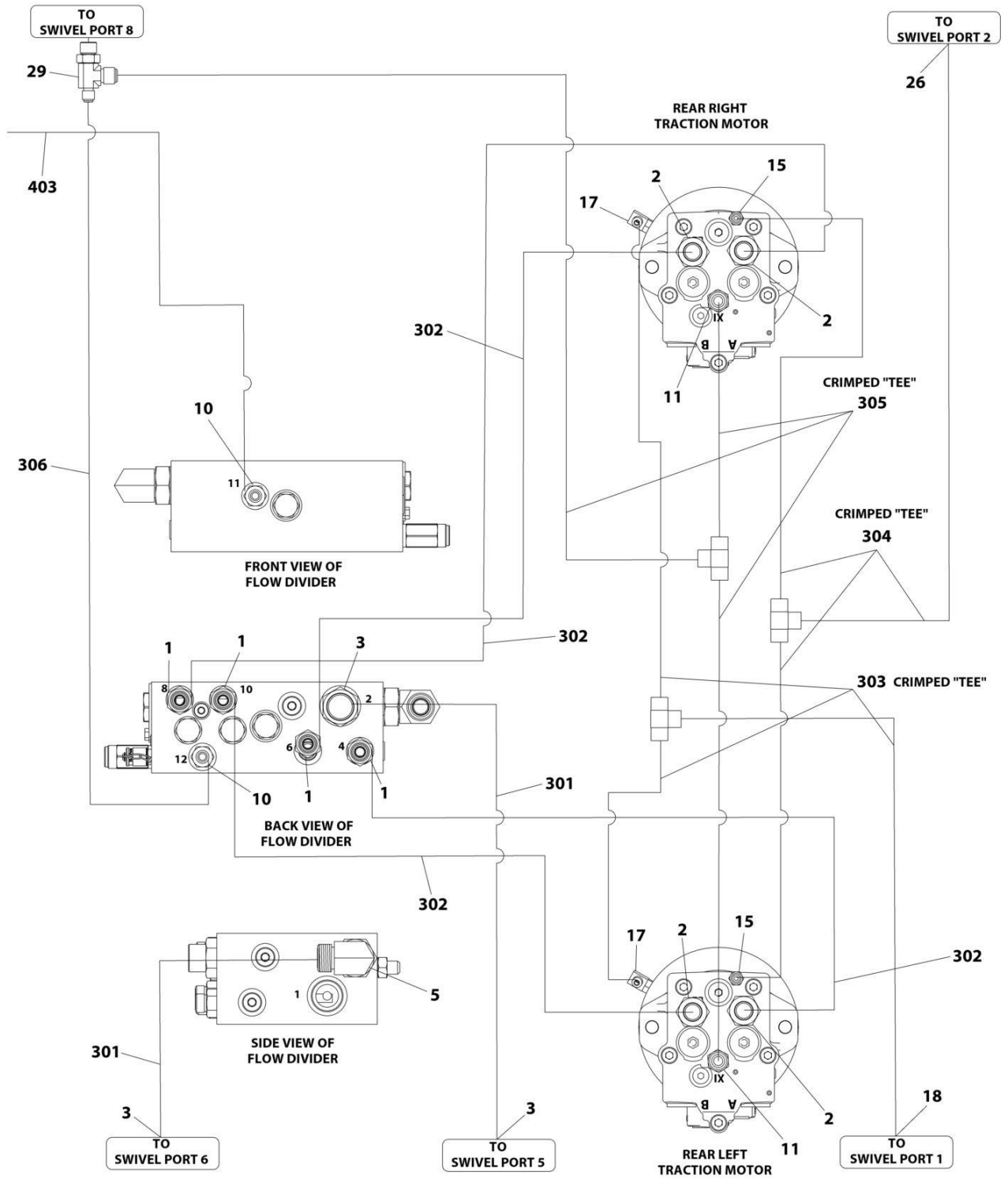
SECTION 7 - HYDRAULIC

FIGURE 7-3. 460SJ 2WD HYDRAULIC SYSTEM INSTALLATION



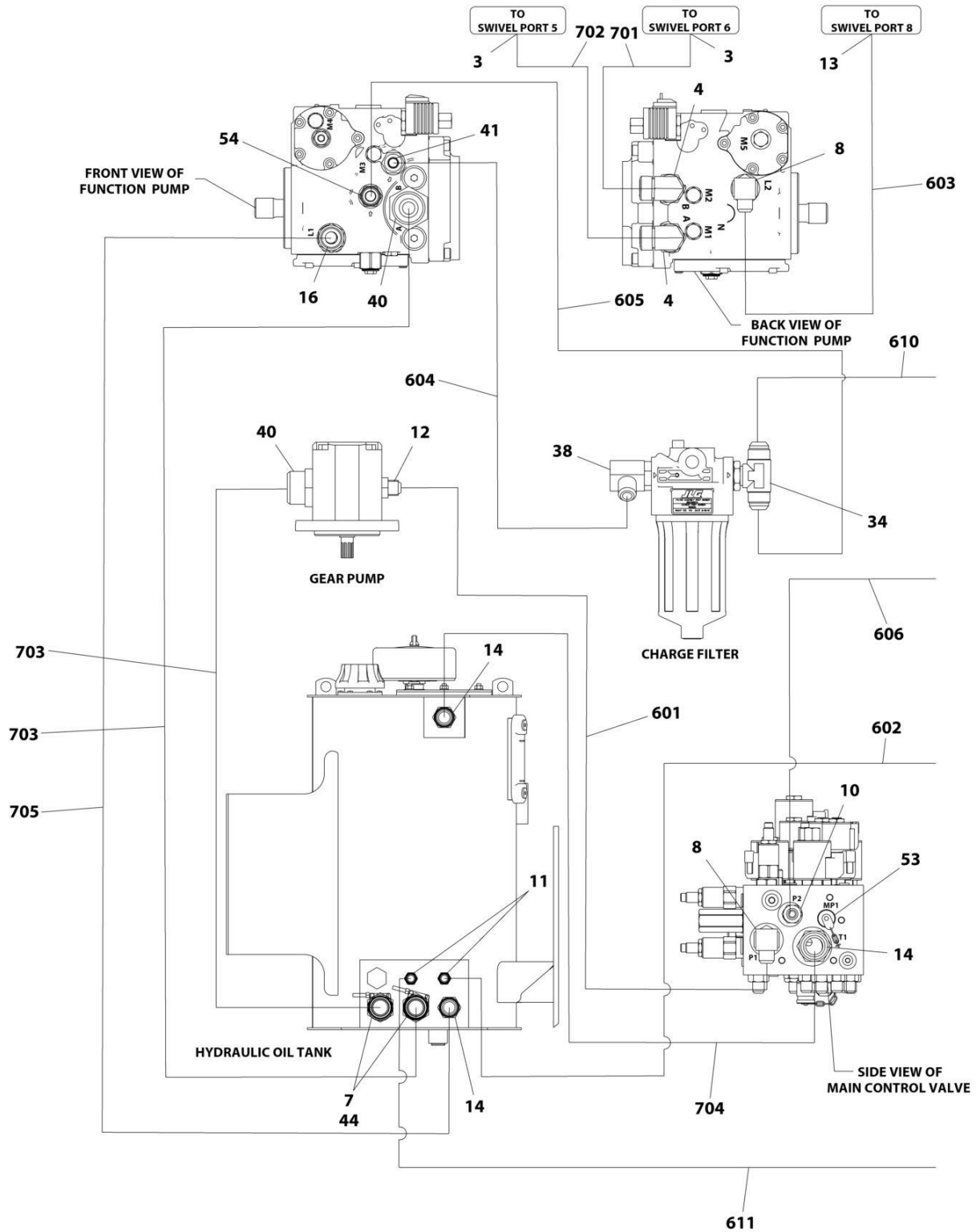
ART_1001216800_G_10F6

SECTION 7 - HYDRAULIC



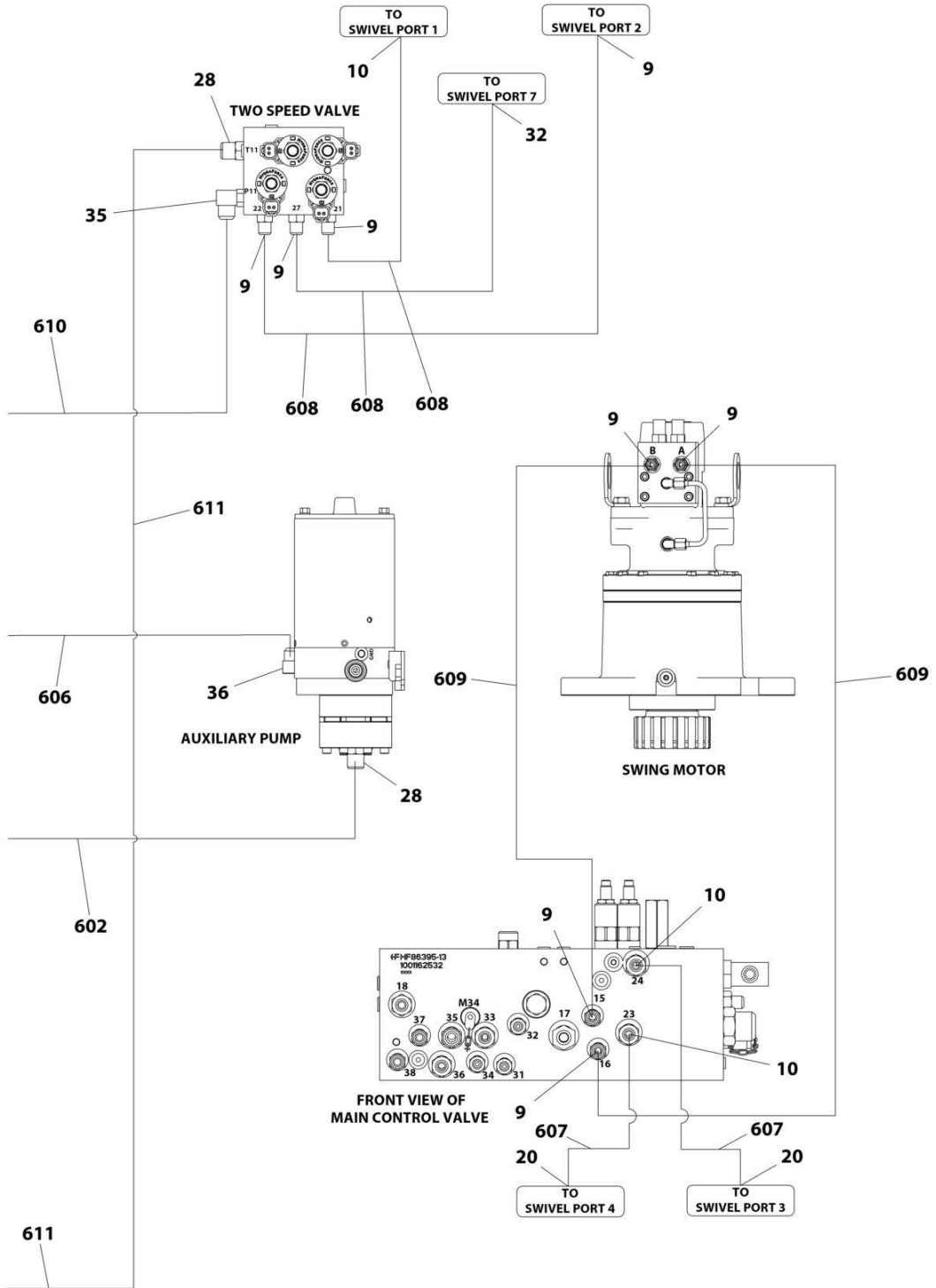
ART_1001216800_G_20F6

SECTION 7 - HYDRAULIC



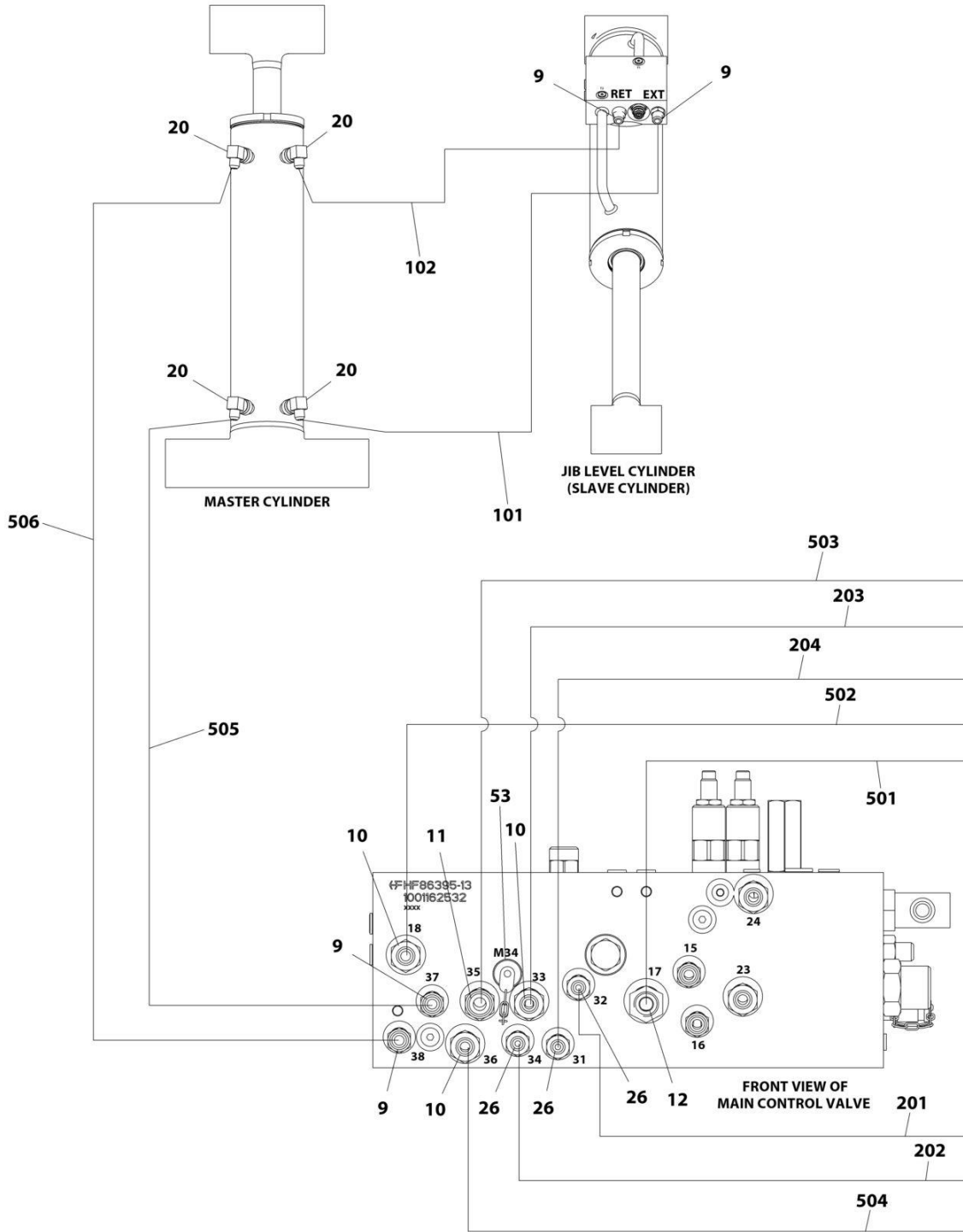
ART_1001216800_G_30F6

SECTION 7 - HYDRAULIC



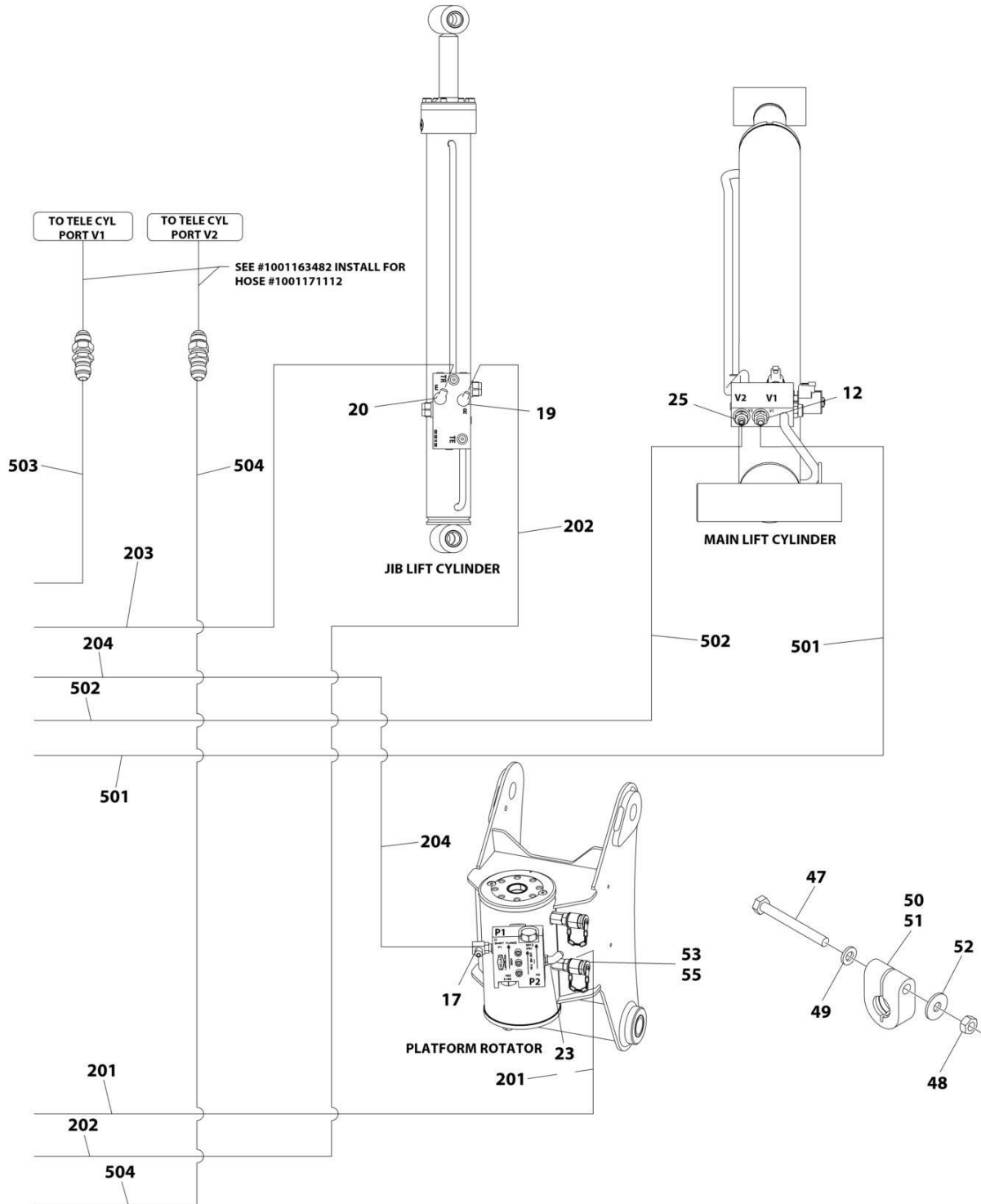
ART_1001216800_G_40F6

SECTION 7 - HYDRAULIC



ART_1001216800_G_50F6

SECTION 7 - HYDRAULIC



ART_1001216800_G_60F6

SECTION 7 - HYDRAULIC

FIGURE 7-3. 460SJ 2WD HYDRAULIC SYSTEM INSTALLATION

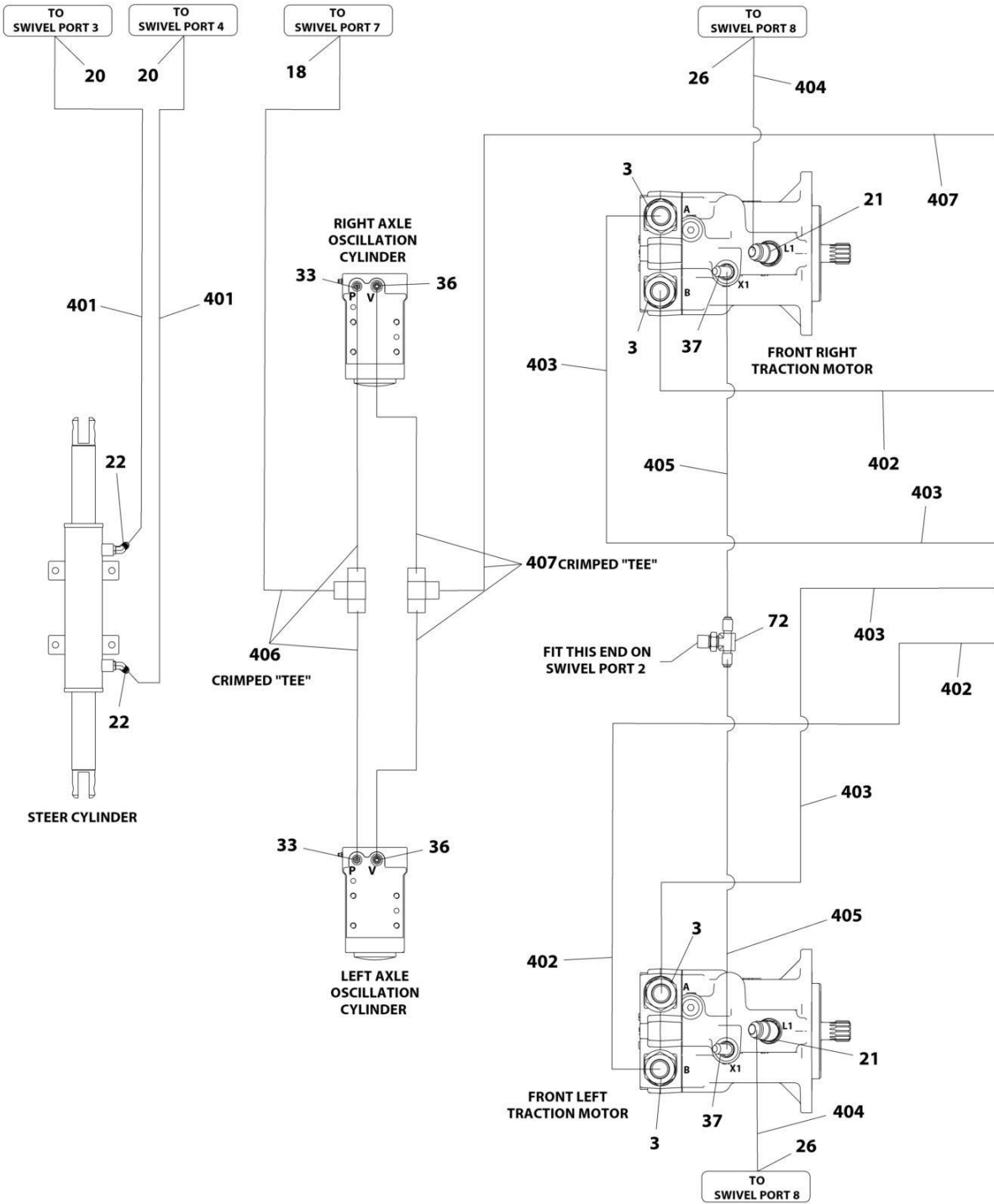
ITEM	PART NUMBER	QTY	DESCRIPTION	REV
	1001216800	Ref	2WD HYDRAULIC SYSTEM INSTALLATION	G
1	2110810	4	Fitting, Straight ORFS/ORB	
2	2110812	4	Fitting, Straight ORFS/ORB	
3	2111216	5	Fitting, Straight ORFS/ORB	
4	2131212	2	Fitting, 90 ORFS/ORB	
5	2131216	1	Fitting, 90 ORFS/ORB	
7	1001202910	2	Fitting, Straight MORB	
8	2220366	2	Fitting, 90 JIC/ORB	
9	2220371	12	Fitting, Straight JIC/ORB	
10	2220372	9	Fitting, Straight JIC/ORB	
11	2220373	5	Fitting, Straight JIC/ORB	
12	2220374	3	Fitting, Straight JIC/ORB	
13	2220375	1	Fitting, Straight JIC/ORB	
14	2220377	3	Fitting, Straight JIC/ORB	
15	2220415	2	Fitting, Straight JIC/ORB	
16	2220451	1	Fitting, Straight JIC/ORB	
17	2220466	3	Fitting, 90 JIC/ORB	
18	2220468	2	Fitting, Straight JIC/ORB	
19	2220472	1	Fitting, 90 JIC/ORB	
20	2220473	9	Fitting, 90 JIC/ORB	
22	2220501	2	Fitting, 45 JIC/ORB	
23	2220502	1	Fitting, 45 JIC/ORB	
25	2220497	1	Fitting, Straight JIC/ORB	
26	2220582	4	Fitting, Straight JIC/ORB	
27	2220238	2	Plug	
28	2220600	2	Fitting, Straight JIC/ORB	
29	1001197272	1	Fitting, Tee JIC/ORB/JIC	
32	2220628	1	Fitting, 90 JIC/ORB	
34	2220695	1	Fitting, Tee JIC/ORB/JIC	
35	2220726	1	Fitting, 90 JIC/ORB	
36	2220775	1	Fitting, 90 JIC/ORB	
37	2220237	1	Plug #6	
38	2220906	1	Fitting, 90 JIC/ORB	
39	2220923	2	Fitting, Straight JIC/ORB	
40	2220946	2	Fitting, Straight JIC/ORB	
41	2220947	1	Fitting, Straight JIC/ORB	
42	2220998	2	Fitting, Straight JIC/ORB	
43	4240018	15	Tie-Strap (Not Shown)	
44	1001275635	2	Clamp	
46	1001098928	1	Clamp (Not Shown)	
47	0700619	2	Bolt M6 x 55	
48	3290601	2	Nut M6	
49	4811700	2	Washer M6	
50	1001191275	1	Clamp	
51	1001191276	1	Clamp	
52	4811702	1	Washer M6	
53	2221086	4	Fitting, Diagnostic Test Port	
54	88662037	1	Fitting, Straight JIC/ORB	
55	2060404	2	Fitting, Straight FORB/ORB	
100	1001202940	1	Kit, Upper Boom (Not Shown)	

SECTION 7 - HYDRAULIC

ITEM	PART NUMBER	QTY	DESCRIPTION	REV
101	1001173909	1	Hose	
102	1001173937	1	Hose	
200	1001202942	1	Kit, S Boom (Not Shown)	
201	1001173905	1	Hose	
202	1001173906	1	Hose	
203	1001181076	1	Hose	
204	1001181077	1	Hose	
300	1001202943	1	Kit, Chassis Rear Hose (Not Shown)	
301	1001172695	2	Hose	
302	1001172697	4	Hose	
303	1001184561	1	Hose	
304	1001184562	1	Hose	
305	1001184563	1	Hose	
306	1001197284	1	Hose	
400	1001214614	1	Kit, Chassis Front Hose (Not Shown)	
401	1001172692	2	Hose	
402	1001184542	1	Hose	
403	1001184543	1	Hose	
500	1001202946	1	Kit, Turntable Hosing (Not Shown)	
501	1001173901	1	Hose	
502	1001173902	1	Hose	
503	1001173903	1	Hose	
504	1001173904	1	Hose	
505	1001173907	1	Hose	
506	1001173908	1	Hose	
600	1001252922	1	Kit, Turntable Hosing (Not Shown)	
601	2752500	1	Hose	
602	1001172716	1	Hose	
603	1001172717	1	Hose	
604	1001172718	1	Hose	
605	1001172719	1	Hose	
606	1001172721	1	Hose	
607	1001172722	2	Hose	
608	1001172723	3	Hose	
609	1001173900	2	Hose	
610	1001181075	1	Hose	
611	1001193654	1	Hose	
700	1001252923	1	Kit, Turntable Hosing (Not Shown)	
701	1001173898	1	Hose	
702	1001181074	1	Hose	
703	1001207332	1	Hose	
704	1001207333	1	Hose	
705	1001216655	1	Hose	

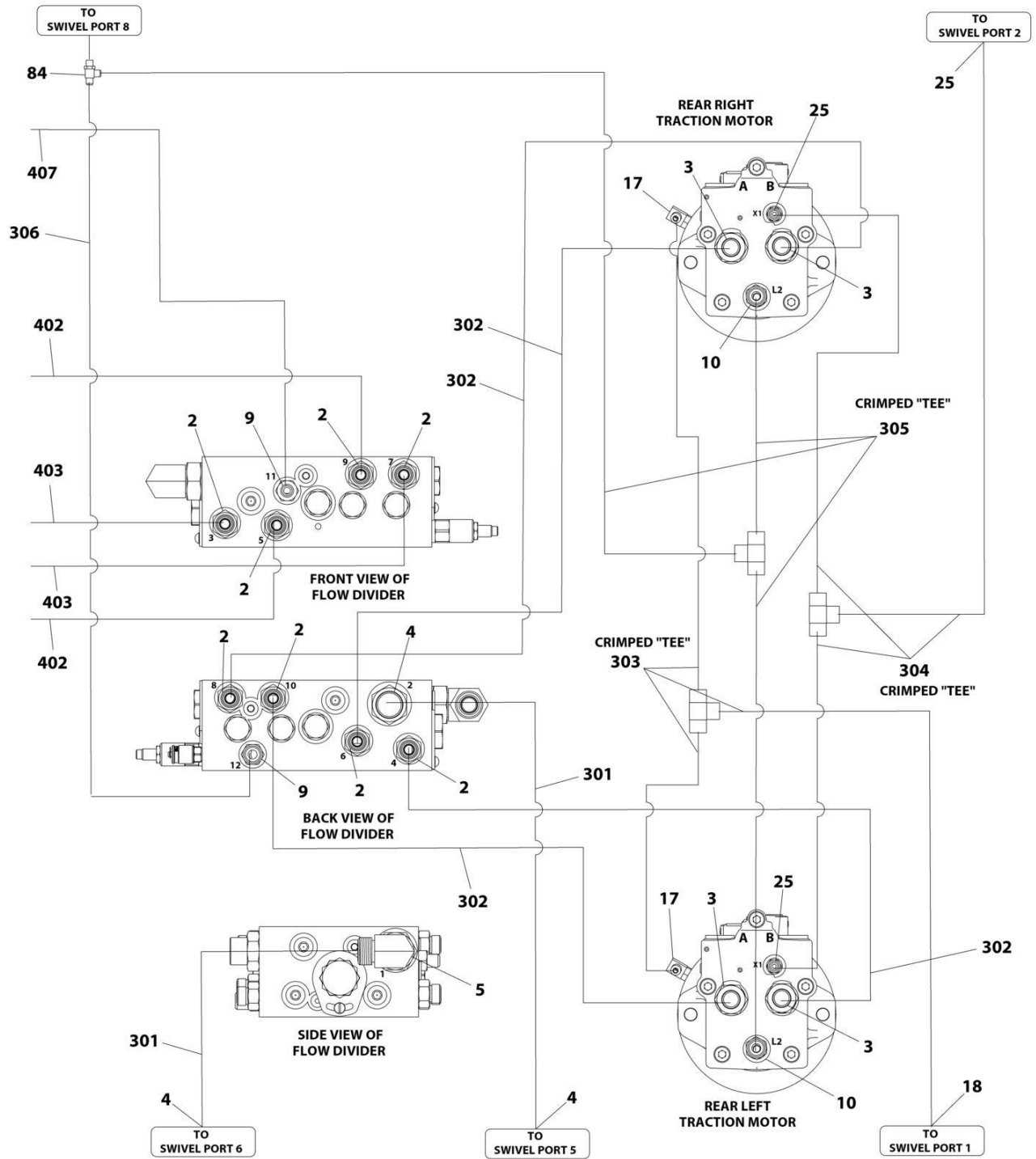
SECTION 7 - HYDRAULIC

FIGURE 7-4. 460SJ 4WD HYDRAULIC SYSTEM INSTALLATION



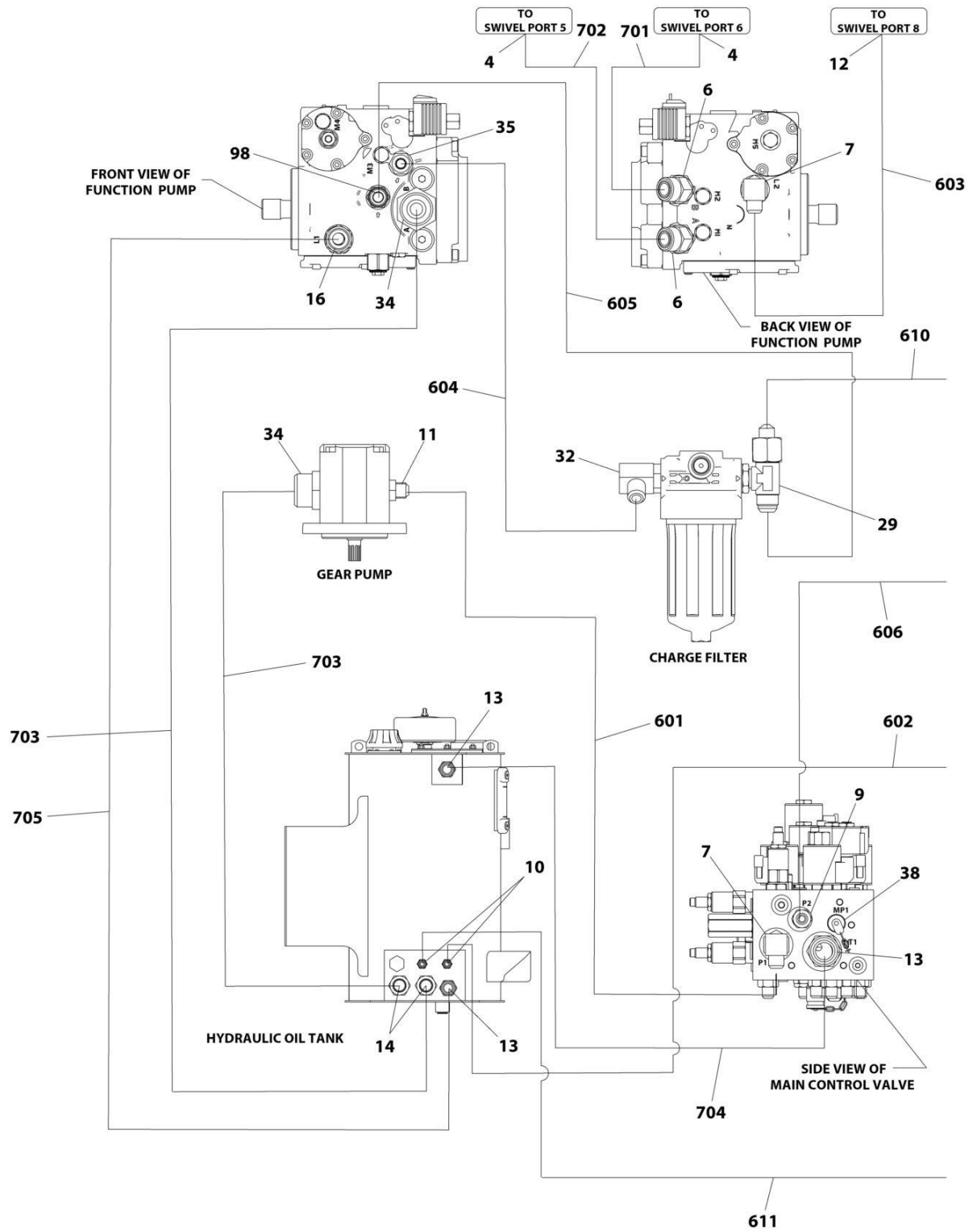
ART_1001207341_I_10F6

SECTION 7 - HYDRAULIC



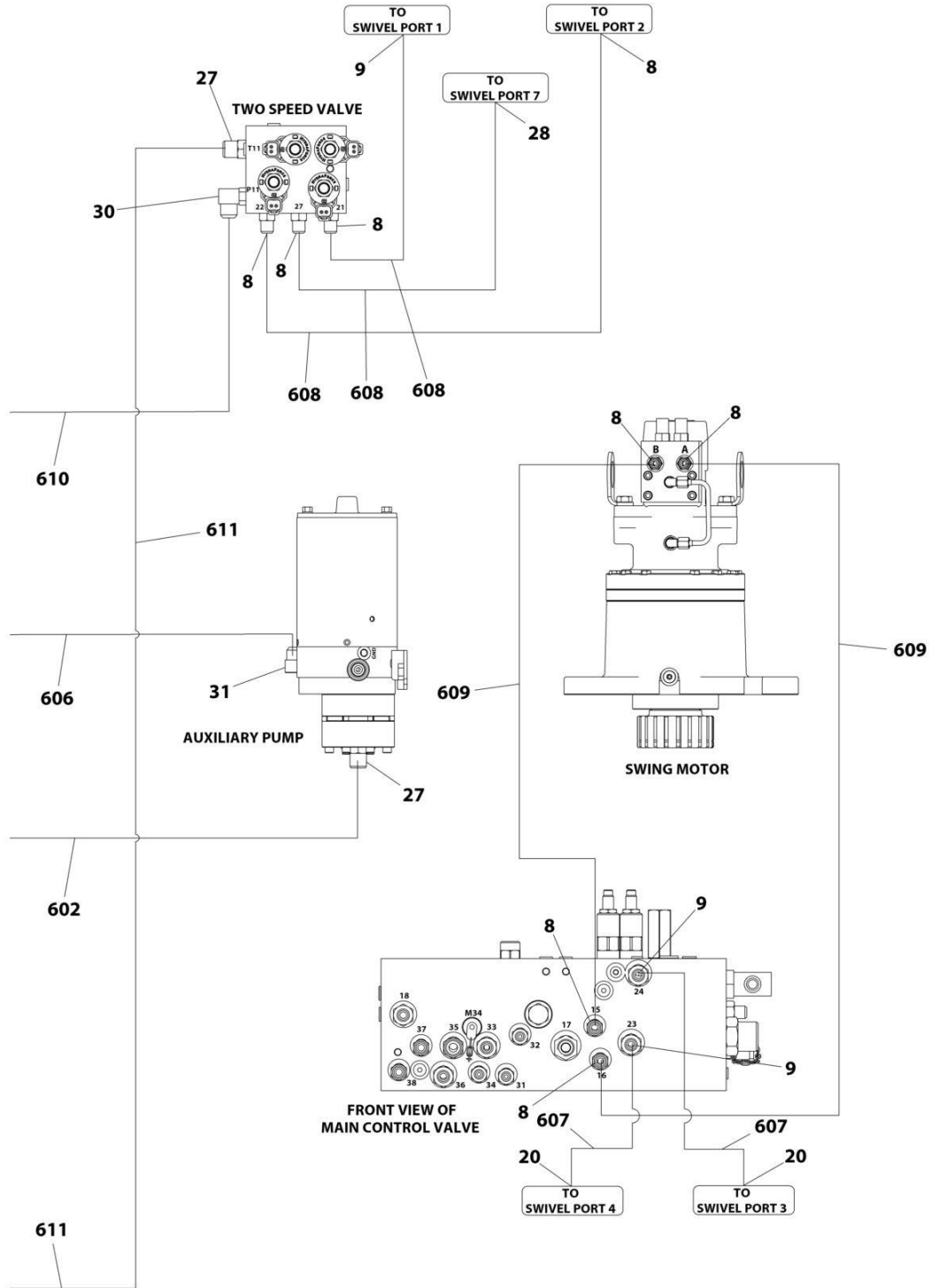
ART_1001207341_I_20F6

SECTION 7 - HYDRAULIC



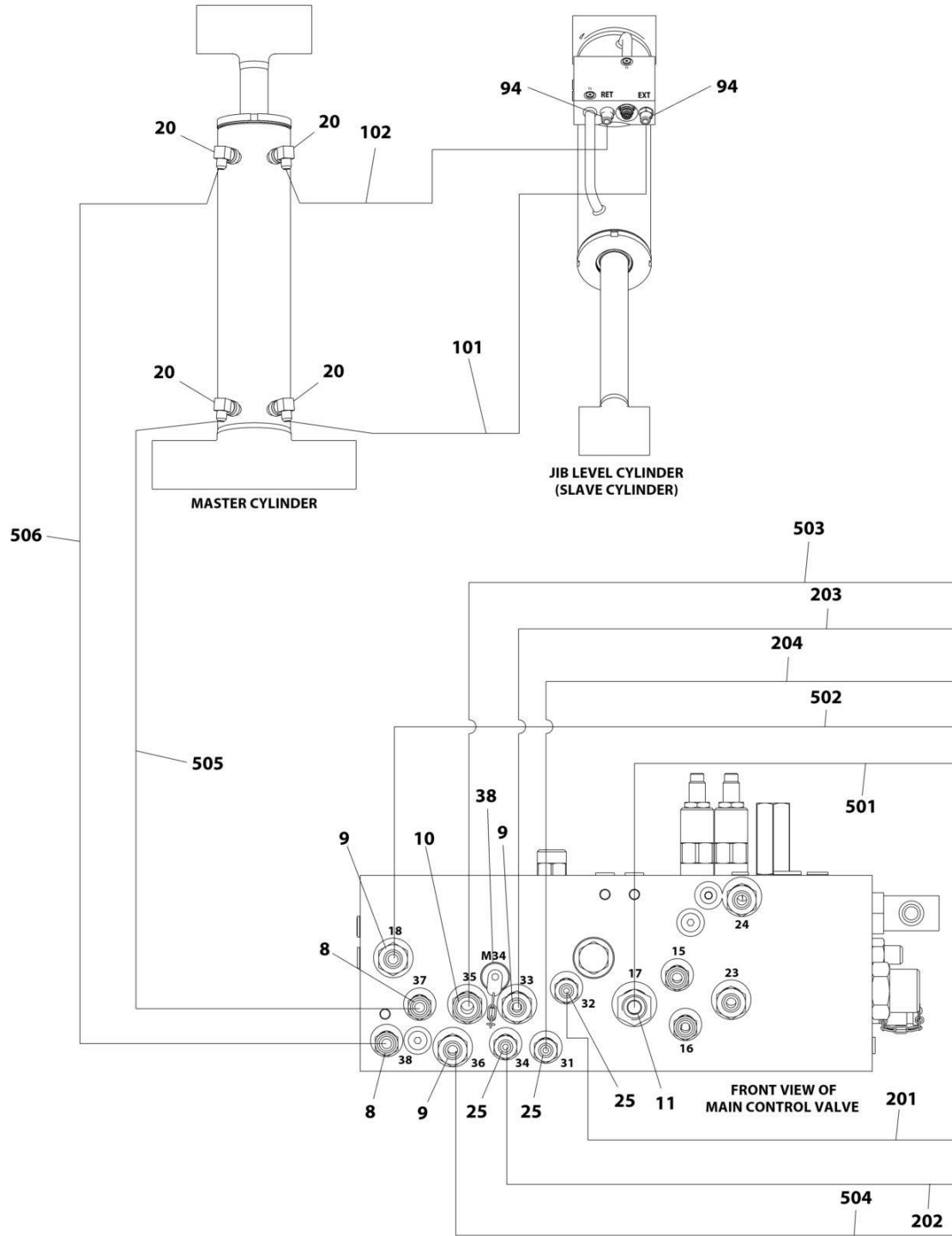
ART_1001207341_I_30F6

SECTION 7 - HYDRAULIC



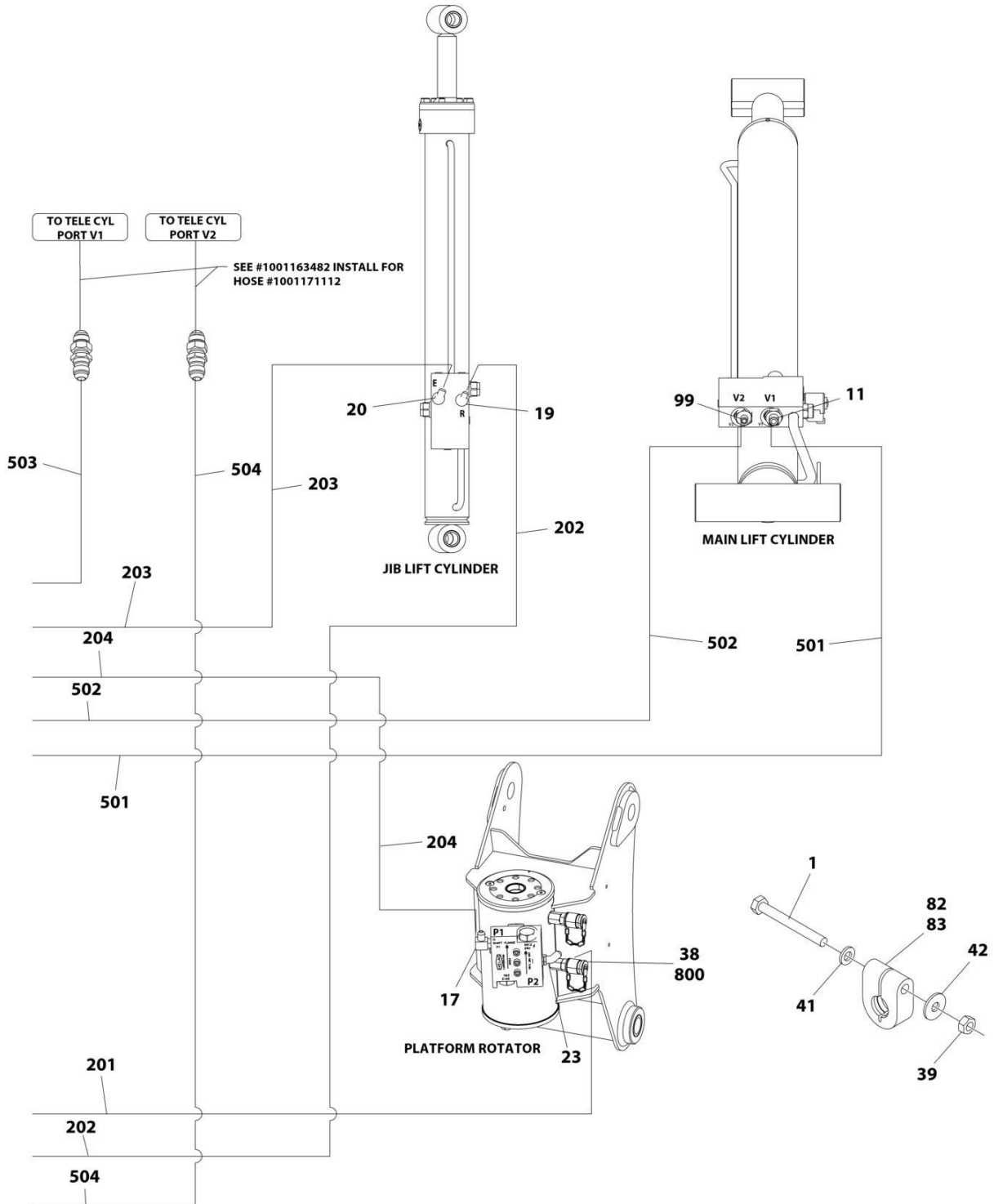
ART_1001207341_I_40F6

SECTION 7 - HYDRAULIC



ART_1001207341_I_50F6

SECTION 7 - HYDRAULIC



ART_1001207341_I_60F6

SECTION 7 - HYDRAULIC

FIGURE 7-4. 460SJ 4WD HYDRAULIC SYSTEM INSTALLATION

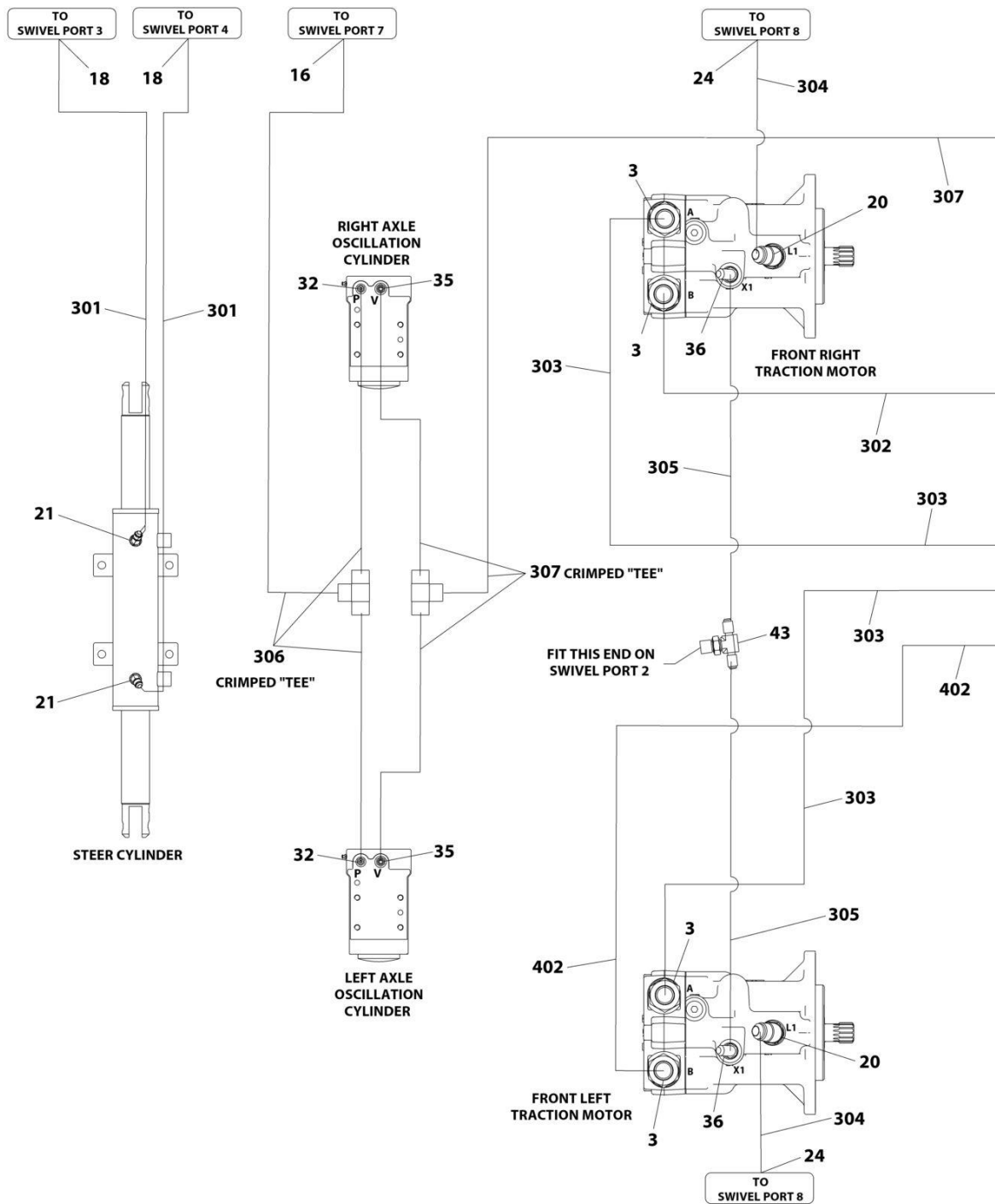
ITEM	PART NUMBER	QTY	DESCRIPTION	REV
	1001207341	Ref	460SJ 4WD HYDRAULIC SYSTEM INSTALLATION	I
1	0760619	2	Bolt, M6 x 55	
2	2110810	8	Fitting, Straight ORFS/ORB	
3	2110812	8	Fitting, Straight ORFS/ORB	
4	2111216	5	Fitting, Straight ORFS/ORB	
5	2131216	1	Fitting, 90 ORFS/ORB	
6	2131212	2	Fitting, 90 ORFS/ORB	
7	2220366	2	Fitting, 90 JIC/ORB	
8	2220371	10	Fitting, Straight JIC/ORB	
9	2220372	9	Fitting, Straight JIC/ORB	
10	2220373	5	Fitting, Straight JIC/ORB	
11	2220374	AR	Fitting, Straight JIC/ORB	
12	2220375	AR	Fitting, Straight JIC/ORB	
13	2220377	3	Fitting, Straight JIC/ORB	
14	1001202910	2	Fitting, Straight MORB	
16	2220451	1	Fitting, Straight JIC/ORB	
17	2220466	3	Fitting, 90 JIC/ORB	
18	2220468	2	Fitting, Straight JIC/ORB	
19	2220472	1	Fitting, 90 JIC/ORB	
20	2220473	9	Fitting, 90 JIC/ORB	
21	2220500	2	Fitting, 45 JIC/ORB	
22	2220501	2	Fitting, 45 JIC/ORB	
23	2220502	1	Fitting, 45 JIC/ORB	
25	2220582	6	Fitting, Straight JIC/ORB	
26	2220596	2	Fitting, 90 JIC/ORB	
27	2220600	2	Fitting, Straight JIC/ORB	
28	2220628	1	Fitting, 90 JIC/ORB	
29	2220695	1	Fitting, Tee JIC/ORB/JIC	
30	2220726	1	Fitting, 90 JIC/ORB	
31	2220775	1	Fitting, 90 JIC/ORB	
32	2220906	1	Fitting, 90 JIC/ORB	
33	2220923	2	Fitting, Straight JIC/ORB	
34	2220946	2	Fitting, Straight JIC/ORB	
35	2220947	AR	Fitting, Straight JIC/ORB	
36	2220998	2	Fitting, Straight JIC/ORB	
37	2221040	2	Fitting, 45 JIC/ORB	
38	2221086	4	Fitting, Diagnostic Test Port	
39	3290601	2	Nut, M6 x 1	
40	4240018	23	Tie-Strap (Not Shown)	
41	4811700	2	Washer, M6	
42	4811702	2	Washer, M6	
72	1001175024	1	Fitting, Tee JIC/JIC/ORB	
82	1001191275	1	Clamp	
83	1001191276	1	Clamp	
84	1001197272	1	Fitting, Tee JIC/ORB/JIC	
94	2220603	AR	Fitting, Straight JIC/ORB	
97	1001275635	2	Clamp (Not Shown)	
98	88662037	1	Fitting, Straight JIC/ORB	
99	2220497	1	Fitting, Straight JIC/ORB	
100	1001202940	1	Kit, Upper Boom (Not Shown)	

SECTION 7 - HYDRAULIC

ITEM	PART NUMBER	QTY	DESCRIPTION	REV
101	1001173909	1	Hose	
102	1001173937	1	Hose	
200	1001202942	1	Kit, S Boom (Not Shown)	
201	1001173905	1	Hose	
202	1001173906	1	Hose	
203	1001181076	1	Hose	
204	1001181077	1	Hose	
300	1001202943	1	Kit, Chassis Rear Hose (Not Shown)	
301	1001172695	2	Hose	
302	1001172697	4	Hose	
303	1001184561	1	Hose	
304	1001184562	1	Hose	
305	1001184563	1	Hose	
306	1001197284	1	Hose	
400	1001202944	1	Kit, Chassis Front Hose (Not Shown)	
401	1001172692	2	Hose	
402	1001172698	2	Hose	
403	1001172699	2	Hose	
404	1001172703	2	Hose	
405	1001172707	2	Hose	
406	1001184542	1	Hose	
407	1001184543	1	Hose	
500	1001202946	1	Kit, Turntable Hosing (Not Shown)	
501	1001173901	1	Hose	
502	1001173902	1	Hose	
503	1001173903	1	Hose	
504	1001173904	1	Hose	
505	1001173907	1	Hose	
506	1001173908	1	Hose	
600	1001252922	1	Kit, Turntable Hosing (Not Shown)	
601	2752500	1	Hose	
602	1001172716	1	Hose	
603	1001172717	1	Hose	
604	1001172718	1	Hose	
605	1001172719	1	Hose	
606	1001172721	1	Hose	
607	1001172722	2	Hose	
608	1001172723	3	Hose	
609	1001173900	2	Hose	
610	1001181075	1	Hose	
611	1001193654	1	Hose	
700	1001252923	1	Kit, Turntable Hosing (Not Shown)	
701	1001173898	1	Hose	
702	1001181074	1	Hose	
703	1001207332	1	Hose	
704	1001207333	1	Hose	
705	1001216655	1	Hose	
800	2060404	2	Fitting, Straight FORB/ORB	

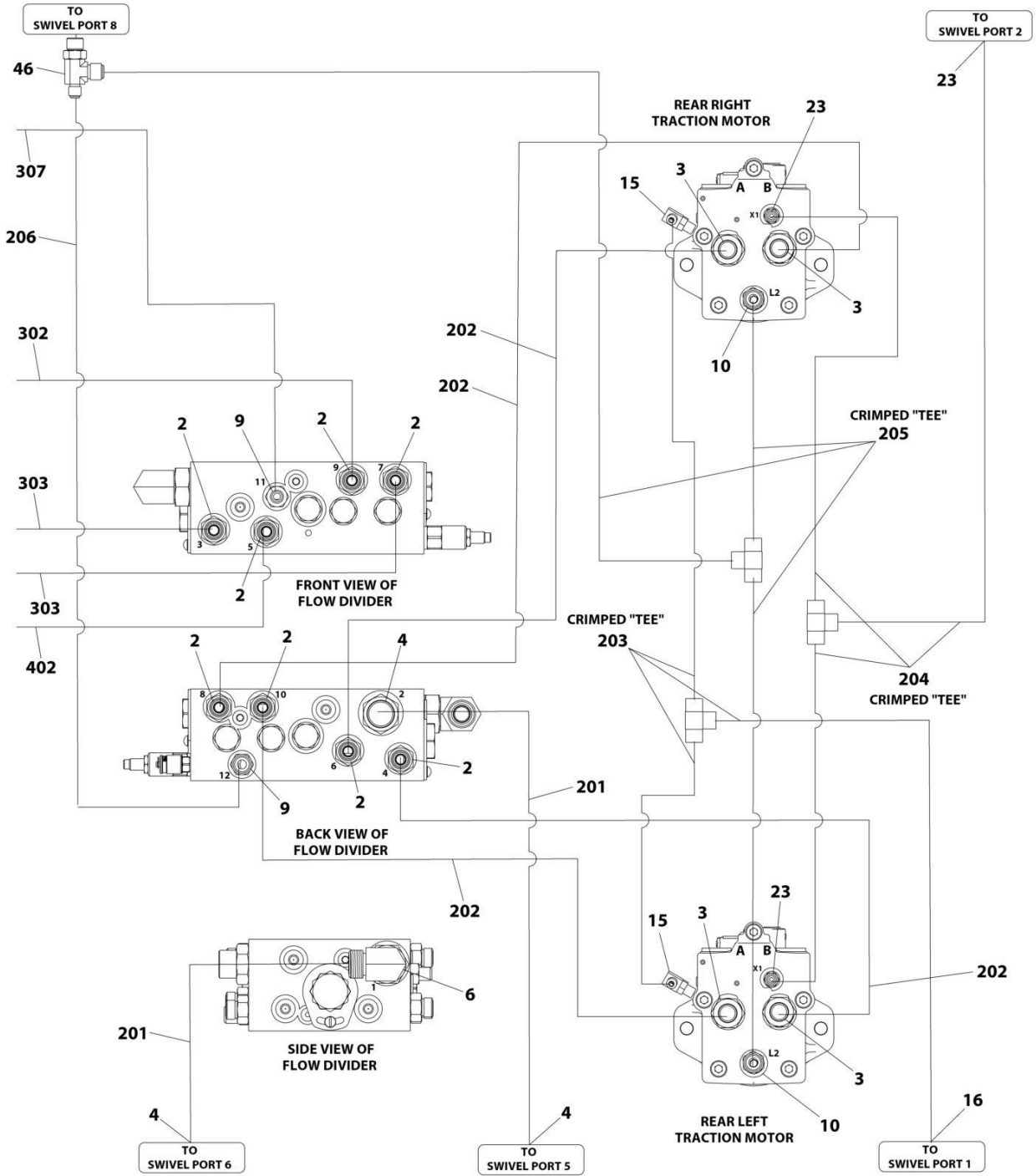
SECTION 7 - HYDRAULIC

FIGURE 7-5. 460SJ 1K45FT 4WD HYDRAULIC SYSTEM INSTALLATION



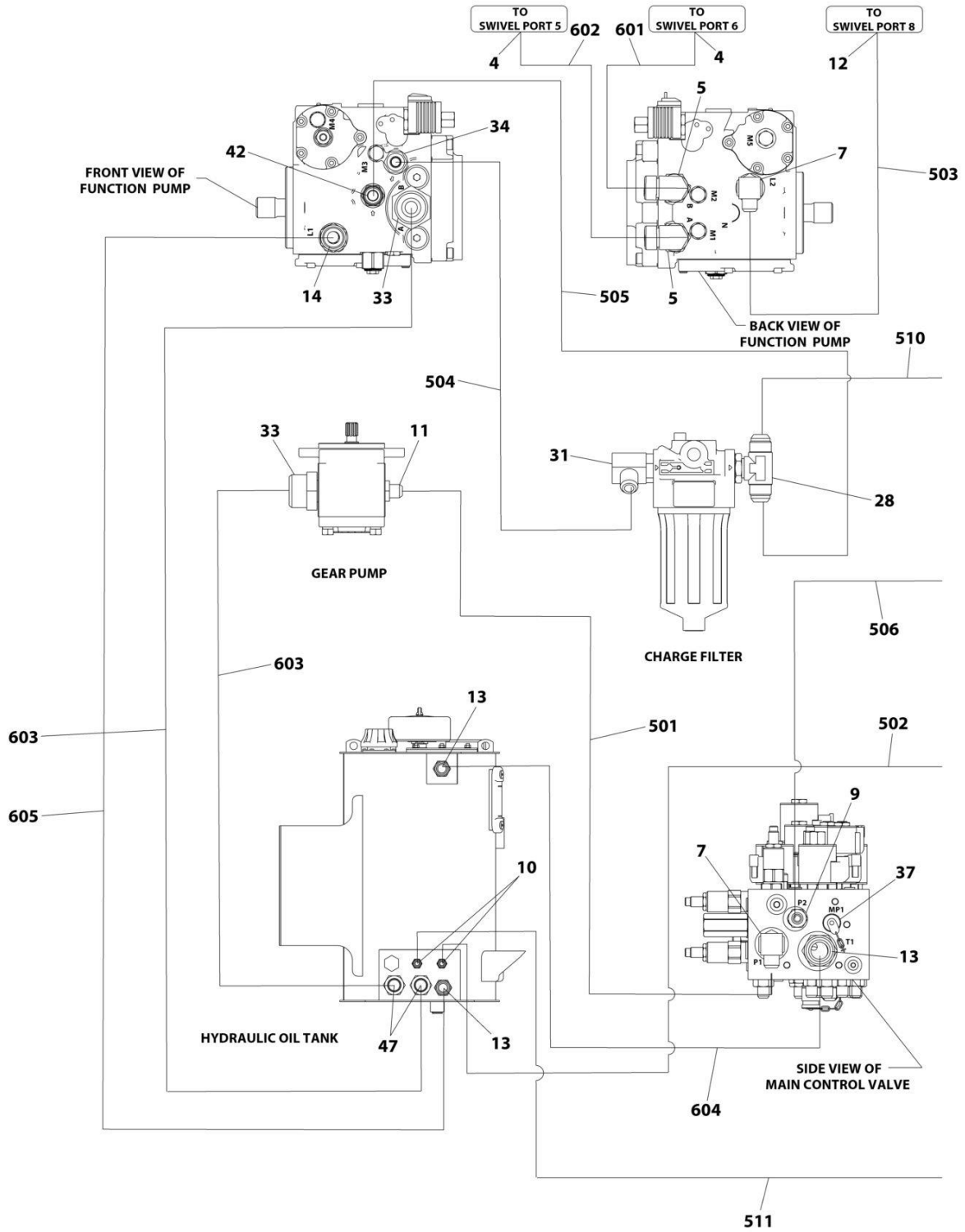
ART_1001283884_10F6

SECTION 7 - HYDRAULIC



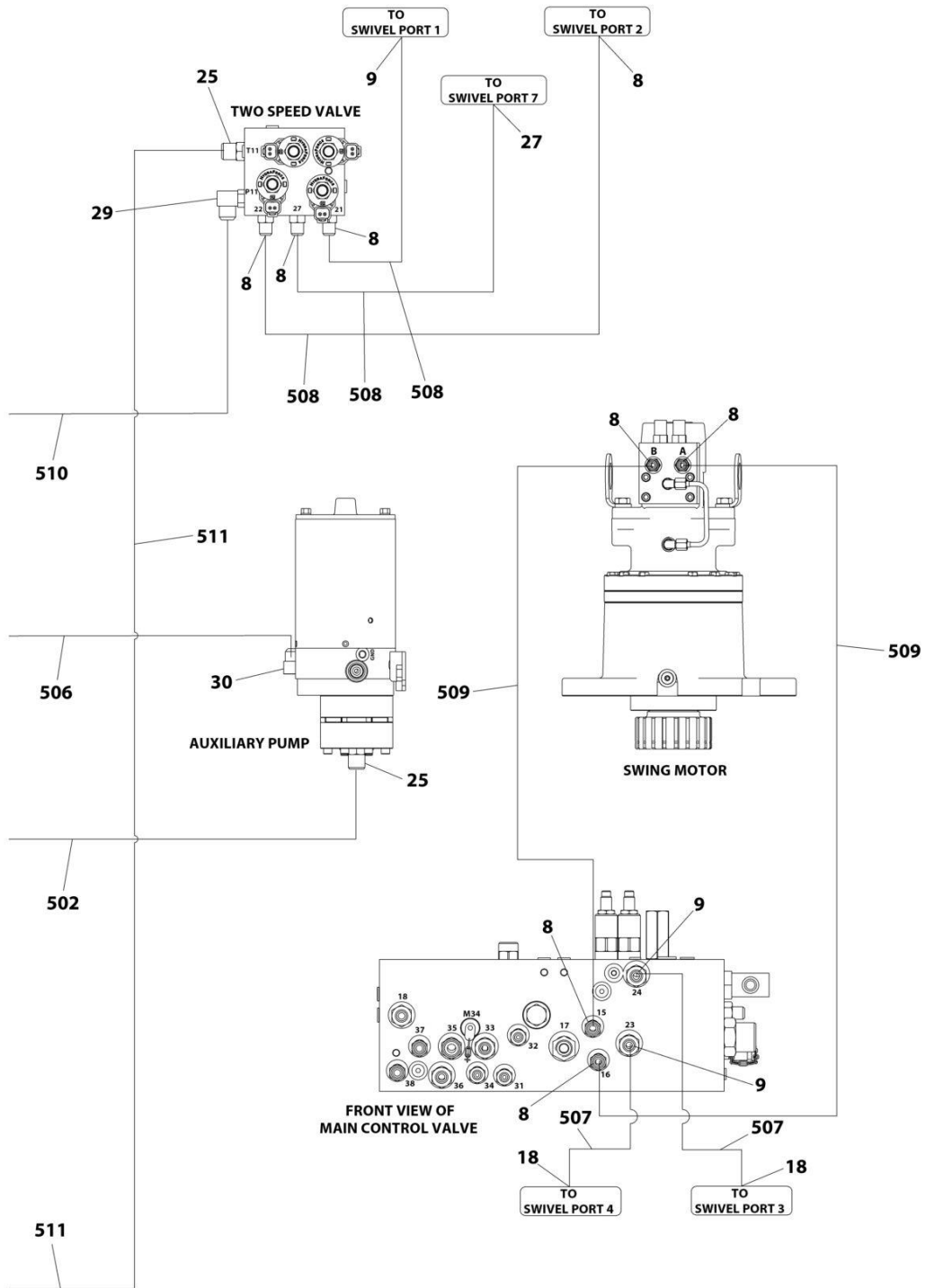
ART_1001283884_2OF6

SECTION 7 - HYDRAULIC



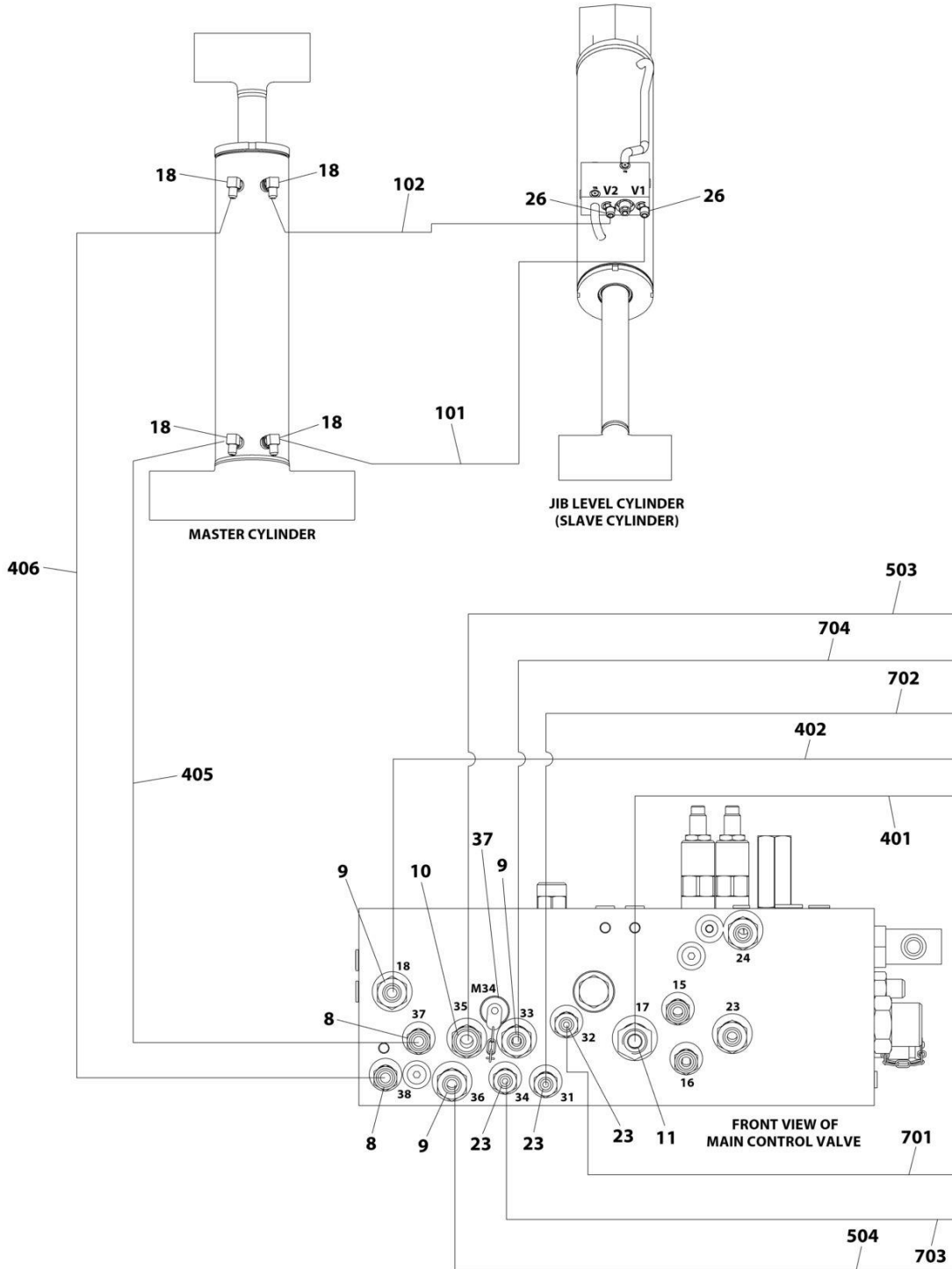
ART_1001283884_3OF6

SECTION 7 - HYDRAULIC



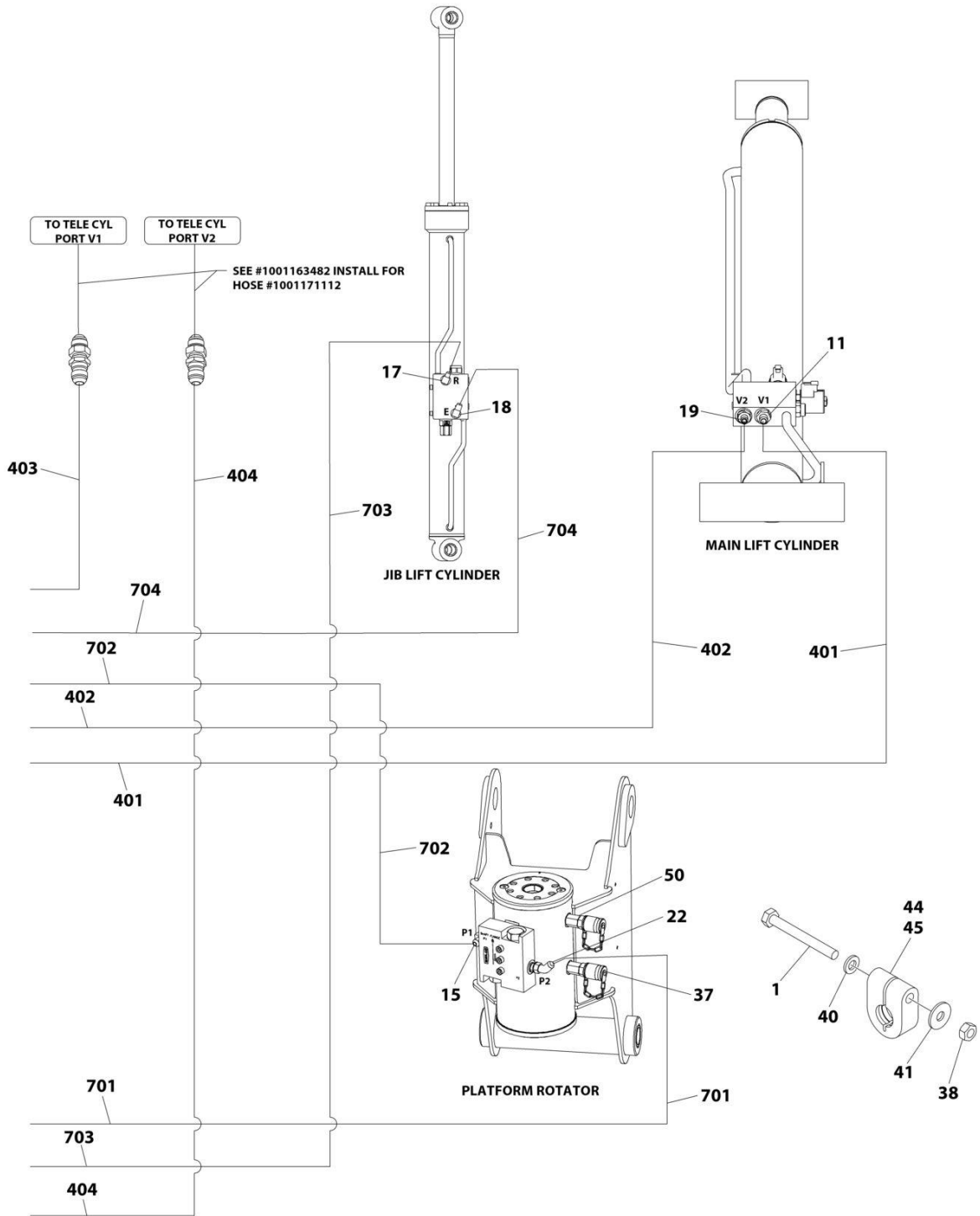
ART_1001283884_4OF6

SECTION 7 - HYDRAULIC



ART_1001283884_50F6

SECTION 7 - HYDRAULIC



ART_1001283884_6OF6

SECTION 7 - HYDRAULIC

FIGURE 7-5. 460SJ 1K45FT 4WD HYDRAULIC SYSTEM INSTALLATION

ITEM	PART NUMBER	QTY	DESCRIPTION	REV
	1001283884	Ref	4WD HYDRAULIC SYSTEM INSTALLATION (ALL MACHINES)	C
1	0760619	2	Bolt M6 x 55	
2	2110810	8	Fitting, Straight ORFS/ORB	
3	2110812	8	Fitting, Straight ORFS/ORB	
4	2111216	5	Fitting, Straight ORFS/ORB	
5	2131212	2	Fitting, 90 ORFS/ORB	
6	2131216	1	Fitting, 90 ORFS/ORB	
7	2220366	2	Fitting, 90 JIC/ORB	
8	2220371	10	Fitting, Straight JIC/ORB	
9	2220372	9	Fitting, Straight JIC/ORB	
10	2220373	5	Fitting, Straight JIC/ORB	
11	2220374	3	Fitting, Straight JIC/ORB	
12	2220375	1	Fitting, Straight JIC/ORB	
13	2220377	3	Fitting, Straight JIC/ORB	
14	2220451	1	Fitting, Straight JIC/ORB	
15	2220466	3	Fitting, 90 JIC/ORB	
16	2220468	2	Fitting, Straight JIC/ORB	
17	2220472	1	Fitting, 90 JIC/ORB	
18	2220473	9	Fitting, 90 JIC/ORB	
19	2220497	1	Fitting, Straight JIC/ORB	
20	2220500	2	Fitting, 45 JIC/ORB	
21	2220501	2	Fitting, 45 JIC/ORB	
22	2220502	1	Fitting, 45 JIC/ORB	
23	2220582	6	Fitting, Straight JIC/ORB	
24	2220596	2	Fitting, 90 JIC/ORB	
25	2220600	2	Fitting, Straight JIC/ORB	
26	2220603	2	Fitting, Straight JIC/ORB	
27	2220628	1	Fitting, 90 JIC/ORB	
28	2220695	1	Fitting, Tee JIC/ORB/JIC	
29	2220726	1	Fitting, 90 JIC/ORB	
30	2220775	1	Fitting, 90 JIC/ORB	
31	2220906	1	Fitting, 90 JIC/ORB	
32	2220923	2	Fitting, Straight JIC/ORB	
33	2220946	2	Fitting, Straight JIC/ORB	
34	2220947	1	Fitting, Straight JIC/ORB	
35	2220998	2	Fitting, Straight JIC/ORB	
36	2221040	2	Fitting, 45 JIC/ORB	
37	2221086	4	Fitting, Diagnostic Test Port	
38	3290601	2	Nut M6 x 1	
39	4240018	22	Tie-Strap (Not Shown)	
40	4811700	2	Washer M6	
41	4811702	2	Washer M6	
42	88662037	1	Fitting, Straight JIC/ORB	
43	1001175024	1	Fitting, Tee JIC/JIC/ORB	
44	1001191275	1	Clamp	
45	1001191276	1	Clamp	
46	1001197272	1	Fitting, Tee JIC/ORB/JIC	
47	1001202910	2	Fitting, Straight MORB	
48	1001275635	2	Clamp (Not Shown)	
49	1001136358	1	Sleeve, Abrasion (Not Shown)	

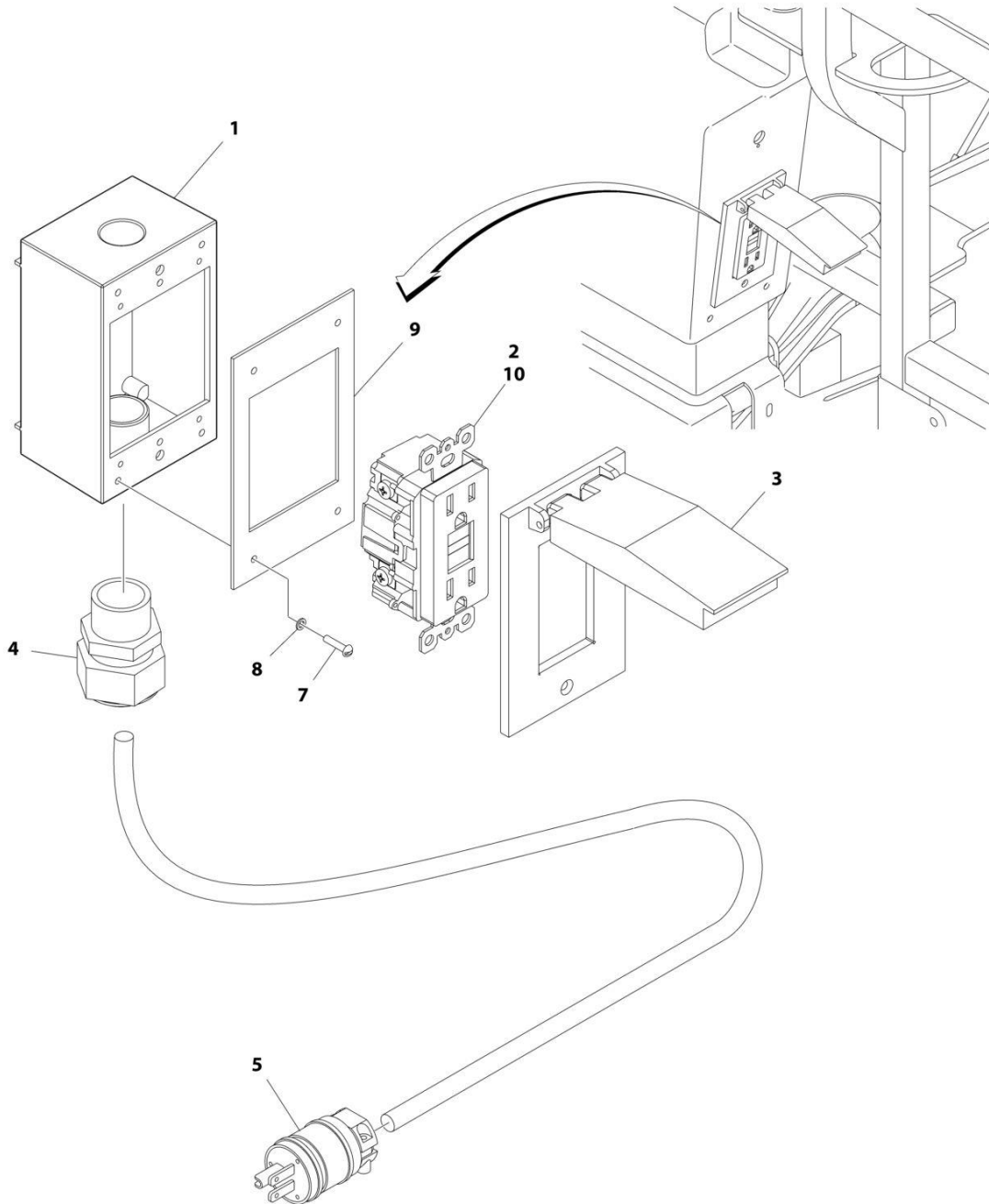
SECTION 7 - HYDRAULIC

ITEM	PART NUMBER	QTY	DESCRIPTION	REV
50	2060404	2	Fitting, Straight FORB/ORB	
100	1001202940	1	Upper Boom Hose Kit (Includes Items 101-102) (Not Shown)	
101	1001173909	1	Hose	
102	1001173937	1	Hose	
200	1001202943	1	Kit, Chassis Rear Hose (Includes Items 201 - 206) (Not Shown)	
201	1001172695	1	Hose	
202	1001172697	1	Hose	
203	1001184561	1	Hose	
204	1001184562	1	Hose	
205	1001184563	1	Hose	
206	1001197284	1	Hose	
300	1001202944	1	Kit, Chassis Front Hose (Includes Items 301 - 307) (Not Shown)	
301	1001172692	1	Hose	
302	1001172698	1	Hose	
303	1001172699	1	Hose	
304	1001172703	1	Hose	
305	1001172707	1	Hose	
306	1001184542	1	Hose	
307	1001184543	1	Hose	
400	1001202946	1	Kit, Turntable Hosing (Includes Items 401 - 406) (Not Shown)	
401	1001173901	1	Hose	
402	1001173902	1	Hose	
403	1001173903	1	Hose	
404	1001173904	1	Hose	
405	1001173907	1	Hose	
406	1001173908	1	Hose	
500	1001252922	1	Kit, Turntable Hosing (Includes Items 501 - 511) (Not Shown)	
501	2752500	1	Hose	
502	1001172716	1	Hose	
503	1001172717	1	Hose	
504	1001172718	1	Hose	
505	1001172719	1	Hose	
506	1001172721	1	Hose	
507	1001172722	1	Hose	
508	1001172723	1	Hose	
509	1001173900	1	Hose	
510	1001181075	1	Hose	
511	1001193654	1	Hose	
600	1001252923	1	Kit, Turntable Hosing (Includes Items 601 - 605) (Not Shown)	
601	1001173898	1	Hose	
602	1001181074	1	Hose	
603	1001207332	1	Hose	
604	1001207333	1	Hose	
605	1001216655	1	Hose	
700	1001283883	1	Kit, Hose (Includes Items 701 - 704) (Not Shown)	
701	1001287427	1	Hose	
702	1001287428	1	Hose	
703	1001283881	1	Hose	
704	1001283882	1	Hose	

SECTION 8 - ELECTRICAL

SECTION 8 - ELECTRICAL

FIGURE 8-1. AC BOX AT PLATFORM INSTALLATION - 110V (ANSI, ANSI EXPORT(HRC), CSA AND JAPANESE SPECS)



ART_0270022

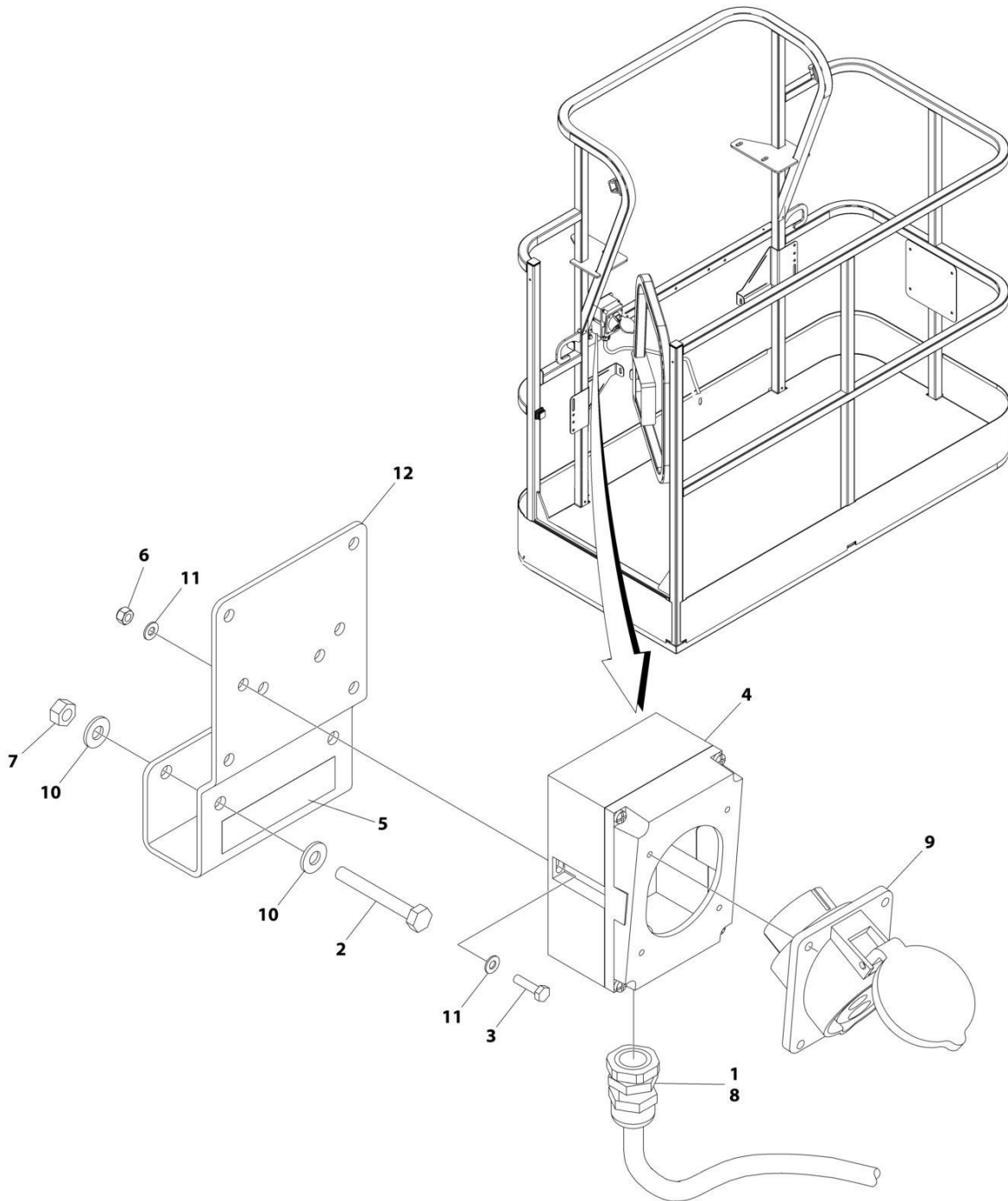
SECTION 8 - ELECTRICAL

FIGURE 8-1. AC BOX AT PLATFORM INSTALLATION - 110V (ANSI, ANSI EXPORT(HRC), CSA AND JAPANESE SPECS)

ITEM	PART NUMBER	QTY	DESCRIPTION	REV
	0270022	Ref	AC BOX AT PLATFORM INSTALLATION - 110V	4-B
1	0860038	1	Box, Switch	
2	4460346	1	Receptacle	
3	1001110873	1	Shield, Cover	
4	4460071	1	Connector, Strain Relief	
5	4460205	1	Plug, Male	
7	3910610	4	Screw #6 x 5/8	
8	4760600	4	Washer #6	
9	3960422	1	Gasket	
10	4460315	1	Terminal, Spade	

SECTION 8 - ELECTRICAL

FIGURE 8-2. AC BOX AT PLATFORM INSTALLATION - 110V IEC YELLOW (CE & UK CA SPECS WITH 4000W/50HZ GENERATOR)



ART_1001194203

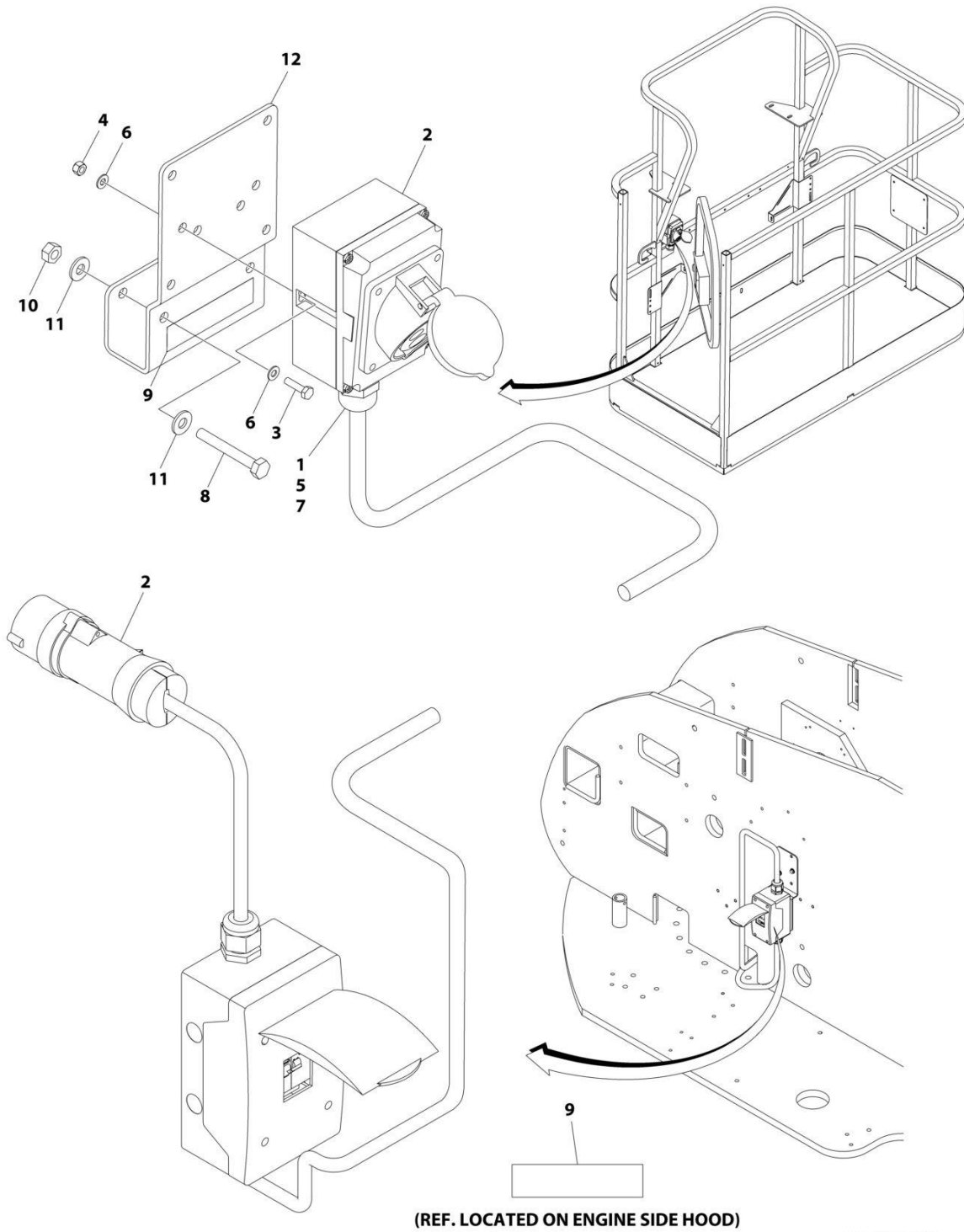
SECTION 8 - ELECTRICAL

FIGURE 8-2. AC BOX AT PLATFORM INSTALLATION - 110V IEC YELLOW (CE & UK CA SPECS WITH 4000W/50HZ GENERATOR)

ITEM	PART NUMBER	QTY	DESCRIPTION	REV
	1001194203	Ref	AC BOX AT PLATFORM INSTALLATION	B
1	0100020	AR	Sealant, Pipe	
2	0641416	2	Bolt 1/4 x 2	
3	0700408	2	Bolt M4 x 16	
4	0861781	1	Box, Switch	
5	1705325	1	Decal - 110V	
6	3290405	2	Nut M4	
7	3311405	2	Nut 1/4	
8	4460968	1	Connector, Strain Relief	
9	4461198	1	Receptacle	
10	4711400	4	Washer 1/4	
11	4811400	4	Washer M4	
12	1001193018	1	Bracket, AC Receptacle	

SECTION 8 - ELECTRICAL

FIGURE 8-3. AC BOX AT PLATFORM - 110V IEC YELLOW (CE & UK CA SPEC WITHOUT GENERATOR)



ART_1001091969

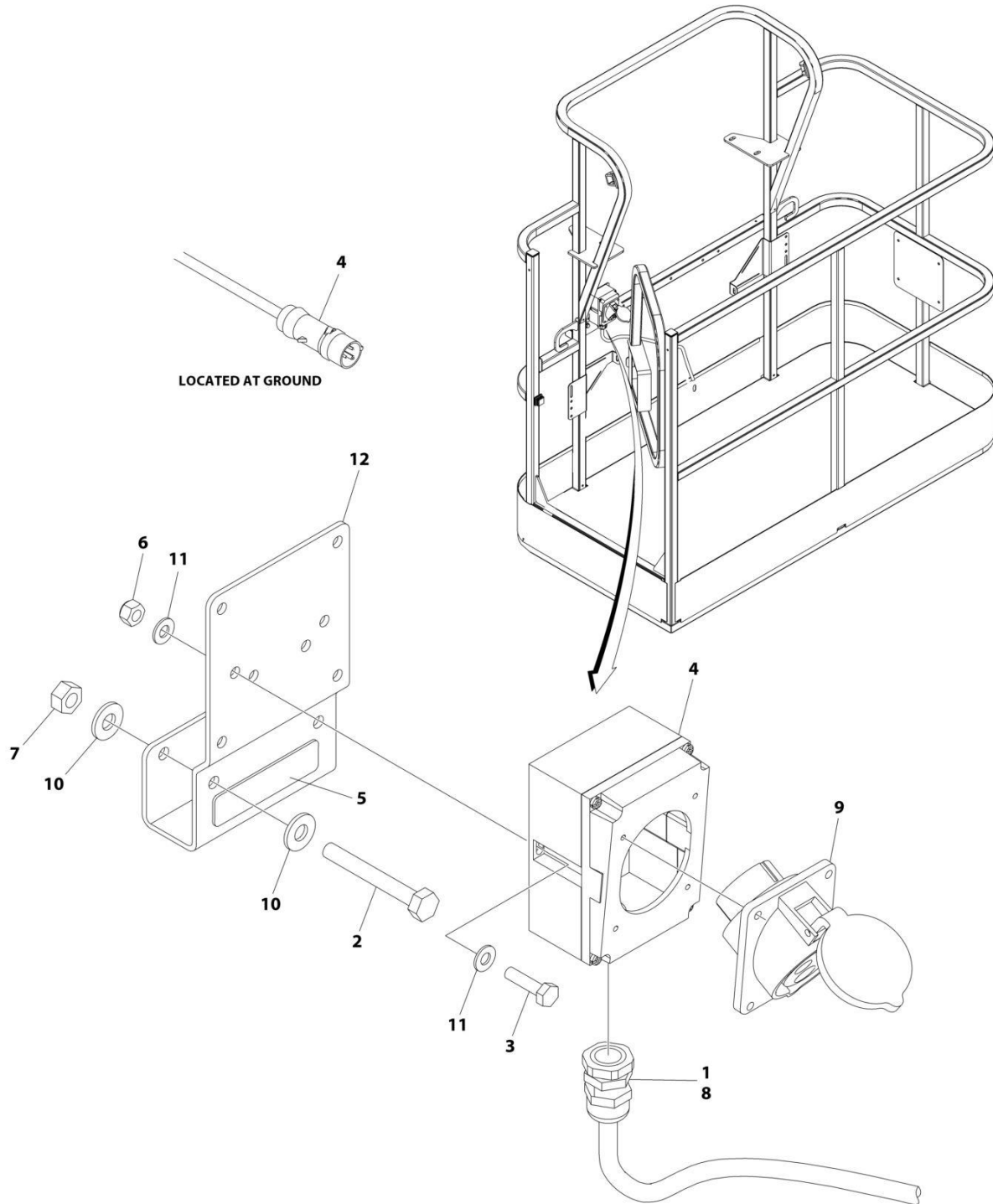
SECTION 8 - ELECTRICAL

FIGURE 8-3. AC BOX AT PLATFORM - 110V IEC YELLOW (CE & UK CA SPEC WITHOUT GENERATOR)

ITEM	PART NUMBER	QTY	DESCRIPTION	REV
	1001091969	Ref	AC BOX AT PLATFORM INSTALLATION - 110V IEC YELLOW	D
1	0100020	AR	Sealant, Pipe	
2	0275216	1	Receptacle Box Kit (See Separate Breakdown in this Section)	
3	0700408	2	Bolt M4 x 16	
4	3290405	2	Nut M4	
5	1001101196	1	Adapter	
6	4811400	4	Washer M4	
7	1001101191	1	Connector, Strain Relief	
8	0641416	2	Bolt 1/4 x 2	
9	1705325	2	Decal - 110V	
10	3311405	2	Nut 1/4	
11	4711400	4	Washer 1/4	
12	1001193018	1	Bracket	

SECTION 8 - ELECTRICAL

FIGURE 8-4. AC BOX AT PLATFORM INSTALLATION - 220V IEC BLUE (CE & UK CA SPECS WITH 4000W/50HZ GENERATOR)



ART_1001194204

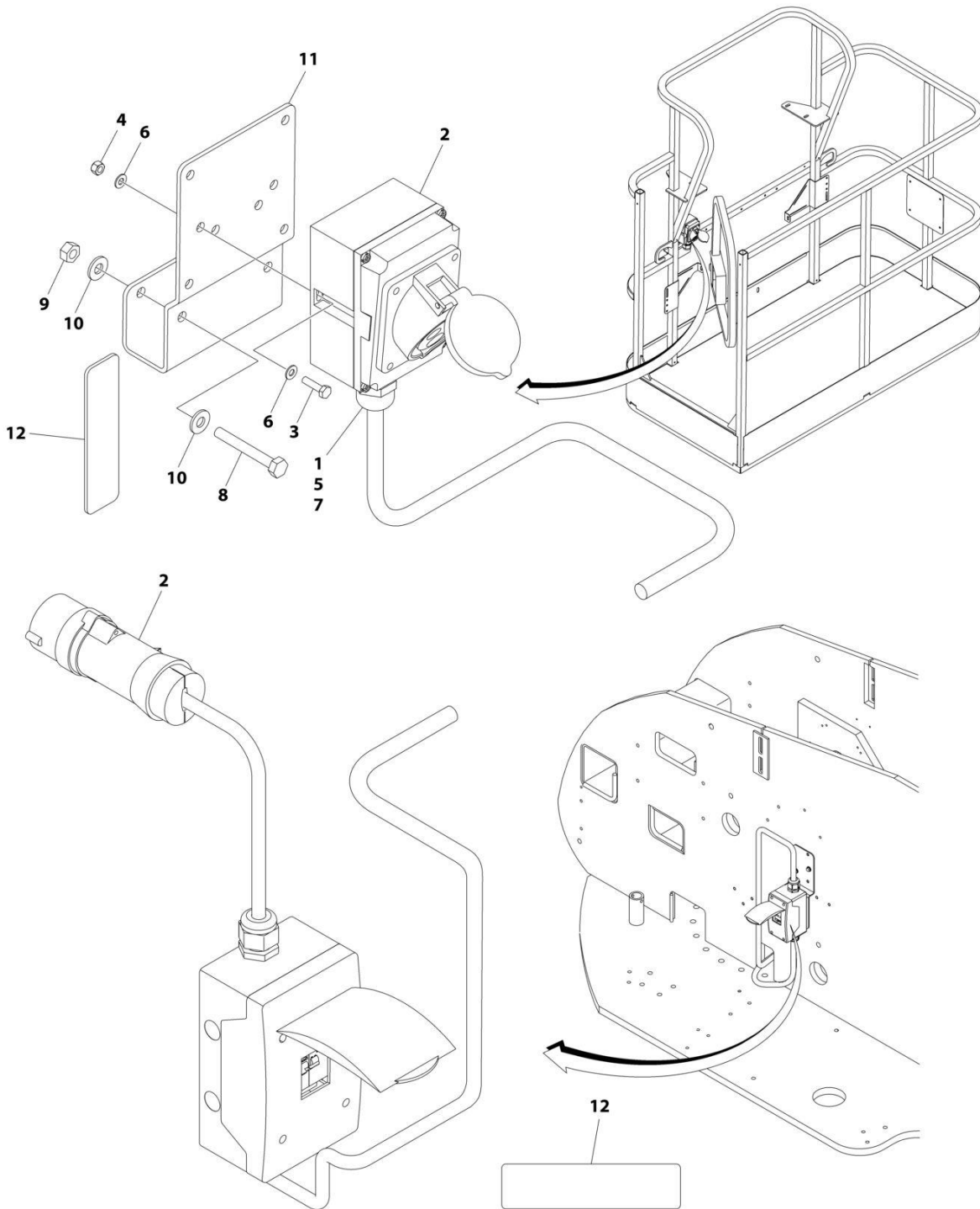
SECTION 8 - ELECTRICAL

FIGURE 8-4. AC BOX AT PLATFORM INSTALLATION - 220V IEC BLUE (CE & UK CA SPECS WITH 4000W/50HZ GENERATOR)

ITEM	PART NUMBER	QTY	DESCRIPTION	REV
	1001194204	Ref	AC BOX AT PLATFORM INSTALLATION	B
1	0100020	AR	Sealant, Pipe	
2	0641416	2	Bolt 1/4 x 2	
3	0700408	2	Bolt M4 x 16	
4	0861781	1	Box, Switch	
5	3251242	1	Decal - 240V/50Hz	
6	3290405	2	Nut M4	
7	3311405	2	Nut 1/4	
8	4460968	1	Connector, Strain Relief	
9	4461201	1	Receptacle	
10	4711400	4	Washer 1/4	
11	4811400	4	Washer M4	
12	1001193018	1	Bracket, AC Receptacle	

SECTION 8 - ELECTRICAL

FIGURE 8-5. AC BOX AT PLATFORM - 220V IEC BLUE (CE & UK CA SPEC WITHOUT GENERATOR)



(REF. LOCATED ON ENGINE SIDE HOOD)

ART_1001091970

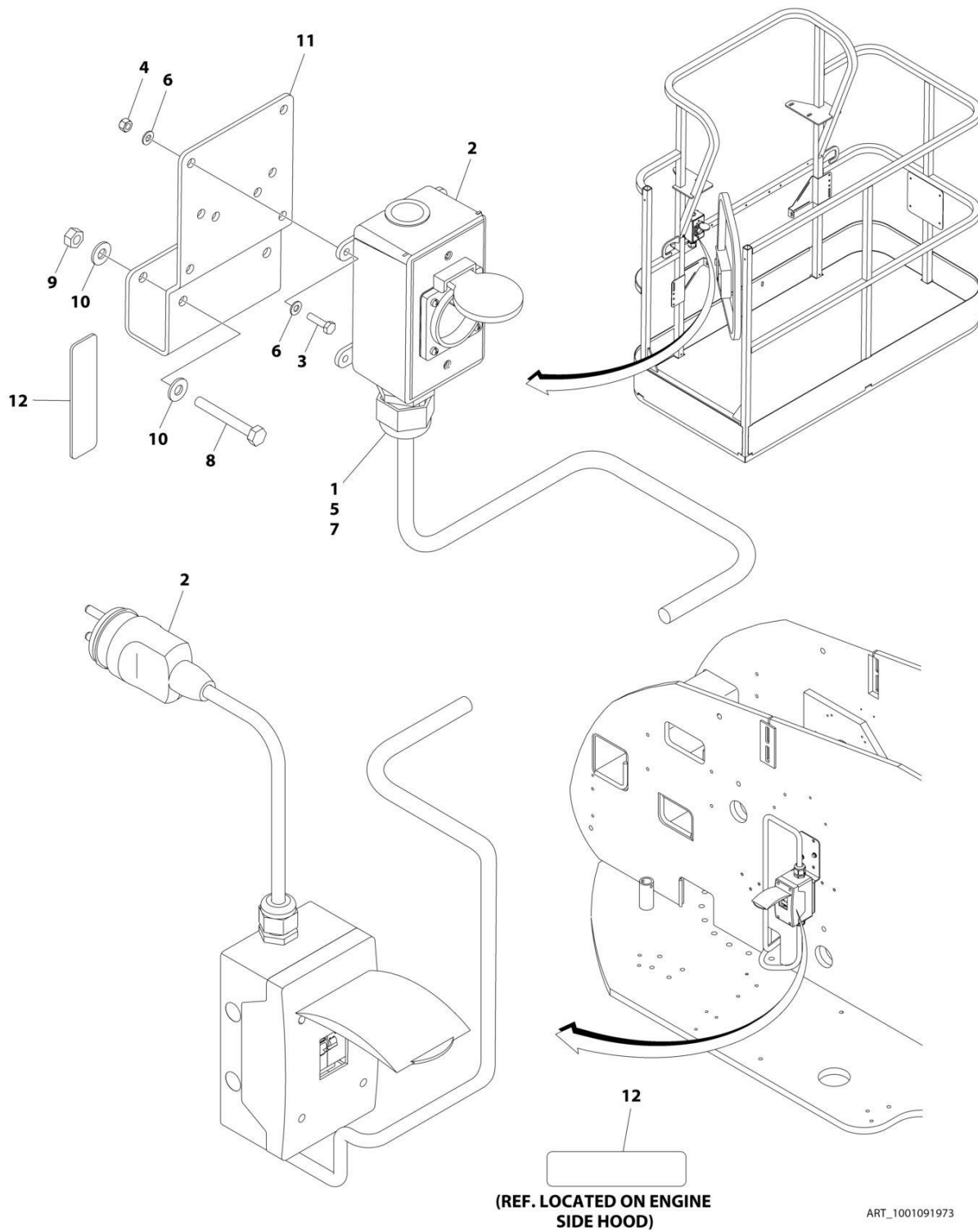
SECTION 8 - ELECTRICAL

FIGURE 8-5. AC BOX AT PLATFORM - 220V IEC BLUE (CE & UK CA SPEC WITHOUT GENERATOR)

ITEM	PART NUMBER	QTY	DESCRIPTION	REV
	1001091970	Ref	AC BOX AT PLATFORM INSTALLATION - 220V IEC BLUE	D
1	0100020	AR	Sealant, Pipe	
2	0275217	1	Receptacle Box Kit (See Separate Breakdown in this Section)	
3	0700408	2	Bolt M4 x 16	
4	3290405	2	Nut M4	
5	1001101196	1	Adapter	
6	4811400	4	Washer M4	
7	1001101191	1	Connector, Strain Relief	
8	0641416	2	Bolt 1/4 x 2	
9	3311405	2	Nut 1/4	
10	4711400	4	Washer 1/4	
11	1001193018	1	Bracket	
12	3251242	2	Decal - 240V/50Hz	

SECTION 8 - ELECTRICAL

FIGURE 8-6. AC BOX AT PLATFORM - 220V CEE7 2IN X 4IN POST GROUND (CE & UK CA SPEC WITHOUT GENERATOR)



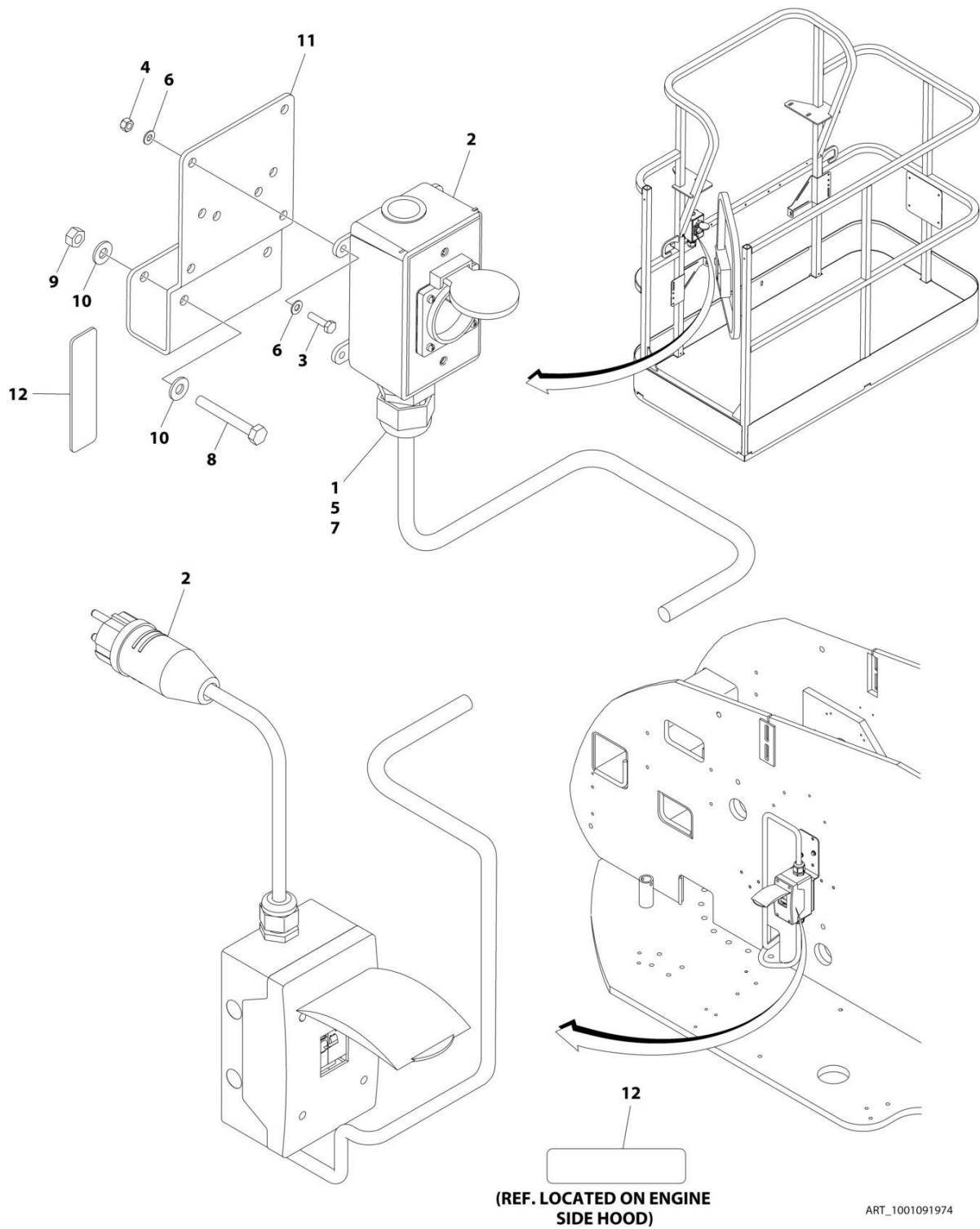
SECTION 8 - ELECTRICAL

FIGURE 8-6. AC BOX AT PLATFORM - 220V CEE7 2IN X 4IN POST GROUND (CE & UK CA SPEC WITHOUT GENERATOR)

ITEM	PART NUMBER	QTY	DESCRIPTION	REV
	1001091973	Ref	AC BOX AT PLATFORM INSTALLATION - 220V CEE7 2X4 BOX POST GROUND	F
1	0100020	AR	Sealant, Pipe	
2	0275452	1	Receptacle Box Kit (See Separate Breakdown in this Section)	
3	0700408	4	Bolt M4 x 16	
4	3290405	4	Nut M4	
5	1001101197	1	Adapter	
6	4811400	8	Washer M4	
7	1001101191	1	Connector, Strain Relief	
8	0641416	2	Bolt 1/4 x 2	
9	3311405	2	Nut 1/4	
10	4711400	4	Washer 1/4	
11	1001193018	1	Bracket	
12	3251242	2	Decal - 240V/50Hz	
13	4460806	2	Terminal, Fork (Not Shown)	
14	1001205958	1	Terminal (Not Shown)	

SECTION 8 - ELECTRICAL

FIGURE 8-7. AC BOX AT PLATFORM - 220V CEE7 2IN X 4IN SIDE GROUND (CE & UK CA SPEC WITHOUT GENERATOR)



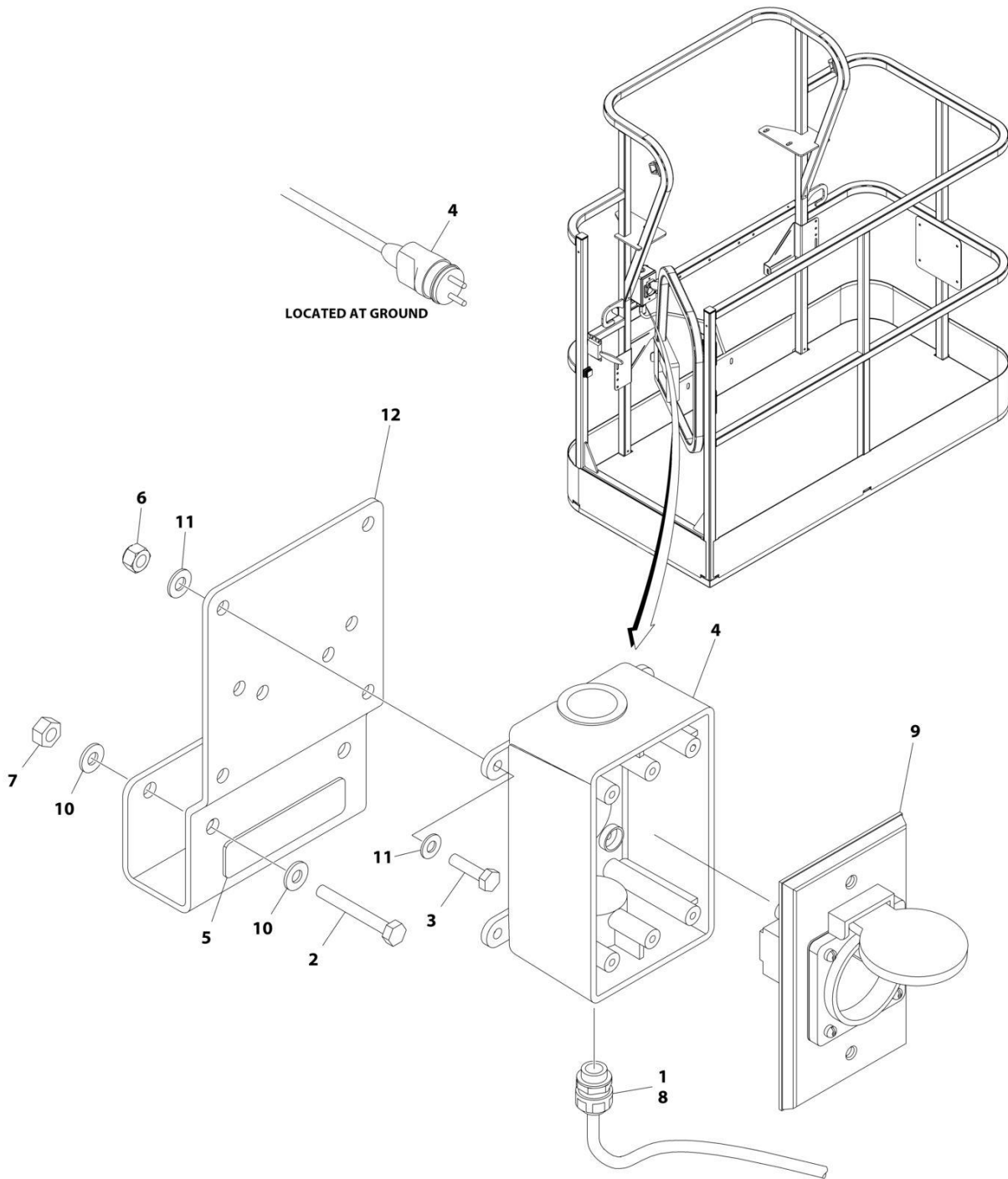
SECTION 8 - ELECTRICAL

FIGURE 8-7. AC BOX AT PLATFORM - 220V CEE7 2IN X 4IN SIDE GROUND (CE & UK CA SPEC WITHOUT GENERATOR)

ITEM	PART NUMBER	QTY	DESCRIPTION	REV
	1001091974	Ref	AC BOX AT PLATFORM INSTALLATION - 220V CEE7 2X4 BOX SIDE GROUND	F
1	0100020	AR	Sealant, Pipe	
2	0275453	1	Receptacle Box Kit (See Separate Breakdown in this Section)	
3	0700408	4	Bolt M4 x 16	
4	3290405	4	Nut M4	
5	1001101197	1	Adapter	
6	4811400	8	Washer M4	
7	1001101191	1	Connector, Strain Relief	
8	0641416	2	Bolt 1/4 x 2	
9	3311405	2	Nut 1/4	
10	4711400	4	Washer 1/4	
11	1001193018	1	Bracket	
12	3251242	2	Decal - 240V/50Hz	
13	4460806	2	Terminal, Fork (Not Shown)	
14	1001205958	1	Terminal (Not Shown)	

SECTION 8 - ELECTRICAL

FIGURE 8-8. AC BOX AT PLATFORM INSTALLATION - 220V CEE7 2IN X 4IN POST GROUND (CE & UK CA SPECS WITH 4000W/50HZ GENERATOR)



ART_1001194197

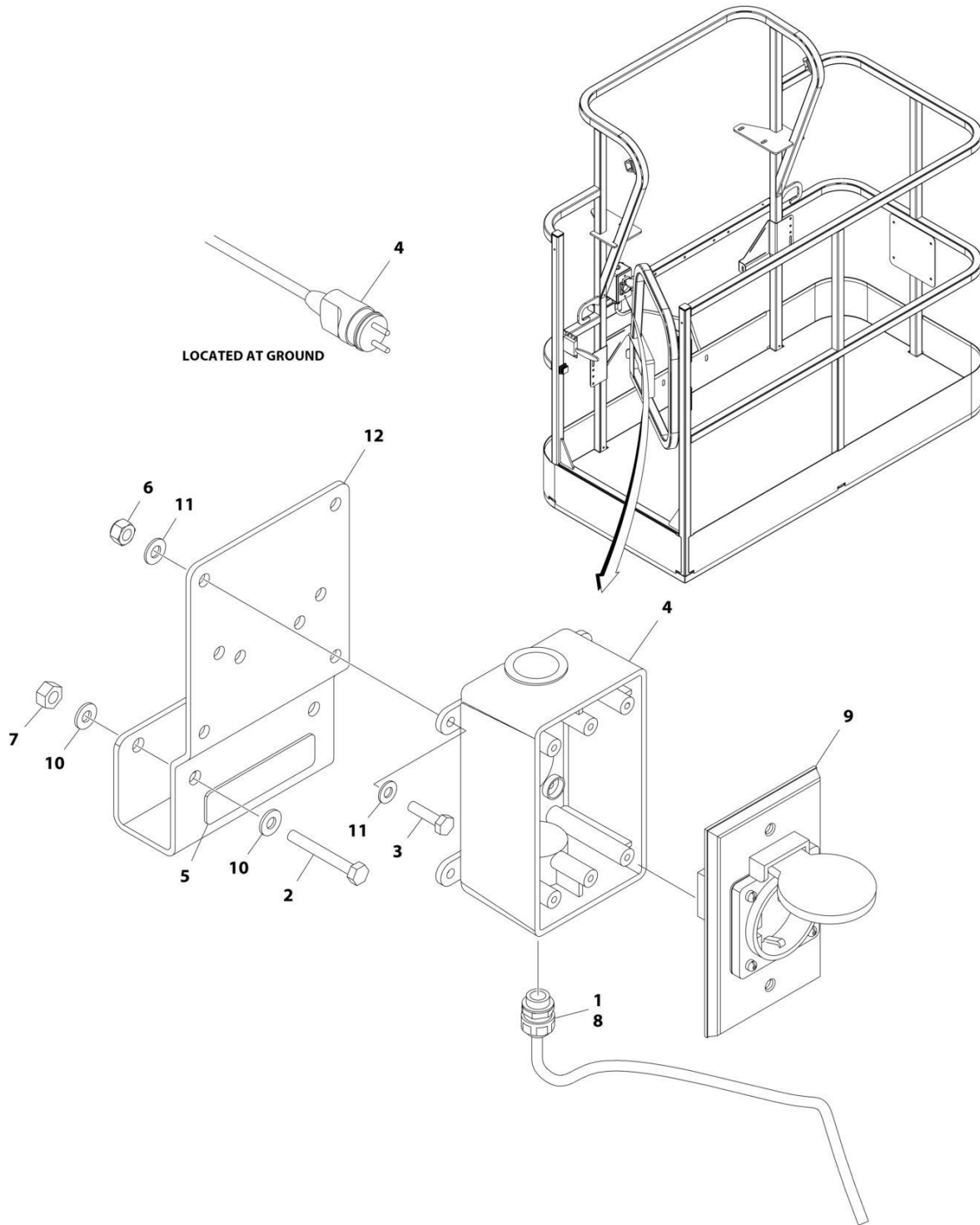
SECTION 8 - ELECTRICAL

FIGURE 8-8. AC BOX AT PLATFORM INSTALLATION - 220V CEE7 2IN X 4IN POST GROUND (CE & UK CA SPECS WITH 4000W/50HZ GENERATOR)

ITEM	PART NUMBER	QTY	DESCRIPTION	REV
	1001194197	Ref	AC BOX AT PLATFORM INSTALLATION	B
1	0100020	AR	Sealant, Pipe	
2	0641416	2	Bolt 1/4 x 2	
3	0700408	4	Bolt M4 x 16	
4	0861731	1	Box, Switch	
5	3251242	1	Decal - 240V/50Hz	
6	3290405	4	Nut M4	
7	3311405	2	Nut 1/4	
8	4460662	1	Connector, Strain Relief	
9	4461244	1	Receptacle	
10	4711400	4	Washer 1/4	
11	4811400	8	Washer M4	
12	1001193018	1	Bracket, AC Receptacle	
13	4460806	2	Terminal, Fork (Not Shown)	
14	1001205958	1	Terminal (Not Shown)	

SECTION 8 - ELECTRICAL

FIGURE 8-9. AC BOX AT PLATFORM INSTALLATION - 220V CEE7 2IN X 4IN SIDE GROUND (CE & UK CA SPECS WITH 4000W/50HZ GENERATOR)



ART_1001194198

SECTION 8 - ELECTRICAL

FIGURE 8-9. AC BOX AT PLATFORM INSTALLATION - 220V CEE7 2IN X 4IN SIDE GROUND (CE & UK CA SPECS WITH 4000W/50HZ GENERATOR)

ITEM	PART NUMBER	QTY	DESCRIPTION	REV
	1001194198	Ref	AC BOX AT PLATFORM INSTALLATION	B
1	0100020	AR	Sealant, Pipe	
2	0641416	2	Bolt 1/4 x 2	
3	0700408	4	Bolt M4 x 16	
4	0861731	1	Box, Switch	
5	3251242	1	Decal - 240V/50Hz	
6	3290405	4	Nut M4	
7	3311405	2	Nut 1/4	
8	4460662	1	Connector, Strain Relief	
9	4461245	1	Receptacle	
10	4711400	4	Washer 1/4	
11	4811400	8	Washer M4	
12	1001193018	1	Bracket, AC Receptacle	
13	4460806	2	Terminal, Fork (Not Shown)	
14	1001205958	1	Terminal (Not Shown)	

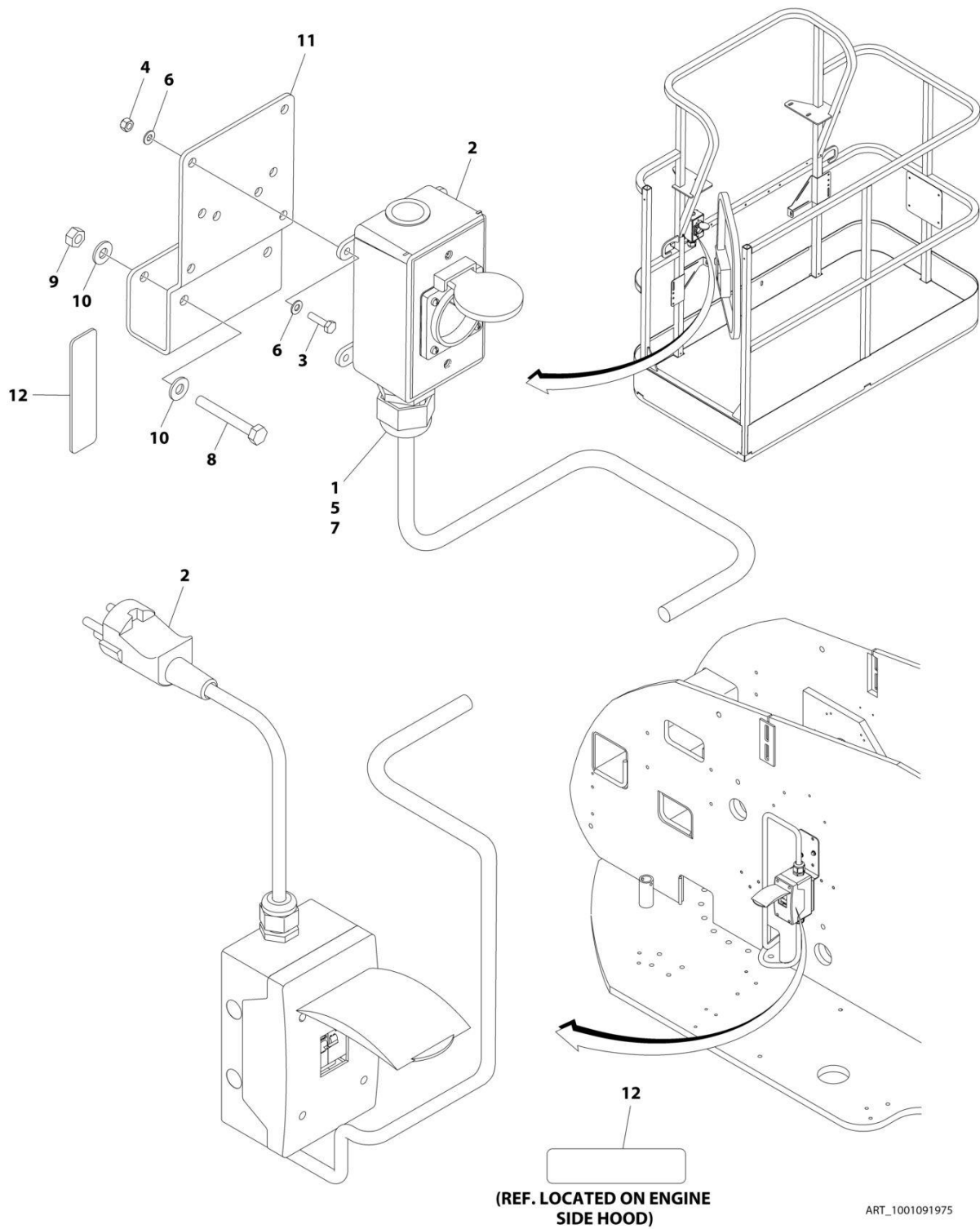
SECTION 8 - ELECTRICAL

FIGURE 8-10. AC BOX AT PLATFORM INSTALLATION - 220V AFSINT107 (CE & UK CA SPECS WITH 4000W/50HZ GENERATOR)

ITEM	PART NUMBER	QTY	DESCRIPTION	REV
	1001194200	Ref	AC BOX AT PLATFORM INSTALLATION	B
1	0100020	AR	Sealant, Pipe	
2	0641416	2	Bolt 1/4 x 2	
3	0700408	4	Bolt M4 x 16	
4	0861731	1	Box, Switch	
5	3251242	1	Decal - 240V/50Hz	
6	3290405	4	Nut M4	
7	3311405	2	Nut 1/4	
8	4460662	1	Connector, Strain Relief	
9	4461246	1	Receptacle	
10	4711400	4	Washer 1/4	
11	4811400	8	Washer M4	
12	1001193018	1	Bracket, AC Receptacle	
13	1001205958	1	Terminal (Not Shown)	

SECTION 8 - ELECTRICAL

FIGURE 8-11. AC BOX AT PLATFORM - 220V AFSINT107 (CE & UK CA SPEC WITHOUT GENERATOR)



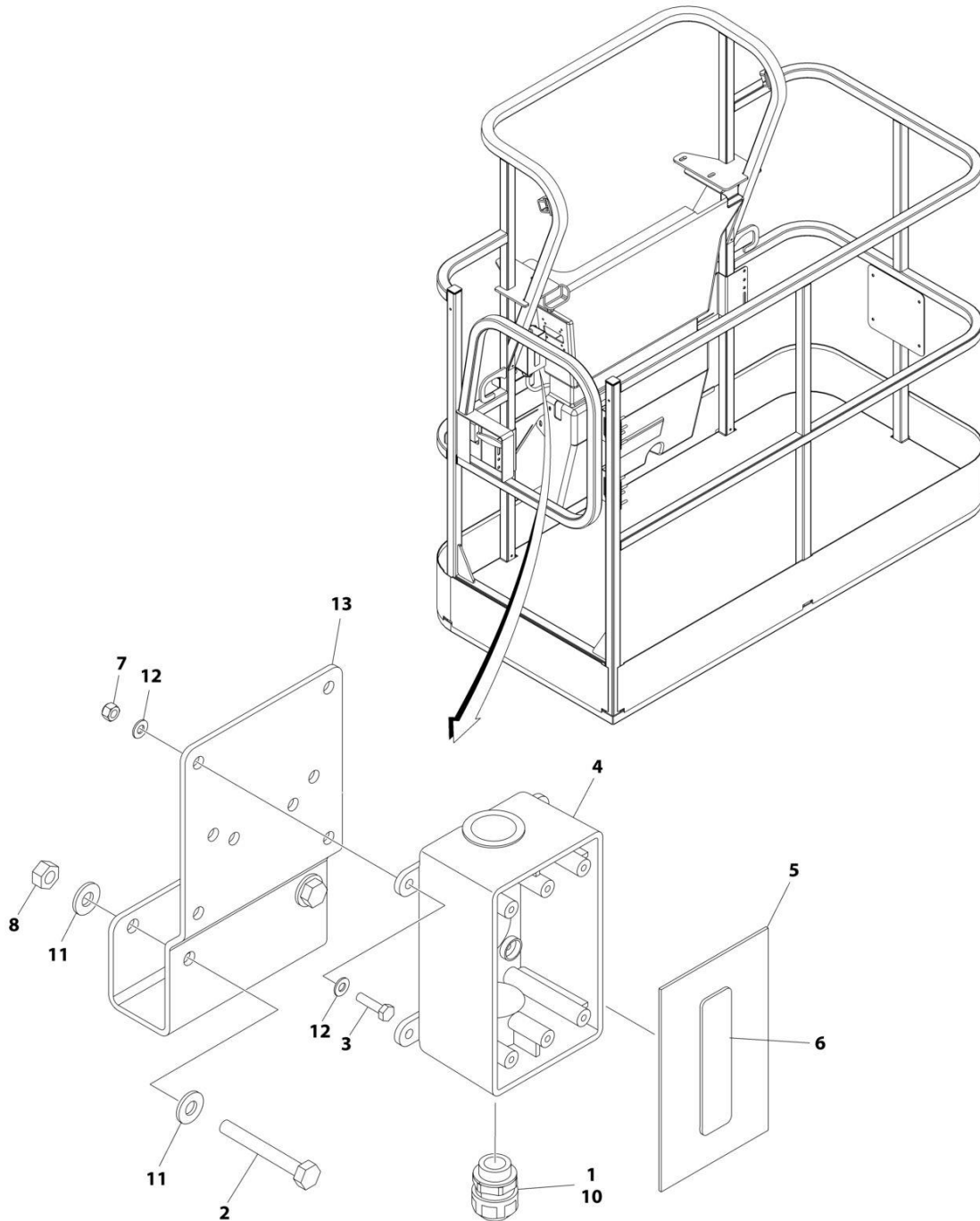
SECTION 8 - ELECTRICAL

FIGURE 8-11. AC BOX AT PLATFORM - 220V AFSINT107 (CE & UK CA SPEC WITHOUT GENERATOR)

ITEM	PART NUMBER	QTY	DESCRIPTION	REV
	1001091975	Ref	AC BOX AT PLATFORM INSTALLATION - 220V AFSINT 107 2X4 BOX KEYED GROUND	F
1	0100020	AR	Sealant, Pipe	
2	0275454	1	Receptacle Box Kit (See Separate Breakdown in this Section)	
3	0700408	4	Bolt M4 x 16	
4	3290405	4	Nut M4	
5	1001101197	1	Adapter	
6	4811400	8	Washer M4	
7	1001101191	1	Connector, Strain Relief	
8	0641416	2	Bolt 1/4 x 2	
9	3311405	2	Nut 1/4	
10	4711400	4	Washer 1/4	
11	1001193018	1	Bracket	
12	3251242	2	Decal - 240V/50Hz	
13	1001205958	3	Terminal (Not Shown)	

SECTION 8 - ELECTRICAL

FIGURE 8-12. AC BOX AT PLATFORM INSTALLATION - 220V CUSTOMER SUPPLIED COMPONENTS
(ALL SPECS EXCEPT CSA SPECS)



ART_1001194365

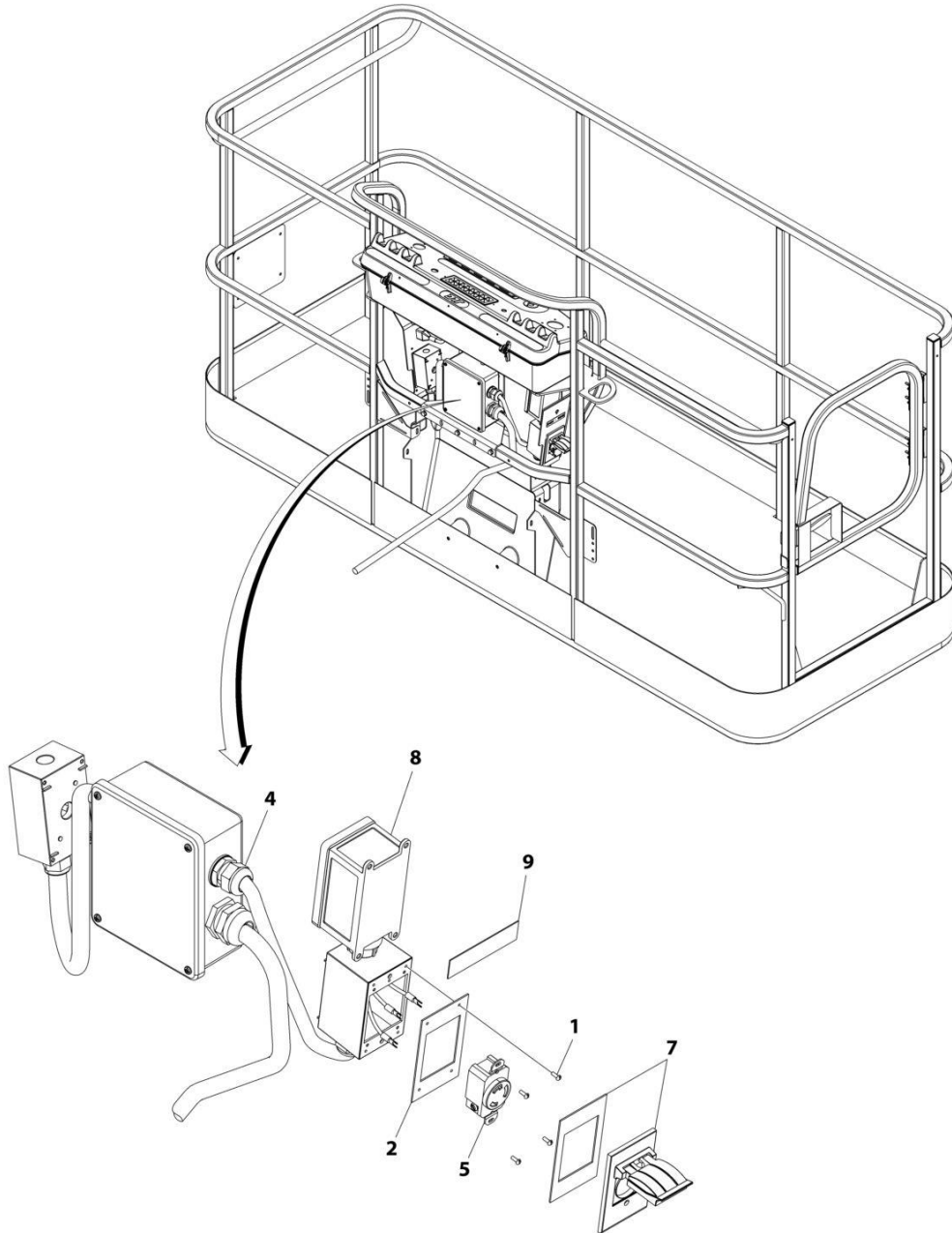
SECTION 8 - ELECTRICAL

**FIGURE 8-12. AC BOX AT PLATFORM INSTALLATION - 220V CUSTOMER SUPPLIED COMPONENTS
(ALL SPECS EXCEPT CSA SPECS)**

ITEM	PART NUMBER	QTY	DESCRIPTION	REV
	1001194365	Ref	AC BOX AT PLATFORM INSTALLATION - BOX WITH COVER (2X4 BOX)	A
1	0100020	AR	Sealant	
2	0641416	2	Bolt 1/4 x 2	
3	0700408	4	Bolt M4 x 16	
4	0861731	1	Box, Switch	
5	1670603	1	Cover	
6	3251242	1	Decal - 240V/50Hz	
7	3290405	4	Nut M4	
8	3311405	2	Nut 1/4	
9	4460384	3	Terminal (Not Shown)	
10	4460662	1	Connector, Strain Relief	
11	4711400	4	Washer 1/4	
12	4811400	8	Washer M4	
13	1001193018	1	Bracket, AC Receptacle	

SECTION 8 - ELECTRICAL

FIGURE 8-13. AC BOX AT PLATFORM INSTALLATION - 240V (WITH 4000W GENERATOR) (ANSI, ANSI EXPORT(HRC), CSA AND JAPANESE SPECS)



ART_1001171131

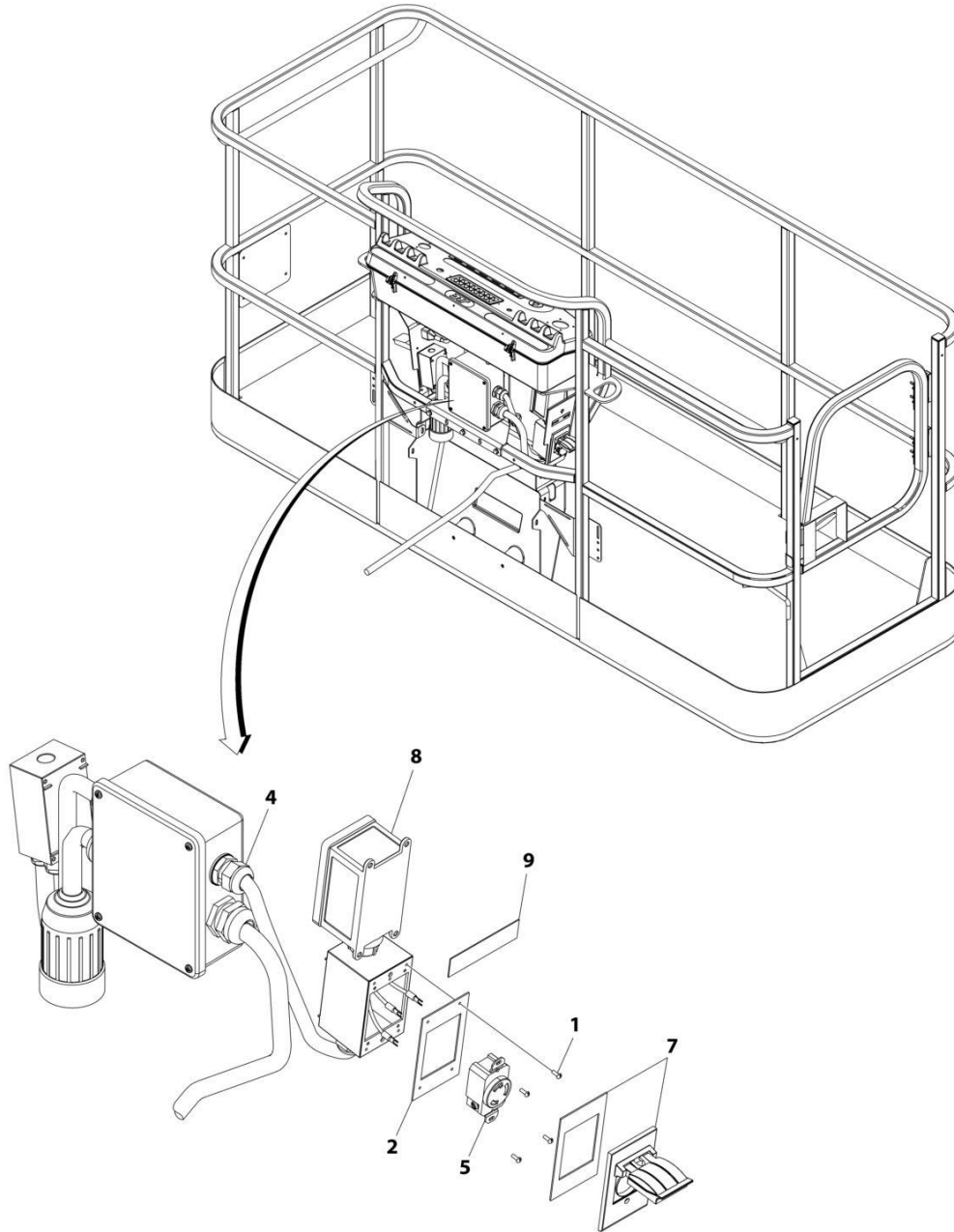
SECTION 8 - ELECTRICAL

FIGURE 8-13. AC BOX AT PLATFORM INSTALLATION - 240V (WITH 4000W GENERATOR) (ANSI, ANSI EXPORT(HRC), CSA AND JAPANESE SPECS)

ITEM	PART NUMBER	QTY	DESCRIPTION	REV
	1001171131	Ref	AC BOX AT PLATFORM INSTALLATION - 240V RECEPTACLE	B
1	3910606	4	Screw 6 x 3/8	
2	3960422	1	Gasket	
3	4240018	AR	Tie-Strap (Not Shown)	
4	4460425	1	Connector, Strain Relief	
5	1001176862	1	Receptacle	
7	1001110872	1	Cover, Receptacle	
8	1001159120	1	Receptacle/Breaker Box Assembly	
8	1001148675	1	Box, Receptacle	
8	1001159118	1	Breaker GFCI 30Amp 240VAC	
8	4460612	1	Connector, Strain Relief	
8	1001159119	1	Connector (Between Boxes)	
9	1705374	1	Decal - 240V/60Hz	

SECTION 8 - ELECTRICAL

FIGURE 8-14. AC BOX AT PLATFORM INSTALLATION - 240V (WITH 7500W SKYPOWER GENERATOR) (ANSI, ANSI EXPORT(HRC), CSA AND JAPANESE SPECS)



ART_1001159121

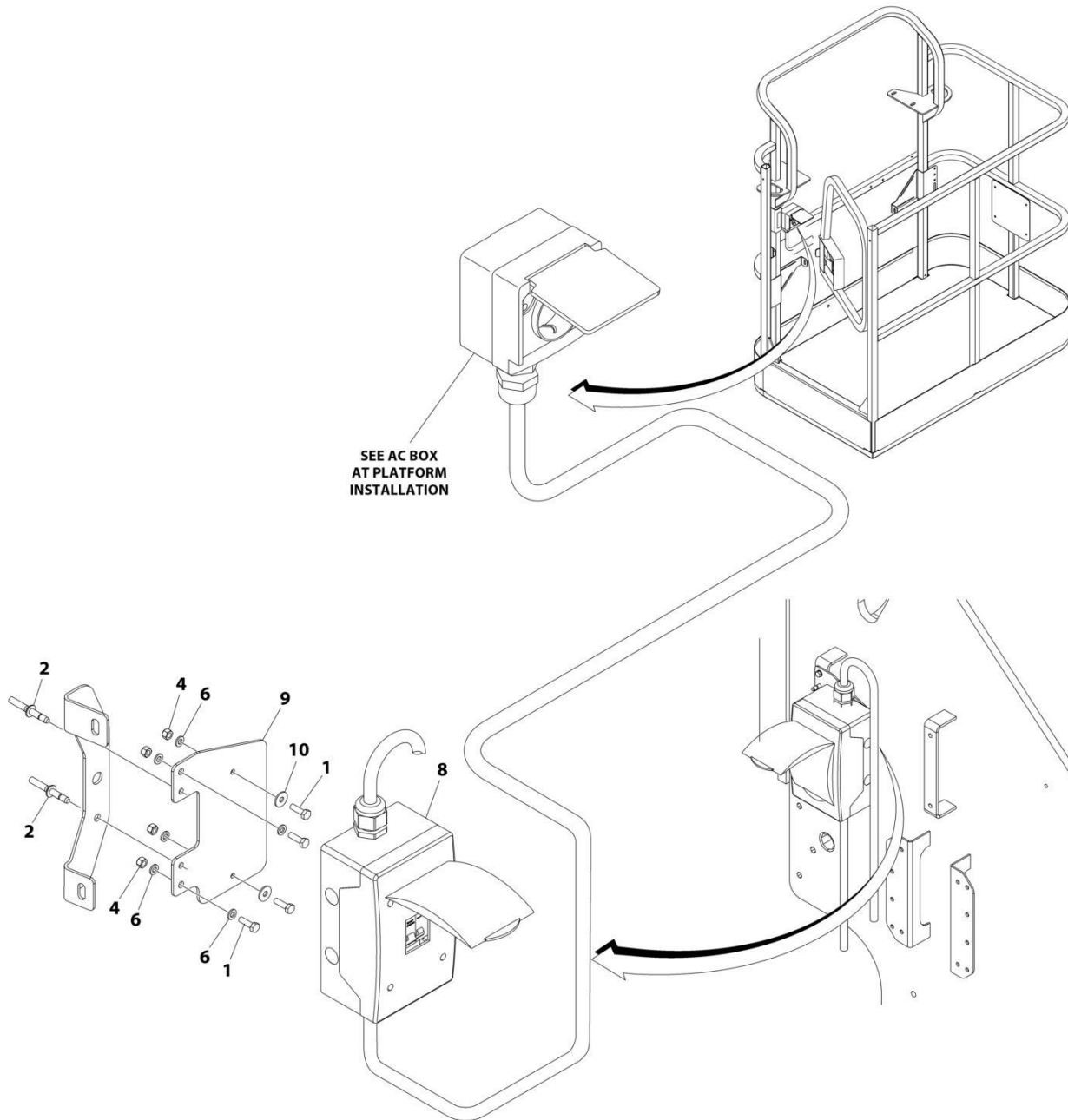
SECTION 8 - ELECTRICAL

FIGURE 8-14. AC BOX AT PLATFORM INSTALLATION - 240V (WITH 7500W SKYPOWER GENERATOR) (ANSI, ANSI EXPORT(HRC), CSA AND JAPANESE SPECS)

ITEM	PART NUMBER	QTY	DESCRIPTION	REV
	1001159121	Ref	AC BOX AT PLATFORM INSTALLATION - 240V RECEPTACLE	B
1	3910606	4	Screw 6 x 3/8	
2	3960422	1	Gasket	
3	4240018	AR	Tie-Strap (Not Shown)	
4	4460425	1	Connector, Strain Relief	
5	4460958	1	Receptacle	
7	1001110872	1	Cover, Receptacle	
8	1001159120	1	Receptacle/Breaker Box Assembly	
8	1001148675	1	Box, Receptacle	
8	1001159118	1	Breaker Box Assembly	
8	4460612	1	Connector, Strain Relief	
8	1001159119	1	Connector (Between Boxes)	
9	1705374	1	Decal - 240V/60Hz	

SECTION 8 - ELECTRICAL

FIGURE 8-15. AC CABLE INSTALLATION - WITH THREE BREAKERS (CE & UK CA SPECS)



ART_1001209677_B

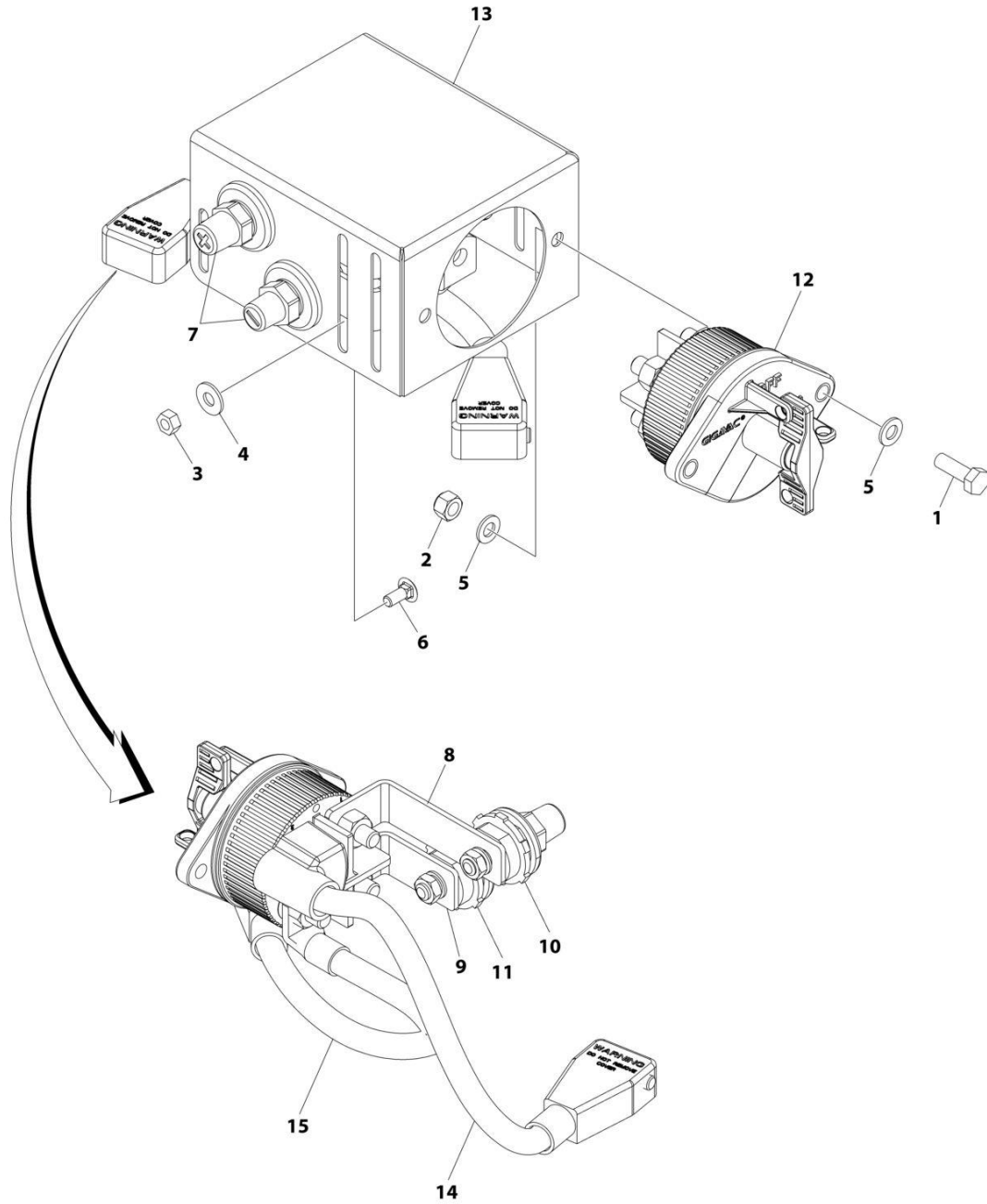
SECTION 8 - ELECTRICAL

FIGURE 8-15. AC CABLE INSTALLATION - WITH THREE BREAKERS (CE & UK CA SPECS)

ITEM	PART NUMBER	QTY	DESCRIPTION	REV
	1001209677	Ref	AC CABLE INSTALLATION - WITH THREE BREAKERS	B
1	0760610	4	Bolt M6 x 20	
2	2080040	2	Fastener, Huck	
4	3290605	4	Nut M6	
6	4811700	6	Washer M6	
8	1001152485	1	Breaker Box Kit (See Separate Breakdown in this Section)	
9	1001209832	1	Bracket	
10	4811702	2	Washer M6	

SECTION 8 - ELECTRICAL

FIGURE 8-16. BATTERY DISCONNECT SWITCH



ART_1001236304

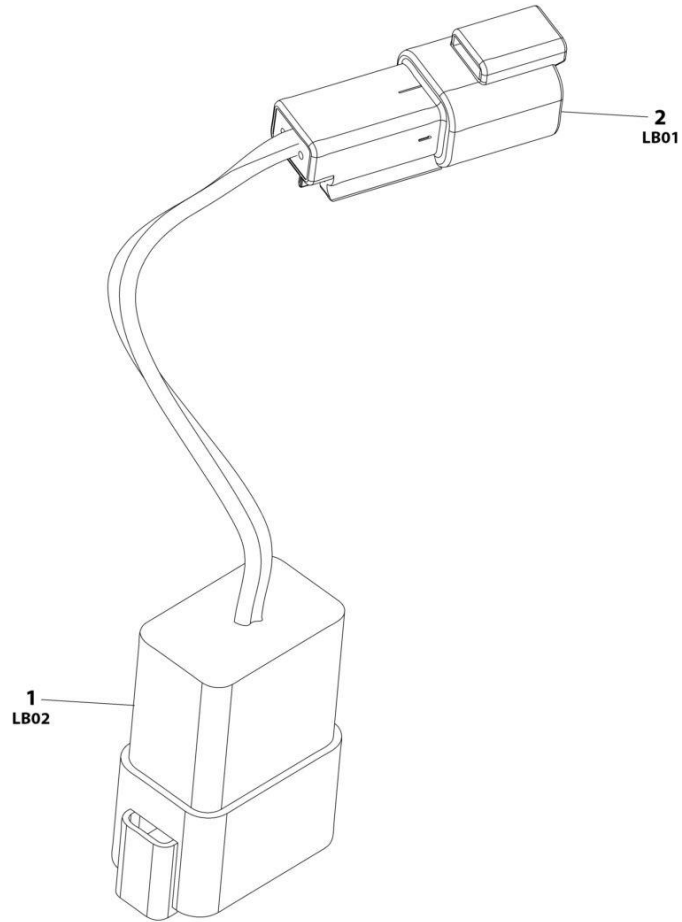
SECTION 8 - ELECTRICAL

FIGURE 8-16. BATTERY DISCONNECT SWITCH

ITEM	PART NUMBER	QTY	DESCRIPTION	REV
	1001236304	Ref	BATTERY DISCONNECT SWITCH INSTALLATION	A
1	0760812	2	Bolt M8 x 25	
2	3290805	2	Nut M8	
3	3311405	3	Nut 1/4	
4	4751400	3	Washer 1/4	
5	4811900	4	Washer M8	
6	88411013	3	Bolt 1/4 x 3/4	
7	1001206476	1	Connectors, Post	
8	1001209432	1	Bussbar	
9	1001209474	1	Bussbar	
10	1001214570	1	Connector (Red)	
11	1001214571	1	Connector (Black)	
12	1001225346	1	Switch, Battery	
13	1001226531	1	Mount	
14	1001236504	1	Cable, Battery (+)	
15	1001236505	1	Cable, Battery (-)	

SECTION 8 - ELECTRICAL

FIGURE 8-17. BEACON HARNESS (AMBER LIGHT)



ART_1001283776

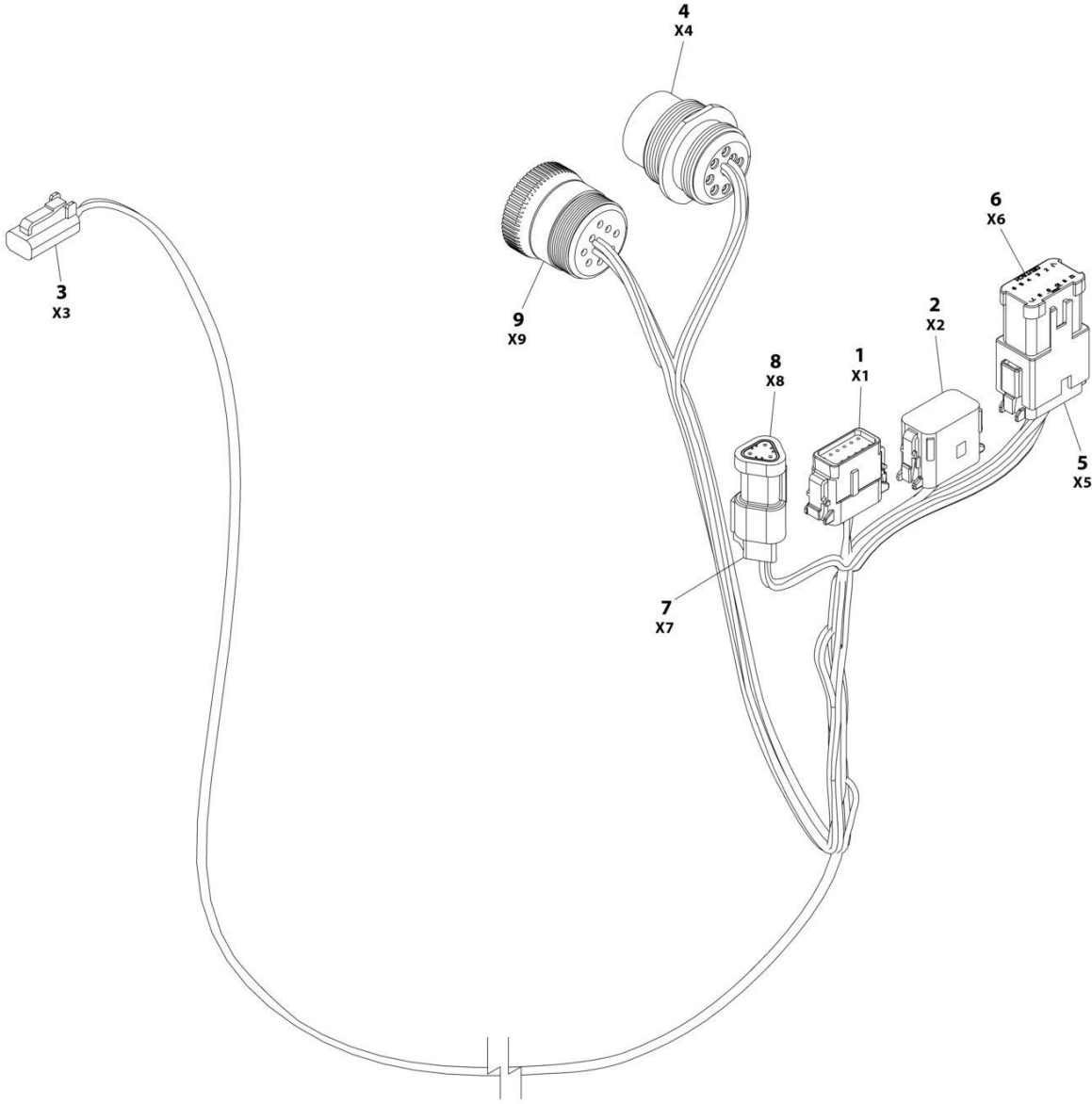
SECTION 8 - ELECTRICAL

FIGURE 8-17. BEACON HARNESS (AMBER LIGHT)

ITEM	PART NUMBER	QTY	DESCRIPTION	REV
	1001283776	Ref	STROBE LIGHT HARNESS (AMBER)	A
1	4460931	1	Connector	
1	4460464	2	Pin	
1	4460466	6	Plug	
2	4460897	1	Connector	
2	4460464	2	Pin	

SECTION 8 - ELECTRICAL

FIGURE 8-18. BEACON HARNESS (BLUE/RED BEACON LIGHT)



ART_1001142736

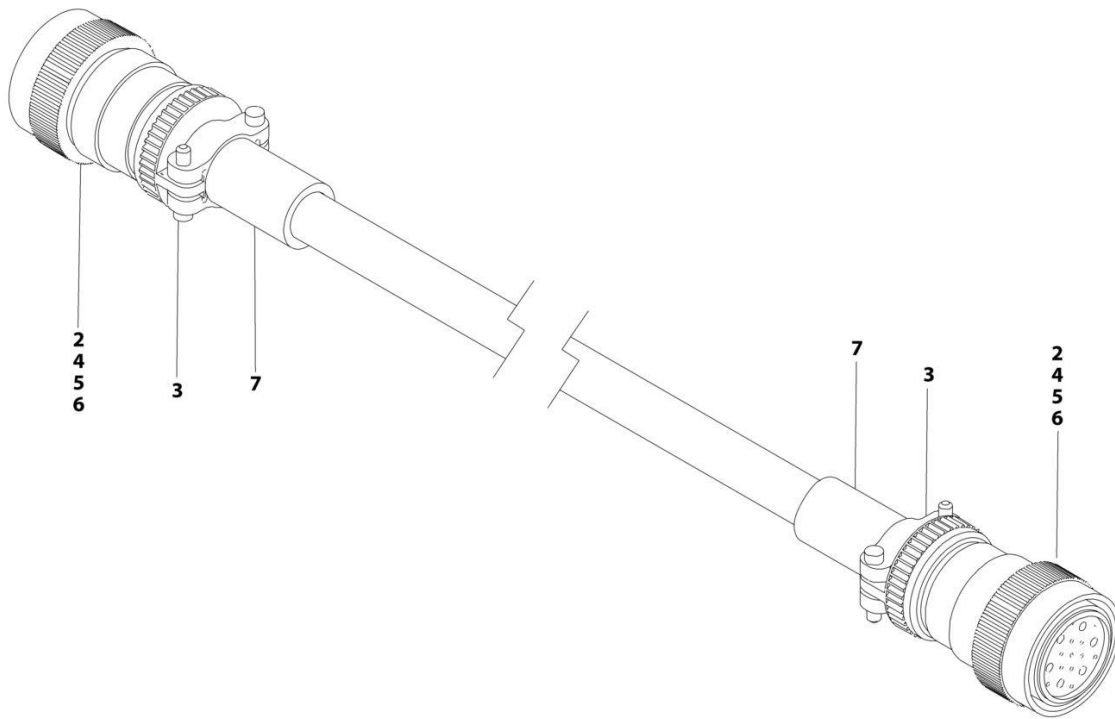
SECTION 8 - ELECTRICAL

FIGURE 8-18. BEACON HARNESS (BLUE/RED BEACON LIGHT)

ITEM	PART NUMBER	QTY	DESCRIPTION	REV
	1001142736	Ref	STROBE LIGHT HARNESS	F
1	1001116808	1	Plug, Male - 12 Position	
1	4460928	3	Socket, Female	
1	4460518	9	Plug, Terminal	
2	1001116774	1	Plug, Male - 12 Position	
2	4460928	3	Socket, Female	
2	4460518	9	Plug, Terminal	
3	4460891	1	Plug, Male - 2 Position	
3	4460465	2	Socket, Female	
4	1001112612	1	Connector - 9 Position	
4	4460464	6	Pin, Male	
4	4460466	3	Plug, Terminal	
5	4460933	1	Plug, Male - 12 Position	
5	4460465	12	Socket, Female	
6	1001119020	1	Bussbar - 12 Position	
7	4461095	1	Plug, Male - 3 Position	
7	4460465	3	Socket, Female	
8	4461070	1	Bussbar - 3 Position	
9	1001112796	1	Connector - 9 Position	
9	4460465	6	Socket, Female	
9	4460466	3	Plug, Terminal	

SECTION 8 - ELECTRICAL

FIGURE 8-19. BOOM HARNESS - 400S



ART_1001176952

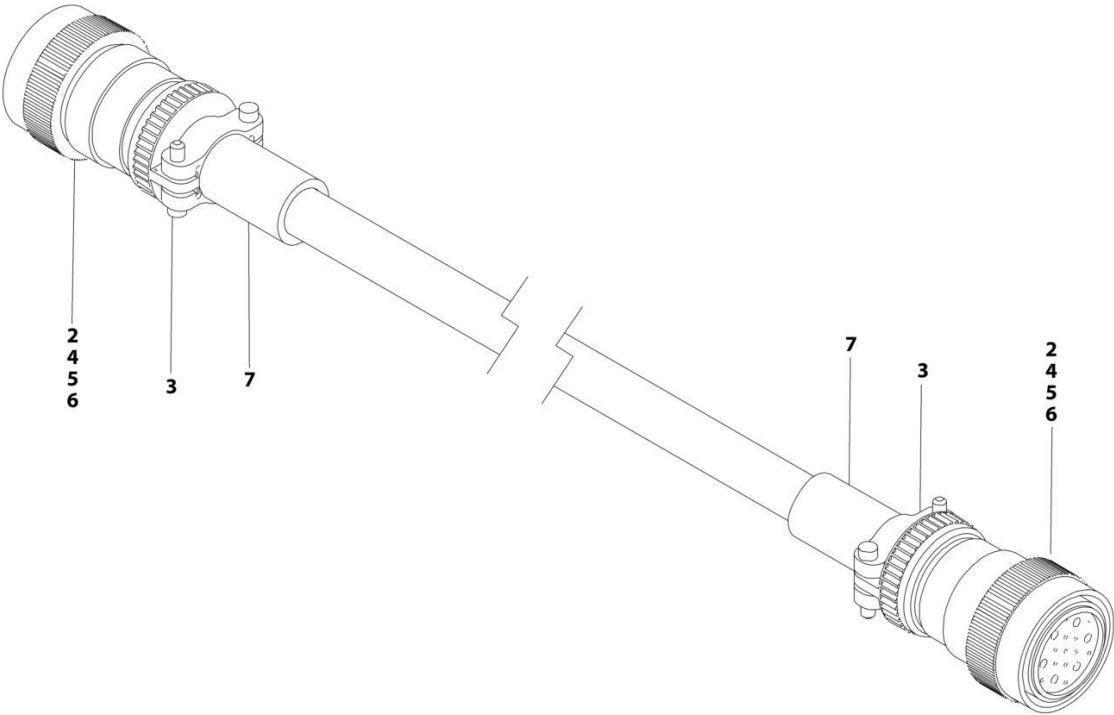
SECTION 8 - ELECTRICAL

FIGURE 8-19. BOOM HARNESS - 400S

ITEM	PART NUMBER	QTY	DESCRIPTION	REV
	1001176952	Ref	BOOM HARNESS	C
2	4460865	2	Connector - 19 Position	
3	4460473	2	Clamp	
4	4460465	20	Socket, Female	
5	4460509	8	Socket, Female	
6	4460466	10	Plug, Socket	
7	1001226400	AR	Heat Shrink	

SECTION 8 - ELECTRICAL

FIGURE 8-20. BOOM HARNESS - 460SJ & 460SJ 1K45FT



ART_1001176953

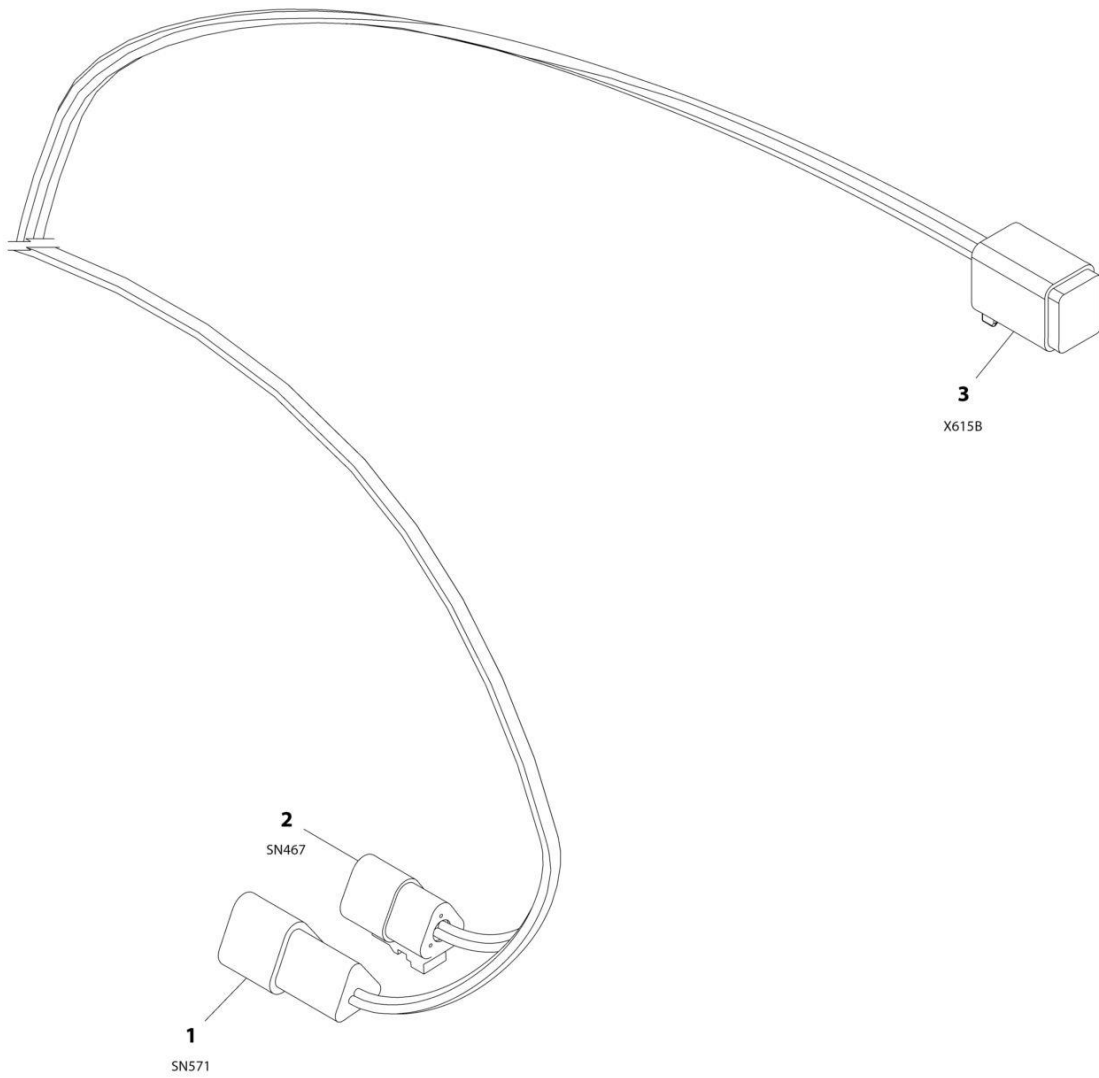
SECTION 8 - ELECTRICAL

FIGURE 8-20. BOOM HARNESS - 460SJ & 460SJ 1K45FT

ITEM	PART NUMBER	QTY	DESCRIPTION	REV
	1001176953	Ref	BOOM HARNESS	C
2	4460865	2	Connector - 19 Position	
3	4460473	2	Clamp	
4	4460465	20	Socket, Female	
5	4460509	8	Socket, Female	
6	4460466	10	Plug, Socket	
7	1001226400	AR	Heat Shrink	

SECTION 8 - ELECTRICAL

FIGURE 8-21. BOOM CAPACITY PROXIMITY SWITCH HARNESS - 400S



ART_1001173807

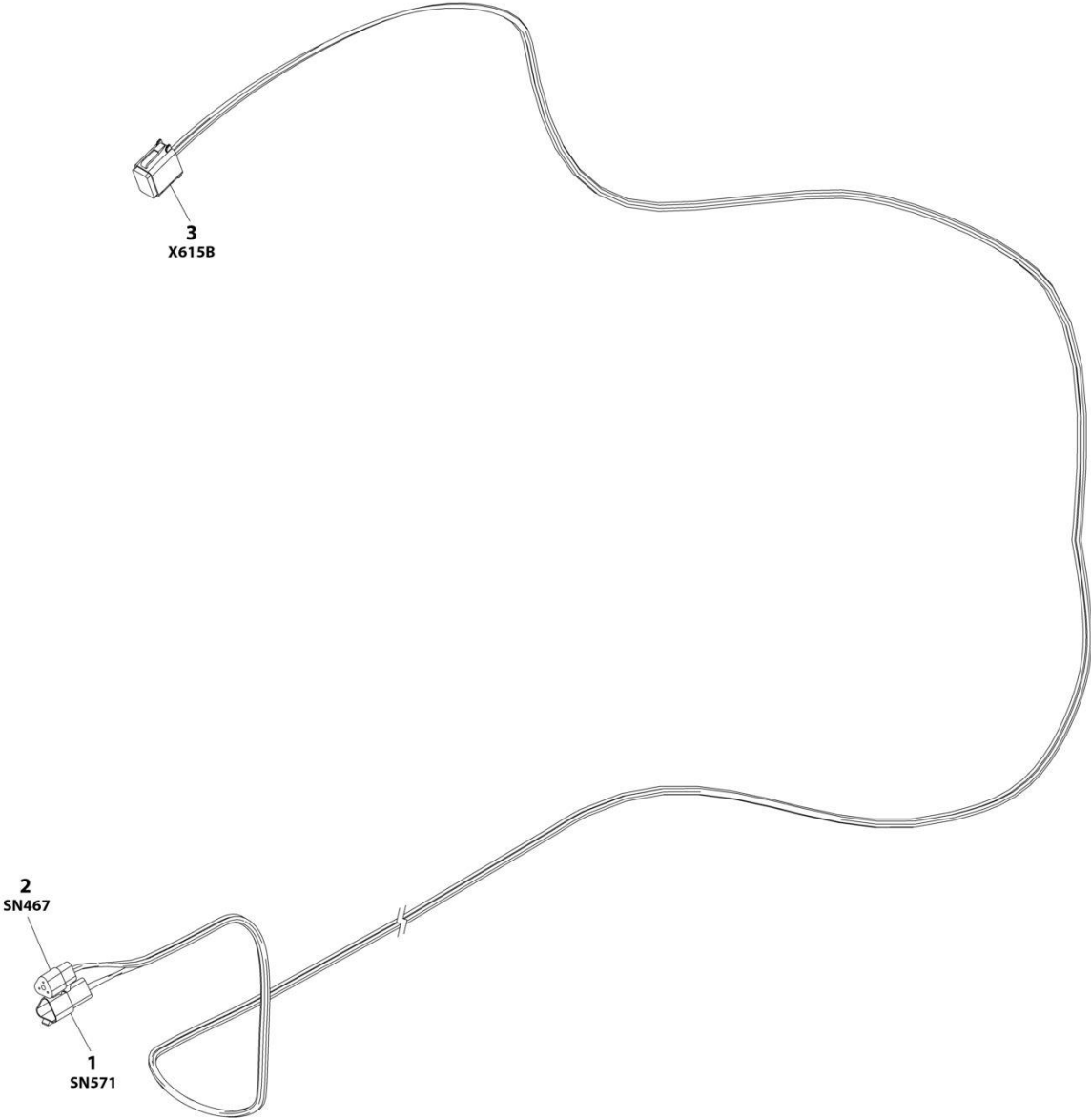
SECTION 8 - ELECTRICAL

FIGURE 8-21. BOOM CAPACITY PROXIMITY SWITCH HARNESS - 400S

ITEM	PART NUMBER	QTY	DESCRIPTION	REV
	1001173807	Ref	BOOM CAPACITY PROXIMITY SWITCH HARNESS	C
1	4460536	1	Receptacle, Female - 3 Position	
1	4460464	3	Pin, Male	
2	4460539	1	Plug, Male - 3 Position	
2	4460465	1	Socket, Female	
3	4460930	1	Plug, Male - 8 Position	
3	4460465	6	Socket, Female	
3	4460466	2	Plug, Terminal	

SECTION 8 - ELECTRICAL

FIGURE 8-22. BOOM CAPACITY PROXIMITY SWITCH HARNESS - 460SJ 1K45FT



ART_1001248182

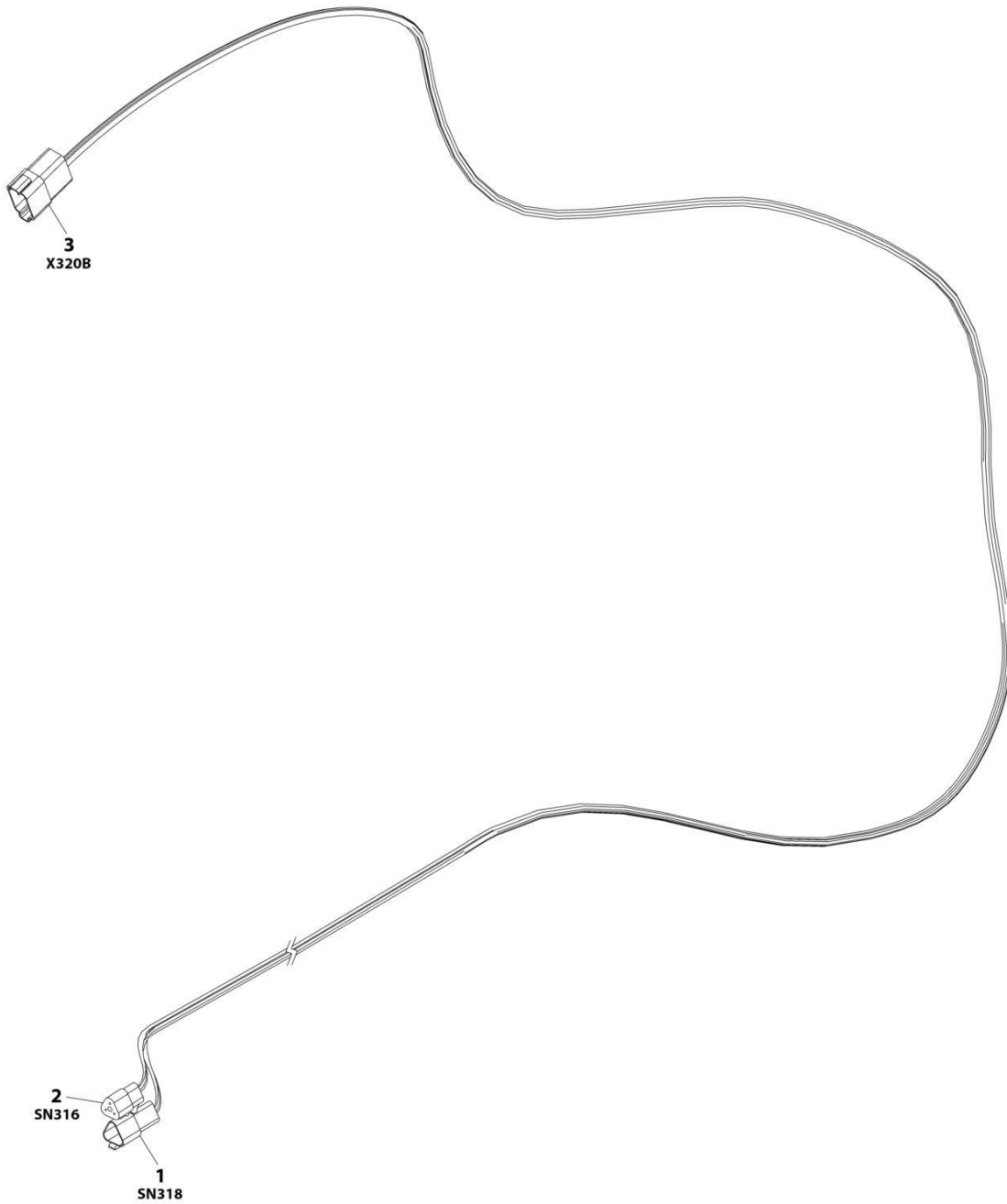
SECTION 8 - ELECTRICAL

FIGURE 8-22. BOOM CAPACITY PROXIMITY SWITCH HARNESS - 460SJ 1K45FT

ITEM	PART NUMBER	QTY	DESCRIPTION	REV
	1001248182	Ref	BOOM CAPACITY PROXIMITY SWITCH HARNESS	A
1	4460536	1	Receptacle, Female - 3 Position	
1	4460464	3	Pin, Male	
2	4460539	1	Plug, Male - 3 Position	
2	4460465	3	Socket, Female	
3	4460930	1	Plug, Male - 8 Position	
3	4460465	6	Socket, Female	
3	4460466	2	Plug, Terminal	

SECTION 8 - ELECTRICAL

FIGURE 8-23. BOOM HI-CAPACITY HARNESS - 460SJ 1K45FT



ART_1001248183_D

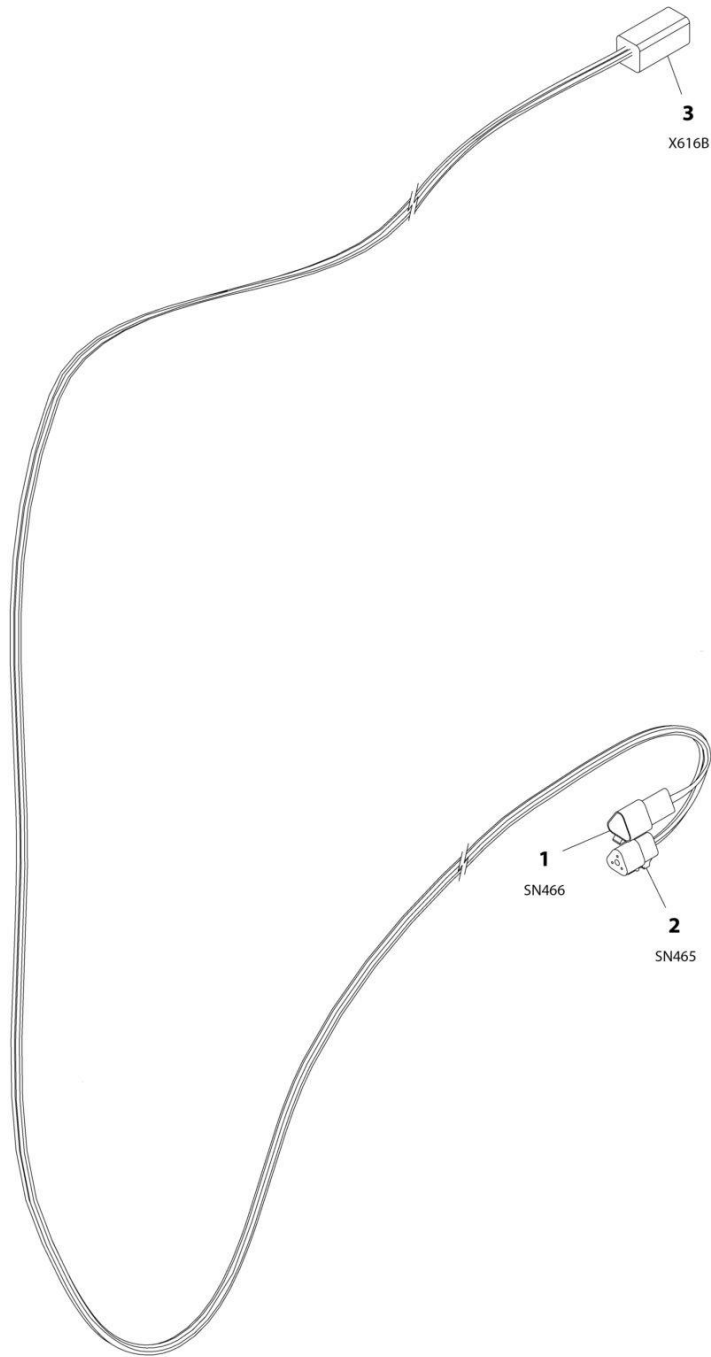
SECTION 8 - ELECTRICAL

FIGURE 8-23. BOOM HI-CAPACITY HARNESS - 460SJ 1K45FT

ITEM	PART NUMBER	QTY	DESCRIPTION	REV
	1001248183	Ref	HIGH CAPACITY HARNESS	D
1	4460536	1	Receptacle, Female - 3 Position	
1	4460464	3	Pin, Male	
2	4460539	1	Plug, Male - 3 Position	
2	4460465	1	Socket, Female	
3	4460931	1	Receptacle, Female - 8 Position	
3	4460464	1	Pin, Male	
3	4460466	2	Plug, Terminal	

SECTION 8 - ELECTRICAL

FIGURE 8-24. BOOM TELE IN PROXIMITY SWITCH HARNESS



ART_1001173808

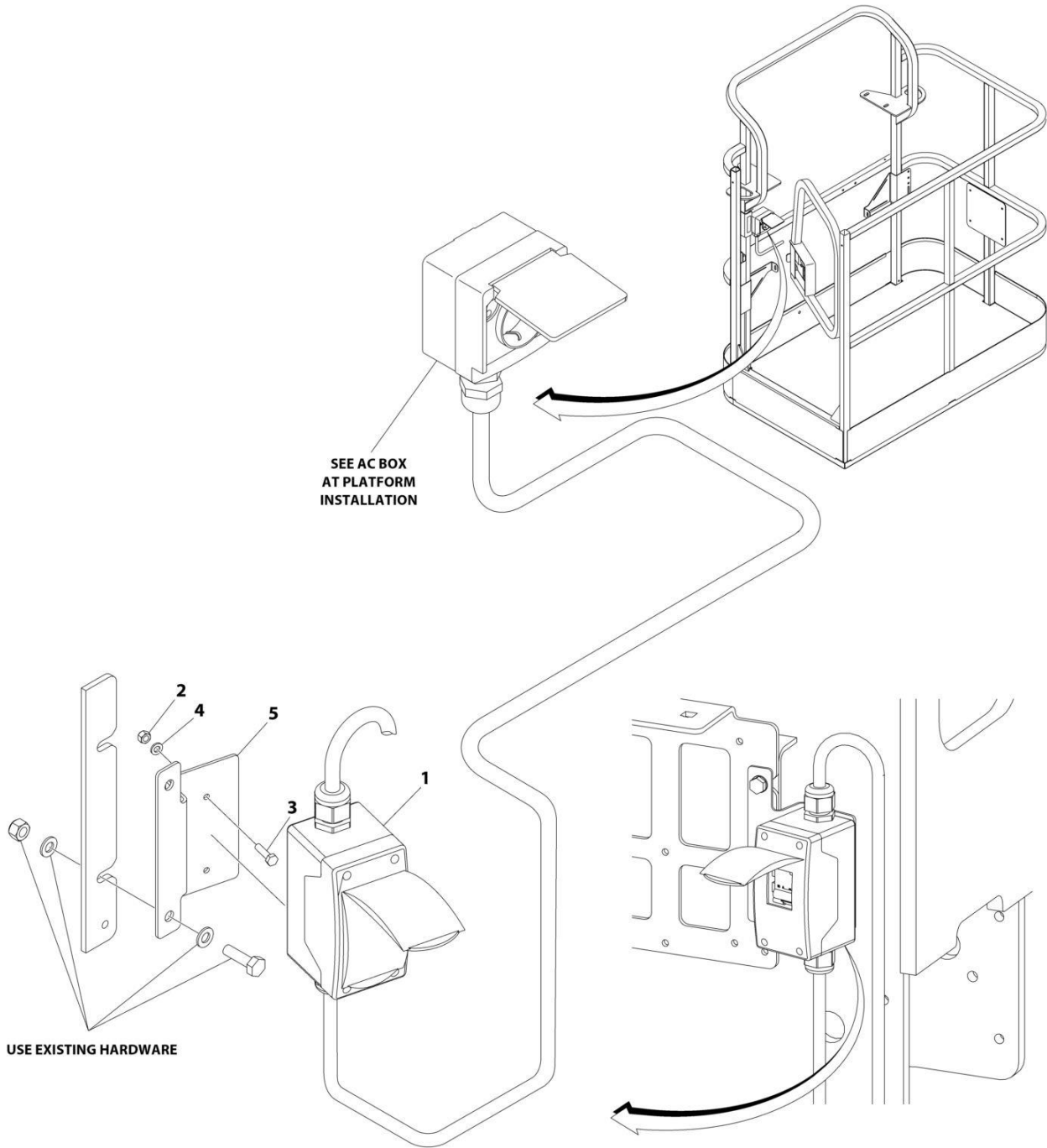
SECTION 8 - ELECTRICAL

FIGURE 8-24. BOOM TELE IN PROXIMITY SWITCH HARNESS

ITEM	PART NUMBER	QTY	DESCRIPTION	REV
	1001173808	Ref	BOOM TELE IN PROXIMITY SWITCH HARNESS	C
1	4460536	1	Receptacle, Female - 3 Position	
1	4460464	3	Pin, Male	
2	4460539	1	Plug, Male - 3 Position	
2	4460465	1	Socket, Female	
3	4460899	1	Receptacle, Female - 6 Position	
3	4460464	1	Pin, Male	

SECTION 8 - ELECTRICAL

FIGURE 8-25. BREAKER BOX INSTALLATION - 110/220V 16AMP BREAKER (CE & UK CA SPEC)



ART_1001230907_D

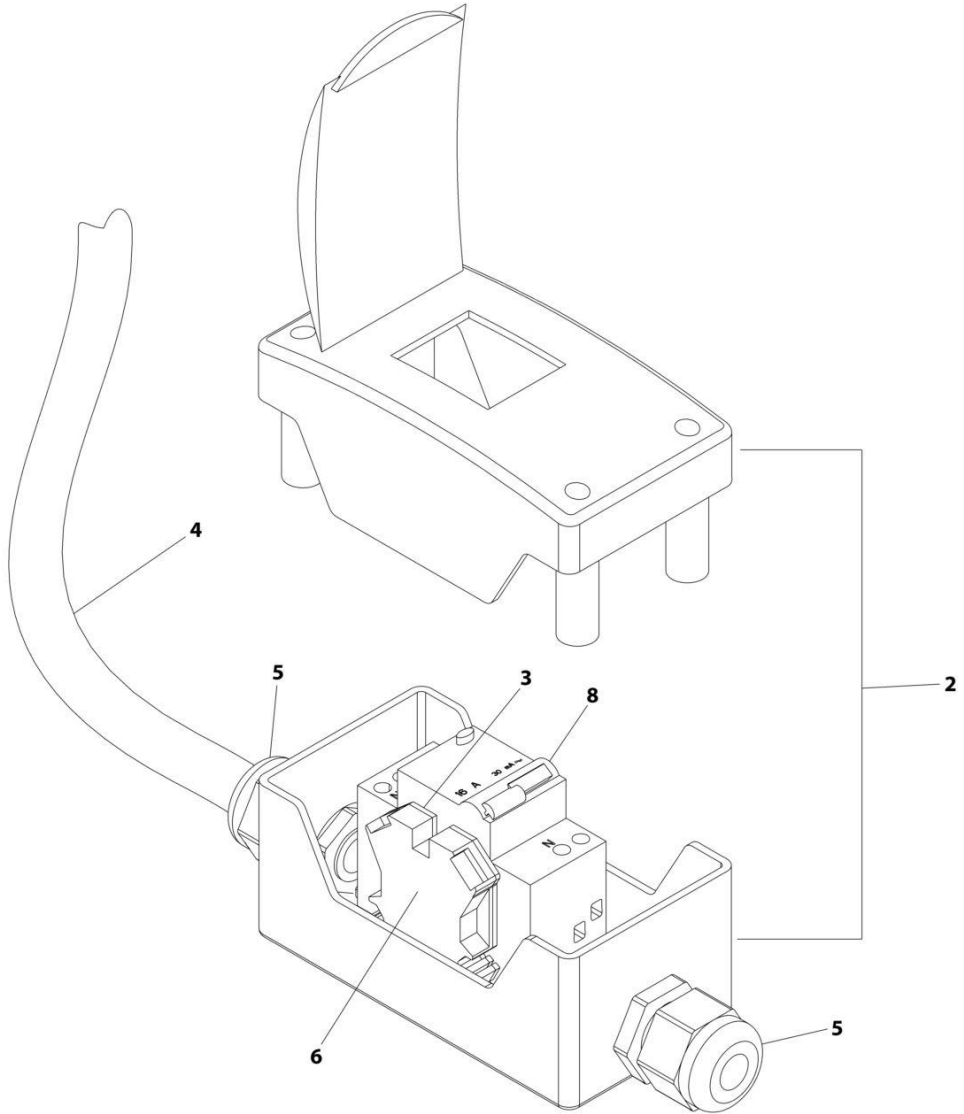
SECTION 8 - ELECTRICAL

FIGURE 8-25. BREAKER BOX INSTALLATION - 110/220V 16AMP BREAKER (CE & UK CA SPEC)

ITEM	PART NUMBER	QTY	DESCRIPTION	REV
	1001230907	Ref	BREAKER BOX INSTALLATION - 110/220V 16AMP BREAKER	D
1	2902549	1	Breaker Box Kit (See Separate Breakdown in this Section)	
2	3290605	4	Nut M6	
3	0760610	4	Bolt M6 x 20	
4	4811700	8	Washer M6	
5	1001293086	1	Bracket	

SECTION 8 - ELECTRICAL

FIGURE 8-26. BREAKER BOX KIT - 110/220V 16AMP BREAKER (CE & UK CA SPEC)



ART_2902549

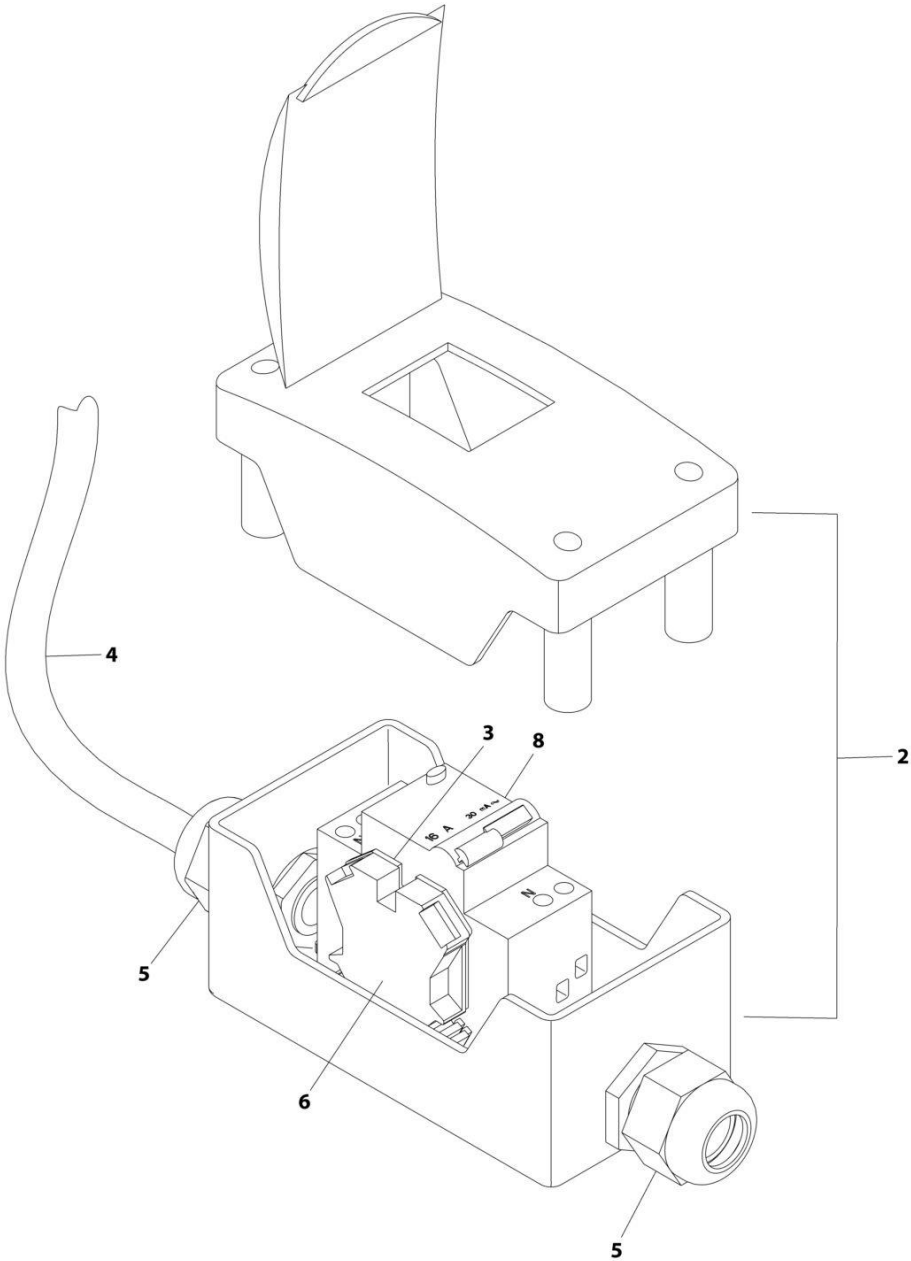
SECTION 8 - ELECTRICAL

FIGURE 8-26. BREAKER BOX KIT - 110/220V 16AMP BREAKER (CE & UK CA SPEC)

ITEM	PART NUMBER	QTY	DESCRIPTION	REV
	2902549	Ref	BREAKER BOX KIT - 110/220V 16AMP BREAKER	F
2	0861880	1	Box	
3	4460956	1	Barrier, Terminal	
4	1060908	6 ft/1.8m	Cable, 12/3	
5	1001097150	2	Connector, Strain Relief	
6	4460957	1	Block, Terminal	
8	1001181045	1	Breaker, Combination 16Amp/30mAmp	

SECTION 8 - ELECTRICAL

FIGURE 8-27. BREAKER BOX KIT - 30MA/16 AMP



ART_1001096070

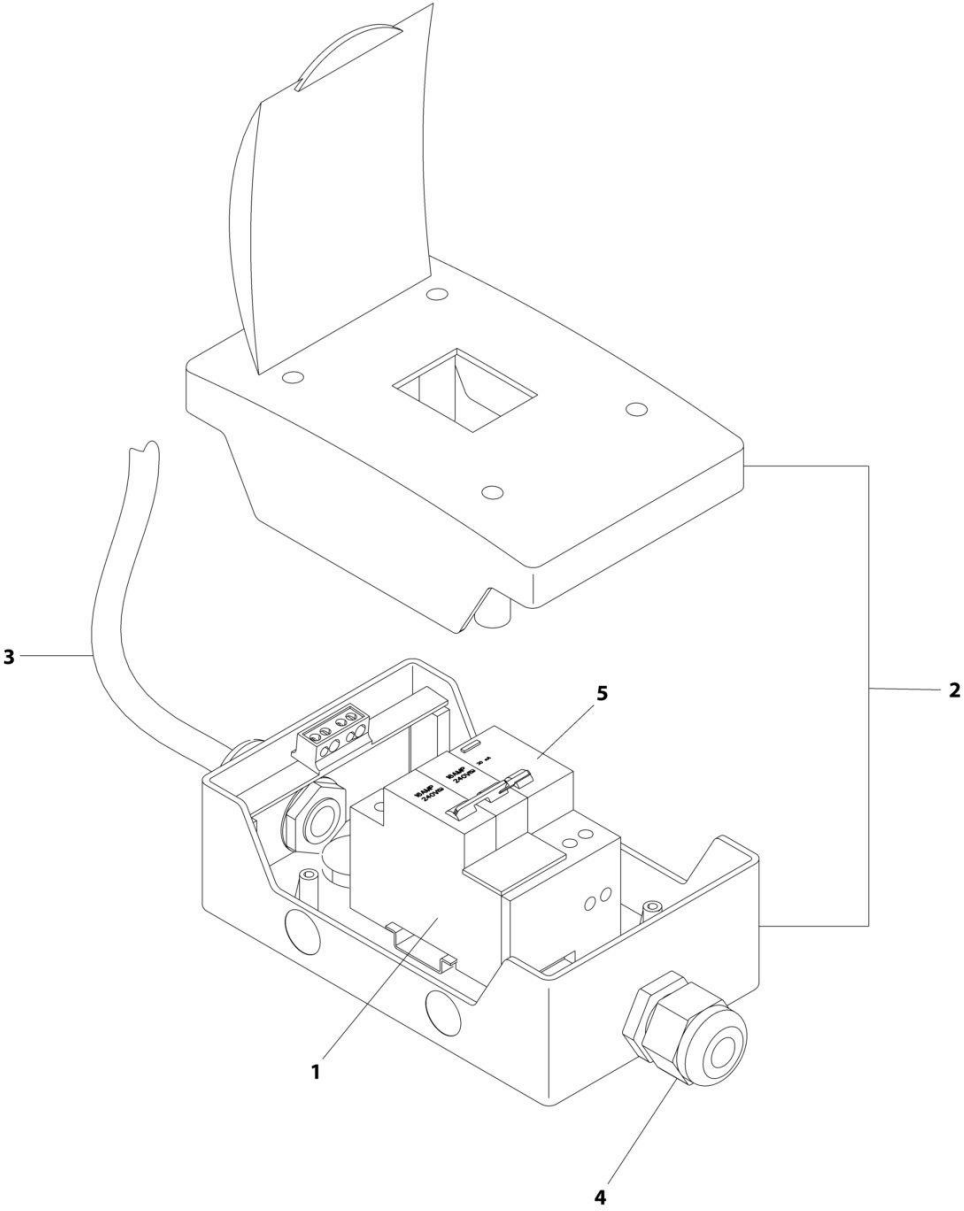
SECTION 8 - ELECTRICAL

FIGURE 8-27. BREAKER BOX KIT - 30MA/16 AMP

ITEM	PART NUMBER	QTY	DESCRIPTION	REV
	1001096070	Ref	BREAKER BOX KIT	E
2	0861880	1	Box	
3	4460956	1	Barrier, Terminal Block End	
4	1060908	12 ft/ 3.6m	Cable, 12/3	
5	1001097150	2	Connector, Strain Relief	
6	4460957	1	Block, Terminal	
8	1001181045	1	Breaker, 16Amp	

SECTION 8 - ELECTRICAL

FIGURE 8-28. BREAKER BOX KIT WITH THREE BREAKERS



ART_1001152485

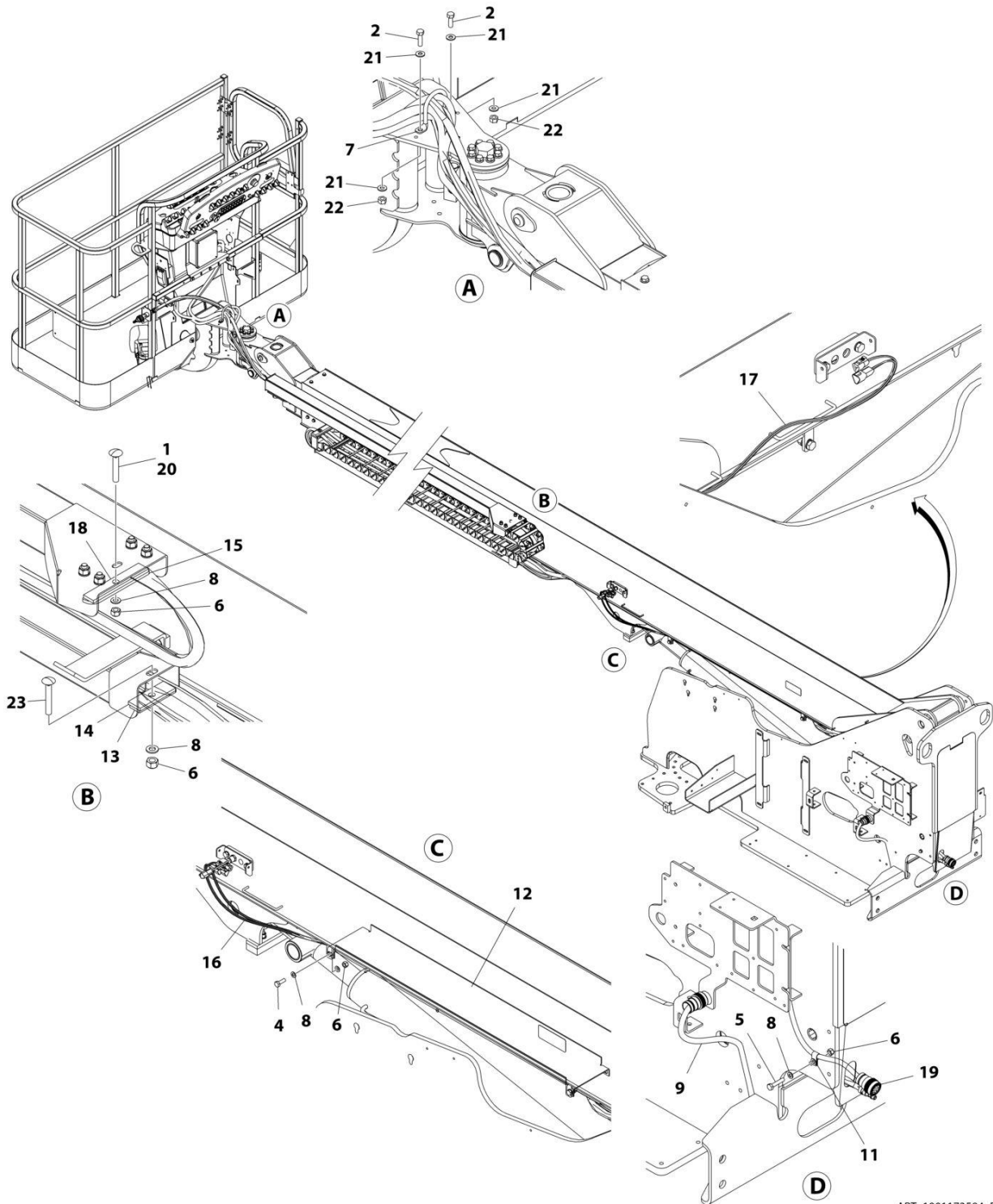
SECTION 8 - ELECTRICAL

FIGURE 8-28. BREAKER BOX KIT WITH THREE BREAKERS

ITEM	PART NUMBER	QTY	DESCRIPTION	REV
	1001152485	Ref	BREAKER BOX KIT WITH THREE BREAKERS	F
1	1001189172	1	Breaker 16 Amp Double	
2	1001152483	1	Box	
3	1060908	6 ft/1.8m	Cable, 12/3	
4	1001097150	2	Connector, Strain Relief	
5	1001189171	1	Breaker, 30mA	

SECTION 8 - ELECTRICAL

FIGURE 8-29. CABLES AND CLAMPS INSTALLATION - 400S (2500W GENERATOR OR NO GENERATOR)



ART_1001173594_E

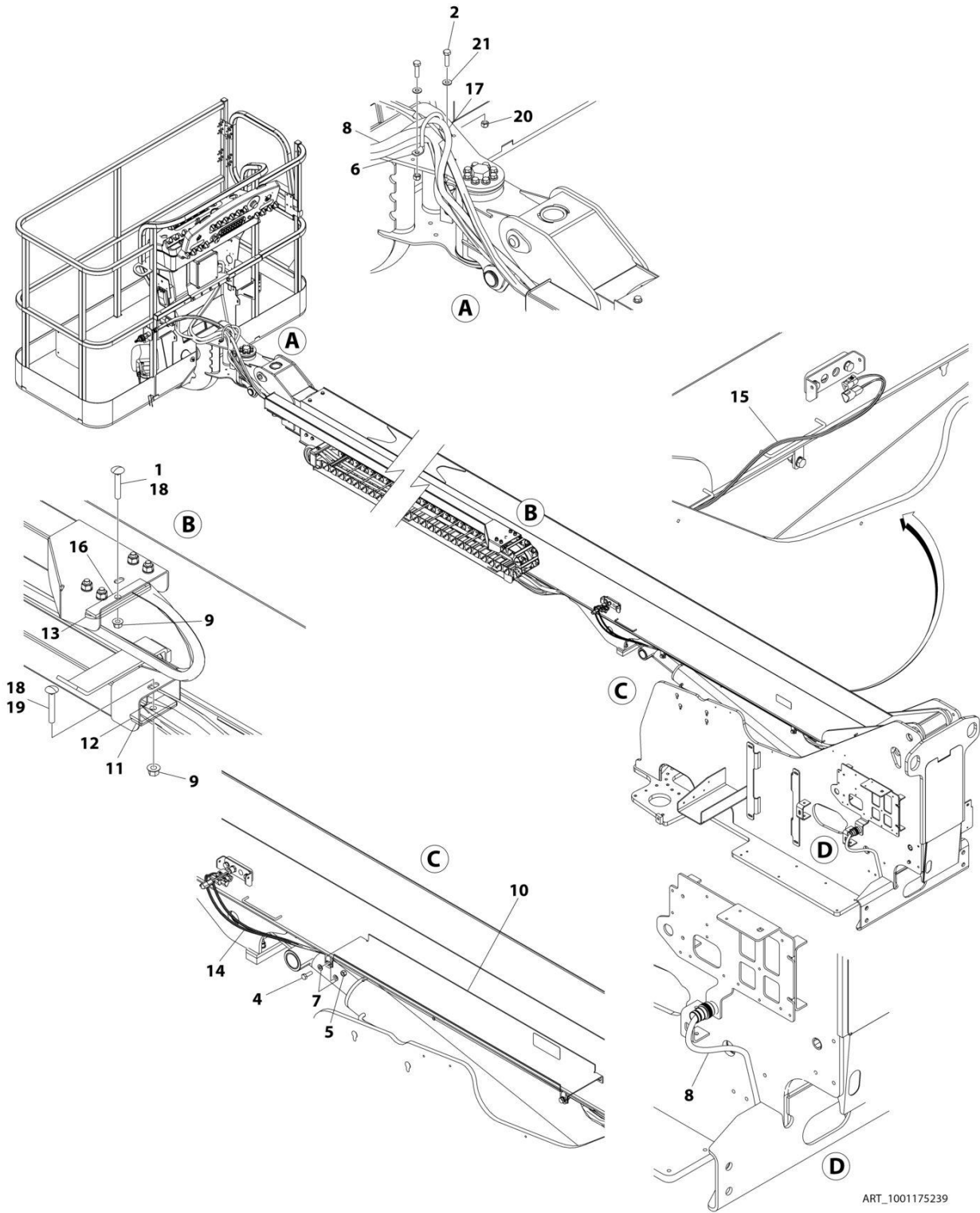
SECTION 8 - ELECTRICAL

FIGURE 8-29. CABLES AND CLAMPS INSTALLATION - 400S (2500W GENERATOR OR NO GENERATOR)

ITEM	PART NUMBER	QTY	DESCRIPTION	REV
	1001173594	Ref	CABLES AND CLAMPS INSTALLATION	E
1	0630563	1	Bolt Carriage M10 x 60	
2	0760814	1	Bolt M8 x 30	
4	0761014	4	Bolt M10 x 30	
5	0761018	1	Bolt M10 x 50	
6	3291005	7	Nut Lock M10 x 1.5	
7	3841340	1	Hose Loop	
8	4812000	12	Washer, M10	
9	1001176952	1	Harness, Main Boom Cable (See Separate Breakdown in this Section)	
11	8406110	1	Clip	
12	1001172128	1	Bracket, Hose Cover	
13	1001173456	1	Clamp	
14	1001173665	1	Clamp	
15	1001173761	1	Bracket	
16	1001173807	1	Harness, Capacity Switch (See Separate Breakdown in this Section)	
17	1001173808	1	Harness, Telescope In Proximity Sensors (See Separate Breakdown in this Section)	
18	1001173927	1	Clamp	
19	1001203434	1	Cable, Electrical 12/3	
20	0100081	AR	Adhesive	
21	4811900	4	Washer M8	
22	3290805	2	Nut M8	
23	1001181329	1	Bolt M10 x 70	

SECTION 8 - ELECTRICAL

FIGURE 8-30. CABLES AND CLAMPS INSTALLATION - 400S (4000W GENERATOR 60HZ)



ART_1001175239

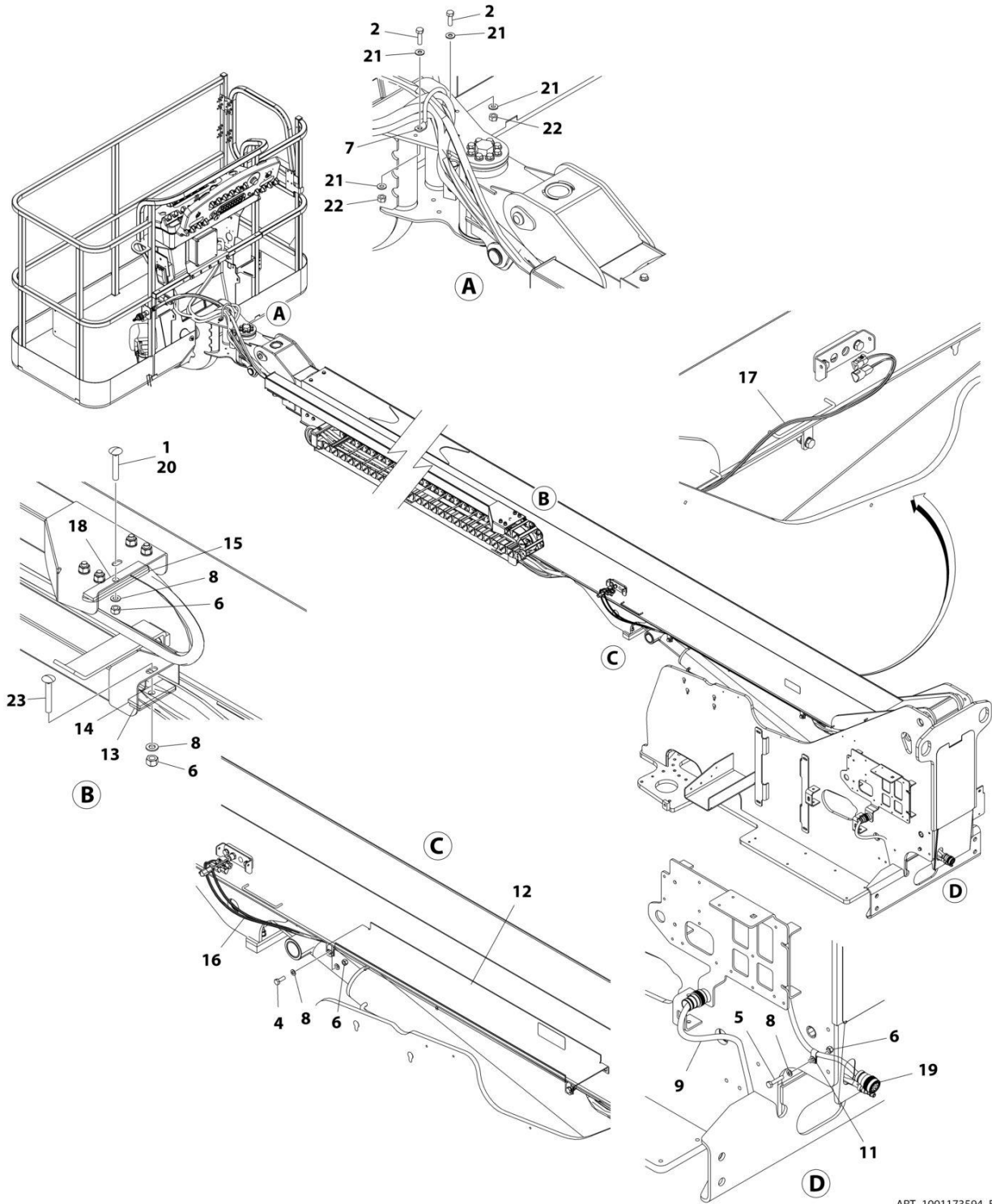
SECTION 8 - ELECTRICAL

FIGURE 8-30. CABLES AND CLAMPS INSTALLATION - 400S (4000W GENERATOR 60HZ)

ITEM	PART NUMBER	QTY	DESCRIPTION	REV
	1001175239	Ref	CABLES AND CLAMPS INSTALLATION	D
1	0630563	1	Bolt, Carriage M10 x 60	
2	0760814	2	Bolt, M8 x 30	
4	0761014	4	Bolt M10 x 30	
5	3291005	4	Nut M10	
6	3841340	1	Hose Loop	
7	4812000	8	Washer M10	
8	1001176952	1	Harness, Main Boom Cable - 400SC (See Separate Breakdown in this Section)	
9	5261018	2	Nut M10	
10	1001172128	1	Bracket, Hose Cover	
11	1001173456	1	Clamp	
12	1001173665	1	Clamp	
13	1001173761	1	Bracket	
14	1001173807	1	Harness, Capacity Switch (See Separate Breakdown in this Section)	
15	1001173808	1	Harness, Telescope In Proximity Sensors (See Separate Breakdown in this Section)	
16	1001173927	1	Clamp	
17	1001175170	1	Cable, Electrical 12/3	
18	0100081	AR	Adhesive	
19	1001181329	1	Bolt, Carriage M10 x 70	
20	3290805	3	Nut M8	
21	4811900	4	Washer M8	

SECTION 8 - ELECTRICAL

FIGURE 8-31. CABLES AND CLAMPS INSTALLATION - 400S (4000W GENERATOR 50HZ)



ART_1001173594_E

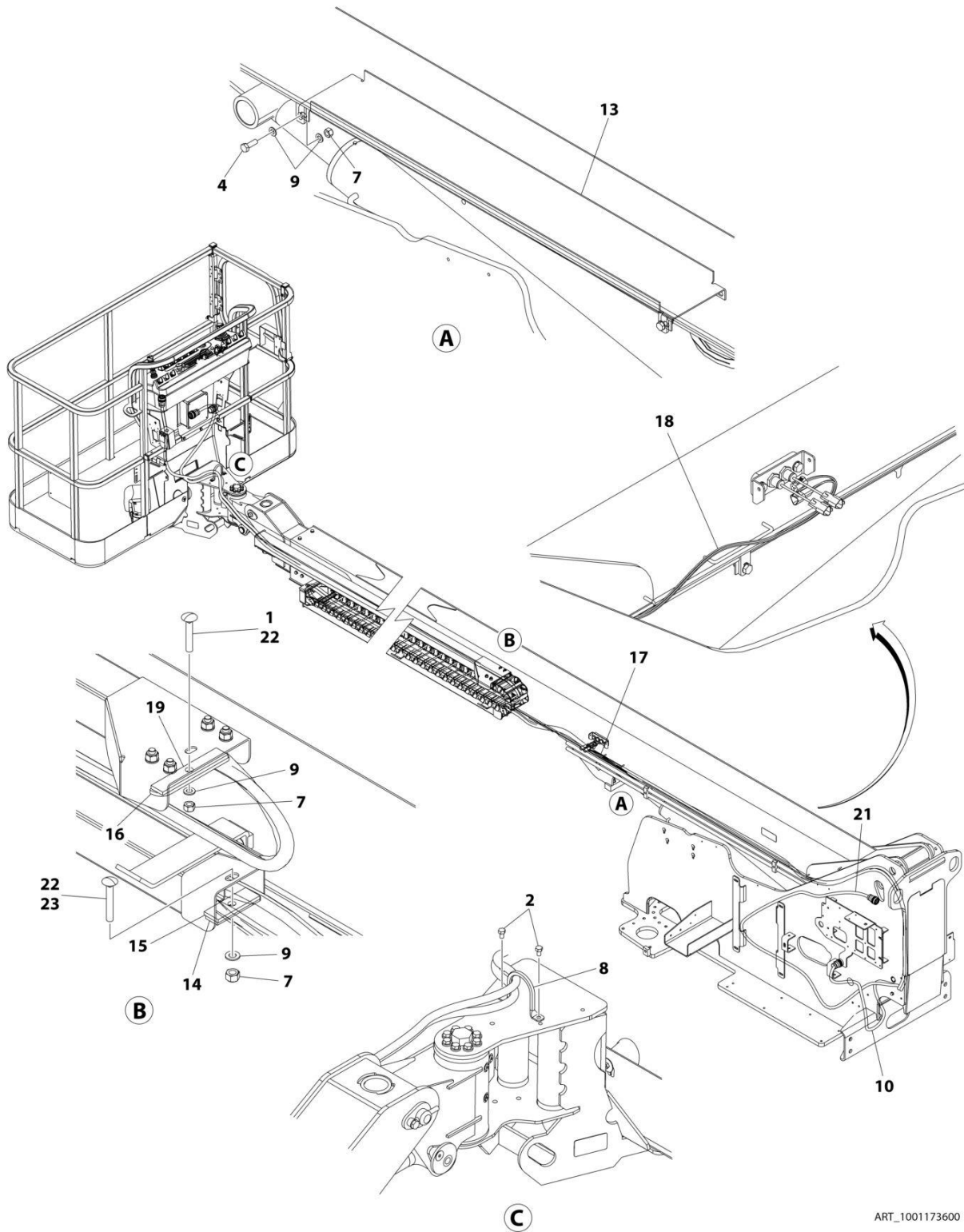
SECTION 8 - ELECTRICAL

FIGURE 8-31. CABLES AND CLAMPS INSTALLATION - 400S (4000W GENERATOR 50HZ)

ITEM	PART NUMBER	QTY	DESCRIPTION	REV
	1001173594	Ref	CABLES AND CLAMPS INSTALLATION	E
1	0630563	1	Bolt Carriage M10 x 60	
2	0760814	1	Bolt M8 x 30	
4	0761014	4	Bolt M10 x 30	
5	0761018	1	Bolt M10 x 50	
6	3291005	7	Nut Lock M10 x 1.5	
7	3841340	1	Hose Loop	
8	4812000	12	Washer, M10	
9	1001176952	1	Harness, Main Boom Cable (See Separate Breakdown in this Section)	
11	8406110	1	Clip	
12	1001172128	1	Bracket, Hose Cover	
13	1001173456	1	Clamp	
14	1001173665	1	Clamp	
15	1001173761	1	Bracket	
16	1001173807	1	Harness, Capacity Switch (See Separate Breakdown in this Section)	
17	1001173808	1	Harness, Telescope In Proximity Sensors (See Separate Breakdown in this Section)	
18	1001173927	1	Clamp	
19	1001203434	1	Cable, Electrical 12/3	
20	0100081	AR	Adhesive	
21	4811900	4	Washer M8	
22	3290805	2	Nut M8	
23	1001181329	1	Bolt M10 x 70	

SECTION 8 - ELECTRICAL

FIGURE 8-32. CABLES AND CLAMPS INSTALLATION - 400S (7500W GENERATOR)



ART_1001173600

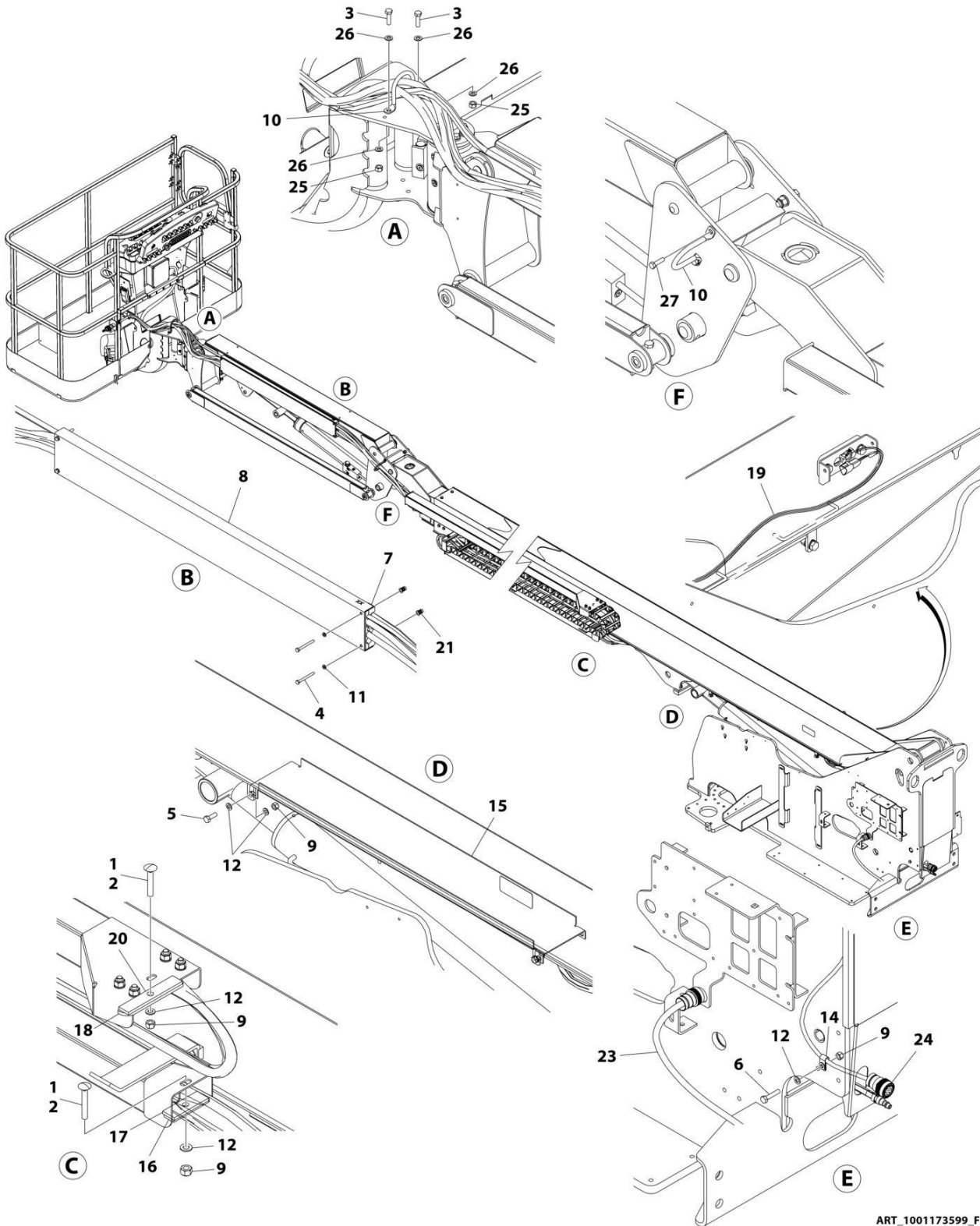
SECTION 8 - ELECTRICAL

FIGURE 8-32. CABLES AND CLAMPS INSTALLATION - 400S (7500W GENERATOR)

ITEM	PART NUMBER	QTY	DESCRIPTION	REV
	1001173600	Ref	CABLES AND CLAMPS INSTALLATION	E
1	0630563	1	Bolt, Carriage M10 x 60	
2	0641504	2	Bolt, 5/16 x 1/2	
4	0761014	4	Bolt, M10 x 30	
7	3291005	6	Nut, Lock M10 x 1.5	
8	3841340	1	Hose Loop	
9	4812000	10	Washer, M10	
10	1001176952	1	Harness, Main Boom Cable (See Separate Breakdown in this Section)	
13	1001172128	1	Bracket, Hose Cover	
14	1001173456	1	Clamp	
15	1001173665	1	Clamp	
16	1001173761	1	Bracket	
17	1001173807	1	Harness, Capacity Switch (See Separate Breakdown in this Section)	
18	1001173808	1	Harness, Telescope In Proximity Sensors (See Separate Breakdown in this Section)	
19	1001173927	1	Clamp	
21	4922802	1	Cable, Electrical 8/5	
22	0100081	1	Adhesive	
23	1001181319	1	Bolt, Carriage M10 x 70	

SECTION 8 - ELECTRICAL

FIGURE 8-33. CABLES AND CLAMPS INSTALLATION - 460SJ (2500W GENERATOR OR NO GENERATOR)



ART_1001173599_F

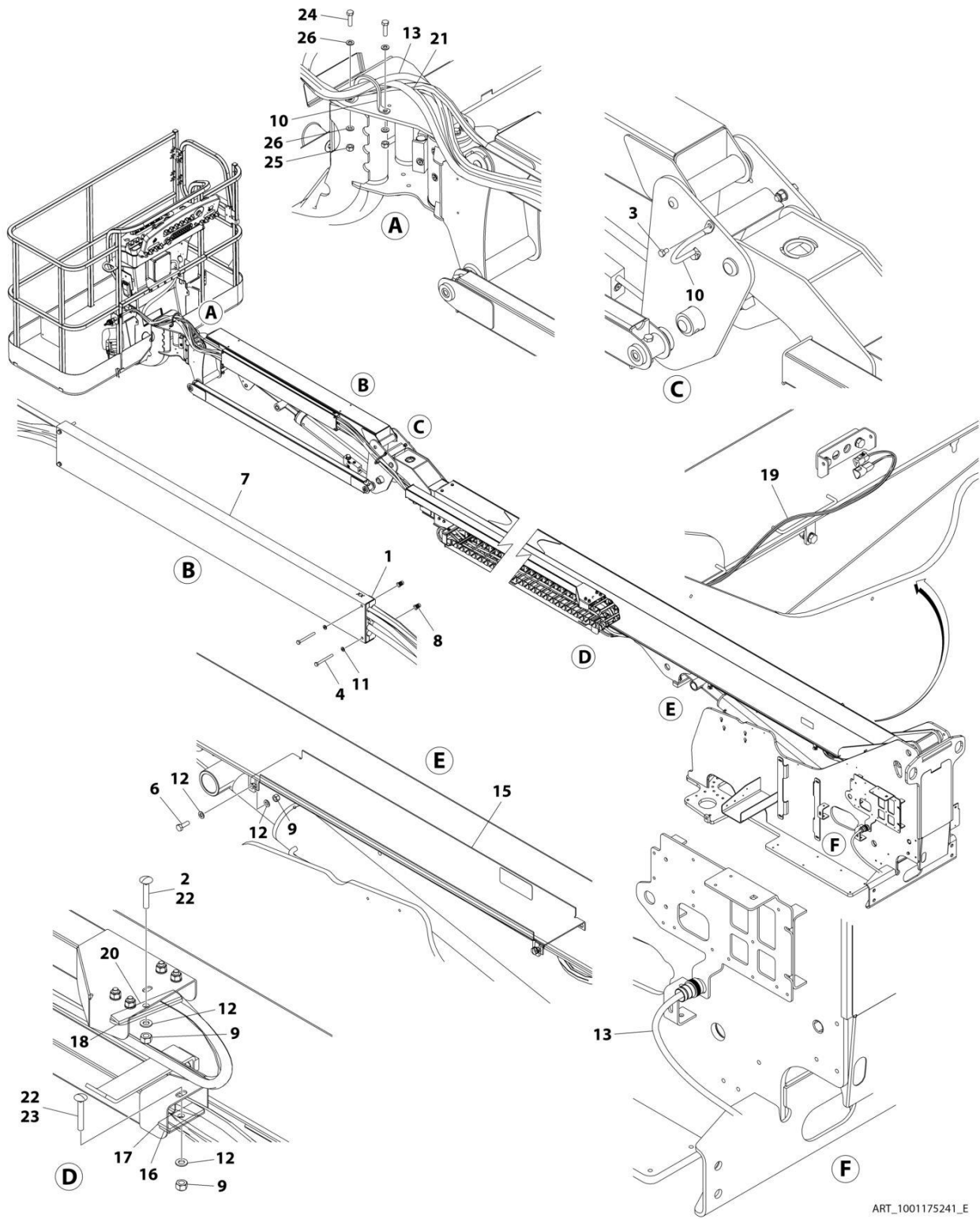
SECTION 8 - ELECTRICAL

FIGURE 8-33. CABLES AND CLAMPS INSTALLATION - 460SJ (2500W GENERATOR OR NO GENERATOR)

ITEM	PART NUMBER	QTY	DESCRIPTION	REV
	1001173599	Ref	CABLES AND CLAMPS INSTALLATION	F
1	0100081	1	Adhesive	
2	0630563	2	Bolt, Carriage M10 x 60	
3	0760814	2	Bolt M8 x 30	
4	0641418	4	Bolt 1/4 x 2-1/4	
4	0700620	4	Bolt M6 x 60	
5	0761014	4	Bolt, M10 x 30	
6	0761018	1	Bolt, M10 x 50	
7	1001203459	2	Block, Clamp	
8	1670769	1	Cover	
9	3291005	7	Nut, Lock M10 x 1.5	
10	3841340	2	Hose Loop	
11	4811700	4	Washer, M6	
12	4812000	12	Washer, M10	
14	8406110	1	Clip	
15	1001172128	1	Bracket, Hose Cover	
16	1001173456	1	Clamp	
17	1001173665	1	Clamp	
18	1001173761	1	Bracket	
19	1001173808	1	Harness, Telescope In Proximity Sensors (See Separate Breakdown in this Section)	
20	1001173927	1	Clamp	
21	1001176636	4	Nut M6	
21	1001260680	4	Rivnut M6	
23	1001176953	1	Harness, Main Boom Cable (See Separate Breakdown in this Section)	
24	1001203435	1	Cable, Electrical 12/3	
25	3290805	2	Nut, Lock M8	
26	4811900	4	Washer M8	
27	0641504	2	Bolt 5/16 x 1/2	

SECTION 8 - ELECTRICAL

FIGURE 8-34. CABLES AND CLAMPS INSTALLATION - 460SJ (4000W GENERATOR 60HZ)



ART_1001175241_E

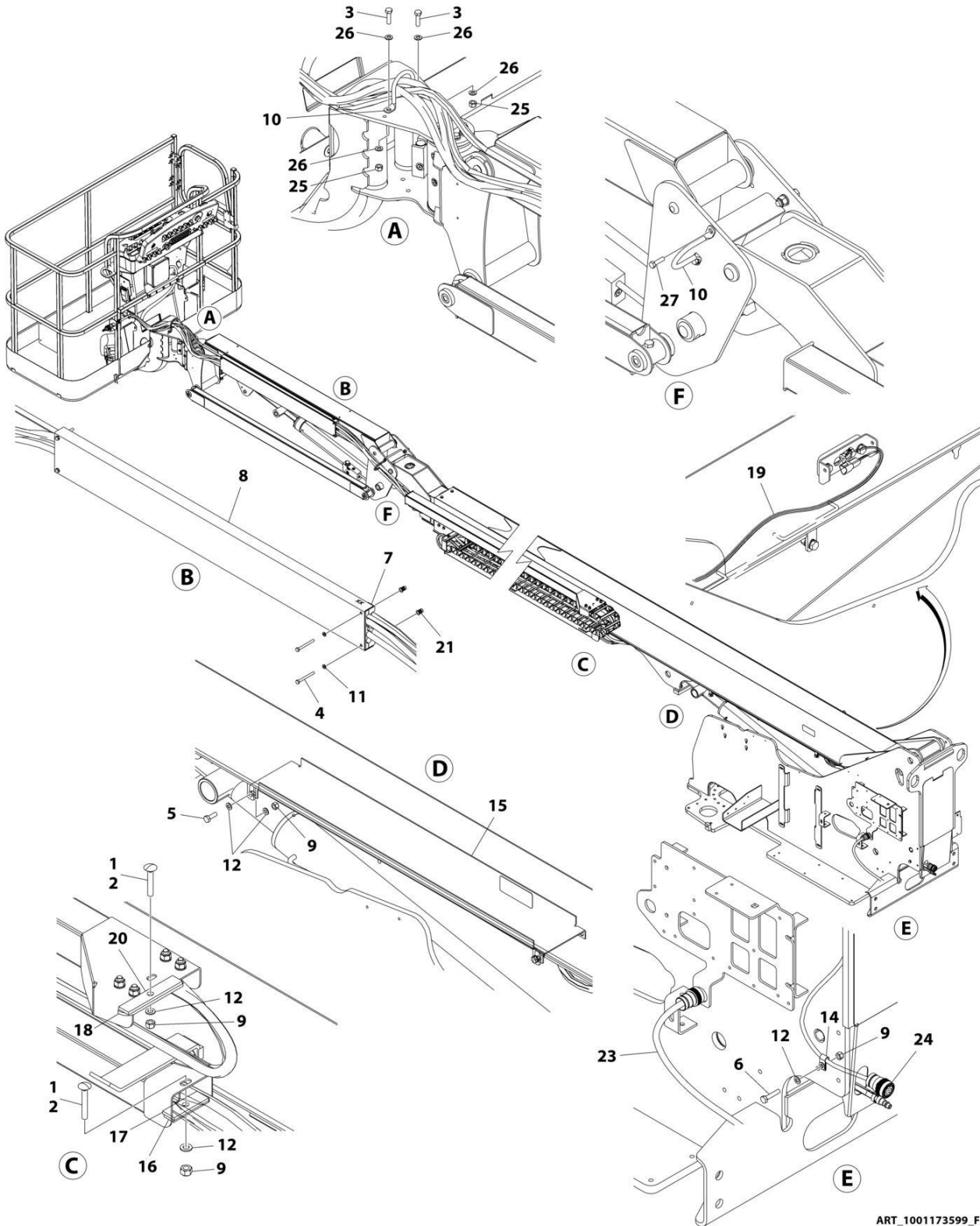
SECTION 8 - ELECTRICAL

FIGURE 8-34. CABLES AND CLAMPS INSTALLATION - 460SJ (4000W GENERATOR 60HZ)

ITEM	PART NUMBER	QTY	DESCRIPTION	REV
	1001175241	Ref	CABLES AND CLAMPS INSTALLATION	E
1	0561237	2	Block, Clamp	
2	0630563	1	Bolt, Carriage M10 x 60	
3	0641504	1	Bolt 5/16 x 1/2	
4	0700620	4	Bolt M6 x 60	
6	0761014	4	Bolt M10 x 30	
7	1670769	1	Cover	
8	1001176636	4	Nut M6	
8	1001260680	4	Rivnut M6	
9	3291005	6	Nut M10	
10	3841340	2	Hose Loop	
11	4811700	4	Washer M6	
12	4812000	10	Washer M10	
13	1001176953	1	Harness, Main Boom Cable - 460SJC (See Separate Breakdown in this Section)	
15	1001172128	1	Bracket, Hose Cover	
16	1001173456	1	Clamp	
17	1001173665	1	Clamp	
18	1001173761	1	Bracket	
19	1001173808	1	Harness, Telescope in Proximity Sensors (See Separate Breakdown in this Section)	
20	1001173927	1	Clamp	
21	1001175171	1	Cable, Electrical 12/3	
22	0100081	AR	Adhesive	
23	1001181329	1	Bolt, Carriage M10 x 70	
24	0760814	2	Bolt M8 x 30	
25	3290805	2	Nut M8	
23	4811900	4	Washer M8	

SECTION 8 - ELECTRICAL

FIGURE 8-35. CABLES AND CLAMPS INSTALLATION - 460SJ (4000W GENERATOR 50HZ)



ART_1001173599_F

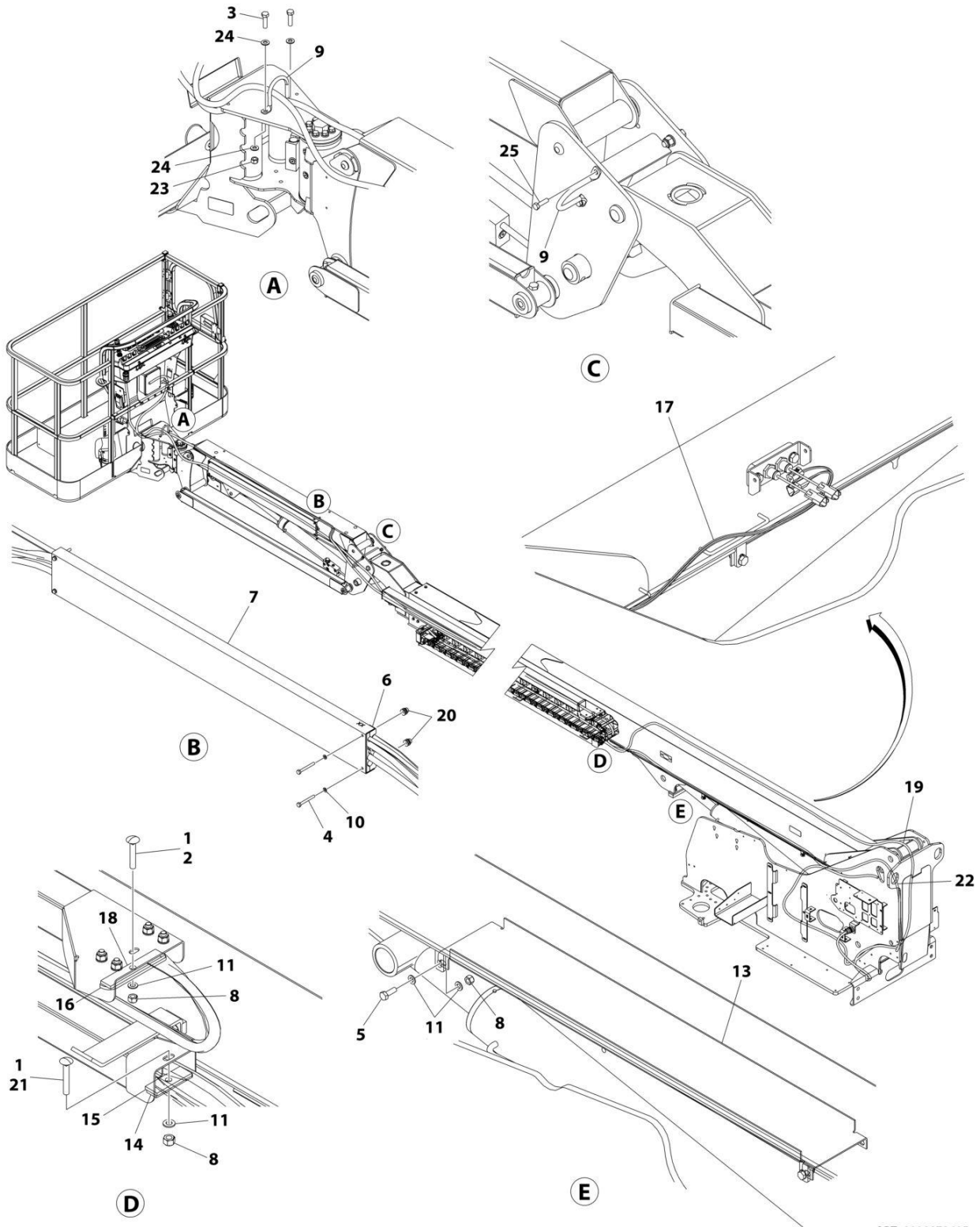
SECTION 8 - ELECTRICAL

FIGURE 8-35. CABLES AND CLAMPS INSTALLATION - 460SJ (4000W GENERATOR 50HZ)

ITEM	PART NUMBER	QTY	DESCRIPTION	REV
	1001173599	Ref	CABLES AND CLAMPS INSTALLATION	F
1	0100081	1	Adhesive	
2	0630563	2	Bolt, Carriage M10 x 60	
3	0760814	2	Bolt M8 x 30	
4	0641418	4	Bolt 1/4 x 2-1/4	
4	0700620	4	Bolt M6 x 60	
5	0761014	4	Bolt, M10 x 30	
6	0761018	1	Bolt, M10 x 50	
7	1001203459	2	Block, Clamp	
8	1670769	1	Cover	
9	3291005	7	Nut, Lock M10 x 1.5	
10	3841340	2	Hose Loop	
11	4811700	4	Washer, M6	
12	4812000	12	Washer, M10	
14	8406110	1	Clip	
15	1001172128	1	Bracket, Hose Cover	
16	1001173456	1	Clamp	
17	1001173665	1	Clamp	
18	1001173761	1	Bracket	
19	1001173808	1	Harness, Telescope In Proximity Sensors (See Separate Breakdown in this Section)	
20	1001173927	1	Clamp	
21	1001176636	4	Nut M6	
21	1001260680	4	Rivnut M6	
23	1001176953	1	Harness, Main Boom Cable (See Separate Breakdown in this Section)	
24	1001203435	1	Cable, Electrical 12/3	
25	3290805	2	Nut, Lock M8	
26	4811900	4	Washer M8	
27	0641504	2	Bolt 5/16 x 1/2	

SECTION 8 - ELECTRICAL

FIGURE 8-36. CABLES AND CLAMPS INSTALLATION - 460SJ (7500W GENERATOR)



ART_1001173605

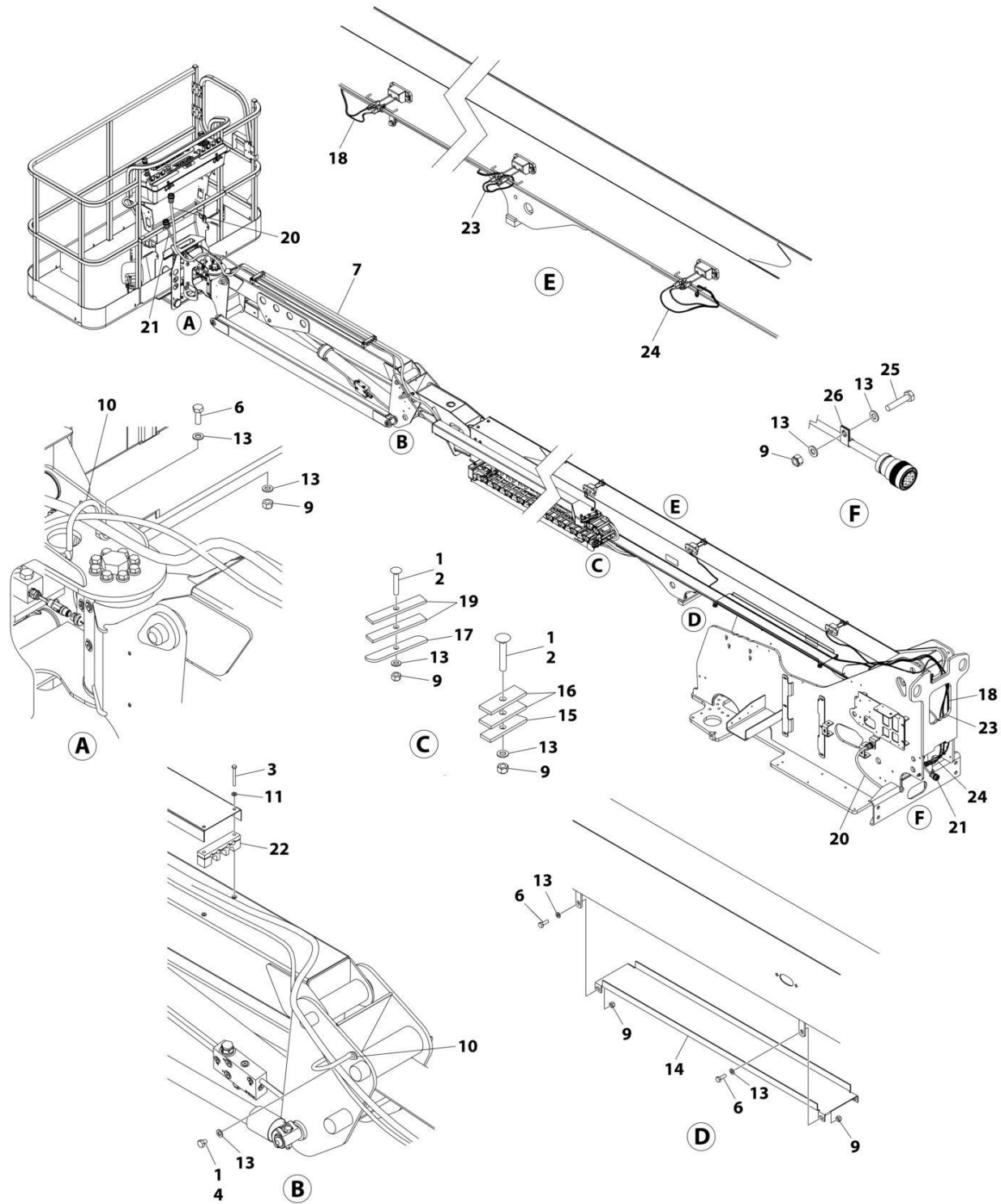
SECTION 8 - ELECTRICAL

FIGURE 8-36. CABLES AND CLAMPS INSTALLATION - 460SJ (7500W GENERATOR)

ITEM	PART NUMBER	QTY	DESCRIPTION	REV
	1001173605	Ref	CABLES AND CLAMPS INSTALLATION	G
1	0100081	1	Adhesive	
2	0630563	1	Bolt, Carriage M10 x 60	
3	0760814	2	Bolt M8 x 30	
4	0700620	4	Bolt M6 x 60	
5	0761014	4	Bolt M10 x 30	
6	1001203459	2	Block, Clamp	
7	1670769	1	Cover	
8	3291005	6	Nut M10	
9	3841340	2	Hose Loop	
10	4811700	4	Washer M6	
11	4812000	10	Washer M10	
13	1001172128	1	Bracket, Hose Cover	
14	1001173456	1	Clamp	
15	1001173665	1	Clamp	
16	1001173761	1	Bracket	
17	1001173808	1	Harness, Telescope In Proximity Sensors (See Separate Breakdown in this Section)	
18	1001173927	1	Clamp	
19	4922803	1	Cable, Electrical 8/5	
20	1001176636	4	Nut, Rivet M6	
20	1001260680	4	Rivnut M6	
21	1001181329	1	Bolt, Carriage M10 x 70	
22	1001176953	1	Harness, Main Boom (See Separate Breakdown in this Section)	
23	3290805	2	Nut, Lock M8	
24	4811900	4	Washer M8	
25	0641504	2	Bolt 5/16 x 1/2	

SECTION 8 - ELECTRICAL

FIGURE 8-37. CABLES AND CLAMPS INSTALLATION - 460SJ 1K45FT (2500W GENERATOR OR NO GENERATOR)



ART_1001283401

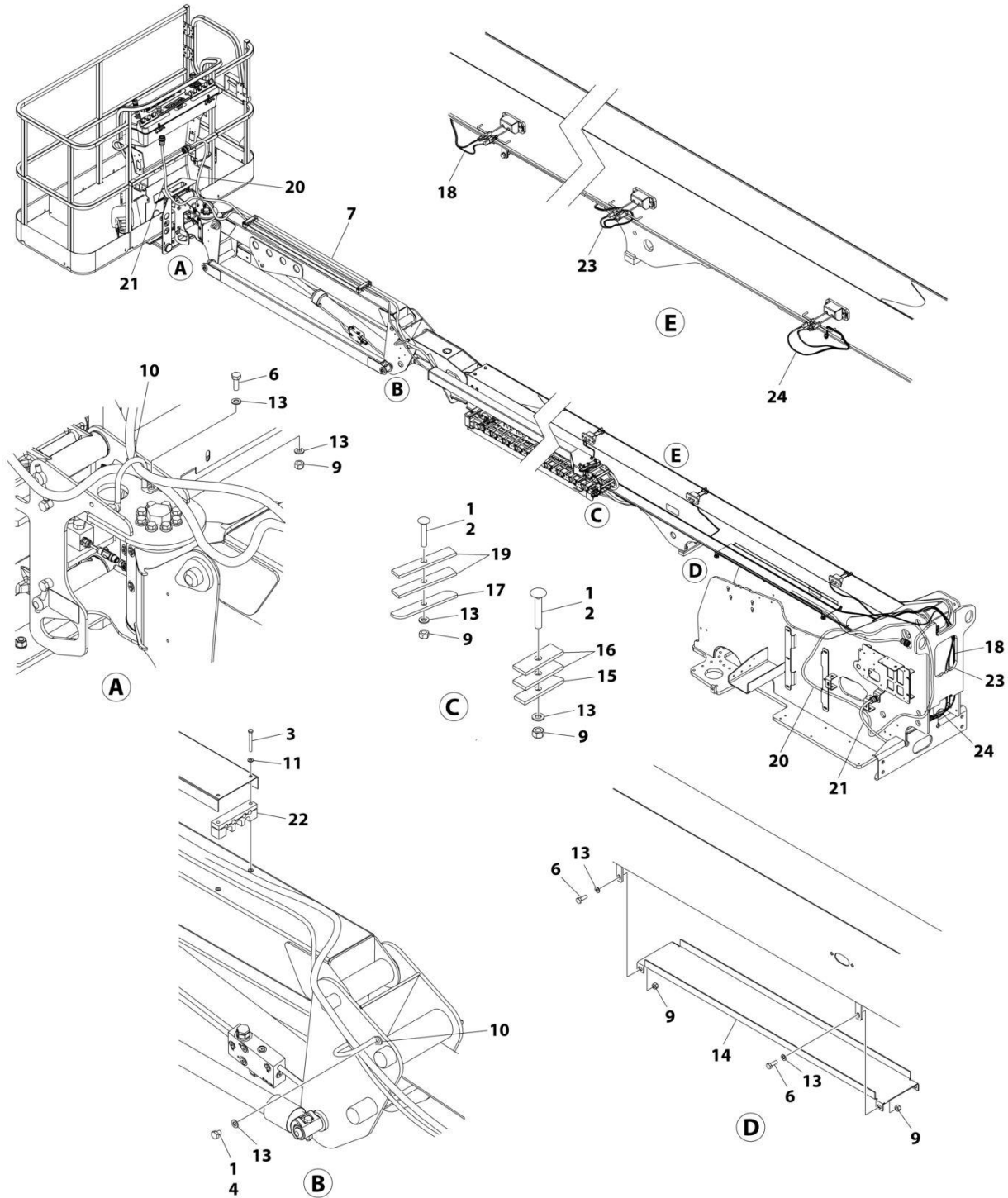
SECTION 8 - ELECTRICAL

FIGURE 8-37. CABLES AND CLAMPS INSTALLATION - 460SJ 1K45FT (2500W GENERATOR OR NO GENERATOR)

ITEM	PART NUMBER	QTY	DESCRIPTION	REV
	1001283401	Ref	CABLES AND CLAMPS INSTALLATION	B
1	0100081	AR	Adhesive	
2	0630563	2	Bolt M10 x 60	
3	0700619	4	Bolt M6 x 55	
4	0761006	2	Bolt M10 x 12	
6	0761014	6	Bolt M10 x 30	
7	1670769	1	Cover	
9	3291005	9	Nut M10	
10	3841340	2	Hoose Loop	
11	4811700	4	Washe M6	
13	4812000	18	Washer M10	
14	1001172128	1	Bracket, Hose Cover	
15	1001173456	1	Clamp	
16	1001173665	2	Clamp	
17	1001173761	1	Bracket	
18	1001173808	1	Harness, Telescope In Proximity Sensors (See Separate Breakdown in this Section)	
19	1001173927	2	Clamp	
20	1001176953	1	Harness, Boom (See Separate Breakdown in this Section)	
21	1001203435	1	Cable, Electrical 12/3	
22	1001203459	2	Clamp, Block	
23	1001248182	1	Capacity Switch Harness (See Separate Breakdown in this Section)	
24	1001248183	1	Hi Capacity Harness (See Separate Breakdown in this Section)	
25	0761018	1	Bolt M10 x 50	
26	8406110	1	Clip, Tube	

SECTION 8 - ELECTRICAL

FIGURE 8-38. CABLES AND CLAMPS INSTALLATION - 460SJ 1K45FT (4000W GENERATOR 60HZ)



ART_1001283452

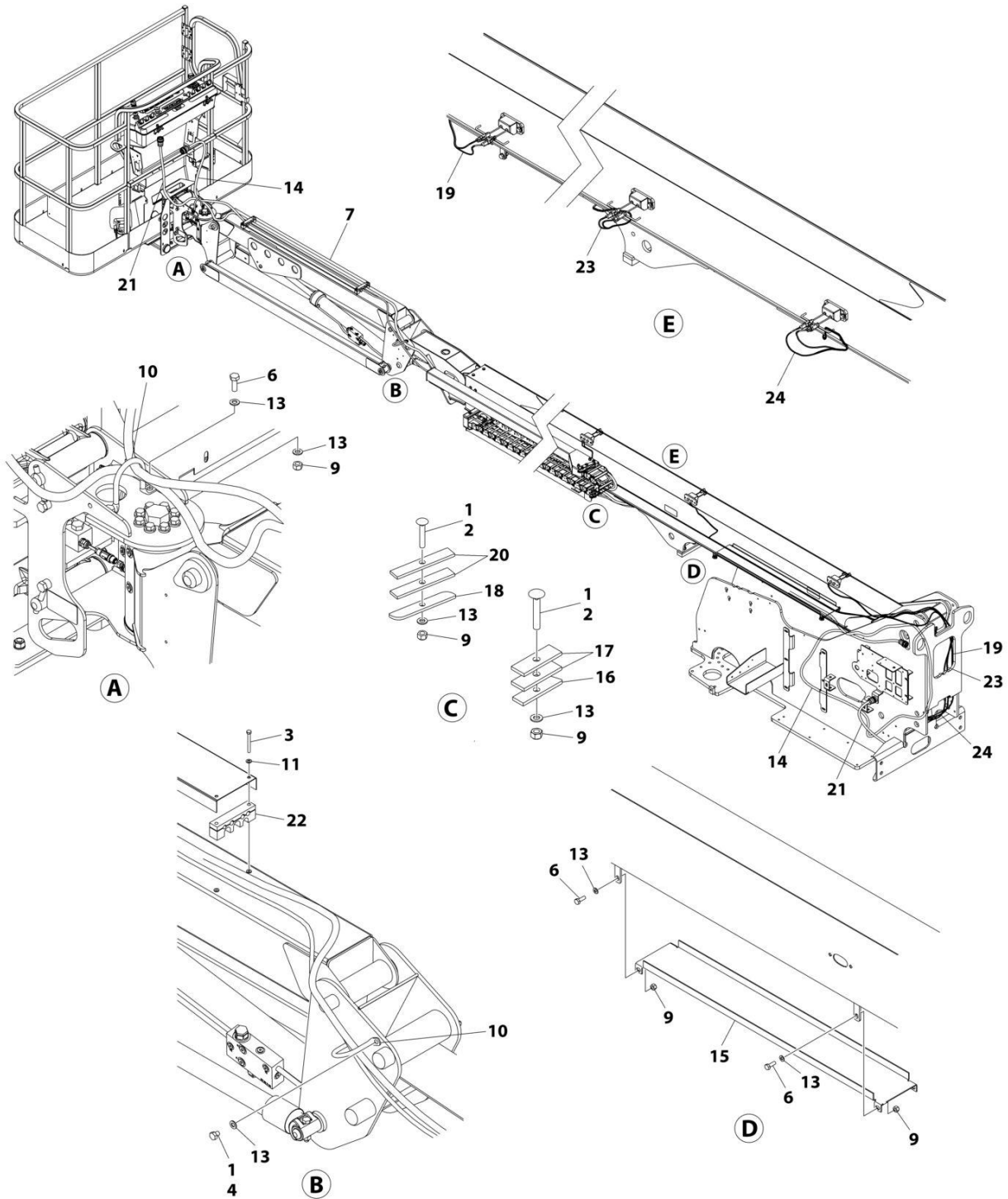
SECTION 8 - ELECTRICAL

FIGURE 8-38. CABLES AND CLAMPS INSTALLATION - 460SJ 1K45FT (4000W GENERATOR 60HZ)

ITEM	PART NUMBER	QTY	DESCRIPTION	REV
	1001283452	Ref	CABLES AND CLAMPS INSTALLATION	B
1	0100081	AR	Adhesive	
2	0630563	2	Bolt M10 x 60	
3	0700619	4	Bolt M6 x 55	
4	0761006	2	Bolt M10 x 12	
6	0761014	6	Bolt M10 x 30	
7	1670769	1	Cover	
9	3291005	8	Nut M10	
10	3841340	2	Hoose Loop	
11	4811700	4	Washer M6	
13	4812000	16	Washer M10	
14	1001172128	1	Bracket, Hose Cover	
15	1001173456	1	Clamp	
16	1001173665	2	Clamp	
17	1001173761	1	Bracket	
18	1001173808	1	Harness, Telescope In Proximity Sensors (See Separate Breakdown in this Section)	
19	1001173927	2	Clamp	
20	1001175171	1	Cable, Electrical 12/3	
21	1001176953	1	Harness, Boom (See Separate Breakdown in this Section)	
22	1001203459	2	Clamp, Block	
23	1001248182	1	Capacity Switch Harness (See Separate Breakdown in this Section)	
24	1001248183	1	Hi Capacity Harness (See Separate Breakdown in this Section)	

SECTION 8 - ELECTRICAL

FIGURE 8-39. CABLES AND CLAMPS INSTALLATION - 460SJ 1K45FT (7500W GENERATOR)



ART_1001283447

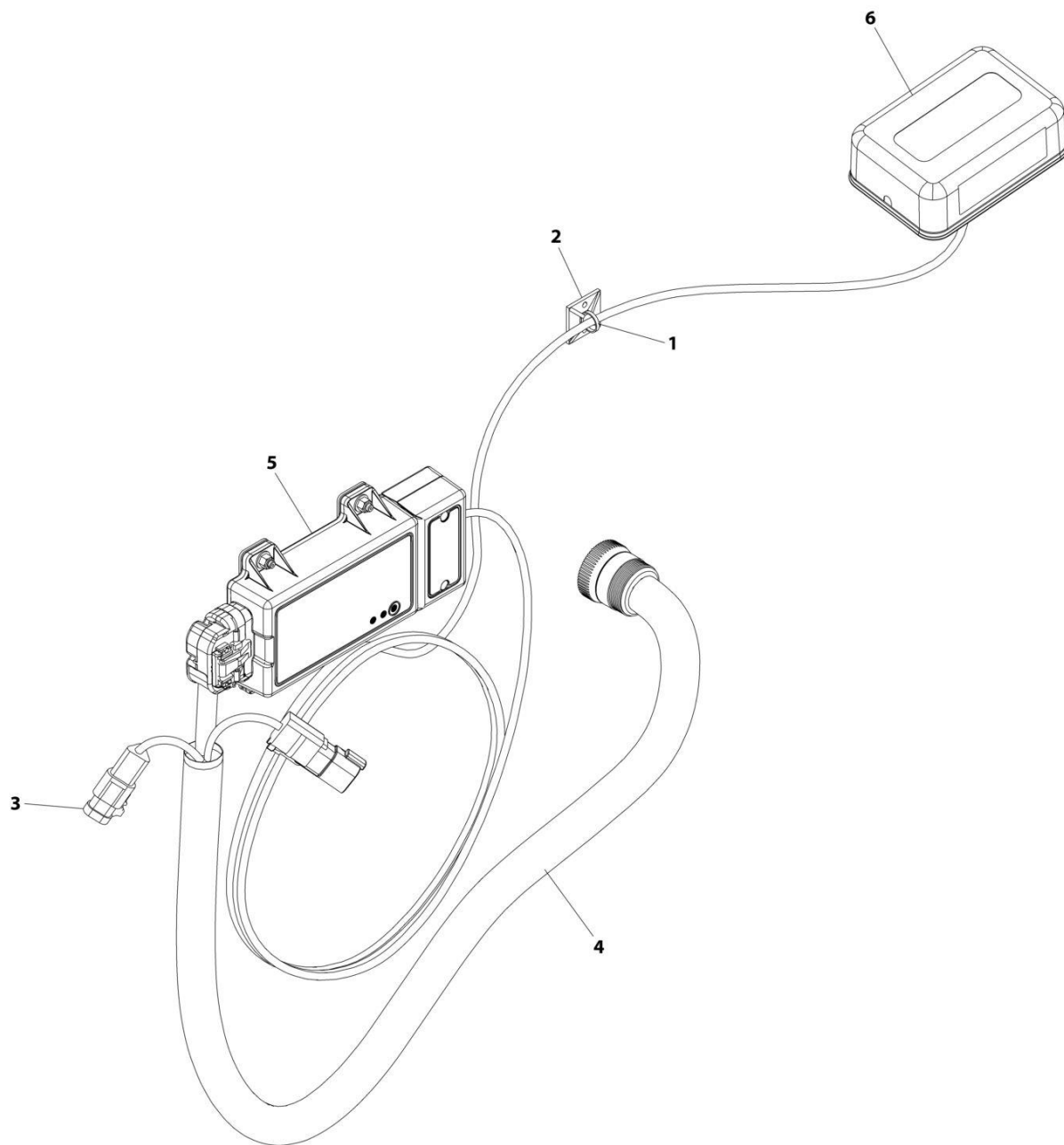
SECTION 8 - ELECTRICAL

FIGURE 8-39. CABLES AND CLAMPS INSTALLATION - 460SJ 1K45FT (7500W GENERATOR)

ITEM	PART NUMBER	QTY	DESCRIPTION	REV
	1001283447	Ref	CABLES AND CLAMPS INSTALLATION	B
1	0100081	AR	Adhesive	
2	0630563	2	Bolt M10 x 60	
3	0700619	4	Bolt M6 x 55	
4	0761006	2	Bolt M10 x 12	
6	0761014	6	Bolt M10 x 30	
7	1670769	1	Cover	
9	3291005	8	Nut M10	
10	3841340	2	Hoose Loop	
11	4811700	4	Washer M6	
13	4812000	16	Washer M10	
14	4922803	1	Cable, Electrical 8/5	
15	1001172128	1	Bracket, Hose Cover	
16	1001173456	1	Clamp	
17	1001173665	2	Clamp	
18	1001173761	1	Bracket	
19	1001173808	1	Harness, Telescope In Proximity Sensors (See Separate Breakdown in this Section)	
20	1001173927	2	Clamp	
21	1001176953	1	Harness, Boom (See Separate Breakdown in this Section)	
22	1001203459	2	Clamp, Block	
23	1001248182	1	Capacity Switch Harness (See Separate Breakdown in this Section)	
24	1001248183	1	Hi Capacity Harness (See Separate Breakdown in this Section)	

SECTION 8 - ELECTRICAL

FIGURE 8-40. CLEARSKY (TELEMATICS) INSTALLATION - CANBUS 4G (ALL SPECS EXCEPT CHINA SPECS)



ART_1001227453

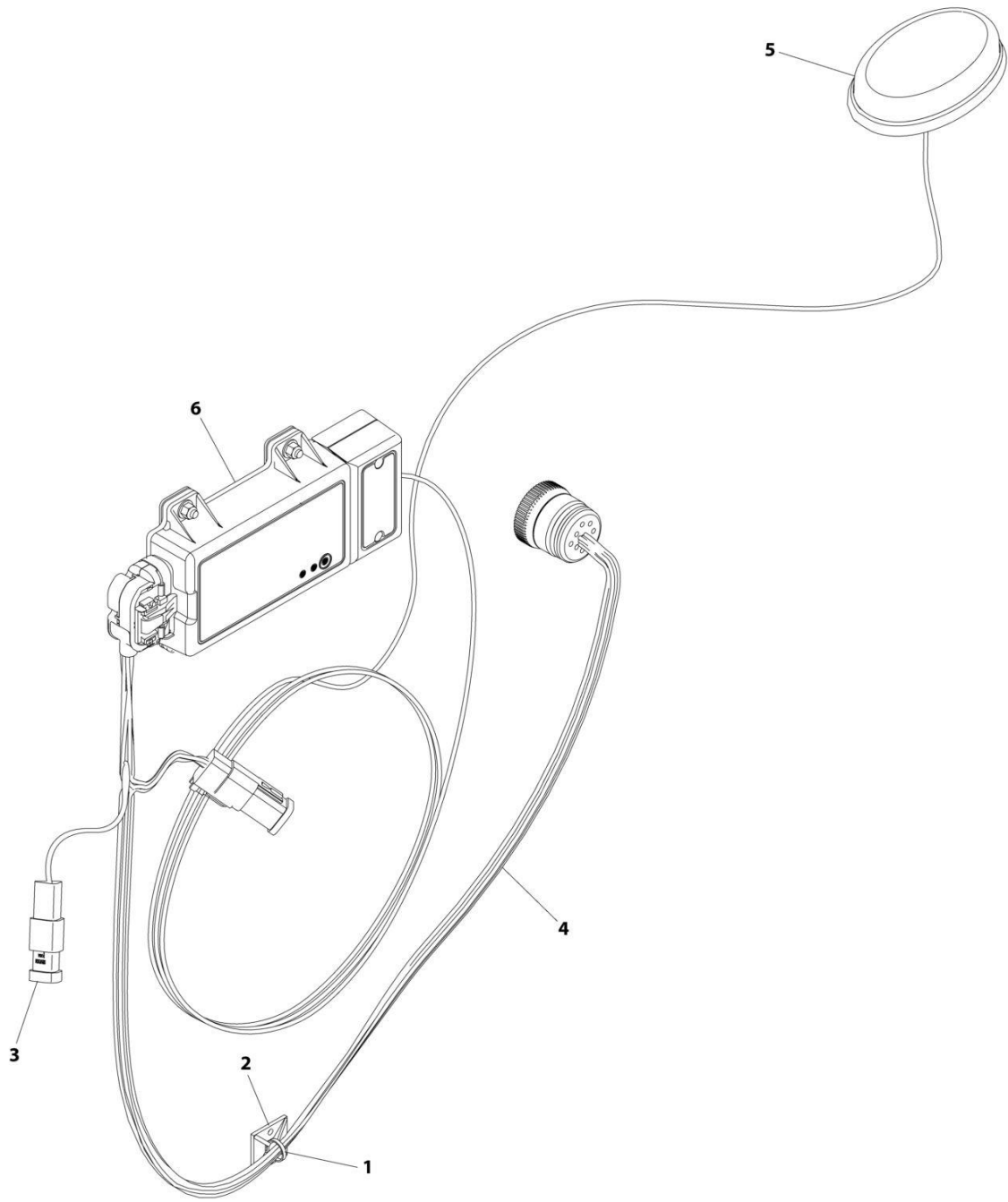
SECTION 8 - ELECTRICAL

FIGURE 8-40. CLEARSKY (TELEMATICS) INSTALLATION - CANBUS 4G (ALL SPECS EXCEPT CHINA SPECS)

ITEM	PART NUMBER	QTY	DESCRIPTION	REV
	1001227453	Ref	CLEARSKY INSTALLATION - CANBUS	C
1	4240032	AR	Tie-Strap	
2	4460234	AR	Cable Tie	
3	1001129408	1	Connector	
4	1001226739	1	ClearSky Harness (See Separate Breakdown in ELECTRICAL Section)	
5	1001262322	1	Telematics Control Module (Note: Re-calibration Required when Replaced)	
6	1001262326	1	Antenna	

SECTION 8 - ELECTRICAL

FIGURE 8-41. CLEARSKY (TELEMATICS) INSTALLATION - CANBUS 4G (CHINA SPECS)



ART_1001246457

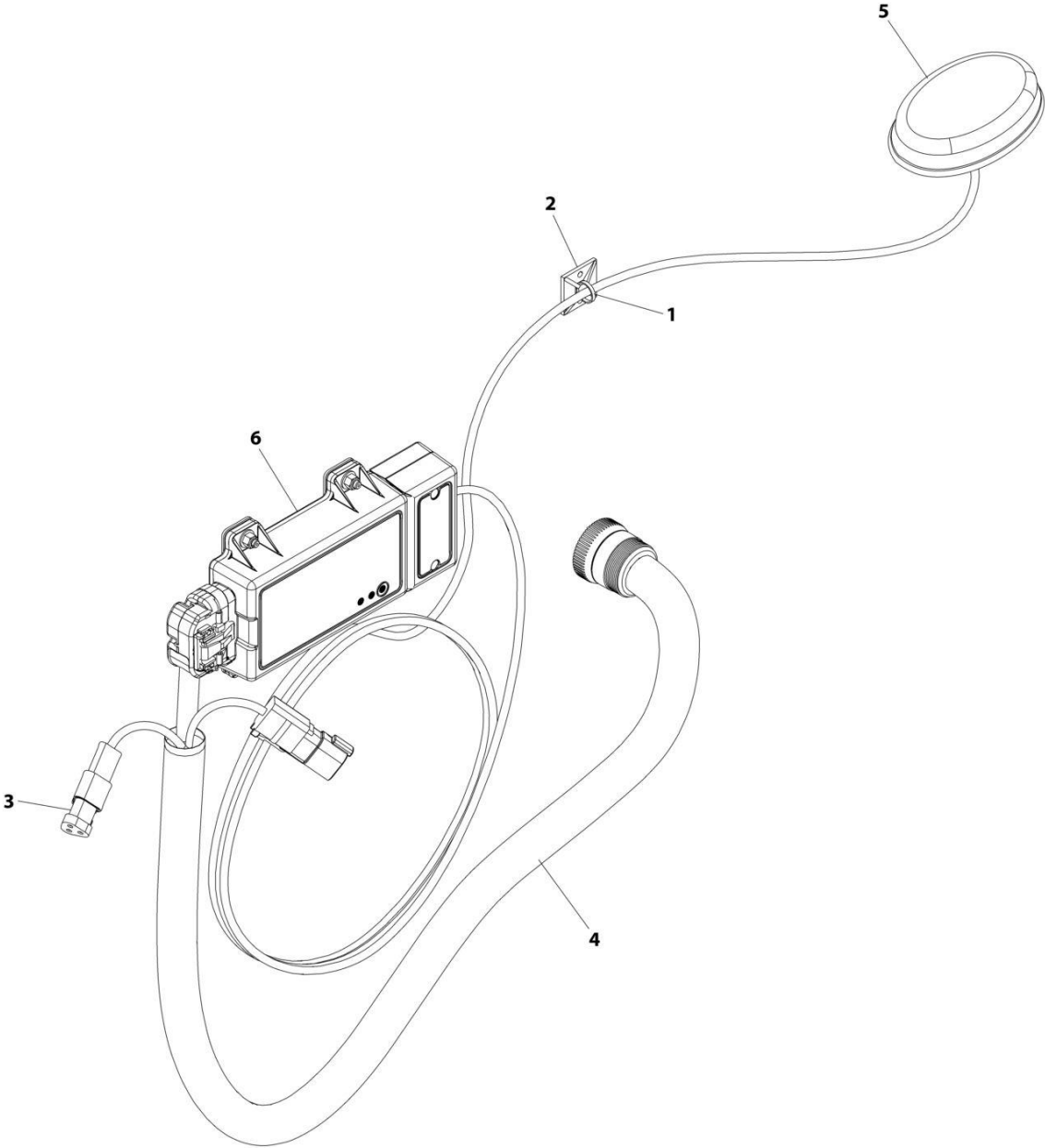
SECTION 8 - ELECTRICAL

FIGURE 8-41. CLEARSKY (TELEMATICS) INSTALLATION - CANBUS 4G (CHINA SPECS)

ITEM	PART NUMBER	QTY	DESCRIPTION	REV
	1001246457	Ref	CLEARSKY INSTALLATION - CANBUS	A
1	4240032	AR	Tie-Strap	
2	4460234	AR	Cable Tie	
3	1001116815	1	Connector	
4	1001226739	1	ClearSky Harness (See Separate Breakdown in ELECTRICAL Section)	
5	1001226799	1	Antenna	
6	1001246145	1	Telematics Control Module (Note: Re-calibration Required when Replaced)	

SECTION 8 - ELECTRICAL

FIGURE 8-42. CLEARSKY (TELEMATICS) INSTALLATION - CANBUS 3G (ANSI EXPORT, CE, JAPANESE & UK CA SPECS)



ART_1001228955

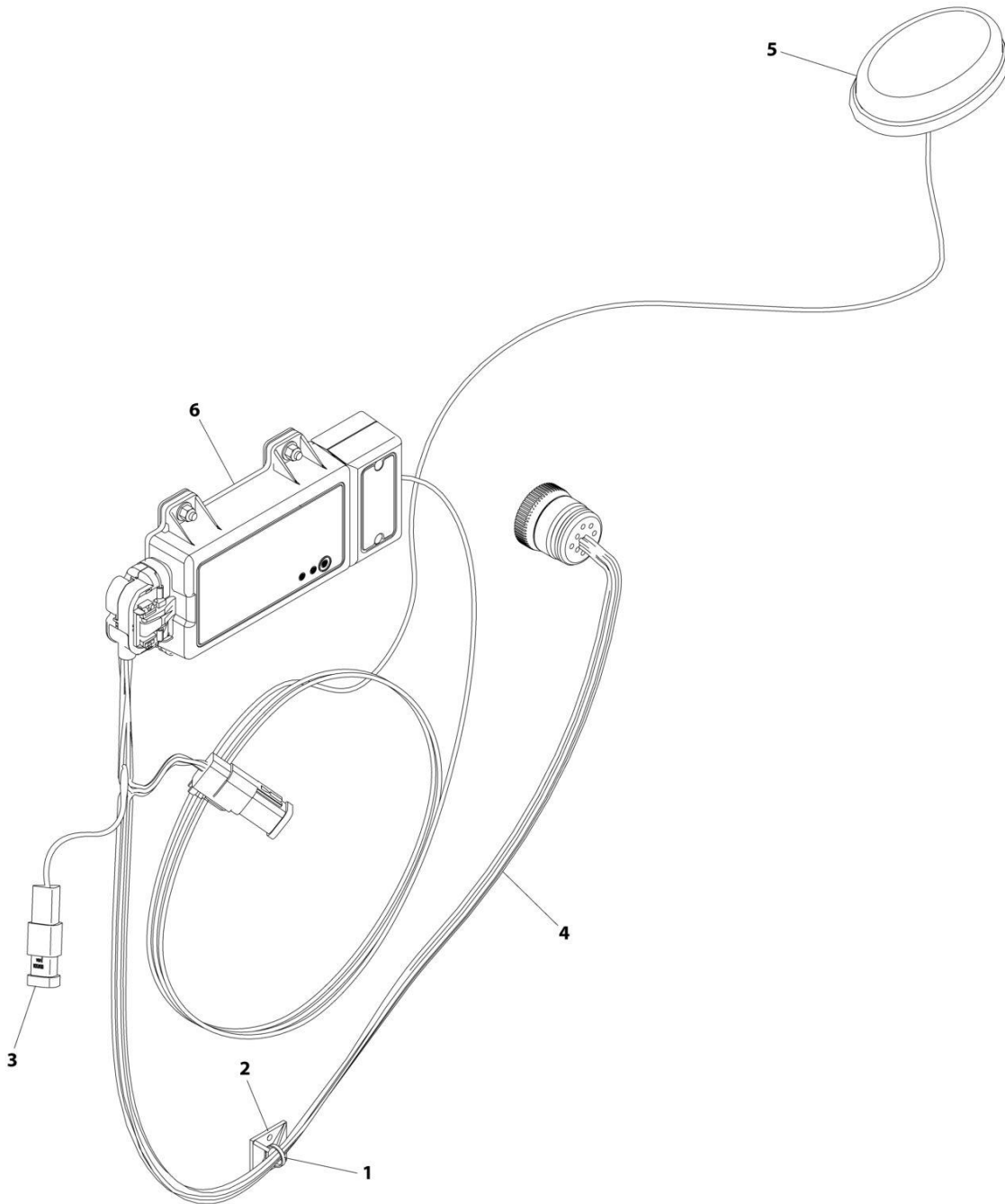
SECTION 8 - ELECTRICAL

FIGURE 8-42. CLEARSKY (TELEMATICS) INSTALLATION - CANBUS 3G (ANSI EXPORT, CE, JAPANESE & UK CA SPECS)

ITEM	PART NUMBER	QTY	DESCRIPTION	REV
	1001228955	Ref	CLEARSKY INSTALLATION - CANBUS	A
1	4240032	AR	Tie-Strap	
2	4460234	AR	Cable Tie	
3	1001116815	1	Connector	
4	1001226739	1	ClearSky Harness (See Separate Breakdown in ELECTRICAL Section)	
5	1001226799	1	Antenna	
6	1001228954	1	Telematics Control Module (Note: Re-calibration Required when Replaced)	

SECTION 8 - ELECTRICAL

FIGURE 8-43. CLEARSKY (TELEMATICS) INSTALLATION - CANBUS 3G (AUSTRALIAN SPECS)



ART_1001246456

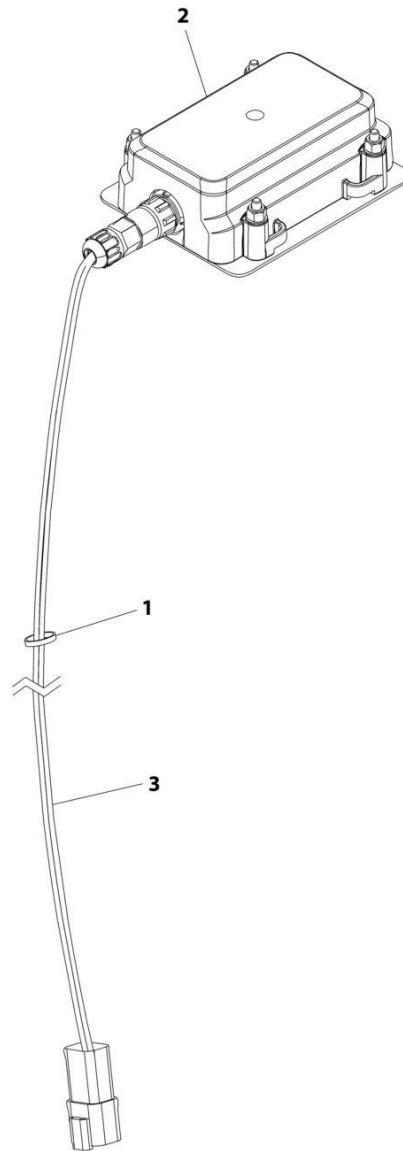
SECTION 8 - ELECTRICAL

FIGURE 8-43. CLEARSKY (TELEMATICS) INSTALLATION - CANBUS 3G (AUSTRALIAN SPECS)

ITEM	PART NUMBER	QTY	DESCRIPTION	REV
	1001246456	Ref	CLEARSKY INSTALLATION - CANBUS	A
1	4240032	AR	Tie-Strap	
2	4460234	AR	Cable Tie	
3	1001116815	1	Connector	
4	1001226739	1	ClearSky Harness (See Separate Breakdown in ELECTRICAL Section)	
5	1001226799	1	Antenna	
6	1001246144	1	Telematics Control Module (Note: Re-calibration Required when Replaced)	

SECTION 8 - ELECTRICAL

FIGURE 8-44. CLEARSKY (TELEMATICS) INSTALLATION - 3 WIRE GT1030



ART_1001276610

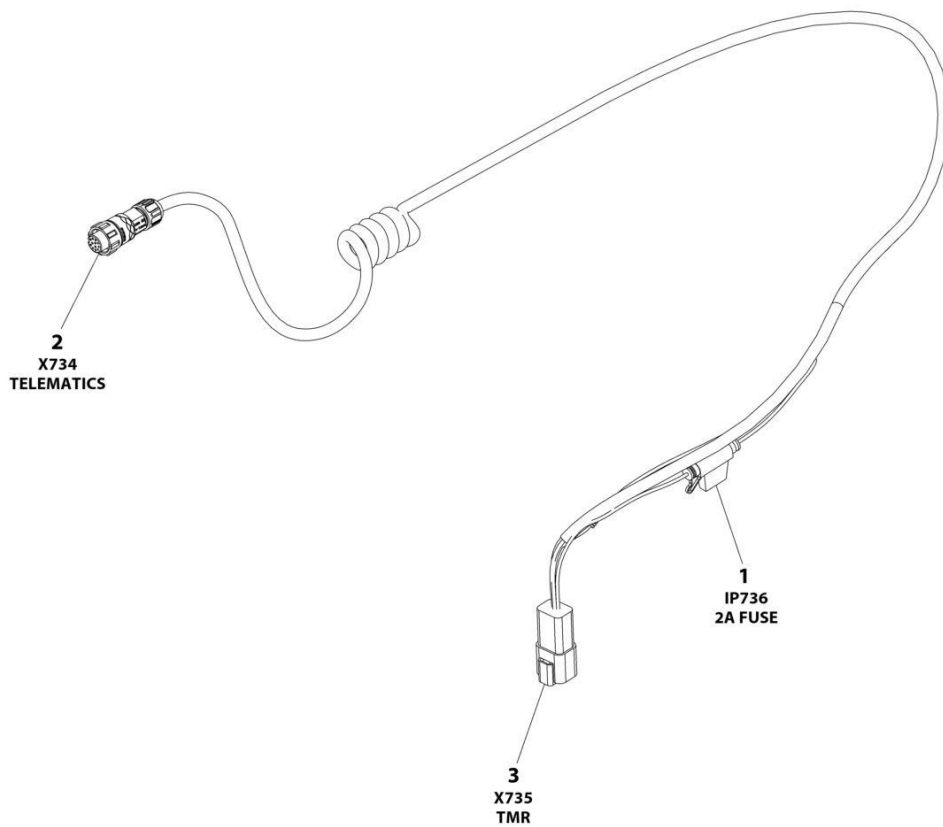
SECTION 8 - ELECTRICAL

FIGURE 8-44. CLEARSKY (TELEMATICS) INSTALLATION - 3 WIRE GT1030

ITEM	PART NUMBER	QTY	DESCRIPTION	REV
	1001276610	Ref	CLEARSKY INSTALLATION 3-WIRE CONNECTION	A
1	4240032	AR	Tie-Strap	
2	1001272659	1	Telematics Control Module Assembly (Note: Re-calibration Required when Replaced)	
3	1001273012	1	ClearSky Harness (See Separate Breakdown in this Section)	

SECTION 8 - ELECTRICAL

FIGURE 8-45. CLEARSKY (TELEMATICS) INSTALLATION - GT1030



ART_1001273012

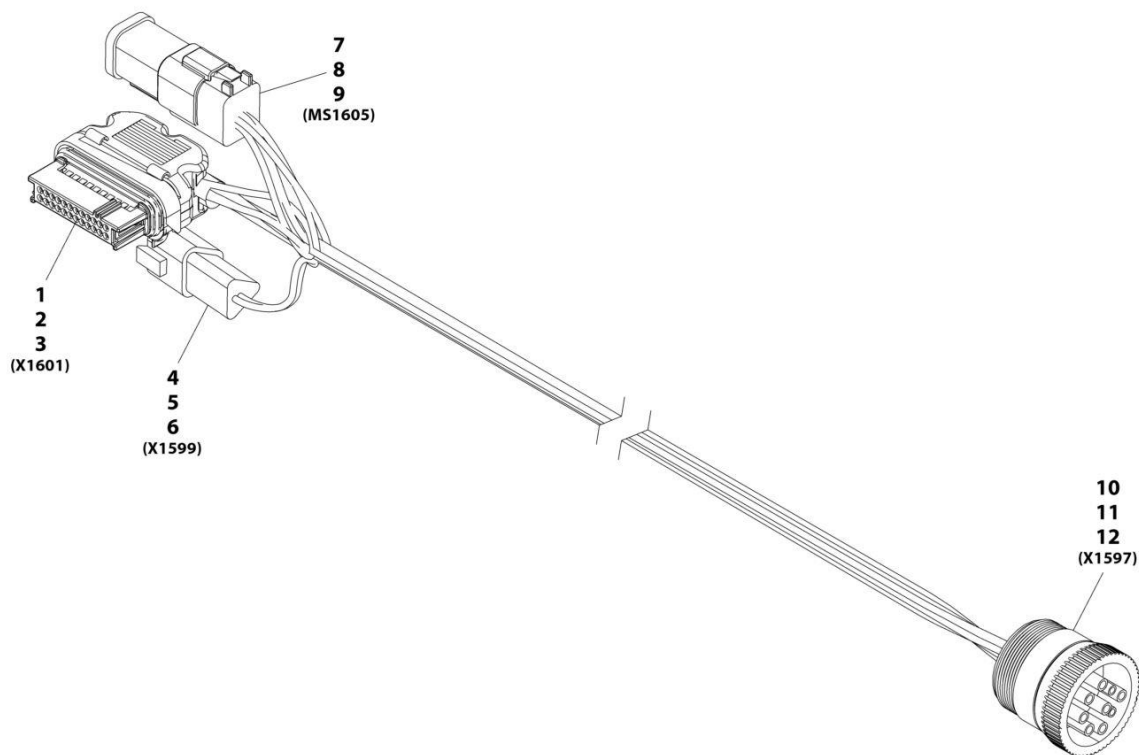
SECTION 8 - ELECTRICAL

FIGURE 8-45. CLEARSKY (TELEMATICS) INSTALLATION - GT1030

ITEM	PART NUMBER	QTY	DESCRIPTION	REV
	1001273012	Ref	CLEARSKY TELEMATICS HARNESS - GT1030	D
1	1001255901	1	Fuseholder	
1	1001196634	1	Fuse - 2Amp	
2	1001272997	1	Connector - 12 Position	
2		Ref	Terminal	
3	4460932	1	Receptacle, Female - 4 Position	
3	4460464	4	Pin, Male	

SECTION 8 - ELECTRICAL

FIGURE 8-46. CLEARSKY HARNESS - CANBUS



ART_1001226739-A

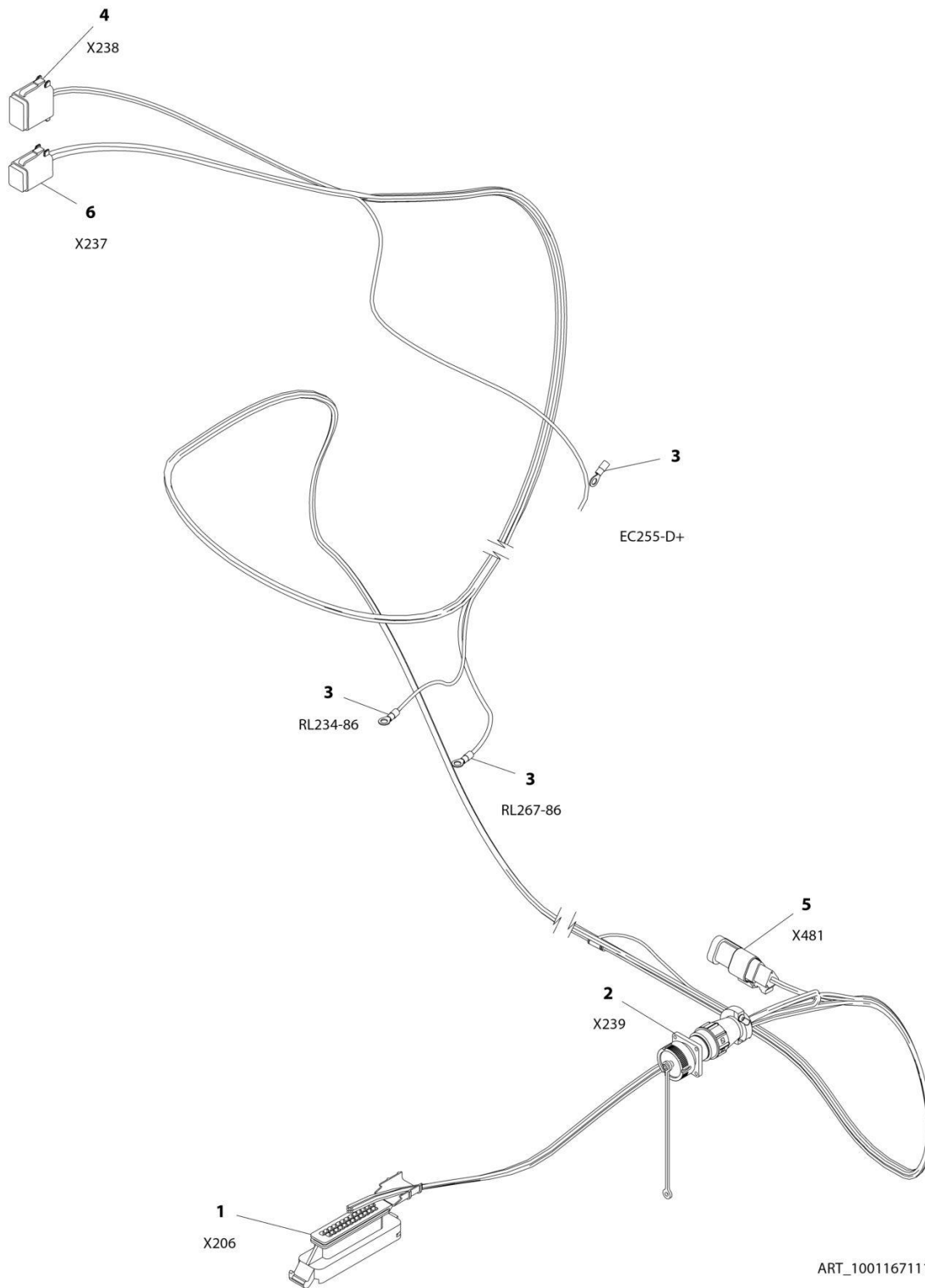
SECTION 8 - ELECTRICAL

FIGURE 8-46. CLEARSKY HARNESS - CANBUS

ITEM	PART NUMBER	QTY	DESCRIPTION	REV
	1001226739	Ref	Clearsky Harness	A
1	1001226636	1	Connector	
2	1001116731	16	Plug, Terminal	
3	1001226637	8	Terminal	
4	1001144147	1	Connector	
5	4460464	2	Terminal	
6	4460466	1	Plug, Terminal	
7	4460894	1	Connector	
8	4460465	6	Terminal	
9	1001226541	1	Connector- 6 Pin Bussbar	
10	1001112796	1	Connector	
11	4460465	8	Terminal	
12	4460466	1	Plug, Terminal	

SECTION 8 - ELECTRICAL

FIGURE 8-47. ENGINE HARNESS - DEUTZ D2011



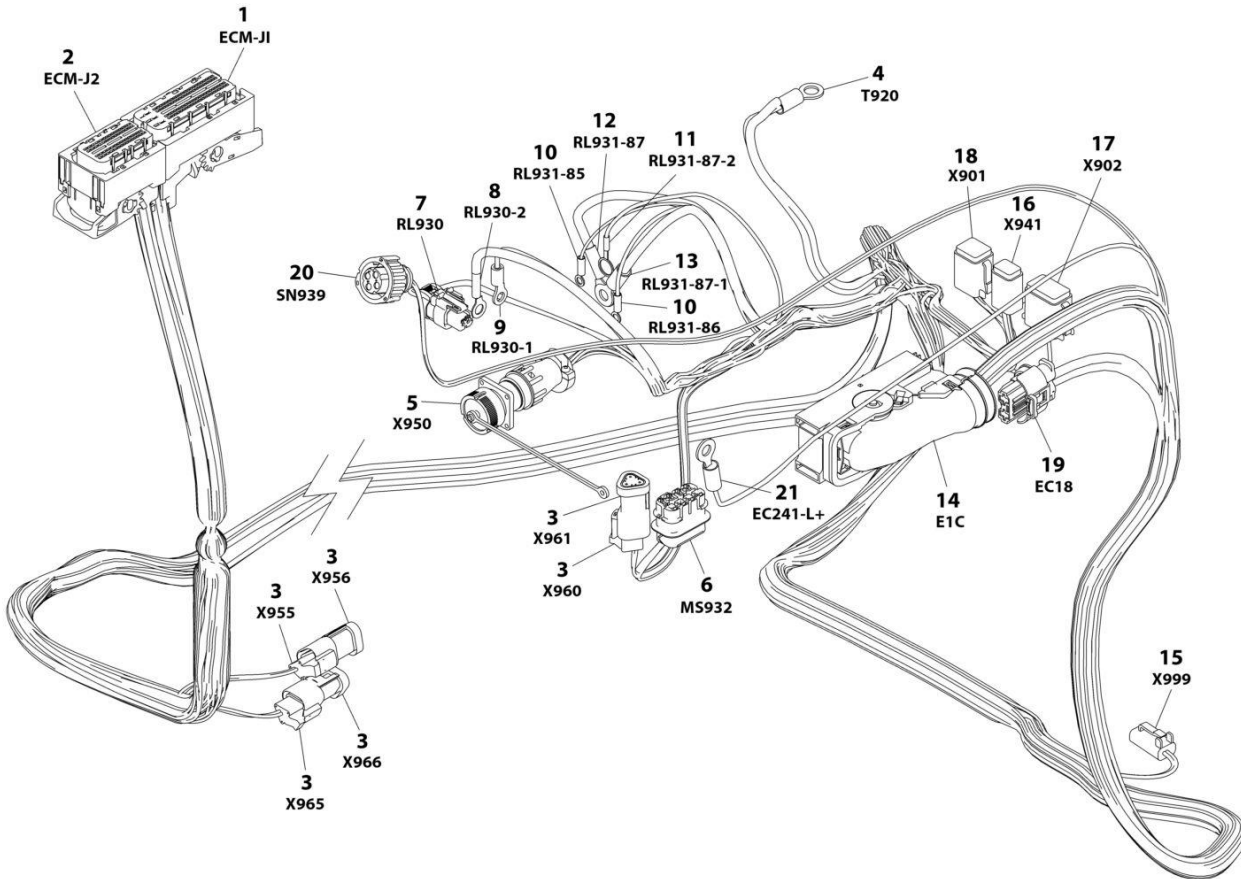
SECTION 8 - ELECTRICAL

FIGURE 8-47. ENGINE HARNESS - DEUTZ D2011

ITEM	PART NUMBER	QTY	DESCRIPTION	REV
	1001167111	Ref	ENGINE HARNESS - DEUTZ D2011	B
1	4461052	1	Connector - 25 Position	
1	4461005	7	Terminal	
1	4461008	18	Plug, Terminal	
2	2902443	1	Receptacle Kit	
2	4461071	8	Socket, Female	
2	4461072	1	Receptacle with Flange - 8 Position	
2	4461073	1	Cap, Dust	
2	4461074	1	Shell, Black	
3	4460313	3	Terminal, Ring	
4	4460930	1	Plug, Male - 8 Position	
4	4460465	2	Socket, Female	
4	4460466	6	Seal, Terminal	
5	4461095	1	Plug, Male - 3 Position	
5	4460465	3	Socket, Female	
6	4460894	1	Plug, Male - 6 Position	
6	4460465	6	Socket, Female	

SECTION 8 - ELECTRICAL

FIGURE 8-48. ENGINE HARNESS - DEUTZ D2.9L4



ART_1001167108_L

SECTION 8 - ELECTRICAL

FIGURE 8-48. ENGINE HARNESS - DEUTZ D2.9L4

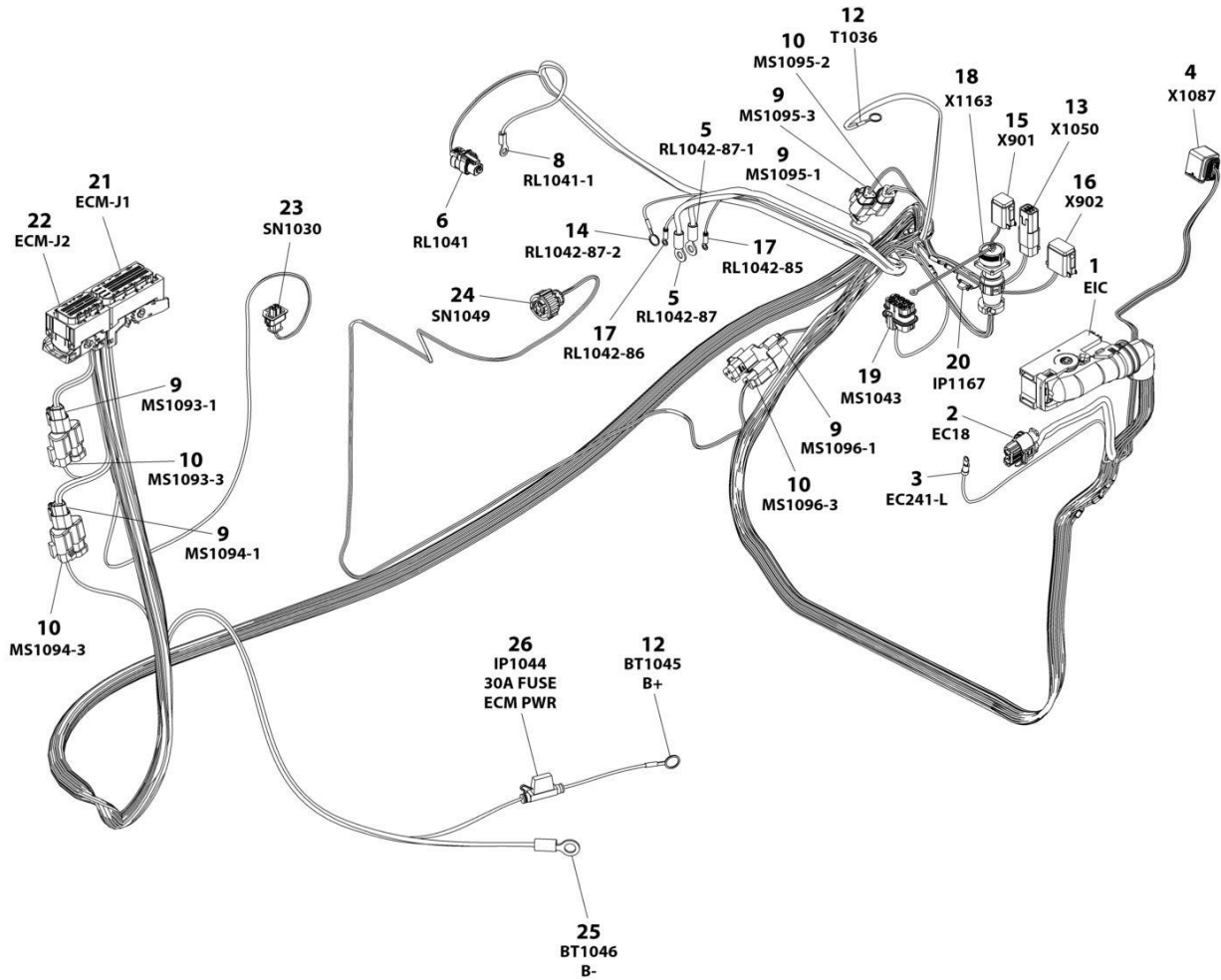
ITEM	PART NUMBER	QTY	DESCRIPTION	REV
	1001167108	Ref	ENGINE HARNESS - DEUTZ D2.9L4	L
1	1001133956	1	Connector, 94 Position	
1	1001182361	6	Terminal	
1	1001126351	2	Terminal	
1	1001230934	17	Terminal	
1	1001230935	63	Plug, Terminal	
1	1001256507	4	Terminal	
1	1001230936	2	Plug, Terminal	
1	1001182365	6	Seal	
2	1001133957	1	Connector - 60 Position	
2	1001230936	11	Plug, Terminal	
2	1001126351	13	Terminal	
2	1001230935	19	Plug, Terminal	
2	1001230934	11	Terminal	
2	1001252527	4	Terminal	
2	1001256507	2	Terminal	
3	4461095	3	Plug, Male - 3 Position	
3	4460944	6	Socket, Female	
3	4460466	3	Plug, Terminal	
3	4461070	3	Connector, Female with Resistor 3 Position	
4	8220115	1	Terminal, Ring	
5	2902443	1	Receptacle Kit	
5	4461071	8	Socket, Female	
5	4461072	1	Receptacle with Flange - 8 Position	
5	4461073	1	Cap, Dust	
5	4461074	1	Shell, Black	
6	80484084	1	Connector - 8 Position	
6	4460746	3	Terminal	
6	1001234800	1	Terminal	
6	4460748	4	Plug, Terminal	
6	4460458	4	Seal	
6	8229242	1	Fuse - 5Amp	
6	80983191	1	Fuse - 10Amp	
6	1001147264	1	Cap	
7	1001116952	1	Plug, Male - 2 Position	
7	4460465	2	Socket, Female	
8	1001117106	1	Terminal, Ring	
9	4460043	1	Terminal, Ring	
10	4460247	2	Terminal, Ring	
11	4460703	1	Terminal, Ring	
12	8220164	1	Terminal, Ring	
13	1001117107	1	Terminal, Ring	
14	1001126362	1	Connector - 62 Position	
14	1001126363	25	Terminal	
14	1001126391	21	Seal, Terminal	
14	1001126392	10	Terminal	
14	4461008	4	Seal, Terminal	
14	1001126365	2	Terminal	
14	1001223459	10	Seal, Terminal	
14	1001126364	23	Seal, Terminal	

SECTION 8 - ELECTRICAL

ITEM	PART NUMBER	QTY	DESCRIPTION	REV
14	1001256506	2	Seal, Terminal	
14	4461054	2	Seal, Terminal	
15	4460891	1	Plug, Male - 2 Position	
15	4460465	2	Socket, Female	
16	1001220379	1	Plug, Male - 4 Position	
16	4460465	2	Socket, Female	
16	4460942	2	Socket, Female	
17	4460930	1	Plug, Male - 8 Position	
17	4460465	1	Socket, Female	
17	4460466	7	Seal, Terminal	
18	4460894	1	Plug, Male - 6 Position	
18	4460465	3	Socket, Female	
18	4460944	2	Socket, Female	
18	4460466	1	Plug, Terminal	
19	1001142938	1	Connector - 2 Position	
19	1001142940	2	Terminal	
19	1001142941	2	Seal, Terminal	
20	1001133714	1	Plug, Male - 4 Position	
20	1001133715	3	Terminal	
20	1001135651	1	Plug, Terminal	
20	1001135650	3	Seal	
21	4460042	1	Terminal, Ring	

SECTION 8 - ELECTRICAL

FIGURE 8-49. ENGINE HARNESS - DEUTZ D2.9L4 (STAGE V)



ART_1001276643

SECTION 8 - ELECTRICAL

FIGURE 8-49. ENGINE HARNESS - DEUTZ D2.9L4 (STAGE V)

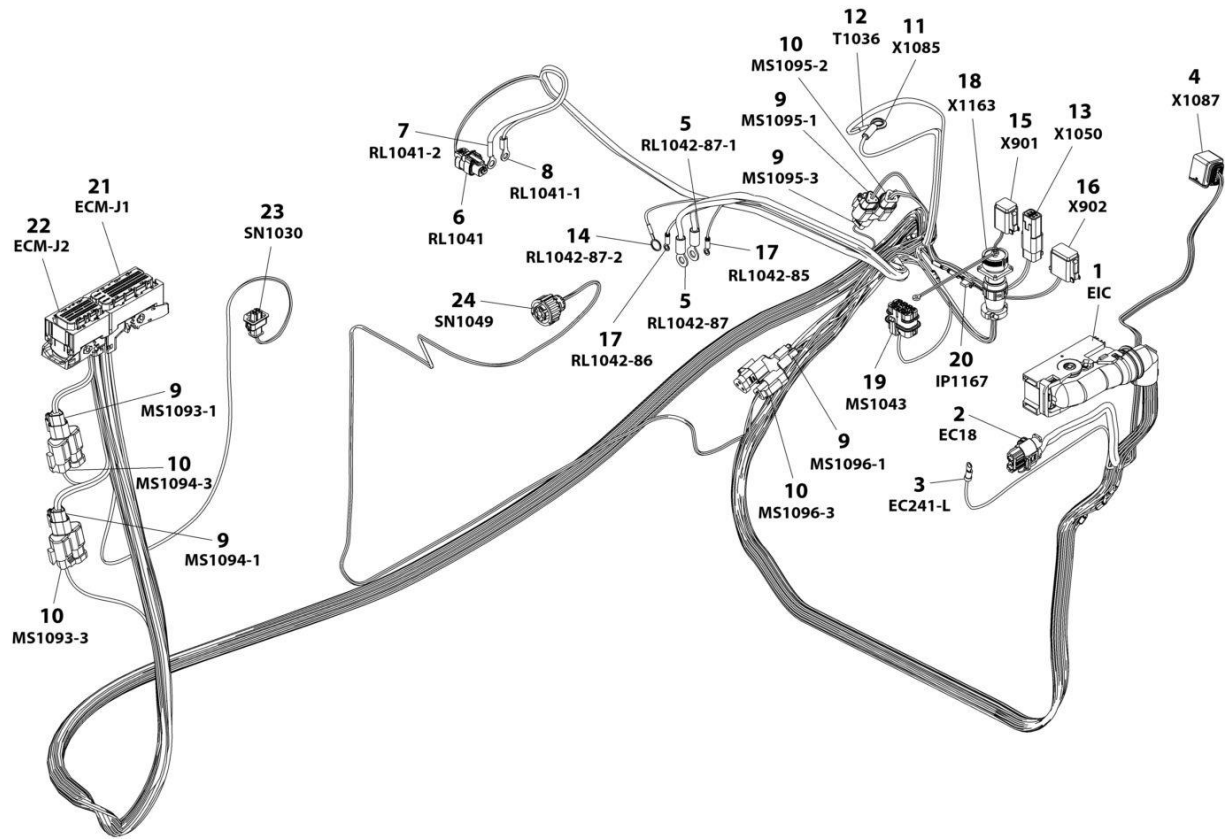
ITEM	PART NUMBER	QTY	DESCRIPTION	REV
	1001276643	Ref	ENGINE HARNESS - DEUTZ D2.9L4 (STAGE V) ENGINE	B
1	1001126362	1	Connector	
1	1001126363	37	Socket	
1	1001126391	7	Plug, Terminal	
1	1001126392	12	Socket	
1	4461008	4	Plug, Terminal	
1	1001167632	2	Socket	
1	1001126364	37	Plug, Terminal	
1	1001223459	12	Seal	
1	4461054	2	Seal	
2	1001142938	1	Connector	
2	1001142940	2	Socket	
2	1001142941	2	Seal	
3	4460042	1	Terminal, Ring	
4	1001239202	1	Connector	
4	1001126363	7	Socket	
4	1001126391	1	Plug, Terminal	
4	1001126364	7	Plug, Terminal	
5	1001117107	2	Terminal, Ring	
6	1001116952	1	Connector	
6	4460465	2	Socket	
8	4460043	1	Terminal, Ring	
9	1001116812	5	Connector	
9	4460944	10	Socket	
9	4460466	5	Plug, Terminal	
10	4460539	4	Connector	
10	4460944	8	Socket	
10	4460466	4	Plug, Terminal	
12	4460019	2	Terminal, Ring	
13	4460884	1	Connector	
13	4460465	2	Socket	
13	4460942	2	Socket	
14	4460703	1	Terminal, Ring	
15	4460894	1	Connector	
15	4460466	2	Plug, Terminal	
15	4460465	2	Socket	
15	4460944	2	Socket	
16	4460930	1	Connector	
16	4460465	1	Socket	
16	4460466	7	Plug, Terminal	
17	4460247	2	Terminal, Ring	
18	2902443	1	Receptacle Kit	
18	4461071	8	Socket	
18	4461072	1	Receptacle with Flange - 8 Position	
18	4461073	1	Cap, Dust	
18	4461074	1	Shell, Black	
19	80484084	1	Connector	
19	4460748	4	Plug, Socket	
19	4460746	3	Socket	
19	1001234800	1	Socket	

SECTION 8 - ELECTRICAL

ITEM	PART NUMBER	QTY	DESCRIPTION	REV
19	4460458	4	Seal	
20	1001170764	1	Holder, Fuse	
20	1001197719	1	Fuse 0.5 Watt	
21	1001133956	1	Connector	
21	1001182361	6	Socket	
21	1001126351	3	Socket	
21	1001230934	23	Socket	
21	1001230935	57	Pin	
21	1001230936	1	Pin	
21	1001252527	4	Socket	
21	1001182365	6	Seal	
22	1001133957	1	Connector	
22	1001230936	11	Pin	
22	1001126351	13	Socket	
22	1001230935	10	Pin	
22	1001230934	26	Socket	
23	1001126487	1	Connector	
23	1001167635	2	Socket	
23	1001126485	2	Seal	
24	1001133714	1	Connector	
24	1001133715	3	Socket	
24	1001135651	1	Plug, Terminal	
24	1001135650	2	Seal	
25	4460115	1	Terminal, Ring	
26	1001172064	1	Fuse Holder (Includes Cover)	
26	1001172065	1	Fuse 30Amp	

SECTION 8 - ELECTRICAL

FIGURE 8-50. ENGINE HARNESS - DEUTZ D2.9L4 (CHINA IV)



ART_1001245839

SECTION 8 - ELECTRICAL

FIGURE 8-50. ENGINE HARNESS - DEUTZ D2.9L4 (CHINA IV)

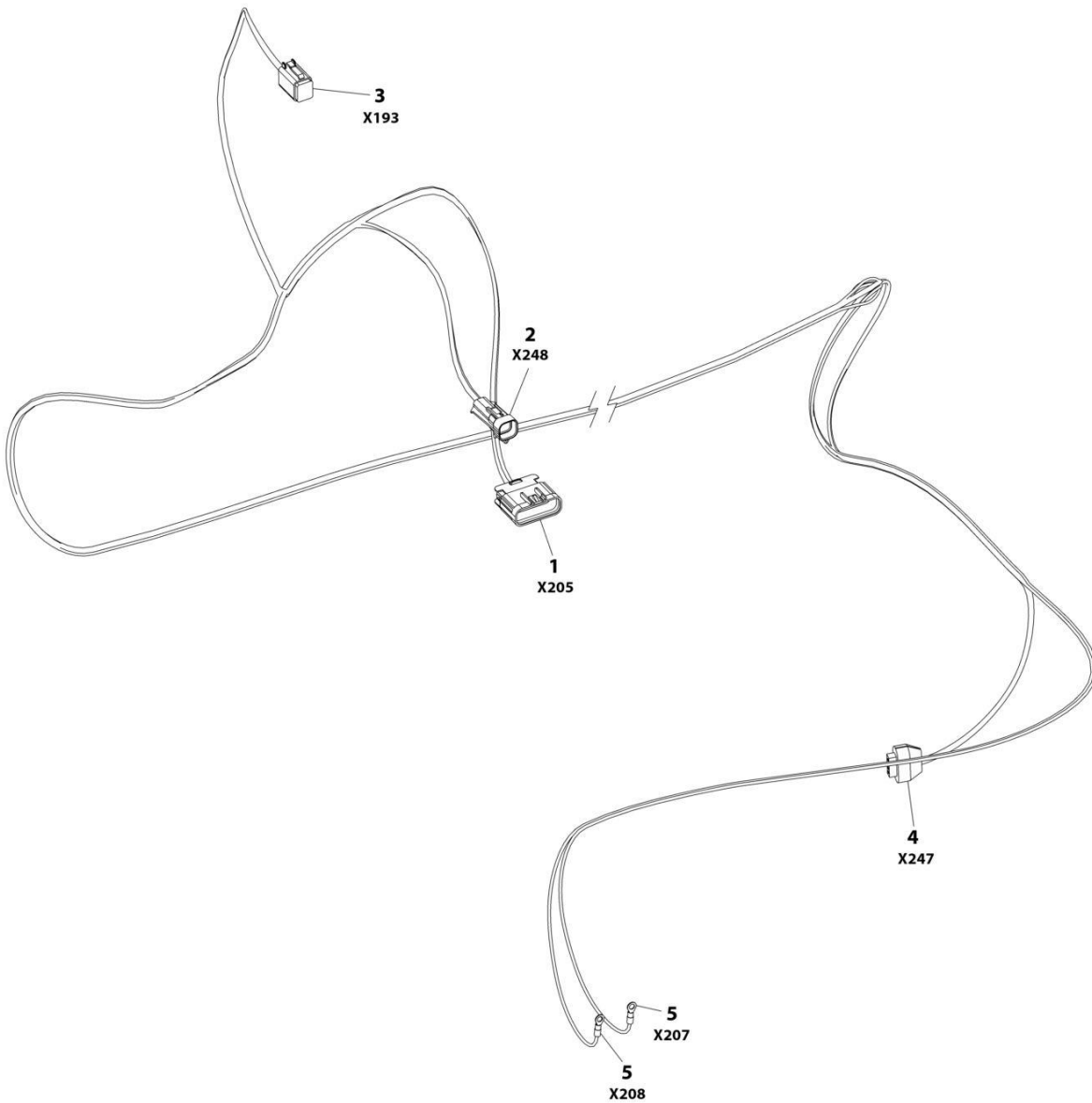
ITEM	PART NUMBER	QTY	DESCRIPTION	REV
	1001245839	Ref	ENGINE HARNESS - DEUTZ (STAGE V)	F
1	1001126362	1	Connector - 62 Position	
1	1001126363	37	Terminal	
1	1001126391	7	Seal, Terminal	
1	1001126392	12	Terminal	
1	4461008	4	Seal, Terminal	
1	1001167632	2	Terminal	
1	1001126364	36	Seal, Terminal	
1	1001223459	12	Seal, Terminal	
1	4461054	2	Seal, Terminal	
2	1001142938	1	Connector - 2 Position	
2	1001142940	2	Terminal	
2	1001142941	2	Seal, Terminal	
3	4460042	1	Terminal, Ring	
4	1001239202	1	Connector - 8 Position	
4	1001126363	7	Terminal	
4	1001126391	1	Seal, Terminal	
4	1001126364	7	Seal, Terminal	
5	1001117107	2	Terminal, Ring	
6	1001116952	1	Plug, Male - 2 Position	
6	4460465	2	Socket, Female	
7	1001117106	1	Terminal, Ring	
8	4460043	1	Terminal, Ring	
9	1001116812	5	Connector, 3 Position	
9	4460944	10	Socket, Female	
9	4460466	5	Plug, Terminal	
10	4460539	4	Plug, Male - 3 Position	
10	4460944	8	Socket, Female	
10	4460466	4	Plug, Terminal	
11	8220164	1	Terminal, Ring	
12	4460019	1	Terminal, Ring	
13	4460884	1	Plug, Male - 4 Position	
13	4460465	2	Socket, Female	
13	4460942	2	Socket, Female	
14	4460703	1	Terminal, Ring	
15	4460894	1	Plug, Male - 6 Position	
15	4460465	2	Socket, Female	
15	4460944	2	Socket, Female	
15	4460465	2	Socket, Female	
16	4460930	1	Plug, Male - 8 Position	
16	4460465	1	Socket, Female	
16	4460466	7	Plug, Terminal	
17	4460247	2	Terminal, Ring	
18	2902443	1	Receptacle Kit	
18	4461071	8	Socket, Female	
18	4461072	1	Receptacle with Flange - 8 Position	
18	4461073	1	Cap, Dust	
18	4461074	1	Shell, Black	
19	80484084	1	Connector - 8 Position	
19	4460746	3	Terminal	

SECTION 8 - ELECTRICAL

ITEM	PART NUMBER	QTY	DESCRIPTION	REV
19	1001234800	1	Terminal	
19	4460748	4	Plug, Terminal	
19	4460458	4	Seal	
20	1001170764	1	Holder, Fuse	
20	1001197719	1	Fuse 0.5 Watt	
21	1001133956	1	Connector, 94 Position	
21	1001182361	8	Terminal	
21	1001126351	3	Terminal	
21	1001230934	25	Terminal	
21	1001230935	55	Plug, Terminal	
21	1001252527	4	Terminal	
21	1001230936	1	Plug, Terminal	
21	1001182365	8	Seal	
22	1001133957	1	Connector - 60 Position	
22	1001230936	11	Plug, Terminal	
22	1001126351	13	Terminal	
22	1001230935	10	Plug, Terminal	
22	1001230934	26	Terminal	
23	1001126487	1	Connector - 2 Position	
23	1001167635	2	Terminal	
23	1001126485	2	Seal	
24	1001133714	1	Plug, Male - 4 Position	
24	1001133715	3	Terminal	
24	1001135651	1	Plug, Terminal	
24	1001135650	2	Seal	

SECTION 8 - ELECTRICAL

FIGURE 8-51. ENGINE HARNESS - KUBOTA



ART_1001213599

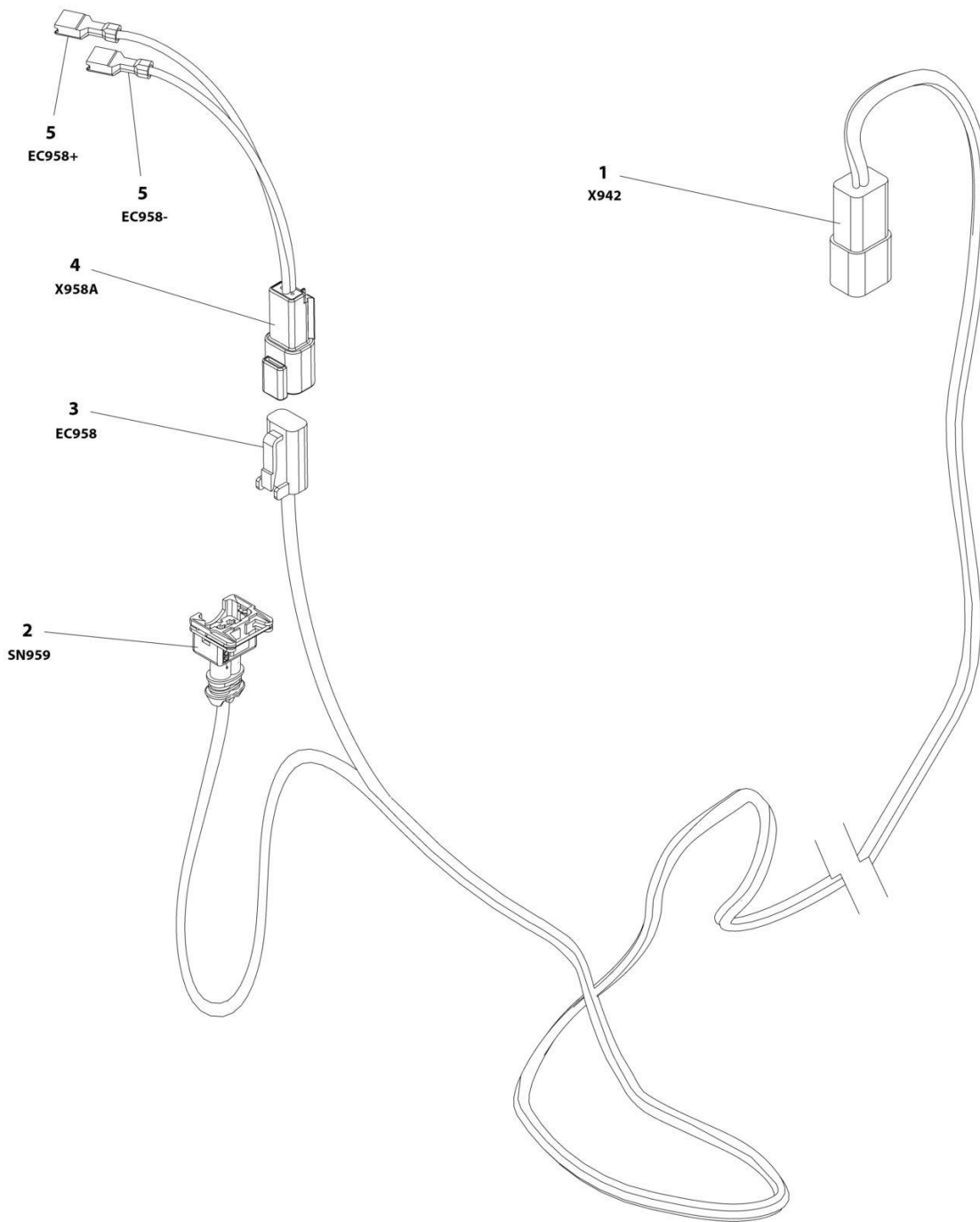
SECTION 8 - ELECTRICAL

FIGURE 8-51. ENGINE HARNESS - KUBOTA

ITEM	PART NUMBER	QTY	DESCRIPTION	REV
	1001213599	Ref	ENGINE HARNESS - KUBOTA	C
1	4461109	1	Plug, Male - 16 Position	
1	4461111	7	Terminal	
1	4461113	9	Plug	
2	4461124	1	Connector - 4 Position	
2	4460693	4	Terminal	
3	4460894	1	Plug, Male - 6 Position	
3	4460465	5	Socket, Female	
3	4460466	1	Plug, Terminal	
4	4461121	1	Plug, Male - 4 Position	
4	4461122	4	Terminal	
4	4461123	4	Seal	
5	4460042	2	Terminal, Ring	

SECTION 8 - ELECTRICAL

FIGURE 8-52. FUEL HARNESS - DEUTZ D2.9L4 ENGINE



ART_1001173342

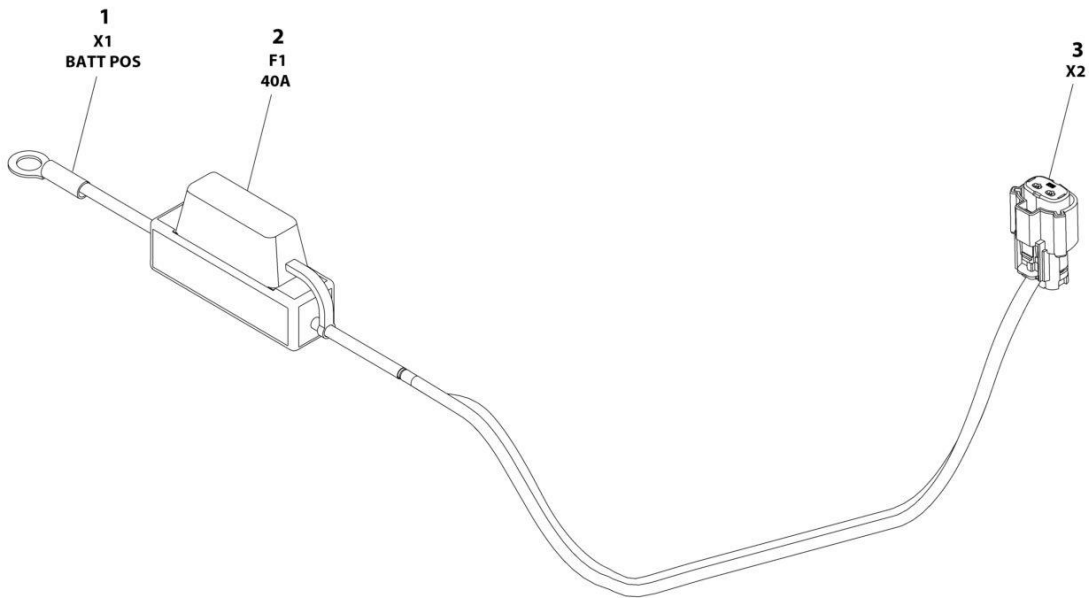
SECTION 8 - ELECTRICAL

FIGURE 8-52. FUEL HARNESS - DEUTZ D2.9L4 ENGINE

ITEM	PART NUMBER	QTY	DESCRIPTION	REV
	1001173342	Ref	FUEL HARNESS - DEUTZ D2.9L4 ENGINE	C
1	4460932	1	Receptacle, Female - 4 Position	
1	4460464	2	Pin, Male	
1	4460941	2	Pin, Male	
2	1001116983	1	Plug, Male - 2 Position	
2	1001116710	2	Socket, Female	
3	4460891	1	Plug, Male - 2 Position	
3	4460942	2	Socket, Female	
4	4460897	1	Receptacle, Female - 2 Position	
4	4460941	2	Pin, Male	
5	8220051	2	Coupler, Female	

SECTION 8 - ELECTRICAL

FIGURE 8-53. FUEL HARNESS - KUBOTA ENGINE



ART_1001229798

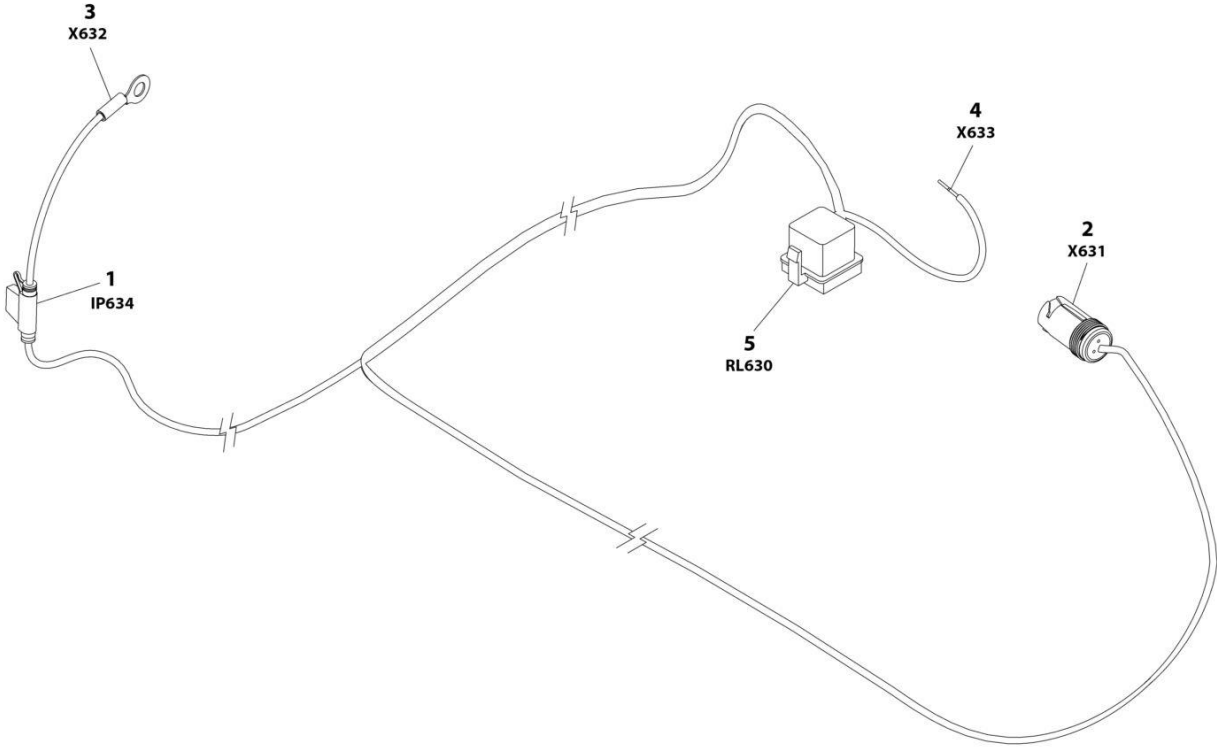
SECTION 8 - ELECTRICAL

FIGURE 8-53. FUEL HARNESS - KUBOTA ENGINE

ITEM	PART NUMBER	QTY	DESCRIPTION	REV
	1001229798	Ref	FUEL HARNESS - KUBOTA ENGINE	A
1	4460977	1	Terminal, Ring	
2	2400082	1	Fuse 40Amp	
3	1001229795	1	Connector - 2 Position	
3	1001229796	1	Socket, Female	

SECTION 8 - ELECTRICAL

FIGURE 8-54. GENERATOR HARNESS - 2500W



ART_1001187522

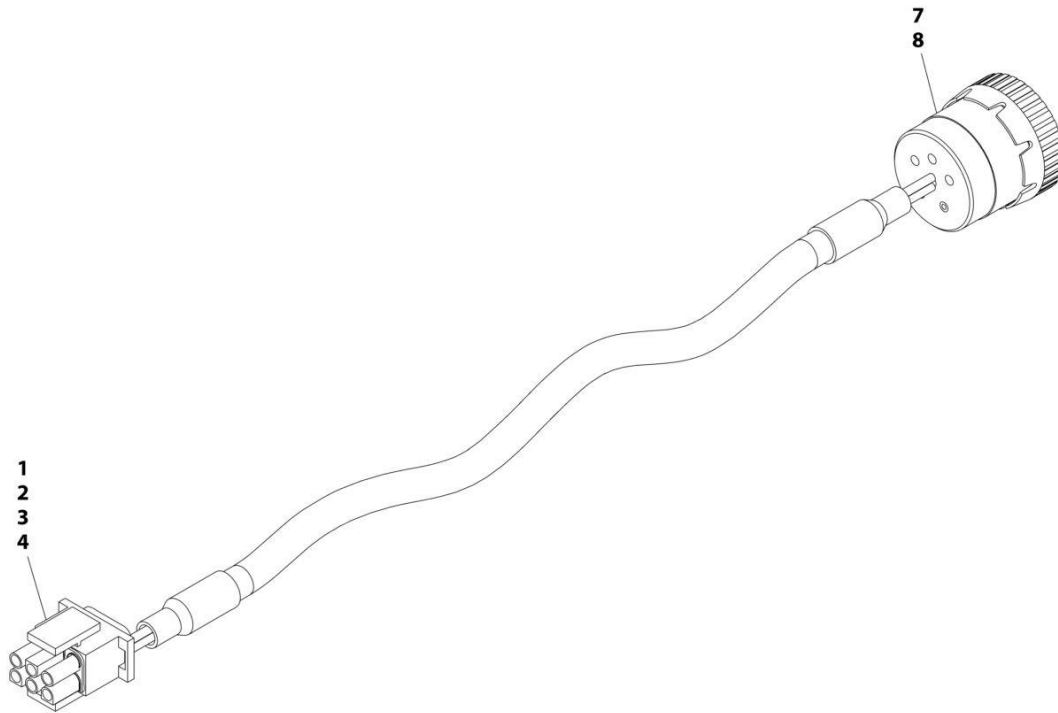
SECTION 8 - ELECTRICAL

FIGURE 8-54. GENERATOR HARNESS - 2500W

ITEM	PART NUMBER	QTY	DESCRIPTION	REV
	1001187522	Ref	GENERATOR HARNESS - 2500W	B
1	2400066	1	Fuseholder - 30Amp (Includes Cover)	
1	8229245	1	Fuse 30Amp	
2	1001154726	1	Receptacle, Female - 3 Position	
2	4460464	2	Pin, Male	
2	4460466	1	Plug, Terminal	
3	8220045	1	Terminal, Ring	
4	4460906	1	Socket, Female	
5	1001117057	1	Connector, Relay	
5	1001116734	2	Terminal	
5	1001116732	2	Terminal	
5	3740080	1	Relay	

SECTION 8 - ELECTRICAL

FIGURE 8-55. GENERATOR HARNESS - 4000W



ART_1001152532

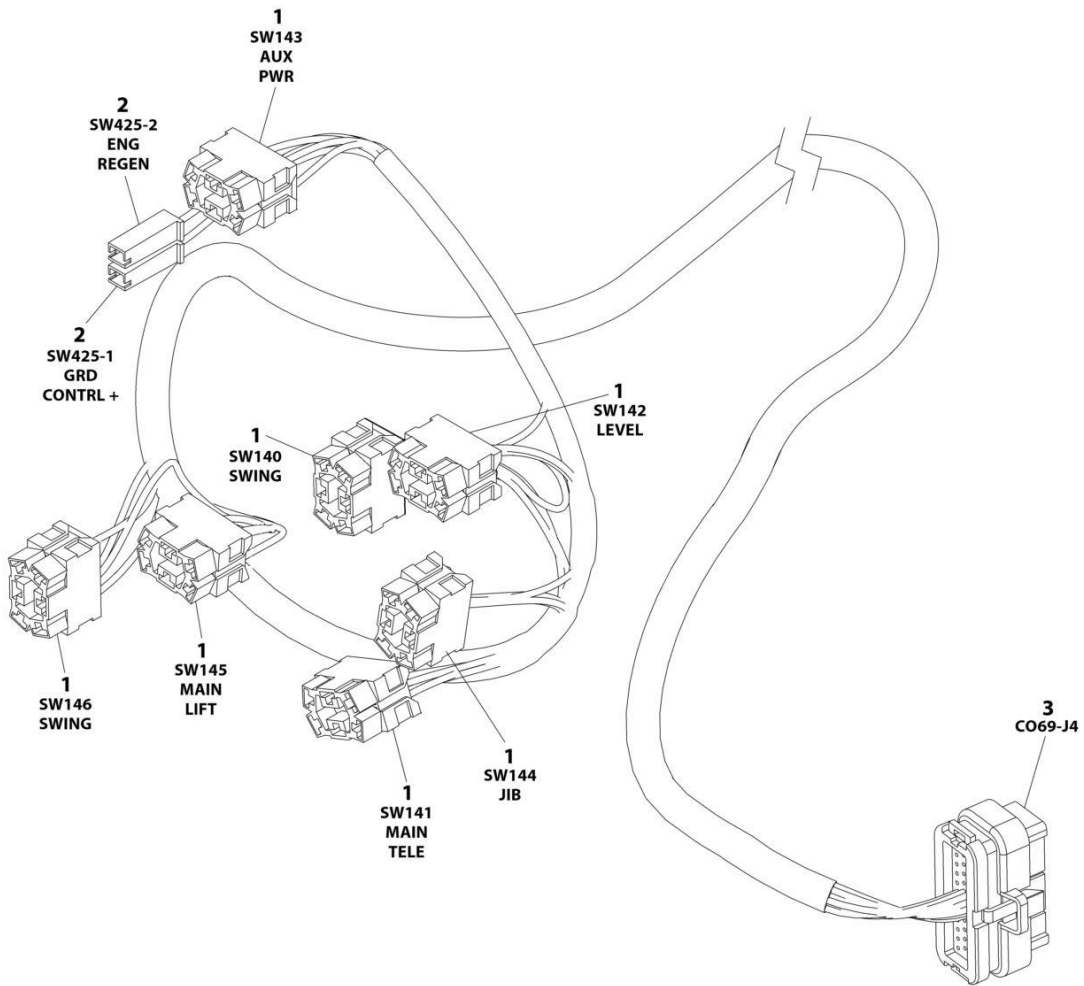
SECTION 8 - ELECTRICAL

FIGURE 8-55. GENERATOR HARNESS - 4000W

ITEM	PART NUMBER	QTY	DESCRIPTION	REV
	1001152532	Ref	GENERATOR HARNESS	A
1	4460225	1	Connector - 6 Position	
2	4460268	2	Socket, Female	
3	4460807	1	Seal	
4	4460808	1	Seal	
7	4460465	2	Socket, Female	
8	77363233	1	Connector - 6 Position	

SECTION 8 - ELECTRICAL

FIGURE 8-56. GROUND CONTROL BOX HARNESS



ART_1001238161

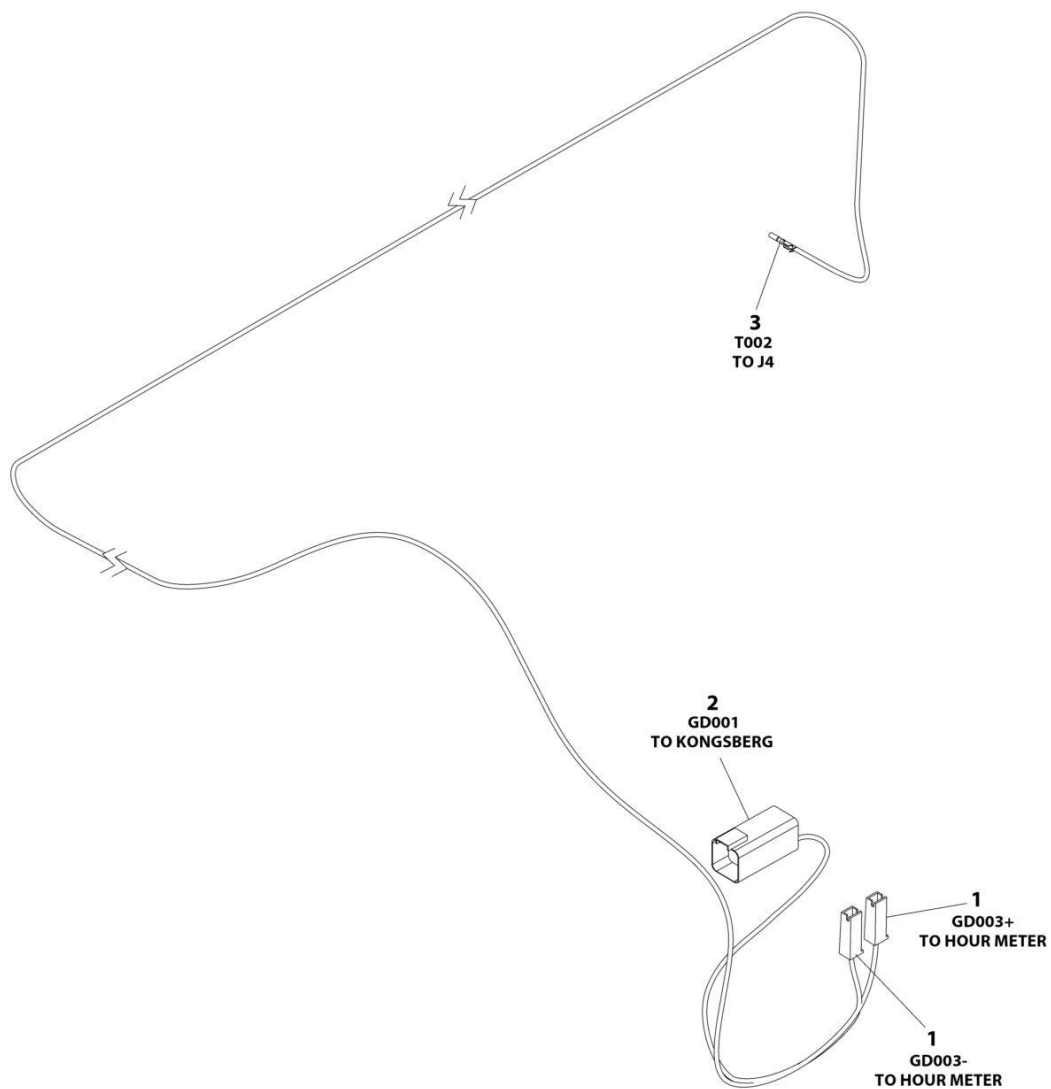
SECTION 8 - ELECTRICAL

FIGURE 8-56. GROUND CONTROL BOX HARNESS

ITEM	PART NUMBER	QTY	DESCRIPTION	REV
	1001238161	Ref	GROUND CONTROL BOX HARNESS	C
1	4460418	7	Connector - 6 Position	
1	4460419	27	Terminal	
2	4460260	2	Housing, Terminal	
2	4460259	2	Terminal	
3	4460876	1	Connector - 35 Position	
3	4460871	16	Socket, Female	
3	4460905	19	Plug, Terminal	

SECTION 8 - ELECTRICAL

FIGURE 8-57. HOUR METER JUMPER HARNESS



ART_1001296426

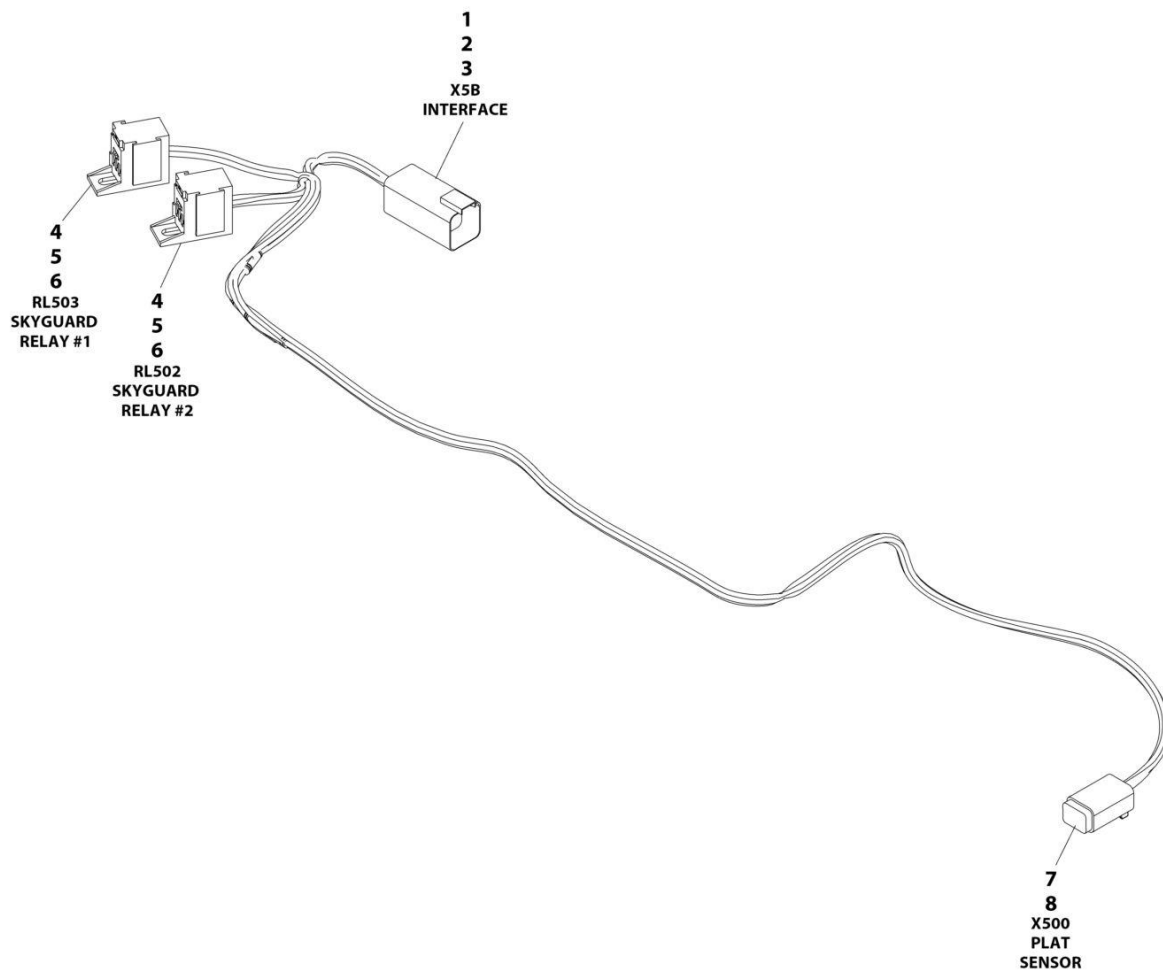
SECTION 8 - ELECTRICAL

FIGURE 8-57. HOUR METER JUMPER HARNESS

ITEM	PART NUMBER	QTY	DESCRIPTION	REV
	1001296426	Ref	HOUR METER JUMPER HARNESS	A
1	4460260	2	Connector	
2	4460899	1	Connector	
3	4460871	1	Socket	

SECTION 8 - ELECTRICAL

FIGURE 8-58. INTERFACE HARNESS - WITH 1 CELL LSS



ART_1001225580_E

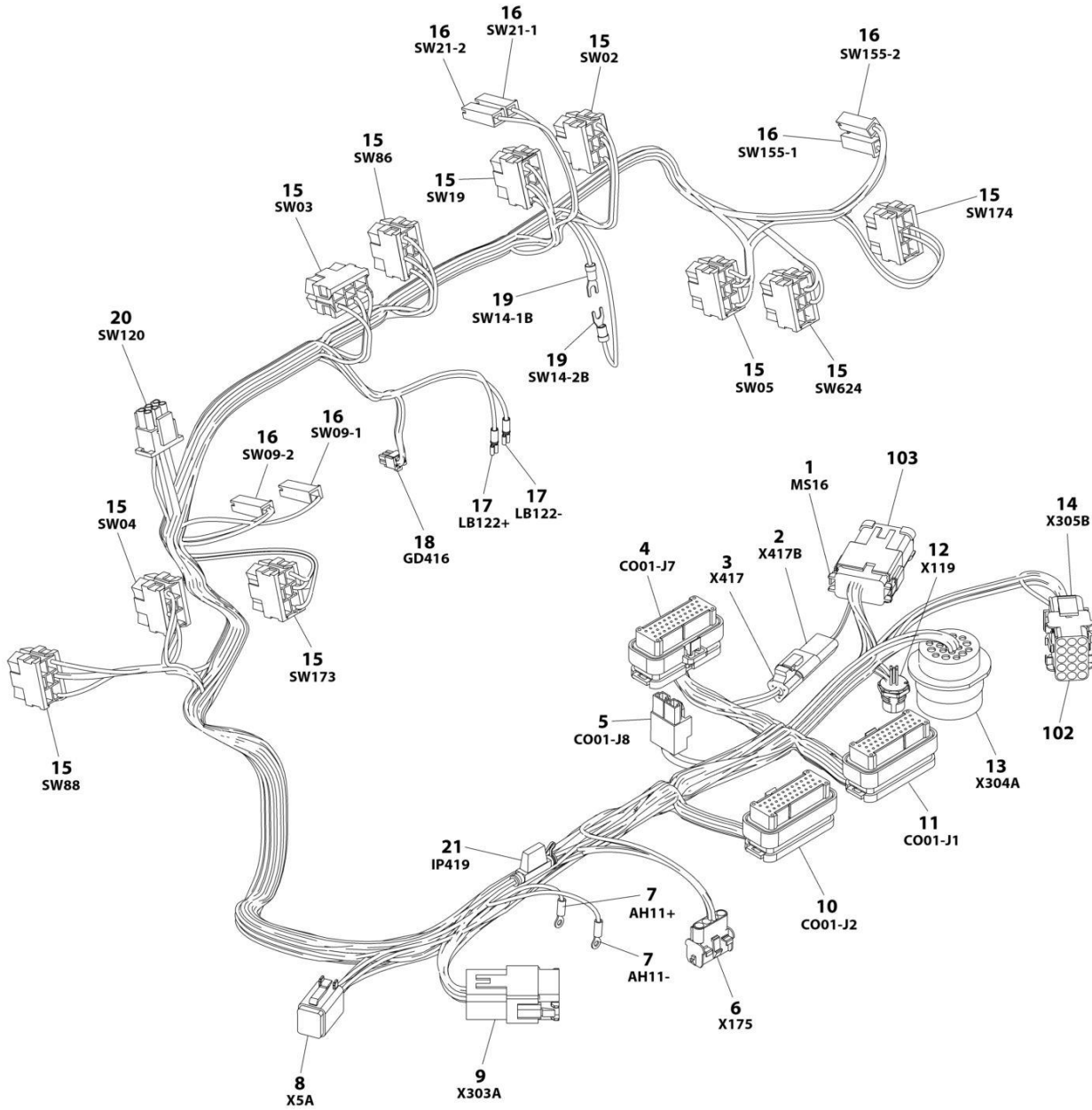
SECTION 8 - ELECTRICAL

FIGURE 8-58. INTERFACE HARNESS - WITH 1 CELL LSS

ITEM	PART NUMBER	QTY	DESCRIPTION	REV
	1001225580	Ref	PLATFORM INTERFACE HARNESS - WITH 1 CELL LSS	E
1	4460899	1	Connector	
2	4460464	4	Terminal	
3	4460466	2	Plug	
4	1001186432	2	Connector	
5	1001253375	4	Terminal	
6	1001104519	4	Terminal	
7	4460884	1	Connector	
8	4460465	4	Terminal	

SECTION 8 - ELECTRICAL

FIGURE 8-59. PLATFORM CONSOLE BOX HARNESS



ART_1001238254

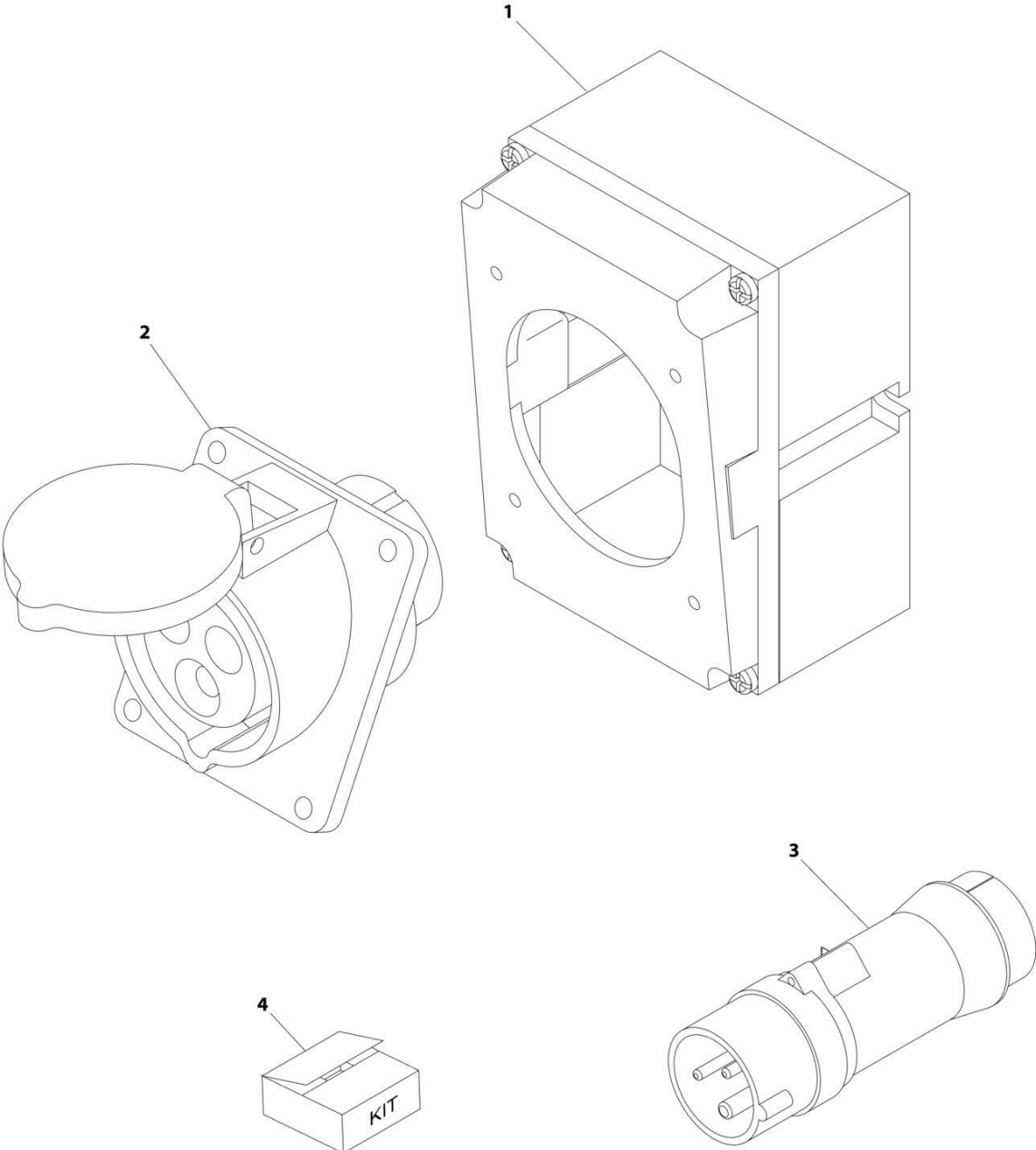
SECTION 8 - ELECTRICAL

FIGURE 8-59. PLATFORM CONSOLE BOX HARNESS

ITEM	PART NUMBER	QTY	DESCRIPTION	REV
	1001238254	Ref	PLATFORM CONSOLE BOX HARNESS	I
1	4460933	1	Plug, Male - 12 Position	
1	4460465	10	Socket, Female	
1	4460466	2	Plug, Terminal	
2	4460536	1	Receptacle, Female - 3 Position	
2	4460464	2	Pin, Male	
2	4460466	1	Plug, Terminal	
3	4460539	1	Plug, Male - 3 Position	
3	4460465	2	Socket, Female	
3	4460466	1	Plug, Terminal	
4	4460873	1	Connector - 35 Position	
4	4460871	21	Socket, Female	
4	4460905	14	Plug, Terminal	
5	4460879	1	Plug, Male - 2 Position	
5	4460887	2	Terminal	
6	4460761	1	Receptacle, Female - 4 Position	
6	4460267	4	Pin, Male	
7	1001098122	2	Terminal, Ring	
8	4460894	1	Plug, Male - 6 Position	
8	4460465	6	Socket, Female	
9	4460970	1	Receptacle, Female - 12 Position	
9	1001116693	11	Pin, Male	
9	4460466	1	Plug, Terminal	
10	4460875	1	Connector - 35 Position	
10	4460871	12	Socket, Female	
10	4460905	23	Plug, Terminal	
11	4460874	1	Connector - 35 Position	
11	4460871	27	Socket, Female	
11	4460905	8	Plug, Terminal	
12	1001213447	1	Connector - 4 Position	
12	See Note	NSS	Terminal (Note: Purchase p/n 1001213447)	
13	4460866	1	Connector - 19 Position	
13	4460464	5	Pin, Male	
13	4460466	11	Plug, Terminal	
13	4460508	1	Pin, Male	
14	4460434	1	Connector - 15 Position	
14	4460267	8	Pin, Male	
15	4460418	10	Connector - 6 Position	
15	4460419	45	Terminal	
16	4460260	6	Housing, Terminal	
16	4460259	8	Terminal	
17	1001271497	2	Terminal	
18	1001237667	1	Plug, Male - 6 Position	
18	1001237668	4	Terminal	
19	4460183	2	Terminal, Fork	
20	4460225	1	Plug, Male - 6 Position	
20	4460227	6	Pin, Male (Note: Used on Pump Potentiometer Connection Only)	
21	2400060	1	Fuse Holder	
102	4460708	1	Connector, Bussbar - 15 Position	
103	1001125677	1	Connector, Bussbar - 12 Position	

SECTION 8 - ELECTRICAL

FIGURE 8-60. RECEPTACLE BOX KIT - 110V IEC YELLOW (CE & UK CA SPEC)



ART_0275216

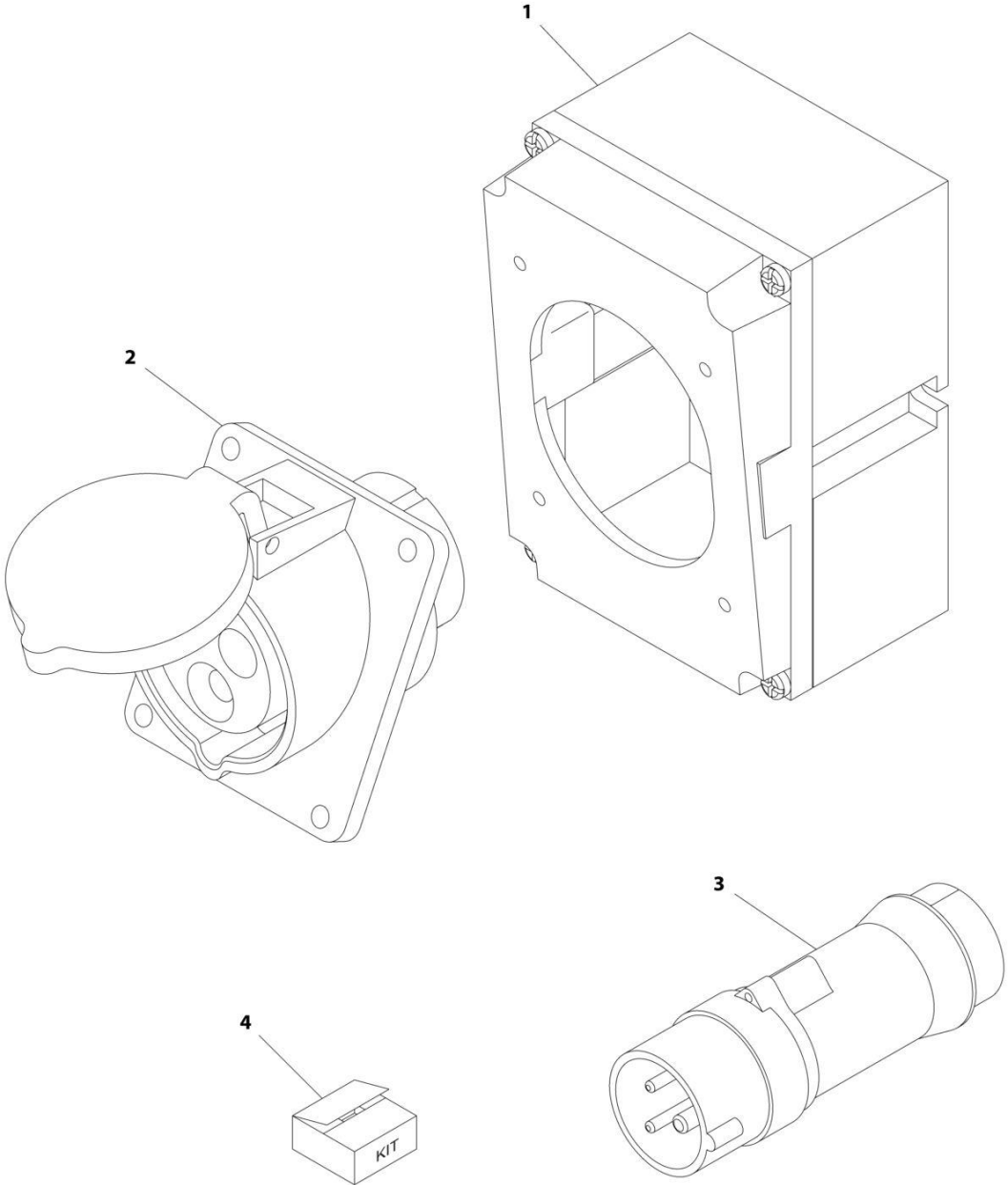
SECTION 8 - ELECTRICAL

FIGURE 8-60. RECEPTACLE BOX KIT - 110V IEC YELLOW (CE & UK CA SPEC)

ITEM	PART NUMBER	QTY	DESCRIPTION	REV
	0275216	Ref	RECEPTACLE BOX KIT - 110V IEC YELLOW	B
1	0861781	1	Box, Switch	
2	4461198	1	Receptacle	
3	4461196	1	Plug, Male	
4	1001100341	1	Plug and Socket Kit (Includes Items 1-3 and Female Plug p/n 4461197)	

SECTION 8 - ELECTRICAL

FIGURE 8-61. RECEPTACLE BOX KIT - 220V IEC BLUE (CE & UK CA SPEC)



ART_0275217

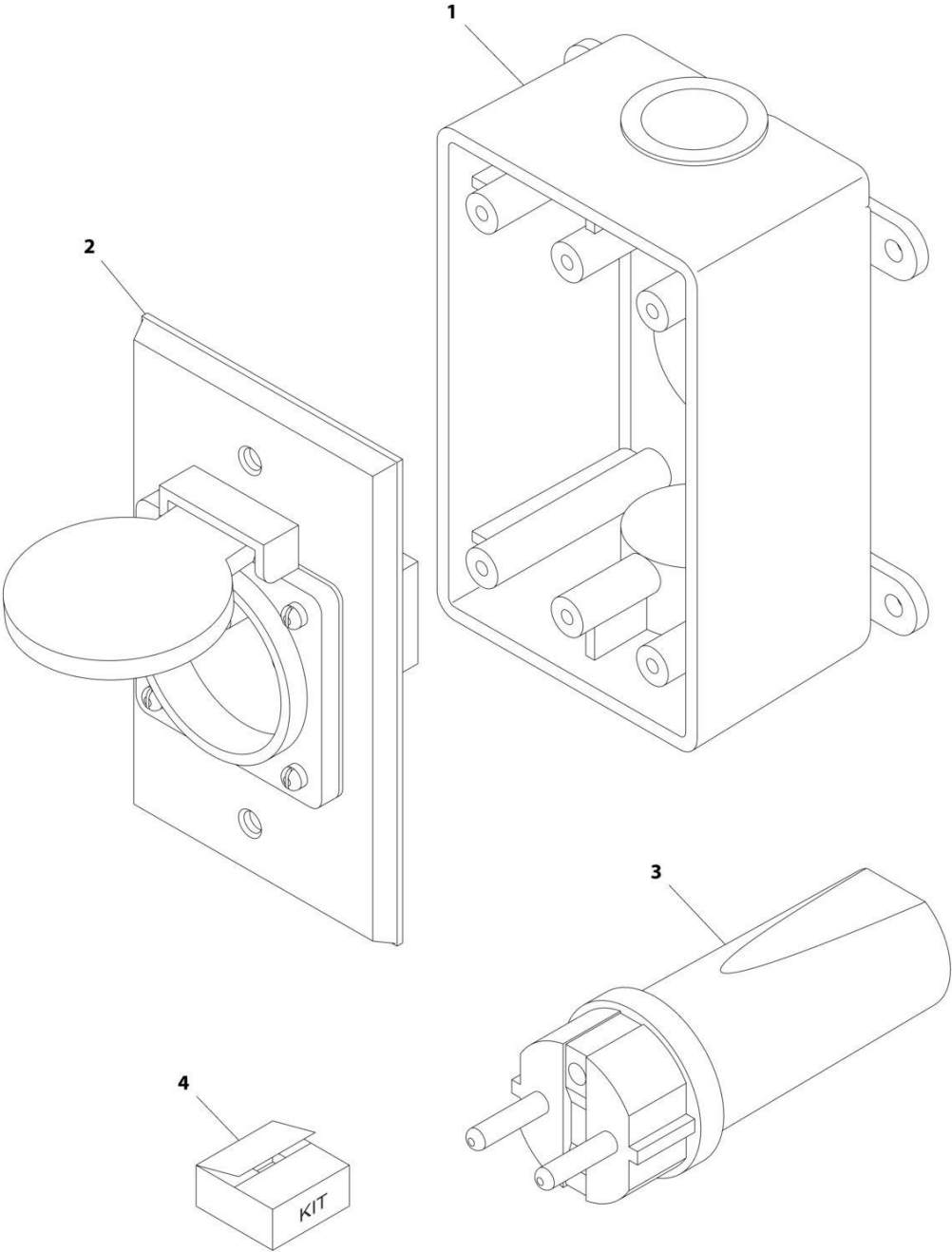
SECTION 8 - ELECTRICAL

FIGURE 8-61. RECEPTACLE BOX KIT - 220V IEC BLUE (CE & UK CA SPEC)

ITEM	PART NUMBER	QTY	DESCRIPTION	REV
	0275217	Ref	RECEPTACLE BOX KIT - 220V IEC BLUE	B
1	0861781	1	Box, Switch	
2	4461201	1	Receptacle	
3	4461199	1	Plug, Male	
4	1001100342	1	Plug and Socket Kit (Includes Items 1-3 and Female Plug p/n 4461200)	

SECTION 8 - ELECTRICAL

FIGURE 8-62. RECEPTACLE BOX KIT - 220V CEE7 POST GROUND 2IN X 4IN (CE & UK CA SPEC)



ART_0275452

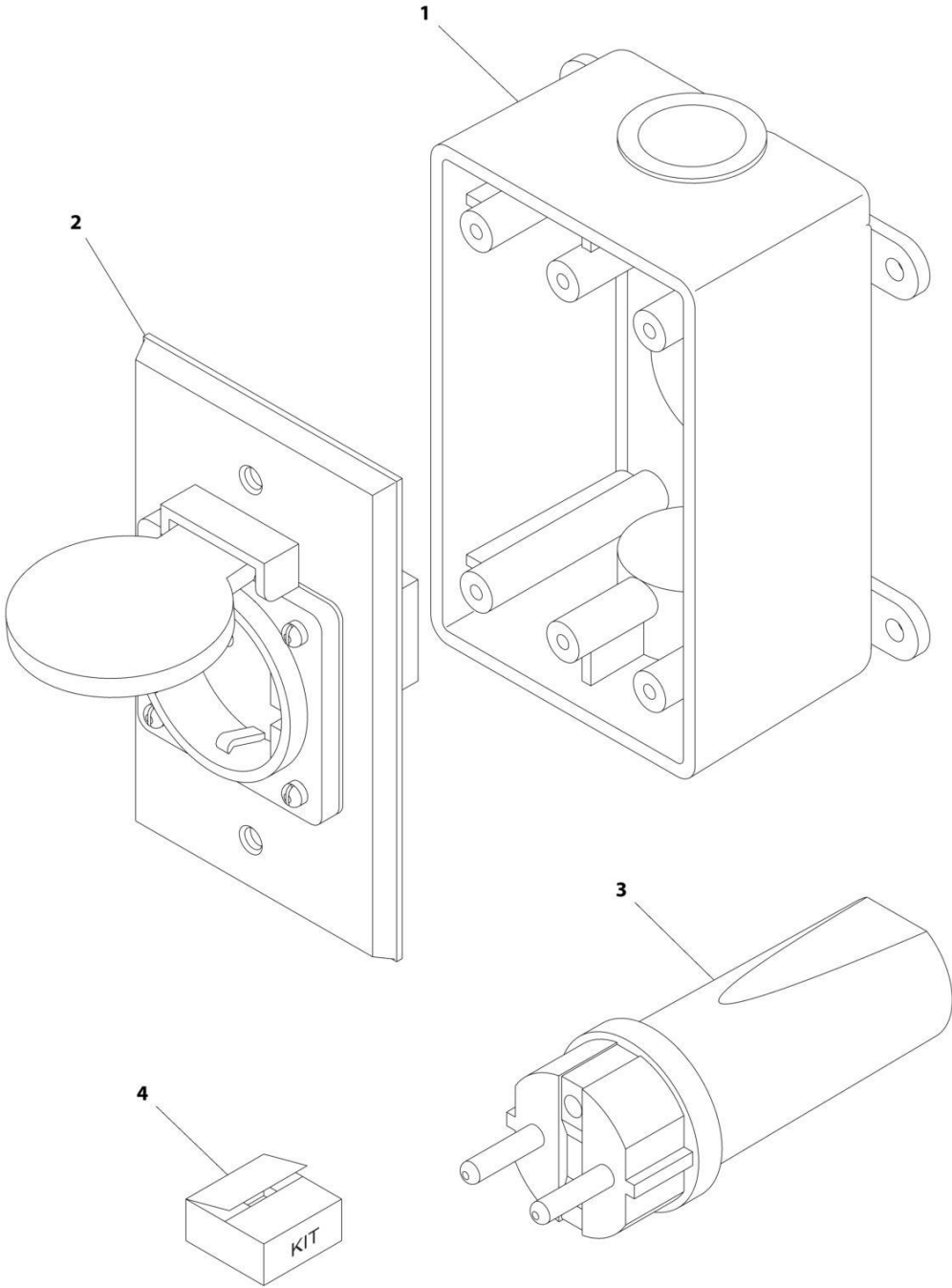
SECTION 8 - ELECTRICAL

FIGURE 8-62. RECEPTACLE BOX KIT - 220V CEE7 POST GROUND 2IN X 4IN (CE & UK CA SPEC)

ITEM	PART NUMBER	QTY	DESCRIPTION	REV
	0275452	Ref	RECEPTACLE BOX KIT - 220V CEE7 POST GROUND	C
1	0861731	1	Box, Switch	
2	4461244	1	Receptacle	
3	4461205	1	Plug, Male	
4	1001100345	1	Plug and Socket Kit (Includes Items 1-3 and Female Plug p/n 4461206)	

SECTION 8 - ELECTRICAL

FIGURE 8-63. RECEPTACLE BOX KIT - 220V CEE7 SIDE GROUND 2IN X 4IN (CE & UK CA SPEC)



ART_0275453

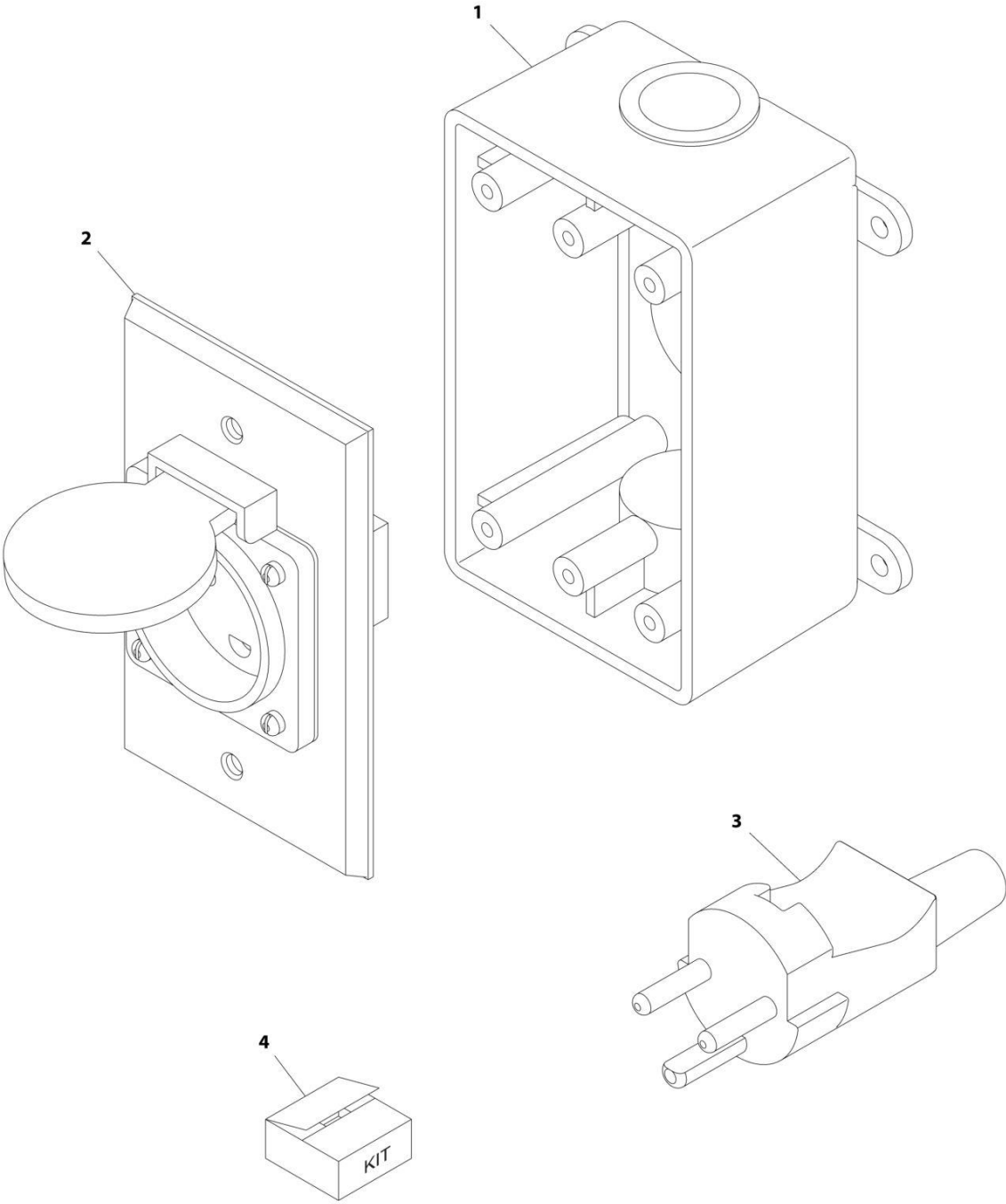
SECTION 8 - ELECTRICAL

FIGURE 8-63. RECEPTACLE BOX KIT - 220V CEE7 SIDE GROUND 2IN X 4IN (CE & UK CA SPEC)

ITEM	PART NUMBER	QTY	DESCRIPTION	REV
	0275453	Ref	RECEPTACLE BOX KIT - 220V CEE7 SIDE GROUND	B
1	0861731	1	Box, Switch	
2	4461245	1	Receptacle	
3	4461205	1	Plug, Male	
4	1001100347	1	Plug and Socket Kit (Includes Items 1-3 and Female Plug p/n 4461206)	

SECTION 8 - ELECTRICAL

FIGURE 8-64. RECEPTACLE BOX KIT - 220V AFSINT 107 (CE & UK CA SPEC)



ART_0275454

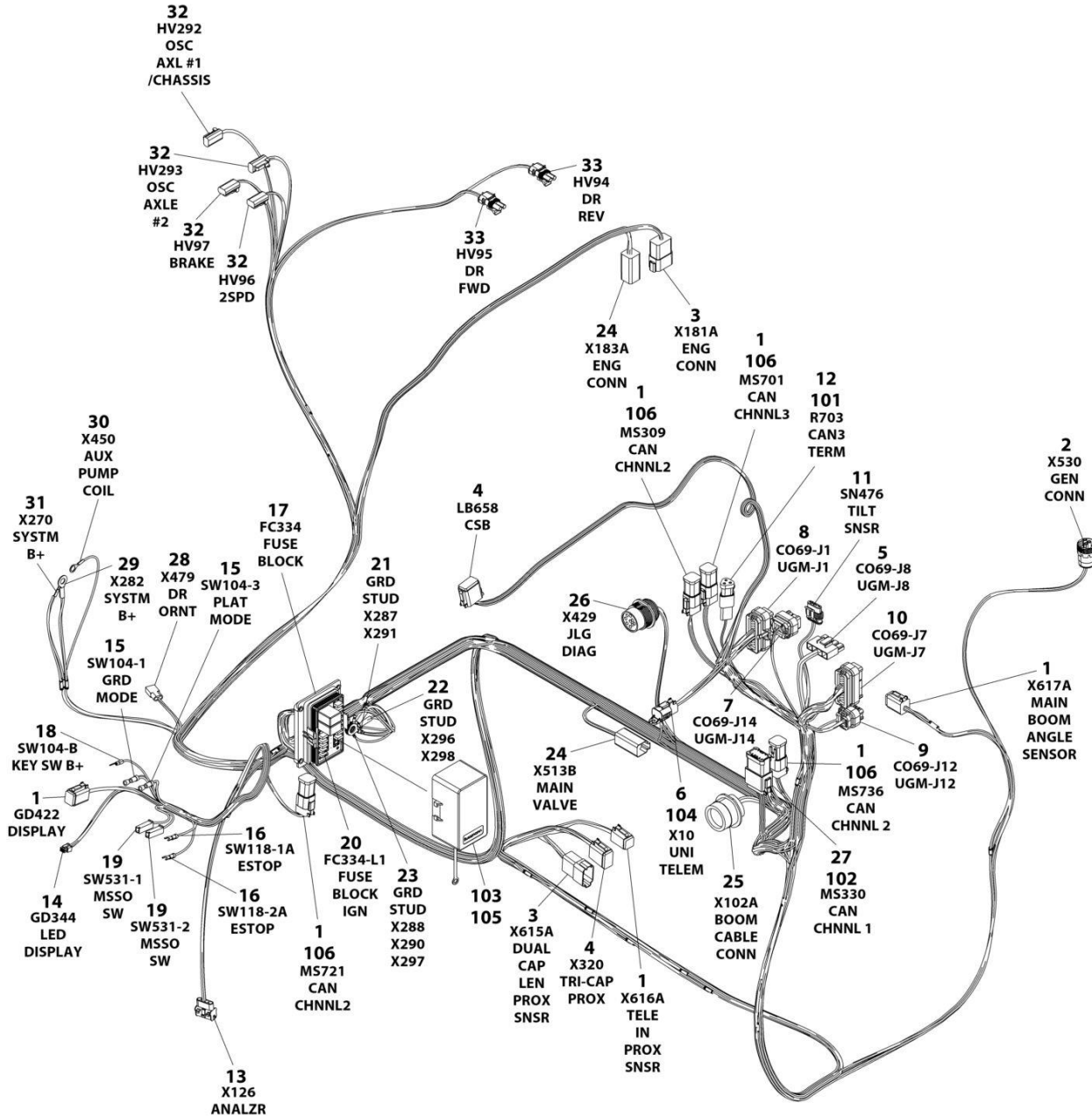
SECTION 8 - ELECTRICAL

FIGURE 8-64. RECEPTACLE BOX KIT - 220V AFSINT 107 (CE & UK CA SPEC)

ITEM	PART NUMBER	QTY	DESCRIPTION	REV
	0275454	Ref	RECEPTACLE BOX KIT - 220V AFSINT 107	B
1	0861731	1	Box, Switch	
2	4461246	1	Receptacle	
3	4461249	1	Plug, Male	
4	1001100346	1	Plug and Socket Kit (Includes Items 1-3 and Female Plug p/n 4461250)	

SECTION 8 - ELECTRICAL

FIGURE 8-65. TURNTABLE HARNESS



ART_1001288194

SECTION 8 - ELECTRICAL

FIGURE 8-65. TURNTABLE HARNESS

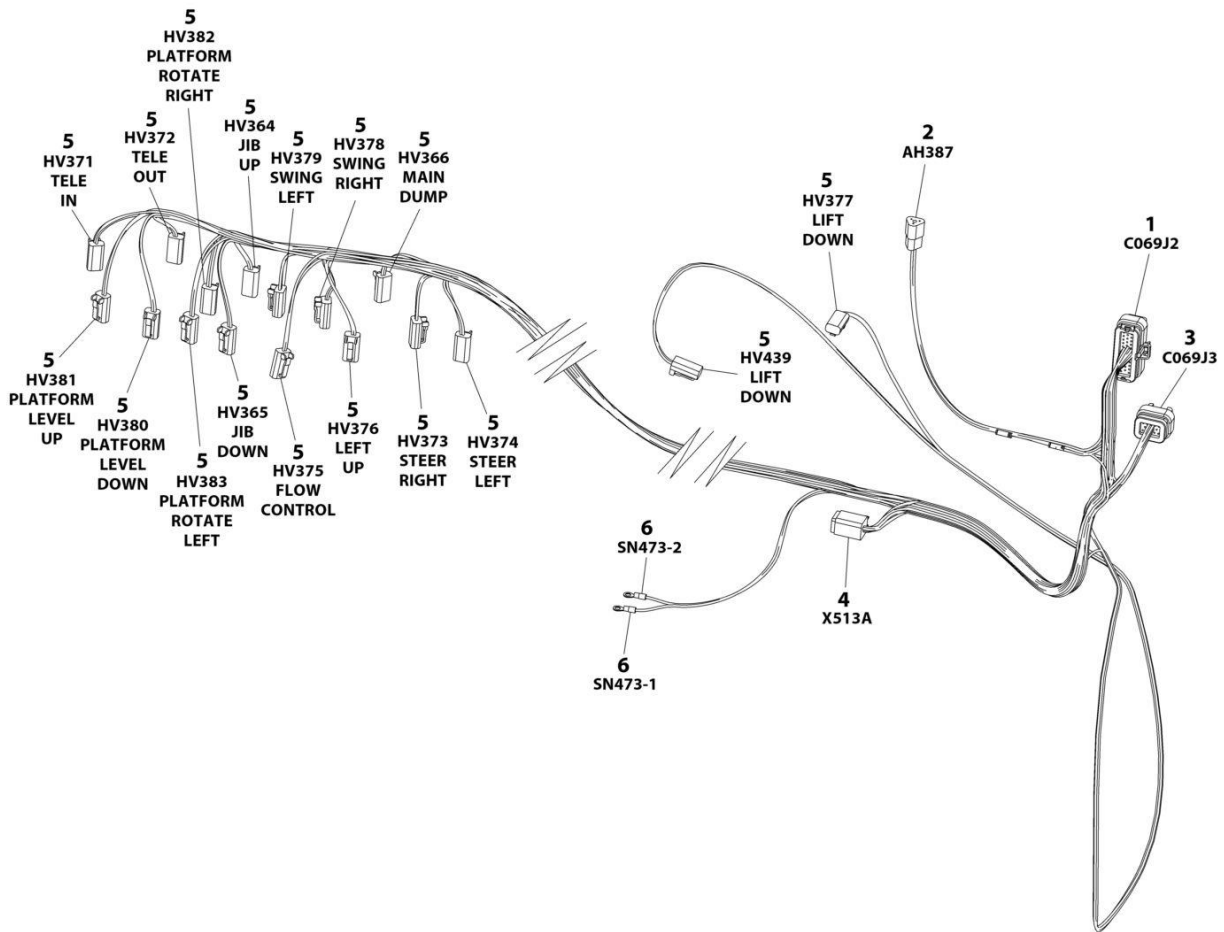
ITEM	PART NUMBER	QTY	DESCRIPTION	REV
	1001288194	Ref	TURNTABLE HARNESS	B
1	4460894	6	Plug, Male - 6 Position	
1	4460465	34	Socket, Female	
1	4460466	2	Plug, Terminal	
2	4460967	1	Connector - 3 Position	
2	4460465	3	Socket, Female	
3	4460931	2	Receptacle, Female - 8 Position	
3	4460464	11	Pin, Male	
3	4460466	5	Plug, Terminal	
4	4460930	2	Plug, Male - 8 Position	
4	4460465	14	Socket, Female	
4	4460466	2	Plug, Terminal	
5	4460878	1	Plug, Male - 4 Position	
5	4460887	2	Terminal	
6	4460884	1	Plug, Male - 4 Position	
6	4460465	4	Socket, Female	
7	1001246859	1	Connector - 14 Position	
7	4460871	4	Socket, Female	
7	4460905	10	Plug, Terminal	
8	4460874	1	Connector - 35 Position	
8	4460871	22	Socket, Female	
8	4460905	13	Plug, Terminal	
9	1001113961	1	Plug, Male - 8 Position	
9	4460871	5	Socket, Female	
9	4460905	3	Plug, Terminal	
10	4460873	1	Connector - 35 Position	
10	4460871	35	Socket, Female	
10	4460905	10	Plug, Terminal	
11	1001103012	1	Plug, Male - 4 Position	
11	1001107854	2	Socket, Female	
11	1001196589	2	Terminal	
11	1001104498	4	Seal, Yellow	
12	1001144147	1	Connector	
12	4460943	2	Terminal	
12	4460466	1	Plug, Terminal	
13	1001119032	1	Receptacle, Female - 4 Position	
13	1001118378	4	Pin, Male	
14	1001237667	1	Plug, Male - 6 Position	
14	1001237668	5	Terminal	
15	4460042	2	Terminal, Fork	
16	4460183	2	Terminal, Fork	
17	1001196602	1	Fuse Box Assembly	
17	1001116725	6	Terminal	
17	8220097	19	Terminal	
17	4460748	10	Plug, Terminal	
17	4460458	19	Seal	
17	80963067	6	Seal	
17	1001196636	2	Connector with Diode	
17	8229244	2	Fuse 15Amp	
17	8229242	7	Fuse 5Amp	

SECTION 8 - ELECTRICAL

ITEM	PART NUMBER	QTY	DESCRIPTION	REV
17	1001196634	2	Fuse - 2 Amp	
17	1001095704	2	Relay 35Amp	
18	4460313	1	Terminal, Fork	
19	4460260	2	Housing, Terminal	
19	4460259	2	Terminal	
20	1001117106	1	Terminal, Ring	
21	1001187078	2	Terminal, Ring	
22	1001117110	2	Terminal, Ring	
23	1001187077	3	Terminal, Ring	
24	4460899	2	Connector - 6 Position	
24	4460464	8	Pin, Male	
24	4460466	4	Plug, Terminal	
25	4460866	1	Connector - 19 Position	
25	4460464	6	Pin, Male	
25	4460508	2	Pin, Male	
25	4460466	11	Plug, Terminal	
26	1001112612	1	Connector - 9 Position	
26	4460464	5	Pin, Male	
26	4460466	4	Plug, Terminal	
27	4460933	1	Plug, Male - 12 Position	
27	4460465	8	Socket, Female	
27	4460466	4	Plug, Terminal	
28	4460424	1	Plug, Male - 2 Position	
28	4460226	2	Socket, Female	
29	8220045	1	Terminal, Ring	
30	4460702	1	Terminal, Ring	
31	4460703	1	Terminal, Ring	
32	4460891	4	Plug, Male - 2 Position	
32	4460465	8	Socket, Female	
33	4460742	2	Plug, Male - 2 Position	
33	4460743	4	Socket, Female	
33	4460458	4	Seal	
101	1001116815	1	Connector - 3 Position	
102	1001125677	2	Bussbar - 12 Position	
103	1001190921	1	Seal, Cover	
104	1001192401	1	Cap, Dust	
105	1001196604	1	Cover, Fuse Box	
106	1001226541	1	Bussbar - 6 Position	

SECTION 8 - ELECTRICAL

FIGURE 8-66. VALVE HARNESS - MAIN VALVE - 400S & 460SJ



ART_1001238160

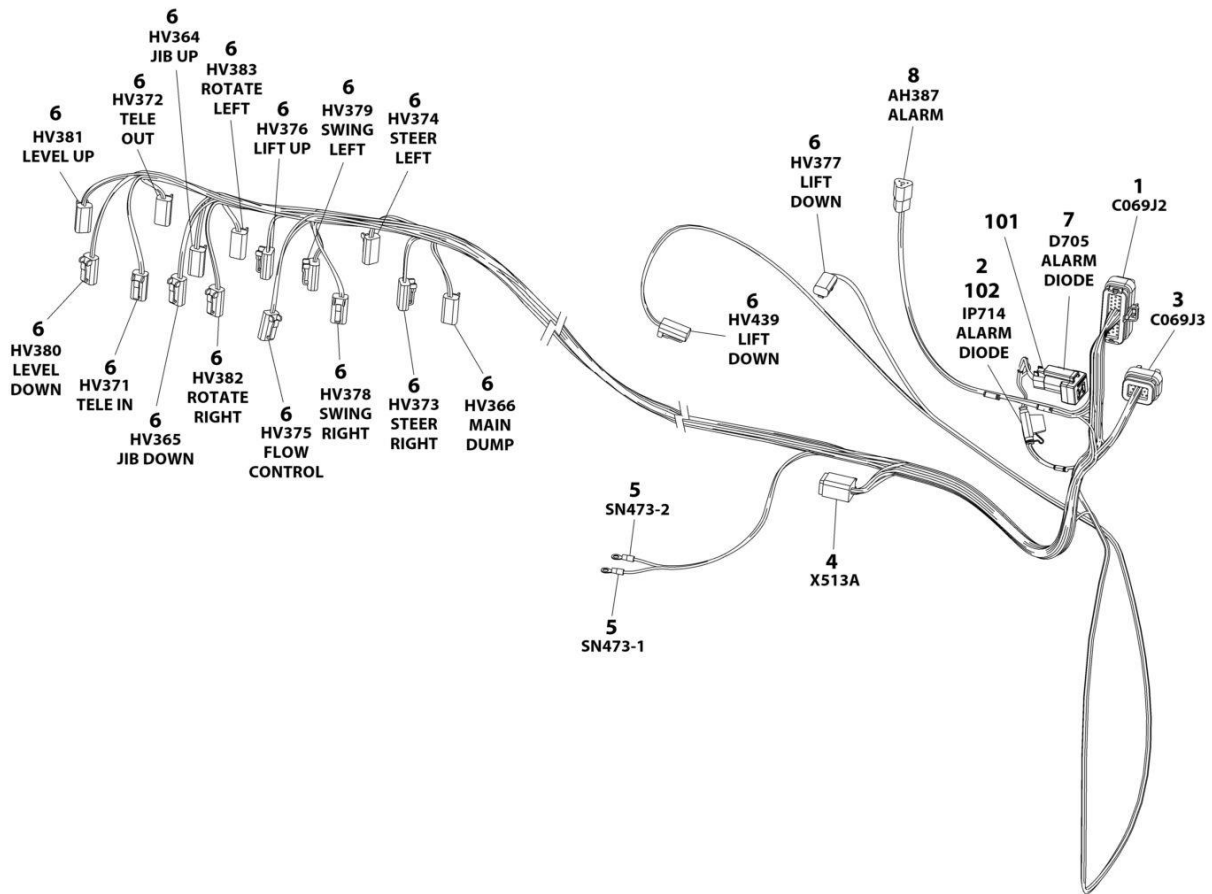
SECTION 8 - ELECTRICAL

FIGURE 8-66. VALVE HARNESS - MAIN VALVE - 400S & 460SJ

ITEM	PART NUMBER	QTY	DESCRIPTION	REV
	1001238160	Ref	VALVE HARNESS - MAIN VALVE	C
1	4460875	1	Connector - 35 Position	
1	4460871	27	Socket, Female	
1	4460905	8	Plug, Terminal	
2	4460539	1	Plug, Male - 3 Position	
2	4460465	3	Socket, Female	
3	4460872	1	Connector - 14 Position	
3	4460871	8	Socket, Female	
3	4460905	6	Plug, Terminal	
4	4460894	1	Plug, Male - 6 Position	
4	4460465	5	Socket, Female	
4	4460466	1	Plug, Terminal	
5	4460891	17	Plug, Male - 2 Position	
5	4460465	34	Socket, Female	
6	4460313	2	Terminal, Ring	

SECTION 8 - ELECTRICAL

FIGURE 8-67. VALVE HARNESS - MAIN VALVE - 460SJ 1K45FT



ART_1001282532

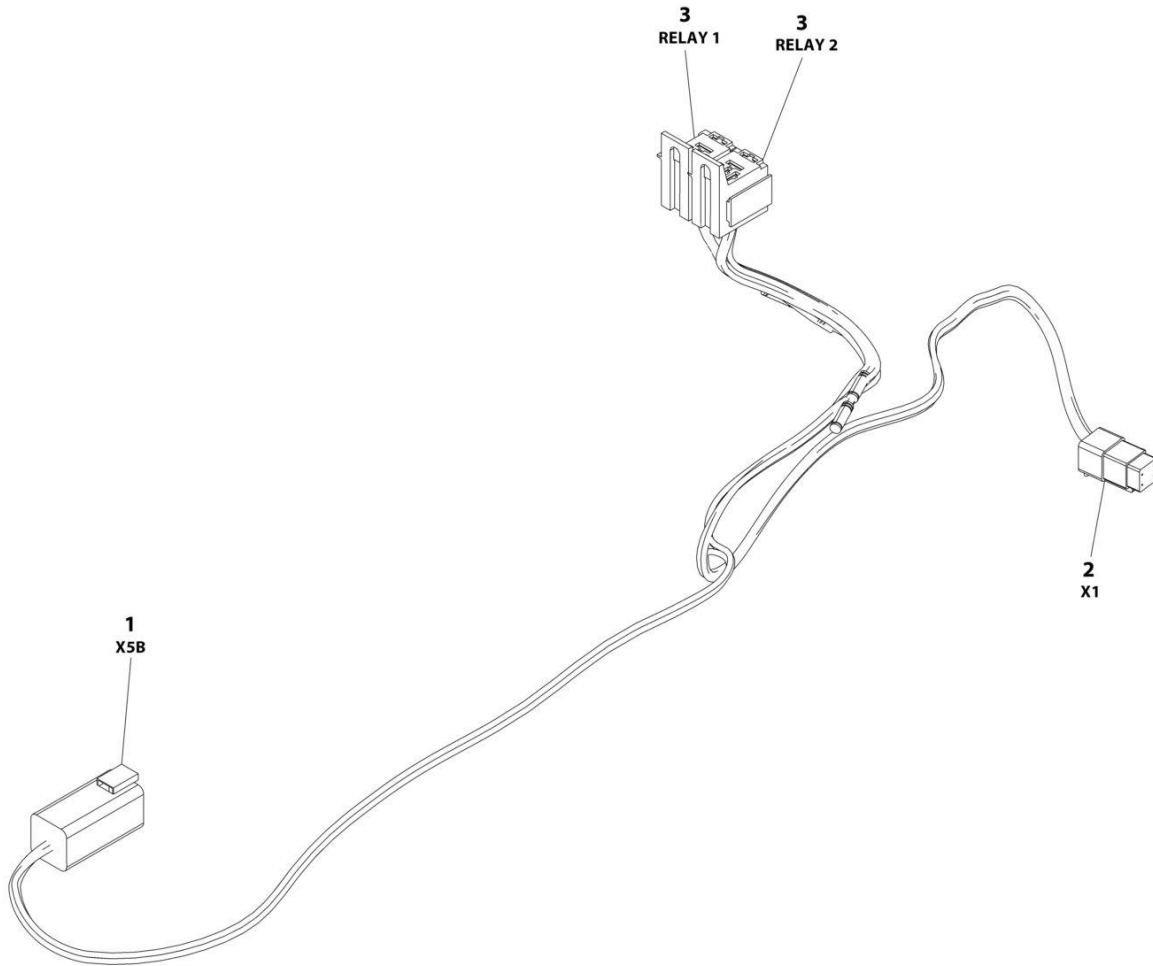
SECTION 8 - ELECTRICAL

FIGURE 8-67. VALVE HARNESS - MAIN VALVE - 460SJ 1K45FT

ITEM	PART NUMBER	QTY	DESCRIPTION	REV
	1001282532	Ref	VALVE HARNESS - MAIN VALVE	A
1	4460875	1	Connector	
1	4460871	27	Socket	
1	4460905	8	Plug, Terminal	
2	1001170764	1	Fuse Holder	
3	4460872	1	Connector	
3	4460871	8	Socket	
3	4460905	6	Plug, Terminal	
4	4460894	1	Connector	
4	4460465	6	Socket	
5	4460313	2	Terminal, Ring	
6	4460891	17	Connector	
6	4460465	34	Socket	
7	4460884	1	Connector	
7	4460465	4	Socket	
8	4460539	1	Connector	
8	4460465	3	Socket	
101	1001152266	1	Connector, Diode	
102	1001196636	1	Diode	

SECTION 8 - ELECTRICAL

FIGURE 8-68. SKYLINE HARNESS



ART_1001238418

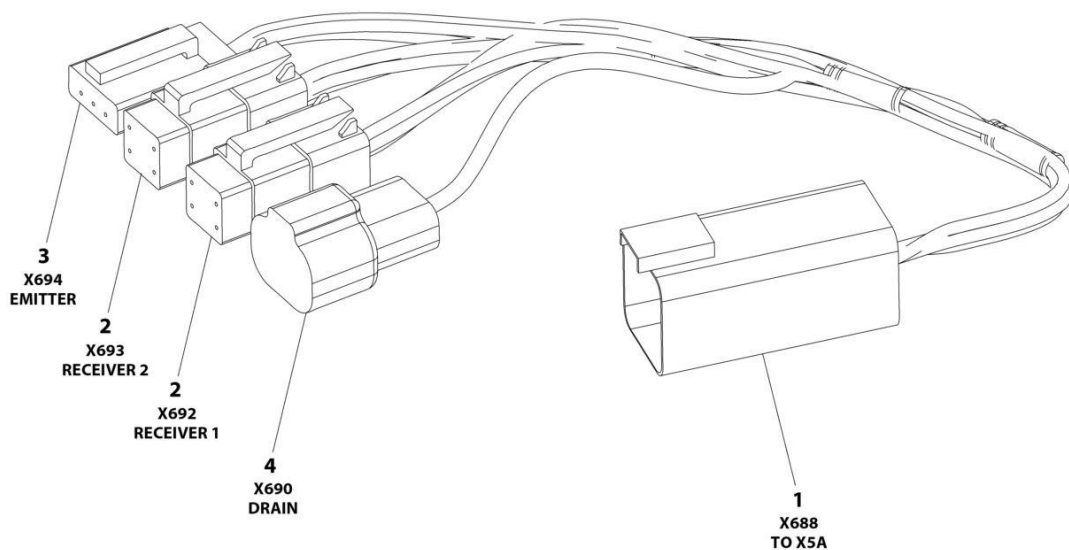
SECTION 8 - ELECTRICAL

FIGURE 8-68. SKYLINE HARNESS

ITEM	PART NUMBER	QTY	DESCRIPTION	REV
	1001238418	Ref	SKYLINE HARNESS	B
1	4460899	1	Connector - 6 Position	
1	4460464	4	Pin, Male	
1	4460466	2	Plug, Terminal	
2	4461077	1	Connector - 4 Position	
2	1001126009	4	Socket, Female	
3	1001186432	2	Plug, Relay	
3	1001118388	5	Terminal	
3	1001118384	3	Terminal	
3	3740086	2	Relay	

SECTION 8 - ELECTRICAL

FIGURE 8-69. SKYEYE INTERMEDIATE HARNESS



ART_1001237865

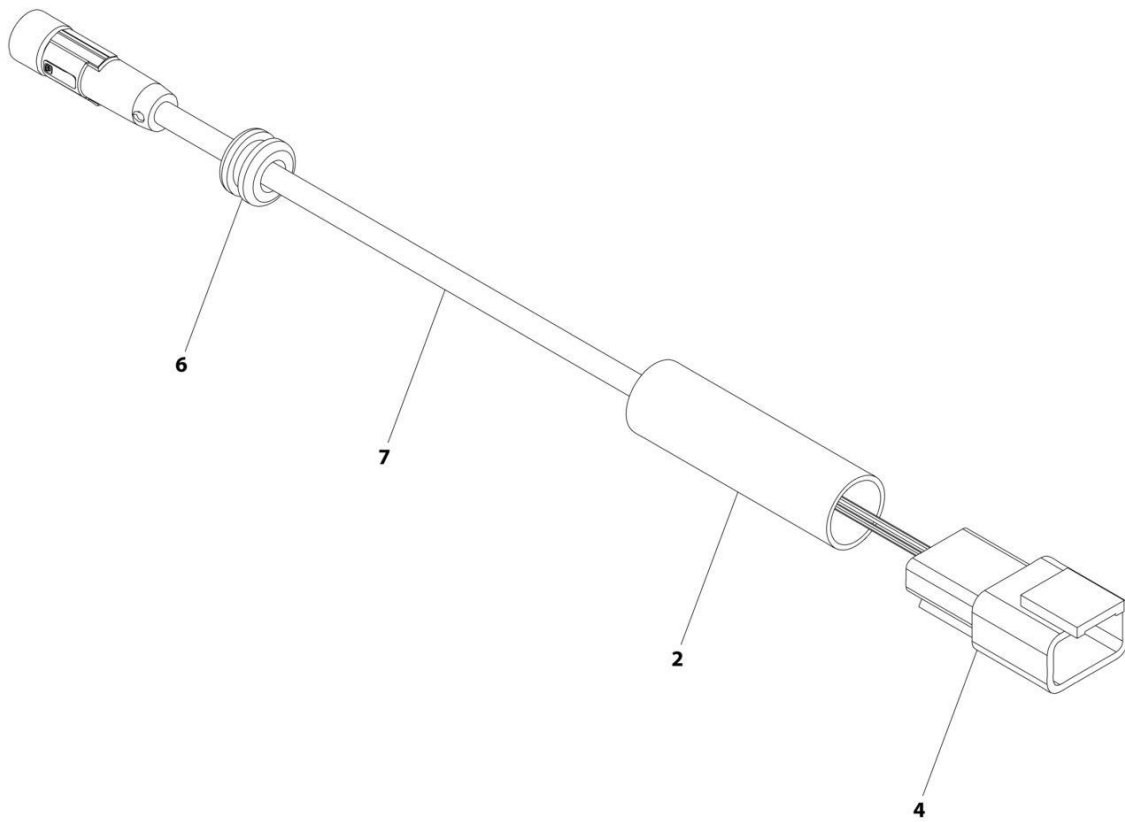
SECTION 8 - ELECTRICAL

FIGURE 8-69. SKYEYE INTERMEDIATE HARNESS

ITEM	PART NUMBER	QTY	DESCRIPTION	REV
	1001237865	Ref	SKYEYE INTERMEDIATE HARNESS	A
1	4460899	1	Connector - 6 Position	
1	4460943	4	Pin, Male	
1	4460466	2	Plug, Terminal	
2	4461077	2	Connector - 4 Position	
2	1001119619	8	Socket, Female	
3	4460911	1	Connector - 3 Position	
3	1001119619	3	Socket, Female	
4	1001187681	1	Connector - 2 Position	
4	4460941	1	Pin, Male	
4	4460466	1	Plug, Terminal	

SECTION 8 - ELECTRICAL

FIGURE 8-70. SKYEYE RECEIVER HARNESS



ART_1001237863_B

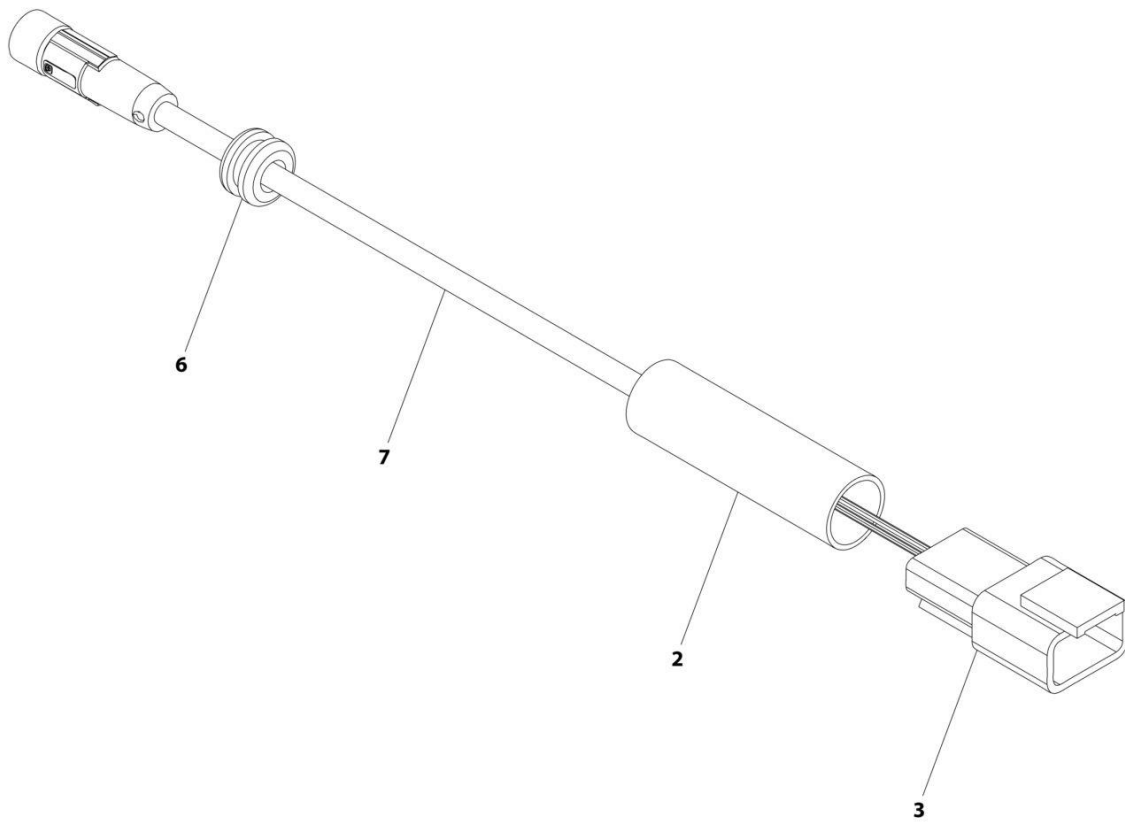
SECTION 8 - ELECTRICAL

FIGURE 8-70. SKYEYE RECEIVER HARNESS

ITEM	PART NUMBER	QTY	DESCRIPTION	REV
	1001237863	Ref	SKYEYE RECEIVER HARNESS	B
2	2820247	AR	Tubing, Heat Shrink	
4	1001097051	1	Connector - 4 Position	
4	1001119620	4	Pin, Male	
6	1001227996	1	Grommet	
7	1001258495	1	Cable, M8 Female Cordset	

SECTION 8 - ELECTRICAL

FIGURE 8-71. SKYEYE EMITTER HARNESS



ART_1001237864_B

SECTION 8 - ELECTRICAL

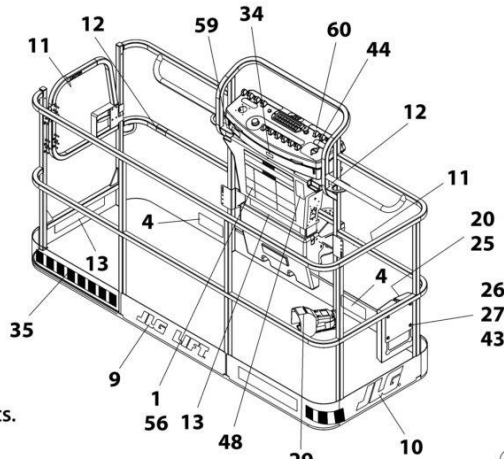
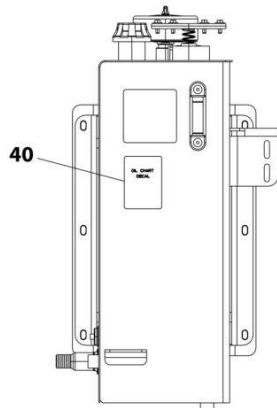
FIGURE 8-71. SKYEYE EMITTER HARNESS

ITEM	PART NUMBER	QTY	DESCRIPTION	REV
	1001237864	Ref	SKYEYE EMITTER HARNESS	B
2	2820247	AR	Tubing, Heat Shrink	
3	4460910	1	Connector - 3 Position	
3	1001119620	3	Pin, Male	
6	1001227996	1	Grommet	
7	1001258495	1	Cable, M8 Female Cordset	

SECTION 9 - DECAL

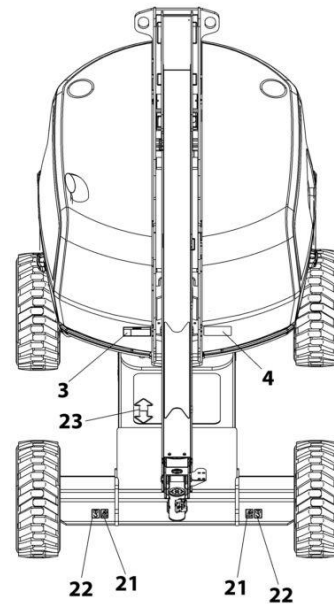
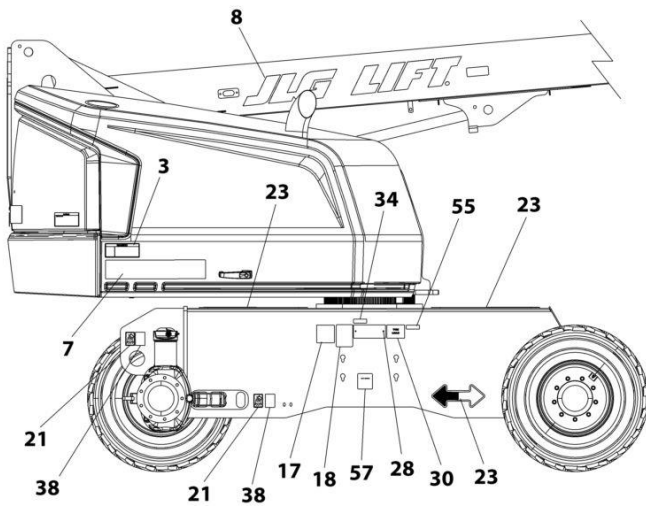
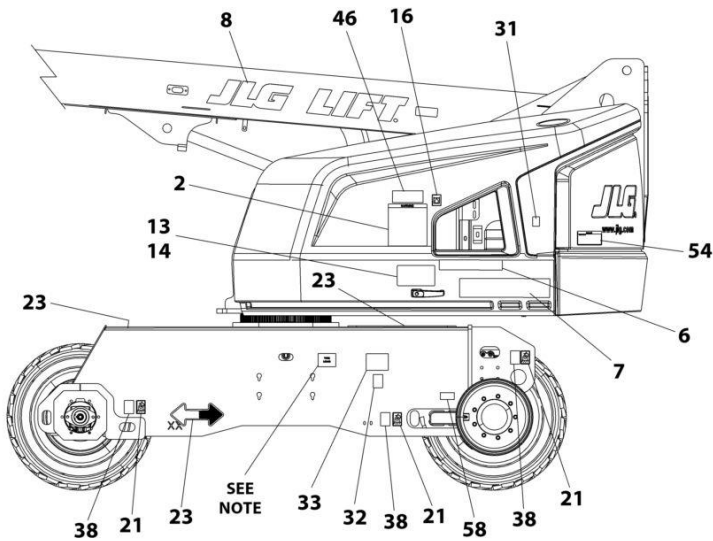
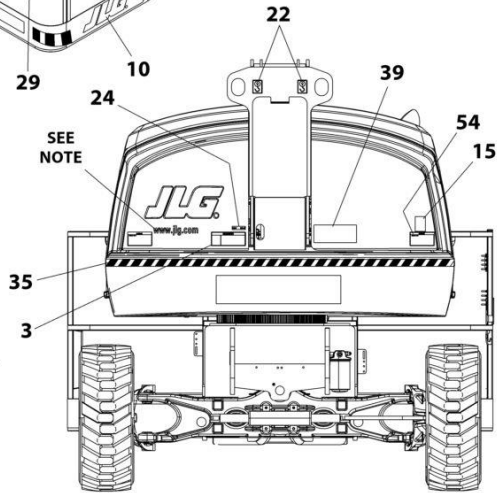
SECTION 9 - DECAL

FIGURE 9-1. DECAL INSTALLATION - ANSI, ANSI EXPORT AND CSA SPECS - ENGLISH (400S)



NOTE: ITEMS SHOWN MAY NOT BE REQUIRED FOR ALL SPECS. REFER TO PART LIST FOR USAGE.

NOTE: ADDITIONAL DECALS ARE CALLED OUT ON DECALS INSTALLATION - OPTIONS.



ART_1001242538

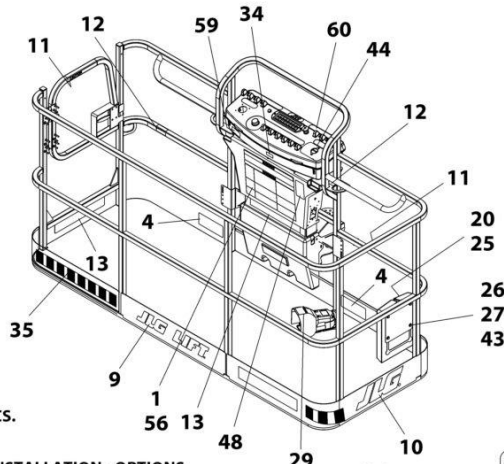
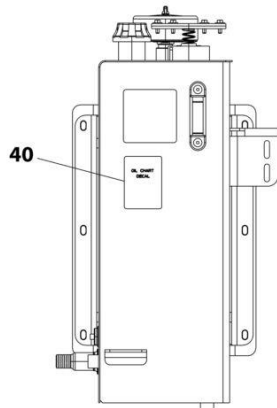
SECTION 9 - DECAL

FIGURE 9-1. DECAL INSTALLATION - ANSI, ANSI EXPORT AND CSA SPECS - ENGLISH (400S)

ITEM	PART NUMBER	QTY	DESCRIPTION	REV
	1001250764	Ref	DECAL INSTALLATION - REFERENCE CHART	J
	1001242538	Ref	DECAL INSTALLATION - ENGLISH (400S)	E
1	1703797	1	Decal - Danger/Warning (Platform)	
2	1703798	1	Decal - Danger/Warning (Ground Control)	
3	1703805	4	Decal - Danger/Electrocution	
4	1703804	4	Decal - Warning Crushing	
11	1702868	2	Decal - No Hands	
13	1001254665	1	Decal - Capacity (Platform)	
14	1001254666	1	Decal - Capacity (Ground Control)	
16	1701504	1	Decal - Hydraulic Oil	
17	See Note	NSS	Decal - Bar Code (Note: Not Available for Purchase)	
18	1001131269	1	Decal - Patent	
20	1701509	1	Decal - Manual	
21	1702300	8	Decal - Tie Down	
22	1701500	4	Decal - Lift	
23	1701529	4	Decal - Arrow	
24	3251243	1	Nameplate - 120V-60Hz	
25	0860520	1	Box, Manual Storage	
26	4751400	4	Washer, 1/4	
27	3311405	4	Nut, Lock 1/4	
28	3820001	2	Rivet	
29	3252347	1	Decal - Footswitch	
38	1701499	6	Decal - No Lift	
40	1704412	1	Decal - Hydraulic Oil Chart	
43	0641406	4	Bolt, 1/4 x 3/4	
44	1705351	1	Decal - Drive/Steer Instructions	
54	1703953	2	Decal - Warning Crushing	
57	1001223055	1	Decal - Yearly Inspection	
58	1001223453	1	Decal - ICES	

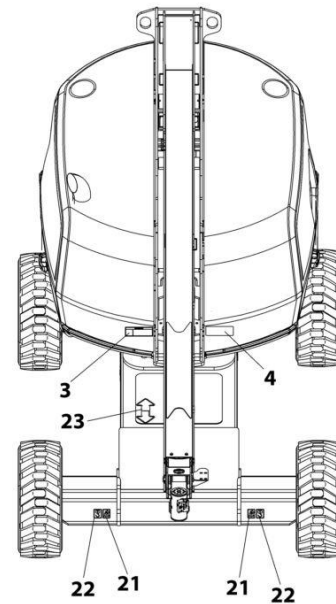
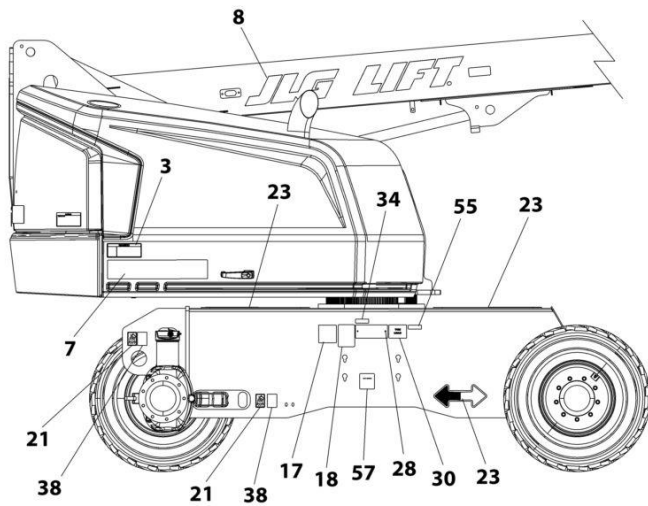
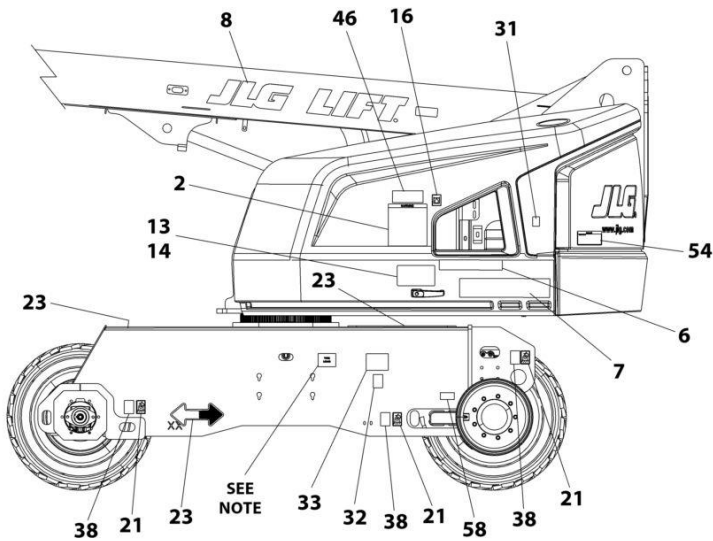
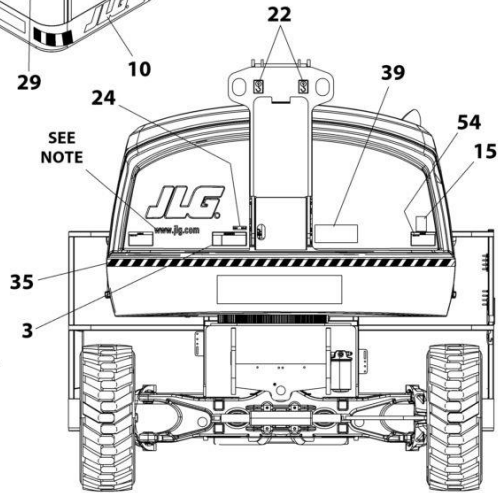
SECTION 9 - DECAL

FIGURE 9-2. DECAL INSTALLATION - ANSI, ANSI EXPORT AND CSA SPECS - ENGLISH (460SJ)



NOTE: ITEMS SHOWN MAY NOT BE REQUIRED FOR ALL SPECS. REFER TO PART LIST FOR USAGE.

NOTE: ADDITIONAL DECALS ARE CALLED OUT ON DECALS INSTALLATION - OPTIONS.



ART_1001242559

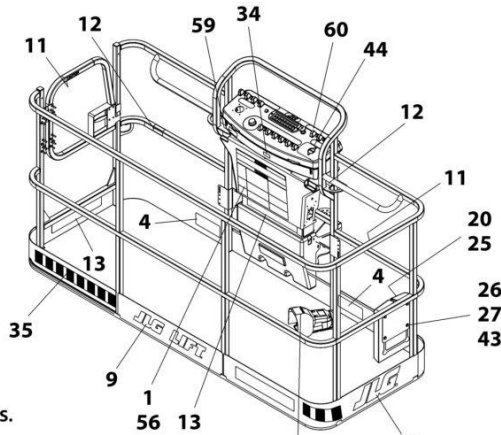
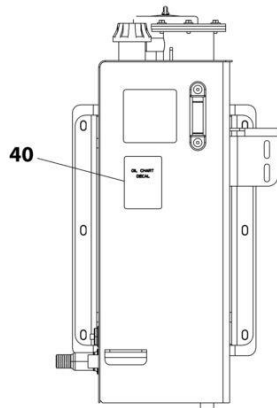
SECTION 9 - DECAL

FIGURE 9-2. DECAL INSTALLATION - ANSI, ANSI EXPORT AND CSA SPECS - ENGLISH (460SJ)

ITEM	PART NUMBER	QTY	DESCRIPTION	REV
	1001250764	Ref	DECAL INSTALLATION - REFERENCE CHART	J
	1001242559	Ref	DECAL INSTALLATION - ENGLISH (460SJ)	E
1	1703797	1	Decal - Danger/Warning (Platform)	
2	1703798	1	Decal - Danger/Warning (Ground Control)	
3	1703805	3	Decal - Danger/Electrocution	
4	1703804	3	Decal - Warning Crushing	
11	1702868	2	Decal - No Hands	
13	1001254750	2	Decal - Warning Dual Capacity (ANSI)	
16	1701504	1	Decal - Hydraulic Oil	
17	See Note	NSS	Decal - Bar Code (Note: Not Available for Purchase)	
18	1001131269	1	Decal - Patent	
20	1701509	1	Decal - Manual	
21	1702300	8	Decal - Tie Down	
22	1701500	4	Decal - Lift	
23	1701529	4	Decal - Arrow	
24	3251243	1	Nameplate - 120V-60Hz	
25	0860520	1	Box, Manual Storage	
26	4751400	4	Washer, 1/4	
27	3311405	4	Nut, Lock 1/4	
28	3820001	2	Rivet	
29	3252347	1	Decal - Footswitch	
38	1701499	6	Decal - No Lift	
40	1704412	1	Decal - Hydraulic Oil Chart	
43	0641406	4	Bolt, 1/4 x 3/4	
44	1705351	1	Decal - Drive/Steer Instructions	
54	1703953	2	Decal - Warning Crushing	
57	1001223055	1	Decal - Yearly Inspection	
58	1001223453	1	Decal - ICES	

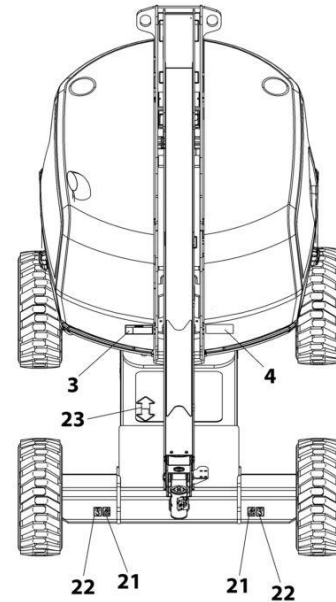
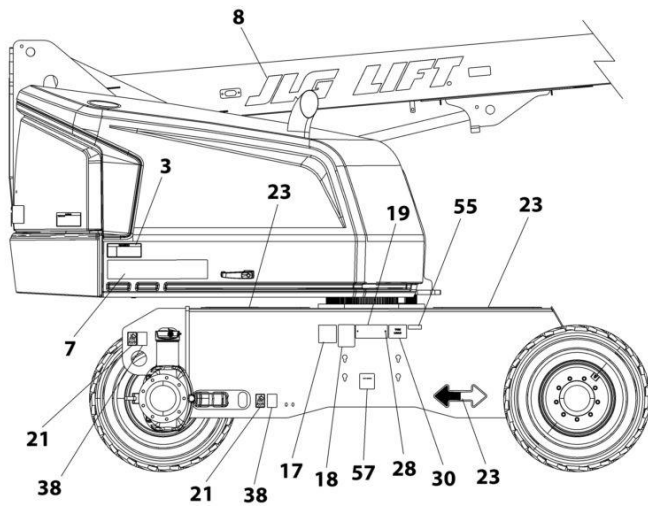
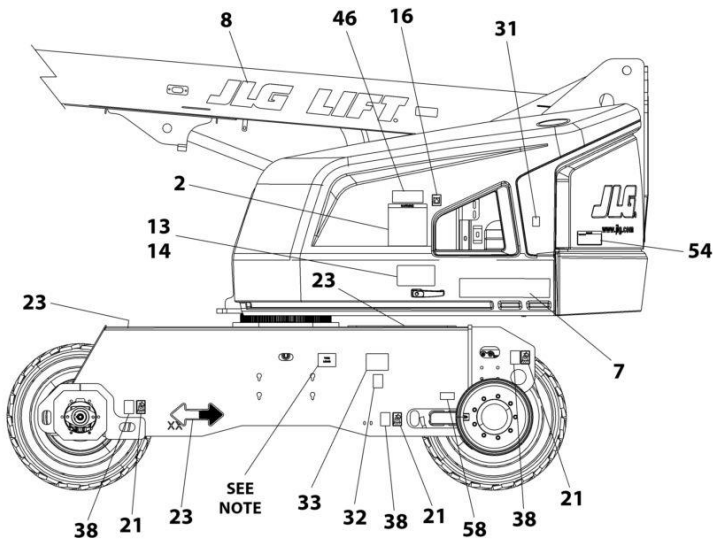
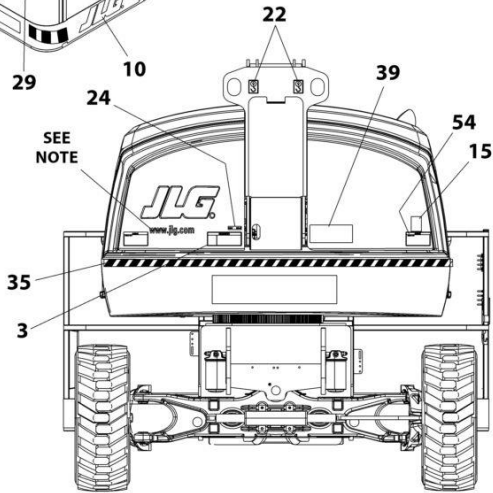
SECTION 9 - DECAL

FIGURE 9-3. DECAL INSTALLATION - ANSI AND CSA SPECS - ENGLISH (460SJ 1K45FT)



NOTE: ITEMS SHOWN MAY NOT BE REQUIRED FOR ALL SPECS. REFER TO PART LIST FOR USAGE.

NOTE: ADDITIONAL DECALS ARE CALLED OUT ON DECALS INSTALLATION - OPTIONS.



ART_1001283568

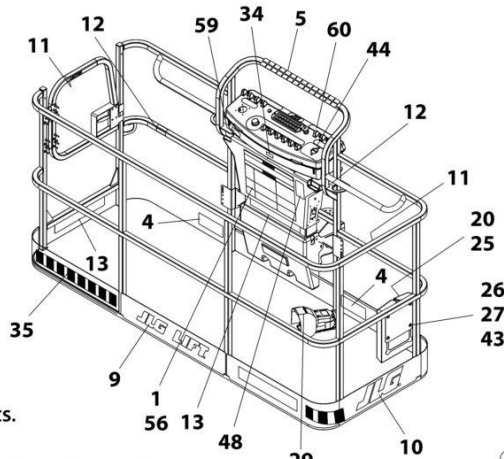
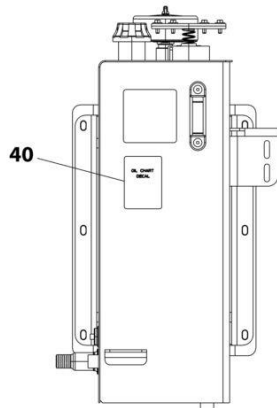
SECTION 9 - DECAL

FIGURE 9-3. DECAL INSTALLATION - ANSI AND CSA SPECS - ENGLISH (460SJ 1K45FT)

ITEM	PART NUMBER	QTY	DESCRIPTION	REV
	1001250764	Ref	DECAL INSTALLATION - REFERENCE CHART	J
	1001283568	Ref	DECAL INSTALLATION - ENGLISH (460SJ 1K45FT)	B
1	1703797	1	Decal - Danger/Warning (Platform)	
2	1703798	1	Decal - Danger/Warning (Ground Control)	
3	1703805	3	Decal - Danger/Electrocution	
4	1703804	3	Decal - Warning Crushing	
11	1702868	2	Decal - No Hands	
12	1704277	3	Decal - Lanyard Attach	
13	1001283463	1	Decal - Warning Capacity (ANSI)	
14	1001283464	1	Decal - Warning Capacity (ANSI)	
16	1701504	1	Decal - Hydraulic Oil	
17	See Note	NSS	Decal - Bar Code (Note: Not Available for Purchase)	
18	1001131269	1	Decal - Patent	
20	1701509	1	Decal - Manual	
21	1702300	8	Decal - Tie Down	
22	1701500	4	Decal - Lift	
23	1701529	4	Decal - Arrow	
24	3251243	1	Nameplate - 120V-60Hz	
25	0860520	1	Box, Manual Storage	
26	4751400	4	Washer 1/4	
27	3311405	4	Nut, Lock 1/4	
28	3820001	2	Rivet	
29	3252347	1	Decal - Footswitch	
38	1701499	6	Decal - No Lift	
40	1704412	1	Decal - Hydraulic Oil Chart	
43	0641406	4	Bolt 1/4 x 3/4	
44	1705351	1	Decal - Drive/Steer Instructions	
54	1703953	2	Decal - Warning Crushing	
57	1001223055	1	Decal - Yearly Inspection	
58	1001223453	1	Decal - ICES	
60	1001184618	1	Decal - Stop & Auxiliary Power	

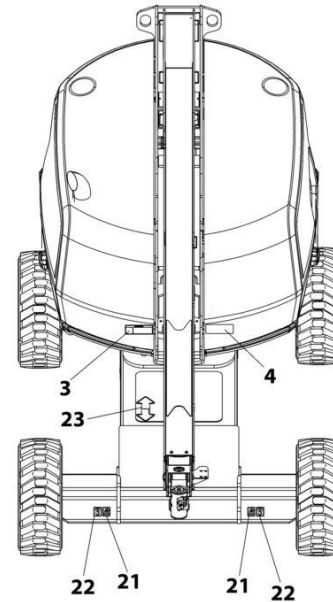
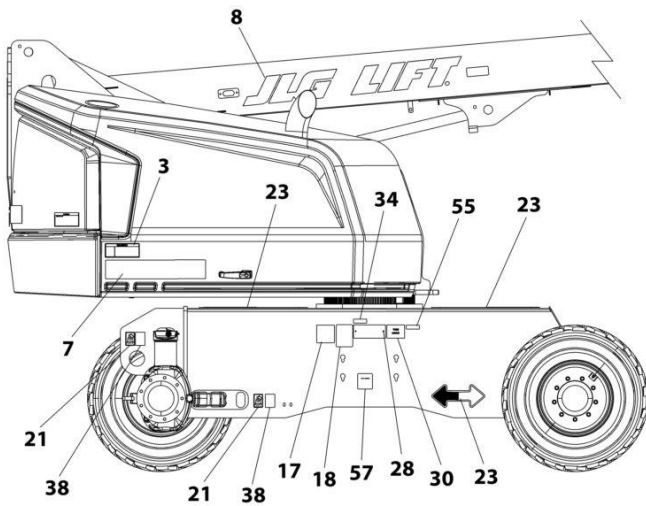
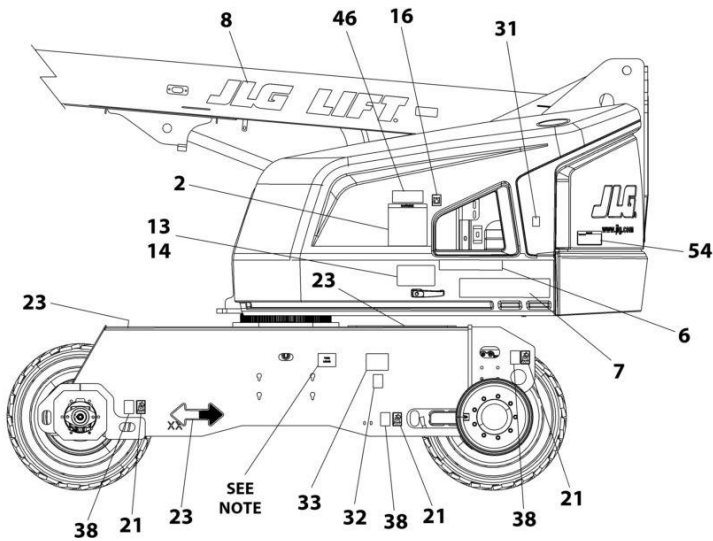
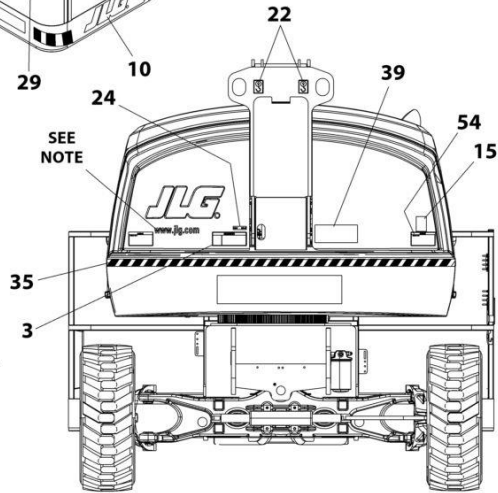
SECTION 9 - DECAL

FIGURE 9-4. DECAL INSTALLATION - AUSTRALIAN SPEC (460SJ)



NOTE: ITEMS SHOWN MAY NOT BE REQUIRED FOR ALL SPECS.
REFER TO PART LIST FOR USAGE.

NOTE: ADDITIONAL DECALS ARE CALLED OUT ON DECALS INSTALLATION - OPTIONS.



ART_1001171382

SECTION 9 - DECAL

FIGURE 9-4. DECAL INSTALLATION - AUSTRALIAN SPEC (460SJ)

ITEM	PART NUMBER	QTY	DESCRIPTION	REV
	1001250764	Ref	DECAL INSTALLATION - REFERENCE CHART	J
	1001171382	Ref	DECAL INSTALLATION - AUSTRALIAN SPEC (460SJ)	H
1	1705921	1	Decal - Tipping/Electrocution (Platform)	
2	1705822	1	Decal - Electrocution/Safety Manual	
3	1705961	3	Decal - Electrocution	
13	1001171339	3	Decal - Capacity (Platform)	
15	1001204510	1	Decal - Sound Power Level	
16	1701504	1	Decal - Hydraulic Oil	
17	See Note	NSS	Decal - Bar Code (Note: Not Available for Purchase)	
20	1701509	1	Decal - Manual	
21	1702300	8	Decal - Tie Down	
22	1701500	4	Decal - Lift	
23	1701529	4	Decal - Arrow	
25	0860520	1	Box, Manual Storage	
26	4751400	4	Washer, 1/4	
27	3311405	4	Nut, Lock 1/4	
28	3820001	2	Rivet	
29	1705828	1	Decal - Footswitch	
38	1701499	6	Decal - No Lift	
40	1704412	1	Decal - Hydraulic Oil Chart	
43	0641406	4	Bolt, 1/4 x 3/4	
46	1001112551	1	Decal - Emergency Controls	
54	1701518	5	Decal - Warning Crushing	

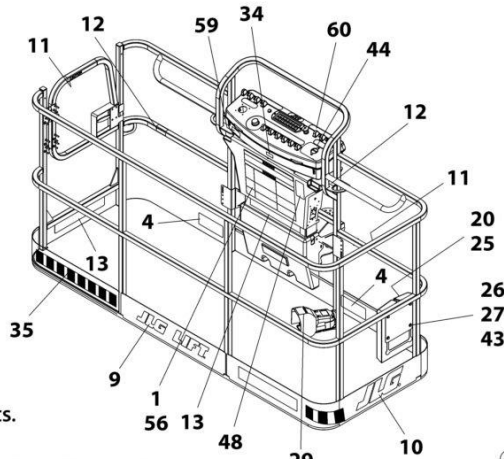
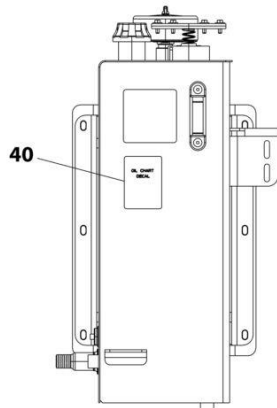
SECTION 9 - DECAL

FIGURE 9-5. DECAL INSTALLATION - CE & UK CA SPEC (460SJ)

ITEM	PART NUMBER	QTY	DESCRIPTION	REV
	1001217488	Ref	DECAL INSTALLATION - REFERENCE CHART (TURNTABLE)	E
	1001171368	Ref	DECAL INSTALLATION - CE & UK CA Spec (460SJ)	L
1	1705921	1	Decal - Tipping/Electrocution (Platform)	
2	1705822	1	Decal - Electrocution/Safety Manual	
3	1705961	3	Decal - Electrocution	
8	1001159323	1	Decal - JLG 8 in Black	
10	1702773	1	Decal - JLG 5	
13	1001171339	2	Decal - Capacity (Platform)	
16	1701504	1	Decal - Hydraulic Oil	
17	See Note	NSS	Decal - Bar Code (Note: Not Available for Purchase)	
20	1701509	1	Decal - Manual	
21	1702300	8	Decal - Tie Down	
22	1701500	4	Decal - Lift	
23	1701529	4	Decal - Arrow	
25	0860520	1	Box, Manual Storage	
26	4751400	4	Washer, 1/4	
27	3311405	4	Nut, Lock 1/4	
28	3820001	2	Rivet	
29	1705828	1	Decal - Footswitch	
38	1701499	6	Decal - No Lift	
40	1704412	1	Decal - Hydraulic Oil Chart	
43	0641406	4	Bolt, 1/4 x 3/4	
46	1001189882	1	Decal - MSSO	
54	1701518	5	Decal - Warning Crushing	
100	1001232066	1	Decal - Platform Lanyard Kit (Not Shown)	
101	1704277	3	Decal - Attach Lanyard Here	

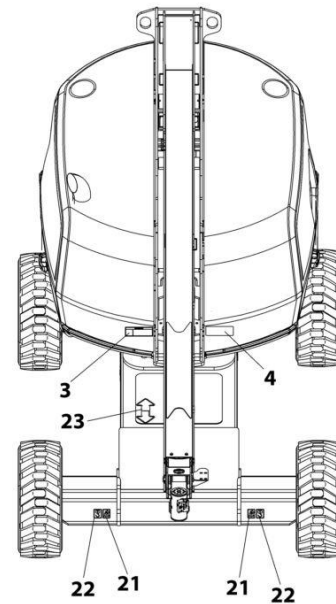
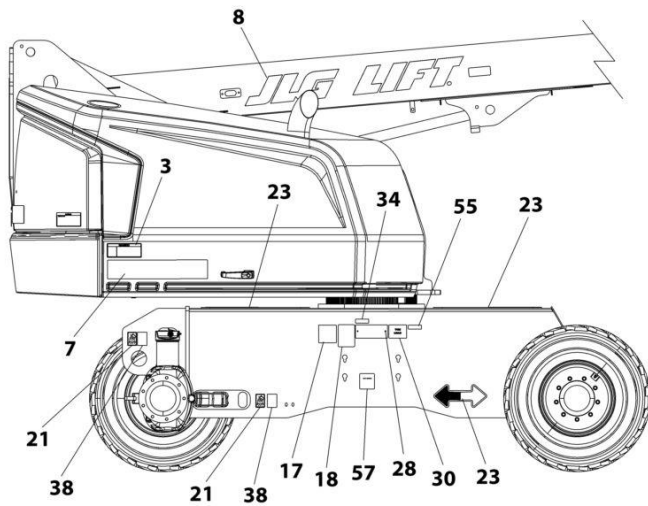
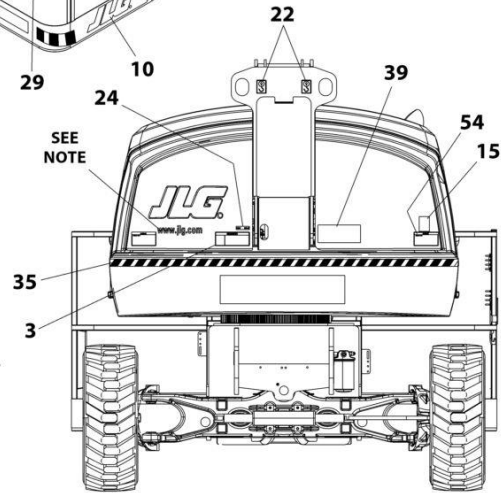
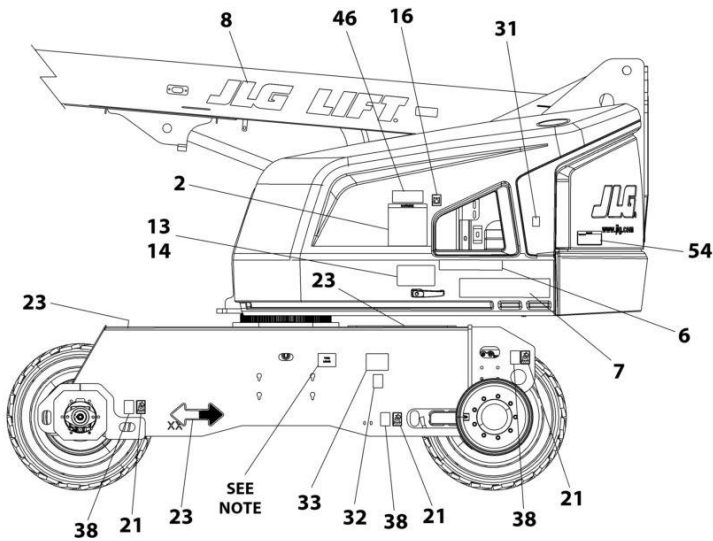
SECTION 9 - DECAL

FIGURE 9-6. INSTALLATION - BRAZIL SPEC (DUAL LANGUAGE - PORTUGUESE/SPANISH) (400S)



NOTE: ITEMS SHOWN MAY NOT BE REQUIRED FOR ALL SPECS. REFER TO PART LIST FOR USAGE.

NOTE: ADDITIONAL DECALS ARE CALLED OUT ON DECALS INSTALLATION - OPTIONS.



ART_1001242571_E

SECTION 9 - DECAL

FIGURE 9-6. INSTALLATION - BRAZIL SPEC (DUAL LANGUAGE - PORTUGUESE/SPANISH) (400S)

ITEM	PART NUMBER	QTY	DESCRIPTION	REV
	1001250764	Ref	DECAL INSTALLATION - REFERENCE CHART	J
	1001242571	Ref	DECAL INSTALLATION - BRAZIL SPEC (DUAL LANGUAGE - PORTUGUESE/SPANISH) (400S)	E
1	1703928	1	Decal - Danger/Warning (Platform)	
2	1703934	1	Decal - Danger/Warning (Ground Control)	
3	1703940	3	Decal - Danger/Electrocution	
4	1703952	3	Decal - Warning Crushing	
11	1704002	2	Decal - No Hands	
13	1001254673	1	Decal - Warning Dual Capacity	
14	1001254674	1	Decal - Warning Dual Capacity	
16	1701504	1	Decal - Hydraulic Oil	
17	See Note	NSS	Decal - Bar Code (Note: Not Available for Purchase)	
20	1701509	1	Decal - Manual	
21	1702300	8	Decal - Tie Down	
22	1701500	4	Decal - Lift	
23	1701529	4	Decal - Arrow	
24	3251243	1	Nameplate - 120V-60Hz	
25	0860520	1	Box, Manual Storage	
26	4751400	4	Washer, 1/4	
27	3311405	4	Nut, Lock 1/4	
28	3820001	2	Rivet	
29	1703985	1	Decal - Footswitch	
38	1701499	6	Decal - No Lift	
40	1704412	1	Decal - Hydraulic Oil Chart	
43	0641406	4	Bolt, 1/4 x 3/4	
44	1001113680	1	Decal - Drive/Steer Instruction	
54	1703946	2	Decal - Warning Crushing	
57	1001224052	1	Decal - Yearly Inspection	

SECTION 9 - DECAL

FIGURE 9-7. DECAL INSTALLATION - BRAZIL SPEC (DUAL LANGUAGE - PORTUGUESE/SPANISH) (460SJ)

ITEM	PART NUMBER	QTY	DESCRIPTION	REV
	1001250764	Ref	DECAL INSTALLATION - REFERENCE CHART	J
	1001242572	Ref	DECAL INSTALLATION - BRAZIL SPEC (DUAL LANGUAGE - PORTUGUESE/SPANISH) (460SJ)	E
1	1703928	1	Decal - Danger/Warning (Platform)	
2	1703934	1	Decal - Danger/Warning (Ground Control)	
3	1703940	3	Decal - Danger/Electrocution	
4	1703952	3	Decal - Warning Crushing	
11	1704002	2	Decal - No Hands	
13	1001254754	2	Decal - Capacity	
16	1701504	1	Decal - Hydraulic Oil	
17	See Note	NSS	Decal - Bar Code (Note: Not Available for Purchase)	
20	1701509	1	Decal - Manual	
21	1702300	8	Decal - Tie Down	
22	1701500	4	Decal - Lift	
23	1701529	4	Decal - Arrow	
24	3251243	1	Nameplate - 120V-60Hz	
25	0860520	1	Box, Manual Storage	
26	4751400	4	Washer, 1/4	
27	3311405	4	Nut, Lock 1/4	
28	3820001	2	Rivet	
29	1703985	1	Decal - Footswitch	
38	1701499	6	Decal - No Lift	
40	1704412	1	Decal - Hydraulic Oil Chart	
43	0641406	4	Bolt, 1/4 x 3/4	
44	1001113680	1	Decal - Drive/Steer Instruction	
54	1703946	2	Decal - Warning Crushing	
57	1001224052	1	Decal - Yearly Inspection	

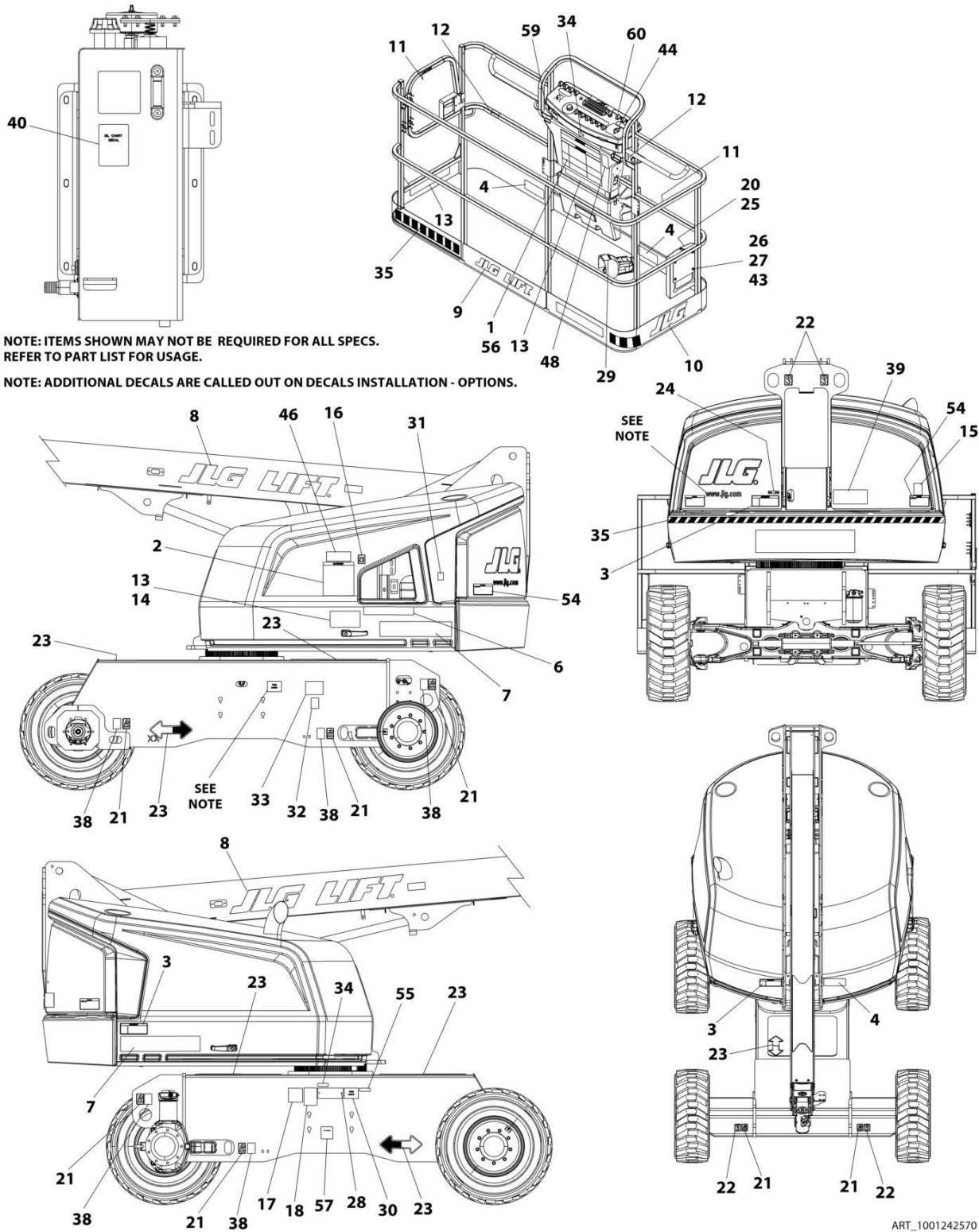
SECTION 9 - DECAL

**FIGURE 9-8. DECAL INSTALLATION - CHINESE SPEC (DUAL LANGUAGE - ENGLISH/CHINESE)
(400S)**

ITEM	PART NUMBER	QTY	DESCRIPTION	REV
	1001250764	Ref	DECAL INSTALLATION - REFERENCE CHART	J
	1001242569	Ref	DECAL INSTALLATION - CHINESE SPEC (DUAL LANGUAGE - ENGLISH/CHINESE) (400S)	D
1	1703925	1	Decal - Danger/Warning (Platform)	
2	1703931	1	Decal - Danger/Warning (Ground Control)	
3	1703937	3	Decal - Danger/Electrocution	
4	1703949	3	Decal - Warning Crushing	
13	1001254671	1	Decal - Warning Dual Capacity	
14	1001254672	1	Decal - Warning Dual Capacity	
16	1701504	1	Decal - Hydraulic Oil	
17	See Note	NSS	Decal - Bar Code (Note: Not Available for Purchase)	
20	1701509	1	Decal - Manual	
21	1702300	8	Decal - Tie Down	
22	1701500	4	Decal - Lift	
23	1701529	4	Decal - Arrow	
25	0860520	1	Box, Manual Storage	
26	4751400	4	Washer, 1/4	
27	3311405	4	Nut, Lock 1/4	
28	3820001	2	Rivet	
29	1703982	1	Decal - Footswitch	
38	1701499	6	Decal - No Lift	
40	1704412	1	Decal - Hydraulic Oil Chart	
43	0641406	4	Bolt, 1/4 x 3/4	
44	1705430	1	Decal - Drive/Steer Instruction	
54	1703943	2	Decal - Warning Crushing	
57	1001224050	1	Decal - Yearly Inspection (Not Shown)	

SECTION 9 - DECAL

FIGURE 9-9. DECAL INSTALLATION - CHINESE SPEC (DUAL LANGUAGE - ENGLISH/CHINESE) (460SJ)



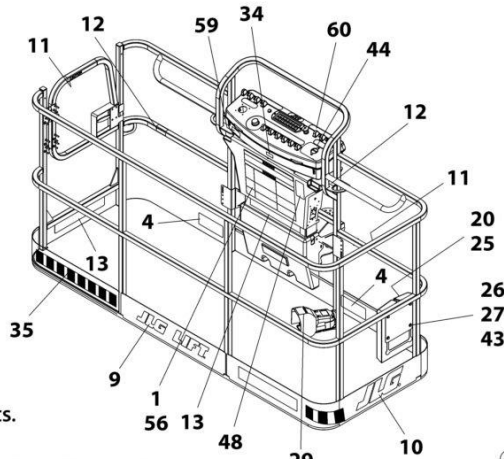
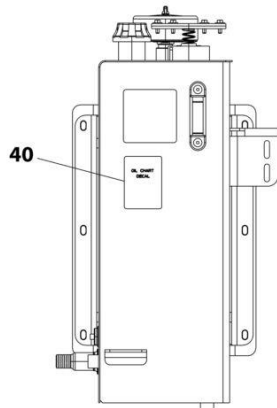
SECTION 9 - DECAL

FIGURE 9-9. DECAL INSTALLATION - CHINESE SPEC (DUAL LANGUAGE - ENGLISH/CHINESE) (460SJ)

ITEM	PART NUMBER	QTY	DESCRIPTION	REV
	1001250764	Ref	DECAL INSTALLATION - REFERENCE CHART	J
	1001242570	Ref	DECAL INSTALLATION - CHINESE SPEC (DUAL LANGUAGE - ENGLISH/CHINESE) (460SJ)	D
1	1703925	1	Decal - Danger/Warning (Platform)	
2	1703931	1	Decal - Danger/Warning (Ground Control)	
3	1703937	3	Decal - Danger/Electrocution	
4	1703949	3	Decal - Warning Crushing	
13	1001254753	2	Decal - Warning Dual Capacity	
16	1701504	1	Decal - Hydraulic Oil	
17	See Note	NSS	Decal - Bar Code (Note: Not Available for Purchase)	
20	1701509	1	Decal - Manual	
21	1702300	8	Decal - Tie Down	
22	1701500	4	Decal - Lift	
23	1701529	4	Decal - Arrow	
25	0860520	1	Box, Manual Storage	
26	4751400	4	Washer, 1/4	
27	3311405	4	Nut, Lock 1/4	
28	3820001	2	Rivet	
29	1703982	1	Decal - Footswitch	
38	1701499	6	Decal - No Lift	
40	1704412	1	Decal - Hydraulic Oil Chart	
43	0641406	4	Bolt, 1/4 x 3/4	
44	1705430	1	Decal - Drive/Steer Instruction	
54	1703943	2	Decal - Warning Crushing	
57	1001224050	1	Decal - Yearly Inspection (Not Shown)	

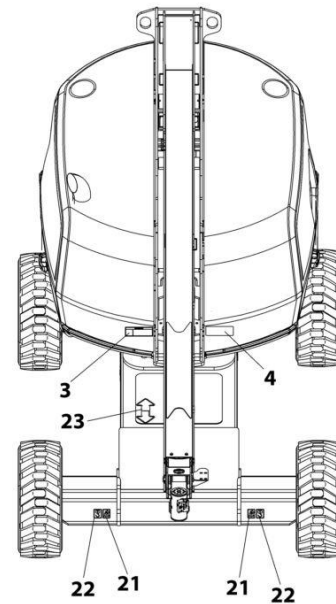
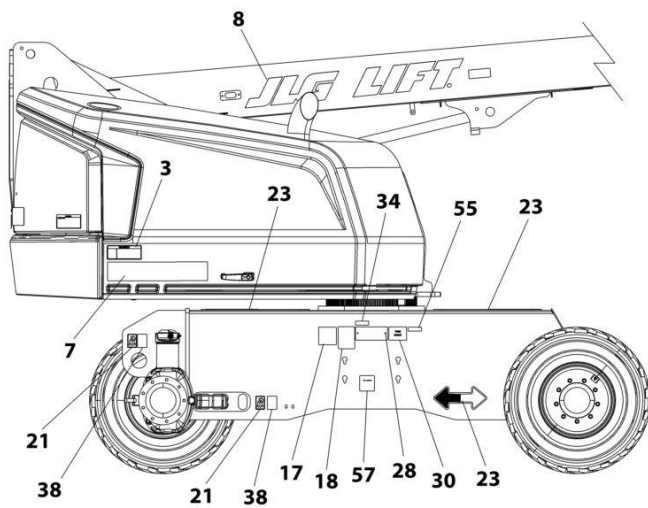
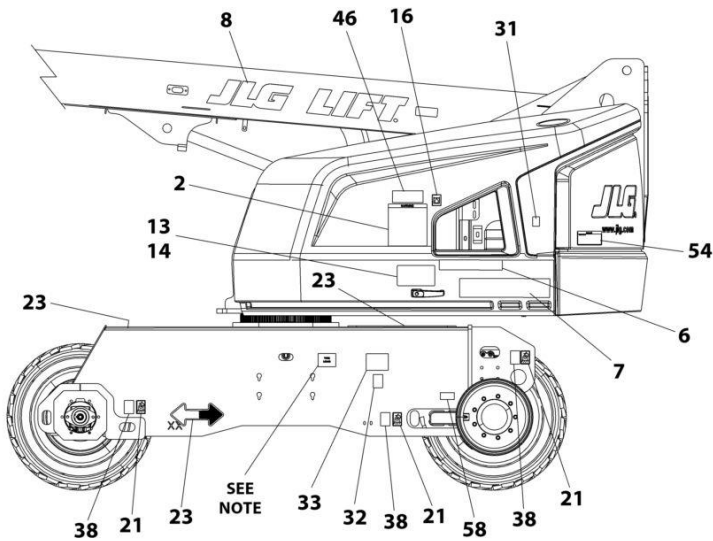
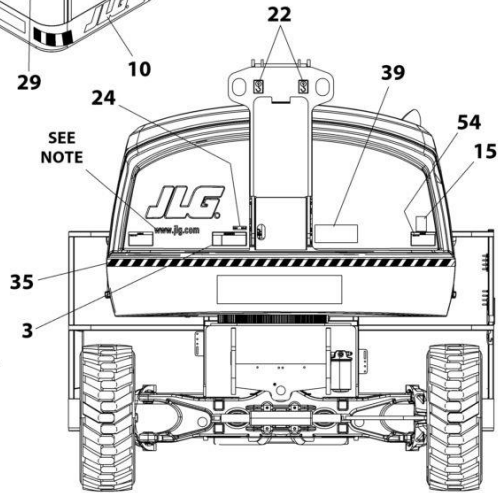
SECTION 9 - DECAL

FIGURE 9-10. DECAL INSTALLATION - CSA SPEC (DUAL LANGUAGE - ENGLISH/FRENCH) (400S)



NOTE: ITEMS SHOWN MAY NOT BE REQUIRED FOR ALL SPECS. REFER TO PART LIST FOR USAGE.

NOTE: ADDITIONAL DECALS ARE CALLED OUT ON DECALS INSTALLATION - OPTIONS.



ART_1001242567

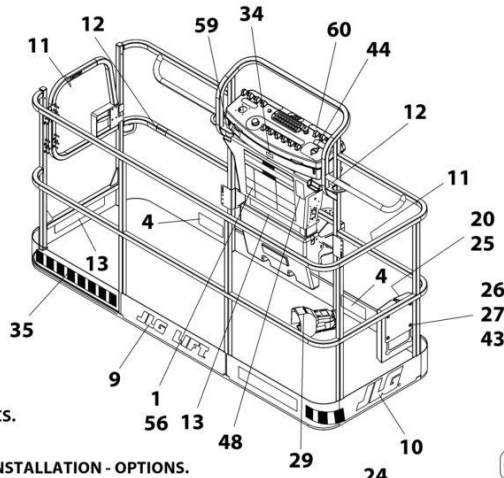
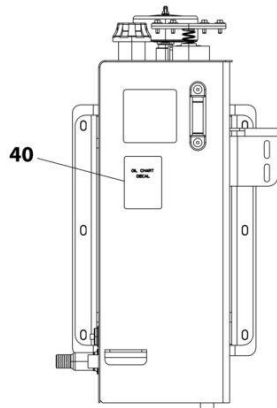
SECTION 9 - DECAL

FIGURE 9-10. DECAL INSTALLATION - CSA SPEC (DUAL LANGUAGE - ENGLISH/FRENCH) (400S)

ITEM	PART NUMBER	QTY	DESCRIPTION	REV
	1001250764	Ref	DECAL INSTALLATION - REFERENCE CHART	J
	1001242567	Ref	DECAL INSTALLATION - CSA SPEC (DUAL LANGUAGE - ENGLISH/FRENCH) (400S)	E
1	1703924	1	Decal - Danger/Warning (Platform)	
2	1703930	1	Decal - Danger/Warning (Ground Control)	
3	1703936	3	Decal - Danger/Electrocution	
4	1703948	3	Decal - Warning Crushing	
11	1704000	2	Decal - No Hands	
13	1001254667	1	Decal - Warning Dual Capacity	
14	1001254668	1	Decal - Warning Dual Capacity	
16	1701504	1	Decal - Hydraulic Oil	
17	See Note	NSS	Decal - Bar Code (Note: Not Available for Purchase)	
18	1001131269	1	Decal - Patent	
20	1701509	1	Decal - Manual	
21	1702300	8	Decal - Tie Down	
22	1701500	4	Decal - Lift	
23	1701529	4	Decal - Arrow	
24	3251243	1	Nameplate - 120V-60Hz	
25	0860520	1	Box, Manual Storage	
26	4751400	4	Washer, 1/4	
27	3311405	4	Nut, Lock 1/4	
28	3820001	2	Rivet	
29	1703984	1	Decal - Footswitch	
38	1701499	6	Decal - No Lift	
40	1704412	1	Decal - Hydraulic Oil Chart	
43	0641406	4	Bolt, 1/4 x 3/4	
44	1705429	1	Decal - Drive/Steer Instruction	
54	1703942	2	Decal - Warning Crushing	
57	1001223971	1	Decal - Yearly Inspection (Not Shown)	
58	1001223453	1	Decal - ICES	

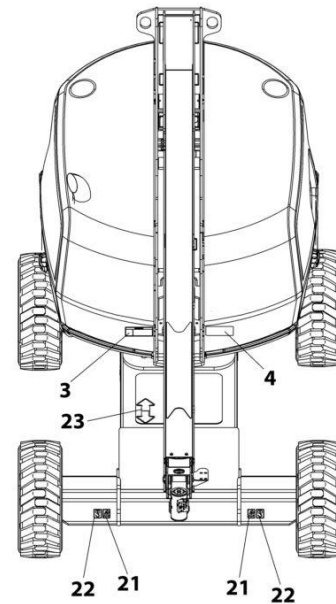
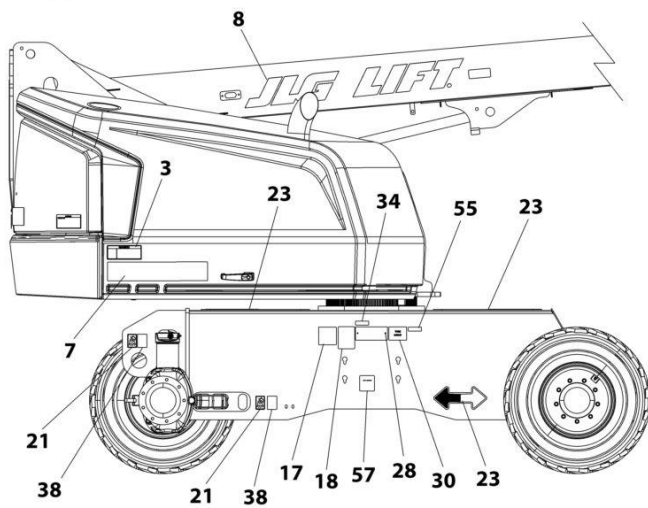
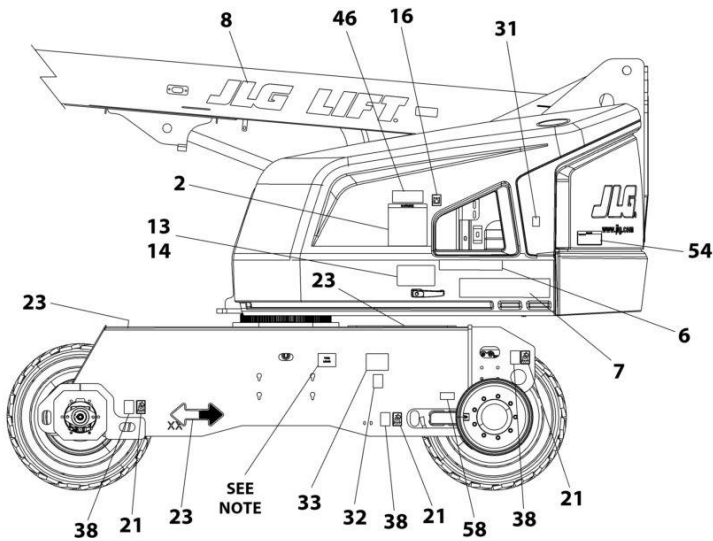
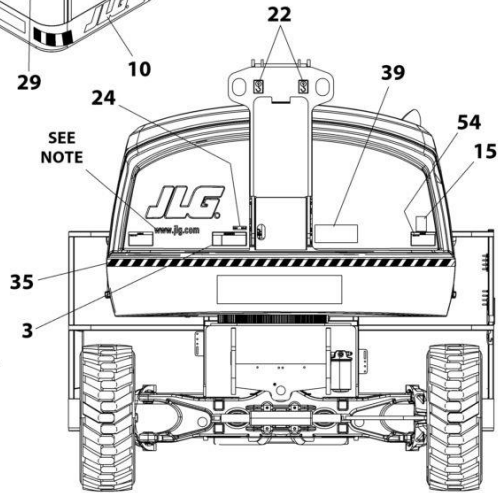
SECTION 9 - DECAL

FIGURE 9-11. DECAL INSTALLATION - CSA SPEC (DUAL LANGUAGE - ENGLISH/FRENCH) (460SJ)



NOTE: ITEMS SHOWN MAY NOT BE REQUIRED FOR ALL SPECS. REFER TO PART LIST FOR USAGE.

NOTE: ADDITIONAL DECALS ARE CALLED OUT ON DECALS INSTALLATION - OPTIONS.



ART_1001242568

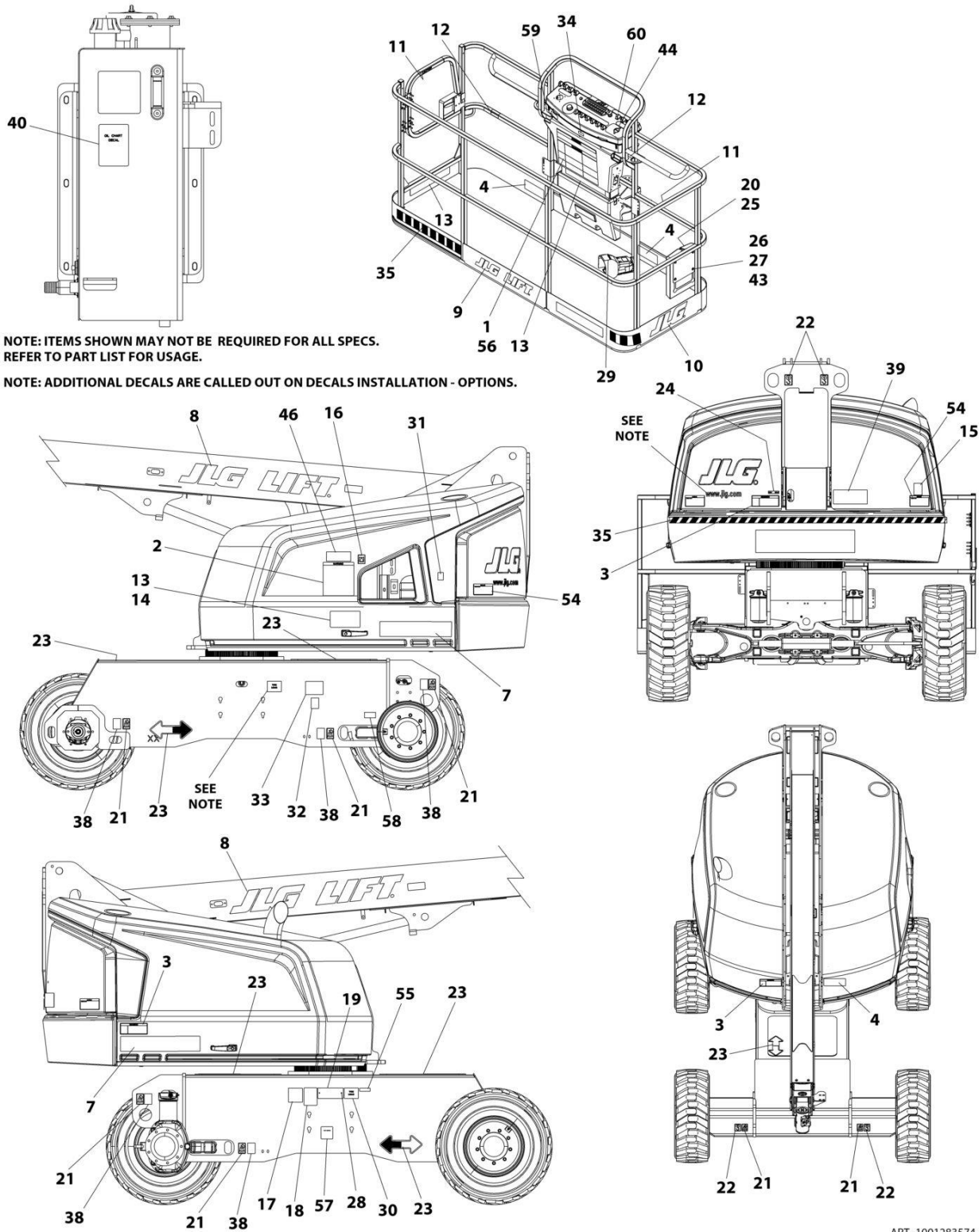
SECTION 9 - DECAL

FIGURE 9-11. DECAL INSTALLATION - CSA SPEC (DUAL LANGUAGE - ENGLISH/FRENCH) (460SJ)

ITEM	PART NUMBER	QTY	DESCRIPTION	REV
	1001250764	Ref	DECAL INSTALLATION - REFERENCE CHART	J
	1001242568	Ref	DECAL INSTALLATION - CSA SPEC (DUAL LANGUAGE - ENGLISH/FRENCH) (460SJ)	E
1	1703924	1	Decal - Danger/Warning (Platform)	
2	1703930	1	Decal - Danger/Warning (Ground Control)	
3	1703936	3	Decal - Danger/Electrocution	
4	1703948	3	Decal - Warning Crushing	
11	1704000	2	Decal - No Hands	
13	1001254751	2	Decal - Warning Dual Capacity	
16	1701504	1	Decal - Hydraulic Oil	
17	See Note	NSS	Decal - Bar Code (Note: Not Available for Purchase)	
18	1001131269	1	Decal - Patent	
20	1701509	1	Decal - Manual	
21	1702300	8	Decal - Tie Down	
22	1701500	4	Decal - Lift	
23	1701529	4	Decal - Arrow	
24	3251243	1	Nameplate - 120V-60Hz	
25	0860520	1	Box, Manual Storage	
26	4751400	4	Washer, 1/4	
27	3311405	4	Nut, Lock 1/4	
28	3820001	2	Rivet	
29	1703984	1	Decal - Footswitch	
38	1701499	6	Decal - No Lift	
40	1704412	1	Decal - Hydraulic Oil Chart	
43	0641406	4	Bolt, 1/4 x 3/4	
44	1705429	1	Decal - Drive/Steer Instruction	
54	1703942	2	Decal - Warning Crushing	
57	1001223971	1	Decal - Yearly Inspection (Not Shown)	
58	1001223453	1	Decal - ICES	

SECTION 9 - DECAL

FIGURE 9-12. DECAL INSTALLATION - CSA SPEC (DUAL LANGUAGE - ENGLISH/FRENCH) (460SJ 1K45FT)



ART_1001283574

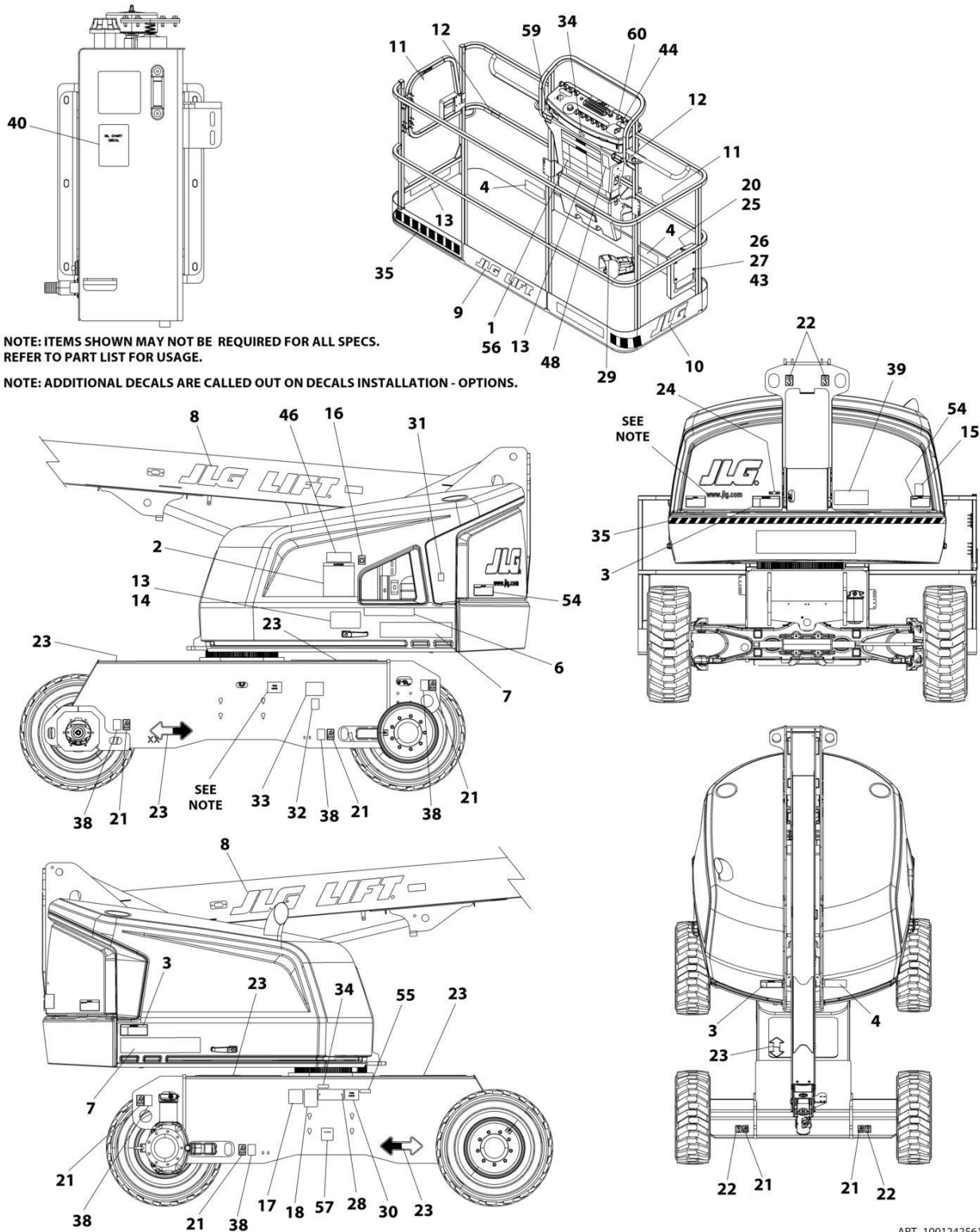
SECTION 9 - DECAL

FIGURE 9-12. DECAL INSTALLATION - CSA SPEC (DUAL LANGUAGE - ENGLISH/FRENCH) (460SJ 1K45FT)

ITEM	PART NUMBER	QTY	DESCRIPTION	REV
	1001250764	Ref	DECAL INSTALLATION - REFERENCE CHART	J
	1001283574	Ref	DECAL INSTALLATION - CSA SPEC (DUAL LANGUAGE - ENGLISH/FRENCH) (460SJ 1K45FT)	B
1	1703924	1	Decal - Danger/Warning (Platform)	
2	1703930	1	Decal - Danger/Warning (Ground Control)	
3	1703936	3	Decal - Danger/Electrocution	
4	1703948	3	Decal - Warning Crushing	
11	1704000	2	Decal - No Hands	
12	1704277	3	Decal - Lanyard	
13	1001283471	1	Decal - Warning Capacity	
14	1001283472	1	Decal - Warning Capacity	
16	1701504	1	Decal - Hydraulic Oil	
17	See Note	NSS	Decal - Bar Code (Note: Not Available for Purchase)	
18	1001131269	1	Decal - Patent	
20	1701509	1	Decal - Manual	
21	1702300	8	Decal - Tie Down	
22	1701500	4	Decal - Lift	
23	1701529	4	Decal - Arrow	
24	3251243	1	Nameplate - 120V-60Hz	
25	0860520	1	Box, Manual Storage	
26	4751400	4	Washer 1/4	
27	3311405	4	Nut, Lock 1/4	
28	3820001	2	Rivet	
29	1703984	1	Decal - Footswitch	
38	1701499	6	Decal - No Lift	
40	1704412	1	Decal - Hydraulic Oil Chart	
43	0641406	4	Bolt 1/4 x 3/4	
44	1705429	1	Decal - Drive/Steer Instruction	
54	1703942	2	Decal - Warning Crushing	
57	1001223971	1	Decal - Yearly Inspection (Not Shown)	
58	1001223453	1	Decal - ICES	
60	1001184618	1	Decal - Stop & Auxiliary Power	

SECTION 9 - DECAL

FIGURE 9-13. DECAL INSTALLATION - JAPANESE SPEC (DUAL LANGUAGE - ENGLISH/JAPANESE) (400S)



ART_1001242561

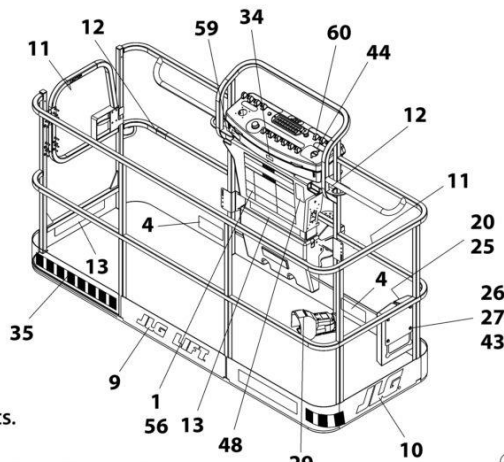
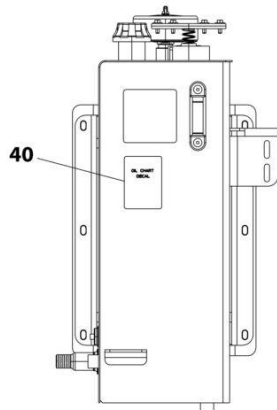
SECTION 9 - DECAL

FIGURE 9-13. DECAL INSTALLATION - JAPANESE SPEC (DUAL LANGUAGE - ENGLISH/JAPANESE) (400S)

ITEM	PART NUMBER	QTY	DESCRIPTION	REV
	1001250764	Ref	DECAL INSTALLATION - REFERENCE CHART	J
	1001242561	Ref	DECAL INSTALLATION - JAPANESE SPEC (DUAL LANGUAGE - ENGLISH/JAPANESE) (400S)	D
1	1703926	1	Decal - Danger/Warning (Platform)	
2	1703932	1	Decal - Danger/Warning (Ground Control)	
3	1703938	3	Decal - Danger/Electrocution	
4	1703950	3	Decal - Warning Crushing	
13	1001254677	1	Decal - Warning Dual Capacity	
14	1001254678	1	Decal - Warning Dual Capacity	
16	1701504	1	Decal - Hydraulic Oil	
17	See Note	NSS	Decal - Bar Code (Note: Not Available for Purchase)	
20	1701509	1	Decal - Manual	
21	1702300	8	Decal - Tie Down	
22	1701500	4	Decal - Lift	
23	1701529	4	Decal - Arrow	
25	0860520	1	Box, Manual Storage	
26	4751400	4	Washer, 1/4	
27	3311405	4	Nut, Lock 1/4	
28	3820001	2	Rivet	
29	1703980	1	Decal - Footswitch	
38	1701499	6	Decal - No Lift	
40	1704412	1	Decal - Hydraulic Oil Chart	
43	0641406	4	Bolt, 1/4 x 3/4	
44	1705426	1	Decal - Drive/Steer Instruction	
54	1703944	2	Decal - Warning Crushing	
57	1001224053	1	Decal - Yearly Inspection (Not Shown)	

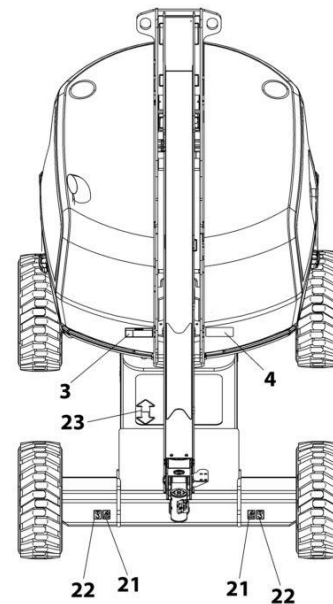
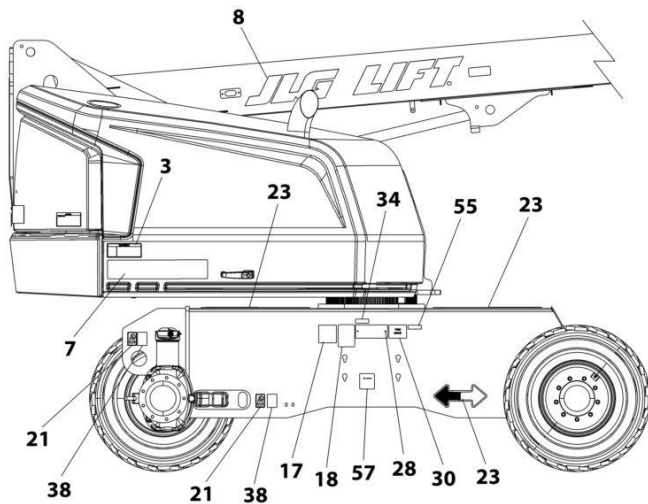
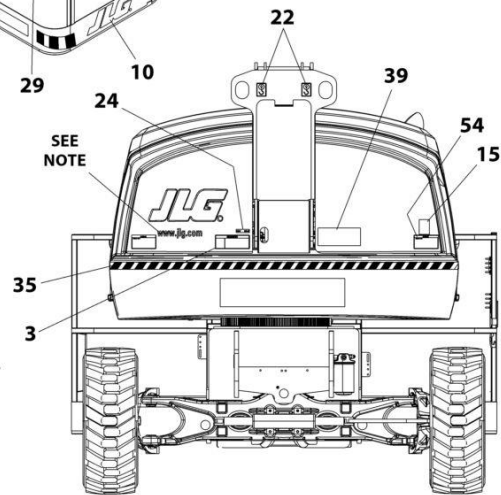
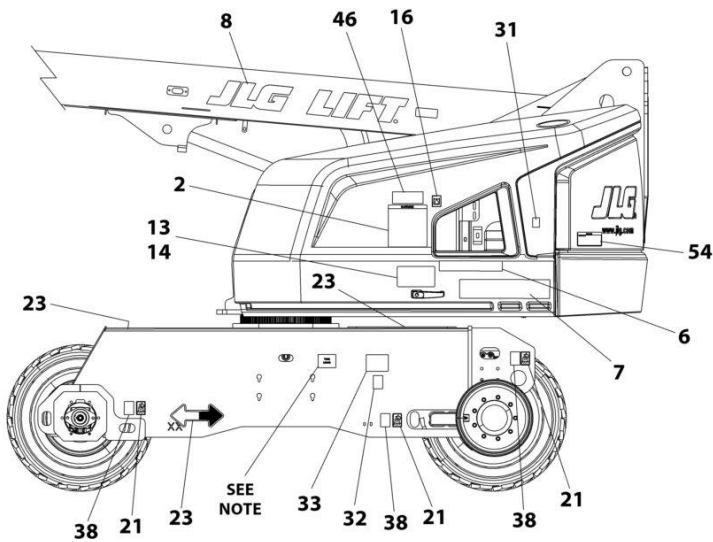
SECTION 9 - DECAL

FIGURE 9-14. DECAL INSTALLATION - JAPANESE SPEC (DUAL LANGUAGE - ENGLISH/JAPANESE) (460SJ)



NOTE: ITEMS SHOWN MAY NOT BE REQUIRED FOR ALL SPECS. REFER TO PART LIST FOR USAGE.

NOTE: ADDITIONAL DECALS ARE CALLED OUT ON DECALS INSTALLATION - OPTIONS.



ART_1001242562

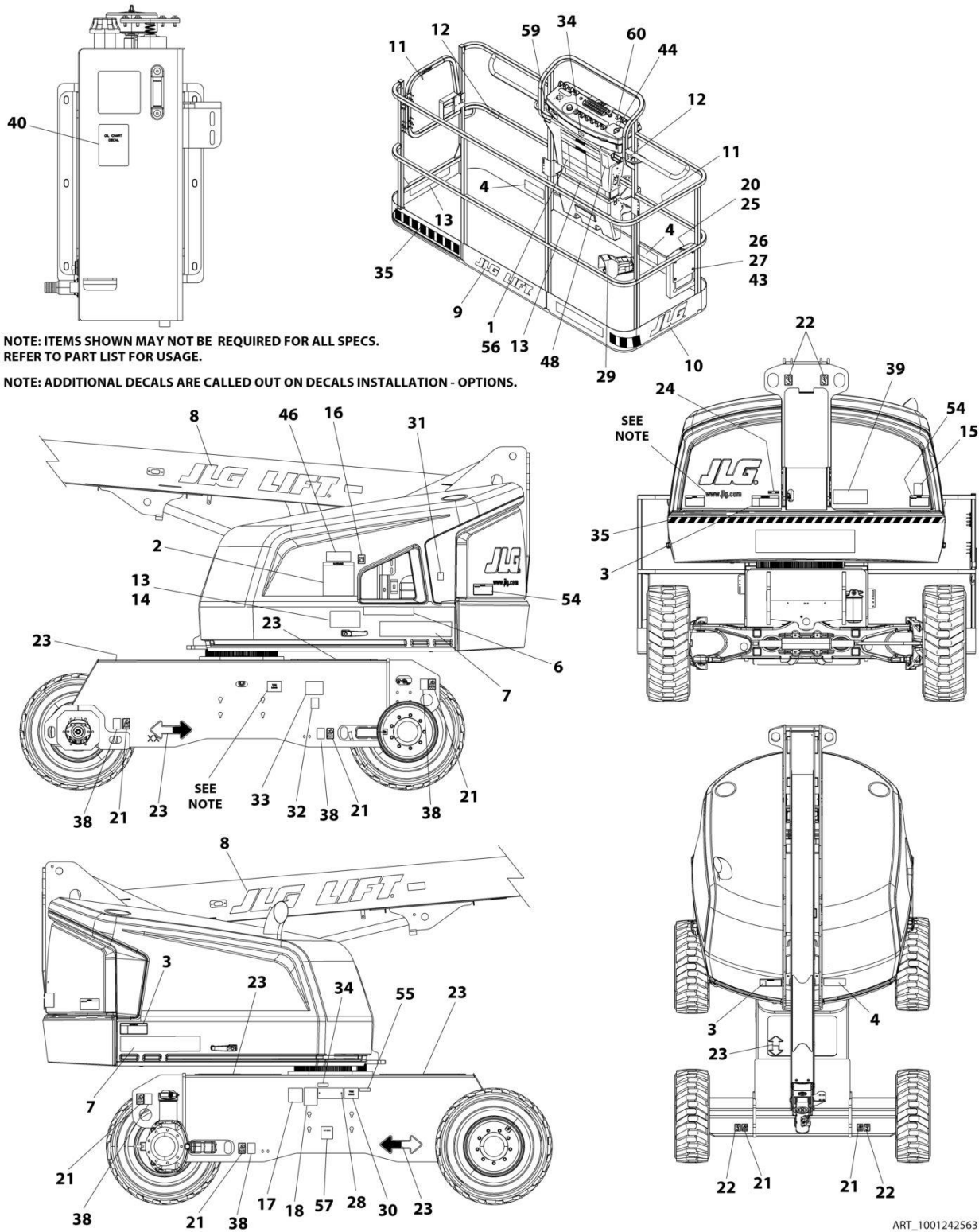
SECTION 9 - DECAL

FIGURE 9-14. DECAL INSTALLATION - JAPANESE SPEC (DUAL LANGUAGE - ENGLISH/JAPANESE) (460SJ)

ITEM	PART NUMBER	QTY	DESCRIPTION	REV
	1001250764	Ref	DECAL INSTALLATION - REFERENCE CHART	J
	1001242562	Ref	DECAL INSTALLATION - JAPANESE SPEC (DUAL LANGUAGE - ENGLISH/JAPANESE) (460SJ)	D
1	1703926	1	Decal - Danger/Warning (Platform)	
2	1703932	1	Decal - Danger/Warning (Ground Control)	
3	1703938	3	Decal - Danger/Electrocution	
4	1703950	3	Decal - Warning Crushing	
13	1001254756	2	Decal - Warning Dual Capacity	
16	1701504	1	Decal - Hydraulic Oil	
17	See Note	NSS	Decal - Bar Code (Note: Not Available for Purchase)	
20	1701509	1	Decal - Manual	
21	1702300	8	Decal - Tie Down	
22	1701500	4	Decal - Lift	
23	1701529	4	Decal - Arrow	
25	0860520	1	Box, Manual Storage	
26	4751400	4	Washer, 1/4	
27	3311405	4	Nut, Lock 1/4	
28	3820001	2	Rivet	
29	1703980	1	Decal - Footswitch	
38	1701499	6	Decal - No Lift	
40	1704412	1	Decal - Hydraulic Oil Chart	
43	0641406	4	Bolt, 1/4 x 3/4	
44	1705426	1	Decal - Drive/Steer Instruction	
54	1703944	2	Decal - Warning Crushing	
57	1001224053	1	Decal - Yearly Inspection (Not Shown)	

SECTION 9 - DECAL

FIGURE 9-15. DECAL INSTALLATION - KOREAN SPEC (DUAL LANGUAGE - ENGLISH/KOREAN) (400S)



SECTION 9 - DECAL

**FIGURE 9-15. DECAL INSTALLATION - KOREAN SPEC (DUAL LANGUAGE - ENGLISH/KOREAN)
(400S)**

ITEM	PART NUMBER	QTY	DESCRIPTION	REV
	1001250764	Ref	DECAL INSTALLATION - REFERENCE CHART	J
	1001242563	Ref	DECAL INSTALLATION - KOREAN SPEC (DUAL LANGUAGE - ENGLISH/KOREAN) (400S)	D
1	1703927	1	Decal - Danger/Warning (Platform)	
2	1703933	1	Decal - Danger/Warning (Ground Control)	
3	1703939	3	Decal - Danger/Electrocution	
4	1703951	3	Decal - Warning Crushing	
13	1001254669	1	Decal - Warning Dual Capacity	
14	1001254670	1	Decal - Warning Dual Capacity	
16	1701504	1	Decal - Hydraulic Oil	
17	See Note	NSS	Decal - Bar Code (Note: Not Available for Purchase)	
20	1701509	1	Decal - Manual	
21	1702300	8	Decal - Tie Down	
22	1701500	4	Decal - Lift	
23	1701529	4	Decal - Arrow	
25	0860520	1	Box, Manual Storage	
26	4751400	4	Washer, 1/4	
27	3311405	4	Nut, Lock 1/4	
28	3820001	2	Rivet	
29	1703981	1	Decal - Footswitch	
38	1701499	6	Decal - No Lift	
40	1704412	1	Decal - Hydraulic Oil Chart	
43	0641406	4	Bolt, 1/4 x 3/4	
44	1705427	1	Decal - Drive/Steer Instruction	
54	1703945	2	Decal - Warning Crushing	
57	1001224048	1	Decal - Yearly Inspection (Not Shown)	

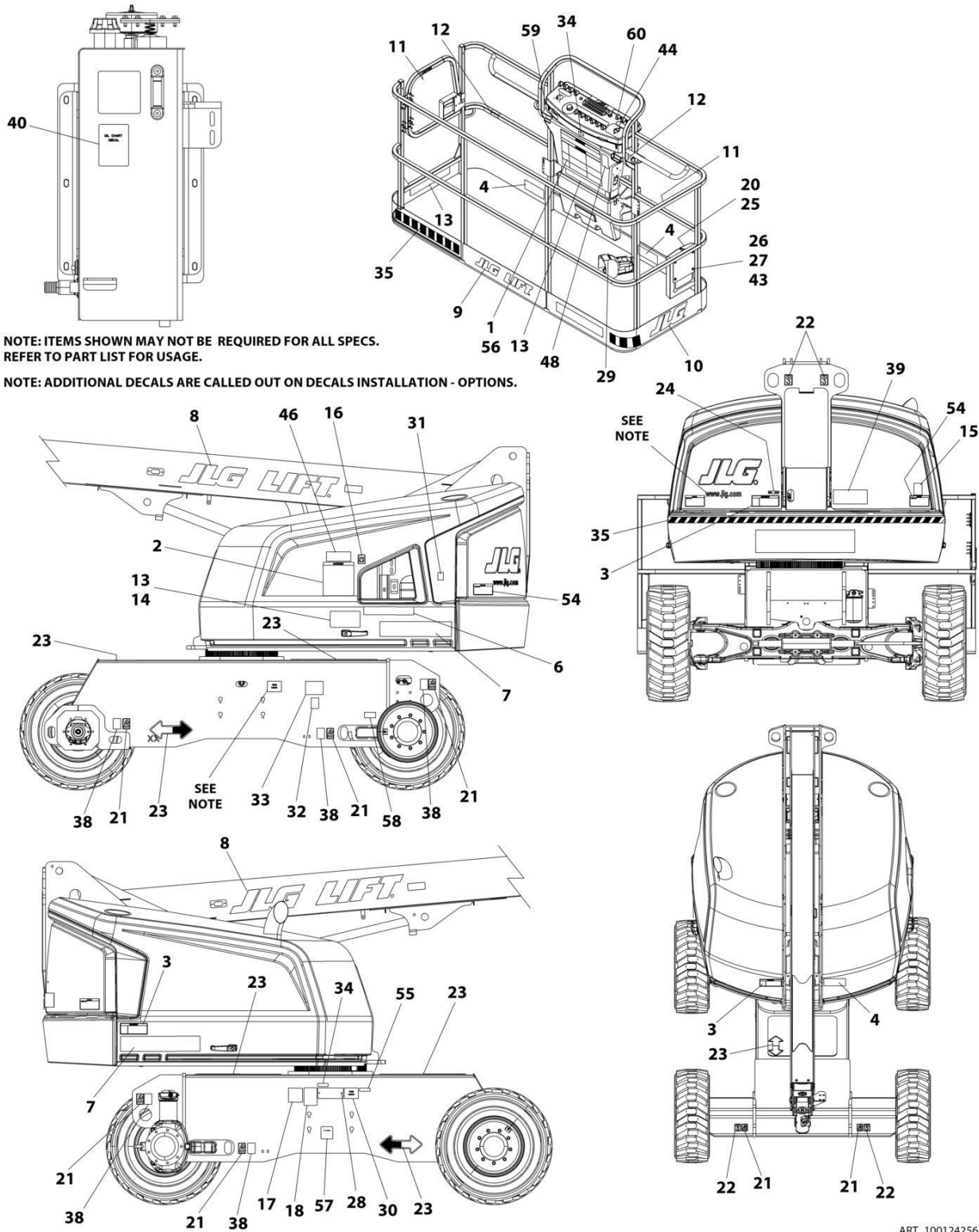
SECTION 9 - DECAL

FIGURE 9-16. DECAL INSTALLATION - KOREAN SPEC (DUAL LANGUAGE - ENGLISH/KOREAN) (460SJ)

ITEM	PART NUMBER	QTY	DESCRIPTION	REV
	1001250764	Ref	DECAL INSTALLATION - REFERENCE CHART	J
	1001242564	Ref	DECAL INSTALLATION - KOREAN SPEC (DUAL LANGUAGE - ENGLISH/KOREAN) (460SJ)	D
1	1703927	1	Decal - Danger/Warning (Platform)	
2	1703933	1	Decal - Danger/Warning (Ground Control)	
3	1703939	3	Decal - Danger/Electrocution	
4	1703951	3	Decal - Warning Crushing	
13	1001254752	2	Decal - Warning Dual Capacity	
16	1701504	1	Decal - Hydraulic Oil	
17	See Note	NSS	Decal - Bar Code (Note: Not Available for Purchase)	
20	1701509	1	Decal - Manual	
21	1702300	8	Decal - Tie Down	
22	1701500	4	Decal - Lift	
23	1701529	4	Decal - Arrow	
25	0860520	1	Box, Manual Storage	
26	4751400	4	Washer, 1/4	
27	3311405	4	Nut, Lock 1/4	
28	3820001	2	Rivet	
29	1703981	1	Decal - Footswitch	
38	1701499	6	Decal - No Lift	
40	1704412	1	Decal - Hydraulic Oil Chart	
43	0641406	4	Bolt, 1/4 x 3/4	
44	1705427	1	Decal - Drive/Steer Instruction	
54	1703945	2	Decal - Warning Crushing	
57	1001224048	1	Decal - Yearly Inspection (Not Shown)	

SECTION 9 - DECAL

FIGURE 9-17. DECAL INSTALLATION - LATIN AMERICAN SPEC (DUAL LANGUAGE - ENGLISH/SPANISH) (400S)



ART_1001242565

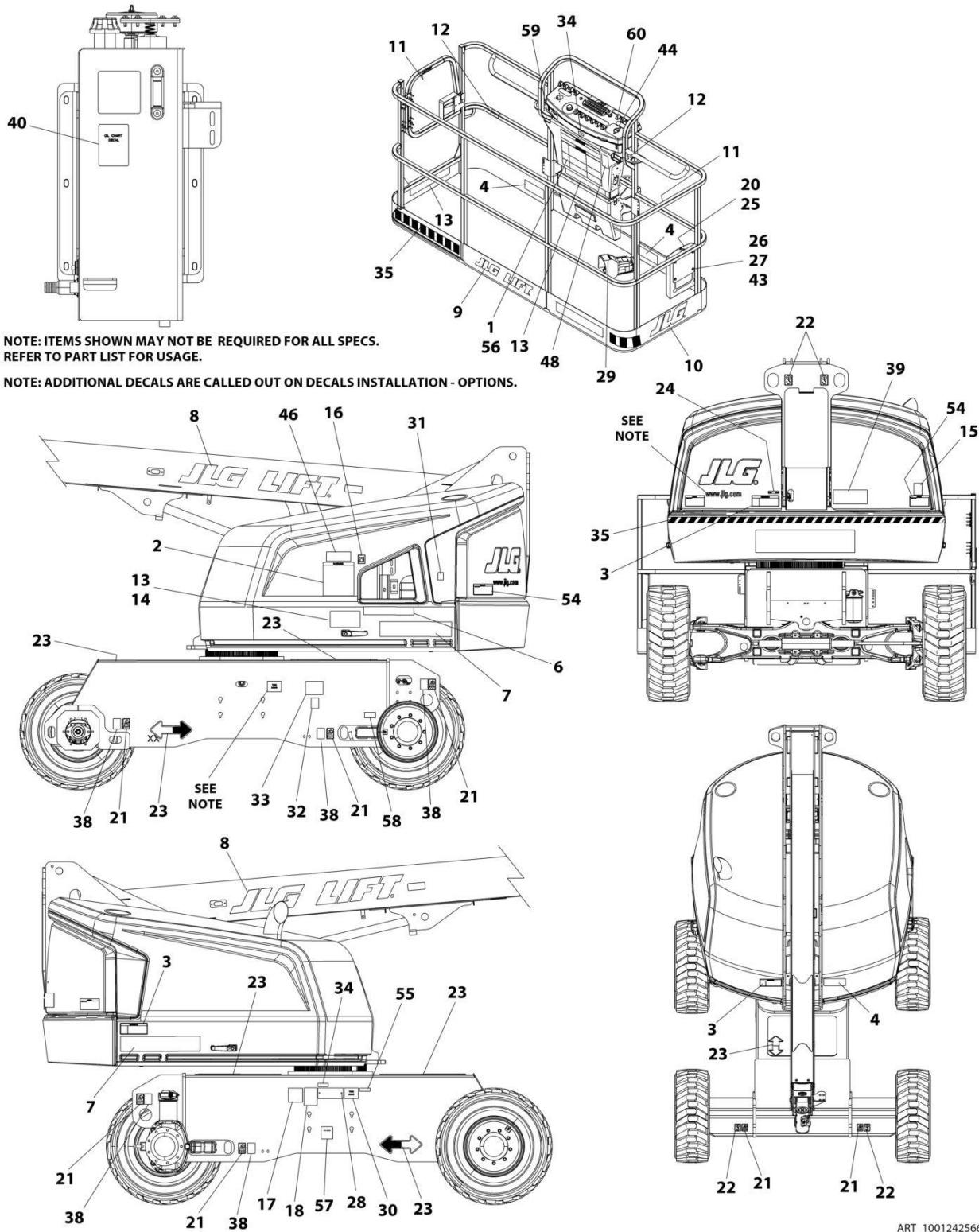
SECTION 9 - DECAL

FIGURE 9-17. DECAL INSTALLATION - LATIN AMERICAN SPEC (DUAL LANGUAGE - ENGLISH/SPANISH) (400S)

ITEM	PART NUMBER	QTY	DESCRIPTION	REV
	1001250764	Ref	DECAL INSTALLATION - REFERENCE CHART	J
	1001242565	Ref	DECAL INSTALLATION - LATIN AMERICAN SPEC (DUAL LANGUAGE - ENGLISH/SPANISH) (400S)	D
1	1703923	1	Decal - Danger/Warning (Platform)	
2	1703929	1	Decal - Danger/Warning (Ground Control)	
3	1703935	3	Decal - Danger/Electrocution	
4	1703947	3	Decal - Warning Crushing	
11	1704001	2	Decal - No Hands	
13	1001254675	2	Decal - Warning Dual Capacity	
14	1001254676	1	Decal - Warning Dual Capacity	
16	1701504	1	Decal - Hydraulic Oil	
17	See Note	NSS	Decal - Bar Code (Note: Not Available for Purchase)	
20	1701509	1	Decal - Manual	
21	1702300	8	Decal - Tie Down	
22	1701500	4	Decal - Lift	
23	1701529	4	Decal - Arrow	
24	3251243	1	Nameplate - 120V-60Hz	
25	0860520	1	Box, Manual Storage	
26	4751400	4	Washer, 1/4	
27	3311405	4	Nut, Lock 1/4	
28	3820001	2	Rivet	
29	1703983	1	Decal - Footswitch	
38	1701499	6	Decal - No Lift	
40	1704412	1	Decal - Hydraulic Oil Chart	
43	0641406	4	Bolt, 1/4 x 3/4	
44	1705910	1	Decal - Drive/Steer Instruction	
54	1703941	2	Decal - Warning Crushing	
57	1001224049	1	Decal - Yearly Inspection (Not Shown)	
58	1001223453	1	Decal - ICES	

SECTION 9 - DECAL

FIGURE 9-18. DECAL INSTALLATION - LATIN AMERICAN SPEC (DUAL LANGUAGE - ENGLISH/SPANISH) (460SJ)



ART_1001242566

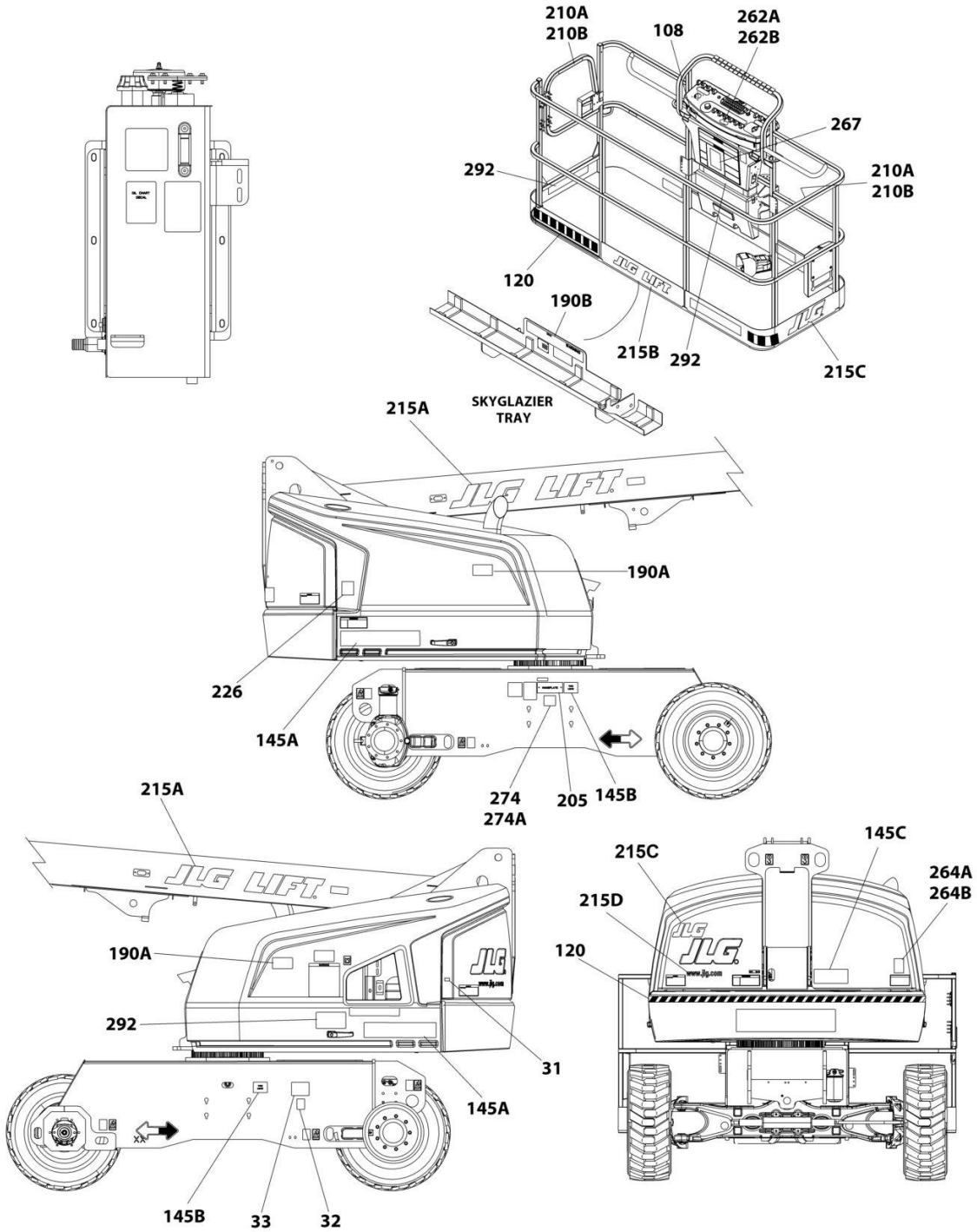
SECTION 9 - DECAL

FIGURE 9-18. DECAL INSTALLATION - LATIN AMERICAN SPEC (DUAL LANGUAGE - ENGLISH/SPANISH) (460SJ)

ITEM	PART NUMBER	QTY	DESCRIPTION	REV
	1001250764	Ref	DECAL INSTALLATION - REFERENCE CHART	J
	1001242566	Ref	DECAL INSTALLATION - LATIN AMERICAN SPEC (DUAL LANGUAGE - ENGLISH/SPANISH) (460SJ)	D
1	1703923	1	Decal - Danger/Warning (Platform)	
2	1703929	1	Decal - Danger/Warning (Ground Control)	
3	1703935	3	Decal - Danger/Electrocution	
4	1703947	3	Decal - Warning Crushing	
11	1704001	2	Decal - No Hands	
13	1001254755	2	Decal - Warning Dual Capacity	
16	1701504	1	Decal - Hydraulic Oil	
17	See Note	NSS	Decal - Bar Code (Note: Not Available for Purchase)	
20	1701509	1	Decal - Manual	
21	1702300	8	Decal - Tie Down	
22	1701500	4	Decal - Lift	
23	1701529	4	Decal - Arrow	
24	3251243	1	Nameplate - 120V-60Hz	
25	0860520	1	Box, Manual Storage	
26	4751400	4	Washer, 1/4	
27	3311405	4	Nut, Lock 1/4	
28	3820001	2	Rivet	
29	1703983	1	Decal - Footswitch	
38	1701499	6	Decal - No Lift	
40	1704412	1	Decal - Hydraulic Oil Chart	
43	0641406	4	Bolt, 1/4 x 3/4	
44	1705910	1	Decal - Drive/Steer Instruction	
54	1703941	2	Decal - Warning Crushing	
57	1001224049	1	Decal - Yearly Inspection (Not Shown)	
58	1001223453	1	Decal - ICES	

SECTION 9 - DECAL

FIGURE 9-19. DECAL INSTALLATION - OPTIONS



ART_DECAL_OPTIONS

SECTION 9 - DECAL

FIGURE 9-19. DECAL INSTALLATION - OPTIONS

ITEM	PART NUMBER	QTY	DESCRIPTION	REV
	1001250764	Ref	DECAL INSTALLATION - REFERENCE CHART	I
	1001245658	Ref	DECAL INSTALLATION - OPTIONS	AA
31	1701505	1	Decal - Diesel Fuel	
31	1701542	1	Decal - Gas	
32	1701543	1	Decal - LPG	
33	1700818	1	Decal - LP Gas Liquid Withdrawal System (ANSI and CSA Spec)	
33	1704271	1	Decal - LP Gas Liquid Withdrawal System (CSA Spec)	
33	1702720	1	Decal - LP Gas Liquid Withdrawal System (ANSI Export and China Specs)	
33	1001119661	1	Decal - LP Gas Liquid Withdrawal System (ANSI, ANSI Export and China Specs)	
108	1001231801	1	Decal - Proposition 65 (Diesel Machines) (Machines with SN Starting with 03)	
120	1001178415	Ref	Warning Strip Installation (Not Shown)	A
120	4420051	14.5 ft /4.42m	Tape, Safety	
145	1001174349	Ref	Decal - Model Designation (400S) (Not Shown)	D
145	1001174350	Ref	Decal - Model Designation (460SJ) (Not Shown)	D
145	1001285932	Ref	Decal - Model Designation (460SJ 1K45FT) (Not Shown)	C
145A	1001267304	2	Decal - 400S	
145A	1001267305	2	Decal - 460SJ	
145B	1001195745	2	Decal - Max Tire Load (400S)	
145B	1001195746	2	Decal - Max Tire Load (460SJ)	
145B	1001285931	1	Decal - Max Tire Load (460SJ 1K45FT)	
145C	1001284678	1	Decal - Lift Diagram	
145D	1001289752	3	Decal - 1K 45FT (5IN)	
145E	1001289753	2	Decal - 1K 45FT (7IN)	
190	1001172570	Ref	Decal - SkyGlazier Installation (ANSI and CSA Specs) (English Decals)	C
190	1001172571	Ref	Decal - SkyGlazier Installation (ANSI Export Specs) (Spanish Decals)	B
190	1001172572	Ref	Decal - SkyGlazier Installation (ANSI Export Specs) (Portuguese Decals)	B
190	1001172620	Ref	Decal - SkyGlazier Installation (Australian Specs) (Australian Decals)	C
190A	1705358	2	Decal - SkyGlazier	
190B	1001199035	2	Decal - SkyGlazier Capacity (ANSI and CSA Specs) (English)	
190B	1001172564	2	Decal - SkyGlazier Capacity (ANSI Export Specs) (Spanish)	
190B	1001172565	2	Decal - SkyGlazier Capacity (ANSI Export Specs) (Portuguese)	
190B	1001199036	2	Decal - SkyGlazier Capacity (Australian Specs) (Australian)	
205	See Note	NSS	Nameplate - Serial Number (Note: Not Available for Purchase)	
210A	1702868	2	Decal - No Hands	
210B	1704000	2	Decal - No Hands	
215	1001178433	Ref	Decal Installation - JLG Logo - 400S & 460SJ (Not Shown) (All Specs except Australian, CE & UK CA Specs)	A
215A	1702861	2	Decal - JLG LIFT (8IN)	
215B	1702774	1	Decal - JLG LIFT (3-1/2IN)	
215C	1702773	1	Decal - JLG	
215D	1704885	1	Decal - Website	
215	1001243700	Ref	Decal Installation - JLG Logo - 400S & 460SJ (Not Shown) (Australian Specs)	
215A	1702861	2	Decal - JLG LIFT (8IN)	

SECTION 9 - DECAL

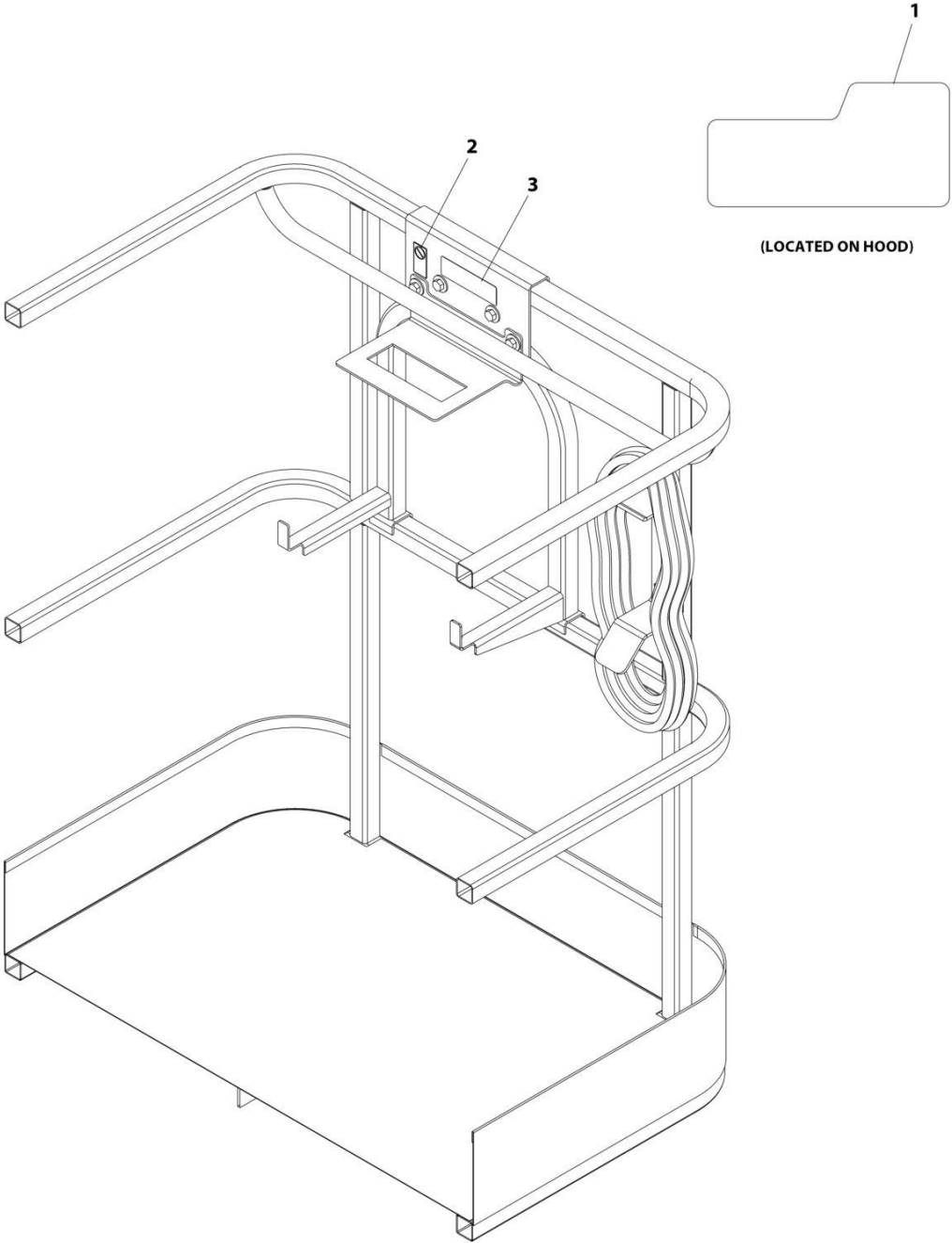
ITEM	PART NUMBER	QTY	DESCRIPTION	REV
215B	1702774	1	Decal - JLG LIFT (3-1/2IN)	
215C	1702773	2	Decal - JLG	
215D	1704885	1	Decal - Website	
215	1001243699	Ref	Decal Installation - JLG Logo - 400S & 460SJ (Not Shown) (CE & UK CA Specs)	
215C	1702773	1	Decal - JLG	
215	1001290331	Ref	Decal Installation - JLG Logo - 460SJ 1K45FT (Not Shown) (CSA Specs)	
215A	1702861	2	Decal - JLG LIFT	
215B	1702773	1	Decal - JLG	
215C	1704885	1	Decal - Website	
226		Ref	Decal - Warning Explosion/Fire (Diesel Machines Only)	
226	1704972	1	Decal - Warning Explosion/Fire (ANSI and CSA Spec)	
226	1706064	1	Decal - Warning Explosion/Fire (CSA Spec - Dual Language English/French)	
226	1706098	1	Decal - Warning Explosion/Fire (Australian, CE & UK CA Specs)	
226	1706059	1	Decal - Warning Explosion/Fire (Brazil Spec - Dual Language English/Portuguese)	
226	1706060	1	Decal - Warning Explosion/Fire (Chinese Spec - Dual Language English/Chinese)	
226	1706061	1	Decal - Warning Explosion/Fire (Korean Spec - Dual Language English/Korean)	
226	1706062	1	Decal - Warning Explosion/Fire (Japanese Spec - Dual Language English/Japanese)	
226	1706063	1	Decal - Warning Explosion/Fire (Latin American - Dual Language English/Spanish)	
245	1001178435	1	Decal Installation - ClearSky	
245A	1001116208	2	Decal - ClearSky	
245B	1001120989	1	Decal - Radio Frequency	
245	1001294763	Ref	Clearsky Smart Fleet Decal Installation	
245A	1001120989	1	Decal - Radio Frequency	
245B	1001294815	1	Decal - ClearSky	
253	1001143852	1	Decal - Emission Compliance (Machines with Diesel Engines) (ANSI Export, Australian, CE, China & UK CA Specs) (Not Shown)	
262A	1001141300	Ref	Decal - SkyGuard Override	
262B	1001141302	Ref	Decal - SkyGuard/Soft Touch Override	
264A	1001204510	Ref	Decal - Sound Power Level - 102Db	
264B	1001130492	Ref	Decal - Sound Power Level - 105Db	
267	1001200128	Ref	Decal - Quick Start Guide (CE & UK CA Spec) (French Decal) (For LOXAM Rentals Only)	
267	1001200129	Ref	Decal - Quick Start Guide (CE & UK CA Spec) (Dutch Decal) (For LOXAM Rentals Only)	
267	1001200130	Ref	Decal - Quick Start Guide (CE & UK CA Spec) (German Decal) (For LOXAM Rentals Only)	
267	1001200131	Ref	Decal - Quick Start Guide (CE & UK CA Spec) (Danish Decal) (For LOXAM Rentals Only)	
267	1001200132	Ref	Decal - Quick Start Guide (CE & UK CA Spec) (Swedish Decal) (For LOXAM Rentals Only)	
267	1001200133	Ref	Decal - Quick Start Guide (CE & UK CA Spec) (Spanish Decal) (For LOXAM Rentals Only)	
267	1001200134	Ref	Decal - Quick Start Guide (CE & UK CA Spec) (Norwegian Decal) (For LOXAM Rentals Only)	

SECTION 9 - DECAL

ITEM	PART NUMBER	QTY	DESCRIPTION	REV
267	1001181145	Ref	Decal - Quick Start Guide (CE & UK CA Spec) (English Decal) (For LOXAM Rentals Only)	
274	1001214029	1	Decal - EAC Installation (CIS and Russia Specs)	
274A	1001173703	1	Decal - EAC	
292	1001171335	1	Decal - Dual Capacity (ANSI Spec)	
292	1001171337	1	Decal - Max Capacity (ANSI Spec)	
292	1001171359	1	Decal - Dual Capacity (Brazil Spec - Dual Language Portuguese/Spanish)	
292	1001171361	1	Decal - Max Capacity (Brazil Spec - Dual Language Portuguese/Spanish)	
292	1001171355	1	Decal - Dual Capacity (Chinese Spec - Dual Language English/Chinese)	
292	1001171357	1	Decal - Max Capacity (Chinese Spec - Dual Language English/Chinese)	
292	1001171351	1	Decal - Dual Capacity (CSA Spec - Dual Language English/French)	
292	1001171353	1	Decal - Max Capacity (CSA Spec - Dual Language English/French)	
292	1001171345	1	Decal - Dual Capacity (Korean Spec - Dual Language English/Korean)	
292	1001171347	1	Decal - Max Capacity (Korean Spec - Dual Language English/Korean)	
292	1001171349	1	Decal - Dual Capacity (Latin American - Dual Language English/Spanish)	
292	1001171337	1	Decal - Max Capacity (Latin American - Dual Language English/Spanish)	
292	1001171341	1	Decal - Dual Capacity (Japanese Spec - Dual Language English/Japanese)	
292	1001171343	1	Decal - Max Capacity (Japanese Spec - Dual Language English/Japanese)	

SECTION 9 - DECAL

FIGURE 9-20. SKYWELDER DECAL INSTALLATION - 50HZ



ART_0272588

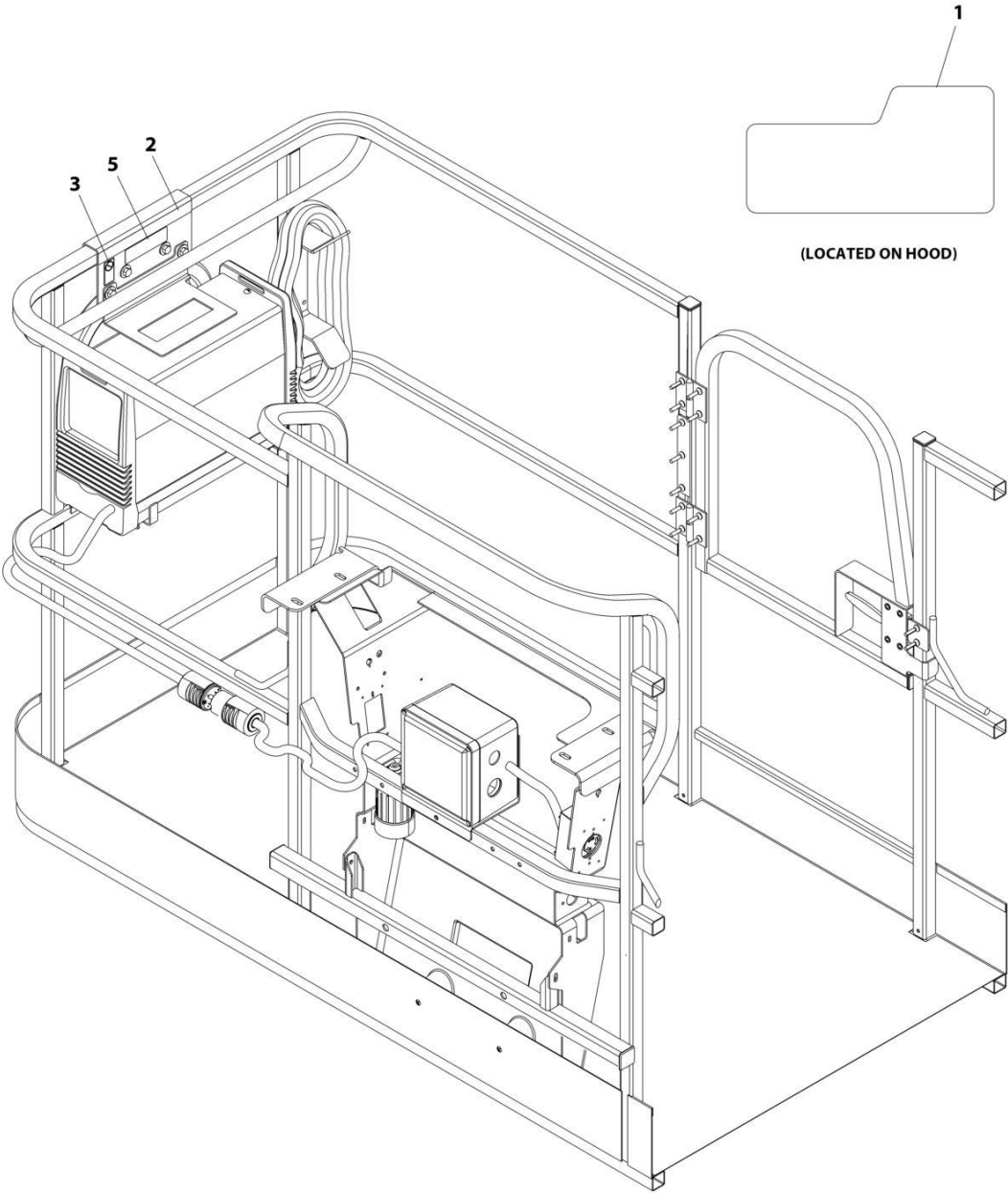
SECTION 9 - DECAL

FIGURE 9-20. SKYWELDER DECAL INSTALLATION - 50HZ

ITEM	PART NUMBER	QTY	DESCRIPTION	REV
	0272588	Ref	SKYWELDER DECAL INSTALLATION - 50Hz	B
1	1705355	2	Decal - SkyWelder	
2	1705305	1	Decal - Weld Lead	
3	1001228988	1	Decal - Weight	

SECTION 9 - DECAL

FIGURE 9-21. SKYWELDER DECAL INSTALLATION - 60HZ



ART_0272448_D

SECTION 9 - DECAL

FIGURE 9-21. SKYWELDER DECAL INSTALLATION - 60HZ

ITEM	PART NUMBER	QTY	DESCRIPTION	REV
	0272448	Ref	SKYWELDER DECAL INSTALLATION - 60Hz	D
1	1705355	2	Decal - SkyWelder	
2	1702868	1	Decal - No Hands	
3	1705305	1	Decal - Weld Lead	
5	1001228988	1	Decal - Weight	

SECTION 10 - RECOMMENDED SERVICE PARTS STOCK

SECTION 10 - RECOMMENDED SERVICE PARTS STOCK

SECTION 10 - RECOMMENDED SERVICE PARTS STOCK

FIGURE 10-1. RECOMMENDED SERVICE PARTS STOCK

ITEM	PART NUMBER	QTY	DESCRIPTION	REV
		Ref	Note: The following list will service one machine (built to current production per date on the front cover) with emergency repair parts which can be installed in the field. Parts from the list should be replaced when inventory is depleted to keep service parts stock supplied. For further information, contact your JLG dealer or the JLG Industries Parts Department.	
	4360542	1	Breaker, Circuit (2500W Generators)	
	4360070	1	Breaker, Circuit - 15Amp (4000W/60Hz and 7500W Generators)	
	1001189172	1	Breaker 16 Amp Double (Breaker Box with Three Breakers)	
	7024485	1	Breaker, Circuit 30Amp (7500W Generators)	
	70006095	1	Breaker, Circuit 30Amp (7500W/60Hz Generators)	
	1001189171	1	Breaker, 30mA (Breaker Box with Three Breakers)	
	1001181045	1	Breaker, Combination 16Amp (Breaker Box with Single Breaker)	
	1001159118	1	Breaker GFCI 30Amp 240VAC (240V AC Box at Platform)	
	70002386	1	Coil (Main Valve, Axle Valve & Lift Cylinder)	
	70003788	1	Coil (Main Valve & Lift Cylinder)	
	70005219	1	Coil (Main Valve)	
	70004897	1	Coil (Piston Pump)	
	1001166538	1	Controller, Drive/Steer	
	1001166539	1	Controller, Lift/Swing	
	1001196636	2	Diode, 1Amp (Turntable Harness)	
	70010383	12	Element, Charge Pump (Control Valves)	
		Ref	Engine - Deutz D2011	
	70003783	12	Element, Air Cleaner	
	7020023	12	Filter, Fuel	
	70003463	12	Filter, Fuel - RME Resistant	
	7016331	12	Filter, Oil	
	3740140	1	Relay, 100Amp	
	70004058	1	Relay	
		Ref	Engine - Deutz D2.9L4	
	70003783	12	Element, Air Cleaner	
	8229242	2	Fuse, 5A	
	80983191	2	Fuse, 10A	
	70023592	2	Fuse, 20A	
	70023593	2	Fuse, 30A	
	70004058	1	Relay	
	1001117308	1	Relay, 200Amp	
	1001138228	1	Relay, Power Module	
		Ref	Engine - Deutz D2.9L4 (Stage V)	
	1001117308	1	Relay, 200Amp	
	1001138228	1	Relay, Power Module	
		Ref	Engine - Deutz D2.9L4 (China IV)	
	70003783	12	Element, Air Cleaner	
	1001172065	2	Fuse, 30A	
	1001117308	1	Relay, 200Amp	
	1001138228	1	Relay, Power Module	
		Ref	Engine - Kubota	
	70004020	12	Element, Air Filter	
	7017932	12	Element, Breather	

SECTION 10 - RECOMMENDED SERVICE PARTS STOCK

ITEM	PART NUMBER	QTY	DESCRIPTION	REV
	7017992	12	Filter, Fuel	
	70006023	12	Filter, Oil	
	2400082	2	Fuse, 40A	
	70006061	1	Module, Engine Control	
	1001196634	2	Fuse, 2A (Breather Heater Installation & Turntable Harness)	
	8229249	2	Fuse, 3A (USB Charger)	
	8229242	2	Fuse, 5A (Turntable Harness)	
	8229244	2	Fuse, 15A (Turntable Harness)	
	8229245	2	Fuse, 30A (2500W Generator Harness)	
	2860030	1	Key, Replacement	
	2940074	1	Latch (Platforms with Swing Gate)	
	1001247468	1	Loadcell (Platform Support)	
	1001142683	1	Module, Beacon (Blue and Red Beacons)	
	1001170094	1	Module, Ground Control	
	1001157196	1	Module, Platform	
	70006553	1	Relay (4000W Generator)	
	3740086	1	Relay, 20Amp (SkyLine)	
	3740080	1	Relay, 20/40Amp (2500W Generators)	
	1001095704	1	Relay, 35Amp (Turntable Harness)	
	1001118971	1	Sensor, Angle (Transport Switches)	
	1001228225	1	Sensor, Emitter (SkyEye)	
	1001231195	1	Sensor, Fuel Level	
	4360057	1	Sensor, Limit (Soft Touch)	
	1001232667	1	Sensor, Proximity (SkyLine)	
	1001170847	1	Sensor, Proximity (Boom Switches)	
	1001182570	1	Sensor, Proximity (Boom Switches)	
	4360517	1	Sensor, Proximity (Rotary Coupling)	
	1001228224	1	Sensor, Receiver (SkyEye)	
	1001137673	1	Switch Bar Assembly (SkyGuard)	
	1001237902	1	Sensor, SkySense	
	1001219601	1	Sensor, Tilt (Electrical Panel)	
	1001225346	1	Switch, Battery (Battery Disconnect)	
	1001274559	1	Switch, Emergency Stop	
	1001117174	1	Switch, Foot	
	4360469	1	Switch, Key	
	4360407	1	Switch, Potentiometer	
	4360387	1	Switch, Pushbutton Yellow (Ground Control, Console Box & Soft Touch))	
	1001161710	1	Switch, Toggle (Engine Install)	
	4360336	1	Switch, Toggle (Generator)	
	1001155045	1	Switch, Toggle (Ground Control & Console Box)	
	1001159256	1	Switch, Toggle (Console Box)	
	1001161709	1	Switch, Toggle (Console Box)	
	4360328	1	Switch, Toggle (Jib Switch)	

SECTION 11 - SPECIAL OPTIONS/ACCESSORIES/KITS

SECTION 11 - SPECIAL OPTIONS/ACCESSORIES/KITS

SECTION 11 - SPECIAL OPTIONS/ACCESSORIES/KITS

FIGURE 11-1. SPECIAL OPTIONS/ACCESSORIES/KITS

ITEM	PART NUMBER	QTY	DESCRIPTION	REV
		Ref	Note: This list is to accommodate machines ordered with special equipment. Options may not be applicable to all models. For more specific parts information contact JLG Parts Department.	
		Ref	MISCELLANEOUS SPECIAL OPTIONS/ACCESSORIES/KITS	
	1001174347	Ref	Airline Installation - 400S	
	1001174348	Ref	Airline Installation - 460SJ	
	1001204996	Ref	Arctic Package with SkyPower Installation Kit (400S Only)	
	1001204997	Ref	Arctic Package without SkyPower Installation Kit (400S Only)	
	1001205008	Ref	Arctic Package with SkyPower Installation Kit (460SJ Only)	
	1001205009	Ref	Arctic Package without SkyPower Installation Kit (460SJ Only)	
	2915102	Ref	Bearing Kit	
	1001171499	Ref	Boom and Chassis Bellows Installation (400S)	
	1001171500	Ref	Boom and Chassis Bellows Installation (460SJ)	
	1001249499	Ref	Boom and Chassis Bellows Installation (460SJ 1K45FT)	
	1001206437	Ref	Boom Wear Pad Kit	
	1001172630	Ref	Boom Wiper Installation (400S & 460SJ)	
	1001288775	Ref	Boom Wiper Installation (460SJ 1K45FT)	
	1001172045	Ref	Cable Carrier Tray Installation (460SJ Machines Only) (Australian Specs)	
	1001243183	Ref	ClearSky (Telematics) Added-on-Kit (Dealer Installed) (ANSI, ANSI Export, CSA Specs)	
	1001243184	Ref	ClearSky (Telematics) Added-on-Kit (Dealer Installed) (CE & UK CA Specs)	
	1001246142	Ref	ClearSky (Telematics) Added-on-Kit (Dealer Installed) (Australian Spec)	
	1001276923	Ref	ClearSky (Telematics) Add-on Kit - 3 Wire GT1030 (Dealer Installed)	
	1001242639	Ref	ClearSky (Telematics) Access Added-on-Kit (Dealer Installed) (ANSI, ANSI Export, CSA, CE & UK CA Specs)	
	1001262959	Ref	ClearSky Voltage Regulator Relocation Kit	
	1001183207	Ref	Cold Weather Package - Deutz D2011 Engines	
	1001183206	Ref	Cold Weather Package - Deutz D2.9L4 Engines	
	1001255807	Ref	Cold Weather Package - Deutz D2.9L4 Engines (Stage V)	
	1001216914	Ref	Cold Weather Package - Kubota Engines	
	1001177840	Ref	Container/Transport Wheels Installation - 12 x 16.5 Tires	
	1001177841	Ref	Container/Transport Wheels Installation - 14 x 17.5 Tires	
	0272031	Ref	Container/Transport Wheels Installation - 33/16LI x 16.1 Foam Filled Sand Tires	
	1001276007	Ref	Controller Service Kit - Drive/Steer	
	1001276008	Ref	Controller Service Kit - Lift/Swing	
	1001233047	Ref	Crankcase Breather Heater Kit - Deutz T4F Engine	
	1001177524	Ref	Cribbing Switch Installation (ANSI and CSA Specs)	
		Ref	Decal Installations:	
	1001178435	Ref	Decal - ClearSky	
	1702868	Ref	Decal - No Hands (English Language) (Used with Mesh to Top Rail Platform)	
	1704000	Ref	Decal - No Hands (English and French Dual Language) (Used with Mesh to Top Rail Platform)	
		Ref	Decal Kits:	
	1001270508	Ref	Machine Decal Kit (400S & 460SJ Machines)	
	1001288297	Ref	Machine Decal Kit (460SJ 1K Machines)	

SECTION 11 - SPECIAL OPTIONS/ACCESSORIES/KITS

ITEM	PART NUMBER	QTY	DESCRIPTION	REV
	1001270509	Ref	Platform Decal Kit (400S & 460SJ Machines)	
	1001288298	Ref	Platform Decal Kit (460SJ 1K Machines)	
	1001270510	Ref	Platform Console Box Decal Kit	
	1001270514	Ref	Machine Decal Kit (ANSI 9220)	
	1001272196	Ref	Platform Decal Kit (ANSI 9220)	
	1001272082	Ref	Platform Console Box Decal Kit (400S) (ANSI 9220)	
	1001272083	Ref	Platform Console Box Decal Kit (460SJ) (ANSI 9220)	
	1001214833	Ref	Engine Block Heater - Kubota Engines	
		Ref	Fall Arrest (Bolt on):	
	1001269630	Ref	Fall Arrest 30x48" Add-on Kit (Bolt on)	
	1001269629	Ref	Fall Arrest 30x60" Add-on Kit (Bolt on)	
	1001269631	Ref	Fall Arrest 30x72" Add-on Kit (Bolt on)	
	1001237883	Ref	Fall Arrest Installation - 72in Standard Platform (Bolt on)	
	1001237882	Ref	Bolt on Fall Arrest - 96in Standard Platform	
	1001172751	Ref	Fan Cover Installation - Deutz D2.9L4 Engines/Deutz D2.9L4 Engines (Stage V)	
	1001204481	Ref	Filter Kit - Combined (Hydraulic Oil/Air & Engine Air/Fuel Oil) (Deutz D2011)	
	1001204482	Ref	Filter Kit - Combined (Hydraulic Oil/Air & Engine Air/Fuel Oil) (Deutz D2.9L4)	
	1001225794	Ref	Filter Kit - Combined (Hydraulic Oil/Air & Engine Air/Fuel Oil) (Deutz D2.3L3)	
	1001117294	Ref	Footswitch Shield Installation	
	1001284515	Ref	Gateway Plus Installation	
	1001220004	Ref	Ground Control Module Cover Kit	
	1001206439	Ref	Hose Kit - Power Track (Upper) (400S)	
	1001206440	Ref	Hose Kit - Power Track (Upper) (460SJ)	
	1001270503	Ref	Hose Kit - Power Track (Upper) (460SJ)	
	1001289884	Ref	Hose Kit - Power Track (Upper) (460SJ 1K)	
	1001241396	Ref	Hostile Environment Kit, 400S	
	1001241402	Ref	Hostile Environment Kit, 460SJ	
	1001258230	Ref	Hydraulic Load Installation (Factory Installed)	
	1001268737	Ref	Jib Link Kit	
		Ref	Light Installations:	
	1001174926	Ref	Chassis Illumination	
	1001174925	Ref	Headlights and Taillights	
	1001120466	Ref	Platform Worklights	
	1001202749	Ref	Lockable Fuel Cap Cover - Black	
	1001191395	Ref	Lockable Fuel Cap Cover - Green (ANSI and ANSI Export Specs)	
	1001191394	Ref	Lockable Fuel Cap Cover - Red (ANSI and ANSI Export Specs)	
	1001183407	Ref	Low Temperature Cutout Installation (Russian Specs)	
	1001253618	Ref	Module Box Assembly Kit (Service Kit for P/N 1001246867)	
	1001253619	Ref	Module Box Assembly Kit (Service Kit for P/N 1001246860)	
	1001173664	Ref	Oil Cooler Installation - Deutz D2011 Engines	
	1001164493	Ref	Oil Cooler Installation - Deutz D2.9L4, Deutz D2.9L4 (Stage V) and Deutz D2.9L4 (China IV) Engines	
	1001216552	Ref	Oil Cooler Installation - Kubota Engines	
	1001272166	Ref	Pipe Rack Add-on Kit (Dealer Installed)	
	1580013	Ref	Platform Corner Storage Tray	
	1001195304	Ref	Platform Cover Installation - Clear	
	1001266290	Ref	Platform Cover Installation - Steel	
	1001270482	Ref	Platform Cover Installation - Steel (Dealer Installed)	

SECTION 11 - SPECIAL OPTIONS/ACCESSORIES/KITS

ITEM	PART NUMBER	QTY	DESCRIPTION	REV
	1001274832	Ref	Platform Floormat Add-On Kit - 30x60 (Dealer Installed)	
	1001274830	Ref	Platform Floormat Add-On Kit - 36x72 (Dealer Installed)	
	1001274829	Ref	Platform Floormat Add-On Kit - 36x96 (Dealer Installed)	
	1001219794	Ref	Platform Hose and Cable Protection (400S)	
	1001258715	Ref	Platform Hose and Cable Protection (460SJ)	
	1001238421	Ref	Platform Leveling Kit	
		Ref	Platform Mesh to Mid Rail Add-On Kits - Dealer Installed:	
	1001281461	Ref	Platform Mesh to Mid Rail Add-On Kits - Dealer Installed - 30in x 4ft (76cm x 1.22m)	
	1001281460	Ref	Platform Mesh to Mid Rail Add-On Kits - Dealer Installed - 30in x 5ft (76cm x 1.52m)	
	1001281458	Ref	Platform Mesh to Mid Rail Add-On Kits - Dealer Installed - 36in x 6ft (91.5cm x 1.83m)	
	1001281457	Ref	Platform Mesh to Mid Rail Add-On Kits - Dealer Installed - 36in x 8ft (91.5cm x 2.44m)	
		Ref	Platform Mesh to Top Rail Add-On Kits - Dealer Installed:	
	1001281456	Ref	Platform Mesh to Top Rail Add-On Kits - Dealer Installed - 30in x 4ft (76cm x 1.22m)	
	1001281455	Ref	Platform Mesh to Top Rail Add-On Kits - Dealer Installed - 30in x 5ft (76cm x 1.52m)	
	1001281454	Ref	Platform Mesh to Top Rail Add-On Kits - Dealer Installed - 30in x 6ft (76cm x 1.83m)	
	1001281453	Ref	Platform Mesh to Top Rail Add-On Kits - Dealer Installed - 36in x 6ft (91.5cm x 1.83m)	
	1001281452	Ref	Platform Mesh to Top Rail Add-On Kits - Dealer Installed - 36in x 8ft (91.5cm x 2.44m)	
		Ref	Platform Mesh Installation - Factory Installed:	
	1001271642	Ref	Platform Mesh to Toprail Installation - 36 x 72 Platforms (ANSI and CSA Specs)	
	1001269187	Ref	Platform Mesh to Toprail Installation - 36 x 96 Platforms (ANSI and CSA Specs)	
	1001269389	Ref	Platform Mesh to Midrail Installation - 36 x 96 Platforms (ANSI, ANSI Export(LRC), Australian and China Specs)	
		Ref	Platform Plastic Mesh Installation - Factory Installed:	
	1001266489	Ref	Platform Plastic Mesh to Toprail Installation - 36 x 72 Platforms (ANSI and CSA Specs)	
	1001266056	Ref	Platform Plastic Mesh to Toprail Installation - 36 x 96 Platforms (ANSI and CSA Specs)	
	1001266098	Ref	Platform Plastic Mesh to Midrail Installation - 36 x 96 Platforms (ANSI, ANSI Export(LRC), Australian and China Specs)	
		Ref	Platform Padding Options:	
	1001275644	Ref	Platform Padding Installation - 30 x 60 Platforms	
	1001275643	Ref	Platform Padding Installation - 30 x 72 Platforms	
	1001275642	Ref	Platform Padding Installation - 36 x 72 Platforms	
	1001269655	Ref	Platform Padding Installation - 36 x 96 Platforms	
		Ref	Platform Rail Extensions:	
	0272733	Ref	Platform Rail Extension Installation - 36 x 72 Platforms	
	0272725	Ref	Platform Rail Extension Installation - 36 x 96 Platforms	
	1001233079	Ref	Pump Rotation Kit	
	1001247800	Ref	Quad Tracks Replacement Kit	
	1001204963	Ref	Service Tools & Kits	
		Ref	SkyGuard Kits:	
	1001247073	Ref	SkyEye Retrofit Kit	
	1001241547	Ref	SkyEye Housing Repair Kit - LH	
	1001241548	Ref	SkyEye Housing Repair Kit - RH	

X

SECTION 11 - SPECIAL OPTIONS/ACCESSORIES/KITS

ITEM	PART NUMBER	QTY	DESCRIPTION	REV
	1001250595	Ref	SkyGuard 6-Pin Retrofit Installation Kit	
	1001203510	Ref	SkyGuard Kit, Without Beacon	
	1001203512	Ref	SkyGuard Kit, With Blue Beacon	
	1001210037	Ref	SkyGuard Kit, With Red Beacon	
	1001250035	Ref	SkyGuard Platform Sensor Kit	
	1001249052	Ref	SkyGuard Retrofit Kit	
	1001262016	Ref	SkyLine Kit	
		Ref	SkySense Installations:	
	1001289831	Ref	SkySense (EDS) Level 1 Booms (2-Bar) Installation (Factory Installed)	
	1001289832	Ref	SkySense (EDS) Level 2 Booms (3-Bar) Installation (Factory Installed)	
	1001289905	Ref	SkySense (EDS) Level 1 Booms (2-Bar) Installation Kit	
	1001289906	Ref	SkySense (EDS) Level 2 Booms (3-Bar) Installation Kit	
	1001246867	Ref	SkySense (EDS) Level 1 Booms (2-Bar) Installation Kit (Dealer Installed)	
	1001246860	Ref	SkySense (EDS) Level 2 Booms (3-Bar) Installation Kit (Dealer Installed)	
		Ref	Amber Beacon Installations:	
	1001178951	Ref	Platform Mounted (Amber)	
	1001177570	Ref	Platform/Ground Mounted (Amber)	
	1001282215	Ref	Platform Worklights Kit	
	1001231235	Ref	Sky Welder Locking Bracket	
		Ref	Tools For Service:	
	1001249695	Ref	Analyzer & Cable Kit	
	1001249941	Ref	Analyzer Kit (Battery Powered)	
	1001137005	Ref	Tools - Cable Kit, Software	
	7002821	Ref	Tools - Crimper, Wire	
	7002823	Ref	Tools - Pin Extractor - Universal (For Electrical Connectors with Pins and Sockets)	
	4460467	Ref	Tools - Pin Extractor - 16-18 Gauge (For Removal of Pin/Sockets from Deutsch Connectors)	
	4460510	Ref	Tools - Pin Extractor - 12-14 Gauge (For Removal of Pin/Sockets from Deutsch Connectors)	
	7016654	Ref	Tools - Screwdriver, Magnetic	
	7002822	Ref	Tools - Screwdriver, Potentiometer	
	7004275	Ref	Tools - Seal Tool 1in (For Cylinders)	
	7004276	Ref	Tools - Seal Tool 1-1/2in (For Cylinders)	
	7002828	Ref	Tools - Stripper, Wire	
	70004185	Ref	Tools - Torque Multiplier	
	1001277839	Ref	UGM Retrofit Kit (1001170094 Module)	
	1001277640	Ref	UGM Retrofit Kit (1001103667 Module)	
	1001277648	Ref	UGM Retrofit Kit (1600327, 1600364, 1600411 Modules)	
	1001274249	Ref	USB Charger Add-on Kit (Dealer Installed)	
	1001236496	Ref	Wet Stacking Prevention Kit	
	1001270716	Ref	White Noise (Constant) Alarm Add-on Kit (Dealer Installed)	
	1001270755	Ref	White Noise (Ambient) Alarm Add-on Kit (Dealer Installed)	
	1001209059	Ref	Work Surface Installation	

SECTION 11 - SPECIAL OPTIONS/ACCESSORIES/KITS

PART NUMBER INDEX

SECTION 11 - SPECIAL OPTIONS/ACCESSORIES/KITS

0080201.....300, 314	0273380 381, 385, 389	0681814 443	0741608.....387
0080231.....200, 212	0275216 573, 693	0681822 443	0760415.....423, 425
0100009.....457	0275217 577, 695	0682014 23, 25	0760506.....339
0100011.... 17, 19, 21, 23, 25, 59, 61, 67, 69, 71, 87, 89, 93, 121, 123, 125, 127, 131, 133, 161, 163, 166, 170, 174, 177, 179, 181, 183, 193, 197, 200, 205, 209, 212, 220, 223, 226, 232, 235, 238, 249, 253, 257, 267, 274, 277, 280, 293, 297, 300, 307, 311, 314, 337, 339, 341, 343, 345, 347, 351, 355, 359, 363, 367, 371, 375, 379, 383, 387, 399, 401, 403, 405, 407, 415, 417, 419, 421, 423, 425, 427, 437, 439, 441, 445, 447, 449, 451, 453, 473, 475, 477, 481, 489, 491, 493	0275452 579, 697	0682026 101	0760605.....300, 314
0100019...23, 25, 95, 101, 351, 359, 363, 367, 371, 375, 379, 383	0275453 581, 699	0682040 57	0760606.... 300, 314, 359, 363, 367, 371, 375, 379, 383
0100020.....63, 193, 200, 205, 212, 220, 226, 227, 232, 238, 249, 257, 274, 280, 293, 300, 307, 314, 459, 571, 573, 575, 577, 579, 581, 583, 585, 587, 589, 591	0275454 589, 701	0682424 ... 465, 467, 469, 471	0760607....228, 239, 257, 280
0100035.... 109, 111, 113, 115, 135, 269, 457, 461	0360406 57	0700408 ... 571, 573, 575, 577, 579, 581, 583, 585, 587, 589, 591	0760608.... 174, 181, 183, 300, 314, 347, 351, 355
0100048.... 155, 347, 351, 355, 359, 363, 367, 371, 375, 379, 383, 387	0363019 55, 57	0700610 194, 206	0760610 87, 89, 125, 129, 161, 163, 177, 179, 193, 200, 205, 212, 221, 226, 232, 238, 249, 257, 274, 280, 293, 300, 307, 314, 331, 333, 335, 359, 363, 367, 371, 375, 379, 383, 387, 597, 617
0100079....359, 363, 367, 375, 379, 383, 387	0400075 87, 89	0700612 125	0760612.... 121, 123, 127, 129, 300, 314
0100081....200, 212, 226, 238, 257, 280, 302, 316, 483, 625, 627, 629, 631, 633, 635, 637, 639, 641, 643, 645	0440162 ... 193, 205, 220, 232, 249, 274, 293, 307	0700614 193, 205	0760613....220, 232, 249, 274
0140011.....457	0440237 407	0700616 ... 532, 540, 548, 641, 643, 645	0760614.... 177, 179, 181, 183, 201, 213
0140043.....129	0440240 101	0700620 ... 129, 633, 635, 637, 639	0760615..... 157, 159
0181949.....63	0440271 21	0700810 300, 314	0760619....280, 556, 564
0200048.....473, 475	0480122 347	0700814 300, 314	0760808....226, 238, 257, 280, 300, 314
0270022.....569	0480126 359, 375	0700815 300, 314	0760810....228, 240, 257, 280, 427
0270092.....43	0480128 363, 379	0700816 302, 316	0760812....226, 238, 257, 280, 293, 300, 307, 314, 331, 333, 335, 347, 351, 359, 364, 368, 376, 380, 384, 599
0270653.....45	0480129 388	0700817 ... 193, 205, 220, 232, 249, 274, 293, 307	0760815....200, 212, 228, 239, 257, 280, 300, 314
0271998.....47	0561237 635	0700818 ... 363, 367, 375, 379, 383, 387	0760816....55, 166, 170, 174, 280, 302, 316
0272031.....770	0630462 473, 475	0700819 387	0761006....641, 643, 645
0272254.....491	0630518 ... 153, 463, 489, 491, 493	0700821 ... 193, 205, 220, 232, 274	0761008.....337
0272427.....475	0630534 511, 513	0700822 249	0761009....347, 415, 417
0272435.... 381, 385, 389	0630563 ... 625, 627, 629, 631, 633, 635, 637, 639, 641, 643, 645	0701016 302, 316, 387	0761010.....67, 69, 71
0272448.....763	0630568 457	0701017 ... 220, 232, 249, 274	0761011..... 19, 21, 339
0272521.....489	0630613 166, 170, 174	0701018 ... 109, 111, 113, 115	0761012....23, 25, 87, 89, 166, 170, 174, 177, 179, 280, 333, 337, 399, 405, 407, 415, 417
0272588.....761	0641404 481	0701020 ... 109, 111, 113, 115, 405, 407	0761014.... 109, 111, 113, 115, 121, 123, 125, 127, 166, 170, 174, 181, 183, 185, 226, 238, 249, 257, 274, 293, 300, 307, 314, 347, 351, 417, 427, 625, 627, 629, 631, 633, 635, 637, 639, 641, 643, 645
0272589.....377	0641405 457, 481	0701022 280	0761015...67, 69, 71, 193, 200, 205, 212, 220,
0272725.....772	0641406 ... 455, 495, 721, 723, 725, 727, 729, 731, 733, 735, 737, 739, 741, 743, 745, 747, 749, 751, 753, 755	0701025 280	
0272733.....772	0641410 ... 177, 179, 181, 183	0701216 300, 314	
	0641414 ... 457, 473, 475, 477, 485, 487	0701217 17	
	0641416 ... 571, 573, 575, 577, 579, 581, 583, 585, 587, 589, 591	0701219 345	
	0641418 ... 439, 441, 445, 447, 449, 451, 453, 633, 637	0701220 93	
	0641420 437	0701222 401	
	0641504 55, 193, 205, 221, 232, 249, 274, 293, 307, 631, 633, 635, 637, 639	0701224 345	
	0641507 ... 347, 351, 355	0701226 ... 300, 314, 355, 387	
	0641606 ... 489, 491, 493	0701617 21	
	0641608 405	0701618 95	
	0641610 ... 267, 269, 455	0701619 393, 395, 397	
	0641612 55, 63	0711214 ... 226, 238, 257, 280	
	0641616 ... 359, 363, 367, 371, 375, 379, 383	0711220 19, 21	
	0641772 ... 347, 351, 355	0711224 ... 200, 212, 226, 238, 257, 280, 341, 343, 347, 351, 355, 359, 363, 367, 375, 379, 387	
	0641812 ... 197, 209, 223, 235, 253, 277, 297, 311	0721005 475	
	0642012 483	0721006 267, 269	
	0642212 483	0731005 ... 109, 111, 113, 115, 121, 123, 125, 127, 473	
	0681608 228, 240, 427	0741606 ... 226, 238, 257, 280	
	0681620 ... 465, 467, 469, 471	0741607 ... 359, 363, 367, 371, 383	
	0681810 25		

SECTION 11 - SPECIAL OPTIONS/ACCESSORIES/KITS

226, 232, 238, 249, 257, 274, 280, 293, 300, 307, 314, 351, 355, 405, 407	0961951 ... 200, 212, 226, 238, 257, 280, 300, 314, 399	1001116725.....703	1001126392 663, 667, 671
0761016 ... 103, 121, 123, 125, 127, 226, 238, 257, 280, 300, 314, 355, 423, 425	0962036 403	1001116731.....659	1001126485 668, 672
0761018 ... 625, 629, 633, 637, 641	0962051 345	1001116732.....681	1001126487 668, 672
0761019 399, 401, 403	0962270 443	1001116734.....681	1001128527 493
0761210 55, 226, 238, 257, 280	0962292 21	1001116774.....603	1001128556 493
0761212 ... 226, 238, 257, 280, 367, 371, 383, 403	0962335 405	1001116808.....603	1001129408 647
0761214 ... 287, 351, 355, 359, 363, 375, 379, 387	0962336 511, 513	1001116812.....667, 671	1001129858 364
0761215 93, 274, 355, 387	0962348 21, 401	1001116815.....649, 651, 653, 704	1001130220 274
0761216 280, 427	0962520 ... 359, 363, 367, 371, 375, 379, 383, 387	1001116952.....663, 667, 671	1001130492 758
0761217 399, 401, 403	1001001939.....302	1001116983.....677	1001131269 721, 723, 725, 739, 741, 743
0761218 393, 395, 397	1001026127.....274	1001117057.....681	1001132195 200, 212
0761615 17	1001091102.....63, 187	1001117106.....663, 671, 704	1001132196 200, 212
0761620 95	1001091969.....573	1001117107.....663, 667, 671	1001133714 664, 668, 672
0771212 ... 221, 233, 249, 257, 274	1001091970.....577	1001117110.....704	1001133715 664, 668, 672
0771414 ... 200, 212, 226, 238, 257, 280, 341, 343, 347, 351, 359, 363, 367, 375, 379	1001091973.....579	1001117140.....174	1001133956 663, 668, 672
0771416 ... 359, 363, 375, 379	1001091974.....581	1001117172.....459	1001133957 663, 668, 672
0772018 95	1001091975.....589	1001117174.....457, 459, 767	1001134289 407, 413
0811608 23	1001093382.....87, 89	1001117294.....771	1001134488 227, 239, 282
0860038 ... 363, 367, 379, 383, 387, 569	1001095704.....704, 767	1001117308.....227, 239, 258, 281, 766	1001134543 95
0860520 ... 721, 723, 725, 727, 729, 731, 733, 735, 737, 739, 741, 743, 745, 747, 749, 751, 753, 755	1001096070.....359, 371, 621	1001117372.....503	1001135196 193, 205, 220, 232, 249, 274, 293, 307
0861538 379, 383, 387	1001097051.....715	1001118274.....302	1001135650 664, 668, 672
0861572 375	1001097150.....619, 621, 623	1001118378.....703	1001135651 664, 668, 672
0861731 ... 583, 585, 587, 591, 697, 699, 701	1001097244.....497	1001118384.....711	1001135679 351, 367, 384
0861781 ... 571, 575, 693, 695	1001098122.....459, 691	1001118388.....711	1001136358 564
0861880 619, 621	1001098828.....427	1001118666.....403	1001136834 227, 239, 258, 281
0902733 55	1001098928.....532, 548	1001118878.....227, 239, 258	1001137005 773
0902734 55	1001099366.....483	1001118971.....423, 767	1001137032 399, 401, 403
0902888 ... 363, 367, 375, 379, 383, 387	1001099367.....483	1001118972....23, 25, 59, 61, 109, 111, 113, 115, 121, 123, 125, 127, 294, 308	1001137336 302, 316
0940049 ... 121, 123, 125, 127, 166, 170, 174	1001099560.....399, 401	1001119020.....603	1001137673 477, 767
0940092 473, 475	1001100341.....693	1001119032.....703	1001138173 301, 315
0940094 473, 475	1001100342.....695	1001119278.....205, 232, 307	1001138175 301, 315
0940102 483	1001100345.....697	1001119619.....713	1001138228 227, 239, 258, 281, 766
0940103 475	1001100346.....701	1001119620.....715, 717	1001138248 227, 239, 258, 281, 302, 316
0940177 473	1001100347.....699	1001119661.....757	1001138494 437, 439, 441, 445, 447, 449, 451
0961845 ... 437, 439, 441, 445, 447, 449, 451, 453	1001101191.....573, 577, 579, 581, 589	1001120328.....121, 123, 125, 127, 129, 477, 481	1001138514 437, 439, 441, 447, 451
0961893 511, 513	1001101196.....573, 577	1001120466.....771	1001138565 359
0961947 405, 413	1001101197.....579, 581, 589	1001120471 497	1001138566 360, 364, 367, 371
0961948 19, 21	1001103012.....703	1001120477 497	1001138671 403
0961950 17, 399, 401, 509	1001104029.....363, 367, 376, 380, 383, 388	1001120484.....497	1001138795 511, 513
	1001104498.....703	1001120989.....758	1001138827 227, 239, 282
	1001104519.....689	1001125387 221, 233, 274	1001139240 227, 239, 281
	1001106736.....129	1001125677 691, 704	1001139357 360, 364
	1001107854.....703	1001126009.....711	1001139384 177, 179, 181, 183
	1001108256.....473	1001126351 663, 668, 672	1001139586 21
	1001110434.....457	1001126362 663, 667, 671	1001139654 249
	1001110872.....593, 595	1001126363 663, 667, 671	
	1001110873.....363, 367, 380, 384, 388, 569	1001126364 663, 667, 671	
	1001111424..87, 89, 200, 212, 227, 239	1001126365.....663	
	1001112551.....727	1001126391 663, 667, 671	
	1001112612.....603, 704		
	1001112796.....603, 659		
	1001113047.....174		
	1001113680.....731, 733		
	1001113961.....703		
	1001116208.....758		
	1001116693.....691		
	1001116710.....677		

SECTION 11 - SPECIAL OPTIONS/ACCESSORIES/KITS

1001139819.....200, 212	1001149953 ... 43, 45, 47, 49	1001161710 293, 307, 767	1001166022.....193
1001140312.....239	1001150324 17, 121, 123, 125, 127	1001162335 228, 240, 267	1001166023.....205
1001140346.....368	1001150326 17	1001162531 67, 73	1001166478.....55
1001140347.....371	1001150918 206, 233, 307	1001162532 69, 77	1001166538.....766
1001140429.....437, 439, 441, 445, 447, 449, 451, 453	1001150998 200, 212	1001162537 25, 41	1001166539.....766
1001140564.....227, 239, 282	1001151393 143, 145, 147, 149	1001162538 ... 67, 69, 71, 85	1001166563.....17
1001141300.....758	1001152266 709	1001162995 17	1001166710.....109, 111, 113, 115
1001141302.....758	1001152456 364, 368	1001163178 .. 19, 21, 519	1001166717.....201, 212
1001141304.....227, 239, 258, 281	1001152457 364, 368	1001163179 19, 21	1001166718.....201, 212, 227, 239, 258, 281, 301, 315, 341, 343
1001141694.....200, 212, 227, 239, 258, 281	1001152483 623	1001163385 393, 395, 515	1001166816.....425
1001141870.....267, 269	1001152485 597, 623	1001163386 399, 401, 505	1001166894.....345
1001141995.....301, 315	1001152489 227, 239, 258, 281	1001163405 19, 21	1001166921.....227, 239, 258, 281
1001142501.....221, 232, 249, 267, 269, 274, 337, 339	1001152525 364, 368, 377, 381, 385, 389	1001163418 109, 111	1001166922.....343
1001142643.....368, 384	1001152530 364, 368	1001163459 399	1001166924.....227, 239, 258, 281
1001142646.....368, 384	1001152532 360, 364, 368, 372, 683	1001163470 399	1001166970.....220, 233, 249, 275
1001142683.....157, 159, 767	1001153260 364, 368	1001163482 395, 401	1001166997.....521
1001142736.....157, 159, 603	1001154405 220, 232, 249, 267, 269, 274, 281, 337, 339	1001163483 401	1001167036.....197, 209, 223, 235, 253, 277, 297, 311, 325
1001142938.....664, 667, 671	1001154726 681	1001163492 401	1001167038.....193, 205
1001142940.....664, 667, 671	1001155041 351, 355, 388	1001163580 17, 503	1001167108.....227, 239, 663
1001142941.....664, 667, 671	1001155043 137, 139, 141	1001163671 113, 115	1001167111.....201, 212, 661
1001143390.....200, 212, 227, 239, 258, 281	1001155044 123, 127, 137, 139, 141, 293, 307, 457	1001163715 19, 21	1001167159.....166, 170
1001143797.....227, 239, 258, 281	1001155045 137, 139, 141, 457, 767	1001163716 19, 21	1001167164.....331, 333, 335
1001143852.....758	1001155743 121, 123, 125, 127	1001163717 21	1001167512.....193, 206, 220, 233, 249, 275, 293, 307
1001144116.....227, 239, 258	1001155823 220, 232, 249, 274	1001163722 21	1001167520.....201, 212, 227, 239, 258, 281
1001144147.....659, 703	1001156107 193, 205, 250	1001163724 21	1001167565.....427
1001144433.....477	1001156819 293, 308	1001163726 21	1001167567.....427
1001144629.....431, 433, 435, 445, 449	1001157196 457, 767	1001163959 23, 25	1001167596.....427
1001146397.....47, 49	1001157520 377, 381, 385, 389	1001164092 19	1001167632.....667, 671
1001146588.....250, 258, 281	1001157521 377, 381, 385, 389	1001164094 17	1001167635.....668, 672
1001147233.....355, 388	1001157525 376	1001164095 21	1001167916.....67
1001147264.....663	1001157528 377, 381, 385, 389	1001164209 19, 21	1001167917.....69
1001147274.....43, 45	1001157592 380, 384, 388	1001164493 771	1001167918.....174
1001147812.....301, 315	1001158007 377, 381, 385, 389	1001164495 17	1001168018.....201, 212, 227, 239, 258, 281, 301, 315, 341, 343, 348, 351, 355, 360, 364, 368, 376, 380, 388
1001147813.....302, 316	1001158008 364, 368, 377, 381, 385, 389	1001164709 509	1001168026.....227, 239, 258, 281
1001148059.....372	1001158363 364, 368	1001164817 503	1001168059.....201, 213
1001148138.....352, 355	1001159118 593, 595, 766	1001165035 220, 233, 249, 274, 281	1001168099.....227, 239, 258, 281
1001148641 194, 206, 348, 351, 360, 364, 368, 372, 376, 380, 384	1001159119 593, 595	1001165060 166, 170	1001168166.....227, 239, 258, 281, 301, 315
1001148675.....593, 595	1001159120 593, 595	1001165066 166, 170	1001168207.....341, 351, 368
1001148865.....43	1001159121 595	1001165363 521, 523	1001168209.....505, 507, 521, 523
1001148866.....43	1001159162 129	1001165388 200, 213, 227, 239, 258, 281	1001168210.....505, 507
1001148869.....45	1001159256 457, 767	1001165389 200, 212	1001168402.....427
1001148870.....45	1001159323 174, 729	1001165405 227, 239, 258, 281	1001168841.....399
1001148875.....47	1001161709 457, 767	1001165406 227, 239, 258, 281	
1001148876.....47		1001165531 415, 417	
1001149160.....166, 170, 174, 301, 315		1001165534 415, 417	
1001149452.....337		1001165538 415	
1001149639.....301, 315		1001165567 405	
		1001165721 227, 239, 281	
		1001165722 227, 239, 258	
		1001165849 227, 239, 258	
		1001166000 223, 226	
		1001166001 220, 223	
		1001166002 220	
		1001166003 232	
		1001166020 197, 200	
		1001166021 193, 197	

SECTION 11 - SPECIAL OPTIONS/ACCESSORIES/KITS

1001168842 399, 401, 403	1001170764..... 668, 672, 709	1001172697.....533, 541, 549, 557, 565	1001173902 533, 541, 549, 557, 565
1001168843 393, 395	1001170847..... 419, 421, 423, 425, 767	1001172698.....541, 557, 565	1001173903 533, 541, 549, 557, 565
1001168844 393, 395	1001170850..... 166, 170	1001172699.....541, 557, 565	1001173904 533, 541, 549, 557, 565
1001168845 393, 395	1001170982.....281	1001172703.....541, 557, 565	1001173905 549, 557
1001168847 401	1001171067..... 399, 401, 403	1001172707.....541, 557, 565	1001173906 549, 557
1001168848 399	1001171112..... 399, 401, 403	1001172716.....533, 541, 549, 557, 565	1001173907 533, 541, 549, 557, 565
1001168849 399, 401	1001171131..... 593	1001172717.....533, 541, 549, 557, 565	1001173908 533, 541, 549, 557, 565
1001168854 393, 395, 397	1001171324..... 399, 401, 403	1001172718.....533, 541, 549, 557, 565	1001173909 532, 541, 549, 557, 565
1001168855 93	1001171335..... 759	1001172719.....533, 541, 549, 557, 565	1001173925 360, 364, 376, 380
1001168950 281	1001171337..... 759	1001172721.....533, 541, 549, 557, 565	1001173927 625, 627, 629, 631, 633, 635, 637, 639, 641, 643, 645
1001168992 101	1001171339..... 727, 729	1001172722.....533, 541, 549, 557, 565	1001173937 532, 541, 549, 557, 565
1001169046 166, 170, 174	1001171341..... 759	1001172723.....533, 541, 549, 557, 565	1001173983 363
1001169054 227, 239, 258, 281, 301, 315	1001171343..... 759	1001172725 771	1001174040 427
1001169086 59	1001171345..... 759	1001172757 121, 123, 125, 127, 129	1001174098 166, 170, 174
1001169138 227, 239, 258, 281, 301, 315	1001171347..... 759	1001172760.....457	1001174158 372
1001169185 93	1001171349..... 759	1001172816..... 155	1001174347 770
1001169191 103	1001171351..... 759	1001173233.....419	1001174348 770
1001169192 103	1001171353..... 759	1001173342.....220, 233, 250, 275, 677	1001174349 757
1001169193 103	1001171355..... 759	1001173354..... 166, 170, 174	1001174350 757
1001169284 399, 401, 403	1001171357..... 759	1001173356..... 166	1001174367 383
1001169285 399, 401, 403	1001171359..... 759	1001173456.....625, 627, 629, 631, 633, 635, 637, 639, 641, 643, 645	1001174486 293, 307
1001169286 399, 401, 403	1001171361..... 759	1001173535.....300, 314	1001174675 372, 376, 380, 384, 388
1001169287 399, 401, 403	1001171368..... 729	1001173594.....625, 629	1001174777 235, 238
1001169288 399, 401, 403	1001171382..... 727	1001173599.....633, 637	1001174778 233, 235
1001169289 399, 401, 403	1001171499..... 770	1001173600.....631	1001174783 209, 212
1001169380 399, 401, 403	1001171500..... 770	1001173605.....639	1001174784 206, 209
1001169496 105	1001171667..... 399, 401, 403	1001173664.....771	1001174925 771
1001169582 105	1001171953..... 197, 209, 223, 235, 253, 277, 297, 311	1001173665.....625, 627, 629, 631, 633, 635, 637, 639, 641, 643, 645	1001174926 771
1001169611 415, 417	1001171954..... 197, 209, 223, 235, 253, 277, 297, 311	1001173703.....759	1001175024 540, 556, 564
1001169669 395	1001171966..... 399, 401, 403	1001173761.....625, 627, 629, 631, 633, 635, 637, 639, 641, 643, 645	1001175068 329
1001169697 395	1001171967..... 399, 401, 403	1001173763.....415, 417	1001175071 329
1001169761 63	1001172045..... 770	1001173807.....609, 625, 627, 629, 631	1001175073 345
1001169823 193, 206, 220, 233, 249, 275	1001172064.....668	1001173808.....615, 625, 627, 629, 631, 633, 635, 637, 639, 641, 643, 645	1001175074 345
1001169955 59, 61	1001172065.....668, 766	1001173810.....379	1001175170 627
1001169967 227, 239, 258, 281, 301, 315	1001172128.....625, 627, 629, 631, 633, 635, 637, 639, 641, 643, 645	1001173811.....375	1001175171 635, 643
1001169973 59	1001172195..... 193, 206	1001173898.....533, 541, 549, 557, 565	1001175239 627
1001170035 227, 239, 258, 281, 301, 315	1001172564..... 757	1001173900.....533, 541, 549, 557, 565	1001175241 635
1001170094 767	1001172565..... 757	1001173901.....533, 541, 549, 557, 565	1001175542 367
1001170145 89	1001172570..... 757	1001172696..... 533, 541	1001175631 364, 368
1001170224 329	1001172571..... 757	1001172694..... 533, 541	1001176330 301, 315
1001170551 166, 170, 177	1001172572..... 757	1001172695..... 533, 541, 549, 557, 565	1001176469 147, 149
1001170564 423, 425	1001172577..... 483	1001172696..... 533, 541	1001176636 633, 635, 637, 639
1001170565 423, 425	1001172578..... 483	1001172697..... 533, 541	1001176848 19, 21
1001170642 423	1001172594..... 220, 233	1001172698..... 533, 541	1001176862 593
1001170650 331	1001172620..... 757	1001172699..... 533, 541	1001176899 415, 417
1001170662 331	1001172630..... 770	1001172700..... 533, 541	1001176952 605, 625, 627, 629, 631
1001170663 331, 335	1001172692..... 533, 541, 549, 557, 565	1001172701..... 533, 541	1001176953 607, 633, 635, 637, 639, 641, 643, 645
1001170664 331, 333, 335	1001172694..... 533, 541	1001172702..... 533, 541	1001177359 227, 240, 258
1001170693 201, 213, 215	1001172695..... 533, 541, 549, 557, 565	1001172703..... 533, 541	1001177524 770
1001170736 55	1001172696..... 533, 541	1001172704..... 533, 541	

SECTION 11 - SPECIAL OPTIONS/ACCESSORIES/KITS

1001177570.....773	1001184626.....457	1001196382.....360, 364, 368, 372, 376, 380, 384	1001204997.....770
1001177840.....770	1001184637.....348	1001196589.....703	1001205008.....770
1001177841.....770	1001184644.....348	1001196602.....703	1001205009.....770
1001178415.....757	1001184645.....348	1001196604.....704	1001205958.....579, 581, 583, 585, 587, 589
1001178433.....757	1001184682.....163	1001196634.....265, 657, 704, 767	1001206314.....166, 170, 174
1001178435.....758, 770	1001185281.....457	1001196636.....703, 709, 766	1001206402.....174
1001178788.....227, 239, 258, 281	1001185821.....87, 89, 91	1001197017.....473, 475	1001206404.....174, 181
1001178859.....201, 213	1001186333.....443	1001197272.....532, 540, 548, 556, 564	1001206405.....181
1001178876.....227, 240	1001186377.....437	1001197284.....533, 541, 549, 557, 565	1001206437.....770
1001178951.....773	1001186379.....439	1001197719.....668, 672	1001206439.....771
1001179154.....364, 368, 380, 384, 388	1001186382.....441	1001199035.....757	1001206440.....771
1001179836.....351, 355	1001186383.....435	1001199036.....757	1001206476.....599
1001179837.....351, 355	1001186384.....433	1001199177.....117, 119	1001206532.....457
1001179893.....352, 356	1001186386.....431	1001199207.....166, 170, 174	1001206625.....509
1001179903.....228, 240, 258, 281	1001186431.....477	1001199901.....166, 170, 174	1001206917.....109, 113, 117
1001180001.....351, 355	1001186432.....689, 711	1001200128.....758	1001207332.....533, 541, 549, 557, 565
1001180620.....228, 240, 258, 281, 301, 315	1001186517.....477	1001200129.....758	1001207333.....533, 541, 549, 557, 565
1001180797.....351	1001187077.....704	1001200130.....758	1001207340.....540
1001180798.....347	1001187078.....704	1001200131.....758	1001207341.....556
1001181045.....619, 621, 766	1001187382.....427	1001200132.....758	1001207349.....109
1001181051.....405, 411	1001187383.....427	1001200133.....758	1001207350.....113
1001181074.....533, 541, 549, 557, 565	1001187522.....348, 352, 356, 681	1001200134.....758	1001207726.....183
1001181075.....533, 541, 549, 557, 565	1001187674.....479	1001200458.....177	1001208874.....67, 69, 71
1001181076.....549, 557	1001187681.....713	1001200491.....427	1001208994.....427
1001181077.....549, 557	1001188334.....93	1001200494.....427	1001209059.....773
1001181145.....759	1001188622.....427	1001201351.....427	1001209432.....599
1001181243.....352, 356	1001188731.....348, 352, 356	1001201633.....179	1001209474.....599
1001181319.....631	1001188844.....427	1001201634.....179	1001209618.....161
1001181329.....625, 627, 629, 635, 639	1001188972.....205, 232, 307	1001201635.....177	1001209664.....477
1001181895.....240	1001189001.....427	1001201636.....177	1001209677.....597
1001181913.....55	1001189002.....427	1001202687.....427	1001209832.....597
1001182155.....55	1001189171.....623, 766	1001202749.....771	1001209844.....301, 315, 323
1001182245.....61	1001189172.....623, 766	1001202910.....532, 540, 548, 556, 564	1001210037.....773
1001182250.....61	1001189882.....729	1001202940.....532, 540, 548, 556, 565	1001210636.....497
1001182296.....348, 352, 356	1001190368.....19, 21	1001202941.....533, 541	1001211336.....113, 115
1001182361.....663, 668, 672	1001190663.....161, 163	1001202942.....549, 557	1001211556.....261
1001182365.....663, 668, 672	1001190921.....704	1001202943.....533, 541, 549, 557, 565	1001211633.....174
1001182570.....419, 421, 423, 425, 767	1001190985.....427	1001202944.....541, 557, 565	1001211636.....174
1001182806.....161	1001191275.....532, 540, 548, 556, 564	1001202946.....533, 541, 549, 557, 565	1001211794.....301, 315
1001183206.....770	1001191276.....532, 540, 548, 556, 564	1001203434.....625, 629	1001211797.....301, 315
1001183207.....770	1001191394.....771	1001203435.....633, 637, 641	1001211877.....331
1001183407.....771	1001191395.....771	1001203459.....633, 637, 639, 641, 643, 645	1001211878.....331
1001183477.....348, 352	1001191620.....228, 240, 258, 282	1001203510.....773	1001212223.....384, 388
1001184542.....533, 541, 549, 557, 565	1001192401.....704	1001203512.....773	1001212257.....293, 307
1001184543.....533, 541, 549, 557, 565	1001193018.....571, 573, 575, 577, 579, 581, 583, 585, 587, 589, 591	1001203655.....443	1001212819.....174
1001184561.....533, 541, 549, 557, 565	1001193336.....109, 111	1001204481.....771	1001212822.....174
1001184562.....533, 541, 549, 557, 565	1001193654.....533, 541, 549, 557, 565	1001204482.....771	1001212989.....301, 315
1001184563.....533, 541, 549, 557, 565	1001194197.....583	1001204510.....727, 758	1001212993.....301, 315
1001184618.....461, 725, 743	1001194198.....585	1001204715.....419, 421, 423, 425	1001213029.....356, 388
	1001194200.....587	1001204725.....427	1001213062.....293, 307
	1001194203.....571	1001204963.....772	1001213305.....301, 315
	1001194204.....575	1001204996.....770	1001213425.....301, 315
	1001194365.....591		1001213426.....301, 315
	1001195039.....294, 308		1001213447.....691
	1001195304.....771		1001213482.....301, 315
	1001195745.....757		1001213599.....293, 307, 675
	1001195746.....757		1001213824.....301, 315
			1001213882.....457
			1001214029.....759
			1001214138.....301, 315

SECTION 11 - SPECIAL OPTIONS/ACCESSORIES/KITS

1001214162 23	1001217494..... 293, 300, 308, 314	1001227987..... 479	1001233763 233, 265
1001214174 23, 33	1001217785..... 293, 307	1001227996..... 715, 717	1001233959 153, 463
1001214205 301, 315	1001218538..... 107	1001228092..... 393, 395, 397, 509	1001234800 663, 667, 672
1001214207 197, 209, 223, 235, 253, 277, 297, 311	1001218676..... 107	1001228215..... 453	1001234811 407, 413
1001214233 301, 315	1001219130..... 107	1001228224..... 479, 767	1001235528 131, 133, 135
1001214234 301, 315	1001219134..... 174	1001228225..... 479, 767	1001235529 131, 133, 135
1001214269 315	1001219794..... 772	1001228243..... 449	
1001214276 301, 315	1001220004..... 771	1001228375..... 451	1001235531 133, 139
1001214277 301, 315	1001220266..... 250	1001228376..... 445	1001235949 258, 269
1001214278 301, 315	1001220379..... 664	1001228377..... 447	1001236091 153, 463
1001214307 301, 315	1001221203..... 282	1001228406..... 166, 170, 174	1001236250 293
1001214317 23, 39	1001221212..... 282	1001228487..... 95, 98	1001236252 307
1001214502 293, 308	1001221402..... 143	1001228492..... 95	1001236254 293, 297
1001214508 301, 315	1001221403..... 145	1001228954..... 651	1001236256 297, 300
1001214546 356, 388	1001221405..... 147	1001228955..... 651	1001236257 301, 315
1001214553 301, 315	1001221927..... 399, 409	1001228988..... 493, 761, 763	1001236258 308, 311
1001214555 301, 315	1001222043..... 174	1001229341 479	1001236259 311, 314
1001214556 301, 315	1001222044..... 174	1001229795..... 679	1001236303 87
1001214558 301, 315	1001222139..... 143	1001229796..... 679	1001236304 599
1001214570 599	1001222140..... 145	1001229798..... 294, 308, 679	1001236393 301, 315, 319
1001214571 599	1001222142..... 147	1001230635..... 227, 239, 258, 282	1001236496 773
1001214598 301, 316	1001222660..... 275	1001230907 617	1001236504 599
1001214599 302, 316	1001223055..... 721, 723, 725	1001230908..... 359	1001236505 599
1001214614 533, 549	1001223122..... 258, 360, 364, 368, 372, 376, 380, 384	1001230934..... 663, 668, 672	1001236552 481
1001214664 302, 316	1001223309..... 335	1001230935..... 663, 668, 672	1001236746 471
1001214694 302, 316	1001223310..... 335	1001230936..... 663, 668, 672	1001236747 467
1001214833 771	1001223328..... 335	1001231195..... 109, 111, 113, 115, 767	1001236780 258
1001214841 302, 316	1001223387..... 174	1001231235..... 773	1001236891 465, 467, 469, 471
1001214909 355	1001223453..... 721, 723, 725, 739, 741, 743, 753, 755	1001231801..... 757	1001236895 465, 467, 469, 471
1001214910 387	1001223454..... 335	1001231886..... 161	1001236965 121
1001214975 201, 213	1001223459..... 663, 667, 671	1001231949..... 471	1001237138 397
1001215125 302, 316	1001223899..... 405	1001231950..... 467, 469	1001237139 397
1001215228 457	1001223971..... 739, 741, 743	1001232010..... 467, 469, 471	1001237142 403
1001215259 293, 308	1001224048..... 749, 751	1001232011..... 467, 469, 471	1001237143 397
1001215373 129	1001224049..... 753, 755	1001232066..... 729	1001237546 151, 153, 463
1001215509 23	1001224050..... 735, 737	1001232164..... 479	1001237549 185
1001215523 388	1001224052..... 731, 733	1001232165..... 479	1001237667 691, 703
1001215801 293, 308	1001224053..... 745, 747	1001232642..... 481	1001237668 691, 703
1001215869 302, 316	1001224888..... 415, 417	1001232667..... 481, 767	1001237697 403, 507
1001216080 308	1001225346..... 599, 767	1001232842..... 265	1001237698 397, 517
1001216396 293, 308	1001225430..... 243, 262	1001232907..... 185	1001237822 121, 123, 125, 127
1001216397 293, 308	1001225431..... 262	1001232908..... 185	1001237863 479, 715
1001216399 294, 308	1001225580..... 477, 689	1001232913..... 185	1001237864 479, 717
1001216512 333	1001225794..... 771	1001232915..... 185	1001237865 479, 713
1001216547 333	1001226400..... 605, 607	1001232916..... 185	1001237882 771
1001216548 333	1001226531..... 599	1001232917..... 185	1001237883 771
1001216549 333	1001226541..... 659, 704	1001232918..... 185	1001237888 485, 487
1001216552 771	1001226636..... 659	1001232919..... 185	1001237891 487
1001216598 170	1001226637..... 659	1001233047..... 770	1001237898 485, 487
1001216598 170	1001226739..... 647, 649, 651, 653, 659	1001233048..... 185	1001237902 485, 487, 767
1001216630 427	1001226799..... 649, 651, 653	1001233075..... 185	1001237949 403
1001216655 533, 541, 549, 557, 565	1001226872..... 453	1001233076..... 185	1001238160 707
1001216800 548	1001227453..... 647	1001233077..... 185	1001238161 121, 123, 125, 127, 685
1001216801 532	1001227633..... 479	1001233079..... 772	1001238168 407
1001216805 356, 388	1001227634..... 479	1001233139..... 19	1001238254 457, 691
1001216825 302, 316	1001227985..... 479	1001233412..... 185	1001238263 465, 467, 469, 471
1001216840 356		1001233413..... 185	1001238319 479
1001216914 770		1001233436..... 185	
1001217342 355, 387			
1001217343 300, 314			
1001217344 355, 387			
1001217345 294, 308, 355, 387			
1001217488 729			

SECTION 11 - SPECIAL OPTIONS/ACCESSORIES/KITS

1001238328.....403, 407	1001244874 393, 399	1001252527 663, 668, 672	1001260420.....227, 239, 259
1001238333.....407	1001244975 455	1001252629 465, 467, 469, 471	1001260524.....485
1001238398.....407	1001244976 455, 457	1001252922 533, 541, 549, 557, 565	1001260525.....485, 487
1001238418.....481, 711	1001245195 53	1001252923 533, 541, 549, 557, 565	1001260576.....282
1001238421427, 772	1001245196 53	1001253375 689	1001260680.....633, 635, 637, 639
1001238463.....469	1001245197 53	1001253618 771	1001261045.....371
1001238472.....481	1001245198 53	1001253619 771	1001261085 371
1001238495477	1001245211 53	1001254472 481	1001262016.....773
1001238559481	1001245305 250	1001254473 481	1001262322.....647
1001238887 131, 137	1001245379 135, 141	1001254665 721	1001262326.....647
1001238911258	1001245380 125, 141	1001254666 721	1001262959.....770
1001238932.....87	1001245658 757	1001254667 739	1001263176.....163
1001239202.....667, 671	1001245827 149	1001254668 739	1001263800.....513
1001239293.....123, 127, 139, 147	1001245831 149	1001254669 749	1001264991.....407, 513
1001239294.....121, 137	1001245839 671	1001254670 749	1001265163.....497
1001239512.....121, 123, 125, 127	1001245993 125	1001254671 735	1001265342.....497
1001239802.....63	1001246087 107	1001254672 735	1001266056.....772
1001241162485	1001246142 770	1001254673 735	1001266098.....772
1001241396.....771	1001246144 653	1001254674 731	1001266290.....771
1001241402.....771	1001246145 649	1001254675 753	1001266489.....772
1001241547772	1001246389 485	1001254676 753	1001267304.....757
1001241548772	1001246456 653	1001254677 745	1001267305.....757
1001241965481	1001246457 649	1001254678 745	1001268737.....771
1001242106123	1001246773 421	1001254750 723	1001269187.....772
1001242538721	1001246859 129, 703	1001254751 741	1001269297.....51
1001242559723	1001246860 773	1001254752 751	1001269298.....51
1001242561745	1001246867 773	1001254753 737	1001269322.....493
1001242562747	1001247048 401, 405	1001254754 733	1001269389.....772
1001242563749	1001247073 772	1001254755 755	1001269629.....771
1001242564751	1001247252 485	1001254756 747	1001269630.....771
1001242565753	1001247359 302, 316	1001255133 427	1001269631.....771
1001242566755	1001247468 427, 767	1001255807 770	1001269655.....772
1001242567739	1001247656 371	1001255901 657	1001270482.....771
1001242568741	1001247800 772	1001256506 664	1001270503.....771
1001242569735	1001248012 405, 511	1001256507 663	1001270508.....770
1001242570737	1001248140 465, 467, 469, 471	1001256879 250	1001270509.....771
1001242571731	1001248182 611, 641, 643, 645	1001257271 465	1001270510.....771
1001242572733	1001248183 613, 641, 643, 645	1001257274 465	1001270514.....771
1001242639770	1001248190 372	1001257275 465	1001270594.....155
1001242680.....151, 461	1001249052 773	1001258005 465	1001270716.....773
1001242851157	1001249356 71, 81	1001258112 282, 285	1001270755.....773
1001242852159	1001249357 71	1001258230 771	1001271497.....691
1001243092485	1001249499 770	1001258495 715, 717	1001271642.....772
1001243183770	1001249695 773	1001258502 282	1001272082.....771
1001243184770	1001249941 773	1001258505 337	1001272083.....771
1001243205485	1001249965 227, 239, 243	1001258715 772	1001272166.....771
1001243414166, 170, 174	1001250035 773	1001258730 485, 487	1001272196.....771
1001243699758	1001250287 166, 174	1001258800 371	1001272659.....655
1001243700757	1001250288 170	1001258804 258	1001272681.....157
1001243869345	1001250289 166, 170, 174	1001258895 49	1001272682.....159
1001243870345	1001250595 773	1001258896 49	1001272997.....657
1001243895265	1001250681 121, 123, 125, 127	1001258897 49	1001273012.....655, 657
1001244019341	1001250764 721, 723, 725, 727, 731, 733, 735, 737, 739, 741, 743, 745, 747, 749, 751, 753, 755, 757	1001258898 49	1001274249.....773
1001244024343		1001258941 274	1001274559.....137, 139, 141, 457, 767
1001244283249		1001258942 275, 277	1001274829.....772
1001244335487		1001258943 277, 280	1001274830.....772
1001244336485		1001259083 339	1001274832.....772
1001244462187		1001259086 337	1001275628.....457
1001244671487		1001259087 275, 339	1001275629.....457
1001244709487		1001259088 337	1001275635.....532, 540, 548, 556, 564
1001244710487		1001260412 228, 240, 259	1001275642.....772
1001244732487			1001275643.....772
1001244733487			
1001244873393			

SECTION 11 - SPECIAL OPTIONS/ACCESSORIES/KITS

1001275644..... 772	1001284515..... 771	1060343.....380, 384, 388	1701518..... 727, 729
1001276007..... 770	1001284583..... 461	1060494.....348, 352, 356	1701529... 721, 723, 725, 727, 729, 731, 733, 735, 737, 739, 741, 743, 745, 747, 749, 751, 753, 755
1001276008..... 770	1001284678..... 757	1060626.....205, 232, 307	1701542.... 293, 307, 757
1001276610..... 655	1001285010..... 25	1060903..... 473, 475	1701543.... 293, 307, 757
1001276643..... 259, 282, 667	1001285142..... 174, 183	1060908.....619, 621, 623	1702300.... 721, 723, 725, 727, 729, 731, 733, 735, 737, 739, 741, 743, 745, 747, 749, 751, 753, 755
1001276923..... 770	1001285143..... 174	1060918..... 459	1702565..... 457
1001277432..... 201, 213, 228, 240, 259, 282	1001285517..... 166, 170, 179	1062255..... 250	1702566..... 457
1001277589..... 259, 261	1001285518..... 166, 170	10702077..376, 381, 385, 389	1702567..... 457
1001277594..... 253, 257	1001285636..... 287	10702082..376, 381, 385, 389	1702720..... 757
1001277600..... 250, 253	1001285811..... 187	10740145..... 81	1702773... 443, 729, 757, 758
1001277640..... 773	1001285891..... 187	10836804... 137, 139, 141	1702774..... 757, 758
1001277648..... 773	1001285892..... 187	1120555..... 483	1702861..... 757, 758
1001277839..... 773	1001285931..... 757	1260017..... 105	1702868... 493, 721, 723, 725, 757, 763, 770
1001278022..... 25, 37	1001285932..... 757	1300018..... 51	1702941.... 205, 232, 307
1001280270..... 282	1001286148..... 111, 115, 119	1320016..... 200, 212	1702942.... 205, 232, 307
1001280340..... 129	1001286149..... 111	1320061..... 249	1702943.... 205, 232, 307
1001281192..... 371	1001286150..... 115	1320176..... 329	1702944.... 205, 232, 307
1001281298..... 287, 289	1001286568..... 281	1320187.... 193, 205, 220, 232, 249, 274	1702968..... 55
1001281301..... 287, 289	1001287427..... 565	1320190.... 193, 205, 220, 232, 249, 274	1703162... 200, 212, 226, 238, 257, 280, 300, 314
1001281302..... 289	1001287428..... 565	1320218..... 63	1703797.... 721, 723, 725
1001281304..... 287	1001287536..... 287	1320220..... 63	1703798.... 721, 723, 725
1001281305..... 287	1001287552..... 287	1320223..... 205, 232, 307	1703804.... 721, 723, 725
1001281307..... 287	1001287643..... 281	1320224..... 194, 206	1703805.... 721, 723, 725
1001281309..... 287	1001288113..... 287	1320302..... 489, 491, 493	1703923..... 753, 755
1001281310..... 287, 289	1001288194..... 121, 123, 125, 127, 703	1321283..... 293, 307	1703924.... 739, 741, 743
1001281311..... 287, 289	1001288195..... 423	1321716.... 109, 111, 113, 115, 226, 238, 257, 274, 347, 351, 359, 364, 368, 371, 376, 380, 384	1703925..... 735, 737
1001281359..... 287, 289	1001288196..... 425	1380147..... 345	1703926..... 745, 747
1001281360..... 287, 289	1001288258..... 425	1580011..... 300, 314	1703927..... 749, 751
1001281380..... 289	1001288259..... 127	1580012..... 495	1703928..... 731, 733
1001281452..... 772	1001288260..... 425	1580013..... 771	1703929..... 753, 755
1001281453..... 772	1001288266..... 281	1670603..... 591	1703930.... 739, 741, 743
1001281454..... 772	1001288266..... 281	1670769.... 633, 635, 637, 639, 641, 643, 645	1703931..... 735, 737
1001281455..... 772	1001288297..... 770	1671092.... 380, 384, 388	1703932..... 745, 747
1001281456..... 772	1001288298..... 771	1671093..... 491	1703933..... 749, 751
1001281457..... 772	1001288366..... 282	1684290..... 503	1703934..... 731, 733
1001281458..... 772	1001288775..... 770	1700818..... 757	1703935..... 753, 755
1001281460..... 772	1001289752..... 757	1701499.... 721, 723, 725, 727, 729, 731, 733, 735, 737, 739, 741, 743, 745, 747, 749, 751, 753, 755	1703936.... 739, 741, 743
1001281461..... 772	1001289753..... 757	1701500.... 721, 723, 725, 727, 729, 731, 733, 735, 737, 739, 741, 743, 745, 747, 749, 751, 753, 755	1703937..... 735, 737
1001281656..... 287, 289	1001289831..... 773	1701504.... 721, 723, 725, 727, 729, 731, 733, 735, 737, 739, 741, 743, 745, 747, 749, 751, 753, 755	1703938..... 745, 747
1001281760..... 403	1001289832..... 773	1701505.... 193, 205, 220, 232, 249, 274, 757	1703939..... 749, 751
1001281886..... 403	1001289884..... 771	1701509.... 483, 721, 723, 725, 727, 729, 731, 733, 735, 737, 739, 741, 743, 745, 747, 749, 751, 753, 755	1703940..... 731, 733
1001281887..... 397, 403	1001289905..... 773		1703941..... 753, 755
1001281985..... 282	1001289906..... 773		1703942.... 739, 741, 743
1001281986..... 282	1001290331..... 758		1703943..... 735, 737
1001282095..... 403, 523	1001290385..... 289		1703944..... 745, 747
1001282106..... 153, 463	1001293086..... 360, 372, 617		1703945..... 749, 751
1001282215..... 773	1001294763..... 758		1703946..... 731, 733
1001282532..... 121, 123, 125, 127, 709	1001294815..... 758		1703947..... 753, 755
1001282649..... 397	1001295060..... 289		1703948.... 739, 741, 743
1001283125..... 417	1001295061..... 289		1703949..... 735, 737
1001283401..... 641	1001295062..... 289		1703950..... 745, 747
1001283447..... 645	1001295063..... 289		1703951..... 749, 751
1001283452..... 643	1001295064..... 289		1703952..... 731, 733
1001283463..... 725	1001295067..... 289		1703953.... 721, 723, 725
1001283464..... 725	1001295068..... 289		1703980..... 745, 747
1001283471..... 743	1001296426..... 121, 123, 125, 127, 687		1703981..... 749, 751
1001283472..... 743	1001297092..... 289		
1001283568..... 725	1001297093..... 289		
1001283574..... 743	1001297094..... 289		
1001283776..... 155, 601	1001297385..... 133		
1001283881..... 565	1001297386..... 135		
1001283882..... 565	1001297390..... 131		
1001283883..... 565	1060341..... 473, 475		
1001283884..... 564			

SECTION 11 - SPECIAL OPTIONS/ACCESSORIES/KITS

1703982.....735, 737	2131216 ... 532, 540, 548, 556, 564	2220726 ... 532, 540, 548, 556, 564	2820035.....265
1703983.....753, 755	2180125 63	2220767 220, 232, 274	2820247.....715, 717
1703984.....739, 741, 743	2180348 ... 193, 205, 293, 307	2220775 ... 532, 540, 548, 556, 564	2840016.....345
1703985.....731, 733	2180387 63	2220881 505, 507, 521	2860030.... 143, 145, 147, 149, 767
1704000....739, 741, 743, 757, 770	2180388 63	2220883 ... 35, 39, 41, 74, 78, 82, 85, 503, 507, 509, 511, 523	2900756.....41
1704001.....753, 755	2180389 63	2220885 ... 511, 517, 521, 523	2900770....73, 77, 78, 81, 82, 505, 507, 521, 523
1704002.....731, 733	2180418 63	2220886 35, 521, 523	2900792.....511, 513
1704260.....457	2180504 302, 316	2220887 117, 119	2902065.... 200, 213, 226, 238, 257, 271, 280
1704271.....757	2180832 ... 220, 232, 249, 274	2220906 ... 532, 540, 548, 556, 564	2902212.....483
1704277.....725, 729, 743	2200261 ... 201, 213, 228, 240, 259, 282	2220923 ... 532, 540, 548, 556, 564	2902217.....489, 491
1704412....721, 723, 725, 727, 729, 731, 733, 735, 737, 739, 741, 743, 745, 747, 749, 751, 753, 755	2220005 63	2220946 ... 532, 540, 548, 556, 564	2902266.....503
1704578.....55	2220124 103	2220947 ... 532, 540, 548, 556, 564	2902443.... 661, 663, 667, 671
1704885.....757, 758	2220237 532, 548	2220998 ... 532, 540, 548, 556, 564	2902549.....617, 619
1704972.....758	2220238 .55, 93, 532, 548	2221018 63	2915102.....770
1705014.....443	2220261 63, 300, 314	2221019 63	2940045.....183
1705305....493, 761, 763	2220273 103	2221024 63	2940074.... 431, 433, 435, 445, 449, 767
1705325.....571, 573	2220313 ... 193, 205, 220, 232, 249, 274	2221040 540, 556, 564	2940173.... 177, 179, 181, 183
1705351....721, 723, 725	2220315 300, 314	2221052 55	3020039.....17
1705355.....761, 763	2220366... 532, 540, 548, 556, 564	2221086 41, 532, 540, 548, 556, 564	3160351.....23, 35
1705358.....757	2220371 ... 532, 540, 548, 556, 564	2400060 265, 497, 691	3250872.....55
1705374.... 363, 367, 593, 595	2220372 55, 532, 540, 548, 556, 564	2400066 681	3251102.....359, 371
1705375....381, 385, 389	2220373 ... 532, 540, 548, 556, 564	2410014 443	3251242....575, 577, 579, 581, 583, 585, 587, 589, 591
1705387....363, 367, 381, 385, 389	2220415 532, 548	2420203 347, 352, 356	3251243....347, 351, 355, 363, 367, 381, 385, 389, 721, 723, 725, 731, 733, 739, 741, 743, 753, 755
1705426.....745, 747	2220451 ... 200, 212, 532, 540, 548, 556, 564	24431386 294, 308	3252347....721, 723, 725
1705427.....749, 751	2220466 ... 532, 540, 548, 556, 564	2460048 375, 379	3252764....375, 380, 383, 387
1705429....739, 741, 743	2220468 ... 532, 540, 548, 556, 564	2460055 347	3271601....166, 170, 174
1705430.....735, 737	2220472 548, 556, 564	2540020 155, 157, 159	3271605....465, 467, 469, 471
1705460....377, 381, 385, 389	2220473 ... 532, 540, 548, 556, 564	2560136 457	3271805.....443
1705461.....377	2220497 ... 532, 540, 548, 556, 564	2560187 ... 177, 179, 181, 183	3272001....465, 467, 469, 471
1705489....359, 371, 376, 377	2220500 540, 556, 564	2580024 205, 232, 307	3272001....465, 467, 469, 471
1705822.....727, 729	2220501 ... 532, 540, 548, 556, 564	2580062 212	3290401.....63
1705828.....727, 729	2220502 ... 532, 540, 548, 556, 564	2600281 431, 433, 435, 445, 449	3290405....155, 157, 159, 187, 423, 425, 497, 571, 573, 575, 577, 579, 581, 583, 585, 587, 589, 591
1705910.....753, 755	2220579 55	2720015 ... 226, 238, 257, 280	3290505....363, 367, 376, 380, 383, 387
1705921.....727, 729	2220582 ... 532, 540, 548, 556, 564	2720058 ... 193, 205, 302, 316	3290601....161, 163, 177, 179, 181, 183, 532, 540, 548, 556, 564
1705961.....727, 729	2220596 540, 556, 564	2720144 63	3290605 87, 89, 121, 123, 125, 127, 129, 157, 159, 174, 183, 193, 200, 205, 212, 220, 226, 232, 238, 249, 257, 274, 280, 293, 307, 331, 333, 335, 347, 351, 355, 359, 363, 367, 371, 376, 380, 383, 387, 423, 425, 597, 617
1706059.....758	2220600 ... 532, 540, 548, 556, 564	2720271 302, 316	
1706060.....758	2220603 540, 556, 564	2720340 226, 238, 257	
1706061.....758	2220628 ... 532, 540, 548, 556, 564	2720392 63	
1706062.....758	2220648 63	2720398 200, 213	
1706063.....758	2220695 ... 532, 540, 548, 556, 564	2720447 200, 213	
1706064.....758		2720615 302, 316	
1706098.....758		2720644 300, 314	
1706385.....443		2750532 ... 193, 205, 221, 233, 249	
2030010....489, 491, 493		2752500 ... 533, 541, 549, 557, 565	
2060025.....200, 212		2780267 23, 25, 27	
2060404....533, 540, 548, 557, 565		2780268 25, 31	
2080040....371, 431, 433, 435, 445, 449, 597		2820031 ... 347, 351, 355, 359, 363, 367, 371, 375, 379, 383, 387	
2080069.....485, 487			
2110810....532, 540, 548, 556, 564			
2110812....532, 540, 548, 556, 564			
2111216....532, 540, 548, 556, 564			
2131212....532, 540, 548, 556, 564			

SECTION 11 - SPECIAL OPTIONS/ACCESSORIES/KITS

3290606 ... 437, 439, 441, 447, 451	739, 741, 743, 745, 747, 749, 751, 753, 755	3580320.....351, 359, 363, 367, 376, 380, 383	4060802... 348, 351, 355, 359, 363, 367, 371, 376, 380, 383, 387
3290607 300, 314	3311501 ... 117, 121, 123, 125, 127, 166, 170, 174, 473, 475	3641569.....473	4060805... 200, 213, 226, 238, 257, 280, 302, 316
3290801 300, 314	3311505 166, 170	3740067.87, 89, 200, 212	4070450 57
3290805 55, 193, 200, 205, 212, 220, 226, 232, 238, 249, 257, 274, 280, 293, 300, 307, 314, 331, 333, 335, 341, 343, 347, 351, 355, 359, 363, 367, 376, 380, 383, 387, 599, 625, 627, 629, 633, 635, 637, 639	3311601 63, 166, 170, 174, 457, 481	3740080.....348, 351, 355, 681, 767	4070560 57
3290806 427	3311605 55, 228, 240, 267, 269, 443, 455, 489, 491, 493	3740086.....711, 767	4070561 57
3291001 ... 121, 123, 125, 127, 226, 238, 257, 280, 300, 314, 427	3311705 ... 347, 351, 355	3740140.....200, 212, 766	4070897 ... 399, 401, 403
3291005 ... 103, 109, 111, 113, 115, 121, 123, 125, 127, 166, 170, 174, 177, 179, 181, 183, 185, 193, 200, 205, 212, 220, 226, 232, 238, 249, 257, 274, 280, 293, 300, 307, 314, 333, 347, 351, 355, 405, 407, 415, 417, 423, 425, 427, 625, 627, 629, 631, 633, 635, 637, 639, 641, 643, 645	3311801 23, 25	3760170.....57, 105	4070898 ... 399, 401, 403
3291201 93, 300, 314, 351, 355, 359, 363, 367, 371, 376, 380, 383, 387, 427	3312002 ... 465, 467, 469, 471	3790012.... 123, 125, 127, 293, 307, 457	4071009 95
3291205 ... 280, 345, 393, 395, 397, 399, 401, 403, 427	3312005 57, 483	3790152.... 197, 209, 223, 235, 253, 277, 297, 311	4160182 166, 170
3291602 95	3312205 483	3820001.....55, 721, 723, 725, 727, 729, 731, 733, 735, 737, 739, 741, 743, 745, 747, 749, 751, 753, 755	4240018 ... 532, 540, 548, 556, 564, 593, 595
3291605 393, 395, 397	3321001 87, 89, 200, 212, 227, 239	3820002.....431, 433, 435, 445, 449	4240032 ... 121, 123, 125, 127, 155, 647, 649, 651, 653, 655
3292001 93	3331211 ... 341, 343, 347, 351, 359, 363, 367, 376, 380, 387	3841143 19, 21, 193, 205, 220, 232, 249, 274, 293, 307, 399, 405, 407, 427	4240033 477, 479, 481
3300106 23, 25	3331215 ... 200, 212, 226, 238, 257, 274, 280	3841203.....393, 395, 397, 401, 403	4240099 ... 121, 123, 125, 127, 157, 159, 193, 200, 205, 212, 220, 226, 232, 238, 257, 265, 274, 280, 293, 300, 307, 314, 348, 351, 355, 359, 363, 367, 371, 376, 380, 383, 387, 457, 473, 475, 489, 491
3300151 ... 437, 439, 441, 445, 447, 449, 451, 453, 489, 491, 493	3340956 483	3841258.....17, 393, 395, 397	4240149 483
3300220 87, 89, 200, 212, 227, 239	3380434 455	3841340.... 625, 627, 629, 631, 633, 635, 637, 639, 641, 643, 645	4280296 59, 61
3300353 457	3420352 57	3900054.....443	4360057 ... 473, 475, 767
3300396 ... 364, 368, 376, 381, 384, 388	3420372 57	3900267.....364, 368	4360070 ... 364, 368, 376, 381, 384, 388, 766
3300408 ... 151, 153, 463	3421565 105	3900295.....21	4360274 149
3300430 477, 487	3422532 ... 193, 205, 220, 232, 249, 274, 293, 307	3900300.....364, 368	4360328 ... 123, 125, 127, 767
3310401 ... 226, 238, 280	3422793 401	3900332.....63	4360336 ... 348, 351, 355, 359, 363, 367, 371, 376, 380, 383, 387, 767
3310601 345	3422848 21	3900349.....457	4360387 ... 147, 149, 457, 767
3311001 ... 267, 269, 347, 351, 355, 364, 368, 376, 381, 384, 388	3422860 405	3910408.... 226, 238, 280	4360407 457, 767
3311005 ... 489, 491, 493	3422861 405, 407	3910606.... 363, 367, 380, 383, 387, 593, 595	4360469 ... 143, 145, 147, 149, 767
3311401 473, 475	3422867 405, 407	3910610.....345, 569	4360476 137, 139, 141
3311405 ... 455, 481, 571, 573, 575, 577, 579, 581, 583, 585, 587, 589, 591, 599, 721, 723, 725, 727, 729, 731, 733, 735, 737,	3423304 19, 21	3910804.... 143, 145, 147, 149	4360517 93, 767
	3430616 457	3911010..... 151, 461	4360542 ... 347, 352, 356, 766
	3430820 345	3931408.....477	4400275 63
	3450404 345	3931512.... 226, 238, 257, 280	4420014 483
	3460334 483	3931618.... 197, 209, 223, 235, 253, 277, 297, 311	4420037 489, 491, 493
	3470003 457	3931628.... 351, 367, 383	4420051 55, 757
	3520028 ... 347, 352, 356	3960389 185	4420066 483
	3520054 ... 200, 212, 228, 239, 257, 280, 457	3960407 200, 212	4460019 667, 671
	3520071 483	3960422.... 363, 367, 380, 383, 387, 569, 593, 595	4460027 347, 352, 356
	3520072 ... 431, 433, 435, 437, 439, 441, 443, 445, 447, 449, 451, 453	3960526.....23, 25	4460042 ... 275, 664, 667, 671, 675, 703
	3520189 376	4010618.... 437, 439, 441, 447, 451	4460043 ... 265, 663, 667, 671
	3520192 376	4031505.....479	4460049 473, 475
	3520198 ... 431, 433, 435, 437, 439, 441, 445, 447, 449, 451, 453	4031507..... 187	4460071 ... 363, 367, 380, 383, 387, 459, 569
	3573400 ... 489, 491, 493	4031509.... 155, 157, 159	4460115 668
	3573642 489, 491	4031516.....481	4460134 348, 352, 356
	3574091 475	4031914.... 226, 238, 257, 280	4460138 348, 352, 356
	3575359 473	4032014.... 351, 367, 383	4460183 691, 703
	3577121 ... 489, 491, 493	4032015.... 359, 363, 376, 380	4460190 347, 352, 356
	3580158 347		
	3580276 347		
	3580317 ... 359, 363, 367, 371, 376, 380, 383, 387		
	3580318 ... 363, 367, 380, 383, 387		
	3580319 ... 359, 371, 376		

SECTION 11 - SPECIAL OPTIONS/ACCESSORIES/KITS

4460205.....569	4460497 ... 121, 123, 125, 127	4460932 497, 657, 677	4711000.... 121, 123, 125, 127, 267, 269, 364, 368, 376, 381, 385, 389
4460225.... 376, 380, 383, 387, 683, 691	4460508 479, 691, 704	4460933 603, 691, 704	4711400.... 177, 179, 181, 183, 437, 439, 441, 445, 447, 449, 451, 453, 477, 481, 485, 571, 573, 575, 577, 579, 581, 583, 585, 587, 589, 591
4460226.... 459, 473, 475, 704	4460509 605, 607	4460941 677, 713	471150087, 89, 166, 170, 193, 205, 221, 226, 232, 238, 249, 257, 274, 280, 293, 307
4460227 691	4460510 773	4460942 ... 479, 664, 667, 671, 677	4711600.... 166, 170, 174, 267, 269, 359, 363, 367, 371, 376, 380, 383, 457, 465, 467, 469, 471
4460234.... 121, 123, 125, 127, 155, 457, 473, 475, 647, 649, 651, 653	4460518 603	4460943 ... 129, 485, 487, 703, 713	4711700.... 125, 348, 351, 355
4460247 663, 667, 671	4460536 ... 129, 419, 421, 423, 487, 609, 611, 613, 615, 691	4460944 ... 663, 664, 667, 671	4711800..... 443
4460259.... 497, 685, 691, 704	4460539 ... 419, 421, 423, 609, 611, 613, 615, 667, 671, 691, 707, 709	4460956 619, 621	4712000.... 465, 467, 469, 471, 483
4460260.... 497, 685, 687, 691, 704	4460612 593, 595	4460957 619, 621	4712200..... 483
4460267 691	4460662 ... 583, 585, 587, 591	4460958 595	4740086..... 19, 21
4460268.... 347, 352, 356, 683	4460693 675	4460961 347, 352, 356	4740155..... 21
4460313.... 661, 704, 707, 709	4460702 704	4460962 491	4740158..... 17
4460315..... 569	4460703 ... 663, 667, 671, 704	4460963 381, 385, 388	4740362..... 455
4460321 347, 352, 356	4460705 ... 347, 352, 356	4460967 703	4740397..... 123, 127
4460346.... 363, 367, 380, 383, 387, 569	4460708 691	4460968 571, 575	4740439..... 405
4460384 591	4460722 265	4460970 691	4740491..... 21
4460418..... 685, 691	4460742 704	4460977 679	4750600..... 345
4460419..... 685, 691	4460743 704	4461005 661	4751000.... 109, 111, 113, 115, 348, 351, 355, 489, 491, 493
4460424..... 704	4460746 ... 663, 667, 671	4461008 ... 661, 663, 667, 671	4751400.... 117, 119, 455, 457, 473, 475, 487, 489, 491, 493, 495, 599, 721, 723, 725, 727, 729, 731, 733, 735, 737, 739, 741, 743, 745, 747, 749, 751, 753, 755
4460425.... 364, 368, 376, 381, 385, 388, 473, 475, 593, 595	4460748 ... 663, 667, 672, 703	4461052 661	4751500.... 348, 351, 355, 473, 475
4460426.... 364, 368, 376, 381, 385, 388	4460761 691	4461054 ... 664, 667, 671	4751600.... 228, 240, 455, 489, 491, 493
4460428..... 457	4460806 ... 579, 581, 583, 585	4461070 603, 663	4751800.... 443, 473, 475
4460434..... 691	4460807 683	4461071 ... 661, 663, 667, 671	4752000..... 57
4460458.... 663, 668, 672, 703, 704	4460808 683	4461072 ... 661, 663, 667, 671	4760600..... 569
4460464.... 157, 159, 419, 421, 423, 425, 459, 497, 601, 603, 609, 611, 613, 615, 657, 659, 677, 681, 689, 691, 703, 704, 711	4460865 605, 607	4461073 ... 661, 663, 667, 671	476100087, 89, 200, 212, 227, 239
4460465.... 155, 161, 163, 419, 421, 423, 425, 497, 603, 605, 607, 609, 611, 613, 615, 659, 661, 663, 664, 667, 671, 675, 683, 689, 691, 703, 704, 707, 709	4460866 691, 704	4461074 ... 661, 663, 667, 671	4761400..... 495
4460466.... 121, 123, 127, 294, 308, 479, 485, 497, 601, 603, 605, 607, 609, 611, 613, 659, 661, 663, 664, 667, 671, 675, 681, 689, 691, 703, 704, 707, 711, 713	4460871 ... 161, 163, 685, 687, 691, 703, 707, 709	4461077 711, 713	4770600..... 345
4460467 773	4460872 707, 709	4461095 603, 661, 663	4811400.... 155, 157, 159, 423, 425, 497, 571, 573, 575, 577, 579, 581, 583, 585, 587, 589, 591
4460470.... 121, 123, 125, 127, 457	4460873 691, 703	4461109 675	4811600.... 339, 363, 367, 376, 380, 383, 387
4460471.... 121, 123, 125, 127, 457	4460874 691, 703	4461111 675	481170087, 89, 121, 123, 127, 129, 157, 159, 161, 163, 177, 179, 181, 183, 193, 200, 205, 212, 220, 232,
4460473..... 605, 607	4460875 ... 691, 707, 709	4461113 675	
4460496.... 121, 123, 125, 127	4460876 685	4461121 675	
	4460878 703	4461122 675	
	4460879 497, 691	4461123 675	
	4460884 ... 497, 667, 671, 689, 703, 709	4461124 675	
	4460887 497, 691, 703	4461196 693	
	4460891 ... 155, 161, 163, 603, 664, 677, 704, 707, 709	4461198 571, 693	
	4460894 ... 659, 661, 664, 667, 671, 675, 691, 703, 707, 709	4461199 695	
	4460897 ... 157, 159, 601, 677	4461201 575, 695	
	4460899 ... 425, 615, 687, 689, 704, 711, 713	4461205 697, 699	
	4460905 ... 685, 691, 703, 707, 709	4461244 583, 697	
	4460906 681	4461245 585, 699	
	4460910 717	4461246 587, 701	
	4460911 713	4461249 701	
	4460928 603	4520216 43	
	4460930 ... 123, 127, 294, 308, 609, 611, 661, 664, 667, 671, 703	4520240 45	
	4460931 ... 121, 123, 127, 485, 601, 613, 703	4520259 47	
		4530028 489, 491, 499	
		4640261 55	
		4640452 521, 523	
		4640509 511, 513	
		4640751 ... 226, 238, 257, 280	
		4640858 503	
		4641122 ... 43, 45, 47, 49, 51, 53	
		4641390 509	
		4710400 226, 238, 280	

SECTION 11 - SPECIAL OPTIONS/ACCESSORIES/KITS

249, 257, 274, 293,	489160055, 63, 197, 209,	70000914.....215	7000262..... 27, 31
300, 307, 314, 348,	223, 235, 253, 277,	70000915.....215	7000263..... 27, 31
351, 355, 359, 363,	297, 311, 427	70000916.....215	70002718.. 215, 243, 262
367, 371, 376, 380,	489180023, 25, 197, 209,	70000917.....215	70002838..... 117, 119
383, 387, 437, 439,	223, 235, 253, 277,	70000918.....215	70002842..... 503
441, 447, 451, 532,	297, 311	70000919.....216	70002902..... 459
540, 548, 556, 564,	4892000 23, 25, 101	70000931.....216	70002903..... 459
597, 617, 633, 635,	4892600001.....427	70001002.....215	70002904..... 459
637, 639, 641, 643, 645	4922641 ... 348, 352, 356,	70001100..375, 379, 384,	70002905..... 459
4811702 ... 228, 240, 250,	360, 364, 368, 372,	388	70002962..... 41
257, 274, 280, 300,	376, 380, 384, 388	70001181.....215	70002974..... 73, 77, 81
314, 331, 333, 335,	4922802631	70001349.....27, 31	70003023..... 73, 77, 81
372, 532, 540, 548,	4922803 639, 645	70001384..375, 379, 384,	70003024..... 73, 77, 81
556, 564, 597	4922925 ... 376, 380, 383,	388	70003408..... 73, 77, 81
4811900 55, 174, 193,	387	70001423.....215	70003463..... 215, 766
200, 206, 212, 220,	4923451201, 212	70001435.....216	70003464..... 215
226, 232, 238, 249,	5240800 ... 193, 205, 221,	70001498.....216	70003468..... 216
257, 274, 280, 293,	232, 249, 274, 293,	70001654.....215	70003469..... 216
300, 307, 314, 341,	300, 307, 314	70001655.....215	70003472..... 215
343, 348, 351, 355,	5241200 . 17, 19, 21, 200,	70001696.....375, 379	70003473..... 215
359, 363, 367, 376,	212, 226, 238, 258,	70001697...409, 411, 413	70003475..... 215
380, 383, 387, 427,	274, 281, 300, 314,	70001844.....216	70003479..... 215
599, 625, 627, 629,	341, 343, 348, 351,	70001850.....215	70003480..... 215
633, 635, 637, 639	355, 359, 363, 367,	70001866.....216	70003481..... 215
4811902 ... 166, 170, 193,	371, 376, 380, 383,	70001868.....216	70003612..... 91
205, 220, 232, 249,	388, 427	70001870...215, 244, 262	70003631. 375, 379, 384,
257, 274, 282, 300, 314	5241400 300, 314	70001871.....216	388
4812000 ... 23, 25, 67, 69,	5241600 21, 95	70001872.....216	70003708. 359, 364, 368,
71, 87, 89, 103, 109,	5242000 95	70001953.....375, 379	371, 375, 379, 384, 388
111, 113, 115, 121,	5250605 300, 314	70001966..359, 364, 368,	70003709. 359, 364, 368,
123, 125, 127, 166,	5250808 ... 359, 364, 368,	371, 375, 379, 384, 388	371, 375, 379, 384, 388
170, 174, 177, 179,	376, 380, 384	70001973..375, 379, 384,	70003783. 200, 213, 227,
181, 183, 185, 193,	5250810 ... 228, 240, 359,	388	239, 281, 766
200, 205, 212, 220,	364, 368, 371, 376,	70001974..375, 379, 384,	7000378874, 78, 82, 509,
226, 232, 238, 249,	380, 384	388	766
257, 274, 280, 293,	5251008 ... 399, 401, 403,	70002057.....98	70003931..... 216
300, 307, 314, 337,	419, 421, 423, 425, 427	7000206.....27, 31	70003932..... 216
339, 348, 351, 355,	5251009 ... 399, 401, 403	70002063.....85	70003977..... 73, 77, 81
368, 371, 384, 399,	5251011 ... 399, 401, 403	70002088.....375, 379	70004000..... 91
401, 403, 415, 417,	525101223, 25, 131, 133,	70002112.....117, 119	70004013..... 91
423, 425, 427, 625,	135, 174	70002209.....41	70004014..... 91
627, 629, 631, 633,	5251014 ... 59, 61, 67, 69,	70002234.....216	70004017..... 41
635, 637, 639, 641,	71, 166, 170	70002257.....326	70004020.. 302, 316, 766
643, 645	5251016 17, 427	7000229.....27, 31	70004056..... 216
4812002 . 67, 69, 71, 109,	5251215 ... 193, 205, 220,	70002291.....384, 388	70004058..... 216, 766
111, 113, 115, 121,	232, 249, 258, 293, 307	70002297..375, 379, 384,	70004059..... 216
123, 125, 127, 166,	5260800 ... 359, 364, 368,	388	70004060..... 216
170, 174, 257, 333	371, 376, 380, 384	7000230.....27, 31	70004062..... 216
4812100 93, 193, 205,	5261000 131, 133, 135	70002316.....319	70004092. 359, 364, 368,
220, 226, 232, 238,	5261018 177, 627	70002318.....319	371, 384, 388
249, 257, 274, 281,	5261200 ... 193, 205, 220,	7000232.....27, 31	70004094..... 384, 388
287, 293, 307, 345,	232, 249, 258, 293, 307	70002326.....319	70004098. 364, 368, 384,
359, 363, 376, 380,	70000342 ..409, 411, 413	700023371.....515	388
399, 401, 403, 427	70000345 216, 261	70002373.....505, 515	70004099. 368, 371, 384,
4812102 55	700004508.....243	70002386..74, 78, 82, 85,	388
4812200 ... 200, 212, 226,	70000619 .375, 379, 383,	509, 766	70004102..... 216
238, 257, 281, 294,	387	70002390.....39	70004103..... 216
308, 341, 343, 348,	70000781 39, 41	70002410.....507, 517	70004169..... 375, 379
351, 356, 359, 363,	70000787 216	70002412.....521, 523	70004171. 359, 364, 375,
367, 376, 380, 388	70000793 271	7000246.....27, 31	379
4844816 405	70000797 35	70002460..375, 379, 384,	70004185..... 773
4844817 405, 407	70000800 215	388	70004186..... 513
4846627 489, 491	70000851216	7000248.....27, 31	70004231 509
4846673 475	70000863 . 375, 379, 384,	7000253.....27, 31	70004237 507, 517
4860214 51	388	7000257.....27, 31	70004267 91
487170087, 89, 359, 363,	70000912 215	7000258.....27, 31	70004268..... 215
367, 371, 376, 380, 383	70000913 215	7000261.....27, 31	70004269..... 215

SECTION 11 - SPECIAL OPTIONS/ACCESSORIES/KITS

70004270.....216	70005071..... 73, 77, 81	70005727..... 319	70006060..... 320
70004281.....243, 262	70005072..... 73, 77, 81	70005737..... 319	70006061..... 320, 767
70004282.....243	70005073..... 73, 77, 81	70005745..... 319	70006062..... 320
70004469.....98	70005074..... 73, 77, 81	70005746..... 319	70006063..... 320
70004481.....98	70005075..... 73, 77, 81	70005747..... 319	70006064..... 320
70004482.....98	70005076..... 73, 77, 81	70005751..... 319	70006065..... 320
70004494.....98	70005077..... 73, 77, 81	70005827..... 39	70006066..... 320
70004504.....262	70005078..... 73, 77	70005830..... 39	70006067..... 320
70004505.....262	70005079..... 73, 77, 81	70005831..... 39	70006068..... 320
70004506.....262	70005080..... 73, 77, 81	70005832..... 39	70006069..... 320
70004507.....262	70005081..... 73, 77, 81	70005833..... 39	70006070..... 320
70004508.....262	70005082..... 73, 77, 81	70005834..... 39	70006071..... 320
70004509.....262	70005084..... 73, 77, 81	70005839..... 523	70006072..... 320
70004510.....262	70005085..... 73, 77, 81	70005931..... 243, 261	70006074..... 320
70004577..... 39, 41	70005086..... 73, 77, 81	70005938..... 262	70006075..... 320
70004676..360, 364, 368, 371	70005087..... 73, 77, 81	70005941..... 244, 262	70006076..... 320
70004677.....360	70005088..... 73, 77, 81	70005942..... 243, 262	70006077..... 320
70004678..360, 364, 368, 371	70005089..... 73, 77, 81	70006010..... 323	70006078..... 320
70004679..360, 364, 368, 371	70005090..... 73, 77, 81	70006011..... 323	70006079..... 320
70004680..360, 364, 368, 371	70005091..... 73, 78, 82	70006012..... 323	70006080..... 320
70004681.....360, 371	70005092..... 73, 77, 81	70006013..... 319	70006093..... 384, 388
70004682..360, 364, 368, 371	70005093..... 77, 81	70006014..... 319	70006094..... 384, 388
70004683.....360, 372	70005097..... 81	70006015..... 319	70006095.. 384, 388, 766
70004684.....364	70005108..... 73, 77	70006016..... 319	70006096..... 384, 388
70004685.....364, 368	70005109..... 73, 78, 81	70006017..... 319	70006097..... 384, 388
70004686.....371	70005139..... 91	70006018..... 319	70006104..... 509
70004687.....368	70005140..... 515	70006019..... 319	70006105..... 509
70004794..109, 111, 113, 115	70005141..... 515	70006020..... 319	70006144..... 243
70004829.....319	70005142..... 505, 515	70006021..... 319	70006255..... 415, 417
70004883.....85	70005143..... 505, 515	70006022..... 319	70006270..... 415, 417
70004884.....41, 85	70005144..... 505, 515	70006023..... 319, 767	70006344..... 521, 523
70004885.....39, 41	70005145.. 505, 515, 517	70006024..... 319	70006356.. 197, 209, 223, 235, 253, 277, 297, 311
70004886.....41	70005146..... 515, 517	70006025..... 319	70006379..... 320
70004889.....325	70005147..... 505	70006026..... 319	70006552..... 364
70004890.....325	70005148..... 505	70006027..... 319	70006553..... 364, 767
70004891.....325	70005149..... 505	70006028..... 319	70006580..... 409
70004892.....325	70005150..... 519	70006029..... 319	70006636..... 509
70004893.....325	70005151..... 519	70006030..... 319	70006639..... 320
70004894.....325	70005152..... 519	70006031..... 319	70006640..... 320
70004895.....325	70005153..... 519	70006032..... 319	70006649..... 511, 513
70004896.....325	70005154..... 519	70006033..... 319	70006650..... 511, 513
70004897.....325, 766	70005171..... 243, 262	70006034..... 319	70006652..... 243
70004898.....325	70005172..... 244, 262	70006035..... 319	70006702..... 509
70004899.....326	70005173..... 243	70006036..... 319	70006703..... 509
70004900.....326	70005176..... 262	70006037..... 319	70006704..... 509
70004901.....326	70005177..... 243, 262	70006038..... 319	70006705..... 509
70004902.....326	70005182..... 243	70006039..... 319	70006706..... 509
70004903.....326	70005183..... 243	70006040..... 319	70006734..... 511, 513
70004904.....326	70005184..... 243, 261	70006041..... 319	70006735..... 511, 513
70004905.....326	70005191..... 261	70006042..... 319	70006736..... 511, 513
70004906.....326	70005217..... 73, 77, 81	70006043..... 319	70006817..... 521
70004907.....326	70005218..... 73, 77, 81	70006044..... 319	70006990..... 98
70004908.....326	70005219..74, 78, 82, 766	70006045..... 320	70006994..... 98
70004909.....326	70005317..... 98	70006046..... 320	70006997..... 98
70004910.....326	70005318..... 98	70006047..... 320	70006998..... 98
70004911.....326	70005504..... 261	70006048..... 320	70006999..... 98
70005065.....91	70005505..... 261	70006049..... 320	70007001..... 98
70005066.....91	70005507..... 261	70006050..... 320	70007002..... 98
70005067.....91	70005510..... 93	70006051..... 320	70007003..... 98
70005068.....91	70005710..... 93	70006052..... 320	70007004..... 98
70005069..... 73, 77, 81	70005711..... 93	70006053..... 320	70007006..... 98
	70005712..... 93	70006054..... 320	70007022..... 98
	70005713..... 93	70006055..... 320	70007023..... 98
	70005714..... 93	70006056..... 320	70007024..... 98
	70005715..... 93	70006057..... 320	70007025..... 98
	70005716..... 93	70006058..... 320	70007026..... 98
	70005724..... 74, 78, 82	70006059..... 320	
	70005726..... 319		

SECTION 11 - SPECIAL OPTIONS/ACCESSORIES/KITS

70007027 98	70008435 261	70025694 216	7017496 39, 41, 509
70007028 98	70008537 262	70026210 243, 261	7017904 319
70007029 98	70008538 262	70026444 39	7017932 319, 766
70007030 98	70008543 261	70027405 261	7017959 320
70007031 98	70008544 261	70028185 262	7017992 320, 767
70007032 98	70008545 261	7002821 773	7019680 347, 352, 356
70007046 98	70008547 261	7002822 773	7020023 215, 766
70007062 521, 523	70008553 261	7002823 773	7020026 215
70007063 521, 523	70008558 261	7002828 773	7020033 33
70007064 521, 523	70008559 261	70028538 261	7020035 33
70007065 521, 523	70008561 261	70028540 243, 261	7020036 33
70007066 521, 523	70008564 262	70029409 261	7020037 33
70007067 521	70009002 . 193, 206, 220, 233	70029451 243	7020038 33
70007068 521, 523	70009004 193, 205	70029512 261	7020039 33
70007069 521, 523	70009005 193, 206	70030360 243, 261	7020040 33
70007070 521, 523	70009006 220, 233	70030381 243, 262	7020041 33
70007071 521, 523	70009007 220, 233	70031055 261	7020108 347, 352, 355
70007072 521, 523	70010383 67, 69, 71, 766	70031095 244	7020109 347, 352, 355
70007156 517	7001481 326	70031136 243, 261	7020110 347, 352, 355
70007157 507, 517	7001998 27, 31	70031143 261	7020111 347, 352, 356
70007158 517	70022564 . 505, 507, 509, 515, 517	70031144 261	7020190 347, 352, 356
70007159 507	70023369 . 505, 507, 509, 515, 517	70031145 243	7020403 215
70007160 507	70023370 505, 513	70031388 261	7020430 215
70007161 507, 517	70023371 513	70031474 261	7020460 215
70007168 507	70023592 .. 227, 239, 766	7004275 773	7020465 215, 244, 262
70007169 507	70023593 .. 227, 239, 766	7004276 773	7020468 215
7000731 28	70024494 244	70050795 509	7020471 216
70007325 243, 261	70024504 243, 261	7007289 326	7020479 216
70007326 244, 261	70024505 261	7007415 325, 326	7020492 215, 216
70007354 243, 261	70024507 243	7007419 325	7021237 325
70007603 243, 261	70024513 243, 261	7007420 325, 326	7021238 325
70007847 37	70024904 244, 262	7007437 35	7021239 325
70007848 37	70024905 243, 262	7007438 35	7021240 325
70007849 37	70024906 243, 262	7007439 35	7021241 325
70007850 37	70024913 262	7007446 35	7021242 325
70007851 37	70024915 243	7007493 326	7021243 325
70007852 37	70024917 261	7007495 325	7021248 325
70007853 37	70024920 261	7007601 27, 31	7021249 35, 325
70007854 37	70024925 243	7007640 27, 31	7021253 325
70007855 37	70024961 243	7010429 27, 31	7021257 325
70007856 37	70025082 215	7010543 85	7021258 325
70007857 37	70025084 215, 216	7012513 347, 351, 355	7021259 325
70007858 37	70025086 216	7012514 347, 352, 355	7021262 325
70007859 37	70025088 215	7012518 521, 523	7021263 325
70007860 37	70025091 215	7012558 347	7021265 325
70007861 37	70025121 216	7012941 85	7021268 325
70007862 37	70025123 215, 216	7012967 85	7021275 35
70007863 37	70025130 261	7012998 509	7021276 35, 326
70007864 37	70025131 216	7016322 345	7021277 35, 326
70007865 37	70025135 243	7016331 215, 244, 262, 766	7021278 326
70007866 37	70025139 215	7016654 773	7021281 325
70007867 37	70025140 262	7017059 27, 31	7021290 326
70007868 37	70025144 262	7017067 27, 31	7021293 325
70007869 37	70025145 262	7017070 27, 31	7021299 326
70007870 37	70025152 262	7017080 27, 31	7021625 41
70007871 37	70025164 243, 261	7017142 409, 411, 413	7021639 41
70007872 37	70025200 243	7017150 411	7022300 325
70007873 37	70025210 243	7017159 409, 411, 413	7022302 35
70007874 37	70025231 243, 261	7017162 409, 411, 413	7022305 35
70007875 37	70025235 262	7017163 409, 411, 413	7022311 35
70007876 37	70025239 243, 261	7017164 409, 411, 413	7022312 35
70007877 37	70025242 261	7017172 409, 411, 413	7022314 35
70007878 37	70025247 215	7017172 409, 411, 413	7022326 35
70008281 523	70025667 215	7017192 409, 411, 413	7022328 35
70008296 262	70025693 216	7017195 409, 411, 413	7022341 325
70008422 262		7017410 85	7022346 326
70008431 261		7017467 509	7022347 326

SECTION 11 - SPECIAL OPTIONS/ACCESSORIES/KITS

7022368.....35	7024489 ... 375, 379, 383, 387	7027780 499	8405104....226, 238, 258, 281, 301, 315
7022371.....35	7024565 216	7027790 216	8405202....226, 238, 258, 281, 301, 315
7022390... 73, 77, 81, 509	7024579 215, 244, 262	7027791 216	8405203.....301, 315
7022397.....39, 41	7024598 345	7027792 216	8405204....227, 238, 258, 281
7022399....39, 41, 73, 77, 81	7024705 27	7027799 ... 375, 379, 384, 388	8406101....220, 232, 249, 274
7023154.....319	7024712 27, 31	7027887 347, 352, 356	8406109....227, 239, 258, 281, 301, 315
7023900.....73, 77, 81	7024713 27, 31	7027903 216	8406110....228, 240, 258, 281, 301, 315, 423, 425, 625, 629, 633, 637, 641
7023907.....35	7024714 27, 31	77363233 683	8406201....228, 240, 258, 281, 301, 315
7023908.....35	7024715 27, 31	80484084 .. 663, 667, 671	8410001.....301, 315
7023910.....35	7024716 27, 31	80963067 703	8410009.....301, 315
7023936.....73, 77, 81	7024717 27	80983191 663, 766	8410011.....302
7024182.....27, 28	7024718 28	82033995 302, 316	8410013....220, 232, 274
7024189.....28	7024800 325	8220045 681, 704	8430007.....249
7024190.....28	7024810 39	8220051 677	84521061.....355
7024191.....28	7024853 35	8220097 703	84521062.....387
7024192.....28	7024854 35	8220115 663	88411013.....599
7024193.....28	7024855 325	8220164 663, 671	88521205.....87, 89
7024194.....28	7024857 325	8229242 .. 663, 703, 766, 767	88521214..465, 467, 469, 471
7024196.....28	7024858 325	8229244 703, 767	88662037..532, 540, 548, 556, 564
7024197.....28	7024868 35	8229245 681, 767	90200755...166, 170, 174
7024441.....117, 119	7024881 39, 41	8229249 497, 767	91164057...41, 74, 78, 82
7024462.....499	7026188 375, 379	8305401 300, 314	91164059.....74, 78, 82
7024463.....499	7026199 347, 351, 355	8307109 300, 314	91164079...41, 74, 78, 82
7024467.....499	7026330 91	8310129 483	91203039.....427
7024469.....499	7026597 375, 379, 384	8310548 300, 314	91401281.....89
7024470.....499	7026626 ... 375, 379, 384, 388	8405006 ... 220, 232, 249, 267, 269, 274, 281, 337, 339	
7024471.....499	7027236 215	8405007 ... 226, 238, 258, 281	
7024472.....499	7027419 35	8405009 ... 193, 205, 226, 238, 258, 281, 301, 315	
7024473.....499	7027773 499	8405102 301, 315	
7024474.....499	7027774 499		
7024475.....499	7027775 499		
7024478.....499	7027776 499		
7024485....375, 379, 766	7027777 499		
7024488....375, 379, 383, 387	7027778 499		
	7027779 499		



**Corporate Office
JLG Industries, Inc.
1 JLG Drive
McConnellsburg, PA 17233-9533 USA
☎ (717) 485-5161 (Corporate)
☎ (877) 554-5438 (Customer Support)
📠 (717) 485-6417**

**Visit our website for JLG Worldwide Locations.
www.jlg.com**



OSHKOSH™