



Illustrated Parts Manual

Models
400SC
460SJC

PVC
2301

P/N
31221354

July 10, 2023 - Rev B

ANSI

CE



UK
CA

AS/NZS



An Oshkosh Corporation Company

REVISION LOG

January 9, 2023 - A - Original Issue of Manual (Edited to B/M 1001260401 Revision S)
July 10, 2023 - B - Revised Manual (Edited to B/M 1001260401 Revision T)

GENERAL INFORMATION



1) MACHINE IDENTIFICATION

Machines are identified by model and in some cases a combination of models, serial number (SN) or regional standard (i.e ANSI, CE, CSA). Components may also be identified by SN or manufacturer. Common components that may be identified by these characteristics are engines and hydraulic components.

2) PARTS MANUAL ORGANIZATION

Product information in this manual is organized under section titles. Frame, Cylinder, Hydraulic and Electrical are a few examples. Each section is organized by figure and page number. The information within the Figure is then organized by item number, part number, description and corresponding illustration (s).

3) TABLE OF CONTENTS (NOT SHOWN)

A table of contents is found toward the beginning of the manual. Figure number, description and page number are provided for quick reference to the page containing the related information.

4) RECOMMENDED SPARE PARTS (NOT SHOWN)

The Recommended Spare Parts List, located near the end of the manual, reference most frequently used maintenance parts.

5) PART NUMBER INDEX (NOT SHOWN)

A numerical index listing all part numbers and the corresponding page number(s) appears at the back of the manual.

GENERAL INFORMATION

6) NON-SERVICED PARTS

In some instances, it is necessary to display non-serviced parts, assemblies or installations. In the case of assemblies and installations there will be a Ref in the Qty. column. In case of parts that are not available for service within assemblies or components, there will be a NSS (Not Sold Separately) or NLA (No Longer Available) listed in the Qty. column of the manual.

7) PARTS LIST ITEM NUMBERS

Numbers shown in the item# column correspond to numbers used in the associated illustration (s). Item numbers which are missing from the sequence in the parts list are not used on that page.

8) INDENTED PARTS DESCRIPTION

An indented part description is included in the item under which it is indented.

9) ABBREVIATION AND SYMBOLS

AC.....	Alternating Current	L.....	Liter
ADE.....	Advanced Design Electronics	LB(LBS).....	Pounds
AG.....	Agricultural	LCD.....	Liquid Crystal Display
ANSI.....	American National Standards Institute	LED.....	Light Emitting Diodes
AR.....	As Required	LH.....	Left Hand
ASSY.....	Assembly	LRC.....	Low Rated Countries
AUS.....	Australia	LSS.....	Load Sensing System
AUX.....	Auxiliary	M(m).....	Metric/Meter
AWG.....	American Wire Gauge	MM(mm).....	Milimeter
B/M.....	Bill of Material	mA.....	Miliamps
CAC.....	Charge Air Cooler	NLA.....	No Longer Available
CE.....	European Conformity	NPT.....	National Pipe Threads
CCW.....	Counter Clockwise	NSS.....	Not Sold Separately
CM.....	Centimeter	OD.....	Outside Diameter
CW.....	Clockwise	ORB.....	O-Ring Boss
CSA.....	Canadian Standards Association	ORFS.....	O-Ring Face Seal
CYL.....	Cylinder	OZ (oz).....	Ounces
DIA.....	Diameter	PG.....	Page
DC.....	Direct Current	PN.....	Part Number
DEF.....	Diesel Exhaust Fluid	QT(qt.).....	Quarts
EMS.....	Emergency Stop	QTY.....	Quantity
ENG.....	Engine	REF.....	Reference
FT(ft).....	Feet	REV.....	Revision Level
GA(Ga).....	Gauge	RH.....	Right Hand
HRC.....	High Rated Countries	SAE.....	Society of Automotive Engineers
HVAC.....	Heating, Ventilating, and Air Conditioning	SN.....	Serial Number
HYD.....	Hydraulic	SPEC(S).....	Specifications
Hz.....	Hertz	T/T.....	Turntable
ID.....	Inside Diameter	UGM.....	Universal Ground Module
IN.....	inches	V.....	Volts
ISO.....	International Organization for Standards	W.....	Watts
JIC.....	Joint Industry Council	#.....	Number
KG.....	Kilogram		

10) ILLUSTRATION REFERENCE LETTERS

When necessary, illustrations may contain reference letters that are intended to track information (i. e. hoses, harnesses) from one point to another or to track visual enlargement of components to show details that may be located in another area on the illustration.

Note: Due to continuous product improvements, JLG Industries, Inc. reserves the right to make specification changes without prior notification. Contact JLG Industries, Inc. for updated information.

TABLE OF CONTENTS

SECTION 1 - FRAME.....	13
FIGURE 1-1. UNDERCARRIAGE ASSEMBLY - WITH RUBBER TRACKS.....	14
FIGURE 1-2. UNDERCARRIAGE ASSEMBLY - WITH RUBBER TRACKS (NON-MARKING TRACKS).....	16
FIGURE 1-3. FRAME UNDERCARRIAGE STEEL TRACKS WITH PADS	18
FIGURE 1-4. UNDERCARRIAGE ASSEMBLY - WITH STEEL TRACKS	20
FIGURE 1-5. TRACK ASSEMBLY - STEEL	22
FIGURE 1-6. DRIVE HUB ASSEMBLY	24
FIGURE 1-7. DRIVE MOTOR ASSEMBLY	26
SECTION 2 - TURNTABLE.....	29
FIGURE 2-1. CONTROL VALVES INSTALLATION - 400SC	30
FIGURE 2-2. CONTROL VALVES INSTALLATION - 460SJC	32
FIGURE 2-3. MAIN VALVE ASSEMBLY - 400SC	34
FIGURE 2-4. MAIN VALVE ASSEMBLY - 460SJC	38
FIGURE 2-5. AXLE VALVE ASSEMBLY	42
FIGURE 2-6. AUXILIARY PUMP AND BATTERY INSTALLATION (WITHOUT DISCONNECT).....	44
FIGURE 2-7. AUXILIARY PUMP AND BATTERY INSTALLATION (WITH DISCONNECT)	46
FIGURE 2-8. AUXILIARY PUMP ASSEMBLY.....	48
FIGURE 2-9. SWING DRIVE INSTALLATION	50
FIGURE 2-10. SWING HUB/MOTOR ASSEMBLY.....	52
FIGURE 2-11. TURNTABLE BEARING INSTALLATION	56
FIGURE 2-12. BEARING LUBE INSTALLATION	58
FIGURE 2-13. TURNTABLE COVERS INSTALLATION	60
FIGURE 2-14. TURNTABLE LOCK INSTALLATION.....	62
FIGURE 2-15. ROTARY COUPLING INSTALLATION	64
FIGURE 2-16. TANKS INSTALLATION.....	66
FIGURE 2-17. ELECTRICAL INSTALLATION - 400SC	68
FIGURE 2-18. ELECTRICAL INSTALLATION - 400SC WITH DEUTZ (STAGE V) ENGINE	70
FIGURE 2-19. ELECTRICAL INSTALLATION - 460SJC.....	72
FIGURE 2-20. ELECTRICAL INSTALLATION - 460SJC WITH DEUTZ (STAGE V) ENGINE	74
FIGURE 2-21. ELECTRICAL PANEL ASSEMBLY	76
FIGURE 2-22. GROUND CONTROL ASSEMBLY - 400SC	78
FIGURE 2-23. GROUND CONTROL ASSEMBLY - 400SC (STAGE V)	80
FIGURE 2-24. GROUND CONTROL ASSEMBLY - 460SJC	82
FIGURE 2-25. GROUND CONTROL ASSEMBLY - 460SJC WITH DEUTZ (STAGE V) ENGINE	84
FIGURE 2-26. KEYSWITCH AND PANEL DECAL INSTALLATION - 400SC	86
FIGURE 2-27. KEYSWITCH AND PANEL DECAL INSTALLATION - 400SC (CE & UK CA (LRC) SPEC)	88
FIGURE 2-28. KEYSWITCH AND PANEL DECAL INSTALLATION - 400SC WITH DEUTZ D2.9L4 (STAGE V) ENGINES (CE & UK CA SPEC).....	90
FIGURE 2-29. KEYSWITCH AND PANEL DECAL INSTALLATION - 460SJC	92
FIGURE 2-30. KEYSWITCH AND PANEL DECAL INSTALLATION - 460SJC (CE & UK CA (LRC) SPEC)	94
FIGURE 2-31. KEYSWITCH AND PANEL DECAL INSTALLATION - 460SJC WITH DEUTZ D2.9L4 (STAGE V) ENGINES (CE & UK CA SPEC).....	96
FIGURE 2-32. LIGHT PANEL INSTALLATION	98
FIGURE 2-33. GROUND CONTROL PANEL MOUNTING - 400SC	100

TABLE OF CONTENTS

FIGURE 2-34. GROUND CONTROL PANEL MOUNTING - 460SJC	102
FIGURE 2-35. GROUND CONTROL PANEL MOUNTING - 400SC/460SJC WITH DEUTZ (STAGE V) ENGINE.....	104
FIGURE 2-36. WHITE NOISE ALARM (AMBIENT) INSTALLATION	106
FIGURE 2-37. WHITE NOISE ALARM (CONSTANT) INSTALLATION	108
FIGURE 2-38. BEACON LIGHT INSTALLATION - AMBER.....	110
FIGURE 2-39. BEACON LIGHT INSTALLATION - BLUE	112
FIGURE 2-40. BEACON LIGHT INSTALLATION - RED.....	114
FIGURE 2-41. HOOD INSTALLATION (ABS).....	116
FIGURE 2-42. HOOD INSTALLATION (STEEL).....	120
FIGURE 2-43. HOOD ASSEMBLY - ENGINE SIDE (ABS).....	124
FIGURE 2-44. HOOD ASSEMBLY - ENGINE SIDE (STEEL).....	126
FIGURE 2-45. ABS HOOD ASSEMBLY - TANK SIDE	128
FIGURE 2-46. STEEL HOOD ASSEMBLY - TANK SIDE	130
FIGURE 2-47. SOUND REDUCTION INSTALLATION - WITH STEEL HOODS (OPTIONAL).....	132
FIGURE 2-48. HOOD PLUGS INSTALLATION (HOODS WITHOUT STROBE LIGHT)	134
SECTION 3 - ENGINE	137
FIGURE 3-1. ENGINE INSTALLATION (DEUTZ D2011) (ANSI EXPORT SPECS)	138
FIGURE 3-2. ENGINE AND PUMP SUB-ASSEMBLY (DEUTZ D2011) (ANSI EXPORT SPECS).....	142
FIGURE 3-3. ENGINE ASSEMBLY - DEUTZ D2011 ENGINE (ANSI EXPORT SPECS).....	144
FIGURE 3-4. ENGINE INSTALLATION - DEUTZ D2011 ENGINE (WITH ARCTIC PACKAGE) (ANSI EXPORT SPECS).....	148
FIGURE 3-5. ENGINE AND PUMP SUB-ASSEMBLY - DEUTZ D2011 ENGINE (WITH ARCTIC PACKAGE) (ANSI EXPORT SPECS).....	154
FIGURE 3-6. ENGINE ASSEMBLY - DEUTZ D2011 ENGINE (WITH ARCTIC PACKAGE) (ANSI EXPORT SPEC)	156
FIGURE 3-7. ENGINE COMPONENTS - DEUTZ D2011 (ANSI EXPORT SPECS)	160
FIGURE 3-8. ENGINE INSTALLATION - DEUTZ D2.9L4 ENGINE (WITHOUT ARCTIC PACKAGE) (ANSI, CSA AND ANSI EXPORT SPECS)	164
FIGURE 3-9. ENGINE AND PUMP SUB-ASSEMBLY - DEUTZ D2.9L4 ENGINE (WITHOUT ARCTIC PACKAGE) (ANSI, ANSI EXPORT AND CSA SPECS)	170
FIGURE 3-10. ENGINE ASSEMBLY - DEUTZ D2.9L4 ENGINE (WITHOUT ARCTIC PACKAGE) (ANSI, ANSI EXPORT AND CSA SPECS)	172
FIGURE 3-11. ENGINE INSTALLATION - DEUTZ D2.9L4 ENGINE (WITH ARCTIC PACKAGE) (ANSI, ANSI EXPORT AND CSA SPECS).....	178
FIGURE 3-12. ENGINE AND PUMP SUB-ASSEMBLY - DEUTZ D2.9L4 ENGINE (WITH ARCTIC PACKAGE) (ANSI, ANSI EXPORT AND CSA SPECS)	184
FIGURE 3-13. ENGINE ASSEMBLY - DEUTZ D2.9L4 ENGINE (WITHOUT ARCTIC PACKAGE) (ANSI, ANSI EXPORT AND CSA SPECS)	186
FIGURE 3-14. ENGINE COMPONENTS - DEUTZ D2.9L4 ENGINE (ANSI, ANSI EXPORT AND CSA SPECS)	192
FIGURE 3-15. ENGINE INSTALLATION - DEUTZ D2.9L4 (STAGE V) ENGINE (WITHOUT ARCTIC PACKAGE) (CE & UK CA SPECS).....	196
FIGURE 3-16. ENGINE AND PUMP SUB-ASSEMBLY - DEUTZ D2.9L4 (STAGE V) ENGINE (WITHOUT ARCTIC PACKAGE) (CE & UK CA SPECS)	202
FIGURE 3-17. ENGINE ASSEMBLY - DEUTZ D2.9L4 (STAGE V) ENGINE (WITHOUT ARCTIC PACKAGE) (CE & UK CA SPECS).....	204
FIGURE 3-18. ENGINE COMPONENTS - DEUTZ D2.9L4 (STAGE V) ENGINE (WITHOUT ARCTIC PACKAGE) (CE & UK CA SPECS).....	210
FIGURE 3-19. MOTOR MOUNT INSTALLATION - STAGE V ENGINE (WITHOUT GENERATOR).....	214
FIGURE 3-20. MOTOR MOUNT INSTALLATION - STAGE V ENGINE (WITH GENERATOR)	216
FIGURE 3-21. BRACKET ASSEMBLY - FUEL PUMP AND FILTER (DEUTZ D2.9L4 ENGINE)	218

TABLE OF CONTENTS

FIGURE 3-22. BRACKET ASSEMBLY - FUEL PUMP AND FILTER (DEUTZ D2.9L4 (STAGE V) ENGINE)	220
FIGURE 3-23. GEAR PUMP ASSEMBLY	222
FIGURE 3-24. PISTON PUMP ASSEMBLY (FRONT)	224
FIGURE 3-25. PISTON PUMP ASSEMBLY (REAR).....	228
FIGURE 3-26. PUMP COUPLING KIT	232
FIGURE 3-27. BREATHER HEATER INSTALLATION - DEUTZ D2.9L4 ENGINE WITH ARCTIC PACKAGE.....	234
FIGURE 3-28. ENGINE BAFFLE INSTALLATION	236
FIGURE 3-29. ENGINE BAFFLE INSTALLATION - STEEL.....	238
FIGURE 3-30. ENGINE TRAY JACK.....	240
FIGURE 3-31. GENERATOR INSTALLATION - 2500W/60HZ (DEUTZ D2011 ENGINE) (ANSI EXPORT SPEC)	242
FIGURE 3-32. GENERATOR INSTALLATION - 2500W/60HZ (DEUTZ D2.9L4 ENGINE) (ANSI, ANSI EXPORT, CSA AND JAPAN SPECS).....	246
FIGURE 3-33. GENERATOR INSTALLATION - 4000W/60HZ (DEUTZ D2011 ENGINE) (ANSI EXPORT SPEC)	250
FIGURE 3-34. GENERATOR INSTALLATION - 4000W/50HZ (DEUTZ D2011 ENGINE) (ANSI EXPORT, CE & UK CA (LRC) SPECS)	254
FIGURE 3-35. GENERATOR INSTALLATION - 4000W/60HZ (DEUTZ D2.9L4 ENGINE) (ANSI, ANSI EXPORT, CSA AND JAPAN SPECS).....	258
FIGURE 3-36. GENERATOR INSTALLATION - 4000W/50HZ (DEUTZ (STAGE V) ENGINE) (CE & UK CA SPEC).....	262
FIGURE 3-37. GENERATOR INSTALLATION - 7500W/50HZ (DEUTZ D2011 ENGINE) (ANSI EXPORT SPECS).....	266
FIGURE 3-38. GENERATOR INSTALLATION - 7500W/60HZ (DEUTZ D2011 ENGINE) (ANSI EXPORT SPECS).....	270
FIGURE 3-39. GENERATOR INSTALLATION - 7500W/60HZ (DEUTZ D2.9L4) (ANSI, ANSI EXPORT, CSA AND JAPAN SPECS)	274
FIGURE 3-40. OIL COOLER INSTALLATION - DEUTZ D2011 ENGINES (ANSI EXPORT, CE & UK CA (LRC) SPECS).....	278
FIGURE 3-41. OIL COOLER INSTALLATION - DEUTZ D2.9L4 ENGINES/DEUTZ D2.9L4 (STAGE V) ENGINES (ANSI, ANSI EXPORT, CE, CSA, JAPAN & UK CA SPECS).....	280
FIGURE 3-42. SPARK ARRESTOR INSTALLATION - ANSI EXPORT SPECS	282
SECTION 4 - BOOM.....	285
FIGURE 4-1. BOOM AND CYLINDERS INSTALLATION - 400SC	286
FIGURE 4-2. BOOM AND CYLINDERS INSTALLATION - 460SJC.....	288
FIGURE 4-3. MAIN BOOM ASSEMBLY - 400SC.....	290
FIGURE 4-4. MAIN BOOM ASSEMBLY - 460SJC.....	292
FIGURE 4-5. JIB BOOM ASSEMBLY - 460SJC.....	294
FIGURE 4-6. ROTATOR ASSEMBLY - 400SC	296
FIGURE 4-7. ROTATOR ASSEMBLY - 460SJC	298
FIGURE 4-8. BOOM REST INSTALLATION	300
FIGURE 4-9. CAPACITY SWITCH INSTALLATION.....	302
FIGURE 4-10. PLATFORM SUPPORT INSTALLATION.....	304
FIGURE 4-11. POWER TRACK INSTALLATION.....	306
FIGURE 4-12. TRANSPORT SWITCHES INSTALLATION.....	308
SECTION 5 - PLATFORM.....	311
FIGURE 5-1. PLATFORM ASSEMBLY - 30IN X 3FT (76CM X .91M) - DROP BAR ENTRY.....	312
FIGURE 5-2. PLATFORM ASSEMBLY - 30IN X 5FT (76.2CM X 1.5M) WITH SWING GATE.....	314
FIGURE 5-3. PLATFORM ASSEMBLY - 36IN X 6FT (91.5CM X 1.83M) WITH SWING GATE.....	316
FIGURE 5-4. PLATFORM ASSEMBLY - 36IN X 8FT (91.5CM X 2.44M) WITH SWING GATE.....	318
FIGURE 5-5. PLATFORM ASSEMBLY - 30IN X 5FT (76.2CM X 1.5M) WITH DROP BAR.....	320
FIGURE 5-6. PLATFORM ASSEMBLY - 36IN X 6FT (91.5CM X 1.83M) WITH DROP BAR.....	322

TABLE OF CONTENTS

FIGURE 5-7. PLATFORM ASSEMBLY - 36IN X 8FT (91.5CM X 2.44M) WITH DROP BAR	324
FIGURE 5-8. PLATFORM ASSEMBLY - 36IN X 6FT (91.5CM X 1.83M) TRI-ENTRY WITH SWING GATE	326
FIGURE 5-9. PLATFORM ASSEMBLY - 36IN X 6FT (91.5CM X 1.83M) TRI-ENTRY WITH DROPBAR	328
FIGURE 5-10. PLATFORM ASSEMBLY - 36IN X 8FT (91.5CM X 2.44M) TRI-ENTRY WITH DROPBAR	330
FIGURE 5-11. PLATFORM ASSEMBLY - 36IN X 8FT (91.5CM X 2.44M) TRI-ENTRY WITH DROPGATE	332
FIGURE 5-12. PLATFORM ASSEMBLY - 36IN X 6FT (91.5CM X 1.83M) WITH FALL ARREST (ALL SPECS EXCEPT CE & UK CA SPECS).....	334
FIGURE 5-13. PLATFORM ASSEMBLY - 36IN X 8FT (91.5CM X 2.44M) WITH FALL ARREST (ALL SPECS EXCEPT CE & UK CA SPECS).....	336
FIGURE 5-14. CONSOLE BOX INSTALLATION	338
FIGURE 5-15. CONSOLE BOX ASSEMBLY	340
FIGURE 5-16. FOOTSWITCH ASSEMBLY	342
FIGURE 5-17. LIGHT PANEL INSTALLATION.....	344
FIGURE 5-18. SOFT TOUCH INSTALLATION - 36IN X 8FT (91.5CM X 2.44M) PLATFORM (OPTIONAL)	346
FIGURE 5-19. SKYGUARD SYSTEM INSTALLATION	348
FIGURE 5-20. SKYGLAZIER INSTALLATION.....	350
FIGURE 5-21. SKYWELDER INSTALLATION (50HZ).....	352
FIGURE 5-22. SKYWELDER INSTALLATION (60HZ) (ANSI, ANSI EXPORT, CSA AND JAPAN SPECS)	354
FIGURE 5-23. SKYWELDER PREP PACKAGE (60HZ) (ANSI, ANSI EXPORT, CSA AND JAPAN SPECS).....	356
FIGURE 5-24. WELDER ASSEMBLY	358
FIGURE 5-25. SKYEYE INSTALLATION.....	360
FIGURE 5-26. SKYLINE INSTALLATION	362
FIGURE 5-27. SKYSENSE MID TUBE SENSOR ASSEMBLY	364
FIGURE 5-28. SKYSENSE OVERHEAD SENSOR ASSEMBLY.....	366
FIGURE 5-29. TRAY INSTALLATION.....	368
FIGURE 5-30. USB CHARGER INSTALLATION.....	370
SECTION 6 - CYLINDER.....	373
FIGURE 6-1. LEVEL (PLATFORM SLAVE) CYLINDER ASSEMBLY.....	374
FIGURE 6-2. LIFT CYLINDER ASSEMBLY - MAIN BOOM.....	376
FIGURE 6-3. LIFT CYLINDER ASSEMBLY - JIB - 460SJC.....	378
FIGURE 6-4. MASTER CYLINDER ASSEMBLY	380
FIGURE 6-5. TELESCOPE CYLINDER ASSEMBLY	382
SECTION 7 - HYDRAULIC	385
FIGURE 7-1. HYDRAULIC DIAGRAM - 400SC	386
FIGURE 7-2. HYDRAULIC DIAGRAM - 460SJC	394
SECTION 8 - ELECTRICAL.....	403
FIGURE 8-1. AC BOX AT PLATFORM INSTALLATION - 110V (ANSI, ANSI EXPORT, AND CSA SPECS)	404
FIGURE 8-2. AC BOX AT PLATFORM INSTALLATION - 110V IEC YELLOW (CE & UK CA SPECS WITH 4000W/50HZ GENERATOR)	406
FIGURE 8-3. AC BOX AT PLATFORM - 110V IEC YELLOW (CE & UK CA SPEC WITHOUT GENERATOR)	408
FIGURE 8-4. AC BOX AT PLATFORM INSTALLATION - 220V IEC BLUE (CE & UK CA SPECS WITH 4000W/50HZ GENERATOR)	410
FIGURE 8-5. AC BOX AT PLATFORM - 220V IEC BLUE (CE & UK CA SPEC WITHOUT GENERATOR).....	412
FIGURE 8-6. AC BOX AT PLATFORM - 220V CEE7 2IN X 4IN POST GROUND (CE & UK CA SPEC WITHOUT GENERATOR)	414

TABLE OF CONTENTS

FIGURE 8-7. AC BOX AT PLATFORM - 220V CEE7 2IN X 4IN SIDE GROUND (CE & UK CA SPEC WITHOUT GENERATOR)	416
FIGURE 8-8. AC BOX AT PLATFORM INSTALLATION - 220V CEE7 2IN X 4IN POST GROUND (CE & UK CA SPECS WITH 4000W/50HZ GENERATOR).....	418
FIGURE 8-9. AC BOX AT PLATFORM INSTALLATION - 220V CEE7 2IN X 4IN SIDE GROUND (CE & UK CA SPECS WITH 4000W/50HZ GENERATOR).....	420
FIGURE 8-10. AC BOX AT PLATFORM INSTALLATION - 220V AFSINT107 (CE & UK CA SPECS WITH 4000W/50HZ GENERATOR).....	422
FIGURE 8-11. AC BOX AT PLATFORM - 220V AFSINT107 (CE & UK CA SPEC WITHOUT GENERATOR).....	424
FIGURE 8-12. AC BOX AT PLATFORM INSTALLATION - 220V CUSTOMER SUPPLIED COMPONENTS (ANSI EXPORT AND CE & UK CA SPECS).....	426
FIGURE 8-13. AC BOX AT PLATFORM INSTALLATION - 240V (WITH 4000W GENERATOR) (ANSI, ANSI EXPORT & CSA SPECS)	428
FIGURE 8-14. AC BOX AT PLATFORM INSTALLATION - 240V (WITH 7500W SKYPOWER GENERATOR) (ANSI, ANSI EXPORT & CSA SPECS).....	430
FIGURE 8-15. AC CABLE INSTALLATION - WITH THREE BREAKERS (CE & UK CA SPECS)	432
FIGURE 8-16. BATTERY DISCONNECT SWITCH.....	434
FIGURE 8-17. BEACON HARNESS - AMBER BEACON.....	436
FIGURE 8-18. BEACON HARNESS - BLUE & RED BEACONS.....	438
FIGURE 8-19. BOOM HARNESS - 400SC.....	440
FIGURE 8-20. BOOM HARNESS - 460SJC.....	442
FIGURE 8-21. BOOM CAPACITY PROXIMITY SWITCH HARNESS	444
FIGURE 8-22. BOOM TELE IN PROXIMITY SWITCH HARNESS.....	446
FIGURE 8-23. BREAKER BOX INSTALLATION - 16AMP BREAKER (CE & UK CA SPEC).....	448
FIGURE 8-24. BREAKER BOX KIT - 16AMP BREAKER.....	450
FIGURE 8-25. BREAKER BOX KIT - 30MA/16 AMP.....	452
FIGURE 8-26. BREAKER BOX KIT WITH THREE BREAKERS	454
FIGURE 8-27. CABLES AND CLAMPS INSTALLATION - 400SC WITHOUT GENERATOR.....	456
FIGURE 8-28. CABLES AND CLAMPS INSTALLATION - 400SC WITH 4000W-50HZ GENERATOR	458
FIGURE 8-29. CABLES AND CLAMPS INSTALLATION - 400SC WITH 4000W-60HZ GENERATOR	460
FIGURE 8-30. CABLES AND CLAMPS INSTALLATION - 400SC WITH 7500W GENERATOR	462
FIGURE 8-31. CABLES AND CLAMPS INSTALLATION - 460SJC WITHOUT GENERATOR	464
FIGURE 8-32. CABLES AND CLAMPS INSTALLATION - 460SJC WITH 4000W GENERATOR 50HZ.....	466
FIGURE 8-33. CABLES AND CLAMPS INSTALLATION - 460SJC WITH 4000W GENERATOR 60HZ.....	468
FIGURE 8-34. CABLES AND CLAMPS INSTALLATION - 460SJC WITH 7500W GENERATOR	470
FIGURE 8-35. CLEARSKY INSTALLATION - 4G CANBUS CONNECTION (ALL SPECS).....	472
FIGURE 8-36. CLEARSKY INSTALLATION - 3G CANBUS CONNECTION (ANSI EXPORT, CE, JAPANESE & UK CA SPECS)	474
FIGURE 8-37. CLEARSKY INSTALLATION 3-WIRE GT1030 CONNECTION (ALL SPECS)	476
FIGURE 8-38. CLEARSKY HARNESS - 3G & 4G CANBUS CONNECTIONS	478
FIGURE 8-39. CLEARSKY HARNESS - 3 WIRE GT1030	480
FIGURE 8-40. ENGINE HARNESS - DEUTZ D2011	482
FIGURE 8-41. ENGINE HARNESS - DEUTZ D2.9L4	484
FIGURE 8-42. ENGINE HARNESS - DEUTZ D2.9L4 (STAGE V) ENGINE.....	488
FIGURE 8-43. FUEL HARNESS - DEUTZ D2.9L4 ENGINE	492
FIGURE 8-44. GROUND CONTROL BOX HARNESS.....	494
FIGURE 8-45. GENERATOR HARNESS - 4000W GENERATOR.....	496
FIGURE 8-46. GENERATOR HARNESS - 2500W GENERATOR (60HZ).....	498

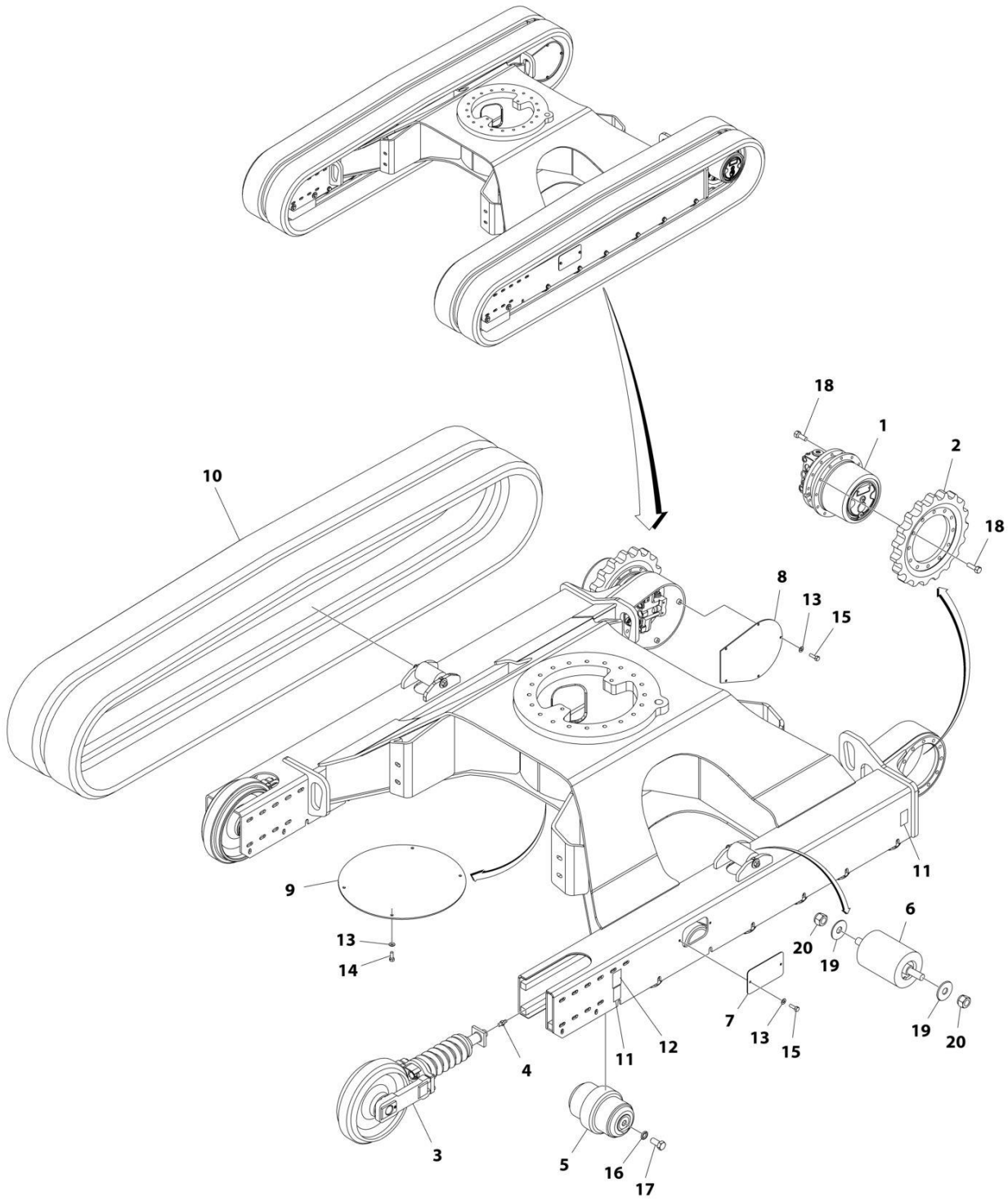
TABLE OF CONTENTS

FIGURE 8-47. INTERFACE HARNESS - WITH 1 CELL LSS	500
FIGURE 8-48. LEFT DRIVE HARNESS.....	502
FIGURE 8-49. PLATFORM CONSOLE BOX HARNESS.....	504
FIGURE 8-50. RECEPTACLE BOX KIT - 110V IEC YELLOW (CE & UK CA SPEC)	506
FIGURE 8-51. RECEPTACLE BOX KIT - 220V IEC BLUE (CE & UK CA SPEC)	508
FIGURE 8-52. RECEPTACLE BOX KIT - 220V CEE7 POST GROUND 2IN X 4IN (CE & UK CA SPEC)	510
FIGURE 8-53. RECEPTACLE BOX KIT - 220V CEE7 SIDE GROUND 2IN X 4IN (CE & UK CA SPEC).....	512
FIGURE 8-54. RECEPTACLE BOX KIT - 220V AFSINT 107 (CE & UK CA SPEC)	514
FIGURE 8-55. TURNTABLE HARNESS	516
FIGURE 8-56. VALVE HARNESS - MAIN VALVE	520
FIGURE 8-57. SKYLINE HARNESS	522
FIGURE 8-58. SKYEYE INTERMEDIATE HARNESS	524
FIGURE 8-59. SKYEYE RECEIVER HARNESS.....	526
FIGURE 8-60. SKYEYE EMITTER HARNESS	528
SECTION 9 - DECALS	531
FIGURE 9-1. DECAL INSTALLATION - ANSI AND ANSI EXPORT SPECS - 400SC.....	532
FIGURE 9-2. DECAL INSTALLATION - ANSI AND ANSI EXPORT SPECS - 460SJC	534
FIGURE 9-3. DECAL INSTALLATION - CE & UK CA SPEC - 400SC.....	536
FIGURE 9-4. DECAL INSTALLATION - CE & UK CA SPEC - 460SJC	538
FIGURE 9-5. DECAL INSTALLATION - CSA SPEC - 400SC.....	540
FIGURE 9-6. DECAL INSTALLATION - CSA SPEC - 460SJC	542
FIGURE 9-7. DECAL INSTALLATION - ANSI EXPORT - 400SC (JAPANESE SPECS).....	544
FIGURE 9-8. DECAL INSTALLATION - ANSI EXPORT - 460SJC (JAPANESE SPECS).....	546
FIGURE 9-9. DECAL INSTALLATION - ANSI EXPORT SPEC - 400SC (KOREAN SPECS).....	548
FIGURE 9-10. DECAL INSTALLATION - ANSI EXPORT SPEC - 460SJC (KOREAN SPECS).....	550
FIGURE 9-11. DECAL INSTALLATION - OPTIONS	552
FIGURE 9-12. SKYWELDER DECAL INSTALLATION - 50HZ (ANSI EXPORT SPECS)	556
FIGURE 9-13. SKYWELDER DECAL INSTALLATION - 60HZ (ANSI EXPORT SPECS)	558
SECTION 10 - RECOMMENDED SERVICE PARTS STOCK.....	561
FIGURE 10-1. RECOMMENDED SERVICE PARTS STOCK.....	562
SECTION 11 - SPECIAL OPTIONS/ACCESSORIES/KITS.....	565
FIGURE 11-1. SPECIAL OPTIONS/ACCESSORIES/KITS.....	566
PART NUMBER INDEX.....	569

SECTION 1 - FRAME

SECTION 1 - FRAME

FIGURE 1-1. UNDERCARRIAGE ASSEMBLY - WITH RUBBER TRACKS



ART_1001236609

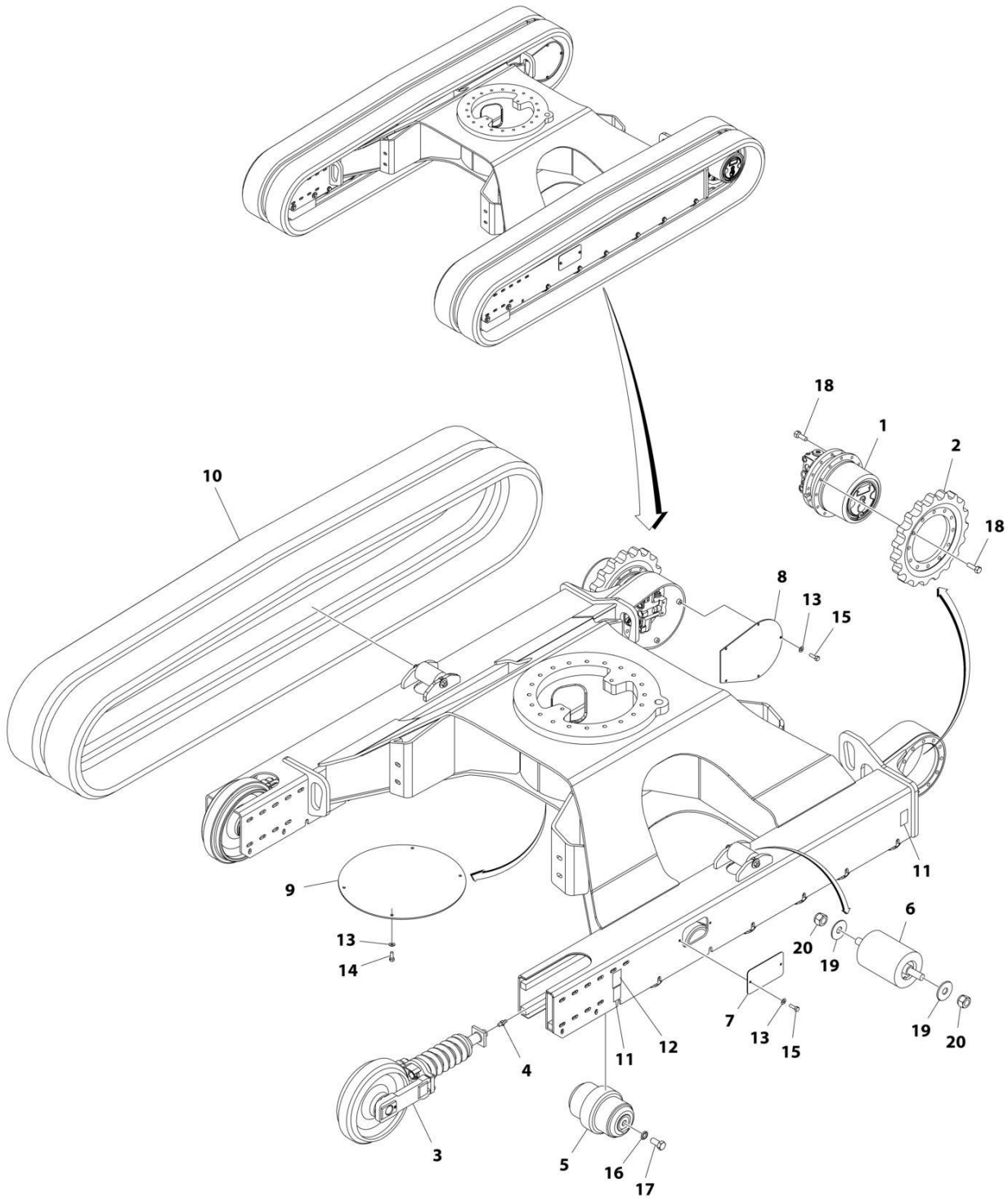
SECTION 1 - FRAME

FIGURE 1-1. UNDERCARRIAGE ASSEMBLY - WITH RUBBER TRACKS

ITEM	PART NUMBER	QTY	DESCRIPTION	REV
	1001236609	Ref	UNDERCARRIAGE ASSEMBLY	D
1	70005275	2	Drive Hub Assembly (See Separate Breakdown in this Section)	
2	70005276	2	Sprocket, Drive	
3	70007471	2	Idler, Assembly	
4	70005278	2	Fitting, Grease	
5	70007472	14	Track Roller Assembly - Lower	
6	70005280	2	Track Roller Assembly - Upper	
7	70005281	2	Plate, Cover - Frame Side	
8	70005282	2	Plate, Cover - Drive Motor	
9	70005283	1	Plate, Cover - Frame Bottom	
10	1001190968	2	Track, Rubber (Bridgestone Poland)	
11	1703814	4	Decal - Tie Down	
12	1701499	2	Decal - No Lifting	
13	70005284	18	Washer M8	
14	70005285	4	Bolt M8 x 20	
15	70005286	12	Bolt M8 x 16	
16	70007406	28	Washer M16	
17	70005288	28	Bolt M16 x 35	
18	70005289	48	Bolt M14 x 40	
19	70007409	4	Washer M14	
20	70005291	4	Nut M8	

SECTION 1 - FRAME

FIGURE 1-2. UNDERCARRIAGE ASSEMBLY - WITH RUBBER TRACKS (NON-MARKING TRACKS)



ART_1001244414

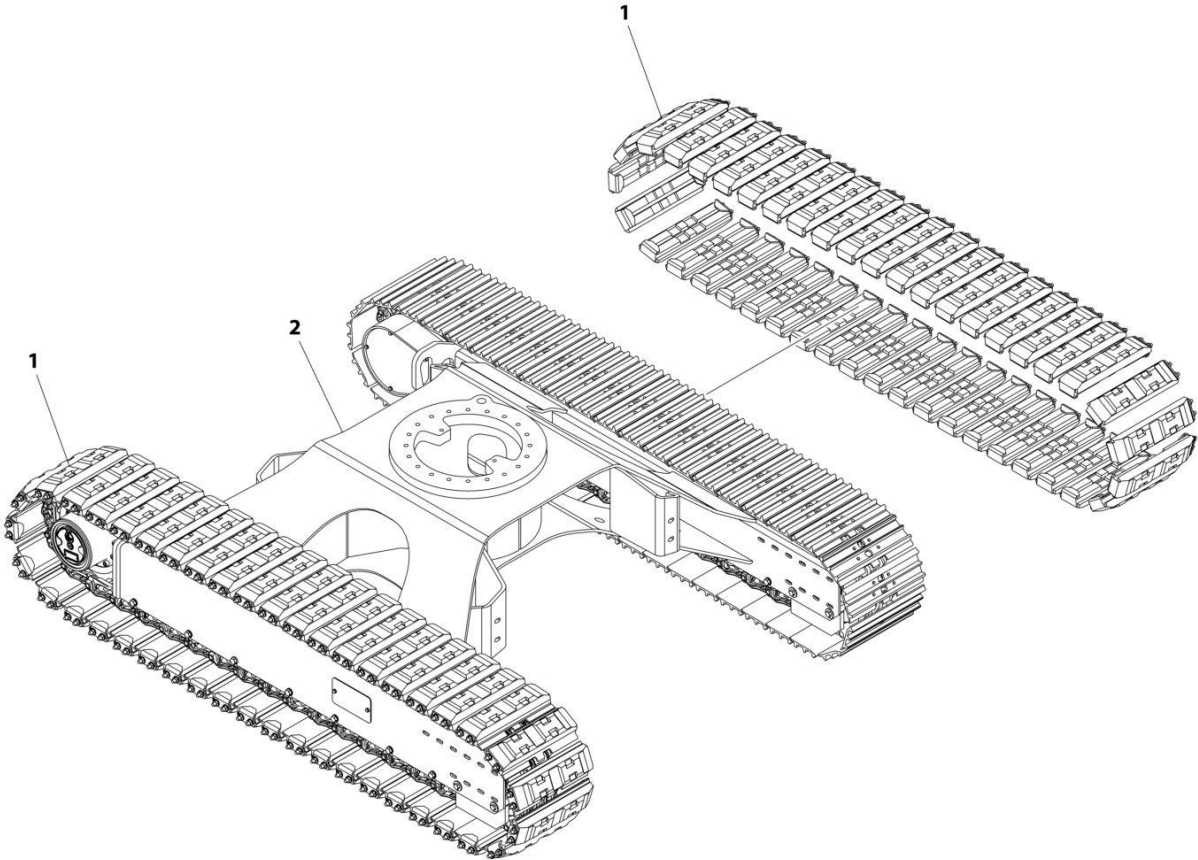
SECTION 1 - FRAME

FIGURE 1-2. UNDERCARRIAGE ASSEMBLY - WITH RUBBER TRACKS (NON-MARKING TRACKS)

ITEM	PART NUMBER	QTY	DESCRIPTION	REV
	1001244414	Ref	UNDERCARRIAGE ASSEMBLY	B
1	70005275	2	Drive Hub Assembly (See Separate Breakdown in this Section)	
2	70005276	2	Sprocket, Drive	
3	70007471	2	Idler, Assembly	
4	70005278	2	Fitting, Grease	
5	70007472	14	Track Roller Assembly - Lower	
6	70005280	2	Track Roller Assembly - Upper	
7	70005281	2	Plate, Cover - Frame Side	
8	70005282	2	Plate, Cover - Drive Motor	
9	70005283	1	Plate, Cover - Frame Bottom	
10	1001216550	2	Track, Rubber	
11	1703814	4	Decal - Tie Down	
12	1701499	2	Decal - No Lifting	
13	70005284	18	Washer M8	
14	70005285	4	Bolt M8 x 20	
15	70005286	12	Bolt M8 x 16	
16	70007406	28	Washer M16	
17	70005288	28	Bolt M16 x 35	
18	70005289	48	Bolt M14 x 40	
19	70007409	4	Washer M14	
20	70005291	4	Nut M8	

SECTION 1 - FRAME

FIGURE 1-3. FRAME UNDERCARRIAGE STEEL TRACKS WITH PADS



ART_1001244421

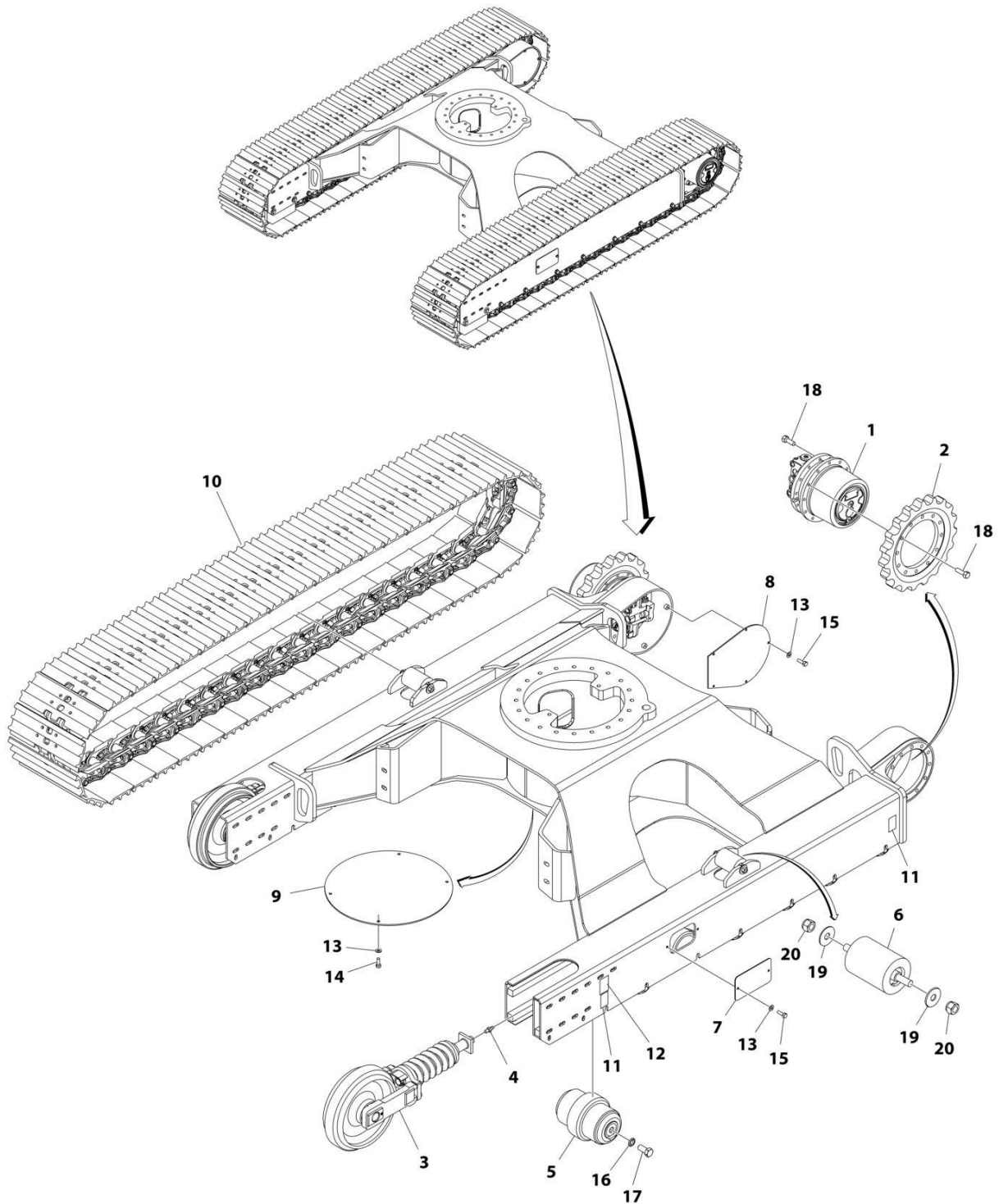
SECTION 1 - FRAME

FIGURE 1-3. FRAME UNDERCARRIAGE STEEL TRACKS WITH PADS

ITEM	PART NUMBER	QTY	DESCRIPTION	REV
1	1001244421	Ref	FRAME UNDERCARRIAGE STEEL TRACKS WITH PADS	B
	1001236608	1	Undercarriage Assembly (See Separate Breakdown in this Section)	
2	1001189805	2	Track Assembly - Steel (See Separate Breakdown in this Section)	
3	1001219904	86	Pad, Track	

SECTION 1 - FRAME

FIGURE 1-4. UNDERCARRIAGE ASSEMBLY - WITH STEEL TRACKS



ART_1001236608

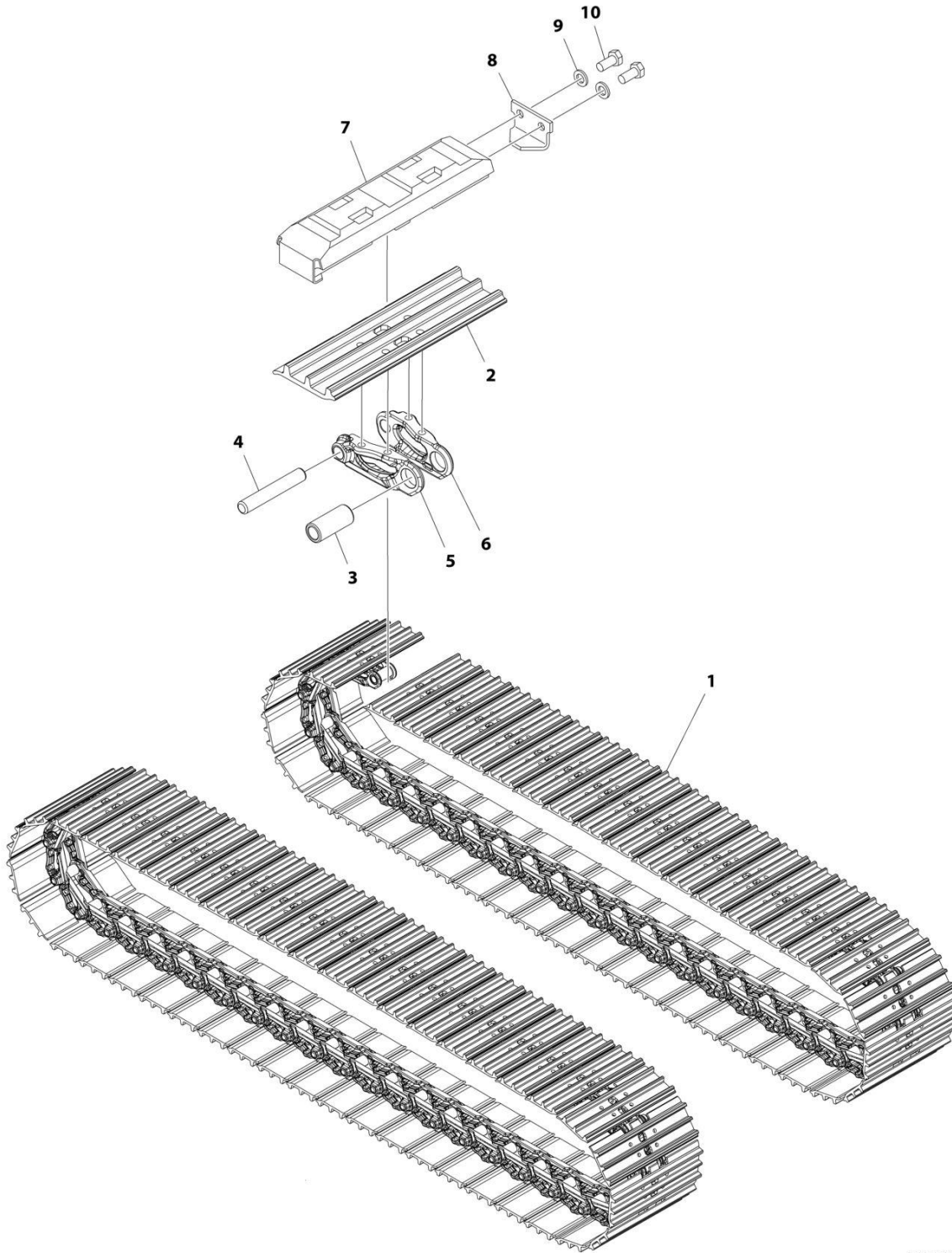
SECTION 1 - FRAME

FIGURE 1-4. UNDERCARRIAGE ASSEMBLY - WITH STEEL TRACKS

ITEM	PART NUMBER	QTY	DESCRIPTION	REV
	1001236608	Ref	UNDERCARRIAGE ASSEMBLY	C
1	70005275	2	Drive Hub Assembly (See Separate Breakdown in this Section)	
2	70005276	2	Sprocket, Drive	
3	70007471	2	Idler, Assembly	
4	70005278	2	Fitting, Grease	
5	70007472	14	Track Roller Assembly - Lower	
6	70005280	2	Track Roller Assembly - Upper	
7	70005281	2	Plate, Cover - Frame Side	
8	70005282	2	Plate, Cover - Drive Motor	
9	70005283	1	Plate, Cover - Frame Bottom	
10	1001189805	2	Track, Steel (See Separate Breakdown in this Section)	
11	1703814	4	Decal - Tie Down	
12	1701499	2	Decal - No Lifting	
13	70005284	18	Washer M8	
14	70005285	4	Bolt M8 x 20	
15	70005286	12	Bolt M8 x 16	
16	70007406	28	Washer M16	
17	70005288	28	Bolt M16 x 35	
18	70005289	48	Bolt M14 x 40	
19	70007409	4	Washer M14	
20	70005291	4	Nut M8	

SECTION 1 - FRAME

FIGURE 1-5. TRACK ASSEMBLY - STEEL



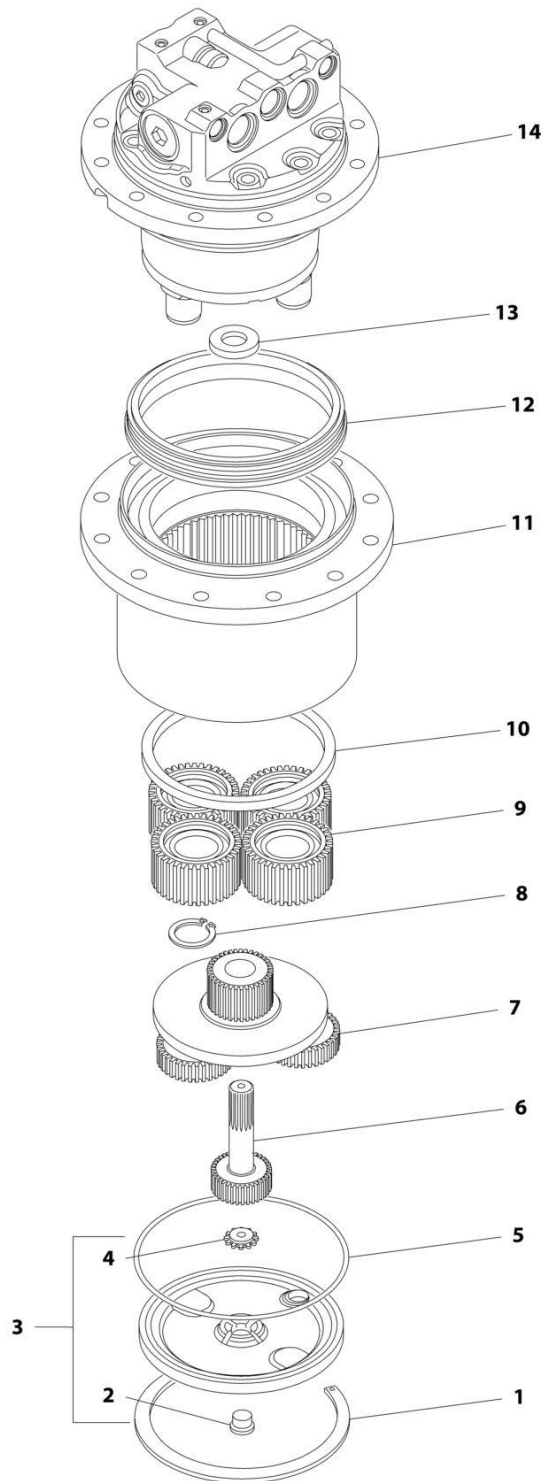
ART_1001189805

FIGURE 1-5. TRACK ASSEMBLY - STEEL

ITEM	PART NUMBER	QTY	DESCRIPTION	REV
	1001189805	Ref	TRACK ASSEMBLY - STEEL	D
1	See Note	2	Track, Steel (Note: Purchase p/n 1001189805)	
2	See Note	NSS	Cleat, Track (Note: Not Available for Purchase)	
3	See Note	NSS	Bearing (Note: Not Available for Purchase)	
4	See Note	NSS	Pin, Hinge (Note: Not Available for Purchase)	
5	See Note	NSS	Link, Right (Note: Not Available for Purchase)	
6	See Note	NSS	Link, Left (Note: Not Available for Purchase)	
7	70005368	1	Pads, Rubber	
8	70005369	1	Plate, Mounting	
9	70005370	2	Washer M14	
10	70005371	2	Bolt M14 x 35	
11	70005367	1	Pad, Rubber (Not Shown)	

SECTION 1 - FRAME

FIGURE 1-6. DRIVE HUB ASSEMBLY



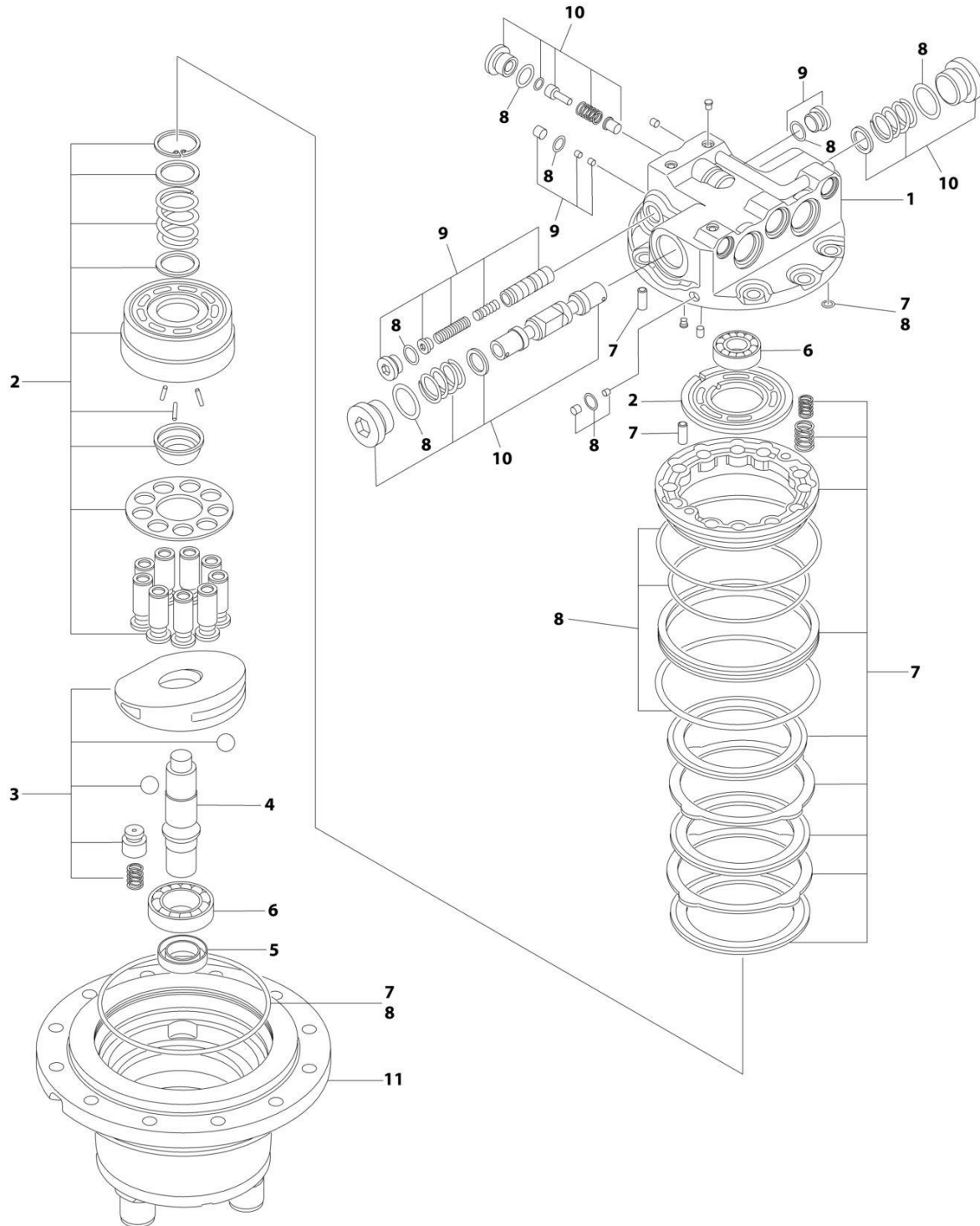
ART_70005275

FIGURE 1-6. DRIVE HUB ASSEMBLY

ITEM	PART NUMBER	QTY	DESCRIPTION	REV
	70005275	Ref	DRIVE HUB ASSEMBLY	
1	70005343	1	Retainer	
2	70005344	2	Plug	
3	70005345	1	Cover (Includes Items 2 & 4)	
4	70005346	1	Pad	
5	70005347	1	O-Ring	
6	70005348	1	Gear, Sun	
7	70005349	1	Gear, Reduction Assembly	
8	70005350	4	Retainer	
9	70005351	4	Gear, Planetary Assembly	
10	70005352	1	Nut	
11	70005353	1	Housing w/Bearing	
12	70005354	1	Gasket	
13	70005355	1	Ring, Centering	
14	70005356	1	Drive Motor Assembly (See Separate Breakdown in this Section)	

SECTION 1 - FRAME

FIGURE 1-7. DRIVE MOTOR ASSEMBLY



ART_70005356

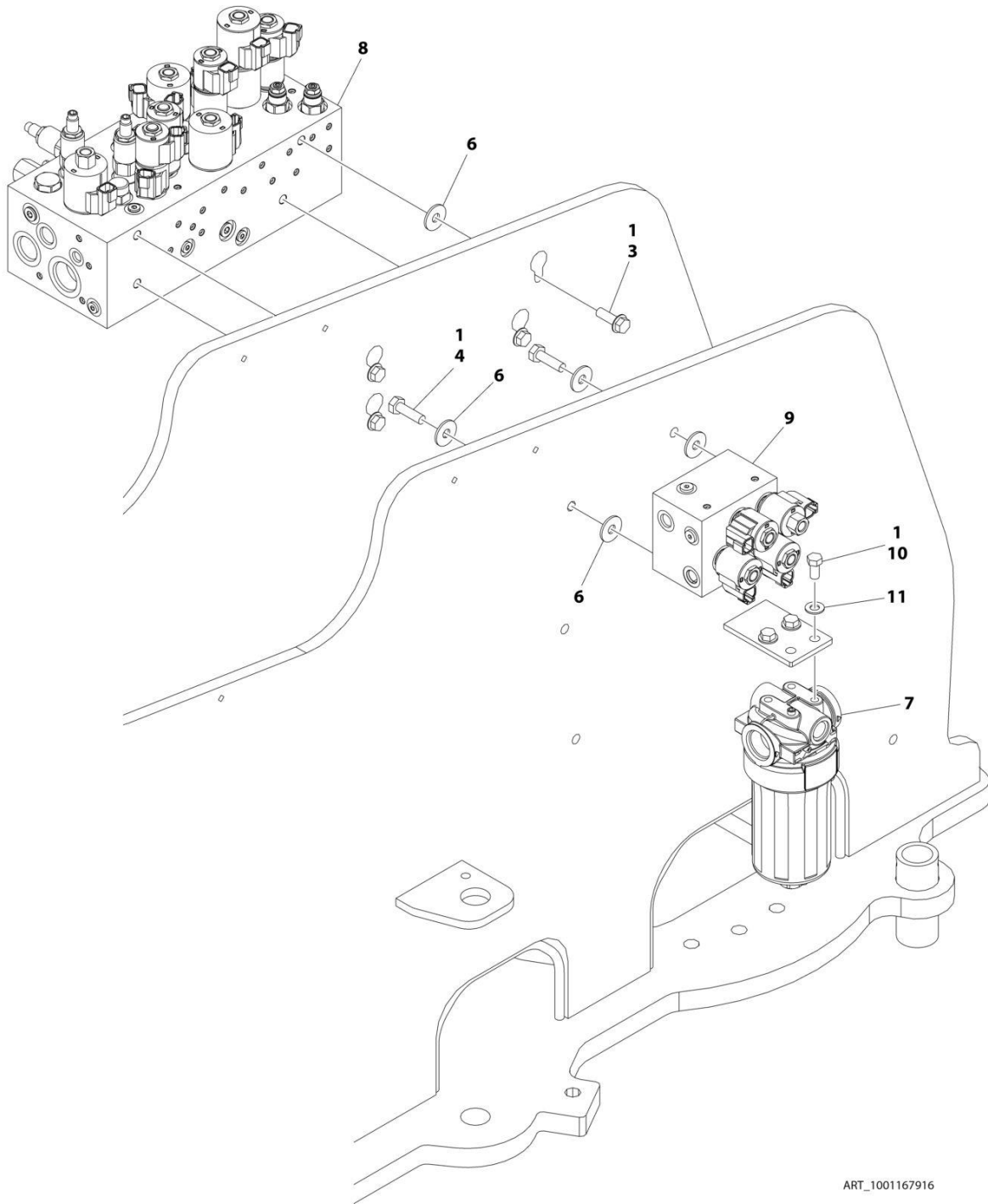
FIGURE 1-7. DRIVE MOTOR ASSEMBLY

ITEM	PART NUMBER	QTY	DESCRIPTION	REV
	70005356	1	DRIVE MOTOR ASSEMBLY	
1	70005357	1	Base Plate Assembly	
2	70005358	1	Block, Cylinder	
3	70005359	1	Plate, Swash	
4	70005360	1	Shaft	
5	70005361	1	Seal Kit - Motor	
6	70005362	1	Bearing Kit	
7	70005363	1	Brake Kit	
8	70005364	1	Seals	
9	70005365	1	Speed Spool Kit	
10	70005366	1	Flushing Kit	
11	See Note	NSS	Housing (Note: Not Available for Purchase)	

SECTION 2 - TURNTABLE

SECTION 2 - TURNTABLE

FIGURE 2-1. CONTROL VALVES INSTALLATION - 400SC



ART_1001167916

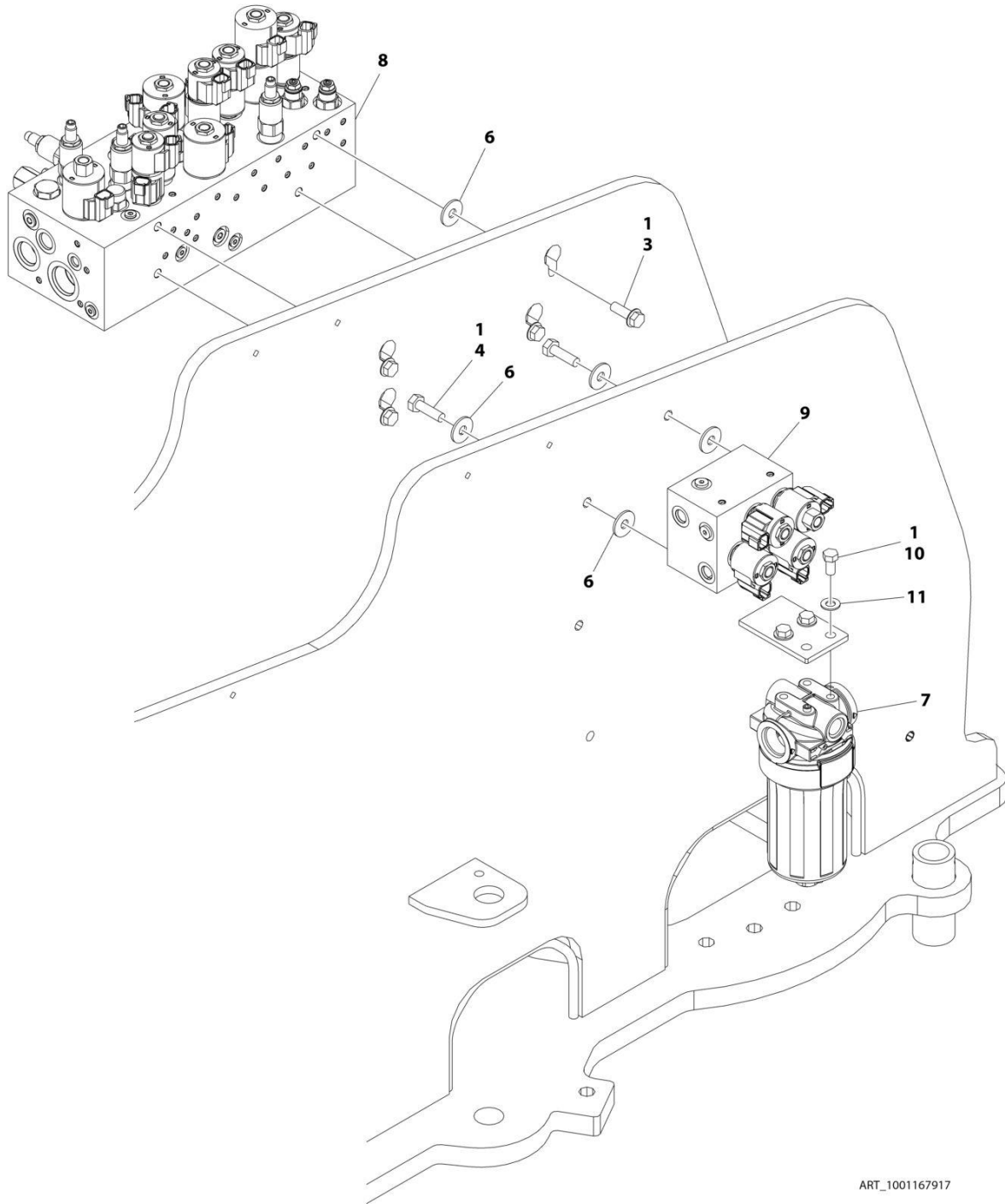
SECTION 2 - TURNTABLE

FIGURE 2-1. CONTROL VALVES INSTALLATION - 400SC

ITEM	PART NUMBER	QTY	DESCRIPTION	REV
	1001167916	Ref	CONTROL VALVES INSTALLATION	F
1	0100011	AR	Compound, Locking	
3	5251014	4	Bolt M10 x 30	
4	0761015	2	Bolt M10 x 35	
6	4812002	8	Washer M10	
7	1001208874	1	Filter, Charge Pump	
7	70010383	1	Element, Filter (Includes O-Ring)	
8	1001162531	1	Main Valve Assembly (See Separate Breakdown in this Section)	
9	1001162538	1	Axle Valve Assembly (See Separate Breakdown in this Section)	
10	0761010	3	Bolt M10 x 20	
11	4812000	3	Washer M10	

SECTION 2 - TURNTABLE

FIGURE 2-2. CONTROL VALVES INSTALLATION - 460SJC



ART_1001167917

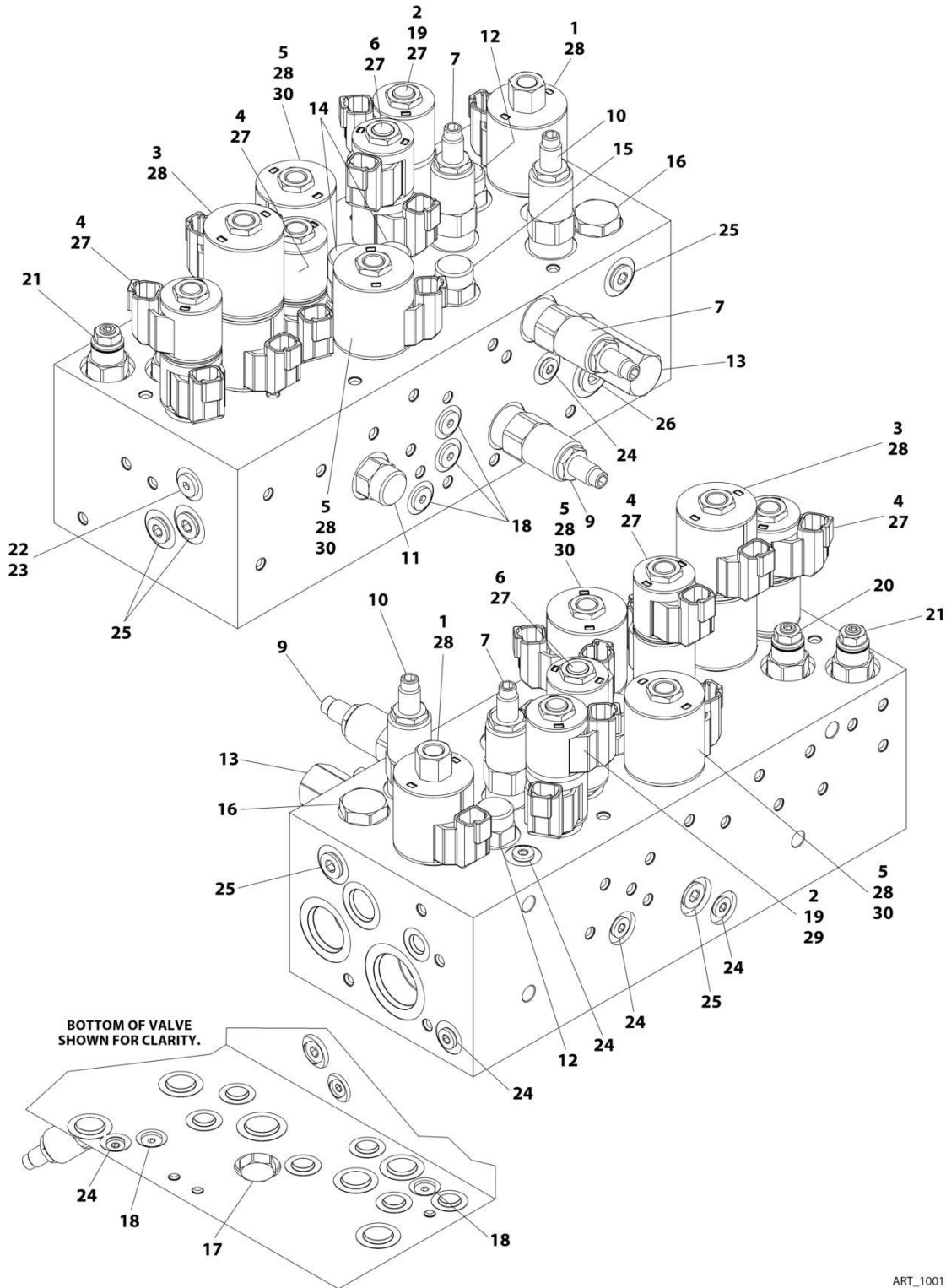
SECTION 2 - TURNTABLE

FIGURE 2-2. CONTROL VALVES INSTALLATION - 460SJC

ITEM	PART NUMBER	QTY	DESCRIPTION	REV
	1001167917	Ref	CONTROL VALVES INSTALLATION	F
1	0100011	AR	Compound, Locking	
3	5251014	4	Bolt M10 x 30	
4	0761015	2	Bolt M10 x 35	
6	4812002	8	Washer M10	
7	1001208874	1	Filter, Charge Pump	
7	70010383	1	Element, Filter (Includes O-Ring)	
8	1001162532	1	Main Valve Assembly (See Separate Breakdown in this Section)	
9	1001162538	1	Axle Valve Assembly (See Separate Breakdown in this Section)	
10	0761010	3	Bolt M10 x 20	
11	4812000	3	Washer M10	

SECTION 2 - TURNTABLE

FIGURE 2-3. MAIN VALVE ASSEMBLY - 400SC



ART_1001162531

SECTION 2 - TURNTABLE

FIGURE 2-3. MAIN VALVE ASSEMBLY - 400SC

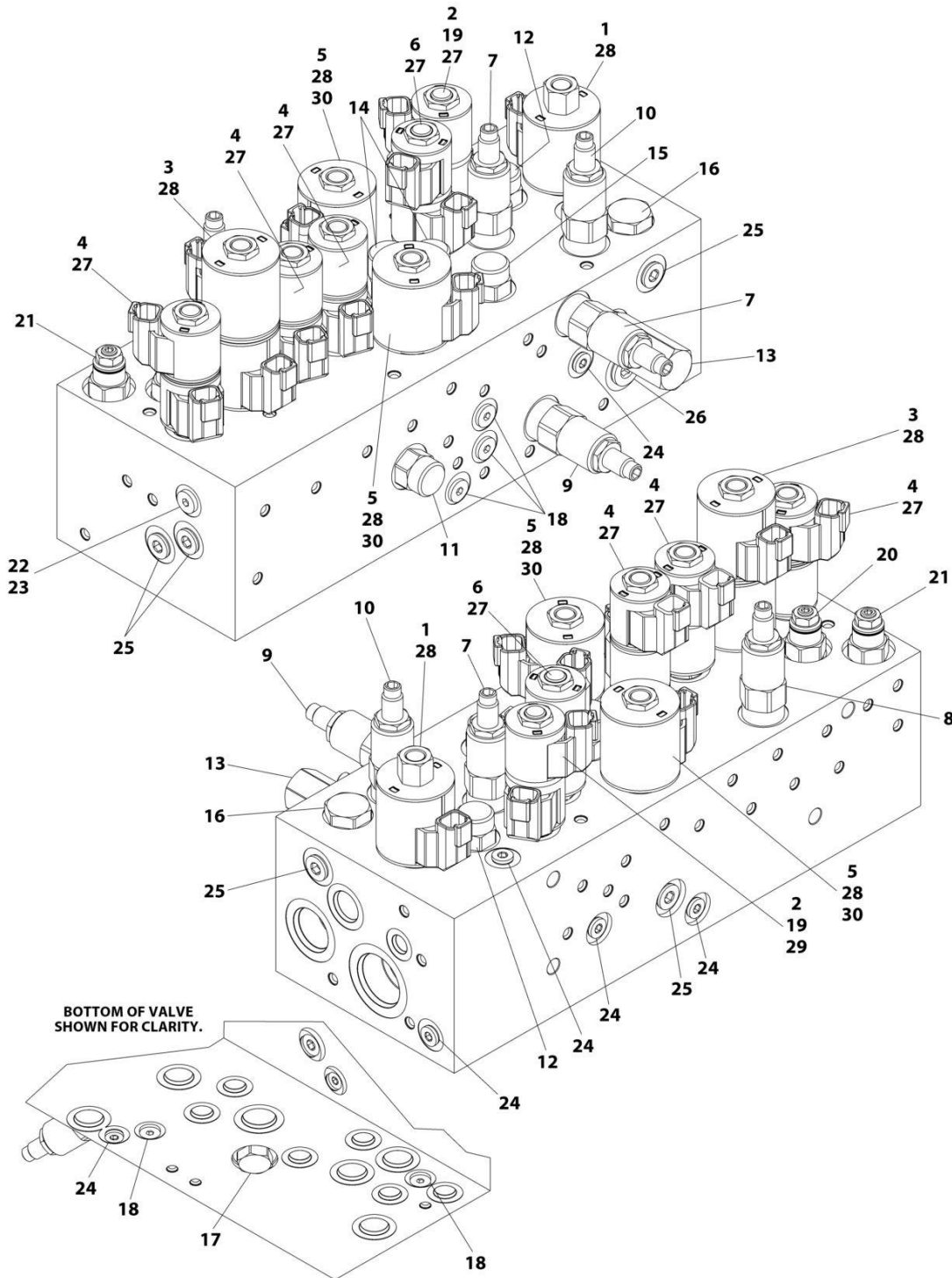
ITEM	PART NUMBER	QTY	DESCRIPTION	REV
	1001162531	Ref	MAIN VALVE ASSEMBLY	F
1	70005069	1	Cartridge, Solenoid Less Coil (Main Dump)	
1	7022399	1	Seal Kit - 70005069 Valve	
1	70003977	1	Nut, Coil	
2	70005217	1	Cartridge, Solenoid Less Coil (Steer)	
2	70005071	1	Seal Kit - 70005217 Valve	
2	7022390	1	Nut, Coil	
3	70005072	1	Cartridge, Solenoid Less Coil (Tele)	
3	70005073	1	Seal Kit - 70005072 Valve	
3	7022390	1	Nut, Coil	
3	70003024	1	Spacer, Coil	
4	70005074	2	Cartridge, Solenoid Valve Less Coil (Platform Level and Rotate)	
4	70005075	2	Seal Kit - 70005074 Valve	
4	7022390	2	Nut, Coil	
4	70003023	2	Spacer, Coil	
5	70005076	2	Cartridge, Solenoid Less Coil (Lift Up and Flow Control)	
5	7022399	2	Seal Kit - 70005076 Valve	
5	7022390	2	Nut, Coil	
6	70005077	1	Cartridge, Solenoid Valve Less Coil (Swing)	
6	70005071	1	Seal Kit - 70005077 Valve	
6	7022390	1	Nut, Coil	
6	70003023	1	Spacer, Coil	
7	70005078	2	Cartridge, Relief Valve	
7	7023936	2	Seal Kit - 70005078 Valve	
9	70005079	1	Cartridge, Relief Valve	
9	7023936	1	Seal Kit - 70005079 Valve	
10	70005080	1	Cartridge, Relief Valve	
10	7022399	1	Seal Kit - 70005080 Valve	
11	70005081	1	Cartridge, Valve	
11	70005082	1	Seal Kit - 70005081 Valve	
12	70005218	1	Cartridge, Valve	
12	70005082	1	Seal Kit - 70005218 Valve	
13	70005084	1	Cartridge, Valve	
13	70005085	1	Seal Kit - 70005084 Valve	
14	70005086	2	Cartridge, Valve	
14	70005087	2	Seal Kit - 70005086 Valve	
15	70005088	1	Cartridge, Valve	
15	7023900	1	Seal Kit - 70005088 Valve	
16	70003408	1	Cartridge, Valve	
16	7022399	1	Seal Kit - 70005100 Valve	
17	70005089	1	Cartridge, Check Valve	
17	7023936	1	Seal Kit - 70005089 Valve	
18	70005090	5	Cartridge, Check Valve	
18	70005092	5	Seal Kit - 70005090 Valve	
19	70002974	1	Disc, Check Valve	
20	70005108	1	Cartridge, Valve	
20	2900770	1	Seal Kit - 70005108 Valve	
21	70005109	1	Cartridge, Valve	
21	2900770	1	Seal Kit - 70005109 Valve	
22	70005091	1	Orifice	

SECTION 2 - TURNTABLE

ITEM	PART NUMBER	QTY	DESCRIPTION	REV
23	2220883	1	Plug, O-Ring #4	
24	91164059	6	Plug	
25	91164079	6	Plug	
26	91164057	1	Plug	
27	70002386	6	Coil	
28	70003788	5	Coil	
29	70005219	2	Coil	
30	70005724	2	Lockdown Kit	

SECTION 2 - TURNTABLE

FIGURE 2-4. MAIN VALVE ASSEMBLY - 460SJC



ART_1001162532

SECTION 2 - TURNTABLE

FIGURE 2-4. MAIN VALVE ASSEMBLY - 460SJC

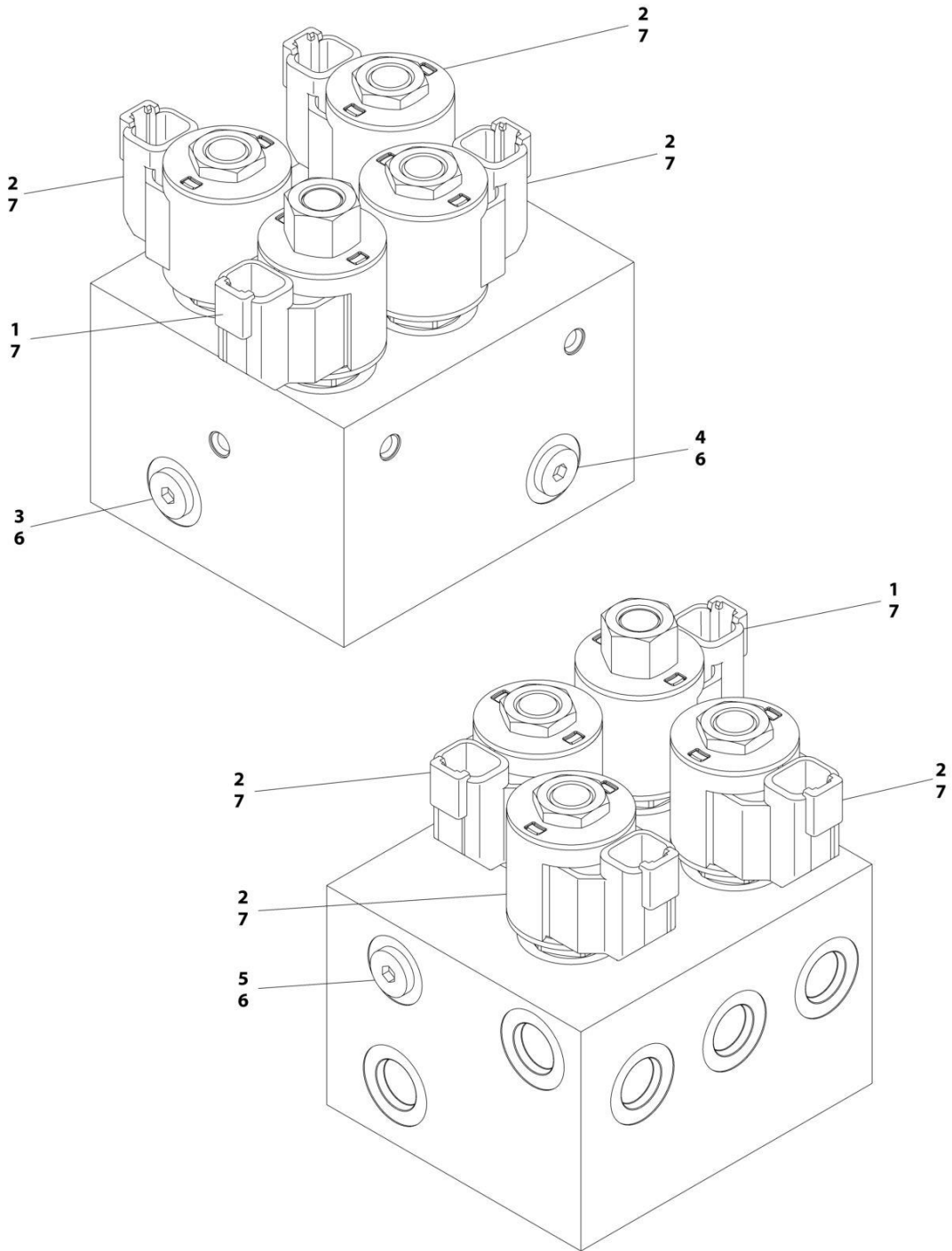
ITEM	PART NUMBER	QTY	DESCRIPTION	REV
	1001162532	Ref	MAIN VALVE ASSEMBLY	F
1	70005069	1	Cartridge, Solenoid Less Coil (Main Dump)	
1	7022399	1	Seal Kit - 70005069 Valve	
1	70003977	1	Nut, Coil	
2	70005217	1	Cartridge, Solenoid Less Coil (Steer)	
2	70005071	1	Seal Kit - 70005217 Valve	
2	7022390	1	Nut, Coil	
3	70005072	1	Cartridge, Solenoid Less Coil (Tele)	
3	70005073	1	Seal Kit - 70005072 Valve	
3	7022390	1	Nut, Coil	
3	70003024	1	Spacer, Coil	
4	70005074	3	Cartridge, Solenoid Valve Less Coil (Platform Level, Platform Rotate and Jib Lift)	
4	70005075	3	Seal Kit - 70005074 Valve	
4	7022390	3	Nut, Coil	
4	70003023	3	Spacer, Coil	
5	70005076	2	Cartridge, Solenoid Less Coil (Lift Up and Flow Control)	
5	7022399	2	Seal Kit - 70005076 Valve	
5	7022390	2	Nut, Coil	
6	70005077	1	Cartridge, Solenoid Valve Less Coil (Swing)	
6	70005071	1	Seal Kit - 70005077 Valve	
6	7022390	1	Nut, Coil	
6	70003023	1	Spacer, Coil	
7	70005078	2	Cartridge, Relief Valve	
7	7023936	2	Seal Kit - 70005078 Valve	
8	70005093	1	Cartridge, Valve	
8	7023936	1	Seal Kit - 70005093 Valve	
9	70005079	1	Cartridge, Relief Valve	
9	7023936	1	Seal Kit - 70005079 Valve	
10	70005080	1	Cartridge, Relief Valve	
10	7022399	1	Seal Kit - 70005080 Valve	
11	70005081	1	Cartridge, Valve	
11	70005082	1	Seal Kit - 70005081 Valve	
12	70005218	1	Cartridge, Valve	
12	70005082	1	Seal Kit - 70005218 Valve	
13	70005084	1	Cartridge, Valve	
13	70005085	1	Seal Kit - 70005084 Valve	
14	70005086	2	Cartridge, Valve	
14	70005087	2	Seal Kit - 70005086 Valve	
15	70005088	1	Cartridge, Valve	
15	7023900	1	Seal Kit - 70005088 Valve	
16	70003408	1	Cartridge, Valve	
16	7022399	1	Seal Kit - 70005100 Valve	
17	70005089	1	Cartridge, Check Valve	
17	7023936	1	Seal Kit - 70005089 Valve	
18	70005090	5	Cartridge, Check Valve	
18	70005092	5	Seal Kit - 70005090 Valve	
19	70002974	1	Disc, Check Valve	
20	70005108	1	Cartridge, Valve	
20	2900770	1	Seal Kit - 70005108 Valve	

SECTION 2 - TURNTABLE

ITEM	PART NUMBER	QTY	DESCRIPTION	REV
21	70005109	1	Cartridge, Valve	
21	2900770	1	Seal Kit - 70005109 Valve	
22	70005091	1	Orifice	
23	2220883	1	Plug, O-Ring #4	
24	91164059	6	Plug	
25	91164079	6	Plug	
26	91164057	1	Plug	
27	70002386	8	Coil	
28	70003788	5	Coil	
29	70005219	2	Coil	
30	70005724	2	Lockdown Kit	

SECTION 2 - TURNTABLE

FIGURE 2-5. AXLE VALVE ASSEMBLY



ART_1001162538

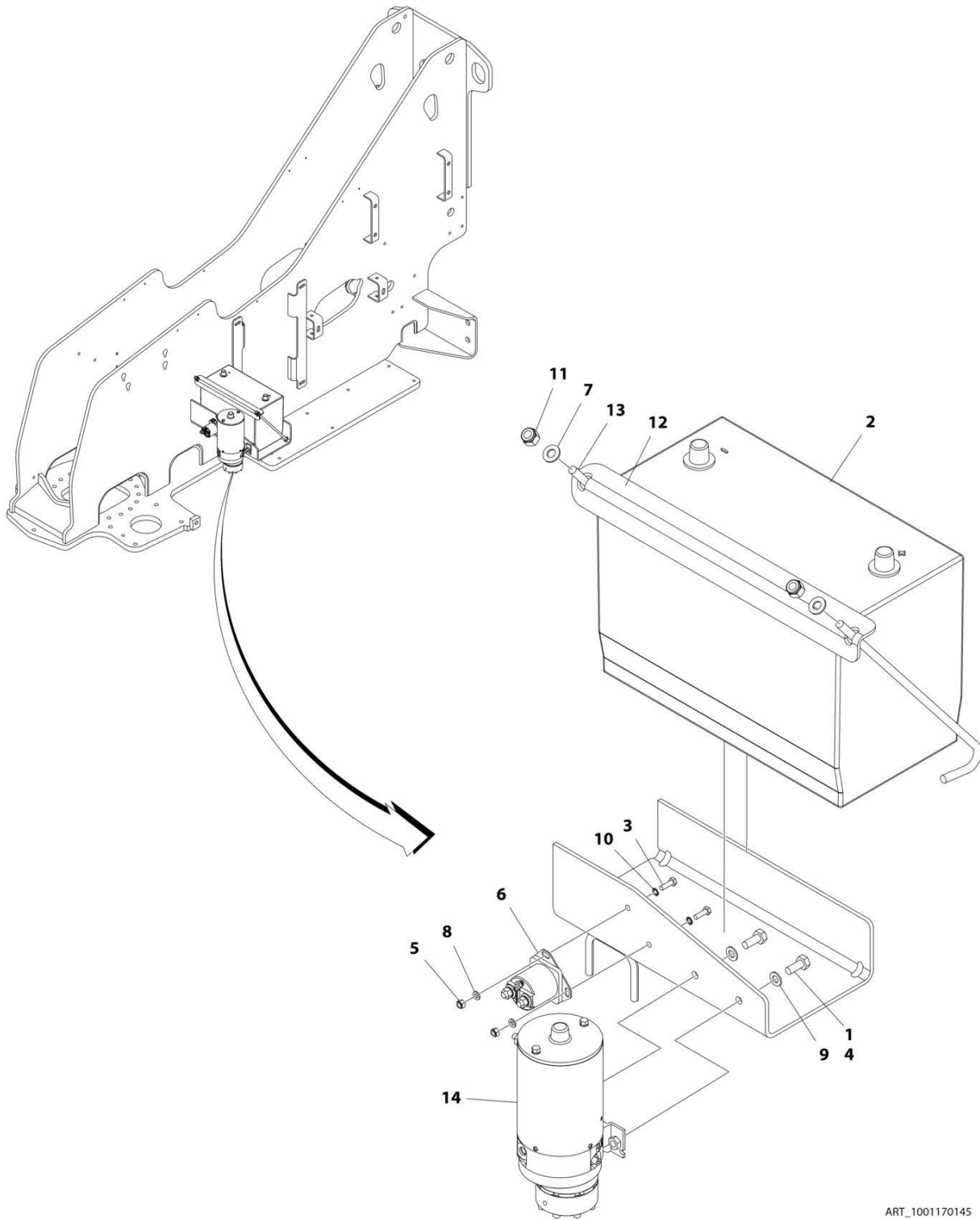
SECTION 2 - TURNTABLE

FIGURE 2-5. AXLE VALVE ASSEMBLY

ITEM	PART NUMBER	QTY	DESCRIPTION	REV
	1001162538	Ref	AXLE VALVE ASSEMBLY	D
1	7017410	1	Cartridge, Solenoid Valve Less Coil (Secondary Axle Release)	
1	7012967	1	Seal Kit - 7017410 Valve	
2	7012941	3	Cartridge, Solenoid Valve Less Coil (Brake Release, Primary Axle Release and 2 Speed)	
2	7010543	3	Seal Kit - 7012941 Valve	
3	70004883	1	Orifice	
4	70004884	1	Orifice	
5	70002063	1	Orifice	
6	2220883	3	Plug, O-Ring #4	
7	70002386	4	Coil	

SECTION 2 - TURNTABLE

FIGURE 2-6. AUXILIARY PUMP AND BATTERY INSTALLATION (WITHOUT DISCONNECT)



ART_1001170145

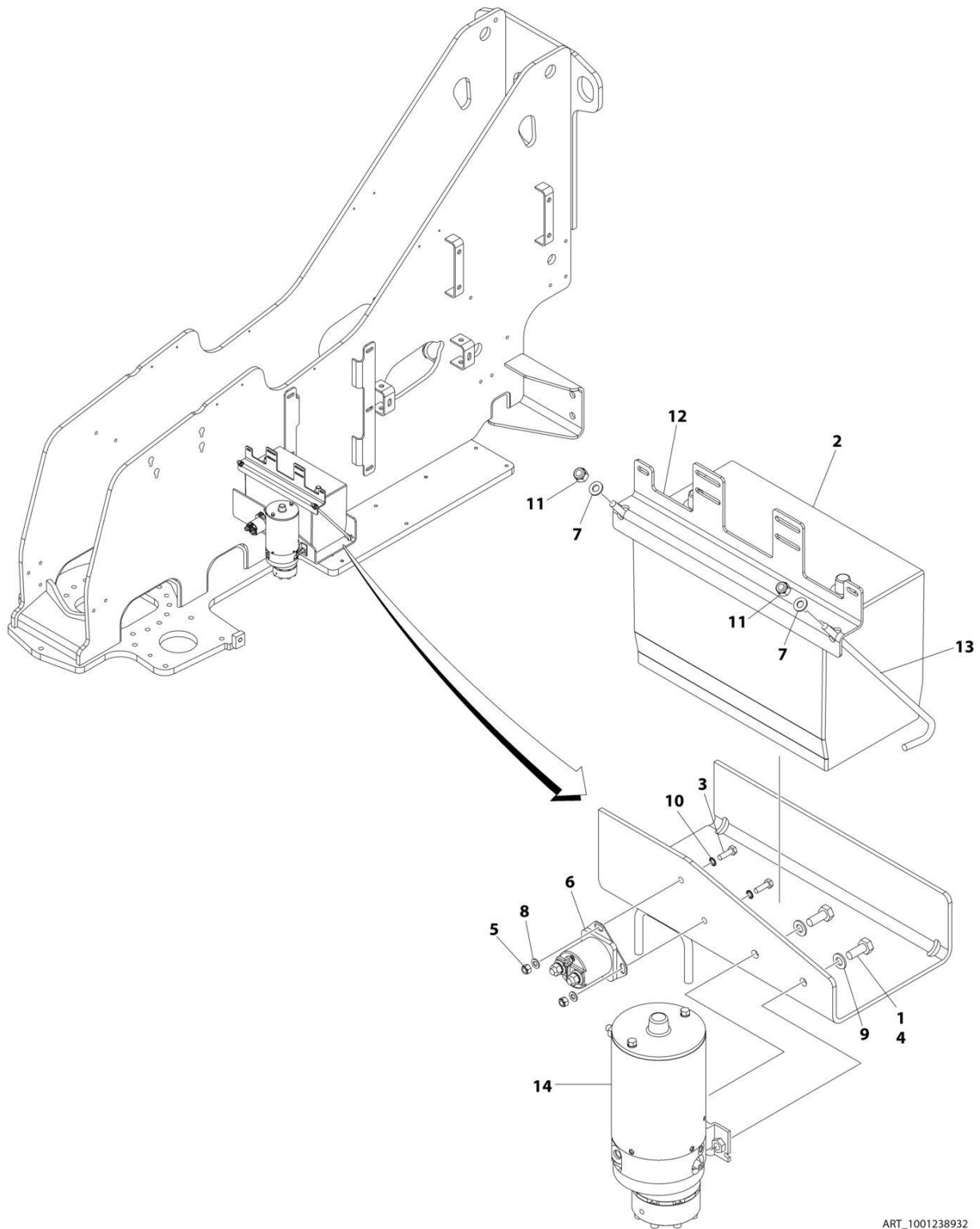
SECTION 2 - TURNTABLE

FIGURE 2-6. AUXILIARY PUMP AND BATTERY INSTALLATION (WITHOUT DISCONNECT)

ITEM	PART NUMBER	QTY	DESCRIPTION	REV
	1001170145	Ref	AUXILIARY PUMP AND BATTERY INSTALLATION	C
1	0100011	AR	Compound, Locking	
2	0400075	1	Battery	
3	0760610	2	Bolt M6 x 20	
4	0761012	2	Bolt M10 x 25	
5	3290605	2	Nut M6	
6	3740067	1	Relay	
6	3300220	2	Nut 3/8	
6	3321001	1	Nut #10	
6	4761000	1	Washer #10	
6	1001111424	2	Washer 3/8	
7	4711500	2	Washer 5/16	
8	4811700	2	Washer M6	
9	4812000	2	Washer M10	
10	4871700	2	Washer M6	
11	88521205	2	Nut 5/16	
12	91401281	1	Bracket	
13	1001093382	2	J-Bolt	
14	1001185821	1	Auxiliary Pump Assembly (See Separate Breakdown in this Section)	

SECTION 2 - TURNTABLE

FIGURE 2-7. AUXILIARY PUMP AND BATTERY INSTALLATION (WITH DISCONNECT)



ART_1001238932

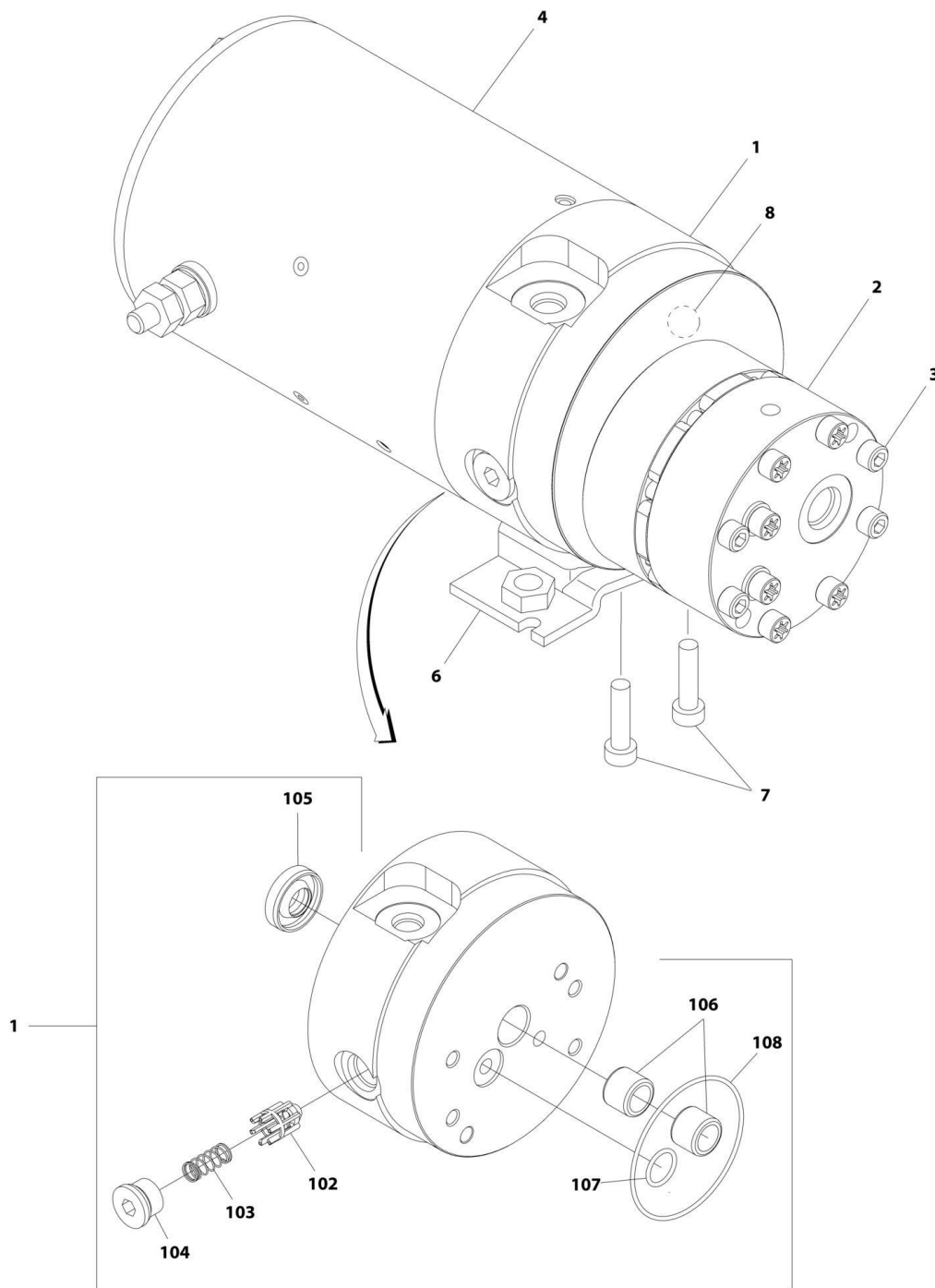
SECTION 2 - TURNTABLE

FIGURE 2-7. AUXILIARY PUMP AND BATTERY INSTALLATION (WITH DISCONNECT)

ITEM	PART NUMBER	QTY	DESCRIPTION	REV
	1001238932	Ref	AUXILIARY PUMP AND BATTERY INSTALLATION WITH DISCONNECT	A
1	0100011	AR	Compound, Locking	
2	0400075	1	Battery	
3	0760610	2	Bolt M6 x 20	
4	0761012	2	Bolt M10 x 25	
5	3290605	2	Nut M6	
6	3740067	1	Relay	
6	3300220	2	Nut 3/8	
6	3321001	1	Nut #10	
6	4761000	1	Washer #10	
6	1001111424	2	Washer 3/8	
7	4711500	2	Washer 5/16	
8	4811700	2	Washer M6	
9	4812000	2	Washer M10	
10	4871700	2	Washer M6	
11	88521205	2	Nut 5/16	
12	1001236303	1	Bracket	
13	1001093382	2	J-Bolt	
14	1001185821	1	Auxiliary Pump Assembly (See Separate Breakdown in this Section)	

SECTION 2 - TURNTABLE

FIGURE 2-8. AUXILIARY PUMP ASSEMBLY



ART_1001185821

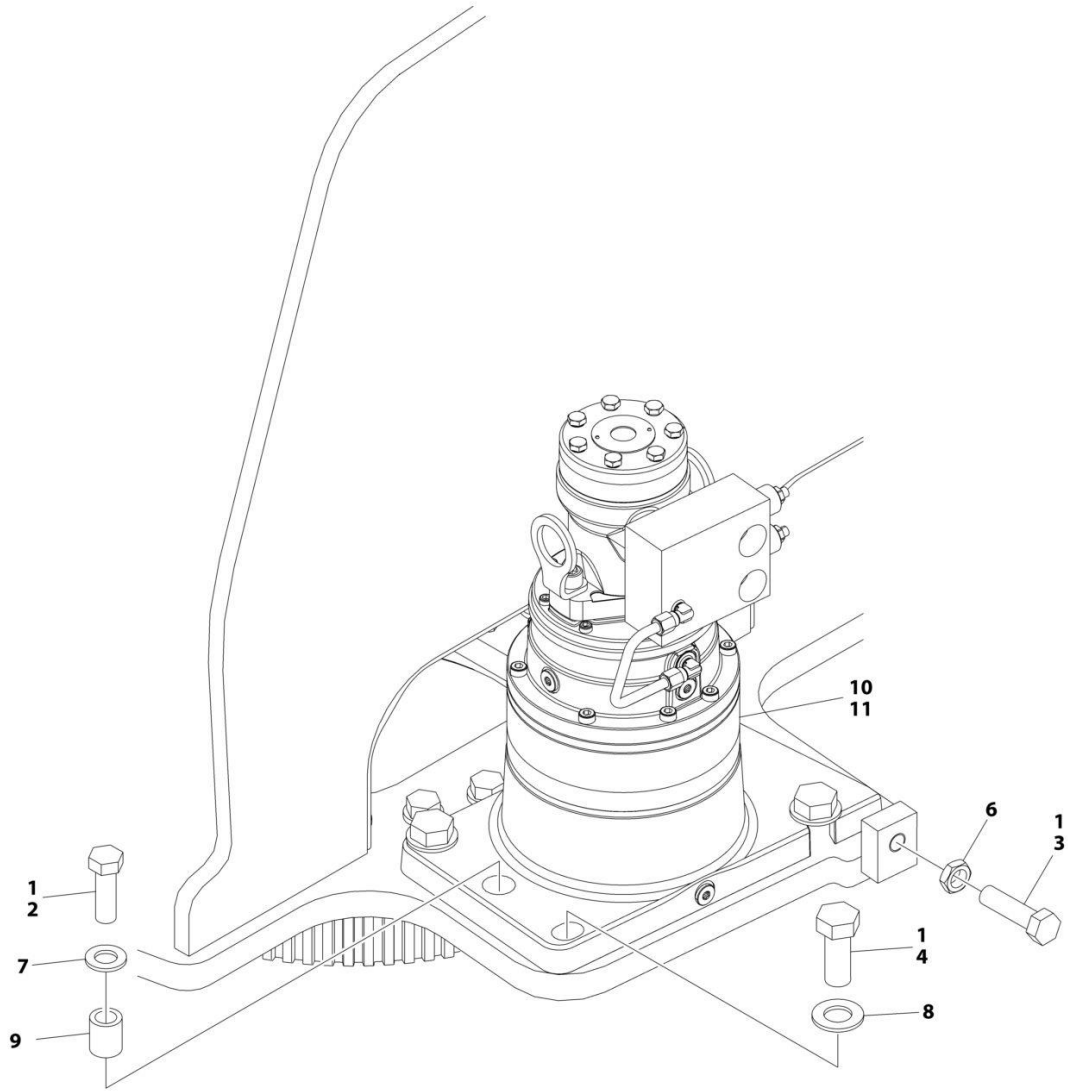
SECTION 2 - TURNTABLE

FIGURE 2-8. AUXILIARY PUMP ASSEMBLY

ITEM	PART NUMBER	QTY	DESCRIPTION	REV
	1001185821	Ref	AUXILIARY PUMP ASSEMBLY	B
1	70005065	1	Base Assembly (See Items 102-108 for Breakdown)	
2	70005066	1	Pump Assembly (Note: No Seal Kit or Internal Components are Available - Purchase Complete Pump Assembly)	
3	70005067	4	Capscrew 1/4 x 2-3/4	
4	70004013	1	Motor Assembly (Note: No Internal Components are Available - Purchase Complete Motor Assembly)	
6	70004014	1	Bracket	
7	70004000	2	Capscrew 3/8 x 1	
8	70005068	1	Relief Valve Assembly	
	70005065	Ref	BASE ASSEMBLY	
102	See Note	NSS	Poppet, Check (Note: Use p/n 70005065)	
103	See Note	NSS	Spring (Note: Use p/n 70005065)	
104	See Note	NSS	Plug (Note: Use p/n 70005065)	
105	7026330	1	Seal, Shaft	
106	70005139	2	Bearing	
107	70003612	1	O-Ring	
108	70004267	1	O-Ring	

SECTION 2 - TURNTABLE

FIGURE 2-9. SWING DRIVE INSTALLATION



ART_1001228492

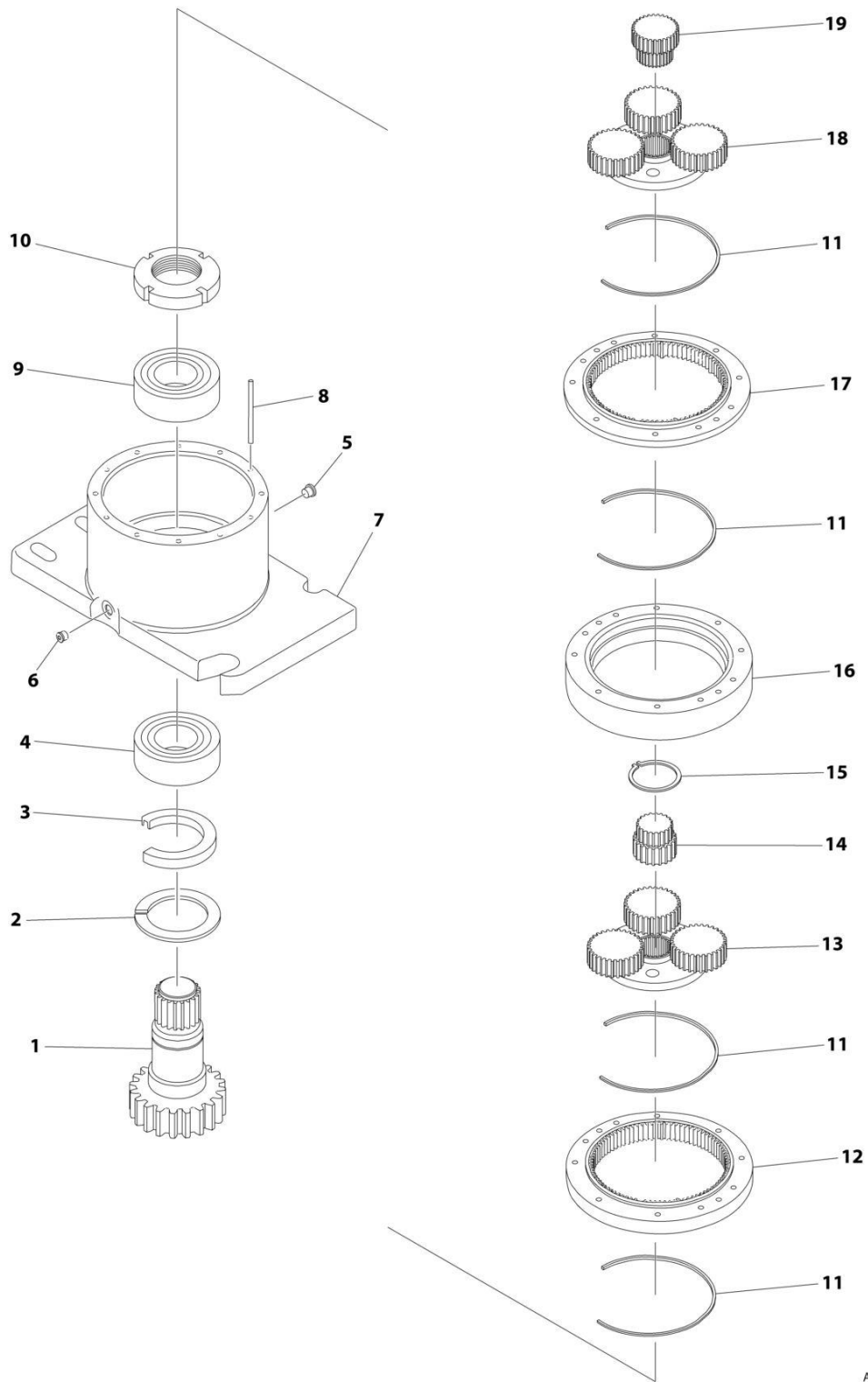
SECTION 2 - TURNTABLE

FIGURE 2-9. SWING DRIVE INSTALLATION

ITEM	PART NUMBER	QTY	DESCRIPTION	REV
	1001228492	Ref	SWING DRIVE INSTALLATION	C
1	0100019	AR	Compound, Locking	
2	0701618	1	Bolt M16 x 50	
3	0761620	1	Bolt M16 x 60	
4	0772018	4	Bolt M20 x 50 Grade 10.9	
6	3291602	1	Nut M16	
7	5241600	1	Washer M16	
8	5242000	4	Washer M20	
9	1001134543	1	Sleeve, Spacer	
10	4071009	1	Shim	
11	1001228487	1	Swing Hub/Motor Assembly (See Separate Breakdown in this Section)	

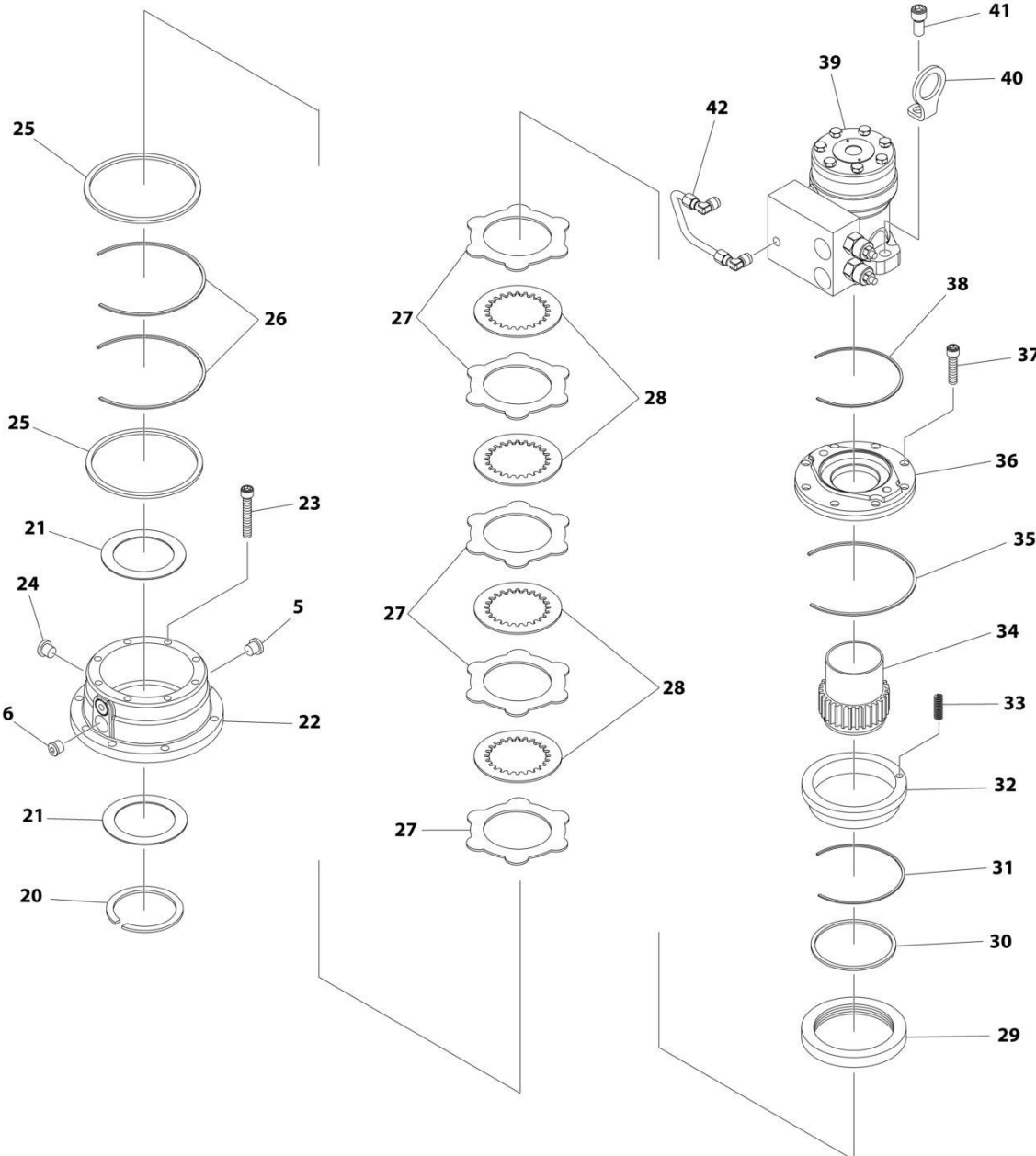
SECTION 2 - TURNTABLE

FIGURE 2-10. SWING HUB/MOTOR ASSEMBLY



ART_1001228487_10F2

SECTION 2 - TURNTABLE



ART_1001228487_2OF2

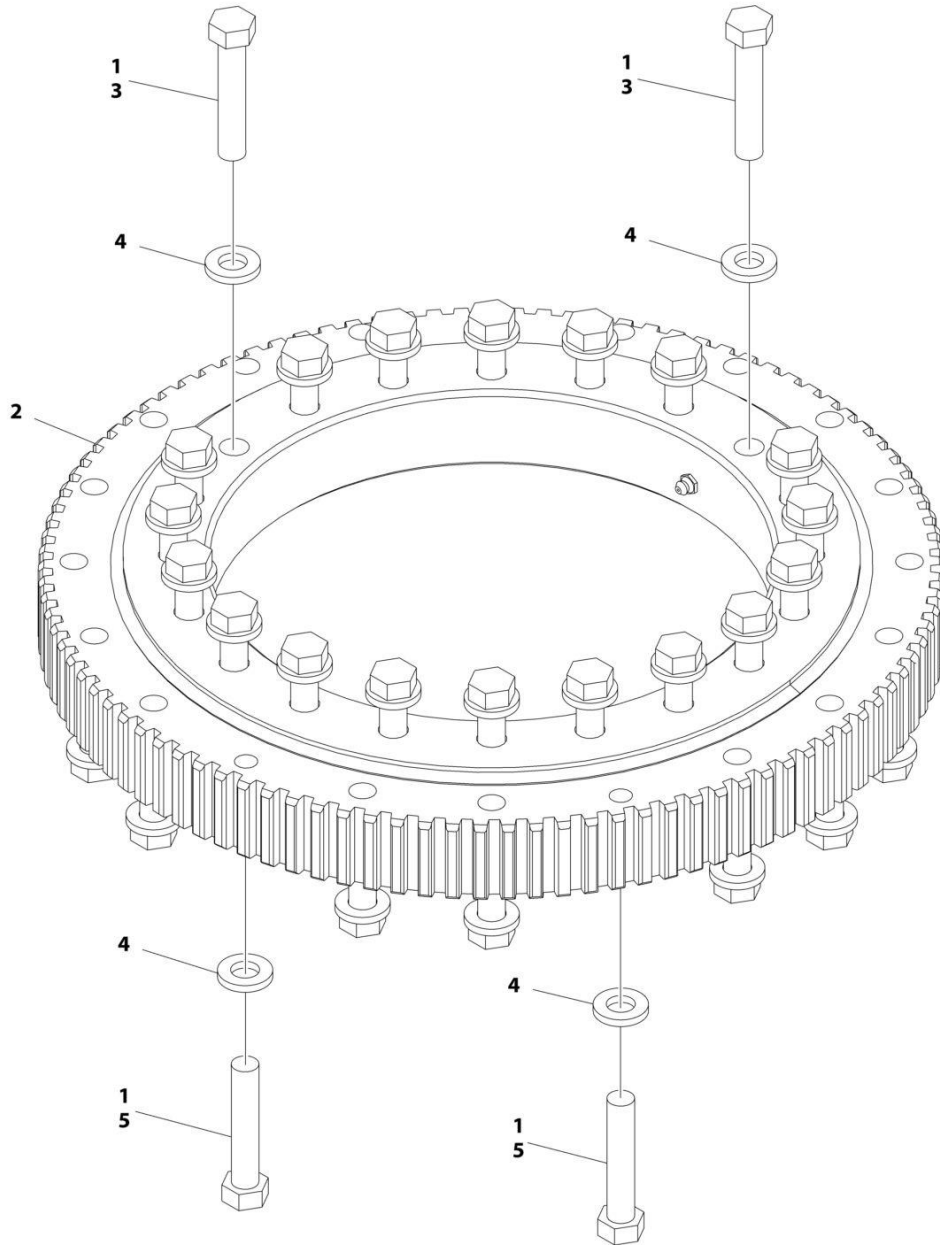
SECTION 2 - TURNTABLE

FIGURE 2-10. SWING HUB/MOTOR ASSEMBLY

ITEM	PART NUMBER	QTY	DESCRIPTION	REV
	1001228487	Ref	SWING HUB/MOTOR ASSEMBLY	C
1	70007022	1	Output Shaft	
2	70007023	1	Ring	
3		Ref	Oil Seal	
4	70007024	1	Tapered Roller Bearing	
5	70004469	2	Magnetic Plug with O-Ring	
6	70002057	4	Plug with O-Ring	
7	NSS	1	Output Support	
8	70007025	2	Spring Pin	
9	70007026	1	Tapered Roller Bearing	
10	70007027	1	Ring Nut	
11		Ref	O-Ring	
12	70006990	1	Planetary Ring	
13	70007028	1	Complete Reduction	
14	70007029	1	Pinion	
15	70007030	1	Seeger	
16	70006994	1	Spacer	
17	70004481	1	Planetary Ring	
18	70004482	1	Complete Reduction	
19	70007031	1	Pinion	
20	70006997	1	Ring	
21	70006998	2	Washer	
22	NSS	1	Brake Housing	
23	70007032	8	Screw	
24	70006999	1	Level Oil Plug	
25		Ref	Parbak	
26		Ref	O-Ring	
27		Ref	Iron Disc	
28		Ref	Sintered Disc	
29	70005317	1	Brake Spacer	
30		Ref	Parbak	
31		Ref	O-Ring	
32	70005318	1	Brake Piston	
33		Ref	Brake Spring	
34	70007001	1	Input Shaft	
35		Ref	O-Ring	
36	70007002	1	Cover	
37	70007003	8	Screw	
38		Ref	O-Ring	
39		Ref	Motor with Valve	
40	NSS	2	Vertical Lift Support	
41	70004494	2	Screw	
42	70007004	1	Brake/Valve Adapter	
43	70007046	1	Seal Kit	
44	70007006	1	Kit, Brake Repair	

SECTION 2 - TURNTABLE

FIGURE 2-11. TURNTABLE BEARING INSTALLATION



ART_1001202494

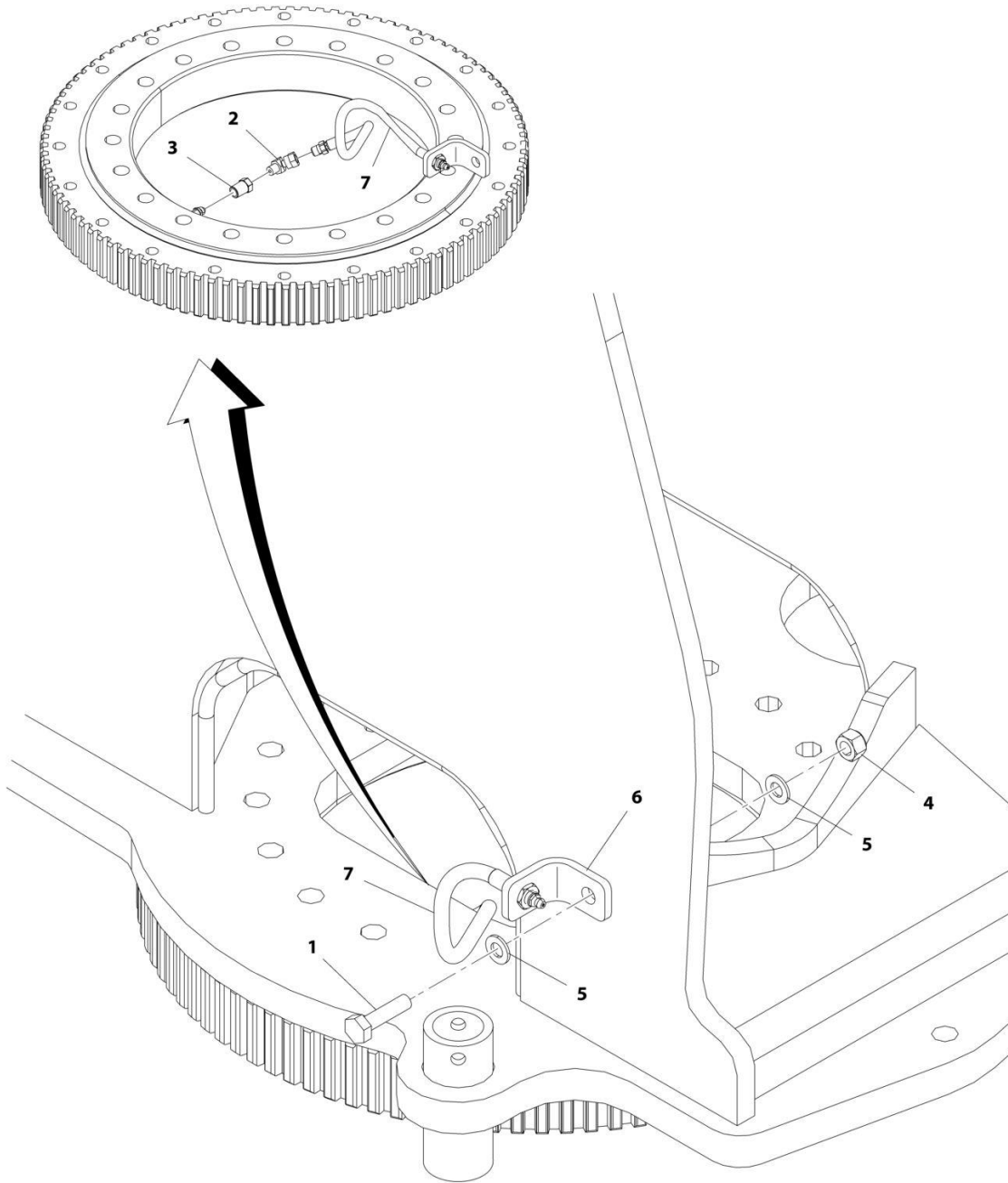
SECTION 2 - TURNTABLE

FIGURE 2-11. TURNTABLE BEARING INSTALLATION

ITEM	PART NUMBER	QTY	DESCRIPTION	REV
	1001202494	Ref	TURNTABLE BEARING INSTALLATION	A
1	0100019	AR	Compound, Locking	
2	0440240	1	Bearing, Turntable	
3	0682026	20	Bolt 5/8 x 3-1/4 (Grade 8)	
4	4892000	40	Washer 5/8	
5	0682034	20	Bolt 5/8 x 4-1/4	

SECTION 2 - TURNTABLE

FIGURE 2-12. BEARING LUBE INSTALLATION



ART_1001169191

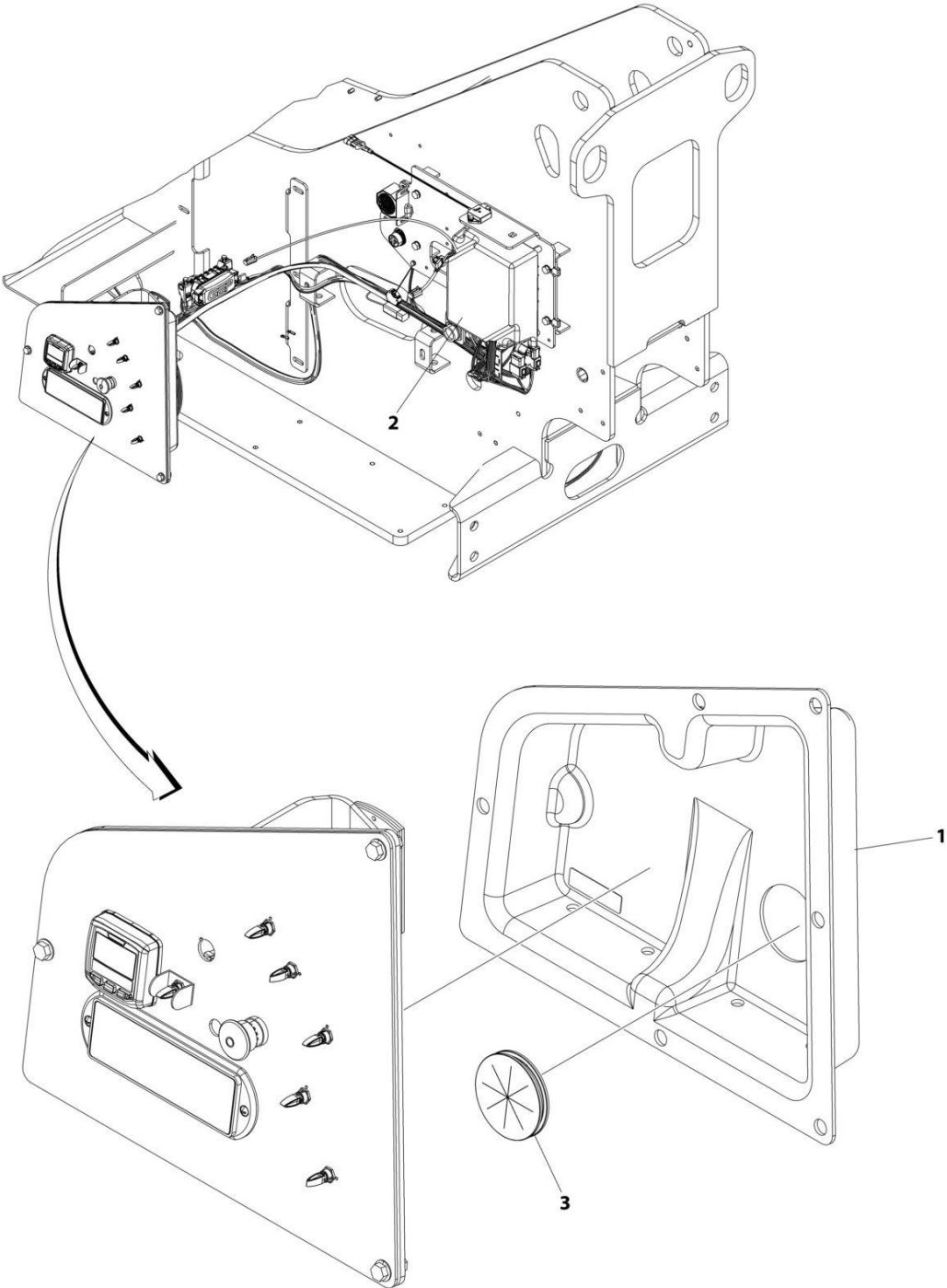
SECTION 2 - TURNTABLE

FIGURE 2-12. BEARING LUBE INSTALLATION

ITEM	PART NUMBER	QTY	DESCRIPTION	REV
	1001169191	Ref	BEARING LUBE INSTALLATION	A
1	0761016	1	Bolt M10 x 40	
2	2220124	1	Fitting, 45 1/8NPT	
3	2220273	1	Fitting, Straight FNPTF/NPTF	
4	3291005	1	Nut M10	
5	4812000	2	Washer M10	
6	1001169192	1	Mount, Bulkhead	
7	1001169193	1	Hose	

SECTION 2 - TURNTABLE

FIGURE 2-13. TURNTABLE COVERS INSTALLATION



ART_1001219130_C

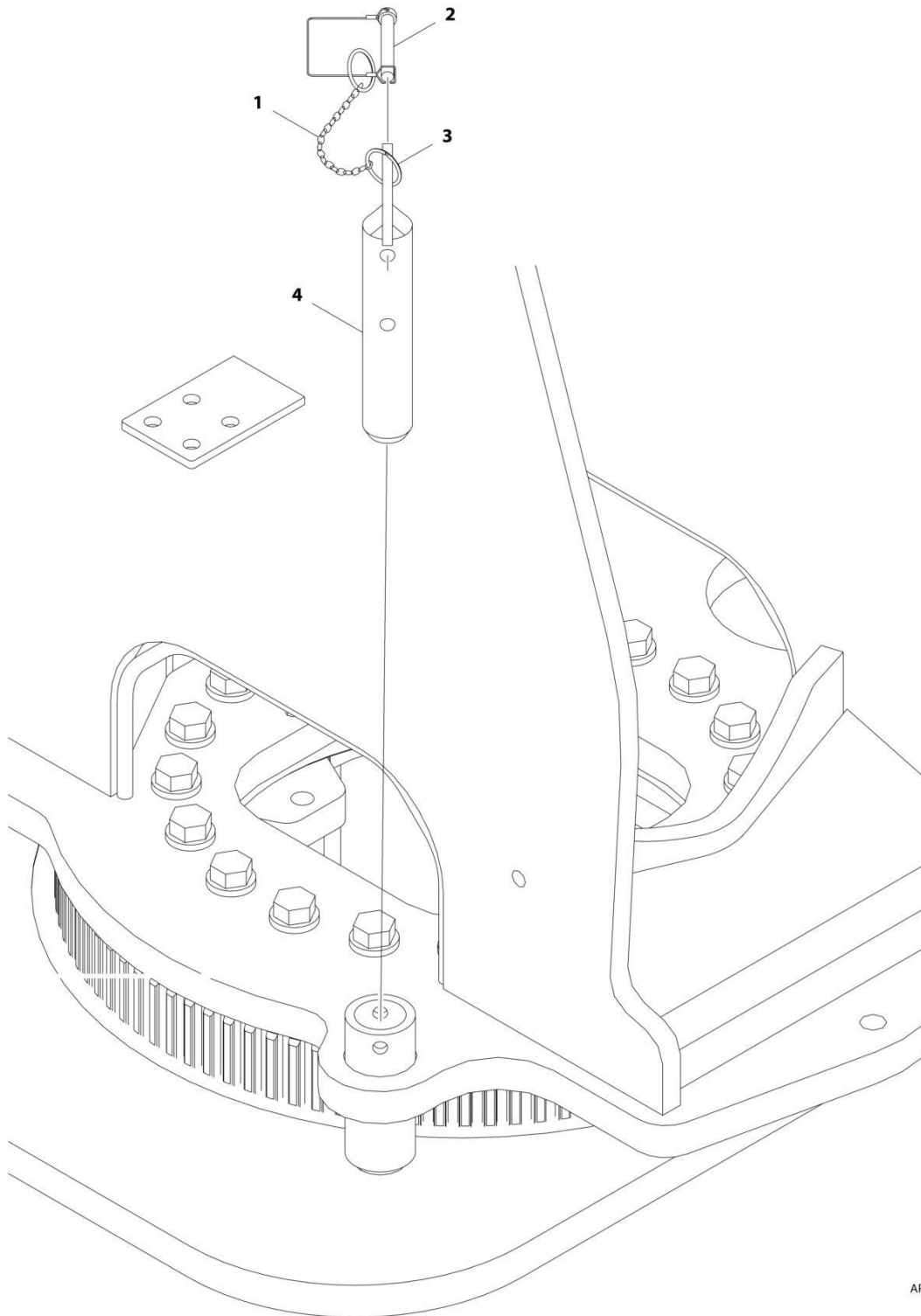
SECTION 2 - TURNTABLE

FIGURE 2-13. TURNTABLE COVERS INSTALLATION

ITEM	PART NUMBER	QTY	DESCRIPTION	REV
	1001219130	Ref	TURNTABLE COVERS INSTALLATION	B
1	1001246087	1	Cover, Control Panel	
2	1001218538	1	Cover, Controller	
3	1001218676	1	Grommet	

SECTION 2 - TURNTABLE

FIGURE 2-14. TURNTABLE LOCK INSTALLATION



ART_1001169496

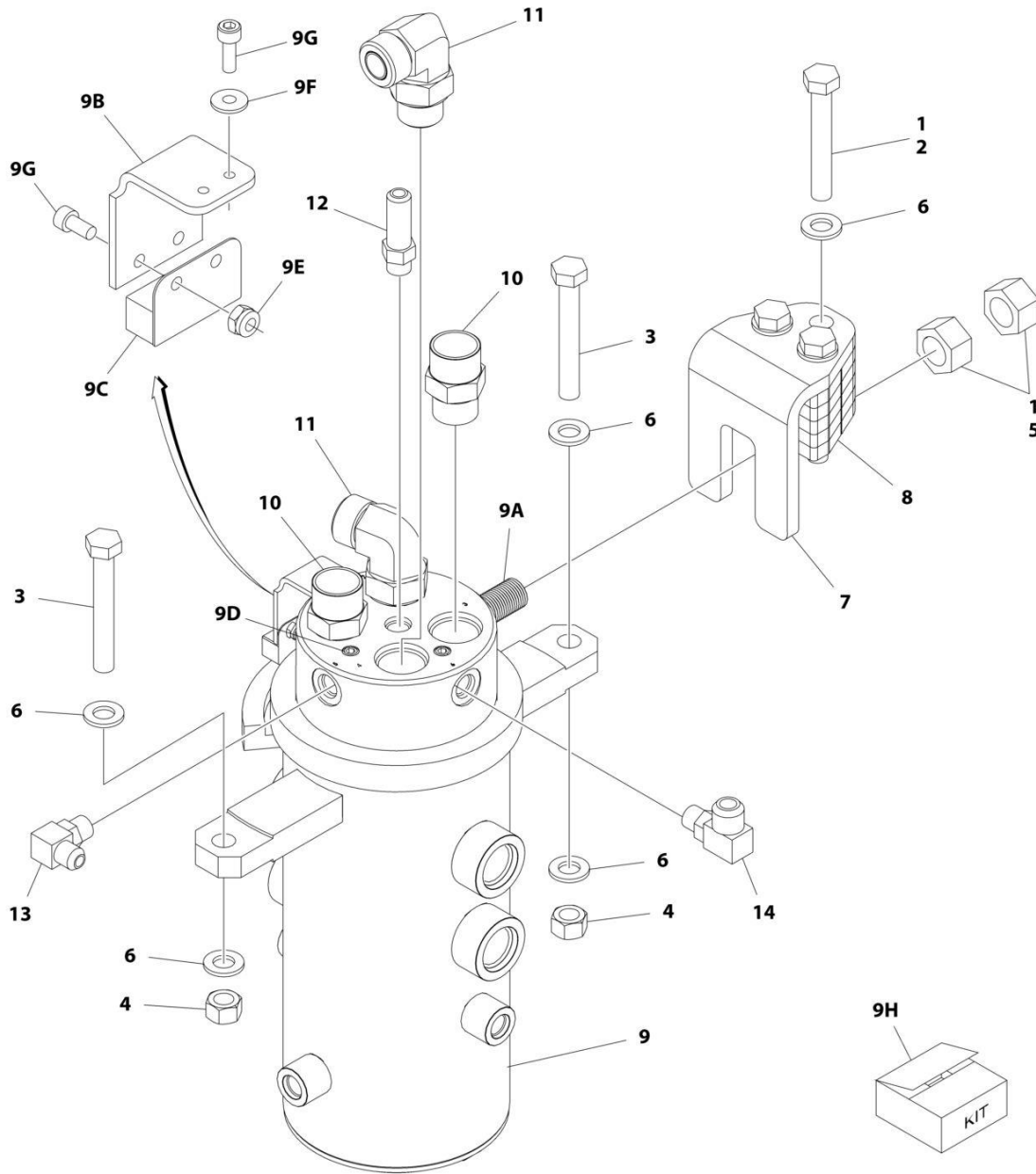
SECTION 2 - TURNTABLE

FIGURE 2-14. TURNTABLE LOCK INSTALLATION

ITEM	PART NUMBER	QTY	DESCRIPTION	REV
	1001169496	Ref	TURNTABLE LOCK INSTALLATION	B
1	1260017	1	Chain	
2	3421565	1	Pin, Snap	
3	3760170	2	Ring, Split	
4	1001169582	1	Pin	

SECTION 2 - TURNTABLE

FIGURE 2-15. ROTARY COUPLING INSTALLATION



ART_1001189521

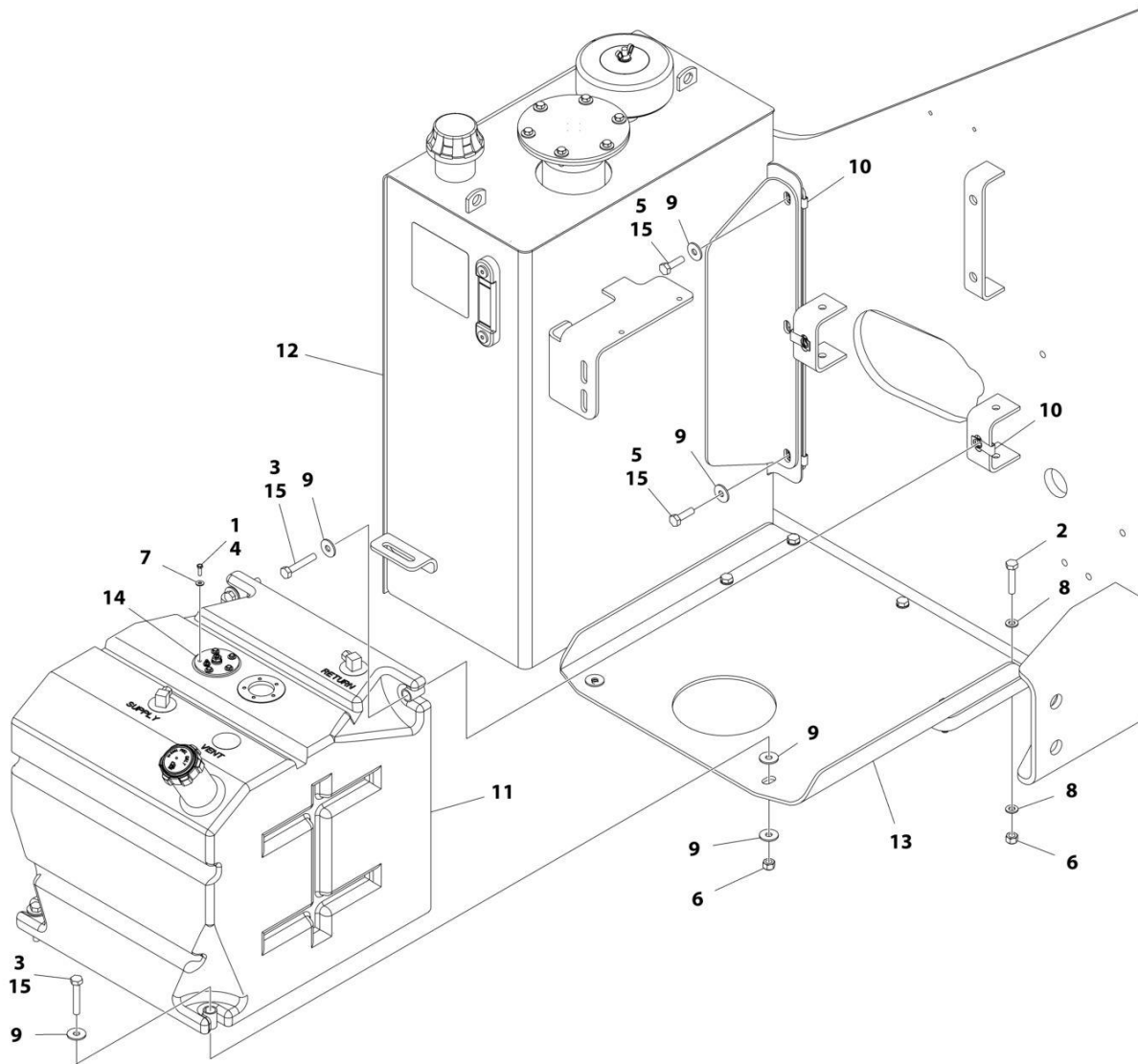
SECTION 2 - TURNTABLE

FIGURE 2-15. ROTARY COUPLING INSTALLATION

ITEM	PART NUMBER	QTY	DESCRIPTION	REV
	1001189521	Ref	ROTARY COUPLING INSTALLATION (WITHOUT TURNTABLE BEARING SPACER)	G
1	0100011	AR	Compound, Locking	
2	0701224	3	Bolt M12 x 80	
3	0761227	2	Bolt M12 x 100	
3	0701225	2	Bolt M12 x 85	
4	3291207	2	Nut M12	
5	3322201	2	Nut 3/4	
6	4812100	7	Washer M12	
7	1001106837	1	Mount, Swivel	
8	1001189522	5	Shim, Swivel Mount	
9	1001189523	1	Coupling, Swivel 7 Port	
9A	70005244	1	Lug	
9B	70003454	1	Bracket, Switch Mounting	
9C	4360517	1	Switch, Proximity	
9D	2200221	2	Plug	
9E	3311005	2	Nut, Lock #10	
9F	4711000	2	Washer #10	
9G	3931008	2	Screw #10 x 1/2	
9H	70005322	1	Seal Kit - 1001189523 Coupling	
10	2111212	2	Adapter	
11	2131212	2	Fitting, 90 ORFS/ORB	
12	2220998	1	Fitting, 90 JIC/ORB	
13	2220473	1	Fitting, 90 JIC/ORB	
14	2220726	1	Fitting, 90 JIC/ORB	

SECTION 2 - TURNTABLE

FIGURE 2-16. TANKS INSTALLATION



ART_1001163939

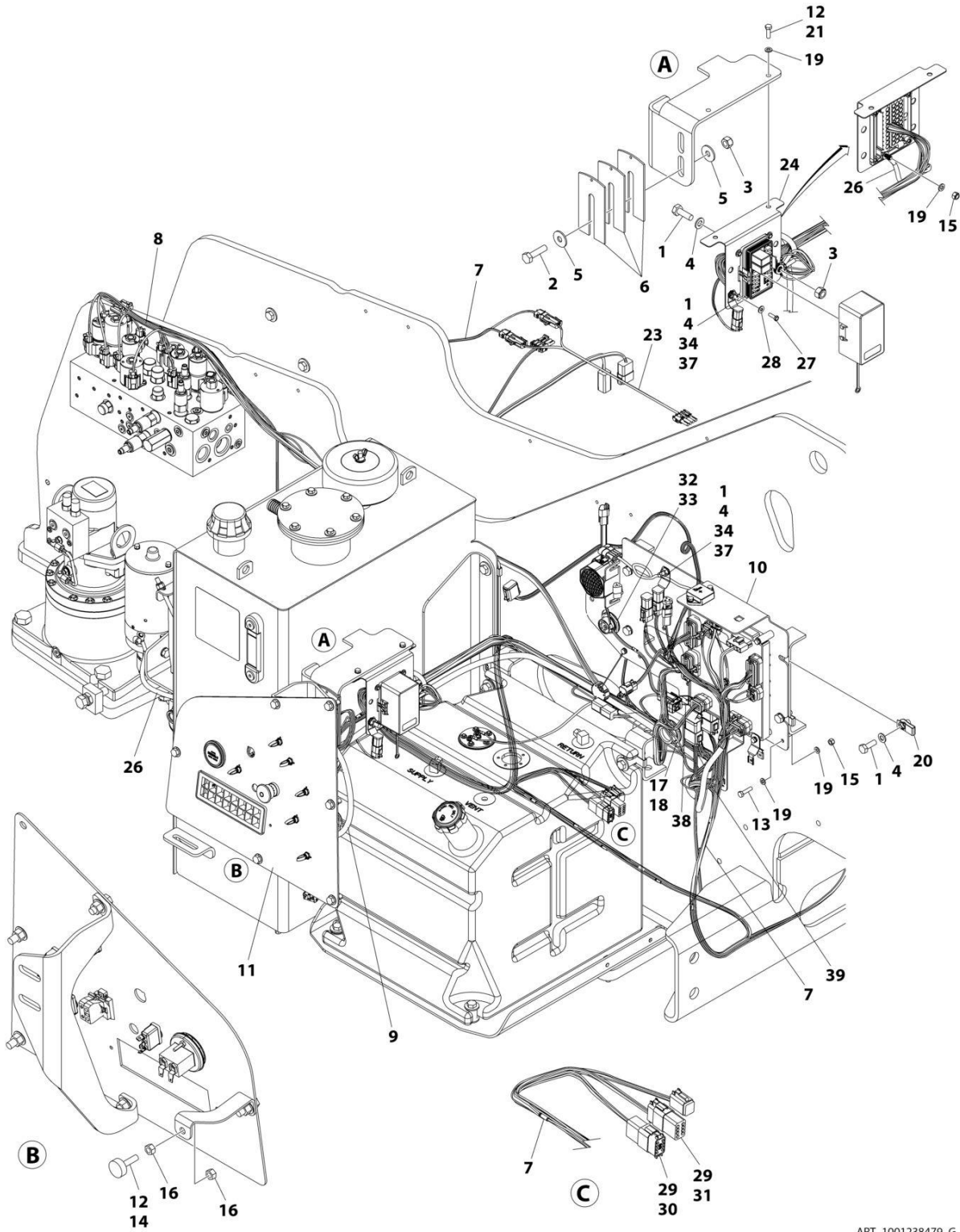
SECTION 2 - TURNTABLE

FIGURE 2-16. TANKS INSTALLATION

ITEM	PART NUMBER	QTY	DESCRIPTION	REV
	1001163939	Ref	TANKS INSTALLATION	G
1	0100035	AR	Compound, Locking	
2	0701018	5	Bolt M10 x 50	
3	0701020	4	Bolt M10 x 60	
4	0731005	5	Screw #10 x .625	
5	0761015	4	Bolt M10 x 35	
6	3291005	7	Nut M10	
7	4751000	5	Washer #10	
8	4812000	10	Washer M10	
9	4812002	12	Washer M10	
10	1001118972	6	Nut M10	
11	1001163418	1	Tank, Fuel	
11	1001193336	1	Cap, Fill with Chain and Stop Spring	
11	70004794	1	Tube, Pick-up	
12	1001166031	1	Tank, Hydraulic	
12	70003614	1	Filter Kit (Includes Hydraulic Filter Element, Breather Element and Gasket)	
12	70002838	1	Cap, Fill (Includes Cap, Chain and Fill Basket)	
12	7024441	1	Gauge, Sight	
13	1001166710	1	Plate	
14	1001231195	1	Sensor, Fuel Level	
15	0100011	AR	Compound, Locking	

SECTION 2 - TURNTABLE

FIGURE 2-17. ELECTRICAL INSTALLATION - 400SC



ART_1001238479_G

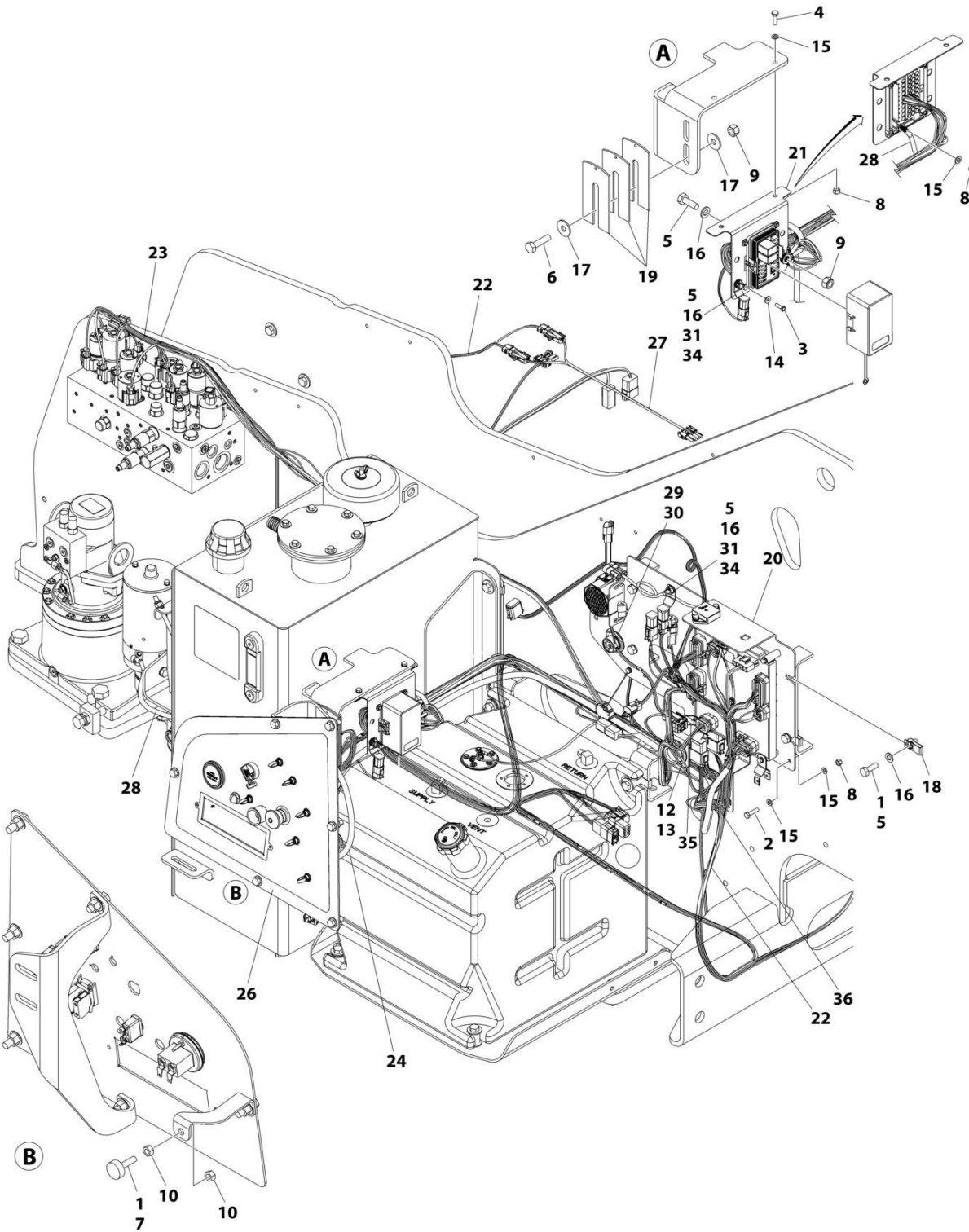
SECTION 2 - TURNTABLE

FIGURE 2-17. ELECTRICAL INSTALLATION - 400SC

ITEM	PART NUMBER	QTY	DESCRIPTION	REV
	1001238479	Ref	ELECTRICAL INSTALLATION	G
1	0761014	7	Bolt M10 x 30	
2	0761016	2	Bolt M10 x 40	
3	3291005	3	Nut, Lock M10	
4	4812000	9	Washer M10	
5	4812002	4	Washer M10	
6	1001150324	AR	Shim	
7	1001288194	1	Turntable Harness (See Separate Breakdown in ELECTRICAL Section)	
8	1001284823	1	Valve Harness (See Separate Breakdown in ELECTRICAL Section)	
9	1001238161	1	Ground Control Box Harness (See Separate Breakdown in ELECTRICAL Section)	
10	1001172757	1	Electrical Panel Assembly (See Separate Breakdown in this Section)	
11	1001239294	1	Ground Control Assembly (See Separate Breakdown in this Section)	
12	0100011	AR	Compound, Locking	
13	0700612	1	Bolt M6 x 25	
14	0940049	1	Stopper, Hood	
15	3290605	2	Nut, Lock M6	
16	3311501	2	Nut 5/16	
17	4460470	1	Nut, Terminal	
18	4460471	1	Washer, Terminal	
19	4811700	5	Washer M6	
20	1001118972	4	Nut M10	
21	0760610	2	Bolt M6 x 20	
22	1001239512	1	Decal - Fuse Box (Not Shown)	
23	1001238256	1	Harness, Left Drive (See Separate Breakdown in ELECTRICAL Section)	
24	1001237822	1	Plate, Fuse Box	
25	1001144295	2	Cap, Connector (Not Shown)	
26	1001250681	1	Cable, Battery Negative	
27	0731005	4	Screw #10 x 5/8	
28	4711000	4	Washer #10	
29	4460466	16	Plug	
30	4460930	1	Connector	
31	4460931	1	Connector	
32	4460496	1	Washer, Lock	
33	4460497	1	Nut, Terminal	
34	3291001	2	Nut M10	
35	4240032	AR	Tie Strap (Not Shown)	
36	4460234	AR	Mount, Tie Strap (Not Shown)	
37	1001120328	2	Mount, Connector	
38	1001155743	1	Mount, Connector	
39	1001296426	1	Hour Meter Jumper Harness	

SECTION 2 - TURNTABLE

FIGURE 2-18. ELECTRICAL INSTALLATION - 400SC WITH DEUTZ (STAGE V) ENGINE



ART_1001245990_F

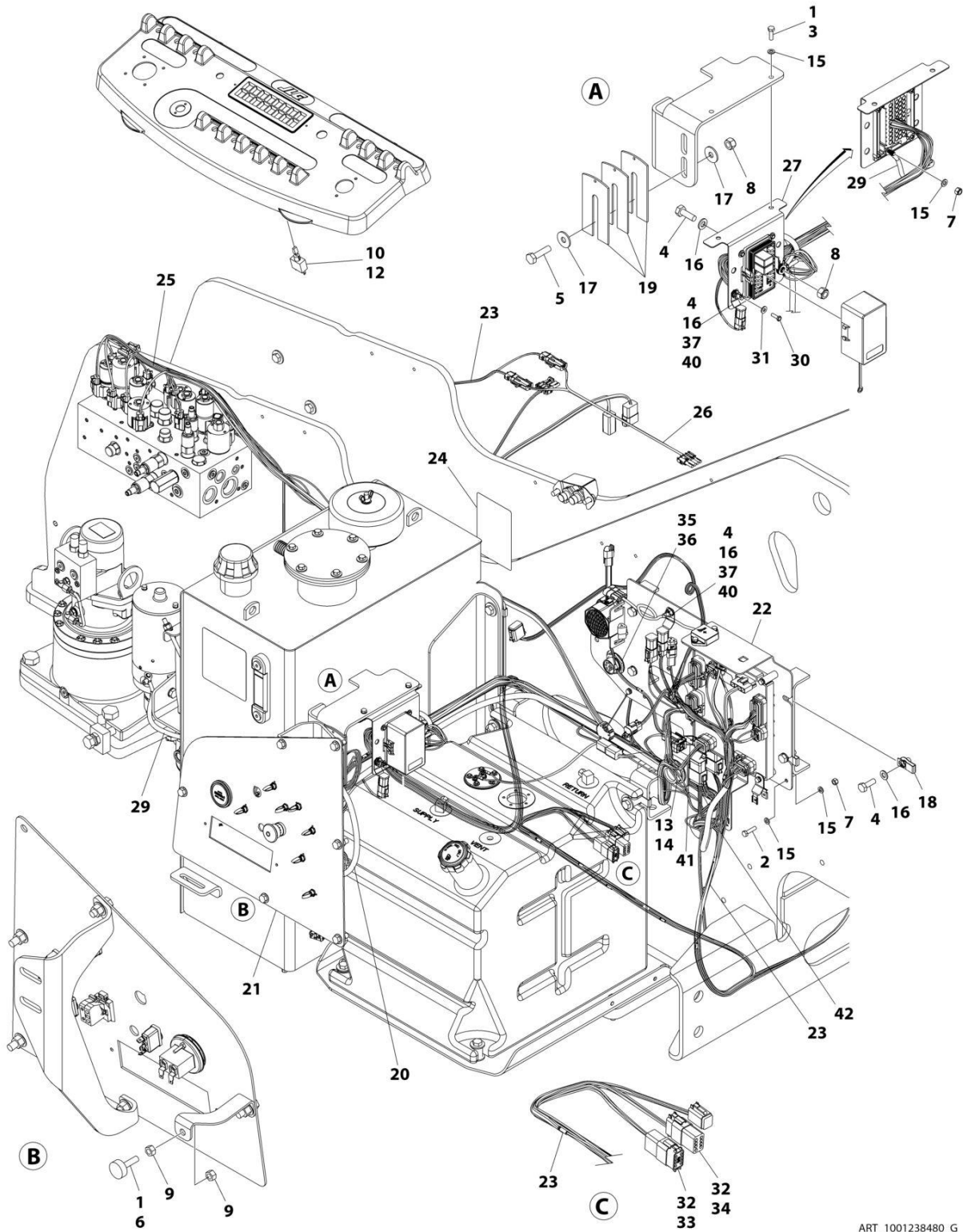
SECTION 2 - TURNTABLE

FIGURE 2-18. ELECTRICAL INSTALLATION - 400SC WITH DEUTZ (STAGE V) ENGINE

ITEM	PART NUMBER	QTY	DESCRIPTION	REV
	1001245990	Ref	ELECTRICAL INSTALLATION	F
1	0100011	AR	Compound, Locking	
2	0700612	1	Bolt M6 x 25	
3	0731005	4	Screw #10 x 5/8	
4	0760610	2	Bolt M6 x 20	
5	0761014	7	Bolt M10 x 30	
6	0761016	2	Bolt M10 x 40	
7	0940049	1	Stopper, Hood	
8	3290605	4	Nut M6	
9	3291005	3	Nut M10	
10	3311501	2	Nut 5/16	
11	4240099	AR	Tie-Strap (Not Shown)	
12	4460470	1	Nut, Terminal	
13	4460471	1	Washer, Terminal	
14	4711000	4	Washer #10	
15	4811700	7	Washer M6	
16	4812000	9	Washer M10	
17	4812002	4	Washer M10	
18	1001118972	4	Nut M10	
19	1001150324	AR	Shim	
20	1001172757	1	Electrical Panel Assembly (See Separate Breakdown in this Section)	
21	1001237822	1	Plate, Fuse Box	
22	1001288194	1	Turntable Harness (See Separate Breakdown in ELECTRICAL Section)	
23	1001284823	1	Valve Harness (See Separate Breakdown in ELECTRICAL Section)	
24	1001238161	1	Ground Control Box Harness (See Separate Breakdown in ELECTRICAL Section)	
25	1001239512	1	Decal - Fuse Box (Not Shown)	
26	1001245988	1	Ground Control Assembly (See Separate Breakdown in this Section)	
27	1001238256	1	Harness, Left Drive (See Separate Breakdown in ELECTRICAL Section)	
28	1001250681	1	Cable, Battery Negative	
29	4460496	1	Washer, Lock	
30	4460497	1	Nut, Terminal	
31	3291001	2	Nut M10	
32	4240032	AR	Tie Strap (Not Shown)	
33	4460234	AR	Mount, Tie Strap (Not Shown)	
34	1001120328	2	Mount, Connector	
35	1001155743	1	Mount, Connector	
36	1001296426	1	Hour Meter Jumper Harness	

SECTION 2 - TURNTABLE

FIGURE 2-19. ELECTRICAL INSTALLATION - 460SJC



ART_1001238480_G

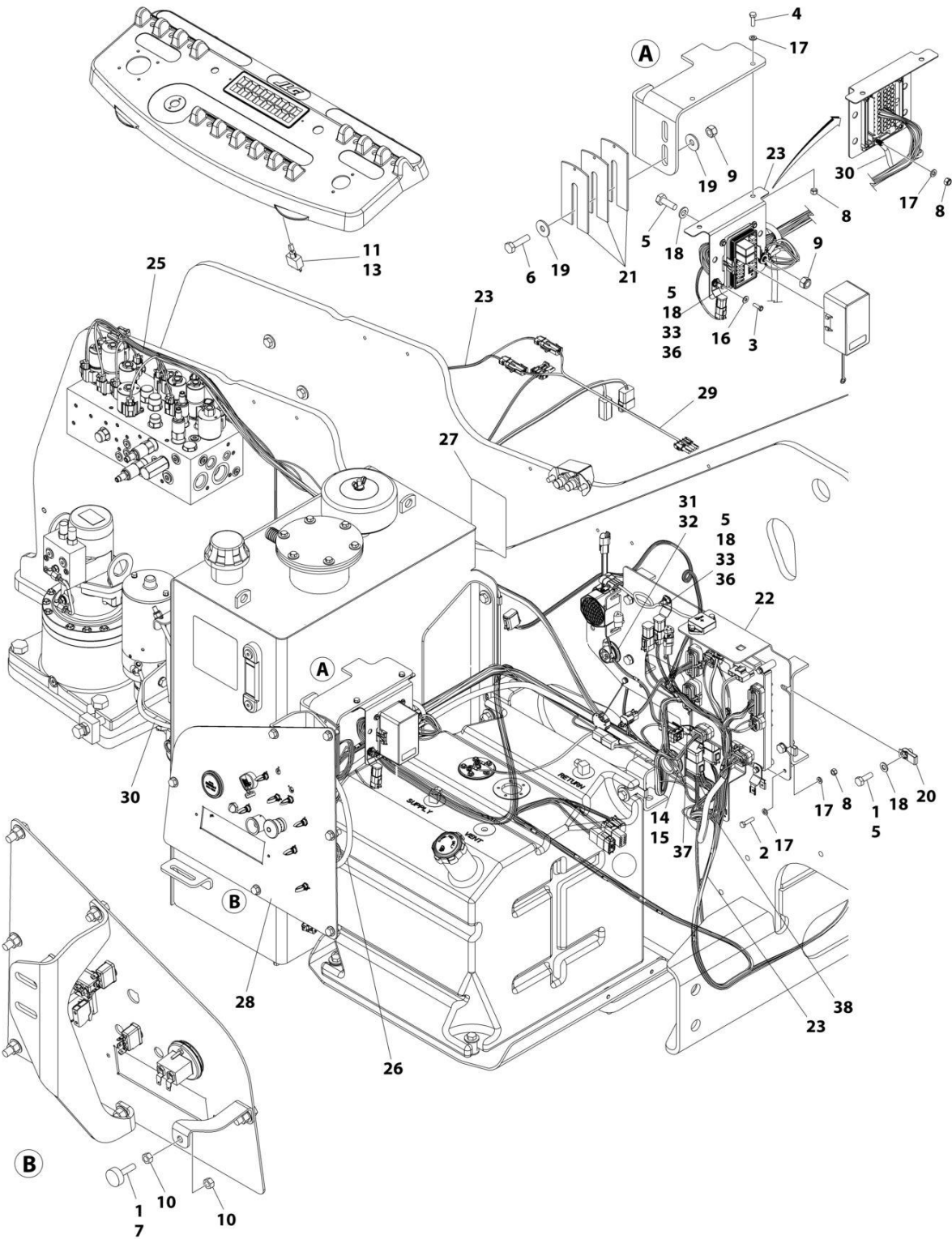
SECTION 2 - TURNTABLE

FIGURE 2-19. ELECTRICAL INSTALLATION - 460SJC

ITEM	PART NUMBER	QTY	DESCRIPTION	REV
	1001238480	Ref	ELECTRICAL INSTALLATION	G
1	0100011	AR	Compound, Locking	
2	0700612	1	Bolt M6 x 25	
3	0760610	2	Bolt M6 x 20	
4	0761014	7	Bolt M10 x 30	
5	0761016	2	Bolt M10 x 40	
6	0940049	1	Stopper, Hood	
7	3290605	1	Nut, Lock M6	
8	3291005	2	Nut, Lock M10	
9	3311501	2	Nut 5/16	
10	3790012	1	O-Ring	
11	4240099	AR	Tie-Strap (Not Shown)	
12	4360328	1	Switch, Toggle	
13	4460470	1	Nut, Terminal	
14	4460471	1	Washer, Lock	
15	4811700	4	Washer M6	
16	4812000	9	Washer M10	
17	4812002	4	Washer M10	
18	1001118972	4	Nut M10	
19	1001150324	3	Shim 3	
20	1001238161	1	Ground Control Box Harness (See Separate Breakdown in ELECTRICAL Section)	
21	1001239293	1	Ground Control Assembly (See Separate Breakdown in this Section)	
22	1001172757	1	Electrical Panel Assembly (See Separate Breakdown in this Section)	
23	1001288194	1	Turntable Harness (See Separate Breakdown in ELECTRICAL Section)	
24	1001196637	1	Decal, Fuse Box	
25	1001284823	1	Valve Harness (See Separate Breakdown in ELECTRICAL Section)	
26	1001238256	1	Harness, Left Drive (See Separate Breakdown in ELECTRICAL Section)	
27	1001237822	1	Plate, Fuse Box	
29	1001250681	1	Cable, Battery Negative	
30	0731005	4	Screw #10 x 5/8	
31	4711000	4	Washer #10	
32	4460466	16	Plug	
33	4460930	1	Connector	
34	4460931	1	Connector	
35	4460496	1	Washer, Lock	
36	4460497	1	Nut, Terminal	
37	3291001	2	Nut M10	
38	4240032	AR	Tie Strap (Not Shown)	
39	4460234	AR	Mount, Tie Strap (Not Shown)	
40	1001120328	2	Mount, Connector	
41	1001155743	1	Mount, Connector	
42	1001296426	1	Hour Meter Jumper Harness	

SECTION 2 - TURNTABLE

FIGURE 2-20. ELECTRICAL INSTALLATION - 460SJC WITH DEUTZ (STAGE V) ENGINE



ART_1001245992_F

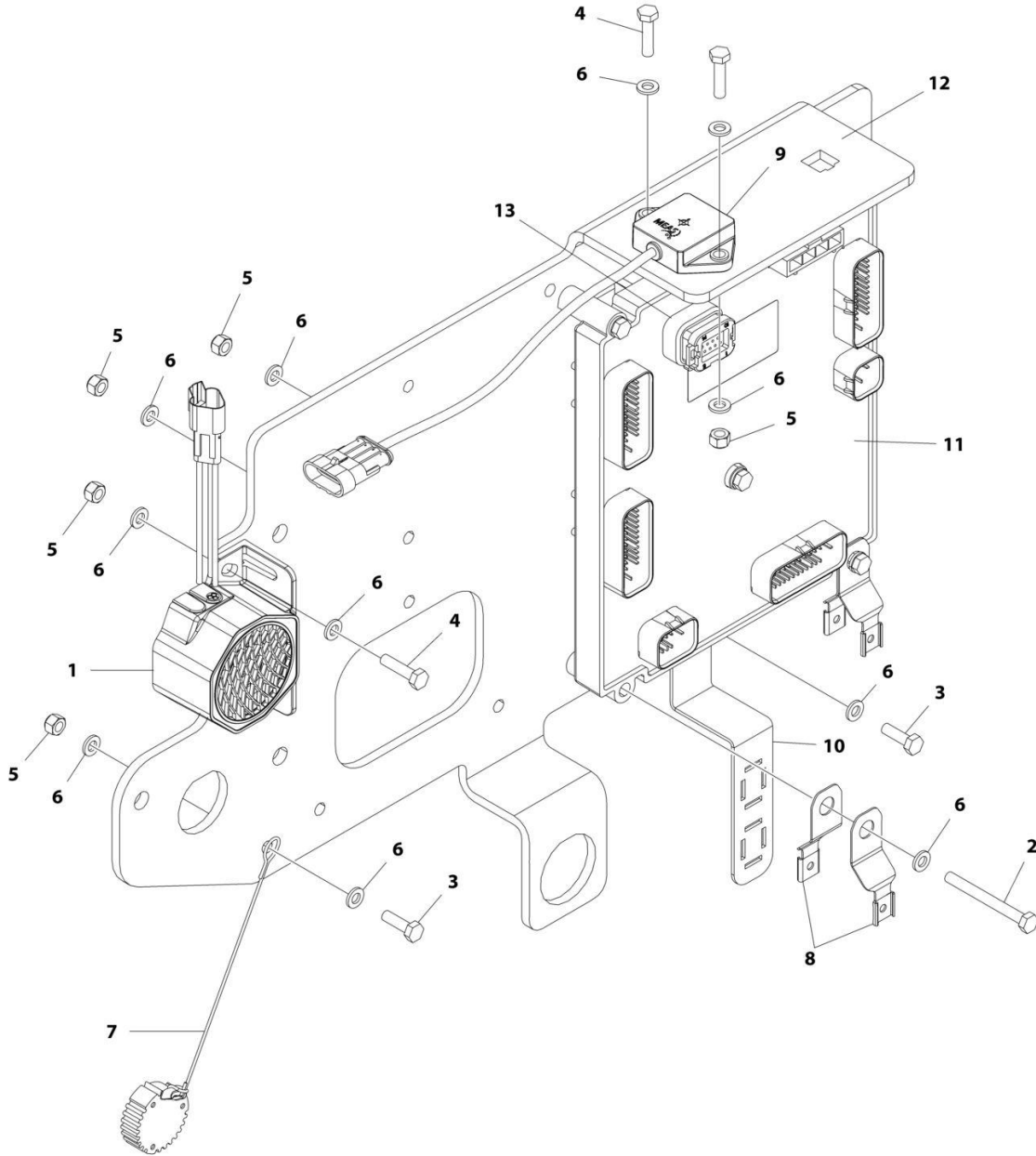
SECTION 2 - TURNTABLE

FIGURE 2-20. ELECTRICAL INSTALLATION - 460SJC WITH DEUTZ (STAGE V) ENGINE

ITEM	PART NUMBER	QTY	DESCRIPTION	REV
	1001245992	Ref	ELECTRICAL INSTALLATION	F
1	0100011	AR	Compound, Locking	
2	0700612	1	Bolt M6 x 25	
3	0731005	4	Screw #10 x 5/8	
4	0760610	2	Bolt M6 x 20	
5	0761014	7	Bolt M10 x 30	
6	0761016	2	Bolt M10 x 40	
7	0940049	1	Stopper, Hood	
8	3290605	4	Nut, Lock M6	
9	3291005	3	Nut, Lock M10	
10	3311501	2	Nut 5/16	
11	3790012	1	O-Ring	
12	4240099	AR	Tie-Strap (Not Shown)	
13	4360328	1	Switch, Toggle	
14	4460470	1	Nut, Terminal	
15	4460471	1	Washer, Lock	
16	4711000	4	Washer #10	
17	4811700	7	Washer M6	
18	4812000	9	Washer M10	
19	4812002	4	Washer M10	
20	1001118972	4	Nut M10	
21	1001150324	3	Shim 3	
22	1001172757	1	Electrical Panel Assembly (See Separate Breakdown in this Section)	
23	1001237822	1	Plate, Fuse Box	
24	1001288194	1	Turntable Harness (See Separate Breakdown in ELECTRICAL Section)	
25	1001284823	1	Valve Harness (See Separate Breakdown in ELECTRICAL Section)	
26	1001238161	1	Ground Control Box Harness (See Separate Breakdown in ELECTRICAL Section)	
27	1001239512	1	Decal, Fuse Box	
28	1001245380	1	Ground Control Assembly (See Separate Breakdown in this Section)	
29	1001238256	1	Harness, Left Drive (See Separate Breakdown in ELECTRICAL Section)	
30	1001250681	1	Cable, Battery Negative	
31	4460496	1	Washer, Lock	
32	4460497	1	Nut, Terminal	
33	3291001	2	Nut M10	
34	4240032	AR	Tie Strap (Not Shown)	
35	4460234	AR	Mount, Tie Strap (Not Shown)	
36	1001120328	2	Mount, Connector	
37	1001155743	1	Mount, Connector	
38	1001296426	1	Hour Meter Jumper Harness	

SECTION 2 - TURNTABLE

FIGURE 2-21. ELECTRICAL PANEL ASSEMBLY



ART_1001172757_F

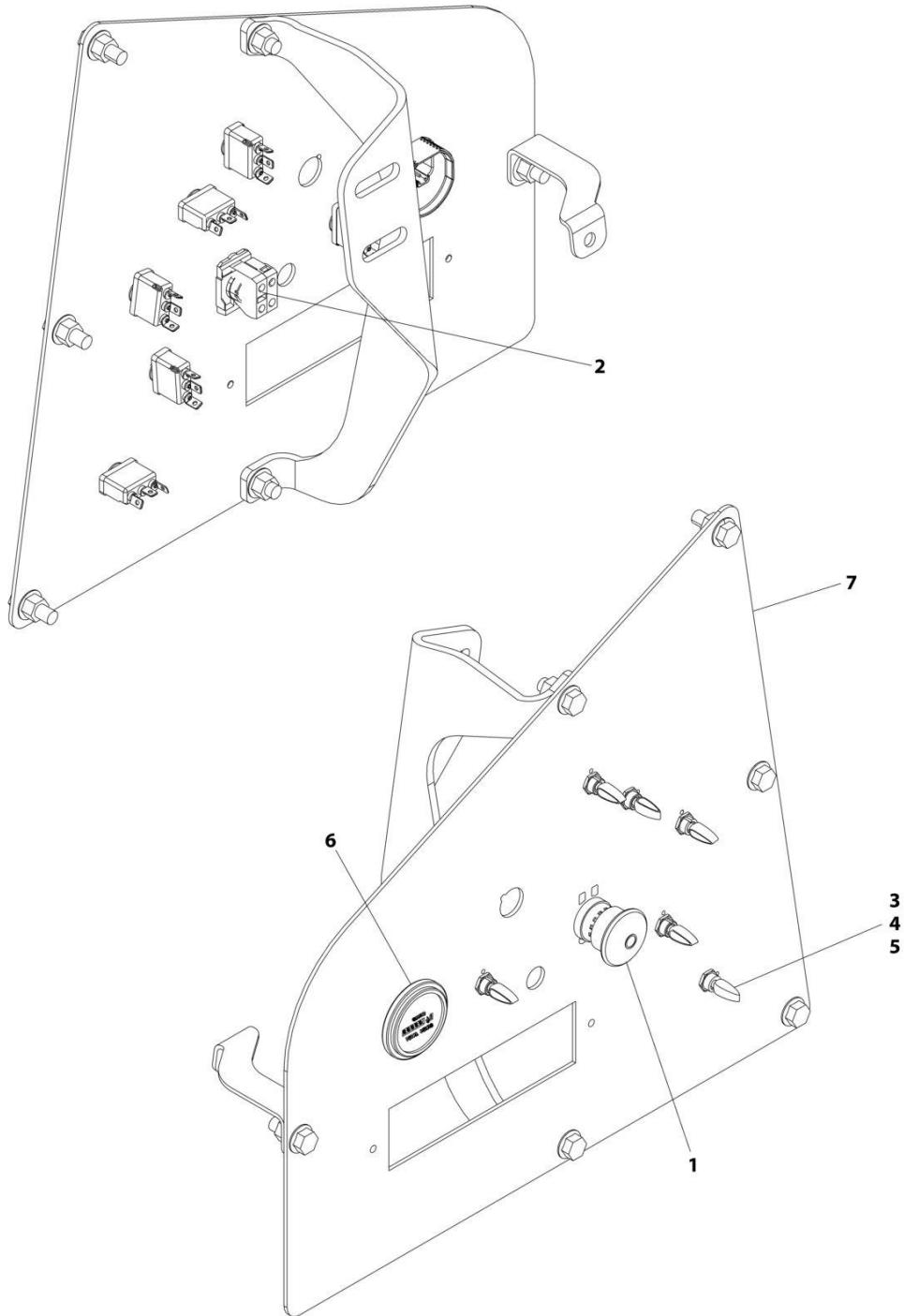
SECTION 2 - TURNTABLE

FIGURE 2-21. ELECTRICAL PANEL ASSEMBLY

ITEM	PART NUMBER	QTY	DESCRIPTION	REV
	1001172757	Ref	ELECTRICAL PANEL ASSEMBLY	F
1	0140043	1	Alarm	
1	4460536	1	Plug, Male - 3 Position	
1	4460943	3	Terminal	
2	0700620	5	Bolt M6 x 60	
3	0760610	2	Bolt M6 x 20	
4	0760612	4	Bolt M6 x 25	
5	3290605	11	Nut M6	
6	4811700	22	Washer M6	
7	1001106736	1	Cap, Dust	
8	1001120328	4	Clip, Mounting	
9	1001219601	1	Sensor	
10	1001159162	1	Bracket	
11	1001280340	1	Module, Ground Control (Note: Re-calibration Required when Replaced.)	
12	1001215373	1	Plate	
13	1001246859	1	Connector, 14 Position	

SECTION 2 - TURNTABLE

FIGURE 2-22. GROUND CONTROL ASSEMBLY - 400SC



ART_1001239294_C

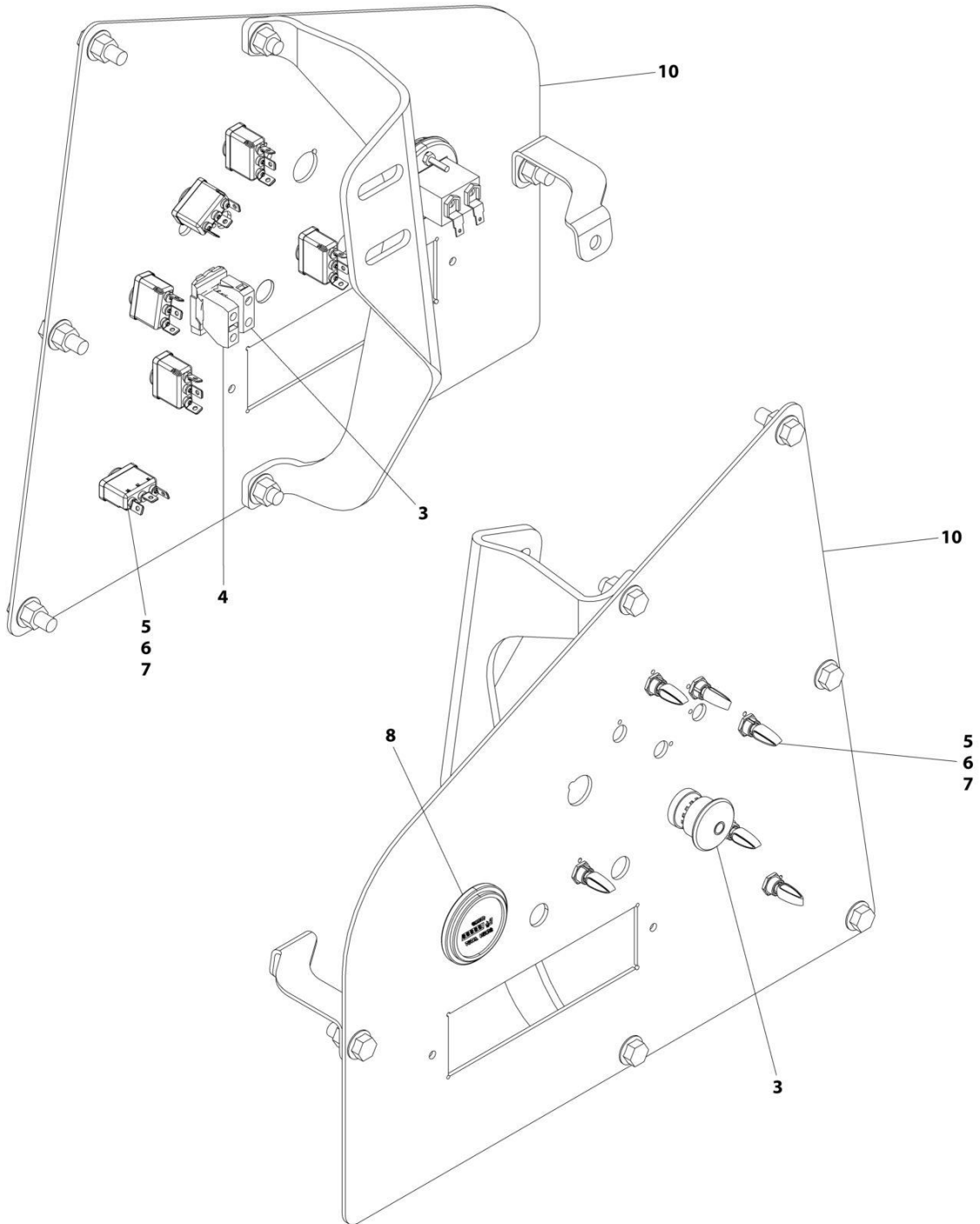
SECTION 2 - TURNTABLE

FIGURE 2-22. GROUND CONTROL ASSEMBLY - 400SC

ITEM	PART NUMBER	QTY	DESCRIPTION	REV
	1001239294	Ref	GROUND CONTROL ASSEMBLY - 400S	C
1	1001274559	1	Switch, Emergency Stop	
2	4360476	1	Block, Contact	
3	1001155043	6	Washer	
4	1001155044	6	Nut 15/32	
5	1001155045	6	Switch, Toggle	
6	10836804	1	Gauge	
7	1001238887	1	Mount, Ground Control Panel (See Separate Breakdown in this Section)	

SECTION 2 - TURNTABLE

FIGURE 2-23. GROUND CONTROL ASSEMBLY - 400SC (STAGE V)



ART_1001245988_D

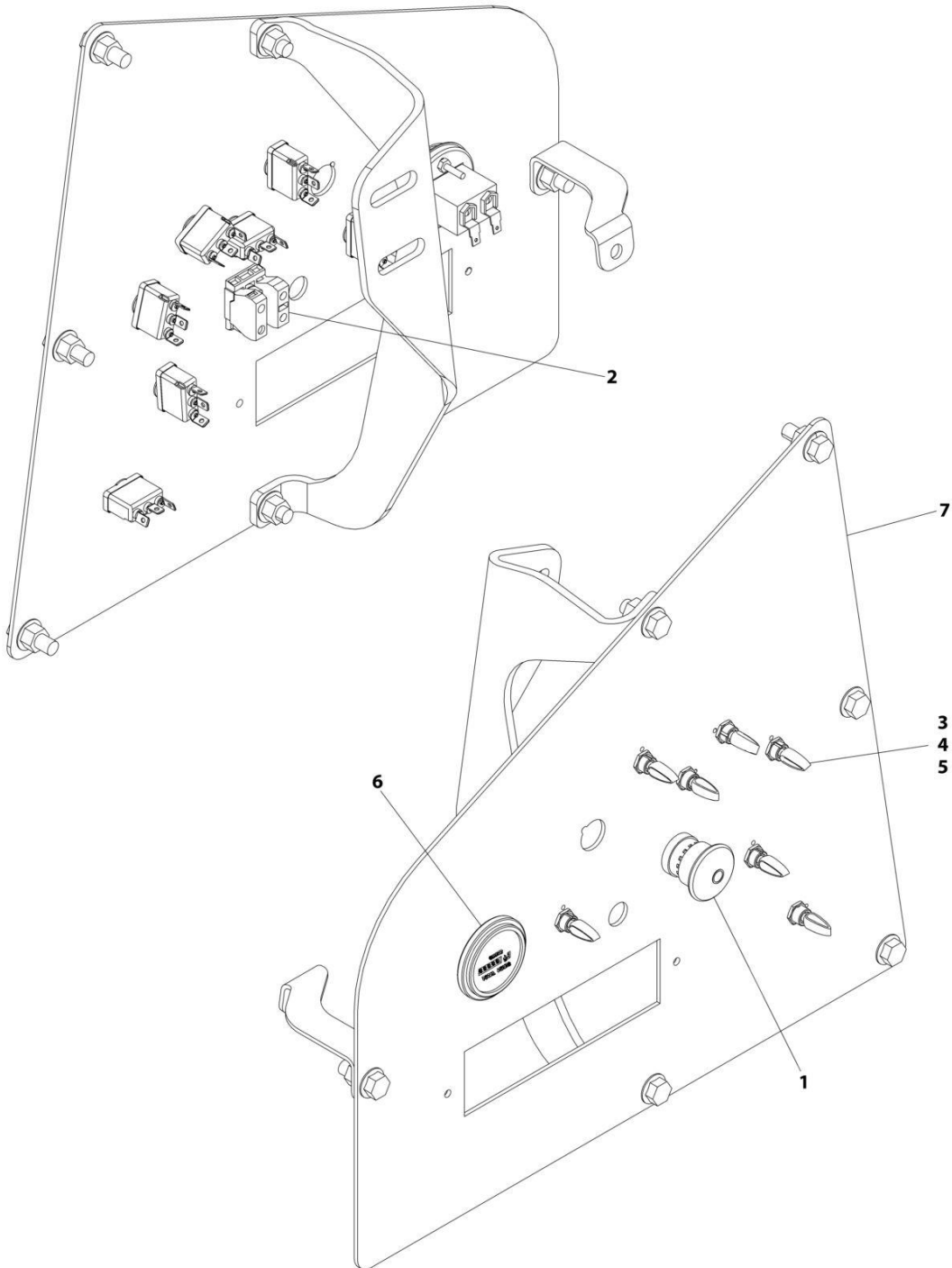
SECTION 2 - TURNTABLE

FIGURE 2-23. GROUND CONTROL ASSEMBLY - 400SC (STAGE V)

ITEM	PART NUMBER	QTY	DESCRIPTION	REV
	1001245988	Ref	GROUND CONTROL ASSEMBLY	D
3	1001274559	1	Switch, Emergency Stop	
4	4360476	1	Block, Contact	
5	1001155043	6	Washer	
6	1001155044	6	Nut 15/32	
7	1001155045	6	Switch, Toggle	
8	10836804	1	Gauge	
10	1001245379	1	Mount, Ground Control Panel (See Separate Breakdown in this Section)	

SECTION 2 - TURNTABLE

FIGURE 2-24. GROUND CONTROL ASSEMBLY - 460SJC



ART_1001239293_C

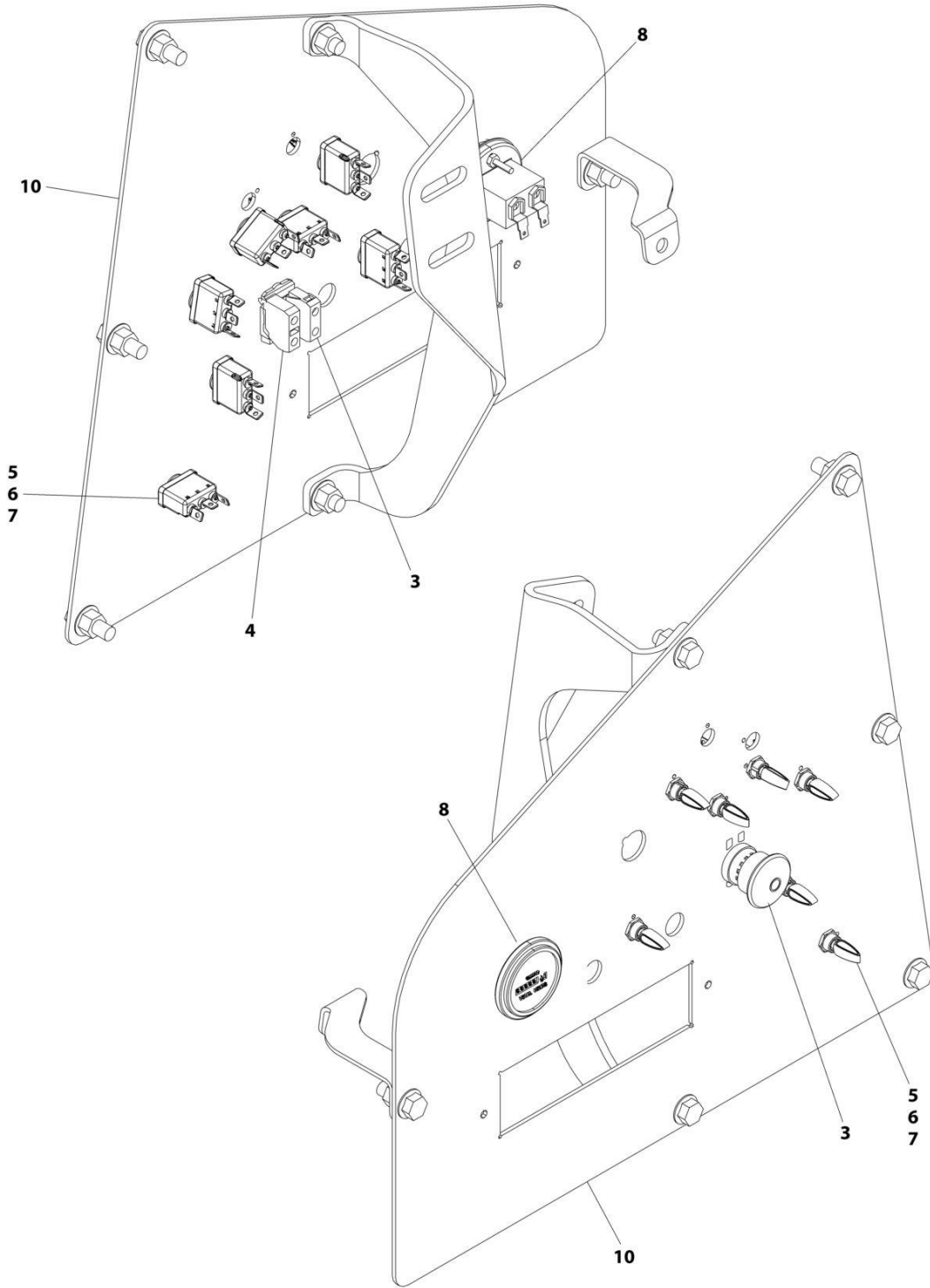
SECTION 2 - TURNTABLE

FIGURE 2-24. GROUND CONTROL ASSEMBLY - 460SJC

ITEM	PART NUMBER	QTY	DESCRIPTION	REV
	1001239293	Ref	GROUND CONTROL ASSEMBLY - 460SJ	C
1	1001274559	1	Switch, Emergency Stop	
2	4360476	1	Block, Contact	
3	1001155043	7	Washer	
4	1001155044	7	Nut 15/32	
5	1001155045	7	Switch, Toggle	
6	10836804	1	Gauge	
7	1001235531	1	Mount, Ground Control Panel (See Separate Breakdown in this Section)	

SECTION 2 - TURNTABLE

FIGURE 2-25. GROUND CONTROL ASSEMBLY - 460SJC WITH DEUTZ (STAGE V) ENGINE



ART_1001245380_D

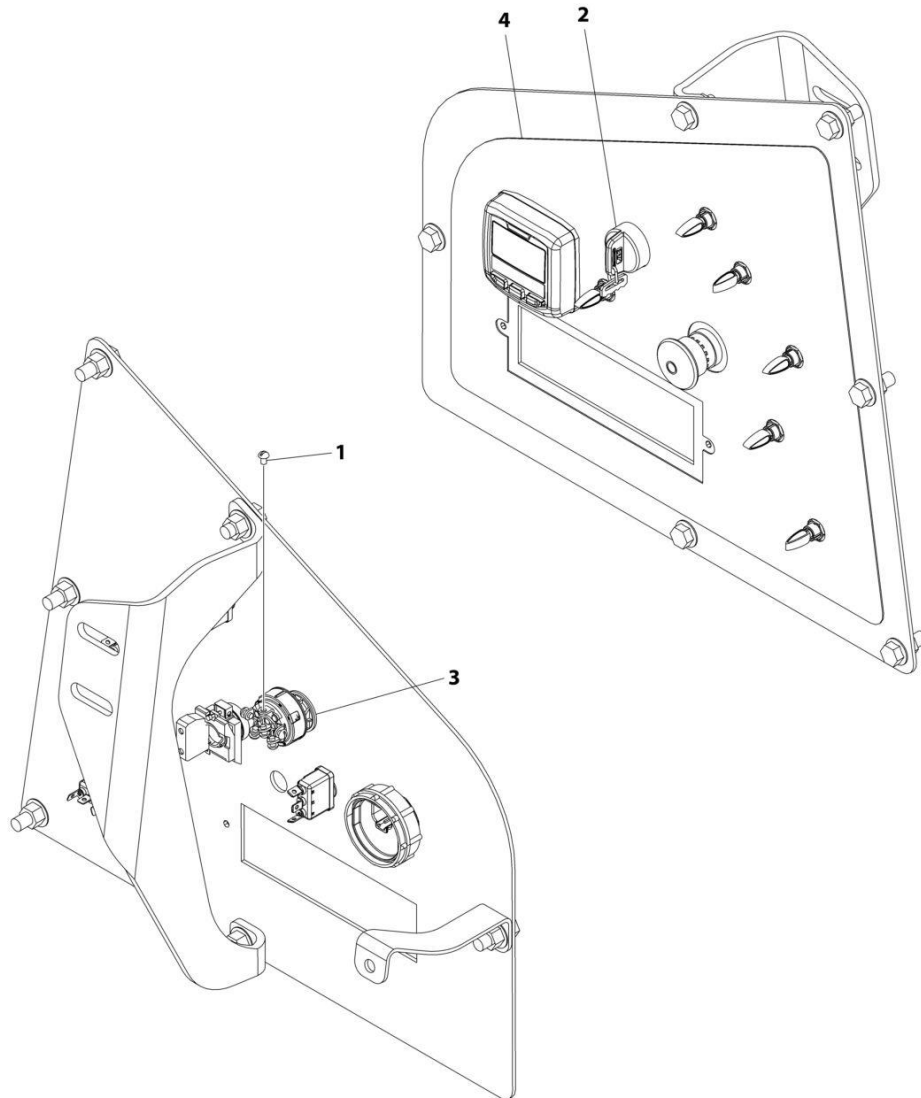
SECTION 2 - TURNTABLE

FIGURE 2-25. GROUND CONTROL ASSEMBLY - 460SJC WITH DEUTZ (STAGE V) ENGINE

ITEM	PART NUMBER	QTY	DESCRIPTION	REV
	1001245380	Ref	GROUND CONTROL ASSEMBLY	D
3	1001274559	1	Switch, Emergency Stop	
4	4360476	1	Block, Contact	
5	1001155043	7	Washer	
6	1001155044	7	Nut 15/32	
7	1001155045	7	Switch, Toggle	
8	10836804	1	Gauge	
10	1001245379	1	Ground Control Mounting (See Separate Breakdown in this Section)	

SECTION 2 - TURNTABLE

FIGURE 2-26. KEYSWITCH AND PANEL DECAL INSTALLATION - 400SC



ART_1001222145

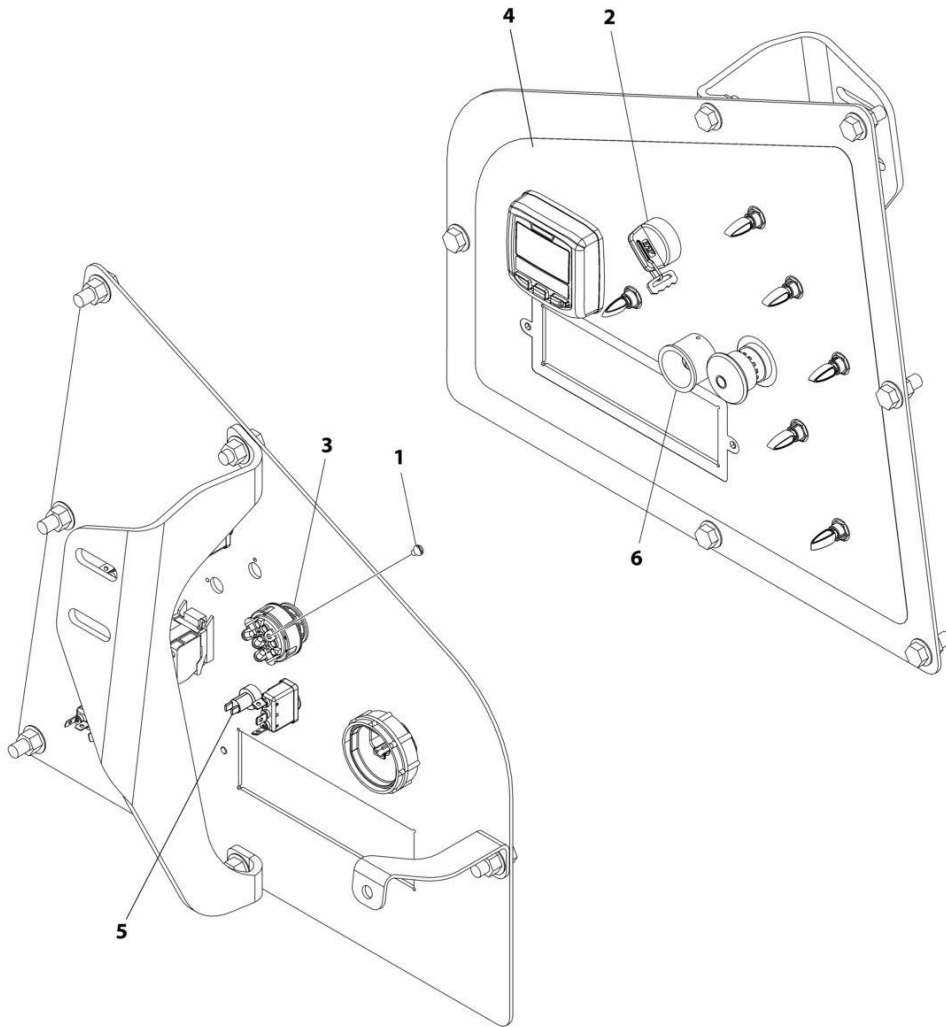
SECTION 2 - TURNTABLE

FIGURE 2-26. KEYSWITCH AND PANEL DECAL INSTALLATION - 400SC

ITEM	PART NUMBER	QTY	DESCRIPTION	REV
	1001222145	Ref	GROUND CONTROL DECAL AND KEYSWITCH INSTALLATION	A
1	3910804	6	Screw #8 x 1/4	
2	4360469	1	Switch, Key	
2	2860030	1	Key, Replacement	
3	1001151393	1	Shim .063	
4	1001221408	1	Decal - Ground Control	

SECTION 2 - TURNTABLE

FIGURE 2-27. KEYSWITCH AND PANEL DECAL INSTALLATION - 400SC (CE & UK CA (LRC) SPEC)



ART_1001222143

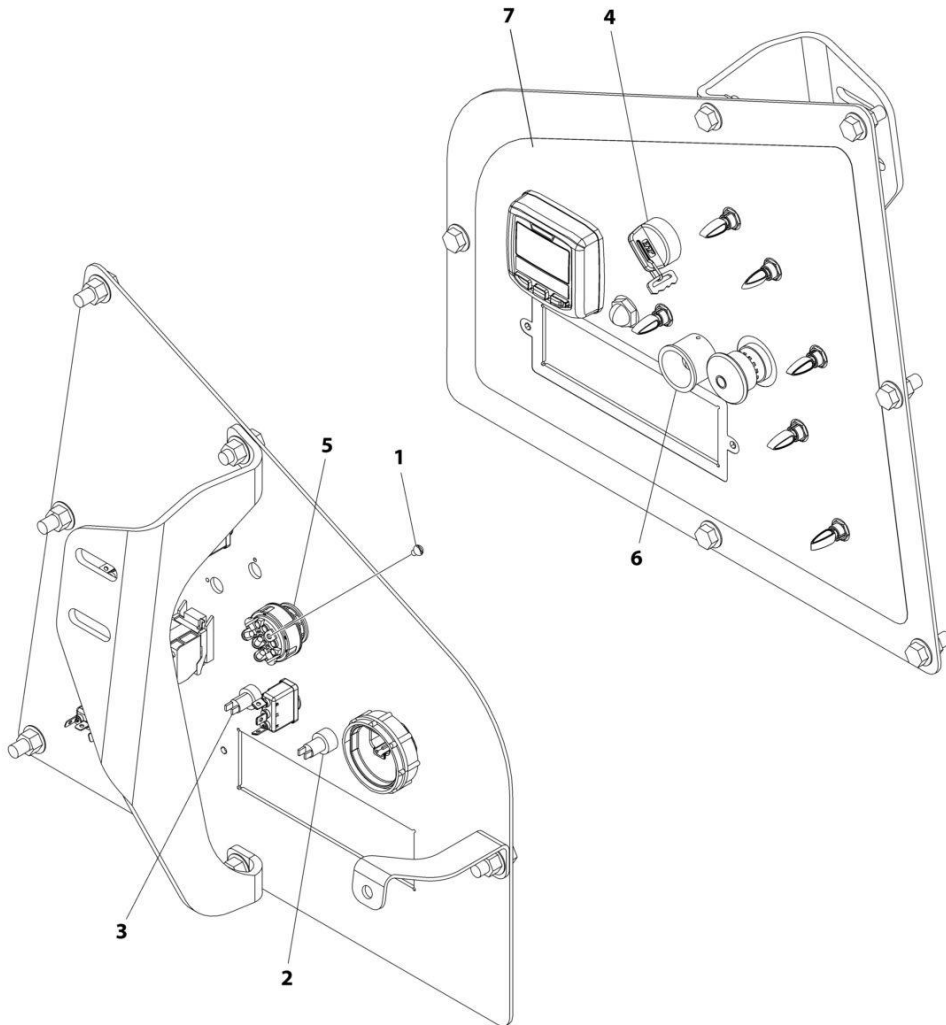
SECTION 2 - TURNTABLE

FIGURE 2-27. KEYSWITCH AND PANEL DECAL INSTALLATION - 400SC (CE & UK CA (LRC) SPEC)

ITEM	PART NUMBER	QTY	DESCRIPTION	REV
	1001222143	Ref	GROUND CONTROL DECAL AND KEYSWITCH INSTALLATION	A
1	3910804	6	Screw #8 x 1/4	
2	4360469	1	Switch, Key	
2	2860030	1	Key, Replacement	
3	1001151393	1	Shim .063	
4	1001221406	1	Decal - Ground Control	
5	4360387	1	Switch, Push Button	
6	1001176469	1	Shroud, Switch	

SECTION 2 - TURNTABLE

FIGURE 2-28. KEYSWITCH AND PANEL DECAL INSTALLATION - 400SC WITH DEUTZ D2.9L4 (STAGE V) ENGINES (CE & UK CA SPEC)



ART_1001245832

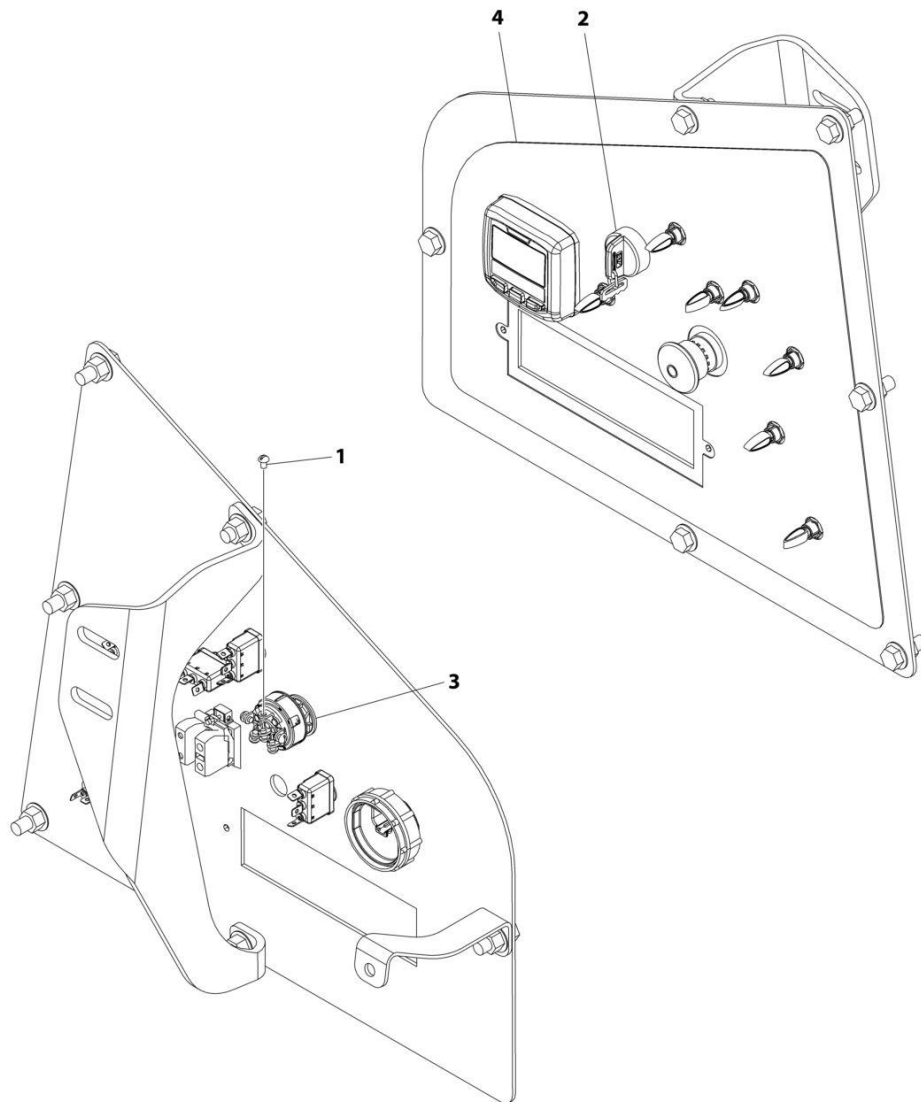
SECTION 2 - TURNTABLE

FIGURE 2-28. KEYSWITCH AND PANEL DECAL INSTALLATION - 400SC WITH DEUTZ D2.9L4 (STAGE V) ENGINES (CE & UK CA SPEC)

ITEM	PART NUMBER	QTY	DESCRIPTION	REV
	1001245832	Ref	GROUND CONTROL DECAL AND KEYSWITCH INSTALLATION	A
1	3910804	6	Screw #8 x 1/4	
2	4360274	1	Switch, Push Button	
3	4360387	1	Switch, Push Button	
4	4360469	1	Switch, Key	
4	2860030	1	Key, Replacement	
5	1001151393	1	Shim .063	
6	1001176469	1	Shroud, Switch	
7	1001245828	1	Decal - Ground Control	

SECTION 2 - TURNTABLE

FIGURE 2-29. KEYSWITCH AND PANEL DECAL INSTALLATION - 460SJC



ART_1001222144

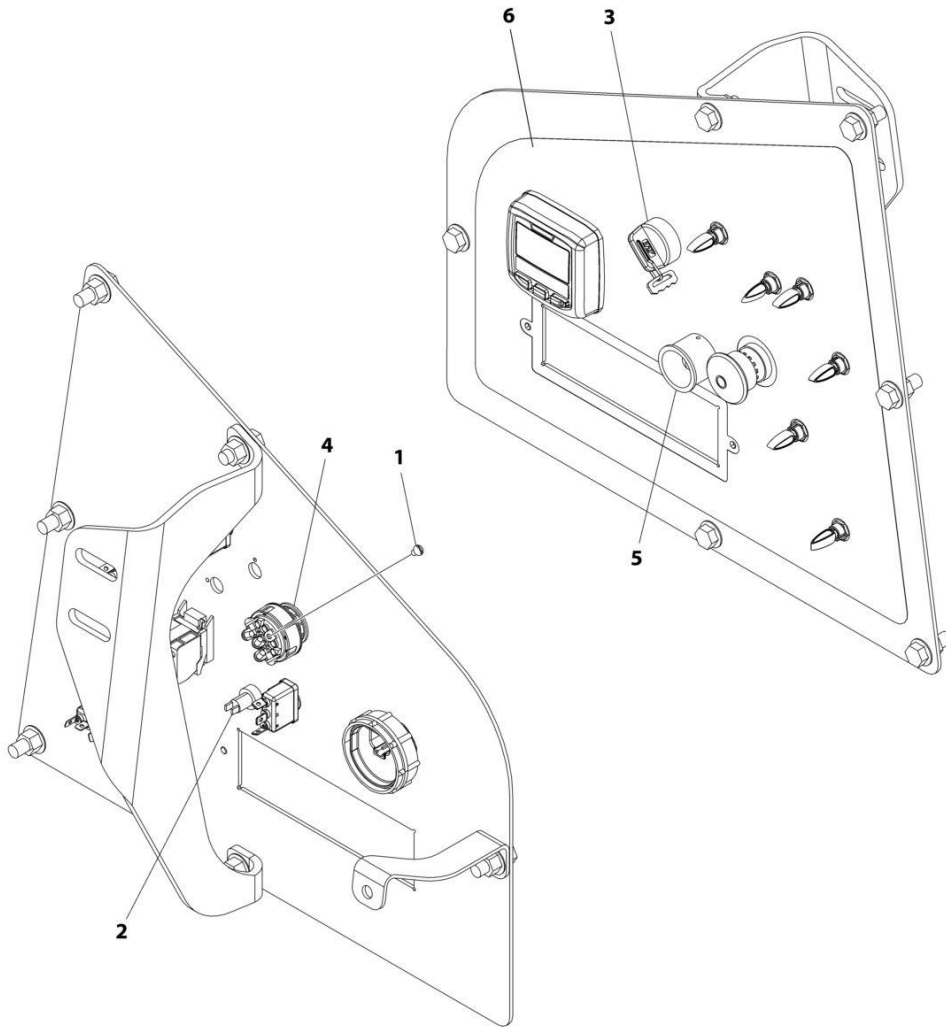
SECTION 2 - TURNTABLE

FIGURE 2-29. KEYSWITCH AND PANEL DECAL INSTALLATION - 460SJC

ITEM	PART NUMBER	QTY	DESCRIPTION	REV
	1001222144	Ref	GROUND CONTROL DECAL AND KEYSWITCH INSTALLATION	A
1	3910804	6	Screw #8 x 1/4	
2	4360469	1	Switch, Key	
2	2860030	1	Key, Replacement	
3	1001151393	1	Shim .063	
4	1001221407	1	Decal - Ground Control	

SECTION 2 - TURNTABLE

FIGURE 2-30. KEYSWITCH AND PANEL DECAL INSTALLATION - 460SJC (CE & UK CA (LRC) SPEC)



ART_1001238914

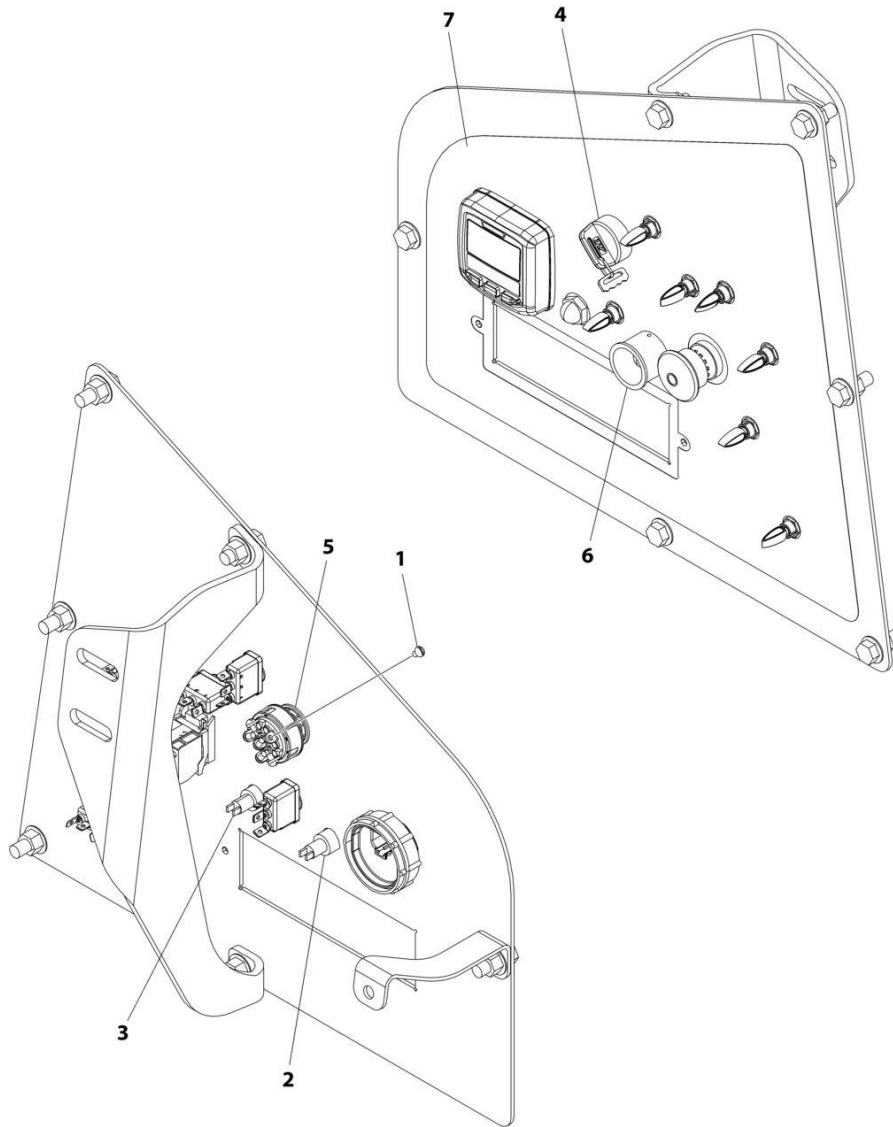
SECTION 2 - TURNTABLE

FIGURE 2-30. KEYSWITCH AND PANEL DECAL INSTALLATION - 460SJC (CE & UK CA (LRC) SPEC)

ITEM	PART NUMBER	QTY	DESCRIPTION	REV
	1001238914	Ref	GROUND CONTROL DECAL AND KEYSWITCH INSTALLATION	A
1	3910804	6	Screw #8 x 1/4	
2	4360387	1	Switch, Push Button	
3	4360469	1	Switch, Key	
3	2860030	1	Key, Replacement	
4	1001151393	1	Shim .063	
5	1001176469	1	Shroud, Switch	
6	1001238913	1	Decal - Ground Control	

SECTION 2 - TURNTABLE

FIGURE 2-31. KEYSWITCH AND PANEL DECAL INSTALLATION - 460SJC WITH DEUTZ D2.9L4 (STAGE V) ENGINES (CE & UK CA SPEC)



ART_1001245833

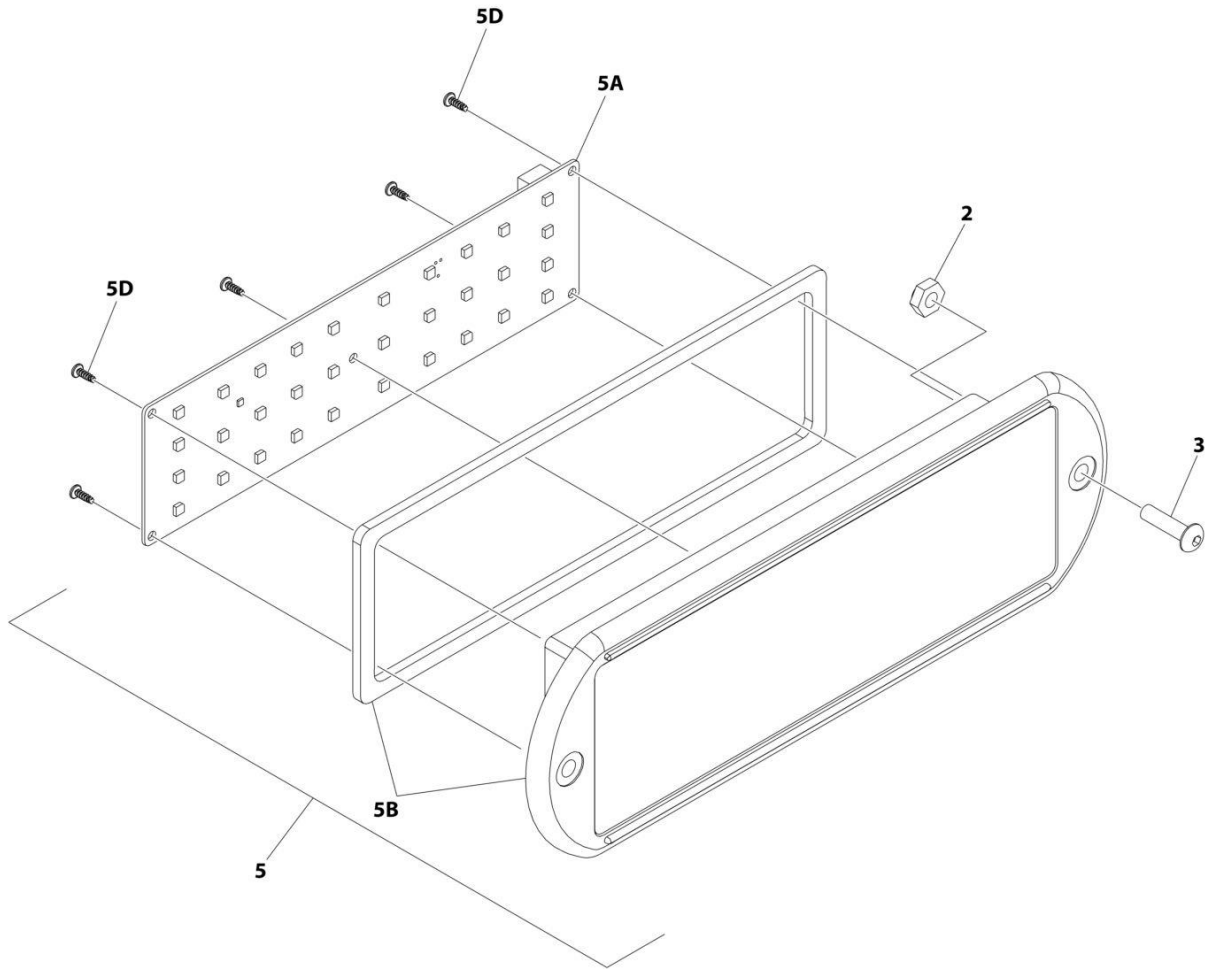
SECTION 2 - TURNTABLE

FIGURE 2-31. KEYSWITCH AND PANEL DECAL INSTALLATION - 460SJC WITH DEUTZ D2.9L4 (STAGE V) ENGINES (CE & UK CA SPEC)

ITEM	PART NUMBER	QTY	DESCRIPTION	REV
	1001245833	Ref	GROUND CONTROL DECAL AND KEYSWITCH INSTALLATION	A
1	3910804	6	Screw #8 x 1/4	
2	4360274	1	Switch, Push Button	
3	4360387	1	Switch, Push Button	
4	4360469	1	Switch, Key	
4	2860030	1	Key, Replacement	
5	1001151393	1	Shim .063	
6	1001176469	1	Shroud, Switch	
7	1001245829	1	Decal - Ground Control	

SECTION 2 - TURNTABLE

FIGURE 2-32. LIGHT PANEL INSTALLATION



ART_1001233959_D_10F2

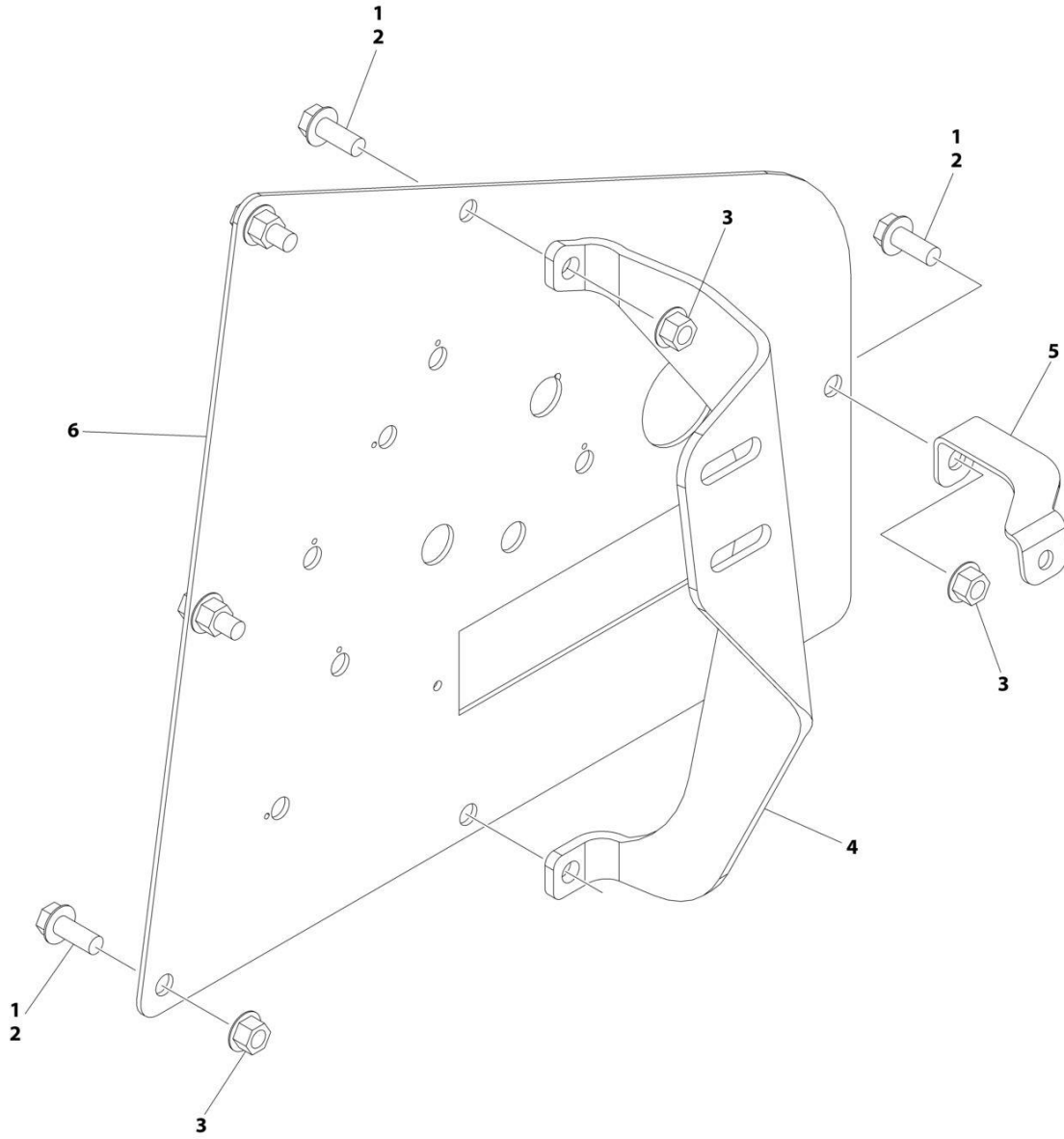
SECTION 2 - TURNTABLE

FIGURE 2-32. LIGHT PANEL INSTALLATION

ITEM	PART NUMBER	QTY	DESCRIPTION	REV
	1001233959	Ref	LIGHT PANEL INSTALLATION	D
2	3300408	2	Nut, Nylon Insert	
3	0630518	2	Screw #10 x 3/4	
5	1001237546	1	Light Panel Assembly	J
5A	1001282106	1	Panel, LED Light	
5B	1001236091	1	Lens, Icon (Includes Gasket)	
5D		Ref	Screw	

SECTION 2 - TURNTABLE

FIGURE 2-33. GROUND CONTROL PANEL MOUNTING - 400SC



ART_1001238887_B

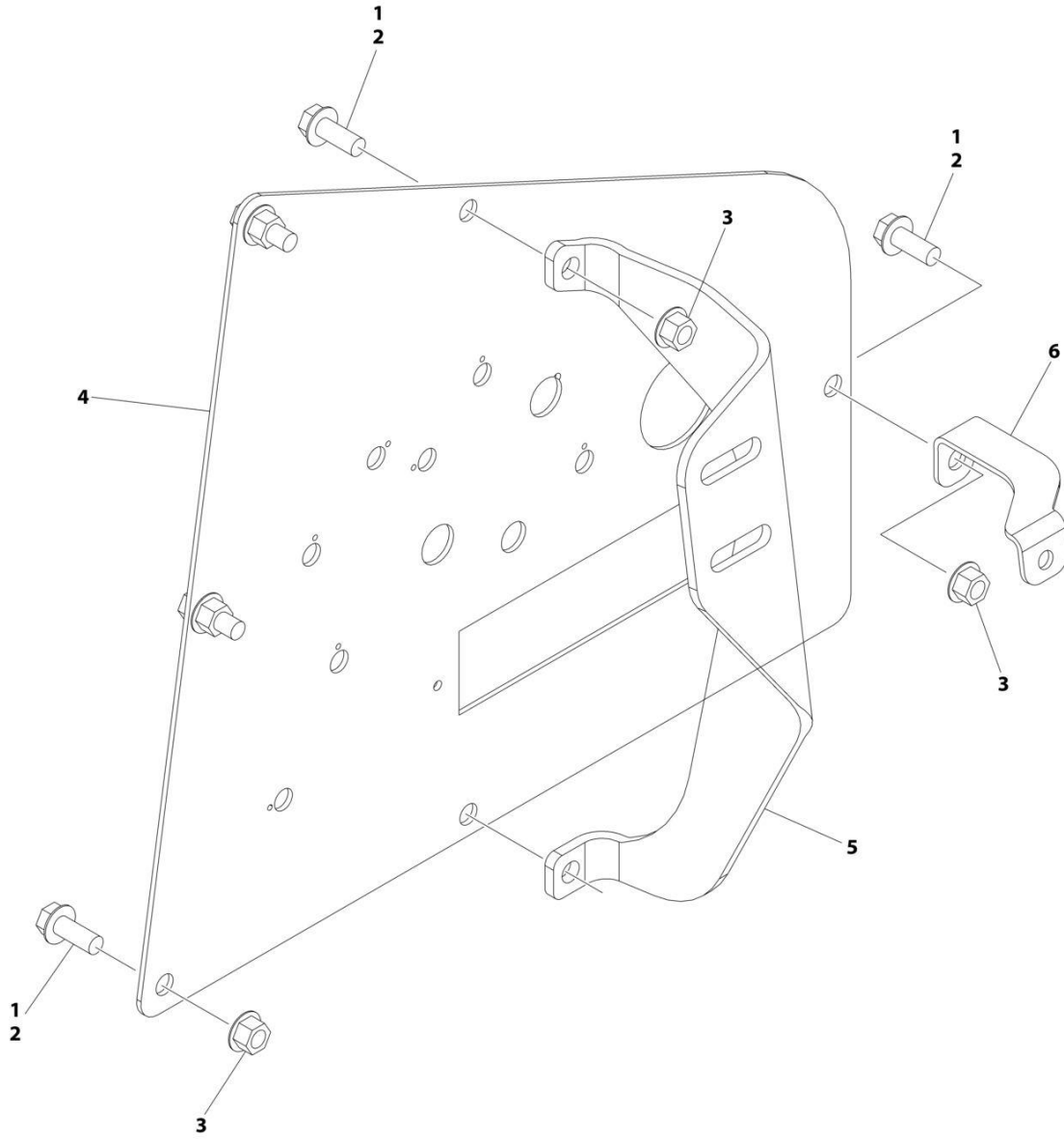
SECTION 2 - TURNTABLE

FIGURE 2-33. GROUND CONTROL PANEL MOUNTING - 400SC

ITEM	PART NUMBER	QTY	DESCRIPTION	REV
	1001238887	Ref	GROUND CONTROL PANEL MOUNTING	B
1	0100011	AR	Compound, Locking	
2	5251012	6	Bolt M10 x 25	
3	5261000	6	Nut M10	
4	1001235528	1	Support	
5	1001235529	1	Bracket	
6	1001297390	1	Plate, Ground Control	

SECTION 2 - TURNTABLE

FIGURE 2-34. GROUND CONTROL PANEL MOUNTING - 460SJC



ART_1001235531_C

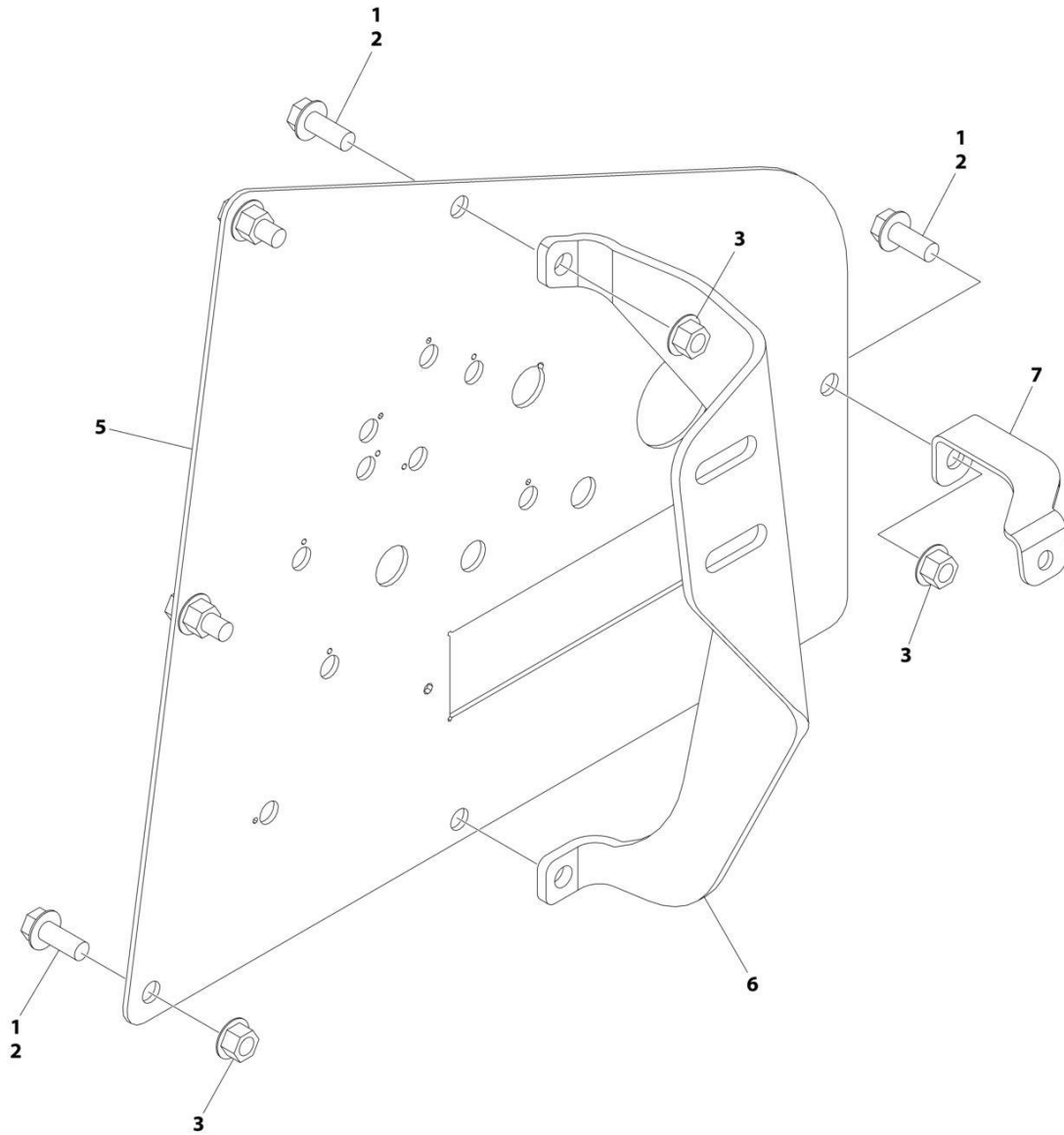
SECTION 2 - TURNTABLE

FIGURE 2-34. GROUND CONTROL PANEL MOUNTING - 460SJC

ITEM	PART NUMBER	QTY	DESCRIPTION	REV
	1001235531	Ref	GROUND CONTORL MOUNTING - 460SJ	C
1	0100011	AR	Compound, Locking	
2	5251012	6	Bolt M10 x 25	
3	5261000	6	Nut M10	
4	1001297385	1	Plate, Ground Control	
5	1001235528	1	Support	
6	1001235529	1	Bracket	

SECTION 2 - TURNTABLE

FIGURE 2-35. GROUND CONTROL PANEL MOUNTING - 400SC/460SJC WITH DEUTZ (STAGE V) ENGINE



ART_1001245379_C

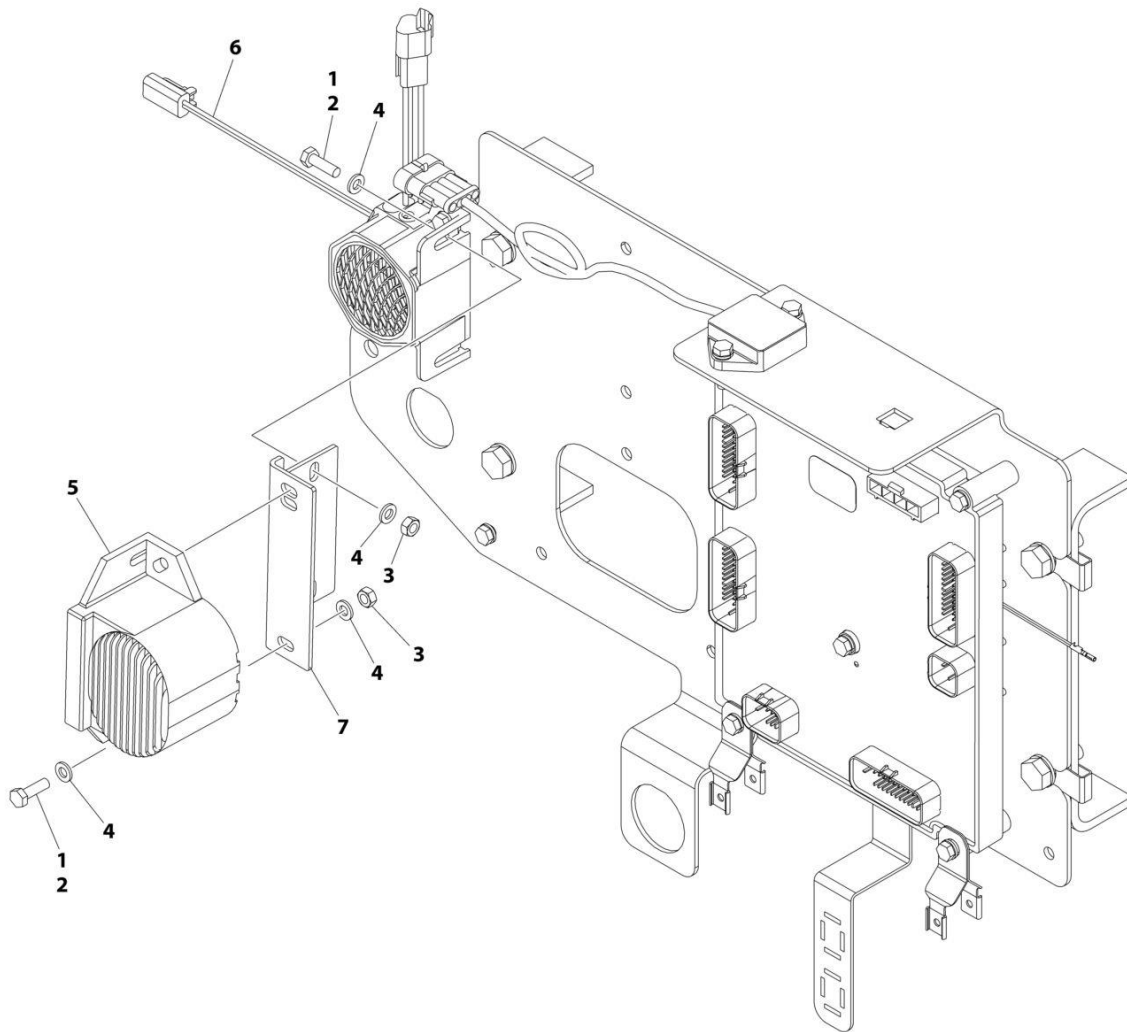
SECTION 2 - TURNTABLE

FIGURE 2-35. GROUND CONTROL PANEL MOUNTING - 400SC/460SJC WITH DEUTZ (STAGE V) ENGINE

ITEM	PART NUMBER	QTY	DESCRIPTION	REV
	1001245379	Ref	GROUND CONTORL MOUNTING	C
1	0100035	AR	Compound, Locking	
2	5251012	6	Bolt M10 x 25	
3	5261000	6	Nut M10	
5	1001297386	1	Plate, Ground Control	
6	1001235528	1	Support	
7	1001235529	1	Bracket	

SECTION 2 - TURNTABLE

FIGURE 2-36. WHITE NOISE ALARM (AMBIENT) INSTALLATION



ART_1001209618

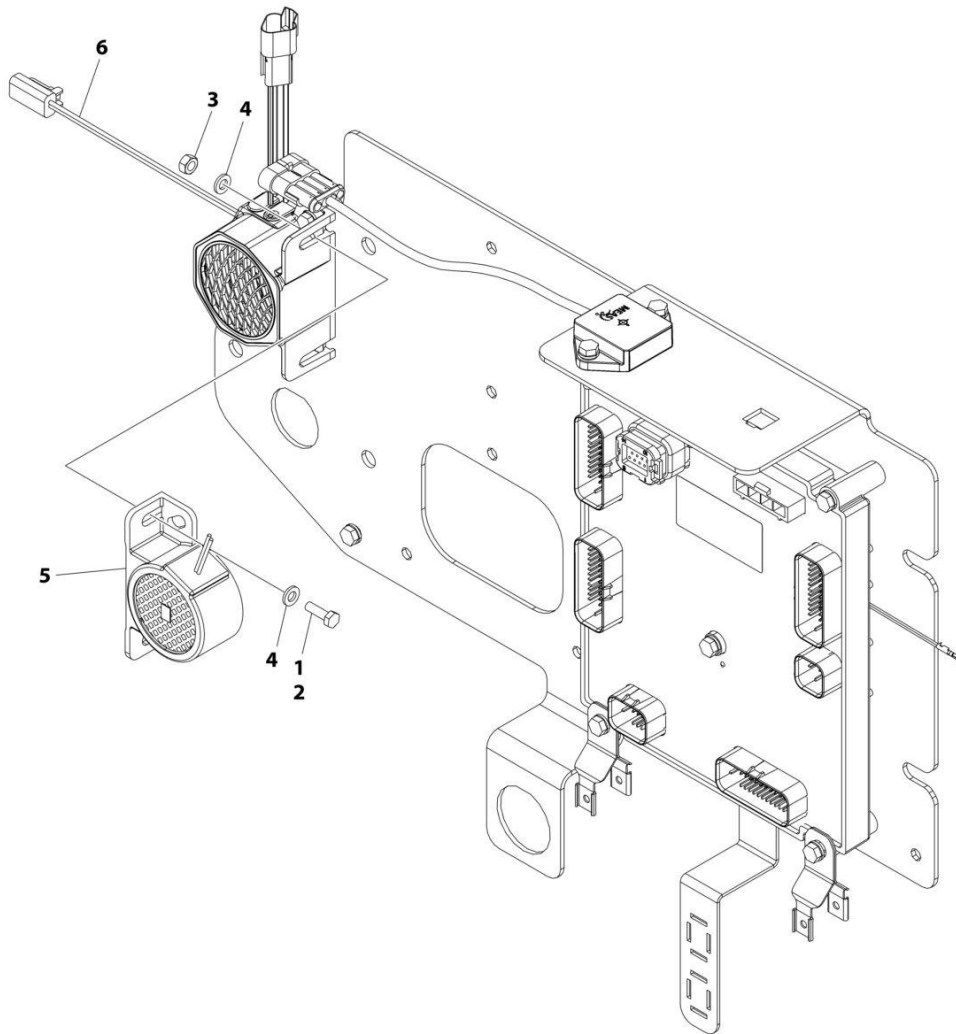
SECTION 2 - TURNTABLE

FIGURE 2-36. WHITE NOISE ALARM (AMBIENT) INSTALLATION

ITEM	PART NUMBER	QTY	DESCRIPTION	REV
	1001209618	Ref	WHITE NOISE ALARM INSTALLATION	C
1	0100011	AR	Compound, Locking	
2	0760610	4	Bolt M6 x 20	
3	3290601	4	Nut M6	
4	4811700	8	Washer M6	
5	1001182806	1	Alarm	
6	1001190663	1	Harness, Jumper	
6	4460891	1	Connector - 2 Position	
6	4460465	2	Socket, Female	
6	4460871	2	Socket, Female	
7	1001231886	1	Plate	

SECTION 2 - TURNTABLE

FIGURE 2-37. WHITE NOISE ALARM (CONSTANT) INSTALLATION



ART_1001263176

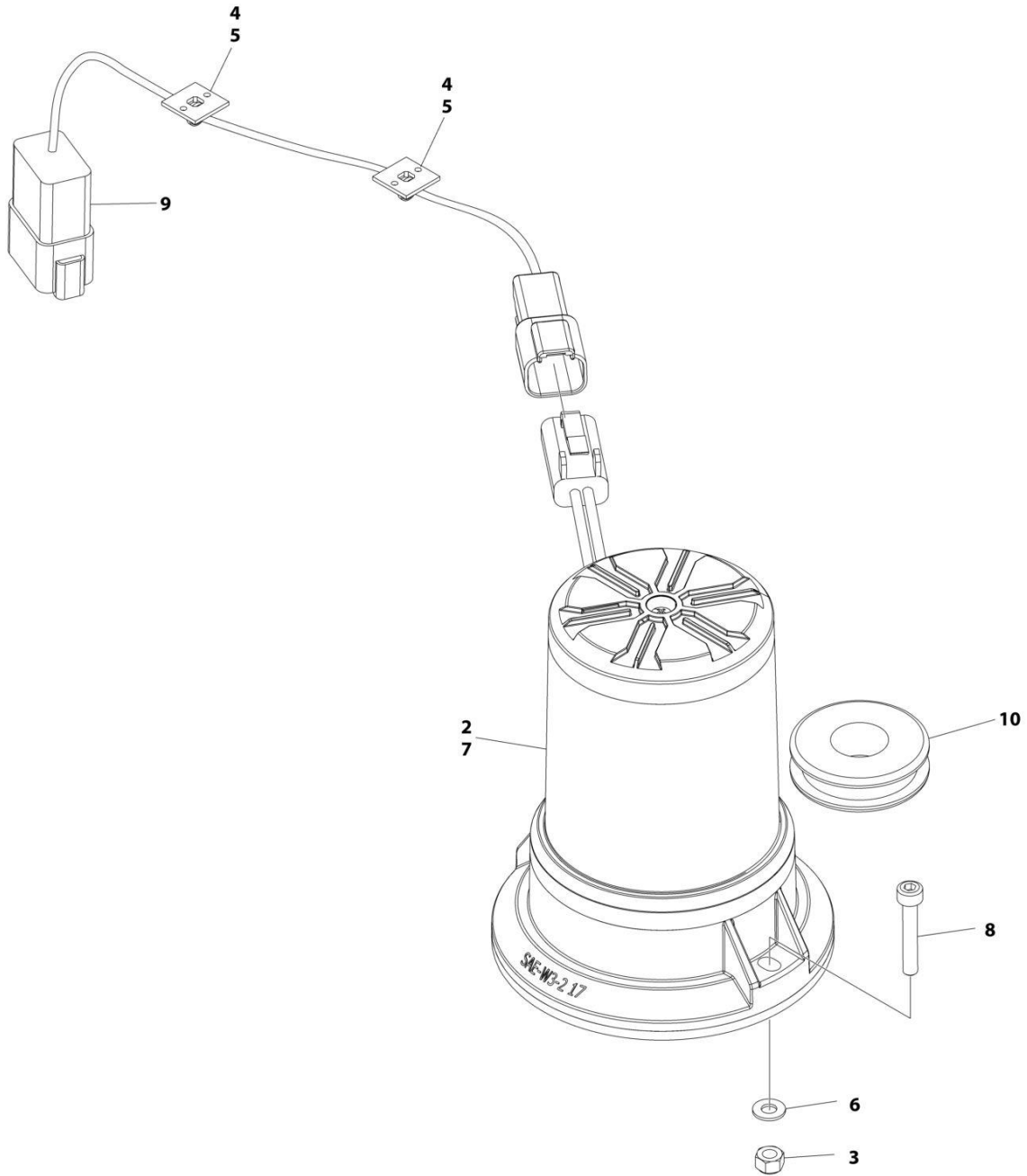
SECTION 2 - TURNTABLE

FIGURE 2-37. WHITE NOISE ALARM (CONSTANT) INSTALLATION

ITEM	PART NUMBER	QTY	DESCRIPTION	REV
	1001263176	Ref	WHITE NOISE ALARM INSTALLATION	A
1	0100011	AR	Compound, Locking	
2	0760610	2	Bolt M6 x 20	
3	3290601	2	Nut M6	
4	4811700	4	Washer M6	
5	1001184682	1	Alarm	
6	1001190663	1	Harness, Jumper	
6	4460891	2	Connector - 2 Position	
6	4460465	2	Socket, Female	
6	4460871	1	Socket, Female	

SECTION 2 - TURNTABLE

FIGURE 2-38. BEACON LIGHT INSTALLATION - AMBER



ART_1001172816_E

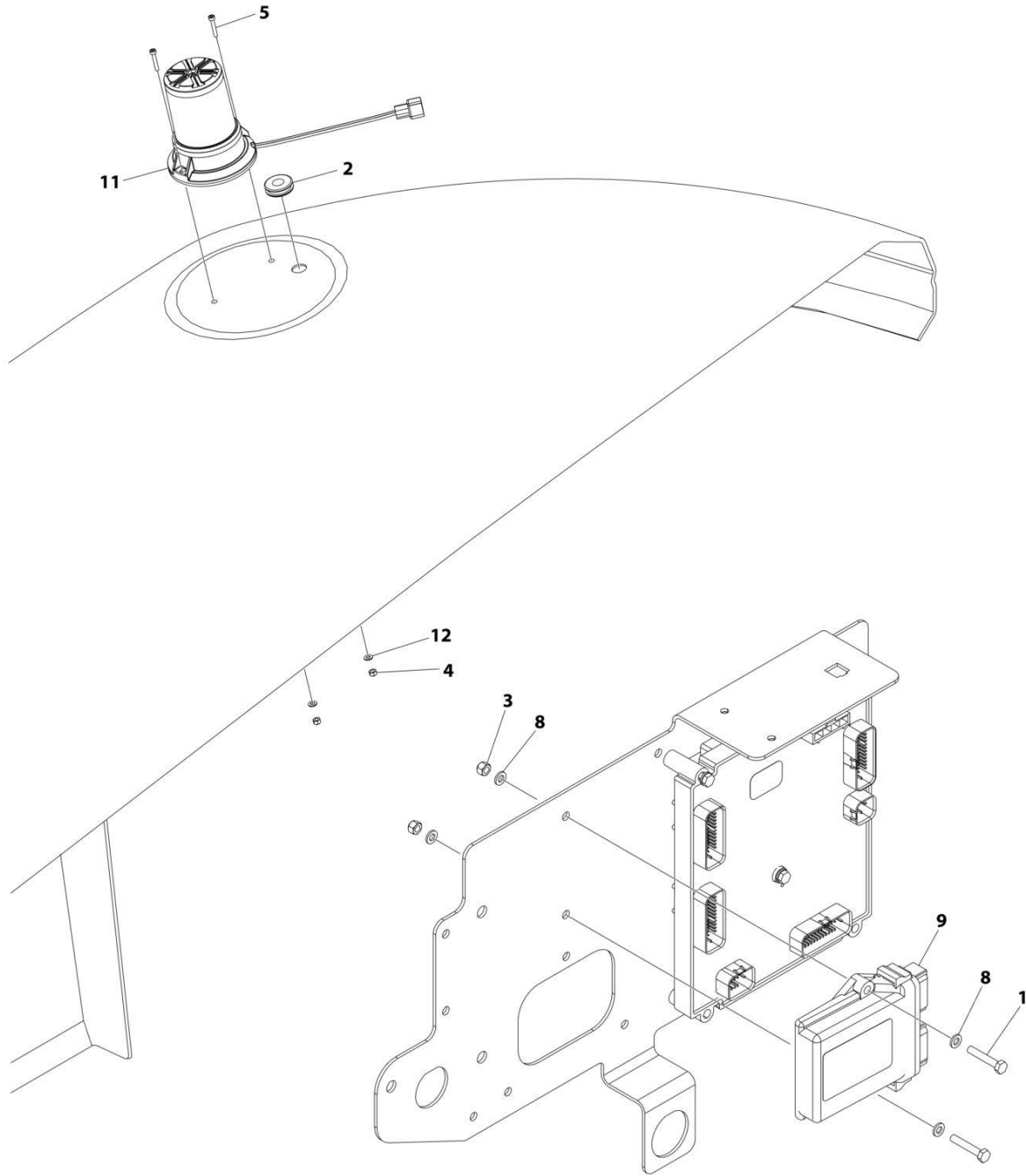
SECTION 2 - TURNTABLE

FIGURE 2-38. BEACON LIGHT INSTALLATION - AMBER

ITEM	PART NUMBER	QTY	DESCRIPTION	REV
	1001172816	Ref	BEACON LIGHT INSTALLATION - AMBER	E
2	1001270594	1	Light, Strobe (Amber)	
2	4460891	1	Connector	
2	4460465	2	Socket	
3	3290405	2	Nut M4	
4	4240032	AR	Tie-Strap	
5	4460234	2	Mount, Tie-Strap	
6	4811400	2	Washer M4	
7	0100048	AR	Grease, Terminal	
8	4031509	2	Capscrew M4 x 25	
9	1001283776	1	Beacon Harness (See Separate Breakdown in ELECTRICAL Section)	
10	2540020	1	Grommet	

SECTION 2 - TURNTABLE

FIGURE 2-39. BEACON LIGHT INSTALLATION - BLUE



ART_1001242851_B

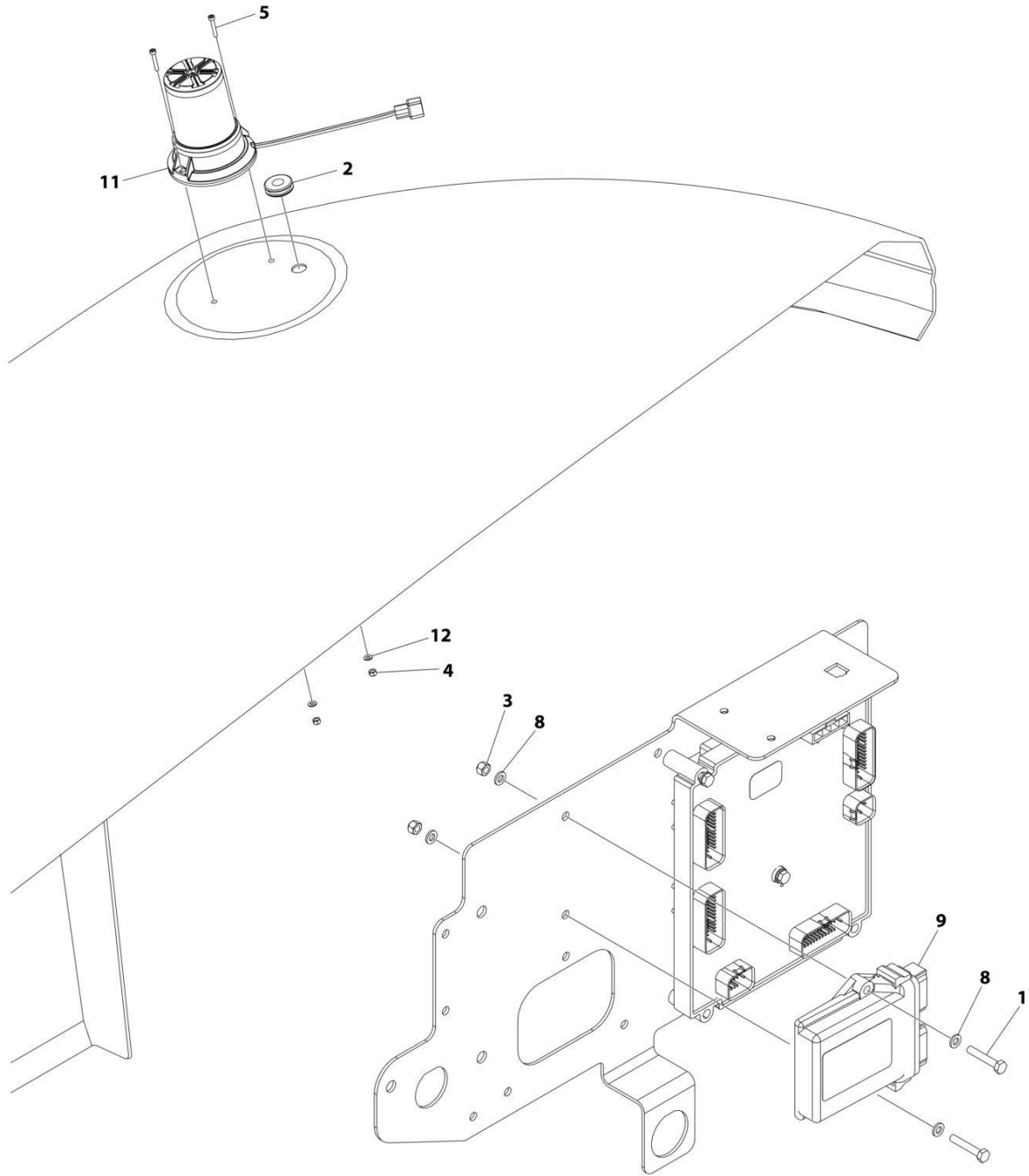
SECTION 2 - TURNTABLE

FIGURE 2-39. BEACON LIGHT INSTALLATION - BLUE

ITEM	PART NUMBER	QTY	DESCRIPTION	REV
	1001242851	Ref	BEACON LIGHT INSTALLATION - BLUE	B
1	0760615	2	Bolt M6 x 35	
2	2540020	1	Grommet, Insulation	
3	3290605	2	Nut M6	
4	3290405	2	Nut M4	
5	4031509	2	Capscrew M4 x 25	
6	4240099	AR	Tie-Strap (Not Shown)	
8	4811700	4	Washer M6	
9	1001142683	1	Control Module (Note: Re-calibration Required when Replaced)	
10	1001142736	1	Beacon Harness (Not Shown - See Separate Breakdown in ELECTRICAL Section)	
11	1001272681	1	Light, Beacon	
11	4460897	1	Receptacle, Female - 2 Position	
11	4460464	2	Pin, Male	
12	4811400	2	Washer M4	

SECTION 2 - TURNTABLE

FIGURE 2-40. BEACON LIGHT INSTALLATION - RED



ART_1001242852_B

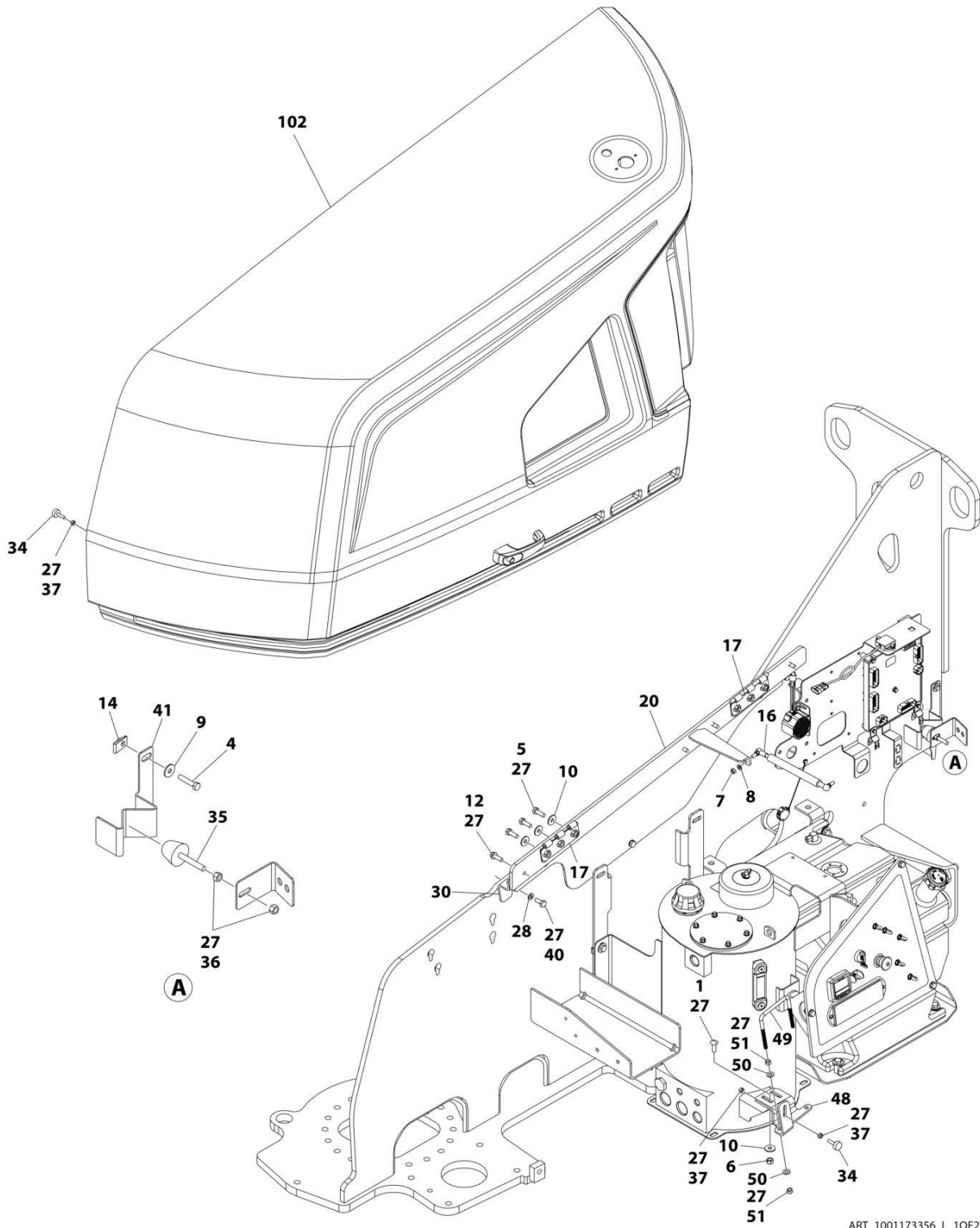
SECTION 2 - TURNTABLE

FIGURE 2-40. BEACON LIGHT INSTALLATION - RED

ITEM	PART NUMBER	QTY	DESCRIPTION	REV
	1001242852	Ref	BEACON LIGHT INSTALLATION - RED	B
1	0760615	2	Bolt M6 x 35	
2	2540020	1	Grommet, Insulation	
3	3290605	2	Nut M6	
4	3290405	2	Nut M4	
5	4031509	2	Capscrew M4 x 25	
6	4240099	AR	Tie-Strap (Not Shown)	
8	4811700	4	Washer M6	
9	1001142683	1	Control Module (Note: Re-calibration Required when Replaced)	
10	1001142736	1	Beacon Harness (Not Shown - See Separate Breakdown in ELECTRICAL Section)	
11	1001272682	1	Light, Beacon	
11	4460897	1	Receptacle, Female - 2 Position	
11	4460464	2	Pin, Male	
12	4811400	2	Washer M4	

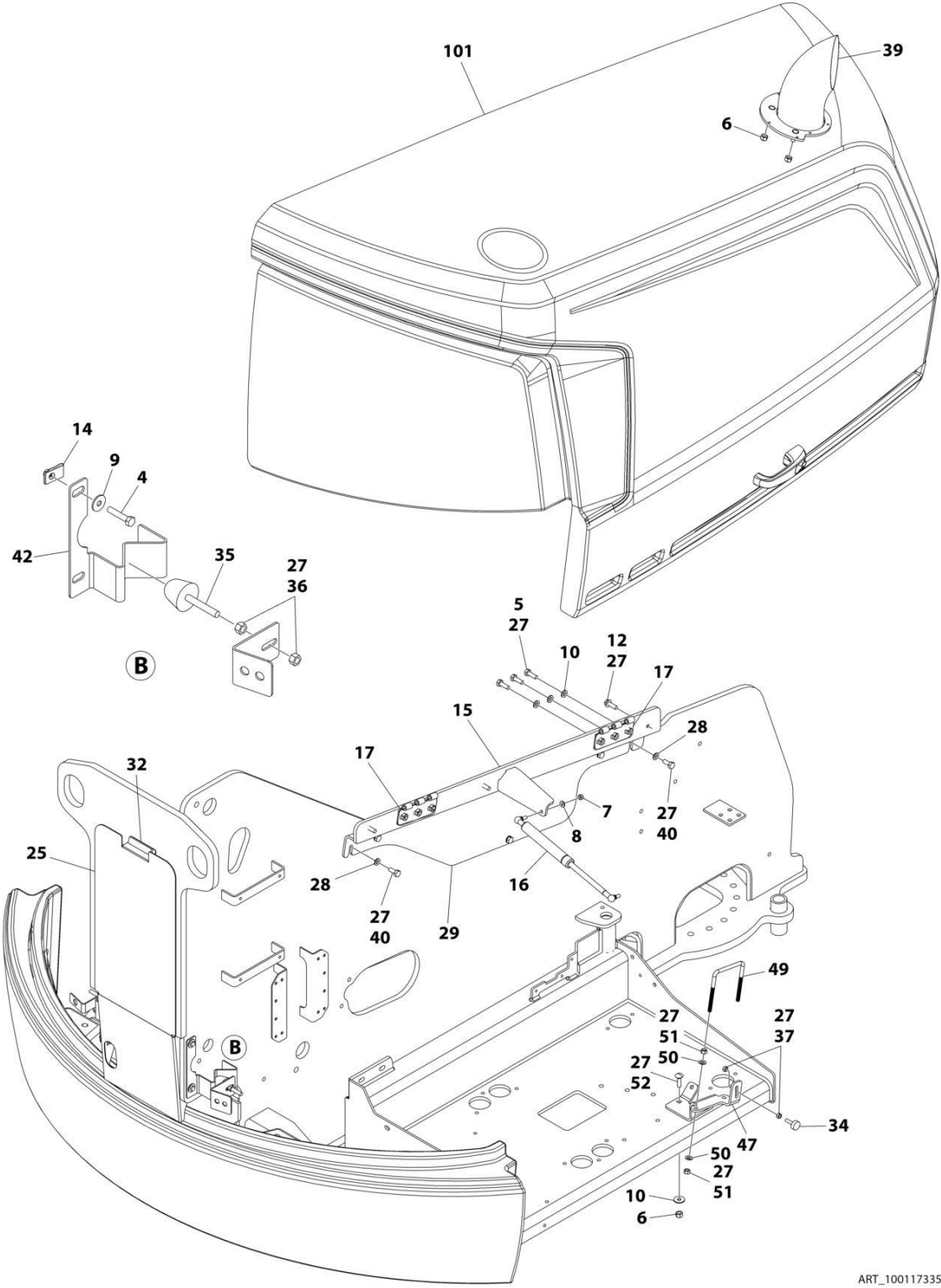
SECTION 2 - TURNTABLE

FIGURE 2-41. HOOD INSTALLATION (ABS)



ART_1001173356_L_10F2

SECTION 2 - TURNTABLE



ART_1001173356_L_20F2

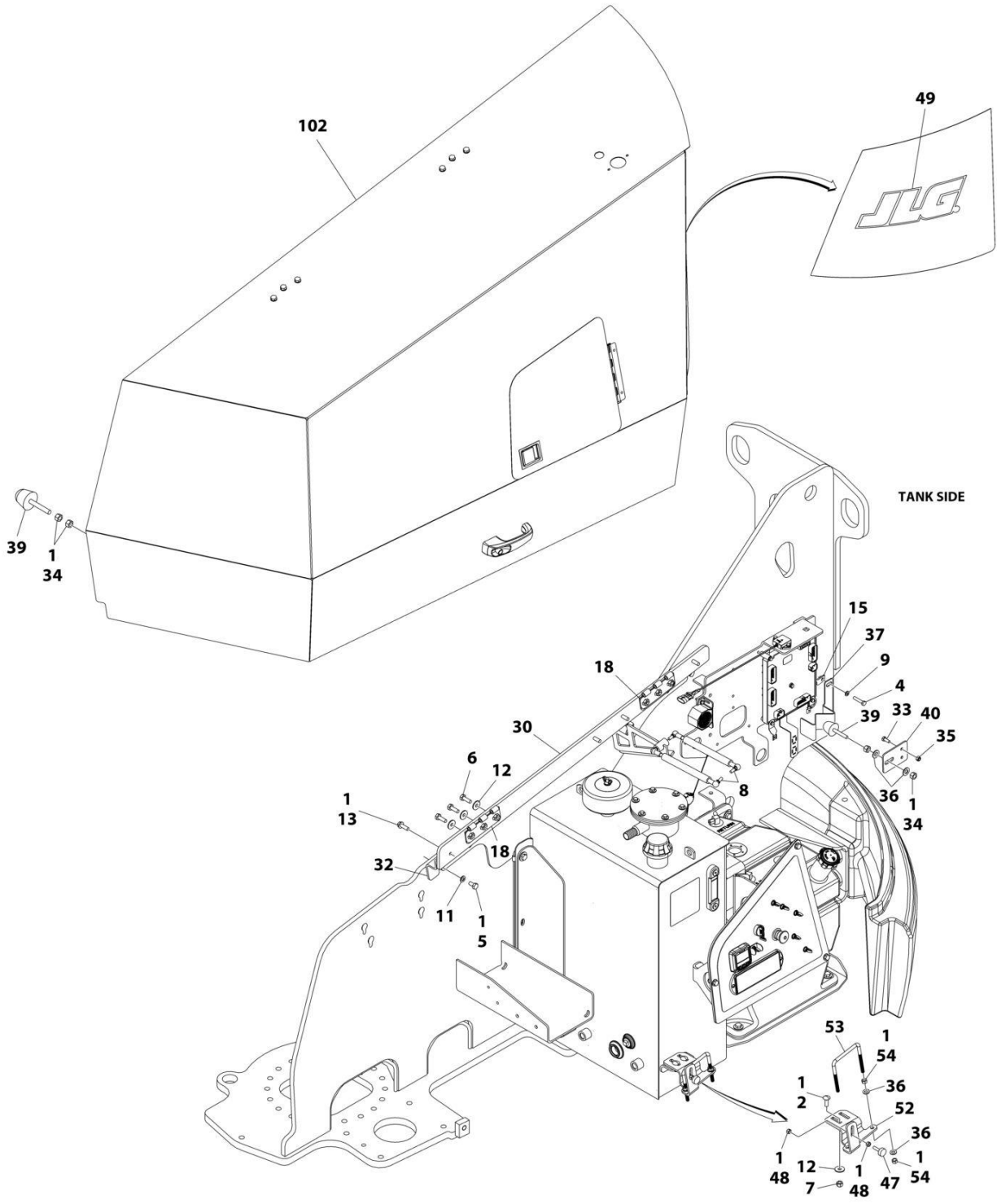
SECTION 2 - TURNTABLE

FIGURE 2-41. HOOD INSTALLATION (ABS)

ITEM	PART NUMBER	QTY	DESCRIPTION	REV
	1001173356	Ref	HOOD INSTALLATION	L
1	0630613	2	Bolt M10 x 30	
4	0760816	4	Bolt M8 x 40	
5	0761014	12	Bolt M10 x 30	
6	3291005	7	Nut M10	
7	3311505	2	Nut 5/16	
8	4711500	2	Washer 5/16	
9	4811902	4	Washer M8	
10	4812002	16	Washer M10	
12	5251014	8	Bolt M10 x 30	
14	1001149160	4	Nut, Tinnerman M8	
15	1001167159	1	Mount, Adjustment	
16	4160182	2	Spring, Gas	
17	1001169046	4	Nut	
20	1001170850	1	Mount, Adjustment	
25	1001173354	1	Cover	
27	0100011	AR	Compound, Locking	
28	4812000	10	Washer M10	
29	1001165060	1	Plate	
30	1001168173	1	Mount, Hinge	
32	90200755	3.35 in/ 8.5cm	Tape, Gasket	
34	0940049	4	Stopper	
35	1001206314	2	Bumper	
36	3271601	4	Nut 3/8	
37	3311501	8	Nut 5/16	
39	1001174098	1	Outlet, Exhaust	
40	0761012	10	Bolt M10 x 25	
41	1001199207	1	Bracket, Bumper	
42	1001199901	1	Bracket, Bumper	
47	1001250287	1	Bracket, Engine	
48	1001250289	1	Bracket, Tank	
49	1001243414	2	Bolt, U-Bolt	
50	4711600	8	Washer 3/8	
51	3311601	8	Nut 3/8	
52	1001228406	2	Bolt M10 x 35	
100	1001285518	1	Hood Kit (Not Shown) (Includes Items 101-102)	
101	1001170551	1	Hood Assembly - Engine Side (See Separate Breakdown in this Section)	
102	1001285517	1	Hood Assembly - Tank Side (See Separate Breakdown in this Section)	

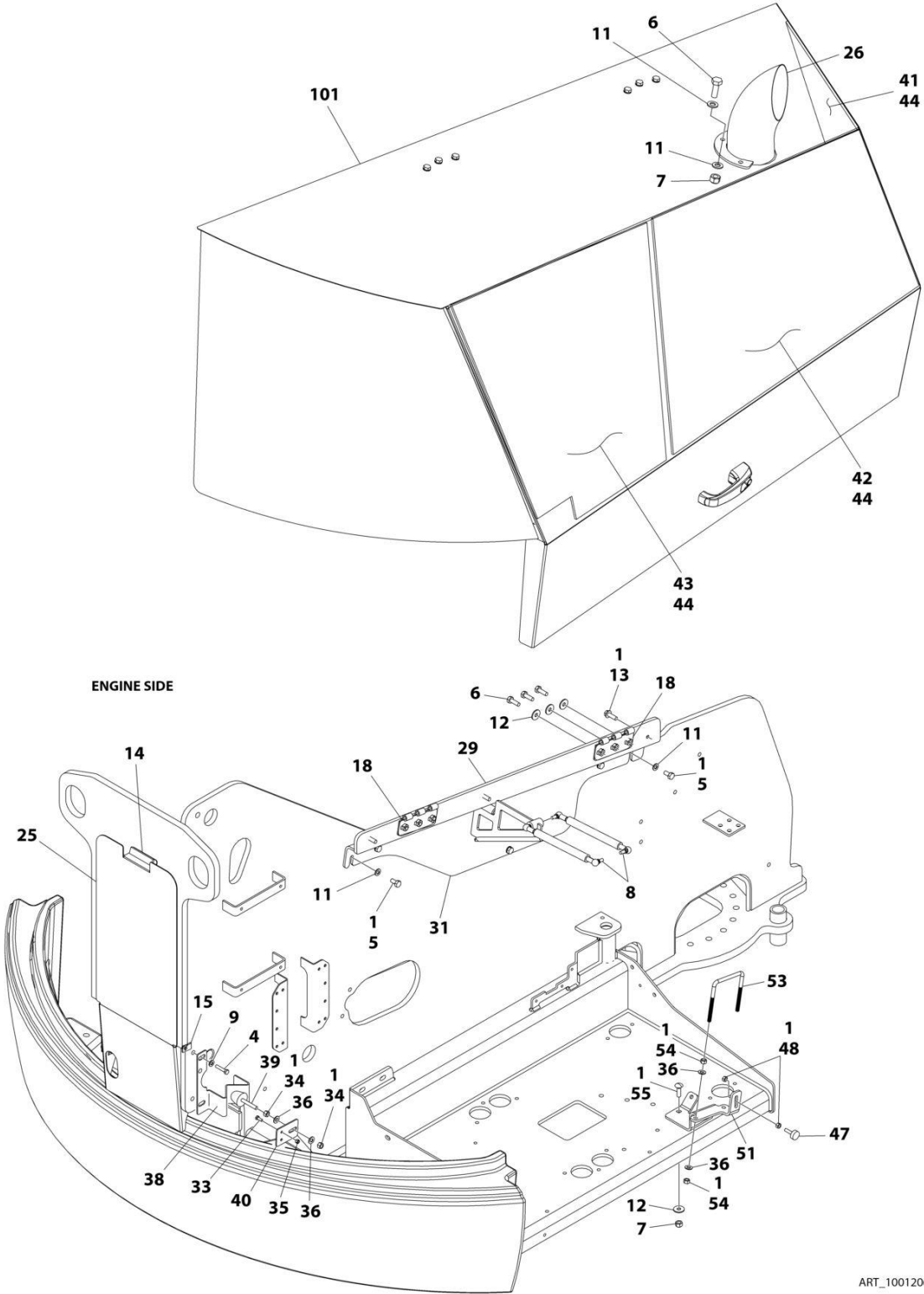
SECTION 2 - TURNTABLE

FIGURE 2-42. HOOD INSTALLATION (STEEL)



ART_1001206402_L_10F2

SECTION 2 - TURNTABLE



ART_1001206402_I_20F2

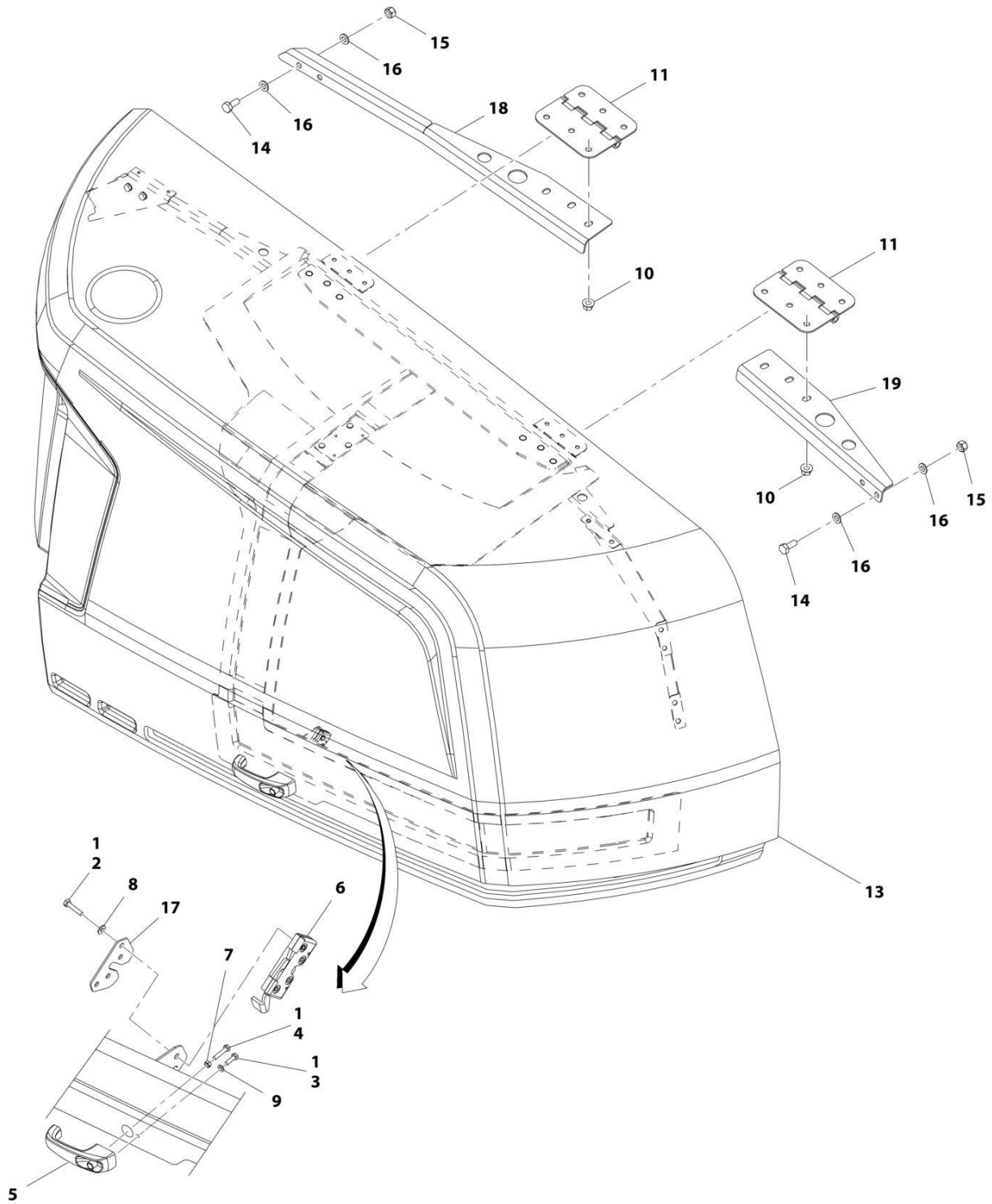
SECTION 2 - TURNTABLE

FIGURE 2-42. HOOD INSTALLATION (STEEL)

ITEM	PART NUMBER	QTY	DESCRIPTION	REV
	1001206402	Ref	STEEL HOOD INSTALLATION	I
1	0100011	AR	Compound, Locking	
2	0630613	2	Bolt M10 x 30	
4	0760816	4	Bolt M8 x 40	
5	0761012	10	Bolt M10 x 25	
6	0761014	15	Bolt M10 x 30	
7	3291005	7	Nut M10	
8	1001167918	4	Spring, Gas	
9	4811900	4	Washer M8	
11	4812000	16	Washer M10	
12	4812002	16	Washer M10	
13	5251012	8	Bolt M10 x 25	
14	90200755	85 mm	Tape, Gasket	
15	1001149160	4	Nut, Tinnerman M8	
18	1001169046	4	Nut	
25	1001173354	1	Cover	
26	1001174098	1	Outlet, Exhaust	
29	1001211633	1	Plate	
30	1001211636	1	Plate	
31	1001212819	1	Mount, Hinge	
32	1001212822	1	Mount, Hinge	
33	0760608	4	Bolt M6 x 16	
34	3271601	8	Nut 3/8	
35	3290605	4	Nut M6	
36	4711600	12	Washer 3/8	
37	1001199207	1	Bracket, Bumper	
38	1001199901	1	Bracket, Bumper	
39	1001206314	4	Bumper	
40	1001219134	2	Plate, Bumper Mount	
41	1001222043	1	Insulate, Heat Shield	
42	1001222044	1	Insulate, Heat Shield	
43	1001223387	1	Insulate, Heat Shield	
44	1001117140	AR	Tape	
47	0940049	2	Stopper	
48	3311501	4	Nut	
49	1001159323	1	Decal - JLG	
50	1001113047	AR	Adhesive (Not Shown)	
51	1001250287	1	Bracket, Engine	
52	1001250289	1	Bracket, Tank	
53	1001243414	2	Bolt, U-Bolt	
54	3311601	8	Nut 3/8	
55	1001228406	2	Bolt, Carriage	
100	1001285143	1	Hood Kit (Not Shown - Includes Items 101 & 102)	
101	1001206404	1	Steel Hood Assembly - Engine Side (See Separate Breakdown in this Section)	
102	1001285142	1	Steel Hood Assembly - Tank Side (See Separate Breakdown in this Section)	

SECTION 2 - TURNTABLE

FIGURE 2-43. HOOD ASSEMBLY - ENGINE SIDE (ABS)



ART_1001170551

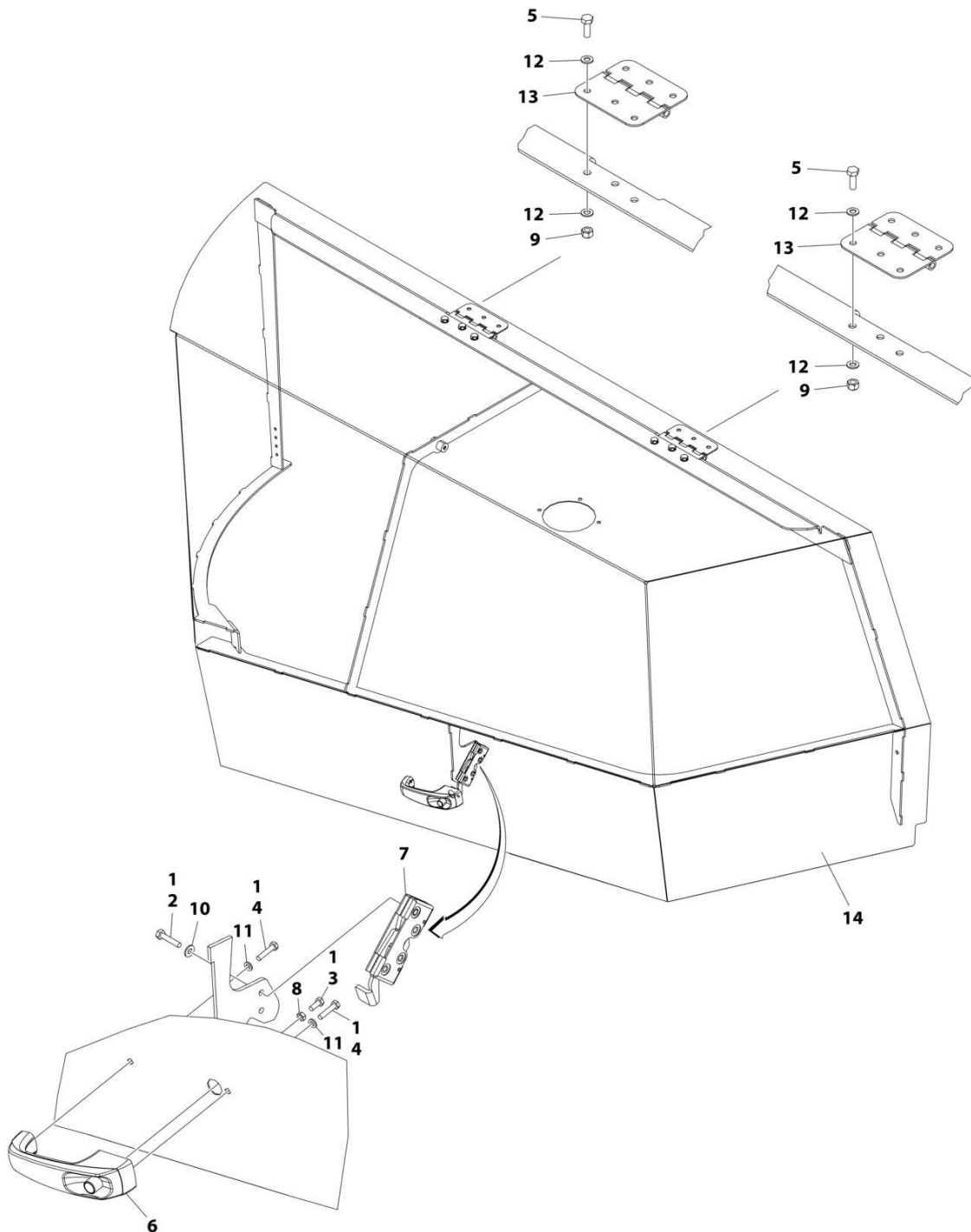
SECTION 2 - TURNTABLE

FIGURE 2-43. HOOD ASSEMBLY - ENGINE SIDE (ABS)

ITEM	PART NUMBER	QTY	DESCRIPTION	REV
	1001170551	Ref	HOOD ASSEMBLY - ENGINE SIDE	F
1	0100011	AR	Compound, Locking	
2	0641410	4	Bolt 1/4 x 1-1/4	
3	0760610	2	Bolt M6 x 20	
4	0760614	1	Bolt M6 x 30	
5	2560187	1	Handle, Push Button	
6	2940173	1	Latch, Rotary	
7	3290601	1	Nut M6	
8	4711400	4	Washer 1/4	
9	4811700	2	Washer M6	
10	5261018	6	Nut M10 Grade 10.9	
11	1001139384	2	Hinge	
13	See Note	NSS	Hood - Engine Side (Note: Purchase pn 1001170551)	
14	0761012	4	Bolt M10 x 25	
15	3291005	4	Nut M10	
16	4812000	8	Washer M10	
17	1001200458	1	Plate	
18	1001201636	1	Hood Support	
19	1001201635	1	Hood Support	

SECTION 2 - TURNTABLE

FIGURE 2-44. HOOD ASSEMBLY - ENGINE SIDE (STEEL)



ART_1001206404

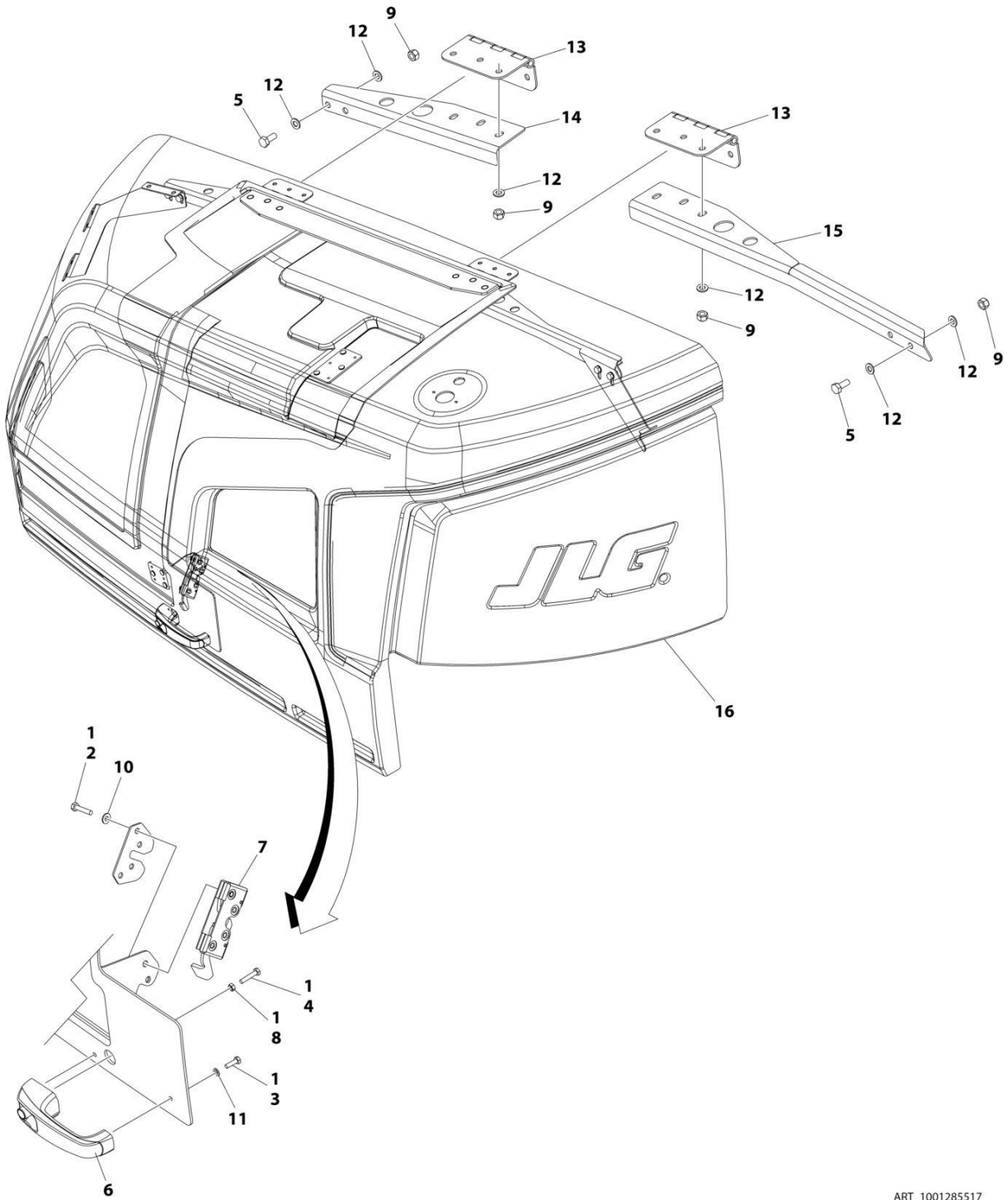
SECTION 2 - TURNTABLE

FIGURE 2-44. HOOD ASSEMBLY - ENGINE SIDE (STEEL)

ITEM	PART NUMBER	QTY	DESCRIPTION	REV
	1001206404	Ref	STEEL HOOD ASSEMBLY - ENGINE SIDE	E
1	0100011	AR	Compound, Locking	
2	0641410	4	Bolt 1/4 x 1-1/4	
3	0760608	1	Bolt M6 x 16	
4	0760614	2	Bolt M6 x 30	
5	0761014	6	Bolt M10 x 30	
6	2560187	1	Handle, Push Button	
7	2940173	1	Latch, Rotary	
8	3290601	1	Nut M6	
9	3291005	6	Nut M10	
10	4711400	4	Washer 1/4	
11	4811700	2	Washer M6	
12	4812000	12	Washer M10	
13	1001139384	2	Hinge	
14	1001206405	1	Hood, Engine Side	

SECTION 2 - TURNTABLE

FIGURE 2-45. ABS HOOD ASSEMBLY - TANK SIDE



ART_1001285517

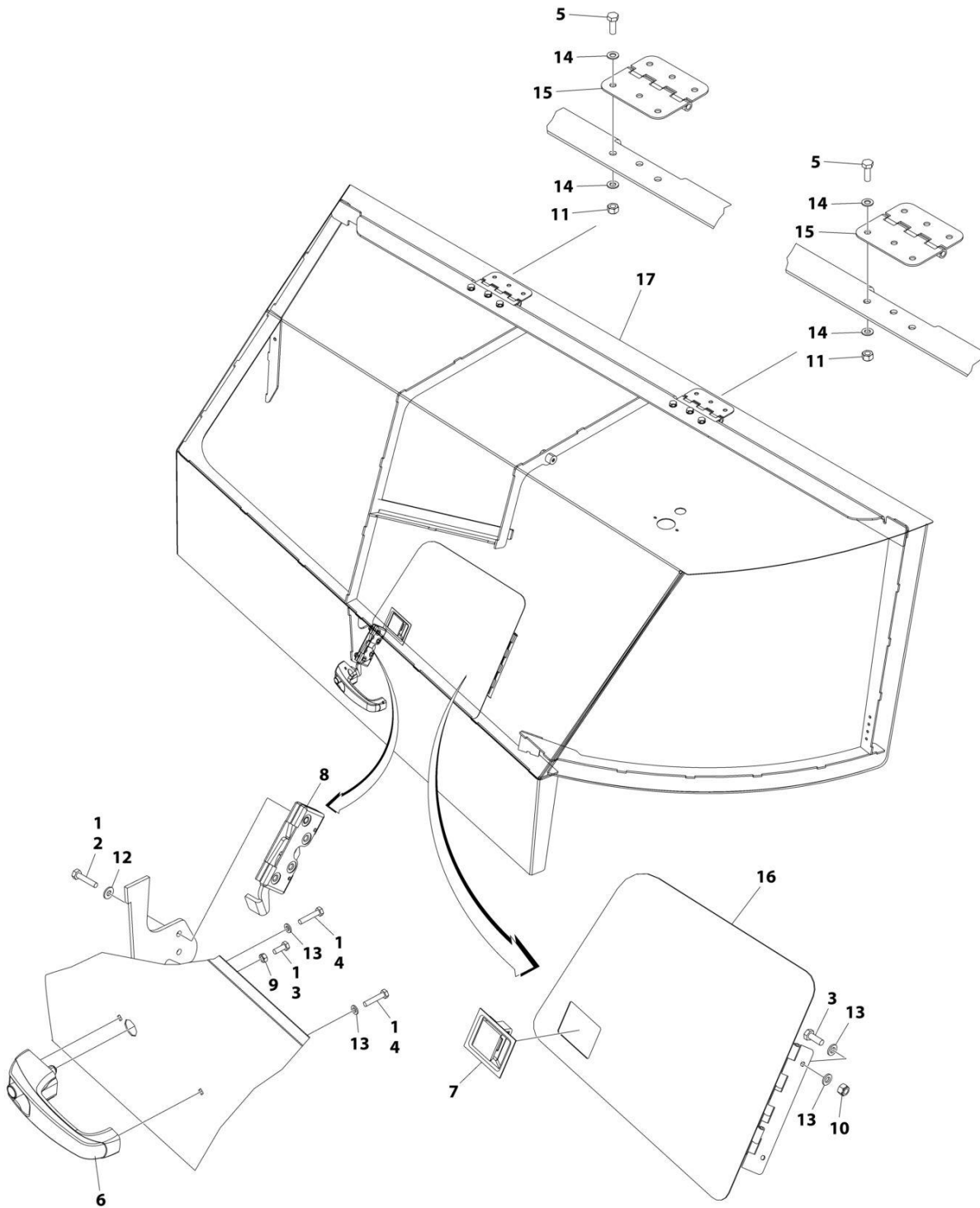
SECTION 2 - TURNTABLE

FIGURE 2-45. ABS HOOD ASSEMBLY - TANK SIDE

ITEM	PART NUMBER	QTY	DESCRIPTION	REV
	1001285517	Ref	ABS HOOD ASSEMBLY - TANK SIDE	A
1	0100011	AR	Compound, Locking	
2	0641410	4	Bolt 1/4 x 1-1/4	
3	0760610	2	Bolt M6 x 20	
4	0760614	1	Bolt M6 x 30	
5	0761012	4	Bolt M10 x 25	
6	2560187	1	Handle, Push Button	
7	2940173	1	Latch, Rotary	
8	3290601	1	Nut M6	
9	3291005	10	Nut M10	
10	4711400	4	Washer 1/4	
11	4811700	2	Washer M6	
12	4812000	14	Washer M10	
13	1001139384	2	Hinge	
14	1001201633	1	Hood Support	
15	1001201634	1	Hood Support	
16	See Note	NSS	Hood (Note: Use PN 1001285517)	

SECTION 2 - TURNTABLE

FIGURE 2-46. STEEL HOOD ASSEMBLY - TANK SIDE



ART_1001285142

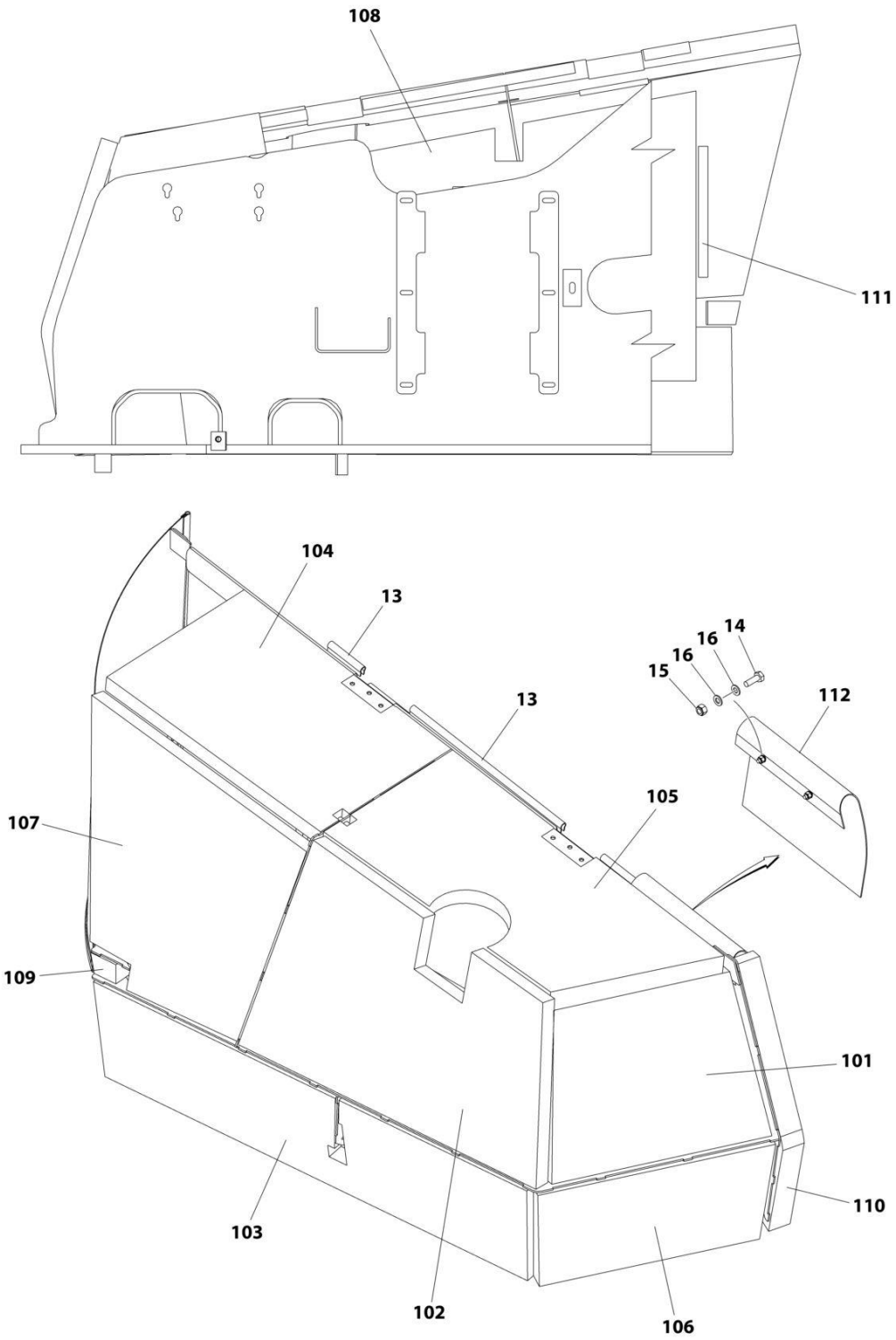
SECTION 2 - TURNTABLE

FIGURE 2-46. STEEL HOOD ASSEMBLY - TANK SIDE

ITEM	PART NUMBER	QTY	DESCRIPTION	REV
	1001285142	Ref	STEEL HOOD ASSEMBLY - TANK SIDE	B
1	0100011	AR	Compound, Locking	
2	0641410	4	Bolt 1/4 x 1-1/4	
3	0760608	3	Bolt M6 x 16	
4	0760614	2	Bolt M6 x 30	
5	0761014	6	Bolt M10 x 30	
6	2560187	1	Handle, Push Button	
7	2940045	1	Latch, Paddle	
8	2940173	1	Latch, Rotary	
9	3290601	1	Nut M6	
10	3290605	2	Nut M6	
11	3291005	6	Nut M10	
12	4711400	4	Washer 1/4	
13	4811700	6	Washer M6	
14	4812000	12	Washer M10	
15	1001139384	2	Hinge	
16	1001207726	1	Door, Ground Control Panel	
17	See Note	NSS	Hood (Note: Use PN 1001285142)	

SECTION 2 - TURNTABLE

FIGURE 2-47. SOUND REDUCTION INSTALLATION - WITH STEEL HOODS (OPTIONAL)



ART_1001233048

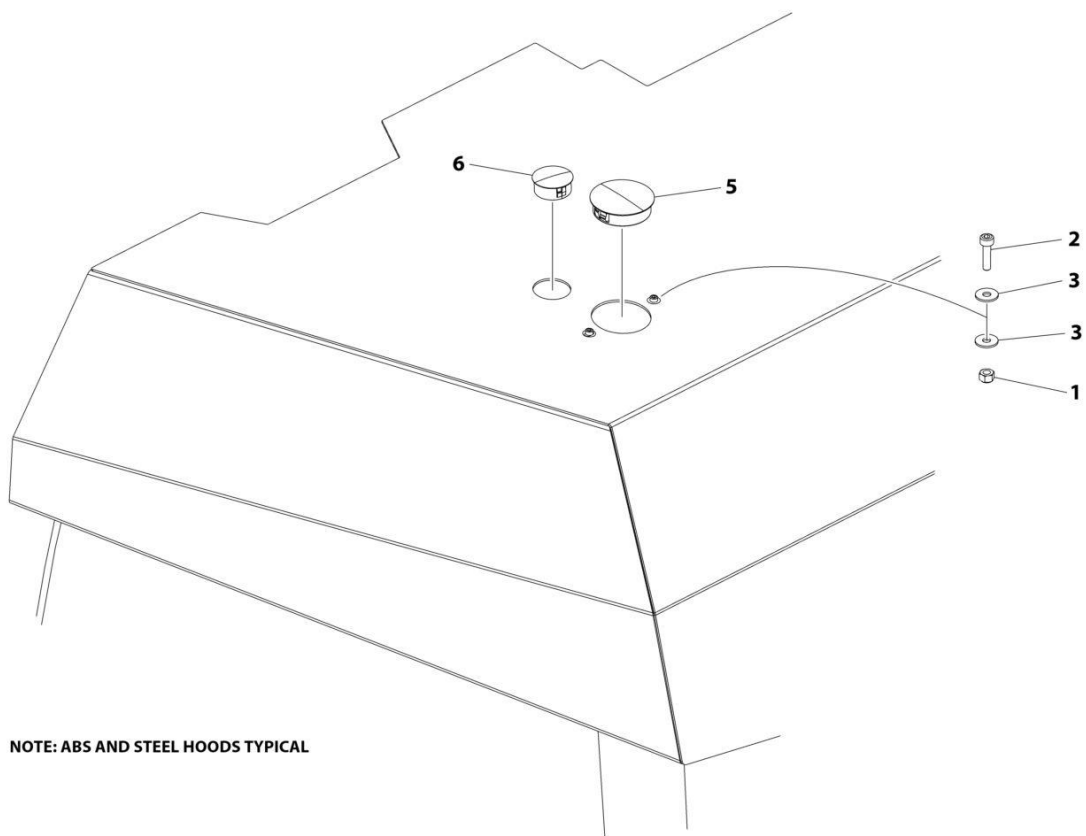
SECTION 2 - TURNTABLE

FIGURE 2-47. SOUND REDUCTION INSTALLATION - WITH STEEL HOODS (OPTIONAL)

ITEM	PART NUMBER	QTY	DESCRIPTION	REV
	1001233048	Ref	SOUND REDUCTION INSTALLATION	C
13	3960389	11 ft/ 3.4m	Flex-Trim	
14	0761014	2	Bolt M10 x 30	
15	3291005	2	Nut M10	
16	4812000	4	Washer M10	
100	1001237549	Ref	Sound Insulation Kit (Includes Item 101-112)	
101	1001232907	1	Shield, Sound	
102	1001232908	1	Shield, Sound	
103	1001232913	1	Shield, Sound	
104	1001232915	1	Shield, Sound	
105	1001232916	1	Shield, Sound	
106	1001232917	1	Shield, Sound	
107	1001233075	1	Shield, Sound	
108	1001233076	1	Shield, Sound	
109	1001233077	1	Shield, Sound	
110	1001233412	1	Shield, Sound	
111	1001233413	2	Shield, Sound	
112	1001233436	1	Baffle Rubber	

SECTION 2 - TURNTABLE

FIGURE 2-48. HOOD PLUGS INSTALLATION (HOODS WITHOUT STROBE LIGHT)



NOTE: ABS AND STEEL HOODS TYPICAL

ART_1001285811

SECTION 2 - TURNTABLE

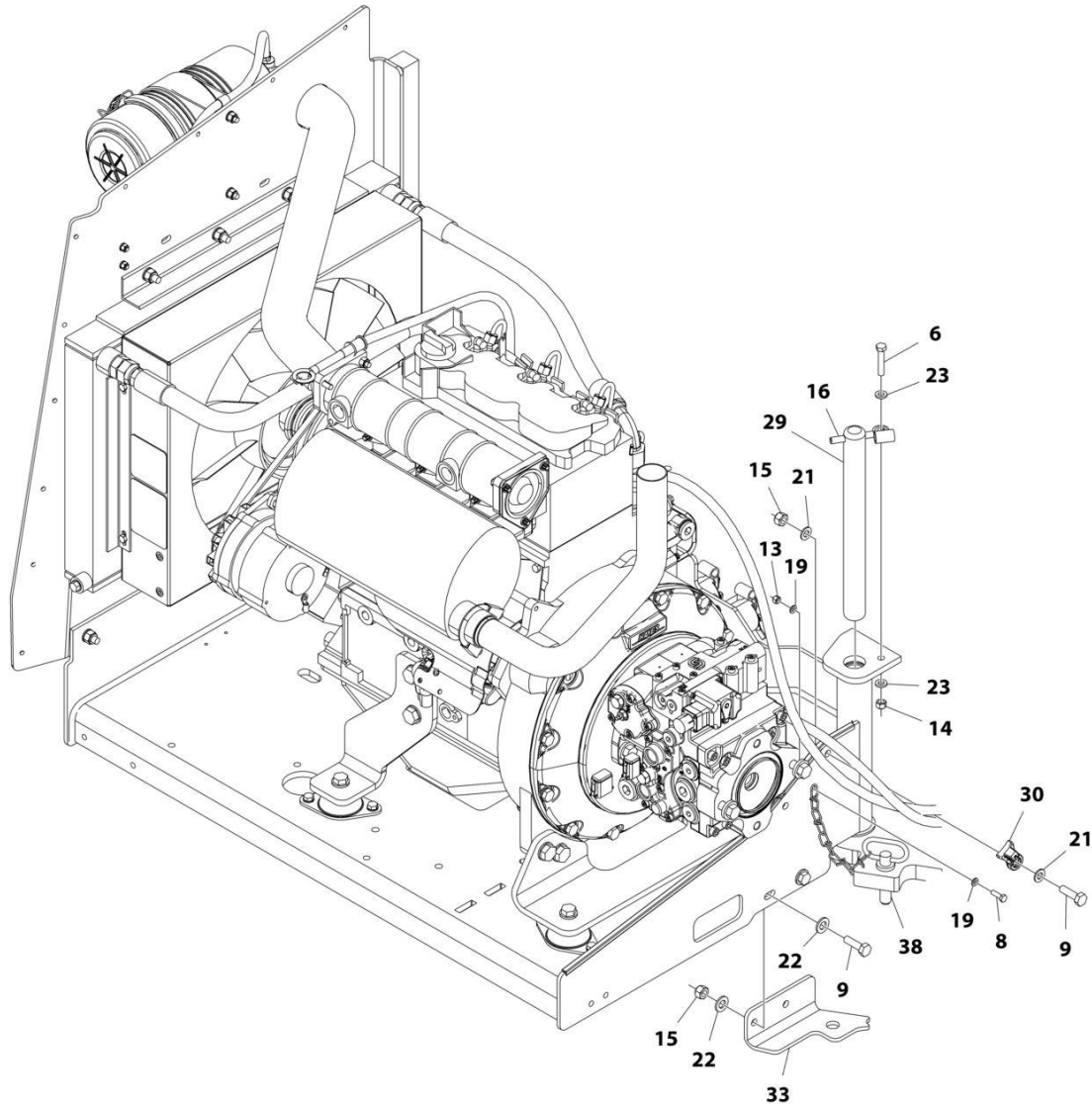
FIGURE 2-48. HOOD PLUGS INSTALLATION (HOODS WITHOUT STROBE LIGHT)

ITEM	PART NUMBER	QTY	DESCRIPTION	REV
	1001285811	Ref	HOOD PLUGS INSTALLATION	A
1	3290405	2	Nut M4	
2	4031507	2	Capscrew M4 x 16	
3	1001091102	4	Washer M6	
4	1001244462	1	Cap, Dust (Not Shown)	
5	1001285891	1	Plug	
6	1001285892	1	Plug	

SECTION 3 - ENGINE

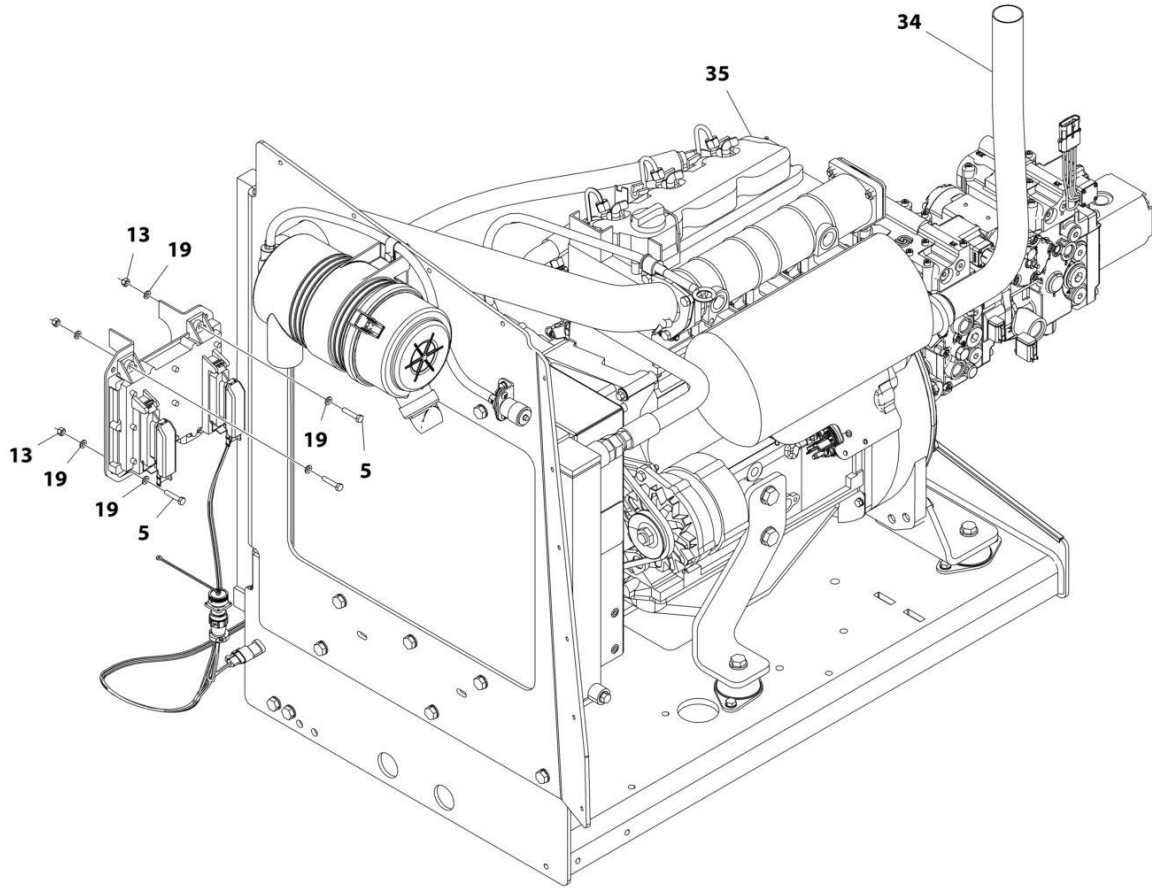
SECTION 3 - ENGINE

FIGURE 3-1. ENGINE INSTALLATION (DEUTZ D2011) (ANSI EXPORT SPECS)



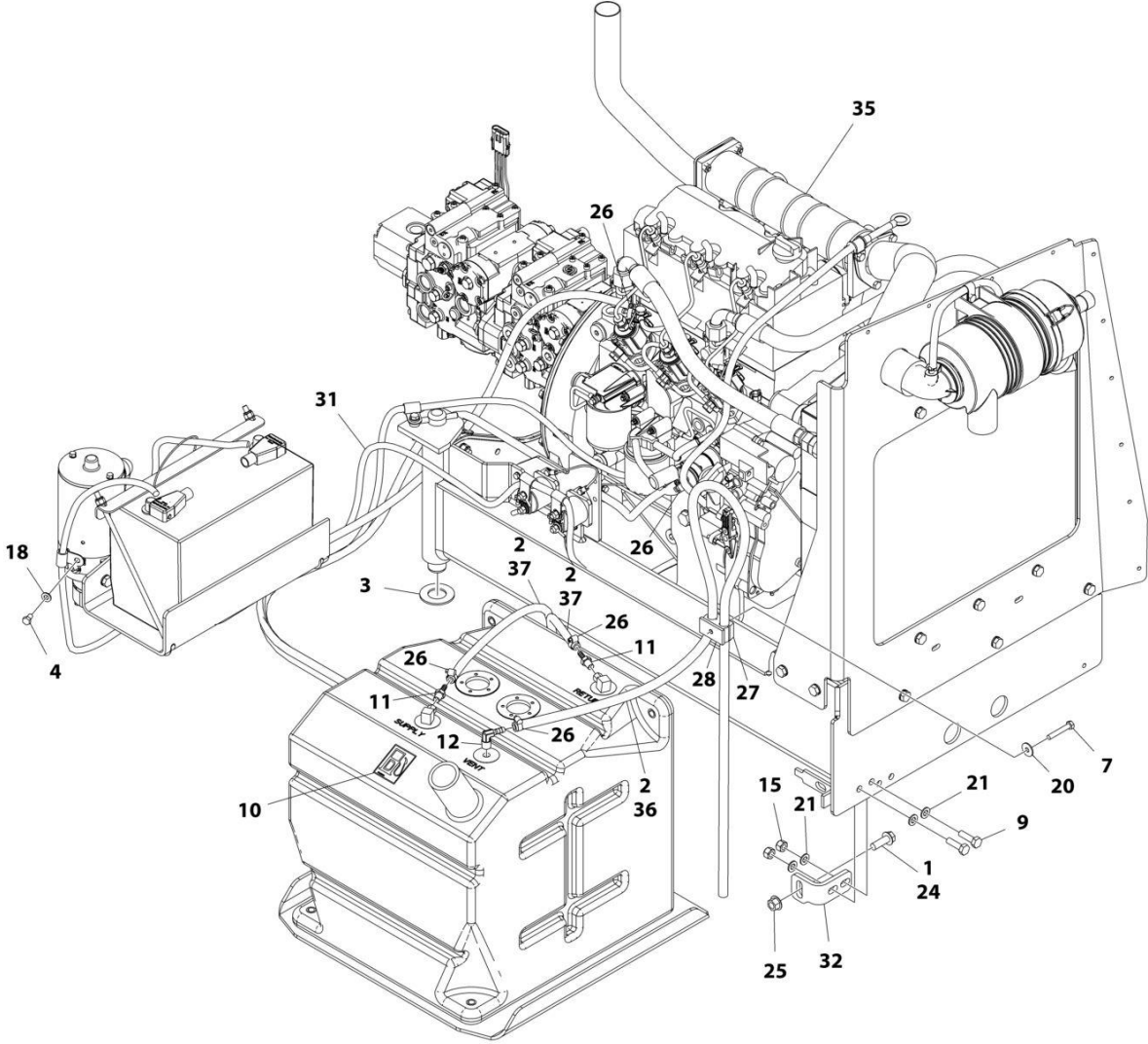
ART_1001190869_10F3

SECTION 3 - ENGINE



ART_1001190869_2OF3

SECTION 3 - ENGINE



ART_1001190869_3OF3

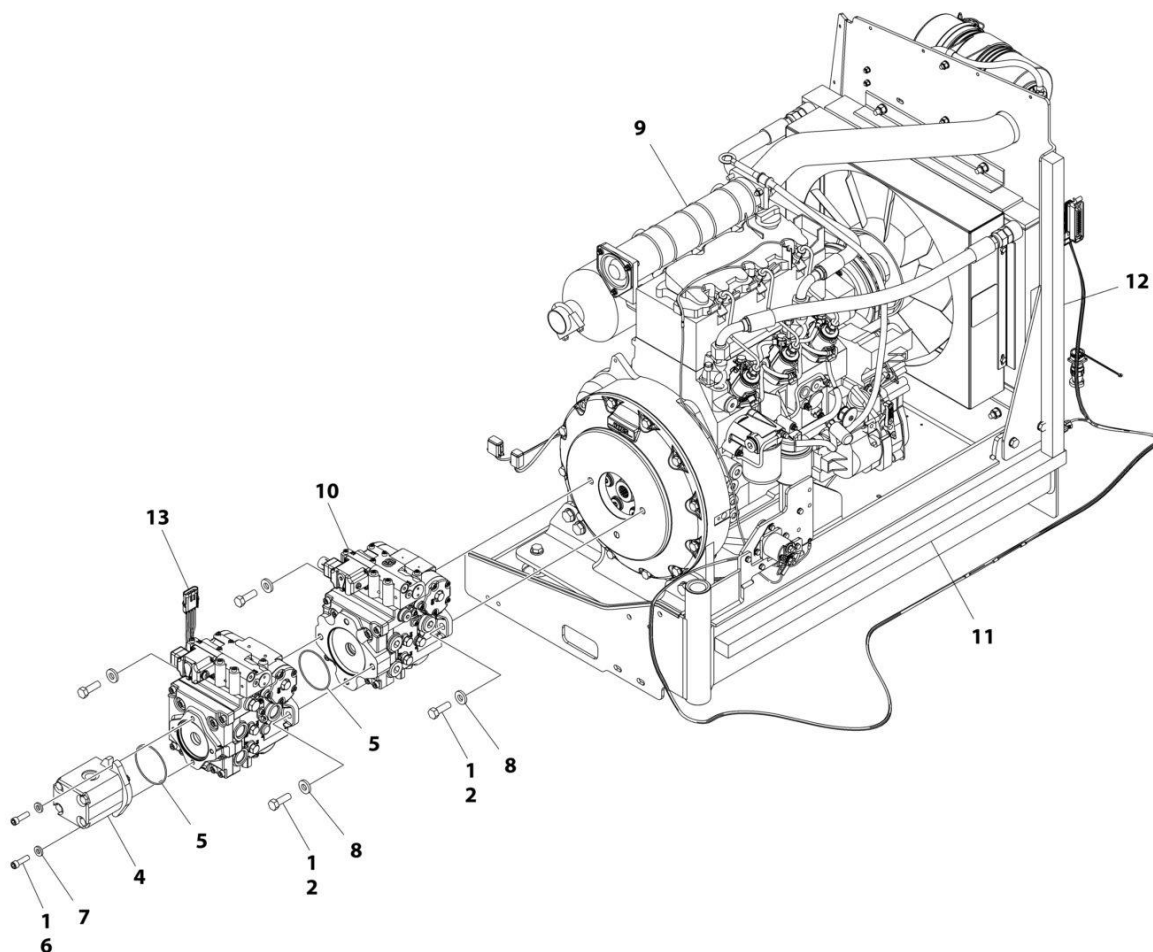
SECTION 3 - ENGINE

FIGURE 3-1. ENGINE INSTALLATION (DEUTZ D2011) (ANSI EXPORT SPECS)

ITEM	PART NUMBER	QTY	DESCRIPTION	REV
	1001190869	Ref	ENGINE INSTALLATION (DEUTZ D2011)	F
1	0100011	AR	Compound, Locking	
2	0100020	AR	Sealant, Pipe	
3	0440162	1	Bearing	
4	0641504	1	Bolt 5/16 x 1/2	
5	0700614	4	Bolt M6 x 30	
6	0700817	1	Bolt M8 x 45	
7	0700818	1	Bolt M8 x 50	
8	0760610	1	Bolt M6 x 20	
9	0761015	5	Bolt M10 x 35	
10	1701505	1	Decal - Diesel Fuel	
11	2180348	2	Fitting, Barbed	
12	2220313	1	Fitting, Barbed 90	
13	3290605	5	Nut M6	
14	3290805	1	Nut M8	
15	3291005	5	Nut M10	
16	3841143	1	Pin	
17	4240099	AR	Tie-Strap (Not Shown)	
18	4711500	1	Washer 5/16	
19	4811700	10	Washer M6	
20	4811902	1	Washer M8	
21	4812000	6	Washer M10	
22	4812100	4	Washer M12	
23	5240800	2	Washer M8 Hardened	
24	5251215	1	Bolt M12 x 35	
25	5261200	1	Nut, Flange M12 (Class 10)	
26	8405009	5	Clamp	
27	8750014	1	Clamp	
28	8750031	1	Clamp	
29	1001135196	1	Pin	
30	1001156107	1	Holder, Cable	
31	1001167038	1	Battery Cable Kit	
32	1001167512	1	Bracket, Engine	
33	1001169823	1	Plate, Engine Lock	
34	1001172195	1	Pipe, Exhaust	
35	1001190868	1	Engine, Deutz D2011 W/ Pumps (See Separate Breakdown in this Section)	
36	2750532	5.5 ft /1.7m	Hose	
37	2720058	17 ft /5.18m	Hose	
38	3422532	1	Pin	

SECTION 3 - ENGINE

FIGURE 3-2. ENGINE AND PUMP SUB-ASSEMBLY (DEUTZ D2011) (ANSI EXPORT SPECS)



ART_1001190868

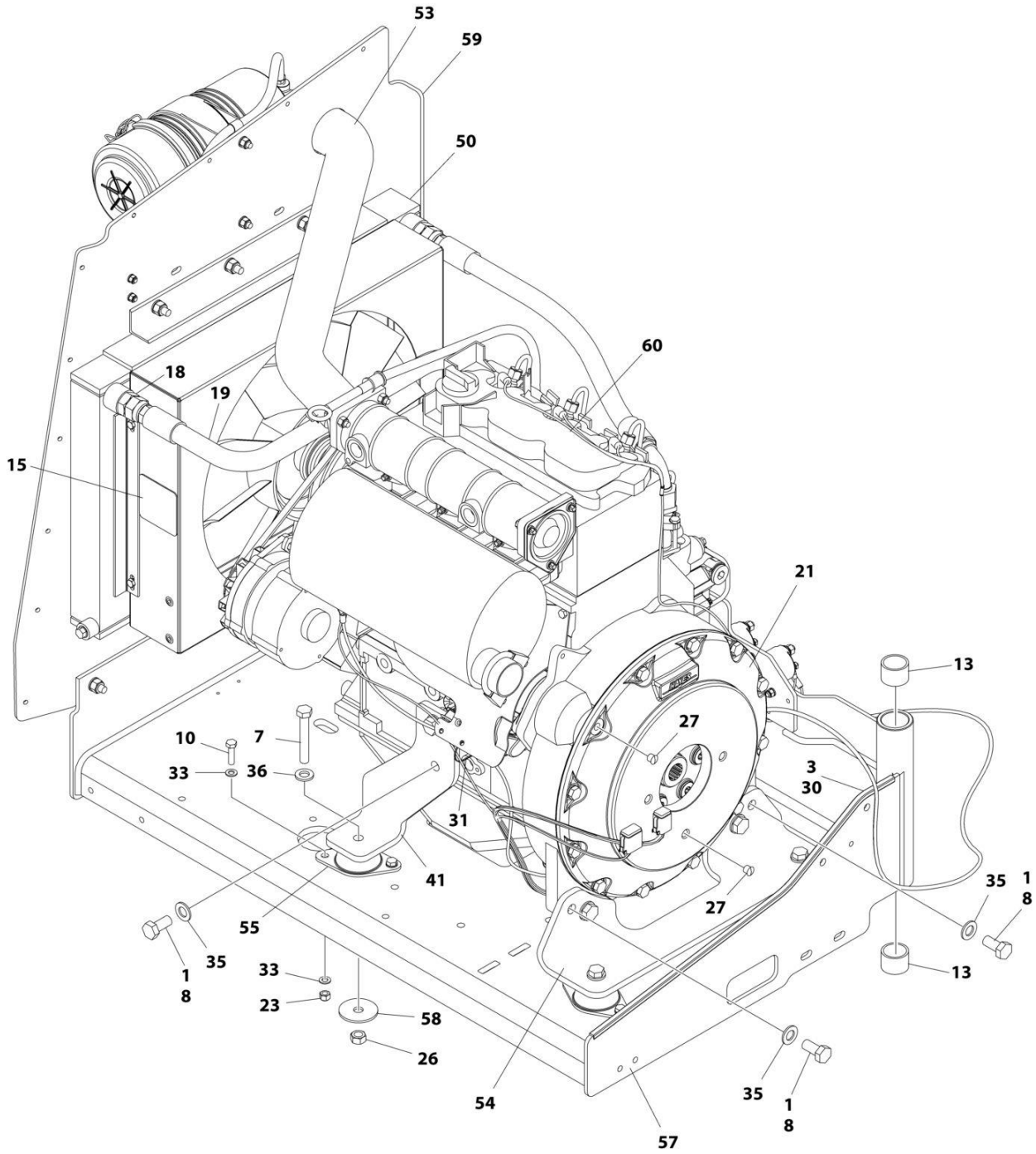
SECTION 3 - ENGINE

FIGURE 3-2. ENGINE AND PUMP SUB-ASSEMBLY (DEUTZ D2011) (ANSI EXPORT SPECS)

ITEM	PART NUMBER	QTY	DESCRIPTION	REV
	1001190868	Ref	ENGINE AND PUMP SUB-ASSEMBLY (DEUTZ D2011)	E
1	0100011	AR	Compound, Locking	
2	0641812	4	Bolt 1/2 x 1-1/2	
4	3600242	1	Gear Pump Assembly (See Separate Breakdown in this Section)	
5	3790045	2	O-Ring	
6	3931620	2	Capscrew 3/8 x 1-1/4	
7	4891600	2	Washer 3/8 Hardened	
8	4891800	4	Washer 1/2 Hardened	
9	1001166020	1	Engine Assembly - Deutz D2011 Engine (See Separate Breakdown in this Section)	
10	1001189237	1	Piston Pump Assembly (Front) (See Separate Breakdown in this Section)	
11	1001171953	1	Seal	
12	1001171954	1	Seal	
13	1001189236	1	Piston Pump Assembly (Rear) (See Separate Breakdown in this Section)	

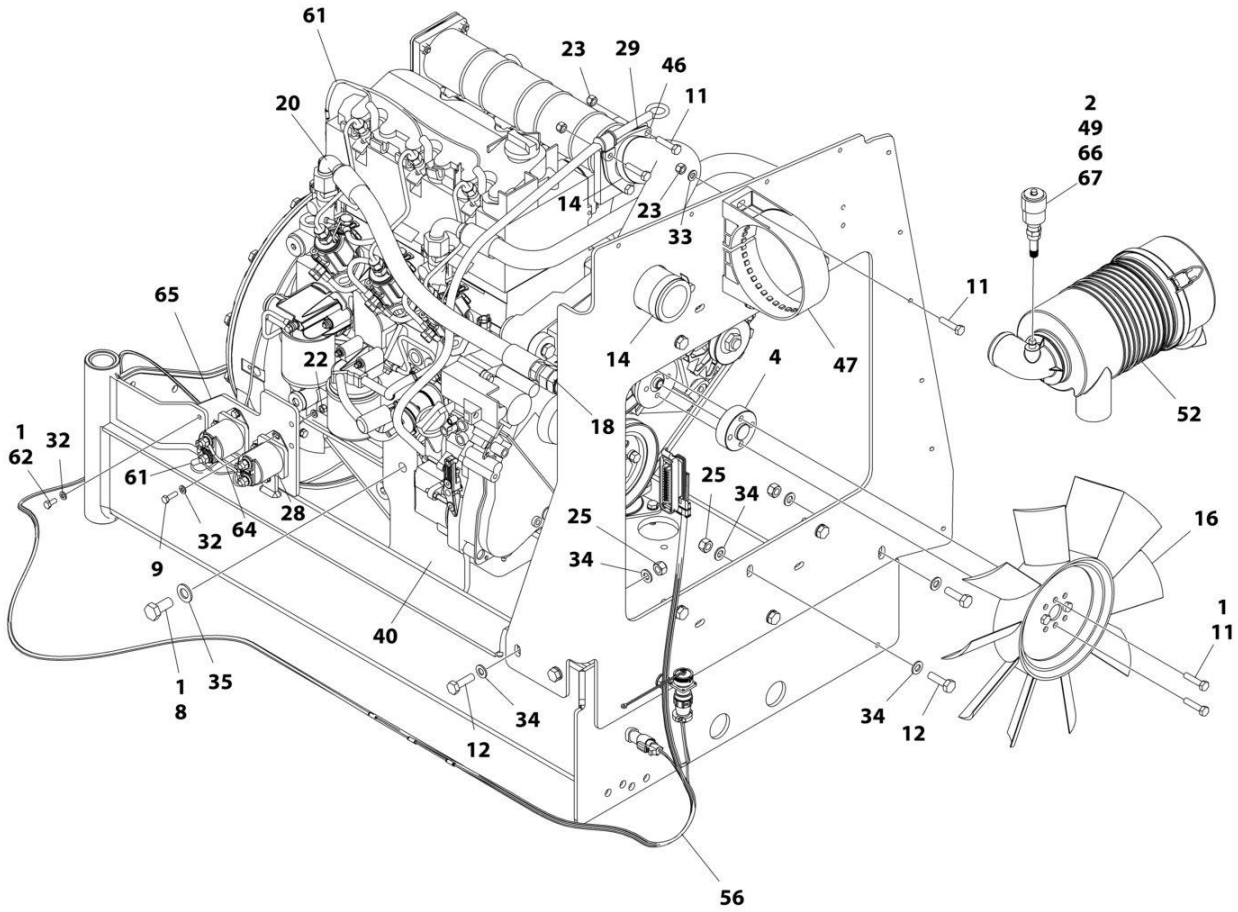
SECTION 3 - ENGINE

FIGURE 3-3. ENGINE ASSEMBLY - DEUTZ D2011 ENGINE (ANSI EXPORT SPECS)



ART_1001166020_P_10F2

SECTION 3 - ENGINE



ART_1001166020_P_20F2

SECTION 3 - ENGINE

FIGURE 3-3. ENGINE ASSEMBLY - DEUTZ D2011 ENGINE (ANSI EXPORT SPECS)

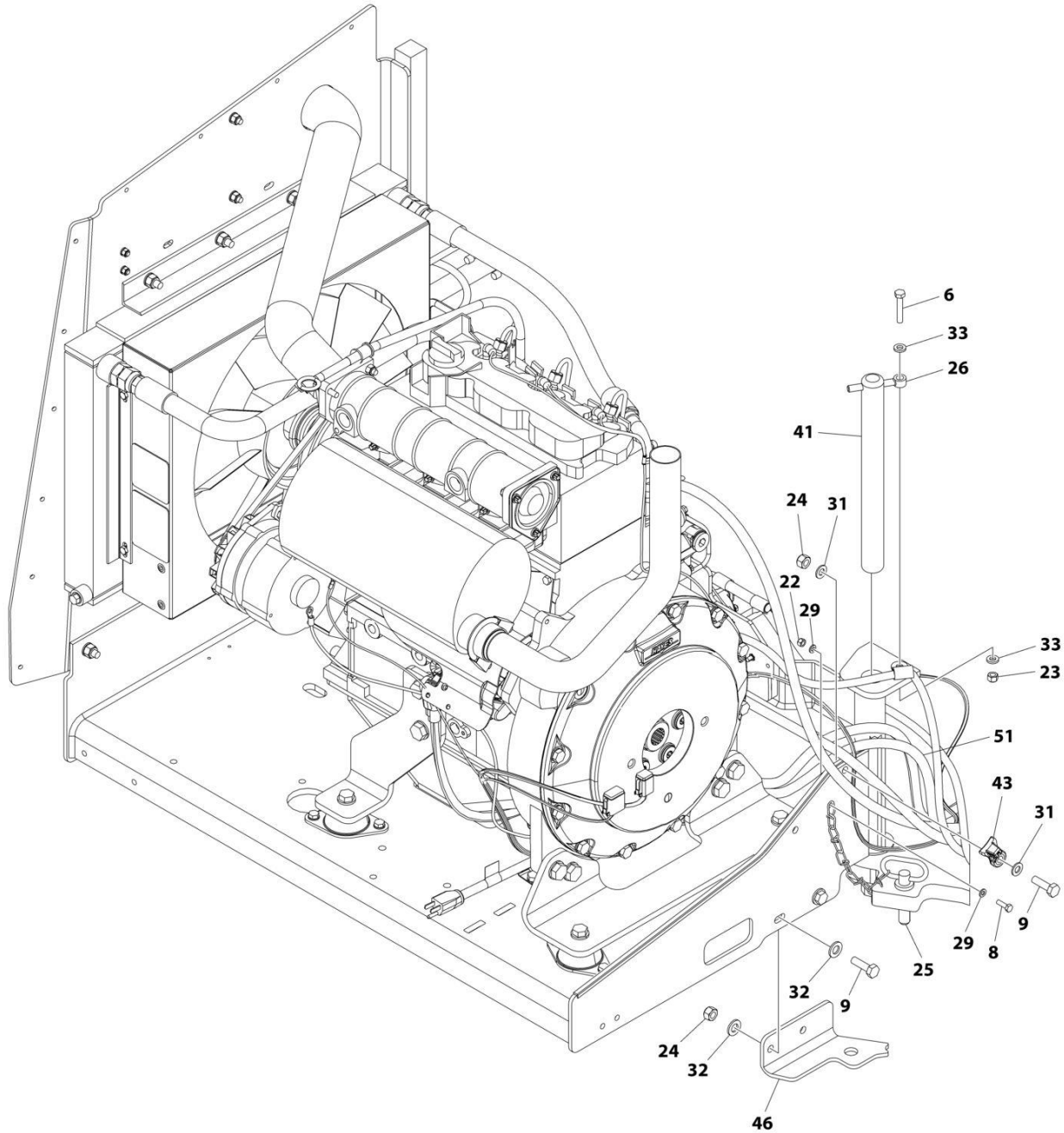
ITEM	PART NUMBER	QTY	DESCRIPTION	REV
	1001166020	Ref	ENGINE ASSEMBLY - DEUTZ D2011 ENGINE (WITHOUT ARCTIC PACKAGE)	P
1	0100011	AR	Compound, Locking	
2	0100020	AR	Sealant, Pipe	
3	0100081	AR	Adhesive	
4	0080231	1	Spacer, Fan	
7	0711224	4	Bolt M12 x 80 Class 10.9	
8	0771414	8	Bolt M14 x 30 Class 10.9	
9	0760610	4	Bolt M6 x 20	
10	0760814	8	Bolt M8 x 30	
11	0760815	9	Bolt M8 x 35	
12	0761015	11	Bolt M10 x 35	
13	0961951	2	Bushing	
14	1320016	2	Clamp	
15	1703162	2	Decal - Caution Fan	
16	2060025	1	Fan	
18	2220451	2	Fitting, Straight JIC/ORB	
19	2720398	1	Hose	
20	2720447	1	Hose	
21	2902065	1	Pump Coupling Kit (See Separate Breakdown in this Section)	
22	3290605	4	Nut M6 x 1	
23	3290805	13	Nut M8 x 1-1/4	
25	3291005	11	Nut M10 x 1-1/2	
26	3331215	4	Nut M12 x 1-3/4	
27	3520054	2	Plug	
28	3740067	2	Relay Assembly	
28	3300220	2	Nut	
28	3321001	1	Nut #10	
28	3740140	1	Relay	
28	4761000	1	Washer #10	
28	1001111424	2	Washer	
29	3960407	1	Gasket	
30	4060805	2.25 ft/ 0.69m	Trim-Flex	
31	4240099	AR	Tie-Strap	
32	4811700	11	Washer M6	
33	4811900	20	Washer M8	
34	4812000	22	Washer M10	
35	4812200	8	Washer M14	
36	5241200	4	Washer M12	
40	1001132195	1	Bracket, Engine Mount	
41	1001132196	1	Bracket, Engine Mount	
46	1001139819	1	Adapter, Air Intake	
47	1001141694	1	Clamp, Air Cleaner	
49	1001143390	1	Indicator	
50	1001150998	1	Radiator	
52	1001165388	1	Air Cleaner Assembly	
52	70003783	1	Element, Air Cleaner	
53	1001165389	1	Hose	
54	1001166717	1	Bracket, Engine Mount	

SECTION 3 - ENGINE

ITEM	PART NUMBER	QTY	DESCRIPTION	REV
55	1001166718	4	Isolator, Engine Mount	
56	1001167111	1	Harness Engine - Deutz D2011 (See Separate Breakdown in ELECTRICAL Section)	
57	1001167520	1	Tray, Engine	
58	1001168018	4	Washer, Snubbing	
59	1001168059	1	Plate, Radiator Mounting	
60	1001170693	1	Engine, Deutz D2011 (See Separate Breakdown in this Section)	
61	4923451	1	Harness, Glow Plugs	
62	0760614	3	Bolt M6 x 30	
64	1001178859	1	Cable, Alternator	
65	1001214975	1	Bracket	
66	2200261	1	Fitting	
67	1001277432	1	Spacer	

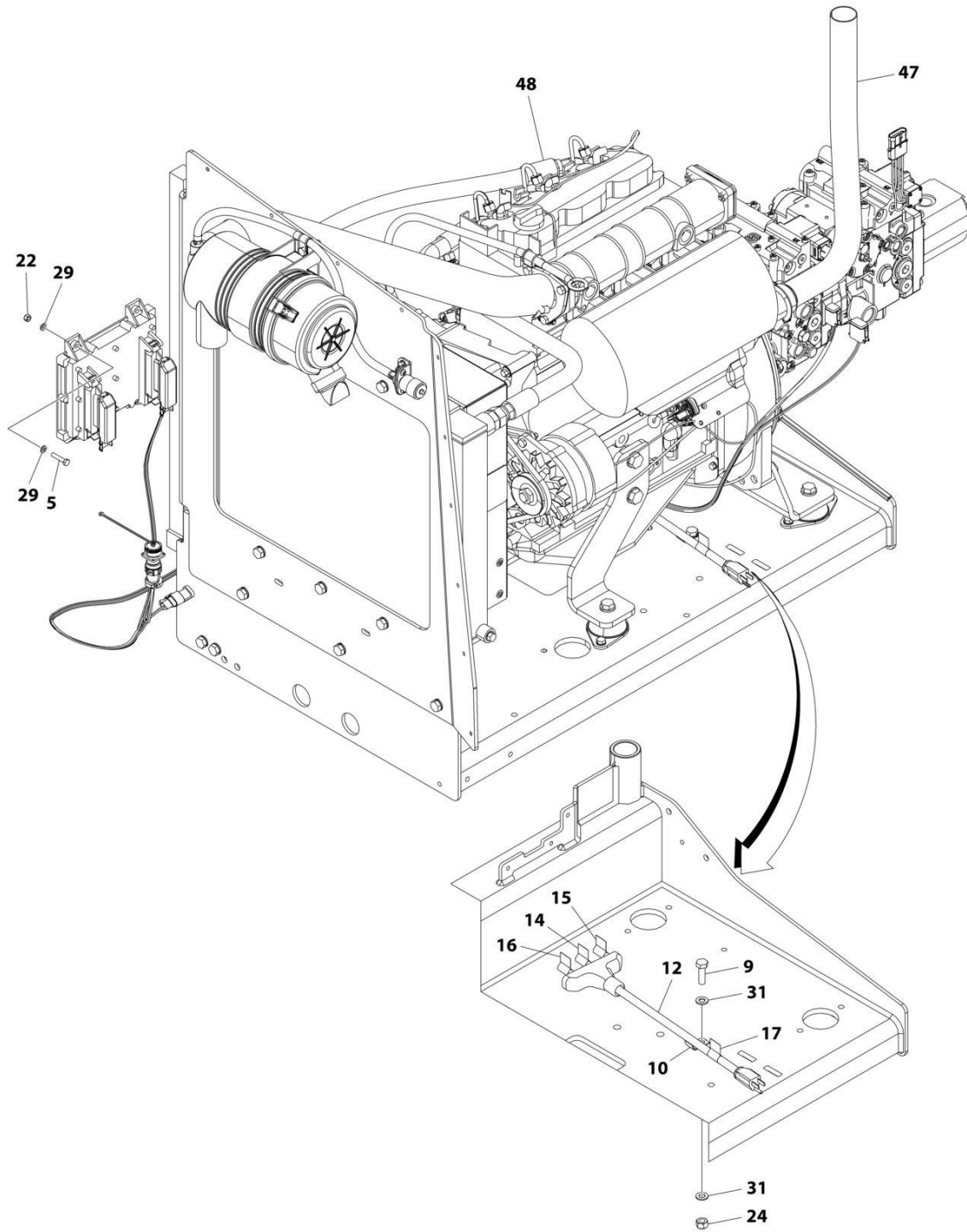
SECTION 3 - ENGINE

FIGURE 3-4. ENGINE INSTALLATION - DEUTZ D2011 ENGINE (WITH ARCTIC PACKAGE) (ANSI EXPORT SPECS)



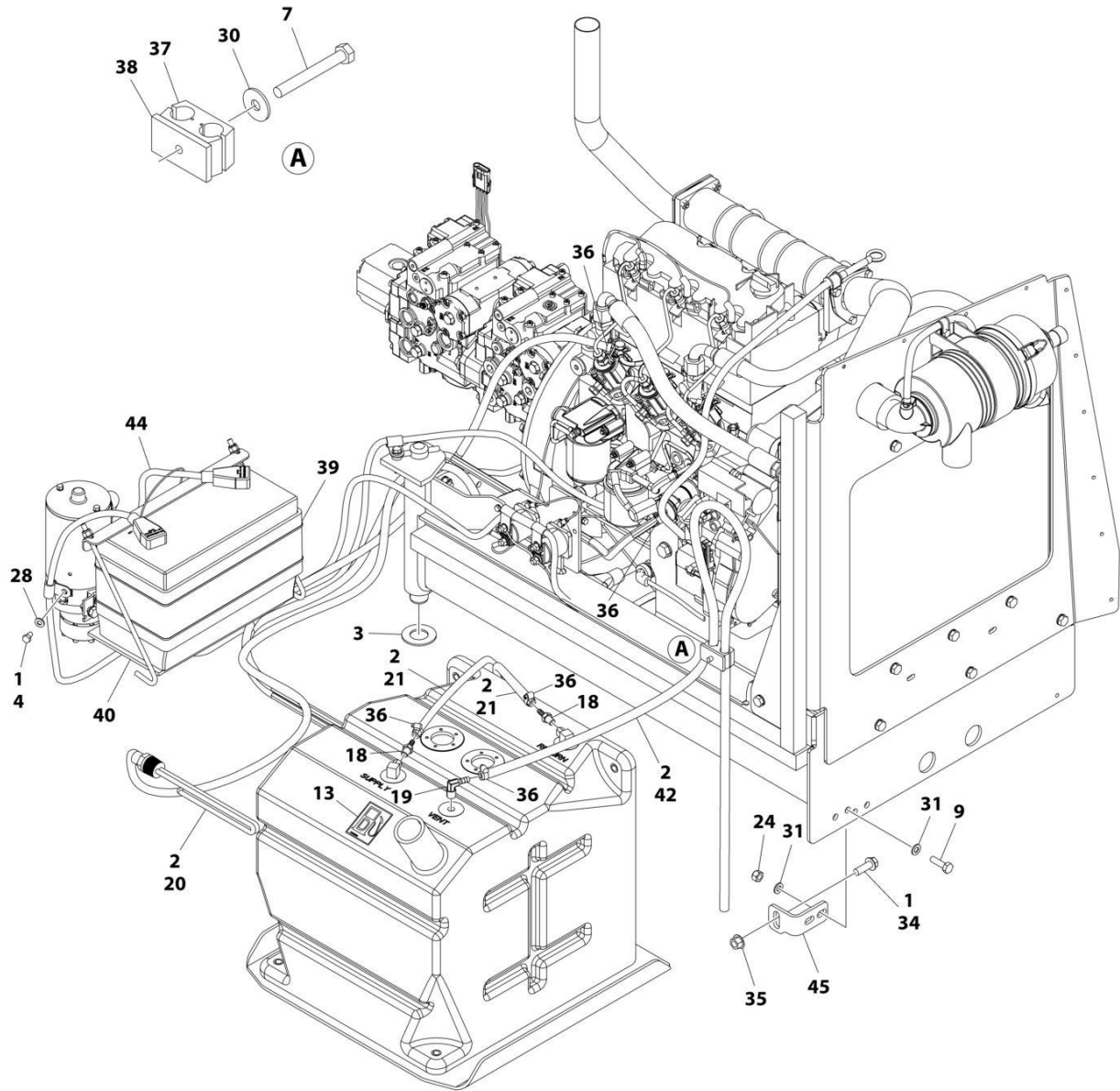
ART_1001227568_10F3

SECTION 3 - ENGINE



ART_1001227568_2OF3

SECTION 3 - ENGINE



ART_1001227568_30F3

SECTION 3 - ENGINE

FIGURE 3-4. ENGINE INSTALLATION - DEUTZ D2011 ENGINE (WITH ARCTIC PACKAGE) (ANSI EXPORT SPECS)

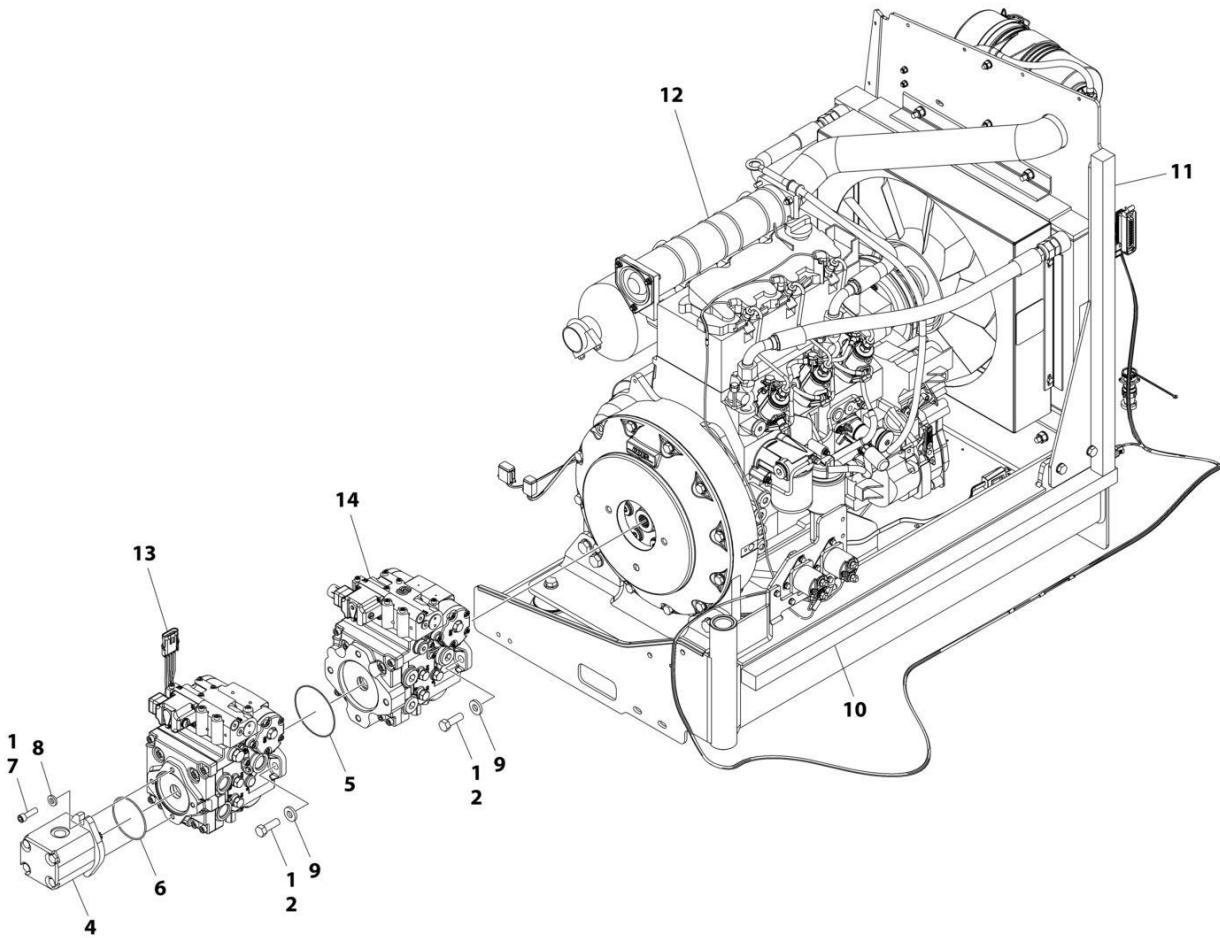
ITEM	PART NUMBER	QTY	DESCRIPTION	REV
	1001227568	Ref	ENGINE INSTALLATION - DEUTZ D2011 ENGINE	A
1	0100011	AR	Compound, Locking	
2	0100020	AR	Sealant, Pipe	
3	0440162	1	Bearing	
4	0641504	1	Bolt 5/16 x 1/2	
5	0700614	4	Bolt M6 x 30	
6	0700817	1	Bolt M8 x 45	
7	0700818	1	Bolt M8 x 50	
8	0760610	1	Bolt M6 x 20	
9	0761015	6	Bolt M10 x 35	
10	1320223	1	Clip	
12	1060626	1	Plug, 3 Way	
13	1701505	1	Decal - Diesel Fuel	
14	1702941	1	Decal - Battery Heater	
15	1702942	1	Decal - Engine Block Heater	
16	1702943	1	Decal - Hydraulic Tank Heater	
17	1702944	1	Decal - Heater Cord	
18	2180348	2	Fitting, Barbed	
19	2220313	1	Fitting, Barbed 90	
20	1001188972	1	Heater, Hydraulic Tank	
21	2720058	16.9 ft/ 5.2m	Hose	
22	3290605	5	Nut M6	
23	3290805	1	Nut M8	
24	3291005	6	Nut M10	
25	3422532	1	Pin	
26	3841143	1	Pin	
27	4240099	AR	Tie-Strap (Not Shown)	
28	4711500	1	Washer 5/16	
29	4811700	10	Washer M6	
30	4811902	1	Washer M8	
31	4812000	8	Washer M10	
32	4812100	4	Washer M12	
33	5240800	2	Washer M8	
34	5251215	1	Bolt M12 x 35	
35	5261200	1	Nut, Flange M12 (Class 10)	
36	8405009	5	Clamp	
37	8750014	1	Clamp	
38	8750031	1	Plate	
39	2580024	1	Heater, Battery	
40	1001119278	1	Insulate	
41	1001135196	1	Pin	
42	2750532	5.5 ft/ 1.7m	Hose	
43	1001156107	1	Holder, Cable	
44	1001167038	1	Battery Cable Kit	
44	70009004	1	Cable, Battery (Black) (Battery Negative, Auxiliary Power Pump, Turntable Ground to Engine Ground)	
44	70009005	1	Cable, Battery (Red) (Battery Positive, Auxiliary Power Relay, Starter Relay to Starter)	

SECTION 3 - ENGINE

ITEM	PART NUMBER	QTY	DESCRIPTION	REV
44	70009002	1	Cable, Battery (Red) (Auxiliary Power Relay to Auxiliary Power Pump)	
45	1001167512	1	Bracket, Engine	
46	1001169823	1	Plate, Engine Lock	
47	1001227576	1	Pipe, Exhaust	
48	1001227570	1	Engine and Pump Sub-Assembly (See Separate Breakdown in this Section)	
51	1001150918	1	Cable, Extension Cord	

SECTION 3 - ENGINE

FIGURE 3-5. ENGINE AND PUMP SUB-ASSEMBLY - DEUTZ D2011 ENGINE (WITH ARCTIC PACKAGE) (ANSI EXPORT SPECS)



ART_1001227570

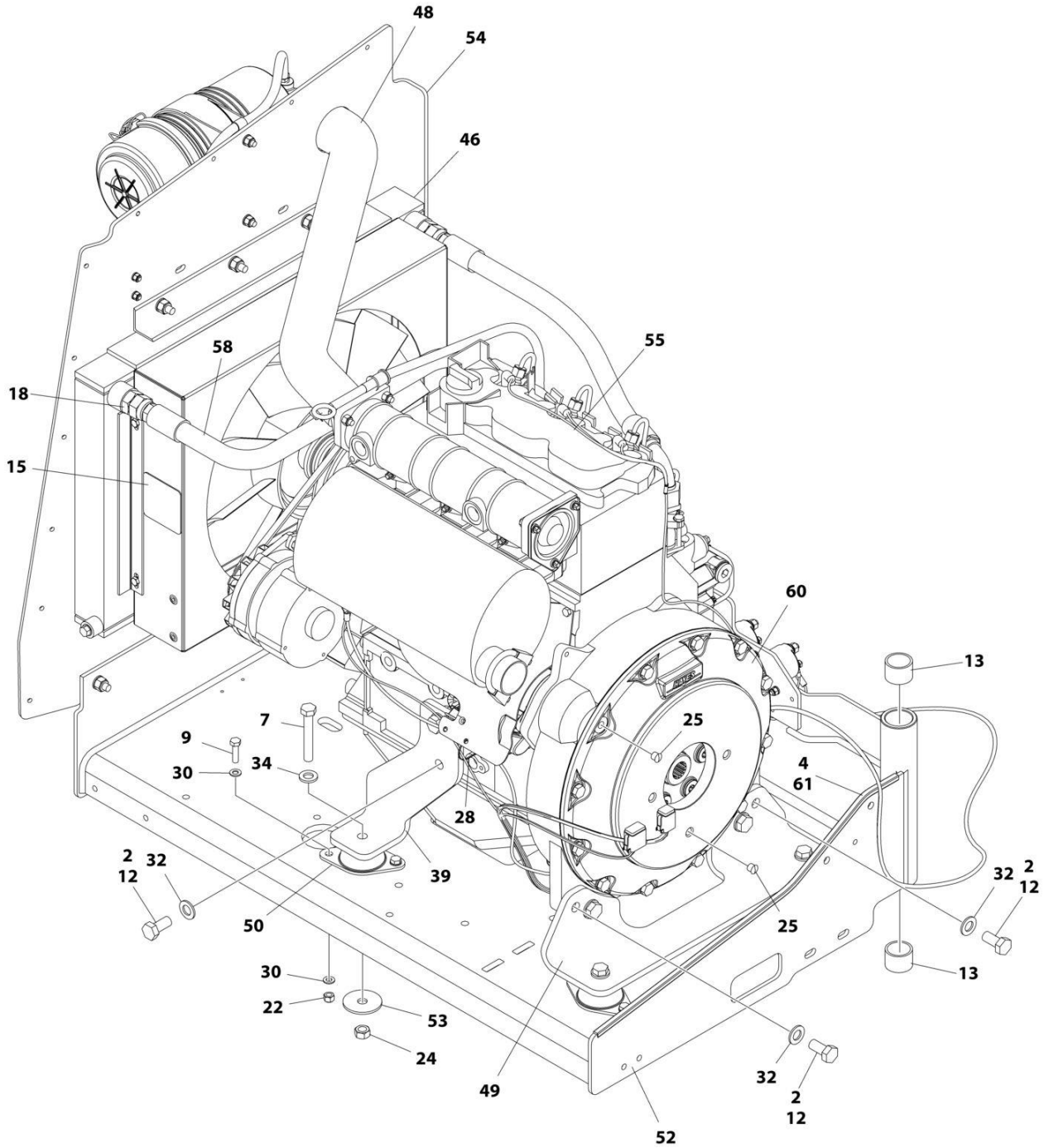
SECTION 3 - ENGINE

FIGURE 3-5. ENGINE AND PUMP SUB-ASSEMBLY - DEUTZ D2011 ENGINE (WITH ARCTIC PACKAGE) (ANSI EXPORT SPECS)

ITEM	PART NUMBER	QTY	DESCRIPTION	REV
	1001227570	Ref	ENGINE AND PUMP SUB-ASSEMBLY - DEUTZ D2011 ENGINE	B
1	0100011	AR	Compound, Locking	
2	0641812	4	Bolt 1/2 x 1-1/2	
4	3600242	1	Gear Pump Assembly (See Separate Breakdown in this Section)	
5	3790045	1	O-Ring	
6	3790152	1	O-Ring	
7	3931620	2	Capscrew 3/8 x 1-1/4	
8	4891600	2	Washer 3/8 Hardened	
9	4891800	4	Washer 1/2 Hardened	
10	1001171953	1	Seal	
11	1001171954	1	Seal	
12	1001174783	1	Engine Assembly - Deutz D2011 (See Separate Breakdown in this Section)	
13	1001189236	1	Piston Pump Assembly (Rear) (See Separate Breakdown in this Section)	
14	1001189237	1	Piston Pump Assembly (Front) (See Separate Breakdown in this Section)	

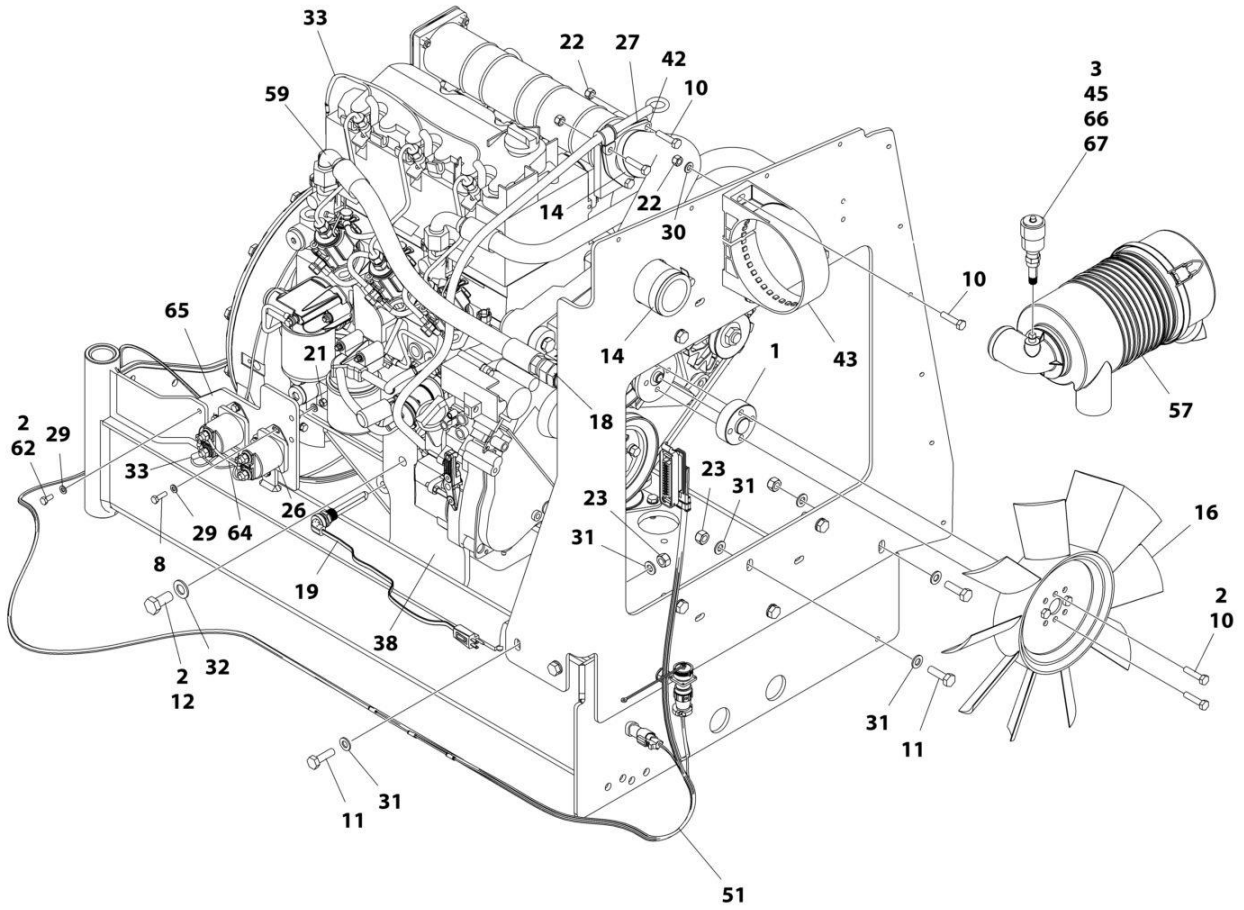
SECTION 3 - ENGINE

FIGURE 3-6. ENGINE ASSEMBLY - DEUTZ D2011 ENGINE (WITH ARCTIC PACKAGE) (ANSI EXPORT SPEC)



ART_1001174783_O_10F2

SECTION 3 - ENGINE



ART_1001174783_O_20F2

SECTION 3 - ENGINE

FIGURE 3-6. ENGINE ASSEMBLY - DEUTZ D2011 ENGINE (WITH ARCTIC PACKAGE) (ANSI EXPORT SPEC)

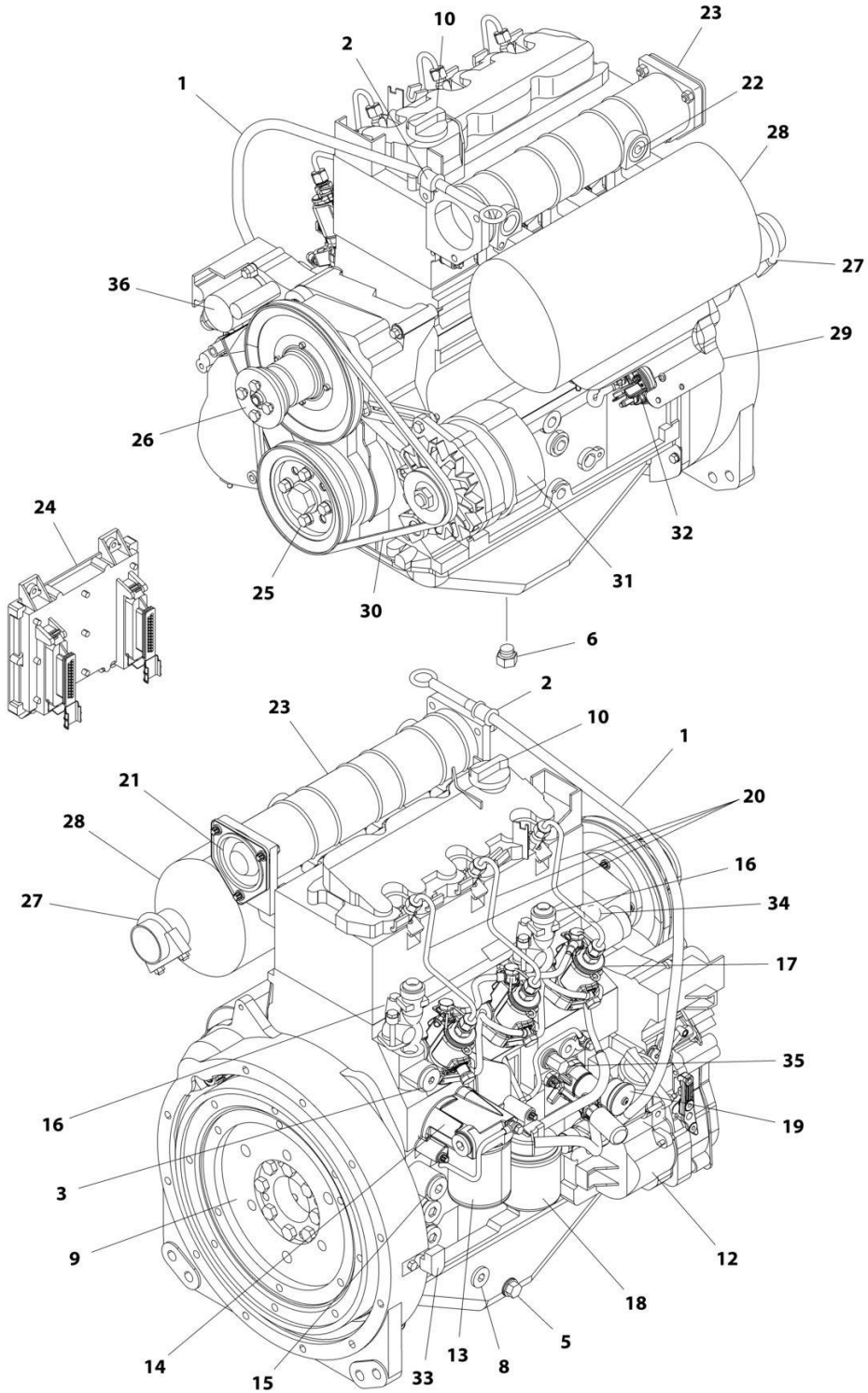
ITEM	PART NUMBER	QTY	DESCRIPTION	REV
	1001174783	Ref	ENGINE ASSEMBLY - DEUTZ D2011 (WITH ARCTIC PACKAGE)	O
1	0080231	1	Spacer, Fan	
2	0100011	AR	Compound, Locking	
3	0100020	AR	Sealant, Pipe	
4	0100081	AR	Adhesive	
7	0711224	4	Bolt M12 x 80 Class10.9	
8	0760610	4	Bolt M6 x 20	
9	0760814	8	Bolt M8 x 30	
10	0760815	9	Bolt M8 x 35	
11	0761015	11	Bolt M10 x 35	
12	0771414	8	Bolt M14 x 30 Class 10.9	
13	0961951	2	Bushing	
14	1320016	2	Clamp	
15	1703162	2	Decal - Caution Fan	
16	2060025	1	Fan	
18	2220451	2	Fitting, Straight JIC/ORB	
19	2580062	1	Heater, Engine Block	
21	3290605	4	Nut M6	
22	3290805	13	Nut M8	
23	3291005	11	Nut M10	
24	3331215	4	Nut M12	
25	3520054	2	Plug	
26	3740067	2	Relay Assembly	
26	3300220	2	Nut	
26	3321001	1	Nut #10	
26	3740140	1	Relay	
26	4761000	1	Washer #10	
26	1001111424	2	Washer	
27	3960407	1	Gasket	
28	4240099	AR	Tie-Strap (Not Shown)	
29	4811700	11	Washer M6	
30	4811900	20	Washer M8	
31	4812000	22	Washer M10	
32	4812200	8	Washer M14	
33	4923451	1	Harness, Glow Plugs	
34	5241200	4	Washer M12	
38	1001132195	1	Bracket, Engine Mount	
39	1001132196	1	Bracket, Engine Mount	
42	1001139819	1	Adapter, Air Intake	
43	1001141694	1	Clamp, Air Cleaner	
45	1001143390	1	Indicator	
46	1001150998	1	Radiator	
48	1001165389	1	Hose	
49	1001166717	1	Bracket, Engine Mount	
50	1001166718	4	Isolator, Engine Mount	
51	1001167111	1	Harness Engine - Deutz D2011 (See Separate Breakdown in ELECTRICAL Section)	
52	1001167520	1	Tray, Engine	
53	1001168018	4	Washer, Snubbing	

SECTION 3 - ENGINE

ITEM	PART NUMBER	QTY	DESCRIPTION	REV
54	1001168059	1	Plate, Radiator Mounting	
55	1001170693	1	Engine, Deutz D2011 (See Separate Breakdown in this Section)	
57	1001165388	1	Air Cleaner Assembly	
57	70003783	1	Element, Air Cleaner	
58	2720398	1	Hose	
59	2720447	1	Hose	
60	2902065	1	Pump Coupling Kit (See Separate Breakdown in this Section)	
61	4060805	2.25 ft/ 0.69m	Flex-Trim	
62	0760614	3	Bolt M6 x 30	
64	1001178859	1	Cable, Alternator	
65	1001214975	1	Bracket	
66	2200261	1	Fitting	
67	1001277432	1	Spacer	

SECTION 3 - ENGINE

FIGURE 3-7. ENGINE COMPONENTS - DEUTZ D2011 (ANSI EXPORT SPECS)



ART_1001170693

SECTION 3 - ENGINE

FIGURE 3-7. ENGINE COMPONENTS - DEUTZ D2011 (ANSI EXPORT SPECS)

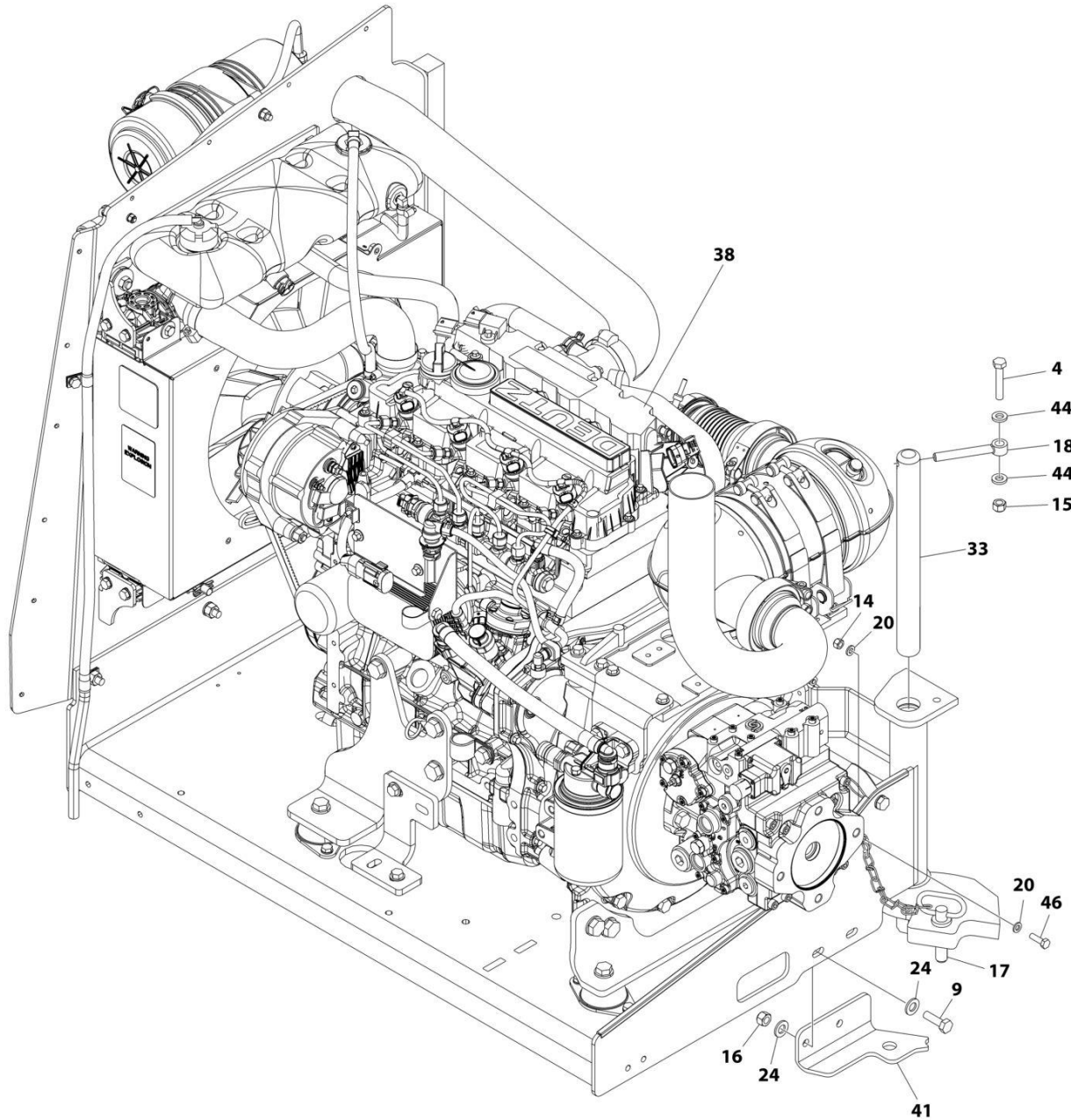
ITEM	PART NUMBER	QTY	DESCRIPTION	REV
	1001170693	Ref	ENGINE COMPONENTS - DEUTZ D2011	C
1	70001002	1	Tube, Dipstick	
1	7020403	1	Seal, Tube	
1	7020026	1	Dipstick	
2	70001654	1	Clamp	
2	70001655	1	Bolt	
3	70003475	1	Thermostat	
3	7020460	1	Spring	
4		Ref	Seal and Gasket Options (Not Shown):	
4	70002718	1	Seal, Rear Main	
4	7020430	1	Gasket, Valve Cover	
4	70003479	1	Gasket, Head - 1 Notch	
4	70003480	1	Gasket, Head - 2 Notch	
4	70003481	1	Gasket, Head - 3 Notch	
5	70025088	1	Plug	
6	70025667	1	Plug	
7	70025123	22	Bolt, Torx (Oil Pan Bolts) (Not Shown)	
8	7020492	1	Seal	
8	70025084	1	Plug	
9	70001870	1	Flywheel	
9	7024579	1	Ring Gear (Part of Flywheel)	
9	70025139	8	Bolt	
10	7020465	1	Cap, Oil Fill	
11	70000800	1	Timing Belt/Idler Kit (Includes Timing Belt, Tensioner and Tensioner Bolt) (Not Shown)	
12	70001850	1	Pump, Lubricating	
12	7020468	1	Seal, Pump to Engine Block (Not Shown)	
13	7016331	1	Filter, Oil	
14	70003472	1	Bracket, Oil Filter (Includes Plug with Seal, Temperature Sensor, Control Valve and Compression Spring)	
14	7027236	1	Sensor, Temperature	
14	70025082	1	Seal, Plug	
14	70025091	1	Plug	
14	70003473	1	Gasket, Bracket to Engine Block (Not Shown)	
15	70001181	1	Valve	
15	70025091	1	Plug	
15	70025082	1	Seal, Plug	
16	70004268	2	Connector, Radiator Neck	
16	70004269	2	Seal, Radiator Neck to Engine Block	
17	70000912	3	Pump, Fuel Injector - A Spec	
17	70000913	3	Pump, Fuel Injector - B Spec	
17	70000914	3	Pump, Fuel Injector - C Spec	
17	70000915	3	Pump, Fuel Injector - D Spec	
17	70003464	3	O-Ring, Pump to Engine Block	
18	7020023	1	Filter, Fuel	
18	70003463	1	Filter, Fuel - RME Resistant	
18	70001423	1	Bracket, Fuel Filter	
19	70000916	1	Pump Fuel Supply	
19	70000917	1	O-Seal Between Fuel Pump and Engine Block	
19	70000918	1	Sealing Ring Between Hand Pump and Supply Pump	

SECTION 3 - ENGINE

ITEM	PART NUMBER	QTY	DESCRIPTION	REV
19	70000919	1	Pump, Hand	
19	70001435	1	Repair Kit	
19	70025694	2	Bolt, Torx	
20	70000931	3	Pipe, High Pressure	
21	70003469	1	Flange, Intake	
21	70003468	1	Seal	
22	70025084	1	Plug	
22	7020492	1	Seal, Plug	
23	7027903	1	Manifold, Air Intake	
23	70001871	3	Gasket Between Manifold and Engine Block	
24	See Note	1	Module, Engine Control (Note: Not Currently Available)	
24	7027796	1	Cable, Electrical Between Module and Engine Harness (Not Shown)	
24	70001872	1	Harness, Engine (Connects to p/n 70004060) (Not Shown)	
24	70004060	1	Plug, Connector Located on Cable Near Module (Not Shown)	
24	70004059	1	Plug, Analyzer (Not Shown)	
25	70025123	4	Bolt, Torx	
26	70000787	1	Support, Fan (Includes Support, Internal Shaft, Bearings and Circlip)	
27	70001844	1	Clamp	
28	See Note	1	Muffler (Note: See Separate Breakdown in this Section)	
28	7020471	3	Gasket, Exhaust Between Muffler and Engine Block	
28	70004270	6	Stud, Muffler	
29	70001498	1	Shield, Starter	
29	70025693	3	Bolt	
30	70004102	1	V-Belt	
31	70004056	1	Alternator (Includes Voltage Regulator and Gaskets, Fan and Fan Mounting Hardware)	
31	70001868	1	Regulator, Voltage	
31	70001866	1	Gasket Set, Voltage Regulator	
31	70025131	1	Fan	
31	70025086	1	Nut, Fan	
31	70000851	1	Bracket, Alternator Mounting	
31	70002234	1	Bracket, Alternator Adjustment	
31	70004103	1	Harness, Alternator (Not Shown)	
32	7020479	1	Starter	
32	70025121	2	Bolt, Starter Mounting	
32	70004058	1	Relay	
32	70004062	1	Harness, Starter (Not Shown)	
33	7024565	1	Sensor, Speed	
33	70003931	1	Bolt	
33	70003932	1	Spacer, Sleeve	
34	7027791	1	Sensor, Temperature	
35	7027790	1	Sensor, Oil Pressure	
36	7027792	1	Actuator	
37	70000345	3	Plug, Glow (Not Shown)	

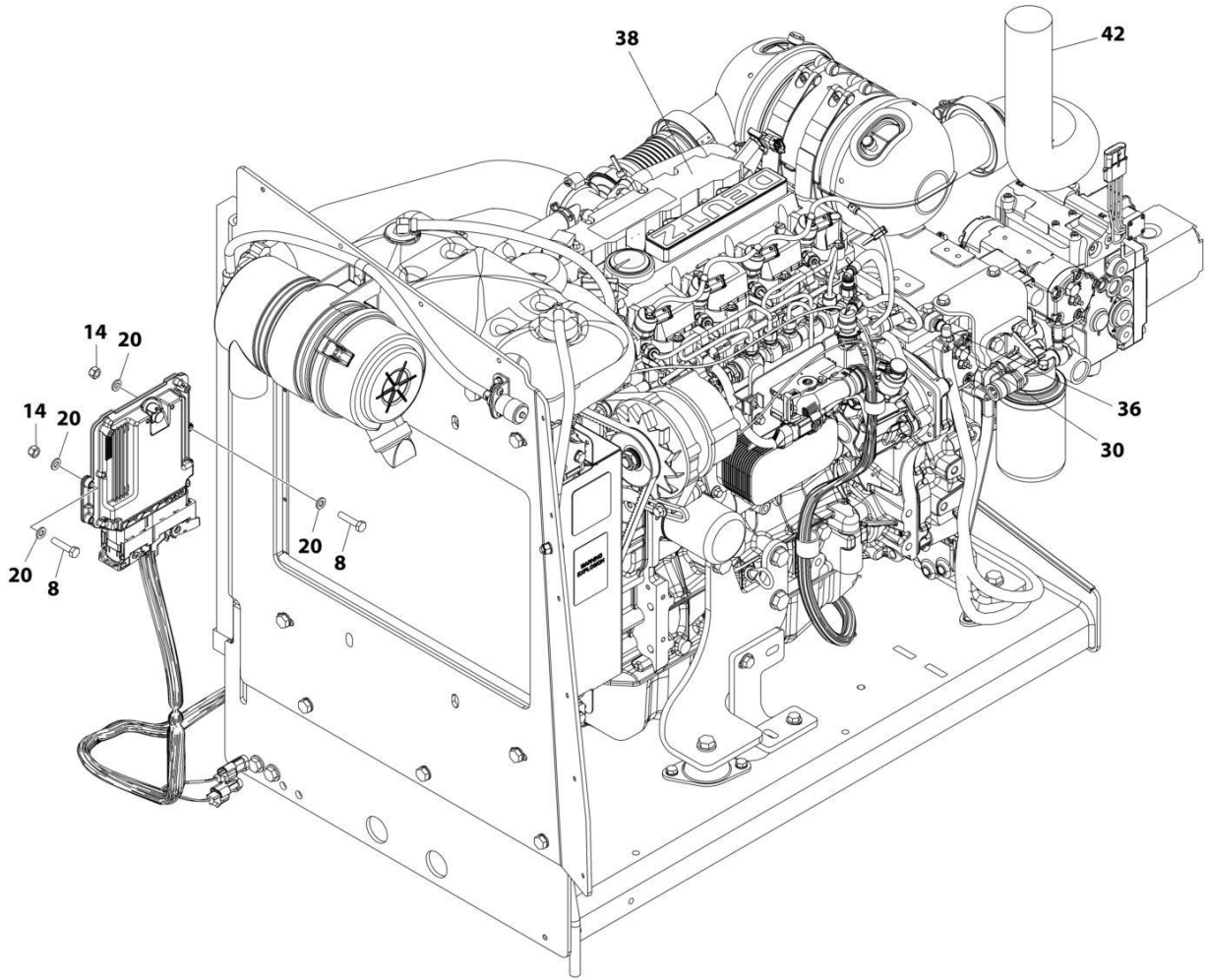
SECTION 3 - ENGINE

FIGURE 3-8. ENGINE INSTALLATION - DEUTZ D2.9L4 ENGINE (WITHOUT ARCTIC PACKAGE) (ANSI, CSA AND ANSI EXPORT SPECS)



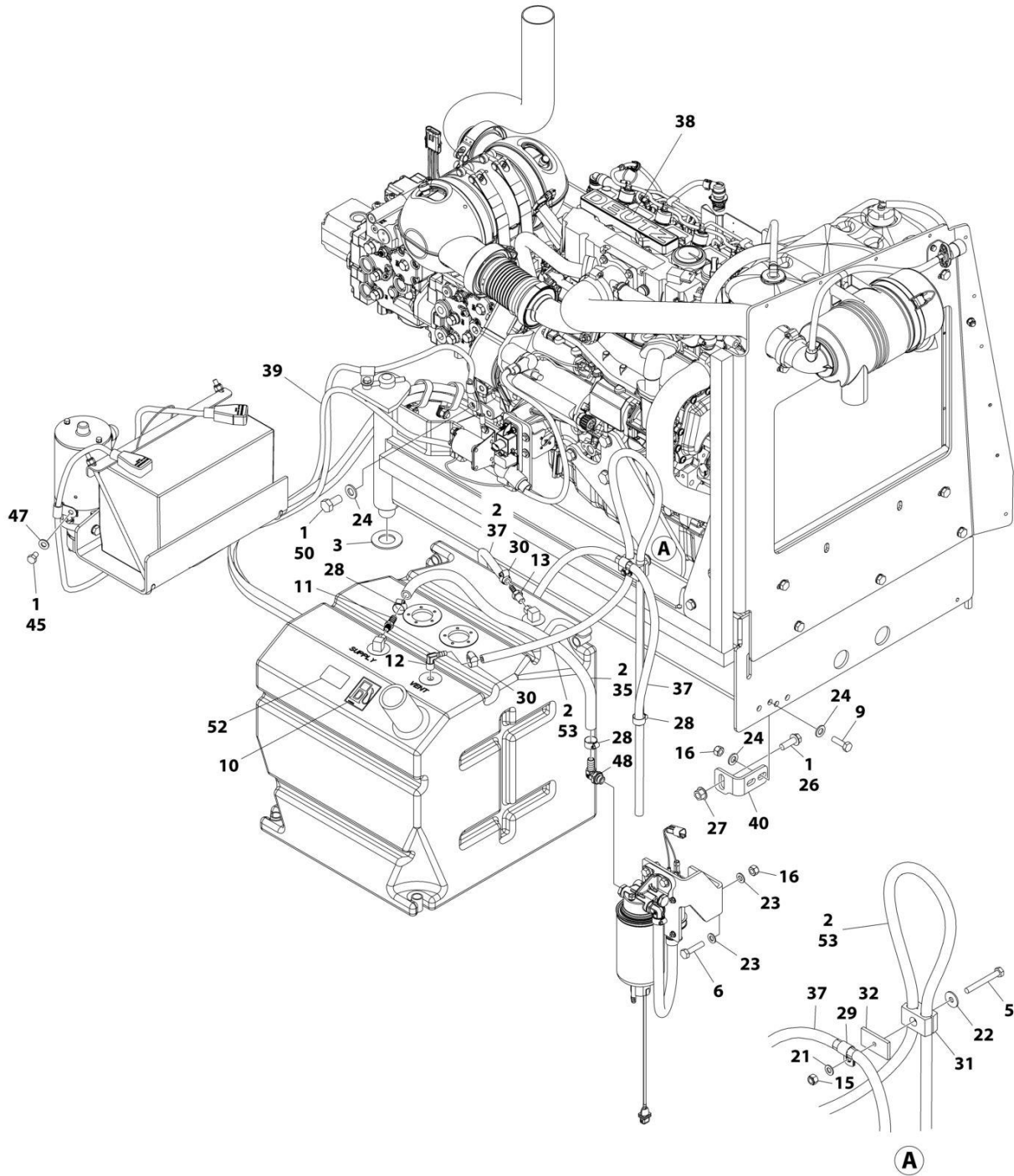
ART_1001214460_C_10F3

SECTION 3 - ENGINE



ART_1001214460_C_20F3

SECTION 3 - ENGINE



ART_1001214460_C_30F3

SECTION 3 - ENGINE

FIGURE 3-8. ENGINE INSTALLATION - DEUTZ D2.9L4 ENGINE (WITHOUT ARCTIC PACKAGE) (ANSI, CSA AND ANSI EXPORT SPECS)

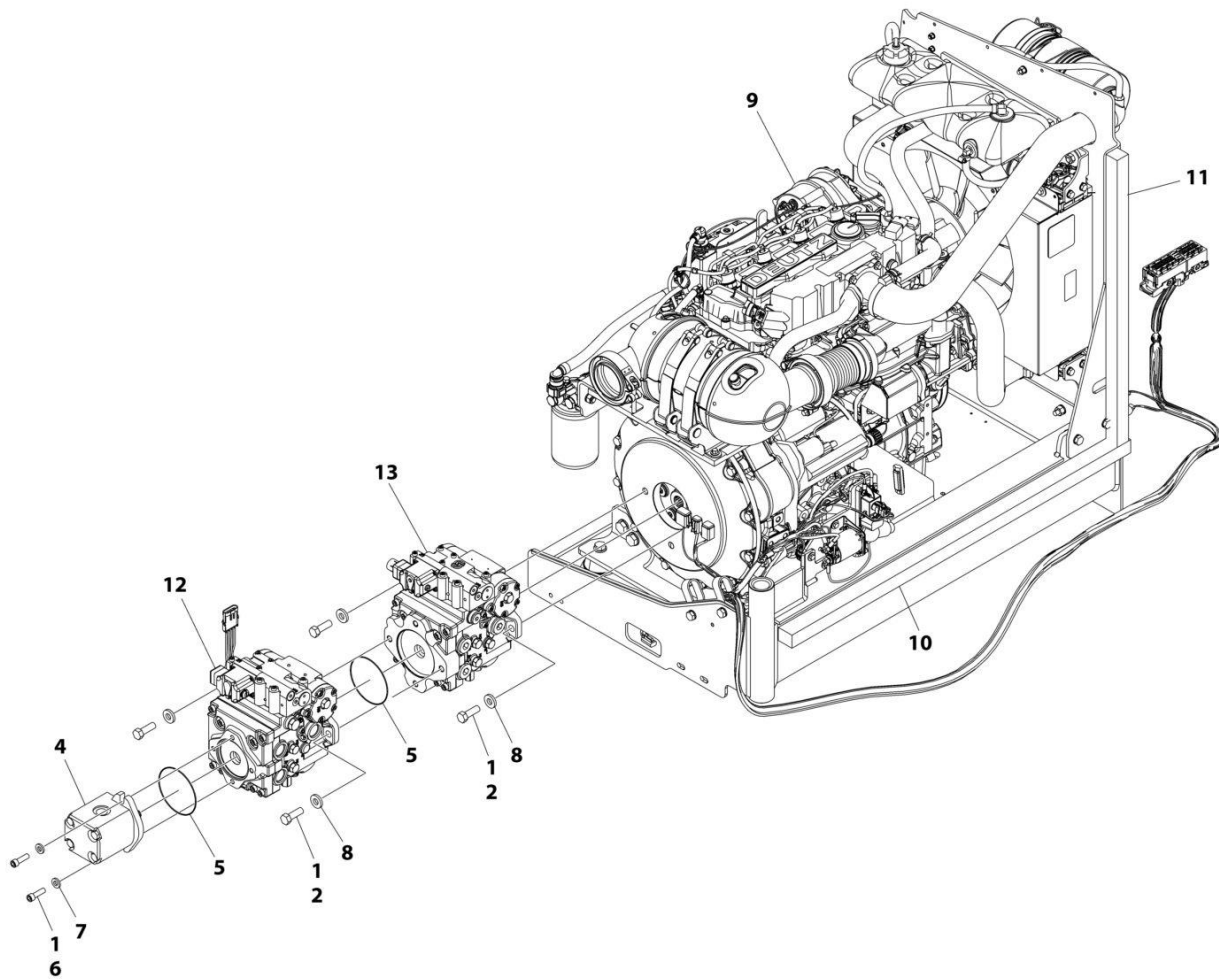
ITEM	PART NUMBER	QTY	DESCRIPTION	REV
	1001214460	Ref	ENGINE INSTALLATION - DEUTZ D2.9L4 ENGINE	C
1	0100011	AR	Compound, Locking	
2	0100020	AR	Sealant, Pipe	
3	0440162	1	Bearing	
4	0700817	1	Bolt M8 x 45	
5	0700821	1	Bolt M8 x 65	
6	0701017	2	Bolt M10 x 45	
8	0760613	4	Bolt M6 x 28	
9	0761015	4	Bolt M10 x 35	
10	1701505	2	Decal - Diesel Fuel	
11	2180832	1	Fitting, Barbed	
12	2220313	1	Fitting, Barbed 90	
13	2220767	1	Fitting, Barbed	
14	3290605	5	Nut M6	
15	3290805	2	Nut M8	
16	3291005	6	Nut M10	
17	3422532	1	Pin	
18	3841143	1	Pin	
19	4240099	AR	Tie-Strap (Not Shown)	
20	4811700	10	Washer M6	
21	4811900	1	Washer M8	
22	4811902	1	Washer M8	
23	4812000	4	Washer M10	
24	4812100	9	Washer M12	
26	5251215	1	Bolt M12 x 35	
27	5261200	1	Nut, Flange M12 (Class 10)	
28	8405006	3	Gear Clamp	
29	8406101	1	Clip Tube	
30	8410013	4	Gear Clamp	
31	8750014	1	Clamp	
32	8750031	1	Plate	
33	1001135196	1	Pin	
35	1001154405	2.2 ft/ 0.7m	Hose	
36	1001155823	1	Coupling	
37	1001165035	21 ft/ 6.4m	Hose	
38	1001214459	1	Engine and Pump Sub-Assembly (See Separate Breakdown in this Section)	
39	1001166970	1	Cable, Batt and Aux Pump Cables 400S/460SJ	
40	1001167512	1	Bracket, Engine	
41	1001169823	1	Plate, Engine Lock	
42	1001223802	1	Pipe, Exhaust	
43	1001173342	1	Harness, Deutz Fuel (Not Shown - See Separate Breakdown in ELECTRICAL Section)	
44	5240800	2	Washer M8 Hardened	
45	0641504	1	Bolt 5/16 x 1/2	
46	0760610	1	Bolt M6 x 20	
47	4711500	1	Washer 5/16	
48	1001142501	1	Fitting, Barbed 90	

SECTION 3 - ENGINE

ITEM	PART NUMBER	QTY	DESCRIPTION	REV
50	0771212	1	Bolt M12 x 25	
52	1001125387	1	Decal, Ultra Low Sulfur Fuel	
53	2750532	5.5 ft/ 1.7m	Hose	

SECTION 3 - ENGINE

FIGURE 3-9. ENGINE AND PUMP SUB-ASSEMBLY - DEUTZ D2.9L4 ENGINE (WITHOUT ARCTIC PACKAGE) (ANSI, ANSI EXPORT AND CSA SPECS)



ART_1001214459_C

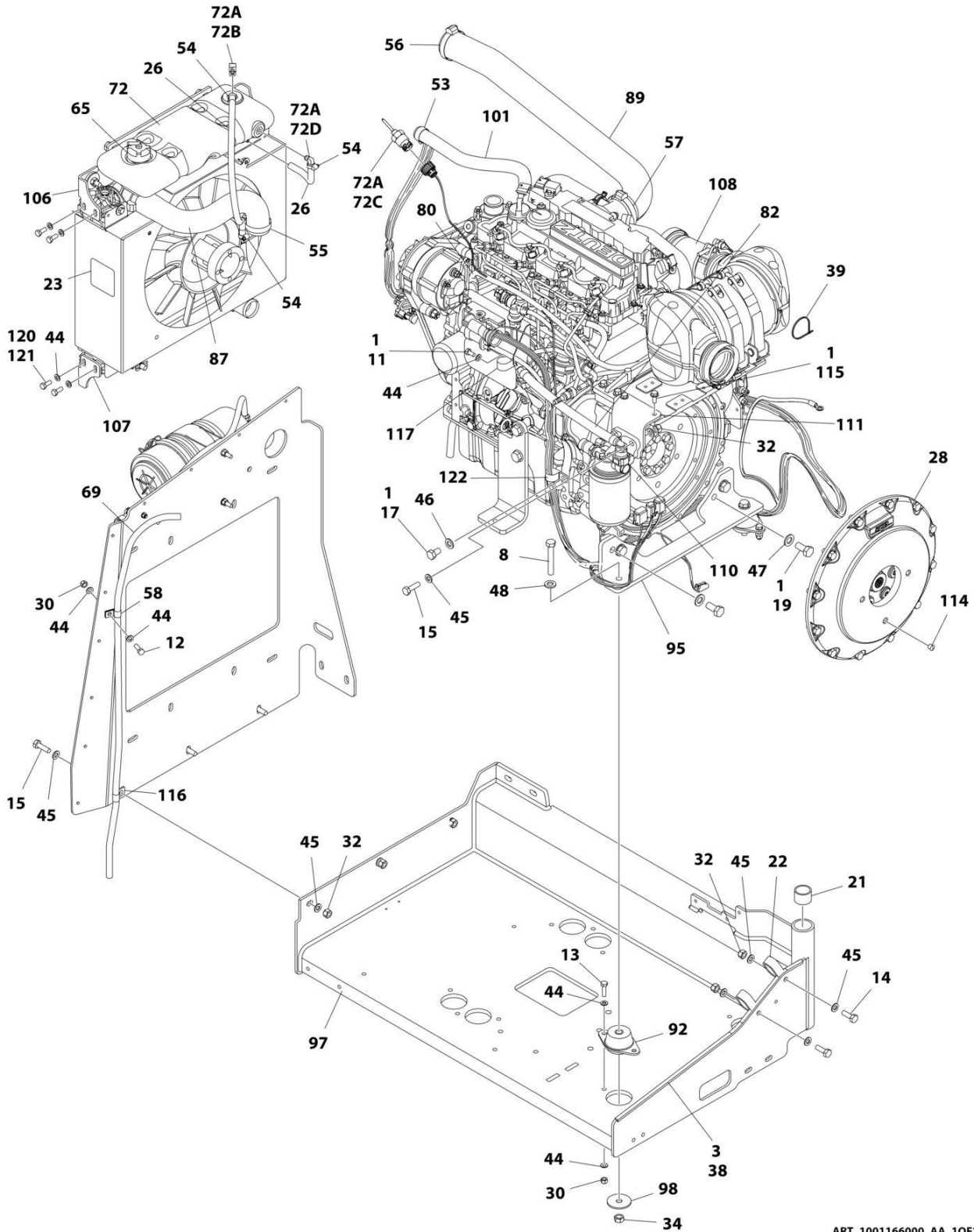
SECTION 3 - ENGINE

FIGURE 3-9. ENGINE AND PUMP SUB-ASSEMBLY - DEUTZ D2.9L4 ENGINE (WITHOUT ARCTIC PACKAGE) (ANSI, ANSI EXPORT AND CSA SPECS)

ITEM	PART NUMBER	QTY	DESCRIPTION	REV
	1001214459	Ref	ENGINE AND PUMP SUB-ASSEMBLY - DEUTZ D2.9L4 ENGINE	C
1	0100011	AR	Compound, Locking	
2	0641812	4	Bolt 1/2 x 1-1/2	
4	3600242	1	Gear Pump Assembly (See Separate Breakdown in this Section)	
5	3790045	2	O-Ring	
6	3931620	2	Capscrew 3/8 x 1-1/4	
7	4891600	2	Washer 3/8 Hardened	
8	4891800	4	Washer 1/2 Hardened	
9	1001166000	1	Engine Assembly - Deutz D2.9L4 Engine (See Separate Breakdown in this Section)	
10	1001171953	1	Seal	
11	1001171954	1	Seal	
12	1001189236	1	Piston Pump Assembly (Rear) (See Separate Breakdown in this Section)	
13	1001189237	1	Piston Pump Assembly (Front) (See Separate Breakdown in this Section)	

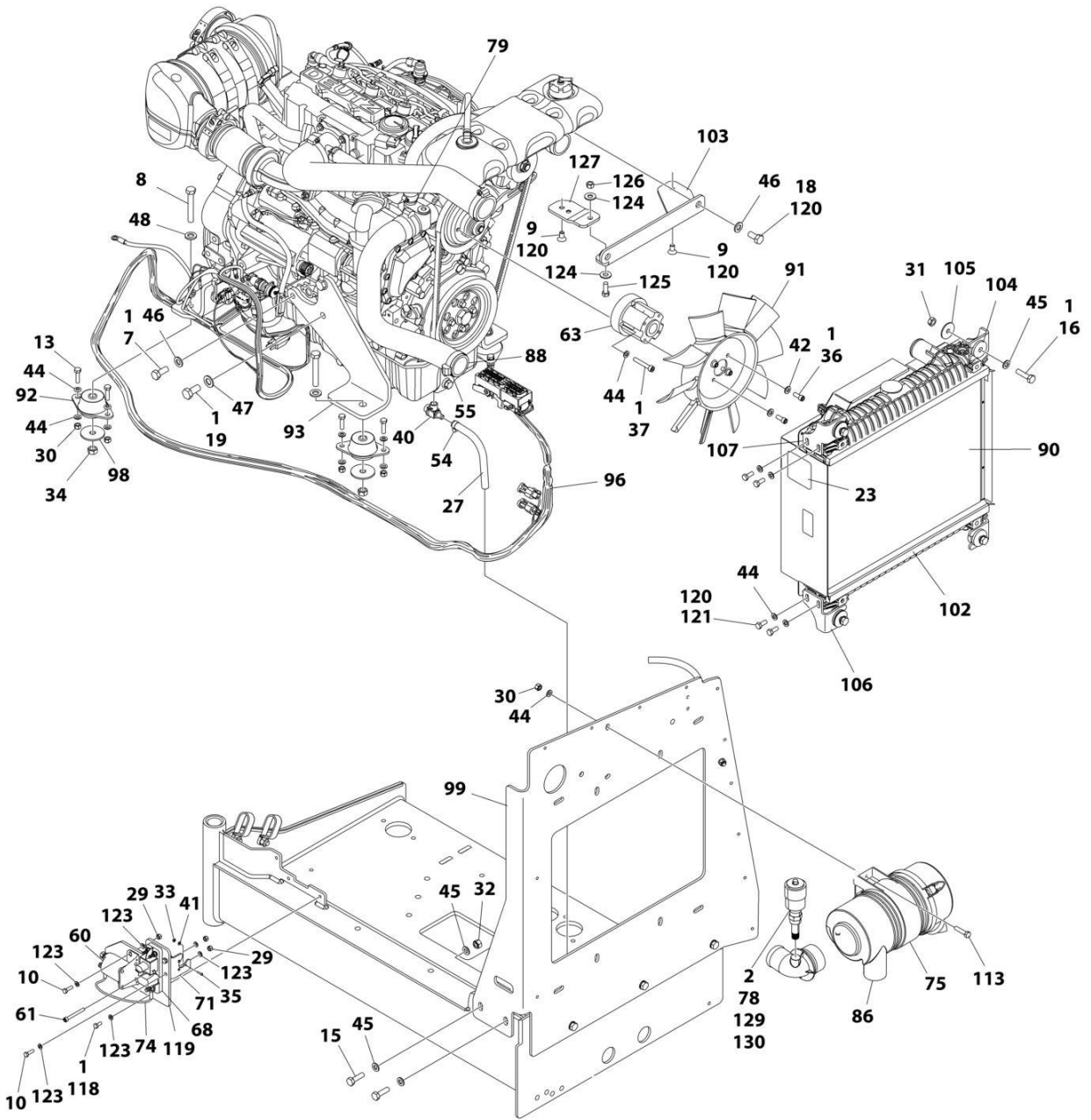
SECTION 3 - ENGINE

FIGURE 3-10. ENGINE ASSEMBLY - DEUTZ D2.9L4 ENGINE (WITHOUT ARCTIC PACKAGE) (ANSI, ANSI EXPORT AND CSA SPECS)



ART_1001166000_AA_10F2

SECTION 3 - ENGINE



ART_1001166000_AA_20F2

SECTION 3 - ENGINE

FIGURE 3-10. ENGINE ASSEMBLY - DEUTZ D2.9L4 ENGINE (WITHOUT ARCTIC PACKAGE) (ANSI, ANSI EXPORT AND CSA SPECS)

ITEM	PART NUMBER	QTY	DESCRIPTION	REV
	1001166000	Ref	ENGINE ASSEMBLY - DEUTZ D2.9L4 ENGINE (WITHOUT ARCTIC PACKAGE)	AA
1	0100011	AR	Compound, Locking	
2	0100020	AR	Sealant, Pipe	
3	0100081	AR	Adhesive	
7	0711214	1	Bolt M12 x 30 Class 10.9	
8	0711224	3	Bolt M12 x 80 Class 10.9	
9	0741606	2	Screw 3/8 x 3/4	
10	0760610	4	Bolt M6 x 20	
11	0760808	1	Bolt M8 x 16	
12	0760812	1	Bolt M8 x 25	
13	0760814	6	Bolt M8 x 30	
14	0761014	2	Bolt M10 x 30	
15	0761015	7	Bolt M10 x 35	
16	0761016	4	Bolt M10 x 40	
17	0761210	1	Bolt M12 x 20	
18	0761212	2	Bolt M12 x 25	
19	0771414	6	Bolt M14 x 30 Class 10.9	
21	0961951	2	Bushing	
22	1321716	2	Clamp	
23	1703162	2	Decal - Caution Fan	
26	2720015	2 ft/ 0.61m	Hose	
27	2720340	8 in/ 20.3cm	Hose	
28	2902065	1	Pump Coupling Kit (See Separate Breakdown in this Section)	
29	3290605	5	Nut M6	
30	3290805	9	Nut M8	
31	3291001	4	Nut M10	
32	3291005	9	Nut M10	
33	3310401	3	Nut #4	
34	3331215	3	Nut M12	
35	3910408	3	Screw #4- x 1/2	
36	3931512	4	Capscrew, 5/16 x 3/4	
37	4031914	4	Bolt M8 x 50	
38	4060805	2.25 ft/ 0.69m	Flex-Trim	
39	4240099	AR	Tie-Strap	
40	4640751	1	Valve, Oil Drain	
41	4710400	3	Washer #4	
42	4711500	4	Washer 5/16	
44	4811900	31	Washer M8	
45	4812000	22	Washer M10	
46	4812100	4	Washer M12	
47	4812200	6	Washer M14	
48	5241200	3	Washer M12 Hardened	
53	8405007	2	Clamp	
54	8405009	5	Clamp	
55	8405104	4	Clamp	
56	8405202	1	Clamp	

SECTION 3 - ENGINE

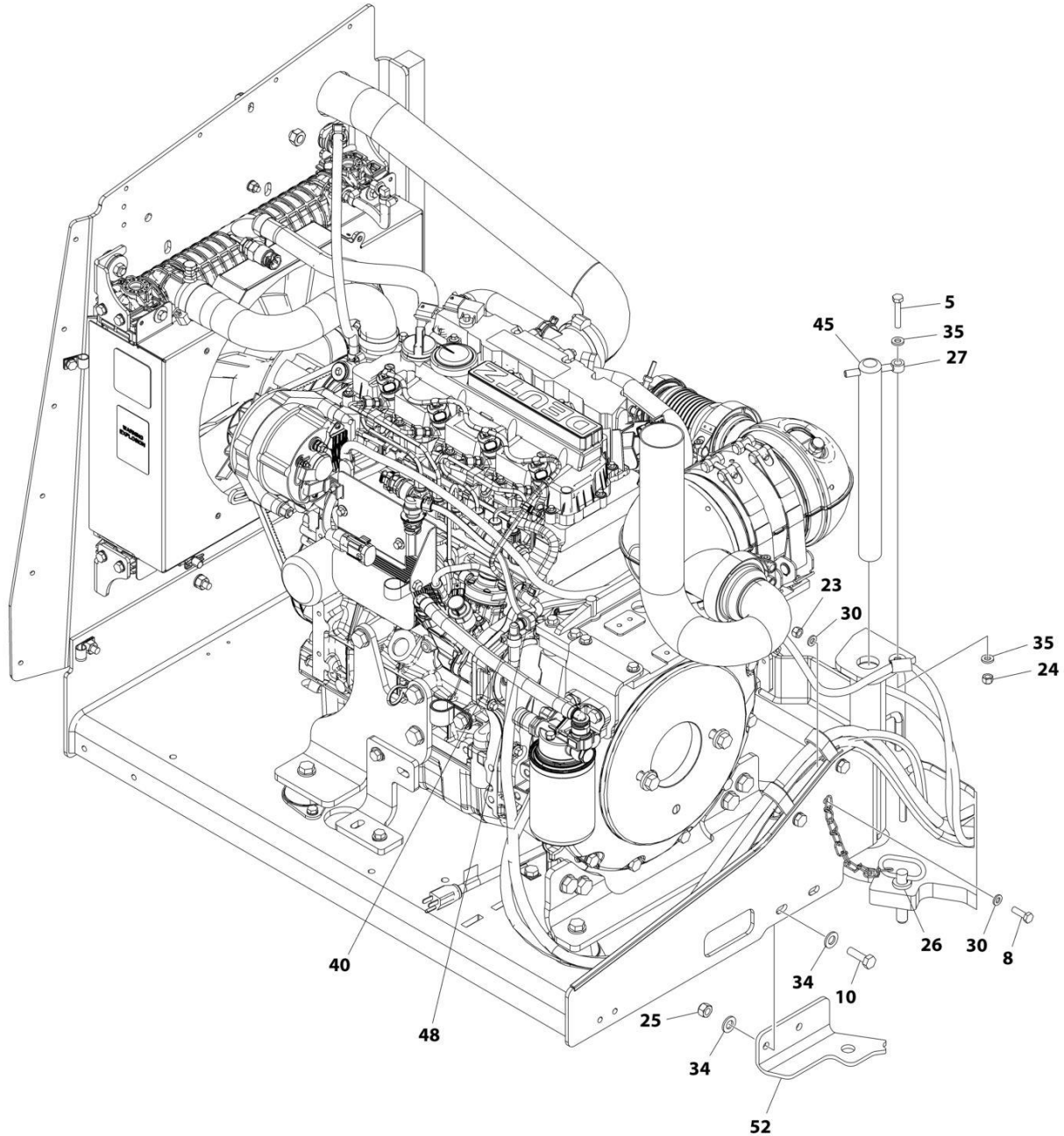
ITEM	PART NUMBER	QTY	DESCRIPTION	REV
57	8405204	1	Clamp	
58	8406109	1	Clip	
60	1001117308	1	Relay, 200Amp	
60	3300220	2	Nut	
60	3321001	2	Nut #10	
60	4761000	2	Washer #10	
60	1001111424	2	Washer	
61	1001118878	1	Bolt M6 x 55	
63	1001144116	1	Spacer, Fan	
65	1001136834	1	Cap, Tank	
68	1001138228	1	Relay, Power Module	
68	70023592	1	Fuse 20Amp	
68	70023593	1	Fuse 30Amp	
69	1001138248	41 in/ 1041mm	Tube	
71	1001139240	1	Bracket	
72	1001230635	1	Tank, Surge (Includes Items 72A-72D)	
72A	0100020	AR	Sealant, Pipe	
72B	1001134488	1	Fitting, Barbed	
72C	1001138827	1	Sensor, Coolant Level	
72D	1001140564	1	Fitting, Barbed 90	
74	1001141304	1	Harness, Glow Plug	
75	1001141694	1	Clamp, Air Cleaner	
78	1001143390	1	Indicator	
79	1001143797	1	Fitting, Barbed	
80	1001178788	1	Cable, Alternator	
82	1001152489	1	Fitting, Barbed 90	
86	1001165388	1	Air Cleaner Assembly	
86	70003783	1	Element, Air Cleaner	
87	1001165405	1	Hose, Upper Radiator	
88	1001165406	1	Hose, Lower Radiator	
89	1001165721	1	Hose, Air Intake	
90	1001165722	1	Radiator	
91	1001165849	1	Fan	
92	1001166718	3	Mount, Motor	
93	1001166921	1	Plate, Engine Mount	
95	1001166924	1	Plate, Engine Mount	
96	1001167108	1	Harness Engine - Deutz D2.9L4 (See Separate Breakdown in ELECTRICAL Section)	
97	1001167520	1	Tray, Engine	
98	1001168018	3	Washer, Special	
99	1001168026	1	Plate, Radiator Mounting	
101	1001168099	1	Hose	
102	1001168166	2	Seal	
103	1001260420	1	Bracket	
104	1001169054	4	Isolator	
105	1001169138	4	Washer, Snubbing	
106	1001169967	2	Bracket	
107	1001170035	2	Bracket	
108	1001249965	1	Engine, Deutz D2.9L4 (See Separate Breakdown in this Section)	
110	1001177359	1	Hose	
111	1001178876	1	Mount, Fuel Filter	

SECTION 3 - ENGINE

ITEM	PART NUMBER	QTY	DESCRIPTION	REV
113	0760815	2	Bolt M8 x 35	
114	3520054	1	Plug	
115	5250810	2	Bolt M8 x 20	
116	8406110	1	Clip	
117	8406201	1	Clip	
118	0760607	3	Bolt M6 x 14	
119	1001179903	1	Bracket	
120	1001180620	AR	Adhesive	
121	0760810	8	Bolt M8 x 20	
122	1001191620	1	Clamp	
123	4811702	12	Washer M6	
124	4751600	2	Washer 3/8	
125	0681608	1	Bolt 3/8 x 1	
126	3311605	1	Nut 3/8	
127	1001260412	1	Bracket	
128	1001162335	1	Bracket Assembly - Fuel Pump/Filter (Not Shown - See Separate Breakdown in this Section)	
129	2200261	1	Fitting	
130	1001277432	1	Spacer	

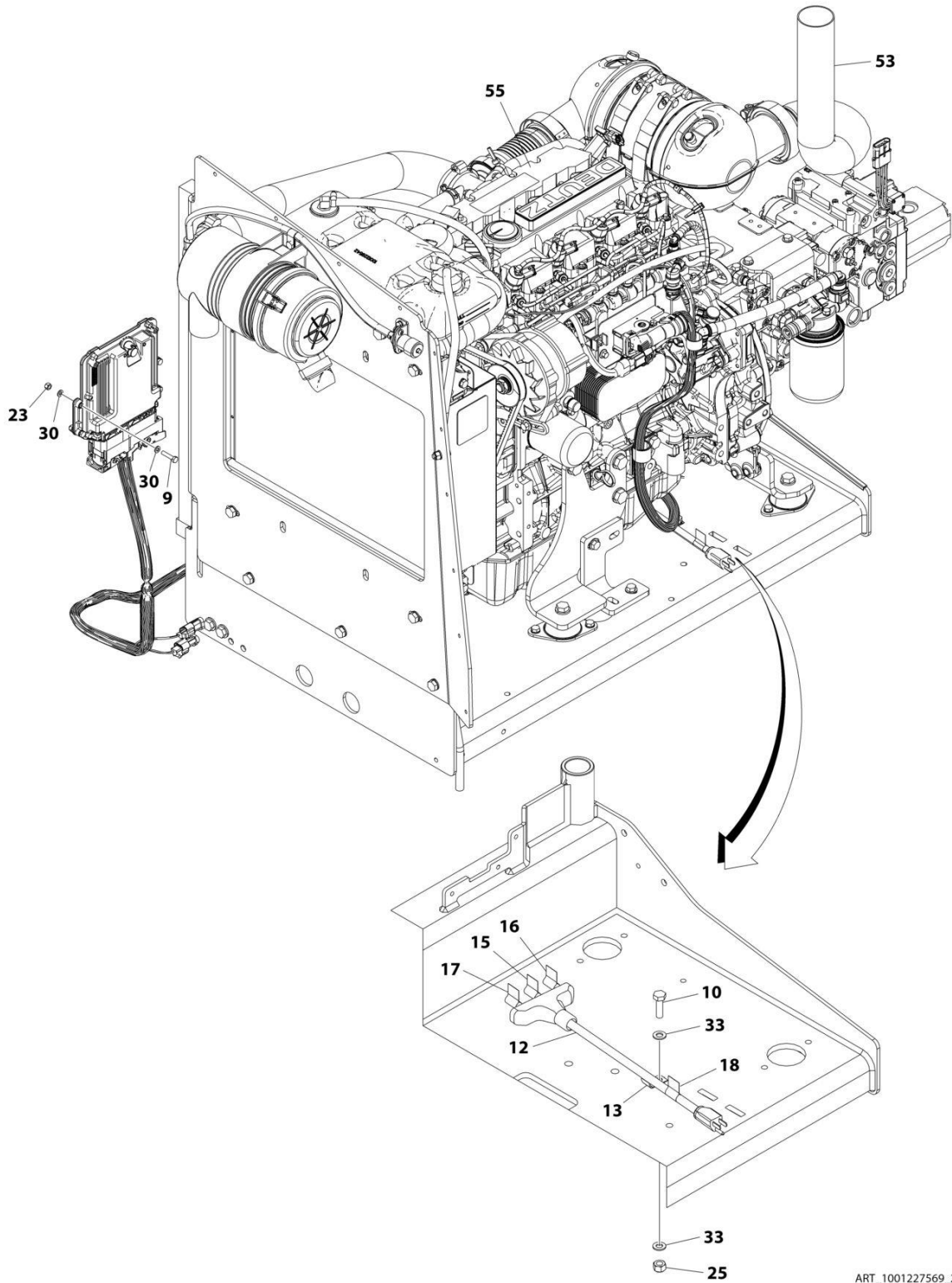
SECTION 3 - ENGINE

FIGURE 3-11. ENGINE INSTALLATION - DEUTZ D2.9L4 ENGINE (WITH ARCTIC PACKAGE) (ANSI, ANSI EXPORT AND CSA SPECS)



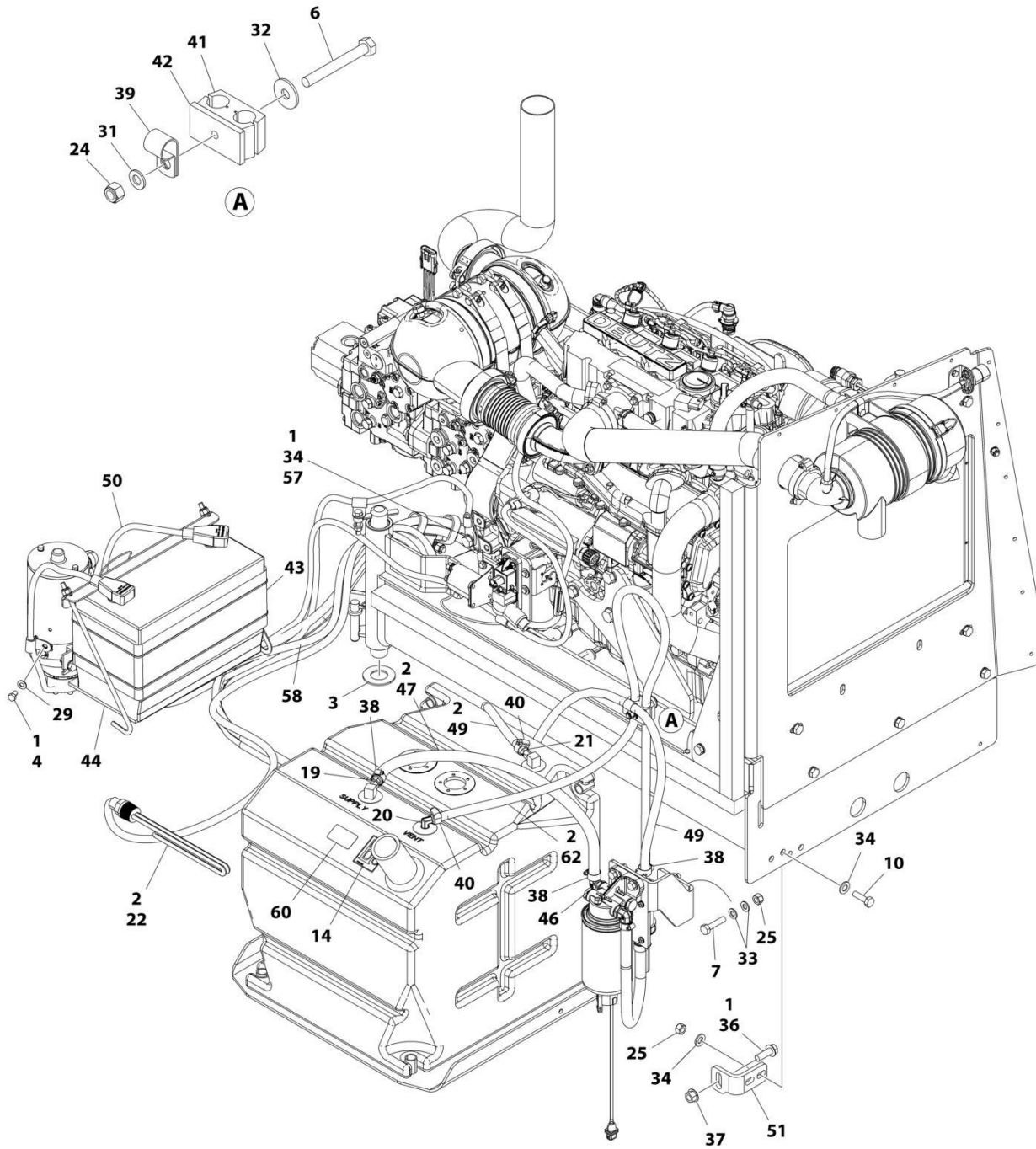
ART_1001227569_10F3

SECTION 3 - ENGINE



ART_1001227569_20F3

SECTION 3 - ENGINE



ART_1001227569_3OF3

SECTION 3 - ENGINE

FIGURE 3-11. ENGINE INSTALLATION - DEUTZ D2.9L4 ENGINE (WITH ARCTIC PACKAGE) (ANSI, ANSI EXPORT AND CSA SPECS)

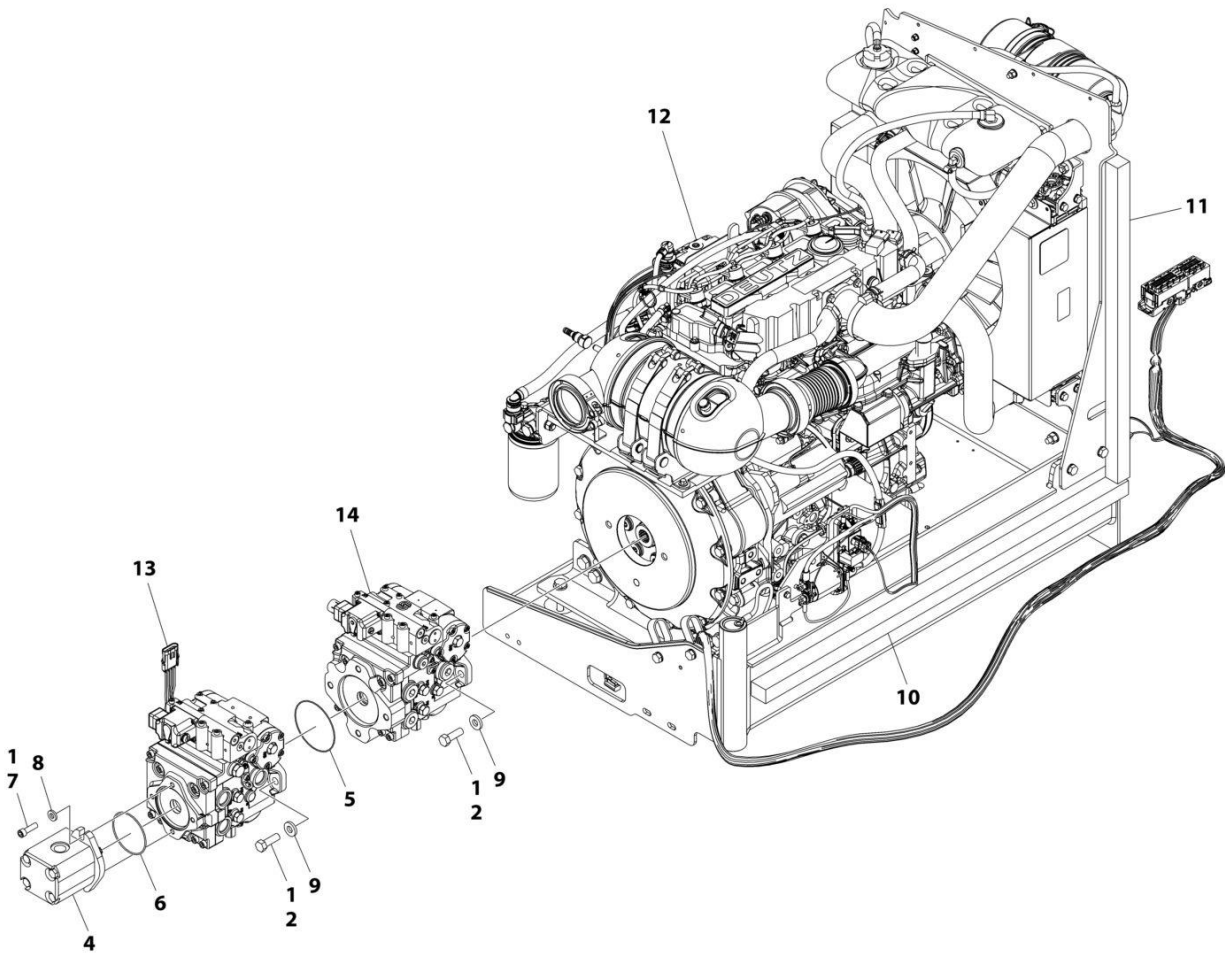
ITEM	PART NUMBER	QTY	DESCRIPTION	REV
	1001227569	Ref	ENGINE INSTALLATION - DEUTZ D2.9L4 ENGINE	C
1	0100011	AR	Compound, Locking	
2	0100020	AR	Sealant, Pipe	
3	0440162	1	Bearing	
4	0641504	1	Bolt 5/16 x 1/2	
5	0700817	1	Bolt M8 x 45	
6	0700821	1	Bolt M8 x 65	
7	0701017	2	Bolt M10 x 45	
8	0760610	1	Bolt M6 x 20	
9	0760613	4	Bolt M6 x 28	
10	0761015	5	Bolt M10 x 35	
12	1060626	1	Plug, 3 Way	
13	1320223	1	Clip	
14	1701505	2	Decal - Diesel Fuel	
15	1702941	1	Decal - Battery Heater	
16	1702942	1	Decal - Engine Block Heater	
17	1702943	1	Decal - Hydraulic Tank Heater	
18	1702944	1	Decal - Heater Cord	
19	2180832	1	Fitting, Barbed	
20	2220313	1	Fitting, Barbed 90	
21	2220767	1	Fitting, Barbed	
22	1001188972	1	Heater, Hydraulic Tank	
23	3290605	5	Nut M6	
24	3290805	2	Nut M8	
25	3291005	7	Nut M10	
26	3422532	1	Pin	
27	3841143	1	Pin	
28	4240099	AR	Tie-Strap (Not Shown)	
29	4711500	1	Washer 5/16	
30	4811700	10	Washer M6	
31	4811900	1	Washer M8	
32	4811902	1	Washer M8	
33	4812000	6	Washer M10	
34	4812100	9	Washer M12	
35	5240800	2	Washer M8	
36	5251215	1	Bolt M12 x 35	
37	5261200	1	Nut, Flange M12 (Class 10)	
38	8405006	3	Gear Clamp	
39	8406101	1	Clip Tube	
40	8410013	4	Gear Clamp	
41	8750014	1	Clamp	
42	8750031	1	Plate	
43	2580024	1	Heater, Battery	
44	1001119278	1	Insulate	
45	1001135196	1	Pin	
46	1001142501	1	Fitting, Barbed 90	
47	1001154405	2.2 ft/ 0.7m	Hose	
48	1001155823	1	Coupling, Quick Disconnect 90	

SECTION 3 - ENGINE

ITEM	PART NUMBER	QTY	DESCRIPTION	REV
49	1001165035	21 ft/ 6.4m	Hose	
50	1001166970	1	Cable, Batt and Aux Pump Cables	
51	1001167512	1	Bracket, Engine Tray	
52	1001169823	1	Plate, Engine Lock	
53	1001223802	1	Pipe, Exhaust	
54	1001173342	1	Harness, Deutz Fuel (Not Shown - See Separate Breakdown in ELECTRICAL Section)	
55	1001227571	1	Engine and Pump Sub-Assembly (See Separate Breakdown in this Section)	
57	0771212	1	Bolt M12 x 25	
58	1001150918	1	Cable, Extension Cord	
60	1001125387	1	Decal, Ultra Low Sulfur Fuel	
62	2750532	5.5 ft/ 1.7m	Hose	
63	1001233763	1	Breather Heater Installation (Not Shown - See Separate Breakdown in this Section)	

SECTION 3 - ENGINE

FIGURE 3-12. ENGINE AND PUMP SUB-ASSEMBLY - DEUTZ D2.9L4 ENGINE (WITH ARCTIC PACKAGE) (ANSI, ANSI EXPORT AND CSA SPECS)



ART_1001227571

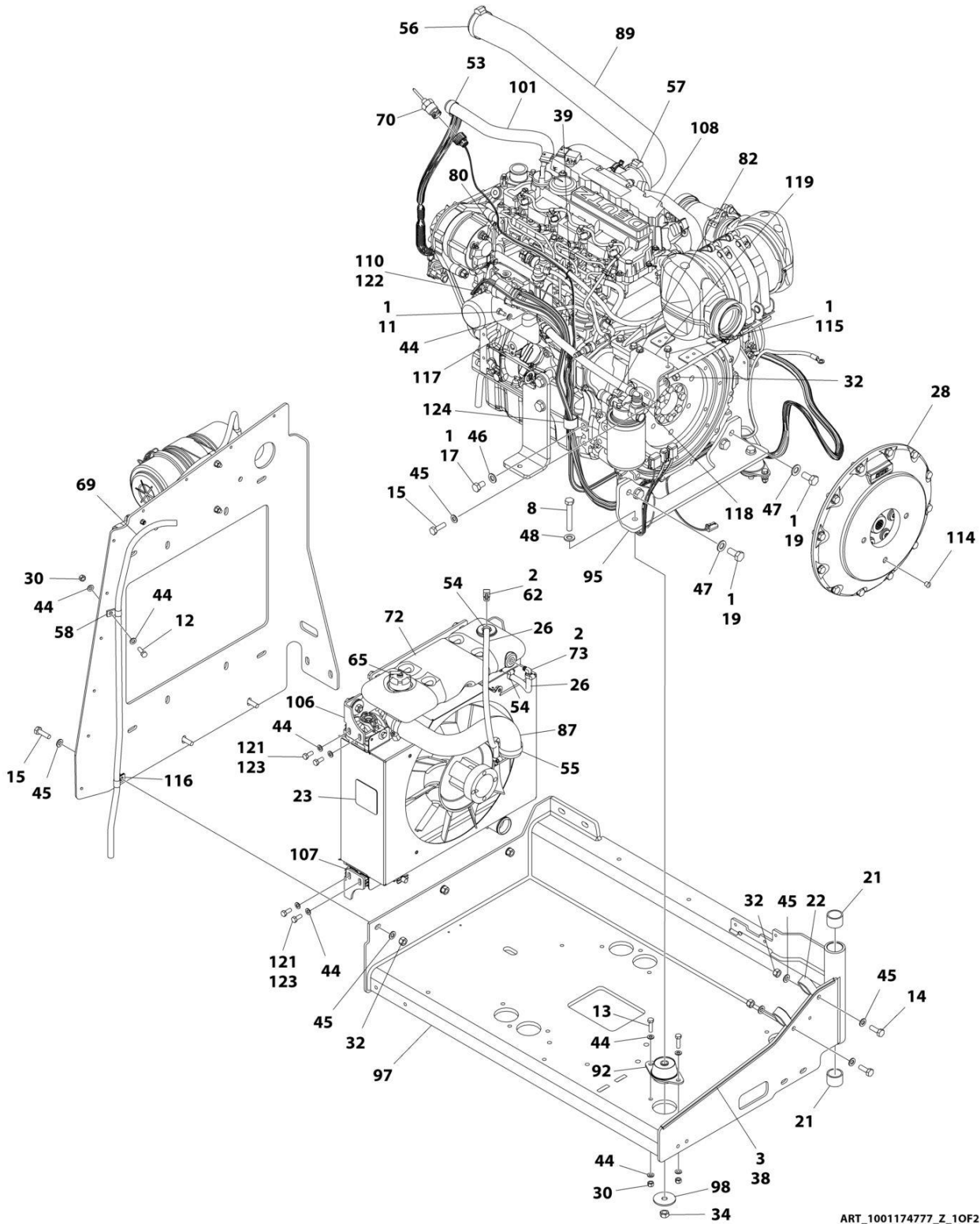
SECTION 3 - ENGINE

FIGURE 3-12. ENGINE AND PUMP SUB-ASSEMBLY - DEUTZ D2.9L4 ENGINE (WITH ARCTIC PACKAGE) (ANSI, ANSI EXPORT AND CSA SPECS)

ITEM	PART NUMBER	QTY	DESCRIPTION	REV
	1001227571	Ref	ENGINE AND PUMP SUB-ASSEMBLY - DEUTZ D2.9L4 ENGINE	B
1	0100011	AR	Compound, Locking	
2	0641812	4	Bolt 1/2 x 1-1/2	
4	3600242	1	Gear Pump Assembly (See Separate Breakdown in this Section)	
5	3790045	1	O-Ring	
6	3790152	1	O-Ring	
7	3931620	2	Capscrew 3/8 x 1-1/4	
8	4891600	2	Washer 3/8 Hardened	
9	4891800	4	Washer 1/2 Hardened	
10	1001171953	1	Seal	
11	1001171954	1	Seal	
12	1001174777	1	Engine Assembly - Deutz D2.9L4 (See Separate Breakdown in this Section)	
13	1001189236	1	Piston Pump Assembly (Rear) (See Separate Breakdown in this Section)	
14	1001189237	1	Piston Pump Assembly (Front) (See Separate in this Section)	

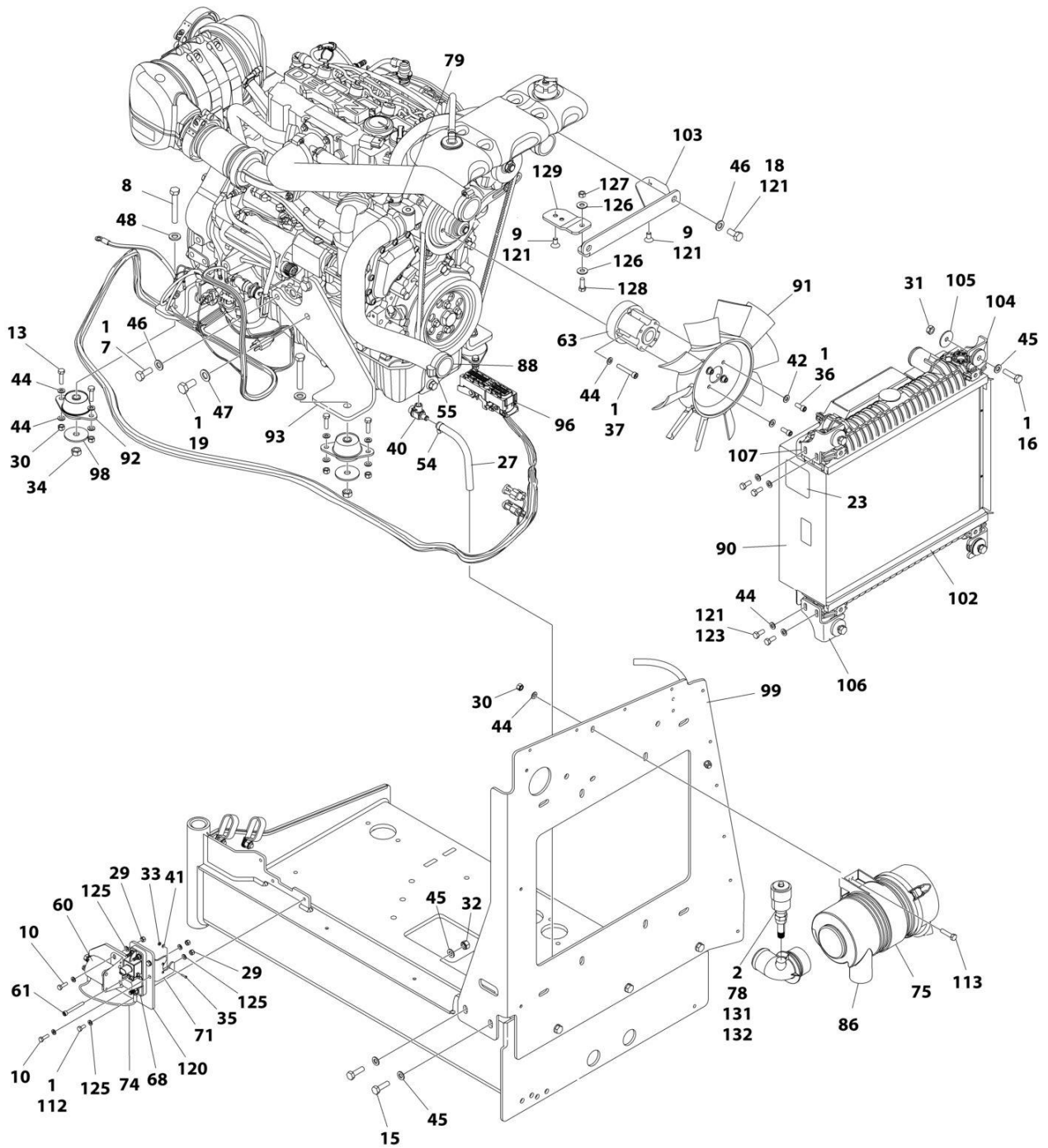
SECTION 3 - ENGINE

FIGURE 3-13. ENGINE ASSEMBLY - DEUTZ D2.9L4 ENGINE (WITHOUT ARCTIC PACKAGE) (ANSI, ANSI EXPORT AND CSA SPECS)



ART_1001174777_Z_10F2

SECTION 3 - ENGINE



ART_1001174777_Z_20F2

SECTION 3 - ENGINE

FIGURE 3-13. ENGINE ASSEMBLY - DEUTZ D2.9L4 ENGINE (WITHOUT ARCTIC PACKAGE) (ANSI, ANSI EXPORT AND CSA SPECS)

ITEM	PART NUMBER	QTY	DESCRIPTION	REV
	1001174777	Ref	ENGINE ASSEMBLY - DEUTZ D2.9L4 ENGINE (WITH ARCTIC PACKAGE)	Z
1	0100011	AR	Compound, Locking	
2	0100020	AR	Sealant, Pipe	
3	0100081	AR	Adhesive	
7	0711214	1	Bolt M12 x 30 Class 10.9	
8	0711224	3	Bolt M12 x 80 Class 10.9	
9	0741606	2	Screw 3/8 x 3/4	
10	0760610	4	Bolt M6 x 20	
11	0760808	1	Bolt M8 x 16	
12	0760812	1	Bolt M8 x 25	
13	0760814	6	Bolt M8 x 30	
14	0761014	2	Bolt M10 x 30	
15	0761015	7	Bolt M10 x 35	
16	0761016	4	Bolt M10 x 40	
17	0761210	1	Bolt M12 x 20	
18	0761212	2	Bolt M12 x 25	
19	0771414	6	Bolt M14 x 30 Class 10.9	
21	0961951	2	Bushing	
22	1321716	2	Clamp	
23	1703162	2	Decal - Caution Fan	
26	2720015	2 ft/0.61m	Hose	
27	2720340	8 in /0.2m	Hose	
28	2902065	1	Pump Coupling Kit (See Separate Breakdown in this Section)	
29	3290605	5	Nut M6	
30	3290805	9	Nut M8	
31	3291001	4	Nut M10	
32	3291005	9	Nut M10	
33	3310401	3	Nut #4	
34	3331215	3	Nut M12 x 1.75	
35	3910408	3	Screw #4- x 1/2	
36	3931512	4	Capscrew 5/16 x 3/4	
37	4031914	4	Bolt M8 x 50	
38	4060805	2.25 ft/ 0.69m	Flex-Trim	
39	4240099	AR	Tie-Strap	
40	4640751	1	Valve, Oil Drain	
41	4710400	3	Washer #4	
42	4711500	4	Washer 5/16	
44	4811900	31	Washer M8	
45	4812000	22	Washer M10	
46	4812100	4	Washer M12	
47	4812200	6	Washer M14	
48	5241200	3	Washer M12	
53	8405007	2	Clamp	
54	8405009	5	Clamp	
55	8405104	4	Clamp	
56	8405202	1	Clamp	
57	8405204	1	Clamp	

SECTION 3 - ENGINE

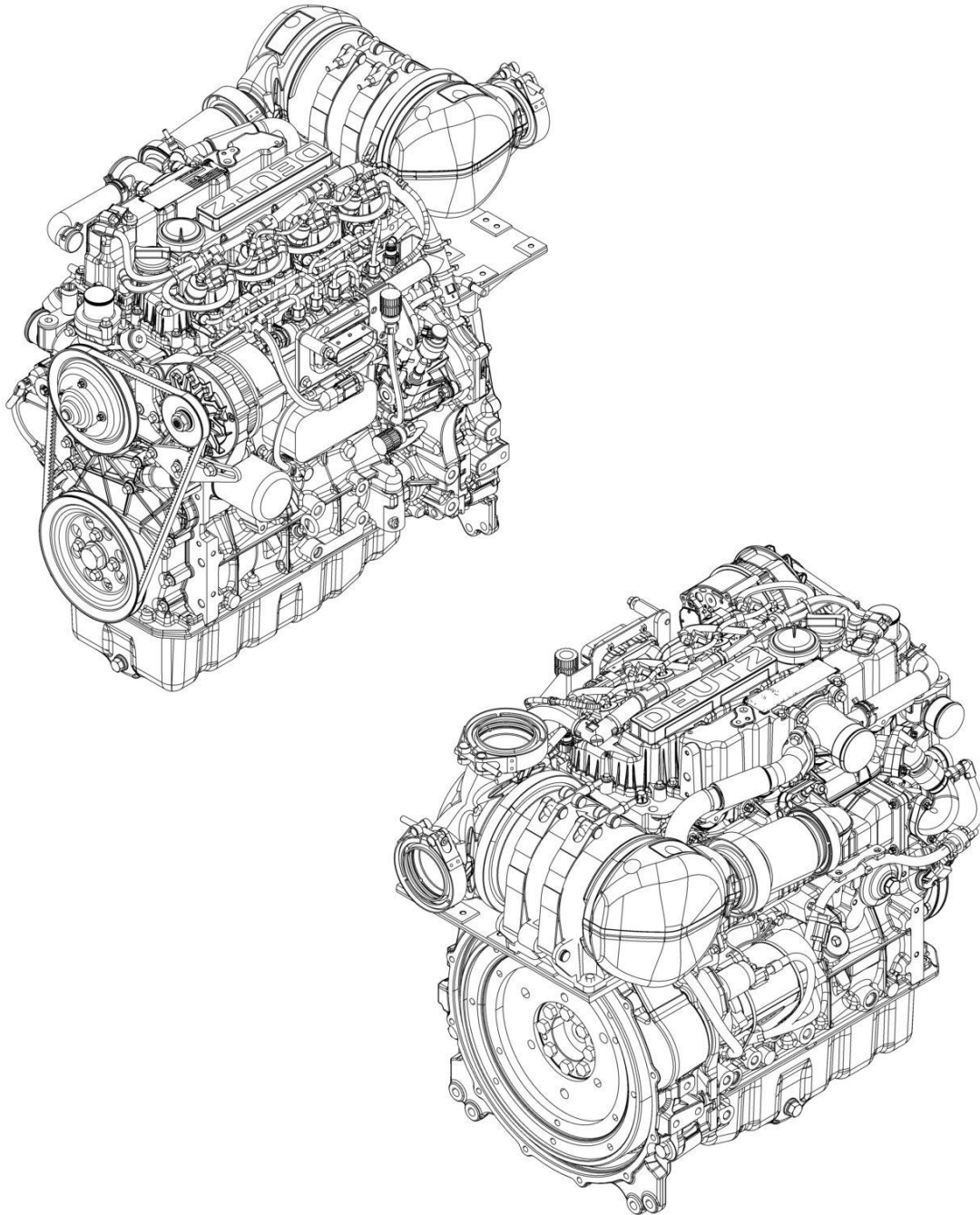
ITEM	PART NUMBER	QTY	DESCRIPTION	REV
58	8406109	1	Clip	
60	1001117308	1	Relay, 200Amp	
60	3300220	2	Nut	
60	3321001	2	Nut #10	
60	4761000	2	Washer #10	
60	1001111424	2	Washer	
61	1001118878	1	Bolt M6 x 55	
62	1001134488	1	Fitting, Barbed 90	
63	1001144116	1	Spacer, Fan	
65	1001136834	1	Cap, Tank	
68	1001138228	1	Relay, Power Module	
68	70023592	1	Fuse 20Amp	
68	70023593	1	Fuse 30Amp	
69	1001138248	41 in/ 1041mm	Tube	
70	1001138827	1	Sensor, Coolant Level	
71	1001139240	1	Bracket	
72	1001230635	1	Tank, Surge (Includes Items 62, 70 & 73)	
73	1001140564	1	Fitting, Barbed 90	
74	1001141304	1	Harness, Glow Plug	
75	1001141694	1	Clamp, Air Cleaner	
78	1001143390	1	Indicator	
79	1001143797	1	Fitting, Barbed	
80	1001178788	1	Cable, Alternator	
82	1001152489	1	Fitting, Barbed 90	
86	1001165388	1	Air Cleaner Assembly	
86	70003783	1	Element, Air Cleaner	
87	1001165405	1	Hose, Upper Radiator	
88	1001165406	1	Hose, Lower Radiator	
89	1001165721	1	Hose, Air Intake	
90	1001165722	1	Radiator	
91	1001165849	1	Fan	
92	1001166718	3	Mount, Motor	
93	1001166921	1	Plate, Engine Mount	
95	1001166924	1	Plate, Engine Mount	
96	1001167108	1	Harness Engine - Deutz D2.9L4 (See Separate Breakdown in ELECTRICAL Section)	
97	1001167520	1	Tray, Engine	
98	1001168018	3	Washer, Special	
99	1001168026	1	Plate, Radiator Mounting	
101	1001168099	1	Hose	
102	1001168166	2	Seal	
103	1001260420	1	Bracket	
104	1001169054	4	Isolator	
105	1001169138	4	Washer, Snubbing	
106	1001169967	2	Bracket	
107	1001170035	2	Bracket	
108	1001249965	1	Engine, Deutz D2.9L4 (See Separate Breakdown in this Section)	
110	1001140312	1	Heater, Engine Block	
112	0760607	3	Bolt M6 x 14	
113	0760815	2	Bolt M8 x 35	
114	3520054	1	Plug	

SECTION 3 - ENGINE

ITEM	PART NUMBER	QTY	DESCRIPTION	REV
115	5250810	2	Bolt M8 x 20	
116	8406110	1	Clip	
117	8406201	1	Clip	
118	1001177359	1	Hose	
119	1001178876	1	Mount, Fuel Filter	
120	1001179903	1	Bracket	
121	1001180620	AR	Adhesive	
122	1001181895	AR	Adhesive	
123	0760810	8	Bolt M8 x 20	
124	1001191620	1	Clamp	
125	4811702	12	Washer M6	
126	4751600	2	Washer 3/8	
127	3311605	1	Nut 3/8	
128	0681608	1	Bolt 3/8 x 1	
129	1001260412	1	Bracket	
130	1001162335	1	Bracket Assembly - Fuel Pump/Filter (Not Shown) (See Separate Breakdown in this Section)	
131	2200261	1	Fitting	
132	1001277432	1	Spacer	

SECTION 3 - ENGINE

FIGURE 3-14. ENGINE COMPONENTS - DEUTZ D2.9L4 ENGINE (ANSI, ANSI EXPORT AND CSA SPECS)



ART_1001249965

SECTION 3 - ENGINE

FIGURE 3-14. ENGINE COMPONENTS - DEUTZ D2.9L4 ENGINE (ANSI, ANSI EXPORT AND CSA SPECS)

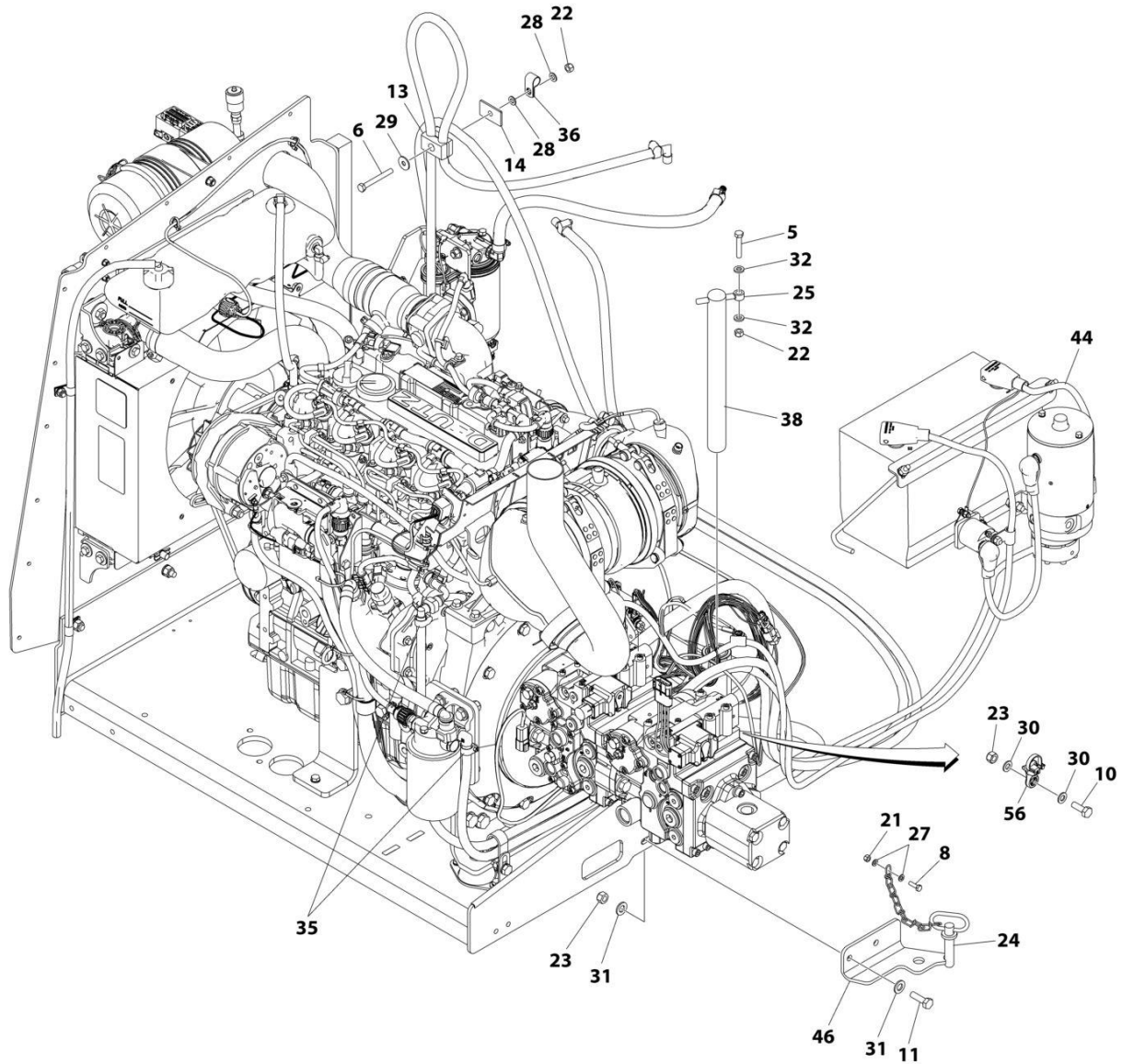
ITEM	PART NUMBER	QTY	DESCRIPTION	REV
	1001249965	Ref	DEUTZ D2.9L4 - EMR4 (49HP) ENGINE COMPONENTS	B
	See Note	Ref	Note: Contact JLG Customer Service for Availability of Additional Components.	
		Ref	Air Intake System	
	70005182	1	Charge Air Elbow	
	70005183	1	Breather Line	
		Ref	Cooling System Components	
	70030360	1	Pump, Coolant	
	70007603	1	Thermostat	
		Ref	Electrical Components	
	70025210	1	Module, Engine Control (ECM/ECU)	
	70024513	1	Harness, Fuel Filter Sensor	
	70024504	1	Sensor, Fuel Pressure	
	70006652	1	Generator	
	70024915	1	Starter	
	70025231	1	Harness, Glow Plug	
	70028540	1	Sensor, Temperature	
	70026210	1	Sensor, Speed	
	70024507	1	Sensor, Pressure (Air Intake)	
	70031145	4	Plug, Glow	
		Ref	Exhaust Components	
	70031136	1	Pipe, Exhaust	
	70004282	1	Exhaust Manifold	
		Ref	Fuel System Components	
	70030381	1	Pump, High Pressure	
	700004508	1	Valve, Volume Control	
	70004281	1	Injector, Fuel	
	70006144	1	Pump, Fuel Supply (Includes Qty 2 Mounting Clamps)	
	1001225430	1	Filter, Fuel (Pre-Filter) Assembly	
	70024961	1	Filter, Fuel	
	70025239	1	Seal	
	70024513	1	Cable, Sensor	
	70029451	1	Filter, Fuel	
		Ref	Gasket & Seal Components	
	70024905	1	Seal, Dipstick	
	70005942	2	Seal, Oil Plug	
	70024906	1	Gasket, Head	
	70005171	1	Gasket, Valve Cover	
	70002718	1	Seal, Rear Main	
	70025135	1	O-Ring, Oil Lube Pump	
	70005173	1	Gasket, Oil Lube Pump	
	70024925	1	Seal, Oil Cooler	
	70005177	1	Gasket, Charge Air Housing	
	70025200	1	O-Ring, Coolant Pump	
	70007325	1	Seal, Coolant Pump	
	70005184	1	O-Ring, Thermostat	
	70005931	1	Seal, Thermostat	
	70025164	1	Gasket, Exhaust Manifold to Head	
	70007354	1	Gasket, Short Exhaust Pipe to JLG supplied Exhaust	

SECTION 3 - ENGINE

ITEM	PART NUMBER	QTY	DESCRIPTION	REV
	70007326	1	Gasket EGR Valve	
	70031095	1	Gasket, Exhaust Return Pipe (to Air Intake Housing)	
		Ref	Other Components	
	70001870	1	Flywheel	
	7024579	1	Gear, Ring	
		Ref	Oil Lube System	
	7020465	1	Cap, Oil Fill	
	70024904	1	Dipstick	
	70005941	2	Plug, Oil (Includes Seal)	
	70005172	1	Pump, Oil Lube (Includes O-Ring & Gasket)	
	70024494	1	Oil Cooler	
	7016331	1	Filter, Oil	

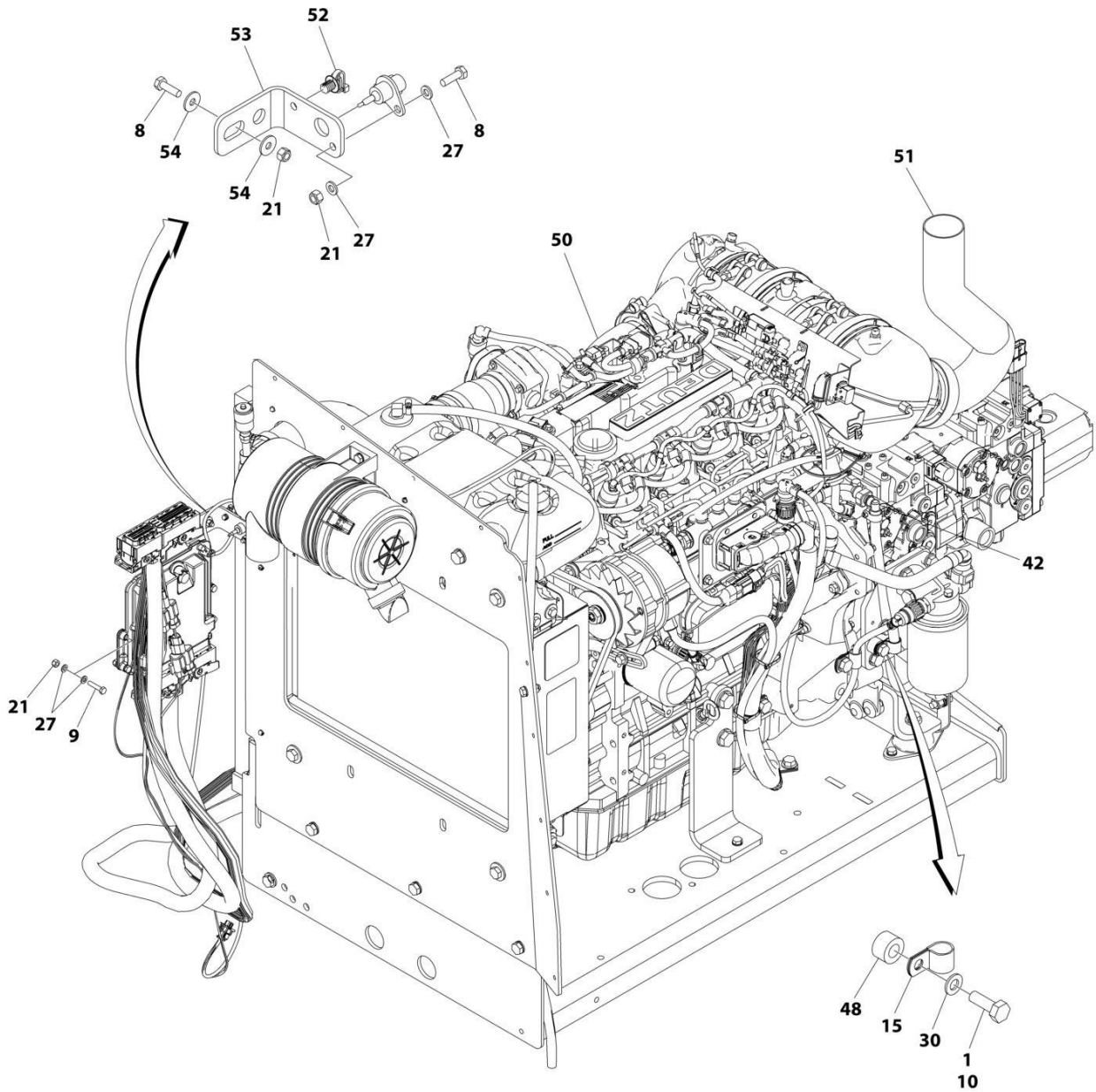
SECTION 3 - ENGINE

FIGURE 3-15. ENGINE INSTALLATION - DEUTZ D2.9L4 (STAGE V) ENGINE (WITHOUT ARCTIC PACKAGE) (CE & UK CA SPECS)



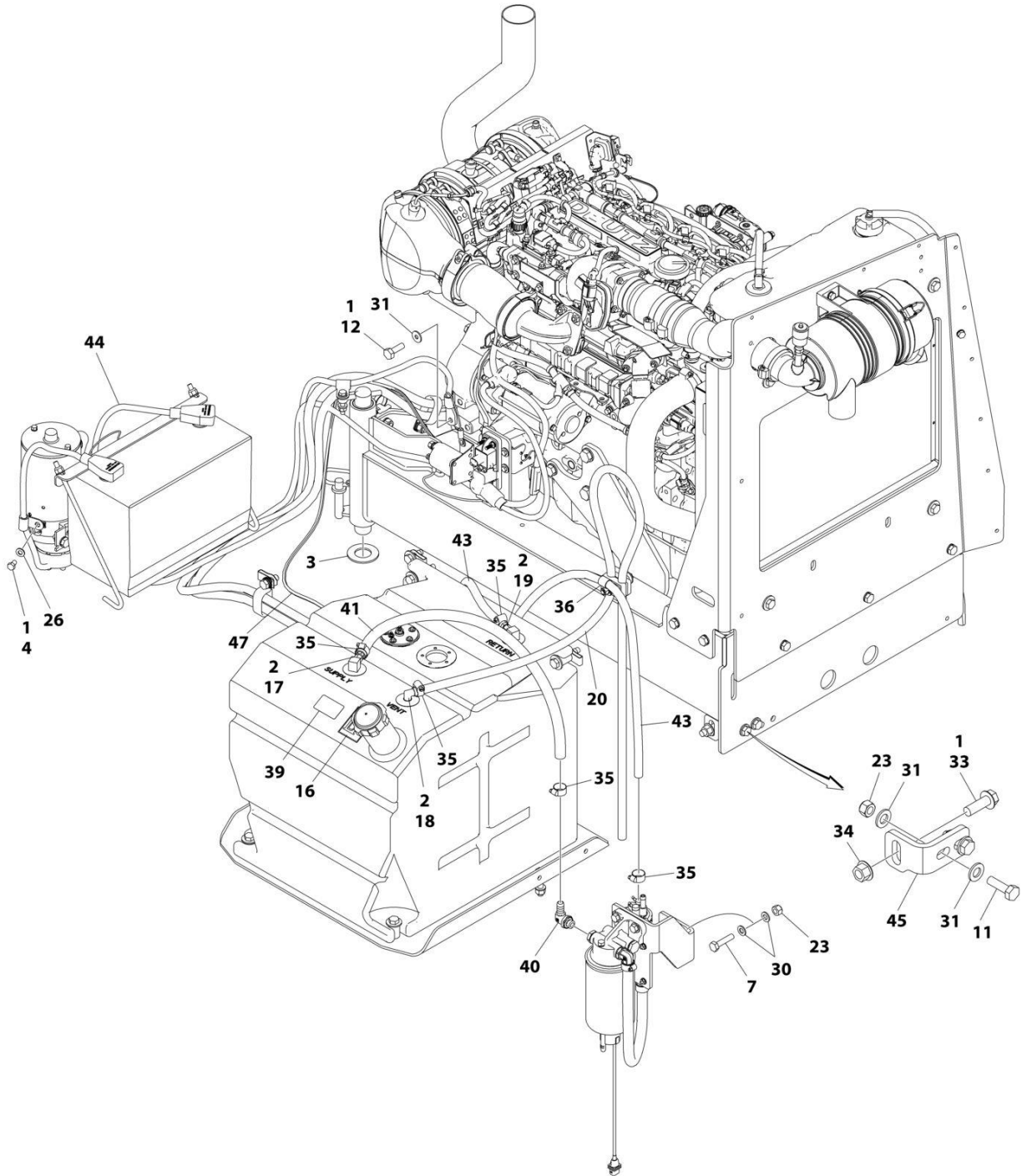
ART_1001244288_G_1OF3

SECTION 3 - ENGINE



ART_1001244288_G_2OF3

SECTION 3 - ENGINE



ART_1001244288_G_30F3

SECTION 3 - ENGINE

FIGURE 3-15. ENGINE INSTALLATION - DEUTZ D2.9L4 (STAGE V) ENGINE (WITHOUT ARCTIC PACKAGE) (CE & UK CA SPECS)

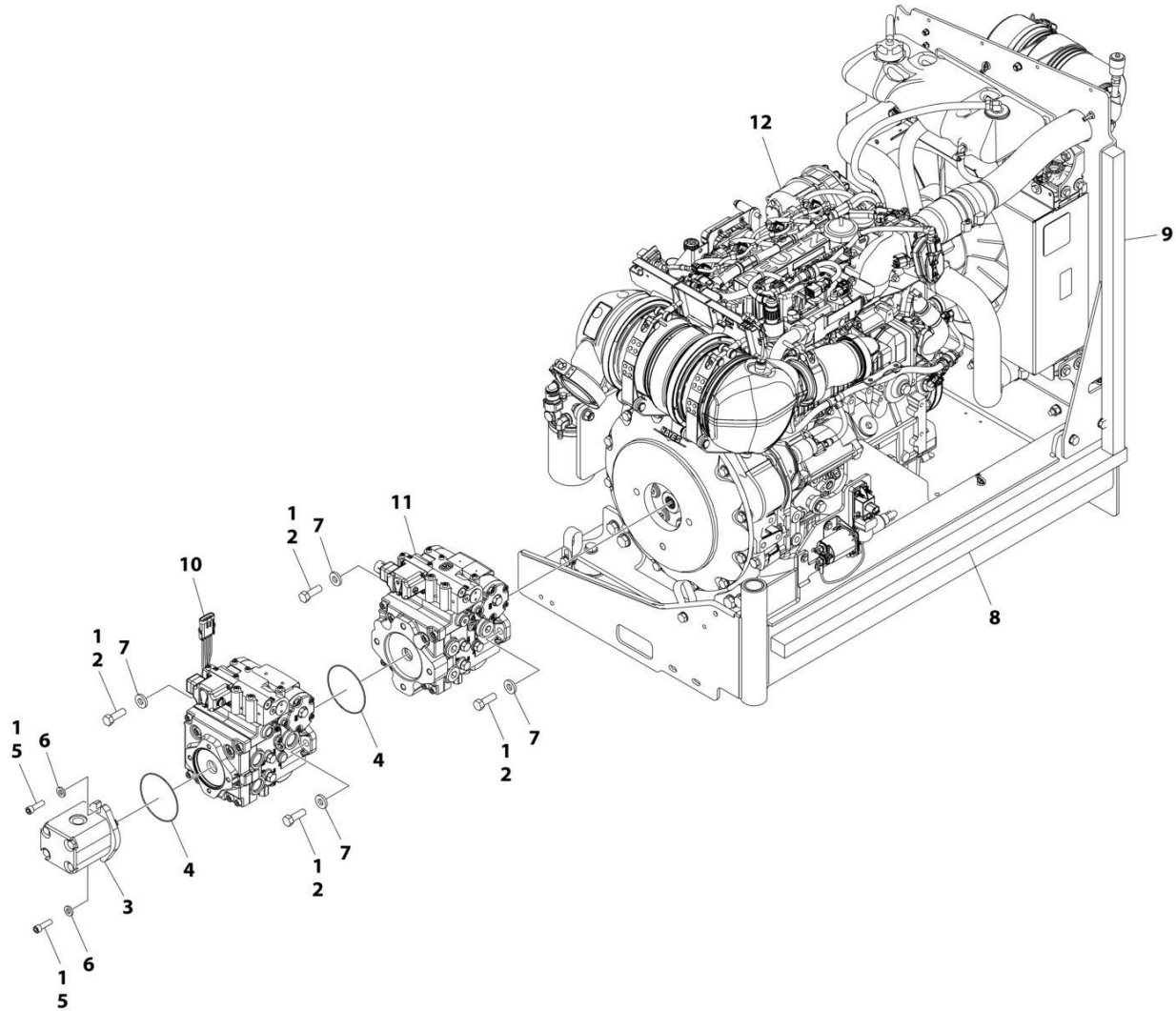
ITEM	PART NUMBER	QTY	DESCRIPTION	REV
	1001244288	Ref	ENGINE INSTALLATION - DEUTZ D2.9L4 (STAGE V) ENGINE	G
1	0100011	AR	Compound, Locking	
2	0100020	AR	Sealant, Pipe	
3	0440162	1	Bearing	
4	0641504	1	Bolt 5/16 x 1/2	
5	0700817	1	Bolt M8 x 45	
6	0700822	1	Bolt M8 x 70	
7	0701017	2	Bolt M10 x 45	
8	0760610	4	Bolt M6 x 20	
9	0760613	4	Bolt M6 x 28	
10	0761014	2	Bolt M10 x 30	
11	0761015	4	Bolt M10 x 35	
12	0771212	1	Bolt M12 x 25	
13	1320187	1	Clamp	
14	1320190	1	Clamp	
15	1320061	1	Clamp	
16	1701505	1	Decal - Diesel Fuel	
17	2180832	1	Fitting, Barbed	
18	2220313	1	Fitting, Barbed 90	
19	8430007	1	Coupling	
20	2750532	5.5 ft /1.69m	Hose	
21	3290605	8	Nut M6	
22	3290805	2	Nut M8	
23	3291005	7	Nut M10	
24	3422532	1	Pin	
25	3841143	1	Keeper, Pin	
26	4711500	1	Washer, 5/16	
27	4811700	12	Washer, M6	
28	4811900	2	Washer, M8	
29	4811902	1	Washer, M8	
30	4812000	7	Washer, M10	
31	4812100	9	Washer, M12	
32	5240800	2	Washer, M8 Hardened	
33	5251215	1	Bolt M12 x 35	
34	5261200	1	Nut, Flange M12 Class10	
35	8405006	7	Clamp	
36	8406101	1	Clip	
38	1001135196	1	Pin	
39	1001139654	1	Decal, Ultra Low Sulfur Fuel	
40	1001142501	1	Fitting, Barbed 90	
41	1001154405	2.29 ft /0.70m	Hose	
42	1001155823	1	Coupling, Quick Disconnect 90	
43	1001165035	21.06 ft /6.42m	Hose	
44	1001166970	1	Battery and Auxiliary Power Pump Cable Kit	
45	1001167512	1	Bracket, Engine Tray	
46	1001169823	1	Plate, Engine Lock	

SECTION 3 - ENGINE

ITEM	PART NUMBER	QTY	DESCRIPTION	REV
47	1001173342	1	Harness, Fuel Pump (See Separate Breakdown in ELECTRICAL Section)	
48	1001220266	1	Bar, Spacer M12 x 12	
50	1001277601	1	Engine Assy, Deutz Stage V W/Pumps (See Separate Breakdown in this Section)	
51	1001245305	1	Pipe, Exhaust	
52	1001146588	2	Strap	
53	1001256879	1	Bracket	
54	4811702	4	Washer M6	
55	1062255	AR	Tie-Strap (Not Shown)	
56	1001156107	1	Holder	

SECTION 3 - ENGINE

FIGURE 3-16. ENGINE AND PUMP SUB-ASSEMBLY - DEUTZ D2.9L4 (STAGE V) ENGINE (WITHOUT ARCTIC PACKAGE) (CE & UK CA SPECS)



ART_1001277601

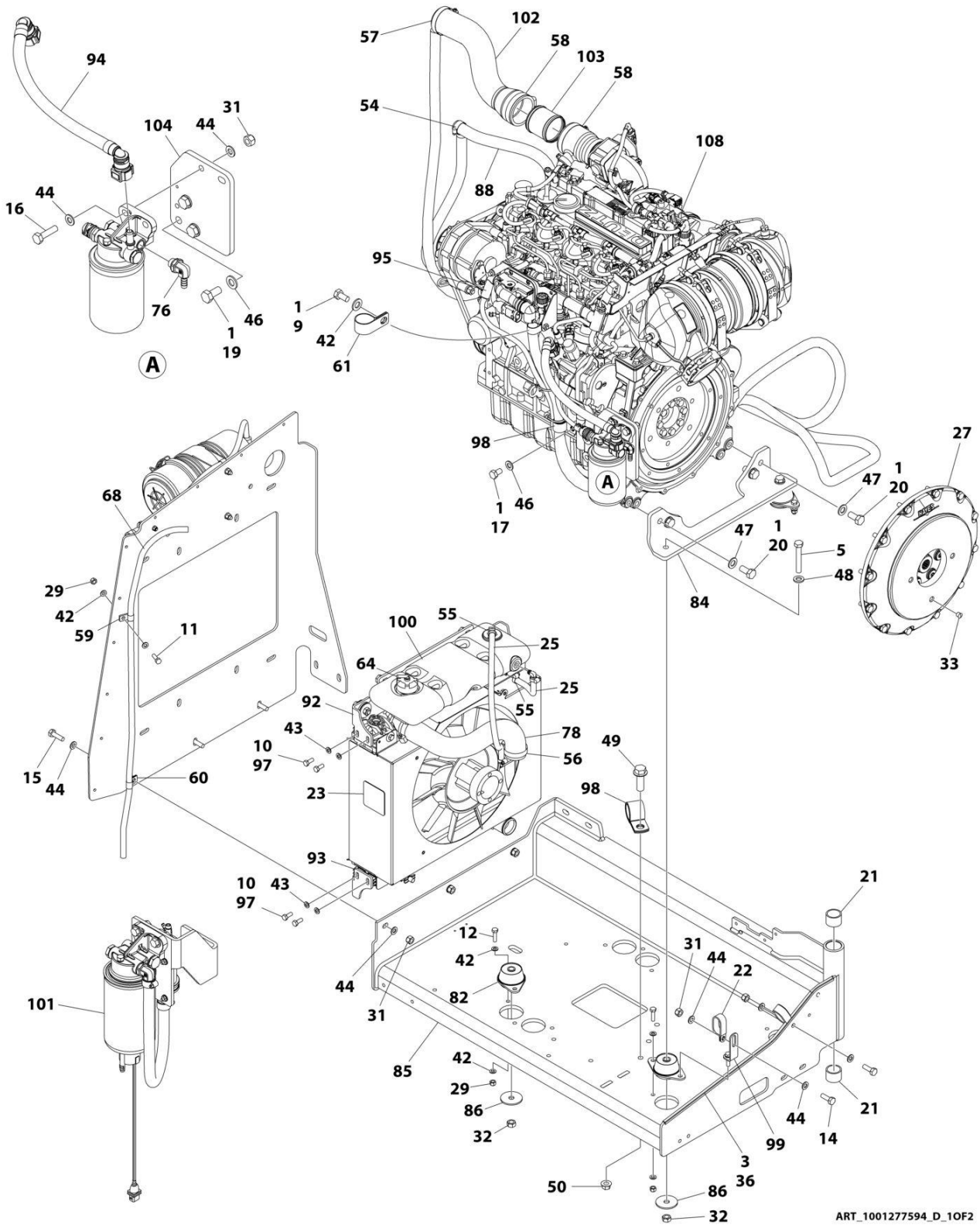
SECTION 3 - ENGINE

FIGURE 3-16. ENGINE AND PUMP SUB-ASSEMBLY - DEUTZ D2.9L4 (STAGE V) ENGINE (WITHOUT ARCTIC PACKAGE) (CE & UK CA SPECS)

ITEM	PART NUMBER	QTY	DESCRIPTION	REV
	1001277601	Ref	ENGINE AND PUMP SUB-ASSEMBLY - DEUTZ D2.9L4 (STAGE V) ENGINE	B
1	0100011	AR	Compound, Locking	
2	0641812	4	Bolt 1/2 x 1-1/2	
3	3600242	1	Gear Pump Assembly (See Separate Breakdown in this Section)	
4	3790045	2	O-Ring	
5	3931620	2	Capscrew, 3/8 x 1-1/4	
6	4891600	2	Washer, 3/8 Hardened	
7	4891800	4	Washer 1/2 Hardened	
8	1001171953	1	Seal	
9	1001171954	1	Seal	
10	1001189236	1	Piston Pump Assembly (Rear) (See Separate Breakdown in this Section)	
11	1001189237	1	Piston Pump Assembly (Front) (See Separate Breakdown in this Section)	
12	1001277594	1	Engine Assembly, Deutz (Stage V) Engine (See Separate Breakdown in this Section)	

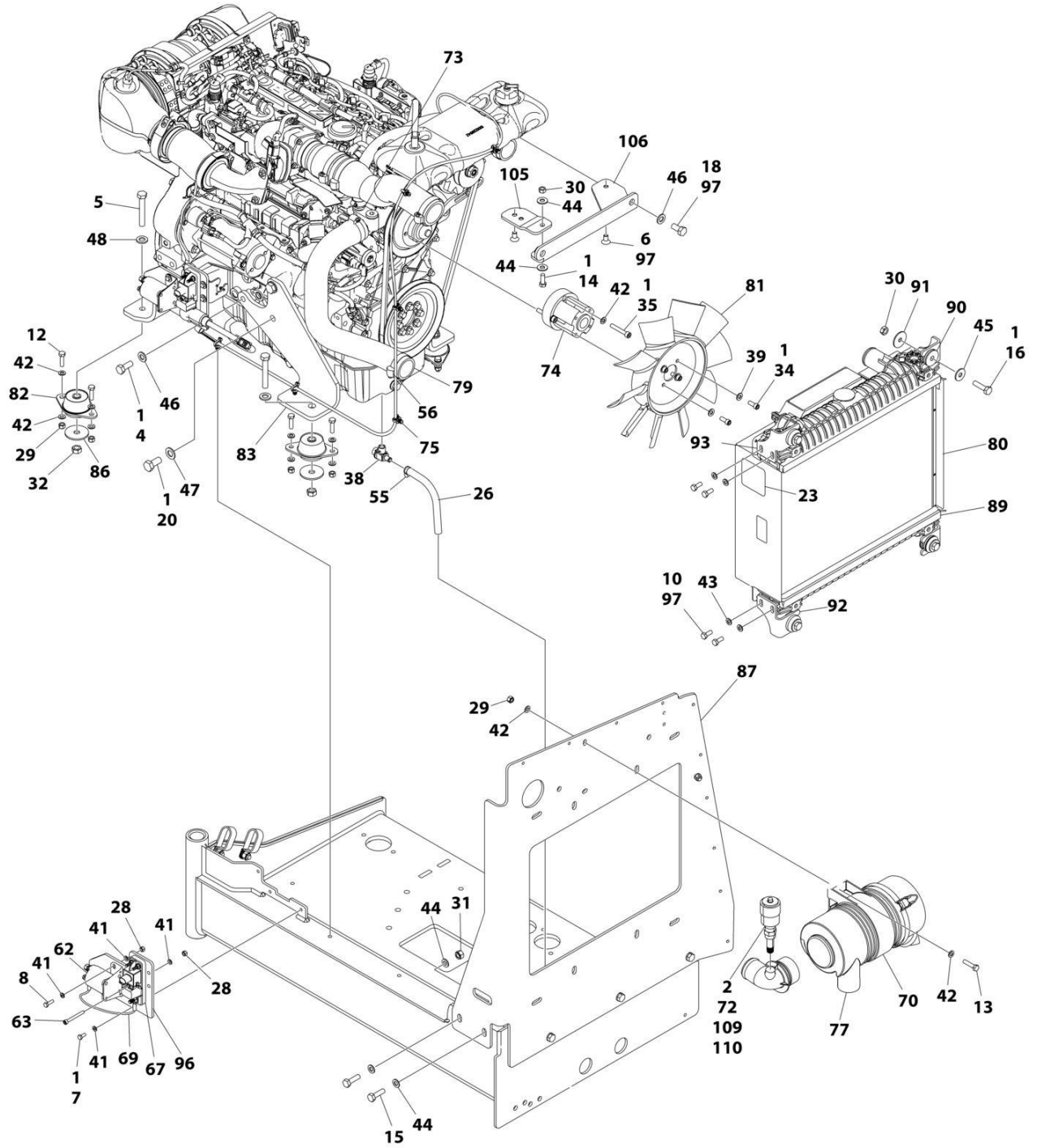
SECTION 3 - ENGINE

FIGURE 3-17. ENGINE ASSEMBLY - DEUTZ D2.9L4 (STAGE V) ENGINE (WITHOUT ARCTIC PACKAGE) (CE & UK CA SPECS)



ART_1001277594_D_10F2

SECTION 3 - ENGINE



ART_1001277594_D_20F2

SECTION 3 - ENGINE

FIGURE 3-17. ENGINE ASSEMBLY - DEUTZ D2.9L4 (STAGE V) ENGINE (WITHOUT ARCTIC PACKAGE) (CE & UK CA SPECS)

ITEM	PART NUMBER	QTY	DESCRIPTION	REV
	1001277594	Ref	ENGINE ASSEMBLY - DEUTZ D2.9L4 (STAGE V)	D
1	0100011	AR	Compound, Locking	
2	0100020	AR	Sealant, Pipe	
3	0100081	AR	Adhesive	
4	0711214	1	Bolt M12 x 30 Class 10.9	
5	0711224	3	Bolt M12 x 80 Class 10.9	
6	0741606	2	Screw 3/8 x 3/4	
7	0760607	3	Bolt M6 x 14	
8	0760610	2	Bolt M6 x 20	
9	0760808	1	Bolt M8 x 16	
10	0760810	8	Bolt M8 x 20	
11	0760812	1	Bolt M8 x 25	
12	0760814	6	Bolt M8 x 30	
13	0760815	2	Bolt M8 x 35	
14	0761014	3	Bolt M10 x 30	
15	0761015	5	Bolt M8 x 35	
16	0761016	6	Bolt M10 x 40	
17	0761210	1	Bolt M12 x 20	
18	0761212	2	Bolt M12 x 25	
19	0771212	3	Bolt M12 x 25	
20	0771414	6	Bolt M14 x 30 Class 10.9	
21	0961951	2	Bushing	
22	1321716	2	Clamp	
23	1703162	2	Decal - Caution Fan	
25	2720015	1.94 ft /0.59m	Hose	
26	2720340	0.66 ft/ 0.20m	Hose	
27	2902065	1	Pump Coupling Kit (See Separate Breakdown in this Section)	
28	3290605	3	Nut M6	
29	3290805	9	Nut M8	
30	3291001	5	Nut M10	
31	3291005	9	Nut M10	
32	3331215	3	Nut M12 x 1.75	
33	3520054	1	Plug	
34	3931512	4	Capscrew, 5/16 x 3/4	
35	4031914	4	Bolt M8 x 50	
36	4060805	2.03 ft /0.62m	Flex-Trim	
37	4240099	AR	Tie-Strap (Not Shown)	
38	4640751	1	Valve, Oil Drain	
39	4711500	4	Washer 5/16	
40	4811700	2	Washer M6	
41	4811702	8	Washer M6	
42	4811900	23	Washer M8	
43	4811902	8	Washer M8	
44	4812000	20	Washer M10	
45	4812002	4	Washer M10	
46	4812100	7	Washer M12	

SECTION 3 - ENGINE

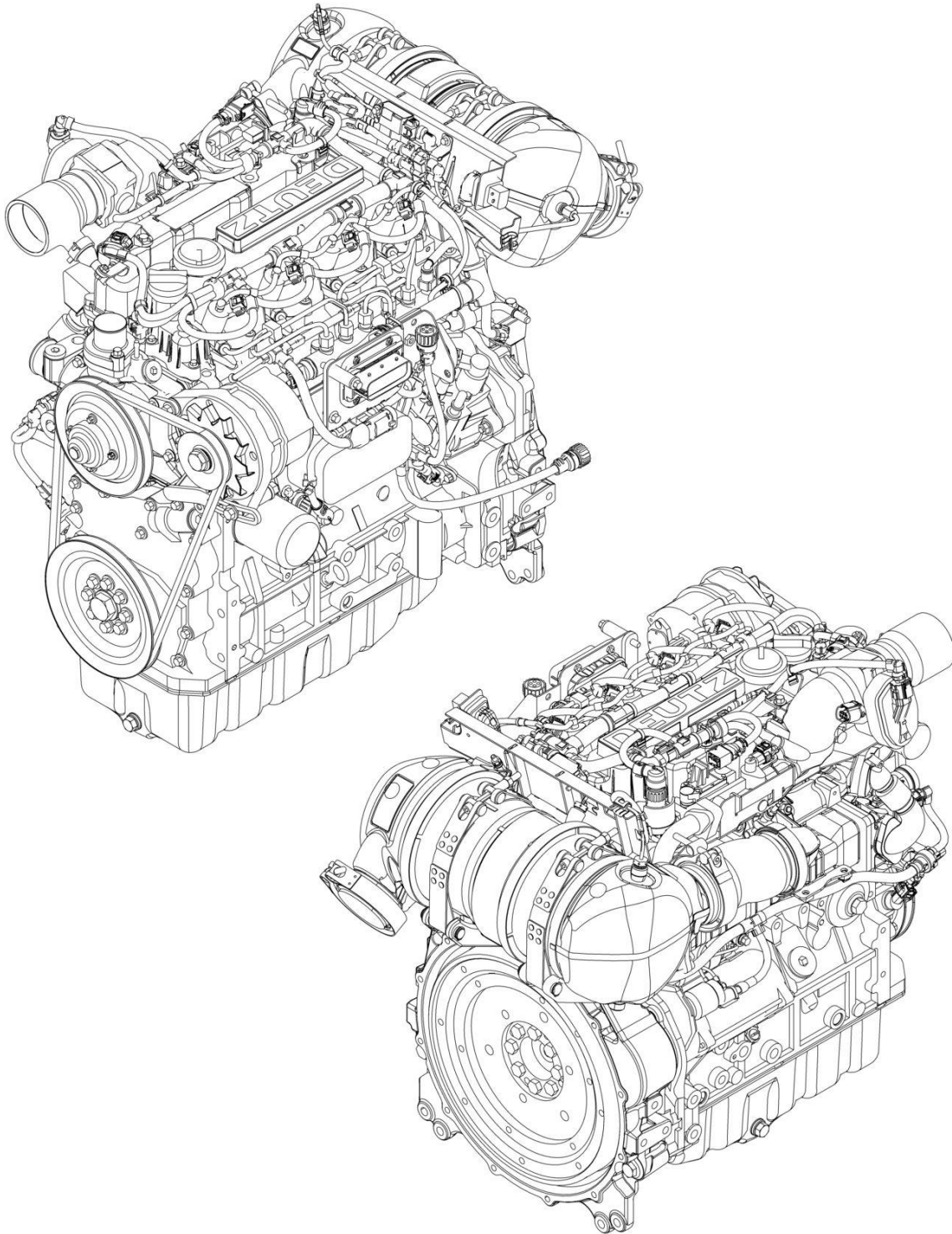
ITEM	PART NUMBER	QTY	DESCRIPTION	REV
47	4812200	6	Washer M14	
48	5241200	3	Washer M12	
49	5251215	1	Bolt M12 x 35	
50	5261200	1	Nut, Flange M12 Class10	
54	8405007	2	Clamp	
55	8405009	5	Clamp	
56	8405104	4	Clamp	
57	8405202	1	Clamp	
58	8405204	2	Clamp	
59	8406109	1	Clip	
60	8406110	1	Clip	
61	8406201	1	Clip	
62	1001117308	1	Relay, 200Amp	
63	1001118878	1	Bolt M6 x 55	
64	1001136834	1	Cap, Tank	
67	1001138228	1	Relay, Power Module	
68	1001138248	41 in/ 1041mm	Tube	
69	1001141304	1	Harness, Glow Plug	
70	1001141694	1	Clamp, Air Cleaner	
72	1001143390	1	Indicator	
73	1001143797	1	Fitting, Barbed	
74	1001144116	1	Spacer, Fan	
75	1001146588	AR	Tie-Strap (Not Shown)	
76	1001152489	1	Fitting, Barbed 90	
77	1001165388	1	Air Cleaner Assembly	
78	1001165405	1	Hose, Upper Radiator	
79	1001165406	1	Hose, Lower Radiator	
80	1001165722	1	Radiator	
81	1001165849	1	Fan	
82	1001166718	3	Mount, Motor	
83	1001166921	1	Plate, Engine Mount	
84	1001166924	1	Plate, Engine Mount	
85	1001167520	1	Tray, Engine	
86	1001168018	3	Washer, Special	
87	1001168026	1	Plate, Radiator Mounting	
88	1001168099	1	Hose	
89	1001168166	2	Seal	
90	1001169054	4	Isolator	
91	1001169138	4	Washer, Snubbing	
92	1001169967	2	Bracket	
93	1001170035	2	Bracket	
94	1001177359	1	Hose	
95	1001178788	1	Cable, Alternator	
96	1001179903	1	Bracket	
97	1001180620	AR	Adhesive	
98	1001191620	2	Clamp	
99	1001223122	1	Support	
100	1001230635	1	Tank, Surge (Includes Items 62, 70, & 73)	
101	1001235949	1	Bracket (See Separate Breakdown in this Section)	
102	1001236780	1	Hose, Air Intake	
103	1001238911	1	Pipe, Air Intake	

SECTION 3 - ENGINE

ITEM	PART NUMBER	QTY	DESCRIPTION	REV
104	1001258804	1	Mount, Fuel Filter	
105	1001260412	1	Bracket	
106	1001260420	1	Bracket (note: may require P/N 1001260412)	
107	1001276643	1	Harness, Engine (Not Shown - See Separate Breakdown in ELECTRICAL Section)	
108	1001277589	1	Engine, Deutz 2.9L4 (Stage V) (See Separate Breakdown in this Section)	
109	2200261	1	Fitting	
110	1001277432	1	Spacer	

SECTION 3 - ENGINE

FIGURE 3-18. ENGINE COMPONENTS - DEUTZ D2.9L4 (STAGE V) ENGINE (WITHOUT ARCTIC PACKAGE) (CE & UK CA SPECS)



ART_1001277589

SECTION 3 - ENGINE

FIGURE 3-18. ENGINE COMPONENTS - DEUTZ D2.9L4 (STAGE V) ENGINE (WITHOUT ARCTIC PACKAGE) (CE & UK CA SPECS)

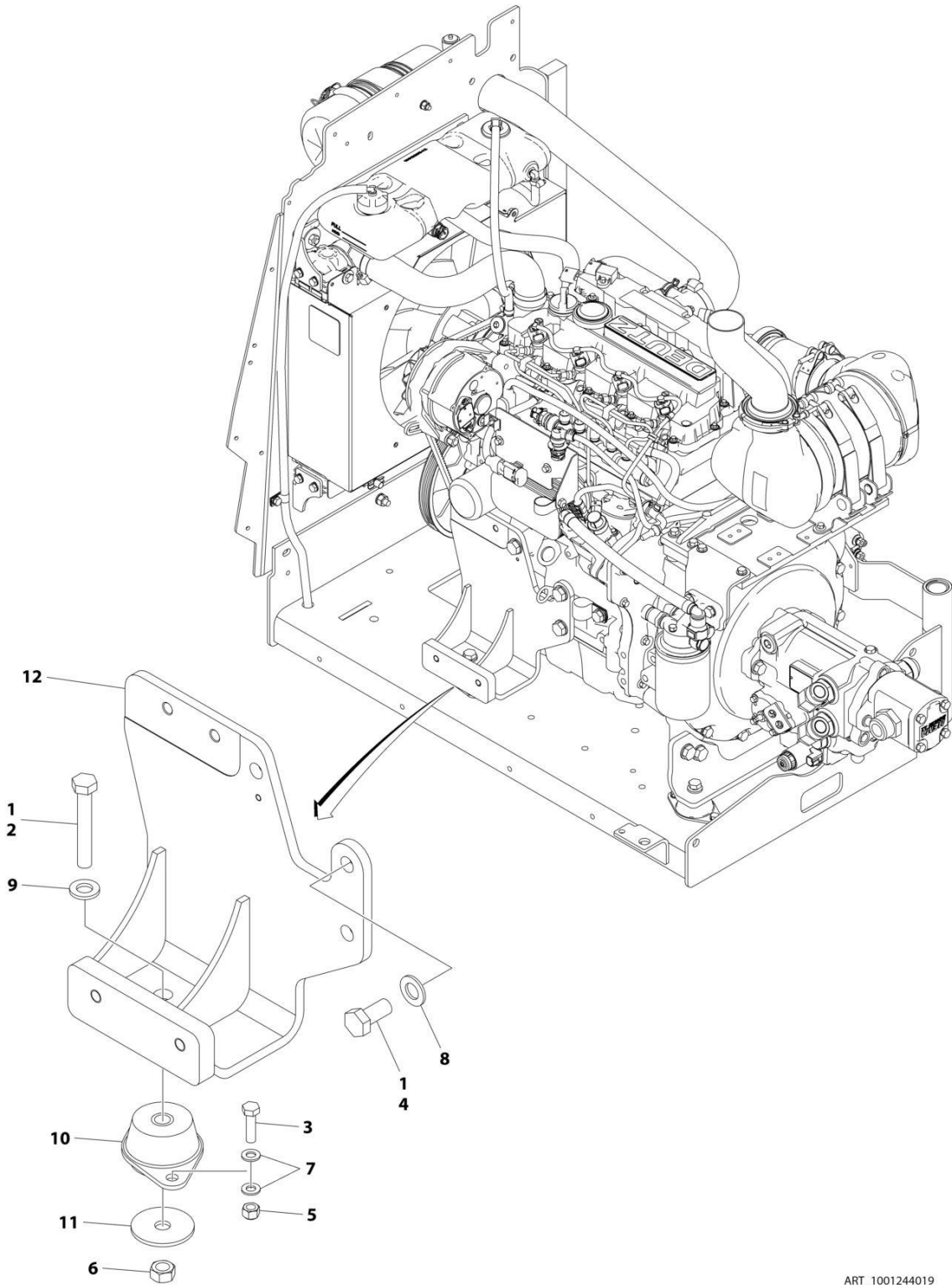
ITEM	PART NUMBER	QTY	DESCRIPTION	REV
	1001277589	Ref	DEUTZ ENGINE COMPONENTS	B
		Ref	COOLING SYSTEM COMPONENTS	
	70031474	1	Cooler, Oil	
	70031388	1	Seal, Oil Cooler	
	70030360	1	Pump, Coolant (Includes Gaskets & Seals)	
	70031055	1	O-Ring, Coolant Pump	
	70007325	1	Gasket	
	70007603	1	Thermostat	
	70005184	1	O-Ring, Thermostat	
	70005931	1	Gasket, Thermostat	
		Ref	ELECTRICAL SYSTEM COMPONENTS	
	70024513	1	Cable, Primary Fuel Filter Sensor (Includes Seal)	
	70025239	1	Seal	
	70028538	1	Sensor, Fuel Pressure (at Filter) (Includes Seal)	
	70024920	1	Seal	
	70029512	1	Module, ECU/ECM	
	70027405	1	Sensor, Exhaust Temperature	
	70031144	1	Starter	
	70008435	1	Generator (includes Regulator)	
	70031143	1	Regulator	
	70000345	4	Plug, Glow	
	70025231	1	Harness, Glow Plug	
	70008553	1	Cable, Interconnect	
	70008558	1	Harness, Engine	
	1001211556	1	Sensor, Temperature (Includes O-Seal)	
	70005507	1	O-Seal	
	70028540	1	Sensor, Temperature (in Cylinder Head)	
	70024504	1	Sensor, Oil Pressure (Side of Block) (Includes Seal)	
	70024920	1	Seal	
	70026210	2	Sensor, Speed (Includes O-Ring/Seal)	
	70005191	1	O-Ring	
	70024917	1	Seal	
	70008559	1	Sensor, Air Pressure (Air Exchange Manifold) (Includes O-Ring)	
	70008561	1	Sensor, Air Pressure (Air Exchange Manifold) (Includes O-Ring)	
	70024505	1	Sender, Exhaust Temperature	
	70029409	1	Sender, Exhaust Temperature	
	70008431	1	Sensor, Exhaust Pressure	
		Ref	EXHAUST SYSTEM COMPONENTS	
	70025130	8	Bolt, Exhaust Manifold	
	70025164	1	Gasket, Exhaust Manifold to Head	
	70005505	2	O-Seal	
	70008543	1	Pipe, Exhaust	
	70008544	1	O-Seal, Exhaust (Venturi Tube to Exhaust Pipe)	
	70008545	1	Gasket, Square Exhaust	
	70005504	1	Sensor, Exhaust Pressure (Includes O-Seals)	
	70031136	1	Gasket, Exhaust (Upper)	
	70007354	1	Gasket, Exhaust (Lower)	
	70008547	1	Module, EGR (Includes Gasket)	
	70007326	1	Gasket	

SECTION 3 - ENGINE

ITEM	PART NUMBER	QTY	DESCRIPTION	REV
	70025242	2	Gasket, Compensator	
	70004504	1	Compensator	
	70008564	1	Catalyst	
		Ref	FUEL SYSTEM COMPONENTS	
	1001225430	1	Filter, Primary Fuel	
	1001225431	1	Filter, Fuel	
	70030381	1	Pump, High Pressure	
	70025152	1	O-Ring (Between Pump AND Spacer)	
	70004505	1	Valve, Overflow (Includes O-Rings)	
	70004506	1	O-Ring	
	70004507	1	O-Ring	
	70004508	1	Valve, Volume Control (Includes O-Ring & Gasket)	
	70004509	1	O-Ring	
	70004510	1	Gasket	
	70004281	4	Injector, Fuel (Includes Sealing Washer & O-Ring)	
	70025140	1	Washer, Sealing	
	70025145	1	O-Rin	
	70008422	1	Pump, Fuel Supply (Includes Clamps)	
	70025144	2	Clamp	
	70008537	1	Valve, Throttle (Includes Gasket)	
	70008538	1	Gasket	
		Ref	GASKETS & SEAL & KITS	
	70024906	1	Gasket, Head	
	70005171	1	Gasket, Valve Cover	
	70002718	1	Seal, Rear Main	
	70028185	1	Gasket, Front Cover	
	70008296	1	Seal, Front Main	
	70025235	1	Kit, Repair - Fuel Rail	
	70005176	1	O-Ring, Charge Exchange Manifold	
	70005177	1	Gasket, Charge Exchange Manifold	
	70005938	1	Gasket Kit	
		Ref	LUBRICATION SYSTEM COMPONENTS	
	7016331	1	Filter, Oil	
	70024904	1	Dipstick (Includes O-Ring)	
	70024905	1	O-Ring, Dipstick	
	7020465	2	Cap, Oil Fill	
	70005941	1	Plug, Oil Drain	
	70005942	1	Washer, Oil Drain Plug	
	70005172	1	Pump, Oil Lube (Includes Gasket & O-Ring)	
		Ref	MECHANICAL COMPONENTS	
	70001870	1	Flywheel (Includes Ring Gear)	
	7024579	1	Gear, Ring	
	70024913	1	V-Belt	

SECTION 3 - ENGINE

FIGURE 3-19. MOTOR MOUNT INSTALLATION - STAGE V ENGINE (WITHOUT GENERATOR)



ART_1001244019

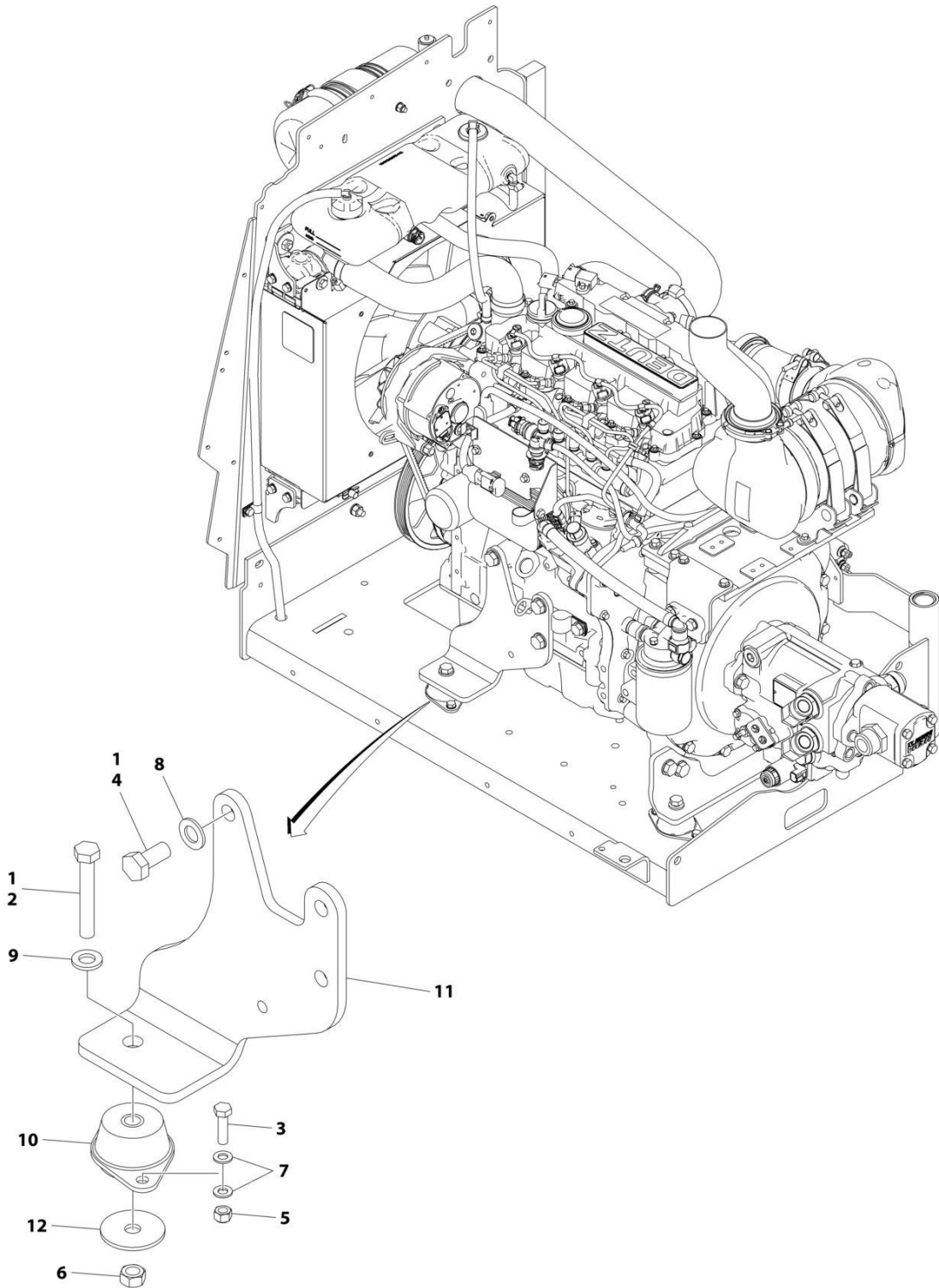
SECTION 3 - ENGINE

FIGURE 3-19. MOTOR MOUNT INSTALLATION - STAGE V ENGINE (WITHOUT GENERATOR)

ITEM	PART NUMBER	QTY	DESCRIPTION	REV
	1001244019	Ref	MOTOR MOUNT INSTALLATION	A
1	0100011	AR	Compound, Locking	
2	0711224	1	Bolt M12 x 80	
3	0760814	2	Bolt M8 x 30	
4	0771414	3	Bolt M14 x 30	
5	3290805	2	Nut M8	
6	3331211	1	Nut M12	
7	4811900	4	Washer M8	
8	4812200	3	Washer M14	
9	5241200	1	Washer M12	
10	1001166718	1	Mount, Motor	
11	1001168018	1	Washer	
12	1001168207	1	Mount	

SECTION 3 - ENGINE

FIGURE 3-20. MOTOR MOUNT INSTALLATION - STAGE V ENGINE (WITH GENERATOR)



ART_1001244024

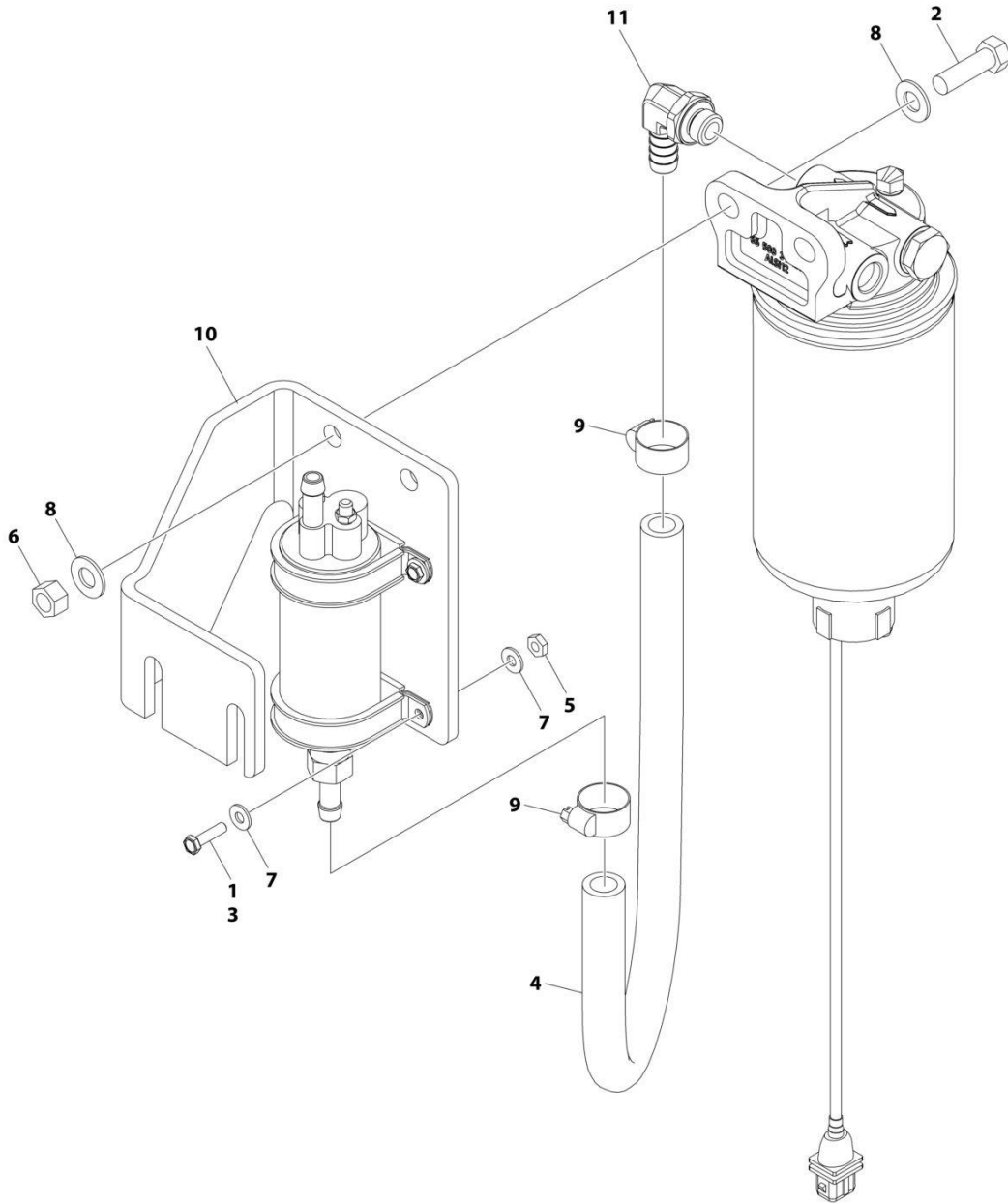
SECTION 3 - ENGINE

FIGURE 3-20. MOTOR MOUNT INSTALLATION - STAGE V ENGINE (WITH GENERATOR)

ITEM	PART NUMBER	QTY	DESCRIPTION	REV
	1001244024	Ref	MOTOR MOUNT INSTALLATION	A
1	0100011	AR	Compound, Locking	
2	0711224	1	Bolt M12 x 80	
3	0760814	2	Bolt M8 x 30	
4	0771414	3	Bolt M14 x 30	
5	3290805	2	Nut M8	
6	3331211	1	Nut M12	
7	4811900	4	Washer M8	
8	4812200	3	Washer M14	
9	5241200	1	Washer M12	
10	1001166718	1	Mount, Motor	
11	1001166922	1	Mount	
12	1001168018	1	Washer	

SECTION 3 - ENGINE

FIGURE 3-21. BRACKET ASSEMBLY - FUEL PUMP AND FILTER (DEUTZ D2.9L4 ENGINE)



ART_1001162335

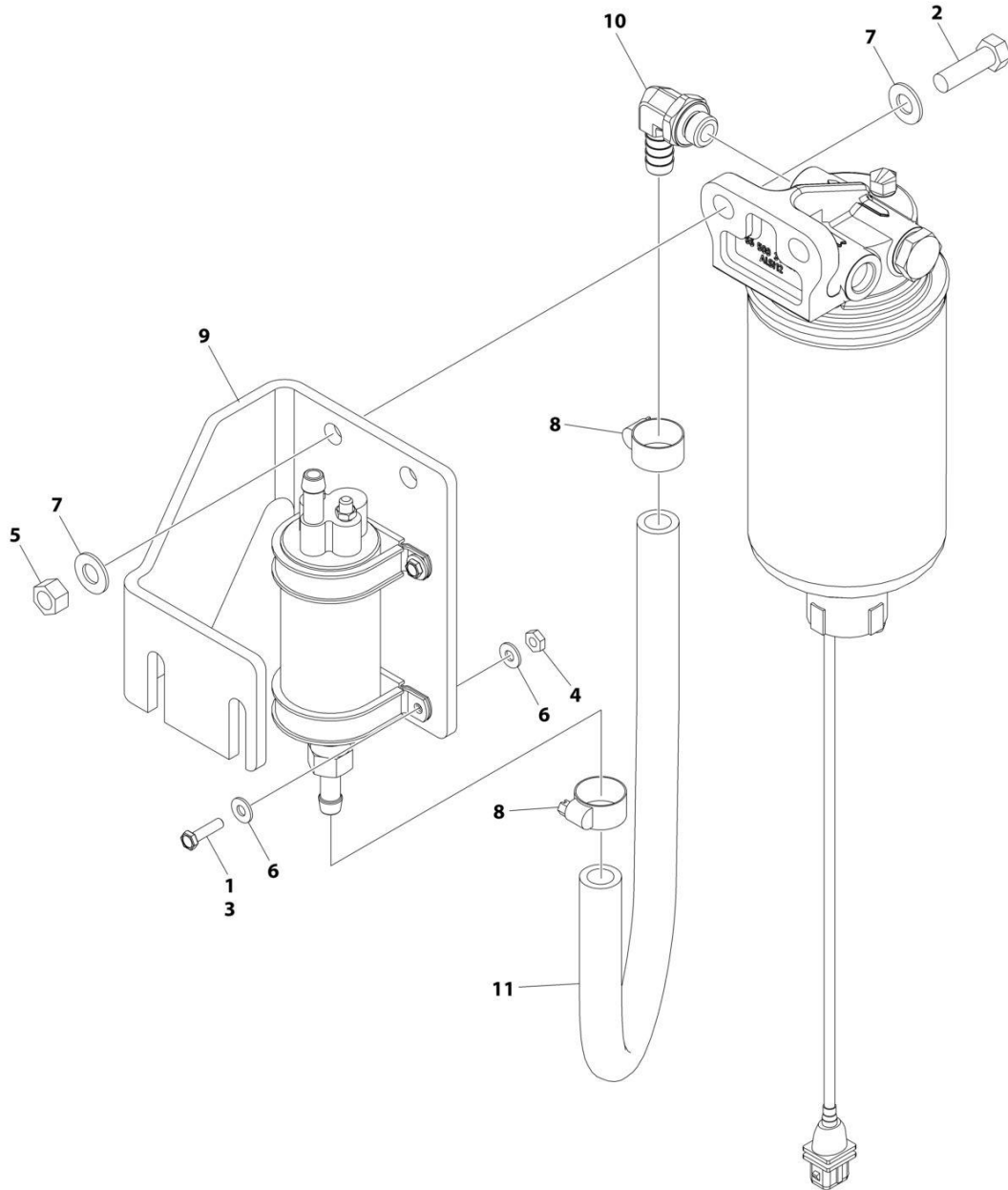
SECTION 3 - ENGINE

FIGURE 3-21. BRACKET ASSEMBLY - FUEL PUMP AND FILTER (DEUTZ D2.9L4 ENGINE)

ITEM	PART NUMBER	QTY	DESCRIPTION	REV
	1001162335	Ref	BRACKET ASSEMBLY - FUEL PUMP AND FILTER (DEUTZ D2.9L4 ENGINE)	E
1	0100011	AR	Compound, Locking	
2	0641610	2	Bolt 3/8 x 1-1/4	
3	0721006	4	Bolt #10 x 3/4	
4	1001154405	AR	Hose	
5	3311001	4	Nut #10	
6	3311605	2	Nut 3/8	
7	4711000	8	Washer #10	
8	4711600	4	Washer 3/8	
9	8405006	2	Clamp	
10	1001141870	1	Plate, Fuel Pump Mount	
11	1001142501	1	Fitting, Elbow Barbed	

SECTION 3 - ENGINE

FIGURE 3-22. BRACKET ASSEMBLY - FUEL PUMP AND FILTER (DEUTZ D2.9L4 (STAGE V) ENGINE)



ART_1001235949

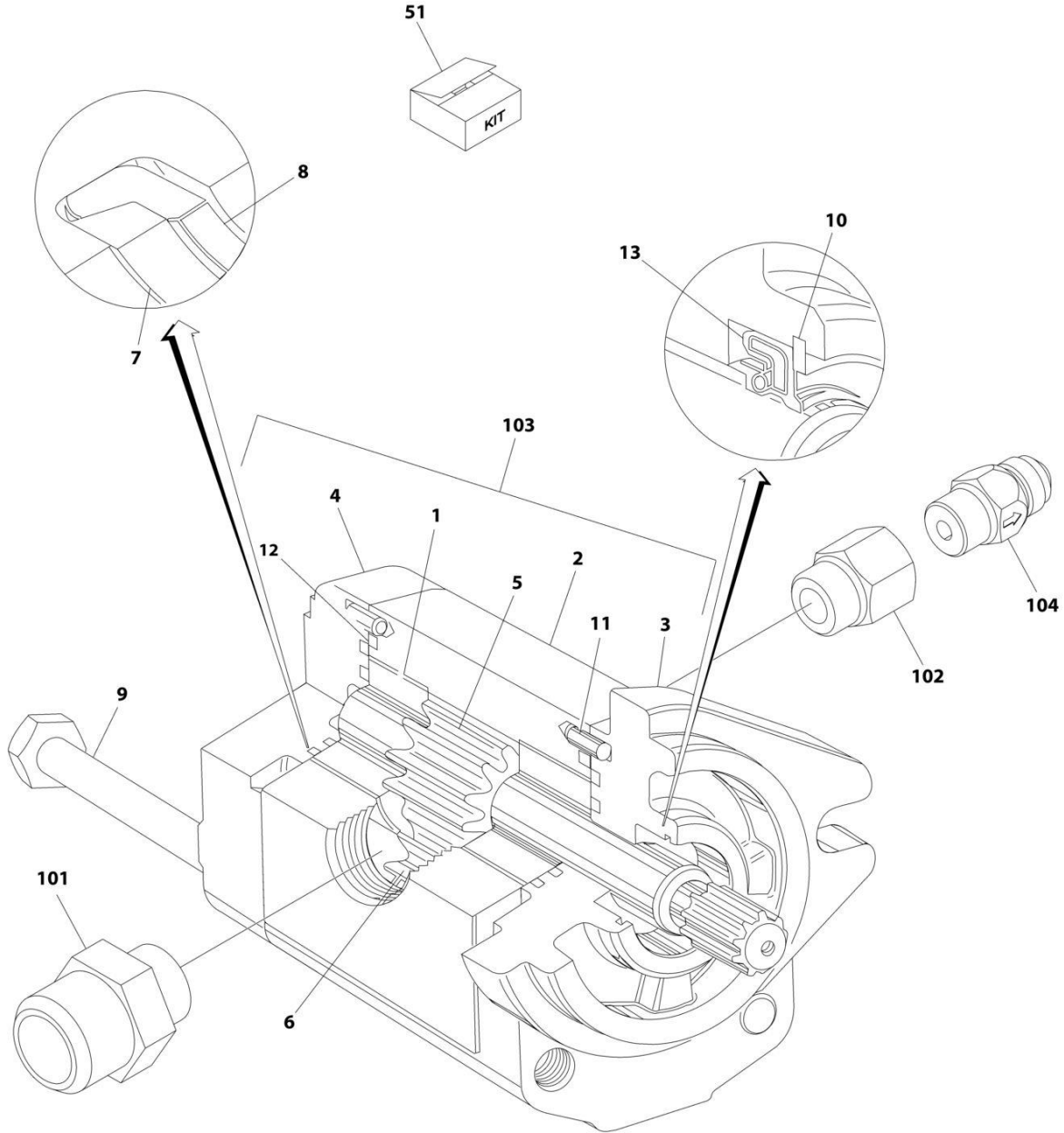
SECTION 3 - ENGINE

FIGURE 3-22. BRACKET ASSEMBLY - FUEL PUMP AND FILTER (DEUTZ D2.9L4 (STAGE V) ENGINE)

ITEM	PART NUMBER	QTY	DESCRIPTION	REV
	1001235949	Ref	BRACKET ASSEMBLY - FUEL PUMP AND FILTER (DEUTZ D2.9L4 (STAGE V) ENGINE)	A
1	0100035	AR	Compound, Locking	
2	0641610	2	Bolt 3/8 x 1-1/4	
3	0721006	4	Bolt #10 x 3/4	
4	3311001	4	Nut #10	
5	3311605	2	Nut 3/8	
6	4711000	8	Washer #10	
7	4711600	4	Washer 3/8	
8	8405006	2	Clamp	
9	1001141870	1	Plate, Fuel Pump Mount	
10	1001142501	1	Fitting, Elbow Barbed	
11	1001154405	1.5 ft /0.4m	Hose	

SECTION 3 - ENGINE

FIGURE 3-23. GEAR PUMP ASSEMBLY



ART_3600242

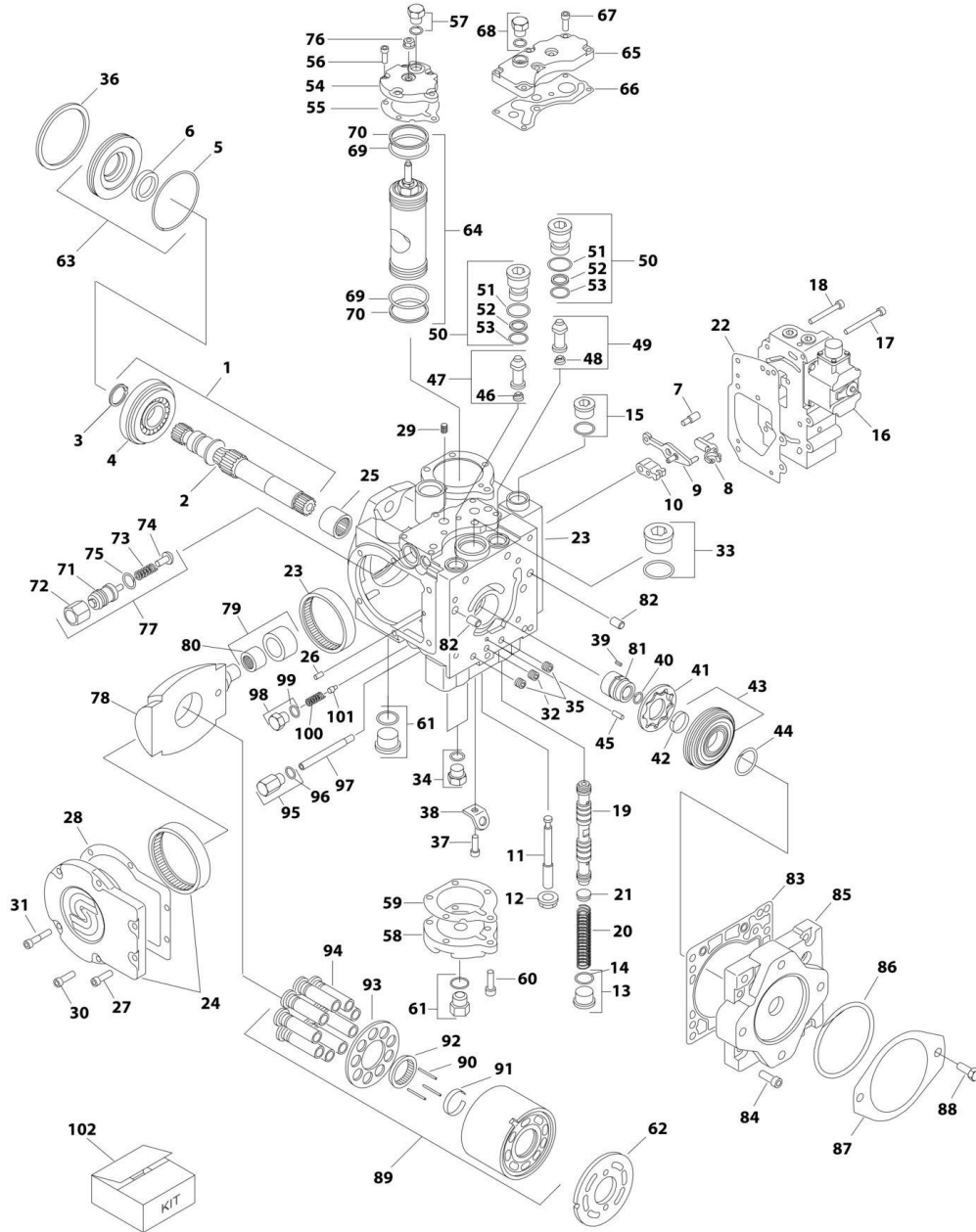
SECTION 3 - ENGINE

FIGURE 3-23. GEAR PUMP ASSEMBLY

ITEM	PART NUMBER	QTY	DESCRIPTION	REV
	3600242	Ref	GEAR PUMP ASSEMBLY	
1	7010105	2	Bearing/Bushing	
2	See Note	NSS	Housing (Note: Use Item 3600242)	
3	See Note	NSS	Flange (Note: Use Item 3600242)	
4	7010103	1	Cover	
5	7012987	1	Gear, Drive	
6	7012988	1	Gear, Idler	
7	See Note	NSS	Ring, Anti-Extrusion (Note: Use Item 51)	
8	See Note	NSS	Seal (Note: Use Item 51)	
9	See Note	4	Bolt (Note: Not Available for Purchase)	
10	7010104	1	Ring, Retaining	
11	See Note	NSS	Pin, Dowel (Note: Not Available for Purchase)	
12	See Note	NSS	Seal, O-Ring (Note: Use Item 51)	
13	See Note	NSS	Seal, Shaft (Note: Use Item 51)	
51	7007489	1	Seal Kit (Includes Items 7, 8, 12 & 13)	
	3600395	Ref	GEAR PUMP AND FITTING ASSEMBLY	B
101	2220376	1	Fitting, Straight	
102	2220810	1	Fitting, Reducer	
103	3600242	1	Pump (Includes Items 1 - 13)	
104	4640744	1	Fitting, Check Valve	

SECTION 3 - ENGINE

FIGURE 3-24. PISTON PUMP ASSEMBLY (FRONT)



ART_1001189237

SECTION 3 - ENGINE

FIGURE 3-24. PISTON PUMP ASSEMBLY (FRONT)

ITEM	PART NUMBER	QTY	DESCRIPTION	REV
	1001189237	Ref	PISTON PUMP ASSEMBLY (FRONT)	B
1	7021240	1	Shaft Assembly (Includes Items 2-4)	
2	7021237	1	Shaft	
3	7021238	1	Ring, Retaining	
4	7021239	1	Bearing, Roller	
5	See Note	NSS	O-Ring (Use Item 102)	
6	See Note	NSS	Seal, Lip (Use Item 102)	
7	70005245	1	Screw	
8	7022331	1	Link, Control Summing	
9	7022332	1	Link, Control Feedback	
10	7022333	1	Link, Neutral Adjust	
11	70005246	1	Screw, Neutral Adjust	
12	See Note	NSS	Nut, Seal (Use Item 102)	
13	70005247	1	Plug (Includes Item 14)	
14	7022322	1	O-Ring	
15	7022321	1	Plug Assembly	
16	70005248	1	Controller, Electrical	
17	70005249	4	Screw M6 x 50	
18	70005250	3	Screw M6 x 60	
19	7022336	1	Spool Assembly	
20	70005251	1	Spring	
21	70005252	1	Adapter	
22	7022338	1	Gasket, Control	
23	7023999	1	Housing Assembly (Includes Items 25, 29, 32 & 35)	
24	7021248	1	Side Cover Assembly	
25	7021249	1	Bearing, Needle	
26	70005253	1	Pin	
27	70004890	2	Screw M6 x 20	
28	See Note	NSS	Gasket, Side Cover (Use Item 102)	
29	70005254	1	Screen, Filter	
30	70004892	2	Screw M6 x 30	
31	70004892	2	Screw M6 x 30	
32	70005255	1	Plug	
33	7007419	2	Plug Assembly	
34	7007420	2	Plug	
35	70005255	2	Plug	
36	7021257	1	Ring, Retaining	
37	70004890	1	Screw	
38	7022340	1	Bracket, Lifting	
39	70004893	1	Key	
40	7022341	1	Ring, Retaining	
41	7022343	1	Gerotor Assembly	
42	7021259	1	Bearing, Journal	
43	70004894	1	Gerotor Cover Assembly (Includes Item 42)	
44	7021262	1	O-Ring	
45	70005257	1	Pin	
46	7024800	1	Spring	
47	70005258	1	Valve, SCR (Includes Item 46)	
48	7024800	1	Spring	
49	70005259	1	Valve, SCR (Includes Item 48)	

SECTION 3 - ENGINE

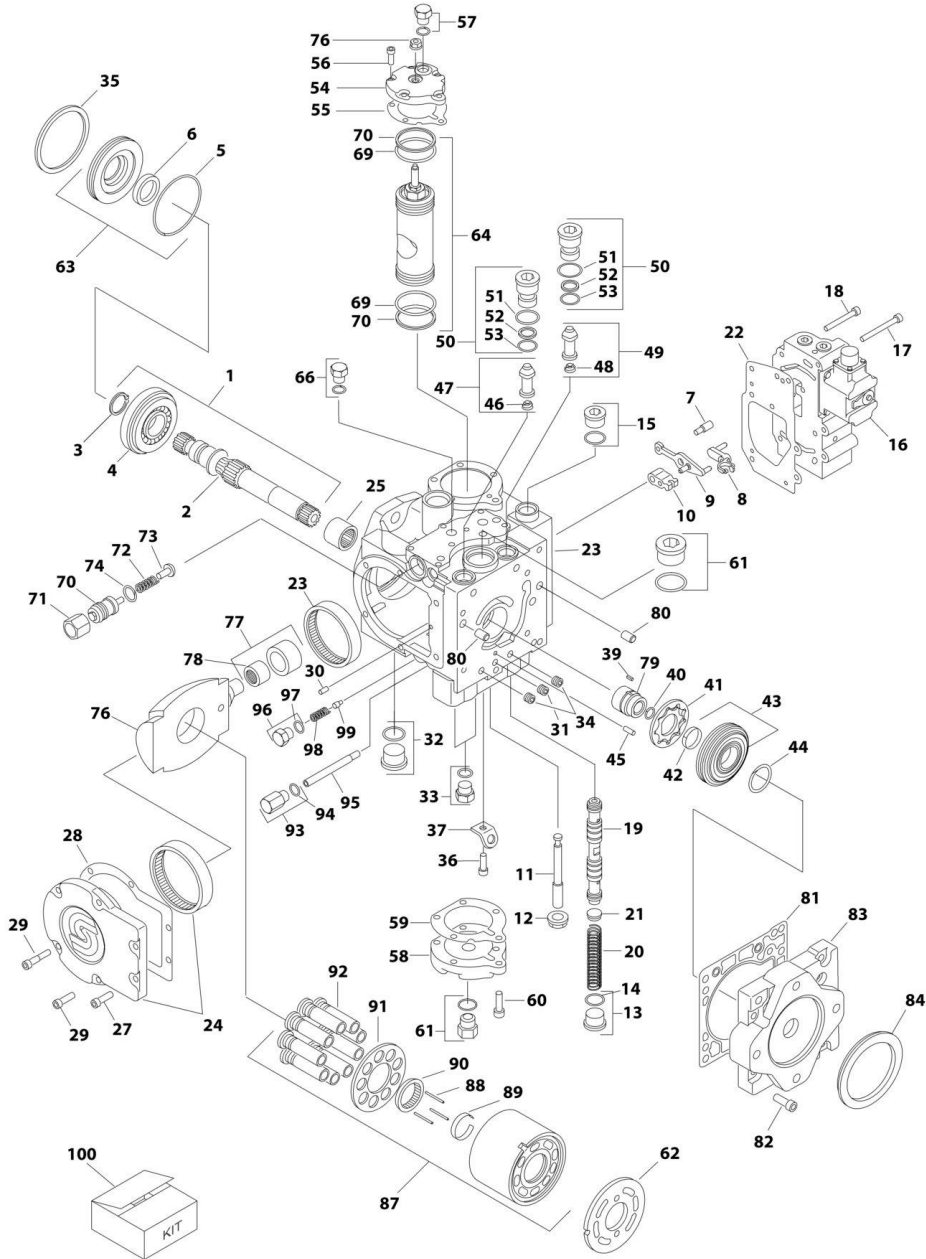
ITEM	PART NUMBER	QTY	DESCRIPTION	REV
50	See Note	NSS	Bypass Valve Assembly (Use Item 102)	
51	See Note	NSS	O-Ring (Use Item 102)	
52	See Note	NSS	Ring, Back-up (Use Item 102)	
53	See Note	NSS	O-Ring (Use Item 102)	
54	70005260	1	Cover, Servo	
55	See Note	NSS	Gasket, Servo Cover (Use Item 102)	
56	70004892	5	Screw	
57	7007420	1	Plug Assembly	
58	7021268	1	Cover, Servo	
59	See Note	NSS	Gasket, Servo Cover (Use Item 102)	
60	70004892	5	Screw	
61	7007420	2	Plug Assembly	
62	7021281	1	Plate, Valve	
63	70004896	1	Seal Kit - Shaft (Includes Items 5 & 6)	
64	7022351	1	Servo Piston Kit (Includes Items 69 & 70)	
65	7021285	1	Adapter, Remote Filter	
66	See Note	NSS	Gasket, Filter Adapter (Use Item 102)	
67	70004892	7	Screw	
68	7007420	1	Plug Assembly	
69	See Note	NSS	O-Ring (Use Item 102)	
70	See Note	NSS	Ring, Piston (Use Item 102)	
71	7022346	1	Adjuster	
72	7021290	1	Nut	
73	7022347	1	Spring	
74	70004901	1	Poppet	
75	See Note	NSS	O-Ring (Use Item 102)	
76	See Note	NSS	Nut, Seal (Use Item 102)	
77	70005261	1	Relief Valve, Charge (Includes Items 71-75)	
78	70005262	1	Swash Plate	
79	7021234	1	Cam Follower Bearing Assembly (Includes Item 80)	
80	70005263	1	Bearing, Needle	
81	70005264	1	Coupling	
82	7001481	2	Pin	
83	See Note	NSS	Gasket, Charge Pump (Use Item 102)	
84	70004906	8	Screw	
85	70005265	1	Cover, Charge Pump	
86	See Note	NSS	Seal (Use Item 102)	
87	7021229	1	Cover, Flange	
88	7024806	2	Screw	
89	70004909	1	Cylinder Block Kit (Includes Items 90-94)	
90	7021275	3	Pin, Slipper Hold Down	
91	7021276	1	Retainer, Pin	
92	7021277	1	Guide, Retainer	
93	7021278	1	Retainer, Slipper	
94	70004911	9	Piston Assembly	
95	70005266	1	Plug (Includes Item 96)	
96	See Note	NSS	O-Ring (Use Item 102)	
97	70005267	1	Spool, Loop Flushing	
98	70005268	1	Plug (Includes Item 99)	
99	See Note	NSS	O-Ring (Use Item 102)	
100	70005269	1	Spring	

SECTION 3 - ENGINE

ITEM	PART NUMBER	QTY	DESCRIPTION	REV
101	70005270	1	Poppet	
102	70004899	1	Seal Kit - Complete (Includes Items 5, 6, 12, 28, 50, 51, 52, 53, 55, 59, 66, 70, 75, 76, 83, 86, 96 & 99)	

SECTION 3 - ENGINE

FIGURE 3-25. PISTON PUMP ASSEMBLY (REAR)



ART_1001189236

SECTION 3 - ENGINE

FIGURE 3-25. PISTON PUMP ASSEMBLY (REAR)

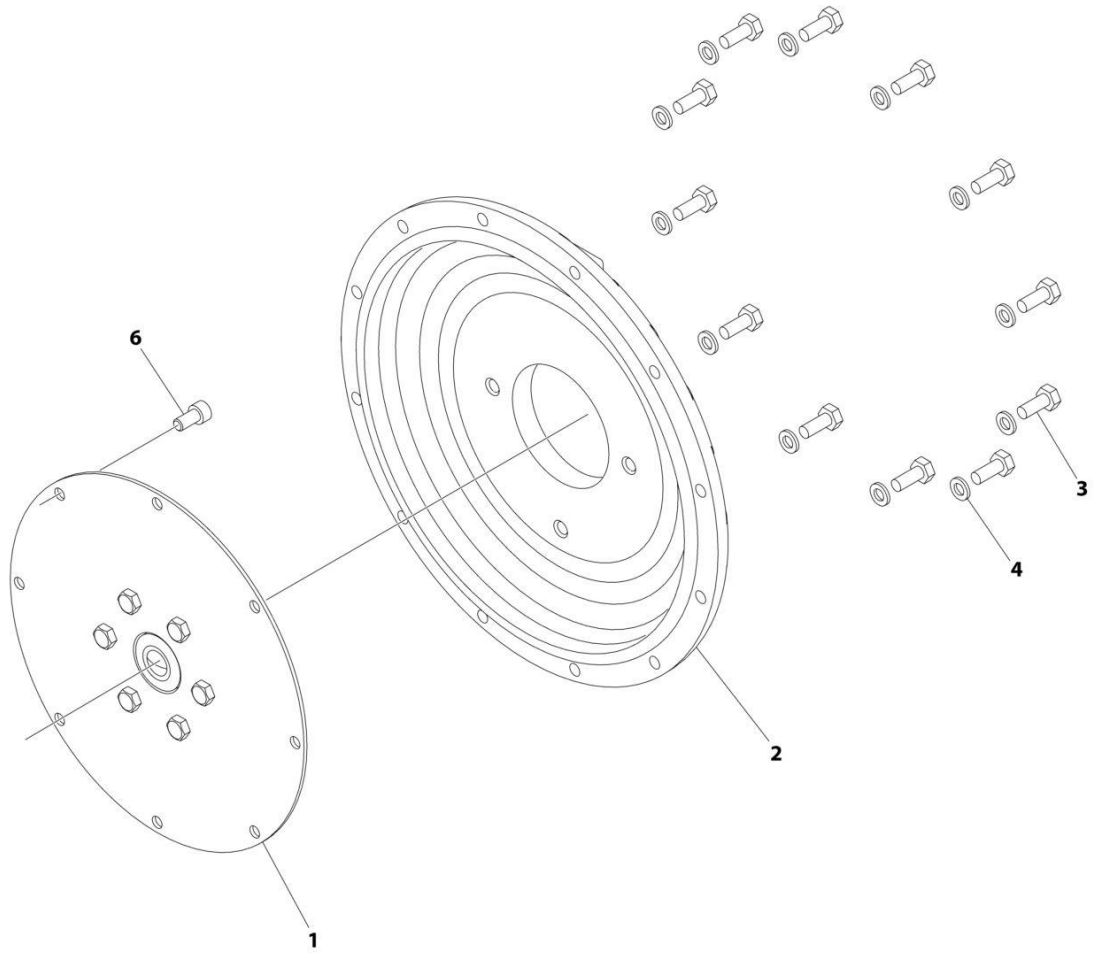
ITEM	PART NUMBER	QTY	DESCRIPTION	REV
	1001189236	Ref	PISTON PUMP ASSEMBLY (REAR)	D
1	7022355	1	Shaft Assembly (Includes Items 2-4)	
2	70005271	1	Shaft	
3	7021238	1	Ring, Retaining	
4	7021239	1	Bearing, Roller	
5	See Note	NSS	O-Ring (Use Item 100)	
6	See Note	NSS	Seal, Lip (Use Item 100)	
7	70005245	1	Screw	
8	7022331	1	Link, Control Summing	
9	7022332	1	Link, Control Feedback	
10	7022333	1	Link, Neutral Adjust	
11	70005246	1	Screw, Neutral Adjust	
12	See Note	NSS	Nut, Seal (Use Item 100)	
13	70005247	1	Plug (Includes Item 14)	
14	7022322	1	O-Ring	
15	7022321	1	Plug Assembly	
16	70005248	1	Controller, Electrical	
17	70005249	4	Screw M6 x 50	
18	70005250	3	Screw M6 x 60	
19	7022336	1	Spool Assembly	
20	70005251	1	Spring	
21	70005252	1	Adapter	
22	7022338	1	Gasket, Control	
23	See Note	1	Housing Assembly (Note: Not Available - Purchase Complete Rear Pump Assembly)	
24	7021248	1	Side Cover Assembly	
25	7021249	1	Bearing, Needle	
26	70005253	1	Pin	
27	70004890	2	Screw M6 x 20	
28	See Note	NSS	Gasket, Side Cover (Use Item 100)	
29	70004892	4	Screw M6 x 30	
30	70005254	1	Screen, Filter	
31	70005255	1	Plug	
32	7007419	2	Plug Assembly	
33	7007420	2	Plug	
34	70005255	2	Plug	
35	7021257	1	Ring, Retaining	
36	70004890	1	Screw	
37	7022340	1	Bracket, Lifting	
38	7007419	2	Plug Assembly (Not Shown)	
39	70004893	1	Key	
40	7022341	1	Ring, Retaining	
41	7022357	1	Spacer	
42	7021259	1	Bearing, Journal	
43	70004894	1	Gerotor Cover Assembly (Includes Item 42)	
44	7021262	1	O-Ring	
45	70005257	1	Pin	
46	7024800	1	Spring	
47	70005258	1	Valve, SCR (Includes Item 46)	
48	7024800	1	Spring	

SECTION 3 - ENGINE

ITEM	PART NUMBER	QTY	DESCRIPTION	REV
49	70005259	1	Valve, SCR (Includes Item 48)	
50	See Note	NSS	Bypass Valve Assembly (Use Item 100)	
51	See Note	NSS	O-Ring (Use Item 100)	
52	See Note	NSS	Ring, Back-up (Use Item 100)	
53	See Note	NSS	O-Ring (Use Item 100)	
54	70005260	1	Cover, Servo	
55	See Note	NSS	Gasket, Servo Cover (Use Item 100)	
56	70004892	5	Screw	
57	7007420	1	Plug Assembly	
58	7021268	1	Cover, Servo	
59	See Note	NSS	Gasket, Servo Cover (Use Item 100)	
60	70004892	5	Screw	
61	7007420	1	Plug Assembly	
62	7021281	1	Plate, Valve	
63	See Note	1	Seal Kit - Shaft (Use Item 100)	
64	See Note	1	Servo Piston Kit (Use Item 100)	
65	7022358	1	Plug Assembly (Not Shown)	
66	7007420	1	Plug Assembly	
67	7007420	1	Plug Assembly (Not Shown)	
68	See Note	NSS	O-Ring (Use Item 100)	
69	See Note	NSS	Ring, Piston (Use Item 100)	
70	7022346	1	Adjuster	
71	7021290	1	Nut	
72	7022347	1	Spring	
73	70004901	1	Poppet	
74	See Note	NSS	O-Ring (Use Item 100)	
75	See Note	NSS	Nut, Seal (Use Item 100)	
76	70005262	1	Swash Plate	
77	7021234	1	Cam Follower Bearing Assembly (Includes Item 78)	
78	70005263	1	Bearing, Needle	
79	70004905	1	Coupling	
80	7001481	2	Pin	
81	See Note	NSS	Gasket, Charge Pump (Use Item 100)	
82	70004906	8	Screw	
83	70004907	1	Cover, Charge Pump	
84	See Note	NSS	Seal (Use Item 100)	
87	70004909	1	Cylinder Block Kit (Includes Items 88-92)	
88	70004910	3	Pin, Slipper Hold Down	
89	7021276	1	Retainer, Pin	
90	7021277	1	Guide, Retainer	
91	7021278	1	Retainer, Slipper	
92	70004911	9	Piston Assembly	
93	70005266	1	Plug (Includes Item 94)	
94	See Note	NSS	O-Ring (Use Item 100)	
95	70005267	1	Spool, Loop Flushing	
96	70005268	1	Plug (Includes Item 97)	
97	See Note	NSS	O-Ring (Use Item 100)	
98	70005269	1	Spring	
99	70005270	1	Poppet	
100	70004899	1	Seal Kit - Complete (Includes Items 5, 6, 12, 28, 50, 52, 53, 55, 59, 63, 64, 68, 69, 74, 75, 81, 84, 94 & 97)	

SECTION 3 - ENGINE

FIGURE 3-26. PUMP COUPLING KIT



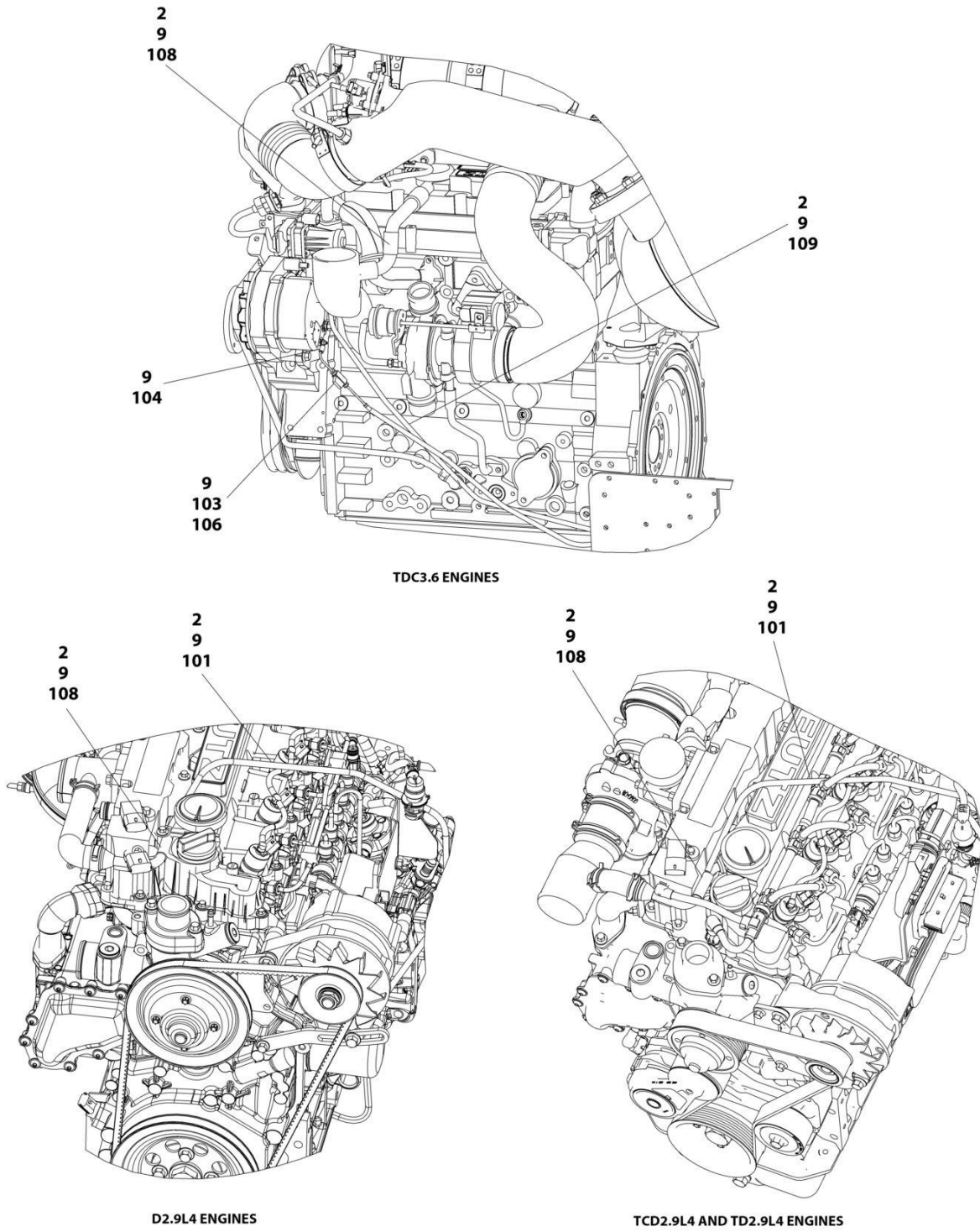
ART_2902065

FIGURE 3-26. PUMP COUPLING KIT

ITEM	PART NUMBER	QTY	DESCRIPTION	REV
	2902065	Ref	PUMP COUPLING KIT	L
1	70000793	1	Coupling, Hayes	
2	See Note	NSS	Plate, Pump Adapter (Note: Use p/n 2902065)	
3	See Note	NSS	Bolt M10 x 30 Grade 10.9 (Note: Use p/n 2902065)	
4	See Note	NSS	Washer M10 (Note: Use p/n 2902065)	
6	See Note	NSS	Bolt M10 x 20 Grade 10.9 (Note: Use p/n 2902065)	

SECTION 3 - ENGINE

FIGURE 3-27. BREATHER HEATER INSTALLATION - DEUTZ D2.9L4 ENGINE WITH ARCTIC PACKAGE



TDC3.6 ENGINES

D2.9L4 ENGINES

TCD2.9L4 AND TD2.9L4 ENGINES

ART_1001233763

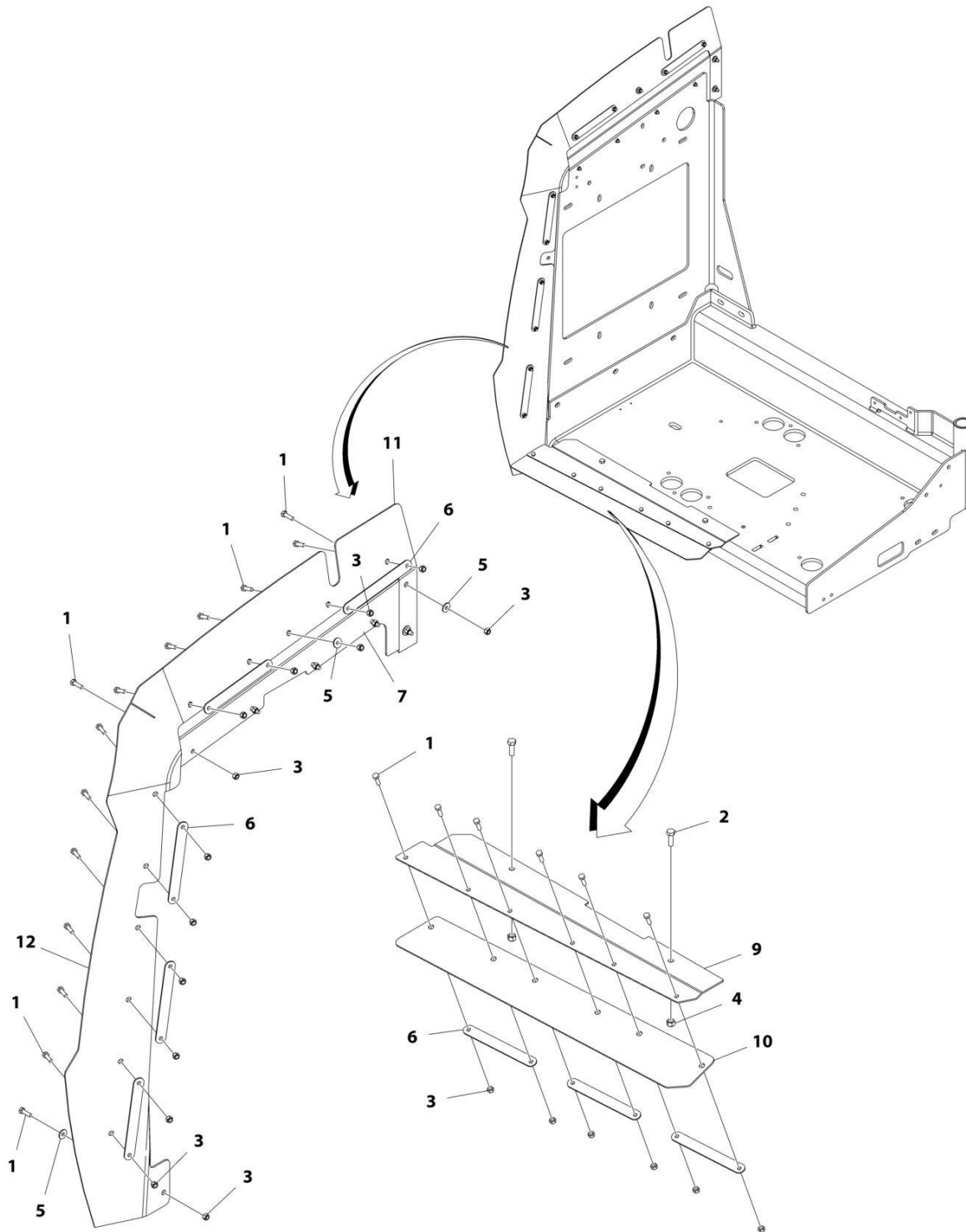
SECTION 3 - ENGINE

FIGURE 3-27. BREATHER HEATER INSTALLATION - DEUTZ D2.9L4 ENGINE WITH ARCTIC PACKAGE

ITEM	PART NUMBER	QTY	DESCRIPTION	REV
	1001233763	Ref	BREATHER HEATER INSTALLATION - DEUTZ ENGINES	D
2	4240099	AR	Tie-Strap	
9	1001243895	1	Breather Heater Harness	C
101	2820035	AR	Insulation	
103	2400060	1	Fuseholder with Cover	
104	4460043	1	Terminal, Ring	
105	4460722	1	Terminal, Ring (Not Shown)	
106	1001196634	1	Fuse - 2 Amp	
108	1001232842	1	Breather Heater Kit	

SECTION 3 - ENGINE

FIGURE 3-28. ENGINE Baffle INSTALLATION



ART_1001170662

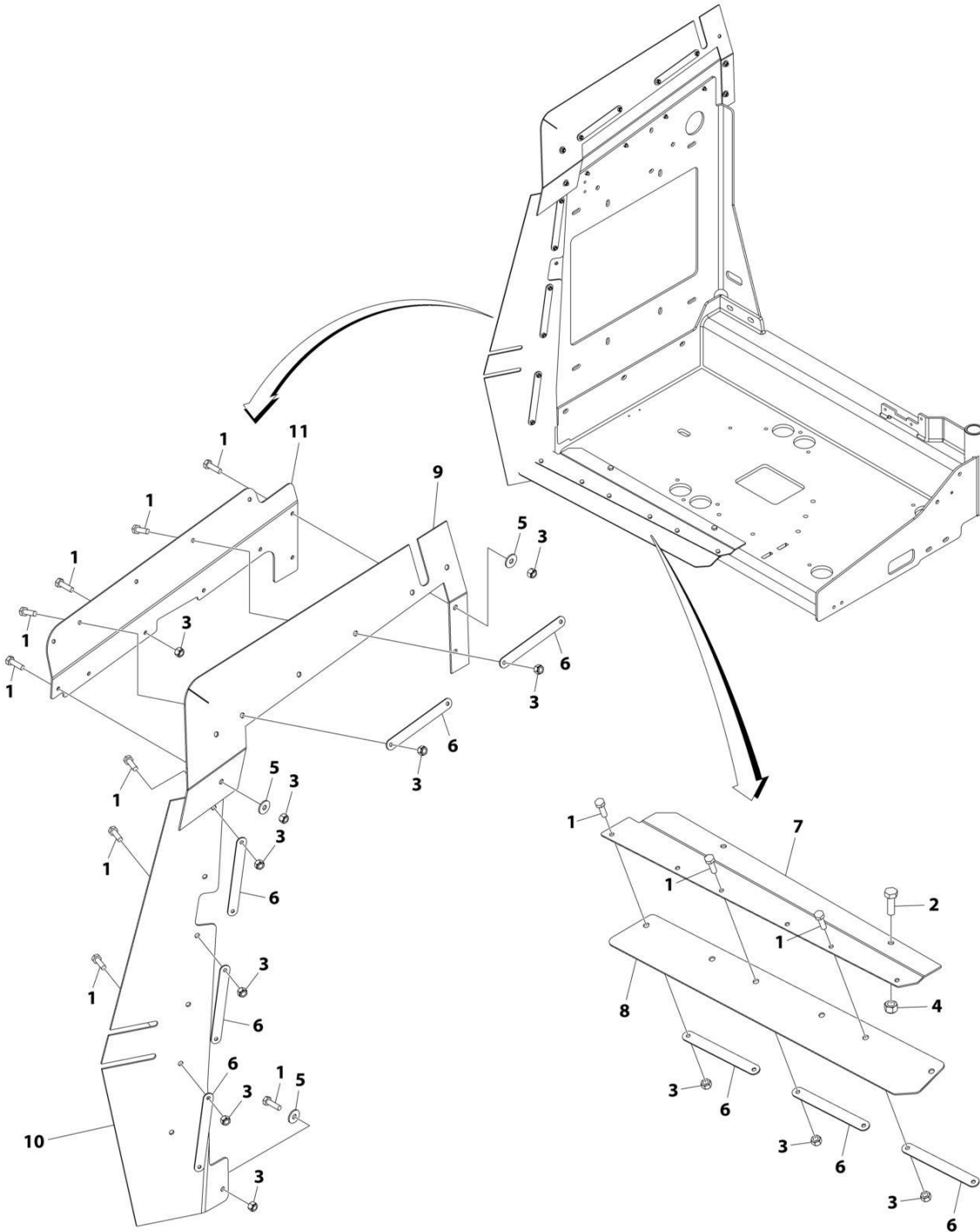
SECTION 3 - ENGINE

FIGURE 3-28. ENGINE BAFFLE INSTALLATION

ITEM	PART NUMBER	QTY	DESCRIPTION	REV
	1001170662	Ref	ENGINE BAFFLE INSTALLATION	F
1	0760610	24	Bolt M6 x 20	
2	0760812	2	Bolt M8 x 25	
3	3290605	24	Nut M6 x 1	
4	3290805	2	Nut M8 x 1.25	
5	4811702	4	Washer M6	
6	1001167164	8	Plate, Support	
7	1001170650	1	Bracket	
9	1001170663	1	Bracket	
10	1001170664	1	Seal	
11	1001211877	1	Seal	
12	1001211878	1	Seal	

SECTION 3 - ENGINE

FIGURE 3-29. ENGINE Baffle INSTALLATION - STEEL



ART_1001223454

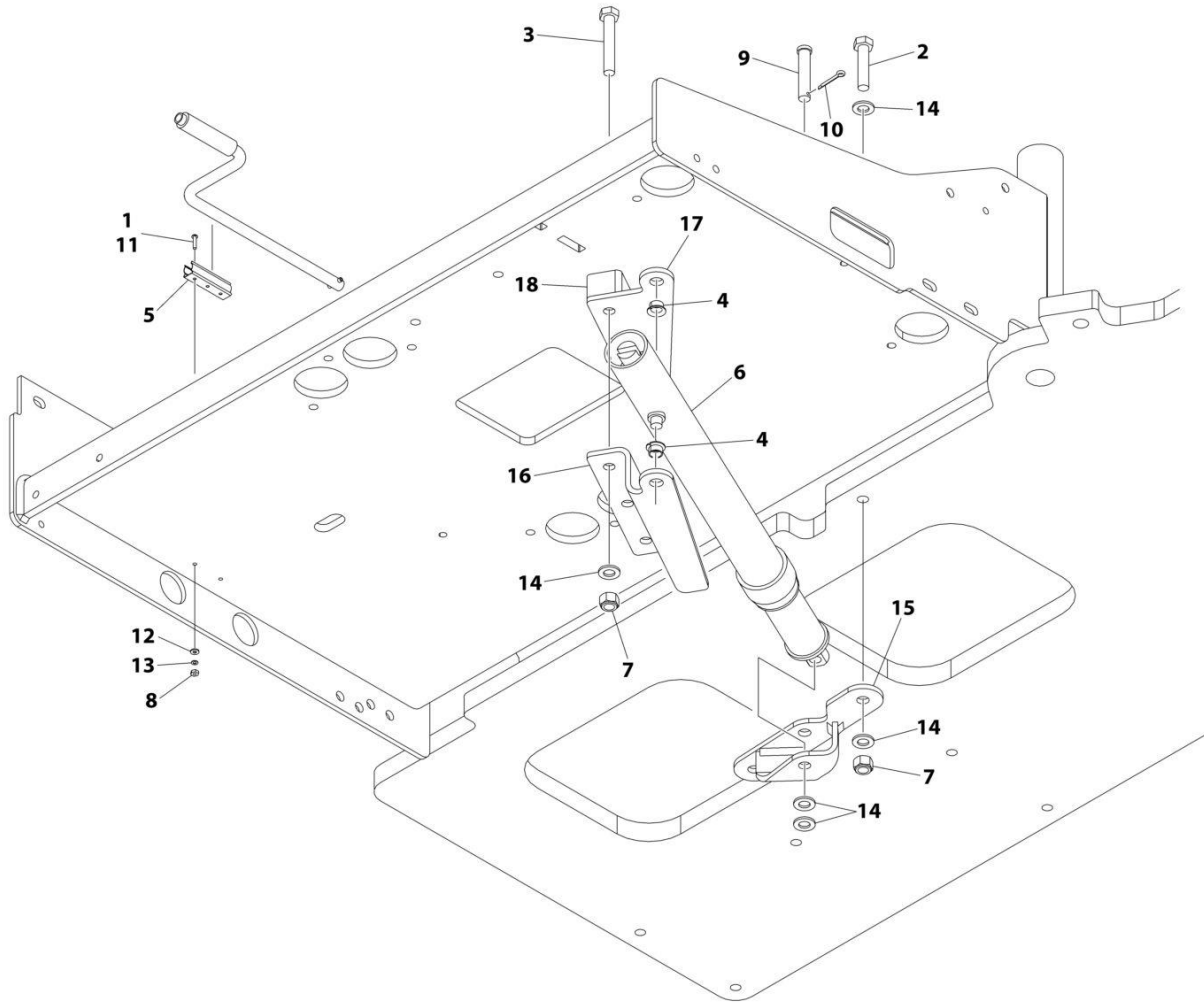
SECTION 3 - ENGINE

FIGURE 3-29. ENGINE BAFFLE INSTALLATION - STEEL

ITEM	PART NUMBER	QTY	DESCRIPTION	REV
	1001223454	Ref	STEEL HOOD ENGINE BAFFLE INSTALLATION	A
1	0760610	25	Bolt M6 x 20	
2	0760812	2	Bolt M8 x 25	
3	3290605	25	Nut M6 x 1	
4	3290805	2	Nut M8 x 1.25	
5	4811702	5	Washer M6	
6	1001167164	8	Plate, Support	
7	1001170663	1	Bracket	
8	1001170664	1	Seal	
9	1001223309	1	Seal	
10	1001223310	1	Seal	
11	1001223328	1	Bracket	

SECTION 3 - ENGINE

FIGURE 3-30. ENGINE TRAY JACK



ART_1001243870

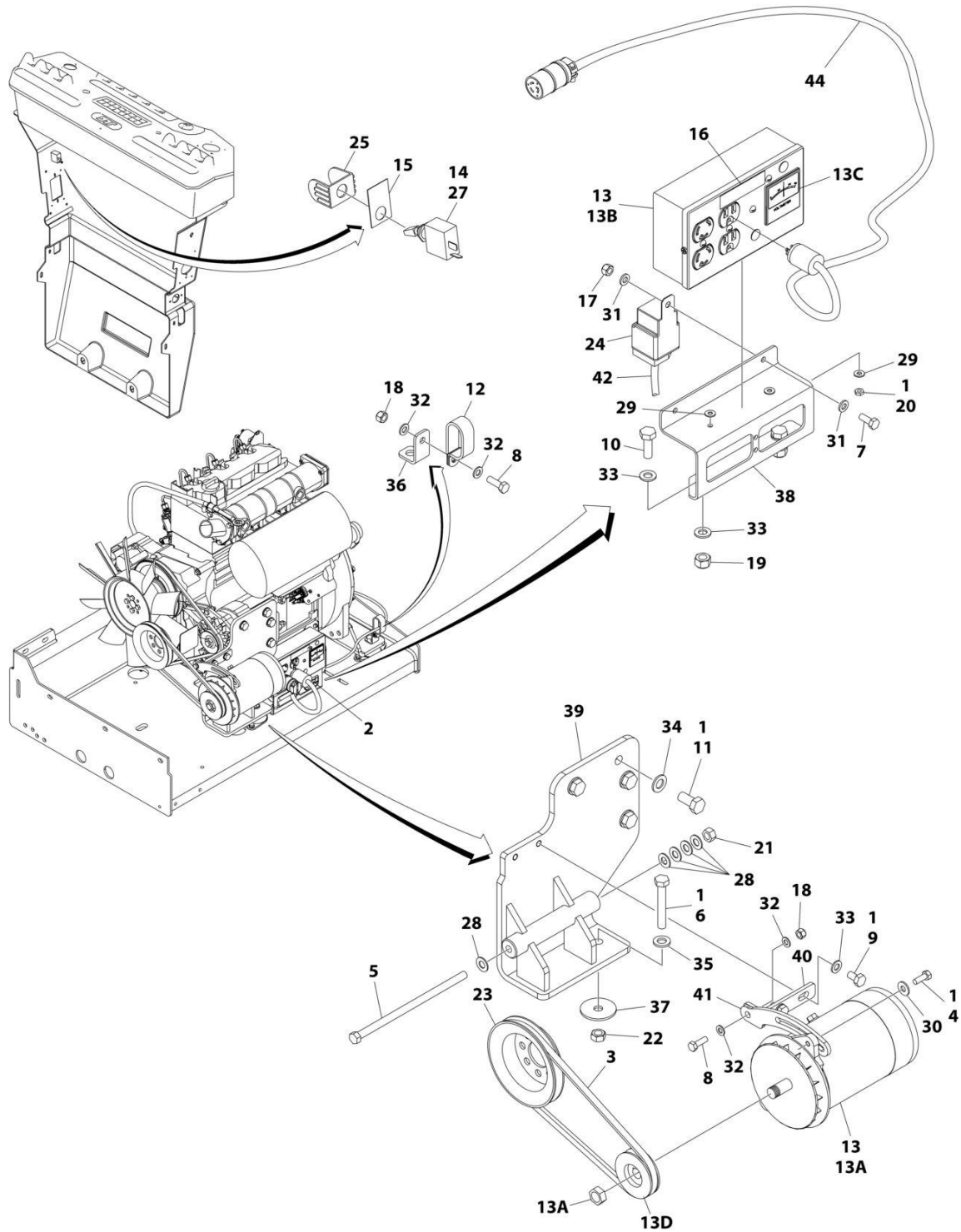
SECTION 3 - ENGINE

FIGURE 3-30. ENGINE TRAY JACK

ITEM	PART NUMBER	QTY	DESCRIPTION	REV
	1001243870	Ref	ENGINE TRAY JACK	B
1	0100011	AR	Compound, Locking	
2	0701219	2	Bolt M12 x 55	
3	0701223	3	Bolt	
4	0962051	2	Bearing	
5	1380147	1	Clip	
6	2840016	1	Screw Jack Assembly	
6	7024598	1	Handle	
6	7016322	1	Wiper	
7	3291205	5	Nut M12 x 1.75	
8	3310601	2	Nut #6	
9	3430820	1	Pin, Clevis	
10	3450404	1	Pin, Cotter	
11	3910610	2	Screw 6 x 5/8	
12	4750600	2	Washer #6	
13	4770600	2	Washer #6	
14	4812100	9	Washer M12	
15	1001166894	1	Support, Engine Tray Jack	
16	1001175073	1	Support, Engine Tray Jack	
17	1001175074	1	Support, Engine Tray Jack	
18	1001243869	1	Shim	

SECTION 3 - ENGINE

FIGURE 3-31. GENERATOR INSTALLATION - 2500W/60HZ (DEUTZ D2011 ENGINE) (ANSI EXPORT SPEC)



ART_1001180798

SECTION 3 - ENGINE

FIGURE 3-31. GENERATOR INSTALLATION - 2500W/60HZ (DEUTZ D2011 ENGINE) (ANSI EXPORT SPEC)

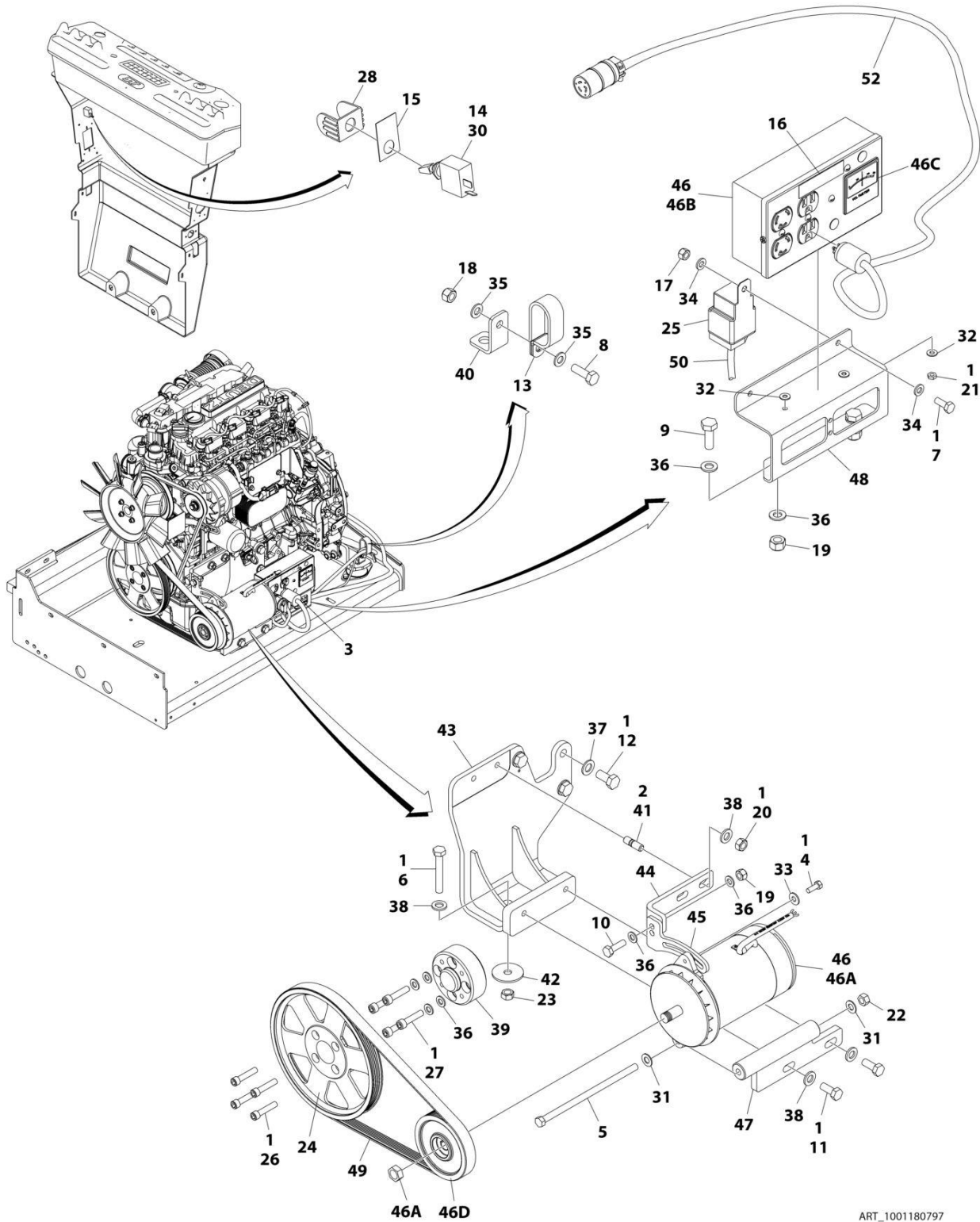
ITEM	PART NUMBER	QTY	DESCRIPTION	REV
	1001180798	Ref	GENERATOR INSTALLATION - 2500W/60HZ (DEUTZ D2011 ENGINE)	B
1	0100011	AR	Compound, Locking	
2	0100048	AR	Grease, Dielectric	
3	0480122	1	Belt	
4	0641507	1	Bolt 5/16 x 7/8	
5	0641772	1	Bolt 7/16 x 9	
6	0711224	1	Bolt M12 x 80 Grade 10.9	
7	0760608	1	Bolt M6 x 16	
8	0760812	2	Bolt M8 x 25	
9	0761009	2	Bolt M10 x 18	
10	0761014	2	Bolt M10 x 30	
11	0771414	4	Bolt M14 x 30 Grade 10.9	
12	1321716	1	Clamp	
13	2460055	1	Generator and Control Box Assembly	
13A	7012558	1	Generator	
	See Note	Ref	Note: Replacement Generators come standard with p/n 3580134 pulley. This pulley may not be correct for all applications. Refer to pulley options below.	
13A	7026199	1	Armature with Slip Rings	
13A	7012513	3	Cap, Brush Holder	
13A	7020108	4	Brush	
13A	7020109	4	Holder, Brush	
13A	7012514	1	Fan	
13A	7020110	1	Bell, Front	
13A	7020111	1	Bell, Rear	
13A	7020190	1	Bearing	
13B	7019680	1	Box, Control	
13B	4460190	1	Receptacle, Standard	
13B	4460027	1	Receptacle, Twistlock	
13B	4360542	1	Breaker, Circuit	
13B	3520028	1	Plug, Hole	
13B	4460961	1	Connector - 4 Position	
13B	4460705	4	Pin, Male	
13B	4460321	1	Connector - 4 Position (Note: Mate to p/n 4460961 Purchase Separately)	
13B	4460268	3	Socket, Female (Note: Mate to p/n 4460705 Purchase Separately)	
13C	2420203	1	Voltmeter	
13D	3580276	1	Pulley	
13D	7027887	1	Key, Woodruff	
14	2820031	AR	Heat Shrink	
15	See Note	1	Nameplate (Note: Not Available for Purchase)	
16	3251243	1	Nameplate 120V-60Hz	
17	3290605	1	Nut M6	
18	3290805	2	Nut M8	
19	3291005	2	Nut M10	
20	3311001	2	Nut #10	
21	3311705	1	Nut 7/16	
22	3331211	1	Nut M12	
23	3580158	1	Pulley	

SECTION 3 - ENGINE

ITEM	PART NUMBER	QTY	DESCRIPTION	REV
24	3740080	1	Relay	
25	4060802	1	Guard, Switch	
26	4240099	AR	Tie-Strap (Not Shown)	
27	4360336	1	Switch, Toggle	
28	4711700	5	Washer 7/16	
29	4751000	4	Washer #10	
30	4751500	1	Washer 5/16	
31	4811700	2	Washer M6	
32	4811900	4	Washer M8	
33	4812000	6	Washer M10	
34	4812200	4	Washer M14	
35	5241200	1	Washer M12 Hardened	
36	1001148641	1	Bracket	
37	1001168018	1	Washer, Snubbing	
38	1001183477	1	Support	
39	1001184637	1	Mount, Engine	
40	1001184644	1	Support	
41	1001184645	1	Bracket	
42	1001187522	1	Harness, Generator (See Separate Breakdown in ELECTRICAL SECTION)	
43	1001188731	1	Wiring Diagram (Not Shown)	
43	4922641	1	Harness, On/Off Switch (Not Shown - Located at Platform)	
44	1001182296	1	Harness, Inverter	
44	1060494	10 ft/3.5m	Cable, Electrical - 12/3	
44	4460134	1	Receptacle, Female	
44	4460138	1	Plug, Male	

SECTION 3 - ENGINE

FIGURE 3-32. GENERATOR INSTALLATION - 2500W/60HZ (DEUTZ D2.9L4 ENGINE) (ANSI, ANSI EXPORT, CSA AND JAPAN SPECS)



ART_1001180797

SECTION 3 - ENGINE

FIGURE 3-32. GENERATOR INSTALLATION - 2500W/60HZ (DEUTZ D2.9L4 ENGINE) (ANSI, ANSI EXPORT, CSA AND JAPAN SPECS)

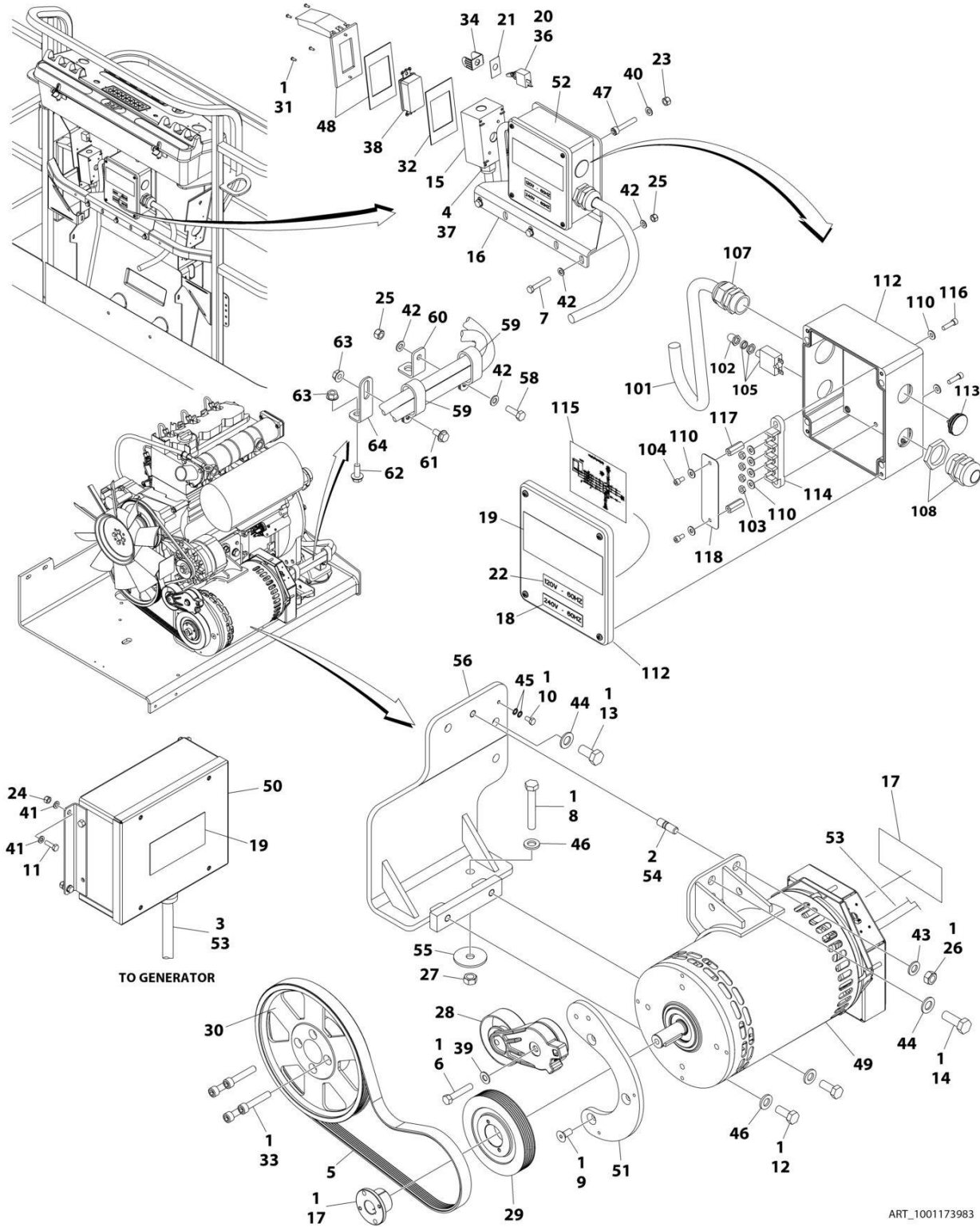
ITEM	PART NUMBER	QTY	DESCRIPTION	REV
	1001180797	Ref	GENERATOR INSTALLATION - 2500W/60HZ (DEUTZ D2.9L4 ENGINE)	F
1	0100011	AR	Compound, Locking	
2	0100019	AR	Compound, Locking	
3	0100048	AR	Grease, Dielectric	
4	0641507	1	Bolt 5/16 x 7/8	
5	0641772	1	Bolt 7/16 x 9	
6	0711224	AR	Bolt M12 x 80 Grade 10.9	
7	0760608	1	Bolt M6 x 16	
8	0760812	1	Bolt M8 x 25	
9	0761014	2	Bolt M10 x 30	
10	0761015	1	Bolt M10 x 35	
11	0761214	2	Bolt M12 x 30	
12	0771414	3	Bolt M14 x 30 Grade 10.9	
13	1321716	1	Clamp	
14	2820031	AR	Heat Shrink	
15	See Note	1	Nameplate (Note: Not Available for Purchase)	
16	3251243	1	Nameplate 120V-60Hz	
17	3290605	1	Nut M6	
18	3290805	1	Nut M8	
19	3291005	3	Nut M10	
20	3291201	2	Nut M12	
21	3311001	2	Nut #10	
22	3311705	1	Nut 7/16	
23	3331211	AR	Nut M12	
24	3580320	1	Pulley	
25	3740080	1	Relay	
26	3931628	4	Capscrew 3/8 x 1-3/4	
27	4032014	4	Bolt M10 x 50	
28	4060802	1	Guard, Switch	
29	4240099	AR	Tie-Strap (Not Shown)	
30	4360336	1	Switch, Toggle	
31	4711700	2	Washer 7/16	
32	4751000	4	Washer #10	
33	4751500	1	Washer 5/16	
34	4811700	2	Washer M6	
35	4811900	2	Washer M8	
36	4812000	AR	Washer M10	
37	4812200	AR	Washer M14	
38	5241200	AR	Washer M12 Hardened	
39	1001135679	1	Adapter	
40	1001148641	1	Bracket	
41	1001155041	2	Stud	
42	1001168018	AR	Washer, Snubbing	
43	1001168207	Ref	Support	
44	1001179836	1	Mount, Upper Generator	
45	1001179837	1	Arm Adjustment	
46	1001180001	1	Generator	
46A	7026199	1	Armature with Slip Rings	

SECTION 3 - ENGINE

ITEM	PART NUMBER	QTY	DESCRIPTION	REV
46A	7012513	3	Cap, Brush Holder	
46A	7020108	4	Brush	
46A	7020109	4	Holder, Brush	
46A	7012514	1	Fan	
46A	7020110	1	Bell, Front	
46A	7020111	1	Bell, Rear	
46A	7020190	1	Bearing	
46B	7019680	1	Box, Control	
46B	4460190	1	Receptacle, Standard	
46B	4460027	1	Receptacle, Twistlock	
46B	4360542	1	Breaker, Circuit	
46B	3520028	1	Plug, Hole	
46B	4460961	1	Connector - 4 Position	
46B	4460705	4	Pin, Male	
46B	4460321	1	Connector - 4 Position (Note: Mate to p/n 4460961 Purchase Separately)	
46B	4460268	3	Socket, Female (Note: Mate to p/n 4460705 Purchase Separately)	
46C	2420203	1	Voltmeter	
46D	1001179893	1	Pulley	
46D	7027887	1	Key, Woodruff	
47	1001181243	1	Mount, Lower Generator	
48	1001183477	1	Support	
49	1001148138	1	Belt	
50	1001187522	1	Harness, Generator (See Separate Breakdown in ELECTRICAL SECTION)	
51	1001188731	1	Wiring Diagram (Not Shown)	
51	4922641	1	Harness, On/Off Switch (Not Shown - Located at Platform)	
52	1001182296	1	Harness, Inverter	
52	1060494	10 ft/3.5m	Cable, Electrical - 12/3	
52	4460134	1	Receptacle, Female	
52	4460138	1	Plug, Male	

SECTION 3 - ENGINE

FIGURE 3-33. GENERATOR INSTALLATION - 4000W/60HZ (DEUTZ D2011 ENGINE) (ANSI EXPORT SPEC)



ART_1001173983

SECTION 3 - ENGINE

FIGURE 3-33. GENERATOR INSTALLATION - 4000W/60HZ (DEUTZ D2011 ENGINE) (ANSI EXPORT SPEC)

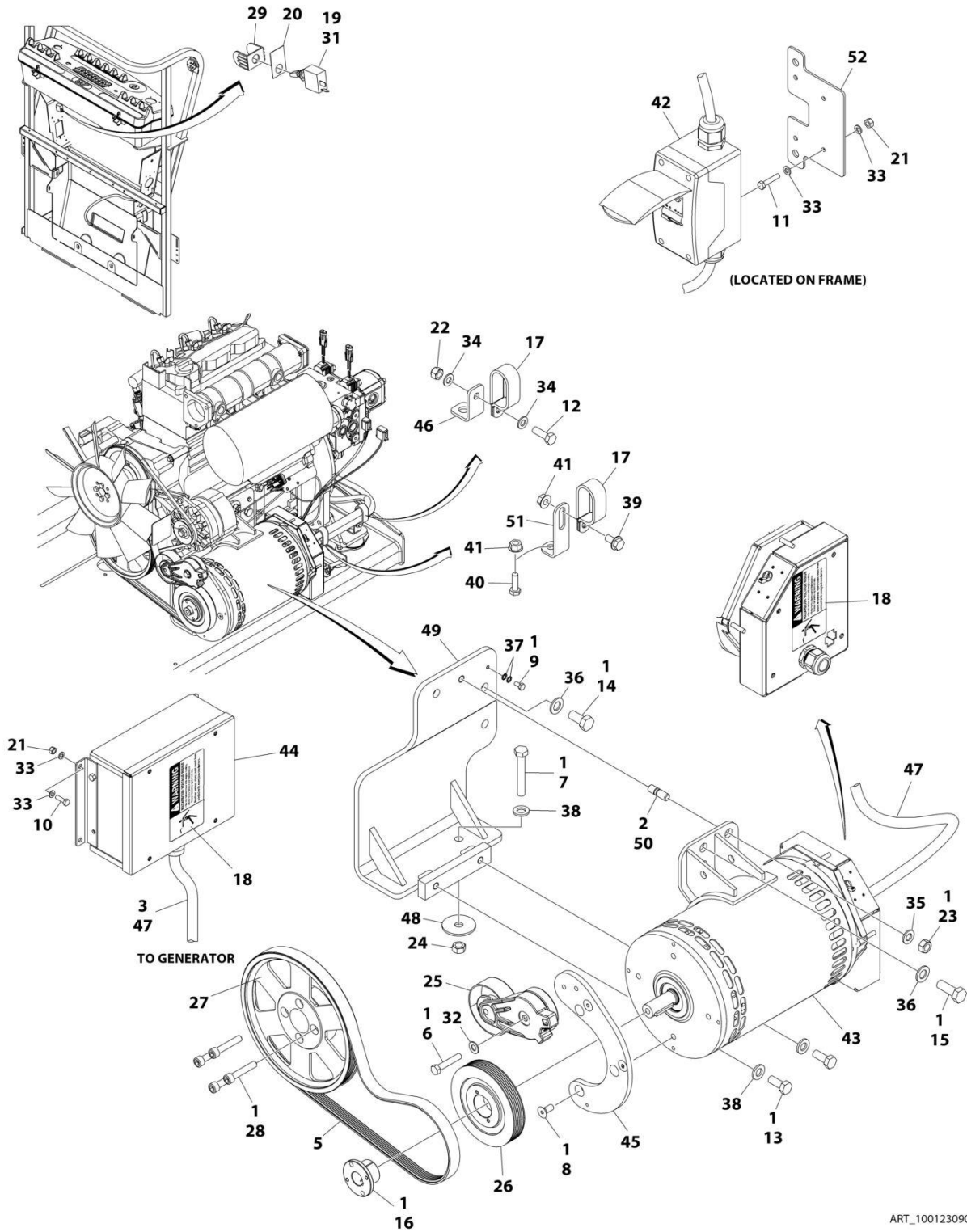
ITEM	PART NUMBER	QTY	DESCRIPTION	REV
	1001173983	Ref	GENERATOR INSTALLATION - 4000W/60HZ (DEUTZ D2011 ENGINE)	F
1	0100011	AR	Compound, Locking	
2	0100019	AR	Compound, Locking	
3	0100048	AR	Grease, Dielectric	
4	0100079	AR	Sealant	
5	0480128	1	Belt	
6	0641616	1	Bolt 3/8 x 2	
7	0700818	3	Bolt M8 x 50	
8	0711224	1	Bolt M12 x 80 Grade 10.9	
9	0741607	3	Screw 3/8 x 7/8	
10	0760606	1	Bolt M6 x 12	
11	0760610	4	Bolt M6 x 20	
12	0761214	2	Bolt M12 x 30	
13	0771414	2	Bolt M14 x 30 Grade 10.9	
14	0771416	1	Bolt M14 x 40	
15	0860038	1	Box, Switch	
16	0902888	1	Bracket	
17	0962520	1	Bushing	
18	1705374	1	Decal - 240V-60Hz	
19	1705387	3	Decal - Hazardous Voltage	
20	2820031	AR	Heat Shrink	
21	See Note	1	Nameplate (Note: Not Available for Purchase)	
22	3251243	1	Nameplate 120V-60Hz	
23	3290505	4	Nut M5	
24	3290605	4	Nut M6	
25	3290805	4	Nut M8	
26	3291201	2	Nut M12	
27	3331211	1	Nut M12	
28	3580317	1	Pulley	
29	3580318	1	Pulley	
30	3580320	1	Pulley	
31	3910606	4	Screw #6 x 3/8	
32	3960422	1	Gasket	
33	4032015	4	Bolt M10 x 55	
34	4060802	1	Guard, Switch	
35	4240099	AR	Tie-Strap (Not Shown)	
36	4360336	1	Switch, Toggle	
37	4460071	1	Connector, Strain Relief	
38	4460346	1	Receptacle	
39	4711600	1	Washer 3/8	
40	4811600	4	Washer M5	
41	4811700	8	Washer M6	
42	4811900	8	Washer M8	
43	4812100	1	Washer M12	
44	4812200	3	Washer M14	
45	4871700	2	Washer M6	
46	5241200	3	Washer M12 Hardened	
47	1001104029	4	Screw M5 x 30	

SECTION 3 - ENGINE

ITEM	PART NUMBER	QTY	DESCRIPTION	REV
48	1001110873	1	Shield, Cover	
49	1001129858	1	Generator	
49	70003709	1	Ring, Retaining (External)	
49	70003708	1	Ring, Retaining (Internal)	
49	70001966	1	Bearing	
49	70004092	1	Endbell (Shaft End)	
49	70004171	1	Key	
49	70004676	1	Rotor	
49	70004684	1	Stator	
49	70004678	1	Endbell (Rear)	
49	70004679	1	Cover, Endbell (Rear)	
49	70004680	1	Enclosure, Wiring	
49	70004685	1	Cover, Enclosure	
49	70004682	1	Switch, Reset (Located on Enclosure Cover)	
49	70004098	1	Connector, Strain Relief (Located on Enclosure Cover)	
50	1001138566	1	Box, Control	
50	70006552	1	Capacitor	
50	70006553	1	Relay	
51	1001139357	1	Mount, Tensioner	
52	1001152457	1	Generator Junction Box Assembly (See Items 101-118 for Breakdown)	
53	1001152532	1	Harness, Generator (See Separate Breakdown in ELECTRICAL SECTION)	
54	1001196382	1	Stud	
55	1001168018	1	Washer, Snubbing	
56	1001173925	1	Mount	
57	1001175631	1	Wiring Diagram (Not Shown)	
57	4922641	1	Harness, On/Off Switch (Not Shown - Located at Platform)	
58	0760812	1	Bolt M8 x 25	
59	1321716	2	Clamp	
60	1001148641	1	Bracket	
61	5250808	1	Bolt M8 x 16	
62	5250810	1	Bolt M8 x 20	
63	5260800	2	Nut M8	
64	1001223122	1	Support	
	1001152457	Ref	GENERATOR JUNCTION BOX COMPONENTS	
101	1001179154	2.5 ft/ 0.8m	Cable, Electrical - 12/3	
102	3300396	1	Cover, Breaker	
103	3311001	4	Nut #10	
104	3900300	2	Screw	
105	4360070	1	Breaker, Circuit - 15Amp	
107	4460425	1	Connector, Strain Relief (LH Side)	
108	4460426	1	Connector, Strain Relief (RH Side)	
110	4711000	8	Washer #10	
112	1001152456	1	Box, Junction	
113	1001152525	1	Plug	
114	1001152530	1	Terminal, Block	
115	1001153260	1	Decal - Wiring Diagram	
116	3900267	2	Screw	
117	1001158008	2	Stand-Off	
118	1001158363	1	Cover, Terminal Block	

SECTION 3 - ENGINE

FIGURE 3-34. GENERATOR INSTALLATION - 4000W/50HZ (DEUTZ D2011 ENGINE) (ANSI EXPORT, CE & UK CA (LRC) SPECS)



ART_1001230908

SECTION 3 - ENGINE

FIGURE 3-34. GENERATOR INSTALLATION - 4000W/50HZ (DEUTZ D2011 ENGINE) (ANSI EXPORT, CE & UK CA (LRC) SPECS)

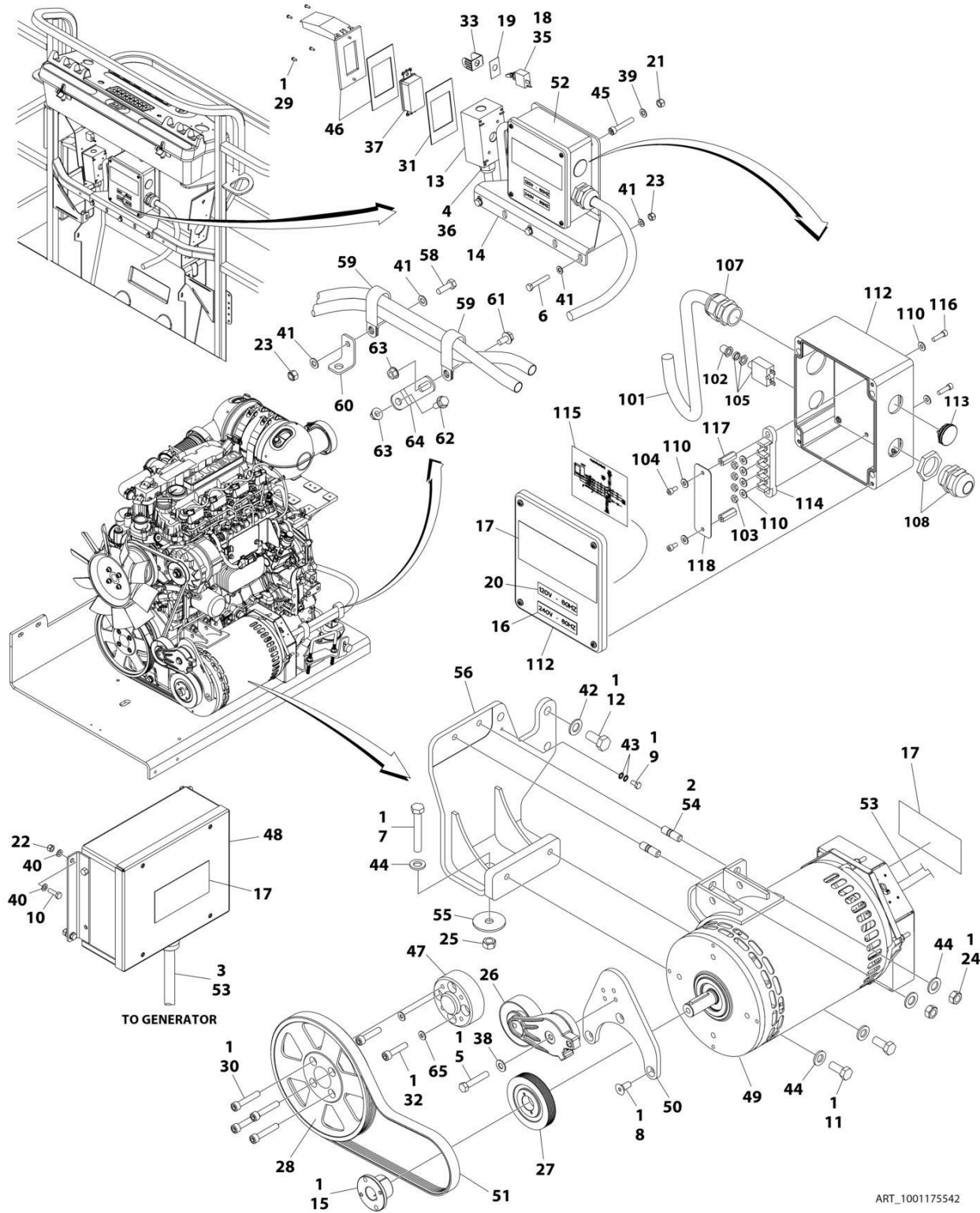
ITEM	PART NUMBER	QTY	DESCRIPTION	REV
	1001230908	Ref	4000W/50Hz GENERATOR INSTALLATION - DEUTZ D2011 ENGINES	A
1	0100011	AR	Compound, Locking	
2	0100019	AR	Compound, Locking	
3	0100048	AR	Grease, Dielectric	
4	0100079	AR	Sealant (Not Shown)	
5	0480126	1	Belt	
6	0641616	1	Bolt 3/8 x 2	
7	0711224	1	Bolt M12 x 80 Grade 10.9	
8	0741607	3	Screw 3/8 x 7/8	
9	0760606	1	Bolt M6 x 12	
10	0760610	4	Bolt M6 x 20	
11	0760614	2	Bolt M6 x 30	
12	0760812	1	Bolt M8 x 25	
13	0761214	2	Bolt M12 x 30	
14	0771414	2	Bolt M14 x 30 Grade 10.9	
15	0771416	1	Bolt M14 x 40	
16	0962520	1	Bushing	
17	1321716	2	Clamp	
18	1705489	2	Decal - Hazardous Voltage	
19	2820031	0.3 ft/ 0.1m	Heat Shrink	
20	3251102	1	Nameplate, Generator	
21	3290605	6	Nut M6	
22	3290805	1	Nut M8	
23	3291201	1	Nut M12	
24	3331211	1	Nut M12	
25	3580317	1	Pulley	
26	3580319	1	Pulley	
27	3580320	1	Pulley	
28	4032015	4	Bolt M10 x 55	
29	4060802	1	Guard, Switch	
30	4240099	AR	Tie-Strap (Not Shown)	
31	4360336	1	Switch, Toggle	
32	4711600	1	Washer 3/8	
33	4811700	12	Washer M6	
34	4811900	2	Washer M8	
35	4812100	1	Washer M12	
36	4812200	3	Washer M14	
37	4871700	2	Washer M6	
38	5241200	3	Washer M12 Hardened	
39	5250808	1	Bolt M8 x 16	
40	5250810	1	Bolt M8 x 20	
41	5260800	2	Flange Nut M8	
42	1001096070	1	Breaker Box Kit (50Hz) (See Separate Breakdown in ELECTRICAL Section)	
43	1001138565	1	Generator Assembly	
43	70003709	1	Ring, Retaining (External)	
43	70003708	1	Ring, Retaining (Internal)	

SECTION 3 - ENGINE

ITEM	PART NUMBER	QTY	DESCRIPTION	REV
43	70001966	1	Bearing	
43	70004092	1	Endbell (Shaft End)	
43	70004171	1	Key	
43	70004676	1	Rotor	
43	70004677	1	Stator	
43	70004678	1	Endbell (Rear)	
43	70004679	1	Cover, Endbell (Rear)	
43	70004680	1	Enclosure, Wiring	
43	70004681	1	Cover, Enclosure	
43	70004682	1	Switch, Reset (Located on Enclosure Cover)	
43	70004683	1	Connector, Strain Relief (Located on Enclosure Cover)	
44	1001138566	1	Box, Control	
45	1001139357	1	Mount, Tensioner	
46	1001148641	1	Bracket	
47	1001152532	1	Harness, Generator (See Separate Breakdown in ELECTRICAL Section)	
48	1001168018	1	Washer, Snubbing	
49	1001173925	1	Mount	
50	1001196382	1	Stud	
51	1001223122	1	Support, P-Clamp	
52	1001230784	1	Bracket	
		Ref	ELECTRICAL DIAGRAM COMPONENTS	
101	4922641	1	Generator Switch Harness (Not Shown)	

SECTION 3 - ENGINE

FIGURE 3-35. GENERATOR INSTALLATION - 4000W/60HZ (DEUTZ D2.9L4 ENGINE) (ANSI, ANSI EXPORT, CSA AND JAPAN SPECS)



ART_1001175542

SECTION 3 - ENGINE

FIGURE 3-35. GENERATOR INSTALLATION - 4000W/60HZ (DEUTZ D2.9L4 ENGINE) (ANSI, ANSI EXPORT, CSA AND JAPAN SPECS)

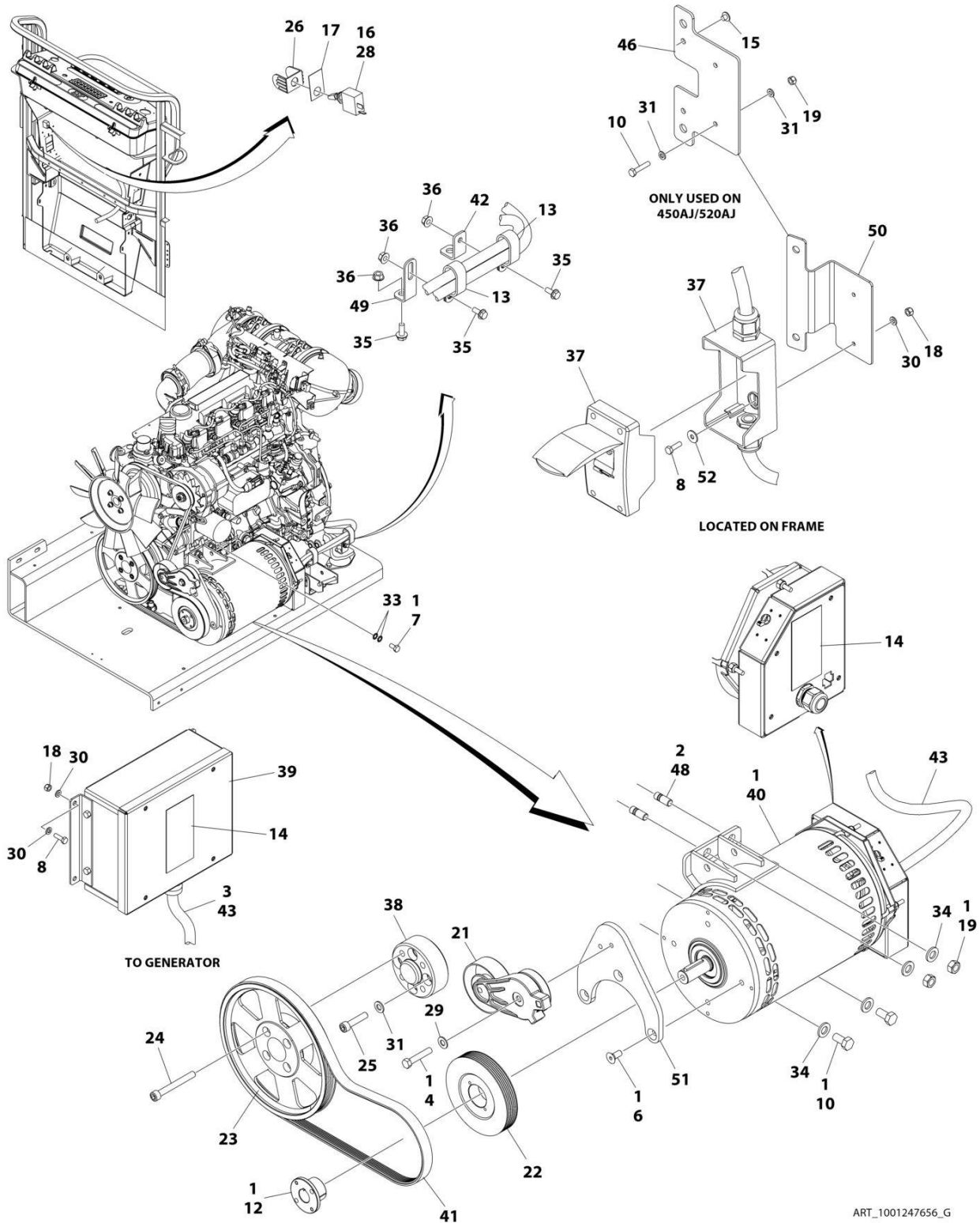
ITEM	PART NUMBER	QTY	DESCRIPTION	REV
	1001175542	Ref	GENERATOR INSTALLATION - 4000W/60HZ (DEUTZ D2.9L4 ENGINE)	J
1	0100011	AR	Compound, Locking	
2	0100019	AR	Compound, Locking	
3	0100048	AR	Grease, Dielectric	
4	0100079	AR	Sealant	
5	0641616	1	Bolt 3/8 x 2	
6	0700818	3	Bolt M8 x 50	
7	0711224	AR	Bolt M12 x 80 Grade 10.9	
8	0741607	3	Screw 3/8 x 7/8	
9	0760606	1	Bolt M6 x 12	
10	0760610	4	Bolt M6 x 20	
11	0761212	2	Bolt M12 x 25	
12	0771414	AR	Bolt M14 x 30 Grade 10.9	
13	0860038	1	Box, Switch	
14	0902888	1	Bracket	
15	0962520	1	Bushing	
16	1705374	1	Decal - 240V-60Hz	
17	1705387	3	Decal - Hazardous Voltage	
18	2820031	AR	Heat Shrink	
19	See Note	1	Nameplate (Note: Not Available for Purchase)	
20	3251243	1	Nameplate 120V-60Hz	
21	3290505	4	Nut M5	
22	3290605	4	Nut M6	
23	3290805	4	Nut M8	
24	3291201	2	Nut M12	
25	3331211	AR	Nut M12	
26	3580317	1	Pulley	
27	3580318	1	Pulley	
28	3580320	1	Pulley	
29	3910606	4	Screw #6 x 3/8	
30	3931628	4	Capscrew 3/8 x 1-3/4	
31	3960422	1	Gasket	
32	4032014	4	Capscrew M10 x 50	
33	4060802	1	Guard, Switch	
34	4240099	AR	Tie-Strap (Not Shown)	
35	4360336	1	Switch, Toggle	
36	4460071	1	Connector, Strain Relief	
37	4460346	1	Receptacle	
38	4711600	1	Washer 3/8	
39	4811600	4	Washer M5	
40	4811700	8	Washer M6	
41	4811900	8	Washer M8	
42	4812200	AR	Washer M14	
43	4871700	2	Washer M6	
44	5241200	AR	Washer M12 Hardened	
45	1001104029	4	Screw M5 x 30	
46	1001110873	1	Shield, Cover	
47	1001135679	1	Adapter	

SECTION 3 - ENGINE

ITEM	PART NUMBER	QTY	DESCRIPTION	REV
48	1001138566	1	Box, Control	
49	1001140346	1	Generator Assembly	
49	70003709	1	Ring, Retaining (External)	
49	70003708	1	Ring, Retaining (Internal)	
49	70001966	1	Bearing	
49	70004092	1	Endbell (Shaft End)	
49	70004099	1	Key	
49	70004676	1	Rotor	
49	70004687	1	Stator	
49	70004678	1	Endbell (Rear)	
49	70004679	1	Cover, Endbell (Rear)	
49	70004680	1	Enclosure, Wiring	
49	70004685	1	Cover, Enclosure	
49	70004682	1	Switch, Reset (Located on Enclosure Cover)	
49	70004098	1	Connector, Strain Relief (Located on Enclosure Cover)	
50	1001142643	1	Support	
51	1001142646	1	Belt	
52	1001152457	1	Generator Junction Box Assembly (See Items 101-118 for Breakdown)	
53	1001152532	1	Harness, Generator (See Separate Breakdown in ELECTRICAL SECTION)	
54	1001196382	2	Stud	
55	1001168018	AR	Washer, Snubbing	
56	1001168207	Ref	Support	
57	1001175631	1	Wiring Diagram (Not Shown)	
57	4922641	1	Harness, On/Off Switch (Not Shown - Located at Platform)	
58	0760812	1	Bolt M8 x 25	
59	1321716	2	Clamp	
60	1001148641	1	Bracket	
61	5250808	1	Bolt M8 x 16	
62	5250810	1	Bolt M8 x 20	
63	5260800	2	Nut M8	
64	1001223122	1	Support	
65	4812000	4	Washer M10	
	1001152457	Ref	GENERATOR JUNCTION BOX COMPONENTS	
101	1001179154	2.5 ft/ 0.8m	Cable, Electrical - 12/3	
102	3300396	1	Cover, Breaker	
103	3311001	4	Nut #10	
104	3900300	2	Screw	
105	4360070	1	Breaker, Circuit - 15Amp	
107	4460425	1	Connector, Strain Relief (LH Side)	
108	4460426	1	Connector, Strain Relief (RH Side)	
110	4711000	8	Washer #10	
112	1001152456	1	Box, Junction	
113	1001152525	1	Plug	
114	1001152530	1	Terminal, Block	
115	1001153260	1	Decal - Wiring Diagram	
116	3900267	2	Screw	
117	1001158008	2	Stand-Off	
118	1001158363	1	Cover, Terminal Block	

SECTION 3 - ENGINE

FIGURE 3-36. GENERATOR INSTALLATION - 4000W/50HZ (DEUTZ (STAGE V) ENGINE) (CE & UK CA SPEC)



ART_1001247656_G

SECTION 3 - ENGINE

FIGURE 3-36. GENERATOR INSTALLATION - 4000W/50HZ (DEUTZ (STAGE V) ENGINE) (CE & UK CA SPEC)

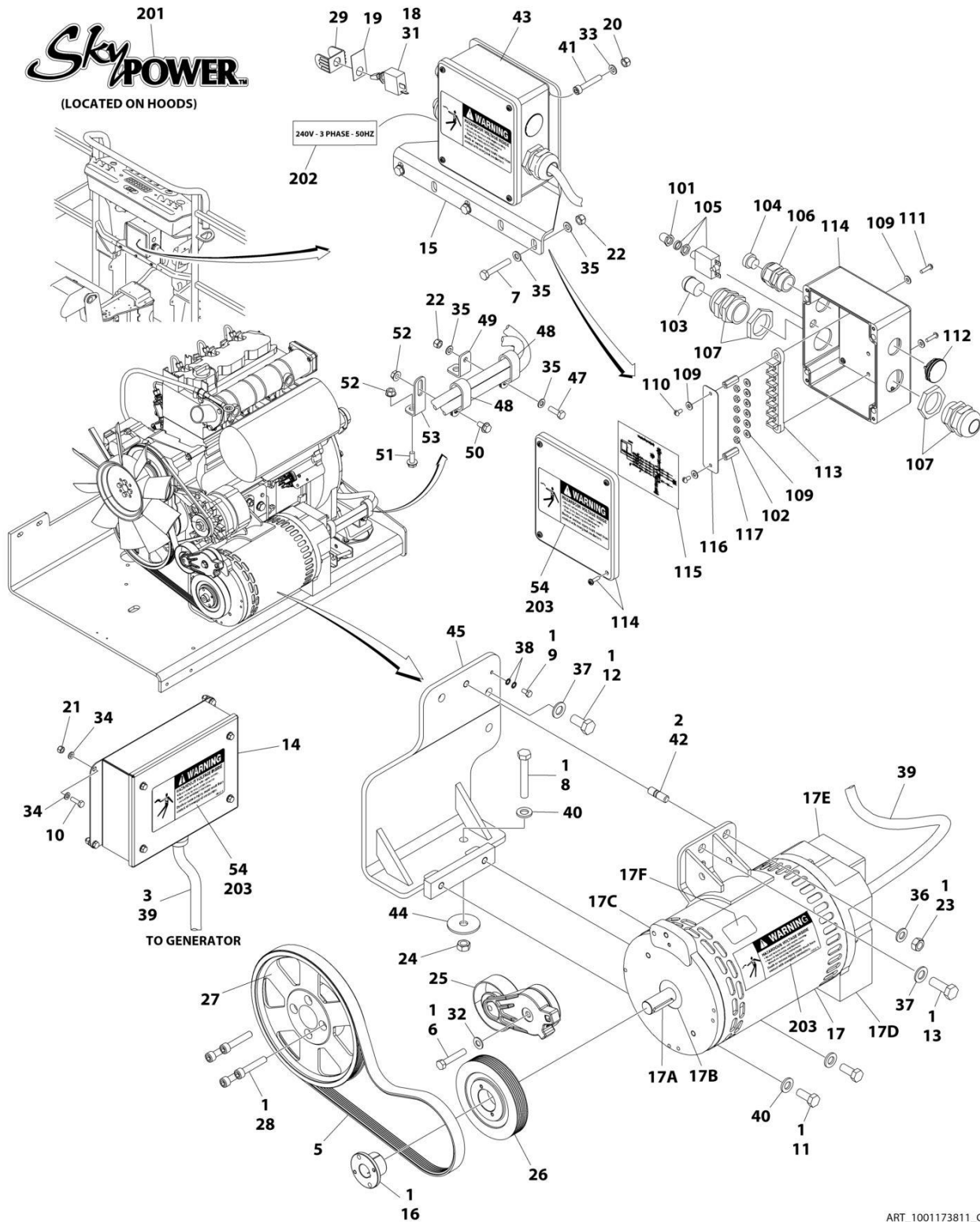
ITEM	PART NUMBER	QTY	DESCRIPTION	REV
	1001247656	Ref	GENERATOR INSTALLATION - 4000W/50HZ	G
1	0100011	AR	Compound, Locking	
2	0100019	AR	Compound, Locking	
3	0100048	AR	Grease, Dielectric	
4	0641616	1	Bolt 3/8 x 2	
6	0741607	3	Screw 3/8 x 7/8	
7	0760606	1	Bolt M6 x 12	
8	0760610	AR	Bolt M6 x 20	
10	0761212	2	Bolt M12 x 25	
12	0962520	1	Bushing	
13	1321716	2	Clamp	
14	1705489	2	Decal - Hazardous Voltage	
15	2080040	2	Fastener, Huck	
16	2820031	0.33 ft /0.10m	Heat Shrink	
17	3251102	1	Nameplate, Generator	
18	3290605	AR	Nut M6	
19	3291201	2	Nut M12	
21	3580317	1	Pulley	
22	3580319	1	Pulley	
23	1001281192	1	Pulley	
24	1001261085	4	Capscrew M10 x 85	
25	1001261045	4	Capscrew M10 x 45	
26	4060802	1	Guard, Switch	
27	4240099	AR	Tie-Strap (Not Shown)	
28	4360336	1	Switch, Toggle	
29	4711600	1	Washer 3/8	
30	4811700	AR	Washer M6	
31	4812000	4	Washer M14	
33	4871700	2	Washer M6	
34	5241200	4	Washer M12 Hardened	
35	5250810	3	Bolt M8 x 20	
36	5260800	3	Nut M8	
37	1001096070	1	Breaker Box Kit (50Hz) (See Separate Breakdown in ELECTRICAL Section)	
38	1001258800	1	Adapter	
39	1001138566	1	Box, Control	
40	1001140347	1	Generator, 4000W/ 50HZ - Deutz Engine	
40	70003709	1	Ring, Retaining (External)	
40	70003708	1	Ring, Retaining (Internal)	
40	70001966	1	Bearing	
40	70004092	1	Endbell (Shaft End)	
40	70004099	1	Key	
40	70004676	1	Rotor	
40	70004686	1	Stator	
40	70004678	1	Endbell (Rear)	
40	70004679	1	Cover, Endbell (Rear)	
40	70004680	1	Enclosure, Wiring	
40	70004681	1	Cover, Enclosure	

SECTION 3 - ENGINE

ITEM	PART NUMBER	QTY	DESCRIPTION	REV
40	70004682	1	Switch, Reset (Located on Enclosure Cover)	
40	70004683	1	Connector, Strain Relief (Located on Enclosure Cover)	
41	1001148059	1	Belt, Generator	
42	1001148641	1	Bracket	
43	1001152532	1	Harness, Generator (See Separate Breakdown in ELECTRICAL Section)	
46	1001174158	1	Mount	
47	1001174675	1	Wiring Diagram (Not Shown)	
48	1001196382	2	Stud	
49	1001223122	1	Support	
50	1001230784	1	Bracket	
51	1001248190	1	Support	
52	4811702	AR	Washer M6	
		Ref	ELECTRICAL DIAGRAM COMPONENTS	
101	4922641	1	Generator Switch Harness (Not Shown)	

SECTION 3 - ENGINE

FIGURE 3-37. GENERATOR INSTALLATION - 7500W/50HZ (DEUTZ D2011 ENGINE) (ANSI EXPORT SPECS)



ART_1001173811_G

SECTION 3 - ENGINE

FIGURE 3-37. GENERATOR INSTALLATION - 7500W/50HZ (DEUTZ D2011 ENGINE) (ANSI EXPORT SPECS)

ITEM	PART NUMBER	QTY	DESCRIPTION	REV
	1001173811	Ref	GENERATOR INSTALLATION - 7500W/50HZ (DEUTZ D2011 ENGINE)	G
1	0100011	AR	Compound, Locking	
2	0100019	AR	Compound, Locking	
3	0100048	AR	Grease, Dielectric	
4	0100079	AR	Sealant (Not Shown)	
5	0480126	1	Belt	
6	0641616	1	Bolt 3/8 x 2	
7	0700818	3	Bolt M8 x 50	
8	0711224	1	Bolt M12 x 80 Grade 10.9	
9	0760606	1	Bolt M6 x 12	
10	0760610	4	Bolt M6 x 20	
11	0761214	2	Bolt M12 x 30	
12	0771414	2	Bolt M14 x 30 Grade 10.9	
13	0771416	1	Bolt M14 x 40	
14	0861572	1	Control Box Assembly	
14	7024488	1	Card, Circuit - Generator Power	
14	See Note	NSS	Fuse (Note: Not Available - Purchase Locally)	
14	7024489	1	Card, Circuit - Control	
14	70000619	1	Harness, Control Box (Internal)	
15	0902888	1	Bracket	
16	0962520	1	Bushing	
17	2460048	1	Generator Assembly	
17	70001100	1	Rotor (Includes p/n 70001384 & 70000863) (Not Shown)	
17	70001384	1	Bearing, Ball Radial (Not Shown)	
17	70000863	1	Fan (Not Shown)	
17	70002088	1	Stator (Not Shown)	
17	70002297	1	Stud	
17	70003631	1	Brushholder Assembly (Not Shown)	
17A	70004171	1	Key	
17B	70001966	1	Bearing, Ball Radial (Located in Belt Tensioner Endbell)	
17B	70003708	1	Ring, Internal Retaining (Located in Belt Tensioner Endbell)	
17B	70003709	1	Ring, External Retaining (Located in Belt Tensioner Endbell)	
17C	70001953	1	Endbell, Belt Tensioner	
17D	70004169	1	Endbell, Brush Block	
17E	70004169	1	Shroud	
17E	See Note	NSS	Insulator, Endbell (Note: Not Available for Purchase)	
17E	7027799	1	Block, Connector 6 Position (Not Shown)	
17E	70002460	1	Nut, Brass (Attaches p/n 7027799 to Cover) (Not Shown)	
17E	7024485	1	Breaker, Circuit 30Amp (Not Shown)	
17E	70001696	1	Boot, Breaker (Not Shown)	
17E	7026626	1	Connector, 6 Position (Includes Seal) (Not Shown - Plugs into Item 39)	
17E	7026597	1	Connector, with Leads (Not Shown)	
17E	7026188	1	Clamp, Cable Options (Not Shown)	
17E	70004169	1	Plate, End Panel	
17E	70001974	1	Decal - Terminal Connections	
17F	70001973	1	Decal - Warning Moving Parts	
18	2820031	AR	Heat Shrink	

SECTION 3 - ENGINE

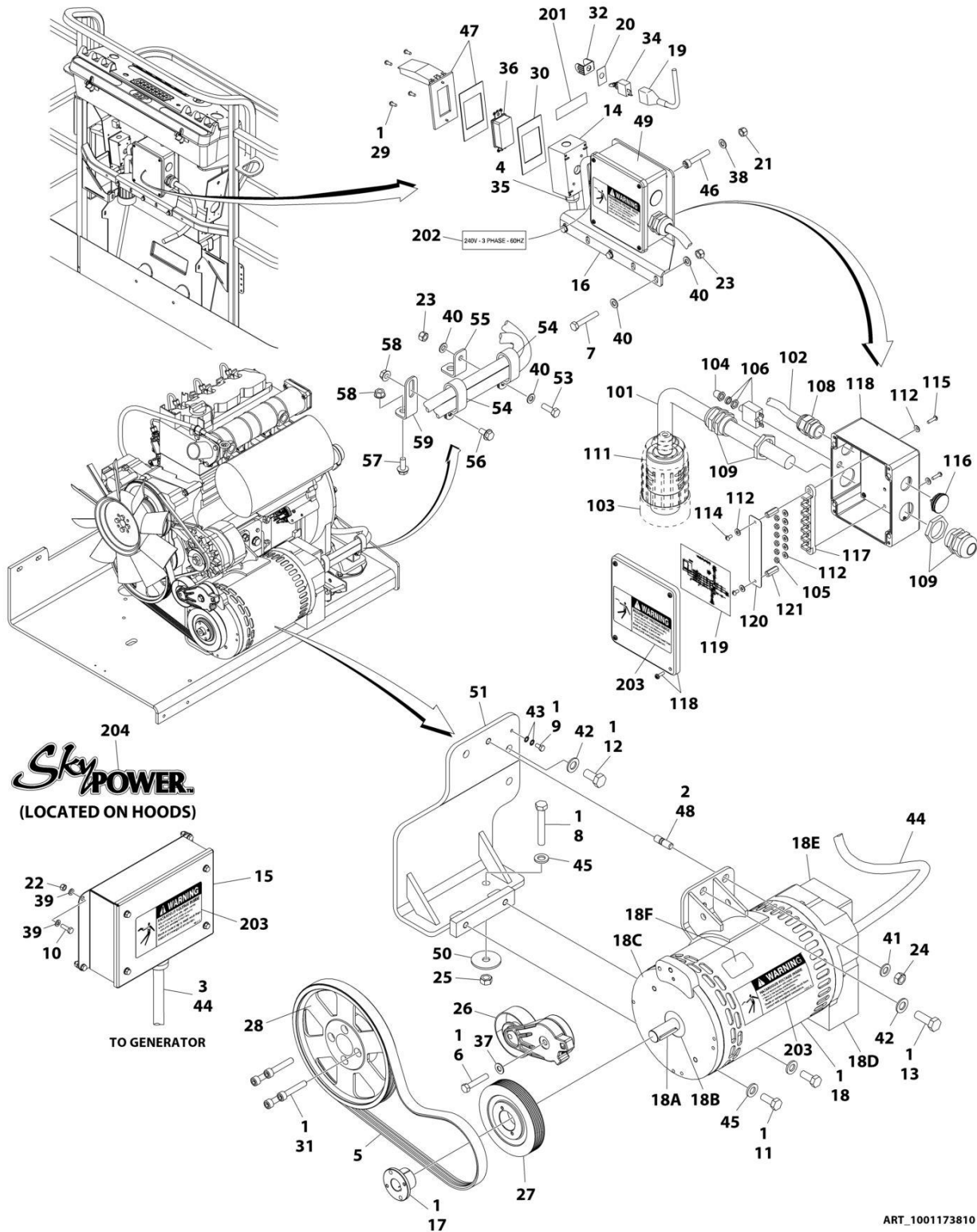
ITEM	PART NUMBER	QTY	DESCRIPTION	REV
19	3252764	1	Nameplate	
20	3290505	4	Nut M5	
21	3290605	4	Nut M6	
22	3290805	4	Nut M8	
23	3291201	1	Nut M12	
24	3331211	1	Nut M12	
25	3580317	1	Pulley	
26	3580319	1	Pulley	
27	3580320	1	Pulley	
28	4032015	4	Bolt M10 x 55	
29	4060802	1	Guard, Switch	
30	4240099	AR	Tie-Strap (Not Shown)	
31	4360336	1	Switch, Toggle	
32	4711600	1	Washer 3/8	
33	4811600	4	Washer M5	
34	4811700	8	Washer M6	
35	4811900	8	Washer M8	
36	4812100	1	Washer M12	
37	4812200	3	Washer M14	
38	4871700	2	Washer M6	
39	4922925	1	Harness, Generator	
39	4460225	1	Plug, Male 6 Position (Plugs into Generator)	
39	See Note	NSS	Socket, Female (Use with 4460225)	
39	See Note	NSS	Seal, Plug (Use with 4460225)	
39	See Note	NSS	Seal, Interface (Use with 4460225)	
40	5241200	3	Washer M12 Hardened	
41	1001104029	4	Screw M5 x 30	
42	1001196382	1	Stud	
43	1001157525	1	Junction Box Assembly (See Items 101-117 for Breakdown)	
44	1001168018	1	Washer, Snubbing	
45	1001173925	1	Mount	
46	1001174675	1	Wiring Diagram (Not Shown)	
46	4922641	1	Harness, On/Off Switch (Not Shown - Located at Platform)	
47	0760812	1	Bolt M8 x 25	
48	1321716	2	Clamp	
49	1001148641	1	Bracket	
50	5250808	1	Bolt M8 x 16	
51	5250810	1	Bolt M8 x 20	
52	5260800	2	Nut M8	
53	1001223122	1	Support	
54	1705489	2	Decal - Hazardous Voltage	
	1001157525	Ref	JUNCTION BOX ASSEMBLY	B
101	3300396	1	Cover, Fuse	
102	3311001	6	Nut #10	
103	3520189	1	Plug	
104	3520192	1	Plug	
105	4360070	1	Circuit Breaker - 15Amp	
106	4460425	1	Connector, Strain Relief	
107	4460426	2	Connector, Strain Relief	
109	4711000	10	Flatwasher #10	
110	10702077	2	Screw #10 x 3/8	

SECTION 3 - ENGINE

ITEM	PART NUMBER	QTY	DESCRIPTION	REV
111	10702082	2	Screw #10 x 3/4	
112	1001152525	1	Plug	
113	1001157520	1	Block, Terminal	
114	1001157521	1	Box, Junction	
115	1001157528	1	Decal - Wiring Schematic	
116	1001158007	1	Cover, PVC	
117	1001158008	2	Stand-Off	
	0272589	Ref	DECAL INSTALLATION	A
201	1705460	2	Decal - SkyPower	
202	1705461	1	Decal - 240V - 3 Phase - 50Hz	
203	1705489	3	Decal - Hazardous Voltage	

SECTION 3 - ENGINE

FIGURE 3-38. GENERATOR INSTALLATION - 7500W/60HZ (DEUTZ D2011 ENGINE) (ANSI EXPORT SPECS)



SECTION 3 - ENGINE

FIGURE 3-38. GENERATOR INSTALLATION - 7500W/60HZ (DEUTZ D2011 ENGINE) (ANSI EXPORT SPECS)

ITEM	PART NUMBER	QTY	DESCRIPTION	REV
	1001173810	Ref	GENERATOR INSTALLATION - 7500W/60Hz (DEUTZ D2011 ENGINE)	F
1	0100011	AR	Compound, Locking	
2	0100019	AR	Compound, Locking	
3	0100048	AR	Grease, Dielectric	
4	0100079	AR	Sealant	
5	0480128	1	Belt	
6	0641616	1	Bolt 3/8 x 2	
7	0700818	3	Bolt M8 x 50	
8	0711224	1	Bolt M12 x 80 Grade 10.9	
9	0760606	1	Bolt M6 x 12	
10	0760610	4	Bolt M6 x 20	
11	0761214	2	Bolt M12 x 30	
12	0771414	2	Bolt M14 x 30 Grade 10.9	
13	0771416	1	Bolt M14 x 40	
14	0860038	1	Box, Switch	
15	0861538	1	Control Box Assembly	
15	7024488	1	Card, Circuit - Generator Power	
15	See Note	NSS	Fuse (Note: Not Available - Purchase Locally)	
15	7024489	1	Card, Circuit - Control	
15	70000619	1	Harness, Control Box (Internal)	
16	0902888	1	Bracket	
17	0962520	1	Bushing	
18	2460048	1	Generator Assembly	
18	70001100	1	Rotor (Includes p/n 70001384 & 70000863) (Not Shown)	
18	70001384	1	Bearing, Ball Radial (Not Shown)	
18	70000863	1	Fan (Not Shown)	
18	70002088	1	Stator (Not Shown)	
18	70002297	1	Stud	
18	70003631	1	Brushholder Assembly (Not Shown)	
18A	70004171	1	Key	
18B	70001966	1	Bearing, Ball Radial (Located in Belt Tensioner Endbell)	
18B	70003708	1	Ring, Internal Retaining (Located in Belt Tensioner Endbell)	
18B	70003709	1	Ring, External Retaining (Located in Belt Tensioner Endbell)	
18C	70001953	1	Endbell, Belt Tensioner	
18D	70004169	1	Endbell, Brush Block	
18E	70004169	1	Shroud	
18E	See Note	NSS	Insulator, Endbell (Note: Not Available for Purchase)	
18E	7027799	1	Block, Connector 6 Position (Not Shown)	
18E	70002460	1	Nut, Brass (Attaches p/n 7027799 to Cover) (Not Shown)	
18E	7024485	1	Breaker, Circuit 30Amp (Not Shown)	
18E	70001696	1	Boot, Breaker (Not Shown)	
18E	7026626	1	Connector, 6 Position (Includes Seal) (Not Shown - Plugs into Item 39)	
18E	7026597	1	Connector, with Leads (Not Shown)	
18E	7026188	1	Clamp, Cable Options (Not Shown)	
18E	70004169	1	Plate, End Panel	
18E	70001974	1	Decal - Terminal Connections	
18F	70001973	1	Decal - Warning Moving Parts	

SECTION 3 - ENGINE

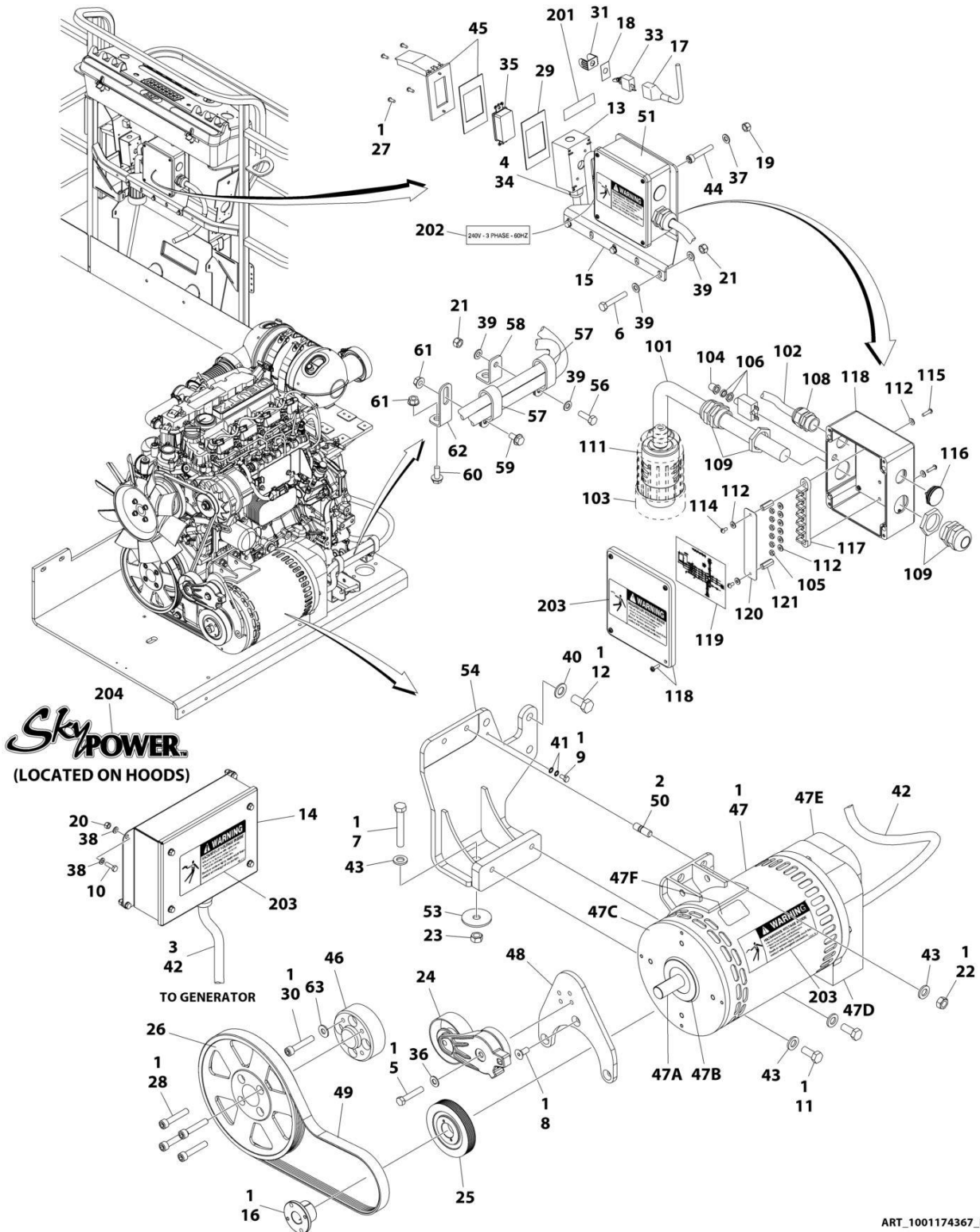
ITEM	PART NUMBER	QTY	DESCRIPTION	REV
19	2820031	AR	Heat Shrink	
20	3252764	1	Nameplate	
21	3290505	4	Nut M5	
22	3290605	4	Nut M6	
23	3290805	4	Nut M8	
24	3291201	1	Nut M12	
25	3331211	1	Nut M12	
26	3580317	1	Pulley	
27	3580318	1	Pulley	
28	3580320	1	Pulley	
29	3910606	4	Screw #6 x 3/8	
30	3960422	1	Gasket	
31	4032015	4	Bolt M10 x 55	
32	4060802	1	Guard, Switch	
33	4240099	AR	Tie-Strap (Not Shown)	
34	4360336	1	Switch, Toggle	
35	4460071	1	Connector, Strain Relief	
36	4460346	1	Receptacle	
37	4711600	1	Washer 3/8	
38	4811600	4	Washer M5	
39	4811700	8	Washer M6	
40	4811900	8	Washer M8	
41	4812100	1	Washer M12	
42	4812200	3	Washer M14	
43	4871700	2	Washer M6	
44	4922925	1	Harness, Generator	
44	4460225	1	Plug, Male 6 Position (Plugs into Generator)	
44	See Note	NSS	Socket, Female (Use with 4460225)	
44	See Note	NSS	Seal, Plug (Use with 4460225)	
44	See Note	NSS	Seal, Interface (Use with 4460225)	
45	5241200	3	Washer M12 Hardened	
46	1001104029	4	Screw M5 x 30	
47	1001110873	1	Shield, Cover	
48	1001196382	1	Stud	
49	1001157592	1	Junction Box Assembly Options (See Items 101-121 for Breakdown)	
50	1001168018	1	Washer, Snubbing	
51	1001173925	1	Mount	
52	1001174675	1	Wiring Diagram (Not Shown)	
52	4922641	1	Harness, On/Off Switch (Not Shown - Located at Plaform)	
53	0760812	1	Bolt M8 x 25	
54	1321716	2	Clamp	
55	1001148641	1	Bracket	
56	5250808	1	Bolt M8 x 16	
57	5250810	1	Bolt M8 x 20	
58	5260800	2	Nut M8	
59	1001223122	1	Support	
	1001157592	Ref	JUNCTION BOX ASSEMBLY	C
101	1060343	1.5 ft /0.5m	Cable, Electrical 10/4	
102	1001179154	2.5 ft /0.8m	Cable, Electrical 12/3	

SECTION 3 - ENGINE

ITEM	PART NUMBER	QTY	DESCRIPTION	REV
103	1671092	1	Cover	
104	3300396	1	Cover, Fuse	
105	3311001	6	Nut #10	
106	4360070	1	Circuit Breaker - 15Amp	
108	4460425	1	Connector, Strain Relief	
109	4460426	2	Connector, Strain Relief	
111	4460963	1	Connector	
112	4711000	10	Flatwasher #10	
114	10702077	2	Screw #10 x 3/8	
115	10702082	2	Screw #10 x 3/4	
116	1001152525	1	Plug	
117	1001157520	1	Block, Terminal	
118	1001157521	1	Box, Junction	
119	1001157528	1	Decal - Wiring Schematic	
120	1001158007	1	Cover, PVC	
121	1001158008	2	Stand-Off	
	0272435	Ref	DECAL INSTALLATION	D
	0273380	Ref	DECAL INSTALLATION	B
201	3251243	1	Decal - 120V - 60Hz	
202	1705375	1	Decal - 240V - 3 Phase - 60Hz	
203	1705387	3	Decal - Hazardous Voltage	
204	1705460	2	Decal - SkyPower	

SECTION 3 - ENGINE

FIGURE 3-39. GENERATOR INSTALLATION - 7500W/60HZ (DEUTZ D2.9L4) (ANSI, ANSI EXPORT, CSA AND JAPAN SPECS)



ART_1001174367_I

SECTION 3 - ENGINE

FIGURE 3-39. GENERATOR INSTALLATION - 7500W/60HZ (DEUTZ D2.9L4) (ANSI, ANSI EXPORT, CSA AND JAPAN SPECS)

ITEM	PART NUMBER	QTY	DESCRIPTION	REV
	1001174367	Ref	GENERATOR INSTALLATION - 7500W/60Hz (DEUTZ D2.9L4 ENGINE)	J
1	0100011	AR	Compound, Locking	
2	0100019	AR	Compound, Locking	
3	0100048	AR	Grease, Dielectric	
4	0100079	AR	Sealant	
5	0641616	1	Bolt 3/8 x 2	
6	0700818	3	Bolt M8 x 50	
7	0711224	Ref	Bolt M12 x 80 Grade 10.9	
8	0741607	3	Screw 3/8 x 7/8	
9	0760606	1	Bolt M6 x 12	
10	0760610	4	Bolt M6 x 20	
11	0761212	2	Bolt M12 x 25	
12	0771414	Ref	Bolt M14 x 30 Grade 10.9	
13	0860038	1	Box, Switch	
14	0861538	1	Control Box Assembly	
14	7024488	1	Card, Circuit - Generator Power	
14	See Note	NSS	Fuse (Note: Not Available - Purchase Locally)	
14	7024489	1	Card, Circuit - Control	
14	70000619	1	Harness, Control Box (Internal)	
15	0902888	1	Bracket	
16	0962520	1	Bushing	
17	2820031	AR	Heat Shrink	
18	3252764	1	Nameplate	
19	3290505	4	Nut M5	
20	3290605	4	Nut M6	
21	3290805	4	Nut M8	
22	3291201	2	Nut M12	
23	3331211	Ref	Nut M12	
24	3580317	1	Pulley	
25	3580318	1	Pulley	
26	3580320	1	Pulley	
27	3910606	4	Screw #6 x 3/8	
28	3931628	4	Capscrew 3/8 x 1-3/4	
29	3960422	1	Gasket	
30	4032014	4	Bolt M10 x 50	
31	4060802	1	Guard, Switch	
32	4240099	AR	Tie-Strap (Not Shown)	
33	4360336	1	Switch, Toggle	
34	4460071	1	Connector, Strain Relief	
35	4460346	1	Receptacle	
36	4711600	1	Washer 3/8	
37	4811600	4	Washer M5	
38	4811700	8	Washer M6	
39	4811900	8	Washer M8	
40	4812200	Ref	Washer M14	
41	4871700	2	Washer M6	
42	4922925	1	Harness, Generator	
42	4460225	1	Plug, Male 6 Position (Plugs into Generator)	

SECTION 3 - ENGINE

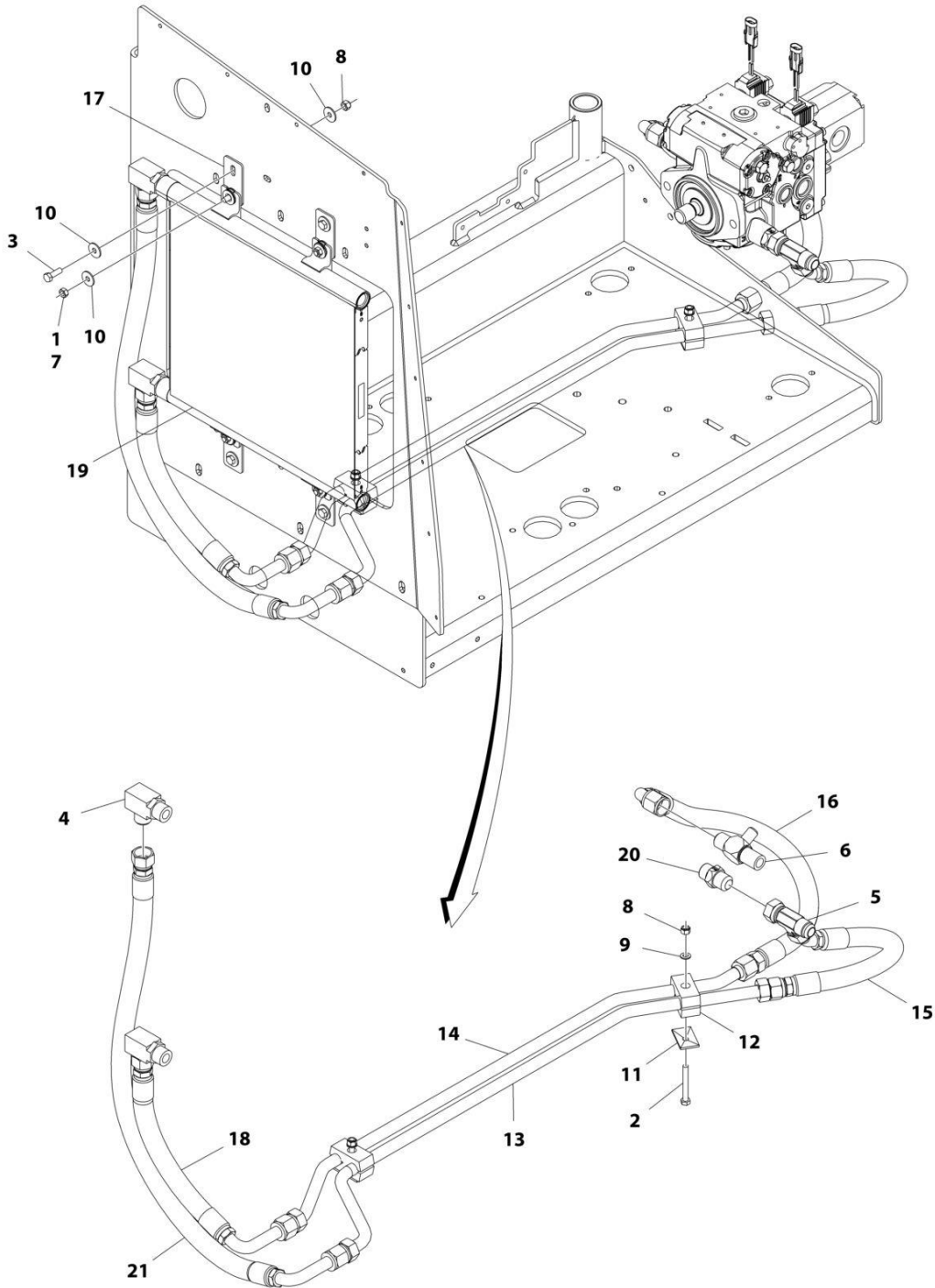
ITEM	PART NUMBER	QTY	DESCRIPTION	REV
42	See Note	NSS	Socket, Female (Use with 4460225)	
42	See Note	NSS	Seal, Plug (Use with 4460225)	
42	See Note	NSS	Seal, Interface (Use with 4460225)	
43	5241200	5	Washer M12 Hardened	
44	1001104029	4	Screw M5 x 30	
45	1001110873	1	Shield, Cover	
46	1001135679	1	Adapter	
47	1001212223	1	Generator Assembly	
47	70001100	1	Rotor (Includes p/n 70001384 & 70000863) (Not Shown)	
47	70001384	1	Bearing, Ball Radial (Not Shown)	
47	70000863	1	Fan (Not Shown)	
47	70006093	1	Stator (Not Shown)	
47	70002297	1	Stud	
47	70003631	1	Brushholder Assembly (Not Shown)	
47A	70004099	1	Key	
47B	70001966	1	Bearing, Ball Radial (Located in Belt Tensioner Endbell)	
47B	70003708	1	Ring, Internal Retaining (Located in Belt Tensioner Endbell)	
47B	70003709	1	Ring, External Retaining (Located in Belt Tensioner Endbell)	
47C	70004092	1	Endbell, Belt Tensioner	
47D	70004094	1	Endbell, Brush Block	
47E	70006094	1	Shroud	
47E	70002291	1	Insulator, Endbell	
47E	7027799	1	Block, Connector 6 Position (Not Shown)	
47E	70002460	1	Nut, Brass (Attaches p/n 7027799 to Cover) (Not Shown)	
47E	70006095	1	Breaker, Circuit 30Amp (Not Shown)	
47E	70006096	1	Guard, Breaker (Not Shown)	
47E	7026626	1	Connector, 6 Position (Includes Seal) (Not Shown - Plugs into Item 36)	
47E	7026597	1	Connector, with Leads (Not Shown)	
47E	70004098	1	Clamp, Cable (Not Shown)	
47E	70006097	1	Plate, End Panel	
47E	70001974	1	Decal - Terminal Connections	
47F	70001973	1	Decal - Warning Moving Parts	
48	1001142643	1	Support	
49	1001142646	1	Belt	
50	1001196382	2	Stud	
51	1001157592	1	Junction Box Assembly Options (See Items 101-121 for Breakdown)	
53	1001168018	Ref	Washer, Snubbing	
54	1001168207	Ref	Support	
55	1001174675	1	Wiring Diagram (Not Shown)	
55	4922641	1	Harness, On/Off Switch (Not Shown - Located at Platform)	
56	0760812	1	Bolt M8 x 25	
57	1321716	2	Clamp	
58	1001148641	1	Bracket	
59	5250808	1	Bolt M8 x 16	
60	5250810	1	Bolt M8 x 20	
61	5260800	2	Nut M8	
62	1001223122	1	Support	
63	4812000	4	Washer M10	
	1001157592	Ref	JUNCTION BOX ASSEMBLY	C

SECTION 3 - ENGINE

ITEM	PART NUMBER	QTY	DESCRIPTION	REV
101	1060343	1.5 ft/ 0.5m	Cable, Electrical 10/4	
102	1001179154	2.5 ft/ 0.8m	Cable, Electrical 12/3	
103	1671092	1	Cover	
104	3300396	1	Cover, Fuse	
105	3311001	6	Nut #10	
106	4360070	1	Circuit Breaker - 15Amp	
108	4460425	1	Connector, Strain Relief	
109	4460426	2	Connector, Strain Relief	
111	4460963	1	Connector	
112	4711000	10	Flatwasher #10	
114	10702077	2	Screw #10 x 3/8	
115	10702082	2	Screw #10 x 3/4	
116	1001152525	1	Plug	
117	1001157520	1	Block, Terminal	
118	1001157521	1	Box, Junction	
119	1001157528	1	Decal - Wiring Schematic	
120	1001158007	1	Cover, PVC	
121	1001158008	2	Stand-Off	
	0272435	Ref	DECAL INSTALLATION	D
	0273380	Ref	DECAL INSTALLATION	B
201	3251243	1	Decal - 120V - 60Hz	
202	1705375	1	Decal - 240V - 3 Phase - 60Hz	
203	1705387	3	Decal - Hazardous Voltage	
204	1705460	2	Decal - SkyPower	

SECTION 3 - ENGINE

FIGURE 3-40. OIL COOLER INSTALLATION - DEUTZ D2011 ENGINES (ANSI EXPORT, CE & UK CA (LRC) SPECS)



ART_1001258340

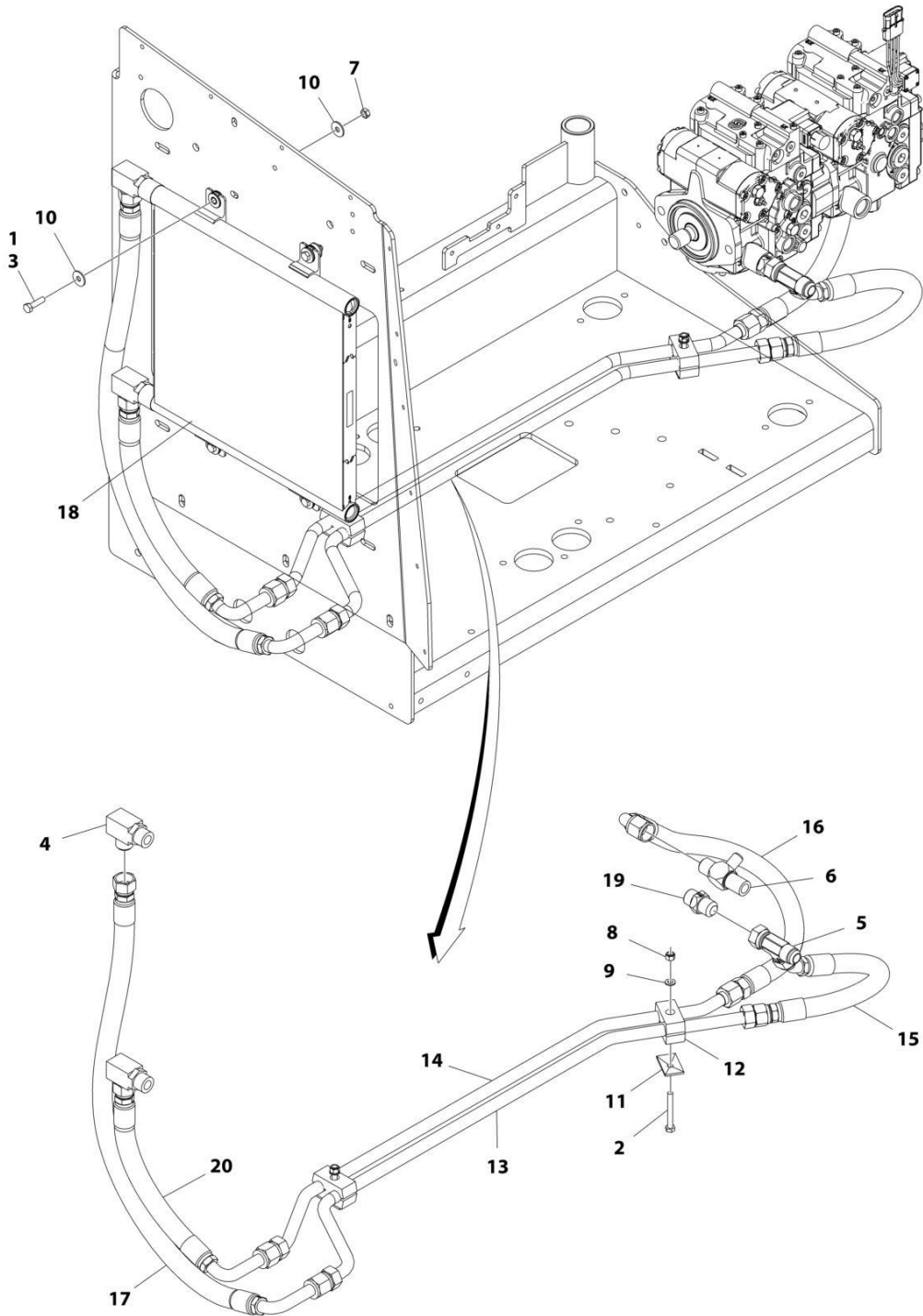
SECTION 3 - ENGINE

FIGURE 3-40. OIL COOLER INSTALLATION - DEUTZ D2011 ENGINES (ANSI EXPORT, CE & UK CA (LRC) SPECS)

ITEM	PART NUMBER	QTY	DESCRIPTION	REV
	1001258340	Ref	OIL COOLER INSTALLATION	A
1	0100011	AR	Compound, Locking	
2	0700821	2	Bolt M8 x 65	
3	0760812	4	Bolt M8 x 25	
4	2220578	2	Fitting, 90 JIC/ORB	
5	2220700	1	Fitting, Tee JIC/FSJIC/JIC	
6	2221063	1	Fitting, Tee JIC/ORB/JIC	
7	3290801	4	Nut M8 x 1.25	
8	3290805	6	Nut, Lock M8 x 1.25	
9	4811900	2	Washer M8	
10	4811902	12	Washer M8	
11	8769128	2	Cover Plate, Twin	
12	8769139	2	Clamp Set	
13	1001164487	1	Tube, Hydraulic Oil Cooler	
14	1001164489	1	Tube, Hydraulic Oil Cooler	
15	1001164491	1	Hose	
16	1001164492	1	Hose	
17	1001166338	4	Bracket, Mount	
18	1001173657	1	Hose	
19	1001177523	1	Radiator, Hyd Oil Cooler	
20	1001179156	1	Valve, Check	
21	1001179440	1	Hose	

SECTION 3 - ENGINE

FIGURE 3-41. OIL COOLER INSTALLATION - DEUTZ D2.9L4 ENGINES/DEUTZ D2.9L4 (STAGE V) ENGINES (ANSI, ANSI EXPORT, CE, CSA, JAPAN & UK CA SPECS)



ART_1001258341

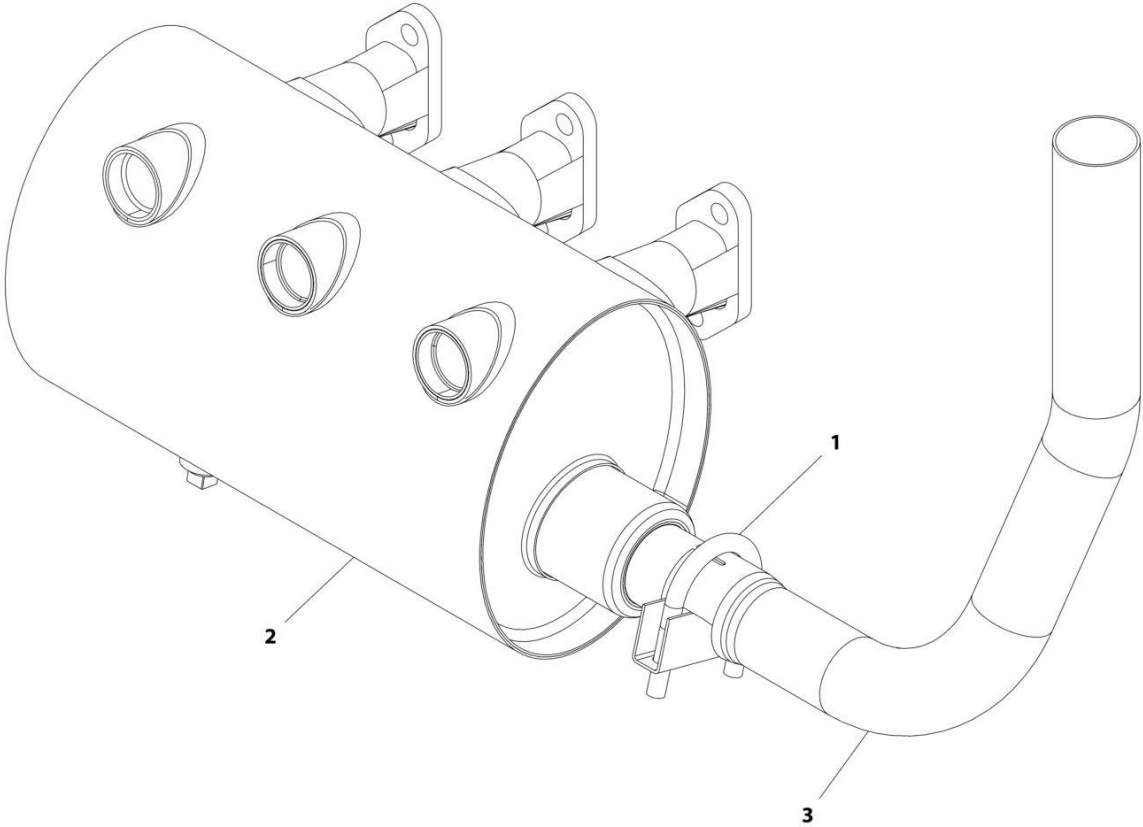
SECTION 3 - ENGINE

FIGURE 3-41. OIL COOLER INSTALLATION - DEUTZ D2.9L4 ENGINES/DEUTZ D2.9L4 (STAGE V) ENGINES (ANSI, ANSI EXPORT, CE, CSA, JAPAN & UK CA SPECS)

ITEM	PART NUMBER	QTY	DESCRIPTION	REV
	1001258341	Ref	OIL COOLER INSTALLATION	A
1	0100011	AR	Compound, Locking	
2	0700821	2	Bolt M8 x 65	
3	0760814	4	Bolt M8 x 30	
4	2220578	2	Fitting, 90 JIC/ORB	
5	2220700	1	Fitting, Tee JIC/FSJIC/JIC	
6	2221063	1	Fitting, Tee JIC/ORB/JIC	
7	3290801	4	Nut M8 x 1.25	
8	3290805	2	Nut M8	
9	4811900	2	Washer M8	
10	4811902	8	Washer M8	
11	8769128	2	Cover Plate, Twin	
12	8769139	2	Clamp Set	
13	1001164487	1	Tube, Hydraulic Oil Cooler	
14	1001164489	1	Tube, Hydraulic Oil Cooler	
15	1001164491	1	Hose	
16	1001164492	1	Hose	
17	1001173656	1	Hose	
18	1001177523	1	Radiator, Hydraulic Oil Cooler	
19	1001179156	1	Valve, Check	
20	1001179426	1	Hose	

SECTION 3 - ENGINE

FIGURE 3-42. SPARK ARRESTOR INSTALLATION - ANSI EXPORT SPECS



ART_1001175071

SECTION 3 - ENGINE

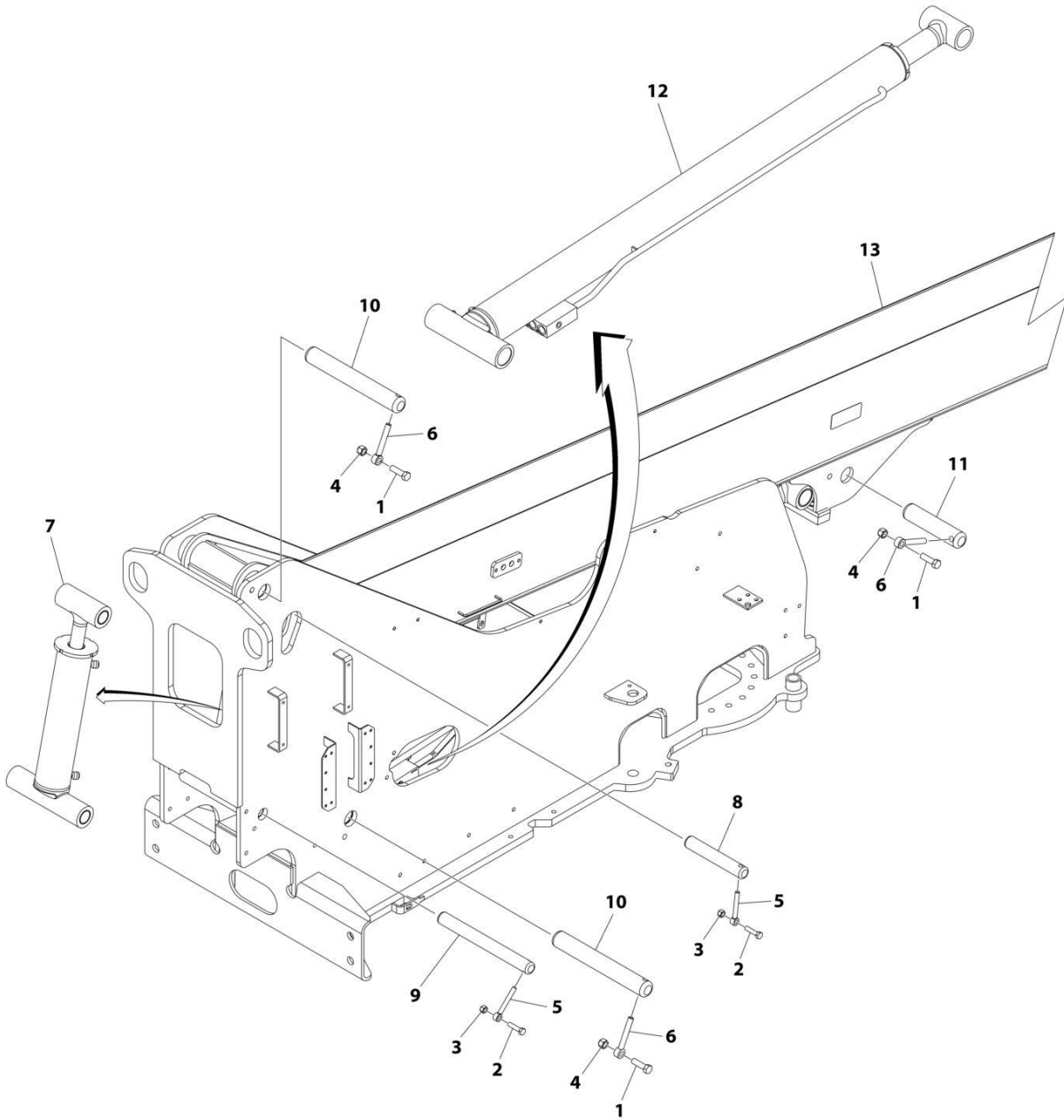
FIGURE 3-42. SPARK ARRESTOR INSTALLATION - ANSI EXPORT SPECS

ITEM	PART NUMBER	QTY	DESCRIPTION	REV
	1001175071	Ref	SPARK ARRESTOR INSTALLATION	A
1	1320176	1	Clamp	
2	1001170224	1	Muffler, Spark Arresting	
3	1001175068	1	Pipe, Exhaust	

SECTION 4 - BOOM

SECTION 4 - BOOM

FIGURE 4-1. BOOM AND CYLINDERS INSTALLATION - 400SC



ART_1001244873

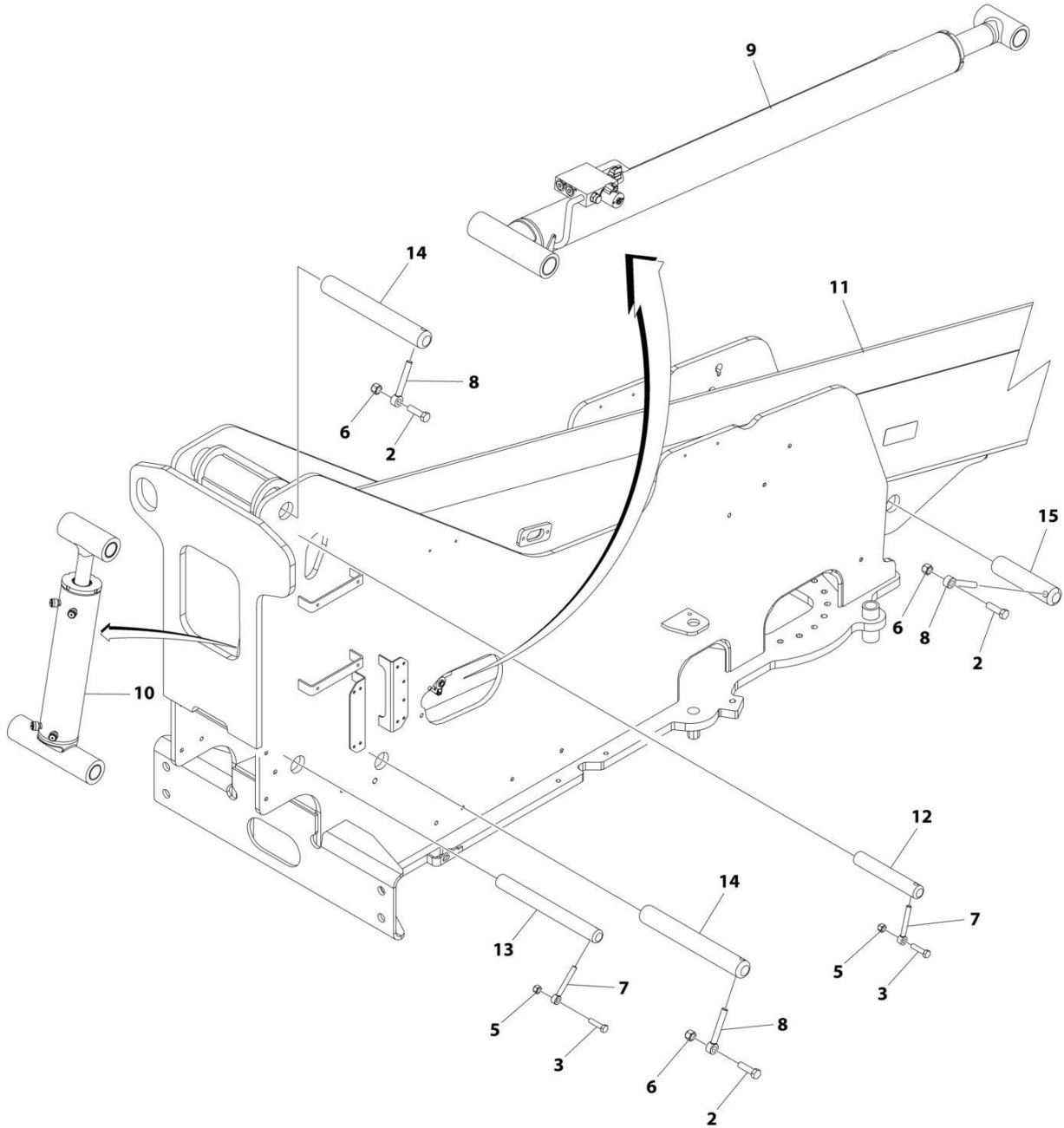
SECTION 4 - BOOM

FIGURE 4-1. BOOM AND CYLINDERS INSTALLATION - 400SC

ITEM	PART NUMBER	QTY	DESCRIPTION	REV
	1001244873	Ref	BOOM AND CYLINDERS INSTALLATION	A
1	0701619	3	Bolt, M16 x 55	
2	0761218	2	Bolt, M12 x 50	
3	3291205	2	Nut, Lock M12 x 1.75	
4	3291605	3	Nut, Lock M16 x 2	
5	3841203	2	Keeper, Pin	
6	3841258	3	Keeper, Pin	
7	1001163385	1	Master Cylinder Assembly (See Separate Breakdown in CYLINDER SECTION)	
8	1001168843	1	Pin	
9	1001168844	1	Pin	
10	1001168845	2	Pin	
11	1001168854	1	Pin	
12	1001228092	1	Lift Cylinder Assembly (See Separate Breakdown in CYLINDER SECTION)	
13	1001244874	1	Main Boom Assembly (See Separate Breakdown in this Section)	

SECTION 4 - BOOM

FIGURE 4-2. BOOM AND CYLINDERS INSTALLATION - 460SJC



ART_1001169669

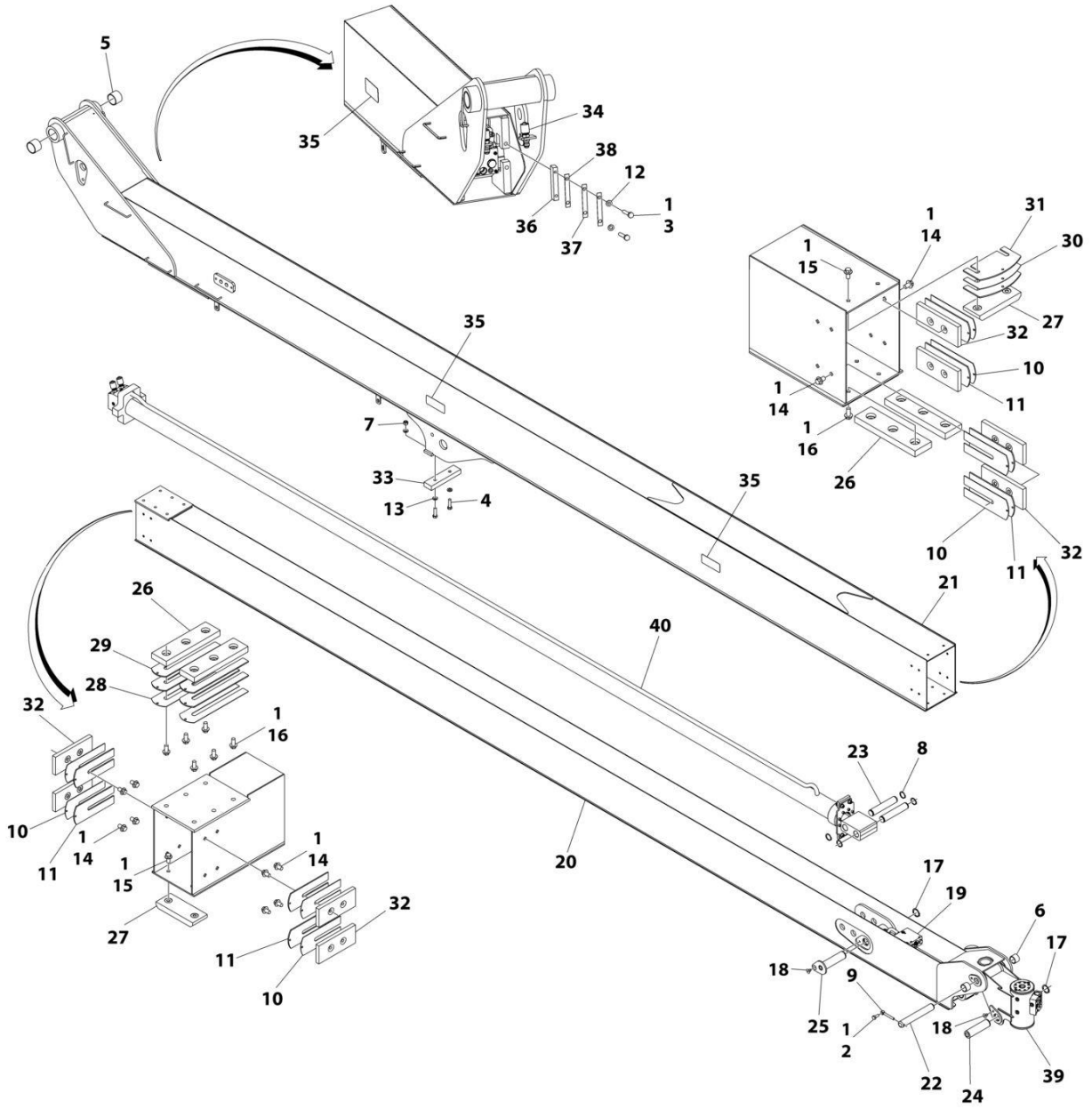
SECTION 4 - BOOM

FIGURE 4-2. BOOM AND CYLINDERS INSTALLATION - 460SJC

ITEM	PART NUMBER	QTY	DESCRIPTION	REV
	1001169669	Ref	BOOM AND CYLINDERS INSTALLATION	H
2	0701619	3	Bolt M16 x 55	
3	0761218	2	Bolt M12 x 50	
5	3291205	2	Nut M12 x 1.75	
6	3291605	3	Nut M16 x 2	
7	3841203	2	Keeper, Pin	
8	3841258	3	Keeper, Pin	
9	1001228092	1	Lift Cylinder Assembly (See Separate Breakdown in CYLINDER SECTION)	
10	1001163385	1	Master Cylinder Assembly (See Separate Breakdown in CYLINDER SECTION)	
11	1001163482	1	Main Boom Assembly (See Separate Breakdown in this Section)	
12	1001168843	1	Pin	
13	1001168844	1	Pin	
14	1001168845	2	Pin	
15	1001168854	1	Pin	

SECTION 4 - BOOM

FIGURE 4-3. MAIN BOOM ASSEMBLY - 400SC



ART_1001244874

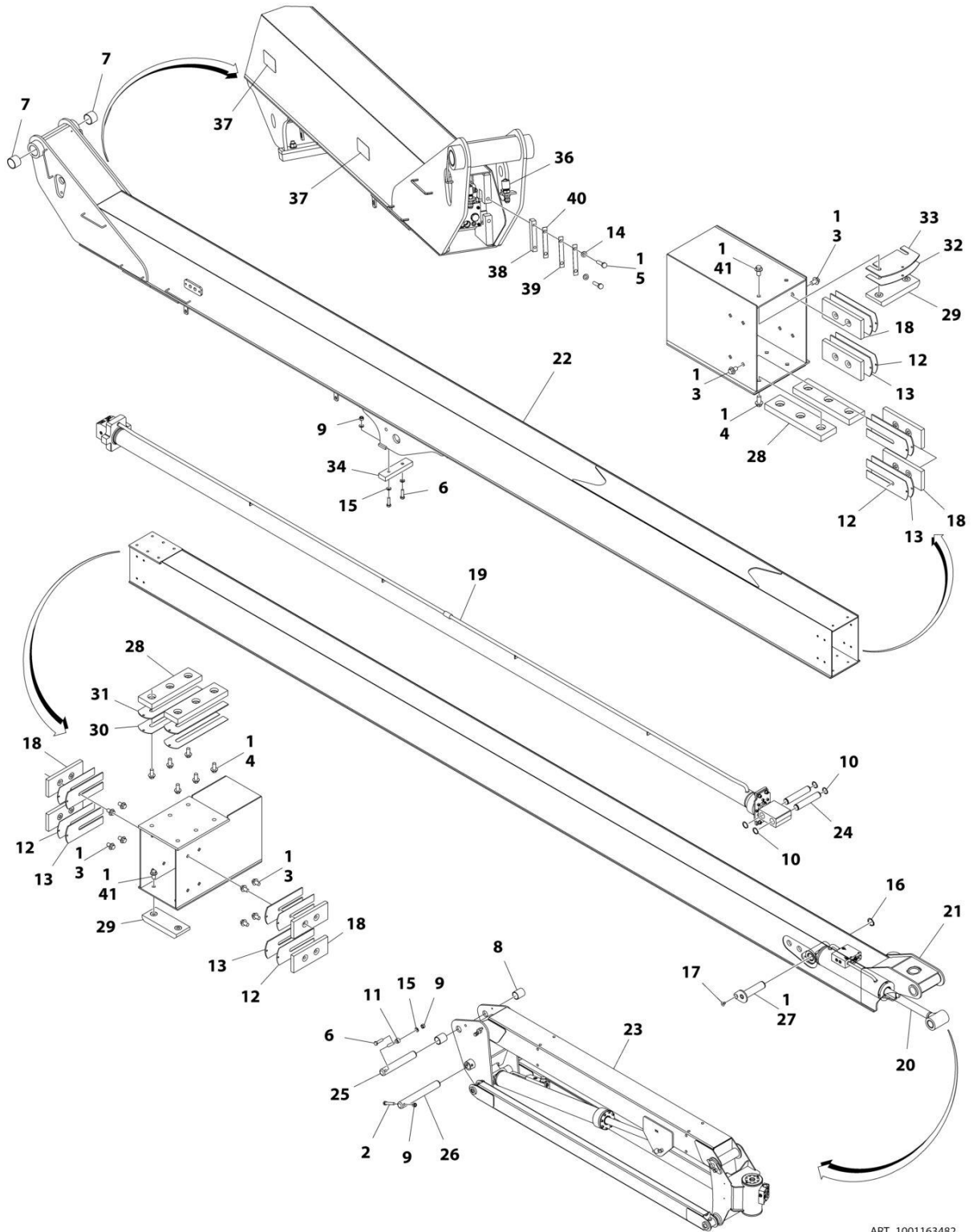
SECTION 4 - BOOM

FIGURE 4-3. MAIN BOOM ASSEMBLY - 400SC

ITEM	PART NUMBER	QTY	DESCRIPTION	REV
	1001244874	Ref	MAIN BOOM ASSEMBLY	B
1	0100011	AR	Compound, Locking	
2	0761012	1	Bolt M10 x 25	
3	0761019	4	Bolt M10 x 55	
4	0761217	2	Bolt M12 x 45	
5	0961950	2	Bearing	
6	0961951	2	Bushing	
7	3291205	2	Nut M12	
8	3760133	4	Ring	
9	3841143	1	Keeper, Pin	
10	4070897	AR	Shim 18 Ga	
11	4070898	AR	Shim 11 Ga	
12	4812000	4	Washer M10	
13	4812100	4	Washer M12	
14	5251008	16	Bolt M10 x 16	
15	5251009	4	Bolt M10 x 18	
16	5251011	12	Bolt M10 x 22	
17	1001099560	2	Ring, Retaining	
18	1001137032	2	Screw M10 x 16	
19	1001163386	1	Level (Platform Slave) Cylinder Assembly (See Separate Breakdown in CYLINDER SECTION)	
20	1001163459	1	Fly, Boom	
21	1001163470	1	Base, Boom	
22	1001168841	1	Pin	
23	1001168842	2	Pin	
24	1001168848	1	Pin	
25	1001168849	1	Pin	
26	1001169284	4	Pad	
27	1001169285	2	Pad	
28	1001169286	AR	Shim	
29	1001169287	AR	Shim	
30	1001169288	AR	Shim	
31	1001169289	AR	Shim	
32	1001169380	8	Pad	
33	1001171067	1	Pad	
34	1001171112	2	Hose	
35	1001171324	6	Cover	
36	1001171667	2	Bar	
37	1001171966	AR	Shim 20Ga	
38	1001171967	AR	Shim 16Ga	
39	1001221927	1	Platform Rotator Assembly (See Separate Breakdown in this Section)	
40	1001251075	1	Telescope Cylinder Assembly (See Separate Breakdown in CYLINDER SECTION)	

SECTION 4 - BOOM

FIGURE 4-4. MAIN BOOM ASSEMBLY - 460SJC



ART_1001163482

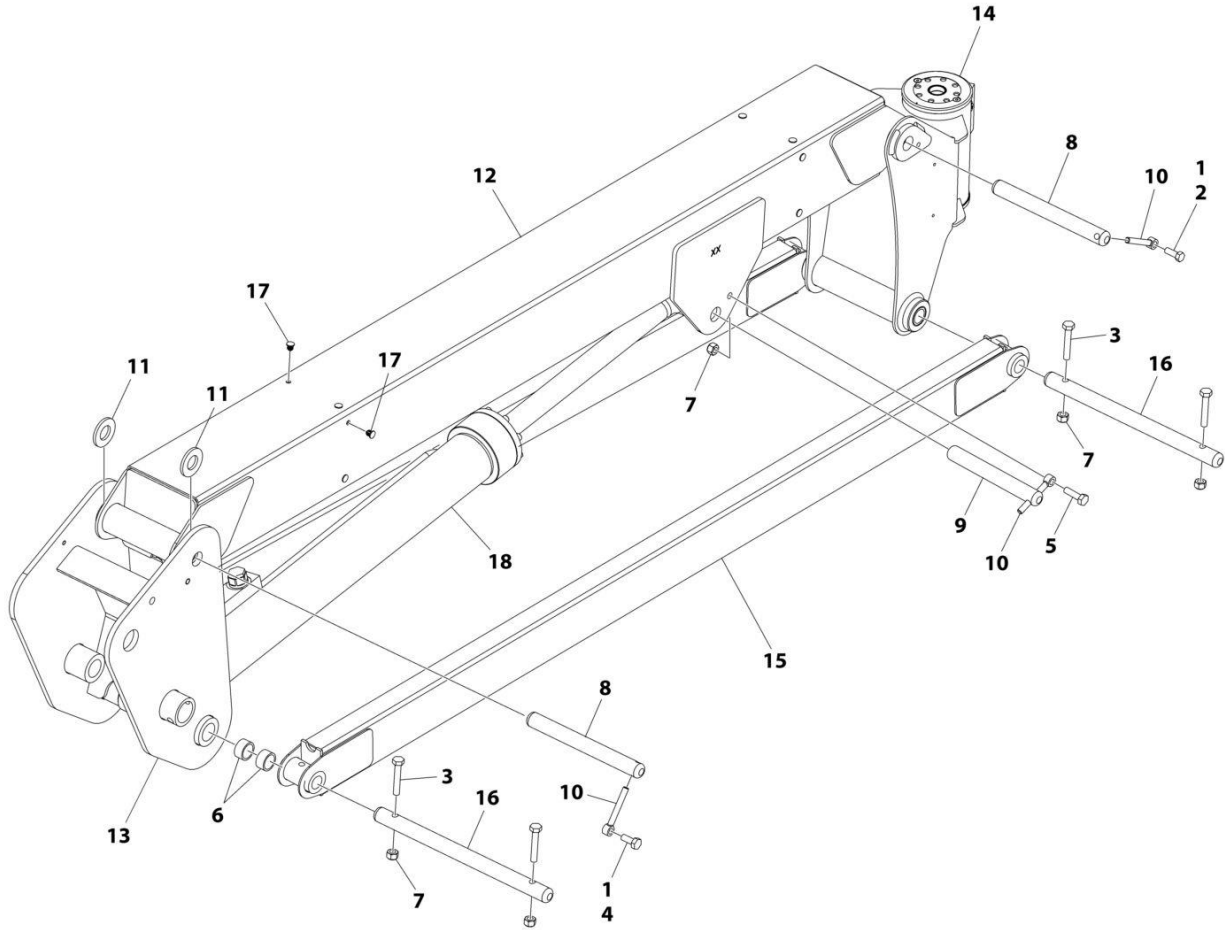
SECTION 4 - BOOM

FIGURE 4-4. MAIN BOOM ASSEMBLY - 460SJC

ITEM	PART NUMBER	QTY	DESCRIPTION	REV
	1001163482	Ref	MAIN BOOM ASSEMBLY	J
1	0100011	AR	Compound, Locking	
2	0701222	1	Bolt M12 x 70	
3	5251008	16	Bolt M10 x 16	
4	5251011	12	Bolt M10 x 22	
5	0761019	4	Bolt M10 x 55	
6	0761217	3	Bolt M12 x 45	
7	0961950	2	Bearing	
8	0962348	2	Bearing	
9	3291205	4	Nut M12 x 1.75	
10	3760133	4	Ring, Retaining	
11	3841203	1	Keeper, Pin	
12	4070897	AR	Shim, 18Ga	
13	4070898	AR	Shim, 11Ga	
14	4812000	4	Washer, M10	
15	4812100	5	Washer, M12	
16	1001099560	1	Ring, Retaining	
17	1001137032	1	Screw M10 x 16	
18	1001169380	8	Pad	
19	1001251075	1	Telescope Cylinder Assembly (See Separate Breakdown in CYLINDER SECTION)	
20	1001163386	1	Level (Platform Slave) Cylinder Assembly (See Separate Breakdown in CYLINDER SECTION)	
21	1001163483	1	Fly, Boom	
22	1001163492	1	Base, Boom	
23	1001247048	1	Jib Boom Assembly (See Separate Breakdown in this Section)	
24	1001168842	2	Pin	
25	3422793	1	Pin	
26	1001168847	1	Pin	
27	1001168849	1	Pin	
28	1001169284	4	Pad	
29	1001169285	2	Pad	
30	1001169286	AR	Shim	
31	1001169287	AR	Shim	
32	1001169288	AR	Shim	
33	1001169289	AR	Shim	
34	1001171067	1	Pad	
36	1001171112	2	Hose	
37	1001171324	2	Cover	
38	1001171667	2	Bar	
39	1001171966	AR	Shim, 20Ga	
40	1001171967	AR	Shim, 16Ga	
41	5251009	4	Bolt M10 x 18	

SECTION 4 - BOOM

FIGURE 4-5. JIB BOOM ASSEMBLY - 460SJC



ART_1001247048

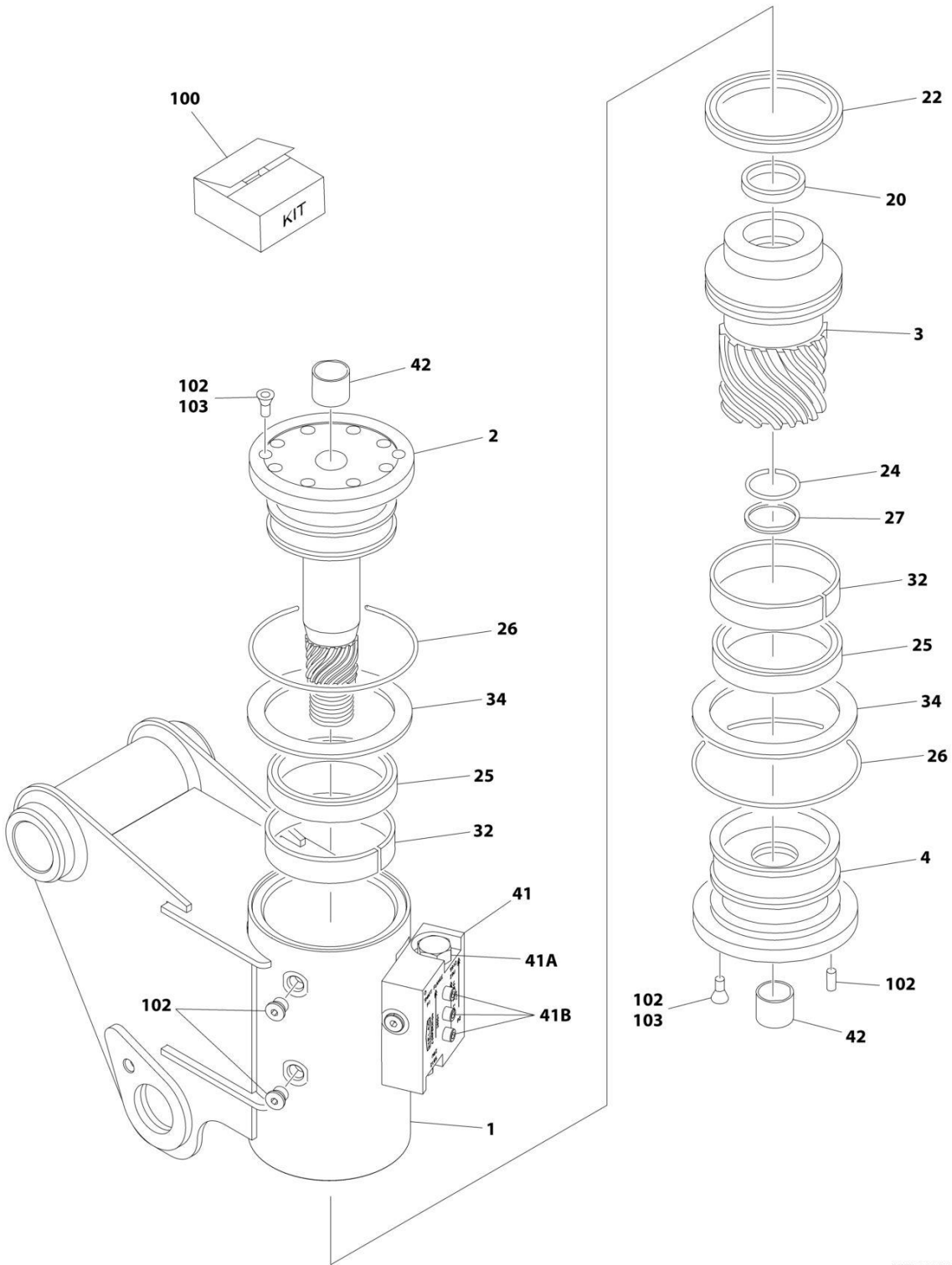
SECTION 4 - BOOM

FIGURE 4-5. JIB BOOM ASSEMBLY - 460SJC

ITEM	PART NUMBER	QTY	DESCRIPTION	REV
	1001247048	Ref	JIB BOOM ASSEMBLY	B
1	0100011	AR	Compound, Locking	
2	0641608	1	Bolt 3/8 x 1	
3	0701020	4	Bolt M10 x 60	
4	0761012	1	Bolt M10 x 25	
5	0761015	1	Bolt M10 x 35	
6	0961947	4	Bearing	
7	3291005	5	Nut M10	
8	3422860	2	Pin	
9	3422867	1	Pin	
10	3841143	3	Keeper, Pin	
11	4740439	2	Washer, Thrust	
12	4844816	1	Tube (Upper)	
12	0962335	4	Bushing	
13	1001165567	1	Pivot	
14	1001181051	1	Rotator Assembly (See Separate Breakdown in this Section)	
15	4844817	2	Tube, Lower	
16	3422861	2	Pin	
17	1001223899	8	Fastener	
18	1001248012	1	Lift Cylinder Assembly - Jib (See Separate Breakdown in CYLINDER SECTION)	

SECTION 4 - BOOM

FIGURE 4-6. ROTATOR ASSEMBLY - 400SC



ART_1001221927

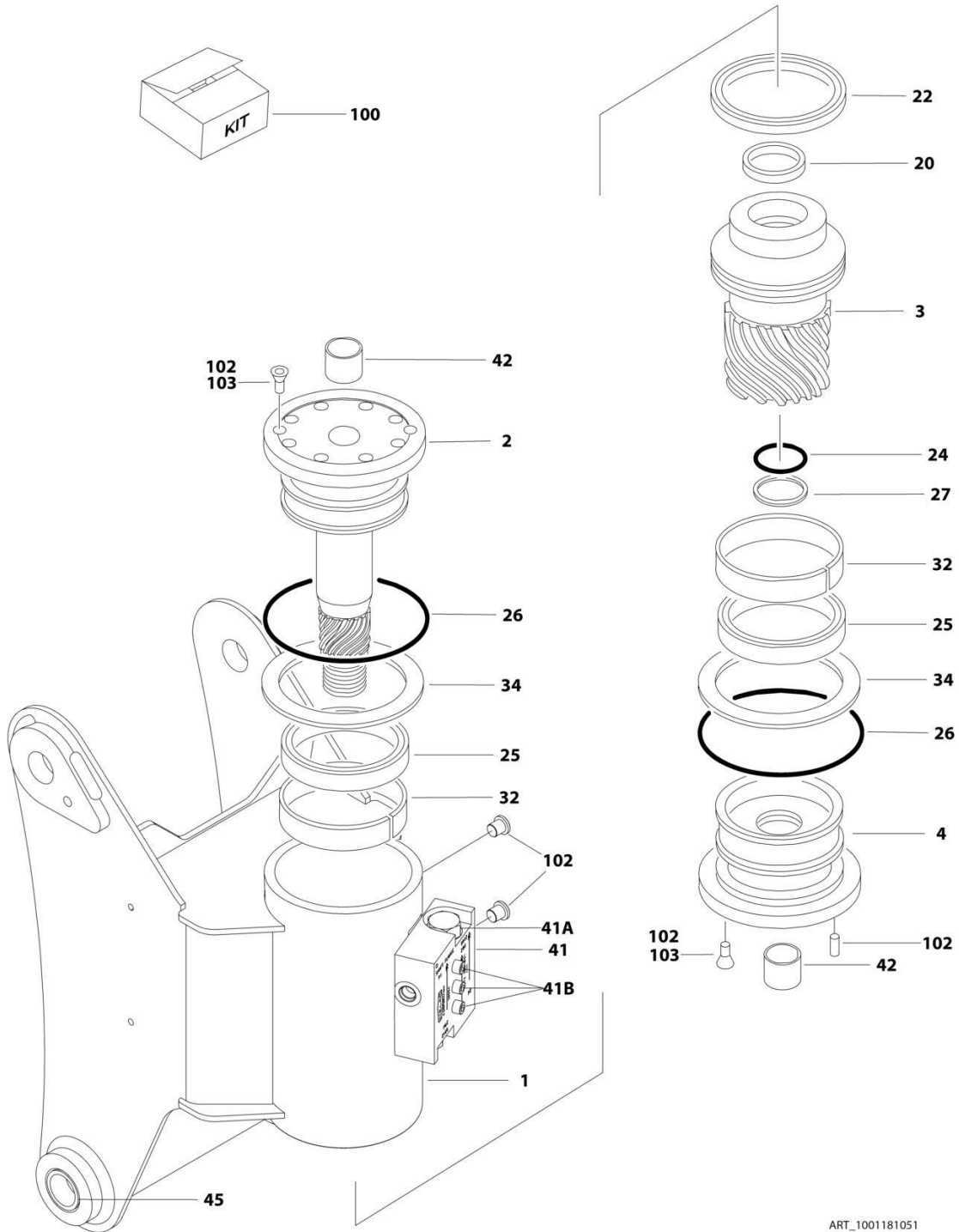
SECTION 4 - BOOM

FIGURE 4-6. ROTATOR ASSEMBLY - 400SC

ITEM	PART NUMBER	QTY	DESCRIPTION	REV
	1001221927	Ref	ROTATOR ASSEMBLY - 400SC	A
1	See Note	NSS	Housing/Ring Gear Assembly (Note: Not Available - Purchase Complete Rotator Assembly)	
2	7017162	1	Shaft Weldment	
3	7017163	1	Piston/Sleeve Assembly	
4	7017164	1	Cap, End	
20	See Note	NSS	T-Seal (Note: Use Item 100)	
22	See Note	NSS	T-Seal (Note: Use Item 100)	
24	See Note	NSS	O-Ring (Note: Use Item 100)	
25	See Note	NSS	Seal (Note: Use Item 100)	
26	See Note	NSS	O-Ring (Note: Use Item 100)	
27	See Note	NSS	Ring, Back-up (Note: Use Item 100)	
32	See Note	NSS	Ring, Wear (Note: Use Item 101)	
34	See Note	NSS	Washer, Thrust (Note: Use Item 101)	
40	70006580	1	Tube, Stop (Not Shown)	
41	7017172	AR	Valve Assembly	
41A	7017192	2	Cartridge, Valve	
41A	See Note	NSS	Seal Kit - 7017192 Valve (Note: Not Available for Purchase)	
41B	See Note	3	Bolt 1/4 x 1-1/2 (Grade 8) (Note: Not Available - Purchase Locally)	
42	7017195	2	Bushing	
100	70000342	1	Seal Kit (Includes Items 20, 22, 24, 25, 27)	
101	7017159	1	Bearing Kit (Includes Items 32 & 34)	
102	7017142	1	Hardware Kit	
103	70001697	4	Screw, Countersunk 1/4 x 3/8 Grade 8	

SECTION 4 - BOOM

FIGURE 4-7. ROTATOR ASSEMBLY - 460SJC



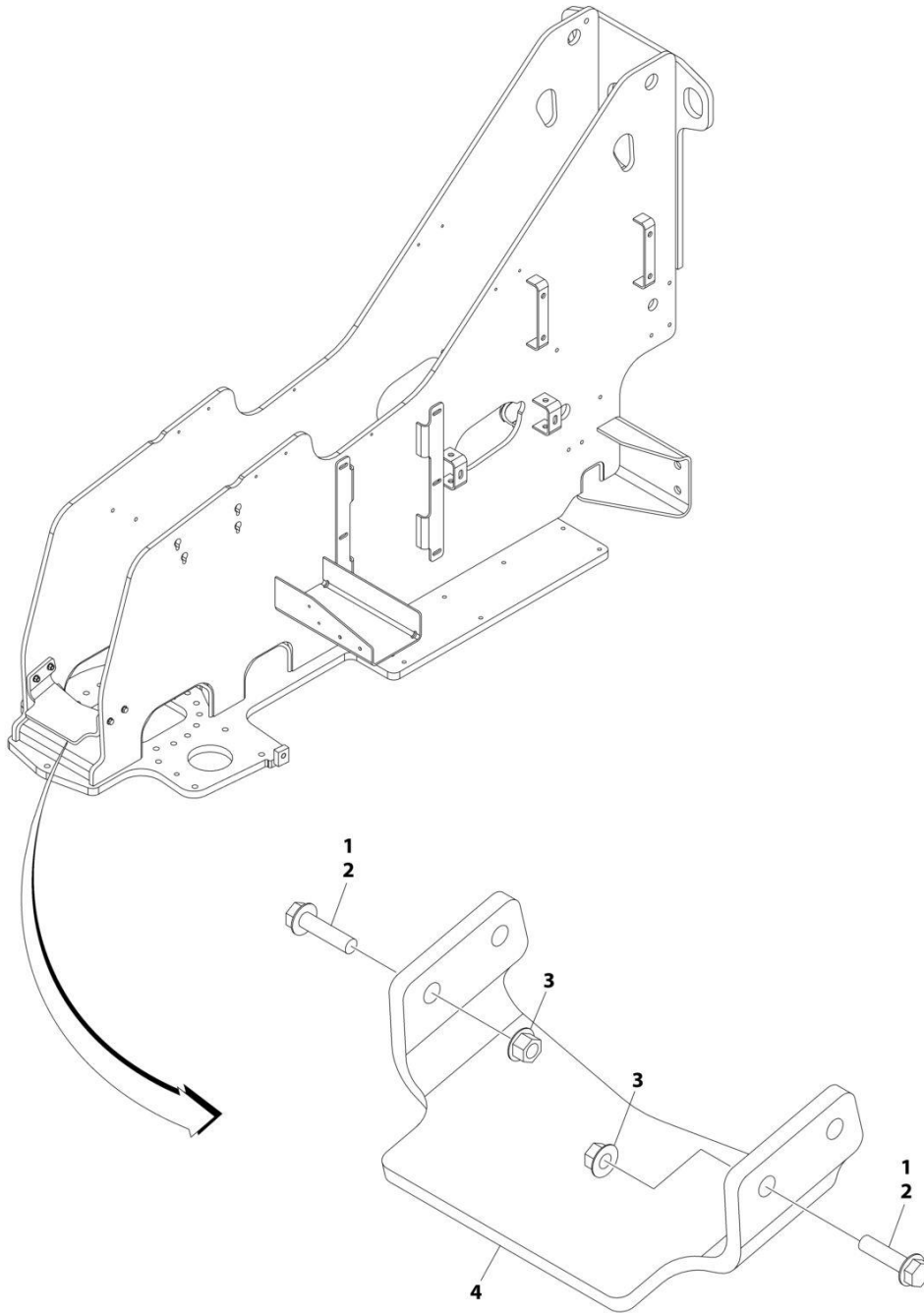
SECTION 4 - BOOM

FIGURE 4-7. ROTATOR ASSEMBLY - 460SJC

ITEM	PART NUMBER	QTY	DESCRIPTION	REV
	1001181051	Ref	ROTATOR ASSEMBLY	A
1	See Note	NSS	Housing/Ring Gear Assembly (Note: Not Available - Purchase Complete Rotator Assembly)	
2	7017162	1	Shaft Weldment	
3	7017163	1	Piston/Sleeve Assembly	
4	7017164	1	Cap, End	
20	See Note	NSS	T-Seal (Note: Use Item 100)	
22	See Note	NSS	T-Seal (Note: Use Item 100)	
24	See Note	NSS	O-Ring (Note: Use Item 100)	
25	See Note	NSS	Seal (Note: Use Item 100)	
26	See Note	NSS	O-Ring (Note: Use Item 100)	
27	See Note	NSS	Ring, Back-up (Note: Use Item 100)	
32	See Note	NSS	Ring, Wear (Note: Use Item 101)	
34	See Note	NSS	Washer, Thrust (Note: Use Item 101)	
41	7017172	AR	Valve Assembly	
41A	7017192	2	Cartridge, Valve	
41A	See Note	NSS	Seal Kit - 7017192 Valve (Note: Not Available for Purchase)	
41B	See Note	3	Bolt 1/4-20NC x 1-1/2 Grade 8 (Note: Not Available - Purchase Locally)	
42	7017195	2	Bushing	
45	7017150	2	Bushing	
100	70000342	1	Seal Kit (Includes Items 20, 22, 24, 25, 27 & 33)	
101	7017159	1	Bearing Kit (Includes Items 32 & 34)	
102	7017142	1	Hardware Kit	
103	70001697	4	Screw, Countersunk 1/4 x 3/8 Grade 8	

SECTION 4 - BOOM

FIGURE 4-8. BOOM REST INSTALLATION



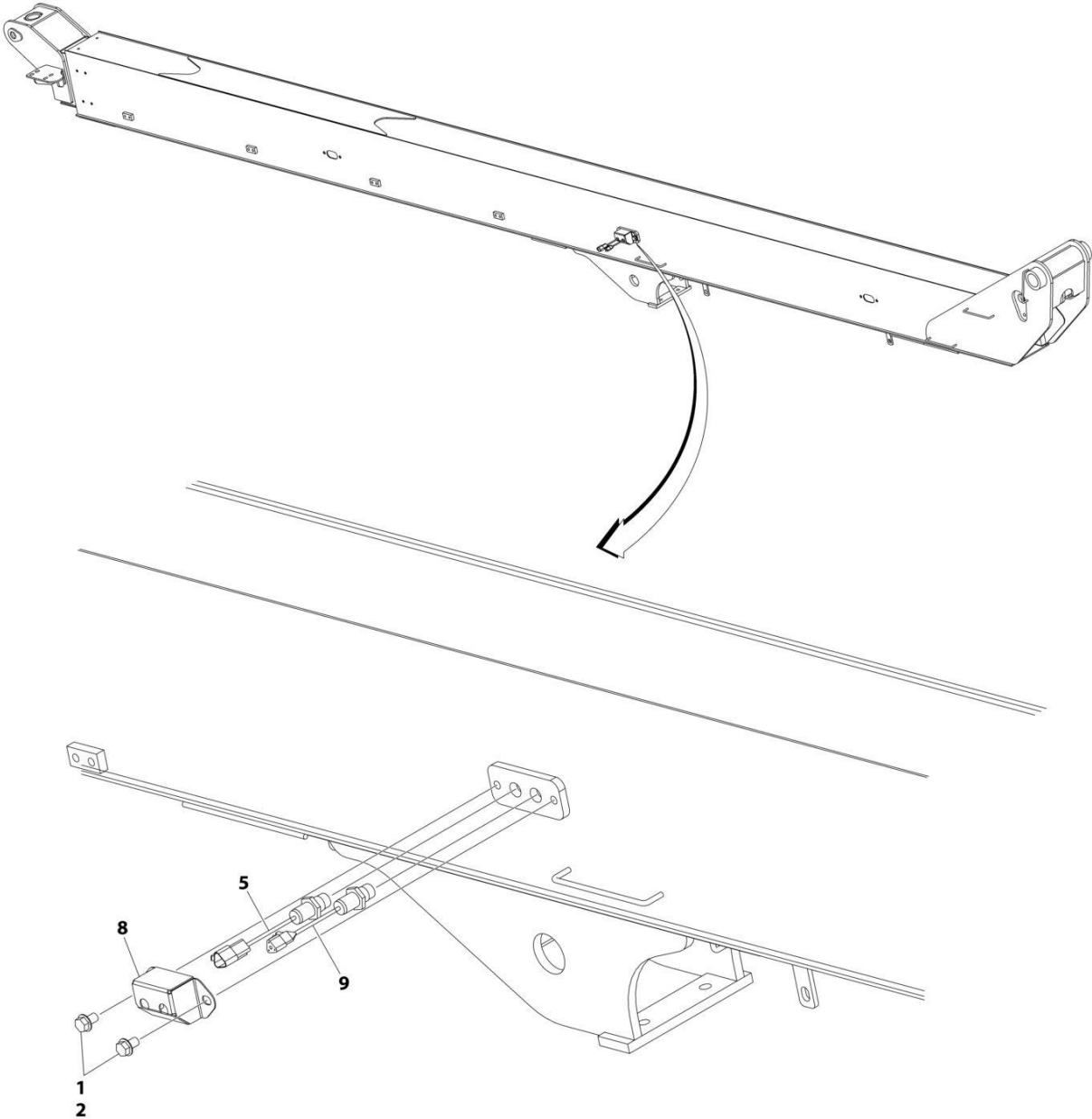
ART_1001209100

FIGURE 4-8. BOOM REST INSTALLATION

ITEM	PART NUMBER	QTY	DESCRIPTION	REV
	1001209100	Ref	Boom Rest Installation	A
1	0100011	AR	Compound, Locking	
2	5251016	4	Bolt M10 x 40	
3	5261000	4	Nut M10	
4	1001209099	1	Support, Boom Rest	

SECTION 4 - BOOM

FIGURE 4-9. CAPACITY SWITCH INSTALLATION



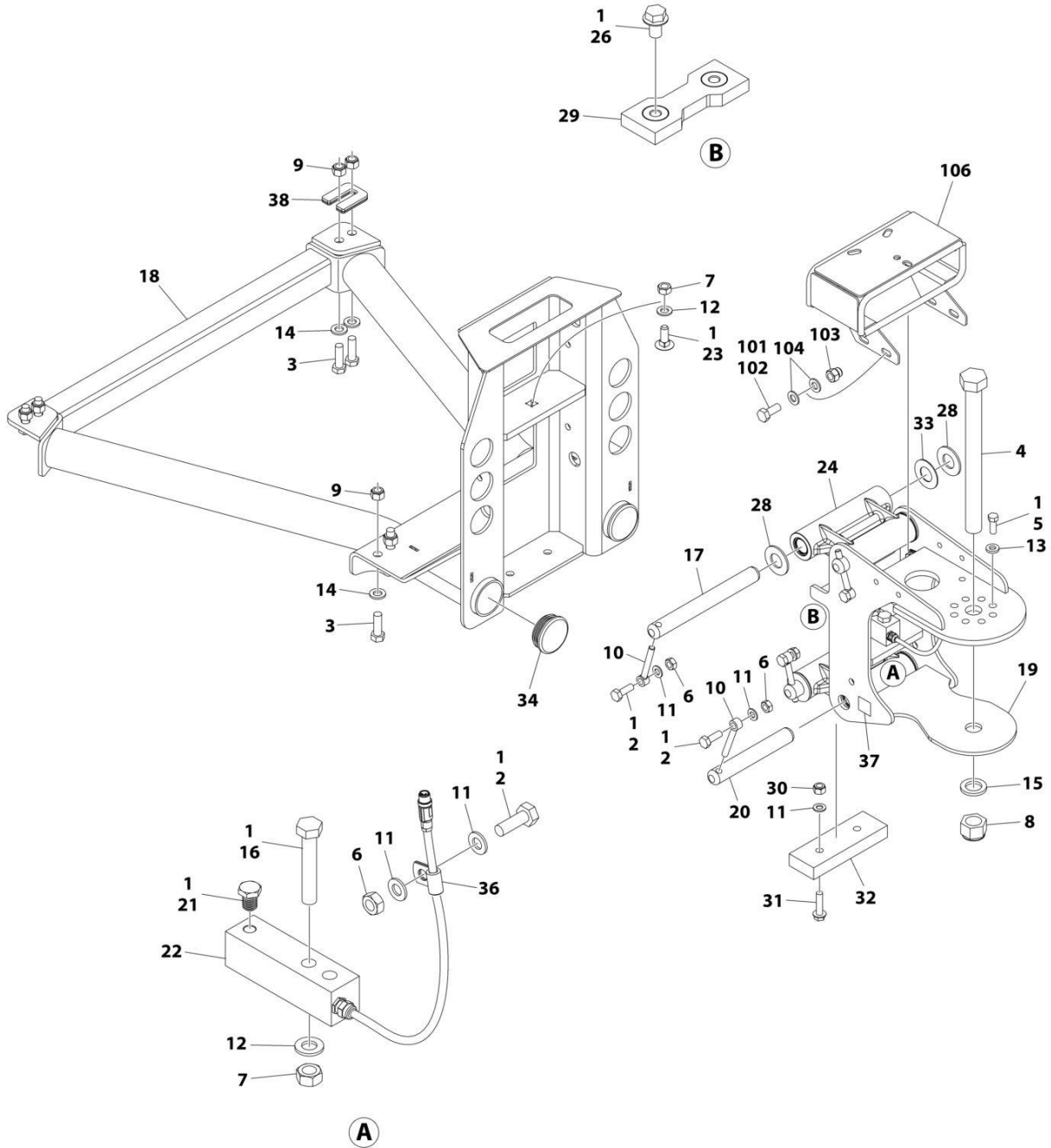
ART_1001173233

FIGURE 4-9. CAPACITY SWITCH INSTALLATION

ITEM	PART NUMBER	QTY	DESCRIPTION	REV
	1001173233	Ref	CAPACITY SWITCH INSTALLATION	D
1	0100011	AR	Compound, Locking	
2	5251008	2	Bolt, M10 x 16	
5	1001170847	1	Sensor, Proximity	
5	4460536	1	Connector - 3 Position	
5	4460464	3	Pin, Male	
8	1001204715	1	Bracket, Cover	
9	1001182570	1	Sensor, Proximity	
9	4460539	1	Connector 3 Position	
9	4460465	3	Socket, Female	

SECTION 4 - BOOM

FIGURE 4-10. PLATFORM SUPPORT INSTALLATION



ART_1001167596_N

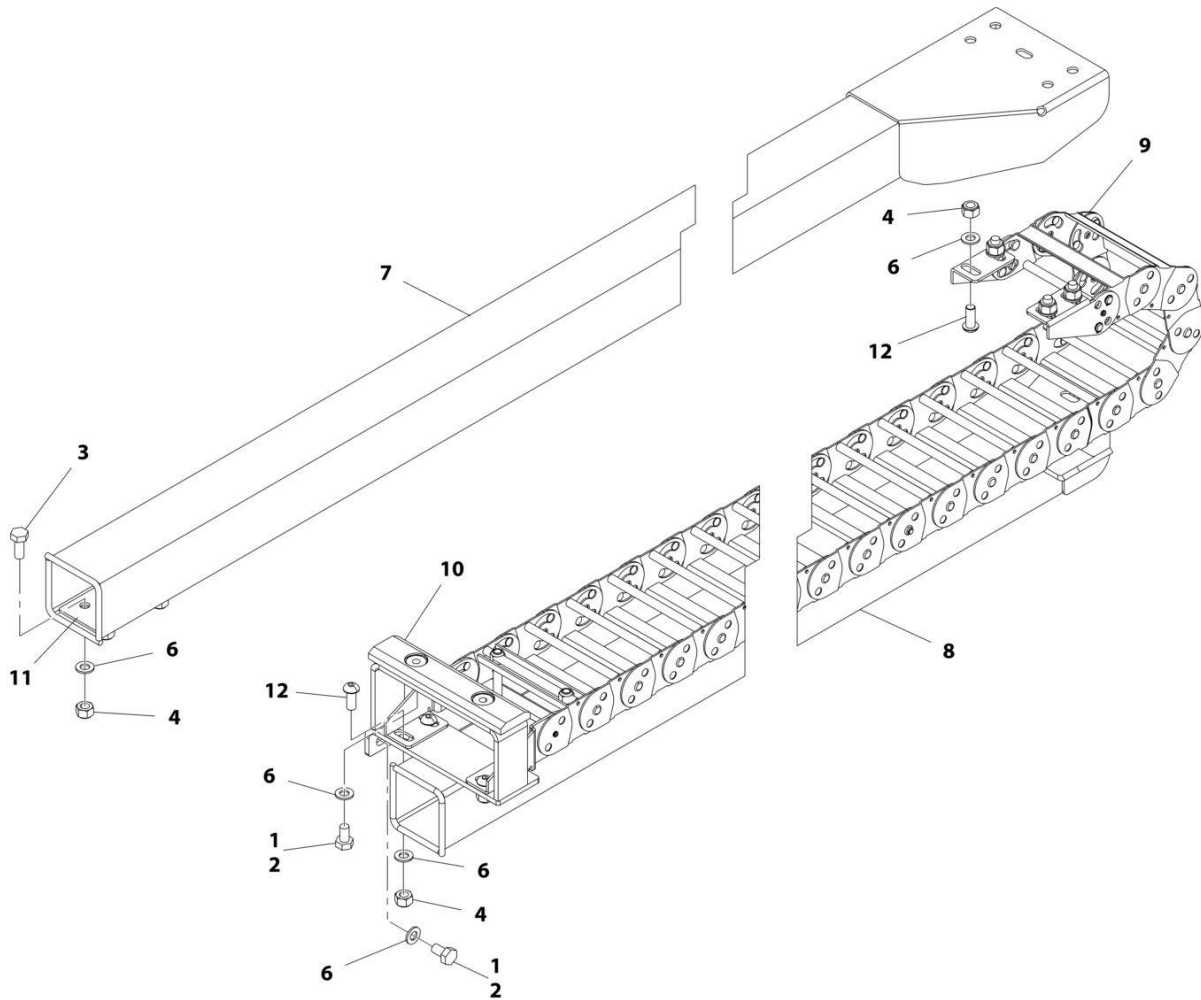
SECTION 4 - BOOM

FIGURE 4-10. PLATFORM SUPPORT INSTALLATION

ITEM	PART NUMBER	QTY	DESCRIPTION	REV
	1001167596	Ref	PLATFORM SUPPORT INSTALLATION	N
1	0100011	AR	Compound, Locking	
2	0761014	5	Bolt M10 x 30	
3	0761216	8	Bolt M12 x 40	
4	1001255133	1	Bolt 1 x 11 GRD8	
5	0681608	8	Bolt 3/8 x 1 GRD8	
6	3291001	5	Nut M10	
7	3291201	3	Nut M12	
8	1001174040	1	Nut 1	
9	3291205	8	Nut M12	
10	3841143	4	Keeper, Pin	
11	4812000	8	Washer M10	
12	4812100	3	Washer M12	
13	4891600	8	Washer 3/8	
14	5241200	8	Washer M12	
15	4892600001	1	Washer 1	
16	1001098828	2	Bolt M12 x 70 CL10.9	
17	1001167565	2	Pin	
18	1001200494	1	Support, Platform	
19	1001167567	1	Support, Rotator	
20	1001168402	2	Pin	
21	1001188622	1	Screw	
22	1001247468	1	Loadcell	
23	1001188844	1	Bolt M12 x 35	
24	1001201351	2	Link	
24	1001187382	4	Bearing	
24	1001187383	4	Seal	
26	5251008	2	Bolt M10 x 16 CL10.9	
28	1001189002	8	Bearing	
29	1001190985	1	Pad, Wear	
30	3291005	2	Nut M10	
31	5251016	2	Bolt M10 x 40 CL10.9	
32	1001200491	1	Pad, Wear	
33	1001189001	4	Bearing	
34	1001204725	2	Plug	
36	91203039	1	Clamp	
37	1001216630	2	Decal - Tie Down/No Lift	
38	1001238421	Ref	Kit, Platform Leveling (Not Shown)	
	1001202687	Ref	VALVE MOUNT INSTALLATION	B
101	0100011	AR	Compound, Locking	
102	0760810	4	Bolt M8 x 20	
103	3290806	4	Nut M8	
104	4811900	8	Washer M8	
106	1001208994	1	Mount, Valve	

SECTION 4 - BOOM

FIGURE 4-11. POWER TRACK INSTALLATION



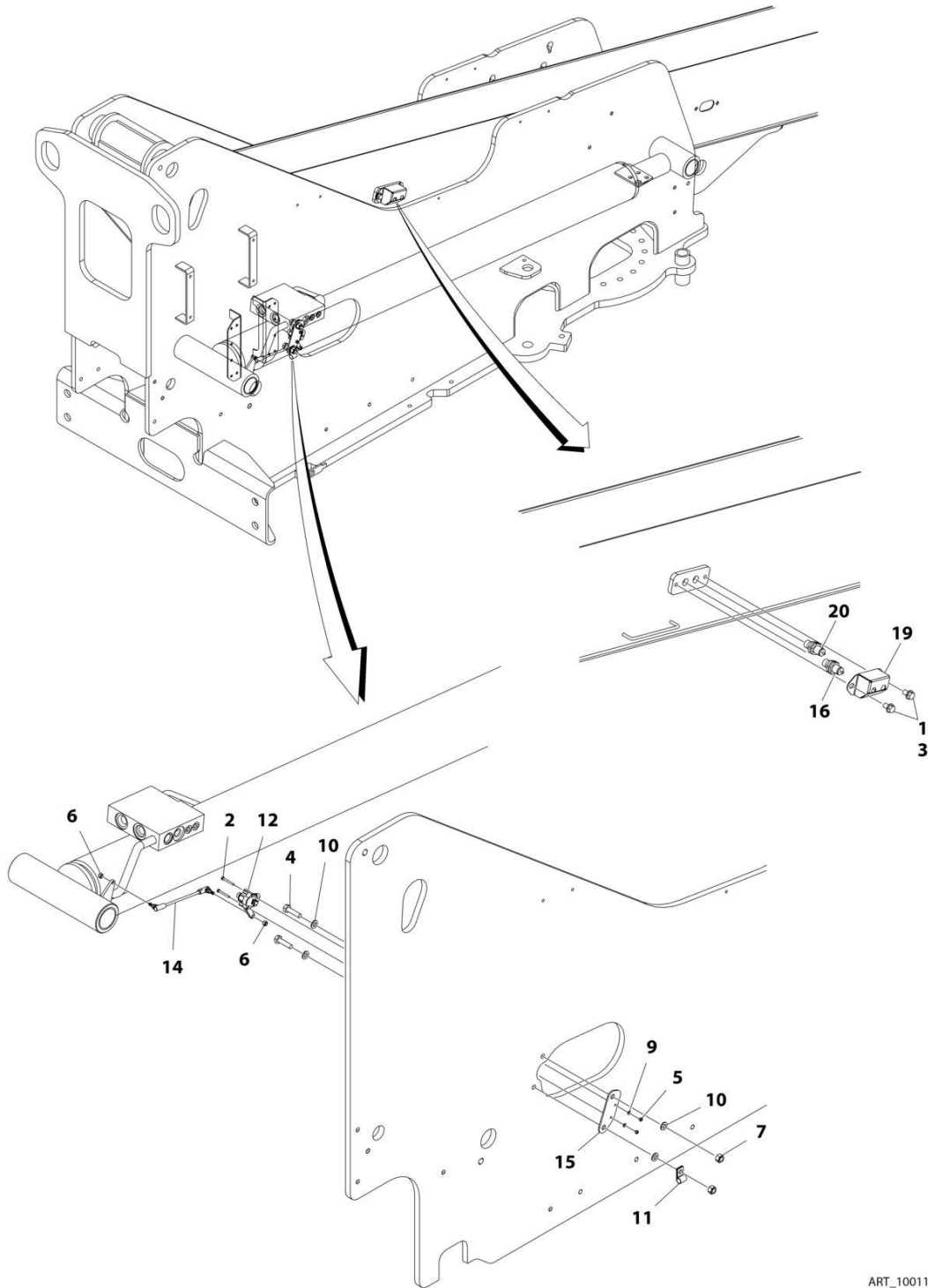
ART_1001165538

FIGURE 4-11. POWER TRACK INSTALLATION

ITEM	PART NUMBER	QTY	DESCRIPTION	REV
	1001165538	Ref	POWER TRACK INSTALLATION	E
1	0100011	AR	Compound, Locking	
2	0761009	10	Bolt M10 x 18	
3	0761012	4	Bolt M10 x 25	
4	3291005	12	Nut M10	
6	4812000	22	Washer M10	
7	1001165531	1	Tube, Push	
8	1001165534	1	Tube, Carrier	
9	1001224888	1	Power Track	
9	70006255	1	Repair Section without Clamp - 10 Links	
9	70006270	1	Feet, Mounting (Includes 1 each Left and Right Mounting Feet)	
10	1001169611	1	Pad, Wear	
11	1001176899	1	Plate, Support	
12	1001173763	8	Screw M10 x 25	

SECTION 4 - BOOM

FIGURE 4-12. TRANSPORT SWITCHES INSTALLATION



ART_1001170642

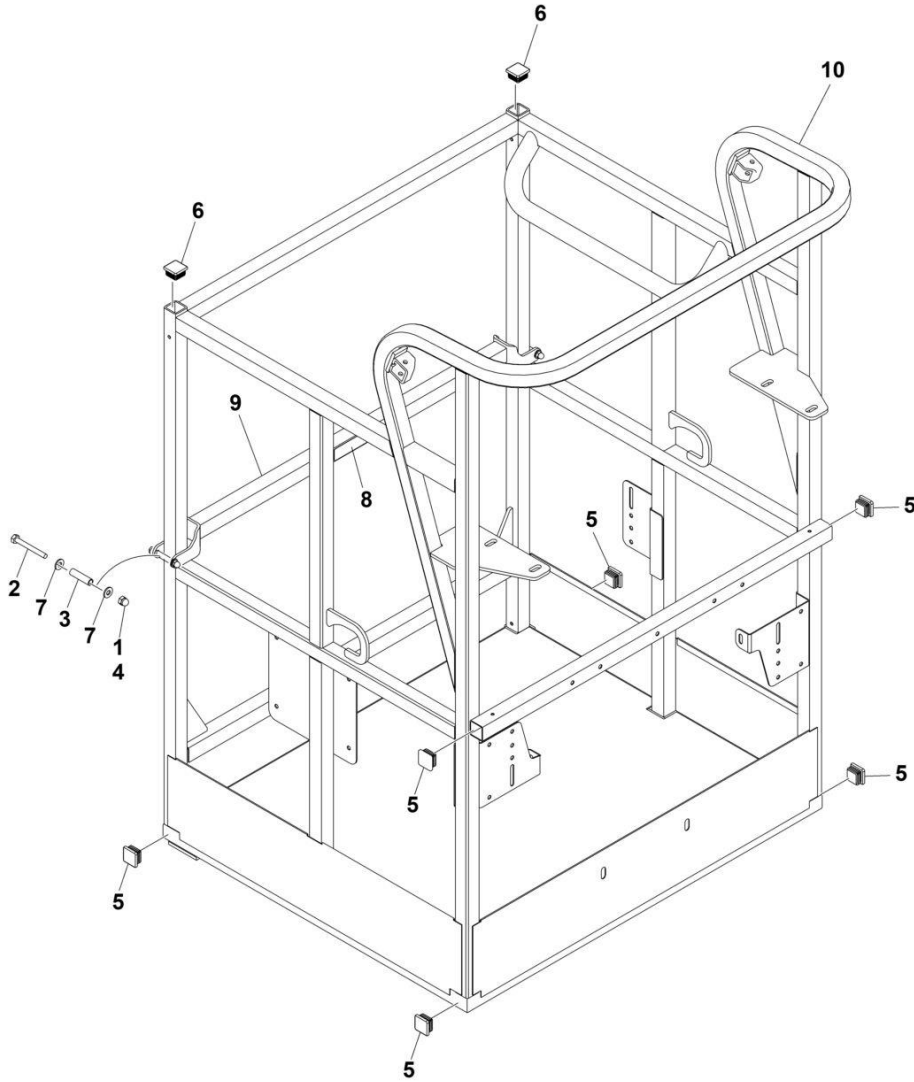
FIGURE 4-12. TRANSPORT SWITCHES INSTALLATION

ITEM	PART NUMBER	QTY	DESCRIPTION	REV
	1001170642	Ref	TRANSPORT SWITCHES INSTALLATION	I
1	0100011	AR	Compound, Locking	
2	0760415	2	Bolt M4 x 35	
3	5251008	2	Bolt M10 x 16	
4	0761016	2	Bolt M10 x 40	
5	3290405	2	Nut M4 x 0.7	
6	3290605	2	Nut M6 x 1	
7	3291005	2	Nut M10 x 1.5	
9	4811400	2	Washer M4	
10	4812000	4	Washer M10	
11	8406110	1	Clip	
12	1001118971	1	Angle, Sensor	
14	1001170564	1	Link, Sensor	
15	1001170565	1	Bracket	
16	1001170847	1	Sensor, Proximity	
16	4460536	1	Connector - 3 Position	
16	4460464	3	Pin, Male	
19	1001204715	1	Bracket, Switch Cover	
20	1001182570	1	Sensor, Proximity	
20	4460539	1	Connector - 3 Position	
20	4460465	3	Socket, Female	
21	1001288195	1	Boom Angle Sensr Jumper Harness	

SECTION 5 - PLATFORM

SECTION 5 - PLATFORM

FIGURE 5-1. PLATFORM ASSEMBLY - 30IN X 3FT (76CM X .91M) - DROP BAR ENTRY



ART_1001228215

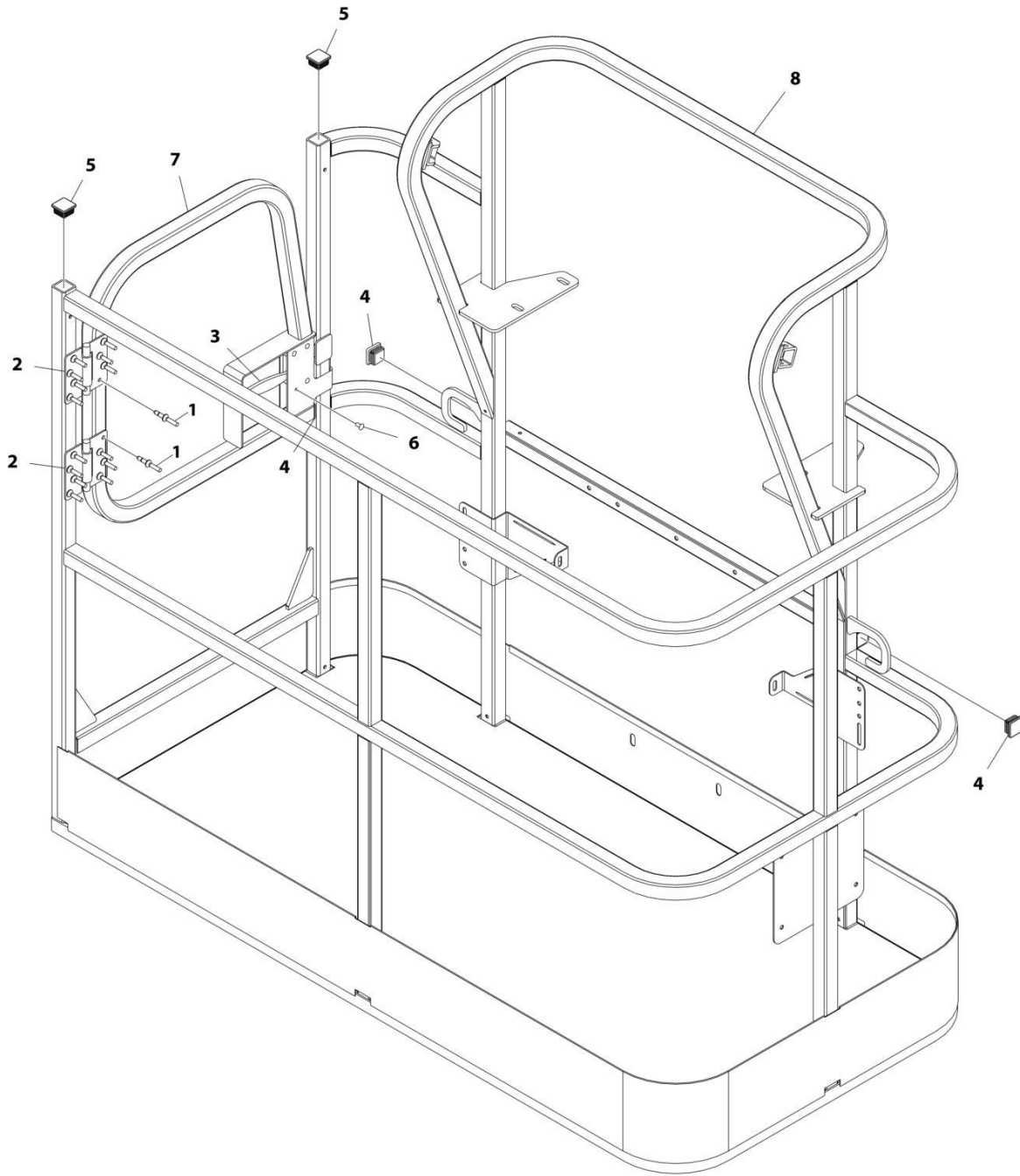
SECTION 5 - PLATFORM

FIGURE 5-1. PLATFORM ASSEMBLY - 30IN X 3FT (76CM X .91M) - DROP BAR ENTRY

ITEM	PART NUMBER	QTY	DESCRIPTION	REV
	1001228215	Ref	PLATFORM ASSEMBLY	A
	See Note	Ref	Note: Platform and Mesh must be ordered separately for Platforms with Mesh. See SPECIAL OPTIONS SECTION for Mesh Installations.	
	See Note	Ref	Note: Replacement Decals Must be Ordered Separately - See DECAL SECTION.	
1	0100011	AR	Compound, Locking	
2	0641418	2	Bolt 1/4 x 2-1/4	
3	0961845	2	Bushing	
4	3300151	2	Nut 1/4	
5	3520072	6	Cap, Plug	
6	3520198	2	Cap, Plug	
7	4711400	4	Washer 1/4	
8	1001140429	1	Decal - Drop Bar	
9	1001226872	1	Bar, Drop	
10	See Note	NSS	Platform (Note: Not Available - Purchase Platform Assembly)	

SECTION 5 - PLATFORM

FIGURE 5-2. PLATFORM ASSEMBLY - 30IN X 5FT (76.2CM X 1.5M) WITH SWING GATE



ART_1001186386

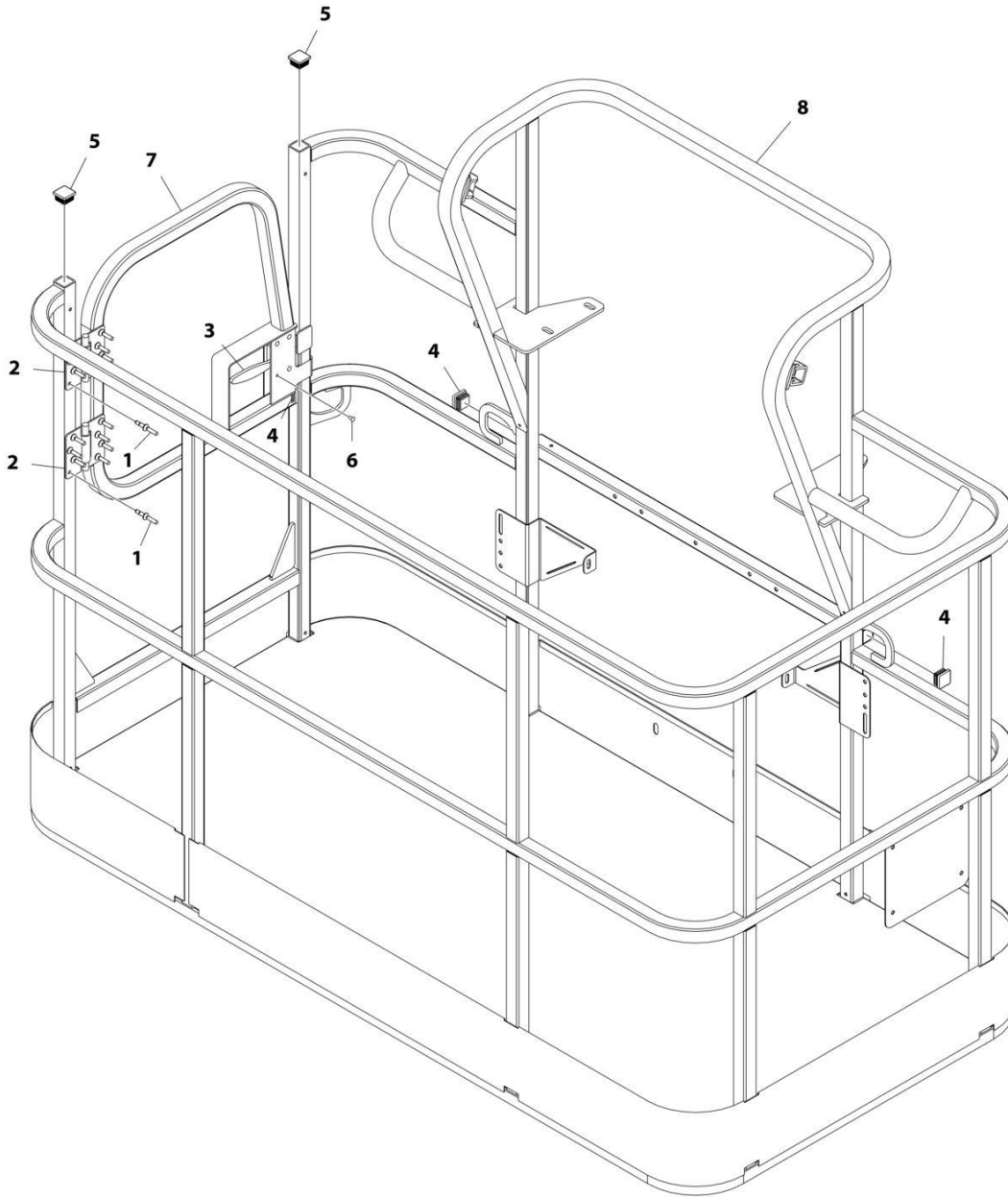
SECTION 5 - PLATFORM

FIGURE 5-2. PLATFORM ASSEMBLY - 30IN X 5FT (76.2CM X 1.5M) WITH SWING GATE

ITEM	PART NUMBER	QTY	DESCRIPTION	REV
	1001186386	Ref	PLATFORM ASSEMBLY	C
		Ref	Note: Platform and Mesh must be ordered separately for Platforms with Mesh. See SPECIAL OPTIONS SECTION for Mesh Installations.	
		Ref	Note: Replacement Decals Must be Ordered Separately - See DECALS SECTION.	
1	2080040	16	Fastener, Huck	
2	2600281	2	Hinge, Self-Closing	
3	2940074	1	Latch	
4	3520072	3	Plug	
5	3520198	2	Plug	
6	3820020	4	Rivet	
7	1001144629	1	Gate	
8	See Note	NSS	Platform (Note: Not Available - Purchase Platform Assembly)	

SECTION 5 - PLATFORM

FIGURE 5-3. PLATFORM ASSEMBLY - 36IN X 6FT (91.5CM X 1.83M) WITH SWING GATE



ART_1001186384

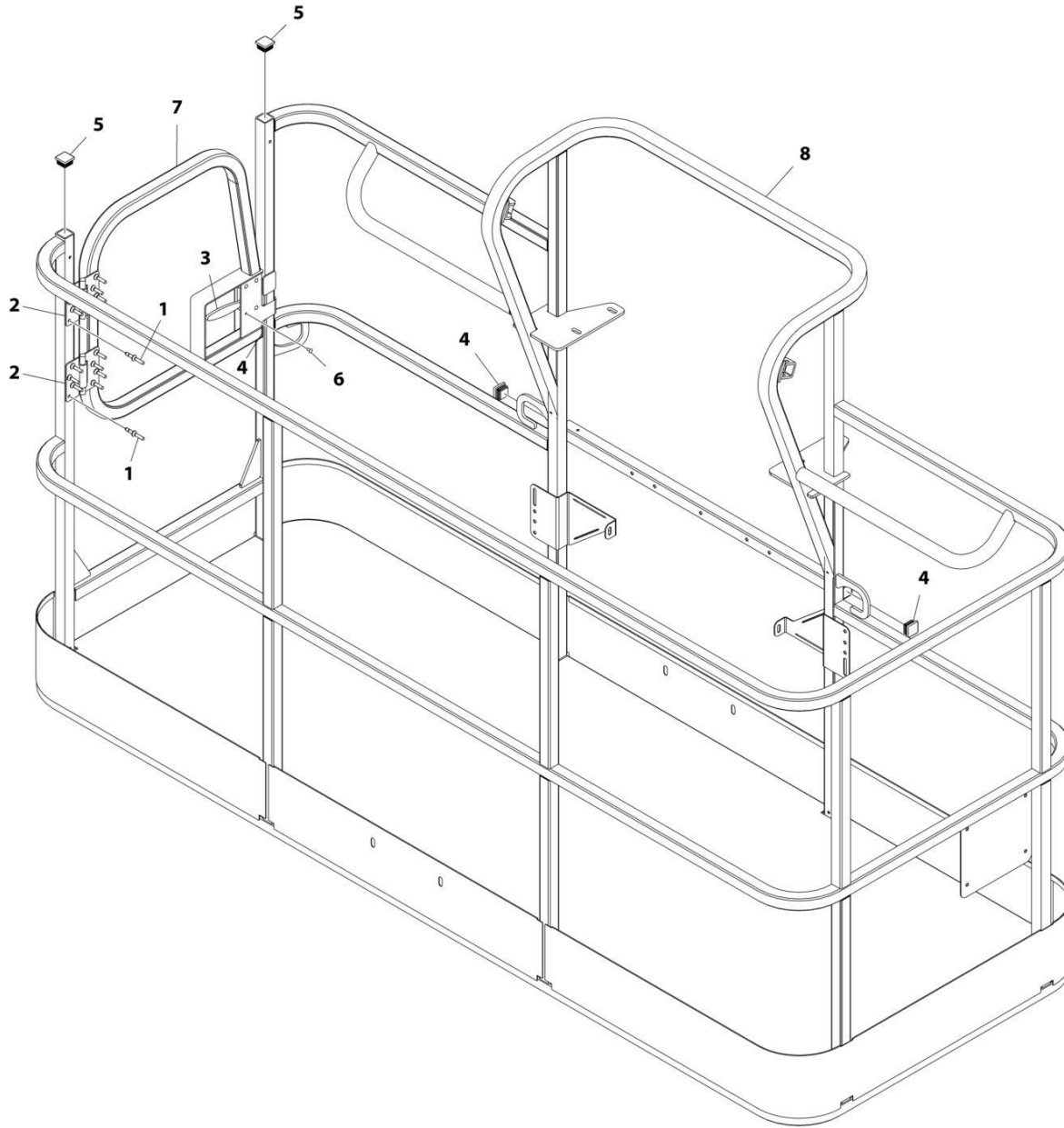
SECTION 5 - PLATFORM

FIGURE 5-3. PLATFORM ASSEMBLY - 36IN X 6FT (91.5CM X 1.83M) WITH SWING GATE

ITEM	PART NUMBER	QTY	DESCRIPTION	REV
	1001186384	Ref	PLATFORM ASSEMBLY - 36IN X 6FT (91.5CM X 1.83M) WITH SWING GATE	C
	See Note	Ref	Note: Platform and Mesh must be ordered separately for Platforms with Mesh. See SPECIAL OPTIONS SECTION for Mesh Installations.	
	See Note	Ref	Note: Replacement Decals Must be Ordered Separately - See DECALS SECTION.	
1	2080040	16	Fastener, Huck	
2	2600281	2	Hinge	
3	2940074	1	Latch	
4	3520072	3	Plug	
5	3520198	2	Plug	
6	3820020	4	Rivet	
7	1001144629	1	Gate	
8	See Note	NSS	Platform (Note: Not Available - Purchase Platform Assembly)	

SECTION 5 - PLATFORM

FIGURE 5-4. PLATFORM ASSEMBLY - 36IN X 8FT (91.5CM X 2.44M) WITH SWING GATE



ART_1001186383

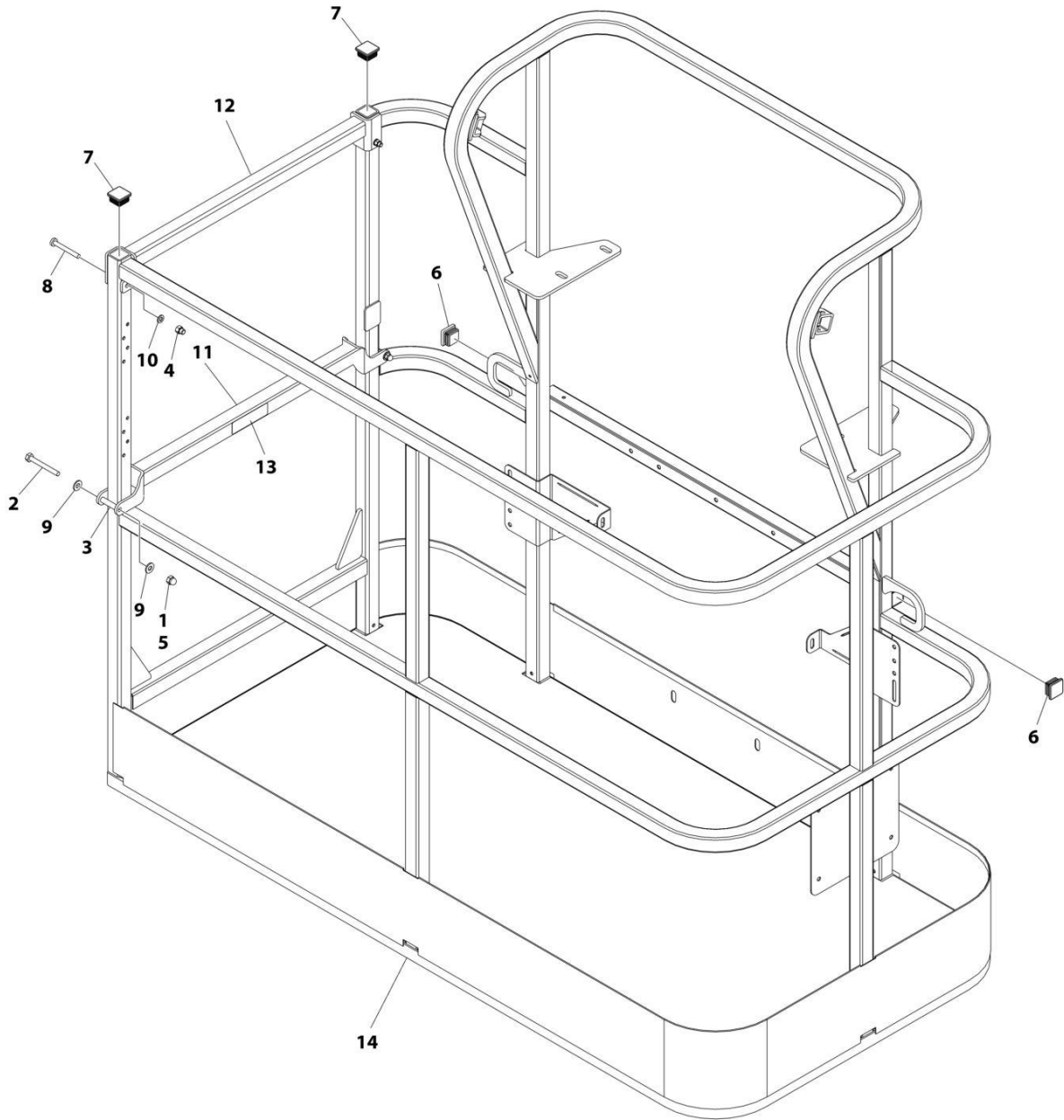
SECTION 5 - PLATFORM

FIGURE 5-4. PLATFORM ASSEMBLY - 36IN X 8FT (91.5CM X 2.44M) WITH SWING GATE

ITEM	PART NUMBER	QTY	DESCRIPTION	REV
	1001186383	Ref	PLATFORM ASSEMBLY - 36IN X 8FT (91.5CM X 2.44M) WITH SWING GATE	D
		Ref	Note: Platform and Mesh must be ordered separately for Platforms with Mesh. See SPECIAL OPTIONS SECTION for Mesh Installations.	
		Ref	Note: Replacement Decals Must be Ordered Separately - See DECALS SECTION.	
1	2080040	16	Fastener, Huck	
2	2600281	2	Hinge	
3	2940074	1	Latch	
4	3520072	3	Plug	
5	3520198	2	Plug	
6	3820020	4	Rivet	
7	1001144629	1	Gate	
8	See Note	NSS	Platform (Note: Not Available - Purchase Platform Assembly)	

SECTION 5 - PLATFORM

FIGURE 5-5. PLATFORM ASSEMBLY - 30IN X 5FT (76.2CM X 1.5M) WITH DROP BAR



ART_1001186377

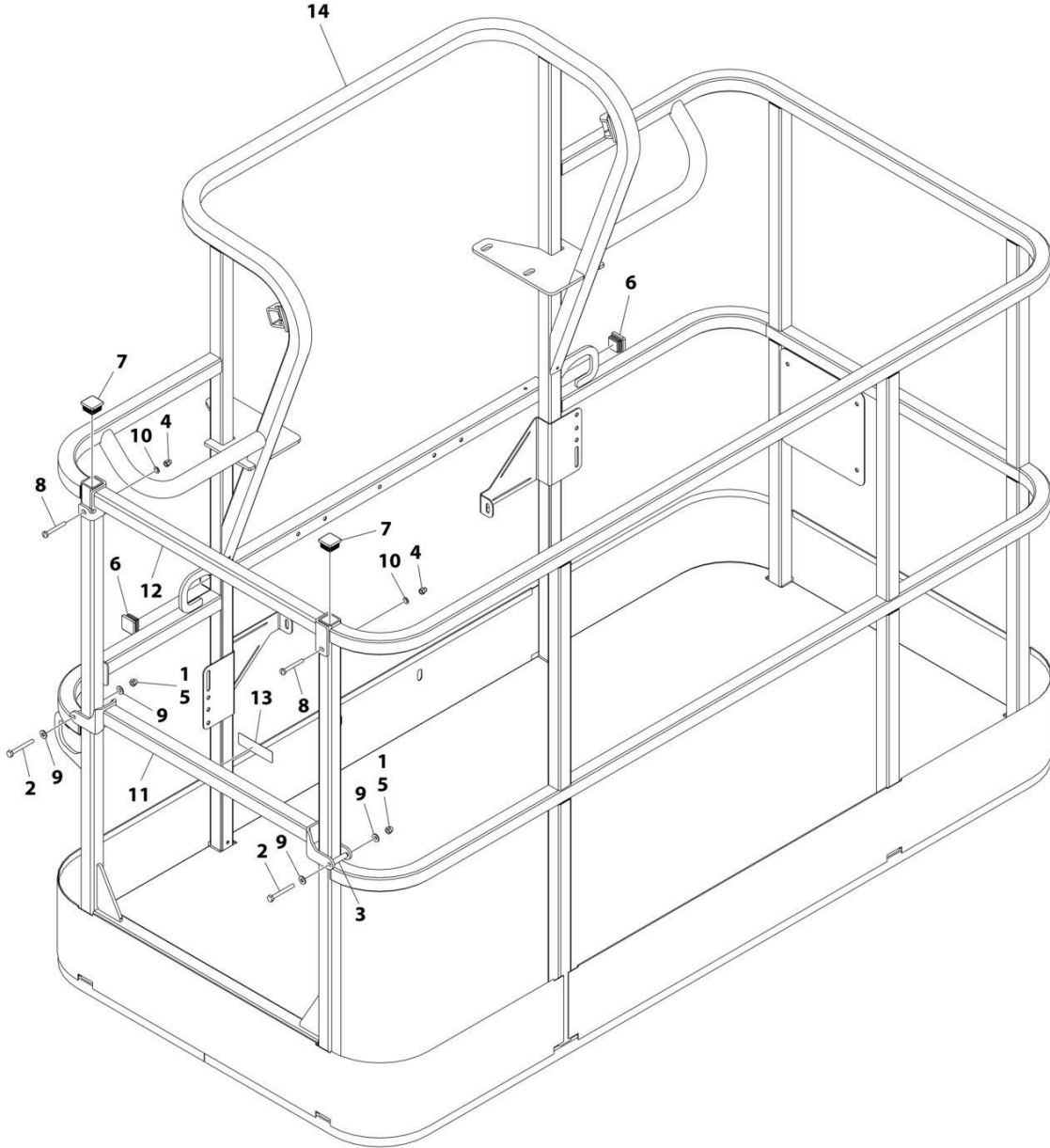
SECTION 5 - PLATFORM

FIGURE 5-5. PLATFORM ASSEMBLY - 30IN X 5FT (76.2CM X 1.5M) WITH DROP BAR

ITEM	PART NUMBER	QTY	DESCRIPTION	REV
	1001186377	Ref	PLATFORM ASSEMBLY	C
		Ref	Note: Platform and Mesh must be ordered separately for Platforms with Mesh. See SPECIAL OPTIONS SECTION for Mesh Installations.	
		Ref	Note: Replacement Decals Must be Ordered Separately - See DECALS SECTION.	
1	0100011	AR	Compound, Locking	
2	0641420	2	Bolt 1/4 x 2-1/2	
3	0961845	2	Bushing	
4	3290606	2	Nut M6	
5	3300151	2	Nut 1/4	
6	3520072	2	Plug	
7	3520198	2	Plug	
8	4010618	2	Screw M6 x 50	
9	4711400	4	Washer 1/4	
10	4811700	2	Washer M6	
11	1001138494	1	Bar, Drop	
12	1001138514	1	Rail (Top)	
13	1001140429	1	Decal - Drop Bar	
14	See Note	NSS	Platform (Note: Not Available - Purchase Platform Assembly)	

SECTION 5 - PLATFORM

FIGURE 5-6. PLATFORM ASSEMBLY - 36IN X 6FT (91.5CM X 1.83M) WITH DROP BAR



ART_1001186379

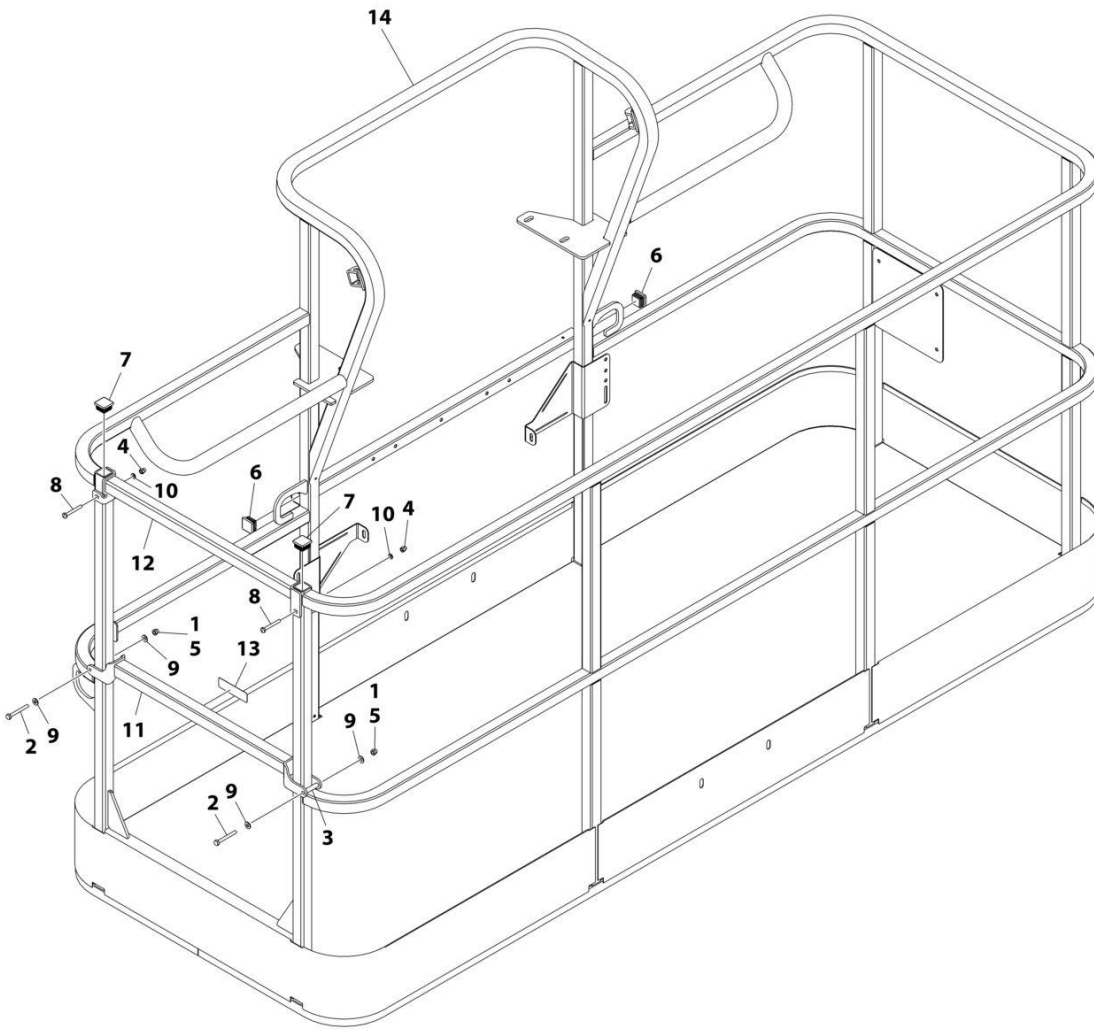
SECTION 5 - PLATFORM

FIGURE 5-6. PLATFORM ASSEMBLY - 36IN X 6FT (91.5CM X 1.83M) WITH DROP BAR

ITEM	PART NUMBER	QTY	DESCRIPTION	REV
	1001186379	Ref	PLATFORM ASSEMBLY - 36IN X 6FT (91.5CM X 1.83M) WITH DROP BAR	B
		Ref	Note: Platform and Mesh must be ordered separately for Platforms with Mesh. See SPECIAL OPTIONS SECTION for Mesh Installations.	
		Ref	Note: Replacement Decals Must be Ordered Separately - See DECALS SECTION.	
1	0100011	AR	Compound, Locking	
2	0641418	2	Bolt 1/4 x 2-1/4	
3	0961845	2	Bushing	
4	3290606	2	Nut M6	
5	3300151	2	Nut 1/4	
6	3520072	2	Plug	
7	3520198	2	Plug	
8	4010618	2	Screw M6 x 50	
9	4711400	4	Washer 1/4	
10	4811700	2	Washer M6	
11	1001138494	1	Bar, Drop	
12	1001138514	1	Rail (Top)	
13	1001140429	1	Decal - Drop Bar	
14	See Note	NSS	Platform (Note: Not Available - Purchase Platform Assembly)	

SECTION 5 - PLATFORM

FIGURE 5-7. PLATFORM ASSEMBLY - 36IN X 8FT (91.5CM X 2.44M) WITH DROP BAR



ART_1001186382

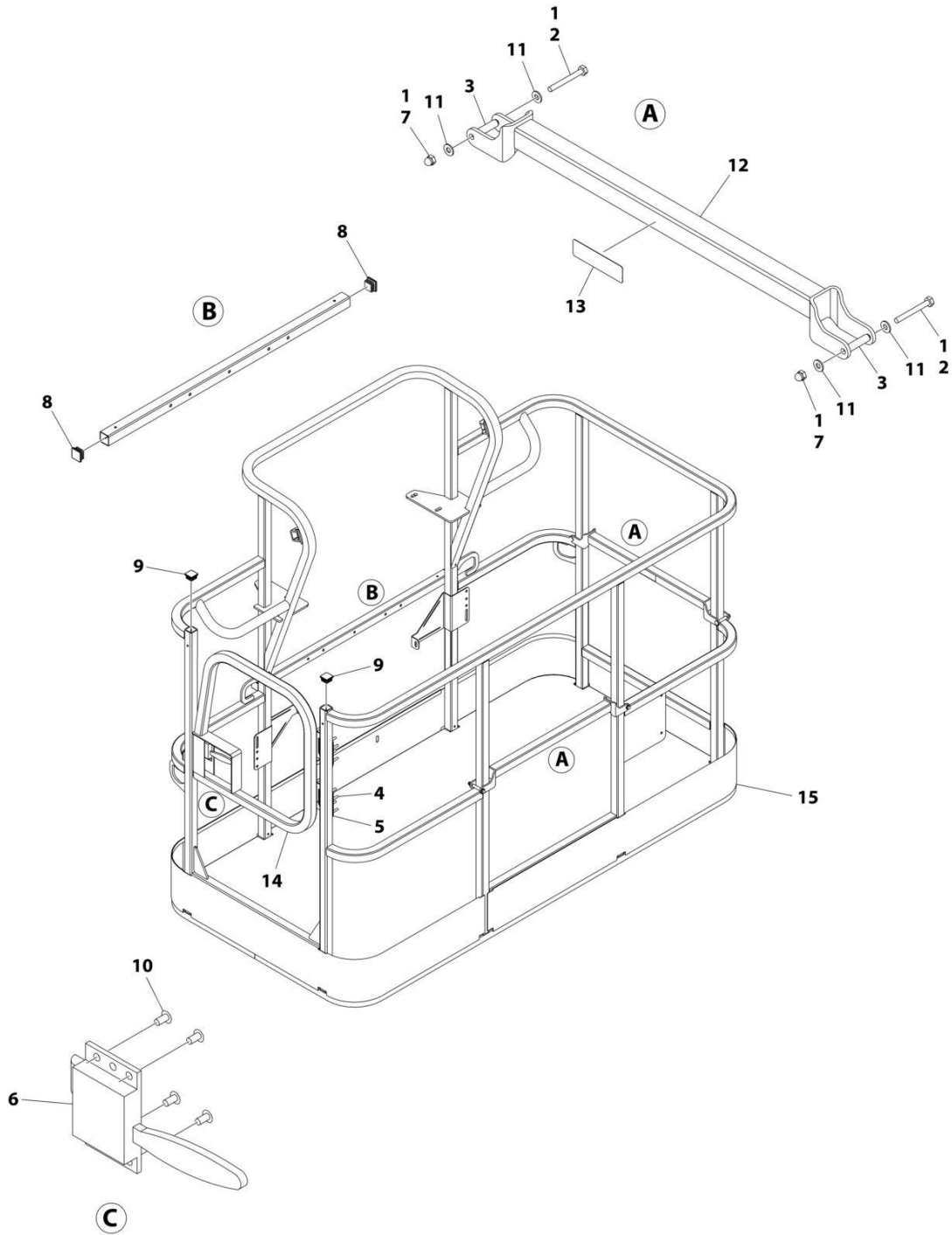
SECTION 5 - PLATFORM

FIGURE 5-7. PLATFORM ASSEMBLY - 36IN X 8FT (91.5CM X 2.44M) WITH DROP BAR

ITEM	PART NUMBER	QTY	DESCRIPTION	REV
	1001186382	Ref	PLATFORM ASSEMBLY - 36IN X 8FT (91.5CM X 2.44M) WITH DROP BAR	C
		Ref	Note: Platform and Mesh must be ordered separately for Platforms with Mesh. See SPECIAL OPTIONS SECTION for Mesh Installations.	
		Ref	Note: Replacement Decals Must be Ordered Separately - See DECALS SECTION.	
1	0100011	AR	Compound, Locking	
2	0641418	2	Bolt 1/4 x 2-1/4	
3	0961845	2	Bushing	
4	3290606	2	Nut M6	
5	3300151	2	Nut 1/4	
6	3520072	2	Plug	
7	3520198	2	Plug	
8	4010618	2	Screw M6 x 50	
9	4711400	4	Washer 1/4	
10	4811700	2	Washer M6	
11	1001138494	1	Bar, Drop	
12	1001138514	1	Rail (Top)	
13	1001140429	1	Decal - Drop Bar	
14	See Note	NSS	Platform (Note: Not Available - Purchase Platform Assembly)	

SECTION 5 - PLATFORM

FIGURE 5-8. PLATFORM ASSEMBLY - 36IN X 6FT (91.5CM X 1.83M) TRI-ENTRY WITH SWING GATE



ART_1001228376

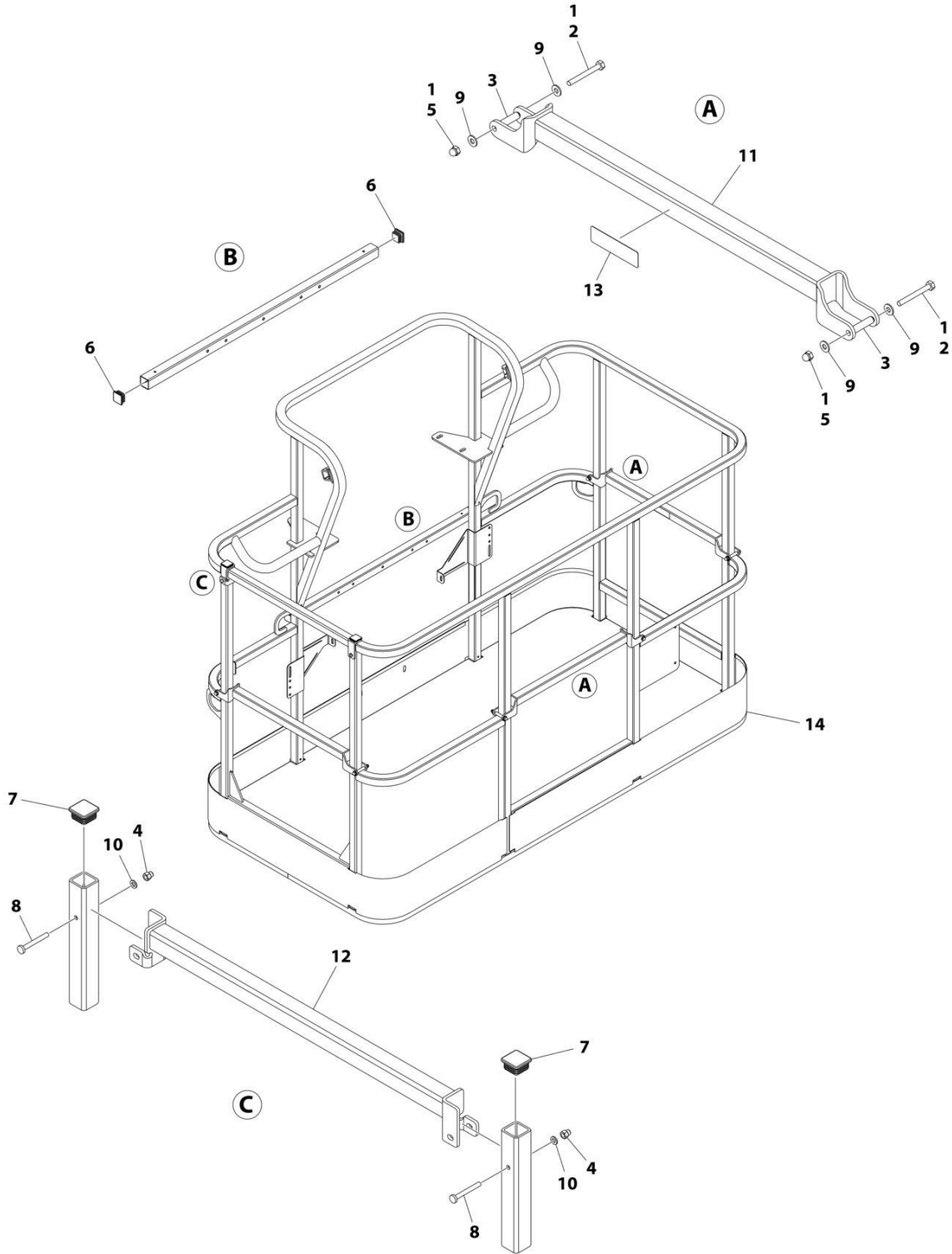
SECTION 5 - PLATFORM

FIGURE 5-8. PLATFORM ASSEMBLY - 36IN X 6FT (91.5CM X 1.83M) TRI-ENTRY WITH SWING GATE

ITEM	PART NUMBER	QTY	DESCRIPTION	REV
	1001228376	Ref	PLATFORM ASSEMBLY - 36IN x 6FT (91.5CM x 1.83M)	B
		Ref	Note: Platform and Mesh must be ordered separately for Platforms with Mesh. See SPECIAL OPTIONS SECTION for Mesh Installations.	
		Ref	Note: Replacement Decals Must be Ordered Separately - See DECAL SECTION.	
1	0100011	AR	Compound, Locking	
2	0641418	4	Bolt 1/4 x 2-1/4	
3	0961845	4	Bushing	
4	2080040	16	Fastener	
5	2600281	2	Hinge	
6	2940074	1	Latch	
7	3300151	4	Nut 1/4	
8	3520072	3	Plug	
9	3520198	2	Plug	
10	3820020	4	Rivet	
11	4711400	8	Washer 1/4	
12	1001138494	2	Bar, Drop	
13	1001140429	2	Decal - Drop Bar	
14	1001144629	1	Gate	
15	See Note	NSS	Platform (Note: Not Available - Purchase Platform Assembly)	

SECTION 5 - PLATFORM

FIGURE 5-9. PLATFORM ASSEMBLY - 36IN X 6FT (91.5CM X 1.83M) TRI-ENTRY WITH DROPBAR



ART_1001228377

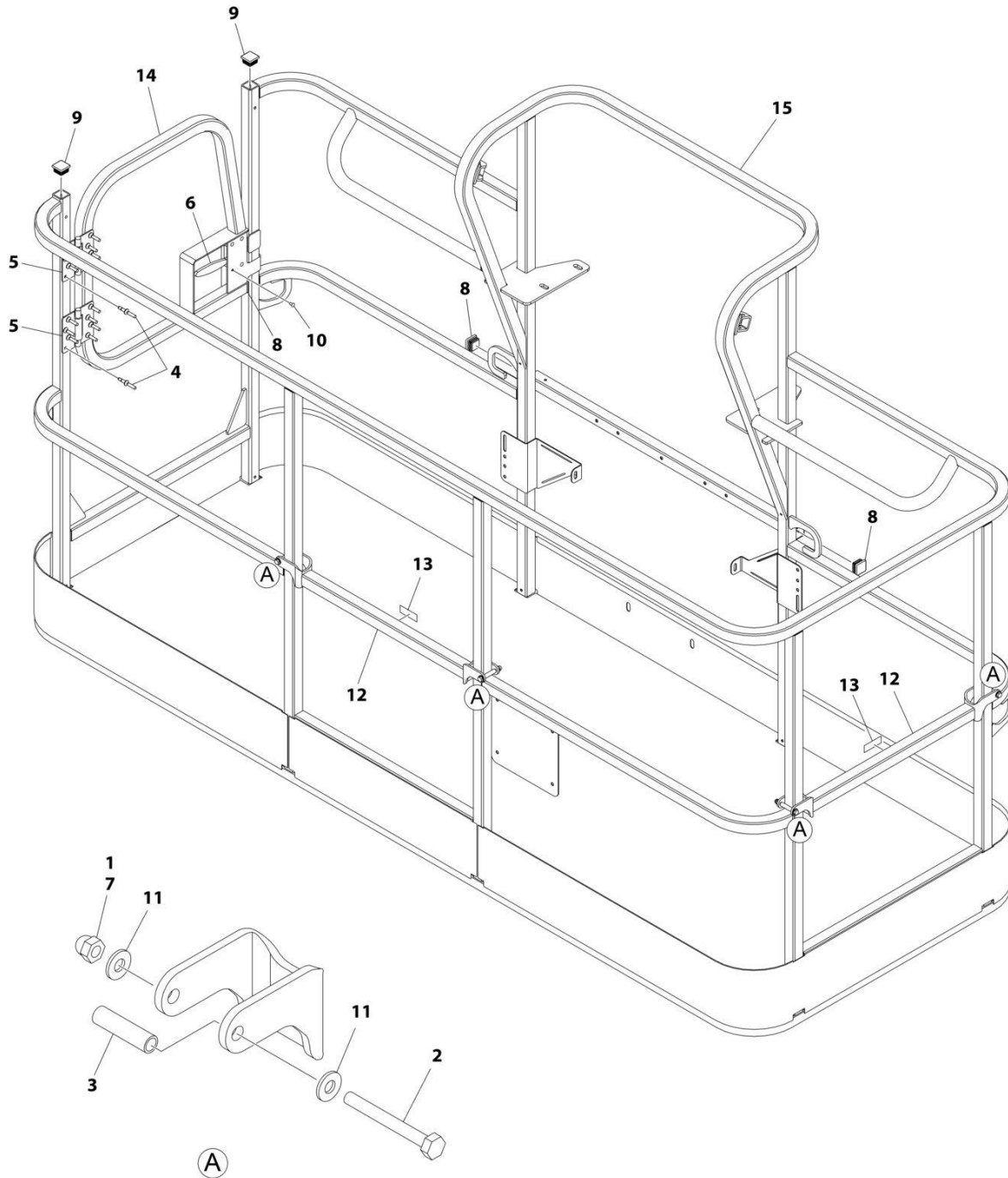
SECTION 5 - PLATFORM

FIGURE 5-9. PLATFORM ASSEMBLY - 36IN X 6FT (91.5CM X 1.83M) TRI-ENTRY WITH DROPBAR

ITEM	PART NUMBER	QTY	DESCRIPTION	REV
	1001228377	Ref	PLATFORM ASSEMBLY - 36IN x 6FT (91.5CM x 1.83M)	B
		Ref	Note: Platform and Mesh must be ordered separately for Platforms with Mesh. See SPECIAL OPTIONS SECTION for Mesh Installations.	
		Ref	Note: Replacement Decals Must be Ordered Separately - See DECAL SECTION.	
1	0100011	1	Compound, Locking	
2	0641418	6	Bolt 1/4 x 2-1/4	
3	0961845	6	Bushing	
4	3290606	2	Nut M6	
5	3300151	6	Nut 1/4	
6	3520072	2	Plug	
7	3520198	2	Plug	
8	4010618	2	Screw M6 x 50	
9	4711400	12	Washer 1/4	
10	4811700	2	Washer M6	
11	1001138494	3	Bar, Drop	
12	1001138514	1	Rail (Top)	
13	1001140429	3	Decal - Drop Bar	
14	See Note	NSS	Platform, Weldment (Note: Not Available - Purchase Platform Assembly)	

SECTION 5 - PLATFORM

FIGURE 5-10. PLATFORM ASSEMBLY - 36IN X 8FT (91.5CM X 2.44M) TRI-ENTRY WITH DROPBAR



ART_1001228243

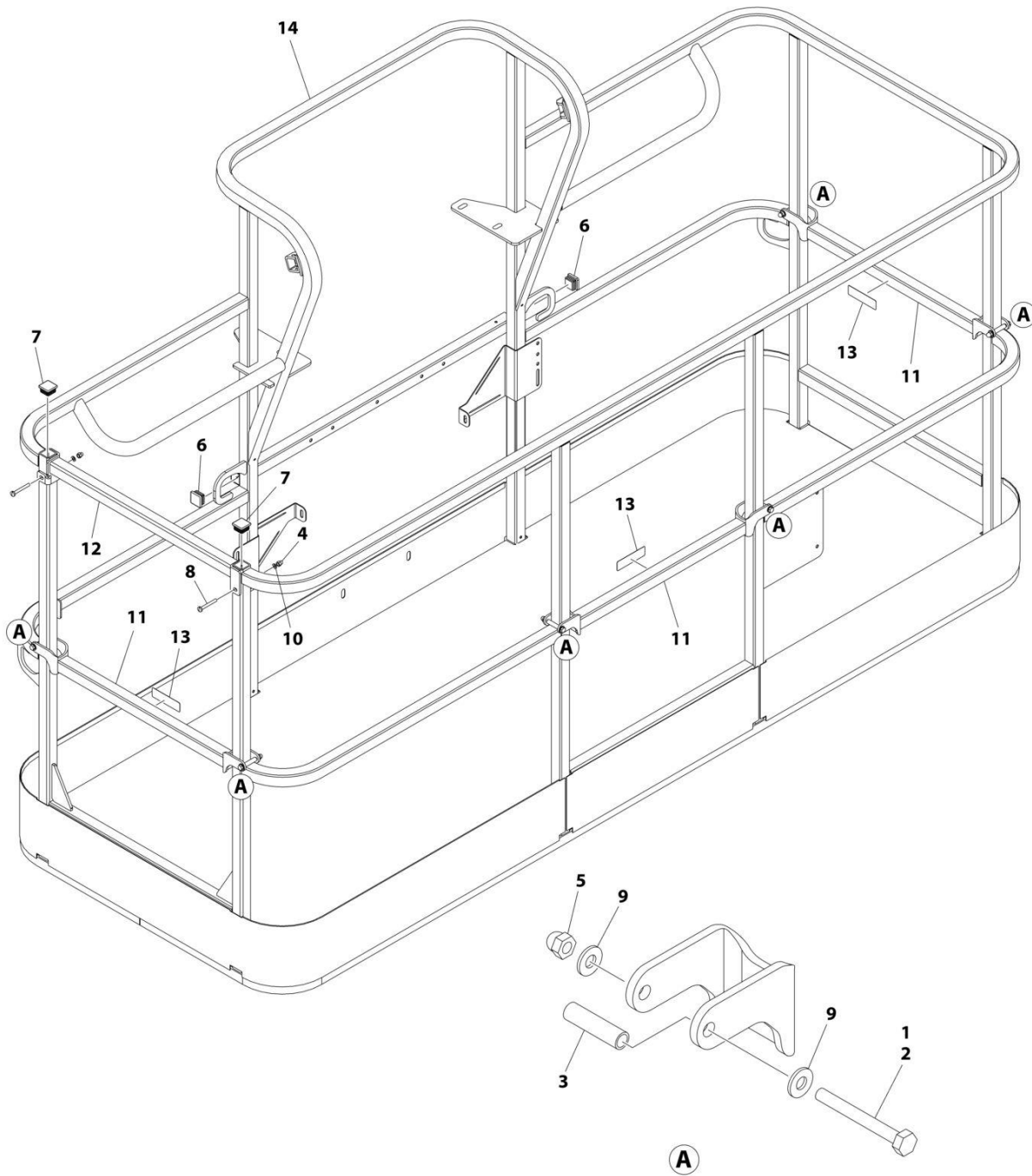
SECTION 5 - PLATFORM

FIGURE 5-10. PLATFORM ASSEMBLY - 36IN X 8FT (91.5CM X 2.44M) TRI-ENTRY WITH DROPBAR

ITEM	PART NUMBER	QTY	DESCRIPTION	REV
	1001228243	Ref	PLATFORM ASSEMBLY - 36IN X 8FT (91.5CM X 2.44M) WITH TRI-ENTRY	A
		Ref	Note: Platform and Mesh must be ordered separately for Platforms with Mesh. See SPECIAL OPTIONS SECTION for Mesh Installations.	
1	0100011	AR	Compound, Locking	
2	0641418	4	Bolt 1/4 x 2-1/4	
3	0961845	4	Bushing	
4	2080040	16	Fastener, Huck	
5	2600281	2	Hinge, Self-Closing	
6	2940074	1	Latch	
7	3300151	4	Nut 1/4	
8	3520072	3	Cap, Plug	
9	3520198	2	Cap, Plug	
10	3820020	4	Rivet	
11	4711400	8	Washer 1/4	
12	1001138494	2	Bar, Drop	
13	1001140429	2	Decal - Drop Bar	
14	1001144629	1	Gate, Weldment	
15	See Note	1	Platform (Note: Not Available - Purchase Platform Assembly)	

SECTION 5 - PLATFORM

FIGURE 5-11. PLATFORM ASSEMBLY - 36IN X 8FT (91.5CM X 2.44M) TRI-ENTRY WITH DROPGATE



ART_1001228375

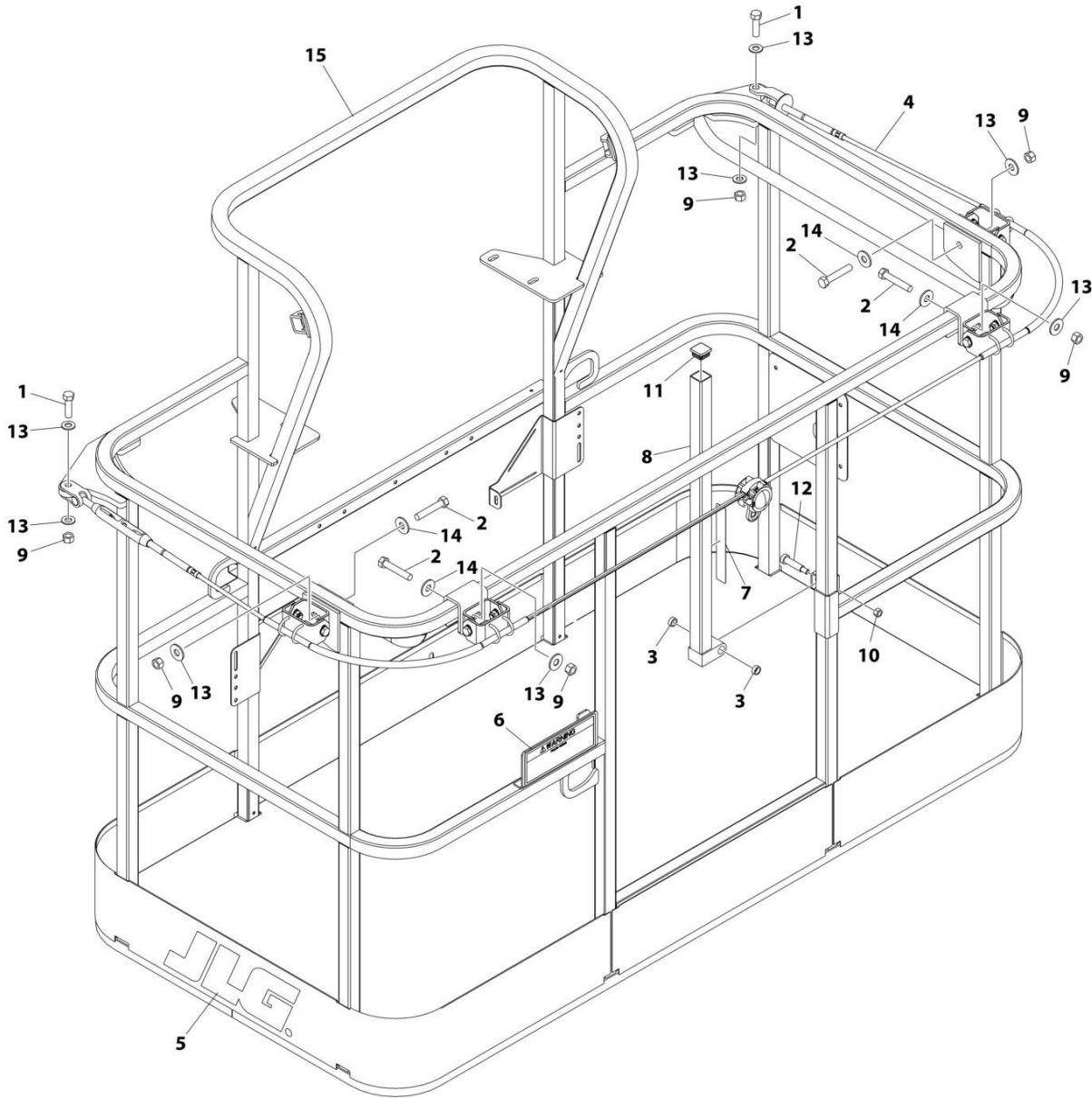
SECTION 5 - PLATFORM

FIGURE 5-11. PLATFORM ASSEMBLY - 36IN X 8FT (91.5CM X 2.44M) TRI-ENTRY WITH DROPGATE

ITEM	PART NUMBER	QTY	DESCRIPTION	REV
	1001228375	Ref	PLATFORM ASSEMBLY - 36IN X 8FT (91.5CM X 2.44M) WITH TRI-ENTRY	A
		Ref	Note: Platform and Mesh must be ordered separately for Platforms with Mesh. See SPECIAL OPTIONS SECTION for Mesh Installations.	
		Ref	Note: Replacement Decals Must be Ordered Separately - See DECAL SECTION.	
1	0100011	AR	Compound, Locking	
2	0641418	6	Bolt 1/4 x 2-1/4	
3	0961845	6	Bushing	
4	3290606	2	Nut M6 x 1	
5	3300151	6	Nut 1/4	
6	3520072	2	Cap, Plug	
7	3520198	2	Cap, Plug	
8	4010618	2	Screw M6 x 50	
9	4711400	12	Washer 1/4	
10	4811700	2	Washer M6	
11	1001138494	3	Bar, Drop	
12	1001138514	1	Rail (Top)	
13	1001140429	3	Decal - Drop Bar	
14	See Note	1	Platform (Note: Not Available - Purchase Platform Assembly)	

SECTION 5 - PLATFORM

FIGURE 5-12. PLATFORM ASSEMBLY - 36IN X 6FT (91.5CM X 1.83M) WITH FALL ARREST (ALL SPECS EXCEPT CE & UK CA SPECS)



ART_1001186333

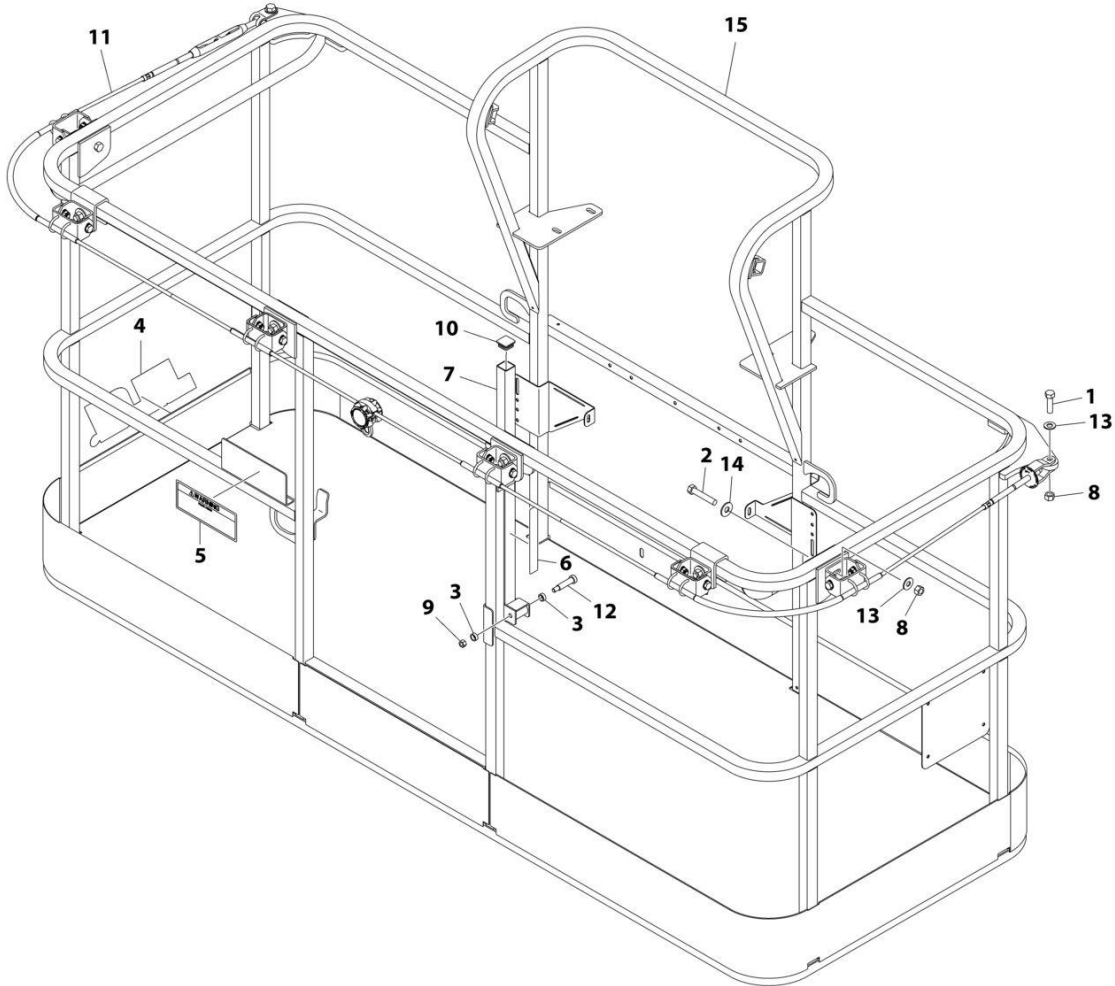
SECTION 5 - PLATFORM

FIGURE 5-12. PLATFORM ASSEMBLY - 36IN X 6FT (91.5CM X 1.83M) WITH FALL ARREST (ALL SPECS EXCEPT CE & UK CA SPECS)

ITEM	PART NUMBER	QTY	DESCRIPTION	REV
	1001186333	Ref	PLATFORM ASSEMBLY	C
		Ref	Note: Replacement Decals Must be Ordered Separately - See DECALS SECTION.	
1	0681814	2	Bolt 1/2 x 1-3/4 Grade 8	
2	0681822	4	Bolt 1/2 x 2-3/4 Grade 8	
3	0962270	2	Bearing	
4	1001203655	1	Cable	
5	1702773	1	Decal - JLG	
6	1705014	1	Decal - Safety	
7	1706385	1	Decal - Drop Bar	
8	2410014	1	Bar, Drop	
9	3271805	6	Nut 1/2 Grade 8	
10	3311605	1	Nut 3/8	
11	3520072	1	Plug	
12	3900054	1	Bolt 1/2 x 1-3/4	
13	4711800	8	Washer 1/2	
14	4751800	4	Washer 1/2	
15	See Note	NSS	Platform (Note: Not Available - Purchase Platform Assembly)	

SECTION 5 - PLATFORM

FIGURE 5-13. PLATFORM ASSEMBLY - 36IN X 8FT (91.5CM X 2.44M) WITH FALL ARREST (ALL SPECS EXCEPT CE & UK CA SPECS)



ART_1001186334

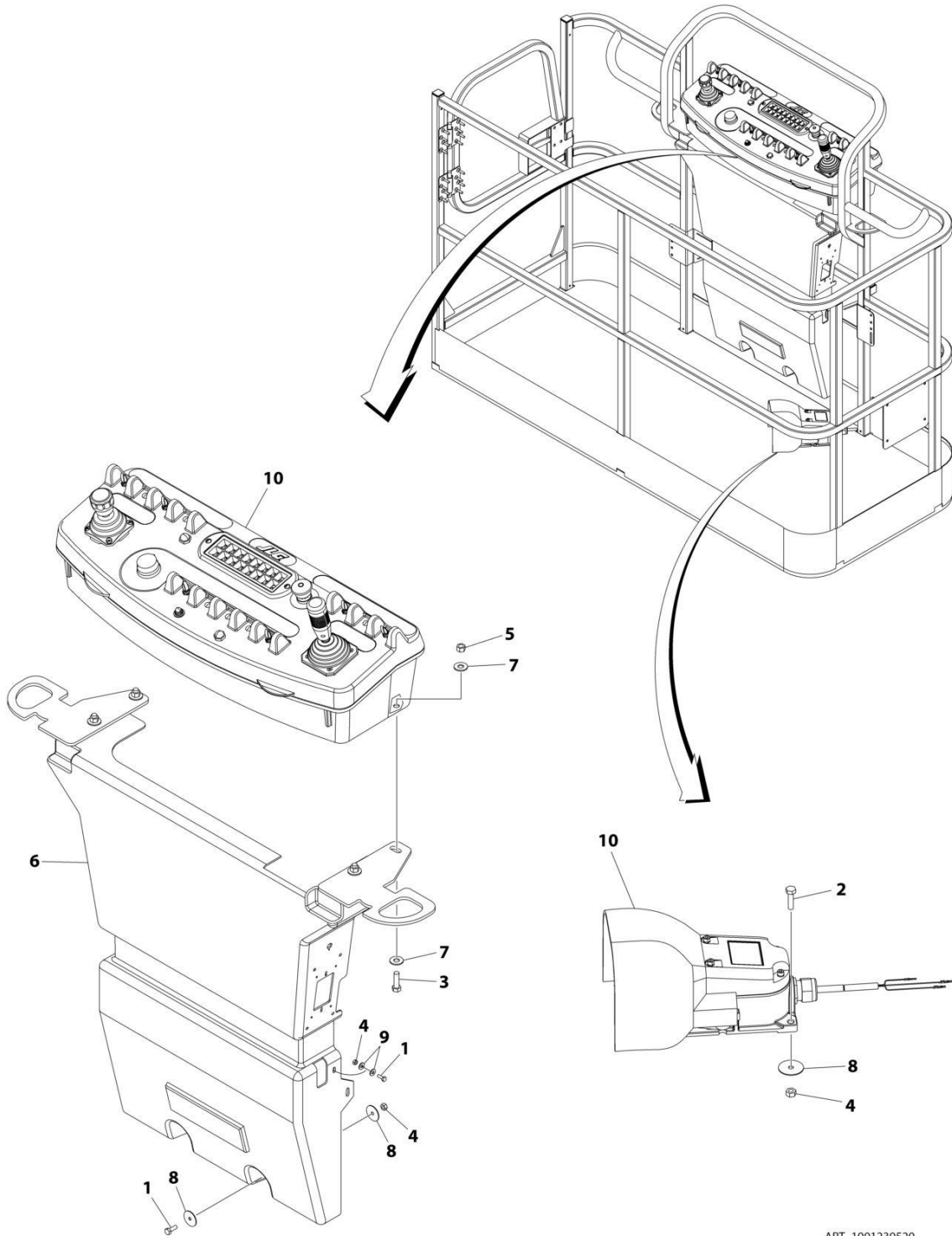
SECTION 5 - PLATFORM

FIGURE 5-13. PLATFORM ASSEMBLY - 36IN X 8FT (91.5CM X 2.44M) WITH FALL ARREST (ALL SPECS EXCEPT CE & UK CA SPECS)

ITEM	PART NUMBER	QTY	DESCRIPTION	REV
	1001186334	Ref	PLATFORM ASSEMBLY	D
		Ref	Note: Replacement Decals Must be Ordered Separately - See DECALS SECTION.	
1	0681814	2	Bolt 1/2 x 1-3/4 Grade 8	
2	0681822	6	Bolt 1/2 x 2-3/4 Grade 8	
3	0962270	2	Bearing	
4	1702773	1	Decal - JLG	
5	1705014	1	Decal - Safety	
6	1706385	1	Decal - Drop Bar	
7	2410014	1	Bar, Drop	
8	3271805	8	Nut 1/2 Grade 8	
9	3311605	1	Nut 3/8	
10	3520072	1	Plug	
11	1001203656	1	Cable	
12	3900054	1	Bolt 1/2 x 1-3/4	
13	4711800	2	Washer 1/2	
14	4751800	6	Washer 1/2	
15	See Note	NSS	Platform (Note: Purchase Platform Assembly)	

SECTION 5 - PLATFORM

FIGURE 5-14. CONSOLE BOX INSTALLATION



ART_1001239520

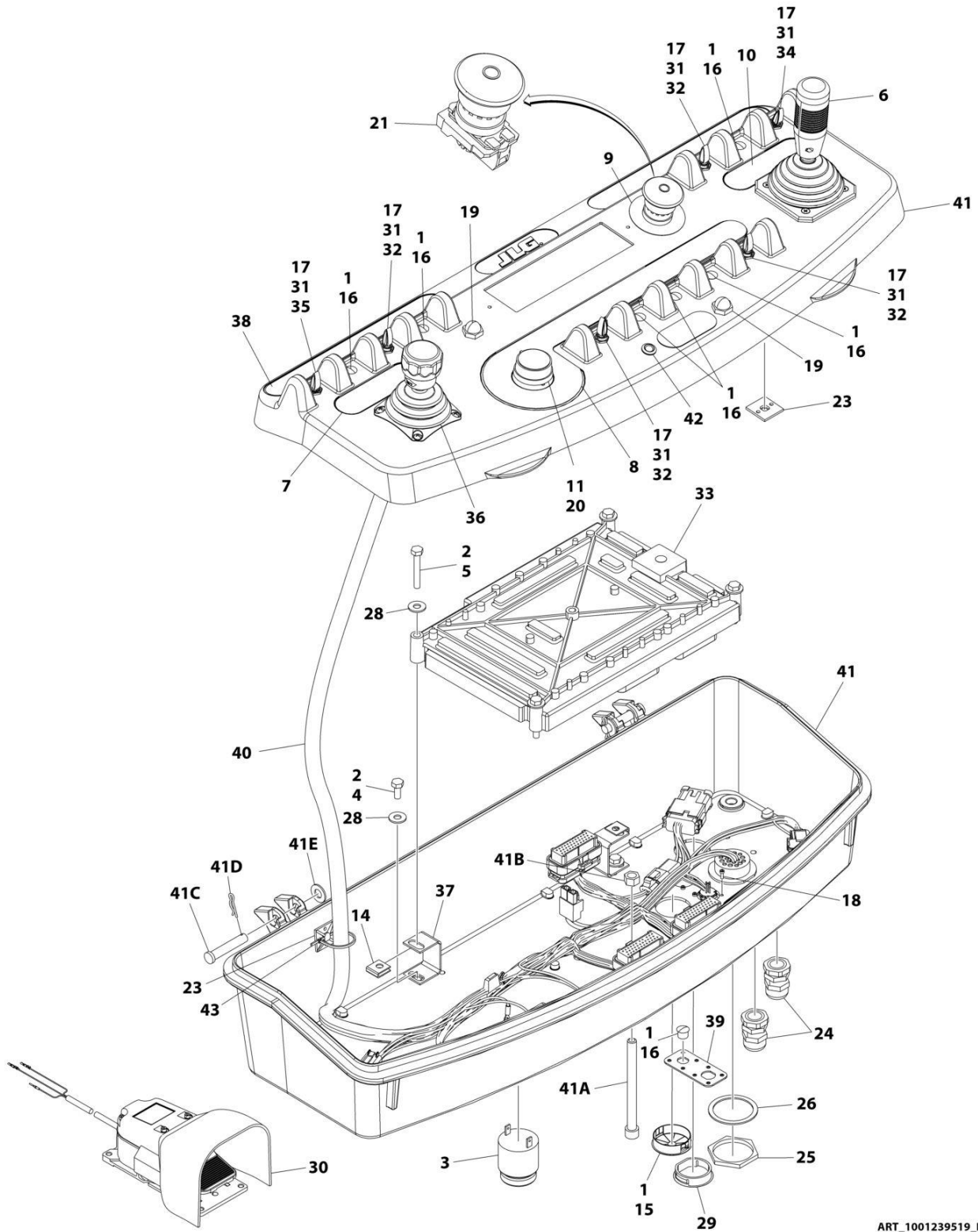
SECTION 5 - PLATFORM

FIGURE 5-14. CONSOLE BOX INSTALLATION

ITEM	PART NUMBER	QTY	DESCRIPTION	REV
	1001239520	Ref	CONSOLE BOX INSTALLATION	A
1	0641406	4	Capscrew 1/4 x 3/4	
2	0641408	3	Capscrew 1/4 x 1	
3	0641610	4	Capscrew 3/8 x 1/4	
4	3311405	7	Nut 1/4	
5	3311605	4	Nut 3/8	
6	3380434	1	Panel, Decal Mount	
7	4711600	8	Washer 3/8	
8	4740362	7	Washer	
9	4751400	4	Washer	
10	1001239519	1	Electric Assembly, Console Box (See Separate Breakdown in this Section)	

SECTION 5 - PLATFORM

FIGURE 5-15. CONSOLE BOX ASSEMBLY



ART_1001239519_D

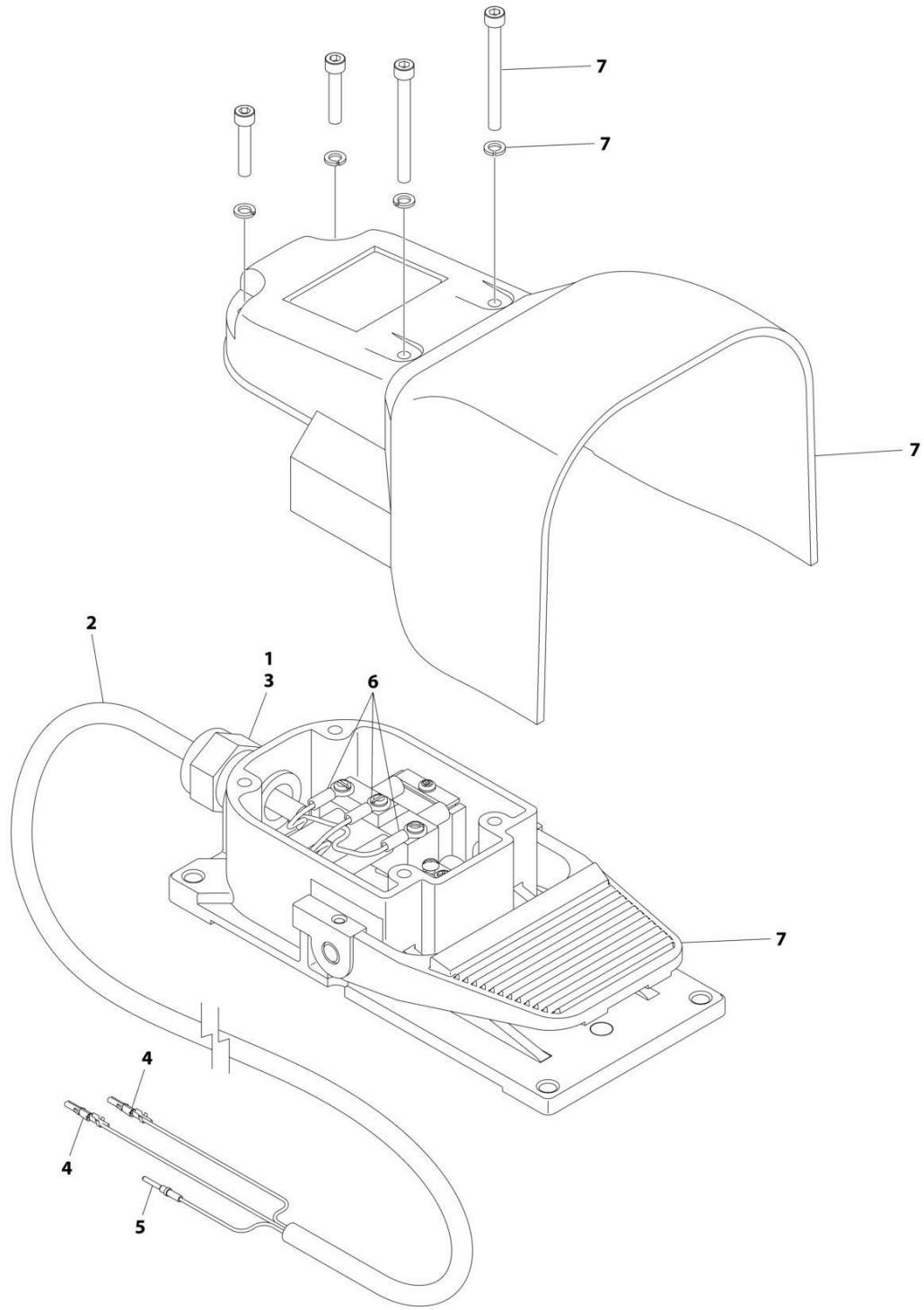
SECTION 5 - PLATFORM

FIGURE 5-15. CONSOLE BOX ASSEMBLY

ITEM	PART NUMBER	QTY	DESCRIPTION	REV
	1001239519	Ref	CONSOLE BOX ASSEMBLY	D
1	0100009	AR	Sealant	
2	0100035	AR	Compound, Locking	
3	0140011	1	Alarm	
4	0641405	4	Bolt 1/4 x 5/8	
5	0641414	4	Bolt 1/4 x 1-3/4	
6	1600359	1	Controller Assembly (Drive and Steer)	
7	1702566	1	Decal - Lift and Swing	
8	1702567	1	Decal - Function Speed	
9	1704260	1	Decal - EMS	
10	1704460	1	Decal - Drive and Steer	
11	2560136	1	Handle, Knob	
14	3300353	4	Nut, Tinnerman	
15	1001185281	1	Plug, Cap	
16	3520054	7	Plug	
17	3790012	6	O-Ring	
18	3900349	8	Screw M2.5	
19	4360387	2	Switch, Pushbutton	
20	4360407	1	Switch, Potentiometer	
21	1001274559	1	Switch, Emergency	
23	4460234	6	Terminal	
24	4460428	2	Connector, Strain Relief	
25	4460470	1	Nut, Terminal	
26	4460471	1	Washer	
28	4751400	8	Washer 1/4	
29	1001110434	1	Plug	
30	1001117174	1	Footswitch Assembly (See Separate Breakdown in this Section)	
31	1001155044	6	Nut 15/32	
32	1001155045	4	Switch, Toggle	
33	1001157196	1	Controller, Module (Note: Re-calibration Required when Replaced)	
34	1001159256	1	Switch, Toggle	
35	1001161709	1	Switch, Toggle DPDT	
36	1001275629	1	Controller Assembly (Lift and Swing)	
37	1001172760	4	Bracket	
38	1001184626	1	Decal - Horn	
39	1001213882	1	Connector Mount	
40	1001238254	1	Harness, Platform (See Separate Breakdown in ELECTRICAL Section)	
41	1001215229	1	Platform Console Box	
41A	0630568	1	Capscrew 3/8 x 4-1/2	
41B	3311601	1	Nut 3/8	
41C	3430616	2	Pin	
41D	3470003	2	Hairpin	
41E	4711600	2	Washer 3/8	
42	1001206532	1	Lamp, Indicator	
42	4240099	AR	Tie, Wire	

SECTION 5 - PLATFORM

FIGURE 5-16. FOOTSWITCH ASSEMBLY



ART_100117174

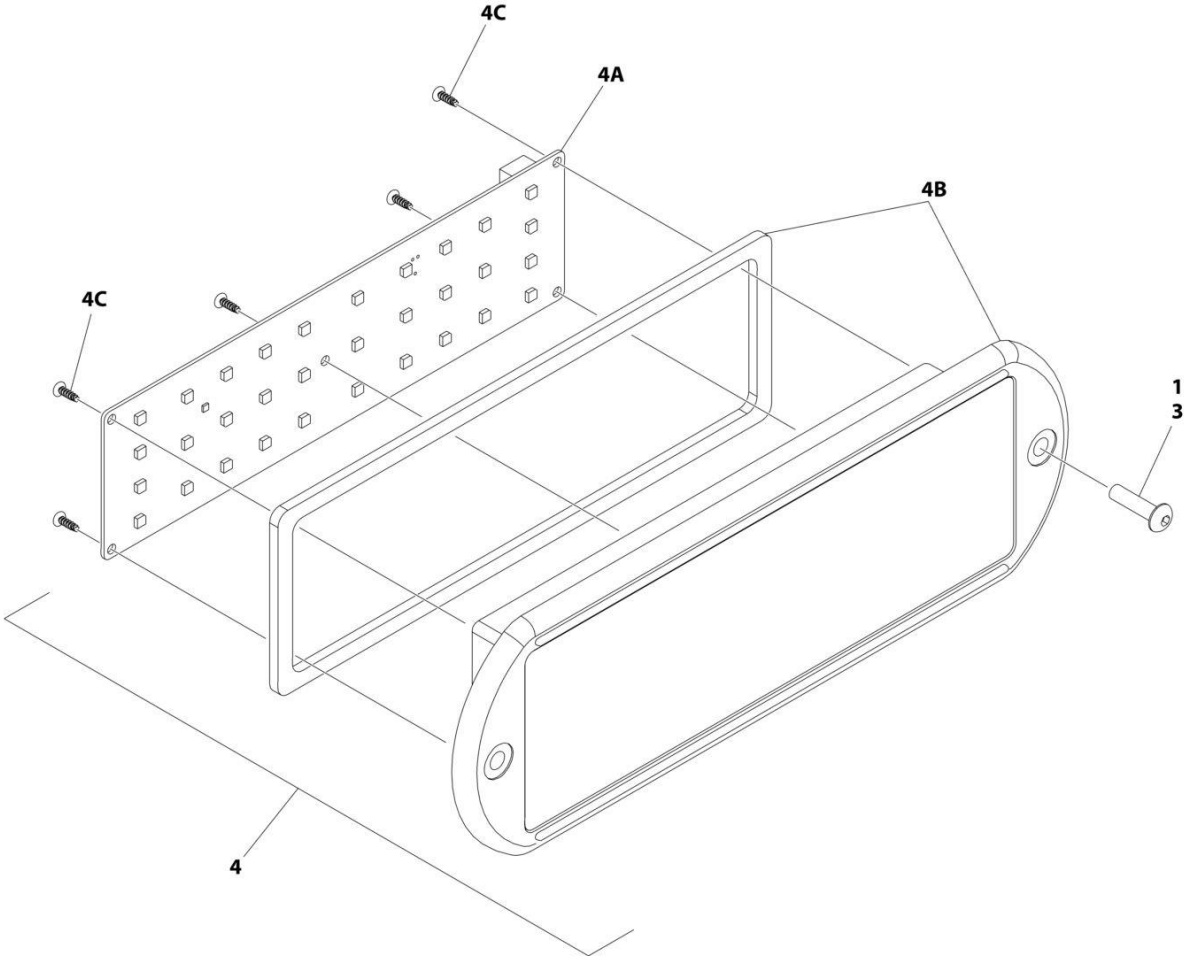
SECTION 5 - PLATFORM

FIGURE 5-16. FOOTSWITCH ASSEMBLY

ITEM	PART NUMBER	QTY	DESCRIPTION	REV
	1001117174	Ref	FOOTSWITCH ASSEMBLY	C
1	0100020	AR	Sealant	
2	1060918	7.5 ft/ 2.3m	Cable, Electrical - 18/3	
3	4460071	1	Connector, Strain Relief	
4	4460226	2	Socket, Female	
5	4460464	1	Pin, Male	
6	1001098122	3	Terminal	
7	1001117172	1	Footswitch	
7	70002902	1	Switch, 20Amp	
7	70002903	1	Gasket	
7	70002905	1	Cover	
7	70002904	1	Kit, Replacement Bolt	

SECTION 5 - PLATFORM

FIGURE 5-17. LIGHT PANEL INSTALLATION



ART_1001233959_D_20F2

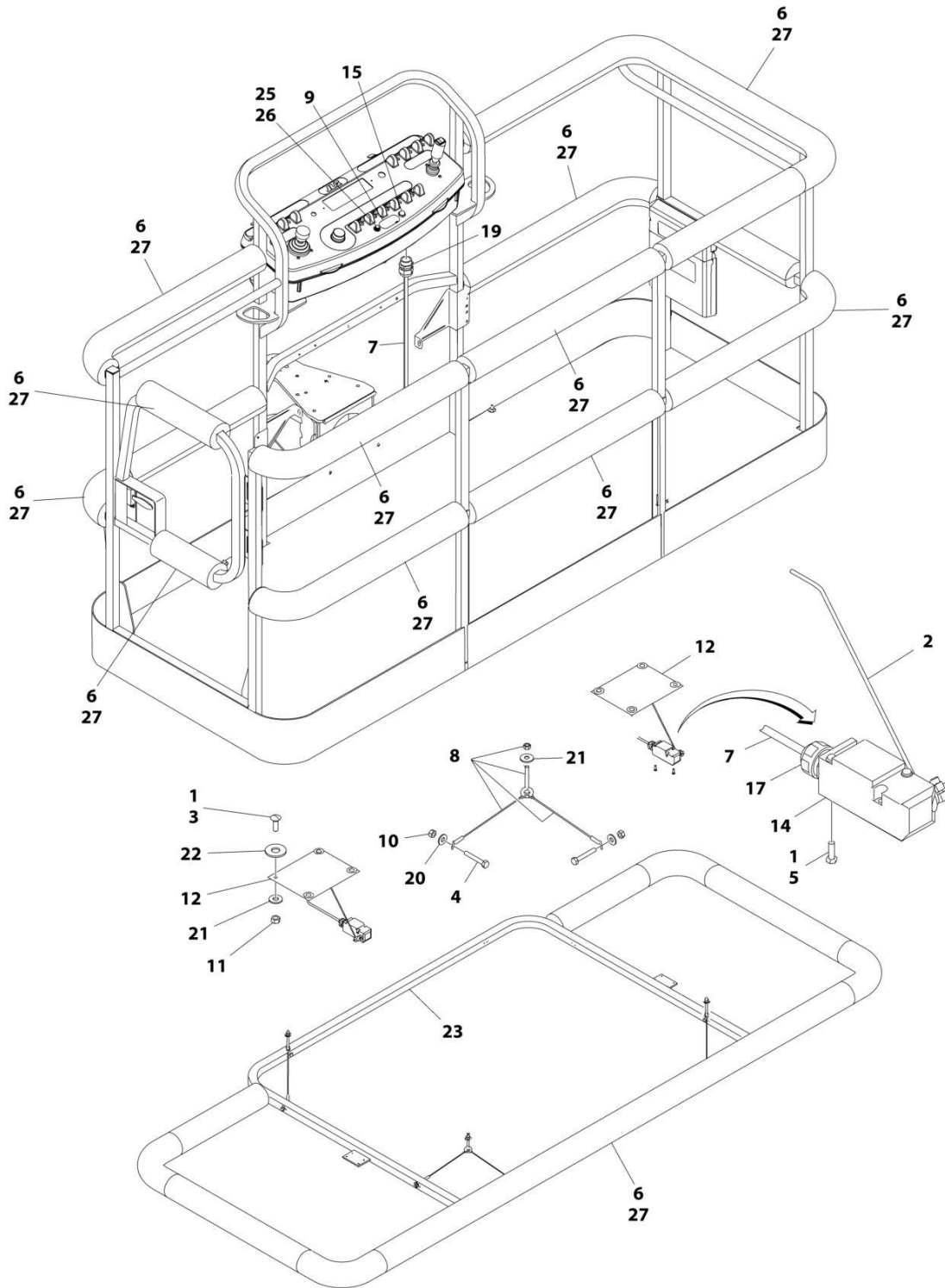
SECTION 5 - PLATFORM

FIGURE 5-17. LIGHT PANEL INSTALLATION

ITEM	PART NUMBER	QTY	DESCRIPTION	REV
	1001233959	Ref	LIGHT PANEL INSTALLATION - PLATFORM CONSOLE	D
1	0100035	AR	Compound, Locking	
3	0630518	2	Screw #10 x 3/4	
4	1001284583	1	Light Panel Assembly	A
4A	1001282106	1	Panel, LED Light	
4B	1001284582	1	Lens, Icon (Includes Gasket)	
4C		Ref	Screw	

SECTION 5 - PLATFORM

FIGURE 5-18. SOFT TOUCH INSTALLATION - 36IN X 8FT (91.5CM X 2.44M) PLATFORM (OPTIONAL)



ART_0272427_G

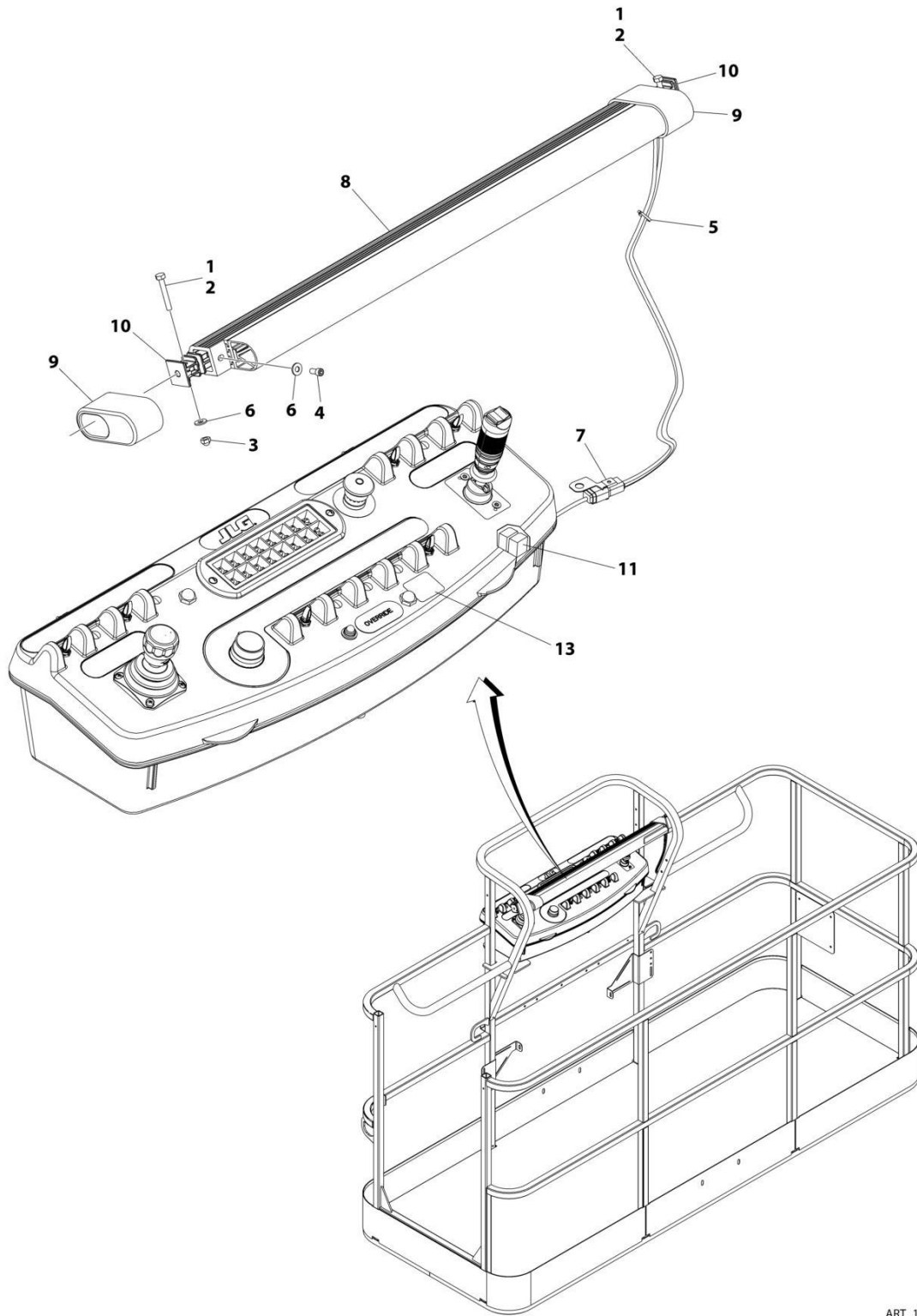
SECTION 5 - PLATFORM

FIGURE 5-18. SOFT TOUCH INSTALLATION - 36IN X 8FT (91.5CM X 2.44M) PLATFORM (OPTIONAL)

ITEM	PART NUMBER	QTY	DESCRIPTION	REV
	0272427	Ref	SOFT TOUCH INSTALLATION - 36IN X 8FT (91.5CM X 2.44M) PLATFORM (OPTIONAL)	G
1	0100011	AR	Compound, Locking	
2	0200048	2	Arm, Switch	
3	0630462	8	Bolt	
4	0641414	8	Bolt 1/4 x 1-3/4	
5	0721005	4	Bolt #10 x 5/8	
6	0940103	1	Bumper Kit (Includes Corners and Enough Straight Material for One Platform)	
6	0940092	12	Bumper (Corner)	
6	0940094	AR	Bumper (12ft Length)	
7	1060341	23 ft/7m	Cable, Soft Touch - 16/2	
8	1060903	4	Wire Rope and Eyebolt Assembly	
9	1702938	1	Decal - Soft Touch Override	
10	3311401	8	Nut 1/4	
11	3311501	8	Nut 5/16	
12	3574091	2	Plate, Switch Strike	
13	4240099	7	Tie-Strap (Not Shown)	
14	4360057	2	Switch, Limit	
15	4360387	1	Switch, Push Button	
16	4420068	AR	Tape, Adhesive	
16	1001197017	AR	Tie-Strap	
17	4460049	2	Connector, Strain Relief	
18	4460234	7	Tie-Strap (Not Shown)	
19	4460425	1	Connector, Strain Relief	
20	4751400	8	Washer 1/4	
21	4751500	12	Washer 5/16	
22	4751800	8	Washer 1/2	
23	4846673	1	Rail, Soft Touch	
24	4933218	1	Soft Touch Wiring Diagram (Not Shown - Reference Only)	
25	2920028	1	Light, Indicator	
26	2920029	1	Bulb, Light	

SECTION 5 - PLATFORM

FIGURE 5-19. SKYGUARD SYSTEM INSTALLATION



ART_1001238495

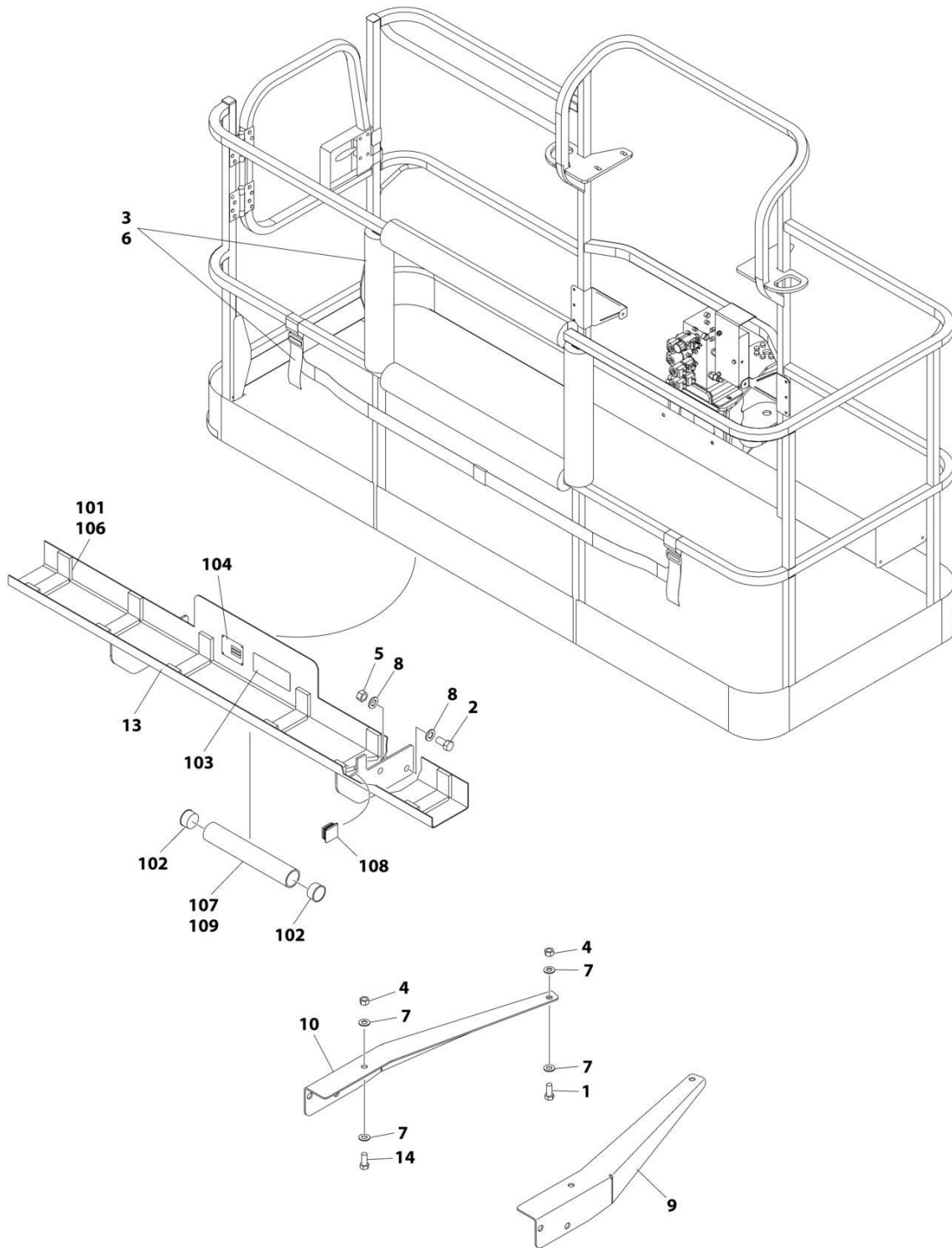
SECTION 5 - PLATFORM

FIGURE 5-19. SKYGUARD SYSTEM INSTALLATION

ITEM	PART NUMBER	QTY	DESCRIPTION	REV
	1001238495	Ref	SKYGUARD BAR INSTALLATION	A
1	0100011	AR	Compound, Locking	
2	0641414	2	Bolt 1/4 x 1-3/4	
3	3300430	2	Nut 1/4	
4	3931408	2	Capscrew 1/4 x 1/2	
5	4240033	8	Tie-Strap	
6	4711400	6	Washer 1/4	
7	1001120328	1	Mount	
8	1001137673	1	SkyGuard Switch Assembly	
9	1001186517	2	Cover, Platform Sensor	
10	1001209664	2	Support, Block	
11	1001186431	2	Relay	
12	1001225580	1	Interface Harness Assembly (Not Shown - Located Inside Console Box) (See Separate Breakdown in ELECTRICAL Section)	
13	1001144433	1	Decal - No Weight SkyGuard	

SECTION 5 - PLATFORM

FIGURE 5-20. SKYGLAZIER INSTALLATION



ART_1001172578_C

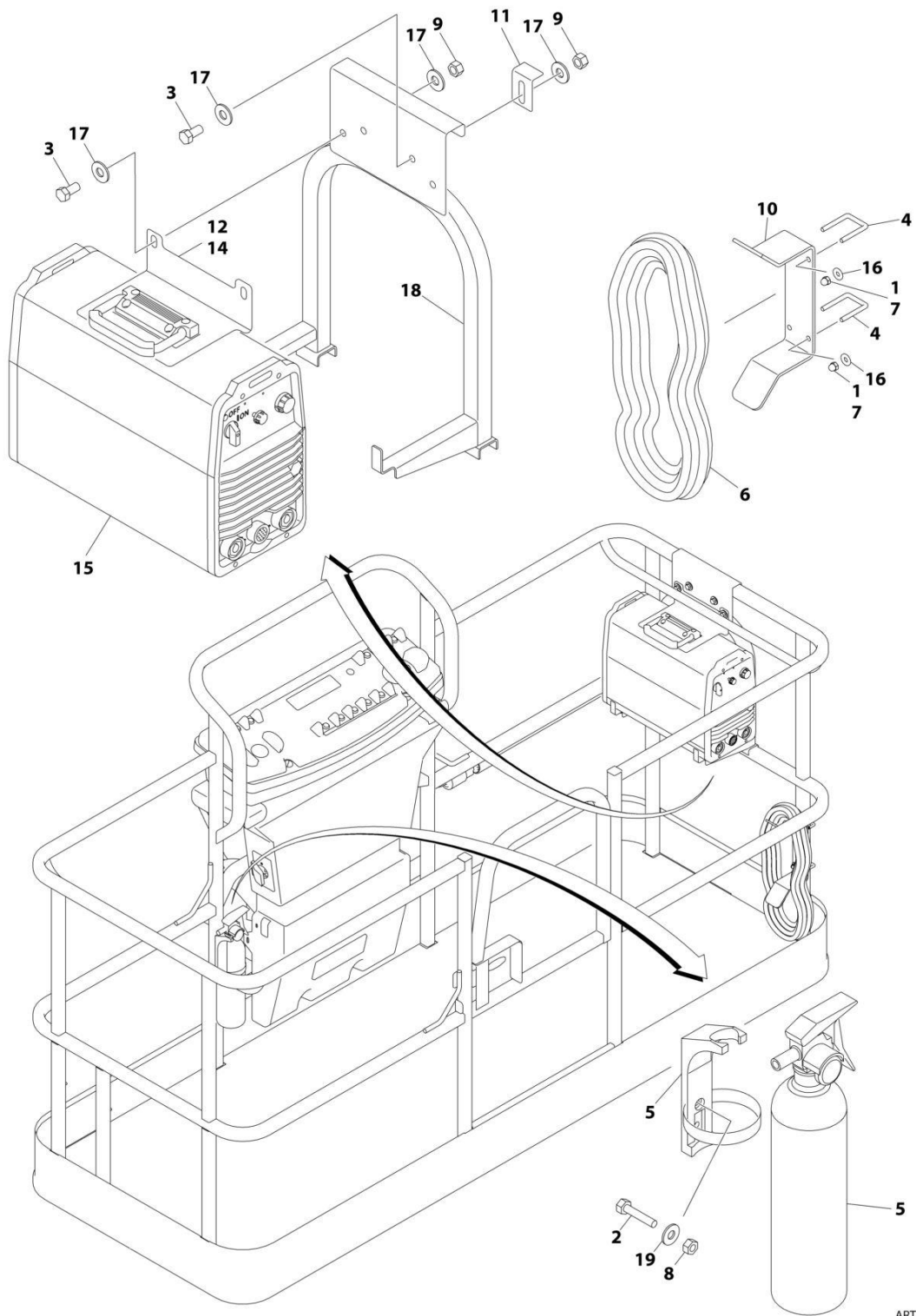
SECTION 5 - PLATFORM

FIGURE 5-20. SKYGLAZIER INSTALLATION

ITEM	PART NUMBER	QTY	DESCRIPTION	REV
	1001172578	Ref	SKYGLAZIER INSTALLATION	C
1	0642012	2	Bolt 5/8 x 1-1/2	
2	0642212	4	Bolt 3/4 x 1-1/2	
3	2902212	1	Bumpers and Strap Kit	
3	0940102	1	Bumper Only	
3	4240149	1	Strap Only	
4	3312005	1	Nut 5/8	
5	3312205	4	Nut 3/4	
6	4420014	AR	Tape	
7	4712000	6	Washer 5/8	
8	4712200	8	Washer 3/4	
9	1001099366	1	Support	
10	1001099367	1	Support	
13	1001172577	1	Tray Assembly (See Items 101-109 for Breakdown)	
14	8310129	2	Bolt 3/4 x 2-1/2	
	1001172577	Ref	TRAY ASSEMBLY	C
101	0100081	AR	Adhesive	
102	1120555	2	Cap, Tube	
103	1701509	1	Decal - Manual	
104	See Note	NSS	Nameplate - Serial Number (Note: Not Available for Purchase)	
106	3340956	1	Pad Kit	
107	3460334	1	Tube	
108	3520071	2	Plug	
109	4420066	AR	Tape, Double Sided	

SECTION 5 - PLATFORM

FIGURE 5-21. SKYWELDER INSTALLATION (50HZ)



ART_0272521_F

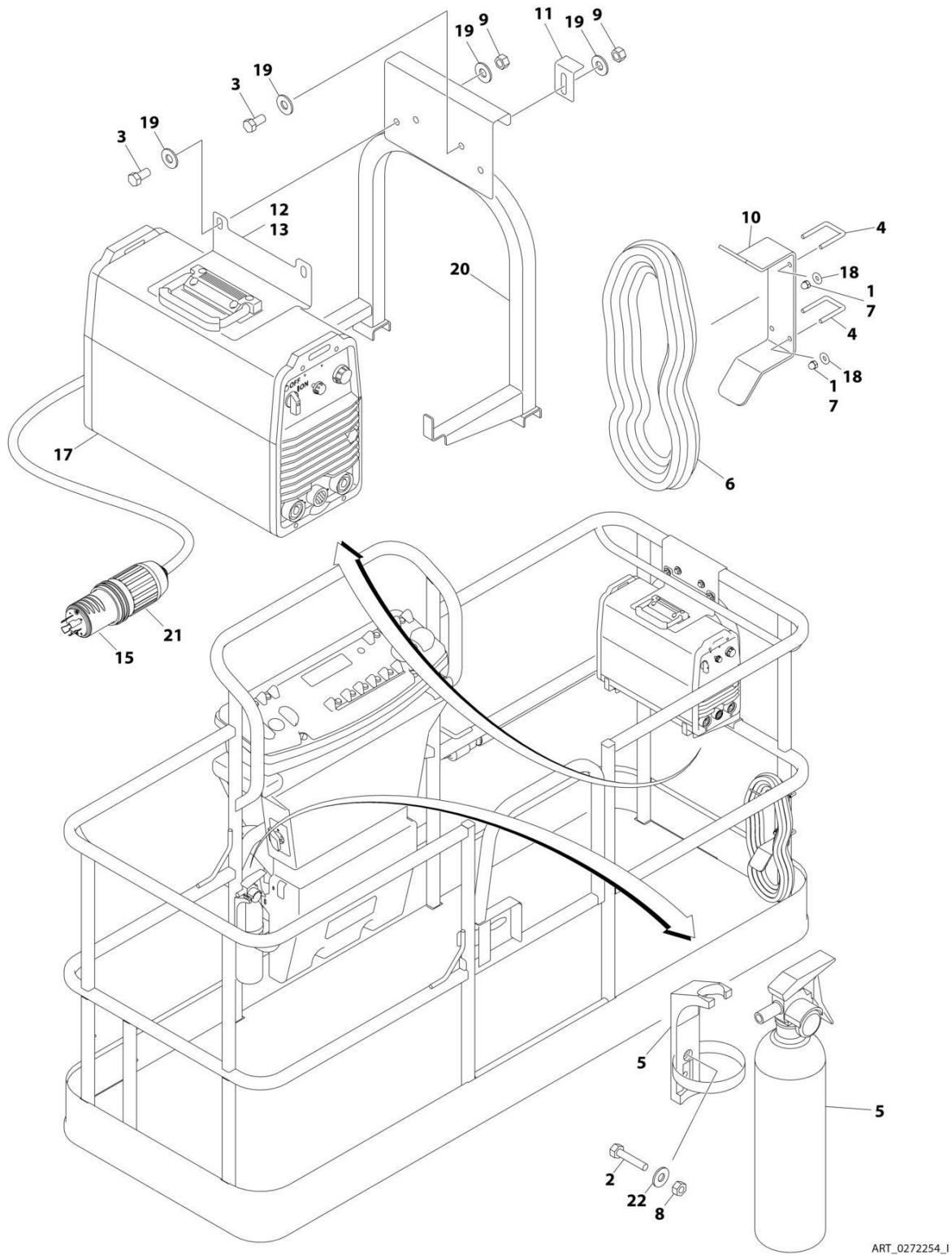
SECTION 5 - PLATFORM

FIGURE 5-21. SKYWELDER INSTALLATION (50HZ)

ITEM	PART NUMBER	QTY	DESCRIPTION	REV
	0272521	Ref	SKYWELDER INSTALLATION	F
1	0100011	AR	Compound, Locking	
2	0630518	2	Screw #10 x 3/4	
3	0641606	4	Bolt 3/8 x 3/4	
4	1320302	2	U-Clamp	
5	2030010	1	Extinguisher, Fire	
6	2902217	1	Weld Leads Kit	
7	3300151	4	Nut 1/4	
8	3311005	2	Nut #10	
9	3311605	4	Nut 3/8	
10	3573400	1	Bracket	
11	3577121	2	Angle	
12	3573642	1	Plate	
13	4240099	AR	Tie-Strap (Not Shown)	
14	4420037	AR	Tape	
15	4530028	1	Welder Assembly (See Separate Breakdown in this Section)	
16	4751400	4	Washer 1/4	
17	4751600	8	Washer 3/8	
18	4846627	1	Support	
19	4751000	2	Washer #10	

SECTION 5 - PLATFORM

FIGURE 5-22. SKYWELDER INSTALLATION (60HZ) (ANSI, ANSI EXPORT, CSA AND JAPAN SPECS)



ART_0272254_I

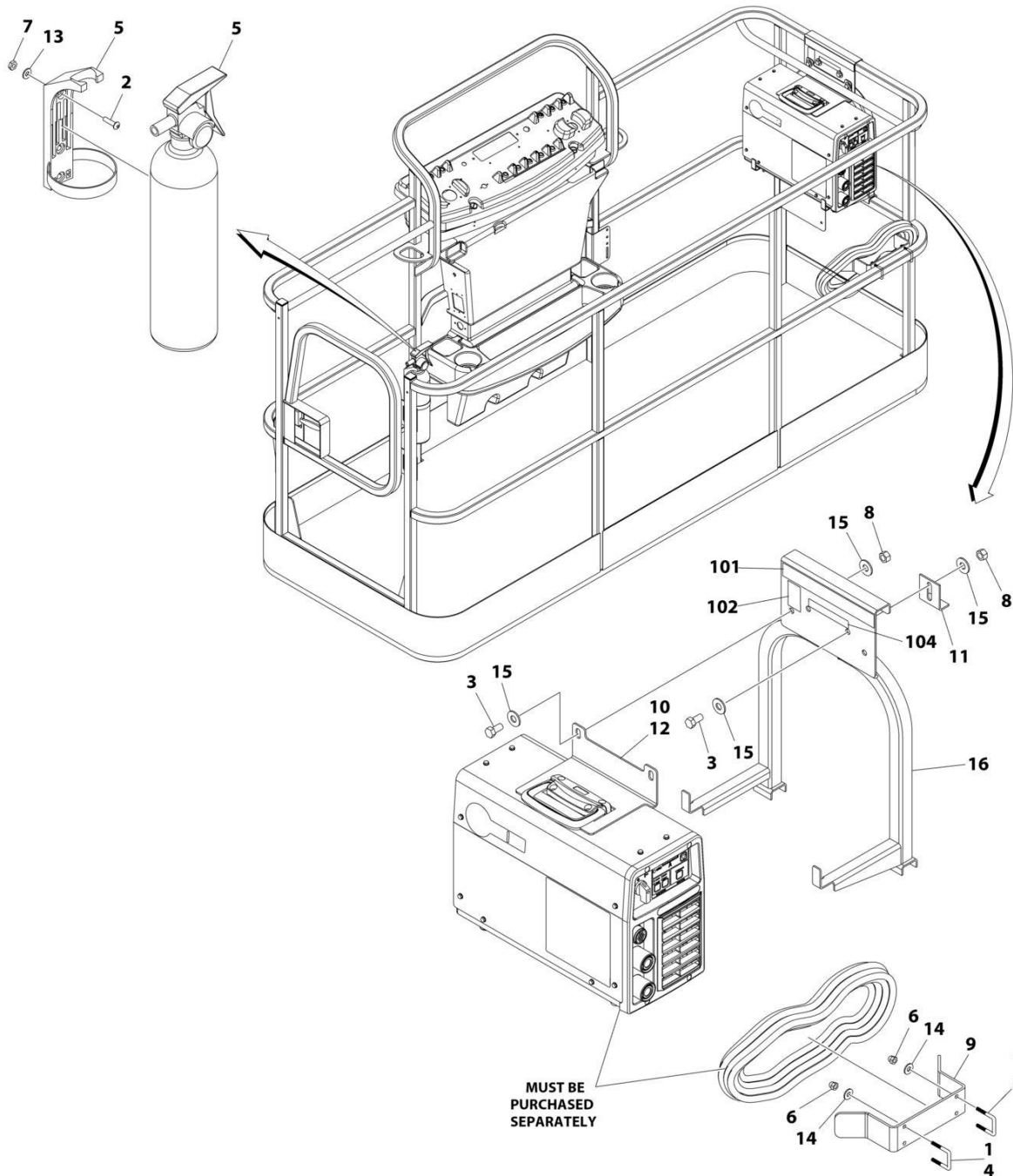
SECTION 5 - PLATFORM

FIGURE 5-22. SKYWELDER INSTALLATION (60HZ) (ANSI, ANSI EXPORT, CSA AND JAPAN SPECS)

ITEM	PART NUMBER	QTY	DESCRIPTION	REV
	0272254	Ref	SKYWELDER INSTALLATION	I
1	0100011	AR	Compound, Locking	
2	0630518	2	Screw #10 x 3/4	
3	0641606	4	Bolt 3/8 x 3/4	
4	1320302	2	U-Clamp	
5	2030010	1	Extinguisher, Fire	
6	2902217	1	Weld Leads Kit	
7	3300151	4	Nut 1/4	
8	3311005	2	Nut #10	
9	3311605	4	Nut 3/8	
10	3573400	1	Bracket	
11	3577121	2	Angle	
12	3573642	1	Plate	
13	4420037	AR	Tape	
14	4240099	AR	Tie-Strap (Not Shown)	
15	4460962	1	Plug, Male Twistlock	
17	4530028	1	Welder Assembly (See Separate Breakdown in this Section)	
18	4751400	4	Washer 1/4	
19	4751600	8	Washer 3/8	
20	4846627	1	Support	
21	1671093	1	Cover, Plug	
22	4751000	2	Washer #10	

SECTION 5 - PLATFORM

FIGURE 5-23. SKYWELDER PREP PACKAGE (60HZ) (ANSI, ANSI EXPORT, CSA AND JAPAN SPECS)



ART_1001128527_C

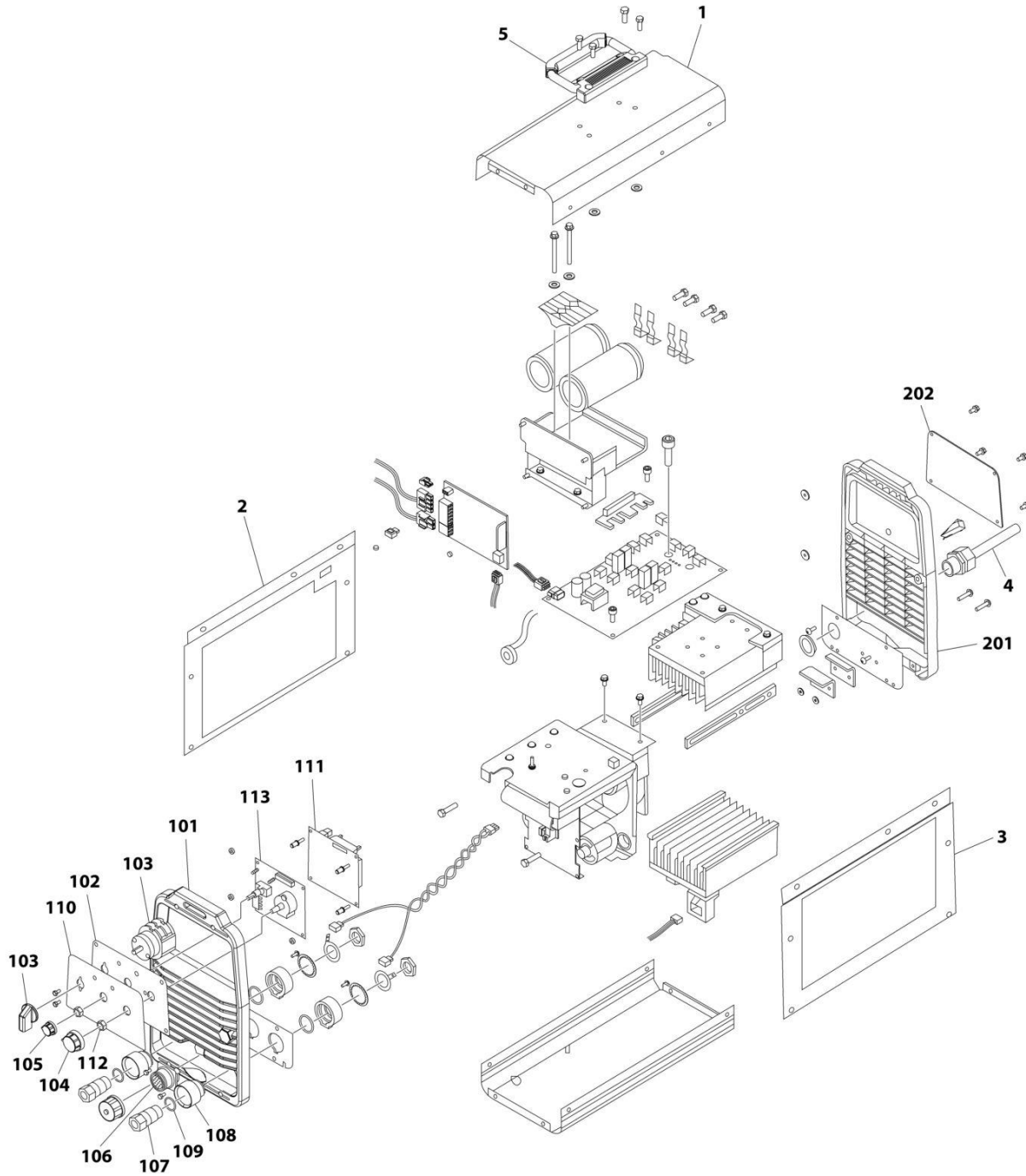
SECTION 5 - PLATFORM

FIGURE 5-23. SKYWELDER PREP PACKAGE (60HZ) (ANSI, ANSI EXPORT, CSA AND JAPAN SPECS)

ITEM	PART NUMBER	QTY	DESCRIPTION	REV
	1001128527	Ref	SKYWELDER PREP PACKAGE	C
1	0100011	AR	Compound, Locking	
2	0630518	2	Screw #10 x 3/4	
3	0641606	4	Bolt 3/8 x 3/4	
4	1320302	2	U-Clamp	
5	2030010	1	Extinguisher, Fire	
6	3300151	4	Nut 1/4	
7	3311005	2	Nut #10	
8	3311605	4	Nut 3/8	
9	3573400	1	Bracket	
10	1001269573	1	Plate	
11	3577121	2	Angle	
12	4420037	AR	Tape	
13	4751000	2	Washer #10	
14	4751400	4	Washer 1/4	
15	4751600	8	Washer 3/8	
16	1001269322	1	Support	
	1001128556	Ref	SKYWELDER DECAL INSTALLATION	D
101	1702868	1	Decal - No Hands	
102	1705305	1	Decal - Weld Lead	
104	1001228988	1	Decal - Weight	

SECTION 5 - PLATFORM

FIGURE 5-24. WELDER ASSEMBLY



ART_4530028

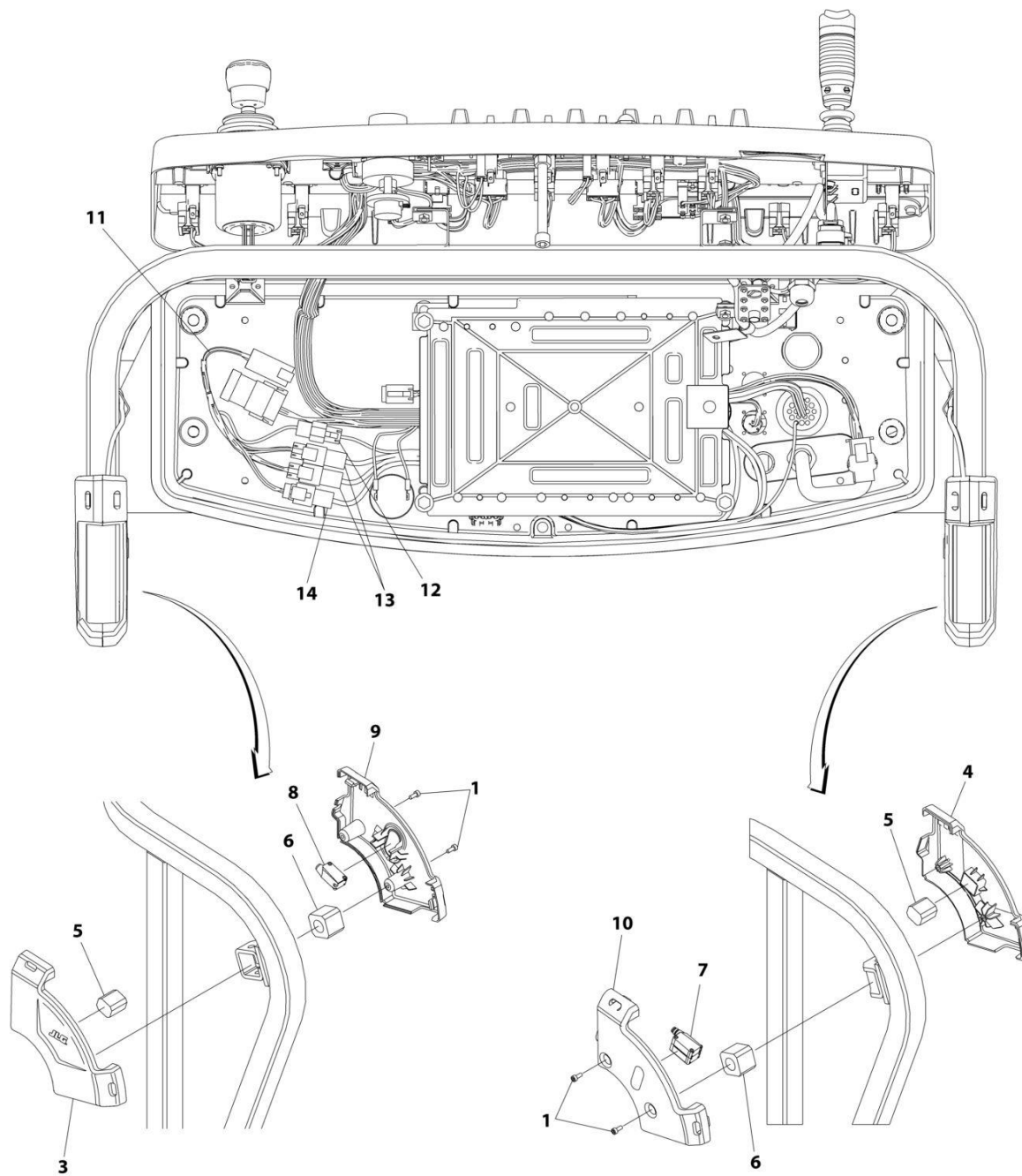
SECTION 5 - PLATFORM

FIGURE 5-24. WELDER ASSEMBLY

ITEM	PART NUMBER	QTY	DESCRIPTION	REV
	4530028	Ref	WELDER ASSEMBLY	B
		Ref	Note: For Other Components, contact your Miller Welder Dealer.	
1	7027773	1	Cover, Top	
1	7027774	1	Decal - Static Precautionary Warning	
2	See Note	NSS	Panel, LH Side (Note: Part of Item 1. Purchase Item 1)	
3	See Note	NSS	Panel, RH Side (Note: Part of Item 1. Purchase Item 1)	
4	7024467	1	Cable, Power	
4	7027775	1	Decal - Electrical Shock Warning (Not Shown)	
5	7027776	1	Handle, Carrying	
101	7024462	1	Panel, Front	
102	7024463	1	Panel, Console	
103	7024469	1	Switch with Lead	
104	7024470	1	Knob	
105	7024471	1	Knob	
106	7024472	1	Receptacle with Leads and Plugs	
107	7024473	2	Receptacle, Twistlock Female	
108	7024474	2	Insulator	
109	7024475	2	O-Ring	
110	7027777	1	Nameplate	
111	7027779	1	Circuit Card Assembly (Process Control)	
112	7024478	2	Nut	
113	7027778	1	Circuit Card Assembly (Operator Interface)	
201	7024462	1	Panel, Rear	
202	7027780	1	Panel, Cover	

SECTION 5 - PLATFORM

FIGURE 5-25. SKYEYE INSTALLATION



ART_1001229341

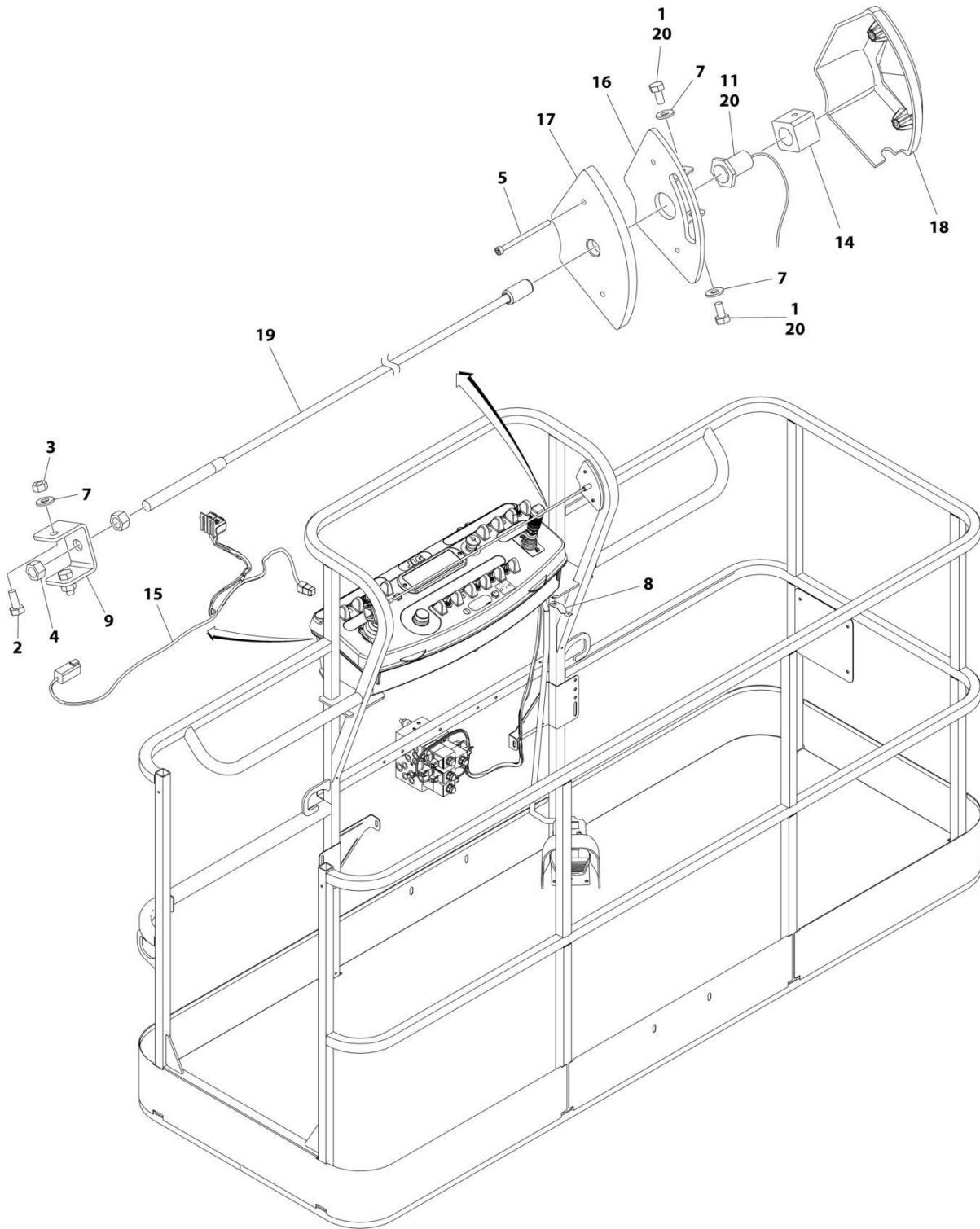
SECTION 5 - PLATFORM

FIGURE 5-25. SKYEYE INSTALLATION

ITEM	PART NUMBER	QTY	DESCRIPTION	REV
	1001229341	Ref	SKYEYE INSTALLATION	B
1	4031505	4	Bolt M4 x 10	
2	4240033	AR	Tie-Strap (Not Shown)	
3	1001227633	1	Housing, LH Outer	
4	1001227634	1	Housing, RH Outer	
5	1001227985	2	Shim	
6	1001227987	2	Shim	
7	1001228224	2	Sensor, Receiver	
8	1001228225	1	Sensor, Emitter	
9	1001232164	1	Housing, LH Inner	
10	1001232165	1	Housing, RH Inner	
11	1001237865	1	Harness, Skyeeye Intermediate (See Separate Breakdown in ELECTRICAL Section)	
12	1001238319	NLA	Harness, Skyeeye Drain Jumper	
12	1001187674	1	Plug, Male - 2 Position	
12	4460942	1	Terminal	
12	4460466	1	Plug, Terminal	
12	4460508	1	Pin, Male	
13	1001237863	2	Harness, Skyeeye Receiver (See Separate Breakdown in ELECTRICAL Section)	
14	1001237864	1	Harness, Skyeeye Emitter (See Separate Breakdown in ELECTRICAL Section)	

SECTION 5 - PLATFORM

FIGURE 5-26. SKYLINE INSTALLATION



ART_1001238559_D

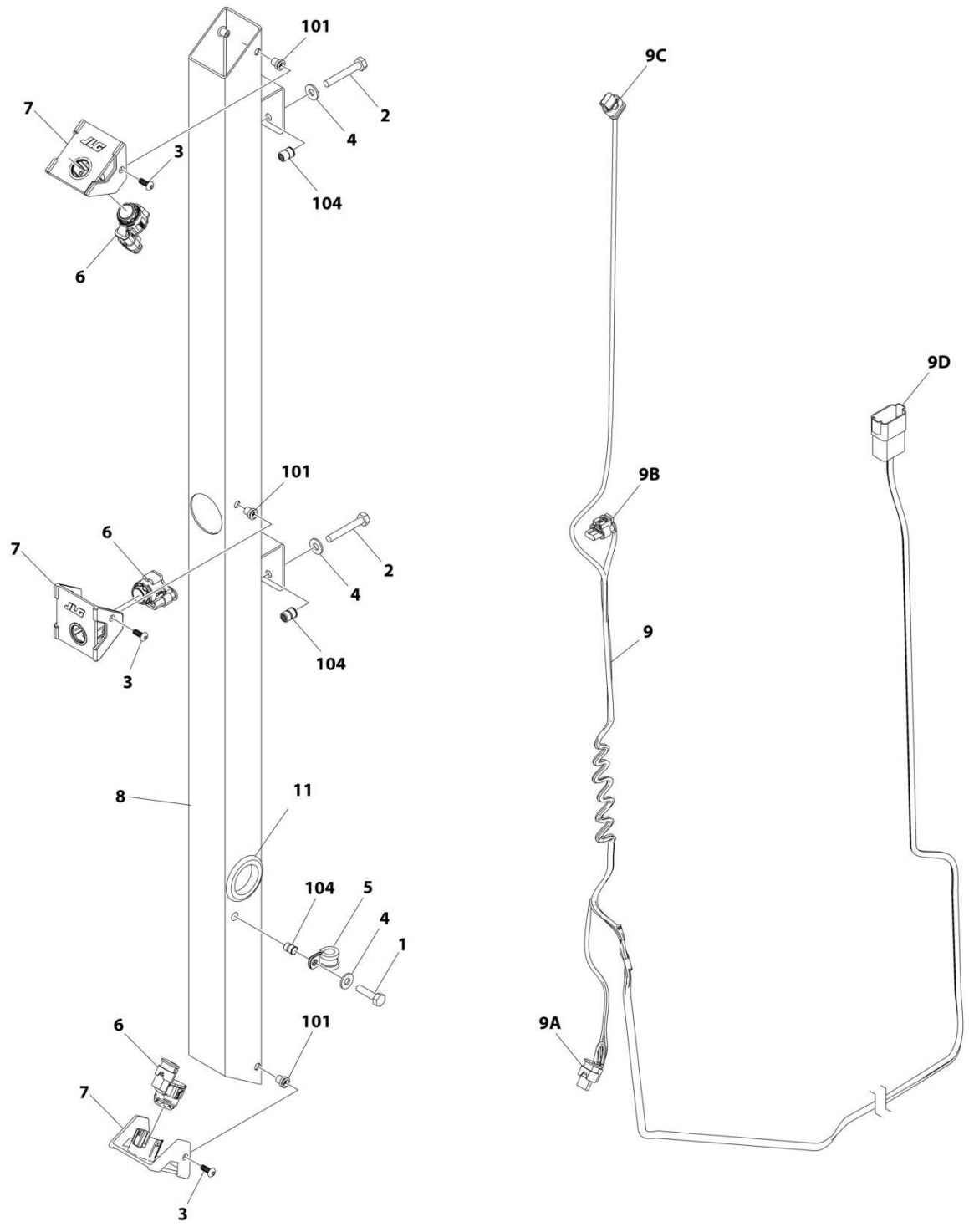
SECTION 5 - PLATFORM

FIGURE 5-26. SKYLINE INSTALLATION

ITEM	PART NUMBER	QTY	DESCRIPTION	REV
	1001238559	Ref	SKYLINE INSTALLATION	D
1	0641404	2	Bolt 1/4 x 1/2	
2	0641405	2	Bolt 1/4 x 5/8	
3	3311405	2	Nut 1/4	
4	3311601	2	Nut 3/8	
5	4031516	2	Capscrew M4 x 60	
6	4240033	AR	Tie-Strap (Not Shown)	
7	4711400	4	Washer 1/4	
8	1001120328	1	Mount	
9	1001232642	1	Bracket	
11	1001232667	1	Sensor, Proximity	
14	1001236552	1	Block	
15	1001238418	1	Harness, Skyline (See Separate Breakdown in ELECTRICAL Section)	
16	1001238472	1	Mount	
17	1001254473	1	Housing, LH	
18	1001241965	1	Housing, RH	
19	1001254472	1	Rod	
20	0100011	AR	Compound, Locking	

SECTION 5 - PLATFORM

FIGURE 5-27. SKYSENSE MID TUBE SENSOR ASSEMBLY



ART_1001243205

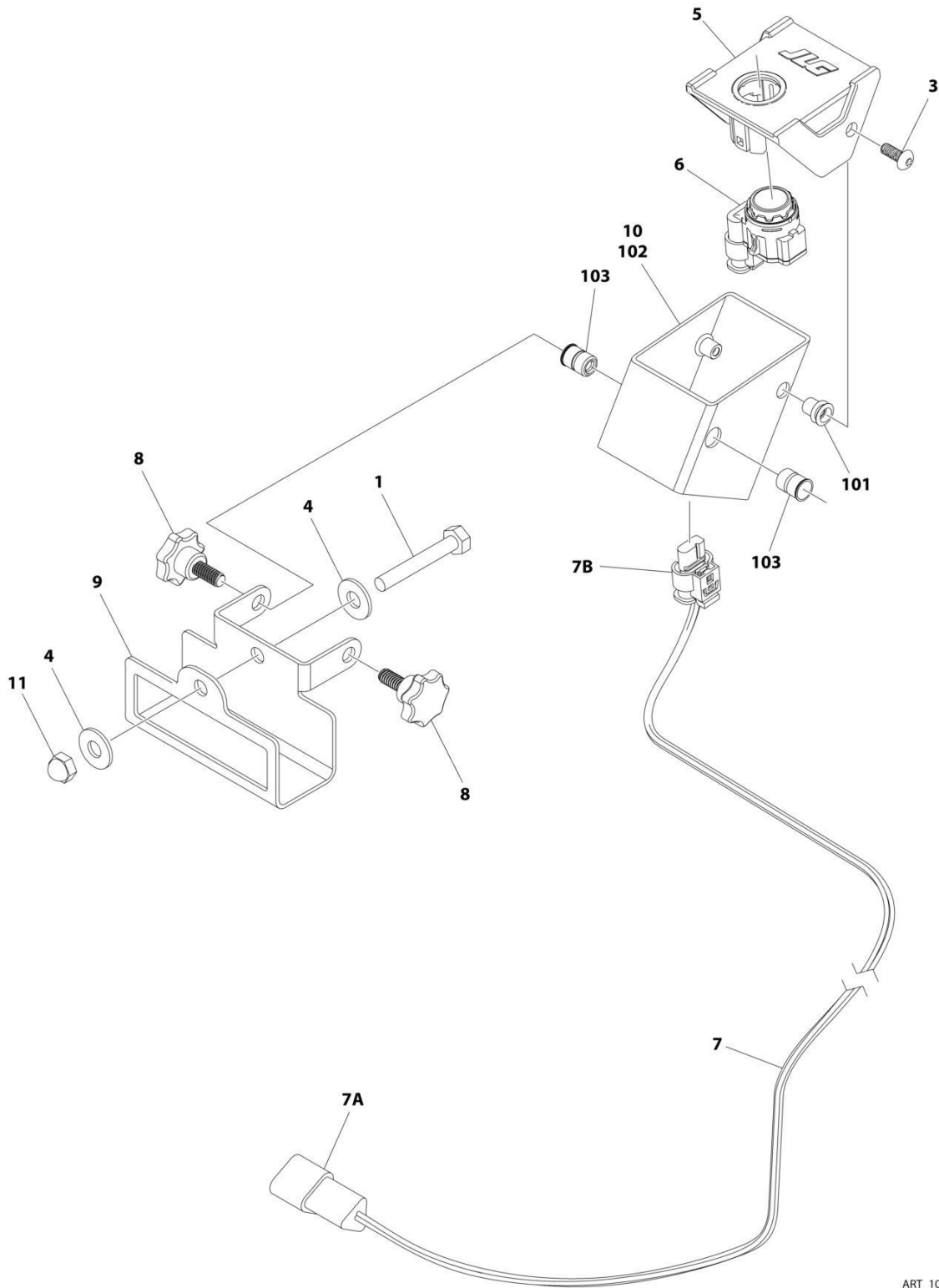
SECTION 5 - PLATFORM

FIGURE 5-27. SKYSENSE MID TUBE SENSOR ASSEMBLY

ITEM	PART NUMBER	QTY	DESCRIPTION	REV
	1001243205	Ref	SKYSENSE MID TUBE SENSOR ASSEMBLY	C
1	0641408	1	Bolt 1/4 x 1	
2	0641414	2	Bolt 1/4 x 1-3/4	
3	1001260525	6	Screw #10 x 1/2	
4	4711400	3	Washer 1/4	
5	1001260524	1	Clamp	
6	1001237902	3	Sensor, SkySense	
7	1001241162	3	Mount, Sensor	
8	1001243092	1	Tube Assembly (Includes items 101 through 104)	C
9	1001244336	1	Harness, SkySense Mid Tube	D
9A	1001237898	1	Connector	
9A	1001237888	3	Terminal	
9B	1001237898	1	Connector	
9B	1001237888	3	Terminal	
9C	1001237898	1	Connector	
9C	1001237888	3	Terminal	
9D	4460931	1	Connector	
9D	4460943	7	Pin	
9D	4460466	1	Plug	
10	1001246389	1	Decal (Not Shown)	
11	1001247252	1	Grommet	
101	2080069	6	Fastener	
104	1001258730	3	Rivnut	

SECTION 5 - PLATFORM

FIGURE 5-28. SKYSENSE OVERHEAD SENSOR ASSEMBLY



ART_1001244733

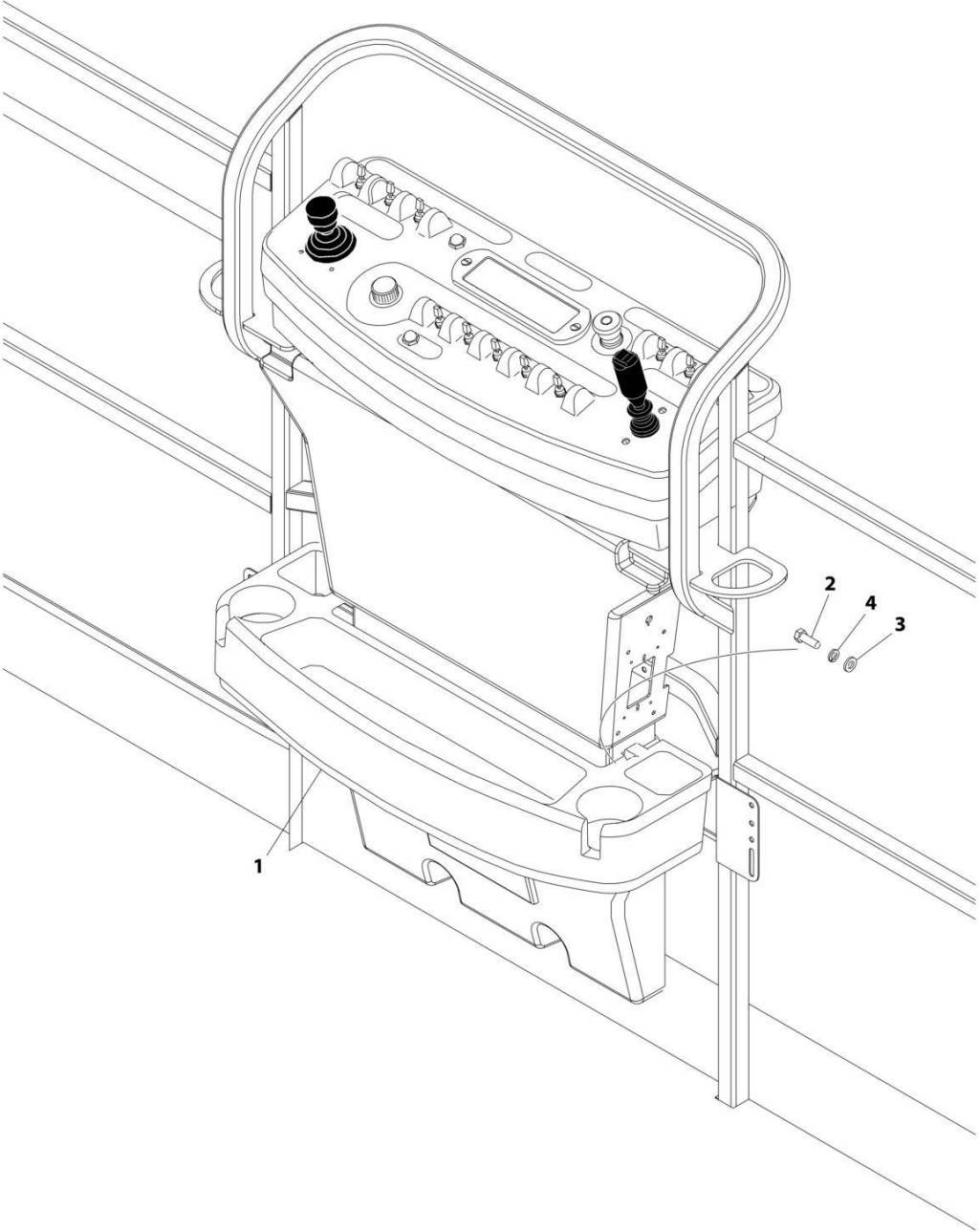
SECTION 5 - PLATFORM

FIGURE 5-28. SKYSENSE OVERHEAD SENSOR ASSEMBLY

ITEM	PART NUMBER	QTY	DESCRIPTION	REV
	1001244733	Ref	SKYSENSE OVERHEAD SENSOR ASSEMBLY	D
1	0641414	1	Bolt 1/4 x 1-3/4	
3	1001260525	2	Screw #10 x 1/2	
4	4751400	2	Washer 1/4	
5	1001237891	1	Mount, Sensor	
6	1001237902	1	Sensor, SkySense	
7	1001244335	1	Harness, SkySense Overhead	D
7A	4460536	1	Connector	
7A	4460943	3	Pin	
7B	1001237898	1	Connector	
7B	1001237888	1	Terminal	
8	1001244671	2	Knob	
9	1001244709	1	Bracket, Mounting	
10	1001244732	1	Housing Assembly (Includes items 101 through 103)	B
11	3300430	1	Nut	
101	2080069	2	Fastener	
102	1001244710	1	Housing, Sensor	
103	1001258730	2	Rivnut	

SECTION 5 - PLATFORM

FIGURE 5-29. TRAY INSTALLATION



ART_1580012

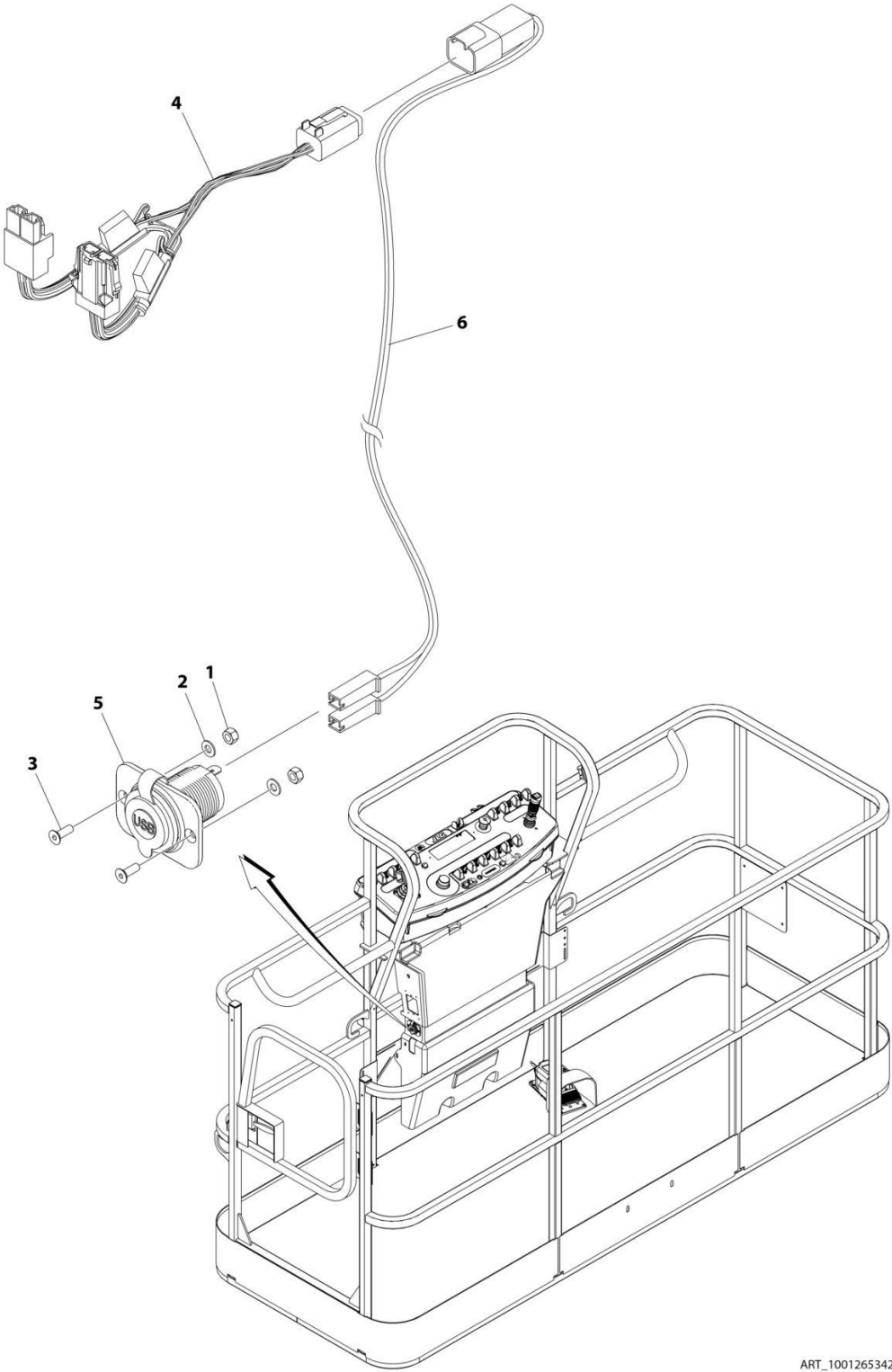
SECTION 5 - PLATFORM

FIGURE 5-29. TRAY INSTALLATION

ITEM	PART NUMBER	QTY	DESCRIPTION	REV
	1580012	Ref	TRAY ASSEMBLY	C
1	See Note	NSS	Tray, Storage (Center) (Note: Purchase p/n 1580012)	
2	0641406	2	Bolt 1/4 x 3/4	
3	4751400	2	Washer 1/4	
4	4761400	2	Washer 1/4	

SECTION 5 - PLATFORM

FIGURE 5-30. USB CHARGER INSTALLATION



ART_1001265342

SECTION 5 - PLATFORM

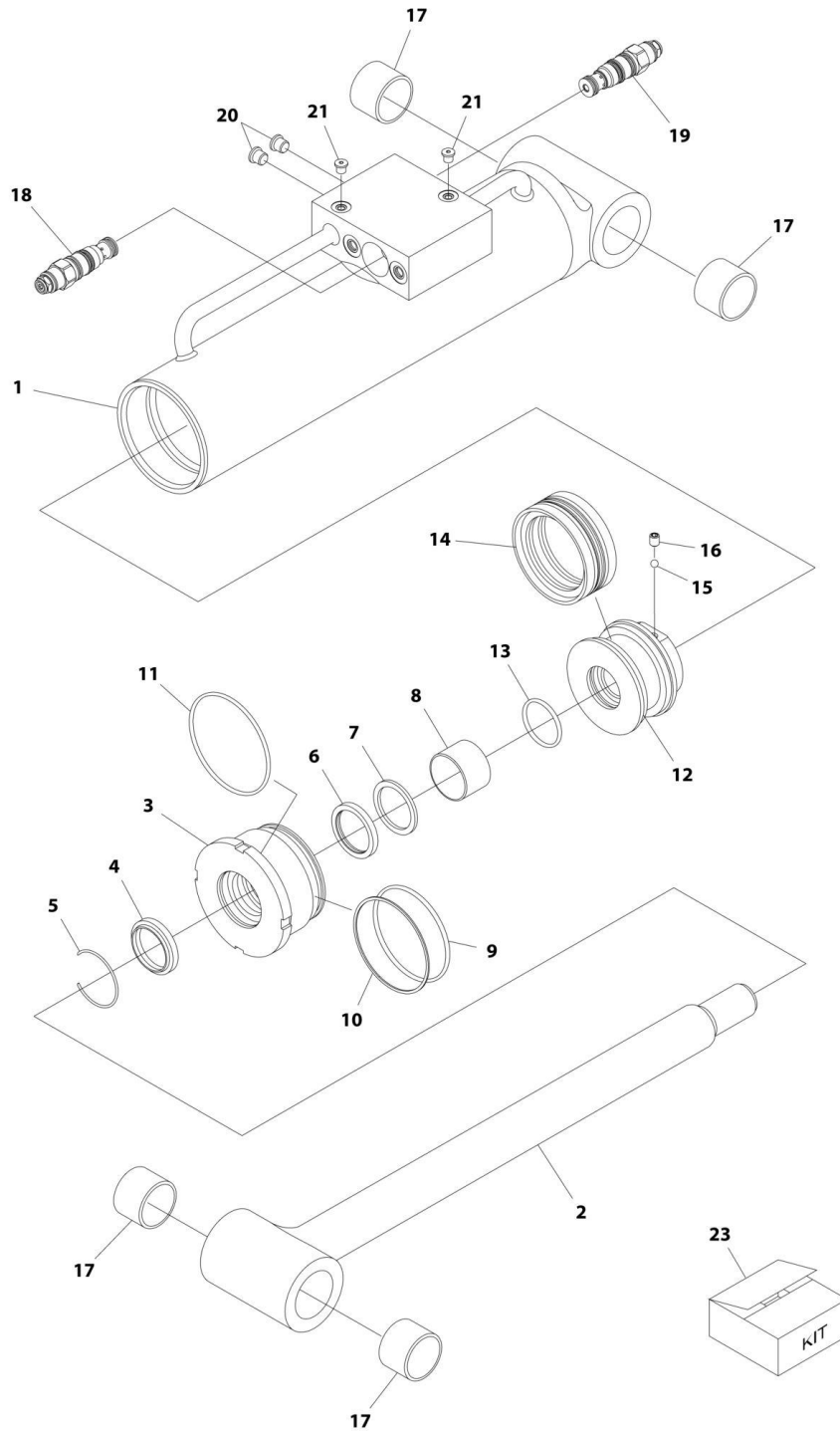
FIGURE 5-30. USB CHARGER INSTALLATION

ITEM	PART NUMBER	QTY	DESCRIPTION	REV
	1001265342	Ref	USB CHARGER INSTALLATION	A
1	3290405	2	Nut M4	
2	4811400	2	Washer M4	
3	1001097244	2	Screw M4 x 12	
4	1001120484	1	Harness, Work Lights	
4	4460879	1	Plug, Male - 2 Position	
4	4460887	2	Terminal	
4	2400060	2	Fuseholder Includes Cover	
4	8229249	2	Fuse, 3 Amp	
4	4460884	1	Connector - 4 Position	
4	4460465	4	Socket, Female	
4	1001120471	1	Connector - 2 Position	
4	1001120477	2	Terminal	
5	1001210636	1	Receptacle, USB	
6	1001265163	1	Harness, USB	A
6	4460260	2	Cover, Terminal	
6	4460259	2	Terminal	
6	4460932	1	Receptacle, Bussbar - 4 Position	
6	4460464	2	Pin, Male	
6	4460466	2	Plug, Terminal	

SECTION 6 - CYLINDER

SECTION 6 - CYLINDER

FIGURE 6-1. LEVEL (PLATFORM SLAVE) CYLINDER ASSEMBLY



ART_1001163386

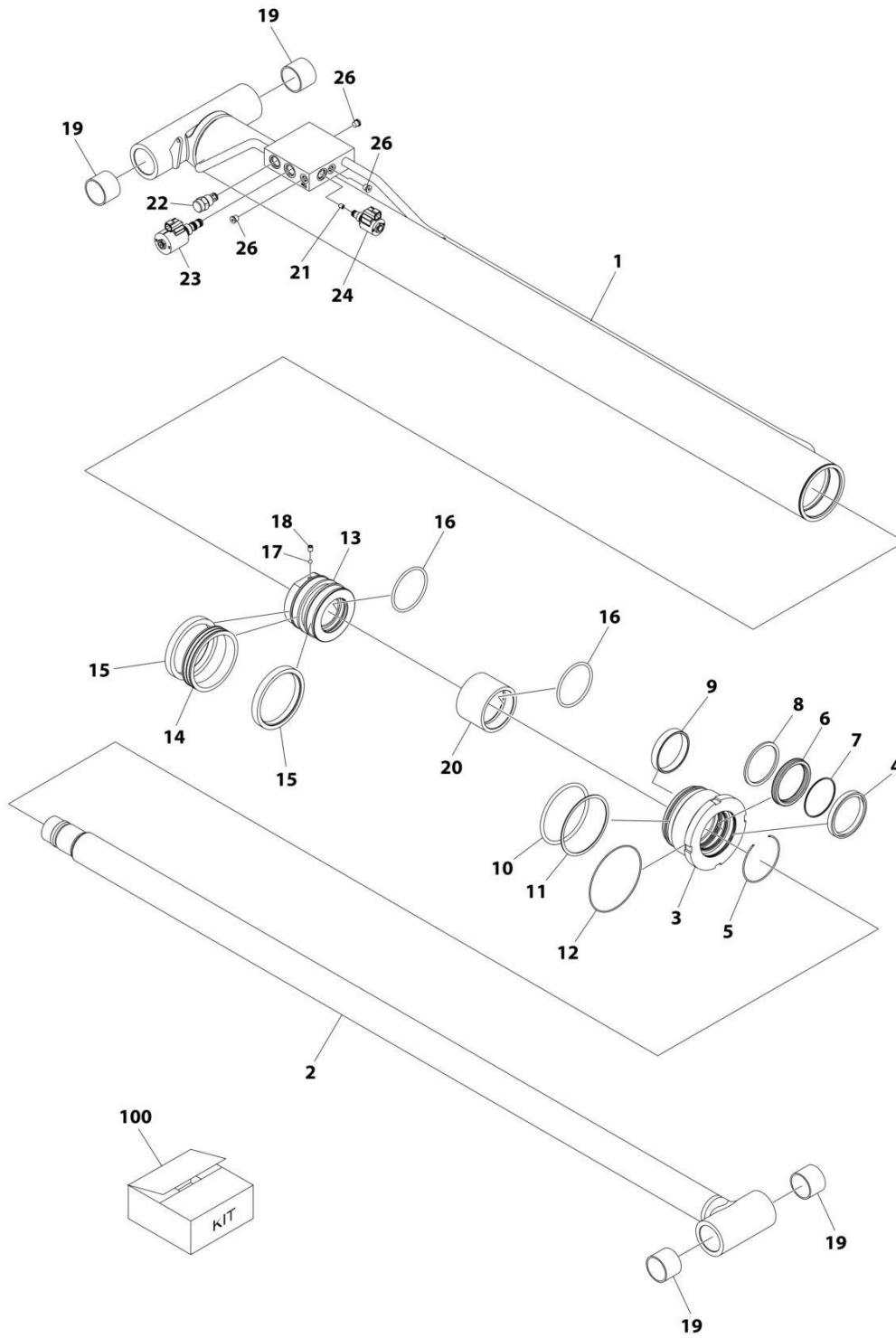
SECTION 6 - CYLINDER

FIGURE 6-1. LEVEL (PLATFORM SLAVE) CYLINDER ASSEMBLY

ITEM	PART NUMBER	QTY	DESCRIPTION	REV
	1001163386	Ref	LEVEL (PLATFORM SLAVE) CYLINDER ASSEMBLY	G
		Ref	Note: Original Cylinder May Have Been Replaced with Service Replacement. Identify PN Stamped on Cylinder Before Ordering Parts.	
1	70005147	1	Barrel	
2	70005148	1	Rod	
3	70005142	1	Head	
4	See Note	NSS	Wiper (Note: Use Item 23)	
5	70002373	1	Ring, Retaining	
6	See Note	NSS	Seal, Rod (Note: Use Item 23)	
7	See Note	NSS	Ring, Back-up (Note: Use Item 23)	
8	70005143	1	Bearing, Dry	
9	See Note	NSS	O-Ring (Note: Use Item 23)	
10	See Note	NSS	Ring, Back-up (Note: Use Item 23)	
11	See Note	NSS	O-Ring (Note: Use Item 23)	
12	70005144	1	Piston	
13	See Note	NSS	O-Ring (Note: Use Item 23)	
14	See Note	NSS	Seal, Piston (Note: Use Item 23)	
15	70022564	1	Ball	
16	70023369	1	Setscrew	
17	70005145	4	Bearing	
18	1001168209	1	Cartridge, Valve	
18	2900770	1	Seal Kit - 1001168209 Valve	
19	1001168210	1	Cartridge, Valve	
19	2900770	1	Seal Kit - 1001168210 Valve	
20	70023370	1	Plug 7/16	
21	2220881	1	Plug, O-Ring 5/16	
23	70005149	1	Seal Kit - 1001163386 Cylinder (Includes Items 4, 6, 7, 9, 10, 11, 13 & 14)	

SECTION 6 - CYLINDER

FIGURE 6-2. LIFT CYLINDER ASSEMBLY - MAIN BOOM



ART_1001228092

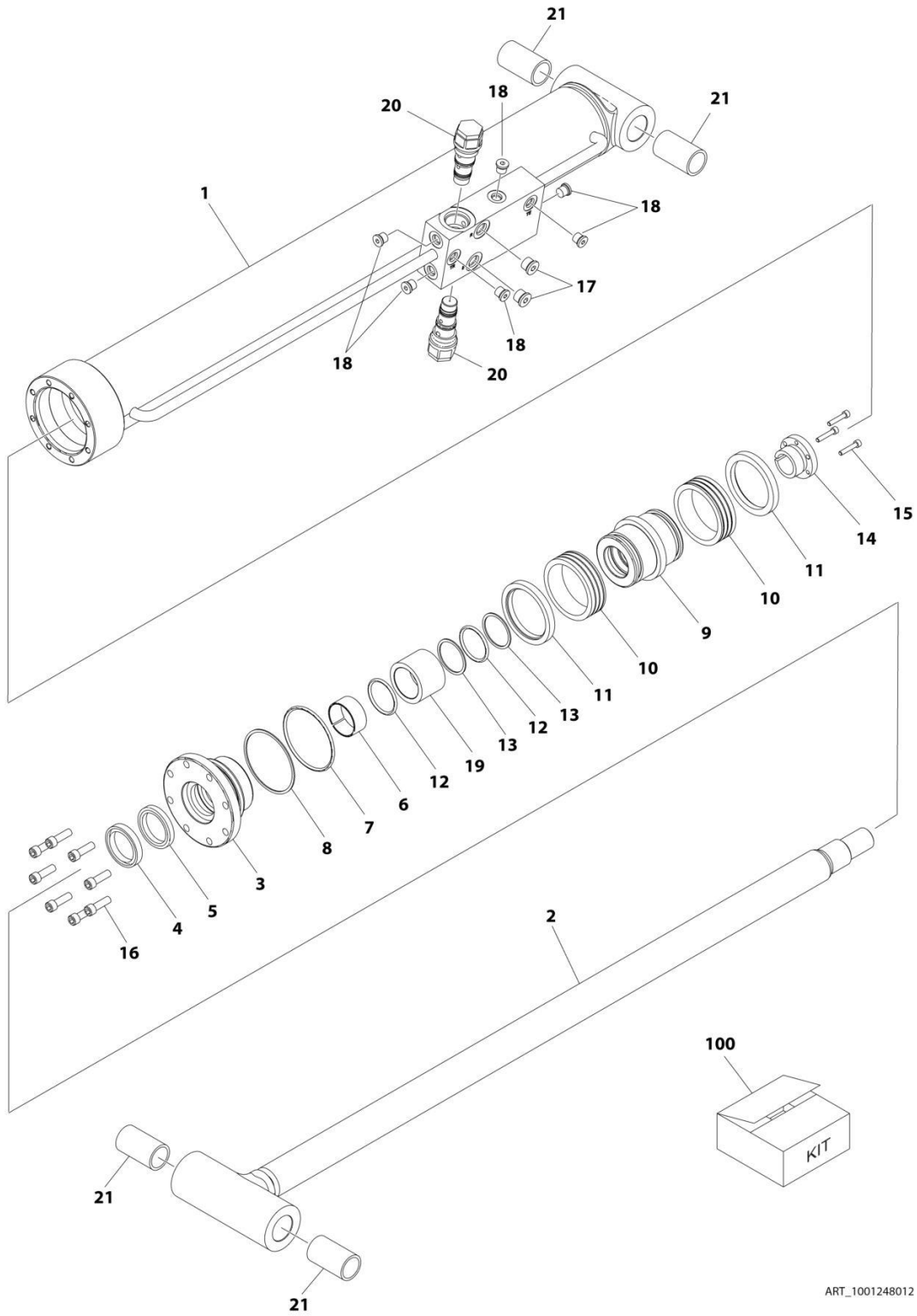
SECTION 6 - CYLINDER

FIGURE 6-2. LIFT CYLINDER ASSEMBLY - MAIN BOOM

ITEM	PART NUMBER	QTY	DESCRIPTION	REV
	1001228092	Ref	LIFT CYLINDER ASSEMBLY - MAIN BOOM	B
		Ref	Note: Original Cylinder May Have Been Replaced with Service Replacement. Identify PN Stamped on Cylinder Before Ordering Parts.	
1	See Note	NSS	Barrel (Use p/n 1001228092)	
2	70006702	1	Rod	
3	70006703	1	Head	
4	See Note	NSS	Wiper (Note: Use Item 100)	
5	70050795	1	Ring, Retainer	
6	See Note	NSS	Seal, Rod (Note: Use Item 100)	
7	See Note	NSS	O-Ring (Note: Use Item 100)	
8	See Note	NSS	Ring (Note: Use Item 100)	
9	70006636	1	Ring, Wear	
10	See Note	NSS	O-Ring (Note: Use Item 100)	
11	See Note	NSS	Ring, Back-up (Note: Use Item 100)	
12	See Note	NSS	O-Ring (Note: Use Item 100)	
13	70006704	1	Piston	
14	See Note	NSS	Seal (Note: Use Item 100)	
15	See Note	NSS	Ring, Wear (Note: Use Item 100)	
16	See Note	NSS	Seal (Note: Use Item 100)	
17	70022564	1	Ball	
18	70023369	1	Setscrew M8 x 10	
19	0961950	4	Bearing	
20	70006705	1	Spacer	
21	70004231	1	Orifice	
22	4641390	1	Cartridge, Check Valve	
22	7017496	1	Seal Kit - 4641390 Valve	
23	1001206625	1	Cartridge, Valve (Includes Coil)	
23	70006104	1	Cartridge, Less Coil	
23	70006105	1	Seal Kit - 70006104 & 1001206625 Cartridges	
23	70003788	1	Coil	
23	7022390	1	Nut, Coil	
24	1001164709	1	Cartridge, Valve (Includes Coil)	
24	7017467	1	Cartridge, Less Coil	
24	7012998	1	Seal Kit - 7017467 & 1001164709 Cartridges	
24	70002386	1	Coil	
26	2220883	3	Plug #4	
100	70006706	1	Seal Kit - 1001228092 Cylinder (Includes Item 4, 6-8, 10-12 & 14-16)	

SECTION 6 - CYLINDER

FIGURE 6-3. LIFT CYLINDER ASSEMBLY - JIB - 460SJC



ART_1001248012

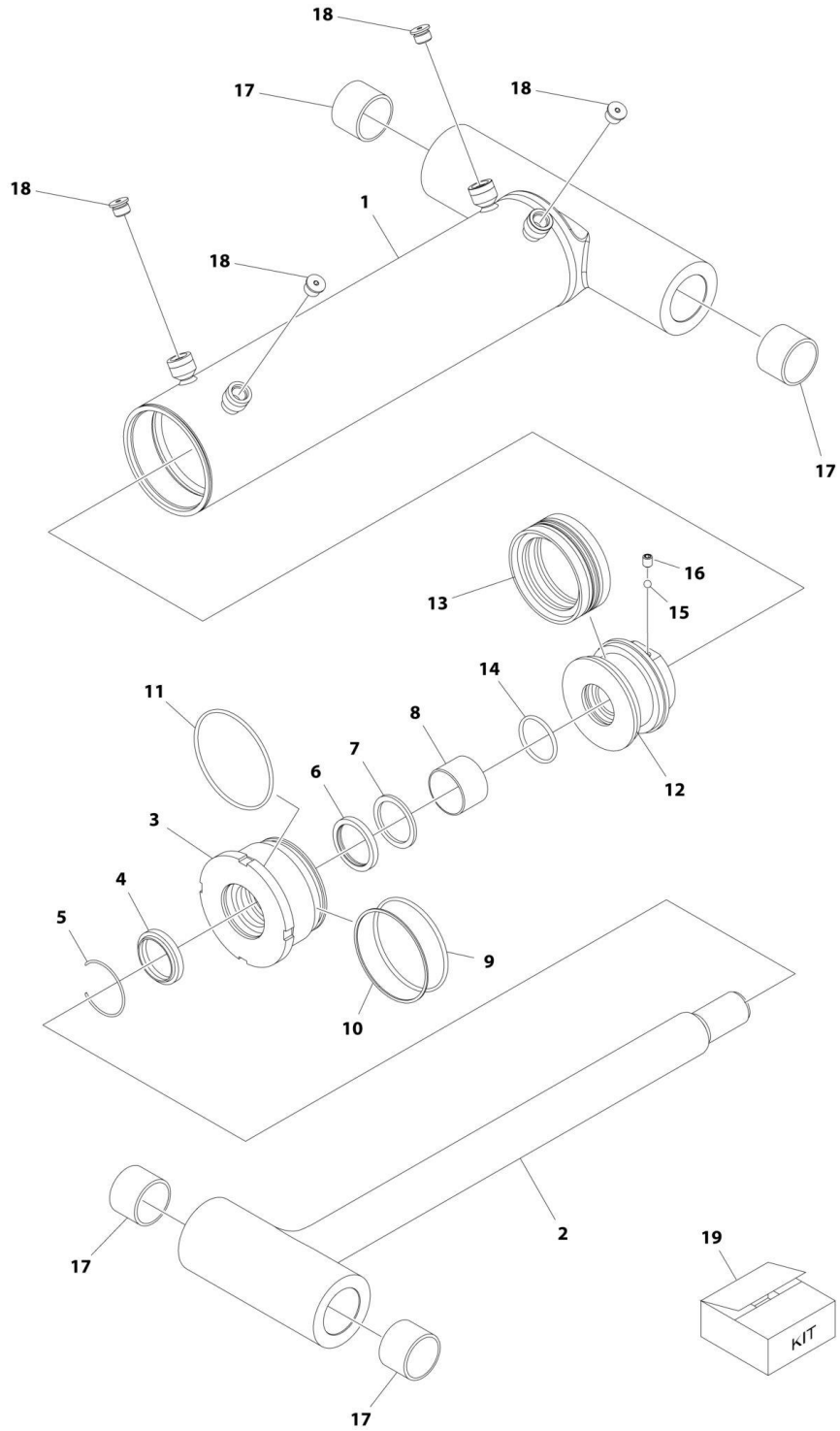
SECTION 6 - CYLINDER

FIGURE 6-3. LIFT CYLINDER ASSEMBLY - JIB - 460SJC

ITEM	PART NUMBER	QTY	DESCRIPTION	REV
	1001248012	Ref	LIFT CYLINDER ASSEMBLY - JIB	C
		Ref	Note: Original Cylinder May Have Been Replaced with Service Replacement. Identify PN Stamped on Cylinder Before Ordering Parts.	
1	See Note	NSS	Barrel (Note: Not Available for Purchase)	
2	70006734	1	Rod	
3	70006649	1	Head	
4	See Note	NSS	Wiper (Note: Use Item 100)	
5	See Note	NSS	Seal, Rod (Note: Use Item 100)	
6	See Note	NSS	Ring, Wear (Note: Use Item 100)	
7	See Note	NSS	O-Ring (Note: Use Item 100)	
8	See Note	NSS	Ring, Back-up (Note: Use Item 100)	
9	70006650	1	Piston	
10	See Note	NSS	Seal (Note: Use Item 100)	
11	See Note	NSS	Ring, Lock (Note: Use Item 100)	
12	See Note	NSS	O-Ring (Note: Use Item 100)	
13	See Note	NSS	Ring, Back-up (Note: Use Item 100)	
14	0961893	1	Bushing, Tapered	
15	0630534	3	Capscrew, Socket Head #10 x 1	
16	70006735	8	Capscrew 5/16	
17	2220885	2	Plug, O-Ring	
18	2220883	6	Plug, O-Ring	
19	70006736	1	Spacer	
20	4640509	2	Cartridge, Valve	
20	2900792	2	Seal Kit - 4640509 Valve	
21	0962336	4	Bushing	
100	1001138795	1	Seal Kit (Includes Items 4-8 & 10-13)	

SECTION 6 - CYLINDER

FIGURE 6-4. MASTER CYLINDER ASSEMBLY



ART_1001163385

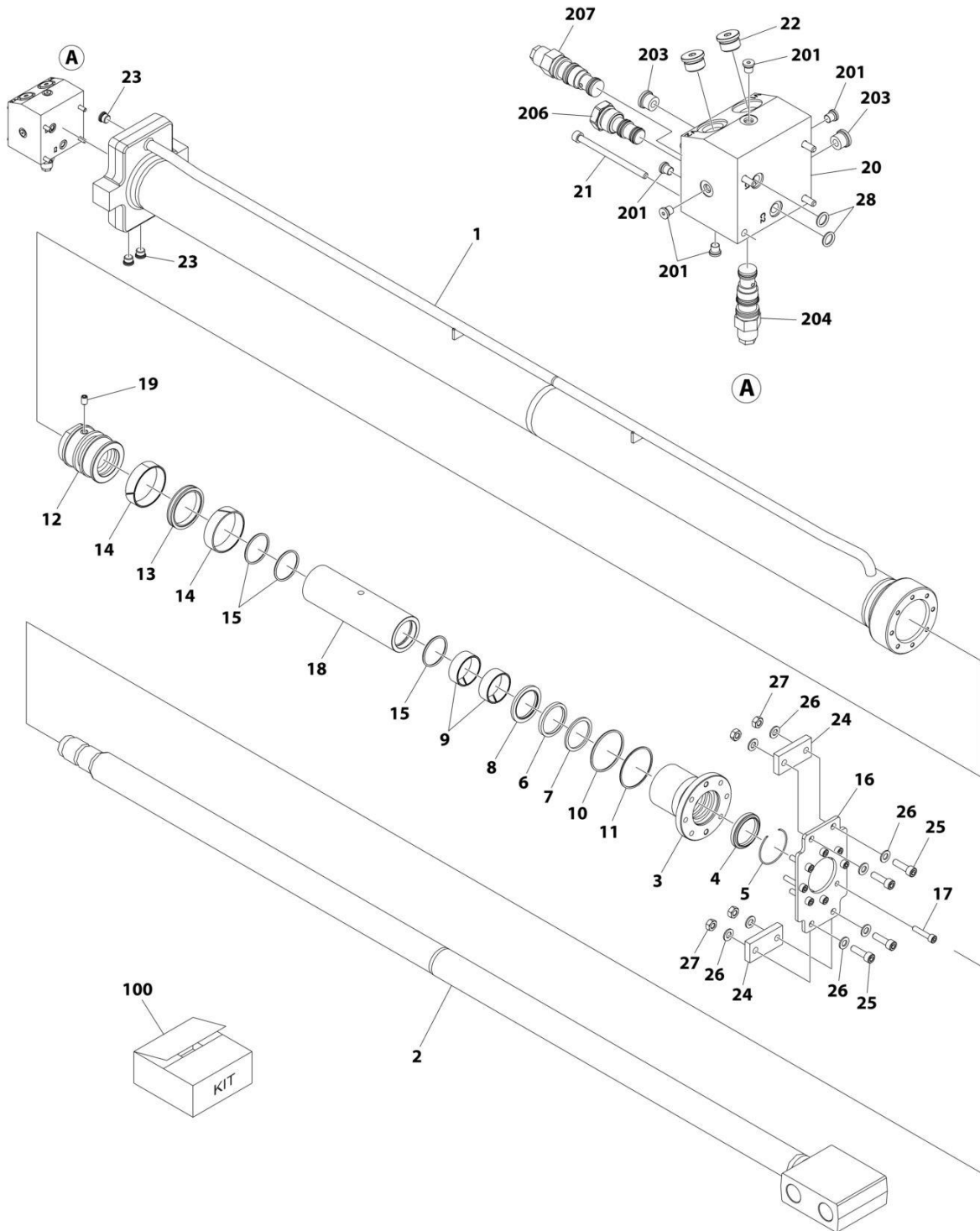
SECTION 6 - CYLINDER

FIGURE 6-4. MASTER CYLINDER ASSEMBLY

ITEM	PART NUMBER	QTY	DESCRIPTION	REV
	1001163385	Ref	MASTER CYLINDER ASSEMBLY	F
		Ref	Note: Original Cylinder May Have Been Replaced with Service Replacement. Identify PN Stamped on Cylinder Before Ordering Parts.	
1	70005140	1	Barrel	
2	70005141	1	Rod	
3	70005142	1	Head, Cylinder	
4	See Note	NSS	Wiper (Note: Use Item 19)	
5	70002373	1	Ring, Retaining	
6	See Note	NSS	Seal, Rod (Note: Use Item 19)	
7	See Note	NSS	Ring, Back-up (Note: Use Item 19)	
8	70005143	1	Bearing, Dry	
9	See Note	NSS	O-Ring (Note: Use Item 19)	
10	See Note	NSS	Ring, Back-up (Note: Use Item 19)	
11	See Note	NSS	O-Ring (Note: Use Item 19)	
12	70005144	1	Piston	
13	See Note	NSS	Seal, Piston	
14	See Note	NSS	O-Ring (Note: Use Item 19)	
15	70022564	1	Ball	
16	70023369	1	Setscrew M8 x 31.75	
17	70005145	4	Bearing	
18	700023371	4	Plug 9/16	
19	70005146	1	Seal Kit - 1001163385 Cylinder (Includes Items 4, 6, 7, 9, 10, 11, 13 & 14)	

SECTION 6 - CYLINDER

FIGURE 6-5. TELESCOPE CYLINDER ASSEMBLY



ART_1001251075

SECTION 6 - CYLINDER

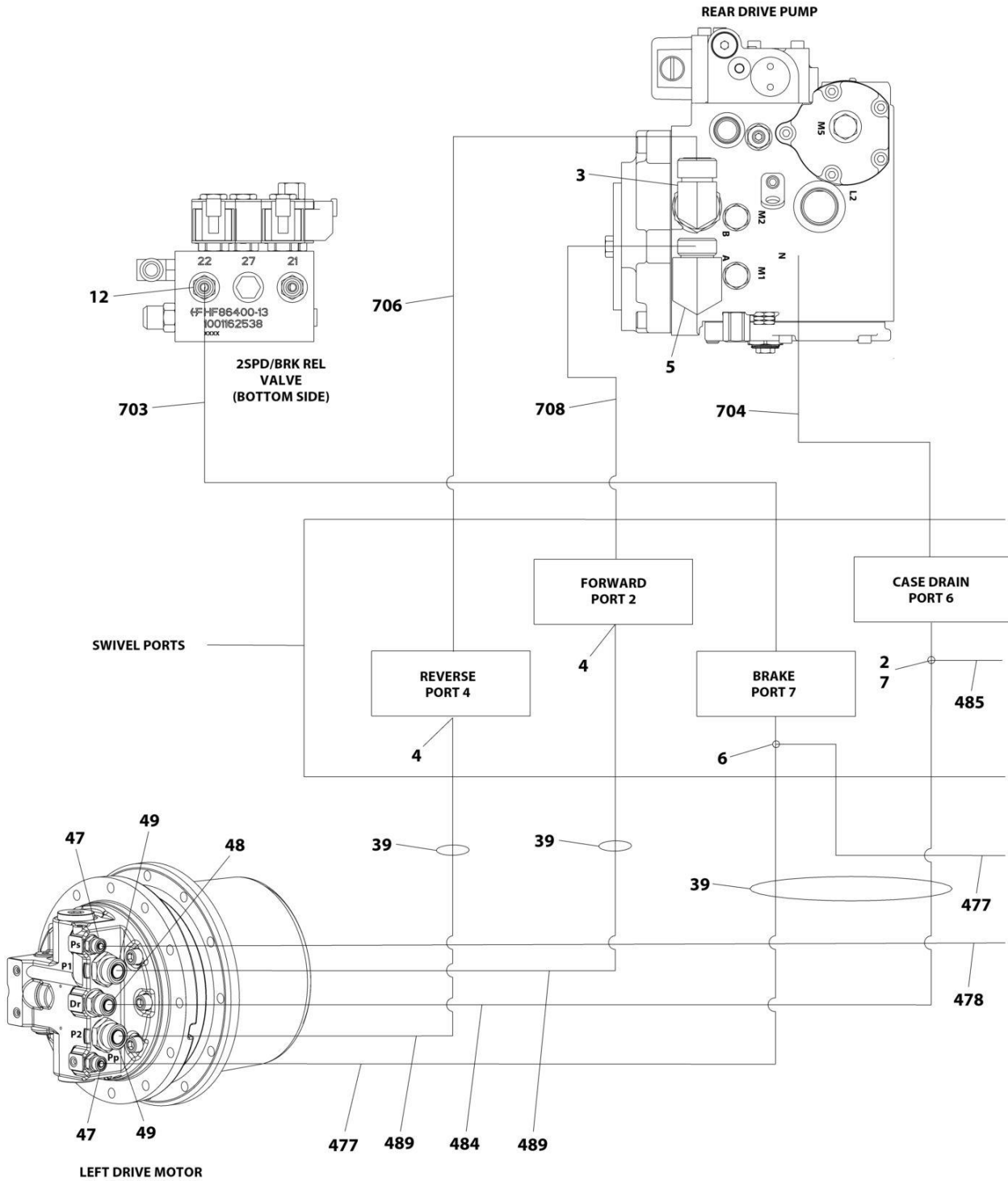
FIGURE 6-5. TELESCOPE CYLINDER ASSEMBLY

ITEM	PART NUMBER	QTY	DESCRIPTION	REV
	1001251075	Ref	TELESCOPE CYLINDER ASSEMBLY	B
		Ref	Note: Original Cylinder May Have Been Replaced with Service Replacement. Identify PN Stamped on Cylinder Before Ordering Parts.	
1	See Note	NSS	Barrel (Note: Purchase Complete Assembly)	
2	70007062	1	Rod	
3	70007063	1	Head	
4	See Note	NSS	Wiper (Note: Use Item 100)	
5	70002412	1	Ring, Retaining	
6	See Note	NSS	Seal (Note: Use Item 100)	
7	See Note	NSS	Ring, Back-up (Note: Use Item 100)	
8	See Note	NSS	Ring, Wear (Note: Use Item 100)	
9	See Note	NSS	Ring, Wear (Note: Use Item 100)	
10	See Note	NSS	O-Ring (Note: Use Item 100)	
11	See Note	NSS	Ring, Back-up (Note: Use Item 100)	
12	70007064	1	Piston	
13	See Note	NSS	Seal (Note: Use Item 100)	
14	See Note	NSS	Ring, Wear (Note: Use Item 100)	
15	See Note	NSS	O-Ring (Note: Use Item 100)	
16	70007065	1	Plate	
17	70007066	8	Capscrew	
18	70007067	1	Spacer	
19	70006817	1	Set Screw	
20	1001166997	1	Valve Block Assembly (See Items 201-207 for Breakdown)	
21	70007068	4	Capscrew	
22	2220886	2	Plug, O-Ring	
23	2220885	3	Plug	
24	70007069	2	Pad, Wear	
25	70007070	4	Bolt	
26	70006344	8	Washer	
27	70007071	4	Nut	
28	See Note	NSS	O-Ring (Note: Use Item 100)	
100	70007072	1	Seal Kit - 1001251075 Cylinder (Includes Items 4, 6-11, 13-15 & 28)	
	1001166997	Ref	VALVE BLOCK ASSEMBLY	
201	2220881	5	Plug	
203	2220885	2	Plug	
204	4640452	1	Cartridge, Counterbalance Valve	
204	2900770	1	Seal Kit - 4640452 Valve	
206	1001165363	1	Cartridge, Shuttle Valve	
206	7012518	1	Seal Kit - 1001165363 Valve	
207	1001168209	1	Cartridge, Counterbalance Valve	
207	2900770	1	Seal Kit - 1001168209 Valve	

SECTION 7 - HYDRAULIC

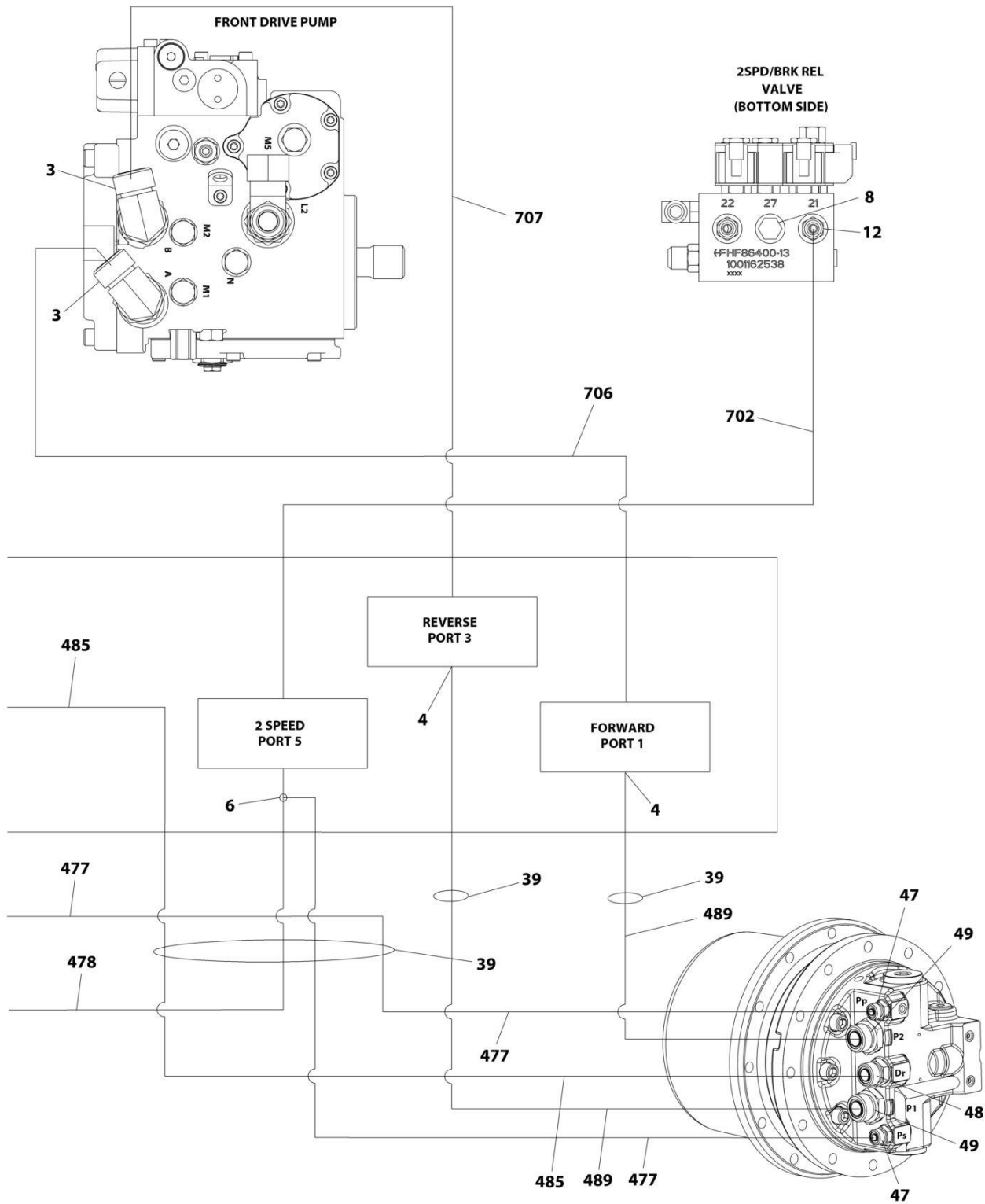
SECTION 7 - HYDRAULIC

FIGURE 7-1. HYDRAULIC DIAGRAM - 400SC



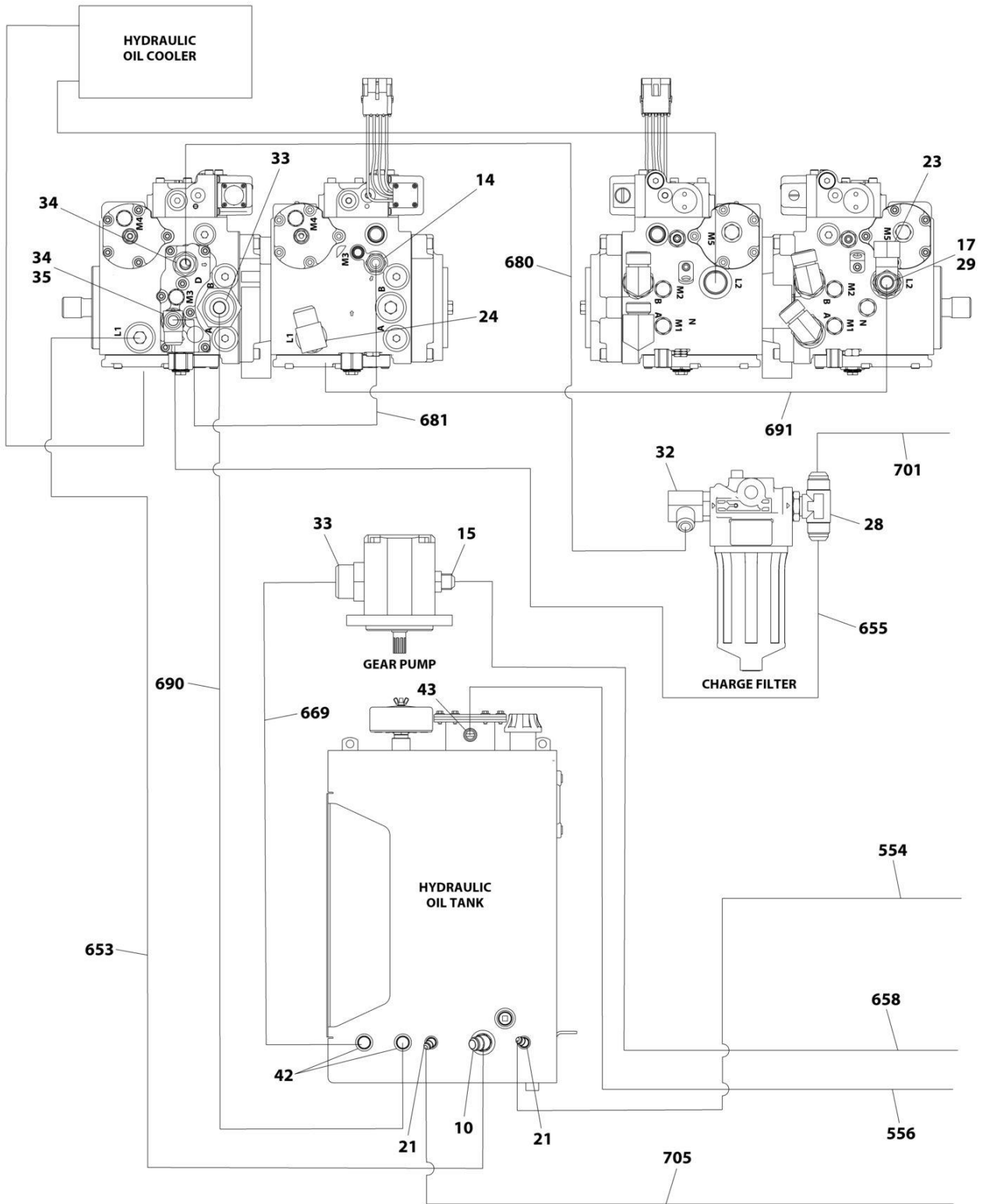
ART_1001244519_F_10F6

SECTION 7 - HYDRAULIC



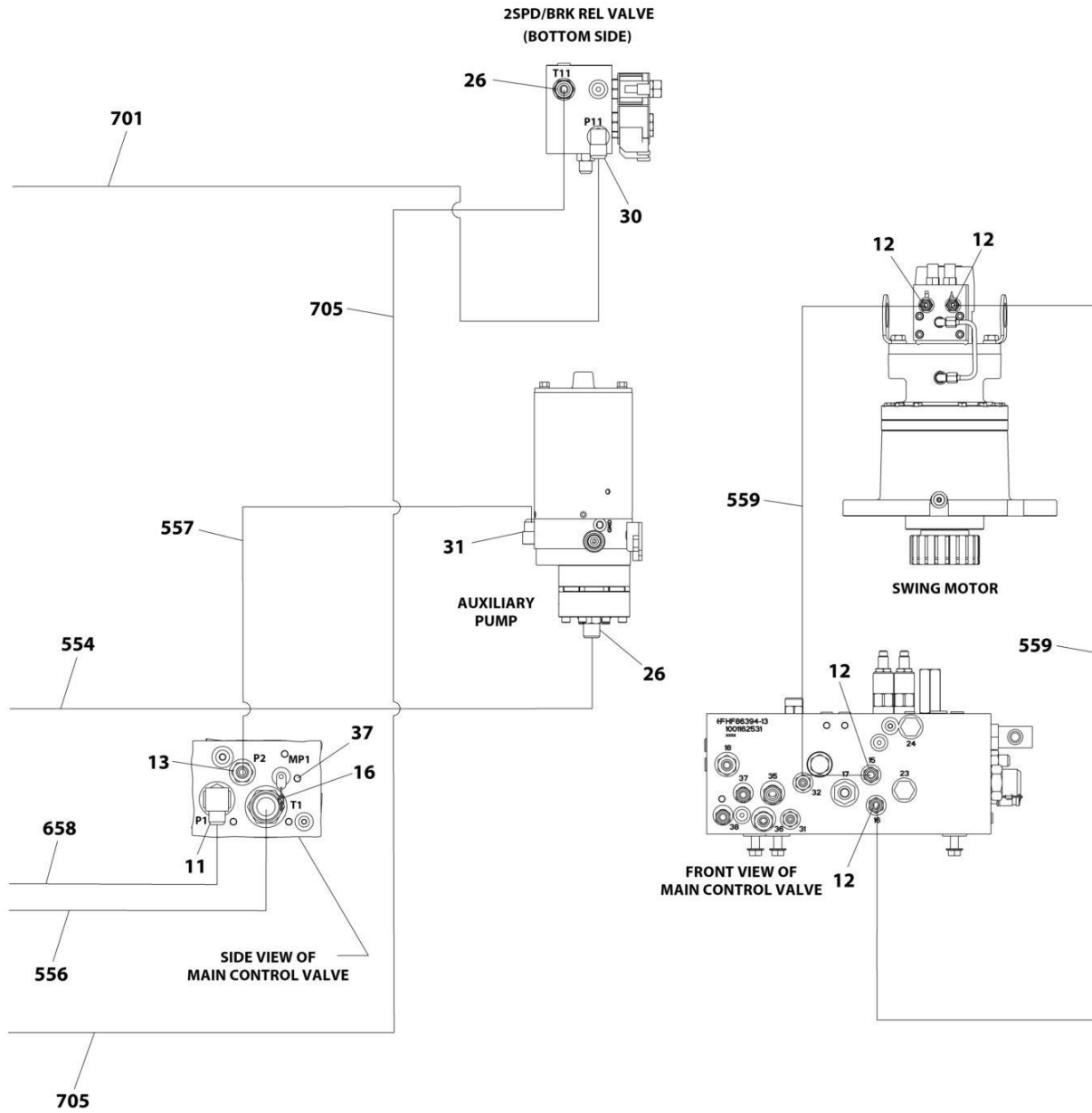
ART_1001244519_F_20F6

SECTION 7 - HYDRAULIC



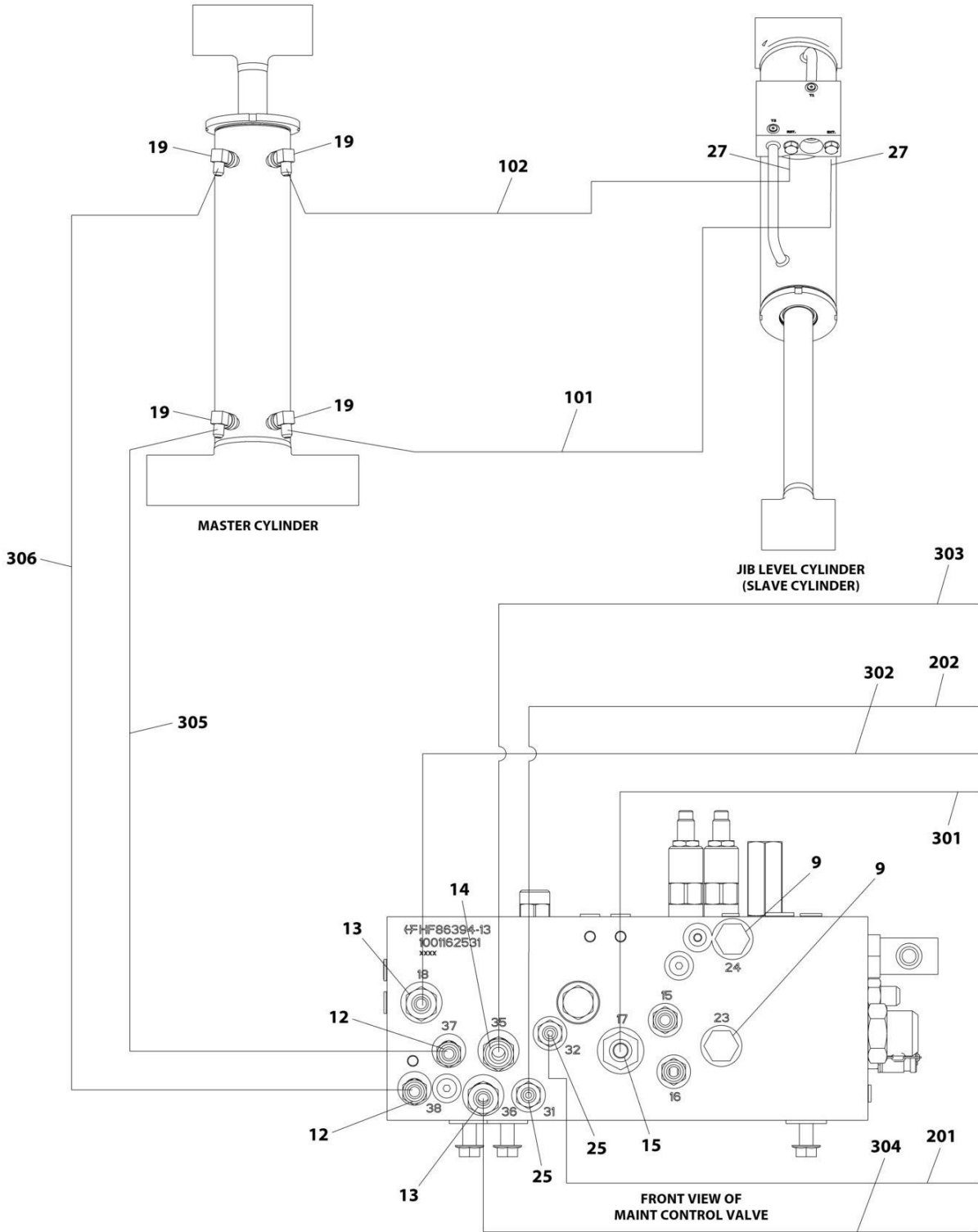
ART_1001244519_F_30F6

SECTION 7 - HYDRAULIC



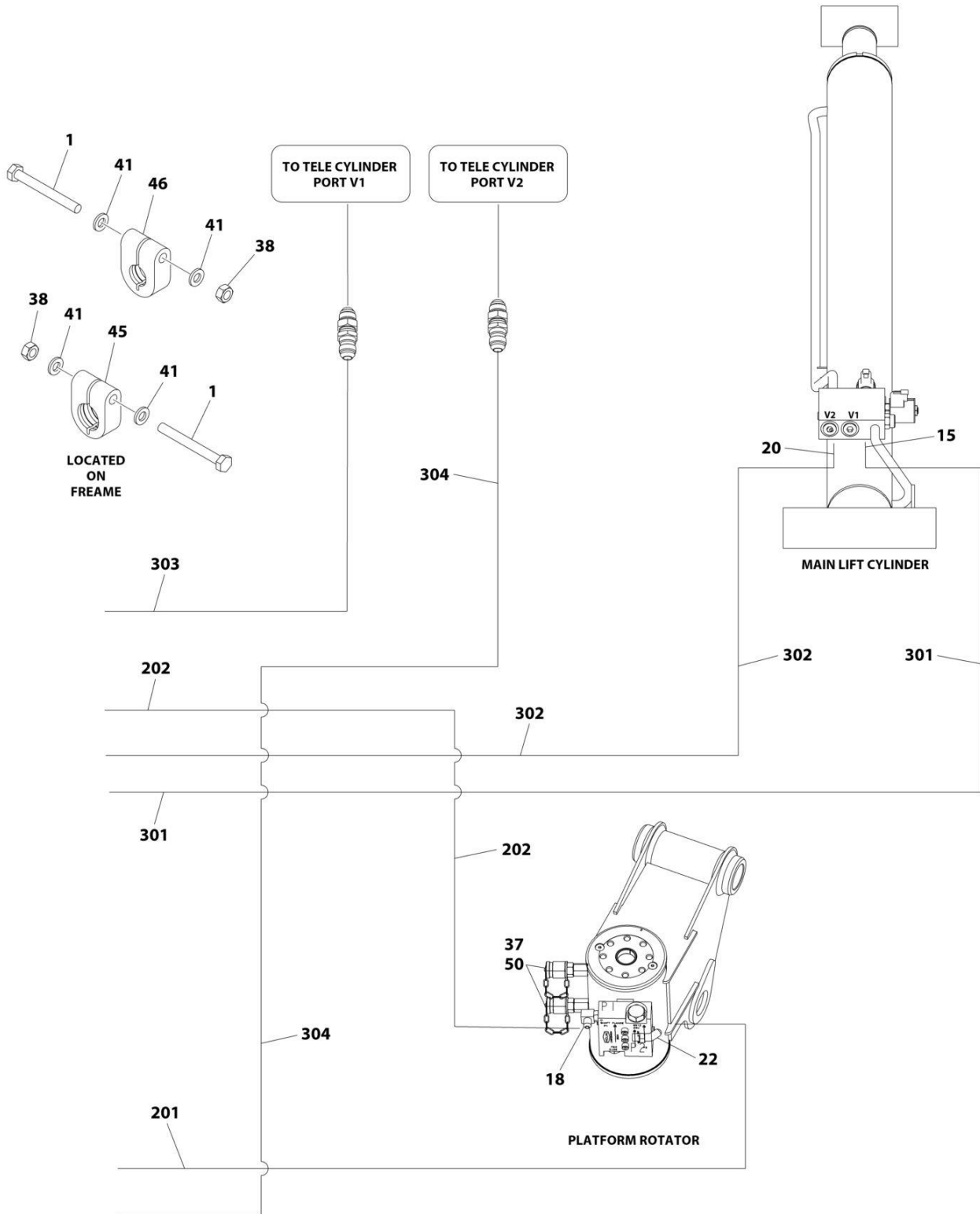
ART_1001244519_F_40F6

SECTION 7 - HYDRAULIC



ART_1001244519_F_50F6

SECTION 7 - HYDRAULIC



ART_1001244519_F_60F6

SECTION 7 - HYDRAULIC

FIGURE 7-1. HYDRAULIC DIAGRAM - 400SC

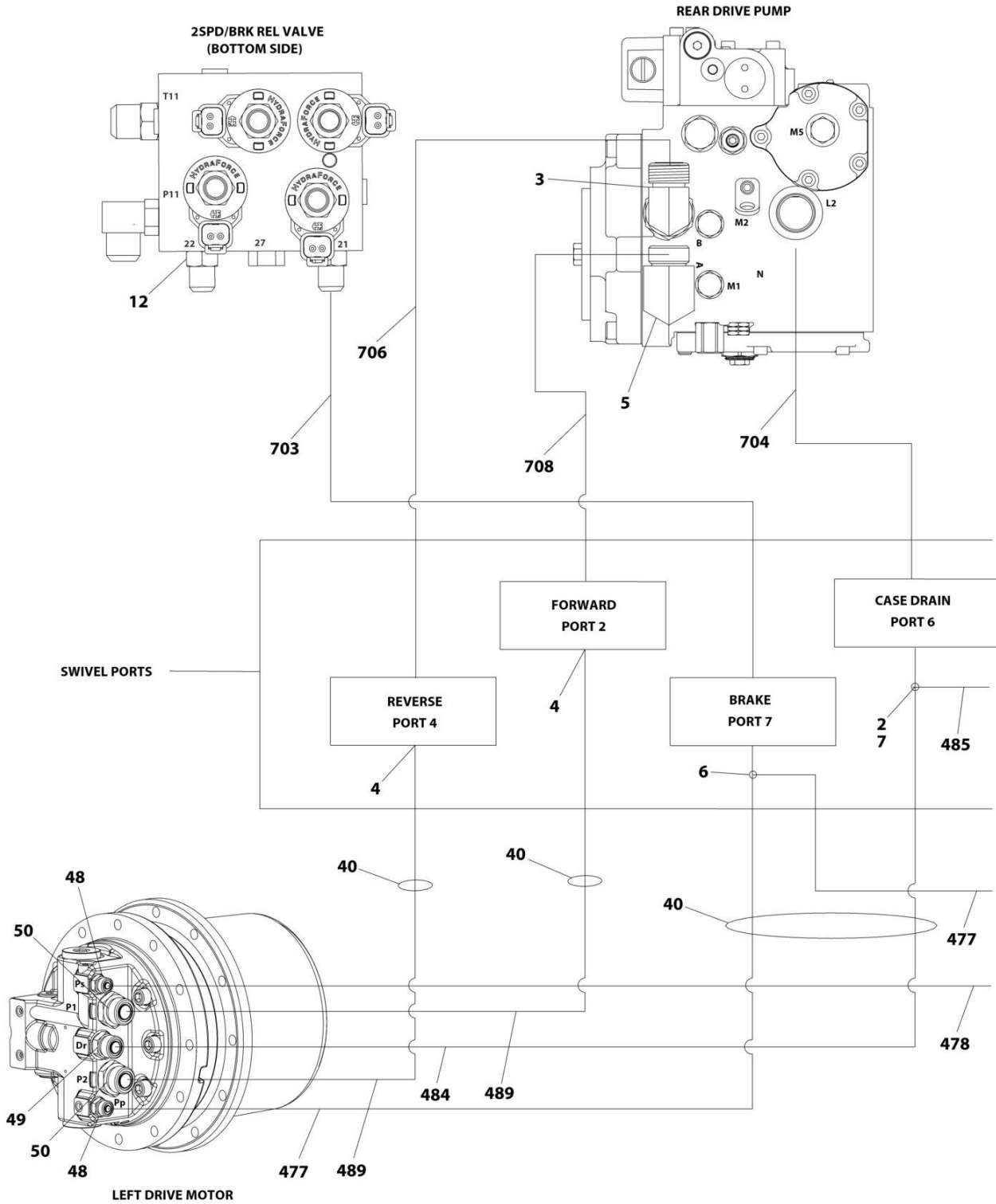
ITEM	PART NUMBER	QTY	DESCRIPTION	REV
	1001244519	Ref	HYDRAULIC DIAGRAM	F
1	0760619	2	Bolt M6 x 55	
2	2110806	1	Fitting, Straight ORFS/ORB	
3	2131212	3	Fitting, 90 ORFS/ORB	
4	2151212	4	Fitting, 45 ORFS/ORB	
5	2170212	1	Fitting, 90 ORFS/ORB	
6	2170406	2	Fitting, Tee ORFS/ORB/ORFS	
7	2170808	1	Fitting, Tee ORFS/FSORFS/FORFS	
8	2220237	1	Plug	
9	2220238	2	Plug	
10	2220365	1	Fitting, 45 JIC/ORB	
11	2220366	1	Fitting, 90 JIC/ORB	
12	2220371	8	Fitting, Straight JIC/ORB	
13	2220372	4	Fitting, Straight JIC/ORB	
14	2220373	2	Fitting, Straight JIC/ORB	
15	2220374	3	Fitting, Straight JIC/ORB	
16	2220377	1	Fitting, Straight JIC/ORB	
17	2220451	1	Fitting, Straight JIC/ORB	
18	2220466	1	Fitting, 90 JIC/ORB	
19	2220473	4	Fitting, 90 JIC/ORB	
20	2220497	1	Fitting, Straight JIC/ORB	
21	2220500	2	Fitting, 45 JIC/ORB	
22	2220502	1	Fitting, 45 JIC/ORB	
23	2220518	1	Fitting, Cap FJIC	
24	2220578	1	Fitting, 90 JIC/ORB	
25	2220582	2	Fitting, Straight JIC/ORB	
26	2220600	2	Fitting, Straight JIC/ORB	
27	2220603	2	Fitting, Straight JIC/ORB	
28	2220695	1	Fitting, Tee JIC/ORB/JIC	
29	2220700	1	Fitting, Tee JIC/FSJIC/JIC	
30	2220726	1	Fitting, 90 JIC/ORB	
31	2220775	1	Fitting, 90 JIC/ORB	
32	2220906	1	Fitting, 90 JIC/ORB	
33	2220946	2	Fitting, Straight JIC/ORB	
34	2220947	2	Fitting, Straight JIC/ORB	
35	2220948	1	Fitting, Tee JIC/FSJIC/JIC	
37	2221086	3	Fitting, Diagnostic Test Port	
38	3290601	2	Nut M6	
39	4100026	24 ft /7.32m	Sleeve, Hose Protection	
40	4240018	AR	Tie-Strap (Not Shown)	
41	4811700	4	Washer M6	
42	1001275635	2	Clamp	
43	1001098928	1	Clamp	
45	1001191275	1	Clamp	
46	1001191276	1	Clamp	
47	1001191362	4	Fitting, Straight ORFS/ORB	
48	1001191364	2	Fitting, Straight ORFS/ORB	
49	1001191365	4	Fitting, Straight ORFS/ORB	
50	2060404	2	Fitting, Straight FORB/ORB	

SECTION 7 - HYDRAULIC

ITEM	PART NUMBER	QTY	DESCRIPTION	REV
100	1001202940	1	Upper Boom Hose Kit (Includes Items 101-102) (Not Shown)	
101	1001173909	1	Hose	
102	1001173937	1	Hose	
200	1001202941	1	S Boom Hose Kit (Includes Items 201-202) (Not Shown)	
201	1001172694	1	Hose	
202	1001172696	1	Hose	
300	1001202946	1	Turntable Hose Kit (Includes Items 301-306) (Not Shown)	
301	1001173901	1	Hose	
302	1001173902	1	Hose	
303	1001173903	1	Hose	
304	1001173904	1	Hose	
305	1001173907	1	Hose	
306	1001173908	1	Hose	
400	1001210251	1	Chassis Hose Kit (Includes Items 477-489) (Not Shown)	
477	1001193007	1	Hose	
478	1001193008	1	Hose	
484	1001193655	1	Hose	
485	1001193656	1	Hose	
489	1001244522	1	Hose	
500	1001210252	1	SC Tank Hose Kit (Includes Item 554-559) (Not Shown)	
554	1001172716	1	Hose	
556	1001172720	1	Hose	
557	1001172721	1	Hose	
559	1001173900	1	Hose	
600	1001210254	1	SC Engine Hose Kit (Includes Items 653-691) (Not Shown)	
653	1001172715	1	Hose	
655	1001172719	1	Hose	
658	1001173899	1	Hose	
669	1001193661	1	Hose	
680	1001193010	1	Hose	
681	1001193011	1	Hose	
690	1001172713	1	Hose	
691	1001110092	1	Hose	
700	1001244521	1	SC Swivel Hose Kit (Includes Items 701-708) (Not Shown)	
701	1001181075	1	Hose	
702	1001193003	1	Hose	
703	1001193006	1	Hose	
704	1001193009	1	Hose	
705	1001193654	1	Hose	
706	1001193657	1	Hose	
707	1001193658	1	Hose	
708	1001193659	1	Hose	

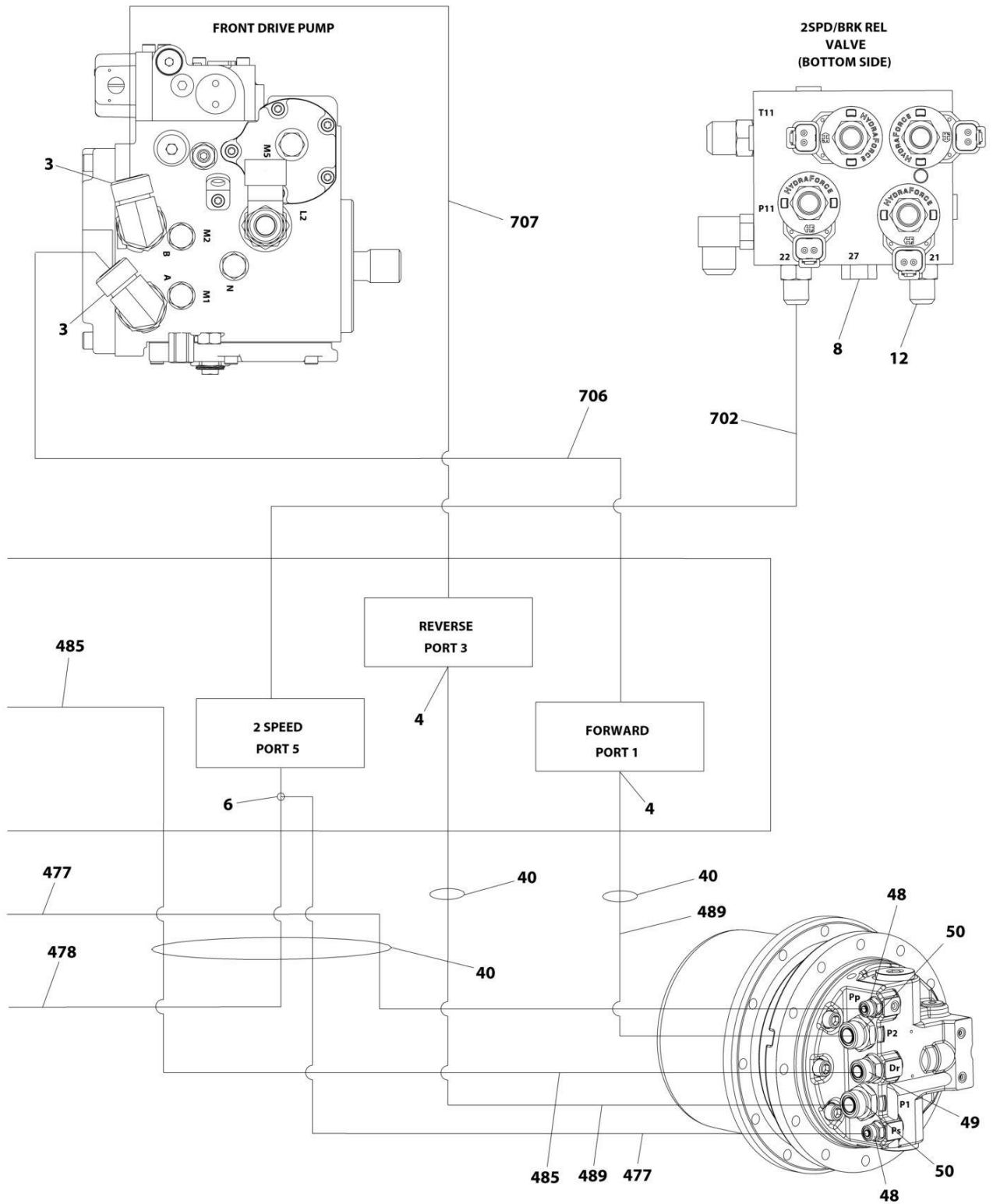
SECTION 7 - HYDRAULIC

FIGURE 7-2. HYDRAULIC DIAGRAM - 460SJC



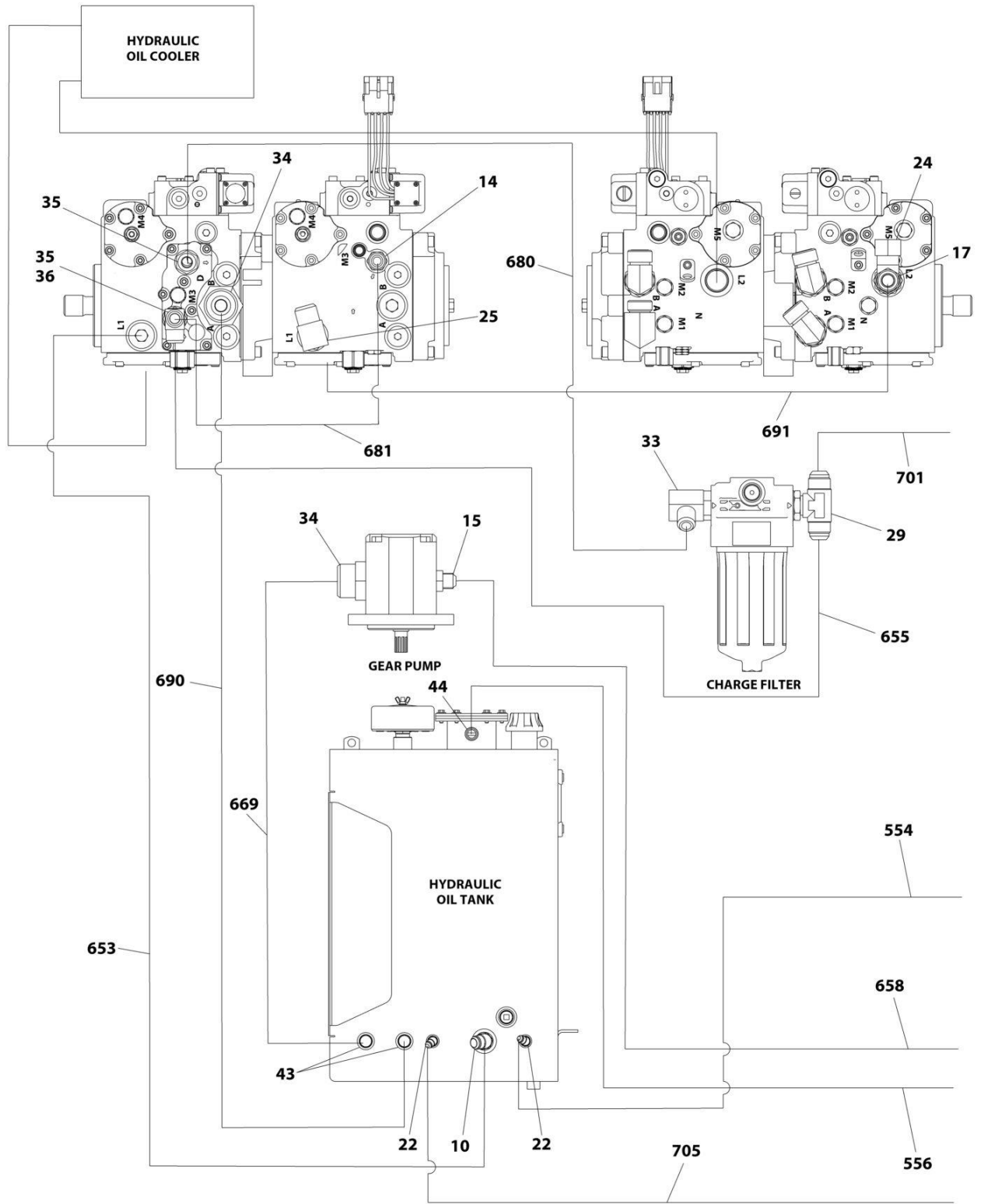
ART_1001244520_G_10F6

SECTION 7 - HYDRAULIC



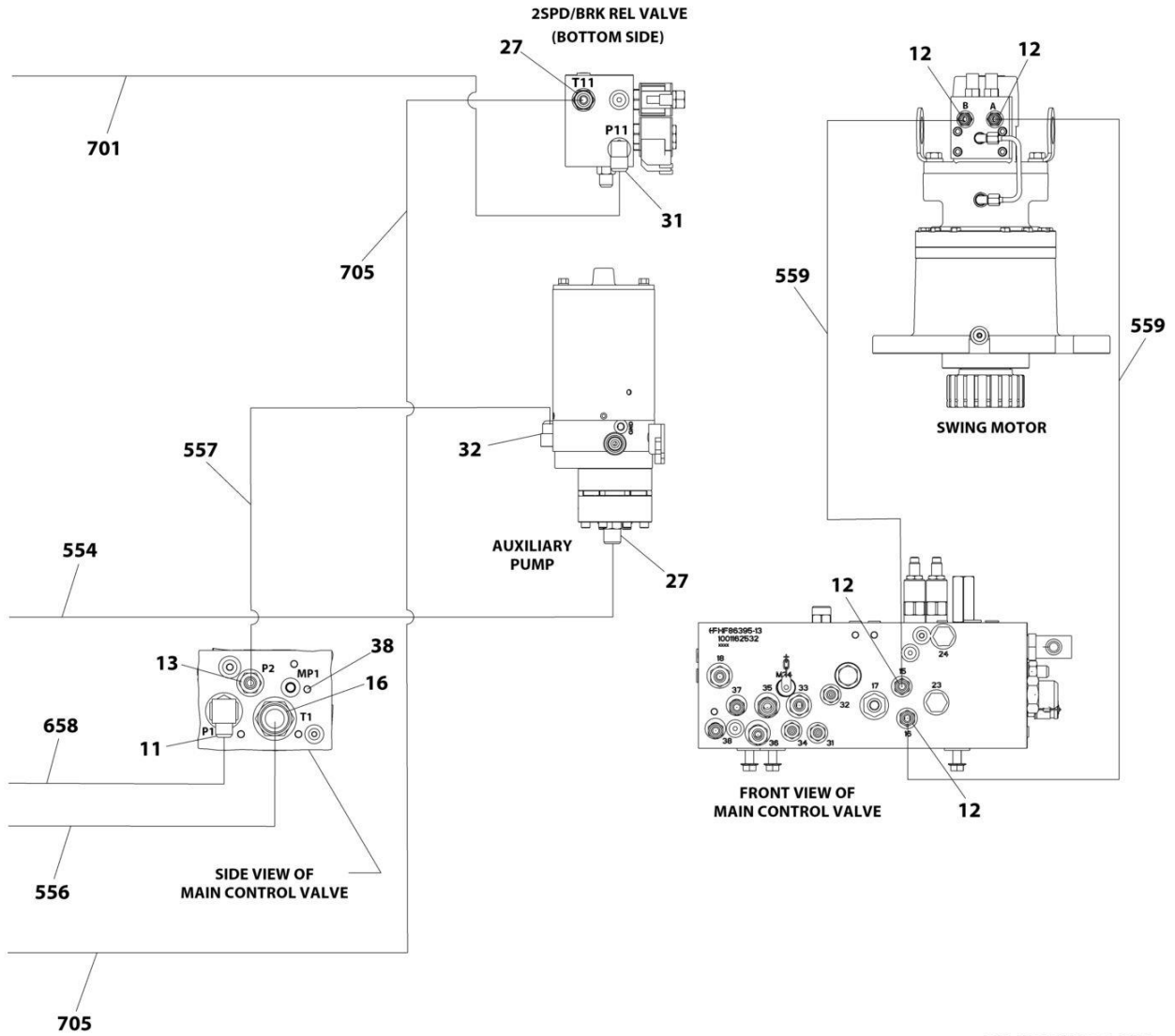
ART_1001244520_G_20F6

SECTION 7 - HYDRAULIC



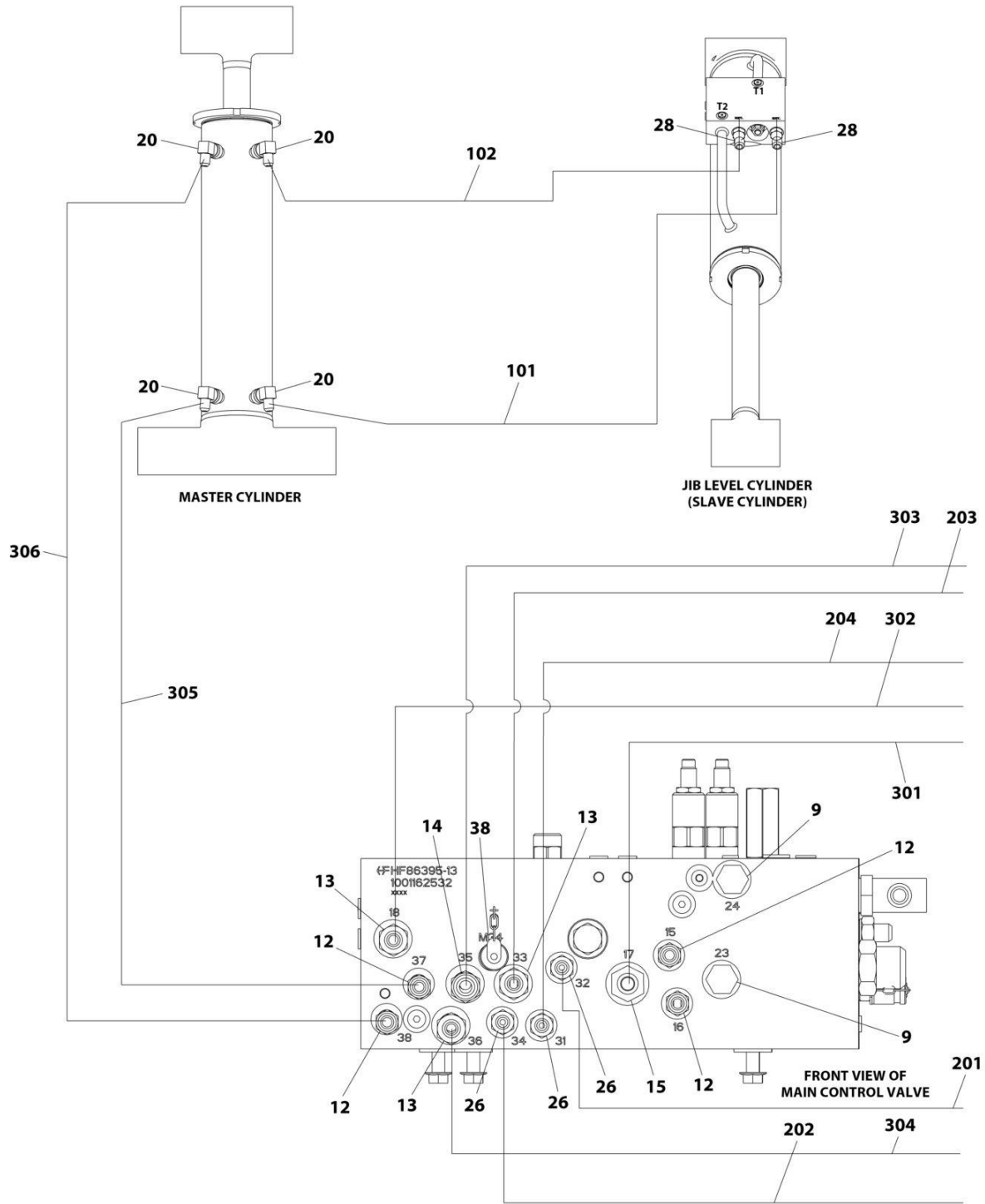
ART_1001244520_G_30F6

SECTION 7 - HYDRAULIC



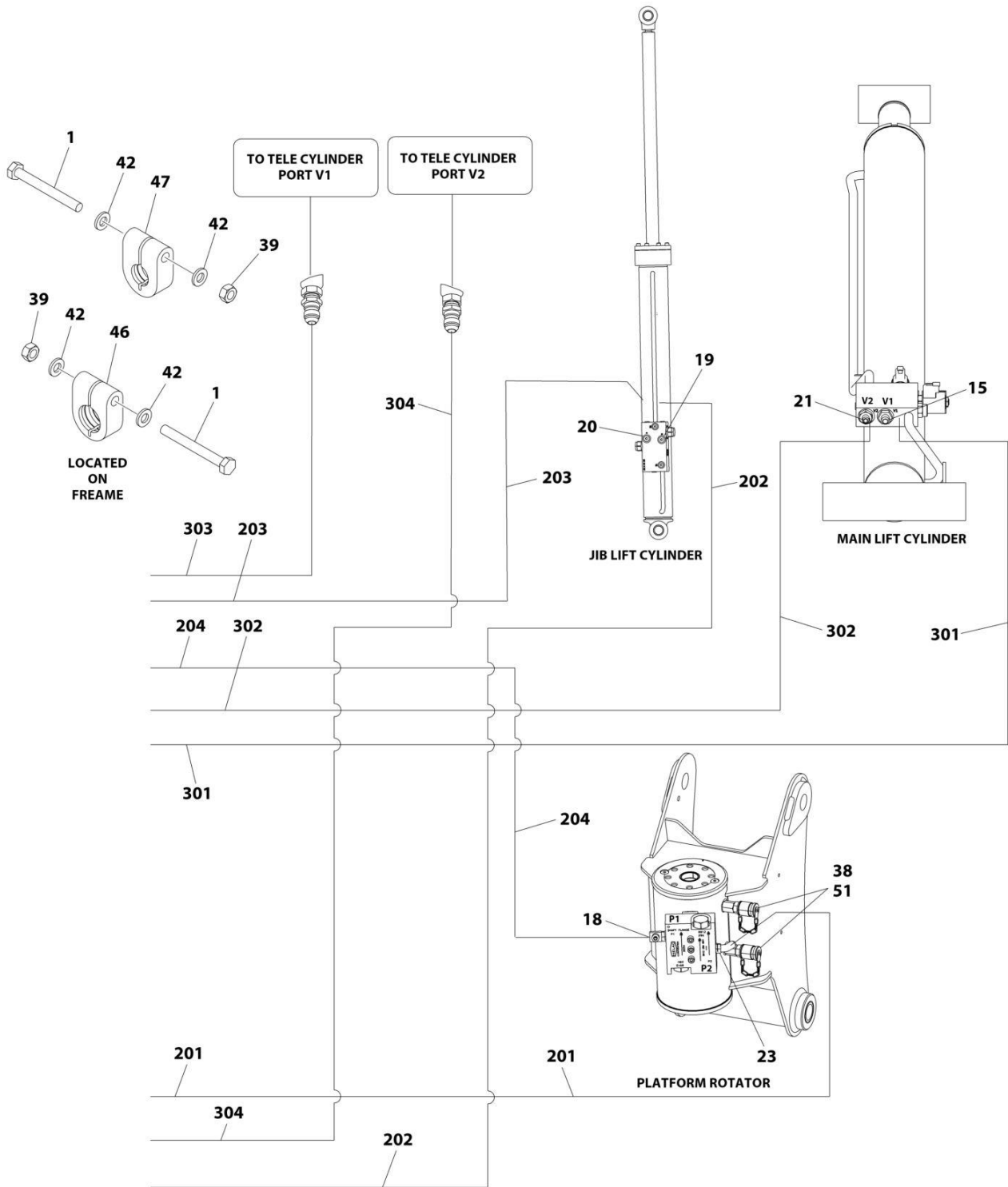
ART_1001244520_G_40F6

SECTION 7 - HYDRAULIC



ART_1001244520_G_50F6

SECTION 7 - HYDRAULIC



ART_1001244520_G_60F6

SECTION 7 - HYDRAULIC

FIGURE 7-2. HYDRAULIC DIAGRAM - 460SJC

ITEM	PART NUMBER	QTY	DESCRIPTION	REV
	1001244520	Ref	HYDRAULIC DIAGRAM	G
1	0760619	2	Bolt M6 x 55	
2	2110806	1	Fitting, Straight ORFS/ORB	
3	2131212	3	Fitting, 90 ORFS/ORB	
4	2151212	4	Fitting, 45 ORFS/ORB	
5	2170212	1	Fitting, 90 ORFS/ORB	
6	2170406	2	Fitting, Tee ORFS/ORB/ORFS	
7	2170808	1	Fitting, Tee ORFS/FSORFS/FORFS	
8	2220237	1	Plug	
9	2220238	2	Plug	
10	2220365	1	Fitting, 45 JIC/ORB	
11	2220366	1	Fitting, 90 JIC/ORB	
12	2220371	8	Fitting, Straight JIC/ORB	
13	2220372	4	Fitting, Straight JIC/ORB	
14	2220373	2	Fitting, Straight JIC/ORB	
15	2220374	3	Fitting, Straight JIC/ORB	
16	2220377	1	Fitting, Straight JIC/ORB	
17	2220451	1	Fitting, Straight JIC/ORB	
18	2220466	1	Fitting, 90 JIC/ORB	
19	2220472	1	Fitting, 90 JIC/ORB	
20	2220473	5	Fitting, 90 JIC/ORB	
21	2220497	1	Fitting, Straight JIC/ORB	
22	2220500	2	Fitting, 45 JIC/ORB	
23	2220502	1	Fitting, 45 JIC/ORB	
24	2220518	1	Fitting, Cap FJIC	
25	2220578	1	Fitting, 90 JIC/ORB	
26	2220582	3	Fitting, Straight JIC/ORB	
27	2220600	2	Fitting, Straight JIC/ORB	
28	2220603	2	Fitting, Straight JIC/ORB	
29	2220695	1	Fitting, Tee JIC/ORB/JIC	
30	2220700	1	Fitting, Tee JIC/FSJIC/JIC	
31	2220726	1	Fitting, 90 JIC/ORB	
32	2220775	1	Fitting, 90 JIC/ORB	
33	2220906	1	Fitting, 90 JIC/ORB	
34	2220946	2	Fitting, Straight JIC/ORB	
35	2220947	2	Fitting, Straight JIC/ORB	
36	2220948	1	Fitting, Tee JIC/FSJIC/JIC	
38	2221086	4	Fitting, Diagnostic Test Port	
39	3290601	2	Nut M6	
40	4100026	24 ft /7.32m	Sleeve, Hose Protection	
41	4240018	AR	Tie-Strap (Not Shown)	
42	4811700	4	Washer M6	
43	1001275635	2	Clamp	
44	1001098928	1	Clamp	
46	1001191275	1	Clamp	
47	1001191276	1	Clamp	
48	1001191362	4	Fitting, Straight ORFS/ORB	
49	1001191364	2	Fitting, Straight ORFS/ORB	
50	1001191365	4	Fitting, Straight ORFS/ORB	

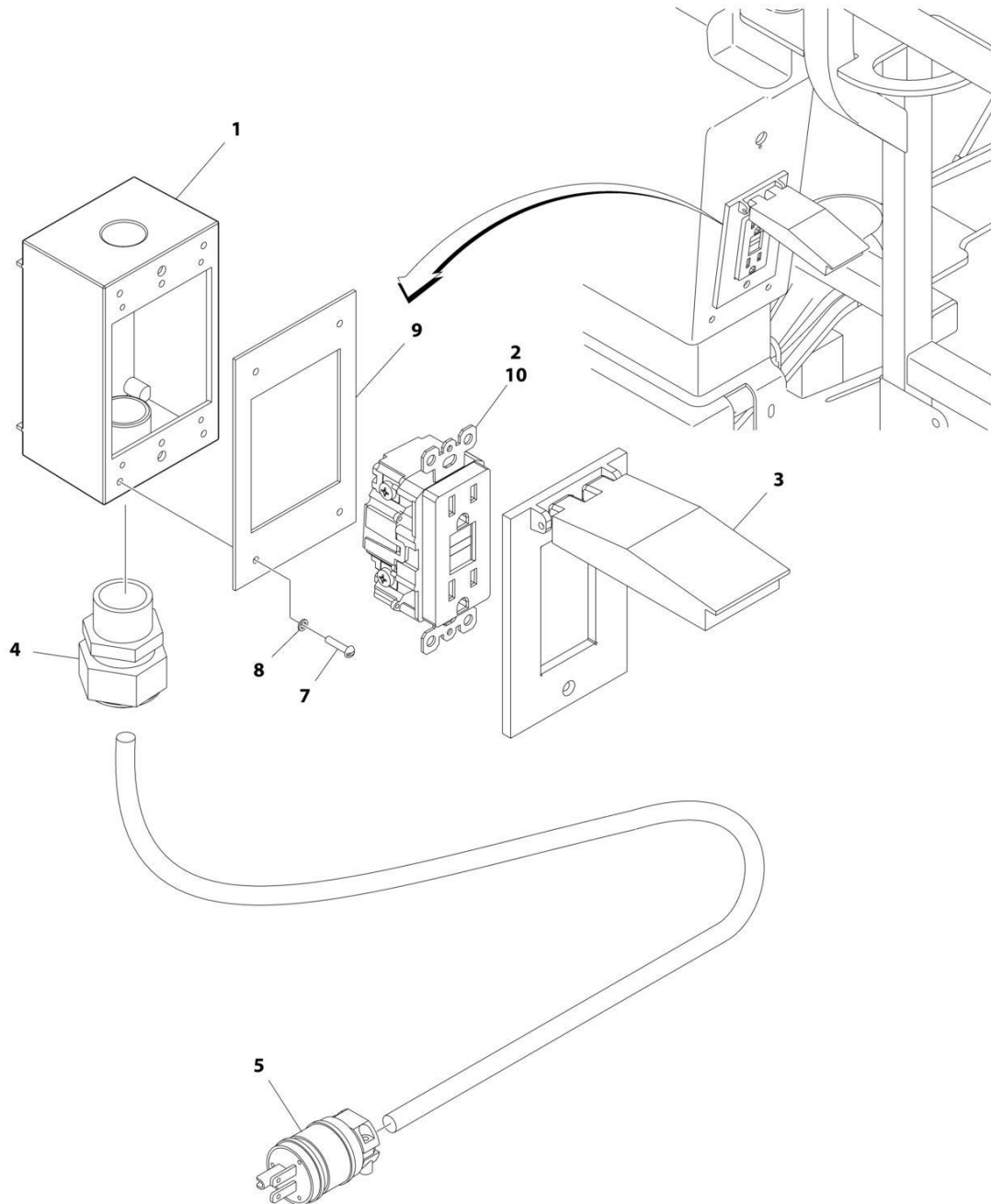
SECTION 7 - HYDRAULIC

ITEM	PART NUMBER	QTY	DESCRIPTION	REV
51	2060404	2	Fitting, Straight FORB/ORB	
100	1001202940	1	Upper Boom Hose Kit (Includes Items 101-102) (Not Shown)	
101	1001173909	1	Hose	
102	1001173937	1	Hose	
200	1001202942	1	S Boom Hose Kit (Includes Items 201-204) (Not Shown)	
201	1001173905	1	Hose	
202	1001173906	1	Hose	
203	1001181076	1	Hose	
204	1001181077	1	Hose	
300	1001202946	1	Turntable Hose Kit (Includes Items 301-306) (Not Shown)	
301	1001173901	1	Hose	
302	1001173902	1	Hose	
303	1001173903	1	Hose	
304	1001173904	1	Hose	
305	1001173907	1	Hose	
306	1001173908	1	Hose	
400	1001210251	1	Chassis Hose Kit (Includes Items 477-489) (Not Shown)	
477	1001193007	1	Hose	
478	1001193008	1	Hose	
484	1001193655	1	Hose	
485	1001193656	1	Hose	
489	1001244522	1	Hose	
500	1001210252	1	SC Tank Hose Kit (Includes Item 554-559) (Not Shown)	
554	1001172716	1	Hose	
556	1001172720	1	Hose	
557	1001172721	1	Hose	
559	1001173900	1	Hose	
600	1001210254	1	SC Engine Hose Kit (Includes Items 653-691) (Not Shown)	
653	1001172715	1	Hose	
655	1001172719	1	Hose	
658	1001173899	1	Hose	
669	1001193661	1	Hose	
680	1001193010	1	Hose	
681	1001193011	1	Hose	
690	1001172713	1	Hose	
691	1001110092	1	Hose	
700	1001244521	1	SC Swivel Hose Kit (Includes Items 701-708) (Not Shown)	
701	1001181075	1	Hose	
702	1001193003	1	Hose	
703	1001193006	1	Hose	
704	1001193009	1	Hose	
705	1001193654	1	Hose	
706	1001193657	1	Hose	
707	1001193658	1	Hose	
708	1001193659	1	Hose	

SECTION 8 - ELECTRICAL

SECTION 8 - ELECTRICAL

FIGURE 8-1. AC BOX AT PLATFORM INSTALLATION - 110V (ANSI, ANSI EXPORT, AND CSA SPECS)



ART_0270022

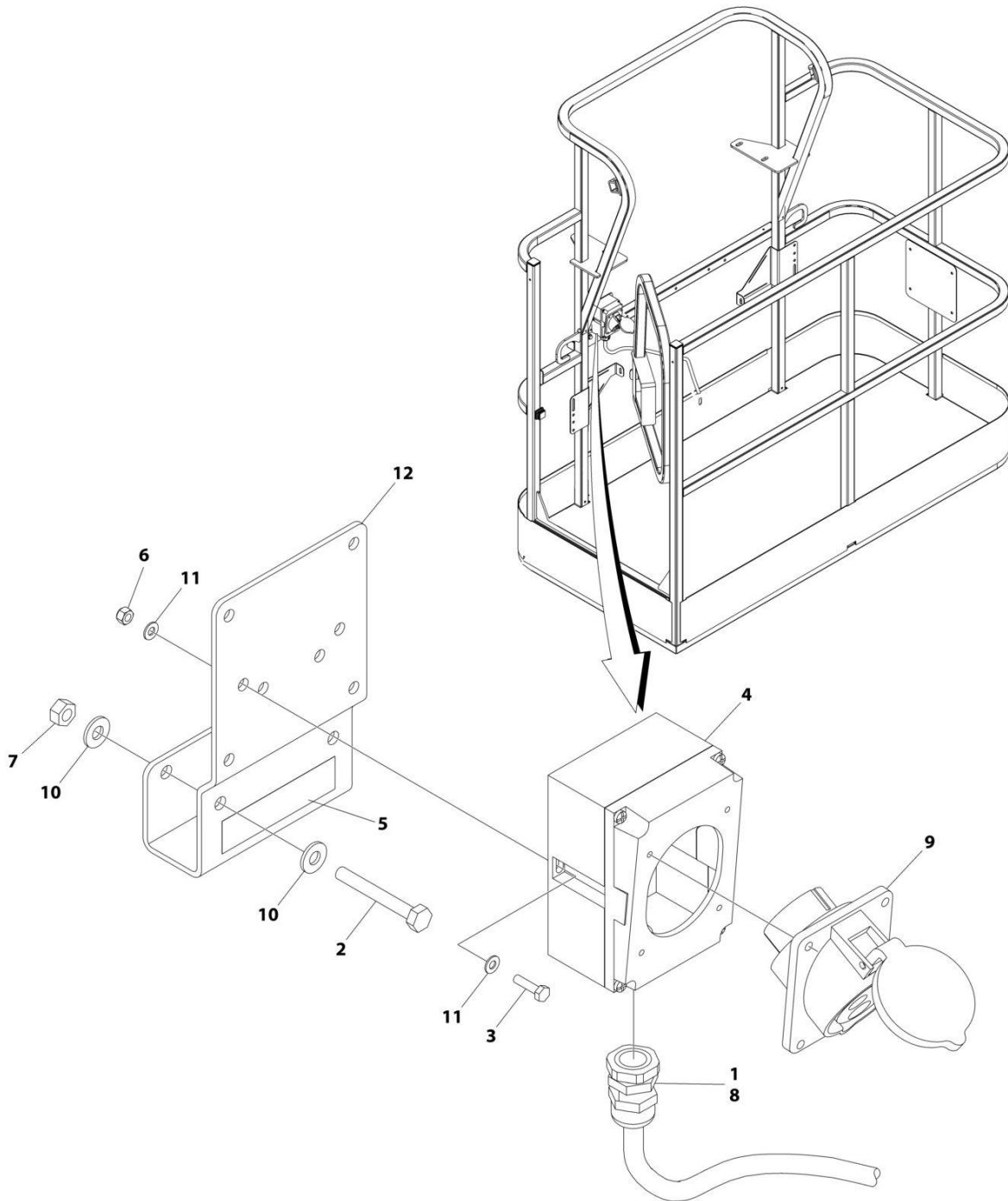
SECTION 8 - ELECTRICAL

FIGURE 8-1. AC BOX AT PLATFORM INSTALLATION - 110V (ANSI, ANSI EXPORT, AND CSA SPECS)

ITEM	PART NUMBER	QTY	DESCRIPTION	REV
	0270022	Ref	AC BOX AT PLATFORM INSTALLATION - 110V	4-B
1	0860038	1	Box, Switch	
2	4460346	1	Receptacle	
3	1001110873	1	Shield, Cover	
4	4460071	1	Connector, Strain Relief	
5	4460205	1	Plug, Male	
7	3910610	4	Screw #6 x 5/8	
8	4760600	4	Washer #6	
9	3960422	1	Gasket	
10	4460315	1	Terminal, Spade	

SECTION 8 - ELECTRICAL

FIGURE 8-2. AC BOX AT PLATFORM INSTALLATION - 110V IEC YELLOW (CE & UK CA SPECS WITH 4000W/50HZ GENERATOR)



ART_1001194203

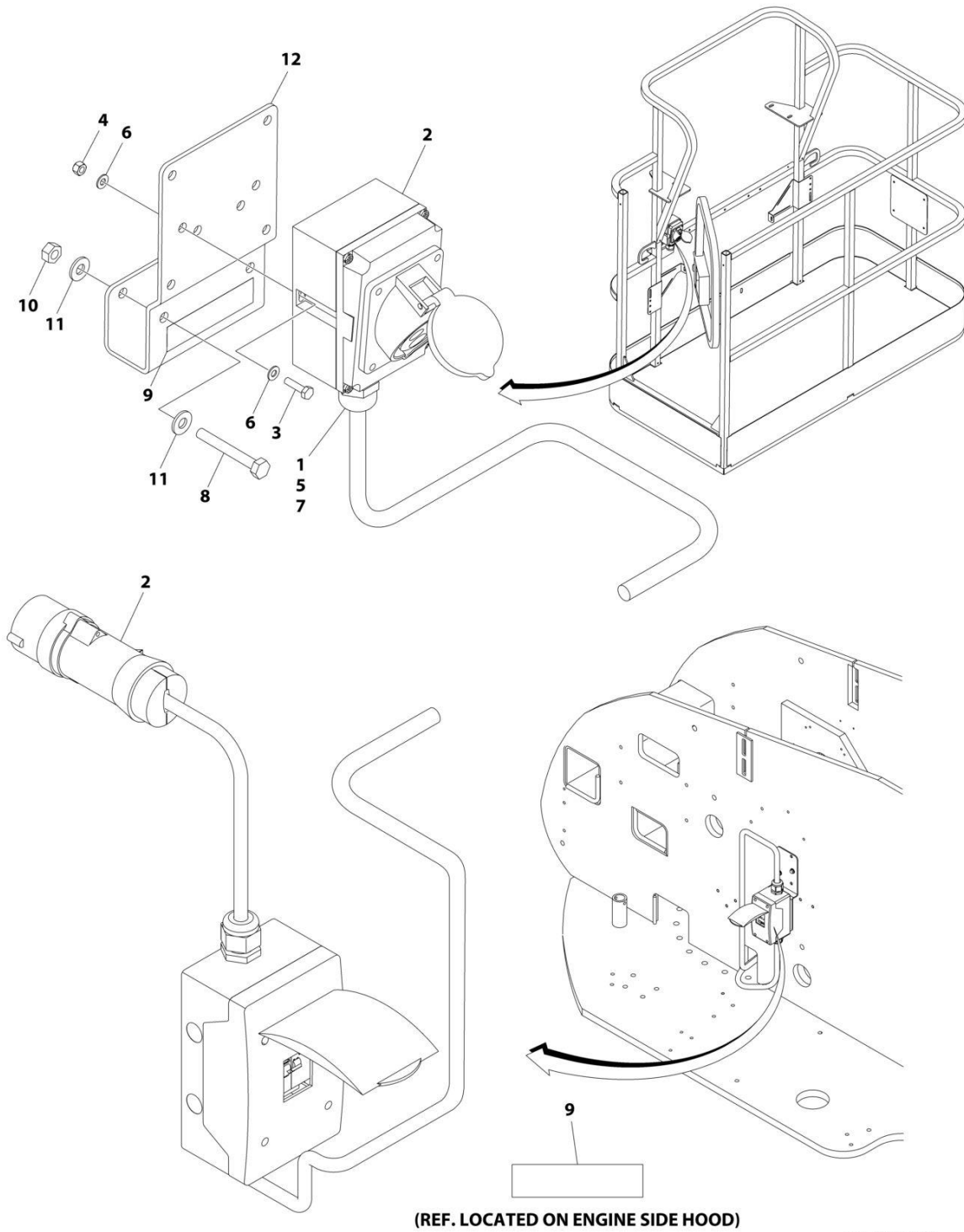
SECTION 8 - ELECTRICAL

FIGURE 8-2. AC BOX AT PLATFORM INSTALLATION - 110V IEC YELLOW (CE & UK CA SPECS WITH 4000W/50HZ GENERATOR)

ITEM	PART NUMBER	QTY	DESCRIPTION	REV
	1001194203	Ref	AC BOX AT PLATFORM INSTALLATION	B
1	0100020	AR	Sealant, Pipe	
2	0641416	2	Bolt 1/4 x 2	
3	0700408	2	Bolt M4 x 16	
4	0861781	1	Box, Switch	
5	1705325	1	Decal - 110V	
6	3290405	2	Nut M4	
7	3311405	2	Nut 1/4	
8	4460968	1	Connector, Strain Relief	
9	4461198	1	Receptacle	
10	4711400	4	Washer 1/4	
11	4811400	4	Washer M4	
12	1001193018	1	Bracket, AC Receptacle	

SECTION 8 - ELECTRICAL

FIGURE 8-3. AC BOX AT PLATFORM - 110V IEC YELLOW (CE & UK CA SPEC WITHOUT GENERATOR)



ART_1001091969

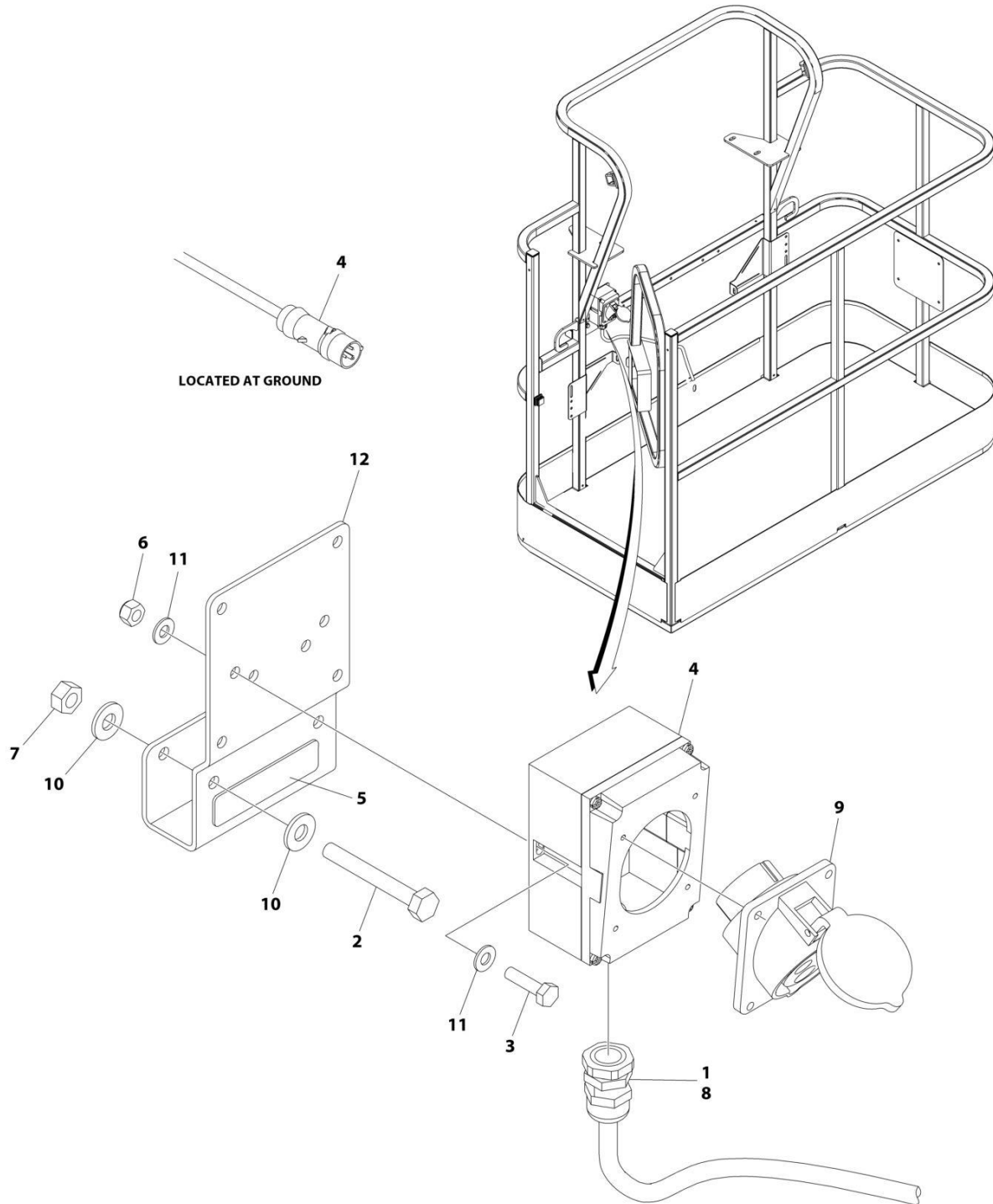
SECTION 8 - ELECTRICAL

FIGURE 8-3. AC BOX AT PLATFORM - 110V IEC YELLOW (CE & UK CA SPEC WITHOUT GENERATOR)

ITEM	PART NUMBER	QTY	DESCRIPTION	REV
	1001091969	Ref	AC BOX AT PLATFORM INSTALLATION - 110V IEC YELLOW	D
1	0100020	AR	Sealant, Pipe	
2	0275216	1	Receptacle Box Kit (See Separate Breakdown in this Section)	
3	0700408	2	Bolt M4 x 16	
4	3290405	2	Nut M4	
5	1001101196	1	Adapter	
6	4811400	4	Washer M4	
7	1001101191	1	Connector, Strain Relief	
8	0641416	2	Bolt 1/4 x 2	
9	1705325	2	Decal - 110V	
10	3311405	2	Nut 1/4	
11	4711400	4	Washer 1/4	
12	1001193018	1	Bracket	

SECTION 8 - ELECTRICAL

FIGURE 8-4. AC BOX AT PLATFORM INSTALLATION - 220V IEC BLUE (CE & UK CA SPECS WITH 4000W/50HZ GENERATOR)



ART_1001194204

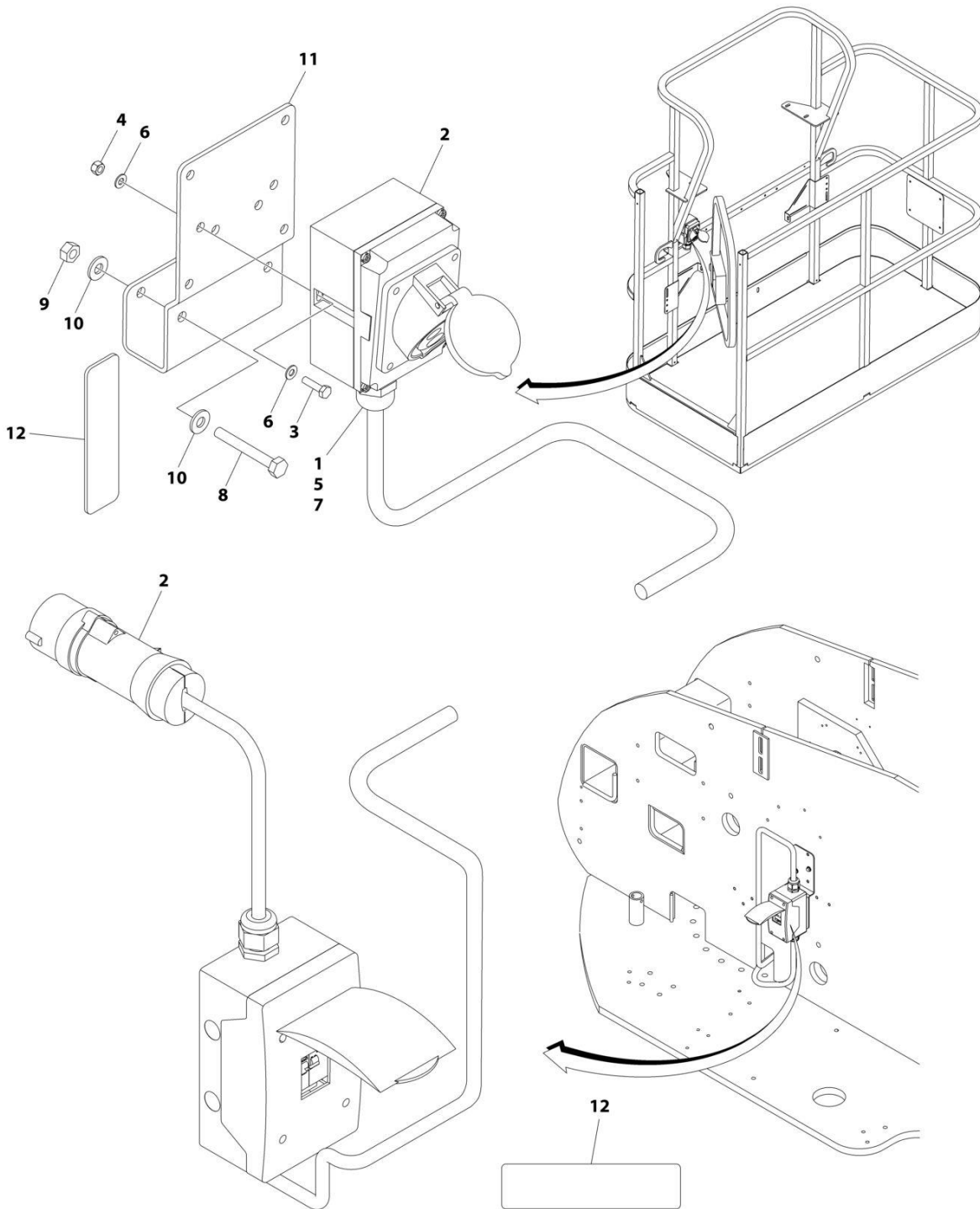
SECTION 8 - ELECTRICAL

FIGURE 8-4. AC BOX AT PLATFORM INSTALLATION - 220V IEC BLUE (CE & UK CA SPECS WITH 4000W/50HZ GENERATOR)

ITEM	PART NUMBER	QTY	DESCRIPTION	REV
	1001194204	Ref	AC BOX AT PLATFORM INSTALLATION	B
1	0100020	AR	Sealant, Pipe	
2	0641416	2	Bolt 1/4 x 2	
3	0700408	2	Bolt M4 x 16	
4	0861781	1	Box, Switch	
5	3251242	1	Decal - 240V/50Hz	
6	3290405	2	Nut M4	
7	3311405	2	Nut 1/4	
8	4460968	1	Connector, Strain Relief	
9	4461201	1	Receptacle	
10	4711400	4	Washer 1/4	
11	4811400	4	Washer M4	
12	1001193018	1	Bracket, AC Receptacle	

SECTION 8 - ELECTRICAL

FIGURE 8-5. AC BOX AT PLATFORM - 220V IEC BLUE (CE & UK CA SPEC WITHOUT GENERATOR)



(REF. LOCATED ON ENGINE SIDE HOOD)

ART_1001091970

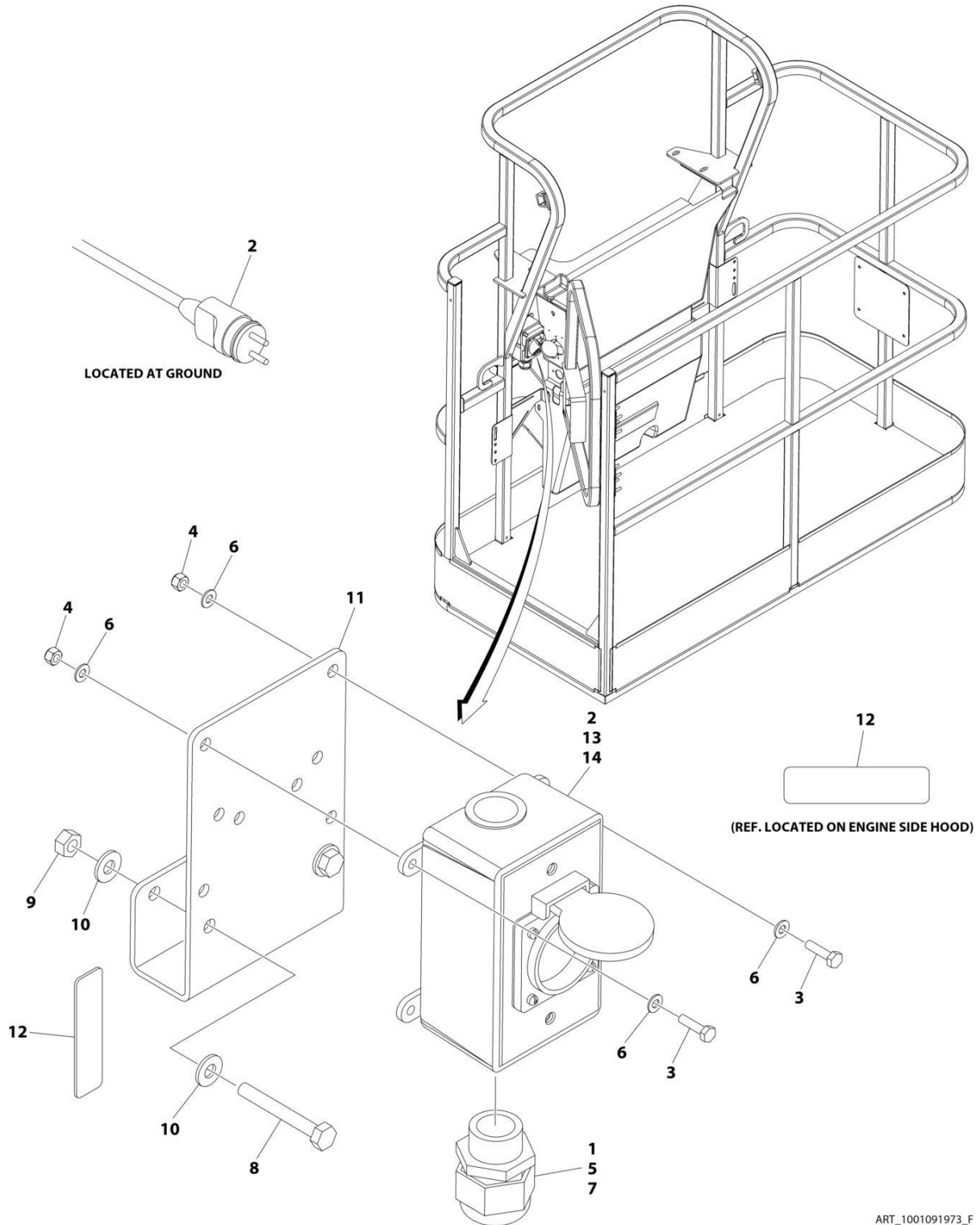
SECTION 8 - ELECTRICAL

FIGURE 8-5. AC BOX AT PLATFORM - 220V IEC BLUE (CE & UK CA SPEC WITHOUT GENERATOR)

ITEM	PART NUMBER	QTY	DESCRIPTION	REV
	1001091970	Ref	AC BOX AT PLATFORM INSTALLATION - 220V IEC BLUE	D
1	0100020	AR	Sealant, Pipe	
2	0275217	1	Receptacle Box Kit (See Separate Breakdown in this Section)	
3	0700408	2	Bolt M4 x 16	
4	3290405	2	Nut M4	
5	1001101196	1	Adapter	
6	4811400	4	Washer M4	
7	1001101191	1	Connector, Strain Relief	
8	0641416	2	Bolt 1/4 x 2	
9	3311405	2	Nut 1/4	
10	4711400	4	Washer 1/4	
11	1001193018	1	Bracket	
12	3251242	2	Decal - 240V/50Hz	

SECTION 8 - ELECTRICAL

FIGURE 8-6. AC BOX AT PLATFORM - 220V CEE7 2IN X 4IN POST GROUND (CE & UK CA SPEC WITHOUT GENERATOR)



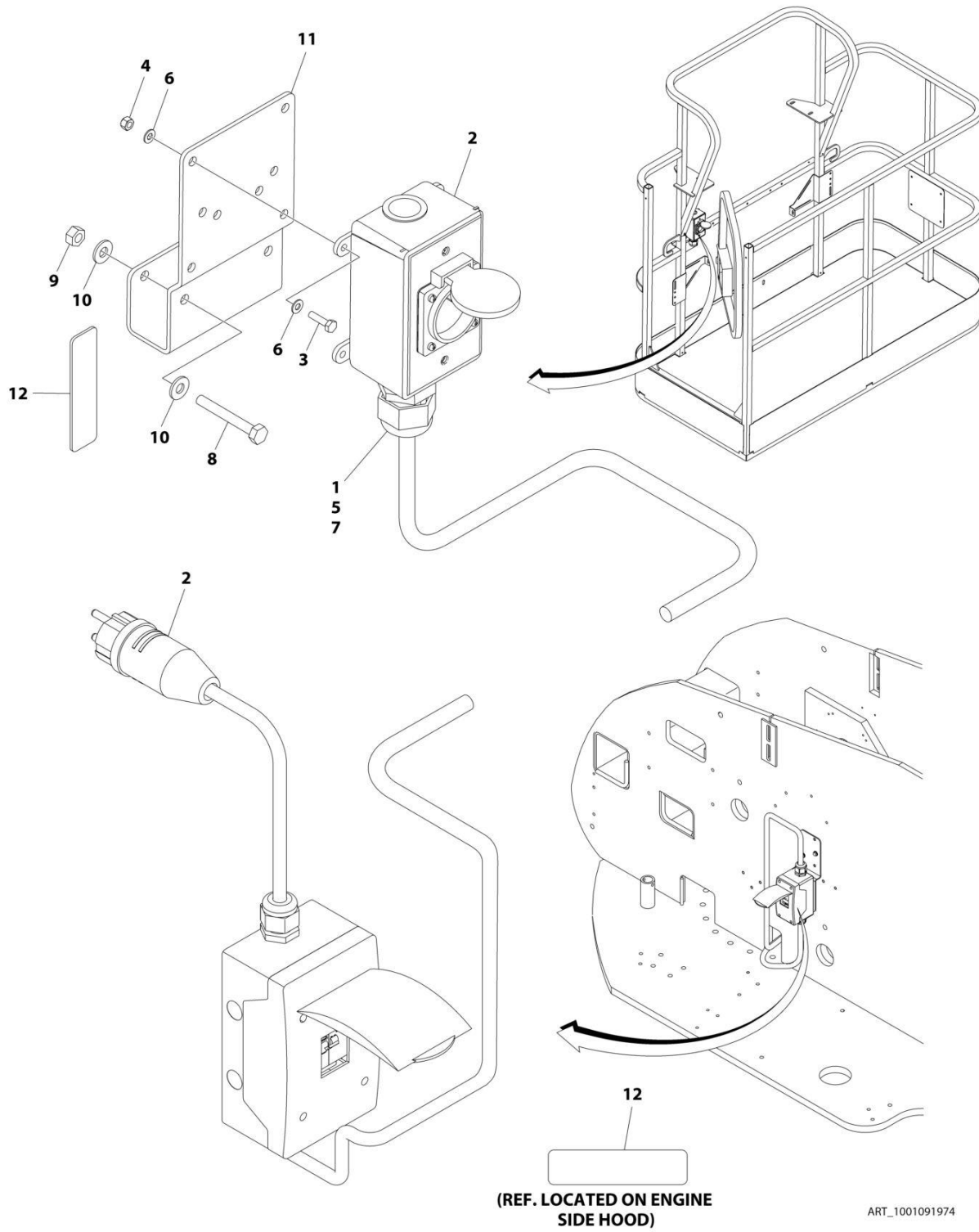
SECTION 8 - ELECTRICAL

FIGURE 8-6. AC BOX AT PLATFORM - 220V CEE7 2IN X 4IN POST GROUND (CE & UK CA SPEC WITHOUT GENERATOR)

ITEM	PART NUMBER	QTY	DESCRIPTION	REV
	1001091973	Ref	AC BOX AT PLATFORM INSTALLATION - 220V CEE7 2X4 BOX POST GROUND	F
1	0100020	AR	Sealant, Pipe	
2	0275452	1	Receptacle Box Kit (See Separate Breakdown in this Section)	
3	0700408	4	Bolt M4 x 16	
4	3290405	4	Nut M4	
5	1001101197	1	Adapter	
6	4811400	8	Washer M4	
7	1001101191	1	Connector, Strain Relief	
8	0641416	2	Bolt 1/4 x 2	
9	3311405	2	Nut 1/4	
10	4711400	4	Washer 1/4	
11	1001193018	1	Bracket	
12	3251242	2	Decal - 240V/50Hz	
13	4460806	2	Terminal, Fork (Not Shown)	
14	1001205958	1	Terminal (Not Shown)	

SECTION 8 - ELECTRICAL

FIGURE 8-7. AC BOX AT PLATFORM - 220V CEE7 2IN X 4IN SIDE GROUND (CE & UK CA SPEC WITHOUT GENERATOR)



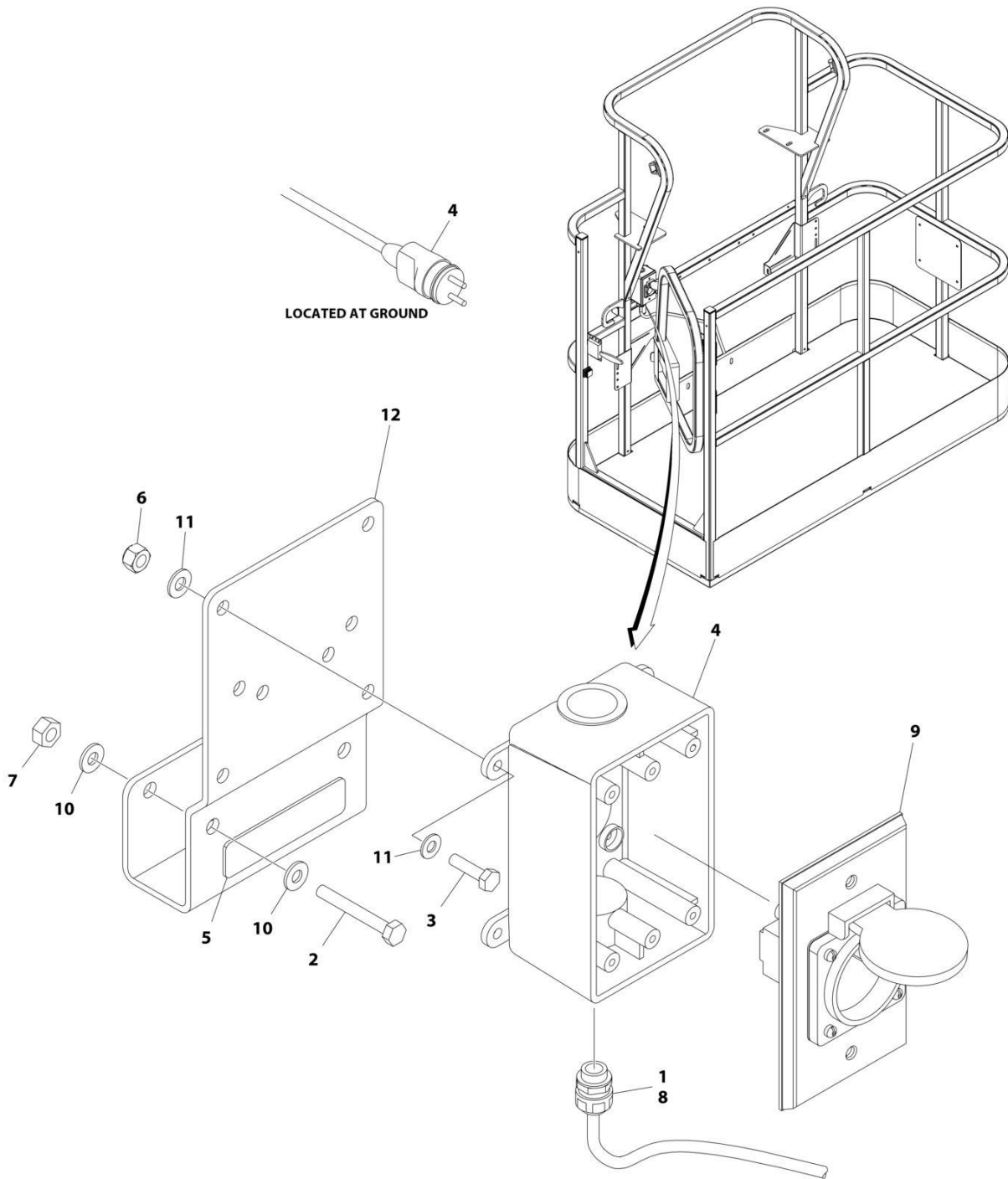
SECTION 8 - ELECTRICAL

FIGURE 8-7. AC BOX AT PLATFORM - 220V CEE7 2IN X 4IN SIDE GROUND (CE & UK CA SPEC WITHOUT GENERATOR)

ITEM	PART NUMBER	QTY	DESCRIPTION	REV
	1001091974	Ref	AC BOX AT PLATFORM INSTALLATION - 220V CEE7 2X4 BOX SIDE GROUND	F
1	0100020	AR	Sealant, Pipe	
2	0275453	1	Receptacle Box Kit (See Separate Breakdown in this Section)	
3	0700408	4	Bolt M4 x 16	
4	3290405	4	Nut M4	
5	1001101197	1	Adapter	
6	4811400	8	Washer M4	
7	1001101191	1	Connector, Strain Relief	
8	0641416	2	Bolt 1/4 x 2	
9	3311405	2	Nut 1/4	
10	4711400	4	Washer 1/4	
11	1001193018	1	Bracket	
12	3251242	2	Decal - 240V/50Hz	
13	4460806	2	Terminal, Fork (Not Shown)	
14	1001205958	1	Terminal (Not Shown)	

SECTION 8 - ELECTRICAL

FIGURE 8-8. AC BOX AT PLATFORM INSTALLATION - 220V CEE7 2IN X 4IN POST GROUND (CE & UK CA SPECS WITH 4000W/50HZ GENERATOR)



ART_1001194197

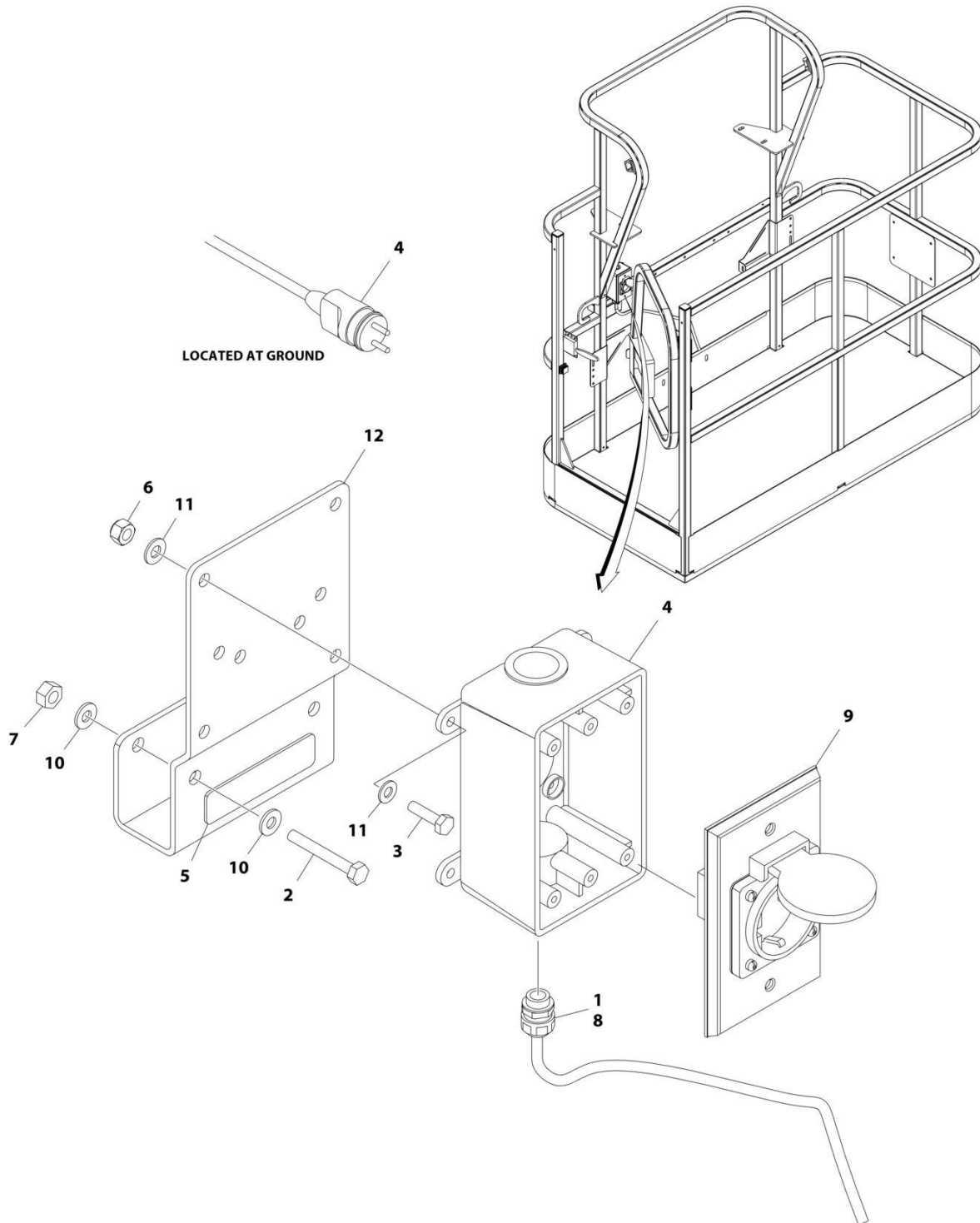
SECTION 8 - ELECTRICAL

FIGURE 8-8. AC BOX AT PLATFORM INSTALLATION - 220V CEE7 2IN X 4IN POST GROUND (CE & UK CA SPECS WITH 4000W/50HZ GENERATOR)

ITEM	PART NUMBER	QTY	DESCRIPTION	REV
	1001194197	Ref	AC BOX AT PLATFORM INSTALLATION	B
1	0100020	AR	Sealant, Pipe	
2	0641416	2	Bolt 1/4 x 2	
3	0700408	4	Bolt M4 x 16	
4	0861731	1	Box, Switch	
5	3251242	1	Decal - 240V/50Hz	
6	3290405	4	Nut M4	
7	3311405	2	Nut 1/4	
8	4460662	1	Connector, Strain Relief	
9	4461244	1	Receptacle	
10	4711400	4	Washer 1/4	
11	4811400	8	Washer M4	
12	1001193018	1	Bracket, AC Receptacle	
13	4460806	2	Terminal, Fork (Not Shown)	
14	1001205958	1	Terminal (Not Shown)	

SECTION 8 - ELECTRICAL

FIGURE 8-9. AC BOX AT PLATFORM INSTALLATION - 220V CEE7 2IN X 4IN SIDE GROUND (CE & UK CA SPECS WITH 4000W/50HZ GENERATOR)



ART_1001194198

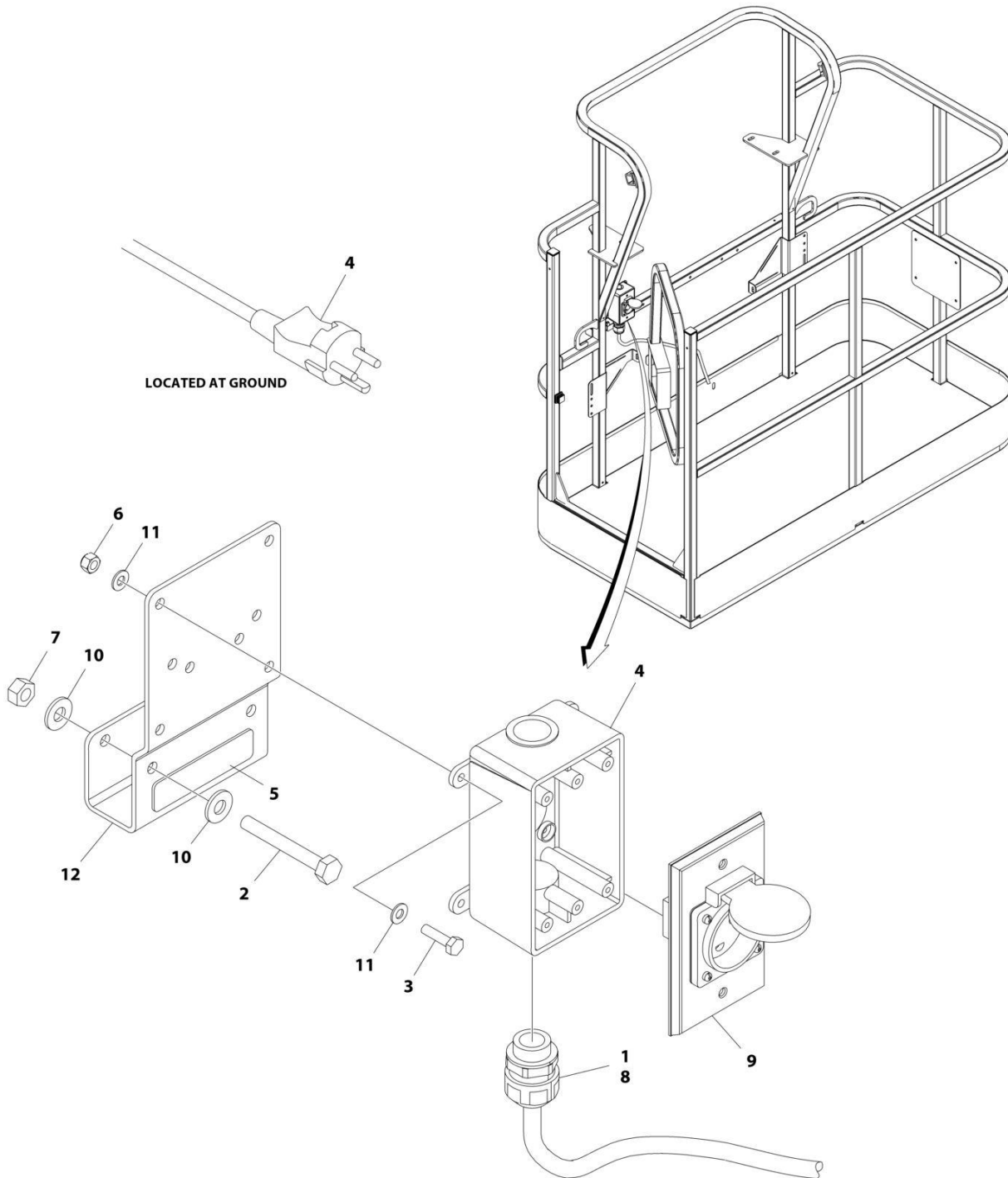
SECTION 8 - ELECTRICAL

FIGURE 8-9. AC BOX AT PLATFORM INSTALLATION - 220V CEE7 2IN X 4IN SIDE GROUND (CE & UK CA SPECS WITH 4000W/50HZ GENERATOR)

ITEM	PART NUMBER	QTY	DESCRIPTION	REV
	1001194198	Ref	AC BOX AT PLATFORM INSTALLATION	B
1	0100020	AR	Sealant, Pipe	
2	0641416	2	Bolt 1/4 x 2	
3	0700408	4	Bolt M4 x 16	
4	0861731	1	Box, Switch	
5	3251242	1	Decal - 240V/50Hz	
6	3290405	4	Nut M4	
7	3311405	2	Nut 1/4	
8	4460662	1	Connector, Strain Relief	
9	4461245	1	Receptacle	
10	4711400	4	Washer 1/4	
11	4811400	8	Washer M4	
12	1001193018	1	Bracket, AC Receptacle	
13	4460806	2	Terminal, Fork (Not Shown)	
14	1001205958	1	Terminal (Not Shown)	

SECTION 8 - ELECTRICAL

FIGURE 8-10. AC BOX AT PLATFORM INSTALLATION - 220V AFSINT107 (CE & UK CA SPECS WITH 4000W/50HZ GENERATOR)



ART_1001194200

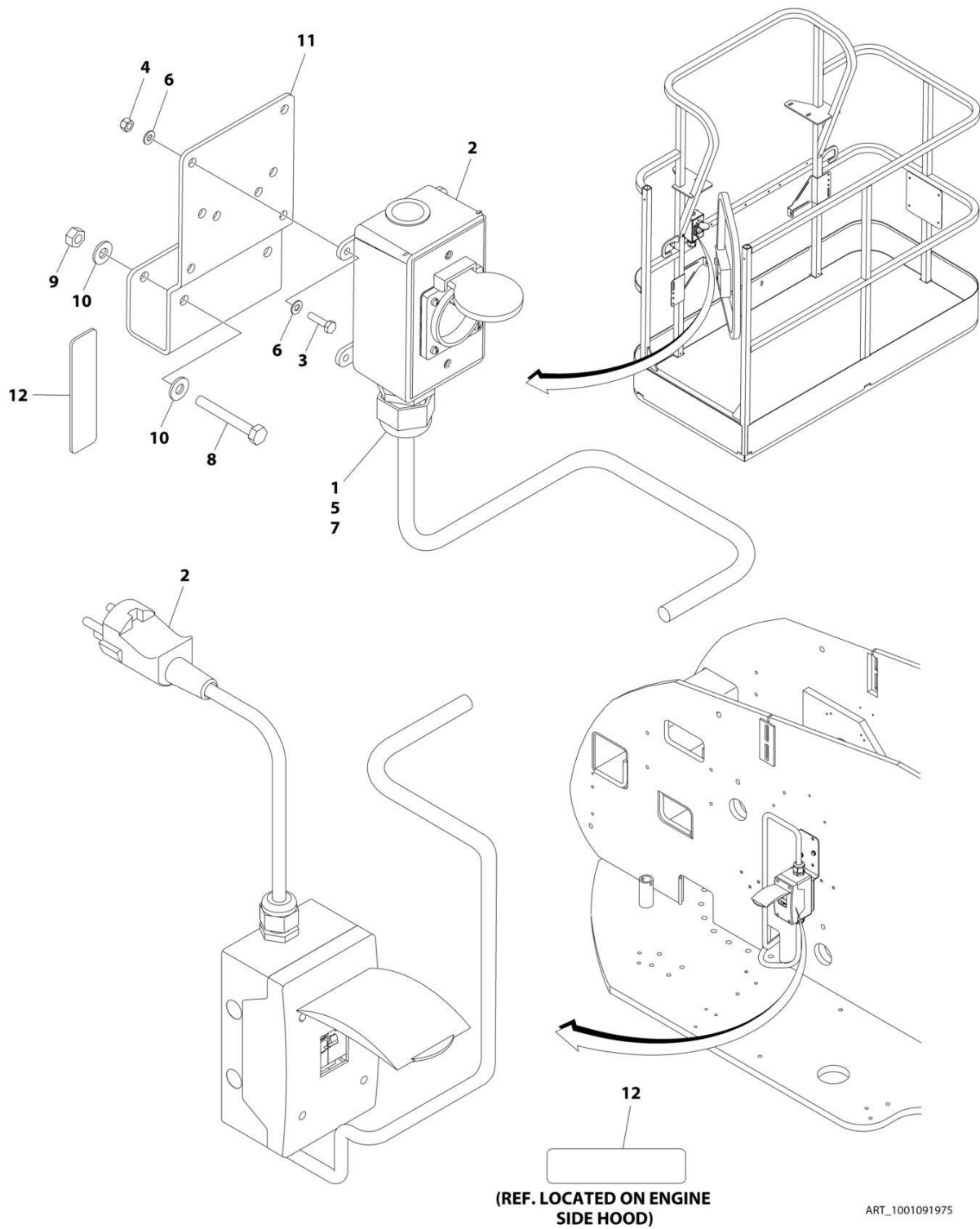
SECTION 8 - ELECTRICAL

FIGURE 8-10. AC BOX AT PLATFORM INSTALLATION - 220V AFSINT107 (CE & UK CA SPECS WITH 4000W/50HZ GENERATOR)

ITEM	PART NUMBER	QTY	DESCRIPTION	REV
	1001194200	Ref	AC BOX AT PLATFORM INSTALLATION	B
1	0100020	AR	Sealant, Pipe	
2	0641416	2	Bolt 1/4 x 2	
3	0700408	4	Bolt M4 x 16	
4	0861731	1	Box, Switch	
5	3251242	1	Decal - 240V/50Hz	
6	3290405	4	Nut M4	
7	3311405	2	Nut 1/4	
8	4460662	1	Connector, Strain Relief	
9	4461246	1	Receptacle	
10	4711400	4	Washer 1/4	
11	4811400	8	Washer M4	
12	1001193018	1	Bracket, AC Receptacle	
13	1001205958	1	Terminal (Not Shown)	

SECTION 8 - ELECTRICAL

FIGURE 8-11. AC BOX AT PLATFORM - 220V AFSINT107 (CE & UK CA SPEC WITHOUT GENERATOR)



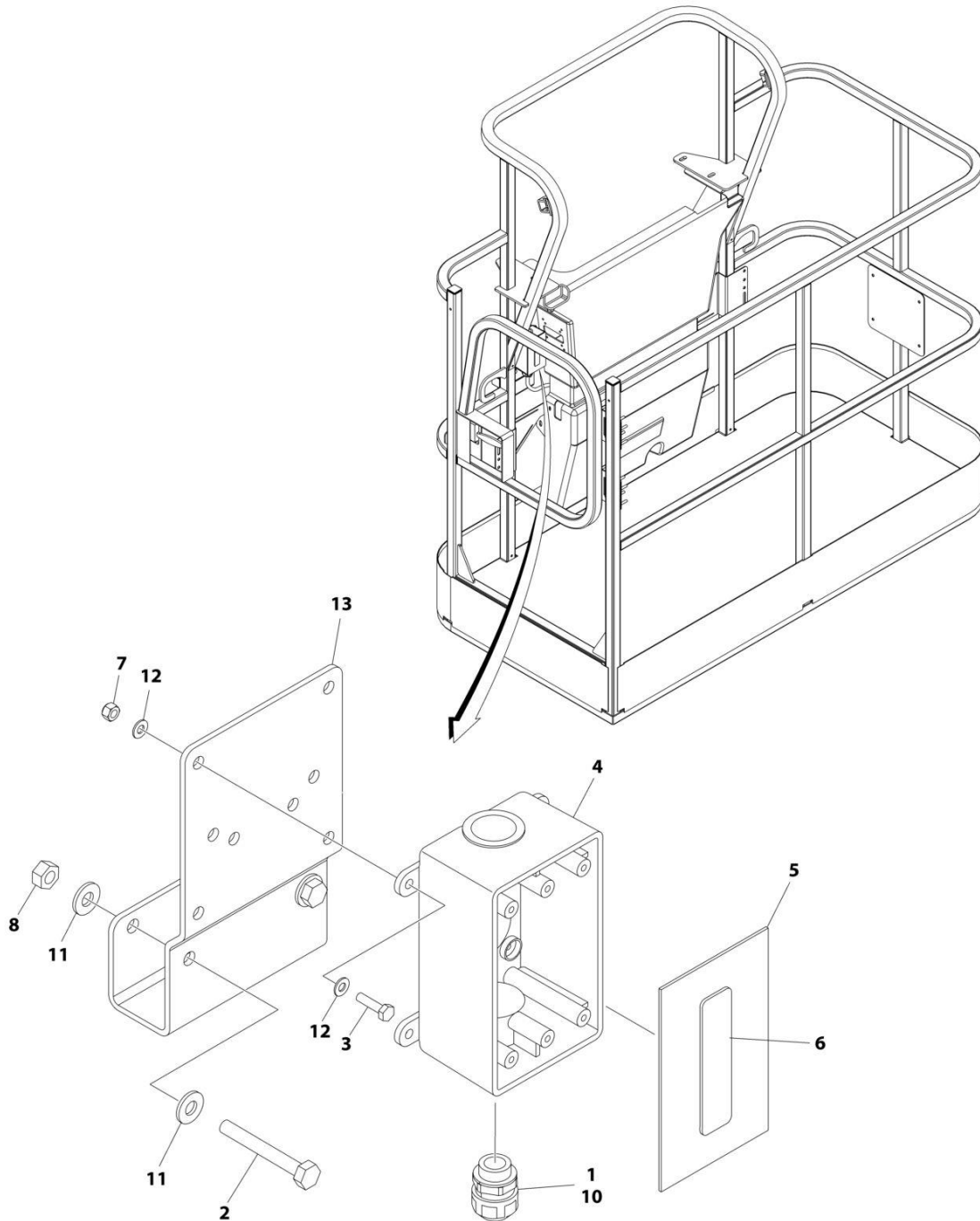
SECTION 8 - ELECTRICAL

FIGURE 8-11. AC BOX AT PLATFORM - 220V AFSINT107 (CE & UK CA SPEC WITHOUT GENERATOR)

ITEM	PART NUMBER	QTY	DESCRIPTION	REV
	1001091975	Ref	AC BOX AT PLATFORM INSTALLATION - 220V AFSINT 107 2X4 BOX KEYED GROUND	F
1	0100020	AR	Sealant, Pipe	
2	0275454	1	Receptacle Box Kit (See Separate Breakdown in this Section)	
3	0700408	4	Bolt M4 x 16	
4	3290405	4	Nut M4	
5	1001101197	1	Adapter	
6	4811400	8	Washer M4	
7	1001101191	1	Connector, Strain Relief	
8	0641416	2	Bolt 1/4 x 2	
9	3311405	2	Nut 1/4	
10	4711400	4	Washer 1/4	
11	1001193018	1	Bracket	
12	3251242	2	Decal - 240V/50Hz	
13	1001205958	3	Terminal (Not Shown)	

SECTION 8 - ELECTRICAL

FIGURE 8-12. AC BOX AT PLATFORM INSTALLATION - 220V CUSTOMER SUPPLIED COMPONENTS
(ANSI EXPORT AND CE & UK CA SPECS)



ART_1001194365

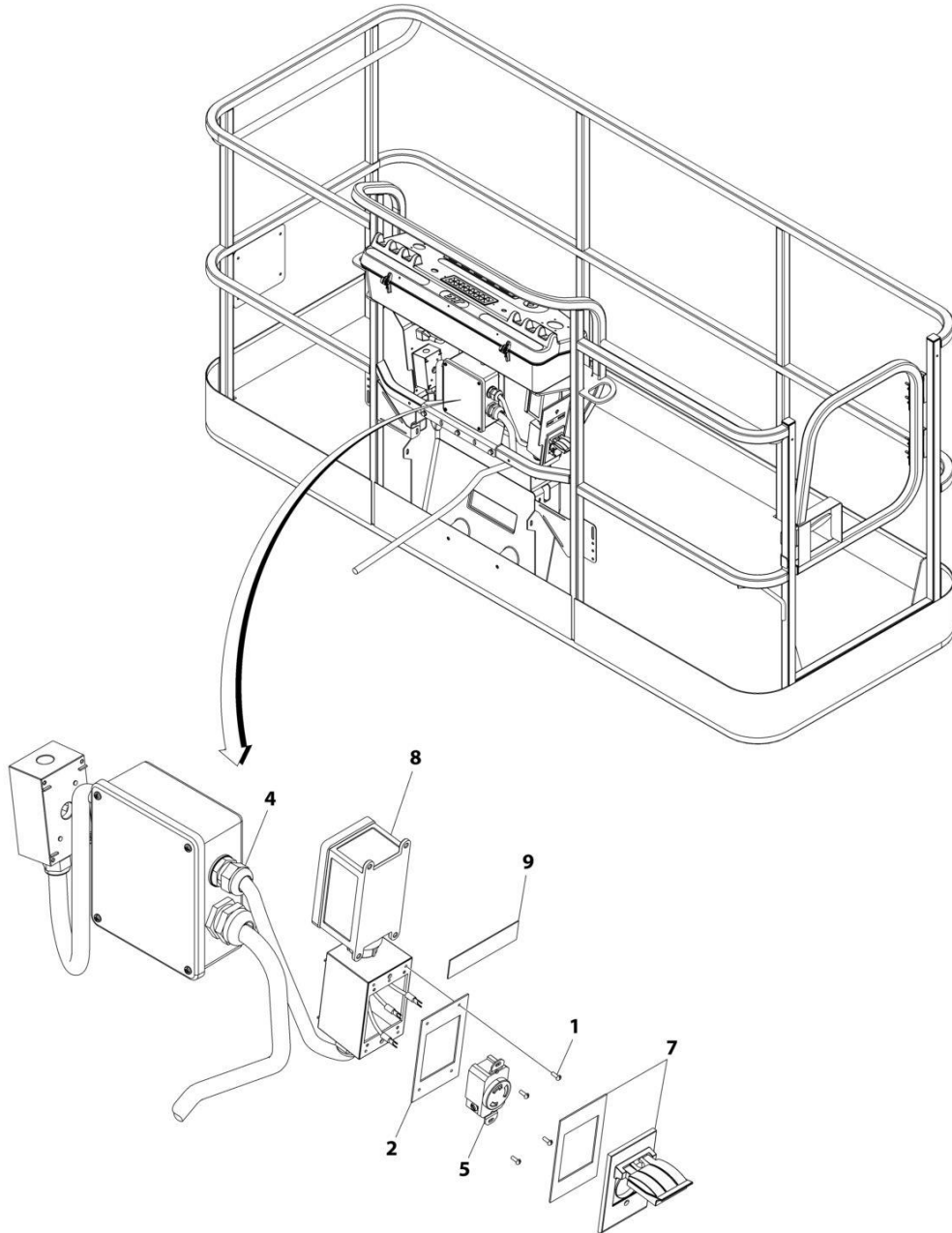
SECTION 8 - ELECTRICAL

**FIGURE 8-12. AC BOX AT PLATFORM INSTALLATION - 220V CUSTOMER SUPPLIED COMPONENTS
(ANSI EXPORT AND CE & UK CA SPECS)**

ITEM	PART NUMBER	QTY	DESCRIPTION	REV
	1001194365	Ref	AC BOX AT PLATFORM INSTALLATION - BOX WITH COVER (2X4 BOX)	A
1	0100020	AR	Sealant	
2	0641416	2	Bolt 1/4 x 2	
3	0700408	4	Bolt M4 x 16	
4	0861731	1	Box, Switch	
5	1670603	1	Cover	
6	3251242	1	Decal - 240V/50Hz	
7	3290405	4	Nut M4	
8	3311405	2	Nut 1/4	
9	4460384	3	Terminal (Not Shown)	
10	4460662	1	Connector, Strain Relief	
11	4711400	4	Washer 1/4	
12	4811400	8	Washer M4	
13	1001193018	1	Bracket, AC Receptacle	

SECTION 8 - ELECTRICAL

FIGURE 8-13. AC BOX AT PLATFORM INSTALLATION - 240V (WITH 4000W GENERATOR) (ANSI, ANSI EXPORT & CSA SPECS)



ART_1001171131

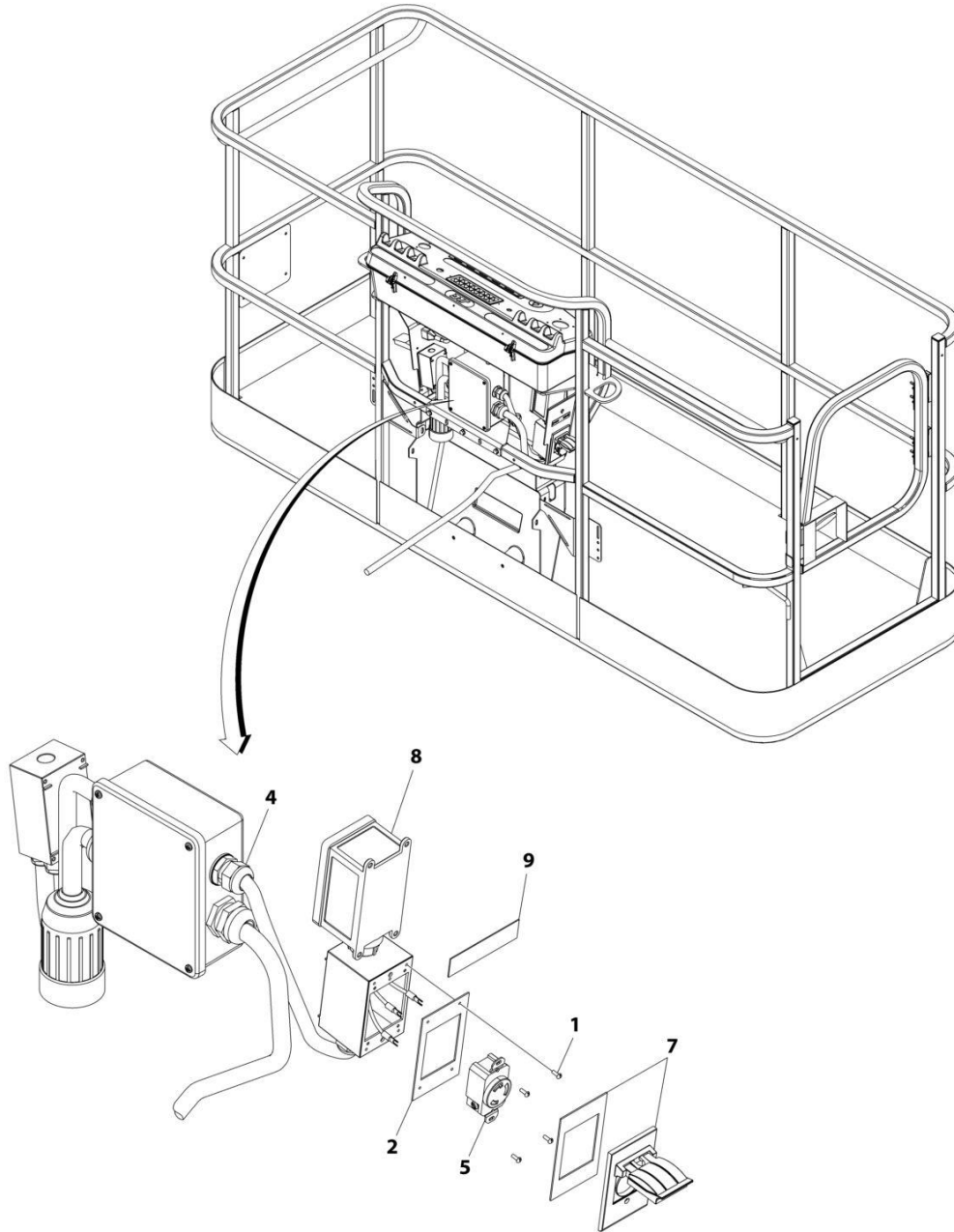
SECTION 8 - ELECTRICAL

FIGURE 8-13. AC BOX AT PLATFORM INSTALLATION - 240V (WITH 4000W GENERATOR) (ANSI, ANSI EXPORT & CSA SPECS)

ITEM	PART NUMBER	QTY	DESCRIPTION	REV
	1001171131	Ref	AC BOX AT PLATFORM INSTALLATION - 240V RECEPTACLE	B
1	3910606	4	Screw 6 x 3/8	
2	3960422	1	Gasket	
3	4240018	AR	Tie-Strap (Not Shown)	
4	4460425	1	Connector, Strain Relief	
5	1001176862	1	Receptacle	
7	1001110872	1	Cover, Receptacle	
8	1001159120	1	Receptacle/Breaker Box Assembly	
8	1001148675	1	Box, Receptacle	
8	1001159118	1	Breaker GFCI 30Amp 240VAC	
8	4460612	1	Connector, Strain Relief	
8	1001159119	1	Connector (Between Boxes)	
9	1705374	1	Decal - 240V/60Hz	

SECTION 8 - ELECTRICAL

FIGURE 8-14. AC BOX AT PLATFORM INSTALLATION - 240V (WITH 7500W SKYPOWER GENERATOR) (ANSI, ANSI EXPORT & CSA SPECS)



ART_1001159121

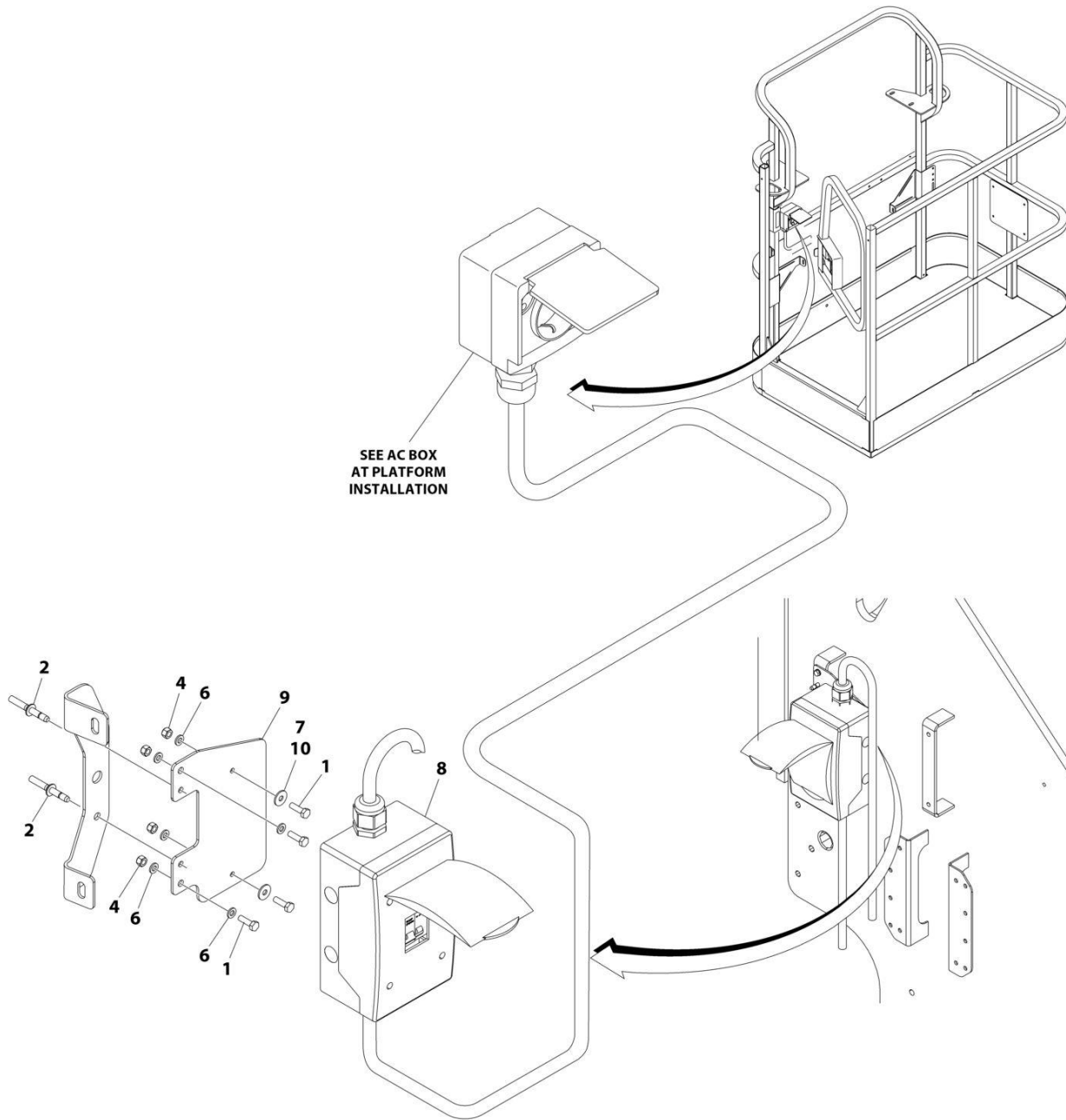
SECTION 8 - ELECTRICAL

FIGURE 8-14. AC BOX AT PLATFORM INSTALLATION - 240V (WITH 7500W SKYPOWER GENERATOR) (ANSI, ANSI EXPORT & CSA SPECS)

ITEM	PART NUMBER	QTY	DESCRIPTION	REV
	1001159121	Ref	AC BOX AT PLATFORM INSTALLATION - 240V RECEPTACLE	B
1	3910606	4	Screw 6 x 3/8	
2	3960422	1	Gasket	
3	4240018	AR	Tie-Strap (Not Shown)	
4	4460425	1	Connector, Strain Relief	
5	4460958	1	Receptacle	
7	1001110872	1	Cover, Receptacle	
8	1001159120	1	Receptacle/Breaker Box Assembly	
8	1001148675	1	Box, Receptacle	
8	1001159118	1	Breaker Box Assembly	
8	4460612	1	Connector, Strain Relief	
8	1001159119	1	Connector (Between Boxes)	
9	1705374	1	Decal - 240V/60Hz	

SECTION 8 - ELECTRICAL

FIGURE 8-15. AC CABLE INSTALLATION - WITH THREE BREAKERS (CE & UK CA SPECS)



ART_1001209677

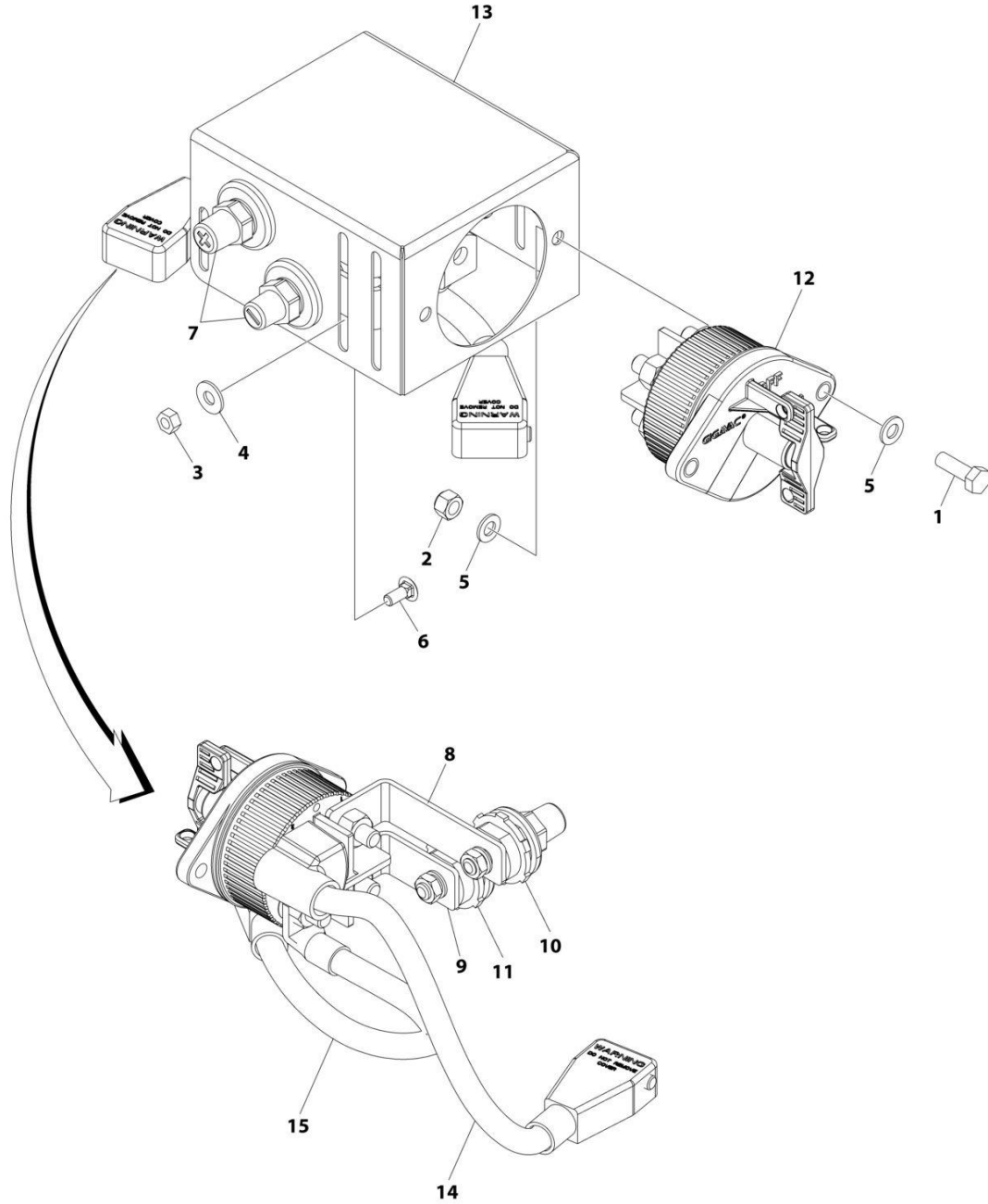
SECTION 8 - ELECTRICAL

FIGURE 8-15. AC CABLE INSTALLATION - WITH THREE BREAKERS (CE & UK CA SPECS)

ITEM	PART NUMBER	QTY	DESCRIPTION	REV
	1001209677	Ref	AC CABLE INSTALLATION - WITH THREE BREAKERS	B
1	0760610	AR	Bolt M6 x 20	
1	4010405	AR	Bolt M4 x 10	
2	2080040	AR	Fastener, Huck	
4	3290605	AR	Nut M6	
6	4811700	4	Washer M6	
7	1001091102	AR	Washer M4	
8	1001152485	1	Breaker Box Kit (See Separate Breakdown in this Section)	
9	1001209832	1	Bracket	
10	4811702	AR	Washer M6	

SECTION 8 - ELECTRICAL

FIGURE 8-16. BATTERY DISCONNECT SWITCH



ART_1001236304

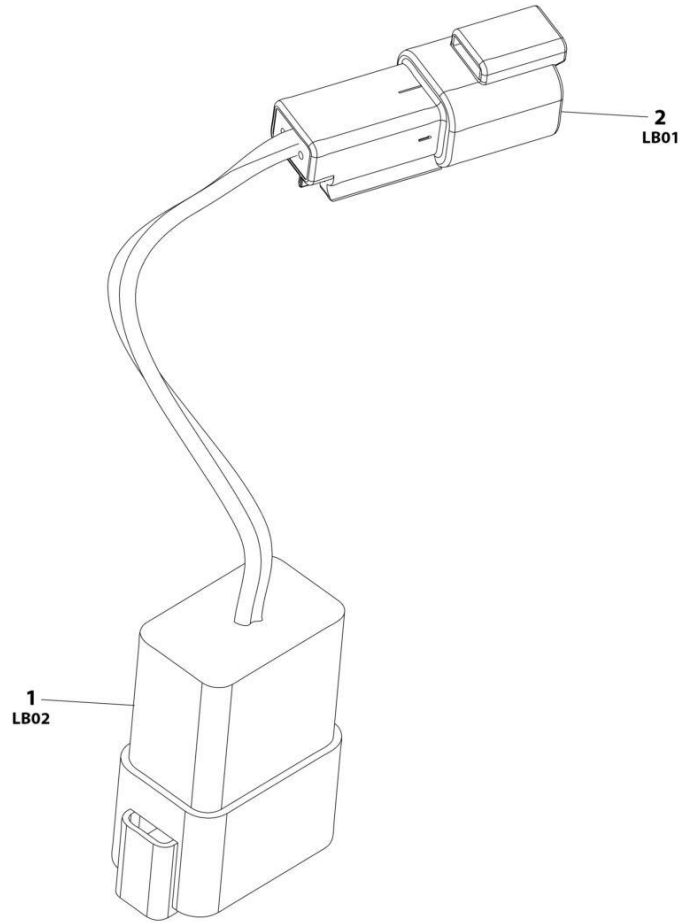
SECTION 8 - ELECTRICAL

FIGURE 8-16. BATTERY DISCONNECT SWITCH

ITEM	PART NUMBER	QTY	DESCRIPTION	REV
	1001236304	Ref	BATTERY DISCONNECT SWITCH INSTALLATION	A
1	0760812	2	Bolt M8 x 25	
2	3290805	2	Nut M8	
3	3311405	3	Nut 1/4	
4	4751400	3	Washer 1/4	
5	4811900	4	Washer M8	
6	88411013	3	Bolt 1/4 x 3/4	
7	1001206476	1	Connectors, Post	
8	1001209432	1	Bussbar	
9	1001209474	1	Bussbar	
10	1001214570	1	Connector (Red)	
11	1001214571	1	Connector (Black)	
12	1001225346	1	Switch, Battery	
13	1001226531	1	Mount	
14	1001236504	1	Cable, Battery (+)	
15	1001236505	1	Cable, Battery (-)	

SECTION 8 - ELECTRICAL

FIGURE 8-17. BEACON HARNESS - AMBER BEACON



ART_1001283776

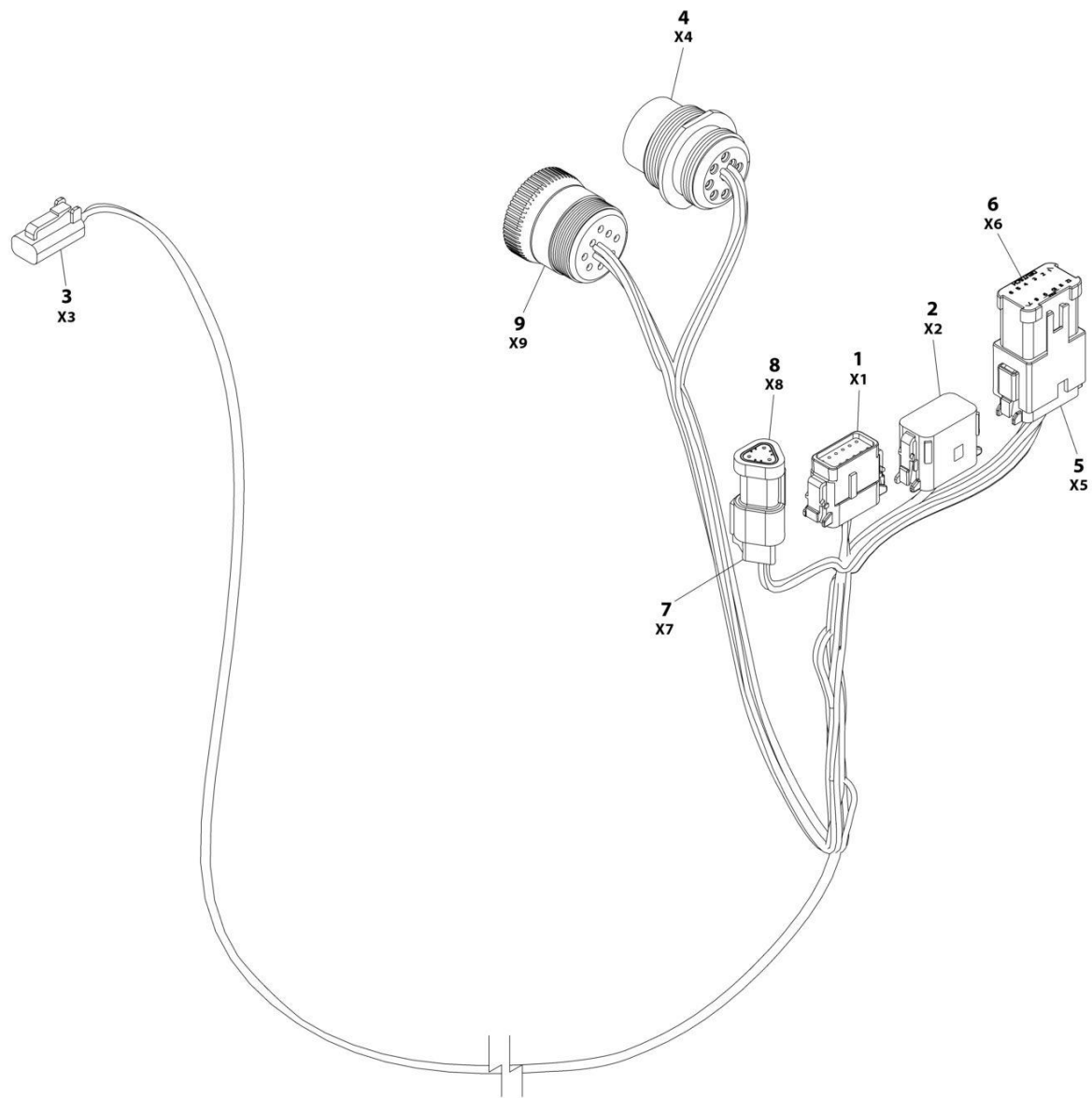
SECTION 8 - ELECTRICAL

FIGURE 8-17. BEACON HARNESS - AMBER BEACON

ITEM	PART NUMBER	QTY	DESCRIPTION	REV
	1001283776	Ref	STROBE LIGHT HARNESS (AMBER)	A
1	4460931	1	Connector	
1	4460464	2	Pin	
1	4460466	6	Plug	
2	4460897	1	Connector	
2	4460464	2	Pin	

SECTION 8 - ELECTRICAL

FIGURE 8-18. BEACON HARNESS - BLUE & RED BEACONS



ART_1001142736

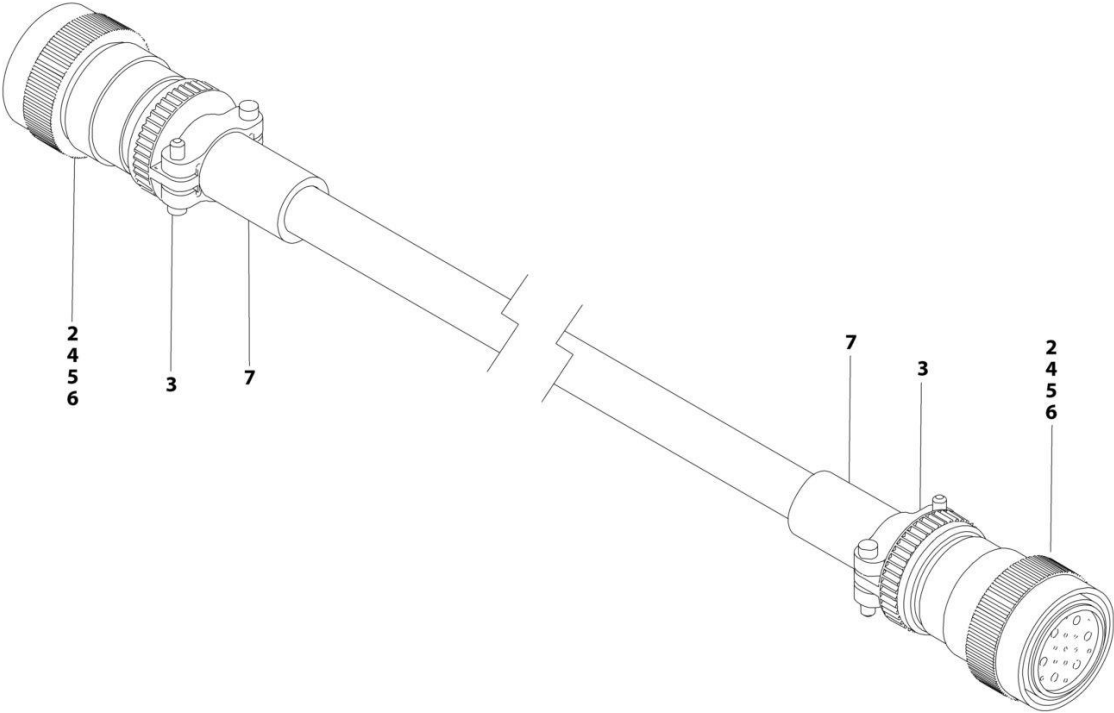
SECTION 8 - ELECTRICAL

FIGURE 8-18. BEACON HARNESS - BLUE & RED BEACONS

ITEM	PART NUMBER	QTY	DESCRIPTION	REV
	1001142736	Ref	STROBE LIGHT HARNESS	F
1	1001116808	1	Plug, Male - 12 Position	
1	4460928	3	Socket, Female	
1	4460518	9	Plug, Terminal	
2	1001116774	1	Plug, Male - 12 Position	
2	4460928	3	Socket, Female	
2	4460518	9	Plug, Terminal	
3	4460891	1	Plug, Male - 2 Position	
3	4460465	2	Socket, Female	
4	1001112612	1	Connector - 9 Position	
4	4460464	6	Pin, Male	
4	4460466	3	Plug, Terminal	
5	4460933	1	Plug, Male - 12 Position	
5	4460465	12	Socket, Female	
6	1001119020	1	Bussbar - 12 Position	
7	4461095	1	Plug, Male - 3 Position	
7	4460465	3	Socket, Female	
8	4461070	1	Bussbar - 3 Position	
9	1001112796	1	Connector - 9 Position	
9	4460465	6	Socket, Female	
9	4460466	3	Plug, Terminal	

SECTION 8 - ELECTRICAL

FIGURE 8-19. BOOM HARNESS - 400SC



ART_1001176952

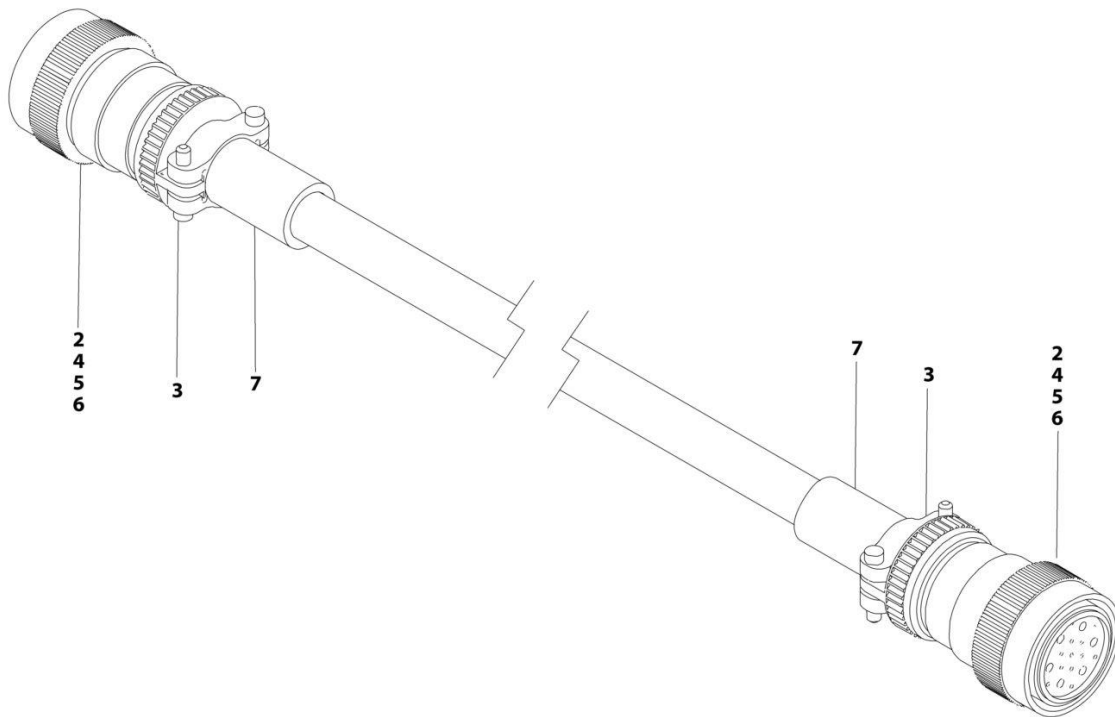
SECTION 8 - ELECTRICAL

FIGURE 8-19. BOOM HARNESS - 400SC

ITEM	PART NUMBER	QTY	DESCRIPTION	REV
	1001176952	Ref	BOOM HARNESS	C
2	4460865	2	Connector - 19 Position	
3	4460473	2	Clamp	
4	4460465	20	Socket, Female	
5	4460509	8	Socket, Female	
6	4460466	10	Plug, Socket	
7	1001226400	AR	Heat Shrink	

SECTION 8 - ELECTRICAL

FIGURE 8-20. BOOM HARNESS - 460SJC



ART_1001176953

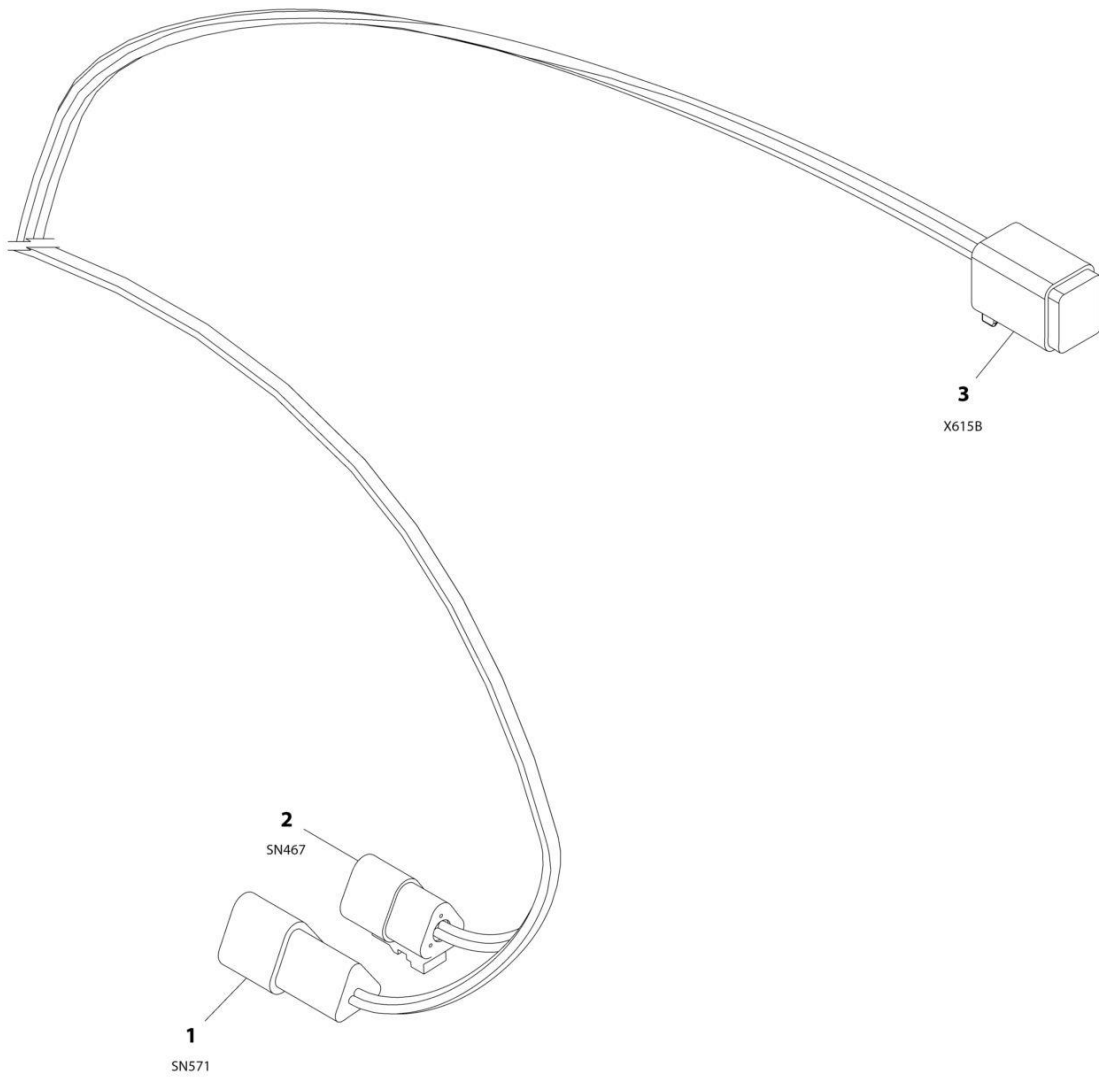
SECTION 8 - ELECTRICAL

FIGURE 8-20. BOOM HARNESS - 460SJC

ITEM	PART NUMBER	QTY	DESCRIPTION	REV
	1001176953	Ref	BOOM HARNESS	C
2	4460865	2	Connector - 19 Position	
3	4460473	2	Clamp	
4	4460465	20	Socket, Female	
5	4460509	8	Socket, Female	
6	4460466	10	Plug, Socket	
7	1001226400	AR	Heat Shrink	

SECTION 8 - ELECTRICAL

FIGURE 8-21. BOOM CAPACITY PROXIMITY SWITCH HARNESS



ART_1001173807

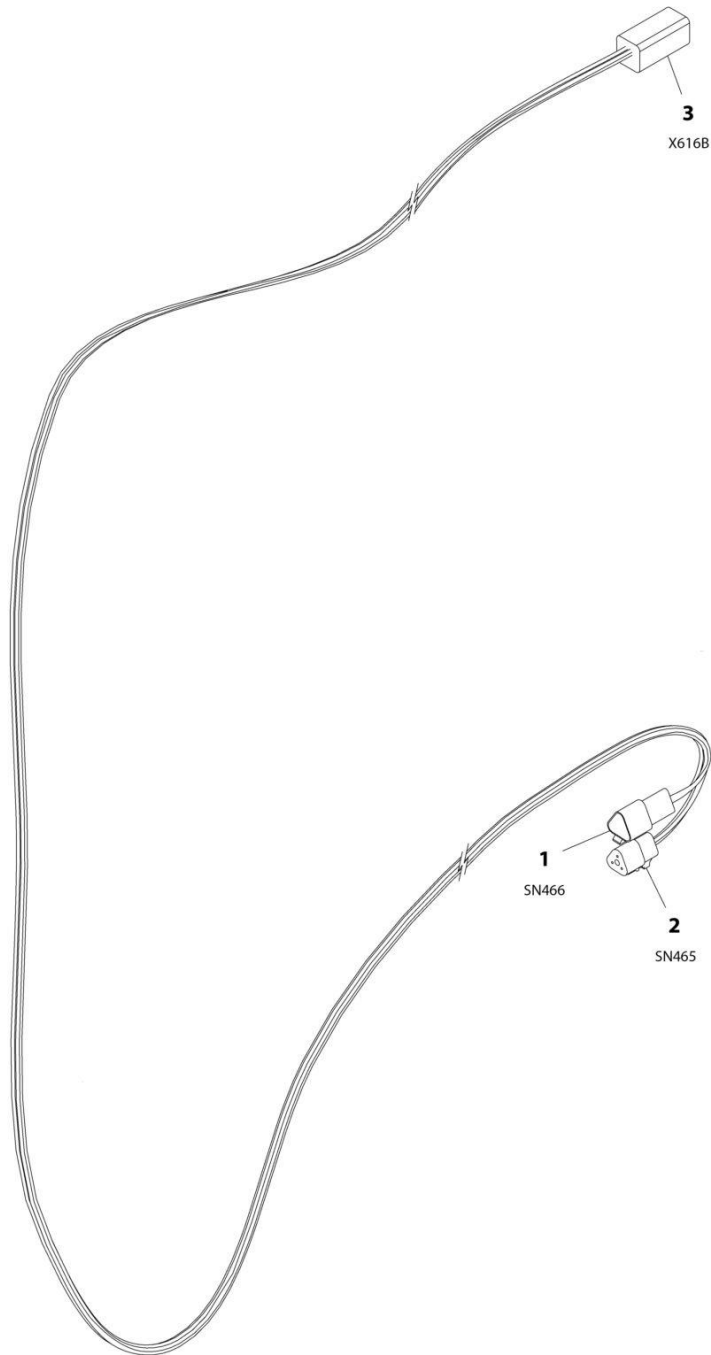
SECTION 8 - ELECTRICAL

FIGURE 8-21. BOOM CAPACITY PROXIMITY SWITCH HARNESS

ITEM	PART NUMBER	QTY	DESCRIPTION	REV
	1001173807	Ref	BOOM CAPACITY PROXIMITY SWITCH HARNESS	C
1	4460536	1	Receptacle, Female - 3 Position	
1	4460464	3	Pin, Male	
2	4460539	1	Plug, Male - 3 Position	
2	4460465	1	Socket, Female	
3	4460930	1	Plug, Male - 8 Position	
3	4460465	6	Socket, Female	
3	4460466	2	Plug, Terminal	

SECTION 8 - ELECTRICAL

FIGURE 8-22. BOOM TELE IN PROXIMITY SWITCH HARNESS



ART_1001173808

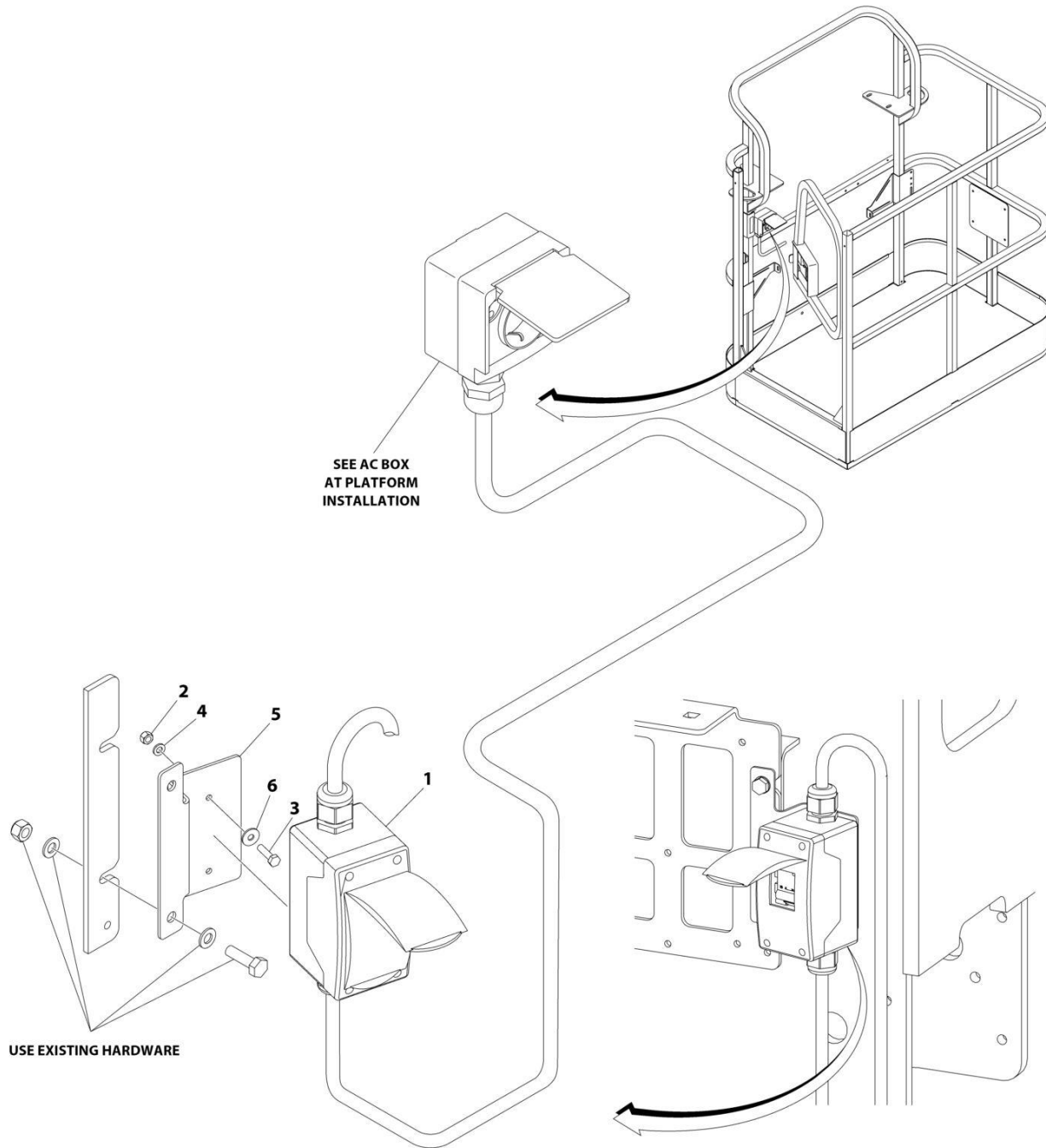
SECTION 8 - ELECTRICAL

FIGURE 8-22. BOOM TELE IN PROXIMITY SWITCH HARNESS

ITEM	PART NUMBER	QTY	DESCRIPTION	REV
	1001173808	Ref	BOOM TELE IN PROXIMITY SWITCH HARNESS	C
1	4460536	1	Receptacle, Female - 3 Position	
1	4460464	3	Pin, Male	
2	4460539	1	Plug, Male - 3 Position	
2	4460465	1	Socket, Female	
3	4460899	1	Receptacle, Female - 6 Position	
3	4460464	1	Pin, Male	

SECTION 8 - ELECTRICAL

FIGURE 8-23. BREAKER BOX INSTALLATION - 16AMP BREAKER (CE & UK CA SPEC)



ART_1001230907

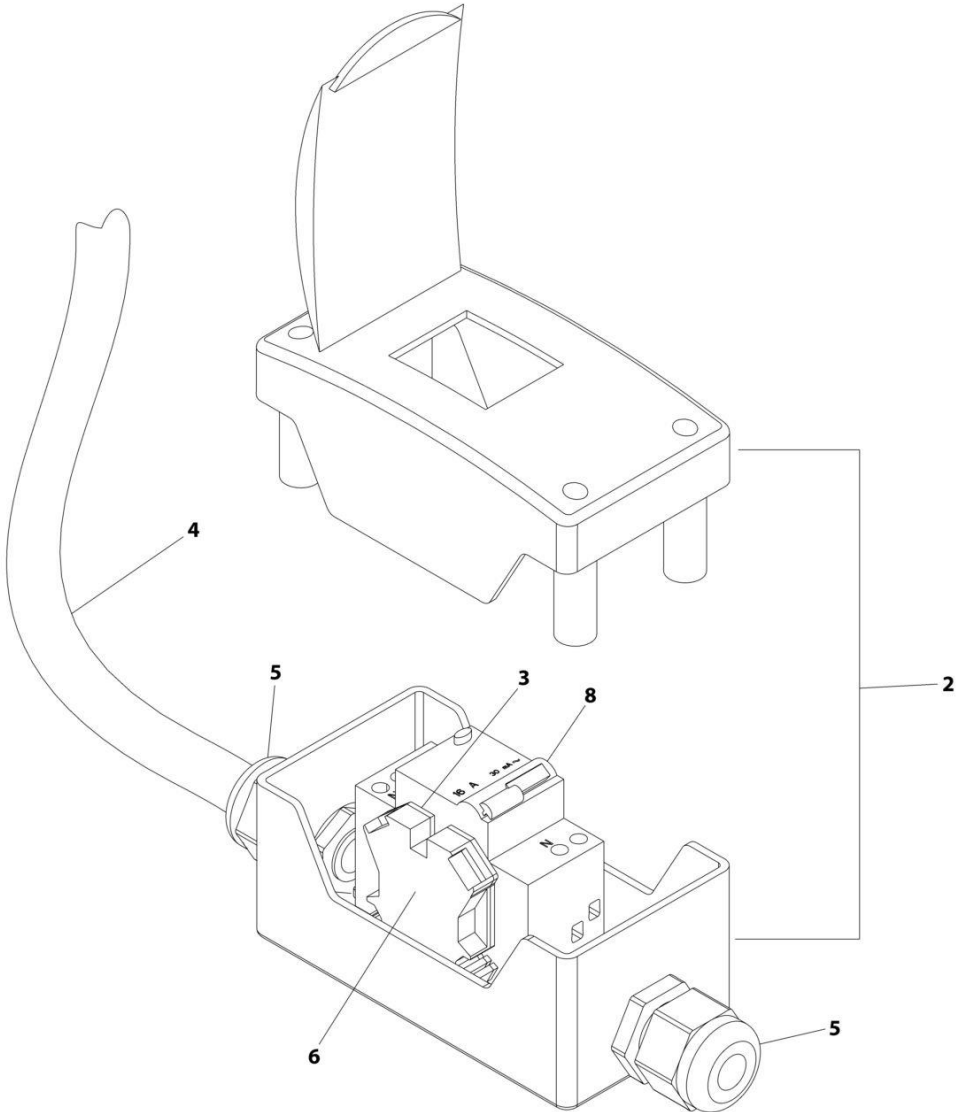
SECTION 8 - ELECTRICAL

FIGURE 8-23. BREAKER BOX INSTALLATION - 16AMP BREAKER (CE & UK CA SPEC)

ITEM	PART NUMBER	QTY	DESCRIPTION	REV
	1001230907	Ref	BREAKER BOX INSTALLATION - 110/220V 16AMP BREAKER	C
1	2902549	1	Breaker Box Kit (See Separate Breakdown in this Section)	
2	3290405	2	Nut M4	
2	3290605	2	Nut M6	
3	4010405	2	Screw M4 x 10	
3	0760614	2	Screw M6 x 30	
4	1001091102	2	Washer M4	
4	4811700	2	Washer M6	
5	1001230784	1	Bracket	
6	4811702	2	Washer M6	

SECTION 8 - ELECTRICAL

FIGURE 8-24. BREAKER BOX KIT - 16AMP BREAKER



ART_2902549_F

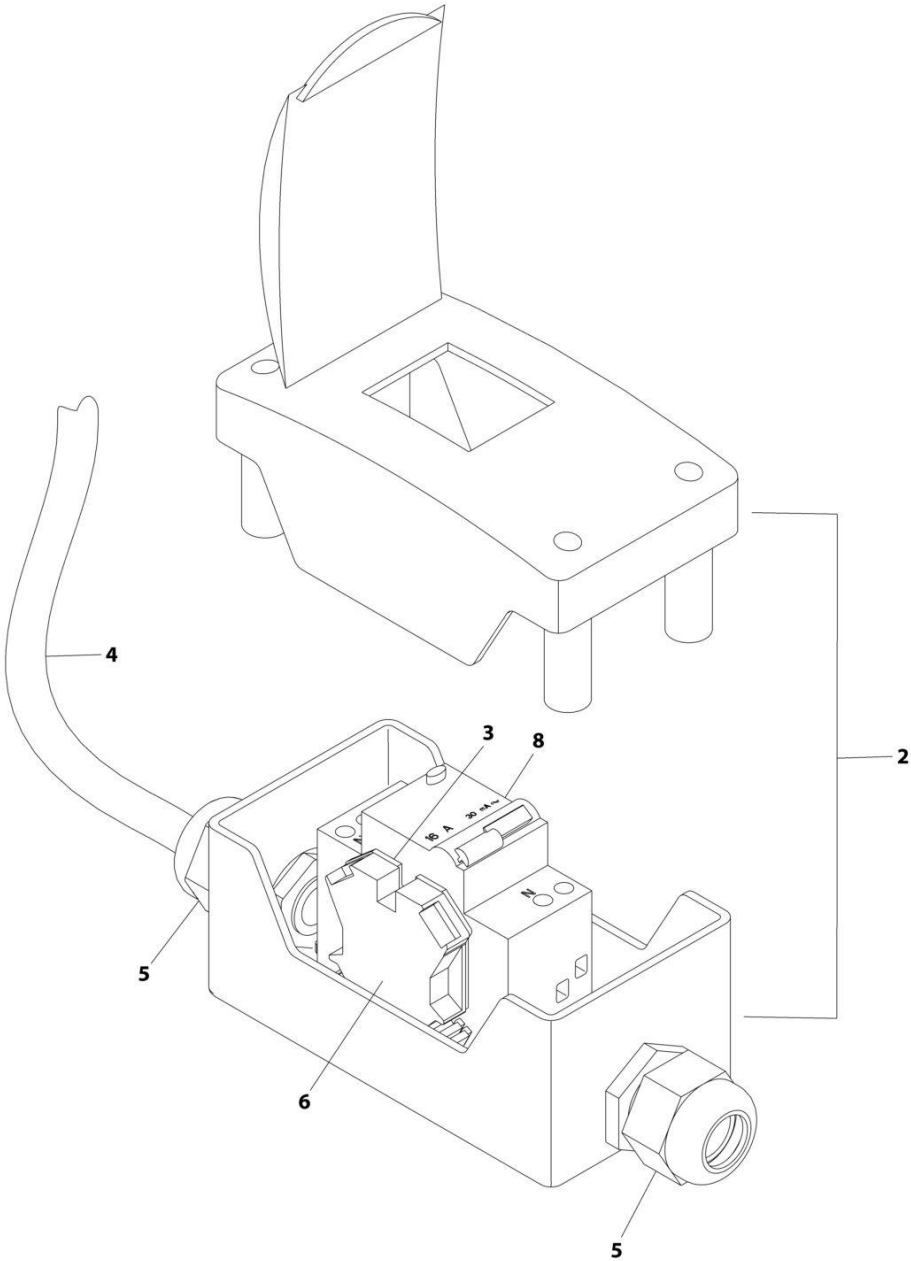
SECTION 8 - ELECTRICAL

FIGURE 8-24. BREAKER BOX KIT - 16AMP BREAKER

ITEM	PART NUMBER	QTY	DESCRIPTION	REV
	2902549	Ref	BREAKER BOX KIT	F
2	0861880	1	Box	
3	4460956	1	Barrier, Terminal	
4	1060908	6 ft/1.8m	Cable, 12/3	
5	1001097150	2	Connector, Strain Relief	
6	4460957	1	Block, Terminal	
8	1001181045	1	Breaker, 16Amp	

SECTION 8 - ELECTRICAL

FIGURE 8-25. BREAKER BOX KIT - 30MA/16 AMP



ART_1001096070_E

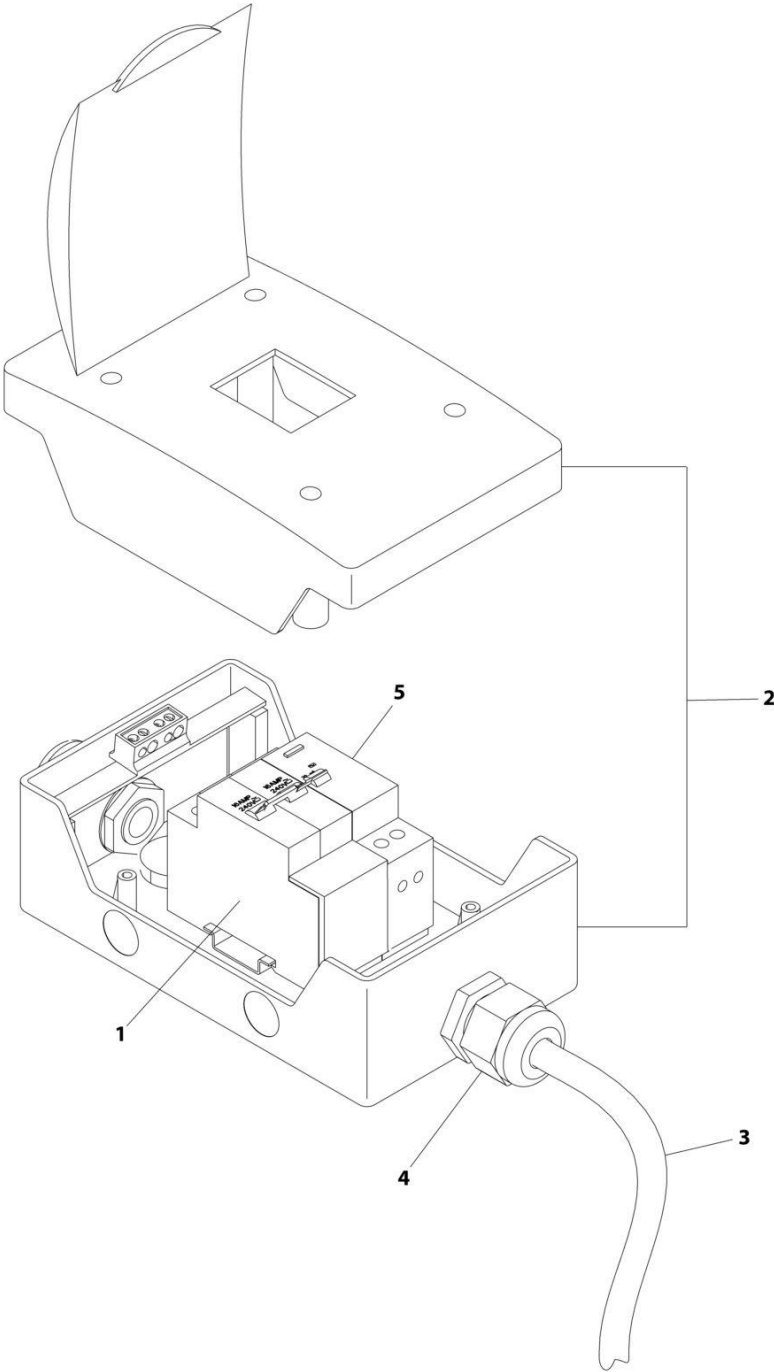
SECTION 8 - ELECTRICAL

FIGURE 8-25. BREAKER BOX KIT - 30MA/16 AMP

ITEM	PART NUMBER	QTY	DESCRIPTION	REV
	1001096070	Ref	BREAKER BOX KIT	E
2	0861880	1	Box	
3	4460956	1	Barrier, Terminal Block End	
4	1060908	12 ft/ 3.6m	Cable, 12/3	
5	1001097150	2	Connector, Strain Relief	
6	4460957	1	Block, Terminal	
8	1001181045	1	Breaker, 16Amp	

SECTION 8 - ELECTRICAL

FIGURE 8-26. BREAKER BOX KIT WITH THREE BREAKERS



ART_1001152485_F

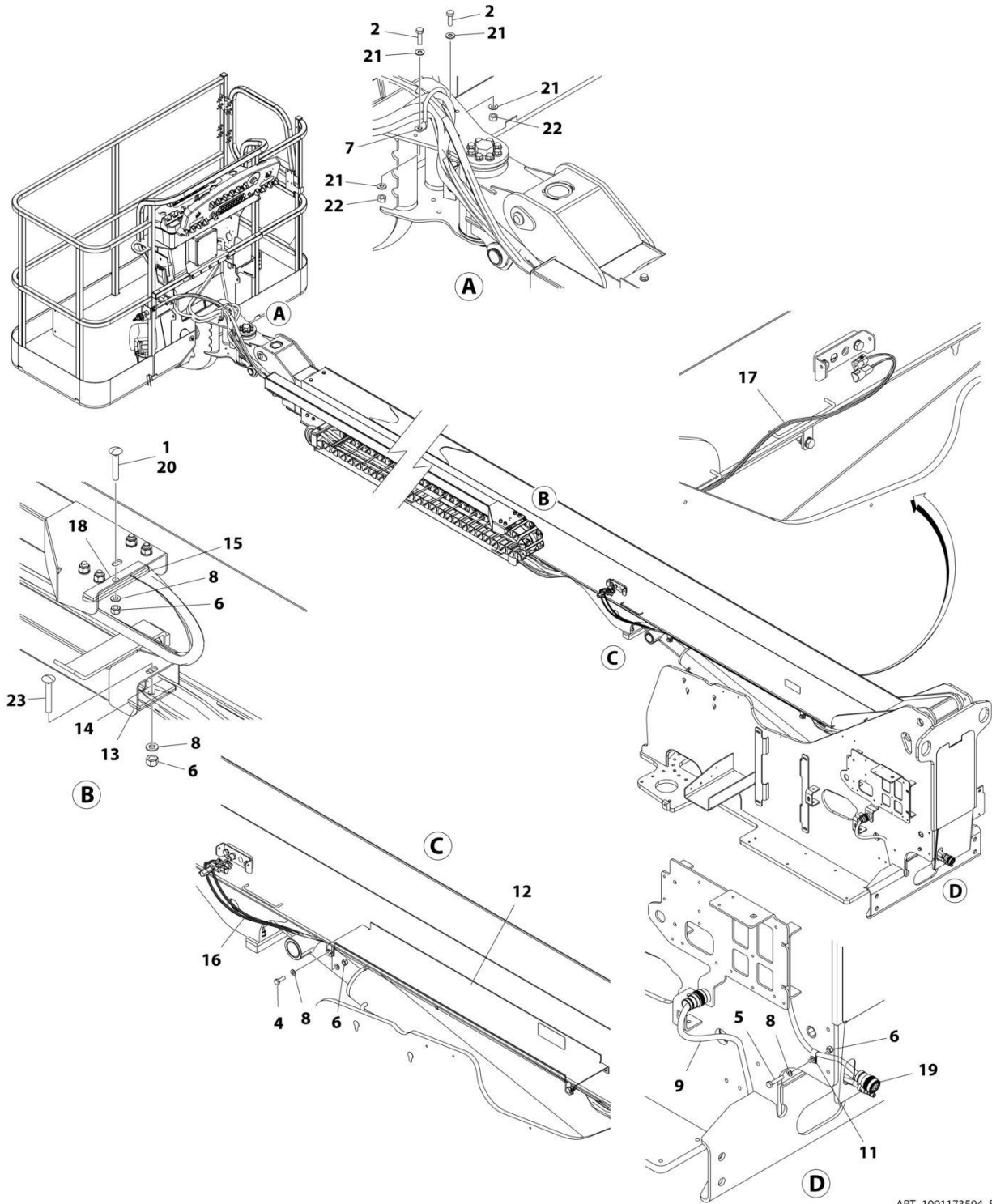
SECTION 8 - ELECTRICAL

FIGURE 8-26. BREAKER BOX KIT WITH THREE BREAKERS

ITEM	PART NUMBER	QTY	DESCRIPTION	REV
	1001152485	Ref	BREAKER BOX KIT WITH TWO BREAKERS	F
1	1001189172	1	Breaker 16Amp Double	
2	1001152483	1	Box	
3	1060908	6 ft/1.8m	Cable, 12/3	
4	1001097150	2	Connector, Strain Relief	
5	1001189171	1	Breaker, 30mA	

SECTION 8 - ELECTRICAL

FIGURE 8-27. CABLES AND CLAMPS INSTALLATION - 400SC WITHOUT GENERATOR



ART_1001173594_E

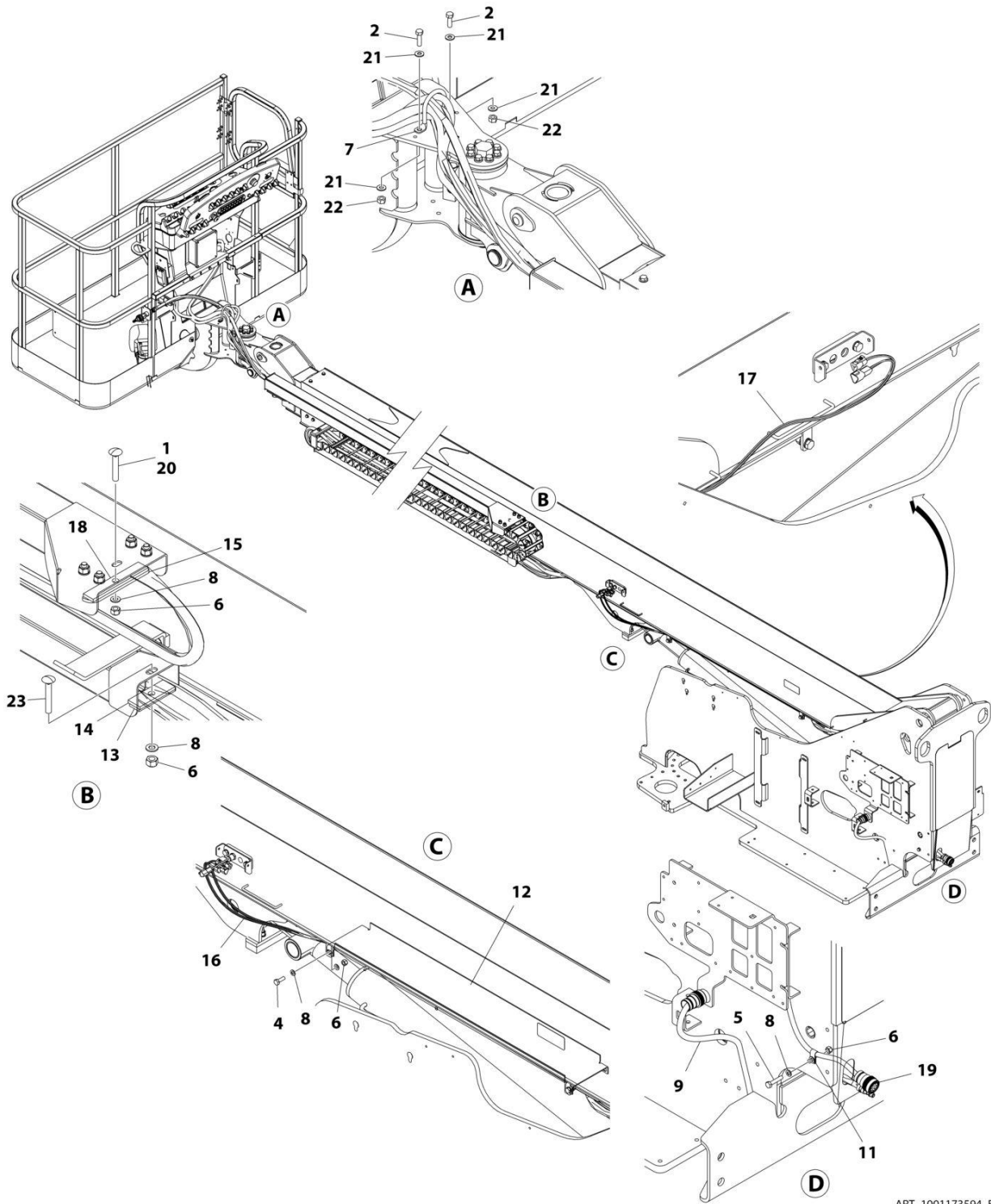
SECTION 8 - ELECTRICAL

FIGURE 8-27. CABLES AND CLAMPS INSTALLATION - 400SC WITHOUT GENERATOR

ITEM	PART NUMBER	QTY	DESCRIPTION	REV
	1001173594	Ref	CABLES AND CLAMPS INSTALLATION	E
1	0630563	1	Bolt Carriage M10 x 60	
2	0760814	1	Bolt M8 x 30	
4	0761014	4	Bolt M10 x 30	
5	0761018	1	Bolt M10 x 50	
6	3291005	7	Nut Lock M10 x 1.5	
7	3841340	1	Hose Loop	
8	4812000	12	Washer, M10	
9	1001176952	1	Harness, Main Boom Cable (See Separate Breakdown in this Section)	
11	8406110	1	Clip	
12	1001172128	1	Bracket, Hose Cover	
13	1001173456	1	Clamp	
14	1001173665	1	Clamp	
15	1001173761	1	Bracket	
16	1001173807	1	Harness, Capacity Switch (See Separate Breakdown in this Section)	
17	1001173808	1	Harness, Telescope In Proximity Sensors (See Separate Breakdown in this Section)	
18	1001173927	1	Clamp	
19	1001203434	1	Cable, Electrical 12/3	
20	0100081	AR	Adhesive	
21	4811900	4	Washer M8	
22	3290805	2	Nut M8	
23	1001181329	1	Bolt M10 x 70	

SECTION 8 - ELECTRICAL

FIGURE 8-28. CABLES AND CLAMPS INSTALLATION - 400SC WITH 4000W-50HZ GENERATOR



ART_1001173594_E

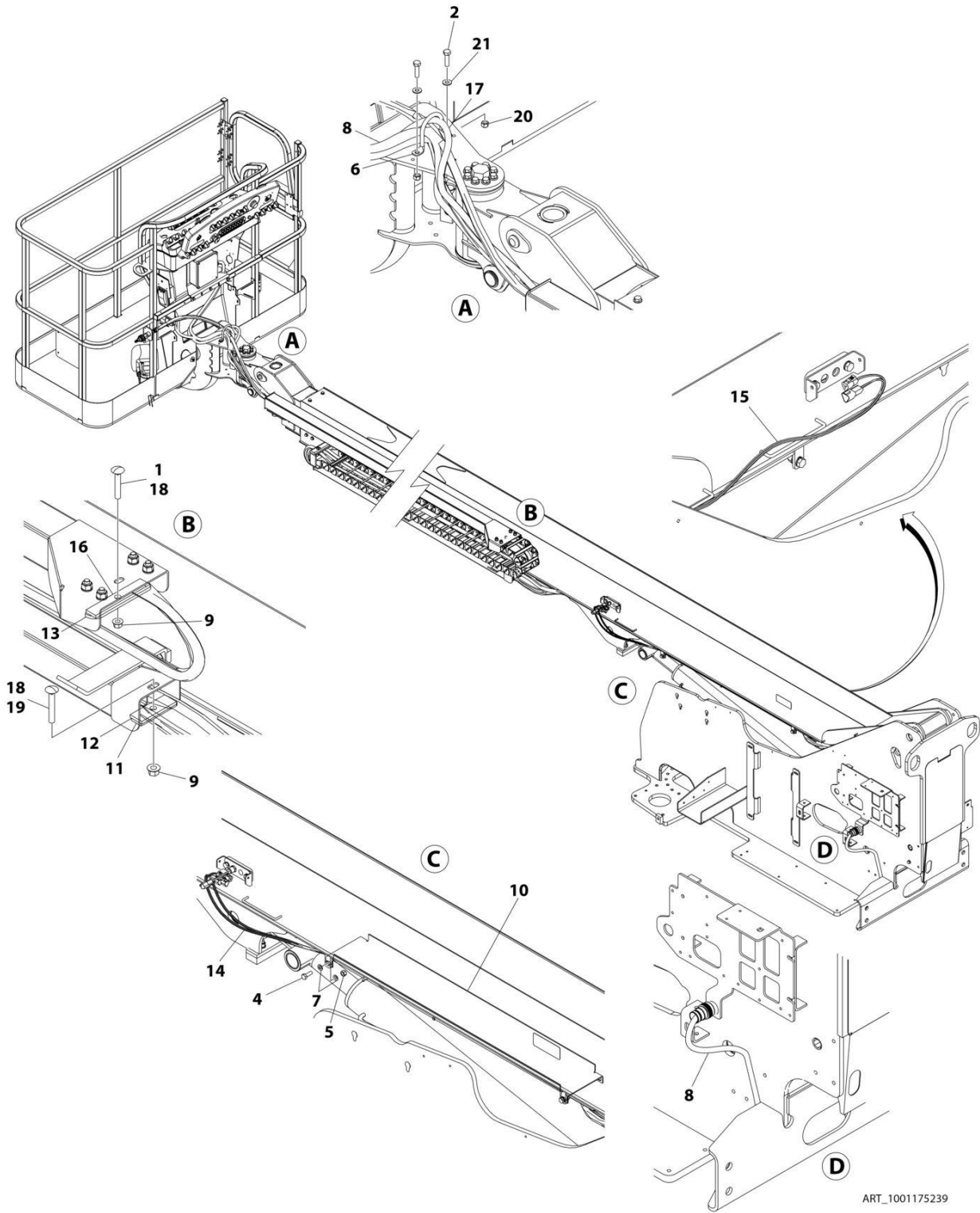
SECTION 8 - ELECTRICAL

FIGURE 8-28. CABLES AND CLAMPS INSTALLATION - 400SC WITH 4000W-50HZ GENERATOR

ITEM	PART NUMBER	QTY	DESCRIPTION	REV
	1001173594	Ref	CABLES AND CLAMPS INSTALLATION	E
1	0630563	1	Bolt Carriage M10 x 60	
2	0760814	1	Bolt M8 x 30	
4	0761014	4	Bolt M10 x 30	
5	0761018	1	Bolt M10 x 50	
6	3291005	7	Nut Lock M10 x 1.5	
7	3841340	1	Hose Loop	
8	4812000	12	Washer, M10	
9	1001176952	1	Harness, Main Boom Cable (See Separate Breakdown in this Section)	
11	8406110	1	Clip	
12	1001172128	1	Bracket, Hose Cover	
13	1001173456	1	Clamp	
14	1001173665	1	Clamp	
15	1001173761	1	Bracket	
16	1001173807	1	Harness, Capacity Switch (See Separate Breakdown in this Section)	
17	1001173808	1	Harness, Telescope In Proximity Sensors (See Separate Breakdown in this Section)	
18	1001173927	1	Clamp	
19	1001203434	1	Cable, Electrical 12/3	
20	0100081	AR	Adhesive	
21	4811900	4	Washer M8	
22	3290805	2	Nut M8	
23	1001181329	1	Bolt M10 x 70	

SECTION 8 - ELECTRICAL

FIGURE 8-29. CABLES AND CLAMPS INSTALLATION - 400SC WITH 4000W-60HZ GENERATOR



ART_1001175239

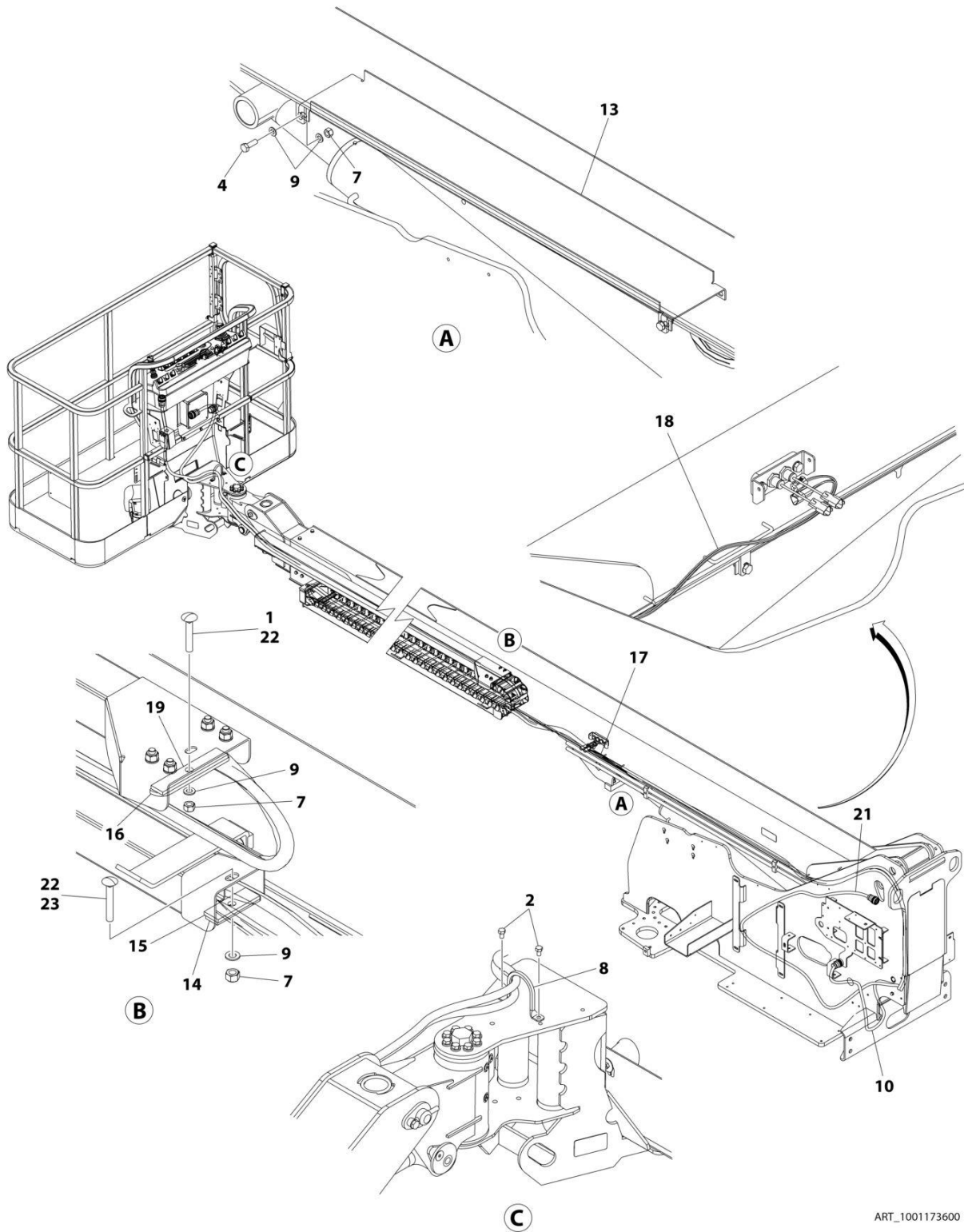
SECTION 8 - ELECTRICAL

FIGURE 8-29. CABLES AND CLAMPS INSTALLATION - 400SC WITH 4000W-60HZ GENERATOR

ITEM	PART NUMBER	QTY	DESCRIPTION	REV
	1001175239	Ref	CABLES AND CLAMPS INSTALLATION	D
1	0630563	1	Bolt, Carriage M10 x 60	
2	0760814	2	Bolt, M8 x 30	
4	0761014	4	Bolt M10 x 30	
5	3291005	4	Nut M10	
6	3841340	1	Hose Loop	
7	4812000	8	Washer M10	
8	1001176952	1	Harness, Main Boom Cable - 400SC (See Separate Breakdown in this Section)	
9	5261018	2	Nut M10	
10	1001172128	1	Bracket, Hose Cover	
11	1001173456	1	Clamp	
12	1001173665	1	Clamp	
13	1001173761	1	Bracket	
14	1001173807	1	Harness, Capacity Switch (See Separate Breakdown in this Section)	
15	1001173808	1	Harness, Telescope In Proximity Sensors (See Separate Breakdown in this Section)	
16	1001173927	1	Clamp	
17	1001175170	1	Cable, Electrical 12/3	
18	0100081	AR	Adhesive	
19	1001181329	1	Bolt, Carriage M10 x 70	
20	3290805	3	Nut M8	
21	4811900	4	Washer M8	

SECTION 8 - ELECTRICAL

FIGURE 8-30. CABLES AND CLAMPS INSTALLATION - 400SC WITH 7500W GENERATOR



ART_1001173600

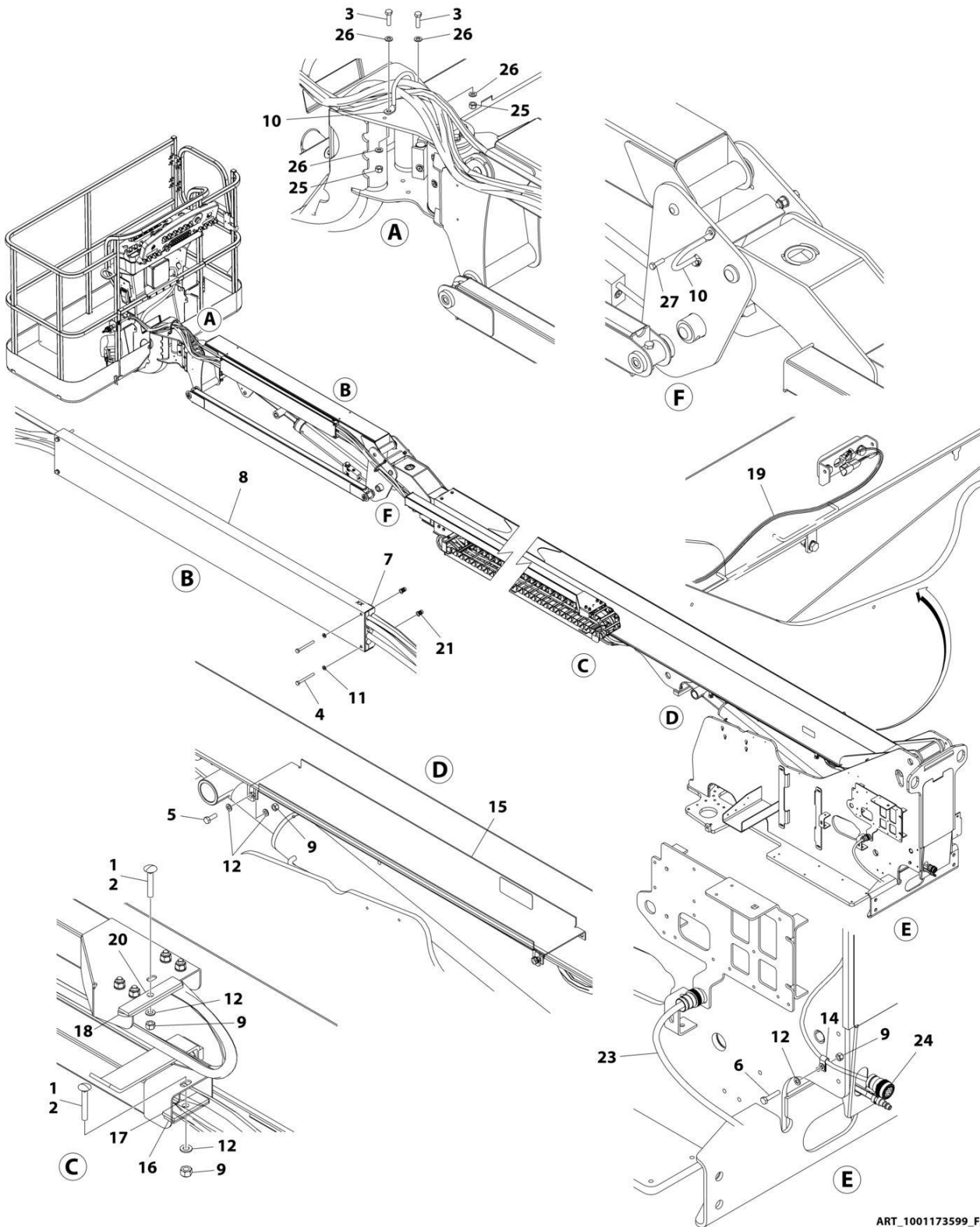
SECTION 8 - ELECTRICAL

FIGURE 8-30. CABLES AND CLAMPS INSTALLATION - 400SC WITH 7500W GENERATOR

ITEM	PART NUMBER	QTY	DESCRIPTION	REV
	1001173600	Ref	CABLES AND CLAMPS INSTALLATION	E
1	0630563	1	Bolt, Carriage M10 x 60	
2	0641504	2	Bolt, 5/16 x 1/2	
4	0761014	4	Bolt, M10 x 30	
7	3291005	6	Nut, Lock M10 x 1.5	
8	3841340	1	Hose Loop	
9	4812000	10	Washer, M10	
10	1001176952	1	Harness, Main Boom Cable (See Separate Breakdown in this Section)	
13	1001172128	1	Bracket, Hose Cover	
14	1001173456	1	Clamp	
15	1001173665	1	Clamp	
16	1001173761	1	Bracket	
17	1001173807	1	Harness, Capacity Switch (See Separate Breakdown in this Section)	
18	1001173808	1	Harness, Telescope In Proximity Sensors (See Separate Breakdown in this Section)	
19	1001173927	1	Clamp	
21	4922802	1	Cable, Electrical 8/5	
22	0100081	1	Adhesive	
23	1001181319	1	Bolt, Carriage M10 x 70	

SECTION 8 - ELECTRICAL

FIGURE 8-31. CABLES AND CLAMPS INSTALLATION - 460SJC WITHOUT GENERATOR



ART_1001173599_F

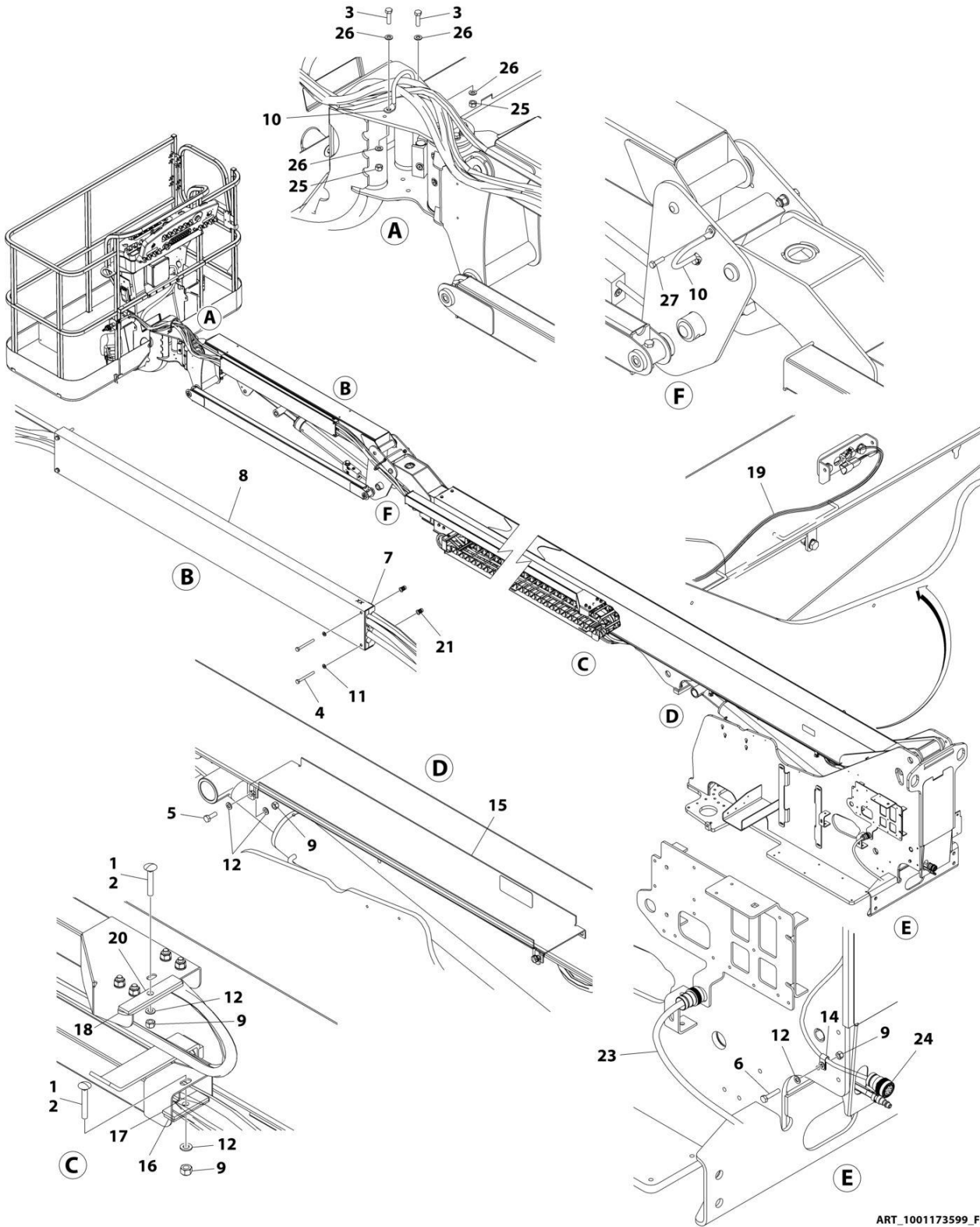
SECTION 8 - ELECTRICAL

FIGURE 8-31. CABLES AND CLAMPS INSTALLATION - 460SJC WITHOUT GENERATOR

ITEM	PART NUMBER	QTY	DESCRIPTION	REV
	1001173599	Ref	CABLES AND CLAMPS INSTALLATION	F
1	0100081	1	Adhesive	
2	0630563	2	Bolt, Carriage M10 x 60	
3	0760814	2	Bolt M8 x 30	
4	0641418	4	Bolt 1/4 x 2-1/4	
4	0700620	4	Bolt M6 x 60	
5	0761014	4	Bolt, M10 x 30	
6	0761018	1	Bolt, M10 x 50	
7	1001203459	2	Block, Clamp	
8	1670769	1	Cover	
9	3291005	7	Nut, Lock M10 x 1.5	
10	3841340	2	Hose Loop	
11	4811700	4	Washer, M6	
12	4812000	12	Washer, M10	
14	8406110	1	Clip	
15	1001172128	1	Bracket, Hose Cover	
16	1001173456	1	Clamp	
17	1001173665	1	Clamp	
18	1001173761	1	Bracket	
19	1001173808	1	Harness, Telescope In Proximity Sensors (See Separate Breakdown in this Section)	
20	1001173927	1	Clamp	
21	1001176636	4	Nut M6	
21	1001260680	4	Rivnut M6	
23	1001176953	1	Harness, Main Boom Cable (See Separate Breakdown in this Section)	
24	1001203435	1	Cable, Electrical 12/3	
25	3290805	2	Nut, Lock M8	
26	4811900	4	Washer M8	
27	0641504	2	Bolt 5/16 x 1/2	

SECTION 8 - ELECTRICAL

FIGURE 8-32. CABLES AND CLAMPS INSTALLATION - 460SJC WITH 4000W GENERATOR 50HZ



ART_1001173599_F

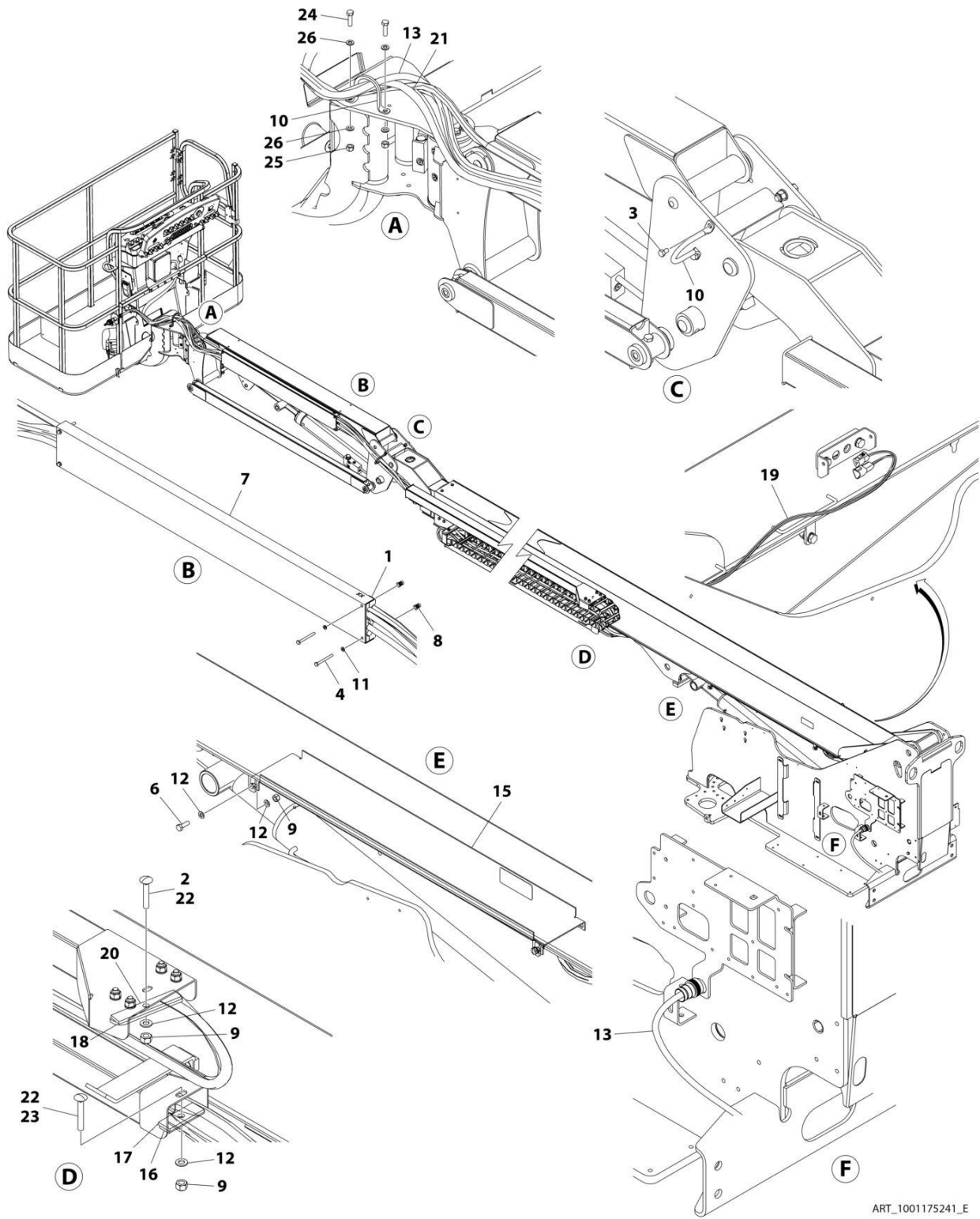
SECTION 8 - ELECTRICAL

FIGURE 8-32. CABLES AND CLAMPS INSTALLATION - 460SJC WITH 4000W GENERATOR 50HZ

ITEM	PART NUMBER	QTY	DESCRIPTION	REV
	1001173599	Ref	CABLES AND CLAMPS INSTALLATION	F
1	0100081	1	Adhesive	
2	0630563	2	Bolt, Carriage M10 x 60	
3	0760814	2	Bolt M8 x 30	
4	0641418	4	Bolt 1/4 x 2-1/4	
4	0700620	4	Bolt M6 x 60	
5	0761014	4	Bolt, M10 x 30	
6	0761018	1	Bolt, M10 x 50	
7	1001203459	2	Block, Clamp	
8	1670769	1	Cover	
9	3291005	7	Nut, Lock M10 x 1.5	
10	3841340	2	Hose Loop	
11	4811700	4	Washer, M6	
12	4812000	12	Washer, M10	
14	8406110	1	Clip	
15	1001172128	1	Bracket, Hose Cover	
16	1001173456	1	Clamp	
17	1001173665	1	Clamp	
18	1001173761	1	Bracket	
19	1001173808	1	Harness, Telescope In Proximity Sensors (See Separate Breakdown in this Section)	
20	1001173927	1	Clamp	
21	1001176636	4	Nut M6	
21	1001260680	4	Rivnut M6	
23	1001176953	1	Harness, Main Boom Cable (See Separate Breakdown in this Section)	
24	1001203435	1	Cable, Electrical 12/3	
25	3290805	2	Nut, Lock M8	
26	4811900	4	Washer M8	
27	0641504	2	Bolt 5/16 x 1/2	

SECTION 8 - ELECTRICAL

FIGURE 8-33. CABLES AND CLAMPS INSTALLATION - 460SJC WITH 4000W GENERATOR 60HZ



ART_1001175241_E

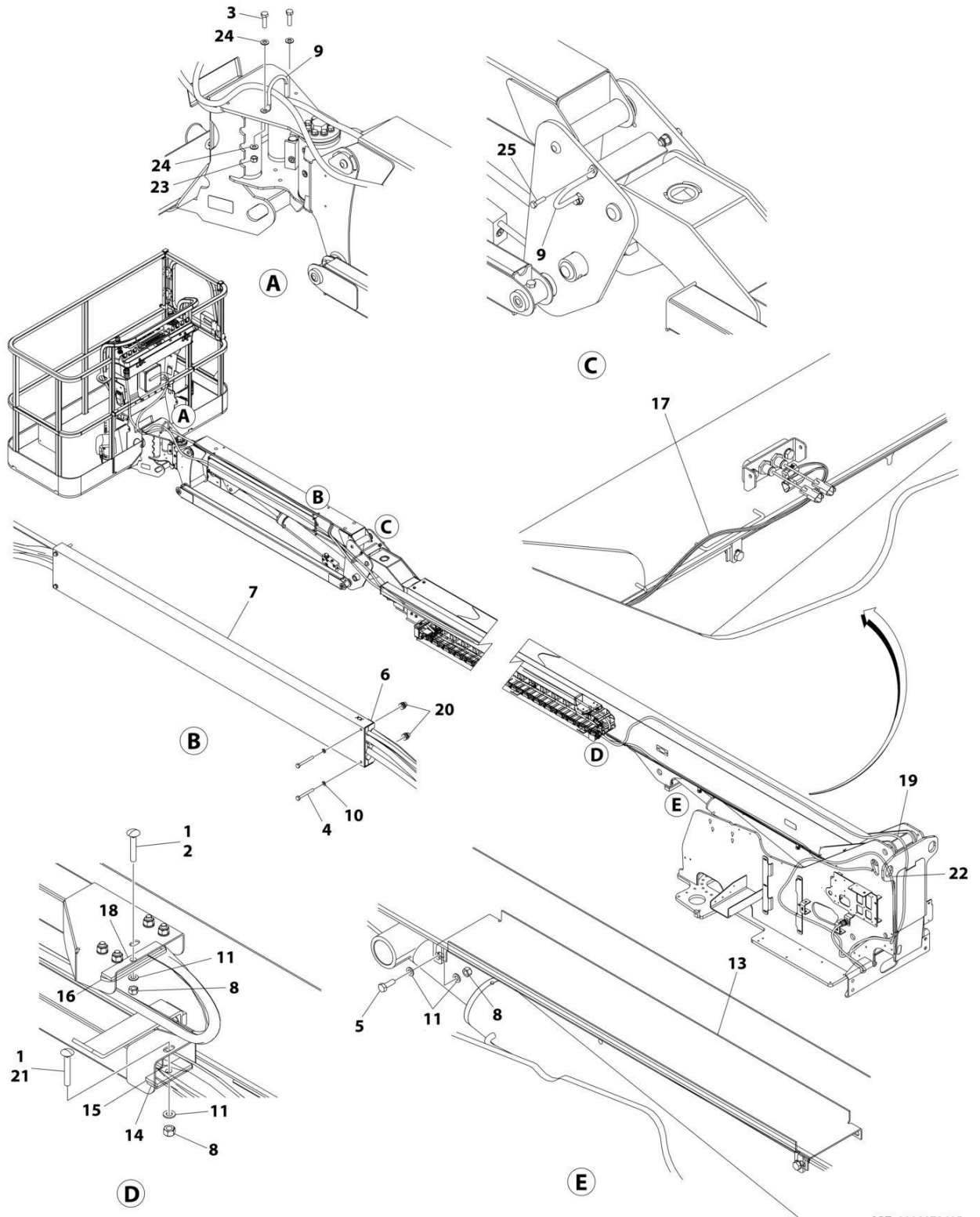
SECTION 8 - ELECTRICAL

FIGURE 8-33. CABLES AND CLAMPS INSTALLATION - 460SJC WITH 4000W GENERATOR 60HZ

ITEM	PART NUMBER	QTY	DESCRIPTION	REV
	1001175241	Ref	CABLES AND CLAMPS INSTALLATION	E
1	0561237	2	Block, Clamp	
2	0630563	1	Bolt, Carriage M10 x 60	
3	0641504	1	Bolt 5/16 x 1/2	
4	0700620	4	Bolt M6 x 60	
6	0761014	4	Bolt M10 x 30	
7	1670769	1	Cover	
8	1001176636	4	Nut M6	
8	1001260680	4	Rivnut M6	
9	3291005	6	Nut M10	
10	3841340	2	Hose Loop	
11	4811700	4	Washer M6	
12	4812000	10	Washer M10	
13	1001176953	1	Harness, Main Boom Cable - 460SJC (See Separate Breakdown in this Section)	
15	1001172128	1	Bracket, Hose Cover	
16	1001173456	1	Clamp	
17	1001173665	1	Clamp	
18	1001173761	1	Bracket	
19	1001173808	1	Harness, Telescope in Proximity Sensors (See Separate Breakdown in this Section)	
20	1001173927	1	Clamp	
21	1001175171	1	Cable, Electrical 12/3	
22	0100081	AR	Adhesive	
23	1001181329	1	Bolt, Carriage M10 x 70	
24	0760814	2	Bolt M8 x 30	
25	3290805	2	Nut M8	
23	4811900	4	Washer M8	

SECTION 8 - ELECTRICAL

FIGURE 8-34. CABLES AND CLAMPS INSTALLATION - 460SJC WITH 7500W GENERATOR



ART_1001173605

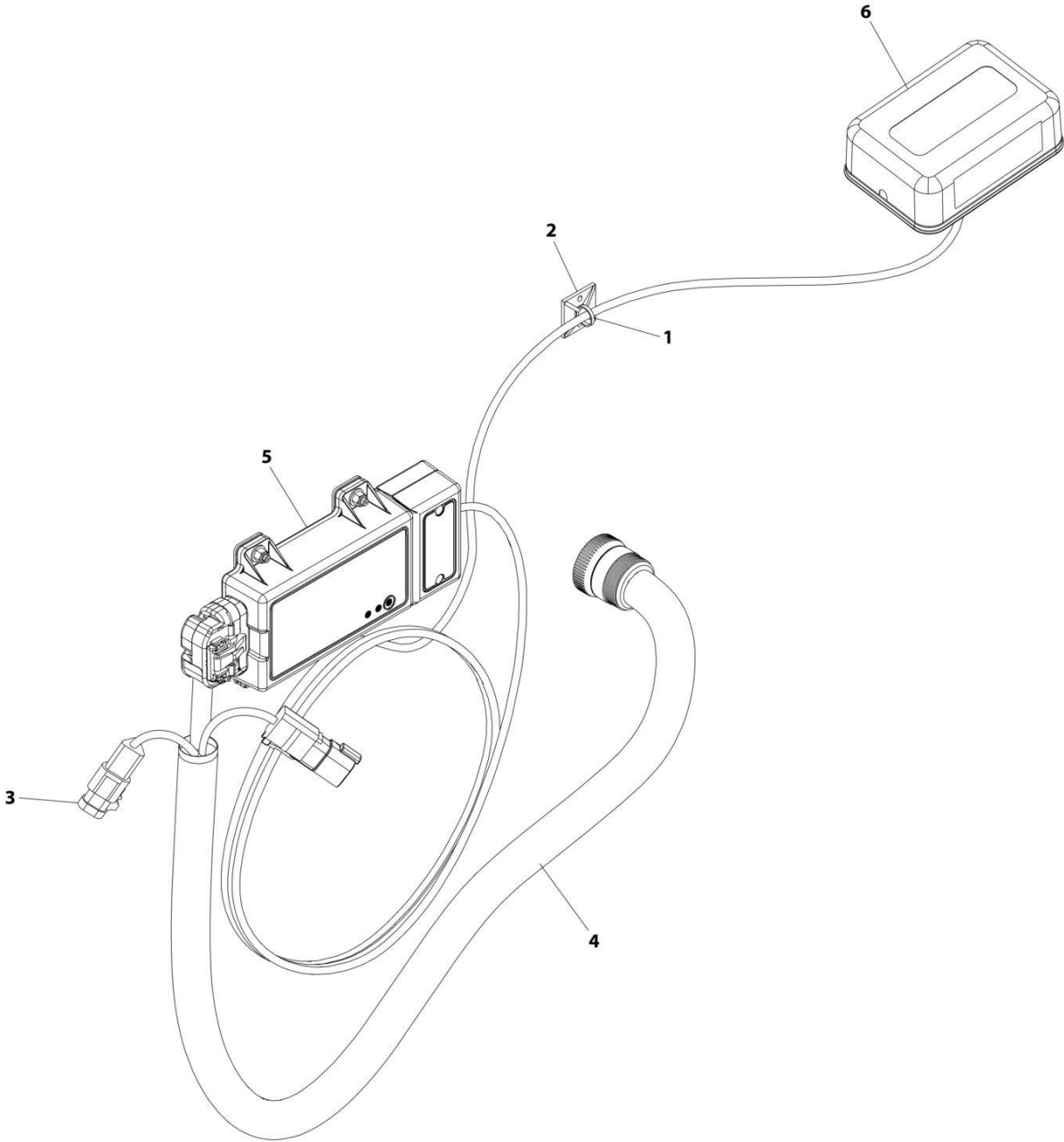
SECTION 8 - ELECTRICAL

FIGURE 8-34. CABLES AND CLAMPS INSTALLATION - 460SJC WITH 7500W GENERATOR

ITEM	PART NUMBER	QTY	DESCRIPTION	REV
	1001173605	Ref	CABLES AND CLAMPS INSTALLATION	G
1	0100081	1	Adhesive	
2	0630563	1	Bolt, Carriage M10 x 60	
3	0760814	2	Bolt M8 x 30	
4	0700620	4	Bolt M6 x 60	
5	0761014	4	Bolt M10 x 30	
6	1001203459	2	Block, Clamp	
7	1670769	1	Cover	
8	3291005	6	Nut M10	
9	3841340	2	Hose Loop	
10	4811700	4	Washer M6	
11	4812000	10	Washer M10	
13	1001172128	1	Bracket, Hose Cover	
14	1001173456	1	Clamp	
15	1001173665	1	Clamp	
16	1001173761	1	Bracket	
17	1001173808	1	Harness, Telescope In Proximity Sensors (See Separate Breakdown in this Section)	
18	1001173927	1	Clamp	
19	4922803	1	Cable, Electrical 8/5	
20	1001176636	4	Nut, Rivet M6	
20	1001260680	4	Rivnut M6	
21	1001181329	1	Bolt, Carriage M10 x 70	
22	1001176953	1	Harness, Main Boom (See Separate Breakdown in this Section)	
23	3290805	2	Nut, Lock M8	
24	4811900	4	Washer M8	
25	0641504	2	Bolt 5/16 x 1/2	

SECTION 8 - ELECTRICAL

FIGURE 8-35. CLEARSKY INSTALLATION - 4G CANBUS CONNECTION (ALL SPECS)



ART_1001227453

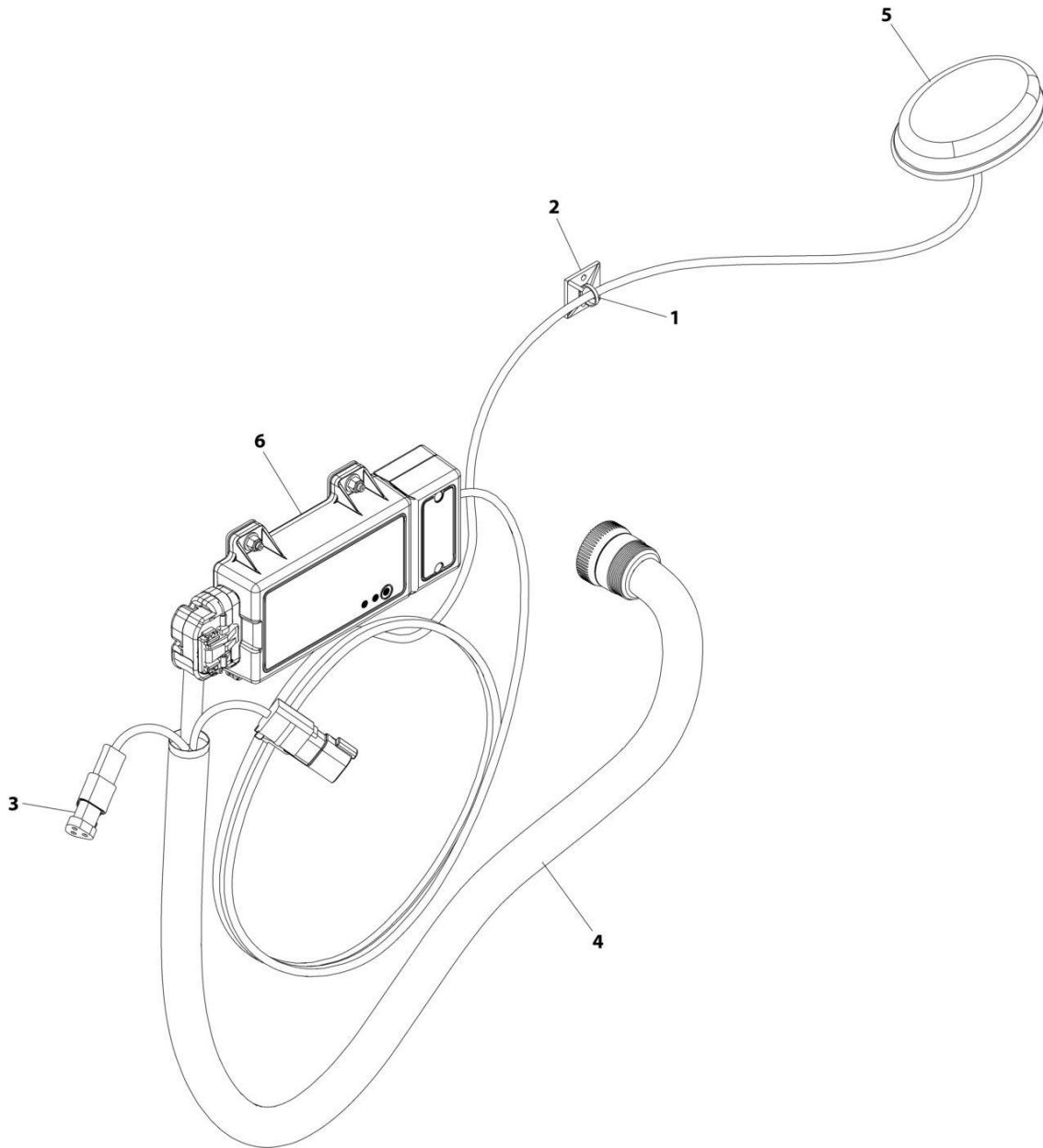
SECTION 8 - ELECTRICAL

FIGURE 8-35. CLEARSKY INSTALLATION - 4G CANBUS CONNECTION (ALL SPECS)

ITEM	PART NUMBER	QTY	DESCRIPTION	REV
	1001227453	Ref	CLEARSKY INSTALLATION - CANBUS	C
1	4240032	AR	Tie-Strap	
2	4460234	AR	Cable Tie	
3	1001129408	1	Connector	
4	1001226739	1	ClearSky Harness (See Separate Breakdown in ELECTRICAL Section)	
5	1001262322	1	Telematics Control Module (Note: Re-calibration Required when Replaced)	
6	1001262326	1	Antenna	

SECTION 8 - ELECTRICAL

FIGURE 8-36. CLEARSKY INSTALLATION - 3G CANBUS CONNECTION (ANSI EXPORT, CE, JAPANESE & UK CA SPECS)



ART_1001228955

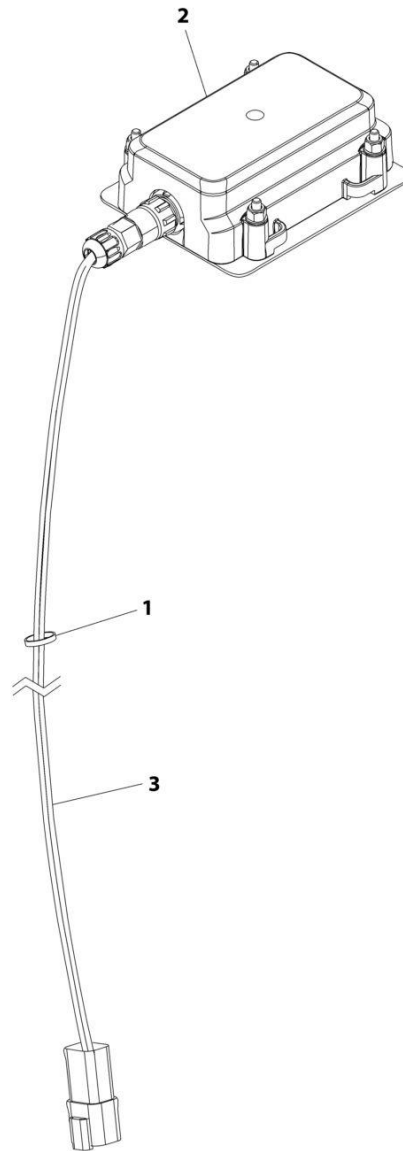
SECTION 8 - ELECTRICAL

FIGURE 8-36. CLEARSKY INSTALLATION - 3G CANBUS CONNECTION (ANSI EXPORT, CE, JAPANESE & UK CA SPECS)

ITEM	PART NUMBER	QTY	DESCRIPTION	REV
	1001228955	Ref	CLEARSKY INSTALLATION - CANBUS	A
1	4240032	AR	Tie-Strap	
2	4460234	AR	Cable Tie	
3	1001116815	1	Connector	
4	1001226739	1	ClearSky Harness (See Separate Breakdown in ELECTRICAL Section)	
5	1001226799	1	Antenna	
6	1001228954	1	Telematics Control Module (Note: Re-calibration Required when Replaced)	

SECTION 8 - ELECTRICAL

FIGURE 8-37. CLEARSKY INSTALLATION 3-WIRE GT1030 CONNECTION (ALL SPECS)



ART_1001276610

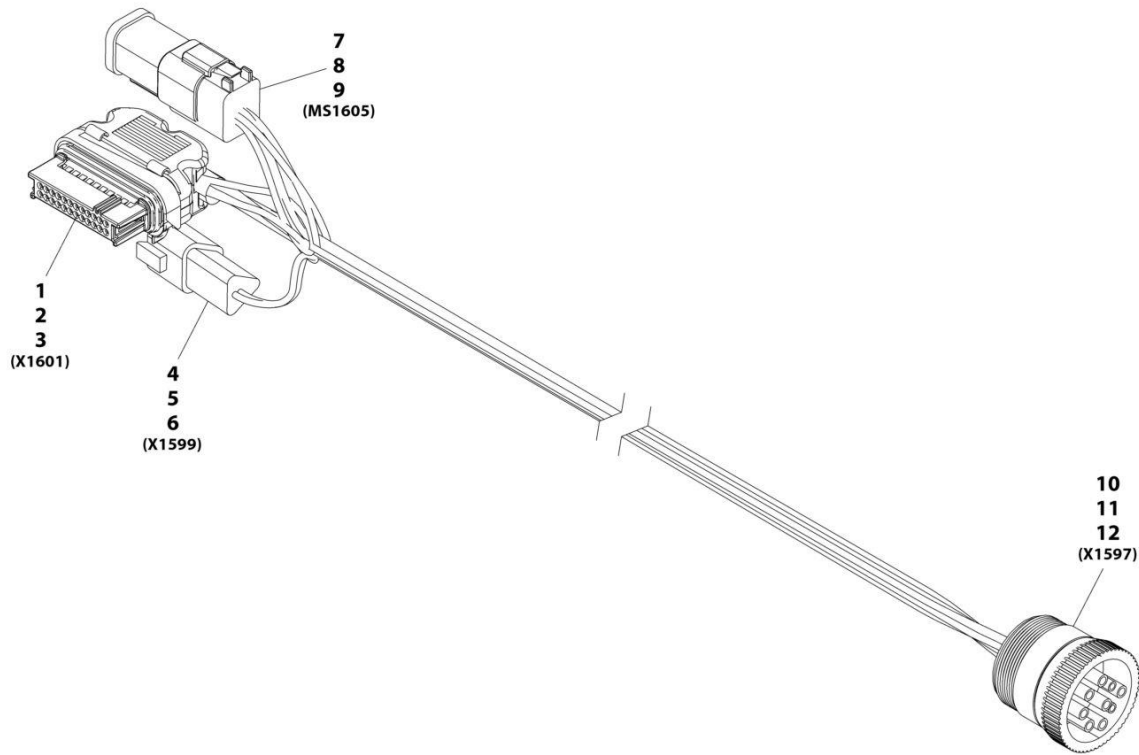
SECTION 8 - ELECTRICAL

FIGURE 8-37. CLEARSKY INSTALLATION 3-WIRE GT1030 CONNECTION (ALL SPECS)

ITEM	PART NUMBER	QTY	DESCRIPTION	REV
	1001276610	Ref	CLEARSKY INSTALLATION 3-WIRE CONNECTION	A
1	4240032	AR	Tie-Strap	
2	1001272659	1	Telematics Control Module Assembly (Note: Re-calibration Required when Replaced)	
3	1001273012	1	ClearSky Harness (See Separate Breakdown in this Section)	

SECTION 8 - ELECTRICAL

FIGURE 8-38. CLEARSKY HARNESS - 3G & 4G CANBUS CONNECTIONS



ART_1001226739-A

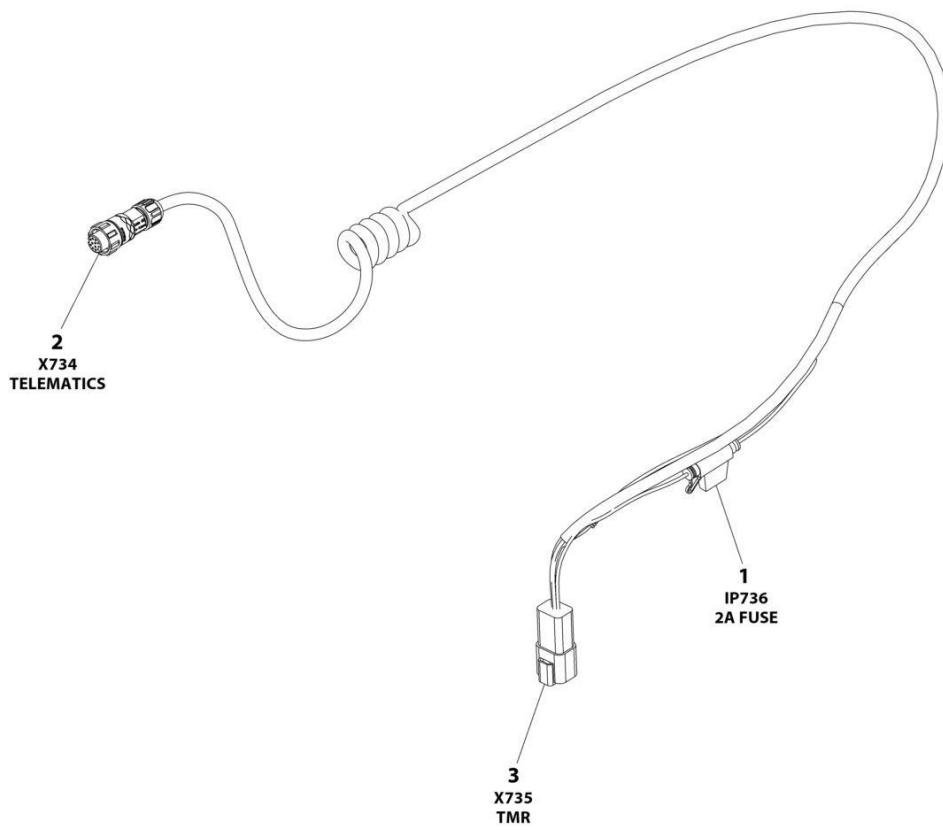
SECTION 8 - ELECTRICAL

FIGURE 8-38. CLEARSKY HARNESS - 3G & 4G CANBUS CONNECTIONS

ITEM	PART NUMBER	QTY	DESCRIPTION	REV
	1001226739	Ref	Clearsky Harness	A
1	1001226636	1	Connector	
2	1001116731	16	Plug, Terminal	
3	1001226637	8	Terminal	
4	1001144147	1	Connector	
5	4460464	2	Terminal	
6	4460466	1	Plug, Terminal	
7	4460894	1	Connector	
8	4460465	6	Terminal	
9	1001226541	1	Connector- 6 Pin Bussbar	
10	1001112796	1	Connector	
11	4460465	8	Terminal	
12	4460466	1	Plug, Terminal	

SECTION 8 - ELECTRICAL

FIGURE 8-39. CLEARSKY HARNESS - 3 WIRE GT1030



ART_1001273012

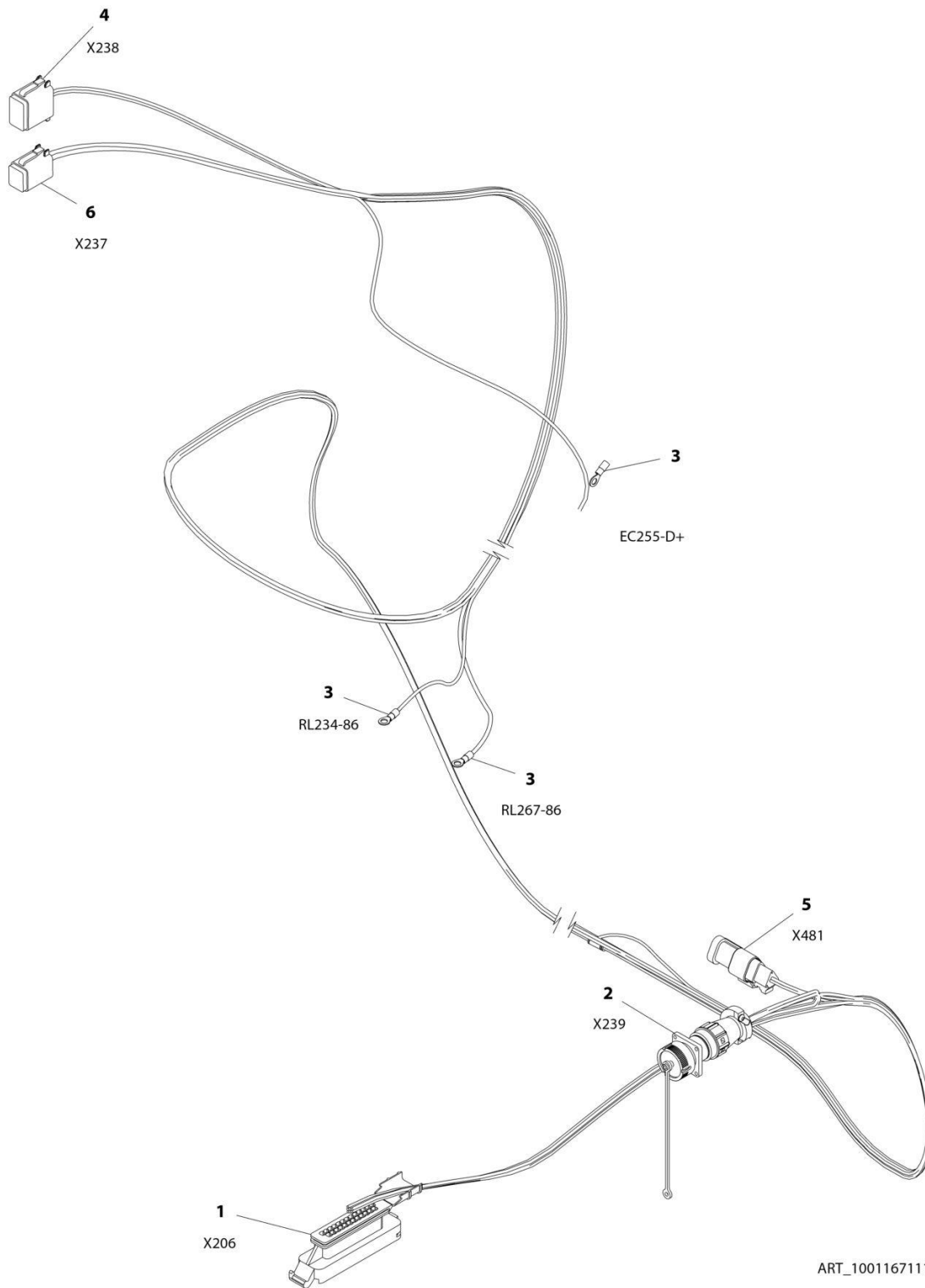
SECTION 8 - ELECTRICAL

FIGURE 8-39. CLEARSKY HARNESS - 3 WIRE GT1030

ITEM	PART NUMBER	QTY	DESCRIPTION	REV
	1001273012	Ref	CLEARSKY TELEMATICS HARNESS - GT1030	D
1	1001255901	1	Fuseholder	
1	1001196634	1	Fuse - 2Amp	
2	1001272997	1	Connector - 12 Position	
2		Ref	Terminal	
3	4460932	1	Receptacle, Female - 4 Position	
3	4460464	4	Pin, Male	

SECTION 8 - ELECTRICAL

FIGURE 8-40. ENGINE HARNESS - DEUTZ D2011



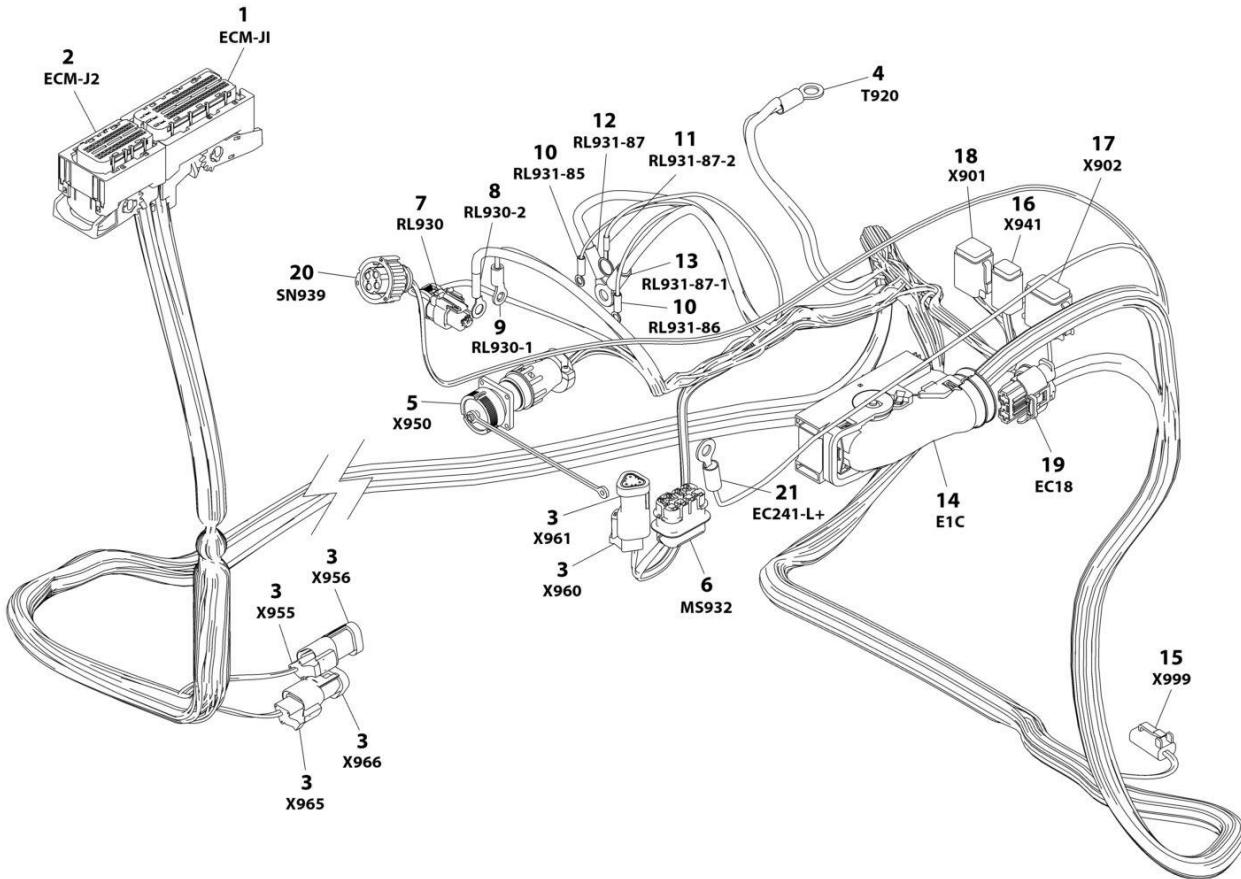
SECTION 8 - ELECTRICAL

FIGURE 8-40. ENGINE HARNESS - DEUTZ D2011

ITEM	PART NUMBER	QTY	DESCRIPTION	REV
	1001167111	Ref	ENGINE HARNESS - DEUTZ D2011	B
1	4461052	1	Connector - 25 Position	
1	4461005	7	Terminal	
1	4461008	18	Plug, Terminal	
2	2902443	1	Receptacle Kit	
2	4461071	8	Socket, Female	
2	4461072	1	Receptacle with Flange - 8 Position	
2	4461073	1	Cap, Dust	
2	4461074	1	Shell, Black	
3	4460313	3	Terminal, Ring	
4	4460930	1	Plug, Male - 8 Position	
4	4460465	2	Socket, Female	
4	4460466	6	Seal, Terminal	
5	4461095	1	Plug, Male - 3 Position	
5	4460465	3	Socket, Female	
6	4460894	1	Plug, Male - 6 Position	
6	4460465	6	Socket, Female	

SECTION 8 - ELECTRICAL

FIGURE 8-41. ENGINE HARNESS - DEUTZ D2.9L4



ART_1001167108_L

SECTION 8 - ELECTRICAL

FIGURE 8-41. ENGINE HARNESS - DEUTZ D2.9L4

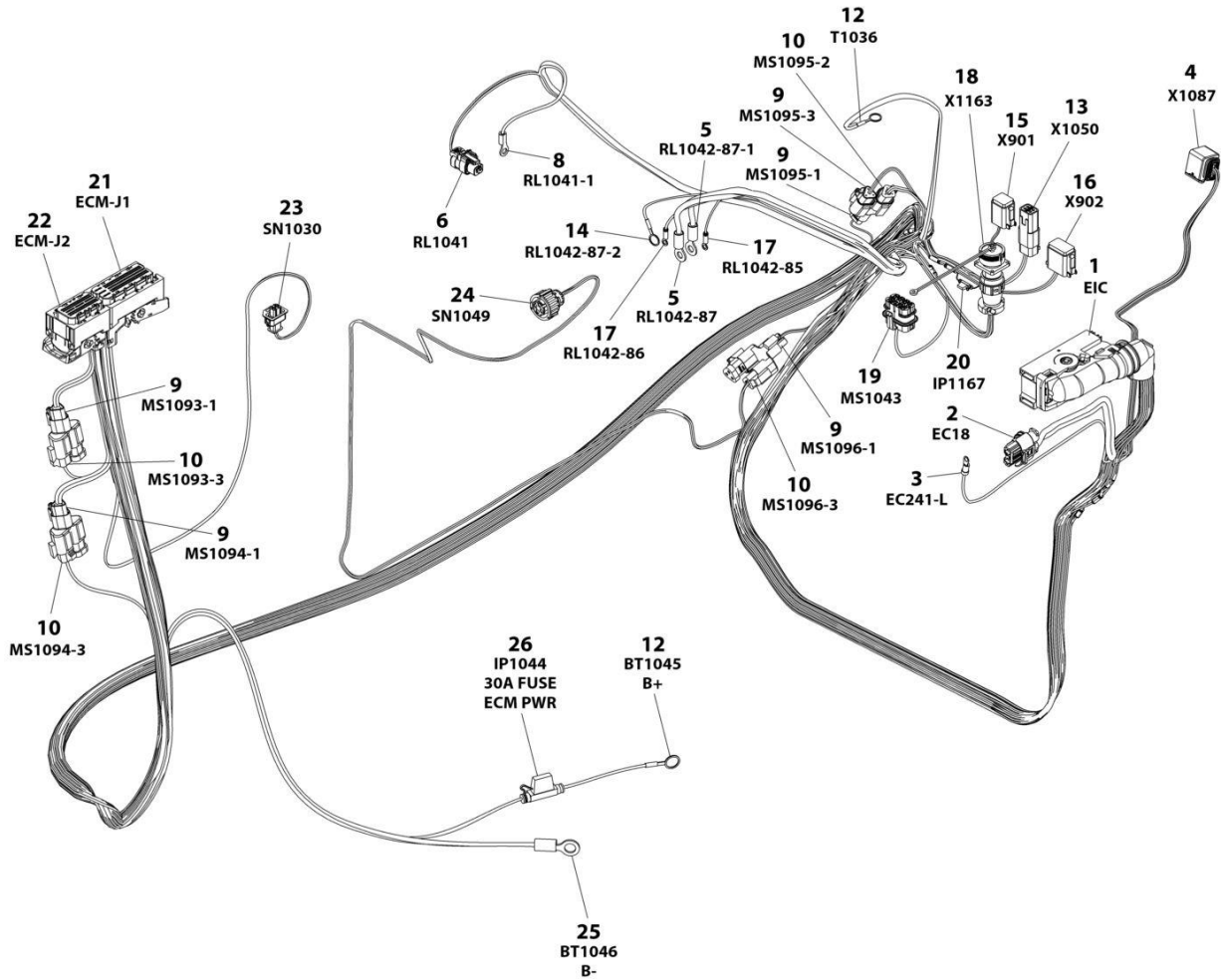
ITEM	PART NUMBER	QTY	DESCRIPTION	REV
	1001167108	Ref	ENGINE HARNESS - DEUTZ D2.9L4	L
1	1001133956	1	Connector, 94 Position	
1	1001182361	6	Terminal	
1	1001126351	2	Terminal	
1	1001230934	17	Terminal	
1	1001230935	63	Plug, Terminal	
1	1001256507	4	Terminal	
1	1001230936	2	Plug, Terminal	
1	1001182365	6	Seal	
2	1001133957	1	Connector - 60 Position	
2	1001230936	11	Plug, Terminal	
2	1001126351	13	Terminal	
2	1001230935	19	Plug, Terminal	
2	1001230934	11	Terminal	
2	1001252527	4	Terminal	
2	1001256507	2	Terminal	
3	4461095	3	Plug, Male - 3 Position	
3	4460944	6	Socket, Female	
3	4460466	3	Plug, Terminal	
3	4461070	3	Connector, Female with Resistor 3 Position	
4	8220115	1	Terminal, Ring	
5	2902443	1	Receptacle Kit	
5	4461071	8	Socket, Female	
5	4461072	1	Receptacle with Flange - 8 Position	
5	4461073	1	Cap, Dust	
5	4461074	1	Shell, Black	
6	80484084	1	Connector - 8 Position	
6	4460746	3	Terminal	
6	1001234800	1	Terminal	
6	4460748	4	Plug, Terminal	
6	4460458	4	Seal	
6	8229242	1	Fuse - 5Amp	
6	80983191	1	Fuse - 10Amp	
6	1001147264	1	Cap	
7	1001116952	1	Plug, Male - 2 Position	
7	4460465	2	Socket, Female	
8	1001117106	1	Terminal, Ring	
9	4460043	1	Terminal, Ring	
10	4460247	2	Terminal, Ring	
11	4460703	1	Terminal, Ring	
12	8220164	1	Terminal, Ring	
13	1001117107	1	Terminal, Ring	
14	1001126362	1	Connector - 62 Position	
14	1001126363	25	Terminal	
14	1001126391	21	Seal, Terminal	
14	1001126392	10	Terminal	
14	4461008	4	Seal, Terminal	
14	1001126365	2	Terminal	
14	1001223459	10	Seal, Terminal	
14	1001126364	23	Seal, Terminal	

SECTION 8 - ELECTRICAL

ITEM	PART NUMBER	QTY	DESCRIPTION	REV
14	1001256506	2	Seal, Terminal	
14	4461054	2	Seal, Terminal	
15	4460891	1	Plug, Male - 2 Position	
15	4460465	2	Socket, Female	
16	1001220379	1	Plug, Male - 4 Position	
16	4460465	2	Socket, Female	
16	4460942	2	Socket, Female	
17	4460930	1	Plug, Male - 8 Position	
17	4460465	1	Socket, Female	
17	4460466	7	Seal, Terminal	
18	4460894	1	Plug, Male - 6 Position	
18	4460465	3	Socket, Female	
18	4460944	2	Socket, Female	
18	4460466	1	Plug, Terminal	
19	1001142938	1	Connector - 2 Position	
19	1001142940	2	Terminal	
19	1001142941	2	Seal, Terminal	
20	1001133714	1	Plug, Male - 4 Position	
20	1001133715	3	Terminal	
20	1001135651	1	Plug, Terminal	
20	1001135650	3	Seal	
21	4460042	1	Terminal, Ring	

SECTION 8 - ELECTRICAL

FIGURE 8-42. ENGINE HARNESS - DEUTZ D2.9L4 (STAGE V) ENGINE



ART_1001276643

SECTION 8 - ELECTRICAL

FIGURE 8-42. ENGINE HARNESS - DEUTZ D2.9L4 (STAGE V) ENGINE

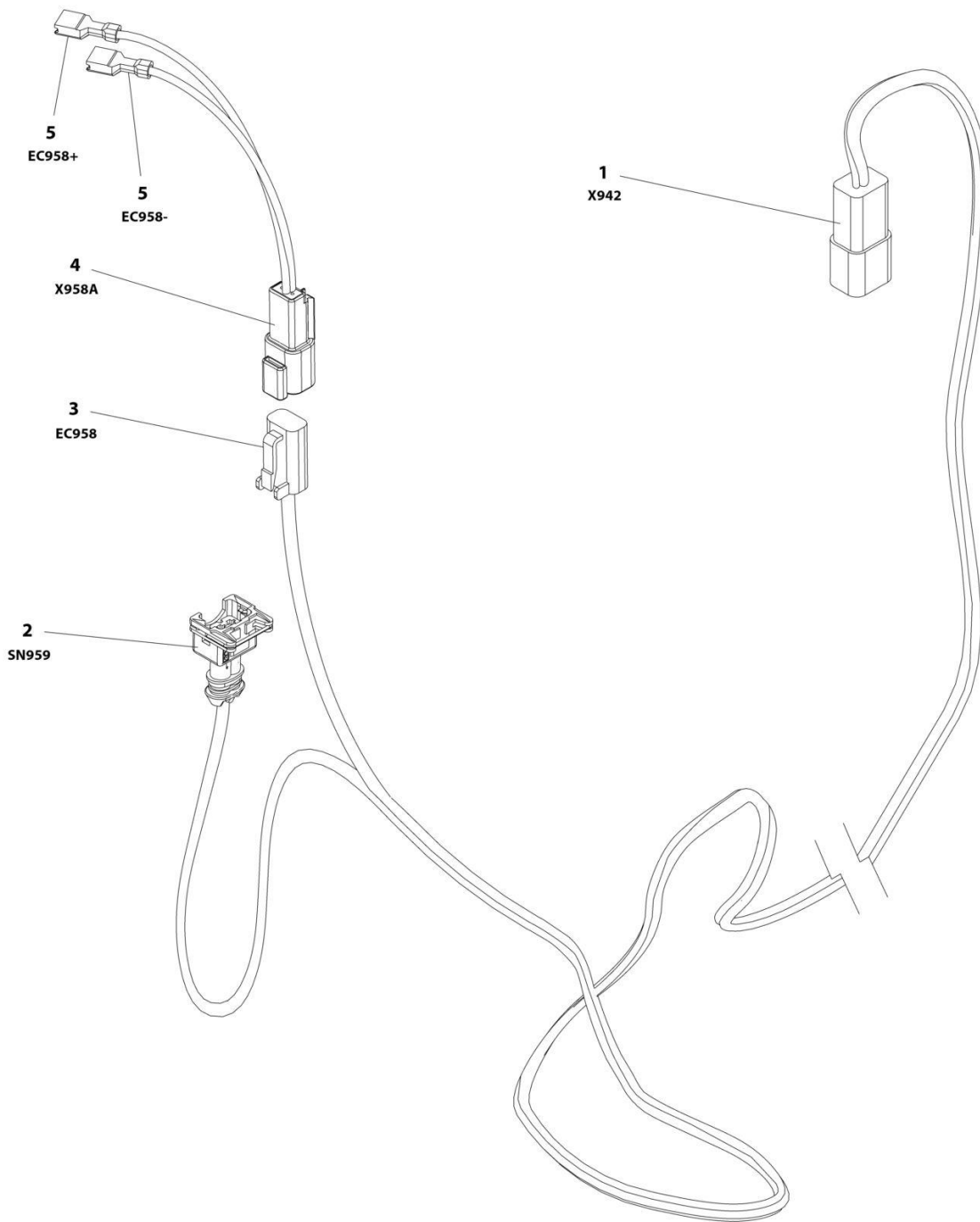
ITEM	PART NUMBER	QTY	DESCRIPTION	REV
	1001276643	Ref	ENGINE HARNESS - DEUTZ D2.9L4 (STAGE V) ENGINE	B
1	1001126362	1	Connector	
1	1001126363	37	Socket	
1	1001126391	7	Plug, Terminal	
1	1001126392	12	Socket	
1	4461008	4	Plug, Terminal	
1	1001167632	2	Socket	
1	1001126364	37	Plug, Terminal	
1	1001223459	12	Seal	
1	4461054	2	Seal	
2	1001142938	1	Connector	
2	1001142940	2	Socket	
2	1001142941	2	Seal	
3	4460042	1	Terminal, Ring	
4	1001239202	1	Connector	
4	1001126363	7	Socket	
4	1001126391	1	Plug, Terminal	
4	1001126364	7	Plug, Terminal	
5	1001117107	2	Terminal, Ring	
6	1001116952	1	Connector	
6	4460465	2	Socket	
8	4460043	1	Terminal, Ring	
9	1001116812	5	Connector	
9	4460944	10	Socket	
9	4460466	5	Plug, Terminal	
10	4460539	4	Connector	
10	4460944	8	Socket	
10	4460466	4	Plug, Terminal	
12	4460019	2	Terminal, Ring	
13	4460884	1	Connector	
13	4460465	2	Socket	
13	4460942	2	Socket	
14	4460703	1	Terminal, Ring	
15	4460894	1	Connector	
15	4460466	2	Plug, Terminal	
15	4460465	2	Socket	
15	4460944	2	Socket	
16	4460930	1	Connector	
16	4460465	1	Socket	
16	4460466	7	Plug, Terminal	
17	4460247	2	Terminal, Ring	
18	2902443	1	Receptacle Kit	
18	4461071	8	Socket	
18	4461072	1	Receptacle with Flange - 8 Position	
18	4461073	1	Cap, Dust	
18	4461074	1	Shell, Black	
19	80484084	1	Connector	
19	4460748	4	Plug, Socket	
19	4460746	3	Socket	
19	1001234800	1	Socket	

SECTION 8 - ELECTRICAL

ITEM	PART NUMBER	QTY	DESCRIPTION	REV
19	4460458	4	Seal	
20	1001170764	1	Holder, Fuse	
20	1001197719	1	Fuse 0.5 Watt	
21	1001133956	1	Connector	
21	1001182361	6	Socket	
21	1001126351	3	Socket	
21	1001230934	23	Socket	
21	1001230935	57	Pin	
21	1001230936	1	Pin	
21	1001252527	4	Socket	
21	1001182365	6	Seal	
22	1001133957	1	Connector	
22	1001230936	11	Pin	
22	1001126351	13	Socket	
22	1001230935	10	Pin	
22	1001230934	26	Socket	
23	1001126487	1	Connector	
23	1001167635	2	Socket	
23	1001126485	2	Seal	
24	1001133714	1	Connector	
24	1001133715	3	Socket	
24	1001135651	1	Plug, Terminal	
24	1001135650	2	Seal	
25	4460115	1	Terminal, Ring	
26	1001172064	1	Fuse Holder (Includes Cover)	
26	1001172065	1	Fuse 30Amp	

SECTION 8 - ELECTRICAL

FIGURE 8-43. FUEL HARNESS - DEUTZ D2.9L4 ENGINE



ART_1001173342

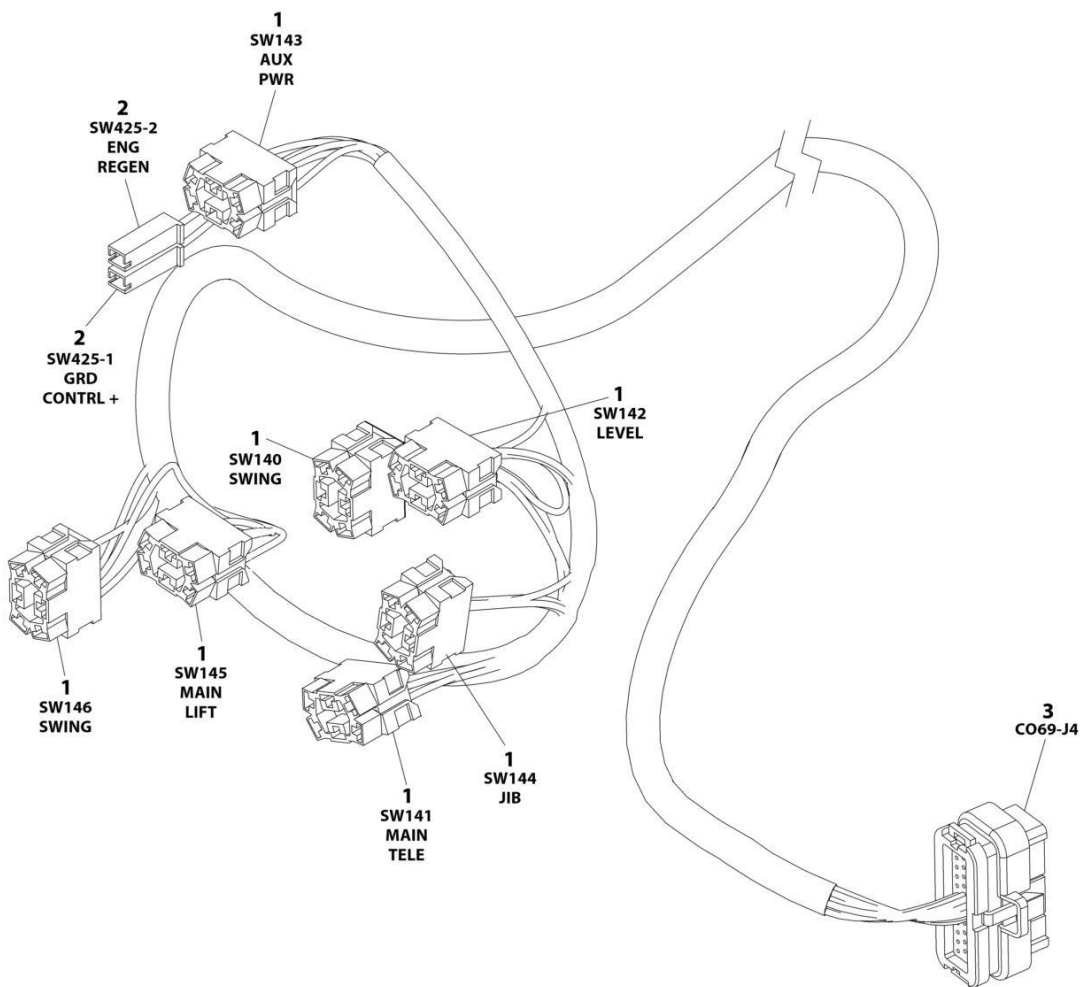
SECTION 8 - ELECTRICAL

FIGURE 8-43. FUEL HARNESS - DEUTZ D2.9L4 ENGINE

ITEM	PART NUMBER	QTY	DESCRIPTION	REV
	1001173342	Ref	FUEL HARNESS - DEUTZ D2.9L4 ENGINE	C
1	4460932	1	Receptacle, Female - 4 Position	
1	4460464	2	Pin, Male	
1	4460941	2	Pin, Male	
2	1001116983	1	Plug, Male - 2 Position	
2	1001116710	2	Socket, Female	
3	4460891	1	Plug, Male - 2 Position	
3	4460942	2	Socket, Female	
4	4460897	1	Receptacle, Female - 2 Position	
4	4460941	2	Pin, Male	
5	8220051	2	Coupler, Female	

SECTION 8 - ELECTRICAL

FIGURE 8-44. GROUND CONTROL BOX HARNESS



ART_1001238161

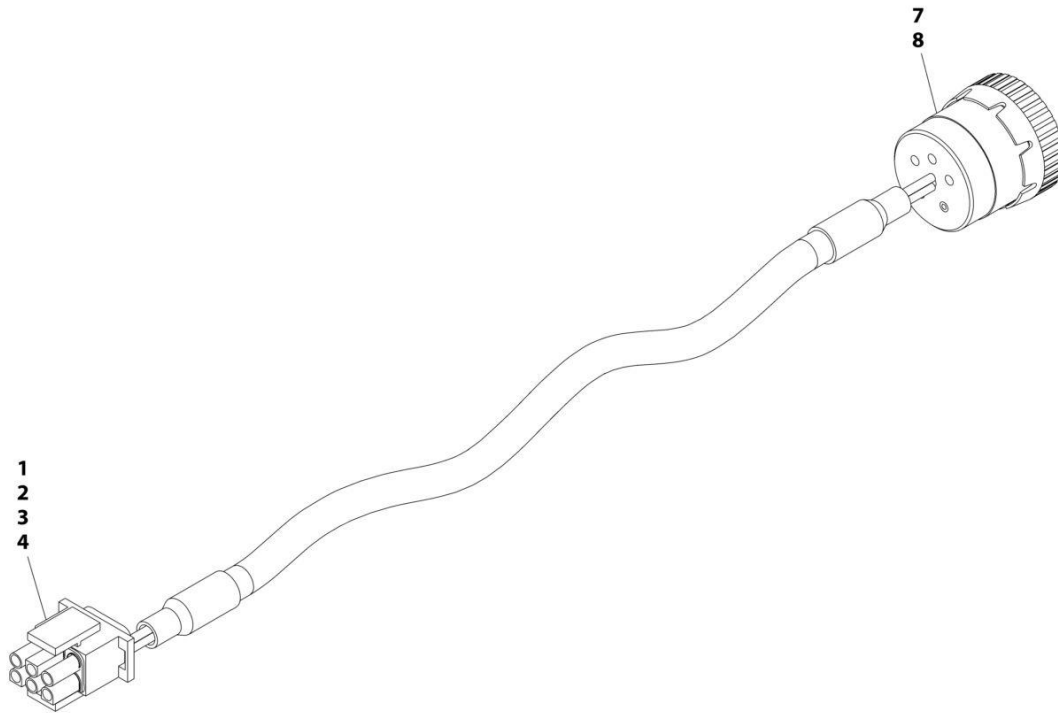
SECTION 8 - ELECTRICAL

FIGURE 8-44. GROUND CONTROL BOX HARNESS

ITEM	PART NUMBER	QTY	DESCRIPTION	REV
	1001238161	Ref	GROUND CONTROL BOX HARNESS	C
1	4460418	7	Connector - 6 Position	
1	4460419	27	Terminal	
2	4460260	2	Housing, Terminal	
2	4460259	2	Terminal	
3	4460876	1	Connector - 35 Position	
3	4460871	16	Socket, Female	
3	4460905	19	Plug, Terminal	

SECTION 8 - ELECTRICAL

FIGURE 8-45. GENERATOR HARNESS - 4000W GENERATOR



ART_1001152532

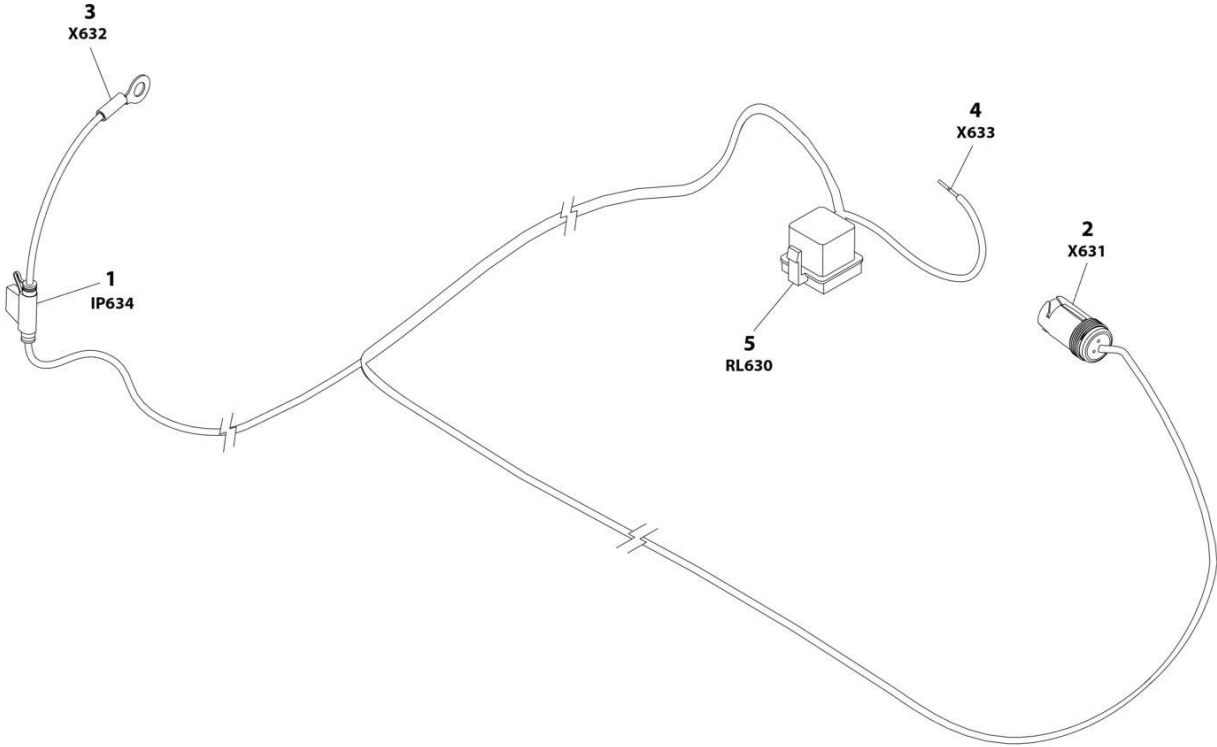
SECTION 8 - ELECTRICAL

FIGURE 8-45. GENERATOR HARNESS - 4000W GENERATOR

ITEM	PART NUMBER	QTY	DESCRIPTION	REV
	1001152532	Ref	GENERATOR HARNESS	A
1	4460225	1	Connector - 6 Position	
2	4460268	2	Socket, Female	
3	4460807	1	Seal	
4	4460808	1	Seal	
7	4460465	2	Socket, Female	
8	77363233	1	Connector - 6 Position	

SECTION 8 - ELECTRICAL

FIGURE 8-46. GENERATOR HARNESS - 2500W GENERATOR (60HZ)



ART_1001187522

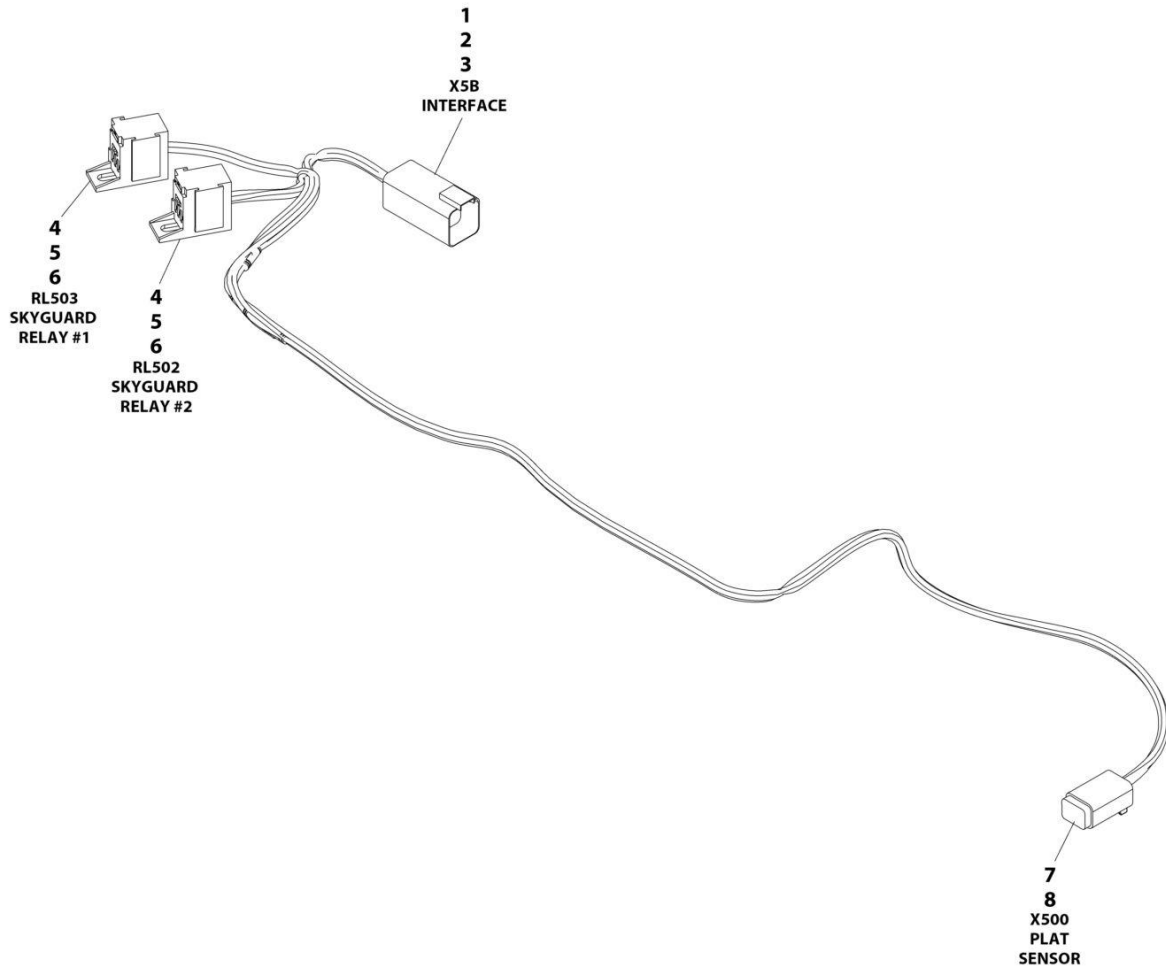
SECTION 8 - ELECTRICAL

FIGURE 8-46. GENERATOR HARNESS - 2500W GENERATOR (60HZ)

ITEM	PART NUMBER	QTY	DESCRIPTION	REV
	1001187522	Ref	GENERATOR HARNESS - 2500W	B
1	2400066	1	Fuseholder - 30Amp (Includes Cover)	
1	8229245	1	Fuse 30Amp	
2	1001154726	1	Receptacle, Female - 3 Position	
2	4460464	2	Pin, Male	
2	4460466	1	Plug, Terminal	
3	8220045	1	Terminal, Ring	
4	4460906	1	Socket, Female	
5	1001117057	1	Connector, Relay	
5	1001116734	2	Terminal	
5	1001116732	2	Terminal	
5	3740080	1	Relay	

SECTION 8 - ELECTRICAL

FIGURE 8-47. INTERFACE HARNESS - WITH 1 CELL LSS



ART_1001225580_E

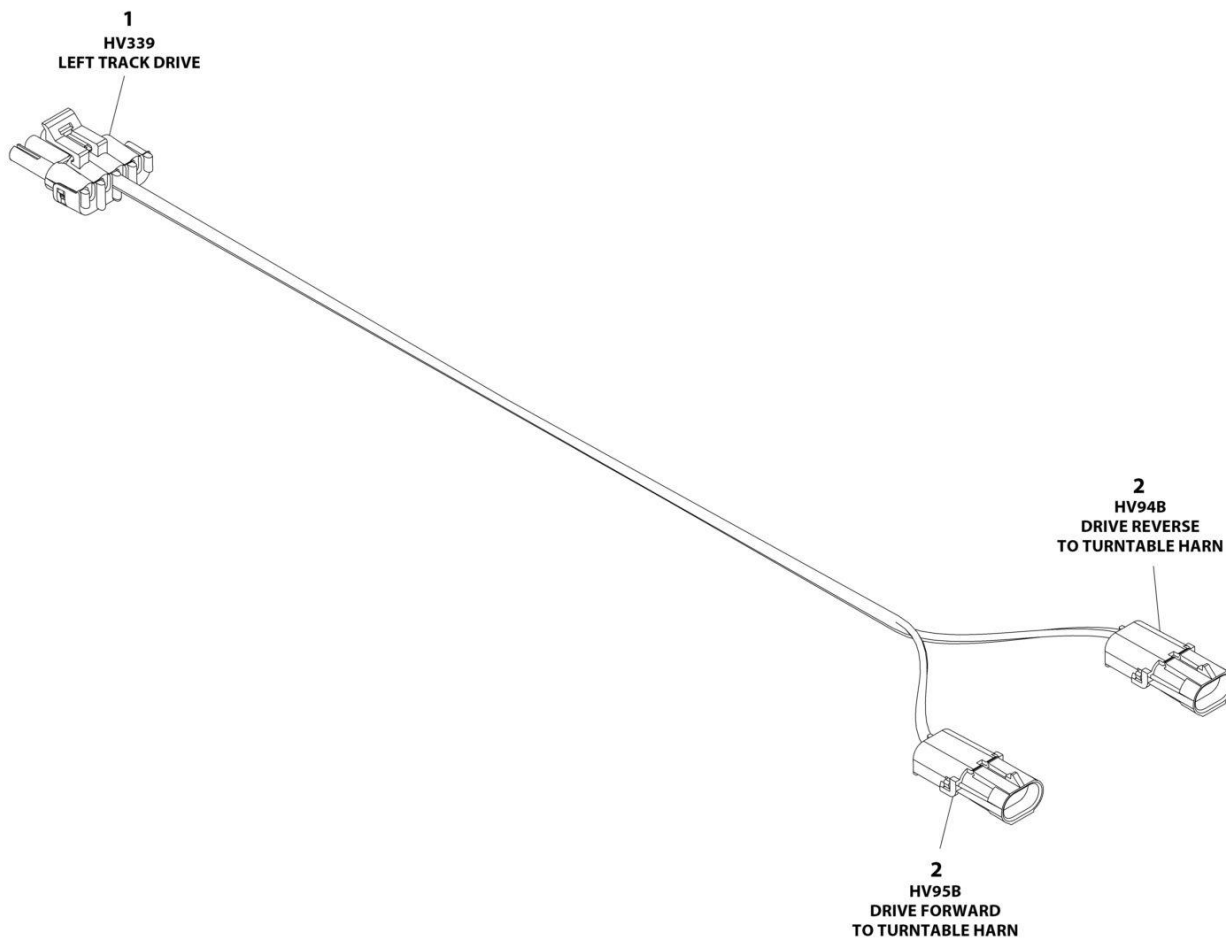
SECTION 8 - ELECTRICAL

FIGURE 8-47. INTERFACE HARNESS - WITH 1 CELL LSS

ITEM	PART NUMBER	QTY	DESCRIPTION	REV
	1001225580	Ref	PLATFORM INTERFACE HARNESS - WITH 1 CELL LSS	E
1	4460899	1	Connector	
2	4460464	4	Terminal	
3	4460466	2	Plug	
4	1001186432	2	Connector	
5	1001253375	4	Terminal	
6	1001104519	4	Terminal	
7	4460884	1	Connector	
8	4460465	4	Terminal	

SECTION 8 - ELECTRICAL

FIGURE 8-48. LEFT DRIVE HARNESS



ART_1001238256

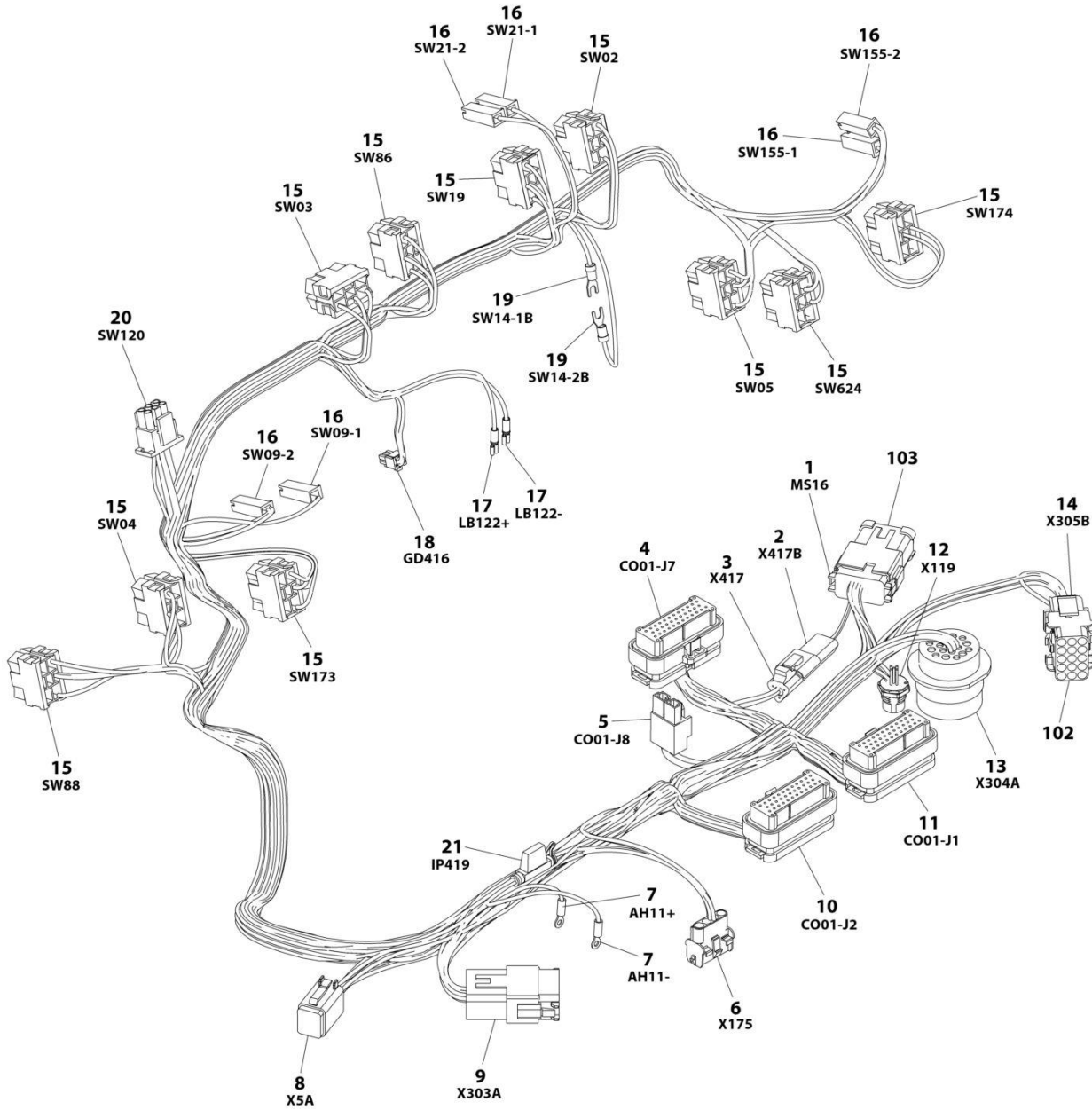
SECTION 8 - ELECTRICAL

FIGURE 8-48. LEFT DRIVE HARNESS

ITEM	PART NUMBER	QTY	DESCRIPTION	REV
	1001238256	Ref	LEFT DRIVE HARNESS	B
1	4460460	1	Terminal, Female (HV339 – Left Track Drive)	
1	4460475	4	Pin, Male	
1	4460458	4	Seal, Terminal	
2	4461157	2	Connector - 2 Position (HV94B)	
2	4460979	4	Pin, Male	
2	4460458	4	Seal, Terminal	

SECTION 8 - ELECTRICAL

FIGURE 8-49. PLATFORM CONSOLE BOX HARNESS



ART_1001238254

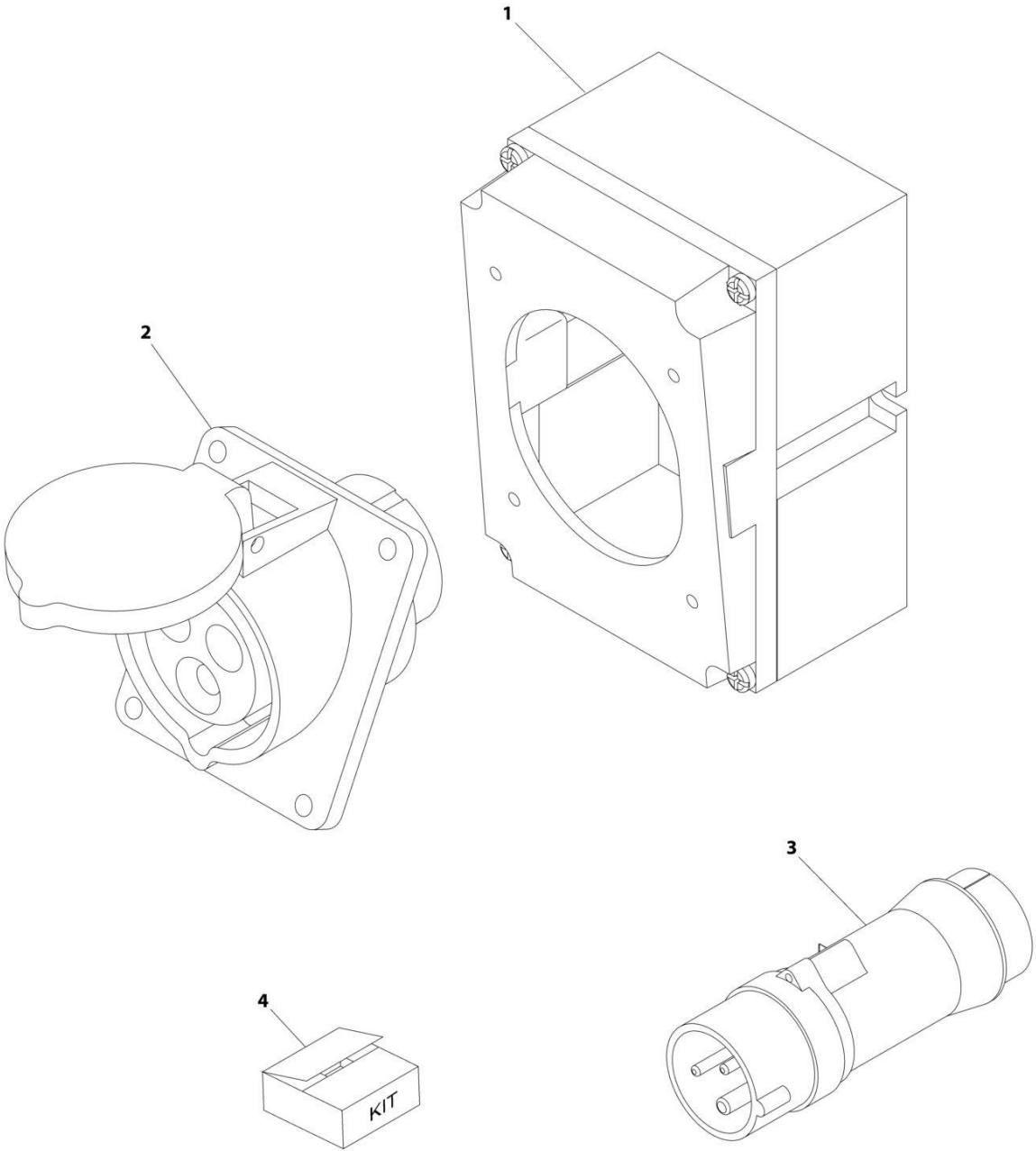
SECTION 8 - ELECTRICAL

FIGURE 8-49. PLATFORM CONSOLE BOX HARNESS

ITEM	PART NUMBER	QTY	DESCRIPTION	REV
	1001238254	Ref	PLATFORM CONSOLE BOX HARNESS	I
1	4460933	1	Plug, Male - 12 Position	
1	4460465	10	Socket, Female	
1	4460466	2	Plug, Terminal	
2	4460536	1	Receptacle, Female - 3 Position	
2	4460464	2	Pin, Male	
2	4460466	1	Plug, Terminal	
3	4460539	1	Plug, Male - 3 Position	
3	4460465	2	Socket, Female	
3	4460466	1	Plug, Terminal	
4	4460873	1	Connector - 35 Position	
4	4460871	21	Socket, Female	
4	4460905	14	Plug, Terminal	
5	4460879	1	Plug, Male - 2 Position	
5	4460887	2	Terminal	
6	4460761	1	Receptacle, Female - 4 Position	
6	4460267	4	Pin, Male	
7	1001098122	2	Terminal, Ring	
8	4460894	1	Plug, Male - 6 Position	
8	4460465	6	Socket, Female	
9	4460970	1	Receptacle, Female - 12 Position	
9	1001116693	11	Pin, Male	
9	4460466	1	Plug, Terminal	
10	4460875	1	Connector - 35 Position	
10	4460871	12	Socket, Female	
10	4460905	23	Plug, Terminal	
11	4460874	1	Connector - 35 Position	
11	4460871	27	Socket, Female	
11	4460905	8	Plug, Terminal	
12	1001213447	1	Connector - 4 Position	
12	See Note	NSS	Terminal (Note: Purchase p/n 1001213447)	
13	4460866	1	Connector - 19 Position	
13	4460464	5	Pin, Male	
13	4460466	11	Plug, Terminal	
13	4460508	1	Pin, Male	
14	4460434	1	Connector - 15 Position	
14	4460267	8	Pin, Male	
15	4460418	10	Connector - 6 Position	
15	4460419	45	Terminal	
16	4460260	6	Housing, Terminal	
16	4460259	8	Terminal	
17	1001271497	2	Terminal	
18	1001237667	1	Plug, Male - 6 Position	
18	1001237668	4	Terminal	
19	4460183	2	Terminal, Fork	
20	4460225	1	Plug, Male - 6 Position	
20	4460227	6	Pin, Male (Note: Used on Pump Potentiometer Connection Only)	
21	2400060	1	Fuse Holder	
102	4460708	1	Connector, Bussbar - 15 Position	
103	1001125677	1	Connector, Bussbar - 12 Position	

SECTION 8 - ELECTRICAL

FIGURE 8-50. RECEPTACLE BOX KIT - 110V IEC YELLOW (CE & UK CA SPEC)



ART_0275216

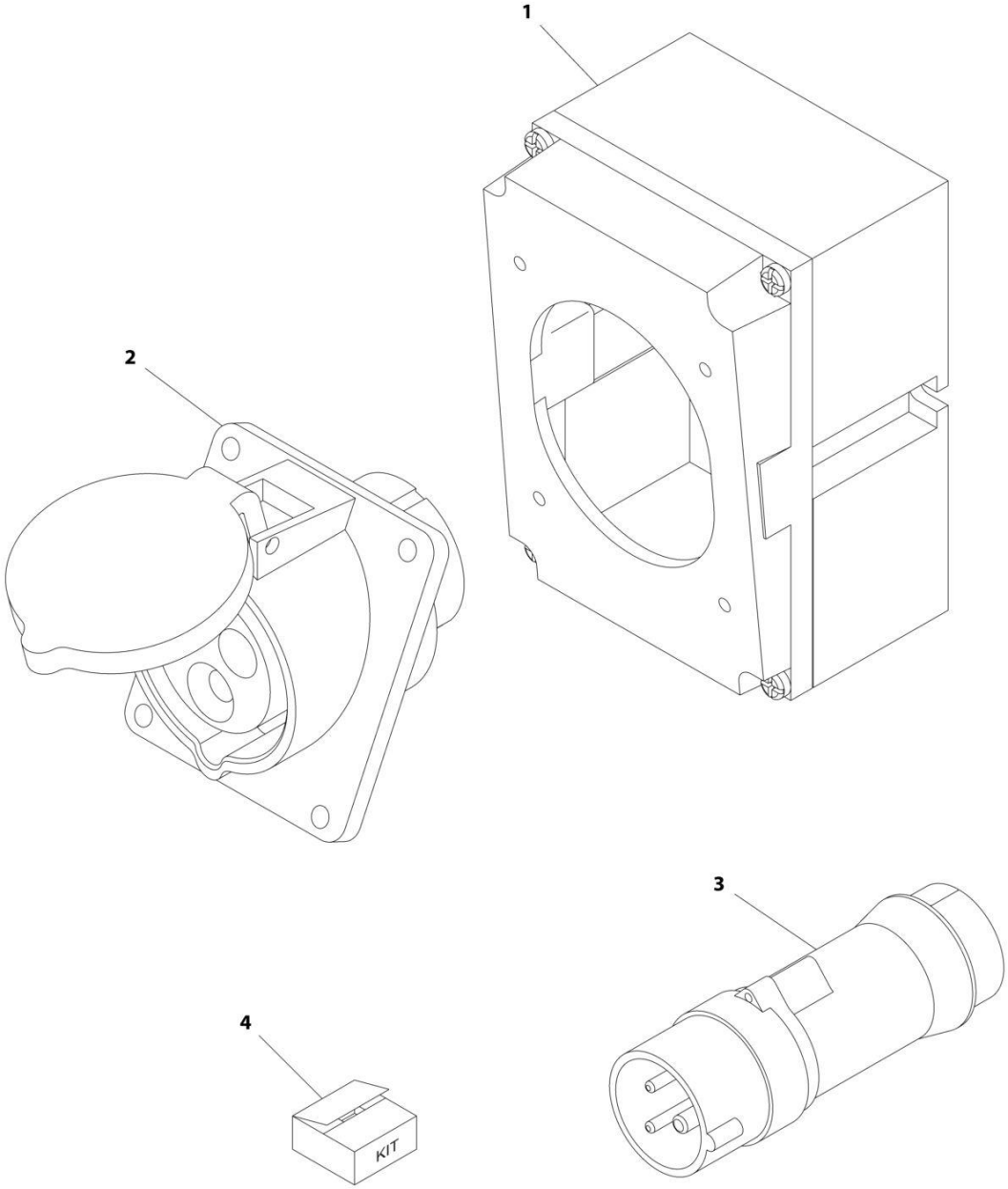
SECTION 8 - ELECTRICAL

FIGURE 8-50. RECEPTACLE BOX KIT - 110V IEC YELLOW (CE & UK CA SPEC)

ITEM	PART NUMBER	QTY	DESCRIPTION	REV
	0275216	Ref	RECEPTACLE BOX KIT - 110V IEC YELLOW	B
1	0861781	1	Box, Switch	
2	4461198	1	Receptacle	
3	4461196	1	Plug, Male	
4	1001100341	1	Plug and Socket Kit (Includes Items 1-3 and Female Plug p/n 4461197)	

SECTION 8 - ELECTRICAL

FIGURE 8-51. RECEPTACLE BOX KIT - 220V IEC BLUE (CE & UK CA SPEC)



ART_0275217

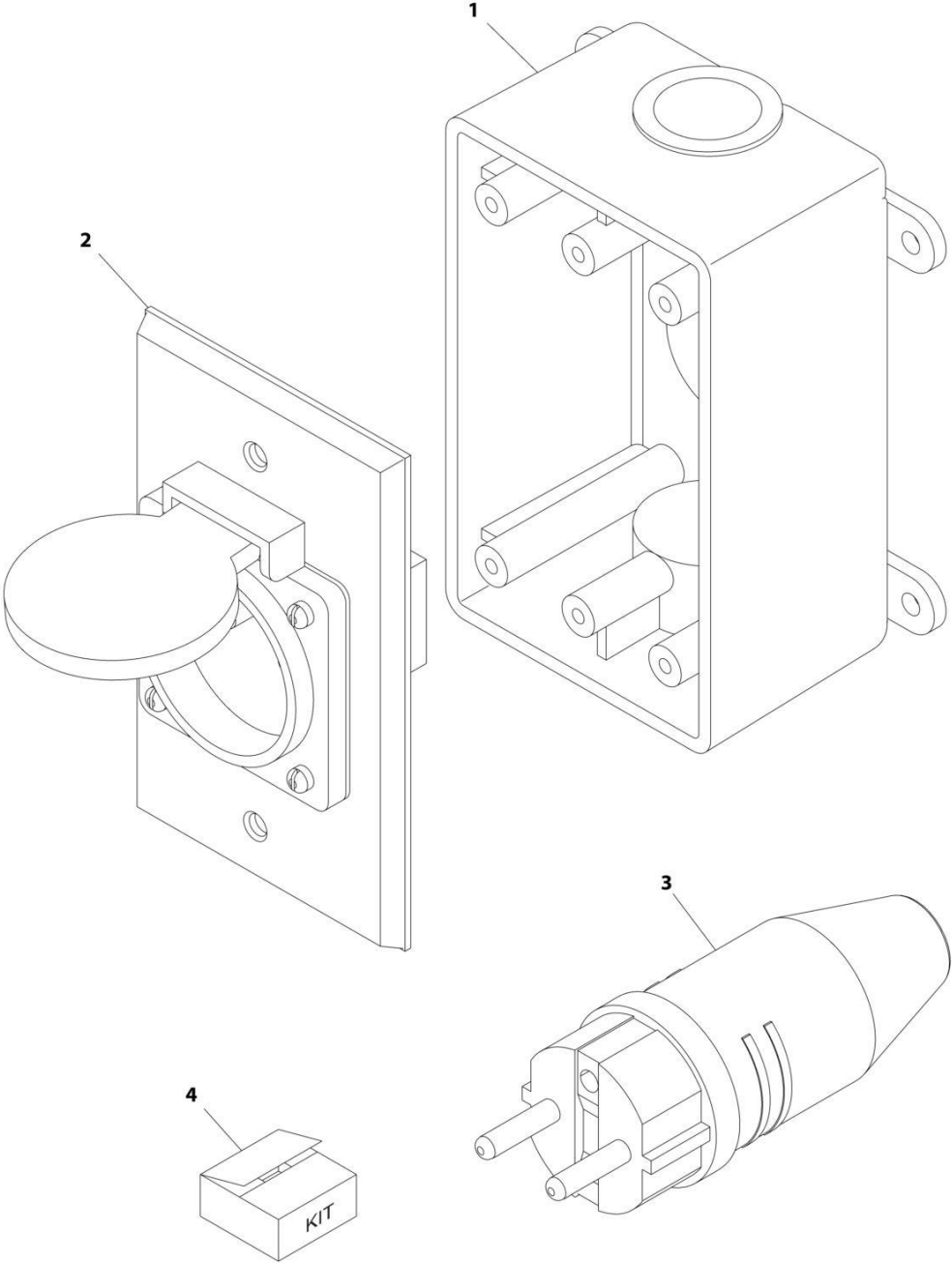
SECTION 8 - ELECTRICAL

FIGURE 8-51. RECEPTACLE BOX KIT - 220V IEC BLUE (CE & UK CA SPEC)

ITEM	PART NUMBER	QTY	DESCRIPTION	REV
	0275217	Ref	RECEPTACLE BOX KIT - 220V IEC BLUE	B
1	0861781	1	Box, Switch	
2	4461201	1	Receptacle	
3	4461199	1	Plug, Male	
4	1001100342	1	Plug and Socket Kit (Includes Items 1-3 and Female Plug p/n 4461200)	

SECTION 8 - ELECTRICAL

FIGURE 8-52. RECEPTACLE BOX KIT - 220V CEE7 POST GROUND 2IN X 4IN (CE & UK CA SPEC)



ART_0275452-C

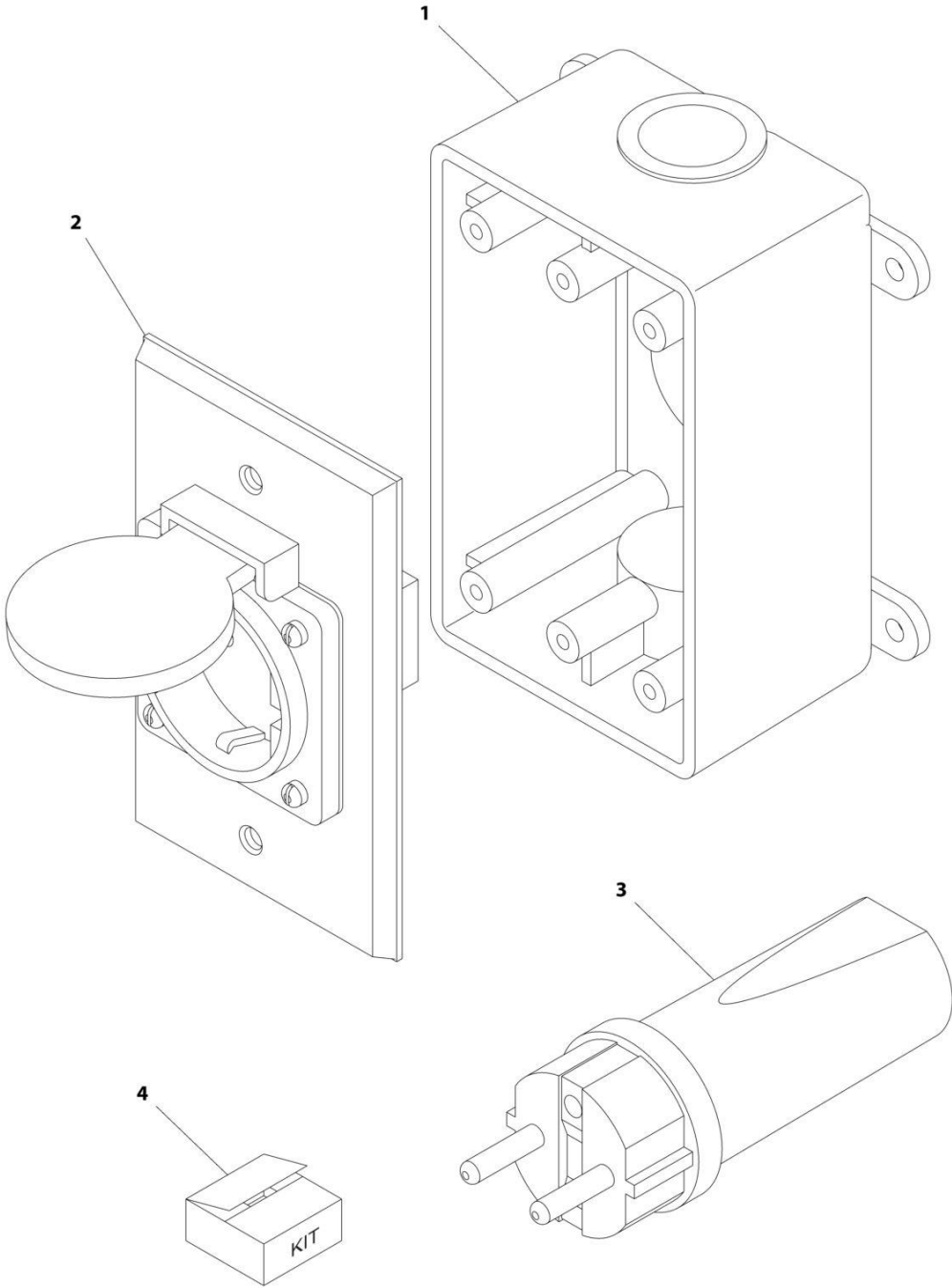
SECTION 8 - ELECTRICAL

FIGURE 8-52. RECEPTACLE BOX KIT - 220V CEE7 POST GROUND 2IN X 4IN (CE & UK CA SPEC)

ITEM	PART NUMBER	QTY	DESCRIPTION	REV
	0275452	Ref	RECEPTACLE BOX KIT - 220V CEE7 POST GROUND 2IN X 4IN BOX	C
1	0861731	1	Box, Switch	
2	4461244	1	Receptacle	
3	4461205	1	Plug, Male	
4	1001100345	1	Plug and Socket Kit (Includes Items 1-3 and Female Plug p/n 4461203)	

SECTION 8 - ELECTRICAL

FIGURE 8-53. RECEPTACLE BOX KIT - 220V CEE7 SIDE GROUND 2IN X 4IN (CE & UK CA SPEC)



ART_0275453

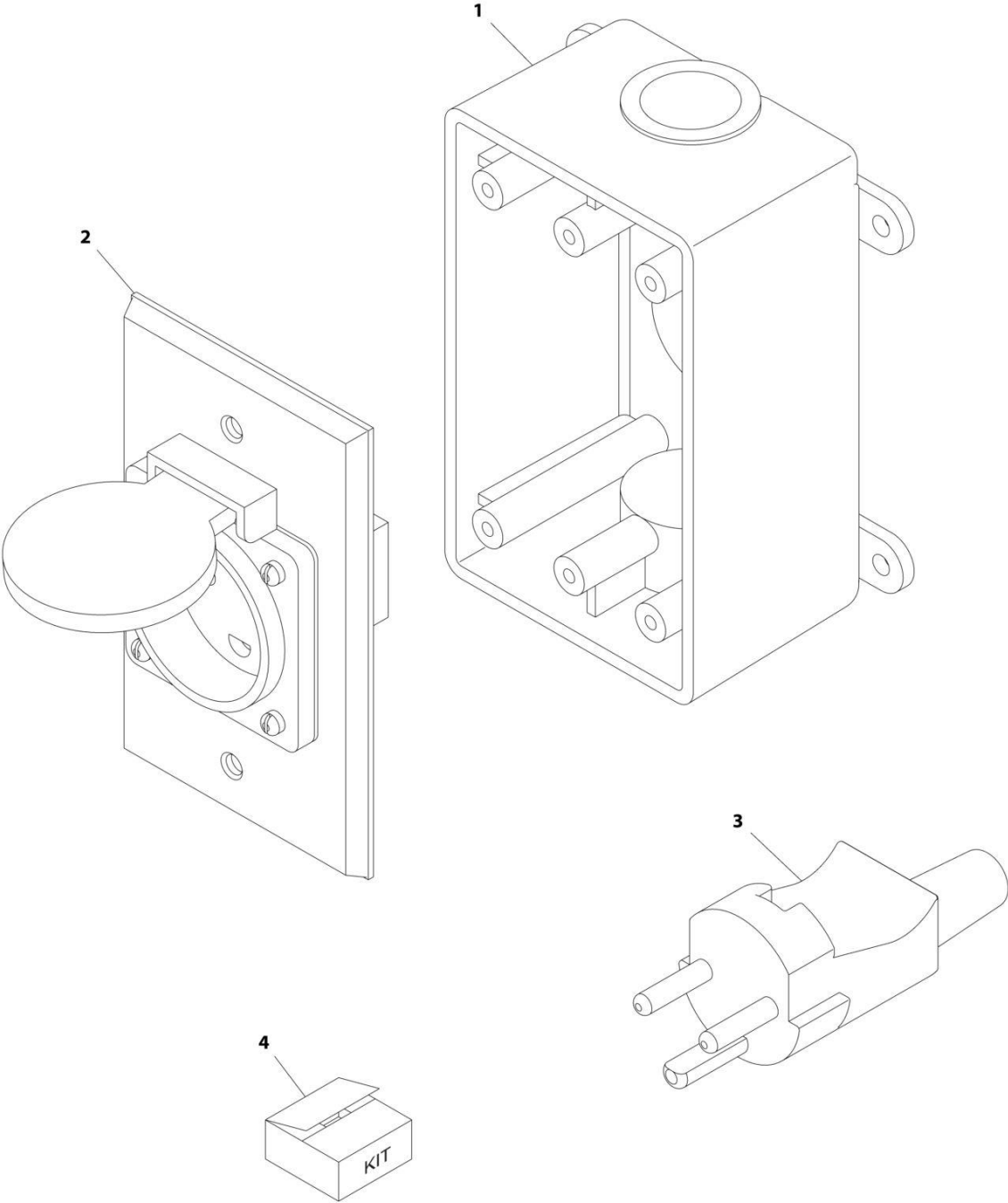
SECTION 8 - ELECTRICAL

FIGURE 8-53. RECEPTACLE BOX KIT - 220V CEE7 SIDE GROUND 2IN X 4IN (CE & UK CA SPEC)

ITEM	PART NUMBER	QTY	DESCRIPTION	REV
	0275453	Ref	RECEPTACLE BOX KIT - 220V CEE7 SIDE GROUND	B
1	0861731	1	Box, Switch	
2	4461245	1	Receptacle	
3	4461205	1	Plug, Male	
4	1001100347	1	Plug and Socket Kit (Includes Items 1-3 and Female Plug p/n 4461206)	

SECTION 8 - ELECTRICAL

FIGURE 8-54. RECEPTACLE BOX KIT - 220V AFSINT 107 (CE & UK CA SPEC)



ART_0275454

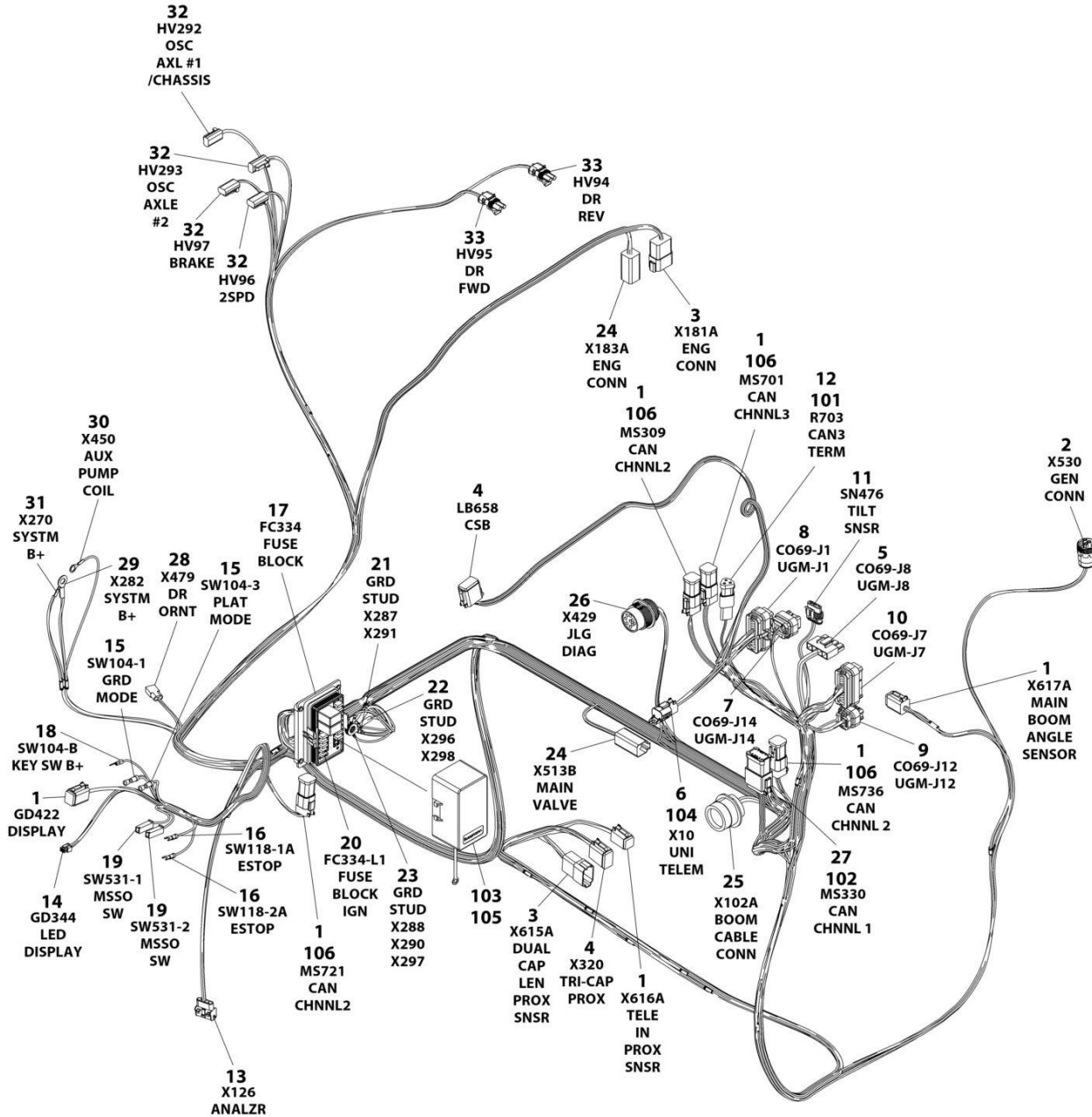
SECTION 8 - ELECTRICAL

FIGURE 8-54. RECEPTACLE BOX KIT - 220V AFSINT 107 (CE & UK CA SPEC)

ITEM	PART NUMBER	QTY	DESCRIPTION	REV
	0275454	Ref	RECEPTACLE BOX KIT - 220V AFSINT 107	B
1	0861731	1	Box, Switch	
2	4461246	1	Receptacle	
3	4461249	1	Plug, Male	
4	1001100346	1	Plug and Socket Kit (Includes Items 1-3 and Female Plug p/n 4461250)	

SECTION 8 - ELECTRICAL

FIGURE 8-55. TURNTABLE HARNESS



ART_1001288194

SECTION 8 - ELECTRICAL

FIGURE 8-55. TURNTABLE HARNESS

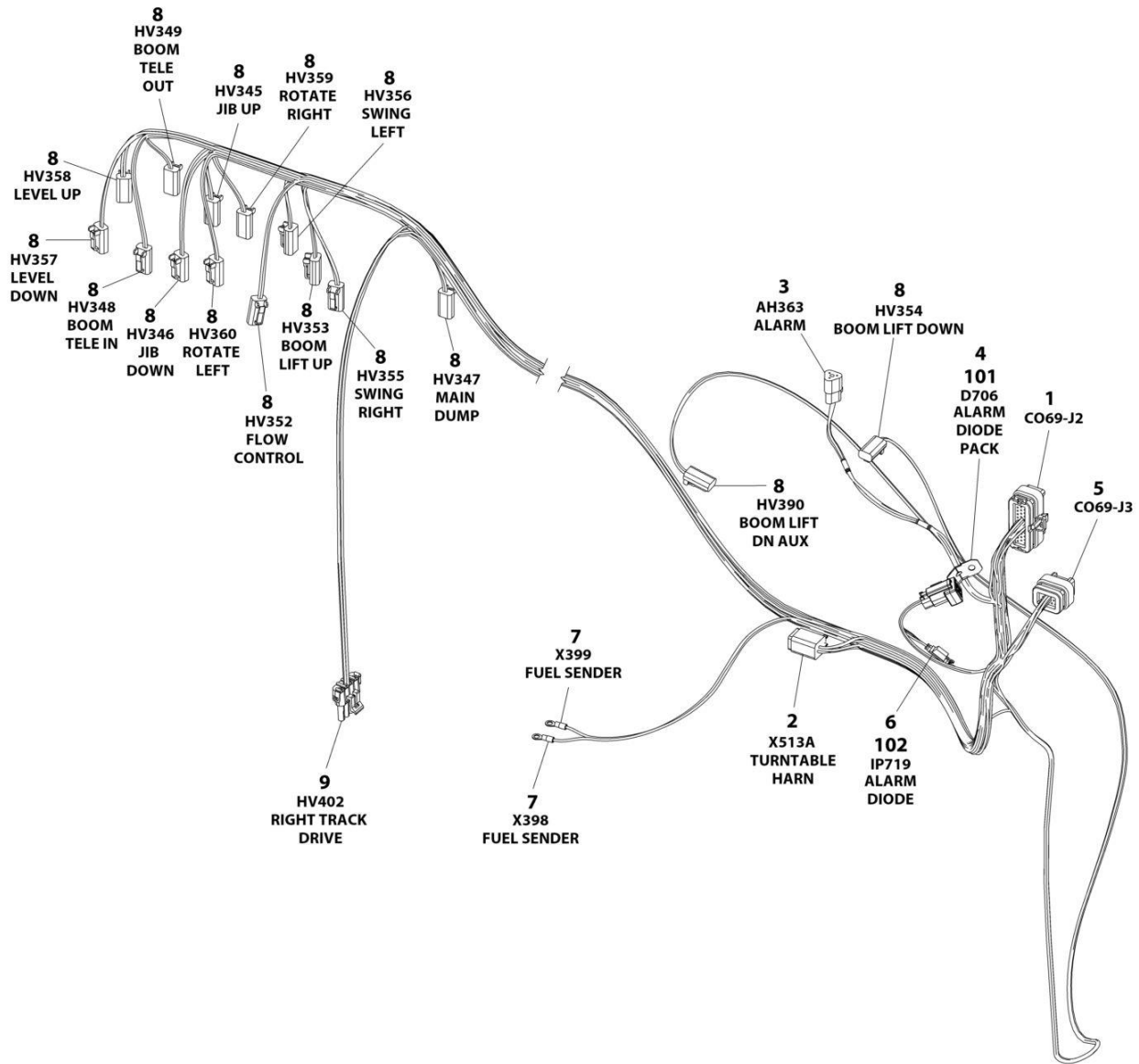
ITEM	PART NUMBER	QTY	DESCRIPTION	REV
	1001288194	Ref	TURNTABLE HARNESS	B
1	4460894	6	Plug, Male - 6 Position	
1	4460465	34	Socket, Female	
1	4460466	2	Plug, Terminal	
2	4460967	1	Connector - 3 Position	
2	4460465	3	Socket, Female	
3	4460931	2	Receptacle, Female - 8 Position	
3	4460464	11	Pin, Male	
3	4460466	5	Plug, Terminal	
4	4460930	2	Plug, Male - 8 Position	
4	4460465	14	Socket, Female	
4	4460466	2	Plug, Terminal	
5	4460878	1	Plug, Male - 4 Position	
5	4460887	2	Terminal	
6	4460884	1	Plug, Male - 4 Position	
6	4460465	4	Socket, Female	
7	1001246859	1	Connector - 14 Position	
7	4460871	4	Socket, Female	
7	4460905	10	Plug, Terminal	
8	4460874	1	Connector - 35 Position	
8	4460871	22	Socket, Female	
8	4460905	13	Plug, Terminal	
9	1001113961	1	Plug, Male - 8 Position	
9	4460871	5	Socket, Female	
9	4460905	3	Plug, Terminal	
10	4460873	1	Connector - 35 Position	
10	4460871	35	Socket, Female	
10	4460905	10	Plug, Terminal	
11	1001103012	1	Plug, Male - 4 Position	
11	1001107854	2	Socket, Female	
11	1001196589	2	Terminal	
11	1001104498	4	Seal, Yellow	
12	1001144147	1	Connector	
12	4460943	2	Terminal	
12	4460466	1	Plug, Terminal	
13	1001119032	1	Receptacle, Female - 4 Position	
13	1001118378	4	Pin, Male	
14	1001237667	1	Plug, Male - 6 Position	
14	1001237668	5	Terminal	
15	4460042	2	Terminal, Fork	
16	4460183	2	Terminal, Fork	
17	1001196602	1	Fuse Box Assembly	
17	1001116725	6	Terminal	
17	8220097	19	Terminal	
17	4460748	10	Plug, Terminal	
17	4460458	19	Seal	
17	80963067	6	Seal	
17	1001196636	2	Connector with Diode	
17	8229244	2	Fuse 15Amp	
17	8229242	7	Fuse 5Amp	

SECTION 8 - ELECTRICAL

ITEM	PART NUMBER	QTY	DESCRIPTION	REV
17	1001196634	2	Fuse - 2 Amp	
17	1001095704	2	Relay 35Amp	
18	4460313	1	Terminal, Fork	
19	4460260	2	Housing, Terminal	
19	4460259	2	Terminal	
20	1001117106	1	Terminal, Ring	
21	1001187078	2	Terminal, Ring	
22	1001117110	2	Terminal, Ring	
23	1001187077	3	Terminal, Ring	
24	4460899	2	Connector - 6 Position	
24	4460464	8	Pin, Male	
24	4460466	4	Plug, Terminal	
25	4460866	1	Connector - 19 Position	
25	4460464	6	Pin, Male	
25	4460508	2	Pin, Male	
25	4460466	11	Plug, Terminal	
26	1001112612	1	Connector - 9 Position	
26	4460464	5	Pin, Male	
26	4460466	4	Plug, Terminal	
27	4460933	1	Plug, Male - 12 Position	
27	4460465	8	Socket, Female	
27	4460466	4	Plug, Terminal	
28	4460424	1	Plug, Male - 2 Position	
28	4460226	2	Socket, Female	
29	8220045	1	Terminal, Ring	
30	4460702	1	Terminal, Ring	
31	4460703	1	Terminal, Ring	
32	4460891	4	Plug, Male - 2 Position	
32	4460465	8	Socket, Female	
33	4460742	2	Plug, Male - 2 Position	
33	4460743	4	Socket, Female	
33	4460458	4	Seal	
101	1001116815	1	Connector - 3 Position	
102	1001125677	2	Bussbar - 12 Position	
103	1001190921	1	Seal, Cover	
104	1001192401	1	Cap, Dust	
105	1001196604	1	Cover, Fuse Box	
106	1001226541	1	Bussbar - 6 Position	

SECTION 8 - ELECTRICAL

FIGURE 8-56. VALVE HARNESS - MAIN VALVE



ART_1001284823

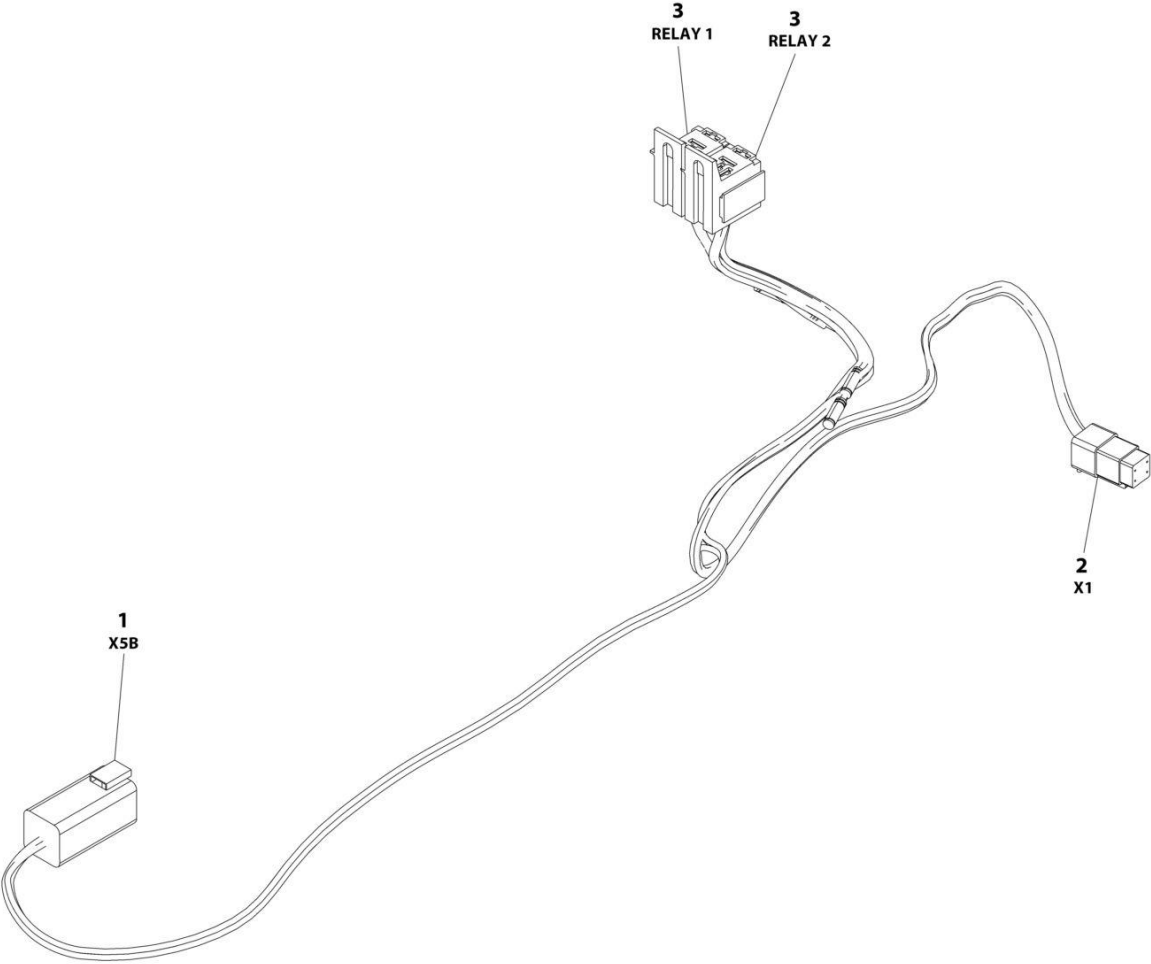
SECTION 8 - ELECTRICAL

FIGURE 8-56. VALVE HARNESS - MAIN VALVE

ITEM	PART NUMBER	QTY	DESCRIPTION	REV
	1001284823	Ref	VALVE HARNESS	A
1	4460875	1	Connector	
1	4460871	26	Socket	
1	4460905	9	Plug	
2	4460894	1	Connector	
2	4460465	6	Socket	
3	4460539	1	Connector	
3	4460465	3	Socket	
4	4460884	1	Connector	
4	4460465	4	Socket	
5	4460872	1	Connector	
5	4460871	9	Socket	
5	4460905	5	Plug	
6	1001170764	1	Fuseholder	
7	4460313	2	Terminal, Ring	
8	4460891	15	Connector	
8	4460465	30	Socket	
9	4460460	1	Connector	
9	4460458	4	Seal	
9	4460743	4	Socket	
101	1001152266	1	Connector, Diode	
102	1001196636	1	Diode, 1Amp	

SECTION 8 - ELECTRICAL

FIGURE 8-57. SKYLINE HARNESS



ART_1001238418

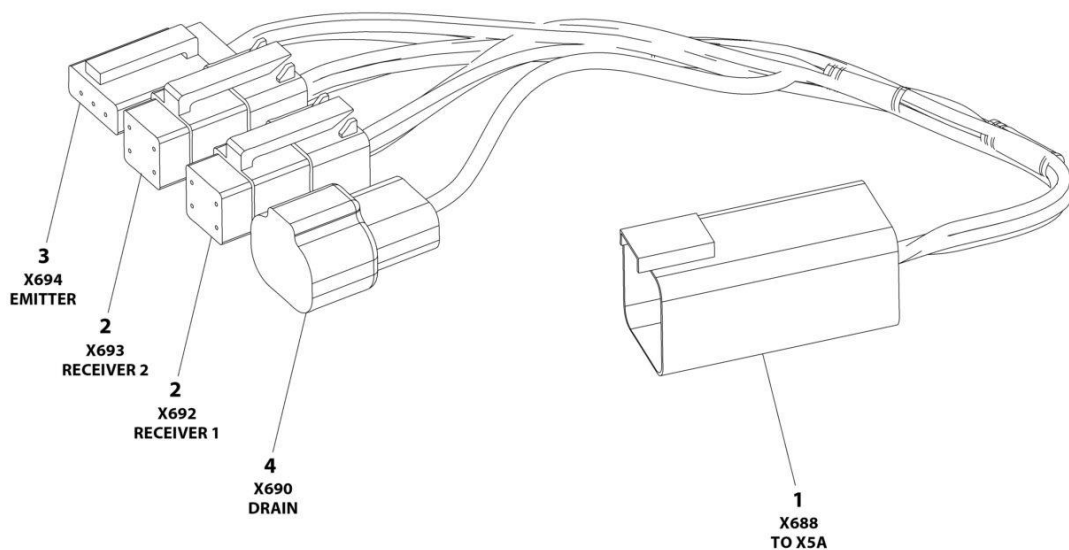
SECTION 8 - ELECTRICAL

FIGURE 8-57. SKYLINE HARNESS

ITEM	PART NUMBER	QTY	DESCRIPTION	REV
	1001238418	Ref	SKYLINE HARNESS	B
1	4460899	1	Connector - 6 Position	
1	4460464	4	Pin, Male	
1	4460466	2	Plug, Terminal	
2	4461077	1	Connector - 4 Position	
2	1001126009	4	Socket, Female	
3	1001186432	2	Plug, Relay	
3	1001118388	5	Terminal	
3	1001118384	3	Terminal	
3	3740086	2	Relay	

SECTION 8 - ELECTRICAL

FIGURE 8-58. SKYEYE INTERMEDIATE HARNESS



ART_1001237865

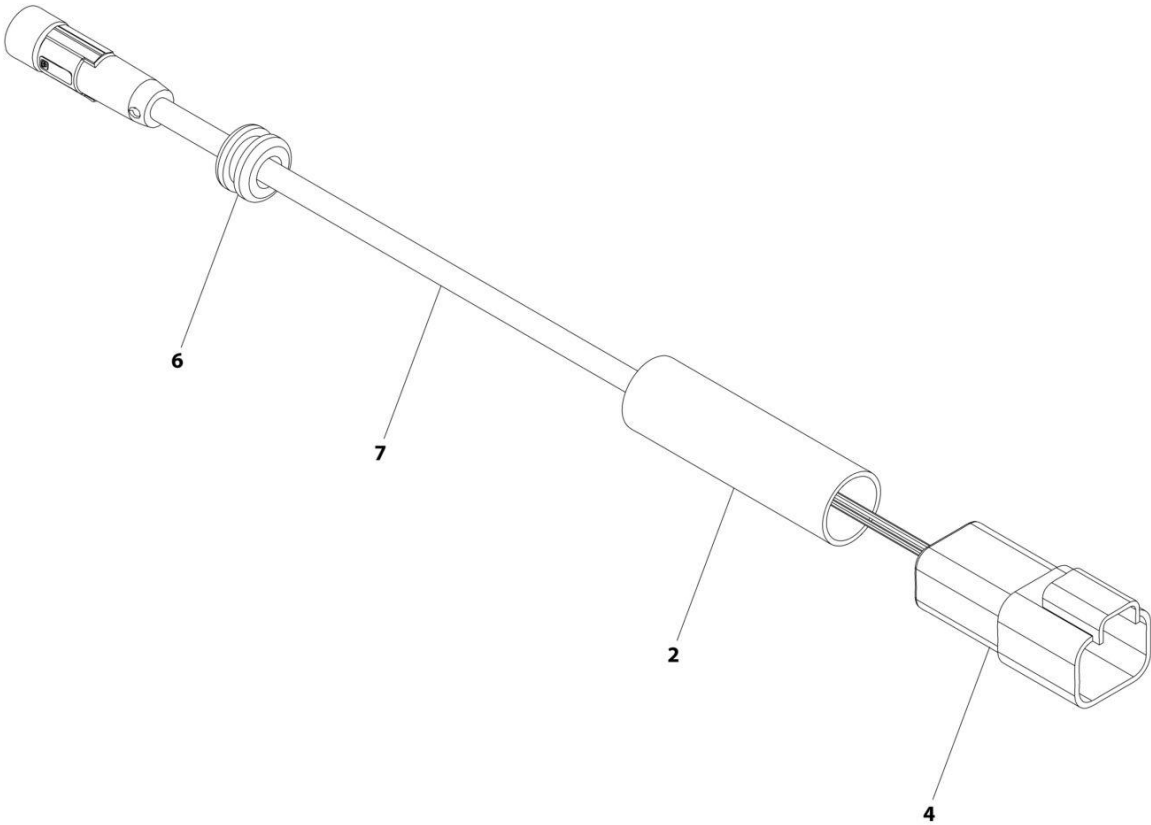
SECTION 8 - ELECTRICAL

FIGURE 8-58. SKYEYE INTERMEDIATE HARNESS

ITEM	PART NUMBER	QTY	DESCRIPTION	REV
	1001237865	Ref	SKYEYE INTERMEDIATE HARNESS	A
1	4460899	1	Connector - 6 Position	
1	4460943	4	Pin, Male	
1	4460466	2	Plug, Terminal	
2	4461077	2	Connector - 4 Position	
2	1001119619	8	Socket, Female	
3	4460911	1	Connector - 3 Position	
3	1001119619	3	Socket, Female	
4	1001187681	1	Connector - 2 Position	
4	4460941	1	Pin, Male	
4	4460466	1	Plug, Terminal	

SECTION 8 - ELECTRICAL

FIGURE 8-59. SKYEYE RECEIVER HARNESS



ART_1001237863

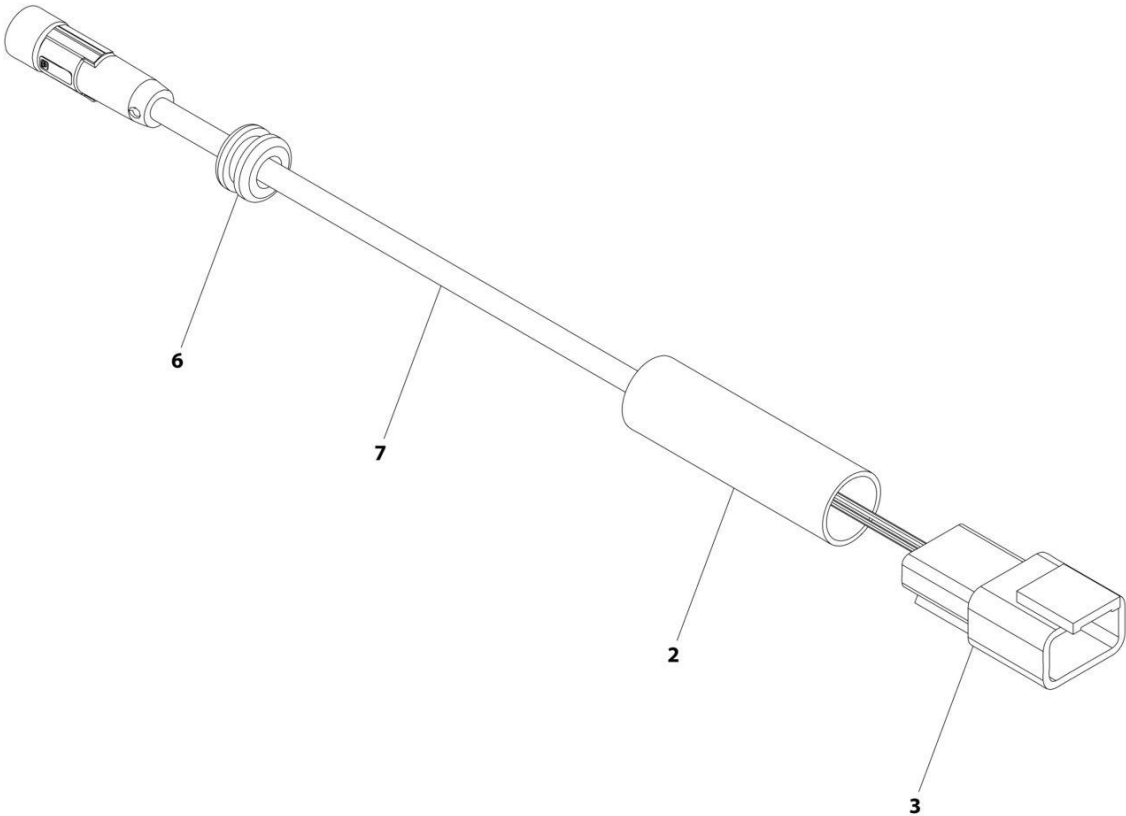
SECTION 8 - ELECTRICAL

FIGURE 8-59. SKYEYE RECEIVER HARNESS

ITEM	PART NUMBER	QTY	DESCRIPTION	REV
	1001237863	Ref	SKYEYE RECEIVER HARNESS	A
2	2820247	AR	Tubing, Heat Shrink	
4	1001097051	1	Connector - 4 Position	
4	1001119620	4	Pin, Male	
6	1001227996	1	Grommet	
7	1001237862	1	Cable, M8 Female Cordset	

SECTION 8 - ELECTRICAL

FIGURE 8-60. SKYEYE EMITTER HARNESS



ART_1001237864

SECTION 8 - ELECTRICAL

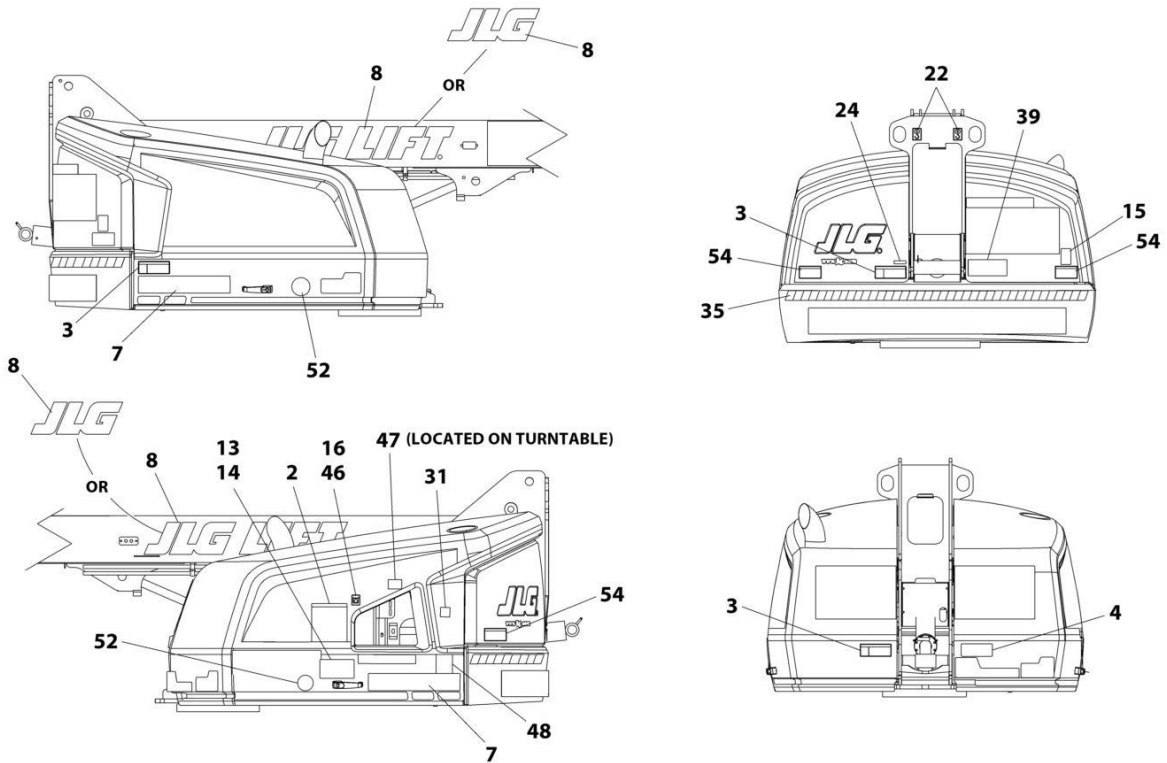
FIGURE 8-60. SKYEYE EMITTER HARNESS

ITEM	PART NUMBER	QTY	DESCRIPTION	REV
	1001237864	Ref	SKYEYE EMITTER HARNESS	A
2	2820247	AR	Tubing, Heat Shrink	
3	4460910	1	Connector - 3 Position	
3	1001119620	3	Pin, Male	
6	1001227996	1	Grommet	
7	1001237862	1	Cable, M8 Female Cordset	

SECTION 9 - DECALS

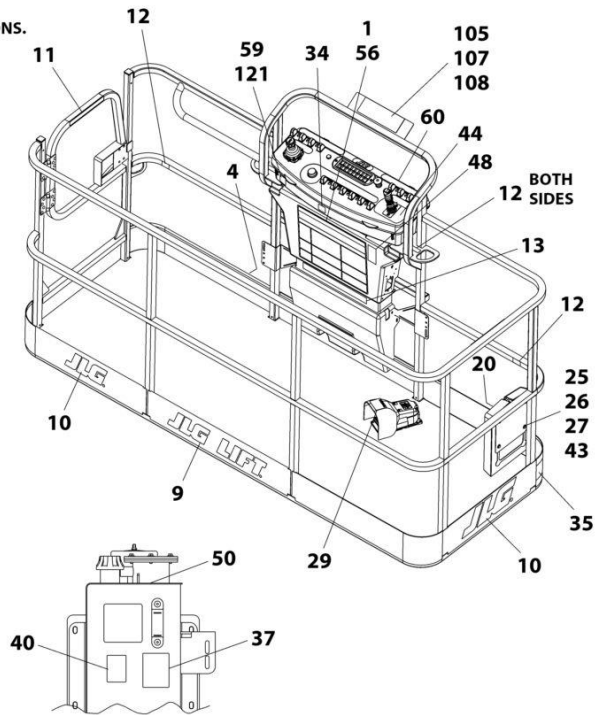
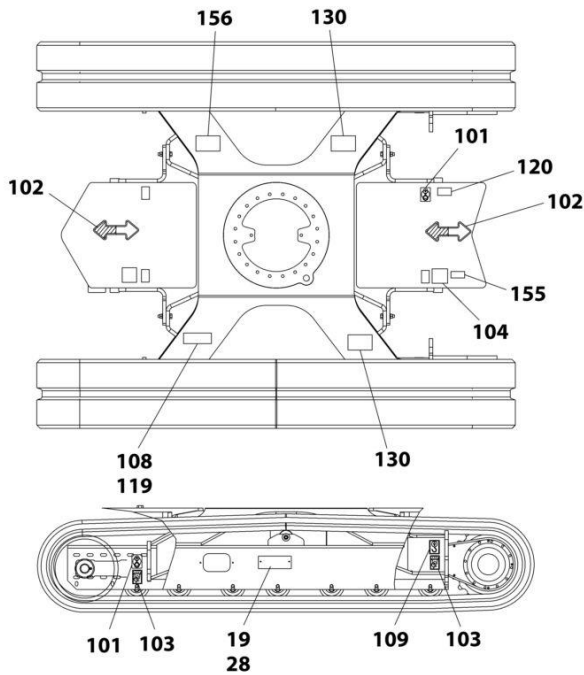
SECTION 9 - DECALS

FIGURE 9-1. DECAL INSTALLATION - ANSI AND ANSI EXPORT SPECS - 400SC



NOTE: ITEMS SHOWN MAY NOT BE REQUIRED FOR ALL SPECS. REFER TO PART LIST FOR USAGE.

NOTE: ADDITIONAL DECALS ARE CALLED OUT ON DECALS INSTALLATION - OPTIONS.



ART_1001239557

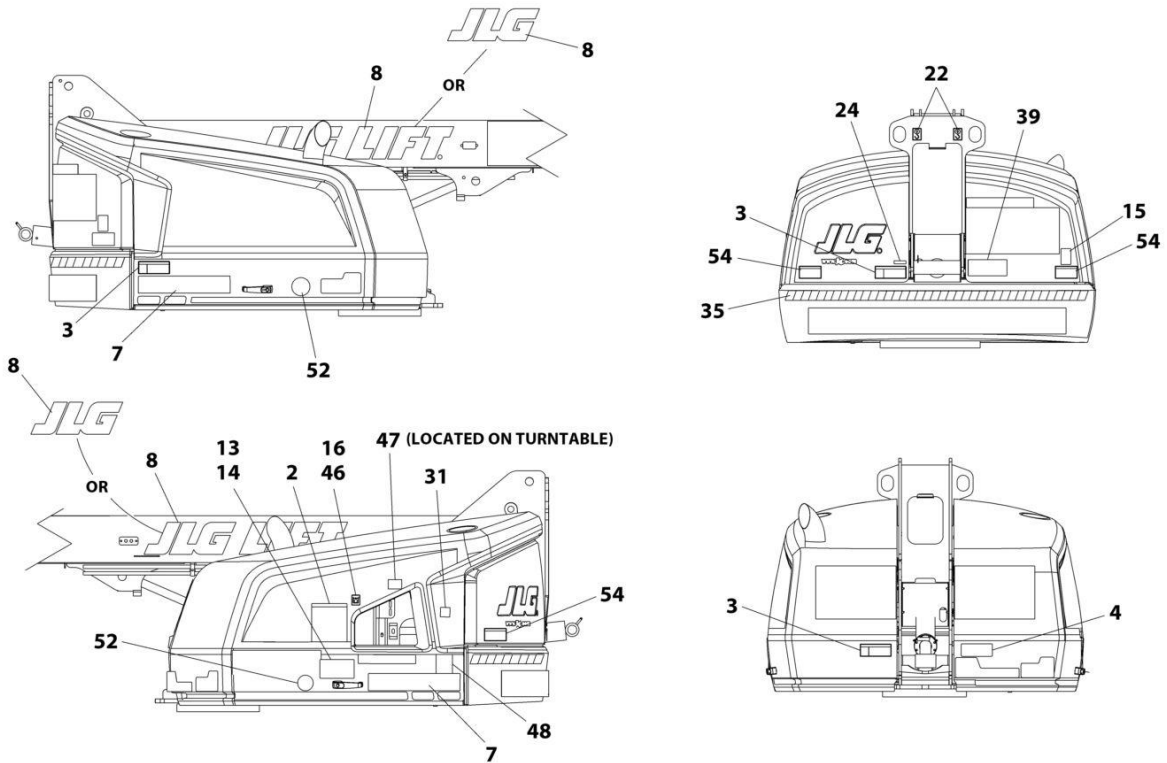
SECTION 9 - DECALS

FIGURE 9-1. DECAL INSTALLATION - ANSI AND ANSI EXPORT SPECS - 400SC

ITEM	PART NUMBER	QTY	DESCRIPTION	REV
	1001239557	Ref	DECAL INSTALLATION - REFERENCE CHART	C
	1001250764	Ref	DECAL INSTALLATION - REFERENCE CHART (TURNTABLE)	G
	1001239558	Ref	DECAL INSTALLATION - TURNTABLE	G
1	1703797	1	Decal - Danger/Warning (Platform)	
2	1703798	1	Decal - Danger/Warning (MTB)	
3	1703805	3	Decal - Electrocutation	
4	1703804	3	Decal - Warning Crushing	
11	1702868	2	Decal - Caution No Hands	
12	1704277	3	Decal - Attach Lanyard	
13	1001254665	1	Decal - Capacity (Platform)	
14	1001254666	1	Decal - Capacity (Ground Control)	
16	1701504	1	Decal - Hydraulic Oil	
20	1701509	1	Decal - Manual	
22	1701500	2	Decal - Lift	
24	3251243	1	Decal - Nameplate	
25	0860520	1	Box, Manual Storage	
26	4751400	4	Washer 1/4	
27	3311405	4	Nut, Lock 1/4	
28	3820001	2	Rivet 1/8 x 1/4	
29	3252347	1	Decal - Nameplate, Footswitch	
40	1704412	1	Decal - Hydraulic Oil Chart	
43	0641406	4	Bolt 1/4 x 3/4	
54	1703953	2	Decal - Warning Crushing	
60	1001184618	1	Decal - Stop and Auxiliary Power	
	1001190872	Ref	DECAL INSTALLATION - REFERENCE CHART (FRAME)	I
	1001227662	Ref	DECAL INSTALLATION - FRAME	C
101	1701499	6	Decal - No Lift	
102	1701529	2	Decal - Arrow	
103	1702300	4	Decal - Tie Down	
104	See Note	NSS	Decal - Bar Code (Note: Not Available for Purchase)	
105	1704468	1	Decal - Machine Motion Hazard	
107	1001093553	1	Plate, Decal Mounting	
108	3820001	5	Rivet 1/8 x 1/4	
109	1701500	2	Decal - Lift	
120	1001223453	1	Decal - ICES	
156	1001223055	1	Decal - Yearly Inspection	

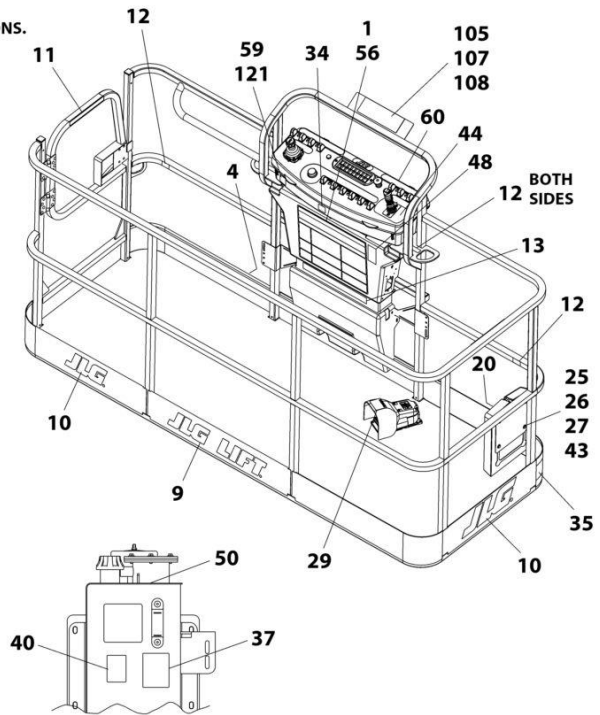
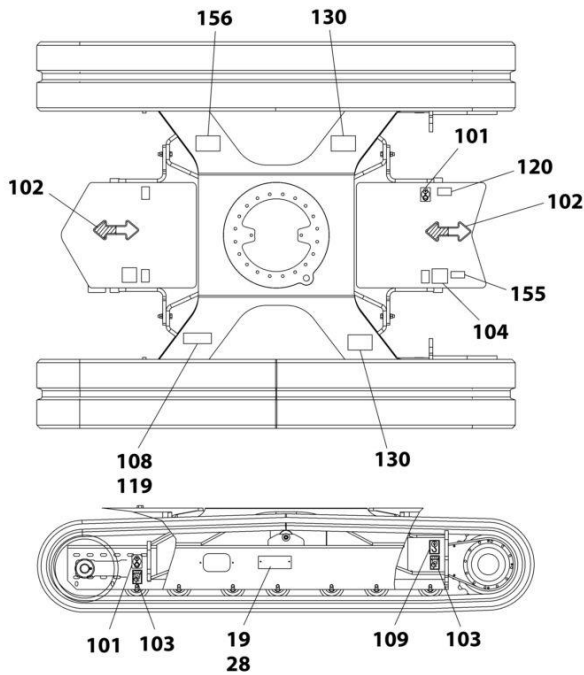
SECTION 9 - DECALS

FIGURE 9-2. DECAL INSTALLATION - ANSI AND ANSI EXPORT SPECS - 460SJC



NOTE: ITEMS SHOWN MAY NOT BE REQUIRED FOR ALL SPECS. REFER TO PART LIST FOR USAGE.

NOTE: ADDITIONAL DECALS ARE CALLED OUT ON DECALS INSTALLATION - OPTIONS.



ART_1001239560

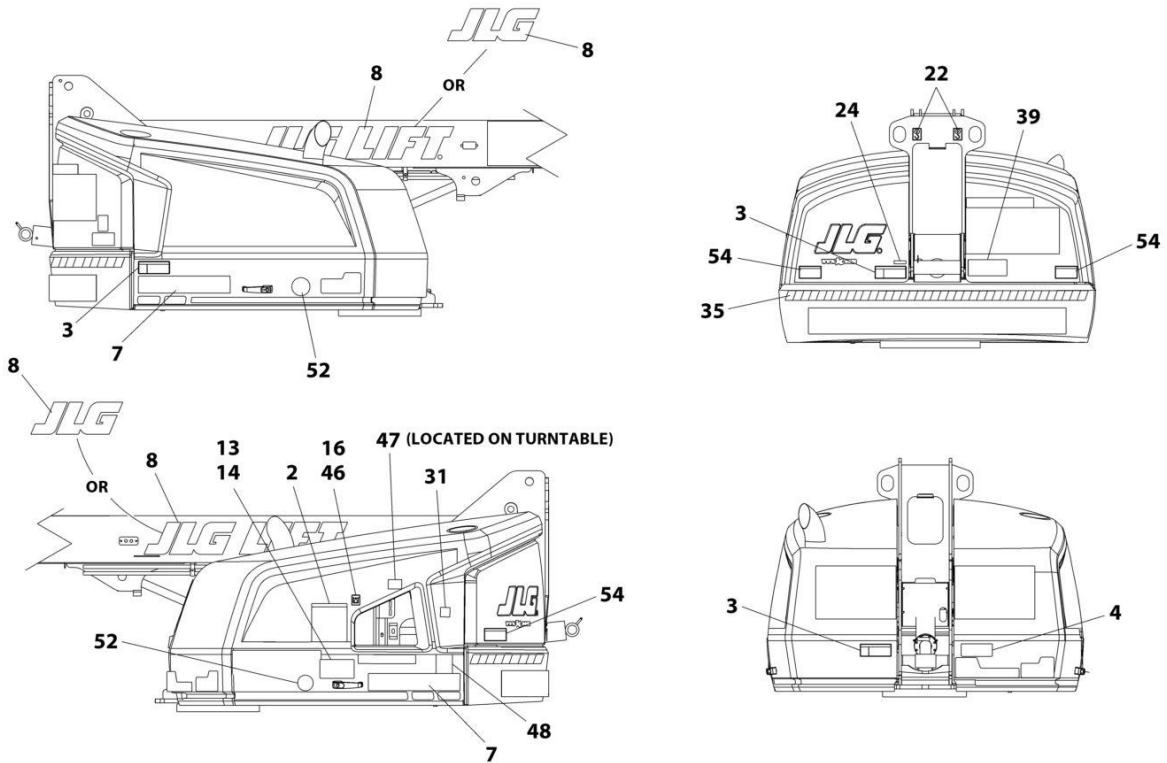
SECTION 9 - DECALS

FIGURE 9-2. DECAL INSTALLATION - ANSI AND ANSI EXPORT SPECS - 460SJC

ITEM	PART NUMBER	QTY	DESCRIPTION	REV
	1001239560	Ref	DECAL INSTALLATION - REFERENCE CHART	C
	1001250764	Ref	DECAL INSTALLATION - REFERENCE CHART (TURNTABLE)	G
	1001239561	Ref	DECAL INSTALLATION - TURNTABLE	G
1	1703797	1	Decal - Danger/Warning (Platform)	
2	1703798	1	Decal - Danger/Warning (MTB)	
3	1703805	3	Decal - Electrocutation	
4	1703804	3	Decal - Warning Crushing	
11	1702868	2	Decal - Caution No Hands	
12	1704277	3	Decal - Attach Lanyard	
13	1001254750	2	Decal - Warning Dual Cap	
16	1701504	1	Decal - Hydraulic Oil	
20	1701509	1	Decal - Manual	
22	1701500	2	Decal - Lift	
24	3251243	1	Decal - Nameplate	
25	0860520	1	Box, Manual Storage	
26	4751400	4	Washer 1/4	
27	3311405	4	Nut, Lock 1/4	
28	3820001	2	Rivet 1/8 x 1/4	
29	3252347	1	Decal - Nameplate, Footswitch	
40	1704412	1	Decal - Hydraulic Oil Chart	
43	0641406	4	Bolt 1/4 x 3/4	
54	1703953	2	Decal - Warning Crushing	
60	1001184618	1	Decal - Stop and Auxiliary Power	
	1001190872	Ref	DECAL INSTALLATION - REFERENCE CHART (FRAME)	I
	1001227662	Ref	DECAL INSTALLATION - FRAME	C
101	1701499	6	Decal - No Lift	
102	1701529	2	Decal - Arrow	
103	1702300	4	Decal - Tie Down	
104	See Note	NSS	Decal - Bar Code (Note: Not Available for Purchase)	
105	1704468	1	Decal - Machine Motion Hazard	
107	1001093553	1	Plate, Decal Mounting	
108	3820001	5	Rivet 1/8 x 1/4	
109	1701500	2	Decal - Lift	
120	1001223453	1	Decal - ICES	
156	1001223055	1	Decal - Yearly Inspection	

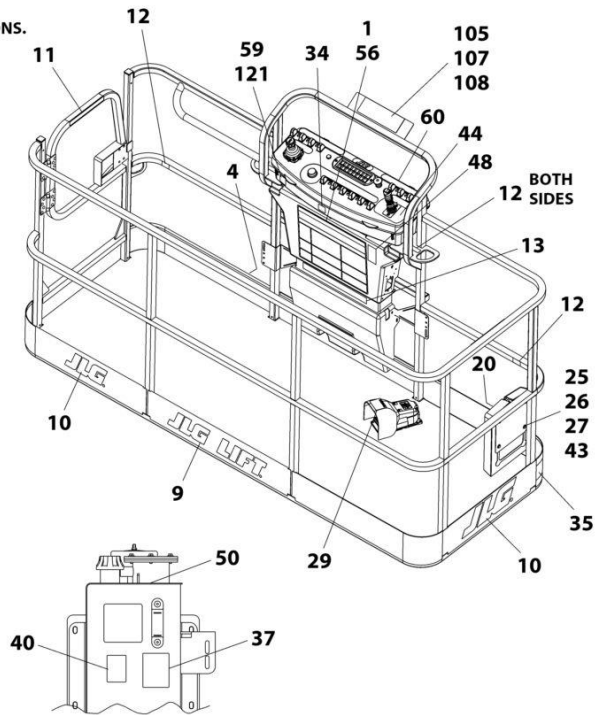
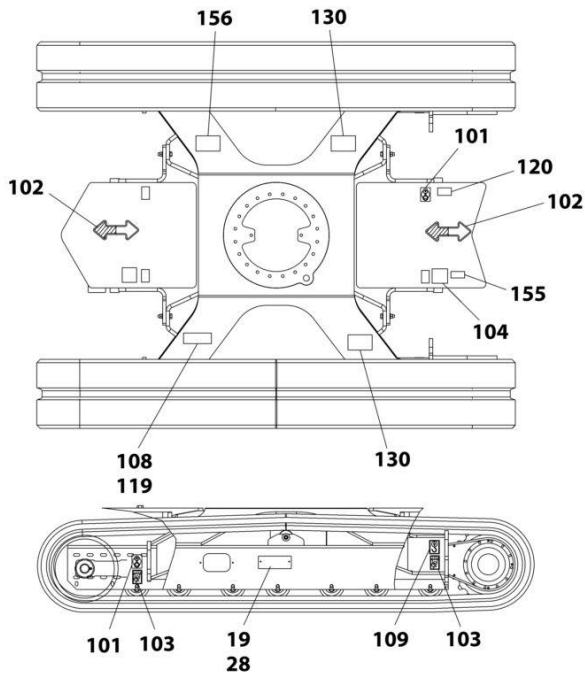
SECTION 9 - DECALS

FIGURE 9-3. DECAL INSTALLATION - CE & UK CA SPEC - 400SC



NOTE: ITEMS SHOWN MAY NOT BE REQUIRED FOR ALL SPECS. REFER TO PART LIST FOR USAGE.

NOTE: ADDITIONAL DECALS ARE CALLED OUT ON DECALS INSTALLATION - OPTIONS.



ART_1001250906

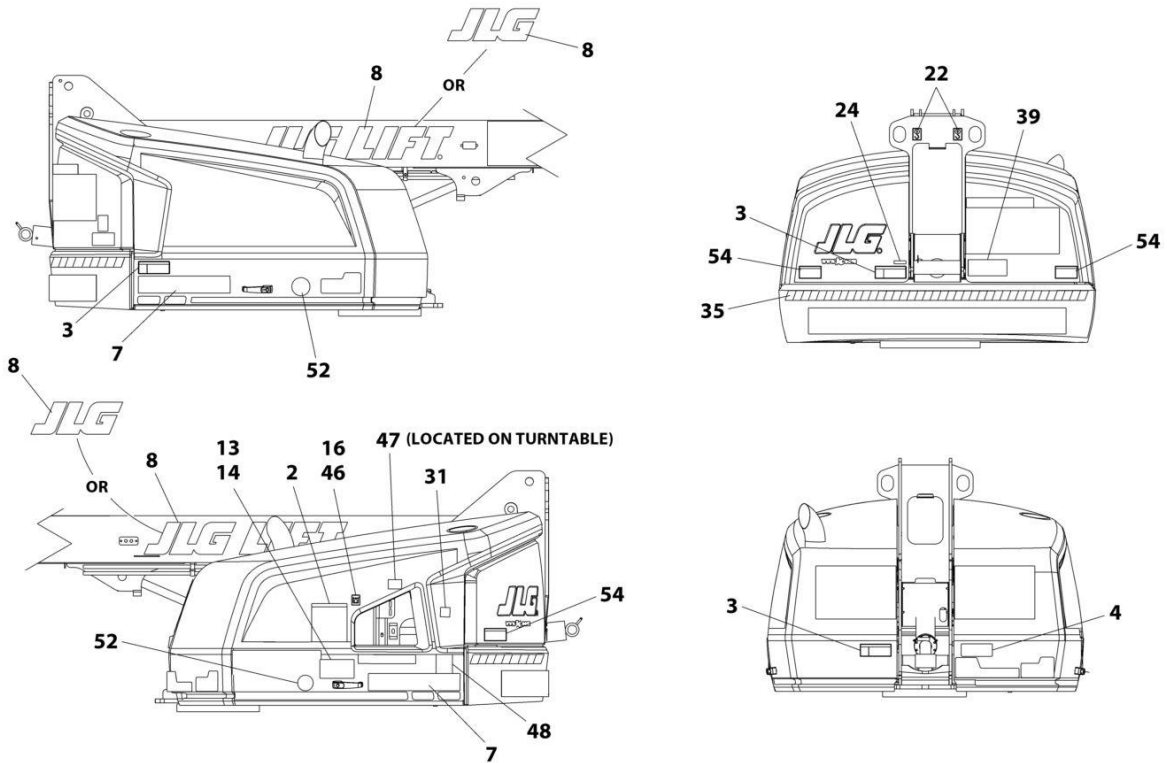
SECTION 9 - DECALS

FIGURE 9-3. DECAL INSTALLATION - CE & UK CA SPEC - 400SC

ITEM	PART NUMBER	QTY	DESCRIPTION	REV
	1001250906	Ref	DECAL INSTALLATION - REFERENCE CHART	A
	1001250765	Ref	DECAL INSTALLATION - REFERENCE CHART (TURNTABLE)	C
	1001250835	Ref	DECAL INSTALLATION - TURNTABLE	E
1	1705921	1	Decal - Tipping/Electrocution (Platform)	
2	1705822	1	Decal - Electrocution/Safety Manual	
3	1705961	3	Decal - Electrocution	
4	1701518	3	Decal - Warning Crushing	
8	1001159323	2	Decal - JLG	
10	1702773	3	Decal - JLG	
12	1704277	3	Decal - Attach Lanyard	
13	1001185237	2	Decal - Warning Dual Cap	
16	1701504	1	Decal - Hydraulic Oil	
20	1701509	1	Decal - Manual	
22	1701500	2	Decal - Lift	
25	0860520	1	Box, Manual Storage	
26	4751400	4	Washer 1/4	
27	3311405	4	Nut, Lock 1/4	
29	1705828	1	Decal - Footswitch	
40	1704412	1	Decal - Hydraulic Oil Chart	
43	0641406	4	Bolt 1/4 x 3/4	
46	1001197408	1	Decal - MSSO, Engine Units	
60	1001184618	1	Decal - Stop and Auxiliary Power	
	1001190872	Ref	DECAL INSTALLATION - REFERENCE CHART (FRAME)	I
	1001191076	Ref	DECAL INSTALLATION - FRAME	E
101	1701499	6	Decal - No Lift	
102	1701529	2	Decal - Arrow	
103	1702300	4	Decal - Tie Down	
104	See Note	NSS	Decal - Bar Code (Note: Not Available for Purchase)	
105	1001202228	1	Decal - Machine Motion Hazard	
107	1001093553	1	Plate, Decal Mounting	
108	3820001	5	Rivet 1/8 x 1/4	
109	1701500	2	Decal - Lift	

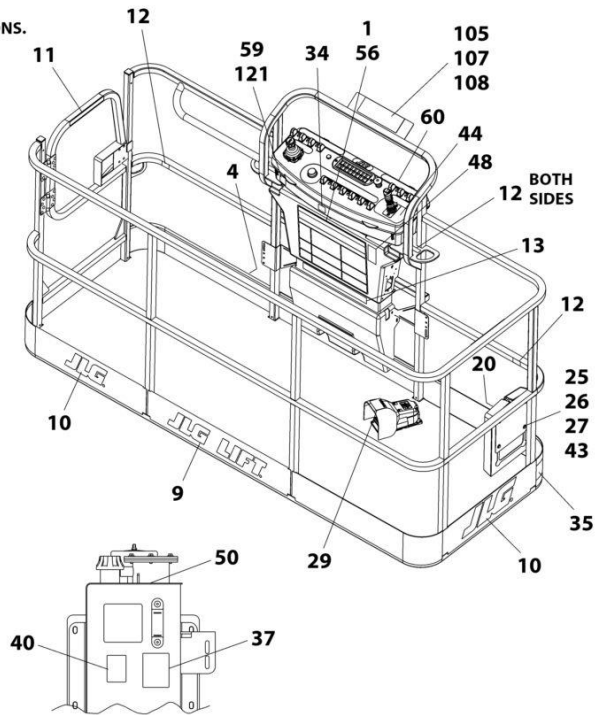
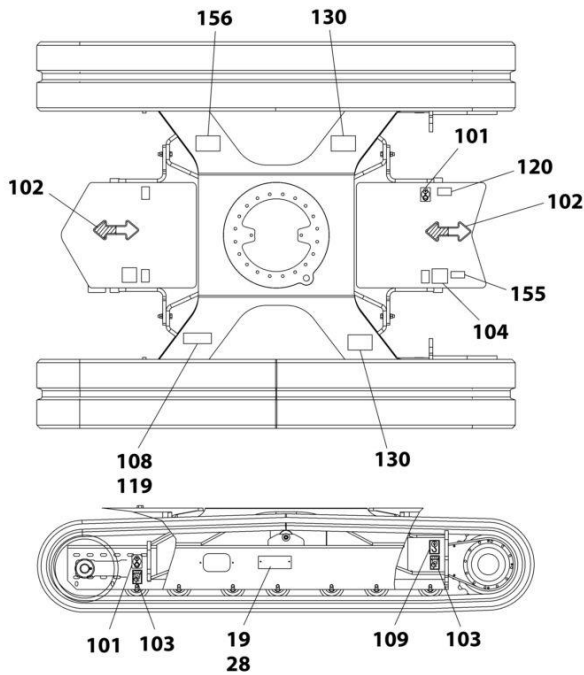
SECTION 9 - DECALS

FIGURE 9-4. DECAL INSTALLATION - CE & UK CA SPEC - 460SJC



NOTE: ITEMS SHOWN MAY NOT BE REQUIRED FOR ALL SPECS. REFER TO PART LIST FOR USAGE.

NOTE: ADDITIONAL DECALS ARE CALLED OUT ON DECALS INSTALLATION - OPTIONS.



ART_1001250907

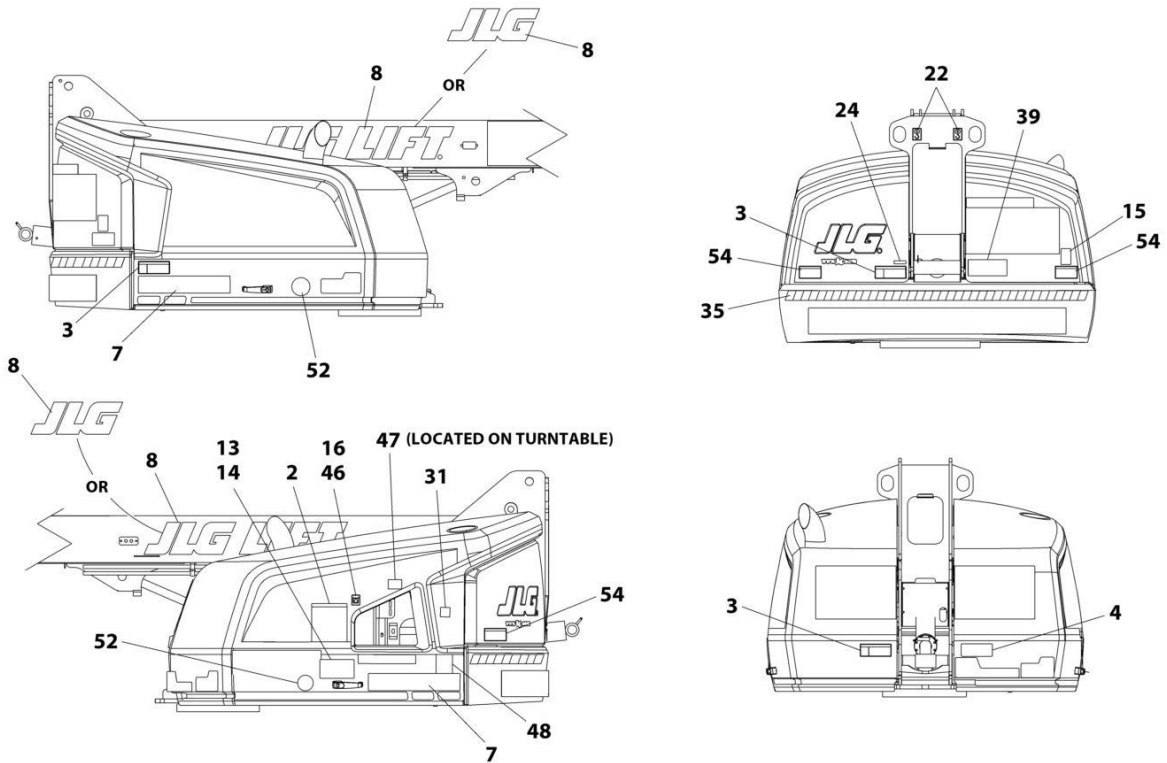
SECTION 9 - DECALS

FIGURE 9-4. DECAL INSTALLATION - CE & UK CA SPEC - 460SJC

ITEM	PART NUMBER	QTY	DESCRIPTION	REV
	1001250907	Ref	DECAL INSTALLATION - REFERENCE CHART	A
	1001250765	Ref	DECAL INSTALLATION - REFERENCE CHART (TURNTABLE)	B
	1001250836	Ref	DECAL INSTALLATION - TURNTABLE	E
1	1705921	1	Decal - Tipping/Electrocution (Platform)	
2	1705822	1	Decal - Electrocution/Safety Manual	
3	1705961	3	Decal - Electrocution	
4	1701518	3	Decal - Warning Crushing	
8	1001159323	2	Decal - JLG	
10	1702773	3	Decal - JLG	
12	1704277	3	Decal - Attach Lanyard	
13	1001171339	2	Decal - Warning Dual Cap	
16	1701504	1	Decal - Hydraulic Oil	
20	1701509	1	Decal - Manual	
22	1701500	2	Decal - Lift	
25	0860520	1	Box, Manual Storage	
26	4751400	4	Washer 1/4	
27	3311405	4	Nut, Lock 1/4	
29	1705828	1	Decal - Footswitch	
40	1704412	1	Decal - Hydraulic Oil Chart	
43	0641406	4	Bolt 1/4 x 3/4	
46	1001197408	1	Decal - MSSO, Engine Units	
60	1001184618	1	Decal - Stop and Auxiliary Power	
	1001190872	Ref	DECAL INSTALLATION - REFERENCE CHART (FRAME)	I
	1001191076	Ref	DECAL INSTALLATION - FRAME	E
101	1701499	6	Decal - No Lift	
102	1701529	2	Decal - Arrow	
103	1702300	4	Decal - Tie Down	
104	See Note	NSS	Decal - Bar Code (Note: Not Available for Purchase)	
105	1001202228	1	Decal - Machine Motion Hazard	
107	1001093553	1	Plate, Decal Mounting	
108	3820001	5	Rivet 1/8 x 1/4	
109	1701500	2	Decal - Lift	

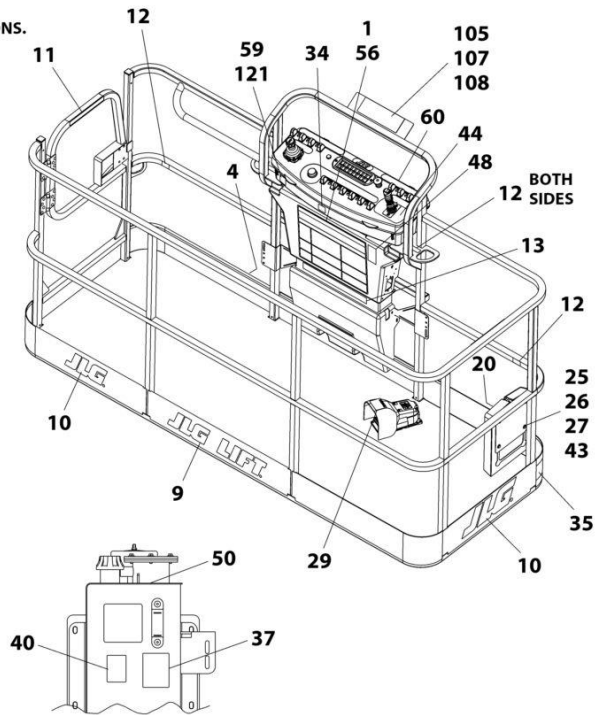
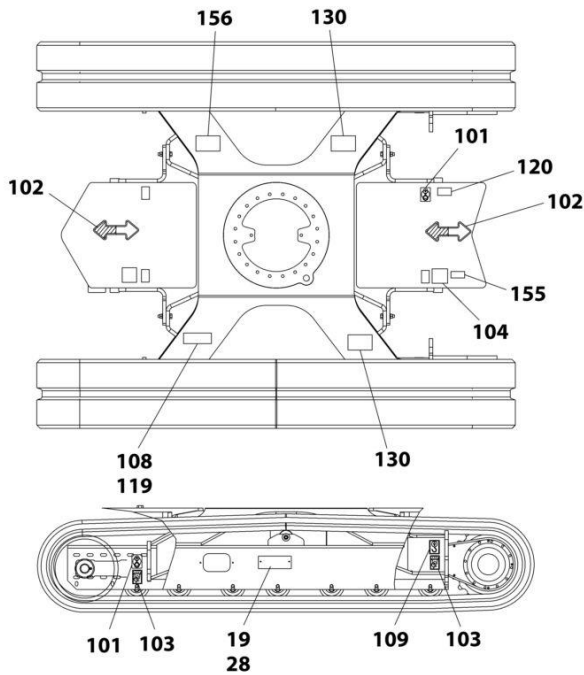
SECTION 9 - DECALS

FIGURE 9-5. DECAL INSTALLATION - CSA SPEC - 400SC



NOTE: ITEMS SHOWN MAY NOT BE REQUIRED FOR ALL SPECS. REFER TO PART LIST FOR USAGE.

NOTE: ADDITIONAL DECALS ARE CALLED OUT ON DECALS INSTALLATION - OPTIONS.



ART_1001239333

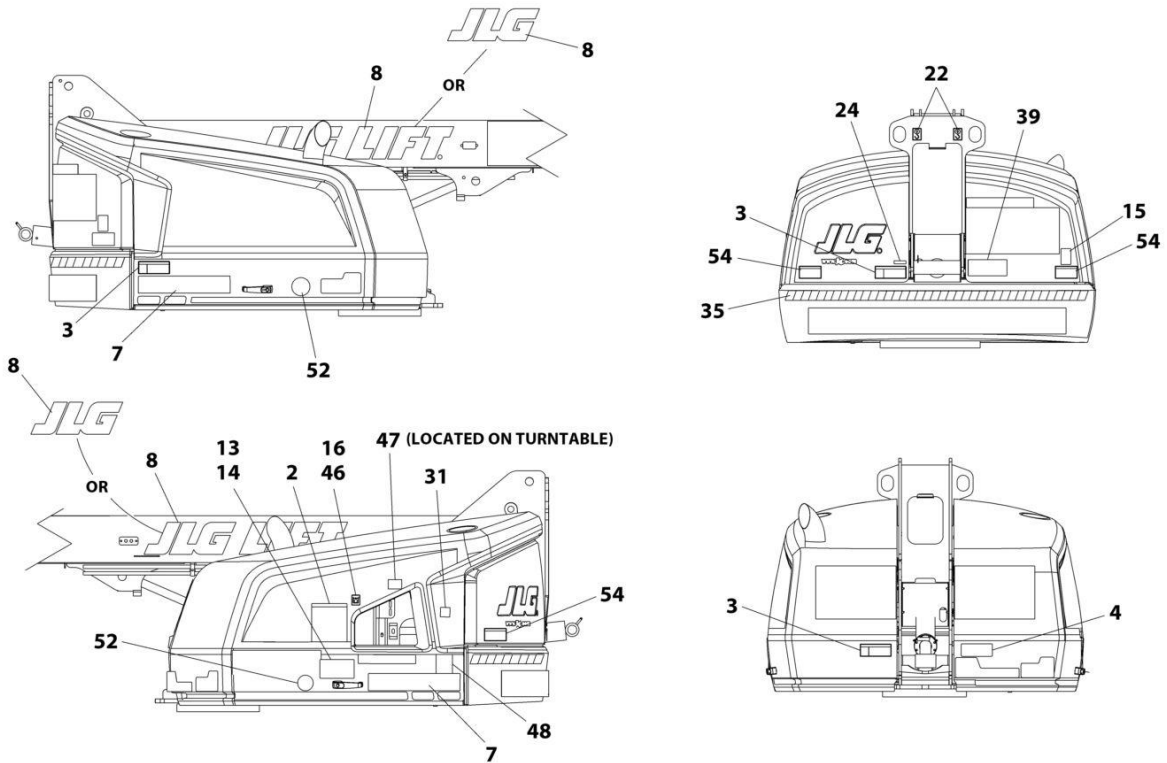
SECTION 9 - DECALS

FIGURE 9-5. DECAL INSTALLATION - CSA SPEC - 400SC

ITEM	PART NUMBER	QTY	DESCRIPTION	REV
	1001239333	Ref	DECAL INSTALLATION - REFERENCE CHART	B
	1001250764	Ref	DECAL INSTALLATION - REFERENCE CHART (TURNTABLE)	G
	1001239335	Ref	DECAL INSTALLATION - TURNTABLE	G
1	1703924	1	Decal - Danger/Warning (Platform)	
2	1703930	1	Decal - Danger/Warning (MTB)	
3	1703936	3	Decal - Electrocutation	
4	1703948	3	Decal - Warning Crushing	
11	1704000	2	Decal - Caution No Hands	
12	1704277	3	Decal - Attach Lanyard	
13	1001254667	1	Decal - Capacity (Platform)	
14	1001254668	1	Decal - Capacity (Ground Control)	
16	1701504	1	Decal - Hydraulic Oil	
20	1701509	1	Decal - Manual	
22	1701500	2	Decal - Lift	
24	3251243	1	Decal - Nameplate	
25	0860520	1	Box, Manual Storage	
26	4751400	4	Washer 1/4	
27	3311405	4	Nut, Lock 1/4	
28	3820001	2	Rivet 1/8 x 1/4	
29	1703984	1	Decal - Footswitch	
40	1704412	1	Decal - Hydraulic Oil Chart	
43	0641406	4	Bolt 1/4 x 3/4	
54	1703942	2	Decal - Warning Crushing	
60	1001184618	1	Decal - Stop and Auxiliary Power	
	1001190872	Ref	DECAL INSTALLATION - REFERENCE CHART (FRAME)	I
	1001227695	Ref	DECAL INSTALLATION - FRAME	C
101	1701499	6	Decal - No Lift	
102	1701529	2	Decal - Arrow	
103	1702300	4	Decal - Tie Down	
104	See Note	NSS	Decal - Bar Code (Note: Not Available for Purchase)	
105	1001093684	1	Decal - Machine Motion Hazard	
107	1001093553	1	Plate, Decal Mounting	
108	3820001	5	Rivet 1/8 x 1/4	
109	1701500	2	Decal - Lift	
120	1001223453	1	Decal - ICES	
156	1001223971	1	Decal - Yearly Inspection	

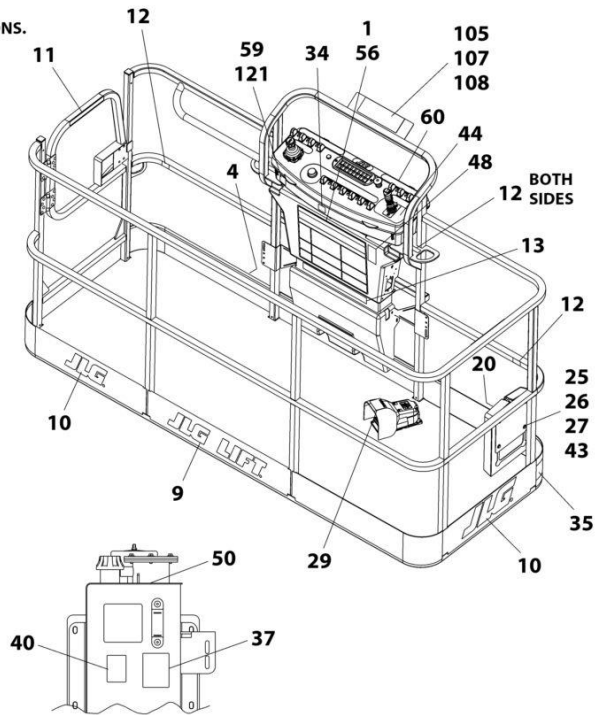
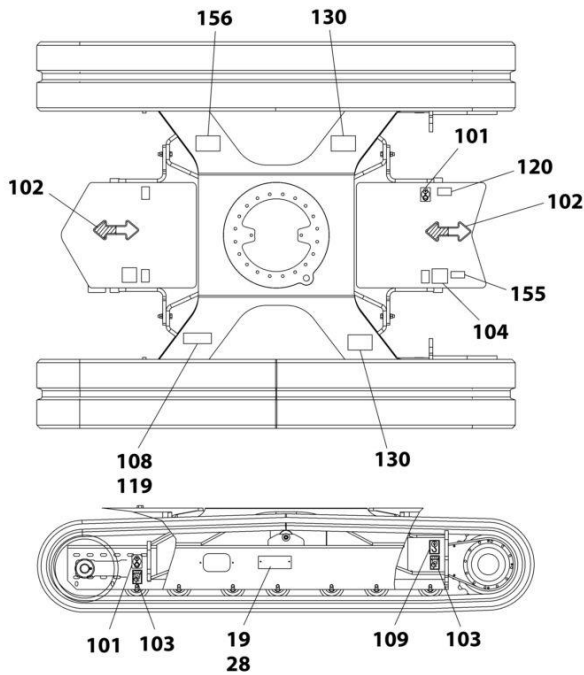
SECTION 9 - DECALS

FIGURE 9-6. DECAL INSTALLATION - CSA SPEC - 460SJC



NOTE: ITEMS SHOWN MAY NOT BE REQUIRED FOR ALL SPECS. REFER TO PART LIST FOR USAGE.

NOTE: ADDITIONAL DECALS ARE CALLED OUT ON DECALS INSTALLATION - OPTIONS.



ART_1001239334

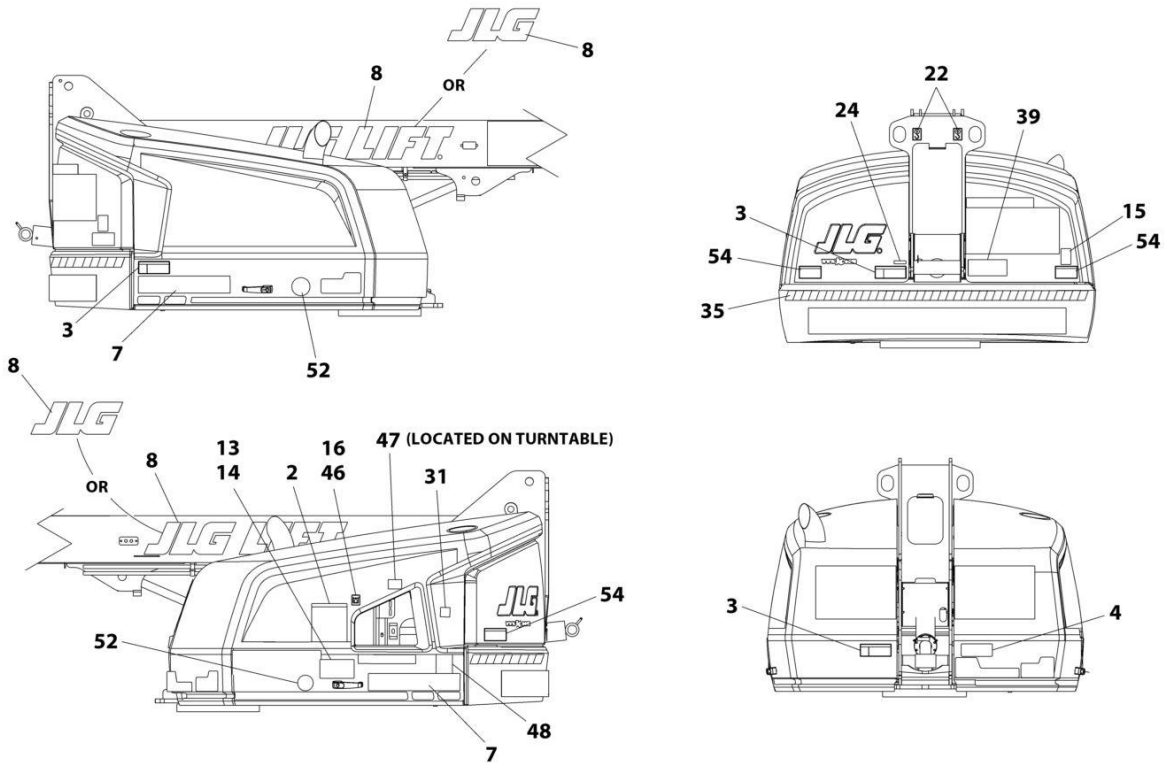
SECTION 9 - DECALS

FIGURE 9-6. DECAL INSTALLATION - CSA SPEC - 460SJC

ITEM	PART NUMBER	QTY	DESCRIPTION	REV
	1001239334	Ref	DECAL INSTALLATION - REFERENCE CHART	C
	1001250764	Ref	DECAL INSTALLATION - REFERENCE CHART (TURNTABLE)	G
	1001239336	Ref	DECAL INSTALLATION - TURNTABLE	G
1	1703924	1	Decal - Danger/Warning (Platform)	
2	1703930	1	Decal - Danger/Warning (MTB)	
3	1703936	3	Decal - Electrocutation	
4	1703948	3	Decal - Warning Crushing	
11	1704000	2	Decal - Caution No Hands	
12	1704277	3	Decal - Attach Lanyard	
13	1001254751	2	Decal - Warning Dual Cap	
16	1701504	1	Decal - Hydraulic Oil	
20	1701509	1	Decal - Manual	
22	1701500	2	Decal - Lift	
24	3251243	1	Decal - Nameplate	
25	0860520	1	Box, Manual Storage	
26	4751400	4	Washer 1/4	
27	3311405	4	Nut, Lock 1/4	
28	3820001	2	Rivet 1/8 x 1/4	
29	1703984	1	Decal - Footswitch	
40	1704412	1	Decal - Hydraulic Oil Chart	
43	0641406	4	Bolt 1/4 x 3/4	
54	1703942	2	Decal - Warning Crushing	
60	1001184618	1	Decal - Stop and Auxiliary Power	
	1001190872	Ref	DECAL INSTALLATION - REFERENCE CHART (FRAME)	I
	1001227695	Ref	DECAL INSTALLATION - FRAME	C
101	1701499	6	Decal - No Lift	
102	1701529	2	Decal - Arrow	
103	1702300	4	Decal - Tie Down	
104	See Note	NSS	Decal - Bar Code (Note: Not Available for Purchase)	
105	1001093684	1	Decal - Machine Motion Hazard	
107	1001093553	1	Plate, Decal Mounting	
108	3820001	5	Rivet 1/8 x 1/4	
109	1701500	2	Decal - Lift	
118	1001131269	1	Decal - Patent Boom Lift	
120	1001223453	1	Decal - ICES	
156	1001223971	1	Decal - Yearly Inspection	

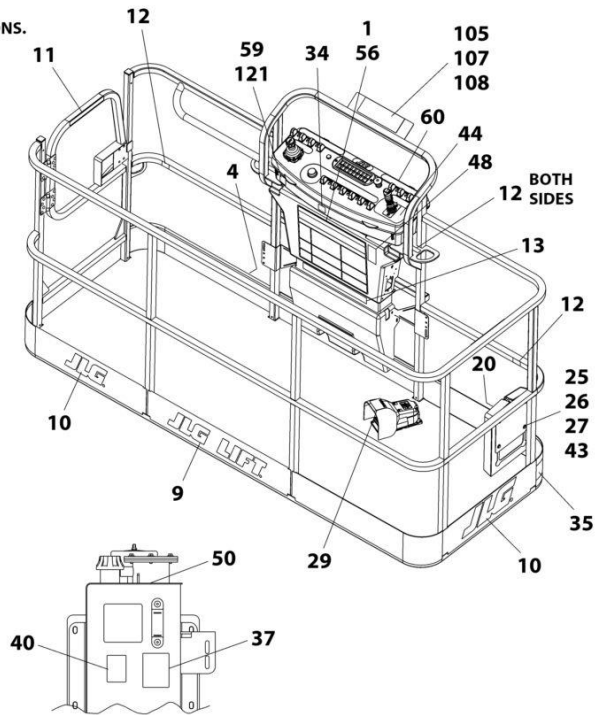
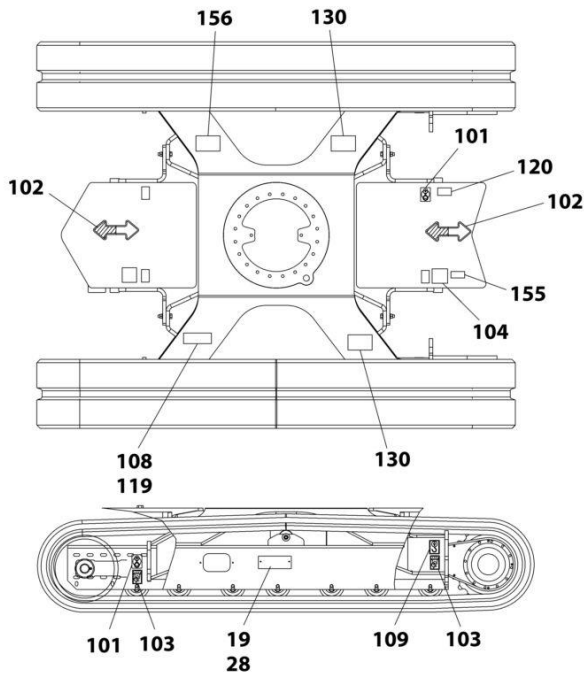
SECTION 9 - DECALS

FIGURE 9-7. DECAL INSTALLATION - ANSI EXPORT - 400SC (JAPANESE SPECS)



NOTE: ITEMS SHOWN MAY NOT BE REQUIRED FOR ALL SPECS. REFER TO PART LIST FOR USAGE.

NOTE: ADDITIONAL DECALS ARE CALLED OUT ON DECALS INSTALLATION - OPTIONS.



ART_1001239587

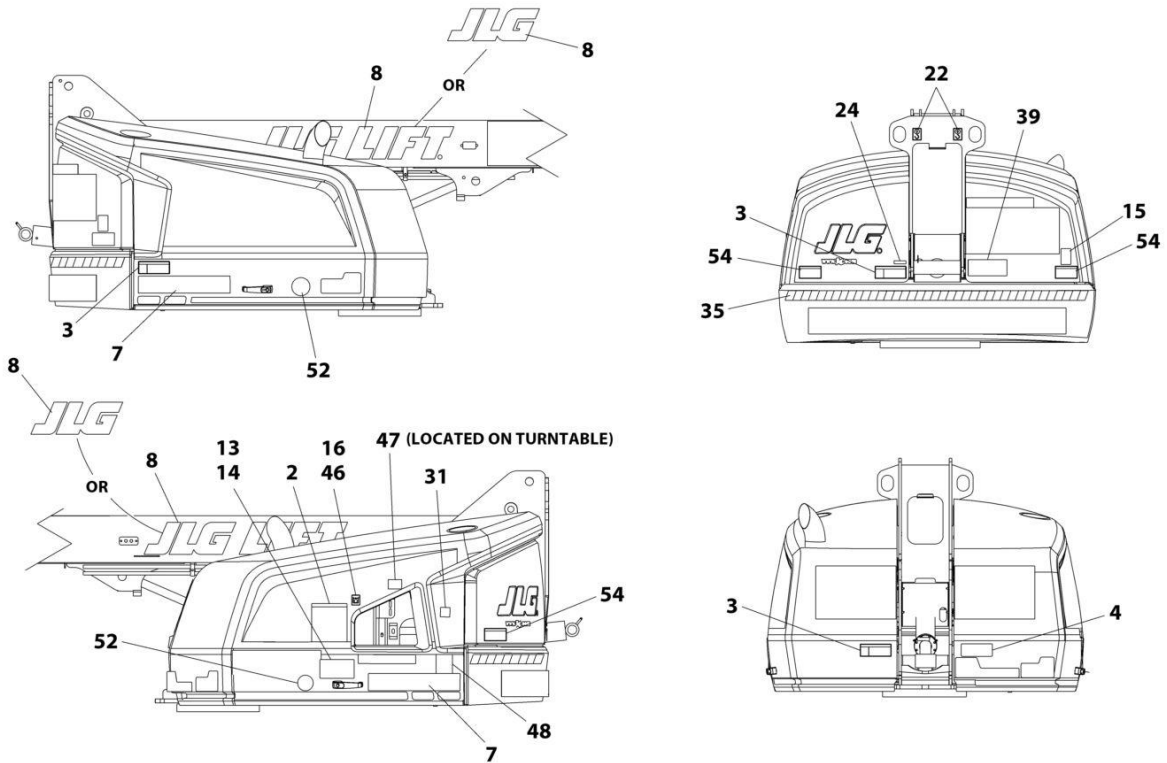
SECTION 9 - DECALS

FIGURE 9-7. DECAL INSTALLATION - ANSI EXPORT - 400SC (JAPANESE SPECS)

ITEM	PART NUMBER	QTY	DESCRIPTION	REV
	1001239587	Ref	DECAL INSTALLATION - REFERENCE CHART	C
	1001250764	Ref	DECAL INSTALLATION - REFERENCE CHART (TURNTABLE)	G
	1001239585	Ref	DECAL INSTALLATION - TURNTABLE	G
1	1703926	1	Decal - Danger/ Warning (Platform)	
2	1703932	1	Decal - Danger/ Warning (MTB)	
3	1703938	3	Decal - Electrocutation	
4	1703950	3	Decal - Warning Crushing	
12	1704277	3	Decal - Attach Lanyard	
13	1001254677	1	Decal - Warning Dual Cap	
14	1001254678	1	Decal - Warning Dual Cap	
16	1701504	1	Decal - Hydraulic Oil	
20	1701509	1	Decal - Manual	
22	1701500	2	Decal - Lift	
25	0860520	1	Box, Manual Storage	
26	4751400	4	Washer 1/4	
27	3311405	4	Nut, Lock 1/4	
29	1703980	1	Decal - Footswitch	
40	1704412	1	Decal - Hydraulic Oil Chart	
43	0641406	4	Bolt 1/4 x 3/4	
54	1703944	2	Decal - Warning Crushing	
60	1001184618	1	Decal - Stop and Auxiliary Power	
	1001190872	Ref	DECAL INSTALLATION - REFERENCE CHART (FRAME)	I
	1001215290	Ref	DECAL INSTALLATION - FRAME	B
101	1701499	6	Decal - No Lift	
102	1701529	2	Decal - Arrow	
103	1702300	4	Decal - Tie Down	
104	See Note	NSS	Decal - Bar Code (Note: Not Available for Purchase)	
105	1001215285	1	Decal - Machine Motion Hazard	
107	1001093553	1	Plate, Decal Mounting	
108	3820001	5	Rivet 1/8 x 1/4	
109	1701500	2	Decal - Lift	

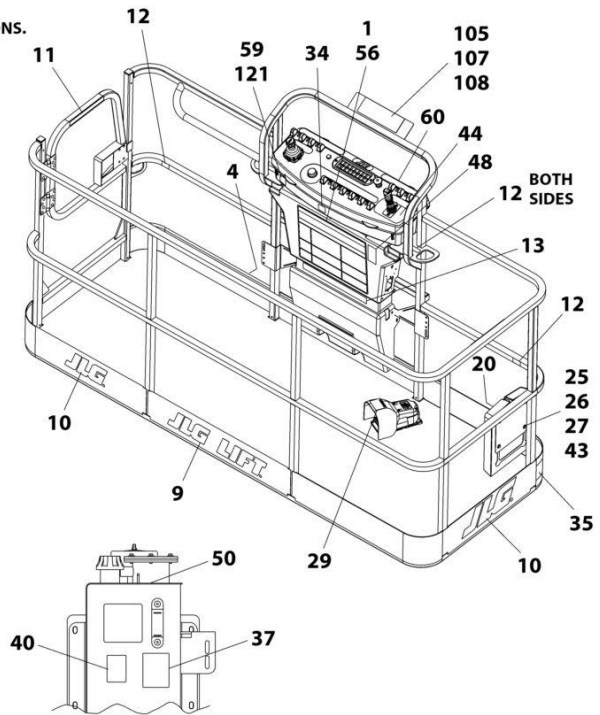
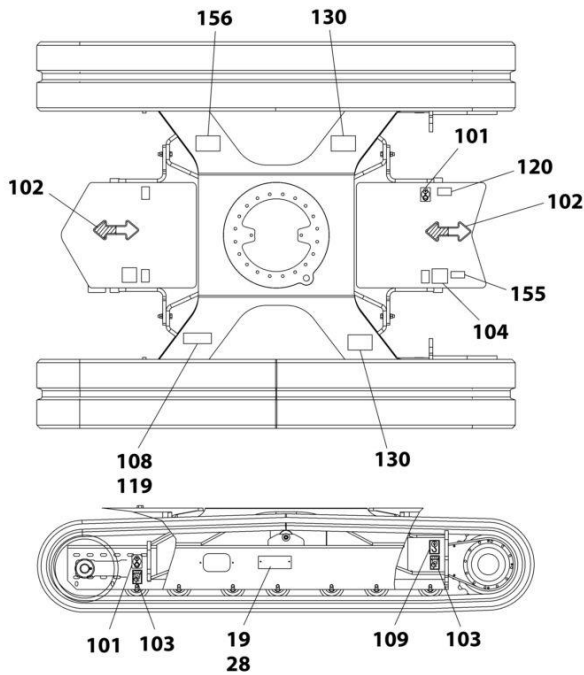
SECTION 9 - DECALS

FIGURE 9-8. DECAL INSTALLATION - ANSI EXPORT - 460SJC (JAPANESE SPECS)



NOTE: ITEMS SHOWN MAY NOT BE REQUIRED FOR ALL SPECS. REFER TO PART LIST FOR USAGE.

NOTE: ADDITIONAL DECALS ARE CALLED OUT ON DECALS INSTALLATION - OPTIONS.



ART_1001239595

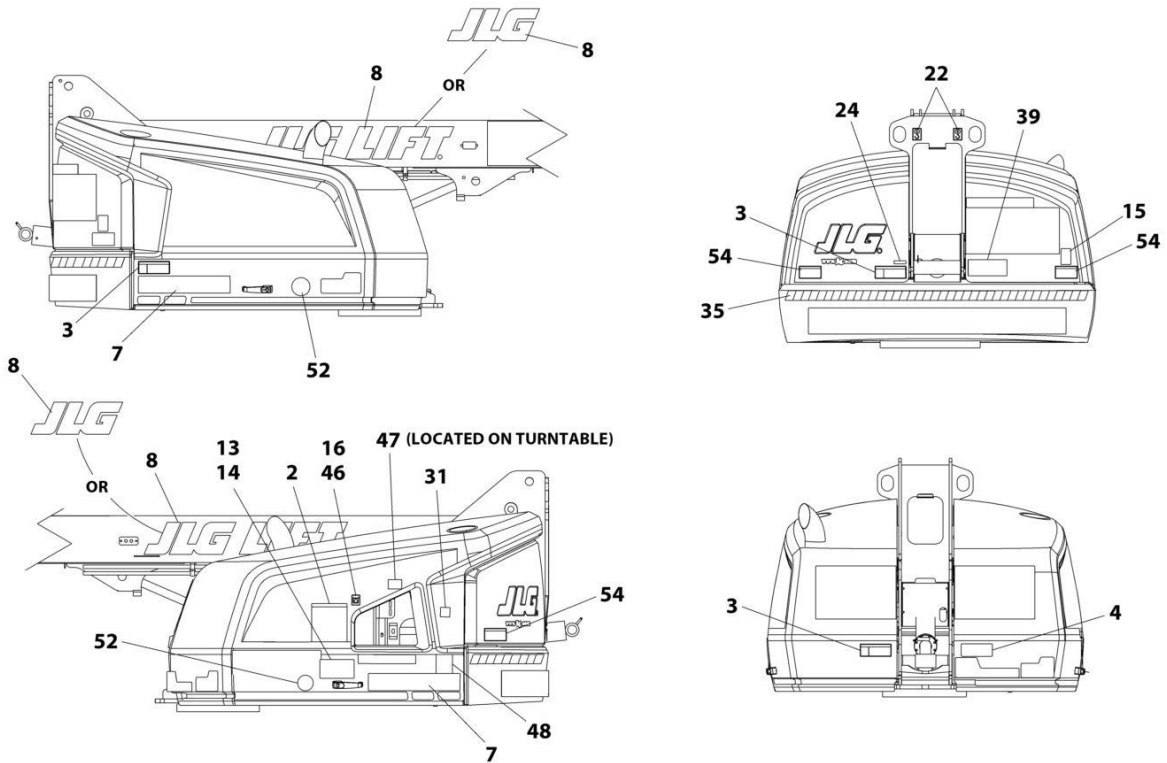
SECTION 9 - DECALS

FIGURE 9-8. DECAL INSTALLATION - ANSI EXPORT - 460SJC (JAPANESE SPECS)

ITEM	PART NUMBER	QTY	DESCRIPTION	REV
	1001239595	Ref	DECAL INSTALLATION - REFERENCE CHART	C
	1001250764	Ref	DECAL INSTALLATION - REFERENCE CHART (TURNTABLE)	G
	1001239594	Ref	DECAL INSTALLATION - TURNTABLE	G
1	1703926	1	Decal - Danger/ Warning (Platform)	
2	1703932	1	Decal - Danger/ Warning (MTB)	
3	1703938	3	Decal - Electrocutation	
4	1703950	3	Decal - Warning Crushing	
12	1704277	3	Decal - Attach Lanyard	
13	1001254756	2	Decal - Warning Dual Cap	
16	1701504	1	Decal - Hydraulic Oil	
20	1701509	1	Decal - Manual	
22	1701500	2	Decal - Lift	
25	0860520	1	Box, Manual Storage	
26	4751400	4	Washer 1/4	
27	3311405	4	Nut, Lock 1/4	
29	1703980	1	Decal - Footswitch	
40	1704412	1	Decal - Hydraulic Oil Chart	
43	0641406	4	Bolt 1/4 x 3/4	
54	1703944	2	Decal - Warning Crushing	
60	1001184618	1	Decal - Stop and Auxiliary Power	
	1001190872	Ref	DECAL INSTALLATION - REFERENCE CHART (FRAME)	I
	1001215290	Ref	DECAL INSTALLATION - FRAME	B
101	1701499	6	Decal - No Lift	
102	1701529	2	Decal - Arrow	
103	1702300	4	Decal - Tie Down	
104	See Note	NSS	Decal - Bar Code (Note: Not Available for Purchase)	
105	1001215285	1	Decal - Machine Motion Hazard	
107	1001093553	1	Plate, Decal Mounting	
108	3820001	5	Rivet 1/8 x 1/4	
109	1701500	2	Decal - Lift	

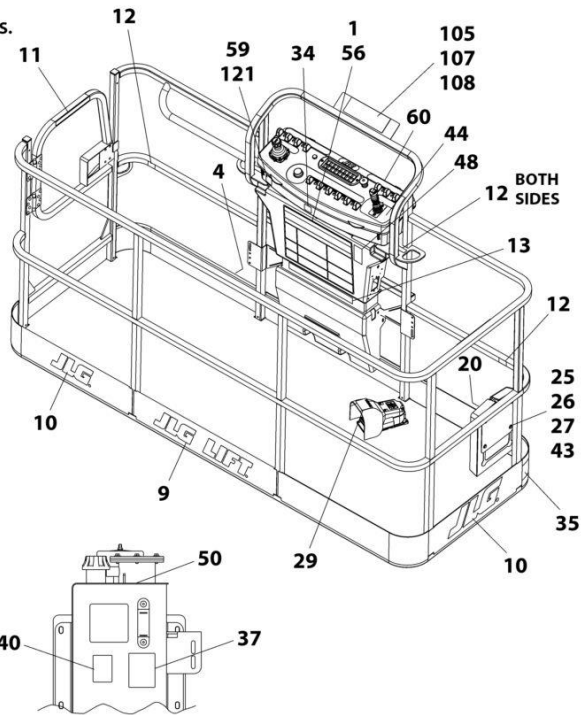
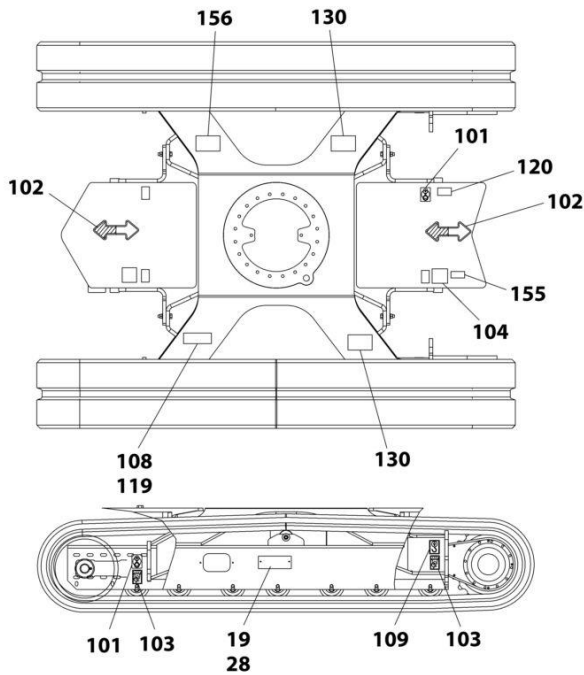
SECTION 9 - DECALS

FIGURE 9-9. DECAL INSTALLATION - ANSI EXPORT SPEC - 400SC (KOREAN SPECS)



NOTE: ITEMS SHOWN MAY NOT BE REQUIRED FOR ALL SPECS. REFER TO PART LIST FOR USAGE.

NOTE: ADDITIONAL DECALS ARE CALLED OUT ON DECALS INSTALLATION - OPTIONS.



ART_1001239571

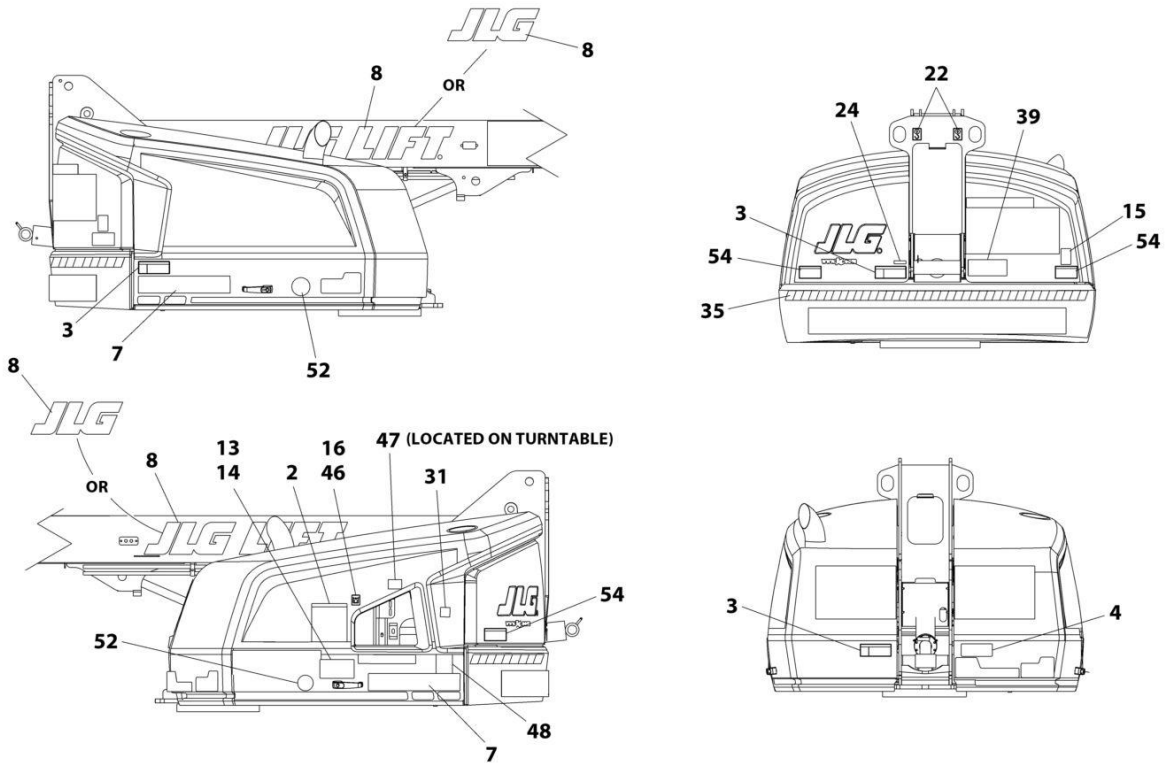
SECTION 9 - DECALS

FIGURE 9-9. DECAL INSTALLATION - ANSI EXPORT SPEC - 400SC (KOREAN SPECS)

ITEM	PART NUMBER	QTY	DESCRIPTION	REV
	1001239571	Ref	DECAL INSTALLATION - REFERENCE CHART (TURNTABLE)	C
	1001250764	Ref	DECAL INSTALLATION - REFERENCE CHART (TURNTABLE)	G
	1001239567	Ref	DECAL INSTALLATION - TURNTABLE	G
1	1703927	1	Decal - Danger/Warning (Platform)	
2	1703933	1	Decal - Danger/Warning (MTB)	
3	1703939	3	Decal - Electrocutation	
4	1703951	3	Decal - Warning Crushing	
12	1704277	3	Decal - Attach Lanyard	
13	1001254669	1	Decal - Warning Dual Cap	
14	1001254670	1	Decal - Warning Dual Cap	
16	1701504	1	Decal - Hydraulic Oil	
20	1701509	1	Decal - Manual	
22	1701500	2	Decal - Lift	
25	0860520	1	Box, Manual Storage	
26	4751400	4	Washer 1/4	
27	3311405	4	Nut, Lock 1/4	
28	3820001	2	Rivet 1/8 x 1/4	
29	1703981	1	Decal - Nameplate, Footswitch	
40	1704412	1	Decal - Hydraulic Oil Chart	
43	0641406	4	Bolt 1/4 x 3/4	
54	1703945	2	Decal - Warning Crushing	
60	1001184618	1	Decal - Stop and Auxiliary Power	
	1001190872	Ref	DECAL INSTALLATION - REFERENCE CHART (FRAME)	I
	1001227698	Ref	DECAL INSTALLATION - FRAME	B
101	1701499	6	Decal - No Lift	
102	1701529	2	Decal - Arrow	
103	1702300	4	Decal - Tie Down	
104	See Note	NSS	Decal - Bar Code (Note: Not Available for Purchase)	
105	1001215286	1	Decal - Machine Motion Hazard	
107	1001093553	1	Plate, Decal Mounting	
108	3820001	5	Rivet 1/8 x 1/4	
109	1701500	2	Decal - Lift	
118	1001131269	1	Decal - Patent	
156	1001224048	1	Decal - Yearly Inspection	

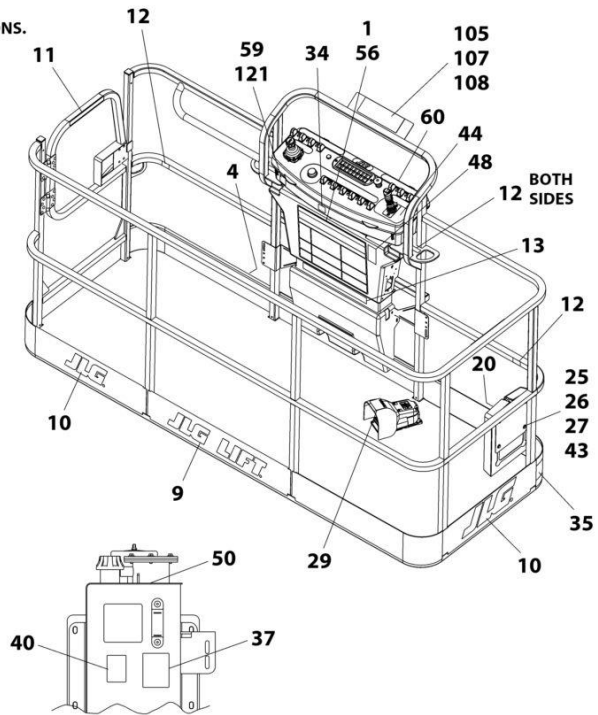
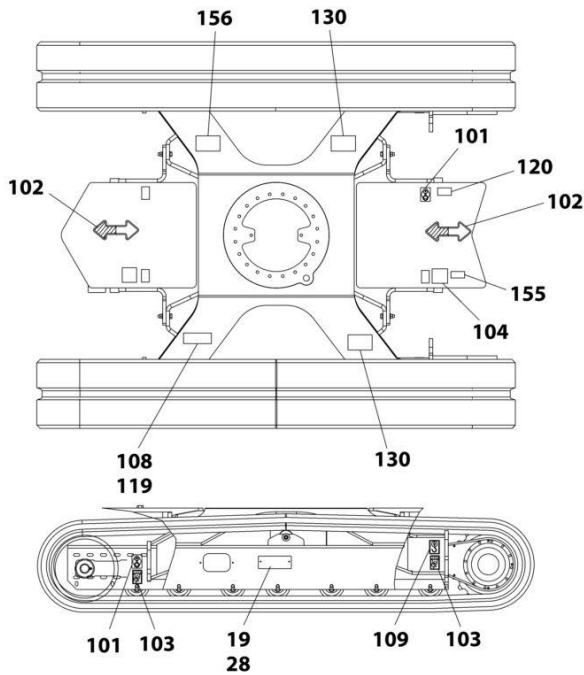
SECTION 9 - DECALS

FIGURE 9-10. DECAL INSTALLATION - ANSI EXPORT SPEC - 460SJC (KOREAN SPECS)



NOTE: ITEMS SHOWN MAY NOT BE REQUIRED FOR ALL SPECS. REFER TO PART LIST FOR USAGE.

NOTE: ADDITIONAL DECALS ARE CALLED OUT ON DECALS INSTALLATION - OPTIONS.



ART_1001239583

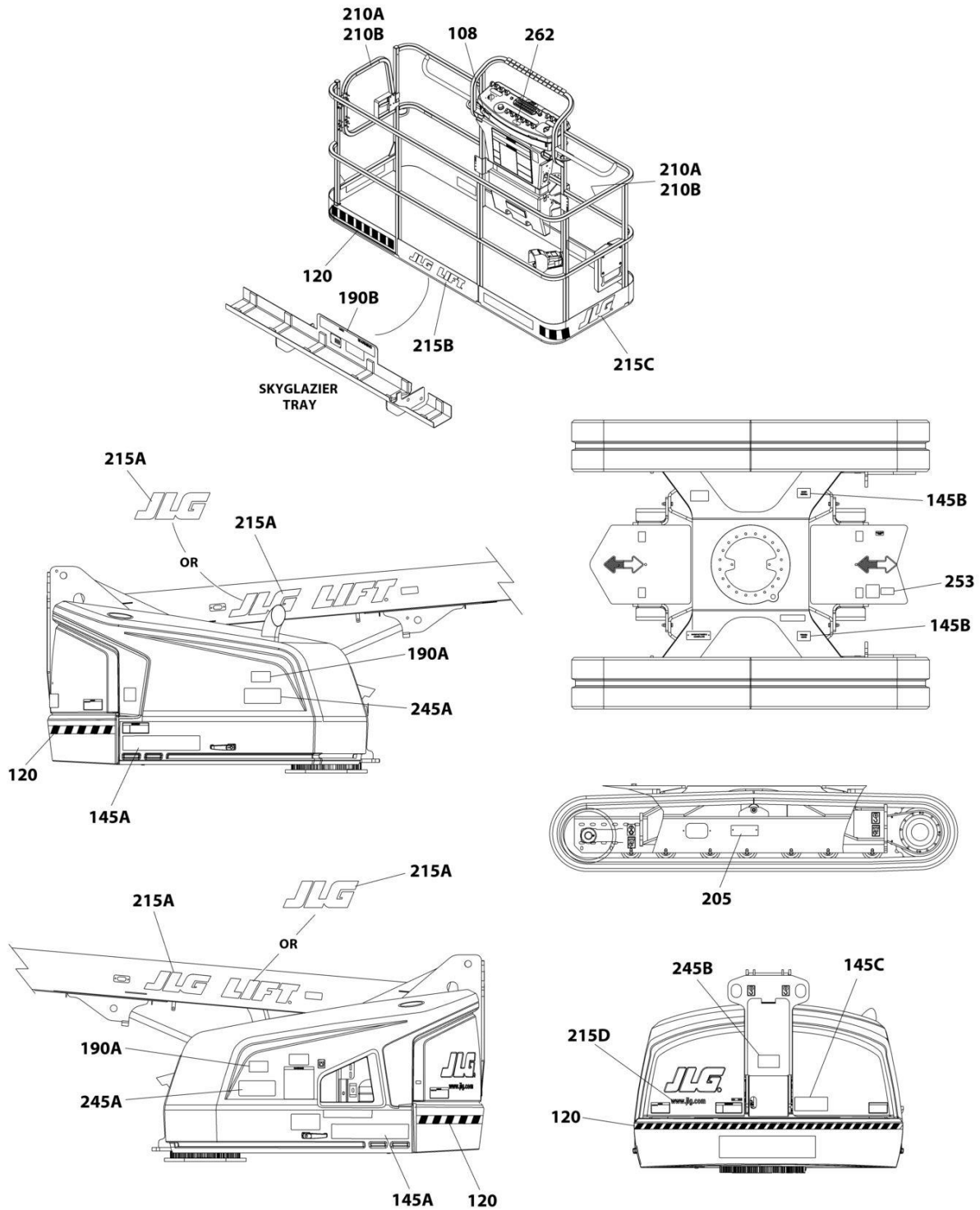
SECTION 9 - DECALS

FIGURE 9-10. DECAL INSTALLATION - ANSI EXPORT SPEC - 460SJC (KOREAN SPECS)

ITEM	PART NUMBER	QTY	DESCRIPTION	REV
	1001239583	Ref	DECAL INSTALLATION - REFERENCE CHART	C
	1001250764	Ref	DECAL INSTALLATION - REFERENCE CHART (TURNTABLE)	G
	1001239582	Ref	DECAL INSTALLATION - TURNTABLE	G
1	1703927	1	Decal - Danger/Warning (Platform)	
2	1703933	1	Decal - Danger/Warning (MTB)	
3	1703939	3	Decal - Electrocutation	
4	1703951	3	Decal - Warning Crushing	
12	1704277	3	Decal - Attach Lanyard	
13	1001254752	2	Decal - Warning Dual Cap	
16	1701504	1	Decal - Hydraulic Oil	
20	1701509	1	Decal - Manual	
22	1701500	2	Decal - Lift	
25	0860520	1	Box, Manual Storage	
26	4751400	4	Washer 1/4	
27	3311405	4	Nut, Lock 1/4	
28	3820001	2	Rivet 1/8 x 1/4	
29	1703981	1	Decal - Nameplate, Footswitch	
40	1704412	1	Decal - Hydraulic Oil Chart	
43	0641406	4	Bolt 1/4 x 3/4	
54	1703945	2	Decal - Warning Crushing	
60	1001184618	1	Decal - Stop and Auxiliary Power	
	1001190872	Ref	DECAL INSTALLATION - REFERENCE CHART (FRAME)	I
	1001227698	Ref	DECAL INSTALLATION - FRAME	B
101	1701499	6	Decal - No Lift	
102	1701529	2	Decal - Arrow	
103	1702300	4	Decal - Tie Down	
104	See Note	NSS	Decal - Bar Code (Note: Not Available for Purchase)	
105	1001215286	1	Decal - Machine Motion Hazard	
107	1001093553	1	Plate, Decal Mounting	
108	3820001	5	Rivet 1/8 x 1/4	
109	1701500	2	Decal - Lift	
118	1001131269	1	Decal - Patent	
156	1001224048	1	Decal - Yearly Inspection	

SECTION 9 - DECALS

FIGURE 9-11. DECAL INSTALLATION - OPTIONS



ART_DECAL_OPTIONS

SECTION 9 - DECALS

FIGURE 9-11. DECAL INSTALLATION - OPTIONS

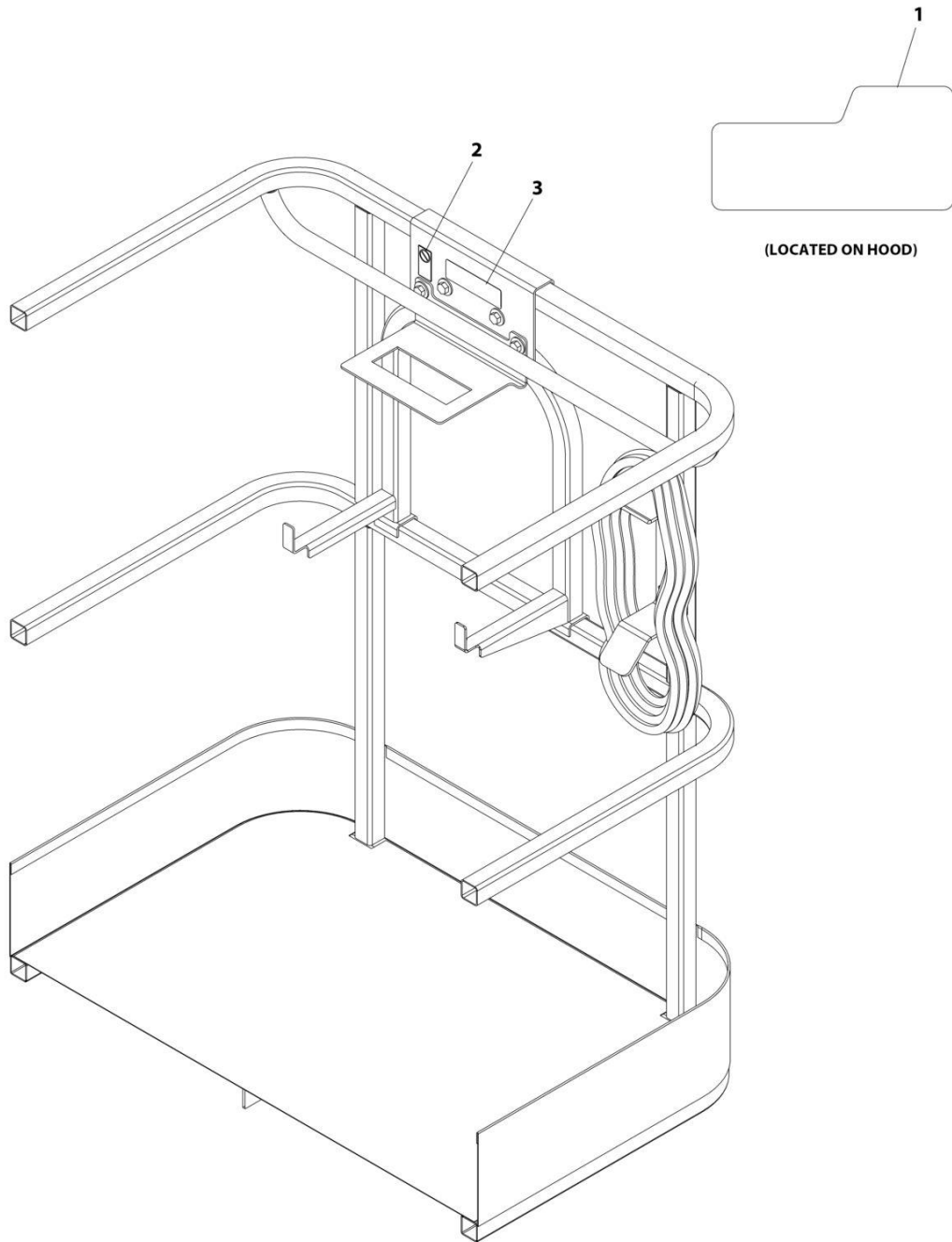
ITEM	PART NUMBER	QTY	DESCRIPTION	REV
	1001217488	Ref	DECAL INSTALLATION - REFERENCE CHART (TURNTABLE) (CE & UK CA Specs Only)	D
	1001250764	Ref	DECAL INSTALLATION - REFERENCE CHART (TURNTABLE)	G
	1001190872	Ref	DECAL INSTALLATION - REFERENCE CHART (FRAME)	H
	1001192020	1	DECAL INSTALLATION - OPTIONS	
108	1001231801	1	Decal - Proposition 65 (Diesel Machines)	
120	1001178415	Ref	Warning Stripes Installation	A
120	4420051	14.5 ft /4.42m	Tape, Safety	
145	1001190871	Ref	Decal - Model Designation - 400SC (Not Shown)	E
145	1001217211	Ref	Decal - Model Designation - 460SJC (Not Shown)	B
145A	1001272288	2	Decal - 400SC	
145A	1001268234	2	Decal - 460SJC	
145B	1001201127	2	Decal - Max Track Load - 400SC	
145B	1001217210	2	Decal - Max Track Load - 460SJC	
145C	1001284679	1	Decal - Lift Diagram - 400SC	
145C	1001284680	1	Decal - Lift Diagram - 460SJC	
190	1001172570	Ref	Decal - SkyGlazier (English Decals) (ANSI, ANSI Export and CSA Specs)	C
190	1001172573	Ref	Decal - SkyGlazier (French Decals) (CE & UK CA Specs)	B
190	1001172574	Ref	Decal - SkyGlazier (German Decals) (CE & UK CA Specs)	B
190	1001172575	Ref	Decal - SkyGlazier (Italian Decals) (CE & UK CA Specs)	B
190	1001193136	Ref	Decal - SkyGlazier (Portuguese Decals) (CE & UK CA Specs)	B
190	1001193135	Ref	Decal - SkyGlazier (Spanish Decals) (CE & UK CA Specs)	B
190	1001172576	Ref	Decal - SkyGlazier (UK Decals) (CE & UK CA Specs)	B
190A	1705358	2	Decal - SkyGlazier	
190B	1001199035	2	Decal - SkyGlazier Capacity (English)	
190B	1001172566	2	Decal - SkyGlazier Capacity (French)	
190B	1001172567	2	Decal - SkyGlazier Capacity (German)	
190B	1001172568	2	Decal - SkyGlazier Capacity (Italian)	
190B	1001193134	2	Decal - SkyGlazier Capacity (Portuguese)	
190B	1001193133	2	Decal - SkyGlazier Capacity (Spanish)	
190B	1001172569	2	Decal - SkyGlazier Capacity (UK)	
205	See Note	1	Nameplate - Serial Number (Not Shown) (Note: Not Available for Purchase)	
215	1001178433	Ref	Decal Installation - JLG Logo (Not Shown)	A
215A	1702861	2	Decal - JLG Lift	
215B	1702774	1	Decal - JLG Lift	
215C	1702773	1	Decal - JLG	
215D	1704885	1	Decal - Website	
226	1704972	1	Decal - Warning Explosion/Fire (ANSI and ANSI Export Specs) (Not Shown)	
226	1706098	1	Decal - Warning Explosion/Fire (CE & UK CA Specs) (Not Shown)	
226	1706064	1	Decal - Warning Explosion/Fire (CSA Spec - Dual Language English/French) (Not Shown)	
226	1706062	1	Decal - Warning Explosion/Fire (ANSI Export Specs) (Not Shown)	
226	1706061	1	Decal - Warning Explosion/Fire (Korean Spec - Dual Language English/Korean) (Not Shown)	
245	1001178435	Ref	Decal - ClearSky (Not Shown)	
245A	1001116208	1	Decal - ClearSky	

SECTION 9 - DECALS

ITEM	PART NUMBER	QTY	DESCRIPTION	REV
245B	1001120989	1	Decal - Radio Frequency	
245	1001294763	Ref	Clearsky Smart Fleet Decal Installation	
245A	1001120989	1	Decal - Radio Frequency	
245B	1001294815	1	Decal - ClearSky	
253	1001143852	1	Decal - Emission Compliance	
262	1001141300	1	Decal - SkyGuard Override	
262	1001141302	1	Decal - SkyGuard/Soft Touch Override	

SECTION 9 - DECALS

FIGURE 9-12. SKYWELDER DECAL INSTALLATION - 50HZ (ANSI EXPORT SPECS)



ART_0272588

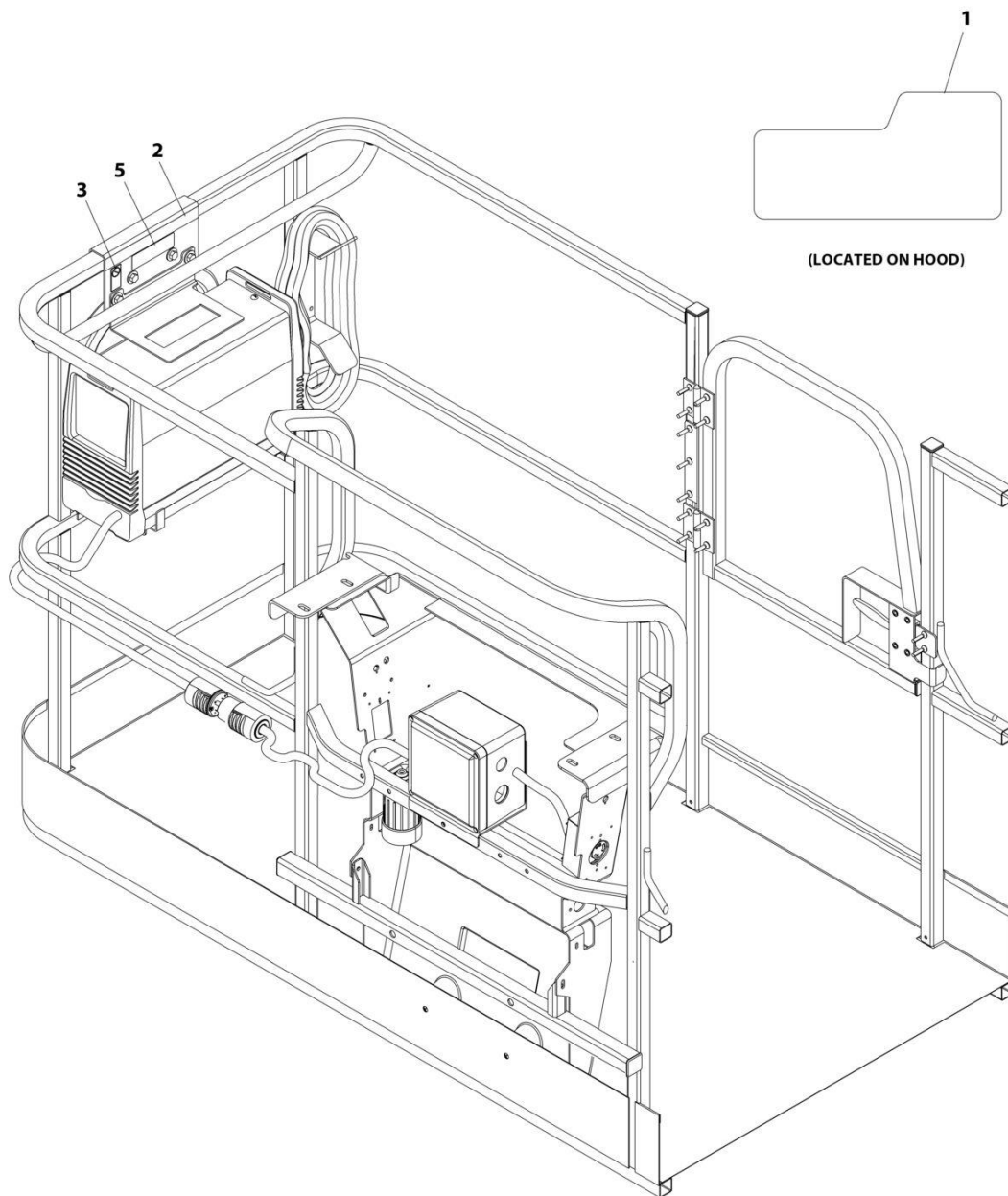
SECTION 9 - DECALS

FIGURE 9-12. SKYWELDER DECAL INSTALLATION - 50HZ (ANSI EXPORT SPECS)

ITEM	PART NUMBER	QTY	DESCRIPTION	REV
	0272588	Ref	SKYWELDER DECAL INSTALLATION - 50Hz	B
1	1705355	2	Decal - SkyWelder	
2	1705305	1	Decal - Weld Lead	
3	1001228988	1	Decal - Weight	

SECTION 9 - DECALS

FIGURE 9-13. SKYWELDER DECAL INSTALLATION - 60HZ (ANSI EXPORT SPECS)



ART_0272448_D

SECTION 9 - DECALS

FIGURE 9-13. SKYWELDER DECAL INSTALLATION - 60HZ (ANSI EXPORT SPECS)

ITEM	PART NUMBER	QTY	DESCRIPTION	REV
	0272448	Ref	SKYWELDER DECAL INSTALLATION - 60Hz	D
1	1705355	2	Decal - SkyWelder	
2	1702868	1	Decal - No Hands	
3	1705305	1	Decal - Weld Lead	
5	1001228988	1	Decal - Weight	

SECTION 10 - RECOMMENDED SERVICE PARTS STOCK

SECTION 10 - RECOMMENDED SERVICE PARTS STOCK

SECTION 10 - RECOMMENDED SERVICE PARTS STOCK

FIGURE 10-1. RECOMMENDED SERVICE PARTS STOCK

ITEM	PART NUMBER	QTY	DESCRIPTION	REV
		Ref	Note: The following list will service one machine (built to current production per date on the front cover) with emergency repair parts which can be installed in the field. Parts from the list should be replaced when inventory is depleted to keep service parts stock supplied. For further information, contact your JLG dealer or the JLG Industries Parts Department.	
	4360476	1	Block, Contact	
	7020176	1	Block, Contact	
	1001189172	1	Breaker 16Amp Double (Breaker Box with Three Breakers)	
	1001159118	1	Breaker GFCI 30Amp 240VAC (240V AC Box at Platform)	
	1001181045	1	Breaker, 16Amp (Breaker Box with Single Breaker)	
	1001189171	1	Breaker, 30mA (Breaker Box with Three Breakers)	
	4360542	1	Breaker, Circuit (2500W Generators)	
	4360070	1	Breaker, Circuit - 15Amp (4000W/60Hz and 7500W Generators)	
	70006095	1	Breaker, Circuit 30Amp (7500W Generator with Deutz D2.9L4 Engine)	
	7024485	1	Breaker, Circuit 30Amp (7500W Generators with Deutz D2011 Engine)	
	70002386	1	Coil	
	70003788	1	Coil	
	70005219	1	Coil	
	1001142683	1	Control Module (Blue and Red Beacons)	
	1001275629	1	Controller Assembly (Lift and Swing)	
	1600359	1	Controller Assembly (Drive and Steer)	
	1001157196	1	Controller, Module (Console Box Assembly)	
	1001196636	2	Diode - 1 Amp (Main Valve Harness)	
	70010383	1	Element, Filter	
		Ref	Engine - Deutz D2011	
	70003783	12	Element, Air Cleaner	
	7020023	12	Filter, Fuel	
	70003463	12	Filter, Fuel - RME Resistant	
	7016331	12	Filter, Oil	
	3740140	1	Relay, 100Amp	
	70004058	1	Relay	
		Ref	Engine - Deutz D2.9L4	
	70003783	12	Element, Air Cleaner	
	1001197719	2	Fuse, 0.5 Watt	
	80983191	2	Fuse, 10 Amp	
	70023592	2	Fuse, 20 Amp	
	70023593	2	Fuse, 30 Amp	
	1001117308	1	Relay, 200Amp	
	1001138228	1	Relay, Power Module	
		Ref	Engine - Deutz D2.9L4 (Stage V)	
	70003783	12	Element, Air Cleaner	
	1001117308	1	Relay, 200Amp	
	1001138228	1	Relay, Power Module	
	1001117174	1	Footswitch Assembly	
	8229249	2	Fuse, 3 Amp (USB Charger)	
	1001196634	2	Fuse, 2 Amp	
	8229242	2	Fuse, 5 Amp	

SECTION 10 - RECOMMENDED SERVICE PARTS STOCK

ITEM	PART NUMBER	QTY	DESCRIPTION	REV
	8229244	2	Fuse, 15 Amp	
	8229245	2	Fuse, 30 Amp (2500W Generators)	
	2860030	1	Key, Replacement	
	2940074	1	Latch (Platforms with Swing Gate)	
	1001170094	1	Module, Ground Control	
	3740080	1	Relay (2500W Generators)	
	70006553	1	Relay (ANSI Export Spec 4000W Generator)	
	1001186431	1	Relay (SkyGuard)	
	3740086	1	Relay (SkyLine)	
	1001095704	1	Relay 35Amp	
	70005254	1	Screen, Filter	
	1001219601	1	Sensor (Electrical Panel Assembly)	
	1001118971	1	Sensor, Angle (Boom Switches)	
	1001228225	1	Sensor, Emitter (SkyEye)	
	1001231195	1	Sensor, Fuel Level	
	1001170847	1	Sensor, Proximity (Boom Switches)	
	1001182570	1	Sensor, Proximity (Boom Switches)	
	1001232667	1	Sensor, Proximity (SkyLine)	
	1001228224	1	Sensor, Receiver (SkyEye)	
	1001237902	1	Sensor, SkySense	
	7024469	1	Switch with Lead (Welder Assembly)	
	1001225346	1	Switch, Battery (Battery Disconnect)	
	1001274559	1	Switch, Emergency Stop	
	4360469	1	Switch, Key	
	4360407	1	Switch, Potentiometer	
	4360387	1	Switch, Push Button	
	4360274	1	Switch, Push Button (CE & UK CA Specs with Stage V Engine)	
	70004682	1	Switch, Reset (4000W Generators)	
	4360328	1	Switch, Toggle	
	4360336	1	Switch, Toggle	
	1001155045	1	Switch, Toggle	
	1001159256	1	Switch, Toggle	
	1001161709	1	Switch, Toggle DPDT	

SECTION 11 - SPECIAL OPTIONS/ACCESSORIES/KITS

SECTION 11 - SPECIAL OPTIONS/ACCESSORIES/KITS

SECTION 11 - SPECIAL OPTIONS/ACCESSORIES/KITS

FIGURE 11-1. SPECIAL OPTIONS/ACCESSORIES/KITS

ITEM	PART NUMBER	QTY	DESCRIPTION	REV
		Ref	Note: This list is to accommodate machines ordered with special equipment. Options may not be applicable to all models. For more specific parts information contact JLG Parts Department.	
		Ref	MISCELLANEOUS SPECIAL OPTIONS/ACCESSORIES/KITS	
	1001174347	Ref	Airline Installation - 400SC	
	1001174348	Ref	Airline Installation - 460SJC	
	1001236541	Ref	Boom and Chassis Bellows Installation (400SC Only)	
	1001236540	Ref	Boom and Chassis Bellows Installation (460SJC Only)	
	1001172630	Ref	Boom Wiper Installation	
	1001183206	Ref	Cold Weather Package (Deutz T4F Engine) (ANSI, ANSI Export, CSA and Japan Specs)	
	1001183207	Ref	Cold Weather Package (Deutz T4i Engine) (ANSI Export Spec)	
	1001255807	Ref	Cold Weather Package (Deutz D2.9L4 Engines (Stage V)) (CE & UK CA Spec)	
	1001243183	Ref	ClearSky (Telematics) Canbus Added-on-Kit (Dealer Installed) (ANSI, ANSI Export, CSA, CE & UK CA Specs)	
	1001243184	Ref	ClearSky (Telematics) Canbus Added-on-Kit (Dealer Installed) (CE & UK CA Specs)	
	1001276923	Ref	ClearSky (Telematics) 3 Wire Added-on-Kit (Dealer Installed)	
	1001242639	Ref	ClearSky (Telematics) Access Control Installation (Dealer Installed) (ANSI, ANSI Export, CSA, CE & UK CA Specs)	
	1001276007	Ref	Controller Service Kit - Drive/Steer	
	1001276008	Ref	Controller Service Kit - Lift/Swing	
	1001233047	Ref	Deutz Breather Heater Kit (Dealer Installed)	
	1001148902	Ref	Electrical Connector Kit - Amp/Tyco Electrical Connectors	
	1001148903	Ref	Electrical Connector Kit - Deutsch DT Electrical Connectors	
	1001148904	Ref	Electrical Connector Kit - Deutsch HD Electrical Connectors	
	1001148905	Ref	Electrical Connector Kit - Packard Electrical Connectors	
	1001148906	Ref	Electrical Connector Kit - Various Electrical Connectors	
	1001257275	Ref	Fall Arrest (Bolt-on) Installation - 60in (Factory Installed)	
	1001236747	Ref	Fall Arrest (Bolt-on) Installation - 72in (Factory Installed)	
	1001238463	Ref	Fall Arrest (Bolt-on) Installation - 72in Tri-Entry (Factory Installed)	
	1001236746	Ref	Fall Arrest (Bolt-on) Installation - 96in (Factory Installed)	
	1001237883	Ref	Fall Arrest (Bolt-on) Add-on Kit - 72in (Dealer Installed)	
	1001172751	Ref	Fan Cover Installation - Deutz D2.9L4 Engines/Deutz D2.9L4 (Stage V) Engines (ANSI Export Specs)	
	1001204482	Ref	Filter Kit - Combined (Hydraulic Oil/Air & Engine Air/Fuel Oil) (Deutz)	
	1001117294	Ref	Footswitch Shield Installation	
	1001219794	Ref	Hose / Cable Protection	
	1001259446	Ref	Hydraulic Load Installation (Deutz D2.9L4 and Stage V Engines)	
	1001268737	Ref	Jib Link Service Kit	
	1001174925	Ref	Lights Installation - Headlights and Taillights	
	1001174926	Ref	Light Installation - Illumination	
	1001120466	Ref	Lights Installation - Platform Worklights	
	1001202749	Ref	Lockable Fuel Cap Cover - Black	
	1001191395	Ref	Lockable Fuel Cap Cover - Green (ANSI, ANSI Export and CSA Specs)	
	1001183407	Ref	Low Temperature Cutout Installation (Russian Specs)	
	1001272166	Ref	Pipe Racks Add-on Kit (Dealer Installed)	
	1580013	Ref	Platform Corner Storage Tray	

SECTION 11 - SPECIAL OPTIONS/ACCESSORIES/KITS

ITEM	PART NUMBER	QTY	DESCRIPTION	REV
	1001266290	Ref	Platform Cover Installation - Steel	
	1001195304	Ref	Platform Cover Installation - Clear	
	1001270482	Ref	Platform Cover Add-on Kit (Dealer Installed)	
	1001274832	Ref	Platform Floor Mats Add-on Kit (30x60 Platforms) (Dealer Installed)	
	1001274830	Ref	Platform Floor Mats Add-on Kit (36x72 Platforms) (Dealer Installed)	
	1001274829	Ref	Platform Floor Mats Add-on Kit (36x96 Platforms) (Dealer Installed)	
	1001266098	Ref	Platform Plastic Mesh to Mid Rail Installation - 36in X 8ft (91.5cm x 2.44m) (ANSI and ANSI Export Specs)	
	1001266489	Ref	Platform Plastic Mesh to Top Rail Installation - 36in X 6ft (91.5cm x 1.83m) (ANSI and CSA Specs)	
	1001266056	Ref	Platform Plastic Mesh to Top Rail Installation - 36in X 8ft (91.5cm x 2.44m) (ANSI and CSA Specs)	
		Ref	Platform Padding Installation Options:	
	1001275644	Ref	Platform Padding Installation - 30 x 60 Platforms	
	1001275642	Ref	Platform Padding Installation - 36 x 72 Platforms	
	1001269655	Ref	Platform Padding Installation - 36 x 96 Platforms	
	0272733	Ref	Platform Rail Extension Installation - 36in x 72in Platforms	
	0272725	Ref	Platform Rail Extension Installation - 36in x 96in Platforms	
	1001282215	Ref	Platform Worklights Kit	
	1001233799	Ref	Service Tools & Kits	K
	1001247073	Ref	SkyEye Retrofit Kit	
	1001262016	Ref	SkyLine Add-on Kit (Dealer Installed)	
	1001289831	Ref	SkySense (EDS) Level 1 Booms Installation (Factory Installed)	
	1001289832	Ref	SkySense (EDS) Level 2 Booms Installation (Factory Installed)	
	1001253618	Ref	SkySense (EDS) Level 2 (3 Bar) Repair Kit for PN 1001246867	
	1001246867	Ref	SkySense (EDS) Level 1 (2 Bar) Add-on Kit (Dealer Installed) (Use PN 1001252033)	
	1001289905	Ref	SkySense (EDS) Level 1 (2 Bar) Add-on Kit (Dealer Installed) (Use PN 1001252033)	
	1001252033	Ref	SkySense (EDS) Level 1 (2 Bar) Add-on Kit (Dealer Installed) (Use PN 1001252033)	
	1001246860	Ref	SkySense (EDS) Level 2 (3 Bar) Add-on Kit (Dealer Installed) (Use PN 1001252034)	
	1001289906	Ref	SkySense (EDS) Level 2 (3 Bar) Add-on Kit (Dealer Installed) (Use PN 1001252034)	
	1001252034	Ref	SkySense (EDS) Level 2 (3 Bar) Add-on Kit (Dealer Installed) (Use PN 1001252034)	
	1001231235	Ref	Sky Welder Locking Bracket	
	1001284515	Ref	Telematics Gateway (Dealer Installed)	
	2901443	Ref	Tools - Analyzer Kit	
	1001137005	Ref	Tools - Cable Kit, Software	
	1001253619	Ref	SkySense (EDS) Level 2 (3 Bar) Repair Kit for PN 1001246860	
	7002821	Ref	Tools - Crimper, Wire	
	7002823	Ref	Tools - Pin Extractor - Universal (For Electrical Connectors with Pins and Sockets)	
	4460510	Ref	Tools - Pin Extractor - 12-14 Gauge (For Removal of Pin/Sockets from Deutsch Connectors)	
	4460467	Ref	Tools - Pin Extractor - 16-18 Gauge (For Removal of Pin/Sockets from Deutsch Connectors)	
	7016654	Ref	Tools - Screwdriver, Magnetic	
	7002822	Ref	Tools - Screwdriver, Potentiometer	
	7004275	Ref	Tools - Seal Tool 1in (For Cylinders)	

SECTION 11 - SPECIAL OPTIONS/ACCESSORIES/KITS

ITEM	PART NUMBER	QTY	DESCRIPTION	REV
	7004276	Ref	Tools - Seal Tool 1-1/2in (For Cylinders)	
	7002828	Ref	Tools - Stripper, Wire	
	1001277839	Ref	UGM2 Retrofit ADE2 Kit	
	1001262959	Ref	Voltage Regulator Relocation Kit (ClearSky)	
	1001270755	Ref	White Noise (Ambient) Add-on Kit (Dealer Installed)	
	1001270716	Ref	White Noise (Constant) Add-on Kit (Dealer Installed)	
	1001209059	Ref	Work Surface Installation	

SECTION 11 - SPECIAL OPTIONS/ACCESSORIES/KITS

PART NUMBER INDEX

SECTION 11 - SPECIAL OPTIONS/ACCESSORIES/KITS

0080231.....146, 158	0630462.....347	0701619.....287, 289	0761212....174, 188, 206,
0100009.....341	0630518.....99, 345, 353,	0711214174, 188, 206	259, 263, 275
0100011....31, 33, 45, 47,	355, 357	0711224 ...146, 158, 174,	0761214....247, 251, 255,
65, 67, 69, 71, 73, 75,	0630534.....379	188, 206, 215, 217,	267, 271
101, 103, 107, 109,	0630563...457, 459, 461,	243, 247, 251, 255,	0761216.....305
118, 122, 125, 127,	463, 465, 467, 469, 471	259, 267, 271, 275	0761217.....291, 293
129, 131, 141, 143,	0630568.....341	0721005.....347	0761218.....287, 289
146, 151, 155, 158,	0630613.....118, 122	0721006.....219, 221	0761227.....65
167, 171, 174, 181,	0641404.....363	0731005...67, 69, 71, 73,	0761620.....51
185, 188, 199, 203,	0641405.....341, 363	75	0771212....168, 182, 199,
206, 215, 217, 219,	0641406...339, 369, 533,	0741606174, 188, 206	206
241, 243, 247, 251,	535, 537, 539, 541,	0741607 ...251, 255, 259,	0771414....146, 158, 174,
255, 259, 263, 267,	543, 545, 547, 549, 551	263, 275	188, 206, 215, 217,
271, 275, 279, 281,	0641408.....339, 365	0760415.....309	243, 247, 251, 255,
291, 293, 295, 301,	0641410...125, 127, 129,	0760606...251, 255, 259,	259, 267, 271, 275
303, 305, 307, 309,	131	263, 267, 271, 275	0771416....251, 255, 267,
313, 321, 323, 325,	0641414...341, 347, 349,	0760607176, 189, 206	271
327, 329, 331, 333,	365, 367	0760608 ...122, 127, 131,	0772018.....51
347, 349, 353, 355,	0641416...407, 409, 411,	243, 247	0860038....251, 259, 271,
357, 363	413, 415, 417, 419,	0760610 ...45, 47, 69, 71,	275, 405
010001951, 57, 247, 251,	421, 423, 425, 427	73, 75, 77, 107, 109,	0860520....533, 535, 537,
255, 259, 263, 267,	0641418...313, 323, 325,	125, 129, 141, 146,	539, 541, 543, 545,
271, 275	327, 329, 331, 333,	151, 158, 167, 174,	547, 549, 551
0100020....141, 146, 151,	465, 467	181, 188, 199, 206,	0861538.....271, 275
158, 167, 174, 175,	0641420.....321	237, 239, 251, 255,	0861572.....267
181, 188, 199, 206,	0641504...141, 151, 167,	259, 263, 267, 271,	0861731....419, 421, 423,
343, 407, 409, 411,	181, 199, 463, 465,	275, 433	427, 511, 513, 515
413, 415, 417, 419,	467, 469, 471	076061277	0861781....407, 411, 507,
421, 423, 425, 427	0641507.....243, 247	0760613167, 181, 199	509
0100035.....67, 105, 221,	0641606...353, 355, 357	0760614 ...125, 127, 129,	0861880.....451, 453
341, 345	0641608.....295	131, 147, 159, 255, 449	0902888....251, 259, 267,
0100048....111, 243, 247,	0641610...219, 221, 339	0760615113, 115	271, 275
251, 255, 259, 263,	0641616...251, 255, 259,	0760619392, 400	0940049....69, 71, 73, 75,
267, 271, 275	263, 267, 271, 275	0760808174, 188, 206	118, 122
0100079....251, 255, 259,	0641772.....243, 247	0760810 ...176, 190, 206,	0940092.....347
267, 271, 275	0641812...143, 155, 171,	305	0940094.....347
0100081....146, 158, 174,	185, 203	0760812 ...174, 188, 206,	0940102.....351
188, 206, 351, 457,	0642012.....351	237, 239, 243, 247,	0940103.....347
459, 461, 463, 465,	0642212.....351	252, 255, 260, 268,	0961845....313, 321, 323,
467, 469, 471	0681608...176, 190, 305	272, 276, 279, 435	325, 327, 329, 331, 333
0140011.....341	0681814.....335, 337	0760814 ...146, 158, 174,	0961893.....379
0140043.....77	0681822.....335, 337	188, 206, 215, 217,	0961947.....295
0200048.....347	0682026.....57	281, 457, 459, 461,	0961950....291, 293, 377
0270022.....405	0682034.....57	465, 467, 469, 471	0961951....146, 158, 174,
0272254.....355	0700408...407, 409, 411,	0760815 ...146, 158, 176,	188, 206, 291
0272427.....347	413, 415, 417, 419,	189, 206	0962051.....241
0272435.....273, 277	421, 423, 425, 427	0760816118, 122	0962270.....335, 337
0272448.....559	0700612...69, 71, 73, 75	0761009243, 307	0962335.....295
0272521.....353	0700614.....141, 151	076101031, 33	0962336.....379
0272588.....557	0700620....77, 465, 467,	0761012 45, 47, 118, 122,	0962348.....293
0272589.....269	469, 471	125, 129, 291, 295, 307	0962520....251, 255, 259,
0272725.....567	0700817...141, 151, 167,	0761014 ...69, 71, 73, 75,	263, 267, 271, 275
0272733.....567	181, 199	118, 122, 127, 131,	1001091102....135, 433,
0273380.....273, 277	0700818...141, 151, 251,	133, 174, 188, 199,	449
0275216.....409, 507	259, 267, 271, 275	206, 243, 247, 305,	1001091969.....409
0275217.....413, 509	0700821...167, 181, 279,	457, 459, 461, 463,	1001091970.....413
0275452.....415, 511	281	465, 467, 469, 471	1001091973.....415
0275453.....417, 513	0700822.....199	0761015 .31, 33, 67, 141,	1001091974.....417
0275454.....425, 515	0701017...167, 181, 199	146, 151, 158, 167,	1001091975.....425
0400075.....45, 47	0701018.....67	174, 181, 188, 199,	1001093382.....45, 47
0440162....141, 151, 167,	0701020....67, 295	206, 247, 295	1001093553....533, 535,
181, 199	0701219.....241	0761016 ...59, 69, 71, 73,	537, 539, 541, 543,
0440240.....57	0701222.....293	75, 174, 188, 206, 309	545, 547, 549, 551
0480122.....243	0701223.....241	0761018 ...457, 459, 465,	1001093684....541, 543
0480126.....255, 267	0701224.....65	467	1001095704....518, 563
0480128.....251, 271	0701225.....65	0761019291, 293	1001096070....255, 263,
0561237.....469	0701618.....51	0761210174, 188, 206	453

SECTION 11 - SPECIAL OPTIONS/ACCESSORIES/KITS

1001097051 527	1001118878..... 175, 189, 207	1001139240..... 175, 189	1001152485 433, 455
1001097150 451, 453, 455	1001118971..... 309, 563	1001139357..... 252, 256	1001152489 175, 189, 207
1001097244 371	1001118972..... 67, 69, 71, 73, 75	1001139384..... 125, 127, 129, 131	1001152525 252, 260, 269, 273, 277
1001098122 343, 505	1001119020..... 439	1001139654..... 199	1001152530 252, 260
1001098828 305	1001119032..... 517	1001139819..... 146, 158	1001152532 252, 256, 260, 264, 497
1001098928 392, 400	1001119278..... 151, 181	1001140312..... 189	1001153260 252, 260
1001099366 351	1001119619..... 525	1001140346..... 260	1001154405 167, 181, 199, 219, 221
1001099367 351	1001119620..... 527, 529	1001140429..... 313, 321, 323, 325, 327, 329, 331, 333	1001154726 499
1001099560 291, 293	1001120328..... 69, 71, 73, 75, 77, 349, 363	1001140564..... 175, 189	1001155041 247
1001100341 507	1001120466..... 566	1001141300..... 554	1001155043 ... 79, 81, 83, 85
1001100342 509	1001120471..... 371	1001141302..... 554	1001155044 ... 79, 81, 83, 85, 341
1001100345 511	1001120477..... 371	1001141304..... 175, 189, 207	1001155045 ... 79, 81, 83, 85, 341, 563
1001100346 515	1001120484..... 371	1001141694..... 146, 158, 175, 189, 207	1001155743 ... 69, 71, 73, 75
1001100347 513	1001120989..... 554	1001141870..... 219, 221	1001155823 167, 181, 199
1001101191 409, 413, 415, 417, 425	1001125387..... 168, 182	1001142501..... 167, 181, 199, 219, 221	1001156107 141, 151, 200
1001101196 409, 413	1001125677..... 505, 518	1001142643..... 260, 276	1001157196 341, 562
1001101197 415, 417, 425	1001126009..... 523	1001142646..... 260, 276	1001157520 269, 273, 277
1001103012 517	1001126351..... 485, 490	1001142683..... 113, 115, 562	1001157521 269, 273, 277
1001104029 251, 259, 268, 272, 276	1001126362..... 485, 489	1001142736..... 113, 115, 439	1001157525 268
1001104498 517	1001126363..... 485, 489	1001142938..... 486, 489	1001157528 269, 273, 277
1001104519 501	1001126364..... 485, 489	1001142940..... 486, 489	1001157592 272, 276
1001106736 77	1001126365..... 485	1001143390..... 146, 158, 175, 189, 207	1001158007 269, 273, 277
1001106837 65	1001126391..... 485, 489	1001143797..... 175, 189, 207	1001158008 252, 260, 269, 273, 277
1001107854 517	1001126392..... 485, 489	1001144116..... 175, 189, 207	1001158363 252, 260
1001110092 393, 401	1001126485..... 490	1001144147..... 479, 517	1001159118 429, 431, 562
1001110434 341	1001126487..... 490	1001144295..... 69	1001159119 429, 431
1001110872 429, 431	1001128527..... 357	1001144433..... 349	1001159120 429, 431
1001110873 252, 259, 272, 276, 405	1001128556..... 357	1001144629..... 315, 317, 319, 327, 331	1001159121 431
1001111424 . 45, 47, 146, 158, 175, 189	1001129408..... 473	1001146588..... 200, 207	1001159162 77
1001112612 439, 518	1001129858..... 252	1001147264..... 485	1001159256 341, 563
1001112796 439, 479	1001131269..... 543, 549, 551	1001148059..... 264	1001159323 122, 537, 539
1001113047 122	1001132195..... 146, 158	1001148138..... 248	1001161709 341, 563
1001113961 517	1001132196..... 146, 158	1001148641..... 244, 247, 252, 256, 260, 264, 268, 272, 276	1001162335 176, 190, 219
1001116208 553	1001133714..... 486, 490	1001148675..... 429, 431	1001162531 31, 35
1001116693 505	1001133715..... 486, 490	1001148902..... 566	1001162532 33, 39
1001116710 493	1001133956..... 485, 490	1001148903..... 566	1001162538 ... 31, 33, 43
1001116725 517	1001133957..... 485, 490	1001148904..... 566	1001163385 287, 289, 381
1001116731 479	1001134488..... 175, 189	1001148905..... 566	1001163386 291, 293, 375
1001116732 499	1001134543..... 51	1001148906..... 566	1001163418 67
1001116734 499	1001135196..... 141, 151, 167, 181, 199	1001149160..... 118, 122	1001163459 291
1001116734 499	1001135650..... 486, 490	1001150324..... 69, 71, 73, 75	1001163470 291
1001116774 439	1001135651..... 486, 490	1001150918..... 152, 182	1001163482 289, 293
1001116808 439	1001135679..... 247, 259, 276	1001150998..... 146, 158	1001163483 293
1001116812 489	1001136834..... 175, 189, 207	1001151393..... 87, 89, 91, 93, 95, 97	1001163492 293
1001116815 475, 518	1001137005..... 567	1001152266..... 521	1001163939 67
1001116952 485, 489	1001137032..... 291, 293	1001152456..... 252, 260	1001164487 279, 281
1001116983 493	1001137673..... 349	1001152457 252, 260	1001164489 279, 281
1001117057 499	1001138228..... 175, 189, 207, 562	1001152483..... 455	
1001117106 485, 518	1001138248..... 175, 189, 207		
1001117107 485, 489	1001138494..... 321, 323, 325, 327, 329, 331, 333		
1001117110 518	1001138514..... 321, 323, 325, 329, 333		
1001117140 122	1001138565..... 255		
1001117172 343	1001138566..... 252, 256, 260, 263		
1001117174 341, 343, 562	1001138795..... 379		
1001117294 566	1001138827..... 175, 189		
1001117308 175, 189, 207, 562			
1001118378 517			
1001118384 523			
1001118388 523			

SECTION 11 - SPECIAL OPTIONS/ACCESSORIES/KITS

1001164491.....279, 281	1001168099 175, 189, 207	1001171953 143, 155, 171, 185, 203	1001173901.....393, 401
1001164492.....279, 281	1001168166 175, 189, 207	1001171954 143, 155, 171, 185, 203	1001173902.....393, 401
1001164709.....377	1001168173 118	1001171966 291, 293	1001173903.....393, 401
1001165035.....167, 182, 199	1001168207 215, 247, 260, 276	1001171967 291, 293	1001173904.....393, 401
1001165060.....118	1001168209 375, 383	1001172064 490	1001173905.....401
1001165363.....383	1001168210 375	1001172065 490	1001173906.....401
1001165388.....146, 159, 175, 189, 207	1001168402 305	1001172128 457, 459, 461, 463, 465, 467, 469, 471	1001173907.....393, 401
1001165389.....146, 158	1001168841 291	1001172195 141	1001173908.....393, 401
1001165405.....175, 189, 207	1001168842 291, 293	1001172566 553	1001173925.....252, 256, 268, 272
1001165406.....175, 189, 207	1001168843 287, 289	1001172567 553	1001173927.....457, 459, 461, 463, 465, 467, 469, 471
1001165531 307	1001168844 287, 289	1001172568 553	1001173937.....393, 401
1001165534 307	1001168845 287, 289	1001172569 553	1001173983 251
1001165538 307	1001168847 293	1001172570 553	1001174040.....305
1001165567 295	1001168848 291	1001172573 553	1001174098.....118, 122
1001165721 175, 189	1001168849 291, 293	1001172574 553	1001174158.....264
1001165722 175, 189, 207	1001168854 287, 289	1001172575 553	1001174347 566
1001165849 175, 189, 207	1001169046 118, 122	1001172576 553	1001174348.....566
1001166000.....171, 174	1001169054 175, 189, 207	1001172577 351	1001174367 275
1001166020.....143, 146	1001169138 175, 189, 207	1001172578 351	1001174675.....264, 268, 272, 276
1001166031 67	1001169191 59	1001172630 566	1001174777.....185, 188
1001166338 279	1001169192 59	1001172694 393	1001174783.....155, 158
1001166710.....67	1001169193 59	1001172696 393	1001174925.....566
1001166717 146, 158	1001169284 291, 293	1001172713 393, 401	1001174926.....566
1001166718 147, 158, 175, 189, 207, 215, 217	1001169285 291, 293	1001172715 393, 401	1001175068.....283
1001166894 241	1001169286 291, 293	1001172716 393, 401	1001175071.....283
1001166921 175, 189, 207	1001169287 291, 293	1001172719 393, 401	1001175073.....241
1001166922 217	1001169288 291, 293	1001172720 393, 401	1001175074.....241
1001166924 175, 189, 207	1001169289 291, 293	1001172721 393, 401	1001175170.....461
1001166970 167, 182, 199	1001169380 291, 293	1001172751 566	1001175171.....469
1001166997 383	1001169380 291, 293	1001172757 ... 69, 71, 73, 75, 77	1001175239.....461
1001167038 141, 151	1001169496 63	1001172760 341	1001175241.....469
1001167108 175, 189, 485	1001169582 63	1001172816 111	1001175542.....259
1001167111 147, 158, 483	1001169611 307	1001173233 303	1001175631.....252, 260
1001167159.....118	1001169669 289	1001173342 167, 182, 200, 493	1001176469.....89, 91, 95, 97
1001167164.....237, 239	1001169967 175, 189, 207	1001173354 118, 122	1001176636.....465, 467, 469, 471
1001167512 141, 152, 167, 182, 199	1001170035 175, 189, 207	1001173356 118	1001176862.....429
1001167520 147, 158, 175, 189, 207	1001170094 563	1001173456 457, 459, 461, 463, 465, 467, 469, 471	1001176899.....307
1001167565 305	1001170145 45	1001173594 457, 459	1001176952.....441, 457, 459, 461, 463
1001167567 305	1001170224 283	1001173599 465, 467	1001176953.....443, 465, 467, 469, 471
1001167596 305	1001170551 118, 125	1001173600 463	1001177359.....175, 190, 207
1001167632 489	1001170564 309	1001173605 471	1001177523.....279, 281
1001167635 490	1001170565 309	1001173656 281	1001178415.....553
1001167916.....31	1001170642 309	1001173657 279	1001178433.....553
1001167917 33	1001170650 237	1001173665 457, 459, 461, 463, 465, 467, 469, 471	1001178435.....553
1001167918 122	1001170662 237	1001173761 457, 459, 461, 463, 465, 467, 469, 471	1001178788.....175, 189, 207
1001168018 147, 158, 175, 189, 207, 215, 217, 244, 247, 252, 256, 260, 268, 272, 276	1001170663 237, 239	1001173763 307	1001178859.....147, 159
1001168026 175, 189, 207	1001170664 237, 239	1001173807 445, 457, 459, 461, 463	1001178876.....175, 190
1001168059 147, 159	1001170693 147, 159, 161	1001173810 271	1001179154.....252, 260, 272, 277
	1001170764 490, 521	1001173811 267	1001179156.....279, 281
	1001170847 303, 309, 563	1001173899 393, 401	1001179426.....281
	1001170850 118	1001173900 393, 401	1001179440.....279
	1001171067 291, 293		1001179836.....247
	1001171112 291, 293		1001179837.....247
	1001171131 429		1001179893.....248
	1001171324 291, 293		
	1001171339 539		
	1001171667 291, 293		

SECTION 11 - SPECIAL OPTIONS/ACCESSORIES/KITS

1001179903 176, 190, 207	1001189236..... 143, 155, 171, 185, 203, 229	1001196637.....73	1001213882 341
1001180001 247	1001189237..... 143, 155, 171, 185, 203, 225	1001197017347	1001214459 167, 171
1001180620 176, 190, 207	1001189521..... 65	1001197408.....537, 539	1001214460 167
1001180797 247	1001189522..... 65	1001197719..... 490, 562	1001214570 435
1001180798 243	1001189523..... 65	1001199035.....553	1001214571 435
1001181045 451, 453, 562	1001189805..... 19, 21, 23	1001199207 118, 122	1001214975 147, 159
1001181051 295, 299	1001190663..... 107, 109	1001199901 118, 122	1001215229 341
1001181075 393, 401	1001190868..... 141, 143	1001200458..... 125	1001215285 545, 547
1001181076 401	1001190869..... 141	1001200491.....305	1001215286 549, 551
1001181077 401	1001190871.....553	1001200494.....305	1001215290 545, 547
1001181243 248	1001190872..... 533, 535, 537, 539, 541, 543, 545, 547, 549, 551, 553	1001201127.....553	1001215373 77
1001181319 463	1001190921.....518	1001201351.....305	1001216550 17
1001181329 457, 459, 461, 469, 471	1001190968..... 15	1001201633.....129	1001216630 305
1001181895 190	1001190985.....305	1001201634.....129	1001217210 553
1001182296 244, 248	1001191076..... 537, 539	1001201635.....125	1001217211 553
1001182361 485, 490	1001191275..... 392, 400	1001202022.....537, 539	1001217488 553
1001182365 485, 490	1001191276..... 392, 400	1001202494.....57	1001218538 61
1001182570 303, 309, 563	1001191362..... 392, 400	1001202687.....305	1001218676 61
1001182806 107	1001191364..... 392, 400	1001202749.....566	1001219130 61
1001183206 566	1001191365..... 392, 400	1001202940..... 393, 401	1001219134 122
1001183207 566	1001191395.....566	1001202941.....393	1001219601 77, 563
1001183407 566	1001191620..... 176, 190, 207	1001202942.....401	1001219794 566
1001183477 244, 248	1001192020.....553	1001202946..... 393, 401	1001219904 19
1001184618 533, 535, 537, 539, 541, 543, 545, 547, 549, 551	1001192401.....518	1001203434..... 457, 459	1001220266 200
1001184626 341	1001193003..... 393, 401	1001203435..... 465, 467	1001220379 486
1001184637 244	1001193006..... 393, 401	1001203459..... 465, 467, 471	1001221406 89
1001184637 244	1001193007..... 393, 401	1001203655.....335	1001221407 93
1001184644 244	1001193008..... 393, 401	1001203656.....337	1001221408 87
1001184645 244	1001193009..... 393, 401	1001204482.....566	1001221927 291, 297
1001184682 109	1001193010..... 393, 401	1001204715..... 303, 309	1001222043 122
1001185237 537	1001193011..... 393, 401	1001204725.....305	1001222044 122
1001185281 341	1001193018..... 407, 409, 411, 413, 415, 417, 419, 421, 423, 425, 427	1001205958..... 415, 417, 419, 421, 423, 425	1001222143 89
1001185821 45, 47, 49	1001193133.....553	1001206314..... 118, 122	1001222144 93
1001186333 335	1001193134.....553	1001206402.....122	1001222145 87
1001186334 337	1001193135.....553	1001206404..... 122, 127	1001222145 533, 535
1001186377 321	1001193136.....553	1001206405.....127	1001223122 207, 252, 256, 260, 264, 268, 272, 276
1001186379 323	1001193336..... 67	1001206476.....435	1001223309 239
1001186382 325	1001193654..... 393, 401	1001206532.....341	1001223310 239
1001186383 319	1001193655..... 393, 401	1001206625.....377	1001223328 239
1001186384 317	1001193656..... 393, 401	1001207726.....131	1001223387 122
1001186386 315	1001193657..... 393, 401	1001208874.....31, 33	1001223453 533, 535, 541, 543
1001186431 349, 563	1001193658..... 393, 401	1001208994.....305	1001223454 239
1001186432 501, 523	1001193659..... 393, 401	1001209059.....568	1001223459 485, 489
1001186517 349	1001193661..... 393, 401	1001209099.....301	1001223802 167, 182
1001187077 518	1001194197.....419	1001209100.....301	1001223899 295
1001187078 518	1001194198.....421	1001209432.....435	1001223971 541, 543
1001187382 305	1001194200.....423	1001209474.....435	1001224048 549, 551
1001187383 305	1001194203.....407	1001209618.....107	1001224888 307
1001187522 244, 248, 499	1001194204.....411	1001209664.....349	1001225346 435, 563
1001187674 361	1001194365.....427	1001209677.....433	1001225430 193, 212
1001187681 525	1001195304.....567	1001209832.....433	1001225431 212
1001188622 305	1001196382..... 252, 256, 260, 264, 268, 272, 276	1001210251..... 393, 401	1001225580 349, 501
1001188731 244, 248	1001196589.....517	1001210252..... 393, 401	1001226400 441, 443
1001188844 305	1001196602.....517	1001210254..... 393, 401	1001226531 435
1001188972 151, 181	1001196604.....518	1001210636.....371	1001226541 479, 518
1001189001 305	1001196634..... 235, 481, 518, 562	1001211556.....211	1001226636 479
1001189002 305	1001196636..... 517, 521, 562	1001211633.....122	1001226637 479
1001189171 455, 562		1001211636.....122	1001226739 473, 475, 479
1001189172 455, 562		1001211877.....237	1001226799 475
		1001211878.....237	1001226872 313
		1001212223.....276	1001227453 473
		1001212819.....122	1001227568 151
		1001212822.....122	1001227569 181
		1001213447505	

SECTION 11 - SPECIAL OPTIONS/ACCESSORIES/KITS

1001227570.....152, 155	1001235529 101, 103, 105	1001239571 549	1001250764..... 533, 535, 541, 543, 545, 547, 549, 551, 553
1001227571.....182, 185	1001235531 83, 103	1001239582 551	1001250765..... 537, 539
1001227576.....152	1001235949 207, 221	1001239583 551	1001250835..... 537
1001227633.....361	1001236091 99	1001239585 545	1001250836..... 539
1001227634.....361	1001236303 47	1001239587 545	1001250906..... 537
1001227662..... 533, 535	1001236304 435	1001239594 547	1001250907..... 539
1001227695..... 541, 543	1001236504 435	1001239595 547	1001251075..... 291, 293, 383
1001227698..... 549, 551	1001236505 435	1001241162 365	1001252033..... 567
1001227985.....361	1001236540 566	1001241965 363	1001252034..... 567
1001227987.....361	1001236541 566	1001242639 566	1001252527..... 485, 490
1001227996..... 527, 529	1001236552 363	1001242851 113	1001253375..... 501
1001228092..... 287, 289, 377	1001236608 19, 21	1001242852 115	1001253618..... 567
1001228215..... 313	1001236609 15	1001243092 365	1001253619..... 567
1001228224..... 361, 563	1001236746 566	1001243183 566	1001254472..... 363
1001228225..... 361, 563	1001236747 566	1001243184 566	1001254473..... 363
1001228243..... 331	1001236747 566	1001243205 365	1001254665..... 533
1001228375..... 333	1001236780 207	1001243414 118, 122	1001254666..... 533
1001228376..... 327	1001237546 99	1001243869 241	1001254667..... 541
1001228377..... 329	1001237549 133	1001243870 241	1001254668..... 541
1001228406..... 118, 122	1001237667 505, 517	1001243895 235	1001254669..... 549
1001228487..... 51, 54	1001237668 505, 517	1001244019 215	1001254670..... 549
1001228492..... 51	1001237822 ... 69, 71, 73, 75	1001244024 217	1001254677..... 545
1001228954..... 475	1001237862 527, 529	1001244288 199	1001254678..... 545
1001228955..... 475	1001237863 361, 527	1001244335 367	1001254750..... 535
1001228988..... 357, 557, 559	1001237864 361, 529	1001244336 365	1001254751..... 543
1001229341..... 361	1001237865 361, 525	1001244414 17	1001254752..... 551
1001230635..... 175, 189, 207	1001237865 361, 525	1001244421 19	1001254756..... 547
1001230784..... 256, 264, 449	1001237883 566	1001244462 135	1001255133..... 305
1001230907..... 449	1001237888 365, 367	1001244519 392	1001255807..... 566
1001230908..... 255	1001237891 367	1001244520 400	1001255901..... 481
1001230934..... 485, 490	1001237898 365, 367	1001244521 393, 401	1001256506..... 486
1001230935..... 485, 490	1001237902 365, 367, 563	1001244522 393, 401	1001256507..... 485
1001230936..... 485, 490	1001238161 ... 69, 71, 73, 75, 495	1001244671 367	1001256879..... 200
1001231195..... 67, 563	1001238254 341, 505	1001244709 367	1001257275..... 566
1001231235..... 567	1001238256 ... 69, 71, 73, 75, 503	1001244710 367	1001258340..... 279
1001231801..... 553	1001238319 361	1001244732 367	1001258341..... 281
1001231886..... 107	1001238418 363, 523	1001244733 367	1001258730..... 365, 367
1001232164..... 361	1001238421 305	1001244873 287	1001258800..... 263
1001232165..... 361	1001238463 566	1001244874 287, 291	1001258804..... 208
1001232642..... 363	1001238472 363	1001245305 200	1001259446..... 566
1001232667..... 363, 563	1001238479 69	1001245379 .. 81, 85, 105	1001260412..... 176, 190, 208
1001232842..... 235	1001238479 69	1001245380 75, 85	1001260420..... 175, 189, 208
1001232907..... 133	1001238480 73	1001245828 91	1001260524..... 365
1001232908..... 133	1001238480 73	1001245829 97	1001260525..... 365, 367
1001232913..... 133	1001238495 349	1001245832 91	1001260680..... 465, 467, 469, 471
1001232915..... 133	1001238559 363	1001245833 97	1001261045..... 263
1001232916..... 133	1001238887 79, 101	1001245988 71, 81	1001261085..... 263
1001232917..... 133	1001238887 79, 101	1001245990 71	1001262016..... 567
1001233047..... 566	1001238911 207	1001245992 75	1001262322..... 473
1001233048..... 133	1001238913 95	1001246087 61	1001262326..... 473
1001233075..... 133	1001238914 95	1001246389 365	1001262959..... 568
1001233076..... 133	1001238932 47	1001246859 77, 517	1001263176..... 109
1001233077..... 133	1001239202 489	1001246860 567	1001265163..... 371
1001233412..... 133	1001239293 73, 83	1001246867 567	1001265342..... 371
1001233413..... 133	1001239294 69, 79	1001247048 293, 295	1001266056..... 567
1001233436..... 133	1001239333 541	1001247073 567	1001266098..... 567
1001233763..... 182, 235	1001239334 543	1001247252 365	1001266290..... 567
1001233799..... 567	1001239335 541	1001247468 305	1001266489..... 567
1001233959..... 99, 345	1001239336 543	1001247656 263	1001268234..... 553
1001234800..... 485, 489	1001239512 ... 69, 71, 75	1001248012 295, 379	1001268737..... 566
1001235528..... 101, 103, 105	1001239519 339, 341	1001248190 264	1001269322..... 357
	1001239520 339	1001249965 175, 189, 193	
	1001239557 533	1001250287 118, 122	
	1001239558 533	1001250289 118, 122	
	1001239560 535	1001250681 ... 69, 71, 73, 75	
	1001239561 535		
	1001239567 549		

SECTION 11 - SPECIAL OPTIONS/ACCESSORIES/KITS

1001269573	357	1060341	347	1703162....	146, 158, 174, 188, 206	2110806	392, 400
1001269655	567	1060343	272, 277	1703797	533, 535	2111212	65
1001270482	567	1060494	244, 248	1703798	533, 535	2131212	65, 392, 400
1001270594	111	1060626	151, 181	1703804	533, 535	2151212	392, 400
1001270716	568	1060903	347	1703805	533, 535	2170212	392, 400
1001270755	568	1060908 ...	451, 453, 455	1703814	15, 17, 21	2170406	392, 400
1001271497	505	1060918	343	1703924	541, 543	2170808	392, 400
1001272166	566	1062255	200	1703926	545, 547	2180348	141, 151
1001272288	553	10702077 ..	268, 273, 277	1703927	549, 551	2180832 ...	167, 181, 199
1001272659	477	10702082 ..	269, 273, 277	1703930	541, 543	2200221	65
1001272681	113	10836804 ..	79, 81, 83, 85	1703932	545, 547	2200261 ...	147, 159, 176, 190, 208
1001272682	115	1120555	351	1703933	549, 551	2220124	59
1001272997	481	1260017	63	1703936	541, 543	2220237	392, 400
1001273012	477, 481	1320016	146, 158	1703938	545, 547	2220238	392, 400
1001274559 ...	79, 81, 83, 85, 341, 563	1320061	199	1703939	549, 551	2220273	59
1001274829	567	1320176	283	1703942	541, 543	2220313 ...	141, 151, 167, 181, 199
1001274830	567	1320187	199	1703944	545, 547	2220365	392, 400
1001274832	567	1320190	199	1703945	549, 551	2220366	392, 400
1001275629 ...	341, 562	1320223	151, 181	1703948	541, 543	2220371	392, 400
1001275635 ...	392, 400	1320302 ...	353, 355, 357	1703950	545, 547	2220372	392, 400
1001275642	567	1321716 ...	174, 188, 206, 243, 247, 252, 255, 260, 263, 268, 272, 276	1703951	549, 551	2220373	392, 400
1001275644	567	1380147	241	1703953	533, 535	2220374	392, 400
1001276007	566	1580012	369	1703980	545, 547	2220376	223
1001276008	566	1580013	566	1703981	549, 551	2220377	392, 400
1001276610	477	1600359	341, 562	1703984	541, 543	2220451 ...	146, 158, 392, 400
1001276643 ...	208, 489	1670603	427	1704000	541, 543	2220466	392, 400
1001276923	566	1670769 ...	465, 467, 469, 471	1704260	341	2220472	400
1001277432 ...	147, 159, 176, 190, 208	1671092	273, 277	1704277 ...	533, 535, 537, 539, 541, 543, 545, 547, 549, 551	2220473 ...	65, 392, 400
1001277589 ...	208, 211	1671093	355	1704412 ...	533, 535, 537, 539, 541, 543, 545, 547, 549, 551	2220497	392, 400
1001277594 ...	203, 206	1701499 .	15, 17, 21, 533, 535, 537, 539, 541, 543, 545, 547, 549, 551	1704460	341	2220500	392, 400
1001277601 ...	200, 203	1701500 ...	533, 535, 537, 539, 541, 543, 545, 547, 549, 551	1704468	533, 535	2220502	392, 400
1001277839	568	1701504 ...	533, 535, 537, 539, 541, 543, 545, 547, 549, 551	1704485	553	2220518	392, 400
1001280340	77	1701505 ...	141, 151, 167, 181, 199	1704972	553	2220578 ...	279, 281, 392, 400
1001281192	263	1701509 ...	351, 533, 535, 537, 539, 541, 543, 545, 547, 549, 551	1705014	335, 337	2220582	392, 400
1001282106	99, 345	1701518	537, 539	1705014	335, 337	2220600	392, 400
1001282215	567	1701529 ...	533, 535, 537, 539, 541, 543, 545, 547, 549, 551	1705305	357, 557, 559	2220603	392, 400
1001283776 ...	111, 437	1702300 ...	533, 535, 537, 539, 541, 543, 545, 547, 549, 551	1705325	407, 409	2220695	392, 400
1001284515	567	1702566	341	1705355	557, 559	2220700 ...	279, 281, 392, 400
1001284582	345	1702567	341	1705358	553	2220726	65, 392, 400
1001284583	345	1702773 ...	335, 337, 537, 539, 553	1705374 ...	251, 259, 429, 431	2220767	167, 181
1001284679	553	1702774	553	1705375	273, 277	2220775	392, 400
1001284680	553	1702861	553	1705387 ...	251, 259, 273, 277	2220810	223
1001284823 ...	69, 71, 73, 75, 521	1702868 ...	357, 533, 535, 559	1705460	269, 273, 277	2220881	375, 383
1001285142 ...	122, 131	1702938	347	1705461	269	2220883 .	36, 40, 43, 377, 379
1001285143	122	1702941	151, 181	1705489 ...	255, 263, 268, 269	2220885	379, 383
1001285517 ...	118, 129	1702942	151, 181	1705822	537, 539	2220886	383
1001285518	118	1702943	151, 181	1705828	537, 539	2220906	392, 400
1001285811	135	1702944	151, 181	1705921	537, 539	2220946	392, 400
1001285891	135			1705961	537, 539	2220947	392, 400
1001285892	135			1706061	553	2220948	392, 400
1001288194 ...	69, 71, 73, 75, 517			1706062	553	2220998	65
1001288195	309			1706064	553	2221063	279, 281
1001289831	567			1706064	553	2221086	392, 400
1001289832	567			1706098	553	2400060 ...	235, 371, 505
1001289905	567			1706385	335, 337	2400066	499
1001289906	567			2030010	353, 355, 357	2410014	335, 337
1001294763	554			2060025	146, 158	2420203	243, 248
1001294815	554			2060404	392, 401	2460048	267, 271
1001296426 ...	69, 71, 73, 75			2080040 ...	263, 315, 317, 319, 327, 331, 433	2460055	243
1001297385	103			2080069	365, 367	2540020 ...	111, 113, 115
1001297386	105					2560136	341
1001297390	101						

SECTION 11 - SPECIAL OPTIONS/ACCESSORIES/KITS

2560187 125, 127, 129, 131	3290606 ... 321, 323, 325, 329, 333	3321001 45, 47, 146, 158, 175, 189	3841143.... 141, 151, 167, 181, 199, 291, 295, 305
2580024..... 151, 181	3290801 279, 281	3322201 65	3841203.... 287, 289, 293
2580062..... 158	3290805 ... 141, 146, 151, 158, 167, 174, 181, 188, 199, 206, 215, 217, 237, 239, 243, 247, 251, 255, 259, 268, 272, 275, 279, 281, 435, 457, 459, 461, 465, 467, 469, 471	3331211 ... 215, 217, 243, 247, 251, 255, 259, 268, 272, 275	3841258..... 287, 289
2600281.... 315, 317, 319, 327, 331	3290806 305	3331215 ... 146, 158, 174, 188, 206	3841340.... 457, 459, 461, 463, 465, 467, 469, 471
2720015.... 174, 188, 206	3291001 ... 69, 71, 73, 75, 174, 188, 206, 305	3340956 351	3900054..... 335, 337
2720058..... 141, 151	3291005 ... 59, 67, 69, 71, 73, 75, 118, 122, 125, 127, 129, 131, 133, 141, 146, 151, 158, 167, 174, 181, 188, 199, 206, 243, 247, 295, 305, 307, 309, 457, 459, 461, 463, 465, 467, 469, 471	3380434 339	3900267..... 252, 260
2720340.... 174, 188, 206	3291201 ... 247, 251, 255, 259, 263, 268, 272, 275, 305	3421565 63	3900300..... 252, 260
2720398..... 146, 159	3291205 ... 241, 287, 289, 291, 293, 305	3422532 ... 141, 151, 167, 181, 199	3900349..... 341
2720447..... 146, 159	3291207 65	3422793 293	3910408..... 174, 188
2750532.... 141, 151, 168, 182, 199	3291602 51	3422860 295	3910606.... 251, 259, 272, 275, 429, 431
2820031.... 243, 247, 251, 255, 259, 263, 267, 272, 275	3291605 287, 289	3422861 295	3910610..... 241, 405
2820035..... 235	3300151 ... 313, 321, 323, 325, 327, 329, 331, 333, 353, 355, 357	3422867 295	3910804.... 87, 89, 91, 93, 95, 97
2820247..... 527, 529	3300220 45, 47, 146, 158, 175, 189	3430616 341	3931008..... 65
2840016..... 241	3300353 341	3430820 241	3931408..... 349
2860030.... 87, 89, 91, 93, 95, 97, 563	3300396 ... 252, 260, 268, 273, 277	3450404 241	3931512.... 174, 188, 206
2900770.. 35, 39, 40, 375, 383	3300408 99	3460334 351	3931620.... 143, 155, 171, 185, 203
2900792..... 379	3300430 349, 367	3470003 341	3931628.... 247, 259, 275
2901443..... 567	3310401 174, 188	3520028 243, 248	3960389..... 133
2902065.... 146, 159, 174, 188, 206, 233	3310601 241	3520054 ... 146, 158, 176, 189, 206, 341	3960407..... 146, 158
2902212..... 351	3311001 ... 219, 221, 243, 247, 252, 260, 268, 273, 277	3520071 351	3960422.... 251, 259, 272, 275, 405, 429, 431
2902217 353, 355	3311005 65, 353, 355, 357	3520072 ... 313, 315, 317, 319, 321, 323, 325, 327, 329, 331, 333, 335, 337	4010405..... 433, 449
2902443.... 483, 485, 489	3311401 347	3520189 268	4010618.... 321, 323, 325, 329, 333
2902549 449, 451	3311405 ... 339, 363, 407, 409, 411, 413, 415, 417, 419, 421, 423, 425, 427, 435, 533, 535, 537, 539, 541, 543, 545, 547, 549, 551	3520192 268	4031505..... 361
2920028..... 347	3311501 ... 69, 71, 73, 75, 118, 122, 347	3520198 ... 313, 315, 317, 319, 321, 323, 325, 327, 329, 331, 333	4031507..... 135
2920029..... 347	3311505 118	3573400 353, 355, 357	4031509.... 111, 113, 115
2940045..... 131	3311601 ... 118, 122, 341, 363	3573642 353, 355	4031516..... 363
2940074.... 315, 317, 319, 327, 331, 563	3311605 ... 176, 190, 219, 221, 335, 337, 339, 353, 355, 357	3574091 347	4031914.... 174, 188, 206
2940173.... 125, 127, 129, 131	3311705 243, 247	3577121 353, 355, 357	4032014.... 247, 259, 275
3251102..... 255, 263	3312005 351	3580158 243	4032015.... 251, 255, 268, 272
3251242.... 411, 413, 415, 417, 419, 421, 423, 425, 427	3312205 351	3580276 243	4060802.... 244, 247, 251, 255, 259, 263, 268, 272, 275
3251243.... 243, 247, 251, 259, 273, 277, 533, 535, 541, 543		3580317 ... 251, 255, 259, 263, 268, 272, 275	4060805.... 146, 159, 174, 188, 206
3252347 533, 535		3580318 ... 251, 259, 272, 275	4070897..... 291, 293
3252764.... 268, 272, 275		3580319 255, 263, 268	4070898..... 291, 293
3271601 118, 122		3580320 ... 247, 251, 255, 259, 268, 272, 275	4071009..... 51
3271805..... 335, 337		3600242 ... 143, 155, 171, 185, 203, 223	4100026..... 392, 400
3290405.... 111, 113, 115, 135, 309, 371, 407, 409, 411, 413, 415, 417, 419, 421, 423, 425, 427, 449		3600395 223	4160182..... 118
3290505.... 251, 259, 268, 272, 275		3740067 45, 47, 146, 158	4240018.... 392, 400, 429, 431
3290601 107, 109, 125, 127, 129, 131, 392, 400		3740080 ... 244, 247, 499, 563	4240032.... 69, 71, 73, 75, 111, 473, 475, 477
3290605.... 45, 47, 69, 71, 73, 75, 77, 113, 115, 122, 131, 141, 146, 151, 158, 167, 174, 181, 188, 199, 206, 237, 239, 243, 247, 251, 255, 259, 263, 268, 272, 275, 309, 433, 449		3740086 523, 563	4240033.... 349, 361, 363
		3740140 146, 158, 562	4240099.. 71, 73, 75, 113, 115, 141, 146, 151, 158, 167, 174, 181, 188, 206, 235, 244, 247, 251, 255, 259, 263, 268, 272, 275, 341, 347, 353, 355
		3760133 291, 293	4240149..... 351
		3760170 63	4360057..... 347
		3790012 73, 75, 341	4360070.... 252, 260, 268, 273, 277, 562
		3790045 ... 143, 155, 171, 185, 203	4360274..... 91, 97, 563
		3790152 155, 185	4360328..... 73, 75, 563
		3820001 ... 533, 535, 537, 539, 541, 543, 545, 547, 549, 551	
		3820020 ... 315, 317, 319, 327, 331	

SECTION 11 - SPECIAL OPTIONS/ACCESSORIES/KITS

4360336 ... 244, 247, 251, 255, 259, 263, 268, 272, 275, 563	4460465 ... 107, 109, 111, 303, 309, 371, 439, 441, 443, 445, 447, 479, 483, 485, 486, 489, 497, 501, 505, 517, 518, 521	4460899.....447, 501, 518, 523, 525	415, 417, 419, 421, 423, 425, 427
4360387 ... 89, 91, 95, 97, 341, 347, 563	4460466 69, 73, 361, 365, 371, 437, 439, 441, 443, 445, 479, 483, 485, 486, 489, 499, 501, 505, 517, 518, 523, 525	4460905.....495, 505, 517, 521	4711500 45, 47, 118, 141, 151, 167, 174, 181, 188, 199, 206
4360407 341, 563	4460467 567	4460906.....499	4711600 ... 118, 122, 219, 221, 251, 255, 259, 263, 268, 272, 275, 339, 341
4360469 ... 87, 89, 91, 93, 95, 97, 563	4460470 ... 69, 71, 73, 75, 341	4460910.....529	4711700 244, 247
4360476 ... 79, 81, 83, 85, 562	4460471 ... 69, 71, 73, 75, 341	4460911525	4711800 335, 337
4360517 65	4460473 441, 443	4460928.....439	4712000 351
4360542 243, 248, 562	4460475503	4460930 69, 73, 445, 483, 486, 489, 517	4712200 351
4420014 351	4460496 69, 71, 73, 75	4460931 69, 73, 365, 437, 517	4740362 339
4420037 353, 355, 357	4460497 69, 71, 73, 75	4460932371, 481, 493	4740439 295
4420051 553	4460498 361, 505, 518	4460933.....439, 505, 518	4750600 241
4420066 351	4460500 441, 443	4460934.....361, 486, 489, 493	4751000 67, 244, 247, 353, 355, 357
4420068 347	4460501567	4460935.....77, 365, 367, 517, 525	4751400 ... 339, 341, 347, 353, 355, 357, 367, 369, 435, 533, 535, 537, 539, 541, 543, 545, 547, 549, 551
4460019 489	4460502 439	4460936.....485, 486, 489	4751500 244, 247, 347
4460027 243, 248	4460503 439	4460937.....451, 453	4751600 ... 176, 190, 353, 355, 357
4460042 486, 489, 517	4460504 77, 303, 309, 367, 445, 447, 505	4460938.....451, 453	4751800 335, 337, 347
4460043 235, 485, 489	4460505 429, 431	4460939.....451, 453	4760600 405
4460049 347	4460506 ... 419, 421, 423, 427	4460940.....431	4761000 45, 47, 146, 158, 175, 189
4460071 ... 251, 259, 272, 275, 343, 405	4460507 518	4460941.....243, 248	4761400 369
4460115 490	4460508 439	4460942.....355	4770600 241
4460134 244, 248	4460509 439	4460943.....273, 277	4811400 ... 111, 113, 115, 309, 371, 407, 409, 411, 413, 415, 417, 419, 421, 423, 425, 427
4460138 244, 248	4460510 518	4460944.....517	4811600 ... 251, 259, 268, 272, 275
4460183 505, 517	4460511 518, 521	4460945.....503	4811700 ... 45, 47, 69, 71, 73, 75, 77, 107, 109, 113, 115, 125, 127, 129, 131, 141, 146, 151, 158, 167, 181, 199, 206, 244, 247, 251, 255, 259, 263, 268, 272, 275, 321, 323, 325, 329, 333, 392, 400, 433, 449, 465, 467, 469, 471
4460190 243, 248	4460512 518	4460946.....407, 411	4811702 ... 176, 190, 200, 206, 237, 239, 264, 433, 449
4460205 405	4460513 485, 489, 517	4460947.....505	4811900 ... 122, 146, 158, 167, 174, 181, 188, 199, 206, 215, 217, 244, 247, 251, 255, 259, 268, 272, 275, 279, 281, 305, 435, 457, 459, 461, 465, 467, 469, 471
4460225 ... 268, 272, 275, 497, 505	4460514 505	4460948.....503	4811902 ... 118, 141, 151, 167, 181, 199, 206, 279, 281
4460226 343, 518	4460515 505	4460949.....483	4812000 ... 31, 33, 45, 47, 59, 67, 69, 71, 73, 75, 118, 122, 125, 127, 129, 131, 133, 141,
4460227 505	4460516 485, 489, 517	4461000.....483, 485, 489	
4460234 ... 69, 71, 73, 75, 111, 341, 347, 473, 475	4460517 483	4461001.....483	
4460247 485, 489	4460518 483, 485, 489	4461002.....483, 485, 489	
4460259 ... 371, 495, 505, 518	4460519 523, 525	4461003.....439, 485	
4460260 ... 371, 495, 505, 518	4460520 483, 485, 489	4461004.....483, 485, 489	
4460267 505	4460521 439, 483, 485	4461005.....503	
4460268 243, 248, 497	4460522 503	4461006.....507	
4460313 483, 518, 521	4460523 407, 507	4461007.....507	
4460315 405	4460524 509	4461008.....407, 507	
4460321 243, 248	4460525 509	4461009.....411, 509	
4460346 ... 251, 259, 272, 275, 405	4460526 511, 513	4461010.....411, 509	
4460384 427	4460527 511, 513	4461011.....511, 513	
4460418 495, 505	4460528 419, 511	4461012.....419, 511	
4460419 495, 505	4460529 421, 513	4461013.....421, 513	
4460424 518	4460530 423, 515	4461014.....423, 515	
4460425 ... 252, 260, 268, 273, 277, 347, 429, 431	4460531 515	4461015.....515	
4460426 ... 252, 260, 268, 273, 277	4460532 353, 355, 359	4461016.....383	
4460428 341	4460533 379	4461017.....379	
4460434 505	4460534 223	4461018.....223	
4460458 ... 485, 490, 503, 517, 518, 521	4460535 174, 188, 206	4461019.....174, 188, 206	
4460460 503, 521	4460536 377	4461020.....377	
4460464 ... 113, 115, 303, 309, 343, 371, 437, 439, 445, 447, 479, 481, 493, 499, 501, 505, 517, 518, 523	4460537 174, 188	4461021.....174, 188	
	4460538 65, 69, 71, 73, 75, 219, 221, 252, 260, 268, 273, 277	4461022.....75, 219, 221, 252, 260, 268, 273, 277	
	4460539 ... 107, 109, 111, 439, 486, 493, 518, 521	4461023.....125, 127, 129, 131, 313, 321, 323, 325, 327, 329, 331, 333, 349, 363, 365, 407, 409, 411, 413,	
	4460540 ... 113, 115, 437, 493	4461024.....407, 409, 411, 413,	

SECTION 11 - SPECIAL OPTIONS/ACCESSORIES/KITS

146, 151, 158, 167, 174, 181, 188, 199, 206, 244, 247, 260, 263, 276, 291, 293, 305, 307, 309, 457, 459, 461, 463, 465, 467, 469, 471	5261018 125, 461	70003463 161, 562	70004680..252, 256, 260, 263
4812002....31, 33, 67, 69, 71, 73, 75, 118, 122, 206	5261200... 141, 151, 167, 181, 199, 207	70003464 161	70004681.....256, 263
4812100.....65, 141, 151, 167, 174, 181, 188, 199, 206, 241, 251, 255, 268, 272, 291, 293, 305	70000342 297, 299	70003468 162	70004682..252, 256, 260, 264, 563
4812200....146, 158, 174, 188, 207, 215, 217, 244, 247, 251, 255, 259, 268, 272, 275	70000345 162, 211	70003472 161	70004683.....256, 264
4844816.....295	700004508 193	70003473 161	70004684.....252
4844817.....295	70000619 .. 267, 271, 275	70003475 161	70004685.....252, 260
4846627.....353, 355	70000787 162	70003479 161	70004686.....263
4846673.....347	70000793 233	70003480 161	70004687.....260
487170045, 47, 251, 255, 259, 263, 268, 272, 275	70000800 161	70003481 161	70004794.....67
4891600....143, 155, 171, 185, 203, 305	70000851 162	70003612 49	70004883.....43
4891800....143, 155, 171, 185, 203	70000863.. 267, 271, 276	70003614 67	70004884.....43
4892000.....57	70000912 161	70003631 .. 267, 271, 276	70004890.....225, 229
4892600001.....305	70000913 161	70003708 . 252, 255, 260, 263, 267, 271, 276	70004892..225, 226, 229, 230
4922641244, 248, 252, 256, 260, 264, 268, 272, 276	70000915 161	70003709 . 252, 255, 260, 263, 267, 271, 276	70004893.....225, 229
4922802.....463	70000916 161	70003783 . 146, 159, 175, 189, 562	70004894.....225, 229
4922803.....471	70000917 161	70003788 36, 40, 377, 562	70004896.....226
4922925.....268, 272, 275	70000918 161	70003931 162	70004899.....227, 230
4923451.....147, 158	70000919 162	70003932 162	70004901.....226, 230
4933218.....347	70001002 161	70003977 35, 39	70004905.....230
5240800....141, 151, 167, 181, 199	70001100 .. 267, 271, 276	70004000 49	70004906.....226, 230
5241200....146, 158, 174, 188, 207, 215, 217, 244, 247, 251, 255, 259, 263, 268, 272, 276, 305	70001181 161	70004013 49	70004907.....230
5241600.....51	70001384 .. 267, 271, 276	70004014 49	70004909.....226, 230
5242000.....51	70001423 161	70004056 162	70004910.....230
5250808....252, 255, 260, 268, 272, 276	70001435 162	70004058 162, 562	70004911.....226, 230
5250810....176, 190, 252, 255, 260, 263, 268, 272, 276	70001498 162	70004059 162	70005065.....49
5251008....291, 293, 303, 305, 309	70001654 161	70004060 162	70005066.....49
5251009.....291, 293	70001655 161	70004062 162	70005067.....49
5251011.....291, 293	70001696 267, 271	70004092 . 252, 256, 260, 263, 276	70005068.....49
5251012....101, 103, 105, 122	70001697 297, 299	70004094 276	70005069.....35, 39
5251014.....31, 33, 118	70001844 162	70004098 .. 252, 260, 276	70005071.....35, 39
5251016.....301, 305	70001850 161	70004099 .. 260, 263, 276	70005072.....35, 39
5251215....141, 151, 167, 181, 199, 207	70001866 162	70004102 162	70005073.....35, 39
5260800....252, 255, 260, 263, 268, 272, 276	70001868 162	70004103 162	70005074.....35, 39
5261000....101, 103, 105, 301	70001870 .. 161, 194, 212	70004169 267, 271	70005075.....35, 39
	70001871 162	70004171 . 252, 256, 267, 271	70005076.....35, 39
	70001872 162	70004231 377	70005077.....35, 39
	70001953 267, 271	70004267 49	70005078.....35, 39
	70001966 . 252, 256, 260, 263, 267, 271, 276	70004268 161	70005079.....35, 39
	70001973 .. 267, 271, 276	70004269 161	70005080.....35, 39
	70001974 .. 267, 271, 276	70004270 162	70005081.....35, 39
	70002057 54	70004281 193, 212	70005082.....35, 39
	70002063 43	70004282 193	70005083.....35, 39
	70002088 267, 271	70004469 54	70005084.....35, 39
	70002234 162	70004481 54	70005085.....35, 39
	70002291 276	70004482 54	70005086.....35, 39
	70002297 .. 267, 271, 276	70004494 54	70005087.....35, 39
	700023371 381	70004504 212	70005088.....35, 39
	70002373 375, 381	70004505 212	70005089.....35, 39
	7000238636, 40, 43, 377, 562	70004506 212	70005090.....35, 39
	70002412 383	70004507 212	70005091.....35, 40
	70002460 .. 267, 271, 276	70004508 212	70005092.....35, 39
	70002718 .. 161, 193, 212	70004509 212	70005093.....39
	70002838 67	70004510 212	70005108.....35, 39
	70002902 343	70004676 . 252, 256, 260, 263	70005109.....35, 40
	70002903 343	70004677 256	70005139.....49
	70002904 343	70004678 . 252, 256, 260, 263	70005140.....381
	70002905 343	70004679 . 252, 256, 260, 263	70005141.....381
	70002974 35, 39		70005142.....375, 381
	70003023 35, 39		70005143.....375, 381
	70003024 35, 39		70005144.....375, 381
	70003408 35, 39		70005145.....375, 381
	70003454 65		70005146.....381
			70005147.....375
			70005148.....375
			70005149.....375

SECTION 11 - SPECIAL OPTIONS/ACCESSORIES/KITS

70005171	193, 212	70005355	25	70007027	54	70025086	162
70005172	194, 212	70005356	25, 27	70007028	54	70025088	161
70005173	193	70005357	27	70007029	54	70025091	161
70005176	212	70005358	27	70007030	54	70025121	162
70005177	193, 212	70005359	27	70007031	54	70025123	161, 162
70005182	193	70005360	27	70007032	54	70025130	211
70005183	193	70005361	27	70007046	54	70025131	162
70005184	193, 211	70005362	27	70007062	383	70025135	193
70005191	211	70005363	27	70007063	383	70025139	161
70005217	35, 39	70005364	27	70007064	383	70025140	212
70005218	35, 39	70005365	27	70007065	383	70025144	212
70005219	36, 40, 562	70005366	27	70007066	383	70025145	212
70005244	65	70005367	23	70007067	383	70025152	212
70005245	225, 229	70005368	23	70007068	383	70025164	193, 211
70005246	225, 229	70005369	23	70007069	383	70025200	193
70005247	225, 229	70005370	23	70007070	383	70025210	193
70005248	225, 229	70005371	23	70007071	383	70025231	193, 211
70005249	225, 229	70005504	211	70007072	383	70025235	212
70005250	225, 229	70005505	211	70007325	193, 211	70025239	193, 211
70005251	225, 229	70005507	211	70007326	194, 211	70025242	212
70005252	225, 229	70005724	36, 40	70007354	193, 211	70025667	161
70005253	225, 229	70005931	193, 211	70007406	15, 17, 21	70025693	162
70005254	225, 229, 563	70005938	212	70007409	15, 17, 21	70025694	162
70005255	225, 229	70005941	194, 212	70007471	15, 17, 21	70026210	193, 211
70005257	225, 229	70005942	193, 212	70007472	15, 17, 21	70027405	211
70005258	225, 229	70006093	276	70007603	193, 211	70028185	212
70005259	225, 230	70006094	276	70008296	212	7002821	567
70005260	226, 230	70006095	276, 562	70008422	212	7002822	567
70005261	226	70006096	276	70008431	211	7002823	567
70005262	226, 230	70006097	276	70008435	211	7002828	568
70005263	226, 230	70006104	377	70008537	212	70028538	211
70005264	226	70006105	377	70008538	212	70028540	193, 211
70005265	226	70006144	193	70008543	211	70029409	211
70005266	226, 230	70006255	307	70008544	211	70029451	193
70005267	226, 230	70006270	307	70008545	211	70029512	211
70005268	226, 230	70006344	383	70008547	211	70030360	193, 211
70005269	226, 230	70006552	252	70008553	211	70030381	193, 212
70005270	227, 230	70006553	252, 563	70008558	211	70031055	211
70005271	229	70006580	297	70008559	211	70031095	194
70005275	15, 17, 21, 25	70006636	377	70008561	211	70031136	193, 211
70005276	15, 17, 21	70006649	379	70008564	212	70031143	211
70005278	15, 17, 21	70006650	379	70009002	152	70031144	211
70005280	15, 17, 21	70006652	193	70009004	151	70031145	193
70005281	15, 17, 21	70006702	377	70009005	151	70031388	211
70005282	15, 17, 21	70006703	377	70010383	31, 33, 562	70031474	211
70005283	15, 17, 21	70006704	377	7001481	226, 230	7004275	567
70005284	15, 17, 21	70006705	377	70022564	375, 377, 381	7004276	568
70005285	15, 17, 21	70006706	377	70023369	375, 377, 381	70050795	377
70005286	15, 17, 21	70006734	379	70023370	375	7007419	225, 229
70005288	15, 17, 21	70006735	379	70023592	175, 189, 562	7007420	225, 226, 229, 230
70005289	15, 17, 21	70006736	379	70023593	175, 189, 562	7007489	223
70005291	15, 17, 21	70006817	383	70024494	194	7010103	223
70005317	54	70006990	54	70024504	193, 211	7010104	223
70005318	54	70006994	54	70024505	211	7010105	223
70005322	65	70006997	54	70024507	193	7010105	223
70005343	25	70006998	54	70024513	193, 211	7010543	43
70005344	25	70006999	54	70024904	194, 212	7012513	243, 248
70005345	25	70007001	54	70024905	193, 212	7012514	243, 248
70005346	25	70007002	54	70024906	193, 212	7012518	383
70005347	25	70007003	54	70024913	212	7012558	243
70005348	25	70007004	54	70024915	193	7012941	43
70005349	25	70007006	54	70024917	211	7012967	43
70005350	25	70007022	54	70024920	211	7012987	223
70005351	25	70007023	54	70024925	193	7012988	223
70005352	25	70007024	54	70024961	193	7012998	377
70005353	25	70007025	54	70025082	161	7016322	241
70005354	25	70007026	54	70025084	161, 162		

SECTION 11 - SPECIAL OPTIONS/ACCESSORIES/KITS

7016331 161, 194, 212, 562	7021249 225, 229	7024471 359	8220045.....499, 518
7016654.....567	7021257 225, 229	7024472 359	8220051.....493
7017142.....297, 299	7021259 225, 229	7024473 359	8220097.....517
7017150.....299	7021262 225, 229	7024474 359	8220115.....485
7017159.....297, 299	7021268 226, 230	7024475 359	8220164.....485
7017162.....297, 299	7021275 226	7024478 359	8229242.....485, 517, 562
7017163.....297, 299	7021276 226, 230	7024485 267, 271, 562	8229244.....517, 563
7017164.....297, 299	7021277 226, 230	7024488 267, 271, 275	8229245.....499, 563
7017172.....297, 299	7021278 226, 230	7024489 267, 271, 275	8229249.....371, 562
7017192.....297, 299	7021281 226, 230	7024565 162	8310129.....351
7017195.....297, 299	7021285 226	7024579 161, 194, 212	8405006.... 167, 181, 199, 219, 221
7017410.....43	7021290 226, 230	7024598 241	8405007.... 174, 188, 207
7017467.....377	7022321 225, 229	7024800 225, 229	8405009.... 141, 151, 174, 188, 207
7017496.....377	7022322 225, 229	7024806 226	8405104.... 174, 188, 207
7019680.....243, 248	7022331 225, 229	7026188 267, 271	8405202.... 174, 188, 207
7020023.....161, 562	7022332 225, 229	7026199 243, 247	8405204.... 175, 188, 207
7020026.....161	7022333 225, 229	7026330 49	8406101.... 167, 181, 199
7020108.....243, 248	7022336 225, 229	7026597 267, 271, 276	8406109.... 175, 189, 207
7020109.....243, 248	7022338 225, 229	7026626 267, 271, 276	8406110.... 176, 190, 207, 309, 457, 459, 465, 467
7020110.....243, 248	7022340 225, 229	7027236 161	8406201.... 176, 190, 207
7020111.....243, 248	7022341 225, 229	7027773 359	8410013.....167, 181
7020176.....562	7022343 225	7027774 359	8430007.....199
7020190.....243, 248	7022346 226, 230	7027775 359	8750014.... 141, 151, 167, 181
7020403.....161	7022347 226, 230	7027776 359	8750031.... 141, 151, 167, 181
7020430.....161	7022351 226	7027777 359	8769128.....279, 281
7020460.....161	7022355 229	7027778 359	8769139.....279, 281
7020465.... 161, 194, 212	7022357 229	7027779 359	88411013.....435
7020468.....161	7022358 230	7027780 359	88521205.....45, 47
7020471.....162	7022390 35, 39, 377	7027790 162	90200755.....118, 122
7020479.....162	7022399 35, 39	7027791 162	91164057.....36, 40
7020492.....161, 162	7023900 35, 39	7027792 162	91164059.....36, 40
7021229.....226	7023936 35, 39	7027796 162	91164079.....36, 40
7021234.....226, 230	7023999 225	7027799 267, 271, 276	91203039.....305
7021237 225	7024441 67	7027887 243, 248	91401281.....45
7021238.....225, 229	7024462 359	7027903 162	
7021239.....225, 229	7024463 359	77363233 497	
7021240.....225	7024467 359	80484084 485, 489	
7021248.....225, 229	7024469 359, 563	80963067 517	
	7024470 359	80983191 485, 562	



**Corporate Office
JLG Industries, Inc.
1 JLG Drive
McConnellsburg, PA 17233-9533 USA
☎ (717) 485-5161 (Corporate)
☎ (877) 554-5438 (Customer Support)
📠 (717) 485-6417**

**Visit our website for JLG Worldwide Locations.
www.jlg.com**



OSHKOSH™