



---

# Illustrated Parts Manual

## *Models* **EC600SJ/EC600SJP** **H600SJ/H600SJP**

PVC  
2301

P/N  
31221345

July 10, 2023 - Rev B

**ANSI**

**CE**



**UK  
CA**

**AS/NZS**



An Oshkosh Corporation Company

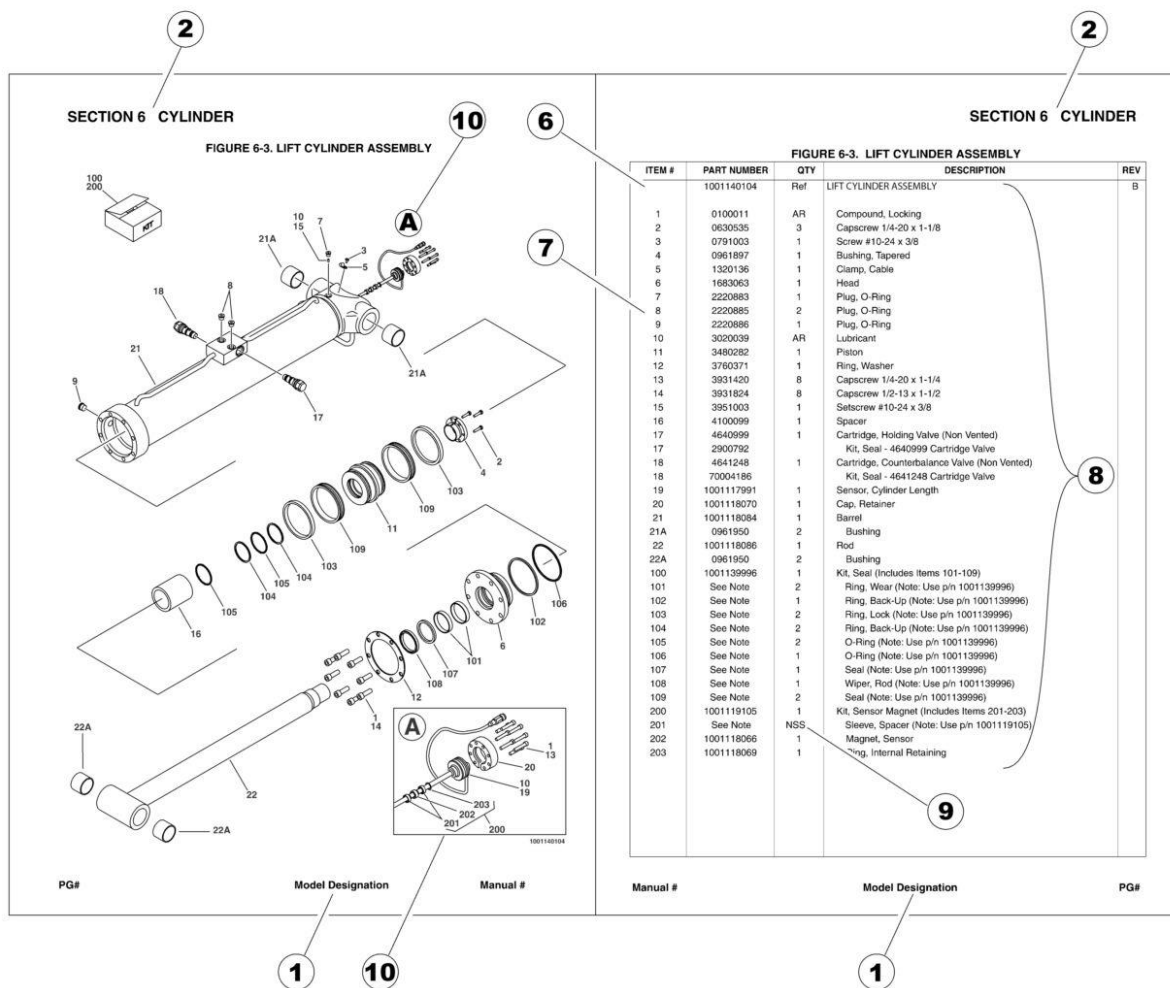


## **REVISION LOG**

January 9, 2023 - A - Original Issue of Manual (Edited to B/M 1001263600 Revision S)

July 10, 2023 - B - Revised Manual (Edited to B/M 1001263600 Revision T)

# GENERAL INFORMATION



## 1) MACHINE IDENTIFICATION

Machines are identified by model and in some cases a combination of models, serial number (SN) or regional standard (i.e ANSI, CE, CSA). Components may also be identified by SN or manufacturer. Common components that may be identified by these characteristics are engines and hydraulic components.

## 2) PARTS MANUAL ORGANIZATION

Product information in this manual is organized under section titles. Frame, Cylinder, Hydraulic and Electrical are a few examples. Each section is organized by figure and page number. The information within the Figure is then organized by item number, part number, description and corresponding illustration (s).

## 3) TABLE OF CONTENTS (NOT SHOWN)

A table of contents is found toward the beginning of the manual. Figure number, description and page number are provided for quick reference to the page containing the related information.

## 4) RECOMMENDED SPARE PARTS (NOT SHOWN)

The Recommended Spare Parts List, located near the end of the manual, reference most frequently used maintenance parts.

## 5) PART NUMBER INDEX (NOT SHOWN)

A numerical index listing all part numbers and the corresponding page number(s) appears at the back of the manual.

## GENERAL INFORMATION

### 6) NON-SERVICED PARTS

In some instances, it is necessary to display non-serviced parts, assemblies or installations. In the case of assemblies and installations there will be a Ref in the Qty. column. In case of parts that are not available for service within assemblies or components, there will be a NSS (Not Sold Separately) or NLA (No Longer Available) listed in the Qty. column of the manual.

### 7) PARTS LIST ITEM NUMBERS

Numbers shown in the item# column correspond to numbers used in the associated illustration (s). Item numbers which are missing from the sequence in the parts list are not used on that page.

### 8) INDENTED PARTS DESCRIPTION

An indented part description is included in the item under which it is indented.

### 9) ABBREVIATION AND SYMBOLS

AC.....	Alternating Current	L.....	Liter
ADE.....	Advanced Design Electronics	LB(LBS).....	Pounds
AG.....	Agricultural	LCD.....	Liquid Crystal Display
ANSI.....	American National Standards Institute	LED.....	Light Emitting Diodes
AR.....	As Required	LH.....	Left Hand
ASSY.....	Assembly	LRC.....	Low Rated Countries
AUS.....	Australia	LSS.....	Load Sensing System
AUX.....	Auxiliary	M(m).....	Metric/Meter
AWG.....	American Wire Gauge	MM(mm).....	Milimeter
B/M.....	Bill of Material	mA.....	Miliamps
CAC.....	Charge Air Cooler	NLA.....	No Longer Available
CE.....	European Conformity	NPT.....	National Pipe Threads
CCW.....	Counter Clockwise	NSS.....	Not Sold Separately
CM.....	Centimeter	OD.....	Outside Diameter
CW.....	Clockwise	ORB.....	O-Ring Boss
CSA.....	Canadian Standards Association	ORFS.....	O-Ring Face Seal
CYL.....	Cylinder	OZ (oz).....	Ounces
DIA.....	Diameter	PG.....	Page
DC.....	Direct Current	PN.....	Part Number
DEF.....	Diesel Exhaust Fluid	QT(qt.).....	Quarts
EMS.....	Emergency Stop	QTY.....	Quantity
ENG.....	Engine	REF.....	Reference
FT(ft).....	Feet	REV.....	Revision Level
GA(Ga).....	Gauge	RH.....	Right Hand
HRC.....	High Rated Countries	SAE.....	Society of Automotive Engineers
HVAC.....	Heating, Ventilating, and Air Conditioning	SN.....	Serial Number
HYD.....	Hydraulic	SPEC(S).....	Specifications
Hz.....	Hertz	T/T.....	Turntable
ID.....	Inside Diameter	UGM.....	Universal Ground Module
IN.....	inches	V.....	Volts
ISO.....	International Organization for Standards	W.....	Watts
JIC.....	Joint Industry Council	#.....	Number
KG.....	Kilogram		

### 10) ILLUSTRATION REFERENCE LETTERS

When necessary, illustrations may contain reference letters that are intended to track information (i. e. hoses, harnesses) from one point to another or to track visual enlargement of components to show details that may be located in another area on the illustration.

*Note: Due to continuous product improvements, JLG Industries, Inc. reserves the right to make specification changes without prior notification. Contact JLG Industries, Inc. for updated information.*



# TABLE OF CONTENTS

SECTION 1 - FRAME.....	13
FIGURE 1-1. AXLE INSTALLATION - FIXED (2WD) .....	14
FIGURE 1-2. AXLE INSTALLATION - FIXED (4WD) .....	16
FIGURE 1-3. AXLE INSTALLATION - OSCILLATING WITHOUT TOW PACKAGE (2WD) (MACHINES WITH SN STARTING WITH 03).....	18
FIGURE 1-4. AXLE INSTALLATION - OSCILLATING WITHOUT TOW PACKAGE (2WD) (MACHINES WITH SN STARTING WITH B3).....	20
FIGURE 1-5. AXLE INSTALLATION - OSCILLATING WITH TOW PACKAGE (2WD).....	22
FIGURE 1-6. AXLE INSTALLATION - OSCILLATING (4WD) (MACHINES WITH SN STARTING WITH 03).....	24
FIGURE 1-7. AXLE INSTALLATION - OSCILLATING (4WD) (MACHINES WITH SN STARTING WITH B3) .....	26
FIGURE 1-8. AXLE LOCKOUT VALVE ASSEMBLY.....	28
FIGURE 1-9. STEER INSTALLATION - WITHOUT TOW PACKAGE (2WD/2WS) .....	30
FIGURE 1-10. STEER INSTALLATION - WITH TOW PACKAGE (2WD/2WS).....	32
FIGURE 1-11. STEER INSTALLATION - (4WD/2WS) (EC600SJ/H600SJ) .....	34
FIGURE 1-12. STEER INSTALLATION - (4WD/2WS) (EC600SJP/H600SJP) .....	38
FIGURE 1-13. WHEEL DRIVE INSTALLATION (NON-UL SPECS).....	42
FIGURE 1-14. WHEEL DRIVE INSTALLATION (UL SPECS).....	44
FIGURE 1-15. NON-DRIVE HUB ASSEMBLY - LH (2WD FRONT).....	46
FIGURE 1-16. NON-DRIVE HUB ASSEMBLY - RH (2WD FRONT) .....	48
FIGURE 1-17. DRIVE HUB ASSEMBLY (REAR).....	50
FIGURE 1-18. DRIVE MOTOR ASSEMBLY (4WD FRONT).....	54
FIGURE 1-19. DRIVE MOTOR ASSEMBLY (REAR) .....	56
FIGURE 1-20. DRIVE VALVE ASSEMBLY (4WD ONLY) .....	58
FIGURE 1-21. AC DRIVE ELECTRICAL PLATE ASSEMBLY (NON-UL SPECS) .....	60
FIGURE 1-22. AC DRIVE ELECTRICAL PLATE ASSEMBLY (UL SPECS) .....	62
FIGURE 1-23. DRIVE MODULE PLATE ASSEMBLY .....	64
FIGURE 1-24. TIRE AND WHEEL INSTALLATION - 36/14LL X 22.5 FOAM-FILLED NON-MARKING .....	66
FIGURE 1-25. TIRE AND WHEEL INSTALLATION - 355/55D625 FOAM FILLED .....	68
FIGURE 1-26. FRAME SHIELDS INSTALLATION.....	70
FIGURE 1-27. TOW PACKAGE INSTALLATION WITHOUT NATO EYE .....	72
FIGURE 1-28. TOW PACKAGE INSTALLATION WITH NATO EYE.....	74
SECTION 2 - TURNTABLE .....	77
FIGURE 2-1. MAIN CONTROL INSTALLATION - EC600SJ & H600SJ.....	78
FIGURE 2-2. MAIN CONTROL INSTALLATION - EC600SJP & H600SJP .....	80
FIGURE 2-3. MAIN CONTROL VALVE ASSEMBLY.....	82
FIGURE 2-4. SWING DRIVE INSTALLATION .....	86
FIGURE 2-5. SWING MOTOR ASSEMBLY .....	88
FIGURE 2-6. TURNTABLE BEARING, STOP AND LUBE INSTALLATION.....	92
FIGURE 2-7. TURNTABLE LOCK INSTALLATION.....	94
FIGURE 2-8. DRIVE ORIENTATION INSTALLATION .....	96
FIGURE 2-9. HYDRAULIC TANK AND PUMP/MOTOR INSTALLATION (NON-UL SPECS) .....	98
FIGURE 2-10. HYDRAULIC TANK AND PUMP/MOTOR INSTALLATION (UL SPECS) .....	100
FIGURE 2-11. ELECTRIC MOTOR ASSEMBLY.....	102
FIGURE 2-12. FUEL TANK AND ENGINE MODULE INSTALLATION - WITH STANDARD BATTERIES (H600SJ/H600SJP) ..	104
FIGURE 2-13. FUEL TANK AND ENGINE MODULE INSTALLATION - WITH AGM BATTERIES (H600SJ/H600SJP) .....	106
FIGURE 2-14. BATTERY CHARGER INSTALLATION - 110V/60HZ SMART CHARGER (ALL SPECS EXCEPT AUSTRALIAN, CE & UK CA SPECS).....	108
FIGURE 2-15. BATTERY CHARGER INSTALLATION - 120V-230V/45-65HZ SMART CHARGER (ALL SPECS EXCEPT UL SPECS) .....	110
FIGURE 2-16. BATTERY CHARGER INSTALLATION - 250V/50HZ SMART CHARGER (ANSI EXPORT, CE, AUSTRALIAN AND CHINA SPECS).....	112
FIGURE 2-17. BATTERY CHARGER INSTALLATION - GREEN POWER CHARGER .....	114
FIGURE 2-18. BATTERY BOX INSTALLATION - METAL LATCH - STANDARD BATTERIES (415 AMP HOUR) .....	116
FIGURE 2-19. BATTERY BOX INSTALLATION - RUBBER LATCH - STANDARD BATTERIES (415 AMP HOUR).....	118
FIGURE 2-20. BATTERY BOX INSTALLATION - METAL LATCH - AGM BATTERIES (390 AMP HOUR).....	120
FIGURE 2-21. BATTERY BOX INSTALLATION - RUBBER LATCH - AGM BATTERIES (390 AMP HOUR) .....	122
FIGURE 2-22. BATTERY BOX INSTALLATION - RUBBER LATCH - AGM BATTERIES (400 AMP HOUR) .....	124
FIGURE 2-23. GROUND CONTROL ELECTRICAL SYSTEM INSTALLATION .....	126
FIGURE 2-24. GROUND CONTROL PANEL INSTALLATION - DISPLAY WITHOUT BUTTONS (EC600SJ/H600SJ) (ALL SPECS EXCEPT CE & UK CA SPECS).....	128
FIGURE 2-25. GROUND CONTROL PANEL INSTALLATION - DISPLAY WITHOUT BUTTONS (EC600SJ/H600SJ) (CE & UK CA SPECS) .....	130

# TABLE OF CONTENTS

FIGURE 2-26. GROUND CONTROL PANEL INSTALLATION - DISPLAY WITHOUT BUTTONS (EC600SJP/H600SJP) (ALL SPECS EXCEPT CE & UK CA SPECS) .....	132
FIGURE 2-27. GROUND CONTROL PANEL INSTALLATION - DISPLAY WITHOUT BUTTONS (EC600SJP/H600SJP) (CE & UK CA SPECS).....	134
FIGURE 2-28. ENGINE CONTROLS INSTALLATION - STANDARD BATTERIES (H600SJ/H600SJP).....	136
FIGURE 2-29. ENGINE CONTROLS INSTALLATION - AGM BATTERIES (H600SJ/H600SJP) .....	138
FIGURE 2-30. LIMIT SWITCH INSTALLATION.....	140
FIGURE 2-31. ALARM INSTALLATION.....	142
FIGURE 2-32. WHITE NOISE ALARM INSTALLATION .....	144
FIGURE 2-33. BEACON LIGHT INSTALLATION - AMBER.....	146
FIGURE 2-34. BEACON LIGHT INSTALLATION - BLUE.....	148
FIGURE 2-35. BEACON LIGHT INSTALLATION - RED.....	150
FIGURE 2-36. NO BEACON INSTALLATION.....	152
FIGURE 2-37. INVERTER INSTALLATION - 110V (OPTIONAL).....	154
FIGURE 2-38. INVERTER INSTALLATION - 110V 3000W (OPTIONAL).....	156
FIGURE 2-39. INVERTER INSTALLATION - 220V (OPTIONAL).....	158
FIGURE 2-40. INVERTER INSTALLATION - 220V 3000W (OPTIONAL).....	160
FIGURE 2-41. HOODS INSTALLATION.....	162
SECTION 3 - BOOM.....	165
FIGURE 3-1. BOOM INSTALLATION (EC600SJ/H600SJ) (MACHINES WITH SN STARTING WITH 03).....	166
FIGURE 3-2. BOOM INSTALLATION (EC600SJ/H600SJ) (MACHINES WITH SN STARTING WITH B3).....	170
FIGURE 3-3. BOOM INSTALLATION (EC600SJP/H600SJP) (MACHINES WITH SN STARTING WITH 03).....	174
FIGURE 3-4. BOOM INSTALLATION (EC600SJP/H600SJP) (MACHINES WITH SN STARTING WITH B3) .....	178
FIGURE 3-5. MAIN BOOM ASSEMBLY (EC600SJ/H600SJ) (MACHINES WITH SN STARTING WITH 03).....	182
FIGURE 3-6. BOOM ASSEMBLY (EC600SJ) (MACHINES WITH SN STARTING WITH B3).....	184
FIGURE 3-7. MAIN BOOM ASSEMBLY (EC600SJP/H600SJP) (MACHINES WITH SN STARTING WITH 03) .....	186
FIGURE 3-8. BOOM ASSEMBLY (EC600SJP) (MACHINES WITH SN STARTING WITH B3).....	188
FIGURE 3-9. POWER TRACK ASSEMBLY.....	190
FIGURE 3-10. POWER TRACK ASSEMBLY (MACHINES WITH SN STARTING WITH B3).....	192
FIGURE 3-11. ROTATOR ASSEMBLY (EC600SJ/H600SJ).....	194
FIGURE 3-12. ROTATOR ASSEMBLY - PLATFORM ROTATE (EC600SJP/H600SJP).....	196
FIGURE 3-13. ROTATOR ASSEMBLY - SIDE SWING ROTATE (EC600SJP/H600SJP).....	198
FIGURE 3-14. PLATFORM SUPPORT INSTALLATION .....	200
FIGURE 3-15. BOOM VALVE INSTALLATION (EC600SJ/H600SJ) .....	202
FIGURE 3-16. BOOM VALVE INSTALLATION (EC600SJP/H600SJP).....	204
FIGURE 3-17. BOOM VALVE ASSEMBLY (EC600SJ/H600SJ).....	206
FIGURE 3-18. BOOM VALVE ASSEMBLY (EC600SJP/H600SJP).....	208
FIGURE 3-19. BOOM LIMIT SWITCH INSTALLATION (CE & UK CA SPEC ONLY).....	210
SECTION 4 - ENGINE .....	213
FIGURE 4-1. ENGINE AND GENERATOR INSTALLATION - WITH STANDARD BATTERIES (H600SJ/H600SJP ONLY).....	214
FIGURE 4-2. ENGINE AND GENERATOR INSTALLATION - WITH AGM BATTERIES (H600SJ/H600SJP ONLY) .....	216
FIGURE 4-3. KUBOTA ENGINE ASSEMBLY (H600SJ/H600JP ONLY) .....	218
FIGURE 4-4. KUBOTA ENGINE COMPONENTS (H600SJ/H600JP ONLY).....	220
FIGURE 4-5. EXHAUST STACK AND HOOD BAFFLES INSTALLATION - STANDARD BATTERIES (H600SJ/H600SJP) .....	224
FIGURE 4-6. EXHAUST STACK AND HOOD BAFFLES INSTALLATION - AGM BATTERIES (H600SJ/H600SJP).....	226
SECTION 5 - PLATFORM.....	229
FIGURE 5-1. PLATFORM ASSEMBLY - 30IN X 3FT (76CM X 91.5CM) - WITH DROP BAR.....	230
FIGURE 5-2. PLATFORM ASSEMBLY - 30IN X 4FT (76CM X 1.22M) - SIDE GATE ENTRY.....	232
FIGURE 5-3. PLATFORM ASSEMBLY - 30IN X 4FT (76CM X 1.22M) - WITH DROP BAR .....	234
FIGURE 5-4. PLATFORM ASSEMBLY - 30IN X 6FT (76CM X 1.83M) - SIDE GATE ENTRY.....	236
FIGURE 5-5. PLATFORM ASSEMBLY - 30IN X 6FT (76CM X 1.83M) - WITH DROP BAR .....	238
FIGURE 5-6. PLATFORM ASSEMBLY - 30IN X 6FT (0.9M X 1.83M) (FALL ARREST PLATFORM).....	240
FIGURE 5-7. PLATFORM ASSEMBLY - 36IN X 6FT (91.5CM X 1.83M) WITH SWING GATE .....	242
FIGURE 5-8. PLATFORM ASSEMBLY - 3FT X 6FT (91.5CM X 1.83M) - TRI-ENTRY - 1 SWING GATE/2 DROP BARS .....	244
FIGURE 5-9. PLATFORM ASSEMBLY - 3FT X 6FT (91.5CM X 1.83M) - TRI-ENTRY - 3 DROP BARS .....	246
FIGURE 5-10. PLATFORM ASSEMBLY - 3F X 6FT (91.5CM X 1.83M) (FALL ARREST PLATFORM).....	248
FIGURE 5-11. PLATFORM ASSEMBLY - 3FT X 8FT (91.5CM X 2.44M) WITH SWING GATE .....	250
FIGURE 5-12. PLATFORM CONSOLE INSTALLATION - 2WD (ALL SPECS EXCEPT UL SPECS) .....	252
FIGURE 5-13. PLATFORM CONSOLE INSTALLATION - 2WD (UL SPECS).....	254
FIGURE 5-14. PLATFORM CONSOLE INSTALLATION - 4WD (ALL SPECS EXCEPT UL SPECS) .....	256
FIGURE 5-15. PLATFORM CONSOLE INSTALLATION - 4WD (UL SPECS).....	258



# TABLE OF CONTENTS

FIGURE 5-16. PLATFORM CONSOLE ASSEMBLY - 2WD (ALL SPECS EXCEPT UL SPECS).....	260
FIGURE 5-17. PLATFORM CONSOLE ASSEMBLY - 2WD (UL SPECS).....	264
FIGURE 5-18. PLATFORM CONSOLE ASSEMBLY - 4WD (ALL SPECS EXCEPT UL SPECS).....	268
FIGURE 5-19. PLATFORM CONSOLE ASSEMBLY - 4WD (UL SPECS).....	272
FIGURE 5-20. FOOTSWITCH ASSEMBLY.....	276
FIGURE 5-21. ENGINE CONTROLS INSTALLATION - STANDARD BATTERIES (H600SJ/H600SJP).....	278
FIGURE 5-22. ENGINE CONTROLS INSTALLATION - AGM BATTERIES (H600SJ/H600SJP).....	280
FIGURE 5-23. JIB ROTATE SWITCH INSTALLATION (EC600SJP/H600SJP).....	282
FIGURE 5-24. LIGHT PANEL INSTALLATION.....	284
FIGURE 5-25. TRAY ASSEMBLY.....	286
FIGURE 5-26. SKYEYE INSTALLATION.....	288
FIGURE 5-27. SKYGUARD BAR INSTALLATION.....	290
FIGURE 5-28. SKYLINE INSTALLATION.....	292
FIGURE 5-29. SKYSENSE MID TUBE SENSOR ASSEMBLY.....	294
FIGURE 5-30. SKYSENSE OVERHEAD SENSOR ASSEMBLY.....	296
FIGURE 5-31. SOFT TOUCH INSTALLATION (SIDE ENTRY PLATFORM) (OPTIONAL).....	298
FIGURE 5-32. SOFT TOUCH INSTALLATION - WITH FALL ARREST (SIDE ENTRY PLATFORM) (OPTIONAL).....	300
FIGURE 5-33. SKYGLAZIER INSTALLATION (ANSI AND CSA SPECS).....	302
FIGURE 5-34. SKYGLAZIER INSTALLATION (ANSI EXPORT SPECS) (SPANISH/PORTUGUESE).....	304
FIGURE 5-35. SKYGLAZIER INSTALLATION (ANSI EXPORT SPECS) (ENGLISH/SPANISH).....	306
FIGURE 5-36. FALL ARREST INSTALLATION (BOLT-ON EXTERNAL) (30IN X 4FT /76CM X 1.22M PLATFORM).....	308
FIGURE 5-37. FALL ARREST INSTALLATION (BOLT-ON EXTERNAL) (30IN X 6FT /76CM X 1.82M PLATFORM).....	310
FIGURE 5-38. FALL ARREST INSTALLATION (BOLT-ON EXTERNAL) (6FT/1.82M PLATFORM).....	312
FIGURE 5-39. FALL ARREST INSTALLATION (BOLT-ON EXTERNAL) (6FT/1.82M TRI-ENTRY PLATFORM).....	314
FIGURE 5-40. FALL ARREST INSTALLATION (BOLT-ON EXTERNAL) (8FT/2.4M PLATFORM).....	316
FIGURE 5-41. USB CHARGER INSTALLATION.....	318
SECTION 6 - CYLINDERS.....	321
FIGURE 6-1. AXLE LOCKOUT CYLINDER ASSEMBLY (MACHINES WITH SN STARTING WITH 03).....	322
FIGURE 6-2. AXLE LOCKOUT CYLINDER ASSEMBLY (MACHINES WITH SN STARTING WITH B3).....	324
FIGURE 6-3. LEVEL CYLINDER ASSEMBLY - PLATFORM SLAVE.....	326
FIGURE 6-4. LIFT CYLINDER ASSEMBLY - JIB.....	328
FIGURE 6-5. LIFT CYLINDER ASSEMBLY - MAIN (EC600SJP/H600SJP MACHINES WITH SN STARTING WITH 03).....	330
FIGURE 6-6. LIFT CYLINDER ASSEMBLY - MAIN (EC600SJ/H600SJ ALL MACHINES) (EC600SJP/H600SJP MACHINES WITH SN STARTING WITH B3).....	332
FIGURE 6-7. MASTER CYLINDER ASSEMBLY.....	334
FIGURE 6-8. STEER CYLINDER ASSEMBLY.....	336
FIGURE 6-9. TELESCOPE CYLINDER ASSEMBLY.....	338
SECTION 7 - HYDRAULIC.....	341
FIGURE 7-1. HYDRAULIC DIAGRAM - AXLE (FIXED).....	342
FIGURE 7-2. HYDRAULIC DIAGRAM - AXLE (OSCILLATING).....	344
FIGURE 7-3. HYDRAULIC DIAGRAM - DRIVE (2WD).....	346
FIGURE 7-4. HYDRAULIC DIAGRAM - DRIVE (4WD).....	348
FIGURE 7-5. HYDRAULIC DIAGRAM - STANDARD (EC600SJ/H600SJ).....	350
FIGURE 7-6. HYDRAULIC DIAGRAM - STANDARD (EC600SJP/H600SJP).....	354
FIGURE 7-7. HYDRAULIC DIAGRAM - TOW.....	358
SECTION 8 - ELECTRICAL.....	361
FIGURE 8-1. AC BOX AT PLATFORM - LOCALLY SUPPLIED COMPONENTS.....	362
FIGURE 8-2. AC BOX AT PLATFORM INSTALLATION - 110V (ALL SPECS EXCEPT AUSTRALIAN, CE & UK CA SPECS)..	364
FIGURE 8-3. AC BOX AT PLATFORM INSTALLATION - 110V IEC YELLOW (CE & UK CA SPEC).....	366
FIGURE 8-4. AC BOX AT PLATFORM INSTALLATION - 220V IEC BLUE (CE & UK CA SPEC).....	368
FIGURE 8-5. AC BOX AT PLATFORM INSTALLATION - 220V CEE7 POST GROUND WITH 2IN X 4IN BOX (CE & UK CA SPEC).....	370
FIGURE 8-6. AC BOX AT PLATFORM INSTALLATION - 220V CEE7 SIDE GROUND WITH 2IN X 4IN BOX (CE & UK CA SPEC).....	372
FIGURE 8-7. AC BOX AT PLATFORM INSTALLATION - 220V AFSINT 107 KEYED GROUND WITH 2IN X 4IN BOX.....	374
FIGURE 8-8. AC BOX AT PLATFORM INSTALLATION - 220V AFSINT 107 KEYED GROUND WITH 2IN X 4IN BOX (MACHINES WITH SN STARTING WITH B3).....	376
FIGURE 8-9. AC BOX AT PLATFORM INSTALLATION - 110V IEC YELLOW (CE & UK CA SPEC) (MACHINES WITH SN STARTING WITH B3).....	378
FIGURE 8-10. AC BOX AT PLATFORM INSTALLATION - 220V IEC BLUE (CE & UK CA SPEC) (MACHINES WITH SN STARTING WITH B3).....	380

# TABLE OF CONTENTS

FIGURE 8-11. AC BOX AT PLATFORM INSTALLATION - 220V (ANSI, CSA & JAPANESE SPECS).....	382
FIGURE 8-12. BATTERY BOX CABLE ASSEMBLY (RH SIDE BOX) (STANDARD BATTERIES) .....	384
FIGURE 8-13. BATTERY BOX CABLE ASSEMBLY (LH SIDE BOX) (STANDARD BATTERIES).....	386
FIGURE 8-14. BATTERY BOX CABLE ASSEMBLY - AGM BATTERIES (MACHINES WITH SN STARTING WITH 03).....	388
FIGURE 8-15. BATTERY BOX CABLE ASSEMBLY - AGM BATTERIES (MACHINES WITH SN STARTING WITH B3).....	390
FIGURE 8-16. BEACON LIGHT HARNESS (AMBER BEACON ONLY).....	392
FIGURE 8-17. BOOM TRANSPORT HARNESS (CE & UK CA SPECS ONLY).....	394
FIGURE 8-18. BOOM CABLE - LOWER.....	396
FIGURE 8-19. BOOM CABLE - UPPER (EC600SJ/H600SJ).....	398
FIGURE 8-20. BOOM CABLE - UPPER (EC600SJP/H600SJP) .....	400
FIGURE 8-21. BREAKER BOX KIT WITH ONE BREAKER - CE & UK CA SPEC .....	402
FIGURE 8-22. BREAKER BOX KIT WITH TWO BREAKERS - CE & UK CA SPEC .....	404
FIGURE 8-23. BREAKER BOX KIT WITH ONE BREAKER - MACHINES WITH S/N STARTING WITH B3).....	406
FIGURE 8-24. CABLES AND CLAMPS INSTALLATION (EC600SJ/H600SJ) (ALL SPECS EXCEPT AUSTRALIAN, CE & UK CA SPECS) (CHINA SPEC MACHINES WITH SN STARTING WITH 03).....	408
FIGURE 8-25. CABLES AND CLAMPS INSTALLATION (EC600SJ/H600SJ) (CE & UK CA SPECS).....	410
FIGURE 8-26. CABLES AND CLAMPS INSTALLATION - WITHOUT AC CABLE (EC600SJ/H600SJ) (CHINA SPECS WITH SN STARTING WITH B3) .....	412
FIGURE 8-27. CABLES AND CLAMPS INSTALLATION - WITH AC CABLE (EC600SJ/H600SJ)(CHINA SPEC WITH SN STARTING WITH B3) .....	414
FIGURE 8-28. CABLES AND CLAMPS INSTALLATION (EC600SJP/H600SJP) (ALL SPECS EXCEPT AUSTRALIAN, CE & UK CA SPECS) (CHINA SPEC MACHINES WITH SN STARTING WITH 03).....	416
FIGURE 8-29. CABLES AND CLAMPS INSTALLATION (EC600SJP/H600SJP) (AUSTRALIAN, CE & UK CA SPECS).....	418
FIGURE 8-30. CABLES AND CLAMPS INSTALLATION - DUAL AC BOXES (EC600SJP/H600SJP) (CE & UK CA SPECS)....	420
FIGURE 8-31. CABLES AND CLAMPS INSTALLATION - WITHOUT AC CABLE (EC600SJP/H600SJP) (CHINA SPECS WITH SN STARTING WITH B3) .....	422
FIGURE 8-32. CABLES AND CLAMPS INSTALLATION - WITH AC CABLE (EC600SJP/H600SJP)(CHINA SPEC WITH SN STARTING WITH B3) .....	424
FIGURE 8-33. CAN JUMPER HARNESS .....	426
FIGURE 8-34. CENTRAL PANEL CAN BUSS HARNESS.....	428
FIGURE 8-35. CHARGER CORD PLUG INSTALLATION - 110V - IEC YELLOW (CE & UK CA SPEC) .....	430
FIGURE 8-36. CHARGER CORD PLUG INSTALLATION - 220V - IEC BLUE (CE & UK CA SPEC).....	432
FIGURE 8-37. CHARGER CORD PLUG INSTALLATION - 220V - CEE7 POST GROUND (CE & UK CA SPEC) .....	434
FIGURE 8-38. CHARGER CORD PLUG INSTALLATION - 220V - CEE7 SIDE GROUND (CE & UK CA SPEC) .....	436
FIGURE 8-39. CHARGER CORD PLUG INSTALLATION - 220V - AFSINT 107 KEYED GROUND (CE & UK CA SPEC) .....	438
FIGURE 8-40. CHARGER CORD PLUG INSTALLATION (CHINA SPEC).....	440
FIGURE 8-41. CHARGER DC CONNECTION HARNESS .....	442
FIGURE 8-42. CHARGER HARNESS .....	444
FIGURE 8-43. CLEARSKY INSTALLATION - 4G CANBUS CONNECTION (ALL SPECS EXCEPT CHINA SPECS).....	446
FIGURE 8-44. CLEARSKY INSTALLATION - 3G CANBUS CONNECTION (ANSI EXPORT, CE & UK CA SPECS) .....	448
FIGURE 8-45. CLEARSKY INSTALLATION - 3G CANBUS CONNECTION (AUSTRALIAN SPECS) .....	450
FIGURE 8-46. CLEARSKY INSTALLATION - 4G CANBUS CONNECTION (CHINA SPECS).....	452
FIGURE 8-47. CLEARSKY INSTALLATION 3-WIRE CONNECTION (ALL SPECS EXCEPT UL AND CHINA SPECS) .....	454
FIGURE 8-48. CLEARSKY HARNESS - 3G & 4G CANBUS CONNECTIONS.....	456
FIGURE 8-49. CLEARSKY HARNESS - 3 WIRE GT1030.....	458
FIGURE 8-50. DRIVE CABLE KIT (ALL SPECS EXCPET UL SPECS).....	460
FIGURE 8-51. DRIVE CABLE KIT (UL SPECS) .....	462
FIGURE 8-52. EBOOM CAN SPLICE HARNESS.....	464
FIGURE 8-53. GENERATOR HARNESS.....	466
FIGURE 8-54. GROUND CONTROL HARNESS.....	468
FIGURE 8-55. INVERTER IGNITION HARNESS (110V INVERTER).....	470
FIGURE 8-56. INVERTER HARNESS (110V INVERTER) .....	472
FIGURE 8-57. INVERTER HARNESS (220V INVERTER) .....	474
FIGURE 8-58. LED REMOTE HARNESS.....	476
FIGURE 8-59. LIMIT SWITCH CABLE.....	478
FIGURE 8-60. PLATFORM CONSOLE HARNESS (ALL SPECS EXCEPT UL SPECS).....	480
FIGURE 8-61. PLATFORM CONSOLE HARNESS .....	484
FIGURE 8-62. RECEPTACLE BOX KIT - 110V IEC YELLOW (CE & UK CA SPEC).....	488
FIGURE 8-63. RECEPTACLE BOX KIT - 220V IEC BLUE (CE & UK CA SPEC) .....	490
FIGURE 8-64. RECEPTACLE BOX KIT - 220V CEE7 POST GROUND 2IN X 4IN BOX (CE & UK CA SPEC).....	492
FIGURE 8-65. RECEPTACLE BOX KIT - 220V CEE7 SIDE GROUND 2IN X 4IN BOX (CE & UK CA SPEC) .....	494
FIGURE 8-66. RECEPTACLE BOX KIT - 220V AFSINT 107 (CE & UK CA SPEC) .....	496
FIGURE 8-67. SKYEYE EMITTER HARNESS .....	498
FIGURE 8-68. SKYEYE INTERMEDIATE HARNESS .....	500
FIGURE 8-69. SKYEYE RECEIVER HARNESS.....	502
FIGURE 8-70. SKYGUARD INTERFACE HARNESS.....	504
FIGURE 8-71. SKYLINE HARNESS .....	506

# TABLE OF CONTENTS

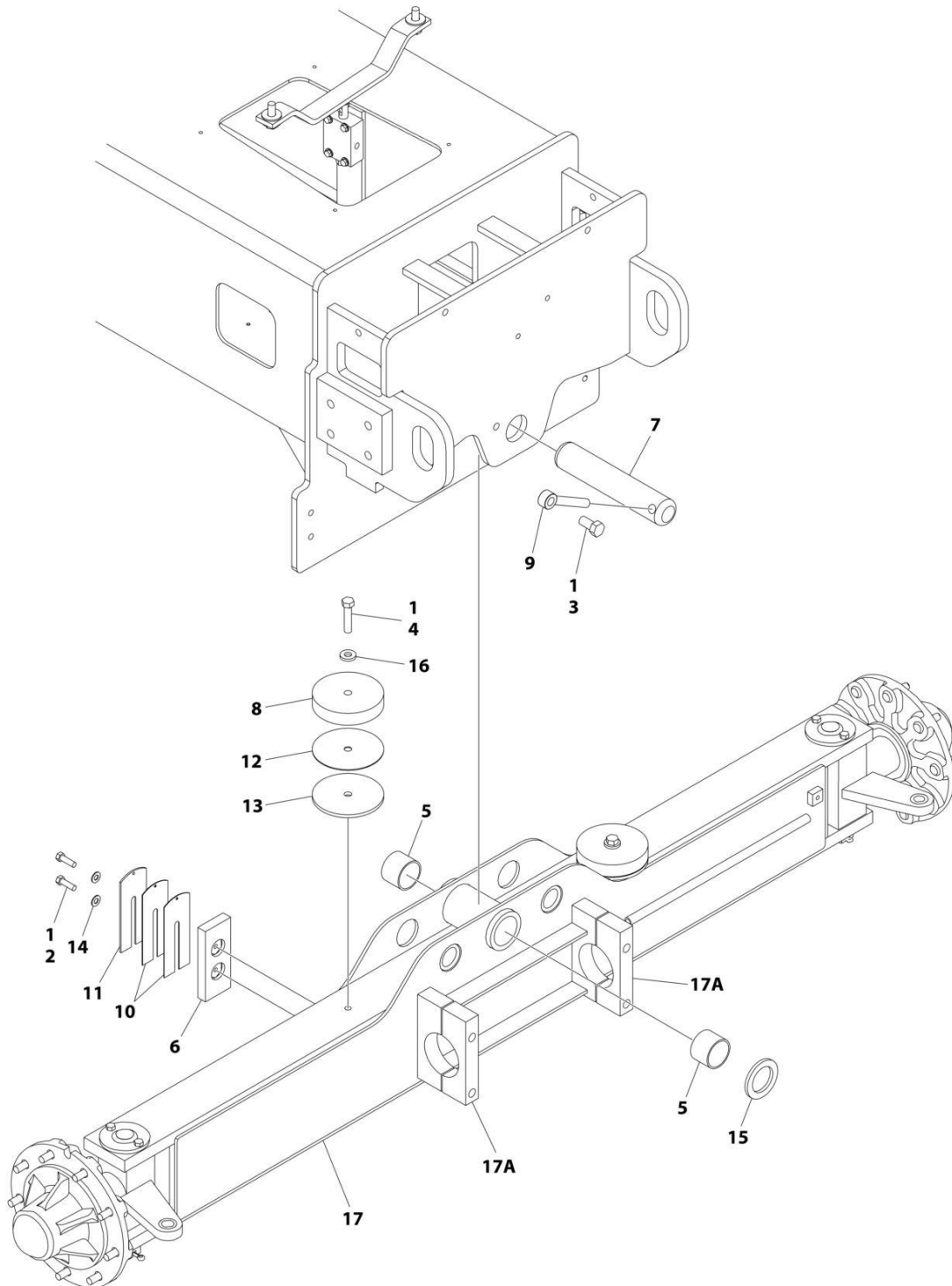
FIGURE 8-72. STEERING SENSOR HARNESS .....	508
FIGURE 8-73. TRACTION HARNESS .....	510
FIGURE 8-74. TRACTION TO TURNTABLE HARNESS .....	514
FIGURE 8-75. TURNTABLE HARNESS .....	516
FIGURE 8-76. VALVE HARNESS - BOOM VALVE.....	520
FIGURE 8-77. VALVE HARNESS – MAIN CONTROL VALVE .....	522
FIGURE 8-78. WHITE NOISE ALARM HARNESS.....	524
SECTION 9 - DECALS.....	527
FIGURE 9-1. DECAL INSTALLATION - ANSI, ANSI EXPORT, CHINA & UL SPECS (ENGLISH LANGUAGE) .....	528
FIGURE 9-2. DECAL INSTALLATION - AUSTRALIAN, CE & UK CA SPECS (ENGLISH LANGUAGE).....	530
FIGURE 9-3. DECAL INSTALLATION - BRAZIL SPECS (PORTUGUESE/SPANISH LANGUAGES).....	532
FIGURE 9-4. DECAL INSTALLATION - CHINESE SPECS (CHINESE/ENGLISH LANGUAGES) .....	534
FIGURE 9-5. DECAL INSTALLATION - CSA & UL SPECS (ENGLISH/FRENCH LANGUAGES).....	536
FIGURE 9-6. DECAL INSTALLATION - JAPANESE SPECS (JAPANESE LANGUAGE).....	538
FIGURE 9-7. DECAL INSTALLATION - KOREAN SPECS (KOREAN LANGUAGE) .....	540
FIGURE 9-8. DECAL INSTALLATION - LATIN AMERICAN SPECS (SPANISH/ENGLISH LANGUAGES) .....	542
FIGURE 9-9. DECALS INSTALLATION - OPTIONS .....	544
FIGURE 9-10. TOW BAR DECAL INSTALLATION (ALL SPECS EXCEPT CSA & JAPANESE SPECS) (ENGLISH LANGUAGE) .....	546
.....	546
FIGURE 9-11. TOW BAR DECAL INSTALLATION (ANSI EXPORT SPECS) (SPANISH/ENGLISH LANGUAGES).....	548
FIGURE 9-12. TOW BAR DECAL INSTALLATION (CE & UK CA SPECS) (SPANISH LANGUAGE)) .....	550
FIGURE 9-13. TOW BAR DECAL INSTALLATION (AUSTRALIAN, UL, CE & UK CA SPECS) (ALL LANGUAGES)) .....	552
SECTION 10 - RECOMMENDED SERVICE PARTS STOCK .....	555
FIGURE 10-1. RECOMMENDED SERVICE PARTS STOCK .....	556
SECTION 11 - SPECIAL OPTIONS.....	559
FIGURE 11-1. SPECIAL OPTIONS/ACCESSORIES/KITS .....	560
PART NUMBER INDEX.....	565



**SECTION 1 - FRAME**

# SECTION 1 - FRAME

## FIGURE 1-1. AXLE INSTALLATION - FIXED (2WD)



ART\_1001174522

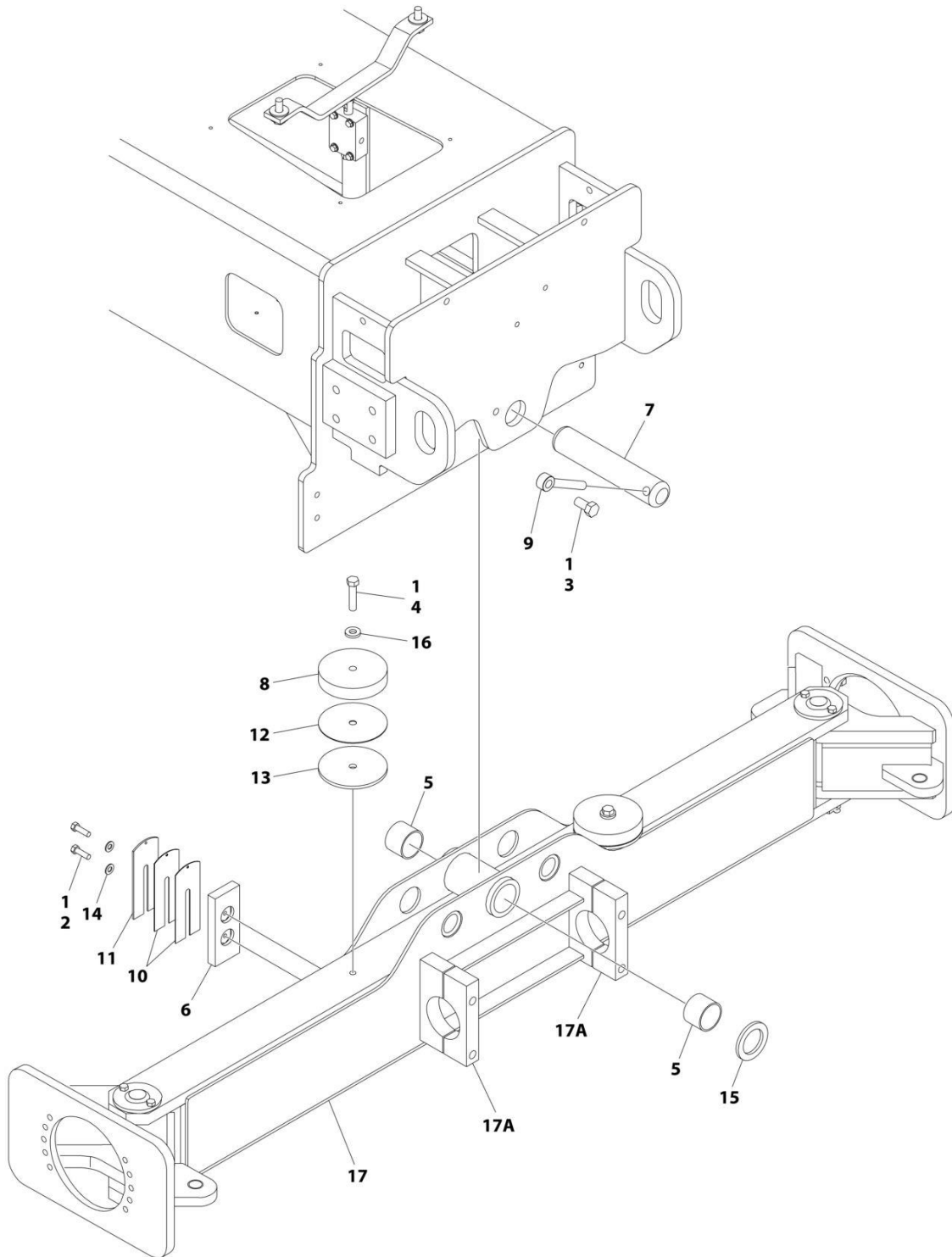
## SECTION 1 - FRAME

**FIGURE 1-1. AXLE INSTALLATION - FIXED (2WD)**

ITEM	PART NUMBER	QTY	DESCRIPTION	REV
	1001174522	Ref	AXLE INSTALLATION - FIXED (2WD)	C
1	0100011	AR	Compound, Locking	
2	0641610	4	Bolt 3/8 x 1-1/4	
3	0642010	1	Bolt 5/8 x 1-1/4	
4	0681818	2	Bolt 1/2 x 2-1/4 Grade 8	
4	0641818	2	Bolt 1/2 x 2-1/4	
5	0961950	2	Bushing	
6	3340837	2	Pad, Wear	
7	3422592	1	Pin, Axle Pivot	
8	3539877	2	Plate, Stop	
9	3841258	1	Keeper, Pin	
10	4070897	2	Shim #18Ga	
11	4070898	2	Shim #11Ga	
12	4070944	2	Shim #16Ga	
13	4070945	2	Shim 1/4	
14	4711600	4	Washer 3/8	
15	4740158	1	Thrustwasher	
16	4891800	2	Washer 1/2	
17	1001174461	1	Axle	
17A	1001175158	2	Steer Cylinder Mounting Block Assembly	

# SECTION 1 - FRAME

## FIGURE 1-2. AXLE INSTALLATION - FIXED (4WD)



ART\_1001174523



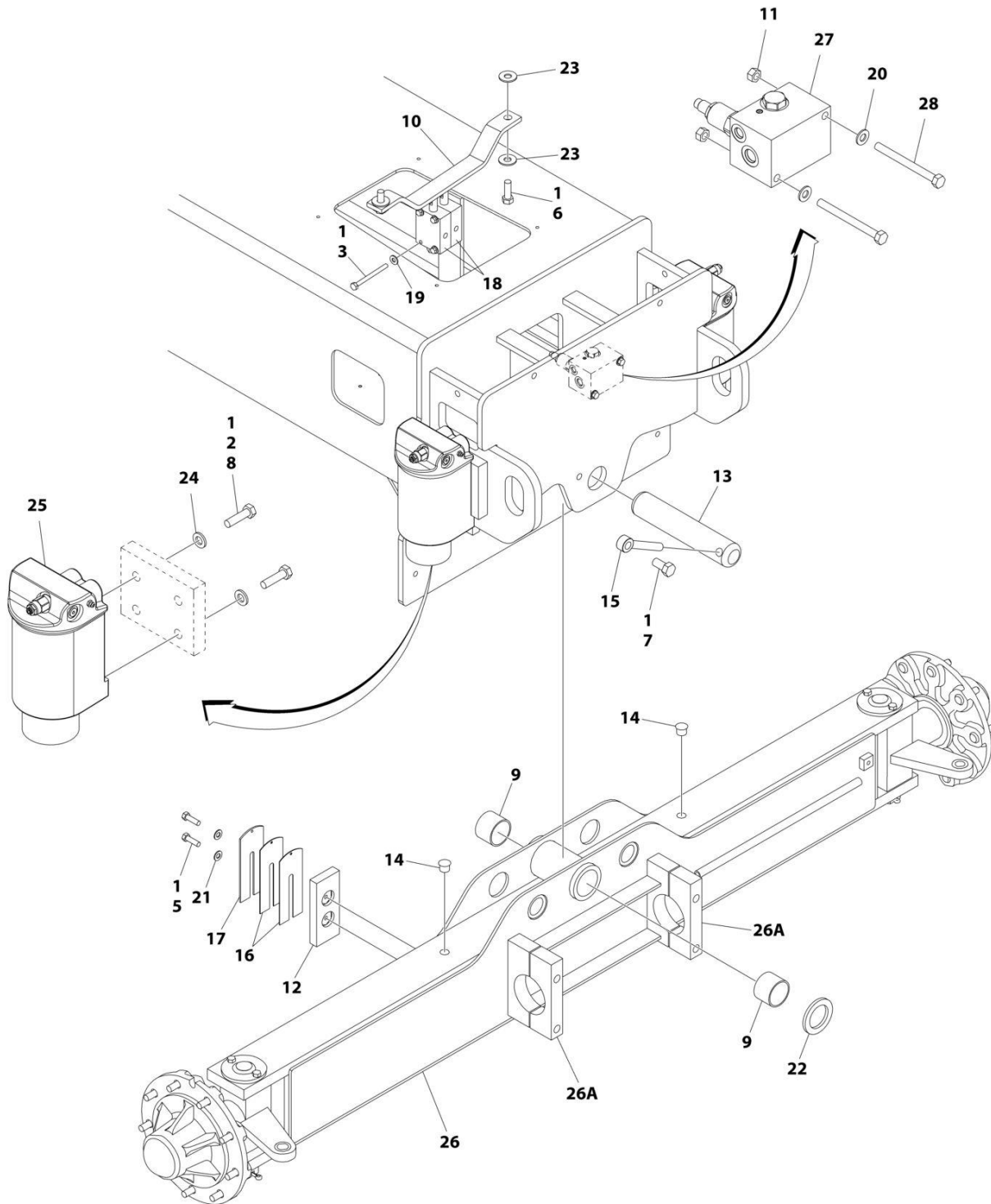
## SECTION 1 - FRAME

**FIGURE 1-2. AXLE INSTALLATION - FIXED (4WD)**

ITEM	PART NUMBER	QTY	DESCRIPTION	REV
	1001174523	Ref	AXLE INSTALLATION - FIXED (4WD)	C
1	0100011	AR	Compound, Locking	
2	0641610	4	Bolt 3/8 x 1-1/4	
3	0642010	1	Bolt 5/8 x 1-1/4	
4	0681818	2	Bolt 1/2 x 2-1/4 Grade 8	
4	0641818	2	Bolt 1/2 x 2-1/4	
5	0961950	2	Bushing	
6	3340837	2	Pad, Wear	
7	3422592	1	Pin, Axle Pivot	
8	3539877	2	Plate, Stop	
9	3841258	1	Keeper, Pin	
10	4070897	2	Shim #18Ga	
11	4070898	2	Shim #11Ga	
12	4070944	2	Shim #16Ga	
13	4070945	2	Shim 1/4	
14	4711600	4	Washer 3/8	
15	4740158	1	Thrustwasher	
16	4891800	2	Washer 1/2	
17	1001174792	1	Axle	
17A	1001175158	2	Steer Cylinder Mounting Block Assembly	

# SECTION 1 - FRAME

FIGURE 1-3. AXLE INSTALLATION - OSCILLATING WITHOUT TOW PACKAGE (2WD) (MACHINES WITH SN STARTING WITH 03)



ART\_1001174525

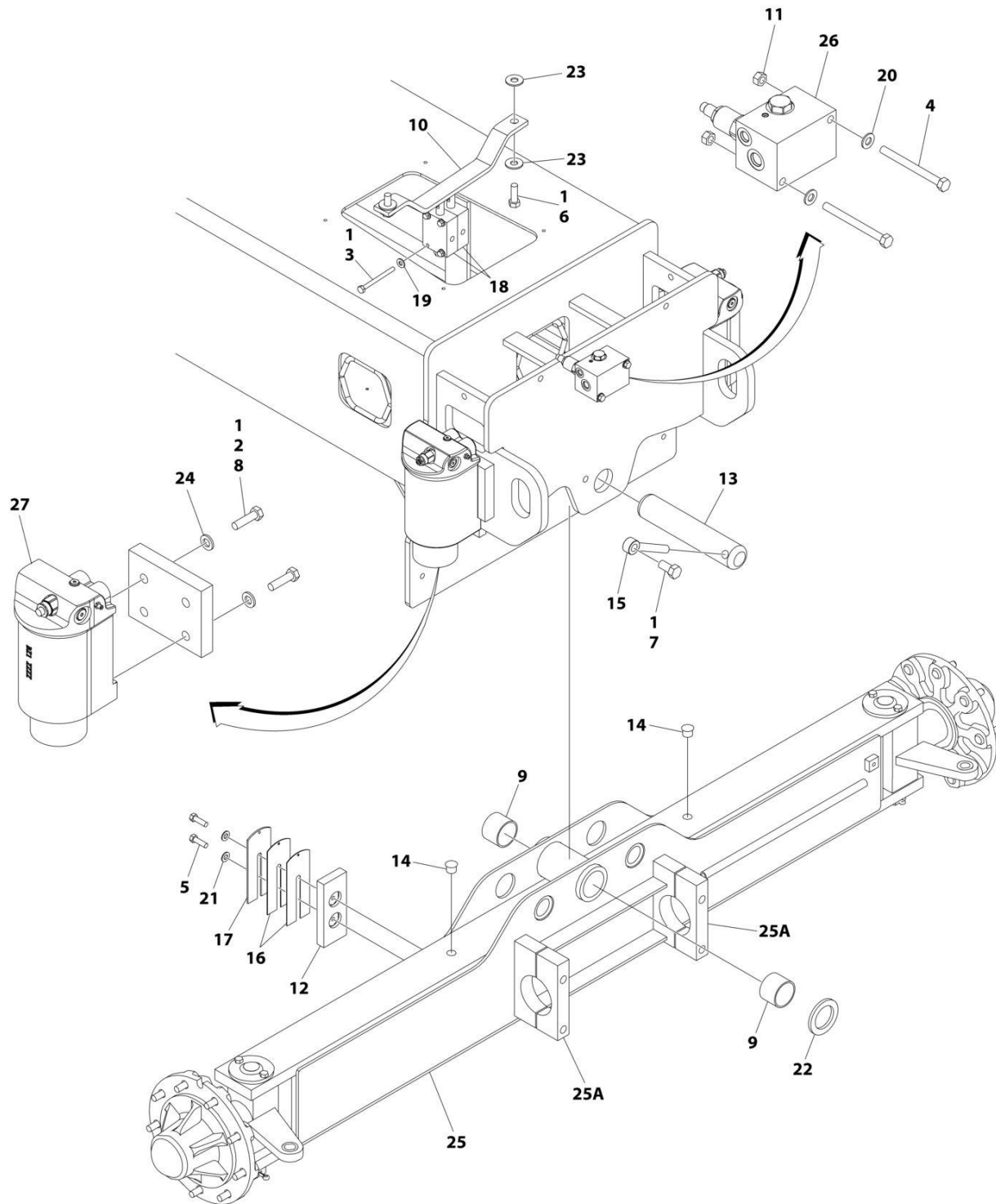
## SECTION 1 - FRAME

**FIGURE 1-3. AXLE INSTALLATION - OSCILLATING WITHOUT TOW PACKAGE (2WD) (MACHINES WITH SN STARTING WITH 03)**

ITEM	PART NUMBER	QTY	DESCRIPTION	REV
	1001174525	Ref	AXLE INSTALLATION - OSCILLATING WITHOUT TOW PACKAGE (2WD) (CE & UK CA SPECS)	D
1	0100011	AR	Compound, Locking	
2	0100038	AR	Primer, Locking	
3	0641424	4	Bolt 1/4 x 3	
5	0641610	4	Bolt 3/8 x 1-1/4	
6	0641812	2	Bolt 1/2 x 1-1/2	
7	0642010	1	Bolt 5/8 x 1-1/4	
8	0701217	8	Bolt M12 x 45	
9	0961950	2	Bushing	
10	1100124	1	Cam, Lockout	
11	3311501	2	Nut 5/16	
12	3340837	2	Pad, Wear	
13	3422592	1	Pin, Axle Pivot	
14	3520054	2	Plug, Hole	
15	3841258	1	Keeper, Pin	
16	4070897	4	Shim #18Ga	
17	4070898	2	Shim #11Ga	
18	4640871	2	Lockout Valve Assembly	
19	4711400	4	Washer 1/4	
20	4711500	2	Washer 5/16	
21	4711600	4	Washer 3/8	
22	4740158	1	Thrustwasher	
23	4751800	4	Washer 1/2	
24	5241200	8	Washer M12	
25	1001163580	2	Axle Lockout Cylinder Assembly (See Separate Breakdown in CYLINDER Section)	
26	1001174461	1	Axle	
26A	1001175158	2	Steer Cylinder Mounting Block Assembly	
27	1001182136	1	Axle Lockout Valve Assembly (See Separate Breakdown in this Section)	
28	0641528	2	Bolt 5/16 x 3-1/2	

# SECTION 1 - FRAME

FIGURE 1-4. AXLE INSTALLATION - OSCILLATING WITHOUT TOW PACKAGE (2WD) (MACHINES WITH SN STARTING WITH B3)



ART\_1001281189

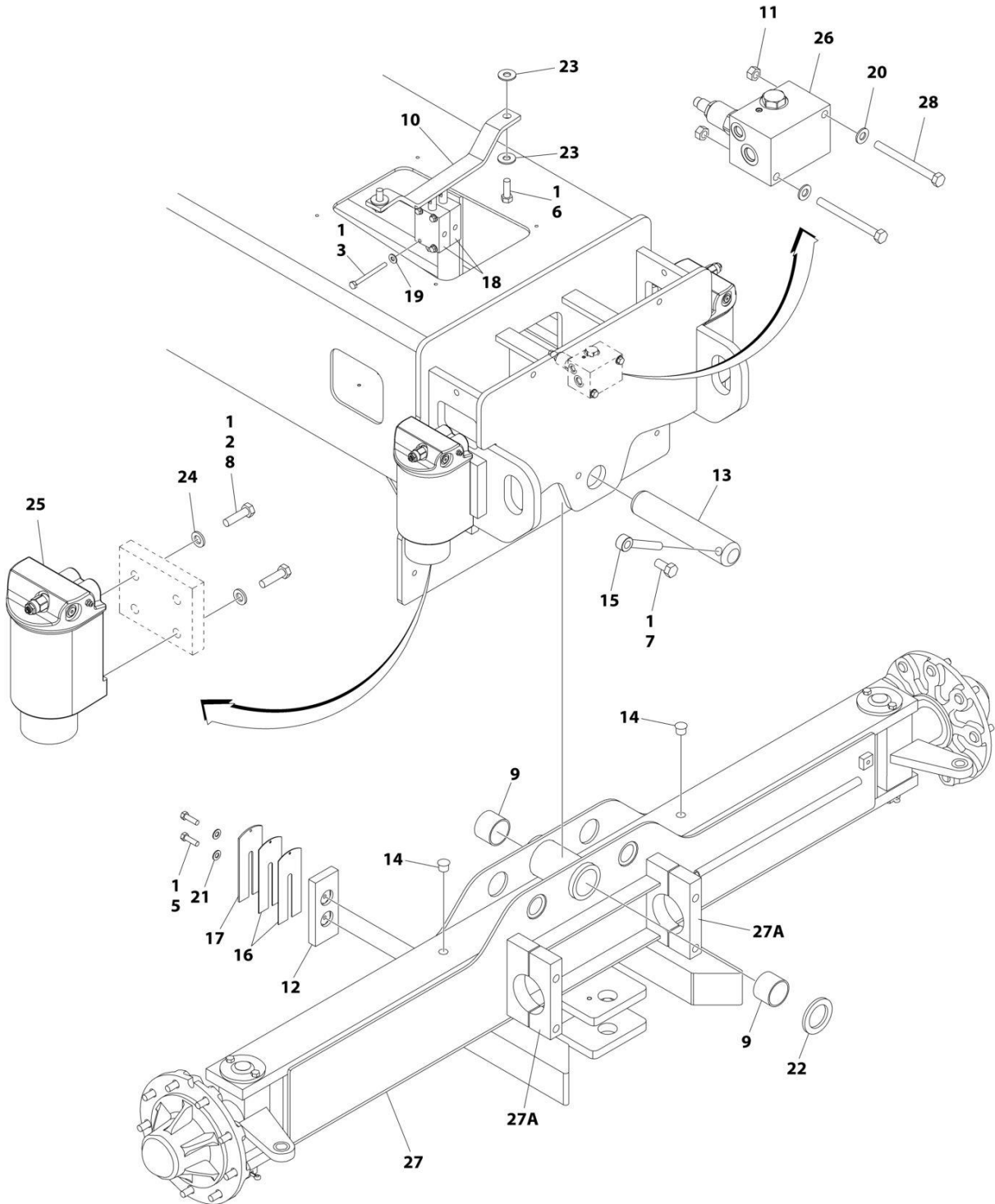
## SECTION 1 - FRAME

**FIGURE 1-4. AXLE INSTALLATION - OSCILLATING WITHOUT TOW PACKAGE (2WD) (MACHINES WITH SN STARTING WITH B3)**

ITEM	PART NUMBER	QTY	DESCRIPTION	REV
	1001281189	Ref	AXLE INSTALLATION - OSCILLATING WITHOUT TOW PACKAGE (2WD)	B
1	0100011	AR	Compound, Locking	
2	0100038	AR	Primer, Locking	
3	0641424	4	Bolt 1/4 x 3	
4	0641528	2	Bolt 5/16 x 3-1/2	
5	0641610	4	Bolt 3/8 x 1-1/4	
6	0641812	2	Bolt 1/2 x 1-1/2	
7	0642010	1	Bolt 5/8 x 1-1/4	
8	0701217	8	Bolt M12 x 45	
9	0961950	2	Bushing	
10	1100124	1	Cam, Lockout	
11	3311501	2	Nut 5/16	
12	3340837	2	Pad, Wear	
13	3422592	1	Pin, Axle Pivot	
14	3520054	2	Plug, Hole	
15	3841258	1	Keeper, Pin	
16	4070897	4	Shim #18Ga	
17	4070898	2	Shim #11Ga	
18	4640871	2	Lockout Valve Assembly	
19	4711400	4	Washer 1/4	
20	4711500	2	Washer 5/16	
21	4711600	4	Washer 3/8	
22	4740158	1	Thrustwasher	
23	4751800	4	Washer 1/2	
24	5241200	8	Washer M12	
25	1001174461	1	Axle	
25A	1001175158	2	Steer Cylinder Mounting Block Assembly	
26	1001182136	1	Axle Lockout Valve Assembly (See Separate Breakdown in this Section)	
27	1001256179	2	Axle Lockout Cylinder Assembly (See Separate Breakdown in CYLINDER Section)	

# SECTION 1 - FRAME

## FIGURE 1-5. AXLE INSTALLATION - OSCILLATING WITH TOW PACKAGE (2WD)



ART\_1001174528

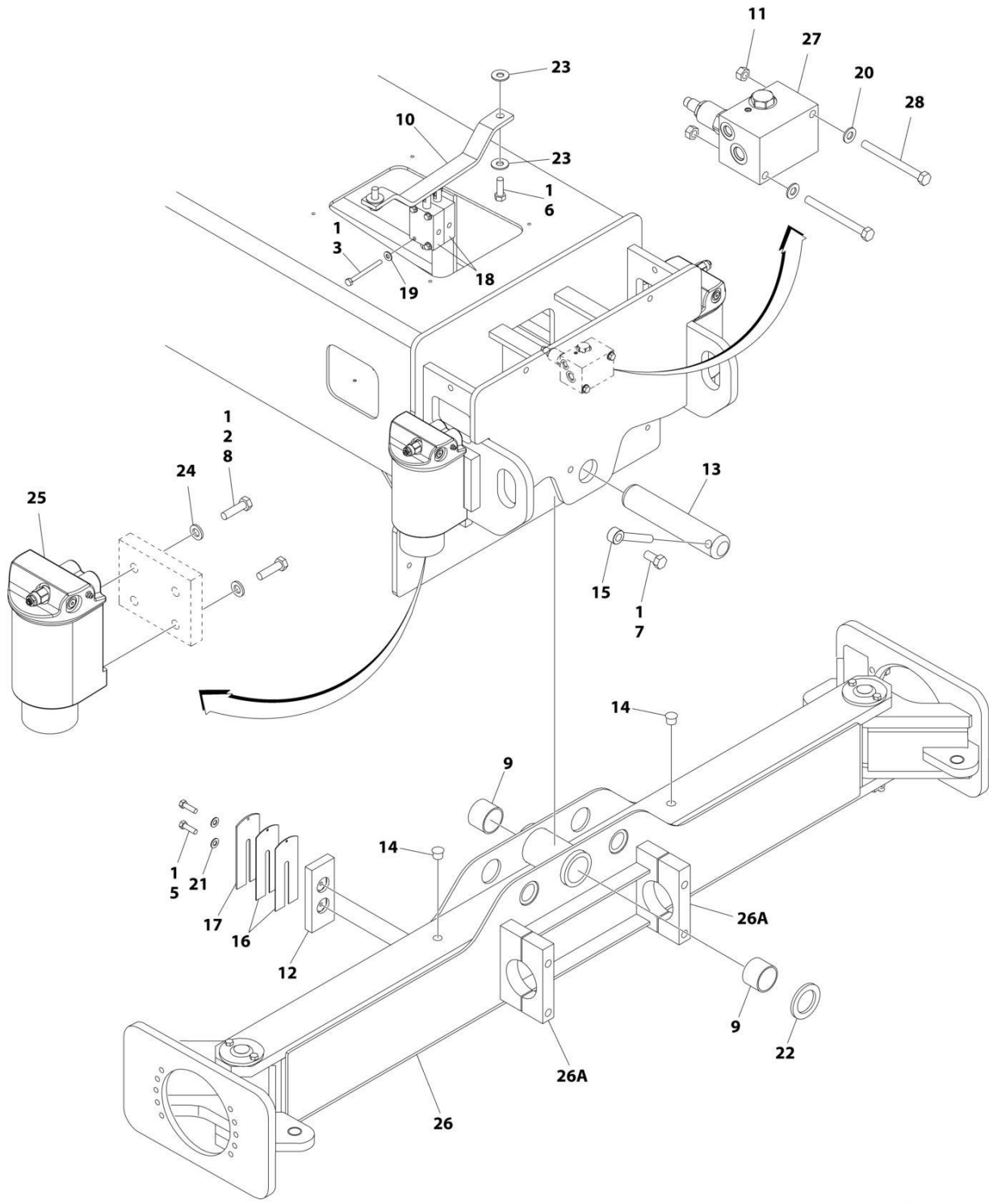
## SECTION 1 - FRAME

**FIGURE 1-5. AXLE INSTALLATION - OSCILLATING WITH TOW PACKAGE (2WD)**

ITEM	PART NUMBER	QTY	DESCRIPTION	REV
	1001174528	Ref	AXLE INSTALLATION - OSCILLATING WITH TOW PACKAGE (2WD) (CE & UK CA SPECS)	D
1	0100011	AR	Compound, Locking	
2	0100038	AR	Primer, Locking	
3	0641424	4	Bolt 1/4 x 3	
5	0641610	4	Bolt 3/8 x 1-1/4	
6	0641812	2	Bolt 1/2 x 1-1/2	
7	0642010	1	Bolt 5/8 x 1-1/4	
8	0701217	8	Bolt M12 x 45	
9	0961950	2	Bushing	
10	1100124	1	Cam, Lockout	
11	3311501	2	Nut 5/16	
12	3340837	2	Pad, Wear	
13	3422592	1	Pin, Axle Pivot	
14	3520054	2	Plug, Hole	
15	3841258	1	Keeper, Pin	
16	4070897	4	Shim #18Ga	
17	4070898	2	Shim #11Ga	
18	4640871	2	Lockout Valve Assembly	
19	4711400	4	Washer 1/4	
20	4711500	2	Washer 5/16	
21	4711600	4	Washer 3/8	
22	4740158	1	Thrustwasher	
23	4751800	4	Washer 1/2	
24	5241200	8	Washer M12	
25	1001163580	2	Axle Lockout Cylinder Assembly (See Separate Breakdown in CYLINDER Section)	
26	1001182136	1	Axle Lockout Valve Assembly (See Separate Breakdown in this Section)	
27	1001182707	1	Axle	
27A	1001175158	2	Steer Cylinder Mounting Block Assembly	
28	0641528	2	Bolt 5/16 x 3-1/2	

# SECTION 1 - FRAME

FIGURE 1-6. AXLE INSTALLATION - OSCILLATING (4WD) (MACHINES WITH SN STARTING WITH 03)



ART\_1001174527



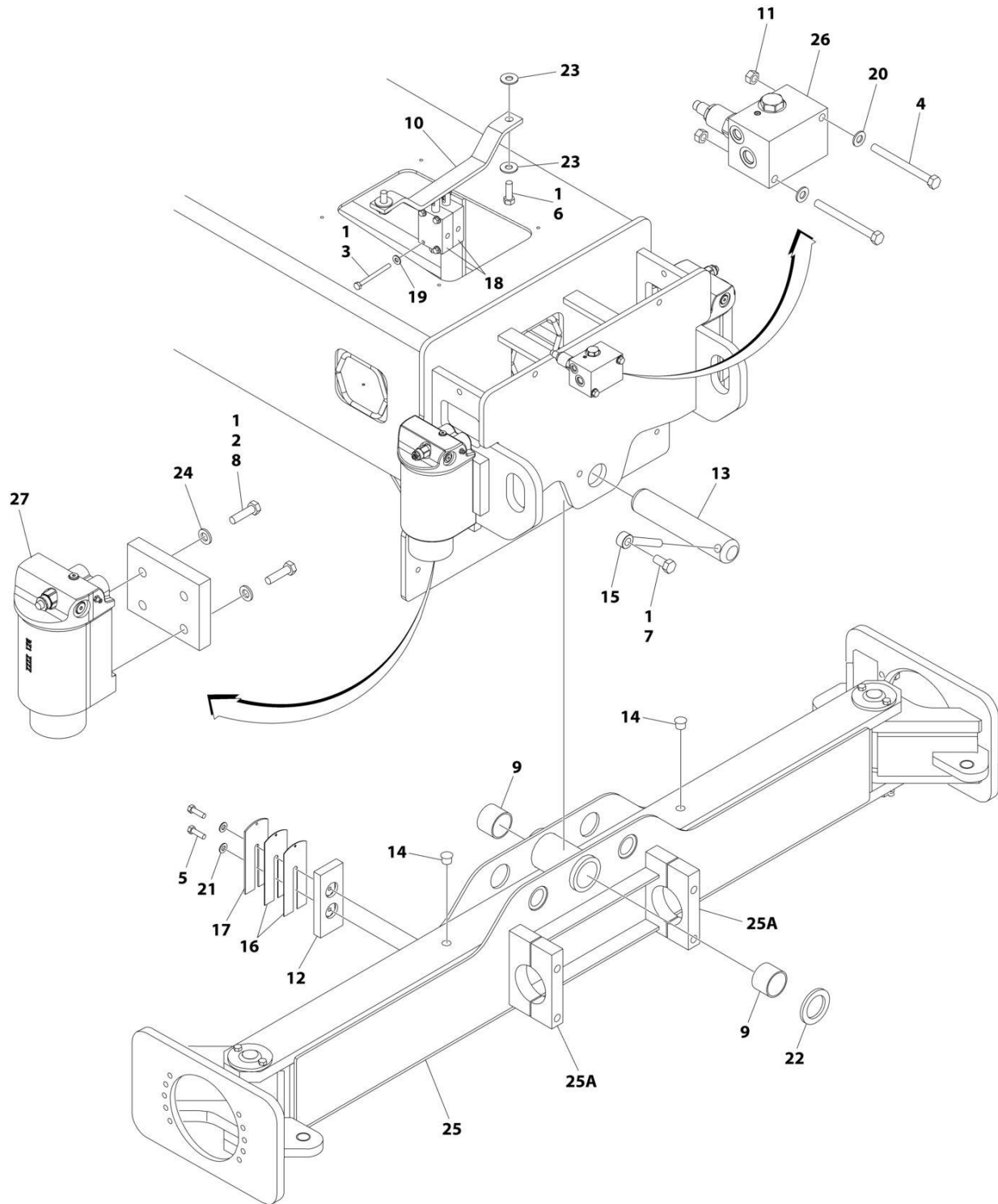
## SECTION 1 - FRAME

**FIGURE 1-6. AXLE INSTALLATION - OSCILLATING (4WD) (MACHINES WITH SN STARTING WITH 03)**

ITEM	PART NUMBER	QTY	DESCRIPTION	REV
	1001174527	Ref	AXLE INSTALLATION - OSCILLATING (4WD) (CE & UK CA SPECS)	D
1	0100011	AR	Compound, Locking	
2	0100038	AR	Primer, Locking	
3	0641424	4	Bolt 1/4 x 3	
5	0641610	4	Bolt 3/8 x 1-1/4	
6	0641812	2	Bolt 1/2 x 1-1/2	
7	0642010	1	Bolt 5/8 x 1-1/4	
8	0701217	8	Bolt M12 x 45	
9	0961950	2	Bushing	
10	1100124	1	Cam, Lockout	
11	3311501	2	Nut 5/16	
12	3340837	2	Pad, Wear	
13	3422592	1	Pin, Axle Pivot	
14	3520054	2	Plug, Hole	
15	3841258	1	Keeper, Pin	
16	4070897	4	Shim #18Ga	
17	4070898	2	Shim #11Ga	
18	4640871	2	Lockout Valve Assembly	
19	4711400	4	Washer 1/4	
20	4711500	2	Washer 5/16	
21	4711600	4	Washer 3/8	
22	4740158	1	Thrustwasher	
23	4751800	4	Washer 1/2	
24	5241200	8	Washer M12	
25	1001163580	2	Axle Lockout Cylinder Assembly (See Separate Breakdown in CYLINDER Section)	
26	1001174792	1	Axle	
26A	1001175158	2	Steer Cylinder Mounting Block Assembly	
27	1001182136	1	Axle Lockout Valve Assembly (See Separate Breakdown in this Section)	
28	0641528	2	Bolt 5/16 x 3-1/2	

# SECTION 1 - FRAME

FIGURE 1-7. AXLE INSTALLATION - OSCILLATING (4WD) (MACHINES WITH SN STARTING WITH B3)



ART\_1001281190

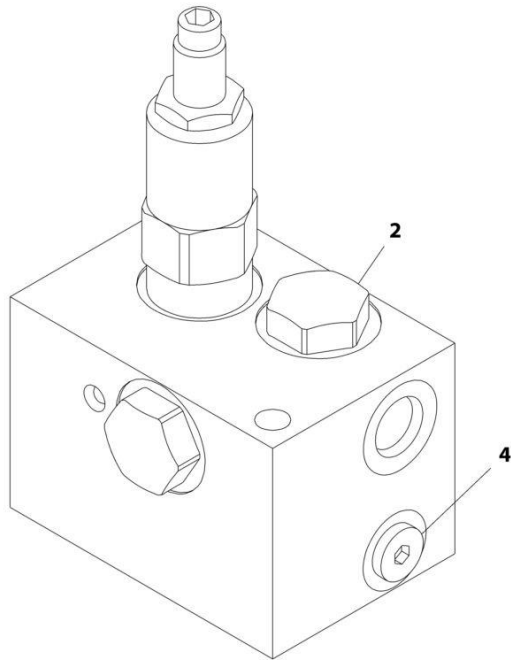
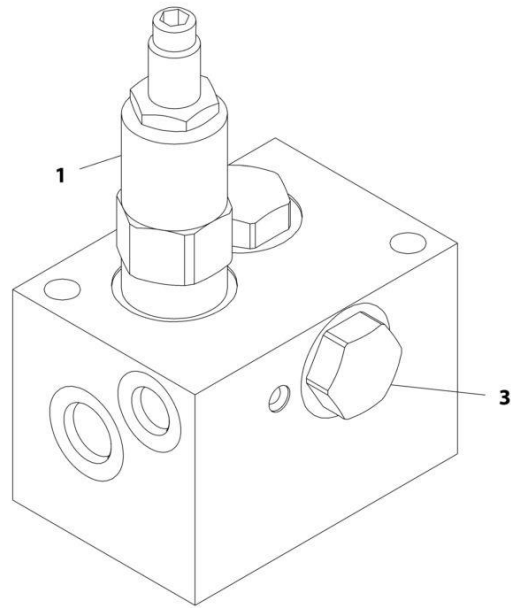
## SECTION 1 - FRAME

**FIGURE 1-7. AXLE INSTALLATION - OSCILLATING (4WD) (MACHINES WITH SN STARTING WITH B3)**

ITEM	PART NUMBER	QTY	DESCRIPTION	REV
	1001281190	Ref	AXLE INSTALLATION - OSCILLATING (4WD)	B
1	0100011	AR	Compound, Locking	
2	0100038	AR	Primer, Locking	
3	0641424	4	Bolt 1/4 x 3	
4	0641528	2	Bolt 5/16 x 3-1/2	
5	0641610	4	Bolt 3/8 x 1-1/4	
6	0641812	2	Bolt 1/2 x 1-1/2	
7	0642010	1	Bolt 5/8 x 1-1/4	
8	0701217	8	Bolt M12 x 45	
9	0961950	2	Bushing	
10	1100124	1	Cam, Lockout	
11	3311501	2	Nut 5/16	
12	3340837	2	Pad, Wear	
13	3422592	1	Pin, Axle Pivot	
14	3520054	2	Plug, Hole	
15	3841258	1	Keeper, Pin	
16	4070897	4	Shim #18Ga	
17	4070898	2	Shim #11Ga	
18	4640871	2	Lockout Valve Assembly	
19	4711400	4	Washer 1/4	
20	4711500	2	Washer 5/16	
21	4711600	4	Washer 3/8	
22	4740158	1	Thrustwasher	
23	4751800	4	Washer 1/2	
24	5241200	8	Washer M12	
25	1001174792	1	Axle	
25A	1001175158	2	Steer Cylinder Mounting Block Assembly	
26	1001182136	1	Axle Lockout Valve Assembly (See Separate Breakdown in this Section)	
27	1001256179	2	Axle Lockout Cylinder Assembly (See Separate Breakdown in CYLINDER Section)	

# SECTION 1 - FRAME

## FIGURE 1-8. AXLE LOCKOUT VALVE ASSEMBLY



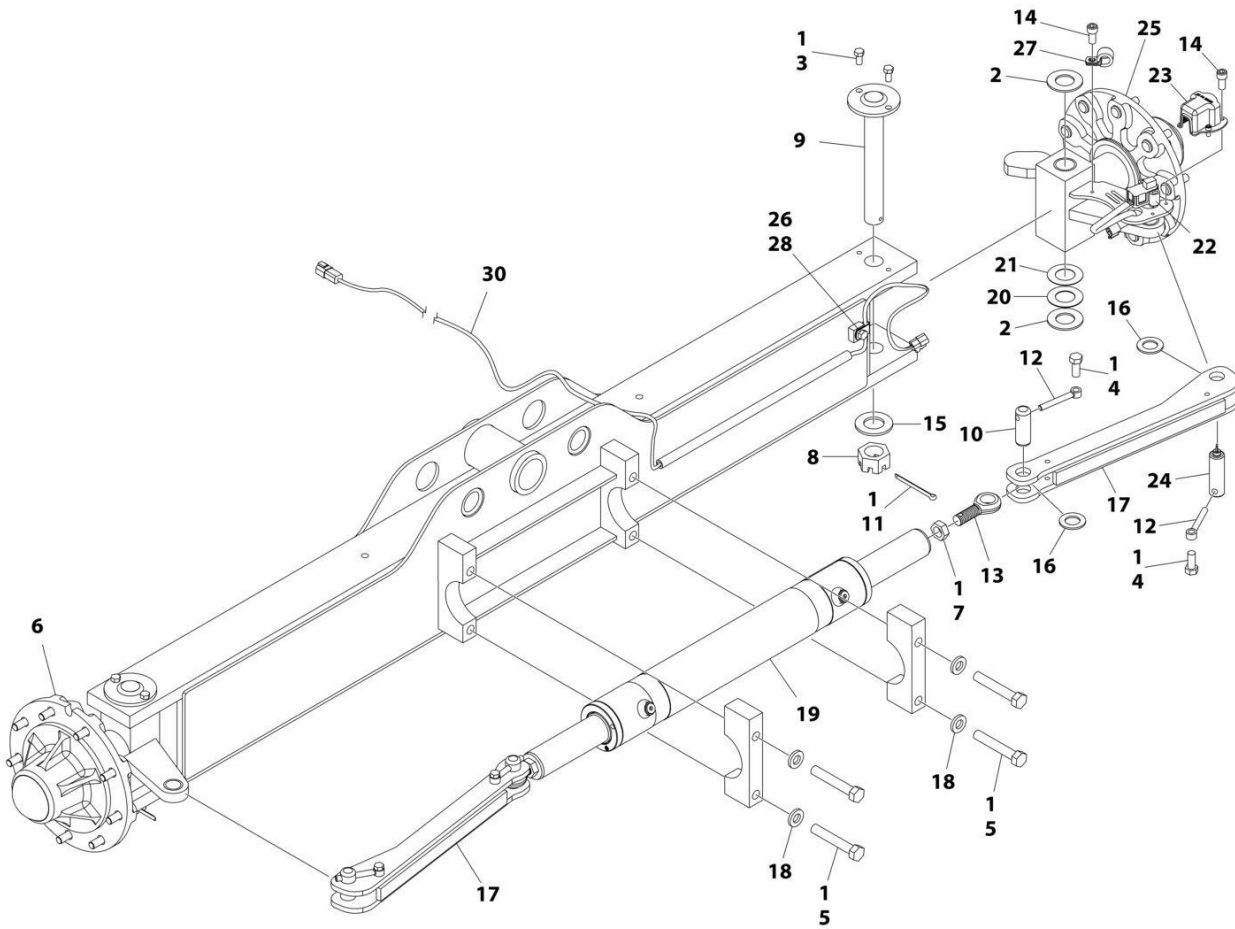
ART\_1001182136

FIGURE 1-8. AXLE LOCKOUT VALVE ASSEMBLY

ITEM	PART NUMBER	QTY	DESCRIPTION	REV
	1001182136	Ref	AXLE LOCKOUT VALVE ASSEMBLY	C
1	70004388	1	Cartridge	
1	7021653	1	Seal Kit - 70004388 Cartridge	
2	7012955	1	Cartridge	
2	7012967	1	Seal Kit - 7012955 Cartridge	
3	7023976	1	Cartridge	
3	7012967	1	Seal Kit - 7023976 Cartridge	
4	2220883	1	Plug	

# SECTION 1 - FRAME

## FIGURE 1-9. STEER INSTALLATION - WITHOUT TOW PACKAGE (2WD/2WS)



ART\_1001180934

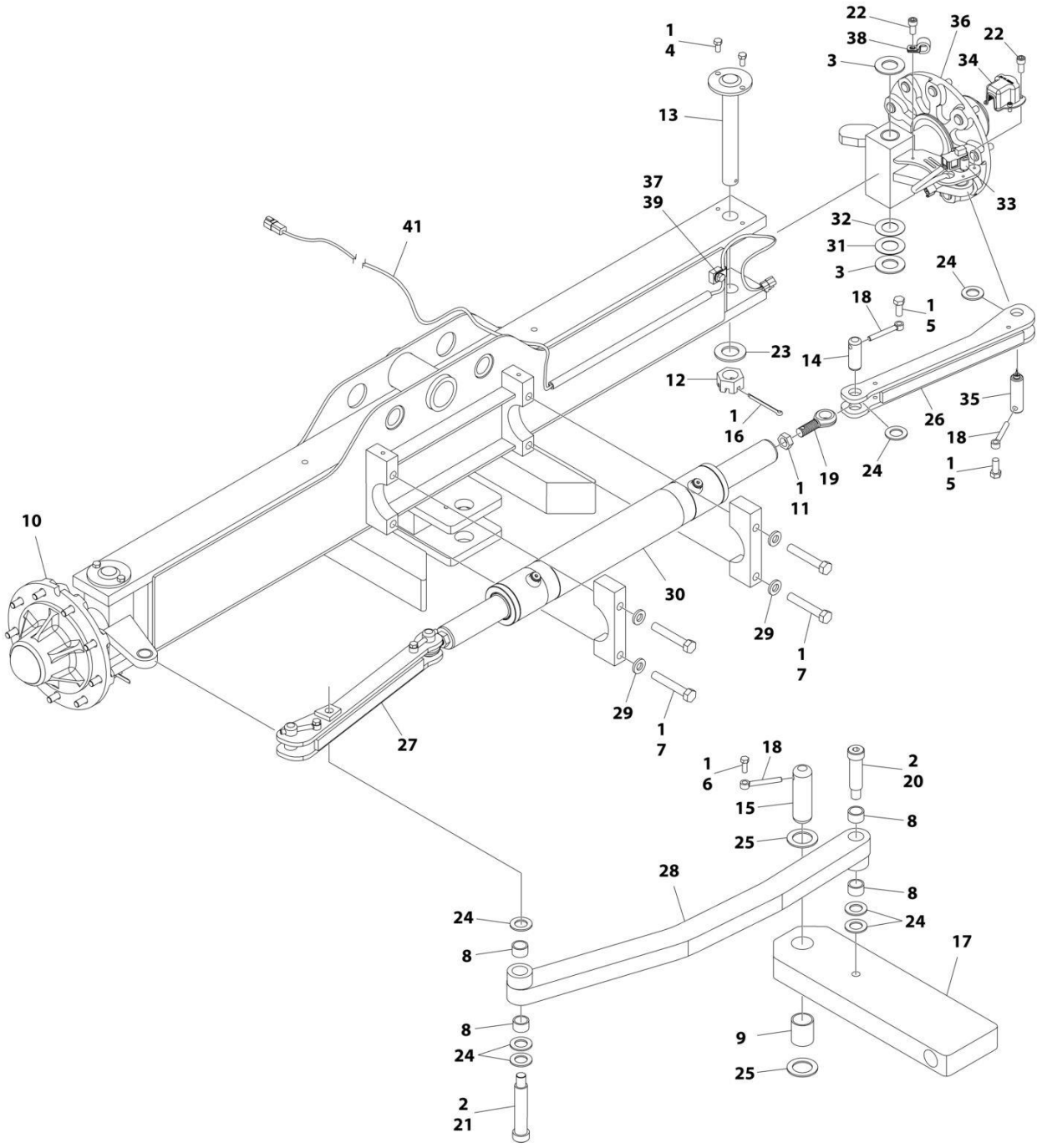
## SECTION 1 - FRAME

**FIGURE 1-9. STEER INSTALLATION - WITHOUT TOW PACKAGE (2WD/2WS)**

ITEM	PART NUMBER	QTY	DESCRIPTION	REV
	1001180934	Ref	STEER INSTALLATION - WITHOUT TOW PACKAGE (2WD/2WS)	D
1	0100011	AR	Compound, Locking	
2	0440162	4	Thrustwasher	
3	0641606	4	Bolt 3/8 x 3/4	
4	0641607	4	Bolt 3/8 x 7/8	
5	0642030	4	Bolt 5/8 x 3-3/4	
6	2780245	1	Hub/Spindle Assembly (RH) (See Separate Breakdown in this Section)	
7	3322202	2	Nut 3/4	
8	3323003	2	Nut 1-1/4	
9	3422692	2	Kingpin	
10	3422817	3	Pin	
11	3450812	2	Pin, Cotter 1/4 x 3	
12	3841143	4	Keeper, Pin	
13	3841443	2	Rod-End	
14	3931408	4	Capscrew 1/4 x 1/2	
15	4713000	2	Washer 1-1/4	
16	4740111	4	Thrustwasher	
17	4846076	2	Tie-Rod	
18	4892000	4	Washer 5/8	
19	1001140281	1	Steer Cylinder Assembly (See Separate Breakdown in CYLINDER Section)	
20	1001151395	AR	Shim .048	
21	1001151428	AR	Shim .036	
22	1001161117	1	Switch, Rotary Angle Sensor	
23	1001169423	1	Cover	
24	1001180908	1	Pin	
25	1001180912	1	Hub/Spindle Assembly (LH) (See Separate Breakdown in this Section)	
26	0641604	1	Bolt 3/8 x 1/2	
27	1320043	1	Clamp	
28	1320263	1	Clamp	
29	4240032	2	Tie-Strap (Not Shown)	
30	1001195835	1	Steer Harness (See Separate Breakdown in ELECTRICAL Section)	

# SECTION 1 - FRAME

## FIGURE 1-10. STEER INSTALLATION - WITH TOW PACKAGE (2WD/2WS)



ART\_1001180936



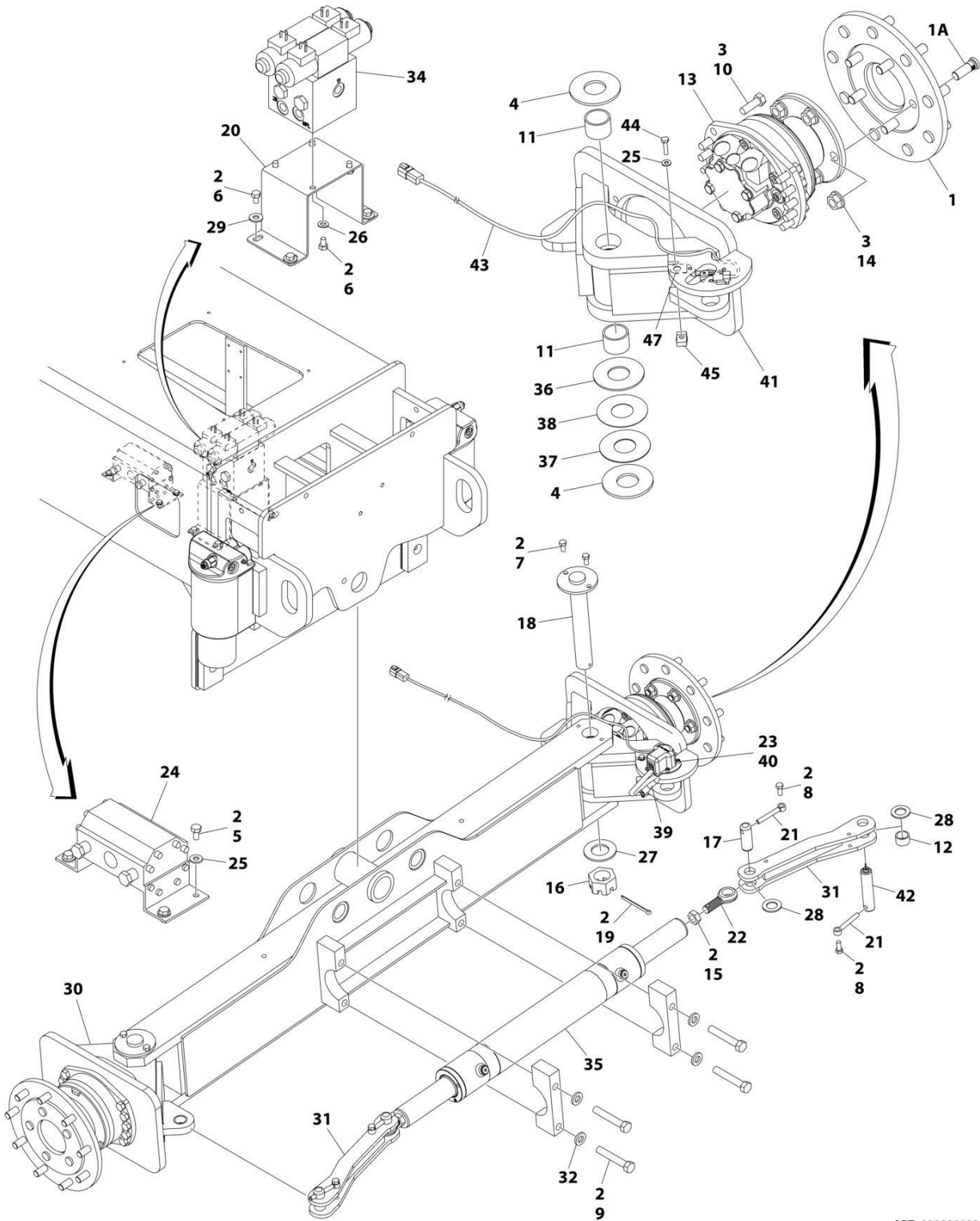
## SECTION 1 - FRAME

**FIGURE 1-10. STEER INSTALLATION - WITH TOW PACKAGE (2WD/2WS)**

ITEM	PART NUMBER	QTY	DESCRIPTION	REV
	1001180936	Ref	STEER INSTALLATION - WITH TOW PACKAGE (2WD/2WS)	D
1	0100011	AR	Compound, Locking	
2	0100019	AR	Compound, Locking	
3	0440162	4	Thrustwasher	
4	0641606	4	Bolt 3/8 x 3/4	
5	0641607	4	Bolt 3/8 x 7/8	
6	0641608	1	Bolt 3/8 x 1	
7	0642030	4	Bolt 5/8 x 3-3/4	
8	0962292	4	Bearing	
9	0962348	1	Bearing	
10	2780245	1	Hub/Spindle Assembly (RH) (See Separate Breakdown in this Section)	
11	3322202	2	Nut 3/4	
12	3323003	2	Nut 1-1/4	
13	3422692	2	Kingpin	
14	3422817	3	Pin	
15	3422848	1	Pin, Hitch	
16	3450812	2	Pin, Cotter 1/4 x 3	
17	3572490	1	Plate, Tow Bar Pivot	
18	3841143	5	Keeper, Pin	
19	3841443	2	Rod-End	
20	3900295	1	Bolt 1 x 3	
21	3900296	1	Bolt 1 x 4-1/2	
22	3931408	4	Capscrew 1/4 x 1/2	
23	4713000	2	Washer 1-1/4	
24	4740111	9	Thrustwasher	
25	4740155	2	Thrustwasher	
26	4846076	1	Tie-Rod (Left Side)	
27	4846292	1	Tie-Rod (Right Side)	
28	4846294	1	Link, Tow Bar	
29	4892000	4	Washer 5/8	
30	1001140281	1	Steer Cylinder Assembly (See Separate Breakdown in CYLINDER Section)	
31	1001151395	AR	Shim .048	
32	1001151428	AR	Shim .036	
33	1001161117	1	Switch, Rotary Angle Sensor	
34	1001169423	1	Cover	
35	1001180908	1	Pin	
36	1001180912	1	Hub/Spindle Assembly (LH) (See Separate Breakdown in this Section)	
37	0641604	1	Bolt 3/8 x 1/2	
38	1320043	1	Clamp	
39	1320263	1	Clamp	
40	4240032	2	Tie-Strap (Not Shown)	
41	1001195835	1	Steer Harness (See Separate Breakdown in ELECTRICAL Section)	

# SECTION 1 - FRAME

## FIGURE 1-11. STEER INSTALLATION - (4WD/2WS) (EC600SJ/H600SJ)



ART\_1001180935

# SECTION 1 - FRAME

## FIGURE 1-11. STEER INSTALLATION - (4WD/2WS) (EC600SJ/H600SJ)

ITEM	PART NUMBER	QTY	DESCRIPTION	REV
	1001180935	Ref	STEER INSTALLATION - (4WD/2WS)	E
1	0080233	2	Drive Adapter Assembly	
1A	4300145	28	Stud, Wheel (14 Per Assembly)	
2	0100011	AR	Compound, Locking	
3	0100019	AR	Compound, Locking	
4	0440161	4	Thrustwasher	
5	0641404	4	Bolt 1/4 x 1/2	
6	0641504	8	Bolt 5/16 x 1/2	
7	0641606	4	Bolt 3/8 x 3/4	
8	0641607	4	Bolt 3/8 x 7/8	
9	0642030	4	Bolt 5/8 x 3-3/4	
10	0681812	20	Bolt 1/2 x 3-1/4 Grade 8	
11	0961948	4	Bushing	
12	0962292	2	Bearing	
13	1001228232	2	Drive Motor Assembly (Front) (See Separate Breakdown in this Section)	
14	3300426	10	Nut 5/8	
15	3322202	2	Nut 3/4	
16	3323403	2	Nut 1-1/2	
17	3422817	3	Pin	
18	3422819	2	Kingpin	
19	3450812	2	Pin, Cotter 1/4 x 3	
20	3572328	1	Plate, Mounting	
21	3841143	4	Keeper, Pin	
22	3841443	2	Rod-End	
23	3931408	3	Capscrew 1/4 x 1/2	
24	4641148	1	Flow Divider Assembly	
24	See Note	NSS	Seal Kit - 4641148 Valve (Note: Not Available for Purchase)	
25	4711400	5	Washer 1/4	
26	4711500	4	Washer 5/16	
27	4713400	2	Washer 1-1/2	
28	4740111	4	Thrustwasher	
29	4751500	4	Washer 5/16	
30	4846135	1	Spindle	
31	4846141	2	Tie-Rod	
32	4892000	4	Washer 5/8	
34	1001092586	1	Valve Assembly - Drive (See separate Breakdown in this Section)	
35	1001140281	1	Steer Cylinder Assembly (See Separate Breakdown in CYLINDER Section)	
36	1001156428	AR	Shim .120	
37	1001156429	AR	Shim .060	
38	1001156430	AR	Shim .030	
39	1001161117	1	Switch, Rotary Angle Sensor	
40	1001169423	1	Cover	
41	1001180902	1	Spindle	
42	1001180904	1	Pin, Steer Sensor	
43	1001195835	1	Steer Harness (See Separate Breakdown in ELECTRICAL Section)	
44	0641409	1	Bolt 1/4 x 1-1/8	
45	3300454	1	Nut 1/4	

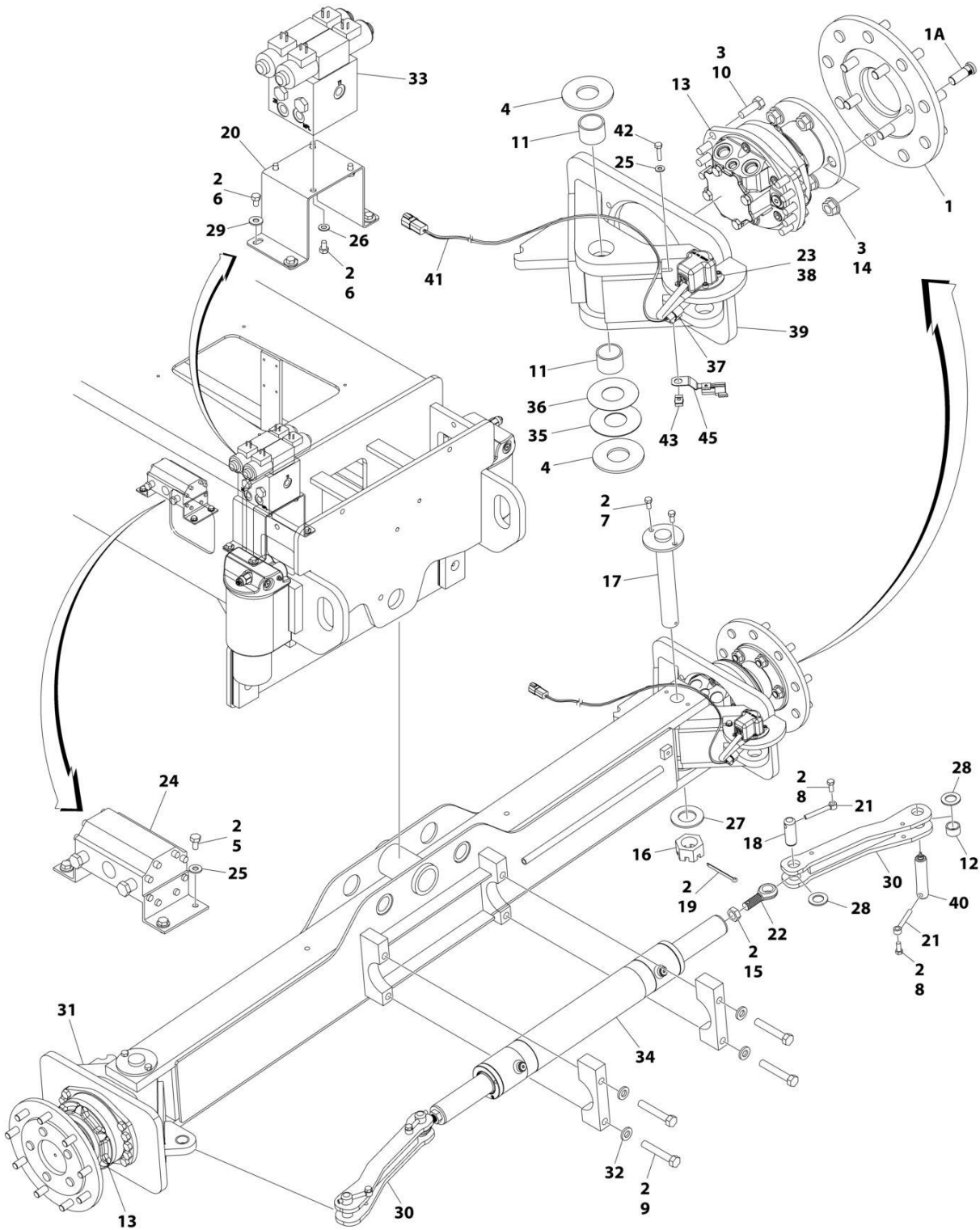
## SECTION 1 - FRAME

ITEM	PART NUMBER	QTY	DESCRIPTION	REV
46	4240033	AR	Tie-Strap (Not Shown)	
47	1001141581	1	Mount	



# SECTION 1 - FRAME

## FIGURE 1-12. STEER INSTALLATION - (4WD/2WS) (EC600SJP/H600SJP)



ART\_1001180937

## SECTION 1 - FRAME

**FIGURE 1-12. STEER INSTALLATION - (4WD/2WS) (EC600SJP/H600SJP)**

ITEM	PART NUMBER	QTY	DESCRIPTION	REV
	1001180937	Ref	STEER INSTALLATION - (4WD/2WS) (E600JP/M600JP)	G
1	0080233	2	Drive Adapter Assembly	
1A	4300145	28	Stud, Wheel (14 Per Assembly)	
2	0100011	AR	Compound, Locking	
3	0100019	AR	Compound, Locking	
4	0440161	4	Thrustwasher	
5	0641404	4	Bolt 1/4 x 1/2	
6	0641504	8	Bolt 5/16 x 1/2	
7	0641606	4	Bolt 3/8 x 3/4	
8	0641607	4	Bolt 3/8 x 7/8	
9	0642030	4	Bolt 5/8 x 3-3/4	
10	0681812	20	Bolt 1/2 x 3-1/4 Grade 8	
11	0961948	4	Bushing	
12	0962292	2	Bearing	
13	1001228232	2	Drive Motor Assembly (See Separate Breakdown in this Section)	
14	3300426	10	Nut 5/8	
15	3322202	2	Nut 3/4	
16	3323403	2	Nut 1-1/4	
17	3422819	2	Kingpin	
18	3422817	3	Pin	
19	3450812	2	Pin, Cotter 1/4 x 3	
20	3572328	1	Plate, Mounting	
21	3841143	4	Keeper, Pin	
22	3841443	2	Rod-End	
23	3931408	3	Capscrew 1/4 x 1/2	
24	4641148	1	Flow Divider Assembly	
24	See Note	NSS	Seal Kit - 4641148 Valve (Note: Not Available for Purchase)	
25	4711400	5	Washer 1/4	
26	4711500	4	Washer 5/16	
27	4713000	2	Washer 1-1/4	
27	4713400	2	Washer 1-1/2	
28	4740111	4	Thrustwasher	
29	4751500	4	Washer 5/16	
30	4846141	2	Tie-Rod	
31	4846350	1	Spindle (Right Side)	
32	4892000	4	Washer 5/8	
33	1001092586	1	Valve Assembly - Drive (See Separate Breakdown in this Section)	
34	1001140281	1	Steer Cylinder Assembly (See Separate Breakdown in CYLINDER Section)	
35	1001156429	AR	Shim .060	
36	1001156430	AR	Shim .030	
37	1001161117	1	Switch, Rotary Angle Sensor	
38	1001169423	1	Cover	
39	1001183584	1	Spindle (Left Side)	
40	1001180904	1	Pin, Steer Sensor	
41	1001195835	1	Steer Harness (See Separate Breakdown in ELECTRICAL Section)	
42	0641409	1	Bolt 1/4 x 1-1/8	
43	3300454	1	Nut 1/4	
44	4240033	AR	Tie-Strap (Not Shown)	

## SECTION 1 - FRAME

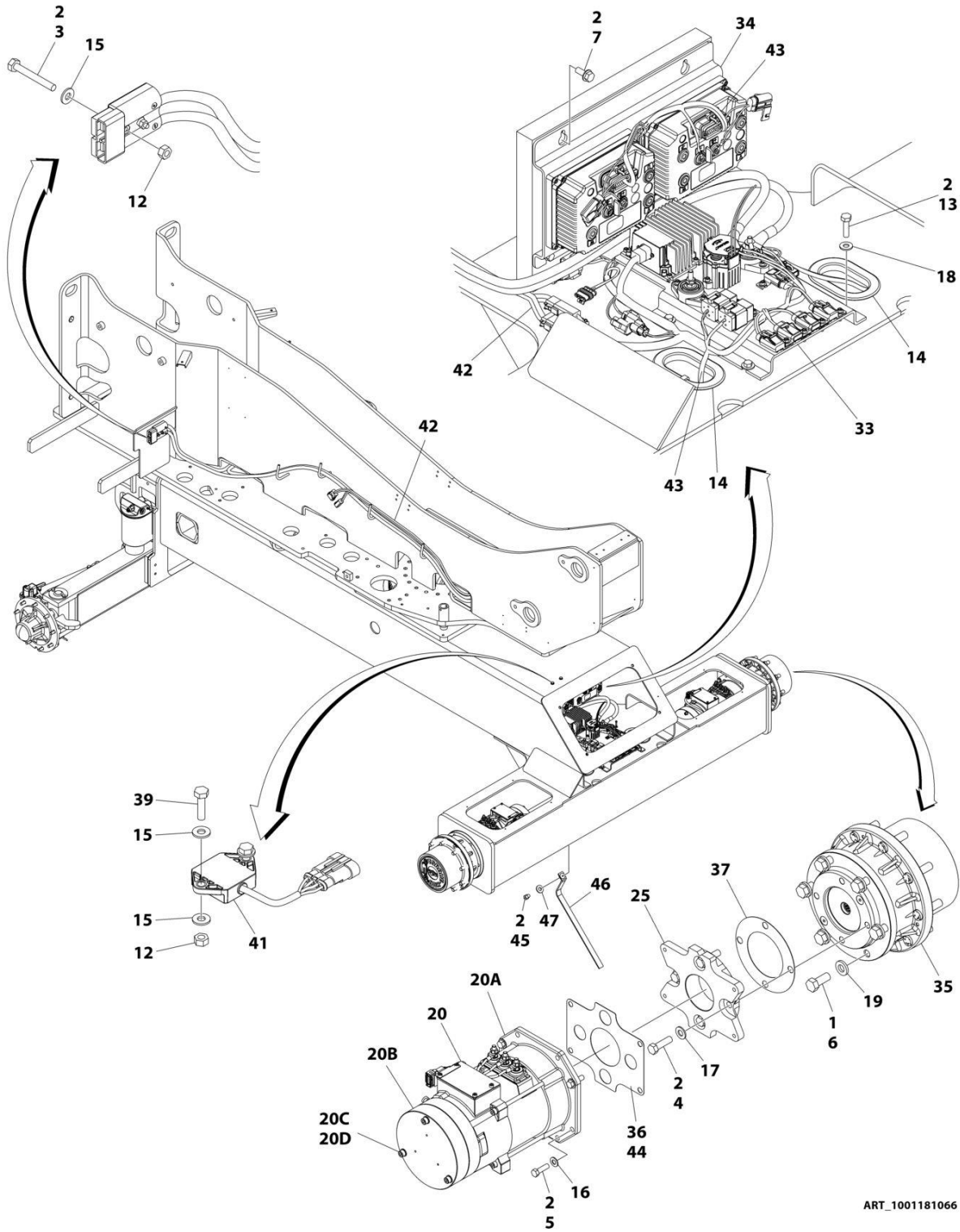
ITEM	PART NUMBER	QTY	DESCRIPTION	REV
45	1001141581	1	Mount	





# SECTION 1 - FRAME

## FIGURE 1-13. WHEEL DRIVE INSTALLATION (NON-UL SPECS)



ART\_1001181066

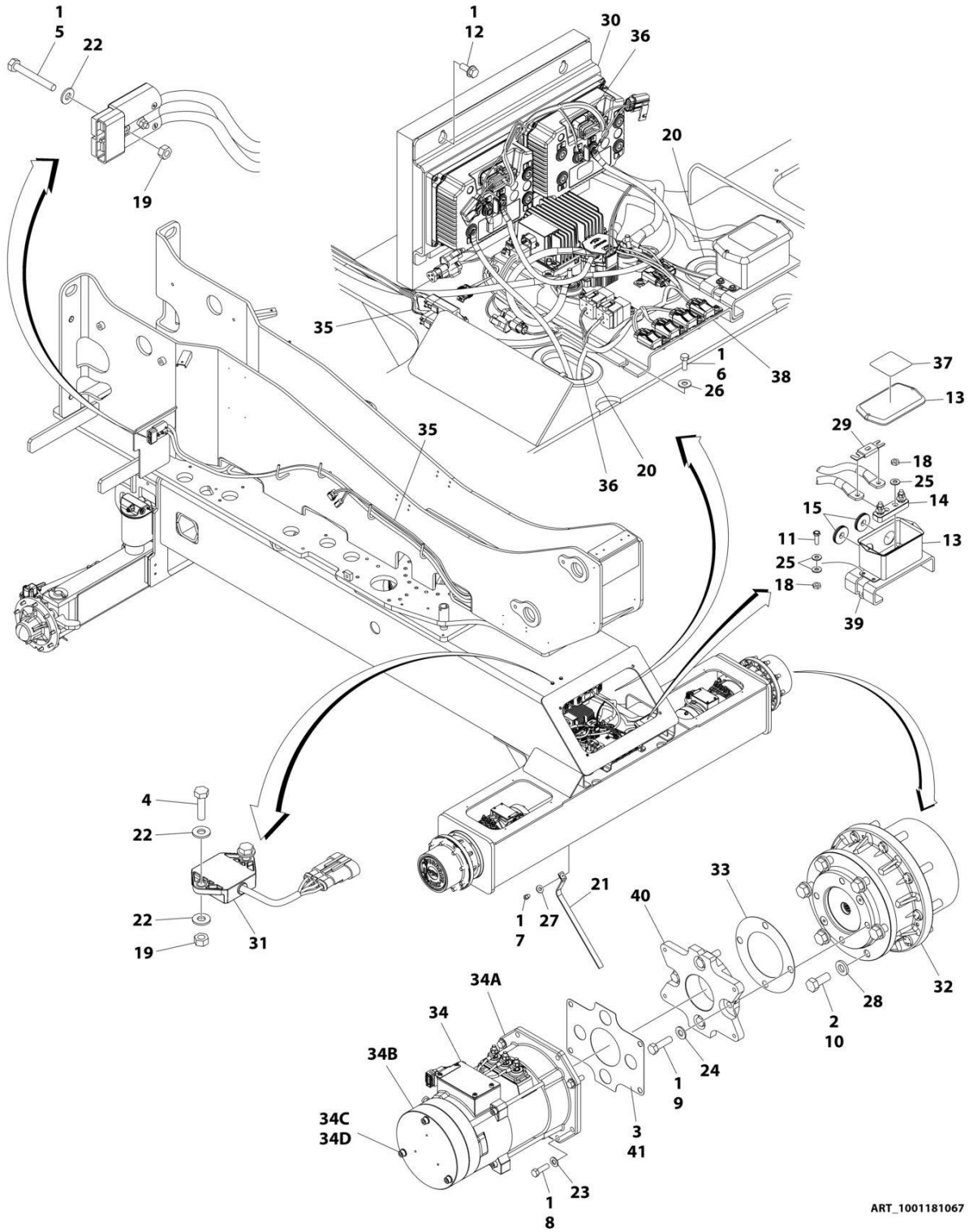
## SECTION 1 - FRAME

**FIGURE 1-13. WHEEL DRIVE INSTALLATION (NON-UL SPECS)**

ITEM	PART NUMBER	QTY	DESCRIPTION	REV
	1001181066	Ref	WHEEL DRIVE INSTALLATION	K
1	0100019	AR	Compound, Locking	
2	0100011	AR	Compound, Locking	
3	0641416	4	Bolt 1/4 x 2	
4	0641814	8	Bolt 1/2 x 1-3/4	
5	0641610	8	Bolt 3/8 x 1-1/4	
6	0682012	12	Bolt 5/8 x 1-1/2 Grade 8	
7	0791506	4	Screw 5/16 x 3/4	
12	3311401	6	Nut 1/4	
13	0641506	4	Bolt 5/16 x 3/4	
14	4060808	20.5 in /52cm	Flex-Trim	
15	4711400	8	Washer 1/4	
16	4751600	8	Washer 3/8	
17	4711800	8	Washer 1/2	
18	4751500	4	Washer 5/16	
19	4892000	12	Washer 5/8	
20	1001184855	2	Drive Motor/Brake Assembly	
20A	1001184206	2	Drive Motor Assembly (See Separate Breakdown in this Section)	
20B	1001184853	2	Drive Brake Assembly	
20C	4031920	3	Capscrew M8 x 80	
20D	4811900	3	Washer M8	
25	1001219722	2	Plate, Motor Adapter	
33	1001180654	1	AC Drive Electrical Plate Assembly (See Separate Breakdown in this Section)	
34	1001180780	1	Drive Module Plate Assembly (See Separate Breakdown in this Section)	
35	1001182494	2	Drive Hub Assembly (See Separate Breakdown in this Section)	
36	1001220271	2	Seal, Motor	
37	1001182960	2	Seal, Hub	
39	0641408	2	Bolt 1/4 x 1	
41	1001219601	1	Sensor, Tilt Dual Axis	
42	1001195836	1	Traction to Turntable Harness (See Separate Breakdown in ELECTRICAL Section)	
43	1001195867	1	Traction Harness (See Separate Breakdown in ELECTRICAL Section)	
44	0100020	AR	Sealant, Pipe	
45	0641604	1	Bolt 3/8 x 1/2	
46	4240084	1	Strap, Anti-Static	
47	4751600	1	Washer 3/8	
100	1001196485	1	Drive Cable Kit (Not Shown - See Separate Breakdown in ELECTRICAL Section)	

# SECTION 1 - FRAME

## FIGURE 1-14. WHEEL DRIVE INSTALLATION (UL SPECS)



ART\_1001181067

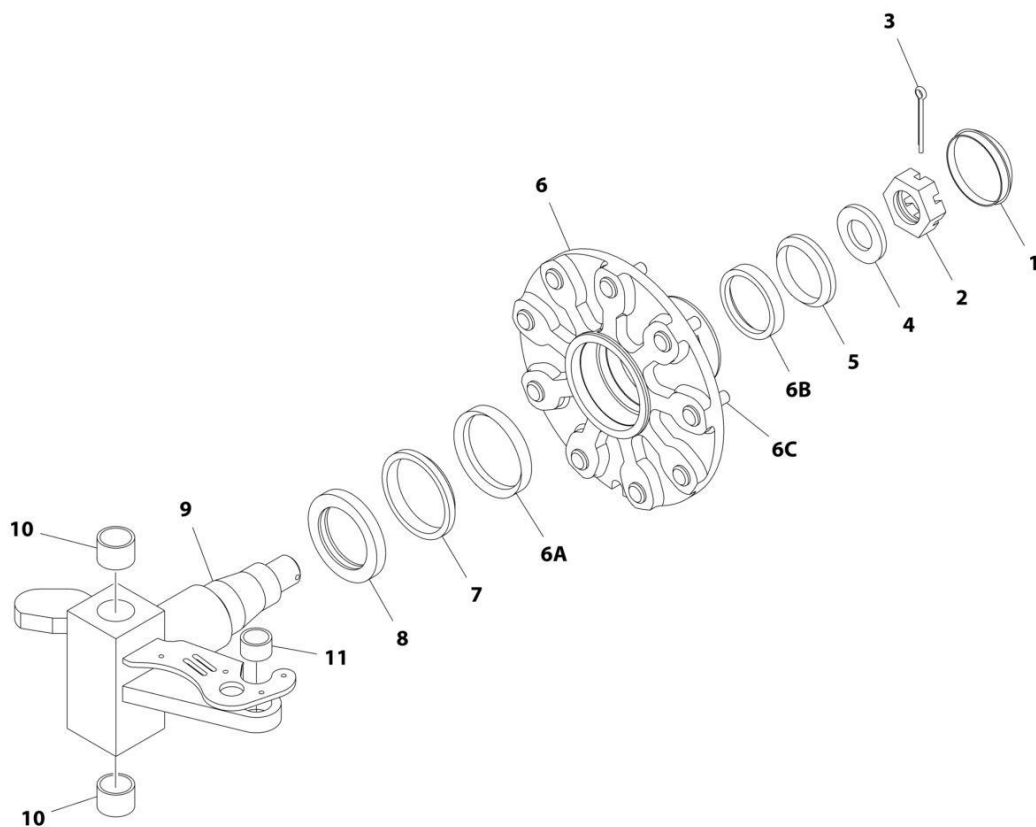
# SECTION 1 - FRAME

**FIGURE 1-14. WHEEL DRIVE INSTALLATION (UL SPECS)**

ITEM	PART NUMBER	QTY	DESCRIPTION	REV
	1001181067	Ref	WHEEL DRIVE INSTALLATION	E
1	0100011	AR	Compound, Locking	
2	0100019	AR	Compound, Locking	
3	0100020	AR	Sealant, Pipe	
4	0641408	2	Bolt 1/4 x 1	
5	0641416	4	Bolt 1/4 x 2	
6	0641507	4	Bolt 5/16 x 7/8	
7	0641604	1	Bolt 3/8 x 1/2	
8	0641610	8	Bolt 3/8 x 1-1/4	
9	0641814	8	Bolt 1/2 x 1-3/4	
10	0682012	12	Bolt 5/8 x 1-1/2 Grade 8	
11	0721005	4	Screw #10 x 5/8	
12	0791506	4	Screw 5/16 x 3/4	
13	0861375	1	Box	
14	2400044	1	Fuse, Mounting Block	
15	2540037	2	Grommet	
18	3311001	6	Nut #10	
19	3311401	6	Nut 1/4	
20	4060808	20.5 in/ 52cm	Flex-Trim	
21	4240084	1	Strap, Anti-Static	
22	4711400	8	Washer 1/4	
23	4751600	8	Washer 3/8	
24	4711800	8	Washer 1/2	
25	4751000	10	Washer #10	
26	4751500	4	Washer 5/16	
27	4751600	1	Washer 3/8	
28	4892000	12	Washer 5/8	
29	1001170365	1	Fuse, 400 Amp	
30	1001180780	1	Drive Module Plate Assembly (See Separate Breakdown in this Section)	
31	1001219601	1	Sensor, Tilt Dual Axis	
32	1001182494	2	Drive Hub Assembly (See Separate Breakdown in this Section)	
33	1001182960	2	Seal, Hub	
34	1001184855	2	Drive Motor/Brake Assembly	
34A	1001184206	2	Drive Motor Assembly (See Separate Breakdown in this Section)	
34B	1001184853	2	Drive Brake Assembly	
34C	4031920	3	Capscrew M8 x 80	
34D	4811900	3	Washer M8	
35	1001195836	1	Traction to Turntable Harness (See Separate Breakdown in ELECTRICAL Section)	
36	1001195867	1	Traction Harness (See Separate Breakdown in ELECTRICAL Section)	
37	1001213626	1	Decal - Fuse, 400 Amp	
38	1001214669	1	AC Drive Electrical Plate Assembly (See Separate Breakdown in this Section)	
39	1001214804	1	Bracket	
40	1001219722	2	Plate, Motor Adapter	
41	1001220271	2	Seal, Motor	
100	1001214800	1	Drive Cable Kit (Not Shown - See Separate Breakdown in ELECTRICAL Section)	

# SECTION 1 - FRAME

## FIGURE 1-15. NON-DRIVE HUB ASSEMBLY - LH (2WD FRONT)



ART\_1001180912

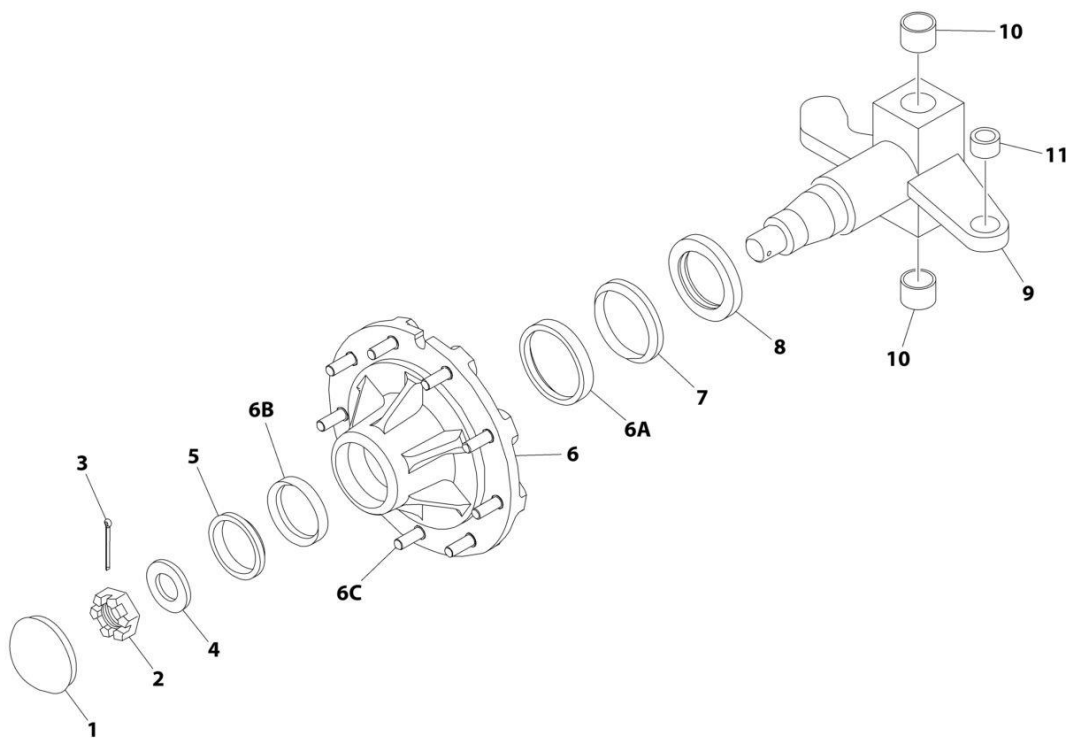
## SECTION 1 - FRAME

**FIGURE 1-15. NON-DRIVE HUB ASSEMBLY - LH (2WD FRONT)**

ITEM	PART NUMBER	QTY	DESCRIPTION	REV
	1001180912	Ref	HUB ASSEMBLY - LH	B
1	7020137	1	Cap, Dust	
2	7020054	1	Nut, Castle	
3	3450406	1	Pin, Cotter	
4	7020055	1	Washer, Spindle	
5	7020039	1	Cone, Bearing - Outer	
6	70002434	1	Hub	
6A	7020036	2	Cup, Bearing - Inner	
6B	7020038	2	Cup, Bearing - Outer	
6C	7020041	9	Stud, Wheel	
7	7020037	1	Cone, Bearing - Inner	
8	7020040	1	Seal	
9	70005649	1	Spindle Assembly	
10	0961951	2	Bushing	
11	0962292	1	Bearing	

# SECTION 1 - FRAME

## FIGURE 1-16. NON-DRIVE HUB ASSEMBLY - RH (2WD FRONT)



ART\_2780245



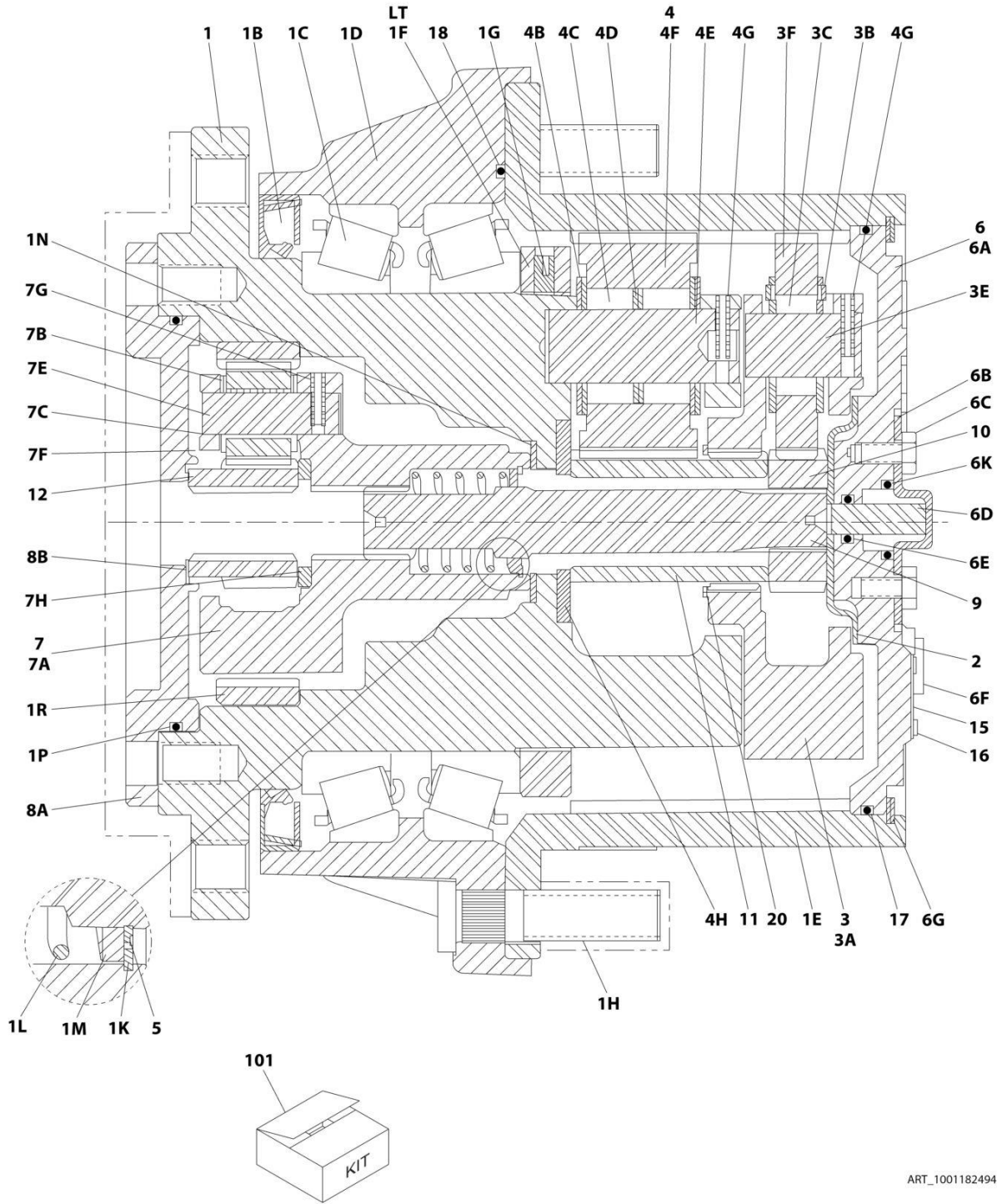
## SECTION 1 - FRAME

**FIGURE 1-16. NON-DRIVE HUB ASSEMBLY - RH (2WD FRONT)**

ITEM	PART NUMBER	QTY	DESCRIPTION	REV
	2780245	Ref	HUB ASSEMBLY - RH	C
1	7020137	1	Cap, Dust	
2	7020054	1	Nut, Castle	
3	7020140	1	Pin, Cotter	
4	7020055	1	Washer, Spindle	
5	7020039	1	Cone, Bearing - Outer	
6	7020035	1	Hub	
6A	7020036	1	Cup, Bearing - Inner	
6B	7020038	1	Cup, Bearing - Outer	
6C	7020041	9	Stud, Wheel	
7	7020037	1	Cone, Bearing - Inner	
8	7020040	1	Seal	
9	7020251	1	Spindle Assembly	
10	0961951	2	Bushing	
11	0962292	1	Bearing	

# SECTION 1 - FRAME

## FIGURE 1-17. DRIVE HUB ASSEMBLY (REAR)



ART\_1001182494

# SECTION 1 - FRAME

## FIGURE 1-17. DRIVE HUB ASSEMBLY (REAR)

ITEM	PART NUMBER	QTY	DESCRIPTION	REV
	1001182494	Ref	DRIVE HUB ASSEMBLY (REAR)	E
1	70005610	1	Spindle, Sub Assembly	
1B	70001119	1	Seal, Lip	
1C	7024735	2	Bearing, Tapered	
1D	See Note	NSS	Housing (Note: Not Available for Purchase)	
1E	7024730	1	Gear, Ring	
1F	70003000	1	Nut, Bearing	
1G	70002996	2	Screw	
1H	7007640	9	Stud	
1K	70005613	1	Ring, Retaining (Internal)	
1L	7024124	1	Spring	
1M	7024129	1	Thrustwasher	
1N	7001922	1	Thrustwasher	
1P	70005614	1	O-Ring	
1R	See Note	NSS	Gear, Ring Blank (Note: Not Available for Purchase)	
2	7024741	1	Spacer, Thrust	
3	70005604	1	Carrier, Sub Assembly	
3A	See Note	NSS	Carrier (Note: Not Available for Purchase)	
3B	7024127	6	Thrustwasher	
3C	7024733	42	Bearing, Needle	
3E	7024724	3	Shaft, Planet	
3F	See Note	NSS	Gear, Planet (Note: Not Available for Purchase)	
4	70002983	1	Planet Gear Sub Assembly	
4B	7024740	12	Thrustwasher	
4C	7024734	84	Bearing, Needle	
4D	7024736	3	Spacer, Thrust	
4E	7024726	3	Shaft, Planet	
4F	70002983	1	Gear, Planet	
4G	7001913	3	Pin, Roll	
4H	7024742	1	Thrustwasher	
4F	See Note	NSS	Gear, Planet (Note: Not Available for Purchase)	
5	7017027	1	Ring, Retaining (External)	
6	70001368	1	Cover Gear Sub Assembly	
6A	See Note	NSS	Flange, Plate/Cover (Note: Use Item 6)	
6B	7017093	1	Cap, Disengage	
6C	7000216	2	Bolt 1/4 x 1/2	
6D	7024739	1	Pin, Dowel	
6E	7017095	1	O-Ring	
6F	7017072	2	Plug	
6G	7024738	1	Ring, Retaining (Internal)	
6K	See Note	NSS	O-Ring (Note: Not Available for Purchase)	
7	70005605	1	Carrier, Sub Assembly	
7A	See Note	NSS	Carrier (Note: Not Available for Purchase)	
7B	See Note	NSS	Thrustwasher	
7C	See Note	NSS	Bushing (Note: Not Available for Purchase)	
7E	See Note	NSS	Shaft, Planet (Note: Not Available for Purchase)	
7F	See Note	NSS	Gear, Planet (Note: Not Available for Purchase)	
7G	7010474	3	Pin, Roll	
7H	7017020	1	Thrustwasher	
8A	70005611	1	Adapter, Mounting	

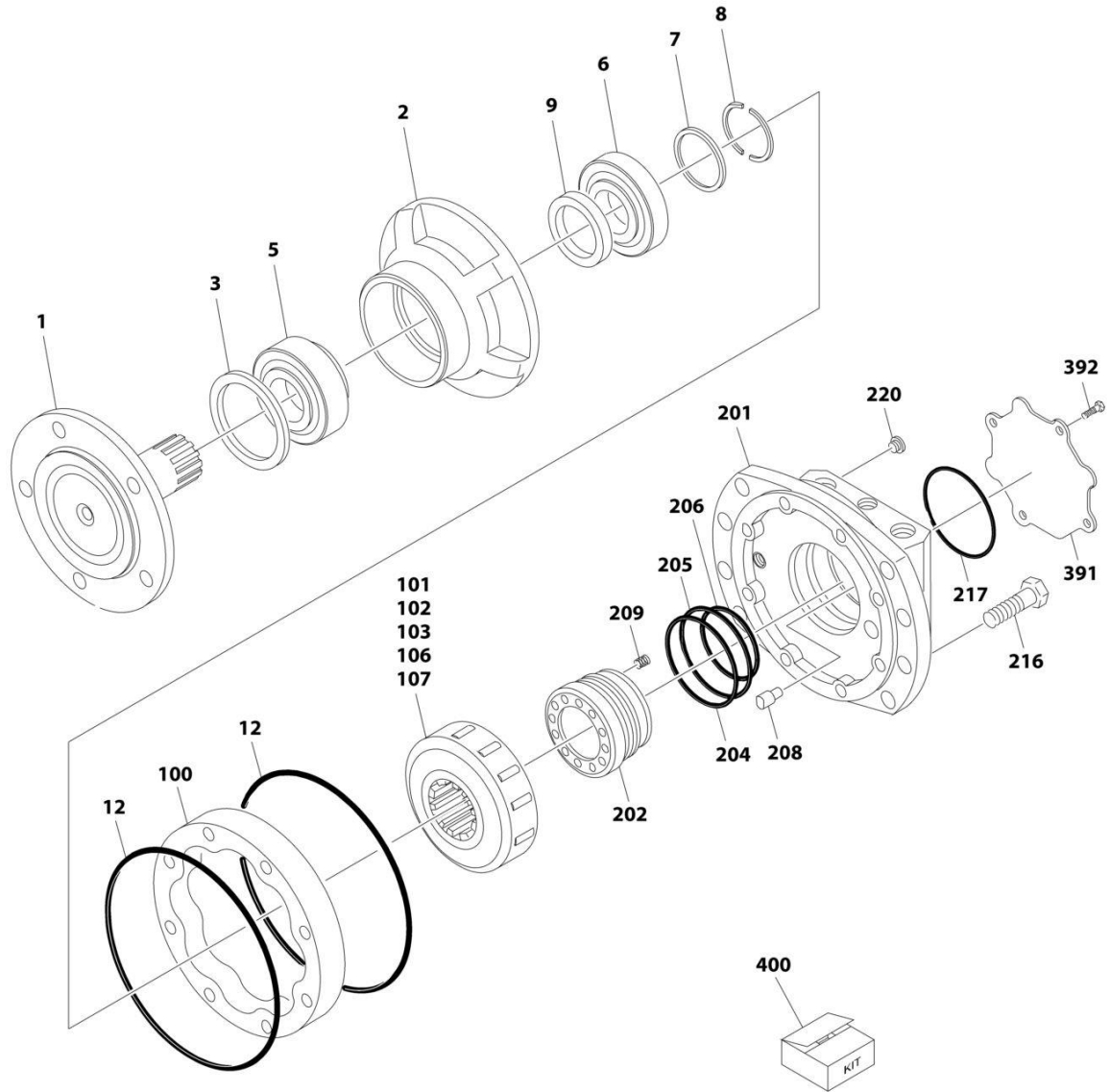
## SECTION 1 - FRAME

ITEM	PART NUMBER	QTY	DESCRIPTION	REV
8B	7007642	1	Thrustwasher	
9	70005606	1	Shaft, Input	
10	70005607	1	Gear, Sun	
11	70005609	1	Gear, Sun	
12	70005608	1	Gear, Sun	
15	See Note	NSS	Plate, ID (Note: Not Available for Purchase)	
16	See Note	NSS	Rivet (Note: Not Available for Purchase)	
17	7024134	1	O-Ring	
18	70002997	1	O-Ring	
19	7017022	5	Bolt (Not Shown)	
20	70005612	1	Ring, Retaining (External)	
101	7024744	1	Seal Kit (Includes Items 1B, 1F, 1G, 17, 18 & 19)	



# SECTION 1 - FRAME

## FIGURE 1-18. DRIVE MOTOR ASSEMBLY (4WD FRONT)



ART\_1001228232

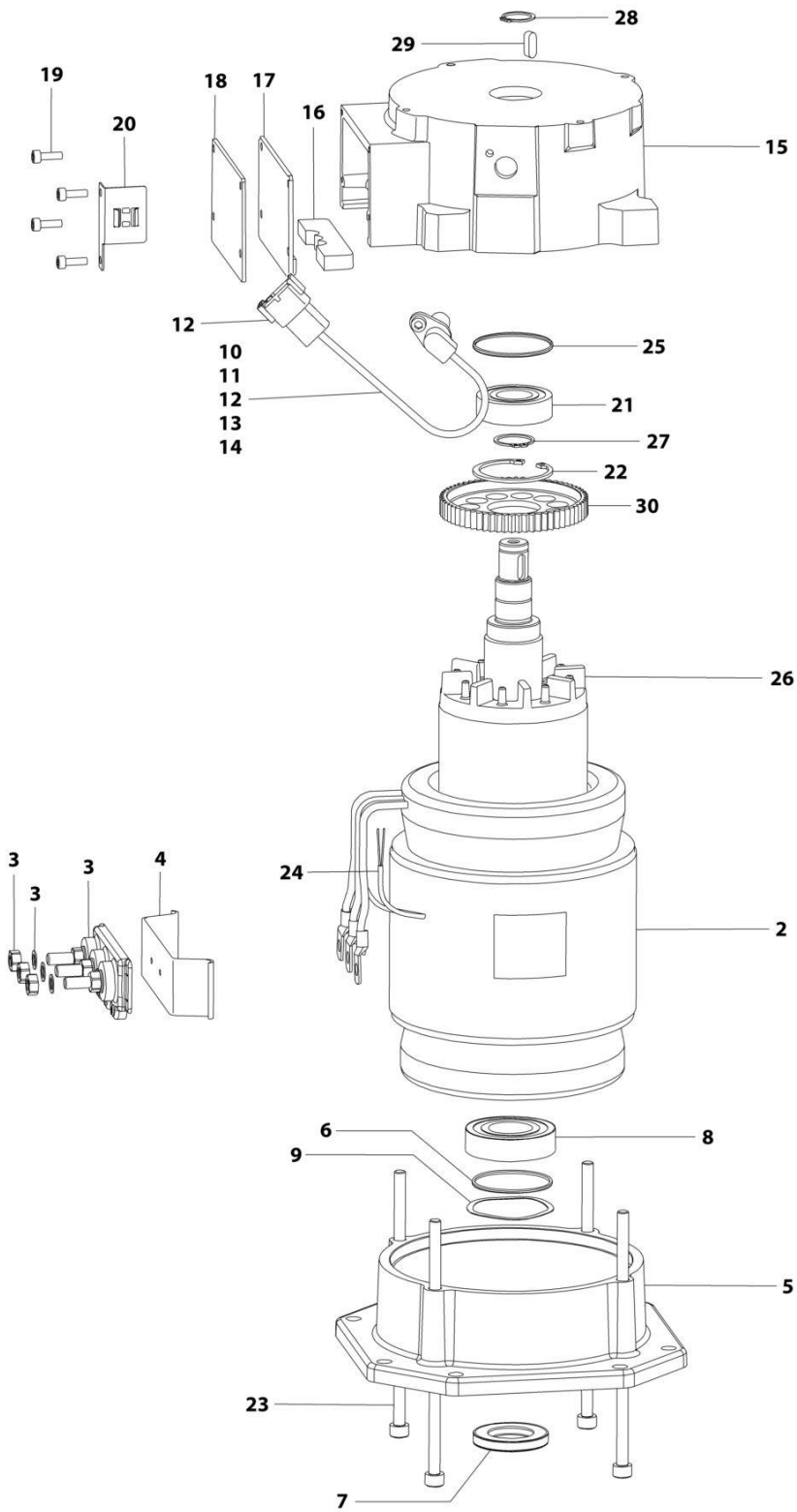
## SECTION 1 - FRAME

**FIGURE 1-18. DRIVE MOTOR ASSEMBLY (4WD FRONT)**

ITEM	PART NUMBER	QTY	DESCRIPTION	REV
	1001228232	Ref	DRIVE MOTOR ASSEMBLY (4WD FRONT)	A
1	7022586	1	Shaft	
2	See Note	NSS	Casting, Front (Note: Use p/n 1001228232)	
3	See Note	NSS	Seal, Face (Note: Use Item 400)	
5	7022587	1	Bearing, Front	
6	7022588	1	Bearing, Rear	
7	70006747	1	Washer	
8	7022589	1	Ring, Split	
9	See Note	NSS	Seal, Shaft (Note: Use Item 400)	
12	See Note	NSS	Seal, Square (Note: Use Item 400)	
100	7023870	1	Cam	
101	70006763	1	Block, Cylinder	
102	70006752	1	Piston	
103	70006753	8	Roller	
106	70006756	2	Clip	
107	70006757	2	Ring, Retaining	
201	See Note	NSS	Housing, Rear (Note: Use p/n 1001228232)	
202	7023871	1	Ring, Distributor	
204	See Note	NSS	Seal (Note: Use Item 400)	
205	See Note	NSS	Seal (Note: Use Item 400)	
206	See Note	NSS	Seal (Note: Use Item 400)	
208	70006759	1	Pin, Dowel	
209	7023872	9	Spring	
216	70001091	6	Screw, Cap	
217	See Note	NSS	Seal, Square (Note: Use Item 400)	
220	7022591	1	Plug	
391	See Note	NSS	Plate, Rear Cover (Note: Use p/n 1001228232)	
392	70002264	4	Screw, Cap	
400	70006762	1	Seal Kit (Includes Items 3, 9, 12, 204-206 & 217)	

# SECTION 1 - FRAME

## FIGURE 1-19. DRIVE MOTOR ASSEMBLY (REAR)



ART\_1001184206



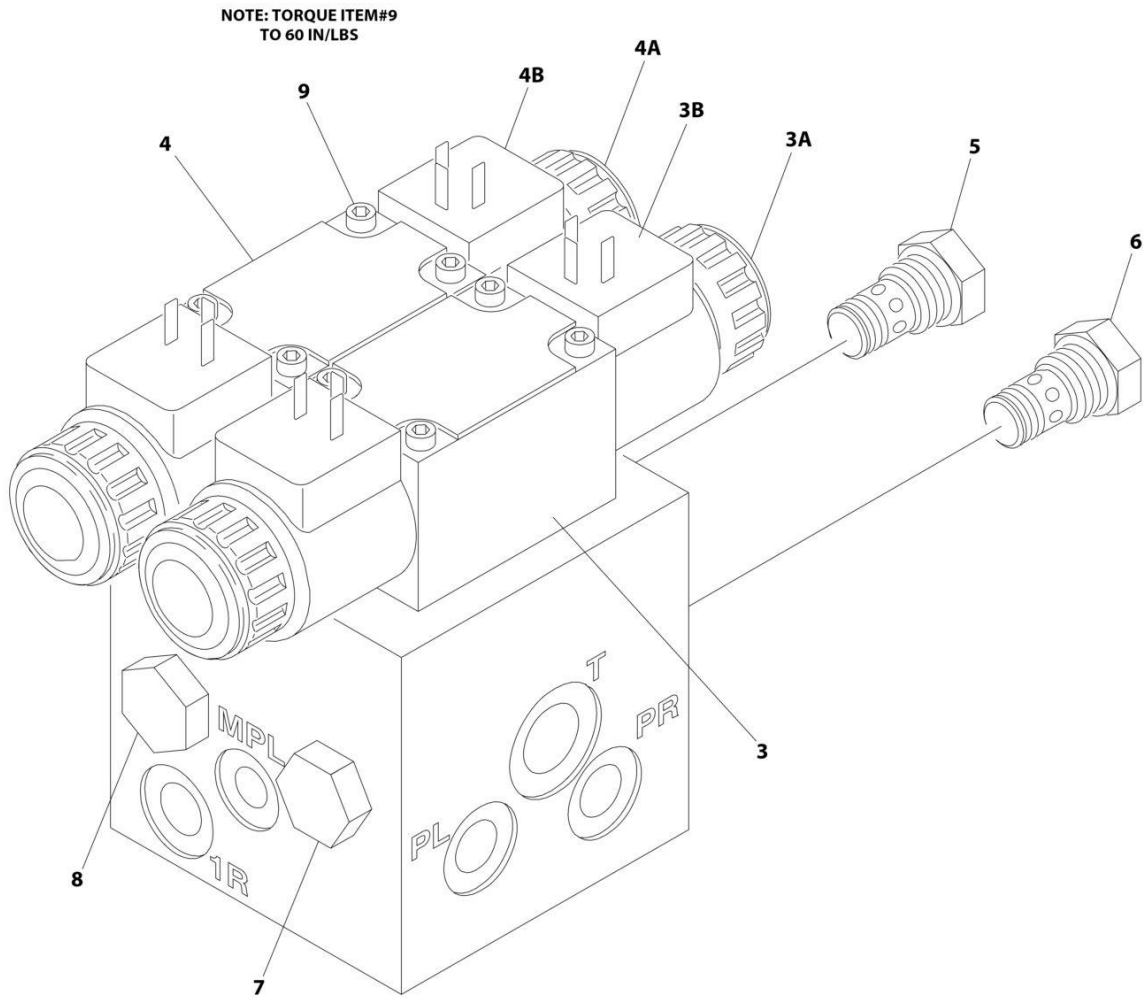
## SECTION 1 - FRAME

**FIGURE 1-19. DRIVE MOTOR ASSEMBLY (REAR)**

ITEM	PART NUMBER	QTY	DESCRIPTION	REV
	1001184206	Ref	DRIVE MOTOR ASSEMBLY	F
2	70005385	1	Stator	
3	70005685	1	Board, Terminal	
3	70005387	3	Nut M8	
3	70005388	3	Washer M8	
3	70005390	2	Screw M5 x 14	
4	70005389	1	Base, Terminal	
5	70005391	1	Plate, Drive End	
6	70004811	1	O-Ring	
7	70005392	1	Seal, Shaft	
8	70004809	1	Bearing	
9	70005393	1	Washer, Wavy	
10	70005394	1	Sensor (Includes Items 11-14)	
11	70005395	1	Screw M8 x 16	
12	70005397	1	Connector	
13	70005396	1	Wedge	
14	4460516	4	Pin, Male	
15	70005686	1	Shield, End	
16	70005687	1	Seal	
17	70005400	1	Seal	
18	70005401	1	Cover	
19	70005402	4	Screw M5 x 16	
20	70005403	1	Plate, Retaining	
21	70005404	1	Bearing	
22	70005405	1	Clip, Retainer	
23	70005406	4	Screw M8 x 180	
24	70005407	1	Temperature, Sensor	
25	70005408	1	O-Ring	
26	70005688	1	Rotor	
27	70004820	1	Clip, Retainer	
28	70005410	1	Clip, Retainer	
29	70005689	1	Key	
30	70005412	1	Gear	

# SECTION 1 - FRAME

## FIGURE 1-20. DRIVE VALVE ASSEMBLY (4WD ONLY)



ART\_1001092586

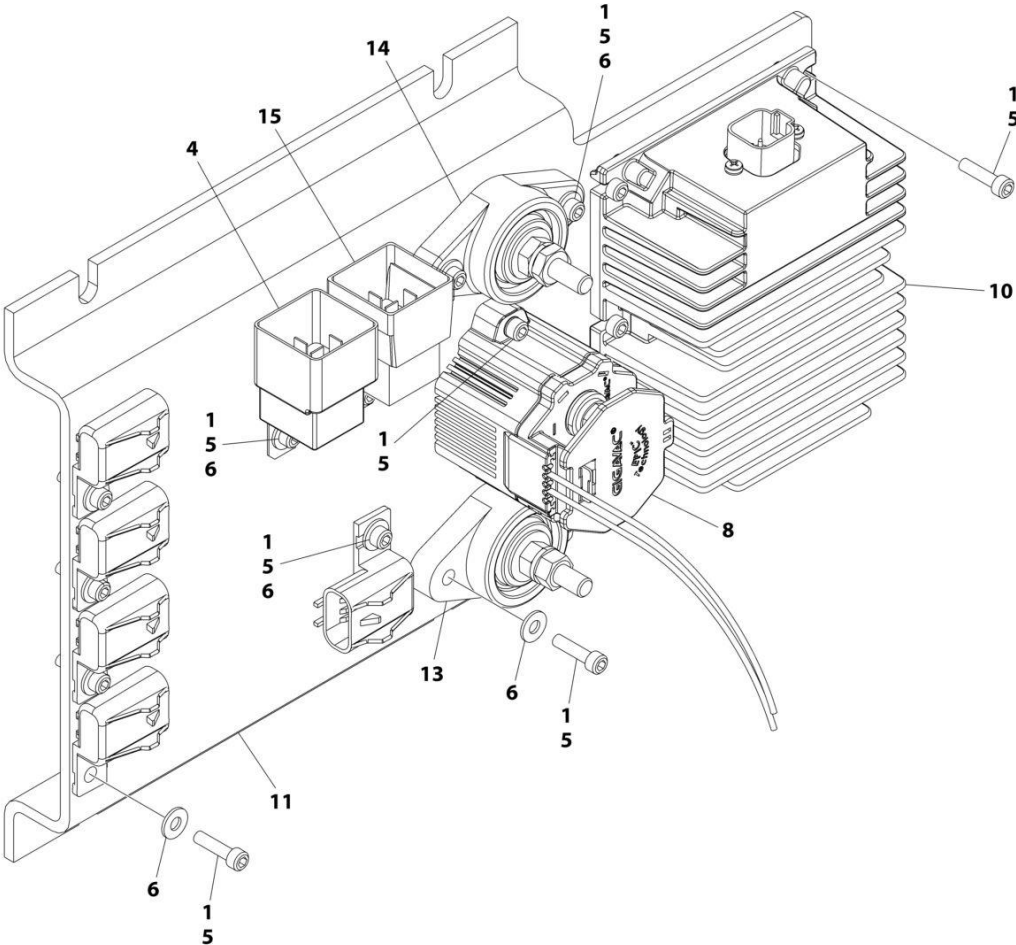
## SECTION 1 - FRAME

**FIGURE 1-20. DRIVE VALVE ASSEMBLY (4WD ONLY)**

ITEM	PART NUMBER	QTY	DESCRIPTION	REV
	1001092586	Ref	DRIVE VALVE ASSEMBLY	C
3	70001422	1	Control Valve Assembly	
3	7012773	1	Seal Kit - 70001422 Valve	
3A	7021375	1	Nut, Coil	
3B	70002947	1	Coil	
4	70001422	1	Control Valve Assembly	
4	7012773	1	Seal Kit - 70001422 Valve	
4A	7021375	1	Nut, Coil	
4B	70002947	1	Coil	
5	7012969	1	Cartridge, Check	
5	7012540	1	Seal Kit - 7012969 Valve	
6	7012969	1	Cartridge, Check	
6	7012540	1	Seal Kit - 7012969 Valve	
7	7012969	1	Cartridge, Check	
7	7012540	1	Seal Kit - 7012969 Valve	
8	7012969	1	Cartridge, Check	
8	7012540	1	Seal Kit - 7012969 Valve	
9	7018942	8	Capscrew #10 x 2	

SECTION 1 - FRAME

FIGURE 1-21. AC DRIVE ELECTRICAL PLATE ASSEMBLY (NON-UL SPECS)



ART\_1001180654\_E

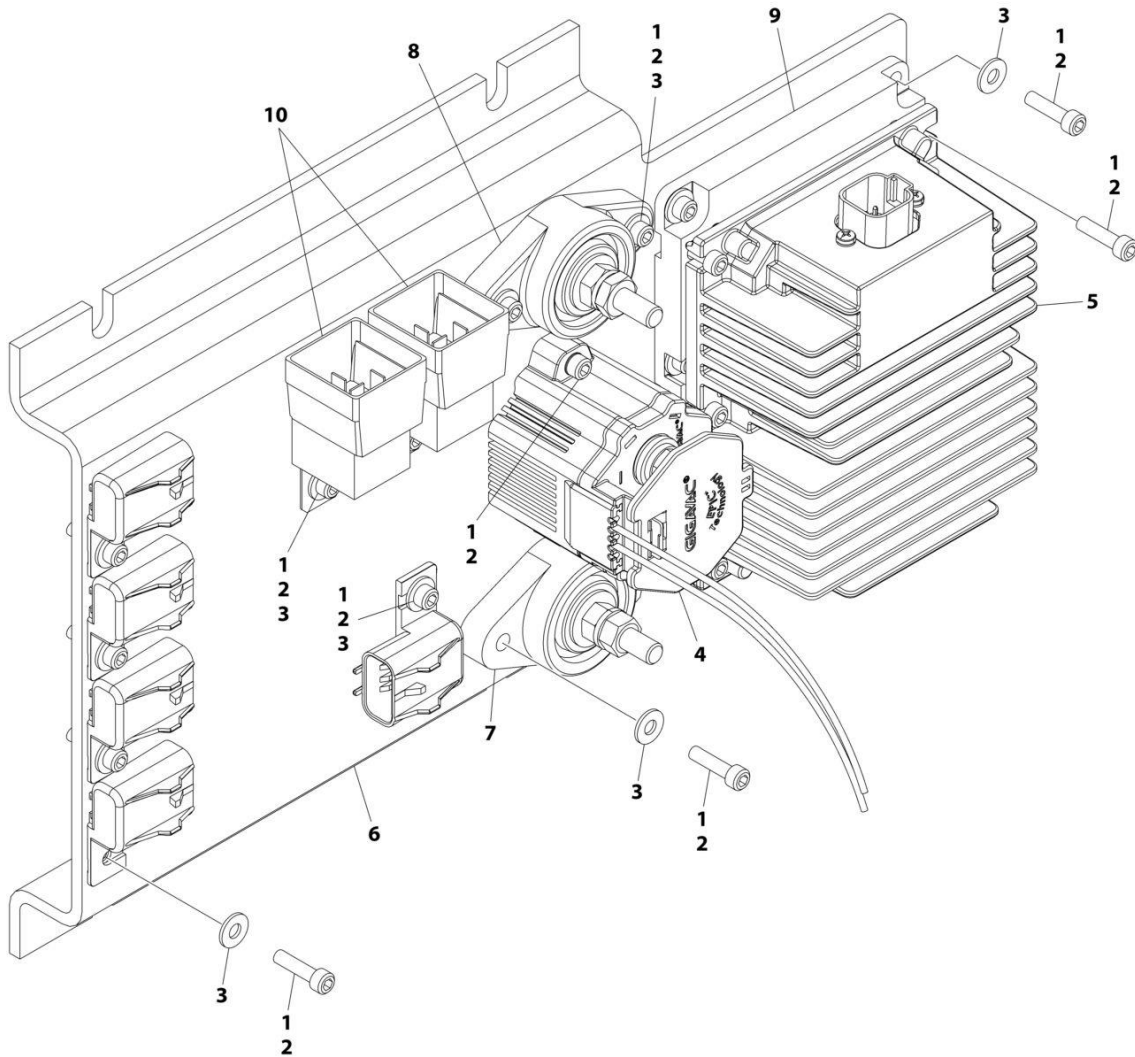
## SECTION 1 - FRAME

**FIGURE 1-21. AC DRIVE ELECTRICAL PLATE ASSEMBLY (NON-UL SPECS)**

ITEM	PART NUMBER	QTY	DESCRIPTION	REV
	1001180654	Ref	AC DRIVE ELECTRICAL PLATE ASSEMBLY (NON UL SPECS)	E
1	0100035	AR	Compound, Locking	
4	3740080	1	Relay	
5	3931012	19	Capscrew #10 x 3/4	
6	4711000	11	Washer #10	
8	1001272006	1	Relay	
10	1001174447	1	Converter	
11	1001180653	1	Plate, Mounting	
13	1001186860	1	Stud, Power Distribution	
14	1001212359	1	Stud, Power Distribution (Red)	
15	1001214667	1	Relay	

# SECTION 1 - FRAME

## FIGURE 1-22. AC DRIVE ELECTRICAL PLATE ASSEMBLY (UL SPECS)



ART\_1001214669

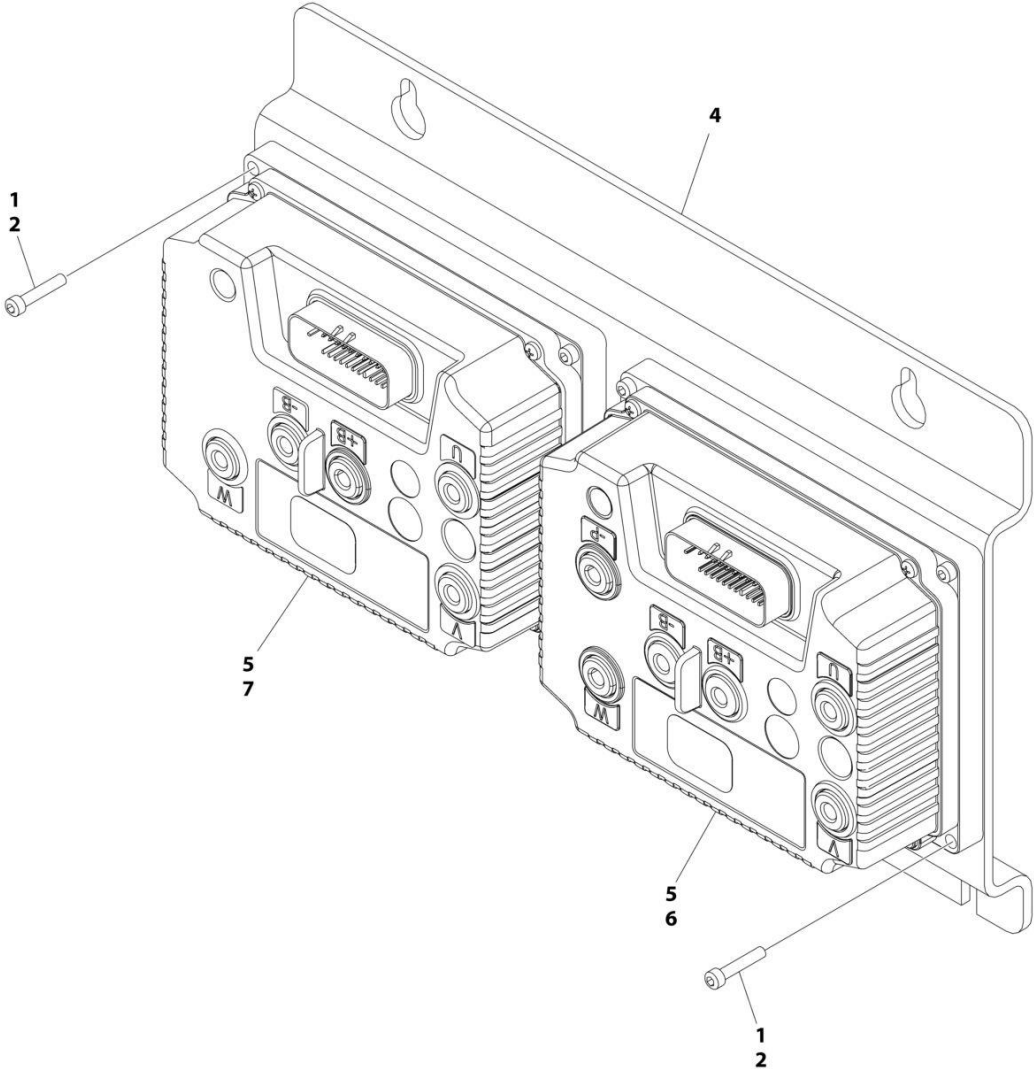
## SECTION 1 - FRAME

**FIGURE 1-22. AC DRIVE ELECTRICAL PLATE ASSEMBLY (UL SPECS)**

ITEM	PART NUMBER	QTY	DESCRIPTION	REV
	1001214669	Ref	AC DRIVE ELECTRICAL PLATE ASSEMBLY (UL SPECS)	B
1	0100035	AR	Compound, Locking	
2	3931012	25	Capscrew #10 x 3/4	
3	4711000	17	Washer #10	
4	1001170367	1	Relay, 300Amp	
4	1001272006	1	Relay, 350Amp	
5	1001174447	1	Converter	
6	1001180653	1	Plate, Mounting	
7	1001186860	1	Stud, Power Distribution	
8	1001212359	1	Stud, Power Distribution (Red)	
9	1001212450	1	Insulate, Converter	
10	1001214667	2	Relay	

**SECTION 1 - FRAME**

**FIGURE 1-23. DRIVE MODULE PLATE ASSEMBLY**



ART\_1001180780



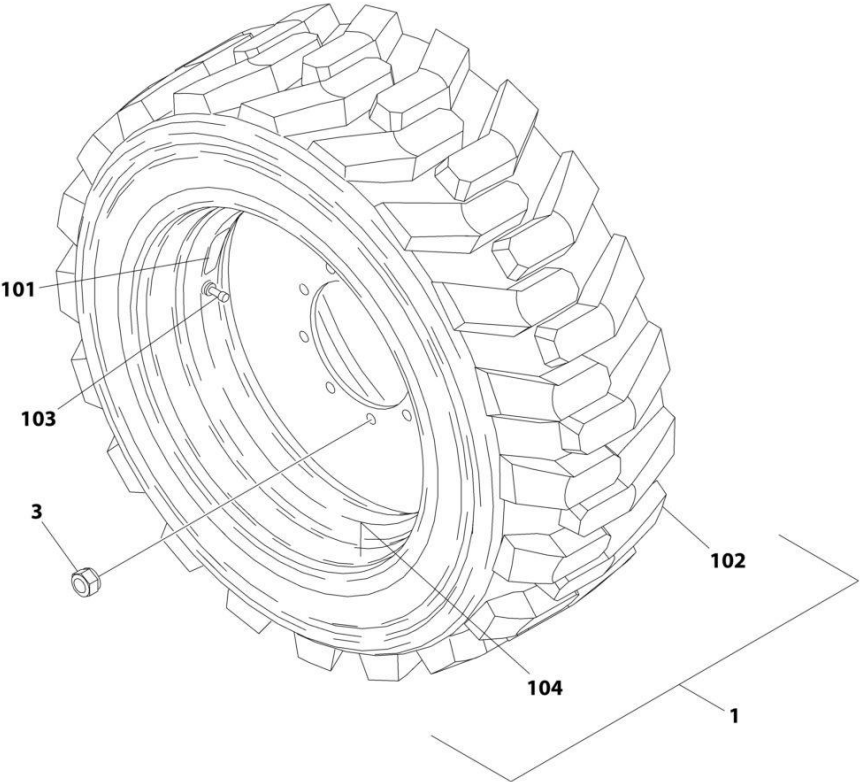
## SECTION 1 - FRAME

### FIGURE 1-23. DRIVE MODULE PLATE ASSEMBLY

ITEM	PART NUMBER	QTY	DESCRIPTION	REV
	1001180780	Ref	DRIVE MODULE PLATE ASSEMBLY	C
1	0100035	AR	Compound, Locking	
2	3931016	8	Capscrew #10 x 1	
4	1001180779	1	Plate, Mounting	
5	0100083	AR	Grease	
6	1001178339	1	Module, Drive	
7	1001192212	1	Module, Drive	

**SECTION 1 - FRAME**

**FIGURE 1-24. TIRE AND WHEEL INSTALLATION - 36/14LL X 22.5 FOAM-FILLED NON-MARKING**



ART\_0272694

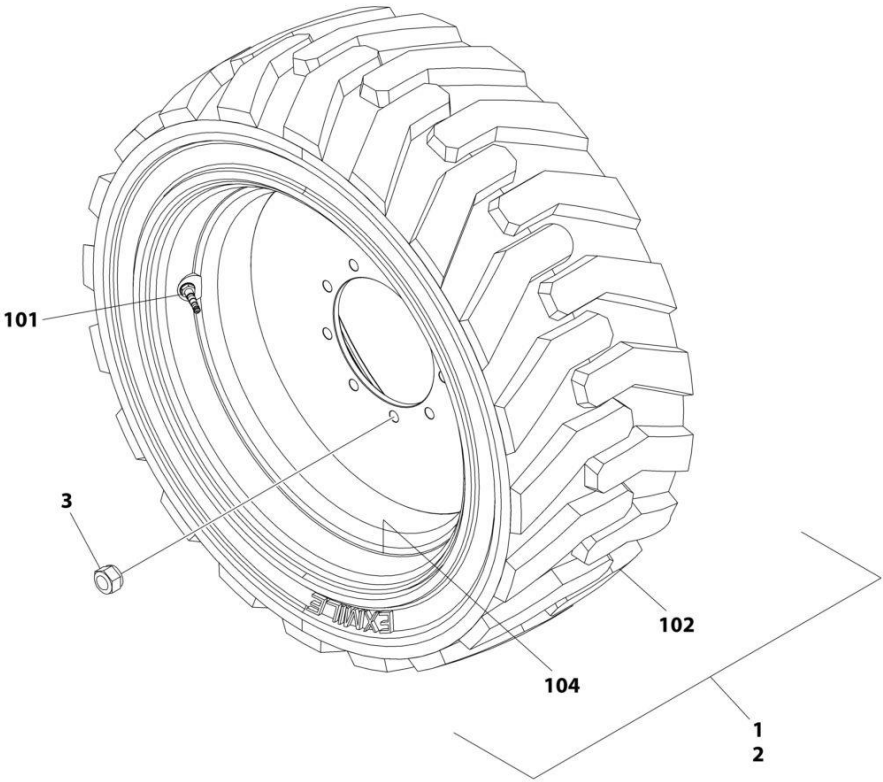
## SECTION 1 - FRAME

**FIGURE 1-24. TIRE AND WHEEL INSTALLATION - 36/14LL X 22.5 FOAM-FILLED NON-MARKING**

ITEM	PART NUMBER	QTY	DESCRIPTION	REV
	0272694	Ref	TIRE AND WHEEL INSTALLATION - 36/14LL X 22.5 FOAM-FILLED NON-MARKING	B
		Ref	Note: Assemblies may require ballast/foam filling to manufacturer's specifications prior to installing on a machine. Refer to Operation and Safety or Service and Maintenance Manuals. Purchase individual tire and/or rim only if able to foam fill tire and wheel assembly, otherwise, purchase complete assembly.	
1	0272692	2	36/14LL x 22.5 Foam-Filled Non-Marking (Right Side)	E
1	0272693	2	36/14LL x 22.5 Foam-Filled Non-Marking (Left Side)	E
3	3300426	36	Nut 5/8	
101	1702698	1	Decal - 55PSI/4BAR (Pneumatic Only)	
102	4520264	1	Tire, Replacement (36/14LL x 22.5)	
103	4641122	1	Valve, Air	
104	4860212	1	Rim, Wheel	

**SECTION 1 - FRAME**

**FIGURE 1-25. TIRE AND WHEEL INSTALLATION - 355/55D625 FOAM FILLED**



ART\_1001285720

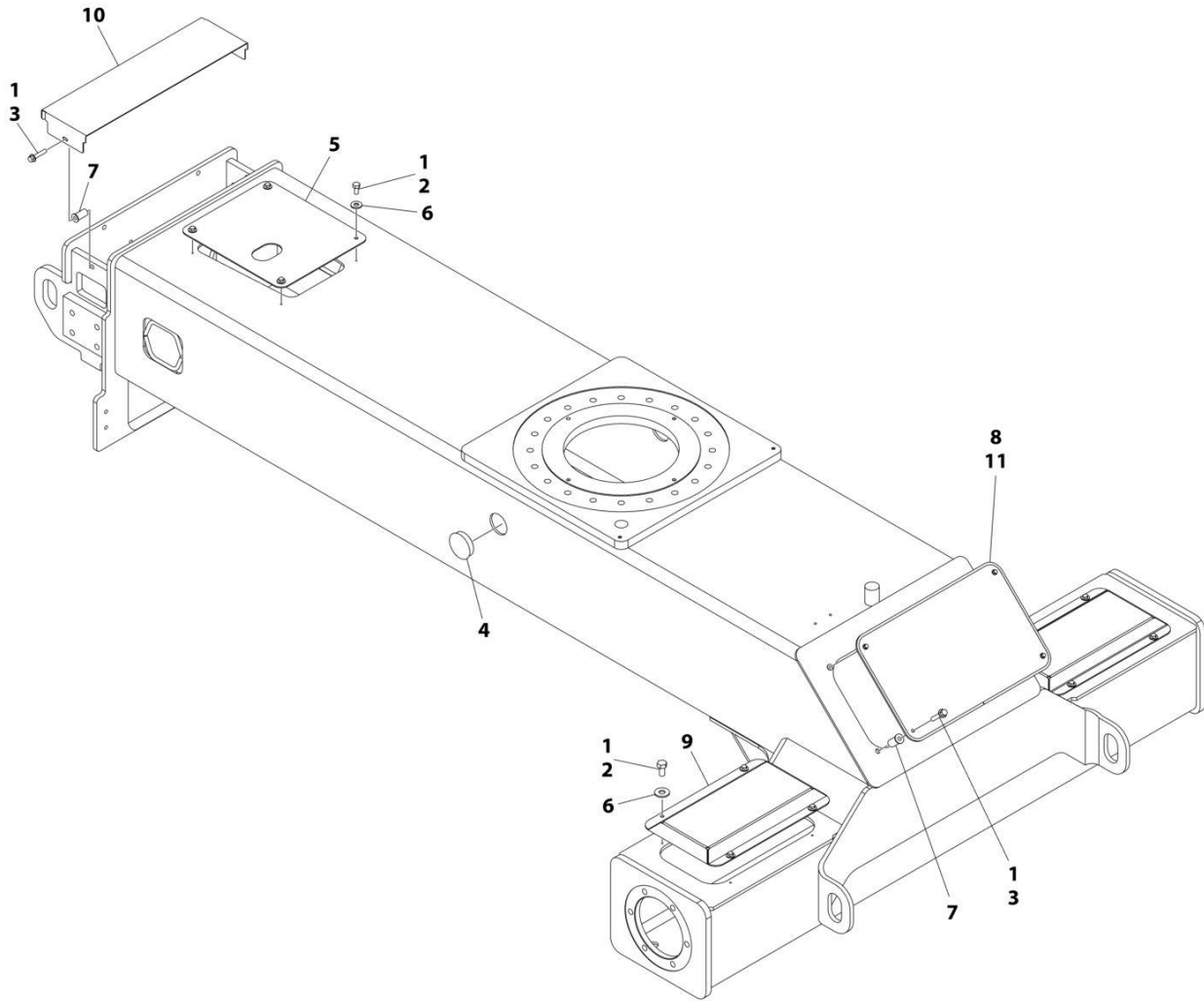
## SECTION 1 - FRAME

**FIGURE 1-25. TIRE AND WHEEL INSTALLATION - 355/55D625 FOAM FILLED**

ITEM	PART NUMBER	QTY	DESCRIPTION	REV
	1001285720	Ref	TIRE AND WHEEL INSTALLATION - 355/55D625 FOAM FILLED	A
		Ref	Note: Assemblies may require ballast/foam filling to manufacturer's specifications prior to installing on a machine. Refer to Operation and Safety or Service and Maintenance Manuals. Purchase individual tire and/or rim only if able to foam fill tire and wheel assembly, otherwise, purchase complete assembly.	
1	1001282160	2	355/55D625 Foam-Filled (Left Side) (Includes Items 101-104)	B
2	1001282161	2	355/55D625 Foam-Filled (Right Side) (Includes Items 101-104)	B
3	3300426	36	Nut 5/8	
101	4641122	1	Valve, Air	
102	1001277859	1	Tire, Replacement (355/55D625)	
104	1001285719	1	Rim, Wheel	

# SECTION 1 - FRAME

## FIGURE 1-26. FRAME SHIELDS INSTALLATION



ART\_1001181065

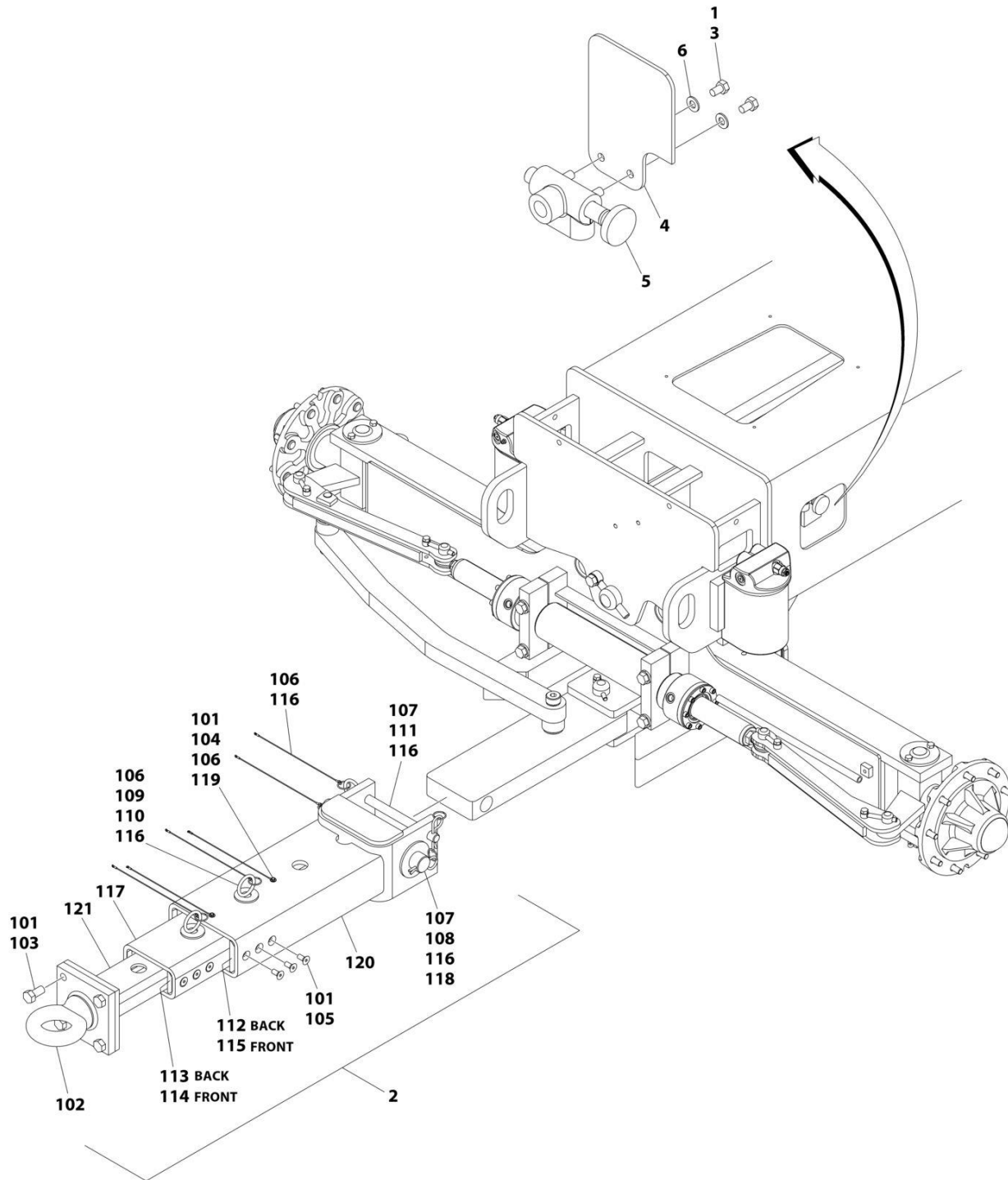
## SECTION 1 - FRAME

**FIGURE 1-26. FRAME SHIELDS INSTALLATION**

ITEM	PART NUMBER	QTY	DESCRIPTION	REV
	1001181065	Ref	FRAME SHIELDS INSTALLATION	C
1	0100011	AR	Compound, Locking	
2	0641505	12	Bolt 5/16 x 5/8	
3	0791410	8	Screw 1/4 x 1-1/4	
4	3520064	2	Plug	
5	1001194312	1	Cover, Front Frame	
6	4751500	12	Washer 5/16	
7	8580420	8	Nut, Well	
8	1001172293	1	Cover, Rear Frame	
9	1001180652	2	Cover, Axle	
10	1001181924	1	Cover, Front Frame	
11	4060804	5.5 ft/ 1.7m	Flex-Trim	

# SECTION 1 - FRAME

## FIGURE 1-27. TOW PACKAGE INSTALLATION WITHOUT NATO EYE



ART\_0270527



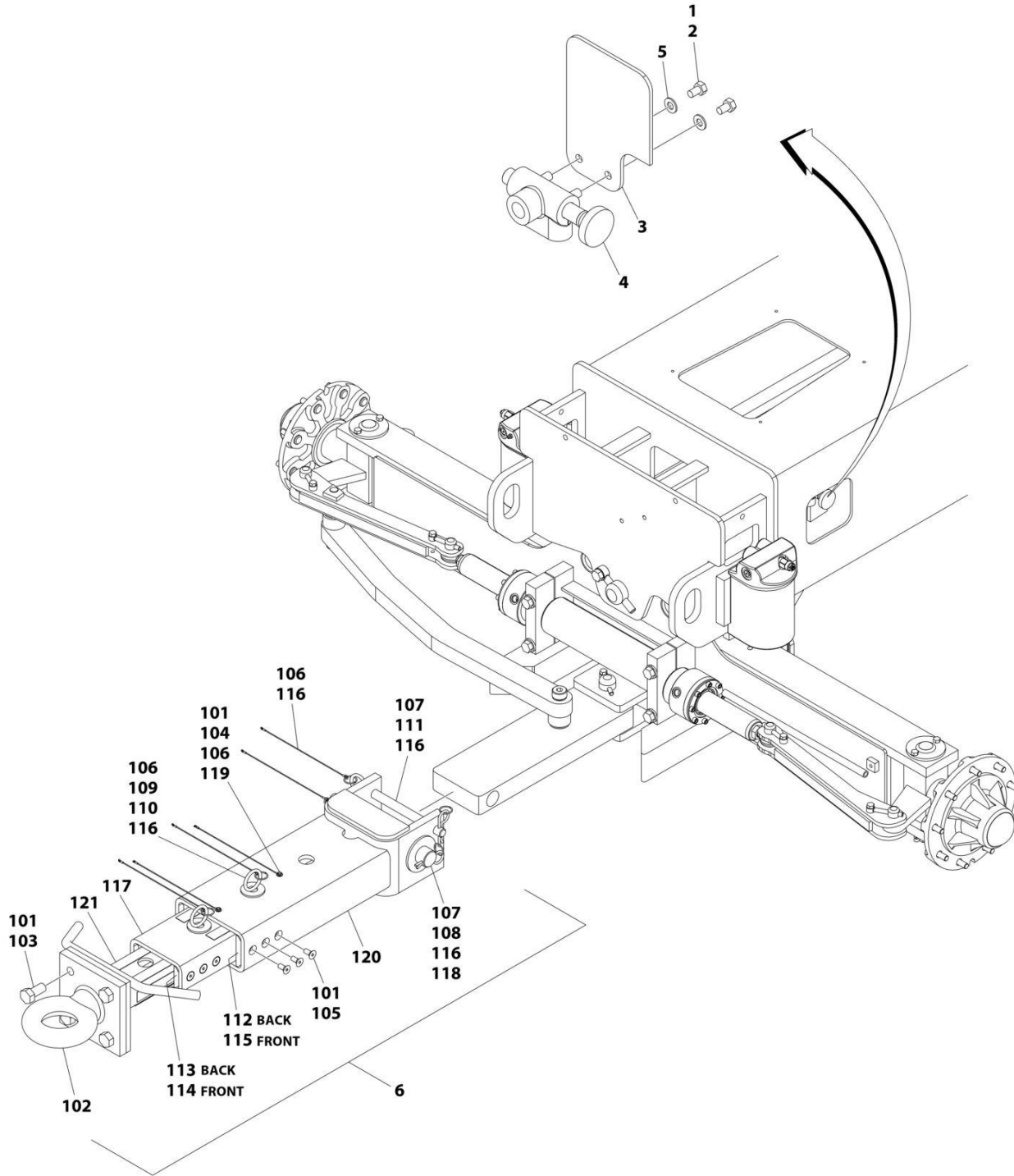
## SECTION 1 - FRAME

**FIGURE 1-27. TOW PACKAGE INSTALLATION WITHOUT NATO EYE**

ITEM	PART NUMBER	QTY	DESCRIPTION	REV
	0270527	Ref	TOW PACKAGE INSTALLATION WITHOUT NATO EYE	C
1	0100011	AR	Compound, Locking	
2	0270528	1	Tow Bar Assembly (See Items 101-121 for Breakdown)	
3	0641504	2	Bolt 5/16 x 1/2	
4	3572506	1	Plate, Valve Mounting	
5	4640261	1	Valve, Tow	
6	4711500	2	Washer 5/16	
	0270528	Ref	TOW BAR ASSEMBLY	B
101	0100011	AR	Compound, Locking	
102	0362910	1	Hook, Pintle Eye	
103	0642010	4	Bolt 5/8 x 1-1/4	
104	0721004	2	Screw	
105	0741607	24	Screw 3/8 x 7/8	
106	1060584	6	Lanyard	
107	3420372	2	Pin, Cotter	
108	3420447	1	Pin, Towing	
109	3421565	2	Pin, Snap	
110	3422841	2	Pin	
111	3422847	1	Pin	
112	3572009	2	Plate, Slide Stop	
113	3572010	2	Plate, Slide Stop	
114	3572011	2	Plate, Slide Stop	
115	3572012	2	Plate, Slide Stop	
116	3760170	8	Ring, Split	
117	4568133	1	Tow Bar - Middle	
118	4740036	1	Washer	
119	4751000	2	Washer #10	
120	4846295	1	Tow Bar - Outer	
121	4846296	1	Tow Bar - Inner	

# SECTION 1 - FRAME

## FIGURE 1-28. TOW PACKAGE INSTALLATION WITH NATO EYE



ART\_1001191471

## SECTION 1 - FRAME

**FIGURE 1-28. TOW PACKAGE INSTALLATION WITH NATO EYE**

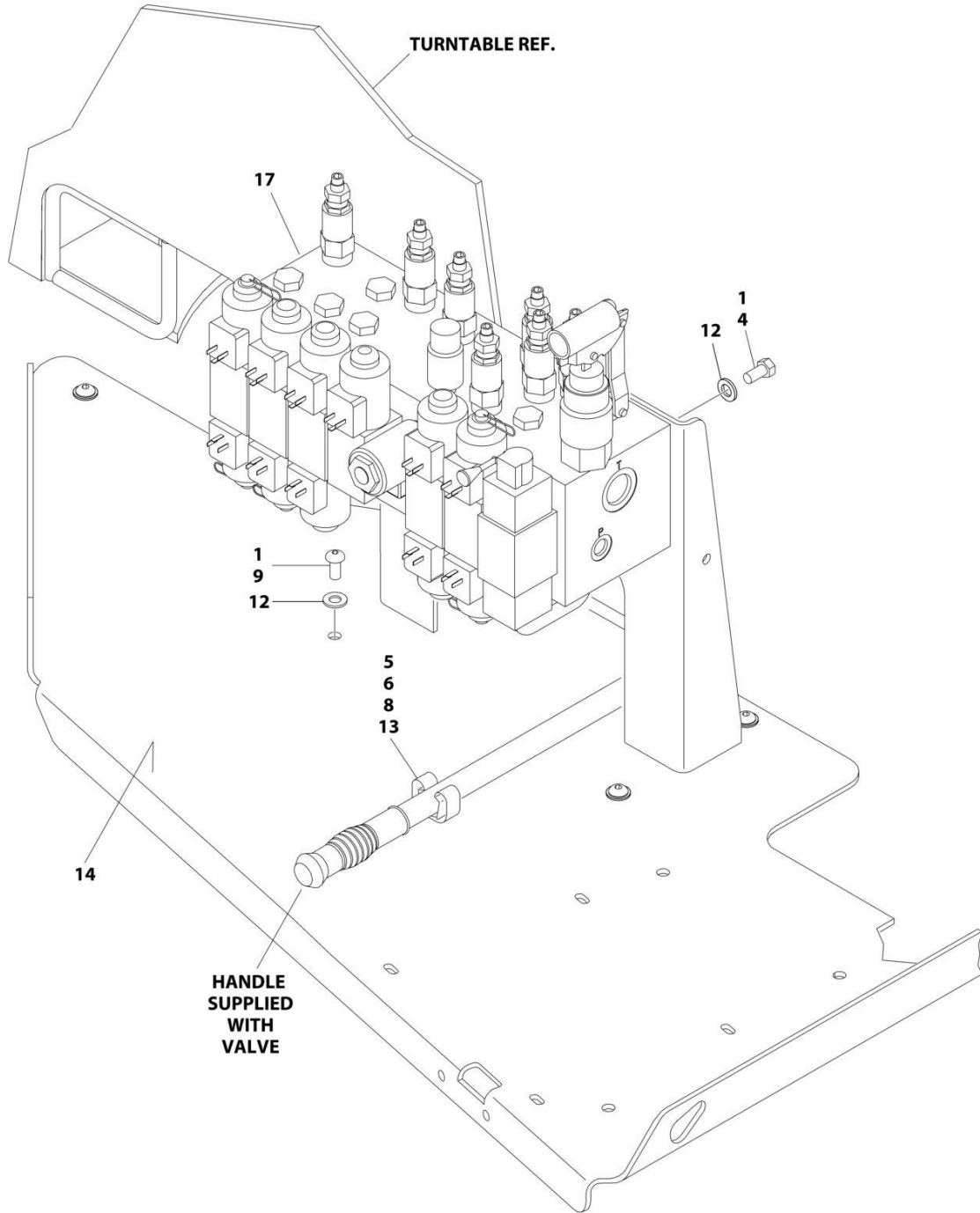
ITEM	PART NUMBER	QTY	DESCRIPTION	REV
	1001191471	Ref	TOW PACKAGE INSTALLATION WITH NATO EYE	B
1	0100011	AR	Compound, Locking	
2	0641504	2	Bolt 5/16 x 1/2	
3	3572506	1	Plate, Valve Mounting	
4	4640261	1	Valve, Tow	
5	4711500	2	Washer 5/16	
6	1001191469	1	Tow Bar Assembly (See Items 101-121 for Breakdown)	
	1001191469	Ref	TOW BAR ASSEMBLY	A
101	0100011	AR	Compound, Locking	
102	1001191463	1	Eye-Hook, Pintle	
103	0682212	4	Bolt 3/4 x 1-1/2	
104	0721004	2	Screw	
105	0741607	24	Screw 3/8 x 7/8	
106	1060584	6	Lanyard	
107	3420372	2	Pin, Cotter	
108	3420447	1	Pin, Towing	
109	3421565	2	Pin, Snap	
110	3422841	2	Pin	
111	3422847	1	Pin	
112	3572009	2	Plate, Slide Stop	
113	3572010	2	Plate, Slide Stop	
114	3572011	2	Plate, Slide Stop	
115	3572012	2	Plate, Slide Stop	
116	3760170	8	Ring, Split	
117	4568133	1	Tow Bar - Middle	
118	4740036	1	Washer	
119	4751000	2	Washer #10	
120	1001191489	1	Tow Bar - Outer	
121	1001191493	1	Tow Bar - Inner	



**SECTION 2 - TURNTABLE**

# SECTION 2 - TURNTABLE

FIGURE 2-1. MAIN CONTROL INSTALLATION - EC600SJ & H600SJ



ART\_1001250318\_10F2

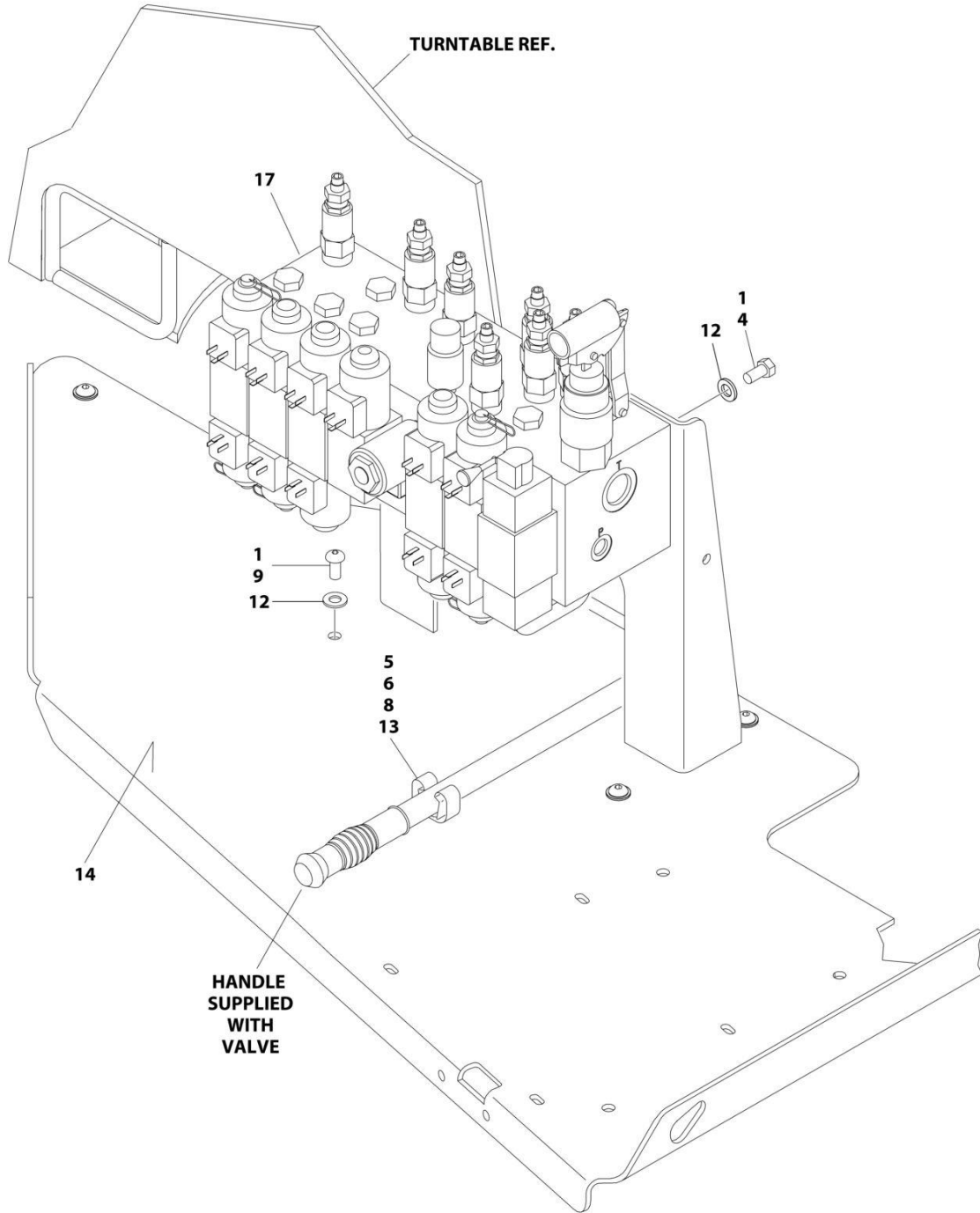
# SECTION 2 - TURNTABLE

**FIGURE 2-1. MAIN CONTROL INSTALLATION - EC600SJ & H600SJ**

ITEM	PART NUMBER	QTY	DESCRIPTION	REV
	1001250318	Ref	MAIN VALVE INSTALLATION	B
1	0100011	AR	Compound, Locking	
4	0641606	4	Bolt 3/8 x 3/4	
5	0741005	2	Bolt #10 x 5/8	
6	1380136	2	Clip	
8	3311005	2	Nut #10	
9	3900283	7	Screw	
12	4711600	11	Washer 3/8	
13	4751000	4	Washer #10	
14	4846183	1	Tray	
17	1001219391	1	Main Control Valve Assembly (See Separate Breakdown in this Section)	

# SECTION 2 - TURNTABLE

FIGURE 2-2. MAIN CONTROL INSTALLATION - EC600SJP & H600SJP



ART\_1001250319\_10F2



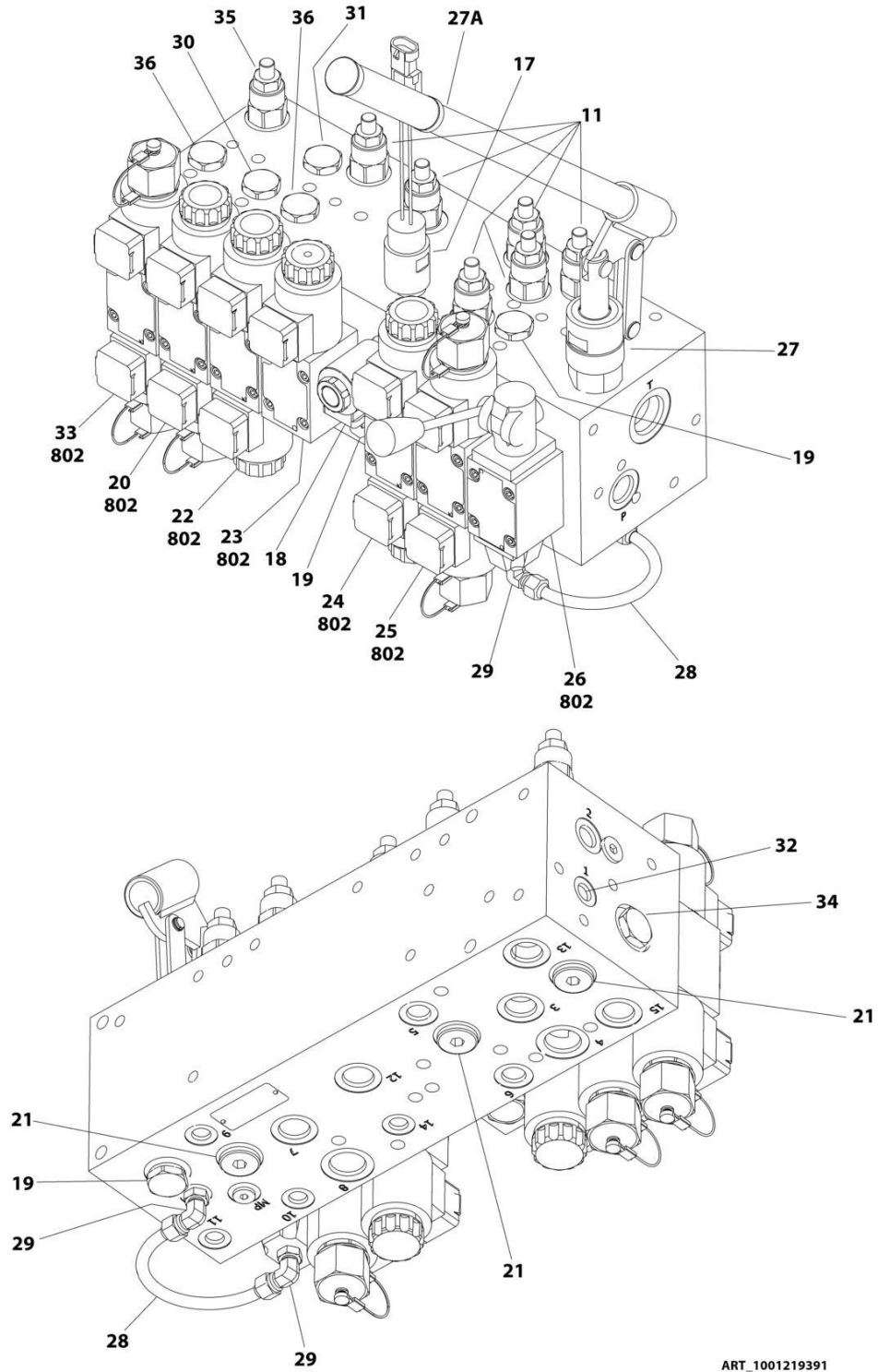
**SECTION 2 - TURNTABLE**

**FIGURE 2-2. MAIN CONTROL INSTALLATION - EC600SJP & H600SJP**

ITEM	PART NUMBER	QTY	DESCRIPTION	REV
	1001250319	Ref	MAIN VALVE INSTALLATION	B
1	0100011	AR	Compound, Locking	
4	0641606	4	Bolt 3/8 x 3/4	
5	0741005	2	Bolt #10 x 5/8	
6	1380136	2	Clip	
8	3311005	2	Nut #10	
9	3900283	7	Screw	
12	4711600	11	Washer 3/8	
13	4751000	4	Washer #10	
14	4846183	1	Tray	
17	1001219391	1	Main Control Valve Assembly (See Separate Breakdown in this Section)	

# SECTION 2 - TURNTABLE

## FIGURE 2-3. MAIN CONTROL VALVE ASSEMBLY



ART\_1001219391

## SECTION 2 - TURNTABLE

### FIGURE 2-3. MAIN CONTROL VALVE ASSEMBLY

ITEM	PART NUMBER	QTY	DESCRIPTION	REV
	1001219391	Ref	MAIN CONTROL VALVE ASSEMBLY	D
11	70003019	6	Cartridge, Relief	
11	70004052	6	Seal Kit - 70003019 Valve	
17	7021619	1	Cartridge, Pressure Switch (Brake)	
18	70007284	1	Cartridge without Coil (Brake)	
18	70007285	1	Coil	
19	70004585	3	Cartridge, Valve	
20	70001440	1	Control Valve Assembly (Telescope)	
20	7012773	1	Seal Kit	
20	70003525	1	Nut	
20	70003526	1	Lanyard	
20	7021375	1	Nut	
20	7018943	2	O-Ring between Nut & Coil	
20	70002947	2	Coil	
20	7018945	4	Seal between Valve and Block	
21	70023859	3	Valve, Shuttle	
22	70001342	1	Control Valve Assembly (Steer)	
22	7012773	1	Seal Kit	
22	7021375	1	Nut	
22	7018943	2	O-Ring between Nut & Coil	
22	70002947	2	Coil	
22	7018945	4	Seal between Valve and Block	
13	7022521	1	Control Valve Assembly (Flow Control)	
23	7012773	1	Seal Kit	
23	7021375	1	Nut	
23	7018943	1	O-Ring between Nut & Coil	
23	7018991	2	Coil	
23	7018945	4	Seal between Valve and Block	
24	7024991	1	Control Valve Assembly (Lift)	
24	7012773	1	Seal Kit	
24	7021375	2	Nut	
24	7018943	2	O-Ring between Nut & Coil	
24	7018991	2	Coil	
24	7018945	4	Seal between Valve and Block	
25	70005374	1	Control Valve Assembly (Swing)	
25	70003526	2	Lanyard	
25	70003525	2	Nut	
25	70004461	2	O-Ring between Nut & Coil	
25	7018991	2	Coil	
25	7018945	4	Seal between Valve and Block	
26	7024022	1	Control Valve Assembly (Manual Descent)	
26	7024024	1	Seal Kit	
26	7024023	1	Handle and Actuator End	
27	70007286	1	Pump Assembly	
27A	70007287	1	Handle with Grip	
28	70000435	1	Hose	
29	7018904	1	Fitting, Elbow	
30	70005952	1	Cartridge, Check	
31	70005951	1	Cartridge, Check	
32	7018900	1	Orifice	

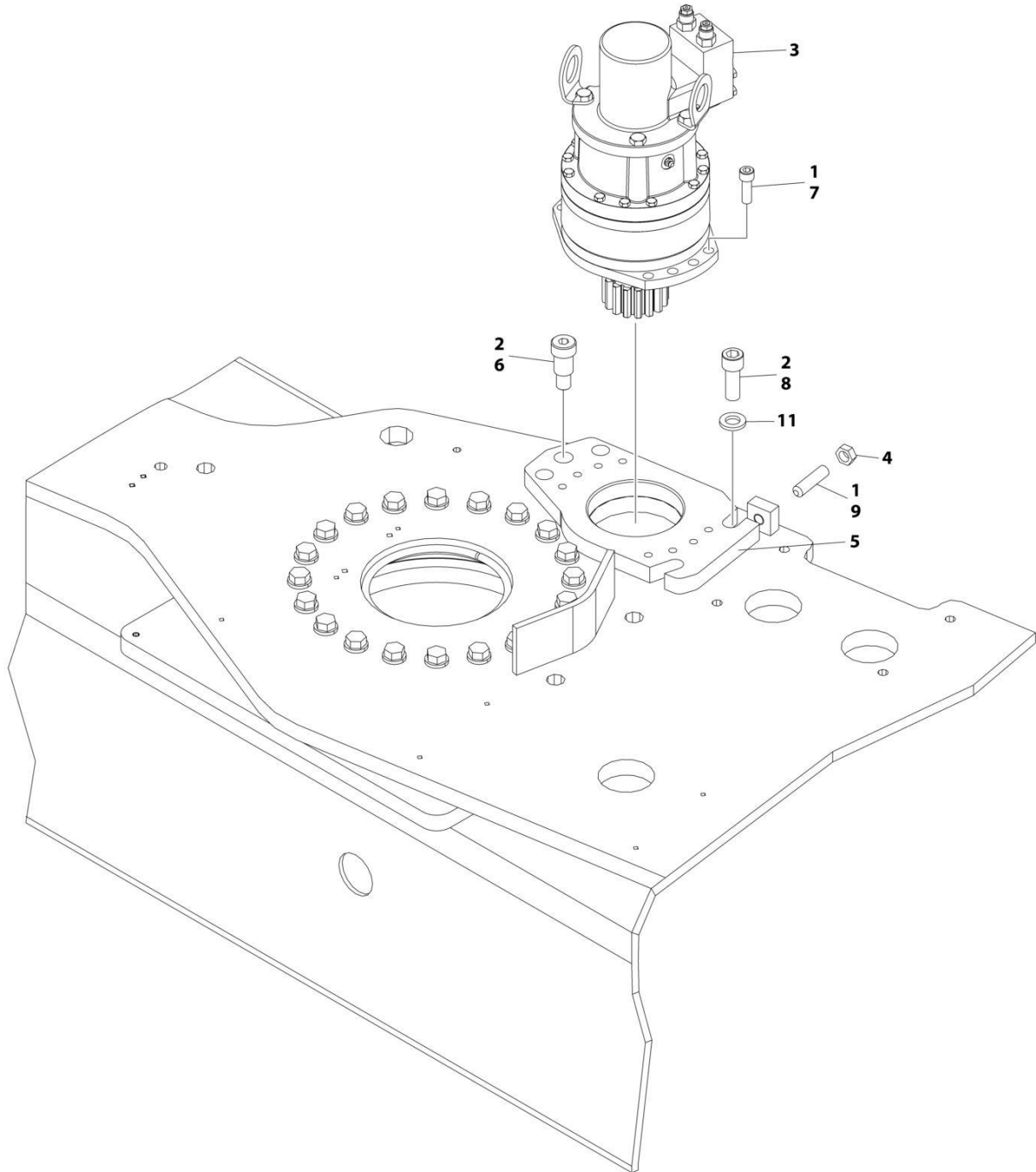
## SECTION 2 - TURNTABLE

ITEM	PART NUMBER	QTY	DESCRIPTION	REV
33	70007288	1	Control Valve Assembly (Jib)	
33	70003526	2	Lanyard	
33	70003525	2	Nut	
33	70004461	2	O-Ring between Nut & Coil	
33	70002947	2	Coil	
33	7018945	4	Seal between Valve and Block	
34	70003021	1	Cartridge, Valve	
34	70004052	1	Seal Kit - 70003021 Valve	
35	70003019	1	Cartridge, Relief	
35	70004052	1	Seal Kit - 70003019 Valve	
36	70005952	2	Cartridge, Check	
802	7018942	28	Capscrew #10 x 2	



# SECTION 2 - TURNTABLE

## FIGURE 2-4. SWING DRIVE INSTALLATION



ART\_0270752

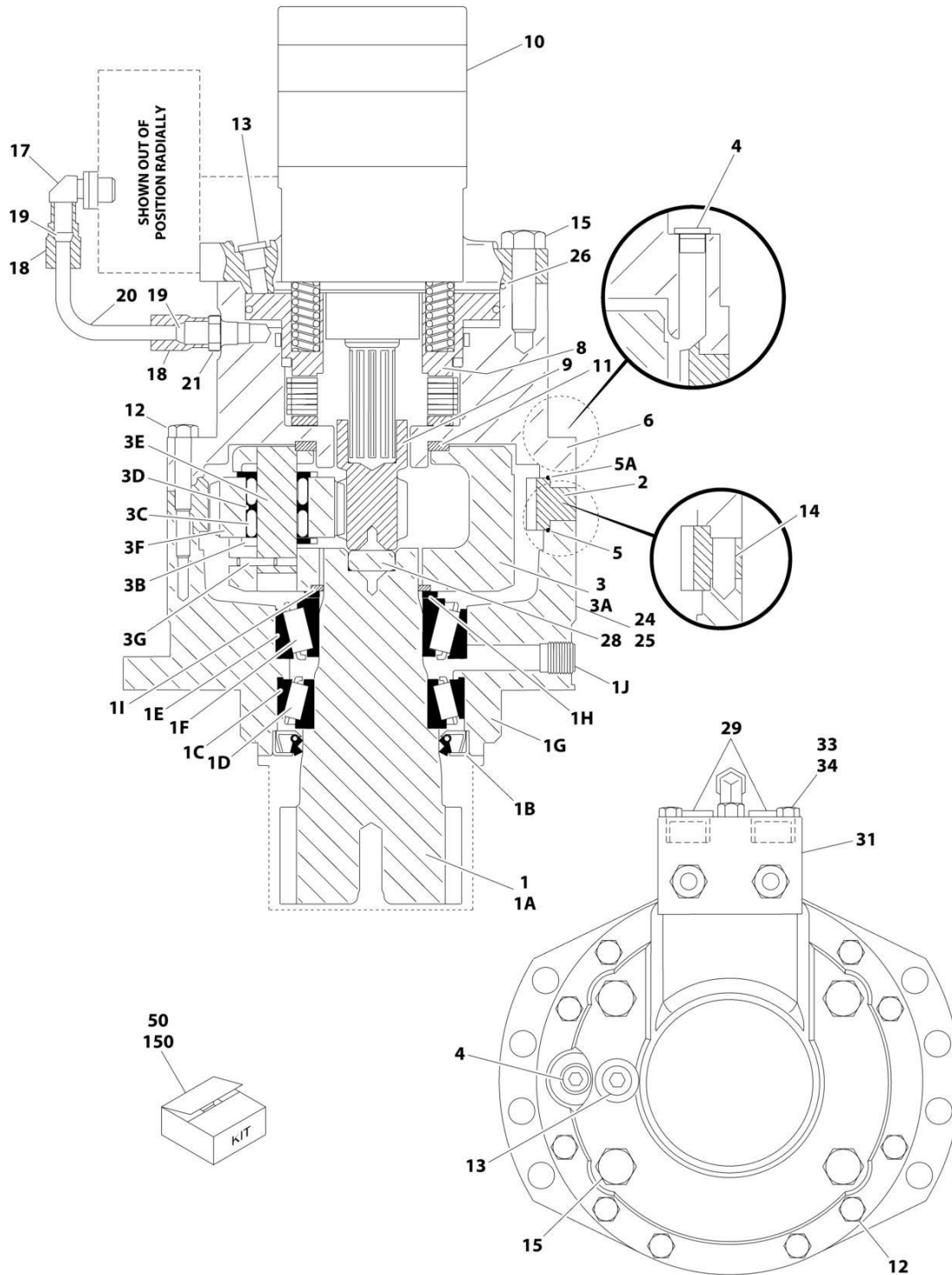
**SECTION 2 - TURNTABLE**

**FIGURE 2-4. SWING DRIVE INSTALLATION**

<b>ITEM</b>	<b>PART NUMBER</b>	<b>QTY</b>	<b>DESCRIPTION</b>	<b>REV</b>
	0270752	Ref	SWING DRIVE INSTALLATION	C
1	0100011	AR	Compound, Locking	
2	0100019	AR	Compound, Locking	
3	3160257	1	Swing Motor Assembly (See Separate Breakdown in this Section)	
4	3312002	1	Nut 5/8	
5	3572628	1	Plate, Mounting	
6	3900293	1	Screw, Shoulder	
7	3931824	8	Capscrew 1/2 x 1-1/2 Grade 8	
8	3932232	4	Bolt 3/4 x 2 Grade 8	
9	3952020	1	Setscrew 5/8 x 2-1/2	
10	4071009	1	Shim (Not Shown - Used on setting gear backlash)	
11	4892200	4	Washer 3/4	

# SECTION 2 - TURNTABLE

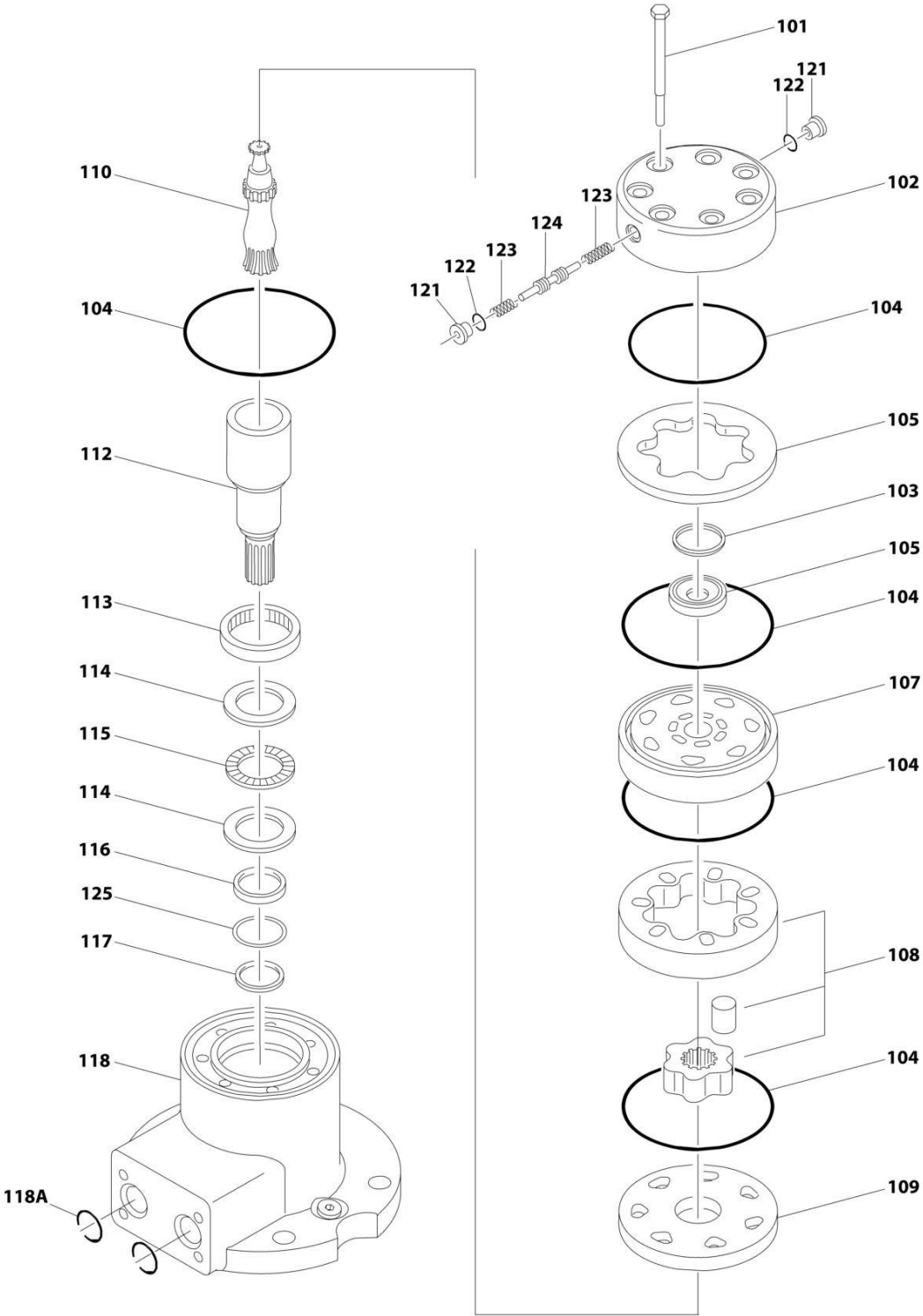
## FIGURE 2-5. SWING MOTOR ASSEMBLY



ART\_3160257\_10F2



# SECTION 2 - TURNTABLE



ART\_3160257\_20F2

## SECTION 2 - TURNTABLE

### FIGURE 2-5. SWING MOTOR ASSEMBLY

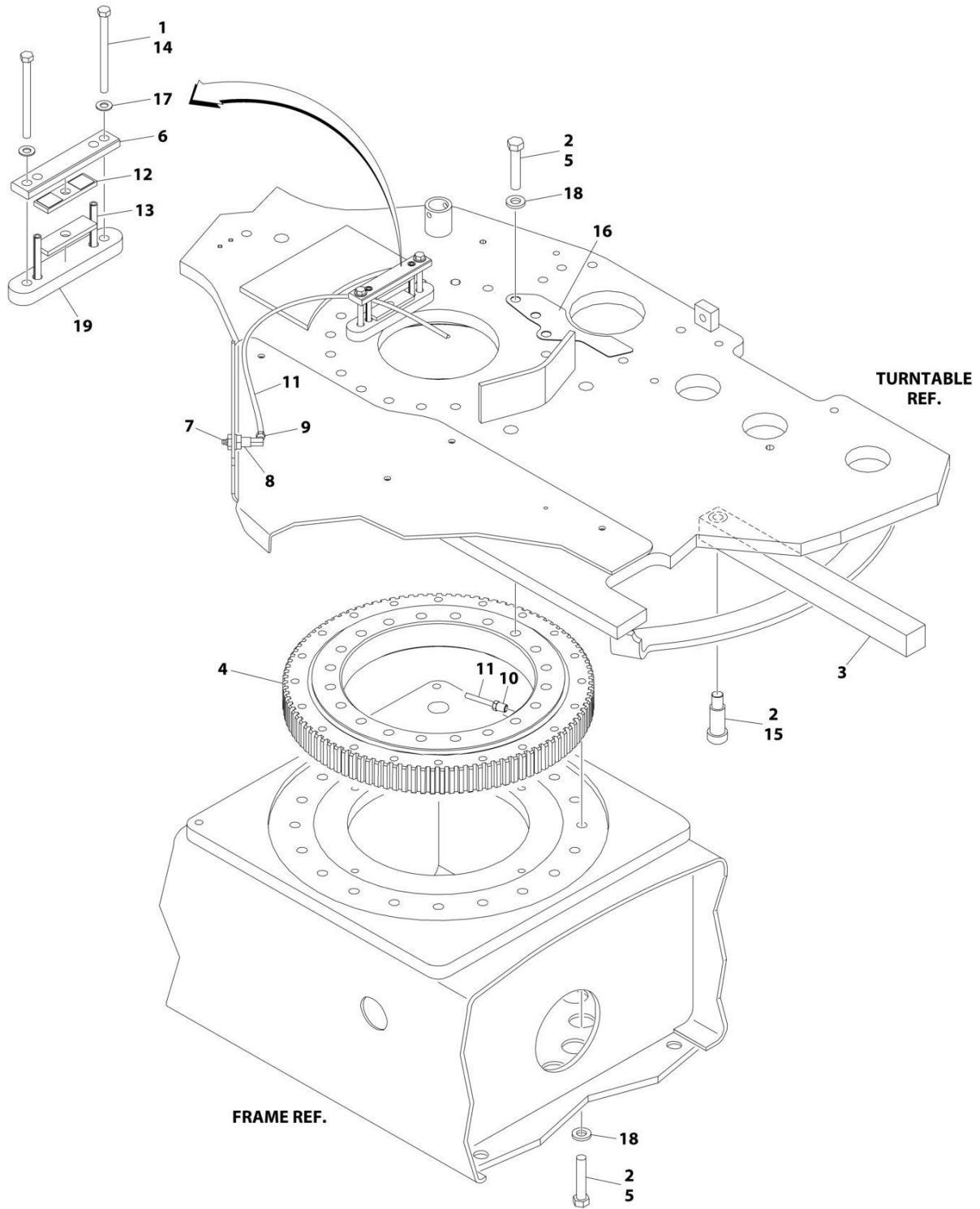
ITEM	PART NUMBER	QTY	DESCRIPTION	REV
	3160257	Ref	SWING MOTOR ASSEMBLY	C
1	See Note	NSS	Housing Assembly (Note: Use p/n 3160257)	
1A	7017069	1	Shaft, Output	
1B	See Note	NSS	Seal, Lip (Note: Use Item 50)	
1C	7000255	1	Bearing, Tapered-Cup	
1D	7000256	1	Bearing, Tapered-Cone	
1E	7000257	1	Bearing, Tapered-Cup	
1F	7000258	1	Bearing, Tapered-Cone	
1G	7017071	1	Housing	
1H	7007633	1	Thrustwasher	
1I	See Note	NSS	Ring, Retaining (Note: Use Item 50)	
1J	7017072	1	Plug, Pipe (With O-Ring)	
2	7000203	1	Gear, Ring	
3	See Note	NSS	Carrier Assembly (Note: Not Available - Purchase Individual Components)	
3A	7017074	1	Carrier	
3B	7001908	6	Thrustwasher, Tanged	
3C	7007637	96	Bearing, Needle	
3D	7000263	3	Spacer, Thrust	
3E	7017073	3	Shaft, Planet	
3F	7017075	3	Gear, Planet	
3G	7001913	3	Pin, Roll	
4	7017023	1	Plug, Pipe (With O-Ring)	
5	See Note	NSS	O-Ring (Special) (Note: Use Item 50)	
5A	See Note	NSS	O-Ring (White) (Note: Use Item 50)	
6	7017077	1	Hub, Brake	
8	7017079	1	Brake, Input	
8	7024199	1	Friction Disc Kit	
8	7024700	1	Spring Kit	
8	7024701	1	Brake Seal Kit	
9	7017076	1	Gear, Sun	
10	7017088	1	Motor, Hydraulic (See Items 101-150 for Breakdown)	
11	See Note	NSS	Thrustwasher (Note: Use Item 50)	
12	See Note	NSS	Bolt (Note: Use Item 50)	
13	7017082	1	Plug, Pipe (With O-Ring)	
14	7017080	4	Pin, Dowel	
15	7024136	4	Bolt	
17	7017085	1	Elbow	
18	7017083	2	Nut, Tube	
19	7017084	2	Tube, Female	
20	7017087	1	Tubing	
21	7017086	1	Connector, Straight	
24	See Note	NSS	Plate, ID (Note: Not Available for Purchase)	
25	7000281	2	Screw, Drive	
26	See Note	NSS	O-Ring (Note: Use Item 50)	
28	7017078	1	Spacer, Input	
29	7001926	2	Plug, Pipe (With O-Ring)	
31	4640741	1	Valve, Motor Control	
33	See Note	NSS	Washer, Flat (Note: Use Item 50)	
34	7024135	4	Bolt	

## SECTION 2 - TURNTABLE

ITEM	PART NUMBER	QTY	DESCRIPTION	REV
50	7024136	1	Seal Kit (Includes Items 1B, 11, 5, 5A, 11, 12, 15, 26 & 33)	B
	7017088	Ref	HYDRAULIC MOTOR ASSEMBLY	
101	7024382	7	Bolt	
102	7004035	1	Cover, End	
103	See Note	NSS	Seal, Commutator (Note: Use Item 150)	
104	See Note	NSS	Seal, Ring (Note: Use Item 150)	
105	7024378	1	Commutator and Ring Assembly	
107	7024379	1	Manifold	
108	7024383	1	Rotor Set	
108	See Note	NSS	Rotor (Note: Use p/n 7024383)	
108	See Note	NSS	Stator (Note: Use p/n 7024383)	
108	See Note	NSS	Vane (Note: Use p/n 7024383)	
109	7024380	1	Plate, Wear	
110	7024384	1	Link, Drive	
112	7024386	1	Shaft, Coupling	
113	7024381	1	Bushing, Bronze	
114	7004043	2	Thrustwasher	
115	7004044	1	Bearing, Thrust	
116	See Note	NSS	Seal, Inner (Note: Use Item 150)	
117	See Note	NSS	Washer, Back-up (Note: Use Item 150)	
118	7024385	1	Housing	
118A	See Note	NSS	O-Ring (Note: Use Item 150)	
121	7010795	2	Plug	
122	7024387	2	O-Ring	
123	7024388	2	Spring	
124	7017088	1	Valve (Note: Not Available for Purchase)	
125	See Note	NSS	Washer, Back-up (Note: Use Item 150)	
150	7024389	1	Seal Kit (Includes Items 103, 104, 116, 117, 118A & 125)	

# SECTION 2 - TURNTABLE

## FIGURE 2-6. TURNTABLE BEARING, STOP AND LUBE INSTALLATION



ART\_1001175087

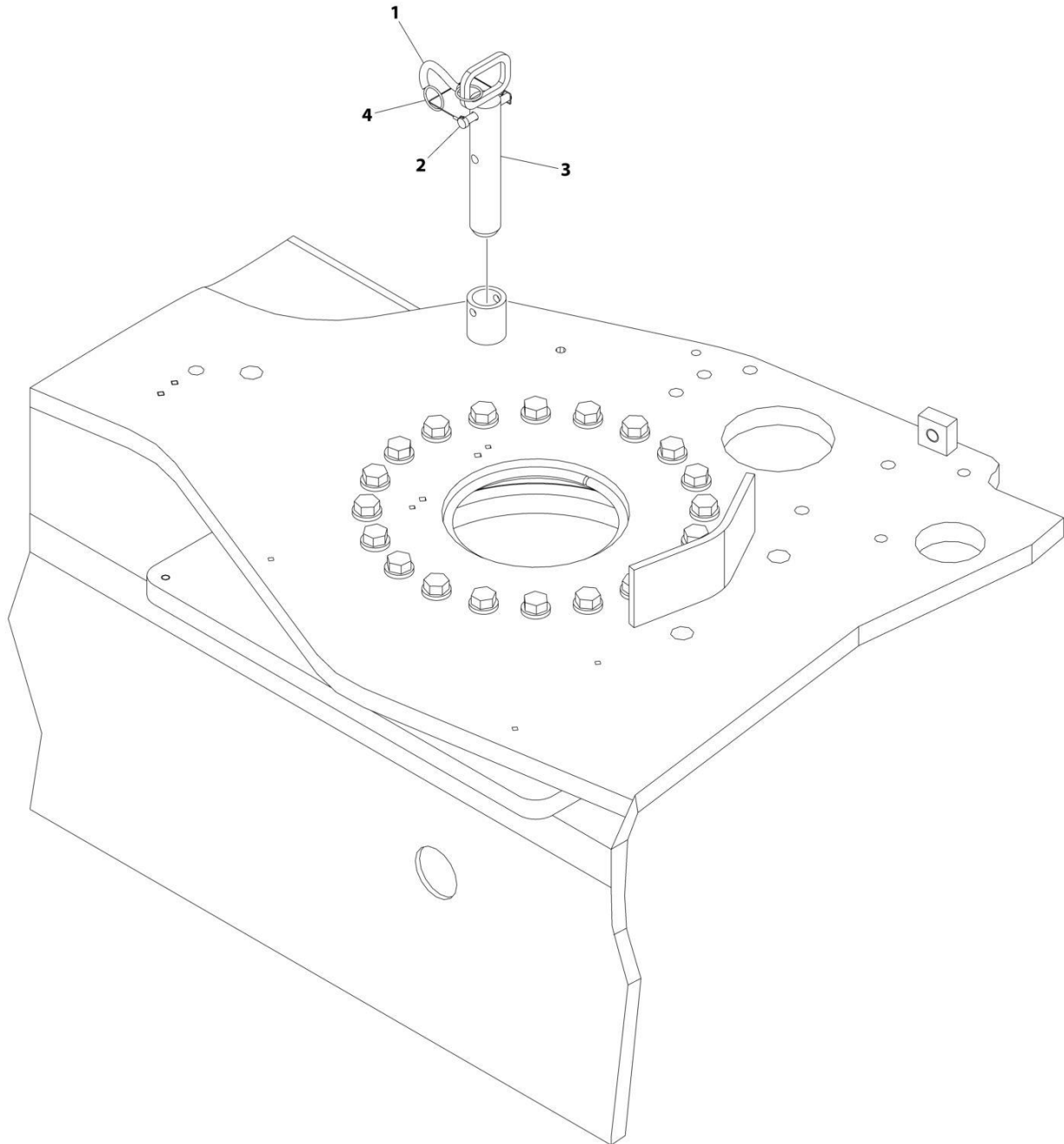
# SECTION 2 - TURNTABLE

**FIGURE 2-6. TURNTABLE BEARING, STOP AND LUBE INSTALLATION**

ITEM	PART NUMBER	QTY	DESCRIPTION	REV
	1001175087	Ref	TURNTABLE BEARING, STOP AND LUBE INSTALLATION	B
1	0100011	AR	Compound, Locking	
2	0100019	AR	Compound, Locking	
3	0259849	1	Stop, Turntable	
4	0440240	1	Bearing, Turntable	
5	0682026	40	Bolt 5/8 x 3-1/4 Grade 8	
6	1320271	1	Bar, Clamp	
7	2160002	1	Fitting, Grease	
8	2180344	1	Fitting, Bulkhead	
9	2220063	1	Fitting, Adapter	
10	2220273	1	Fitting, Reducer	
11	2751095	1	Hose	
12	3340860	2	Pad, Rubber	
13	3441260	2	Rollpin	
14	3900262	2	Capscrew 3/8 x 4-3/4	
15	3900284	1	Screw, Shoulder	
16	4071010	1	Shim	
17	4711600	2	Washer 3/8	
18	4892000	40	Washer 5/8	
19	1001175088	1	Clamp, Hose Protector	

## SECTION 2 - TURNTABLE

FIGURE 2-7. TURNTABLE LOCK INSTALLATION



ART\_0239585

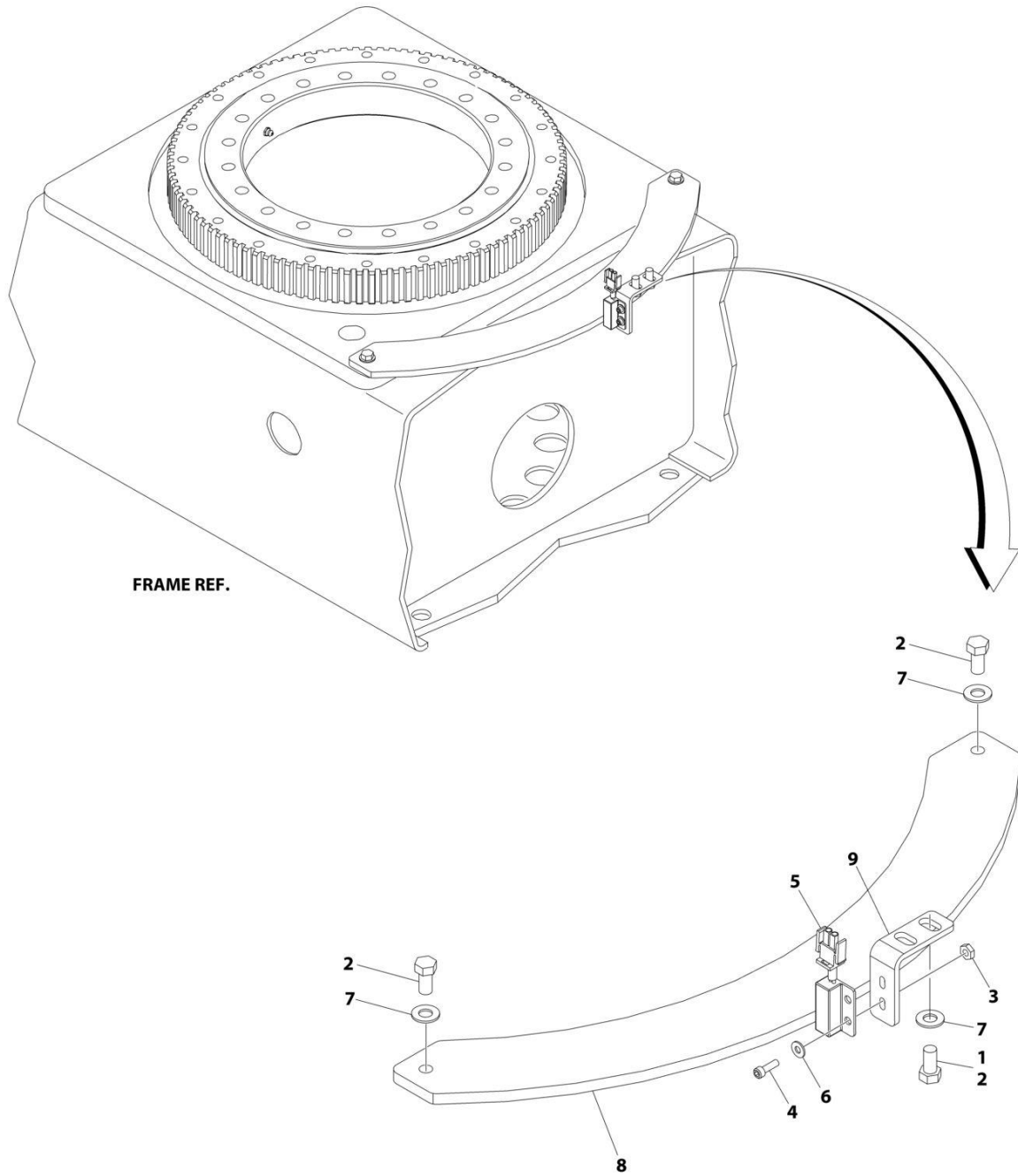
**SECTION 2 - TURNTABLE**

**FIGURE 2-7. TURNTABLE LOCK INSTALLATION**

<b>ITEM</b>	<b>PART NUMBER</b>	<b>QTY</b>	<b>DESCRIPTION</b>	<b>REV</b>
	0239585	Ref	TURNTABLE LOCK INSTALLATION	D
1	1260017	9 in/23cm	Chain	
2	3421565	1	Pin, Snap	
3	1001169582	1	Pin, Lock	
4	3760170	2	Ring, Quick Release	

# SECTION 2 - TURNTABLE

## FIGURE 2-8. DRIVE ORIENTATION INSTALLATION



ART\_1001200255



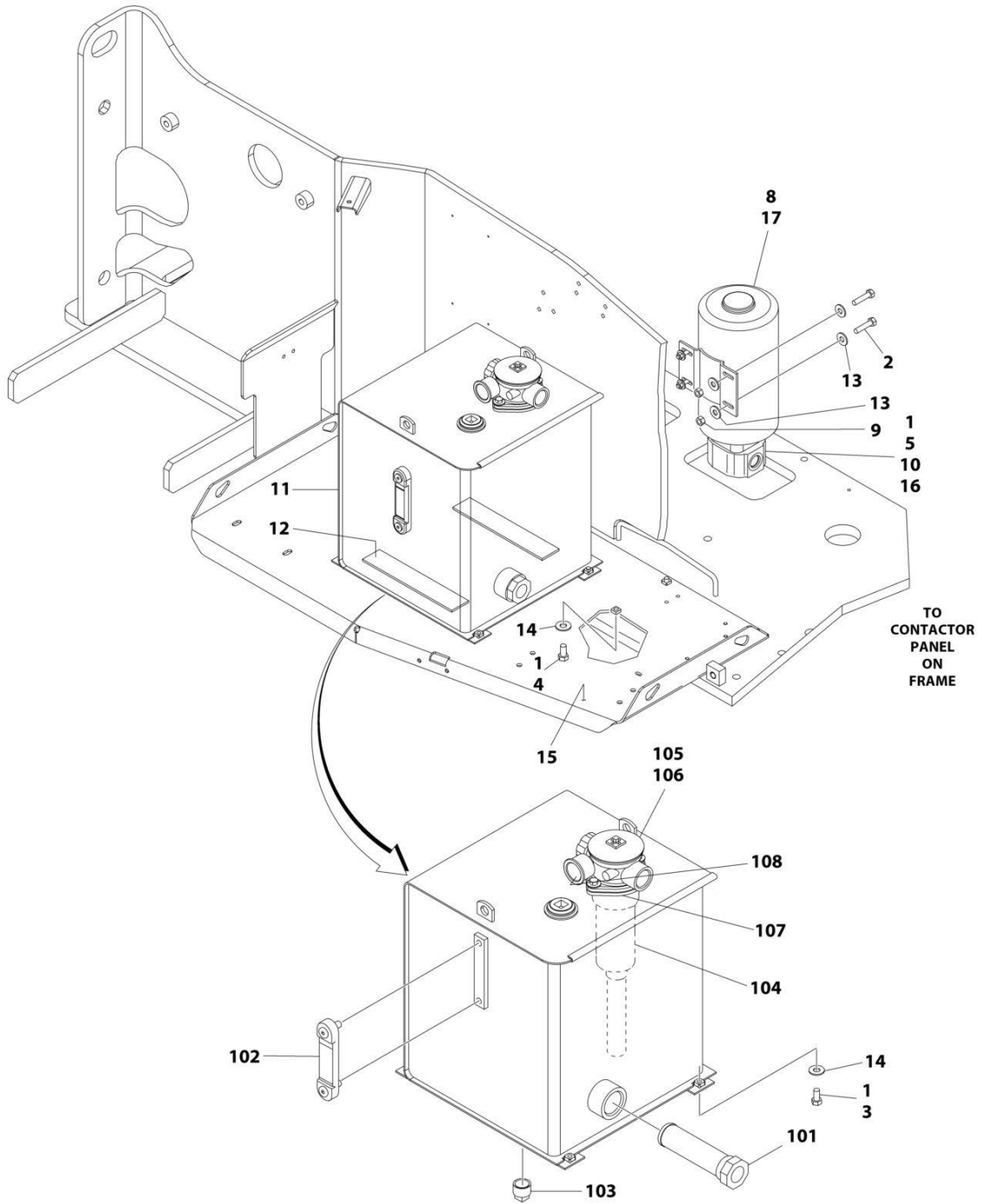
**SECTION 2 - TURNTABLE**

**FIGURE 2-8. DRIVE ORIENTATION INSTALLATION**

<b>ITEM</b>	<b>PART NUMBER</b>	<b>QTY</b>	<b>DESCRIPTION</b>	<b>REV</b>
	1001200255	Ref	DRIVE ORIENTATION INSTALLATION	A
1	0100011	AR	Compound, Locking	
2	0641606	4	Bolt 3/8 x 3/4	
3	3311005	2	Nut #10	
4	3931010	2	Capscrew #10 x 5/8	
5	4360517	1	Switch, Proximity	
6	4711000	2	Washer #10	
7	4711600	4	Washer 3/8	
8	1001116031	1	Cam	
9	1001116106	1	Bracket, Switch Mounting	

# SECTION 2 - TURNTABLE

## FIGURE 2-9. HYDRAULIC TANK AND PUMP/MOTOR INSTALLATION (NON-UL SPECS)



ART\_1001174891

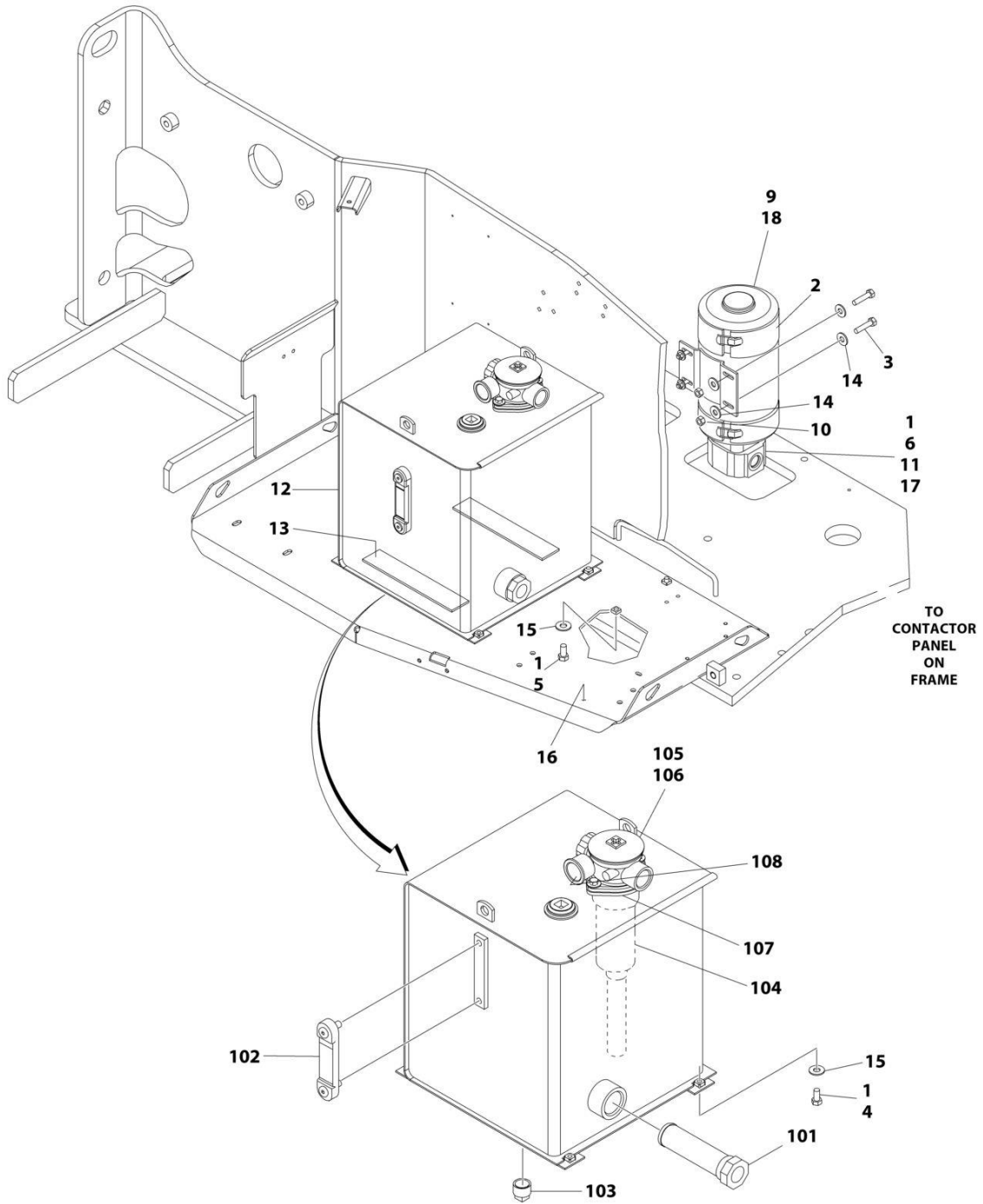
## SECTION 2 - TURNTABLE

**FIGURE 2-9. HYDRAULIC TANK AND PUMP/MOTOR INSTALLATION (NON-UL SPECS)**

ITEM	PART NUMBER	QTY	DESCRIPTION	REV
	1001174891	Ref	HYDRAULIC TANK AND PUMP/MOTOR INSTALLATION	F
1	0100011	AR	Compound, Locking	
2	0641511	4	Bolt 5/16 x 1-3/8	
3	0641606	4	Bolt 3/8 x 3/4	
4	0641614	7	Bolt 3/8 x 1-3/4	
5	0700812	2	Bolt M8 x 25	
8	3160252	1	Electricity Motor Assembly (See Separate Breakdown in this Section)	
9	3311505	4	Nut 5/16	
10	3600310	1	Pump Assembly (Note: Seal Kit is the only available replacement part)	
10	7024056	1	Seal Kit - 3600310 Pump	
11	4400455	1	Tank Assembly - Hydraulic (See Items 101-108 for Breakdown)	
12	4420038	30 in /76cm	Tape, Rubber	
13	4751500	8	Washer 5/16	
14	4751600	11	Washer 3/8	
15	4846178	1	Tray	
16	4891500	2	Washer 5/16	
17	3020037	AR	Grease, Coupling	
	4400455	Ref	HYDRAULIC TANK ASSEMBLY	E
101	7026121	1	Strainer, Suction	
102	7024441	1	Gauge, Level Indicator	
103	7024446	1	Plug, Magnetic	
104	7023268	1	Filter with Pressure Switch	
104	7023224	1	Element, Filter	
105	7023268	1	Breather with Pressure Switch	
105	7023269	1	Element, Breather	
106	7023306	1	Seal, Cover Plate	
107	7023347	1	Gasket	
108	7023270	1	Gauge, Indicator	

# SECTION 2 - TURNTABLE

## FIGURE 2-10. HYDRAULIC TANK AND PUMP/MOTOR INSTALLATION (UL SPECS)



ART\_1001175539

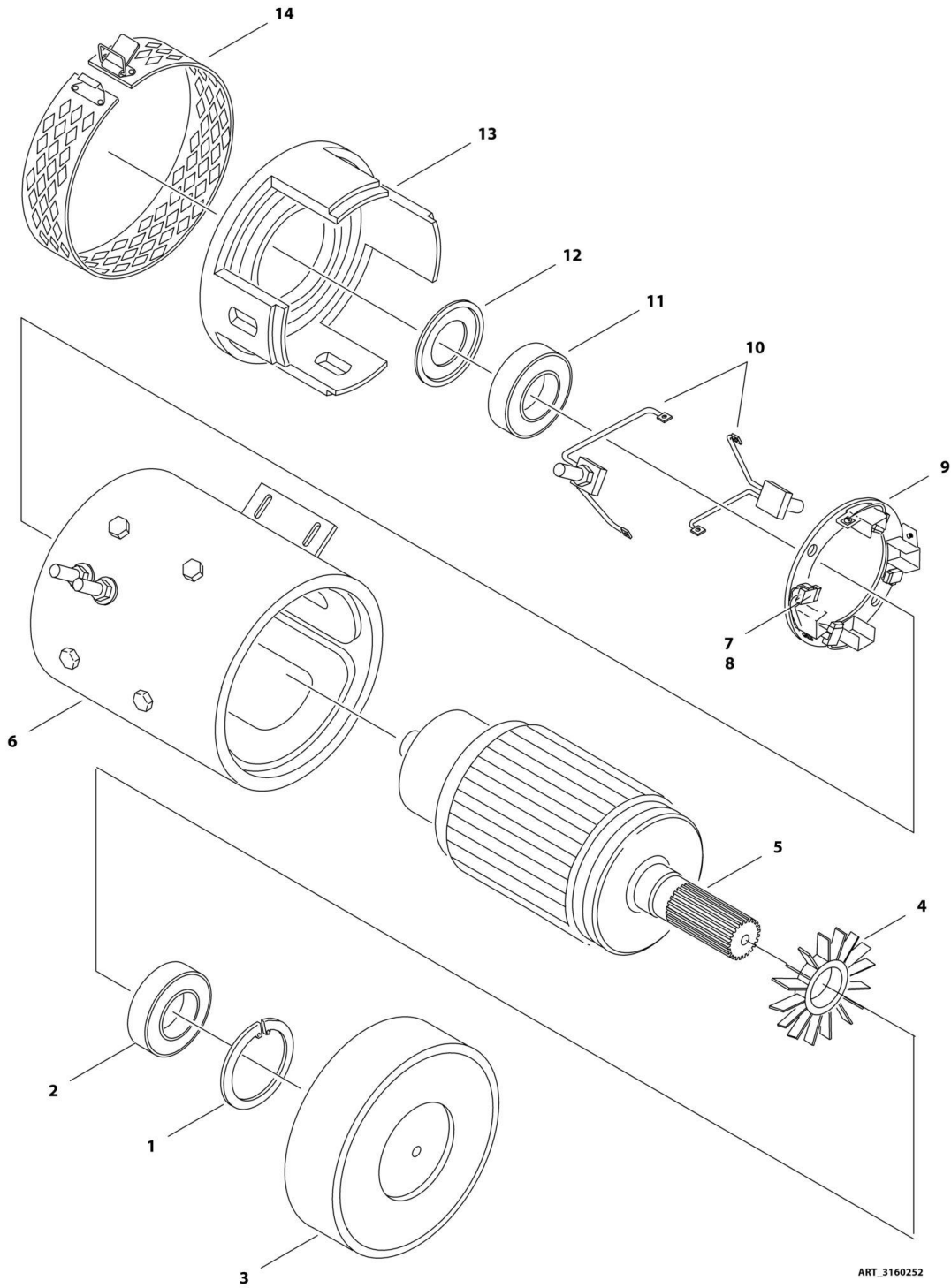
## SECTION 2 - TURNTABLE

**FIGURE 2-10. HYDRAULIC TANK AND PUMP/MOTOR INSTALLATION (UL SPECS)**

ITEM	PART NUMBER	QTY	DESCRIPTION	REV
	1001175539	Ref	HYDRAULIC TANK AND PUMP/MOTOR INSTALLATION (UL SPECS)	F
1	0100011	AR	Compound, Locking	
2	0340049	1	Pump Motor Band Kit	
3	0641511	4	Bolt 5/16 x 1-3/8	
4	0641606	4	Bolt 3/8 x 3/4	
5	0641614	7	Bolt 3/8 x 1-3/4	
6	0700812	2	Bolt M8 x 25	
9	3160252	1	Electricity Motor Assembly (See Separate Breakdown in this Section)	
10	3311505	4	Nut 5/16	
11	3600310	1	Pump Assembly (Note: Seal Kit is only available service part)	
11	7024056	1	Seal Kit - 3600310 Pump	
12	4400455	1	Tank Assembly - Hydraulic (See Items 101-108 for Breakdown)	
13	4420038	30 in /76cm	Tape, Rubber	
14	4751500	8	Washer 5/16	
15	4751600	11	Washer 3/8	
16	4846178	1	Tray Weldment	
17	4891500	2	Washer 5/16	
18	3020037	AR	Grease, Coupling	
	4400455	Ref	HYDRAULIC TANK ASSEMBLY	E
101	7026121	1	Strainer, Suction	
102	7024441	1	Gauge, Level Indicator	
103	7024446	1	Plug, Magnetic	
104	7023268	1	Filter with Pressure Switch	
104	7023224	1	Element, Filter	
105	7023268	1	Breather with Pressure Switch	
105	7023269	1	Element, Breather	
106	7023306	1	Seal, Cover Plate	
107	7023347	1	Gasket	
108	7023270	1	Gauge, Indicator	

# SECTION 2 - TURNTABLE

## FIGURE 2-11. ELECTRIC MOTOR ASSEMBLY



ART\_3160252

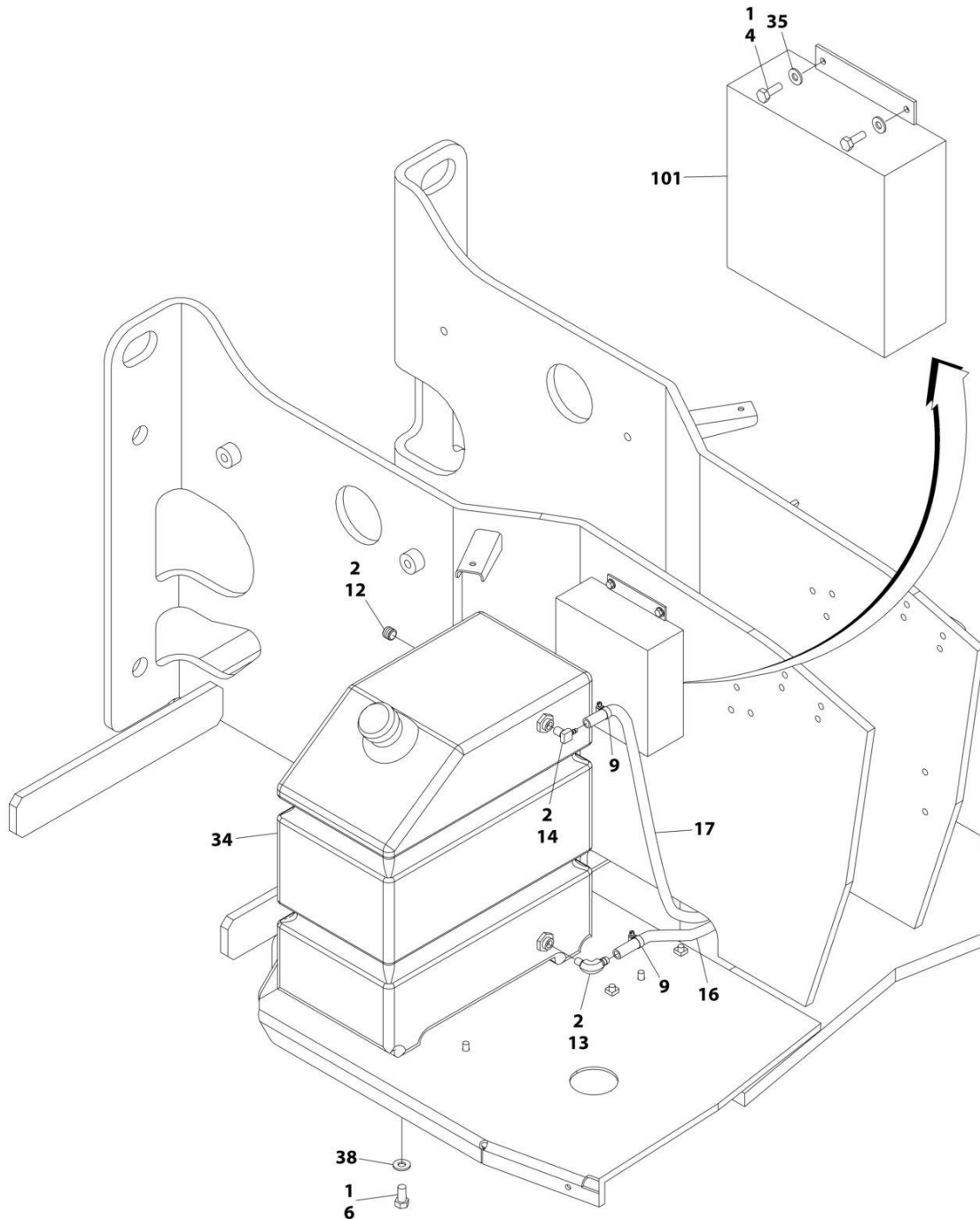
**SECTION 2 - TURNTABLE**

**FIGURE 2-11. ELECTRIC MOTOR ASSEMBLY**

<b>ITEM</b>	<b>PART NUMBER</b>	<b>QTY</b>	<b>DESCRIPTION</b>	<b>REV</b>
	3160252	Ref	MOTOR ASSEMBLY	C
1	7020291	1	Ring, Retaining	
2	7020292	1	Bearing (Shaft End)	
3	7020293	1	Endhead, Shaft	
4	7020294	1	Fan	
5	7020295	1	Armature Assembly	
6	7020296	1	Field Coil/Case Kit	
7	7012548	8	Spring, Brush	
8	7020297	8	Brush	
9	7020298	1	Box Assembly - Brush	
10	7020299	1	Lead Kit, Brush Wire	
11	7012545	1	Bearing (Commutator End)	
12	7012549	1	Washer	
13	7023200	1	Endhead, Commutator	
14	7023272	1	Headband Assembly	

## SECTION 2 - TURNTABLE

FIGURE 2-12. FUEL TANK AND ENGINE MODULE INSTALLATION - WITH STANDARD BATTERIES (H600SJ/H600SJP)



ART\_1001199313\_10F5



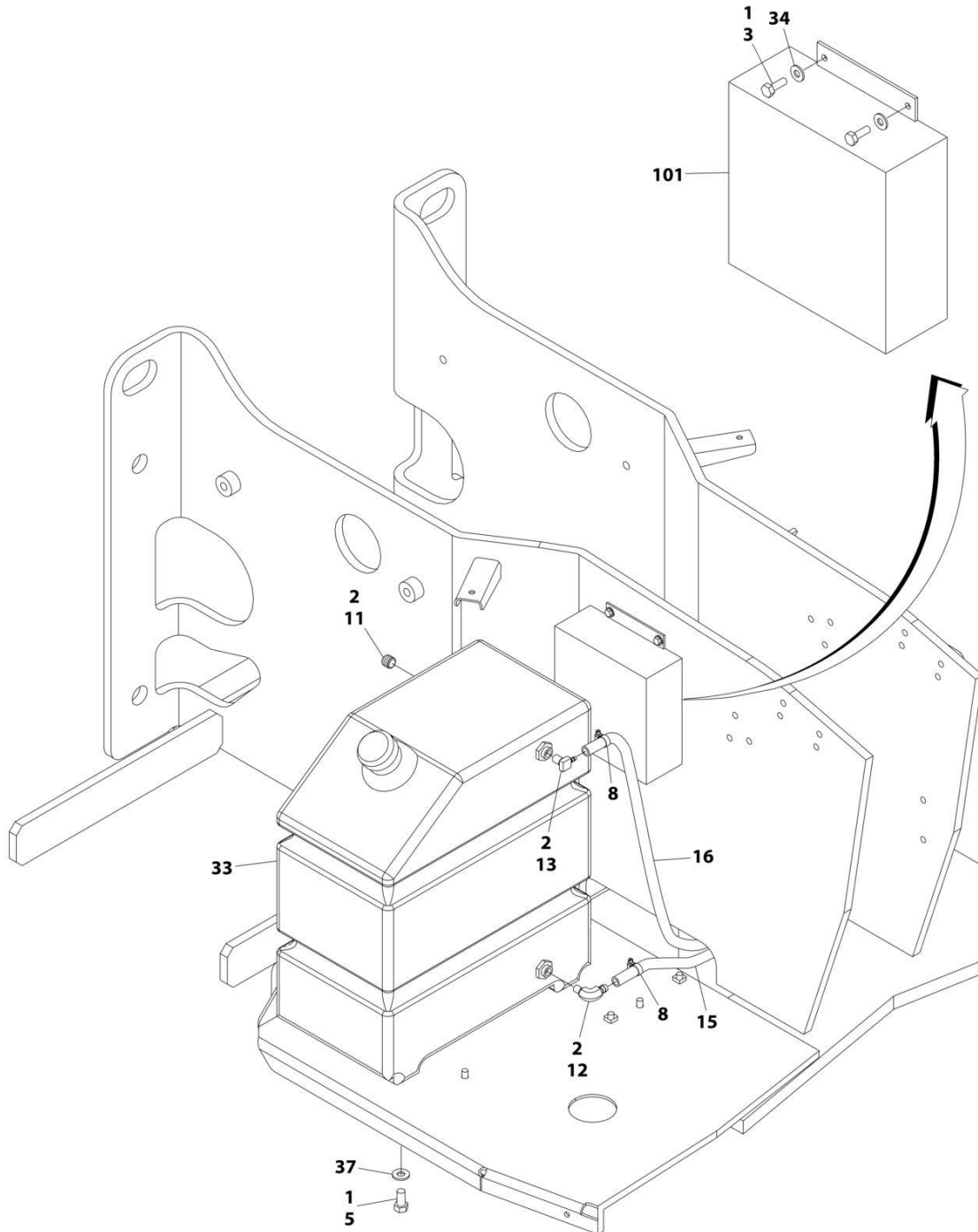
**SECTION 2 - TURNTABLE**

**FIGURE 2-12. FUEL TANK AND ENGINE MODULE INSTALLATION - WITH STANDARD BATTERIES (H600SJ/H600SJP)**

ITEM	PART NUMBER	QTY	DESCRIPTION	REV
	1001199313	Ref	FUEL TANK AND MODULE INSTALLATION	G
1	0100011	AR	Compound, Locking	
2	0100020	AR	Sealant, Pipe	
4	0641406	4	Bolt 1/4 x 3/4	
6	0641606	4	Bolt 3/8 x 3/4	
9	1320022	2	Clamp, Hose	
12	2200222	2	Plug, Pipe	
13	2221046	1	Fitting, Elbow Barbed	
14	2221047	1	Fitting, Elbow Barbed	
16	2720058	AR	Hose, Fuel Line	
17	2720271	AR	Hose, Fuel Line	
34	4400430	1	Tank, Fuel	
201	7020257	1	Non-Locking Cap	
201	7016649	1	Seal, Cap	
35	4711400	4	Washer 1/4	
38	4751600	4	Washer 3/8	
101	70000326	1	Module, Contactor (Kubota Engine)	
101	70000328	1	Harness, Module (Not Shown)	

## SECTION 2 - TURNTABLE

FIGURE 2-13. FUEL TANK AND ENGINE MODULE INSTALLATION - WITH AGM BATTERIES (H600SJ/H600SJP)



ART\_1001207674\_10F5

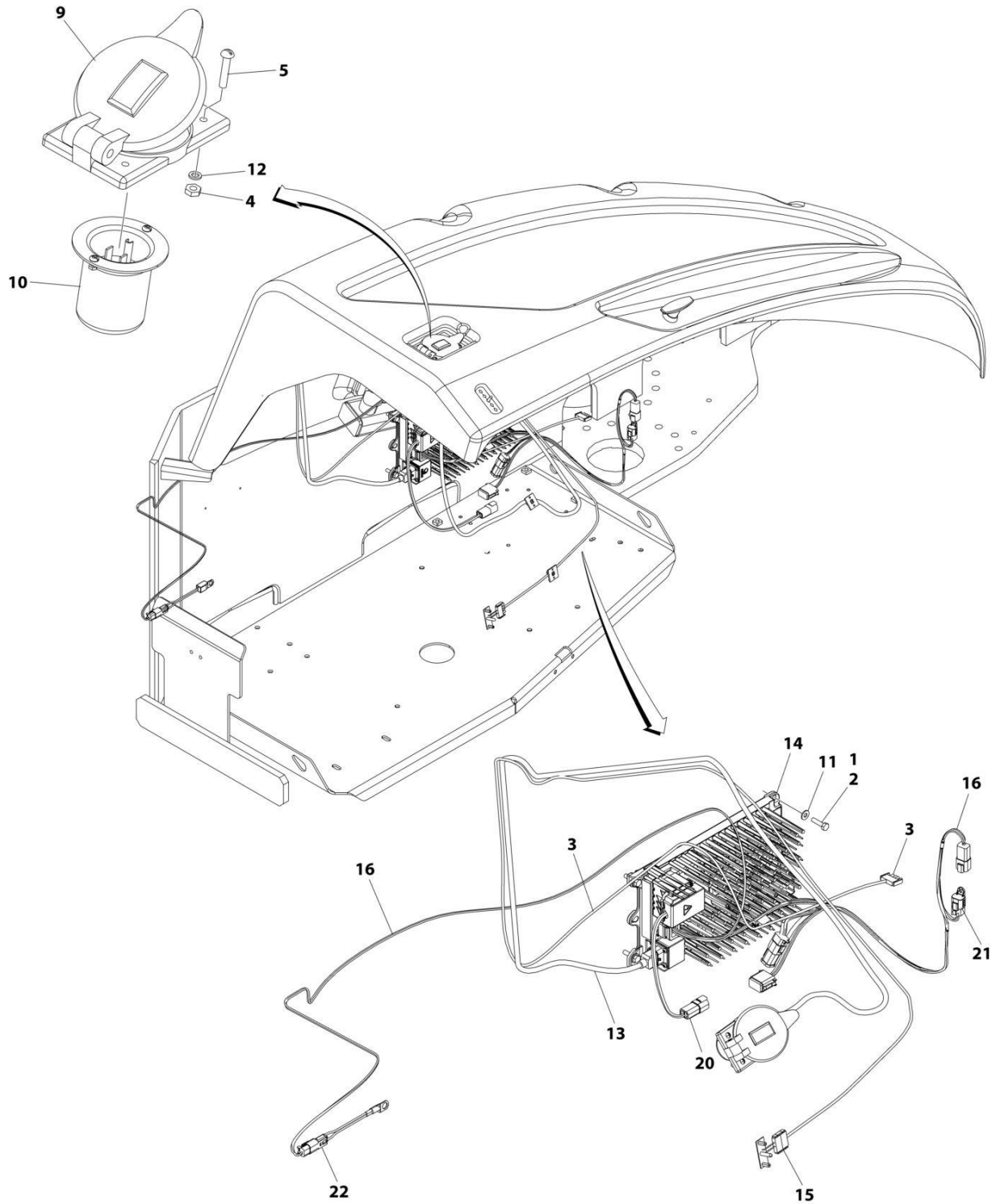
## SECTION 2 - TURNTABLE

**FIGURE 2-13. FUEL TANK AND ENGINE MODULE INSTALLATION - WITH AGM BATTERIES  
(H600SJ/H600SJP)**

ITEM	PART NUMBER	QTY	DESCRIPTION	REV
	1001207674	Ref	FUEL TANK AND MODULE INSTALLATION - WITH AGM BATTERIES	F
1	0100011	AR	Compound, Locking	
2	0100020	AR	Sealant, Pipe	
3	0641406	4	Bolt 1/4 x 3/4	
5	0641606	4	Bolt 3/8 x 3/4	
8	1320022	2	Clamp, Hose	
11	2200222	2	Plug, Pipe	
12	2221046	1	Fitting, Elbow Barbed	
13	2221047	1	Fitting, Elbow Barbed	
15	2720058	AR	Hose, Fuel Line	
16	2720271	AR	Hose, Fuel Line	
33	4400430	1	Tank, Fuel	
33	7020257	1	Non-Locking Cap (Supplied with Tank)	
33	7016649	1	Seal, Cap	
34	4711400	4	Washer 1/4	
37	4751600	4	Washer 3/8	
101	70000326	1	Module, Contactor (Kubota Engine)	
101	70000328	1	Module Harness (Not Shown)	

## SECTION 2 - TURNTABLE

FIGURE 2-14. BATTERY CHARGER INSTALLATION - 110V/60HZ SMART CHARGER (ALL SPECS EXCEPT AUSTRALIAN, CE & UK CA SPECS)



ART\_1001251479\_B

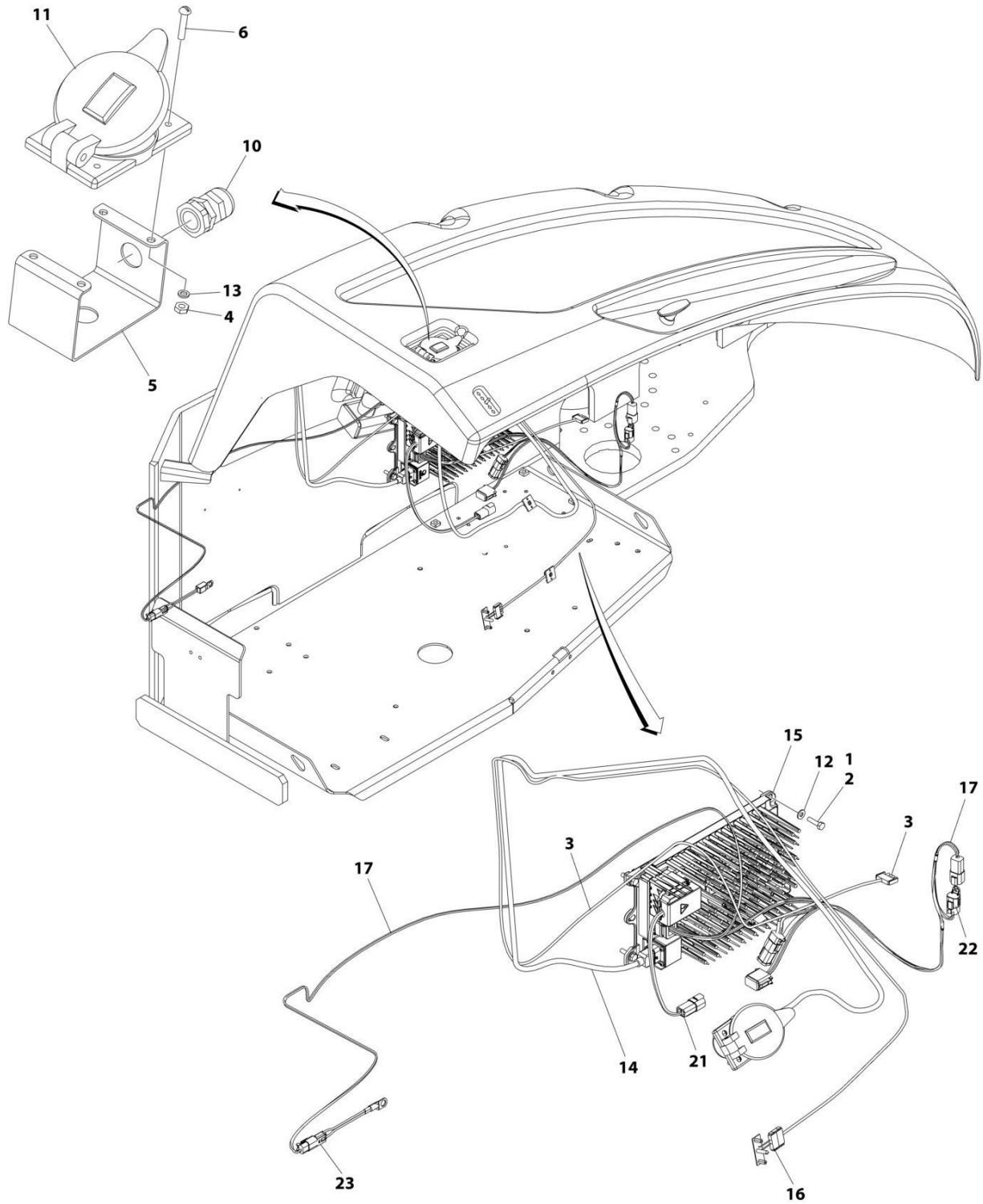
## SECTION 2 - TURNTABLE

**FIGURE 2-14. BATTERY CHARGER INSTALLATION - 110V/60HZ SMART CHARGER (ALL SPECS EXCEPT AUSTRALIAN, CE & UK CA SPECS)**

ITEM	PART NUMBER	QTY	DESCRIPTION	REV
	1001251479	Ref	BATTERY CHARGER INSTALLATION - 110V/60HZ	B
1	0100011	AR	Compound, Locking	
2	0641408	4	Bolt 1/4 x 1	
3	1060813	1	Cable, LED (See Separate Breakdown in ELECTRICAL Section)	
4	3311001	4	Nut #10	
5	3911016	4	Screw #10 x 1	
6	4240032	AR	Tie-Strap (Not Shown)	
7	4240033	AR	Tie-Strap (Not Shown)	
8	4460234	AR	Mount, Tie-Strap (Not Shown)	
9	4460802	1	Cover, Terminal	
10	4460803	1	Terminal, Plug	
11	4711400	4	Washer 1/4	
12	4761000	4	Washer #10	
13	1001126185	1	AC Cord Cable	
14	1001251382	1	Charger	
15	1001259489	1	Lamp, Battery Charger	
16	1001289963	1	Harness, Charger (See Separate Breakdown in ELECTRICAL Section)	
20	1001260408	1	Harness, Charger DC Connection (See Separate Breakdown in ELECTRICAL Section)	
21	1001192401	1	Cap, Dust	
22	1001225131	1	Harness, Temperature Sensor	

## SECTION 2 - TURNTABLE

FIGURE 2-15. BATTERY CHARGER INSTALLATION - 120V-230V/45-65HZ SMART CHARGER (ALL SPECS EXCEPT UL SPECS)



ART\_1001251478\_B

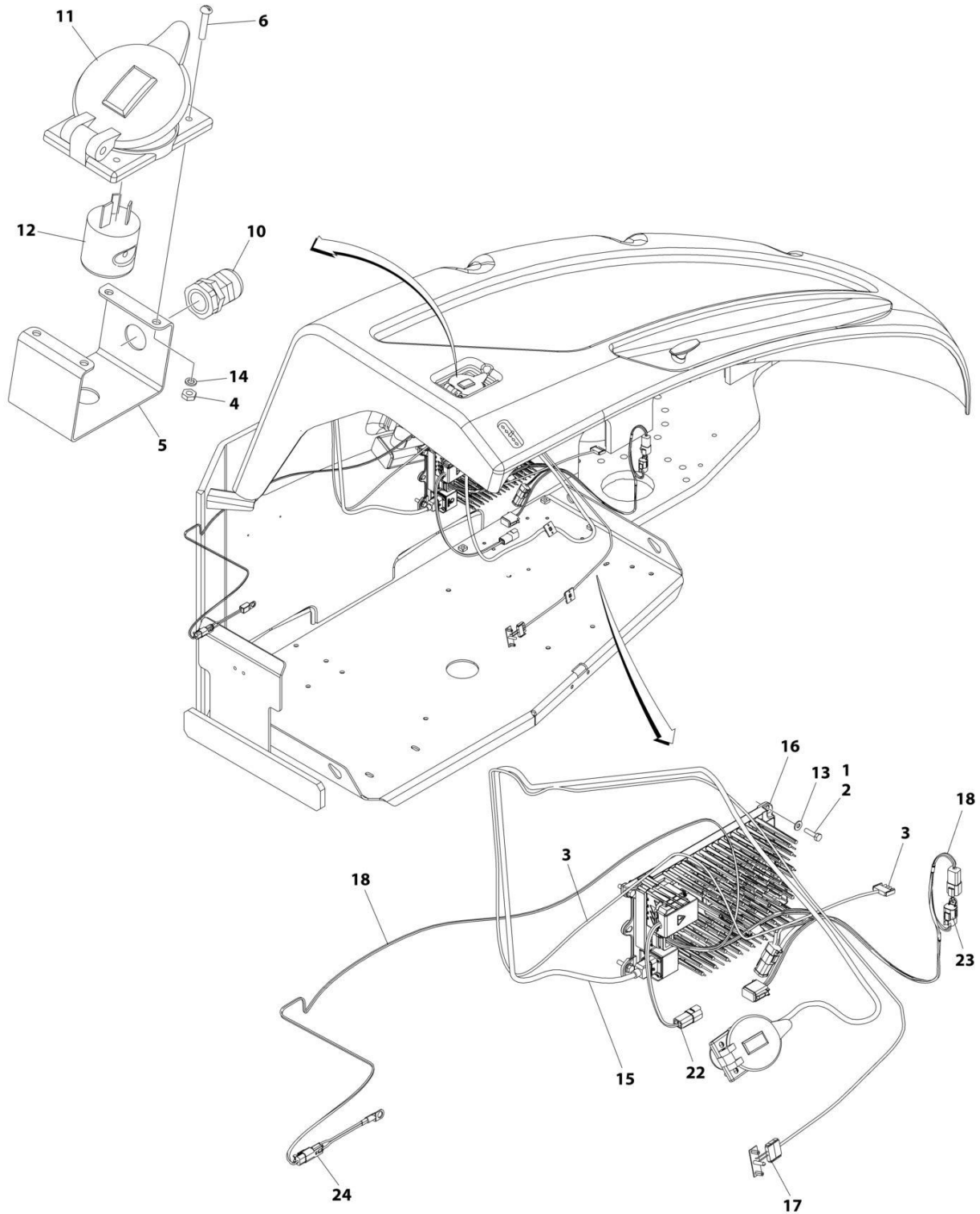
## SECTION 2 - TURNTABLE

**FIGURE 2-15. BATTERY CHARGER INSTALLATION - 120V-230V/45-65HZ SMART CHARGER (ALL SPECS EXCEPT UL SPECS)**

ITEM	PART NUMBER	QTY	DESCRIPTION	REV
	1001251478	Ref	BATTERY CHARGER INSTALLATION - 120-230V/45-65HZ	B
1	0100011	AR	Compound, Locking	
2	0641408	4	Bolt 1/4 x 1	
3	1060813	1	Cable, LED (See Separate Breakdown in ELECTRICAL Section)	
4	3311001	4	Nut #10	
5	3571584	1	Plate, Mounting	
6	3911016	4	Screw #10 x 1	
7	4240032	AR	Tie-Strap (Not Shown)	
8	4240033	AR	Tie-Strap (Not Shown)	
9	4460234	AR	Mount, Tie-Strap (Not Shown)	
10	4460428	1	Connector, Strain Relief	
11	4460802	1	Cover, Terminal	
12	4711400	4	Washer 1/4	
13	4761000	4	Washer #10	
14	1001126185	1	AC Cord Cable	
15	1001251382	1	Charger	
16	1001259489	1	Lamp, Battery Charger LED	
17	1001289963	1	Harness, Charger (See Separate Breakdown in ELECTRICAL Section)	
21	1001260408	1	Harness, Charger DC Connection (See Separate Breakdown in ELECTRICAL Section)	
22	1001192401	1	Cap, Dust	
23	1001225131	1	Harness, Temperature Sensor	

## SECTION 2 - TURNTABLE

FIGURE 2-16. BATTERY CHARGER INSTALLATION - 250V/50HZ SMART CHARGER (ANSI EXPORT, CE, AUSTRALIAN AND CHINA SPECS)



ART\_1001251480\_B



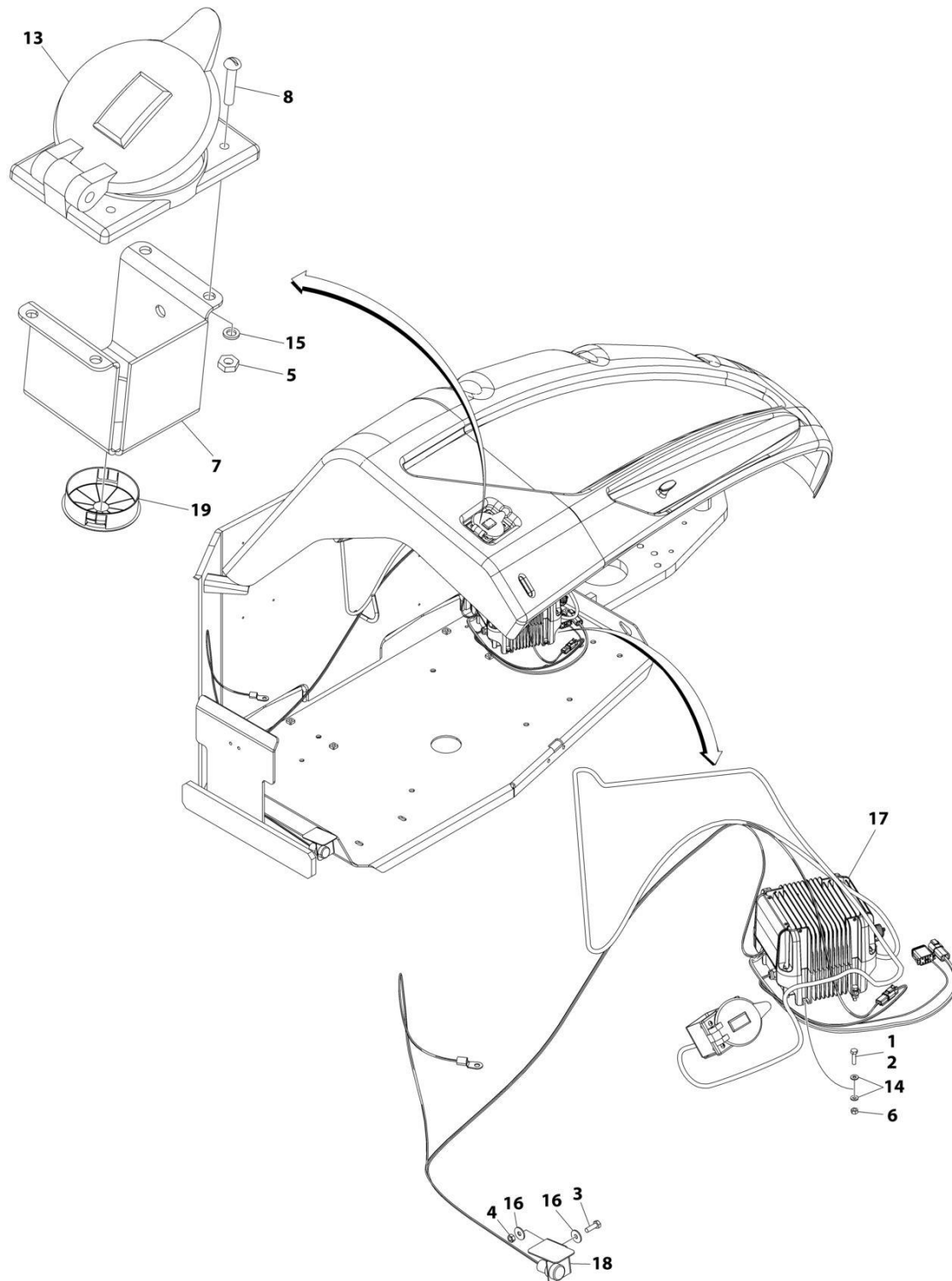
## SECTION 2 - TURNTABLE

**FIGURE 2-16. BATTERY CHARGER INSTALLATION - 250V/50HZ SMART CHARGER (ANSI EXPORT, CE, AUSTRALIAN AND CHINA SPECS)**

ITEM	PART NUMBER	QTY	DESCRIPTION	REV
	1001251480	Ref	BATTERY CHARGER INSTALLATION - 250V/50HZ	B
1	0100011	AR	Compound, Locking	
2	0641408	4	Bolt 1/4 x 1	
3	1060813	1	Cable, LED (See Separate Breakdown in ELECTRICAL Section)	
4	3311001	4	Nut #10	
5	3571584	1	Plate, Mounting	
6	3911016	4	Screw #10 x 1	
7	4240032	AR	Tie-Strap (Not Shown)	
8	4240033	AR	Tie-Strap (Not Shown)	
9	4460234	AR	Mount, Tie-Strap (Not Shown)	
10	4460428	1	Connector, Strain Relief	
11	4460802	1	Cover, Terminal	
12	4460805	1	Terminal, Plug	
13	4711400	4	Washer 1/4	
14	4761000	4	Washer #10	
15	1001126185	1	AC Cord Cable	
16	1001251382	1	Charger	
17	1001259489	1	Lamp, Battery Charger	
18	1001289963	1	Harness, Charger (See Separate Breakdown in ELECTRICAL Section)	
22	1001260408	1	Harness, Charger DC connection (See Separate Breakdown in ELECTRICAL Section)	
23	1001192401	1	Cap, Dust	
24	1001225131	1	Harness, Temperature Sensor	

## SECTION 2 - TURNTABLE

FIGURE 2-17. BATTERY CHARGER INSTALLATION - GREEN POWER CHARGER



ART\_1001289239

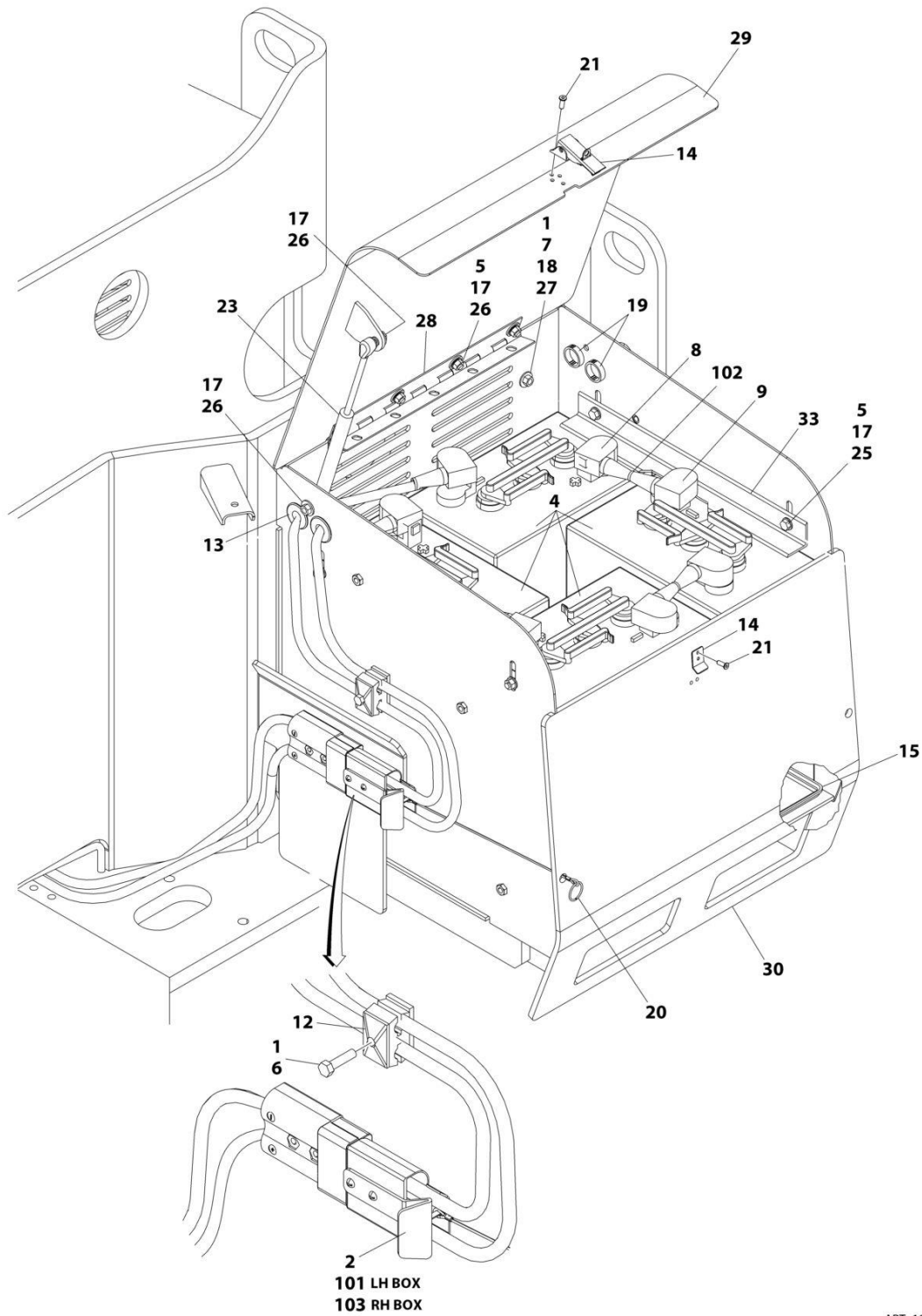
**SECTION 2 - TURNTABLE**

**FIGURE 2-17. BATTERY CHARGER INSTALLATION - GREEN POWER CHARGER**

ITEM	PART NUMBER	QTY	DESCRIPTION	REV
	1001289239	Ref	BATTERY CHARGER INSTALLATION - GREEN POWER CHARGER	B
1	0100011	AR	Compound, Locking	
2	0641408	3	Bolt 1/4 x 1	
3	0760812	1	Bolt M8 x 25	
4	3290801	1	Nut M8	
5	3311001	4	Nut #10	
6	3311401	3	Nut 1/4in-20NC	
7	1001290662	1	Plate, Mounting	
8	3911016	4	Screw #10 x 1	
9	4240032	2	Tie-Strap (Not Shown)	
10	4240033	AR	Tie-Strap (Not Shown)	
11	4460234	2	Mount, Tie-Strap (Not Shown)	
13	4460802	1	Cover, Terminal	
14	4711200	6	Washer #12	
15	4761000	4	Washer #10	
16	4811902	2	Washer M8	
17	1001281178	1	Charger	
18	1001284290	1	Bracket	
19	1001185281	1	Plug	

## SECTION 2 - TURNTABLE

FIGURE 2-18. BATTERY BOX INSTALLATION - METAL LATCH - STANDARD BATTERIES (415 AMP HOUR)



ART\_1001183374

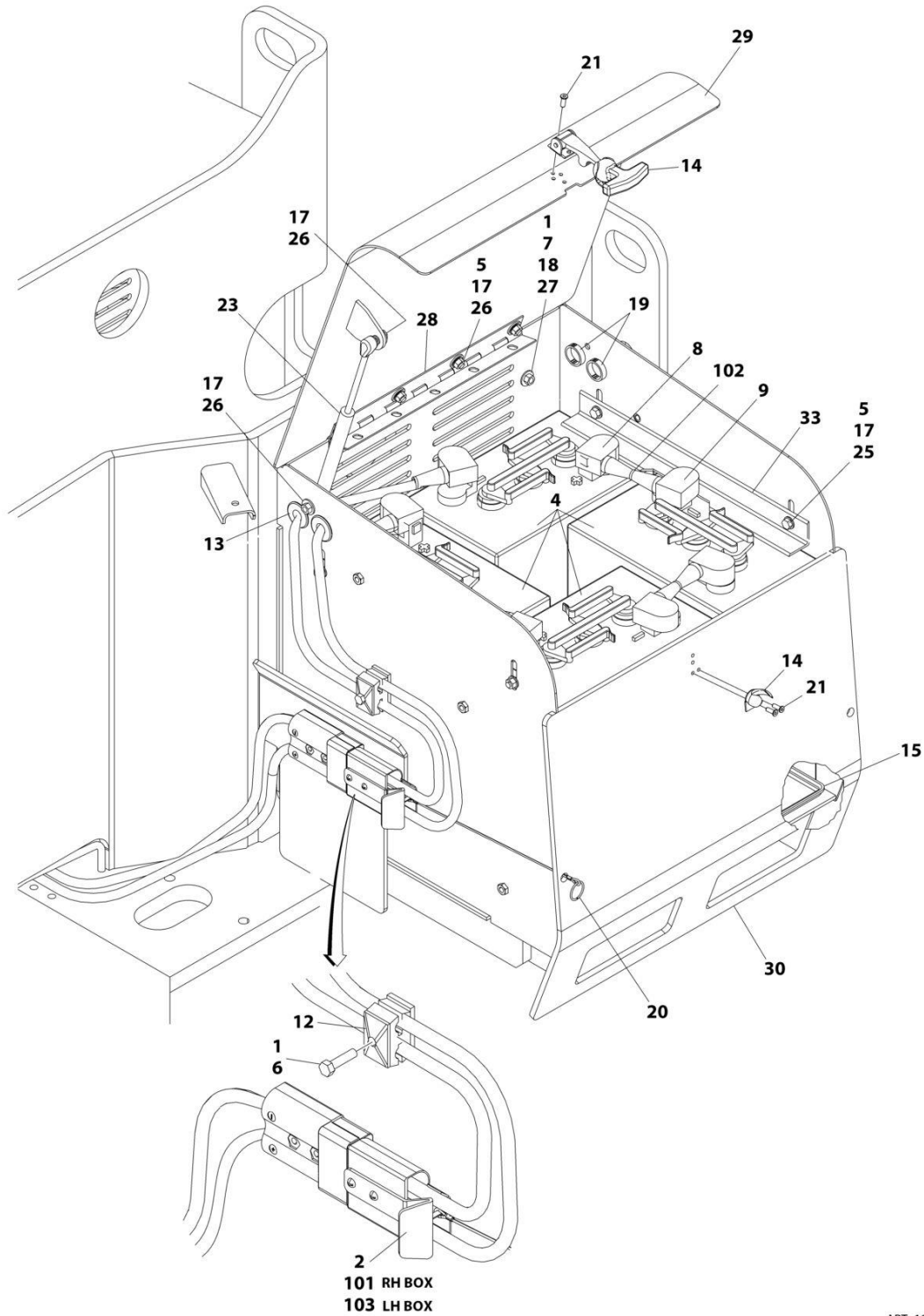
## SECTION 2 - TURNTABLE

**FIGURE 2-18. BATTERY BOX INSTALLATION - METAL LATCH - STANDARD BATTERIES (415 AMP HOUR)**

ITEM	PART NUMBER	QTY	DESCRIPTION	REV
	1001183374	Ref	BATTERY BOX INSTALLATION (UL SPECS)	D
1	0100011	AR	Compound, Locking	
2	0100048	AR	Grease, Dielectric	
4	0400202	8	Battery	
5	0641506	26	Bolt 5/16 x 3/4	
6	0641510	2	Bolt 5/16 x 1-1/4	
7	0641820	4	Bolt 1/2 x 2-1/2	
8	0840031	8	Boot, Terminal (d Shaped)	
9	0840032	8	Boot, Terminal (b Shaped)	
12	1320159	2	Clamp	
13	2540020	4	Grommet	
14	2940130	2	Latch (Lockable)	
15	3000014	2	Liner, Battery Box	
17	3311505	30	Nut 5/16	
18	3311801	4	Nut 1/2	
19	3520031	4	Plug, Hole	
20	3760170	2	Ring, Split	
21	3820017	8	Rivet	
23	1001233560	2	Spring, Gas	
25	4711500	16	Washer 5/16	
26	4751500	40	Washer 5/16	
27	4751800	8	Washer 1/2	
28	1001096148	2	Hinge	
29	1001172260	2	Lid, Battery Box	
30	1001172876	2	Box, Battery	
31	1001176711	1	Sensor, Temperature (Not Shown - Located in LH Side Battery Box)	
33	1001179842	4	Angle, Hold-Down	
100	1001205056	1	Battery Cable Kit (Includes Items 101-103)	
101	1060803	1	Cable Assembly - Battery Box Internal (LH Side) (See Separate Breakdown in ELECTRICAL Section)	
102	1060848	6	Cable, Battery (Terminal to Terminal)	
103	1001194037	1	Cable Assembly - Battery Box Internal (RH Side) (See Separate Breakdown in ELECTRICAL Section)	

# SECTION 2 - TURNTABLE

FIGURE 2-19. BATTERY BOX INSTALLATION - RUBBER LATCH - STANDARD BATTERIES (415 AMP HOUR)



ART\_1001183373

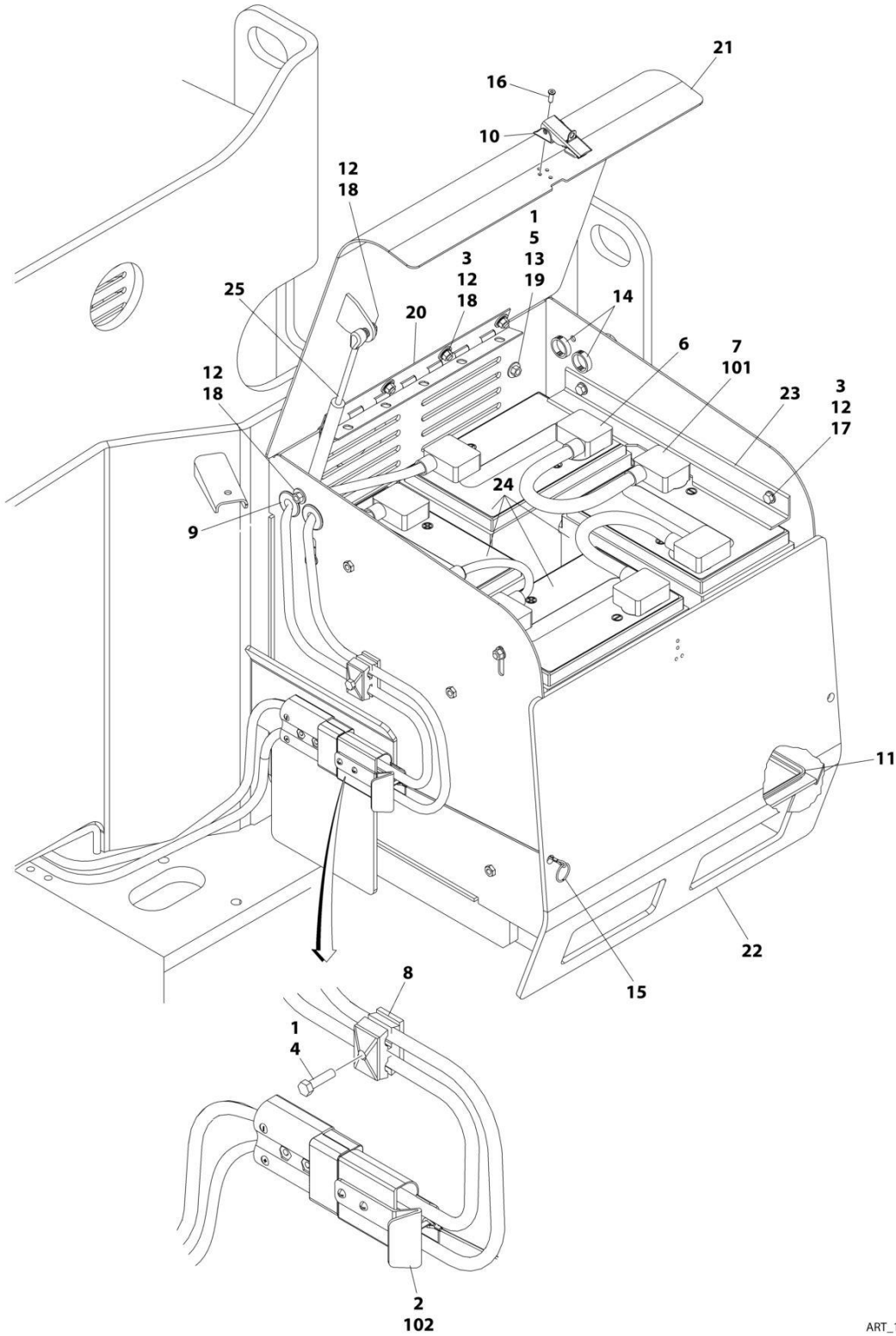
## SECTION 2 - TURNTABLE

**FIGURE 2-19. BATTERY BOX INSTALLATION - RUBBER LATCH - STANDARD BATTERIES (415 AMP HOUR)**

ITEM	PART NUMBER	QTY	DESCRIPTION	REV
	1001183373	Ref	BATTERY BOX INSTALLATION - STANDARD BATTERIES	D
1	0100011	AR	Compound, Locking	
2	0100048	AR	Grease, Dielectric	
4	0400202	8	Battery	
5	0641506	26	Bolt 5/16 x 3/4	
6	0641510	2	Bolt 5/16 x 1-1/4	
7	0641820	4	Bolt 1/2 x 2-1/2	
8	0840031	8	Boot, Terminal (d Shaped)	
9	0840032	8	Boot, Terminal (b Shaped)	
12	1320159	2	Clamp	
13	2540020	4	Grommet	
14	2940095	2	Latch	
15	3000014	2	Liner, Battery Box	
17	3311505	30	Nut 5/16	
18	3311801	4	Nut 1/2	
19	3520031	4	Plug, Hole	
20	3760170	2	Ring, Split	
21	3820017	8	Rivet	
23	1001233560	2	Spring, Gas	
25	4711500	16	Washer 5/16	
26	4751500	40	Washer 5/16	
27	4751800	8	Washer 1/2	
28	1001096148	2	Hinge	
29	1001172260	2	Lid, Battery Box	
30	1001172876	2	Box, Battery	
31	1001176711	1	Sensor, Temperature (Not Shown - Located in LH Side Battery Box)	
33	1001179842	4	Angle, Hold-Down	
100	1001205056	1	Battery Cable Kit (Includes Items 101-103)	
101	1060803	1	Cable Assembly - Battery Box Internal (RH Side) (See Separate Breakdown in ELECTRICAL Section)	
102	1060848	6	Cable, Battery (Terminal to Terminal)	
103	1001194037	1	Cable Assembly - Battery Box Internal (LH Side) (See Separate Breakdown in ELECTRICAL Section)	

# SECTION 2 - TURNTABLE

FIGURE 2-20. BATTERY BOX INSTALLATION - METAL LATCH - AGM BATTERIES (390 AMP HOUR)



ART\_1001276177



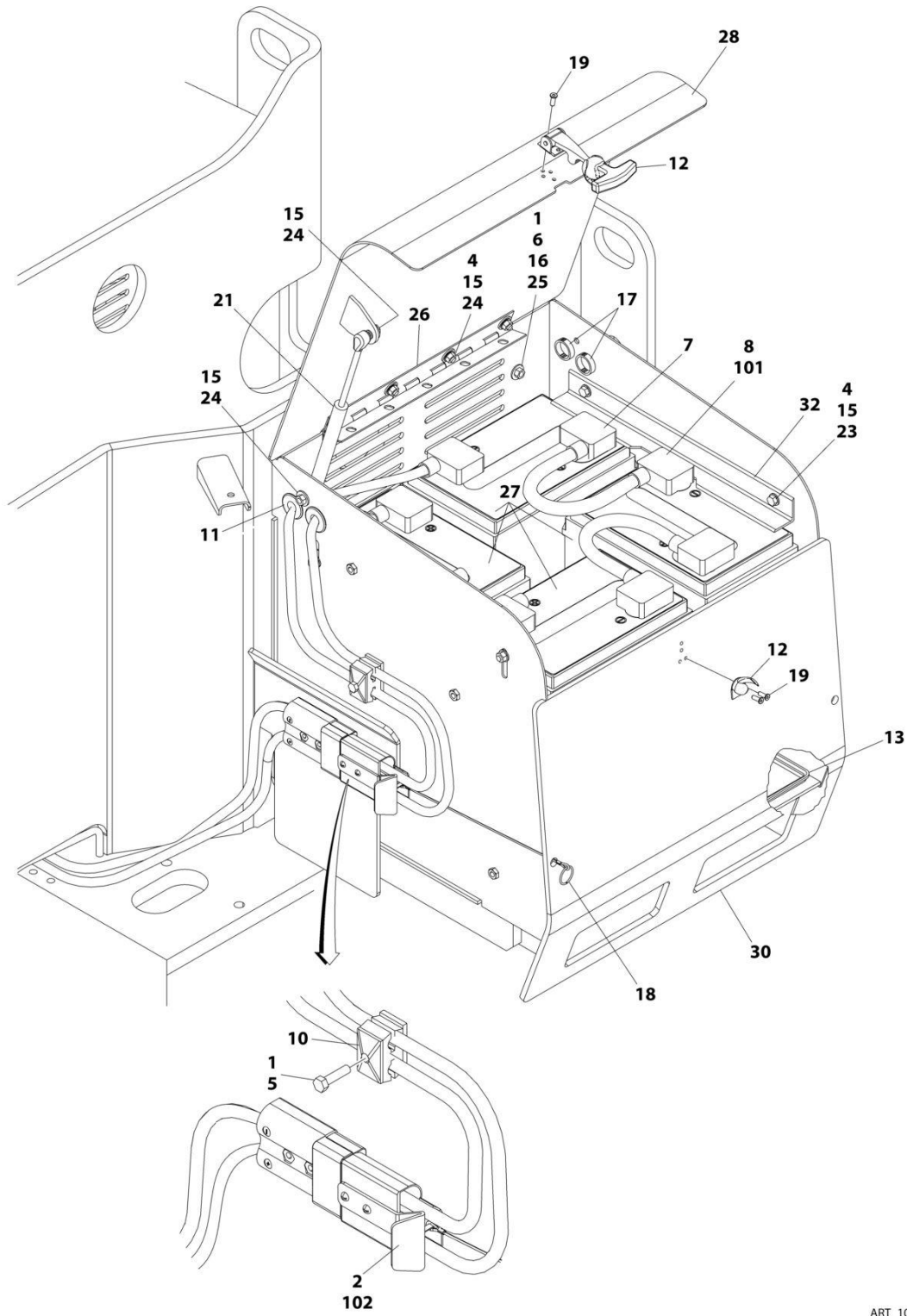
## SECTION 2 - TURNTABLE

**FIGURE 2-20. BATTERY BOX INSTALLATION - METAL LATCH - AGM BATTERIES (390 AMP HOUR)**

ITEM	PART NUMBER	QTY	DESCRIPTION	REV
	1001276177	Ref	BATTERY BOX INSTALLATION - AGM BATTERIES	A
1	0100011	AR	Compound, Locking	
2	0100048	AR	Grease, Dielectric	
3	0641506	26	Bolt 5/16 x 3/4	
4	0641510	2	Bolt 5/16 x 1-1/4	
5	0641820	4	Bolt 1/2 x 2-1/2	
6	0840048	8	Boot, Terminal (d Shaped)	
7	0840049	8	Boot, Terminal (b Shaped)	
8	1320159	2	Clamp	
9	2540020	4	Grommet	
10	2940130	2	Latch	
11	3000014	2	Liner, Battery Box	
12	3311505	30	Nut 5/16	
13	3311801	4	Nut 1/2	
14	3520031	4	Plug, Hole	
15	3760170	2	Ring, Split	
16	3820017	8	Rivet	
17	4711500	16	Washer 5/16	
18	4751500	40	Washer 5/16	
19	4751800	8	Washer 1/2	
20	1001096148	2	Hinge	
21	1001172260	2	Lid, Battery Box	
22	1001172876	2	Box, Battery	
23	1001179842	4	Angle, Hold-Down	
24	1001228392	8	Battery	
25	1001233560	2	Spring, Gas	
100	1001228858	1	Battery Cable Kit (Includes Items 101-102)	
101	1001228395	6	Cable, Battery (Terminal to Terminal)	
102	1001228857	2	Cable Assembly - Battery Box Internal (See Separate Breakdown in ELECTRICAL Section)	

# SECTION 2 - TURNTABLE

## FIGURE 2-21. BATTERY BOX INSTALLATION - RUBBER LATCH - AGM BATTERIES (390 AMP HOUR)



ART\_1001183375

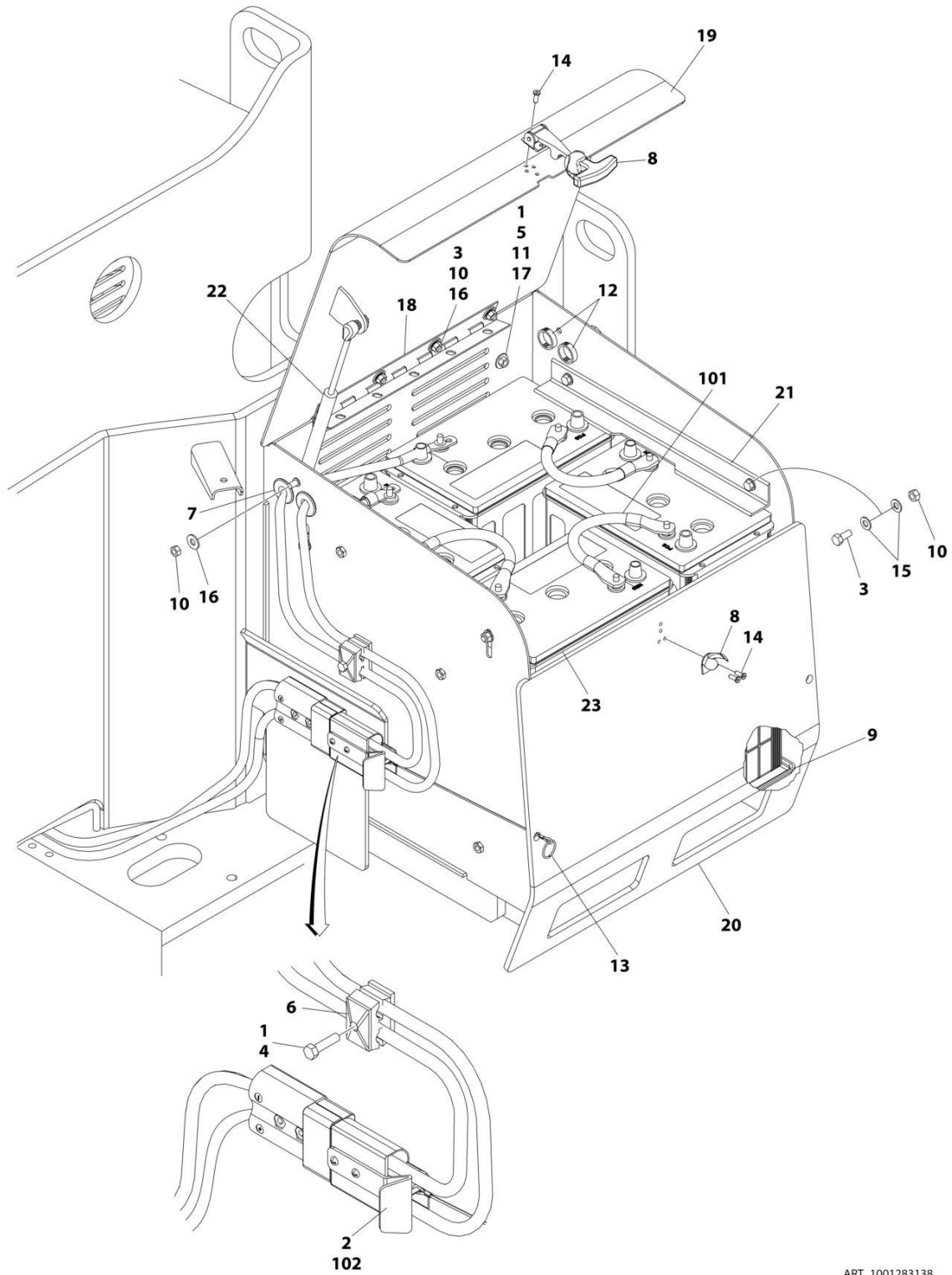
## SECTION 2 - TURNTABLE

**FIGURE 2-21. BATTERY BOX INSTALLATION - RUBBER LATCH - AGM BATTERIES (390 AMP HOUR)**

ITEM	PART NUMBER	QTY	DESCRIPTION	REV
	1001183375	Ref	BATTERY BOX INSTALLATION - AGM BATTERIES	E
1	0100011	AR	Compound, Locking	
2	0100048	AR	Grease, Dielectric	
4	0641506	26	Bolt 5/16 x 3/4	
5	0641510	2	Bolt 5/16 x 1-1/4	
6	0641820	4	Bolt 1/2 x 2-1/2	
7	0840048	8	Boot, Terminal (d Shaped)	
8	0840049	8	Boot, Terminal (b Shaped)	
10	1320159	2	Clamp	
11	2540020	4	Grommet	
12	2940095	2	Latch	
13	3000014	2	Liner, Battery Box	
15	3311505	30	Nut 5/16	
16	3311801	4	Nut 1/2	
17	3520031	4	Plug, Hole	
18	3760170	2	Ring, Split	
19	3820017	8	Rivet	
21	1001233560	2	Spring, Gas	
23	4711500	16	Washer 5/16	
24	4751500	40	Washer 5/16	
25	4751800	8	Washer 1/2	
26	1001096148	2	Hinge	
27	1001228392	8	Battery	
28	1001172260	2	Lid, Battery Box	
30	1001172876	2	Box, Battery	
31	1001176711	1	Sensor, Temperature (Not Shown - Located in LH Side Battery Box)	
32	1001179842	4	Angle, Hold-Down	
100	1001228858	1	Battery Cable Kit (Includes Items 101-102)	
101	1001228395	6	Cable, Battery (Terminal to Terminal)	
102	1001228857	2	Cable Assembly - Battery Box Internal (See Separate Breakdown in ELECTRICAL Section)	

## SECTION 2 - TURNTABLE

FIGURE 2-22. BATTERY BOX INSTALLATION - RUBBER LATCH - AGM BATTERIES (400 AMP HOUR)



ART\_1001283138

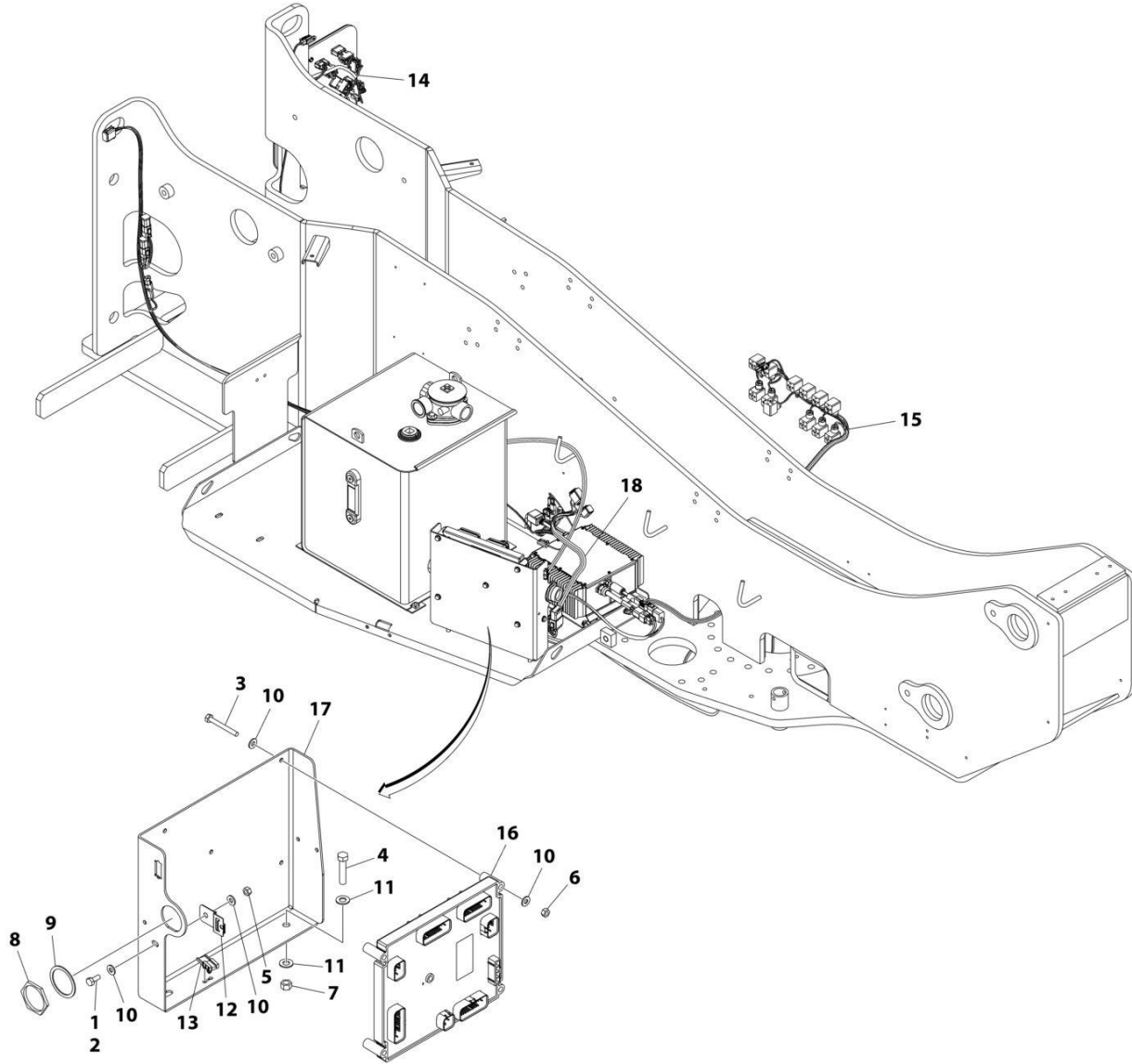
**SECTION 2 - TURNTABLE**

**FIGURE 2-22. BATTERY BOX INSTALLATION - RUBBER LATCH - AGM BATTERIES (400 AMP HOUR)**

ITEM	PART NUMBER	QTY	DESCRIPTION	REV
	1001283138	Ref	BATTERY BOX INSTALLATION - AGM BATTERIES	A
1	0100011	AR	Compound, Locking	
2	0100048	AR	Grease, Dielectric	
3	0641506	26	Bolt 5/16 x 3/4	
4	0641510	2	Bolt 5/16 x 1-1/4	
5	0641820	4	Bolt 1/2 x 2-1/2	
6	1320159	2	Clamp	
7	2540020	4	Grommet	
8	2940095	2	Latch	
9	3000014	2	Liner, Battery Box	
10	3311505	30	Nut 5/16	
11	3311801	4	Nut 1/2	
12	3520031	4	Plug, Hole	
13	3760170	2	Ring, Split	
14	3820017	8	Rivet	
15	4711500	16	Washer 5/16	
16	4751500	40	Washer 5/16	
17	4751800	8	Washer 1/2	
18	1001096148	2	Hinge	
19	1001172260	2	Lid, Battery Box	
20	1001172876	2	Box, Battery	
21	1001179842	4	Angle, Hold-Down	
22	1001233560	2	Spring, Gas	
23	1001282350	8	Battery	
100	1001283167	1	Battery Cable Kit (Not Shown - Includes Items 101-102)	
101	1001283168	6	Cable, Battery (Terminal to Terminal)	
102	1001283169	2	Cable Assembly - Battery Box Internal (See Separate Breakdown in ELECTRICAL Section)	

# SECTION 2 - TURNTABLE

## FIGURE 2-23. GROUND CONTROL ELECTRICAL SYSTEM INSTALLATION



ART\_1001148324\_D

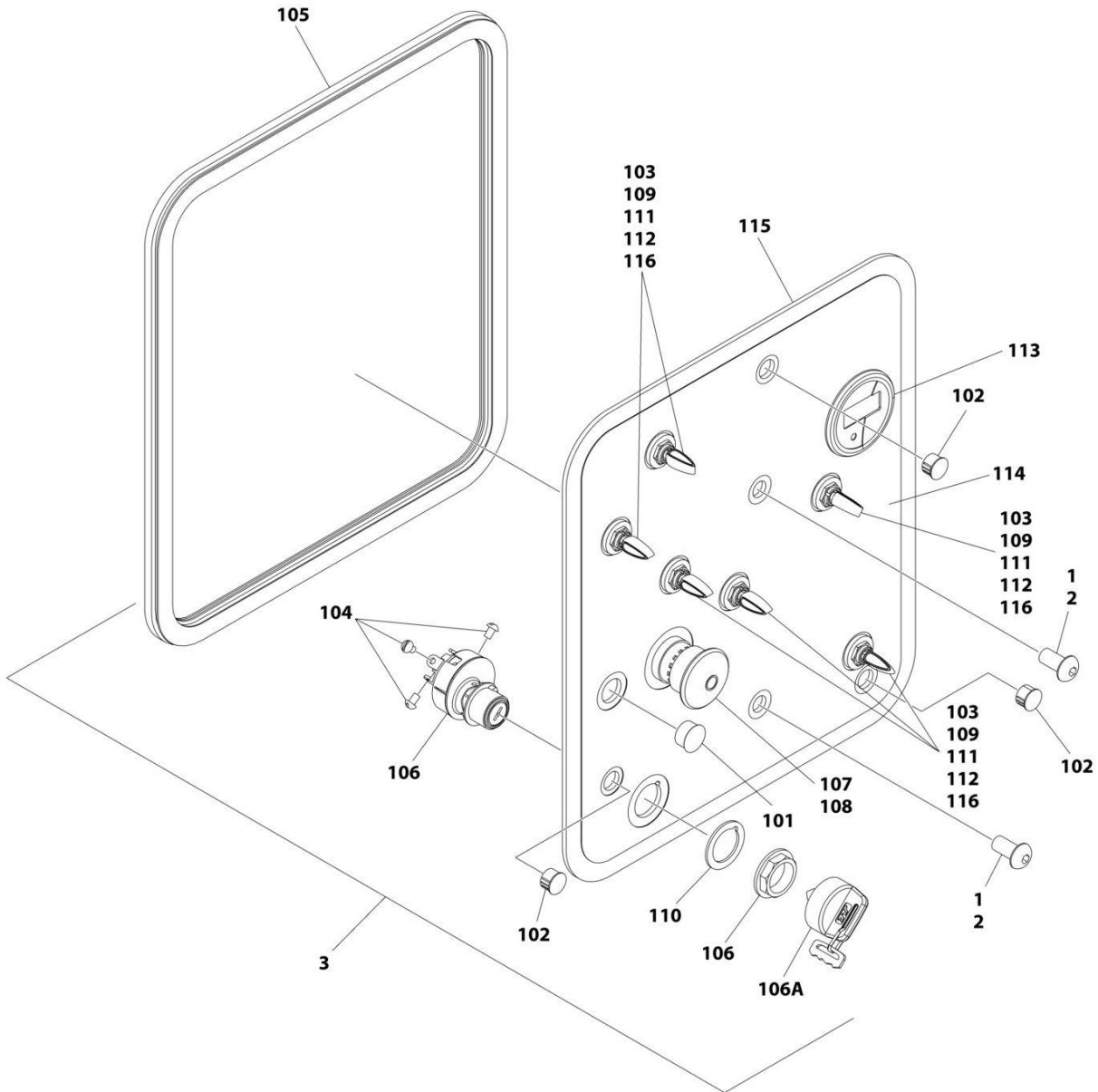
# SECTION 2 - TURNTABLE

**FIGURE 2-23. GROUND CONTROL ELECTRICAL SYSTEM INSTALLATION**

ITEM	PART NUMBER	QTY	DESCRIPTION	REV
	1001248324	Ref	GROUND CONTROL ELECTRICAL SYSTEM INSTALLATION	D
1	0100011	AR	Compound, Locking	
2	0641405	1	Bolt 1/4 x 5/8	
3	0641418	5	Bolt 1/4 x 2-1/4	
4	0641614	2	Bolt 3/8 x 1-3/4	
5	3311401	1	Nut 1/4	
6	3311405	5	Nut 1/4	
7	3311605	2	Nut 3/8	
8	4460470	1	Nut, Terminal	
9	4460471	1	Washer, Terminal	
10	4711400	12	Washer 1/4	
11	4711600	4	Washer 3/8	
12	1001153749	1	Clip	
13	1001173387	1	Clip, Connector Mount	
14	1001289962	1	Ground Control Harness (See Separate Breakdown in ELECTRICAL Section)	
15	1001286021	1	Lower Valve Harness (See Separate Breakdown in ELECTRICAL Section)	
16	1001283300	1	Module, Ground (Note: Re-calibration Required when Replaced)	
17	1001183229	1	Plate, Base	
18	1001289961	1	Turntable Harness (See Separate Breakdown in ELECTRICAL Section)	

## SECTION 2 - TURNTABLE

FIGURE 2-24. GROUND CONTROL PANEL INSTALLATION - DISPLAY WITHOUT BUTTONS  
(EC600SJ/H600SJ) (ALL SPECS EXCEPT CE & UK CA SPECS)



ART\_1001249330\_C



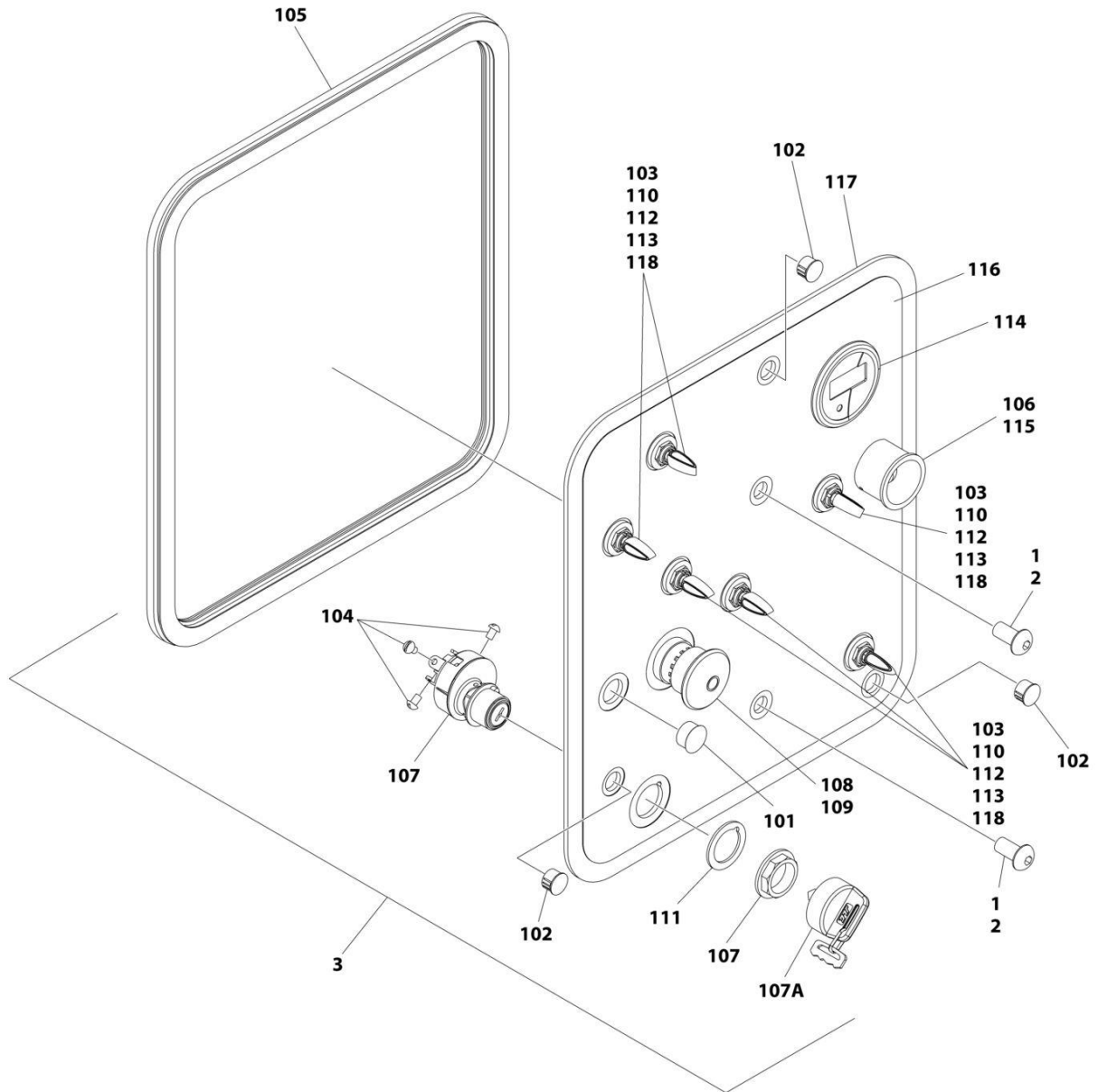
## SECTION 2 - TURNTABLE

**FIGURE 2-24. GROUND CONTROL PANEL INSTALLATION - DISPLAY WITHOUT BUTTONS  
(EC600SJ/H600SJ) (ALL SPECS EXCEPT CE & UK CA SPECS)**

ITEM	PART NUMBER	QTY	DESCRIPTION	REV
	1001249330	Ref	GROUND CONTROL PANEL INSTALLATION	C
1	0100011	AR	Compound, Locking	
2	3900283	2	Screw	
3	1001266513	1	Ground Control Panel Assembly	C
101	3520026	1	Plug, Hole	
102	3520028	3	Plug, Hole	
103	3790012	6	O-Ring	
104	3910804	6	Screw #8 x 1/2	
105	3960447	51 in/1.3m	Seal	
106	4360469	1	Keypad	
106A	2860030	1	Key, Replacement	
107	4360475	1	Switch, Emergency Stop	
107	7020175	1	Mushroom Head	
107	7020176	1	Block, Contact	
108	4360476	1	Block, Contact	
109	4740397	6	Spacer, Washer	
110	1001151393	1	Shim, Nylon .063	
111	1001155044	6	Nut 15/32	
112	1001155045	6	Switch, Toggle	
113	1001109503	1	Gauge, Display	
114	1001266505	1	Decal - Control Panel	
115	1001280412	1	Panel, Ground Control	
116	1001155043	6	Washer, Keyed	

## SECTION 2 - TURNTABLE

FIGURE 2-25. GROUND CONTROL PANEL INSTALLATION - DISPLAY WITHOUT BUTTONS  
(EC600SJ/H600SJ) (CE & UK CA SPECS)



ART\_1001248333\_C

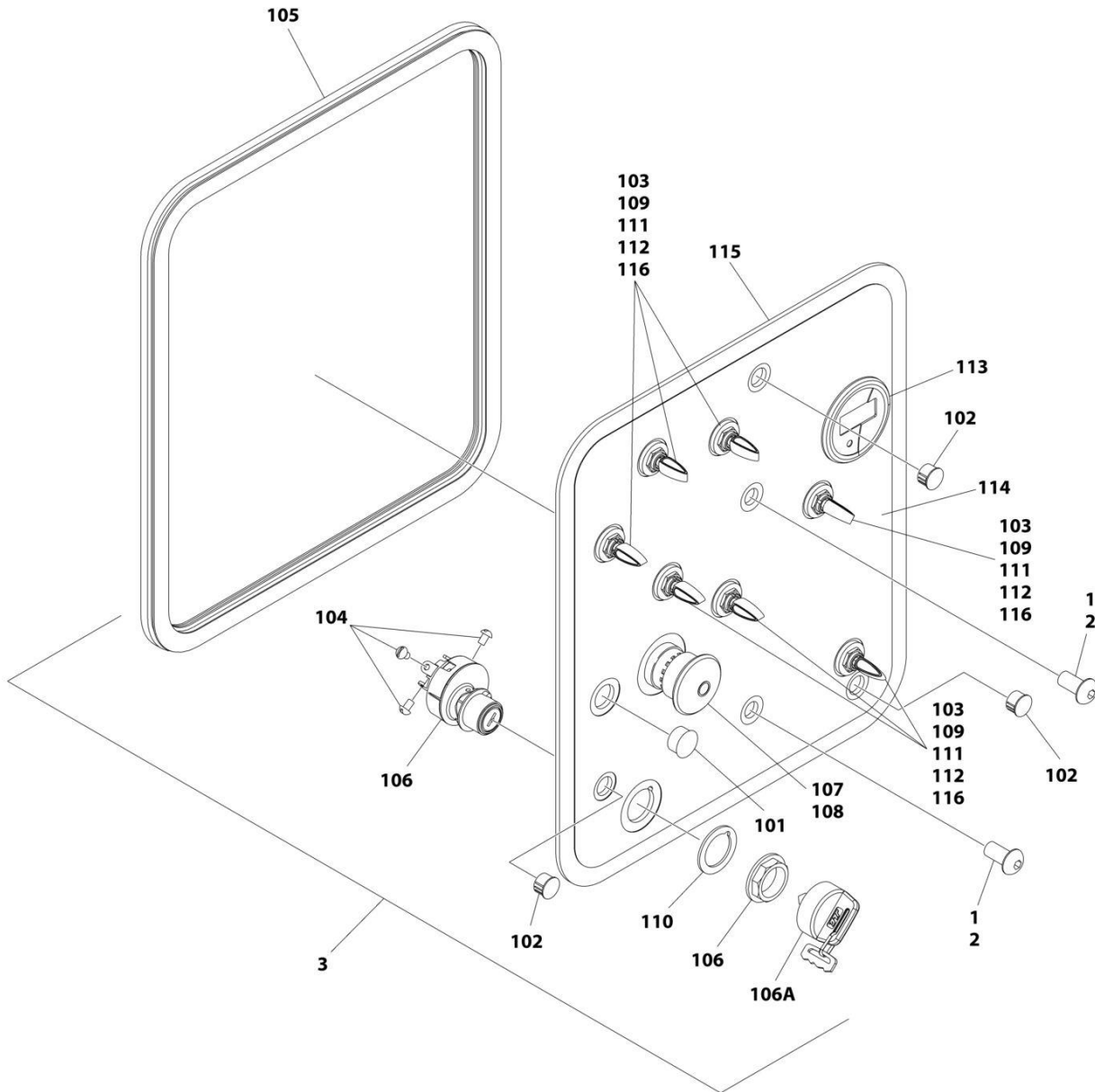
## SECTION 2 - TURNTABLE

**FIGURE 2-25. GROUND CONTROL PANEL INSTALLATION - DISPLAY WITHOUT BUTTONS  
(EC600SJ/H600SJ) (CE & UK CA SPECS)**

ITEM	PART NUMBER	QTY	DESCRIPTION	REV
	1001248333	Ref	GROUND CONTROL PANEL INSTALLATION	C
1	0100011	AR	Compound, Locking	
2	3900283	2	Screw, Button Head	
3	1001266511	1	Ground Control Panel Assembly	C
101	3520026	1	Plug, Hole	
102	3520028	3	Plug, Hole	
103	3790012	6	O-Ring	
104	3910804	6	Screw #8 x 1/2	
105	3960447	51 in/1.3m	Seal	
106	4360387	1	Switch, Push Button	
107	4360469	1	Keyswitch	
107A	2860030	1	Key, Replacement	
108	4360475	1	Switch, Emergency Stop	
108	7020175	1	Mushroom Head	
108	7020176	1	Block, Contact	
109	4360476	1	Block, Contact	
110	4740397	6	Spacer, Washer	
111	1001151393	1	Shim, Nylon .063	
112	1001155044	6	Nut 15/32	
113	1001155045	6	Switch, Toggle	
114	1001109503	1	Gauge, Display	
115	1001176469	1	Shroud	
116	1001266503	1	Decal - Control Panel	
117	1001280412	1	Panel, Ground Control	
118	1001155043	6	Washer, Keyed	

## SECTION 2 - TURNTABLE

FIGURE 2-26. GROUND CONTROL PANEL INSTALLATION - DISPLAY WITHOUT BUTTONS  
(EC600SJP/H600SJP) (ALL SPECS EXCEPT CE & UK CA SPECS)



ART\_1001249333\_C

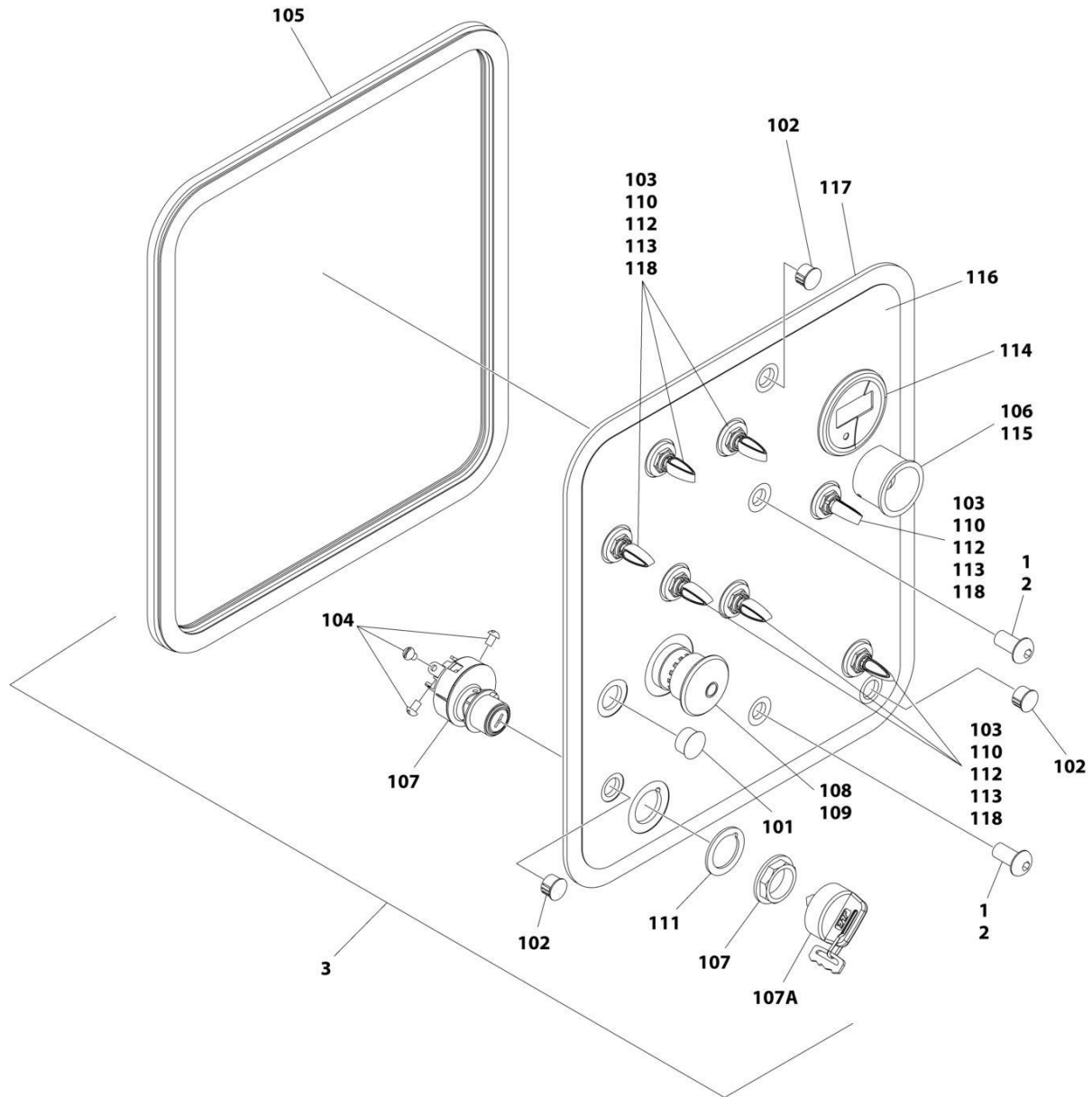
**SECTION 2 - TURNTABLE**

**FIGURE 2-26. GROUND CONTROL PANEL INSTALLATION - DISPLAY WITHOUT BUTTONS  
(EC600SJP/H600SJP) (ALL SPECS EXCEPT CE & UK CA SPECS)**

ITEM	PART NUMBER	QTY	DESCRIPTION	REV
	1001249333	Ref	GROUND CONTROL PANEL INSTALLATION	C
1	0100011	AR	Compound, Locking	
2	3900283	2	Screw, Button Head	
3	1001266514	1	Ground Control Panel Assembly	C
101	3520026	1	Plug, Hole	
102	3520028	3	Plug, Hole	
103	3790012	7	O-Ring	
104	3910804	6	Screw #8 x 1/2	
105	3960447	51 in/1.3m	Seal	
106	4360469	1	Keypad	
106A	2860030	1	Key, Replacement	
107	4360475	1	Switch, Emergency Stop	
107	7020175	1	Mushroom Head	
107	7020176	1	Block, Contact	
108	4360476	1	Block, Contact	
109	4740397	7	Spacer, Washer	
110	1001151393	1	Shim, Nylon .063	
111	1001155044	7	Nut 15/32	
112	1001155045	7	Switch, Toggle	
113	1001109503	1	Gauge, Display	
114	1001266509	1	Decal - Control Panel	
115	1001280412	1	Panel, Ground Control	
116	1001155043	7	Washer, Keyed	

## SECTION 2 - TURNTABLE

FIGURE 2-27. GROUND CONTROL PANEL INSTALLATION - DISPLAY WITHOUT BUTTONS  
(EC600SJP/H600SJP) (CE & UK CA SPECS)



ART\_1001248336\_C

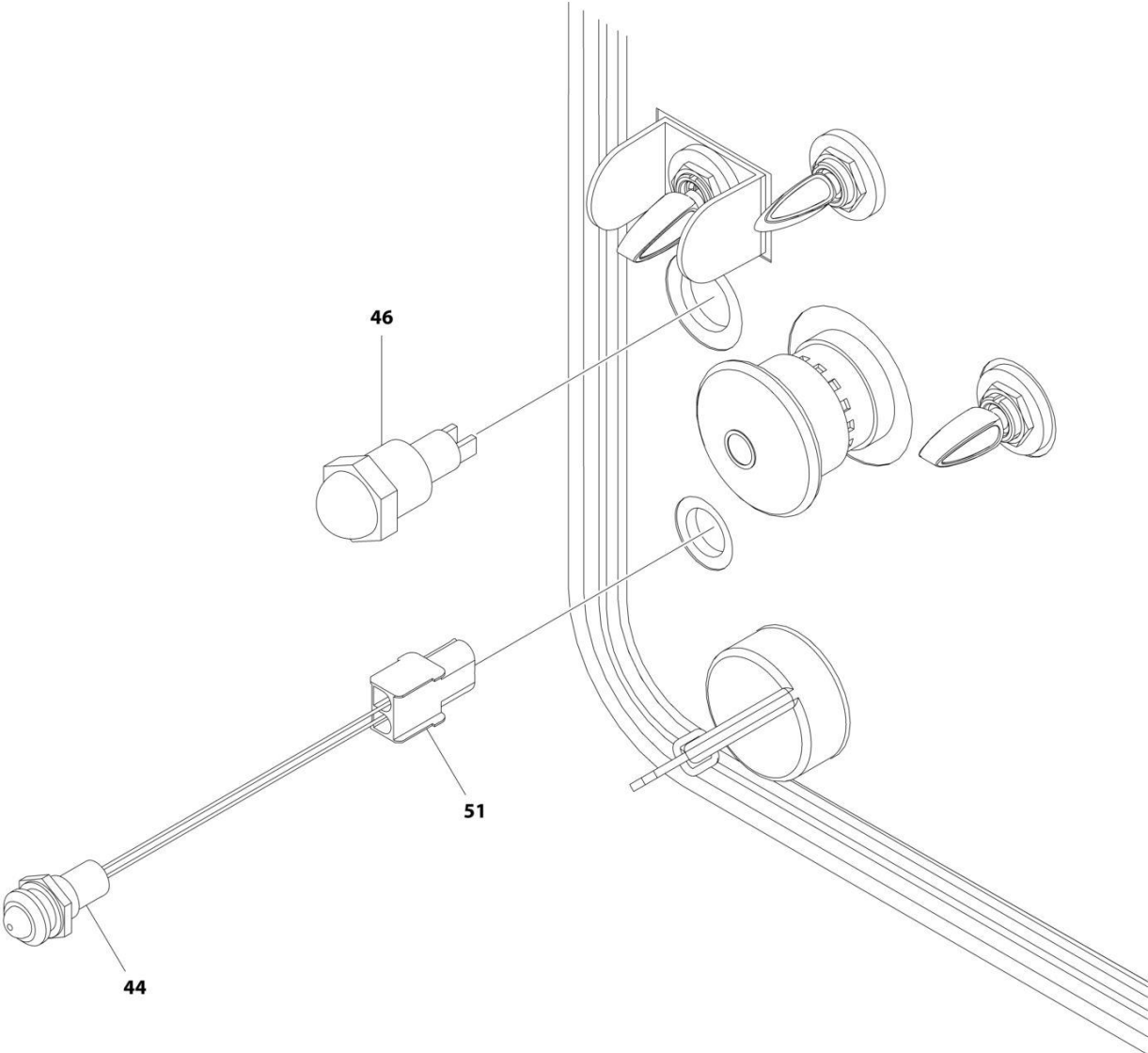
## SECTION 2 - TURNTABLE

**FIGURE 2-27. GROUND CONTROL PANEL INSTALLATION - DISPLAY WITHOUT BUTTONS  
(EC600SJP/H600SJP) (CE & UK CA SPECS)**

ITEM	PART NUMBER	QTY	DESCRIPTION	REV
	1001248336	Ref	GROUND CONTROL PANEL INSTALLATION	C
1	0100011	AR	Compound, Locking	
2	3900283	2	Screw, Button Head	
3	1001266512	1	Ground Control Panel Assembly	C
101	3520026	1	Plug, Hole	
102	3520028	3	Plug, Hole	
103	3790012	7	O-Ring	
104	3910804	6	Screw #8 x 1/2	
105	3960447	51 in/1.3m	Seal	
106	4360387	1	Switch, Push Button	
107	4360469	1	Keyswitch	
107A	2860030	1	Key, Replacement	
108	4360475	1	Switch, Emergency Stop	
108	7020175	1	Mushroom Head	
108	7020176	1	Block, Contact	
109	4360476	1	Block, Contact	
110	4740397	7	Spacer, Washer	
111	1001151393	1	Shim, Nylon .063	
112	1001155044	7	Nut 15/32	
113	1001155045	7	Switch, Toggle	
114	1001109503	1	Gauge, Display	
115	1001176469	1	Shroud	
116	1001266504	1	Decal - Control Panel	
117	1001280412	1	Panel, Ground Control	
118	1001155043	7	Washer, Keyed	

**SECTION 2 - TURNTABLE**

**FIGURE 2-28. ENGINE CONTROLS INSTALLATION - STANDARD BATTERIES (H600SJ/H600SJP)**



ART\_1001199313\_20F5



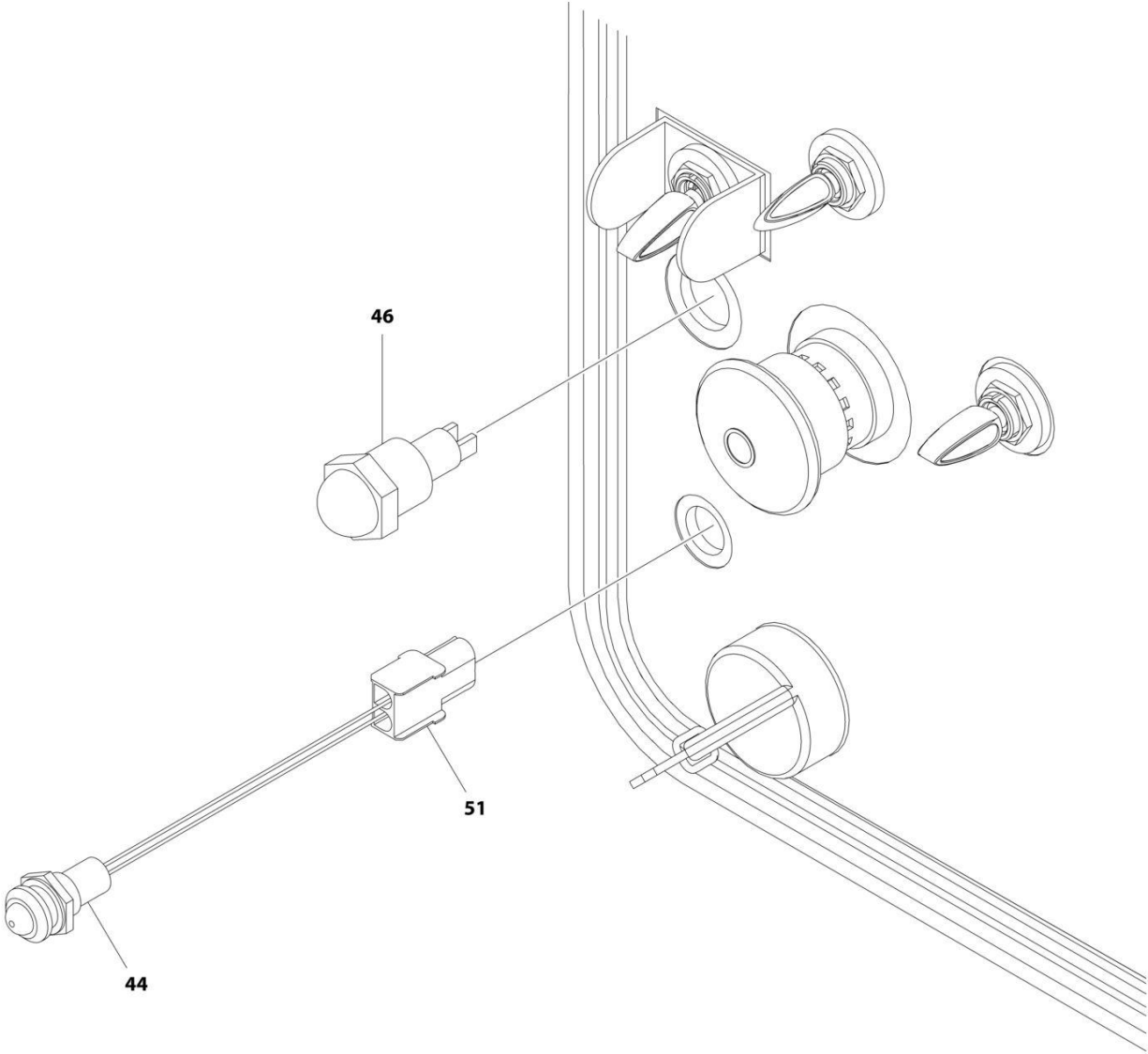
**SECTION 2 - TURNTABLE**

**FIGURE 2-28. ENGINE CONTROLS INSTALLATION - STANDARD BATTERIES (H600SJ/H600SJP)**

ITEM	PART NUMBER	QTY	DESCRIPTION	REV
	1001199313	Ref	ENGINE CONTROLS INSTALLATION	G
44	2920151	1	Light	
46	4360274	1	Switch, Push Button	
51	4460424	1	Connector - 2 Position	
51	4460226	2	Socket, Female	

**SECTION 2 - TURNTABLE**

**FIGURE 2-29. ENGINE CONTROLS INSTALLATION - AGM BATTERIES (H600SJ/H600SJP)**



ART\_1001207674\_20F5

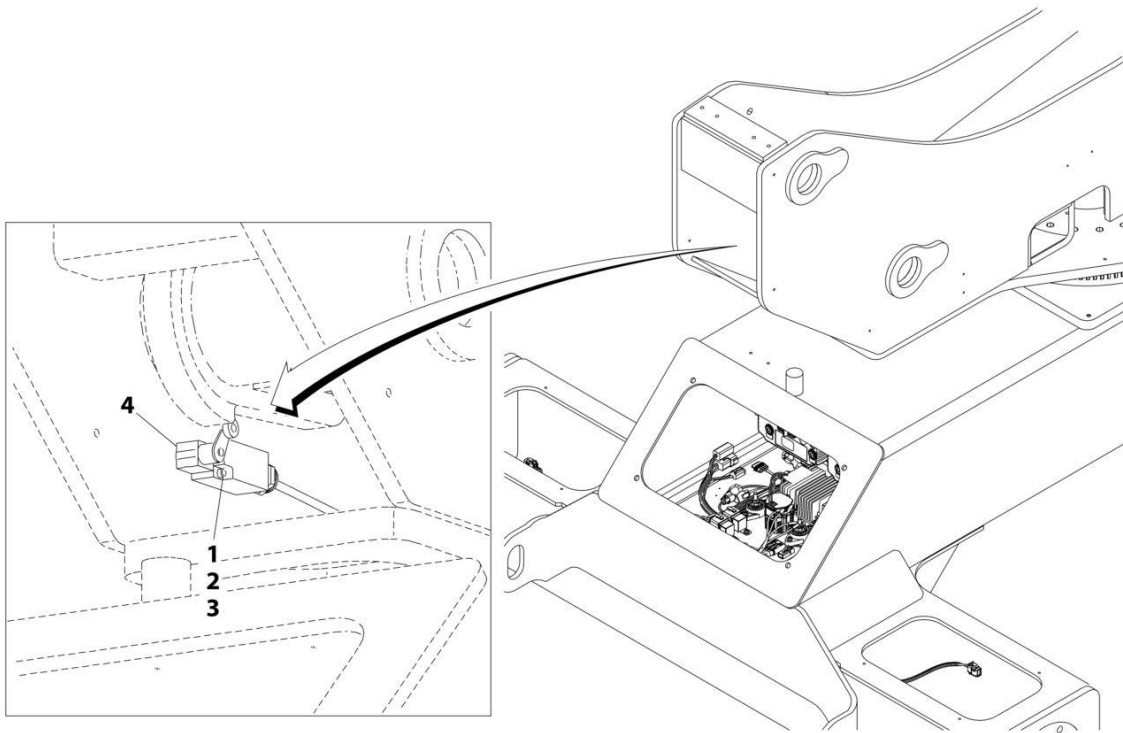
**SECTION 2 - TURNTABLE**

**FIGURE 2-29. ENGINE CONTROLS INSTALLATION - AGM BATTERIES (H600SJ/H600SJP)**

ITEM	PART NUMBER	QTY	DESCRIPTION	REV
	1001207674	Ref	MOTOR CONTROLS INSTALLATION - AGM BATTERIES (M600/M600J/M600JP)	F
44	2920151	1	Light	
46	4360274	1	Switch, Push Button	
51	4460424	1	Connector - 2 Position	
51	4460226	2	Socket, Female	

## SECTION 2 - TURNTABLE

FIGURE 2-30. LIMIT SWITCH INSTALLATION



ART\_1001200254

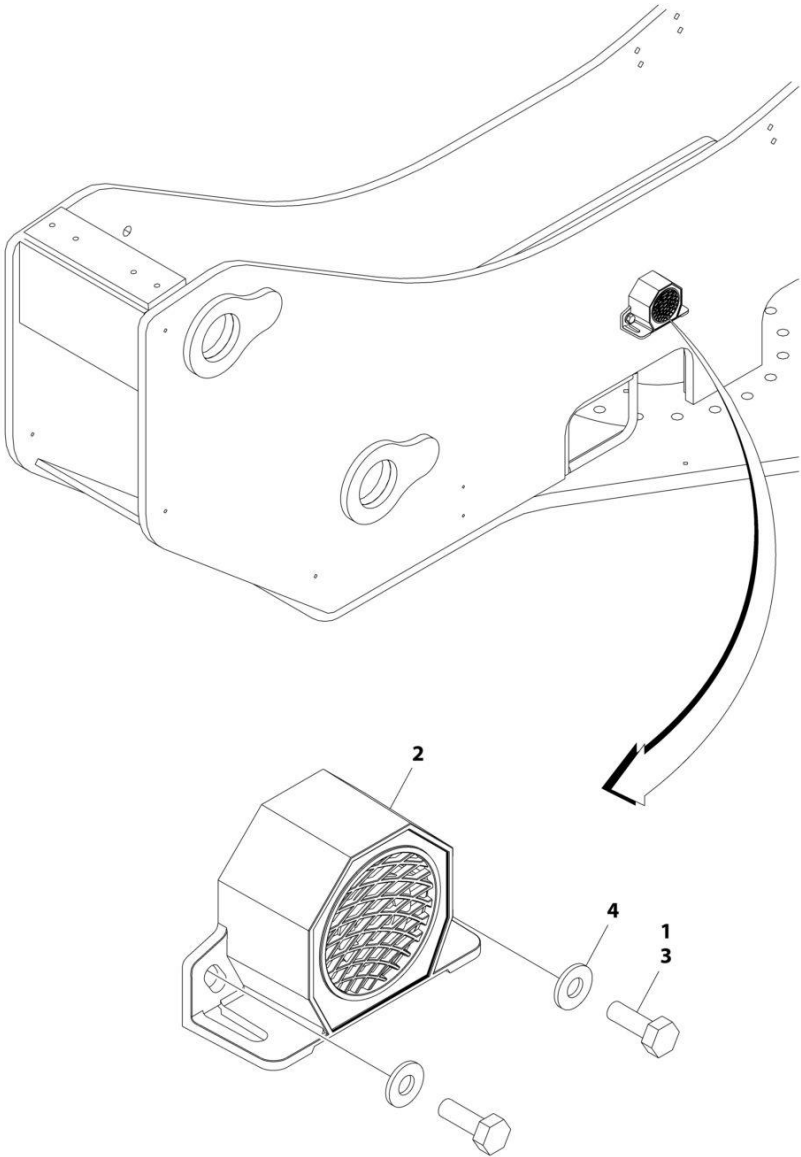
**SECTION 2 - TURNTABLE**

**FIGURE 2-30. LIMIT SWITCH INSTALLATION**

<b>ITEM</b>	<b>PART NUMBER</b>	<b>QTY</b>	<b>DESCRIPTION</b>	<b>REV</b>
	1001200254	Ref	LIMIT SWITCH INSTALLATION	A
1	3310805	2	Nut #8	
2	3930828	2	Capscrew #8 x 1-3/4	
3	4750800	2	Washer #8	
4	1001200173	1	Switch, Limit (See Separate Breakdown in ELECTRICAL Section)	

**SECTION 2 - TURNTABLE**

**FIGURE 2-31. ALARM INSTALLATION**



ART\_1001183368

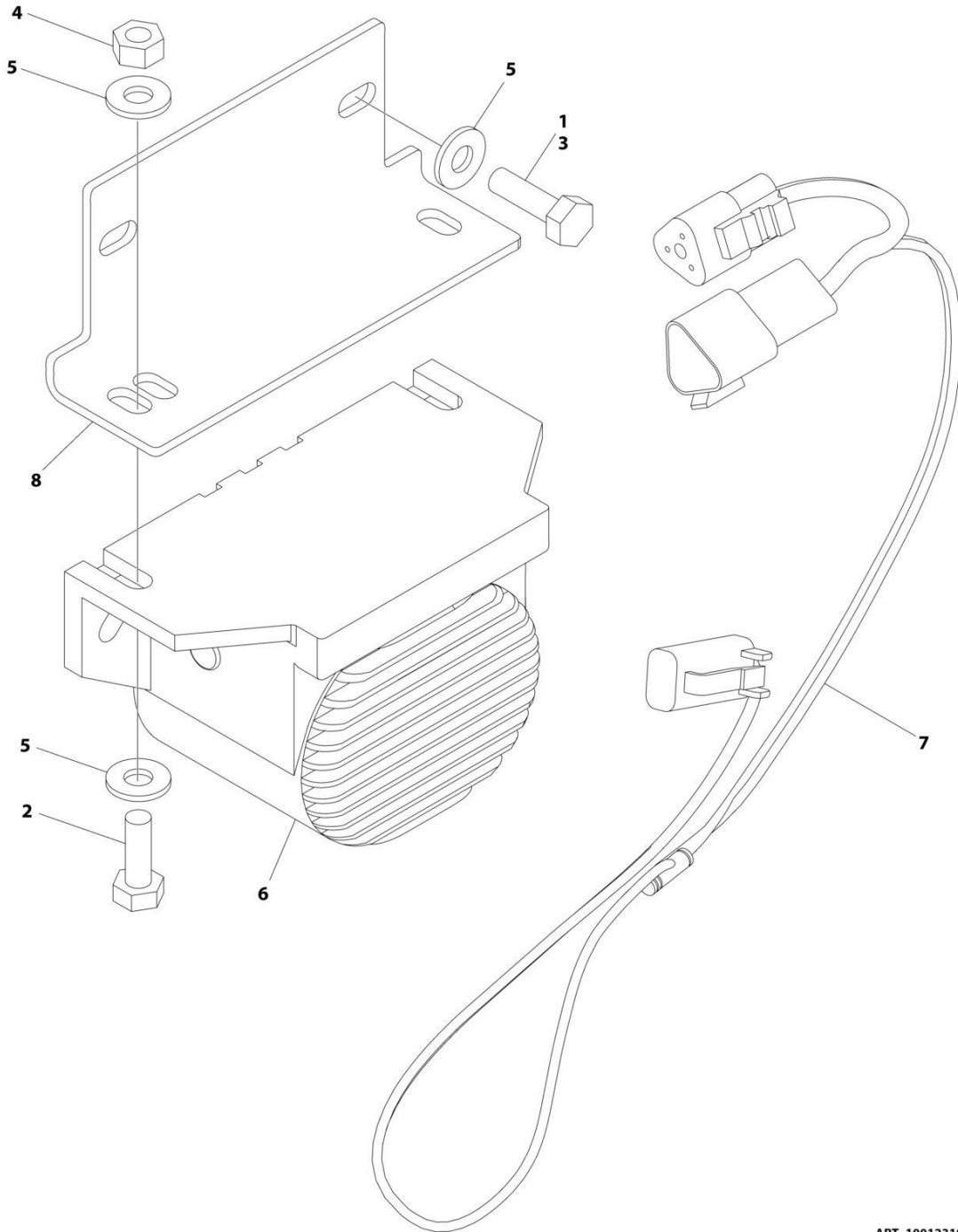
**SECTION 2 - TURNTABLE**

**FIGURE 2-31. ALARM INSTALLATION**

<b>ITEM</b>	<b>PART NUMBER</b>	<b>QTY</b>	<b>DESCRIPTION</b>	<b>REV</b>
	1001183368	Ref	ALARM INSTALLATION	A
1	0100011	AR	Compound, Locking	
2	0140043	1	Alarm, Motion/Descent/Horn	
3	0641406	2	Bolt 1/4 x 3/4	
4	4711400	2	Washer 1/4	

# SECTION 2 - TURNTABLE

## FIGURE 2-32. WHITE NOISE ALARM INSTALLATION



ART\_1001231990



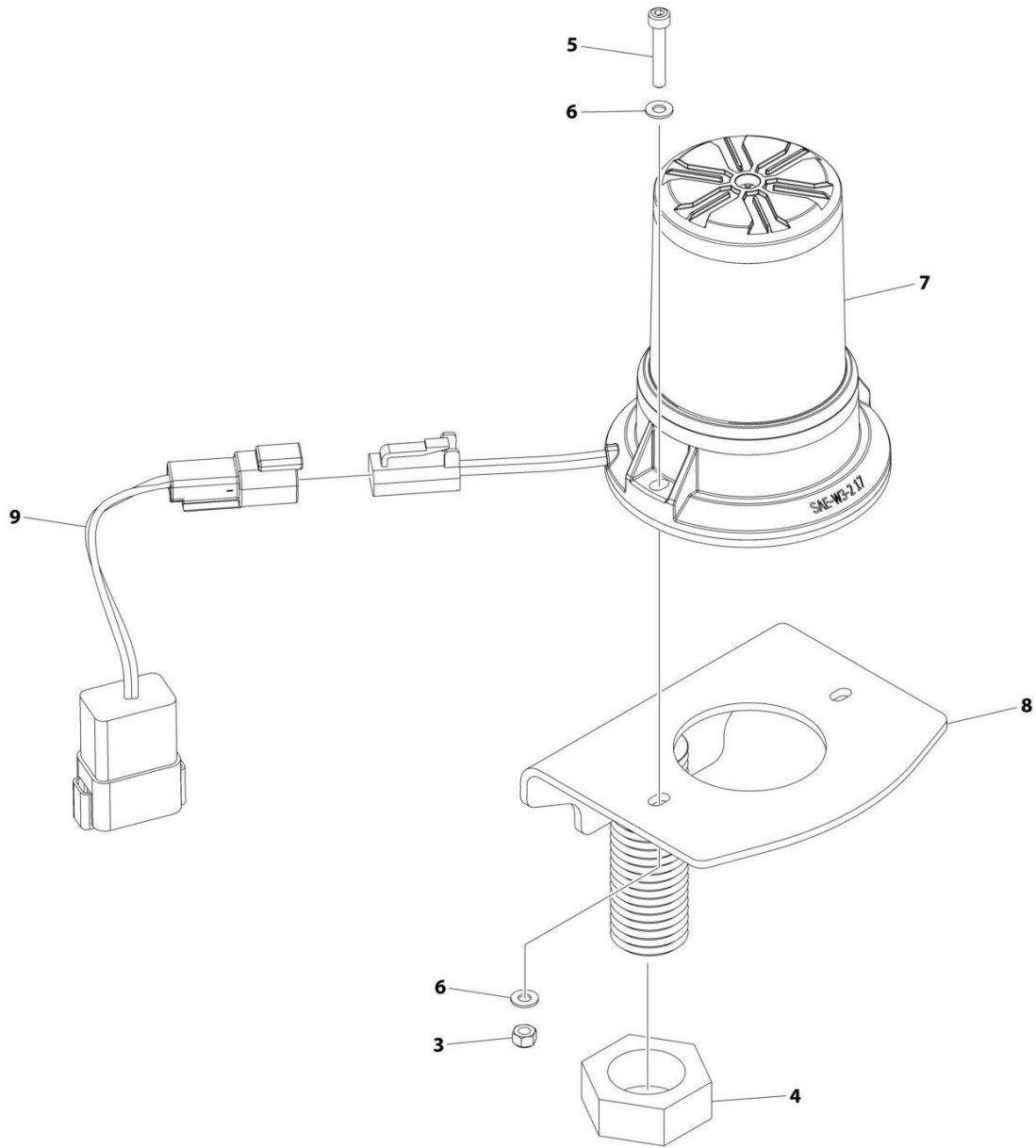
**SECTION 2 - TURNTABLE**

**FIGURE 2-32. WHITE NOISE ALARM INSTALLATION**

ITEM	PART NUMBER	QTY	DESCRIPTION	REV
	1001231990	Ref	WHITE NOISE ALARM INSTALLATION	A
1	0100011	AR	Compound, Locking	
2	0641406	2	Bolt 1/4 x 3/4	
3	0641407	2	Bolt 1/4 x 7/8	
4	3311405	2	Nut 1/4	
5	4711400	6	Washer 1/4	
6	1001182806	1	Alarm	
6	4460897	1	Connector - 2 Position	
6	4460464	2	Pin, Male	
7	1001231007	1	Harness, White Noise Motion Alarm (See Separate Breakdown in ELECTRICAL Section)	
8	1001231886	1	Plate	

## SECTION 2 - TURNTABLE

FIGURE 2-33. BEACON LIGHT INSTALLATION - AMBER



ART\_1001214093\_C

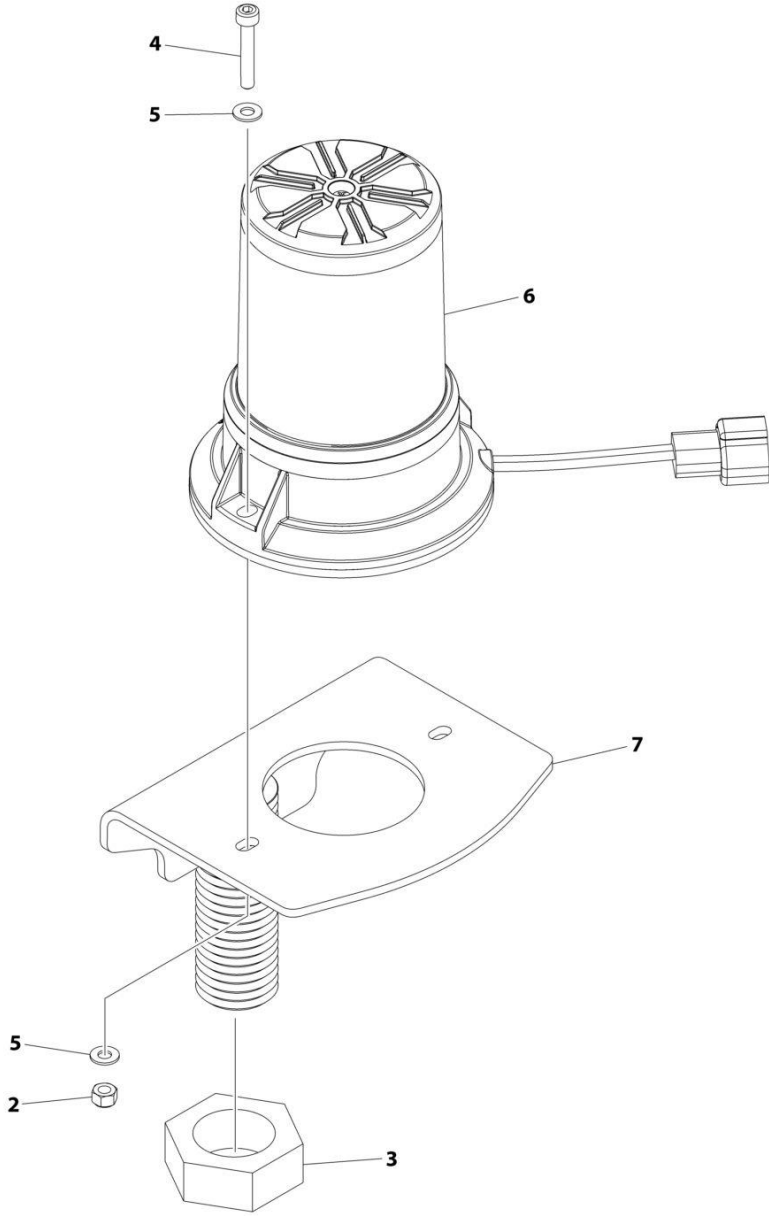
**SECTION 2 - TURNTABLE**

**FIGURE 2-33. BEACON LIGHT INSTALLATION - AMBER**

<b>ITEM</b>	<b>PART NUMBER</b>	<b>QTY</b>	<b>DESCRIPTION</b>	<b>REV</b>
	1001214093	Ref	BEACON LIGHT INSTALLATION - AMBER	C
3	3290405	2	Nut M4	
4	3312602	1	Nut 1	
5	4031509	2	Capscrew M4 x 25	
6	4811400	4	Washer M4	
7	1001270594	1	Light, Strobe	
8	1001275149	1	Mount	
9	1001283776	1	Harness, Strobe Light Jumper	
9	4460931	1	Connector - 8 Position	
9	4460897	1	Connector - 2 Position	
9	4460464	4	Pin	
9	4460466	6	Plug, Terminal	

**SECTION 2 - TURNTABLE**

**FIGURE 2-34. BEACON LIGHT INSTALLATION - BLUE**



ART\_1001239801\_C

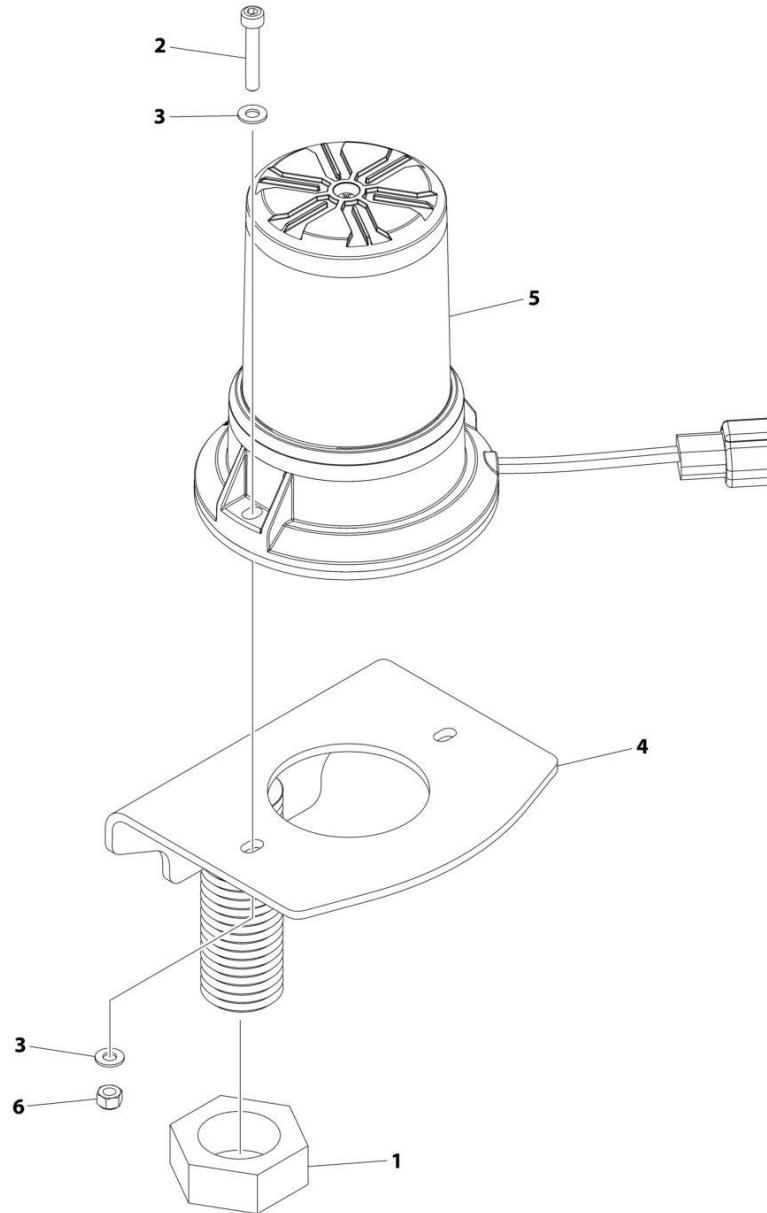
**SECTION 2 - TURNTABLE**

**FIGURE 2-34. BEACON LIGHT INSTALLATION - BLUE**

<b>ITEM</b>	<b>PART NUMBER</b>	<b>QTY</b>	<b>DESCRIPTION</b>	<b>REV</b>
	1001239801	Ref	BEACON LIGHT INSTALLATION - BLUE	C
2	3290405	2	Nut M4	
3	3312602	1	Nut 1	
4	4031509	2	Capscrew M4 x 25	
5	4811400	4	Washer M4	
6	1001272681	1	Light, Strobe	
7	1001275149	1	Mount	

## SECTION 2 - TURNTABLE

FIGURE 2-35. BEACON LIGHT INSTALLATION - RED



ART\_1001239800\_C

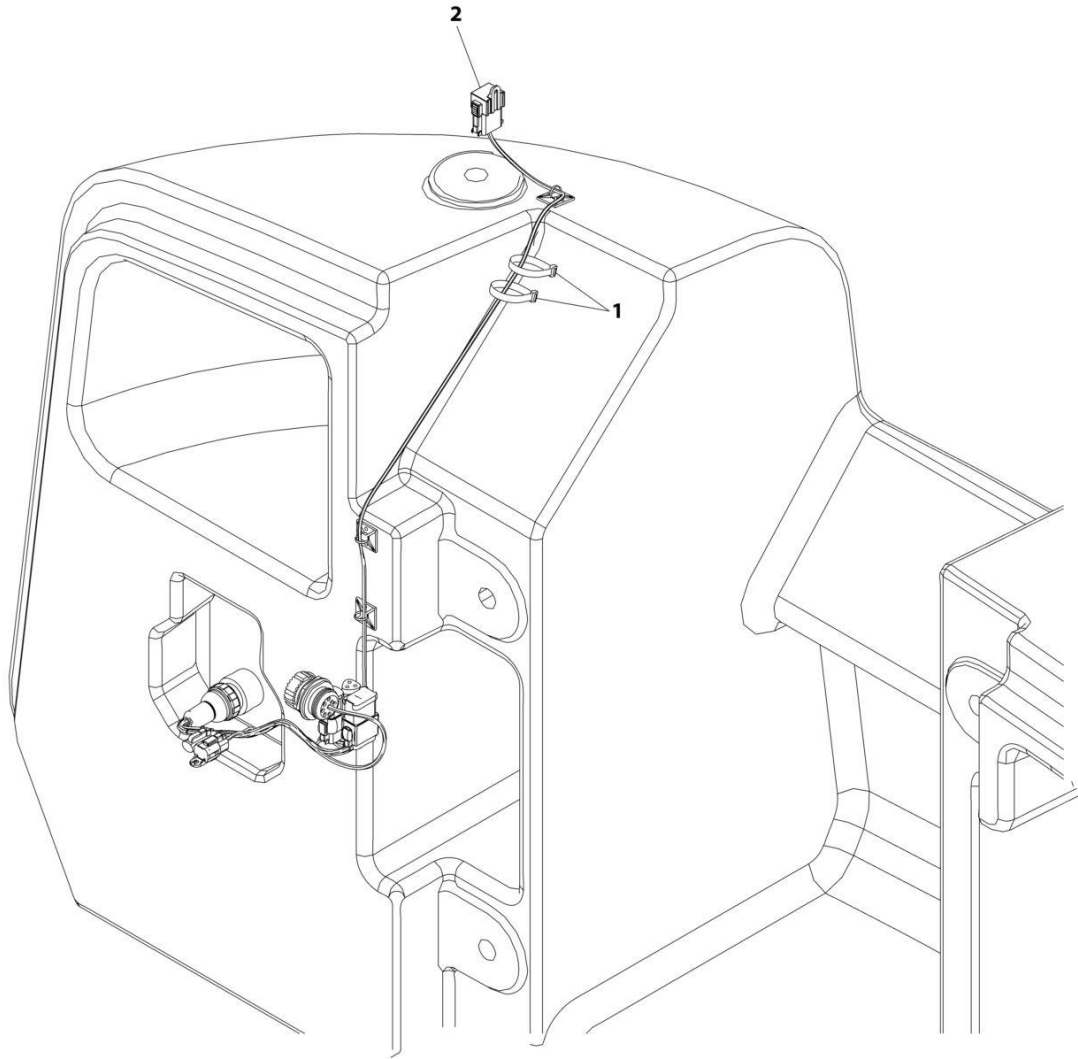
**SECTION 2 - TURNTABLE**

**FIGURE 2-35. BEACON LIGHT INSTALLATION - RED**

<b>ITEM</b>	<b>PART NUMBER</b>	<b>QTY</b>	<b>DESCRIPTION</b>	<b>REV</b>
	1001239800	Ref	BEACON LIGHT INSTALLATION - RED	C
1	3312602	1	Nut 1	
2	4031509	2	Capscrew M4 x 25	
3	4811400	4	Washer M4	
4	1001275149	1	Mount	
5	1001272682	1	Light, Strobe	
6	3290405	2	Nut M4	

## SECTION 2 - TURNTABLE

FIGURE 2-36. NO BEACON INSTALLATION



ART\_1001293369



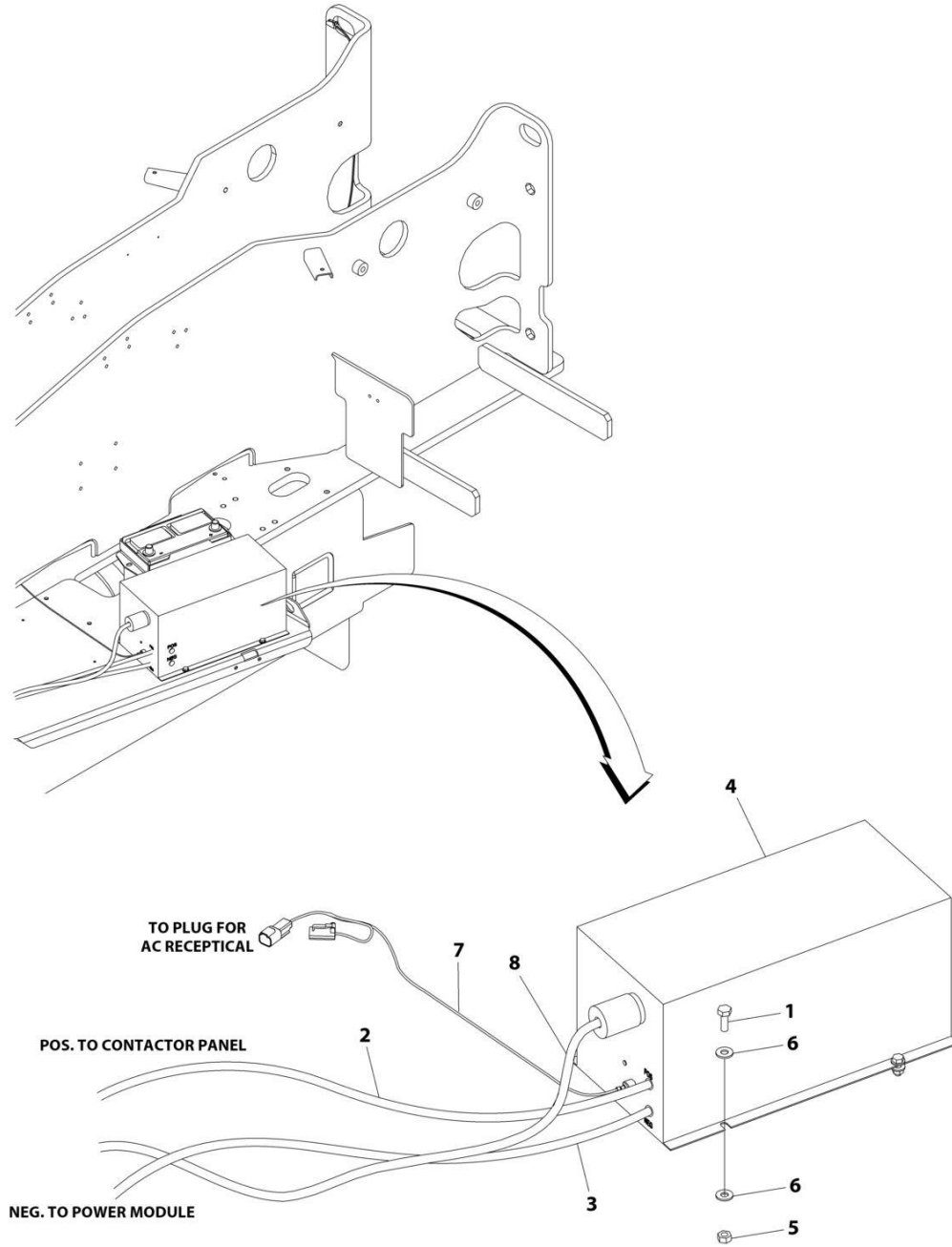
**SECTION 2 - TURNTABLE**

**FIGURE 2-36. NO BEACON INSTALLATION**

<b>ITEM</b>	<b>PART NUMBER</b>	<b>QTY</b>	<b>DESCRIPTION</b>	<b>REV</b>
	1001293369	Ref	NO BECON INSTALLATION	A
1	4240018	2	Strap, Cable Tie	
2	1001244462	1	Connector, Dust Cap	

# SECTION 2 - TURNTABLE

## FIGURE 2-37. INVERTER INSTALLATION - 110V (OPTIONAL)



ART\_1001196190

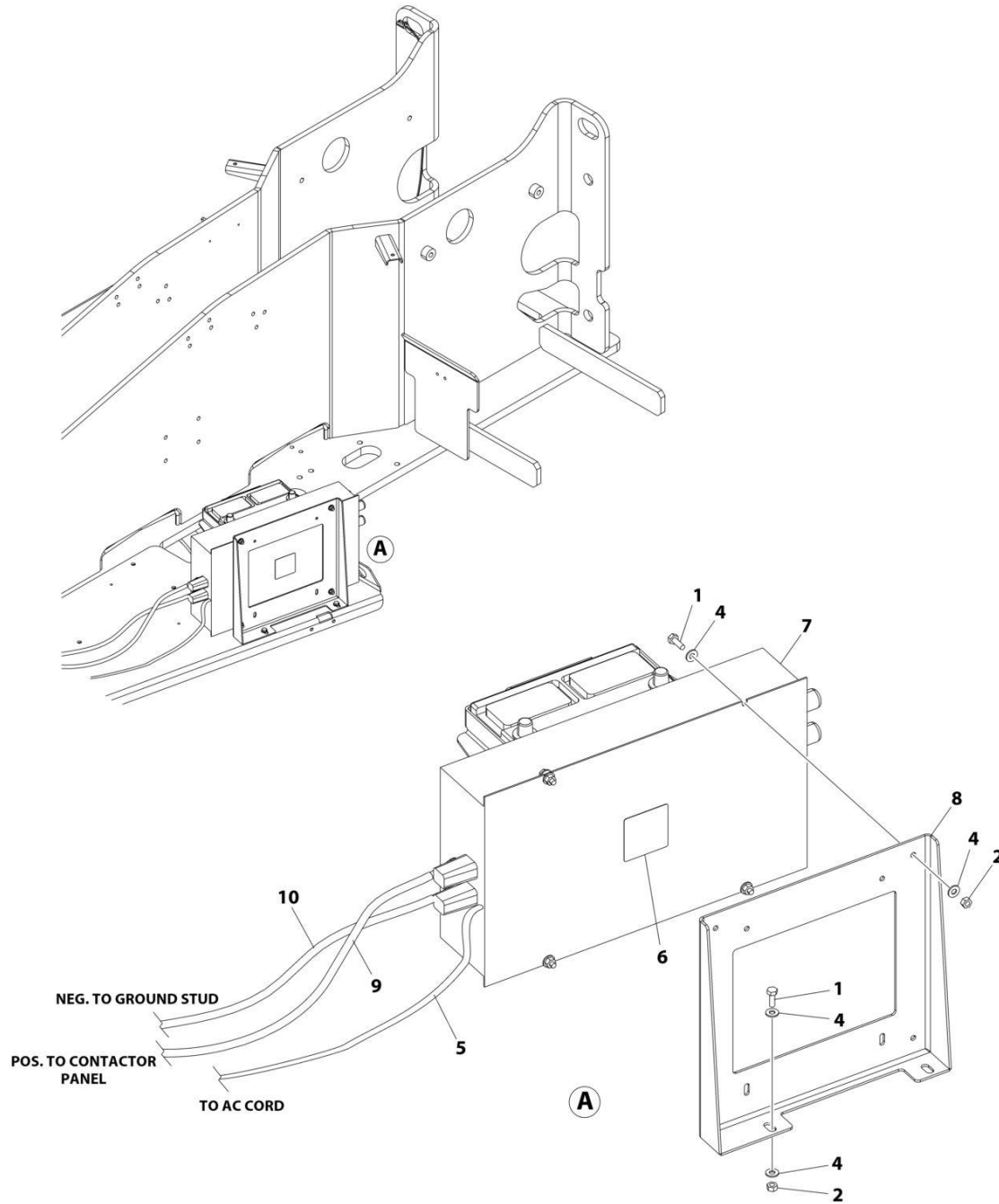
**SECTION 2 - TURNTABLE**

**FIGURE 2-37. INVERTER INSTALLATION - 110V (OPTIONAL)**

<b>ITEM</b>	<b>PART NUMBER</b>	<b>QTY</b>	<b>DESCRIPTION</b>	<b>REV</b>
	1001196190	Ref	INVERTER INSTALLATION - 110V (OPTIONAL)	B
1	0641406	4	Bolt 1/4 x 3/4	
2	1060827	1	Cable, Electrical (+)	
3	1060828	1	Cable, Electrical (-)	
4	2460037	1	Inverter Assembly	
5	3311405	4	Nut 1/4	
6	4711400	8	Washer 1/4	
7	1001192293	1	Inverter Ignition Harness (See Separate Breakdown in ELECTRICAL Section)	
8	4922390	1	Inverter Harness (See Separate Breakdown in ELECTRICAL Section)	

# SECTION 2 - TURNTABLE

## FIGURE 2-38. INVERTER INSTALLATION - 110V 3000W (OPTIONAL)



ART\_1001293025

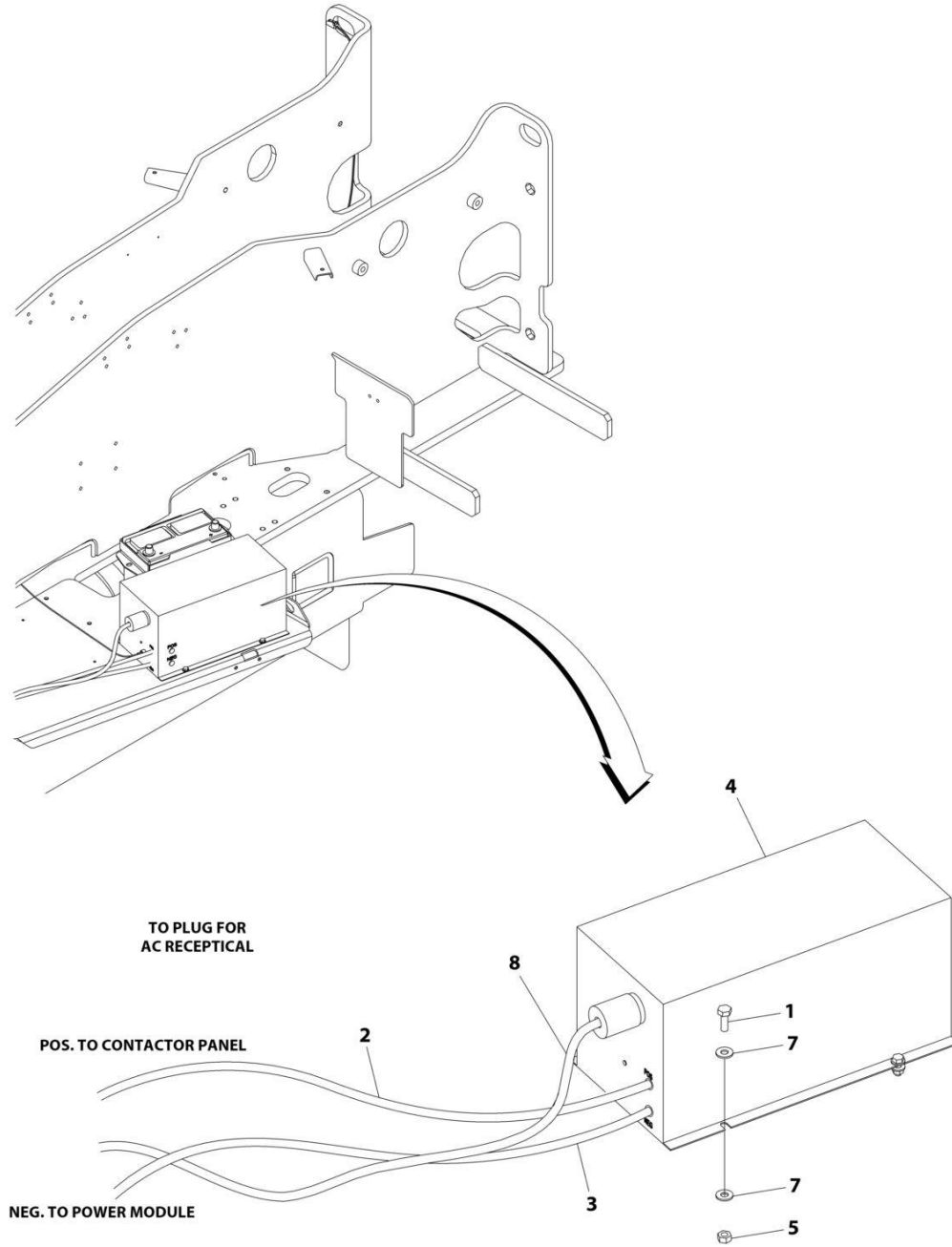
**SECTION 2 - TURNTABLE**

**FIGURE 2-38. INVERTER INSTALLATION - 110V 3000W (OPTIONAL)**

<b>ITEM</b>	<b>PART NUMBER</b>	<b>QTY</b>	<b>DESCRIPTION</b>	<b>REV</b>
	1001293025	Ref	INVERTER INSTALLATION - 110V 3000W	A
1	0641406	6	Bolt 1/4 x 3/4	
2	3311405	6	Nut 1/4	
3	4460806	3	Terminal, Fork (Not Shown)	
4	4711400	12	Washer 1/4	
5	4922390	1	Inverter Harness (See Separate Breakdown in ELECTRICAL Section)	
6	1001125483	1	Decal - Pressure Wash	
7	1001173138	1	Inverter Assembly	
8	1001290653	1	Bracket	
9	1001292551	1	Cable, Electrical (+)	
10	1001292552	1	Cable, Electrical (-)	

# SECTION 2 - TURNTABLE

## FIGURE 2-39. INVERTER INSTALLATION - 220V (OPTIONAL)



ART\_0271382

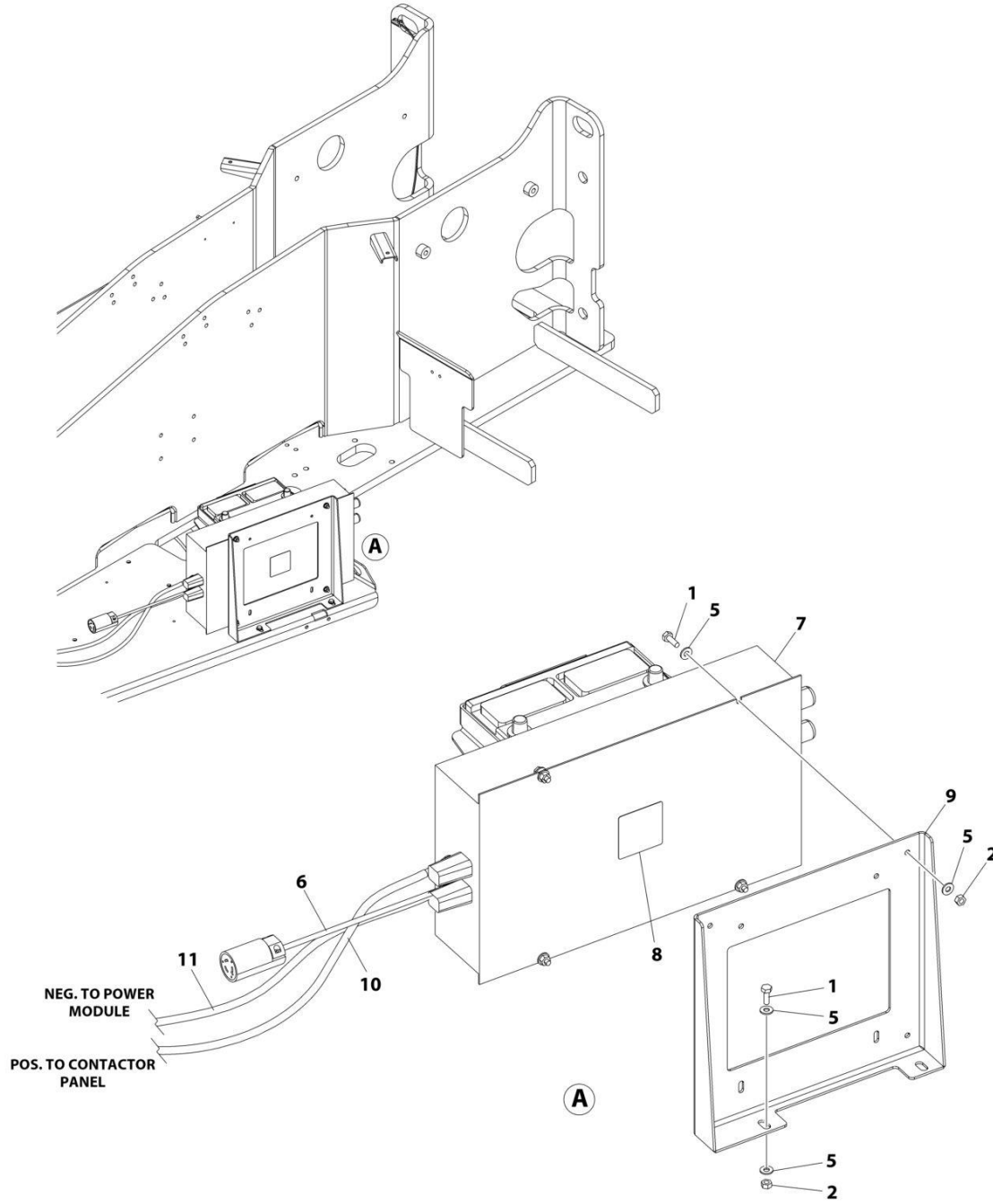
**SECTION 2 - TURNTABLE**

**FIGURE 2-39. INVERTER INSTALLATION - 220V (OPTIONAL)**

<b>ITEM</b>	<b>PART NUMBER</b>	<b>QTY</b>	<b>DESCRIPTION</b>	<b>REV</b>
	0271382	Ref	INVERTER INSTALLATION - 220V (OPTIONAL)	B
1	0641406	4	Bolt 1/4 x 3/4	
2	1060827	1	Cable, Electrical (+)	
3	1060828	1	Cable, Electrical (-)	
4	2460038	1	Inverter Assembly	
5	3311405	4	Nut 1/4	
7	4711400	8	Washer 1/4	
8	4922647	1	Inverter Harness (See Separate Breakdown in ELECTRICAL Section)	
9	4460709	1	Plug, Male (Not Shown - Plugs into Item 8)	

# SECTION 2 - TURNTABLE

## FIGURE 2-40. INVERTER INSTALLATION - 220V 3000W (OPTIONAL)



ART\_1001293169



**SECTION 2 - TURNTABLE**

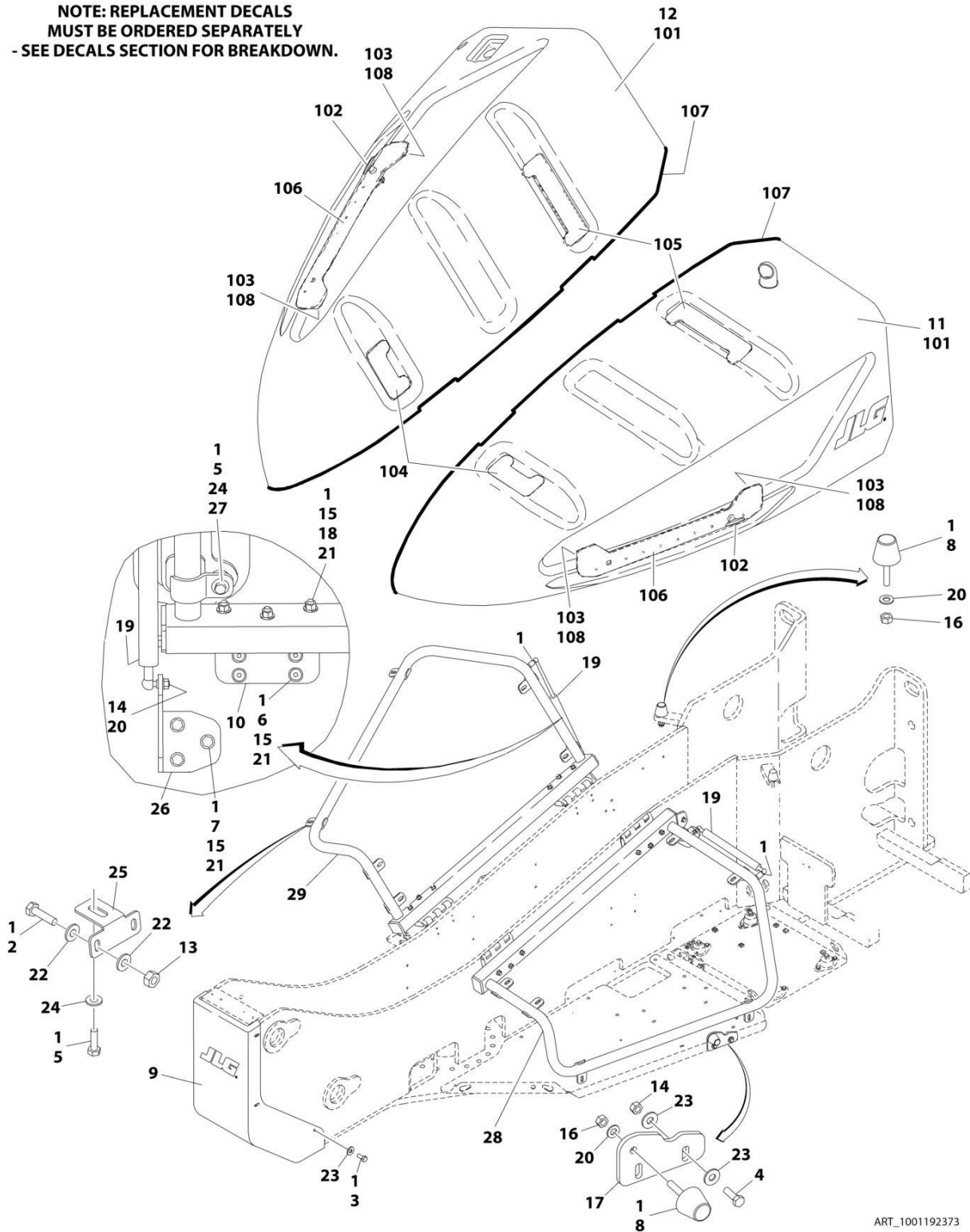
**FIGURE 2-40. INVERTER INSTALLATION - 220V 3000W (OPTIONAL)**

ITEM	PART NUMBER	QTY	DESCRIPTION	REV
	1001293169	Ref	INVERTER INSTALLATION - 220V 3000W	A
1	0641406	6	Bolt 1/4 x 3/4	
2	3311405	6	Nut 1/4	
3	4460709	1	Plug, Male (Not Shown - Plugs into Item 8)	
4	4460806	3	Terminal, Fork (Not Shown)	
5	4711400	12	Washer 1/4	
6	4922647	1	Inverter Harness (See Separate Breakdown in ELECTRICAL Section)	
7	1001173137	1	Inverter Assembly	
8	1001125483	1	Decal - Pressure Wash	
9	1001290653	1	Bracket	
10	1001292551	1	Cable, Electrical (+)	
11	1001292552	1	Cable, Electrical (-)	

# SECTION 2 - TURNTABLE

## FIGURE 2-41. HOODS INSTALLATION

NOTE: REPLACEMENT DECALS  
MUST BE ORDERED SEPARATELY  
- SEE DECALS SECTION FOR BREAKDOWN.



ART\_1001192373

**SECTION 2 - TURNTABLE**

**FIGURE 2-41. HOODS INSTALLATION**

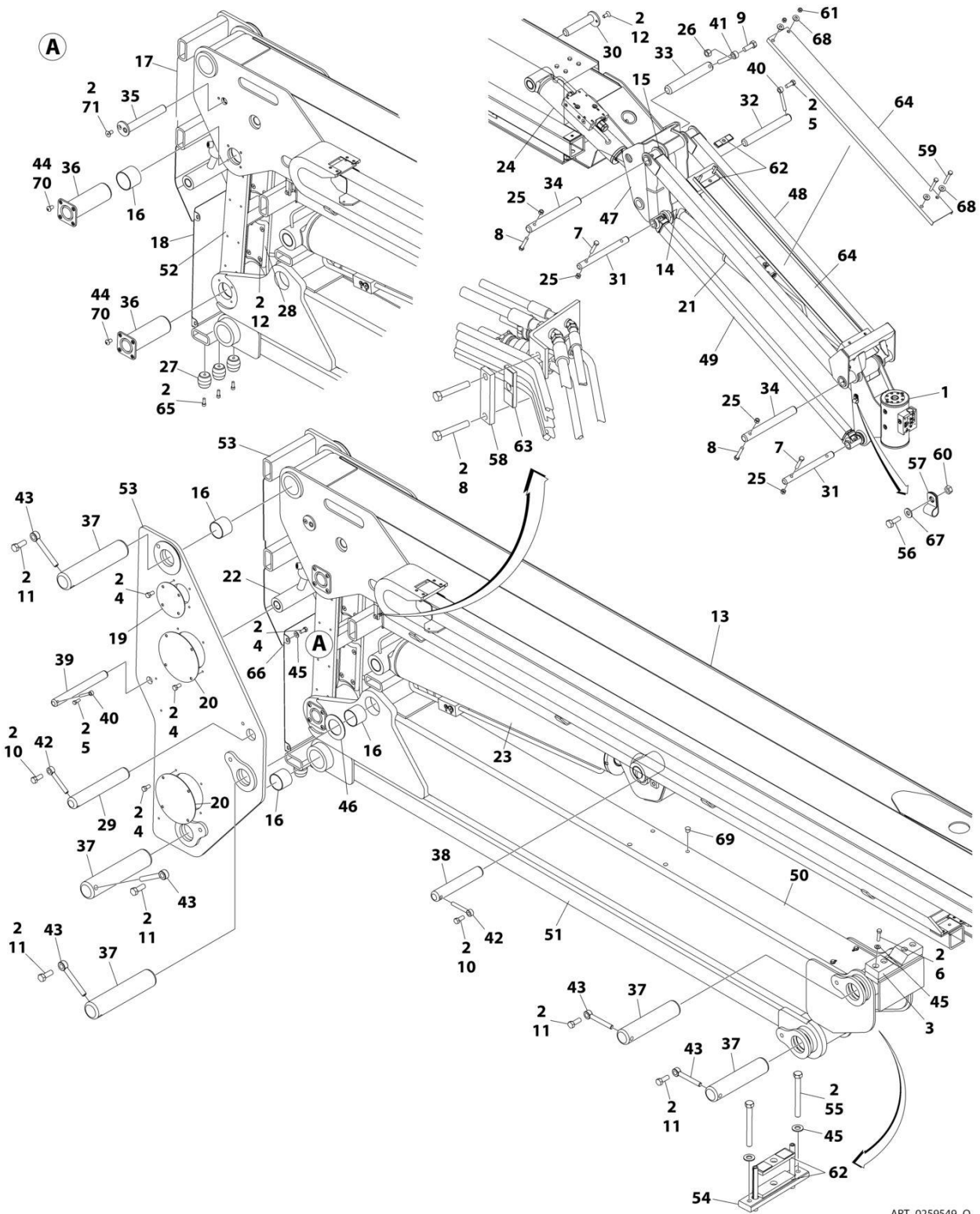
ITEM	PART NUMBER	QTY	DESCRIPTION	REV
	1001192373	Ref	HOODS INSTALLATION	B
1	0100011	AR	Compound, Locking	
2	0641407	8	Bolt 1/4 x 7/8	
3	0641506	6	Bolt 5/16 x 3/4	
4	0641508	4	Bolt 5/16 x 1	
5	0641606	12	Bolt 3/8 x 3/4	
6	0641610	16	Bolt 3/8 x 1-1/4	
7	0641612	6	Bolt 3/8 x 1-1/2	
8	0940088	4	Bumper	
9	1670930	1	Cover, End	
10	2600262	4	Hinge, Offset	
11	2680468	1	Hood Assembly - Right Side (See Items 101-108 for Breakdown)	
12	2680477	1	Hood Assembly - Left Side (See Items 101-108 for Breakdown)	
13	3311401	8	Nut 1/4	
14	3311505	6	Nut 5/16	
15	3311601	34	Nut 3/8	
16	3321501	4	Nut 5/16	
17	3572063	2	Plate, Latch	
18	3900232	12	Screw 3/8 x 1-1/4	
19	4160194	2	Spring, Gas	
20	4711500	6	Washer 5/16	
21	4711600	68	Washer 3/8	
22	4751400	16	Washer 1/4	
23	4751500	14	Washer 5/16	
24	4751600	12	Washer 3/8	
25	1001174542	4	Bracket, Clamp	
26	1001175575	2	Plate, Gas Spring	
27	1001175596	8	Clamp	
28	1001191596	1	Support, Hood - Right Side	
29	1001191597	1	Support, Hood - Left Side	
		Ref	HOOD ASSEMBLIES	
	2680468	Ref	Right Side	E
	2680477	Ref	Left Side	E
		Ref	Note: Replacement Decals Must Be Ordered Separately - See DECALS Section.	
101	See Note	NSS	Hood, Molded (Note: Purchase Item #11 or #12 as Complete Assembly)	
102		Ref	Latch (1 Per Assembly) Options:	
102	2940124	2	Non-Lockable	
102	7027859	2	Lockable	
103	3340877	12	Pad, Rubber (6 Per Assembly)	
104	3571856	2	Plate, Front Support (1 Per Assembly)	
105	3571857	2	Plate, Rear Support (1 Per Assembly)	
106	3571858	2	Plate, Handle (1 Per Assembly)	
107	3960464	146 ft /44.5m	Seal (73ft/22.5m Per Assembly)	
108	0100081	AR	Adhesive	



**SECTION 3 - BOOM**

# SECTION 3 - BOOM

FIGURE 3-1. BOOM INSTALLATION (EC600SJ/H600SJ) (MACHINES WITH SN STARTING WITH 03)



ART\_0259549\_O

## SECTION 3 - BOOM

**FIGURE 3-1. BOOM INSTALLATION (EC600SJ/H600SJ) (MACHINES WITH SN STARTING WITH 03)**

ITEM	PART NUMBER	QTY	DESCRIPTION	REV
	0259549	Ref	BOOM INSTALLATION	0
1	1001217779	1	Platform Rotator Assembly (See Separate Breakdown in this Section)	
2	0100011	AR	Compound, Locking	
3	0561380	2	Block, Boom Rest	
4	0641606	32	Bolt 3/8 x 3/4	
5	0641608	2	Bolt 3/8 x 1	
6	0641612	4	Bolt 3/8 x 1-1/2	
7	0641616	4	Bolt 3/8 x 2	
8	0641618	4	Bolt 3/8 x 2-1/4	
9	0641811	1	Bolt 1/2 x 1-3/8	
10	0642012	2	Bolt 5/8 x 1-1/2	
11	0642216	5	Bolt 3/4 x 2	
12	0741607	17	Screw 3/8 x 7/8	
13	0801207	1	Main Boom Assembly (See Separate Breakdown in this Section)	
14	0962292	2	Bushing	
15	0961951	2	Bushing	
16	0962297	12	Bushing	
17	1670911	1	Cover, Upright Upper	
18	1670912	1	Cover, Upright Lower	
19	1670913	2	Cover, Pin	
20	1670928	4	Cover, Pin	
21	1001140282	1	Lift Cylinder Assembly - Jib (See Separate Breakdown in CYLINDER Section)	
22	1683866	1	Master Cylinder Assembly (See Separate Breakdown in CYLINDER Section)	
23	1001251014	1	Lift Cylinder Assembly - Main Boom (See Separate Breakdown in CYLINDER Section)	
24	1001140596	1	Level Cylinder Assembly - Platform Slave (See Separate Breakdown in CYLINDER Section)	
25	3311605	6	Nut 3/8	
26	3311805	1	Nut 1/2	
27	4160187	3	Spring, Rubber	
28	3340873	4	Pad, Hose Guide	
29	3422568	1	Pin	
30	3422583	1	Pin	
31	3422791	2	Pin	
32	3422792	1	Pin	
33	3422793	1	Pin	
34	3422794	2	Pin	
35	3422808	1	Pin	
36	3422811	2	Pin	
37	3422830	5	Pin	
38	3422833	1	Pin	
39	3422834	1	Pin	
40	3841143	2	Keeper, Pin 3/8	
41	3841203	1	Keeper, Pin 1/2	
42	3841258	2	Keeper, Pin 5/8	
43	3841287	5	Keeper, Pin 3/4	
44	3900280	8	Screw 3/8 x 5/8	
45	4711600	14	Washer 3/8	

## SECTION 3 - BOOM

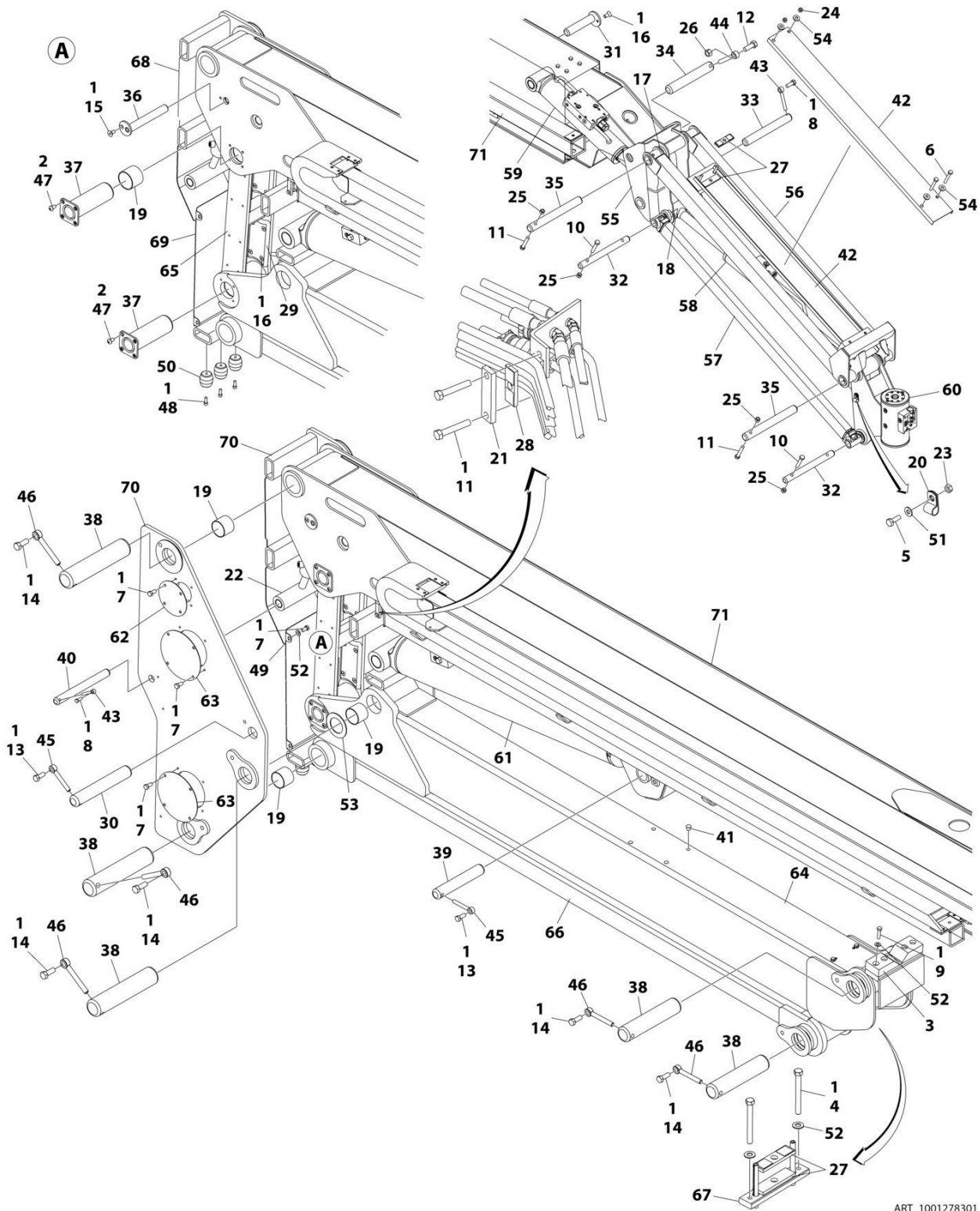
ITEM	PART NUMBER	QTY	DESCRIPTION	REV
46	4740492	2	Thrustwasher	
47	4845925	1	Pivot Weldment	
48	4846278	1	Link, Jib (Top)	
49	1001094670	2	Link, Jib (Bottom)	
50	4846066	1	Tower Boom Weldment	
51	4846067	1	Tower Link Weldment	
52	4846074	1	Upright Link Weldment	
53	4846075	1	Upright Weldment	
54	0362929	1	Clamp, Bar	
55	0630539	2	Capscrew 3/8 x 2-1/4	
56	0641406	2	Bolt 1/4 x 3/4	
57	1320070	2	Clamp, Cable	
58	1320277	1	Clamp, Hose	
59	0641518	2	Bolt 5/16 x 2-1/4	
60	3311405	2	Nut 1/4	
61	3311501	4	Nut 5/16	
62	3340860	6	Pad, Rubber	
63	3340861	2	Pad, Rubber	
64	3572551	2	Channel, Hose Carrier	
65	3931616	3	Bolt 3/8 x 2	
66	3960418	10 in/ 25cm	Seal	
67	4711400	2	Washer 1/4	
68	4751500	6	Washer 5/16	
69	3520034	4	Plug, Hole	
70	0100019	AR	Compound, Locking	
71	0741606	1	Bolt 3/8 x 3/4	





# SECTION 3 - BOOM

FIGURE 3-2. BOOM INSTALLATION (EC600SJ/H600SJ) (MACHINES WITH SN STARTING WITH B3)



ART\_1001278301

## SECTION 3 - BOOM

**FIGURE 3-2. BOOM INSTALLATION (EC600SJ/H600SJ) (MACHINES WITH SN STARTING WITH B3)**

ITEM	PART NUMBER	QTY	DESCRIPTION	REV
	1001278301	Ref	BOOM INSTALLATION (EC600SJ)	B
1	0100011	AR	Compound, Locking	
2	0100019	AR	Compound, Locking	
3	0561380	2	Block, Boom Rest	
4	0630539	2	Capscrew 3/8 x 2-1/4	
5	0641406	2	Bolt 1/4 x 3/4	
6	0641518	2	Bolt 5/16 x 2-1/4	
7	0641606	32	Bolt 3/8 x 3/4	
8	0641608	2	Bolt 3/8 x 1	
9	0641612	4	Bolt 3/8 x 1-1/2	
10	0641616	4	Bolt 3/8 x 2	
11	0641618	4	Bolt 3/8 x 2-1/4	
12	0641811	1	Bolt 1/2 x 1-3/8	
13	0642012	2	Bolt 5/8 x 1-1/2	
14	0642216	5	Bolt 3/4 x 2	
15	0741606	1	Bolt 3/8 x 3/4	
16	0741607	17	Screw 3/8 x 7/8	
17	0961951	2	Bushing	
18	0962292	2	Bushing	
19	0962297	12	Bushing	
20	1320070	2	Clamp, Cable	
21	1320277	1	Clamp, Hose	
22	1683866	1	Master Cylinder Assembly (See Separate Breakdown in CYLINDER Section)	
23	3311405	2	Nut 1/4	
24	3311501	4	Nut 5/16	
25	3311605	6	Nut 3/8	
26	3311805	1	Nut 1/2	
27	3340860	6	Pad, Rubber	
28	3340861	2	Pad, Rubber	
29	3340873	4	Pad, Hose Guide	
30	3422568	1	Pin	
31	3422583	1	Pin	
32	3422791	2	Pin	
33	3422792	1	Pin	
34	3422793	1	Pin	
35	3422794	2	Pin	
36	3422808	1	Pin	
37	3422811	2	Pin	
38	3422830	5	Pin	
39	3422833	1	Pin	
40	3422834	1	Pin	
41	3520034	4	Plug, Hole	
42	3572551	2	Channel, Hose Carrier	
43	3841143	2	Keeper, Pin 3/8	
44	3841203	1	Keeper, Pin 1/2	
45	3841258	2	Keeper, Pin 5/8	
46	3841287	5	Keeper, Pin 3/4	
47	3900280	8	Screw 3/8 x 5/8	
48	3931616	3	Bolt 3/8 x 2	

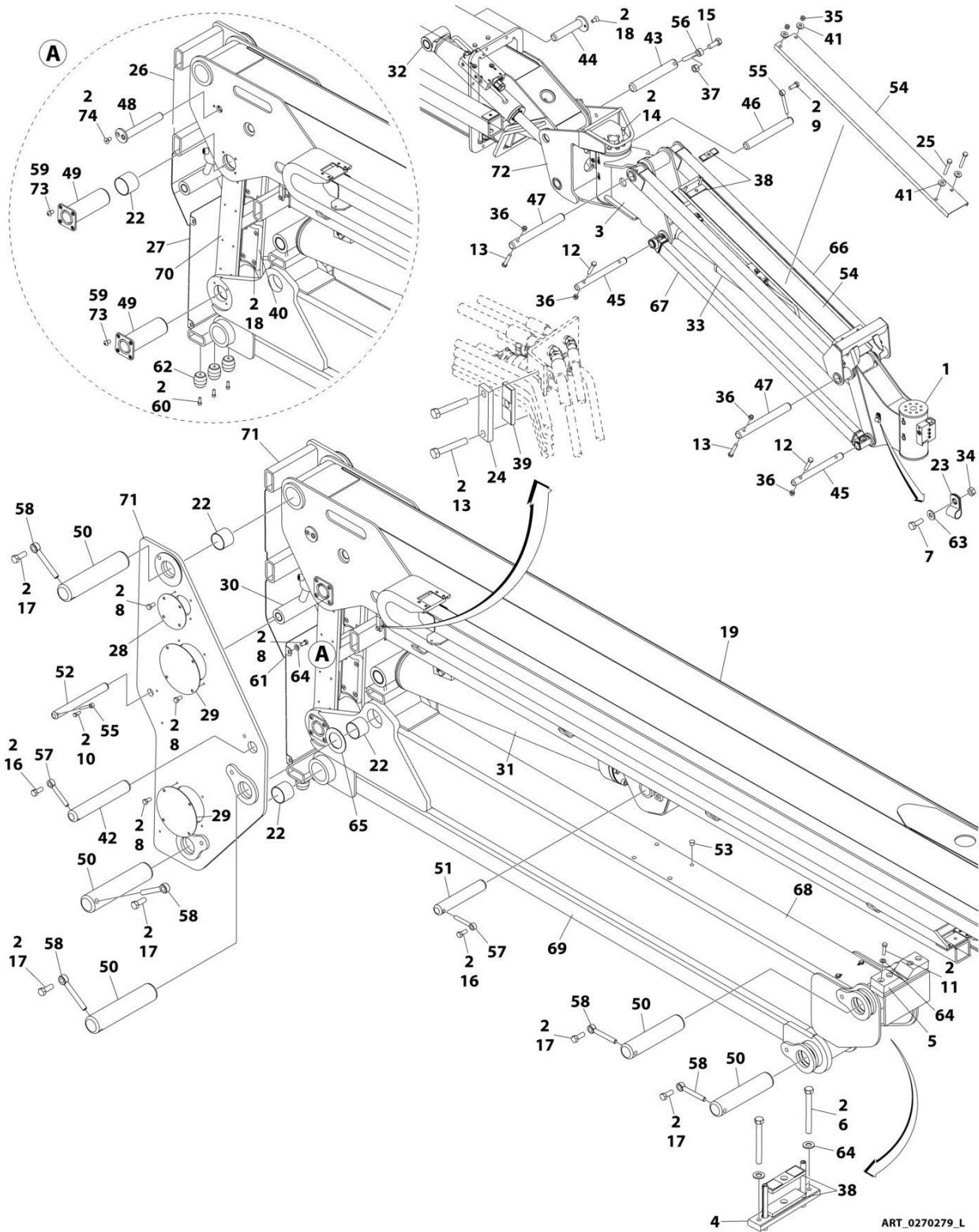
## SECTION 3 - BOOM

ITEM	PART NUMBER	QTY	DESCRIPTION	REV
49	3960418	10 in/ 25cm	Seal	
50	4160187	3	Spring, Rubber	
51	4711400	2	Washer 1/4	
52	4711600	14	Washer 3/8	
53	4740492	2	Thrustwasher	
54	4751500	6	Washer 5/16	
55	4845925	1	Pivot Weldment	
56	4846278	1	Link, Jib (Top)	
57	1001094670	2	Link, Jib (Bottom)	
58	1001140282	1	Lift Cylinder Assembly - Jib (See Separate Breakdown in CYLINDER Section)	
59	1001140596	1	Level Cylinder Assembly - Platform Slave (See Separate Breakdown in CYLINDER Section)	
60	1001217779	1	Platform Rotator Assembly (See Separate Breakdown in this Section)	
61	1001251014	1	Lift Cylinder Assembly - Main Boom (See Separate Breakdown in CYLINDER Section)	
62	1001276068	2	Plate, Pin	
63	1001276113	4	Plate, Pin	
64	1001276159	1	Tower Boom Mount	
65	1001276163	1	Boom Link Mount	
66	1001276169	1	Tower Link Mount	
67	1001276170	1	Clamp, Bar	
68	1001276178	1	Cover, Upright Upper	
69	1001276179	1	Cover, Upright Lower	
70	1001276239	1	Upright Mount	
71	1001278302	1	Boom Assembly (See Separate Breakdown in this Section)	



# SECTION 3 - BOOM

FIGURE 3-3. BOOM INSTALLATION (EC600SJP/H600SJP) (MACHINES WITH SN STARTING WITH 03)



ART\_0270279\_L

## SECTION 3 - BOOM

**FIGURE 3-3. BOOM INSTALLATION (EC600SJP/H600SJP) (MACHINES WITH SN STARTING WITH 03)**

ITEM	PART NUMBER	QTY	DESCRIPTION	REV
	0270279	Ref	BOOM INSTALLATION	L
1	0060056	1	Platform Rotator Assembly (See Separate Breakdown in this Section)	
2	0100011	AR	Compound, Locking	
3	0060057	1	Jib Rotator Assembly (See Separate Breakdown in this Section)	
4	0362929	1	Clamp, Bar	
5	0561380	2	Block, Boom Rest	
6	0630539	2	Capscrew 3/8 x 2-1/4	
7	0641406	2	Bolt 1/4 x 3/4	
8	0641606	32	Bolt 3/8 x 3/4	
9	0641607	1	Bolt 3/8 x 7/8	
10	0641608	1	Bolt 3/8 x 1	
11	0641612	4	Bolt 3/8 x 1-1/2	
12	0641616	4	Bolt 3/8 x 2	
13	0641618	4	Bolt 3/8 x 2-1/4	
14	0641810	8	Bolt 1/2 x 1-1/4	
15	0641812	1	Bolt 1/2 x 1-1/2	
16	0642012	2	Bolt 5/8 x 1-1/2	
17	0642216	5	Bolt 3/4 x 2	
18	0741607	17	Screw 3/8 x 7/8	
19	0801239	1	Main Boom Assembly (See Separate Breakdown in this Section)	
22	0962297	12	Bushing	
23	1320070	2	Clamp, Cable	
24	1320277	1	Clamp, Hose	
25	0641518	2	Bolt 5/16 x 2-1/4	
26	1670911	1	Cover, Upright Upper	
27	1670912	1	Cover, Upright Lower	
28	1670913	2	Cover, Pin	
29	1670928	4	Cover, Pin	
30	1683866	1	Master Cylinder Assembly (See Separate Breakdown in CYLINDER Section)	
31	1001228014	1	Lift Cylinder Assembly (See Separate Breakdown in CYLINDER Section)	
32	1001140596	1	Level Cylinder Assembly (See Separate Breakdown in CYLINDER Section)	
33	1001140282	1	Jib Cylinder Assembly (See Separate Breakdown in CYLINDER Section)	
34	3311405	2	Nut 1/4	
35	3311501	4	Nut 5/16	
36	3311605	6	Nut 3/8	
37	3311805	1	Nut 1/2	
38	3340860	6	Pad, Rubber	
39	3340861	2	Pad, Rubber	
40	3340873	4	Pad, Hose Guide	
41	4751500	6	Washer 5/16	
42	3422568	1	Pin	
43	3422576	1	Pin	
44	3422583	1	Pin	
45	3422791	2	Pin	
46	3422792	1	Pin	
47	3422794	2	Pin	

## SECTION 3 - BOOM

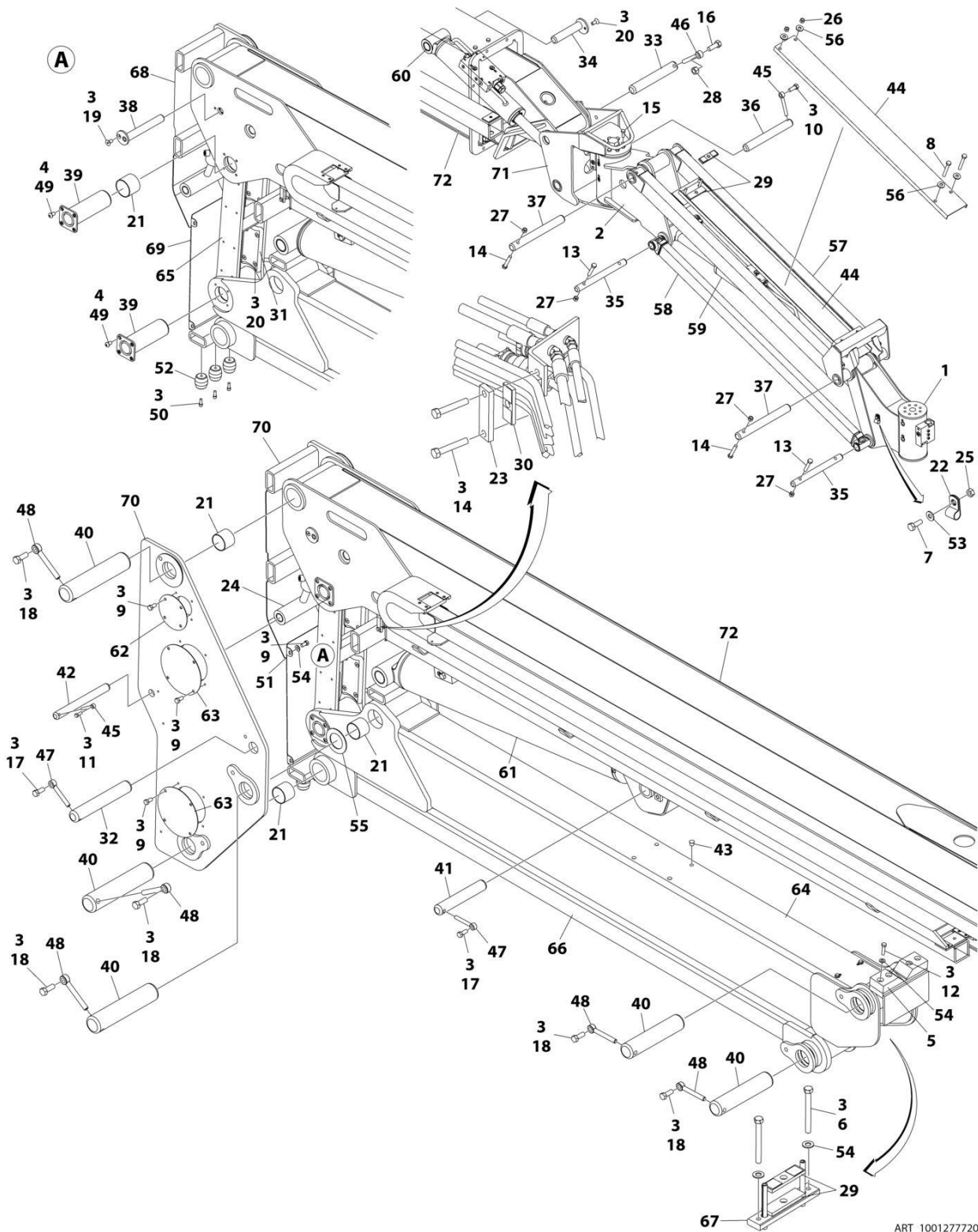
ITEM	PART NUMBER	QTY	DESCRIPTION	REV
48	3422808	1	Pin	
49	3422811	2	Pin	
50	3422830	5	Pin	
51	3422833	1	Pin	
52	3422834	1	Pin	
53	3520034	4	Plug, Hole	
54	3572551	2	Channel, Hose Carrier	
55	3841143	2	Keeper, Pin 3/8	
56	3841203	1	Keeper, Pin 1/2	
57	3841258	2	Keeper, Pin 5/8	
58	3841287	5	Keeper, Pin 3/4	
59	3900280	8	Screw 3/8 x 5/8	
60	3931616	3	Bolt 3/8 x 2	
61	3960418	10 in /53cm	Seal	
62	4160187	3	Spring, Rubber	
63	4711400	2	Washer 1/4	
64	4711600	14	Washer 3/8	
65	4740492	2	Thrustwasher	
66	4846278	1	Link, Jib (Top)	
67	1001094670	2	Link, Jib (Bottom)	
68	4846066	1	Tower Boom Weldment	
69	4846067	1	Tower Link Weldment	
70	4846074	1	Upright Link Weldment	
71	4846075	1	Upright Weldment	
72	4846258	1	Pivot Weldment	
73	0100019	AR	Compound, Locking	
74	0741606	1	Bolt 3/8 x 3/4	





# SECTION 3 - BOOM

## FIGURE 3-4. BOOM INSTALLATION (EC600SJP/H600SJP) (MACHINES WITH SN STARTING WITH B3)



## SECTION 3 - BOOM

**FIGURE 3-4. BOOM INSTALLATION (EC600SJP/H600SJP) (MACHINES WITH SN STARTING WITH B3)**

ITEM	PART NUMBER	QTY	DESCRIPTION	REV
	1001277720	Ref	BOOM INSTALLATION (EC600SJP)	B
1	0060056	1	Platform Rotator Assembly (See Separate Breakdown in this Section)	
2	0060057	1	Jib Rotator Assembly (See Separate Breakdown in this Section)	
3	0100011	AR	Compound, Locking	
4	0100019	AR	Compound, Locking	
5	0561380	2	Block, Boom Rest	
6	0630539	2	Capscrew 3/8 x 2-1/4	
7	0641406	2	Bolt 1/4 x 3/4	
8	0641518	2	Bolt 5/16 x 2-1/4	
9	0641606	32	Bolt 3/8 x 3/4	
10	0641607	1	Bolt 3/8 x 7/8	
11	0641608	1	Bolt 3/8 x 1	
12	0641612	4	Bolt 3/8 x 1-1/2	
13	0641616	4	Bolt 3/8 x 2	
14	0641618	4	Bolt 3/8 x 2-1/4	
15	0641810	8	Bolt 1/2 x 1-1/4	
16	0641812	1	Bolt 1/2 x 1-1/2	
17	0642012	2	Bolt 5/8 x 1-1/2	
18	0642216	5	Bolt 3/4 x 2	
19	0741606	1	Bolt 3/8 x 3/4	
20	0741607	17	Screw 3/8 x 7/8	
21	0962297	12	Bushing	
22	1320070	2	Clamp, Cable	
23	1320277	1	Clamp, Hose	
24	1683866	1	Master Cylinder Assembly (See Separate Breakdown in CYLINDER Section)	
25	3311405	2	Nut 1/4	
26	3311501	4	Nut 5/16	
27	3311605	6	Nut 3/8	
28	3311805	1	Nut 1/2	
29	3340860	6	Pad, Rubber	
30	3340861	2	Pad, Rubber	
31	3340873	4	Pad, Hose Guide	
32	3422568	1	Pin	
33	3422576	1	Pin	
34	3422583	1	Pin	
35	3422791	2	Pin	
36	3422792	1	Pin	
37	3422794	2	Pin	
38	3422808	1	Pin	
39	3422811	2	Pin	
40	3422830	5	Pin	
41	3422833	1	Pin	
42	3422834	1	Pin	
43	3520034	4	Plug, Hole	
44	3572551	2	Channel, Hose Carrier	
45	3841143	2	Keeper, Pin 3/8	
46	3841203	1	Keeper, Pin 1/2	

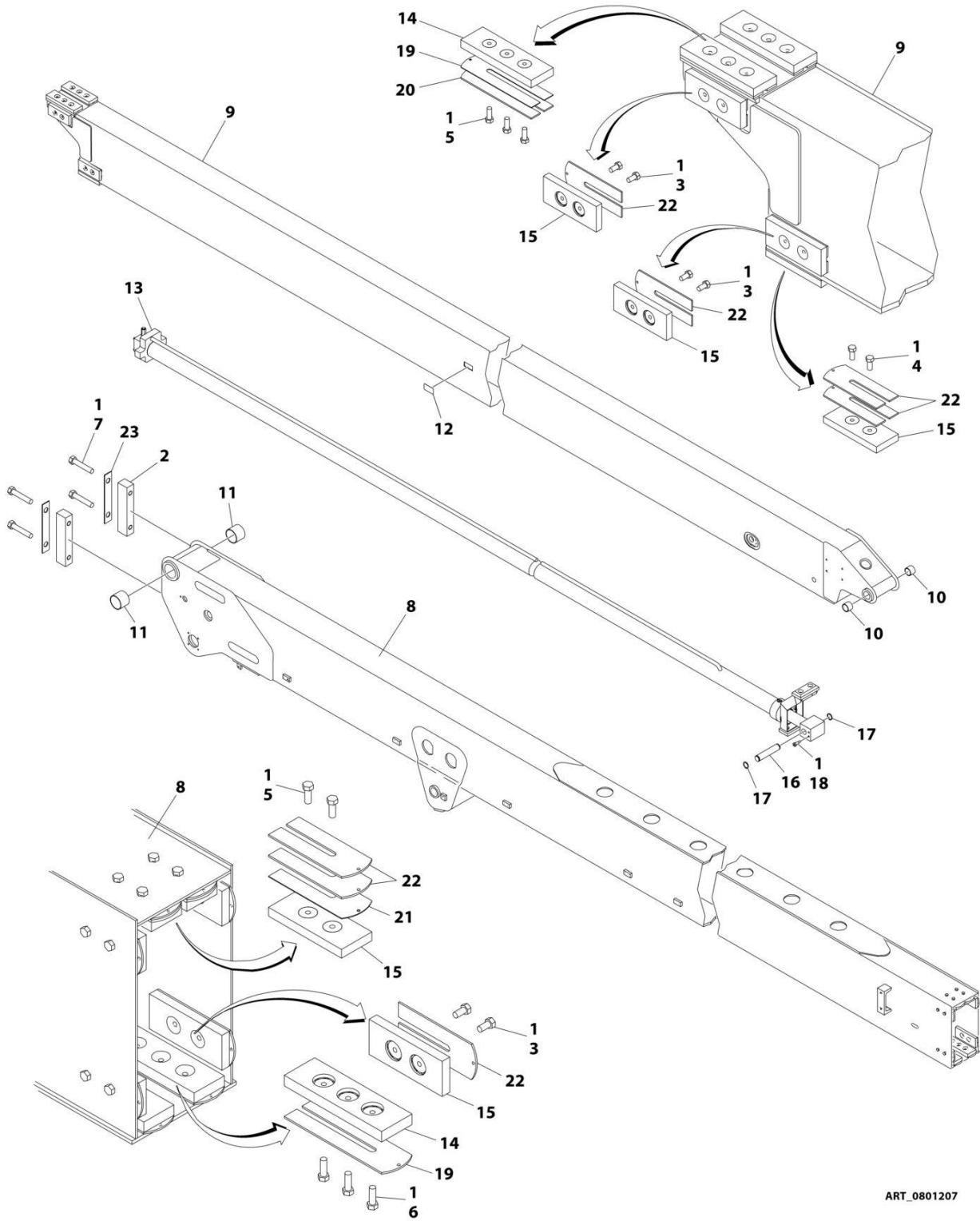
## SECTION 3 - BOOM

ITEM	PART NUMBER	QTY	DESCRIPTION	REV
47	3841258	2	Keeper, Pin 5/8	
48	3841287	5	Keeper, Pin 3/4	
49	3900280	8	Screw 3/8 x 5/8	
50	3931616	3	Bolt 3/8 x 2	
51	3960418	10 in /25cm	Seal	
52	4160187	3	Spring, Rubber	
53	4711400	2	Washer 1/4	
54	4711600	14	Washer 3/8	
55	4740492	2	Thrustwasher	
56	4751500	6	Washer 5/16	
57	4846278	1	Link, Jib (Top)	
58	1001094670	2	Link, Jib (Bottom)	
59	1001140282	1	Jib Cylinder Assembly (See Separate Breakdown in CYLINDER Section)	
60	1001140596	1	Level Cylinder Assembly (See Separate Breakdown in CYLINDER Section)	
61	1001251014	1	Lift Cylinder Assembly (See Separate Breakdown in CYLINDER Section)	
62	1001276068	2	Plate, Pin	
63	1001276113	4	Plate, Pin	
64	1001276159	1	Tower Boom Mount	
65	1001276163	1	Boom Link Mount	
66	1001276169	1	Tower Link Mount	
67	1001276170	1	Clamp, Bar	
68	1001276178	1	Cover, Upright Upper	
69	1001276179	1	Cover, Upright Lower	
70	1001276239	1	Upright Mount	
71	1001276316	1	Pivot Weldment	
72	1001277722	1	Boom Assembly (See Separate Breakdown in this Section)	



# SECTION 3 - BOOM

FIGURE 3-5. MAIN BOOM ASSEMBLY (EC600SJ/H600SJ) (MACHINES WITH SN STARTING WITH 03)



ART\_0801207

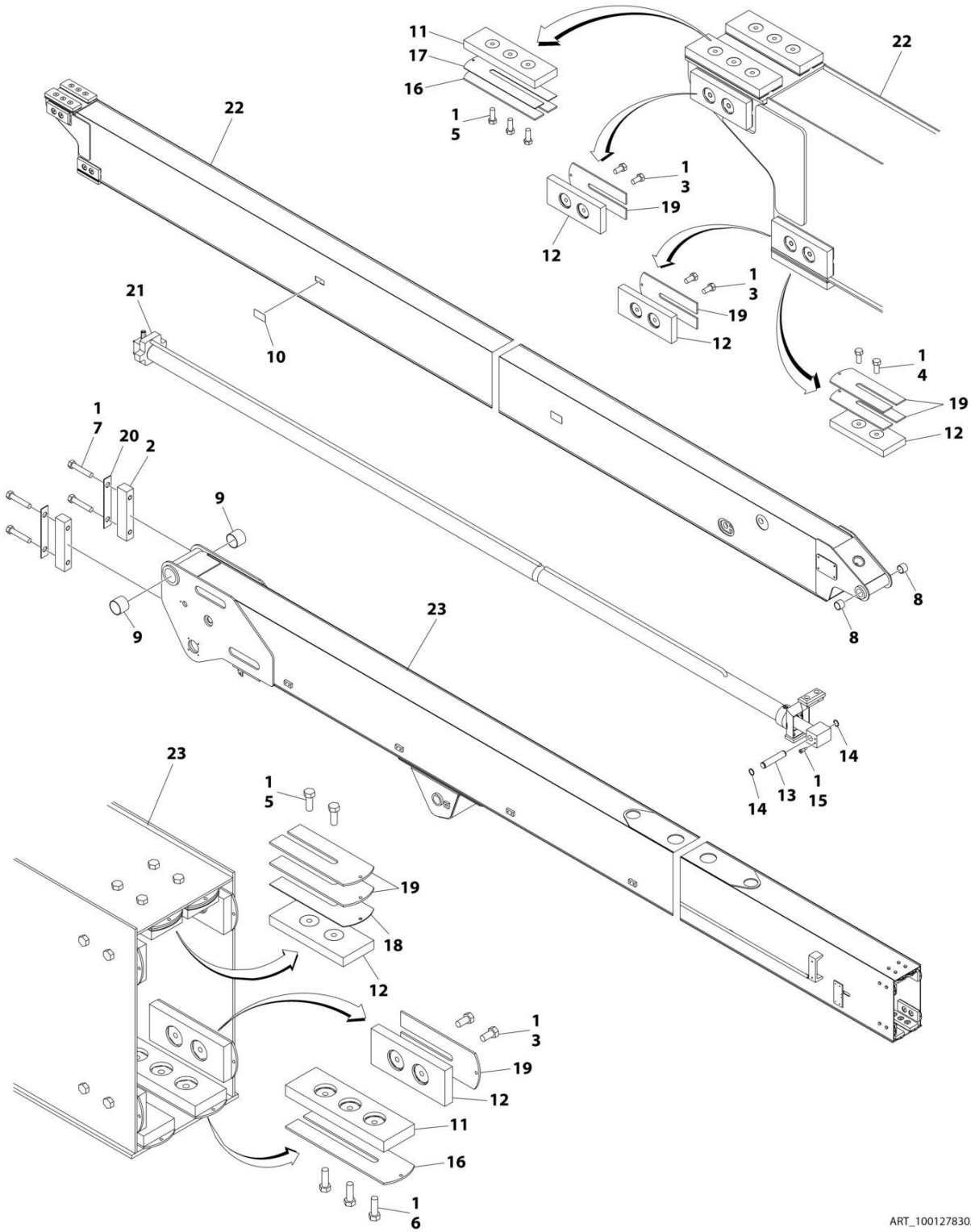
## SECTION 3 - BOOM

**FIGURE 3-5. MAIN BOOM ASSEMBLY (EC600SJ/H600SJ) (MACHINES WITH SN STARTING WITH 03)**

ITEM	PART NUMBER	QTY	DESCRIPTION	REV
	0801207	Ref	MAIN BOOM ASSEMBLY	F
1	0100011	AR	Compound, Locking	
2	0561185	2	Block, Telescope Attach	
3	0641606	16	Bolt 3/8 x 3/4	
4	0641607	4	Bolt 3/8 x 7/8	
5	0641608	10	Bolt 3/8 x 1	
6	0641609	6	Bolt 3/8 x 1-1/8	
7	0641616	4	Bolt 3/8 x 2	
8	0801606	1	Base Boom Weldment	
9	0801582	1	Fly Boom Weldment	
10	0961948	2	Bearing	
11	0962297	2	Bearing	
12	1670836	6	Cover, Boom	
13	1001228017	1	Telescope Cylinder Assembly (See Separate Breakdown in CYLINDER Section)	
14	3340871	4	Pad	
15	3340881	12	Pad	
16	3422457	1	Pin	
17	3760133	2	Ring, Retaining	
18	3900259	4	Screw, Shoulder	
19	4070863	4	Shim #11Ga	
20	4070864	2	Shim #18Ga	
21	4070897	2	Shim #18Ga	
22	4070898	16	Shim #11Ga	
23	4070929	2	Shim #16Ga	

# SECTION 3 - BOOM

FIGURE 3-6. BOOM ASSEMBLY (EC600SJ) (MACHINES WITH SN STARTING WITH B3)



ART\_1001278302



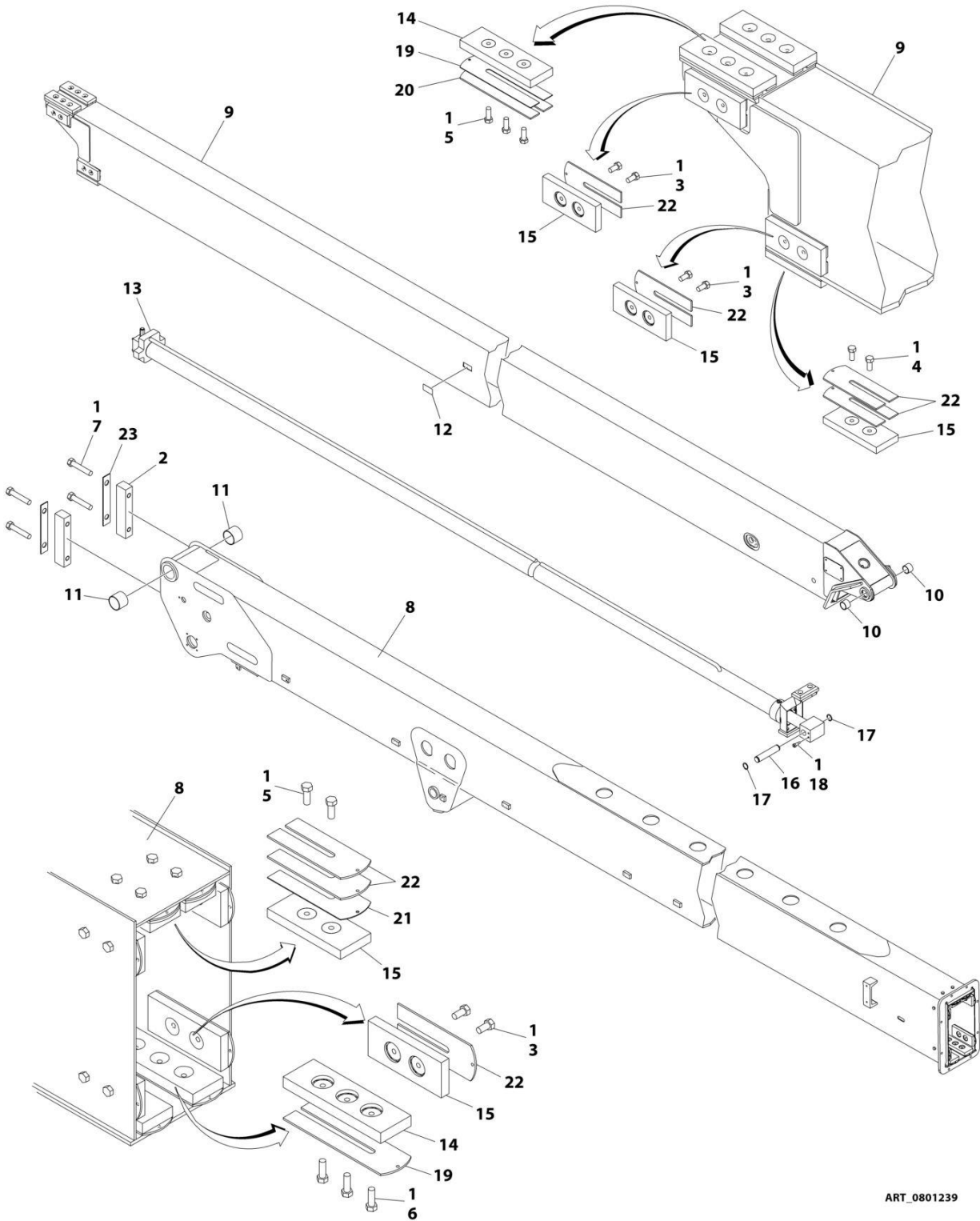
## SECTION 3 - BOOM

**FIGURE 3-6. BOOM ASSEMBLY (EC600SJ) (MACHINES WITH SN STARTING WITH B3)**

ITEM	PART NUMBER	QTY	DESCRIPTION	REV
	1001278302	Ref	BOOM ASSEMBLY (EC600SJ)	A
1	0100011	AR	Compound, Locking	
2	0561185	2	Block, Telescope Attach	
3	0641606	16	Bolt 3/8 x 3/4	
4	0641607	4	Bolt 3/8 x 7/8	
5	0641608	10	Bolt 3/8 x 1	
6	0641609	6	Bolt 3/8 x 1-1/8	
7	0641616	4	Bolt 3/8 x 2	
8	0961948	2	Bearing	
9	0962297	2	Bearing	
10	1670836	6	Cover, Boom	
11	3340871	4	Pad	
12	3340881	12	Pad	
13	3422457	1	Pin	
14	3760133	2	Ring, Retaining	
15	3900259	4	Screw, Shoulder	
16	4070863	4	Shim #11Ga	
17	4070864	2	Shim #18Ga	
18	4070897	2	Shim #18Ga	
19	4070898	16	Shim #11Ga	
20	4070929	2	Shim #16Ga	
21	1001228017	1	Telescope Cylinder Assembly (See Separate Breakdown in CYLINDER Section)	
22	1001278303	1	Fly Boom Weldment	
23	1001278306	1	Base Boom Weldment	

# SECTION 3 - BOOM

FIGURE 3-7. MAIN BOOM ASSEMBLY (EC600SJP/H600SJP) (MACHINES WITH SN STARTING WITH 03)



ART\_0801239

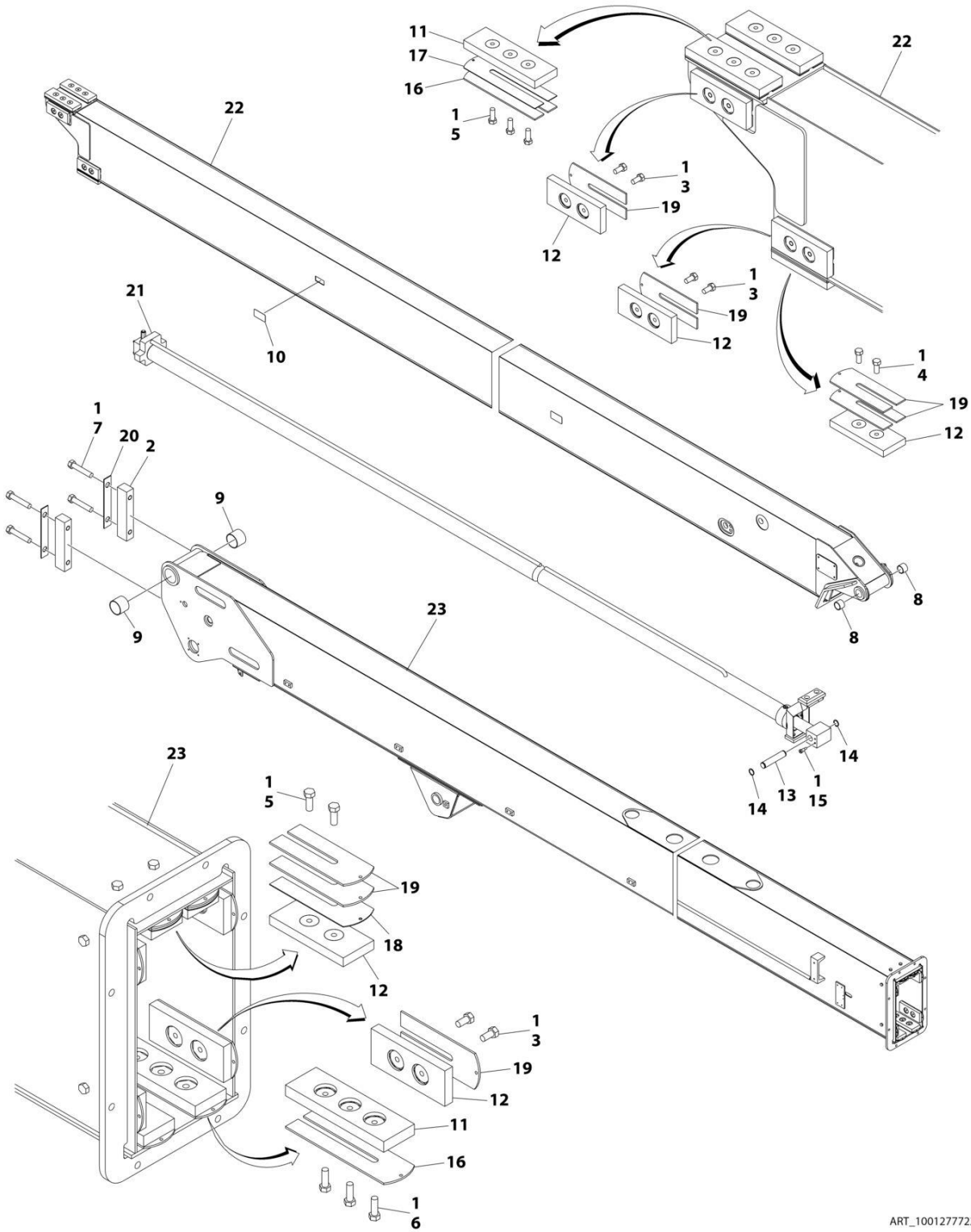
## SECTION 3 - BOOM

**FIGURE 3-7. MAIN BOOM ASSEMBLY (EC600SJP/H600SJP) (MACHINES WITH SN STARTING WITH 03)**

ITEM	PART NUMBER	QTY	DESCRIPTION	REV
	0801239	Ref	MAIN BOOM ASSEMBLY (E600JP/M600JP)	F
1	0100011	AR	Compound, Locking	
2	0561185	2	Block, Telescope Attach	
3	0641606	16	Bolt 3/8 x 3/4	
4	0641607	4	Bolt 3/8 x 7/8	
5	0641608	10	Bolt 3/8 x 1	
6	0641609	6	Bolt 3/8 x 1-1/8	
7	0641616	4	Bolt 3/8 x 2	
8	0801611	1	Base Boom Weldment	
9	0801583	1	Fly Boom Weldment	
10	0961948	2	Bearing	
11	0962297	2	Bearing	
12	1670836	6	Cover, Boom	
13	1001228017	1	Telescope Cylinder Assembly (See Separate Breakdown in CYLINDER Section)	
14	3340871	4	Pad	
15	3340881	12	Pad	
16	3422457	1	Pin	
17	3760133	2	Ring, Retaining	
18	3900259	4	Screw, Shoulder	
19	4070863	4	Shim #11Ga	
20	4070864	2	Shim #18Ga	
21	4070897	2	Shim #18Ga	
22	4070898	16	Shim #11Ga	
23	4070929	2	Shim #16Ga	

# SECTION 3 - BOOM

FIGURE 3-8. BOOM ASSEMBLY (EC600SJP) (MACHINES WITH SN STARTING WITH B3)



ART\_100127722

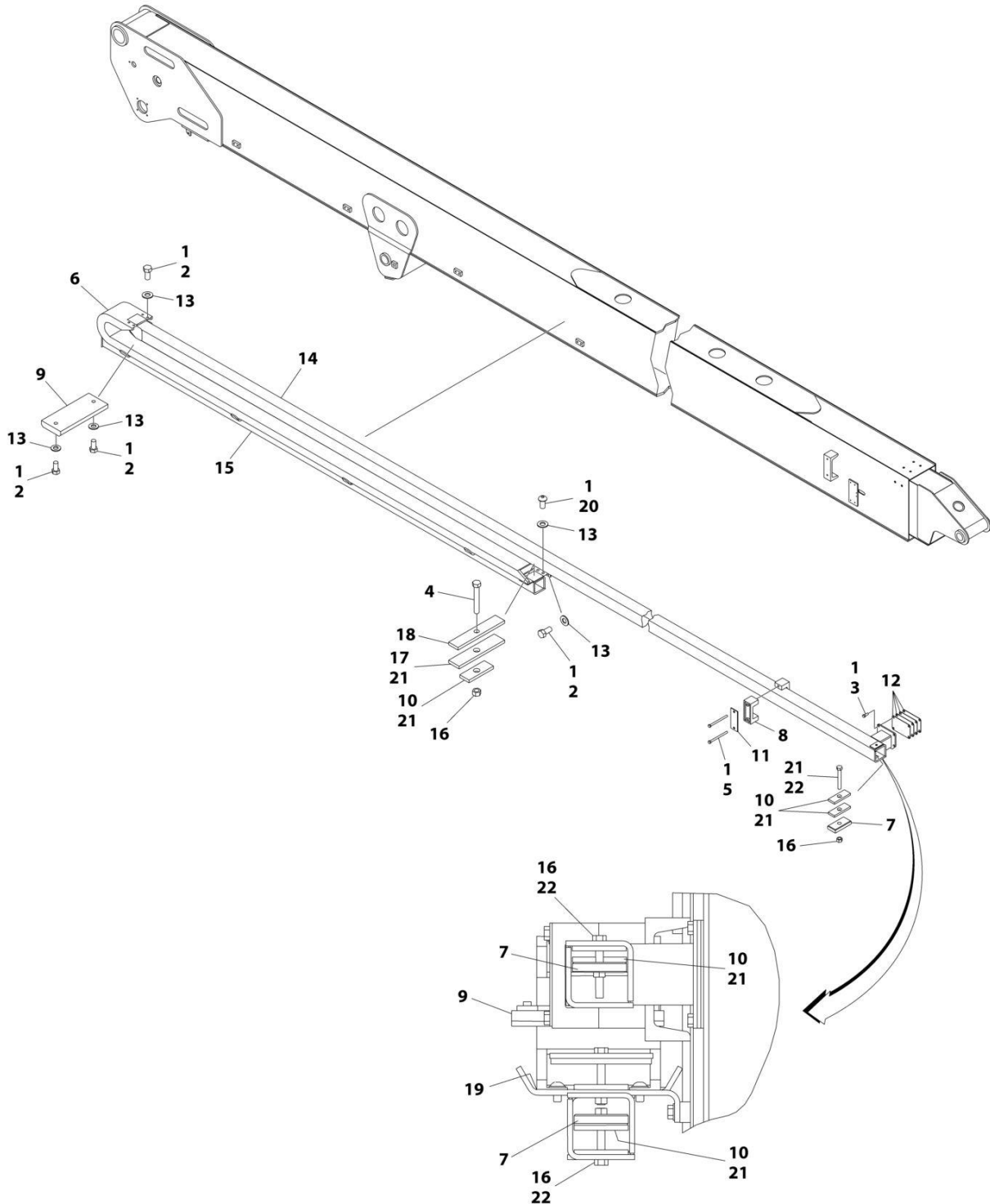
## SECTION 3 - BOOM

**FIGURE 3-8. BOOM ASSEMBLY (EC600SJP) (MACHINES WITH SN STARTING WITH B3)**

ITEM	PART NUMBER	QTY	DESCRIPTION	REV
	1001277722	Ref	BOOM ASSEMBLY (EC600SJP)	A
1	0100011	AR	Compound, Locking	
2	0561185	2	Block, Telescope Attach	
3	0641606	16	Bolt 3/8 x 3/4	
4	0641607	4	Bolt 3/8 x 7/8	
5	0641608	10	Bolt 3/8 x 1	
6	0641609	6	Bolt 3/8 x 1-1/8	
7	0641616	4	Bolt 3/8 x 2	
8	0961948	2	Bearing	
9	0962297	2	Bearing	
10	1670836	6	Cover, Boom	
11	3340871	4	Pad	
12	3340881	12	Pad	
13	3422457	1	Pin	
14	3760133	2	Ring, Retaining	
15	3900259	4	Screw, Shoulder	
16	4070863	4	Shim #11Ga	
17	4070864	2	Shim #18Ga	
18	4070897	2	Shim #18Ga	
19	4070898	16	Shim #11Ga	
20	4070929	2	Shim #16Ga	
21	1001228017	1	Telescope Cylinder Assembly (See Separate Breakdown in CYLINDER Section)	
22	1001276172	1	Fly Boom Weldment	
23	1001277693	1	Base Boom Weldment	

# SECTION 3 - BOOM

## FIGURE 3-9. POWER TRACK ASSEMBLY



ART\_0259837

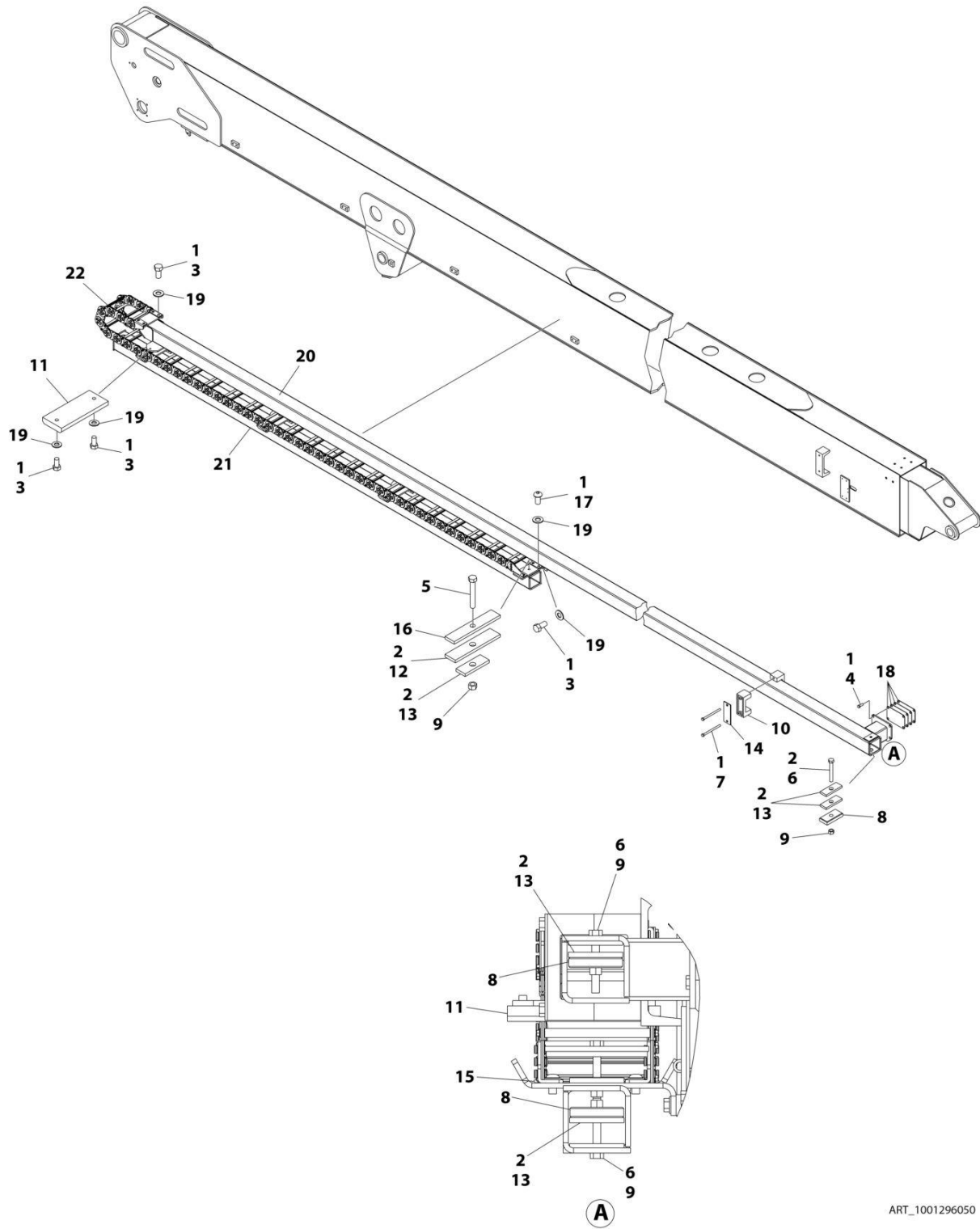
## SECTION 3 - BOOM

### FIGURE 3-9. POWER TRACK ASSEMBLY

ITEM	PART NUMBER	QTY	DESCRIPTION	REV
	0259837	Ref	POWER TRACK ASSEMBLY	G
1	0100011	AR	Compound, Locking	
2	0641606	14	Bolt 3/8 x 3/4	
3	0641608	4	Bolt 3/8 x 1	
4	0641620	1	Bolt 3/8 x 2-1/2	
5	0641640	2	Bolt 3/8 x 5	
6	1180356	1	Powertrack	
6	7020266	4	Bar (Top Plastic)	
6	7020265	4	Link (Inner)	
6	7020264	12	Link (Outer)	
6	7020262	6	Ring, Retaining	
6	7020260	4	Foot, Mounting	
6	7020261	6	Pin (Center)	
6	7026182	2	Roller, Poly	
6	7026170	2	Bar, Aluminum	
7	1320288	2	Clamp, Hose	
8	3340764	2	Pad, Push Tube	
9	3340787	1	Pad, Wear	
10	3340941	5	Pad, Rubber	
11	3538758	1	Plate, Backing	
12	4070969	AR	Shim	
13	4711600	18	Washer 3/8	
14	4846163	1	Tube, Push	
15	4846165	1	Support	
16	3311605	3	Nut 3/8	
17	3340939	1	Pad, Rubber	
18	3572448	1	Plate, Clamp	
19	3340896	2	Pad, Rubber	
20	3900283	4	Screw	
21	0100081	AR	Adhesive	
22	0641622	2	Bolt 3/8 x 2-3/4	

# SECTION 3 - BOOM

## FIGURE 3-10. POWER TRACK ASSEMBLY (MACHINES WITH SN STARTING WITH B3)



ART\_1001296050



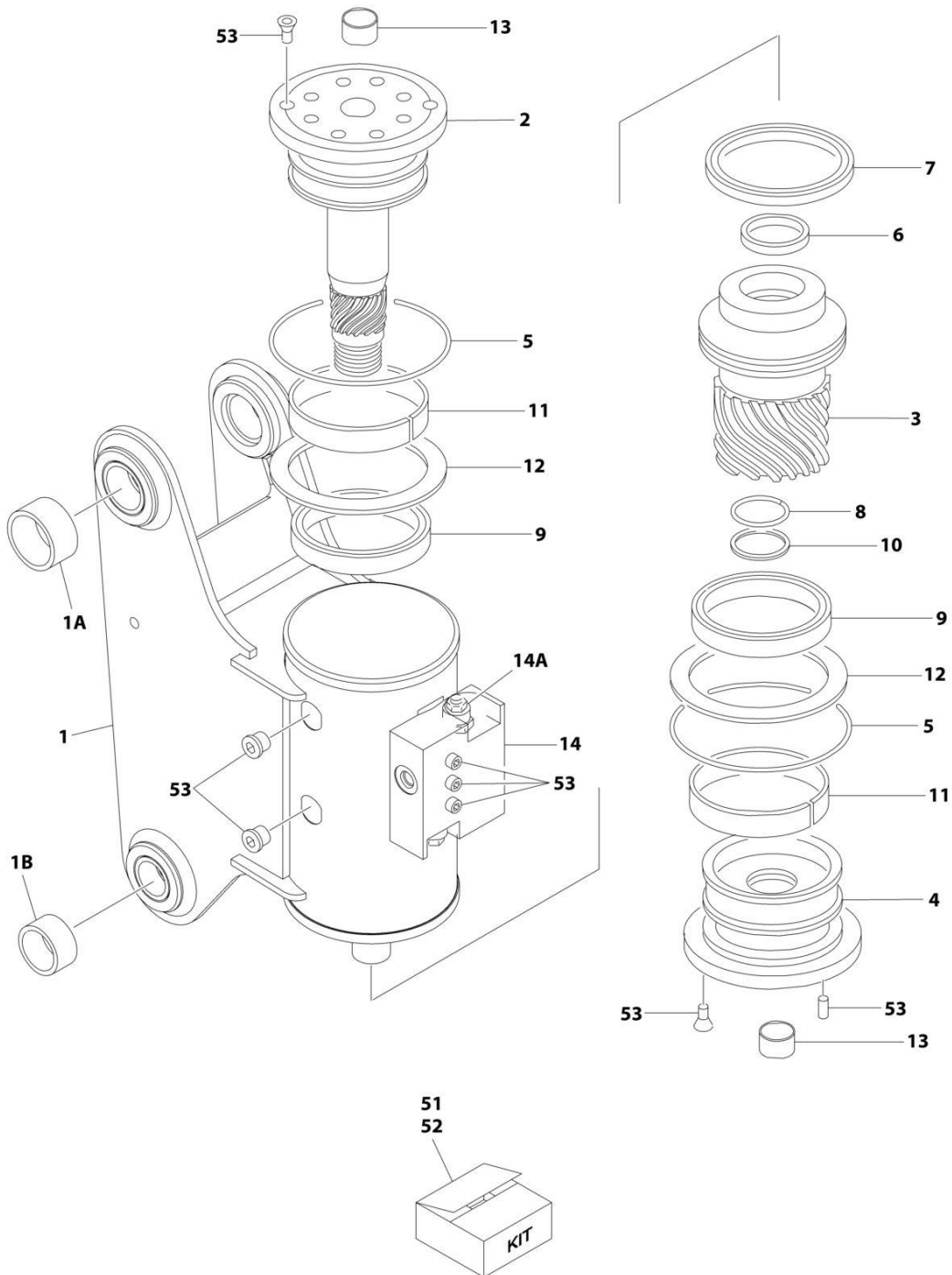
## SECTION 3 - BOOM

**FIGURE 3-10. POWER TRACK ASSEMBLY (MACHINES WITH SN STARTING WITH B3)**

ITEM	PART NUMBER	QTY	DESCRIPTION	REV
	1001296050	Ref	POWER TRACK ASSEMBLY	A
1	0100011	AR	Compound, Locking	
2	0100081	AR	Adhesive	
3	0641606	14	Bolt 3/8 x 3/4	
4	0641608	4	Bolt 3/8 x 1	
5	0641620	1	Bolt 3/8 x 2-1/2	
6	0641622	2	Bolt 3/8 x 2-3/4	
7	0641640	2	Bolt 3/8 x 5	
8	1320288	2	Clamp, Hose	
9	3311605	3	Nut 3/8	
10	3340764	2	Pad, Push Tube	
11	3340787	1	Pad, Wear	
12	3340939	1	Pad, Rubber	
13	3340941	5	Pad, Rubber	
14	3538758	1	Plate, Backing	
15	3340896	2	Pad, Rubber	
16	3572448	1	Plate, Clamp	
17	3900283	4	Screw	
18	4070969	AR	Shim	
19	4711600	16	Washer 3/8	
20	4846163	1	Tube, Push	
21	4846165	1	Support	
22	1001296049	1	Power Track	

# SECTION 3 - BOOM

## FIGURE 3-11. ROTATOR ASSEMBLY (EC600SJ/H600SJ)



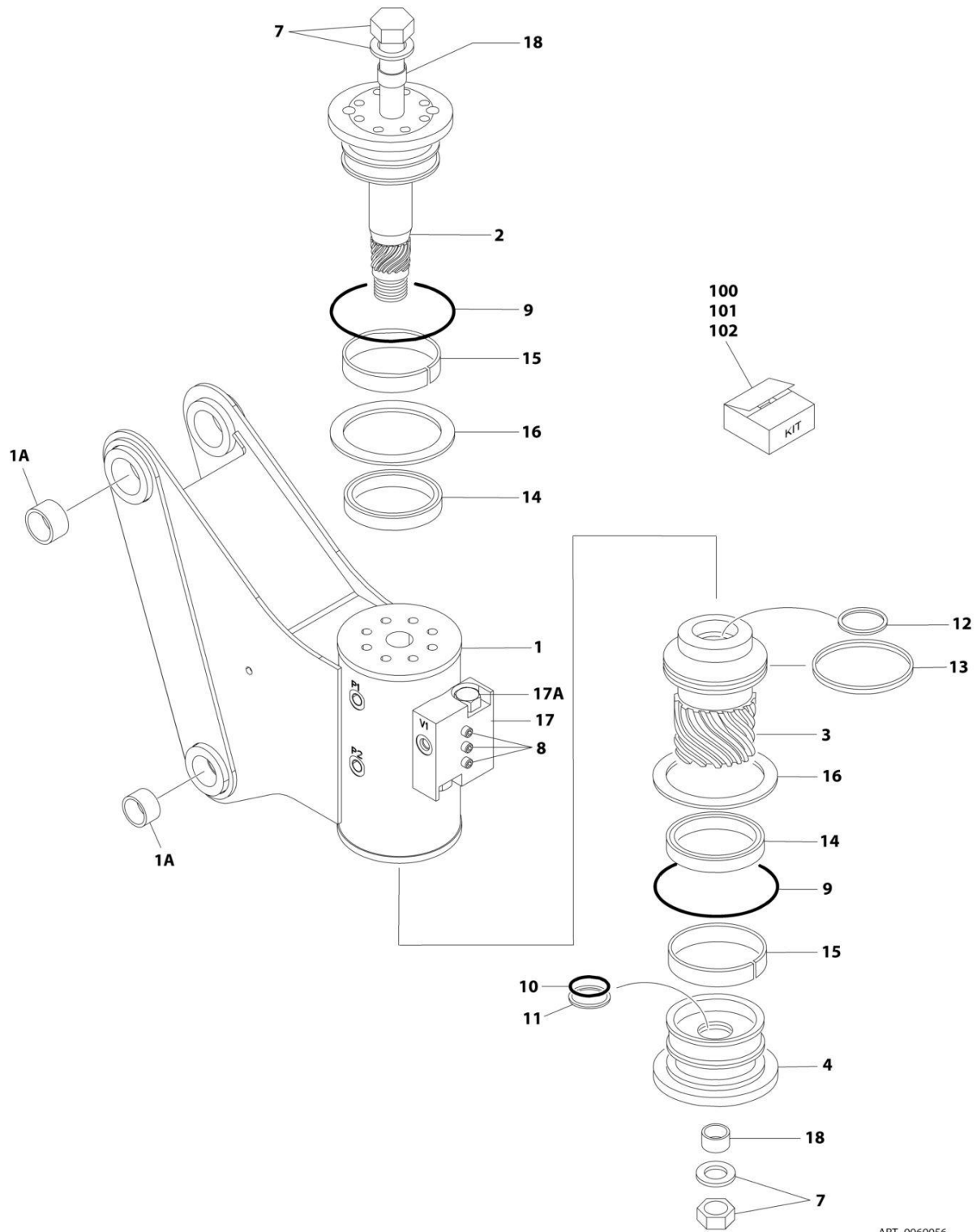
ART\_1001217779

FIGURE 3-11. ROTATOR ASSEMBLY (EC600SJ/H600SJ)

ITEM	PART NUMBER	QTY	DESCRIPTION	REV
	1001217779	Ref	ROTATOR ASSEMBLY	B
1	See Note	NSS	Housing (Note: Purchase Complete Assembly)	
1A	0962257	2	Bushing	
1B	0961947	2	Bushing	
2	7017162	1	Shaft	
3	7017163	1	Piston	
4	7017164	1	Cap, End	
5	See Note	NSS	O-Ring (Note: Use p/n 70000342)	
6	See Note	NSS	Seal, Rod (Note: Purchase p/n 70000342)	
7	See Note	NSS	Seal, Piston (Note: Purchase p/n 70000342)	
8	See Note	NSS	Seal, Cap (Note: Purchase p/n 70000342)	
9	See Note	NSS	Packing, Bearing (Note: Purchase p/n 70000342)	
10	See Note	NSS	Ring, Back-up (Note: Purchase p/n 70000342)	
11	See Note	NSS	Bearing, Shaft (Note: Purchase p/n 7017159)	
12	See Note	NSS	Washer, Thrust (Note: Purchase p/n 7017159)	
13	7017195	2	Bushing	
14	7017172	1	Counterbalance Valve Assembly	
14A	7017192	2	Valve Cartridge (No Seal Kit Available)	
51	70000342	1	Seal Kit (Includes Items 5-10)	
52	7017159	1	Bearing Kit (Includes Items 11 & 12)	
53	7017142	1	Hardware Kit	

# SECTION 3 - BOOM

## FIGURE 3-12. ROTATOR ASSEMBLY - PLATFORM ROTATE (EC600SJP/H600SJP)



ART\_0060056

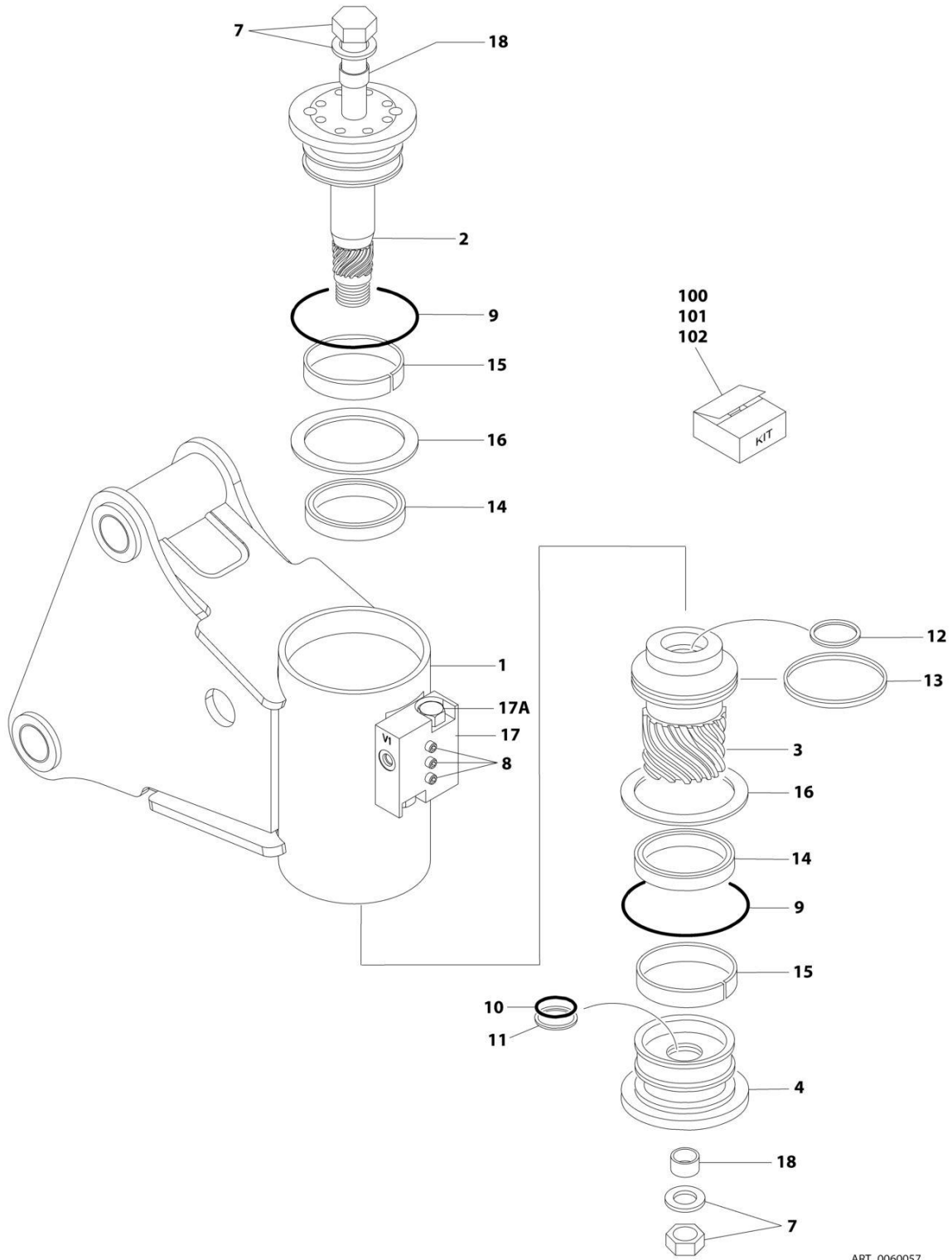
## SECTION 3 - BOOM

**FIGURE 3-12. ROTATOR ASSEMBLY - PLATFORM ROTATE (EC600SJP/H600SJP)**

ITEM	PART NUMBER	QTY	DESCRIPTION	REV
	0060056	Ref	ROTATOR ASSEMBLY - PLATFORM ROTATE	B
1	See Note	NSS	Case/Bracket Weldment (Note: Not Available - Purchase Complete Assembly)	
1A	7017170	4	Bushing	
2	7017162	1	Shaft	
3	7017163	1	Sleeve, Piston	
4	7017164	1	Cap, End	
7	0642684	1	Bolt 1-8 x 10-1/2	
7	4892600	2	Washer	
7	3272605	1	Nut 1-8	
8	See Note	NSS	Capscrew 1/4 x 1-1/2 Grade 8 (Note: Not Available - Purchase Locally)	
9	See Note	NSS	Seal (Note: Use Item 100)	
10	See Note	NSS	O-Ring (Note: Use Item 100)	
11	See Note	NSS	Ring, Back-up Cap (Note: Use Item 100)	
12	See Note	NSS	Seal, Rod (Note: Use Item 100)	
13	See Note	NSS	Seal, Piston (Note: Use Item 100)	
14	See Note	NSS	Seal, Cap (Note: Use Item 100)	
15	See Note	NSS	Guide, Wear (Note: Use Item 101)	
16	See Note	NSS	Thrustwasher (Note: Use Item 101)	
17		Ref	Counterbalance Valve Assembly Options:	
17	7017172	1	Helac p/n 24327 Stamped beside Mounting Screws	
17	7017172	1	Helac p/n 26553 or 26554 Stamped beside Mounting Screws	
17A		Ref	Valve, Cartridge Options:	
17A	7011323	2	Valve, Cartridge for Helac p/n 24327 Valve	
17A	2900770	2	Seal Kit - 7011323 Cartridge (1 Per Assembly)	
17A	7017192	2	Valve, Cartridge Helac p/n 26553 (No Seal Kit Available)	
18	7017195	2	Bushing	
		Ref	KIT OPTIONS:	
100		Ref	Seal Kit Options: (Includes Items 9-14)	
100	7017158	1	Standard	
100	70000342	1	Cold Climate	
101	7017159	1	Bearing Kit (Includes Items 15 & 16)	
102	7017160	1	Bushing Kit (Includes Items 1A, 1B & 18)	

# SECTION 3 - BOOM

## FIGURE 3-13. ROTATOR ASSEMBLY - SIDE SWING ROTATE (EC600SJP/H600SJP)



ART\_0060057

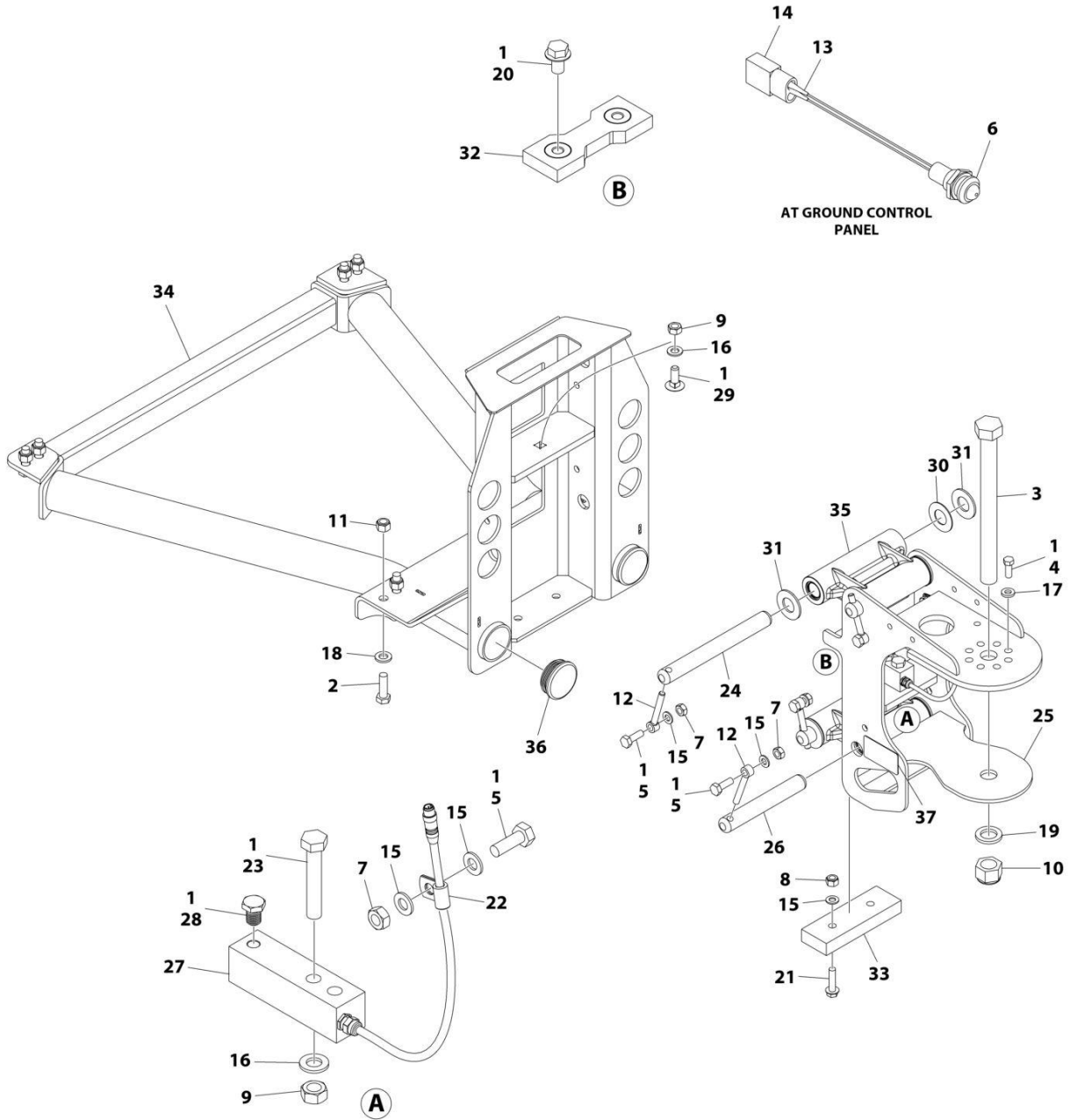
## SECTION 3 - BOOM

**FIGURE 3-13. ROTATOR ASSEMBLY - SIDE SWING ROTATE (EC600SJP/H600SJP)**

ITEM	PART NUMBER	QTY	DESCRIPTION	REV
	0060057	Ref	ROTATOR ASSEMBLY - SIDE SWING ROTATE	D
1	See Note	NSS	Case/Bracket Weldment (Note: Not Available - Purchase Complete Assembly)	
2	7017167	1	Shaft	
3	7017168	1	Sleeve, Piston	
4	7017169	1	Cap, End	
7	0642684	1	Bolt 1-8 x 10-1/2	
7	4892600	2	Washer	
7	3272605	1	Nut 1-8	
8	See Note	NSS	Capscrew 1/4 x 1-1/2 Grade 8 (Note: Not Available - Purchase Locally)	
9	See Note	NSS	Seal (Note: Use Item 100)	
10	See Note	NSS	O-Ring (Note: Use Item 100)	
11	See Note	NSS	Ring, Back-up Cap (Note: Use Item 100)	
12	See Note	NSS	Seal, Rod (Note: Use Item 100)	
13	See Note	NSS	Seal, Piston (Note: Use Item 100)	
14	See Note	NSS	Seal, Cap (Note: Use Item 100)	
15	See Note	NSS	Guide, Wear (Note: Use Item 101)	
16	See Note	NSS	Thrustwasher (Note: Use Item 101)	
17		Ref	Counterbalance Valve Assembly Options:	
17	7017172	1	Helac p/n 24327 Stamped beside Mounting Screws	
17	7017172	1	Helac p/n 26553 or 26554 Stamped beside Mounting Screws	
17A		Ref	Valve, Cartridge Options:	
17A	7011323	2	Valve, Cartridge for Helac p/n 24327 Valve	
17A	2900770	2	Seal Kit - 7011323 Cartridge (1 Per Assembly)	
17A	7017192	2	Valve, Cartridge Helac p/n 26553 (No Seal Kit Available)	
18	7017195	2	Bushing	
		Ref	KIT OPTIONS:	
100		Ref	Seal Kit (Includes Items 9-14)	
100	7017165	1	Standard	
100	70000340	1	Cold Climate	
101	7017178	1	Bearing Kit (Includes Items 15 & 16)	
102	7017160	1	Bushing Kit (Includes Item 18)	

# SECTION 3 - BOOM

## FIGURE 3-14. PLATFORM SUPPORT INSTALLATION



ART\_1001219342



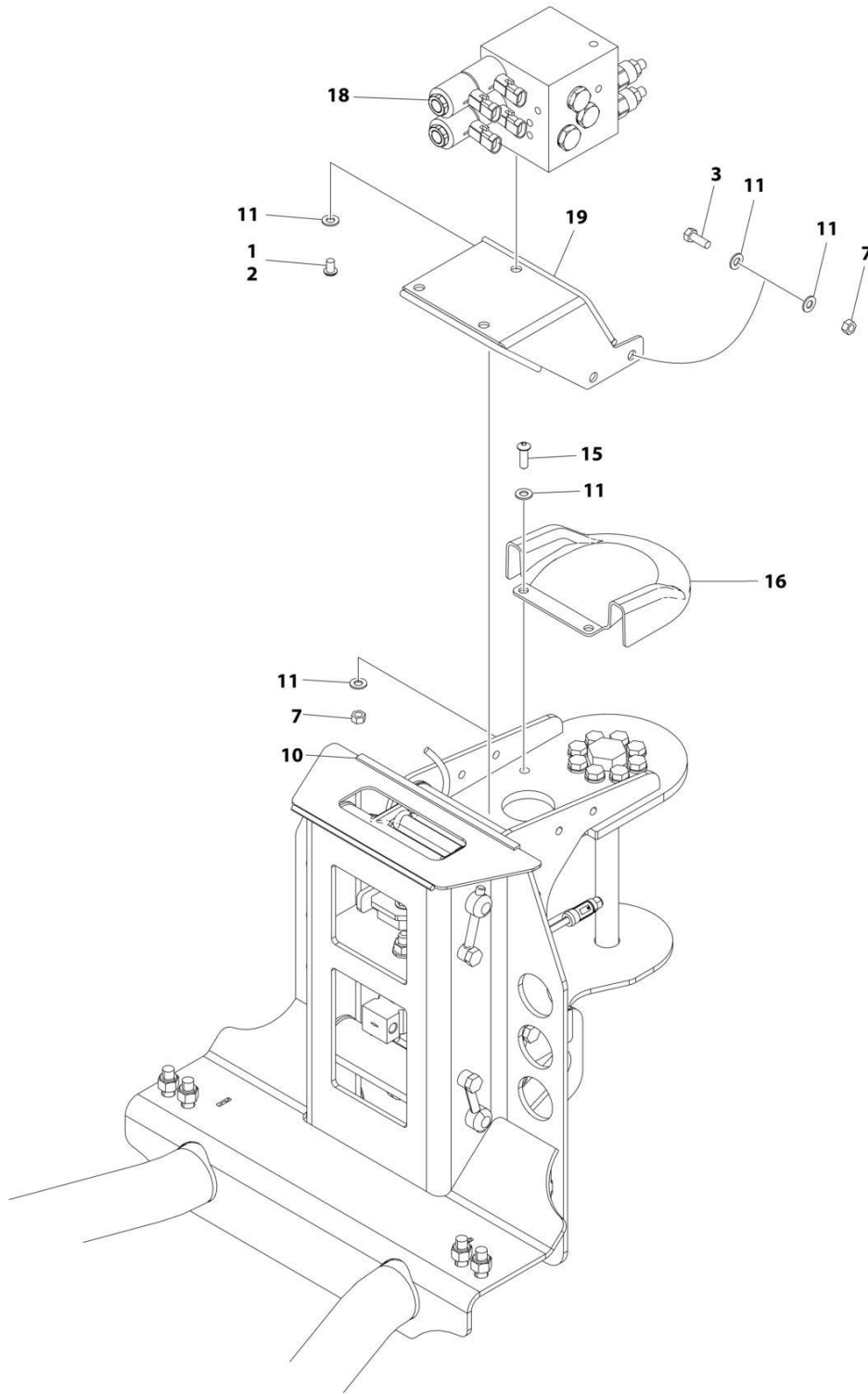
## SECTION 3 - BOOM

**FIGURE 3-14. PLATFORM SUPPORT INSTALLATION**

ITEM	PART NUMBER	QTY	DESCRIPTION	REV
	1001219342	Ref	PLATFORM SUPPORT INSTALLATION - WITH 1 CELL LSS	E
1	0100011	AR	Compound, Locking	
2	0641812	1	Bolt 1/2 x 1-1/2	
2	0761216	8	Bolt M12 x 40	
3	1001255133	1	Bolt 1 x 11	
4	0681608	8	Bolt 3/8 x 1	
5	0761014	5	Bolt M10 x 30	
6	2920151	1	Light	
7	3291001	5	Nut M10	
8	3291005	2	Nut M10	
9	3291201	3	Nut M12	
10	1001174040	1	Nut 1	
11	3311805	8	Nut 1/2	
11	3291205	8	Nut M12	
12	3841143	4	Keeper	
13	4460226	2	Socket, Female	
14	4460424	1	Connector - 2 Position	
15	4812000	8	Washer M10	
16	4812100	3	Washer M12	
17	4891600	8	Washer 3/8	
18	4891800	8	Washer 1/2	
18	5241200	8	Washer M12	
19	4892600001	1	Washer 1	
20	5251008	2	Bolt M10 x 16	
21	5251016	2	Bolt M10 x 40	
22	91203039	1	Clamp, Support	
23	1001098828	2	Bolt M12 x 70 Grade 10.9	
24	1001167565	2	Pin	
25	1001167567	1	Platform Support	
26	1001168402	2	Pin	
27	1001247468	1	Cell, Load Sensing	
28	1001188622	1	Screw M12	
29	1001188844	1	Bolt M12 x 35	
30	1001189001	4	Bearing	
31	1001189002	8	Bearing	
32	1001190985	1	Pad, Wear	
33	1001200491	1	Plate	
34	1001200494	1	Support	
35	1001201351	2	LSS Link Assembly	
35	1001187382	4	Bearing	
35	1001187383	4	Seal	
36	1001204725	2	Plug	
37	1001216630	2	Decal - Tie Down/No Lift	

# SECTION 3 - BOOM

## FIGURE 3-15. BOOM VALVE INSTALLATION (EC600SJ/H600SJ)



ART\_1001250318\_20F2

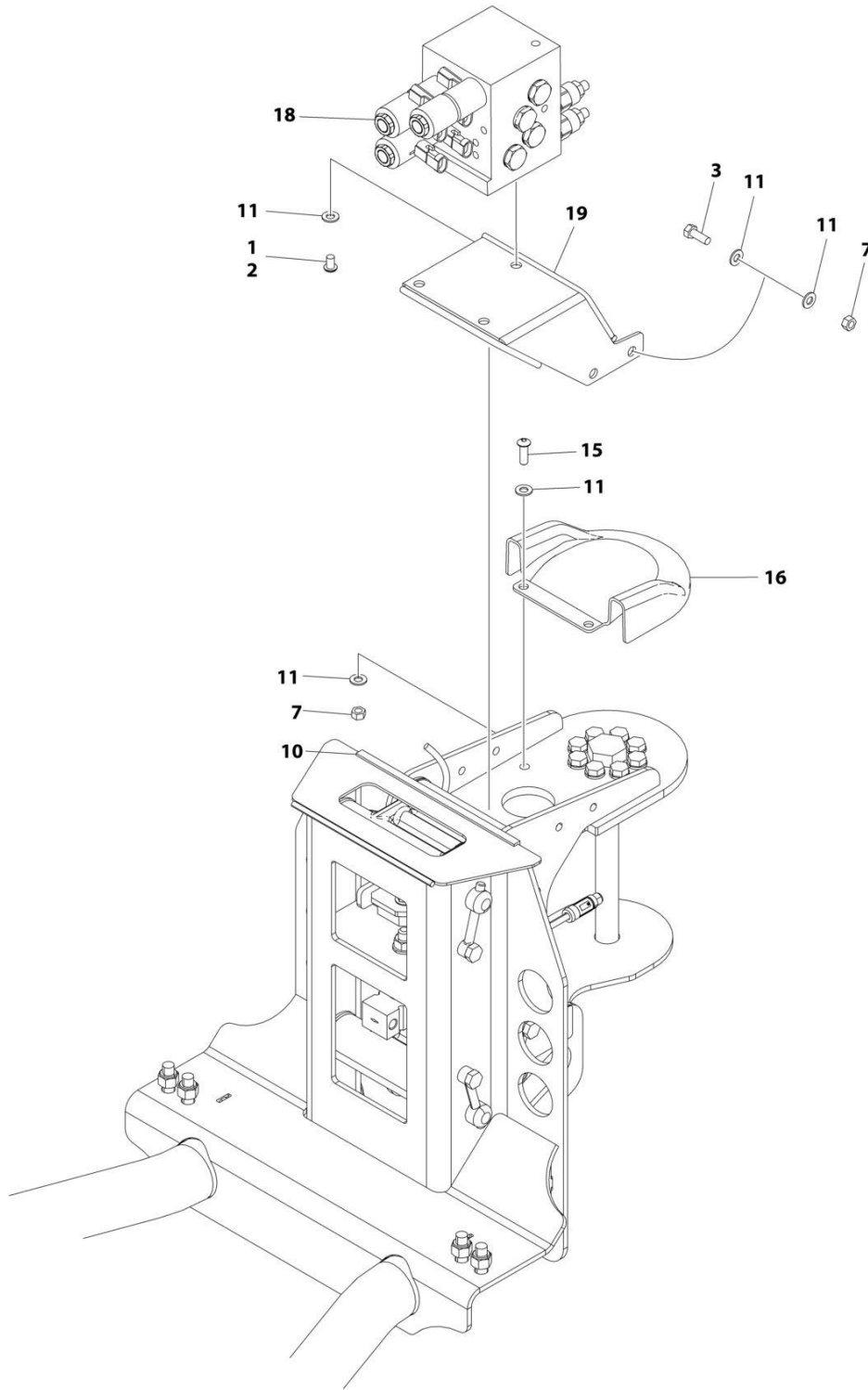
## SECTION 3 - BOOM

### FIGURE 3-15. BOOM VALVE INSTALLATION (EC600SJ/H600SJ)

ITEM	PART NUMBER	QTY	DESCRIPTION	REV
	1001250318	Ref	BOOM VALVE INSTALLATION	B
1	0100011	AR	Compound, Locking	
2	0630467	3	Screw	
3	0641507	4	Bolt 5/16 x 7/8	
7	3271505	6	Nut 5/16	
10	4060803	AR	Flex-Trim	
11	4711500	15	Washer 5/16	
15	88261024	2	Screw 5/16-18 x 1	
16	1001207969	1	Cover	
18	1001219392	1	Boom Valve Assembly (See Separate Breakdown in this Section)	
19	1001233259	1	Mount, LSS Valve	

# SECTION 3 - BOOM

## FIGURE 3-16. BOOM VALVE INSTALLATION (EC600SJP/H600SJP)



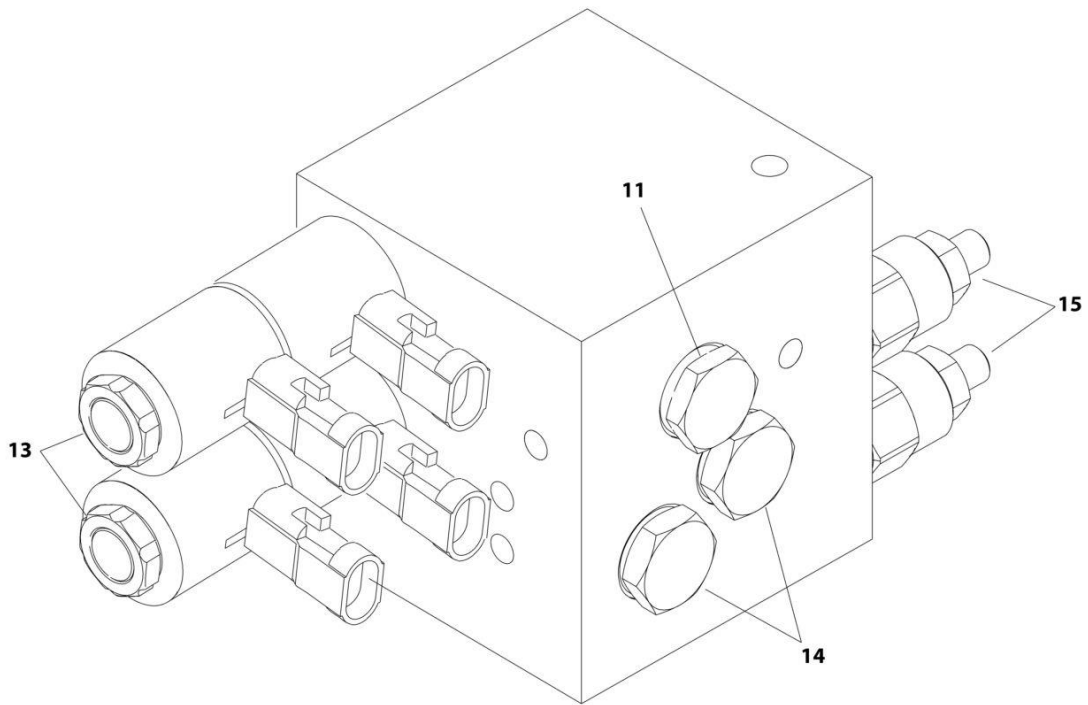
ART\_1001250319\_20F2

**SECTION 3 - BOOM****FIGURE 3-16. BOOM VALVE INSTALLATION (EC600SJP/H600SJP)**

<b>ITEM</b>	<b>PART NUMBER</b>	<b>QTY</b>	<b>DESCRIPTION</b>	<b>REV</b>
	1001250319	Ref	BOOM VALVE INSTALLATION	B
1	0100011	AR	Compound, Locking	
2	0630467	3	Screw	
3	0641507	4	Bolt 5/16 x 7/8	
7	3271505	6	Nut 5/16	
10	4060803	AR	Flex-Trim	
11	4711500	15	Washer 5/16	
15	88261024	2	Screw 5/16-18 x 1	
16	1001207969	1	Cover	
18	1001219393	1	Boom Valve Assembly (See Separate Breakdown in this Section)	
19	1001233259	1	Mount, LSS Valve	

# SECTION 3 - BOOM

## FIGURE 3-17. BOOM VALVE ASSEMBLY (EC600SJ/H600SJ)



ART\_1001219392

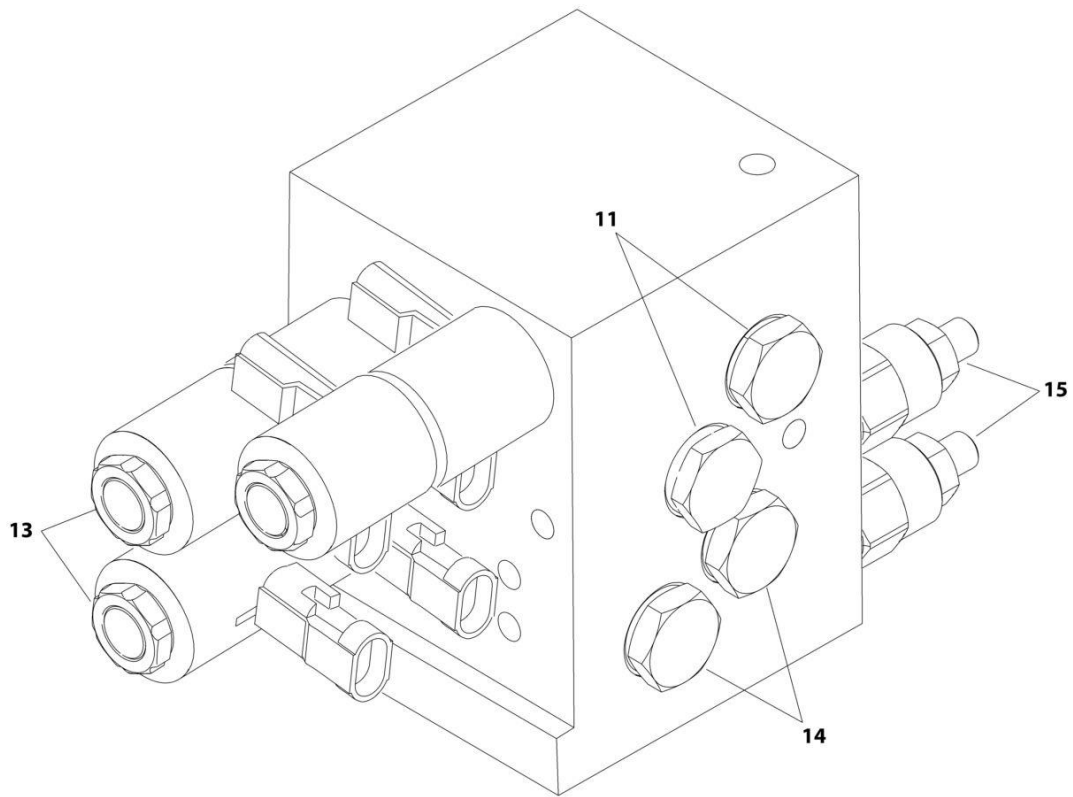
**SECTION 3 - BOOM**

**FIGURE 3-17. BOOM VALVE ASSEMBLY (EC600SJ/H600SJ)**

ITEM	PART NUMBER	QTY	DESCRIPTION	REV
	1001219392	Ref	BOOM VALVE ASSEMBLY	D
11	70003027	1	Cartridge, Flow Control (Rotate)	
11	70004052	1	Seal Kit - 70003027 Cartridge	
13	70007290	2	Cartridge, Solenoid Valve (Less Coil)	
13	70007291	4	Coil	
14	70005629	2	Cartridge, Check (Platform Level)	
14	70023860	2	Seal Kit - 70005629 Cartridge	
15	70003019	2	Cartridge, Relief (Platform Level and Jib)	
15	70004052	2	Seal Kit - 70003019 Cartridge	

# SECTION 3 - BOOM

## FIGURE 3-18. BOOM VALVE ASSEMBLY (EC600SJP/H600SJP)



ART\_1001219393

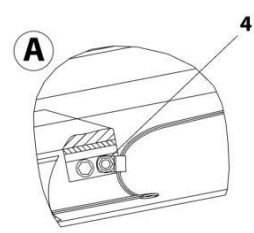
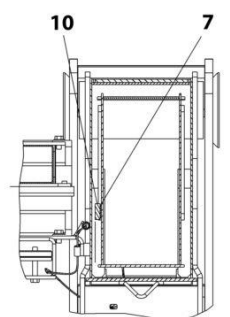
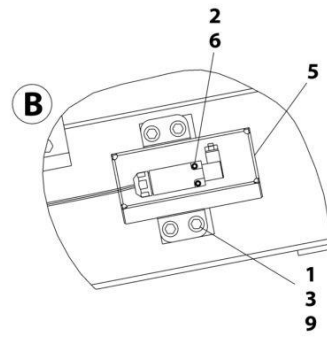
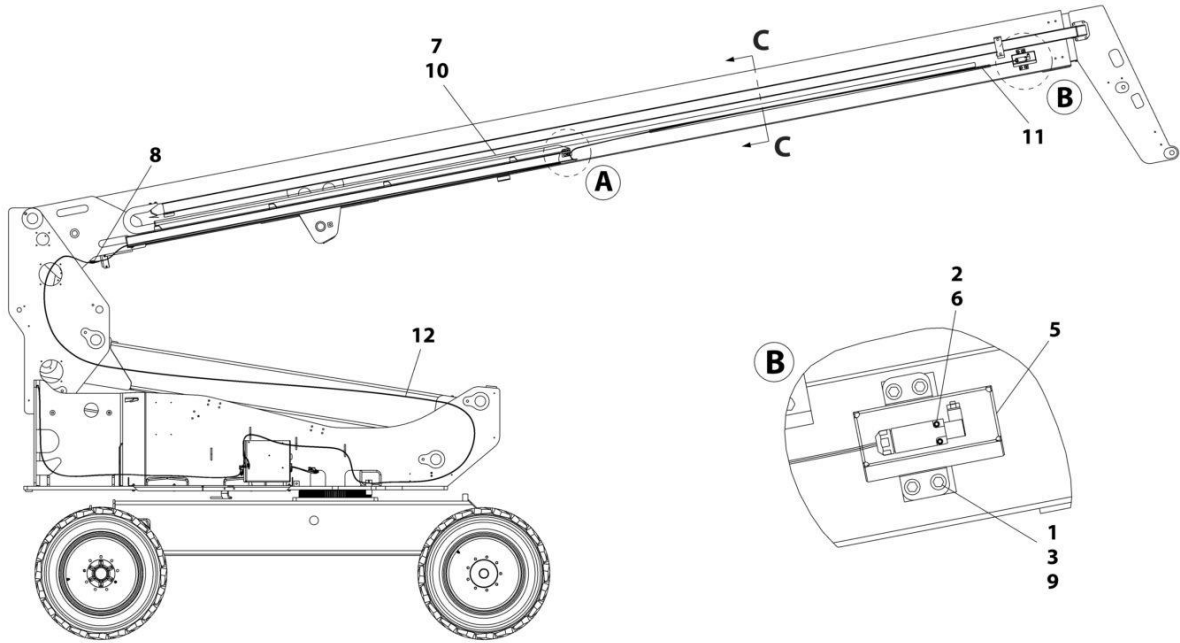


**SECTION 3 - BOOM****FIGURE 3-18. BOOM VALVE ASSEMBLY (EC600SJP/H600SJP)**

<b>ITEM</b>	<b>PART NUMBER</b>	<b>QTY</b>	<b>DESCRIPTION</b>	<b>REV</b>
	1001219393	Ref	BOOM VALVE ASSEMBLY	D
11	70003027	2	Cartridge, Flow Control (Rotate)	
11	70004052	2	Seal Kit - 70003027 Cartridge	
13	70007290	3	Cartridge, Solenoid Valve (Less Coil)	
13	70007291	6	Coil	
14	70005629	2	Cartridge, Check (Platform Level)	
14	70023860	2	Seal Kit - 70005629 Cartridge	
15	70003019	2	Cartridge, Relief (Platform Level and Jib)	
15	70004052	2	Seal Kit - 70003019 Cartridge	

# SECTION 3 - BOOM

FIGURE 3-19. BOOM LIMIT SWITCH INSTALLATION (CE & UK CA SPEC ONLY)



SECTION C-C

ART\_1001201365

## SECTION 3 - BOOM

**FIGURE 3-19. BOOM LIMIT SWITCH INSTALLATION (CE & UK CA SPEC ONLY)**

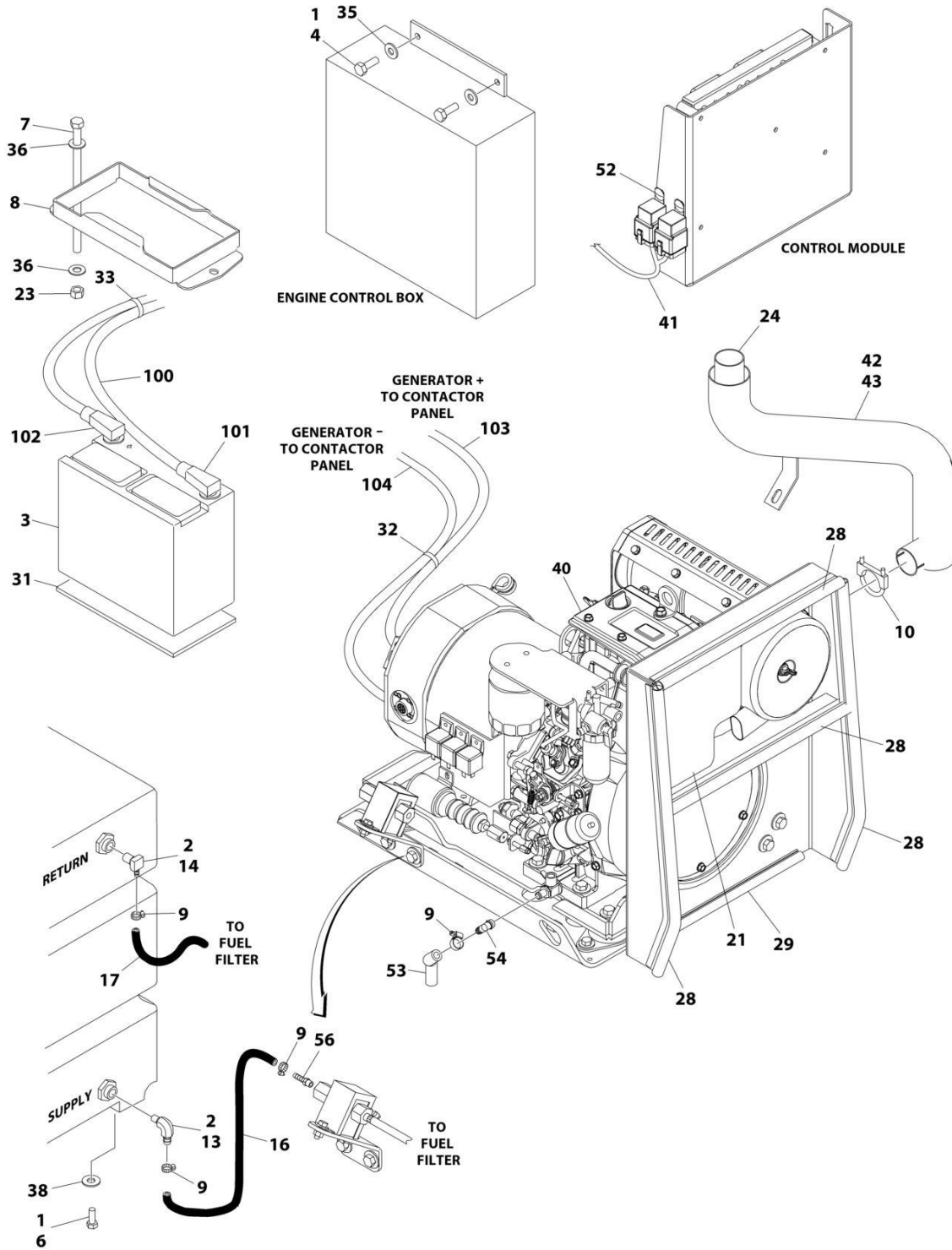
ITEM	PART NUMBER	QTY	DESCRIPTION	REV
	1001201365	Ref	BOOM LIMIT SWITCH INSTALLATION	A
1	0100011	AR	Compound, Locking	
2	0100035	AR	Compound, Locking	
3	0641403	4	Bolt 1/4 x 3/8	
4	1320263	1	Clamp, Cable	
5	1670824	1	Cover, Switch	
6	3930816	2	Bolt #8 x 1	
7	4420060	20 ft/6.1m	Tape, Double Sided	
8	4460897	1	Connector - 2 Position	
9	4751400	4	Washer 1/4	
10	1001106481	1	Bar, PVC	
11	1001201247	1	Harness	
11	4460464	2	Pin, Male	
12	1001201329	1	Transport Boom Harness (See Separate Breakdown in ELECTRICAL Section)	



**SECTION 4 - ENGINE**

# SECTION 4 - ENGINE

FIGURE 4-1. ENGINE AND GENERATOR INSTALLATION - WITH STANDARD BATTERIES (H600SJ/H600SJP ONLY)



ART\_1001199313\_40F5

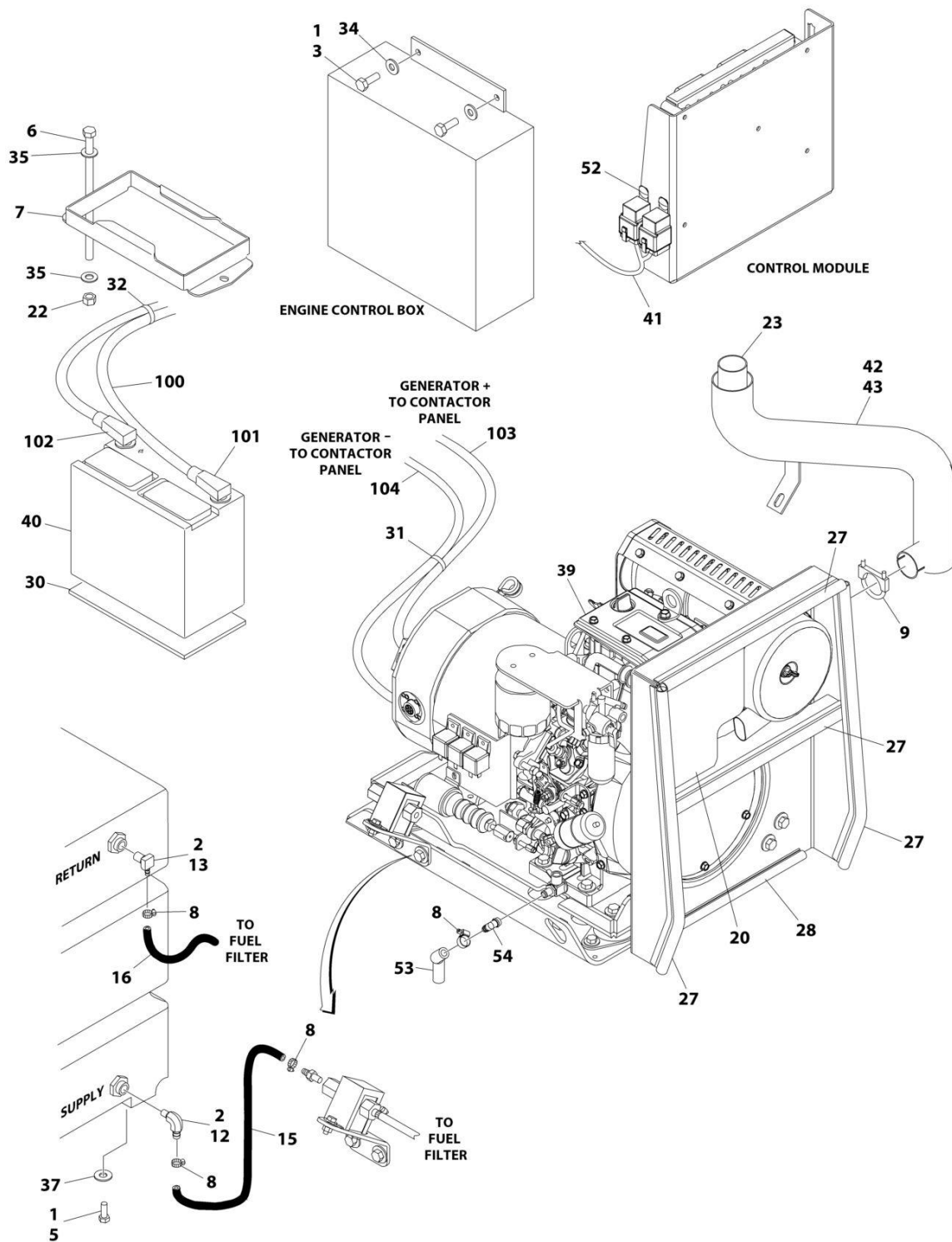
## SECTION 4 - ENGINE

**FIGURE 4-1. ENGINE AND GENERATOR INSTALLATION - WITH STANDARD BATTERIES  
(H600SJ/H600SJP ONLY)**

ITEM	PART NUMBER	QTY	DESCRIPTION	REV
	1001199313	Ref	ENGINE AND GENERATOR INSTALLATION	G
1	0100011	AR	Locking, Compound	
2	0100020	AR	Sealant, Pipe	
3	0400201	1	Battery, Standard	
4	0641406	4	Bolt 1/4 x 3/4	
6	0641606	4	Bolt 3/8 x 3/4	
7	0641660	2	Bolt 3/8 x 7-1/2	
8	0902659	1	Bracket, Battery Hold-Down	
9	1320022	4	Clamp, Hose	
10	1320135	1	Clamp, Muffler	
11	1701505	1	Decal - Diesel Fuel (Not Shown - Located on Hood)	
12	2200222	2	Plug, Pipe (Not Shown - Fuel Tank)	
13	2221046	1	Fitting, Elbow Barbed	
14	2221047	1	Fitting, Elbow Barbed	
16	2720058	3.5 ft/ 1.1m	Hose, Fuel Line	
17	2720271	5.5 ft/ 1.8m	Hose, Fuel Line	
21	2820232	1	Insulation, Noise Reduction	
23	3311605	2	Nut 3/8	
24	3460492	1	Tube, Exhaust	
28	3960389	5.6 ft/ 1.8m	Seal, Rubber	
29	3960418	1.1 ft/ 0.3m	Seal, Rubber	
31	3980035	1	Seat, Battery	
32	4240018	AR	Tie-Strap	
33	4240178	1	Strap, Cable Tie	
35	4711400	4	Washer 1/4	
36	4711600	4	Washer 3/8	
38	4751600	4	Washer 3/8	
40	1001248082	1	Engine, Kubota Assembly (See Separate Breakdown in this Section)	
41	1001199409	1	Generator Harness (See Separate Breakdown in ELECTRICAL Section)	
42	1001208628	1	Sleeve	
43	4920385	8.5 in/ 21.6cm	Wire, Safety	
52	1380158	2	Clip	
53	1001165035	3.5 in/ 8.89cm	Hose	
54	1001221386	1	Adapter	
56	2220794	1	Fitting, Straight Barbed	
100	1001200381	1	Battery Cable Kit	
101	1060819	1	Cable, Battery (Battery - to Ground)	
102	1060820	1	Cable, Battery (Battery + to Starter)	
103	1001202373	1	Cable, Battery (Generator + to Contactor Panel)	
104	1001202374	1	Cable, Battery (Generator - to Contactor Panel)	

# SECTION 4 - ENGINE

FIGURE 4-2. ENGINE AND GENERATOR INSTALLATION - WITH AGM BATTERIES (H600SJ/H600SJP ONLY)



ART\_1001207674\_4OF5



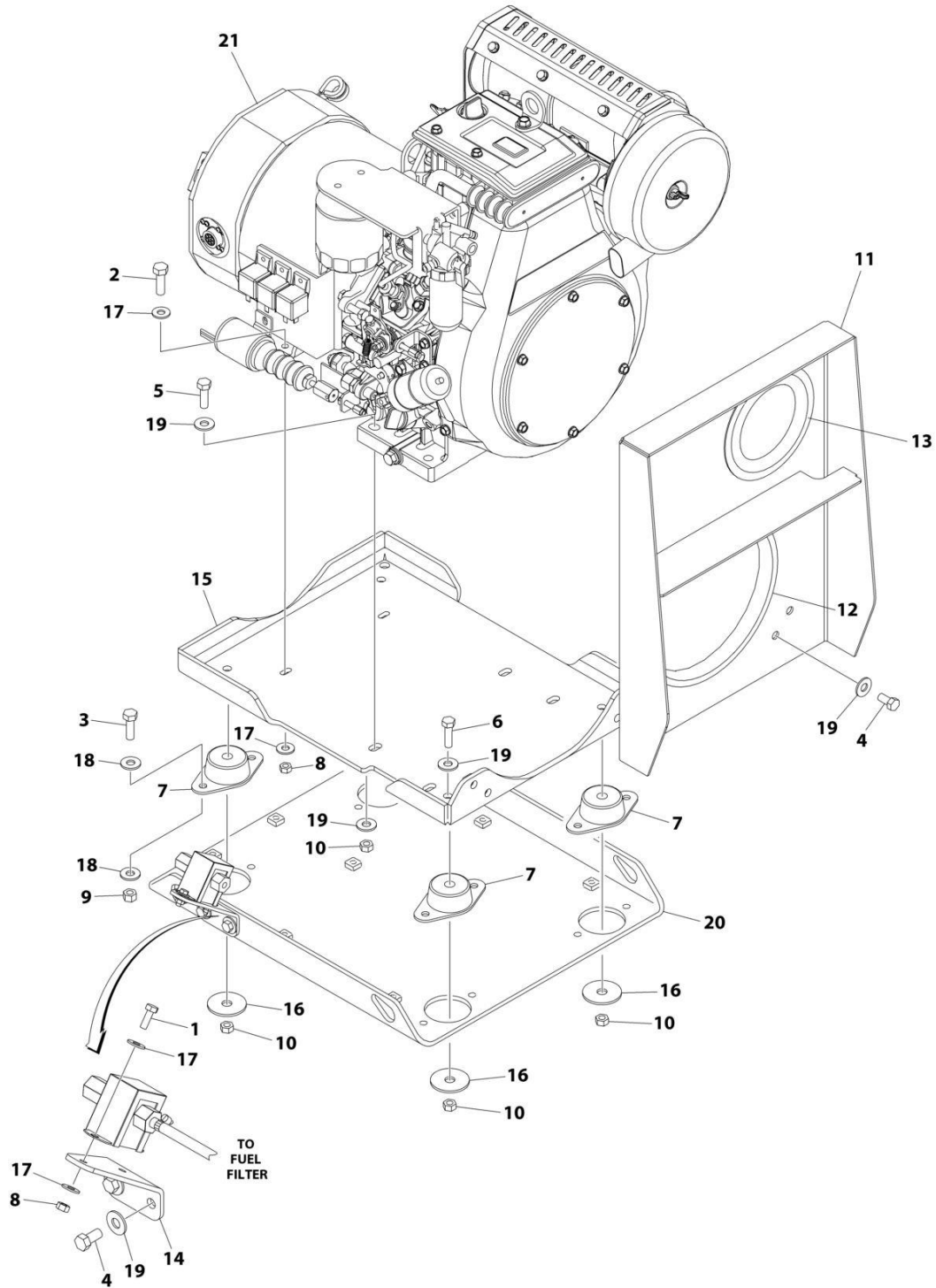
## SECTION 4 - ENGINE

**FIGURE 4-2. ENGINE AND GENERATOR INSTALLATION - WITH AGM BATTERIES (H600SJ/H600SJP ONLY)**

ITEM	PART NUMBER	QTY	DESCRIPTION	REV
	1001207674	Ref	ENGINE AND GENERATOR INSTALLATION - WITH AGM BATTERIES	F
1	0100011	AR	Locking, Compound	
2	0100020	AR	Sealant, Pipe	
3	0641406	4	Bolt 1/4 x 3/4	
5	0641606	4	Bolt 3/8 x 3/4	
6	0641660	2	Bolt 3/8 x 7-1/2	
7	0902659	1	Bracket, Battery Hold-Down	
8	1320022	4	Clamp, Hose	
9	1320135	1	Clamp, Muffler	
10	1701505	1	Decal - Diesel Fuel (Not Shown - Located on Hood)	
11	2200222	2	Plug, Pipe (Not Shown - Fuel Tank)	
12	2221046	1	Fitting, Elbow Barbed	
13	2221047	1	Fitting, Elbow Barbed	
15	2720058	3.5 ft/ 1.1m	Hose, Fuel Line	
16	2720271	5.5 ft/ 1.8m	Hose, Fuel Line	
20	2820232	1	Insulation, Noise Reduction	
22	3311605	2	Nut 3/8	
23	3460492	1	Tube, Exhaust	
27	3960389	5.6 ft/ 1.8m	Seal, Rubber	
28	3960418	1.1 ft/ 0.3m	Seal, Rubber	
30	3980035	1	Seat, Battery	
31	4240018	AR	Tie-Strap	
32	4240178	1	Strap, Cable Tie	
34	4711400	4	Washer 1/4	
35	4711600	4	Washer 3/8	
37	4751600	4	Washer 3/8	
39	1001248082	1	Engine, Kubota Assembly (See Separate Breakdown in this Section)	
40	1001196117	1	Battery, AGM	
41	1001199409	1	Harness, Generator (See Separate Breakdown in ELECTRICAL Section)	
42	1001208628	1	Sleeve	
43	4920385	8.5 in/ 21.6cm	Wire, Safety	
52	1380158	2	Clip	
53	1001165035	3.5 in/ 8.89cm	Hose	
54	1001221386	1	Adapter	
100	1001200381	1	Battery Cable Kit	
101	1060819	1	Cable, Battery (Battery - to Ground)	
102	1060820	1	Cable, Battery (Battery + to Starter)	
103	1001202373	1	Cable, Battery (Generator + to Contactor Panel)	
104	1001202374	1	Cable, Battery (Generator - to Contactor Panel)	

# SECTION 4 - ENGINE

## FIGURE 4-3. KUBOTA ENGINE ASSEMBLY (H600SJ/H600JP ONLY)



ART\_1001248082

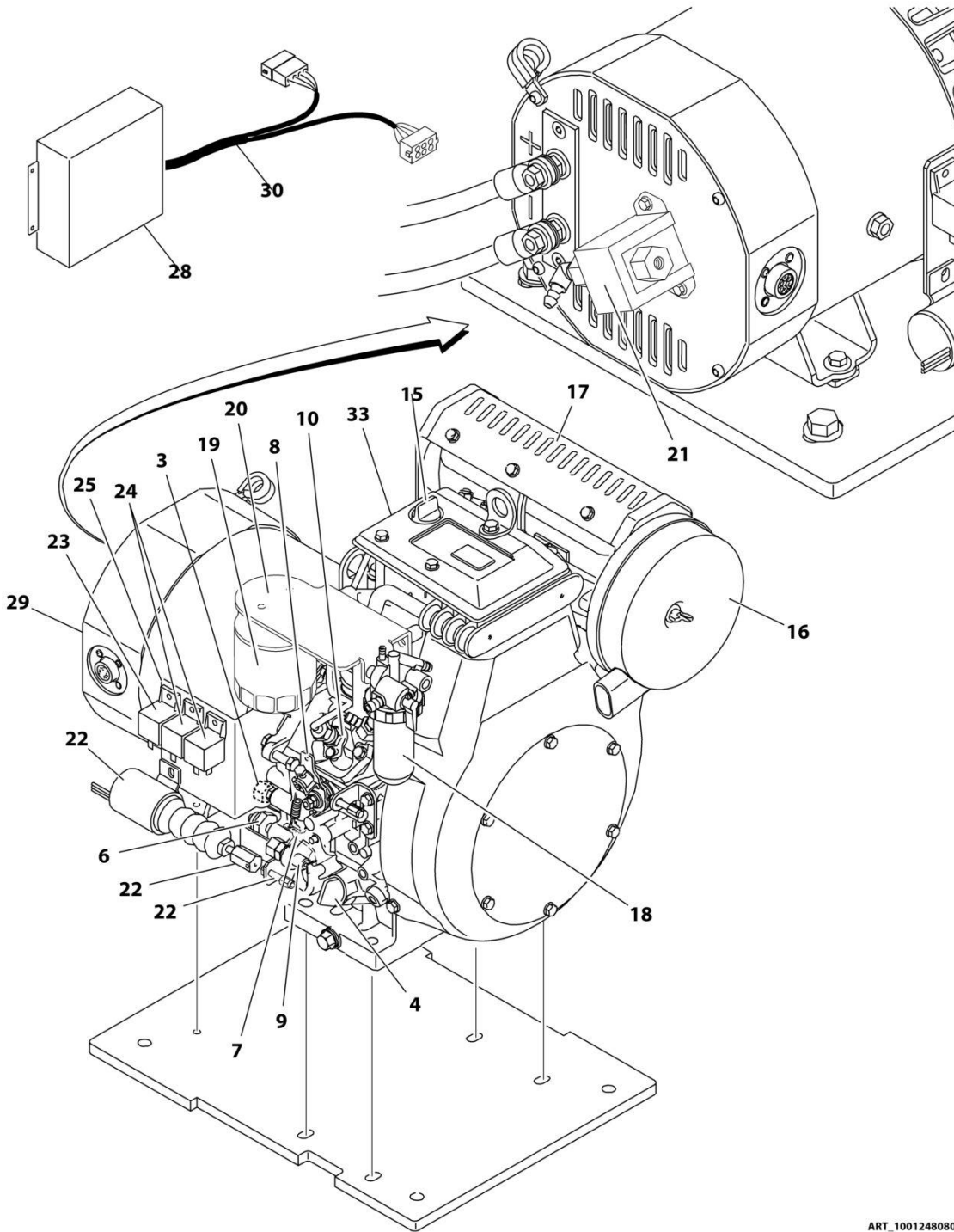
## SECTION 4 - ENGINE

**FIGURE 4-3. KUBOTA ENGINE ASSEMBLY (H600SJ/H600JP ONLY)**

ITEM	PART NUMBER	QTY	DESCRIPTION	REV
	1001248082	Ref	KUBOTA ENGINE ASSEMBLY	B
1	0641406	2	Bolt 1/4 x 3/4	
2	0641408	2	Bolt 1/4 x 1	
3	0641508	8	Bolt 5/16 x 1	
4	0641606	6	Bolt 3/8 x 3/4	
5	0641614	4	Bolt 3/8 x 1-3/4	
6	0641618	4	Bolt 3/8 x 2-1/4	
7	3200425	4	Mount, Motor	
8	3311405	4	Nut 1/4	
9	3311505	8	Nut 5/16	
10	3311605	8	Nut 3/8	
11	3380620	1	Engine, Baffle	
12	3960389	18 in /46cm	Seal	
13	3960418	28 in /71cm	Seal	
14	4341107	1	Plate, Fuel Pump Mounting	
15	4341109	1	Plate, Engine Mounting	
16	4740274	4	Washer, Snubbing	
17	4751400	8	Washer 1/4	
18	4751500	16	Washer 5/16	
19	4751600	18	Washer 3/8	
20	4846188	1	Tray	
21	1001248080	1	Engine, Kubota (See Separate Breakdown in this Section)	

# SECTION 4 - ENGINE

FIGURE 4-4. KUBOTA ENGINE COMPONENTS (H600SJ/H600JP ONLY)



ART\_1001248080

## SECTION 4 - ENGINE

**FIGURE 4-4. KUBOTA ENGINE COMPONENTS (H600SJ/H600JP ONLY)**

ITEM	PART NUMBER	QTY	DESCRIPTION	REV
	1001248080	Ref	KUBOTA MOTOR/GENERATOR COMPONENTS	A
1	70000290	1	Glow Plug (Not Shown)	
1	70000291	1	Harness, Glow Plug (Not Shown)	
2	70000292	1	Screen, Oil Sump (Includes O-Ring) (Not Shown)	
3	70000293	1	Cap, Oil Filler (Includes O-Ring)	
4	70000294	1	Dipstick	
5	70000295	1	Pump, Oil Rotor (Not Shown - Located beside Item 6)	
5	70000296	1	O-Ring Oil Rotor Pump (Not Shown)	
6	70000297	1	Switch, Oil	
7	70000298	1	Lever, Governor	
7	70000299	1	Pin, Governor Lever	
7	70000300	1	Spring, Governor Lever	
8	70000301	1	Spring, Idling	
8	70000304	1	Lever, Spring Control	
8	70000305	1	Spring, Stop (Speed Control Lever)	
9	70000302	1	Valve, Fuel Limit	
9	70000303	1	Gasket, Fuel Limit	
10	70000306	1	Pump, Injection	
10	70000307	1	Kit, Pump Adjustment Shim	
11	70000308	1	Flywheel/Ring Gear Assembly (Not Shown - Located Behind Front Cover)	
11	70000309	1	Ring Gear (Not Shown)	
11	70001121	1	Stator, Engine (Not Shown - Located Behind Flywheel) (Includes Coil & Grommet)	
12	70003557	1	Regulator, Voltage (Not Shown - Located on Opposite Side of Engine)	
13	70000310	1	Starter (Not Shown - Located on Opposite of Engine)	
14	70000311	1	Solenoid, Starter (Not Shown - Located on Opposite Side of Engine)	
15	70002244	1	Cap, Oil Filler (Includes O-Ring)	
16	70000312	1	Air Filter Assembly	
16	70000313	1	Element, Air Cleaner	
16	70000314	1	Gasket, Air Cleaner	
17	70000315	1	Muffler Assembly	
17	70000316	1	Gasket, Muffler	
18	70000317	1	Inline Fuel Check Valve Assembly	
18	70000967	1	Fuel Filter Assembly	
18	70000318	1	Element, Fuel Filter	
19	70000319	1	Element, Oil Filter	
19	70001144	1	Head, Oil Filter Head (Note: Does Not Include Element)	
20	70002544	1	Bracket, Oil Filter Mount	
21	70000320	1	Pump, Fuel	
22	70000321	1	Solenoid, Fuel	
22	70003618	1	Adapter, Solenoid	
22	70003619	1	Screw	
23	70000322	1	Relay	
24	70000323	2	Relay	
25	70002083	1	Bracket, Solenoid/Relay	
26	70000324	1	Sensor, Speed (Not Shown - Located Inside Front Cover)	
26	70004265	1	Bracket, Speed Sensor (Not Show - Located Inside Front Cover)	

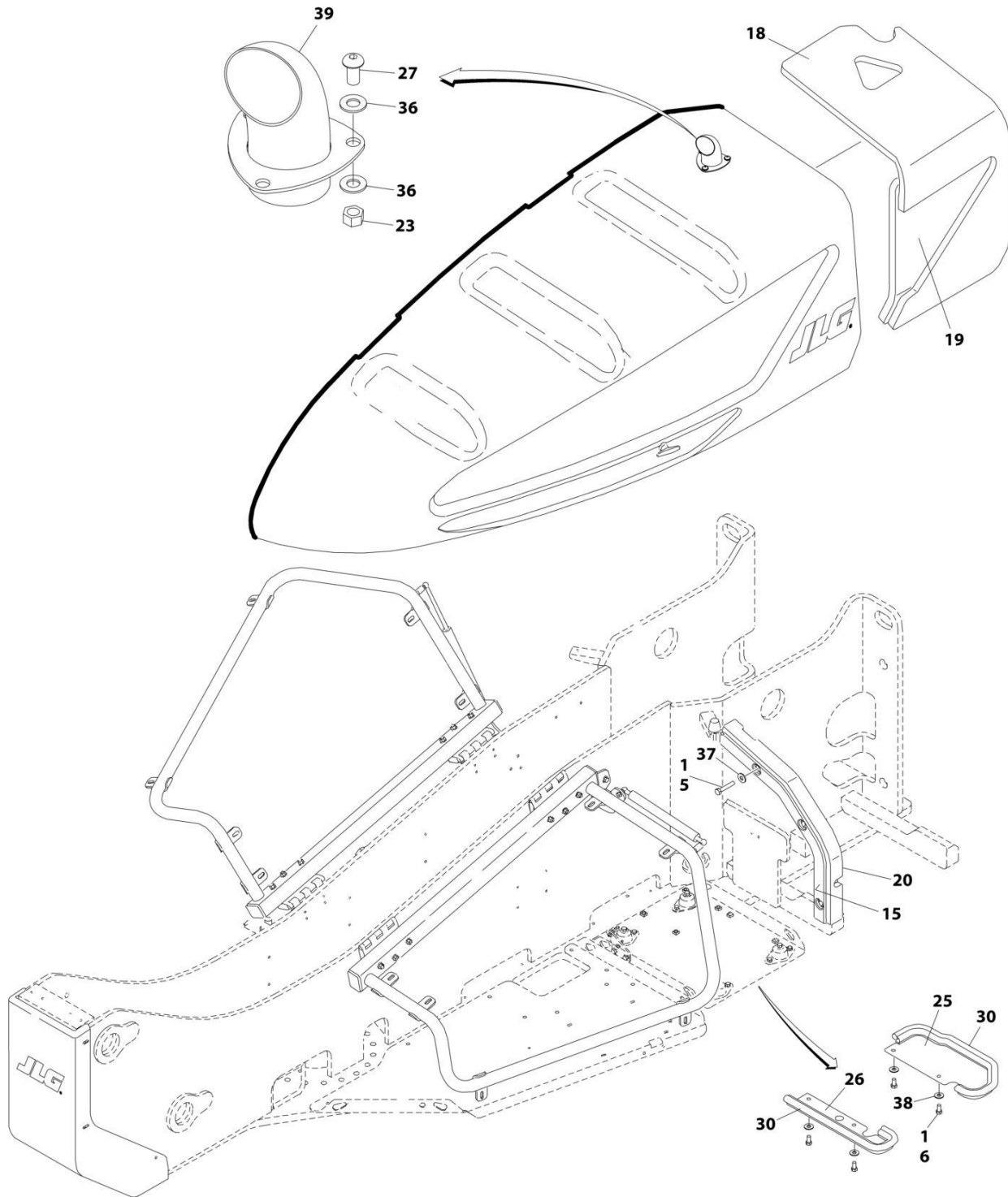
## SECTION 4 - ENGINE

ITEM	PART NUMBER	QTY	DESCRIPTION	REV
27	70000325	1	Sensor, Oil Temperature (Not Shown - Located on Opposite Side of Engine Base)	
28	70000326	1	Module, Engine Control	
29	70000327	1	Alternator	
29	70000382	1	Stator, Alternator	
29	70004394	1	Lead, Field Terminal Block Diode	
30	70000328	1	Harness, Generator	
31	70000329	1	Fuse 15Amp (Not Shown)	
32	70000330	1	Fuse 20Amp (Not Shown)	
33	70002543	1	Engine, Kubota (without Generator)	
34	70000289	1	Regulator, Voltage (Not Shown - Located on Opposite Side of Engine)	



# SECTION 4 - ENGINE

## FIGURE 4-5. EXHAUST STACK AND HOOD Baffles INSTALLATION - STANDARD BATTERIES (H600SJ/H600SJP)



ART\_1001199313\_30F5



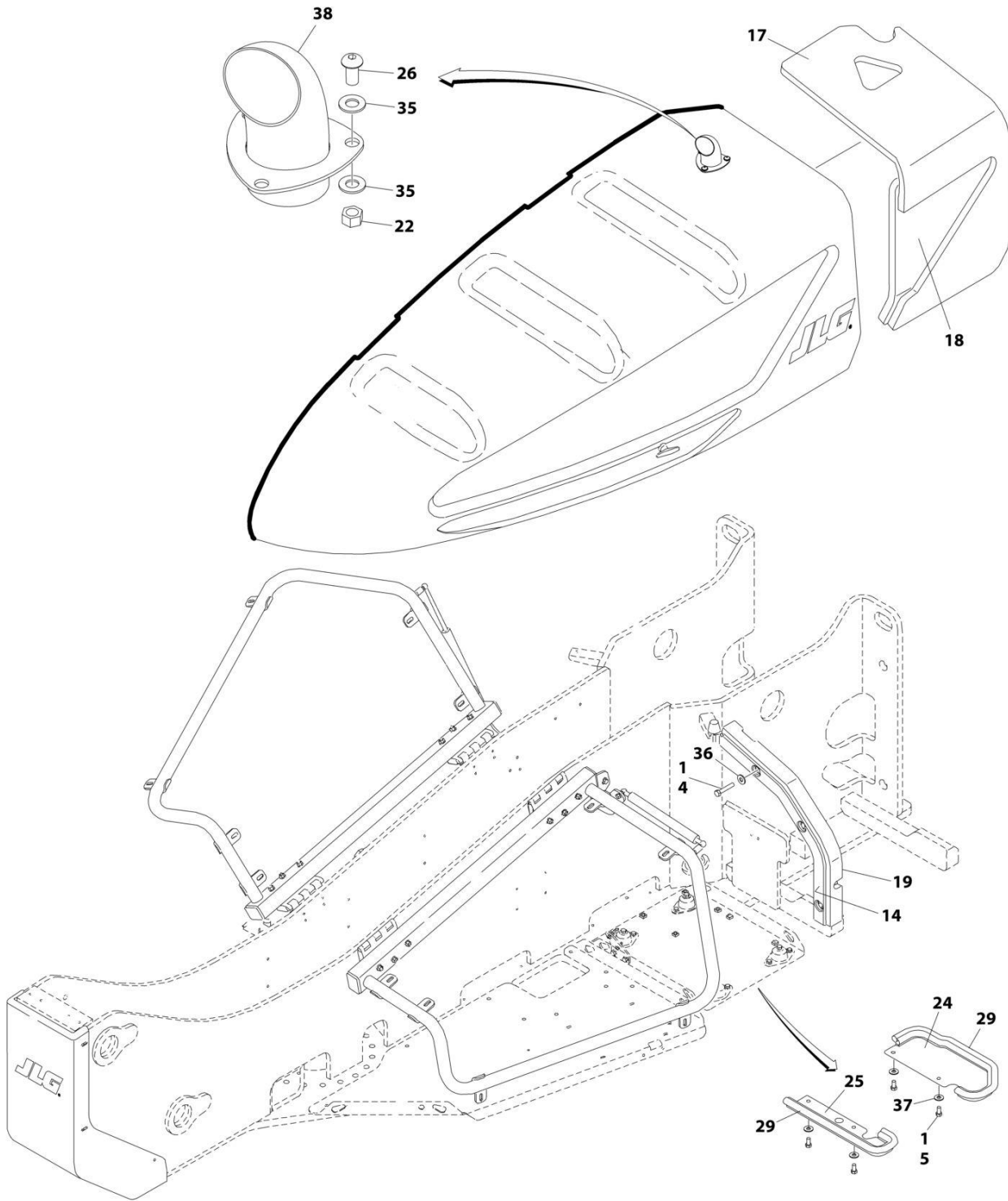
## SECTION 4 - ENGINE

**FIGURE 4-5. EXHAUST STACK AND HOOD BAFFLES INSTALLATION - STANDARD BATTERIES  
(H600SJ/H600SJP)**

ITEM	PART NUMBER	QTY	DESCRIPTION	REV
	1001199313	Ref	EXHAUST STACK AND BAFFLES INSTALLATION - WITH STANDARD BATTERIES	G
1	0100011	AR	Compound, Locking	
5	0641514	3	Bolt 5/16 x 1-3/4	
6	0641606	4	Bolt 3/8 x 3/4	
15	2680482	1	Trim, Hood	
18	2820122	1	Insulation	
19	2820123	1	Insulation	
20	2820126	1	Insulator	
23	3311605	3	Nut 3/8	
25	3572348	1	Plate, Cover	
26	3572349	1	Plate, Cover	
27	3900283	3	Screw	
30	3960464	4 ft/ 1.2m	Seal	
36	4711600	6	Washer 3/8	
37	4751500	3	Washer 5/16	
38	4751600	4	Washer 3/8	
39	4846210	1	Tube, Exhaust	

# SECTION 4 - ENGINE

## FIGURE 4-6. EXHAUST STACK AND HOOD Baffles INSTALLATION - AGM BATTERIES (H600SJ/H600SJP)



ART\_1001207674\_30F5

## SECTION 4 - ENGINE

**FIGURE 4-6. EXHAUST STACK AND HOOD BAFFLES INSTALLATION - AGM BATTERIES  
(H600SJ/H600SJP)**

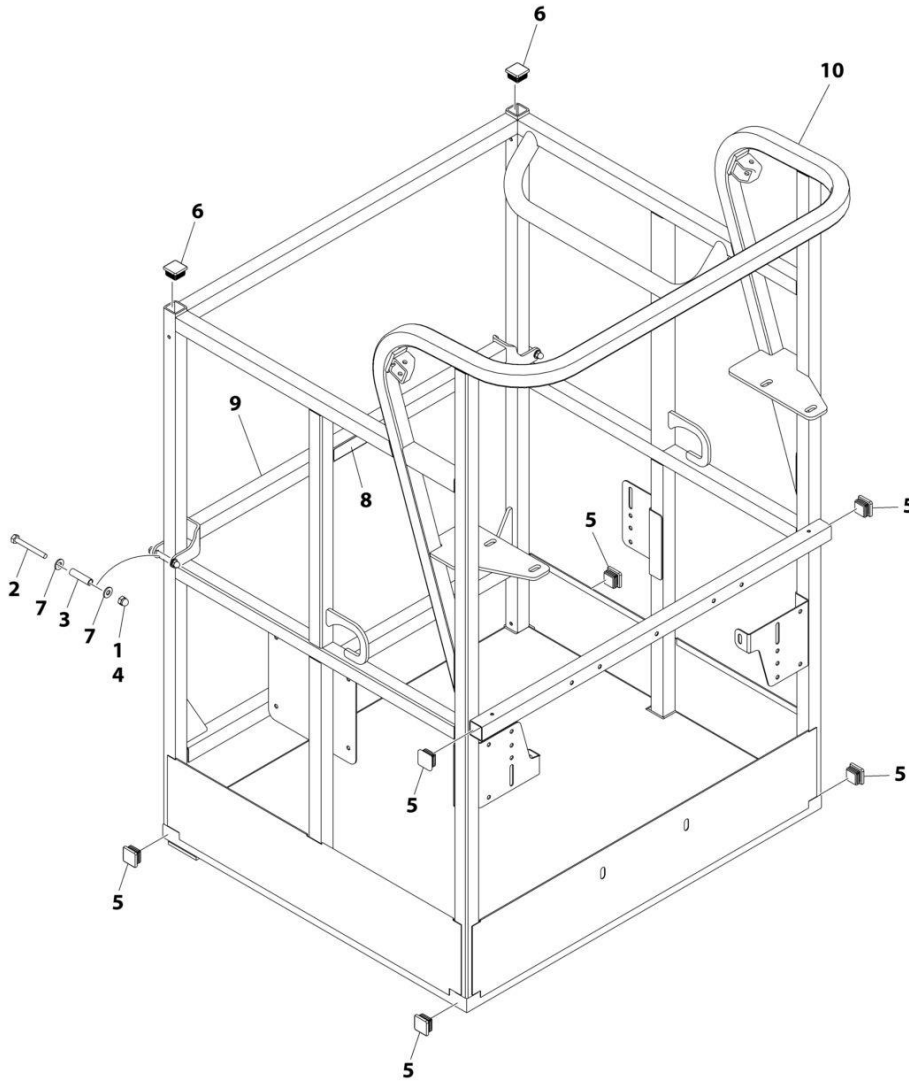
ITEM	PART NUMBER	QTY	DESCRIPTION	REV
	1001207674	Ref	EXHAUST STACK AND BAFFLES INSTALLATION - WITH STANDARD BATTERIES	F
1	0100011	AR	Compound, Locking	
4	0641514	3	Bolt 5/16 x 1-3/4	
5	0641606	4	Bolt 3/8 x 3/4	
14	2680482	1	Trim, Hood	
17	2820122	1	Insulation	
18	2820123	1	Insulation	
19	2820126	1	Insulator	
22	3311605	3	Nut 3/8	
24	3572348	1	Plate, Cover	
25	3572349	1	Plate, Cover	
26	3900283	3	Screw	
29	3960464	4 ft/1.2m	Seal	
35	4711600	6	Washer 3/8	
36	4751500	3	Washer 5/16	
37	4751600	4	Washer 3/8	
38	4846210	1	Tube, Exhaust	



**SECTION 5 - PLATFORM**

# SECTION 5 - PLATFORM

FIGURE 5-1. PLATFORM ASSEMBLY - 30IN X 3FT (76CM X 91.5CM) - WITH DROP BAR



ART\_1001228215

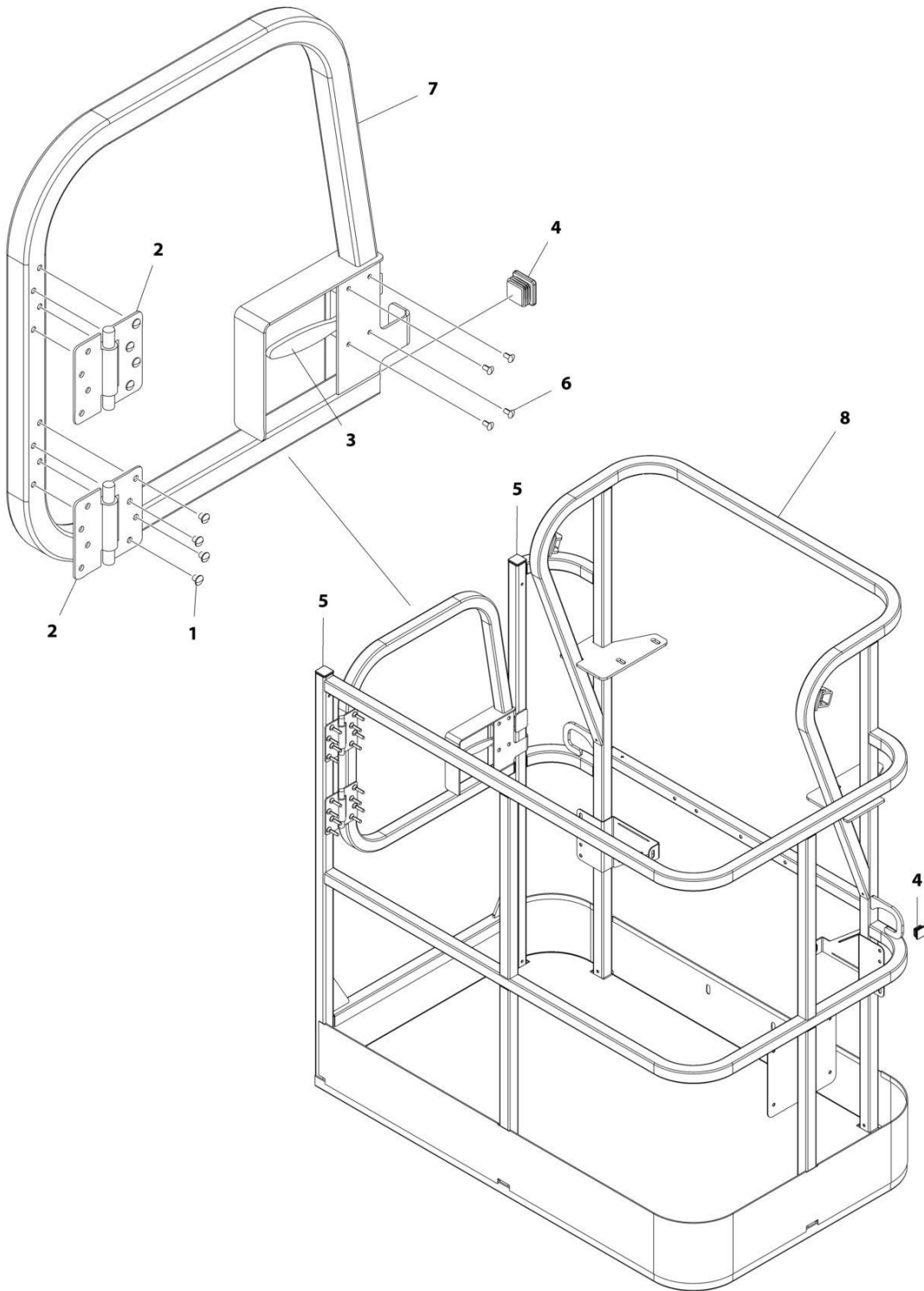
## SECTION 5 - PLATFORM

**FIGURE 5-1. PLATFORM ASSEMBLY - 30IN X 3FT (76CM X 91.5CM) - WITH DROP BAR**

ITEM	PART NUMBER	QTY	DESCRIPTION	REV
	1001228215	Ref	PLATFORM ASSEMBLY	A
	See Note	Ref	Note: Platform and Mesh must be ordered separately for Platforms with Mesh. See SPECIAL OPTIONS SECTION for Mesh Installations.	
	See Note	Ref	Note: Replacement Decals Must be Ordered Separately - See DECAL SECTION.	
1	0100011	AR	Compound, Locking	
2	0641418	2	Bolt 1/4 x 2-1/4	
3	0961845	2	Bushing	
4	3300151	2	Nut 1/4	
5	3520072	6	Cap, Plug	
6	3520198	2	Cap, Plug	
7	4711400	4	Washer 1/4	
8	1001140429	1	Decal - Drop Bar	
9	1001226872	1	Bar, Drop	
10	See Note	NSS	Platform (Note: Not Available - Purchase Platform Assembly)	

# SECTION 5 - PLATFORM

## FIGURE 5-2. PLATFORM ASSEMBLY - 30IN X 4FT (76CM X 1.22M) - SIDE GATE ENTRY



ART\_1001186387



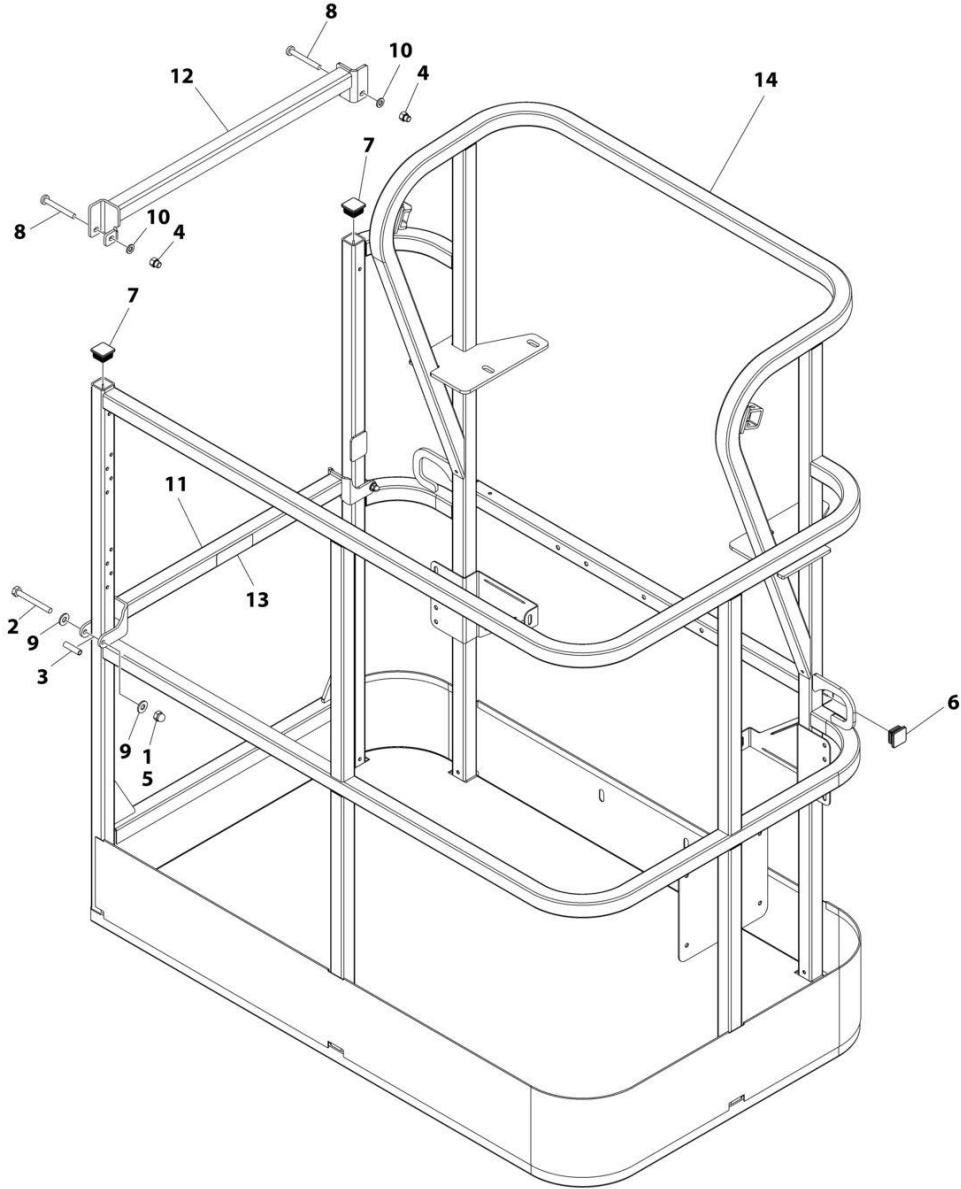
## SECTION 5 - PLATFORM

**FIGURE 5-2. PLATFORM ASSEMBLY - 30IN X 4FT (76CM X 1.22M) - SIDE GATE ENTRY**

ITEM	PART NUMBER	QTY	DESCRIPTION	REV
	1001186387	Ref	PLATFORM ASSEMBLY	C
		Ref	Note: Platform and Mesh must be ordered separately for Platforms with Mesh. See SPECIAL OPTIONS SECTION for Mesh Installations.	
		Ref	Note: Replacement Decals Must be Ordered Separately - See DECALS SECTION.	
1	2080040	16	Fastener, Huck	
2	2600281	2	Hinge, Self-Closing	
3	2940074	1	Latch	
4	3520072	3	Plug	
5	3520198	2	Plug	
6	3820020	4	Rivet	
7	1001144629	1	Gate	
8	See Note	1	Platform (Note: Not Available - Purchase Platform Assembly)	

# SECTION 5 - PLATFORM

FIGURE 5-3. PLATFORM ASSEMBLY - 30IN X 4FT (76CM X 1.22M) - WITH DROP BAR



ART\_1001186375

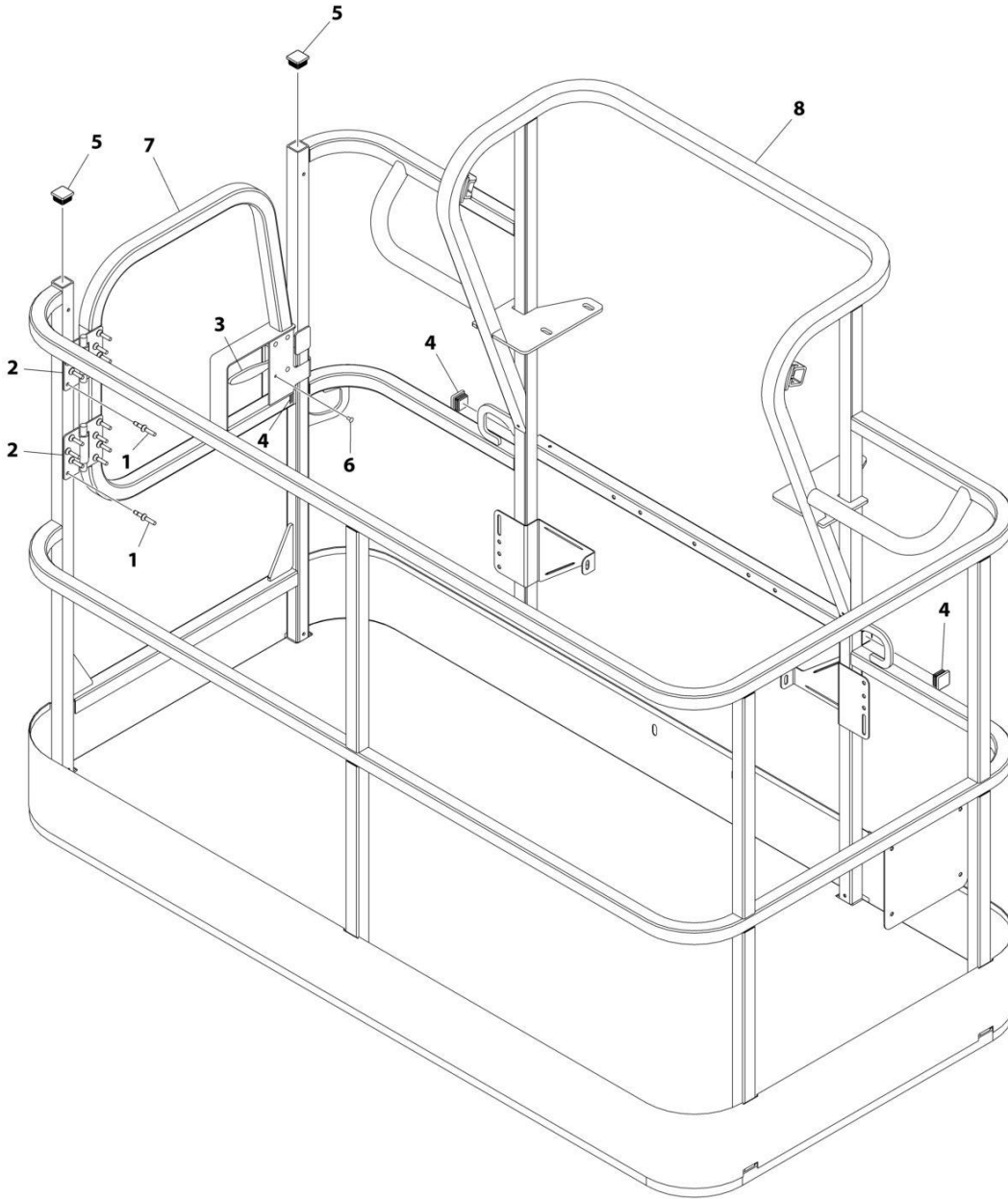
## SECTION 5 - PLATFORM

**FIGURE 5-3. PLATFORM ASSEMBLY - 30IN X 4FT (76CM X 1.22M) - WITH DROP BAR**

ITEM	PART NUMBER	QTY	DESCRIPTION	REV
	1001186375	Ref	PLATFORM ASSEMBLY	B
		Ref	Note: Platform and Mesh must be ordered separately for Platforms with Mesh. See SPECIAL OPTIONS SECTION for Mesh Installations.	
		Ref	Note: Replacement Decals Must be Ordered Separately - See DECALS SECTION.	
1	0100011	AR	Compound, Locking	
2	0641418	2	Bolt 1/4 x 2-1/4	
3	0961845	2	Bushing	
4	3290606	2	Nut M6	
5	3300151	2	Nut 1/4	
6	3520072	2	Plug	
7	3520198	2	Plug	
8	4010618	2	Screw M6 x 50	
9	4711400	4	Washer 1/4	
10	4811700	2	Washer M6	
11	1001138494	1	Bar, Drop	
12	1001138514	1	Rail - Top	
13	1001140429	1	Decal - Drop Bar	
14	See Note	1	Platform (Note: Not Available - Purchase Platform Assembly)	

# SECTION 5 - PLATFORM

FIGURE 5-4. PLATFORM ASSEMBLY - 30IN X 6FT (76CM X 1.83M) - SIDE GATE ENTRY



ART\_1001186385

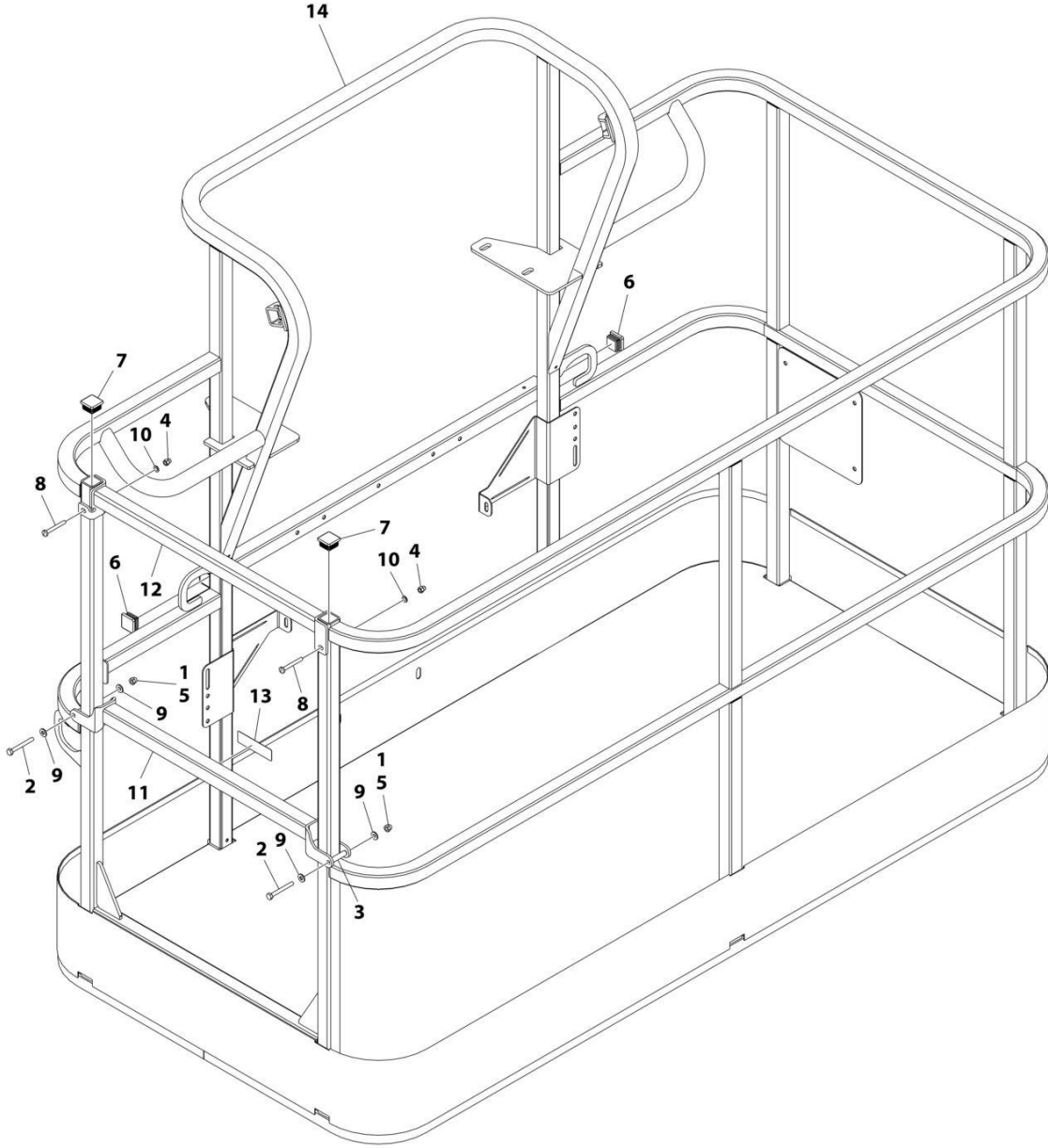
## SECTION 5 - PLATFORM

**FIGURE 5-4. PLATFORM ASSEMBLY - 30IN X 6FT (76CM X 1.83M) - SIDE GATE ENTRY**

ITEM	PART NUMBER	QTY	DESCRIPTION	REV
	1001186385	Ref	PLATFORM ASSEMBLY	D
		Ref	Note: Platform and Mesh must be ordered separately for Platforms with Mesh. See SPECIAL OPTIONS SECTION for Mesh Installations.	
		Ref	Note: Replacement Decals Must be Ordered Separately - See DECALS SECTION.	
1	2080040	16	Fastener, Huck	
2	2600281	2	Hinge	
3	2940074	1	Latch	
4	3520072	3	Plug	
5	3520198	2	Plug	
6	3820020	4	Rivet	
7	1001144629	1	Gate	
8	See Note	NSS	Platform (Note: Not Available - Purchase Platform Assembly)	

# SECTION 5 - PLATFORM

FIGURE 5-5. PLATFORM ASSEMBLY - 30IN X 6FT (76CM X 1.83M) - WITH DROP BAR



ART\_1001186378

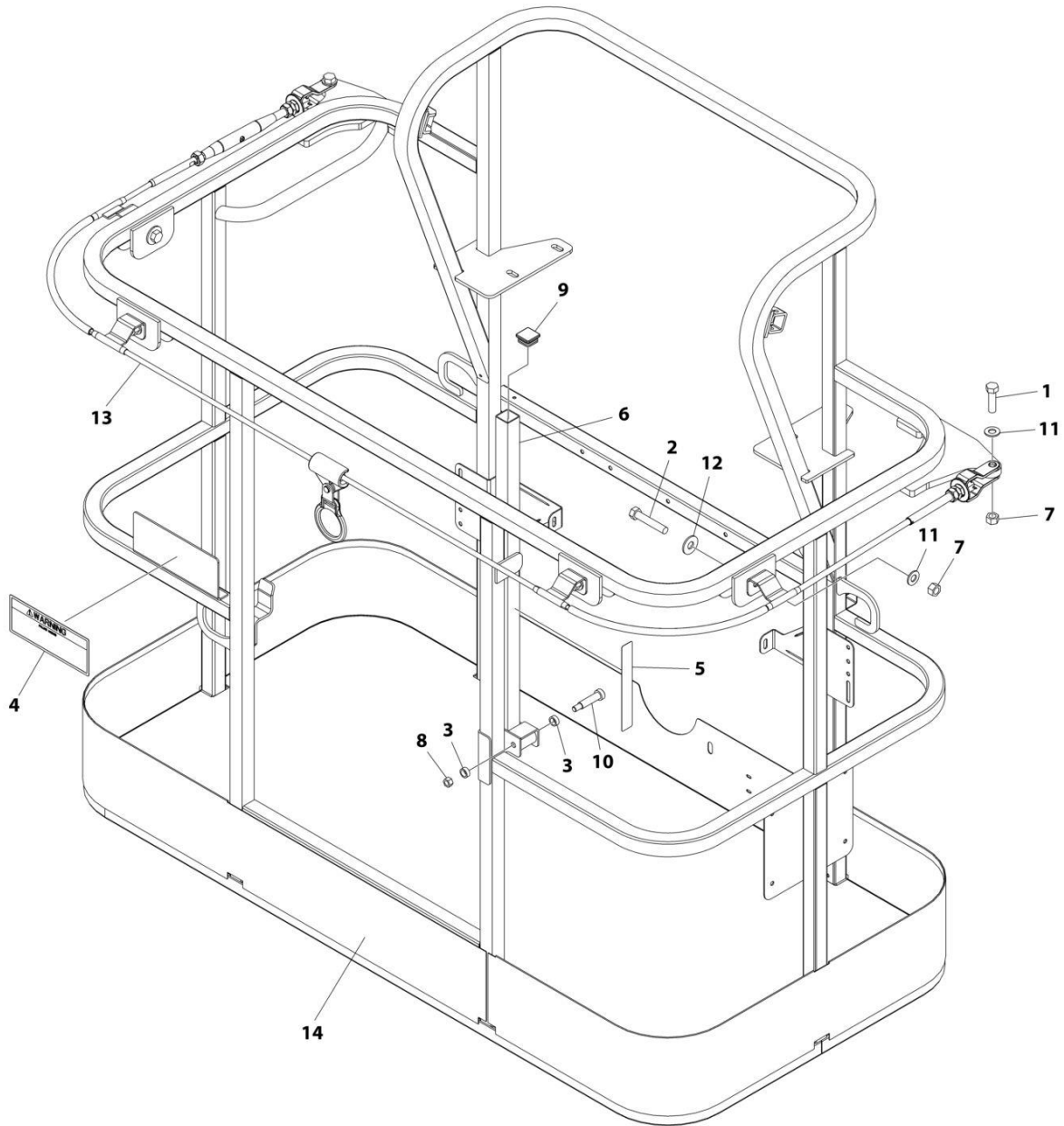
## SECTION 5 - PLATFORM

**FIGURE 5-5. PLATFORM ASSEMBLY - 30IN X 6FT (76CM X 1.83M) - WITH DROP BAR**

ITEM	PART NUMBER	QTY	DESCRIPTION	REV
	1001186378	Ref	PLATFORM ASSEMBLY	C
		Ref	Note: Platform and Mesh must be ordered separately for Platforms with Mesh. See SPECIAL OPTIONS SECTION for Mesh Installations.	
		Ref	Note: Replacement Decals Must be Ordered Separately - See DECALS SECTION.	
1	0100011	AR	Compound, Locking	
2	0641418	2	Bolt 1/4 x 2-1/4	
3	0961845	2	Bushing	
4	3290606	2	Nut M6	
5	3300151	2	Nut 1/4	
6	3520072	2	Plug	
7	3520198	2	Plug	
8	4010618	2	Screw M6 x 50	
9	4711400	4	Washer 1/4	
10	4811700	2	Washer M6	
11	1001138494	1	Bar, Drop	
12	1001138514	1	Rail (Top)	
13	1001140429	1	Decal - Drop Bar	
14	See Note	NSS	Platform (Note: Not Available - Purchase Platform Assembly)	

# SECTION 5 - PLATFORM

FIGURE 5-6. PLATFORM ASSEMBLY - 30IN X 6FT (0.9M X 1.83M) (FALL ARREST PLATFORM)



ART\_1001186388



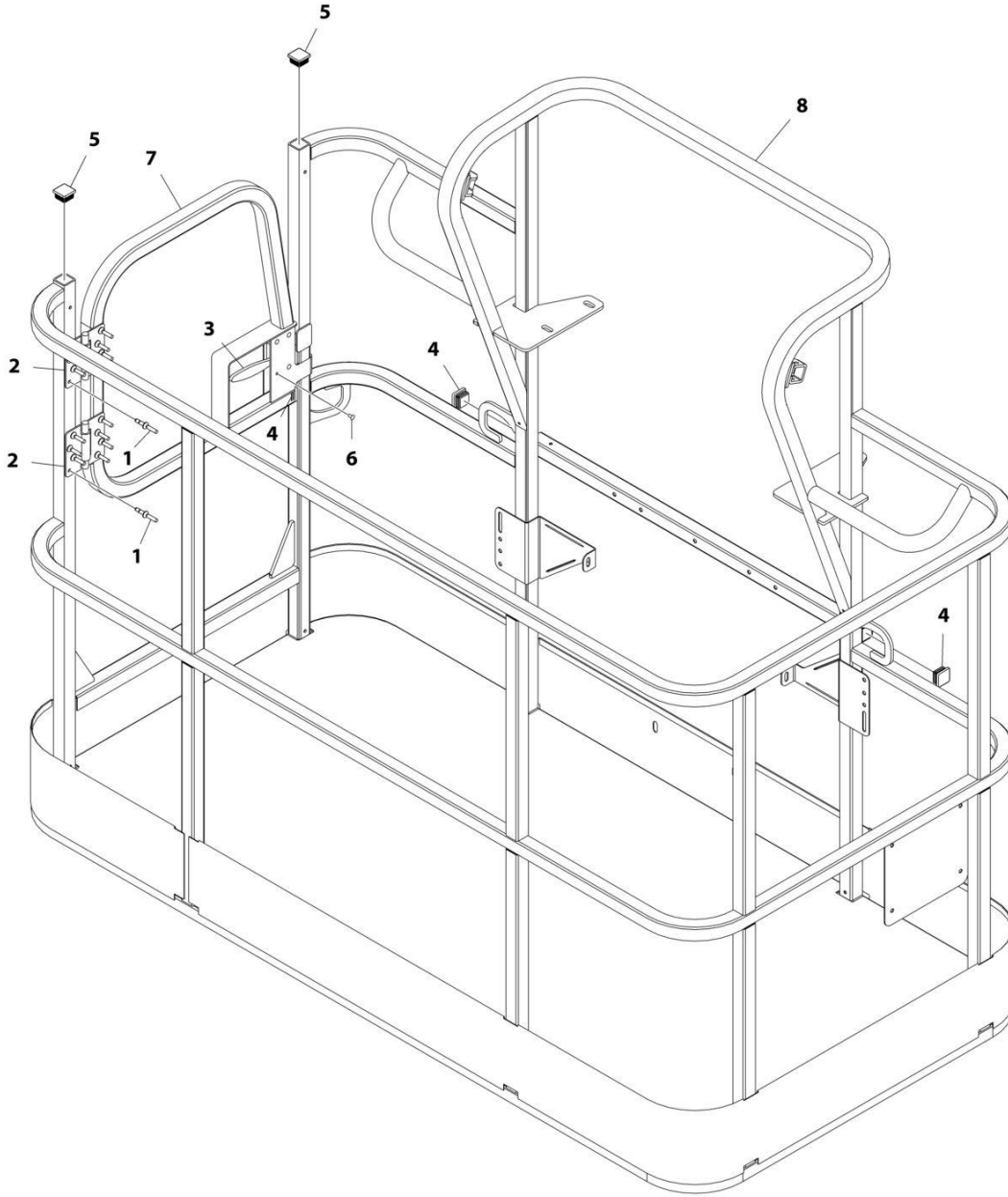
## SECTION 5 - PLATFORM

**FIGURE 5-6. PLATFORM ASSEMBLY - 30IN X 6FT (0.9M X 1.83M) (FALL ARREST PLATFORM)**

ITEM	PART NUMBER	QTY	DESCRIPTION	REV
	1001186388	Ref	PLATFORM ASSEMBLY	C
	See Note	Ref	Note: Replacement Decals Must be Ordered Separately - See DECALS SECTION.	
1	0681814	2	Bolt 1/2 x 1-3/4 (Grade 8)	
2	0681822	4	Bolt 1/2 x 2-3/4 (Grade 8)	
3	0962270	2	Bearing	
4	1705014	1	Decal - Safety	
5	1706385	1	Decal - Drop Bar	
6	2410014	1	Gate, Weldment	
7	3271805	6	Nut 1/2	
8	3311605	1	Nut 3/8	
9	3520072	1	Cap, Plug	
10	3900054	1	Bolt 1/2 x 1-3/4	
11	4711800	6	Washer 1/2	
12	4751800	4	Washer 1/2	
13	1001203654	1	Lanyard	
14	See Note	NSS	Platform (Note: Not Available - Purchase Platform Assembly)	

# SECTION 5 - PLATFORM

FIGURE 5-7. PLATFORM ASSEMBLY - 36IN X 6FT (91.5CM X 1.83M) WITH SWING GATE



ART\_1001186384

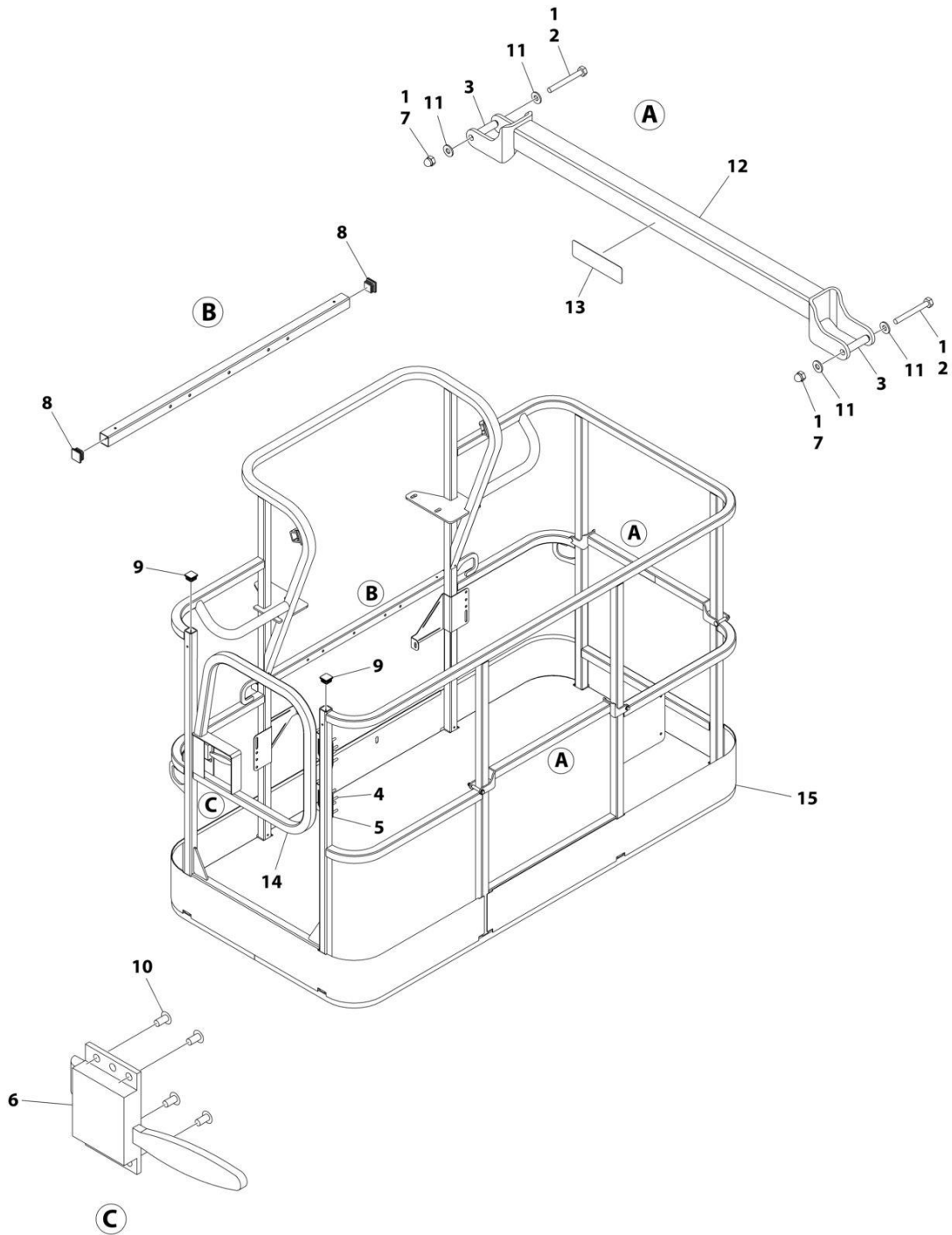
## SECTION 5 - PLATFORM

**FIGURE 5-7. PLATFORM ASSEMBLY - 36IN X 6FT (91.5CM X 1.83M) WITH SWING GATE**

ITEM	PART NUMBER	QTY	DESCRIPTION	REV
	1001186384	Ref	PLATFORM ASSEMBLY - 36IN X 6FT (91.5CM X 1.83M) WITH SWING GATE	C
	See Note	Ref	Note: Platform and Mesh must be ordered separately for Platforms with Mesh. See SPECIAL OPTIONS SECTION for Mesh Installations.	
	See Note	Ref	Note: Replacement Decals Must be Ordered Separately - See DECALS SECTION.	
1	2080040	16	Fastener, Huck	
2	2600281	2	Hinge	
3	2940074	1	Latch	
4	3520072	3	Plug	
5	3520198	2	Plug	
6	3820020	4	Rivet	
7	1001144629	1	Gate	
8	See Note	NSS	Platform (Note: Not Available - Purchase Platform Assembly)	

# SECTION 5 - PLATFORM

FIGURE 5-8. PLATFORM ASSEMBLY - 3FT X 6FT (91.5CM X 1.83M) - TRI-ENTRY - 1 SWING GATE/2 DROP BARS



ART\_1001228376

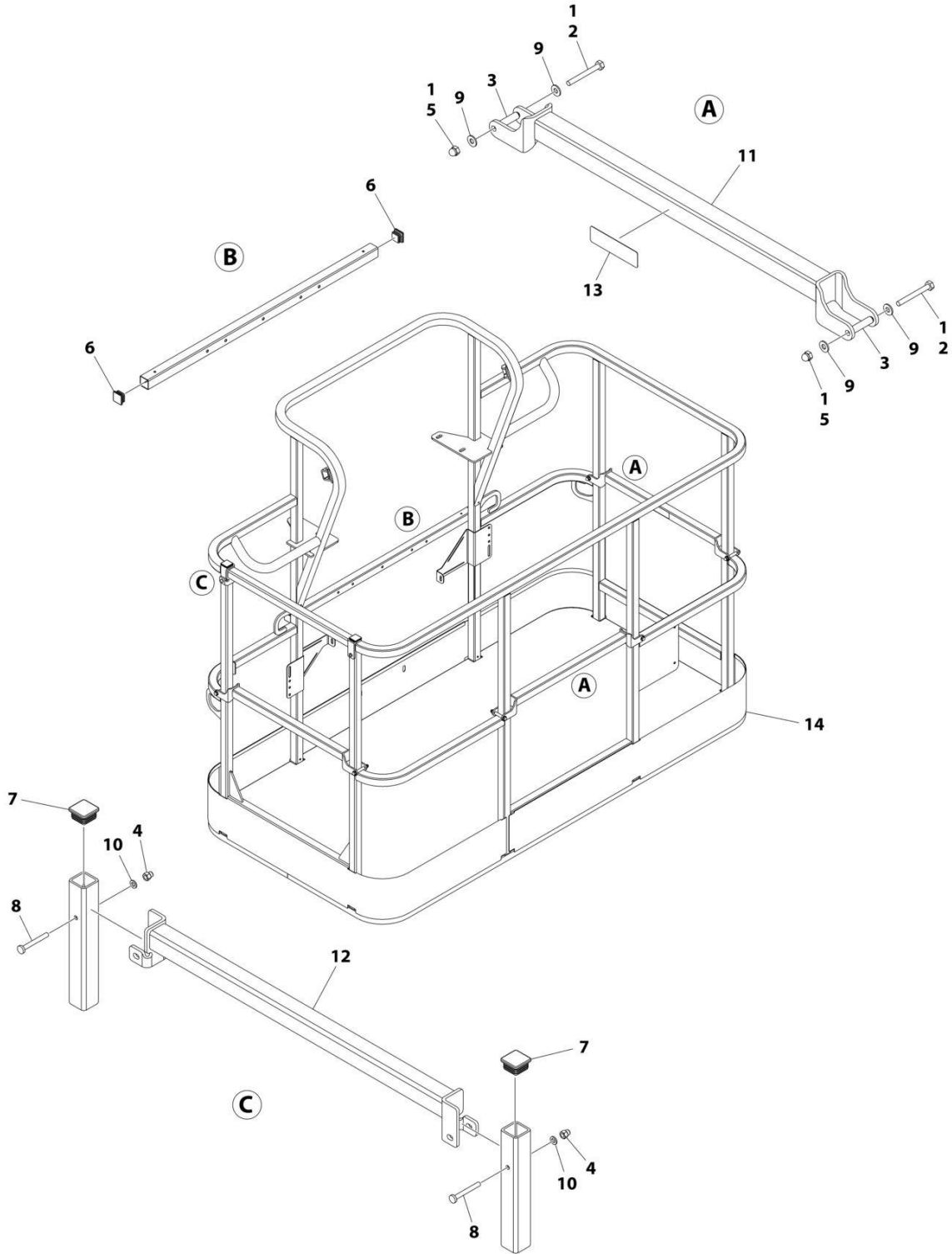
## SECTION 5 - PLATFORM

**FIGURE 5-8. PLATFORM ASSEMBLY - 3FT X 6FT (91.5CM X 1.83M) - TRI-ENTRY - 1 SWING GATE/2 DROP BARS**

ITEM	PART NUMBER	QTY	DESCRIPTION	REV
	1001228376	Ref	PLATFORM ASSEMBLY - 36IN x 6FT (91.5CM x 1.83M)	B
		Ref	Note: Platform and Mesh must be ordered separately for Platforms with Mesh. See SPECIAL OPTIONS SECTION for Mesh Installations.	
		Ref	Note: Replacement Decals Must be Ordered Separately - See DECAL SECTION.	
1	0100011	AR	Compound, Locking	
2	0641418	4	Bolt 1/4 x 2-1/4	
3	0961845	4	Bushing	
4	2080040	16	Fastener	
5	2600281	2	Hinge	
6	2940074	1	Latch	
7	3300151	4	Nut 1/4	
8	3520072	3	Plug	
9	3520198	2	Plug	
10	3820020	4	Rivet	
11	4711400	8	Washer 1/4	
12	1001138494	2	Bar, Drop	
13	1001140429	2	Decal - Drop Bar	
14	1001144629	1	Gate	
15	See Note	NSS	Platform (Note: Not Available - Purchase Platform Assembly)	

# SECTION 5 - PLATFORM

FIGURE 5-9. PLATFORM ASSEMBLY - 3FT X 6FT (91.5CM X 1.83M) - TRI-ENTRY - 3 DROP BARS



ART\_1001228377

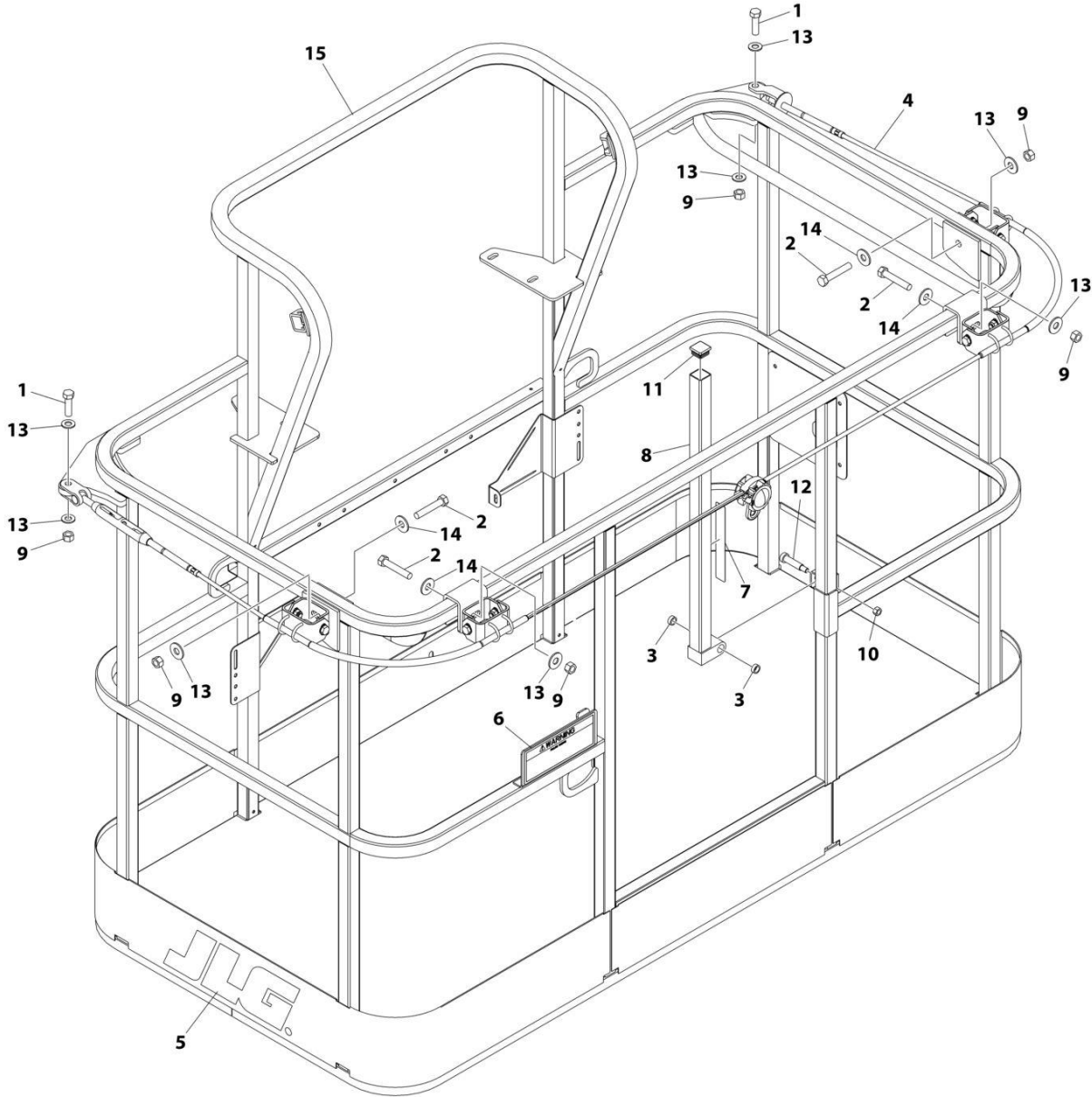
## SECTION 5 - PLATFORM

**FIGURE 5-9. PLATFORM ASSEMBLY - 3FT X 6FT (91.5CM X 1.83M) - TRI-ENTRY - 3 DROP BARS**

ITEM	PART NUMBER	QTY	DESCRIPTION	REV
	1001228377	Ref	PLATFORM ASSEMBLY - 36IN x 6FT (91.5CM x 1.83M)	B
		Ref	Note: Platform and Mesh must be ordered separately for Platforms with Mesh. See SPECIAL OPTIONS SECTION for Mesh Installations.	
		Ref	Note: Replacement Decals Must be Ordered Separately - See DECAL SECTION.	
1	0100011	1	Compound, Locking	
2	0641418	6	Bolt 1/4 x 2-1/4	
3	0961845	6	Bushing	
4	3290606	2	Nut M6	
5	3300151	6	Nut 1/4	
6	3520072	2	Plug	
7	3520198	2	Plug	
8	4010618	2	Screw M6 x 50	
9	4711400	12	Washer 1/4	
10	4811700	2	Washer M6	
11	1001138494	3	Bar, Drop	
12	1001138514	1	Rail (Top)	
13	1001140429	3	Decal - Drop Bar	
14	See Note	NSS	Platform, Weldment (Note: Not Available - Purchase Platform Assembly)	

# SECTION 5 - PLATFORM

FIGURE 5-10. PLATFORM ASSEMBLY - 3F X 6FT (91.5CM X 1.83M) (FALL ARREST PLATFORM)



ART\_1001186333



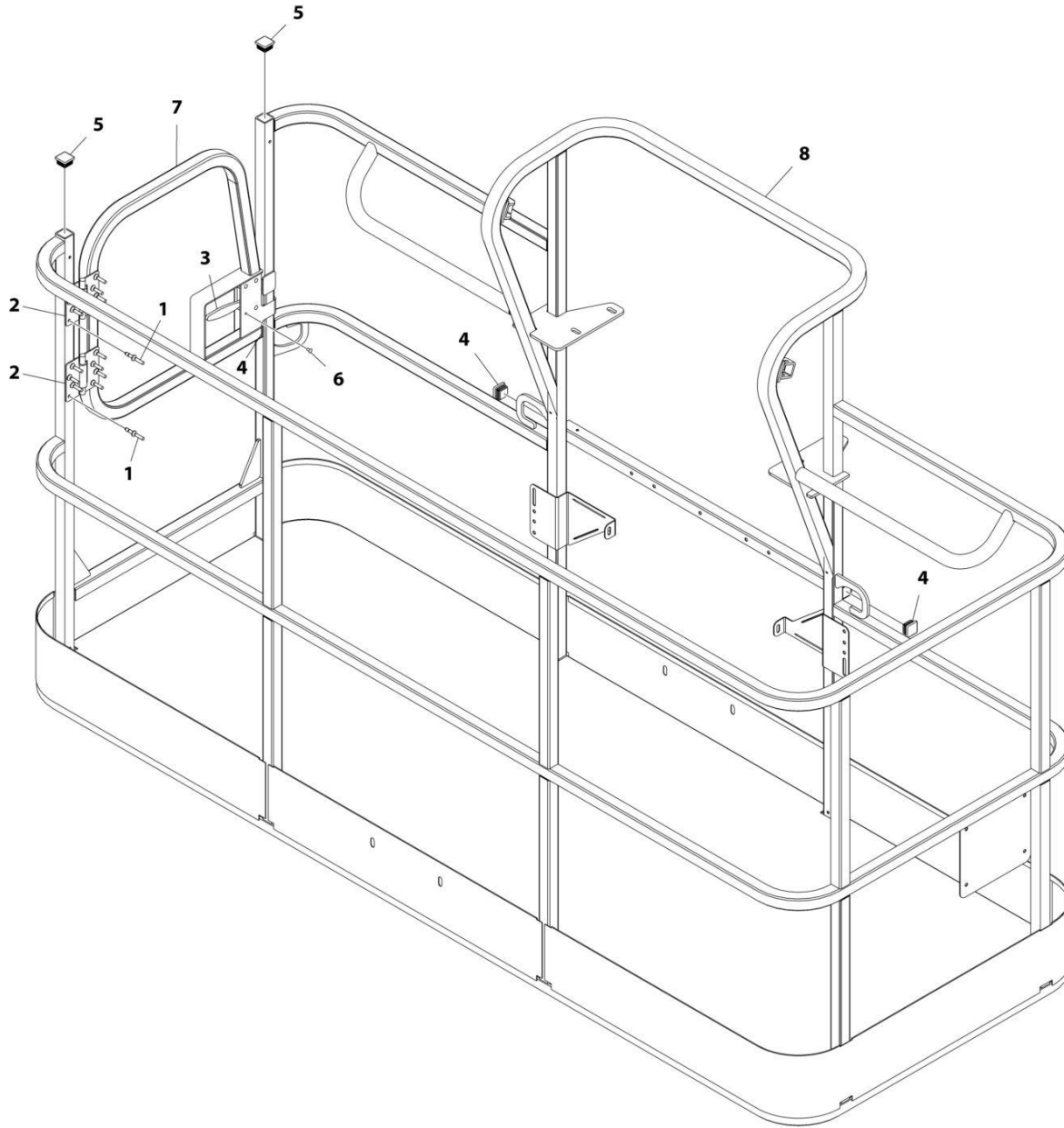
## SECTION 5 - PLATFORM

**FIGURE 5-10. PLATFORM ASSEMBLY - 3F X 6FT (91.5CM X 1.83M) (FALL ARREST PLATFORM)**

ITEM	PART NUMBER	QTY	DESCRIPTION	REV
	1001186333	Ref	PLATFORM ASSEMBLY	C
		Ref	Note: Replacement Decals Must be Ordered Separately - See DECALS SECTION.	
1	0681814	2	Bolt 1/2 x 1-3/4 Grade 8	
2	0681822	4	Bolt 1/2 x 2-3/4 Grade 8	
3	0962270	2	Bearing	
4	1001203655	1	Cable	
5	1702773	1	Decal - JLG	
6	1705014	1	Decal - Safety	
7	1706385	1	Decal - Drop Bar	
8	2410014	1	Bar, Drop	
9	3271805	6	Nut 1/2 Grade 8	
10	3311605	1	Nut 3/8	
11	3520072	1	Plug	
12	3900054	1	Bolt 1/2 x 1-3/4	
13	4711800	8	Washer 1/2	
14	4751800	4	Washer 1/2	
15	See Note	NSS	Platform (Note: Not Available - Purchase Platform Assembly)	

# SECTION 5 - PLATFORM

FIGURE 5-11. PLATFORM ASSEMBLY - 3FT X 8FT (91.5CM X 2.44M) WITH SWING GATE



ART\_1001186383

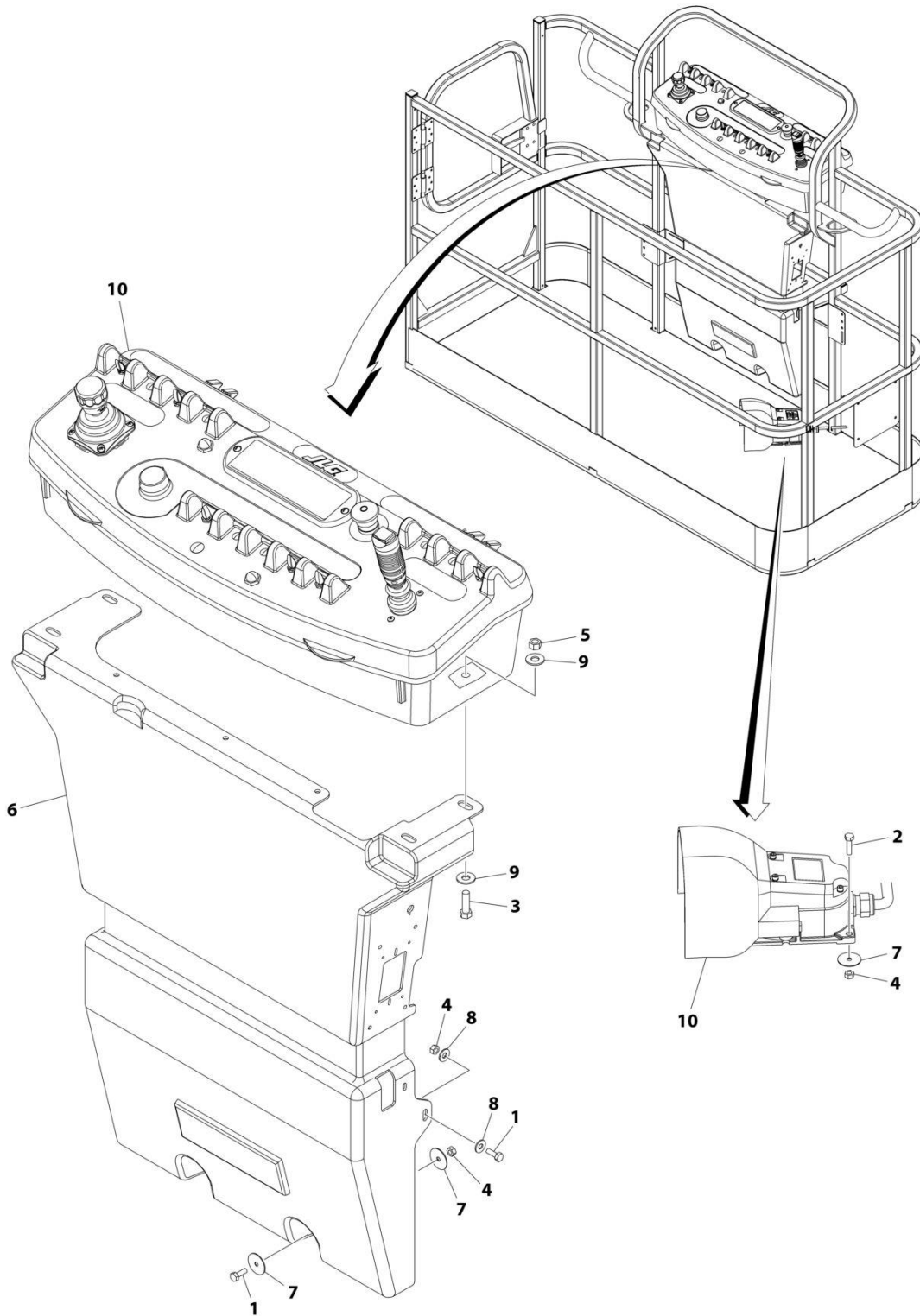
## SECTION 5 - PLATFORM

**FIGURE 5-11. PLATFORM ASSEMBLY - 3FT X 8FT (91.5CM X 2.44M) WITH SWING GATE**

ITEM	PART NUMBER	QTY	DESCRIPTION	REV
	1001186383	Ref	PLATFORM ASSEMBLY - 36IN X 8FT (91.5CM X 2.44M) WITH SWING GATE	D
		Ref	Note: Platform and Mesh must be ordered separately for Platforms with Mesh. See SPECIAL OPTIONS SECTION for Mesh Installations.	
		Ref	Note: Replacement Decals Must be Ordered Separately - See DECALS SECTION.	
1	2080040	16	Fastener, Huck	
2	2600281	2	Hinge	
3	2940074	1	Latch	
4	3520072	3	Plug	
5	3520198	2	Plug	
6	3820020	4	Rivet	
7	1001144629	1	Gate	
8	See Note	NSS	Platform (Note: Not Available - Purchase Platform Assembly)	

# SECTION 5 - PLATFORM

FIGURE 5-12. PLATFORM CONSOLE INSTALLATION - 2WD (ALL SPECS EXCEPT UL SPECS)



ART\_1001248317

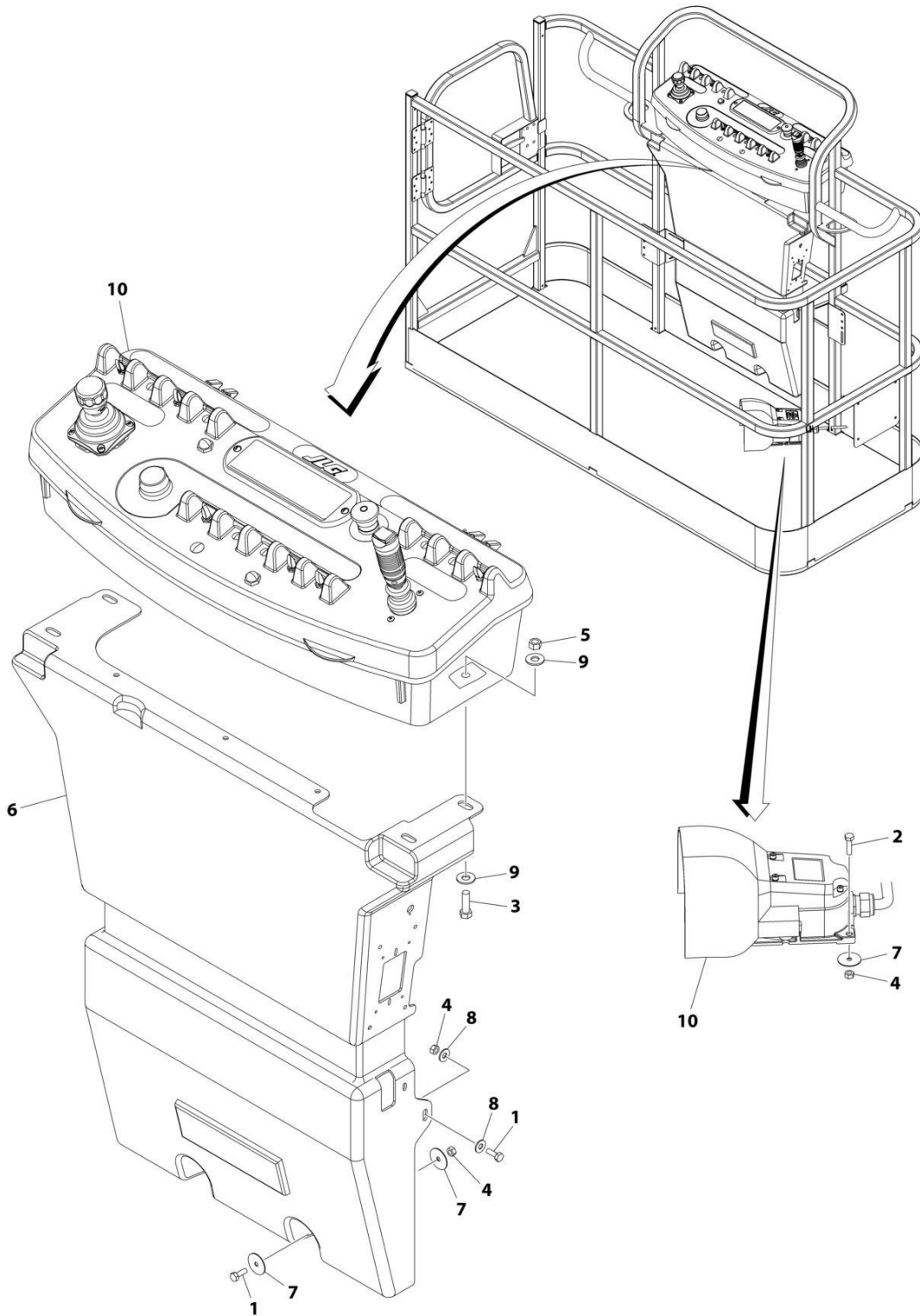
## SECTION 5 - PLATFORM

**FIGURE 5-12. PLATFORM CONSOLE INSTALLATION - 2WD (ALL SPECS EXCEPT UL SPECS)**

ITEM	PART NUMBER	QTY	DESCRIPTION	REV
	1001248317	Ref	PLATFORM CONSOLE BOX INSTALLATION	B
1	0641406	4	Bolt 1/4 x 3/4	
2	0641408	3	Bolt 1/4 x 1	
3	0641610	4	Bolt 3/8 x 1-1/4	
4	3311405	7	Nut 1/4	
5	3311605	4	Nut 3/8	
6	3380434	1	Panel, Decal Mount	
7	4740362	7	Washer 1/4	
8	4751400	4	Washer 1/4	
9	4751600	8	Washer 3/8	
10	1001248316	1	Console Box Assembly (See Separate Breakdown in this Section)	

# SECTION 5 - PLATFORM

## FIGURE 5-13. PLATFORM CONSOLE INSTALLATION - 2WD (UL SPECS)



ART\_1001248319

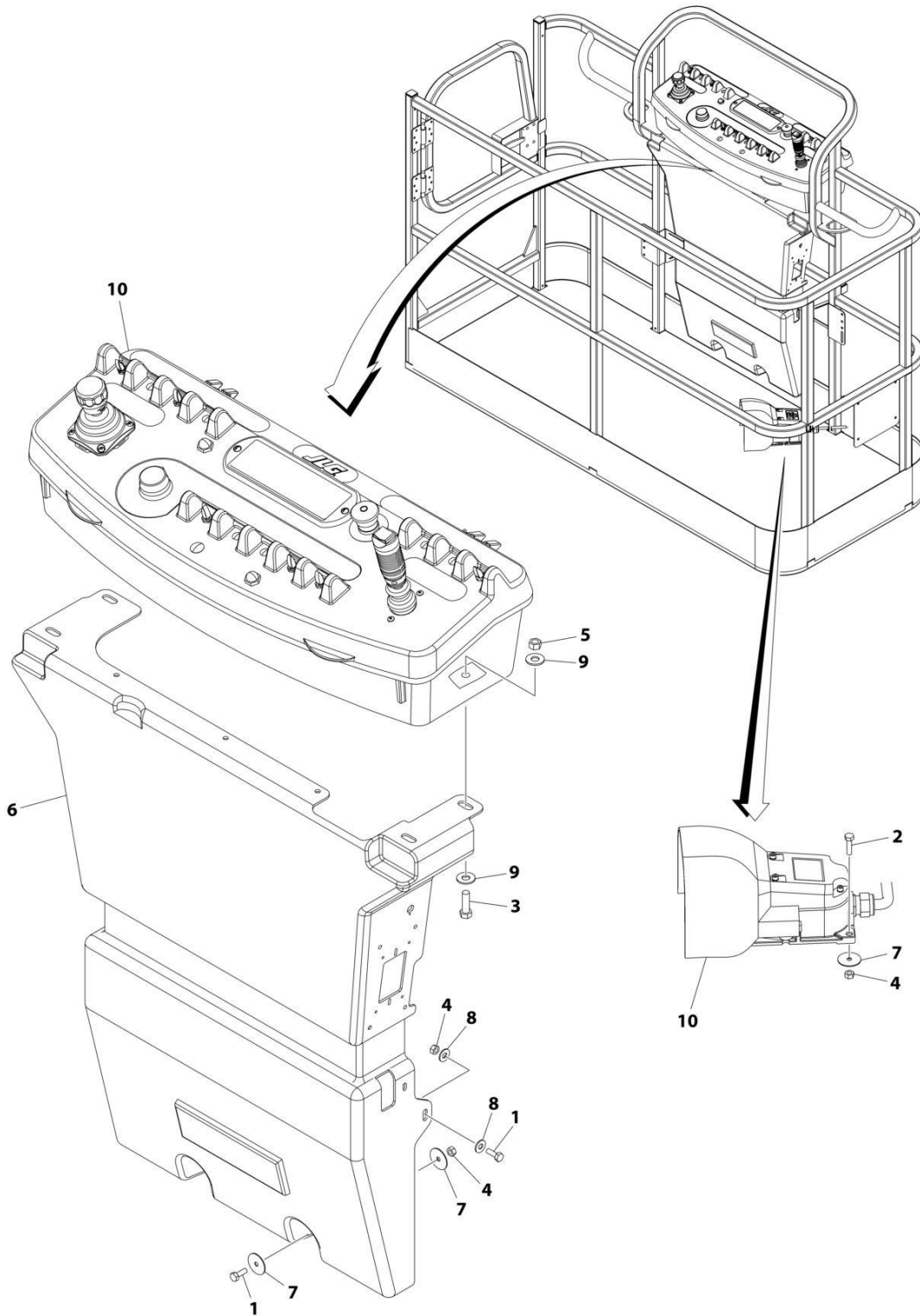
## SECTION 5 - PLATFORM

**FIGURE 5-13. PLATFORM CONSOLE INSTALLATION - 2WD (UL SPECS)**

ITEM	PART NUMBER	QTY	DESCRIPTION	REV
	1001248319	Ref	PLATFORM CONSOLE BOX INSTALLATION	A
1	0641406	4	Bolt 1/4 x 3/4	
2	0641408	3	Bolt 1/4 x 1	
3	0641610	4	Bolt 3/8 x 1-1/4	
4	3311405	7	Nut 1/4	
5	3311605	4	Nut 3/8	
6	3380434	1	Panel, Decal Mount	
7	4740362	7	Washer 1/4	
8	4751400	4	Washer 1/4	
9	4751600	8	Washer 3/8	
10	1001248318	1	Console Box Assembly (See Separate Breakdown in this Section)	

# SECTION 5 - PLATFORM

FIGURE 5-14. PLATFORM CONSOLE INSTALLATION - 4WD (ALL SPECS EXCEPT UL SPECS)



ART\_1001248323



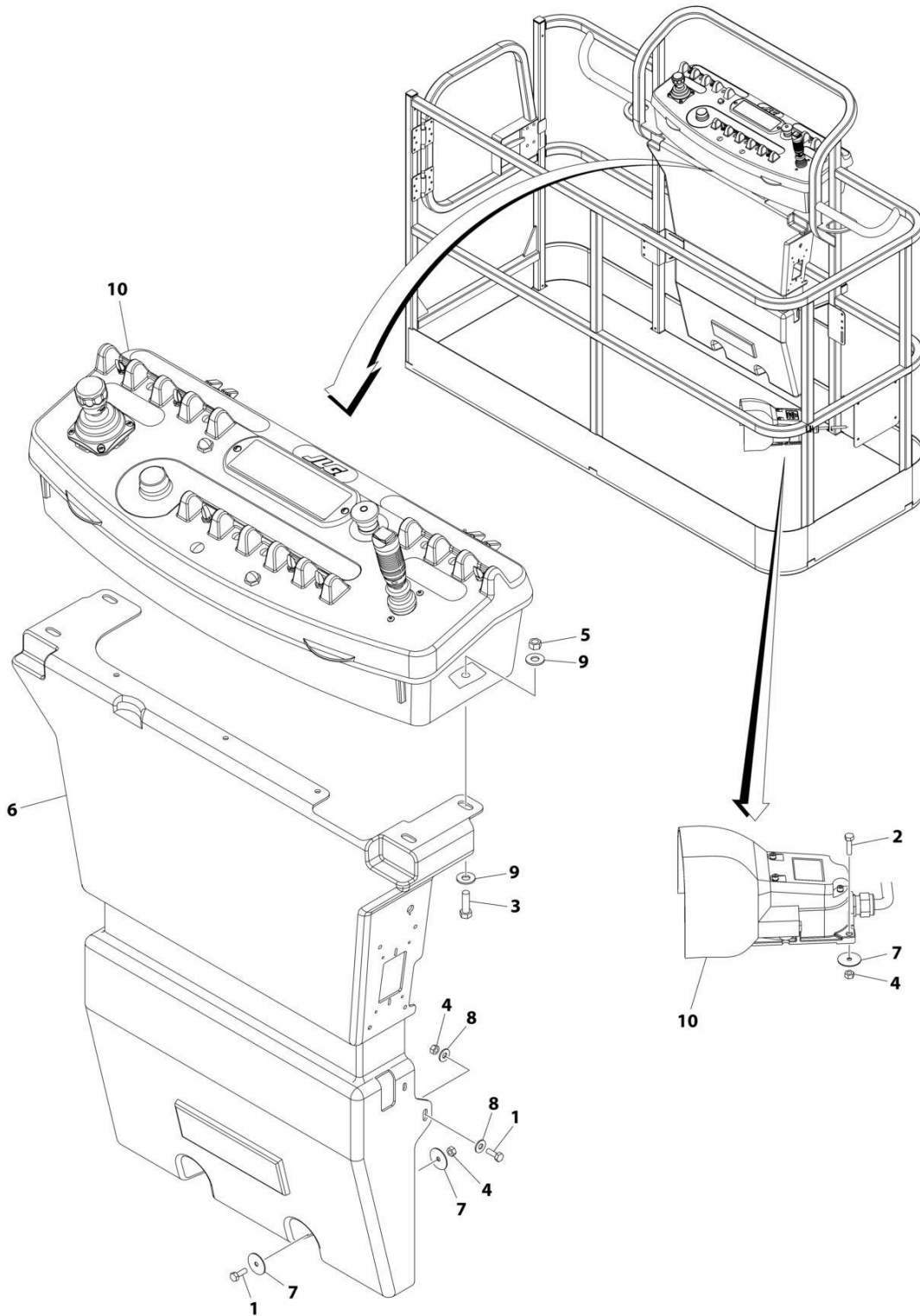
## SECTION 5 - PLATFORM

**FIGURE 5-14. PLATFORM CONSOLE INSTALLATION - 4WD (ALL SPECS EXCEPT UL SPECS)**

ITEM	PART NUMBER	QTY	DESCRIPTION	REV
	1001248323	Ref	PLATFORM CONSOLE BOX INSTALLATION	A
1	0641406	4	Bolt 1/4 x 3/4	
2	0641408	3	Bolt 1/4 x 1	
3	0641610	4	Bolt 3/8 x 1-1/4	
4	3311405	7	Nut 1/4	
5	3311605	4	Nut 3/8	
6	3380434	1	Panel, Decal Mount	
7	4740362	7	Washer 1/4	
8	4751400	4	Washer 1/4	
9	4751600	8	Washer 3/8	
10	1001248322	1	Console Box Assembly (See Separate Breakdown in this Section)	

# SECTION 5 - PLATFORM

## FIGURE 5-15. PLATFORM CONSOLE INSTALLATION - 4WD (UL SPECS)



ART\_1001248321

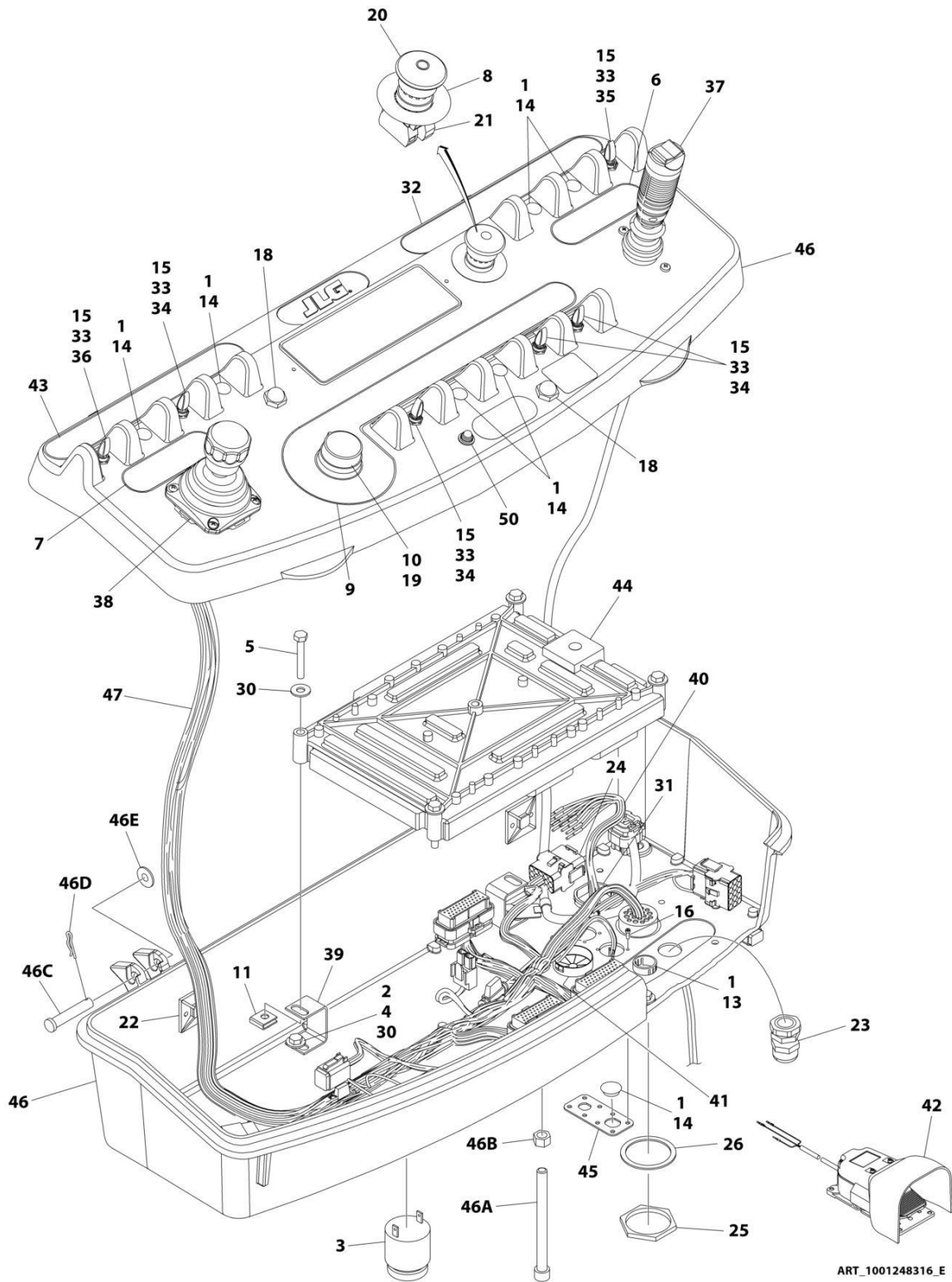
## SECTION 5 - PLATFORM

**FIGURE 5-15. PLATFORM CONSOLE INSTALLATION - 4WD (UL SPECS)**

ITEM	PART NUMBER	QTY	DESCRIPTION	REV
	1001248321	Ref	PLATFORM CONSOLE BOX INSTALLATION	B
1	0641406	4	Bolt 1/4 x 3/4	
2	0641408	3	Bolt 1/4 x 1	
3	0641610	4	Bolt 3/8 x 1-1/4	
4	3311405	7	Nut 1/4	
5	3311605	4	Nut 3/8	
6	3380434	1	Panel, Decal Mount	
7	4740362	7	Washer 1/4	
8	4751400	4	Washer 1/4	
9	4751600	8	Washer 3/8	
10	1001248320	1	Console Box Assembly (See Separate Breakdown in this Section)	

# SECTION 5 - PLATFORM

FIGURE 5-16. PLATFORM CONSOLE ASSEMBLY - 2WD (ALL SPECS EXCEPT UL SPECS)



ART\_1001248316\_E

## SECTION 5 - PLATFORM

**FIGURE 5-16. PLATFORM CONSOLE ASSEMBLY - 2WD (ALL SPECS EXCEPT UL SPECS)**

ITEM	PART NUMBER	QTY	DESCRIPTION	REV
	1001248316	Ref	PLATFORM CONSOLE BOX ASSEMBLY	E
1	0100009	AR	Adhesive, Silicone	
2	0100035	AR	Compound, Locking	
3	0140011	1	Alarm	
4	0641405	4	Bolt 1/4 x 5/8	
5	0641414	4	Bolt 1/4 x 1-3/4	
6	1702565	1	Decal - Drive and Steer	
7	1702566	1	Decal - Lift and Swing	
8	1704260	1	Decal - EMS	
9	1704422	1	Decal - Function Speed	
10	2560136	1	Knob, Speed Control	
11	3300353	4	Nut, Tinnerman	
13	3520030	1	Plug, Hole	
14	3520054	7	Plug, Hole	
15	3790012	6	O-Ring	
16	3900349	8	Screw M2.5	
17	4240099	AR	Tie-Strap (Not Shown)	
18	4360387	2	Switch, Push Button	
19	4360407	1	Switch, Potentiometer	
20	1001274559	1	Switch, Emergency Stop	
21	4360476	1	Block, Contact	
22	4460234	6	Mount, Tie-Strap	
23	4460428	1	Connector, Strain Relief	
24	4460434	1	Connector - 15 Position	
25	4460470	1	Nut, Terminal	
26	4460471	1	Washer, Terminal	
30	4751400	8	Washer 1/4	
31	1001110434	1	Plug	
32	1001247538	1	Decal - Stop/Generator	
33	1001155044	6	Nut 15/32	
34	1001155045	4	Switch, Toggle	
35	1001159256	1	Switch, Toggle	
36	1001161710	1	Switch, Toggle	
37	1001275628	1	Controller Assembly - Drive and Steer	
38	1001275629	1	Controller Assembly - Lift and Swing	
39	1001172760	4	Bracket	
40	1001255918	1	Boom Valve Harness (See Separate Breakdown in ELECTRICAL Section)	
41	1001185281	1	Plug	
42	1001117174	1	Footswitch Assembly (See Separate Breakdown in this Section)	
43	1001193987	1	Decal - Stop and Drive Select	
44	1001196520	1	Module, Platform (Note: Re-calibration Required when Replaced)	
45	1001213882	1	Mount, Connector	
46	1001215228	1	Console Box Assembly	C
46A	0630568	1	Capscrew 3/8 x 4-1/2	
46B	3311601	1	Nut 3/8	
46C	3430616	2	Pin	
46D	3470003	2	Hairpin	
46E	4711600	2	Washer 3/8	
47	1001272279	1	Platform Console Box Harness (See Separate Breakdown in	

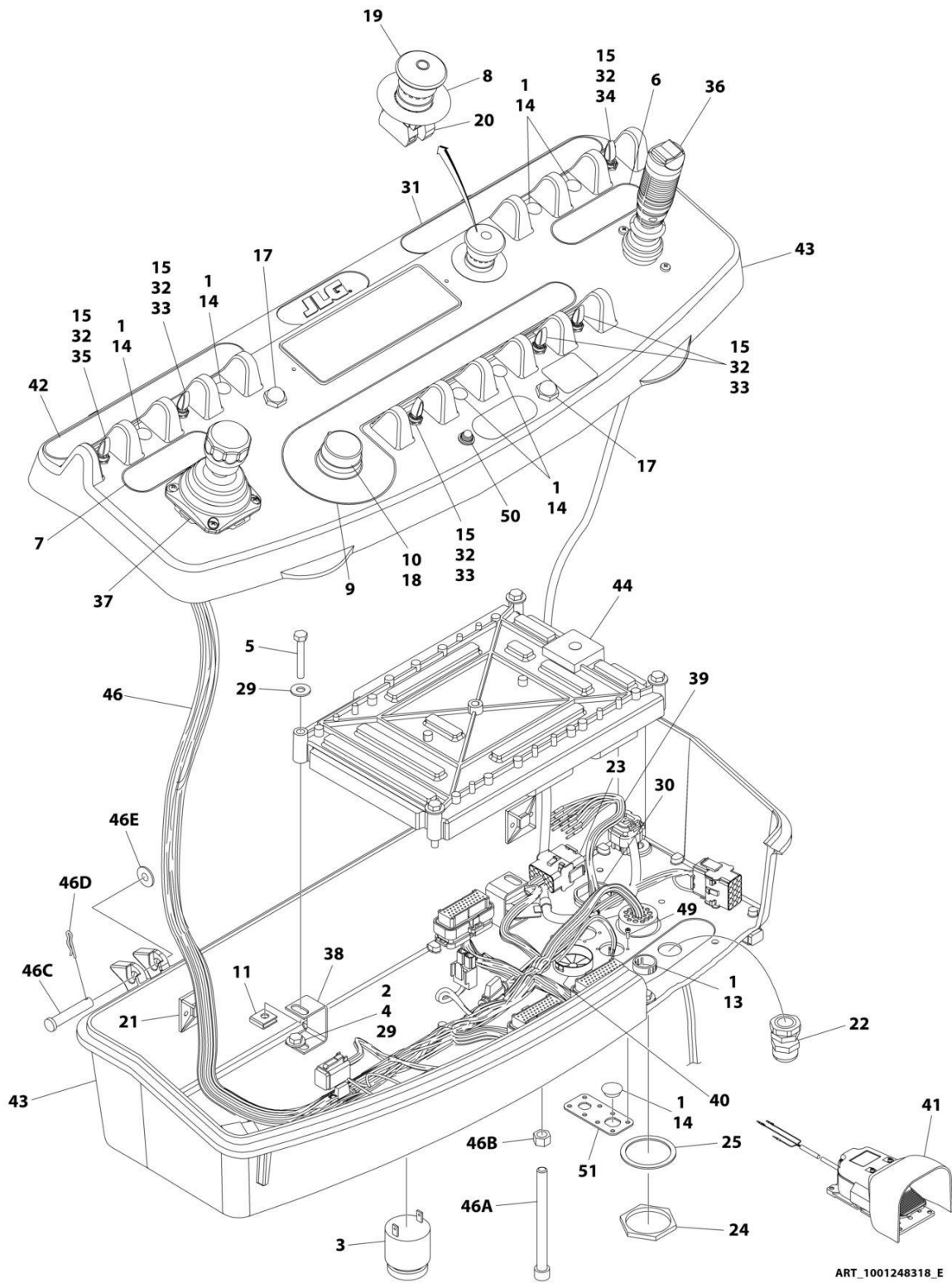
## SECTION 5 - PLATFORM

ITEM	PART NUMBER	QTY	DESCRIPTION	REV
50	1001206532	1	ELECTRICAL Section) Lamp, Indicator	



# SECTION 5 - PLATFORM

## FIGURE 5-17. PLATFORM CONSOLE ASSEMBLY - 2WD (UL SPECS)





## SECTION 5 - PLATFORM

**FIGURE 5-17. PLATFORM CONSOLE ASSEMBLY - 2WD (UL SPECS)**

ITEM	PART NUMBER	QTY	DESCRIPTION	REV
	1001248318	Ref	PLATFORM CONSOLE BOX ASSEMBLY	E
1	0100009	AR	Adhesive, Silicone	
2	0100035	AR	Compound, Locking	
3	0140011	1	Alarm	
4	0641405	4	Bolt 1/4 x 5/8	
5	0641414	4	Bolt 1/4 x 1-3/4	
6	1702565	1	Decal - Drive and Steer	
7	1702566	1	Decal - Lift and Swing	
8	1704260	1	Decal - EMS	
9	1704422	1	Decal - Function Speed	
10	2560136	1	Knob, Speed Control	
11	3300353	4	Nut, Tinnerman	
13	3520030	1	Plug, Hole	
14	3520054	7	Plug, Hole	
15	3790012	6	O-Ring	
16	4240099	AR	Tie-Strap (Not Shown)	
17	4360387	2	Switch, Push Button	
18	4360407	1	Switch, Potentiometer	
19	1001274559	1	Switch, Emergency Stop	
20	4360476	1	Block, Contact	
21	4460234	6	Mount, Tie-Strap	
22	4460428	1	Connector, Strain Relief	
23	4460434	1	Connector - 15 Position	
24	4460470	1	Nut, Terminal	
25	4460471	1	Washer, Terminal	
29	4751400	8	Washer 1/4	
30	1001110434	1	Plug	
31	1001247538	1	Decal - Stop/Generator	
32	1001155044	6	Nut 15/32	
33	1001155045	4	Switch, Toggle	
34	1001159256	1	Switch, Toggle	
35	1001161710	1	Switch, Toggle	
36	1001275628	1	Controller Assembly- Drive/Steer	
37	1001275629	1	Controller Assembly- Lift/Swing	
38	1001172760	4	Bracket	
39	1001255918	1	Boom Valve Harness (See Separate Breakdown in ELECTRICAL Section)	
40	1001185281	1	Plug	
41	1001117174	1	Footswitch Assembly (See Separate Breakdown in this Section)	
42	1001193987	1	Decal - Stop and Drive Select	
43	1001215228	1	Console Box Assembly	C
43A	0630568	1	Capscrew 3/8 x 4-1/2	
43B	3311601	1	Nut 3/8	
43C	3430616	2	Pin	
43D	3470003	2	Hairpin	
43E	4711600	2	Washer 3/8	
44	1001215835	1	Module, Platform (Note: Re-calibration Required when Replaced)	
46	1001272279	1	Platform Console Box Harness (See Separate Breakdown in ELECTRICAL Section)	
49	3900349	8	Screw M2.5	

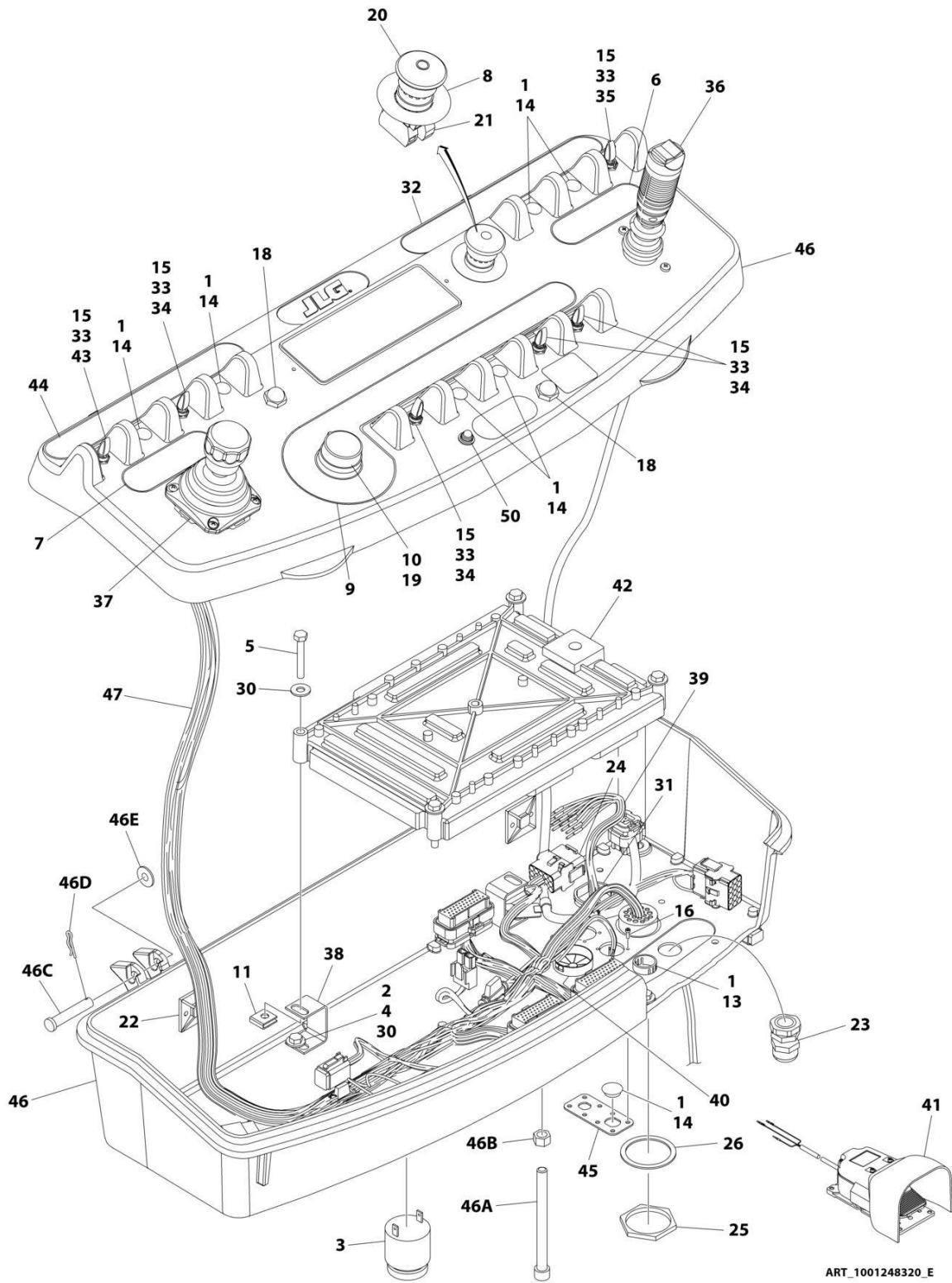
## SECTION 5 - PLATFORM

ITEM	PART NUMBER	QTY	DESCRIPTION	REV
50	1001206532	1	Lamp, Indicator	
51	1001213882	1	Mount, Connector	



# SECTION 5 - PLATFORM

## FIGURE 5-18. PLATFORM CONSOLE ASSEMBLY - 4WD (ALL SPECS EXCEPT UL SPECS)



## SECTION 5 - PLATFORM

**FIGURE 5-18. PLATFORM CONSOLE ASSEMBLY - 4WD (ALL SPECS EXCEPT UL SPECS)**

ITEM	PART NUMBER	QTY	DESCRIPTION	REV
	1001248320	Ref	PLATFORM CONSOLE BOX ASSEMBLY	E
1	0100009	AR	Adhesive, Silicone	
2	0100035	AR	Compound, Locking	
3	0140011	1	Alarm	
4	0641405	4	Bolt 1/4 x 5/8	
5	0641414	4	Bolt 1/4 x 1-3/4	
6	1702565	1	Decal - Drive and Steer	
7	1702566	1	Decal - Lift and Swing	
8	1704260	1	Decal - EMS	
9	1704422	1	Decal - Function Speed	
10	2560136	1	Knob, Speed Control	
11	3300353	4	Nut, Tinnerman	
13	3520030	1	Plug, Hole	
14	3520054	7	Plug, Hole	
15	3790012	6	O-Ring	
16	3900349	8	Screw M2.5	
17	4240099	AR	Tie-Strap (Not Shown)	
18	4360387	2	Switch, Push Button	
19	4360407	1	Switch, Potentiometer	
20	1001274559	1	Switch, Emergency Stop	
21	4360476	1	Block, Contact	
22	4460234	6	Mount, Tie-Strap	
23	4460428	1	Connector, Strain Relief	
24	4460434	1	Connector - 15 Position	
25	4460470	1	Nut, Terminal	
26	4460471	1	Washer, Terminal	
30	4751400	8	Washer 1/4	
31	1001110434	1	Plug	
32	1001247538	1	Decal - Stop/Generator	
33	1001155044	6	Nut 15/32	
34	1001155045	4	Switch, Toggle	
35	1001159256	1	Switch, Toggle	
36	1001275628	1	Controller Assembly - Drive and Steer	
37	1001275629	1	Controller Assembly - Lift and Swing	
38	1001172760	4	Bracket	
39	1001255918	1	Boom Valve Harness (See Separate Breakdown in ELECTRICAL Section)	
40	1001185281	1	Plug	
41	1001117174	1	Module, Platform (Note: Re-calibration Required when Replaced)	
42	1001196520	1	Module, Platform (All Specs Except UL Specs)	
43	1001211363	1	Switch, Toggle	
44	1001212277	1	Decal - Horn/Drive Select	
45	1001213882	1	Mount, Connector	
46	1001215228	1	Console Box Assembly	C
46A	0630568	1	Capscrew 3/8 x 4-1/2	
46B	3311601	1	Nut 3/8	
46C	3430616	2	Pin	
46D	3470003	2	Hairpin	
46E	4711600	2	Washer 3/8	
47	1001272279	1	Platform Console Box Harness (See Separate Breakdown in	

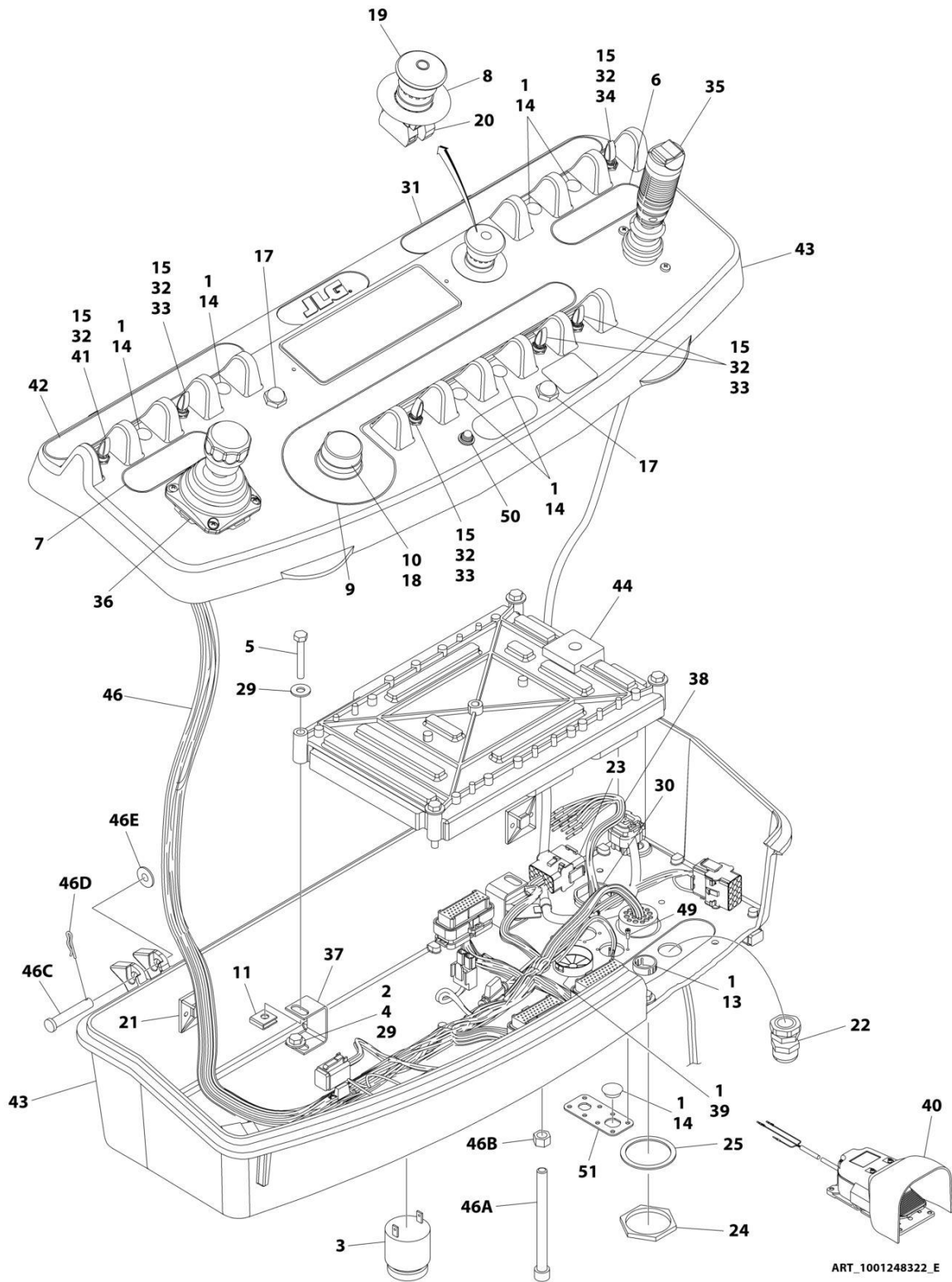
## SECTION 5 - PLATFORM

ITEM	PART NUMBER	QTY	DESCRIPTION	REV
50	1001206532	1	ELECTRICAL Section) Lamp, Indicator	



# SECTION 5 - PLATFORM

## FIGURE 5-19. PLATFORM CONSOLE ASSEMBLY - 4WD (UL SPECS)





## SECTION 5 - PLATFORM

**FIGURE 5-19. PLATFORM CONSOLE ASSEMBLY - 4WD (UL SPECS)**

ITEM	PART NUMBER	QTY	DESCRIPTION	REV
	1001248322	Ref	PLATFORM CONSOLE BOX ASSEMBLY	E
1	0100009	AR	Adhesive, Silicone	
2	0100035	AR	Compound, Locking	
3	0140011	1	Alarm	
4	0641405	4	Bolt 1/4 x 5/8	
5	0641414	4	Bolt 1/4 x 1-3/4	
6	1702565	1	Decal - Drive and Steer	
7	1702566	1	Decal - Lift and Swing	
8	1704260	1	Decal - EMS	
9	1704422	1	Decal - Function Speed	
10	2560136	1	Knob, Speed Control	
11	3300353	4	Nut, Tinnerman	
13	3520030	1	Plug, Hole	
14	3520054	7	Plug, Hole	
15	3790012	6	O-Ring	
16	4240099	AR	Tie-Strap (Not Shown)	
17	4360387	2	Switch, Push Button	
18	4360407	1	Switch, Potentiometer	
19	1001274559	1	Switch, Emergency Stop	
20	4360476	1	Block, Contact	
21	4460234	6	Mount, Tie-Strap	
22	4460428	1	Connector, Strain Relief	
23	4460434	1	Connector - 15 Position	
24	4460470	1	Nut, Terminal	
25	4460471	1	Washer, Terminal	
29	4751400	8	Washer 1/4	
30	1001110434	1	Plug	
31	1001247538	1	Decal - Stop/Generator	
32	1001155044	6	Nut 15/32	
33	1001155045	4	Switch, Toggle	
34	1001159256	1	Switch, Toggle	
35	1001275628	1	Controller Assembly - Drive and Steer	
36	1001275629	1	Controller Assembly - Lift and Swing	
37	1001172760	4	Bracket	
38	1001255918	1	Boom Valve Harness (See Separate Breakdown in ELECTRICAL Section)	
39	1001185281	1	Plug	
40	1001117174	1	Footswitch Assembly (See Separate Breakdown in this Section)	
41	1001211363	1	Switch , Toggle	
42	1001212277	1	Decal - Horn/Drive Select	
43	1001215228	1	Console Box Assembly	C
43A	0630568	1	Capscrew 3/8 x 4-1/2	
43B	3311601	1	Nut 3/8	
43C	3430616	2	Pin	
43D	3470003	2	Hairpin	
43E	4711600	2	Washer 3/8	
44	1001215835	1	Module, Platform (Note: Re-calibration Required when Replaced)	
46	1001272279	1	Platform Console Box Harness (See Separate Breakdown in ELECTRICAL Section)	
49	3900349	8	Screw M2.5	

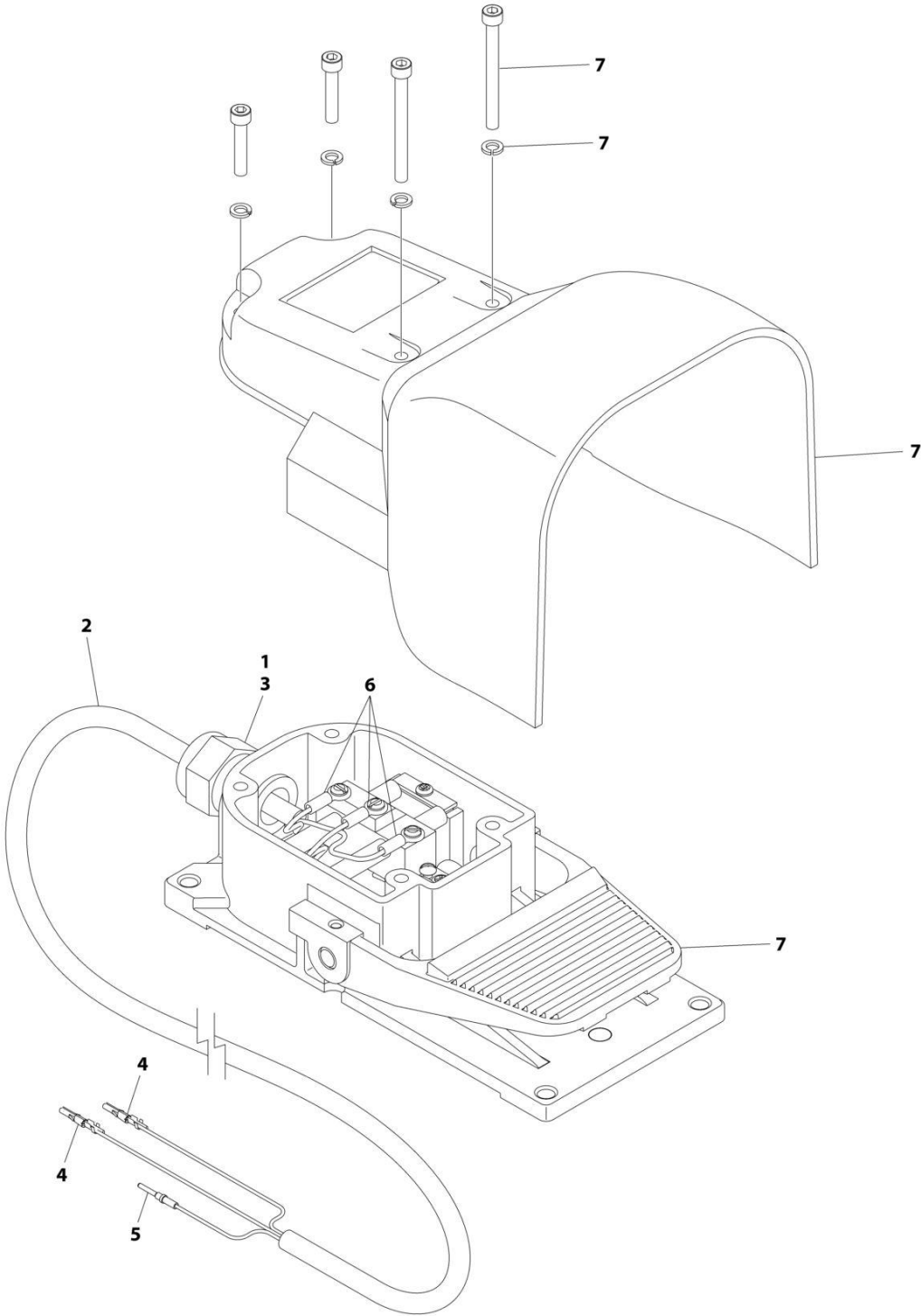
## SECTION 5 - PLATFORM

ITEM	PART NUMBER	QTY	DESCRIPTION	REV
50	1001206532	1	Lamp, Indicator	
51	1001213882	1	Mount, Connector	



**SECTION 5 - PLATFORM**

**FIGURE 5-20. FOOTSWITCH ASSEMBLY**



ART\_1001117174

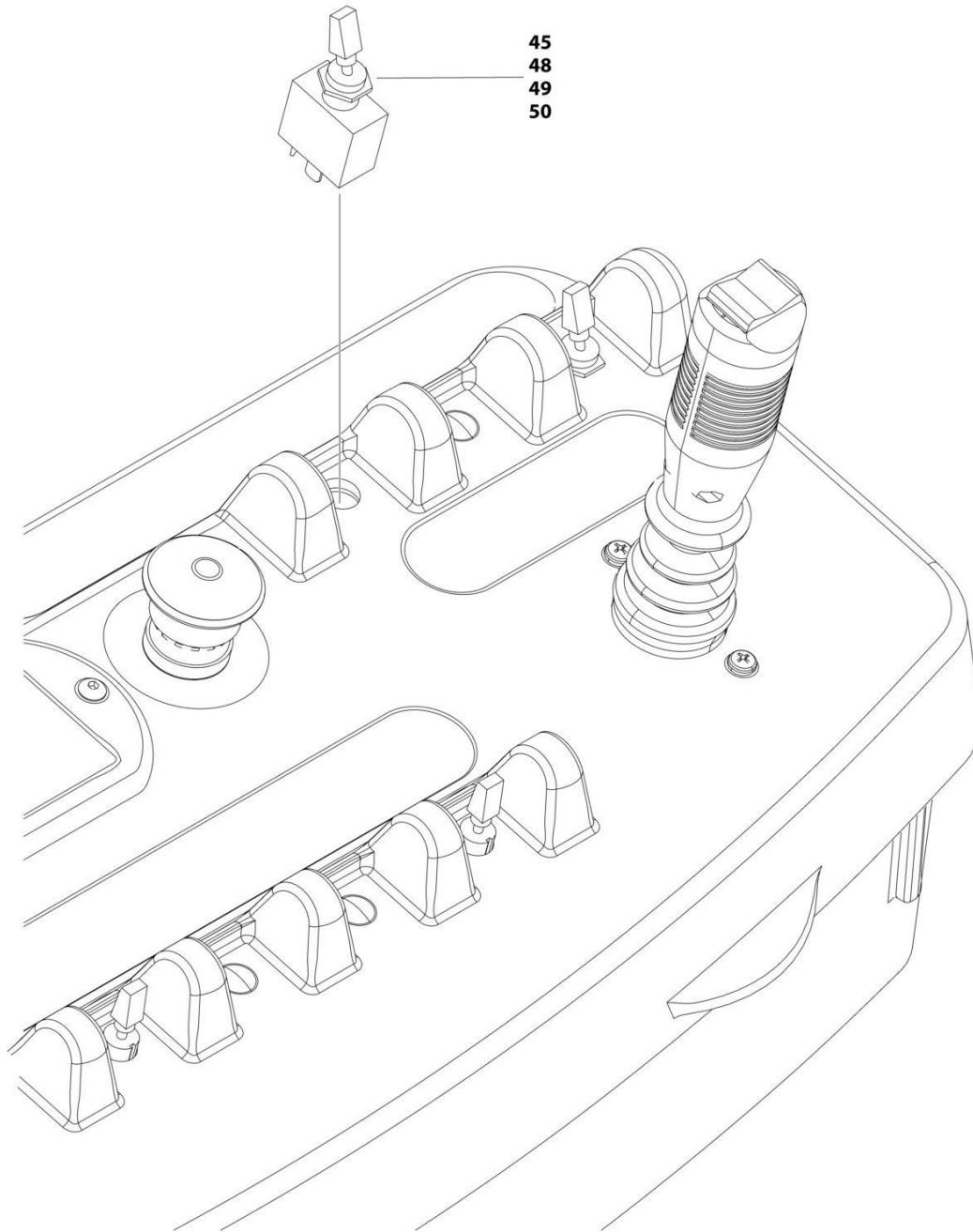
## SECTION 5 - PLATFORM

### FIGURE 5-20. FOOTSWITCH ASSEMBLY

ITEM	PART NUMBER	QTY	DESCRIPTION	REV
	1001117174	Ref	FOOTSWITCH ASSEMBLY	B
1	0100020	AR	Sealant	
2	1060918	7.5 ft/ 2.3m	Cable, Electrical - 18/3	
3	4460071	1	Connector, Strain Relief	
4	4460226	2	Socket, Female	
5	4460464	1	Pin, Male	
6	1001098122	3	Terminal	
7	1001117172	1	Footswitch	
7	70002902	1	Switch, 20Amp	
7	70002903	1	Gasket	
7	70002905	1	Cover	
7	70002904	1	Kit, Replacement Bolt	

# SECTION 5 - PLATFORM

FIGURE 5-21. ENGINE CONTROLS INSTALLATION - STANDARD BATTERIES (H600SJ/H600SJP)



ART\_1001199313\_50F5

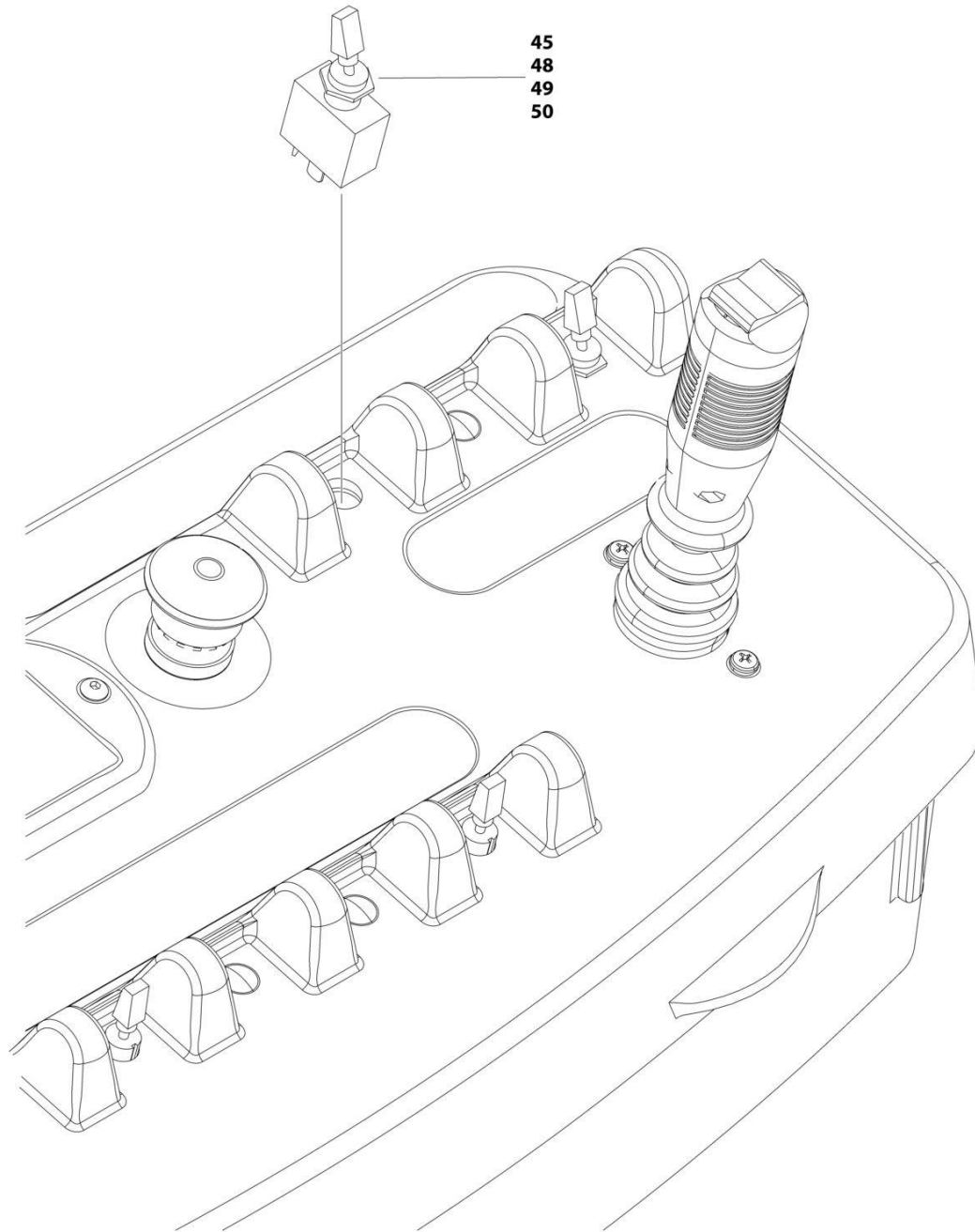
## SECTION 5 - PLATFORM

**FIGURE 5-21. ENGINE CONTROLS INSTALLATION - STANDARD BATTERIES (H600SJ/H600SJP)**

ITEM	PART NUMBER	QTY	DESCRIPTION	REV
	1001199313	Ref	MOTOR CONTROLS INSTALLATION - STANDARD BATTERIES (M600/M600J/M600JP)	G
45	3790012	1	O-Ring	
48	4740397	1	Spacer	
49	1001155044	1	Nut	
50	1001161710	1	Switch, Toggle	

# SECTION 5 - PLATFORM

## FIGURE 5-22. ENGINE CONTROLS INSTALLATION - AGM BATTERIES (H600SJ/H600SJP)



ART\_1001207674\_50F5



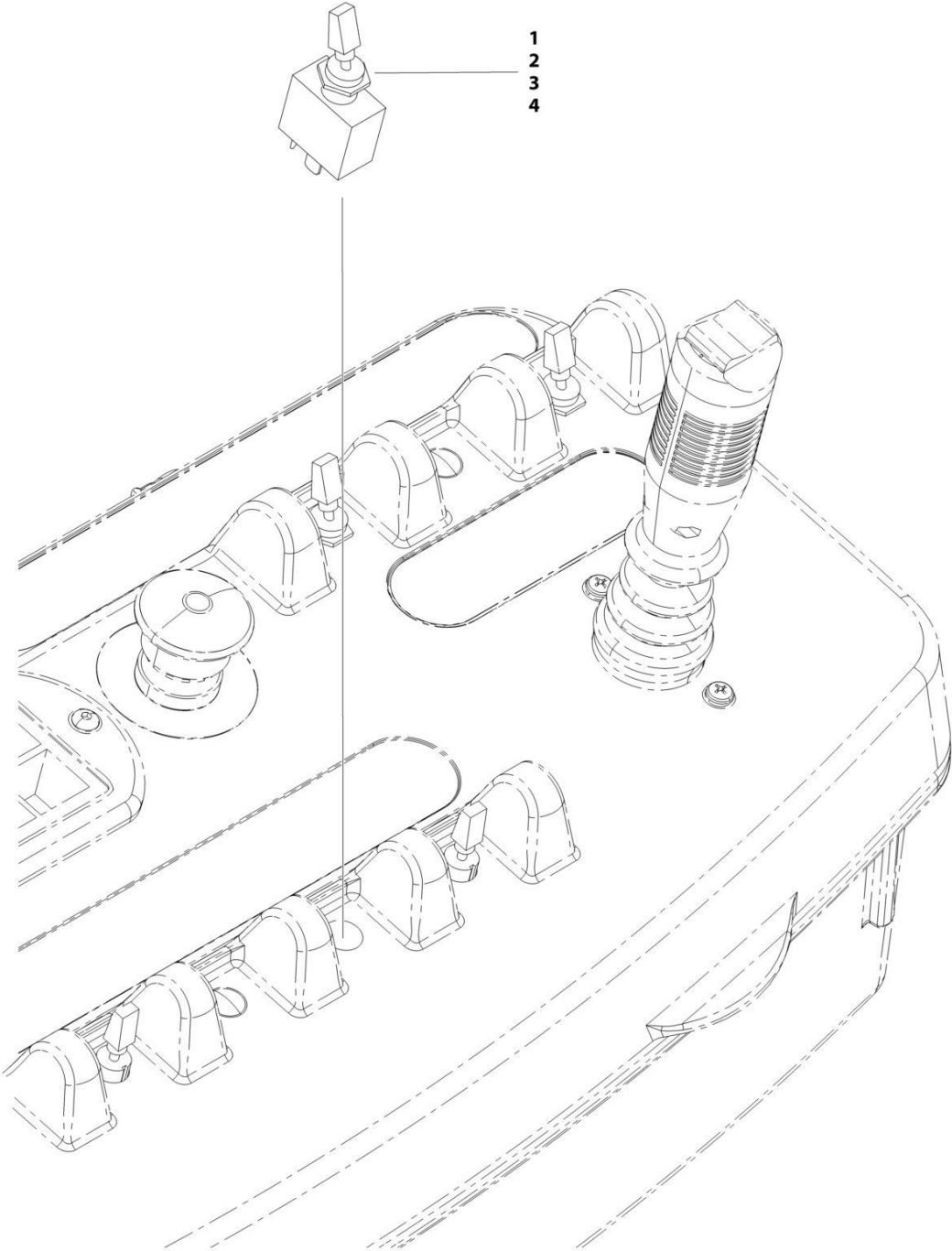
## SECTION 5 - PLATFORM

**FIGURE 5-22. ENGINE CONTROLS INSTALLATION - AGM BATTERIES (H600SJ/H600SJP)**

ITEM	PART NUMBER	QTY	DESCRIPTION	REV
	1001207674	Ref	ENGINE CONTROLS INSTALLATION - AGM BATTERIES	F
45	3790012	1	O-Ring	
48	4740397	1	Spacer	
49	1001155044	1	Nut	
50	1001161710	1	Switch, Toggle	

**SECTION 5 - PLATFORM**

**FIGURE 5-23. JIB ROTATE SWITCH INSTALLATION (EC600SJP/H600SJP)**



ART\_1001192053

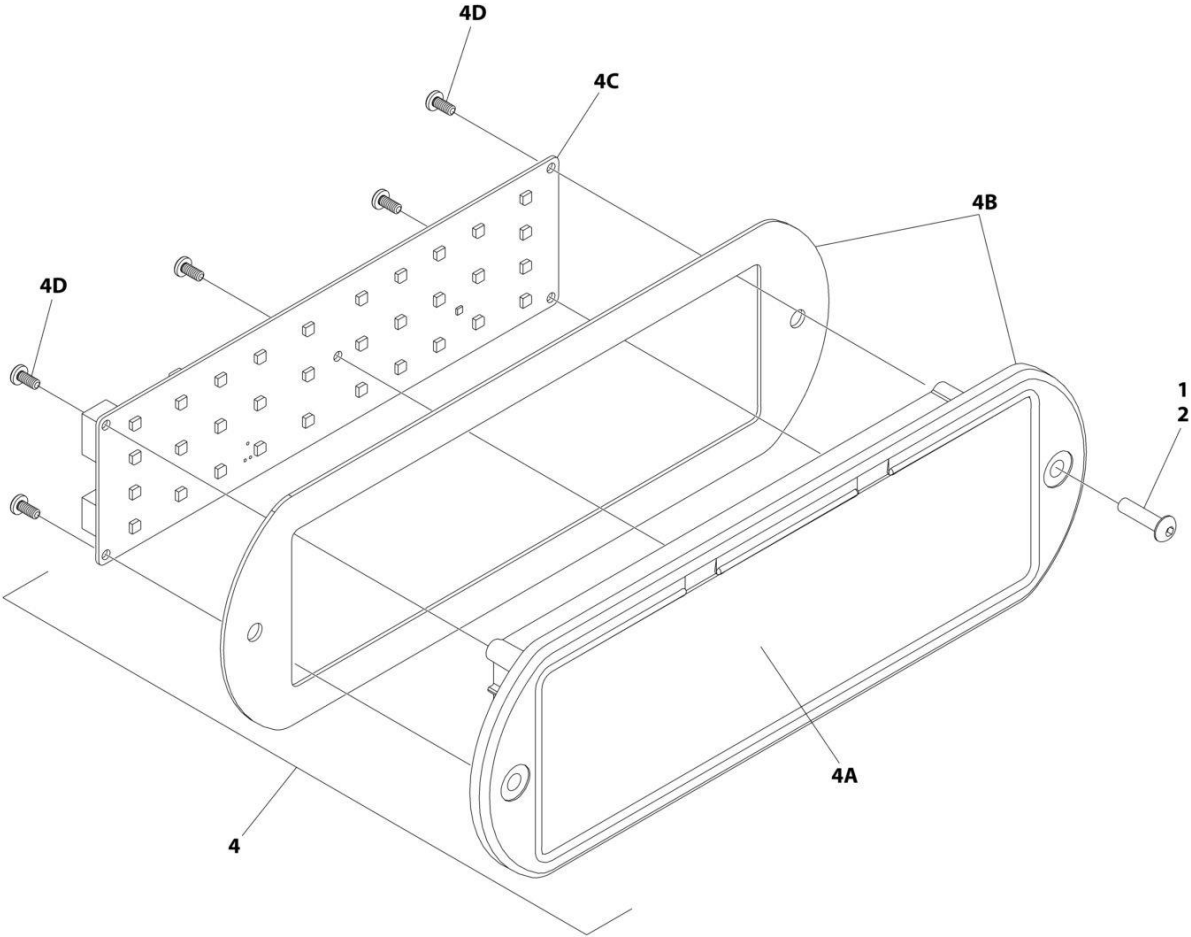
## SECTION 5 - PLATFORM

**FIGURE 5-23. JIB ROTATE SWITCH INSTALLATION (EC600SJP/H600SJP)**

ITEM	PART NUMBER	QTY	DESCRIPTION	REV
	1001192053	Ref	JIB ROTATE SWITCH INSTALLATION	A
1	3790012	1	O-Ring	
2	4740397	1	Spacer, Washer	
3	1001155044	1	Nut 15/32	
4	1001155045	1	Switch, Toggle	

**SECTION 5 - PLATFORM**

**FIGURE 5-24. LIGHT PANEL INSTALLATION**



ART\_1001245179

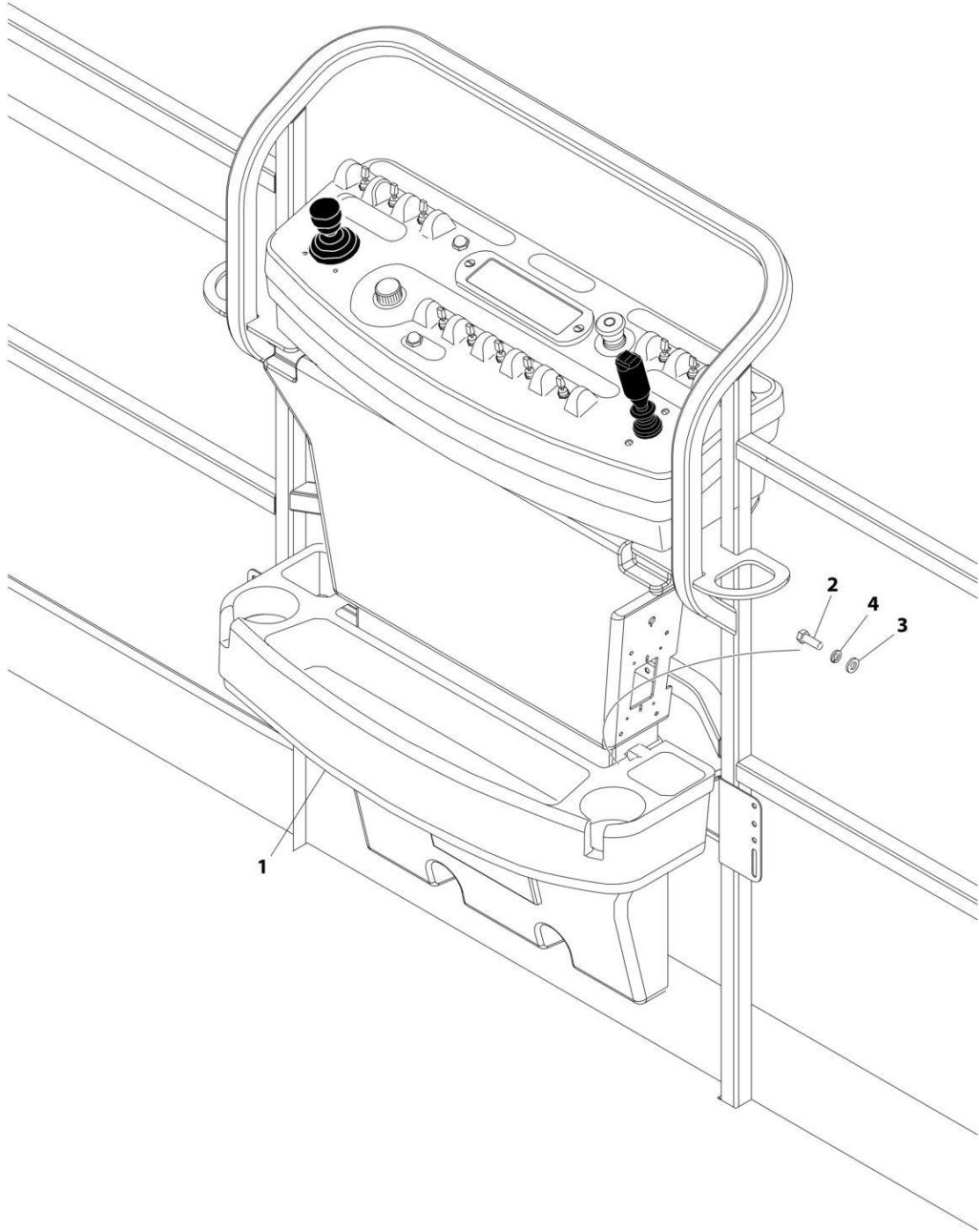
## SECTION 5 - PLATFORM

### FIGURE 5-24. LIGHT PANEL INSTALLATION

ITEM	PART NUMBER	QTY	DESCRIPTION	REV
	1001245179	Ref	LIGHT PANEL INSTALLATION	B
1	0100035	AR	Compound, Locking	
2	3911010	2	Screw #10 x 5/8	
4	1001245210	1	Light Panel Assembly	
4A	1001245164	1	Lens, I-Con	
4B	1001245173	1	Bezel (Includes Gasket)	
4C	1001238732	1	Panel, LED Light	
4D		Ref	Screw	

**SECTION 5 - PLATFORM**

**FIGURE 5-25. TRAY ASSEMBLY**



ART\_1580012

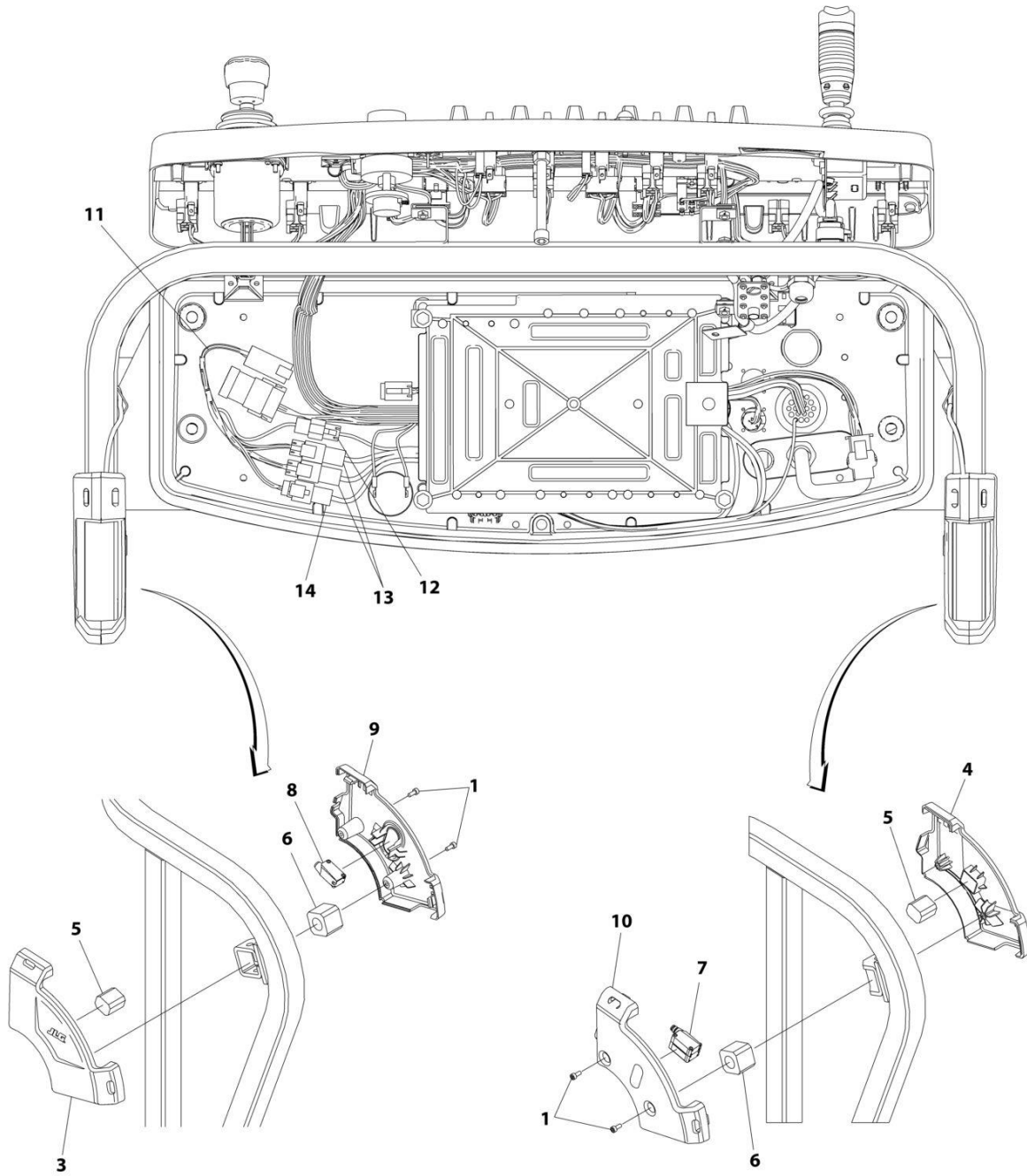
## SECTION 5 - PLATFORM

### FIGURE 5-25. TRAY ASSEMBLY

ITEM	PART NUMBER	QTY	DESCRIPTION	REV
	1580012	Ref	TRAY ASSEMBLY	C
1	See Note	NSS	Tray, Storage (Center) (Note: Purchase p/n 1580012)	
2	0641406	2	Bolt 1/4 x 3/4	
3	4751400	2	Washer 1/4	
4	4761400	2	Washer 1/4	

# SECTION 5 - PLATFORM

## FIGURE 5-26. SKYEYE INSTALLATION



ART\_1001229341



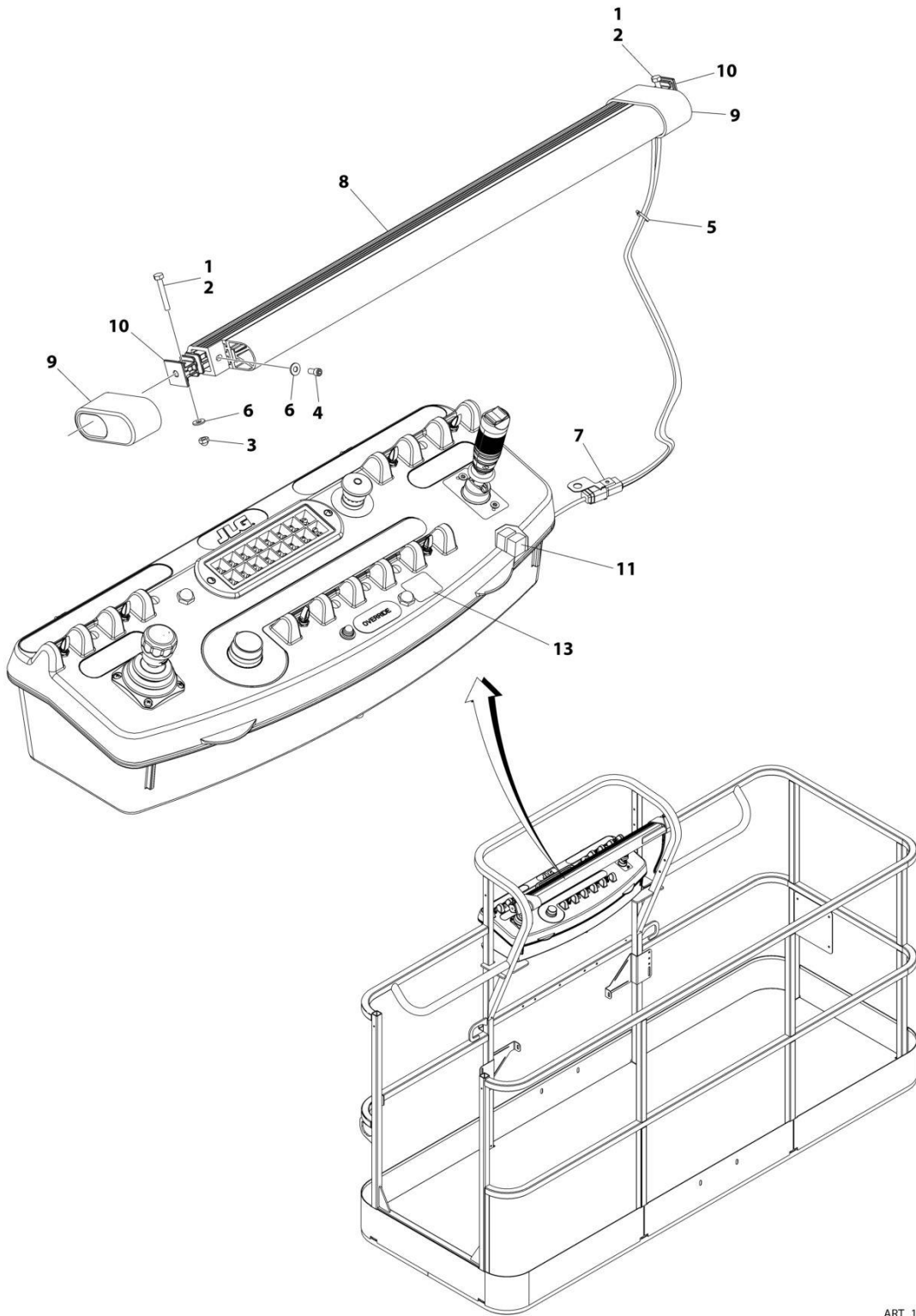
## SECTION 5 - PLATFORM

**FIGURE 5-26. SKYEYE INSTALLATION**

ITEM	PART NUMBER	QTY	DESCRIPTION	REV
	1001229341	Ref	SKYEYE INSTALLATION	B
1	4031505	4	Bolt M4 x 10	
2	4240033	AR	Tie-Strap (Not Shown)	
3	1001227633	1	Housing, LH Outer	
4	1001227634	1	Housing, RH Outer	
5	1001227985	2	Shim	
6	1001227987	2	Shim	
7	1001228224	2	Sensor, Receiver	
8	1001228225	1	Sensor, Emitter	
9	1001232164	1	Housing, LH Inner	
10	1001232165	1	Housing, RH Inner	
11	1001237865	1	Harness, Skyeeye Intermediate (See Separate Breakdown in ELECTRICAL Section)	
12	1001238319	NLA	Harness, Skyeeye Drain Jumper	
12	1001187674	1	Plug, Male - 2 Position	
12	4460942	1	Terminal	
12	4460466	1	Plug, Terminal	
12	4460508	1	Pin, Male	
13	1001237863	2	Harness, Skyeeye Receiver (See Separate Breakdown in ELECTRICAL Section)	
14	1001237864	1	Harness, Skyeeye Emitter (See Separate Breakdown in ELECTRICAL Section)	

# SECTION 5 - PLATFORM

## FIGURE 5-27. SKYGUARD BAR INSTALLATION



ART\_1001238495

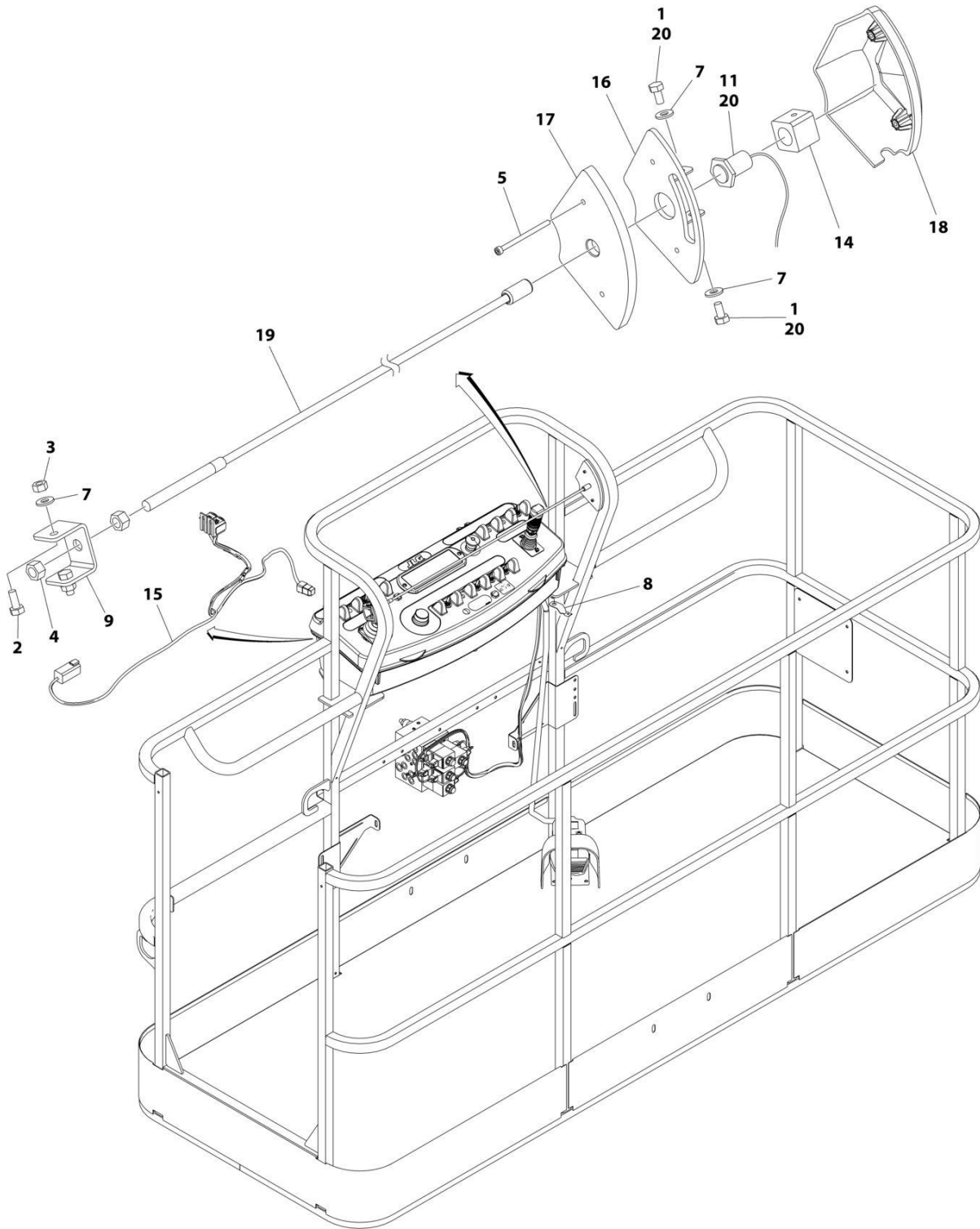
## SECTION 5 - PLATFORM

**FIGURE 5-27. SKYGUARD BAR INSTALLATION**

ITEM	PART NUMBER	QTY	DESCRIPTION	REV
	1001238495	Ref	SKYGUARD BAR INSTALLATION	A
1	0100011	AR	Compound, Locking	
2	0641414	2	Bolt 1/4 x 1-3/4	
3	3300430	2	Nut 1/4	
4	3931408	2	Capscrew 1/4 x 1/2	
5	4240033	8	Tie-Strap	
6	4711400	6	Washer 1/4	
7	1001120328	1	Mount	
8	1001137673	1	SkyGuard Switch Assembly	
9	1001186517	2	Cover, Platform Sensor	
10	1001209664	2	Support, Block	
11	1001186431	2	Relay	
12	1001225580	1	Interface Harness Assembly (Not Shown - Located Inside Console Box) (See Separate Breakdown in ELECTRICAL Section)	
13	1001144433	1	Decal - No Weight SkyGuard	

# SECTION 5 - PLATFORM

## FIGURE 5-28. SKYLINE INSTALLATION



ART\_1001238559\_D

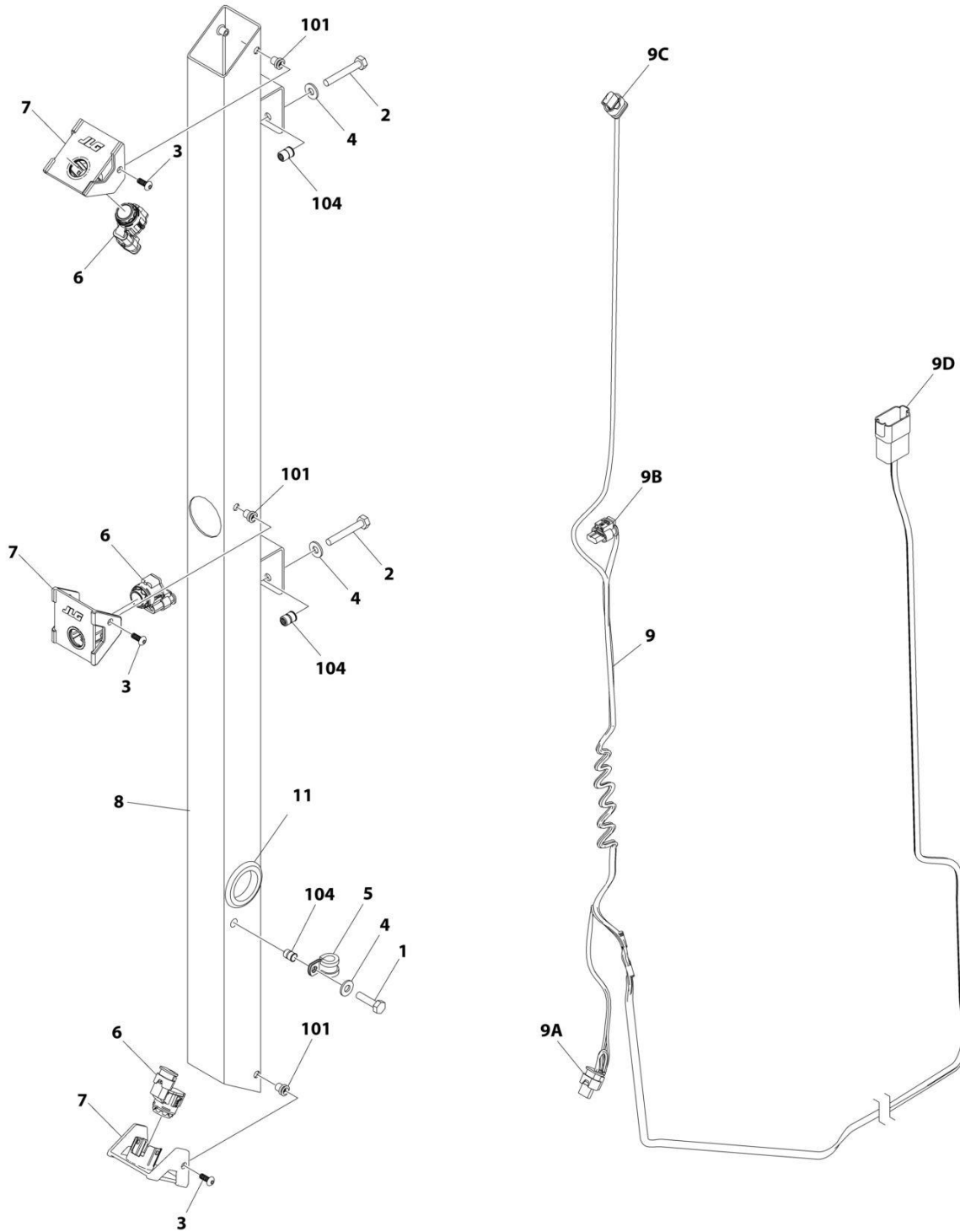
## SECTION 5 - PLATFORM

**FIGURE 5-28. SKYLINE INSTALLATION**

ITEM	PART NUMBER	QTY	DESCRIPTION	REV
	1001238559	Ref	SKYLINE INSTALLATION	D
1	0641404	2	Bolt 1/4 x 1/2	
2	0641405	2	Bolt 1/4 x 5/8	
3	3311405	2	Nut 1/4	
4	3311601	2	Nut 3/8	
5	4031516	2	Capscrew M4 x 60	
6	4240033	AR	Tie-Strap (Not Shown)	
7	4711400	4	Washer 1/4	
8	1001120328	1	Mount	
9	1001232642	1	Bracket	
11	1001232667	1	Sensor, Proximity	
14	1001236552	1	Block	
15	1001238418	1	Harness, Skyline (See Separate Breakdown in ELECTRICAL Section)	
16	1001238472	1	Mount	
17	1001254473	1	Housing, LH	
18	1001241965	1	Housing, RH	
19	1001254472	1	Rod	
20	0100011	AR	Compound, Locking	

# SECTION 5 - PLATFORM

## FIGURE 5-29. SKYSENSE MID TUBE SENSOR ASSEMBLY



ART\_1001243205

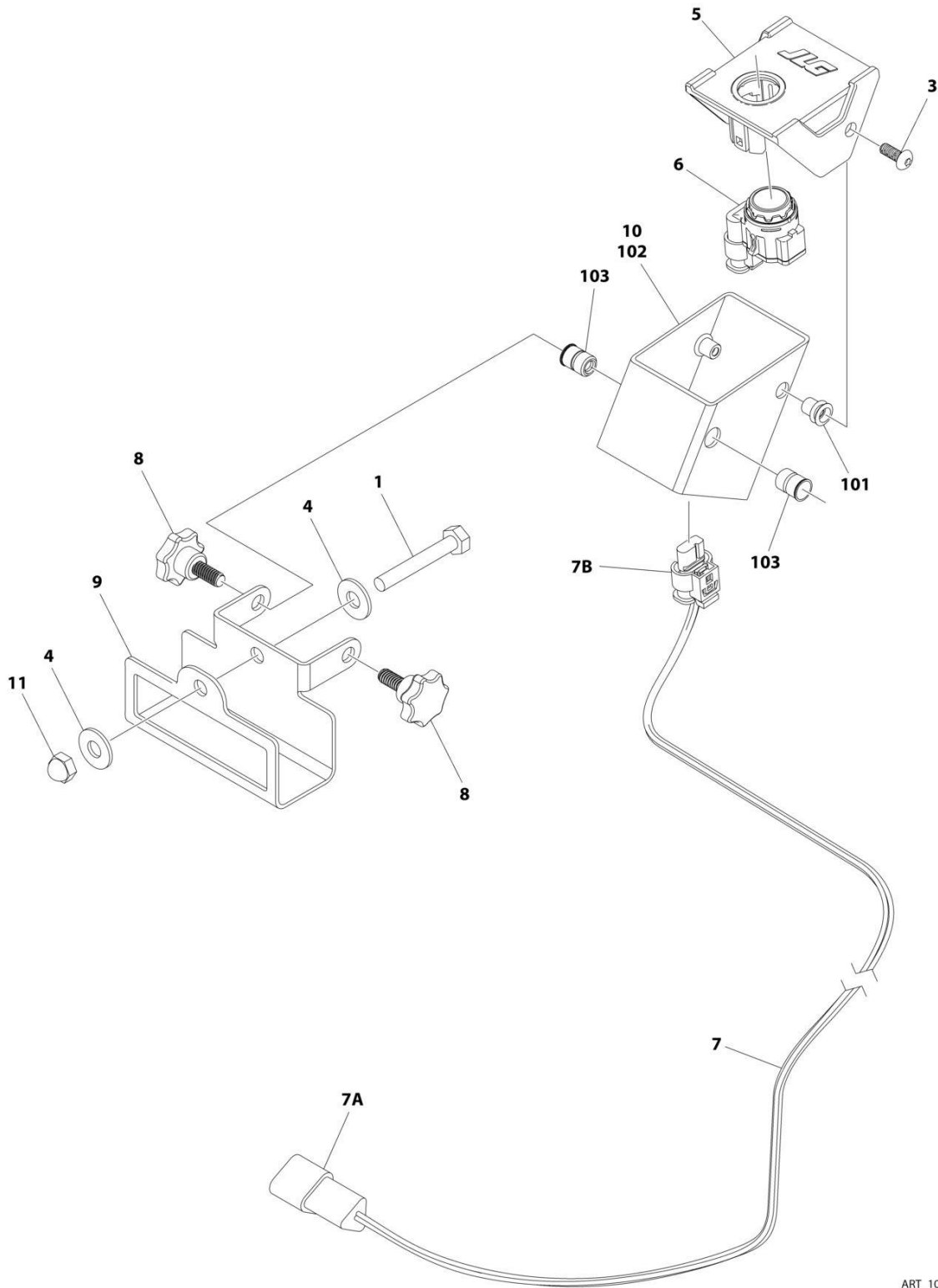
## SECTION 5 - PLATFORM

**FIGURE 5-29. SKYSENSE MID TUBE SENSOR ASSEMBLY**

ITEM	PART NUMBER	QTY	DESCRIPTION	REV
	1001243205	Ref	SKYSENSE MID TUBE SENSOR ASSEMBLY	C
1	0641408	1	Bolt 1/4 x 1	
2	0641414	2	Bolt 1/4 x 1-3/4	
3	1001260525	6	Screw #10 x 1/2	
4	4711400	3	Washer 1/4	
5	1001260524	1	Clamp	
6	1001237902	3	Sensor, SkySense	
7	1001241162	3	Mount, Sensor	
8	1001243092	1	Tube Assembly (Includes items 101 through 104)	C
9	1001244336	1	Harness, SkySense Mid Tube	D
9A	1001237898	1	Connector	
9A	1001237888	3	Terminal	
9B	1001237898	1	Connector	
9B	1001237888	3	Terminal	
9C	1001237898	1	Connector	
9C	1001237888	3	Terminal	
9D	4460931	1	Connector	
9D	4460943	7	Pin	
9D	4460466	1	Plug	
10	1001246389	1	Decal (Not Shown)	
11	1001247252	1	Grommet	
101	2080069	6	Fastener	
104	1001258730	3	Rivnut	

# SECTION 5 - PLATFORM

## FIGURE 5-30. SKYSENSE OVERHEAD SENSOR ASSEMBLY



ART\_1001244733



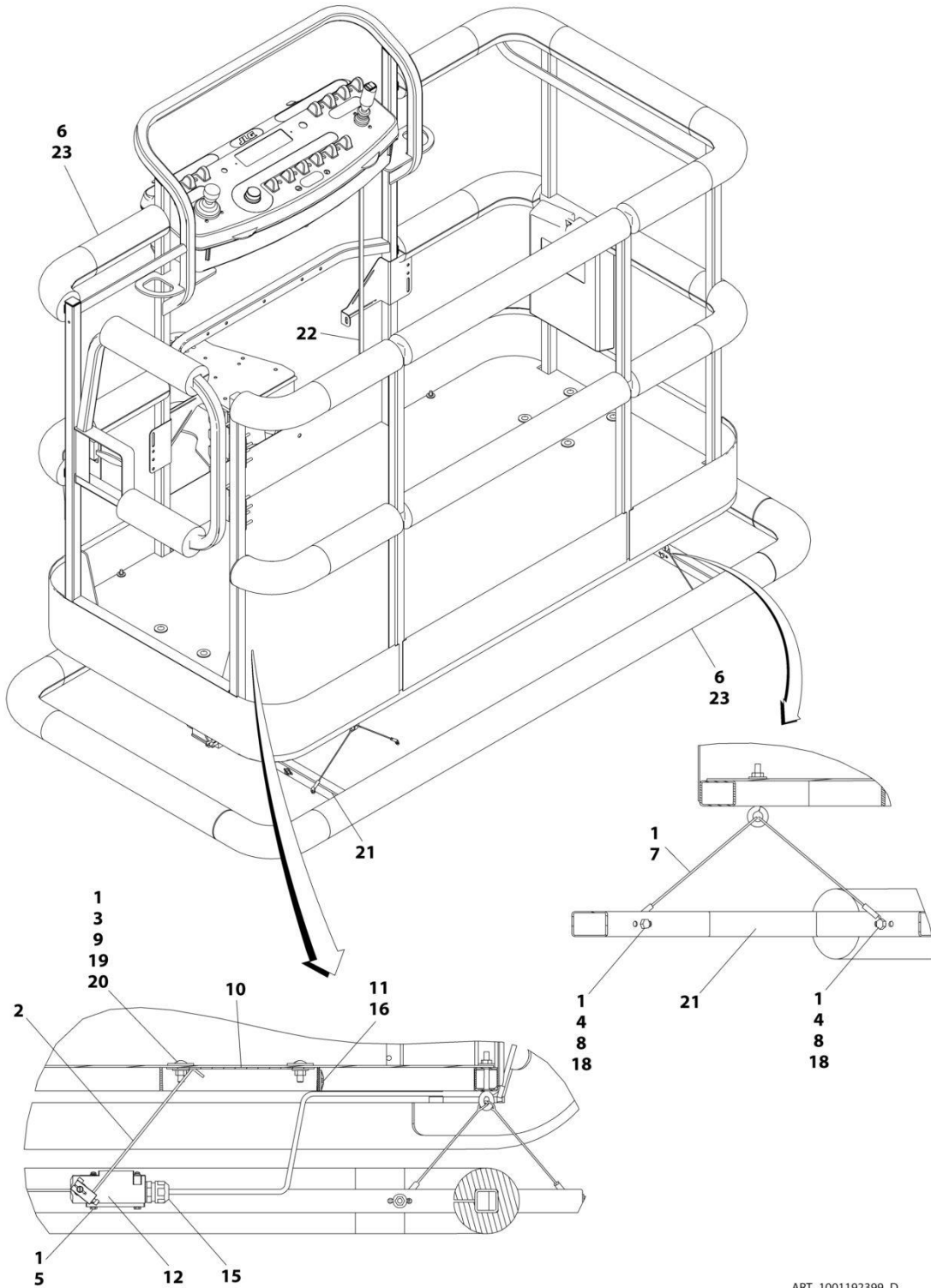
## SECTION 5 - PLATFORM

**FIGURE 5-30. SKYSENSE OVERHEAD SENSOR ASSEMBLY**

ITEM	PART NUMBER	QTY	DESCRIPTION	REV
	1001244733	Ref	SKYSENSE OVERHEAD SENSOR ASSEMBLY	D
1	0641414	1	Bolt 1/4 x 1-3/4	
3	1001260525	2	Screw #10 x 1/2	
4	4751400	2	Washer 1/4	
5	1001237891	1	Mount, Sensor	
6	1001237902	1	Sensor, SkySense	
7	1001244335	1	Harness, SkySense Overhead	D
7A	4460536	1	Connector	
7A	4460943	3	Pin	
7B	1001237898	1	Connector	
7B	1001237888	1	Terminal	
8	1001244671	2	Knob	
9	1001244709	1	Bracket, Mounting	
10	1001244732	1	Housing Assembly (Includes items 101 through 103)	B
11	3300430	1	Nut	
101	2080069	2	Fastener	
102	1001244710	1	Housing, Sensor	
103	1001258730	2	Rivnut	

# SECTION 5 - PLATFORM

## FIGURE 5-31. SOFT TOUCH INSTALLATION (SIDE ENTRY PLATFORM) (OPTIONAL)



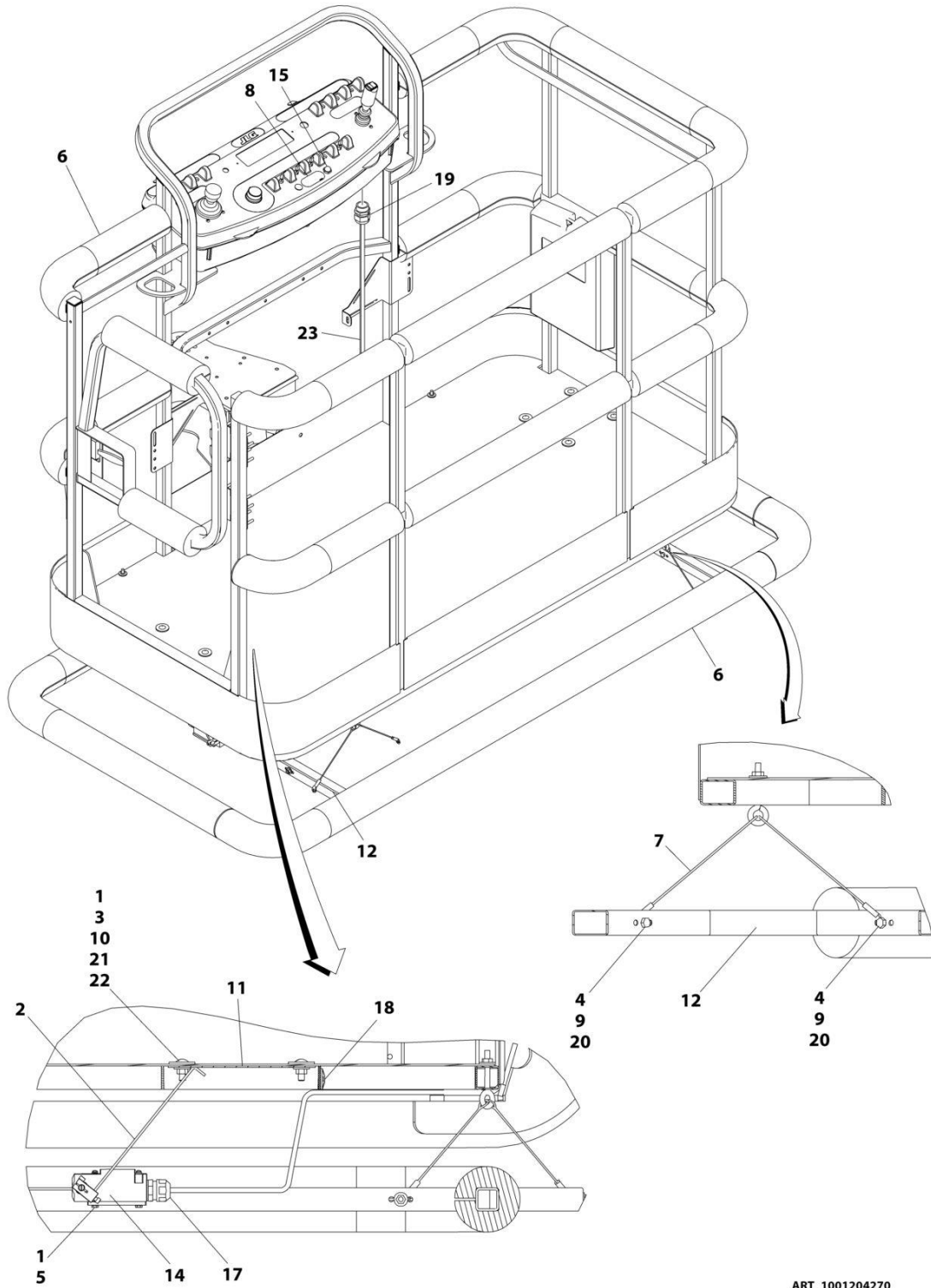
## SECTION 5 - PLATFORM

**FIGURE 5-31. SOFT TOUCH INSTALLATION (SIDE ENTRY PLATFORM) (OPTIONAL)**

ITEM	PART NUMBER	QTY	DESCRIPTION	REV
	1001192399	Ref	SOFT TOUCH INSTALLATION - 6FT/1.8M PLATFORM	D
1	0100011	AR	Compound, Locking	
2	0200048	2	Arm, Switch	
3	0630462	8	Bolt, Carriage	
4	0641414	8	Bolt 1/4 x 1-3/4	
5	0721005	4	Bolt #10 x 5/8	
6	0940167	1	Bumper Kits (Includes Corners and Enough Straight Material for One Platform)	
7	1060903	4	Wire Rope and Eyebolt Assembly	
8	3311401	8	Nut 1/4	
9	3311501	8	Nut 5/16	
10	3575705	2	Plate, Switch Strike	
11	4240099	AR	Tie-Strap	
12	4360057	2	Switch, Limit	
15	4460049	2	Connector, Strain Relief	
16	4460234	2	Tie-Strap Mount	
17	4460425	1	Connector, Strain Relief (Not Shown - Located on bottom of console box)	
18	4751400	16	Washer 1/4	
19	4751500	8	Washer 5/16	
20	4751800	8	Washer 1/2	
21	4846370	1	Rail, Soft Touch	
22	1001193419	1	Soft Touch Harness	
22	4460226	4	Socket, Female	
23	1001197017	AR	Strap, Cable Tie (Yellow)	

# SECTION 5 - PLATFORM

## FIGURE 5-32. SOFT TOUCH INSTALLATION - WITH FALL ARREST (SIDE ENTRY PLATFORM) (OPTIONAL)



ART\_1001204270

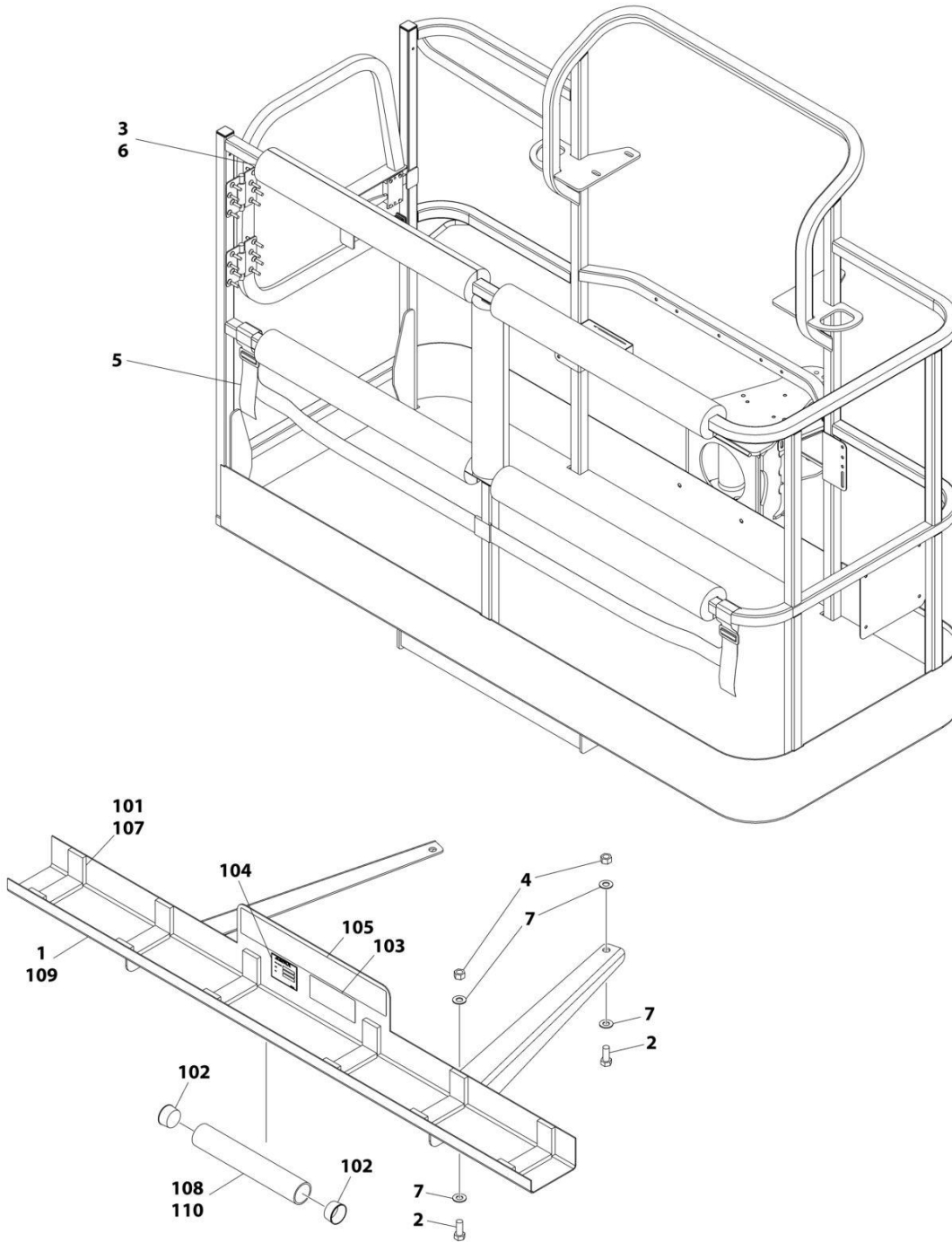
## SECTION 5 - PLATFORM

**FIGURE 5-32. SOFT TOUCH INSTALLATION - WITH FALL ARREST (SIDE ENTRY PLATFORM)  
(OPTIONAL)**

ITEM	PART NUMBER	QTY	DESCRIPTION	REV
	1001204270	Ref	SOFT TOUCH INSTALLATION - WITH FALL ARREST (SIDE ENTRY PLATFORM) (OPTIONAL)	B
1	0100011	AR	Compound, Locking	
2	0200048	2	Arm, Switch Activator	
3	0630462	8	Bolt, Carriage	
4	0641414	8	Bolt 1/4 x 1-3/4	
5	0731005	4	Screw #10 x 5/8	
6	0940177	1	Bumper, Kit	
6	0940092	8	Bumper (Corner)	
6	0940094	AR	Bumper (28ft Length)	
7	1060903	4	Wire Rope and Eyebolt Assembly	
8	1702938	1	Decal - Soft Touch Override	
9	3311401	8	Nut 1/4	
10	3311501	8	Nut 5/16	
11	3575359	2	Plate, Switch Strike	
12	3641569	1	Soft Touch Rail	
13	4240099	7	Tie, Wire (Not Shown)	
14	4360057	2	Switch, Limit	
15	4360387	1	Switch, Push Button	
17	4460049	2	Connector, Strain Relief	
18	4460234	7	Terminal, Mount	
19	4460425	1	Connector, Strain Relief	
20	4751400	8	Washer 1/4	
21	4751500	8	Washer 5/16	
22	4751800	8	Washer 1/2	
23	1001193419	1	Soft Touch Harness	
23	4460226	4	Socket, Female	

# SECTION 5 - PLATFORM

## FIGURE 5-33. SKYGLAZIER INSTALLATION (ANSI AND CSA SPECS)



ART\_0275945

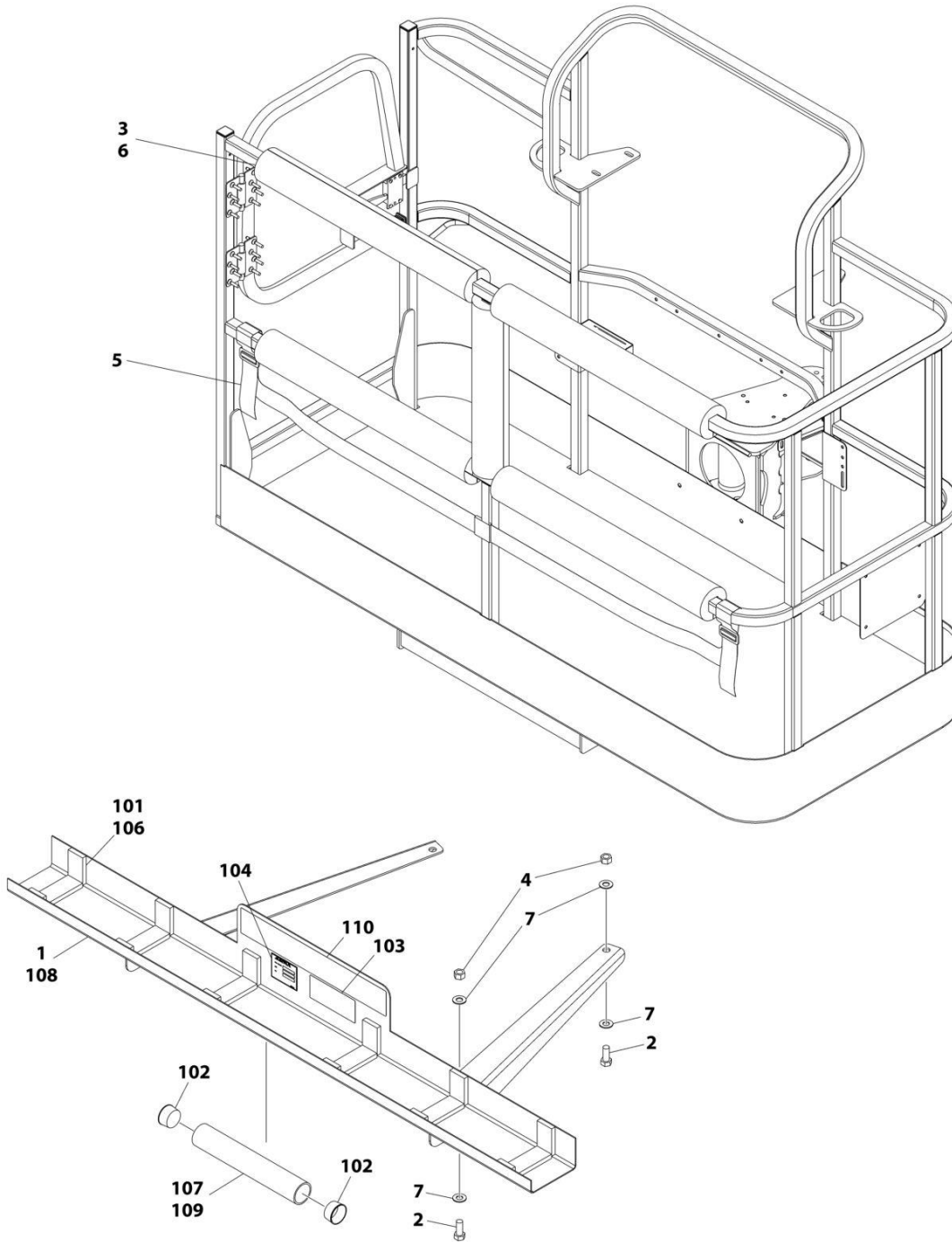
## SECTION 5 - PLATFORM

**FIGURE 5-33. SKYGLAZIER INSTALLATION (ANSI AND CSA SPECS)**

ITEM	PART NUMBER	QTY	DESCRIPTION	REV
	0275945	Ref	SKYGLAZIER INSTALLATION (ANSI AND CSA SPECS)	B
1	0275928	1	SkyGlazier Assembly (See Items 101-110 for Breakdown)	
2	0642012	4	Bolt 5/8 x 1-1/2	
3	0940199	1	Bumper Kit	
4	3312005	4	Nut 5/8	
5	4240149	1	Strap Kit	
6	4420014	AR	Tape, Plastic	
7	4712000	8	Washer 5/8	
	0275928	Ref	SKYGLAZIER ASSEMBLY	B
101	0100081	AR	Adhesive	
102	1120555	2	Cap, Manual Storage Tube	
103	1701509	1	Decal - Manual	
104	See Note	NSS	Nameplate (Note: Not Available for Purchase)	
105	1707192	1	Decal - Capacity	
107	3340956	1	Pad, Glazier Tray	
108	3460334	1	Tube, Manual Storage	
109	See Note	NSS	Tray (Note: Use Item 1)	
110	4420066	AR	Tape, Double Sided	

# SECTION 5 - PLATFORM

FIGURE 5-34. SKYGLAZIER INSTALLATION (ANSI EXPORT SPECS) (SPANISH/PORTUGUESE)



ART\_1001091433



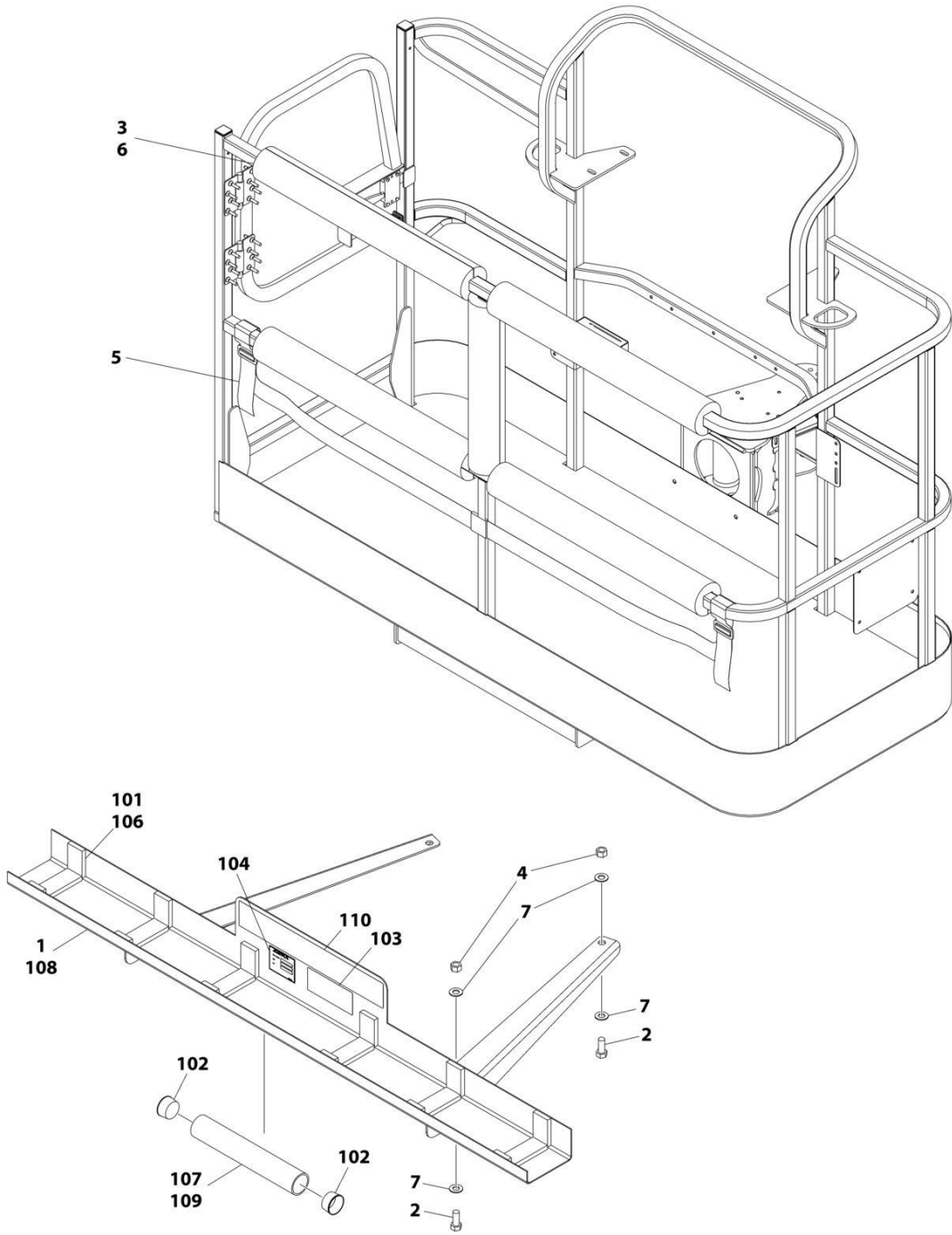
## SECTION 5 - PLATFORM

**FIGURE 5-34. SKYGLAZIER INSTALLATION (ANSI EXPORT SPECS) (SPANISH/PORTUGUESE)**

ITEM	PART NUMBER	QTY	DESCRIPTION	REV
	1001091433	Ref	SKYGLAZIER INSTALLATION (ANSI EXPORT SPECS) (SPANISH/PORTUGUESE)	B
1	1001091431	1	SkyGlazier Assembly (See Items 101-110 for Breakdown)	
2	0642012	4	Bolt 5/8 x 1-1/2	
3	0940199	1	Bumper Kit	
4	3312005	4	Nut 5/8	
5	4240149	1	Strap Kit	
6	4420014	AR	Tape, Plastic	
7	4712000	8	Washer 5/8	
	1001091431	Ref	SKYGLAZIER ASSEMBLY	B
101	0100081	AR	Adhesive	
102	1120555	2	Cap, Manual Storage Tube	
103	1701509	1	Decal - Manual	
104	See Note	NSS	Nameplate (Note: Not Available for Purchase)	
106	3340956	1	Pad, Glazier Tray	
107	3460334	1	Tube, Manual Storage	
108	See Note	NSS	Tray (Note: Use Item 1)	
109	4420066	AR	Tape, Double Sided	
110	1001091429	1	Decal - Capacity	

# SECTION 5 - PLATFORM

FIGURE 5-35. SKYGLAZIER INSTALLATION (ANSI EXPORT SPECS) (ENGLISH/SPANISH)



ART\_1001091434

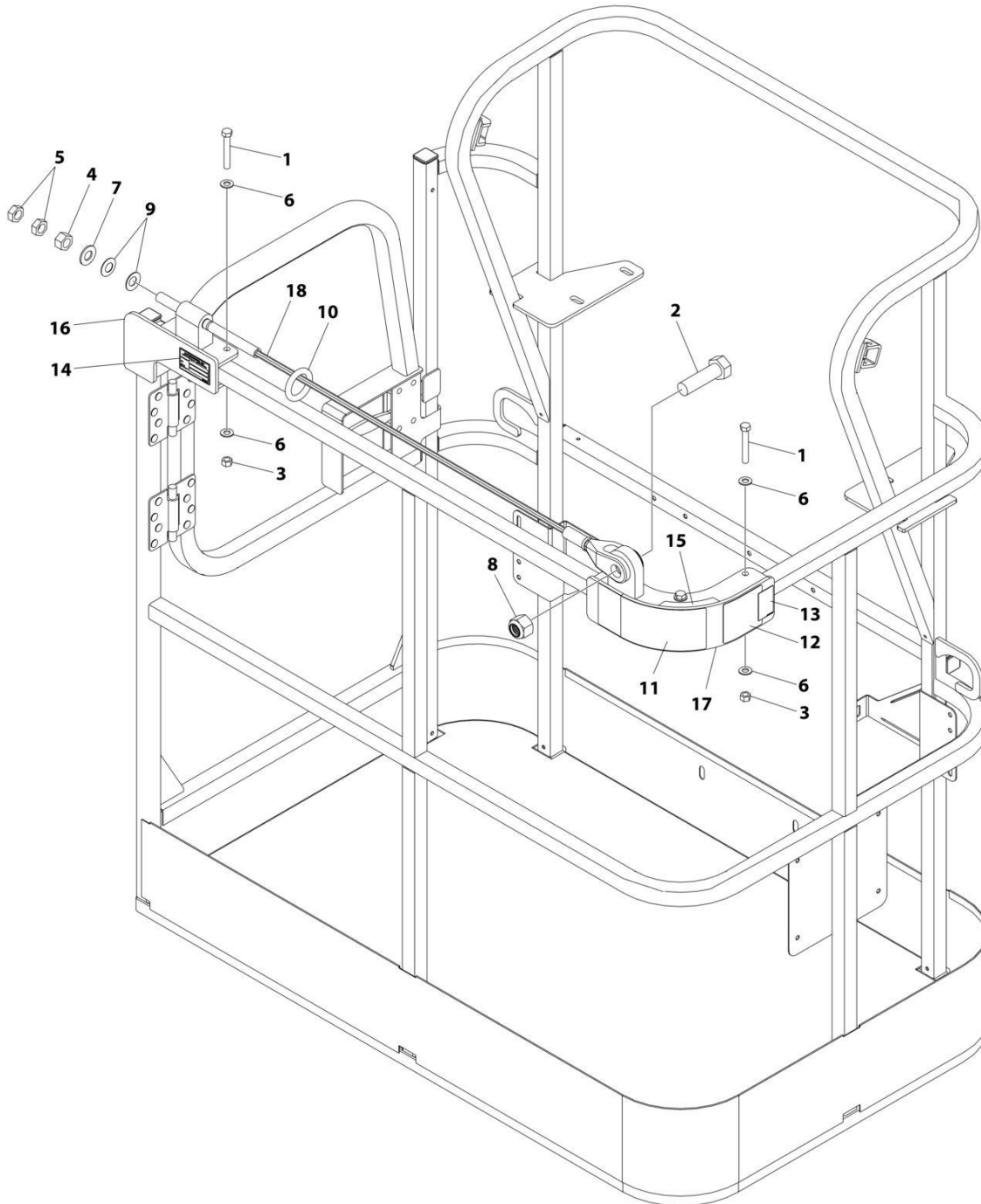
## SECTION 5 - PLATFORM

**FIGURE 5-35. SKYGLAZIER INSTALLATION (ANSI EXPORT SPECS) (ENGLISH/SPANISH)**

ITEM	PART NUMBER	QTY	DESCRIPTION	REV
	1001091434	Ref	SKYGLAZIER INSTALLATION (ANSI EXPORT SPECS) (ENGLISH/SPANISH)	B
1	1001091432	1	SkyGlazier Assembly (See Items 101-110 for Breakdown)	
2	0642012	4	Bolt 5/8 x 1-1/2	
3	0940199	1	Bumper Kit	
4	3312005	4	Nut 5/8	
5	4240149	1	Strap Kit	
6	4420014	AR	Tape, Plastic	
7	4712000	8	Washer 5/8	
	1001091432	Ref	SKYGLAZIER ASSEMBLY	A
101	0100081	AR	Loctite #454	
102	1120555	2	Cap, Manual Storage Tube	
103	1701509	1	Decal - Manual	
104	See Note	NSS	Nameplate (Note: Not Available for Purchase)	
106	3340956	1	Pad, Glazier Tray	
107	3460334	1	Tube, Manual Storage	
108	See Note	NSS	Tray (Note: Use Item 1)	
109	4420066	AR	Tape, Double Sided	
110	1001091430	1	Decal - Capacity	

# SECTION 5 - PLATFORM

FIGURE 5-36. FALL ARREST INSTALLATION (BOLT-ON EXTERNAL) (30IN X 4FT /76CM X 1.22M PLATFORM)



ART\_1001261338

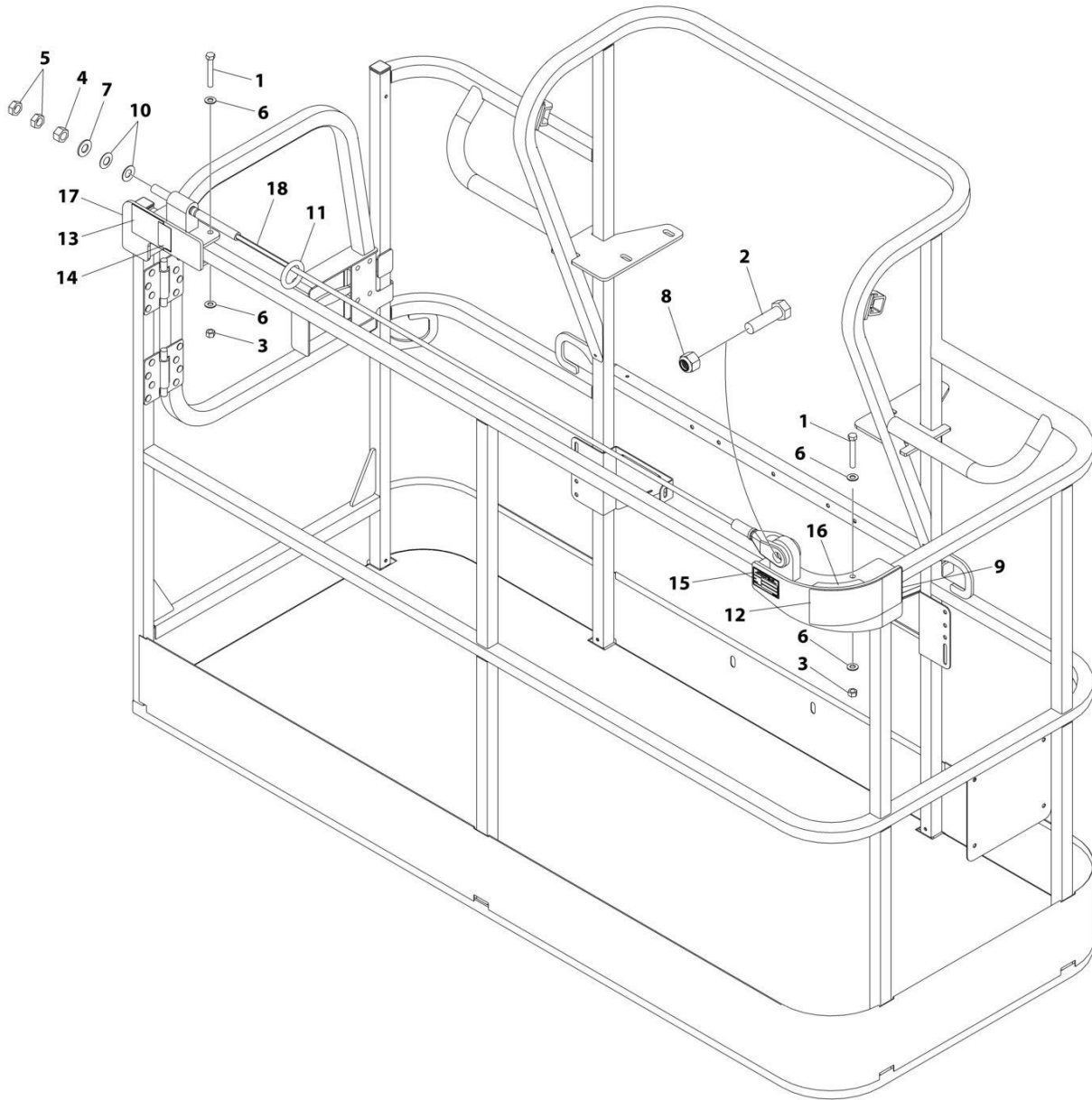
## SECTION 5 - PLATFORM

**FIGURE 5-36. FALL ARREST INSTALLATION (BOLT-ON EXTERNAL) (30IN X 4FT /76CM X 1.22M PLATFORM)**

ITEM	PART NUMBER	QTY	DESCRIPTION	REV
	1001261338	Ref	FALL ARREST INSTALLATION	A
1	0681620	6	Bolt 3/8 x 2-1/2	
2	0682424	1	Bolt 7/8 x 3	
3	3271605	6	Nut 3/8	
4	3272001	1	Nut 5/8	
5	3312002	2	Nut 5/8	
6	4711600	12	Washer 3/8	
7	4712000	1	Washer 5/8	
8	88521214	1	Nut 7/8	
9	1001236891	2	Washer	
10	1001236895	1	Ring	
11	1001238263	1	Decal - Warning Falling Hazard	
12	1001248140	1	Decal - Bolt Fall Arrest Re-Cert	
13	1001248141	1	Decal - Incription	
14	See Note	NSS	Nameplate - Manufacturers Serial Number (Note: Not Available for Purchase)	
15	1001252629	1	Decal - Weight	
16	1001257271	1	Bracket (RH)	
17	1001257274	1	Bracket (LH)	
18	1001261335	1	Rope	

# SECTION 5 - PLATFORM

FIGURE 5-37. FALL ARREST INSTALLATION (BOLT-ON EXTERNAL) (30IN X 6FT /76CM X 1.82M PLATFORM)



ART\_1001261339

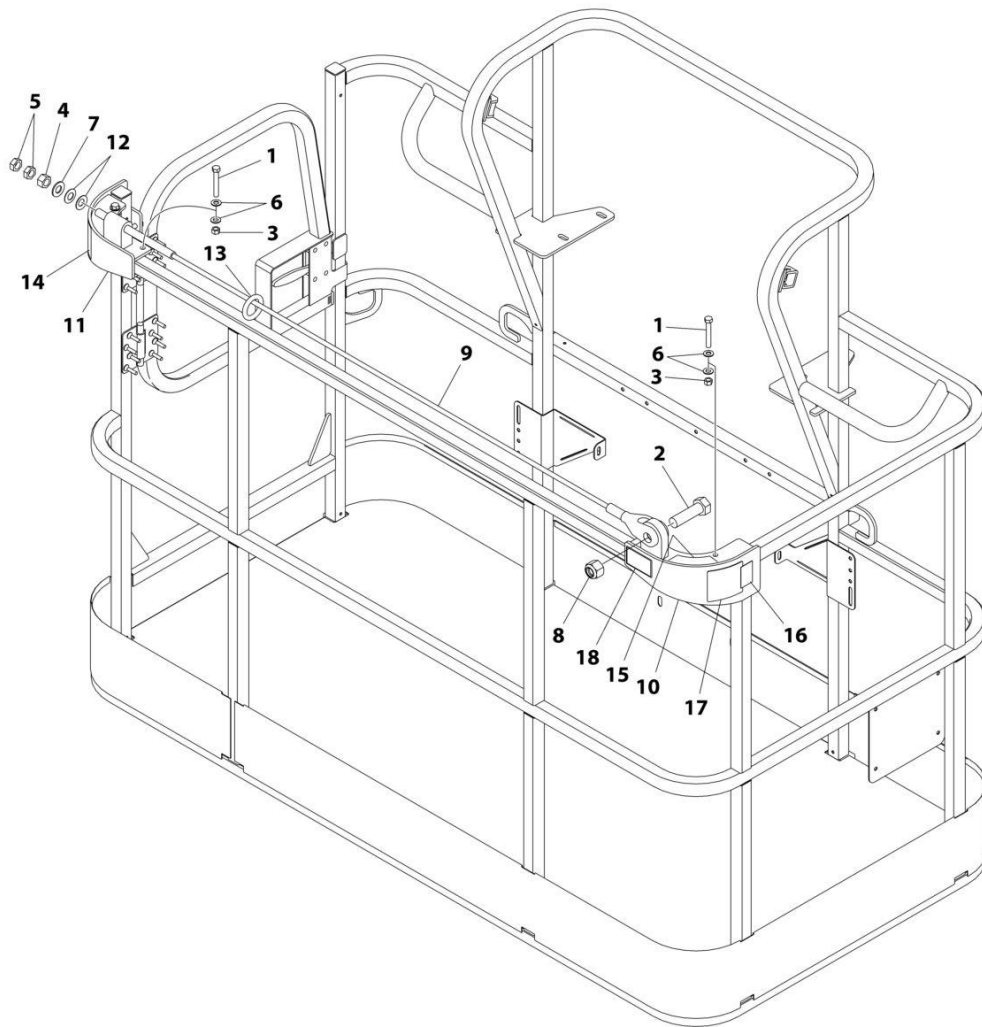
## SECTION 5 - PLATFORM

**FIGURE 5-37. FALL ARREST INSTALLATION (BOLT-ON EXTERNAL) (30IN X 6FT /76CM X 1.82M PLATFORM)**

ITEM	PART NUMBER	QTY	DESCRIPTION	REV
	1001261339	Ref	FALL ARREST INSTALLATION (BOLT-ON) 30IN X 6FT (76CM X 1.83M) PLATFORM	A
1	0681620	6	Bolt 3/8 x 2-1/2	
2	0682424	1	Bolt 7/8 x 3	
3	3271605	6	Nut 3/8	
4	3272001	1	Nut 5/8	
5	3312002	2	Nut 5/8	
6	4711600	12	Washer 3/8	
7	4712000	1	Washer 5/8	
8	88521214	1	Nut 7/8	
9	1001232010	1	Bracket	
10	1001236891	2	Washer	
11	1001236895	1	Ring	
12	1001238263	1	Decal - Warning Falling Hazard	
13	1001248140	1	Decal - Bolt Fall Arrest Re-Cert	
14	1001248141	1	Decal - Incription	
15	See Note	NSS	Nameplate - Manufacturers Serial Number (Note: Not Available for Purchase)	
16	1001252629	1	Decal - Weight	
17	1001257271	1	Bracket	
18	1001261336	1	Rope	

# SECTION 5 - PLATFORM

FIGURE 5-38. FALL ARREST INSTALLATION (BOLT-ON EXTERNAL) (6FT/1.82M PLATFORM)



ART\_1001236747



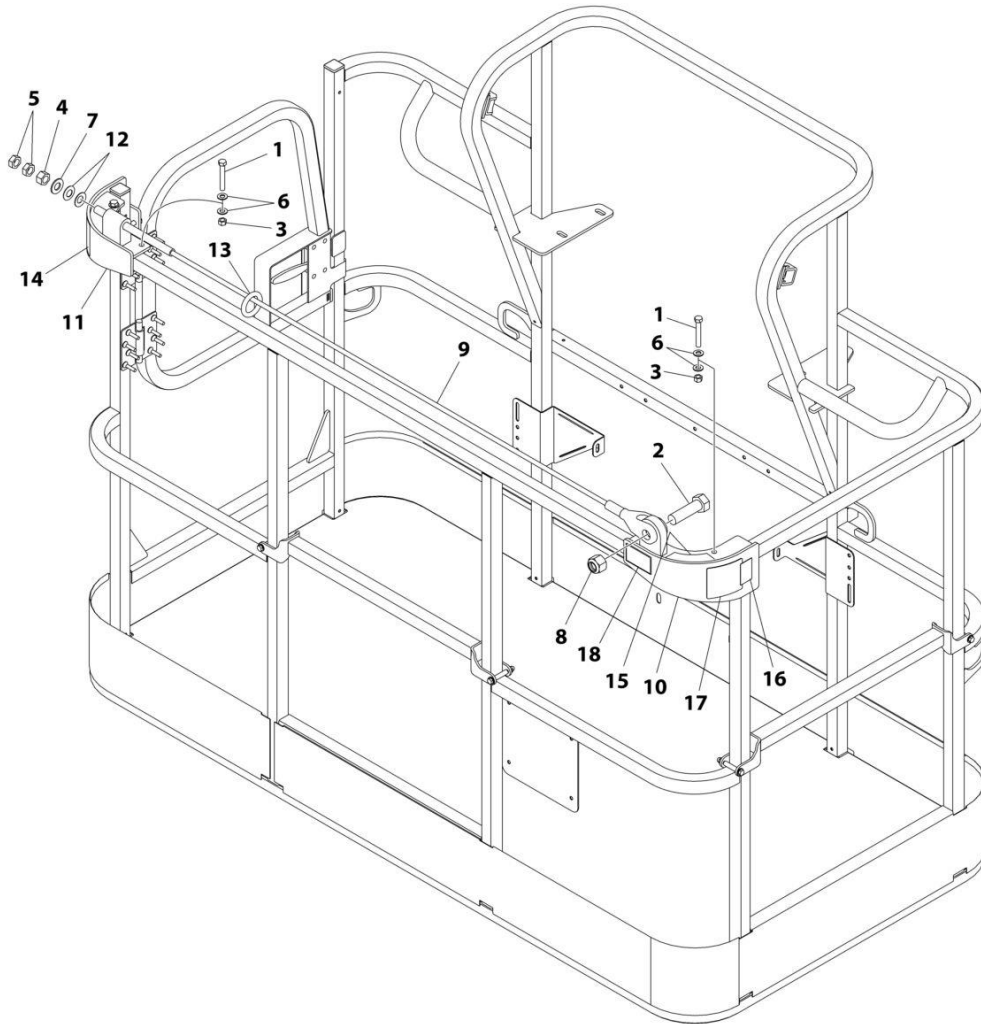
## SECTION 5 - PLATFORM

**FIGURE 5-38. FALL ARREST INSTALLATION (BOLT-ON EXTERNAL) (6FT/1.82M PLATFORM)**

ITEM	PART NUMBER	QTY	DESCRIPTION	REV
	1001236747	Ref	FALL ARREST INSTALLATION (BOLT - ON) 6FT/1.82M PLATFORM	C
1	0681620	6	Bolt 3/8 x 2-1/2	
2	0682424	1	Bolt 7/8 x 3	
3	3271605	6	Nut 3/8	
4	3272001	1	Nut 5/8	
5	3312002	2	Nut 5/8	
6	4711600	12	Washer 3/8	
7	4712000	1	Washer 5/8	
8	88521214	1	Nut 7/8	
9	1001231950	1	Rope	
10	1001232010	1	Bracket (RH)	
11	1001232011	1	Bracket (LH)	
12	1001236891	2	Washer	
13	1001236895	1	Ring	
14	1001238263	1	Decal - Warning Falling Hazard	
15	1001252629	1	Decal - Weight	
16	1001248140	1	Decal - Bolt Fall Arrest Re-Cert	
17	1001248141	1	Decal - Inscription	

# SECTION 5 - PLATFORM

## FIGURE 5-39. FALL ARREST INSTALLATION (BOLT-ON EXTERNAL) (6FT/1.82M TRI-ENTRY PLATFORM)



ART\_1001238463

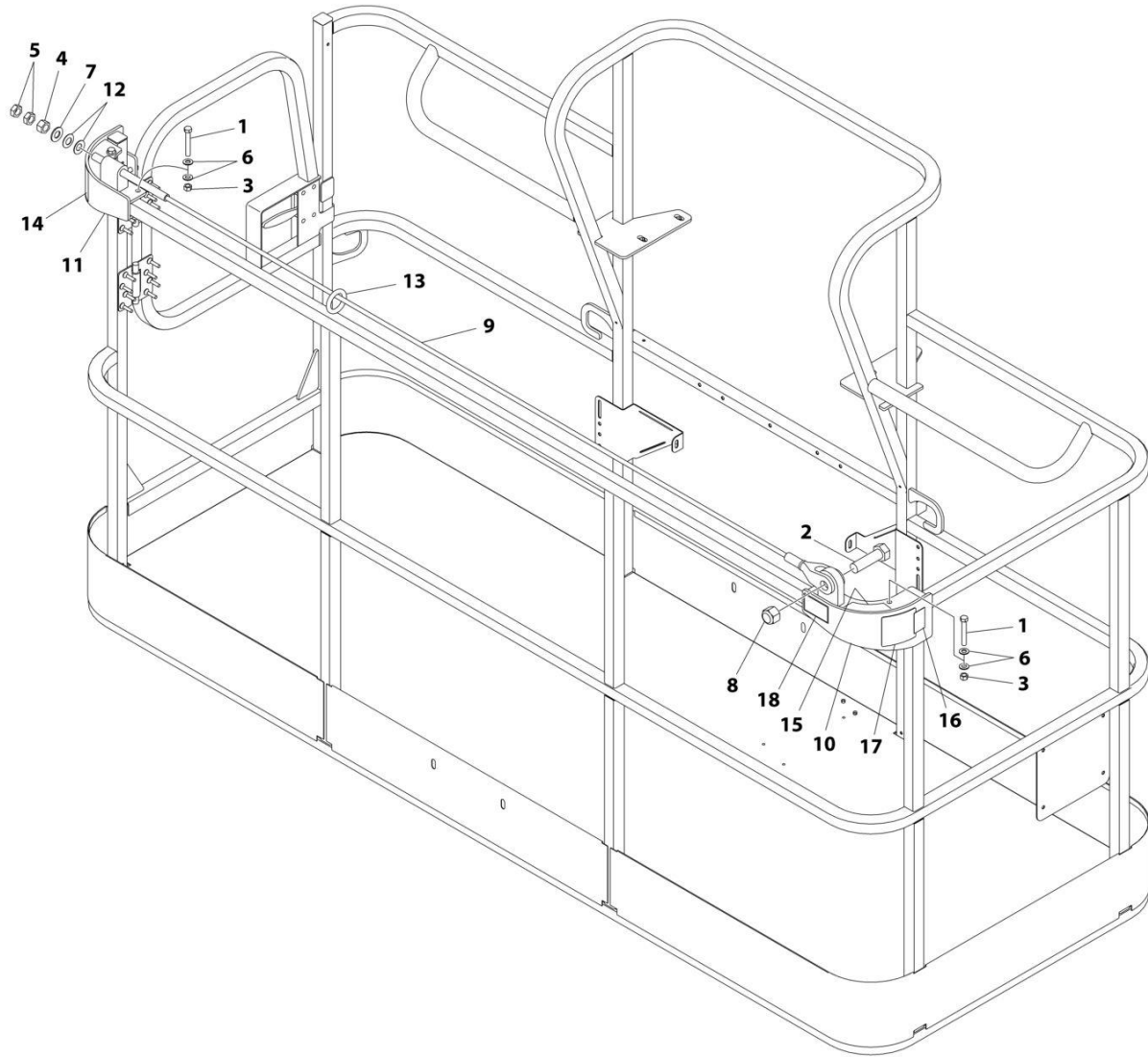
## SECTION 5 - PLATFORM

**FIGURE 5-39. FALL ARREST INSTALLATION (BOLT-ON EXTERNAL) (6FT/1.82M TRI-ENTRY PLATFORM)**

ITEM	PART NUMBER	QTY	DESCRIPTION	REV
	1001238463	Ref	FALL ARREST INSTALLATION (BOLT - ON) 6FT/1.82M PLATFORM	C
1	0681620	6	Bolt 3/8 x 2-1/2	
2	0682424	1	Bolt 7/8 x 3	
3	3271605	6	Nut 3/8	
4	3272001	1	Nut 5/8	
5	3312002	2	Nut 5/8	
6	4711600	12	Washer 3/8	
7	4712000	1	Washer 5/8	
8	88521214	1	Nut 7/8	
9	1001231950	1	Rope	
10	1001232010	1	Bracket (RH)	
11	1001232011	1	Bracket (LH)	
12	1001236891	2	Washer	
13	1001236895	1	Ring	
14	1001238263	1	Decal - Warning Falling Hazard	
15	1001252629	1	Decal - Weight	
16	1001248140	1	Decal - Bolt Fall Arrest Re-Cert	
17	1001248141	1	Decal - Inscription	

# SECTION 5 - PLATFORM

## FIGURE 5-40. FALL ARREST INSTALLATION (BOLT-ON EXTERNAL) (8FT/2.4M PLATFORM)



ART\_1001236746

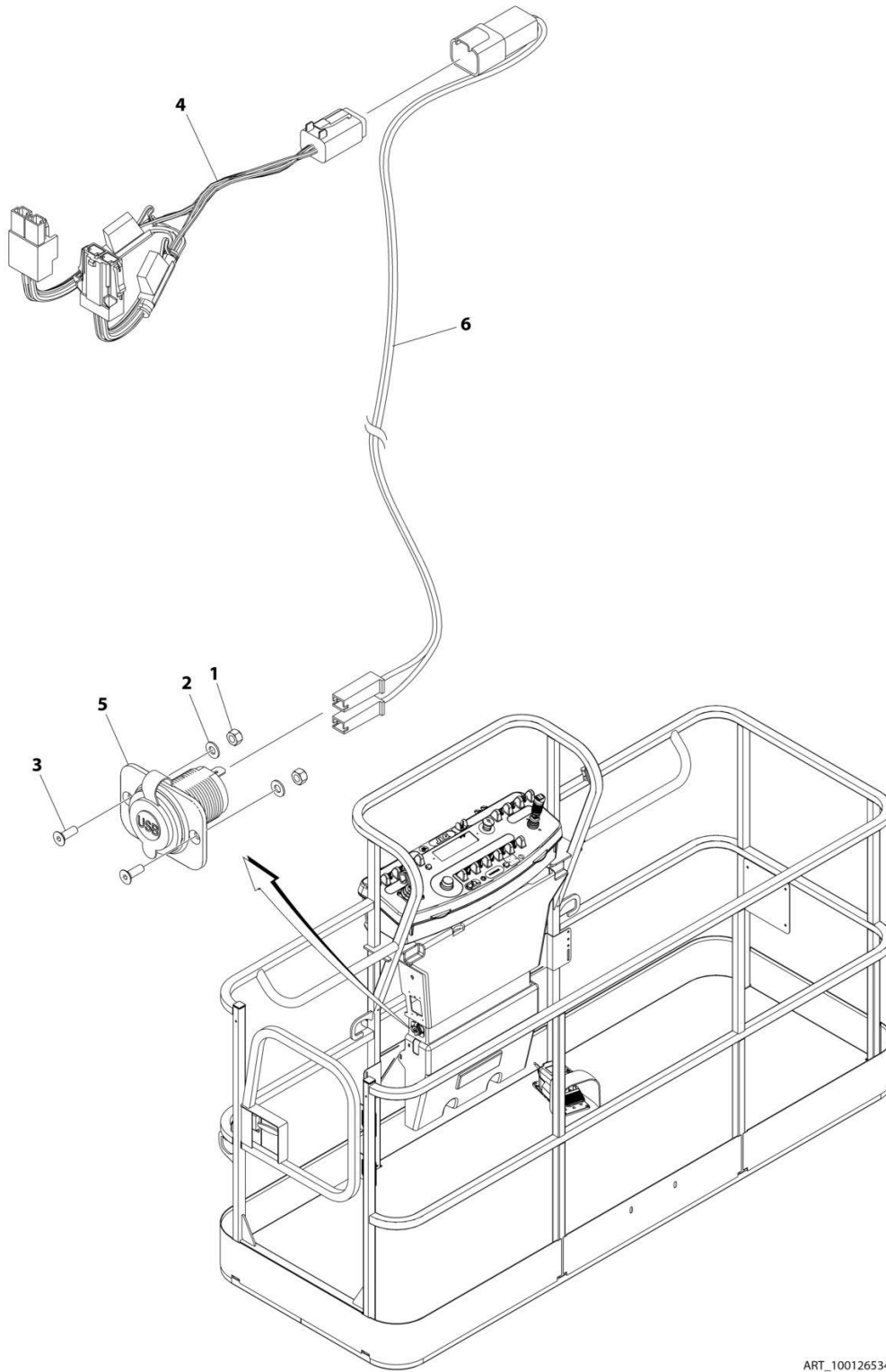
## SECTION 5 - PLATFORM

**FIGURE 5-40. FALL ARREST INSTALLATION (BOLT-ON EXTERNAL) (8FT/2.4M PLATFORM)**

ITEM	PART NUMBER	QTY	DESCRIPTION	REV
	1001236746	Ref	FALL ARREST INSTALLATION (BOLT - ON) 8FT/2.4M PLATFORM	C
1	0681620	6	Bolt 3/8 x 2-1/2	
2	0682424	1	Bolt 7/8 x 3	
3	3271605	6	Nut 3/8	
4	3272001	1	Nut 5/8	
5	3312002	2	Nut 5/8	
6	4711600	12	Washer 3/8	
7	4712000	1	Washer 5/8	
8	88521214	1	Nut 7/8	
9	1001231949	1	Rope	
10	1001232010	1	Bracket (RH)	
11	1001232011	1	Bracket (LH)	
12	1001236891	2	Washer	
13	1001236895	1	Ring	
14	1001238263	1	Decal - Warning Falling Hazard	
15	1001252629	1	Decal - Weight 23LBS/10.4KG	
16	1001248140	1	Decal - Bolt Fall Arrest Re-Cert	
17	1001248141	1	Decal - Inscription	

# SECTION 5 - PLATFORM

## FIGURE 5-41. USB CHARGER INSTALLATION



ART\_1001265342

## SECTION 5 - PLATFORM

**FIGURE 5-41. USB CHARGER INSTALLATION**

ITEM	PART NUMBER	QTY	DESCRIPTION	REV
	1001265342	Ref	USB CHARGER INSTALLATION	A
1	3290405	2	Nut M4	
2	4811400	2	Washer M4	
3	1001097244	2	Screw M4 x 12	
4	1001120484	1	Harness, Work Lights	
4	4460879	1	Plug, Male - 2 Position	
4	4460887	2	Terminal	
4	2400060	2	Fuseholder Includes Cover	
4	8229249	2	Fuse, 3 Amp	
4	4460884	1	Connector - 4 Position	
4	4460465	4	Socket, Female	
4	1001120471	1	Connector - 2 Position	
4	1001120477	2	Terminal	
5	1001210636	1	Receptacle, USB	
6	1001265163	1	Harness, USB	A
6	4460260	2	Cover, Terminal	
6	4460259	2	Terminal	
6	4460932	1	Receptacle, Bussbar - 4 Position	
6	4460464	2	Pin, Male	
6	4460466	2	Plug, Terminal	

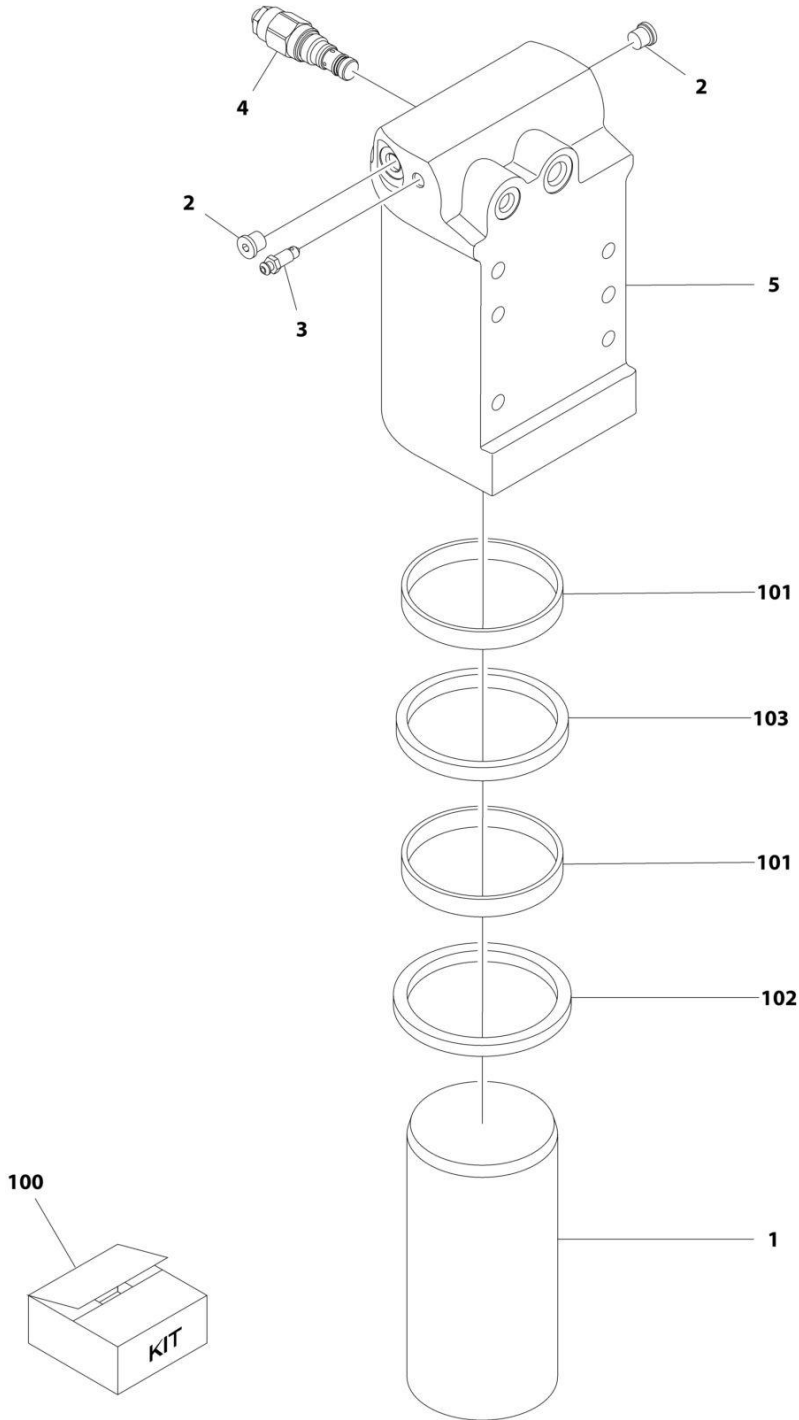




**SECTION 6 - CYLINDERS**

# SECTION 6 - CYLINDERS

FIGURE 6-1. AXLE LOCKOUT CYLINDER ASSEMBLY (MACHINES WITH SN STARTING WITH 03)



ART\_1001163580

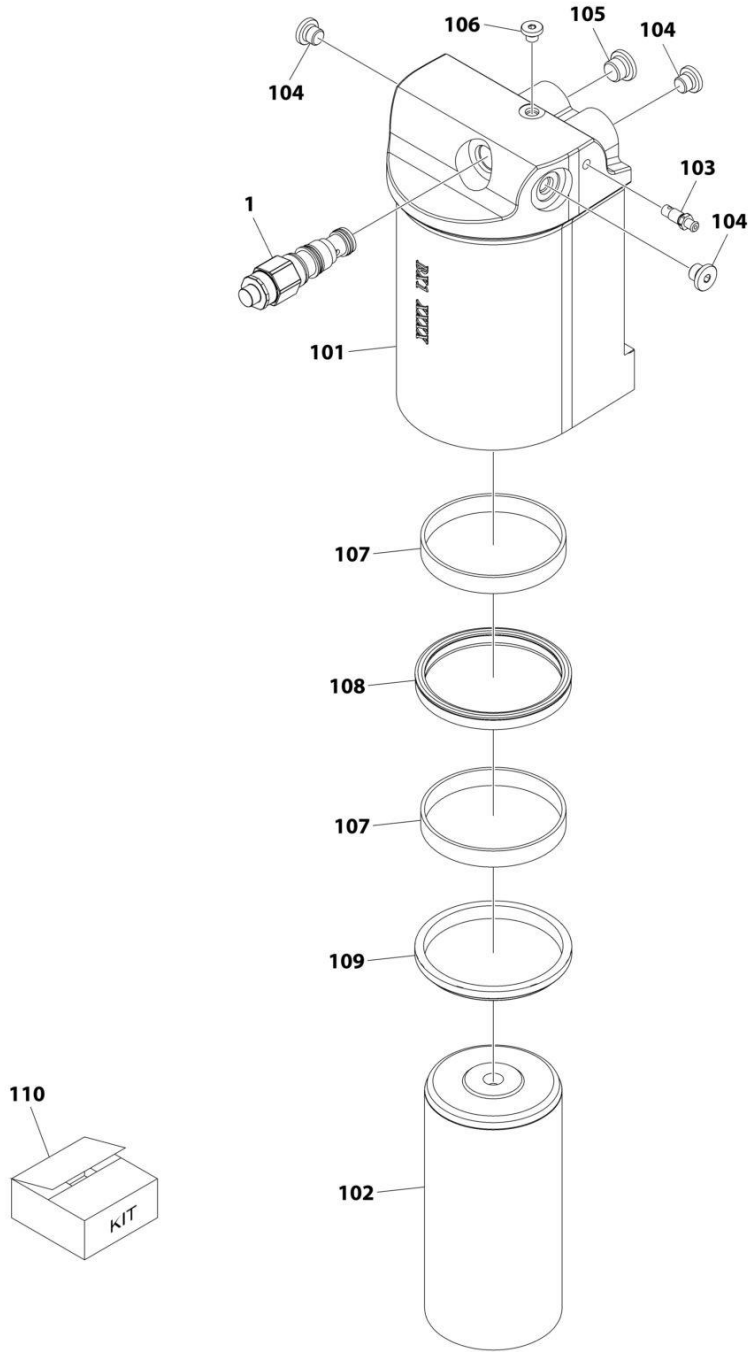
## SECTION 6 - CYLINDERS

**FIGURE 6-1. AXLE LOCKOUT CYLINDER ASSEMBLY (MACHINES WITH SN STARTING WITH 03)**

ITEM	PART NUMBER	QTY	DESCRIPTION	REV
	1001163580	Ref	AXLE LOCKOUT CYLINDER ASSEMBLY	I
		Ref	Note: Original Cylinder May Have Been Replaced with Service Replacement. Identify PN Stamped on Cylinder Before Ordering Parts.	
1	1684290	1	Rod	
2	2220883	2	Plug #4	
3	4640858	1	Valve, Bleeder	
4	1001117372	1	Cartridge, Valve	
4	70002842	1	Seal Kit - 1001117372 Valve	
5	1001164817	1	Barrel	
100	2902266	NLA	Seal Kit - 1001163590 Cylinder (Includes Items 101-103)	
101	See Note	NSS	Ring, Wear (Note: Use Item 100)	
102	See Note	NSS	Seal (Note: Use Item 100)	
103	See Note	NSS	Wiper (Note: Use Item 100)	

# SECTION 6 - CYLINDERS

FIGURE 6-2. AXLE LOCKOUT CYLINDER ASSEMBLY (MACHINES WITH SN STARTING WITH B3)



ART\_1001256179

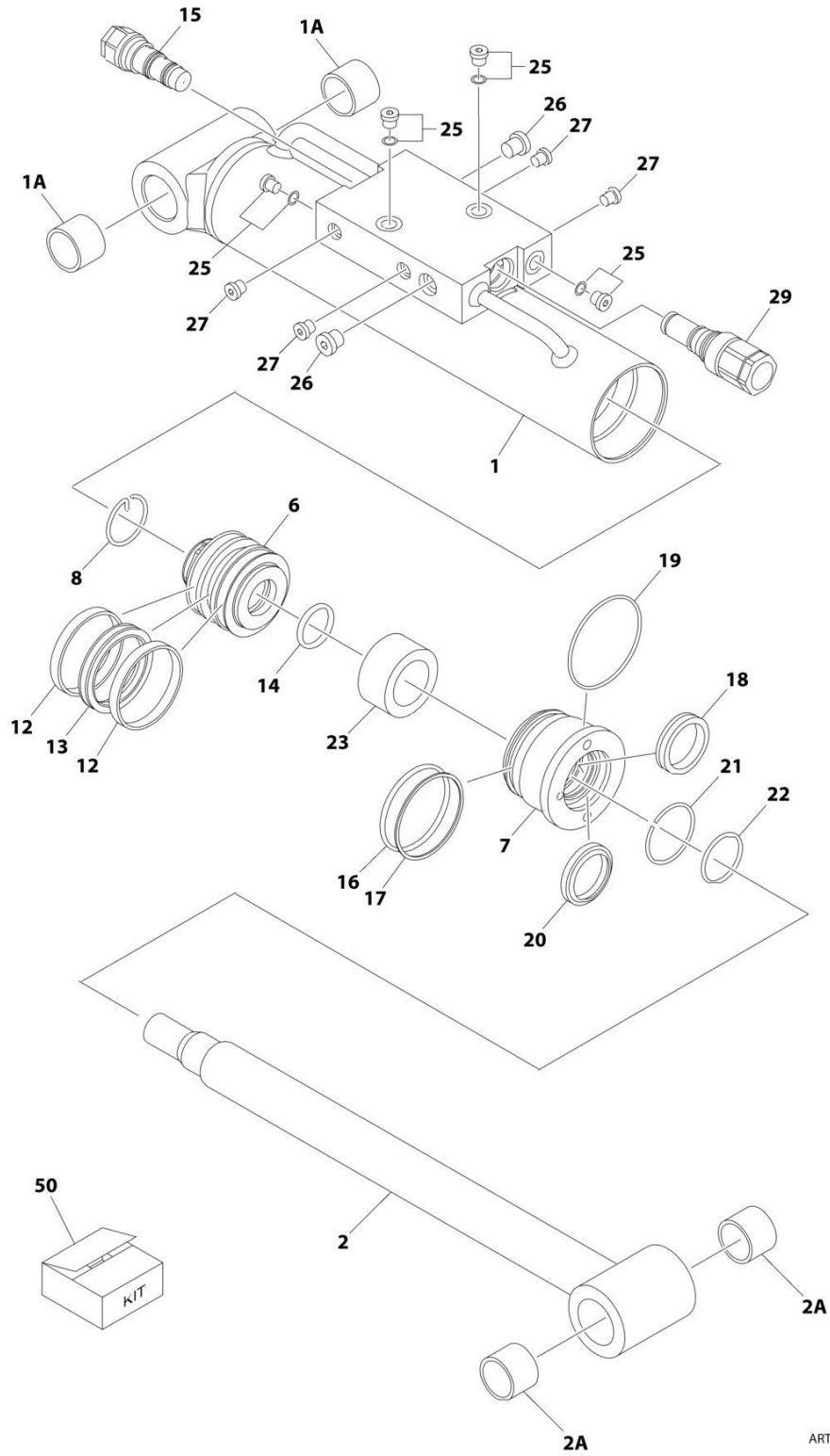
## SECTION 6 - CYLINDERS

**FIGURE 6-2. AXLE LOCKOUT CYLINDER ASSEMBLY (MACHINES WITH SN STARTING WITH B3)**

ITEM	PART NUMBER	QTY	DESCRIPTION	REV
	1001256179	Ref	MASTER CYLINDER ASSEMBLY	A
		Ref	Note: Original Cylinder May Have Been Replaced with Service Replacement. Identify PN Stamped on Cylinder Before Ordering Parts.	
1	1001117372	1	Cartridge, Valve	
1	70002842	1	Seal Kit - 1001117372	
101	See Note	NSS	Tube (Note: Not Available for Purchase)	
102	70008244	1	Rod	
103	70008246	1	Plug, Bleeder	
104	2220883	3	Plug 7/16	
105	2220885	1	Plug 9/16	
106	2220881	1	Plug 5/16	
107	See Note	NSS	Ring, Wear (Note: Use Item 110)	
108	See Note	NSS	Seal, Rod (Note: Use Item 110)	
109	See Note	NSS	Wiper, Rod (Note: Use Item 110)	
110	70008247	1	Seal Kit (Includes Items 107-109)	

# SECTION 6 - CYLINDERS

## FIGURE 6-3. LEVEL CYLINDER ASSEMBLY - PLATFORM SLAVE



ART\_1001140596

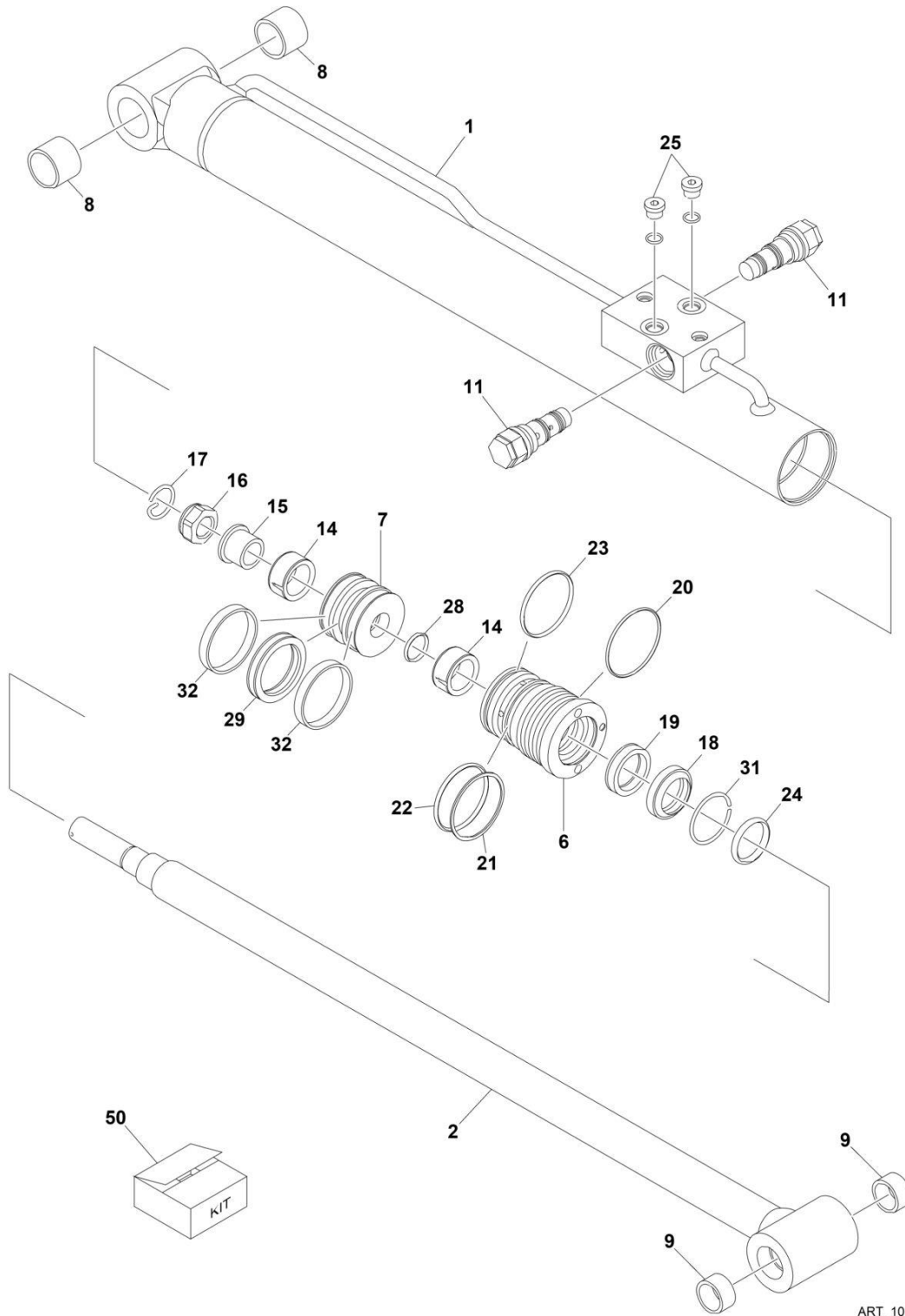
## SECTION 6 - CYLINDERS

**FIGURE 6-3. LEVEL CYLINDER ASSEMBLY - PLATFORM SLAVE**

ITEM	PART NUMBER	QTY	DESCRIPTION	REV
	1001140596	Ref	LEVEL CYLINDER ASSEMBLY - PLATFORM SLAVE	A
		Ref	Note: Original Cylinder May Have Been Replaced with Service Replacement. Identify PN Stamped on Cylinder Before Ordering Parts.	
1	70003840	1	Barrel	
1A	0961951	2	Bushing	
2	70003841	1	Rod	
2A	0961951	2	Bushing	
6	70003819	1	Head	
7	70003837	1	Piston	
8	70002216	1	Retainer	
12	See Note	NSS	Ring, Wear (Note: Use Item 50)	
13	See Note	NSS	Seal (Note: Use Item 50)	
14	See Note	NSS	O-Ring (Note: Use Item 50)	
15	4640509	1	Cartridge, Counterbalance Valve	
15	2900792	1	Seal Kit - 4640509 Valve	
16	See Note	NSS	O-Ring (Note: Use Item 50)	
17	See Note	NSS	Ring, Back-up (Note: Use Item 50)	
18	See Note	NSS	Seal (Note: Use Item 50)	
19	See Note	NSS	O-Ring (Note: Use Item 50)	
20	See Note	NSS	Wiper (Note: Use Item 50)	
21	70003838	1	Ring, Retaining	
22	7026084	1	O-Ring	
23	70003839	1	Spacer	
25	7017406	4	Plug	
26	See Note	2	Plug (Note: Not Available for Purchase)	
27	See Note	4	Plug (Note: Not Available for Purchase)	
29	4640932	1	Cartridge, Counterbalance Valve	
29	7011112	1	Seal Kit - 4640932 Valve	
50	70003842	1	Seal Kit - 1001140596 Cylinder (Includes Items 12-14 & 16-20)	

# SECTION 6 - CYLINDERS

## FIGURE 6-4. LIFT CYLINDER ASSEMBLY - JIB



ART\_1001140282



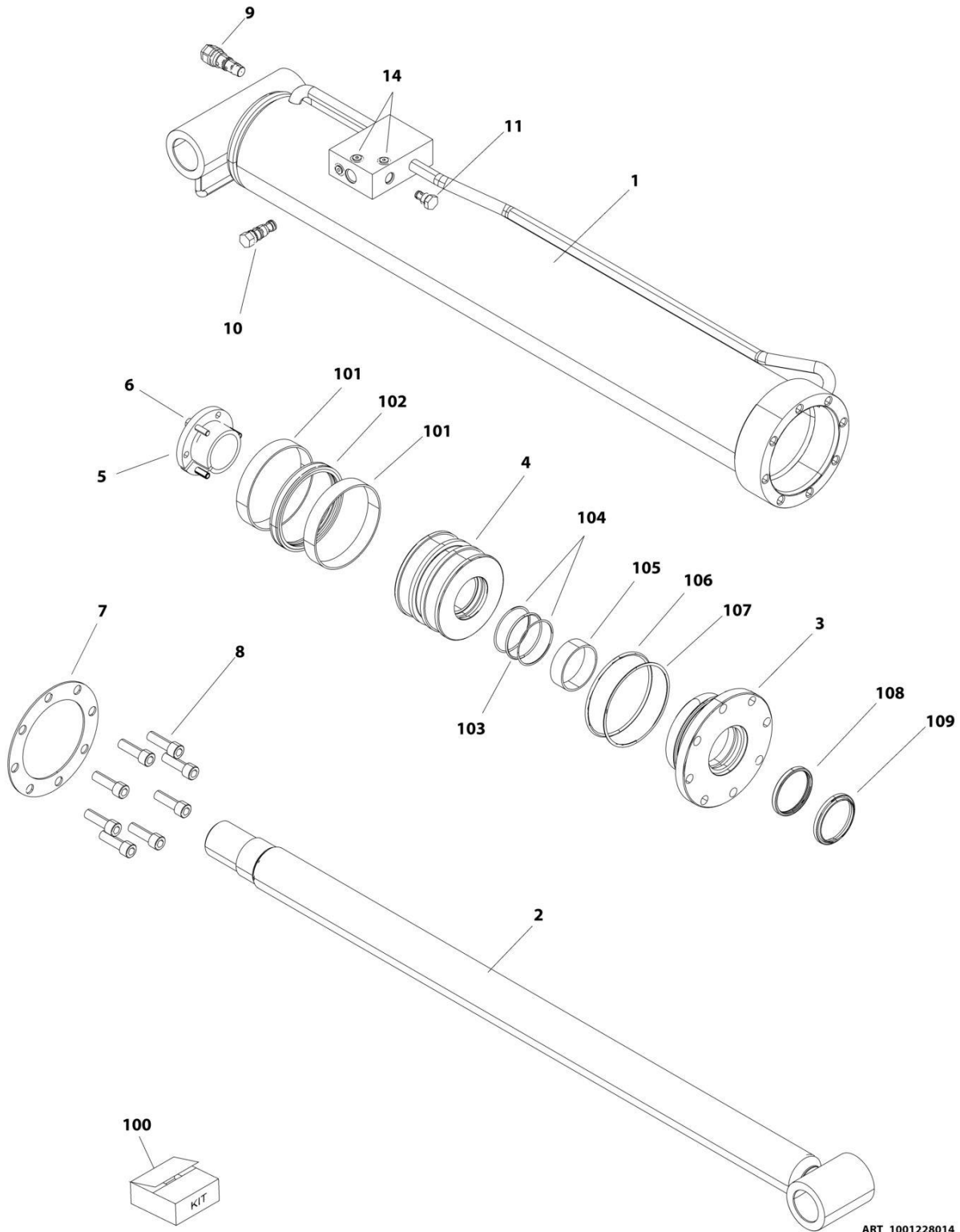
## SECTION 6 - CYLINDERS

**FIGURE 6-4. LIFT CYLINDER ASSEMBLY - JIB**

ITEM	PART NUMBER	QTY	DESCRIPTION	REV
	1001140282	Ref	LIFT CYLINDER ASSEMBLY - JIB (E600J/E600JP/M600J/M600JP)	A
		Ref	Note: Original Cylinder May Have Been Replaced with Service Replacement. Identify PN Stamped on Cylinder Before Ordering Parts.	
1	70003834	1	Barrel	
2	70003835	1	Rod	
6	7026088	1	Head	
7	70003833	1	Piston	
8	0961951	2	Bushing	
9	0961947	2	Bushing	
11	4640509	2	Cartridge, Counterbalance Valve	
11	2900792	2	Seal Kit - 4640509 Valve	
14	7026090	2	Bushing	
15	7026091	1	Sleeve	
16	7026092	1	Nut	
17	70002223	1	Retainer	
18	See Note	NSS	Wiper (Note: Use Item 50)	
19	See Note	NSS	Seal (Note: Use Item 50)	
20	See Note	NSS	O-Ring (Note: Use Item 50)	
21	See Note	NSS	Ring, Back-up (Note: Use Item 50)	
22	See Note	NSS	O-Ring (Note: Use Item 50)	
23	See Note	NSS	O-Ring (Note: Use Item 50)	
24	7026068	1	O-Ring	
25	7024844	2	Plug	
28	See Note	NSS	O-Ring (Note: Use Item 50)	
29	See Note	NSS	Seal (Note: Use Item 50)	
31	70002220	1	Ring, Retaining	
32	See Note	NSS	Ring, Wear (Note: Use Item 50)	
50	70003836	1	Seal Kit - 1001140282 Cylinder (Includes Items 18-23, 28, 29 & 32)	

# SECTION 6 - CYLINDERS

FIGURE 6-5. LIFT CYLINDER ASSEMBLY - MAIN (EC600SJP/H600SJP MACHINES WITH SN STARTING WITH 03)



ART\_1001228014

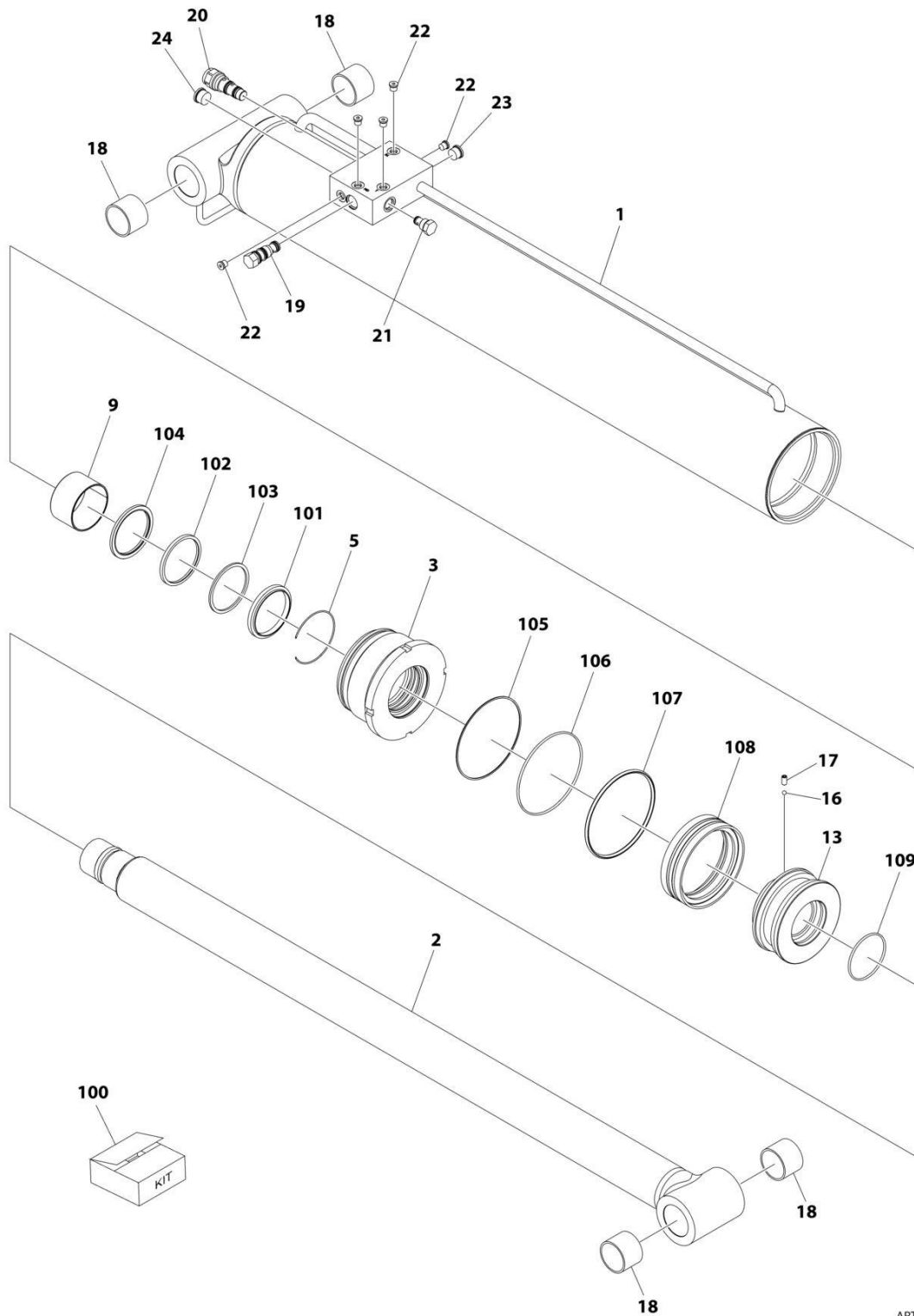
## SECTION 6 - CYLINDERS

**FIGURE 6-5. LIFT CYLINDER ASSEMBLY - MAIN (EC600SJP/H600SJP MACHINES WITH SN STARTING WITH 03)**

ITEM	PART NUMBER	QTY	DESCRIPTION	REV
	1001228014	Ref	LIFT CYLINDER ASSEMBLY - MAIN	D
		Ref	Note: Original Cylinder May Have Been Replaced with Service Replacement. Identify PN Stamped on Cylinder Before Ordering Parts.	
1	See Note	NSS	Barrel (Note: Not Available for Purchase)	
2	70006368	1	Rod Weldment	
3	70006367	1	Head	
4	70006366	1	Piston	
5	70006365	1	Bushing, Tapered	
6	0630536	1	Screw	
7	70006364	1	Washer	
8	3932032	8	Capscrew	
9	4640509	1	Valve, Counterbalance	
10	4640438	1	Cartridge, Check Valve	
11	4641129	1	Cartridge, Check Valve	
12	See Note	NSS	Plug (Not Shown)	
13	See Note	NSS	Plug	
14	2220883	4	Plug	
100	2901886	1	Seal Kit (Includes Items 101-109)	
101	See Note	NSS	Ring, Wear (Note: Use Item 100)	
102	See Note	NSS	Seal, Piston (Note: Use Item 100)	
103	See Note	NSS	O-Ring (Note: Use Item 100)	
104	See Note	NSS	Ring, Back-up (Note: Use Item 100)	
105	See Note	NSS	Ring, Wear(Note: Use Item 100)	
106	See Note	NSS	O-Ring (Note: Use Item 100)	
107	See Note	NSS	Ring, Back-up (Note: Use Item 100)	
108	See Note	NSS	Seal, Rod (Note: Use Item 100)	
109	See Note	NSS	Wiper, Rod (Note: Use Item 100)	

# SECTION 6 - CYLINDERS

**FIGURE 6-6. LIFT CYLINDER ASSEMBLY - MAIN (EC600SJ/H600SJ ALL MACHINES)  
(EC600SJP/H600SJP MACHINES WITH SN STARTING WITH B3)**



ART\_1001251014

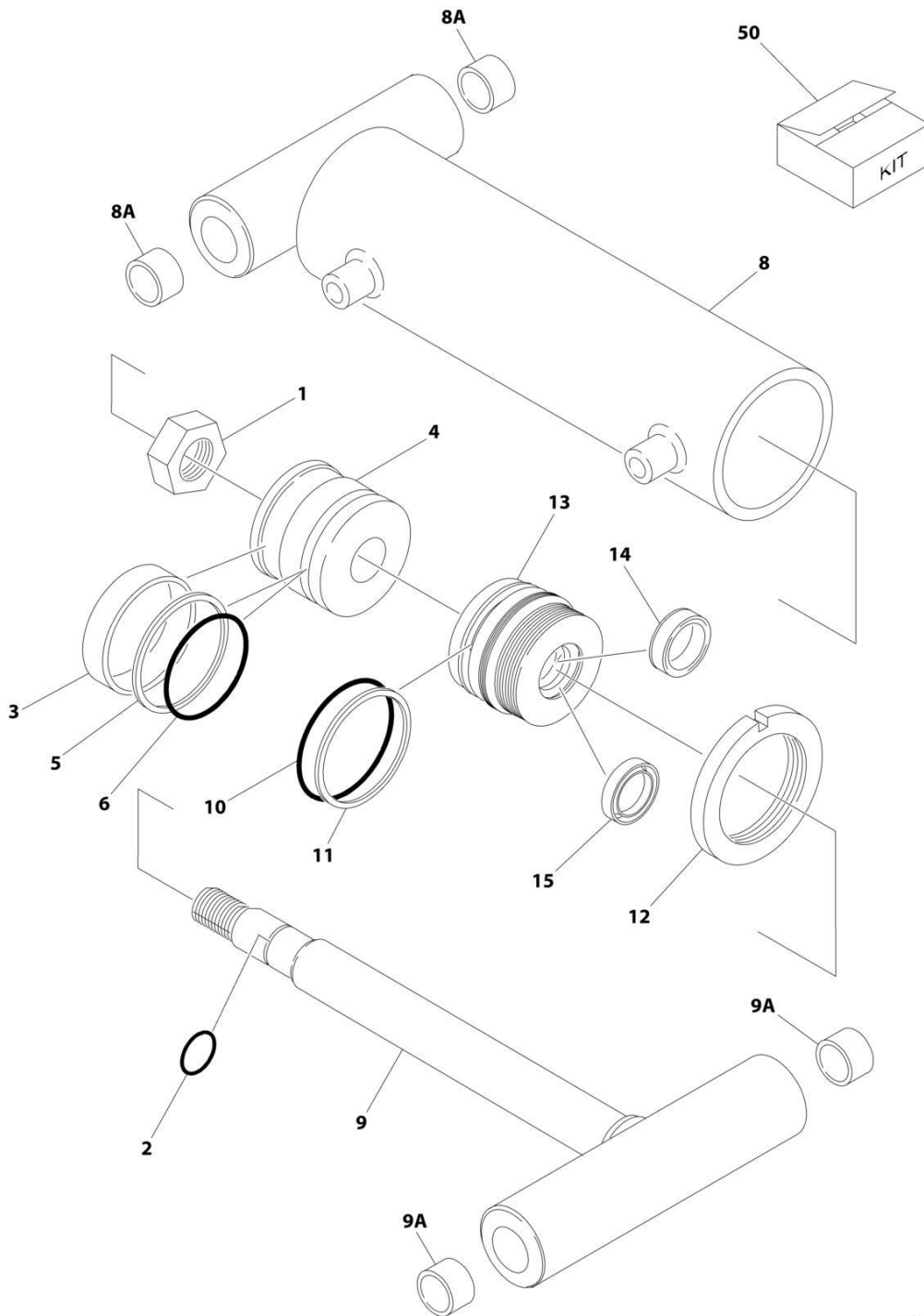
## SECTION 6 - CYLINDERS

**FIGURE 6-6. LIFT CYLINDER ASSEMBLY - MAIN (EC600SJ/H600SJ ALL MACHINES)  
(EC600SJP/H600SJP MACHINES WITH SN STARTING WITH B3)**

ITEM	PART NUMBER	QTY	DESCRIPTION	REV
	1001251014	Ref	LIFT CYLINDER ASSEMBLY - MAIN	C
		Ref	Note: Original Cylinder May Have Been Replaced with Service Replacement. Identify PN Stamped on Cylinder Before Ordering Parts.	
1	See Note	NSS	Barrel (Note: Not Available for Purchase)	
2	70007242	1	Rod Weldment	
3	70007243	1	Head	
5	70027750	1	Ring, Retaining	
9	70007244	1	Bearing, Dry	
13	70007245	1	Piston	
16	70022564	1	Ball, Steel	
17	70007246	1	Screw, Set	
18	0961950	4	Bearing	
19	4640438	1	Cartridge, Check Valve	
20	4640509	1	Valve, Counterbalance	
21	4641129	1	Cartridge, Check Valve	
22	2220883	5	Plug	
23	2220886	1	Plug	
24	2220887	1	Plug	
100	70007247	1	Seal Kit (Includes Items 101-109)	
101	See Note	NSS	Wiper (Note: Use Item 100)	
102	See Note	NSS	Seal, Rod (Note: Use Item 100)	
103	See Note	NSS	Ring, Back-up (Note: Use Item 100)	
104	See Note	NSS	Ring, Buffer (Note: Use Item 100)	
105	See Note	NSS	O-Ring (Note: Use Item 100)	
106	See Note	NSS	Ring, Back-up (Note: Use Item 100)	
107	See Note	NSS	O-Ring (Note: Use Item 100)	
108	See Note	NSS	Seal, Piston (Note: Use Item 100)	
109	See Note	NSS	O-Ring (Note: Use Item 100)	

# SECTION 6 - CYLINDERS

## FIGURE 6-7. MASTER CYLINDER ASSEMBLY



ART\_1683866

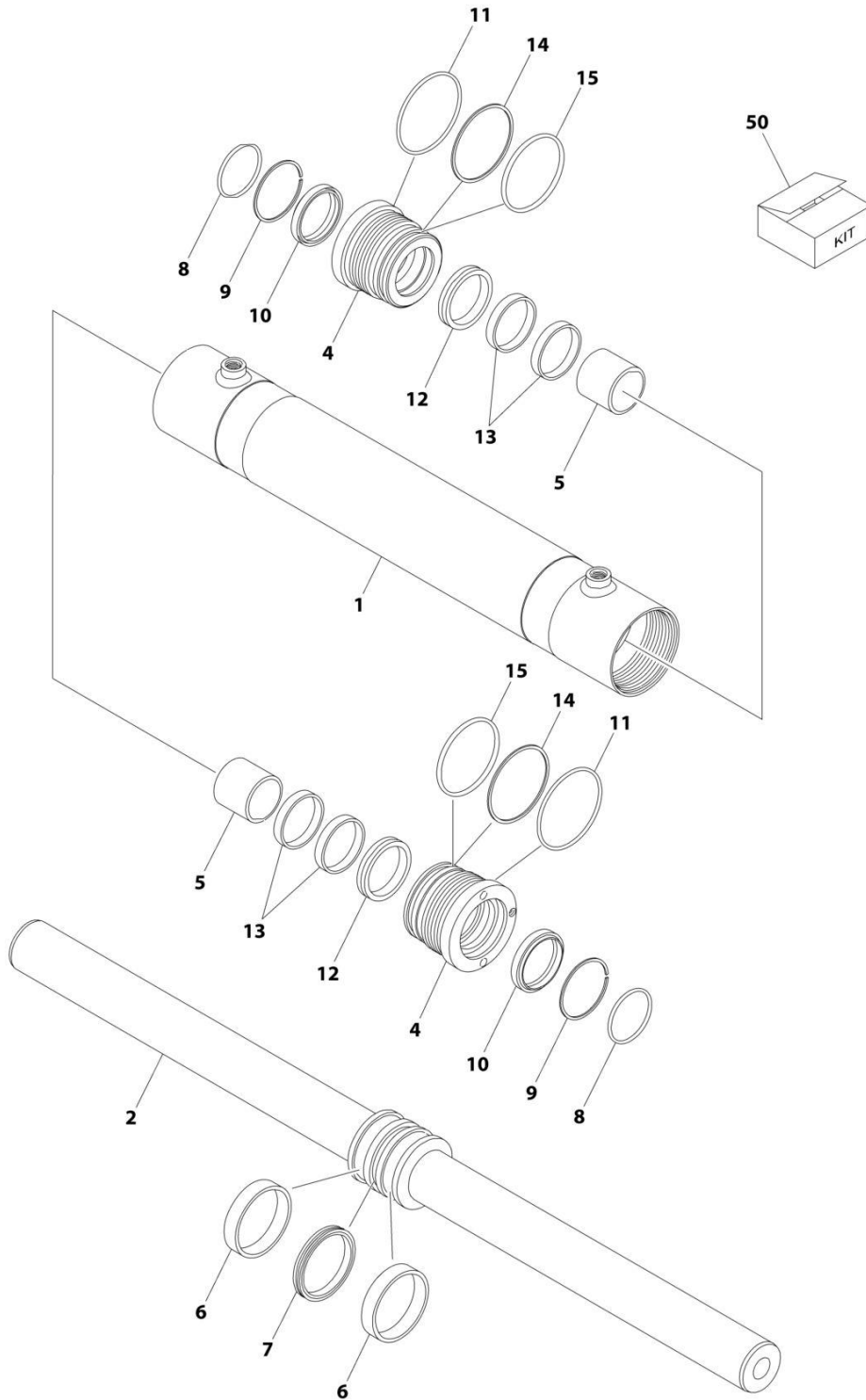
## SECTION 6 - CYLINDERS

### FIGURE 6-7. MASTER CYLINDER ASSEMBLY

ITEM	PART NUMBER	QTY	DESCRIPTION	REV
	1683866	Ref	MASTER CYLINDER ASSEMBLY	D
		Ref	Note: Original Cylinder May Have Been Replaced with Service Replacement. Identify PN Stamped on Cylinder Before Ordering Parts.	
1	7017278	1	Nut	
2	See Note	NSS	O-Ring (Note: Use Item 50)	
3	See Note	NSS	Ring, Wear (Note: Use Item 50)	
4	7017279	1	Piston	
5	See Note	NSS	Seal, Piston (Note: Use Item 50)	
6	See Note	NSS	O-Ring (Note: Use Item 50)	
8	7017280	1	Barrel Assembly	
8A	0961951	2	Bushing	
9	7017281	1	Rod Assembly	
9A	0961951	2	Bushing	
10	See Note	NSS	O-Ring (Note: Use Item 50)	
11	See Note	NSS	Ring, Back-up (Note: Use Item 50)	
12	7017283	1	Setscrew 1/4 x 3/8	
13	7017282	1	Guide	
14	See Note	NSS	Seal (Note: Use Item 50)	
15	See Note	NSS	Wiper (Note: Use Item 50)	
50	7017277	1	Seal Kit (Includes Items 2, 3, 5, 6, 10, 11, 14 & 15)	

# SECTION 6 - CYLINDERS

## FIGURE 6-8. STEER CYLINDER ASSEMBLY



ART\_1001140281



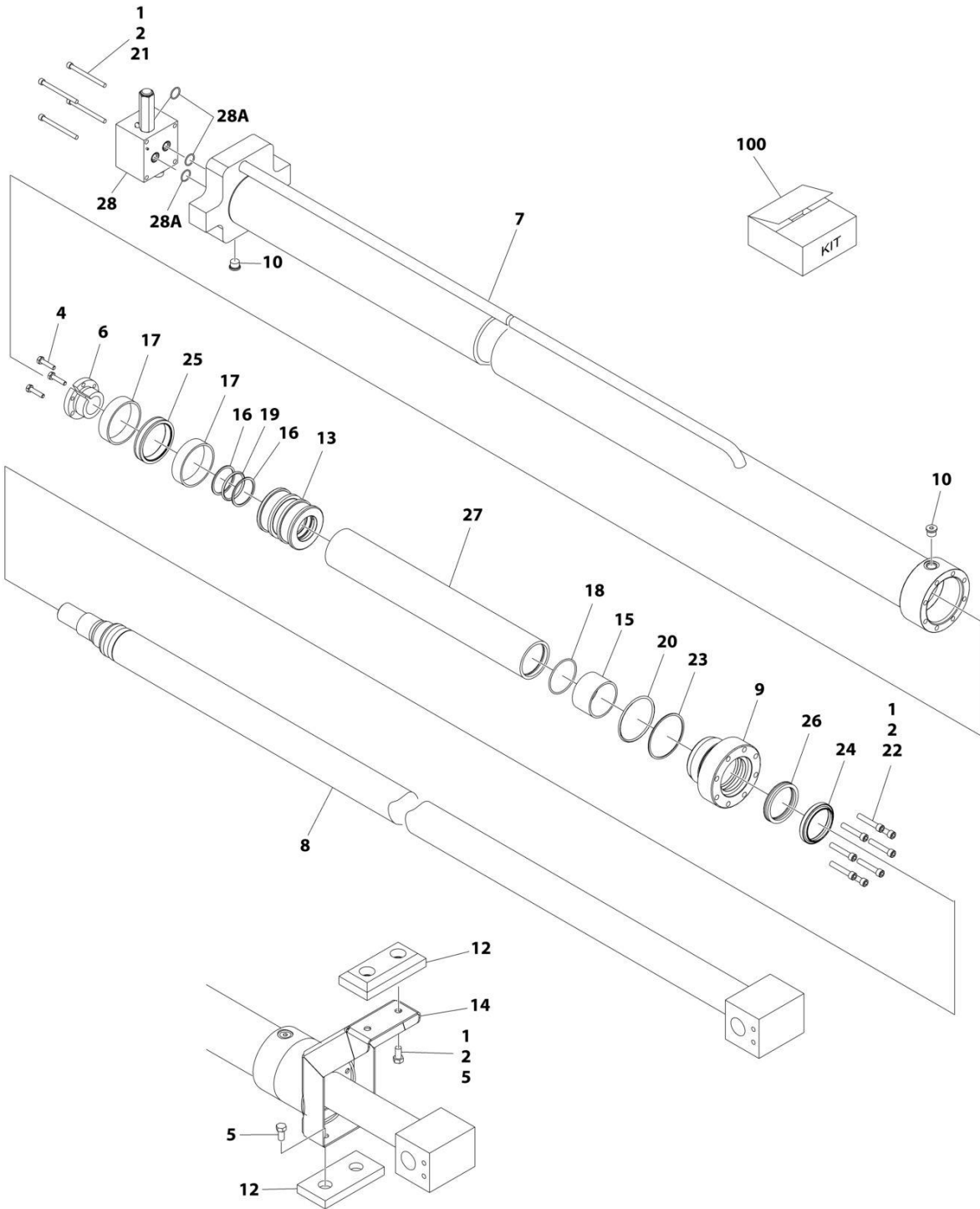
## SECTION 6 - CYLINDERS

**FIGURE 6-8. STEER CYLINDER ASSEMBLY**

ITEM	PART NUMBER	QTY	DESCRIPTION	REV
	1001140281	Ref	STEER CYLINDER ASSEMBLY	A
		Ref	Note: Original Cylinder may have been replaced with Service Replacement. Identify PN Stamped on Cylinder Before Ordering Parts.	
1	70004134	1	Barrel	
2	70004135	1	Rod	
4	70004132	2	Head	
5	70004133	2	Spacer	
6	See Note	NSS	Ring, Wear (Note: Use Item 50)	
7	See Note	NSS	T-Seal (Note: Use Item 50)	
8	70003820	2	O-Ring	
9	70002219	2	Retainer	
10	See Note	NSS	Wiper (Note: Use Item 50)	
11	See Note	NSS	O-Ring (Note: Use Item 50)	
12	See Note	NSS	Seal (Note: Use Item 50)	
13	See Note	NSS	Ring, Wear (Note: Use Item 50)	
14	See Note	NSS	Ring, Back-up (Note: Use Item 50)	
15	See Note	NSS	O-Ring (Note: Use Item 50)	
50	70004127	1	Seal Kit - 1001140281 Cylinder (Includes Items 6-7 & 10-15)	

# SECTION 6 - CYLINDERS

## FIGURE 6-9. TELESCOPE CYLINDER ASSEMBLY



ART\_1001228017

## SECTION 6 - CYLINDERS

**FIGURE 6-9. TELESCOPE CYLINDER ASSEMBLY**

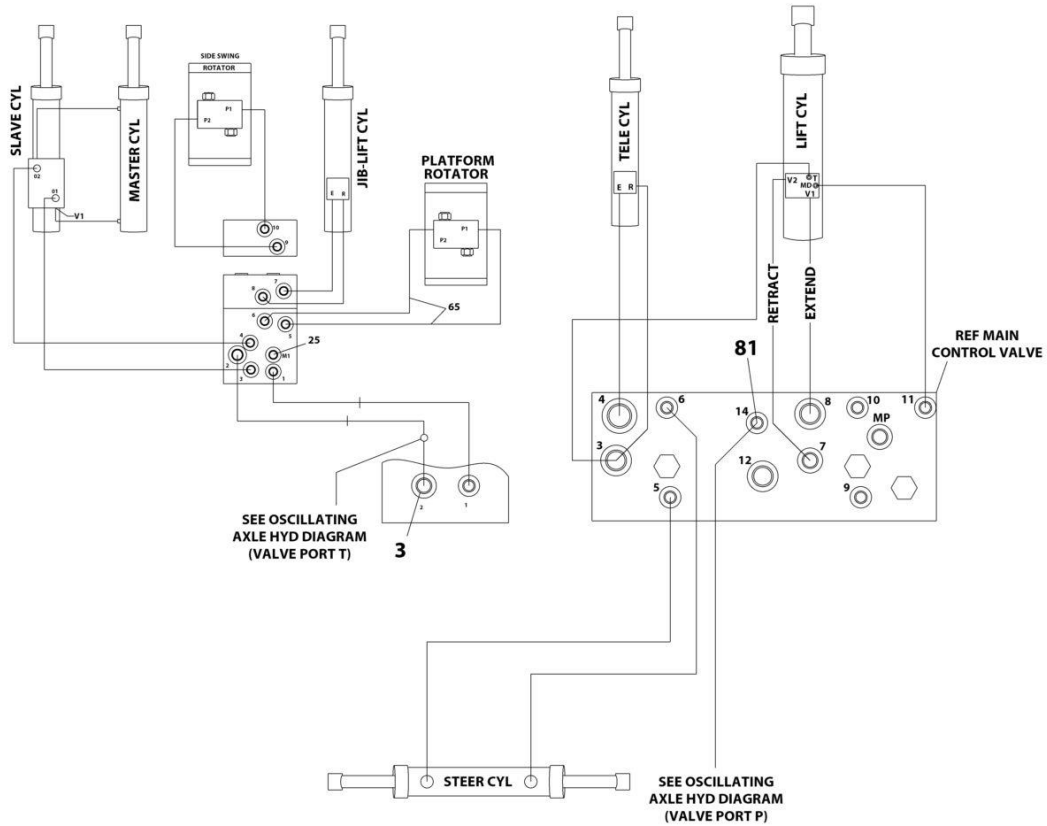
ITEM	PART NUMBER	QTY	DESCRIPTION	REV
	1001228017	Ref	TELESCOPE CYLINDER ASSEMBLY	A
		Ref	Note: Original Cylinder May Have Been Replaced with Service Replacement. Identify PN Stamped on Cylinder Before Ordering Parts.	
1	0100011	AR	Locking, Compound	
2	0100038	AR	Primer, Locking	
4	0630535	3	Bolt 1/4 x 1-1/8	
5	0641606	4	Bolt 3/8 x 3/4	
6	0961902	1	Bushing, Tapered	
7	See Note	NSS	Barrel (Note: Use Item 100)	
8	70006709	1	Rod	
9	70006710	1	Head	
10	2220885	2	Plug, O-Ring	
12	3340880	2	Pad, Support	
13	70006711	1	Piston	
14	3572040	1	Plate, Support	
15	See Note	NSS	Ring, Wear (Note: Use Item 100)	
16	See Note	NSS	Ring, Back-up (Note: Use Item 100)	
17	See Note	NSS	Ring, Wear (Note: Use Item 100)	
18	See Note	NSS	O-Ring (Note: Use Item 100)	
19	See Note	NSS	O-Ring (Note: Use Item 100)	
20	See Note	NSS	O-Ring (Note: Use Item 100)	
21	3931448	4	Capscrew 1/4 x 3	
22	3931528	8	Bolt 5/16 x 1-3/4	
23	See Note	NSS	Ring, Back-up (Note: Use Item 100)	
24	See Note	NSS	Wiper (Note: Use Item 100)	
25	See Note	NSS	Seal (Note: Use Item 100)	
26	See Note	NSS	Seal, Rod (Note: Use Item 100)	
27	70006712	1	Spacer	
28	4641179	1	Valve Assembly (Note: No Serviceable Parts - Purchase Complete Valve)	
28A	7026616	1	Seal Kit - 4641179 Valve	
100	2902019	1	Seal Kit (Includes Items 7, 15-20 & 23-26)	



**SECTION 7 - HYDRAULIC**

# SECTION 7 - HYDRAULIC

## FIGURE 7-1. HYDRAULIC DIAGRAM - AXLE (FIXED)



ART\_1001202439

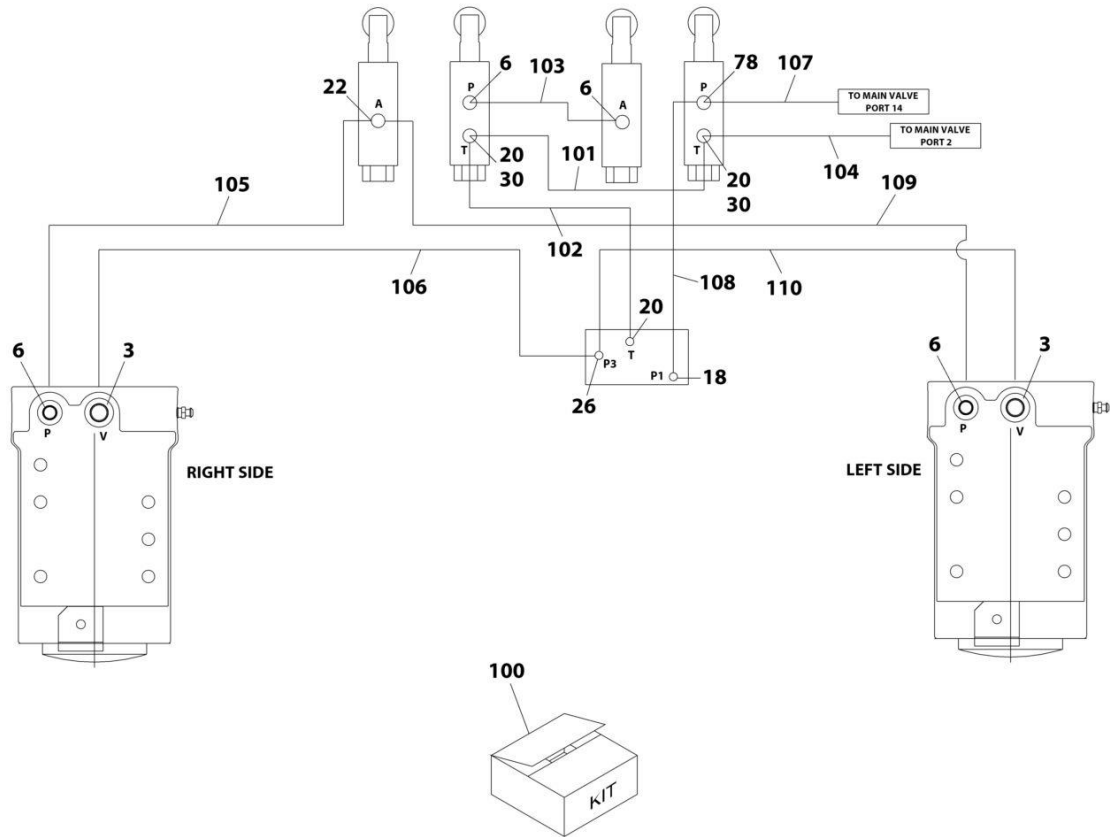
## SECTION 7 - HYDRAULIC

**FIGURE 7-1. HYDRAULIC DIAGRAM - AXLE (FIXED)**

ITEM	PART NUMBER	QTY	DESCRIPTION	REV
	1001202439	1	HYDRAULIC DIAGRAM - AXLE (FIXED)	1
3	2220371	1	Fitting, Straight JIC/ORB	
81	2220235	1	Plug	

# SECTION 7 - HYDRAULIC

## FIGURE 7-2. HYDRAULIC DIAGRAM - AXLE (OSCILLATING)



ART\_1001202444



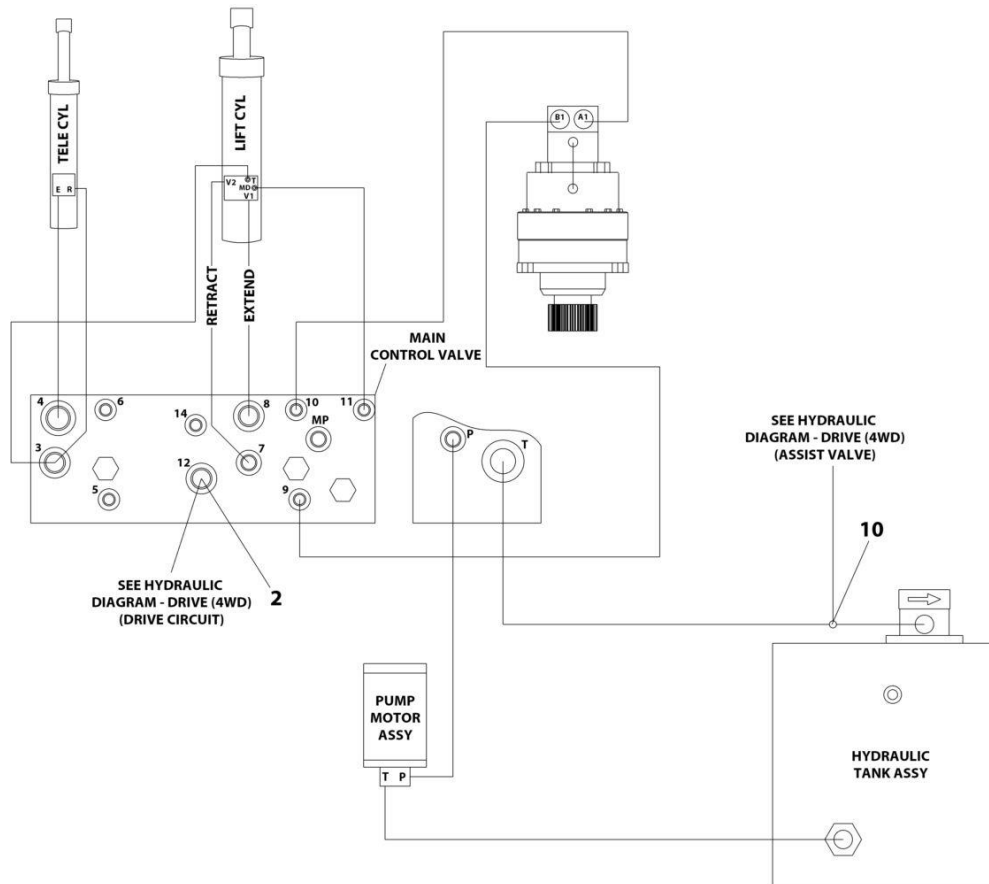
## SECTION 7 - HYDRAULIC

**FIGURE 7-2. HYDRAULIC DIAGRAM - AXLE (OSCILLATING)**

ITEM	PART NUMBER	QTY	DESCRIPTION	REV
	1001202444	Ref	OSCILLATING AXLE HYDRAULIC DIAGRAM	D
3	2220371	2	Fitting, Straight ORB-FL	
6	2220415	4	Fitting, Straight ORB-FL	
18	2220582	1	Fitting, Straight ORB-FL	
20	2220603	3	Fitting, Straight ORB-FL	
22	2220711	1	Fitting, Tee ORB-FL-FL	
26	2220899	1	Fitting, Tee ORB-FL-FL	
30	2220635	2	Fitting, Tee JIC/FSJIC/JIC	
78	2221034	1	Fitting, Tee ORB-FL-FL	
100	1001269832	1	Kit, Hose (OSC Axle)	
101	2752463	NSS	Hose	
102	2752471	NSS	Hose	
103	2752588	NSS	Hose	
104	2752631	NSS	Hose	
105	2753002	NSS	Hose	
106	2753397	NSS	Hose	
107	2753420	NSS	Hose	
108	1001200620	NSS	Hose	
109	1001200621	NSS	Hose	
110	1001200622	NSS	Hose	

# SECTION 7 - HYDRAULIC

## FIGURE 7-3. HYDRAULIC DIAGRAM - DRIVE (2WD)



ART\_2792427\_1

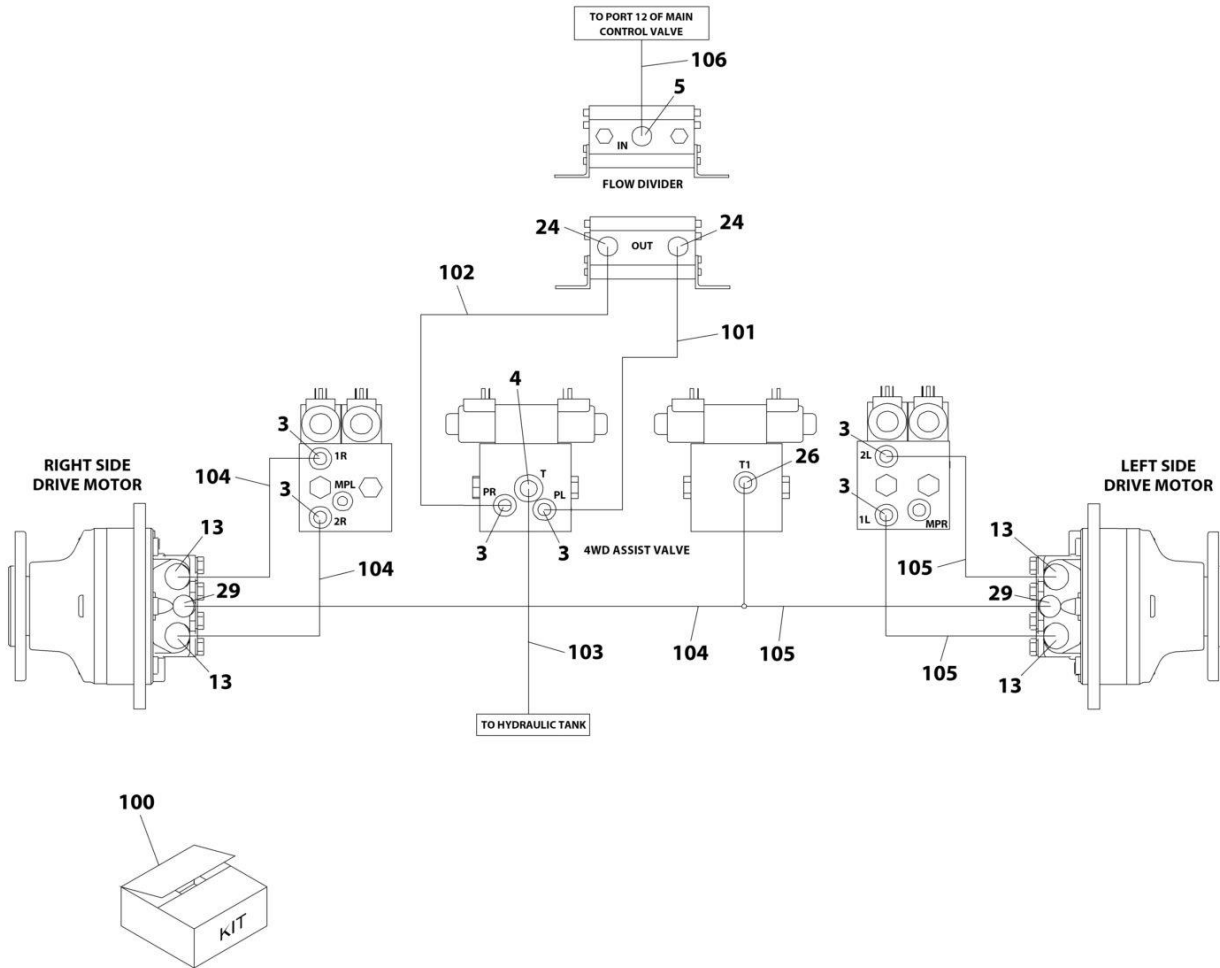
## SECTION 7 - HYDRAULIC

**FIGURE 7-3. HYDRAULIC DIAGRAM - DRIVE (2WD)**

ITEM	PART NUMBER	QTY	DESCRIPTION	REV
	2792427	Ref	HYDRAULIC DIAGRAM - DRIVE (2WD)	1
2	2220238	1	Plug	
10	2220451	1	Fitting, Straight JIC/ORB	

# SECTION 7 - HYDRAULIC

## FIGURE 7-4. HYDRAULIC DIAGRAM - DRIVE (4WD)



ART\_2792423

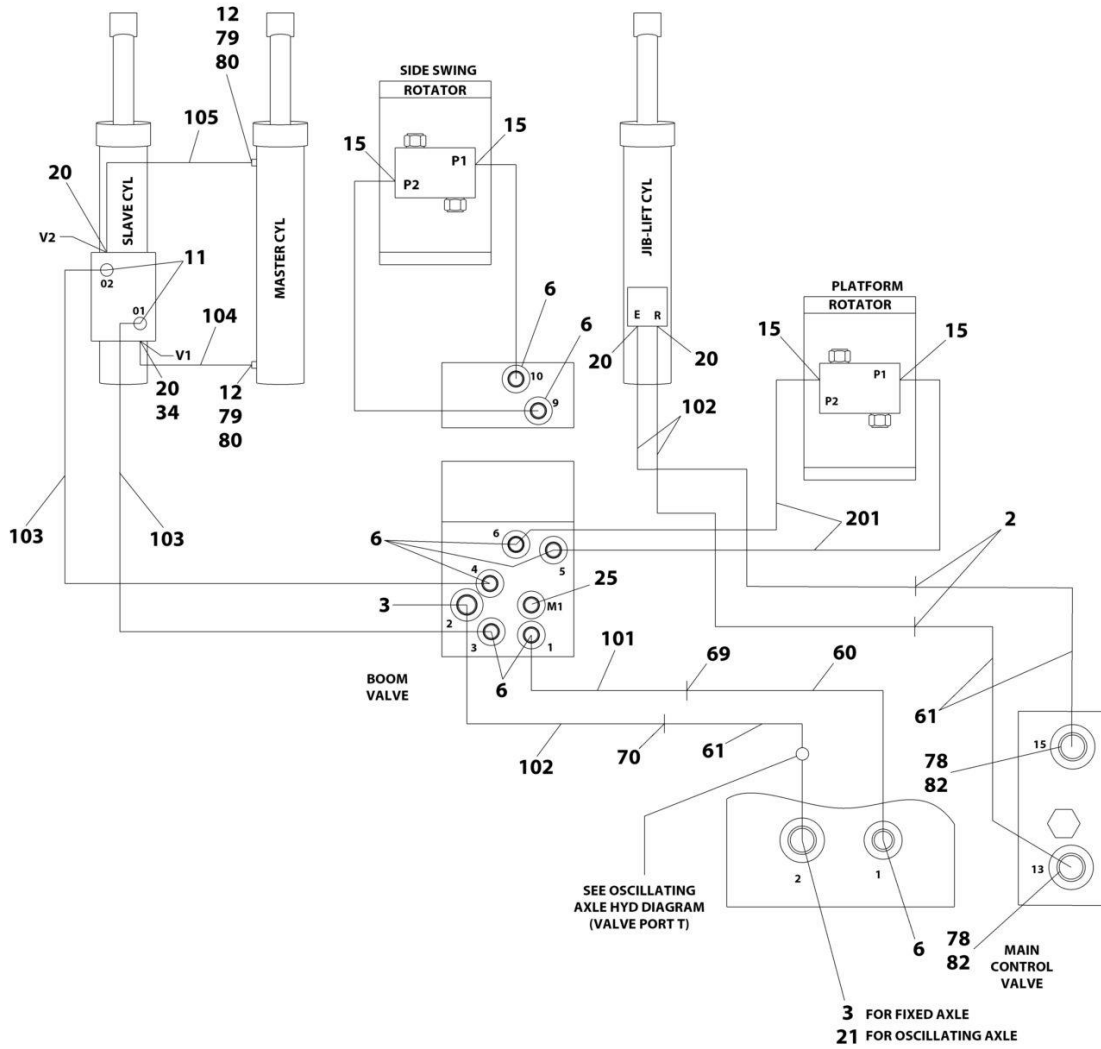
## SECTION 7 - HYDRAULIC

**FIGURE 7-4. HYDRAULIC DIAGRAM - DRIVE (4WD)**

ITEM	PART NUMBER	QTY	DESCRIPTION	REV
	2792423	Ref	4WD HYDRAULIC DIAGRAM	B
3	2220371	6	Fitting, Straight ORB-FL	
4	2220373	1	Fitting, Straight ORB-FL	
5	2220374	1	Fitting, Straight ORB-FL	
13	2220497	4	Fitting, Straight ORB-FL	
24	2220828	2	Fitting, 90 ORB-FL	
26	2220899	1	Fitting, Tee ORB-FL-FL	
29	2220998	2	Fitting, Straight ORB-FL	
100	1001269833	1	Kit, Hose (4WD Rear)	
101	2752648	NSS	Hose	
102	2753118	NSS	Hose	
103	2753452	NSS	Hose	
104	2753459	NSS	Hose	
105	2753460	NSS	Hose	
106	2753461	NSS	Hose	

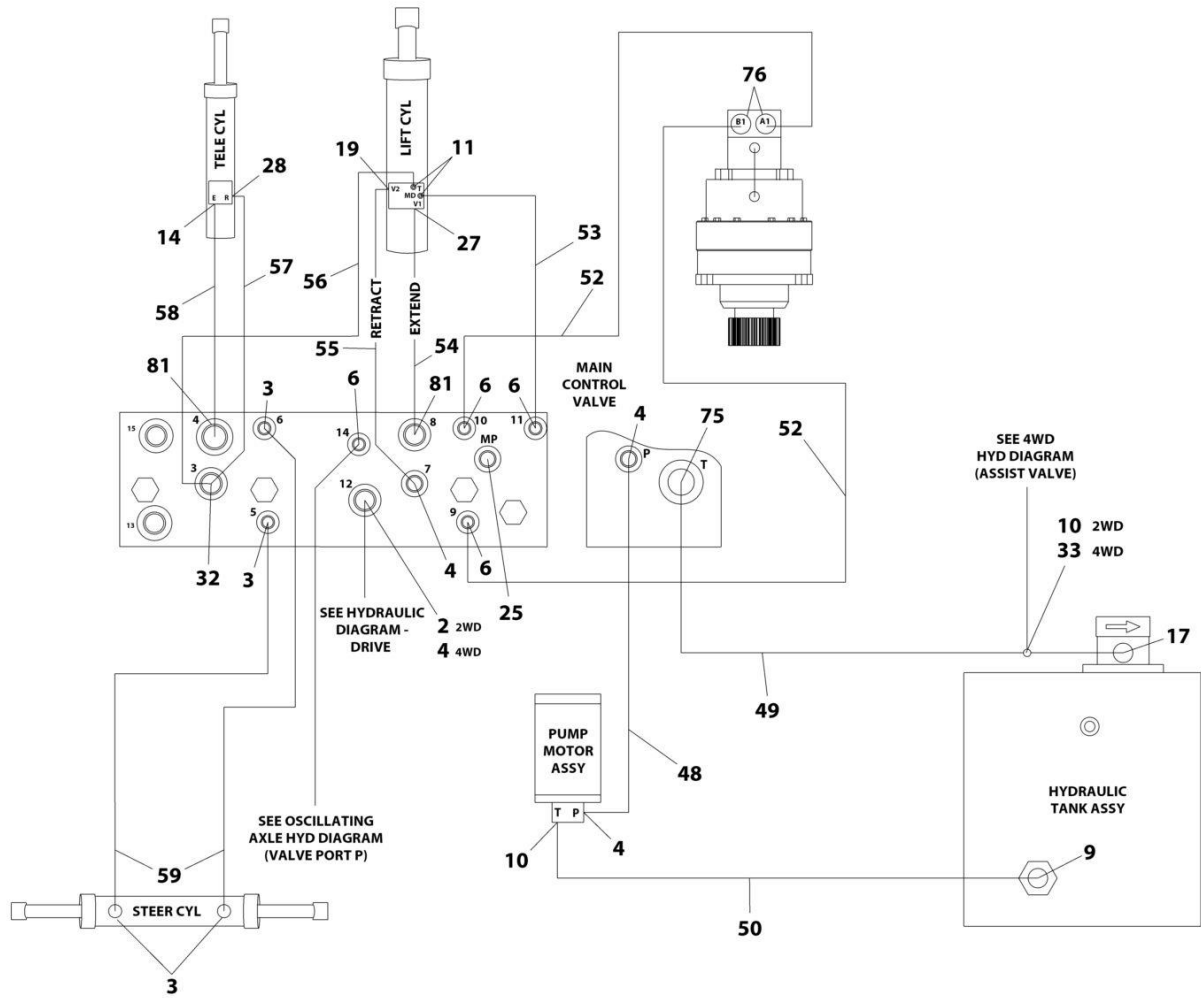
# SECTION 7 - HYDRAULIC

## FIGURE 7-5. HYDRAULIC DIAGRAM - STANDARD (EC600SJ/H600SJ)



ART\_1001220357\_B\_10F2

# SECTION 7 - HYDRAULIC



ART\_1001220357\_B\_2OF2

# SECTION 7 - HYDRAULIC

**FIGURE 7-5. HYDRAULIC DIAGRAM - STANDARD (EC600SJ/H600SJ)**

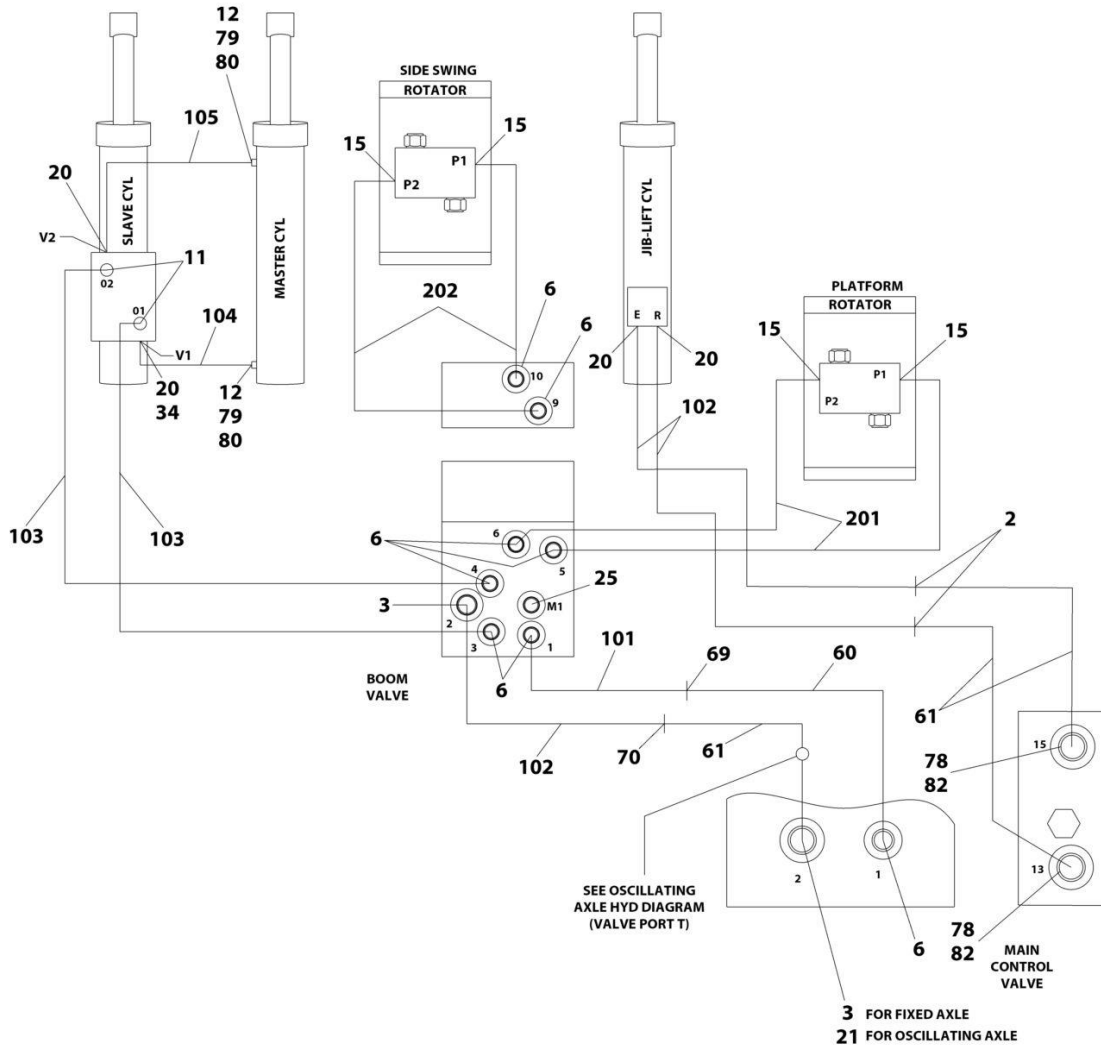
ITEM	PART NUMBER	QTY	DESCRIPTION	REV
	1001220357	Ref	HYDRAULIC DIAGRAM - STANDARD	B
2	2220511	2	Fitting, Straight JIC/JIC	
3	2220371	7	Fitting, Straight JIC/ORB	
4	2220373	4	Fitting, Straight JIC/ORB	
6	2220415	9	Fitting, Straight JIC/ORB	
9	2220435	1	Fitting, Straight JIC/ORB	
10	2220451	1	Fitting, Straight JIC/ORB	
11	2220466	4	Fitting, 90 JIC/ORB	
12	2220934	2	Fitting, Tee JIC/ORB/FNPTF	
14	2220500	1	Fitting, 45 JIC/ORB	
15	2220502	2	Fitting, 45 JIC/ORB	
17	2220550	1	Fitting Straight FORB/ORB	
19	2220596	1	Fitting, 90 JIC/ORB	
20	2220603	4	Fitting Straight JIC/ORB	
21	2220606	1	Fitting, Tee JIC/ORB/JIC	
25	2221086	2	Fitting, Diagnostic Test Port	
27	2220947	1	Fitting, Straight JIC/ORB	
28	2220950	1	Fitting, 45 JIC/ORB	
32	2221061	1	Fitting, Tee JIC/ORB/JIC	
33	2221063	1	Fitting, Tee JIC/ORB/JIC	
34	4567139	1	Tube	
48	2752498	1	Hose	
49	2753441	1	Hose	
50	2753440	1	Hose	
52	2753458	2	Hose	
53	2753444	1	Hose	
54	2753456	1	Hose	
55	2753454	1	Hose	
56	2753443	1	Hose	
57	2753453	1	Hose	
58	2753455	1	Hose	
59	2753451	2	Hose	
60	2753445	1	Hose	
61	2753447	3	Hose	
69	2230031	1	Fitting, 45 JIC/JIC	
70	8770189	1	Fitting, 45 JIC/JIC	
75	2220578	1	Fitting, 90 JIC/ORB	
76	2221033	2	Fitting, Straight JIC/ORB	
79	4640861	2	Fitting, Bleeder	
80	0100020	AR	Sealant	
81	88662037	2	Fitting, Straight JIC/ORB	
82	2220372	2	Fitting, Straight JIC/ORB	
100	1001260908	1	Kit, Hose (Upper Boom)	
101	2753446	NSS	Hose	
102	2753450	NSS	Hose	
103	2753442	NSS	Hose	
104	2753448	NSS	Hose	
105	2753449	NSS	Hose	
200	1001260910	1	Kit, Hose (Jib)	
201	2753458	NSS	Hose	





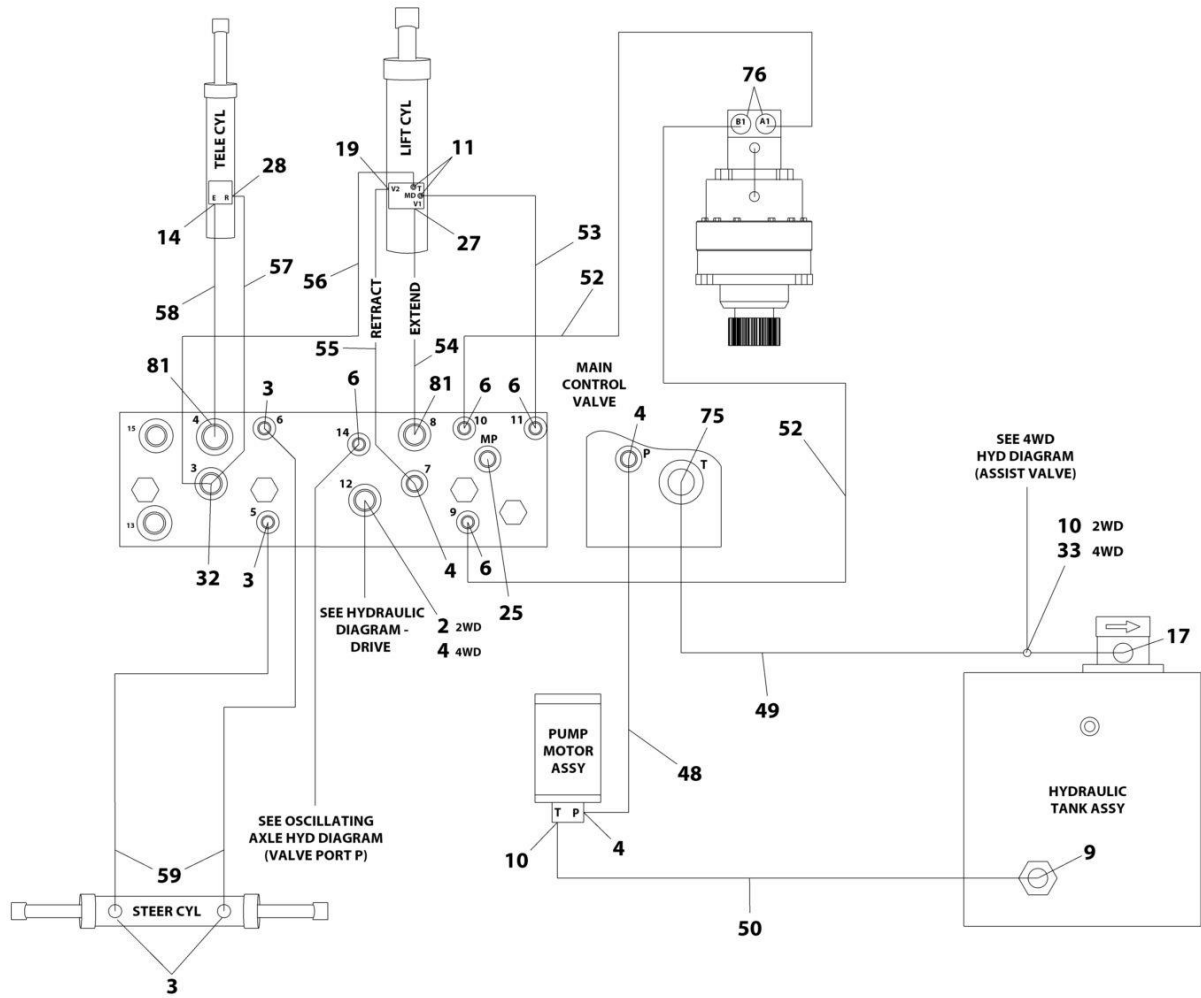
# SECTION 7 - HYDRAULIC

## FIGURE 7-6. HYDRAULIC DIAGRAM - STANDARD (EC600SJP/H600SJP)



ART\_1001220358\_C\_10F2

# SECTION 7 - HYDRAULIC



ART\_1001220358\_C\_20F2

# SECTION 7 - HYDRAULIC

**FIGURE 7-6. HYDRAULIC DIAGRAM - STANDARD (EC600SJP/H600SJP)**

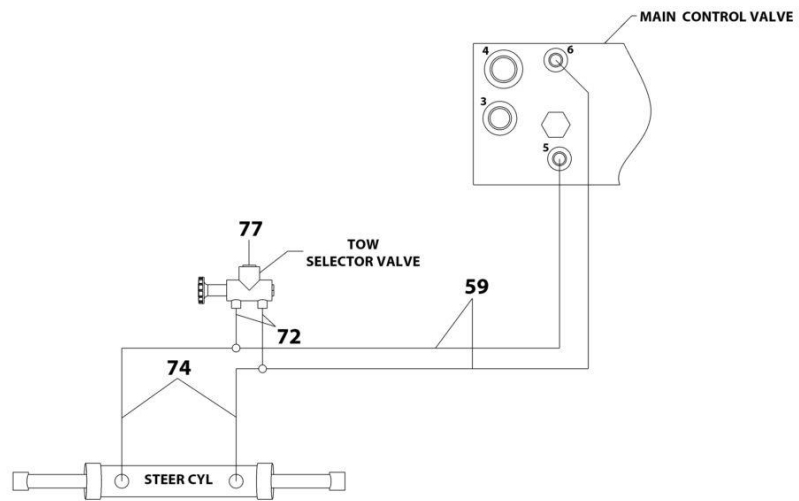
ITEM	PART NUMBER	QTY	DESCRIPTION	REV
	1001220358	Ref	HYDRAULIC DIAGRAM - STANDARD	C
2	2220511	2	Fitting, Straight JIC/JIC	
3	2220371	5	Fitting, Straight JIC/ORB	
4	2220373	4	Fitting, Straight JIC/ORB	
6	2220415	11	Fitting, Straight JIC/ORB	
9	2220435	1	Fitting, Straight JIC/ORB	
10	2220451	1	Fitting, Straight JIC/ORB	
11	2220466	4	Fitting, 90 JIC/ORB	
12	2220934	2	Fitting, Tee JIC/ORB/FNPTF	
14	2220500	1	Fitting, 45 JIC/ORB	
15	2220502	4	Fitting, 45 JIC/ORB	
17	2220550	1	Fitting Straight FORB/ORB	
19	2220596	1	Fitting, 90 JIC/ORB	
20	2220603	4	Fitting Straight JIC/ORB	
21	2220606	1	Fitting, Tee JIC/ORB/JIC	
25	2221086	2	Fitting, Diagnostic Test Port	
27	2220947	1	Fitting, Straight JIC/ORB	
28	2220950	1	Fitting, 45 JIC/ORB	
32	2221061	1	Fitting, Tee JIC/ORB/JIC	
33	2221063	1	Fitting, Tee JIC/ORB/JIC	
34	4567139	1	Tube	
48	2752498	1	Hose	
49	2753441	1	Hose	
50	2753440	1	Hose	
52	2753458	2	Hose	
53	2753444	1	Hose	
54	2753456	1	Hose	
55	2753454	1	Hose	
56	2753443	1	Hose	
57	2753453	1	Hose	
58	2753455	1	Hose	
59	2753451	2	Hose	
60	2753445	1	Hose	
61	2753447	3	Hose	
69	2230031	1	Fitting, 45 JIC/JIC	
70	8770189	1	Fitting, 45 JIC/JIC	
75	2220578	1	Fitting, 90 JIC/ORB	
76	2221033	2	Fitting, Straight JIC/ORB	
79	4640861	2	Fitting, Bleeder	
80	0100020	AR	Sealant	
81	88662037	2	Fitting, Straight JIC/ORB	
82	2220372	2	Fitting, Straight JIC/ORB	
100	1001260909	1	Kit, Hose (Upper Boom)	
101	2753493	NSS	Hose	
102	2753494	NSS	Hose	
103	2753492	NSS	Hose	
104	2753448	NSS	Hose	
105	2753449	NSS	Hose	
200	1001260911	1	Kit, Hose (Jib)	
201	2753458	NSS	Hose	

## SECTION 7 - HYDRAULIC

ITEM	PART NUMBER	QTY	DESCRIPTION	REV
202	2753491	NSS	Hose	

# SECTION 7 - HYDRAULIC

## FIGURE 7-7. HYDRAULIC DIAGRAM - TOW



ART\_1001202441

## SECTION 7 - HYDRAULIC

### FIGURE 7-7. HYDRAULIC DIAGRAM - TOW

ITEM	PART NUMBER	QTY	DESCRIPTION	REV
	1001202441	Ref	TOW HYDRAULIC DIAGRAM	C
59	2753451	2	Hose	
72	2221052	AR	Fitting, Tee ORB-FL-FL	
74	2753327	2	Hose	
77	2220240	1	Fitting, Plug ORB	

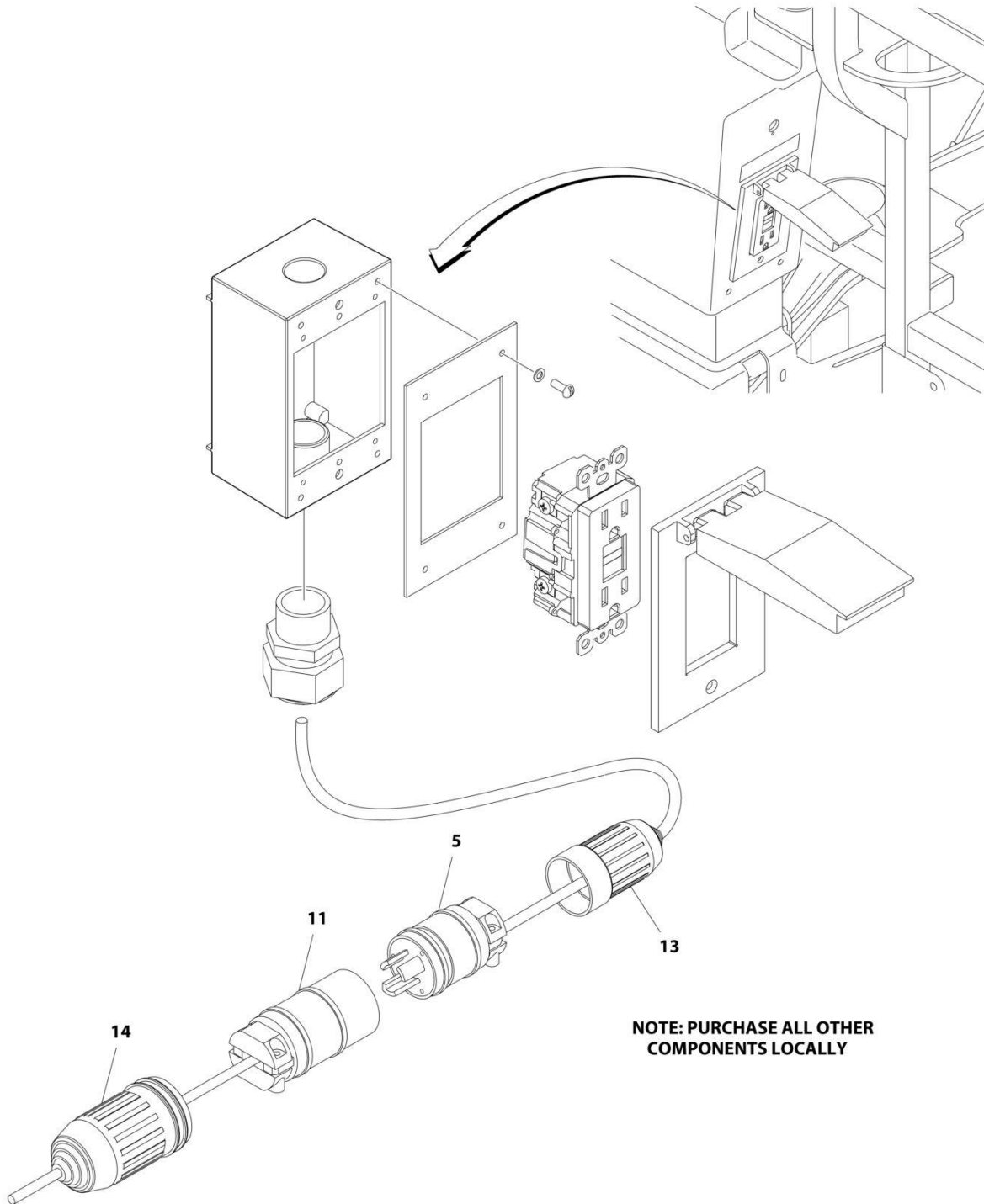




**SECTION 8 - ELECTRICAL**

# SECTION 8 - ELECTRICAL

## FIGURE 8-1. AC BOX AT PLATFORM - LOCALLY SUPPLIED COMPONENTS



ART\_0258304

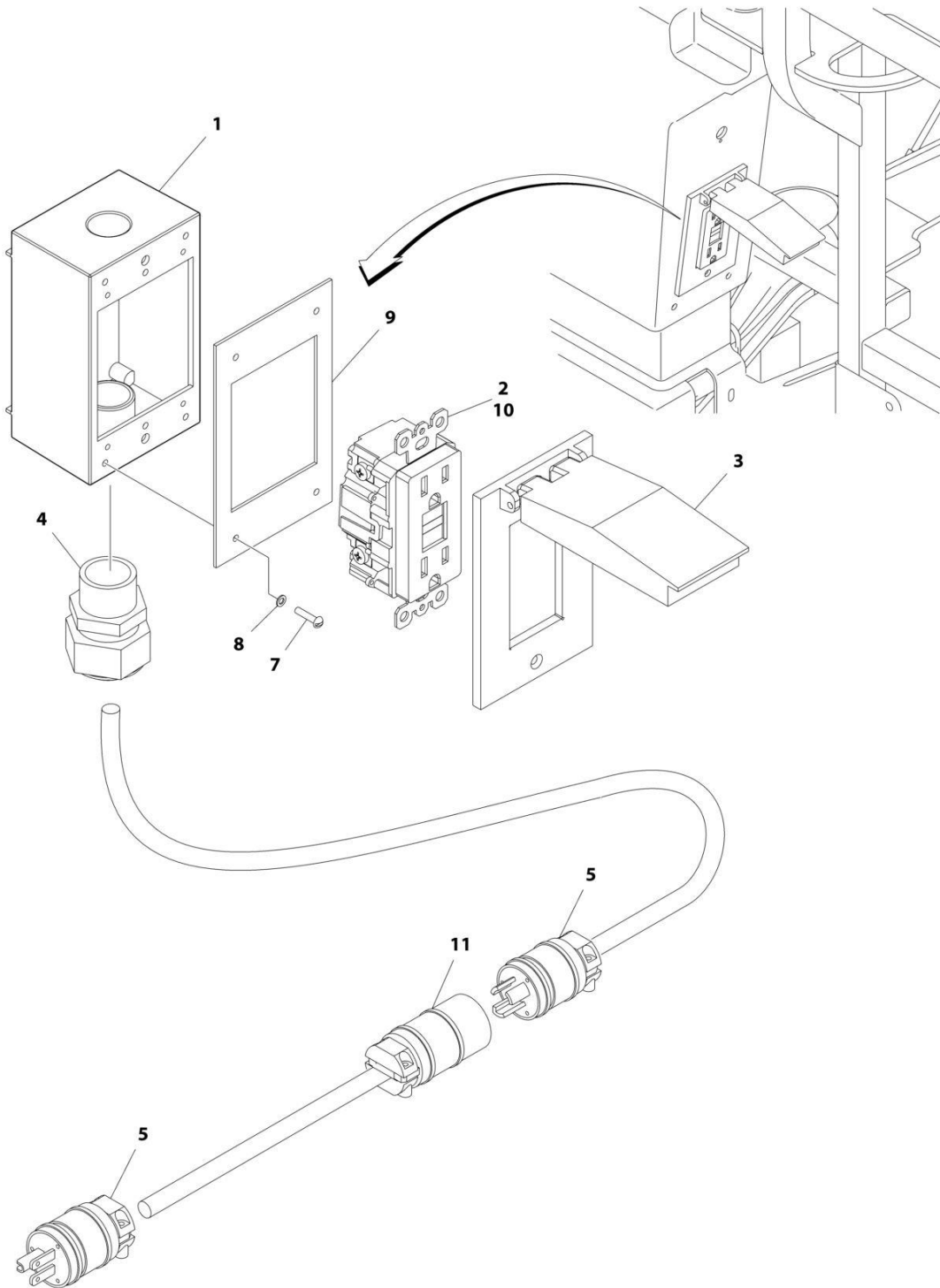
## SECTION 8 - ELECTRICAL

**FIGURE 8-1. AC BOX AT PLATFORM - LOCALLY SUPPLIED COMPONENTS**

ITEM	PART NUMBER	QTY	DESCRIPTION	REV
	0258304	Ref	AC BOX AT PLATFORM - LOCALLY SUPPLIED COMPONENTS	C
5	4460709	1	Plug	
11	4460710	1	Receptacle	
13	1001156351	1	Cover, Female Connector	
14	1001156352	1	Cover, Male Connector	

## SECTION 8 - ELECTRICAL

FIGURE 8-2. AC BOX AT PLATFORM INSTALLATION - 110V (ALL SPECS EXCEPT AUSTRALIAN, CE & UK CA SPECS)



ART\_0258303

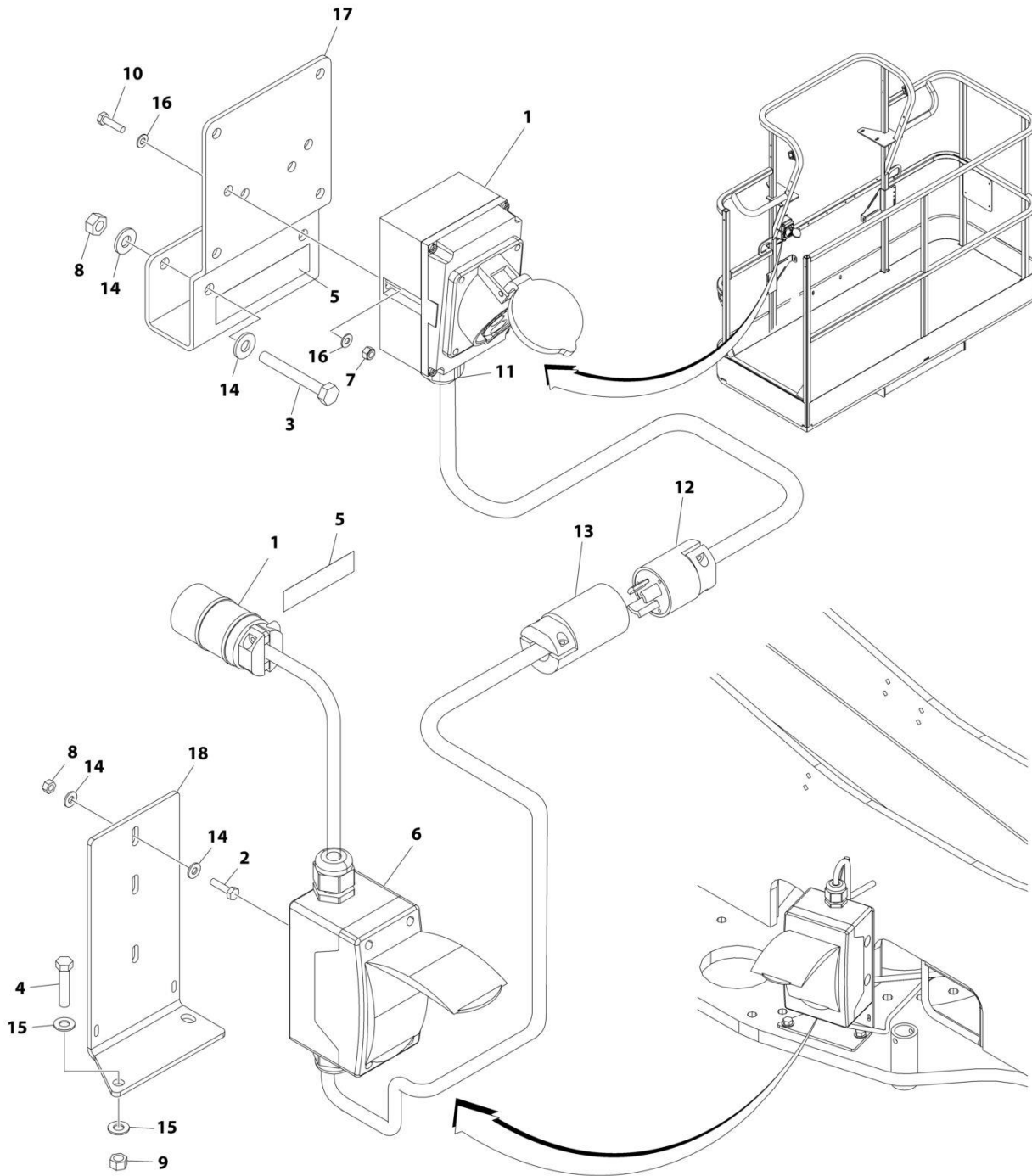
## SECTION 8 - ELECTRICAL

**FIGURE 8-2. AC BOX AT PLATFORM INSTALLATION - 110V (ALL SPECS EXCEPT AUSTRALIAN, CE & UK CA SPECS)**

ITEM	PART NUMBER	QTY	DESCRIPTION	REV
	0258303	Ref	AC BOX AT PLATFORM INSTALLATION - 110V - ANSI, ANSI EXPORT AND CSA SPECS	6
1	0860038	1	Box, Switch	
2	4460346	1	Receptacle	
3	1001110873	1	Shield, Cover	
4	4460071	1	Connector, Strain Relief	
5	4460205	2	Plug, Male	
7	3910610	4	Screw #6 x 5/8	
8	4760600	4	Washer #6	
9	3960422	1	Gasket	
10	4460315	1	Terminal, Spade	
11	4460134	1	Receptacle, Female	

# SECTION 8 - ELECTRICAL

FIGURE 8-3. AC BOX AT PLATFORM INSTALLATION - 110V IEC YELLOW (CE & UK CA SPEC)



ART\_1001221189

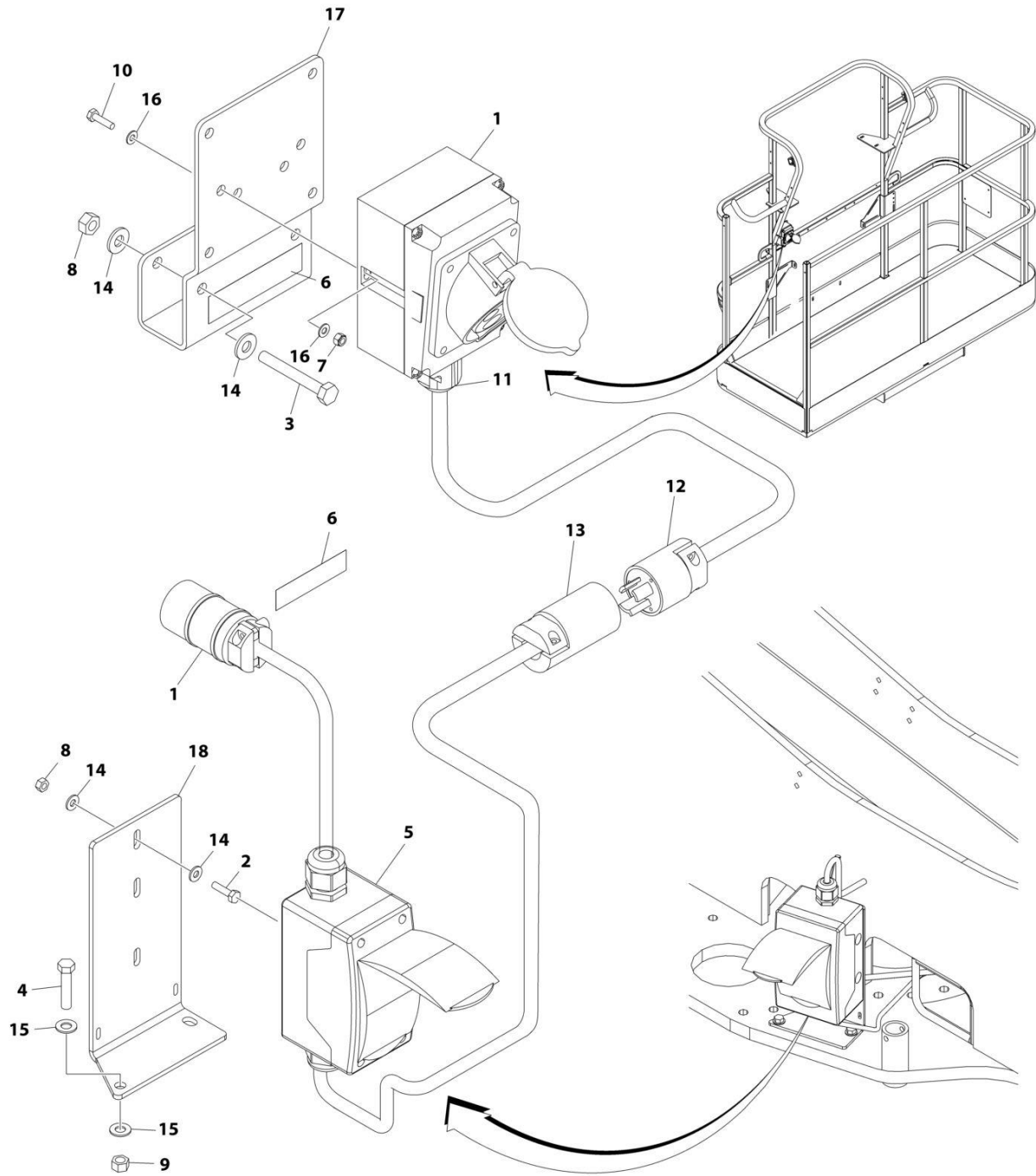
## SECTION 8 - ELECTRICAL

**FIGURE 8-3. AC BOX AT PLATFORM INSTALLATION - 110V IEC YELLOW (CE & UK CA SPEC)**

ITEM	PART NUMBER	QTY	DESCRIPTION	REV
	1001221189	Ref	AC BOX AT PLATFORM INSTALLATION - 110V IEC YELLOW (CE & UK CA SPEC)	A
1	0275216	1	Receptacle Box Kit (See Separate Breakdown in this Section)	
2	0641408	2	Bolt 1/4 x 1	
3	0641416	2	Bolt 1/4 x 2	
4	0641614	2	Bolt 3/8 x 1-3/4	
5	1705325	2	Decal - 120V-50Hz	
6	2902549	1	Breaker Box Kit - CE & UK CA Spec (See Separate Breakdown in this Section)	
7	3290405	2	Nut M4	
8	3311405	4	Nut 1/4	
9	3311605	2	Nut 3/8	
10	4010408	2	Screw M4 x 16	
11	4460662	1	Connector, Strain Relief	
12	4460709	1	Plug, Male	
13	4460710	1	Receptacle, Female	
14	4711400	8	Washer 1/4	
15	4711600	4	Washer 3/8	
16	4811400	4	Washer M4	
17	1001193018	1	Bracket	
18	1001221130	1	Bracket	

# SECTION 8 - ELECTRICAL

FIGURE 8-4. AC BOX AT PLATFORM INSTALLATION - 220V IEC BLUE (CE & UK CA SPEC)



ART\_1001221190



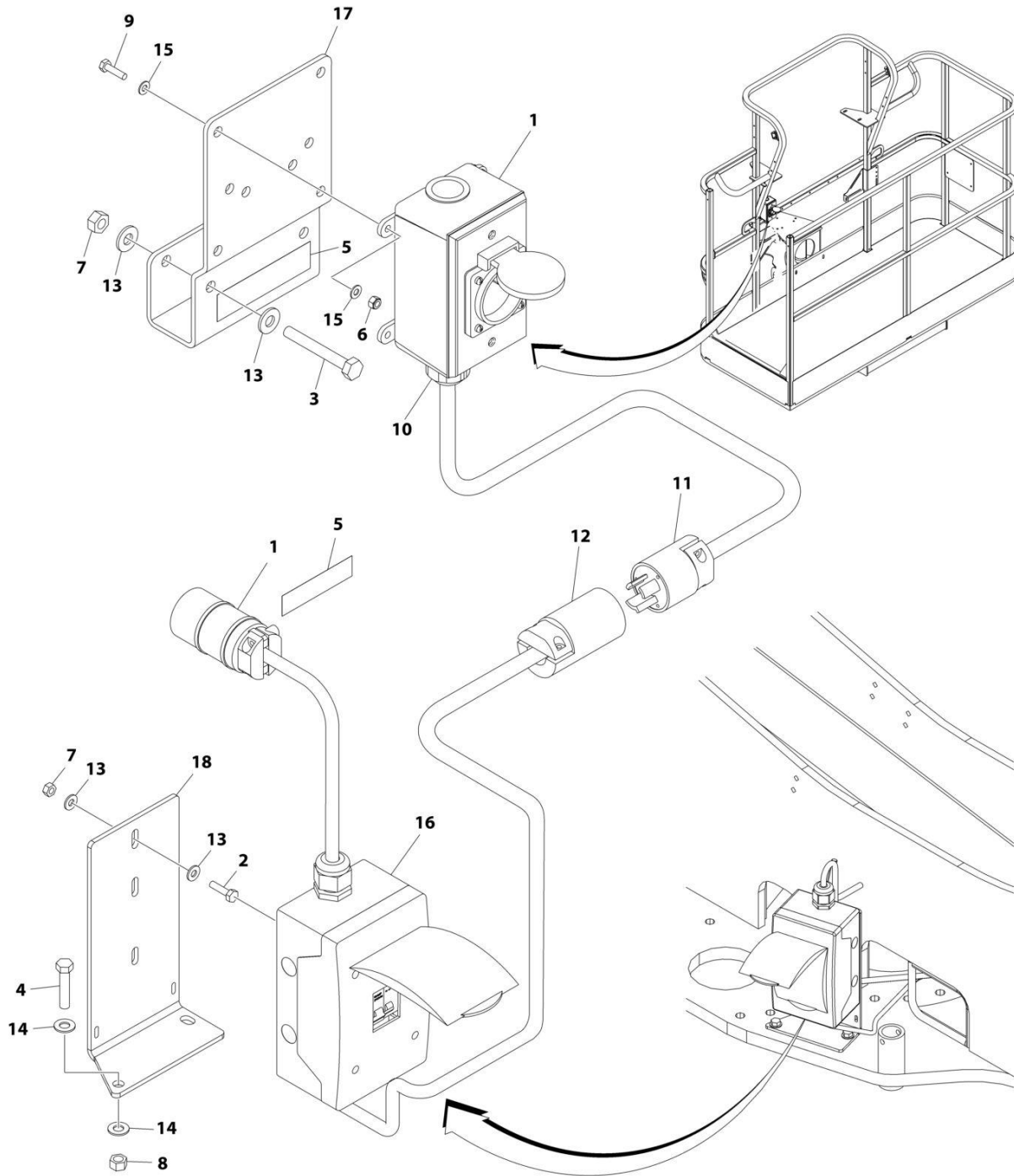
## SECTION 8 - ELECTRICAL

**FIGURE 8-4. AC BOX AT PLATFORM INSTALLATION - 220V IEC BLUE (CE & UK CA SPEC)**

ITEM	PART NUMBER	QTY	DESCRIPTION	REV
	1001221190	Ref	AC BOX AT PLATFORM INSTALLATION - 220V IEC BLUE (CE & UK CA SPEC)	A
1	0275217	1	Receptacle Box Kit (See Separate Breakdown in this Section)	
2	0641408	2	Bolt 1/4 x 1	
3	0641416	2	Bolt 1/4 x 2	
4	0641614	2	Bolt 3/8 x 1-3/4	
5	2902549	1	Breaker Box Kit (See Separate Breakdown in this Section)	
6	3252507	2	Decal - 220V-50Hz	
7	3290405	2	Nut M4	
8	3311405	4	Nut 1/4	
9	3311605	2	Nut 3/8	
10	4010408	2	Screw M4 x 16	
11	4460662	1	Connector, Strain Relief	
12	4460709	1	Plug, Male	
13	4460710	1	Receptacle, Female	
14	4711400	8	Washer 1/4	
15	4711600	4	Washer 3/8	
16	4811400	4	Washer M4	
17	1001193018	1	Bracket	
18	1001221130	1	Bracket	

# SECTION 8 - ELECTRICAL

FIGURE 8-5. AC BOX AT PLATFORM INSTALLATION - 220V CEE7 POST GROUND WITH 2IN X 4IN BOX (CE & UK CA SPEC)



ART\_1001221185

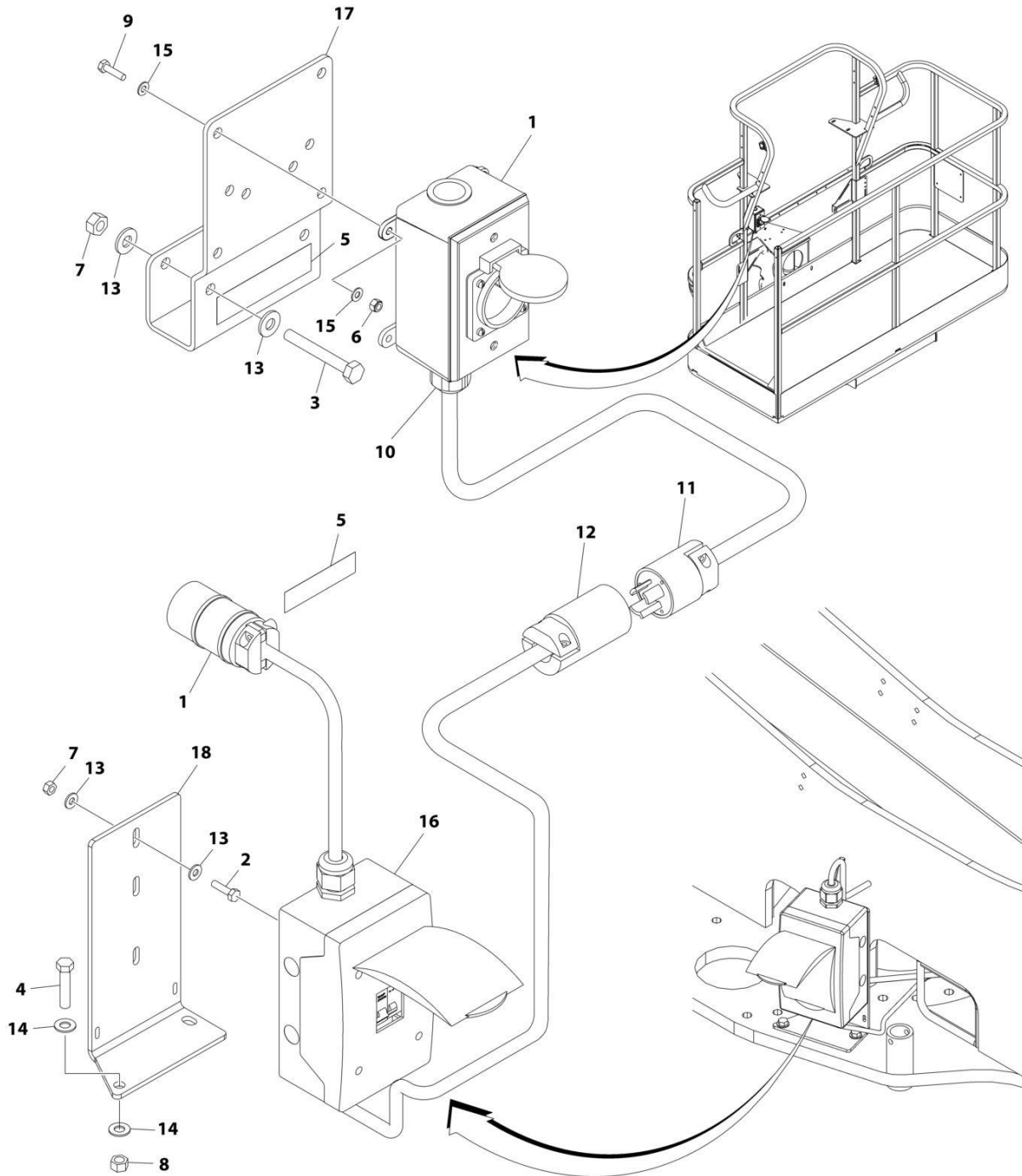
## SECTION 8 - ELECTRICAL

**FIGURE 8-5. AC BOX AT PLATFORM INSTALLATION - 220V CEE7 POST GROUND WITH 2IN X 4IN BOX (CE & UK CA SPEC)**

ITEM	PART NUMBER	QTY	DESCRIPTION	REV
	1001221185	Ref	AC BOX AT PLATFORM INSTALLATION - 220V CEE7 POST GROUND WITH 2IN X 4IN BOX (CE & UK CA SPEC)	A
1	0275452	1	Receptacle Box Kit (See Separate Breakdown in this Section)	
2	0641408	2	Bolt 1/4 x 1	
3	0641416	2	Bolt 1/4 x 2	
4	0641614	2	Bolt 3/8 x 1-3/4	
5	3252507	2	Decal - Voltage	
6	3290405	4	Nut M4	
7	3311405	4	Nut 1/4	
8	3311605	2	Nut 3/8	
9	4010408	4	Screw M4 x 16	
10	4460662	1	Connector, Strain Relief	
11	4460709	1	Plug, Male	
12	4460710	1	Receptacle, Female	
13	4711400	8	Washer 1/4	
14	4711600	4	Washer 3/8	
15	4811400	8	Washer M4	
16	1001152486	1	Breaker Box Kit (See Separate Breakdown in this Section)	
17	1001193018	1	Bracket	
18	1001221130	1	Bracket	

**SECTION 8 - ELECTRICAL**

**FIGURE 8-6. AC BOX AT PLATFORM INSTALLATION - 220V CEE7 SIDE GROUND WITH 2IN X 4IN BOX (CE & UK CA SPEC)**



ART\_1001221187

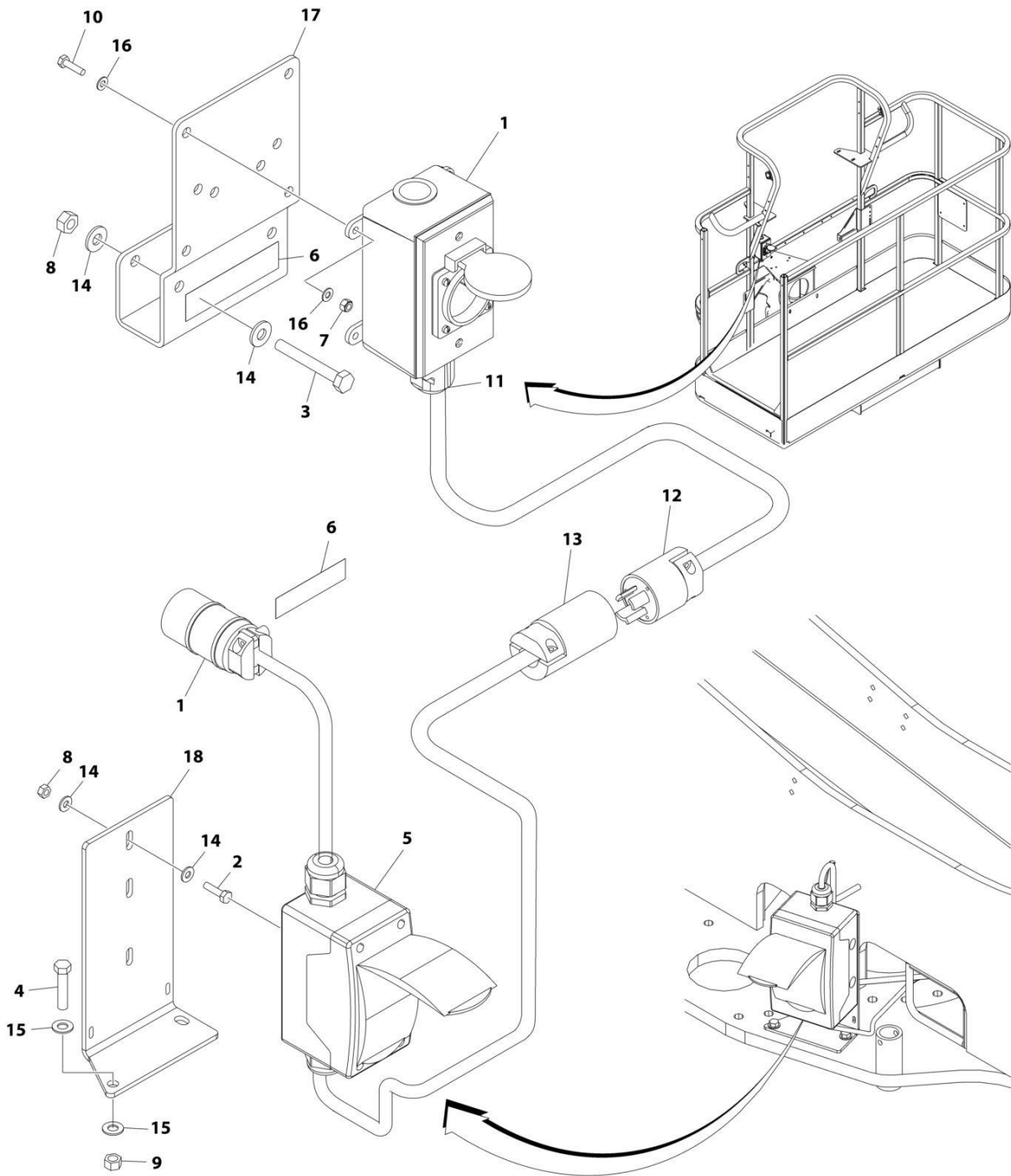
## SECTION 8 - ELECTRICAL

**FIGURE 8-6. AC BOX AT PLATFORM INSTALLATION - 220V CEE7 SIDE GROUND WITH 2IN X 4IN BOX (CE & UK CA SPEC)**

ITEM	PART NUMBER	QTY	DESCRIPTION	REV
	1001221187	Ref	AC BOX AT PLATFORM INSTALLATION - 220V CEE7 SIDE GROUND WITH 2IN X 4IN BOX (CE & UK CA SPEC) <b>(SN 0300223839 to Present)</b>	A
1	0275453	1	Receptacle Box Kit (See Separate Breakdown in this Section)	
2	0641408	2	Bolt 1/4 x 1	
3	0641416	2	Bolt 1/4 x 2	
4	0641614	2	Bolt 3/8 x 1-3/4	
5	3252507	2	Decal - Voltage	
6	3290405	4	Nut M4	
7	3311405	4	Nut 1/4	
8	3311605	2	Nut 3/8	
9	4010408	4	Screw M4 x 16	
10	4460662	1	Connector, Strain Relief	
11	4460709	1	Plug, Male	
12	4460710	1	Receptacle, Female	
13	4711400	8	Washer 1/4	
14	4711600	4	Washer 3/8	
15	4811400	8	Washer M4	
16	1001152486	1	Breaker Box Kit (See Separate Breakdown in this Section)	
17	1001193018	1	Bracket	
18	1001221130	1	Bracket	

# SECTION 8 - ELECTRICAL

FIGURE 8-7. AC BOX AT PLATFORM INSTALLATION - 220V AFSINT 107 KEYED GROUND WITH 2IN X 4IN BOX



ART\_1001221188

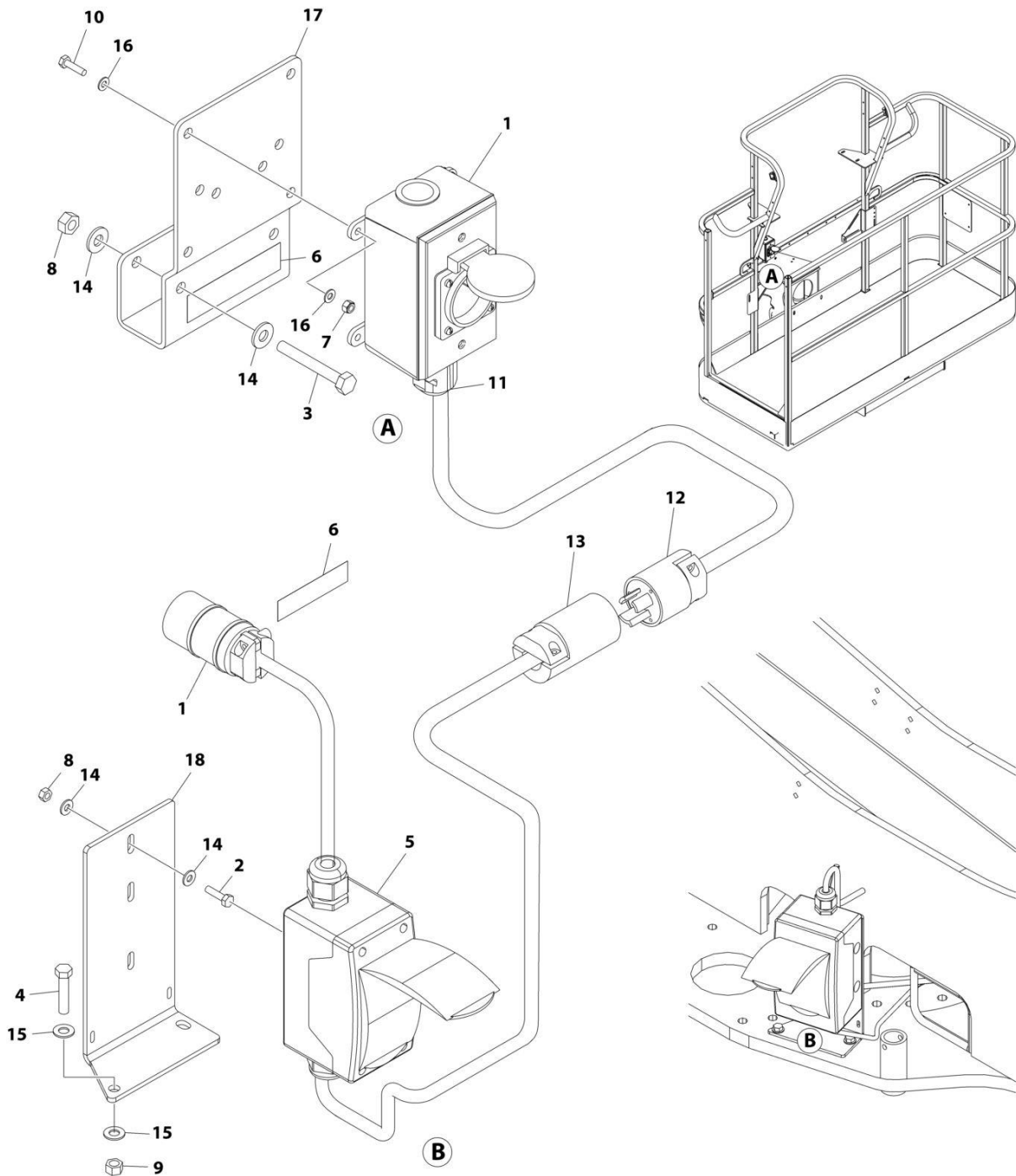
## SECTION 8 - ELECTRICAL

**FIGURE 8-7. AC BOX AT PLATFORM INSTALLATION - 220V AFSINT 107 KEYED GROUND WITH 2IN X 4IN BOX**

ITEM	PART NUMBER	QTY	DESCRIPTION	REV
	1001221188	Ref	AC BOX AT PLATFORM INSTALLATION - 220V AFSINT 107 KEYED GROUND WITH 2IN X 4IN BOX (CE & UK CA SPEC) <b>(SN 0300223839 to Present)</b>	A
1	0275454	1	Receptacle Box Kit (See Separate Breakdown in this Section)	
2	0641408	2	Bolt 1/4 x 1	
3	0641416	2	Bolt 1/4 x 2	
4	0641614	2	Bolt 3/8 x 1-3/4	
5	2902549	1	Breaker Box Kit (See Separate Breakdown in this Section)	
6	3252507	2	Decal - Voltage	
7	3290405	4	Nut M4	
8	3311405	4	Nut 1/4	
9	3311605	2	Nut 3/8	
10	4010408	4	Screw M4 x 16	
11	4460662	1	Connector, Strain Relief	
12	4460709	1	Plug, Male	
13	4460710	1	Receptacle, Female	
14	4711400	8	Washer 1/4	
15	4711600	4	Washer 3/8	
16	4811400	8	Washer M4	
17	1001193018	1	Bracket	
18	1001221130	1	Bracket	

# SECTION 8 - ELECTRICAL

FIGURE 8-8. AC BOX AT PLATFORM INSTALLATION - 220V AFSINT 107 KEYED GROUND WITH 2IN X 4IN BOX (MACHINES WITH SN STARTING WITH B3)



ART\_1001291610



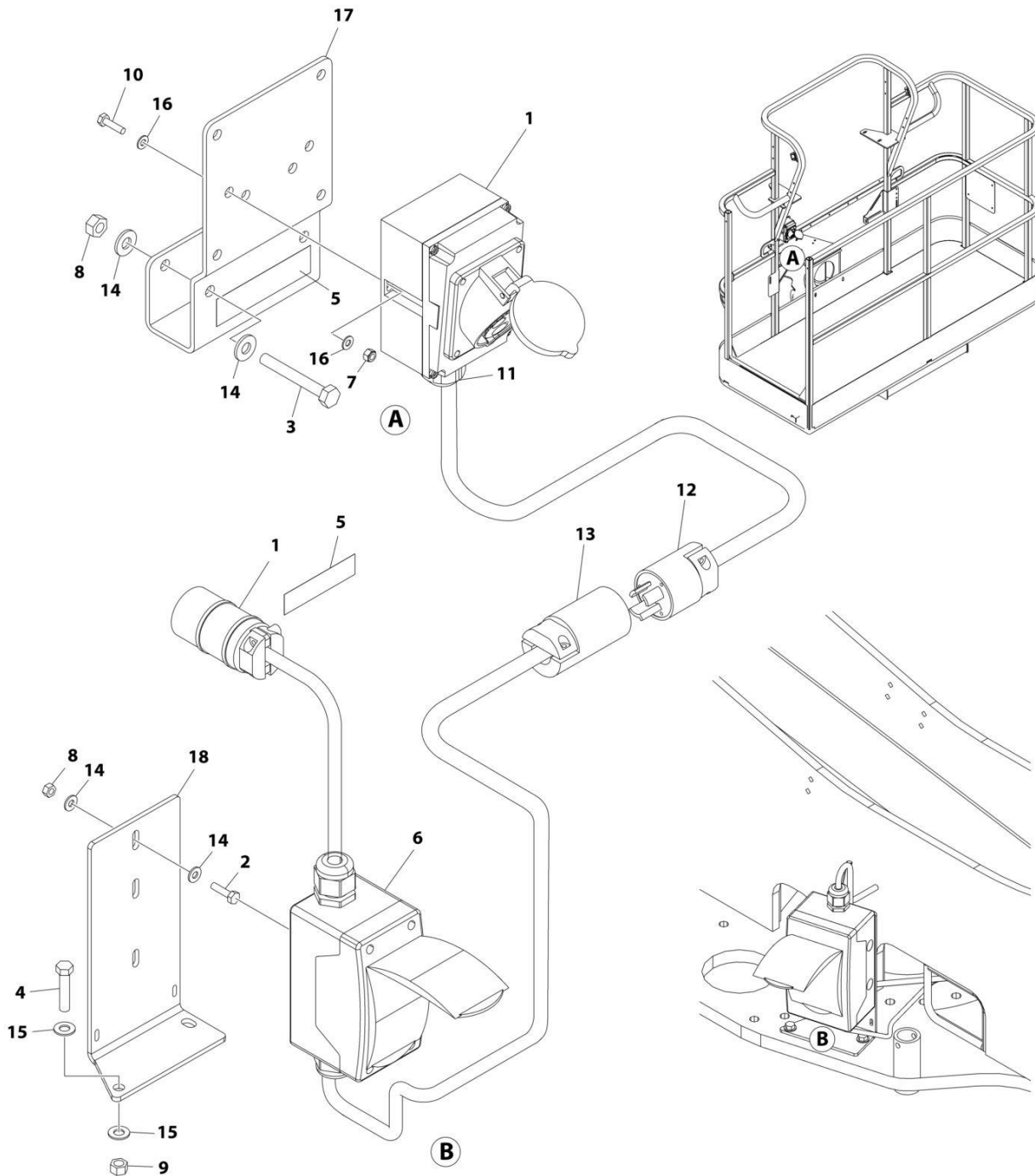
## SECTION 8 - ELECTRICAL

**FIGURE 8-8. AC BOX AT PLATFORM INSTALLATION - 220V AFSINT 107 KEYED GROUND WITH 2IN X 4IN BOX (MACHINES WITH SN STARTING WITH B3)**

ITEM	PART NUMBER	QTY	DESCRIPTION	REV
	1001291610	Ref	AC BOX AT FLATFORM INSTALLATION 220V AFSINT	A
1	0275454	1	Receptacle Box Kit (See Separate Breakdown in this Section)	
2	0641408	2	Bolt 1/4 x 1	
3	0641416	2	Bolt 1/4 x 2	
4	0641614	2	Bolt 3/8 x 1-3/4	
5	1001289592	1	Breaker Box Kit (See Separate Breakdown in this Section)	
6	3252507	2	Decal - Voltage	
7	3290405	4	Nut M4	
8	3311405	4	Nut 1/4	
9	3311605	2	Nut 3/8	
10	4010408	4	Screw M4 x 16	
11	4460662	1	Connector, Strain Relief	
12	4460709	1	Plug, Male	
13	4460710	1	Receptacle, Female	
14	4711400	8	Washer 1/4	
15	4711600	4	Washer 3/8	
16	4811400	8	Washer M4	
17	1001193018	1	Bracket	
18	1001221130	1	Bracket	

# SECTION 8 - ELECTRICAL

FIGURE 8-9. AC BOX AT PLATFORM INSTALLATION - 110V IEC YELLOW (CE & UK CA SPEC)  
(MACHINES WITH SN STARTING WITH B3)



ART\_1001291613

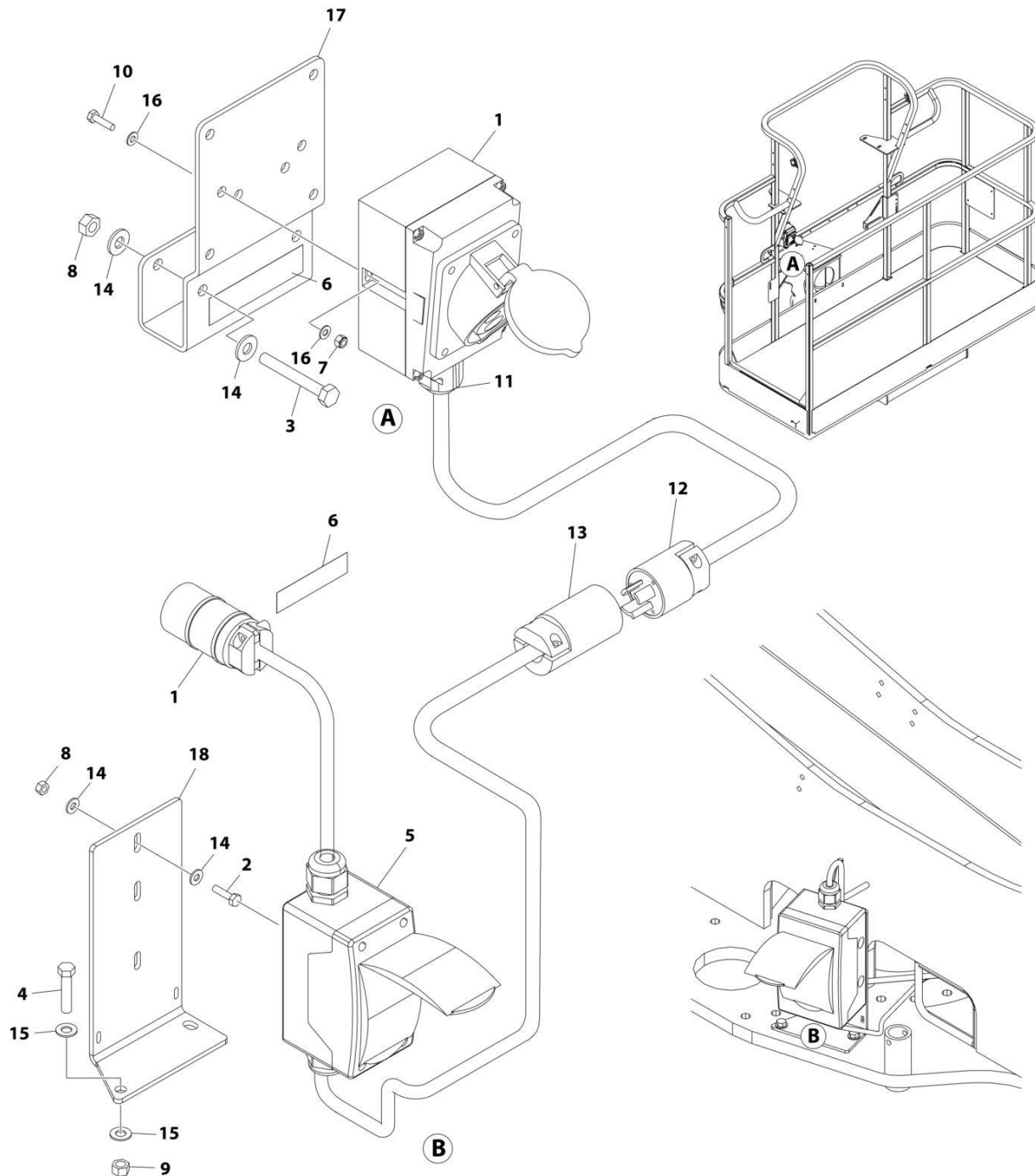
## SECTION 8 - ELECTRICAL

**FIGURE 8-9. AC BOX AT PLATFORM INSTALLATION - 110V IEC YELLOW (CE & UK CA SPEC)  
(MACHINES WITH SN STARTING WITH B3)**

ITEM	PART NUMBER	QTY	DESCRIPTION	REV
	1001291613	Ref	AC BOX AT PLATFORM INSTALLATION - 110V IEC YELLOW	A
1	0275216	1	Receptacle Box Kit (See Separate Breakdown in this Section)	
2	0641408	2	Bolt 1/4 x 1	
3	0641416	2	Bolt 1/4 x 2	
4	0641614	2	Bolt 3/8 x 1-3/4	
5	1705325	2	Decal - 120V-50Hz	
6	1001289592	1	Breaker Box Kit - CE & UK CA Spec (See Separate Breakdown in this Section)	
7	3290405	2	Nut M4	
8	3311405	4	Nut 1/4	
9	3311605	2	Nut 3/8	
10	4010408	2	Screw M4 x 16	
11	4460662	1	Connector, Strain Relief	
12	4460709	1	Plug, Male	
13	4460710	1	Receptacle, Female	
14	4711400	8	Washer 1/4	
15	4711600	4	Washer 3/8	
16	4811400	4	Washer M4	
17	1001193018	1	Bracket	
18	1001221130	1	Bracket	

# SECTION 8 - ELECTRICAL

**FIGURE 8-10. AC BOX AT PLATFORM INSTALLATION - 220V IEC BLUE (CE & UK CA SPEC)  
(MACHINES WITH SN STARTING WITH B3)**



ART\_1001291656

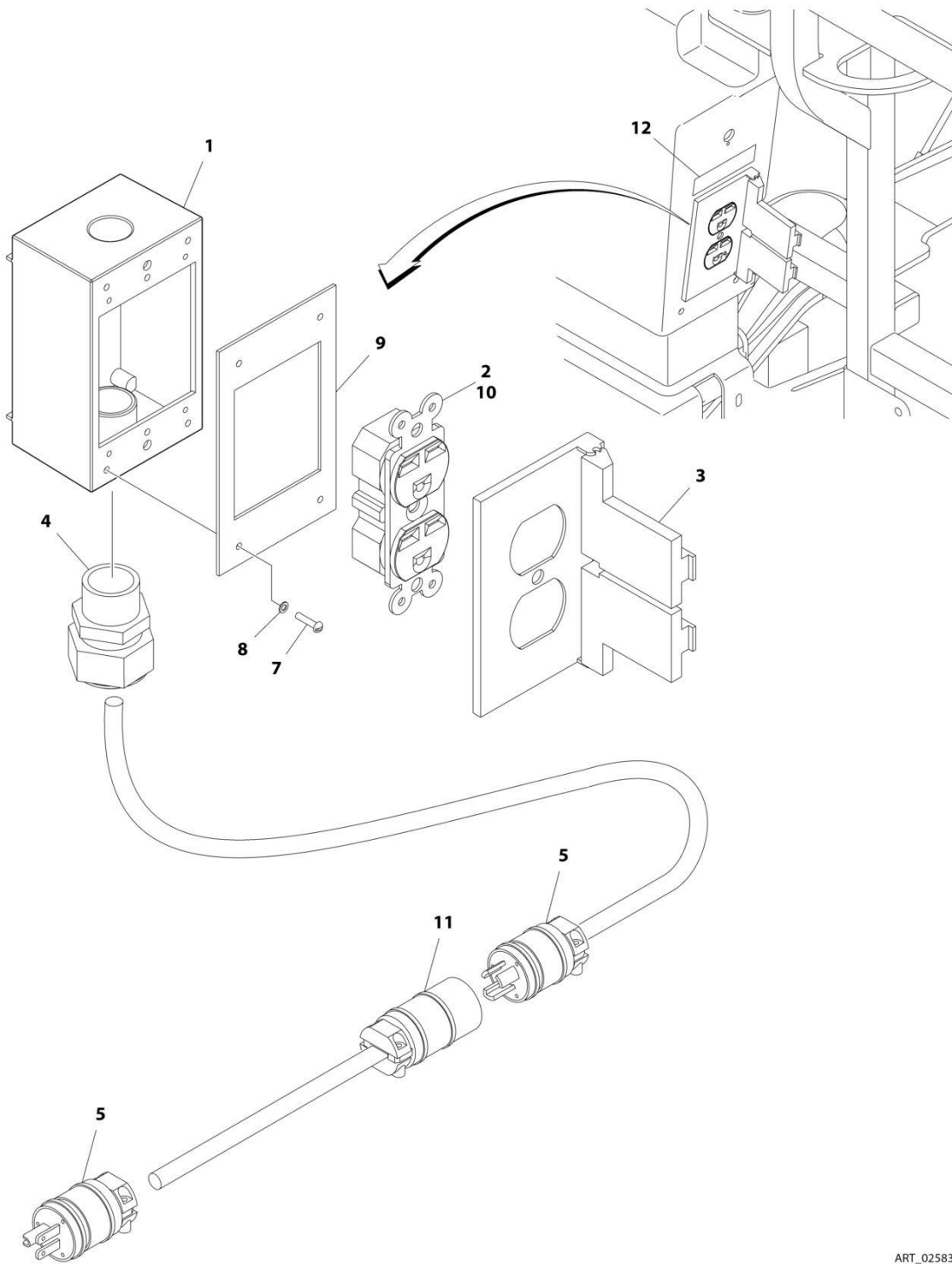
## SECTION 8 - ELECTRICAL

**FIGURE 8-10. AC BOX AT PLATFORM INSTALLATION - 220V IEC BLUE (CE & UK CA SPEC)  
(MACHINES WITH SN STARTING WITH B3)**

ITEM	PART NUMBER	QTY	DESCRIPTION	REV
	1001291656	Ref	AC BOX AT PLATFORM INSTALLATION 220V IEC BLUE	A
1	0275217	1	Receptacle Box Kit (See Separate Breakdown in this Section)	
2	0641408	2	Bolt 1/4 x 1	
3	0641416	2	Bolt 1/4 x 2	
4	0641614	2	Bolt 3/8 x 1-3/4	
5	1001289592	1	Breaker Box Kit (See Separate Breakdown in this Section)	
6	3252507	2	Decal - 220V-50Hz	
7	3290405	2	Nut M4	
8	3311405	4	Nut 1/4	
9	3311605	2	Nut 3/8	
10	4010408	2	Screw M4 x 16	
11	4460662	1	Connector, Strain Relief	
12	4460709	1	Plug, Male	
13	4460710	1	Receptacle, Female	
14	4711400	8	Washer 1/4	
15	4711600	4	Washer 3/8	
16	4811400	4	Washer M4	
17	1001193018	1	Bracket	
18	1001221130	1	Bracket	

# SECTION 8 - ELECTRICAL

FIGURE 8-11. AC BOX AT PLATFORM INSTALLATION - 220V (ANSI, CSA & JAPANESE SPECS)



ART\_0258305

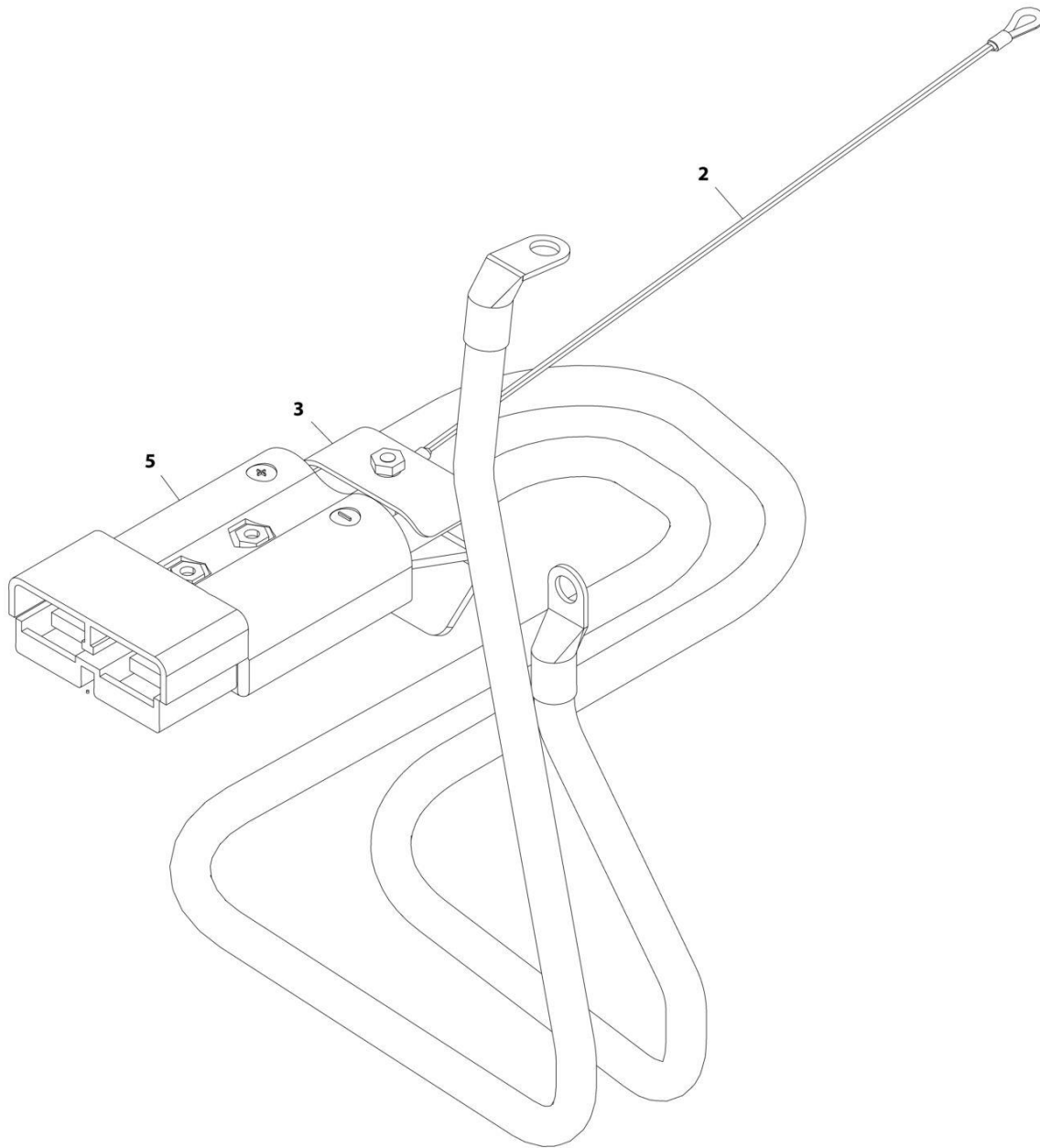
## SECTION 8 - ELECTRICAL

**FIGURE 8-11. AC BOX AT PLATFORM INSTALLATION - 220V (ANSI, CSA & JAPANESE SPECS)**

ITEM	PART NUMBER	QTY	DESCRIPTION	REV
	0258305	Ref	AC BOX AT PLATFORM INSTALLATION - 220V - ANSI, ANSI EXPORT AND CSA SPECS	B
1	0860038	1	Box, Switch	
2	4460125	1	Receptacle	
3	4060092	1	Shield	
4	4460071	1	Connector, Strain Relief	
5	4460233	2	Plug, Male	
7	3910610	4	Screw #6 x 5/8	
8	4760600	4	Washer #6	
9	3960422	1	Gasket	
10	4460315	1	Terminal, Spade	
11	4460701	1	Receptacle, Female	
12	3252507	1	Decal - Voltage	

## SECTION 8 - ELECTRICAL

FIGURE 8-12. BATTERY BOX CABLE ASSEMBLY (RH SIDE BOX) (STANDARD BATTERIES)



ART\_1060803



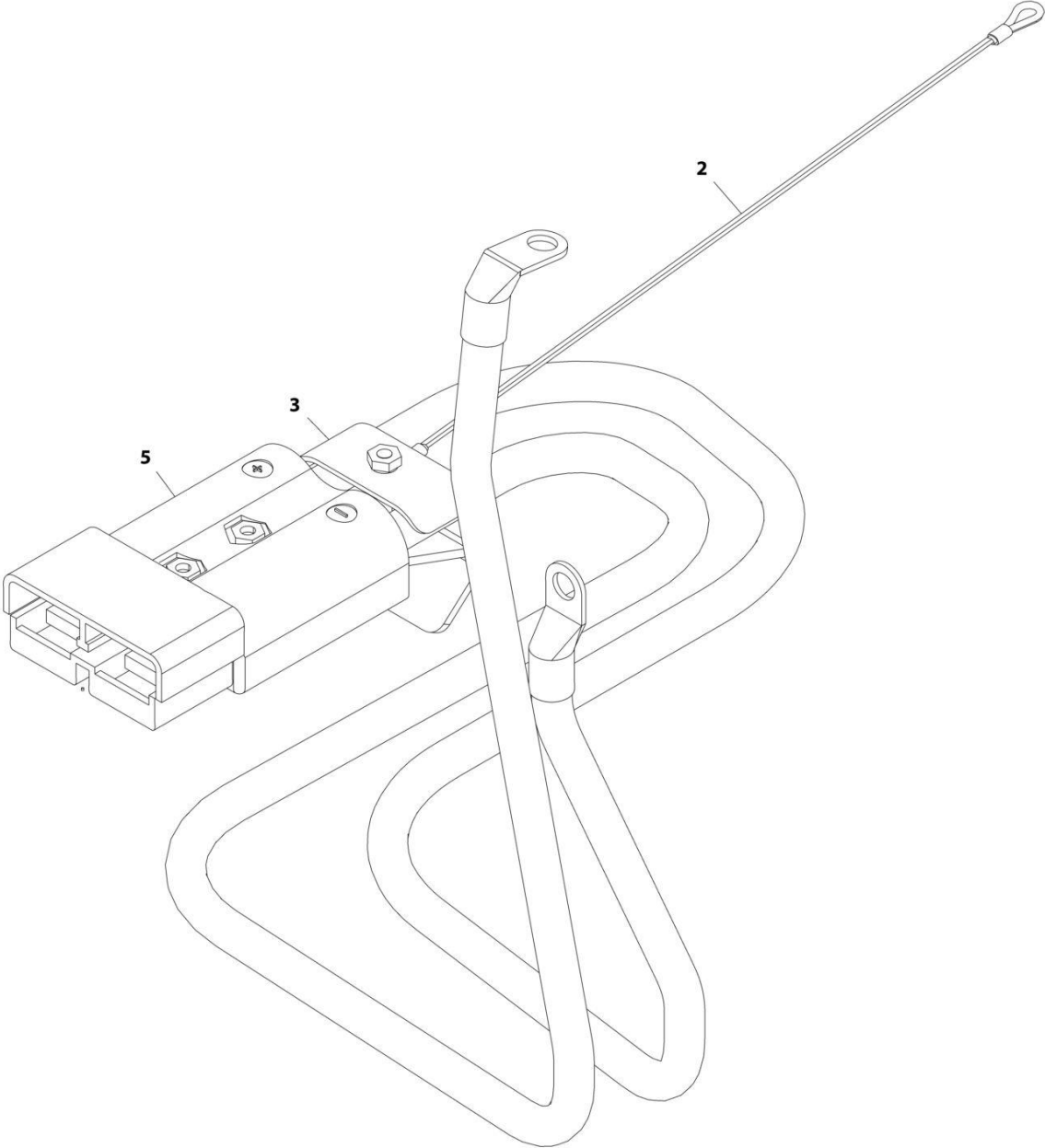
## SECTION 8 - ELECTRICAL

**FIGURE 8-12. BATTERY BOX CABLE ASSEMBLY (RH SIDE BOX) (STANDARD BATTERIES)**

ITEM	PART NUMBER	QTY	DESCRIPTION	REV
	1060803	Ref	BATTERY BOX CABLE ASSEMBLY (RH SIDE BOX) (STANDARD BATTERIES)	D
2	1060799	1	Lanyard	
3	1320172	1	Handle, Pull	
5	4460025	1	Connector	

**SECTION 8 - ELECTRICAL**

**FIGURE 8-13. BATTERY BOX CABLE ASSEMBLY (LH SIDE BOX) (STANDARD BATTERIES)**



ART\_1001194037

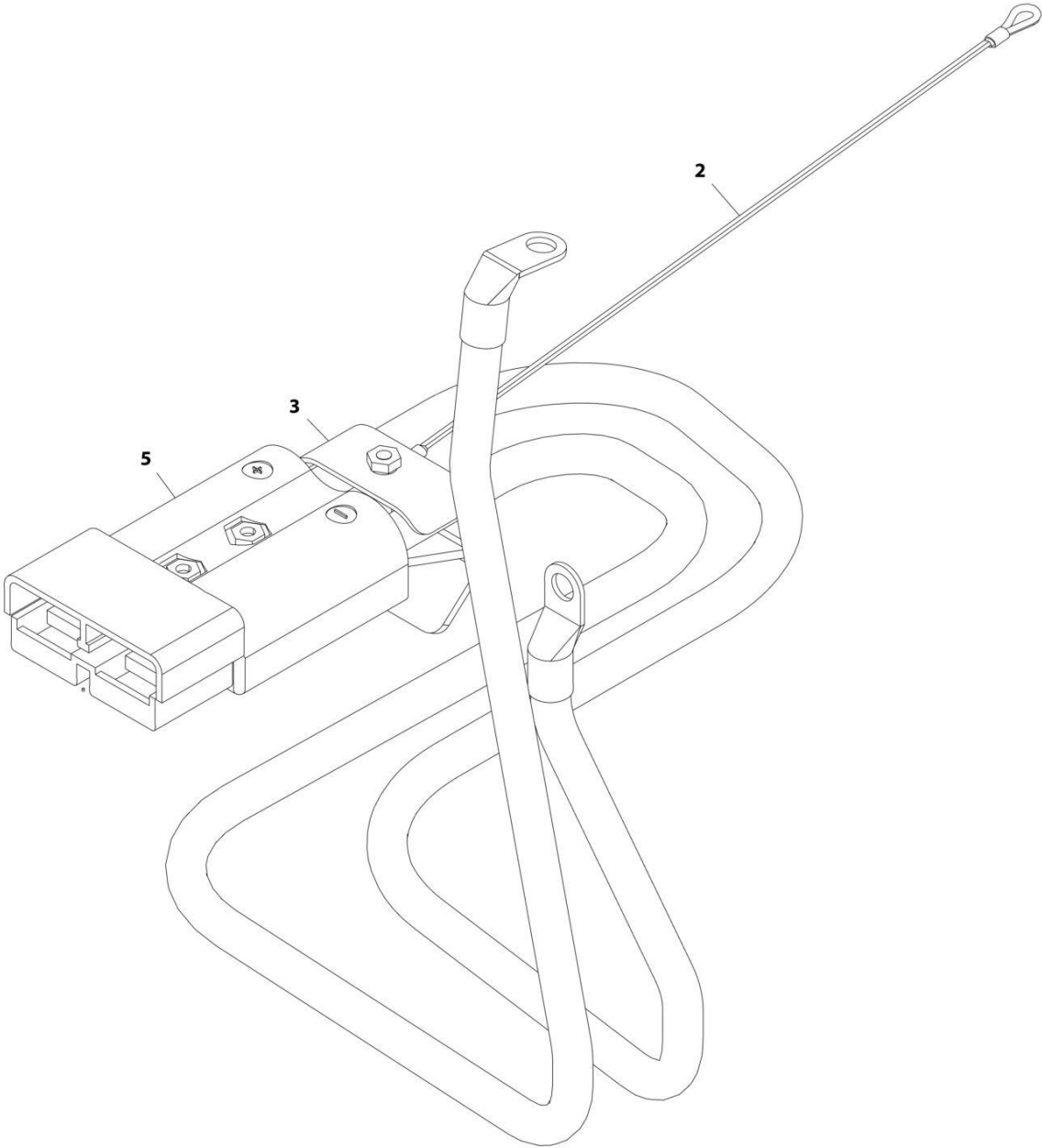
## SECTION 8 - ELECTRICAL

**FIGURE 8-13. BATTERY BOX CABLE ASSEMBLY (LH SIDE BOX) (STANDARD BATTERIES)**

ITEM	PART NUMBER	QTY	DESCRIPTION	REV
	1001194037	Ref	BATTERY BOX CABLE ASSEMBLY (LH SIDE BOX) (STANDARD BATTERIES)	B
2	1060799	1	Lanyard	
3	1320172	1	Handle, Pull	
5	4460025	1	Connector	

**SECTION 8 - ELECTRICAL**

**FIGURE 8-14. BATTERY BOX CABLE ASSEMBLY - AGM BATTERIES (MACHINES WITH SN STARTING WITH 03)**



ART\_1001228857

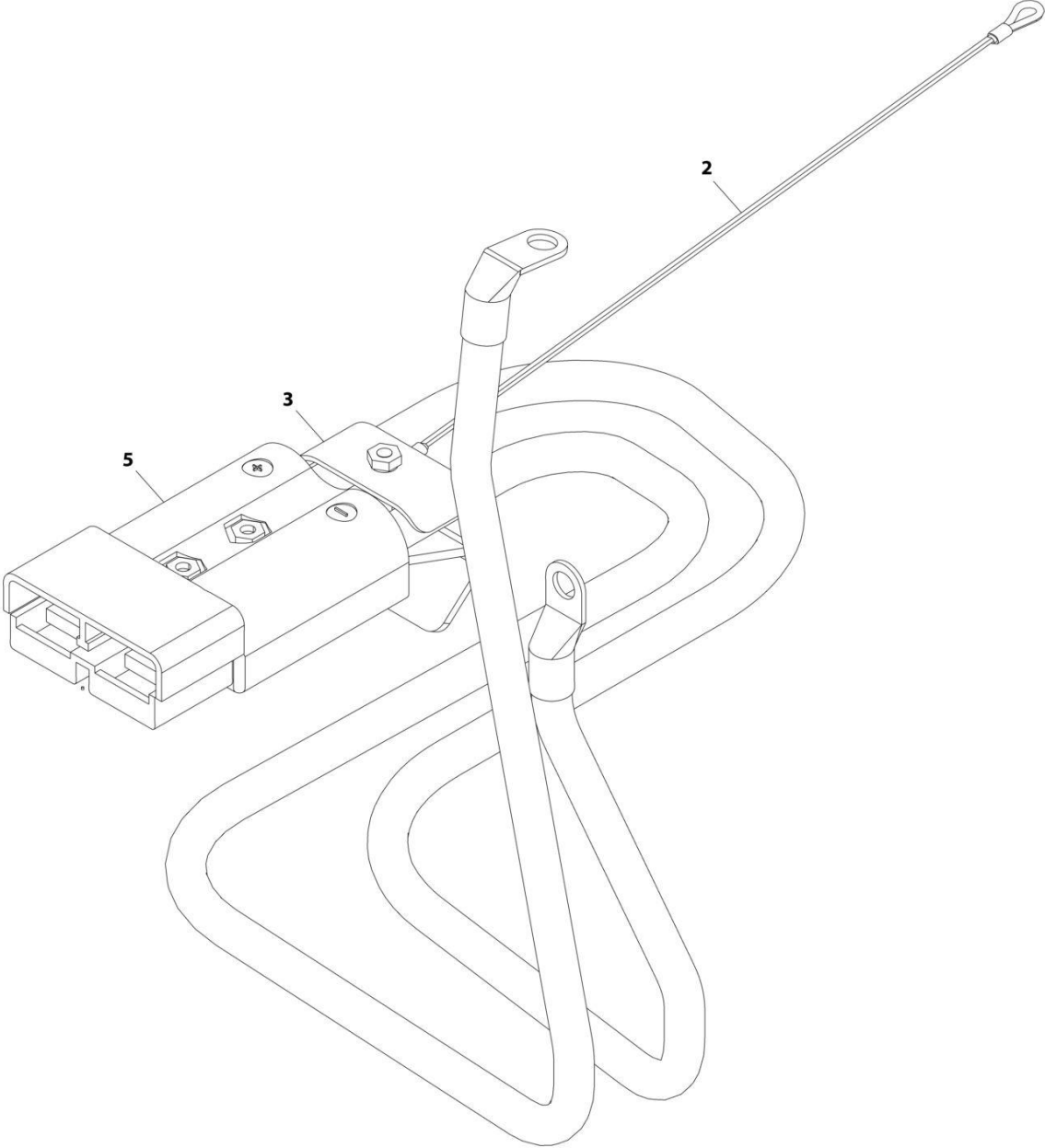
## SECTION 8 - ELECTRICAL

**FIGURE 8-14. BATTERY BOX CABLE ASSEMBLY - AGM BATTERIES (MACHINES WITH SN STARTING WITH 03)**

ITEM	PART NUMBER	QTY	DESCRIPTION	REV
	1001228857	Ref	BATTERY BOX CABLE ASSEMBLY (AGM BATTERIES)	A
2	1060799	1	Lanyard	
3	1320172	1	Handle, Pull	
5	4460025	1	Connector	

**SECTION 8 - ELECTRICAL**

**FIGURE 8-15. BATTERY BOX CABLE ASSEMBLY - AGM BATTERIES (MACHINES WITH SN STARTING WITH B3)**



ART\_1001283169

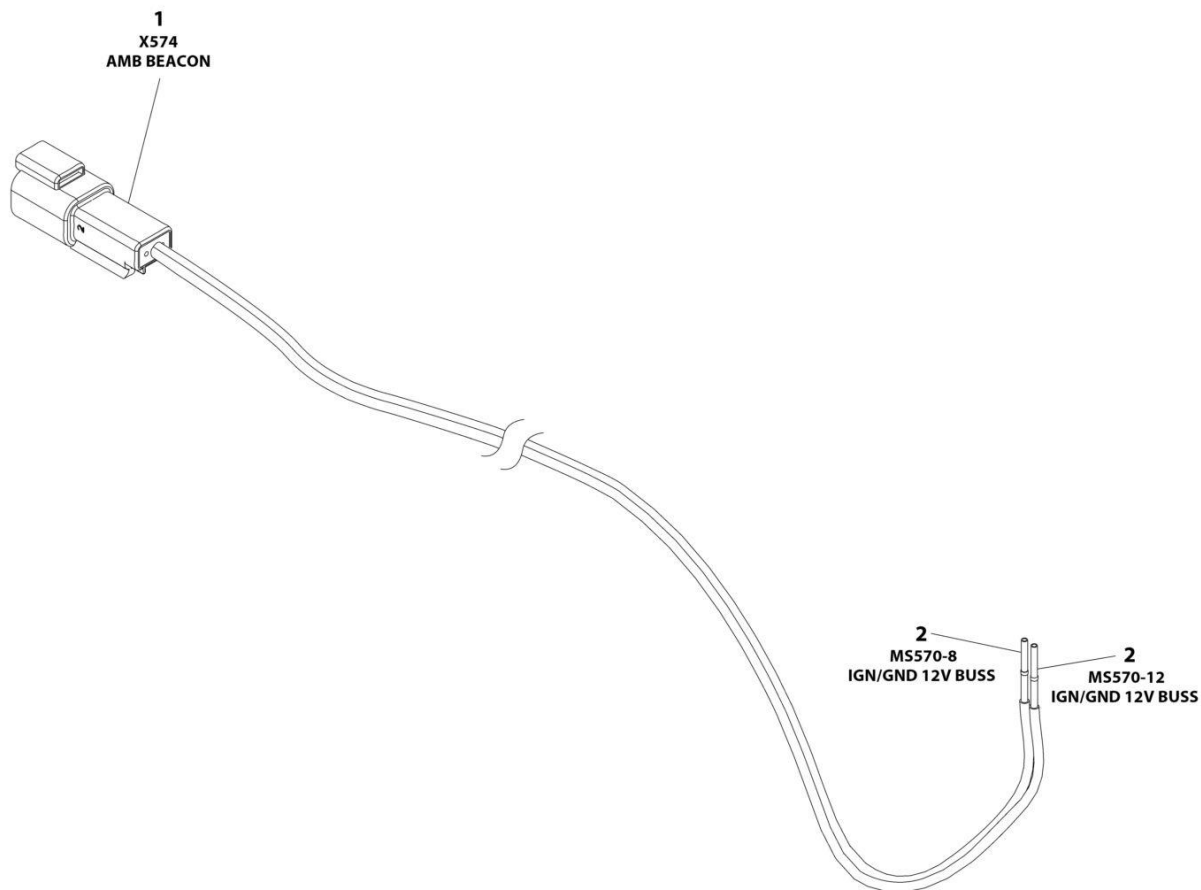
## SECTION 8 - ELECTRICAL

**FIGURE 8-15. BATTERY BOX CABLE ASSEMBLY - AGM BATTERIES (MACHINES WITH SN STARTING WITH B3)**

ITEM	PART NUMBER	QTY	DESCRIPTION	REV
	1001283169	Ref	BATTERY BOX CABLE ASSEMBLY (AGM BATTERIES)	A
2	1060799	1	Lanyard	
3	1320172	1	Handle, Pull	
5	4460025	1	Connector	

# SECTION 8 - ELECTRICAL

## FIGURE 8-16. BEACON LIGHT HARNESS (AMBER BEACON ONLY)



ART\_1001198866



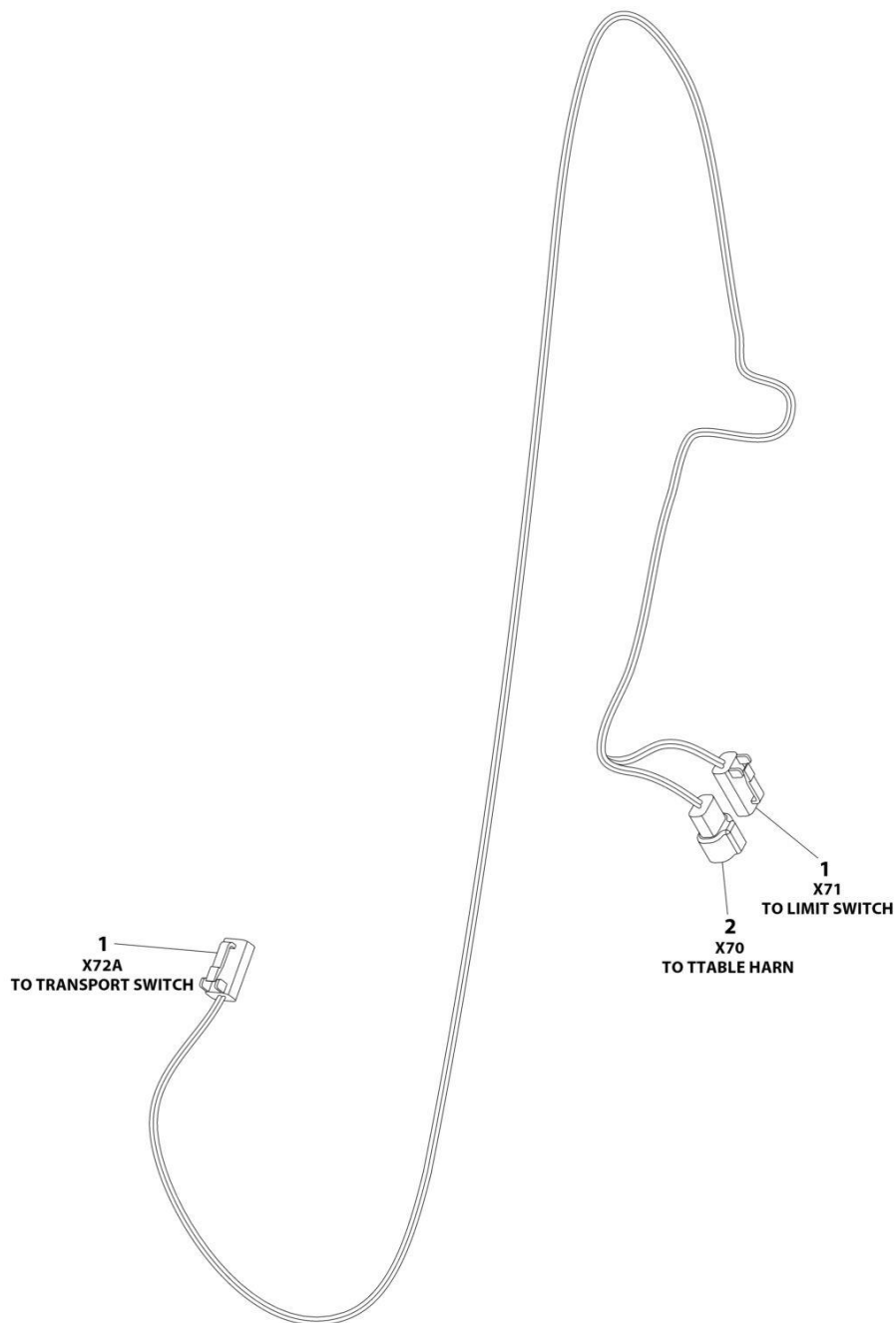
## SECTION 8 - ELECTRICAL

**FIGURE 8-16. BEACON LIGHT HARNESS (AMBER BEACON ONLY)**

ITEM	PART NUMBER	QTY	DESCRIPTION	REV
	1001198866	Ref	BEACON LIGHT HARNESS (AMBER BEACON ONLY)	D
1	4460897	1	Connector - 2 Position	
1	4460464	2	Socket, Female	
2	4460464	2	Socket, Female	

# SECTION 8 - ELECTRICAL

## FIGURE 8-17. BOOM TRANSPORT HARNESS (CE & UK CA SPECS ONLY)



ART\_1001201329

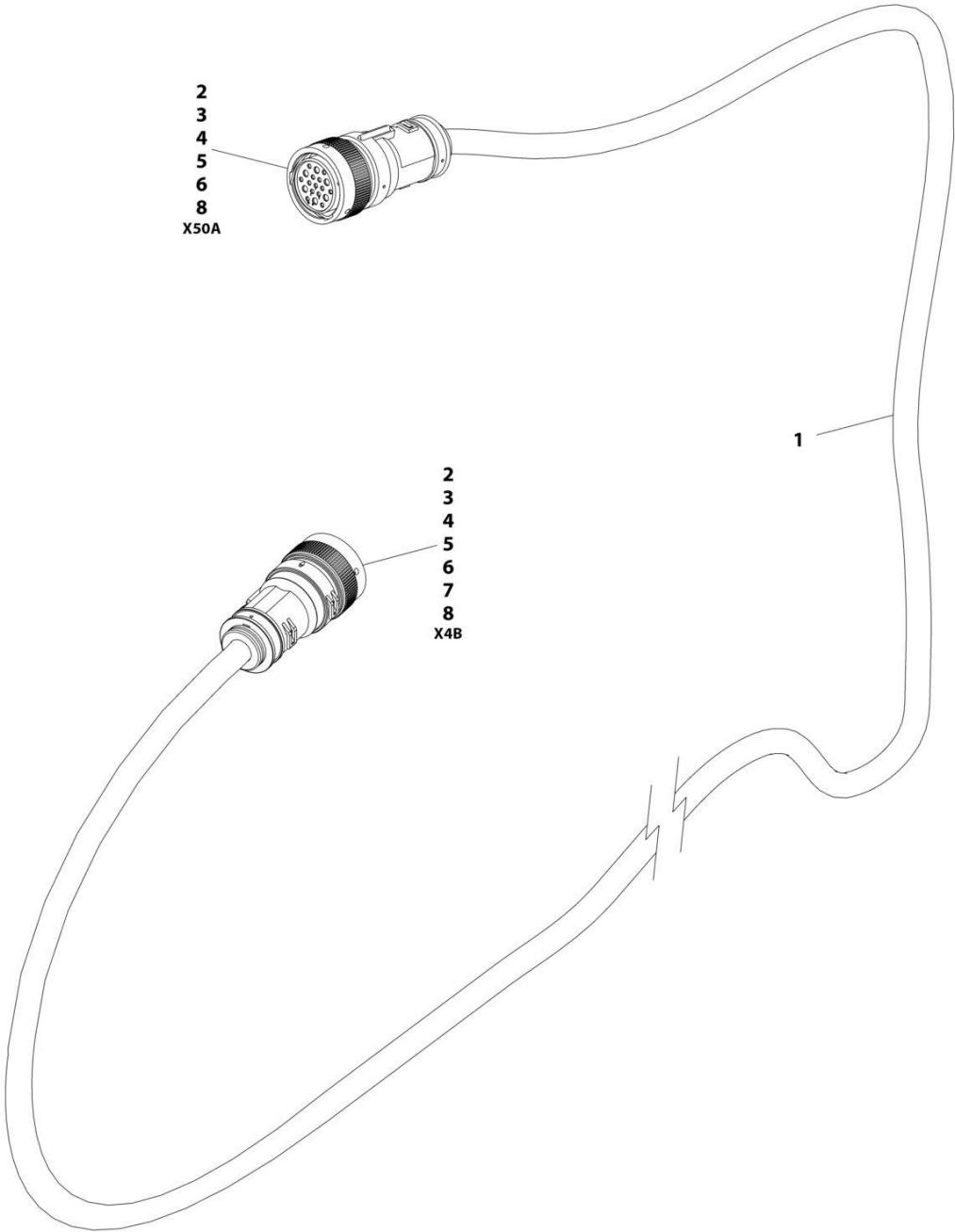
## SECTION 8 - ELECTRICAL

**FIGURE 8-17. BOOM TRANSPORT HARNESS (CE & UK CA SPECS ONLY)**

ITEM	PART NUMBER	QTY	DESCRIPTION	REV
	1001201329	Ref	BOOM TRANSPORT HARNESS	D
1	4460891	2	Connector - 2 Position	
1	4460465	4	Socket, Female	
2	1001187681	1	Connector - 2 Position	
2	4460464	2	Pin, Male	

**SECTION 8 - ELECTRICAL**

**FIGURE 8-18. BOOM CABLE - LOWER**



ART\_1001183882

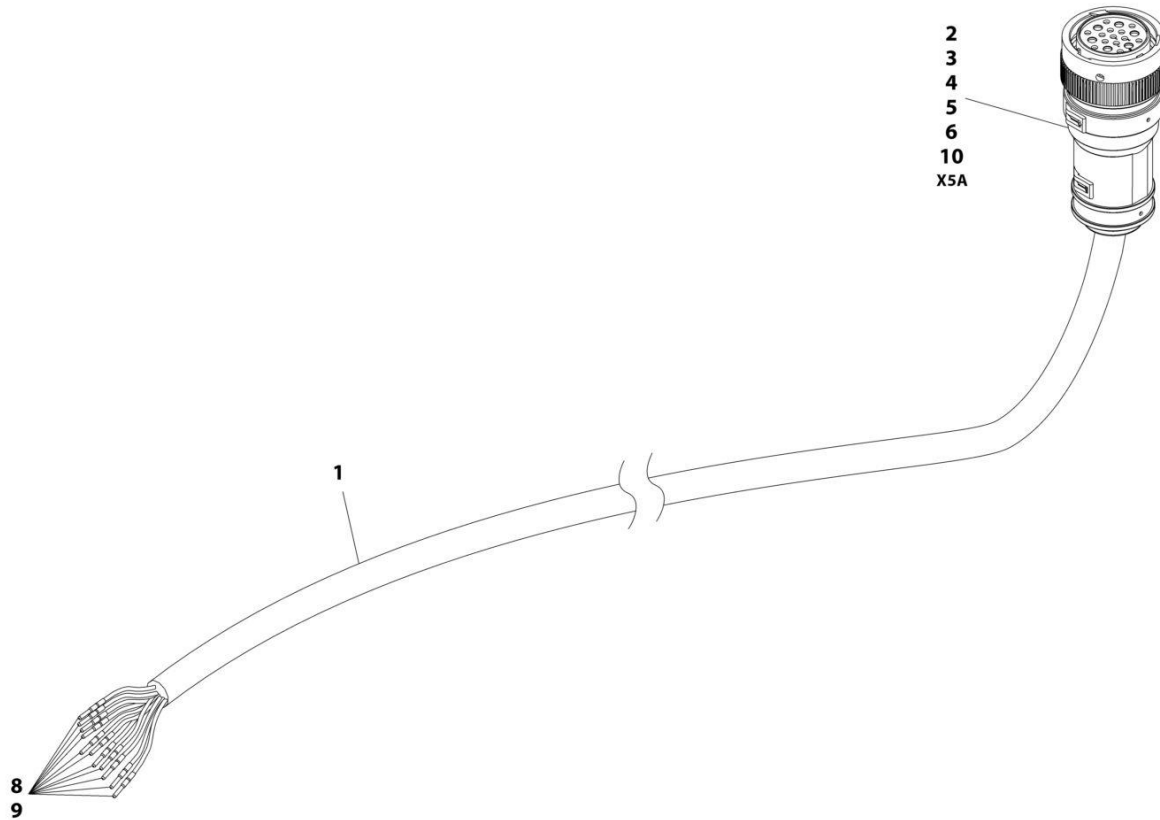
## SECTION 8 - ELECTRICAL

**FIGURE 8-18. BOOM CABLE - LOWER**

ITEM	PART NUMBER	QTY	DESCRIPTION	REV
	1001183882	Ref	LOWER BOOM CABLE	C
1	1060896	20 ft/6.1m	Cable, Electrical	
2	1001188292	AR	Connector - 19 Position	
3	1001188291	AR	Connector, Backshell	
4	4460465	22	Socket, Female	
5	4460509	8	Socket, Female	
6	4460466	AR	Plug, Seal	
7	2820118	6 in/ 15.3cm	Heat Shrink	
8	1001188354	AR	Grommet	
9	4240033	AR	Tie-Strap (Not Shown)	

# SECTION 8 - ELECTRICAL

FIGURE 8-19. BOOM CABLE - UPPER (EC600SJ/H600SJ)



ART\_1001183885

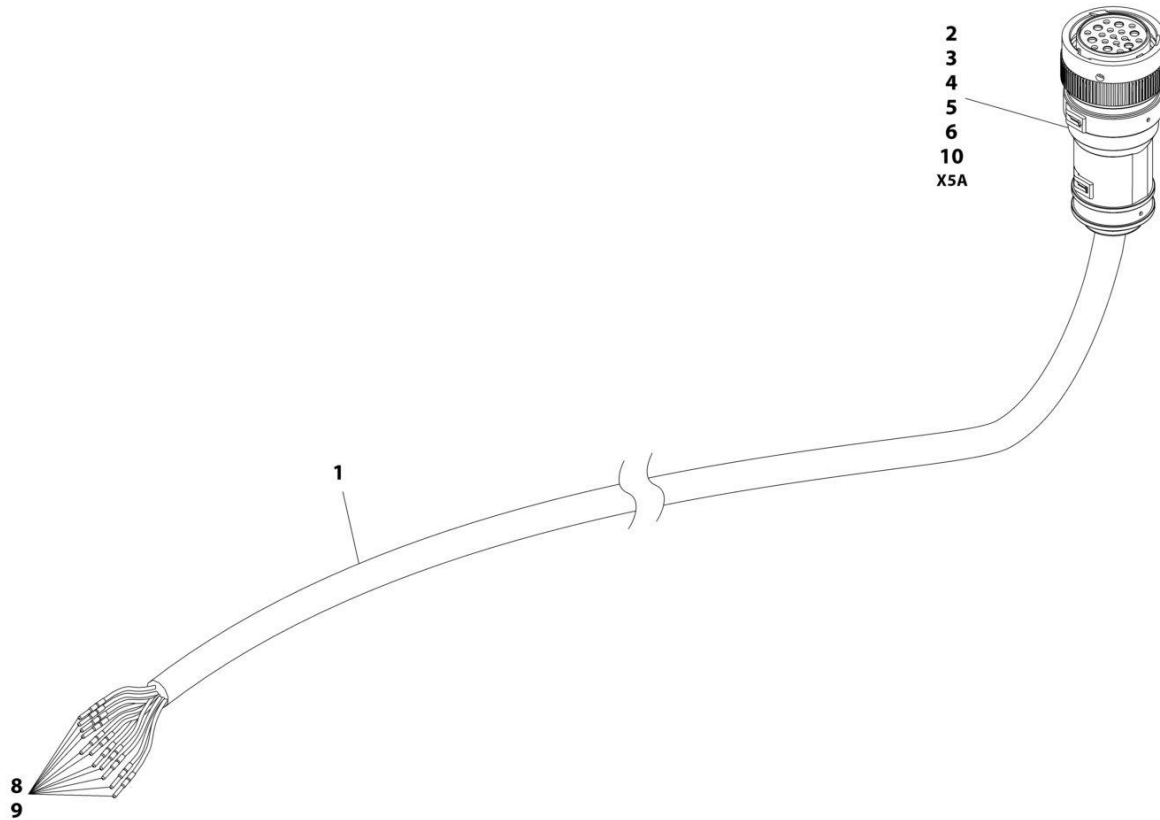
## SECTION 8 - ELECTRICAL

**FIGURE 8-19. BOOM CABLE - UPPER (EC600SJ/H600SJ)**

ITEM	PART NUMBER	QTY	DESCRIPTION	REV
	1001183885	Ref	UPPER BOOM CABLE (E600J/M600J)	B
1	1060896	53.5 ft /16.3m	Cable, Electrical	
2	1001188292	1	Connector - 19 Position	
3	1001188291	1	Connector, Backshell	
4	4460465	11	Socket, Female	
5	4460509	4	Socket, Female	
6	4460466	4	Plug, Seal	
8	4460464	11	Pin, Male	
9	4460508	4	Pin, Male	
10	1001188354	1	Grommet	
11	4240033	2	Tie-Strap (Not Shown)	

# SECTION 8 - ELECTRICAL

FIGURE 8-20. BOOM CABLE - UPPER (EC600SJP/H600SJP)



ART\_1001183884



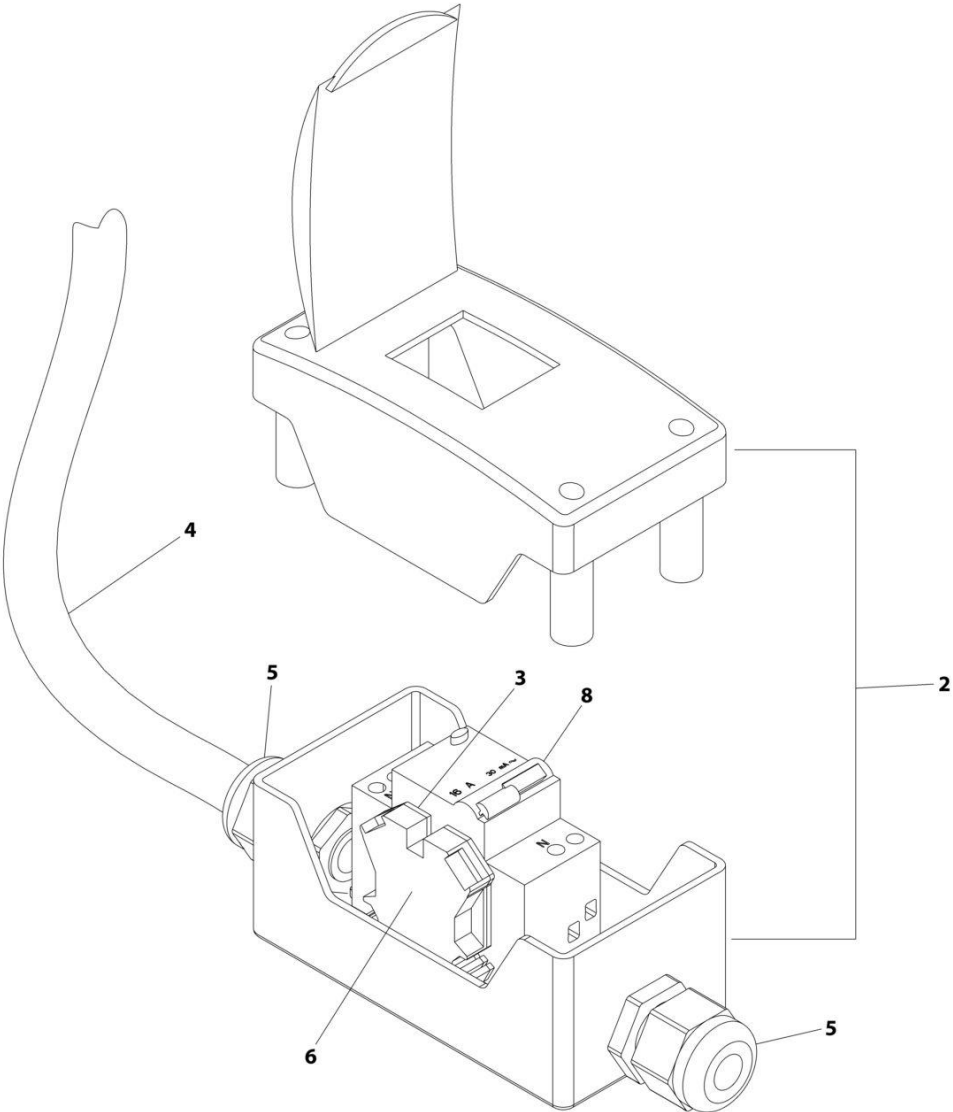
## SECTION 8 - ELECTRICAL

### FIGURE 8-20. BOOM CABLE - UPPER (EC600SJP/H600SJP)

ITEM	PART NUMBER	QTY	DESCRIPTION	REV
1	1001183884	Ref	UPPER BOOM CABLE (E600JP/M600JP)	B
	1060896	54.5 ft /16.6m	Cable, Electrical	
2	1001188292	1	Connector - 19 Position	
3	1001188291	1	Connector, Backshell	
4	4460465	11	Socket, Female	
5	4460509	4	Socket, Female	
6	4460466	4	Plug, Seal	
8	4460464	11	Pin, Male	
9	4460508	4	Pin, Male	
10	1001188354	1	Grommet	
11	4240033	2	Tie-Strap (Not Shown)	

**SECTION 8 - ELECTRICAL**

**FIGURE 8-21. BREAKER BOX KIT WITH ONE BREAKER - CE & UK CA SPEC**



ART\_2902549\_F

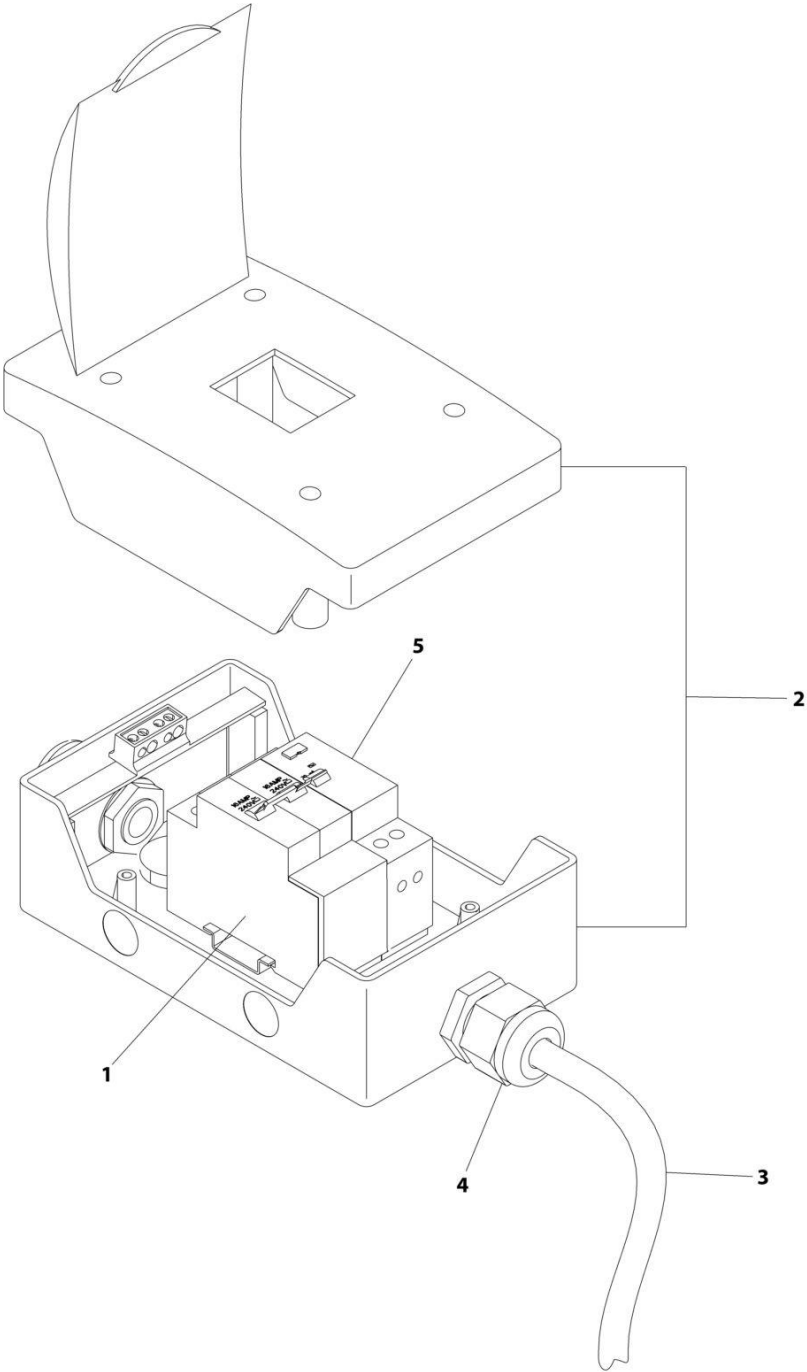
## SECTION 8 - ELECTRICAL

**FIGURE 8-21. BREAKER BOX KIT WITH ONE BREAKER - CE & UK CA SPEC**

ITEM	PART NUMBER	QTY	DESCRIPTION	REV
	2902549	Ref	BREAKER BOX KIT	F
2	0861880	1	Box	
3	4460956	1	Barrier, Terminal	
4	1060908	6 ft/1.8m	Cable, 12/3	
5	1001097150	2	Connector, Strain Relief	
6	4460957	1	Block, Terminal	
8	1001181045	1	Breaker, 16Amp	

**SECTION 8 - ELECTRICAL**

**FIGURE 8-22. BREAKER BOX KIT WITH TWO BREAKERS - CE & UK CA SPEC**



ART\_1001152486\_C

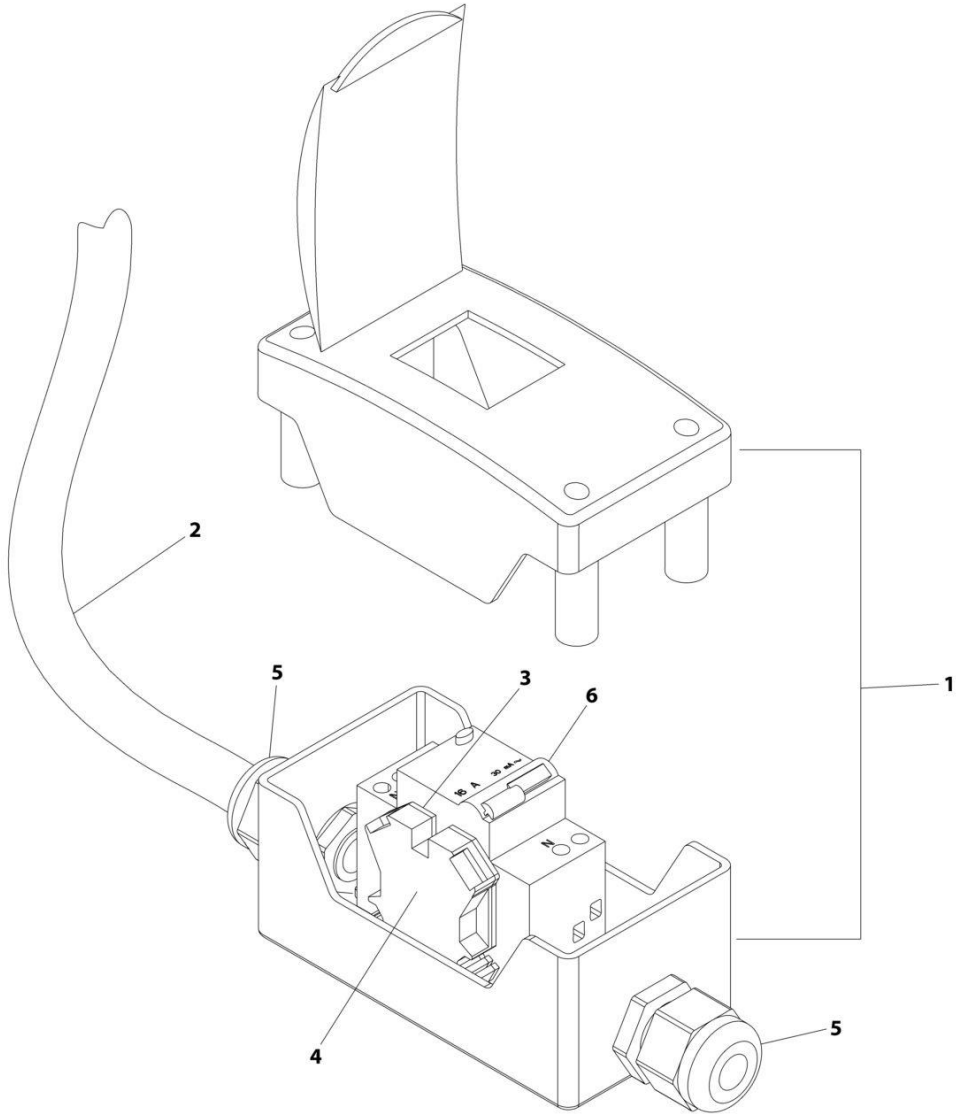
## SECTION 8 - ELECTRICAL

**FIGURE 8-22. BREAKER BOX KIT WITH TWO BREAKERS - CE & UK CA SPEC**

ITEM	PART NUMBER	QTY	DESCRIPTION	REV
	1001152486	Ref	BREAKER BOX KIT	C
1	1001189172	1	Breaker, 16 Amp (Double)	
2	1001152483	1	Box	
3	1060908	12 ft/ 3.66m	Cable, 12/3	
4	1001097150	1	Connector, Strain Relief	
5	1001189171	1	Breaker, 30mA	

**SECTION 8 - ELECTRICAL**

**FIGURE 8-23. BREAKER BOX KIT WITH ONE BREAKER - MACHINES WITH S/N STARTING WITH B3)**



ART\_1001289592

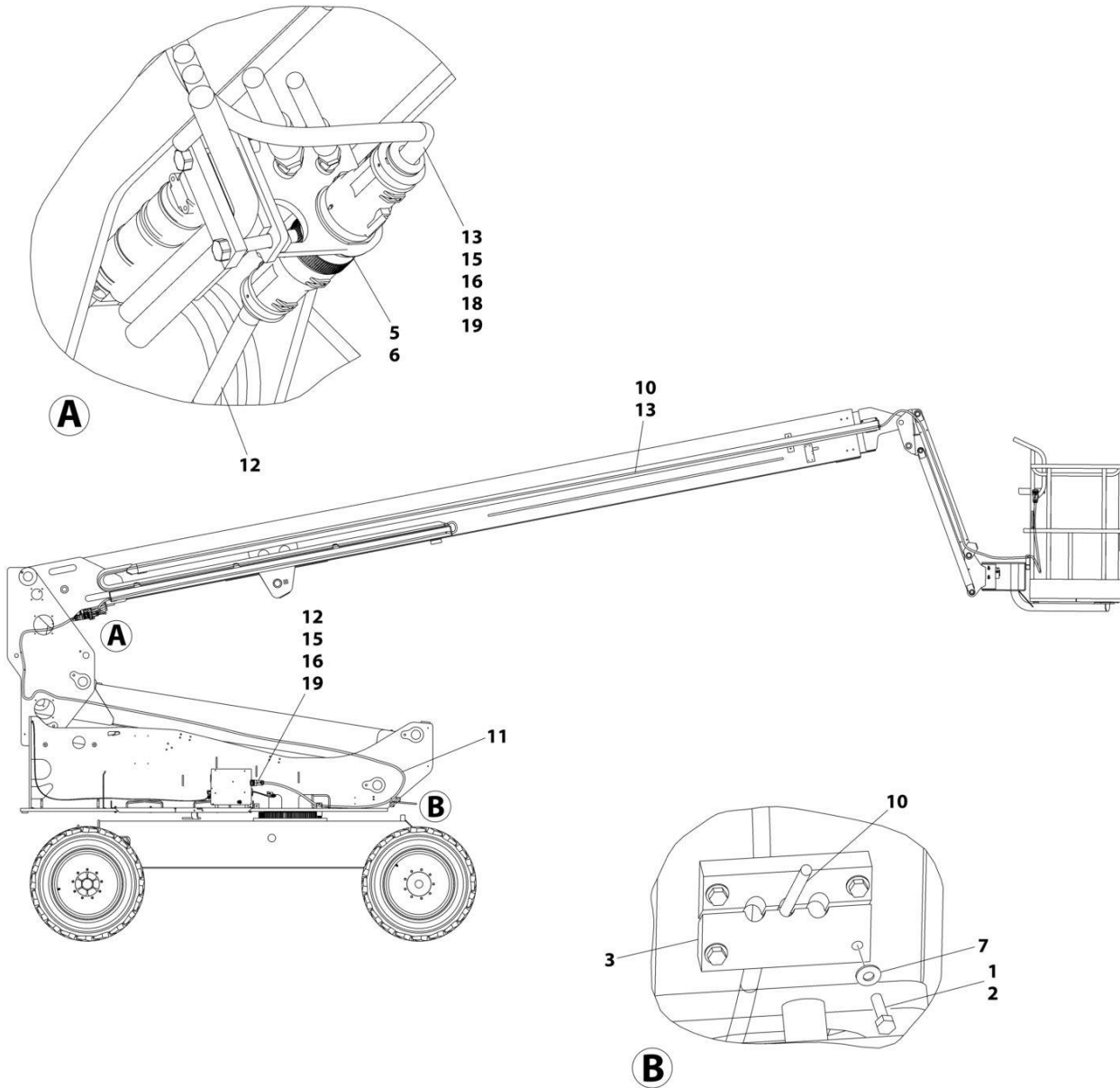
## SECTION 8 - ELECTRICAL

**FIGURE 8-23. BREAKER BOX KIT WITH ONE BREAKER - MACHINES WITH S/N STARTING WITH B3)**

ITEM	PART NUMBER	QTY	DESCRIPTION	REV
	1001289592	Ref	BREAKER BOX KIT	A
1	0861880	1	Box	
2	1060908	6 ft/1.8m	Cable 12/3	
3	4460956	1	Barrier, Terminal	
4	4460957	2	Block, Terminal	
5	1001097150	2	Connector, Strain Relief	
6	1001289589	1	Breaker, 16Amp	

# SECTION 8 - ELECTRICAL

**FIGURE 8-24. CABLES AND CLAMPS INSTALLATION (EC600SJ/H600SJ) (ALL SPECS EXCEPT AUSTRALIAN, CE & UK CA SPECS) (CHINA SPEC MACHINES WITH SN STARTING WITH 03)**



ART\_1001183535



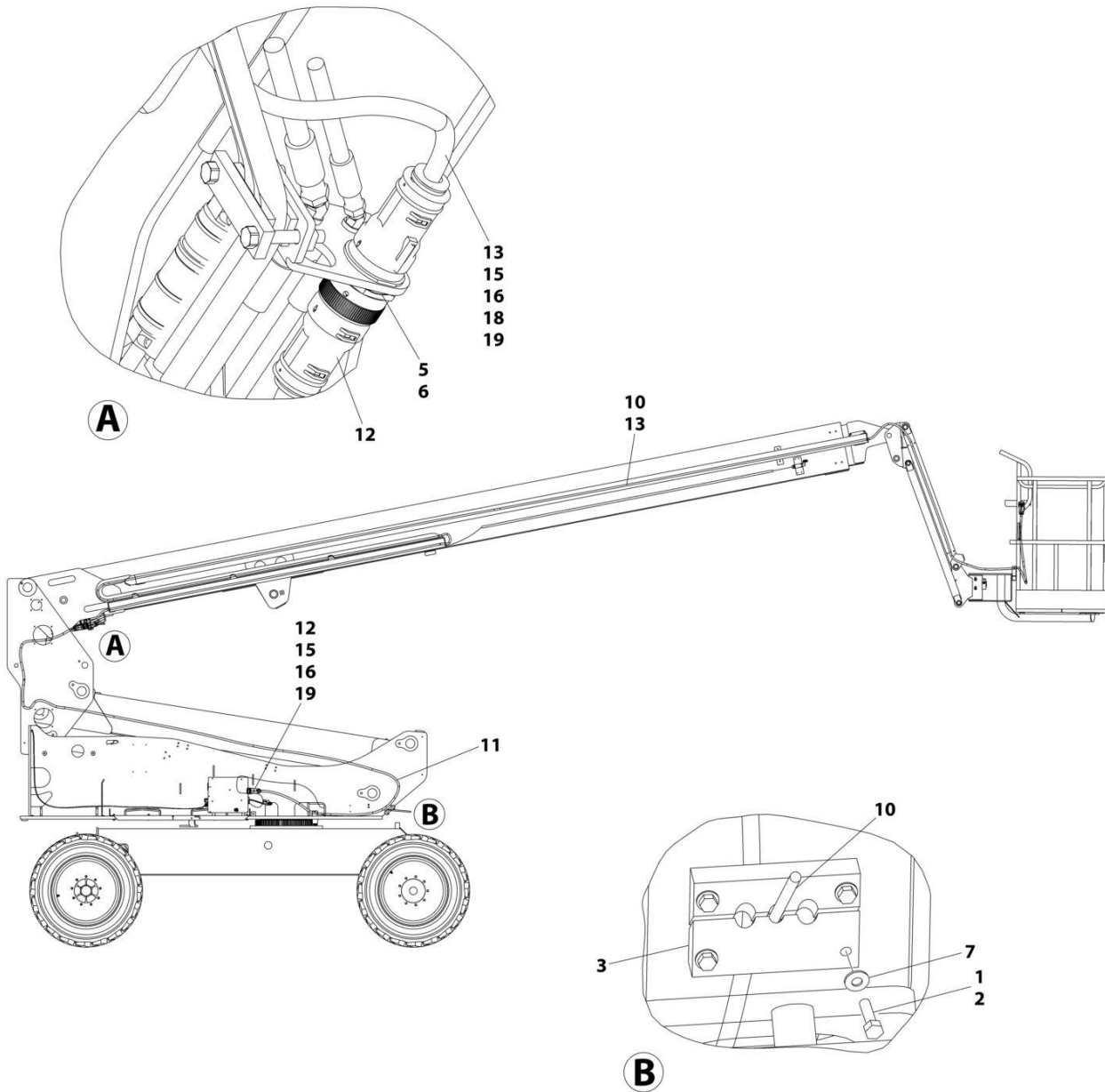
## SECTION 8 - ELECTRICAL

**FIGURE 8-24. CABLES AND CLAMPS INSTALLATION (EC600SJ/H600SJ) (ALL SPECS EXCEPT AUSTRALIAN, CE & UK CA SPECS) (CHINA SPEC MACHINES WITH SN STARTING WITH 03)**

ITEM	PART NUMBER	QTY	DESCRIPTION	REV
	1001183535	Ref	CABLES AND CLAMPS INSTALLATION (ALL SPECS EXCEPT AUSTRALIAN, CE & UK CA SPECS)	D
1	0100011	AR	Locking, Compound	
2	0641612	4	Bolt 3/8 x 1-1/2	
3	1320256	1	Clamp, Block	
5	1001205044	1	Washer	
6	1001205043	1	Nut	
7	4711600	4	Washer 3/8	
10	4922937	1	Cable, 12/3	
11	4922938	1	Cable, 12/3	
12	1001183882	1	Boom Cable - Lower (See Separate Breakdown in this Section)	
13	1001183885	1	Boom Cable - Upper (See Separate Breakdown in this Section)	
14	4240033	AR	Tie-Strap (Not Shown)	
15	4460466	AR	Plug, Seal	
16	1001188291	AR	Connector, Backshell	
18	1001188293	1	Connector - 19 Position	
19	1001188354	AR	Grommet	

# SECTION 8 - ELECTRICAL

## FIGURE 8-25. CABLES AND CLAMPS INSTALLATION (EC600SJ/H600SJ) (CE & UK CA SPECS)



ART\_1001183538

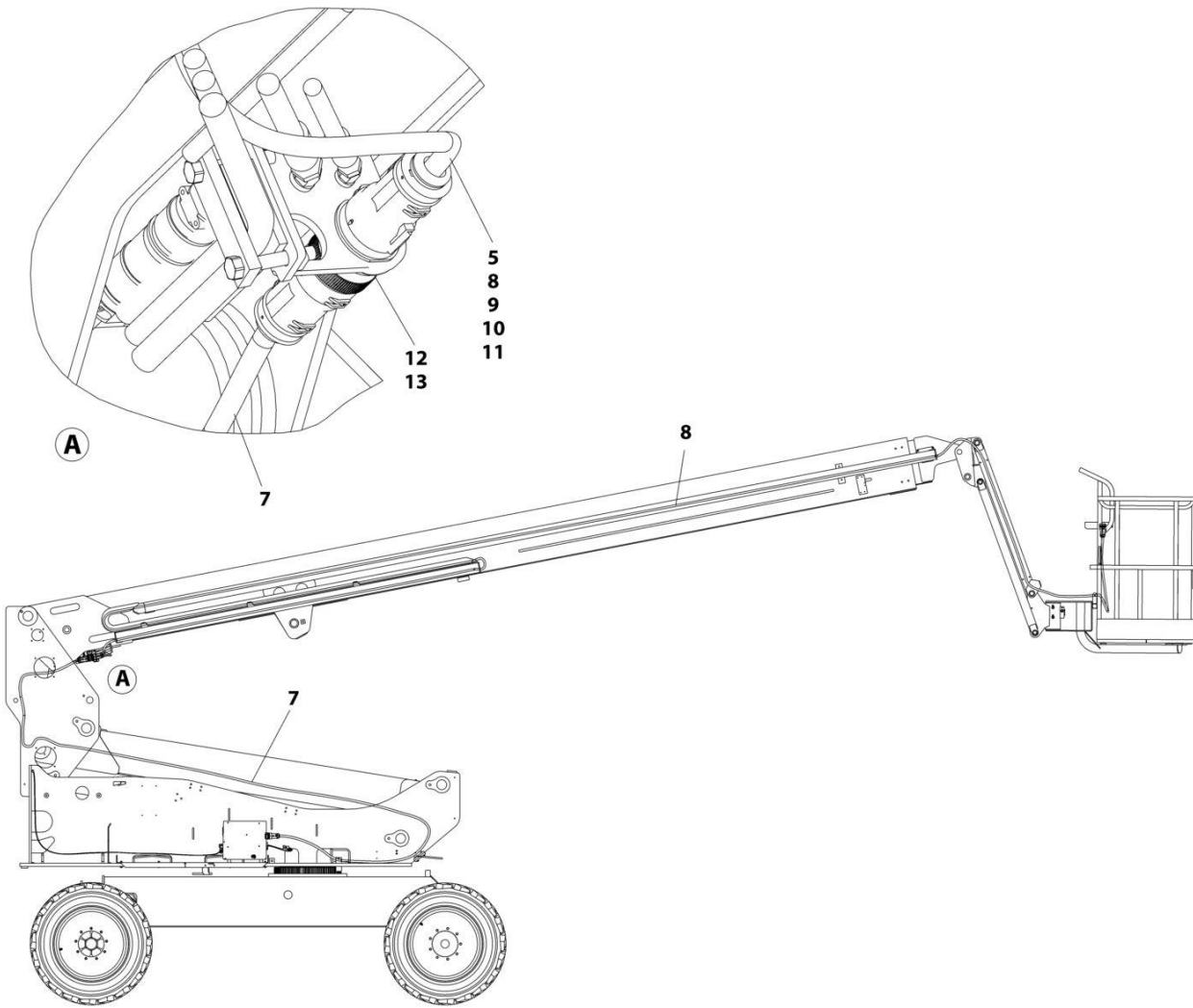
## SECTION 8 - ELECTRICAL

**FIGURE 8-25. CABLES AND CLAMPS INSTALLATION (EC600SJ/H600SJ) (CE & UK CA SPECS)**

ITEM	PART NUMBER	QTY	DESCRIPTION	REV
	1001183538	Ref	CABLES AND CLAMPS INSTALLATION	D
1	0100011	AR	Locking, Compound	
2	0641612	4	Bolt 3/8 x 1-1/2	
3	1320256	1	Clamp, Block	
5	1001205044	1	Washer	
6	1001205043	1	Nut	
7	4711600	4	Washer 3/8	
10	4922939	1	Cable, 12/3	
11	4922940	1	Cable, 12/3	
12	1001183882	1	Boom Cable - Lower (See Separate Breakdown in this Section)	
13	1001183885	1	Boom Cable - Upper (See Separate Breakdown in this Section)	
14	4240033	AR	Tie-Strap (Not Shown)	
15	4460466	AR	Plug, Seal	
16	1001188291	AR	Connector, Backshell	
18	1001188293	1	Connector - 19 Position	
19	1001188354	AR	Grommet	

# SECTION 8 - ELECTRICAL

FIGURE 8-26. CABLES AND CLAMPS INSTALLATION - WITHOUT AC CABLE (EC600SJ/H600SJ)  
(CHINA SPECS WITH SN STARTING WITH B3)



ART\_1001281442

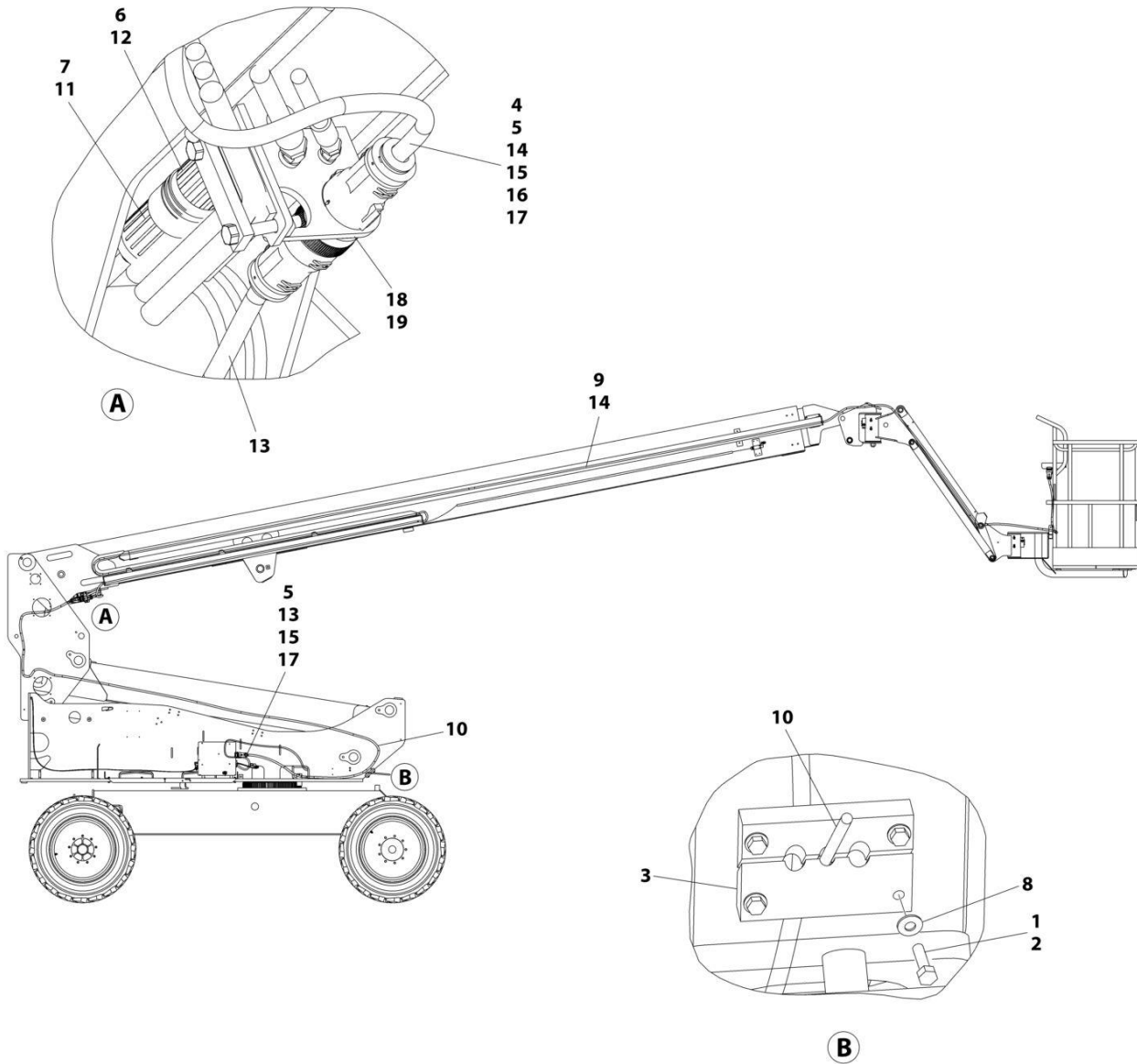
## SECTION 8 - ELECTRICAL

**FIGURE 8-26. CABLES AND CLAMPS INSTALLATION - WITHOUT AC CABLE (EC600SJ/H600SJ)  
(CHINA SPECS WITH SN STARTING WITH B3)**

ITEM	PART NUMBER	QTY	DESCRIPTION	REV
	1001281442	Ref	CABLES AND CLAMPS INSTALLATION - WITHOUT AC CABLE (EC600SJ) (CHINA SPECS)	B
4	4240033	AR	Tie-Strap (Not Shown)	
5	4460466	4	Plug, Seal	
7	1001183882	1	Boom Cable - Lower (See Separate Breakdown in this Section)	
8	1001183885	1	Boom Cable - Upper (See Separate Breakdown in this Section)	
9	1001188291	AR	Connector, Backshell	
10	1001188293	1	Connector - 19 Position	
11	1001188354	AR	Grommet	
12	1001205043	1	Nut	
13	1001205044	1	Washer	

# SECTION 8 - ELECTRICAL

FIGURE 8-27. CABLES AND CLAMPS INSTALLATION - WITH AC CABLE (EC600SJ/H600SJ)(CHINA SPEC WITH SN STARTING WITH B3)



ART\_1001286162

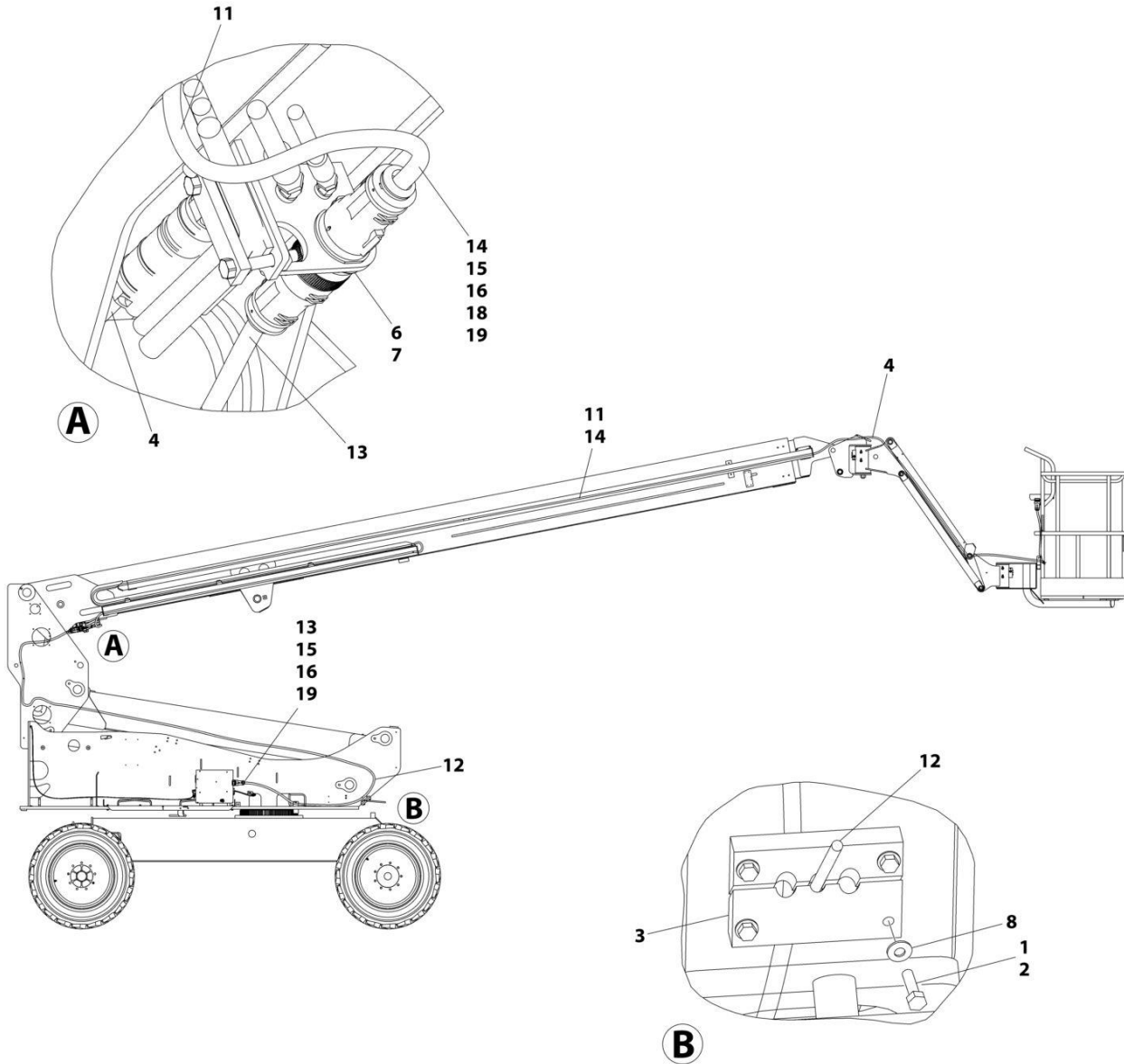
## SECTION 8 - ELECTRICAL

**FIGURE 8-27. CABLES AND CLAMPS INSTALLATION - WITH AC CABLE (EC600SJ/H600SJ)(CHINA SPEC WITH SN STARTING WITH B3)**

ITEM	PART NUMBER	QTY	DESCRIPTION	REV
	1001286162	Ref	CABLES AND CLAMPS INSTALLATION	A
1	0100011	AR	Locking, Compound	
2	0641612	4	Bolt 3/8 x 1-1/2	
3	1320256	1	Clamp, Block	
4	4240033	AR	Tie-Strap	
5	4460466	AR	Plug, Seal	
6	4460709	1	Connector, Male Twist	
7	4460710	1	Connector, Female Twist	
8	4711600	4	Washer 3/8	
9	4922937	1	Cable, 12/3	
10	4922938	1	Cable, 12/3	
11	1001156351	1	Cover, Female Connector	
12	1001156352	1	Cover, Male Connector	
13	1001183882	1	Boom Cable - Lower (See Separate Breakdown in this Section)	
14	1001183885	1	Boom Cable - Upper (See Separate Breakdown in this Section)	
15	1001188291	AR	Connector, Backshell	
16	1001188293	1	Connector - 19 Position	
17	1001188354	AR	Grommet	
18	1001205043	1	Nut	
19	1001205044	1	Washer	

# SECTION 8 - ELECTRICAL

**FIGURE 8-28. CABLES AND CLAMPS INSTALLATION (EC600SJP/H600SJP) (ALL SPECS EXCEPT AUSTRALIAN, CE & UK CA SPECS) (CHINA SPEC MACHINES WITH SN STARTING WITH 03)**



ART\_1001183536



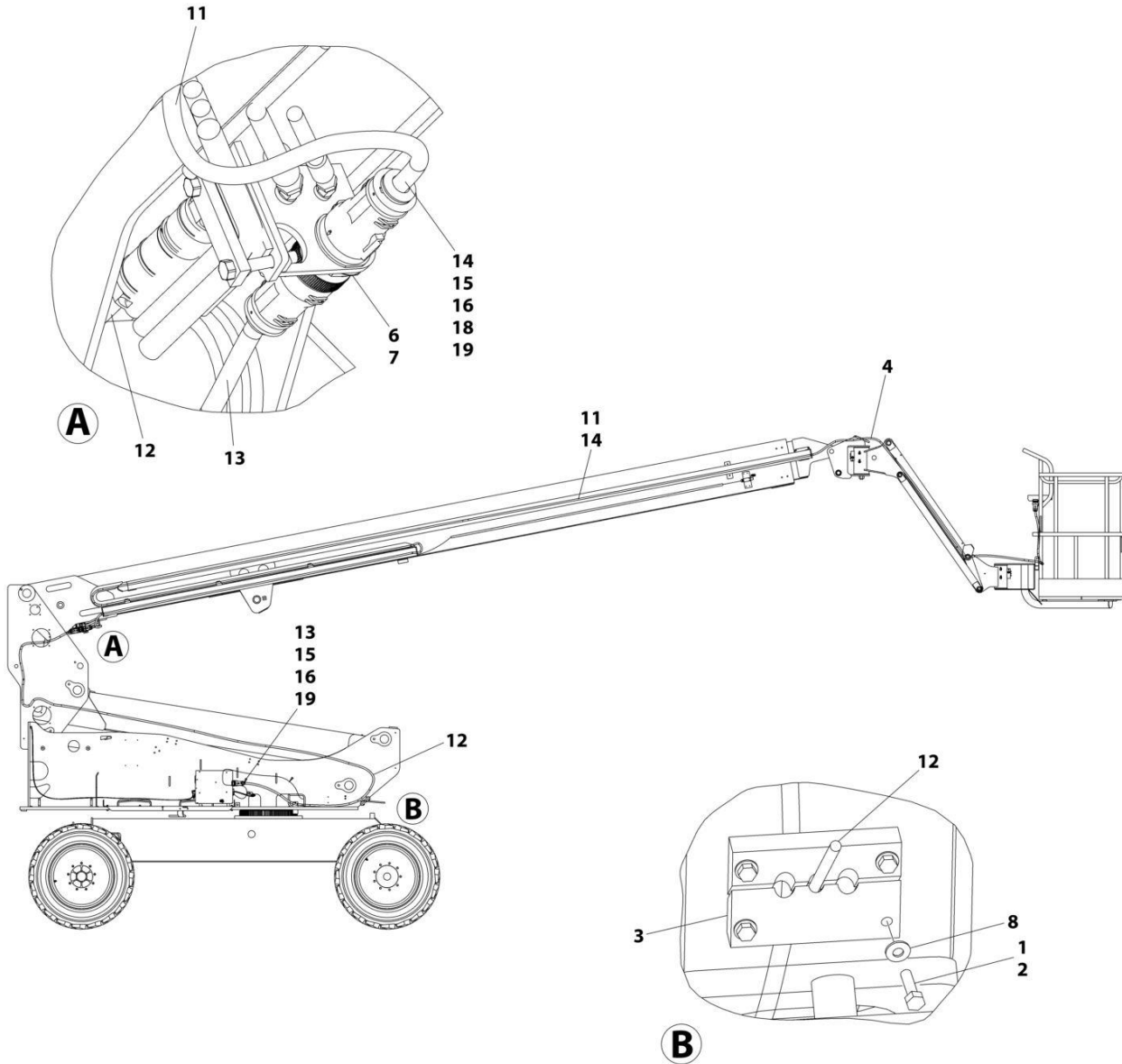
## SECTION 8 - ELECTRICAL

**FIGURE 8-28. CABLES AND CLAMPS INSTALLATION (EC600SJP/H600SJP) (ALL SPECS EXCEPT AUSTRALIAN, CE & UK CA SPECS) (CHINA SPEC MACHINES WITH SN STARTING WITH 03)**

ITEM	PART NUMBER	QTY	DESCRIPTION	REV
	1001183536	Ref	CABLES AND CLAMPS INSTALLATION	C
1	0100011	AR	Locking, Compound	
2	0641612	4	Bolt 3/8 x 1-1/2	
3	1320256	1	Clamp, Block	
4	4100026	1	Sleeve, Hose Protector	
5	4240033	AR	Tie-Strap (Not Shown)	
6	1001205044	1	Washer	
7	1001205043	1	Nut	
8	4711600	4	Washer 3/8	
11	4922937	1	Cable, 12/3	
12	4922938	1	Cable, 12/3	
13	1001183882	1	Boom Cable - Lower (See Separate Breakdown in this Section)	
14	1001183884	1	Boom Cable - Upper (See Separate Breakdown in this Section)	
15	4460466	AR	Plug, Seal	
16	1001188291	AR	Connector, Backshell	
18	1001188293	1	Connector - 19 Position	
19	1001188354	AR	Grommet	

# SECTION 8 - ELECTRICAL

FIGURE 8-29. CABLES AND CLAMPS INSTALLATION (EC600SJP/H600SJP) (AUSTRALIAN, CE & UK CA SPECS)



ART\_1001183539

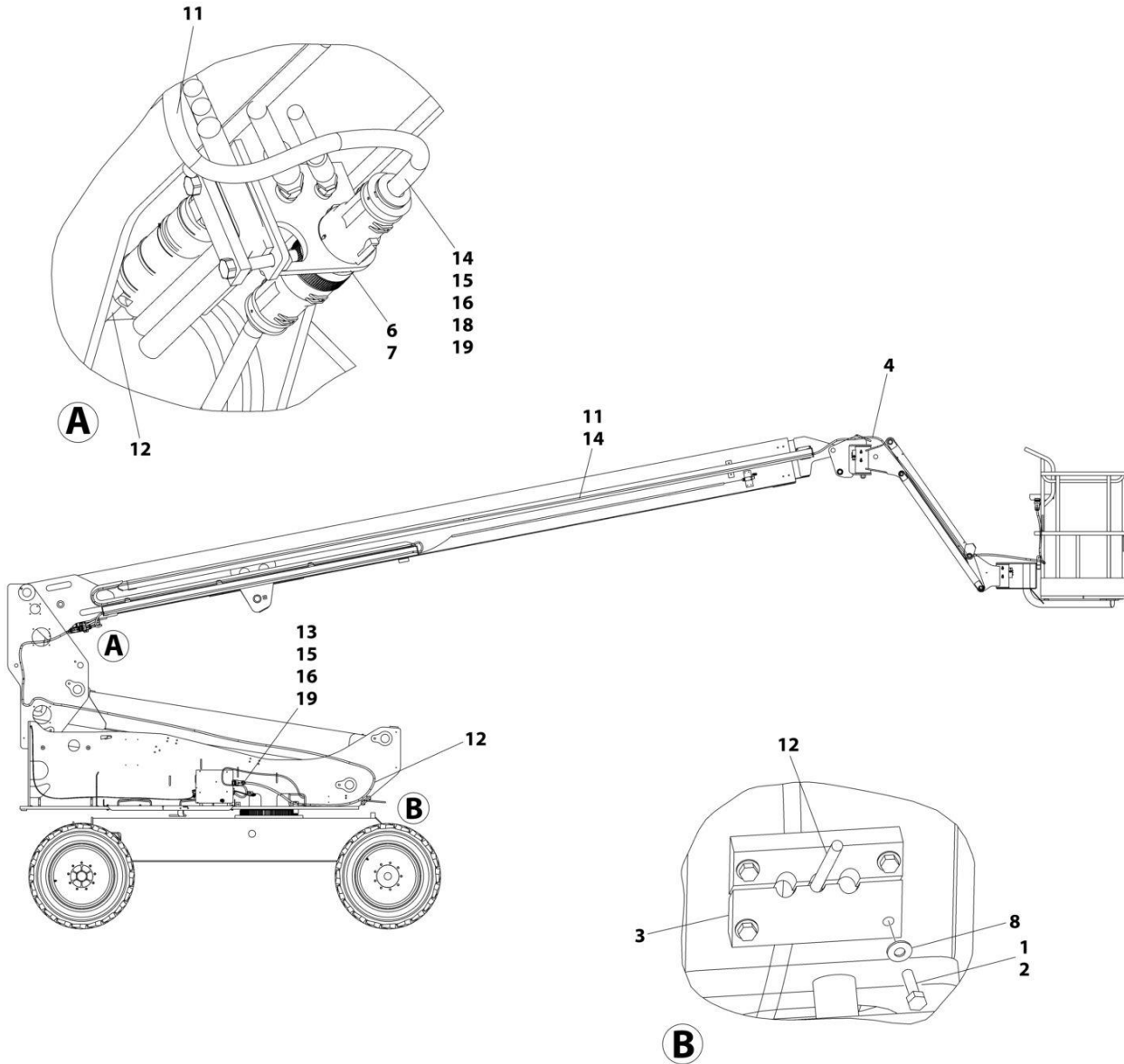
## SECTION 8 - ELECTRICAL

**FIGURE 8-29. CABLES AND CLAMPS INSTALLATION (EC600SJP/H600SJP) (AUSTRALIAN, CE & UK CA SPECS)**

ITEM	PART NUMBER	QTY	DESCRIPTION	REV
	1001183539	Ref	CABLES AND CLAMPS INSTALLATION	C
1	0100011	AR	Locking, Compound	
2	0641612	4	Bolt 3/8 x 1-1/2	
3	1320256	1	Clamp, Block	
4	4100026	1	Sleeve, Hose Protector	
5	4240033	AR	Tie-Strap (Not Shown)	
6	1001205044	1	Washer	
7	1001205043	1	Nut	
8	4711600	4	Washer 3/8	
11	4922939	1	Cable, 12/3	
12	4922940	1	Cable, 12/3	
13	1001183882	1	Boom Cable - Lower (See Separate Breakdown in this Section)	
14	1001183884	1	Boom Cable - Upper (See Separate Breakdown in this Section)	
15	4460466	AR	Plug, Seal	
16	1001188291	AR	Connector, Backshell	
18	1001188293	1	Connector - 19 Position	
19	1001188354	AR	Grommet	

# SECTION 8 - ELECTRICAL

FIGURE 8-30. CABLES AND CLAMPS INSTALLATION - DUAL AC BOXES (EC600SJP/H600SJP) (CE & UK CA SPECS)



ART\_1001183540

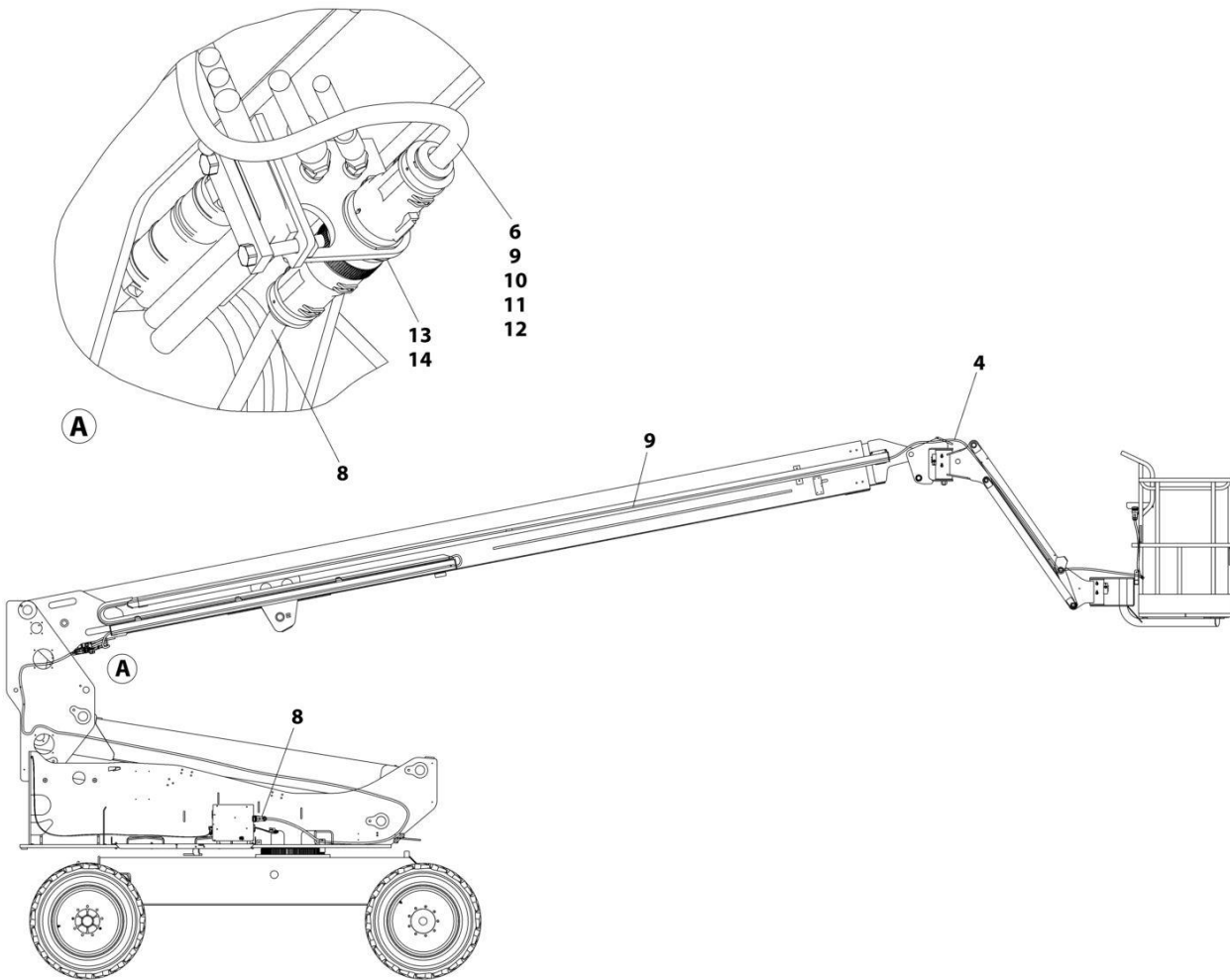
## SECTION 8 - ELECTRICAL

**FIGURE 8-30. CABLES AND CLAMPS INSTALLATION - DUAL AC BOXES (EC600SJP/H600SJP) (CE & UK CA SPECS)**

ITEM	PART NUMBER	QTY	DESCRIPTION	REV
	1001183540	Ref	CABLES AND CLAMPS INSTALLATION	C
1	0100011	AR	Locking, Compound	
2	0641612	4	Bolt 3/8 x 1-1/2	
3	1320256	1	Clamp, Block	
4	4100026	1	Sleeve, Hose Protector	
5	4240033	AR	Tie-Strap (Not Shown)	
6	1001205044	1	Washer	
7	1001205043	1	Nut	
8	4711600	4	Washer 3/8	
11	4922939	2	Cable, 12/3	
12	4922940	2	Cable, 12/3	
13	1001183882	1	Boom Cable - Lower (See Separate Breakdown in this Section)	
14	1001183884	1	Boom Cable - Upper (See Separate Breakdown in this Section)	
15	4460466	AR	Plug, Seal	
16	1001188291	AR	Connector, Backshell	
18	1001188293	1	Connector - 19 Position	
19	1001188354	AR	Grommet	

# SECTION 8 - ELECTRICAL

FIGURE 8-31. CABLES AND CLAMPS INSTALLATION - WITHOUT AC CABLE (EC600SJP/H600SJP)  
(CHINA SPECS WITH SN STARTING WITH B3)



ART\_1001281443

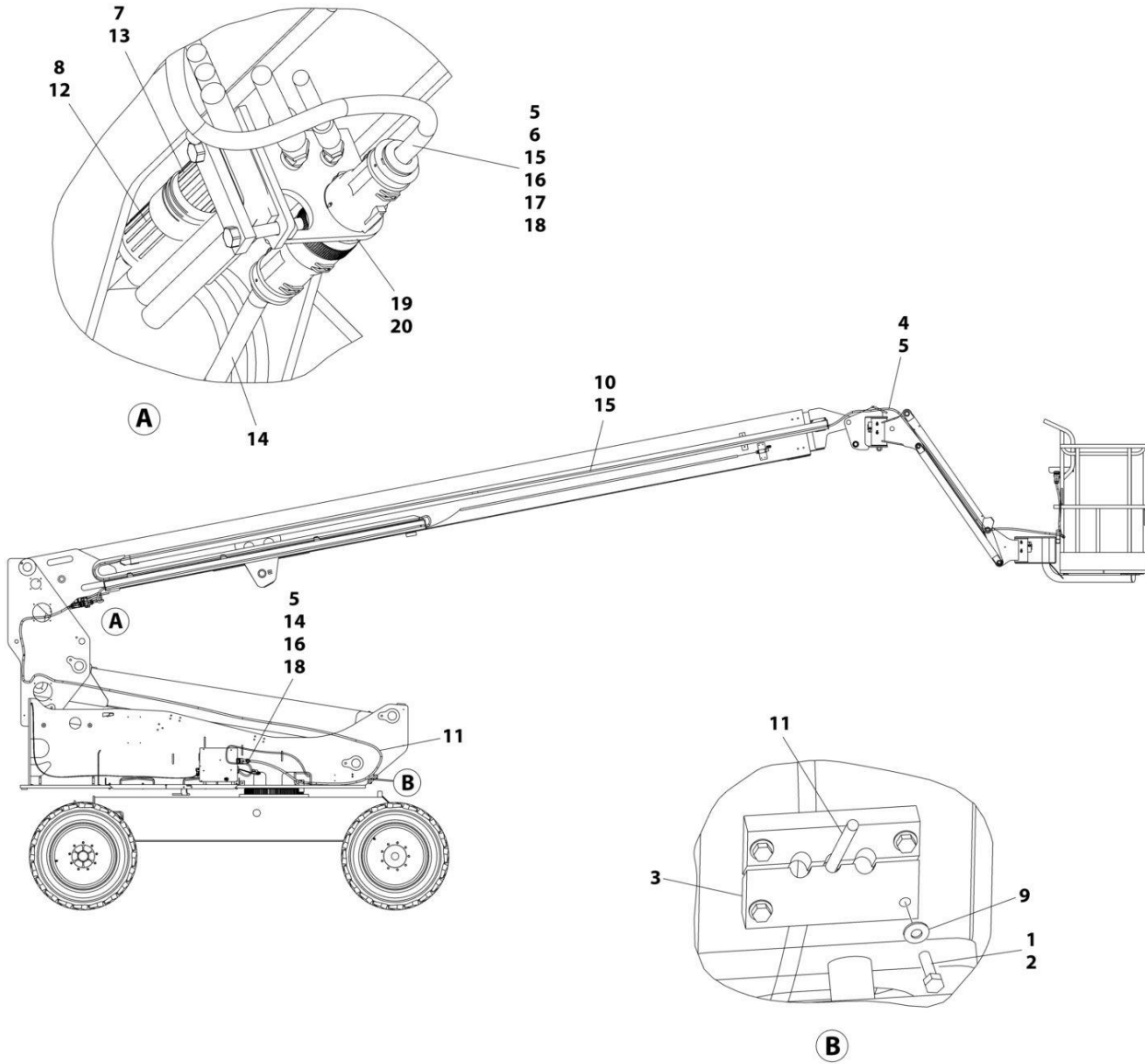
## SECTION 8 - ELECTRICAL

**FIGURE 8-31. CABLES AND CLAMPS INSTALLATION - WITHOUT AC CABLE (EC600SJP/H600SJP)  
(CHINA SPECS WITH SN STARTING WITH B3)**

ITEM	PART NUMBER	QTY	DESCRIPTION	REV
	1001281443	Ref	CABLES AND CLAMPS INSTALLATION - WITHOUT AC CABLE (EC600SJP) (CHINA SPECS)	B
4	4100026	1	Sleeve, Hose Protector	
5	4240033	AR	Tie-Strap (Not Shown)	
6	4460466	4	Plug, Seal	
8	1001183882	1	Boom Cable - Lower (See Separate Breakdown in this Section)	
9	1001183884	1	Boom Cable - Upper (See Separate Breakdown in this Section)	
10	1001188291	AR	Connector, Backshell	
11	1001188293	1	Connector - 19 Position	
12	1001188354	AR	Grommet	
13	1001205043	1	Nut	
14	1001205044	1	Washer	

# SECTION 8 - ELECTRICAL

FIGURE 8-32. CABLES AND CLAMPS INSTALLATION - WITH AC CABLE  
(EC600SJP/H600SJP)(CHINA SPEC WITH SN STARTING WITH B3)



ART\_1001286163



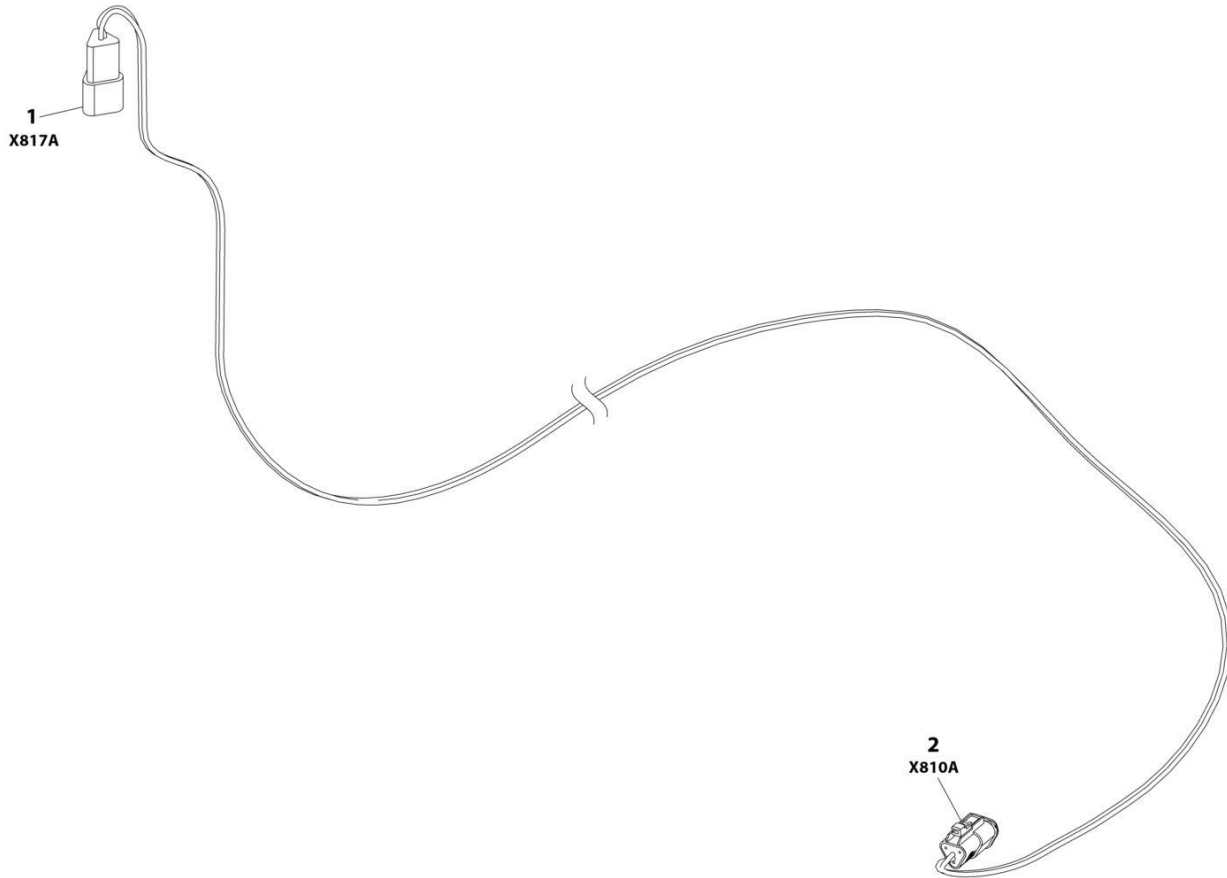
## SECTION 8 - ELECTRICAL

**FIGURE 8-32. CABLES AND CLAMPS INSTALLATION - WITH AC CABLE  
(EC600SJP/H600SJP)(CHINA SPEC WITH SN STARTING WITH B3)**

ITEM	PART NUMBER	QTY	DESCRIPTION	REV
	1001286163	Ref	CABLES AND CLAMPS INSTALLATION	A
1	0100011	AR	Locking, Compound	
2	0641612	4	Bolt 3/8 x 1-1/2	
3	1320256	1	Clamp, Block	
4	4100026	1	Sleeve, Hose Protector	
5	4240033	AR	Tie-Strap	
6	4460466	AR	Plug, Seal	
7	4460709	1	Connector, Male Twist	
8	4460710	1	Connector, Female Twist	
9	4711600	4	Washer 3/8	
10	4922937	1	Cable, 12/3	
11	4922938	1	Cable, 12/3	
12	1001156351	1	Cover, Female Connector	
13	1001156352	1	Cover, Male Connector	
14	1001183882	1	Boom Cable - Lower (See Separate Breakdown in this Section)	
15	1001183884	1	Boom Cable - Upper (See Separate Breakdown in this Section)	
16	1001188291	AR	Connector, Backshell	
17	1001188293	1	Connector - 19 Position	
18	1001188354	AR	Grommet	
19	1001205043	1	Nut	
20	1001205044	1	Washer	

# SECTION 8 - ELECTRICAL

## FIGURE 8-33. CAN JUMPER HARNESS



ART\_1001259548

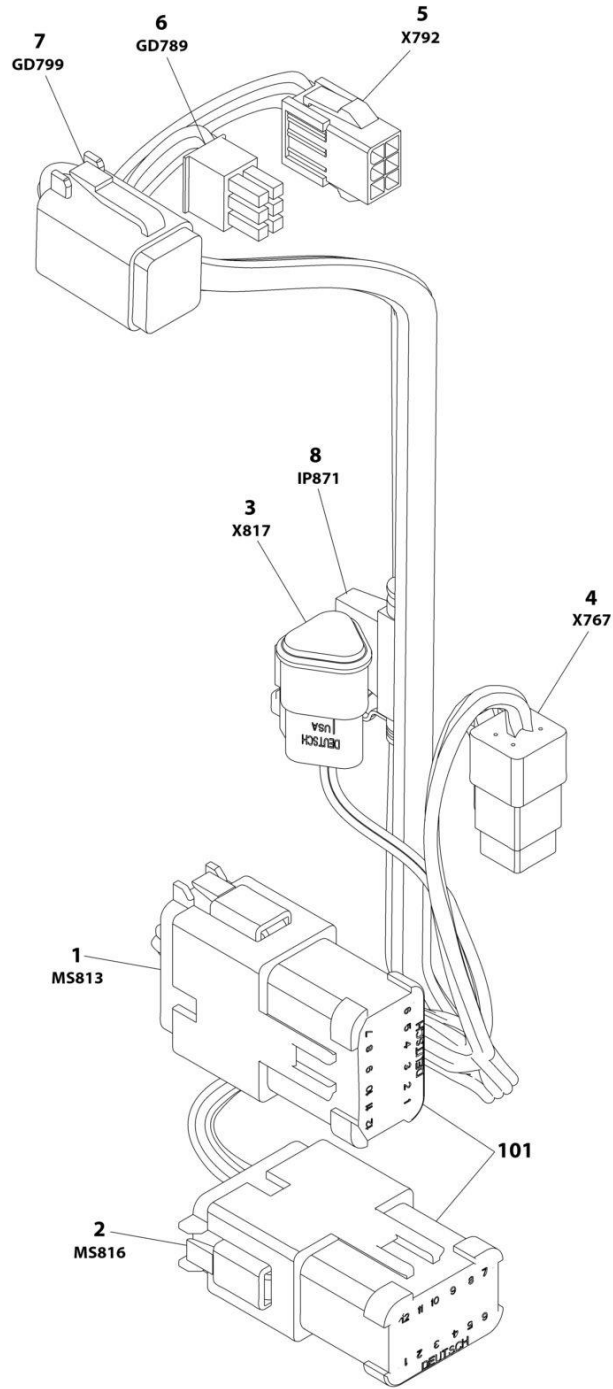
## SECTION 8 - ELECTRICAL

### FIGURE 8-33. CAN JUMPER HARNESS

ITEM	PART NUMBER	QTY	DESCRIPTION	REV
	1001259548	Ref	CAN JUMPER HARNESS	A
1	1001144147	1	Connector	
1	4460943	2	Socket	
1	4460466	1	Plug	
2	1001116812	1	Connector	
2	4460944	2	Socket	
2	4460466	1	Plug	

# SECTION 8 - ELECTRICAL

## FIGURE 8-34. CENTRAL PANEL CAN BUSS HARNESS



ART\_1001259560

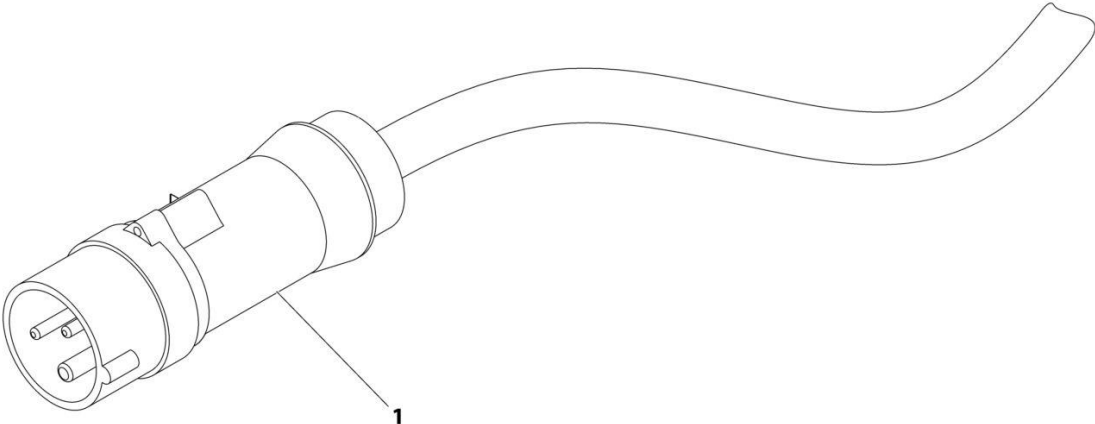
## SECTION 8 - ELECTRICAL

### FIGURE 8-34. CENTRAL PANEL CAN BUSS HARNESS

ITEM	PART NUMBER	QTY	DESCRIPTION	REV
	1001259560	Ref	CENTRAL PANEL CAN BUSS HARNESS	C
1	4460933	1	Connector	
1	4460465	10	Socket	
1	4460466	2	Plug	
2	4460933	1	Connector	
2	4460465	8	Socket	
2	4460466	4	Plug	
3	1001116812	1	Connector	
3	4460944	2	Socket	
3	4460466	1	Plug	
4	4461077	1	Connector	
4	4460928	2	Socket	
4	4460918	2	Socket	
5	1001132049	1	Connector	
5	1001132050	4	Pin	
6	4460868	1	Connector	
6	4460877	4	Socket	
7	4460894	1	Connector	
7	4460465	4	Socket	
7	4460466	2	Plug	
8	2400060	1	Holder, Fuse	
8	8229242	1	Fuse, 5 Amp	
101	1001125677	2	Connector	

**SECTION 8 - ELECTRICAL**

**FIGURE 8-35. CHARGER CORD PLUG INSTALLATION - 110V - IEC YELLOW (CE & UK CA SPEC)**



ART\_0275666

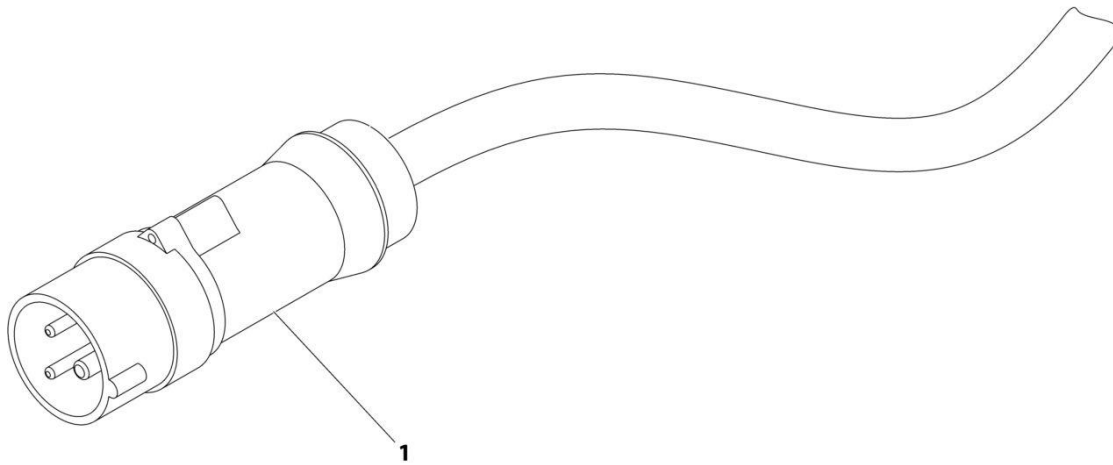
## SECTION 8 - ELECTRICAL

**FIGURE 8-35. CHARGER CORD PLUG INSTALLATION - 110V - IEC YELLOW (CE & UK CA SPEC)**

ITEM	PART NUMBER	QTY	DESCRIPTION	REV
	0275666	Ref	CHARGER CORD PLUG INSTALLATION - 110V IEC YELLOW	B
1	4461196	1	PLUG Plug	

## SECTION 8 - ELECTRICAL

FIGURE 8-36. CHARGER CORD PLUG INSTALLATION - 220V - IEC BLUE (CE & UK CA SPEC)



ART\_0275667



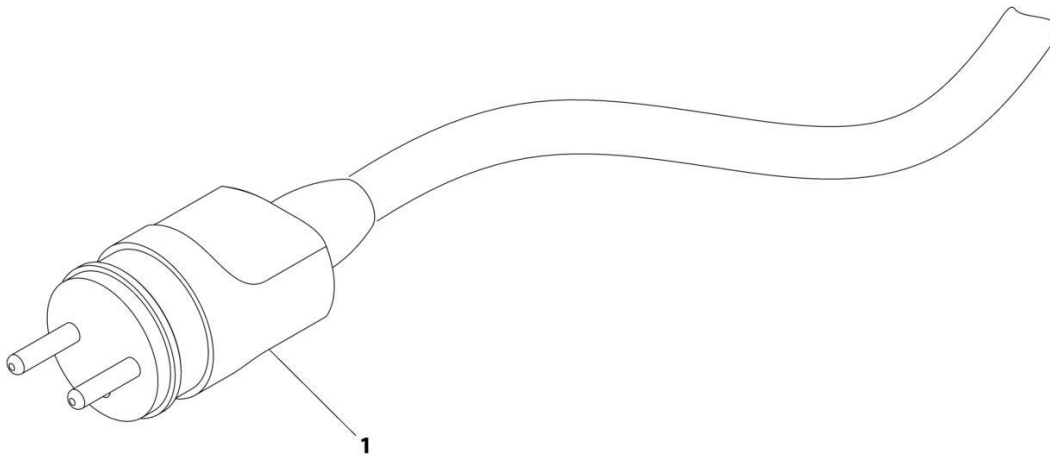
## SECTION 8 - ELECTRICAL

**FIGURE 8-36. CHARGER CORD PLUG INSTALLATION - 220V - IEC BLUE (CE & UK CA SPEC)**

ITEM	PART NUMBER	QTY	DESCRIPTION	REV
1	0275667 4461199	Ref 1	CHARGER CORD PLUG INSTALLATION - 220V IEC BLUE PLUG Plug	B

## SECTION 8 - ELECTRICAL

FIGURE 8-37. CHARGER CORD PLUG INSTALLATION - 220V - CEE7 POST GROUND (CE & UK CA SPEC)



ART\_0275663-C

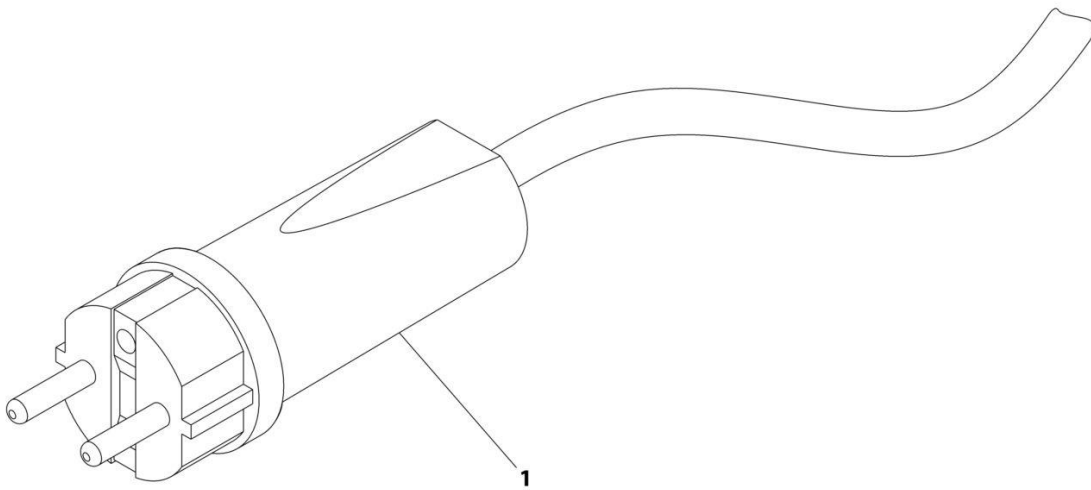
## SECTION 8 - ELECTRICAL

**FIGURE 8-37. CHARGER CORD PLUG INSTALLATION - 220V - CEE7 POST GROUND (CE & UK CA SPEC)**

ITEM	PART NUMBER	QTY	DESCRIPTION	REV
1	0275663 4461205	Ref 1	CHARGER CORD PLUG INSTALLATION - 220V POST GROUND Plug	C

## SECTION 8 - ELECTRICAL

FIGURE 8-38. CHARGER CORD PLUG INSTALLATION - 220V - CEE7 SIDE GROUND (CE & UK CA SPEC)



ART\_0275664

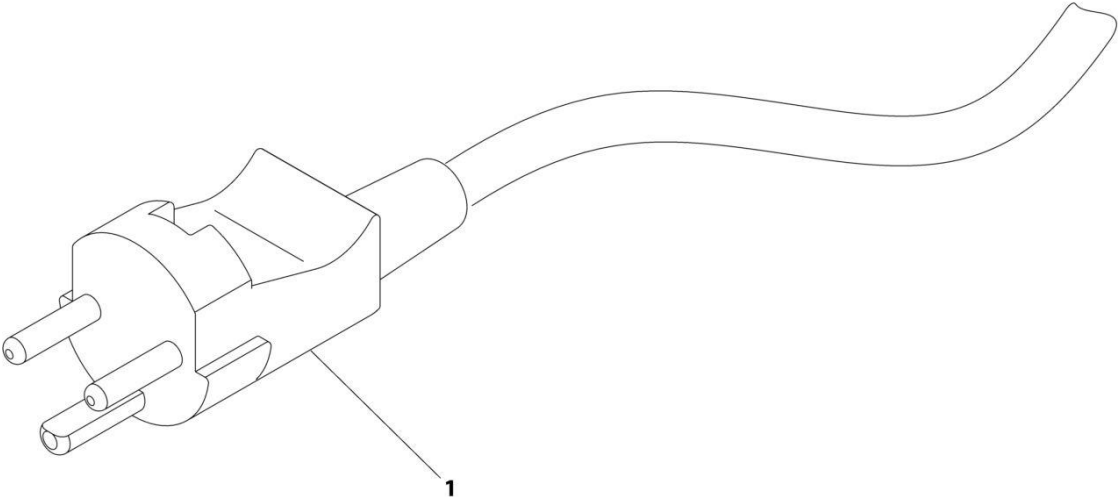
## SECTION 8 - ELECTRICAL

**FIGURE 8-38. CHARGER CORD PLUG INSTALLATION - 220V - CEE7 SIDE GROUND (CE & UK CA SPEC)**

ITEM	PART NUMBER	QTY	DESCRIPTION	REV
	0275664	Ref	CHARGER CORD PLUG INSTALLATION - 220V CEE7 SIDE GROUND	A
1	4461205	1	Plug	

**SECTION 8 - ELECTRICAL**

**FIGURE 8-39. CHARGER CORD PLUG INSTALLATION - 220V - AFSINT 107 KEYED GROUND (CE & UK CA SPEC)**



ART\_0275665

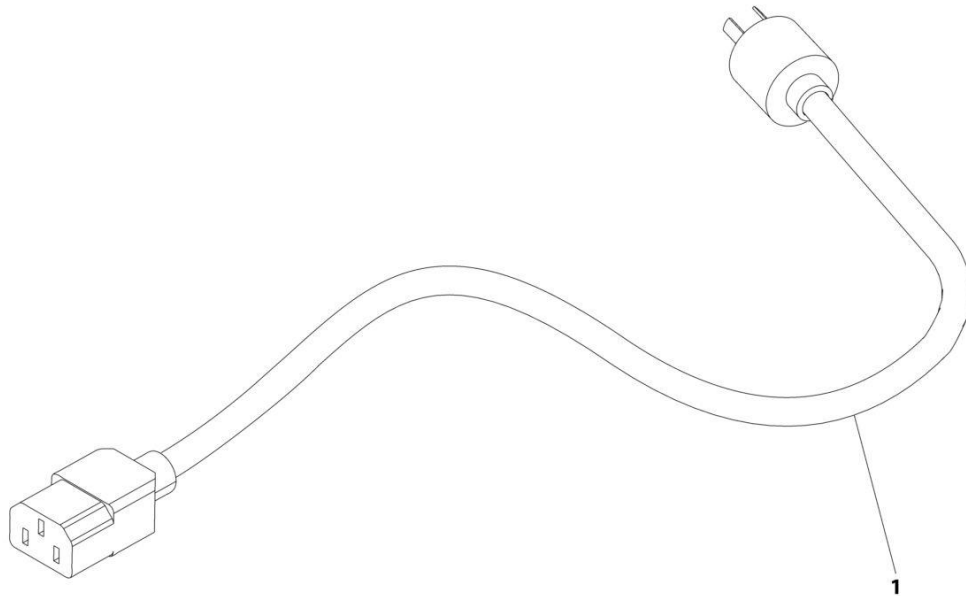
## SECTION 8 - ELECTRICAL

**FIGURE 8-39. CHARGER CORD PLUG INSTALLATION - 220V - AFSINT 107 KEYED GROUND (CE & UK CA SPEC)**

ITEM	PART NUMBER	QTY	DESCRIPTION	REV
	0275665	Ref	CHARGER CORD PLUG INSTALLATION - 220V AFSINT 107 KEYED GROUND	B
1	4461249	1	Plug	

## SECTION 8 - ELECTRICAL

FIGURE 8-40. CHARGER CORD PLUG INSTALLATION (CHINA SPEC)



ART\_1001253917



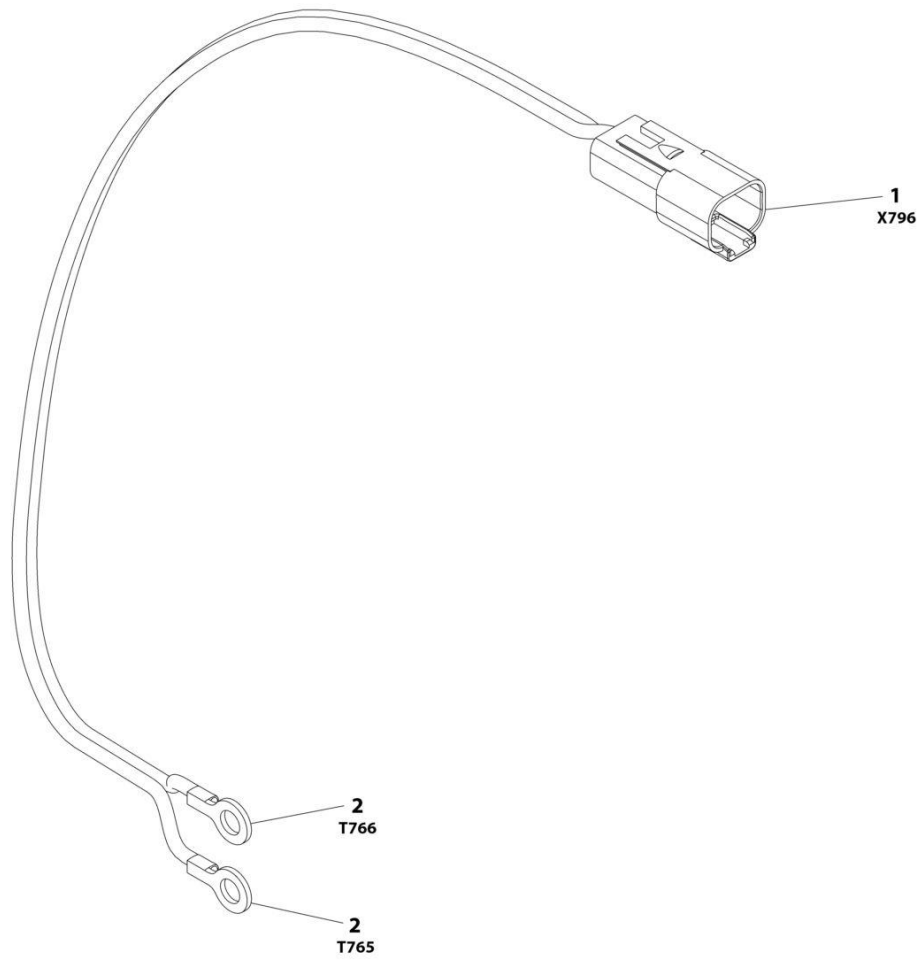
## SECTION 8 - ELECTRICAL

**FIGURE 8-40. CHARGER CORD PLUG INSTALLATION (CHINA SPEC)**

ITEM	PART NUMBER	QTY	DESCRIPTION	REV
1	1001253917 1001187816	Ref 1	CHARGER CORD PLUG INSTALLATION - CHINA PLUG Plug	A

# SECTION 8 - ELECTRICAL

## FIGURE 8-41. CHARGER DC CONNECTION HARNESS



ART\_1001260408

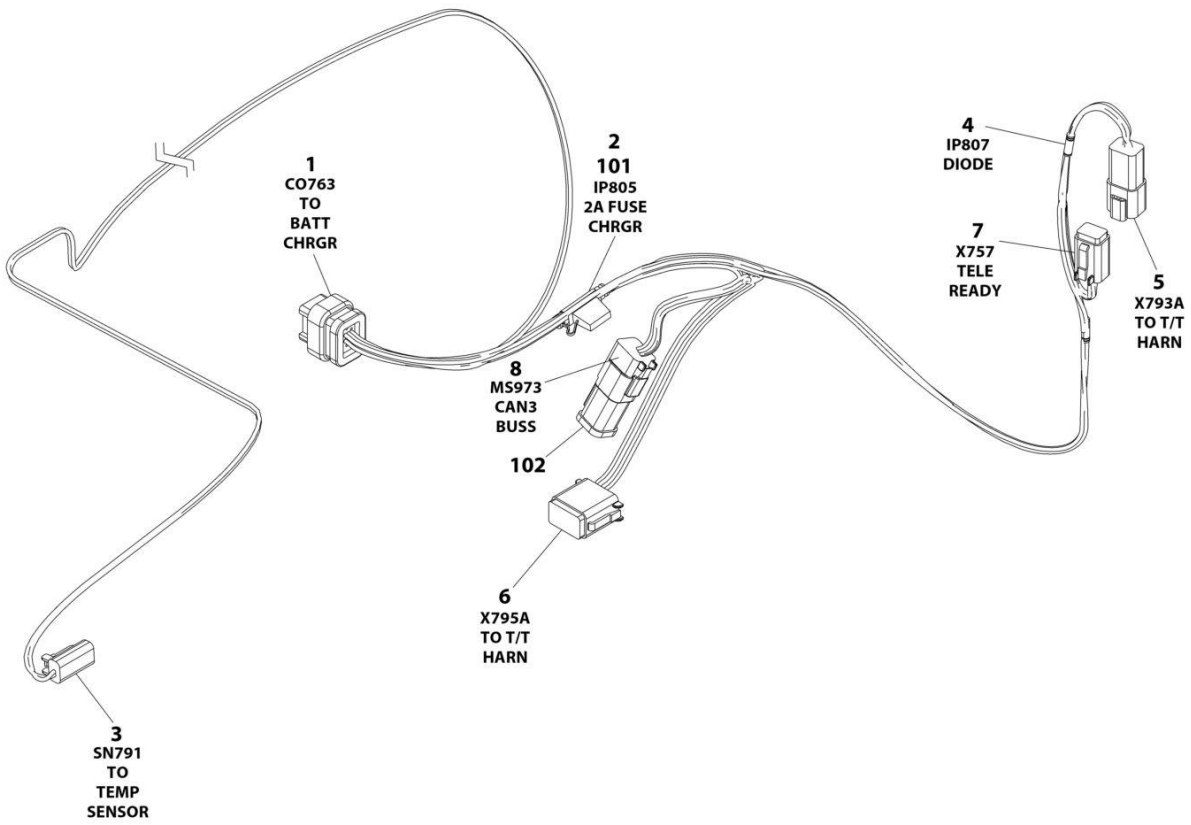
## SECTION 8 - ELECTRICAL

### FIGURE 8-41. CHARGER DC CONNECTION HARNESS

ITEM	PART NUMBER	QTY	DESCRIPTION	REV
	1001260408	Ref	CHARGER DC CONNECTION HARNESS	A
1	1001116811	1	Connector	
1	4460508	2	Pin	
1	4460466	2	Plug	
2	4460312	2	Terminal Ring	

# SECTION 8 - ELECTRICAL

## FIGURE 8-42. CHARGER HARNESS



ART\_1001289963

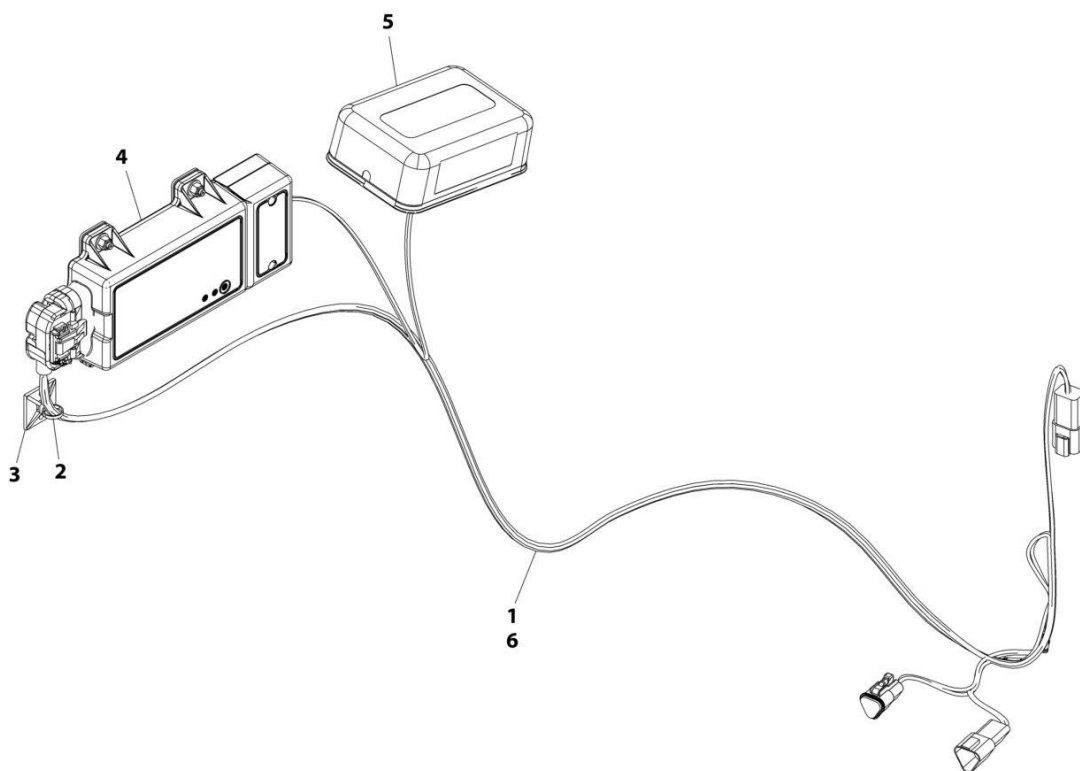
## SECTION 8 - ELECTRICAL

### FIGURE 8-42. CHARGER HARNESS

ITEM	PART NUMBER	QTY	DESCRIPTION	REV
	1001289963	Ref	CHARGER HARNESS	A
1	4460872	1	Connector - 14 Position	
1	4460905	5	Plug	
1	4460871	9	Socket	
2	2400060	1	Fuseholder with Cover	
3	4460891	1	Connector - 2 Position	
3	4460465	2	Socket	
4	3990001	1	Diode	
5	4460932	1	Connector - 4 Position	
5	4460464	4	Pin	
6	4460930	1	Connector - 8 Position	
6	4460465	7	Socket	
6	4460466	1	Plug	
7	4460884	1	Connector	
7	4460465	4	Socket	
8	4460894	1	Connector - 6 Position	
8	4460465	6	Socket	
101	1001196634	1	Fuse, 2AMP	
102	1001226541	1	Connector, Bussbar - 6 Position	

## SECTION 8 - ELECTRICAL

FIGURE 8-43. CLEARSKY INSTALLATION - 4G CANBUS CONNECTION (ALL SPECS EXCEPT CHINA SPECS)



ART\_1001235649

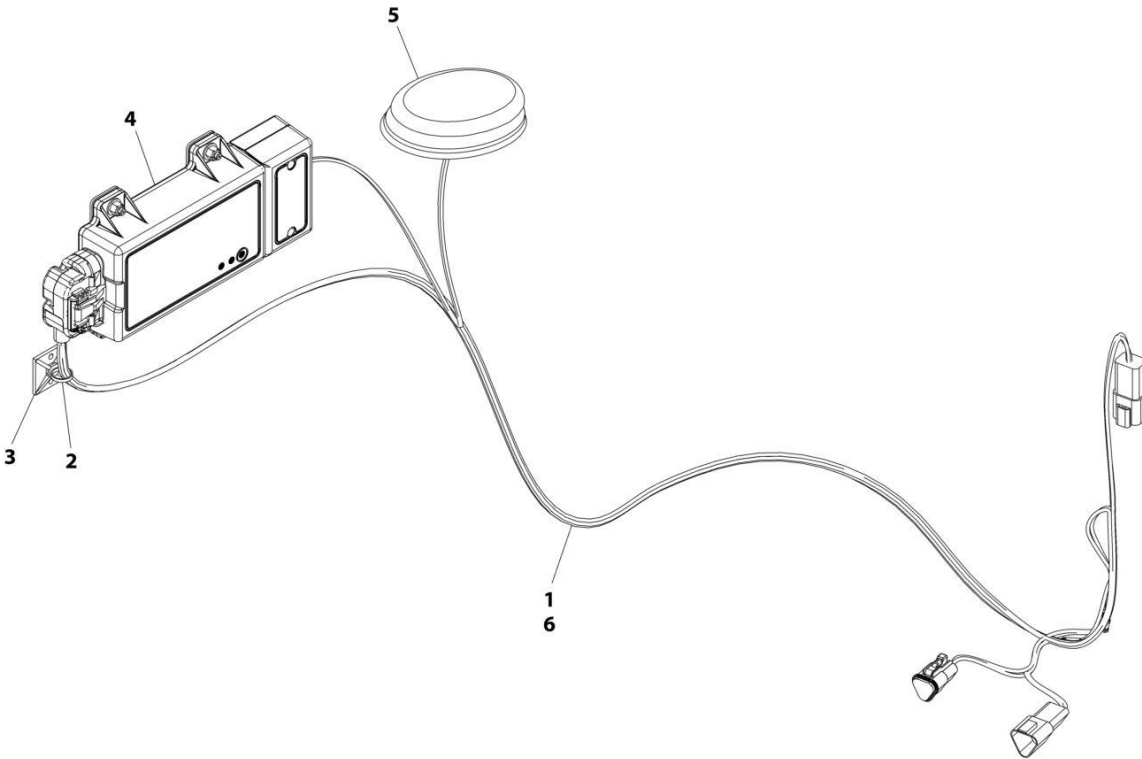
## SECTION 8 - ELECTRICAL

**FIGURE 8-43. CLEARSKY INSTALLATION - 4G CANBUS CONNECTION (ALL SPECS EXCEPT CHINA SPECS)**

ITEM	PART NUMBER	QTY	DESCRIPTION	REV
	1001235649	Ref	CLEARSKY INSTALLATION CANBUS CONNECTION	B
1	1062255	AR	Tie, Strap	
2	4240032	AR	Tie, Strap	
3	4460234	AR	Strap, Cable Tie	
4	1001262322	1	Telematics Control Module (Note: Re-calibration Required when Replaced)	
5	1001262326	1	Antenna	
6	1001235091	1	ClearSky Harness (See Separate Breakdown in this section)	

## SECTION 8 - ELECTRICAL

FIGURE 8-44. CLEARSKY INSTALLATION - 3G CANBUS CONNECTION (ANSI EXPORT, CE & UK CA SPECS)



ART\_1001236535



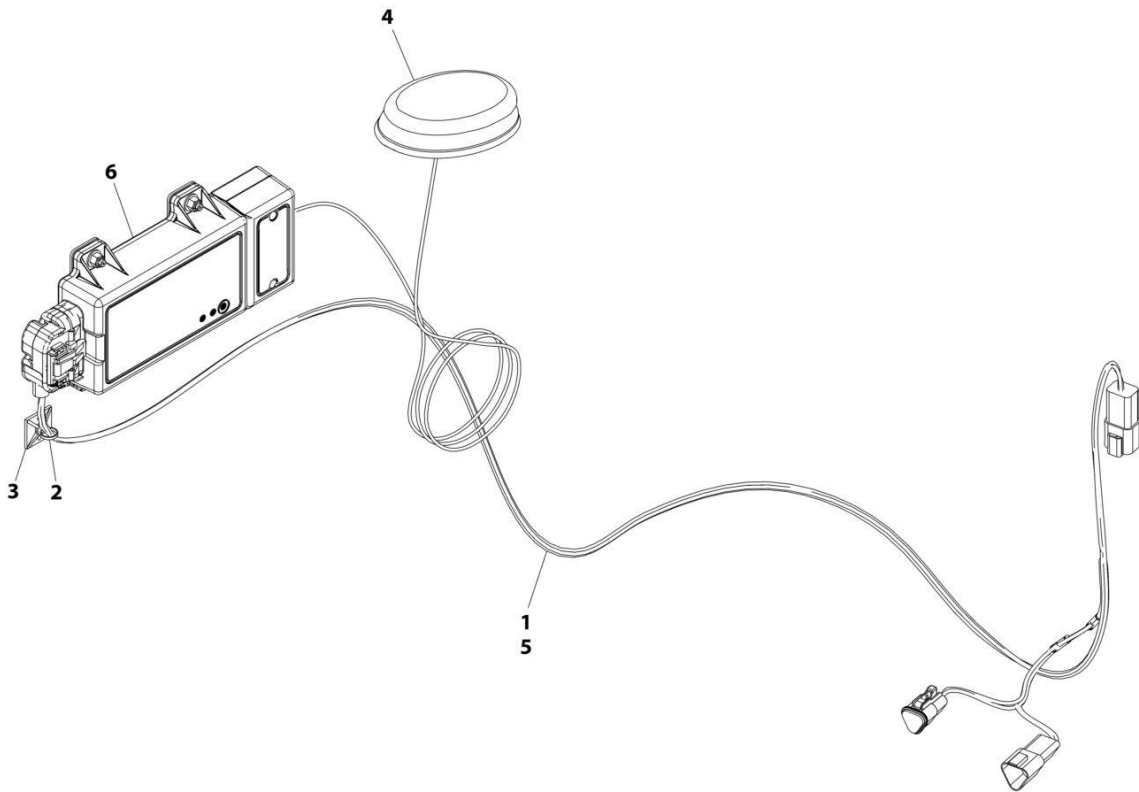
## SECTION 8 - ELECTRICAL

**FIGURE 8-44. CLEARSKY INSTALLATION - 3G CANBUS CONNECTION (ANSI EXPORT, CE & UK CA SPECS)**

ITEM	PART NUMBER	QTY	DESCRIPTION	REV
	1001236535	Ref	CLEARSKY INSTALLATION CANBUS CONNECTION	A
1	1062255	AR	Tie, Strap	
2	4240032	AR	Tie, Strap	
3	4460234	AR	Strap, Cable Tie	
4	1001228954	1	Telematics Control Module (Note: Re-calibration Required when Replaced)	
5	1001226799	1	Antenna	
6	1001235091	1	ClearSky Harness (See Separate Breakdown in this section)	

# SECTION 8 - ELECTRICAL

FIGURE 8-45. CLEARSKY INSTALLATION - 3G CANBUS CONNECTION (AUSTRALIAN SPECS)



ART\_1001246541

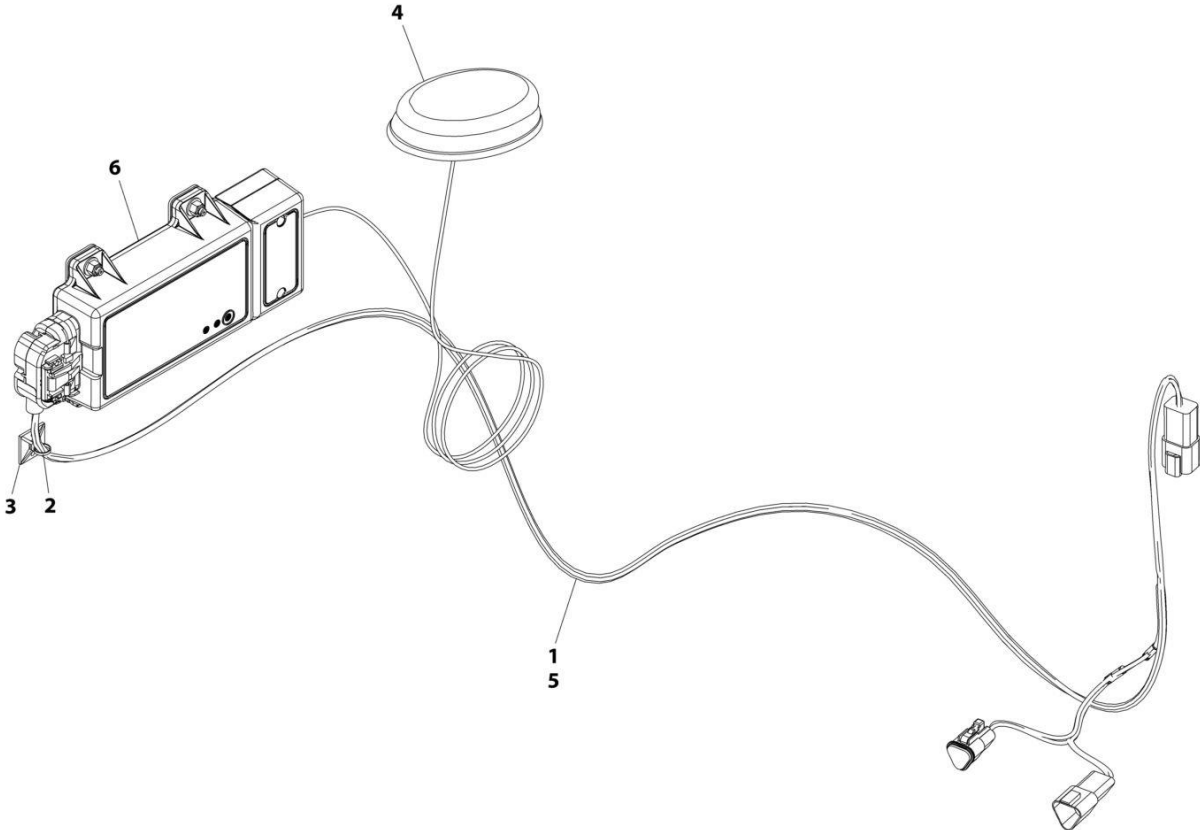
## SECTION 8 - ELECTRICAL

**FIGURE 8-45. CLEARSKY INSTALLATION - 3G CANBUS CONNECTION (AUSTRALIAN SPECS)**

ITEM	PART NUMBER	QTY	DESCRIPTION	REV
	1001246541	Ref	CLEARSKY INSTALLATION CANBUS CONNECTION	A
1	1062255	AR	Tie, Strap	
2	4240032	AR	Tie, Strap	
3	4460234	AR	Strap, Cable Tie	
4	1001226799	1	Antenna	
5	1001235091	1	ClearSky Harness (See Separate Breakdown in this section)	
6	1001246144	1	Telematics Control Module (Note: Re-calibration Required when Replaced)	

**SECTION 8 - ELECTRICAL**

**FIGURE 8-46. CLEARSKY INSTALLATION - 4G CANBUS CONNECTION (CHINA SPECS)**



ART\_1001246542

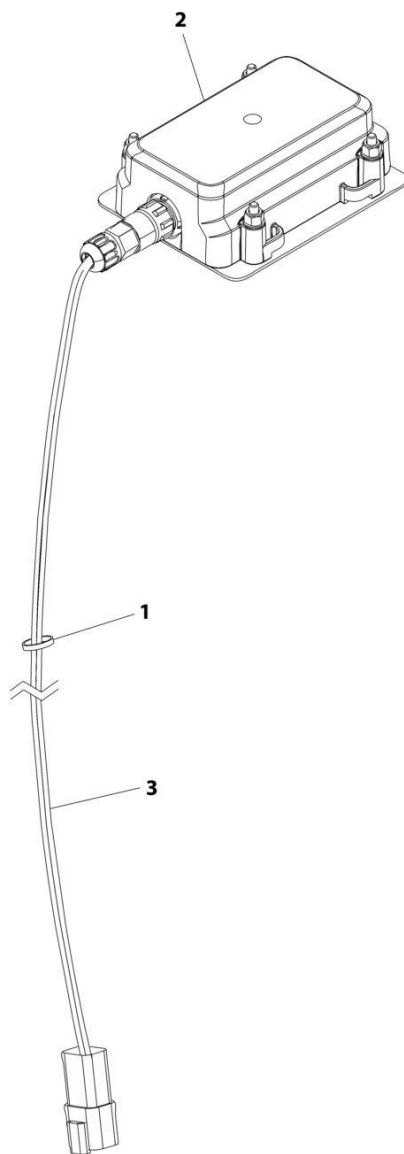
## SECTION 8 - ELECTRICAL

**FIGURE 8-46. CLEARSKY INSTALLATION - 4G CANBUS CONNECTION (CHINA SPECS)**

ITEM	PART NUMBER	QTY	DESCRIPTION	REV
	1001246542	Ref	CLEARSKY INSTALLATION CANBUS CONNECTION	A
1	1062255	AR	Tie, Strap	
2	4240032	AR	Tie, Strap	
3	4460234	AR	Strap, Cable Tie	
4	1001226799	1	Antenna	
5	1001235091	1	ClearSky Harness (See Separate Breakdown in this section)	
6	1001246145	1	Telematics Control Module (Note: Re-calibration Required when Replaced)	

## SECTION 8 - ELECTRICAL

FIGURE 8-47. CLEARSKY INSTALLATION 3-WIRE CONNECTION (ALL SPECS EXCEPT UL AND CHINA SPECS)



ART\_1001276610

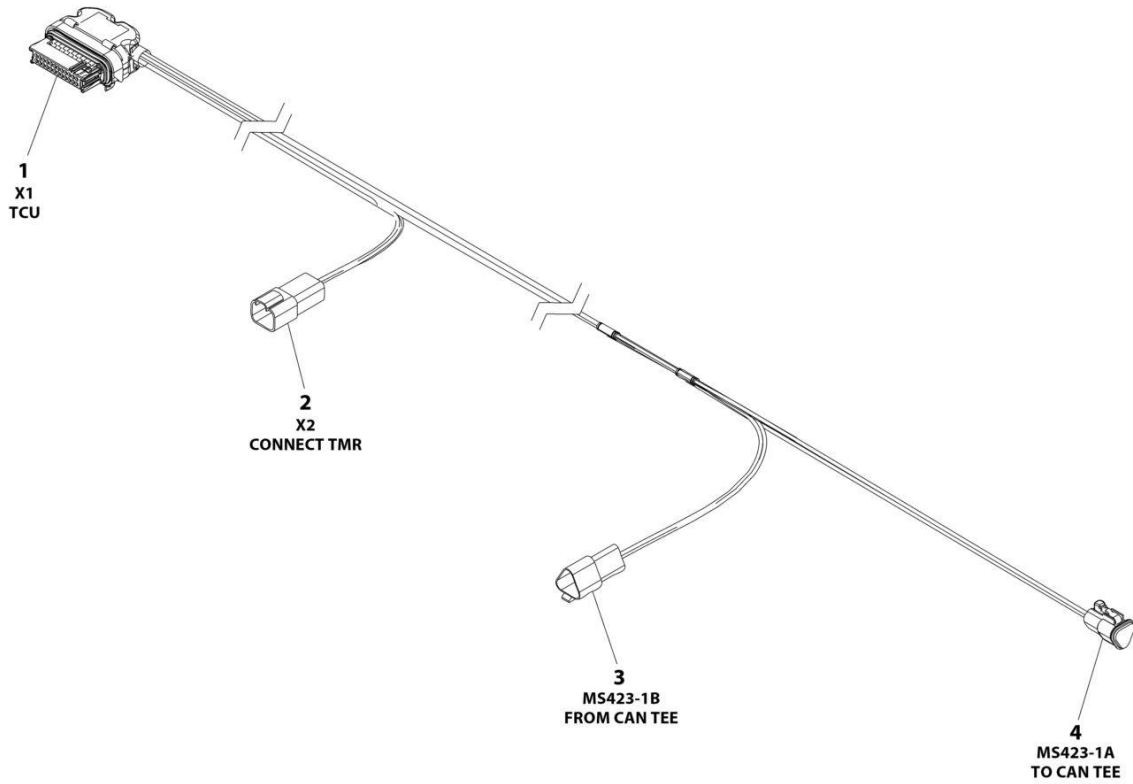
## SECTION 8 - ELECTRICAL

**FIGURE 8-47. CLEARSKY INSTALLATION 3-WIRE CONNECTION (ALL SPECS EXCEPT UL AND CHINA SPECS)**

ITEM	PART NUMBER	QTY	DESCRIPTION	REV
	1001276610	Ref	CLEARSKY INSTALLATION 3-WIRE CONNECTION	A
1	4240032	AR	Tie-Strap	
2	1001272659	1	Telematics Control Module Assembly (Note: Re-calibration Required when Replaced)	
3	1001273012	1	ClearSky Harness (See Separate Breakdown in this Section)	

# SECTION 8 - ELECTRICAL

## FIGURE 8-48. CLEARSKY HARNESS - 3G & 4G CANBUS CONNECTIONS



ART\_1001235091



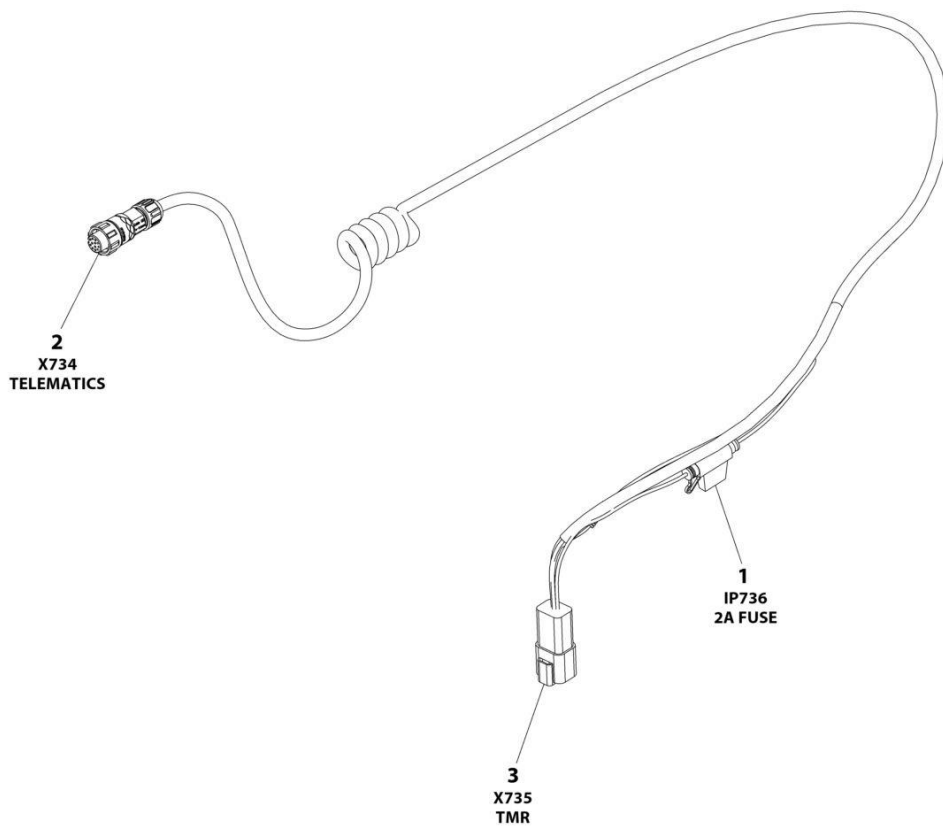
## SECTION 8 - ELECTRICAL

**FIGURE 8-48. CLEARSKY HARNESS - 3G & 4G CANBUS CONNECTIONS**

ITEM	PART NUMBER	QTY	DESCRIPTION	REV
	1001235091	1	CLEARSKY HARNESS	A
1	1001226636	1	Connector	
1	1001116731	19	Plug	
1	1001226637	5	Terminal	
2	4460932	1	Connector	
2	4460464	3	Terminal	
2	4460466	1	Plug	
3	1001144147	1	Connector	
3	4460464	2	Terminal	
3	4460466	1	Plug	
4	1001116812	1	Connector	
4	4460465	2	Terminal	
4	4460466	1	Plug	

# SECTION 8 - ELECTRICAL

## FIGURE 8-49. CLEARSKY HARNESS - 3 WIRE GT1030



ART\_1001273012

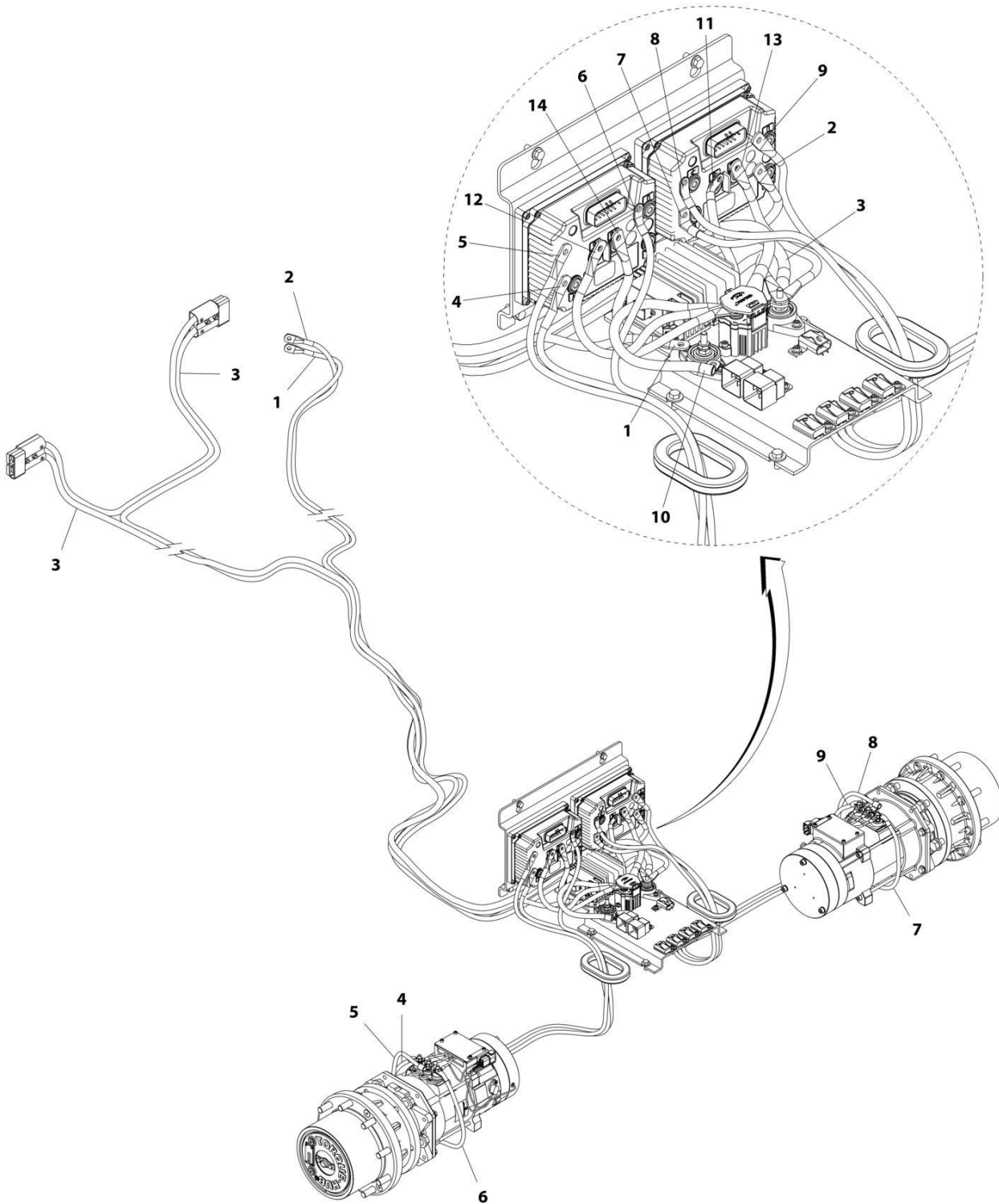
## SECTION 8 - ELECTRICAL

### FIGURE 8-49. CLEARSKY HARNESS - 3 WIRE GT1030

ITEM	PART NUMBER	QTY	DESCRIPTION	REV
	1001273012	Ref	CLEARSKY TELEMATICS HARNESS - GT1030	D
1	1001255901	1	Fuseholder	
1	1001196634	1	Fuse - 2Amp	
2	1001272997	1	Connector - 12 Position	
2		Ref	Terminal	
3	4460932	1	Receptacle, Female - 4 Position	
3	4460464	4	Pin, Male	

# SECTION 8 - ELECTRICAL

## FIGURE 8-50. DRIVE CABLE KIT (ALL SPECS EXCPET UL SPECS)



ART\_1001196485

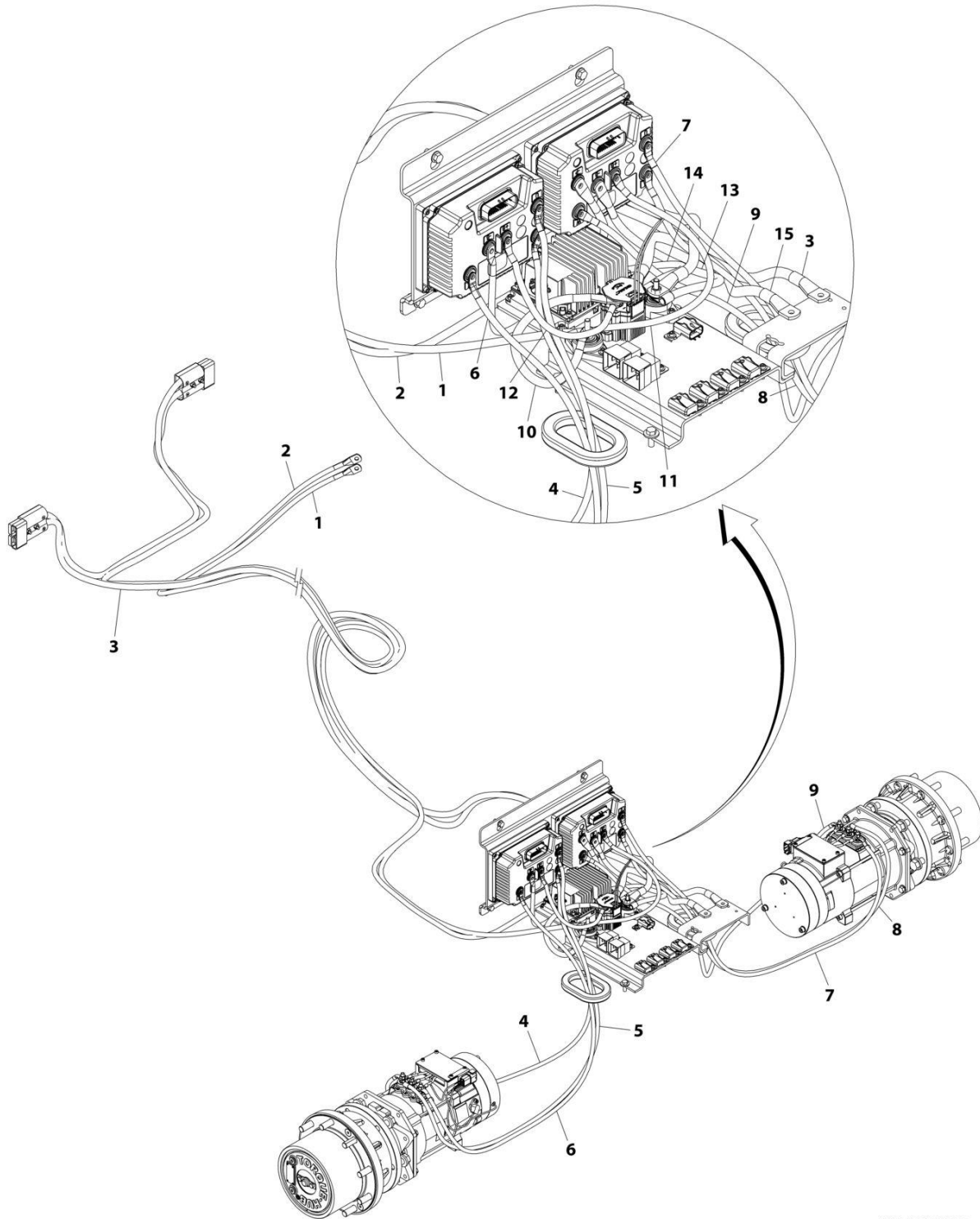
## SECTION 8 - ELECTRICAL

**FIGURE 8-50. DRIVE CABLE KIT (ALL SPECS EXCPET UL SPECS)**

ITEM	PART NUMBER	QTY	DESCRIPTION	REV
	1001196485	Ref	DRIVE CABLE KIT (NON UL SPECS)	D
1	1001179499	1	Cable - Pump Motor + to Fuse	
2	1001179500	1	Cable - Pump Motor - to LH Module P	
3	1001182996	1	Cable - Battery	
4	1001196061	1	Cable - LH Motor U	
5	1001196062	1	Cable - LH Motor V	
6	1001196063	1	Cable - LH Motor W	
7	1001196065	1	Cable - RH Motor U	
8	1001196066	1	Cable - RH Motor V	
9	1001196067	1	Cable - RH Motor W	
10	1001196237	1	Cable - Contactor to Fuse	
11	1001196238	1	Cable - RH Zapi +	
12	1001196239	1	Cable - LH Zapi +	
13	1001196240	1	Cable - RH Zapi -	
14	1001196241	1	Cable - LH Zapi -	

# SECTION 8 - ELECTRICAL

## FIGURE 8-51. DRIVE CABLE KIT (UL SPECS)



ART\_1001214800

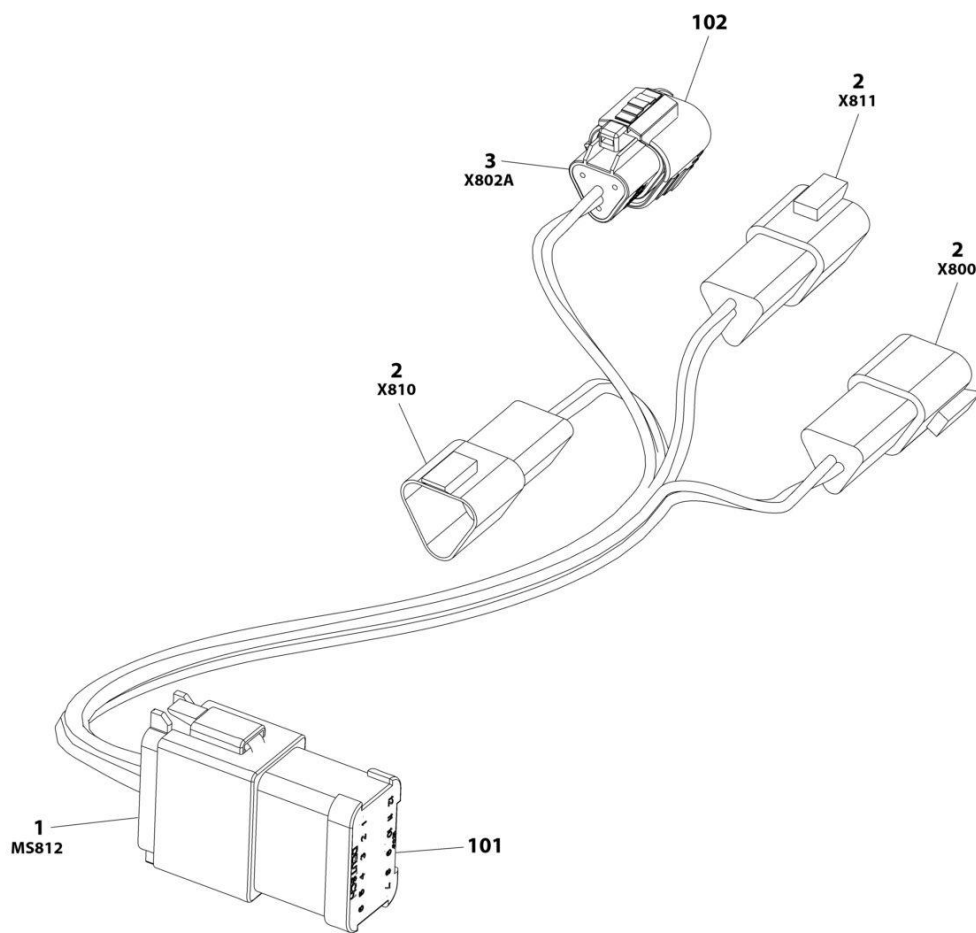
## SECTION 8 - ELECTRICAL

**FIGURE 8-51. DRIVE CABLE KIT (UL SPECS)**

ITEM	PART NUMBER	QTY	DESCRIPTION	REV
	1001214800	Ref	DRIVE CABLE KIT (UL SPECS)	C
1	1001179499	1	Cable - Pump Motor + to Fuse	
2	1001179500	1	Cable - Pump Motor - to LH Module P	
3	1001182996	1	Cable - Battery	
4	1001196061	1	Cable - LH Motor U	
5	1001196062	1	Cable - LH Motor V	
6	1001196063	1	Cable - LH Motor W	
7	1001196065	1	Cable - RH Motor U	
8	1001196066	1	Cable - RH Motor V	
9	1001196067	1	Cable - RH Motor W	
10	1001196237	1	Cable - Contactor to Fuse	
11	1001196238	1	Cable - RH Zapi +	
12	1001196239	1	Cable - LH Zapi +	
13	1001196240	1	Cable - RH Zapi -	
14	1001196241	1	Cable - LH Zapi -	
15	1001214801	1	Cable - Drive Jumper	

# SECTION 8 - ELECTRICAL

## FIGURE 8-52. EBOOM CAN SPLICE HARNESS



ART\_1001259541



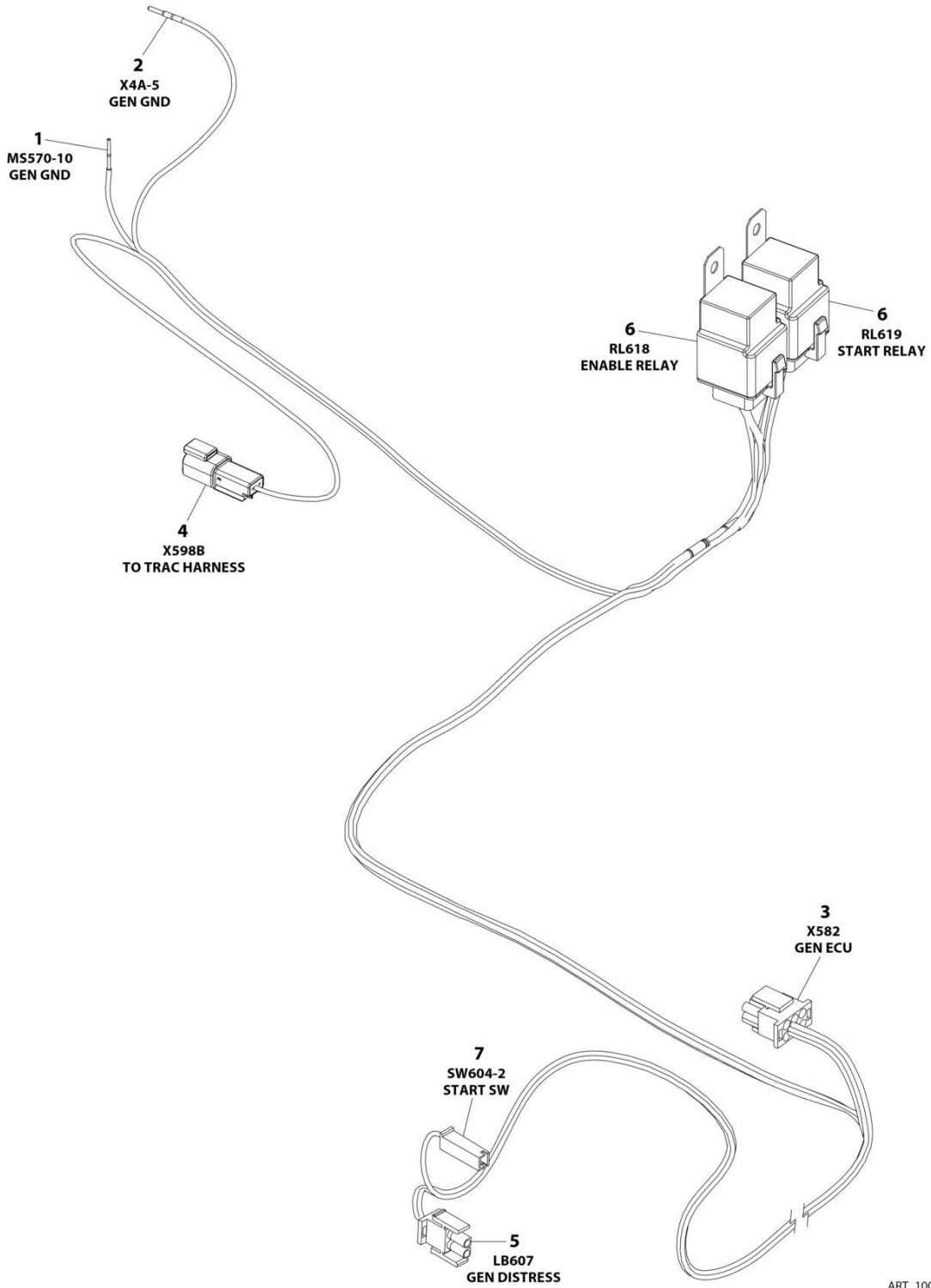
## SECTION 8 - ELECTRICAL

**FIGURE 8-52. EBOOM CAN SPLICE HARNESS**

ITEM	PART NUMBER	QTY	DESCRIPTION	REV
	1001259541	Ref	EBOOM CAN SPLICE HARNESS	A
1	4460933	1	Connector	
1	4460465	8	Socket	
1	4460466	4	Plug	
2	1001144147	3	Connector	
2	4460943	6	Socket	
2	4460466	3	Plug	
3	1001116812	1	Connector	
3	4460944	2	Socket	
3	4460466	1	Plug	
101	1001125677	1	Connector	
102	1001144296	1	Dust Cap	

# SECTION 8 - ELECTRICAL

## FIGURE 8-53. GENERATOR HARNESS



ART\_1001199409

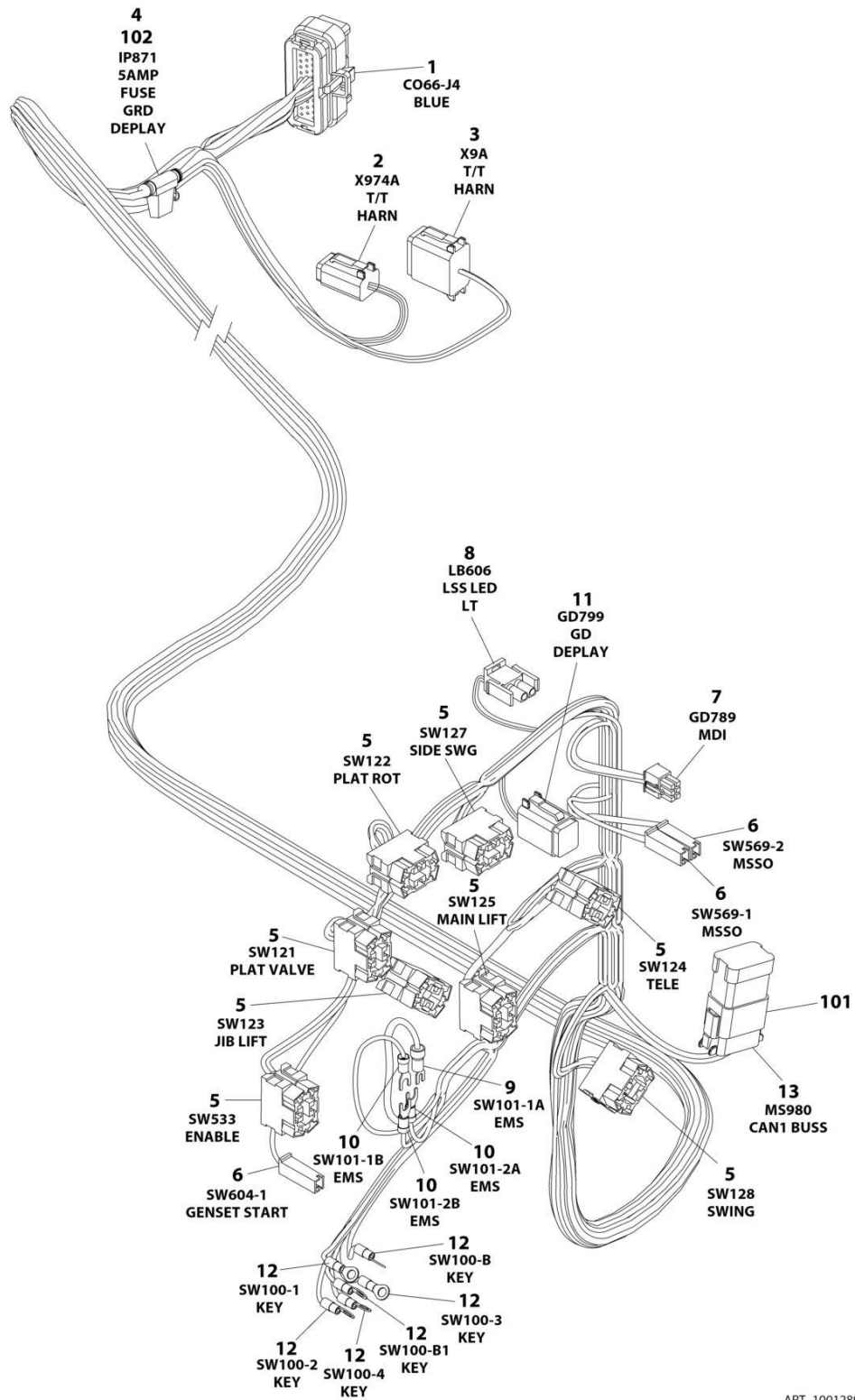
## SECTION 8 - ELECTRICAL

### FIGURE 8-53. GENERATOR HARNESS

ITEM	PART NUMBER	QTY	DESCRIPTION	REV
	1001199409	Ref	GENERATOR HARNESS	C
1	4460465	1	Socket, Female	
2	4460464	1	Pin, Male	
3	4460225	1	Plug, Male - 6 Position	
3	4460267	5	Pin, Male	
4	4460897	1	Connector - 2 Position	
4	4460464	1	Pin, Male	
4	4460466	1	Plug, Seal	
5	4460320	1	Connector - 2 Position	
5	4460227	2	Pin, Male	
6	3740080	2	Relay	
6	1001203734	2	Plug, Relay	
6	1001116733	4	Terminal	
6	1001116732	4	Terminal	
7	4460260	1	Housing, Terminal	
7	4460259	1	Terminal	

# SECTION 8 - ELECTRICAL

## FIGURE 8-54. GROUND CONTROL HARNESS



ART\_1001289962

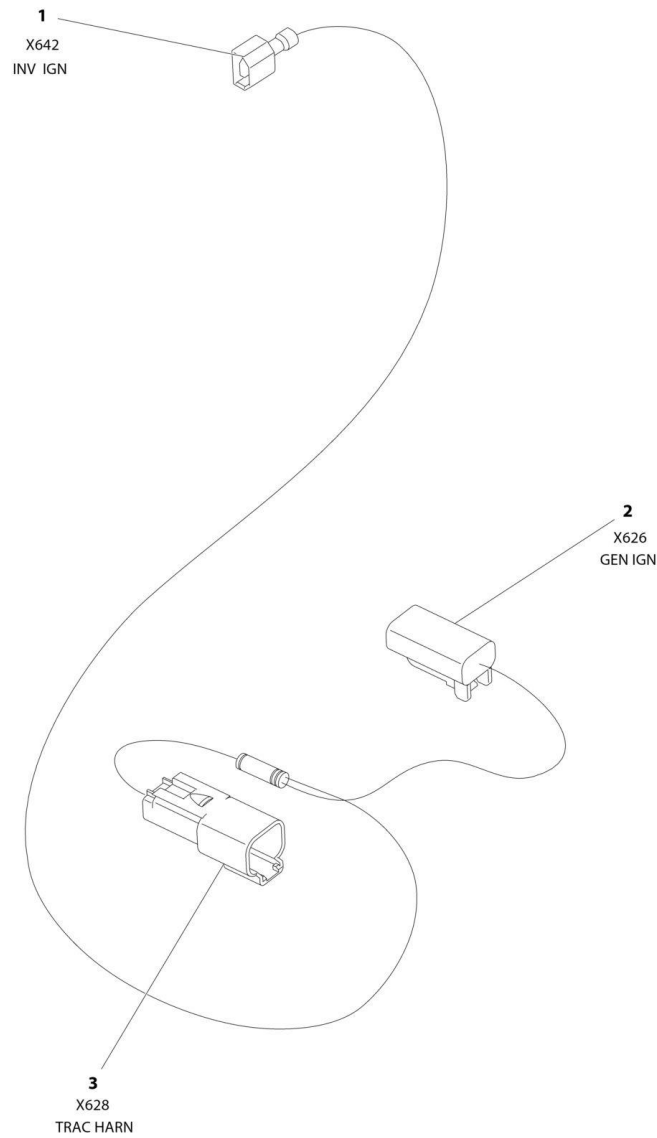
## SECTION 8 - ELECTRICAL

### FIGURE 8-54. GROUND CONTROL HARNESS

ITEM	PART NUMBER	QTY	DESCRIPTION	REV
	1001289962	Ref	GROUND CONTROL HARNESS	A
1	4460876	1	Connector - 35 Position	
1	4460871	20	Socket, Female	
1	4460905	15	Plug, Terminal	
2	4460884	1	Connector - 4 Position	
2	4460465	4	Socket, Female	
3	4460930	1	Connector - 8 Position	
3	1001116692	7	Socket, Female	
3	4460466	1	Plug, Seal	
4	2400060	1	Fuseholder with Cover	
5	4460418	8	Connector - 6 Position	
5	4460419	16	Terminal	
5	1001159186	15	Terminal	
6	4460260	3	Housing, Terminal	
6	4460259	3	Terminal	
7	4460868	1	Connector - 6 Position	
7	4460877	4	Socket, Female	
8	4460320	1	Connector - 2 Position	
8	4460227	1	Pin, Male	
8	4460267	2	Pin, Male	
9	4460806	1	Terminal, Fork	
10	4460183	3	Terminal, Fork	
11	4460894	1	Connector - 6 Position	
11	4460465	4	Socket, Female	
11	4460466	2	Plug, Terminal	
12	4460313	6	Terminal, Ring	
13	4460930	1	Connector - 8 Position	
13	4460465	8	Socket, Female	
101	4460894	1	Connector, Bussbar - 8 Position	
102	8229242	1	Fuse 5Amp	

# SECTION 8 - ELECTRICAL

## FIGURE 8-55. INVERTER IGNITION HARNESS (110V INVERTER)



ART\_1001192293

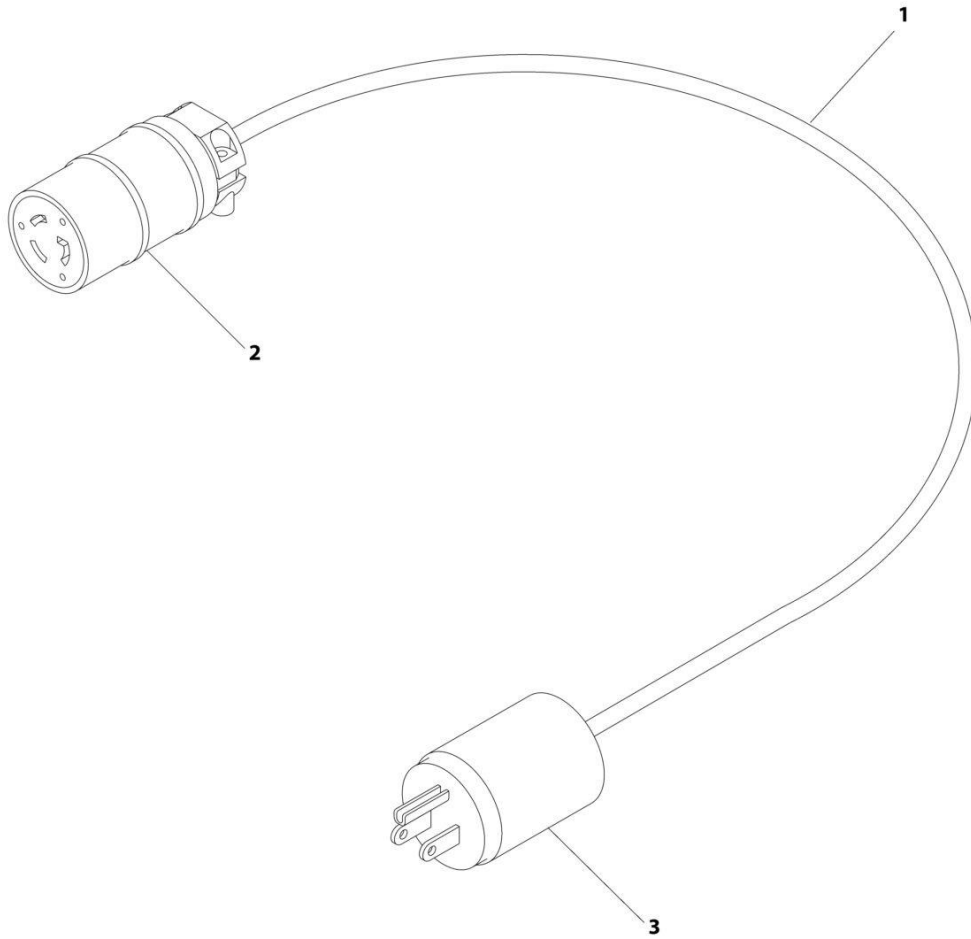
## SECTION 8 - ELECTRICAL

### FIGURE 8-55. INVERTER IGNITION HARNESS (110V INVERTER)

ITEM	PART NUMBER	QTY	DESCRIPTION	REV
	1001192293	Ref	INVERTER IGNITION HARNESS	C
1	1001193545	1	Terminal	
2	4460891	1	Plug, Male - 2 Position	
2	4460465	1	Socket, Female	
2	4460466	1	Plug, Terminal	
3	4460897	1	Receptacle, Female - 2 Position	
3	4460464	1	Pin, Male	
3	4460466	1	Plug, Seal	

# SECTION 8 - ELECTRICAL

## FIGURE 8-56. INVERTER HARNESS (110V INVERTER)



ART\_4922390



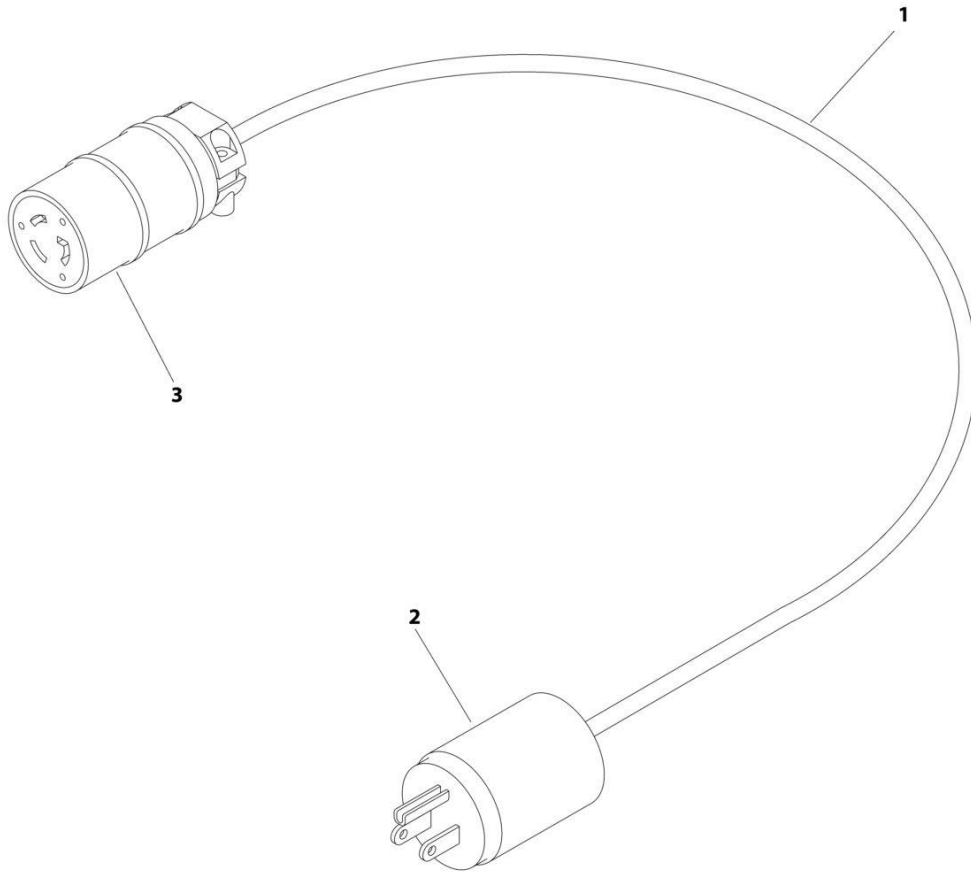
## SECTION 8 - ELECTRICAL

### FIGURE 8-56. INVERTER HARNESS (110V INVERTER)

ITEM	PART NUMBER	QTY	DESCRIPTION	REV
1	4922390 1060494	Ref 75 in/ 190.5cm	INVERTER HARNESS Cable 12/3	C
2	4460134	1	Receptacle, Female	
3	4460138	1	Plug, Connector	

# SECTION 8 - ELECTRICAL

## FIGURE 8-57. INVERTER HARNESS (220V INVERTER)



ART\_4922647

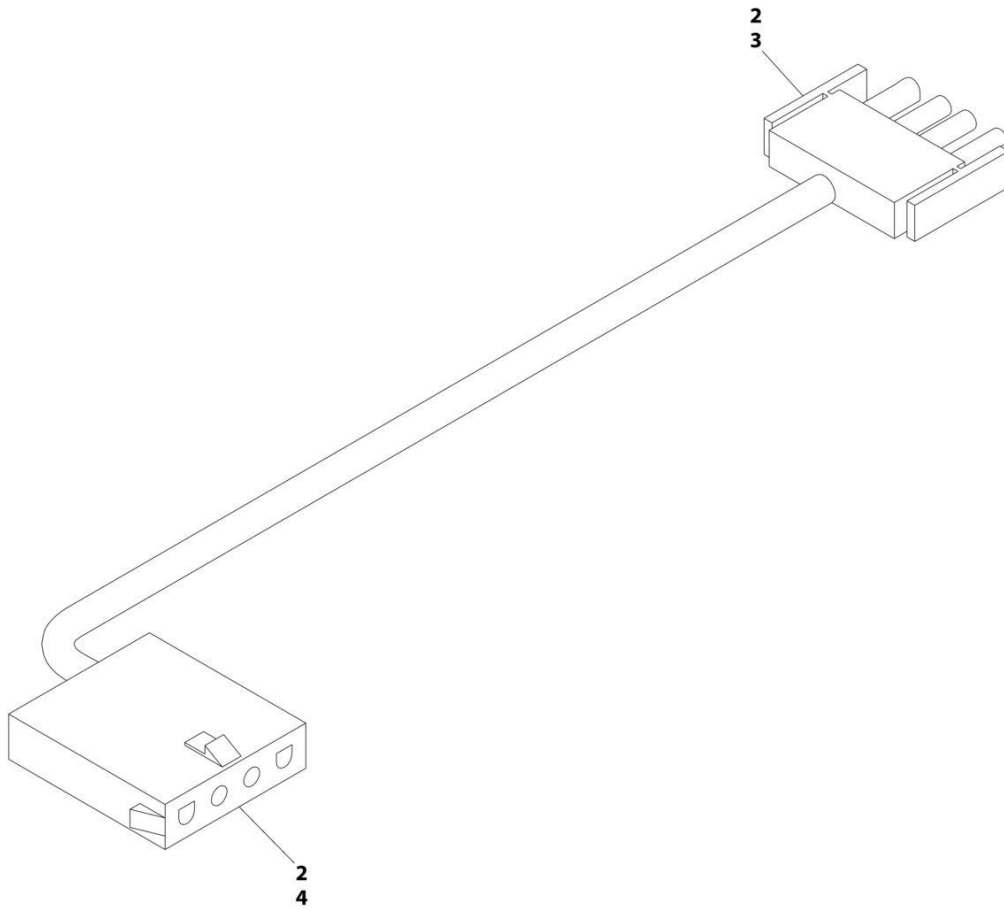
## SECTION 8 - ELECTRICAL

### FIGURE 8-57. INVERTER HARNESS (220V INVERTER)

ITEM	PART NUMBER	QTY	DESCRIPTION	REV
1	4922647 1060461	Ref 75 in/ 190.5cm	INVERTER HARNESS Cable 12/3	A
2	4460138	1	Plug, Connector	
3	4460710	1	Receptacle, Female	

# SECTION 8 - ELECTRICAL

## FIGURE 8-58. LED REMOTE HARNESS



ART\_1060813

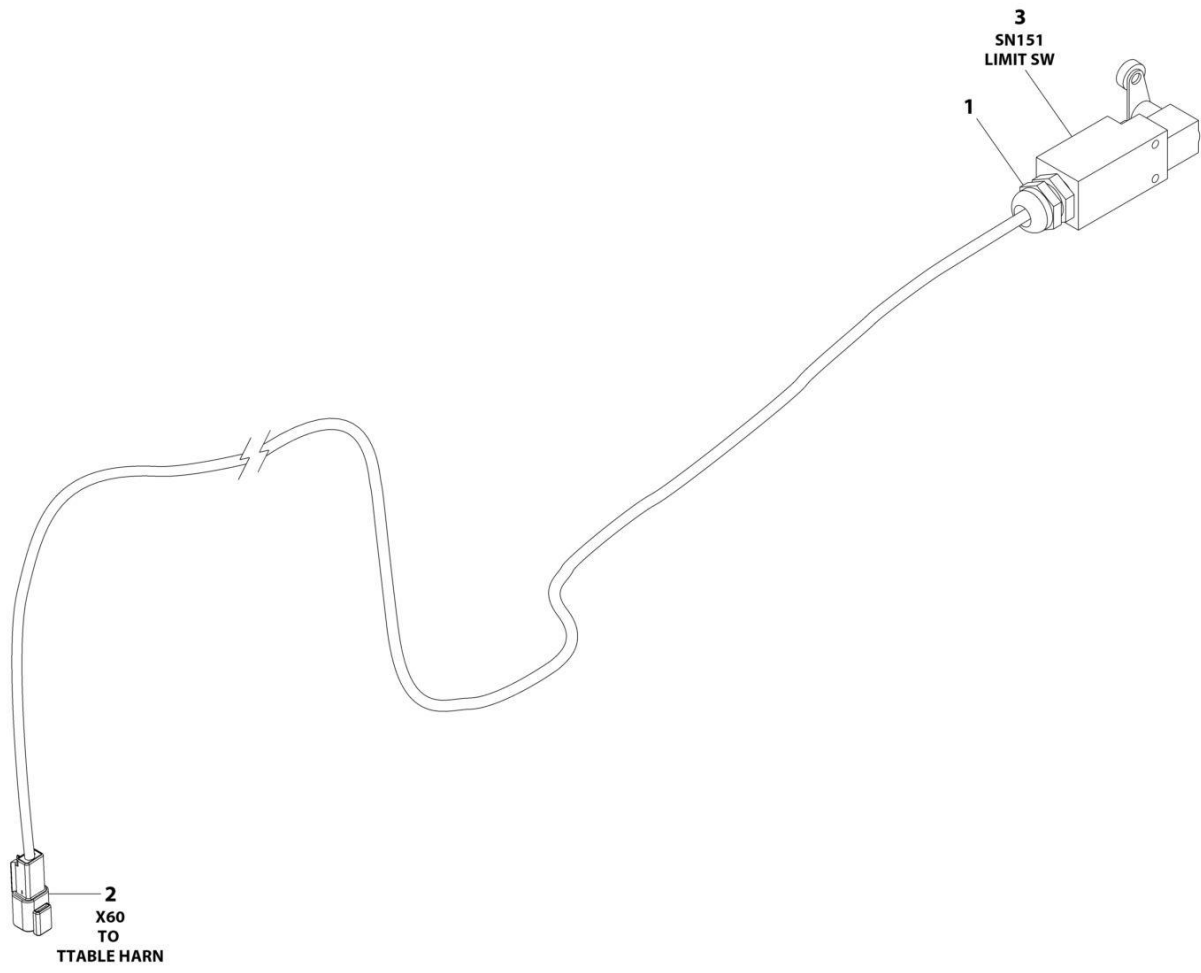
## SECTION 8 - ELECTRICAL

### FIGURE 8-58. LED REMOTE HARNESS

ITEM	PART NUMBER	QTY	DESCRIPTION	REV
	1060813	Ref	LED REMOTE HARNESS	A
2	4460226	8	Socket, Female	
3	4460321	1	Connector - 4 Position	
4	4460761	1	Connector, Female - 4 Position	

# SECTION 8 - ELECTRICAL

## FIGURE 8-59. LIMIT SWITCH CABLE



ART\_1001200173

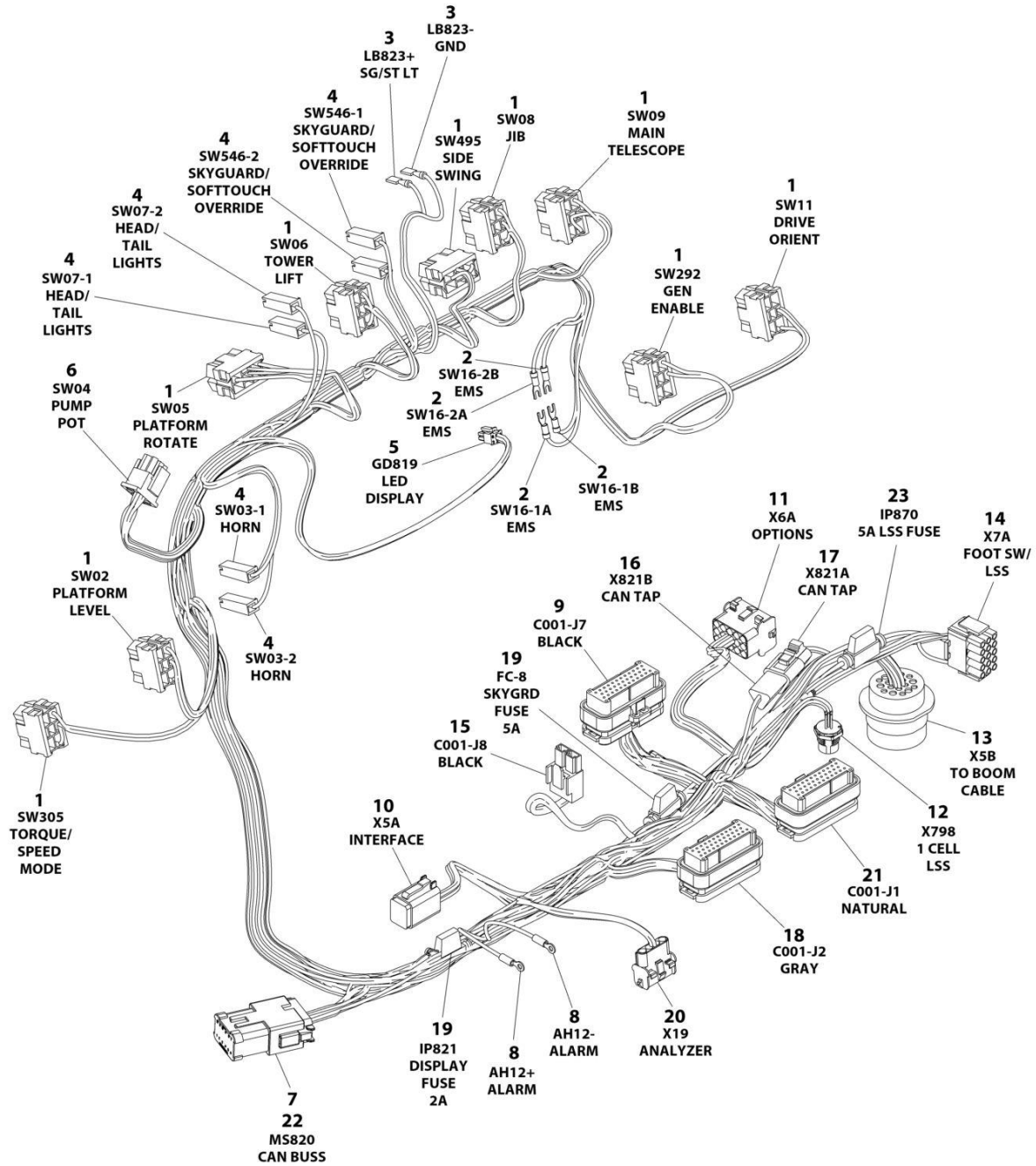
## SECTION 8 - ELECTRICAL

### FIGURE 8-59. LIMIT SWITCH CABLE

ITEM	PART NUMBER	QTY	DESCRIPTION	REV
	1001200173	Ref	LIMIT SWITCH CABLE	C
1	4460968	1	Connector, Strain Relief	
2	4460897	1	Connector - 2 Position	
2	4460464	2	Pin, Male	
3	4360578	1	Switch, Limit	

# SECTION 8 - ELECTRICAL

FIGURE 8-60. PLATFORM CONSOLE HARNESS (ALL SPECS EXCEPT UL SPECS)



ART\_1001245673\_E



## SECTION 8 - ELECTRICAL

**FIGURE 8-60. PLATFORM CONSOLE HARNESS (ALL SPECS EXCEPT UL SPECS)**

ITEM	PART NUMBER	QTY	DESCRIPTION	REV
	1001245673	Ref	PLATFORM CONSOLE HARNESS	E
1	4460418	9	Connector - 6 Position	
1	4460419	14	Terminal	
1	1001159186	18	Terminal	
2	4460888	4	Terminal, Fork	
3	4460016	2	Terminal	
4	4460260	6	Housing, Terminal	
4	4460259	8	Terminal	
5	1001237667	1	Connector - 6 Position	
5	1001237668	4	Terminal	
6	4460225	1	Connector - 6 Position	
6	4460267	7	Socket, Female	
7	4460933	1	Plug, Male - 12 Position	
7	4460465	10	Socket, Female	
7	4460466	2	Plug, Terminal	
8	1001098122	2	Terminal, Ring	
9	4460873	1	Connector - 35 Position	
9	4460871	21	Socket, Female	
9	4460905	14	Plug, Terminal	
10	4460894	1	Plug, Male - 6 Position	
10	4460465	6	Socket, Female	
11	4460708	1	Connector - 15 Position	
11	4460268	10	Socket, Female	
12	1001213447	1	Connector, Female - 5 Position	
13	4460866	1	Connector - 19 Position	
13	4460466	7	Plug, Terminal	
13	4460464	10	Pin, Male	
13	4460508	2	Pin, Male	
14	4460434	1	Plug, Male - 15 Position	
14	4460294	9	Pin, Male	
15	4460879	1	Plug, Male - 2 Position	
15	4460887	2	Terminal	
16	4460536	1	Receptacle, Female - 3 Position	
16	4460464	2	Pin, Male	
16	4460466	1	Plug, Terminal	
17	4460539	1	Plug, Male - 3 Position	
17	4460465	2	Socket, Female	
17	4460466	1	Plug, Terminal	
18	4460875	1	Connector - 35 Position	
18	4460905	24	Plug, Terminal	
18	4460871	11	Socket, Female	
19	2400060	2	Holder, Fuse	
19	8229242	1	Fuse - 5Amp	
19	See Note	1	Fuse - 2Amp (Note: Purchase Locally)	
20	4460761	1	Receptacle, Female - 4 Position	
20	4460294	4	Pin, Male	
21	4460874	1	Connector - 35 Position	
21	4460871	24	Socket, Female	
21	4460905	11	Plug, Terminal	
22	1001125677	1	Connector, Bussbar	

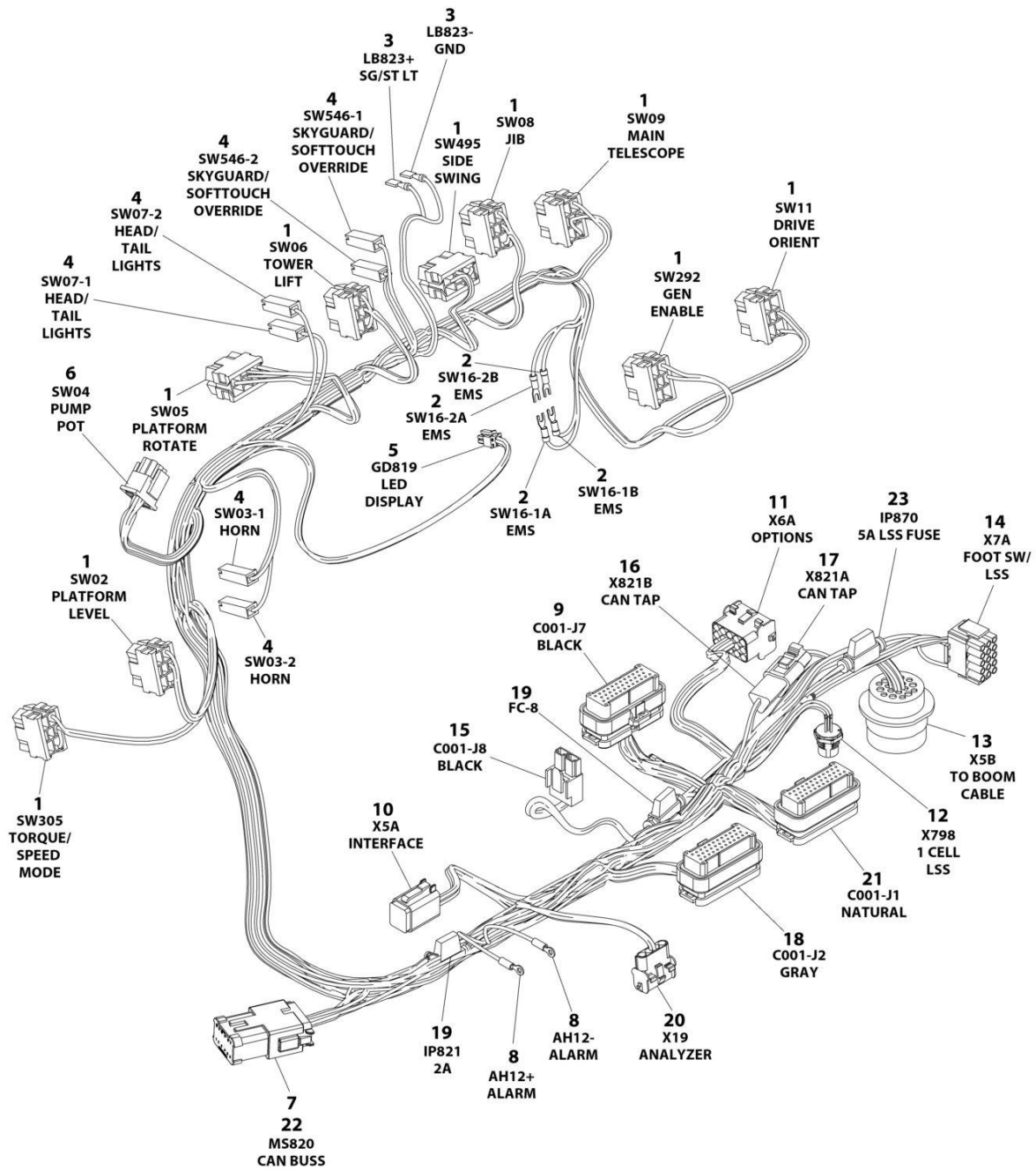
## SECTION 8 - ELECTRICAL

ITEM	PART NUMBER	QTY	DESCRIPTION	REV
23	2400060	1	Fuse Holder	
23	8229242	1	Fuse, 5A	



# SECTION 8 - ELECTRICAL

## FIGURE 8-61. PLATFORM CONSOLE HARNESS



ART\_1001272279

## SECTION 8 - ELECTRICAL

### FIGURE 8-61. PLATFORM CONSOLE HARNESS

ITEM	PART NUMBER	QTY	DESCRIPTION	REV
	1001272279	Ref	PLATFORM CONSOLE HARNESS (UL SPECS)	B
1	4460418	9	Connector - 6 Position	
1	4460419	14	Terminal	
1	1001159186	17	Terminal	
2	4460888	4	Terminal, Fork	
3	4460016	2	Terminal	
4	4460260	6	Housing, Terminal	
4	4460259	8	Terminal	
5	1001237667	1	Connector - 6 Position	
5	1001237668	4	Terminal	
6	4460225	1	Connector - 6 Position	
6	4460267	7	Socket, Female	
7	4460933	1	Plug, Male - 12 Position	
7	4460465	10	Socket, Female	
7	4460466	2	Plug, Terminal	
8	1001098122	2	Terminal, Ring	
9	4460873	1	Connector - 35 Position	
9	4460871	21	Socket, Female	
9	4460905	14	Plug, Terminal	
10	4460894	1	Plug, Male - 6 Position	
10	4460465	6	Socket, Female	
11	4460708	1	Connector - 15 Position	
11	4460268	10	Socket, Female	
12	1001213447	1	Connector, Female - 5 Position	
13	4460866	1	Connector - 19 Position	
13	4460466	7	Plug, Terminal	
13	4460464	10	Pin, Male	
13	4460508	2	Pin, Male	
14	4460434	1	Plug, Male - 15 Position	
14	4460294	9	Pin, Male	
15	4460879	1	Plug, Male - 2 Position	
15	4460887	2	Terminal	
16	4460536	1	Receptacle, Female - 3 Position	
16	4460464	2	Pin, Male	
16	4460466	1	Plug, Terminal	
17	4460539	1	Plug, Male - 3 Position	
17	4460465	2	Socket, Female	
17	4460466	1	Plug, Terminal	
18	4460875	1	Connector - 35 Position	
18	4460905	24	Plug, Terminal	
18	4460871	11	Socket, Female	
19	2400060	2	Holder, Fuse	
19	8229242	1	Fuse - 5Amp	
19	See Note	1	Fuse - 2Amp (Note: Purchase Locally)	
20	4460761	1	Receptacle, Female - 4 Position	
20	4460294	4	Pin, Male	
21	4460874	1	Connector - 35 Position	
21	4460871	24	Socket, Female	
21	4460905	11	Plug, Terminal	
22	1001125677	1	Connector, Bussbar	

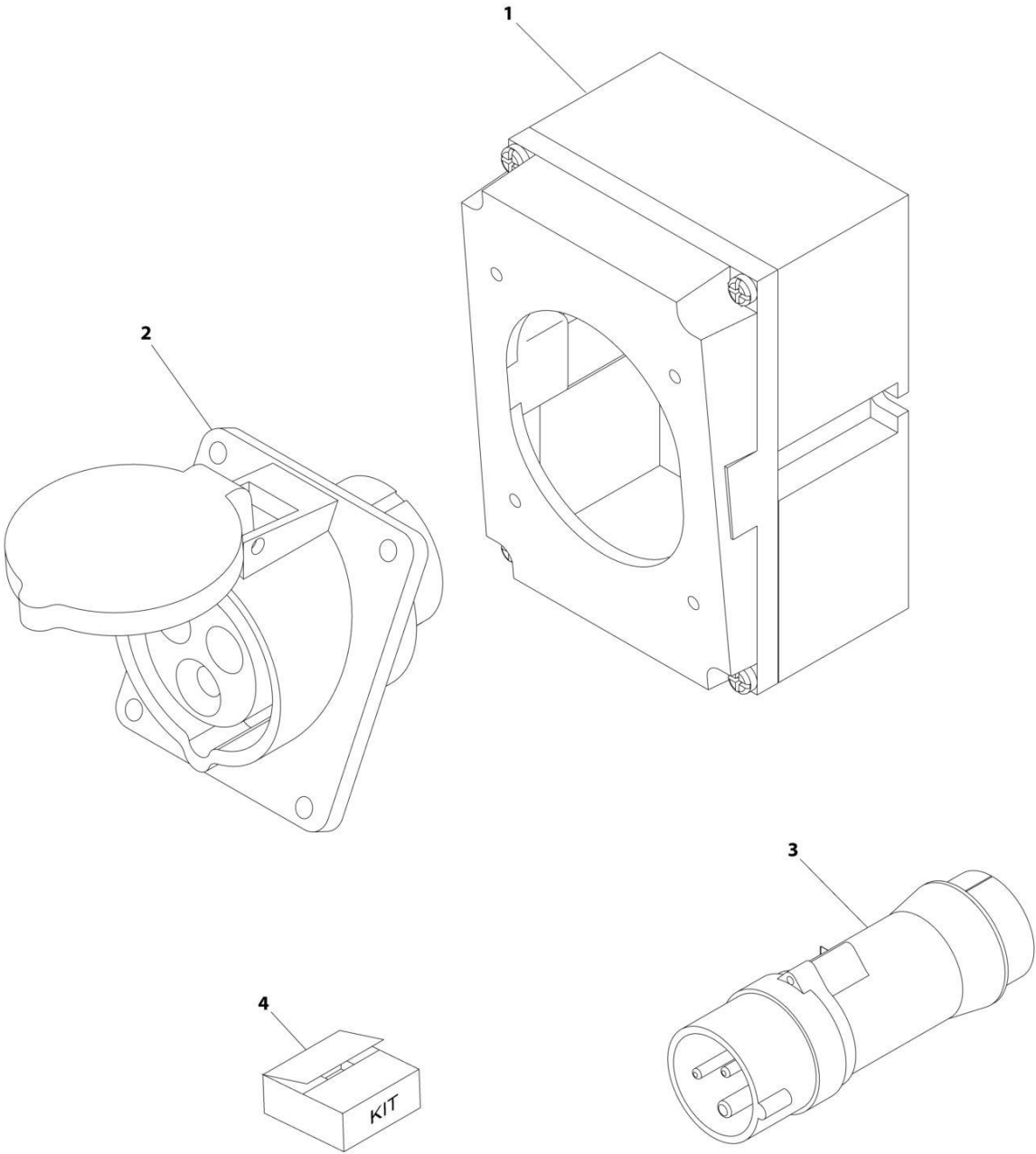
## SECTION 8 - ELECTRICAL

ITEM	PART NUMBER	QTY	DESCRIPTION	REV
23	2400060	1	Fuse Holder	
23	8229242	1	Fuse, 5A	



**SECTION 8 - ELECTRICAL**

**FIGURE 8-62. RECEPTACLE BOX KIT - 110V IEC YELLOW (CE & UK CA SPEC)**



ART\_0275216



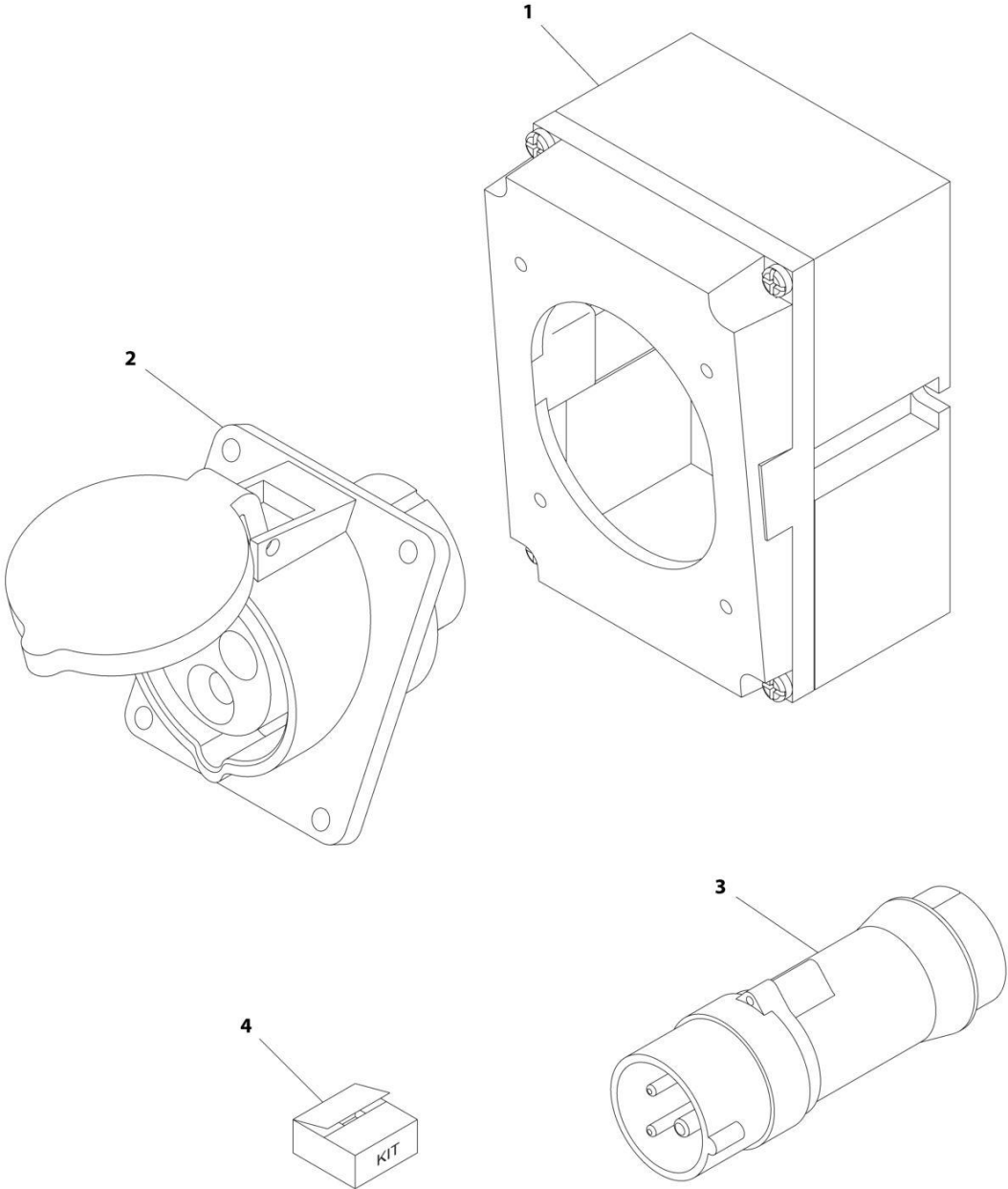
## SECTION 8 - ELECTRICAL

**FIGURE 8-62. RECEPTACLE BOX KIT - 110V IEC YELLOW (CE & UK CA SPEC)**

ITEM	PART NUMBER	QTY	DESCRIPTION	REV
	0275216	Ref	RECEPTACLE BOX KIT - 110V IEC YELLOW	B
1	0861781	1	Box, Switch	
2	4461198	1	Receptacle	
3	4461196	1	Plug, Male	
4	1001100341	1	Plug and Socket Kit (Includes Items 1-3 and Female Plug p/n 4461197)	

**SECTION 8 - ELECTRICAL**

**FIGURE 8-63. RECEPTACLE BOX KIT - 220V IEC BLUE (CE & UK CA SPEC)**



ART\_0275217

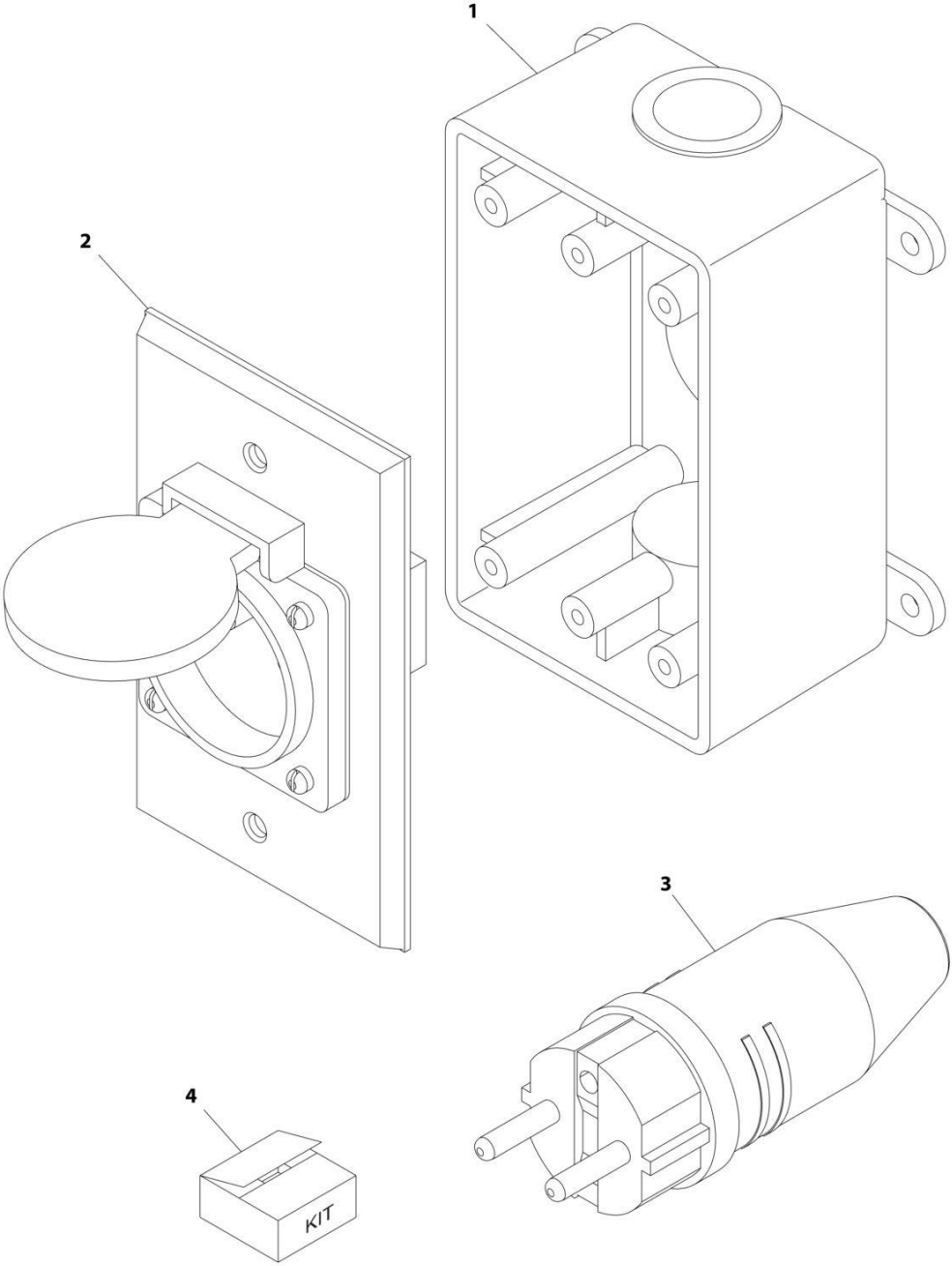
## SECTION 8 - ELECTRICAL

**FIGURE 8-63. RECEPTACLE BOX KIT - 220V IEC BLUE (CE & UK CA SPEC)**

ITEM	PART NUMBER	QTY	DESCRIPTION	REV
	0275217	Ref	RECEPTACLE BOX KIT - 220V IEC BLUE	B
1	0861781	1	Box, Switch	
2	4461201	1	Receptacle	
3	4461199	1	Plug, Male	
4	1001100342	1	Plug and Socket Kit (Includes Items 1-3 and Female Plug p/n 4461200)	

**SECTION 8 - ELECTRICAL**

**FIGURE 8-64. RECEPTACLE BOX KIT - 220V CEE7 POST GROUND 2IN X 4IN BOX (CE & UK CA SPEC)**



ART\_0275452-C

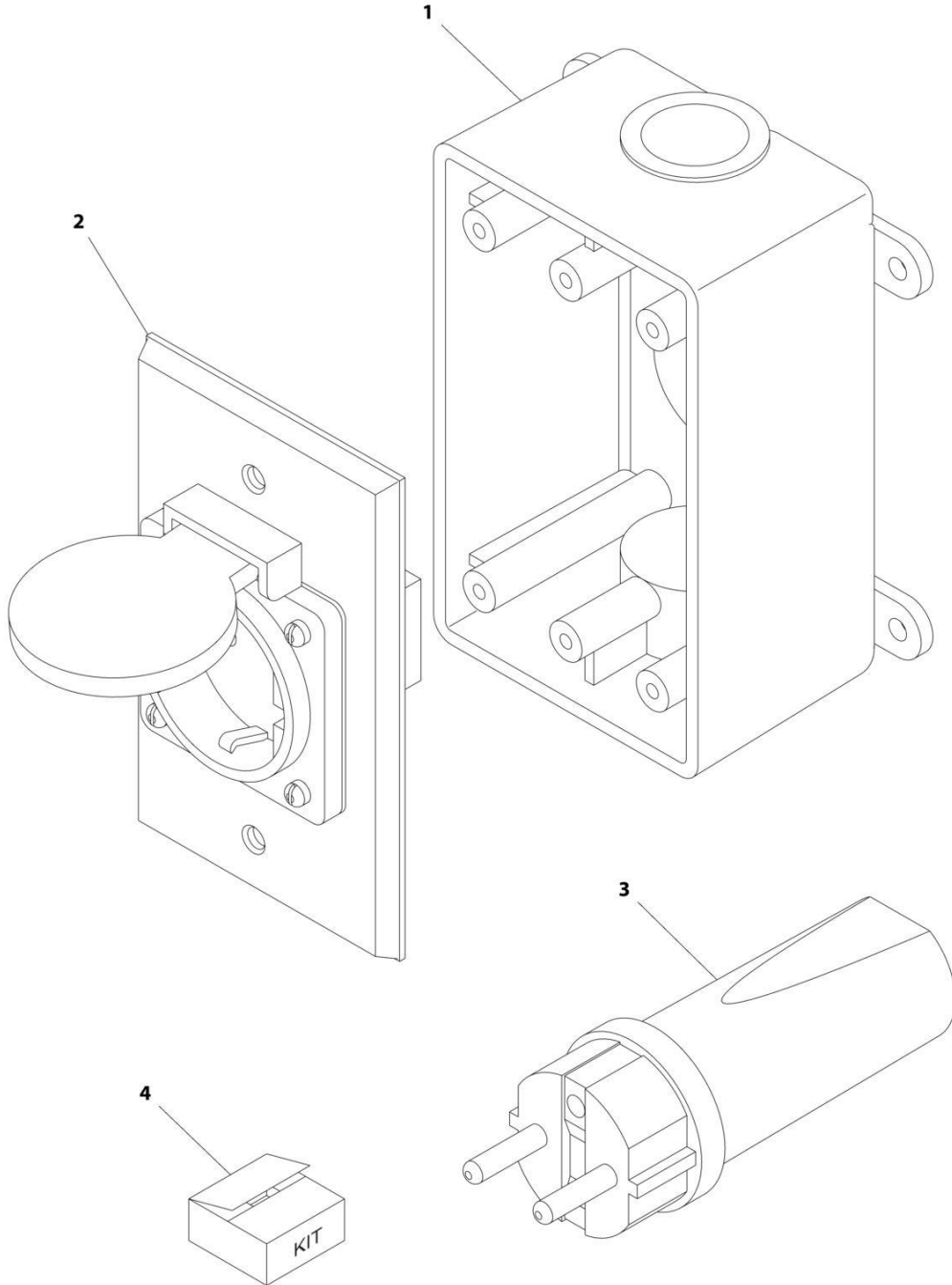
## SECTION 8 - ELECTRICAL

**FIGURE 8-64. RECEPTACLE BOX KIT - 220V CEE7 POST GROUND 2IN X 4IN BOX (CE & UK CA SPEC)**

ITEM	PART NUMBER	QTY	DESCRIPTION	REV
	0275452	Ref	RECEPTACLE BOX KIT - 220V CEE7 POST GROUND 2IN X 4IN BOX	C
1	0861731	1	Box, Switch	
2	4461244	1	Receptacle	
3	4461205	1	Plug, Male	
4	1001100345	1	Plug and Socket Kit (Includes Items 1-3 and Female Plug p/n 4461203)	

# SECTION 8 - ELECTRICAL

FIGURE 8-65. RECEPTACLE BOX KIT - 220V CEE7 SIDE GROUND 2IN X 4IN BOX (CE & UK CA SPEC)



ART\_0275453

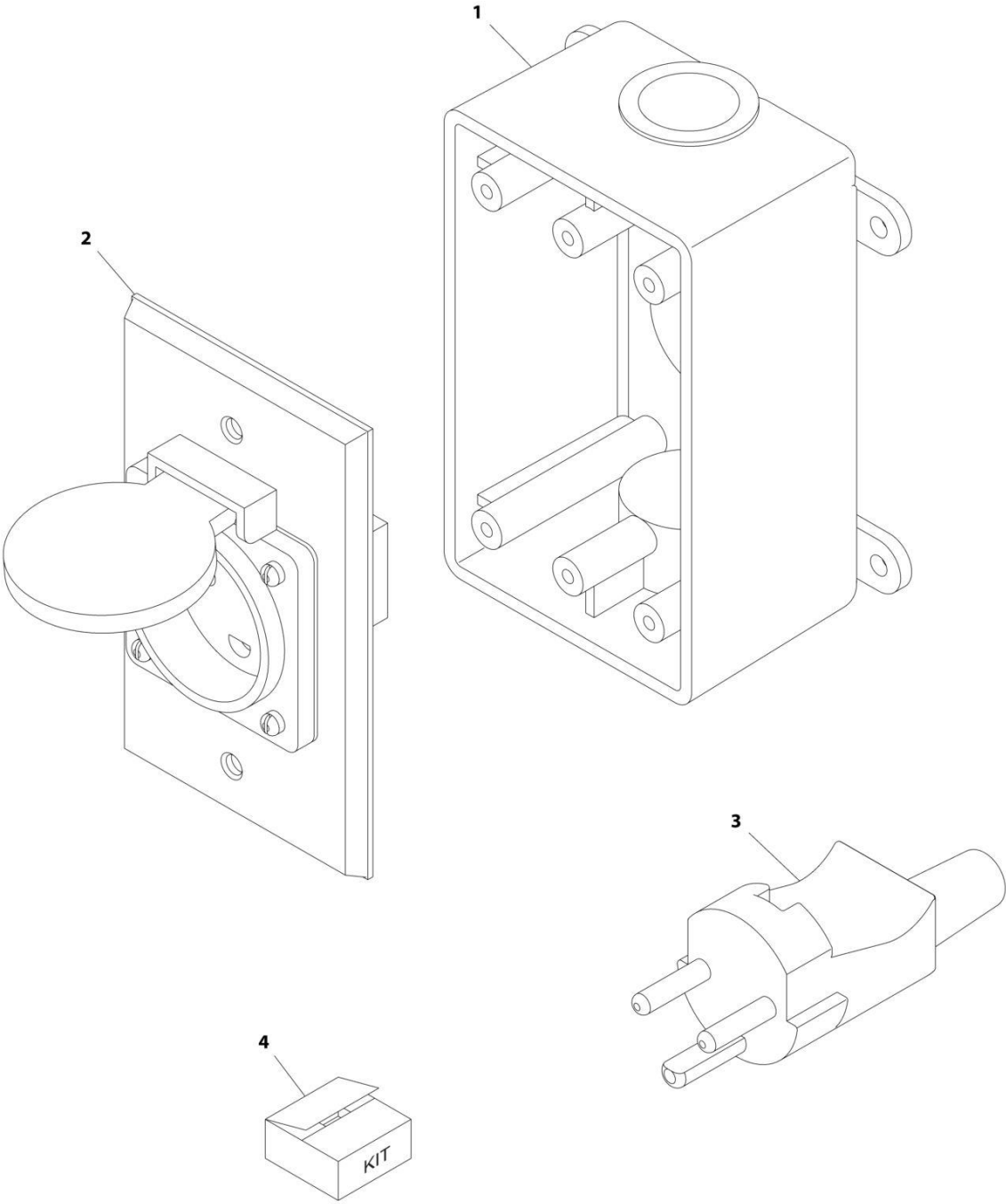
## SECTION 8 - ELECTRICAL

**FIGURE 8-65. RECEPTACLE BOX KIT - 220V CEE7 SIDE GROUND 2IN X 4IN BOX (CE & UK CA SPEC)**

ITEM	PART NUMBER	QTY	DESCRIPTION	REV
	0275453	Ref	RECEPTACLE BOX KIT - 220V CEE7 SIDE GROUND	B
1	0861731	1	Box, Switch	
2	4461245	1	Receptacle	
3	4461205	1	Plug, Male	
4	1001100347	1	Plug and Socket Kit (Includes Items 1-3 and Female Plug p/n 4461206)	

**SECTION 8 - ELECTRICAL**

**FIGURE 8-66. RECEPTACLE BOX KIT - 220V AFSINT 107 (CE & UK CA SPEC)**



ART\_0275454



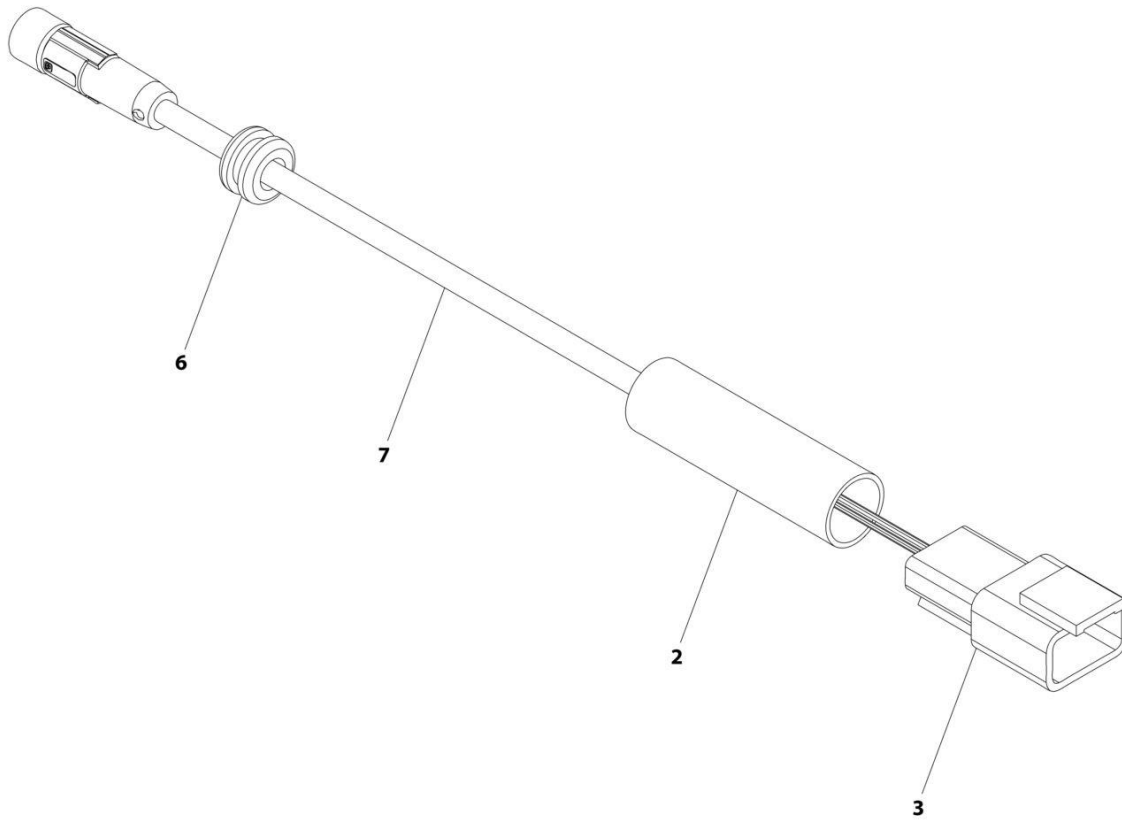
## SECTION 8 - ELECTRICAL

**FIGURE 8-66. RECEPTACLE BOX KIT - 220V AFSINT 107 (CE & UK CA SPEC)**

ITEM	PART NUMBER	QTY	DESCRIPTION	REV
	0275454	Ref	RECEPTACLE BOX KIT - 220V AFSINT 107	B
1	0861731	1	Box, Switch	
2	4461246	1	Receptacle	
3	4461249	1	Plug, Male	
4	1001100346	1	Plug and Socket Kit (Includes Items 1-3 and Female Plug p/n 4461250)	

# SECTION 8 - ELECTRICAL

## FIGURE 8-67. SKYEYE EMITTER HARNESS



ART\_1001237864

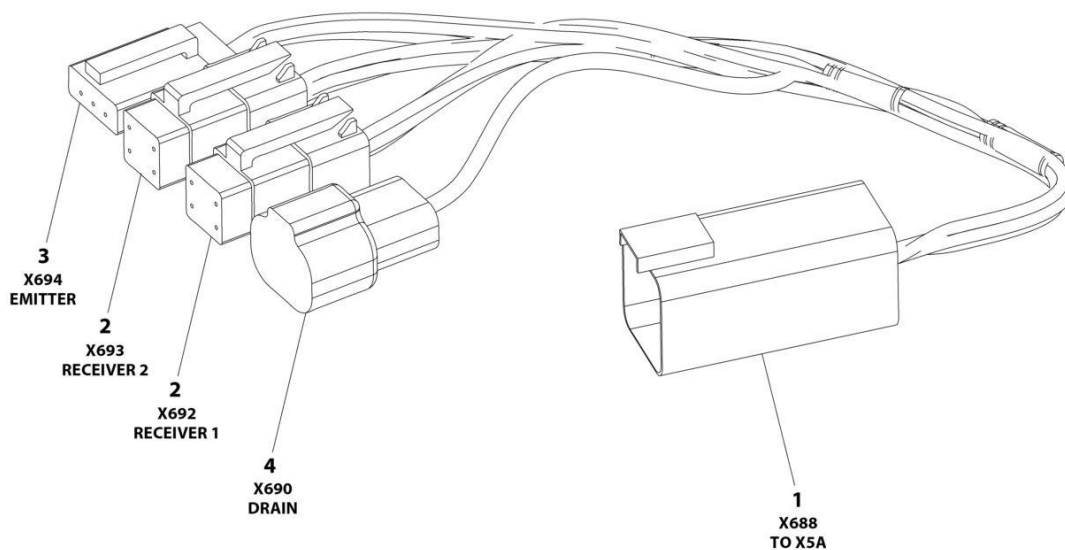
## SECTION 8 - ELECTRICAL

### FIGURE 8-67. SKYEYE EMITTER HARNESS

ITEM	PART NUMBER	QTY	DESCRIPTION	REV
	1001237864	Ref	SKYEYE EMITTER HARNESS	A
2	2820247	AR	Tubing, Heat Shrink	
3	4460910	1	Connector - 3 Position	
3	1001119620	3	Pin, Male	
6	1001227996	1	Grommet	
7	1001237862	1	Cable, M8 Female Cordset	

# SECTION 8 - ELECTRICAL

## FIGURE 8-68. SKYEYE INTERMEDIATE HARNESS



ART\_1001237865

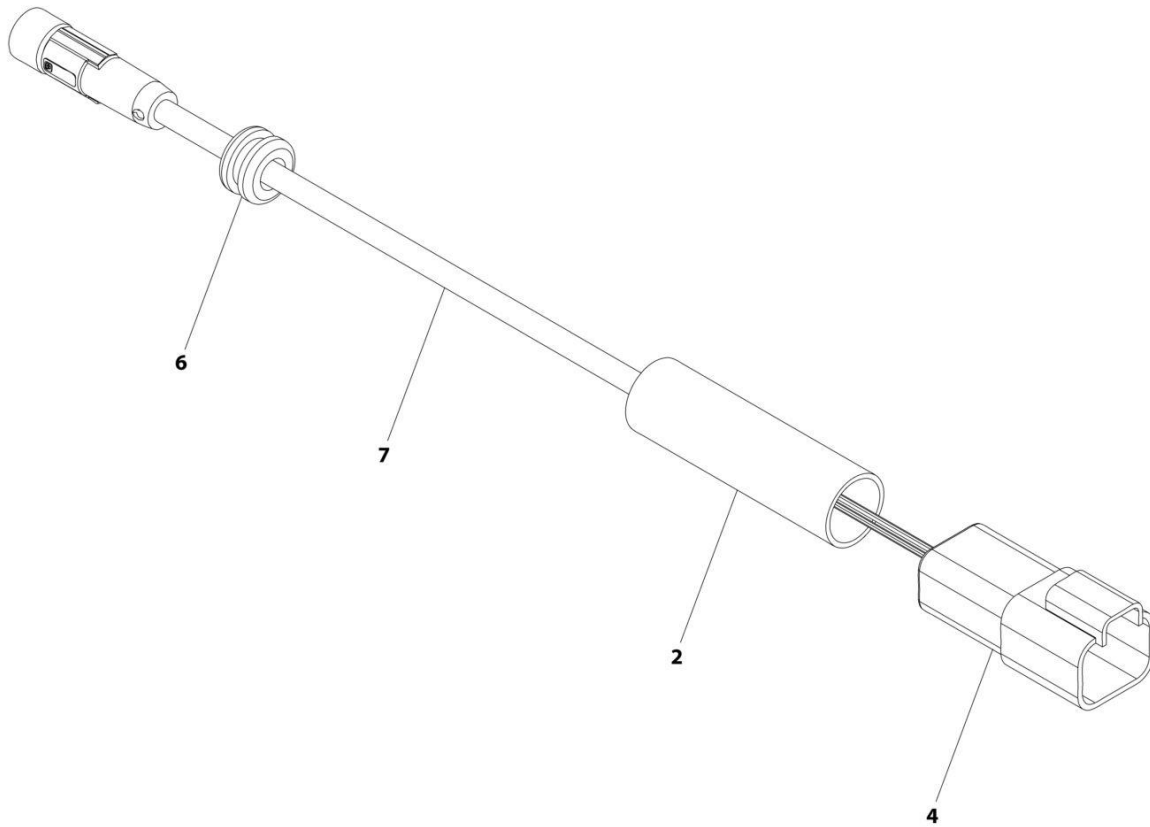
## SECTION 8 - ELECTRICAL

**FIGURE 8-68. SKYEYE INTERMEDIATE HARNESS**

ITEM	PART NUMBER	QTY	DESCRIPTION	REV
	1001237865	Ref	SKYEYE INTERMEDIATE HARNESS	A
1	4460899	1	Connector - 6 Position	
1	4460943	4	Pin, Male	
1	4460466	2	Plug, Terminal	
2	4461077	2	Connector - 4 Position	
2	1001119619	8	Socket, Female	
3	4460911	1	Connector - 3 Position	
3	1001119619	3	Socket, Female	
4	1001187681	1	Connector - 2 Position	
4	4460941	1	Pin, Male	
4	4460466	1	Plug, Terminal	

# SECTION 8 - ELECTRICAL

## FIGURE 8-69. SKYEYE RECEIVER HARNESS



ART\_1001237863

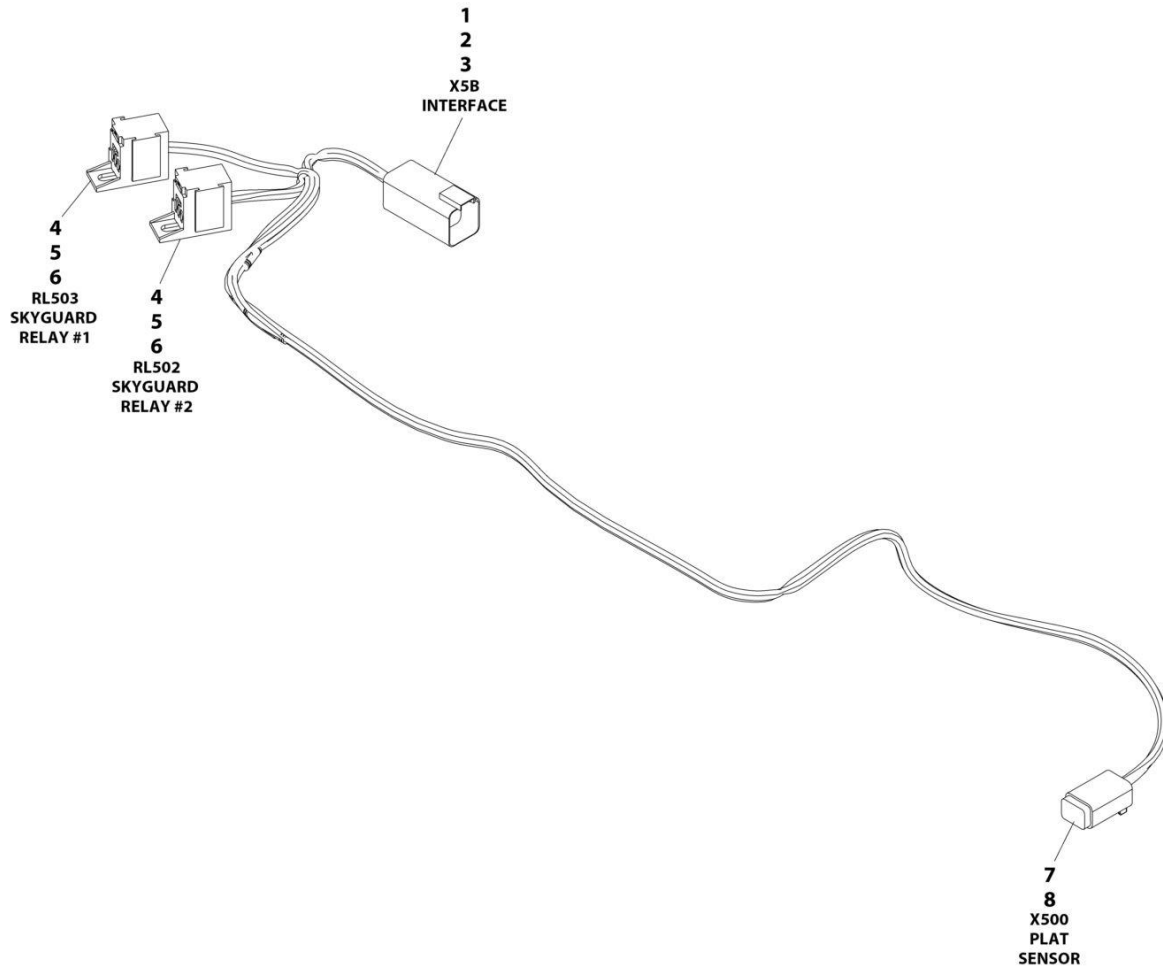
## SECTION 8 - ELECTRICAL

### FIGURE 8-69. SKYEYE RECEIVER HARNESS

ITEM	PART NUMBER	QTY	DESCRIPTION	REV
	1001237863	Ref	SKYEYE RECEIVER HARNESS	A
2	2820247	AR	Tubing, Heat Shrink	
4	1001097051	1	Connector - 4 Position	
4	1001119620	4	Pin, Male	
6	1001227996	1	Grommet	
7	1001237862	1	Cable, M8 Female Cordset	

# SECTION 8 - ELECTRICAL

## FIGURE 8-70. SKYGUARD INTERFACE HARNESS



ART\_1001225580



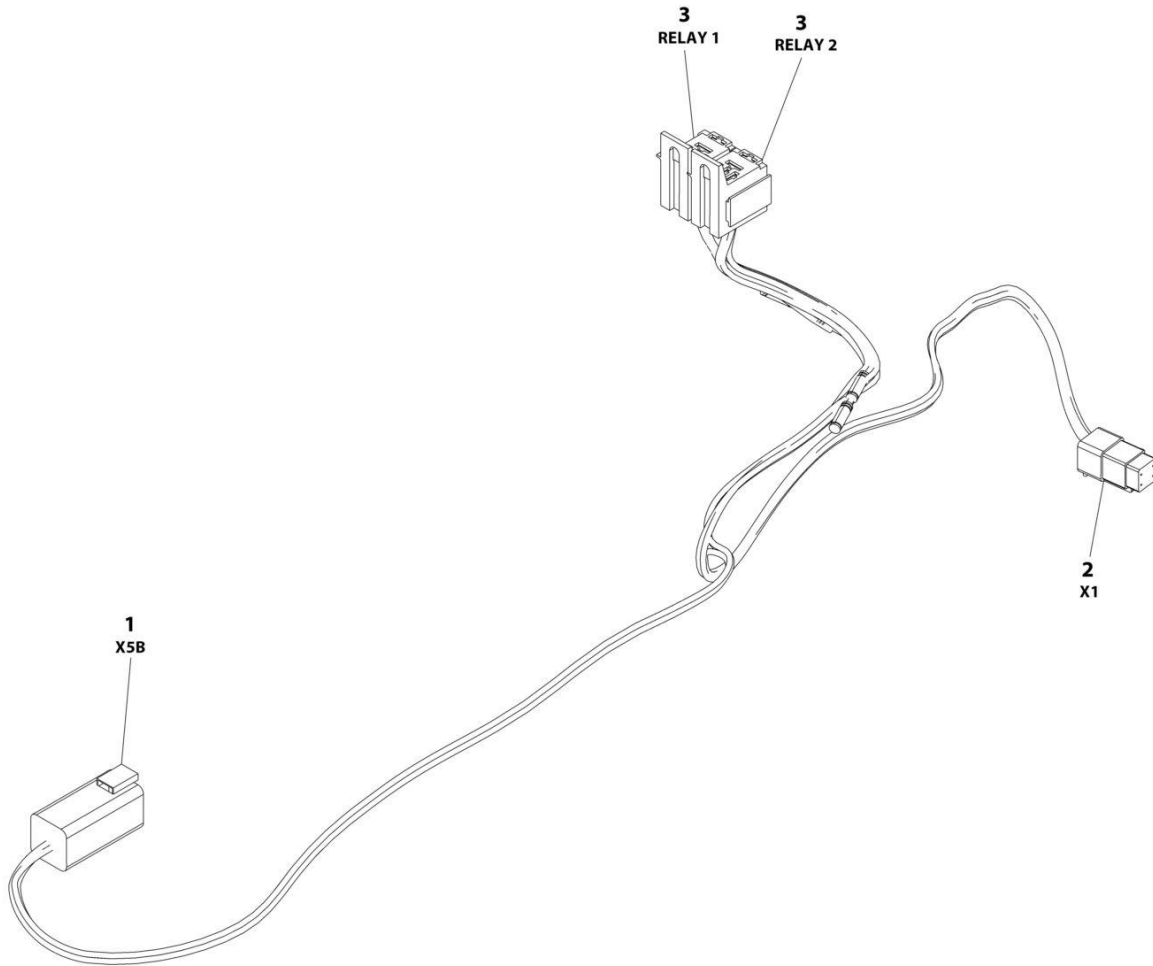
## SECTION 8 - ELECTRICAL

### FIGURE 8-70. SKYGUARD INTERFACE HARNESS

ITEM	PART NUMBER	QTY	DESCRIPTION	REV
	1001225580	Ref	INTERFACE HARNESS - WITH 1 CELL LSS	D
1	4460899	1	Connector	
2	4460464	4	Terminal	
3	4460466	2	Plug	
4	1001186432	2	Connector	
5	1001116720	4	Terminal	
6	1001118388	4	Terminal	
7	4460884	1	Connector	
8	4460465	4	Terminal	

# SECTION 8 - ELECTRICAL

## FIGURE 8-71. SKYLINE HARNESS



ART\_1001238418

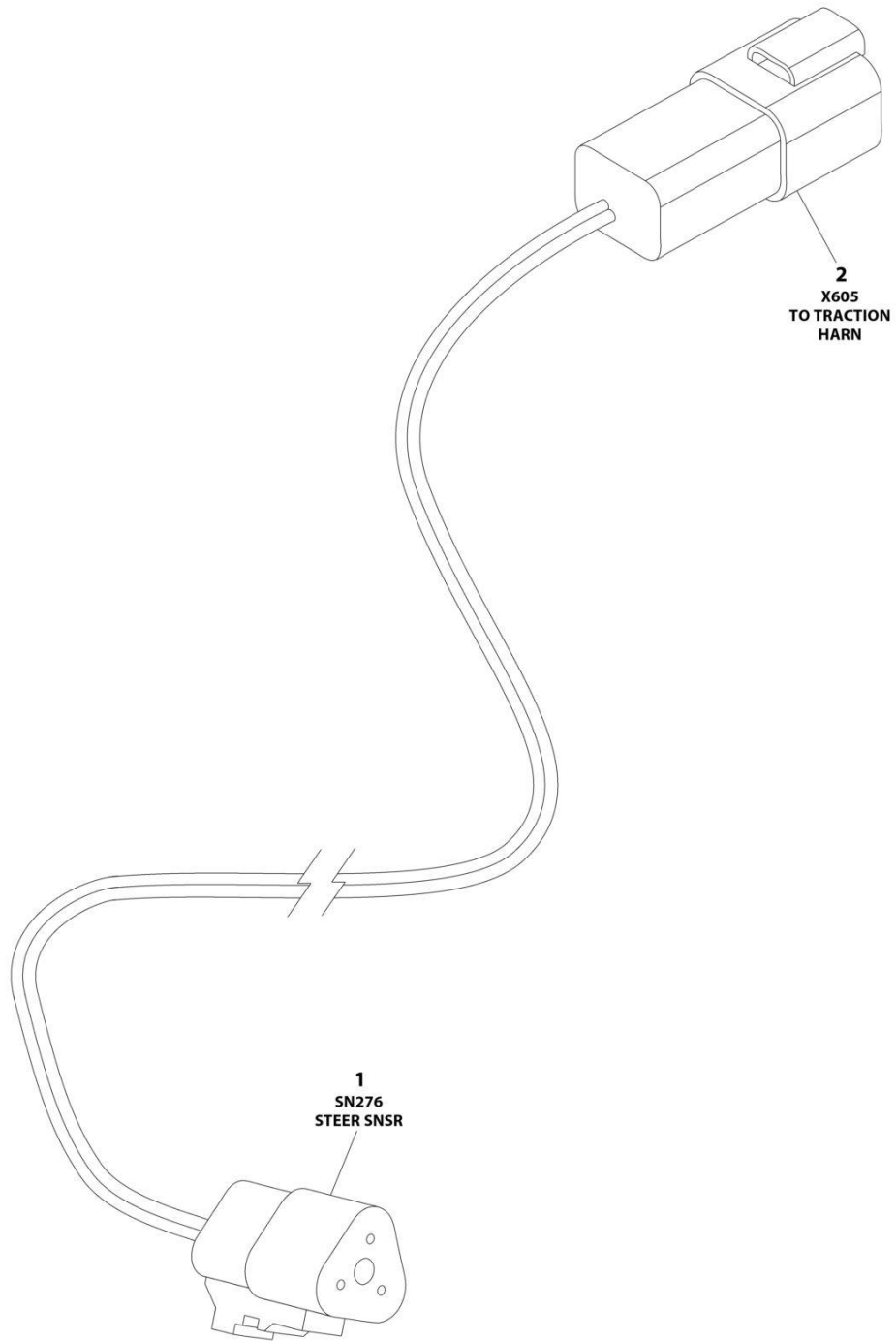
## SECTION 8 - ELECTRICAL

### FIGURE 8-71. SKYLINE HARNESS

ITEM	PART NUMBER	QTY	DESCRIPTION	REV
	1001238418	Ref	SKYLINE HARNESS	B
1	4460899	1	Connector - 6 Position	
1	4460464	4	Pin, Male	
1	4460466	2	Plug, Terminal	
2	4461077	1	Connector - 4 Position	
2	1001126009	4	Socket, Female	
3	1001186432	2	Plug, Relay	
3	1001118388	5	Terminal	
3	1001118384	3	Terminal	
3	3740086	2	Relay	

# SECTION 8 - ELECTRICAL

## FIGURE 8-72. STEERING SENSOR HARNESS



ART\_1001195835

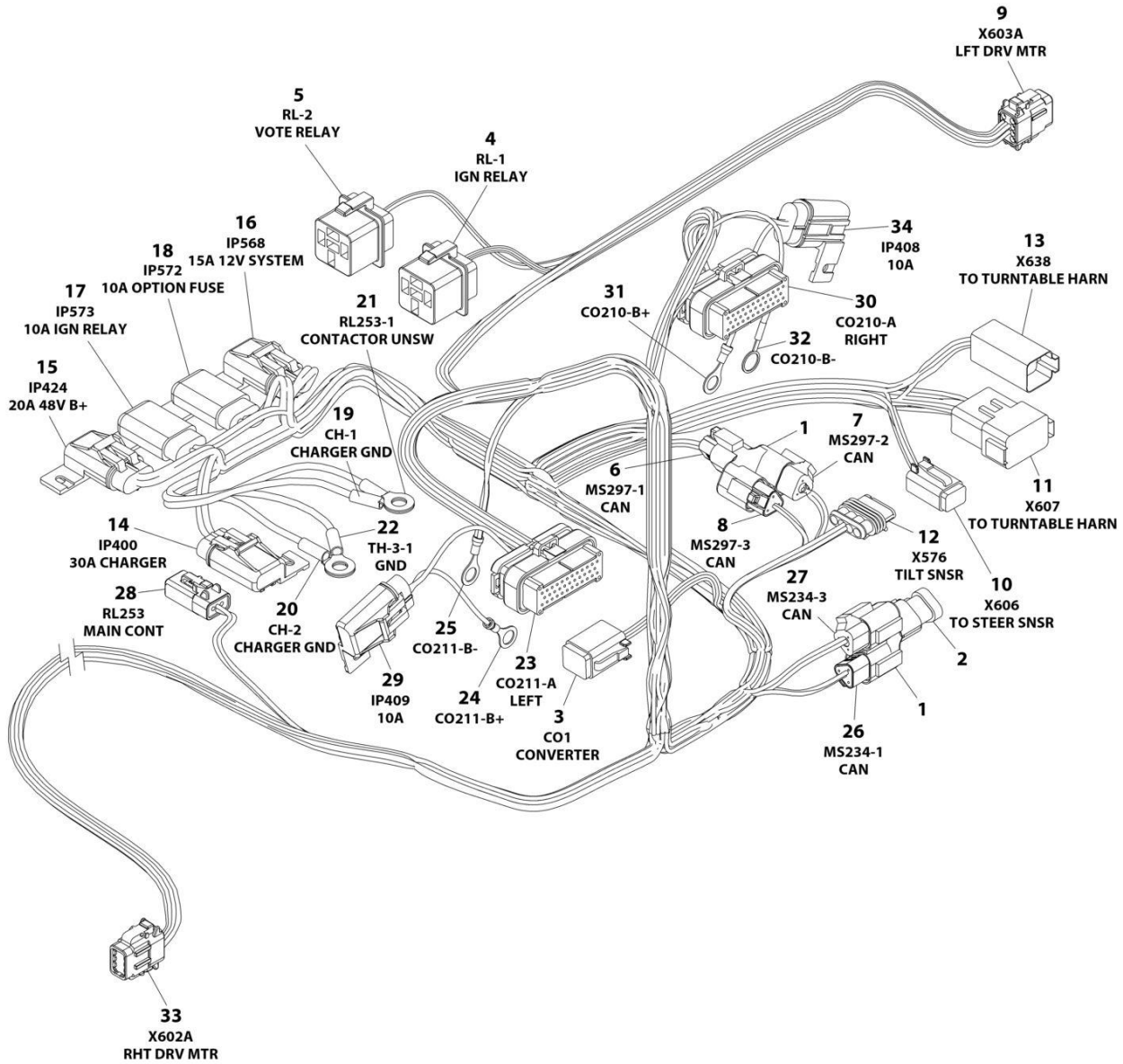
## SECTION 8 - ELECTRICAL

### FIGURE 8-72. STEERING SENSOR HARNESS

ITEM	PART NUMBER	QTY	DESCRIPTION	REV
	1001195835	Ref	STEERING SENSOR HARNESS	C
1	4460539	1	Connector - 4 Position	
1	4460944	3	Socket, Female	
2	4460932	1	Connector - 4 Position	
2	4460464	4	Pin, Male	

# SECTION 8 - ELECTRICAL

## FIGURE 8-73. TRACTION HARNESS



ART\_1001195867\_G

## SECTION 8 - ELECTRICAL

### FIGURE 8-73. TRACTION HARNESS

ITEM	PART NUMBER	QTY	DESCRIPTION	REV
	1001195867	Ref	TRACTION HARNESS	G
1	4460945	2	Connector, 3 Way	
2	1001116815	1	Resistor Assembly	
3	4460894	1	Connector - 6 Position	
3	1001157890	5	Socket, Female	
3	1001116692	1	Socket, Female	
4	4460374	1	Plug, Relay	
4	1001116732	4	Terminal	
4	1001116763	2	Seal, Terminal	
5	4460374	1	Plug, Relay	
5	1001116732	2	Terminal	
5	1001116733	2	Terminal	
5	1001116763	2	Seal, Terminal	
6	1001116812	1	Connector - 3 Position	
6	4460944	2	Socket, Female	
6	4460466	1	Plug, Seal	
7	4460539	1	Connector - 3 Position	
7	4460944	2	Socket, Female	
7	4460466	1	Plug, Seal	
8	1001116812	1	Connector - 3 Position	
8	4460944	2	Socket, Female	
8	4460466	1	Plug, Seal	
9	1001190577	1	Connector - 8	
9	1001126008	8	Socket, Female	
10	4460884	1	Connector - 4 Position	
10	4460465	4	Socket, Female	
11	4460950	1	Connector - 12 Position	
11	1001157891	5	Pin, Male	
11	4460464	5	Pin, Male	
11	4460943	2	Pin, Male	
12	1001103012	1	Connector - 4 Position	
12	1001107854	4	Terminal	
12	1001104498	4	Seal	
13	4460899	1	Connector - 6 Position	
13	4460943	2	Pin, Male	
13	1001157891	2	Pin, Male	
13	4460464	2	Pin, Male	
14	1001217844	1	Fuse Holder	
14	1001217842	1	Fuse, Cap Cover	
14	1001170762	1	Fuse, 30Amp	
14	8229236	1	Fuse, 30Amp	
14	1001116734	2	Terminal	
15	1001217844	1	Fuse Holder	
15	1001217842	1	Fuse, Cap Cover	
15	1001170761	1	Fuse, 20Amp	
15	8229235	1	Fuse, 20Amp	
15	1001116734	2	Terminal	
16	1001217844	1	Fuse Holder	
16	1001217842	1	Fuse, Cap Cover	
16	8229237	1	Fuse, 15Amp	

## SECTION 8 - ELECTRICAL

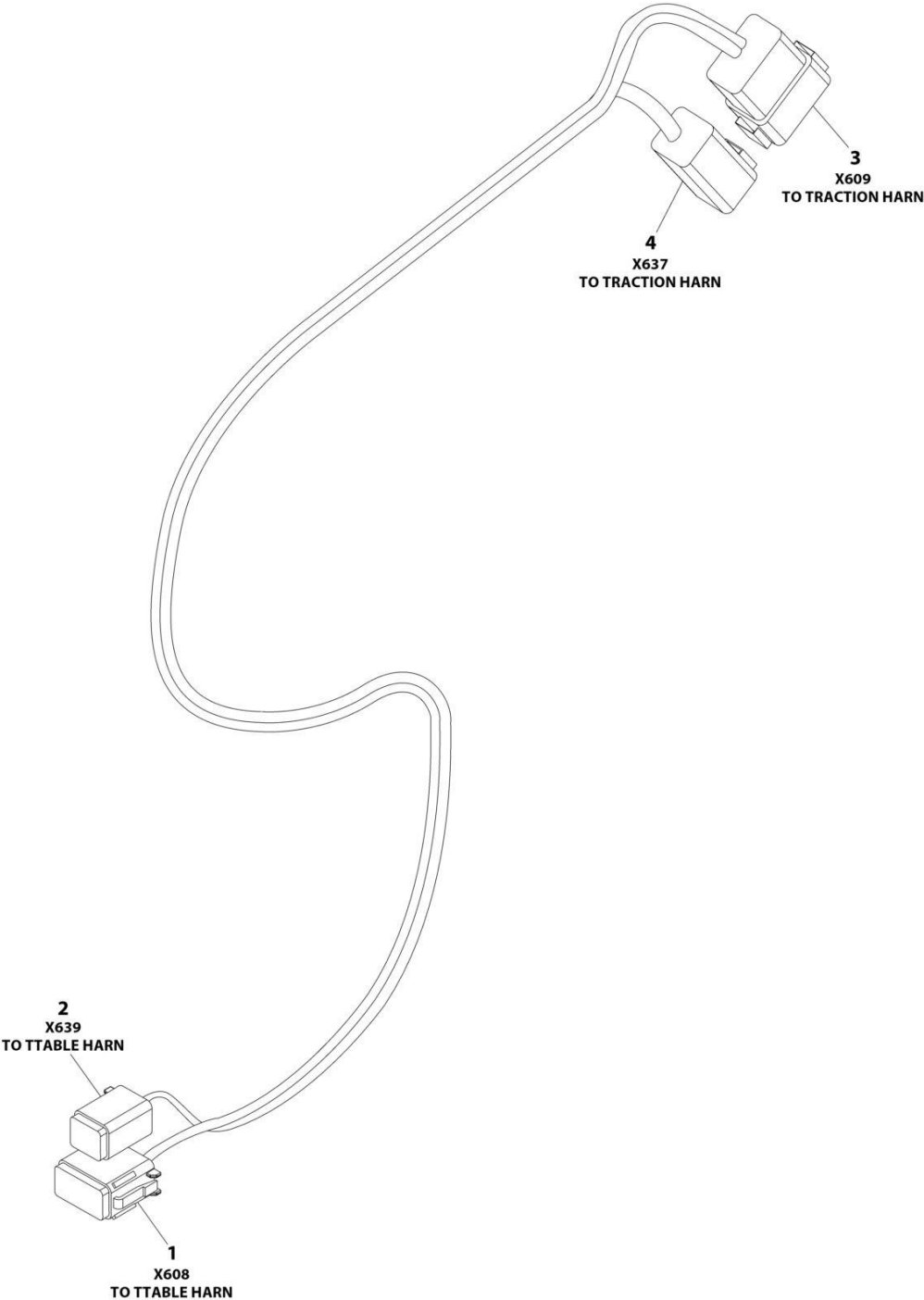
ITEM	PART NUMBER	QTY	DESCRIPTION	REV
16	1001116734	2	Terminal	
17	1001217844	1	Fuse Holder	
17	1001217842	1	Fuse, Cap Cover	
17	8229235	1	Fuse, 20Amp	
17	1001116734	2	Terminal	
18	1001217844	1	Fuse Holder	
18	1001217842	1	Fuse, Cap Cover	
18	8229261	1	Fuse, 5Amp	
18	1001116734	1	Terminal	
18	1001116733	1	Terminal	
19	8220045	1	Terminal, Ring	
20	8220045	1	Terminal, Ring	
21	8220045	1	Terminal, Ring	
22	8220045	1	Terminal, Ring	
23	4460873	1	Connector - 35 Position	
23	4460871	15	Socket, Female	
23	4460905	20	Plug, Terminal	
24	4460670	1	Terminal, Ring	
25	4460670	1	Terminal, Ring	
26	1001116812	1	Connector - 3 Position	
26	4460944	2	Socket, Female	
26	4460466	1	Plug, Seal	
27	4460539	1	Connector - 3 Position	
27	4460944	2	Socket, Female	
27	4460466	1	Plug, Seal	
28	1001126245	1	Connector - 2 Position	
28	1001126008	2	Socket, Female	
29	1001217843	1	Fuse Holder	
29	1001217842	1	Fuse, Cap Cover	
29	8229234	1	Fuse, 10Amp	
29	1001116733	2	Terminal	
30	4460873	1	Connector - 35 Position	
30	4460871	12	Socket, Female	
30	4460905	23	Plug, Terminal	
31	4460670	1	Terminal, Ring	
32	4460703	1	Terminal, Ring	
33	1001190577	1	Connector - 8 Position	
33	1001126008	8	Socket, Female	
34	1001217843	1	Fuse Holder	
34	1001217842	1	Fuse, Cap Cover	
34	8229234	1	Fuse, 10Amp	
34	1001116733	2	Terminal	





**SECTION 8 - ELECTRICAL**

**FIGURE 8-74. TRACTION TO TURNTABLE HARNESS**



ART\_1001195836

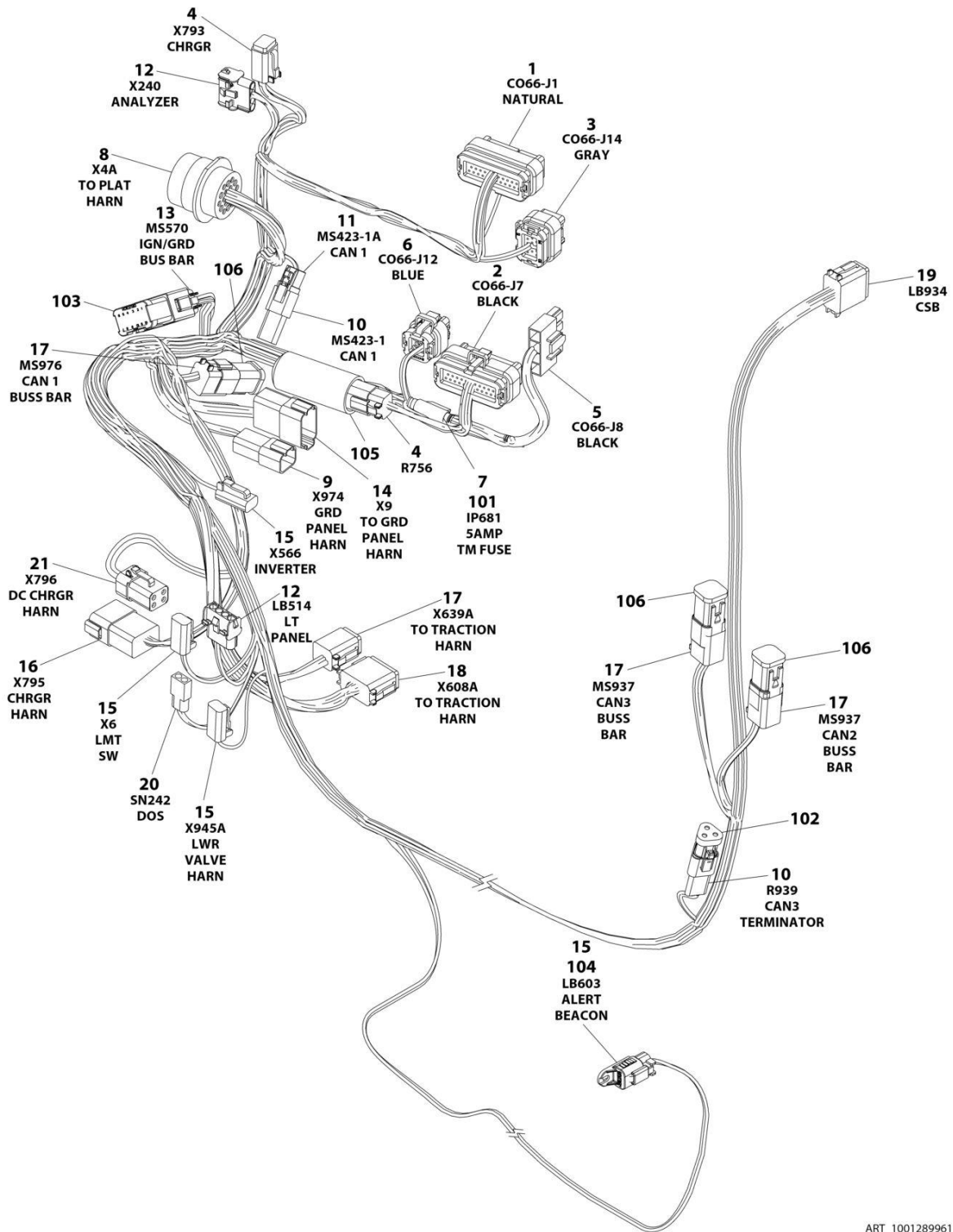
## SECTION 8 - ELECTRICAL

**FIGURE 8-74. TRACTION TO TURNTABLE HARNESS**

ITEM	PART NUMBER	QTY	DESCRIPTION	REV
	1001195836	Ref	TRACTION TO TURNTABLE HARNESS	D
1	4460950	1	Connector - 12 Position	
1	1001157891	5	Pin, Male	
1	4460464	5	Pin, Male	
1	4460943	2	Pin, Male	
2	4460899	1	Connector - 6 Position	
2	1001157891	2	Pin, Male	
2	4460464	2	Pin, Male	
2	4460943	2	Pin, Male	
3	4460836	1	Connector - 12 Position	
3	1001157890	5	Socket, Female	
3	4460465	5	Socket, Female	
3	4460944	2	Socket, Female	
4	4460894	1	Connector - 6 Position	
4	1001157890	2	Socket, Female	
4	4460465	2	Socket, Female	
4	4460944	2	Socket, Female	

# SECTION 8 - ELECTRICAL

## FIGURE 8-75. TURNTABLE HARNESS



ART\_1001289961

## SECTION 8 - ELECTRICAL

### FIGURE 8-75. TURNTABLE HARNESS

ITEM	PART NUMBER	QTY	DESCRIPTION	REV
	1001289961	Ref	TURNTABLE HARNESS	A
1	4460874	1	Connector - 35 Position (Natural)	
1	4460871	10	Socket, Female	
1	4460905	25	Plug, Terminal	
2	4460873	1	Connector - 35 Position (Black)	
2	4460871	15	Socket, Female	
2	4460905	20	Plug, Terminal	
3	1001246859	1	Connector - 14 Position	
3	4460871	4	Socket, Female	
3	4460905	10	Plug, Terminal	
4	4460884	2	Connector - 4 Position	
4	4460465	6	Socket, Female	
4	4460942	2	Socket, Female	
5	4460878	1	Connector - 4 Position	
5	4460887	4	Terminal	
6	1001113961	1	Connector - 8 Position	
6	4460871	3	Socket, Female	
6	4460905	5	Plug, Terminal	
7	2400060	1	Fuse Holder with Cover	
8	4460866	1	Connector - 19 Pin	
8	4460464	7	Pin, Male	
8	4460508	4	Pin, Male	
8	4460943	2	Pin, Male	
8	4460466	6	Plug, Seal	
9	4460932	1	Connector - 4 Position	
9	4460464	4	Pin, Male	
10	1001144147	2	Connector - 3 Position	
10	4460943	4	Socket, Female	
10	4460466	2	Plug, Terminal	
11	1001116812	1	Connector - 3 Position	
11	4460944	2	Socket, Female	
11	4460466	1	Plug, Terminal	
12	4460761	2	Connector, Female - 4 Position	
12	4460227	6	Socket, Female	
13	4460933	1	Connector - 12 Position (Gray)	
13	4460465	2	Socket, Female	
13	4460942	3	Socket, Female	
13	4460509	1	Socket, Female	
13	4460466	6	Plug, Terminal	
14	4460931	1	Connector - 8 Position	
14	1001157891	2	Pin, Male	
14	1001116693	5	Pin, Male	
14	4460466	1	Plug, Terminal	
15	4460891	4	Connector - 2 Position	
15	4460465	6	Pin, Male	
15	4460466	2	Plug, Terminal	
16	4460931	1	Connector - 8 Position	
16	4460464	7	Pin, Male	
16	4460466	1	Plug, Terminal	
17	4460894	4	Connector - 6 Position	

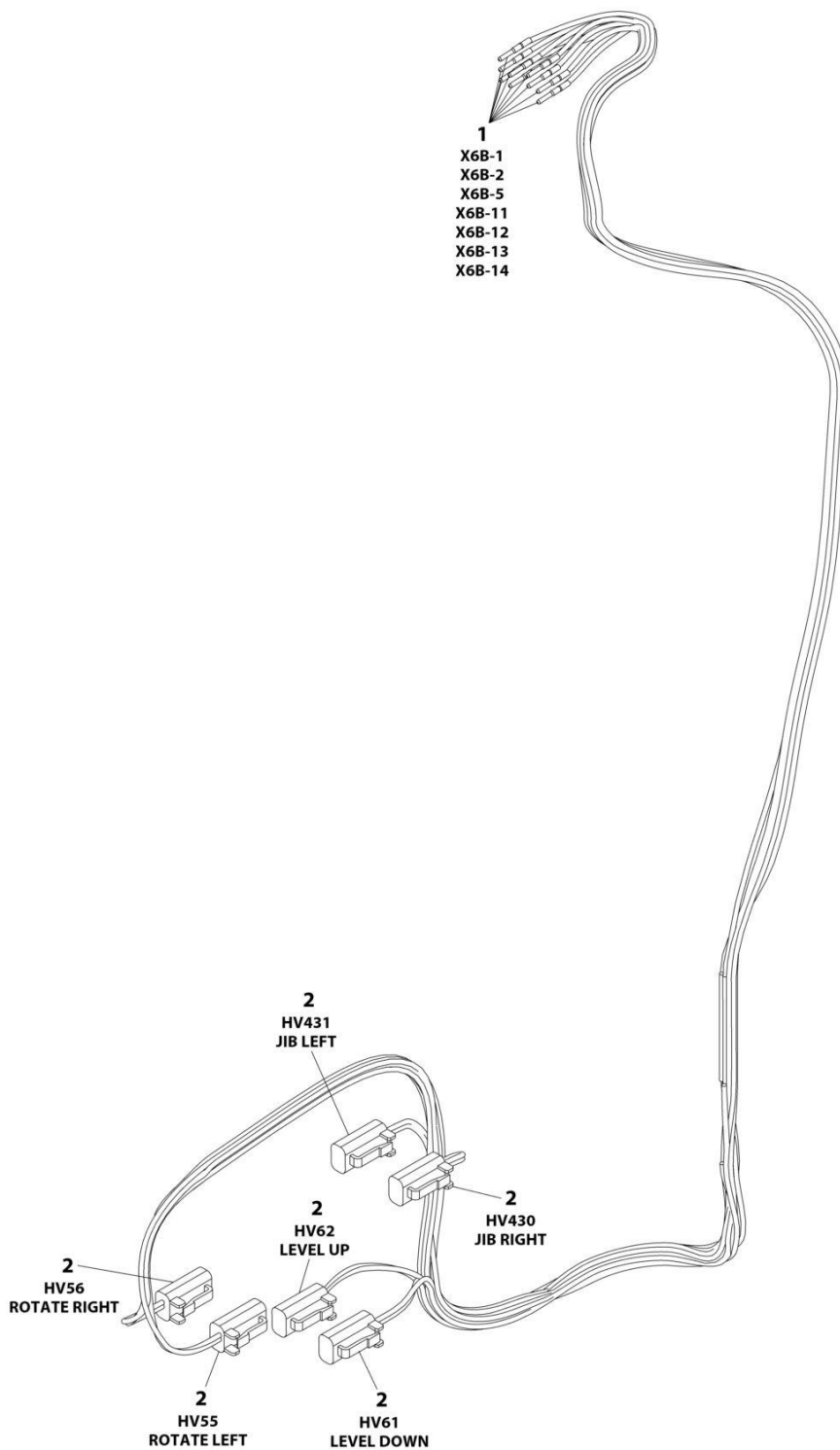
## SECTION 8 - ELECTRICAL

ITEM	PART NUMBER	QTY	DESCRIPTION	REV
17	1001157890	2	Socket, Female	
17	4460465	20	Socket, Female	
17	4460944	2	Socket, Female	
18	4460836	1	Connector - 12 Position	
18	1001157890	5	Socket, Female	
18	4460465	5	Socket, Female	
18	4460944	2	Socket, Female	
19	4460930	1	Connector - 8 Position	
19	4460465	8	Socket, Female	
20	4460424	1	Connector - 2 Position	
20	4460226	2	Socket, Female	
21	1001116810	1	Connector - 4 Position	
21	4460509	2	Socket, Female	
21	4460466	2	Plug, Terminal	
101	8229242	1	Fuse 5 Amp	
102	1001116815	1	Connector	
103	1001125677	1	Buss Bar - 12 Position	
104	1001144295	1	Cap, Dust	
105	1001186231	1	Connector, Can Terminal	
106	1001226541	3	Buss Bar - 6 Position	



# SECTION 8 - ELECTRICAL

## FIGURE 8-76. VALVE HARNESS - BOOM VALVE



ART\_1001255918



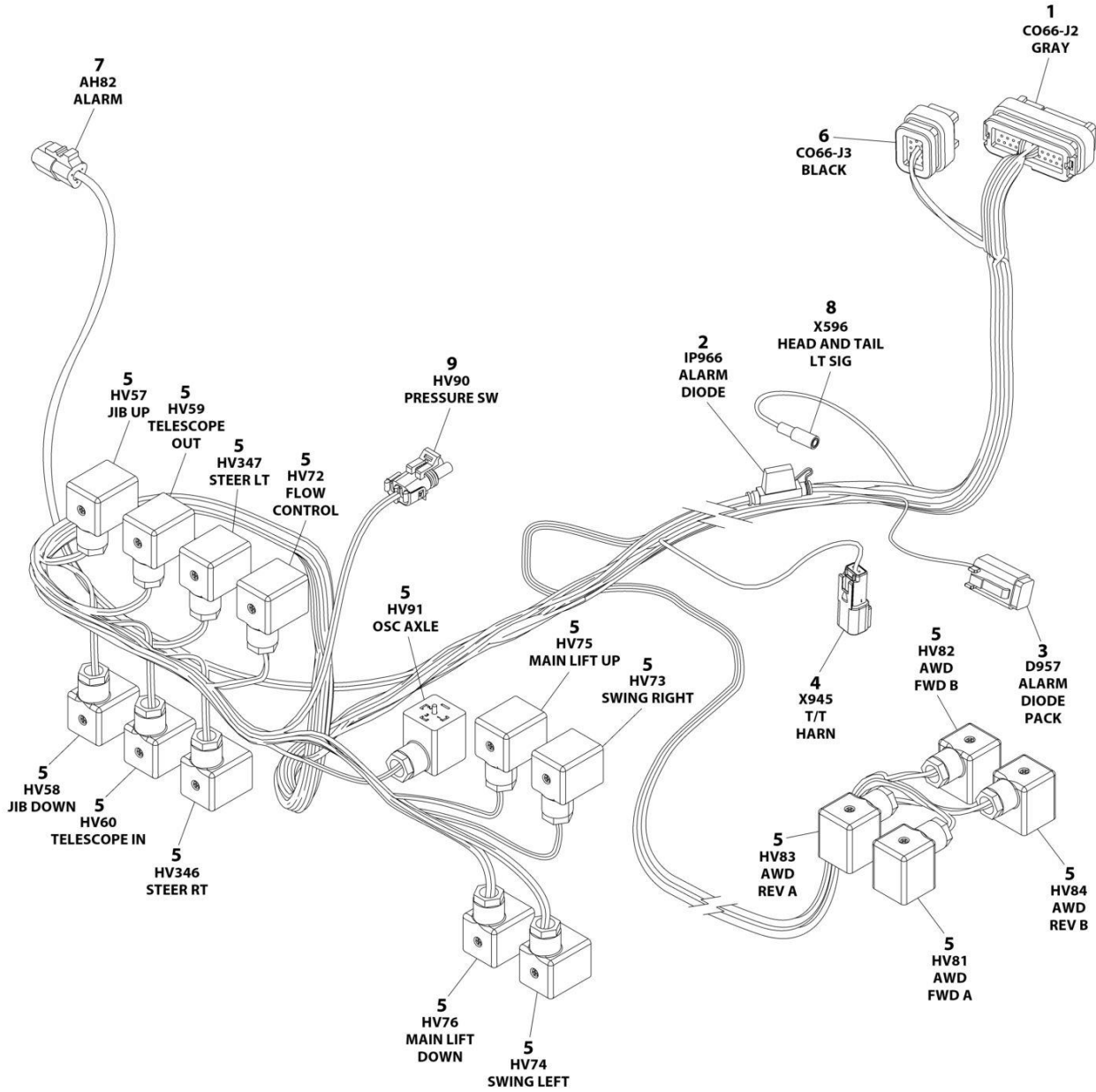
## SECTION 8 - ELECTRICAL

### FIGURE 8-76. VALVE HARNESS - BOOM VALVE

ITEM	PART NUMBER	QTY	DESCRIPTION	REV
	1001255918	Ref	VALVE HARNESS - BOOM VALVE	A
1	4460227	7	Pin, Male	
2	4460891	6	Plug, Male - 2 Position	
2	4460465	12	Socket, Female	

# SECTION 8 - ELECTRICAL

## FIGURE 8-77. VALVE HARNESS – MAIN CONTROL VALVE



ART\_1001286021

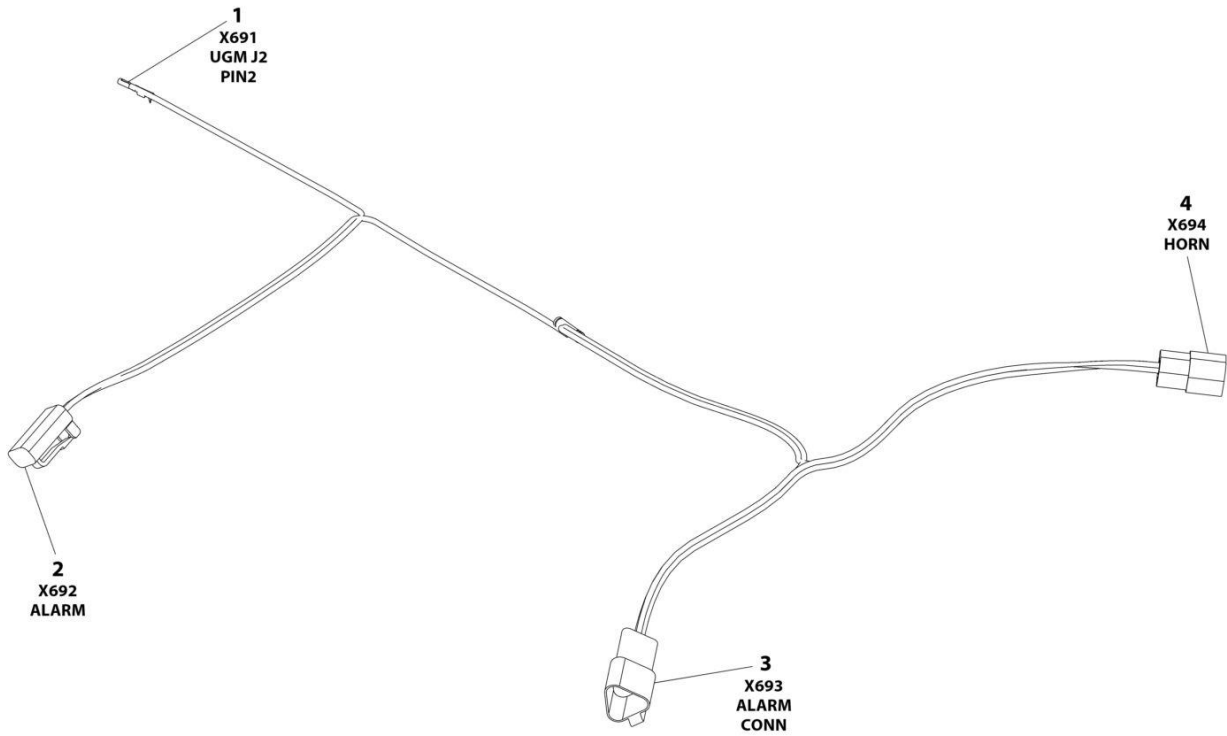
## SECTION 8 - ELECTRICAL

### FIGURE 8-77. VALVE HARNESS – MAIN CONTROL VALVE

ITEM	PART NUMBER	QTY	DESCRIPTION	REV
	1001286021	Ref	VALVE HARNESS - MAIN CONTROL VALVE	A
1	4460875	1	Connector - 35 Position (Gray)	
1	4460871	26	Socket, Female	
1	4460905	9	Plug, Terminal	
2	1001170764	1	Diode - 1Amp	
3	4460884	1	Connector - 4 Position	
3	4460465	4	Socket, Female	
4	4460897	1	Connector - 2 Position	
4	4460464	1	Pin, Male	
4	4460466	1	Plug, Terminal	
5	4460449	16	DIN Connector without Diode	
6	4460872	1	Connector - 14 Position	
6	4460871	4	Socket, Female	
6	4460905	10	Plug, Terminal	
7	4460539	1	Connector - 3 Position	
7	4460465	3	Socket, Female	
8	8220068	1	Terminal	
9	4460742	1	Connector - 2 Position	
9	4460743	2	Terminal, Female	
9	4460458	2	Seal, Cable	

# SECTION 8 - ELECTRICAL

## FIGURE 8-78. WHITE NOISE ALARM HARNESS



ART\_1001231007

## SECTION 8 - ELECTRICAL

### FIGURE 8-78. WHITE NOISE ALARM HARNESS

ITEM	PART NUMBER	QTY	DESCRIPTION	REV
	1001231007	Ref	WHITE NOISE ALARM INSTALLATION	B
1	4460871	1	Terminal	
2	4460891	1	Plug, Male - 2 Position	
2	4460465	2	Socket, Female	
3	4460536	1	Receptacle, Female - 3 Position	
3	4460464	3	Pin, Male	
4	4460539	1	Plug, Male - 3 Position	
4	4460465	3	Socket, Female	

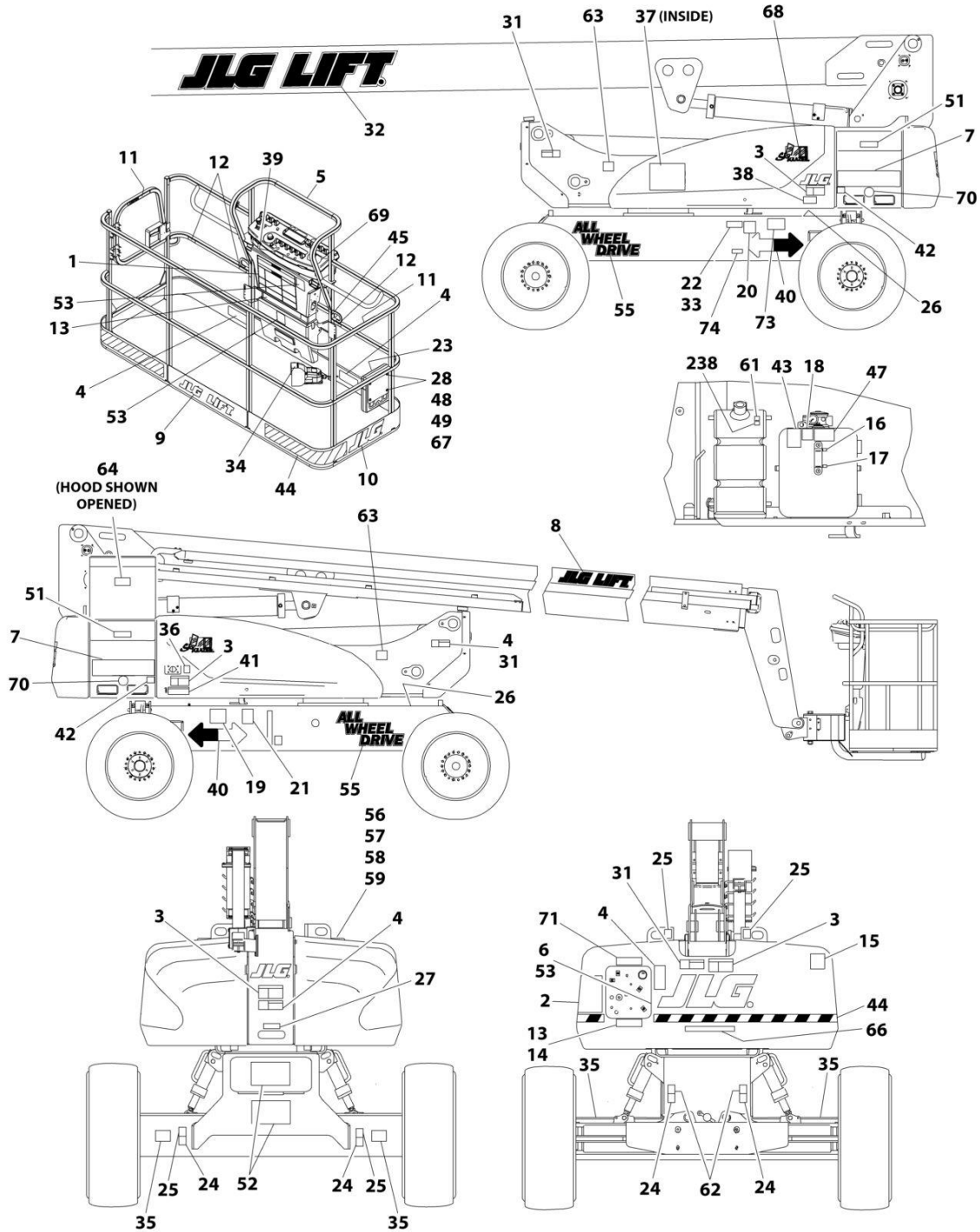


**SECTION 9 - DECALS**

# SECTION 9 - DECALS

## FIGURE 9-1. DECAL INSTALLATION - ANSI, ANSI EXPORT, CHINA & UL SPECS (ENGLISH LANGUAGE)

NOTE: ITEMS SHOWN MAY NOT BE REQUIRED FOR ALL SPECS. REFER TO PARTS LISTS FOR USAGE.  
 NOTE: SOME DECALS ARE CALLED OUT ON OPTIONAL DECALS INSTALLTION.



ART\_1001248325\_E



## SECTION 9 - DECALS

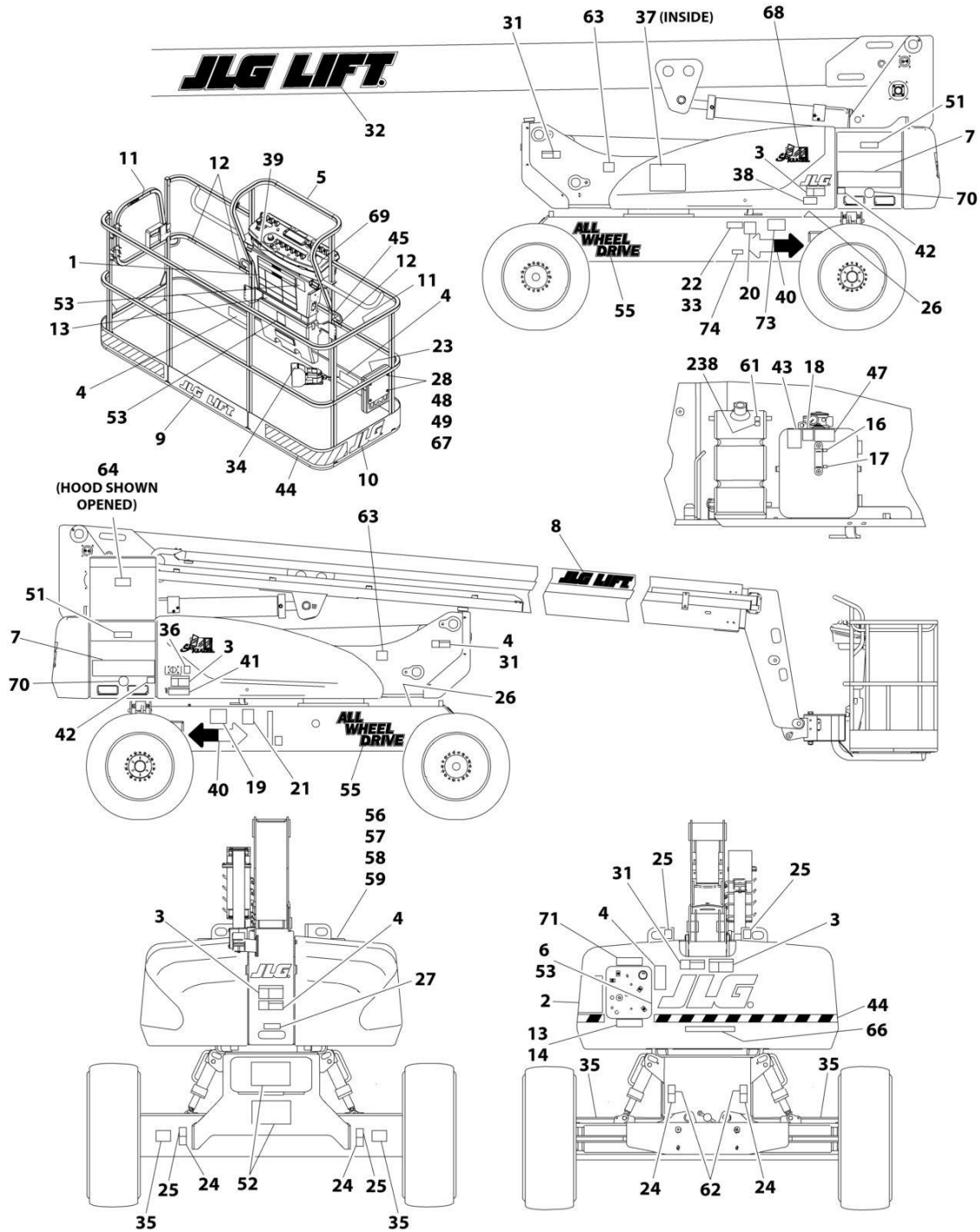
**FIGURE 9-1. DECAL INSTALLATION - ANSI, ANSI EXPORT, CHINA & UL SPECS (ENGLISH LANGUAGE)**

ITEM	PART NUMBER	QTY	DESCRIPTION	REV
	1001248325	Ref	DECAL INSTALLATION	E
	1001249148	Ref	DECAL INSTALLATION - REFERENCE CHART	F
1	1703797	1	Decal - Danger/Warning (Platform)	
2	1704575	1	Decal - Danger/Warning (MTB)	
3	1703805	4	Decal - Electrocutation	
4	1703804	3	Decal - Crushing	
11	1702868	2	Decal - No Hands	
12	1704277	3	Decal - Attach Lanyard	
13	1001253920	1	Decal - Warning / Capacity	
14	1001253921	1	Decal - Warning / Capacity	
16	1701502	1	Decal - Hydraulic Oil Level High	
17	1701503	1	Decal - Hydraulic Oil Level Low	
18	1701504	1	Decal - Hydraulic Oil	
20	See Note	NSS	Decal - Barcode (Note: Not Available for Purchase)	
21	1001131269	1	Decal - Patent	
23	1701509	1	Decal - Manual	
24	1702300	6	Decal - Tie Down	
25	1701500	4	Decal - Lift	
26	1701529	2	Decal - Arrow	
27	3251243	1	Nameplate	
28	0860520	1	Box, Manual Storage	
31	1703953	3	Decal - Warning/Crushing	
33	3820001	2	Rivet	
34	3252347	1	Nameplate - Footswitch	
35	1704708	4	Decal - Max Tire Load	
36	1701644	1	Decal - Charger	
37	1001261130	1	Decal - Manual Descent	
38	1702901	1	Decal - Instructions Inside	
40	1701501	2	Decal - Arrow	
41	1704248	1	Decal - Battery Charger Instructions	
42	1702155	2	Decal - Battery Disconnect	
43	1704412	1	Decal - Oil Chart	
46	1001231801	1	Decal - Prop 65	
48	3311405	4	Nut 1/4	
49	4751400	4	Washer 1/4	
51	1703813	2	Decal - Warning Battery Ventilation	
52	1001284695	1	Decal - Lift Diagram	
54	1001209679	1	Decal - Cable Routing	
62	1701499	2	Decal - No Lift	
63	1702391	2	Decal - Warning Hand Crushing	
64	1704725	2	Decal - Tip Over (Battery Weight)	
66	1704885	1	Decal - Website	
67	0641406	4	Bolt 1/4 x 3/4	
69	1705351	1	Decal - Drive/Steer Instructions	
73	1001223055	1	Decal - Yearly Inspection	
74	1001228370	1	Decal - ICES (Canada Spec)	

# SECTION 9 - DECALS

FIGURE 9-2. DECAL INSTALLATION - AUSTRALIAN, CE & UK CA SPECS (ENGLISH LANGUAGE)

NOTE: ITEMS SHOWN MAY NOT BE REQUIRED FOR ALL SPECS. REFER TO PARTS LISTS FOR USAGE.  
 NOTE: SOME DECALS ARE CALLED OUT ON OPTIONAL DECALS INSTALLTION.



ART\_1001248326\_E

## SECTION 9 - DECALS

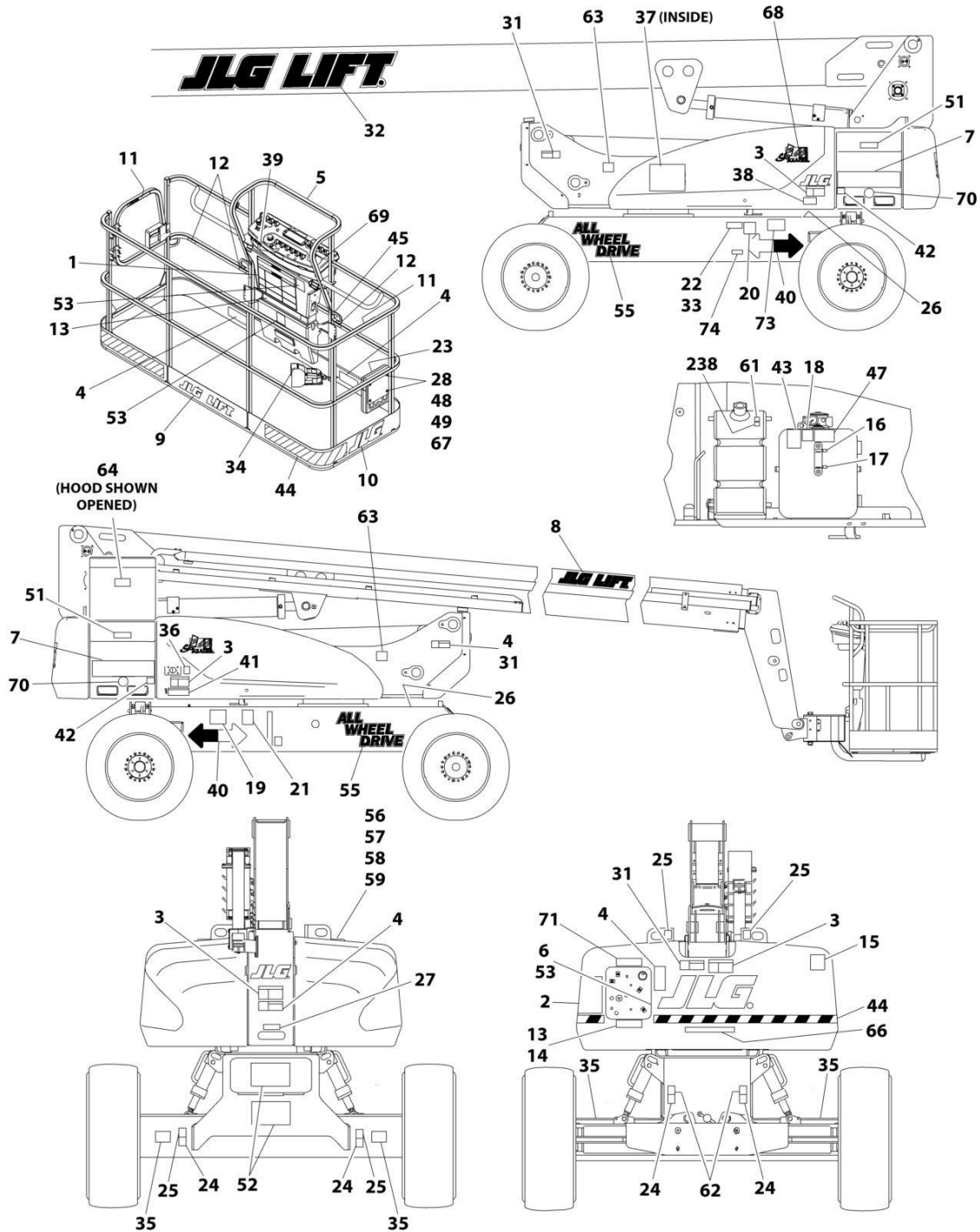
**FIGURE 9-2. DECAL INSTALLATION - AUSTRALIAN, CE & UK CA SPECS (ENGLISH LANGUAGE)**

ITEM	PART NUMBER	QTY	DESCRIPTION	REV
	1001248326	Ref	DECAL INSTALLATION	E
	1001249148	Ref	DECAL INSTALLATION - REFERENCE CHART	F
1	1705921	1	Decal - Danger/Caution (Platform)	
2	1705822	1	Decal - Danger/Caution (MTB)	
4	1701518	6	Decal - Crushing	
12	1704277	3	Decal - Attach Lanyard	
13	1705978	2	Decal - 500 LBS Max Capacity	
16	1701502	1	Decal - Hydraulic Oil Level High	
17	1701503	1	Decal - Hydraulic Oil Level Low	
18	1701504	1	Decal - Hydraulic Oil	
20	See Note	NSS	Decal - Bar Code (Note: Not Available for Purchase)	
23	1701509	1	Decal - Manual	
24	1702300	6	Decal - Tie Down	
25	1701500	4	Decal - Lift	
26	1701529	2	Decal - Arrow	
28	0860520	1	Box, Manual Storage	
33	3820001	4	Rivet	
34	1705828	1	Nameplate - Footswitch	
35	1704708	4	Decal - Maximum Tire Load	
36	1701644	1	Decal - Charger	
37	1001261130	1	Decal - Manual Descent	
38	1706392	1	Decal - Instructions Inside	
40	1701501	2	Decal - Arrow	
41	1706378	1	Decal - Battery Charger Instructions	
42	1702155	2	Decal - Battery Disconnect	
43	1704412	1	Decal - Oil Chart	
48	3311405	4	Nut 1/4	
49	4751400	4	Washer 1/4	
51	1705670	2	Decal - Warning Battery Ventilation	
52	1001284695	1	Decal - Lift Diagram	
54	1001209679	1	Decal - Cable Routing	
62	1701499	2	Decal - No Lift	
63	1701517	2	Decal - Warning Hand Crushing	
64	1704728	2	Decal - Tip Over (Battery Weight)	
66	1704885	1	Decal - Website	

# SECTION 9 - DECALS

## FIGURE 9-3. DECAL INSTALLATION - BRAZIL SPECS (PORTUGUESE/SPANISH LANGUAGES)

NOTE: ITEMS SHOWN MAY NOT BE REQUIRED FOR ALL SPECS. REFER TO PARTS LISTS FOR USAGE.  
 NOTE: SOME DECALS ARE CALLED OUT ON OPTIONAL DECALS INSTALLTION.



ART\_1001248332\_E

## SECTION 9 - DECALS

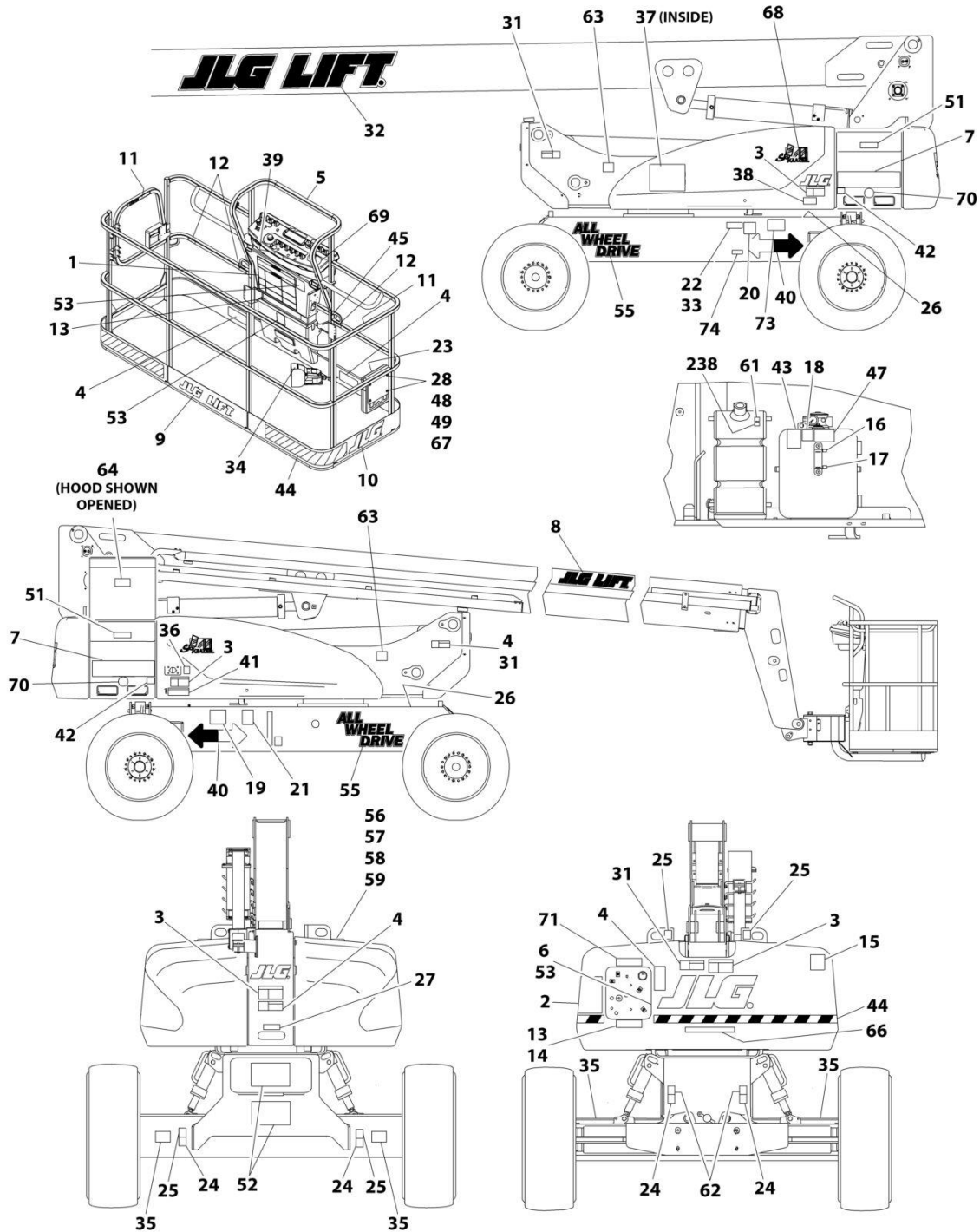
**FIGURE 9-3. DECAL INSTALLATION - BRAZIL SPECS (PORTUGUESE/SPANISH LANGUAGES)**

ITEM	PART NUMBER	QTY	DESCRIPTION	REV
	1001248332	Ref	DECAL INSTALLATION	E
	1001249148	Ref	DECAL INSTALLATION - REFERENCE CHART	F
1	1703928	1	Decal - Danger/Warning (Platform)	
3	1703940	4	Decal - Electrocution	
4	1703952	3	Decal - Crushing	
11	1704002	2	Decal - No Hands	
12	1704277	3	Decal - Attach Lanyard	
13	1001253928	1	Decal - Warning / Capacity	
14	1001253929	1	Decal - Warning / Capacity	
16	1701502	1	Decal - Hydraulic Oil Level High	
17	1701503	1	Decal - Hydraulic Oil Level Low	
18	1701504	1	Decal - Hydraulic Oil	
20	See Note	NSS	Decal - Bar Code (Note: Not Available for Purchase)	
23	1701509	1	Decal - Manual	
24	1702300	6	Decal - Tie Down	
25	1701500	4	Decal - Lift	
26	1701529	2	Decal - Arrow	
27	3251243	1	Nameplate 120V/60Hz	
28	0860520	1	Box, Manual Storage	
31	1703946	3	Decal - Warning/Crushing	
33	3820001	2	Rivet	
34	1703985	1	Nameplate - Footswitch	
35	1704708	4	Decal - Maximum Tire Load	
36	1701644	1	Decal - Charger	
37	1001261130	1	Decal - Manual Descent	
38	1704118	1	Decal - Instructions Inside	
40	1701501	2	Decal - Arrow	
41	1704330	1	Decal - Battery Charger Instructions	
42	1702155	2	Decal - Battery Disconnect	
43	1704412	1	Decal - Oil Chart	
48	3311405	4	Nut 1/4	
49	4751400	4	Washer 1/4	
51	1704341	2	Decal - Warning Battery Ventilation	
52	1001284695	1	Decal - Lift Diagram	
54	1001209679	1	Decal - Cable Routing	
60	1703934	1	Decal - Danger/Caution	
62	1701499	2	Decal - No Lift	
63	1701517	2	Decal - Warning Hand Crushing	
64	1704618	2	Decal - Tip Over (Battery Weight)	
66	1704885	1	Decal - Website	
67	0641406	4	Bolt 1/4 x 3/4 (Not Shown)	
69	1001113680	1	Decal - Drive/Steer Instructions	
73	1001224052	1	Decal - Yearly Inspection	

# SECTION 9 - DECALS

## FIGURE 9-4. DECAL INSTALLATION - CHINESE SPECS (CHINESE/ENGLISH LANGUAGES)

NOTE: ITEMS SHOWN MAY NOT BE REQUIRED FOR ALL SPECS. REFER TO PARTS LISTS FOR USAGE.  
 NOTE: SOME DECALS ARE CALLED OUT ON OPTIONAL DECALS INSTALLTION.



ART\_1001248331\_E

## SECTION 9 - DECALS

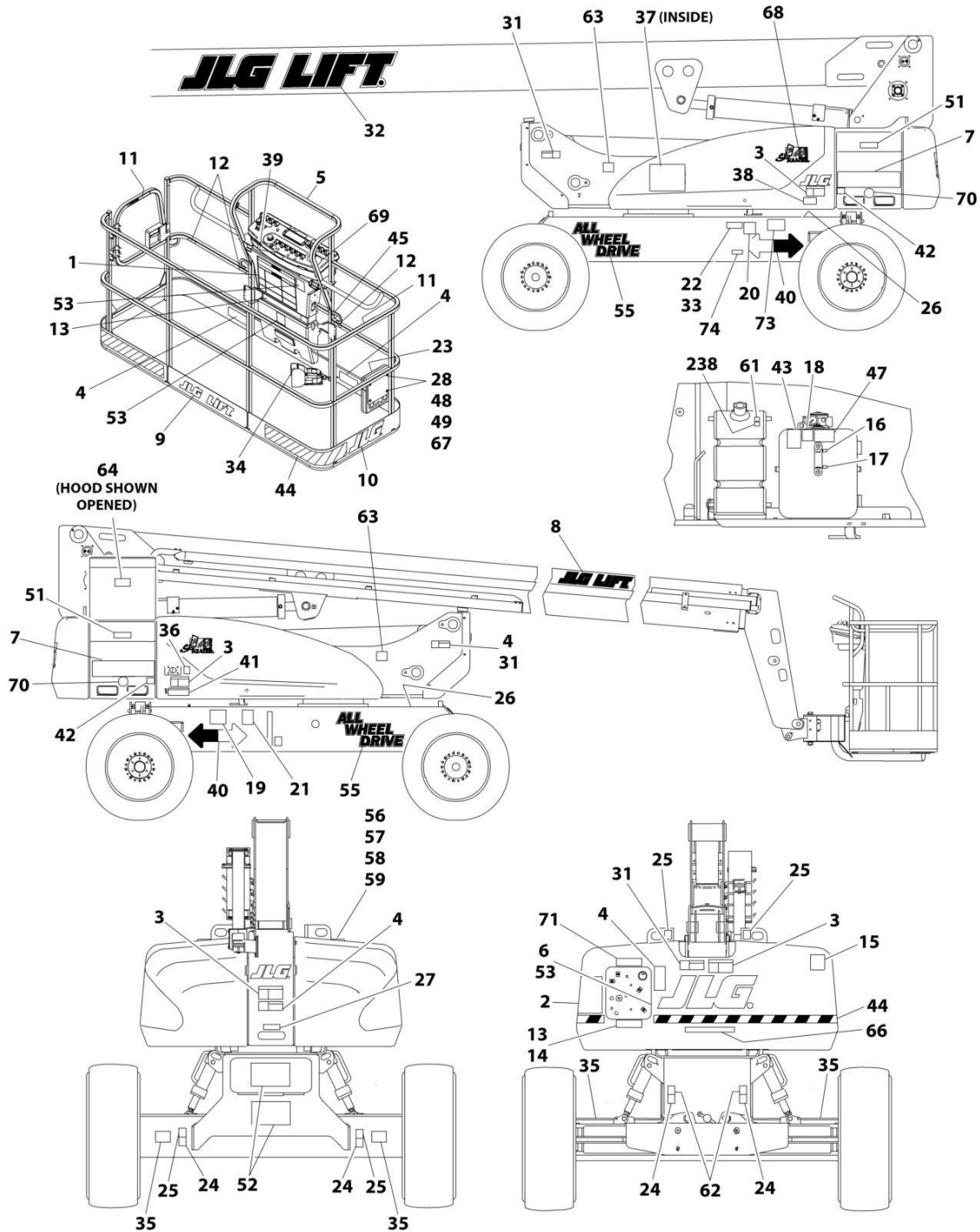
**FIGURE 9-4. DECAL INSTALLATION - CHINESE SPECS (CHINESE/ENGLISH LANGUAGES)**

ITEM	PART NUMBER	QTY	DESCRIPTION	REV
	1001248331	Ref	DECAL INSTALLATION	E
	1001249148	Ref	DECAL INSTALLATION - REFERENCE CHART	F
1	1703925	1	Decal - Danger/Warning (Platform)	
3	1703937	4	Decal - Electrocution	
4	1703949	3	Decal - Crushing	
11	1001116846	2	Decal - No Hands	
12	1704277	3	Decal - Attach Lanyard	
13	1001253926	1	Decal - Warning / Capacity	
14	1001253927	1	Decal - Warning / Capacity	
16	1701502	1	Decal - Hydraulic Oil Level High	
17	1701503	1	Decal - Hydraulic Oil Level Low	
18	1701504	1	Decal - Hydraulic Oil	
20	See Note	NSS	Decal - Bar Code (Note: Not Available for Purchase)	
23	1701509	1	Decal - Manual	
24	1702300	6	Decal - Tie Down	
25	1701500	4	Decal - Lift	
26	1701529	2	Decal - Arrow	
28	0860520	1	Box, Manual Storage	
31	1703943	3	Decal - Warning/Crushing	
33	3820001	2	Rivet	
34	1703982	1	Nameplate - Footswitch	
35	1704708	4	Decal - Maximum Tire Load	
36	1701644	1	Decal - Charger	
37	1001261130	1	Decal - Manual Descent	
38	1704121	1	Decal - Instructions Inside	
40	1701501	2	Decal - Arrow	
41	1704333	1	Decal - Battery Charger Instructions	
42	1702155	2	Decal - Battery Disconnect	
43	1704412	1	Decal - Oil Chart	
48	3311405	4	Nut 1/4	
49	4751400	4	Washer 1/4	
51	1704344	2	Decal - Warning Battery Ventilation	
52	1001284695	1	Decal - Lift Diagram	
54	1001209679	1	Decal - Cable Routing	
60	1703931	1	Decal - Danger/Caution	
62	1701499	2	Decal - No Lift	
63	1701517	2	Decal - Warning Hand Crushing	
64	1704731	2	Decal - Tip Over (Battery Weight)	
66	1704885	1	Decal - Website	
67	0641406	4	Bolt 1/4 x 3/4 (Not Shown)	
69	1705430	1	Decal - Drive/Steer Instructions (Machines with Drive Orientation Only)	
73	1001224050	1	Decal - Yearly Inspection	

# SECTION 9 - DECALS

## FIGURE 9-5. DECAL INSTALLATION - CSA & UL SPECS (ENGLISH/FRENCH LANGUAGES)

NOTE: ITEMS SHOWN MAY NOT BE REQUIRED FOR ALL SPECS. REFER TO PARTS LISTS FOR USAGE.  
 NOTE: SOME DECALS ARE CALLED OUT ON OPTIONAL DECALS INSTALLTION.



ART\_1001248330\_E



## SECTION 9 - DECALS

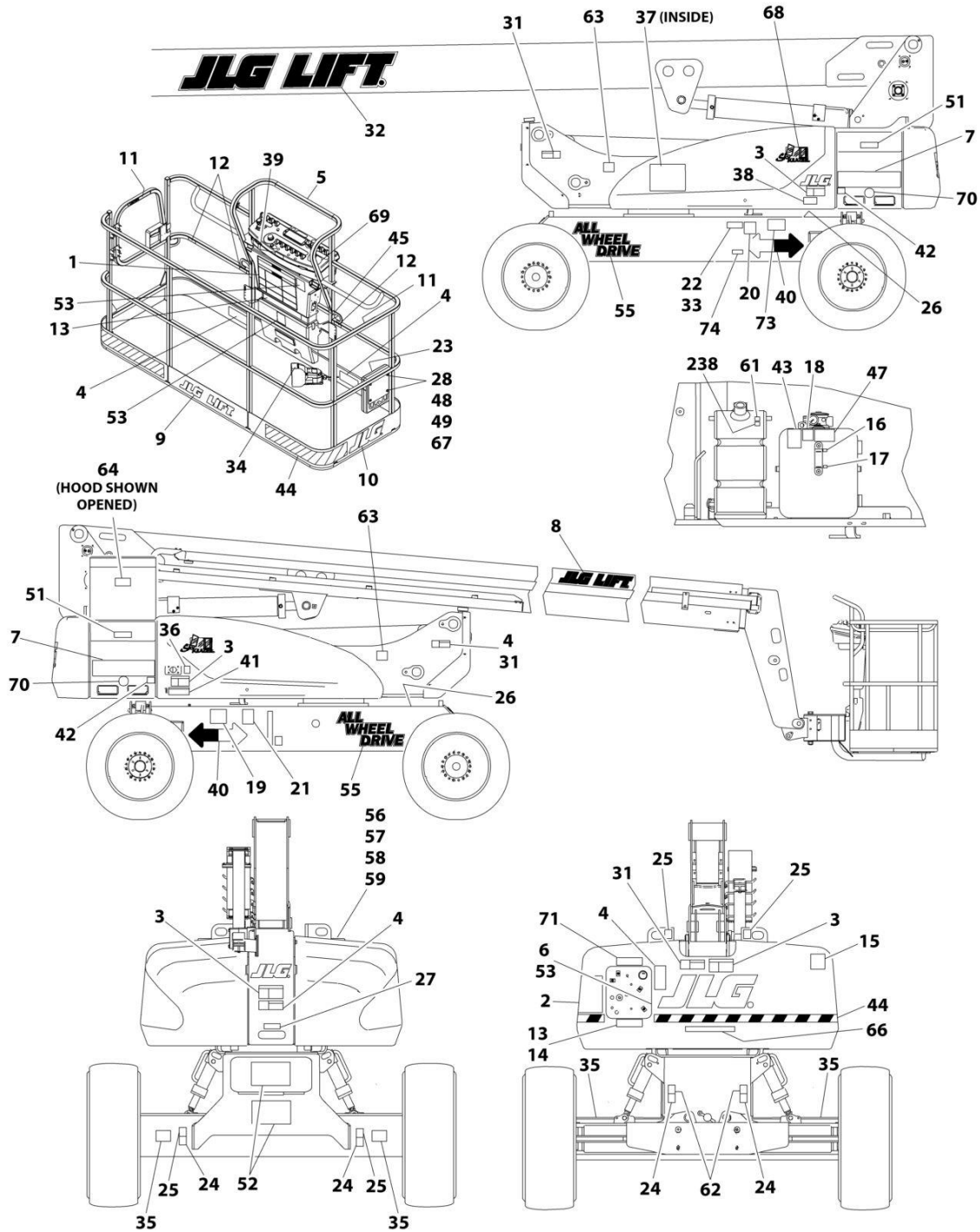
**FIGURE 9-5. DECAL INSTALLATION - CSA & UL SPECS (ENGLISH/FRENCH LANGUAGES)**

ITEM	PART NUMBER	QTY	DESCRIPTION	REV
	1001248330	Ref	DECAL INSTALLATION	E
	1001249148	Ref	DECAL INSTALLATION - REFERENCE CHART	F
1	1703924	1	Decal - Danger/Warning (Platform)	
3	1703936	4	Decal - Electrocution	
4	1703948	3	Decal - Crushing	
11	1704000	2	Decal - No Hands	
12	1704277	3	Decal - Attach Lanyard	
13	1001253922	1	Decall - Warning / Capacity	
14	1001253923	1	Decall - Warning / Capacity	
16	1701502	1	Decal - Hydraulic Oil Level High	
17	1701503	1	Decal - Hydraulic Oil Level Low	
18	1701504	1	Decal - Hydraulic Oil	
20	See Note	NSS	Decal - Bar Code (Note: Not Available for Purchase)	
21	1001131269	1	Decal - Patent	
23	1701509	1	Decal - Manual	
24	1702300	6	Decal - Tie Down	
25	1701500	4	Decal - Lift	
26	1701529	4	Decal - Arrow	
27	3251243	1	Nameplate 120V/60Hz	
28	0860520	1	Box, Manual Storage	
31	1703942	3	Decal - Warning/Crushing	
33	3820001	2	Rivet	
34	1703984	1	Nameplate - Footswitch	
35	1704708	4	Decal - Maximum Tire Load	
36	1701644	1	Decal - Charger	
37	1001261130	1	Decal - Manual Descent	
38	1704116	1	Decal - Instructions Inside	
40	1701501	2	Decal - Arrow	
41	1704329	1	Decal - Battery Charger Instructions	
42	1702155	2	Decal - Battery Disconnect	
43	1704412	1	Decal - Oil Chart	
48	3311405	4	Nut 1/4	
49	4751400	4	Washer 1/4	
51	1704340	2	Decal - Warning Battery Ventilation	
52	1001284695	1	Decal - Lift Diagram	
54	1001209679	1	Decal - Cable Routing	
60	1703930	1	Decal - Danger/Caution	
62	1701499	2	Decal - No Lift	
63	1701517	2	Decal - Warning Hand Crushing	
64	1704733	2	Decal - Tip Over (Battery Weight)	
66	1704885	1	Decal - Website	
67	0641406	4	Bolt 1/4 x 3/4 (Not Shown)	
69	1705429	1	Decal - Drive/Steer Instructions (Machines with Drive Orientation Only)	
73	1001223971	1	Decal - Yearly Inspection	
74	1001228370	1	Decal - ICES (Canada Spec)	

# SECTION 9 - DECALS

## FIGURE 9-6. DECAL INSTALLATION - JAPANESE SPECS (JAPANESE LANGUAGE)

NOTE: ITEMS SHOWN MAY NOT BE REQUIRED FOR ALL SPECS. REFER TO PARTS LISTS FOR USAGE.  
 NOTE: SOME DECALS ARE CALLED OUT ON OPTIONAL DECALS INSTALLATION.



ART\_1001248327\_E

## SECTION 9 - DECALS

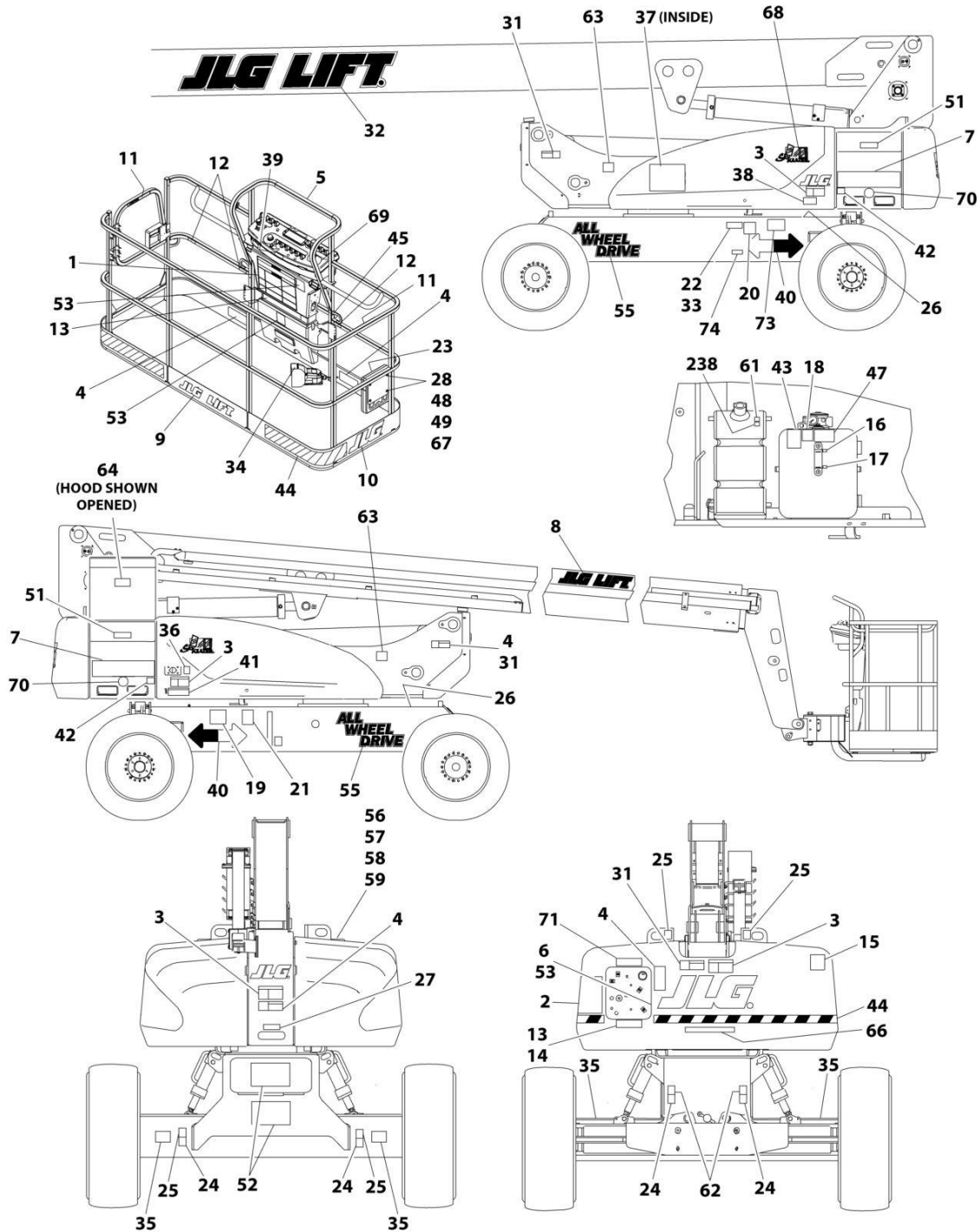
**FIGURE 9-6. DECAL INSTALLATION - JAPANESE SPECS (JAPANESE LANGUAGE)**

ITEM	PART NUMBER	QTY	DESCRIPTION	REV
	1001248327	Ref	DECAL INSTALLATION	E
	1001249148	Ref	DECAL INSTALLATION - REFERENCE CHART	F
1	1703926	1	Decal - Danger/Warning (Platform)	
2	1704667	1	Decal - Danger/Warning (MTB)	
3	1703938	4	Decal - Electrocution	
4	1703950	3	Decal - Crushing	
12	1704277	3	Decal - Attach Lanyard	
13	1001253932	1	Decal - Warning / Capacity	
14	1001253933	1	Decal - Warning / Capacity	
16	1701502	1	Decal - Hydraulic Oil Level High	
17	1701503	1	Decal - Hydraulic Oil Level Low	
18	1701504	1	Decal - Hydraulic Oil	
20	See Note	NSS	Decal - Bar Code (Note: Not Available for Purchase)	
23	1701509	1	Decal - Manual	
24	1702300	6	Decal - Tie Down	
25	1701500	4	Decal - Lift	
26	1701529	2	Decal - Arrow	
28	0860520	1	Box, Manual Storage	
31	1703944	3	Decal - Warning/Crushing	
33	3820001	2	Rivet	
34	1703980	1	Nameplate - Footswitch	
35	1704708	4	Decal - Maximum Tire Load	
36	1701644	1	Decal - Charger	
37	1001261130	1	Decal - Manual Descent	
38	1704119	1	Decal - Instructions Inside	
40	1701501	2	Decal - Arrow	
41	1704331	1	Decal - Battery Charger Instructions	
42	1702155	2	Decal - Battery Disconnect	
43	1704412	1	Decal - Oil Chart	
48	3311405	4	Nut 1/4	
49	4751400	4	Washer 1/4	
51	1704342	2	Decal - Warning Battery Ventilation	
52	1001284695	1	Decal - Lift Diagram	
54	1001209679	1	Decal - Cable Routing	
62	1701499	2	Decal - No Lift	
63	1701517	2	Decal - Warning Hand Crushing	
64	1704671	2	Decal - Tip Over (Battery Weight)	
66	1704885	1	Decal - Website	
67	0641406	4	Bolt 1/4 x 3/4 (Not Shown)	
69	1705426	1	Decal - Drive/Steer Instructions (Machines with Drive Orientation Only)	
73	1001224053	1	Decal - Yearly Inspection	

# SECTION 9 - DECALS

## FIGURE 9-7. DECAL INSTALLATION - KOREAN SPECS (KOREAN LANGUAGE)

NOTE: ITEMS SHOWN MAY NOT BE REQUIRED FOR ALL SPECS. REFER TO PARTS LISTS FOR USAGE.  
 NOTE: SOME DECALS ARE CALLED OUT ON OPTIONAL DECALS INSTALLTION.



ART\_1001248328\_E

## SECTION 9 - DECALS

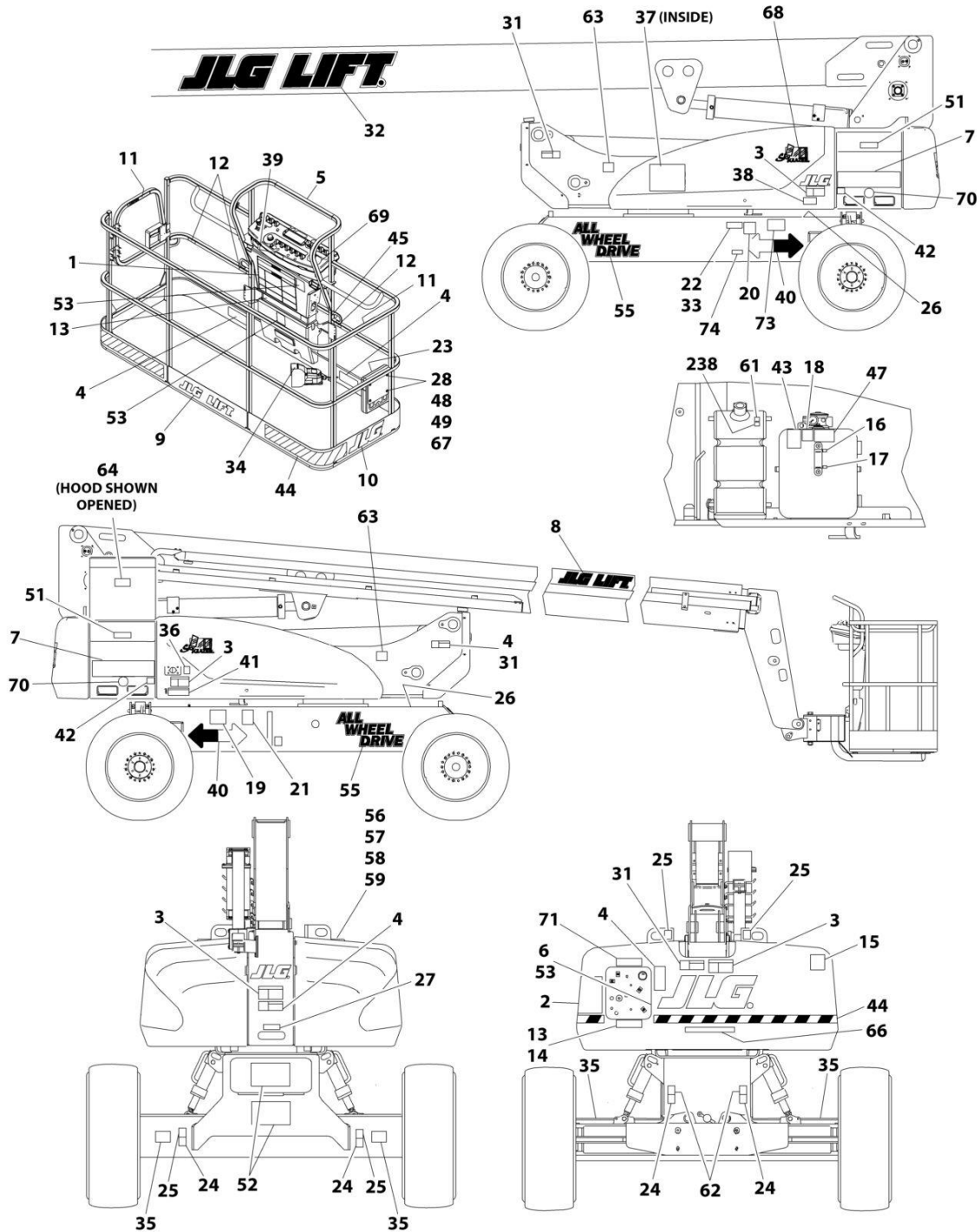
**FIGURE 9-7. DECAL INSTALLATION - KOREAN SPECS (KOREAN LANGUAGE)**

ITEM	PART NUMBER	QTY	DESCRIPTION	REV
	1001248328	Ref	DECAL INSTALLATION	E
	1001249148	Ref	DECAL INSTALLATION - REFERENCE CHART	F
1	1703927	1	Decal - Danger/Warning (Platform)	
2	1704668	1	Decal - Danger/Warning (MTB)	
3	1703939	4	Decal - Electrocution	
4	1703951	3	Decal - Crushing	
12	1704277	3	Decal - Attach Lanyard	
13	1001253924	1	Decal - Warning/ Capacity	
14	1001253925	1	Decal - Warning/ Capacity	
16	1701502	1	Decal - Hydraulic Oil Level High	
17	1701503	1	Decal - Hydraulic Oil Level Low	
18	1701504	1	Decal - Hydraulic Oil	
20	See Note	NSS	Decal - Bar Code (Note: Not Available for Purchase)	
23	1701509	1	Decal - Manual	
24	1702300	6	Decal - Tie Down	
25	1701500	4	Decal - Lift	
26	1701529	2	Decal - Arrow	
28	0860520	1	Box, Manual Storage	
31	1703945	3	Decal - Warning/Crushing	
33	3820001	2	Rivet	
34	1703981	1	Nameplate - Footswitch	
35	1704708	4	Decal - Maximum Tire Load	
36	1701644	1	Decal - Charger	
37	1001261130	1	Decal - Manual Descent	
38	1704120	1	Decal - Instructions Inside	
40	1701501	2	Decal - Arrow	
41	1704332	1	Decal - Battery Charger Instructions	
42	1702155	2	Decal - Battery Disconnect	
43	1704412	1	Decal - Oil Chart	
48	3311405	4	Nut 1/4	
49	4751400	4	Washer 1/4	
51	1704343	2	Decal - Warning Battery Ventilation	
52	1001284695	1	Decal - Lift Diagram	
54	1001209679	1	Decal - Cable Routing	
62	1701499	2	Decal - No Lift	
63	1701517	2	Decal - Warning Hand Crushing	
64	1704670	2	Decal - Tip Over (Battery Weight)	
66	1704885	1	Decal - Website	
67	0641406	4	Bolt 1/4 x 3/4 (Not Shown)	
69	1705427	1	Decal - Drive/Steer Instructions	
73	1001224048	1	Decal - Yearly Inspection	

# SECTION 9 - DECALS

## FIGURE 9-8. DECAL INSTALLATION - LATIN AMERICAN SPECS (SPANISH/ENGLISH LANGUAGES)

NOTE: ITEMS SHOWN MAY NOT BE REQUIRED FOR ALL SPECS. REFER TO PARTS LISTS FOR USAGE.  
 NOTE: SOME DECALS ARE CALLED OUT ON OPTIONAL DECALS INSTALLTION.



ART\_1001248329\_E

## SECTION 9 - DECALS

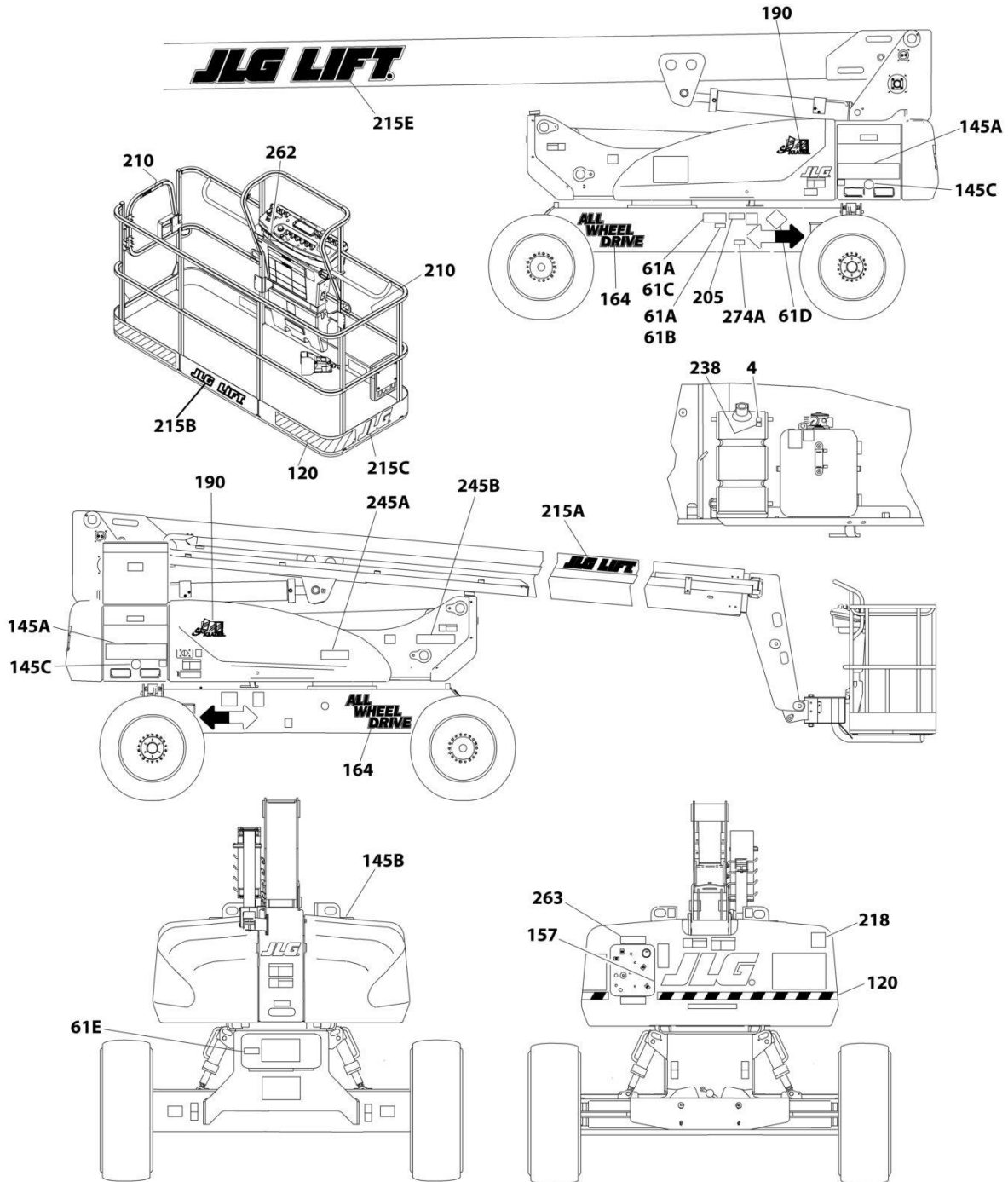
**FIGURE 9-8. DECAL INSTALLATION - LATIN AMERICAN SPECS (SPANISH/ENGLISH LANGUAGES)**

ITEM	PART NUMBER	QTY	DESCRIPTION	REV
	1001248329	Ref	DECAL INSTALLATION	E
	1001249148	Ref	DECAL INSTALLATION - REFERENCE CHART	F
1	1703923	1	Decal - Danger/Warning (Platform)	
3	1703935	4	Decal - Electrocution	
4	1703947	3	Decal - Crushing	
11	1704001	2	Decal - No Hands	
12	1704277	3	Decal - Attach Lanyard	
13	1001253930	1	Decal - Warning / Capacity	
14	1001253931	1	Decal - Warning / Capacity	
16	1701502	1	Decal - Hydraulic Oil Level High	
17	1701503	1	Decal - Hydraulic Oil Level Low	
18	1701504	1	Decal - Hydraulic Oil	
20	See Note	NSS	Decal - Bar Code (Note: Not Available for Purchase)	
23	1701509	1	Decal - Manual	
24	1702300	6	Decal - Tie Down	
25	1701500	4	Decal - Lift	
26	1701529	2	Decal - Arrow	
27	3251243	1	Nameplate 120V/60Hz	
28	0860520	1	Box, Manual Storage	
31	1703941	3	Decal - Warning/Crushing	
33	3820001	2	Rivet	
34	1703983	1	Nameplate - Footswitch	
35	1704708	4	Decal - Maximum Tire Load	
36	1701644	1	Decal - Charger	
37	1001261130	1	Decal - Manual Descent	
38	1704117	1	Decal - Instructions Inside	
40	1701501	2	Decal - Arrow	
41	1704328	1	Decal - Battery Charger Instructions	
42	1702155	2	Decal - Battery Disconnect	
43	1704412	1	Decal - Oil Chart	
48	3311405	4	Nut 1/4	
49	4751400	4	Washer 1/4	
51	1704339	2	Decal - Warning Battery Ventilation	
52	1001284695	1	Decal - Lift Diagram	
54	1001209679	1	Decal - Cable Routing	
60	1703929	1	Decal - Danger/Caution	
62	1701499	2	Decal - No Lift	
63	1701517	2	Decal - Warning Hand Crushing	
64	1704732	2	Decal - Tip Over (Battery Weight)	
66	1704885	1	Decal - Website	
67	0641406	4	Bolt 1/4 x 3/4	
69	1705910	1	Decal - Drive/Steer Instructions	
73	1001224049	1	Decal - Yearly Inspection	

# SECTION 9 - DECALS

## FIGURE 9-9. DECALS INSTALLATION - OPTIONS

NOTE: ITEMS SHOWN MAY NOT BE REQUIRED FOR ALL SPECS. REFER TO PARTS LISTS FOR USAGE.



ART\_DECAL\_OPTIONS



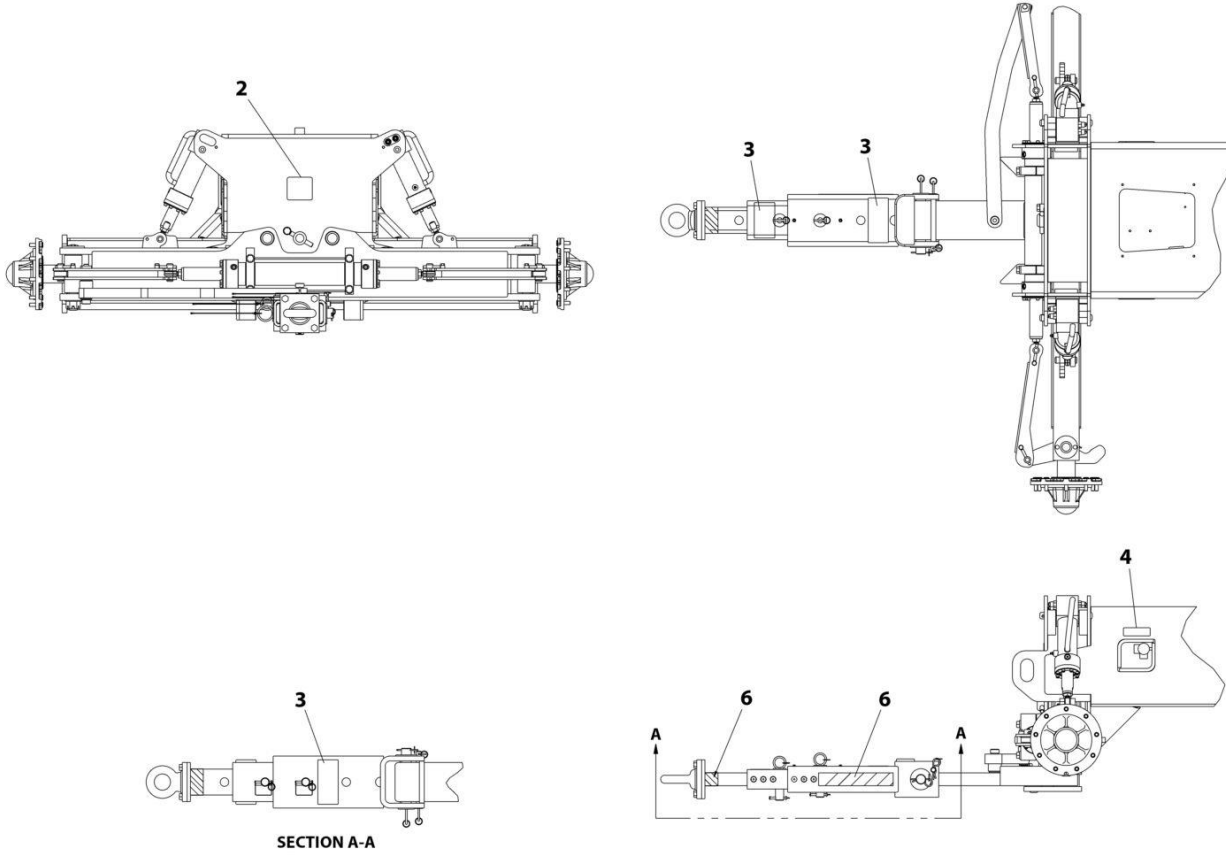
## SECTION 9 - DECALS

### FIGURE 9-9. DECALS INSTALLATION - OPTIONS

ITEM	PART NUMBER	QTY	DESCRIPTION	REV
	1001263600	Ref	DECAL INSTALLATION - OPTIONS	
	1001249148	Ref	DECAL INSTALLATION - REFERENCE CHART	F
4	1701505	1	Decal - Fuel (H600SJ/H600SJP)	
61	0270430	Ref	Decal Installation - UL Tags	B
61A	3820001	8	Pop Rivet	
61B	3252331	1	Nameplate - Battery Info	
61C	3252780	1	Nameplate - UL Certification Tag	
61D	1702251	2	Nameplate - EE	
61E	1001213625	1	Decal - Replacement Fuse 400 Amp	
120	4420051	15.5 ft/ 4.7m	Decal - Warning Stripes	
145	1001256653	Ref	Model Designation Decal Installation - EC600SJ	B
145	1001256656	Ref	Model Designation Decal Installation - EC600SJP	B
145	1001256654	Ref	Model Designation Decal Installation - H600SJ	B
145	1001256655	Ref	Model Designation Decal Installation - H600SJP	B
145A	1001267318	2	Decal - EC600SJ	
145A	1001267320	2	Decal - EC600SJP	
145A	1001267326	2	Decal - H600SJ	
145A	1001267327	2	Decal - H600SJP	
164	1704724	2	Decal - All Wheel Drive 4WD	
190	0272418	Ref	Decal - SkyGlazier	4
190	1705358	2	Decal - SkyGlazier	
205	See Note	NSS	Nameplate - Serial Number (Note: Not Available for Purchase)	
210	1702868	2	Decal - No Hands (ANSI Specs)	
210	1001116846	2	Decal - No Hands (Chinese/English Specs)	
210	1001246659	2	Decal - No Hands (Danish/English Specs)	
210	1704000	2	Decal - No Hands (French/English Specs)	
215A	1702860	1	Decal - JLG Lift	
215B	1702774	1	Decal - JLG Lift	
238	1001108923	1	Decal - EPA/Carb Fuel Spec Only (H600SJ/H600SJP ANSI & CSA Specs)	
238	1001139654	1	Decal - Ultra Low Sulfur Diesel Fuel (H600SJ/H600SJP Japanese, CE & UK CA Specs)	
245	1001229692	Ref	ClearSky Decals Installation	A
245A	1001120989	1	Decal - Radio Frequency	
245B	1001116208	1	Decal - ClearSky	
262	1001141300	1	Decal - SkyGuard Override	
262	1001141302	1	Decal - SkyGuard/Soft Touch Override	
263	1001189882	1	Decal - MSSO (CE & UK CA Specs)	
264	1705084	1	Decal - Sound Power Level	
274	1001214029	Ref	Decal - EAC Installation (CIS and Russia Specs)	
274A	1001173703	1	Decal - EAC	

# SECTION 9 - DECALS

FIGURE 9-10. TOW BAR DECAL INSTALLATION (ALL SPECS EXCEPT CSA & JAPANESE SPECS)  
(ENGLISH LANGUAGE)



ART\_0270629

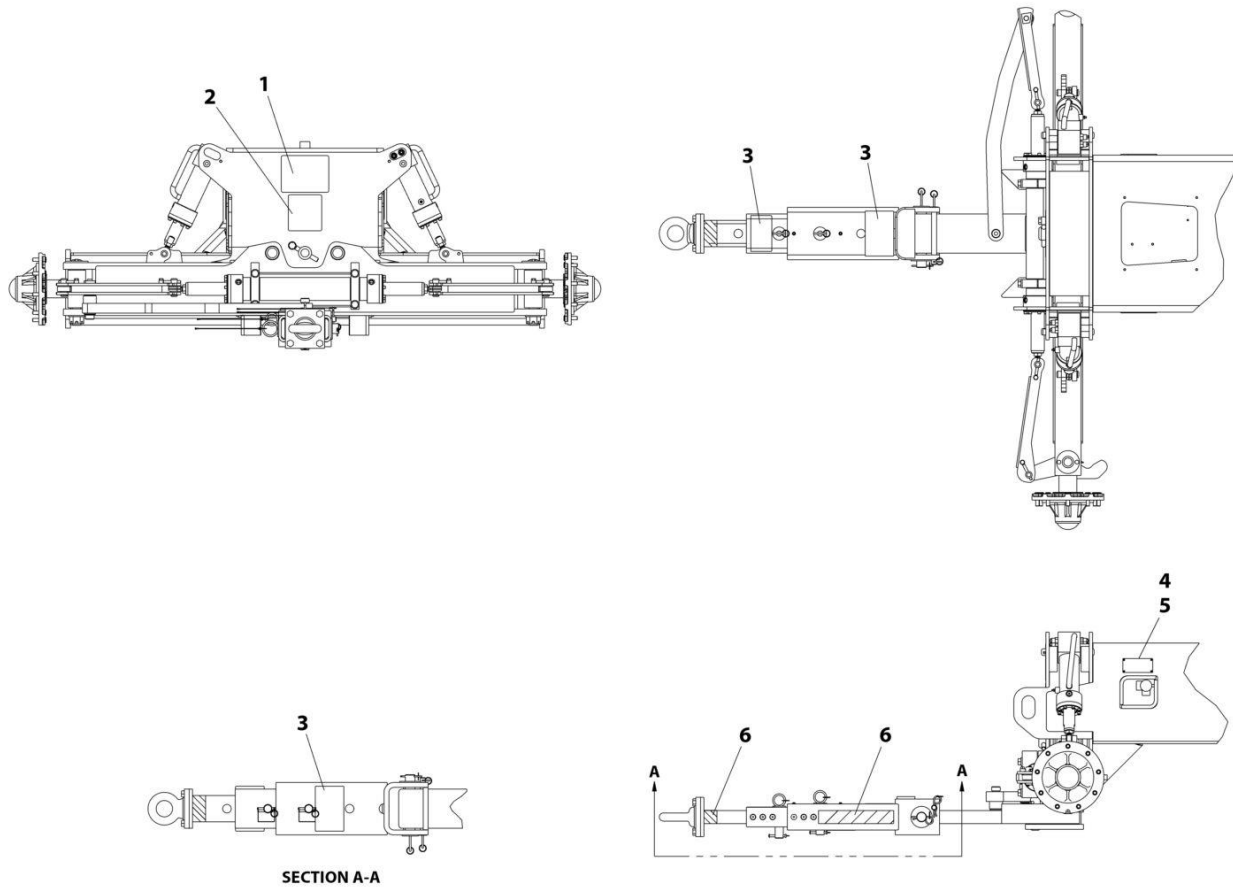
## SECTION 9 - DECALS

**FIGURE 9-10. TOW BAR DECAL INSTALLATION (ALL SPECS EXCEPT CSA & JAPANESE SPECS)  
(ENGLISH LANGUAGE)**

ITEM	PART NUMBER	QTY	DESCRIPTION	REV
	0270629	Ref	TOW BAR DECAL INSTALLATION (ANSI SPECS)	C
2	1001196121	1	Decal - Tow Instructions	
3	1704578	3	Decal - Crushing	
4	1001196122	1	Nameplate - Steer/Tow Select	
6	1001195754	35 in /89cm	Tape, Safety	

# SECTION 9 - DECALS

## FIGURE 9-11. TOW BAR DECAL INSTALLATION (ANSI EXPORT SPECS) (SPANISH/ENGLISH LANGUAGES)



ART\_0270631

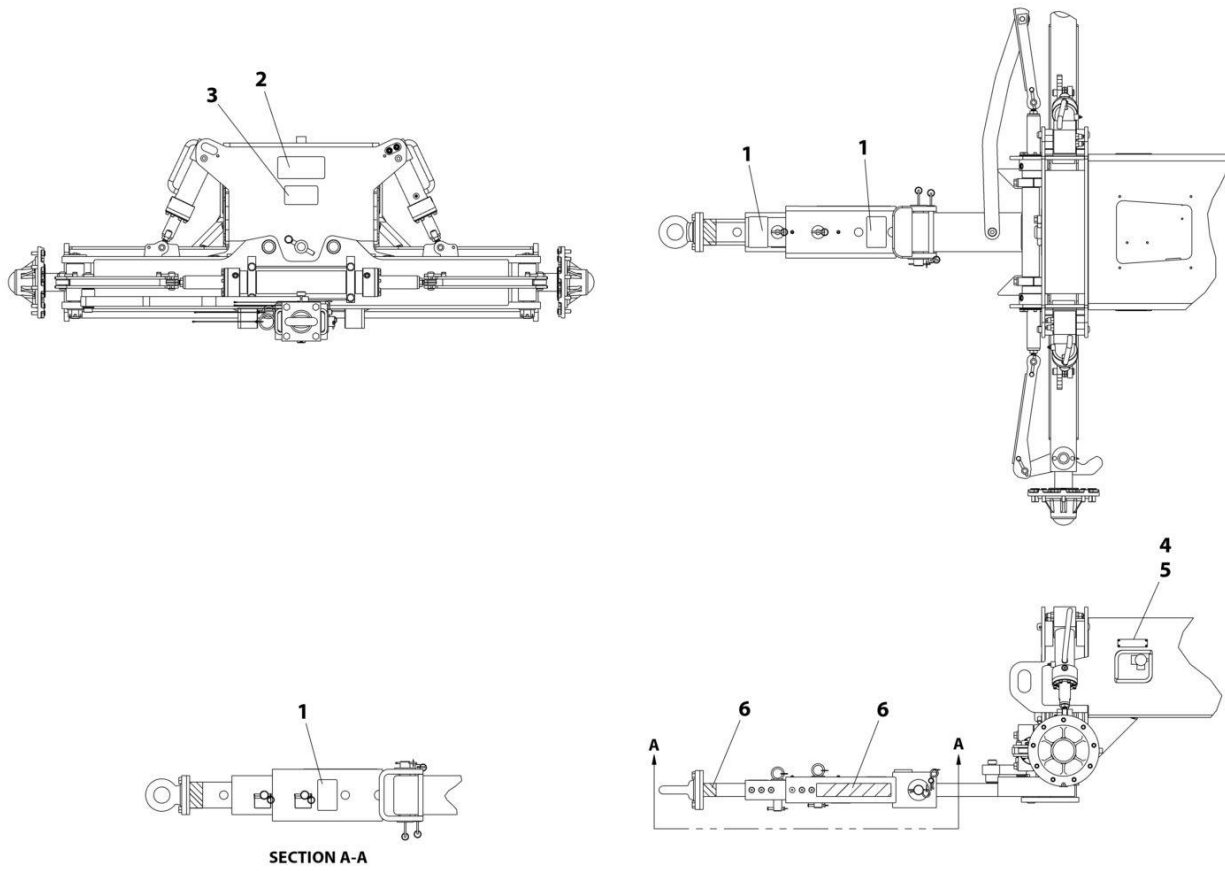
## SECTION 9 - DECALS

**FIGURE 9-11. TOW BAR DECAL INSTALLATION (ANSI EXPORT SPECS) (SPANISH/ENGLISH LANGUAGES)**

ITEM	PART NUMBER	QTY	DESCRIPTION	REV
	0270631	Ref	TOW BAR DECAL INSTALLATION (SPANISH/ENGLISH SPECS)	B
1	1704457	1	Decal - Tow Instructions	
2	1704576	1	Decal - Warning	
3	1704577	3	Decal - Crushing	
4	3252693	1	Nameplate - Steer/Tow Select	
5	3820001	4	Rivet	
6	4420051	35 in /89cm	Tape, Safety	

# SECTION 9 - DECALS

FIGURE 9-12. TOW BAR DECAL INSTALLATION (CE & UK CA SPECS) (SPANISH LANGUAGE)



ART\_0270630

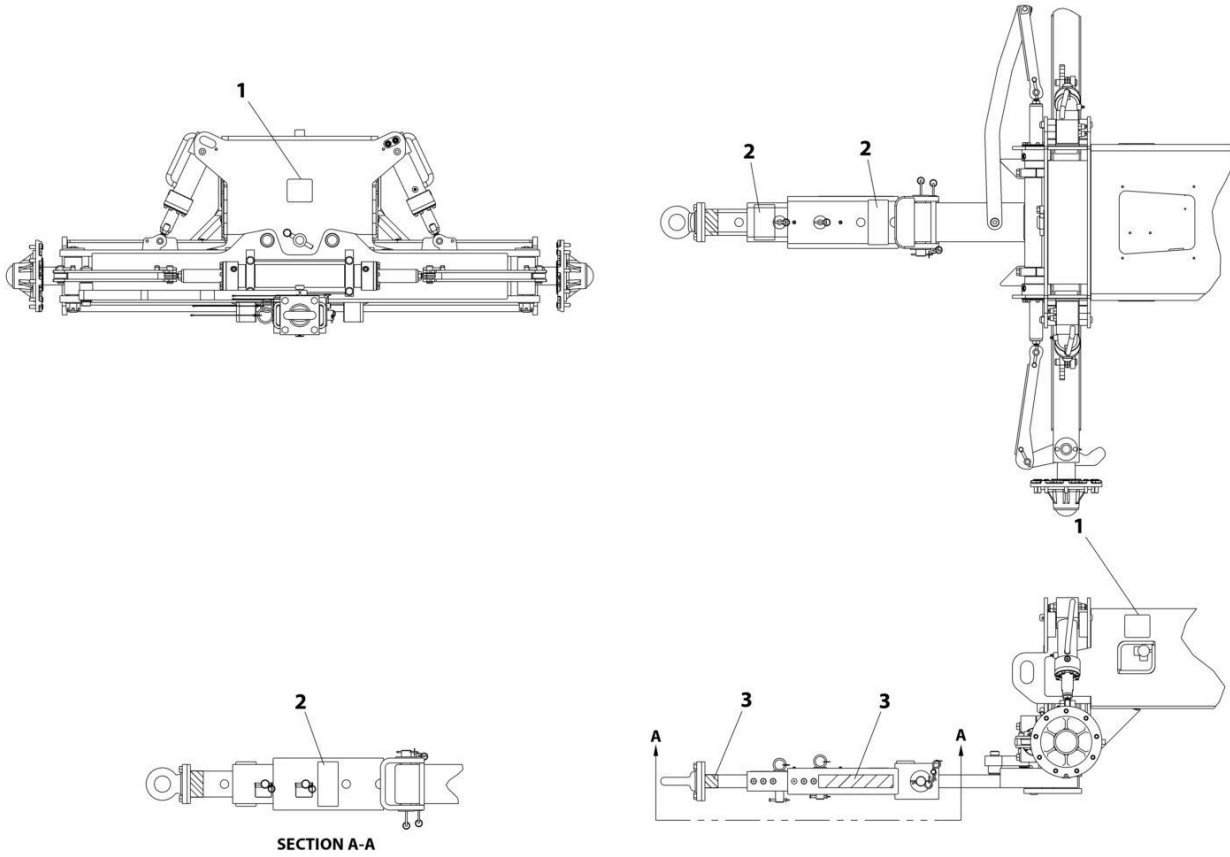
## SECTION 9 - DECALS

**FIGURE 9-12. TOW BAR DECAL INSTALLATION (CE & UK CA SPECS) (SPANISH LANGUAGE))**

ITEM	PART NUMBER	QTY	DESCRIPTION	REV
	0270630	Ref	TOW BAR DECAL INSTALLATION (SPANISH/ENGLISH SPECS)	B
1	1701518	3	Decal - Crushing	
2	1704455	1	Decal - Tow Instructions	
3	1704456	1	Decal - Warning	
4	3252692	1	Nameplate - Steer/Tow Select	
5	3820001	4	Rivet	
6	4420051	35 in /89cm	Tape, Safety	

# SECTION 9 - DECALS

FIGURE 9-13. TOW BAR DECAL INSTALLATION (AUSTRALIAN, UL, CE & UK CA SPECS) (ALL LANGUAGES)



ART\_1001264633



## SECTION 9 - DECALS

**FIGURE 9-13. TOW BAR DECAL INSTALLATION (AUSTRALIAN, UL, CE & UK CA SPECS) (ALL LANGUAGES))**

ITEM	PART NUMBER	QTY	DESCRIPTION	REV
	1001264633	Ref	TOW BAR DECAL INSTALLATION	A
1	1706957	2	Decal - Tow Instructions	
2	1706960	3	Decal - Crushing	
3	1001195754	35 in /89cm	Tape, Safety	



## **SECTION 10 - RECOMMENDED SERVICE PARTS STOCK**

## **SECTION 10 - RECOMMENDED SERVICE PARTS STOCK**

# SECTION 10 - RECOMMENDED SERVICE PARTS STOCK

FIGURE 10-1. RECOMMENDED SERVICE PARTS STOCK

ITEM	PART NUMBER	QTY	DESCRIPTION	REV
		Ref	Note: The following list will service one machine (built to current production per date on the front cover) with emergency repair parts which can be installed in the field. Parts from the list should be replaced when inventory is depleted to keep service parts stock supplied. For further information, contact your JLG dealer or the JLG Industries Parts Department.	
	1001181045	1	Breaker, 16Amp (One Breaker Box)	
	1001189172	1	Breaker, 16 Amp (Double) (Two Breaker Box)	
	1001189171	1	Breaker, 30mA (Two Breaker Box)	
	70002947	1	Coil (Drive Valve (4WD) & Main Valve)	
	70007285	1	Coil (Main Valve)	
	7018991	1	Coil (Main Valve)	
	70007291	1	Coil (Boom Valve)	
	1001275628	1	Controller, Drive/Steer	
	1001275629	1	Controller, Lift/Swing	
	3990001	2	Diode (Charger Harness)	
	70000313	12	Element, Air Cleaner (Kubota)	
	7023269	12	Element, Breather (Hydraulic Tank)	
	7023224	12	Element, Filter Hydraulic (Hydraulic Tank)	
	70000318	12	Element, Fuel Filter (Kubota)	
	70000319	12	Element, Oil Filter (Kubota)	
	1001196634	2	Fuse, 2A (Charger Harness)	
	8229249	2	Fuse, 3A (USB Charger)	
	1001196635	2	Fuse, 3A (Bluetooth Module Harness)	
	8229242	2	Fuse, 5A (CAN Buss Harness, Platform Console Harness & Turntable Harness)	
	8229261	2	Fuse, 5A (Traction Harness)	
	8229234	2	Fuse, 10A (Traction Harness)	
	70000329	2	Fuse, 15A (Kubota)	
	8229237	2	Fuse, 15A (Traction Harness)	
	70000330	2	Fuse, 20A (Kubota)	
	1001170761	2	Fuse, 20A (Traction Harness)	
	8229235	2	Fuse, 20A (Traction Harness)	
	1001170762	2	Fuse, 30A (Traction Harness)	
	8229236	2	Fuse, 30A (Traction Harness)	
	1001170365	2	Fuse, 400 Amp (UL Specs)	
	2860030	1	Key, Replacement	
	2940074	1	Latch (Platforms with Side Gate Entry)	
	1001247468	1	Loadcell (Platform Support)	
	1001245293	1	Module, Bluetooth Control	
	1001178339	1	Module, Drive (Drive Module Plate)	
	1001192212	1	Module, Drive (Drive Module Plate)	
	70000326	1	Module, Engine Control (Fuel Tank & Engine Module Installation)	
	1001182700	1	Module, Ground	
	1001196520	1	Module, Platform (All Specs Except UL Specs)	
	1001215835	1	Module, Platform (UL Specs)	
	3740080	1	Relay (Electrical Plate & Generator Harness)	
	1001214667	1	Relay (Electrical Plate UL Specs)	
	70000322	1	Relay (Kubota)	
	70000323	1	Relay (Kubota)	

## SECTION 10 - RECOMMENDED SERVICE PARTS STOCK

ITEM	PART NUMBER	QTY	DESCRIPTION	REV
	1001186431	1	Relay (SkyGuard)	
	3740086	1	Relay (SkyLine)	
	1001170367	1	Relay, 300Amp (Electrical Plate)	
	1001272006	1	Relay, 350Amp (UL Specs)	
	1001228225	1	Sensor, Emitter (SkyEye)	
	1001200173	1	Sensor, Limit (Limit Switch Installation)	
	4360057	1	Sensor, Limit (Soft Touch)	
	4360578	1	Sensor, Limit (Limit Switch Cable)	
	70000325	1	Sensor, Oil Temperature (Kubota)	
	1001232667	1	Sensor, Proximity (SkyLine)	
	4360517	1	Sensor, Proximity (Drive Orientation)	
	1001228224	1	Sensor, Receiver (SkyEye)	
	1001161117	1	Sensor, Rotary Angle (Steer Installation)	
	1001137673	1	Sensor, SkyGuard Bar	
	1001237902	1	Sensor, SkySense	
	70005394	1	Sensor, Speed (Drive Motor)	
	70000324	1	Sensor, Speed (Kubota)	
	1001102771	1	Sensor, Temperature (Charger Harness)	
	70005407	1	Sensor, Temperature (Drive Motor)	
	1001176711	1	Sensor, Temperature (Battery Box Installations)	
	1001219601	1	Sensor, Tilt Dual Axis	
	4360475	1	Switch, Emergency Stop	
	1001117174	1	Switch, Foot	
	4360469	1	Switch, Key	
	4360407	1	Switch, Potentiometer	
	4360274	1	Switch, Pushbutton Gray (Engine Controls)	
	4360387	1	Switch, Pushbutton Yellow (Console Box, Ground Control Panel & Soft Touch)	
	1001155045	1	Switch, Toggle (Console Box, Ground Control Panel & Jib Rotate Switch)	
	1001159256	1	Switch, Toggle (Console Box)	
	1001161710	1	Switch, Toggle (Console Box & Engine Controls)	
	1001211363	1	Switch, Toggle (4WD Machines)	



**SECTION 11 - SPECIAL OPTIONS**

# SECTION 11 - SPECIAL OPTIONS

## FIGURE 11-1. SPECIAL OPTIONS/ACCESSORIES/KITS

ITEM	PART NUMBER	QTY	DESCRIPTION	REV
		Ref	Note: This list is to accommodate machines ordered with special equipment. Options may not be applicable to all models. For more specific parts information contact JLG Parts Department.	
	1001270615	Ref	12V Charger with Disconnect Kit	
	1001221191	Ref	AC Dual Boxes at Platform Installation - 220V (CEE7 Side Ground) (CE & UK CA Specs Only)	
		Ref	Airline Installations - 1/2in	
	0270447	Ref	Airline Installations - EC600SJ & H600SJ	
	0270437	Ref	Airline Installations - EC600SJP & H600SJP	
	1001200913	Ref	Battery (Trickle) Charger Installation	
	1001269901	Ref	Battery Charger (E600) Kit	
	1001268352	Ref	Battery Isolator Kit	
	1001214094	1	Beacon Platform/Ground Installation	
	1001148971	Ref	Bolt-on Lanyard Kit (Platform)	
		Ref	Boom Wiper Installations	
	0270364	Ref	Boom Wiper Installation (Whiskers) - EC600SJ & H600SJ	
	0270413	Ref	Boom Wiper Installation (Whiskers) - EC600SJP & H600SJP	
	1001278511	Ref	Boom Wiper Installation (Blades) - EC600SJP & H600SJP	
	1001281983	1	Boom Wiper Blade Replacement Kit	
	1001282100	1	Boom Wiper Blade Mount Replacement Kit	B
		Ref	ClearSky Telematics Kit Options (DEALER INSTALLED)	
	1001250537	Ref	ClearSky Add-on Kit (ANSI Specs) (Dealer Installed)	
	1001254285	Ref	ClearSky Add-on Kit (CE & UK CA Specs) (Dealer Installed)	
	1001276923	Ref	ClearSky GT1030 Add-on Kit (Dealer Installed)	
	1001243575	Ref	ClearSky Access Control Add-on Kit (Dealer Installed)	
	1001243183	Ref	ClearSky Access Control Telematics Single Can Add-on Kit (ANSI Specs)	
	1001243184	Ref	ClearSky Access Control Telematics Single Can Add-on Kit (CE & UK CA Specs)	
	1001265360	Ref	ClearSky Telematics Add-on Kit - Canbus Connection (ANSI Specs)	
	1001247426	Ref	ClearSky Telematics Add-on Kit - Canbus Connection (Australian Specs)	
	1001237110	Ref	ClearSky Telematics Add-on Kit - Canbus Connection (ANSI Export, CE & UK CA Specs)	
	1001247427	Ref	ClearSky Telematics Add-on Kit - Canbus Connection (China Specs)	
	1001230504	Ref	ClearSky Telematics Add-on Kit - 3 Wire Connection (ANSI Specs)	
	1001234102	Ref	ClearSky Telematics Add-on Kit - 3 Wire Connection (ANSI Export, CE & UK CA Specs)	
	1001293501	Ref	ClearSky Telematics CS550 Installation	
		Ref	ClearSky (Telematics) Installations (Factory Installed)	
	0270374	Ref	Cold Weather Package Installation- H600SJ & H600SJP	
	1001270482	Ref	Console Cover (Lockable) Kit	
	0273172	Ref	Container Shipment Preparation (Wheel Installation)	
		Ref	Cylinder Bellow Installations	
	1001188098	Ref	Cylinder Bellow Installation - Chassis	
	0270314	Ref	Cylinder Bellow Installations - Boom	
		Ref	Decal Kits:	
	1001108728	Ref	Decal Kit - Platform	



## SECTION 11 - SPECIAL OPTIONS

ITEM	PART NUMBER	QTY	DESCRIPTION	REV
	1001223824	Ref	Decal Kit - Platform Box	
		Ref	Electrical Connector Kits:	
	1001148902	Ref	Amp/Tyco Electrical Connector Kit	
	1001148903	Ref	Deutsch DT Electrical Connector Kit	
	1001148904	Ref	Deutsch HD Electrical Connector Kit	
	1001148905	Ref	Packard Electrical Connector Kit	
	1001148906	Ref	Various Electrical Connectors Kit	
	1001237883	Ref	Fall Arrest (Bolt-on) Add-on Kit (6ft/1.82m Platform (ANSI, ANSI Export, China, CSA & Japanese Specs Only) (Fits Platform p/n 1001228376)	
	1001237882	Ref	Fall Arrest (Bolt-on) Add-on Kit (8ft/2.4m Platform (ANSI, ANSI Export, China, CSA & Japanese Specs Only) (Fits Platform p/n 1001186383)	
	1001274833	Ref	Floor Mat Add-on Kit (30x48 Platform) (Dealer Installed)	
	1001274832	Ref	Floor Mat Add-on Kit (30x60 Platform) (Dealer Installed)	
	1001274831	Ref	Floor Mat Add-on Kit (30x72 Platform) (Dealer Installed)	
	1001274830	Ref	Floor Mat Add-on Kit (36x72 Platform) (Dealer Installed)	
	4060959	Ref	Footswitch Shield (Note: Must Purchase New Decal)	
	1001191395	Ref	Fuel Cap Cover (Lockable) (Green) (Note: Does not include Lock. Lock Must be Purchased Separately)	
	1001202749	Ref	Fuel Cap Cover (Lockable) (Black) (Note: Does not include Lock. Lock Must be Purchased Separately)	
	1001281877	Ref	Gateway Plus Installation	
	1001199312	Ref	Headlight and Taillight Installation	
		Ref	Hose Kit Options:	
	1001239579	Ref	Hose Kit - Platform Valve (EC600SJ & H600SJ)	
	1001239580	Ref	Hose Kit - Platform Valve (EC600SJP & H600SJP)	
	1001198662	Ref	Hose Kit - Power Track (Upper Boom) (EC600SJ & H600SJ)	
	1001198661	Ref	Hose Kit - Power Track (Upper Boom) (EC600SJ & H600SJP)	
	1001241407	Ref	Hostile Environment Add-on Kit - Fixed Axle (Dealer Installed)	
	1001241408	Ref	Hostile Environment Add-on Kit - Oscillating Axle (Dealer Installed)	
	1001253618	Ref	Module Box Assembly Kit (Service Kit for P/N 1001246867)	
	1001253619	Ref	Module Box Assembly Kit (Service Kit for P/N 1001246860)	
	1001272166	Ref	Pipe Rack Add-on Kit (Dealer Installed)	
	1001195304	Ref	Platform Console Cover - Plastic	
	1001266290	Ref	Platform Console Cover - Steel	
	2915227	Ref	Platform Conversion Kit (Side Entry)	
	1580013	Ref	Platform Corner Storage Tray	
		Ref	Platform Entry Kit Options:	
	1001142504	Ref	Platform Entry Kit (Replace Swing Gate with Drop Bar)	
	1001142505	Ref	Platform Entry Kit (Replace Drop Bar with Swing Gate)	
		Ref	Platform Mesh Installation Options (Side Entry Platforms) (Factory Installed)	
	1001272274	Ref	Platform Mesh Installation - 30in x 4ft (76cm x 1.22m) Platform (To Mid-Rail) (Factory Installed)	
	1001272313	Ref	Platform Mesh Installation - 30in x 6ft (76cm x 1.83m) Platform (To Mid-Rail) (Factory Installed)	
	1001272182	Ref	Platform Mesh Installation - 30in x 4ft (76cm x 1.22m) Platform (To Top-Rail) (Factory Installed)	
	1001272310	Ref	Platform Mesh Installation - 30in x 6ft (76cm x 1.83m) Platform (To Top-Rail) (Factory Installed)	
		Ref	Platform Padding Installations (Side Entry Platforms)	
	0273381	Ref	30in x 4ft (76cm x 1.22m)	
	0274382	Ref	30in x 6ft (76cm x 1.83m) (Without SkySense)	

## SECTION 11 - SPECIAL OPTIONS

ITEM	PART NUMBER	QTY	DESCRIPTION	REV
	1001275642	Ref	36in x 6ft (91cm x 1.83m) (With SkySense)	
	1001269655	Ref	36in x 8ft (91cm x 2.13m) (With SkySense)	
	1001275643	Ref	30in x 4ft (76cm x 1.83m) (With SkySense)	
	1001282461	Ref	30in x 8ft (76cm x 1.22m) (With SkySense)	
	1001266969	Ref	Platform Plastic Mesh Installation - 30in x 4ft (76cm x 1.22m) Platform (To Mid-Rail) (Factory Installed)	
	1001266465	Ref	Platform Plastic Mesh Installation - 30in x 6ft (76cm x 1.83m) Platform (To Mid-Rail) (Factory Installed)	
	1001266807	Ref	Platform Plastic Mesh Installation - 30in x 4ft (76cm x 1.22m) Platform (To Top-Rail) (Factory Installed)	
	1001266491	Ref	Platform Plastic Mesh Installation - 30in x 6ft (76cm x 1.83m) Platform (To Top-Rail) (Factory Installed)	
		Ref	Platform Mesh Add-on Kits Options (Side Entry Platforms) (Dealer Installed)	
	1001281461	Ref	Platform Mesh Add-on Kit - 30in x 4ft (76cm x 1.22m) Platform (To Mid-Rail) (Dealer Installed)	
	1001281459	Ref	Platform Mesh Add-on Kit - 30in x 6ft (76cm x 1.83m) Platform (To Mid-Rail) (Dealer Installed)	
	1001281456	Ref	Platform Mesh Add-on Kit - 30in x 4ft (76cm x 1.22m) Platform (To Top-Rail) (Dealer Installed)	
	1001281454	Ref	Platform Mesh Add-on Kit - 30in x 6ft (76cm x 1.83m) Platform (To Top-Rail) (Dealer Installed)	
	1001283853	Ref	Mid Rail Deck Installation	
	1001297298	Ref	Mid Rail Deck Kit	
		Ref	Platform Rail Extension Installations (Side Entry Platforms)	
	1001103617	Ref	Platform Rail Extension Installation -30in x 4ft (76cm x 1.22m) Platform	
	0274095	Ref	Platform Rail Extension Installation - 30in x 6ft (76cm x 1.83m) Platform	
	1001120466	Ref	Platform Worklights	
	1001190897	Ref	Service Kits	S
		Ref	SkyGuard Options:	
	1001247073	Ref	SkyEye Retrofit Kit	
	1001241547	Ref	SkyEye Repair Kit - LH Housing	
	1001241548	Ref	SkyEye Repair Kit - RH Housing	
	1001218499	Ref	SkyGuard Kit (Without Beacon)	
	1001218502	Ref	SkyGuard With Beacon (Blue)	
	1001218503	Ref	SkyGuard With Beacon (Red)	
	1001250595	Ref	SkyGuard 6-Pin Retrofit Installation Kit	
	1001249052	Ref	SkyGuard Retrofit Kit	
	1001250035	Ref	SkyGuard Platform Sensor Retrofit Kit	
	1001262016	Ref	SkyLine Add-on Kit	
		Ref	SkySense/Enhanced Detection System Installation (Factory Installed)	
	1001250465	Ref	SkySense/Enhanced Detection System - Level 1 Boom (Factory Installed)	
	1001250466	Ref	SkySense/Enhanced Detection System - Level 2 Boom (Factory Installed)	
		Ref	SkySense/Enhanced Detection System Add-on Kit (Dealer Installed)	
	1001289905	Ref	SkySense/Enhanced Detection System Add-on Kit - Level 1 Boom (Dealer Installed)	
	1001289906	Ref	SkySense/Enhanced Detection System Add-on Kit- Level 2 Boom (Dealer Installed)	
	1001191144	Ref	Strobe Light (Platform Mounted)	

## SECTION 11 - SPECIAL OPTIONS

ITEM	PART NUMBER	QTY	DESCRIPTION	REV
		Ref	Tools for Service:	
	1001249695	Ref	Analyzer, Machine with Cable	
	1001249941	Ref	Analyzer, Machine (Battery Powered)	
	7002821	Ref	Crimper, Wire	
	7002823	Ref	Pin Extractor - Universal (For Electrical Connectors with Pins and Sockets)	
	4460467	Ref	Extractor - 16-18 Gauge (For Removal of Pin/Sockets from Deutsch Connectors)	
	4460510	Ref	Extractor - 12-14 Gauge (For Removal of Pin/Sockets from Deutsch Connectors)	
	7016654	Ref	Screwdriver, Magnetic	
	7002822	Ref	Screwdriver, Potentiometer	
	7004275	Ref	Seal Tool 1 in (For Cylinders)	
	7004276	Ref	Seal Tool 1-1/2 in (For Cylinders)	
	1001137005	Ref	Software Cable Kit (Service Kit)	
	7002828	Ref	Stripper, Wire	
	70004185	Ref	Torque Multiplier	
	2915102	Ref	Turntable Bearing Kit	
	1001277843	Ref	UGM Retrofit Kit	
	1001274249	Ref	USB Charger Add-on Kit (Dealer Installed)	
	1001227293	Ref	Voltage Guard Installation (120-240V, 50/60Hz)	
	1001262959	Ref	Voltage Regulator ClearSky Locate Kit	
	2910886	Ref	Wear Pad Kit	
		Ref	Weld Lead Installations	
	0270436	Ref	Weld Lead Installations - EC600SJ & H600SJ	
	0270448	Ref	Weld Lead Installations - EC600SJP & H600SJP	
		Ref	White Noise Alarm Installations:	
	1001231989	Ref	White Noise Alarm Add-on Installation (Factory Installed)	
	1001235850	Ref	White Noise Alarm Add-on Kit (Dealer Installed)	
	1001235853	Ref	White Noise Ambient Alarm Add-on Kit	



**PART NUMBER INDEX**

## SECTION 11 - SPECIAL OPTIONS

0060056.....175, 179, 197	0272692..... 67	0641424 ... 19, 21, 23, 25, 27	0681620....309, 311, 313, 315, 317
0060057..... 175, 179, 199	0272693..... 67	0641504 .... 35, 39, 73, 75	0681812.....35, 39
0080233.....35, 39	0272694..... 67	0641505 ..... 71	0681814.....241, 249
0100009....261, 265, 269, 273	0273172 ..... 560	0641506 .... 43, 117, 119, 121, 123, 125, 163	0681818.....15, 17
0100011.... 15, 17, 19, 21, 23, 25, 27, 31, 33, 35, 39, 43, 45, 71, 73, 75, 79, 81, 87, 93, 97, 99, 101, 105, 107, 109, 111, 113, 115, 117, 119, 121, 123, 125, 127, 129, 131, 133, 135, 143, 145, 163, 167, 171, 175, 179, 183, 185, 187, 189, 191, 193, 201, 203, 205, 211, 215, 217, 225, 227, 231, 235, 239, 245, 247, 291, 293, 299, 301, 339, 409, 411, 415, 417, 419, 421, 425	0273381 ..... 561	0641507 ..... 45, 203, 205	0681822.....241, 249
0100019....33, 35, 39, 43, 45, 87, 93, 168, 171, 176, 179	0274095 ..... 562	0641508 ..... 163, 219	0682012.....43, 45
010002043, 45, 105, 107, 215, 217, 277, 352, 356	0274382 ..... 561	0641510 ... 117, 119, 121, 123, 125	0682026.....93
0100035..61, 63, 65, 211, 261, 265, 269, 273, 285	0275216 .... 367, 379, 489	0641511 ..... 99, 101	0682424....309, 311, 313, 315, 317
0100038.... 19, 21, 23, 25, 27, 339	0275452 ..... 371, 493	0641514 ..... 225, 227	0700812.....99, 101
0100048.... 117, 119, 121, 123, 125	0275453 ..... 373, 495	0641518 ... 168, 171, 175, 179	0701217.... 19, 21, 23, 25, 27
0100081 .... 163, 191, 193, 303, 305, 307	0275454 .... 375, 377, 497	0641528 ... 19, 21, 23, 25, 27	0721004.....73, 75
0100083.....65	0275663 ..... 435	0641604 .... 31, 33, 43, 45	0721005.....45, 299
0140011....261, 265, 269, 273	0275664 ..... 437	0641606 ... 31, 33, 35, 39, 79, 81, 97, 99, 101, 105, 107, 163, 167, 171, 175, 179, 183, 185, 187, 189, 191, 193, 215, 217, 219, 225, 227, 339	0731005.....301
0140043.....143	0275665 ..... 439	0641607 ... 31, 33, 35, 39, 175, 179, 183, 185, 187, 189	0741005.....79, 81
0200048.....299, 301	0275666 ..... 431	0641608 ..... 33, 167, 171, 175, 179, 183, 185, 187, 189, 191, 193	0741606.... 168, 171, 176, 179
0239585.....95	0275667 ..... 433	0641609 ... 183, 185, 187, 189	074160773, 75, 167, 171, 175, 179
0258303.....365	0275928 ..... 303	0641610 ... 15, 17, 19, 21, 23, 25, 27, 43, 45, 163, 253, 255, 257, 259	0760812.....115
0258304.....363	0275945 ..... 303	0641612 ... 163, 167, 171, 175, 179, 409, 411, 415, 417, 419, 421, 425	0761014.....201
0258305.....383	0340049 ..... 101	0641614 ..... 99, 101, 127, 219, 367, 369, 371, 373, 375, 377, 379, 381	0761216.....201
0259549.....167	0362910 ..... 73	0641616 ... 167, 171, 175, 179, 183, 185, 187, 189	0791410.....71
0259837.....191	0362929 ..... 168, 175	0641618 ... 167, 171, 175, 179, 219	0791506.....43, 45
0259849.....93	0400201 ..... 215	0641620 ..... 191, 193	0801207.....167, 183
0270279.....175	0400202 ..... 117, 119	0641622 ..... 191, 193	0801239.....175, 187
0270314.....560	0440161 ..... 35, 39	0641640 ..... 191, 193	0801582.....183
0270364.....560	0440162 ..... 31, 33	0641660 ..... 215, 217	0801583.....187
0270374.....560	0440240 ..... 93	0641810 ..... 175, 179	0801606.....183
0270413.....560	0561185... 183, 185, 187, 189	0641811 ..... 167, 171	0801611.....187
0270430.....545	0561380 ... 167, 171, 175, 179	0641812 ... 19, 21, 23, 25, 27, 175, 179, 201	0840031.....117, 119
0270436.....563	0630462 ..... 299, 301	0641814 ..... 43, 45	0840032.....117, 119
0270437.....560	0630467 ..... 203, 205	0641818 ..... 15, 17	0840048.....121, 123
0270447.....560	0630535 ..... 339	0641820 ... 117, 119, 121, 123, 125	0840049.....121, 123
0270448.....563	0630536 ..... 331	0642010 ... 15, 17, 19, 21, 23, 25, 27, 73	0860038.....365, 383
0270527.....73	0630539 ... 168, 171, 175, 179	0642012 ... 167, 171, 175, 179, 303, 305, 307	0860520....529, 531, 533, 535, 537, 539, 541, 543
0270528.....73	0630568 ... 261, 265, 269, 273	0642030 .... 31, 33, 35, 39	0861375.....45
0270629.....547	0641403 ..... 211	0642216 ... 167, 171, 175, 179	0861731....493, 495, 497
0270630.....551	0641404 ..... 35, 39, 293	0642684 ..... 197, 199	0861781.....489, 491
0270631.....549	0641405 ... 127, 261, 265, 269, 273, 293	0681608 ..... 201	0861880.....403, 407
0270752.....87	0641406 ... 105, 107, 143, 145, 155, 157, 159, 161, 168, 171, 175, 179, 215, 217, 219, 253, 255, 257, 259, 287, 529, 533, 535, 537, 539, 541, 543		0862659.....215, 217
0271382.....159	0641407 ..... 145, 163		0940088.....163
0272418.....545	064140843, 45, 109, 111, 113, 115, 219, 253, 255, 257, 259, 295, 367, 369, 371, 373, 375, 377, 379, 381		0940092.....301

## SECTION 11 - SPECIAL OPTIONS

0962297 ... 167, 171, 175, 179, 183, 185, 187, 189	1001120328.....291, 293	1001156351.....363, 415, 425	1001179499 ..... 461, 463
0962348 ..... 33	1001120466.....562	1001156352.....363, 415, 425	1001179500 ..... 461, 463
1001091429 ..... 305	1001120471.....319	1001156428.....35	1001179842 ..... 117, 119, 121, 123, 125
1001091430 ..... 307	1001120477.....319	1001156429.....35, 39	1001180652 ..... 71
1001091431 ..... 305	1001120484.....319	1001156430.....35, 39	1001180653 ..... 61, 63
1001091432 ..... 307	1001120989.....545	1001157890.....511, 515, 518	1001180654 ..... 43, 61
1001091433 ..... 305	1001125483..... 157, 161	1001157891.....511, 515, 517	1001180779 ..... 65
1001091434 ..... 307	1001125677..... 429, 465, 481, 485, 518	1001159186.....469, 481, 485	1001180780 .... 43, 45, 65
1001092586 .... 35, 39, 59	1001126008..... 511, 512	1001159256.....261, 265, 269, 273, 557	1001180902 ..... 35
1001094670 .... 168, 172, 176, 180	1001126009..... 507	1001161117 ....31, 33, 35, 39, 557	1001180904 ..... 35, 39
1001096148 ..... 117, 119, 121, 123, 125	1001126185..... 109, 111, 113	1001161710.....261, 265, 279, 281, 557	1001180908 ..... 31, 33
1001097051 ..... 503	1001126245..... 512	1001163580 .... 19, 23, 25, 323	1001180912 .... 31, 33, 47
1001097150 .... 403, 405, 407	1001131269..... 529, 537	1001164817 ..... 323	1001180934 ..... 31
1001097244 ..... 319	1001132049..... 429	1001165035.....215, 217	1001180935 ..... 35
1001098122 .... 277, 481, 485	1001132050..... 429	1001167565.....201	1001180936 ..... 33
1001098828 ..... 201	1001137005..... 563	1001167567.....201	1001180937 ..... 39
1001100341 ..... 489	1001137673..... 291, 557	1001168402.....201	1001181045 ..... 403, 556
1001100342 ..... 491	1001138494..... 235, 239, 245, 247	1001168423....31, 33, 35, 39	1001181065 ..... 71
1001100345 ..... 493	1001138514..... 235, 239, 247	1001169582.....95	1001181066 ..... 43
1001100346 ..... 497	1001139654..... 545	1001170365.....45, 556	1001181067 ..... 45
1001100347 ..... 495	1001140281.... 31, 33, 35, 39, 337	1001170367.....63, 557	1001181924 ..... 71
1001102771 ..... 557	1001140282..... 167, 172, 175, 180, 329	1001170761 ..... 511, 556	1001182136 ... 19, 21, 23, 25, 27, 29
1001103012 ..... 511	1001140429..... 231, 235, 239, 245, 247	1001170762..... 511, 556	1001182494 .... 43, 45, 51
1001103617 ..... 562	1001140596..... 167, 172, 175, 180, 327	1001170764.....523	1001182700 ..... 556
1001104498 ..... 511	1001141300..... 545	1001172260.....117, 119, 121, 123, 125	1001182707 ..... 23
1001106481 ..... 211	1001141302..... 545	1001172293.....71	1001182806 ..... 145
1001107854 ..... 511	1001141581..... 36, 40	1001172760.....261, 265, 269, 273	1001182960 ..... 43, 45
1001108728 ..... 560	1001142504..... 561	1001172876..... 117, 119, 121, 123, 125	1001182996 ..... 461, 463
1001108923 ..... 545	1001142505..... 561	1001173137 ..... 161	1001183229 ..... 127
1001109503 .... 129, 131, 133, 135	1001144147..... 427, 457, 465, 517	1001173138.....157	1001183368 ..... 143
1001110434 .... 261, 265, 269, 273	1001144295..... 518	1001173387 ..... 127	1001183373 ..... 119
1001110873 ..... 365	1001144296..... 465	1001173703.....545	1001183374 ..... 117
1001113680 ..... 533	1001144433..... 291	1001174040.....201	1001183375 ..... 123
1001113961 ..... 517	1001144629..... 233, 237, 243, 245, 251	1001174447.....61, 63	1001183535 ..... 409
1001116031 ..... 97	1001148902..... 561	1001174461 .... 15, 19, 21	1001183536 ..... 417
1001116106 ..... 97	1001148903..... 561	1001174522.....15	1001183538 ..... 411
1001116208 ..... 545	1001148904..... 561	1001174523.....17	1001183539 ..... 419
1001116692 .... 469, 511	1001148905..... 561	1001174525.....19	1001183540 ..... 421
1001116693 ..... 517	1001148906..... 561	1001174527.....25	1001183584 ..... 39
1001116720 ..... 505	1001148971..... 560	1001174528.....23	1001183882 .... 397, 409, 411, 413, 415, 417, 419, 421, 423, 425
1001116731 ..... 457	1001151393..... 129, 131, 133, 135	1001174542..... 163	1001183885 .... 399, 409, 411, 413, 415
1001116732 .... 467, 511	1001151395..... 31, 33	1001174792.... 17, 25, 27	1001184206 .... 43, 45, 57
1001116733 .... 467, 511, 512	1001151428..... 31, 33	1001174891.....99	1001184853 ..... 43, 45
1001116734 .... 511, 512	1001152483..... 405	1001175087.....93	1001184855 ..... 43, 45
1001116763 ..... 511	1001152486..... 371, 373, 405	1001175088.....93	1001185281 .... 115, 261, 265, 269, 273
1001116810 ..... 518	1001153749..... 127	1001175158.... 15, 17, 19, 21, 23, 25, 27	1001186231 ..... 518
1001116811 ..... 443	1001155043..... 129, 131, 133, 135	1001175539.....101	1001186333 ..... 249
1001116812 .... 427, 429, 457, 465, 511, 512, 517	1001155044..... 129, 131, 133, 135, 261, 265, 269, 273, 279, 281, 283	1001175575.....163	1001186375 ..... 235
1001116815 ..... 511, 518	1001155045..... 129, 131, 133, 135, 261, 265, 269, 273, 283, 557	1001176469.....131, 135	1001186378 ..... 239
1001116846 ..... 535, 545		1001176711.....117, 119, 123, 557	1001186383 ..... 251
1001117172 ..... 277		1001178339.....65, 556	1001186384 ..... 243
1001117174 .... 261, 265, 269, 273, 277, 557			1001186385 ..... 237
1001117372 ..... 323, 325			1001186387 ..... 233
1001118384 ..... 507			1001186388 ..... 241
1001118388 ..... 505, 507			1001186431 ..... 291, 557
1001119619 ..... 501			1001186432 ..... 505, 507
1001119620 ..... 499, 503			1001186517 ..... 291
			1001186860 ..... 61, 63
			1001187382 ..... 201

## SECTION 11 - SPECIAL OPTIONS

1001187383.....201	1001196122..... 547	1001211363 ..... 269, 273, 557	1001227293..... 563
1001187674.....289	1001196190..... 155	1001212277 ..... 269, 273	1001227633.....289
1001187681.....395, 501	1001196237 ..... 461, 463	1001212359 ..... 61, 63	1001227634.....289
1001187816.....441	1001196238 ..... 461, 463	1001212450 ..... 63	1001227985.....289
1001188098.....560	1001196239 ..... 461, 463	1001213447 ..... 481, 485	1001227987.....289
1001188291.....397, 399, 401, 409, 411, 413, 415, 417, 419, 421, 423, 425	1001196240 ..... 461, 463	1001213625 ..... 545	1001227996.....499, 503
1001188292.....397, 399, 401	1001196241 ..... 461, 463	1001213626 ..... 45	1001228014..... 175, 331
1001188293.....409, 411, 413, 415, 417, 419, 421, 423, 425	1001196485 ..... 43, 461	1001213882 ..... 261, 266, 269, 274	1001228017..... 183, 185, 187, 189, 339
1001188354.....397, 399, 401, 409, 411, 413, 415, 417, 419, 421, 423, 425	1001196520 ..... 261, 269, 556	1001214029 ..... 545	1001228215.....231
1001188622.....201	1001196634 ..... 445, 459, 556	1001214093 ..... 147	1001228224.....289, 557
1001188844.....201	1001196635 ..... 556	1001214094 ..... 560	1001228225.....289, 557
1001189001.....201	1001197017 ..... 299	1001214667 .. 61, 63, 556	1001228232..... 35, 39, 55
1001189002.....201	1001198661 ..... 561	1001214669 ..... 45, 63	1001228370.....529, 537
1001189171.....405, 556	1001198662 ..... 561	1001214800 ..... 45, 463	1001228376.....245
1001189172.....405, 556	1001198866 ..... 393	1001214801 ..... 463	1001228377.....247
1001189882.....545	1001199312 ..... 561	1001214804 ..... 45	1001228392..... 121, 123
1001190577.....511, 512	1001199313 ..... 105, 137, 215, 225, 279	1001215228 ..... 261, 265, 269, 273	1001228395..... 121, 123
1001190897.....562	1001199409 ..... 215, 217, 467	1001215835 ..... 265, 273, 556	1001228857..... 121, 123, 389
1001190985.....201	1001200173 ..... 141, 479, 557	1001216630 ..... 201	1001228858..... 121, 123
1001191144.....562	1001200254 ..... 141	1001217779 ..... 167, 172, 195	1001228954.....449
1001191395.....561	1001200255 ..... 97	1001217842 ..... 511, 512	1001229341.....289
1001191463.....75	1001200381 ..... 215, 217	1001217843 ..... 512	1001229692.....545
1001191469.....75	1001200491 ..... 201	1001217844 ..... 511, 512	1001230504.....560
1001191471.....75	1001200494 ..... 201	1001218499 ..... 562	1001231007..... 145, 525
1001191489.....75	1001200620 ..... 345	1001218502 ..... 562	1001231801.....529
1001191493.....75	1001200621 ..... 345	1001218503 ..... 562	1001231886.....145
1001191596.....163	1001200622 ..... 345	1001219342 ..... 201	1001231949.....317
1001191597.....163	1001200913 ..... 560	1001219391 ... 79, 81, 83	1001231950.....313, 315
1001192053.....283	1001201247 ..... 211	1001219392 ..... 203, 207	1001231989.....563
1001192212.....65, 556	1001201329 ..... 211, 395	1001219393 ..... 205, 209	1001231990.....145
1001192293..... 155, 471	1001201351 ..... 201	1001219601 .. 43, 45, 557	1001232010..... 311, 313, 315, 317
1001192373..... 163	1001201365 ..... 211	1001219722 ..... 43, 45	1001232011.....313, 315, 317
1001192399.....299	1001202373 ..... 215, 217	1001220271 ..... 43, 45	1001232164.....289
1001192401..... 109, 111, 113	1001202374 ..... 215, 217	1001220357 ..... 352	1001232165.....289
1001193018..... 367, 369, 371, 373, 375, 377, 379, 381	1001202439 ..... 343	1001220358 ..... 356	1001232642.....293
1001193419.....299, 301	1001202441 ..... 359	1001221130 ..... 367, 369, 371, 373, 375, 377, 379, 381	1001232667.....293, 557
1001193545.....471	1001202444 ..... 345	1001221185 ..... 371	1001233259.....203, 205
1001193987.....261, 265	1001202749 ..... 561	1001221187 ..... 373	1001233560..... 117, 119, 121, 123, 125
1001194037.....117, 119, 387	1001203654 ..... 241	1001221188 ..... 375	1001234102.....560
1001194312.....71	1001203655 ..... 249	1001221189 ..... 367	1001235091.....447, 449, 451, 453, 457
1001195304.....561	1001203734 ..... 467	1001221190 ..... 369	1001235649.....447
1001195754.....547, 553	1001204270 ..... 301	1001221191 ..... 560	1001235850.....563
1001195835.....31, 33, 35, 39, 509	1001204725 ..... 201	1001221386 ..... 215, 217	1001235853.....563
1001195836...43, 45, 515	1001205043 ..... 409, 411, 413, 415, 417, 419, 421, 423, 425	1001223055 ..... 529	1001236535.....449
1001195867...43, 45, 511	1001205044 ..... 409, 411, 413, 415, 417, 419, 421, 423, 425	1001223824 ..... 561	1001236552.....293
1001196061.....461, 463	1001205056 ..... 117, 119	1001223971 ..... 537	1001236746.....317
1001196062.....461, 463	1001206532 ..... 262, 266, 270, 274	1001224048 ..... 541	1001236747.....313
1001196063.....461, 463	1001207674 ..... 107, 139, 217, 227, 281	1001224049 ..... 543	1001236891..... 309, 311, 313, 315, 317
1001196065.....461, 463	1001207969 ..... 203, 205	1001224050 ..... 535	1001236895..... 309, 311, 313, 315, 317
1001196066.....461, 463	1001208628 ..... 215, 217	1001224052 ..... 533	1001237110.....560
1001196067.....461, 463	1001209664 ..... 291	1001225131 ..... 109, 111, 113	1001237667.....481, 485
1001196117.....217	1001209679 ..... 529, 531, 533, 535, 537, 539, 541, 543	1001225580 ..... 291, 505	1001237668.....481, 485
1001196121.....547	1001210636 ..... 319	1001226541 ..... 445, 518	1001237862.....499, 503
		1001226636 ..... 457	1001237863.....289, 503
		1001226637 ..... 457	1001237864.....289, 499
		1001226799 ..... 449, 451, 453	1001237865.....289, 501
		1001226872 ..... 231	1001237882.....561
			1001237883.....561
			1001237888.....295, 297



## SECTION 11 - SPECIAL OPTIONS

1001237891 ..... 297	1001248320..... 259, 269	1001256656..... 545	1001272681 ..... 149
1001237898 ..... 295, 297	1001248321..... 259	1001257271 ..... 309, 311	1001272682 ..... 151
1001237902 ..... 295, 297, 557	1001248322..... 257, 273	1001257274..... 309	1001272997 ..... 459
1001238263 ..... 309, 311, 313, 315, 317	1001248323..... 257	1001258730..... 295, 297	1001273012 ..... 455, 459
1001238319 ..... 289	1001248324..... 127	1001259489..... 109, 111, 113	1001274249 ..... 563
1001238418 ..... 293, 507	1001248325..... 529	1001259541 ..... 465	1001274559 ..... 261, 265, 269, 273
1001238463 ..... 315	1001248326..... 531	1001259548..... 427	1001274830 ..... 561
1001238472 ..... 293	1001248327..... 539	1001259560..... 429	1001274831 ..... 561
1001238495 ..... 291	1001248328..... 541	1001260408..... 109, 111, 113, 443	1001274832 ..... 561
1001238559 ..... 293	1001248329..... 543	1001260524..... 295	1001274833 ..... 561
1001238732 ..... 285	1001248330..... 537	1001260525..... 295, 297	1001275149 ..... 147, 149, 151
1001239579 ..... 561	1001248331..... 535	1001260908..... 352	1001275628 ..... 261, 265, 269, 273, 556
1001239580 ..... 561	1001248332..... 533	1001260909..... 356	1001275629 ..... 261, 265, 269, 273, 556
1001239800 ..... 151	1001248333..... 131	1001260910..... 352	1001275642 ..... 562
1001239801 ..... 149	1001248336..... 135	1001260911..... 356	1001275643 ..... 562
1001241162 ..... 295	1001249052..... 562	1001261130..... 529, 531, 533, 535, 537, 539, 541, 543, 545	1001276068 ..... 172, 180
1001241407 ..... 561	1001249148..... 529, 531, 533, 535, 537, 539, 541, 543, 545	1001261335..... 309	1001276113 ..... 172, 180
1001241408 ..... 561	1001249330..... 129	1001261336..... 311	1001276159 ..... 172, 180
1001241547 ..... 562	1001249333..... 133	1001261338..... 309	1001276163 ..... 172, 180
1001241548 ..... 562	1001249695..... 563	1001261339..... 311	1001276169 ..... 172, 180
1001241965 ..... 293	1001249941..... 563	1001262016..... 562	1001276170 ..... 172, 180
1001243092 ..... 295	1001250035..... 562	1001262322..... 447	1001276172 ..... 189
1001243183 ..... 560	1001250318..... 79, 203	1001262326..... 447	1001276177 ..... 121
1001243184 ..... 560	1001250319..... 81, 205	1001262959..... 563	1001276178 ..... 172, 180
1001243205 ..... 295	1001250465..... 562	1001263600..... 545	1001276179 ..... 172, 180
1001243575 ..... 560	1001250466..... 562	1001264633..... 553	1001276239 ..... 172, 180
1001244335 ..... 297	1001250537..... 560	1001265163..... 319	1001276316 ..... 180
1001244336 ..... 295	1001250595..... 562	1001265342..... 319	1001276610 ..... 455
1001244462 ..... 153	1001251014..... 167, 172, 180, 333	1001265360..... 560	1001276923 ..... 560
1001244671 ..... 297	1001251382..... 109, 111, 113	1001266290..... 561	1001277693 ..... 189
1001244709 ..... 297	1001251478..... 111	1001266465..... 562	1001277720 ..... 179
1001244710 ..... 297	1001251479..... 109	1001266491..... 562	1001277722 ..... 180, 189
1001244732 ..... 297	1001251480..... 113	1001266503..... 131	1001277843 ..... 563
1001244733 ..... 297	1001252629..... 309, 311, 313, 315, 317	1001266504..... 135	1001277859 ..... 69
1001245164 ..... 285	1001253618..... 561	1001266505..... 129	1001278301 ..... 171
1001245173 ..... 285	1001253619..... 561	1001266509..... 133	1001278302 ..... 172, 185
1001245179 ..... 285	1001253619..... 561	1001266511..... 131	1001278303 ..... 185
1001245210 ..... 285	1001253917..... 441	1001266512..... 135	1001278306 ..... 185
1001245293 ..... 556	1001253920..... 529	1001266513..... 129	1001278511 ..... 560
1001245673 ..... 481	1001253921..... 529	1001266514..... 133	1001280412 ..... 129, 131, 133, 135
1001246144 ..... 451	1001253922..... 537	1001266807..... 562	1001281178 ..... 115
1001246145 ..... 453	1001253923..... 537	1001266969..... 562	1001281189 ..... 21
1001246389 ..... 295	1001253924..... 541	1001267318..... 545	1001281190 ..... 27
1001246541 ..... 451	1001253925..... 541	1001267320..... 545	1001281442 ..... 413
1001246542 ..... 453	1001253926..... 535	1001267326..... 545	1001281443 ..... 423
1001246659 ..... 545	1001253927..... 535	1001268352..... 560	1001281454 ..... 562
1001246859 ..... 517	1001253928..... 533	1001269655..... 562	1001281456 ..... 562
1001247073 ..... 562	1001253929..... 533	1001269832..... 345	1001281459 ..... 562
1001247252 ..... 295	1001253930..... 543	1001269833..... 349	1001281461 ..... 562
1001247426 ..... 560	1001253931..... 543	1001269901..... 560	1001281877 ..... 561
1001247427 ..... 560	1001253932..... 539	1001270482..... 560	1001281983 ..... 560
1001247468 ..... 201, 556	1001253933..... 539	1001270594..... 147	1001282100 ..... 560
1001247538 ..... 261, 265, 269, 273	1001254285..... 560	1001270615..... 560	1001282160 ..... 69
1001248080 ..... 219, 221	1001254472..... 293	1001272006... 61, 63, 557	1001282161 ..... 69
1001248082 ..... 215, 217, 219	1001254473..... 293	1001272166..... 561	1001282350 ..... 125
1001248140 ..... 309, 311, 313, 315, 317	1001255133..... 201	1001272182..... 561	1001282461 ..... 562
1001248141 ..... 309, 311, 313, 315, 317	1001255901..... 459	1001272274..... 561	1001283138 ..... 125
1001248316 ..... 253, 261	1001255918..... 261, 265, 269, 273, 521	1001272279..... 261, 265, 269, 273, 485	1001283167 ..... 125
1001248317 ..... 253	1001256179... 21, 27, 325	1001272310..... 561	1001283168 ..... 125
1001248318 ..... 255, 265	1001256653..... 545	1001272313..... 561	1001283169 ..... 125, 391
1001248319 ..... 255	1001256654..... 545	1001272659..... 455	1001283300 ..... 127
	1001256655..... 545		1001283776 ..... 147

## SECTION 11 - SPECIAL OPTIONS

1001283853.....562	1320172 ... 385, 387, 389, 391	1703813 ..... 529	1704456..... 551
1001284290.....115	1320256 ... 409, 411, 415, 417, 419, 421, 425	1703923 ..... 543	1704457..... 549
1001284695.....529, 531, 533, 535, 537, 539, 541, 543	1320263 ..... 31, 33, 211	1703924 ..... 537	1704575..... 529
1001285719.....69	1320271 ..... 93	1703925 ..... 535	1704576..... 549
1001285720.....69	1320277 ... 168, 171, 175, 179	1703926 ..... 539	1704577..... 549
1001286021.....127, 523	1320288 ..... 191, 193	1703927 ..... 541	1704578..... 547
1001286162.....415	1380136 ..... 79, 81	1703928 ..... 533	1704618..... 533
1001286163.....425	1380158 ..... 215, 217	1703929 ..... 543	1704667..... 539
1001289239.....115	1580012 ..... 287	1703930 ..... 537	1704668..... 541
1001289589.....407	1580013 ..... 561	1703931 ..... 535	1704670..... 541
1001289592.....377, 379, 381, 407	1670824 ..... 211	1703934 ..... 533	1704671..... 539
1001289905.....562	1670836 ... 183, 185, 187, 189	1703935 ..... 543	1704708.... 529, 531, 533, 535, 537, 539, 541, 543
1001289906.....562	1670911 ..... 167, 175	1703936 ..... 537	1704724..... 545
1001289961.....127, 517	1670912 ..... 167, 175	1703937 ..... 535	1704725..... 529
1001289962.....127, 469	1670913 ..... 167, 175	1703938 ..... 539	1704728..... 531
1001289963.....109, 111, 113, 445	1670928 ..... 167, 175	1703939 ..... 541	1704731..... 535
1001290653.....157, 161	1670930 ..... 163	1703940 ..... 533	1704732..... 543
1001290662.....115	1683866 ... 167, 171, 175, 179, 335	1703941 ..... 543	1704733..... 537
1001291610.....377	1684290 ..... 323	1703942 ..... 537	1704885.... 529, 531, 533, 535, 537, 539, 541, 543
1001291613.....379	1701499 ... 529, 531, 533, 535, 537, 539, 541, 543	1703943 ..... 535	1705014..... 241, 249
1001291656.....381	1701500 ... 529, 531, 533, 535, 537, 539, 541, 543	1703944 ..... 539	1705084..... 545
1001292551.....157, 161	1701501 ... 529, 531, 533, 535, 537, 539, 541, 543	1703945 ..... 541	1705325..... 367, 379
1001292552.....157, 161	1701502 ... 529, 531, 533, 535, 537, 539, 541, 543	1703946 ..... 533	1705351..... 529
1001293025.....157	1701503 ... 529, 531, 533, 535, 537, 539, 541, 543	1703947 ..... 543	1705358..... 545
1001293169.....161	1701504 ... 529, 531, 533, 535, 537, 539, 541, 543	1703948 ..... 537	1705426..... 539
1001293369.....153	1701505 ... 215, 217, 545	1703949 ..... 535	1705427..... 541
1001293501.....560	1701509 ... 303, 305, 307, 529, 531, 533, 535, 537, 539, 541, 543	1703950 ..... 539	1705429..... 537
1001296049.....193	1701517 ... 531, 533, 535, 537, 539, 541, 543	1703951 ..... 541	1705430..... 535
1001296050.....193	1701518 ..... 531, 551	1703952 ..... 533	1705670..... 531
1001297298.....562	1701519 ..... 539	1703953 ..... 529	1705822..... 531
1060461 ..... 475	1701520 ... 529, 531, 533, 535, 537, 539, 541, 543	1703954 ..... 537	1705828..... 531
1060494 ..... 473	1701529 ... 529, 531, 533, 535, 537, 539, 541, 543	1703955 ..... 533	1705910..... 543
1060584 ..... 73, 75	1701644 ... 529, 531, 533, 535, 537, 539, 541, 543	1703956 ..... 533	1705921..... 531
1060799.... 385, 387, 389, 391	1702155 ... 529, 531, 533, 535, 537, 539, 541, 543	1703957 ..... 533	1705978..... 531
1060803.... 117, 119, 385	1702251 ..... 545	1703958 ..... 533	1706378..... 531
1060813.... 109, 111, 113, 477	1702300 ... 529, 531, 533, 535, 537, 539, 541, 543	1704000 ..... 537, 545	1706385..... 241, 249
1060819.....215, 217	1702391 ..... 529	1704001 ..... 543	1706392..... 531
1060820.....215, 217	1702565 ... 261, 265, 269, 273	1704002 ..... 533	1706957..... 553
1060827.....155, 159	1702566 ... 261, 265, 269, 273	1704116 ..... 537	1706960..... 553
1060828.....155, 159	1702698 ..... 67	1704117 ..... 543	1707192..... 303
1060848.....117, 119	1702773 ..... 249	1704118 ..... 533	2080040.... 233, 237, 243, 245, 251
1060896.... 397, 399, 401	1702774 ..... 545	1704119 ..... 539	2080069..... 295, 297
1060903.....299, 301	1702860 ..... 545	1704120 ..... 541	2160002..... 93
1060908.... 403, 405, 407	1702868 ..... 529, 545	1704121 ..... 535	2180344..... 93
1060918.....277	1702901 ..... 529	1704248 ..... 529	2200222.... 105, 107, 215, 217
1062255.... 447, 449, 451, 453	1702938 ..... 301	1704260 ... 261, 265, 269, 273	2200663..... 93
1100124.... 19, 21, 23, 25, 27	1703797 ..... 529	1704277 ... 529, 531, 533, 535, 537, 539, 541, 543	2220235..... 343
1120555.... 303, 305, 307	1703804 ..... 529	1704328 ..... 543	2220238..... 347
1180356.....191	1703805 ..... 529	1704329 ..... 537	2220240..... 359
1260017 ..... 95		1704330 ..... 533	2220273..... 93
1320022.... 105, 107, 215, 217		1704331 ..... 539	2220371.... 343, 345, 349, 352, 356
1320043.....31, 33		1704332 ..... 541	2220372..... 352, 356
1320070.... 168, 171, 175, 179		1704333 ..... 535	2220373.... 349, 352, 356
1320135.....215, 217		1704339 ..... 543	2220374..... 349
1320159.... 117, 119, 121, 123, 125		1704340 ..... 537	2220415..... 345, 352, 356
		1704341 ..... 533	2220435..... 352, 356
		1704342 ..... 539	2220451.... 347, 352, 356
		1704343 ..... 541	2220466..... 352, 356
		1704344 ..... 535	2220497..... 349
		1704412 ... 529, 531, 533, 535, 537, 539, 541, 543	2220500..... 352, 356
		1704422 ... 261, 265, 269, 273	2220502..... 352, 356
		1704455 ..... 551	2220511..... 352, 356

## SECTION 11 - SPECIAL OPTIONS

2220550 ..... 352, 356	2753441 ..... 352, 356	3271605.....309, 311, 313, 315, 317	3340860..... 93, 168, 171, 175, 179
2220578 ..... 352, 356	2753442 ..... 352	3271805.....241, 249	3340861 ... 168, 171, 175, 179
2220582 ..... 345	2753443 ..... 352, 356	3272001....309, 311, 313, 315, 317	3340871 ... 183, 185, 187, 189
2220596 ..... 352, 356	2753444 ..... 352, 356	3272605.....197, 199	3340873... 167, 171, 175, 179
2220603 .... 345, 352, 356	2753445 ..... 352, 356	3290405....147, 149, 151, 319, 367, 369, 371, 373, 375, 377, 379, 381	3340877 ..... 163
2220606 ..... 352, 356	2753446 ..... 352	3290606.....235, 239, 247	3340880 ..... 339
2220635 ..... 345	2753447 ..... 352, 356	3290801.....115	3340881 ... 183, 185, 187, 189
2220711 ..... 345	2753448 ..... 352, 356	3291001.....201	3340896 ..... 191, 193
2220794 ..... 215	2753449 ..... 352, 356	3291005.....201	3340939 ..... 191, 193
2220828 ..... 349	2753450 ..... 352	3291201.....201	3340941 ..... 191, 193
2220881 ..... 325	2753451 ... 352, 356, 359	3291205.....201	3340956 .... 303, 305, 307
2220883 .... 29, 323, 325, 331, 333	2753452 ..... 349	3300151 ....231, 235, 239, 245, 247	3380434 ... 253, 255, 257, 259
2220885 ..... 325, 339	2753453 ..... 352, 356	3300353....261, 265, 269, 273	3380620 ..... 219
2220886 ..... 333	2753454 ..... 352, 356	3300426.....35, 39, 67, 69	3420372 ..... 73, 75
2220887 ..... 333	2753455 ..... 352, 356	3300430.....291, 297	3420447 ..... 73, 75
2220899 ..... 345, 349	2753456 ..... 352, 356	3300454.....35, 39	3421565 ..... 73, 75, 95
2220934 ..... 352, 356	2753458 ..... 352, 356	3310805.....141	3422457 ... 183, 185, 187, 189
2220947 ..... 352, 356	2753459 ..... 349	3311001.....45, 109, 111, 113, 115	3422568 ... 167, 171, 175, 179
2220950 ..... 352, 356	2753460 ..... 349	3311005.....79, 81, 97	3422576 ..... 175, 179
2220998 ..... 349	2753461 ..... 349	3311401 43, 45, 115, 127, 163, 299, 301	3422583 ... 167, 171, 175, 179
2221033 ..... 352, 356	2753491 ..... 357	3311405....127, 145, 155, 157, 159, 161, 168, 171, 175, 179, 219, 253, 255, 257, 259, 293, 367, 369, 371, 373, 375, 377, 379, 381, 529, 531, 533, 535, 537, 539, 541, 543	3422592 ... 15, 17, 19, 21, 23, 25, 27
2221034 ..... 345	2753492 ..... 356	3311501....19, 21, 23, 25, 27, 168, 171, 175, 179, 299, 301	3422692 ..... 31, 33
2221046 ... 105, 107, 215, 217	2753493 ..... 356	3311505.....99, 101, 117, 119, 121, 123, 125, 163, 219	3422791 ... 167, 171, 175, 179
2221047 ... 105, 107, 215, 217	2753494 ..... 356	3311601 .... 163, 261, 265, 269, 273, 293	3422792 ... 167, 171, 175, 179
2221052 ..... 359	2780245 ..... 31, 33, 49	3311605....127, 167, 171, 175, 179, 191, 193, 215, 217, 219, 225, 227, 241, 249, 253, 255, 257, 259, 367, 369, 371, 373, 375, 377, 379, 381	3422793 ..... 167, 171
2221061 ..... 352, 356	2792423 ..... 349	3311801....117, 119, 121, 123, 125	3422794 ... 167, 171, 175, 179
2221063 ..... 352, 356	2792427 ..... 347	3311805....167, 171, 175, 179, 201	3422808 ... 167, 171, 176, 179
2221086 ..... 352, 356	2820118 ..... 397	3312002.....87, 309, 311, 313, 315, 317	3422811 ... 167, 171, 176, 179
2230031 ..... 352, 356	2820122 ..... 225, 227	3312005.....303, 305, 307	3441260 ..... 93
2400044 ..... 45	2820123 ..... 225, 227	3312602....147, 149, 151	3450406 ..... 47
2400060 ... 319, 429, 445, 469, 481, 482, 485, 486, 517	2820126 ..... 225, 227	3321501.....163	3450812 .... 31, 33, 35, 39
2410014 ..... 241, 249	2820232 ..... 215, 217	3322202.....31, 33, 35, 39	3460334 .... 303, 305, 307
2460037 ..... 155	2820247 ..... 499, 503	3323003.....31, 33	3460492 ..... 215, 217
2460038 ..... 159	2860030 ... 129, 131, 133, 135, 556	3323403.....35, 39	3470003... 261, 265, 269, 273
2540020 ... 117, 119, 121, 123, 125	2900770 ..... 197, 199	3340764.....191, 193	3520026 ... 129, 131, 133, 135
2540037 ..... 45	2900792 ..... 327, 329	3340787.....191, 193	3520028 ... 129, 131, 133, 135
2560136 ... 261, 265, 269, 273	2901886 ..... 331	3340837 ....15, 17, 19, 21, 23, 25, 27	
2600262 ..... 163	2902019 ..... 339		
2600281 ... 233, 237, 243, 245, 251	2902266 ..... 323		
2680468 ..... 163	2902549 ... 367, 369, 375, 403		
2680477 ..... 163	2910886 ..... 563		
2680482 ..... 225, 227	2915102 ..... 563		
2720058 ... 105, 107, 215, 217	2915227 ..... 561		
2720271 ... 105, 107, 215, 217	2920151 .... 137, 139, 201		
2751095 ..... 93	2940074 ... 233, 237, 243, 245, 251, 556		
2752463 ..... 345	2940095 .... 119, 123, 125		
2752471 ..... 345	2940124 ..... 163		
2752498 ..... 352, 356	2940130 ..... 117, 121		
2752588 ..... 345	3000014 ... 117, 119, 121, 123, 125		
2752631 ..... 345	3020037 ..... 99, 101		
2752648 ..... 349	3160252 ..... 99, 101, 103		
2753002 ..... 345	3160257 ..... 87, 90		
2753118 ..... 349	3200425 ..... 219		
2753327 ..... 359	3251243 ... 529, 533, 537, 543		
2753397 ..... 345	3252331 ..... 545		
2753420 ..... 345	3252347 ..... 529		
2753440 ..... 352, 356	3252507 ... 369, 371, 373, 375, 377, 381, 383		
	3252692 ..... 551		
	3252693 ..... 549		
	3252780 ..... 545		
	3271505 ..... 203, 205		

## SECTION 11 - SPECIAL OPTIONS

3520030....261, 265, 269, 273	3900232 ..... 163	4070929 ... 183, 185, 187, 189	4460234....109, 111, 113, 115, 261, 265, 269, 273, 299, 301, 447, 449, 451, 453
3520031....117, 119, 121, 123, 125	3900259 ... 183, 185, 187, 189	4070944 ..... 15, 17	4460259....319, 467, 469, 481, 485
3520034....168, 171, 176, 179	3900262 ..... 93	4070945 ..... 15, 17	4460260....319, 467, 469, 481, 485
3520054....19, 21, 23, 25, 27, 261, 265, 269, 273	3900280 ... 167, 171, 176, 180	4070969 ..... 191, 193	4460267....467, 469, 481, 485
3520064.....71	3900283 79, 81, 129, 131, 133, 135, 191, 193, 225, 227	4071009 ..... 87	4460268.....481, 485
3520072....231, 233, 235, 237, 239, 241, 243, 245, 247, 249, 251	3900284 ..... 93	4071010 ..... 93	4460294.....481, 485
3520198....231, 233, 235, 237, 239, 243, 245, 247, 251	3900293 ..... 87	4100026 ... 417, 419, 421, 423, 425	4460312.....443
3538758.....191, 193	3900295 ..... 33	4160187 ... 167, 172, 176, 180	4460313.....469
3539877.....15, 17	3900296 ..... 33	4160194 ..... 163	4460315.....365, 383
3571584.....111, 113	3900349 ... 261, 265, 269, 273	4240018 .... 153, 215, 217	4460320.....467, 469
3571856.....163	3910610 ..... 365, 383	4240032 31, 33, 109, 111, 113, 115, 447, 449, 451, 453, 455	4460321.....477
3571857.....163	3910804 ... 129, 131, 133, 135	4240149 .... 303, 305, 307	4460346.....365
3571858.....163	3911010 ..... 285	4240178 ..... 215, 217	4460374.....511
3572009.....73, 75	3911016 ... 109, 111, 113, 115	4300145 ..... 35, 39	4460418....469, 481, 485
3572010.....73, 75	3930816 ..... 211	4341107 ..... 219	4460419....469, 481, 485
3572011.....73, 75	3930828 ..... 141	4341109 ..... 219	4460424....137, 139, 201, 518
3572012.....73, 75	3931010 ..... 97	4360057 .... 299, 301, 557	4460425.....299, 301
3572040.....339	3931012 ..... 61, 63	4360274 .... 137, 139, 557	4460428....111, 113, 261, 265, 269, 273
3572063.....163	3931016 ..... 65	4360387 ... 131, 135, 261, 265, 269, 273, 301, 557	4460434....261, 265, 269, 273, 481, 485
3572328.....35, 39	3931408 ... 31, 33, 35, 39, 291	4360407 ... 261, 265, 269, 273, 557	4460449.....523
3572348.....225, 227	3931448 ..... 339	4360469 ... 129, 131, 133, 135, 557	4460458.....523
3572349.....225, 227	3931528 ..... 339	4360475 ... 129, 131, 133, 135, 557	4460465....319, 395, 397, 399, 401, 429, 445, 457, 465, 467, 469, 471, 481, 485, 505, 511, 515, 517, 518, 521, 523, 525
3572448.....191, 193	3931616 ... 168, 171, 176, 180	4400430 ..... 105, 107	4460466....147, 289, 295, 319, 397, 399, 401, 409, 411, 413, 415, 417, 419, 421, 423, 425, 427, 429, 443, 445, 457, 465, 467, 469, 471, 481, 485, 501, 505, 507, 511, 512, 517, 518, 523
3572490.....33	3931824 ..... 87	4400455 ..... 99, 101	4460467.....563
3572506.....73, 75	3932032 ..... 331	4420014 .... 303, 305, 307	4460470....127, 261, 265, 269, 273
3572551 .... 168, 171, 176, 179	3932232 ..... 87	4420038 ..... 99, 101	4460471....127, 261, 265, 269, 273
3572628.....87	3952020 ..... 87	4420051 .... 545, 549, 551	4460508....289, 399, 401, 443, 481, 485, 517
3575359.....301	3960389 ... 215, 217, 219	4420060 ..... 211	4460509....397, 399, 401, 517, 518
3575705.....299	3960418 ... 168, 172, 176, 180, 215, 217, 219	4420066 .... 303, 305, 307	4460510.....563
3600310.....99, 101	3960422 ..... 365, 383	4460016 ..... 481, 485	4460516.....57
3641569.....301	3960447 ... 129, 131, 133, 135	4460025 ... 385, 387, 389, 391	4460536....297, 481, 485, 525
3740080.....61, 467, 556	3960464 .... 163, 225, 227	4460049 ..... 299, 301	4460539....481, 485, 509, 511, 512, 523, 525
3740086.....507, 557	3980035 ..... 215, 217	4460071 .... 277, 365, 383	
3760133....183, 185, 187, 189	3990001 ..... 445, 556	4460125 ..... 383	
3760170...73, 75, 95, 117, 119, 121, 123, 125	4010408 ... 367, 369, 371, 373, 375, 377, 379, 381	4460134 ..... 365, 473	
3790012....129, 131, 133, 135, 261, 265, 269, 273, 279, 281, 283	4010618 .... 235, 239, 247	4460138 ..... 473, 475	
3820001 ....529, 531, 533, 535, 537, 539, 541, 543, 545, 549, 551	4031505 ..... 289	4460183 ..... 469	
3820017....117, 119, 121, 123, 125	4031509 .... 147, 149, 151	4460205 ..... 365	
3820020....233, 237, 243, 245, 251	4031516 ..... 293	4460225 .... 467, 481, 485	
3841143....31, 33, 35, 39, 167, 171, 176, 179, 201	4031920 ..... 43, 45	4460226 ... 137, 139, 201, 277, 299, 301, 477, 518	
3841203....167, 171, 176, 179	4060092 ..... 383	4460227 ... 467, 469, 517, 521	
3841258....15, 17, 19, 21, 23, 25, 27, 167, 171, 176, 180	4060803 ..... 203, 205	4460233 ..... 383	
3841287....167, 171, 176, 180	4060804 ..... 71		
3841443....31, 33, 35, 39	4060808 ..... 43, 45		
3900054.....241, 249	4060959 ..... 561		
	4070863 ... 183, 185, 187, 189		
	4070864 ... 183, 185, 187, 189		
	4070897 ... 15, 17, 19, 21, 23, 25, 27, 183, 185, 187, 189		
	4070898 ... 15, 17, 19, 21, 23, 25, 27, 183, 185, 187, 189		

## SECTION 11 - SPECIAL OPTIONS

4460662 ... 367, 369, 371, 373, 375, 377, 379, 381	4460944 ... 427, 429, 465, 509, 511, 512, 515, 517, 518	4713400.....35, 39	4846350 ..... 39
4460670 ..... 512	4460945 ..... 511	4740036.....73, 75	4846370 ..... 299
4460701 ..... 383	4460950 ..... 511, 515	4740111.....31, 33, 35, 39	4860212 ..... 67
4460703 ..... 512	4460956 ..... 403, 407	4740155.....33	4891500 ..... 99, 101
4460708 ..... 481, 485	4460957 ..... 403, 407	4740158....15, 17, 19, 21, 23, 25, 27	4891600 ..... 201
4460709 ... 159, 161, 363, 367, 369, 371, 373, 375, 377, 379, 381, 415, 425	4460968 ..... 479	4740274.....219	4891800 ..... 15, 17, 201
4460710 ... 363, 367, 369, 371, 373, 375, 377, 379, 381, 415, 425, 475	4461077 ... 429, 501, 507	4740362....253, 255, 257, 259	4892000... 31, 33, 35, 39, 43, 45, 93
4460742 ..... 523	4461196 ..... 431, 489	4740397....129, 131, 133, 135, 279, 281, 283	4892200 ..... 87
4460743 ..... 523	4461198 ..... 489	4740492....168, 172, 176, 180	4892600 ..... 197, 199
4460761 ... 477, 481, 485, 517	4461199 ..... 433, 491	4750800.....141	4892600001 ..... 201
4460802 ... 109, 111, 113, 115	4461201 ..... 491	4751000....45, 73, 75, 79, 81	4920385 ..... 215, 217
4460803 ..... 109	4461244 ..... 493	4751400....163, 211, 219, 253, 255, 257, 259, 261, 265, 269, 273, 287, 297, 299, 301, 529, 531, 533, 535, 537, 539, 541, 543	4922390 .... 155, 157, 473
4460805 ..... 113	4461245 ..... 495	4751500....35, 39, 43, 45, 71, 99, 101, 117, 119, 121, 123, 125, 163, 168, 172, 175, 180, 219, 225, 227, 299, 301	4922647 .... 159, 161, 475
4460806 .... 157, 161, 469	4461246 ..... 497	4751600..43, 45, 99, 101, 105, 107, 163, 215, 217, 219, 225, 227, 253, 255, 257, 259	4922937... 409, 415, 417, 425
4460836 ..... 515, 518	4520264 ..... 67	4751800....19, 21, 23, 25, 27, 117, 119, 121, 123, 125, 241, 249, 299, 301	4922938... 409, 415, 417, 425
4460866 .... 481, 485, 517	4567139 ..... 352, 356	4760600.....365, 383	4922940 .... 411, 419, 421
4460868 ..... 429, 469	4568133 ..... 73, 75	4761000....109, 111, 113, 115	5241200 ... 19, 21, 23, 25, 27, 201
4460871 ... 445, 469, 481, 485, 512, 517, 523, 525	4640261 ..... 73, 75	4761400.....287	5251008 ..... 201
4460872 ..... 445, 523	4640438 ..... 331, 333	4811400....147, 149, 151, 319, 367, 369, 371, 373, 375, 377, 379, 381	5251016 ..... 201
4460873 ... 481, 485, 512, 517	4640509 ... 327, 329, 331, 333	4811700....235, 239, 247	70000289 ..... 222
4460874 .... 481, 485, 517	4640741 ..... 90	4811900.....43, 45	70000290 ..... 221
4460875 .... 481, 485, 523	4640858 ..... 323	4811902.....115	70000291 ..... 221
4460876 ..... 469	4640861 ..... 352, 356	4812000.....201	70000292 ..... 221
4460877 ..... 429, 469	4640871 ... 19, 21, 23, 25, 27	4845925.....168, 172	70000293 ..... 221
4460878 ..... 517	4640932 ..... 327	4846066.....168, 176	70000294 ..... 221
4460879 .... 319, 481, 485	4641122 ..... 67, 69	4846067.....168, 176	70000295 ..... 221
4460884 ... 319, 445, 469, 505, 511, 517, 523	4641129 ..... 331, 333	4846074.....168, 176	70000296 ..... 221
4460887 ... 319, 481, 485, 517	4641148 ..... 35, 39	4846075.....168, 176	70000297 ..... 221
4460888 ..... 481, 485	4641179 ..... 339	4846076.....31, 33	70000298 ..... 221
4460891 ... 395, 445, 471, 517, 521, 525	4711000 ..... 61, 63, 97	4846135.....35	70000299 ..... 221
4460894 ... 429, 445, 469, 481, 485, 511, 515, 517	4711200 ..... 115	4846141.....35, 39	70000300 ..... 221
4460897 ... 145, 147, 211, 393, 467, 471, 479, 523	4711400 ... 19, 21, 23, 25, 27, 35, 39, 43, 45, 105, 107, 109, 111, 113, 127, 143, 145, 155, 157, 159, 161, 168, 172, 176, 180, 215, 217, 231, 235, 239, 245, 247, 291, 293, 295, 367, 369, 371, 373, 375, 377, 379, 381	4846163.....191, 193	70000301 ..... 221
4460899 ... 501, 505, 507, 511, 515	4711500 ... 19, 21, 23, 25, 27, 35, 39, 73, 75, 117, 119, 121, 123, 125, 163, 203, 205	4846165.....191, 193	70000302 ..... 221
4460905 ... 445, 469, 481, 485, 512, 517, 523	4711600 ... 15, 17, 19, 21, 23, 25, 27, 79, 81, 93, 97, 127, 163, 167, 172, 176, 180, 191, 193, 215, 217, 225, 227, 261, 265, 269, 273, 309, 311, 313, 315, 317, 367, 369, 371, 373, 375, 377, 379, 381, 409, 411, 415, 417, 419, 421, 425	4846178.....99, 101	70000303 ..... 221
4460910 ..... 499	4711800 43, 45, 241, 249	4846183.....79, 81	70000304 ..... 221
4460911 ..... 501	4712000 ... 303, 305, 307, 309, 311, 313, 315, 317	4846188.....219	70000305 ..... 221
4460918 ..... 429	4713000 ..... 31, 33, 39	4846210.....225, 227	70000306 ..... 221
4460928 ..... 429		4846258.....176	70000307 ..... 221
4460930 .... 445, 469, 518		4846278....168, 172, 176, 180	70000308 ..... 221
4460931 .... 147, 295, 517		4846292.....33	70000309 ..... 221
4460932 ... 319, 445, 457, 459, 509, 517		4846294.....33	70000310 ..... 221
4460933 ... 429, 465, 481, 485, 517		4846295.....73	70000311 ..... 221
4460941 ..... 501		4846296.....73	70000312 ..... 221
4460942 ..... 289, 517			70000313 ..... 221, 556
4460943 ... 295, 297, 427, 465, 501, 511, 515, 517			70000314 ..... 221
			70000315 ..... 221
			70000316 ..... 221
			70000317 ..... 221
			70000318 ..... 221, 556
			70000319 ..... 221, 556
			70000320 ..... 221
			70000321 ..... 221
			70000322 ..... 221, 556
			70000323 ..... 221, 556
			70000324 ..... 221, 557
			70000325 ..... 222, 557
			70000326. 105, 107, 222, 556
			70000327 ..... 222
			70000328.. 105, 107, 222
			70000329 ..... 222, 556
			70000330 ..... 222, 556

## SECTION 11 - SPECIAL OPTIONS

70000340.....	199	70004134.....	337	70006756.....	55	7017077.....	90
70000342.....	195, 197	70004135.....	337	70006757.....	55	7017078.....	90
70000382.....	222	70004185.....	563	70006759.....	55	7017079.....	90
70000435.....	83	70004265.....	221	70006762.....	55	7017080.....	90
70000967.....	221	70004388.....	29	70006763.....	55	7017082.....	90
70001091.....	55	70004394.....	222	70007242.....	333	7017083.....	90
70001119.....	51	70004461.....	83, 84	70007243.....	333	7017084.....	90
70001121.....	221	70004585.....	83	70007244.....	333	7017085.....	90
70001144.....	221	70004809.....	57	70007245.....	333	7017086.....	90
70001342.....	83	70004811.....	57	70007246.....	333	7017087.....	90
70001368.....	51	70004820.....	57	70007247.....	333	7017088.....	90, 91
70001422.....	59	70005374.....	83	70007284.....	83	7017093.....	51
70001440.....	83	70005385.....	57	70007285.....	83, 556	7017095.....	51
7000203.....	90	70005387.....	57	70007286.....	83	7017142.....	195
70002083.....	221	70005388.....	57	70007287.....	83	7017158.....	197
7000216.....	51	70005389.....	57	70007288.....	84	7017159.....	195, 197
70002216.....	327	70005390.....	57	70007290.....	207, 209	7017160.....	197, 199
70002219.....	337	70005391.....	57	70007291.....	207, 209, 556	7017162.....	195, 197
70002220.....	329	70005392.....	57	70008244.....	325	7017163.....	195, 197
70002223.....	329	70005393.....	57	70008246.....	325	7017164.....	195, 197
70002244.....	221	70005394.....	57, 557	70008247.....	325	7017165.....	199
70002264.....	55	70005395.....	57	7001908.....	90	7017167.....	199
70002434.....	47	70005396.....	57	7001913.....	51, 90	7017168.....	199
70002543.....	222	70005397.....	57	7001922.....	51	7017169.....	199
70002544.....	221	70005400.....	57	7001926.....	90	7017170.....	197
7000255.....	90	70005401.....	57	70022564.....	333	7017172.....	195, 197, 199
7000256.....	90	70005402.....	57	70023859.....	83	7017178.....	199
7000257.....	90	70005403.....	57	70023860.....	207, 209	7017192.....	195, 197, 199
7000258.....	90	70005404.....	57	70027750.....	333	7017195.....	195, 197, 199
7000263.....	90	70005405.....	57	7002821.....	563	7017277.....	335
7000281.....	90	70005406.....	57	7002822.....	563	7017278.....	335
70002842.....	323, 325	70005407.....	57, 557	7002823.....	563	7017279.....	335
70002902.....	277	70005408.....	57	7002828.....	563	7017280.....	335
70002903.....	277	70005410.....	57	7004035.....	91	7017281.....	335
70002904.....	277	70005412.....	57	7004043.....	91	7017282.....	335
70002905.....	277	70005604.....	51	7004044.....	91	7017283.....	335
70002947.....	59, 83, 84, 556	70005605.....	51	7004275.....	563	7017406.....	327
70002983.....	51	70005606.....	52	7004276.....	563	7018900.....	83
70002996.....	51	70005607.....	52	7007633.....	90	7018904.....	83
70002997.....	52	70005608.....	52	7007637.....	90	7018942.....	59, 84
70003000.....	51	70005609.....	52	7007640.....	51	7018943.....	83
70003019.....	83, 84, 207, 209	70005610.....	51	7007642.....	52	7018945.....	83, 84
70003021.....	84	70005611.....	51	7010474.....	51	7018991.....	83, 556
70003027.....	207, 209	70005612.....	52	7010795.....	91	7020035.....	49
70003525.....	83, 84	70005613.....	51	7011112.....	327	7020036.....	47, 49
70003526.....	83, 84	70005614.....	51	7011323.....	197, 199	7020037.....	47, 49
70003557.....	221	70005629.....	207, 209	7012540.....	59	7020038.....	47, 49
70003618.....	221	70005649.....	47	7012545.....	103	7020039.....	47, 49
70003619.....	221	70005685.....	57	7012548.....	103	7020040.....	47, 49
70003819.....	327	70005686.....	57	7012549.....	103	7020041.....	47, 49
70003820.....	337	70005687.....	57	7012773.....	59, 83	7020054.....	47, 49
70003833.....	329	70005688.....	57	7012955.....	29	7020055.....	47, 49
70003834.....	329	70005689.....	57	7012967.....	29	7020137.....	47, 49
70003835.....	329	70005951.....	83	7012969.....	59	7020140.....	49
70003836.....	329	70005952.....	83, 84	7016649.....	105, 107	7020175.....	129, 131, 133, 135
70003837.....	327	70006364.....	331	7016654.....	563	7020176.....	129, 131, 133, 135
70003838.....	327	70006365.....	331	7017020.....	51	7020251.....	49
70003838.....	327	70006366.....	331	7017022.....	52	7020257.....	105, 107
70003839.....	327	70006367.....	331	7017023.....	90	7020260.....	191
70003840.....	327	70006368.....	331	7017027.....	51	7020261.....	191
70003841.....	327	70006709.....	339	7017069.....	90	7020262.....	191
70003842.....	327	70006710.....	339	7017071.....	90	7020264.....	191
70004052.....	83, 84, 207, 209	70006711.....	339	7017072.....	51, 90	7020265.....	191
70004127.....	337	70006712.....	339	7017073.....	90	7020266.....	191
70004132.....	337	70006747.....	55	7017074.....	90	7020291.....	103
70004133.....	337	70006752.....	55	7017075.....	90		
		70006753.....	55	7017076.....	90		

## SECTION 11 - SPECIAL OPTIONS

7020292 .....	103	7023870 .....	55	7024388.....	91	7026091 .....	329
7020293 .....	103	7023871 .....	55	7024389.....	91	7026092 .....	329
7020294 .....	103	7023872 .....	55	7024441.....	99, 101	7026121 .....	99, 101
7020295 .....	103	7023976 .....	29	7024446.....	99, 101	7026170 .....	191
7020296 .....	103	7024022 .....	83	7024700.....	90	7026182 .....	191
7020297 .....	103	7024023 .....	83	7024701.....	90	7026616 .....	339
7020298 .....	103	7024024 .....	83	7024724.....	51	7027859 .....	163
7020299 .....	103	7024056 .....	99, 101	7024726.....	51	8220045 .....	512
7021375 .....	59, 83	7024124 .....	51	7024730.....	51	8220068 .....	523
7021619 .....	83	7024127 .....	51	7024733.....	51	8229234 .....	512, 556
7021653 .....	29	7024129 .....	51	7024734.....	51	8229235 ....	511, 512, 556
7022521 .....	83	7024134 .....	52	7024735.....	51	8229236 .....	511, 556
7022586 .....	55	7024135 .....	90	7024736.....	51	8229237 .....	511, 556
7022587 .....	55	7024136 .....	90, 91	7024738.....	51	8229242 ...	429, 469, 481, 482, 485, 486, 518, 556
7022588 .....	55	7024199 .....	90	7024739.....	51	8229249 .....	319, 556
7022589 .....	55	7024378 .....	91	7024740.....	51	8229261 .....	512, 556
7022591 .....	55	7024379 .....	91	7024741.....	51	8580420 .....	71
7023200 .....	103	7024380 .....	91	7024742.....	51	8770189 .....	352, 356
7023224 .....	99, 101, 556	7024381 .....	91	7024744.....	52	88261024 .....	203, 205
7023268 .....	99, 101	7024382 .....	91	7024844.....	329	88521214 ..	309, 311, 313, 315, 317
7023269 .....	99, 101, 556	7024383 .....	91	7024991.....	83	88662037 .....	352, 356
7023270 .....	99, 101	7024384 .....	91	7026068.....	329	91203039 .....	201
7023272 .....	103	7024385 .....	91	7026084.....	327		
7023306 .....	99, 101	7024386 .....	91	7026088.....	329		
7023347 .....	99, 101	7024387 .....	91	7026090.....	329		



**Corporate Office  
JLG Industries, Inc.  
1 JLG Drive  
McConnellsburg, PA 17233-9533 USA  
☎ (717) 485-5161 (Corporate)  
☎ (877) 554-5438 (Customer Support)  
📠 (717) 485-6417**

**Visit our website for JLG Worldwide Locations.  
[www.jlg.com](http://www.jlg.com)**



**OSHKOSH™**