



Illustrated Parts Manual

***Model
600AJ***

**PVC
2301**

**P/N
31221369**

July 10, 2023 - Rev B

ANSI

CE



**UK
CA**

AS/NZS



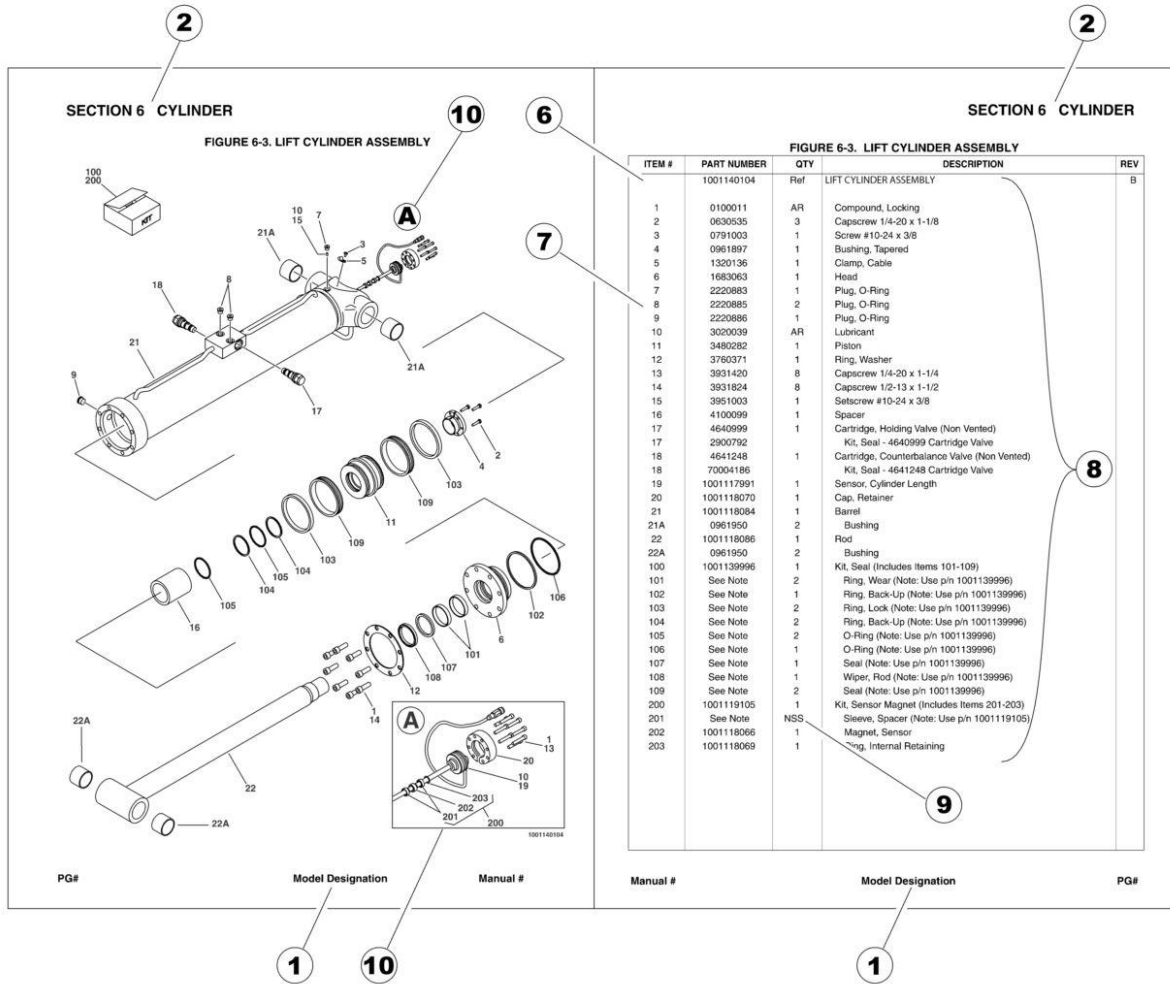
An Oshkosh Corporation Company

REVISION LOG

January 9, 2023 - A - Original Issue of Manual (Edited to B/M 1001245477 Revision X)

July 10, 2023 - B - Revised Manual (Edited to B/M 1001245477 Revision X)

GENERAL INFORMATION



1) MACHINE IDENTIFICATION

Machines are identified by model and in some cases a combination of models, serial number (SN) or regional standard (i.e ANSI, CE, CSA). Components may also be identified by SN or manufacturer. Common components that may be identified by these characteristics are engines and hydraulic components.

2) PARTS MANUAL ORGANIZATION

Product information in this manual is organized under section titles. Frame, Cylinder, Hydraulic and Electrical are a few examples. Each section is organized by figure and page number. The information within the Figure is then organized by item number, part number, description and corresponding illustration (s).

3) TABLE OF CONTENTS (NOT SHOWN)

A table of contents is found toward the beginning of the manual. Figure number, description and page number are provided for quick reference to the page containing the related information.

4) RECOMMENDED SPARE PARTS (NOT SHOWN)

The Recommended Spare Parts List, located near the end of the manual, reference most frequently used maintenance parts.

5) PART NUMBER INDEX (NOT SHOWN)

A numerical index listing all part numbers and the corresponding page number(s) appears at the back of the manual.

GENERAL INFORMATION

6) NON-SERVICED PARTS

In some instances, it is necessary to display non-serviced parts, assemblies or installations. In the case of assemblies and installations there will be a Ref in the Qty. column. In case of parts that are not available for service within assemblies or components, there will be a NSS (Not Sold Separately) or NLA (No Longer Available) listed in the Qty. column of the manual.

7) PARTS LIST ITEM NUMBERS

Numbers shown in the item# column correspond to numbers used in the associated illustration (s). Item numbers which are missing from the sequence in the parts list are not used on that page.

8) INDENTED PARTS DESCRIPTION

An indented part description is included in the item under which it is indented.

9) ABBREVIATION AND SYMBOLS

AC.....	Alternating Current	L.....	Liter
ADE.....	Advanced Design Electronics	LB(LBS).....	Pounds
AG.....	Agricultural	LCD.....	Liquid Crystal Display
ANSI.....	American National Standards Institute	LED.....	Light Emitting Diodes
AR.....	As Required	LH.....	Left Hand
ASSY.....	Assembly	LRC.....	Low Rated Countries
AUS.....	Australia	LSS.....	Load Sensing System
AUX.....	Auxiliary	M(m).....	Metric/Meter
AWG.....	American Wire Gauge	MM(mm).....	Milimeter
B/M.....	Bill of Material	mA.....	Miliamps
CAC.....	Charge Air Cooler	NLA.....	No Longer Available
CE.....	European Conformity	NPT.....	National Pipe Threads
CCW.....	Counter Clockwise	NSS.....	Not Sold Separately
CM.....	Centimeter	OD.....	Outside Diameter
CW.....	Clockwise	ORB.....	O-Ring Boss
CSA.....	Canadian Standards Association	ORFS.....	O-Ring Face Seal
CYL.....	Cylinder	OZ (oz).....	Ounces
DIA.....	Diameter	PG.....	Page
DC.....	Direct Current	PN.....	Part Number
DEF.....	Diesel Exhaust Fluid	QT(qt.).....	Quarts
EMS.....	Emergency Stop	QTY.....	Quantity
ENG.....	Engine	REF.....	Reference
FT(ft).....	Feet	REV.....	Revision Level
GA(Ga).....	Gauge	RH.....	Right Hand
HRC.....	High Rated Countries	SAE.....	Society of Automotive Engineers
HVAC.....	Heating, Ventilating, and Air Conditioning	SN.....	Serial Number
HYD.....	Hydraulic	SPEC(S).....	Specifications
Hz.....	Hertz	T/T.....	Turntable
ID.....	Inside Diameter	UGM.....	Universal Ground Module
IN.....	inches	V.....	Volts
ISO.....	International Organization for Standards	W.....	Watts
JIC.....	Joint Industry Council	#.....	Number
KG.....	Kilogram		

10) ILLUSTRATION REFERENCE LETTERS

When necessary, illustrations may contain reference letters that are intended to track information (i. e. hoses, harnesses) from one point to another or to track visual enlargement of components to show details that may be located in another area on the illustration.

Note: Due to continuous product improvements, JLG Industries, Inc. reserves the right to make specification changes without prior notification. Contact JLG Industries, Inc. for updated information.

TABLE OF CONTENTS

SECTION 1 - FRAME.....	17
FIGURE 1-1. AXLE INSTALLATION - FIXED (WITHOUT TOW PACKAGE) (7FT/2.1M WIDE MACHINES)	18
FIGURE 1-2. AXLE INSTALLATION - FIXED (WITHOUT TOW PACKAGE) (8FT/2.4M WIDE MACHINES)	20
FIGURE 1-3. AXLE INSTALLATION - OSCILLATING (WITH TOW PACKAGE) (7FT/2.1M WIDE MACHINES).....	22
FIGURE 1-4. AXLE INSTALLATION - OSCILLATING (WITHOUT TOW PACKAGE) (7FT/2.1M WIDE MACHINES)	24
FIGURE 1-5. AXLE INSTALLATION - OSCILLATING (WITHOUT TOW PACKAGE) (8FT/2.4M WIDE MACHINES) (MACHINES WITH SN STARTING WITH 03)	26
FIGURE 1-6. AXLE INSTALLATION - OSCILLATING (WITHOUT TOW PACKAGE) (8FT/2.4M WIDE MACHINES) (MACHINES WITH SN STARTING WITH B3).....	28
FIGURE 1-7. AXLE INSTALLATION - OSCILLATING (WITH TOW PACKAGE) (8FT/2.4M WIDE MACHINES).....	30
FIGURE 1-8. STEERING INSTALLATION - 2WD/2WS (8FT/2.4M WIDE MACHINES WITHOUT TOW PACKAGE)	32
FIGURE 1-9. STEERING INSTALLATION - 2WD/2WS (8FT/2.4M WIDE MACHINES WITH TOW PACKAGE).....	34
FIGURE 1-10. STEERING INSTALLATION - 2WD/4WS (7FT/2.1M WIDE MACHINES WITHOUT TOW PACKAGE)	36
FIGURE 1-11. STEERING INSTALLATION - 2WD/4WS (7FT/2.1M WIDE MACHINES WITH TOW PACKAGE).....	38
FIGURE 1-12. STEERING INSTALLATION - 4WD/2WS & 4WD/4WS (8FT/2.4M WIDE MACHINES WITHOUT TOW PACKAGE)	40
FIGURE 1-13. STEERING INSTALLATION - 4WD/2WS (8FT/2.4M WIDE MACHINES WITH TOW PACKAGE).....	42
FIGURE 1-14. HUB ASSEMBLY	44
FIGURE 1-15. WHEEL DRIVE INSTALLATION - 2WD/2WS	46
FIGURE 1-16. WHEEL DRIVE INSTALLATION - 2WD/4WS	48
FIGURE 1-17. WHEEL DRIVE INSTALLATION - 4WD/2WS	50
FIGURE 1-18. WHEEL DRIVE INSTALLATION - 4WD/4WS	52
FIGURE 1-19. TIRE AND WHEEL INSTALLATION - FOAM FILLED.....	54
FIGURE 1-20. TIRE AND WHEEL INSTALLATION - FOAM FILLED NON-MARKING.....	56
FIGURE 1-21. TIRE AND WHEEL INSTALLATION - SOLIDBOSS	58
FIGURE 1-22. TIRE AND WHEEL INSTALLATION - SOLIDBOSS NON-MARKING.....	60
FIGURE 1-23. TIRE AND WHEEL INSTALLATION - TURF	62
FIGURE 1-24. DRIVE HUB ASSEMBLY	64
FIGURE 1-25. DRIVE MOTOR ASSEMBLY - 2WD	68
FIGURE 1-26. DRIVE MOTOR ASSEMBLY - 4WD	70
FIGURE 1-27. FLOW DIVIDER VALVE ASSEMBLY – 2WD	72
FIGURE 1-28. FLOW DIVIDER VALVE ASSEMBLY – 4WD	74
FIGURE 1-29. FRAME SHIELDS INSTALLATION – 2WS (7FT/2.1M WIDE MACHINES)	76
FIGURE 1-30. FRAME SHIELDS INSTALLATION – 2WS (8FT/2.4M WIDE MACHINES)	78
FIGURE 1-31. FRAME SHIELDS INSTALLATION – 4WS (8FT/2.4M WIDE MACHINES)	80
FIGURE 1-32. TOW PACKAGE INSTALLATION (ANSI SPECS)	82
FIGURE 1-33. TOW PACKAGE INSTALLATION (CSA SPECS)	84
FIGURE 1-34. TOW PACKAGE INSTALLATION (CE, RUSSIA & UK CA SPECS).....	86
FIGURE 1-35. TOW BAR ASSEMBLY	88
SECTION 2 - TURNTABLE.....	91
FIGURE 2-1. CONTROL VALVES INSTALLATION - 2WS WITH DEUTZ D2011 AND DEUTZ D2011 (STAGE V) ENGINES.....	92
FIGURE 2-2. CONTROL VALVES INSTALLATION – 2WS WITH DEUTZ TD2.3L3, DEUTZ TD2.9L4, DEUTZ TD2.9L4 (STAGE V), DEUTZ D2.9L4 (CHINA IV) AND FORD ENGINES	94
FIGURE 2-3. CONTROL VALVES INSTALLATION – 4WS WITH DEUTZ D2011 AND DEUTZ D2011 (STAGE V) ENGINES.....	96

TABLE OF CONTENTS

FIGURE 2-4. CONTROL VALVES INSTALLATION – 4WS WITH DEUTZ TD2.3L3, DEUTZ TD2.9L4, DEUTZ TD2.9L4 (STAGE V), DEUTZ D2.9L4 (CHINA IV) AND FORD ENGINES.....	98
FIGURE 2-5. MAIN VALVE BLOCK ASSEMBLY – 2WS.....	100
FIGURE 2-6. MAIN VALVE BLOCK ASSEMBLY – 4WS.....	104
FIGURE 2-7. AUXILIARY PUMP INSTALLATION – DEUTZ TD2.9L4, DEUTZ D2.9L4, DEUTZ D2.9L4 (CHINA IV) AND FORD ENGINES.....	108
FIGURE 2-8. AUXILIARY PUMP WITH BATTERY DISCONNECT INSTALLATION – DEUTZ TD2.2L3 (STAGE V), DEUTZ TD2.9L4, DEUTZ D2.9L4, DEUTZ D2.9L4 (CHINA IV) AND FORD ENGINES.....	110
FIGURE 2-9. AUXILIARY PUMP ASSEMBLY.....	112
FIGURE 2-10. SWING DRIVE INSTALLATION.....	114
FIGURE 2-11. SWING MOTOR/HUB ASSEMBLY.....	116
FIGURE 2-12. TURNTABLE BEARING INSTALLATION.....	120
FIGURE 2-13. TURNTABLE LOCK INSTALLATION – DEUTZ D2011 AND FORD DF 2.5L ENGINE MACHINES.....	122
FIGURE 2-14. TURNTABLE LOCK INSTALLATION – DEUTZ TD2.2L3 (STAGE V), DEUTZ TD2.9L4 AND DEUTZ D2.9L4 (CHINA IV) ENGINE MACHINES.....	124
FIGURE 2-15. ROTARY COUPLING INSTALLATION – 2WS.....	126
FIGURE 2-16. ROTARY COUPLING INSTALLATION – 4WS.....	128
FIGURE 2-17. TANK INSTALLATION – DEUTZ D2011 ENGINE (MACHINES WITH SN STARTING WITH 03).....	130
FIGURE 2-18. TANK INSTALLATION – DEUTZ D2011 ENGINE (MACHINES WITH SN STARTING WITH B3).....	132
FIGURE 2-19. TANK INSTALLATION – DEUTZ TD2.2L3 (STAGE V) AND DEUTZ TD2.9L4 ENGINE (MACHINES WITH SN STARTING WITH 03).....	134
FIGURE 2-20. TANK INSTALLATION – DEUTZ TD2.2L3 (STAGE V), DEUTZ TD2.9L4 AND DEUTZ D2.9L4 (CHINA IV) ENGINE (MACHINES WITH SN STARTING WITH B3).....	136
FIGURE 2-21. TANK INSTALLATION – FORD DF 2.5L ENGINE.....	138
FIGURE 2-22. HYDRAULIC OIL TANK ASSEMBLY (MACHINES WITH SN STARTING WITH 03).....	140
FIGURE 2-23. HYDRAULIC OIL TANK ASSEMBLY (MACHINES WITH SN STARTING WITH B3).....	142
FIGURE 2-24. LP TANK BRACKET INSTALLATION – FORD DF 2.5L (8FT/2.4M WIDE MACHINES).....	144
FIGURE 2-25. LP TANK BRACKET INSTALLATION – FORD DF 2.5L (7FT/2.1M WIDE MACHINES).....	146
FIGURE 2-26. HYDRAULIC OIL COOLER INSTALLATION - DEUTZ D2011 ENGINES.....	148
FIGURE 2-27. HYDRAULIC OIL COOLER INSTALLATION - DEUTZ TD2.2L3 ENGINES.....	150
FIGURE 2-28. HYDRAULIC OIL COOLER INSTALLATION (DUETZ D2.9L4 (CHINA IV) ENGINES).....	152
FIGURE 2-29. HYDRAULIC OIL COOLER INSTALLATION - DEUTZ TD2.9L4 ENGINES.....	154
FIGURE 2-30. HYDRAULIC OIL COOLER INSTALLATION – FORD DF 2.5L ENGINES.....	156
FIGURE 2-31. GROUND CONTROL BOX ASSEMBLY - DEUTZ D2011 ENGINE - WITH MECHANICAL HOUR METER.....	158
FIGURE 2-32. GROUND CONTROL BOX ASSEMBLY - DEUTZ D2011 ENGINE AND TOWER STOW - WITH MECHANICAL HOUR METER.....	162
FIGURE 2-33. GROUND CONTROL BOX ASSEMBLY - DEUTZ D2011 ENGINES AND MSSO.....	166
FIGURE 2-34. GROUND CONTROL BOX ASSEMBLY - DEUTZ D2011 ENGINES AND TOWER STOW AND MSSO.....	170
FIGURE 2-35. GROUND CONTROL BOX ASSEMBLY - DEUTZ TD2.2L3 (STAGE V) ENGINES AND TOWER STOW.....	174
FIGURE 2-36. GROUND CONTROL BOX ASSEMBLY - DEUTZ TD2.2L3 (STAGE V) ENGINES AND TOWER STOW.....	178
FIGURE 2-37. GROUND CONTROL BOX ASSEMBLY - DEUTZ TD2.9L4, DEUTZ D2.9L4 AND DEUTZ D2.9L4 (CHINA IV) ENGINES - WITH MECHANICAL HOUR METER.....	182
FIGURE 2-38. GROUND CONTROL BOX ASSEMBLY - DEUTZ TD2.9L4, DEUTZ D2.9L4 AND DEUTZ D2.9L4 (CHINA IV) ENGINES AND TOWER STOW - WITH MECHANICAL HOUR METER.....	186
FIGURE 2-39. GROUND CONTROL BOX ASSEMBLY - FORD DF 2.5L AND TOWER STOW - WITH MECHANICAL HOUR METER.....	190
FIGURE 2-40. LIGHT PANEL INSTALLATION – GROUND CONTROL (SN STARTING WITH 03).....	194
FIGURE 2-41. LIGHT PANEL INSTALLATION – GROUND CONTROL (SN STARTING WITH B3).....	196
FIGURE 2-42. CRIBBING ENABLE SWITCH INSTALLATION.....	198

TABLE OF CONTENTS

FIGURE 2-43. ALARMS INSTALLATION.....	200
FIGURE 2-44. BACKUP ALARM (WHITE NOISE) INSTALLATION.....	202
FIGURE 2-45. BACKUP ALARM AMBIENT (WHITE NOISE) INSTALLATION.....	204
FIGURE 2-46. HEAD AND TAIL LIGHTS INSTALLATION (OPTIONAL)	206
FIGURE 2-47. CHASSIS ILLUMINATION LIGHTS INSTALLATION (OPTIONAL)	208
FIGURE 2-48. STROBE LIGHT INSTALLATION (AMBER)	210
FIGURE 2-49. STROBE LIGHT INSTALLATION (BLUE).....	212
FIGURE 2-50. STROBE LIGHT INSTALLATION (RED)	214
FIGURE 2-51. ENGINE TRAY JACK INSTALLATION – DEUTZ D2011 ENGINES.....	216
FIGURE 2-52. ENGINE TRAY JACK INSTALLATION – DEUTZ TD2.2L3 (STAGE V), DEUTZ TD2.9L4 AND DEUTZ D2.9L4 (CHINA IV) ENGINES.....	218
FIGURE 2-53. ENGINE TRAY JACK INSTALLATION – FORD DF 2.5L ENGINES	220
FIGURE 2-54. HOODS INSTALLATION – DEUTZ D2011 ENGINES WITHOUT NOISE REDUCTION (ABS)	222
FIGURE 2-55. HOODS INSTALLATION – DEUTZ D2011 ENGINES WITH NOISE REDUCTION (ABS).....	226
FIGURE 2-56. HOODS INSTALLATION – DEUTZ TD2.2L3 (STAGE V) ENGINES (ABS)	230
FIGURE 2-57. HOODS INSTALLATION – DEUTZ TD2.9L4, DEUTZ D2.9L4, DEUTZ D2.9L4 (CHINA IV) AND FORD DF 2.5L ENGINES (ABS).....	234
FIGURE 2-58. NOISE REDUCTION INSTALLATION - DEUTZ ENGINES	238
FIGURE 2-59. NOISE REDUCTION INSTALLATION - DEUTZ TD2.2L3 (STAGE V) AND DEUTZ D2.9L4 (CHINA IV) ENGINES	240
FIGURE 2-60. STROBE LIGHT JUMPER HARNESS.....	242
FIGURE 2-61. CSB HARNESS	244
SECTION 3 - ENGINE	247
FIGURE 3-1. DEUTZ D2011 ENGINE INSTALLATION - (WITHOUT ARCTIC PACKAGE) (SN STARTING WITH 03)	248
FIGURE 3-2. DEUTZ D2011 ENGINE INSTALLATION - (WITHOUT ARCTIC PACKAGE) (SN STARTING WITH B3).....	250
FIGURE 3-3. DEUTZ D2011 ENGINE INSTALLATION - (WITH ARCTIC PACKAGE) (SN STARTING WITH 03).....	252
FIGURE 3-4. DEUTZ D2011 ENGINE INSTALLATION - (WITH ARCTIC PACKAGE) (SN STARTING WITH B3)	254
FIGURE 3-5. DEUTZ D2011 ENGINE/PUMP SUB-ASSEMBLY - (WITHOUT ARCTIC PACKAGE) (SN STARTING WITH 03)	258
FIGURE 3-6. DEUTZ D2011 ENGINE/PUMP SUB-ASSEMBLY - (WITHOUT ARCTIC PACKAGE) (SN STARTING WITH B3)	260
FIGURE 3-7. DEUTZ D2011 ENGINE/PUMP SUB-ASSEMBLY - (WITH ARCTIC PACKAGE) (SN STARTING WITH 03)	262
FIGURE 3-8. DEUTZ D2011 ENGINE/PUMP SUB-ASSEMBLY - (WITH ARCTIC PACKAGE) (SN STARTING WITH B3).....	264
FIGURE 3-9. DEUTZ D2011 ENGINE ASSEMBLY - WITHOUT ARCTIC PACKAGE	266
FIGURE 3-10. DEUTZ D2011 ENGINE ASSEMBLY - WITH ARCTIC PACKAGE.....	270
FIGURE 3-11. DEUTZ D2011 ENGINE COMPONENTS	274
FIGURE 3-12. DEUTZ TD2.2L3 (STAGE V) ENGINES INSTALLATION - (WITHOUT ARCTIC PACKAGE)	278
FIGURE 3-13. DEUTZ TD2.2L3 (STAGE V) ENGINE/PUMP SUB-ASSEMBLY - (WITHOUT ARCTIC PACKAGE).....	282
FIGURE 3-14. DEUTZ TD2.2L3 (STAGE V) ENGINES ASSEMBLY - WITHOUT ARCTIC PACKAGE.....	284
FIGURE 3-15. DEUTZ TD2.2L3 (STAGE V) ENGINE COMPONENTS	290
FIGURE 3-16. DEUTZ D2.9L4 (49HP) ENGINE INSTALLATION - (WITHOUT ARCTIC PACKAGE) (SN STARTING WITH 03).....	292
FIGURE 3-17. DEUTZ D2.9L4 (49HP) ENGINE INSTALLATION - WITH ARCTIC PACKAGE) (SN STARTING WITH 03).....	296
FIGURE 3-18. DEUTZ D2.9L4 (49HP) ENGINE/PUMP SUB-ASSEMBLY - (WITHOUT ARCTIC PACKAGE) (SN STARTING WITH 03)	300
FIGURE 3-19. DEUTZ D2.9L4 (49HP) ENGINE/PUMP SUB-ASSEMBLY - (WITH ARCTIC PACKAGE) (SN STARTING WITH 03)	302
FIGURE 3-20. DEUTZ D2.9L4 (49HP) ENGINE ASSEMBLY - WITHOUT ARCTIC PACKAGE.....	304
FIGURE 3-21. DEUTZ D2.9L4 (49HP) ENGINE ASSEMBLY - WITH ARCTIC PACKAGE	310

TABLE OF CONTENTS

FIGURE 3-22. DEUTZ D2.9L4 (49HP) ENGINE COMPONENTS	316
FIGURE 3-23. DEUTZ D2.9L4 ENGINE INSTALLATION (CHINA IV)	320
FIGURE 3-24. DEUTZ D2.9L4 ENGINE ASSEMBLY WITH PUMPS (CHINA IV)	324
FIGURE 3-25. DEUTZ D2.9L4 ENGINE ASSEMBLY (CHINA IV)	326
FIGURE 3-26. DUETZ D2.9L4 ENGINE COMPONENTS (CHINA IV)	332
FIGURE 3-27. RADIATOR ASSEMBLY - DUETZ D2.9L4 ENGINE (CHINA IV)	334
FIGURE 3-28. DEUTZ TD2.9L4 (67HP) ENGINE INSTALLATION - (WITHOUT ARCTIC PACKAGE) (SN STARTING WITH 03)	336
FIGURE 3-29. DEUTZ TD2.9L4 (67HP) ENGINE INSTALLATION - (WITH ARCTIC PACKAGE) (SN STARTING WITH 03)	340
FIGURE 3-30. DEUTZ TD2.9L4 (67HP) ENGINE/PUMP SUB-ASSEMBLY - (WITHOUT ARCTIC PACKAGE) (SN STARTING WITH 03)	344
FIGURE 3-31. DEUTZ TD2.9L4 (67HP) ENGINE/PUMP SUB-ASSEMBLY - (WITH ARCTIC PACKAGE) (SN STARTING WITH 03)	346
FIGURE 3-32. DEUTZ TD2.9L4 (67HP) ENGINE ASSEMBLY - WITHOUT ARCTIC PACKAGE	348
FIGURE 3-33. DEUTZ TD2.9L4 (67HP) ENGINE ASSEMBLY - WITH ARCTIC PACKAGE	354
FIGURE 3-34. DEUTZ TD2.9L4 (67HP) ENGINE COMPONENTS	360
FIGURE 3-35. BRACKET ASSEMBLY - FUEL PUMP AND FILTER (DEUTZ D2.2L3 (STAGE V) ENGINES)	364
FIGURE 3-36. BRACKET ASSEMBLY - FUEL PUMP AND FILTER (DEUTZ D2.9L4 ENGINE)	366
FIGURE 3-37. BREATHER HEATER INSTALLATION - DEUTZ D2.9L4 ENGINES WITH ARCTIC PACKAGE	368
FIGURE 3-38. FORD ENGINE INSTALLATION - WITHOUT ARCTIC PACKAGE	370
FIGURE 3-39. FORD ENGINE INSTALLATION - WITH ARCTIC PACKAGE	374
FIGURE 3-40. FORD ENGINE/PUMP SUB-ASSEMBLY - WITHOUT ARCTIC PACKAGE	378
FIGURE 3-41. FORD ENGINE/PUMP SUB-ASSEMBLY - WITH ARCTIC PACKAGE	380
FIGURE 3-42. FORD ENGINE ASSEMBLY - WITHOUT ARCTIC PACKAGE	382
FIGURE 3-43. FORD ENGINE ASSEMBLY - WITH ARCTIC PACKAGE	388
FIGURE 3-44. FORD ENGINE COMPONENTS	394
FIGURE 3-45. DRIVE BELT INSTALLATION - FORD ENGINES MACHINES WITHOUT GENERATORS	398
FIGURE 3-46. PUMP COUPLING KIT - DEUTZ ENGINES	400
FIGURE 3-47. PUMP COUPLING AND FUEL SYSTEM ASSEMBLY - FORD ENGINES	402
FIGURE 3-48. PISTON PUMP ASSEMBLY - DEUTZ ENGINES - DANFOSS	404
FIGURE 3-49. PISTON PUMP ASSEMBLY WITH FITTINGS - DEUTZ ENGINES - HENGLI	408
FIGURE 3-50. PISTON PUMP - HENGLI	410
FIGURE 3-51. PISTON PUMP ASSEMBLY - FORD ENGINES	412
FIGURE 3-52. GEAR PUMP ASSEMBLY	416
FIGURE 3-53. SPARK ARRESTOR MUFFLER INSTALLATION - DEUTZ D2011 ENGINES	418
FIGURE 3-54. EXHAUST PIPE INSTALLATION - FORD DF 2.5L ENGINES	420
FIGURE 3-55. FUEL PUMP AND FILTER ASSEMBLY (DEUTZ D2.9L4 (CHINA IV) ENGINE)	422
FIGURE 3-56. FUEL-WATER SEPARATOR INSTALLATION - DEUTZ D2011 AND DEUTZ D2011 STAGE V ENGINES	424
FIGURE 3-57. FUEL/WATER SEPARATOR INSTALLATION DUETZ D2.9L4 (CHINA IV) ENGINE	426
FIGURE 3-58. RIGHT ENGINE SUPPORT INSTALLATION (DEUTZ D2011 ENGINES MACHINES WITHOUT GENERATORS)	428
FIGURE 3-59. RIGHT ENGINE SUPPORT INSTALLATION (DEUTZ D2011 ENGINES MACHINES WITH GENERATORS)	430
FIGURE 3-60. RIGHT ENGINE SUPPORT INSTALLATION (DEUTZ TD2.2L3 (STAGE V) ENGINES MACHINES WITHOUT GENERATORS)	432
FIGURE 3-61. RIGHT ENGINE SUPPORT INSTALLATION (DEUTZ TD2.2L3 (STAGE V) ENGINES MACHINES WITH GENERATORS)	434
FIGURE 3-62. RIGHT ENGINE SUPPORT INSTALLATION (DEUTZ TD2.9L4 AND DEUTZ D2.9L4 ENGINES MACHINES WITHOUT GENERATORS)	436

TABLE OF CONTENTS

FIGURE 3-63. RIGHT ENGINE SUPPORT INSTALLATION (DEUTZ TD2.9L4 AND DEUTZ D2.9L4 ENGINES MACHINES WITH GENERATORS)	438
FIGURE 3-64. RIGHT ENGINE SUPPORT INSTALLATION (DUETZ D2.9L4 (CHINA IV) ENGINES).....	440
FIGURE 3-65. 2500W/110V/60HZ GENERATOR INSTALLATION - DEUTZ D2011 ENGINES.....	442
FIGURE 3-66. 2500W/110V/60HZ GENERATOR INSTALLATION - DEUTZ TD2.9L4 ENGINES.....	444
FIGURE 3-67. 2500W/220V/50HZ GENERATOR INSTALLATION - DEUTZ D2011 ENGINES (ANSI EXPORT, AUSTRALIAN AND CHINA SPECS).....	448
FIGURE 3-68. 2500W/220V/50HZ GENERATOR INSTALLATION - DEUTZ D2011 ENGINES (ANSI EXPORT, CHINA AND RUSSIA SPECS).....	450
FIGURE 3-69. 2500W/60HZ GENERATOR INSTALLATION - FORD ENGINES	452
FIGURE 3-70. 4000W/60HZ GENERATOR INSTALLATION - DEUTZ D2011 ENGINES	456
FIGURE 3-71. 4000W/50HZ GENERATOR INSTALLATION - DEUTZ D2011 ENGINES	460
FIGURE 3-72. 4000W/50HZ GENERATOR INSTALLATION - DEUTZ TD2.2L3 (STAGE V) ENGINES	464
FIGURE 3-73. 4000W/50HZ GENERATOR INSTALLATION - DEUTZ TD2.2L3 (STAGE V) ENGINES MACHINES WITH SN STARTING WITH B3.....	468
FIGURE 3-74. 4000W/60HZ GENERATOR INSTALLATION - DEUTZ TD2.9L4 AND DEUTZ D2.9L4 ENGINES	472
FIGURE 3-75. 4000W/50HZ GENERATOR INSTALLATION - DEUTZ TD2.9L4 AND DEUTZ D2.9L4 ENGINES	476
FIGURE 3-76. 7500W/60HZ SKYPOWER GENERATOR INSTALLATION - DEUTZ D2011 ENGINES.....	480
FIGURE 3-77. 7500W/50HZ SKYPOWER GENERATOR INSTALLATION - DEUTZ D2011 ENGINES.....	484
FIGURE 3-78. 7500W/60HZ SKYPOWER GENERATOR INSTALLATION - DEUTZ TD2.9L4 AND DEUTZ D2.9L4 ENGINES	488
FIGURE 3-79. 7500W/60HZ SKYPOWER GENERATOR INSTALLATION - FORD ENGINES.....	492
FIGURE 3-80. QUICKFIT OIL VALVE (DEUTZ TD ENGINES).....	496
FIGURE 3-81. QUICKFIT OIL VALVE (DEUTZ D ENGINES).....	498
SECTION 4 - BOOM.....	501
FIGURE 4-1. BOOMS AND CYLINDERS INSTALLATION - WITHOUT ARCTIC PACKAGE	502
FIGURE 4-2. BOOMS AND CYLINDERS INSTALLATION - WITHOUT ARCTIC PACKAGE.....	504
FIGURE 4-3. BOOMS AND CYLINDERS INSTALLATION - WITHOUT ARCTIC PACKAGE.....	506
FIGURE 4-4. BOOMS AND CYLINDERS INSTALLATION - WITH ARCTIC PACKAGE	508
FIGURE 4-5. TOWER BOOM ASSEMBLY	510
FIGURE 4-6. TOWER BOOM ASSEMBLY	512
FIGURE 4-7. MAIN BOOM ASSEMBLY.....	514
FIGURE 4-8. MAIN BOOM ASSEMBLY.....	516
FIGURE 4-9. JIB BOOM ASSEMBLY.....	518
FIGURE 4-10. ROTATOR ASSEMBLY	520
FIGURE 4-11. PLATFORM SUPPORT INSTALLATION.....	522
FIGURE 4-12. POWER TRACK INSTALLATION - MAIN BOOM.....	524
FIGURE 4-13. POWER TRACK INSTALLATION - TOWER BOOM.....	526
FIGURE 4-14. CONTROL VALVES INSTALLATION – 2WS WITH DEUTZ D2011 ENGINES.....	528
FIGURE 4-15. CONTROL VALVES INSTALLATION – 4WS WITH DEUTZ D2011 ENGINES.....	530
FIGURE 4-16. CONTROL VALVES INSTALLATION – 2WS WITH DEUTZ TD2.3L3, DEUTZ TD2.9L4, DEUTZ TD2.9L4 (STAGE V), DEUTZ D2.9L4 (CHINA IV) AND FORD ENGINES.....	532
FIGURE 4-17. CONTROL VALVES INSTALLATION – 4WS WITH DEUTZ TD2.3L3, DEUTZ TD2.9L4, DEUTZ TD2.9L4 (STAGE V), DEUTZ D2.9L4 (CHINA IV) AND FORD ENGINES.....	534
FIGURE 4-18. CONTROL VALVE ASSEMBLY.....	536
FIGURE 4-19. BOOM VALVES AND LIMIT SWITCHES INSTALLATION	538
FIGURE 4-20. BOOM VALVES AND LIMIT SWITCHES INSTALLATION - WITH TOWER STOW.....	540
FIGURE 4-21. TRANSPORT POSITION SWITCH INSTALLATION	542

TABLE OF CONTENTS

FIGURE 4-22. JIB BOOM ASSEMBLY	544
SECTION 5 - PLATFORM	547
FIGURE 5-1. PLATFORM ASSEMBLY - 30IN X 4FT (76.2CM X 1.22M) WITH SWING GATE	548
FIGURE 5-2. PLATFORM ASSEMBLY - 30IN X 5FT (76CM X 1.52M) WITH SWING GATE	550
FIGURE 5-3. PLATFORM ASSEMBLY - 36IN X 6FT (91.5CM X 1.83M) WITH SWING GATE	552
FIGURE 5-4. PLATFORM ASSEMBLY - 36IN X 8FT (91.5CM X 2.44M) WITH SWING GATE	554
FIGURE 5-5. PLATFORM ASSEMBLY - 30IN X 3FT (76CM X .91M) WITH DROP BAR	556
FIGURE 5-6. PLATFORM ASSEMBLY - 30IN X 4FT (76.2CM X 1.22M) WITH DROP BAR	558
FIGURE 5-7. PLATFORM ASSEMBLY - 30IN X 5FT (76CM X 1.52M) WITH DROP BAR	560
FIGURE 5-8. PLATFORM ASSEMBLY - 36IN X 6FT (91.5CM X 1.83M) WITH DROP BAR	562
FIGURE 5-9. PLATFORM ASSEMBLY - 36IN X 8FT (91.5CM X 2.44M) WITH DROP BAR	564
FIGURE 5-10. PLATFORM ASSEMBLY - 36IN X 6FT (91.5CM X 1.83M) WITH FALL ARREST	566
FIGURE 5-11. PLATFORM ASSEMBLY - 36IN X 8FT (91.5CM X 2.44M) WITH FALL ARREST	568
FIGURE 5-12. PLATFORM ASSEMBLY - 36IN X 6FT (91.5CM X 1.83M) TRI-ENTRY WITH SWING GATE	570
FIGURE 5-13. PLATFORM ASSEMBLY - 36IN X 8FT (91.5CM X 2.44M) TRI-ENTRY WITH SWING GATE	572
FIGURE 5-14. PLATFORM ASSEMBLY - 36IN X 6FT (91.5CM X 1.83M) TRI-ENTRY WITH DROP BAR	574
FIGURE 5-15. PLATFORM ASSEMBLY - 36IN X 8FT (91.5CM X 2.44M) TRI-ENTRY WITH DROPBAR	576
FIGURE 5-16. TRAY ASSEMBLY	578
FIGURE 5-17. CONSOLE AND FOOT SWITCH INSTALLATION (WITHOUT TOWER STOW)	580
FIGURE 5-18. CONSOLE AND FOOT SWITCH INSTALLATION (WITH TOWER STOW).....	582
FIGURE 5-19. CONSOLE BOX ASSEMBLY WITH FOOTSWITCH (WITHOUT TOWER STOW)	584
FIGURE 5-20. CONSOLE BOX ASSEMBLY WITH FOOTSWITCH (WITH TOWER STOW).....	588
FIGURE 5-21. FOOTSWITCH ASSEMBLY	592
FIGURE 5-22. CRAB STEER SWITCH INSTALLATION - 4WS (WITHOUT TOW PACKAGE).....	594
FIGURE 5-23. CRAB STEER SWITCH INSTALLATION - 4WS (WITH TOW PACKAGE)	596
FIGURE 5-24. STEER SWITCH INSTALLATION – 4WS	598
FIGURE 5-25. LIGHT PANEL INSTALLATION (SN STARTING WITH 03)	600
FIGURE 5-26. LIGHT PANEL INSTALLATION (SN STARTING WITH B3)	602
FIGURE 5-27. SKYEYE INSTALLATION.....	604
FIGURE 5-28. SKYGUARD BAR INSTALLATION.....	606
FIGURE 5-29. SKYLINE INSTALLATION	608
FIGURE 5-30. SKYWELDER/SKYCUTTER COMBO INSTALLATION (60HZ) (ANSI, ANSI EXPORT, CSA, AUSTRALIAN, CHINA AND JAPANESE SPECS).....	610
FIGURE 5-31. SKYWELDER INSTALLATION (50HZ).....	614
FIGURE 5-32. SKYWELDER INSTALLATION (60HZ).....	616
FIGURE 5-33. SKYCUTTER INSTALLATION (ANSI, ANSI EXPORT, CSA, CHINA AND JAPANESE SPECS)	618
FIGURE 5-34. PLASMA CUTTER ASSEMBLY	620
FIGURE 5-35. WELDER ASSEMBLY	622
FIGURE 5-36. SKYWELDER PREP PACKAGE (60HZ).....	624
FIGURE 5-37. SKYWELDER LOCKING BRACKET INSTALLATION.....	626
FIGURE 5-38. SOFT TOUCH INSTALLATION - 6FT (1.83M) FALL ARREST PLATFORM.....	628
FIGURE 5-39. SOFT TOUCH SYSTEM INSTALLATION - 6FT/1.8M PLATFORMS	630
FIGURE 5-40. SOFT TOUCH SYSTEM INSTALLATION - 8FT/2.44M PLATFORM	632
FIGURE 5-41. SOFT TOUCH INSTALLATION - 8FT (2.4M) FALL ARREST PLATFORM.....	634
FIGURE 5-42. SKYGLAZIER INSTALLATION (ALL SPECS EXCEPT AUSTRALIAN AAND JAPANESE SPECS)	636

TABLE OF CONTENTS

FIGURE 5-43. SKYGLAZIER INSTALLATION (ANSI EXPORT AND AUSTRALIAN SPECS).....	638
FIGURE 5-44. FALL ARREST INSTALLATION (BOLT-ON) (4FT/1.22M PLATFORM)	640
FIGURE 5-45. FALL ARREST INSTALLATION (BOLT-ON EXTERNAL) (5FT/1.52M PLATFORM)	642
FIGURE 5-46. FALL ARREST INSTALLATION (BOLT-ON EXTERNAL) (6FT/1.82M PLATFORM)	644
FIGURE 5-47. FALL ARREST INSTALLATION (BOLT-ON EXTERNAL) (6FT/1.82M TRI-ENTRY PLATFORM)	646
FIGURE 5-48. FALL ARREST INSTALLATION (BOLT-ON EXTERNAL) (8FT/2.4M PLATFORM)	648
FIGURE 5-49. USB CHARGER INSTALLATION	650
SECTION 6 - CYLINDER	653
FIGURE 6-1. AXLE LOCKOUT CYLINDER ASSEMBLY (MACHINES WITH SN STARTING WITH 03).....	654
FIGURE 6-2. AXLE LOCKOUT CYLINDER ASSEMBLY (MACHINES WITH SN STARTING WITH B3)	656
FIGURE 6-3. LEVEL (PLATFORM SLAVE) CYLINDER ASSEMBLY (SAE AND METRIC MATERIAL BOOMS)	658
FIGURE 6-4. UPRIGHT LEVEL CYLINDER ASSEMBLY (Prior to SN 03002924230, Prior to SN B300015405, Except SN 0300286728 through 0300286731, Excluding 0300291013)	660
FIGURE 6-5. UPRIGHT LEVEL CYLINDER ASSEMBLY (SN 0300292423 to Present, SN B300015405 to Present, SN 0300286728 through 0300286731, Including 0300291013)	662
FIGURE 6-6. LIFT CYLINDER ASSEMBLY - JIB (SN 0300292423 to Present, SN B300015405 to Present, SN 0300286728 through 0300286731, Including 0300291013)	664
FIGURE 6-7. LIFT CYLINDER ASSEMBLY - MAIN BOOM (Prior to SN 03002924230, Prior to SN B300015405, Except SN 0300286728 through 0300286731, Excluding 0300291013, 0300292087, 0300292098, 0300292099, 0300292238, 0300292239 and 0300292386).....	666
FIGURE 6-8. LIFT CYLINDER ASSEMBLY - MAIN BOOM (SN 0300292430 to Present, SN B300015405 to Present, SN 0300286728 through 0300286731, Including 0300291013, 0300292087, 0300292098, 0300292099, 0300292238, 0300292239 and 0300292386).....	668
FIGURE 6-9. LIFT CYLINDER ASSEMBLY - TOWER BOOM.....	670
FIGURE 6-10. MASTER CYLINDER ASSEMBLY.....	672
FIGURE 6-11. STEER CYLINDER ASSEMBLY (7FT/2.1M WIDE MACHINES).....	674
FIGURE 6-12. STEER CYLINDER ASSEMBLY (8FT/2.4M WIDE MACHINES).....	676
FIGURE 6-13. TELESCOPE CYLINDER ASSEMBLY - MAIN BOOM (SN 0300292423 to Present, SN B300015405 to Present, SN 0300286728 through 0300286731, Including 0300291013)	678
FIGURE 6-14. TELESCOPE CYLINDER ASSEMBLY - TOWER BOOM (SN 0300292423 to Present, SN B300015405 to Present, SN 0300286728 through 0300286731, Including 0300291013)	680
SECTION 7 - HYDRAULIC	683
FIGURE 7-1. DRIVE HYDRAULIC DIAGRAM - 2WD/2WS.....	684
FIGURE 7-2. DRIVE HYDRAULIC DIAGRAM - 2WD/4WS.....	688
FIGURE 7-3. DRIVE HYDRAULIC DIAGRAM - 4WD/2WS WITHOUT ARCTIC PACKAGE.....	692
FIGURE 7-4. DRIVE HYDRAULIC DIAGRAM - 4WD/2WS WITH ARCTIC PACKAGE	696
FIGURE 7-5. DRIVE HYDRAULIC DIAGRAM - 4WD/4WS WITHOUT ARCTIC PACKAGE.....	700
FIGURE 7-6. DRIVE HYDRAULIC DIAGRAM - 4WD/4WS WITH ARCTIC PACKAGE	704
FIGURE 7-7. FLUSHING LOOP HYDRAULIC INSTALLATION - 2WD.....	708
FIGURE 7-8. FLUSHING LOOP HYDRAULIC INSTALLATION - 4WD.....	710
FIGURE 7-9. HYDRAULIC DIAGRAM – STANDARD (DEUTZ D2011 ENGINES)	712
FIGURE 7-10. HYDRAULIC DIAGRAM - STANDARD (DEUTZ TD2.2L3 (STAGE V), DEUTZ D2.9L4 (CHINA IV) AND DEUTZ TD2.9L4 ENGINES).....	716
FIGURE 7-11. HYDRAULIC DIAGRAM – STANDARD (FORD ENGINES)	720
FIGURE 7-12. HYDRAULIC DIAGRAM - OSCILLATING AXLE (7FT/2.1M WIDE MACHINES).....	724
FIGURE 7-13. HYDRAULIC DIAGRAM - OSCILLATING AXLE (8FT/2.4M WIDE MACHINES).....	726
FIGURE 7-14. HYDRAULIC DIAGRAM – TOW BAR.....	728

TABLE OF CONTENTS

SECTION 8 - ELECTRICAL.....	731
FIGURE 8-1. 600AJ ELECTRICAL LAYOUT	732
FIGURE 8-2. AC CABLE CONNECTOR INSTALLATION - 110V/220V (MACHINES NO GENERATOR) (ANSI EXPORT, AUSTRALIAN, CHINA, RUSSIA, CE & UK CA SPECS).....	742
FIGURE 8-3. AC CABLE CONNECTOR INSTALLATION – SKYPOWER (MACHINES NO GENERATOR) (ALL SPECS EXCEPT CE & UK CA SPECS).....	744
FIGURE 8-4. AC CABLE CONNECTOR INSTALLATION – 4000W GENERATOR (MACHINES NO GENERATOR) (ALL SPECS EXCEPT AUSTRALIAN, RUSSIA, CE & UK CA SPECS).....	746
FIGURE 8-5. AC BOX AT PLATFORM INSTALLATION - 110V GFI RECEPTACLE (MACHINES WITH 2500W GENERATOR/NO GENERATOR OPTIONS) (ALL SPECS EXCEPT AUSTRALIAN, RUSSIA, CE & UK CA SPECS)	748
FIGURE 8-6. AC BOX AT PLATFORM INSTALLATION - 220V RECEPTACLE (MACHINES WITH 2500W GENERATOR/NO GENERATOR OPTIONS) (ANSI, ANSI EXPORT, CSA, CHINA AND JAPANESE SPECS).....	750
FIGURE 8-7. AC BOX AT PLATFORM INSTALLATION - BOX WITH COVER (2X4 BOX) (4000W GENERATOR) (ALL SPECS EXCEPT ANSI AND CSA SPECS)	752
FIGURE 8-8. AC BOX AT PLATFORM INSTALLATION – DUAL AC 110V GFI (MACHINES WITH 2500W GENERATOR) (ANSI EXPORT AND CHINA SPECS)	754
FIGURE 8-9. AC BOX AT PLATFORM MID-BOOM PLUG INSTALLATION (WITHOUT 7500W SKYPOWER GENERATOR).....	756
FIGURE 8-10. AC BOX AT PLATFORM INSTALLATION - 110V IEC YELLOW (CE, RUSSIA & UK CA SPECS)	758
FIGURE 8-11. AC BOX AT PLATFORM INSTALLATION - 110V IEC 60309 YELLOW (4000W GENERATOR) (CE, RUSSIA & UK CA SPECS).....	760
FIGURE 8-12. AC BOX AT PLATFORM INSTALLATION - 220V IEC BLUE (CE, RUSSIA & UK CA SPECS).....	762
FIGURE 8-13. AC BOX AT PLATFORM INSTALLATION - 220V IEC BLUE (2500W GENERATOR) (CE, RUSSIA & UK CA SPECS).....	764
FIGURE 8-14. AC BOX AT PLATFORM INSTALLATION - 220V IEC 60309 BLUE (4000W GENERATOR) (CE, RUSSIA & UK CA SPECS).....	766
FIGURE 8-15. AC BOX AT PLATFORM INSTALLATION - 220V CEE7 POST GROUND (CE, RUSSIA & UK CA SPECS)	768
FIGURE 8-16. AC BOX AT PLATFORM INSTALLATION - 220V CEE7 POST GROUND (2500W GENERATOR) (CE, RUSSIA & UK CA SPECS).....	770
FIGURE 8-17. AC BOX AT PLATFORM INSTALLATION - 220V CEE7 POST GROUND (2X4 BOX) (4000W GENERATOR) (CE, RUSSIA & UK CA SPECS)	772
FIGURE 8-18. AC BOX AT PLATFORM INSTALLATION - 220V CEE7 SIDE GROUND (CE, RUSSIA & UK CA SPECS).....	774
FIGURE 8-19. AC BOX AT PLATFORM INSTALLATION - 220V CEE7 SIDE GROUND (2500W GENERATOR) (CE, RUSSIA & UK CA SPECS).....	776
FIGURE 8-20. AC BOX AT PLATFORM INSTALLATION - 220V CEE7 SIDE GROUND (2X4 BOX) (4000W GENERATOR) (CE, RUSSIA & UK CA SPECS)	778
FIGURE 8-21. AC BOX AT PLATFORM INSTALLATION - 220V AFSINT 107 (CE, RUSSIA & UK CA SPECS)	780
FIGURE 8-22. AC BOX AT PLATFORM INSTALLATION - 220V AFSINT 107 (2500W GENERATOR) (CE, RUSSIA & UK CA SPECS).....	782
FIGURE 8-23. AC BOX AT PLATFORM INSTALLATION - 220V AFSINT 107 KEYED GROUND (2X4 BOX) (4000W GENERATOR) (CE, RUSSIA & UK CA SPECS)	784
FIGURE 8-24. AC BOX AT PLATFORM INSTALLATION - 240V GFCI RECEPTACLE (4000W SKYPOWER GENERATOR) (ANSI, ANSI EXPORT, CHINA, CSA AND JAPANESE SPECS).....	786
FIGURE 8-25. AC BOX AT PLATFORM INSTALLATION - 240V GFCI RECEPTACLE (7500W SKYPOWER GENERATOR) (ANSI AND CSA SPECS)	788
FIGURE 8-26. BATTERY DISCONNECT SWITCH INSTALLATION - DEUTZ D2011 ENGINES	790
FIGURE 8-27. BATTERY DISCONNECT SWITCH INSTALLATION (DEUTZ TD2.2L3 (STAGE V), DEUTZ TD2.9L4, DEUTZ D2.9L4, DEUTZ D2.9L4 (CHINA IV) AND FORD DF2.5L ENGINES).....	792
FIGURE 8-28. BEACON LIGHT HARNESS (BLUE AND RED BEACON LIGHT)	794
FIGURE 8-29. BOOM VALVE HARNESS.....	796
FIGURE 8-30. BREAKER BOX KIT - SINGLE DOUBLE POLE BREAKER (WITH 4000W/50HZ GENERATOR).....	798
FIGURE 8-31. BREAKER BOX KIT - 30MA/16 AMP (WITH GENERATOR).....	800

TABLE OF CONTENTS

FIGURE 8-32. BOOM CABLES INSTALLATION - WITH 2500W GENERATOR OR NO GENERATOR AND WITHOUT ARCTIC PACKAGE (ANSI, CSA, AND JAPANESE SPECS) (MACHINES WITH SN STARTING WITH 03).....	802
FIGURE 8-33. BOOM CABLES INSTALLATION – WITH 2500W GENERATOR OR NO GENERATOR AND WITHOUT ARCTIC PACKAGE (CE, RUSSIA & UK CA SPECS) (MACHINES WITH SN STARTING WITH 03).....	804
FIGURE 8-34. BOOM CABLES INSTALLATION - WITH 2500W GENERATOR OR NO GENERATOR WITHOUT AND ARCTIC PACKAGE (ANSI EXPORT, AUSTRALIAN, RUSSIA AND CHINA SPECS) (MACHINES WITH SN STARTING WITH 03).....	806
FIGURE 8-35. BOOM CABLES INSTALLATION - WITH 2500W GENERATOR OR NO GENERATOR AND WITH ARCTIC PACKAGE (ANSI, ANSI EXPORT, CSA, RUSSIA AND CHINA SPECS) (MACHINES WITH SN STARTING WITH 03).....	808
FIGURE 8-36. BOOM CABLES INSTALLATION – WITH 2500W GENERATOR (FORD DF 2.5L ENGINES) (ALL SPECS EXCEPT AUSTRALIAN, RUSSIA, CE & UK CA SPECS)	810
FIGURE 8-37. BOOM CABLES INSTALLATION – WITH 4000W GENERATOR (ALL SPECS EXCEPT AUSTRALIAN, RUSSIA, CE & UK CA SPECS)	812
FIGURE 8-38. BOOM CABLES INSTALLATION - WITH 7500W GENERATOR WITHOUT ARCTIC PACKAGE (ANSI, ANSI EXPORT, CSA, CHINA SPECS) (MACHINES WITH SN STARTING WITH 03).....	814
FIGURE 8-39. BOOM CABLES INSTALLATION – WITH 7500W GENERATOR WITHOUT ARCTIC PACKAGE (RUSSIA SPEC) (MACHINES WITH SN STARTING WITH 03)	816
FIGURE 8-40. BOOM CABLES INSTALLATION - WITH 7500W GENERATOR WITHOUT ARCTIC PACKAGE (AUSTRALIAN AND JAPANESE SPECS) (MACHINES WITH SN STARTING WITH 03).....	818
FIGURE 8-41. BOOM CABLES INSTALLATION - WITH 7500W GENERATOR WITHOUT ARCTIC PACKAGE (ANSI EXPORT CIS, AND CHINA SPECS) (MACHINES WITH SN STARTING WITH B3).....	820
FIGURE 8-42. BOOM CABLES INSTALLATION - WITH 7500W GENERATOR WITHOUT ARCTIC PACKAGE (AUSTRALAIN SPECS)	822
FIGURE 8-43. BOOM CABLES INSTALLATION - WITH 7500W GENERATOR AND ARCTIC PACKAGE (ANSI, ANSI EXPORT, CSA AND CHINA SPECS)	824
FIGURE 8-44. BOOM CABLE - MAIN BOOM (WITHOUT ARCTIC PACKAGE).....	826
FIGURE 8-45. BOOM CABLE - MAIN BOOM (WITH ARCTIC PACKAGE)	828
FIGURE 8-46. BOOM CABLE - TOWER BOOM (WITHOUT ARCTIC PACKAGE)	830
FIGURE 8-47. BOOM CABLE - TOWER BOOM (WITH ARCTIC PACKAGE).....	832
FIGURE 8-48. ECU POWER JUMPER HARNESS	834
FIGURE 8-49. ENGINE HARNESS ASSEMBLY (DEUTZ D2011 ENGINES).....	836
FIGURE 8-50. ENGINE HARNESS (DEUTZ TD2.9L4 ENGINES).....	838
FIGURE 8-51. ENGINE HARNESS - DEUTZ TD2.2L3 (STAGE V) ENGINES	840
FIGURE 8-52. ENGINE HARNESS - DEUTZ TD2.9L4 AND D2.9L4 ENGINES	844
FIGURE 8-53. ENGINE HARNESS - DEUTZ D2.9L4 (CHINA IV) ENGINES	848
FIGURE 8-54. ENGINE HARNESS (FORD DF2.5L ENGINES).....	852
FIGURE 8-55. FUEL HARNESS - DEUTZ TD2.2L3 (STAGE V) ENGINES	854
FIGURE 8-56. FUEL HARNESS - DEUTZ TCD2.9L4 ENGINES AND DEUTZ D2.9L4 ENGINES	856
FIGURE 8-57. GENERATOR TO CONTROL BOX HARNESS (4000W GENERATOR).....	858
FIGURE 8-58. GENERATOR TO CONTROL BOX HARNESS (7500W GENERATOR).....	860
FIGURE 8-59. GENERATOR HARNESS - 7500W GENERATOR.....	862
FIGURE 8-60. GENERATOR TO ENGINE HARNESS - 4000W GENERATOR	864
FIGURE 8-61. GENERATOR TO ENGINE HARNESS - 7500W SKYPOWER GENERATOR (DEUTZ D2011 ONLY)	866
FIGURE 8-62. GENERATOR TO ENGINE HARNESS - 7500W SKYPOWER GENERATOR (FORD ENGINES ONLY)	868
FIGURE 8-63. GENERATOR TO REAR OF BOOM HARNESS - 110V.....	870
FIGURE 8-64. GENERATOR TO REAR OF BOOM HARNESS - 220V.....	872
FIGURE 8-65. GROUND CONTROL BOX HARNESS.....	874
FIGURE 8-66. PLATFORM CONSOLE BOX HARNESS	876
FIGURE 8-67. RECEPTACLE BOX KIT - 110V IEC YELLOW (CE, RUSSIA, & UK CA SPEC).....	878
FIGURE 8-68. RECEPTACLE BOX KIT - 220V IEC BLUE (CE, RUSSIA & UK CA SPEC).....	880

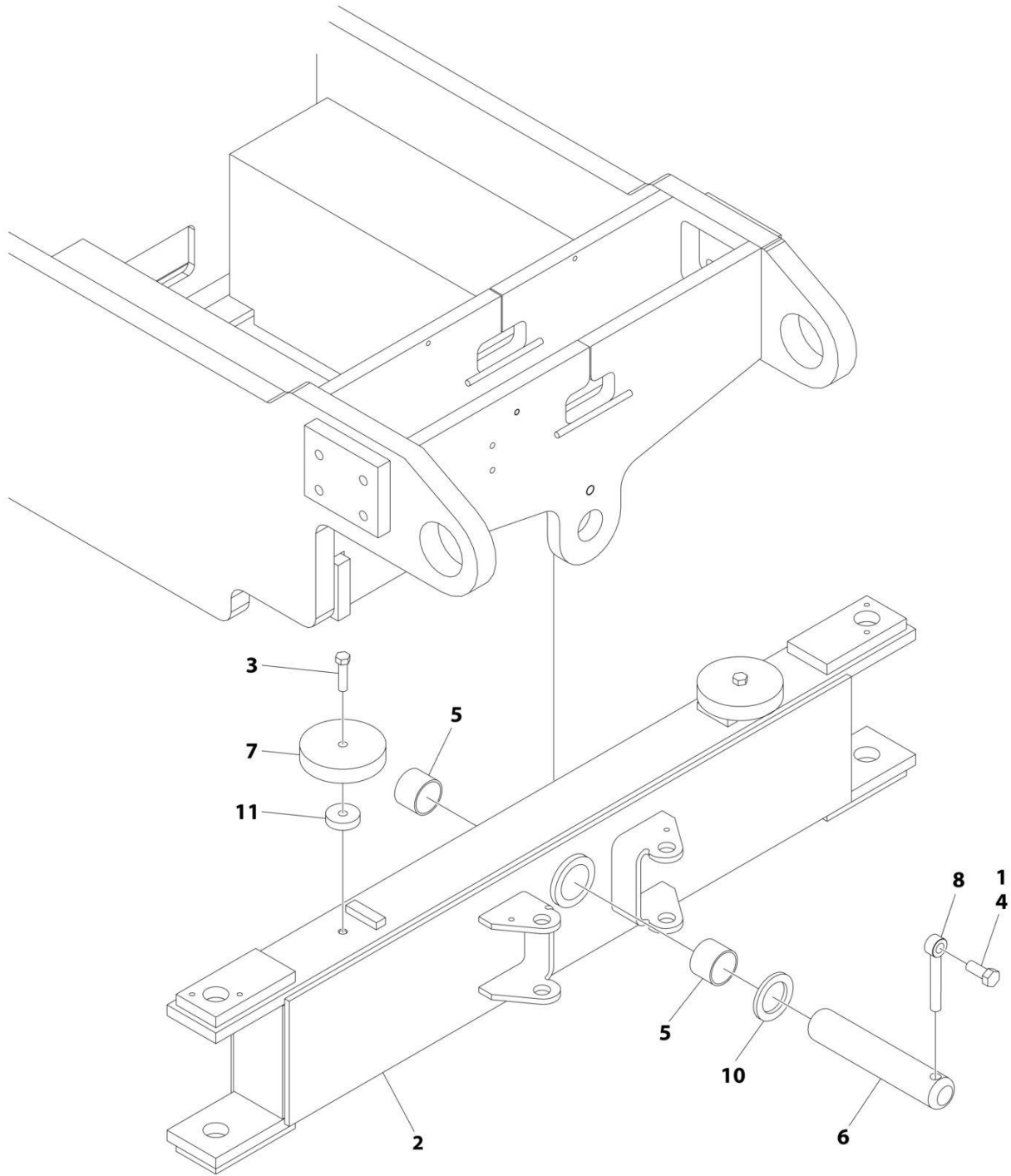
TABLE OF CONTENTS

FIGURE 8-69. RECEPTACLE BOX KIT - 220V IEC BLUE (2500W GENERATOR) (CE, RUSSIA & UK CA SPECS)	882
FIGURE 8-70. RECEPTACLE BOX KIT - 220V CEE7 POST GROUND WITHOUT 2500W GENERATOR (2X4 BOX) (CE, RUSSIA & UK CA SPECS)	884
FIGURE 8-71. RECEPTACLE BOX KIT - 220V CEE7 POST GROUND (2X4 BOX) (2500W GENERATOR) (CE, RUSSIA & UK CA SPECS)	886
FIGURE 8-72. RECEPTACLE BOX KIT - 220V CEE7 SIDE GROUND (CE, RUSSIA & UK CA SPEC)	888
FIGURE 8-73. RECEPTACLE BOX KIT - 220V CEE7 SIDE GROUND (2X4 BOX) (2500W GENERATOR) (CE, RUSSIA & UK CA SPECS)	890
FIGURE 8-74. RECEPTACLE BOX KIT - 220V AFSINT 107 (CE, RUSSIA & UK CA SPEC)	892
FIGURE 8-75. RECEPTACLE BOX KIT - 220V AFSINT 107 KEYED GROUND (2X4 BOX) (2500W GENERATOR) (CE, RUSSIA & UK CA SPECS)	894
FIGURE 8-76. SKYEYE INTERMEDIATE HARNESS	896
FIGURE 8-77. SKYEYE EMITTER HARNESS	898
FIGURE 8-78. SKYEYE RECEIVER HARNESS	900
FIGURE 8-79. SKYLINE HARNESS	902
FIGURE 8-80. SKYGUARD INTERFACE HARNESS	904
FIGURE 8-81. STROBE LIGHT HARNESS (AMBER)	906
FIGURE 8-82. TILT SENSOR HARNESS	908
FIGURE 8-83. VALVE HARNESS	910
FIGURE 8-84. WHITE NOISE ALARM HARNESS	912
SECTION 9 - DECALS	915
FIGURE 9-1. DECAL INSTALLATION - ANSI SPECS	916
FIGURE 9-2. DECAL INSTALLATION - AUSTRALIAN SPECS	918
FIGURE 9-3. DECAL INSTALLATION - BRAZILIAN SPECS	920
FIGURE 9-4. DECAL INSTALLATION - CE & UK CA SPECS	922
FIGURE 9-5. DECAL INSTALLATION - CHINESE SPECS (TRADITIONAL)	924
FIGURE 9-6. DECAL INSTALLATION - CHINESE SPECS (SIMPLIFIED)	926
FIGURE 9-7. DECAL INSTALLATION - CSA SPECS	928
FIGURE 9-8. DECAL INSTALLATION - JAPANESE SPECS	930
FIGURE 9-9. DECAL INSTALLATION - KOREAN SPECS	932
FIGURE 9-10. DECAL INSTALLATION – LATIN AMERICAN SPECS (MACHINES WITH SN STARTING WITH 03) (MACHINES WITH SN STARTING WITH B3 SEE BUILD SHEET) DECAL INSTALLATION - KOREAN SPECS (MACHINES WITH SN STARTING WITH 03) BOOM CABLES INSTALLATION - WITH 7500W GENERATOR WITHOUT ARCTIC PACKAGE (ANSI EXPORT CIS, AND CHINA SPECS) BOOM CABLES INSTALLATION - WITH 7500W 50HZ GENERATOR WITHOUT ARCTIC PACKAGE (ANSI EXPORT, CHINA AND AUSTRALIAN SPECS)	934
FIGURE 9-11. DECAL INSTALLATION - OPTIONS (ALL SPECS EXCEPT CE & UK CA SPECS)	936
FIGURE 9-12. DECAL INSTALLATION - OPTIONS (CE & UK CA SPECS)	940
FIGURE 9-13. SKYCUTTER DECAL INSTALLATION (ANSI, ANSI EXPORT, CSA AND CHINA SPECS)	944
FIGURE 9-14. SKYCUTTER DECAL INSTALLATION (JAPANESE SPECS)	946
FIGURE 9-15. SKYWELDER DECAL INSTALLATION - 50HZ	948
FIGURE 9-16. SKYWELDER DECAL INSTALLATION - 60HZ	950
SECTION 10 - RECOMMENDED SERVICE PARTS STOCK	953
FIGURE 10-1. RECOMMENDED SERVICE PARTS STOCK	954
SECTION 11 - SPECIAL OPTIONS	957
FIGURE 11-1. SPECIAL OPTIONS/ACCESSORIES/KITS	958
PART NUMBER INDEX	963

SECTION 1 - FRAME

SECTION 1 - FRAME

FIGURE 1-1. AXLE INSTALLATION - FIXED (WITHOUT TOW PACKAGE) (7FT/2.1M WIDE MACHINES)



ART_0274054

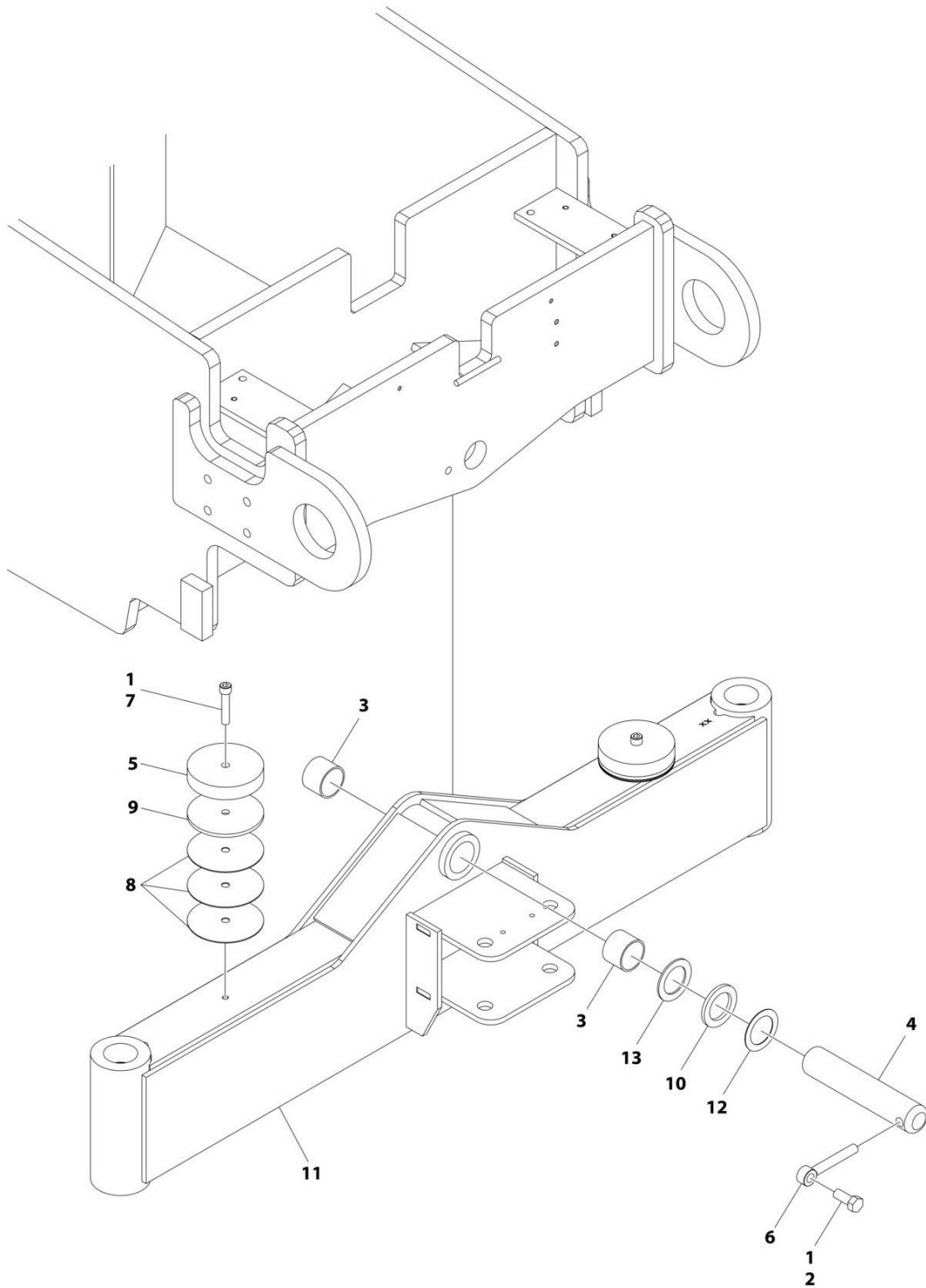
SECTION 1 - FRAME

FIGURE 1-1. AXLE INSTALLATION - FIXED (WITHOUT TOW PACKAGE) (7FT/2.1M WIDE MACHINES)

ITEM	PART NUMBER	QTY	DESCRIPTION	REV
	0274054	Ref	AXLE INSTALLATION - FIXED	C
1	0100011	AR	Compound, Locking	
2	0280171	1	Axle Weldment	
3	0641816	2	Bolt 1/2 x 2	
4	0642012	1	Bolt 5/8 x 1-1/2	
5	0961950	2	Bearing	
6	1001185030	1	Pin	
7	3539877	2	Plate, Stop	
8	3841258	1	Keeper, Pin	
10	4740158	1	Thrustwasher	
11	4740542	2	Spacer	

SECTION 1 - FRAME

FIGURE 1-2. AXLE INSTALLATION - FIXED (WITHOUT TOW PACKAGE) (8FT/2.4M WIDE MACHINES)



ART_1001148169

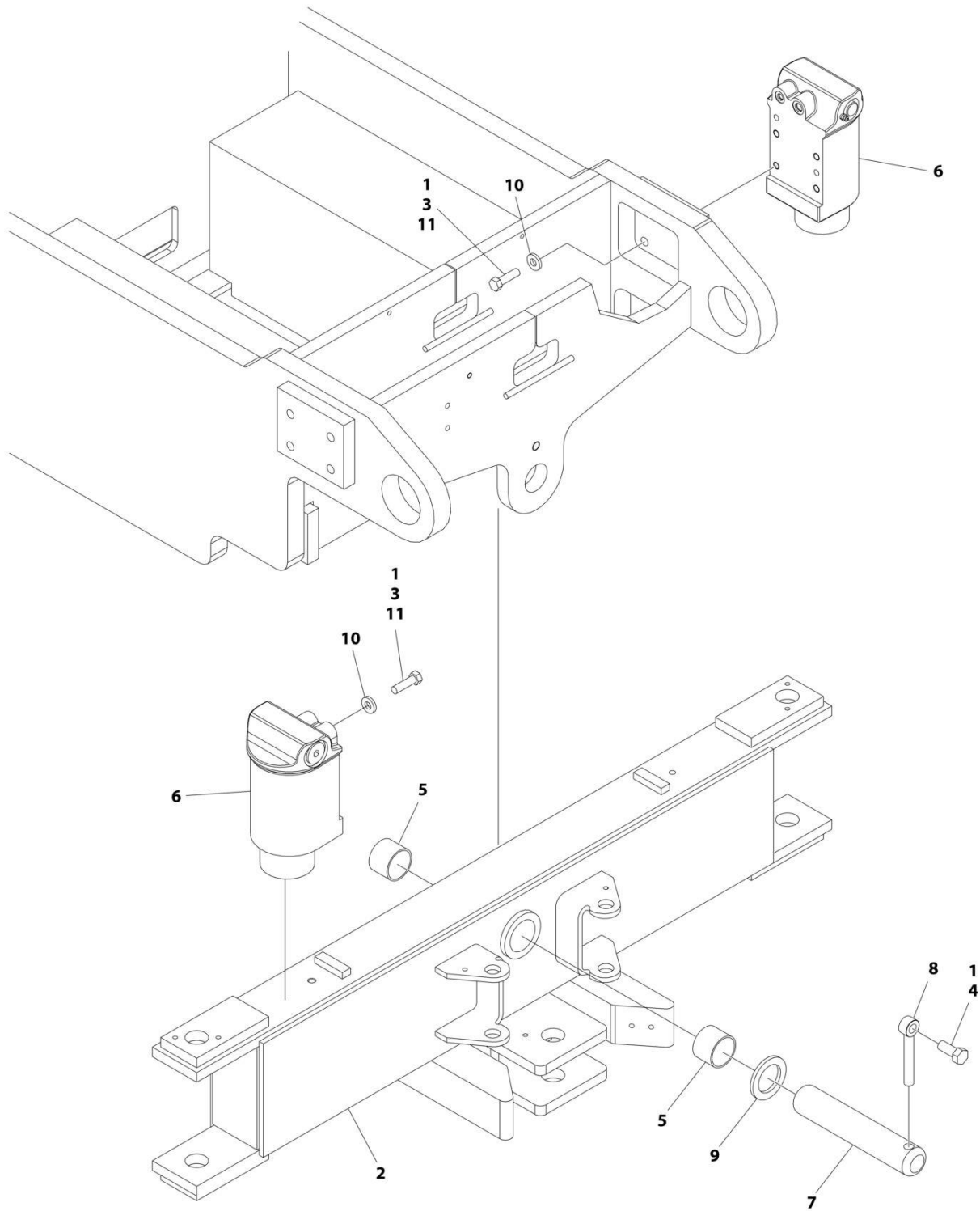
SECTION 1 - FRAME

FIGURE 1-2. AXLE INSTALLATION - FIXED (WITHOUT TOW PACKAGE) (8FT/2.4M WIDE MACHINES)

ITEM	PART NUMBER	QTY	DESCRIPTION	REV
	1001148169	Ref	AXLE INSTALLATION - FIXED	C
1	0100011	AR	Compound, Locking	
2	0642012	1	Bolt 5/8 x 1-1/2	
3	0961950	2	Bearing	
4	3423184	1	Pin	
5	3539877	2	Plate, Stop	
6	3841258	1	Keeper, Pin	
7	3931840	2	Capscrew 1/2 x 2-1/2	
8	4070944	6	Shim (.06)	
9	4070945	2	Shim (.25)	
10	4740158	AR	Thrustwasher	
11	1001148171	Ref	Axle Weldment	
12	4071101	AR	Shim	
13	4740229	AR	Thrustwasher	

SECTION 1 - FRAME

FIGURE 1-3. AXLE INSTALLATION - OSCILLATING (WITH TOW PACKAGE) (7FT/2.1M WIDE MACHINES)



ART_0274256

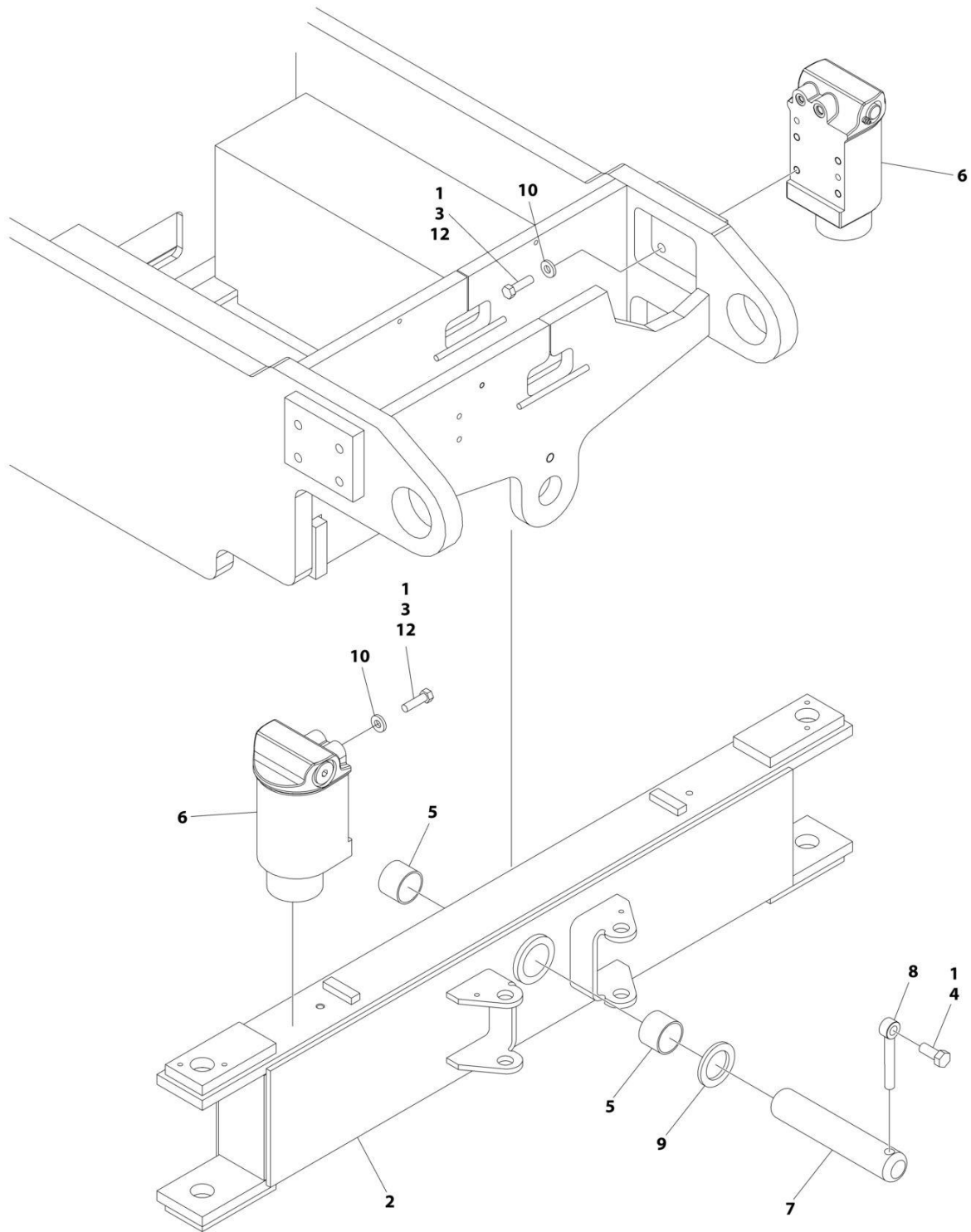
SECTION 1 - FRAME

FIGURE 1-3. AXLE INSTALLATION - OSCILLATING (WITH TOW PACKAGE) (7FT/2.1M WIDE MACHINES)

ITEM	PART NUMBER	QTY	DESCRIPTION	REV
	0274256	Ref	AXLE INSTALLATION - OSCILLATING	C
1	0100011	AR	Compound, Locking	
2	0280185	1	Axle Weldment	
3	0641814	8	Bolt 1/2 x 1-3/4	
4	0642012	1	Bolt 5/8 x 1-1/2	
5	0961950	2	Bearing	
6	1684465	2	Axle Lockout Cylinder Assembly (See Separate Breakdown in CYLINDER SECTION)	
7	1001185030	1	Pin	
8	3841258	1	Keeper, Pin	
9	4740158	1	Thrustwasher	
10	4891800	8	Washer 1/2 Hardened	
11	0100038	AR	Primer, Locking	
12	2792690	1	Hydraulic Diagram (Not Shown - See Separate Breakdown in HYDRAULIC SECTION)	

SECTION 1 - FRAME

FIGURE 1-4. AXLE INSTALLATION - OSCILLATING (WITHOUT TOW PACKAGE) (7FT/2.1M WIDE MACHINES)



ART_0274047

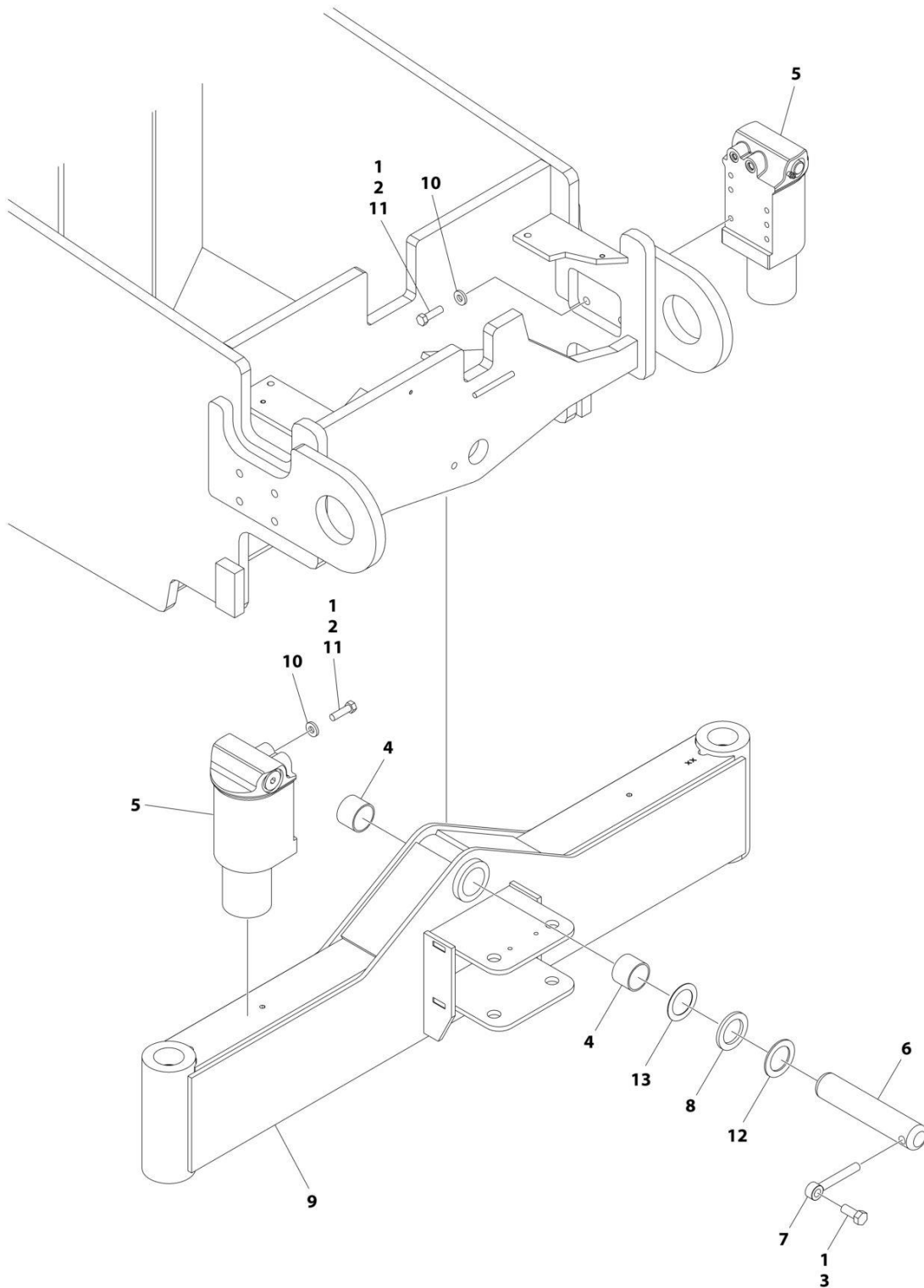
SECTION 1 - FRAME

FIGURE 1-4. AXLE INSTALLATION - OSCILLATING (WITHOUT TOW PACKAGE) (7FT/2.1M WIDE MACHINES)

ITEM	PART NUMBER	QTY	DESCRIPTION	REV
	0274047	Ref	AXLE INSTALLATION - OSCILLATING	C
1	0100011	AR	Compound, Locking	
2	0280171	1	Axle Weldment	
3	0641814	8	Bolt 1/2 x 1-3/4	
4	0642012	1	Bolt 5/8 x 1-1/2	
5	0961950	2	Bearing	
6	1684465	2	Axle Lockout Cylinder Assembly (See Separate Breakdown in CYLINDER SECTION)	
7	1001185030	1	Pin	
8	3841258	1	Keeper, Pin	
9	4740158	1	Thrustwasher	
10	4891800	8	Washer 1/2 Hardened	
11	2792690	1	Hydraulic Diagram (See Separate Breakdown in HYDRAULIC SECTION)	
12	0100038	AR	Primer, Locking	

SECTION 1 - FRAME

FIGURE 1-5. AXLE INSTALLATION - OSCILLATING (WITHOUT TOW PACKAGE) (8FT/2.4M WIDE MACHINES) (MACHINES WITH SN STARTING WITH 03)



ART_1001148168

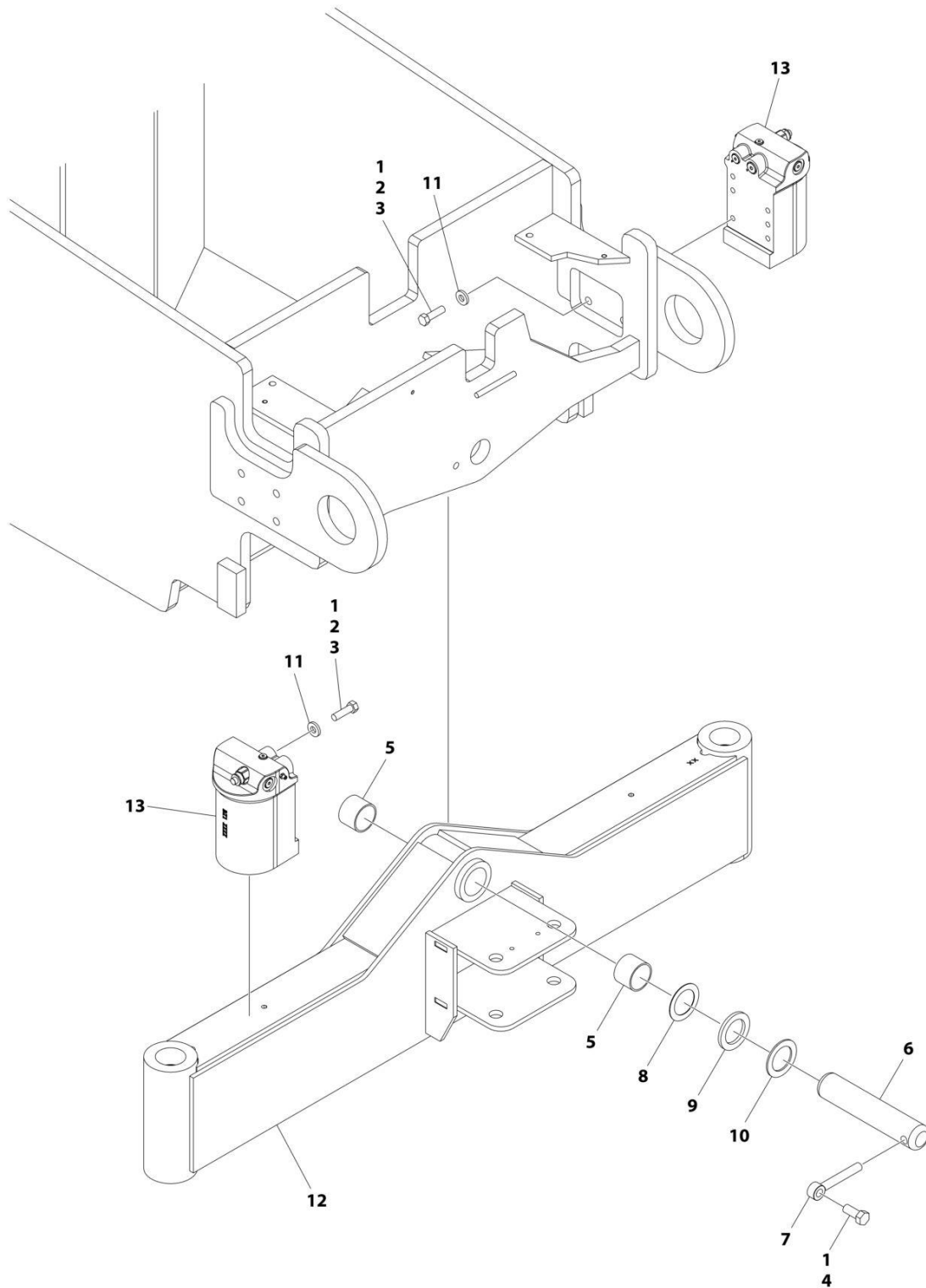
SECTION 1 - FRAME

FIGURE 1-5. AXLE INSTALLATION - OSCILLATING (WITHOUT TOW PACKAGE) (8FT/2.4M WIDE MACHINES) (MACHINES WITH SN STARTING WITH 03)

ITEM	PART NUMBER	QTY	DESCRIPTION	REV
	1001148168	Ref	AXLE INSTALLATION - OSCILLATING	C
1	0100011	AR	Compound, Locking	
2	0641814	8	Bolt 1/2 x 1-3/4	
3	0642012	1	Bolt 5/8 x 1-1/2	
4	0961950	2	Bearing	
5	1684465	2	Lockout Cylinder Assembly (See Separate Breakdown in CYLINDER SECTION)	
6	3423184	1	Pin	
7	3841258	1	Keeper, Pin	
8	4740158	AR	Thrustwasher	
9	1001148171	1	Axle Weldment	
10	4891800	8	Washer 1/2 Hardened	
11	0100038	AR	Primer, Locking	
12	4740229	AR	Thrustwasher	
13	4071101	AR	Shim (18Ga)	

SECTION 1 - FRAME

FIGURE 1-6. AXLE INSTALLATION - OSCILLATING (WITHOUT TOW PACKAGE) (8FT/2.4M WIDE MACHINES) (MACHINES WITH SN STARTING WITH B3)



ART_1001265538

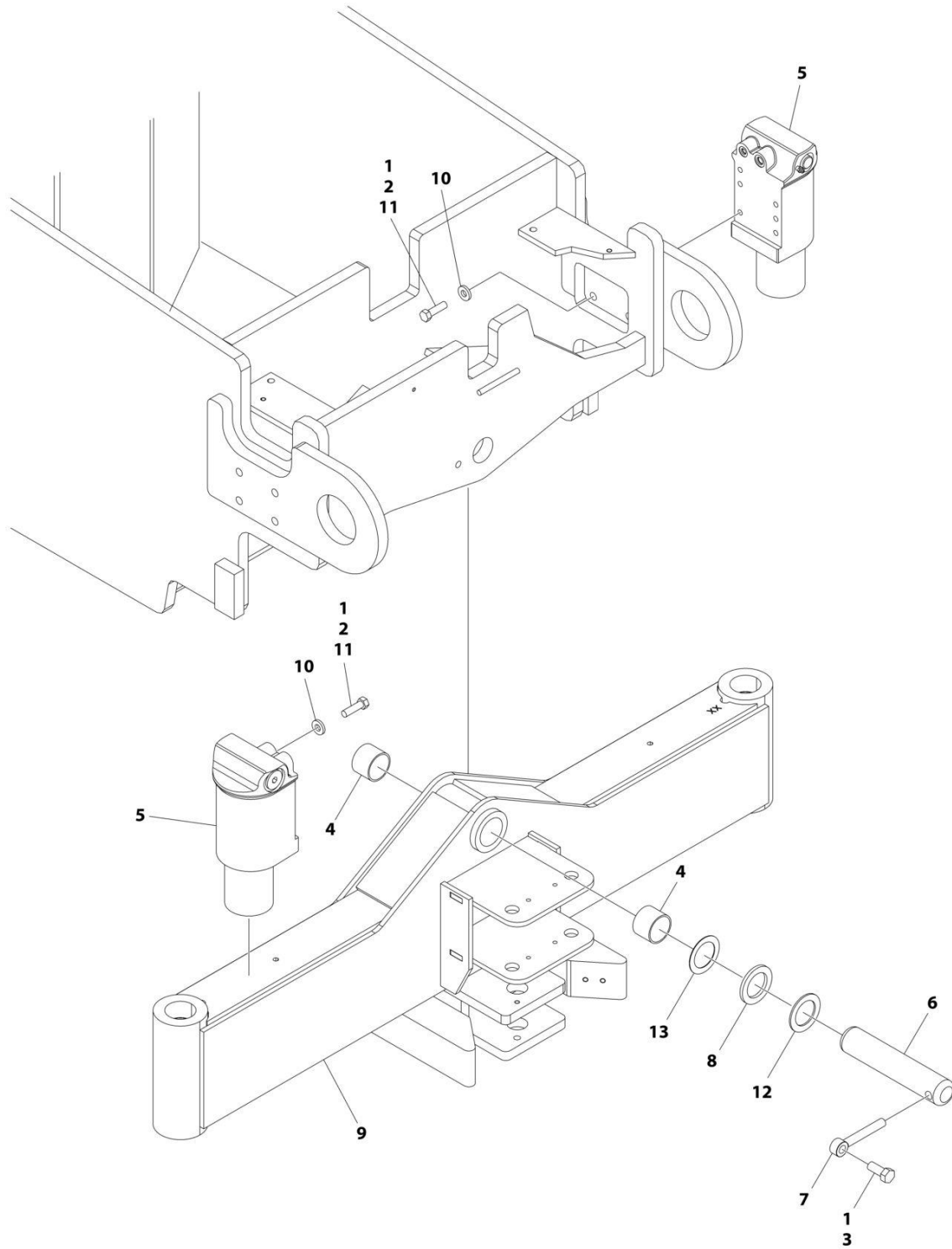
SECTION 1 - FRAME

FIGURE 1-6. AXLE INSTALLATION - OSCILLATING (WITHOUT TOW PACKAGE) (8FT/2.4M WIDE MACHINES) (MACHINES WITH SN STARTING WITH B3)

ITEM	PART NUMBER	QTY	DESCRIPTION	REV
	1001265538	Ref	AXLE INSTALLATION - OSCILLATING	A
1	0100011	AR	Compound, Locking	
2	0100038	AR	Primer, Locking	
3	0641814	8	Bolt 1/2 x 1-3/4	
4	0642012	1	Bolt 5/8 x 1-1/2	
5	0961950	2	Bearing	
6	3423184	1	Pin	
7	3841258	1	Keeper, Pin	
8	4071101	AR	Shim (18Ga)	
9	4740158	AR	Thrustwasher	
10	4740229	AR	Thrustwasher	
11	4891800	8	Washer 1/2	
12	1001148171	1	Axle Weldment	
13	1001256181	2	Lockout Cylinder Assembly (See Separate Breakdown in CYLINDER Section)	

SECTION 1 - FRAME

FIGURE 1-7. AXLE INSTALLATION - OSCILLATING (WITH TOW PACKAGE) (8FT/2.4M WIDE MACHINES)



ART_1001148170

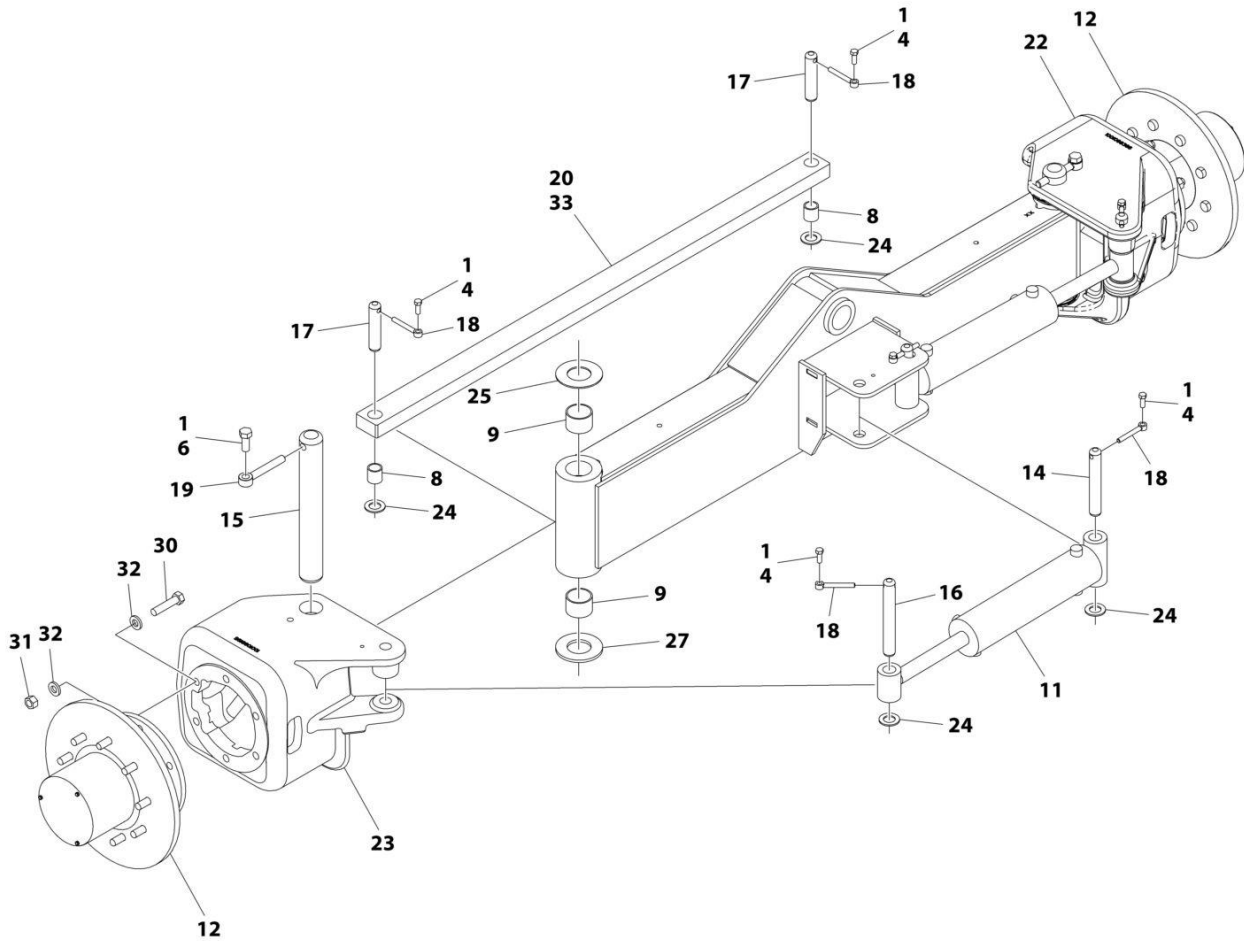
SECTION 1 - FRAME

FIGURE 1-7. AXLE INSTALLATION - OSCILLATING (WITH TOW PACKAGE) (8FT/2.4M WIDE MACHINES)

ITEM	PART NUMBER	QTY	DESCRIPTION	REV
	1001148170	Ref	AXLE INSTALLATION - OSCILLATING	C
1	0100011	AR	Compound, Locking	
2	0641814	8	Bolt 1/2 x 1-3/4	
3	0642012	1	Bolt 5/8 x 1-1/2	
4	0961950	2	Bearing	
5	1684465	2	Axle Lockout Cylinder Assembly (See Separate Breakdown in CYLINDER SECTION)	
6	3423184	1	Pin	
7	3841258	1	Keeper, Pin	
8	4740158	1	Thrustwasher	
9	1001148172	1	Axle Weldment	
10	4891800	8	Washer 1/2 Hardened	
11	0100038	AR	Primer, Locking	
12	4071101	AR	Shim (18Ga)	
13	4740229	AR	Thrustwasher	

SECTION 1 - FRAME

FIGURE 1-8. STEERING INSTALLATION - 2WD/2WS (8FT/2.4M WIDE MACHINES WITHOUT TOW PACKAGE)



ART_1001148161

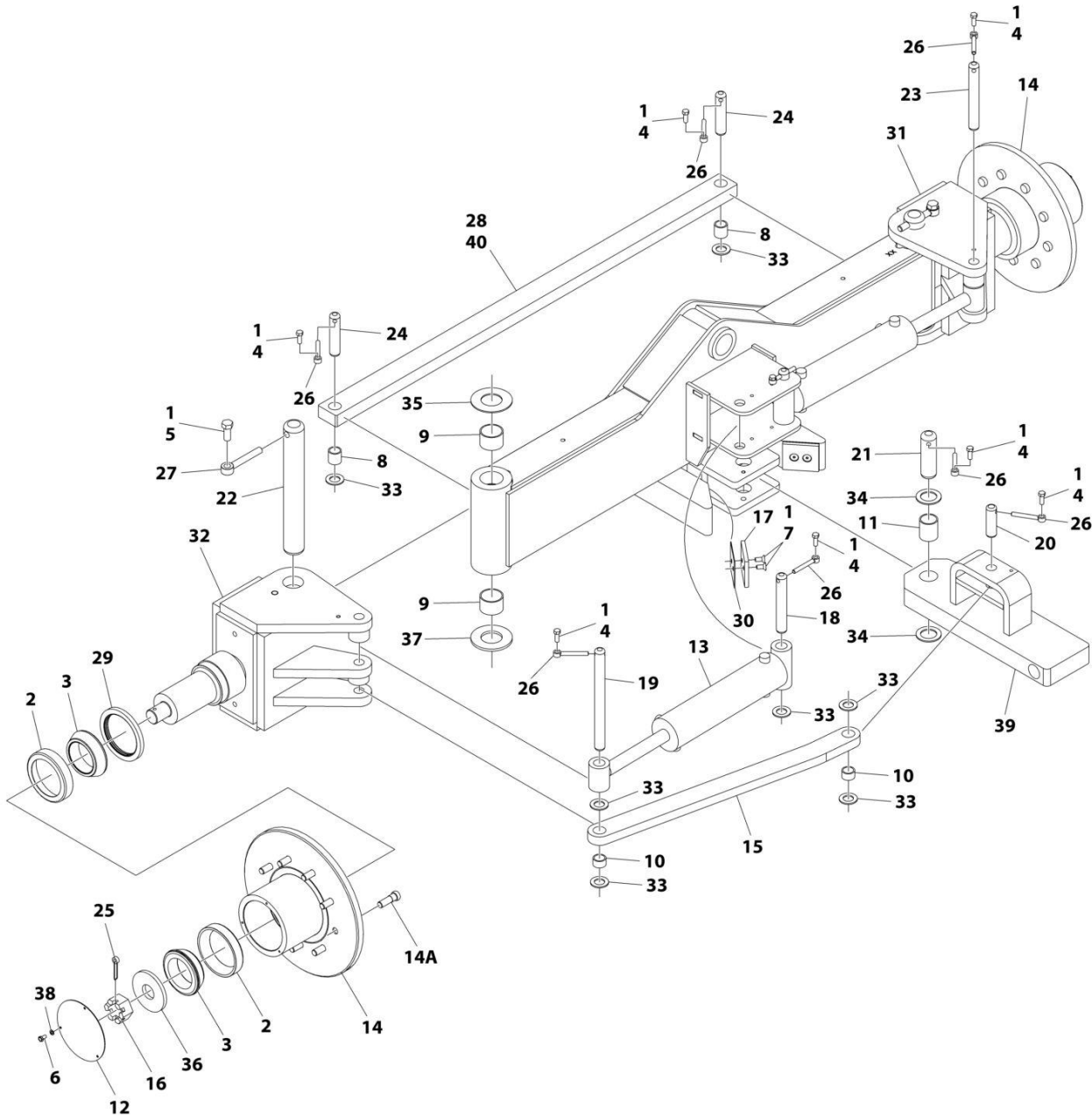
SECTION 1 - FRAME

FIGURE 1-8. STEERING INSTALLATION - 2WD/2WS (8FT/2.4M WIDE MACHINES WITHOUT TOW PACKAGE)

ITEM	PART NUMBER	QTY	DESCRIPTION	REV
	1001148161	Ref	STEERING INSTALLATION – 2WD/2WS	E
1	0100011	AR	Compound, Locking	
4	0641608	6	Bolt 3/8 x 1	
6	0642012	2	Bolt 5/8 x 1-1/2	
8	0962356	2	Bushing (Part of Item 33)	
9	0962131	4	Bushing	
11	1001097242	2	Steer Cylinder Assembly (See Separate Breakdown in CYLINDER SECTION)	
12	4130410	2	Hub Assembly (See Separate Breakdown in this Section)	
14	3422326	2	Pin	
15	3422900	2	Pin	
16	3422902	1	Pin	
17	3422903	2	Pin	
18	3841143	6	Keeper, Pin	
19	3841258	2	Keeper, Pin	
20	1001155574	NLA	Tie-Rod (Part of Item 33) (Use Item 33 as replacement)	
22	1001099387	1	Spindle (LH)	
23	1001099196	1	Spindle (RH)	
24	4740111	6	Thrustwasher	
25	4740256	2	Thrustwasher	
27	4740463	2	Thrustwasher	
30	0682022	12	Bolt 5/8 x 2-3/4 Grade 8	
31	3272001	12	Nut 5/8 Grade 8	
32	4892000	24	Washer 5/8 Hardened	
33	1001276664	1	Tie-Rod Assembly (Includes Items 8 & 20)	

SECTION 1 - FRAME

FIGURE 1-9. STEERING INSTALLATION - 2WD/2WS (8FT/2.4M WIDE MACHINES WITH TOW PACKAGE)



ART_1001148165

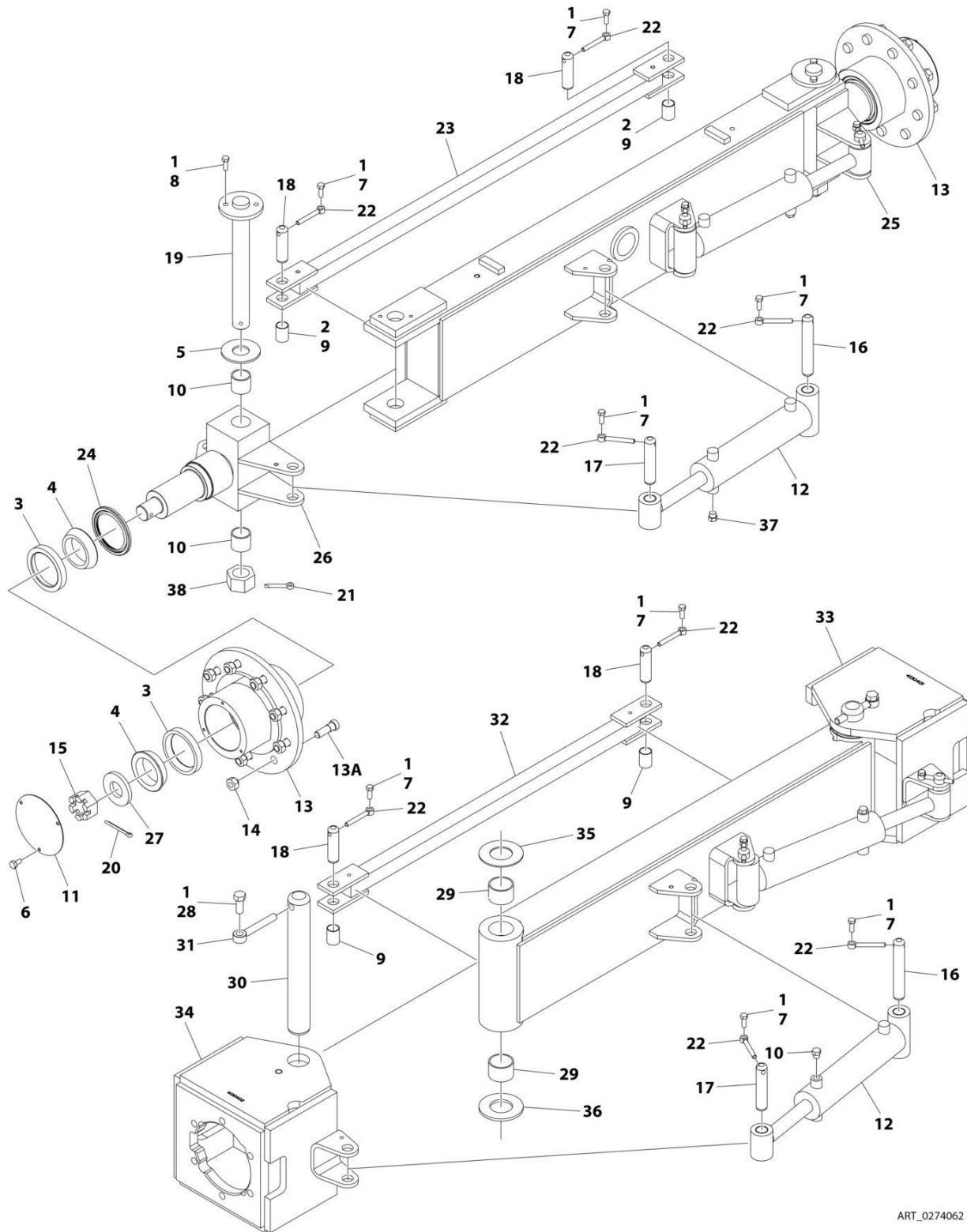
SECTION 1 - FRAME

FIGURE 1-9. STEERING INSTALLATION - 2WD/2WS (8FT/2.4M WIDE MACHINES WITH TOW PACKAGE)

ITEM	PART NUMBER	QTY	DESCRIPTION	REV
	1001148165	Ref	STEERING INSTALLATION - 2WD/2WS	D
1	0100011	AR	Compound, Locking	
2	0440170	4	Cone, Bearing	
3	0440171	4	Cup, Bearing	
4	0641608	8	Bolt 3/8 x 1	
5	0642012	2	Bolt 5/8 x 1-1/2	
6	0721003	6	Bolt #10 x 3/8	
7	0741607	4	Screw 3/8 x 7/8	
8	0962356	2	Bushing (Part of item 40)	
9	0962131	4	Bushing	
10	0962292	2	Bushing	
11	0962348	1	Bushing	
12	1120304	2	Cap, Hub	
13	1001097242	2	Steer Cylinder Assembly (See Separate Breakdown in CYLINDER SECTION)	
14	2780271	2	Hub	
14A	0630490	18	Stud, Wheel (9 Per Hub)	
15	1001148178	1	Link	
16	3323403	2	Nut, Slotted 1-1/2	
17	3340966	2	Pad	
18	3422326	2	Pin	
19	3422567	1	Pin	
20	3422813	1	Pin	
21	3422848	1	Pin	
22	3422900	2	Pin	
23	3422902	1	Pin	
24	3422903	2	Pin	
25	3451010	1	Pin, Cotter 5/8 x 2-1/2	
26	3841143	8	Keeper, Pin	
27	3841258	2	Keeper, Pin	
28	1001155574	NLA	Tie-Rod (Part of Item 40) (Use Item 40 as replacement)	
29	3960343	2	Seal, Grease	
30	4071059	2	Shim	
31	4130396	1	Spindle (LH)	
32	4130400	1	Spindle (RH)	
33	4740111	9	Thrustwasher	
34	4740155	2	Thrustwasher	
35	4740256	2	Thrustwasher	
36	4740283	2	Washer, Hardened	
37	4740463	2	Thrustwasher	
38	4761000	6	Washer #10	
39	4846935	1	Pivot	
40	1001276664	1	Tie-Rod Assembly (Includes Items 8 & 28)	

SECTION 1 - FRAME

FIGURE 1-10. STEERING INSTALLATION - 2WD/4WS (7FT/2.1M WIDE MACHINES WITHOUT TOW PACKAGE)



ART_0274062

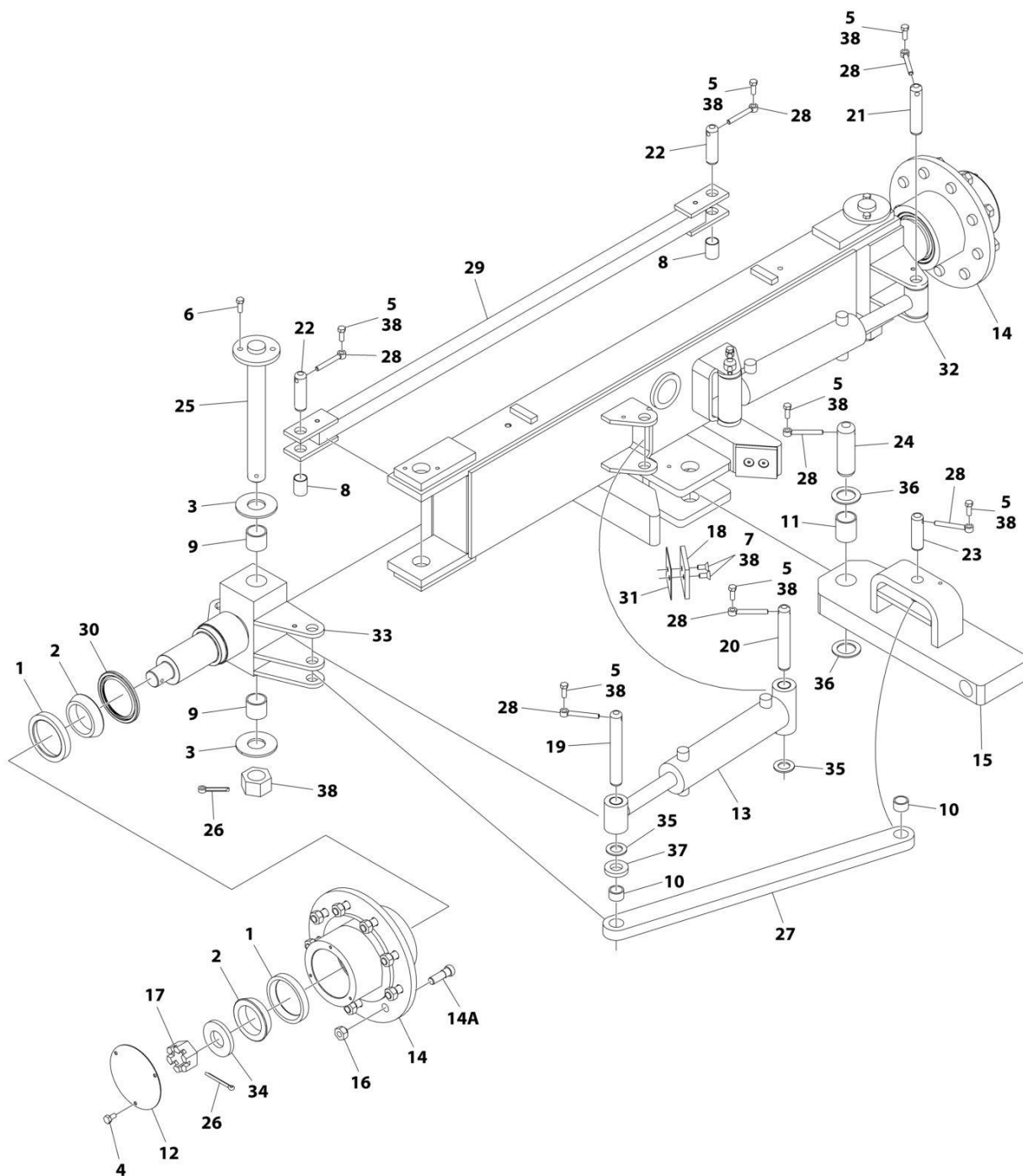
SECTION 1 - FRAME

FIGURE 1-10. STEERING INSTALLATION - 2WD/4WS (7FT/2.1M WIDE MACHINES WITHOUT TOW PACKAGE)

ITEM	PART NUMBER	QTY	DESCRIPTION	REV
	0274062	Ref	STEERING INSTALLATION	1
1	0100011	AR	Compound, Locking	
2	0100063	AR	Adhesive	
3	0440018	4	Cup, Bearing	
4	0440019	4	Cone, Bearing	
5	0440161	2	Thrustwasher	
6	0641404	6	Bolt 1/4 x 1/2	
7	0641608	12	Bolt 3/8 x 1	
8	0681608	4	Bolt 3/8 x 1 (Grade 8)	
9	0962005	4	Bushing	
10	0962272	4	Bushing	
11	1120460	2	Cap, Hub	
12	1684418	4	Steer Cylinder Assembly (See Separate Breakdown in CYLINDER SECTION)	
13	2780276	2	Hub	
13A	0630490	18	Stud, Wheel (9 Per Hub)	
14	3300106	18	Nut, Wheel	
15	3323403	2	Nut, Slotted 1-1/2	
16	3422426	4	Pin	
17	3422429	4	Pin	
18	3422430	4	Pin	
19	3423175	2	Kingpin	
20	3450810	2	Pin, Cotter 1/4 x 2-1/2	
21	3451010	2	Pin, Cotter 5/16 x 2-1/2	
22	3841143	12	Keeper	
23	3841263	1	Tie-Rod	
24	3960098	2	Seal	
25	4130413	1	Spindle (RH)	
26	4130414	1	Spindle (LH)	
27	4740016	2	Washer, Hardened	
28	0642012	2	Bolt 5/8 x 1/1/2	
29	0962131	4	Bearing	
30	3422900	2	Kingpin	
31	3841258	2	Keeper	
32	2841677	1	Tie-Rod	
33	4130401	1	Spindle (LH)	
34	4130402	1	Spindle (RH)	
35	4740256	2	Thrustwasher	
36	4740463	2	Thrustwasher	
37	2220237	4	Plug	
38	3313403	2	Nut, Slotted 1-1/2	
39	4360331	1	Switch, Toggle (Crab Steer) (Not Shown - Located on Platform Console Box)	
40	3790012	1	O-Ring, Toggle (Crab Steer) (Not Shown - Located on Platform Console Box)	

SECTION 1 - FRAME

FIGURE 1-11. STEERING INSTALLATION - 2WD/4WS (7FT/2.1M WIDE MACHINES WITH TOW PACKAGE)



ART_0274257

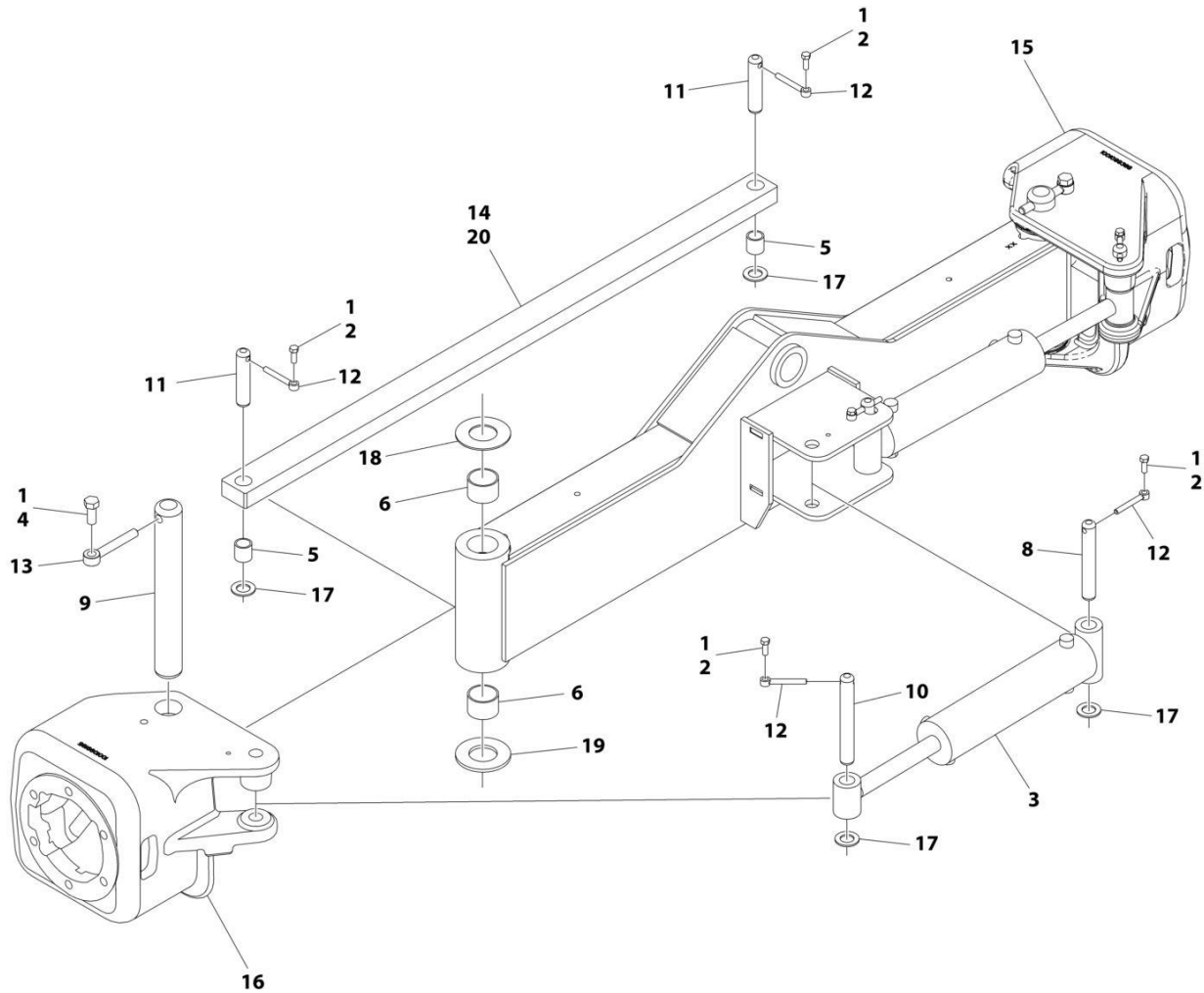
SECTION 1 - FRAME

FIGURE 1-11. STEERING INSTALLATION - 2WD/4WS (7FT/2.1M WIDE MACHINES WITH TOW PACKAGE)

ITEM	PART NUMBER	QTY	DESCRIPTION	REV
	0274257	Ref	STEERING INSTALLATION	C
1	0440018	4	Cup, Bearing	
2	0440019	4	Cone, Bearing	
3	0440161	4	Thrustwasher	
4	0641404	6	Bolt 1/4 x 1/2	
5	0641608	8	Bolt 3/8 x 1	
6	0681608	4	Bolt 3/8 x 1 (Grade 8)	
7	0741607	4	Screw 3/8 x 7/8	
8	0962005	2	Bushing	
9	0962272	4	Bushing	
10	0962292	2	Bushing	
11	0962348	1	Bushing	
12	1120460	2	Cap, Hub	
13	1684418	4	Steer Cylinder Assembly (See Separate Breakdown in CYLINDER SECTION)	
14	2780276	2	Hub	
14A	0630490	18	Stud, Wheel (9 Per Hub)	
15	2980125	1	Pivot	
16	3300106	18	Nut, Wheel	
17	3323403	2	Nut, Slotted 1-1/2	
18	3340966	2	Pad	
19	3422327	1	Pin	
20	3422426	2	Pin	
21	3422429	1	Pin	
22	3422430	2	Pin	
23	3422813	1	Pin	
24	3422848	1	Pin	
25	3423175	2	Kingpin	
26	3451010	4	Pin, Cotter 5/16 x 2-1/2	
27	3575716	1	Link	
28	3841143	6	Keeper	
29	3841263	1	Tie-Rod	
30	3960098	2	Seal	
31	4071059	2	Shim	
32	4130413	1	Spindle (RH)	
33	4130414	1	Spindle (LH)	
34	4740016	2	Washer, Hardened	
35	4740111	4	Thrustwasher	
36	4740155	2	Thrustwasher	
37	4740184	1	Washer, Special	
38	0100011	AR	Compound, Locking	
39	3313403	2	Nut, Slotted 1-1/2	
40	4360331	1	Switch, Toggle (Crab Steer) (Not Shown - Located on Platform Console Box)	
41	3790012	1	O-Ring, Toggle (Crab Steer) (Not Shown - Located on Platform Console Box)	

SECTION 1 - FRAME

FIGURE 1-12. STEERING INSTALLATION - 4WD/2WS & 4WD/4WS (8FT/2.4M WIDE MACHINES WITHOUT TOW PACKAGE)



ART_1001148162

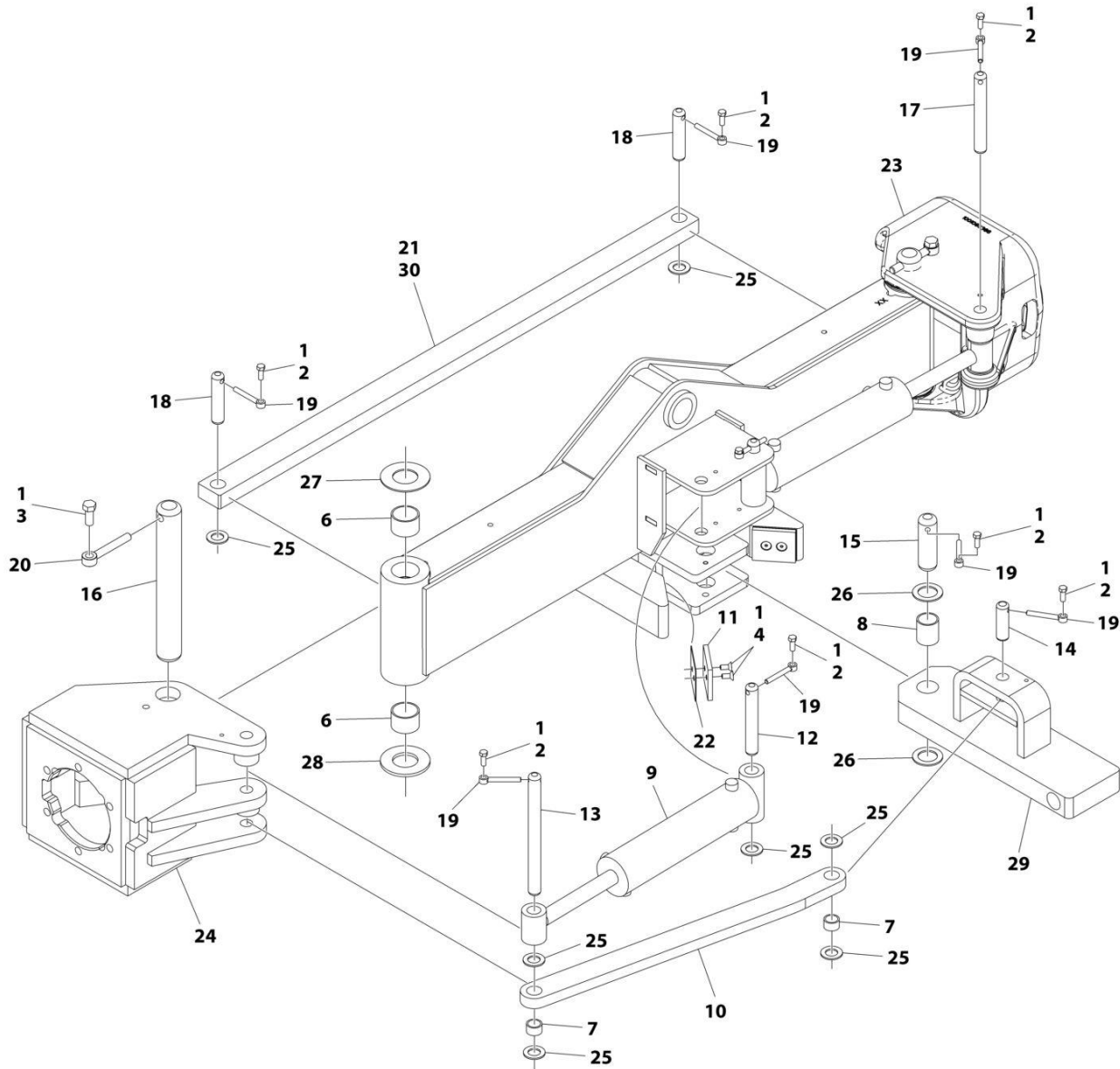
SECTION 1 - FRAME

FIGURE 1-12. STEERING INSTALLATION - 4WD/2WS & 4WD/4WS (8FT/2.4M WIDE MACHINES WITHOUT TOW PACKAGE)

ITEM	PART NUMBER	QTY	DESCRIPTION	REV
	1001148162	Ref	STEERING INSTALLATION – 4WD/2WS	D
1	0100011	AR	Compound, Locking	
2	0641608	6	Bolt 3/8 x 1	
3	1001097242	2	Steer Cylinder Assembly (See Separate Breakdown in CYLINDER SECTION)	
4	0642012	2	Bolt 5/8 x 1-1/2	
5	0962356	2	Bushing (Part of item 20)	
6	0962131	4	Bushing	
8	3422326	2	Pin	
9	3422900	2	Pin	
10	3422902	1	Pin	
11	3422903	2	Pin	
12	3841143	6	Keeper, Pin	
13	3841258	2	Keeper, Pin	
14	1001155574	NLA	Tie-Rod (Part of Item 20) (Use Item 20 as replacement)	
15	1001099387	1	Spindle (LH)	
16	1001099196	1	Spindle (RH)	
17	4740111	6	Thrustwasher	
18	4740256	2	Thrustwasher	
19	4740463	2	Thrustwasher	
20	1001276664	1	Tie-Rod Assembly (Includes Items 5 & 14)	

SECTION 1 - FRAME

FIGURE 1-13. STEERING INSTALLATION - 4WD/2WS (8FT/2.4M WIDE MACHINES WITH TOW PACKAGE)



ART_1001148164_D

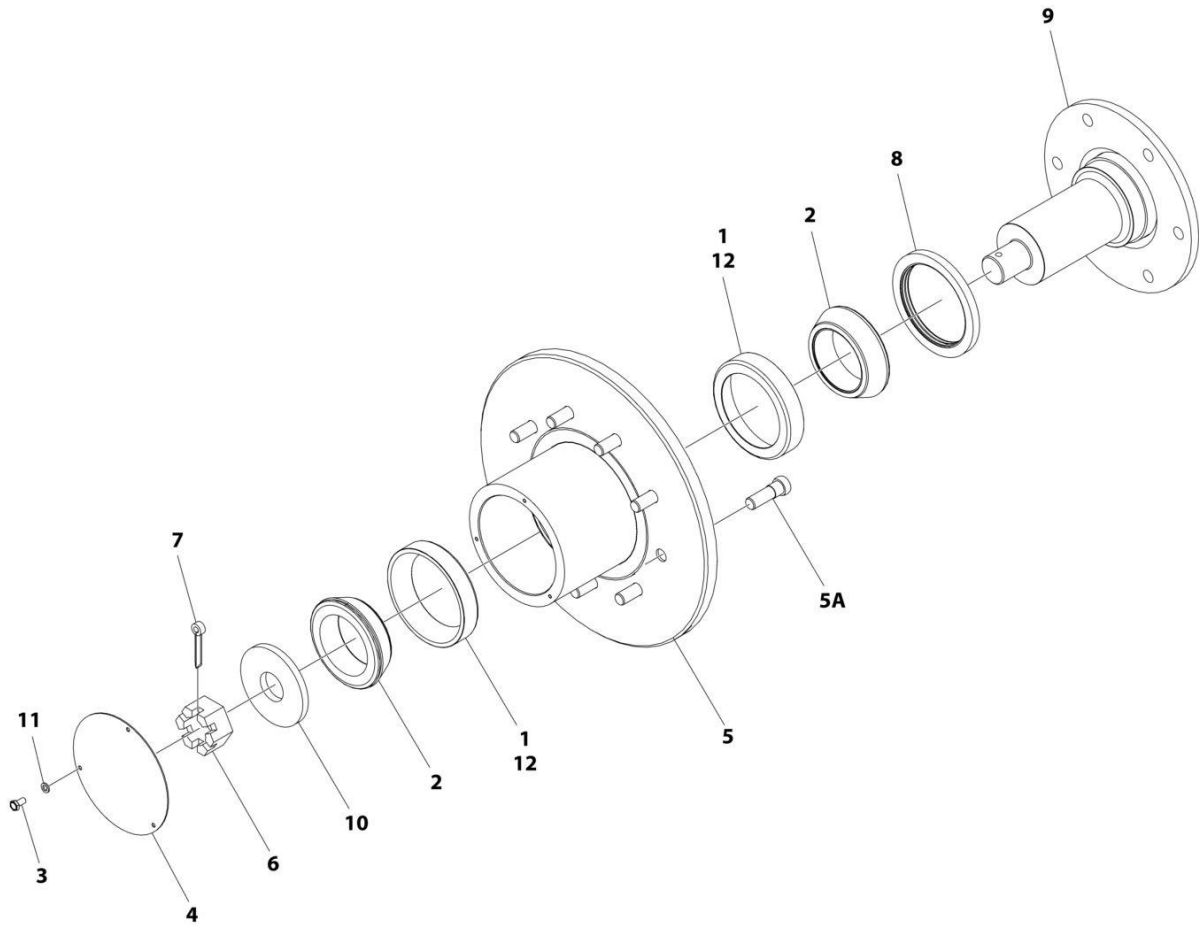
SECTION 1 - FRAME

FIGURE 1-13. STEERING INSTALLATION - 4WD/2WS (8FT/2.4M WIDE MACHINES WITH TOW PACKAGE)

ITEM	PART NUMBER	QTY	DESCRIPTION	REV
	1001148164	Ref	STEERING INSTALLATION - 4WD/2WS	D
1	0100011	AR	Compound, Locking	
2	0641608	8	Bolt 3/8 x 1	
3	0642012	2	Bolt 5/8 x 1-1/2	
4	0741607	4	Screw 3/8 x 7/8	
5	0962356	2	Bearing (Part of item 30)	
6	0962131	4	Bushing	
7	0962292	2	Bushing	
8	0962348	1	Bushing	
9	1001097242	2	Steer Cylinder Assembly (See Separate Breakdown in CYLINDER Section)	
10	1001148178	1	Link	
11	3340966	2	Pad	
12	3422326	2	Pin	
13	3422567	1	Pin	
14	3422813	1	Pin	
15	3422848	1	Pin	
16	3422900	2	Pin	
17	3422902	1	Pin	
18	3422903	2	Pin	
19	3841143	8	Keeper, Pin	
20	3841258	2	Keeper, Pin	
21	1001155574	NLA	Tie-Rod (Part of Item 30) (Use Item 30 as replacement)	
22	4071059	2	Shim	
23	1001099387	1	Spindle (LH)	
24	4130399	1	Spindle (RH)	
25	4740111	9	Thrustwasher	
26	4740155	2	Thrustwasher	
27	4740256	2	Thrustwasher	
28	4740463	2	Thrustwasher	
29	4846935	1	Pivot	
30	1001276664	1	Tie-Rod Assembly (Includes Items 5 & 21)	

SECTION 1 - FRAME

FIGURE 1-14. HUB ASSEMBLY



ART_4130410

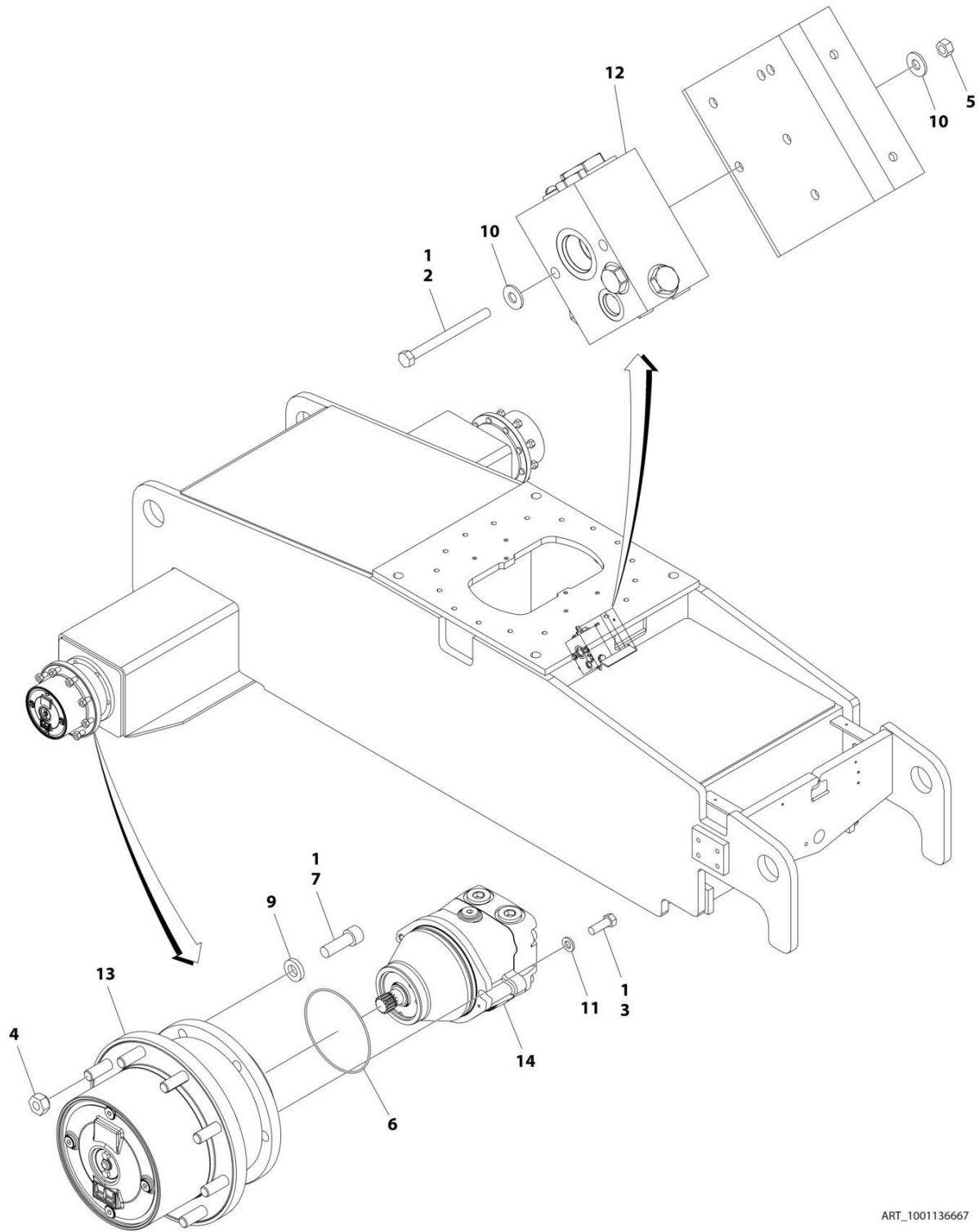
SECTION 1 - FRAME

FIGURE 1-14. HUB ASSEMBLY

ITEM	PART NUMBER	QTY	DESCRIPTION	REV
	4130410	Ref	HUB ASSEMBLY	C
1	0440170	2	Cone, Bearing	
2	0440171	2	Cup, Bearing	
3	0721003	3	Bolt #10 x 3/8	
4	1120304	1	Cap, Hub	
5	2780271	1	Hub	
5A	0630490	9	Stud, Wheel	
6	3323403	1	Nut, Slotted 1-1/2	
7	3451010	1	Pin, Cotter 5/8 x 2-1/2	
8	3960343	1	Seal, Grease	
9	4130409	1	Adapter, Spindle	
10	4740283	1	Washer, Hardened	
11	4761000	3	Washer #10	
12	3020017	AR	Grease, Bearing	

SECTION 1 - FRAME

FIGURE 1-15. WHEEL DRIVE INSTALLATION - 2WD/2WS



ART_1001136667

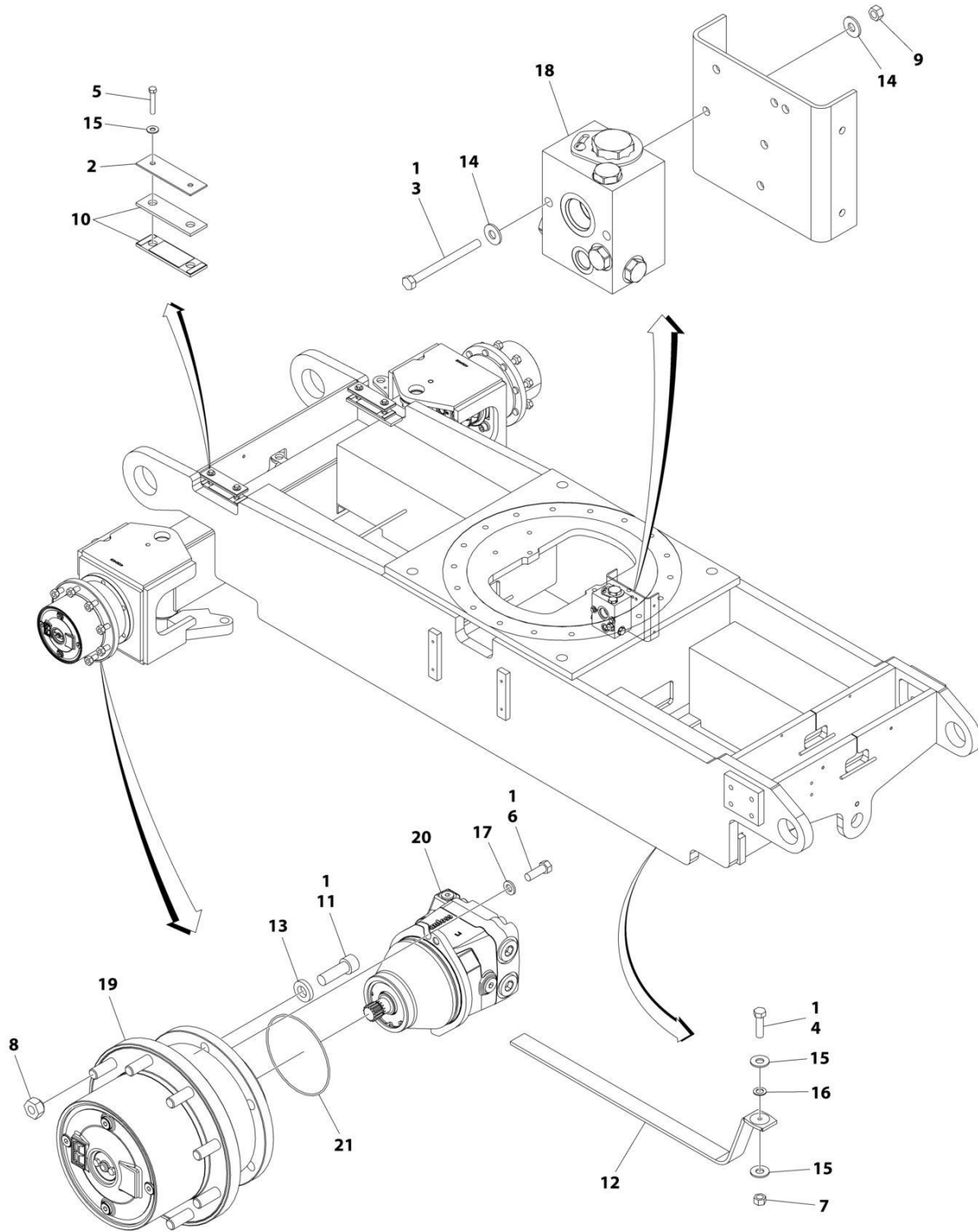
SECTION 1 - FRAME

FIGURE 1-15. WHEEL DRIVE INSTALLATION - 2WD/2WS

ITEM	PART NUMBER	QTY	DESCRIPTION	REV
	1001136667	Ref	WHEEL DRIVE INSTALLATION - 2WD/2WS	F
1	0100011	AR	Compound, Locking	
2	0641530	2	Bolt 7/16 x 1-1/4	
3	0681710	4	Bolt 7/16 x 1-1/4	
4	3300106	18	Nut, Wheel	
5	3311505	2	Nut 5/16	
6	3790158	2	O-Ring	
7	3932030	12	Capscrew 5/8 x 1-7/8	
8	4060807	AR	Flex Trim (Not Shown)	
9	4740393	12	Washer 5/8 Hardened	
10	4751500	4	Washer 5/16	
11	5241000	4	Washer M10 Hardened	
12	1001100120	1	Flow Divider Valve Assembly (See Separate Breakdown in this Section)	
13	1001113984	2	Drive Hub Assembly (See Separate Breakdown in this Section)	
14	1001136672	2	Drive Motor Assembly Options (See Separate Breakdown in this Section)	

SECTION 1 - FRAME

FIGURE 1-16. WHEEL DRIVE INSTALLATION - 2WD/4WS



ART_1001136670

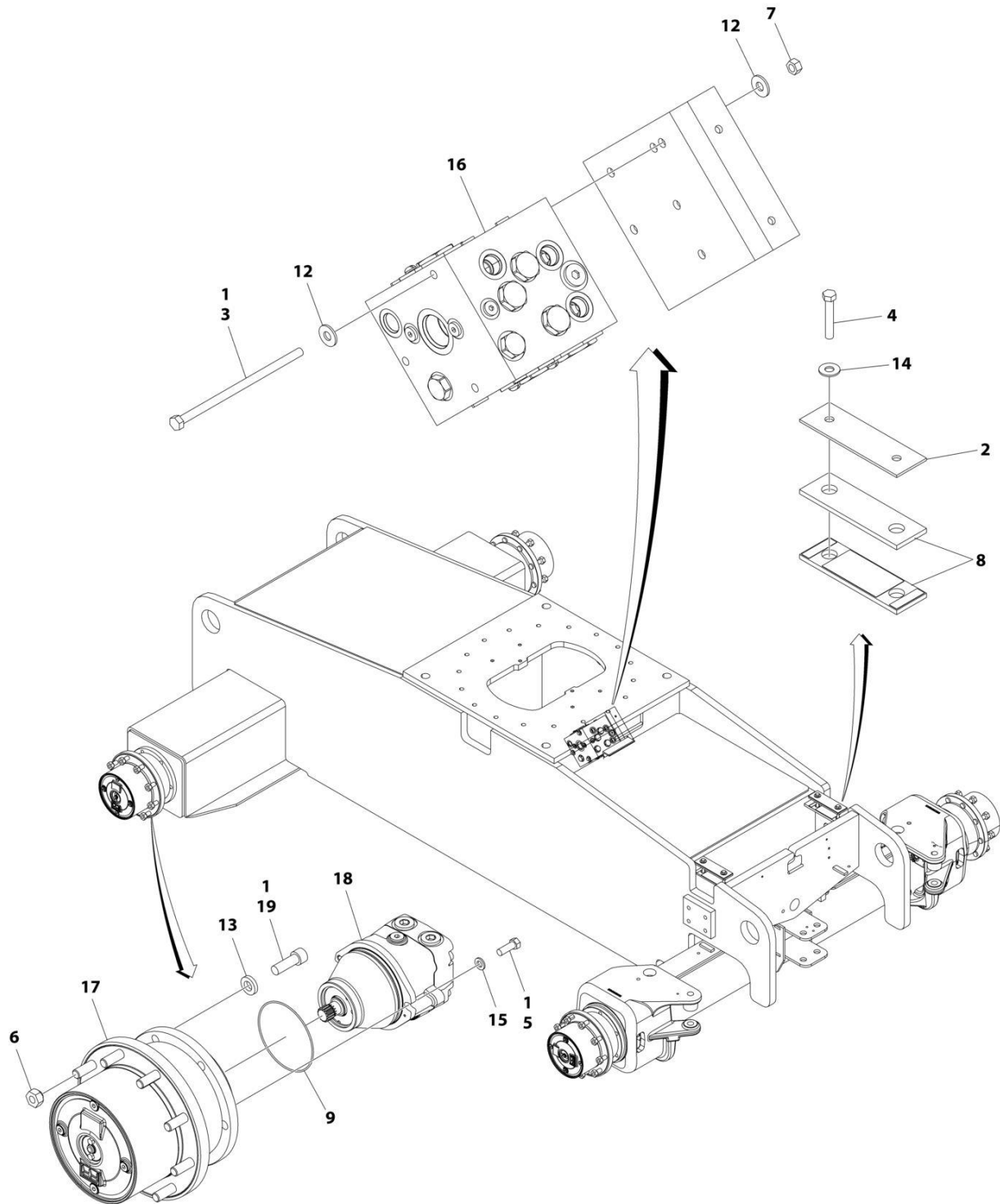
SECTION 1 - FRAME

FIGURE 1-16. WHEEL DRIVE INSTALLATION - 2WD/4WS

ITEM	PART NUMBER	QTY	DESCRIPTION	REV
	1001136670	Ref	WHEEL DRIVE INSTALLATION - 2WD/4WS	E
1	0100011	AR	Compound, Locking	
2	0363012	2	Clamp	
3	0641530	2	Bolt 5/16 x 3-3/4	
4	0641611	1	Bolt 3/8 1-3/8	
5	0641618	4	Bolt 3/8 x 2-1/4	
6	0681710	4	Bolt 7/16 x 1-1/4 Grade 8	
7	3271601	1	Nut 3/8	
8	3300106	18	Nut, Wheel	
9	3311505	2	Nut 5/16	
10	3340911	4	Rubber, Clamp	
11	3932030	12	Capscrew 5/8 x 1-7/8	
12	4240084	1	Strap, Anti-Static	
13	4740393	12	Washer 5/8 Hardened	
14	4751500	4	Washer 5/16	
15	4751600	6	Washer 3/8	
16	4791600	1	Washer 3/8	
17	5241000	4	Washer M10 Hardened	
18	1001100120	1	Flow Divider Valve Assembly (See Separate Breakdown in this Section)	
19	1001113984	2	Drive Hub Assembly (See Separate Breakdown in this Section)	
20	1001136672	2	Drive Motor Assembly Options (See Separate Breakdown in this Section)	
21	3790158	2	O-Ring	

SECTION 1 - FRAME

FIGURE 1-17. WHEEL DRIVE INSTALLATION - 4WD/2WS



ART_1001136668

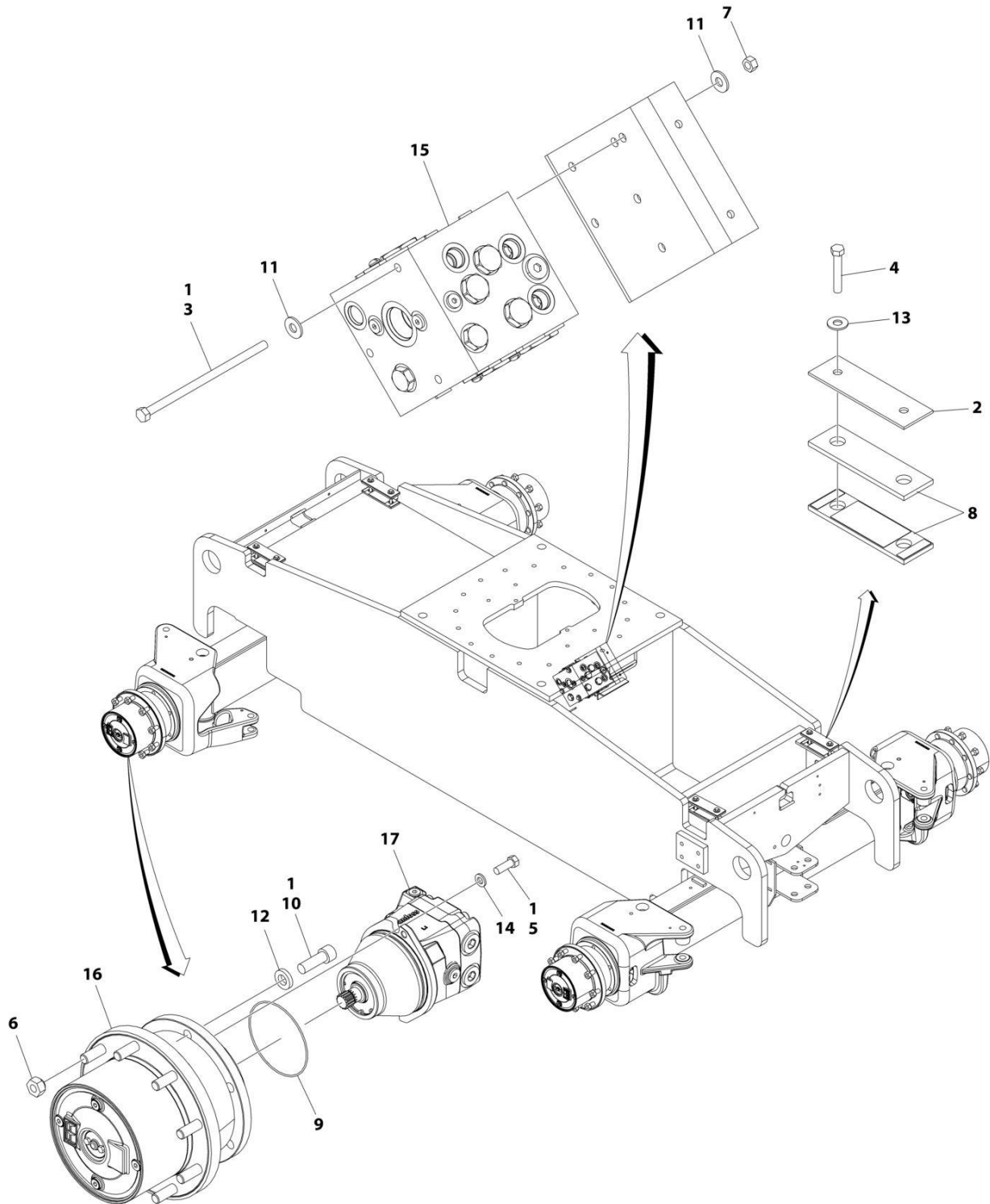
SECTION 1 - FRAME

FIGURE 1-17. WHEEL DRIVE INSTALLATION - 4WD/2WS

ITEM	PART NUMBER	QTY	DESCRIPTION	REV
	1001136668	Ref	WHEEL DRIVE INSTALLATION - 4WD/2WS	H
1	0100011	AR	Compound, Locking	
2	0363012	2	Clamp	
3	0641552	3	Bolt 5/16 x 6-1/2	
4	0641618	4	Bolt 3/8 x 2-1/4	
5	0681710	4	Bolt 7/16 x 1-1/4 Grade 8	
6	3300106	36	Nut, Wheel	
7	3311505	3	Nut 5/16	
8	3340911	4	Rubber, Clamp	
9	3790158	4	O-Ring	
12	4751500	4	Washer 5/16	
13	4740393	24	Washer 5/8 Hardened	
14	4751600	4	Washer 3/8	
15	5241000	8	Washer M10 Hardened	
16	1001098503	1	Flow Divider Valve Assembly (See Separate Breakdown in this Section)	
17	1001113984	4	Drive Hub Assembly (See Separate Breakdown in this Section)	
18	1001135600	4	Drive Motor Assembly Options (See Separate Breakdown in this Section)	
19	3932030	24	Capscrew 5/8 x 1-7/8	
22	4060807	AR	Flex Trim (Not Shown)	

SECTION 1 - FRAME

FIGURE 1-18. WHEEL DRIVE INSTALLATION - 4WD/4WS



ART_1001136669

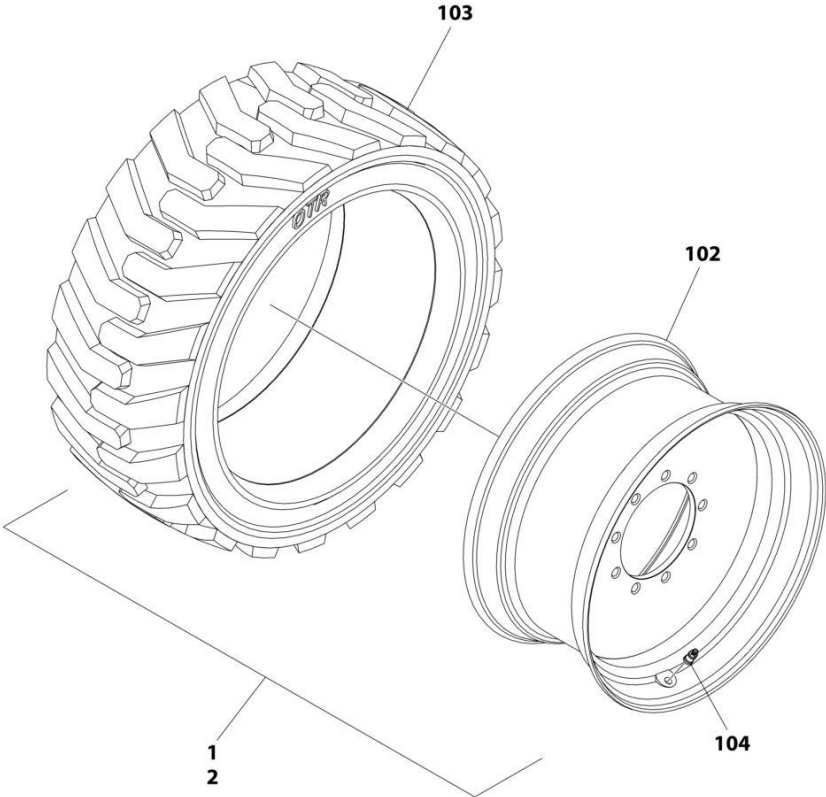
SECTION 1 - FRAME

FIGURE 1-18. WHEEL DRIVE INSTALLATION - 4WD/4WS

ITEM	PART NUMBER	QTY	DESCRIPTION	REV
	1001136669	Ref	WHEEL DRIVE INSTALLATION - 4WD/4WS	G
1	0100011	AR	Compound, Locking	
2	0363012	2	Clamp	
3	0641552	3	Bolt 5/16 x 6-1/2	
4	0641618	8	Bolt 3/8 x 2-1/4	
5	0681710	8	Bolt 7/16 x 1-1/4 Grade 8	
6	3300106	36	Nut, Wheel	
7	3311505	3	Nut 5/16	
8	3340911	8	Rubber, Clamp	
9	3790158	4	O-Ring	
10	3932030	24	Capscrew 5/8 x 1-7/8	
11	4751500	6	Washer 5/16	
12	4740393	24	Washer 5/8 Hardened	
13	4751600	8	Washer 3/8	
14	5241000	8	Washer M10 Hardened	
15	1001098503	1	Flow Divider Valve Assembly (See Separate Breakdown in this Section)	
16	1001113984	4	Drive Hub Assembly (See Separate Breakdown in this Section)	
17	1001135600	4	Drive Motor Assembly Options (See Separate Breakdown in this Section)	

SECTION 1 - FRAME

FIGURE 1-19. TIRE AND WHEEL INSTALLATION - FOAM FILLED



ART_4520346

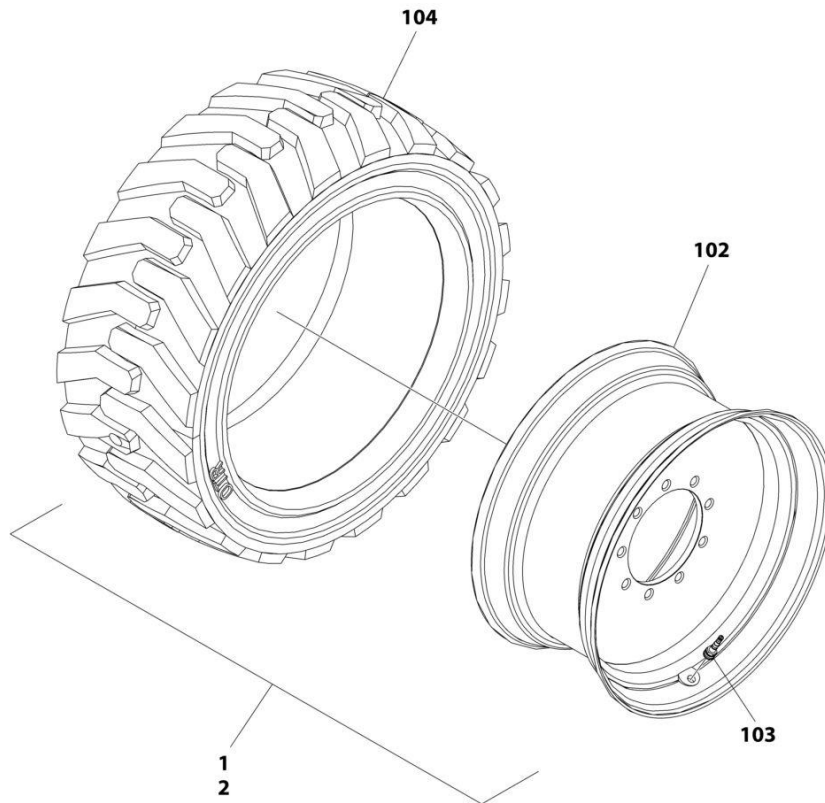
SECTION 1 - FRAME

FIGURE 1-19. TIRE AND WHEEL INSTALLATION - FOAM FILLED

ITEM	PART NUMBER	QTY	DESCRIPTION	REV
	4520346	Ref	TIRE AND WHEEL INSTALLATION - FOAM FILLED	C
		Ref	Note: Assemblies may require ballast/foam filling to manufacturer's specifications prior to installing on a machine. Refer to Operation and Safety or Service and Maintenance Manuals.	
		Ref	Note: Purchase individual tire and/or rim only if able to foam fill tire and wheel assembly, otherwise, purchase complete assembly.	
1	4520344	2	Tire and Wheel Assembly - Foam-Filled (Left Side)	H
2	4520345	2	Tire and Wheel Assembly - Foam-Filled (Right Side)	H
102	4520287	AR	Rim, Wheel (1 Per Assembly)	
103	4520288	AR	Tire - IN355/55D625 (1 Per Assembly)	
104	4640113	AR	Valve, Air (1 Per Assembly)	

SECTION 1 - FRAME

FIGURE 1-20. TIRE AND WHEEL INSTALLATION - FOAM FILLED NON-MARKING



ART_1001231678

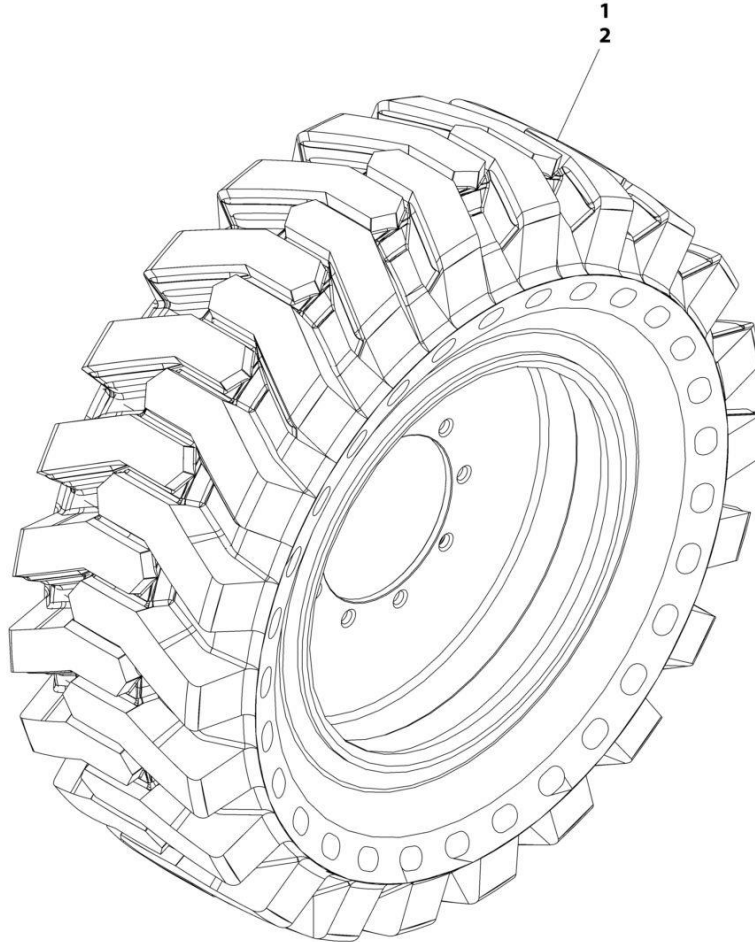
SECTION 1 - FRAME

FIGURE 1-20. TIRE AND WHEEL INSTALLATION - FOAM FILLED NON-MARKING

ITEM	PART NUMBER	QTY	DESCRIPTION	REV
	1001231678	Ref	TIRE AND WHEEL INSTALLATION - FOAM FILLED NON - MARKING	A
		Ref	Note: Assemblies may require ballast/foam filling to manufacturer's specifications prior to installing on a machine. Refer to Operation and Safety or Service and Maintenance Manuals.	
		Ref	Note: Purchase individual tire and/or rim only if able to foam fill tire and wheel assembly, otherwise, purchase complete assembly.	
1	1001231676	2	Tire and Wheel Assembly - Foam-Filled (Left Side)	C
2	1001231677	2	Tire and Wheel Assembly - Foam-Filled (Right Side)	B
102	4520287	AR	Rim, Wheel (1 Per Assembly)	
103	4641122	AR	Valve, Air (1 Per Assembly)	
104	1001184881	AR	Tire - IN355/55D625 (1 Per Assembly)	

SECTION 1 - FRAME

FIGURE 1-21. TIRE AND WHEEL INSTALLATION - SOLIDBOSS



ART_1001147067

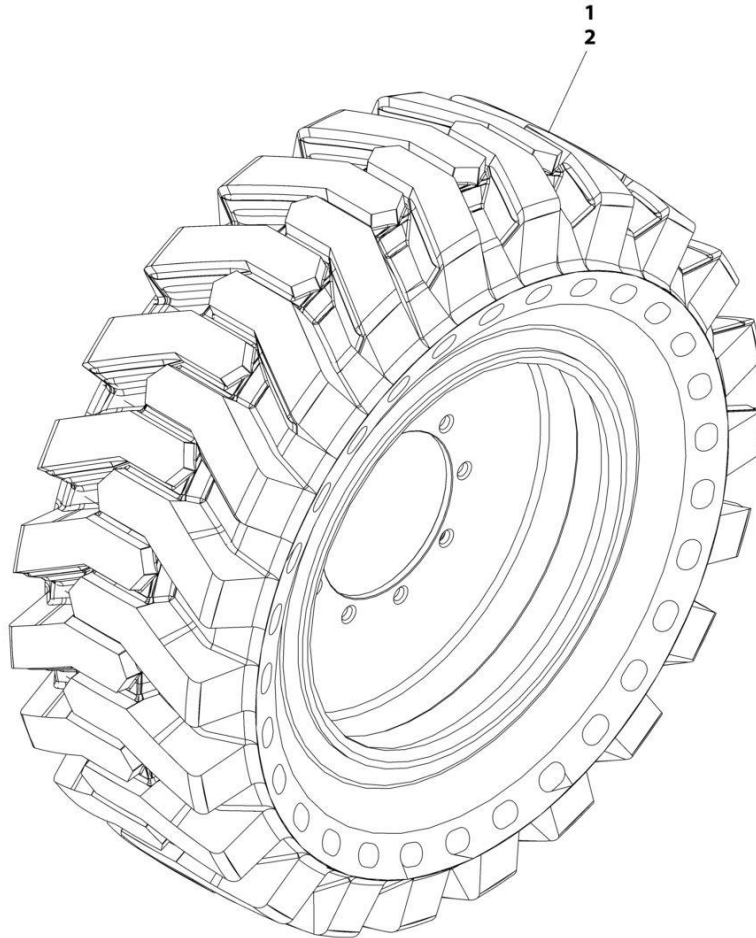
SECTION 1 - FRAME

FIGURE 1-21. TIRE AND WHEEL INSTALLATION - SOLIDBOSS

ITEM	PART NUMBER	QTY	DESCRIPTION	REV
	1001147067	Ref	TIRE AND WHEEL INSTALLATION - SOLIDBOSS	C
1	1001207345	2	Tire and Wheel Assembly - Left Side	
2	1001207346	2	Tire and Wheel Assembly - Right Side	

SECTION 1 - FRAME

FIGURE 1-22. TIRE AND WHEEL INSTALLATION - SOLIDBOSS NON-MARKING



ART_1001147068

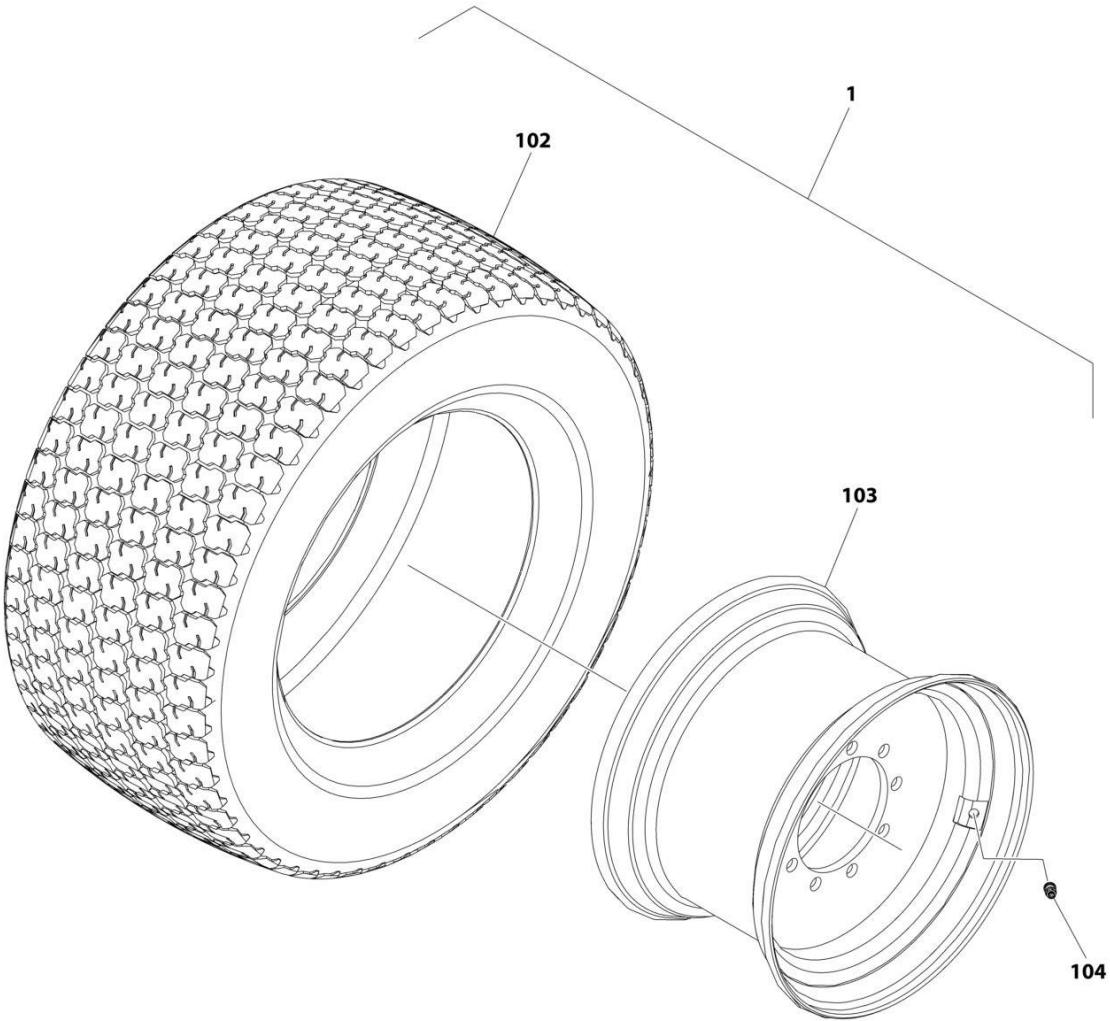
SECTION 1 - FRAME

FIGURE 1-22. TIRE AND WHEEL INSTALLATION - SOLIDBOSS NON-MARKING

ITEM	PART NUMBER	QTY	DESCRIPTION	REV
	1001147068	Ref	TIRE AND WHEEL INSTALLATION - SOLIDBOSS NON - MARKING	B
1	1001214747	2	Tire and Wheel Assembly - Left Side	
2	1001214748	2	Tire and Wheel Assembly - Right Side	

SECTION 1 - FRAME

FIGURE 1-23. TIRE AND WHEEL INSTALLATION - TURF



ART_1001272547

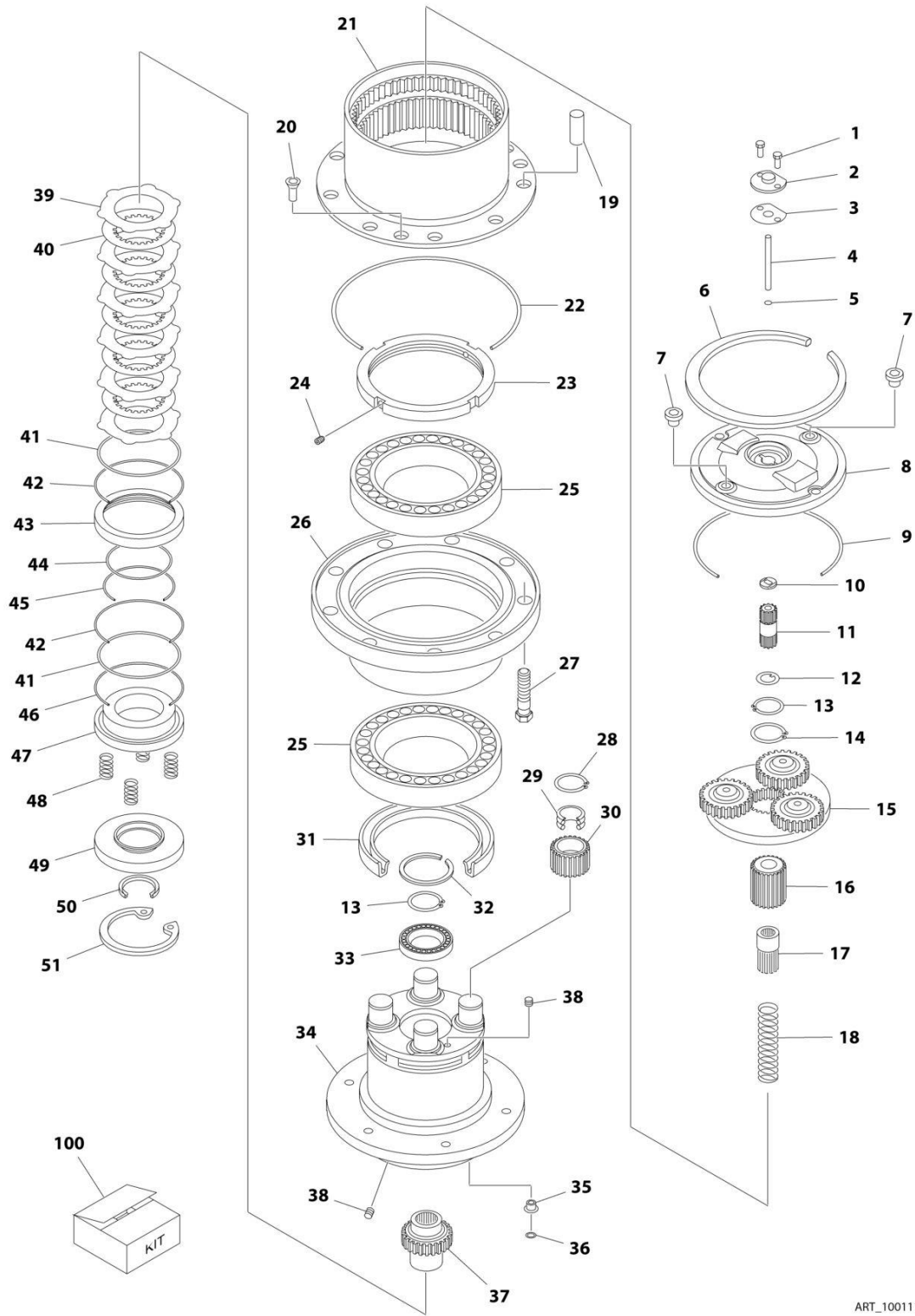
SECTION 1 - FRAME

FIGURE 1-23. TIRE AND WHEEL INSTALLATION - TURF

ITEM	PART NUMBER	QTY	DESCRIPTION	REV
	1001272547	Ref	TIRE AND WHEEL INSTALLATION - TURF	A
1	1001272546	4	Tire and Wheel Assembly	
102	4520256	1	Tire, 41/18LL x 22.5	
103	4520672	1	Wheel, Sand Tire 22.5 x 14	
104	4640113	1	Valve, Tire	

SECTION 1 - FRAME

FIGURE 1-24. DRIVE HUB ASSEMBLY



ART_1001113984

SECTION 1 - FRAME

FIGURE 1-24. DRIVE HUB ASSEMBLY

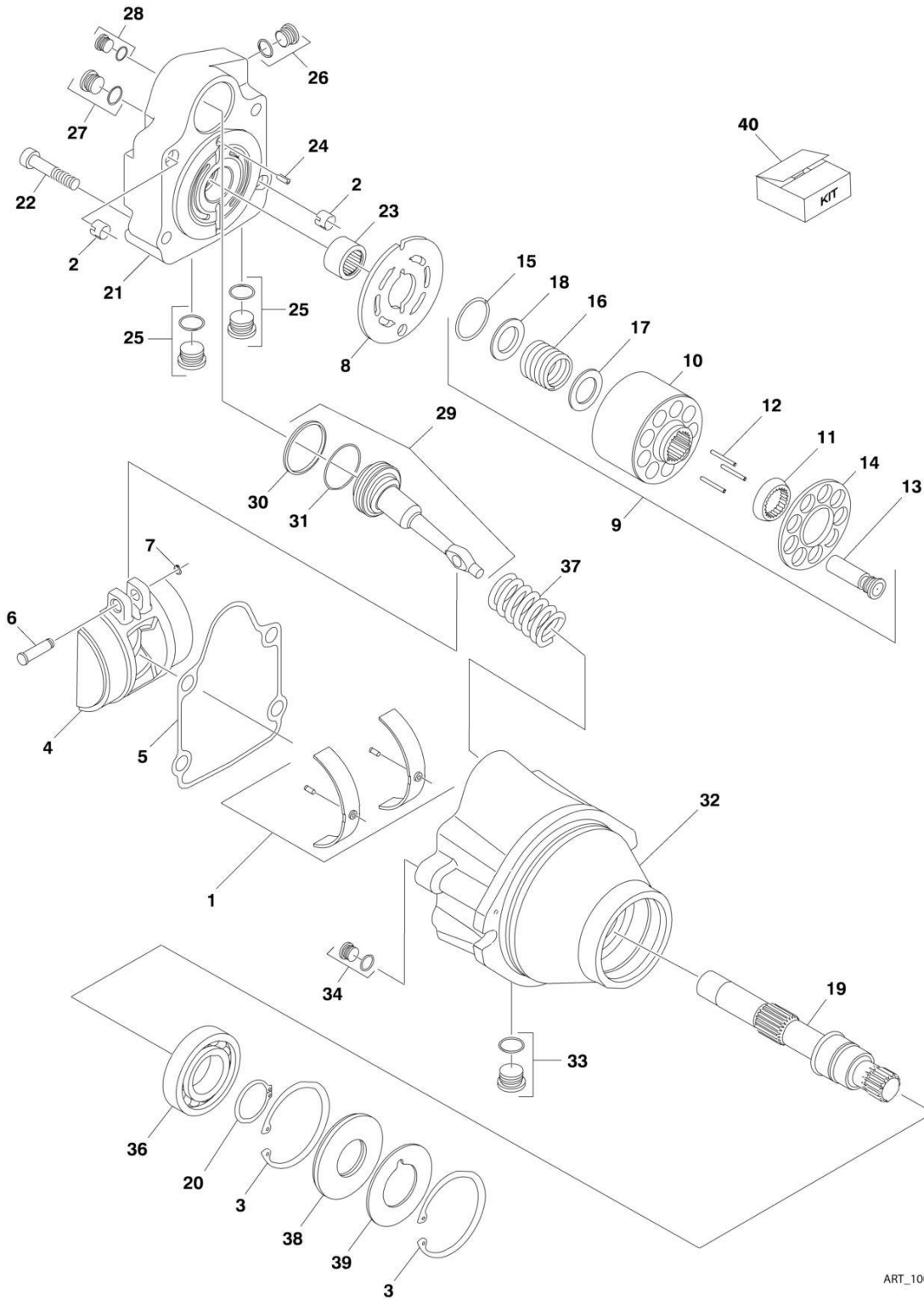
ITEM	PART NUMBER	QTY	DESCRIPTION	REV
	1001113984	Ref	DRIVE HUB ASSEMBLY	E
1	70004353	2	Screw	
2	70005298	1	Cover, Disengagement	
3	70002201	1	Gasket	
4	70002059	1	Pin, Disengagement	
5	See Note	NSS	O-Ring (Note: Use Item 100)	
6	70005299	1	Ring	
7	70002057	4	Plug	
8	70005300	1	Cover	
9	See Note	NSS	O-Ring (Note: Use Item 100)	
10	70002054	1	Shim	
11	70005301	1	Pinion	
12	70005302	1	Shim	
13	70004355	2	Ring, Outer Retention	
14	70004356	1	Ring, Inner Retention	
15	70005303	1	Reduction Gear Assembly	
16	70005304	1	Pinion	
17	70005305	1	Coupling, Disengagement Half	
18	70005306	1	Spring, Disengagement	
19	70005307	9	Plug	
20	70004361	3	Screw	
21	70005308	1	Ring, Planetary	
22	See Note	NSS	O-Ring (Note: Use Item 100)	
23	70005309	1	Nut, Ring	
24	70004363	2	Screw	
25	70005311	2	Bearing	
26	70004365	1	Support, Hub	
27	70005312	9	Column	
28	70004367	4	Ring, Outer Retention	
29	70005313	4	Bearing	
30	70004369	4	Wheel, Planet	
31	See Note	NSS	Seal, Oil (Note: Use Item 100)	
32	70004370	1	Ring	
33	70004371	1	Bearing	
34	70005314	1	Axle, Stub	
35	70005315	1	Plug	
36	See Note	NSS	O-Ring (Note: Use Item 100)	
37	70005316	1	Shaft, Input	
38	70004447	2	Plug	
39	70002027	6	Disc, Steel	
40	70002026	5	Disc, Sintered	
41	See Note	NSS	Seal (Note: Use Item 100)	
42	See Note	NSS	O-Ring (Note: Use Item 100)	
43	70005317	1	Spacer	
44	See Note	NSS	Seal (Note: Use Item 100)	
45	See Note	NSS	O-Ring (Note: Use Item 100)	
46	See Note	NSS	O-Ring (Note: Use Item 100)	
47	70005318	1	Piston	
48	70002020	6	Spring, Brake	
49	70005319	1	Spacer	

SECTION 1 - FRAME

ITEM	PART NUMBER	QTY	DESCRIPTION	REV
50	See Note	NSS	Seal, Oil (Note: Use Item 100)	
51	70005320	1	Ring, Inner Retention	
100	70005321	1	Seal Kit (Includes Items 5, 9, 22, 31, 36, 41, 42, 44, 45, 46 & 50)	

SECTION 1 - FRAME

FIGURE 1-25. DRIVE MOTOR ASSEMBLY - 2WD



ART_1001136672

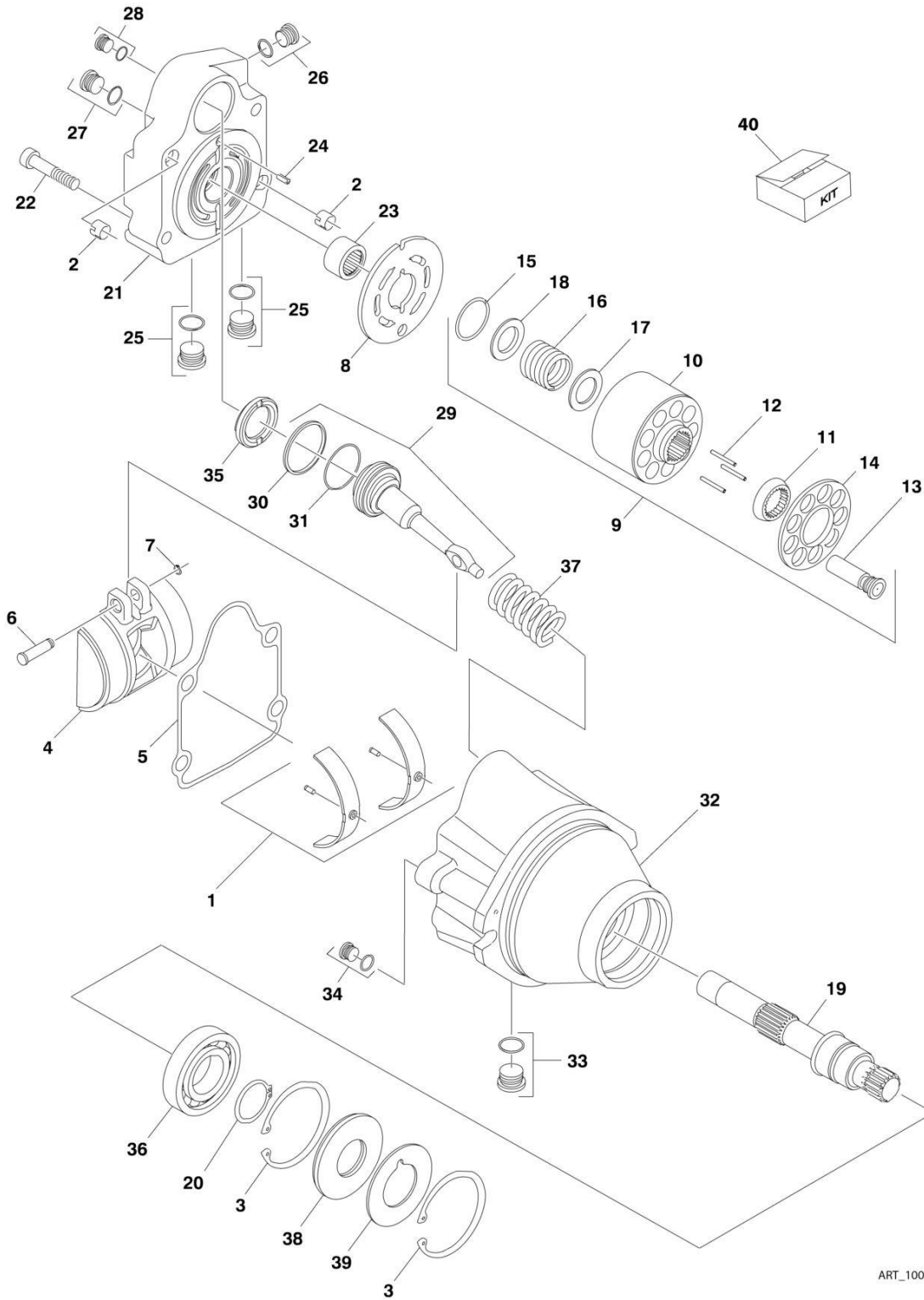
SECTION 1 - FRAME

FIGURE 1-25. DRIVE MOTOR ASSEMBLY - 2WD

ITEM	PART NUMBER	QTY	DESCRIPTION	REV
	1001136672	Ref	DRIVE MOTOR ASSEMBLY	C
1	70000852	1	Swash Plate Bearing Kit	
2	70003628	2	Pin	
3	70007438	2	Ring, Retaining	
4	70000853	1	Swash Plate	
5	See Note	NSS	Gasket (Note: Use Item 40)	
6	70004201	1	Pin	
7	70004202	1	Ring, Retaining	
8	70000854	1	Plate, Valve	
9	7027740	1	Cylinder Block Kit (Includes Items 10-18)	
10	7027740	1	Block, Cylinder	
11	70000854	1	Guide, Slipper Retainer	
12	7021275	3	Pin, Slipper Hold Down	
13	70004203	9	Piston Assembly	
14	70000857	1	Retainer, Slipper	
15	7022311	1	Ring, Retaining	
16	7024867	1	Spring	
17	7024868	1	Washer	
18	7022314	1	Retainer, Spring	
19	70000858	1	Shaft	
20	7007439	1	Ring, Retaining	
21	70004204	1	Cap, End - Axial	
22	7022368	4	Capscrew	
23	7021249	1	Bearing, Needle	
24	7007446	1	Pin	
25	7007419	2	Plug with O-Ring	
25	See Note	NSS	O-Ring (Note: Not Sold Separately - Purchase Item 25 or 40)	
26	7007420	1	Plug with O-Ring	
26	70000862	1	O-Ring (Note: Not Sold Separately - Purchase Item 26 or 40)	
27	7022321	1	Plug with O-Ring	
27	70000862	1	O-Ring (Note: Not Sold Separately - Purchase Item 27 or 40)	
28	7007420	1	Plug with O-Ring	
28	70000862	1	O-Ring (Note: Not Sold Separately - Purchase Item 28 or 40)	
29	70004207	1	Servo Piston Assembly	
30	See Note	NSS	Ring, Piston (Note: Not Sold Separately - Purchase Item 29 or 40)	
31	See Note	NSS	O-Ring (Note: Not Sold Separately - Purchase Item 29 or 40)	
32	See Note	NSS	Housing (Note: Not Available - Purchase Complete Motor)	
33	7022321	1	Plug with O-Ring	
33	70000862	1	O-Ring (Note: Not Sold Separately - Purchase Item 33 or 40)	
34	70002133	1	Plug with O-Ring	
34	70000862	1	O-Ring (Note: Not Sold Separately - Purchase Item 34 or 40)	
36	70002176	1	Bearing	
37	70000861	1	Spring	
38	See Note	NSS	Seal, Lip (Note: Use Item 40)	
39	7022371	1	Washer, Support	
40	70000862	1	Seal Kit (Includes Items 5, 30, 31, 38 and Plug O-Rings)	

SECTION 1 - FRAME

FIGURE 1-26. DRIVE MOTOR ASSEMBLY - 4WD



ART_1001135600

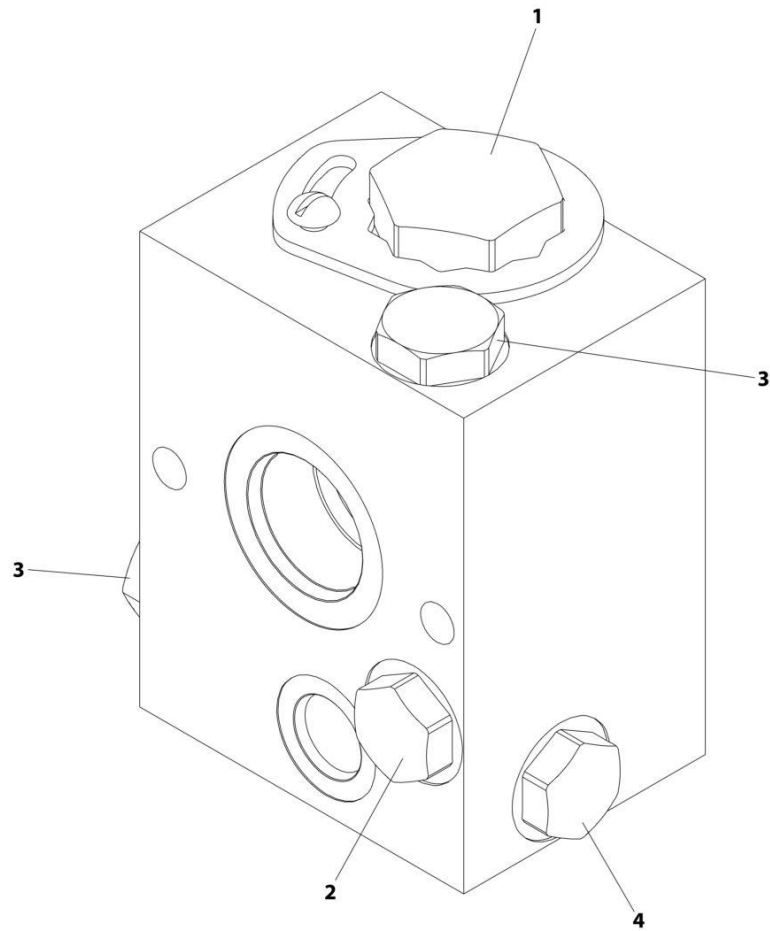
SECTION 1 - FRAME

FIGURE 1-26. DRIVE MOTOR ASSEMBLY - 4WD

ITEM	PART NUMBER	QTY	DESCRIPTION	REV
	1001135600	Ref	DRIVE MOTOR ASSEMBLY	C
1	70000852	1	Swash Plate Bearing Kit	
2	70003628	2	Pin	
3	70007438	2	Ring, Retaining	
4	70000853	1	Swash Plate	
5	See Note	NSS	Gasket (Note: Use Item 40)	
6	70004201	1	Pin	
7	70004202	1	Ring, Retaining	
8	70000854	1	Plate, Valve	
9	7027740	1	Cylinder Block Kit (Includes Items 10-18)	
10	7027740	1	Block, Cylinder	
11	70000854	1	Guide, Slipper Retainer	
12	7021275	3	Pin, Slipper Hold Down	
13	70004203	9	Piston Assembly	
14	70000857	1	Retainer, Slipper	
15	7022311	1	Ring, Retaining	
16	7024867	1	Spring	
17	7024868	1	Washer	
18	7022314	1	Retainer, Spring	
19	70000858	1	Shaft	
20	7007439	1	Ring, Retaining	
21	70004204	1	Cap, End - Axial	
22	7022368	4	Capscrew	
23	7021249	1	Bearing, Needle	
24	7007446	1	Pin	
25	7007419	2	Plug with O-Ring	
25	See Note	NSS	O-Ring (Note: Not Sold Separately - Purchase Item 25 or 40)	
26	7007420	1	Plug with O-Ring	
26	70000862	1	O-Ring (Note: Not Sold Separately - Purchase Item 26 or 40)	
27	7022321	1	Plug with O-Ring	
27	70000862	1	O-Ring (Note: Not Sold Separately - Purchase Item 27 or 40)	
28	7007420	1	Plug with O-Ring	
28	70000862	1	O-Ring (Note: Not Sold Separately - Purchase Item 28 or 40)	
29	70004205	1	Servo - 4WD	
30	See Note	NSS	Ring, Piston (Note: Not Sold Separately - Purchase Item 29 or 40)	
31	See Note	NSS	O-Ring (Note: Not Sold Separately - Purchase Item 29 or 40)	
32	See Note	NSS	Housing (Note: Not Available - Purchase Complete Motor)	
33	7022321	1	Plug with O-Ring	
33	70000862	1	O-Ring (Note: Not Sold Separately - Purchase Item 33 or 40)	
34	70002133	1	Plug with O-Ring	
34	70000862	1	O-Ring (Note: Not Sold Separately - Purchase Item 34 or 40)	
35	70004205	1	Stop (4WD Motor Only)	
36	70002176	1	Bearing	
37	70000861	1	Spring	
38	See Note	NSS	Seal, Lip (Note: Use Item 40)	
39	7022371	1	Washer, Support	
40	70000862	1	Seal Kit (Includes Items 5, 30, 31, 38 and Plug O-Rings)	

SECTION 1 - FRAME

FIGURE 1-27. FLOW DIVIDER VALVE ASSEMBLY – 2WD



ART_1001100120_C

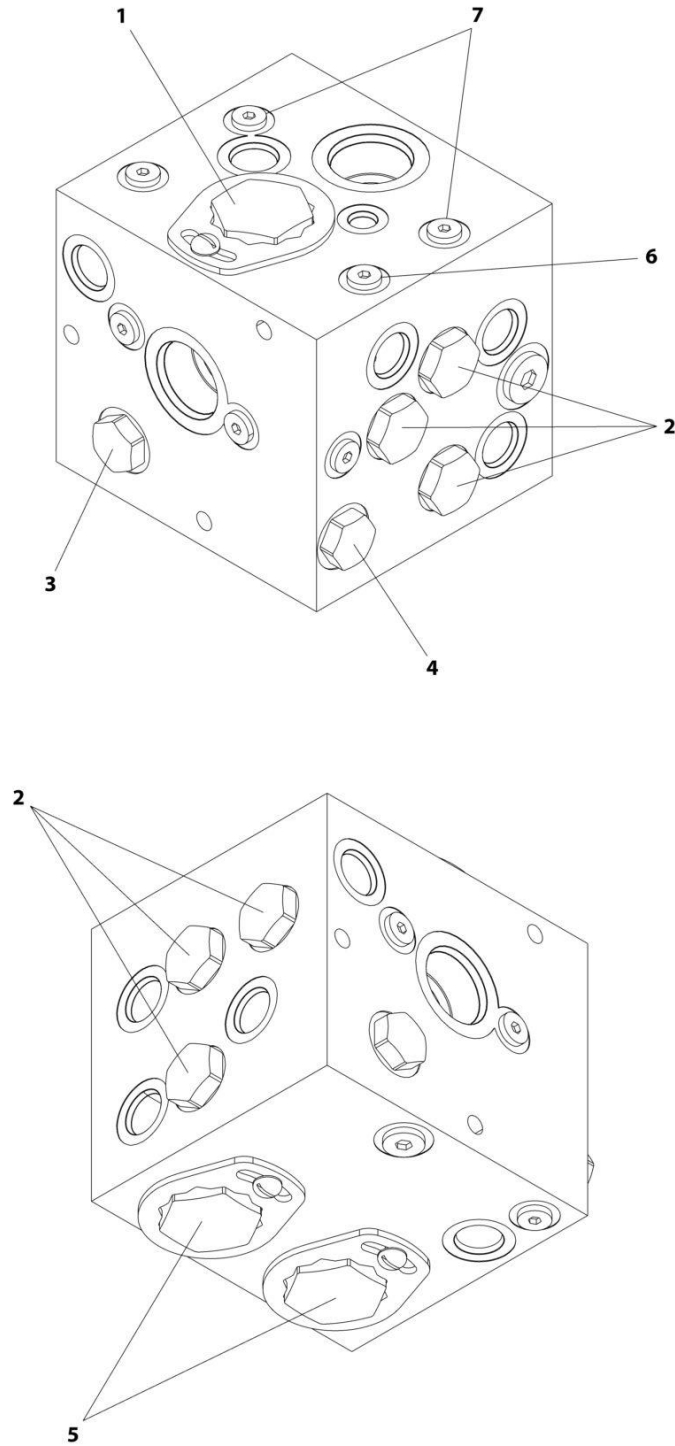
SECTION 1 - FRAME

FIGURE 1-27. FLOW DIVIDER VALVE ASSEMBLY – 2WD

ITEM	PART NUMBER	QTY	DESCRIPTION	REV
	1001100120	Ref	FLOW DIVIDER ASSEMBLY - 2WD	C
1	70004017	1	Valve, Cartridge (Flow Divider)	
1	7021625	1	Seal Kit - Flow Divider Cartridge	
1	70000781	1	Locking Kit	
2	7024892	1	Valve, Cartridge (Check)	
2	7023936	1	Seal Kit - Check Cartridge	
3	7022397	2	Valve, Cartridge (Check)	
3	7022399	2	Seal Kit - Check Cartridge	
4	7023935	1	Valve, Cartridge (Check)	
4	7023936	1	Seal Kit - Check Cartridge	

SECTION 1 - FRAME

FIGURE 1-28. FLOW DIVIDER VALVE ASSEMBLY – 4WD



ART_1001098503

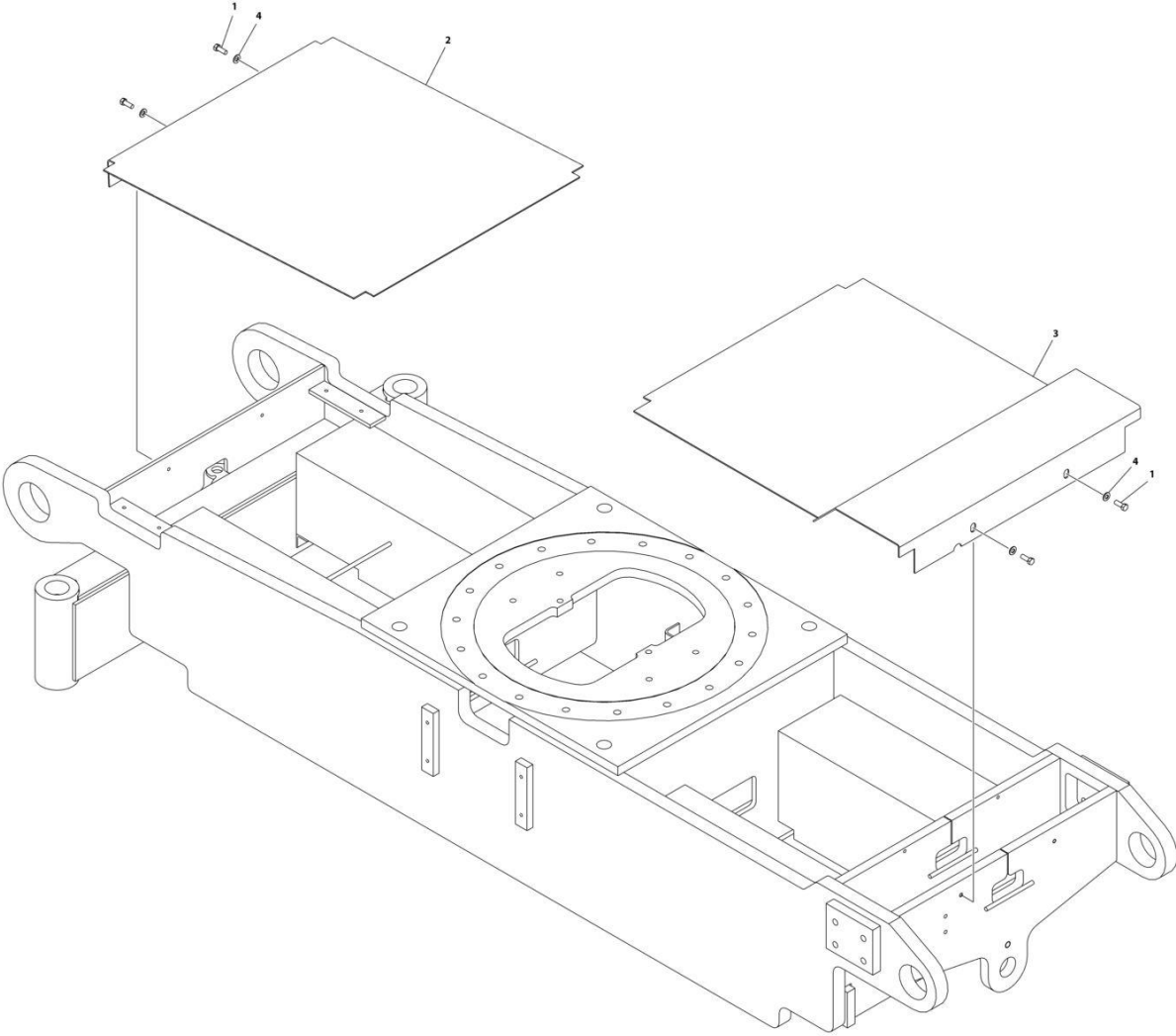
SECTION 1 - FRAME

FIGURE 1-28. FLOW DIVIDER VALVE ASSEMBLY – 4WD

ITEM	PART NUMBER	QTY	DESCRIPTION	REV
	1001098503	Ref	FLOW DIVIDER ASSEMBLY - 4WD	C
1	7023933	1	Valve, Cartridge (Flow Divider)	
1	7021625	1	Seal Kit - Flow Divider Cartridge	
2		Ref	Valve, Cartridge (Check) Options:	
2	7022397	6	Valve p/n 4641410	
2	7022399	6	Seal Kit - Check Cartridge	
2	70003408	6	Valve p/n 1001098503	
2	7022399	6	Seal Kit - Check Cartridge	
3	7023935	1	Valve, Cartridge (Check)	
3	7023936	1	Seal Kit - Check Cartridge	
4	7024892	1	Valve, Cartridge (Check)	
4	7023936	1	Seal Kit - Check Cartridge	
5	7023917	2	Valve, Cartridge (Flow Divider)	
5	7021625	2	Seal Kit - Flow Divider Cartridge	
6	70002063	1	Plug, Orifice	
7	70002064	2	Plug, Orifice	

SECTION 1 - FRAME

FIGURE 1-29. FRAME SHIELDS INSTALLATION – 2WS (7FT/2.1M WIDE MACHINES)



ART_274229

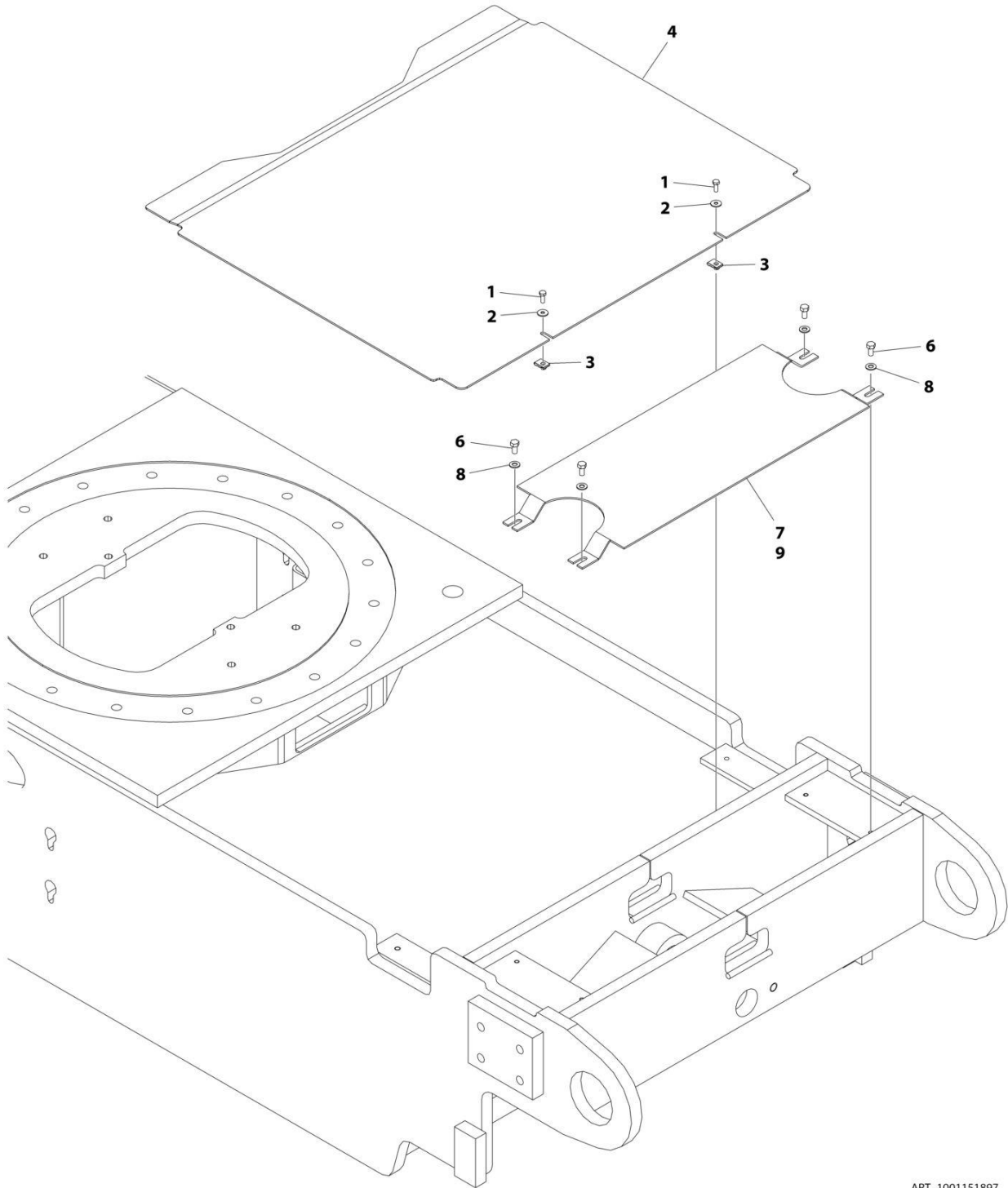
SECTION 1 - FRAME

FIGURE 1-29. FRAME SHIELDS INSTALLATION – 2WS (7FT/2.1M WIDE MACHINES)

ITEM	PART NUMBER	QTY	DESCRIPTION	REV
	0274229	Ref	FRAME SHIELDS INSTALLATION	C
1	0760608	4	Bolt M6 x 16	
2	3380558	1	Shield, Frame - Front	
3	3380560	1	Shield, Frame - Rear	
4	4751600	4	Washer 3/8	

SECTION 1 - FRAME

FIGURE 1-30. FRAME SHIELDS INSTALLATION – 2WS (8FT/2.4M WIDE MACHINES)



ART_1001151897

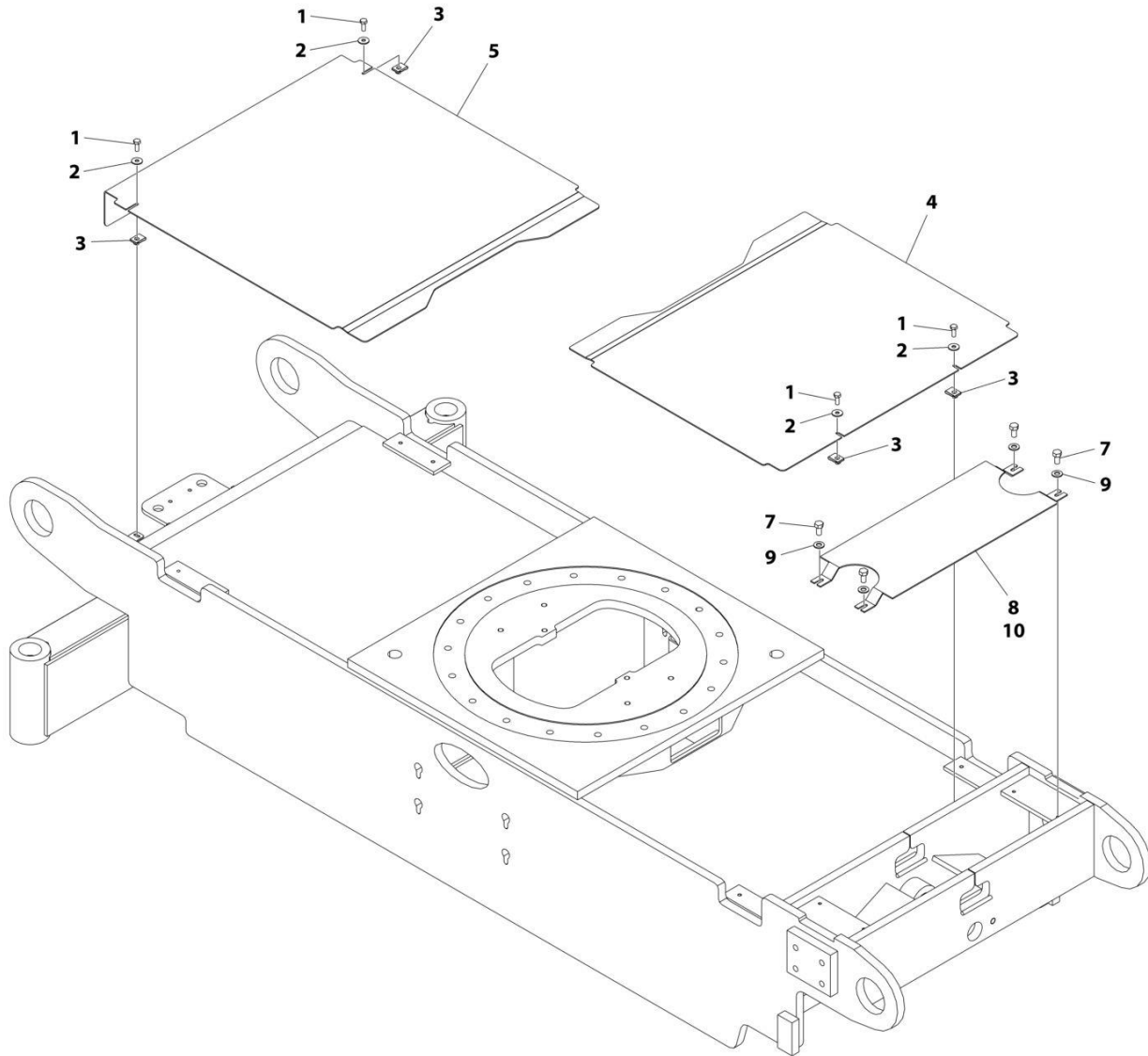
SECTION 1 - FRAME

FIGURE 1-30. FRAME SHIELDS INSTALLATION – 2WS (8FT/2.4M WIDE MACHINES)

ITEM	PART NUMBER	QTY	DESCRIPTION	REV
	1001151897	Ref	FRAME SHIELDS INSTALLATION	C
1	0760608	2	Bolt M6 x 16	
2	4811702	2	Washer M6	
3	1001130220	2	Nut, Tinnerman M6	
4	1001151584	1	Shield, Frame - Front	
6	0641505	4	Bolt 5/16 x 5/8	
7	4060804	1	Flex-Trim	
8	4711500	4	Washer 5/16	
9	1001161761	1	Shield, Frame - Rear	

SECTION 1 - FRAME

FIGURE 1-31. FRAME SHIELDS INSTALLATION – 4WS (8FT/2.4M WIDE MACHINES)



ART_1001152049

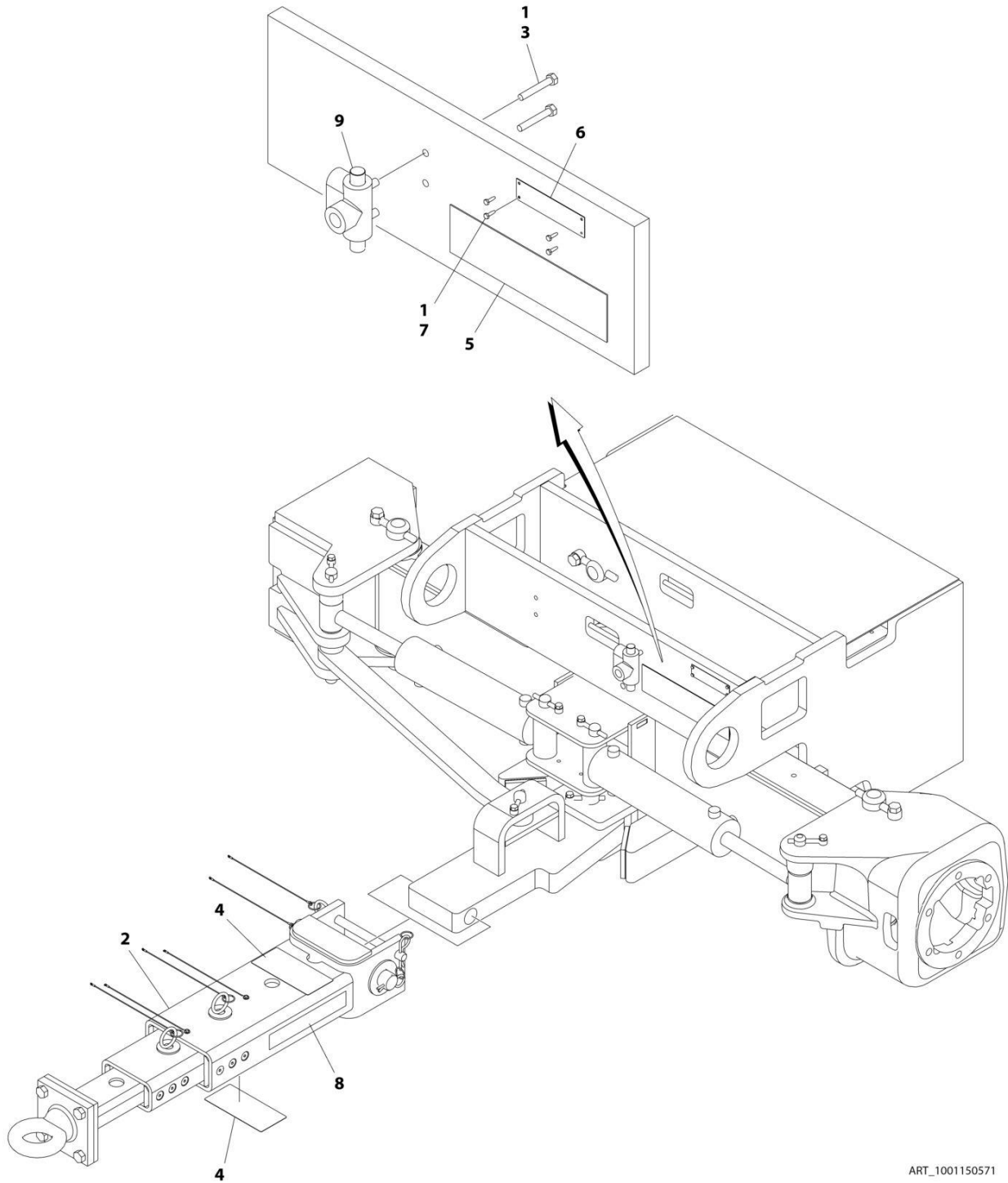
SECTION 1 - FRAME

FIGURE 1-31. FRAME SHIELDS INSTALLATION – 4WS (8FT/2.4M WIDE MACHINES)

ITEM	PART NUMBER	QTY	DESCRIPTION	REV
	1001152049	Ref	FRAME SHIELDS INSTALLATION	C
1	0760608	4	Bolt M6 x 16	
2	4811702	4	Washer M6	
3	1001130220	4	Nut, Tinnerman M6	
4	1001151584	1	Shield, Frame - Front	
5	1001152046	1	Shield, Frame - Rear	
7	0641505	4	Bolt 5/16 x 5/8	
8	4060804	1	Flex-Trim	
9	4711500	4	Washer 5/16	
10	1001161761	1	Shield, Frame - Rear	

SECTION 1 - FRAME

FIGURE 1-32. TOW PACKAGE INSTALLATION (ANSI SPECS)



ART_1001150571

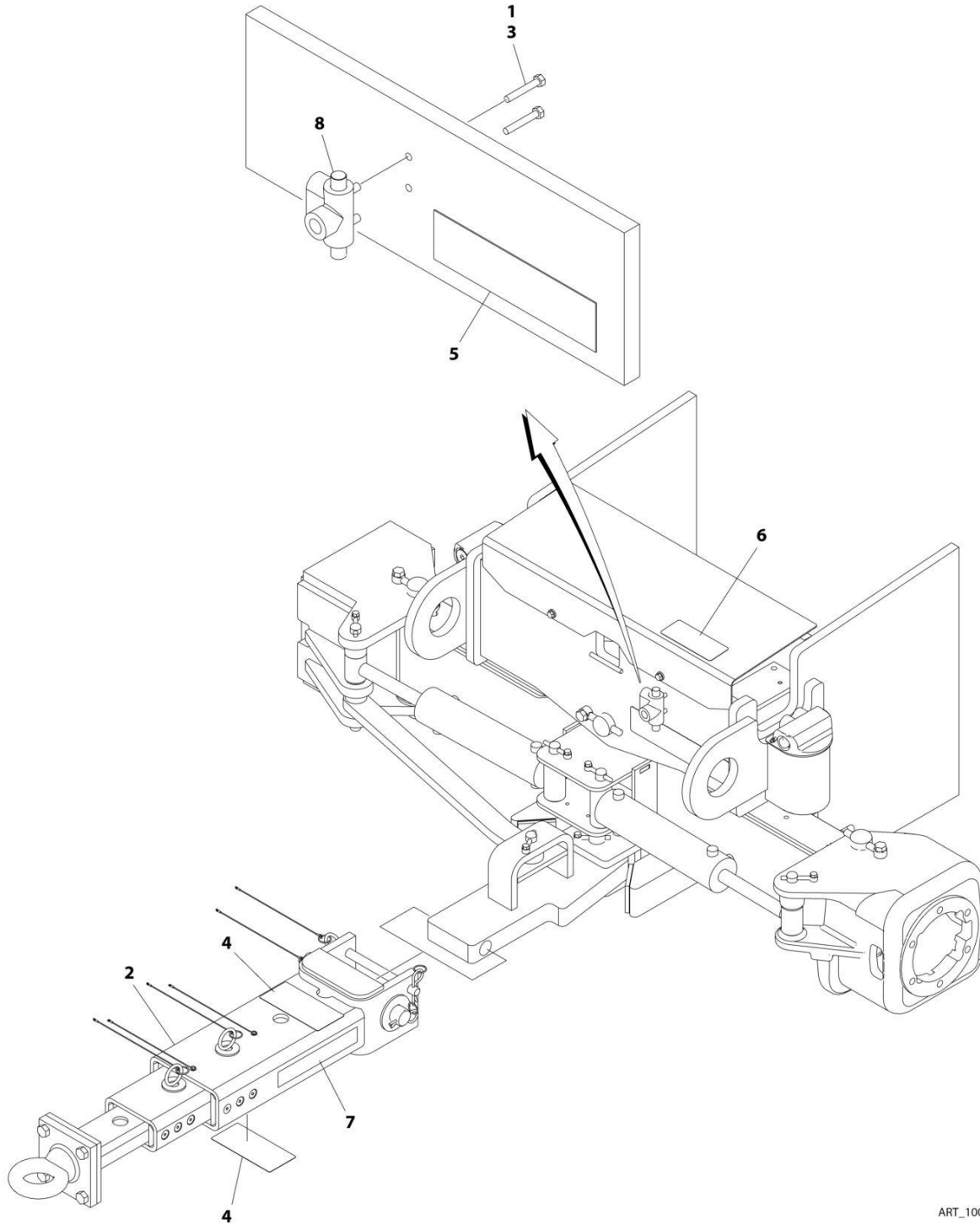
SECTION 1 - FRAME

FIGURE 1-32. TOW PACKAGE INSTALLATION (ANSI SPECS)

ITEM	PART NUMBER	QTY	DESCRIPTION	REV
	1001150571	Ref	TOW BAR INSTALLATION	D
1	0100011	AR	Compound, Locking	
2	0270528	1	Tow Bar Assembly (See Separate Breakdown in this Section)	
3	0641516	2	Bolt 5/16 x 2	
4	1704578	2	Decal - Crushing	
5	1705090	1	Decal - Towing Instruction	
6	3250872	1	Nameplate - Steer/Tow Select	
7	3940604	4	Screw #6 x 1/2	
8	4420051	AR	Tape, Safety	
9	4640261	1	Valve, Float Position	

SECTION 1 - FRAME

FIGURE 1-33. TOW PACKAGE INSTALLATION (CSA SPECS)



ART_1001150570

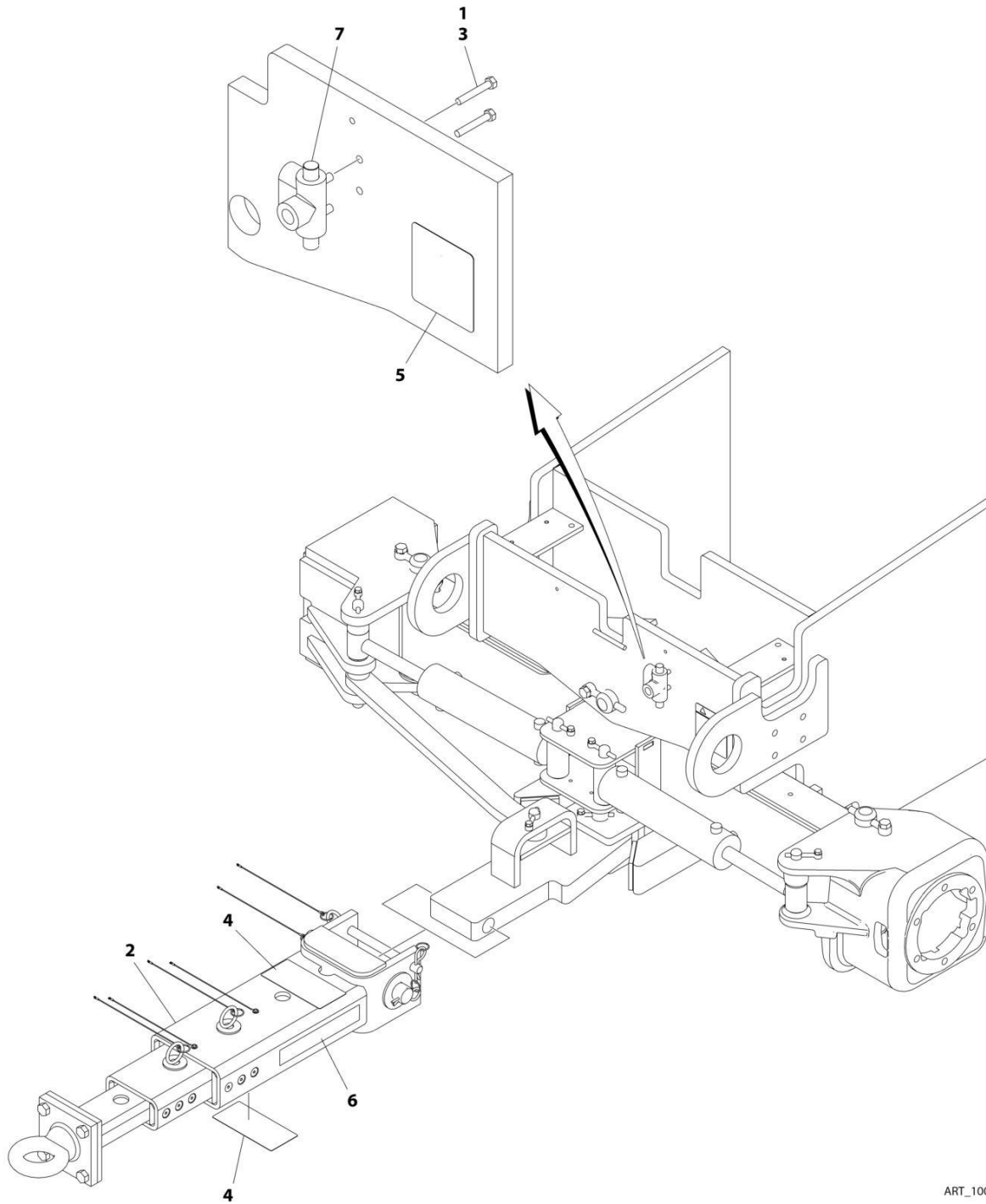
SECTION 1 - FRAME

FIGURE 1-33. TOW PACKAGE INSTALLATION (CSA SPECS)

ITEM	PART NUMBER	QTY	DESCRIPTION	REV
	1001150570	Ref	TOW BAR INSTALLATION	D
1	0100011	AR	Compound, Locking	
2	0270528	1	Tow Bar Assembly (See Separate Breakdown in this Section)	
3	0641516	2	Bolt 5/16 x 2	
4	1706593	2	Decal - Crushing	
5	1705820	1	Decal - Towing Instruction	
6	1704272	1	Nameplate - Steer/Tow Select	
7	4420051	AR	Tape, Safety	
8	4640261	1	Valve, Float Position	

SECTION 1 - FRAME

FIGURE 1-34. TOW PACKAGE INSTALLATION (CE, RUSSIA & UK CA SPECS)



ART_1001150569

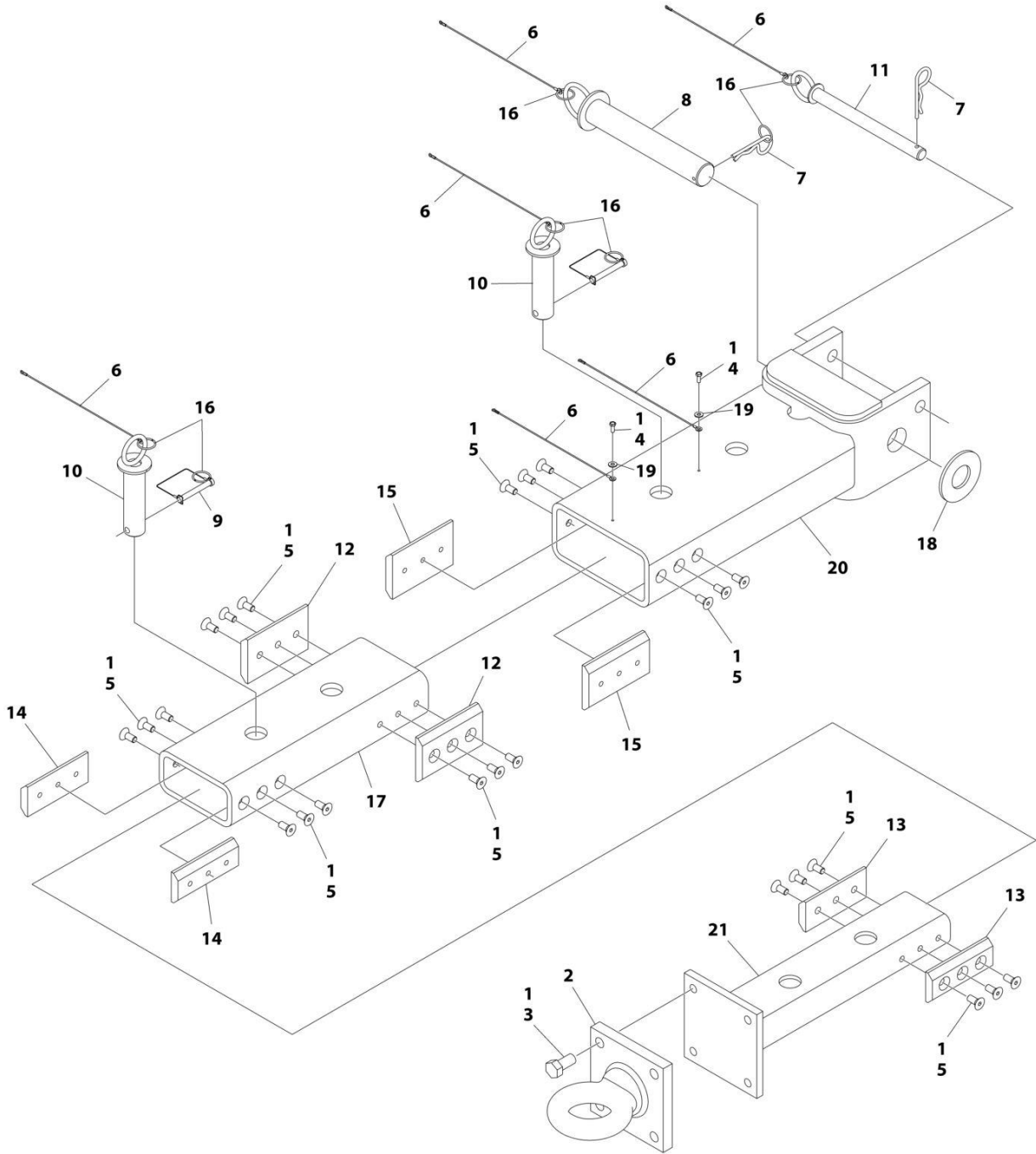
SECTION 1 - FRAME

FIGURE 1-34. TOW PACKAGE INSTALLATION (CE, RUSSIA & UK CA SPECS)

ITEM	PART NUMBER	QTY	DESCRIPTION	REV
	1001150569	Ref	TOW BAR INSTALLATION	A
1	0100011	AR	Compound, Locking	
2	0270528	1	Tow Bar Assembly (See Separate Breakdown in this Section)	
3	0641516	2	Bolt 5/16 x 2	
4	1706960	2	Decal - Crushing	
5	1706957	1	Decal - Towing Instruction	
6	4420051	AR	Tape, Safety	
7	4640261	1	Valve, Float Position	

SECTION 1 - FRAME

FIGURE 1-35. TOW BAR ASSEMBLY



ART_0270528

SECTION 1 - FRAME

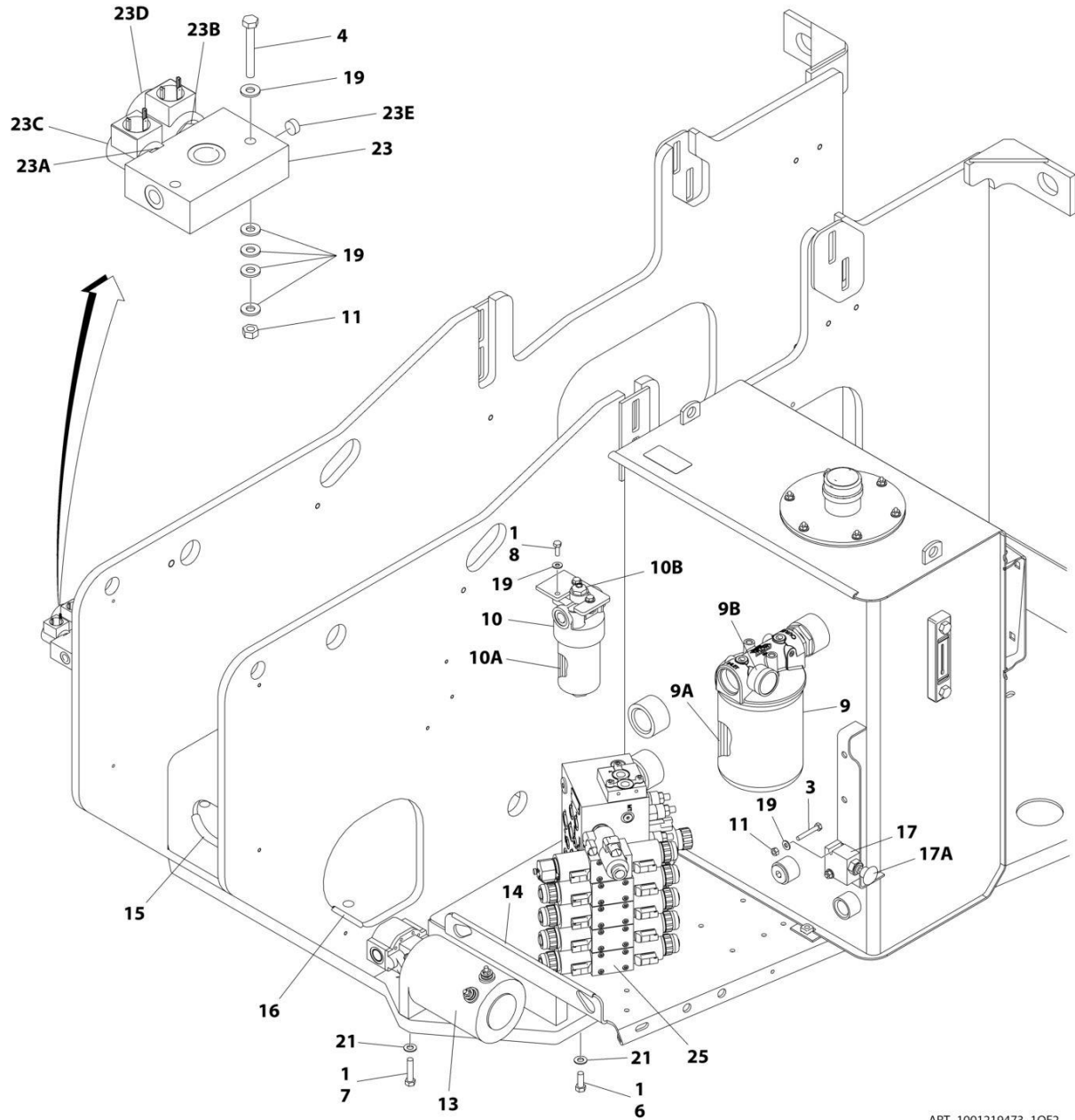
FIGURE 1-35. TOW BAR ASSEMBLY

ITEM	PART NUMBER	QTY	DESCRIPTION	REV
	0270528	Ref	TOW BAR ASSEMBLY	B
1	0100011	AR	Compound, Locking	
2	0362910	1	Pintle, Draw Eye	
3	0642010	4	Bolt 5/8 x 1-1/4	
4	0721004	2	Screw, Hex Machine	
5	0741607	24	Screw, Countersunk 3/8 x 7/8	
6	1060584	6	Cable, Lanyard	
7	3420372	2	Pin, Cotter	
8	3420447	1	Pin, Towing	
9	3421565	2	Pin, Snap	
10	3422841	2	Pin	
11	3422847	1	Pin	
12	3572009	2	Plate, Slide Stop	
13	3572010	2	Plate, Slide Stop	
14	3572011	2	Plate, Slide Stop	
15	3572012	2	Plate, Slide Stop	
16	3760170	8	Ring, Split	
17	4568133	1	Tube, Tow Bar	
18	4740036	1	Washer	
19	4751000	2	Washer #10	
20	4846295	1	Tow Bar Attach Weldment	
21	4846296	1	Pintle Attach Weldment	

SECTION 2 - TURNTABLE

SECTION 2 - TURNTABLE

FIGURE 2-1. CONTROL VALVES INSTALLATION - 2WS WITH DEUTZ D2011 AND DEUTZ D2011 (STAGE V) ENGINES



ART_1001219473_1OF2

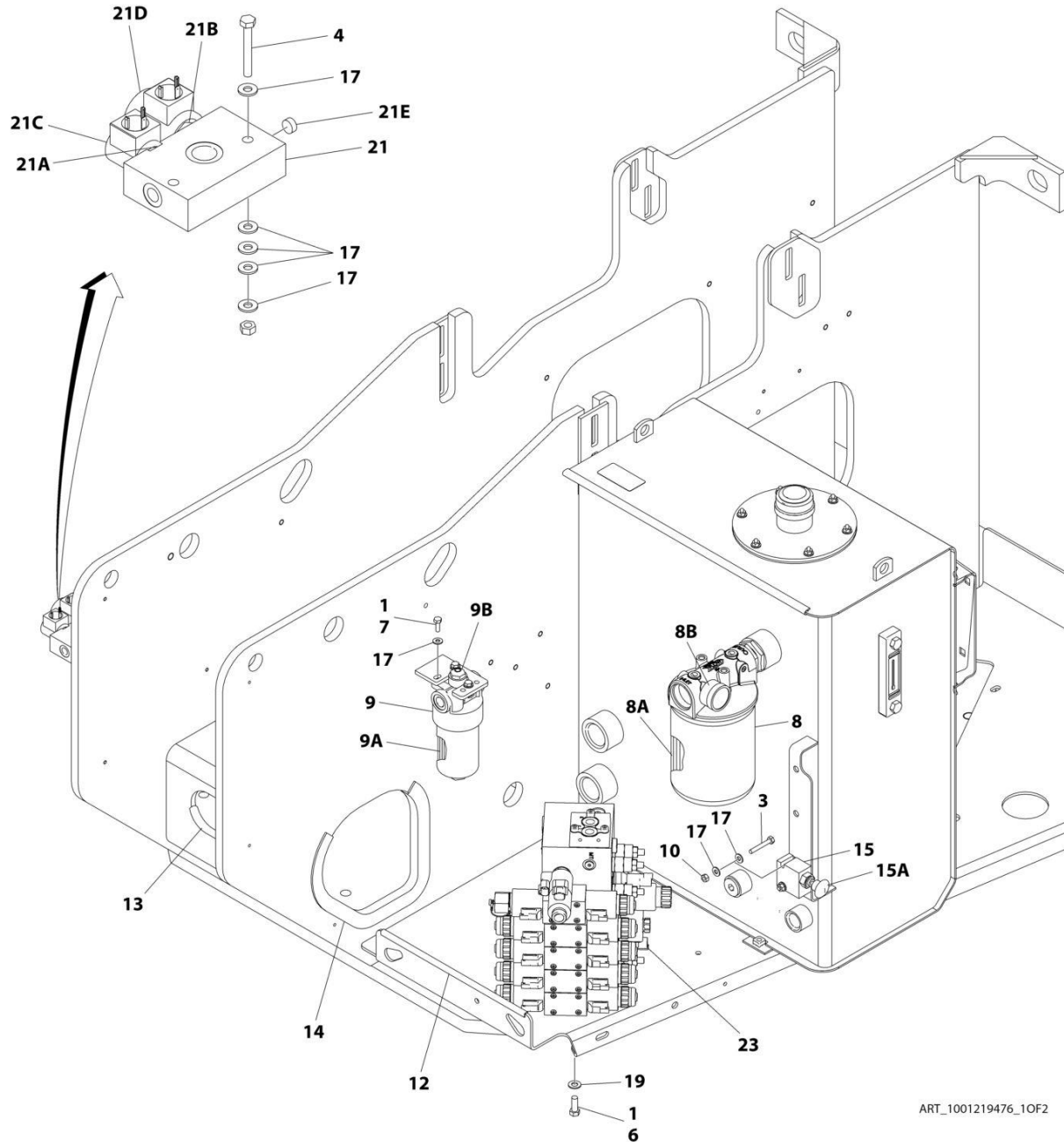
SECTION 2 - TURNTABLE

**FIGURE 2-1. CONTROL VALVES INSTALLATION - 2WS WITH DEUTZ D2011 AND DEUTZ D2011
(STAGE V) ENGINES**

ITEM	PART NUMBER	QTY	DESCRIPTION	REV
	1001219473	Ref	CONTROL VALVES INSTALLATION - 2WS	B
1	0100011	AR	Compound, Locking	
3	0641414	2	Bolt 1/4 x 1-3/4	
4	0641416	2	Bolt 1/4 x 2	
6	0641608	3	Bolt 3/8 x 1	
7	0641613	2	Bolt 3/8 x 1-5/8	
8	0651406	3	Bolt 1/4 x 3/4	
9	2120164	1	Return Filter Assembly	C
9A	2120149	1	Element, Filter	
9B	7020021	1	Manual Indicator	
10	2120209	1	Hydraulic Pressure Filter Assembly	
10A	2120210	1	Element, Filter	
10B	7020020	1	Manual Indicator	
10C	70000934	1	O-Ring, Filter Bowl (Not Shown)	
11	3311405	4	Nut 1/4	
13	3600365	1	Auxiliary Pump Assembly (See Separate Breakdown in this Section)	
14	4060804	AR	Trim-Loc 3/16	
15	4060807	AR	Trim-Loc 3/8	
16	4060918	AR	Trim-Loc 5/8	
17	4640866	1	Manual Pull Valve Assembly	
17	2900708	1	Seal Kit - 4640866 Valve	
17A	7012959	1	Knob	
19	4711400	17	Washer 1/4	
21	4711600	5	Washer 3/8	
23	1001099391	1	Brake/Selector Valve Assembly	
23A	7012941	1	Cartridge without Coil	
23A	7010543	1	Seal Kit - 7012941 Cartridge	
23B	7012995	1	Cartridge without Coil	
23B	7012518	1	Seal Kit - 7012995 Cartridge	
23C	7012944	1	Coil	
23D	7012943	1	Coil	
23E	70002209	1	Orifice	
25	1001152887	1	Main Valve Block Assembly - 2WS (See Separate Breakdown in this Section)	

SECTION 2 - TURNTABLE

FIGURE 2-2. CONTROL VALVES INSTALLATION – 2WS WITH DEUTZ TD2.3L3, DEUTZ TD2.9L4, DEUTZ TD2.9L4 (STAGE V), DEUTZ D2.9L4 (CHINA IV) AND FORD ENGINES



ART_1001219476_1OF2

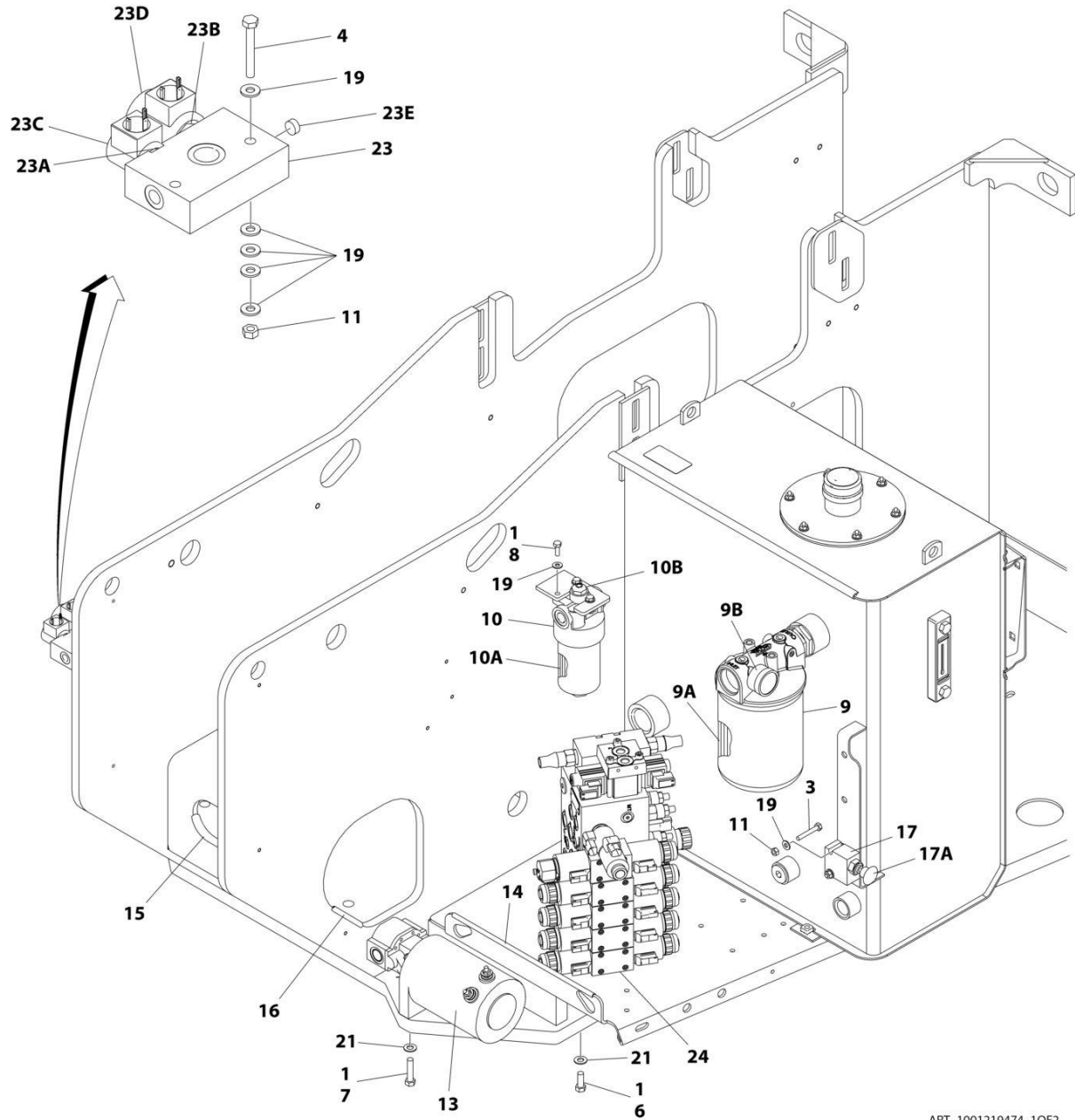
SECTION 2 - TURNTABLE

FIGURE 2-2. CONTROL VALVES INSTALLATION – 2WS WITH DEUTZ TD2.3L3, DEUTZ TD2.9L4, DEUTZ TD2.9L4 (STAGE V), DEUTZ D2.9L4 (CHINA IV) AND FORD ENGINES

ITEM	PART NUMBER	QTY	DESCRIPTION	REV
	1001219476	Ref	CONTROL VALVES INSTALLATION	B
1	0100011	AR	Compound, Locking	
3	0641414	2	Bolt 1/4 x 1-3/4	
4	0641416	2	Bolt 1/4 x 2	
6	0641608	3	Bolt 3/8 x 1	
7	0651406	3	Bolt 1/4 x 3/4	
8	2120164	1	Return Filter Assembly	C
8A	2120149	1	Element, Filter	
8B	7020021	1	Manual Indicator	
9	2120209	1	Hydraulic Pressure Filter Assembly	
9A	2120210	1	Element, Filter	
9B	7020020	1	Manual Indicator	
9C	70000934	1	O-Ring, Filter Bowl (Not Shown)	
10	3311405	2	Nut 1/4	
12	4060804	AR	Trim-Loc 3/16	
13	4060807	AR	Trim-Loc 3/8	
14	4060918	AR	Trim-Loc 5/8	
15	4640866	1	Manual Pull Valve Assembly	
15	2900708	1	Seal Kit - 4640866 Valve	
15A	7012959	1	Knob	
17	4711400	17	Washer 1/4	
19	4711600	3	Washer 3/8	
21	1001099391	1	Brake/Selector Valve Assembly	
21A	7012941	1	Cartridge without Coil	
21A	7010543	1	Seal Kit - 7012941 Cartridge	
21B	7012995	1	Cartridge without Coil	
21B	7012518	1	Seal Kit - 7012995 Cartridge	
21C	7012944	1	Coil	
21D	7012943	1	Coil	
21E	70002209	1	Orifice	
23	1001152887	1	Main Valve Block Assembly (See Separate Breakdown in this Section)	

SECTION 2 - TURNTABLE

FIGURE 2-3. CONTROL VALVES INSTALLATION – 4WS WITH DEUTZ D2011 AND DEUTZ D2011 (STAGE V) ENGINES



ART_1001219474_1OF2

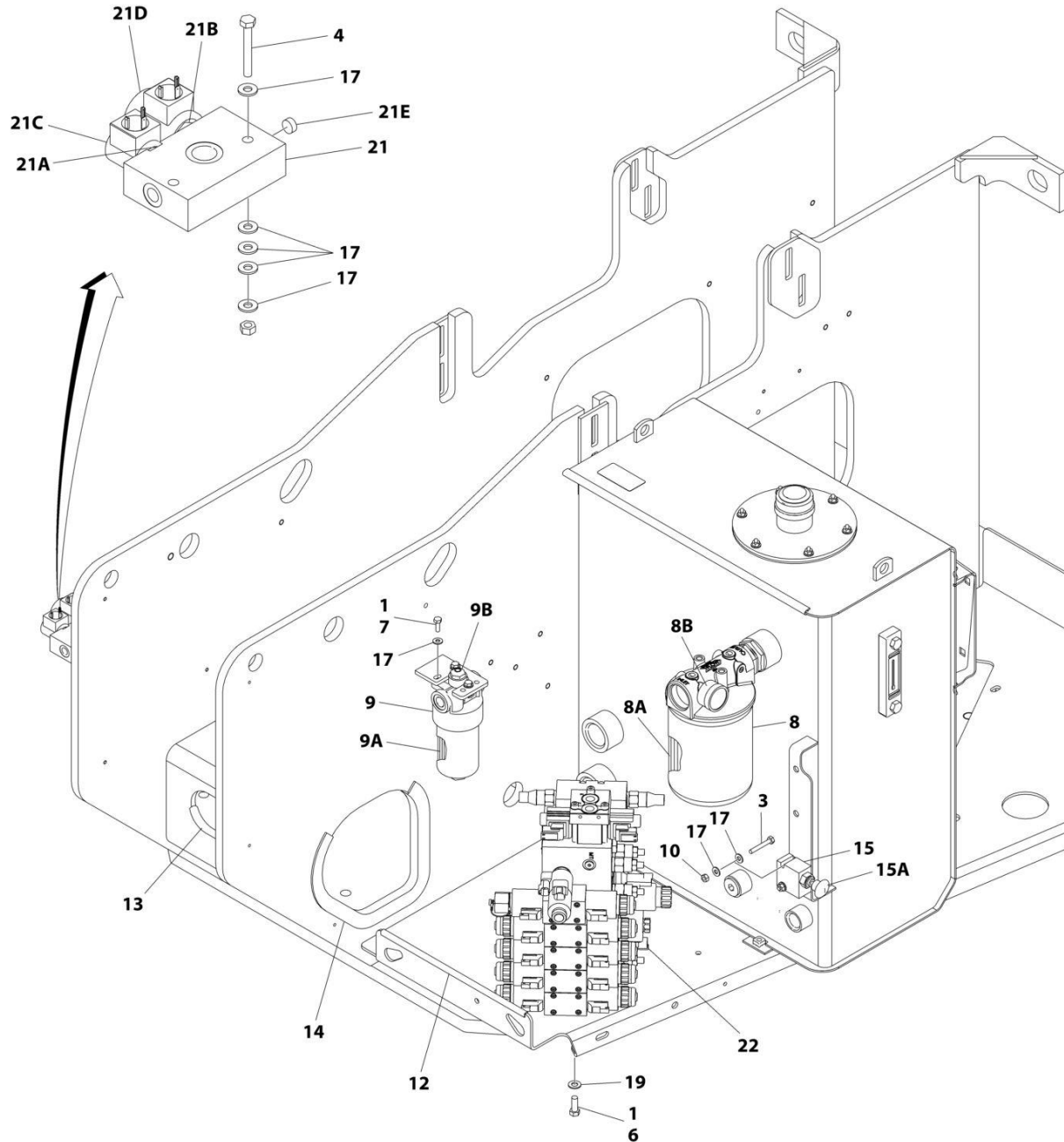
SECTION 2 - TURNTABLE

**FIGURE 2-3. CONTROL VALVES INSTALLATION – 4WS WITH DEUTZ D2011 AND DEUTZ D2011
(STAGE V) ENGINES**

ITEM	PART NUMBER	QTY	DESCRIPTION	REV
	1001219474	Ref	CONTROL VALVES INSTALLATION - 4WS	B
1	0100011	AR	Compound, Locking	
3	0641414	2	Bolt 1/4 x 1-3/4	
4	0641416	2	Bolt 1/4 x 2	
6	0641608	3	Bolt 3/8 x 1	
7	0641613	2	Bolt 3/8 x 1-5/8	
8	0651406	3	Bolt 1/4 x 3/4	
9	2120164	1	Return Filter Assembly	C
9A	2120149	1	Element, Filter	
9B	7020021	1	Manual Indicator	
10	2120209	1	Hydraulic Pressure Filter Assembly	
10A	2120210	1	Element, Filter	
10B	7020020	1	Manual Indicator	
10C	70000934	1	O-Ring, Filter Bowl (Not Shown)	
11	3311405	4	Nut 1/4	
13	3600365	1	Auxiliary Pump Assembly (See Separate Breakdown in this Section)	
14	4060804	AR	Trim-Loc 3/16	
15	4060807	AR	Trim-Loc 3/8	
16	4060918	AR	Trim-Loc 5/8	
17	4640866	1	Manual Pull Valve Assembly	
17	2900708	1	Seal Kit - 4640866 Valve	
17A	7012959	1	Knob	
19	4711400	17	Washer 1/4	
21	4711600	5	Washer 3/8	
23	1001099391	1	Brake/Selector Valve Assembly	
23A	7012941	1	Cartridge without Coil	
23A	7010543	1	Seal Kit - 7012941 Cartridge	
23B	7012995	1	Cartridge without Coil	
23B	7012518	1	Seal Kit - 7012995 Cartridge	
23C	7012944	1	Coil	
23D	7012943	1	Coil	
23E	70002209	1	Orifice	
24	1001152561	1	Main Valve Block Assembly - 4WS (See Separate Breakdown in this Section)	

SECTION 2 - TURNTABLE

FIGURE 2-4. CONTROL VALVES INSTALLATION – 4WS WITH DEUTZ TD2.3L3, DEUTZ TD2.9L4, DEUTZ TD2.9L4 (STAGE V), DEUTZ D2.9L4 (CHINA IV) AND FORD ENGINES



ART_1001219478_10F2

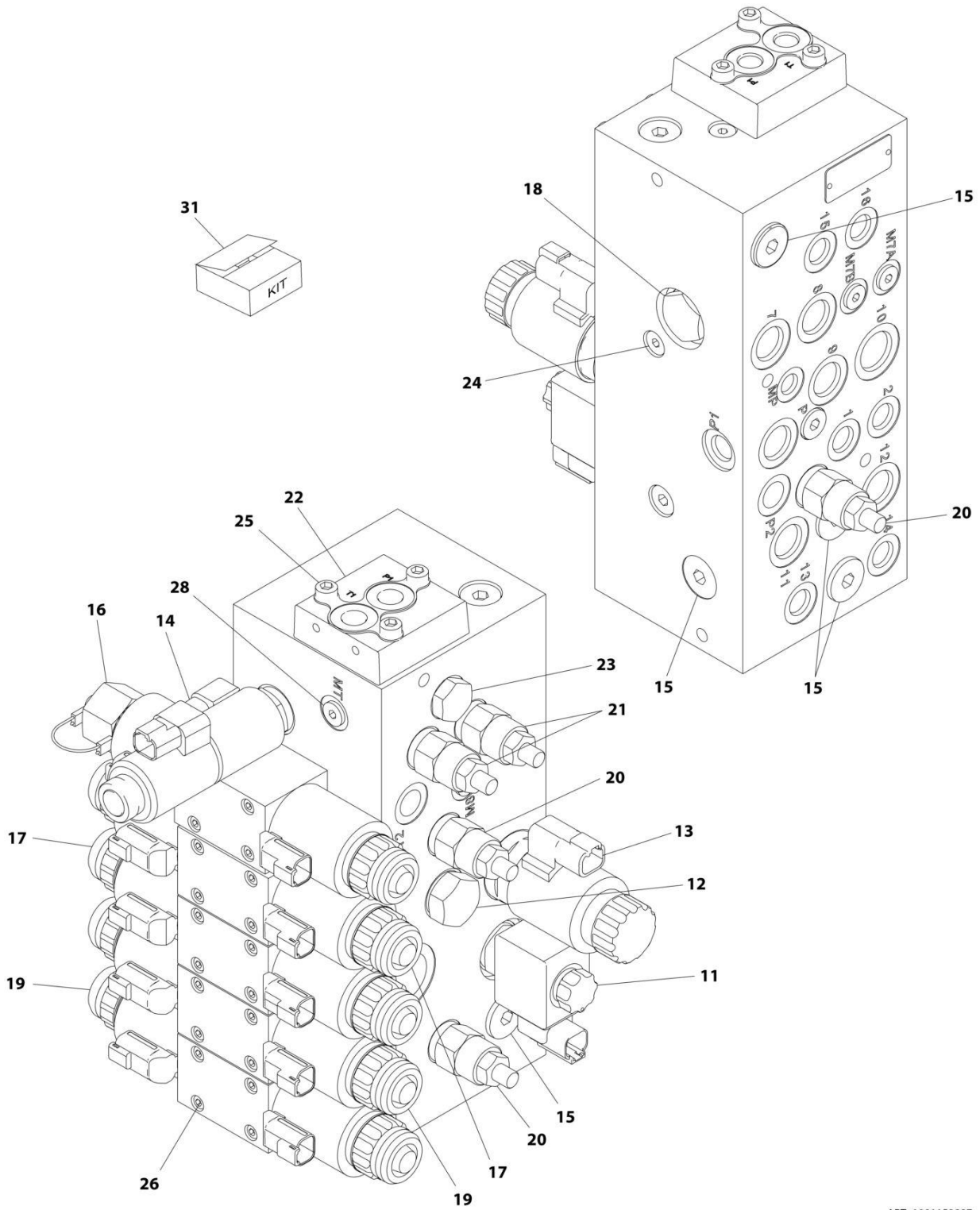
SECTION 2 - TURNTABLE

FIGURE 2-4. CONTROL VALVES INSTALLATION – 4WS WITH DEUTZ TD2.3L3, DEUTZ TD2.9L4, DEUTZ TD2.9L4 (STAGE V), DEUTZ D2.9L4 (CHINA IV) AND FORD ENGINES

ITEM	PART NUMBER	QTY	DESCRIPTION	REV
	1001219478	Ref	CONTROL VALVES INSTALLATION - 4WS	B
1	0100011	AR	Compound, Locking	
3	0641414	2	Bolt 1/4 x 1-3/4	
4	0641416	2	Bolt 1/4 x 2	
6	0641608	3	Bolt 3/8 x 1	
7	0651406	3	Bolt 1/4 x 3/4	
8	2120164	1	Return Filter Assembly	C
8A	2120149	1	Element, Filter	
8B	7020021	1	Manual Indicator	
9	2120209	1	Hydraulic Pressure Filter Assembly	
9A	2120210	1	Element, Filter	
9B	7020020	1	Manual Indicator	
9C	70000934	1	O-Ring, Filter Bowl (Not Shown)	
10	3311405	2	Nut 1/4	
12	4060804	AR	Trim-Loc 3/16	
13	4060807	AR	Trim-Loc 3/8	
14	4060918	AR	Trim-Loc 5/8	
15	4640866	1	Manual Pull Valve Assembly	
15	2900708	1	Seal Kit - 4640866 Valve	
15A	7012959	1	Knob	
17	4711400	17	Flatwasher 1/4	
19	4711600	3	Flatwasher 3/8	
21	1001099391	1	Brake/Selector Valve Assembly	
21A	7012941	1	Cartridge without Coil	
21A	7010543	1	Seal Kit - 7012941 Cartridge	
21B	7012995	1	Cartridge without Coil	
21B	7012518	1	Seal Kit - 7012995 Cartridge	
21C	7012944	1	Coil	
21D	7012943	1	Coil	
21E	70002209	1	Orifice	
22	1001152561	1	Main Valve Block Assembly - 4WS (See Separate Breakdown in this Section)	

SECTION 2 - TURNTABLE

FIGURE 2-5. MAIN VALVE BLOCK ASSEMBLY – 2WS



ART_1001152887

SECTION 2 - TURNTABLE

FIGURE 2-5. MAIN VALVE BLOCK ASSEMBLY – 2WS

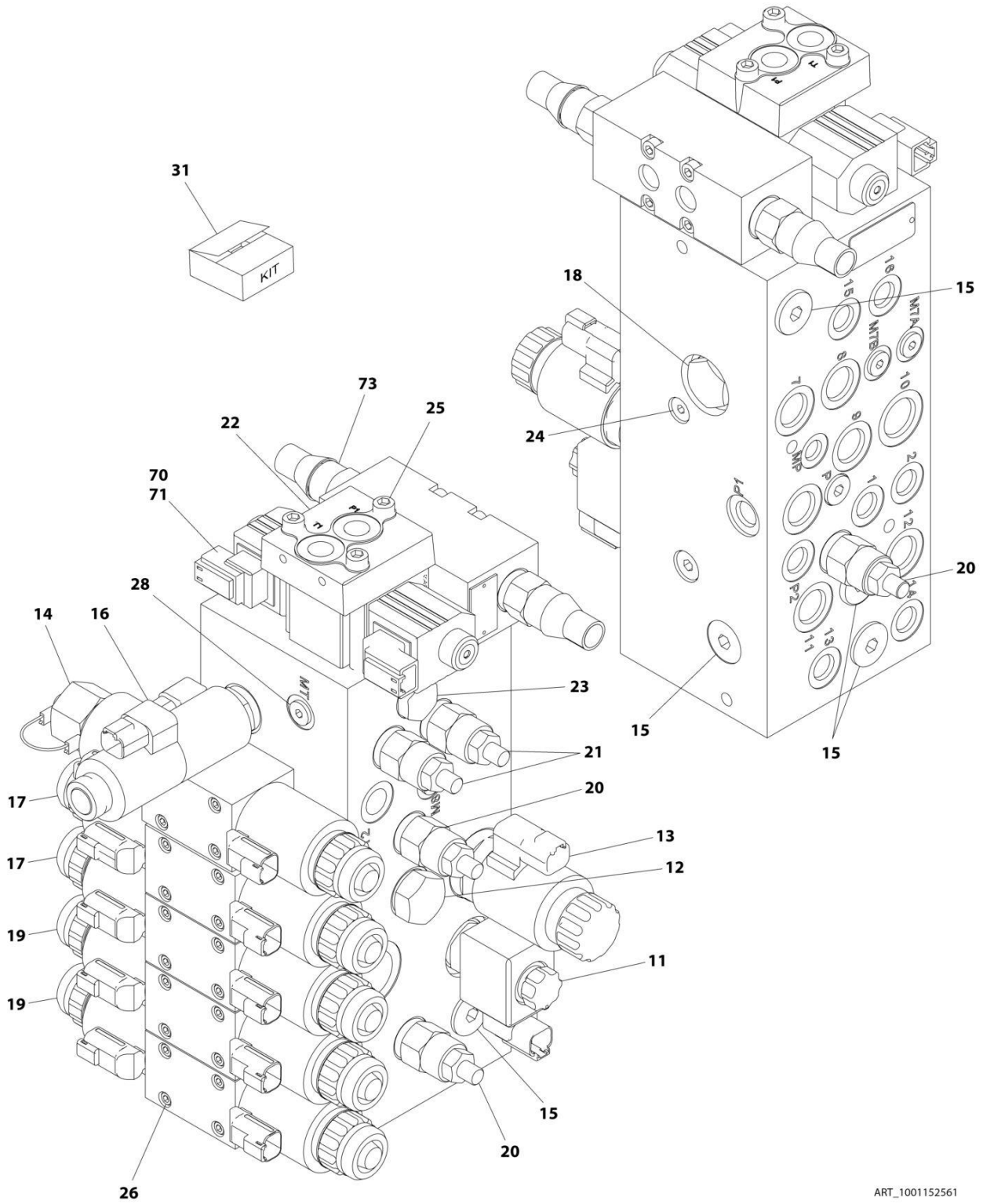
ITEM	PART NUMBER	QTY	DESCRIPTION	REV
	1001152887	Ref	MAIN VALVE BLOCK ASSEMBLY - 2WS	F
11	70004652	1	Valve, Cartridge Less Coil (Dump)	
11	70023867	1	Seal kit - 70004652 Valve	
11	70004653	1	Coil	
11	70004654	1	Nut, Coil	
12	70004655	1	Valve, Cartridge	
12	70004656	1	Seal Kit - 70004655 Valve	
13	70004657	1	Valve, Cartridge Less Coil	
13	70004594	1	Seal Kit - 70004657 Valve	
13	70004595	1	Coil	
13	70004597	1	Nut, Coil	
13	70004596	1	O-Ring, Pole Tube	
14	70004659	1	Valve, Cartridge Less Coil (Steer)	
14	70004660	1	Seal - Kit - 70004659 Valve	
14	80434249	2	Coil	
14	70004661	1	Nut, Coil	
14	70024457	1	O-Ring, Pole Tube (Upper)	
14	70004662	1	O-Ring, Pole Tube (Lower)	
15	70023859	5	Valve, Cartridge	
16	70004663	1	Valve Assembly (Lower Lift)	
16	7012773	1	Seal Kit - 70004663 Valve	
16	70004660	2	Coil	
16	7021375	1	Nut, Coil (Plastic)	
16	70004661	2	O-Ring, Pole Tube	
16	70003525	1	Not, Coil (Aluminum)	
16	70004664	1	Lanyard	
17	70004459	2	Valve Assembly (Upper Tele and Lower Tele)	
17	7012773	1	Seal Kit - 70004459 Valve	
17	70004460	2	Coil	
17	7021375	2	Nut, Coil	
17	70004661	2	O-Ring, Pole Tube	
18	70004665	1	Valve, Cartridge	
18	70023862	1	Seal Kit - 70004665 Valve	
19	70004666	2	Valve Assembly (Swing and Upper Lift)	
19	7012773	1	Seal Kit - 70004666 Valve	
19	70004463	2	Coil	
19	7021375	2	Nut, Coil	
19	70004461	2	O-Ring, Pole Tube	
20	70003019	3	Valve, Cartridge	
20	70004052	3	Seal Kit - 70003019	
21	70003019	2	Valve, Cartridge	
21	70004052	2	Seal Kit - 70003019 Valve	
22	70004667	1	Cover	
23	2220886	1	Plug	
24	70004668	1	Plug	
25	70005201	3	Capscrew	
26	7018942	20	Capscrew	
27	70005202	2	O-Ring (Not Shown - Located under Item 22)	
28	70002758	6	Plug 7/16	
29	70004617	4	Plug 9/16 (Not Shown)	

SECTION 2 - TURNTABLE

ITEM	PART NUMBER	QTY	DESCRIPTION	REV
30	70002759	1	Plug 3/4 (Not Shown - Located under Item 73)	
31	70005232	1	Bolt Kit	

SECTION 2 - TURNTABLE

FIGURE 2-6. MAIN VALVE BLOCK ASSEMBLY – 4WS



ART_1001152561

SECTION 2 - TURNTABLE

FIGURE 2-6. MAIN VALVE BLOCK ASSEMBLY – 4WS

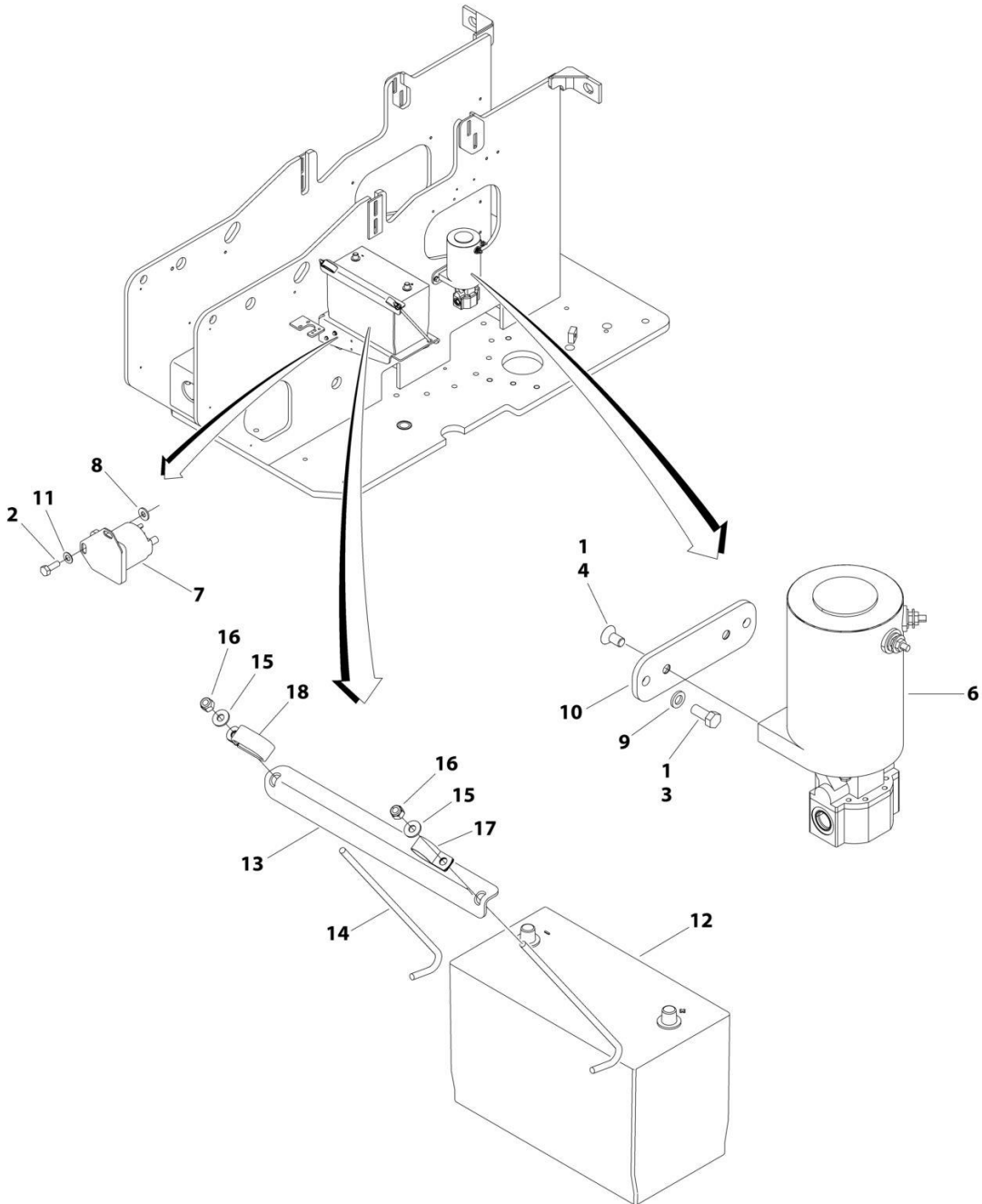
ITEM	PART NUMBER	QTY	DESCRIPTION	REV
	1001152561	Ref	MAIN VALVE BLOCK ASSEMBLY - 4WS	H
11	70004652	1	Valve, Cartridge Less Coil (Dump)	
11	70023867	1	Seal kit - 70004652 Valve	
11	70004653	1	Coil	
11	70004654	1	Nut, Coil	
12	70004655	1	Valve, Cartridge	
12	70004656	1	Seal Kit - 70004655 Valve	
13	70004657	1	Valve, Cartridge Less Coil	
13	70004594	1	Seal Kit - 70004657 Valve	
13	70004595	1	Coil	
13	70004597	1	Nut, Coil	
13	70004596	1	O-Ring, Pole Tube	
14	70004659	1	Valve, Cartridge Less Coil (Steer)	
14	70004660	1	Seal - Kit - 70004659 Valve	
14	80434249	2	Coil	
14	70004661	1	Nut, Coil	
14	70024457	1	O-Ring, Pole Tube (Upper)	
14	70004662	1	O-Ring, Pole Tube (Lower)	
15	70023859	5	Valve, Cartridge	
16	70004663	1	Valve Assembly (Lower Lift)	
16	7012773	1	Seal Kit - 70004663 Valve	
16	70004460	2	Coil	
16	7021375	1	Nut, Coil (Plastic)	
16	70004661	2	O-Ring, Pole Tube	
16	70003525	1	Not, Coil (Aluminum)	
16	70004664	1	Lanyard	
17	70004459	2	Valve Assembly (Upper Tele and Lower Tele)	
17	7012773	1	Seal Kit - 70004459 Valve	
17	70004460	2	Coil	
17	7021375	2	Nut, Coil	
17	70004661	2	O-Ring, Pole Tube	
18	70004665	1	Valve, Cartridge	
18	70023862	1	Seal Kit - 70004665 Valve	
19	70004666	2	Valve Assembly (Swing and Upper Lift)	
19	7012773	1	Seal Kit - 70004666 Valve	
19	70004463	2	Coil	
19	7021375	2	Nut, Coil	
19	70004461	2	O-Ring, Pole Tube	
20	70003019	3	Valve, Cartridge	
20	70004052	3	Seal Kit - 70003019	
21	70003019	2	Valve, Cartridge	
21	70004052	2	Seal Kit - 70003019 Valve	
22	70004667	1	Cover	
23	70004670	1	Plug	
24	70004665	1	Plug	
25	70021202	1	Bolt Kit	
26	7018942	20	Capscrew	
27	70005202	2	O-Ring (Not Shown - Located under Item 22)	
28	70002758	6	Plug 7/16	
29	70004617	4	Plug 9/16 (Not Shown)	

SECTION 2 - TURNTABLE

ITEM	PART NUMBER	QTY	DESCRIPTION	REV
30	70002759	1	Plug 3/4 (Not Shown - Located under Item 73)	
31	70005232	1	Bolt Kit	
32	91474405	2	O-Rings (Not Shown - Located under Item 73)	
70	70004671	1	Valve Assembly (4WS Rear Steer)	
70	70004672	1	Seal Kit - 70004671 Valve	
71	70004673	2	Coil (4WS Rear Steer)	
73	70004674	2	Valve, Cartridge (4WS Rear Steer)	
73	70004052	2	Seal Kit - 70004052 Valve	

SECTION 2 - TURNTABLE

FIGURE 2-7. AUXILIARY PUMP INSTALLATION – DEUTZ TD2.9L4, DEUTZ D2.9L4, DEUTZ D2.9L4 (CHINA IV) AND FORD ENGINES



ART_1001137895

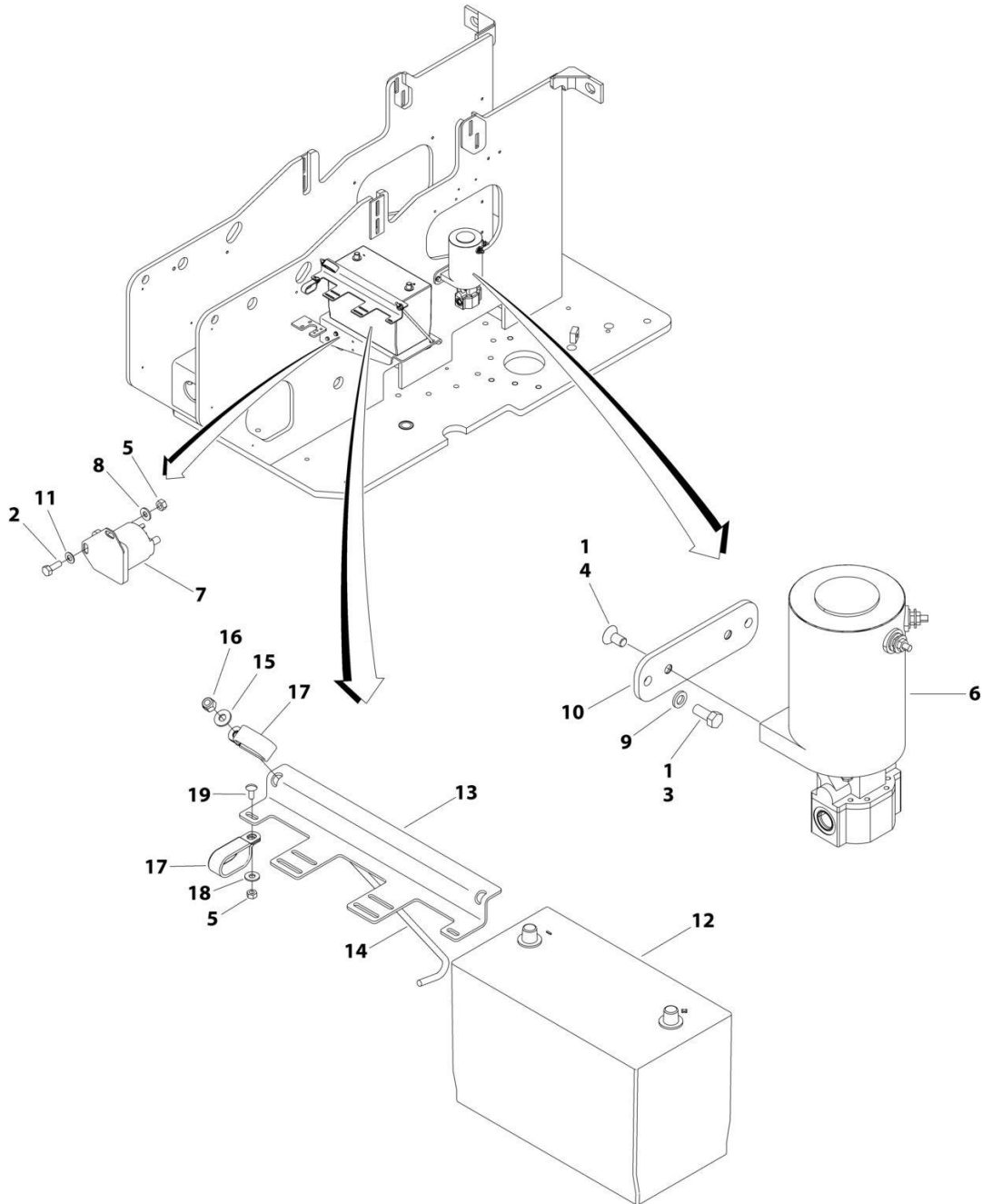
SECTION 2 - TURNTABLE

**FIGURE 2-7. AUXILIARY PUMP INSTALLATION – DEUTZ TD2.9L4, DEUTZ D2.9L4, DEUTZ D2.9L4
(CHINA IV) AND FORD ENGINES**

ITEM	PART NUMBER	QTY	DESCRIPTION	REV
	1001137895	Ref	AUXILIARY PUMP INSTALLATION	D
1	0100011	AR	Compound, Locking	
2	0641406	2	Bolt 1/4 x 3/4	
3	0641607	2	Bolt 3/8 x 7/8	
4	0741606	2	Screw, Countersunk 1/4 x 3/4	
5	3311405	2	Nut 1/4	
6	3600365	1	Auxiliary Pump Assembly (See Separate Breakdown in this Section)	
7	3740067	1	Relay	
8	4711400	3	Washer 1/4	
9	4761600	2	Washer 3/8	
10	1001144041	1	Plate	
11	4791400	1	Washer 1/4	
12	0400075	1	Battery	
13	91401281	1	Bracket	
14	1001093382	2	Bolt, J Bolt	
15	4751500	2	Washer 5/16	
16	88521205	2	Nut 5/16	
17	8406201	1	Clip	
18	1321716	1	Clamp	

SECTION 2 - TURNTABLE

FIGURE 2-8. AUXILIARY PUMP WITH BATTERY DISCONNECT INSTALLATION – DEUTZ TD2.2L3 (STAGE V), DEUTZ TD2.9L4, DEUTZ D2.9L4, DEUTZ D2.9L4 (CHINA IV) AND FORD ENGINES



ART_1001239291

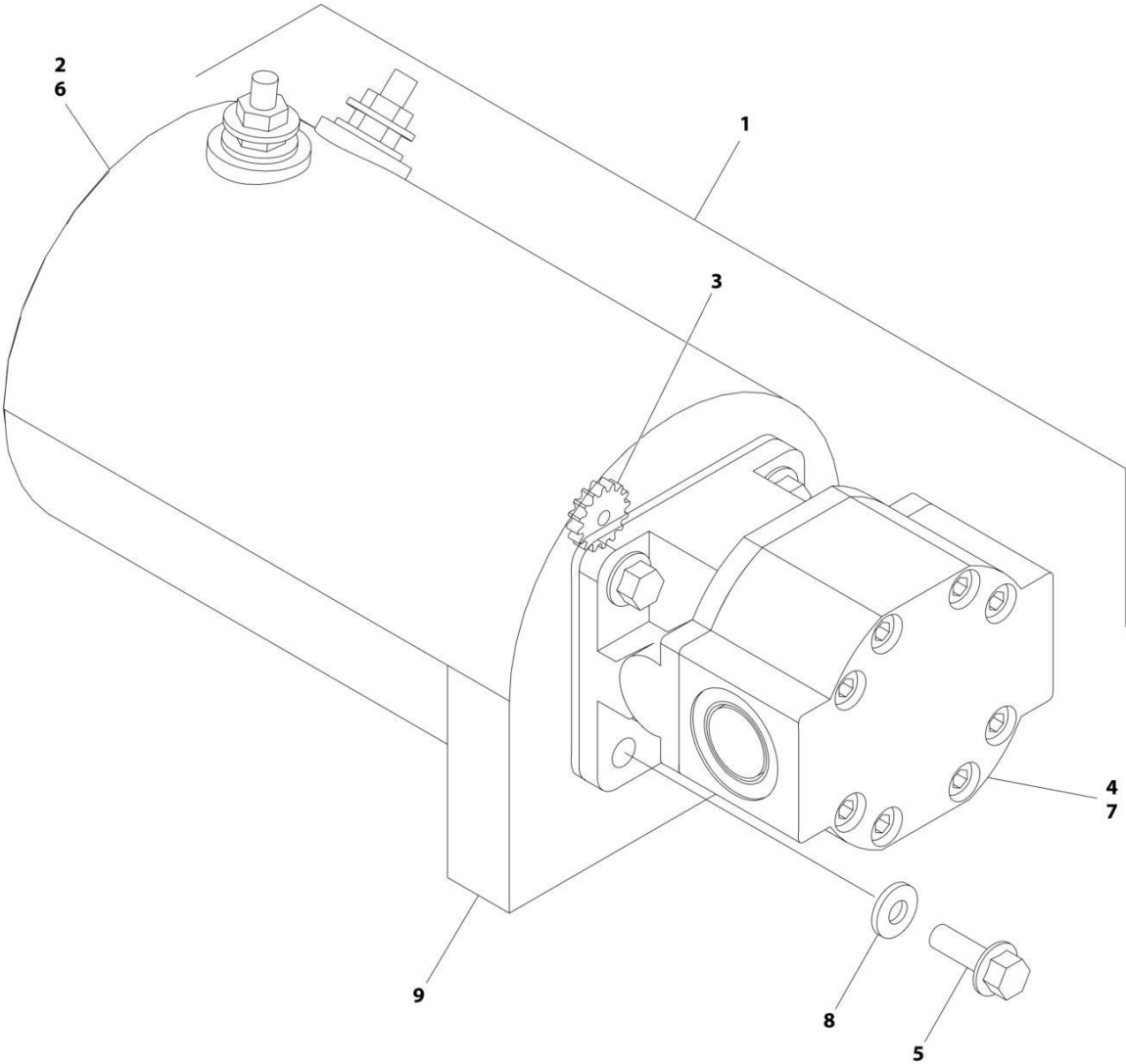
SECTION 2 - TURNTABLE

FIGURE 2-8. AUXILIARY PUMP WITH BATTERY DISCONNECT INSTALLATION – DEUTZ TD2.2L3 (STAGE V), DEUTZ TD2.9L4, DEUTZ D2.9L4, DEUTZ D2.9L4 (CHINA IV) AND FORD ENGINES

ITEM	PART NUMBER	QTY	DESCRIPTION	REV
	1001239291	Ref	AUXILIARY PUMP WITH BATTERY DISCONNECT INSTALLATION	A
1	0100011	AR	Compound, Locking	
2	0641406	2	Bolt 1/4 x 3/4	
3	0641607	2	Bolt 3/8 x 7/8	
4	0741606	2	Screw, Countersunk 1/4 x 3/4	
5	3311405	3	Nut 1/4	
6	3600365	1	Auxiliary Pump Assembly (See Separate Breakdown in this Section)	
7	3740067	1	Relay	
8	4711400	3	Washer 1/4	
9	4761600	2	Washer 3/8	
10	1001144041	1	Plate	
11	4791400	1	Washer 1/4	
12	0400075	1	Battery	
13	1001236303	1	Plate	
14	1001093382	2	Bolt, J Bolt	
15	4751500	2	Washer 5/16	
16	88521205	2	Nut 5/16	
17	1321716	1	Clamp	
18	4751400	1	Washer 1/4	
19	88411013	1	Bolt 1/4 x 3/4	

SECTION 2 - TURNTABLE

FIGURE 2-9. AUXILIARY PUMP ASSEMBLY



ART_3600365

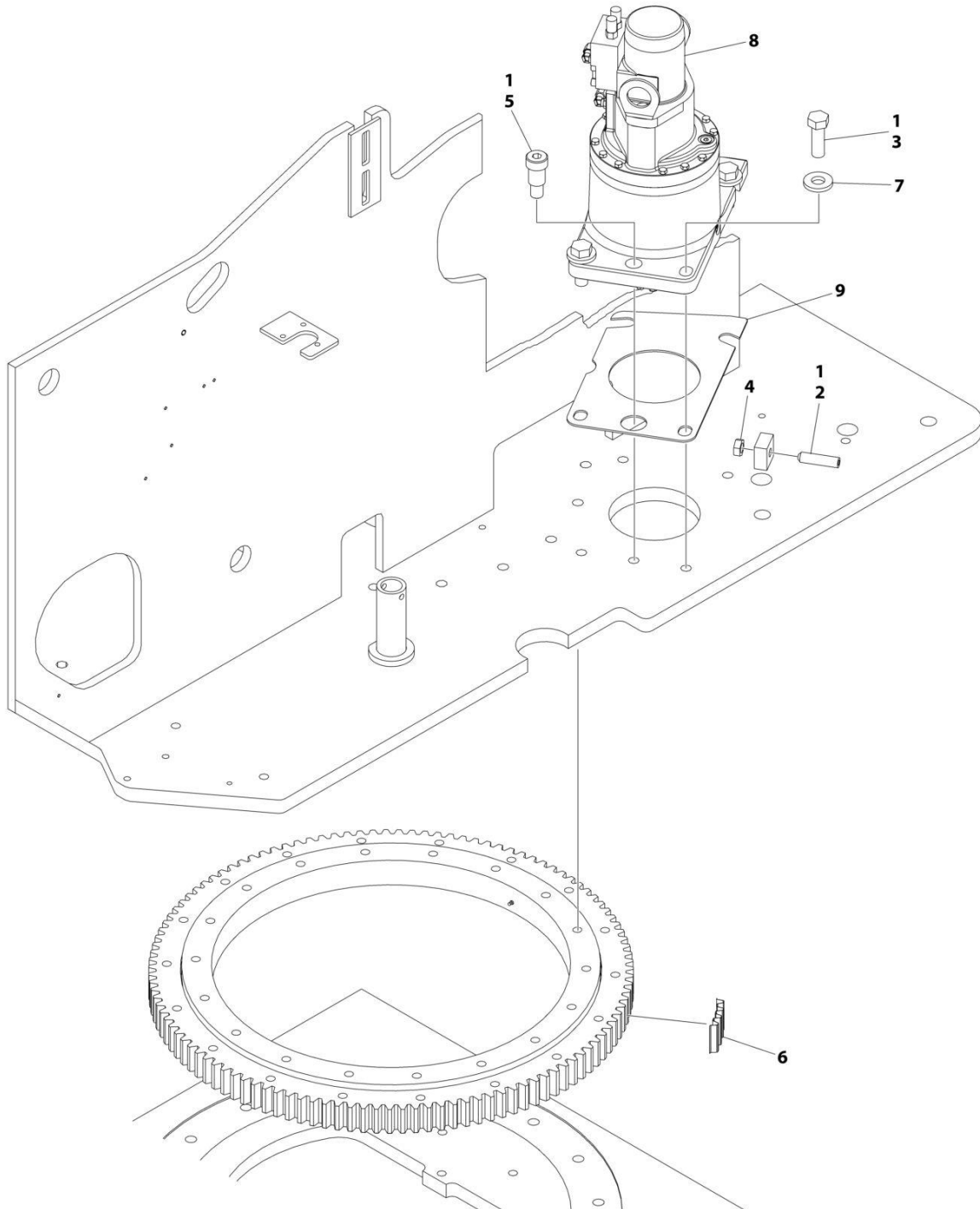
SECTION 2 - TURNTABLE

FIGURE 2-9. AUXILIARY PUMP ASSEMBLY

ITEM	PART NUMBER	QTY	DESCRIPTION	REV
1	3600365	Ref	AUXILIARY PUMP ASSEMBLY	B
2	7004290	1	Replacement Motor with Endhead Item 15H (was p/n 7011067)	
2	7004248	1	Replacement Motor without Endhead Item 15H	
2	7011065	1	Brush Kit - 7011067 Motor	
3	7011063	1	Coupling	
4	7011064	1	Replacement Pump	
4	7011066	1	Seal Kit - 7011064 Pump	
4	7004290	1	Relief Valve (Note: Not Available - Replace Complete Pump)	
5	7011043	4	Bolt (Mounts Pump to Mounting Bracket)	
6	See Note	2	Bolt (Motor to Bracket) (Note: Not Available for Purchase)	
7	7011044	1	Gasket	
8	7011048	4	Washer	
9	7011062	4	Endhead, Motor	

SECTION 2 - TURNTABLE

FIGURE 2-10. SWING DRIVE INSTALLATION



ART_1001152181

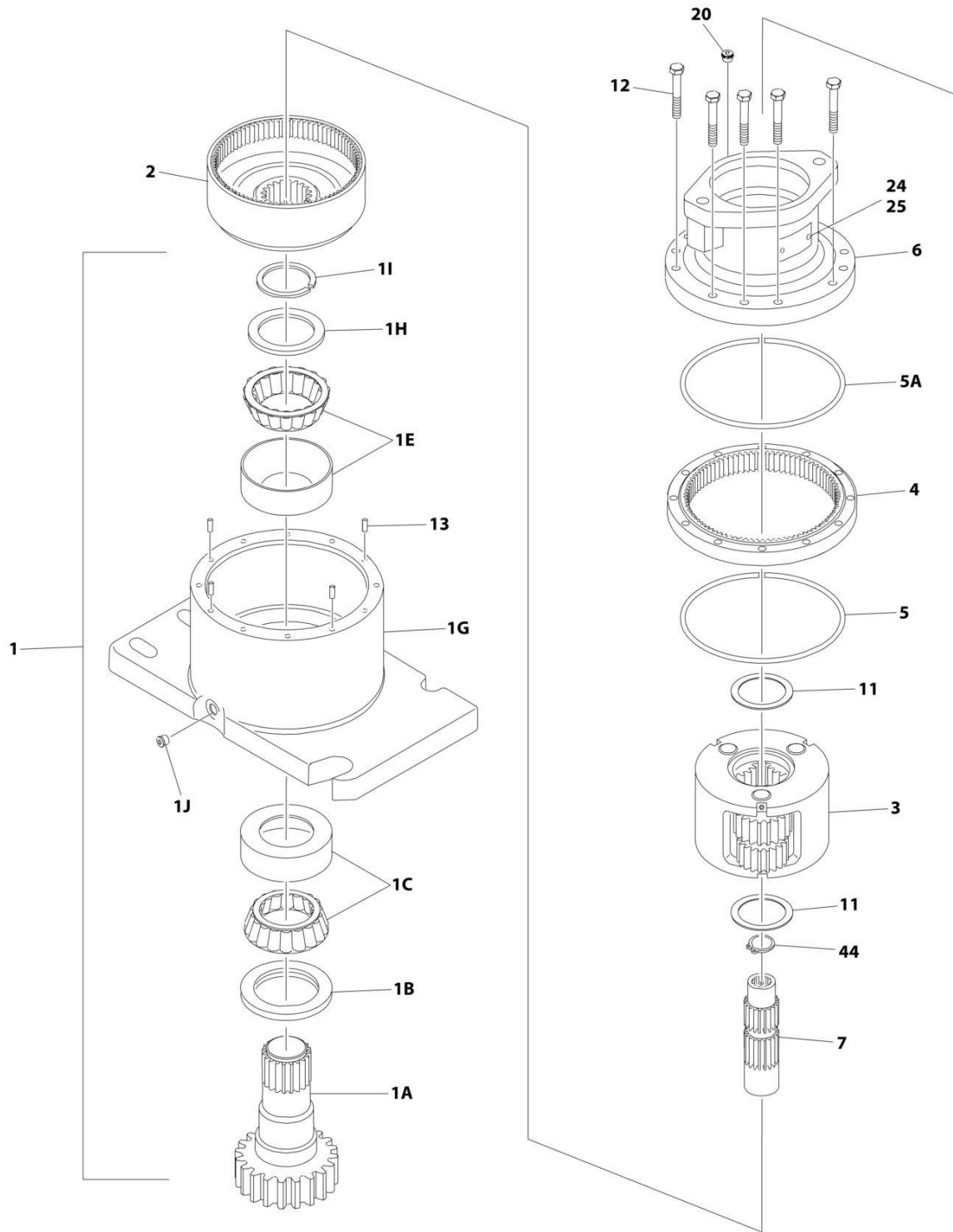
SECTION 2 - TURNTABLE

FIGURE 2-10. SWING DRIVE INSTALLATION

ITEM	PART NUMBER	QTY	DESCRIPTION	REV
	1001152181	Ref	SWING DRIVE INSTALLATION	E
1	0100019	AR	Compound, Locking	
2	3952020	1	Setscrew 5/8 x 2-1/2	
3	0682218	4	Bolt 3/4 x 2-1/4 Grade 8	
4	3312002	1	Nut, Jam 5/8	
5	3900293	1	Capscrew 1 x 1-1/4	
6	1001125492	1	Shim	
7	4740057	4	Flatwasher, Hardened	
8	1001229810	1	Swing Hub Assembly (See Separate Breakdown in this section)	
9	1001152234	1	Plate, Spacer	

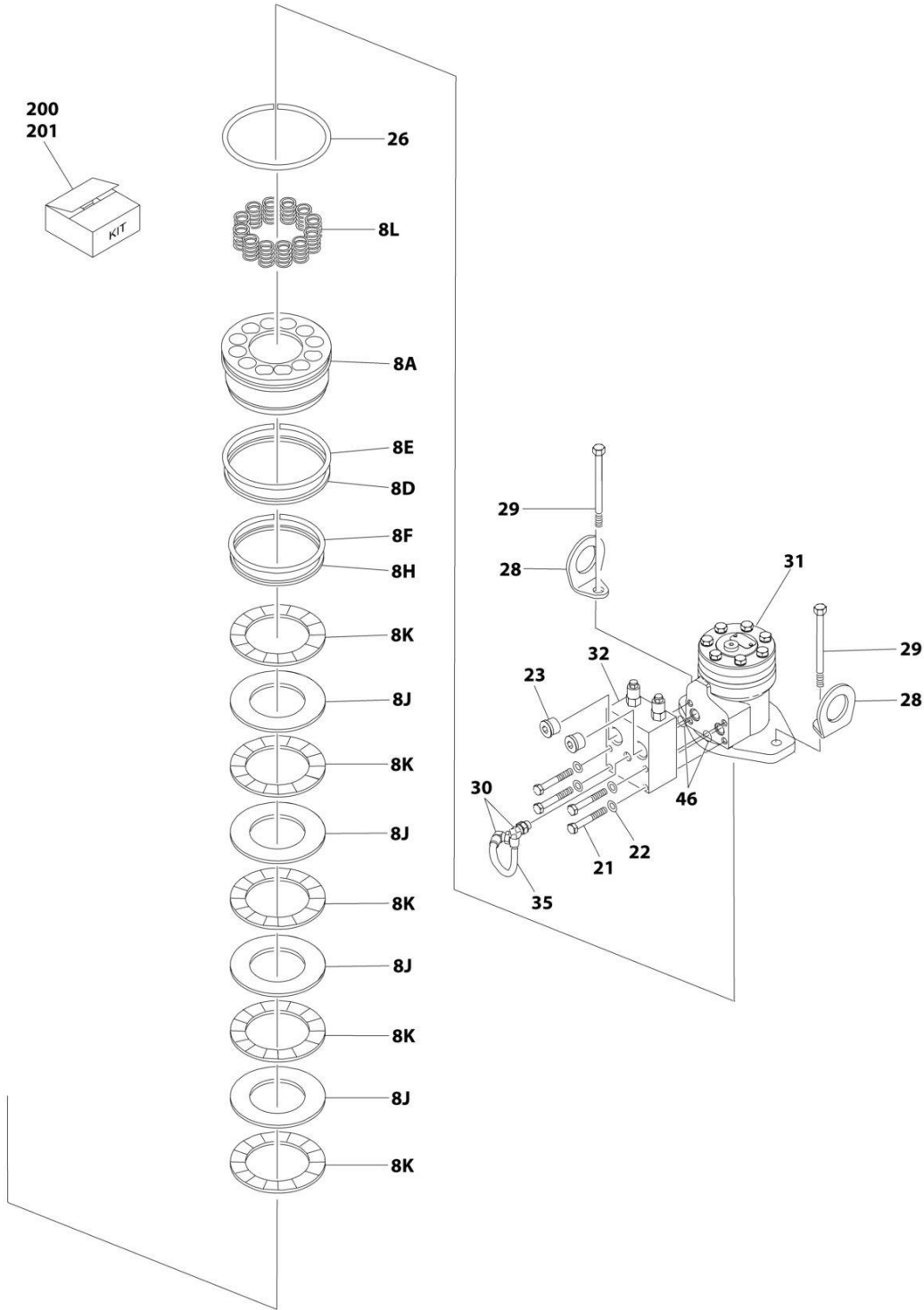
SECTION 2 - TURNTABLE

FIGURE 2-11. SWING MOTOR/HUB ASSEMBLY



ART_1001229810_10F2

SECTION 2 - TURNTABLE



ART_1001229810_20F2

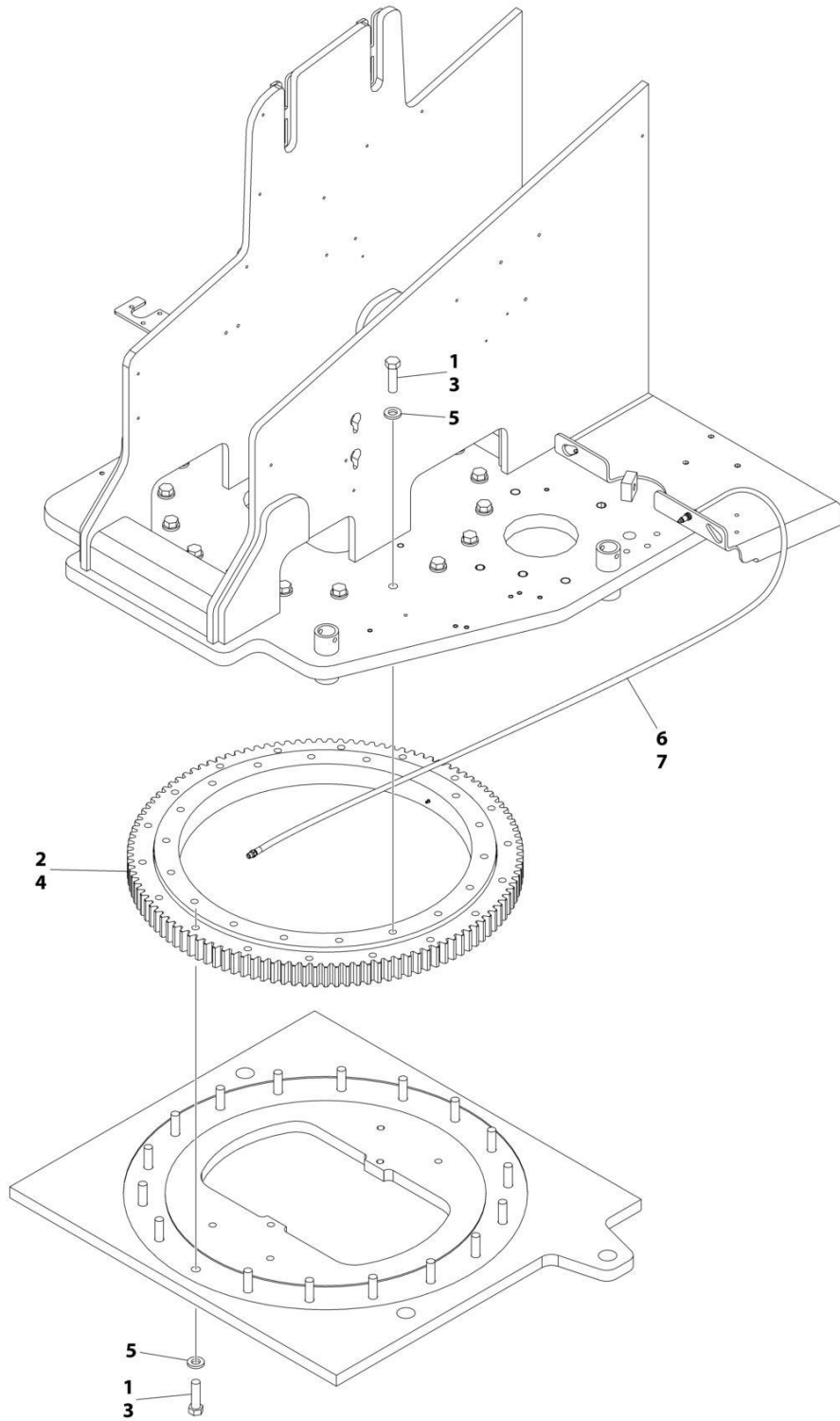
SECTION 2 - TURNTABLE

FIGURE 2-11. SWING MOTOR/HUB ASSEMBLY

ITEM	PART NUMBER	QTY	DESCRIPTION	REV
	1001229810	Ref	SWING MOTOR/HUB ASSEMBLY	C
1	See Note	1	Housing/Shaft Assembly (Note: Not Available - Purchase Individual Components)	
1A	7010492	1	Shaft, Output	
1B	7000228	1	Seal, Lip	
1C	7000255	1	Bearing Kit (Includes Cup and Cone)	
1E	7000257	1	Bearing Kit (Includes Cup and Cone)	
1G	7024762	1	Housing	
1H	7007633	1	Washer, Thrust	
1I	7000229	1	Ring, Retaining	
1J	7017072	1	Plug, Pipe	
2	7000246	1	Gear, Internal	
3	7000247	1	Carrier Assembly	
4	7000248	1	Gear, Ring	
5	7000230	1	O-Ring	
5A	7017070	1	O-Ring	
6	1001229810	NSS	Housing, Brake (Note: Not Available - Purchase Complete Assembly)	
7	70005203	1	Gear, Sun	
8A	70004037	1	Piston	
8D	70004041	1	O-Ring	
8E	70004044	1	Ring, Back-up	
8F	70004042	1	O-Ring	
8H	70004043	1	Ring, Back-up	
8J	70002085	4	Disc, Rotor	
8K	70002085	5	Disc, Stator	
8L	70002066	14	Spring	
11	7000253	2	Washer, Thrust	
12	7000217	12	Bolt 3/8 x 2-1/4 Grade 8	
13	7017080	4	Pin, Dowel	
20	7017072	1	Plug, Pipe	
21	7024704	4	Bolt 5/16 x 2 Grade 8	
22	70004045	4	Washer	
23	7017023	2	Plug, Pipe	
24	See Note	NSS	Plate, ID (Note: Not Available for Purchase)	
25	See Note	NSS	Rivet (Note: Not Available for Purchase)	
26	7024763	1	O-Ring	
28	See Note	NSS	Lug, Lifting (Note: Not Available for Purchase)	
29	70004040	2	Bolt 1/2 x 1 (Grade 8)	
30	7017085	2	Elbow	
31	70006304	1	Motor Assembly	
32	7024784	1	Valve Assembly - Complete (No Serviceable Parts)	
35	70004047	1	Tube	
44	7017028	1	Ring, Internal Retaining	
45	7000213	2	O-Ring	
		Ref	KIT OPTIONS:	
200	7024100	1	Seal Kit - Swing Hub (Includes Items 1B, 1I, 5, 5A & 11)	
201	70002085	1	Disc Kit - Swing Brake (Includes Items 8J & 8K)	

SECTION 2 - TURNTABLE

FIGURE 2-12. TURNTABLE BEARING INSTALLATION



ART_1001150391

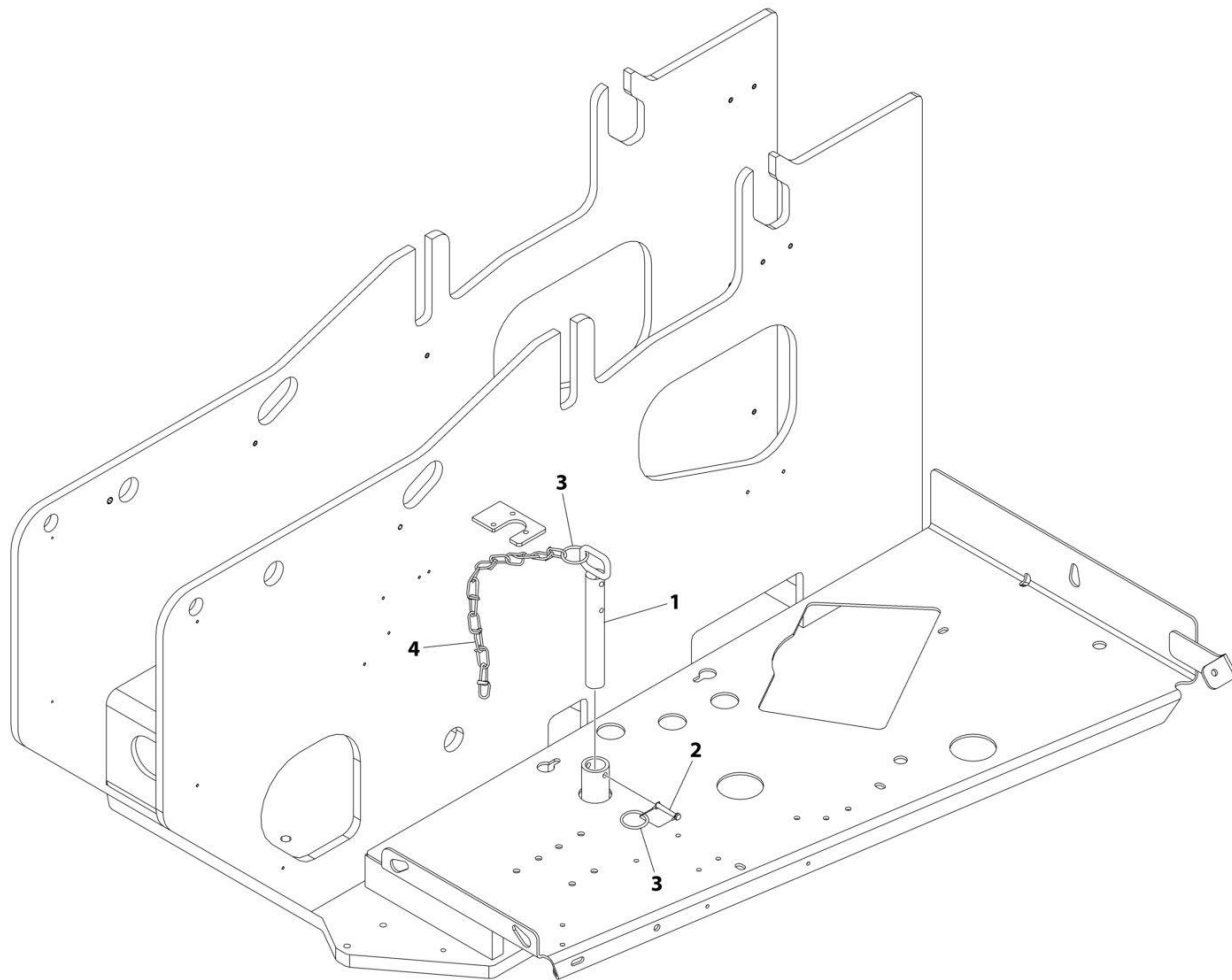
SECTION 2 - TURNTABLE

FIGURE 2-12. TURNTABLE BEARING INSTALLATION

ITEM	PART NUMBER	QTY	DESCRIPTION	REV
	1001150391	Ref	TURNTABLE BEARING AND REMOTE LUBE INSTALLATION	C
1	0100019	AR	Compound, Locking	
2	0440207	1	Bearing, Turntable	
3	0682018	36	Bolt 5/8 x 2-1/4 Grade 8	
4	3020029	AR	Lubricant	
5	4892000	36	Washer 5/8 Hardened	
6	0100011	AR	Compound, Locking	
7	1001149927	1	Hose (Includes Grease Fitting and Adapter Fittings)	

SECTION 2 - TURNTABLE

FIGURE 2-13. TURNTABLE LOCK INSTALLATION – DEUTZ D2011 AND FORD DF 2.5L ENGINE MACHINES



ART_0255410

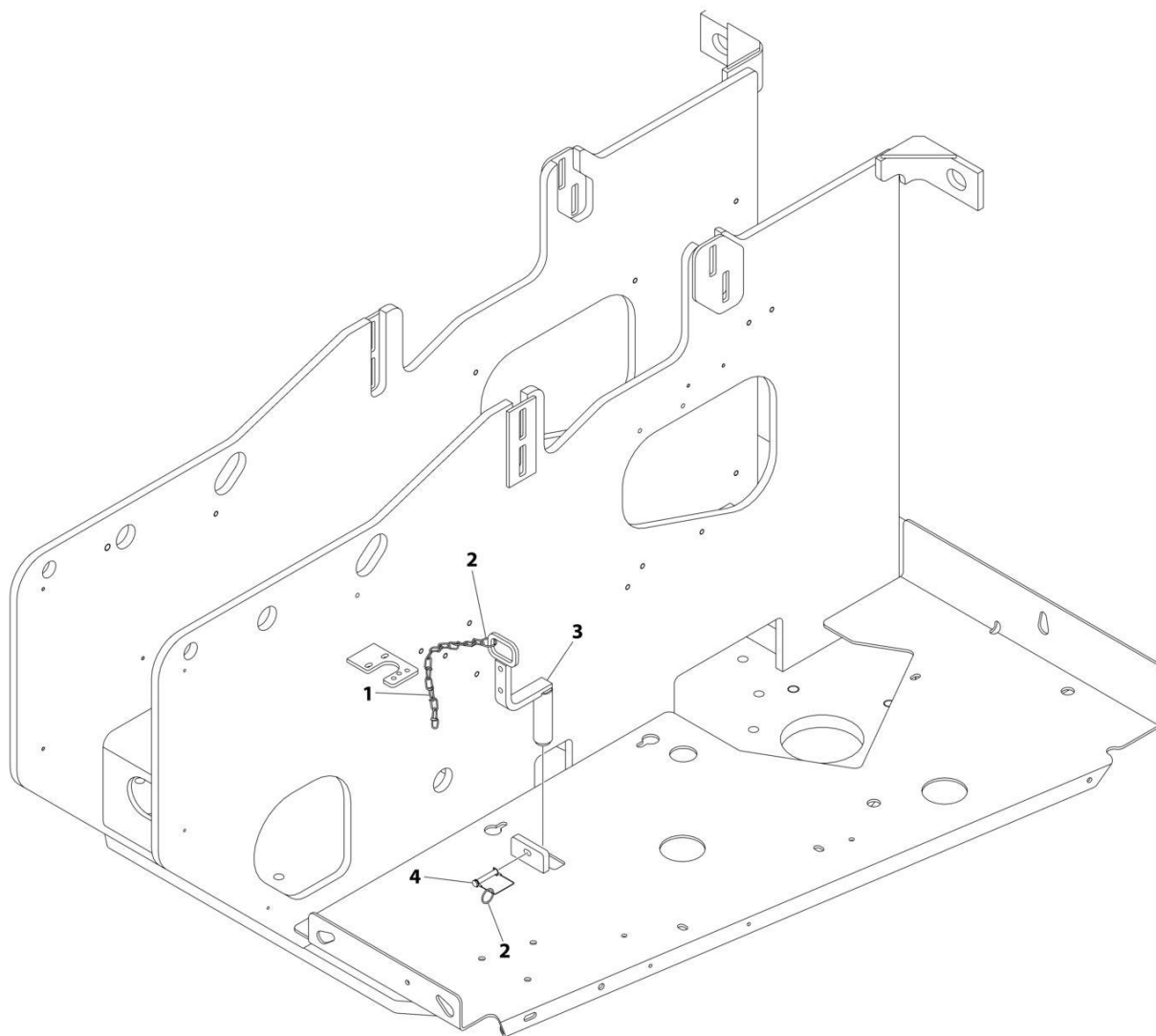
SECTION 2 - TURNTABLE

FIGURE 2-13. TURNTABLE LOCK INSTALLATION – DEUTZ D2011 AND FORD DF 2.5L ENGINE MACHINES

ITEM	PART NUMBER	QTY	DESCRIPTION	REV
	0255410	Ref	TURNTABLE LOCK INSTALLATION	B
1	4844958	1	Pin	
2	3421565	1	Pin, Snap	
3	3760170	2	Ring, Quick Release	
4	1260017	9 in /23cm	Chain	

SECTION 2 - TURNTABLE

FIGURE 2-14. TURNTABLE LOCK INSTALLATION – DEUTZ TD2.2L3 (STAGE V), DEUTZ TD2.9L4 AND DEUTZ D2.9L4 (CHINA IV) ENGINE MACHINES



ART_1001137885

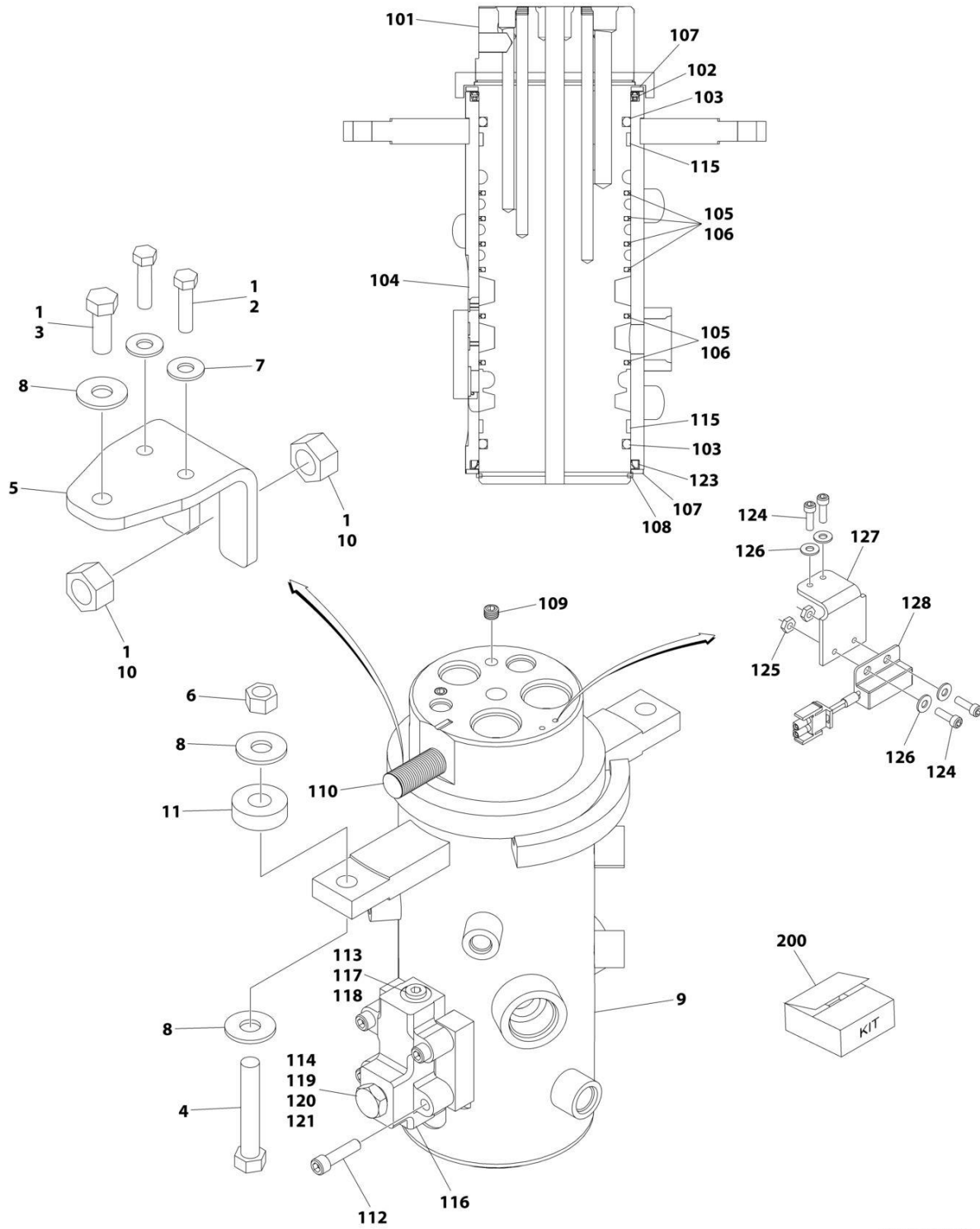
SECTION 2 - TURNTABLE

FIGURE 2-14. TURNTABLE LOCK INSTALLATION – DEUTZ TD2.2L3 (STAGE V), DEUTZ TD2.9L4 AND DEUTZ D2.9L4 (CHINA IV) ENGINE MACHINES

ITEM	PART NUMBER	QTY	DESCRIPTION	REV
	1001137885	Ref	TURNTABLE LOCK INSTALLATION	A
1	1260017	9 in /23cm	Chain	
2	3760170	2	Ring, Quick Release	
3	1001137896	1	Pin	
4	1001145292	1	Pin, Snap	

SECTION 2 - TURNTABLE

FIGURE 2-15. ROTARY COUPLING INSTALLATION – 2WS



ART_1001107498

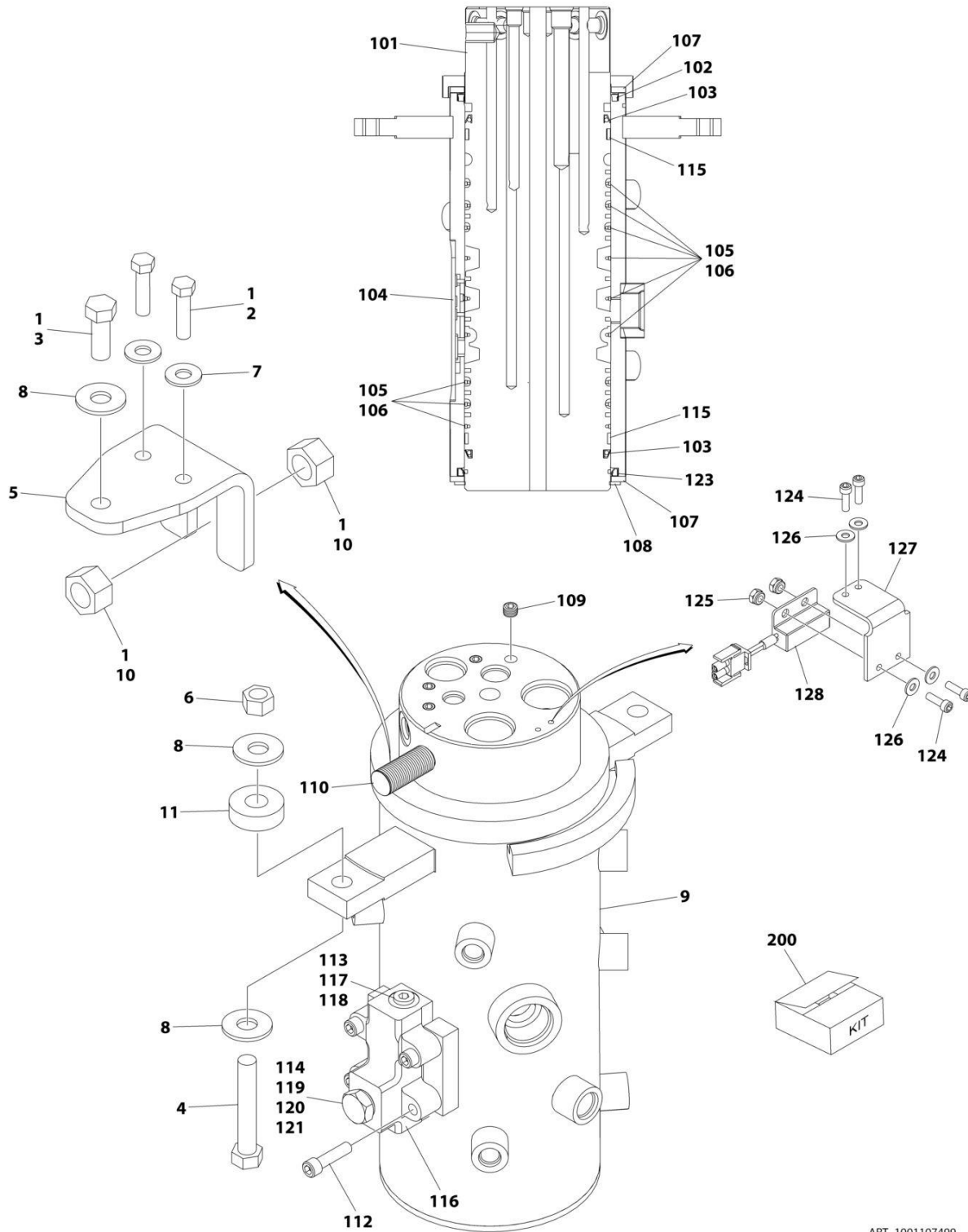
SECTION 2 - TURNTABLE

FIGURE 2-15. ROTARY COUPLING INSTALLATION – 2WS

ITEM	PART NUMBER	QTY	DESCRIPTION	REV
	1001107498	Ref	ROTARY COUPLING INSTALLATION	B
1	0100011	AR	Compound, Locking	
2	0641612	2	Bolt 3/8 x 1-1/2	
3	0641811	1	Bolt 1/2 x 1-3/8	
4	0641824	2	Bolt 1/2 x 3	
5	0903056	1	Bracket	
6	3271805	2	Nut 1/2	
7	4751600	2	Washer 3/8	
8	4751800	5	Washer 1/2	
9	1001106974	1	Coupling, Rotary (See Items 101-121 for Breakdown)	
10	3322201	2	Nut 3/4	
11	1001178789	2	Shim	
	1001106974	Ref	ROTARY COUPLING ASSEMBLY	B
101	See Note	NSS	Body (Note: Not Available - Purchase Complete Assembly)	
102	70001248	1	Seal	
103	See Note	NSS	O-Ring (Note: Use Item 200A or 200B) (Note: Use Item 200A or 200B)	
104	See Note	NSS	Housing (Note: Not Available - Purchase Complete Assembly)	
105	70001248	6	Seal, Cap	
106	70001248	6	O-Ring	
107	7026503	2	Ring	
108	7026504	1	Ring, Retaining	
109	80934561	2	Plug	
110	See Note	1	Lug, Torque (Note: Not Available for Purchase)	
112	7026197	4	Bolt 5/16 x 1-1/4	
113	See Note	NSS	O-Ring (Note: Use Item 200A or 200B)	
114	See Note	NSS	O-Ring (Note: Use Item 200A or 200B)	
115	See Note	NSS	Bearing (Note: Use Item 200A or 200B)	
116	7024404	1	Block Valve Assembly	
117	7026505	1	Plug	
118	7026506	1	Valve, Check	
119	7026507	1	Plug	
120	7024404	1	Plunger, Valve (Note: Not Available for Purchase)	
121	7026509	1	Spring, Compression	
122	See Note	NSS	Protective Netting (Not Shown) (Note: Not Available for Purchase)	
123	70001248	1	Seal	
124	See Note	NSS	Screw, Socket Head #10 x 1/2 (Note: Not Available for Purchase)	
125	See Note	NSS	Nut #10 (Note: Not Available for Purchase)	
126	See Note	NSS	Washer #10 (Note: Not Available for Purchase)	
127	70003454	1	Bracket, Switch Mounting	
128	4360517	1	Switch, Proximity	
200	70001248	1	Seal Kit (Includes Items 102, 103, 105, 106, 113, 114, 115 & 123)	

SECTION 2 - TURNTABLE

FIGURE 2-16. ROTARY COUPLING INSTALLATION – 4WS



ART_1001107499

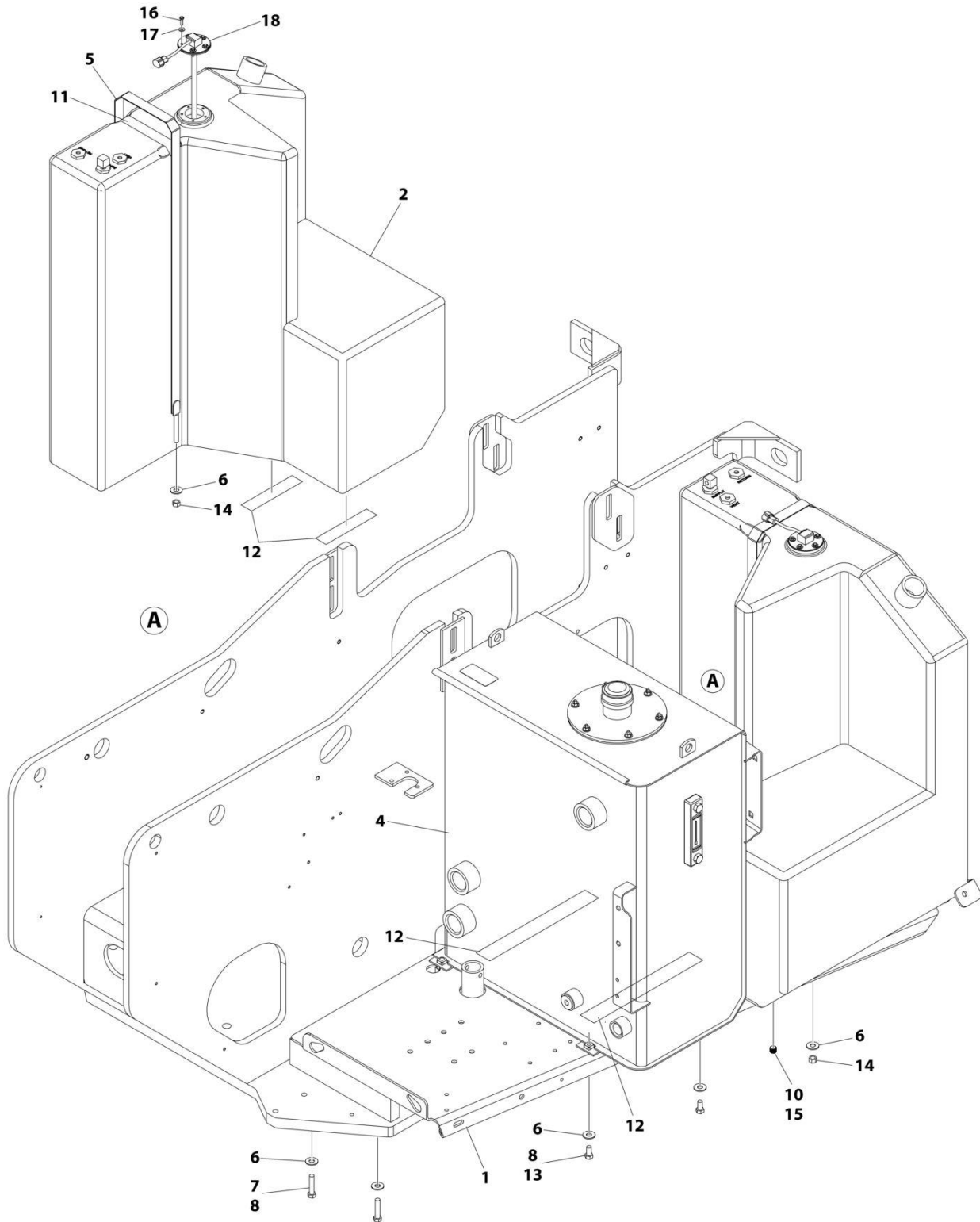
SECTION 2 - TURNTABLE

FIGURE 2-16. ROTARY COUPLING INSTALLATION – 4WS

ITEM	PART NUMBER	QTY	DESCRIPTION	REV
	1001107499	Ref	ROTARY COUPLING INSTALLATION	B
1	0100011	AR	Compound, Locking	
2	0641612	2	Bolt 3/8 x 1-1/2	
3	0641811	1	Bolt 1/2 x 1-3/8	
4	0641824	2	Bolt 1/2 x 3	
5	0903056	1	Bracket	
6	3271805	2	Nut 1/2	
7	4751600	2	Washer 3/8	
8	4751800	5	Washer 1/2	
9	1001106975	1	Coupling, Rotary (See Items 101-121 for Breakdown)	
10	3322201	2	Nut 3/4	
11	1001178789	2	Shim	
	1001106975	Ref	ROTARY COUPLING ASSEMBLY	B
101	See Note	1	Body (Note: Not Available - Purchase Complete Assembly)	
102	70002212	1	Seal	
103	See Note	2	O-Ring (Note: Use Item 200A or 200B) (Note: Use Item 200A or 200B)	
104	See Note	1	Housing (Note: Not Available - Purchase Complete Assembly)	
105	70002212	9	Seal, Cap	
106	70002212	9	O-Ring	
107	7026511	2	Ring	
108	7013189	1	Ring, Retaining	
109	80934561	4	Plug	
110	See Note	1	Lug, Torque (Note: Not Available for Purchase)	
112	7026197	4	Bolt 5/16 x 1-1/4	
113	See Note	NSS	O-Ring (Note: Use Item 200A or 200B)	
114	See Note	NSS	O-Ring (Note: Use Item 200A or 200B)	
115	See Note	NSS	Bearing (Note: Use Item 200A or 200B)	
116	7024404	1	Block Valve Assembly	
117	7026505	1	Plug	
118	7026506	1	Valve, Check	
119	7026507	1	Plug	
120	7024404	1	Plunger, Valve (Note: Not Available for Purchase)	
121	7026509	1	Spring, Compression	
122	See Note	NSS	Protective Netting (Not Shown) (Note: Not Available for Purchase)	
123	70002212	1	Seal	
124	See Note	4	Screw, Socket Head #10 x 1/2 (Note: Not Available for Purchase)	
125	See Note	2	Nut #10 (Note: Not Available for Purchase)	
126	See Note	NSS	Washer #10 (Note: Not Available for Purchase)	
127	70003454	1	Bracket, Switch Mounting	
128	4360517	1	Switch, Proximity	
200	70002212	1	Seal Kit (Includes Items 102, 103, 105, 106, 113, 114, 115 & 123)	

SECTION 2 - TURNTABLE

FIGURE 2-17. TANK INSTALLATION – DEUTZ D2011 ENGINE (MACHINES WITH SN STARTING WITH 03)



ART_1001152066_D

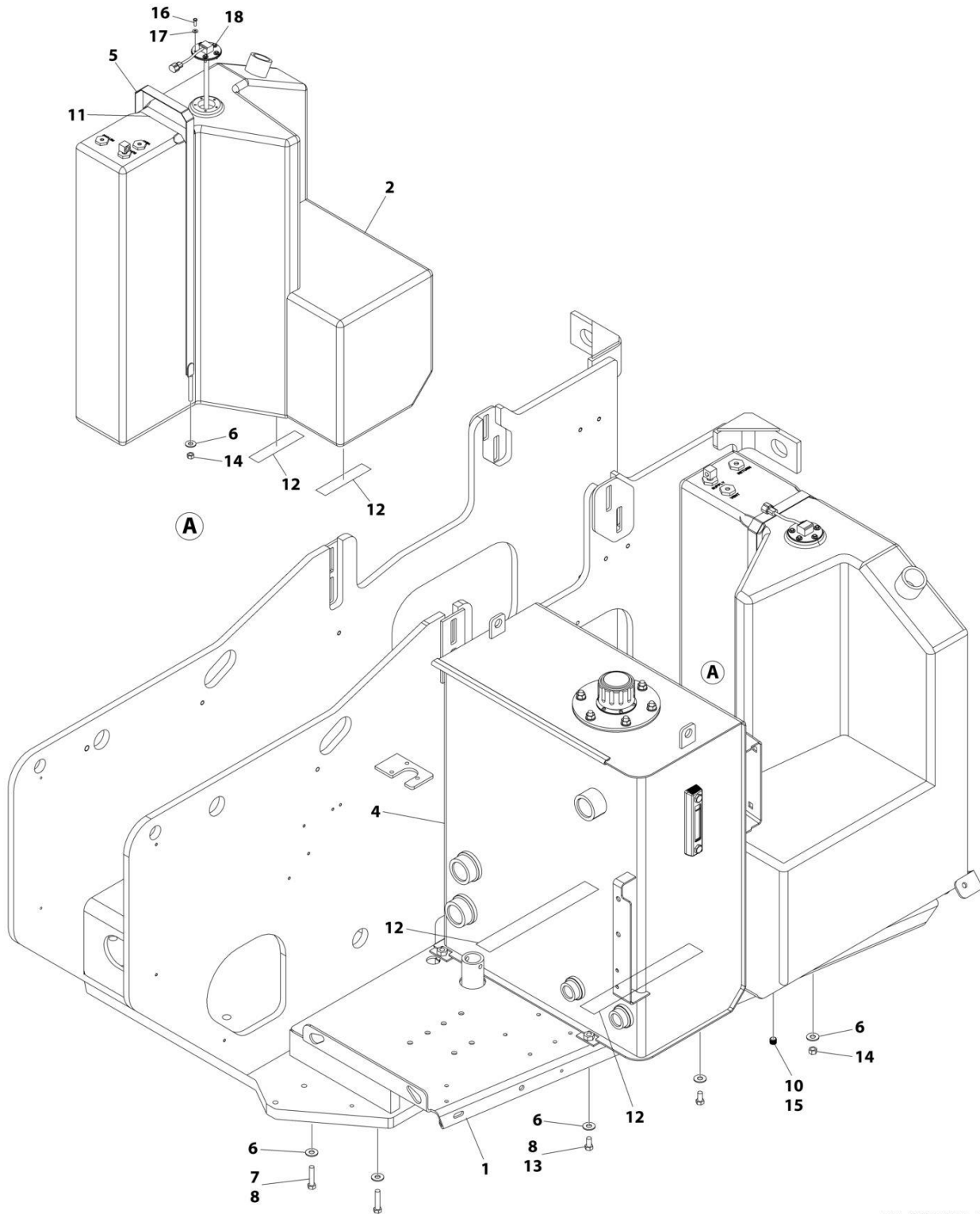
SECTION 2 - TURNTABLE

FIGURE 2-17. TANK INSTALLATION – DEUTZ D2011 ENGINE (MACHINES WITH SN STARTING WITH 03)

ITEM	PART NUMBER	QTY	DESCRIPTION	REV
	1001152066	Ref	TANK INSTALLATION	D
1	1001152428	1	Tray	
2	1001284960	1	Tank, Fuel	
2	70008578	1	Cap	
2	70008579	1	Tube, Pickup	
4	1001151268	1	Hydraulic Oil Tank Assembly (See Separate Breakdown in this Section)	
5	4240102	1	Strap, Tank	
6	4751600	10	Washer 3/8	
7	0641614	4	Bolt 3/8 x 1-3/4	
8	0100011	AR	Compound, Locking	
9	1001182997	AR	Sealant, Pipe (Not Shown)	
10	2200222	1	Plug	
11	4280295	18 in /46cm	Strip, Protective	
12	4420038	AR	Tape, Rubber	
13	0641606	4	Bolt 3/8 x 3/4	
14	3311601	2	Nut 3/8	
15	0100020	AR	Sealant	
16	0731005	5	Bolt #10 x 5/8	
17	4751000	5	Washer #10	
18	1001274219	1	Gauge, Fuel Level	

SECTION 2 - TURNTABLE

FIGURE 2-18. TANK INSTALLATION – DEUTZ D2011 ENGINE (MACHINES WITH SN STARTING WITH B3)



ART_1001282827_B

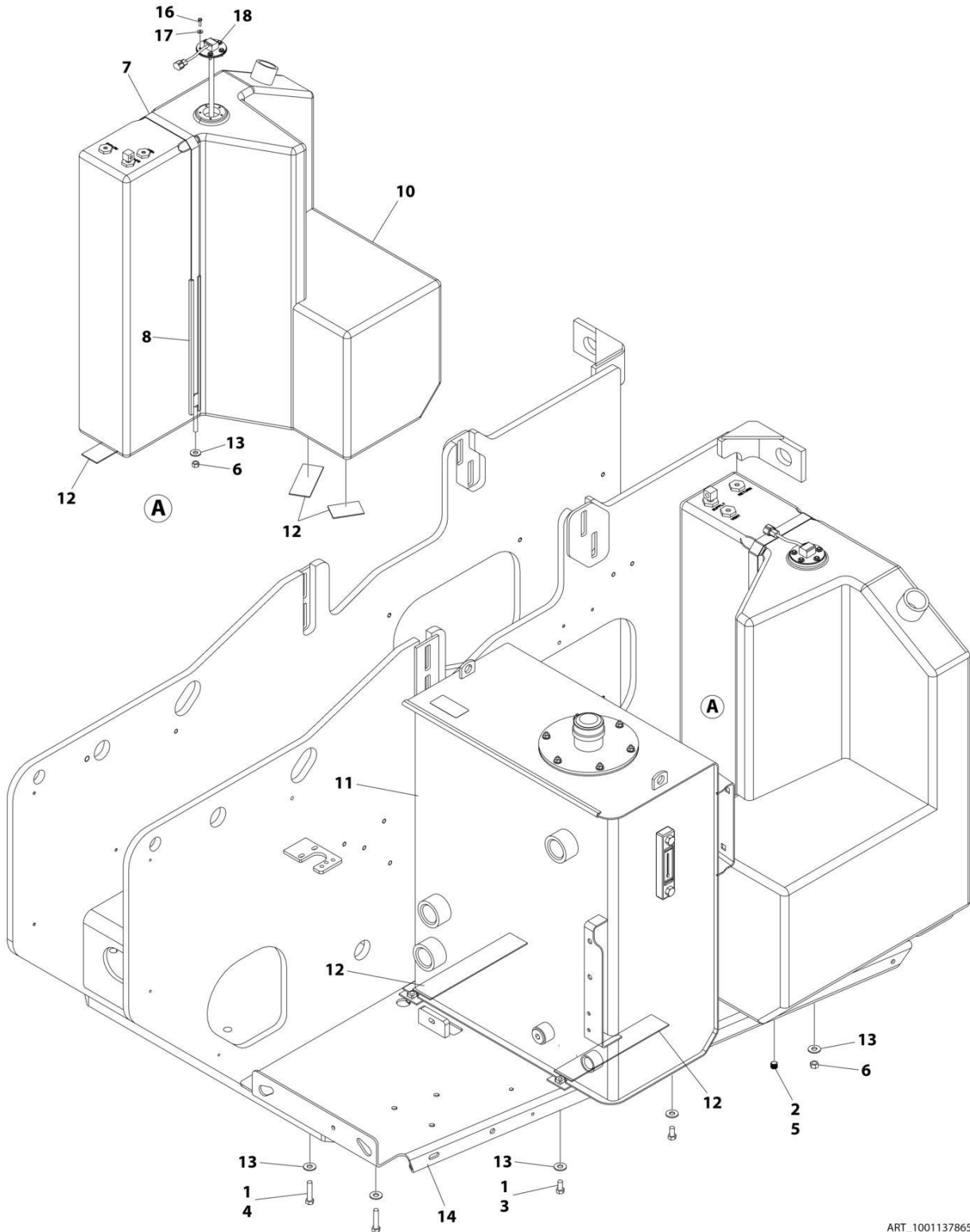
SECTION 2 - TURNTABLE

FIGURE 2-18. TANK INSTALLATION – DEUTZ D2011 ENGINE (MACHINES WITH SN STARTING WITH B3)

ITEM	PART NUMBER	QTY	DESCRIPTION	REV
	1001282827	Ref	TANK INSTALLATION	B
1	1001152428	1	Tray	
2	1001284960	1	Tank, Fuel	
4	1001274526	1	Hydraulic Oil Tank Assembly (See Separate Breakdown in this Section)	
5	4240102	1	Strap, Tank	
6	4751600	10	Washer 3/8	
7	0641614	4	Bolt 3/8 x 1-3/4	
8	0100011	AR	Compound, Locking	
9	1001182997	AR	Sealant, Pipe (Not Shown)	
10	2200222	1	Plug	
11	4280295	18 in / 46cm	Strip, Protective	
12	4420038	AR	Tape, Rubber	
13	0641606	4	Bolt 3/8 x 3/4	
14	3311601	2	Nut 3/8	
15	0100020	AR	Sealant	
16	0731005	5	Bolt #10 x 5/8	
17	4751000	5	Washer #10	
18	1001274219	1	Gauge, Fuel Level	

SECTION 2 - TURNTABLE

FIGURE 2-19. TANK INSTALLATION – DEUTZ TD2.2L3 (STAGE V) AND DEUTZ TD2.9L4 ENGINE
(MACHINES WITH SN STARTING WITH 03)



ART_1001137865_G

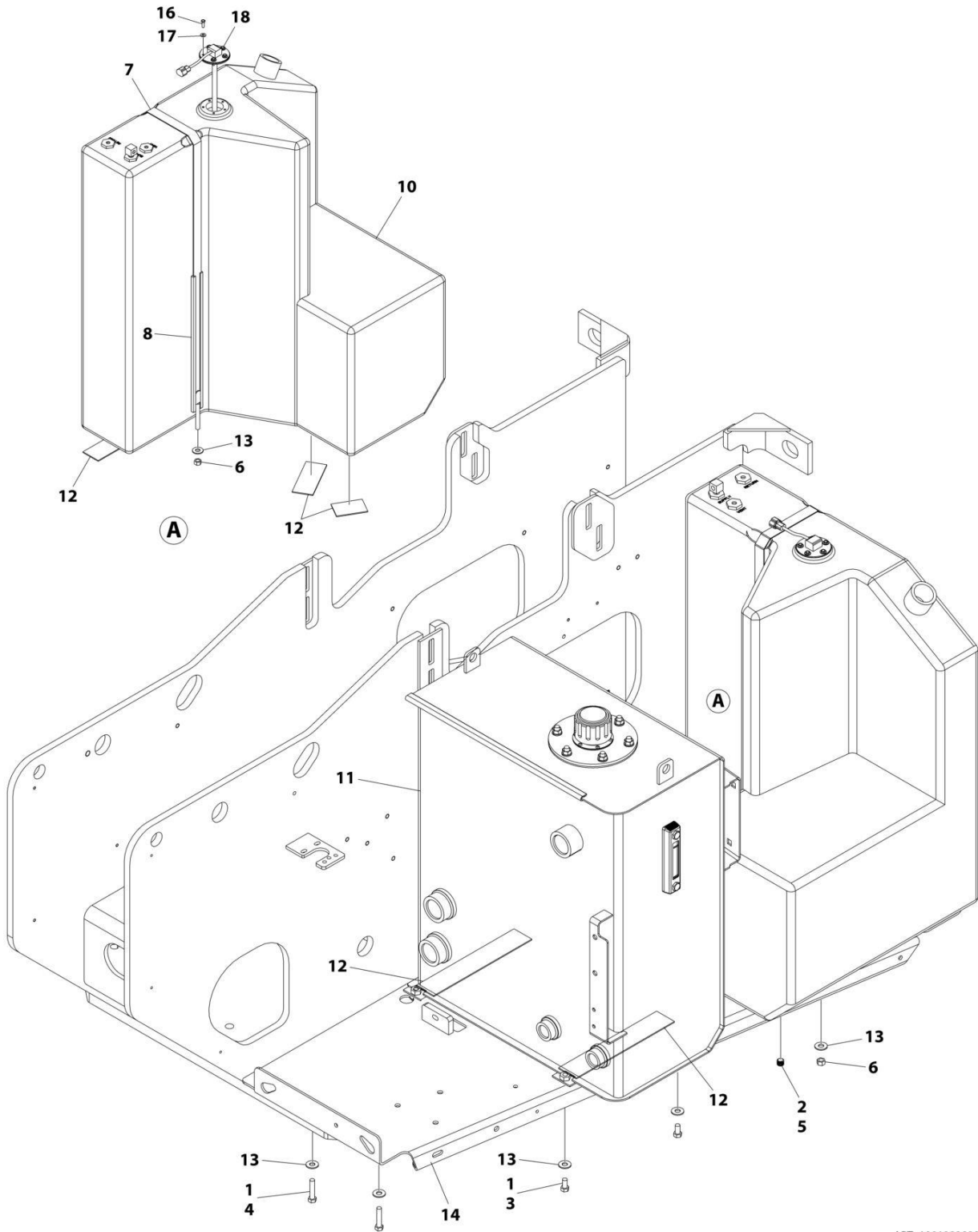
SECTION 2 - TURNTABLE

**FIGURE 2-19. TANK INSTALLATION – DEUTZ TD2.2L3 (STAGE V) AND DEUTZ TD2.9L4 ENGINE
(MACHINES WITH SN STARTING WITH 03)**

ITEM	PART NUMBER	QTY	DESCRIPTION	REV
	1001137865	Ref	TANK INSTALLATION	G
1	0100011	AR	Compound, Locking	
2	0100020	AR	Sealant	
3	0641606	4	Bolt 3/8 x 3/4	
4	0641614	4	Bolt 3/8 x 1-3/4	
5	2200222	1	Plug	
6	3311601	2	Nut 3/8	
7	4240102	1	Strap, Tank	
8	4280295	18 in /46cm	Strip, Protective	
10	1001284960	1	Tank, Fuel	
10	70008578	1	Cap	
10	70008579	1	Tube, Pickup	
11	1001151268	1	Hydraulic Oil Tank Assembly (See Separate Breakdown in this Section)	
12	4420038	AR	Tape, Rubber	
13	4751600	10	Washer 3/8	
14	1001137863	1	Tray	
15	1001182997	AR	Sealant, Pipe (Not Shown)	
16	0731005	5	Bolt #10 x 5/8	
17	4751000	5	Washer #10	
18	1001274219	1	Gauge, Fuel Level	

SECTION 2 - TURNTABLE

FIGURE 2-20. TANK INSTALLATION – DEUTZ TD2.2L3 (STAGE V), DEUTZ TD2.9L4 AND DEUTZ D2.9L4 (CHINA IV) ENGINE (MACHINES WITH SN STARTING WITH B3)



ART_1001282828_B

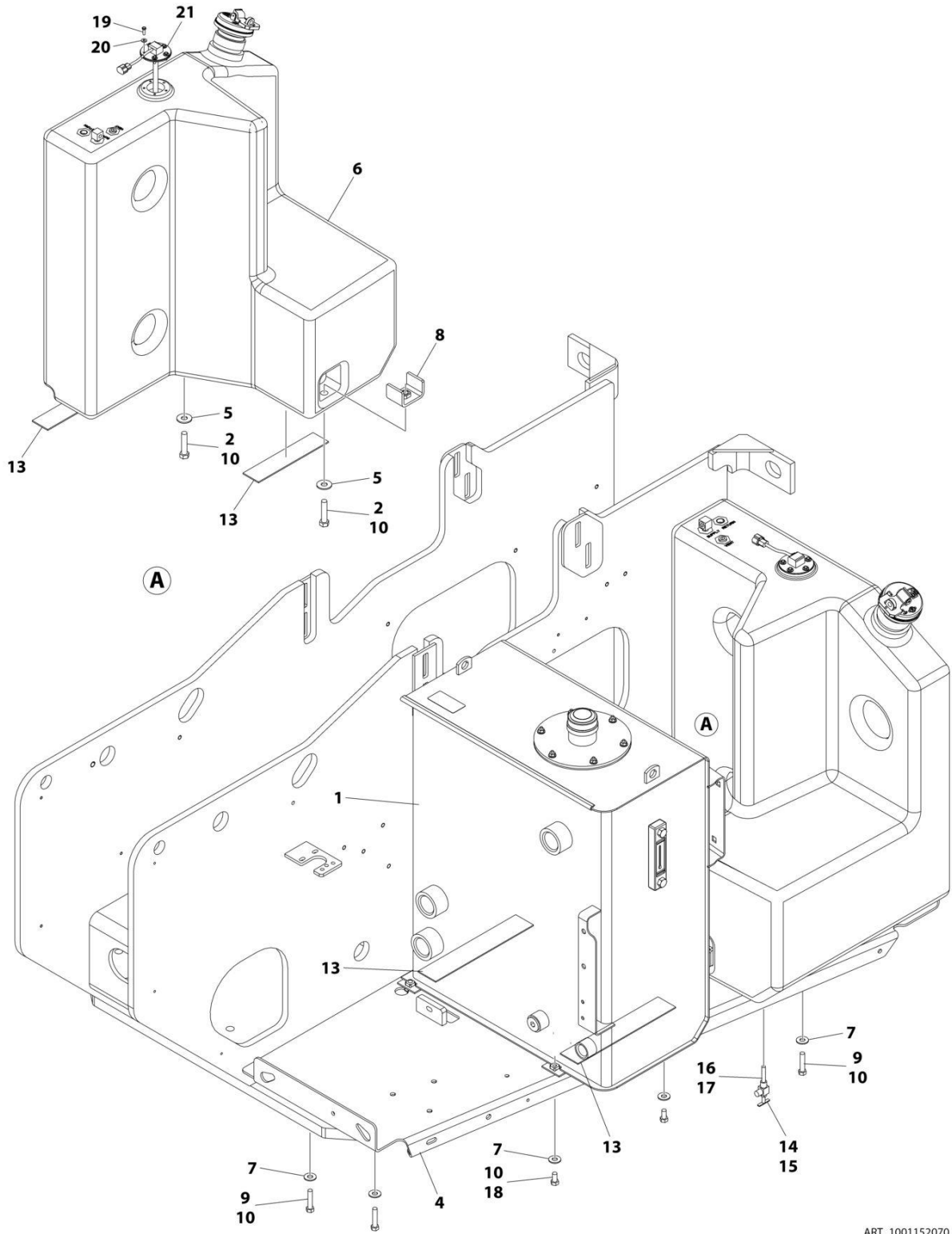
SECTION 2 - TURNTABLE

FIGURE 2-20. TANK INSTALLATION – DEUTZ TD2.2L3 (STAGE V), DEUTZ TD2.9L4 AND DEUTZ D2.9L4 (CHINA IV) ENGINE (MACHINES WITH SN STARTING WITH B3)

ITEM	PART NUMBER	QTY	DESCRIPTION	REV
	1001282828	Ref	TANK INSTALLATION	B
1	0100011	AR	Compound, Locking	
2	0100020	AR	Sealant	
3	0641606	4	Bolt 3/8 x 3/4	
4	0641614	4	Bolt 3/8 x 1-3/4	
5	2200222	1	Plug	
6	3311601	2	Nut 3/8	
7	4240102	1	Strap, Tank	
8	4280295	18 in / 46cm	Strip, Protective	
10	1001284960	1	Tank, Fuel	
10	70008578	1	Cap	
10	70008579	1	Tube, Pickup	
11	1001274526	1	Hydraulic Oil Tank Assembly (See Separate Breakdown in this Section)	
12	4420038	AR	Tape, Rubber	
13	4751600	10	Washer 3/8	
14	1001137863	1	Tray	
15	1001182997	AR	Sealant, Pipe (Not Shown)	
16	0731005	5	Bolt #10 x 5/8	
17	4751000	5	Washer #10	
18	1001274219	1	Gauge, Fuel Level	

SECTION 2 - TURNTABLE

FIGURE 2-21. TANK INSTALLATION – FORD DF 2.5L ENGINE



ART_1001152070_E

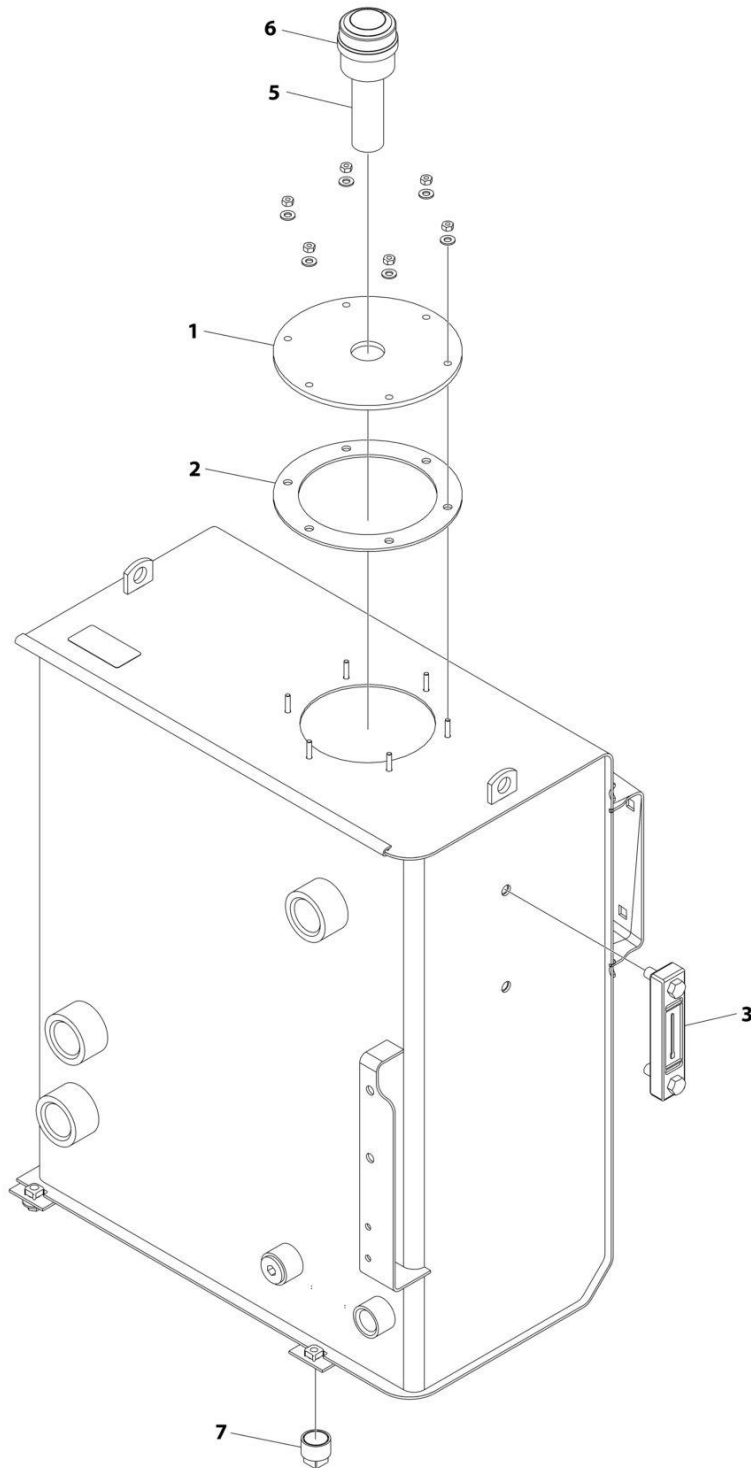
SECTION 2 - TURNTABLE

FIGURE 2-21. TANK INSTALLATION – FORD DF 2.5L ENGINE

ITEM	PART NUMBER	QTY	DESCRIPTION	REV
	1001152070	Ref	TANK INSTALLATION	E
1	1001151268	1	Hydraulic Oil Tank Assembly (See Separate Breakdown in this Section)	
2	0641818	2	Bolt 1/2 x 2-1/4	
4	1001137863	1	Tray	
5	4751800	2	Washer 1/2	
6	1001284961	1	Tank, Fuel	
7	4751600	8	Washer 3/8	
8	1001118133	2	Bracket	
9	0641614	4	Bolt 3/8 x 1-3/4	
10	0100011	AR	Compound, Locking	
11	1001182997	AR	Sealant, Pipe (Not Shown)	
13	4420038	AR	Tape, Rubber	
14	4641022	1	Valve, Needle	
15	0100020	AR	Sealant	
16	0100062	AR	Retaining Compound #680	
17	4568119	1	Tube, Fuel	
17	70008580	1	Cap	
17	70008581	1	Tube, Pickup	
17	70008582	1	Bulkhead Assembly	
18	0641606	4	Bolt 3/8 x 3/4	
19	0731005	5	Bolt #10 x 5/8	
20	4751000	5	Washer #10	
21	1001274219	1	Gauge, Fuel Level	

SECTION 2 - TURNTABLE

FIGURE 2-22. HYDRAULIC OIL TANK ASSEMBLY (MACHINES WITH SN STARTING WITH 03)



ART_1001151268

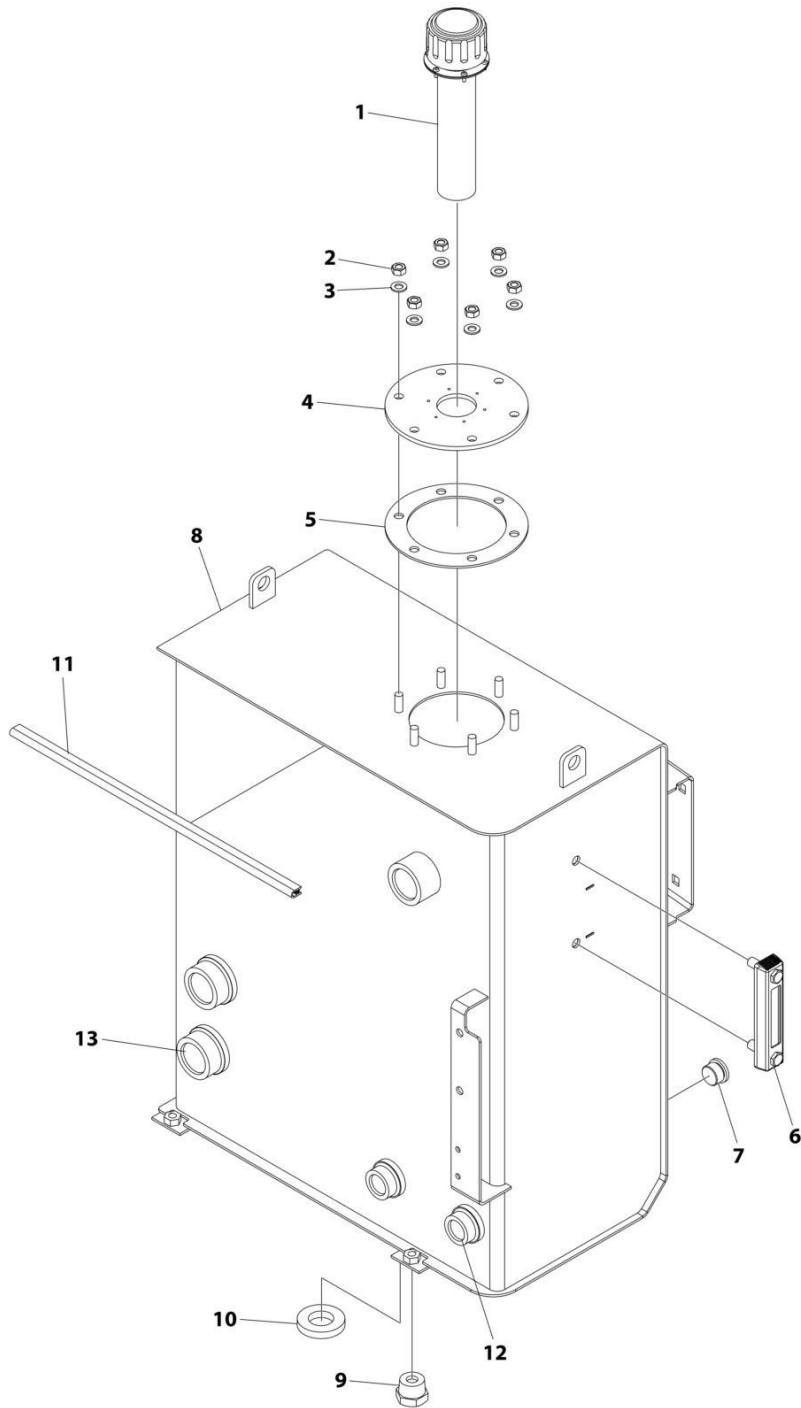
SECTION 2 - TURNTABLE

FIGURE 2-22. HYDRAULIC OIL TANK ASSEMBLY (MACHINES WITH SN STARTING WITH 03)

ITEM	PART NUMBER	QTY	DESCRIPTION	REV
	1001151268	Ref	HYDRAULIC OIL TANK ASSEMBLY	H
1	7024439	1	Cover	
2	7024440	1	Gasket	
3	7024441	1	Gauge, Sight	
5	7024443	1	Neck, Fill (Helgensen Brand)	
5	See Note	NSS	Neck, Fill (Hydac Brand) (Note: Use Item 70004862)	
5	7024445	1	Screen (Helgensen Brand)	
5	See Note	NSS	Screen (Hydac Brand) (Note: Use Item 70004862)	
6	7024444	1	Breather/Fill Cap (Helgensen Brand)	
6	70004862	1	Breather/Fill Cap/Strainer Kit (Hydac Brand)	
7	7024446	1	Plug, Magnetic	

SECTION 2 - TURNTABLE

FIGURE 2-23. HYDRAULIC OIL TANK ASSEMBLY (MACHINES WITH SN STARTING WITH B3)



ART_1001274526

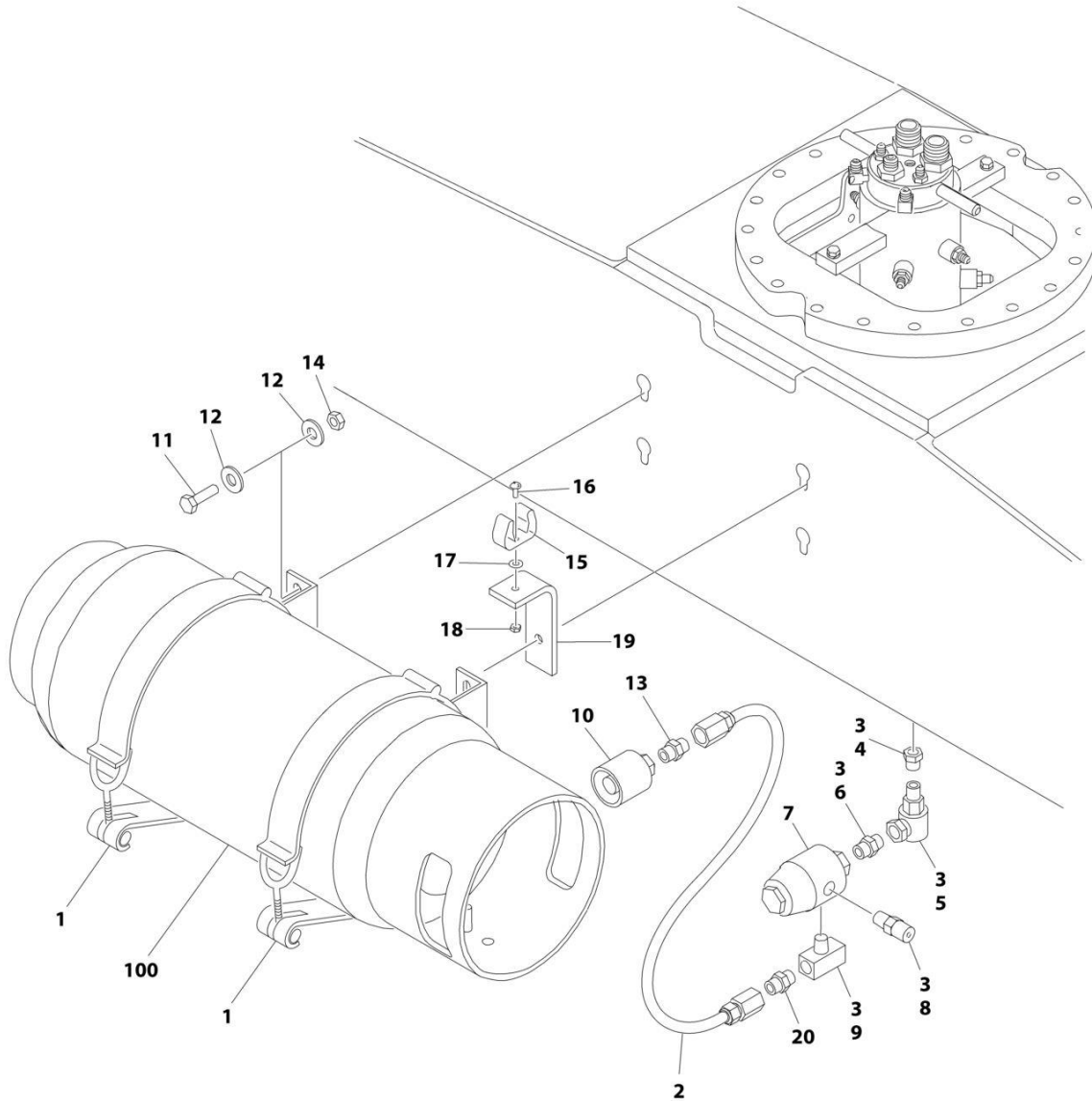
SECTION 2 - TURNTABLE

FIGURE 2-23. HYDRAULIC OIL TANK ASSEMBLY (MACHINES WITH SN STARTING WITH B3)

ITEM	PART NUMBER	QTY	DESCRIPTION	REV
	1001274526	Ref	HYDRAULIC OIL TANK ASSEMBLY	A
1	70008253	1	Cap, Fill	
2	70008263	6	Nut M10	
3	70008262	6	Washer	
4	70008269	1	Cover	
5	70008260	1	Gasket	
6	70008264	1	Gauge, Level	
7	70008270	1	Plug	
8	See Note	NSS	Tank (Note: Not Available for Purchase)	
9	70008271	1	Plug	
10	70008272	1	Magnet	
11	70008273	1	Trim	
12	70008257	2	Cover 1-1/16	
13	70008268	3	Cover 1-5/8	

SECTION 2 - TURNTABLE

FIGURE 2-24. LP TANK BRACKET INSTALLATION – FORD DF 2.5L (8FT/2.4M WIDE MACHINES)



ART_1001151010

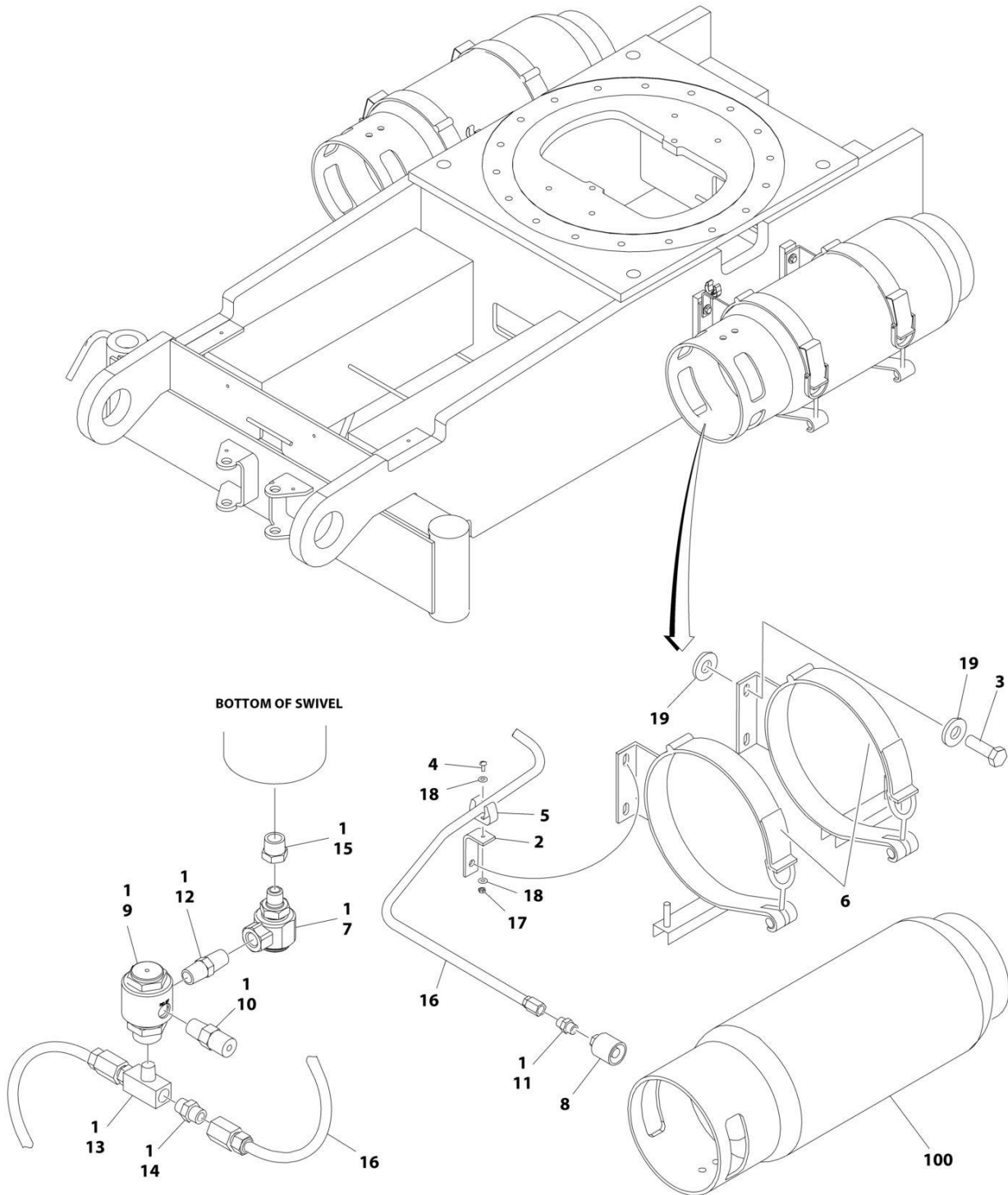
SECTION 2 - TURNTABLE

FIGURE 2-24. LP TANK BRACKET INSTALLATION – FORD DF 2.5L (8FT/2.4M WIDE MACHINES)

ITEM	PART NUMBER	QTY	DESCRIPTION	REV
	1001151010	Ref	LP TANK BRACKETS INSTALLATION	E
1	1320220	2	Clamp	
1	1320127	2	Clamp, Toggle (1 Per Clamp)	
2	2720144	2	Hose	
3	0100020	AR	Sealant, Pipe	
4	2221197	1	Fitting, Reducer	
5	1001247358	1	Fitting, 90 Swivel	
6	2220261	1	Fitting, Nipple	
7	2180388	1	Fitting, Bulkhead	
8	2180389	1	Valve, Relief	
9	2220418	1	Fitting, Tee	
10	2180387	2	Fitting, Straight	
11	0641617	8	Bolt 3/8 x 2-1/8	
12	4751600	16	Washer 3/8	
13	2180418	2	Fitting, Connector	
14	3311605	8	Nut 3/8	
15	1320218	2	Clamp, Spring	
16	0720804	2	Screw #8 x 1/2	
17	4750800	4	Washer #8	
18	3310805	2	Nut #8	
19	0181949	2	Angle, Support	
20	2221024	2	Fitting, Union Ball Check	
100	4400275	1	Tank, LP - 43.5 Lbs. (Aluminum)	

SECTION 2 - TURNTABLE

FIGURE 2-25. LP TANK BRACKET INSTALLATION – FORD DF 2.5L (7FT/2.1M WIDE MACHINES)



ART_1001178512_B

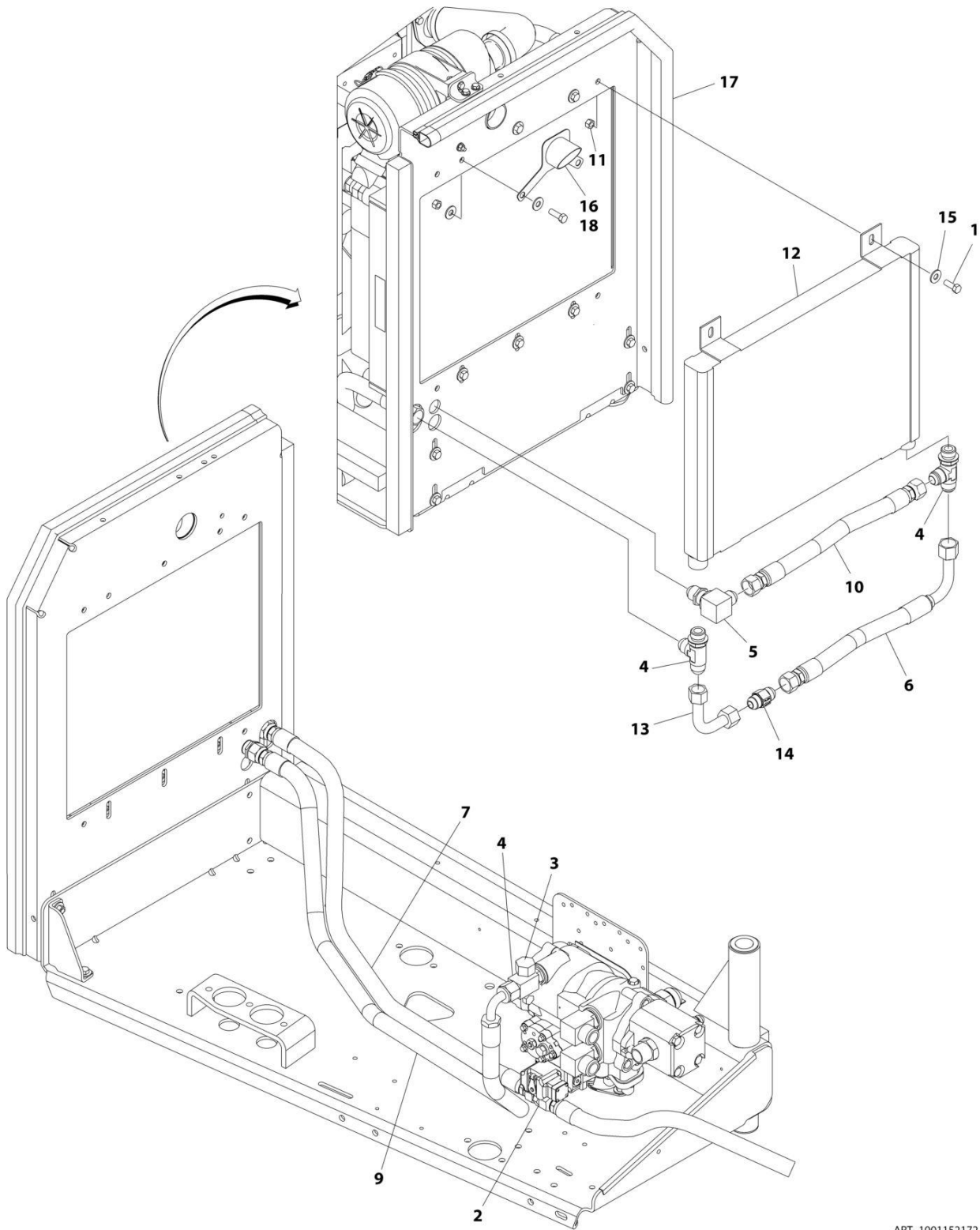
SECTION 2 - TURNTABLE

FIGURE 2-25. LP TANK BRACKET INSTALLATION – FORD DF 2.5L (7FT/2.1M WIDE MACHINES)

ITEM	PART NUMBER	QTY	DESCRIPTION	REV
	1001178512	Ref	LP TANK BRACKETS INSTALLATION	B
1	0100020	AR	Sealant, Pipe	
2	0181949	2	Angle, Support	
3	0641606	8	Bolt 3/8 x 3/4	
4	0720804	2	Screw, Round Head #8 x 1/2	
5	1320218	2	Clamp, Spring	
6	1320220	2	Clamp	
6	1320127	2	Clamp, Toggle (1 Per Clamp)	
7	1001247358	1	Fitting, 90 Swivel	
8	2180387	2	Fitting, Straight	
9	2180388	1	Fitting, Bulkhead	
10	2180389	1	Fitting, Relief Valve	
11	2180418	2	Fitting, Connector	
12	2220261	1	Fitting, Nipple	
13	2220418	1	Fitting, Tee	
14	2221024	2	Fitting, Union Ball Check	
15	2221197	1	Fitting, Reducer	
16	2720144	2	Hose	
17	3310805	2	Nut #8	
18	4750800	4	Washer #8	
19	4751600	8	Washer 3/8	
100	4400275	1	Tank, LP - 43.5 Lbs. (Aluminum)	

SECTION 2 - TURNTABLE

FIGURE 2-26. HYDRAULIC OIL COOLER INSTALLATION - DEUTZ D2011 ENGINES



ART_1001152172

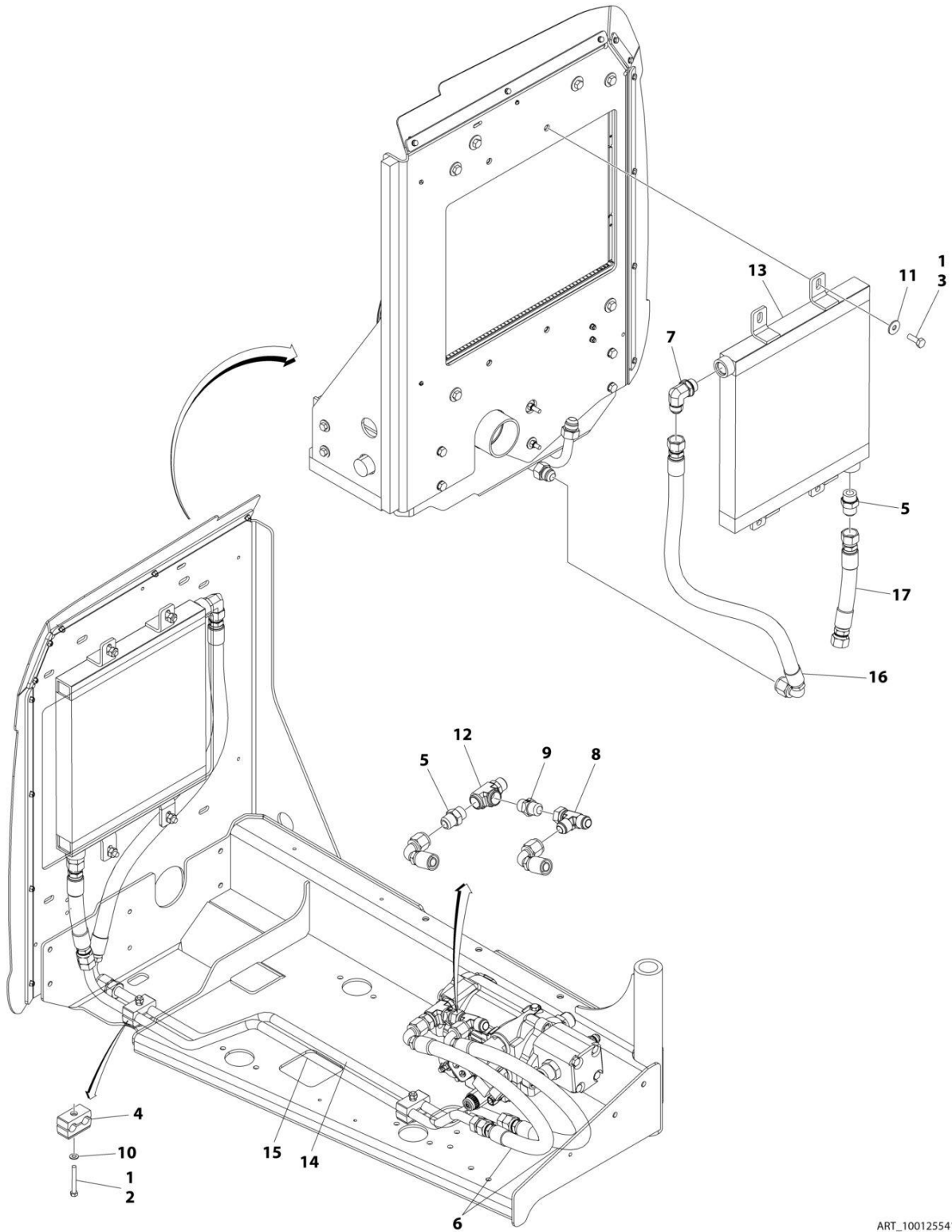
SECTION 2 - TURNTABLE

FIGURE 2-26. HYDRAULIC OIL COOLER INSTALLATION - DEUTZ D2011 ENGINES

ITEM	PART NUMBER	QTY	DESCRIPTION	REV
	1001152172	Ref	HYDRAULIC OIL COOLER INSTALLATION	C
1	0641608	4	Bolt 3/8 x 1	
2	2220513	1	Fitting, Straight JIC/JIC	
3	2220518	1	Fitting, Cap	
4	2220738	3	Fitting, Tee JIC/ORB/JIC	
5	2230046	1	Fitting, 90 JIC/JIC	
6	2752659	1	Hose	
7	2752661	1	Hose	
9	2753354	1	Hose	
10	2750949	1	Hose	
11	3311605	4	Nut 3/8	
12	3620034	1	Cooler, Hydraulic Oil	
13	4567123	1	Tube 90	
14	4640990	1	Valve, Check	
15	4751600	4	Washer 3/8	
16	0100087	AR	Adhesive	
17	1001157604	5 ft /1.52m	Seal	
18	1001158720	1	Shroud	

SECTION 2 - TURNTABLE

FIGURE 2-27. HYDRAULIC OIL COOLER INSTALLATION - DEUTZ TD2.2L3 ENGINES



ART_1001255413

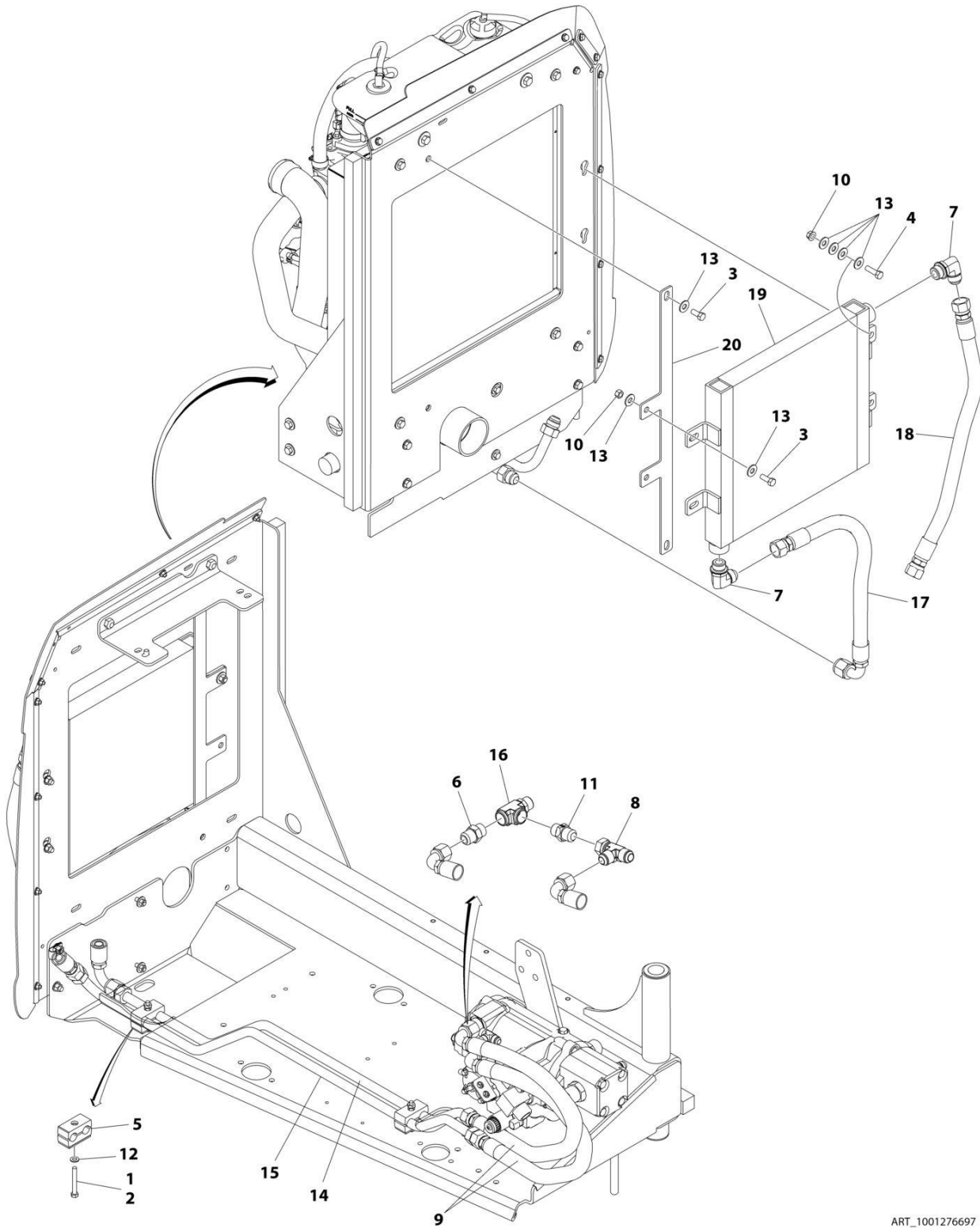
SECTION 2 - TURNTABLE

FIGURE 2-27. HYDRAULIC OIL COOLER INSTALLATION - DEUTZ TD2.2L3 ENGINES

ITEM	PART NUMBER	QTY	DESCRIPTION	REV
	1001255413	Ref	HYDRAULIC OIL COOLER INSTALLATION	A
1	0100011	AR	Compound, Locking	
2	0641520	2	Bolt 5/16 x 2-1/2	
3	0701014	4	Bolt M10 x 30	
4	1320162	2	Clamp	
5	2220451	2	Fitting, Straight JIC/ORB	
6	2752530	2	Hose	
7	2220578	1	Fitting, 90 JIC/ORB	
8	2220700	1	Fitting, Tee JIC/FSJIC/JIC	
9	4641264	1	Valve, Check	
10	4711500	2	Washer 5/16	
11	4812002	4	Washer M10	
12	1001143812	1	Fitting, Tee ORB/ORB/ORB	
13	1001183924	1	Cooler, Hydraulic Oil	
14	1001249448	1	Tube	
15	1001249449	1	Tube	
16	1001253805	1	Hose	
17	1001253806	1	Hose	

SECTION 2 - TURNTABLE

FIGURE 2-28. HYDRAULIC OIL COOLER INSTALLATION (DUETZ D2.9L4 (CHINA IV) ENGINES)



ART_1001276697

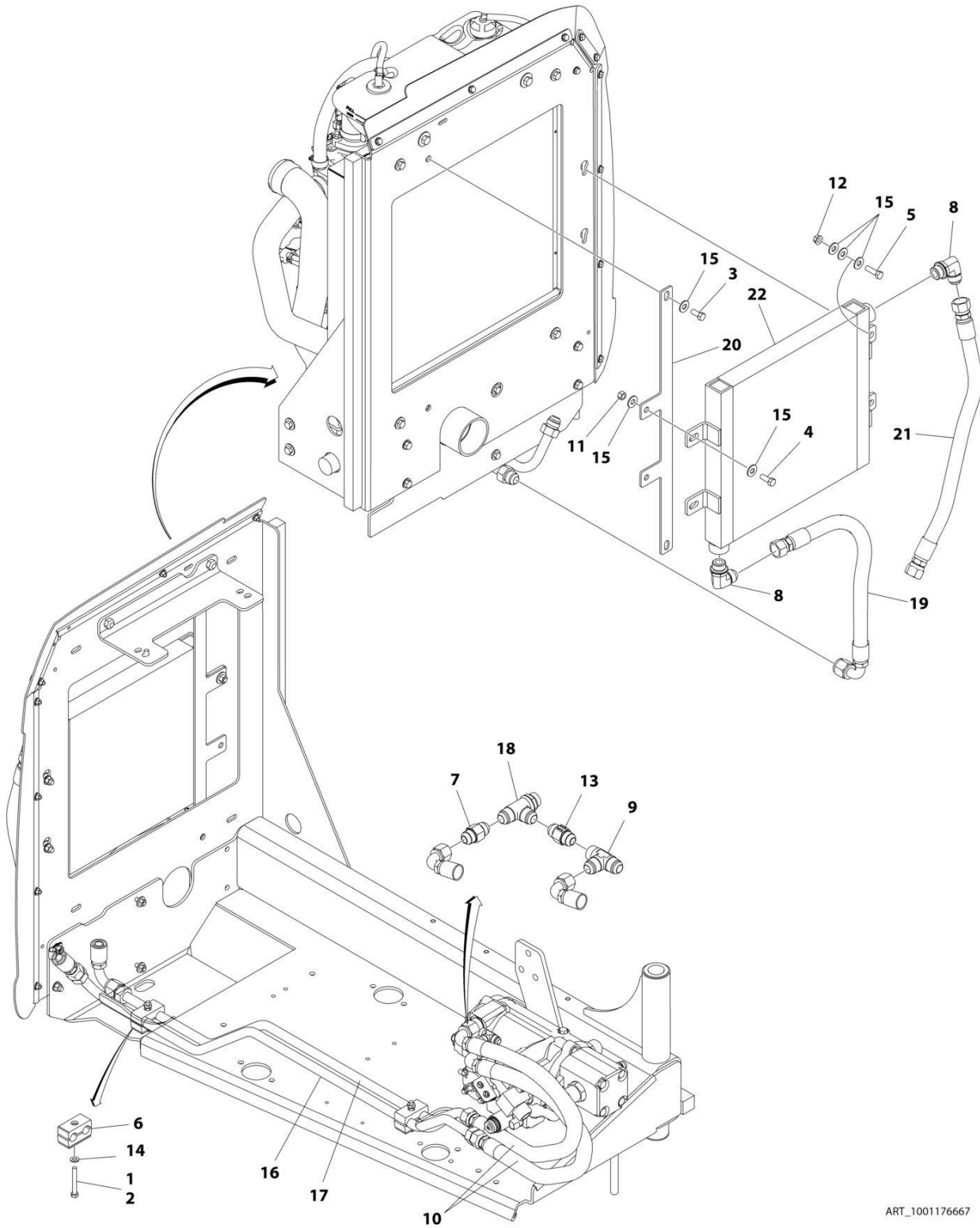
SECTION 2 - TURNTABLE

FIGURE 2-28. HYDRAULIC OIL COOLER INSTALLATION (DUETZ D2.9L4 (CHINA IV) ENGINES)

ITEM	PART NUMBER	QTY	DESCRIPTION	REV
	1001276697	Ref	HYDRAULIC OIL COOLER INSTALLATION	A
1	0100011	AR	Compound, Locking	
2	0700821	2	Bolt M8 x 65	
3	0761014	4	Bolt M10 x 30	
4	0761015	2	Bolt M10 x 35	
5	1320162	2	Clamp	
6	2220451	1	Fitting, Straight JIC/ORB	
7	2220578	2	Fitting, 90 JIC/ORB	
8	2220700	1	Fitting, Tee JIC/FSJIC/JIC	
9	2752530	2	Hose	
10	3291005	4	Nut, Lock M10	
11	4641264	1	Valve, Check	
12	4811900	2	Washer M8	
13	4812000	14	Washer M10	
14	1001143765	1	Tube	
15	1001143766	1	Tube	
16	1001143812	1	Fitting, Tee ORB/ORB/ORB	
17	1001145706	1	Hose	
18	1001177090	1	Hose	
19	1001183924	1	Cooler, Hydraulic Oil	
20	1001276661	1	Plate	

SECTION 2 - TURNTABLE

FIGURE 2-29. HYDRAULIC OIL COOLER INSTALLATION - DEUTZ TD2.9L4 ENGINES



ART_1001176667

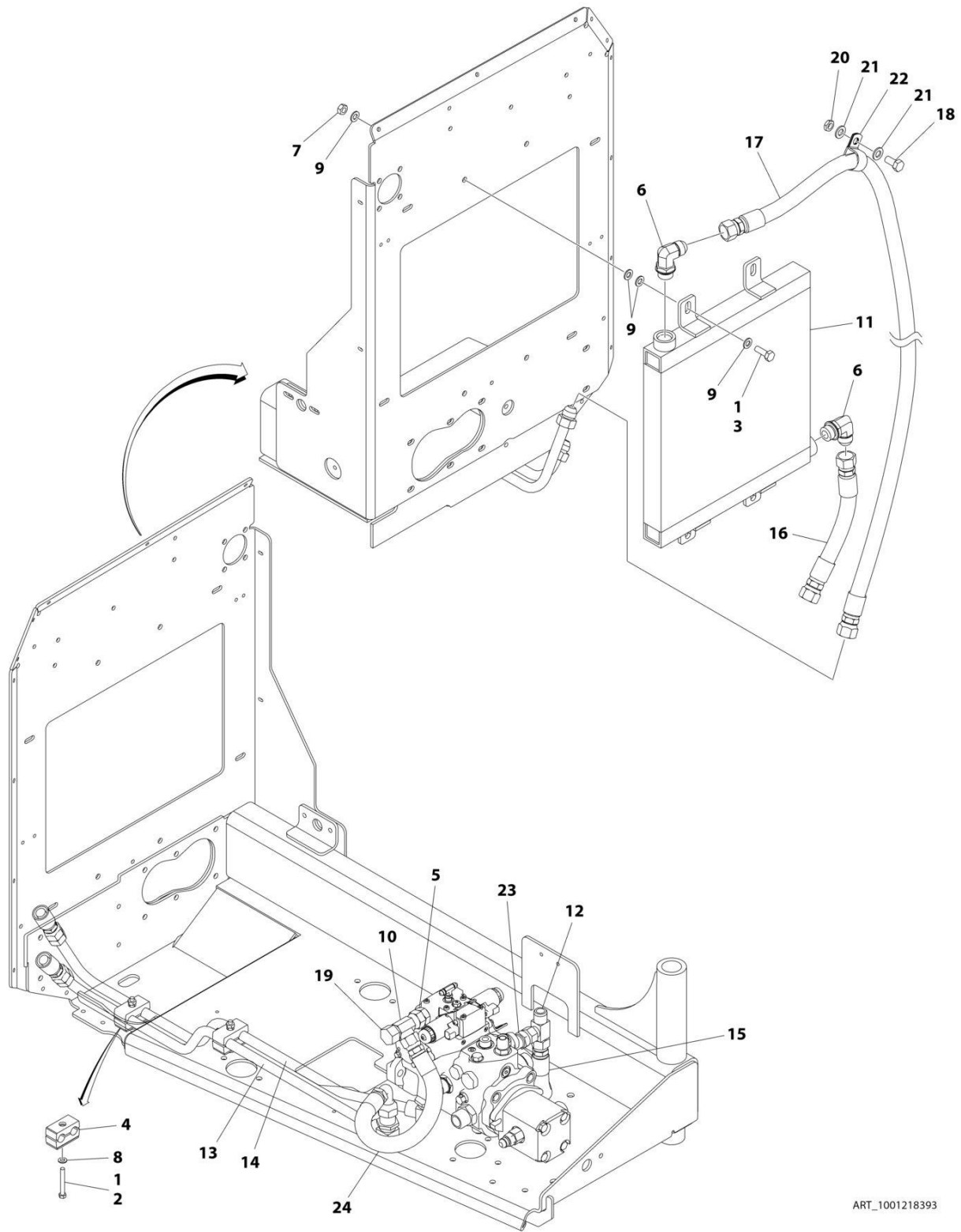
SECTION 2 - TURNTABLE

FIGURE 2-29. HYDRAULIC OIL COOLER INSTALLATION - DEUTZ TD2.9L4 ENGINES

ITEM	PART NUMBER	QTY	DESCRIPTION	REV
	1001176667	Ref	HYDRAULIC OIL COOLER INSTALLATION	C
1	0100011	AR	Compound, Locking	
2	0641520	2	Bolt 5/16 x 2-1/2	
3	0641607	2	Bolt 3/8 x 7/8	
4	0641608	2	Bolt 3/8 x 1	
5	0641610	2	Bolt 3/8 x 1-1/4	
6	1320162	2	Clamp	
7	2220451	1	Fitting, Straight JIC/ORB	
8	2220578	2	Fitting, 90 JIC/ORB	
9	2220700	1	Fitting, Tee JIC/FSJIC/JIC	
10	2752530	2	Hose	
11	3271601	2	Nut 3/8	
12	3311608	2	Nut 3/8	
13	4641264	1	Valve, Check	
14	4711500	2	Washer 5/16	
15	4751600	12	Washer 3/8	
16	1001143765	1	Tube	
17	1001143766	1	Tube	
18	1001143812	1	Fitting, Tee ORB/ORB/ORB	
19	1001145706	1	Hose	
20	1001176666	1	Plate	
21	1001177090	1	Hose	
22	1001183924	1	Cooler, Hydraulic Oil	

SECTION 2 - TURNTABLE

FIGURE 2-30. HYDRAULIC OIL COOLER INSTALLATION – FORD DF 2.5L ENGINES



ART_1001218393

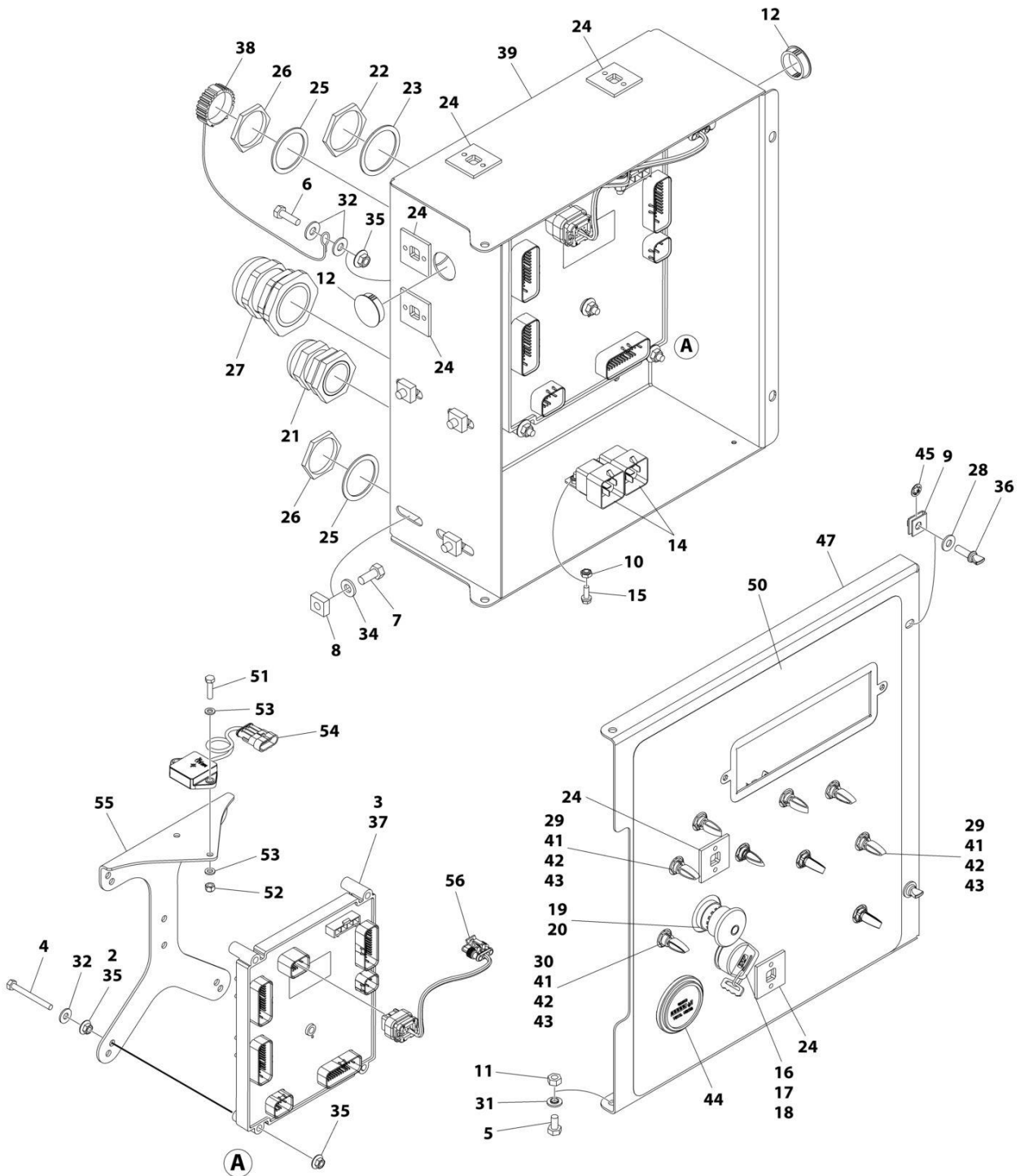
SECTION 2 - TURNTABLE

FIGURE 2-30. HYDRAULIC OIL COOLER INSTALLATION – FORD DF 2.5L ENGINES

ITEM	PART NUMBER	QTY	DESCRIPTION	REV
	1001218393	Ref	HYDRAULIC OIL COOLER INSTALLATION	C
1	0100011	AR	Compound, Locking	
2	0641520	2	Bolt 5/16 x 2-1/2	
3	0771014	4	Bolt M10 x 30	
4	1320162	2	Clamp	
5	2220451	1	Fitting, Straight JIC/ORB	
6	2220578	2	Fitting, 90 JIC/ORB	
7	3291001	4	Nut M10	
8	4711500	2	Washer 5/16	
9	4812000	16	Washer M10	
10	2220700	1	Fitting, Tee JIC/FSJIC/JIC	
11	1001183924	1	Cooler, Hydraulic Oil	
12	2220682	1	Fitting, Tee JIC/JIC/JIC	
13	1001218394	1	Tube	
14	1001218395	1	Tube	
15	1001219457	1	Hose	
16	1001219458	1	Hose	
17	1001096398	1	Hose	
18	0771212	1	Bolt M12 x 25	
19	2220518	1	Fitting, Cap	
20	3291202	1	Nut M12	
21	4812100	2	Washer M12	
22	8406302	1	Clamp	
23	1001179156	1	Valve, Check	
24	1001221621	1	Hose	

SECTION 2 - TURNTABLE

FIGURE 2-31. GROUND CONTROL BOX ASSEMBLY - DEUTZ D2011 ENGINE - WITH MECHANICAL HOUR METER



ART_1001266873_E

SECTION 2 - TURNTABLE

FIGURE 2-31. GROUND CONTROL BOX ASSEMBLY - DEUTZ D2011 ENGINE - WITH MECHANICAL HOUR METER

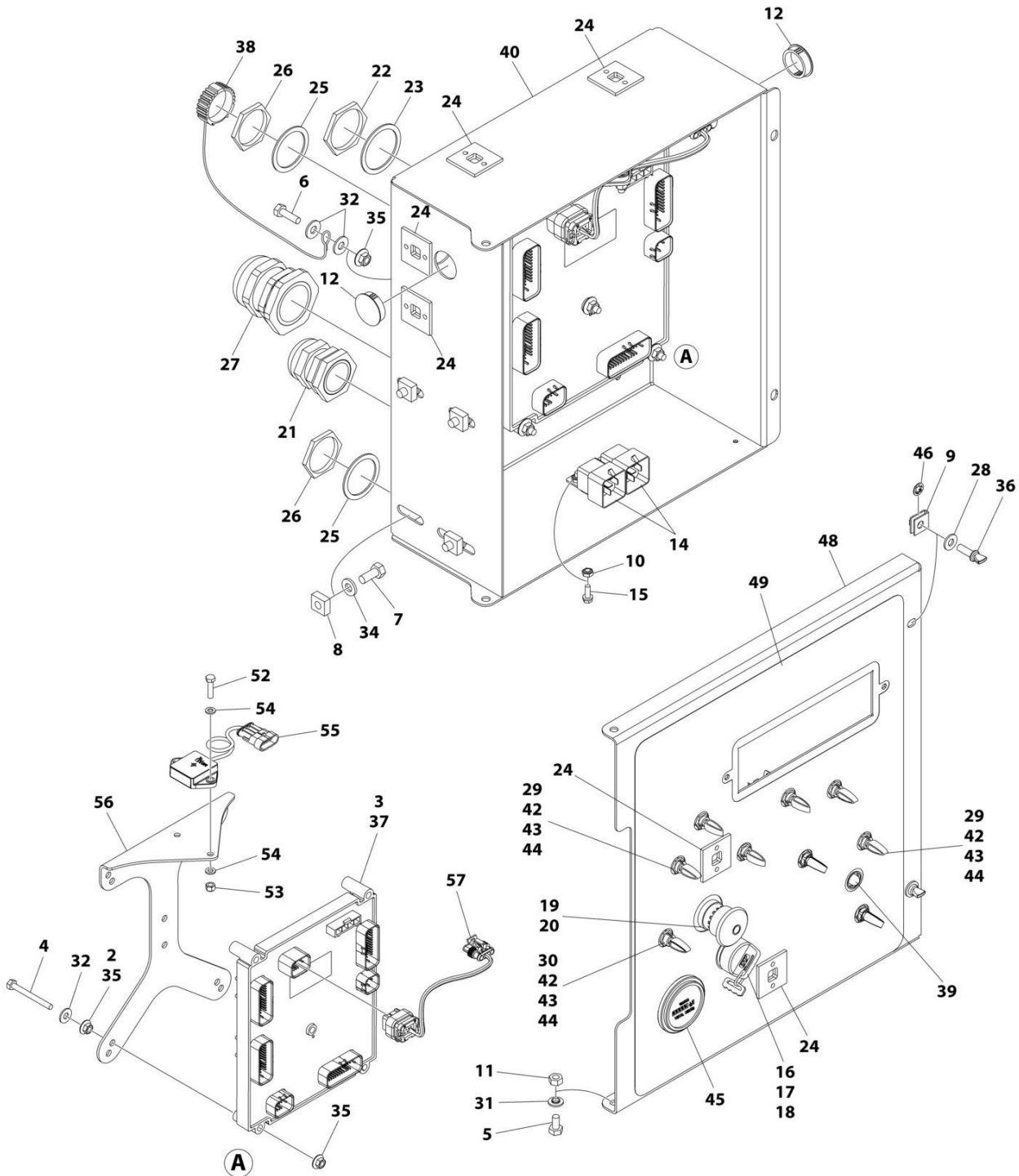
ITEM	PART NUMBER	QTY	DESCRIPTION	REV
	1001266873	Ref	GROUND CONTROL BOX ASSEMBLY	E
2	0100011	AR	Compound, Locking	
3	0100048	AR	Grease, Dielectric	
4	0630548	5	Bolt, 2-1/2 Tap	
5	0641404	2	Bolt 1/4 x 1/2	
6	0641407	1	Bolt 1/4 x 7/8	
7	0641506	4	Bolt 5/16 x 3/4	
8	3300205	4	Nut, Retainer	
9	3300353	2	Nut, Tinnerman	
10	3300408	2	Nut, Plastic Insert	
11	3311405	2	Nut 1/4	
12	3520031	2	Plug	
14	3740049	2	Relay	
15	3900268	2	Screw #10 x 1/2	
16	3910804	6	Screw #8 x 1/4	
17	4070991	1	Shim	
18	4360469	1	Switch, Key	
18	2860030	1	Key Replacement	
19	4360475	1	Switch, Emergency Stop (Metal)	
19	7020175	1	Cap, Mushroom	
19	7020176	1	Block, Contact	
19	1001274559	1	Switch, Emergency Stop (Plastic)	
20	4360476	1	Switch, Contact Block	
21	4460426	1	Connector, Strain Relief	
22	4460470	1	Nut, Terminal	
23	4460471	1	Washer, Terminal	
24	4460488	6	Mounting Base, Terminal	
25	4460496	2	Washer, Terminal	
26	4460497	2	Nut, Terminal	
27	4460526	1	Connector, Strain Relief	
28	4711400	2	Washer 1/4	
29	4740397	8	Spacer	
30	4740444	1	Washer	
31	4740518	2	Washer	
32	4751400	7	Washer 1/4	
34	4891500	4	Washer 5/16	
35	77143013	11	Nut 1/4-20	
36	1001103308	2	Screw 1/4	
37	1001280600	1	Module, Ground Control	
		Ref	Note: Re-calibration Required when Replaced.	
38	1001106736	1	Cap, Dust	
39	1001287467	1	Plate	
40	1001284919	1	Harness, Valve (Not Shown - See Separate Breakdown in ELECTRICAL Section)	
41	1001155043	9	Washer	
42	1001155044	9	Nut 15/32-32	
43	1001155045	9	Switch, Toggle	
44	10836804	1	Hour Meter	
45	1001188874	2	Nut	

SECTION 2 - TURNTABLE

ITEM	PART NUMBER	QTY	DESCRIPTION	REV
46	1001285378	1	Harness, Engine (Not Shown - See Separate Breakdown in ELECTRICAL Section)	
47	1001280403	1	Plate	
48	1001285346	1	Harness, Ground Control Box (Not Shown - See Separate Breakdown in ELECTRICAL Section)	
49	1001285801	NLA	Wire Diagram (Not Shown)	
50	1001266876	1	Decal, Faceplate	
51	0760612	2	Bolt M6 x 25	
52	3290605	2	Nut M6	
53	4811700	4	Washer M6	
54	1001219601	1	Sensor, Tilt Dual Axis CAN	
55	1001271794	1	Bracket, Tilt Sensor	
56	1001276143	1	Harness, Tilt Sensor (See Separate Breakdown in ELECTRICAL Section)	

SECTION 2 - TURNTABLE

FIGURE 2-32. GROUND CONTROL BOX ASSEMBLY - DEUTZ D2011 ENGINE AND TOWER STOW - WITH MECHANICAL HOUR METER



ART_1001263365_D

SECTION 2 - TURNTABLE

FIGURE 2-32. GROUND CONTROL BOX ASSEMBLY - DEUTZ D2011 ENGINE AND TOWER STOW - WITH MECHANICAL HOUR METER

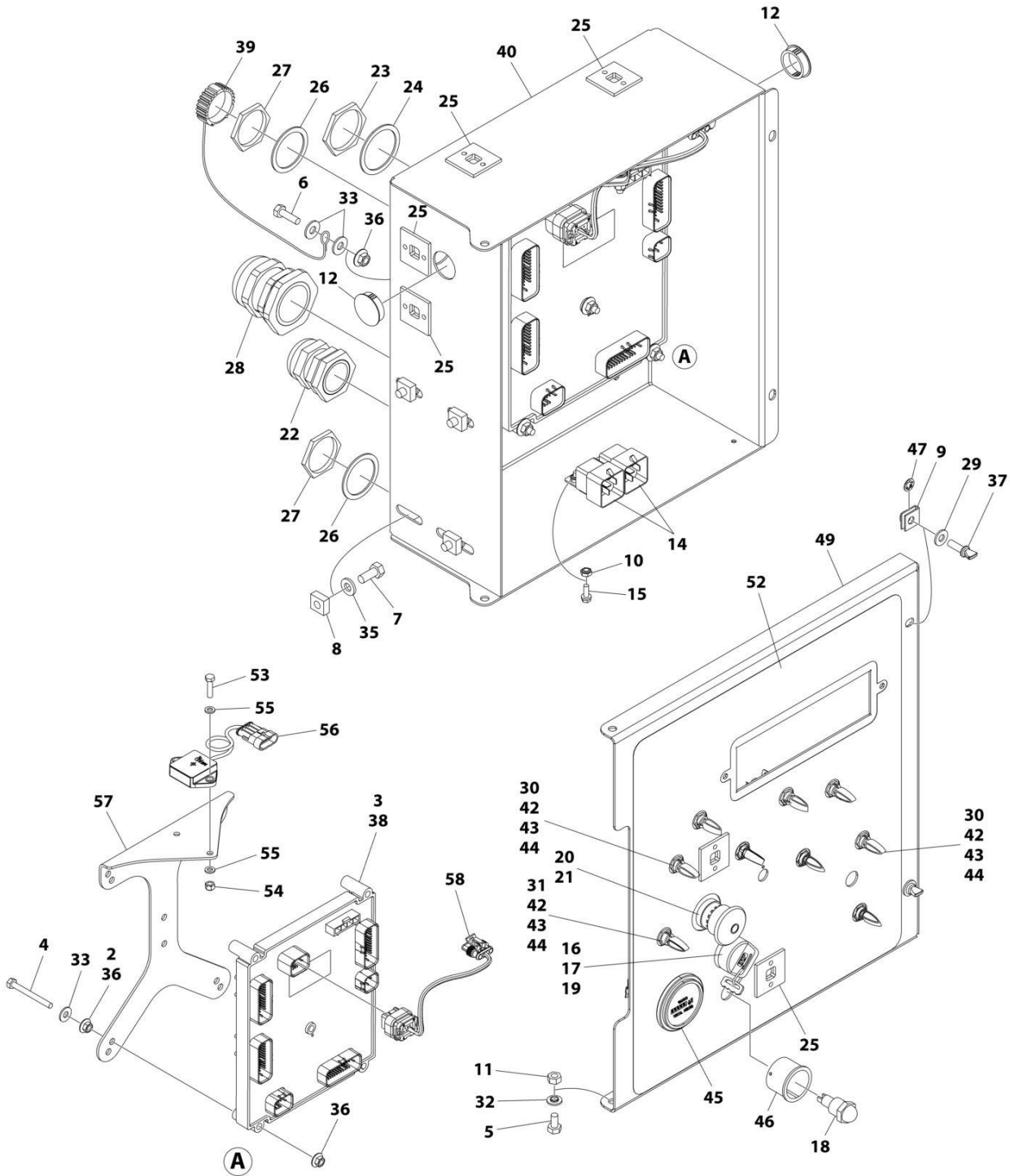
ITEM	PART NUMBER	QTY	DESCRIPTION	REV
	1001263365	Ref	CONSOLE BOX ASSEMBLY	D
2	0100011	AR	Compound, Locking	
3	0100048	AR	Grease, Dielectric	
4	0630548	5	Bolt, 2-1/2 Tap	
5	0641404	2	Bolt 1/4 x 1/2	
6	0641407	1	Bolt 1/4 x 7/8	
7	0641506	4	Bolt 5/16 x 3/4	
8	3300205	4	Nut, Retainer	
9	3300353	2	Nut, Tinnerman	
10	3300408	2	Nut, Plastic Insert	
11	3311405	2	Nut 1/4	
12	3520031	2	Plug	
14	3740049	2	Relay	
15	3900268	2	Screw #10 x 1/2	
16	3910804	6	Screw #8 x 1/4	
17	4070991	1	Shim	
18	4360469	1	Switch, Key	
18	2860030	1	Key Replacement	
19	4360475	1	Switch, Emergency Stop	
19	7020175	1	Cap, Mushroom	
19	7020176	1	Block, Contact	
20	4360476	1	Switch, Contact Block	
21	4460426	1	Connector, Strain Relief	
22	4460470	1	Nut, Terminal	
23	4460471	1	Washer, Terminal	
24	4460488	6	Mounting Base, Terminal	
25	4460496	2	Washer, Terminal	
26	4460497	2	Nut, Terminal	
27	4460526	1	Connector, Strain Relief	
28	4711400	2	Washer 1/4	
29	4740397	8	Spacer	
30	4740444	1	Washer	
31	4740518	2	Washer	
32	4751400	7	Washer 1/4	
34	4891500	4	Washer 5/16	
35	77143013	11	Nut 1/4-20	
36	1001103308	2	Screw 1/4	
37	1001280600	1	Module, Ground Control	
		Ref	Note: Re-calibration Required when Replaced.	
38	1001106736	1	Cap, Dust	
39	1001137364	1	Lamp	
40	1001287467	1	Box	
41	1001284919	1	Harness, Valve (Not Shown - See Separate Breakdown in ELECTRICAL Section)	
42	1001155043	9	Washer	
43	1001155044	9	Nut 15/32-32	
44	1001155045	9	Switch, Toggle	
45	10836804	1	Hour Meter	
46	1001188874	2	Nut	

SECTION 2 - TURNTABLE

ITEM	PART NUMBER	QTY	DESCRIPTION	REV
47	1001285378	1	Harness, Engine (Not Shown - See Separate Breakdown in ELECTRICAL Section)	
48	1001280403	1	Lid	
49	1001263356	1	Decal, Faceplate	
50	1001285346	1	Harness, Ground Control Box (Not Shown - See Separate Breakdown in ELECTRICAL Section)	
51	1001285801	NLA	Wire Diagram (Not Shown)	
52	0760612	2	Bolt M6 x 25	
53	3290605	2	Nut M6	
54	4811700	4	Washer M6	
55	1001219601	1	Sensor, Tilt Dual Axis CAN	
56	1001271794	1	Bracket, Tilt Sensor	
57	1001276143	1	Harness, Tilt Sensor (See Separate Breakdown in ELECTRICAL Section)	

SECTION 2 - TURNTABLE

FIGURE 2-33. GROUND CONTROL BOX ASSEMBLY - DEUTZ D2011 ENGINES AND MSSO



ART_1001266900_D

SECTION 2 - TURNTABLE

FIGURE 2-33. GROUND CONTROL BOX ASSEMBLY - DEUTZ D2011 ENGINES AND MSSO

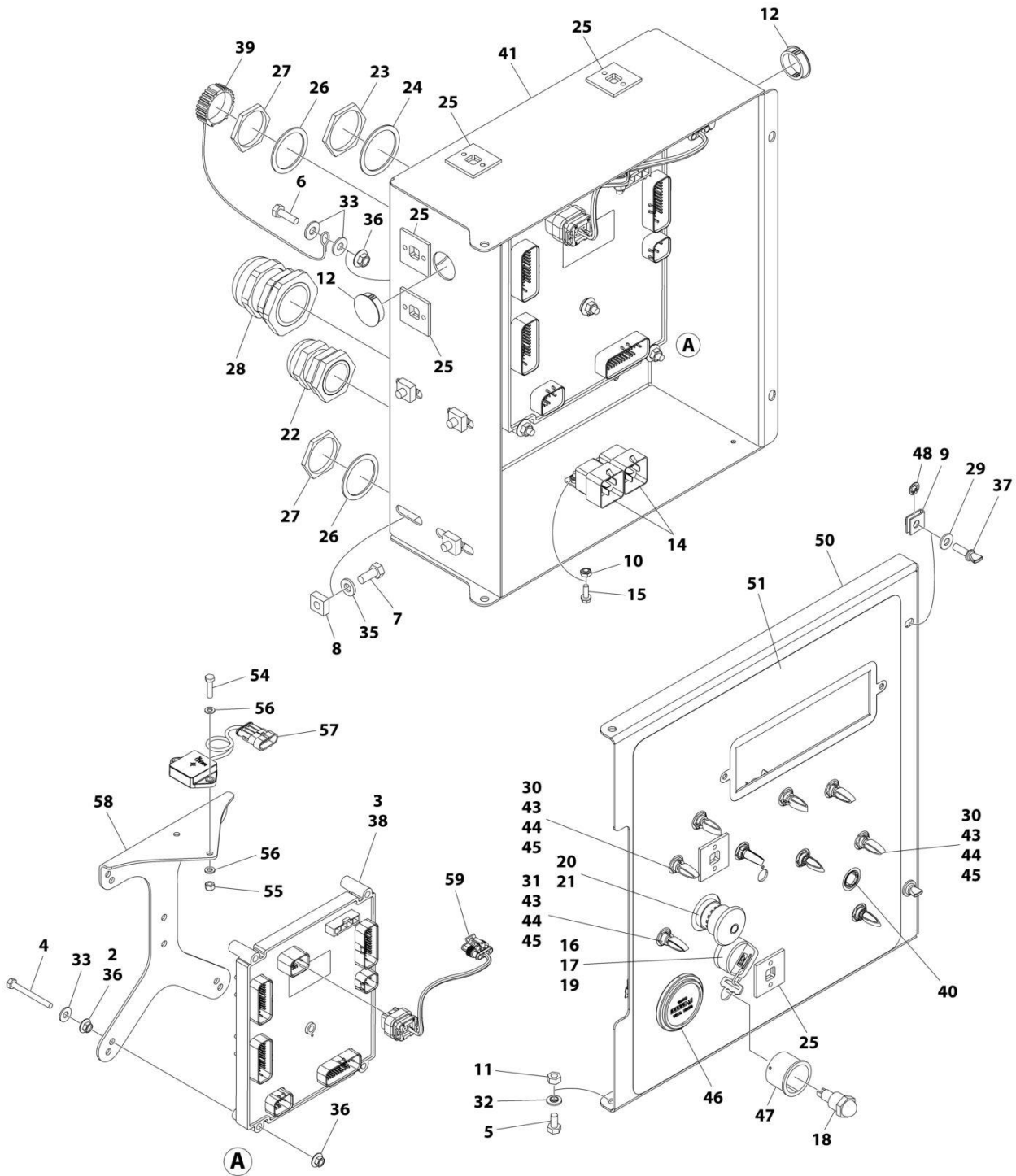
ITEM	PART NUMBER	QTY	DESCRIPTION	REV
	1001266900	Ref	GROUND CONTROL BOX ASSEMBLY	D
2	0100011	AR	Compound, Locking	
3	0100048	AR	Grease, Dielectric	
4	0630548	5	Bolt, 2-1/2 Tap	
5	0641404	2	Bolt 1/4 x 1/2	
6	0641407	1	Bolt 1/4 x 7/8	
7	0641506	4	Bolt 5/16 x 3/4	
8	3300205	4	Nut, Retainer	
9	3300353	2	Nut, Tinnerman	
10	3300408	2	Nut, Plastic Insert	
11	3311405	2	Nut 1/4	
12	3520031	2	Plug	
14	3740049	2	Relay	
15	3900268	2	Screw #10 x 1/2	
16	3910804	6	Screw #8 x 1/4	
17	4070991	1	Shim	
18	4360387	1	Switch, Push Button	
19	4360469	1	Switch, Key	
19	2860030	1	Key Replacement	
20	4360475	1	Switch, Emergency Stop	
20	7020175	1	Cap, Mushroom	
20	7020176	1	Block, Contact	
21	4360476	1	Switch, Contact Block	
22	4460426	1	Connector, Strain Relief	
23	4460470	1	Nut, Terminal	
24	4460471	1	Washer, Terminal	
25	4460488	6	Mounting Base, Terminal	
26	4460496	2	Washer, Terminal	
27	4460497	2	Nut, Terminal	
28	4460526	1	Connector, Strain Relief	
29	4711400	2	Washer 1/4	
30	4740397	8	Spacer	
31	4740444	1	Washer	
32	4740518	2	Washer	
33	4751400	7	Washer 1/4	
35	4891500	4	Washer 5/16	
36	77143013	11	Nut 1/4-20	
37	1001103308	2	Screw 1/4	
38	1001280600	1	Module, Ground Control	
		Ref	Note: Re-calibration Required when Replaced.	
39	1001106736	1	Cap, Dust	
40	1001287467	1	Box	
41	1001284919	1	Harness, Valve (Not Shown - See Separate Breakdown in ELECTRICAL Section)	
42	1001155043	9	Washer	
43	1001155044	9	Nut 15/32-32	
44	1001155045	9	Switch, Toggle	
45	10836804	1	Gauge, Display	
46	1001176469	1	Shroud	
47	1001188874	2	Nut	

SECTION 2 - TURNTABLE

ITEM	PART NUMBER	QTY	DESCRIPTION	REV
48	1001285378	1	Harness, Engine (Not Shown - See Separate Breakdown in ELECTRICAL Section)	
49	1001297391	1	Lid	
50	1001285346	1	Harness, Ground Control Box (Not Shown - See Separate Breakdown in ELECTRICAL Section)	
51	1001285801	NLA	Wire Diagram (Not Shown)	
52	1001266874	1	Decal, Faceplate	
53	0760612	2	Bolt M6 x 25	
54	3290605	2	Nut M6	
55	4811700	4	Washer M6	
56	1001219601	1	Sensor, Tilt Dual Axis CAN	
57	1001271794	1	Bracket, Tilt Sensor	
58	1001276143	1	Harness, Tilt Sensor (See Separate Breakdown in ELECTRICAL Section)	

SECTION 2 - TURNTABLE

FIGURE 2-34. GROUND CONTROL BOX ASSEMBLY - DEUTZ D2011 ENGINES AND TOWER STOW AND MSSO



ART_1001266468_D

SECTION 2 - TURNTABLE

FIGURE 2-34. GROUND CONTROL BOX ASSEMBLY - DEUTZ D2011 ENGINES AND TOWER STOW AND MSSO

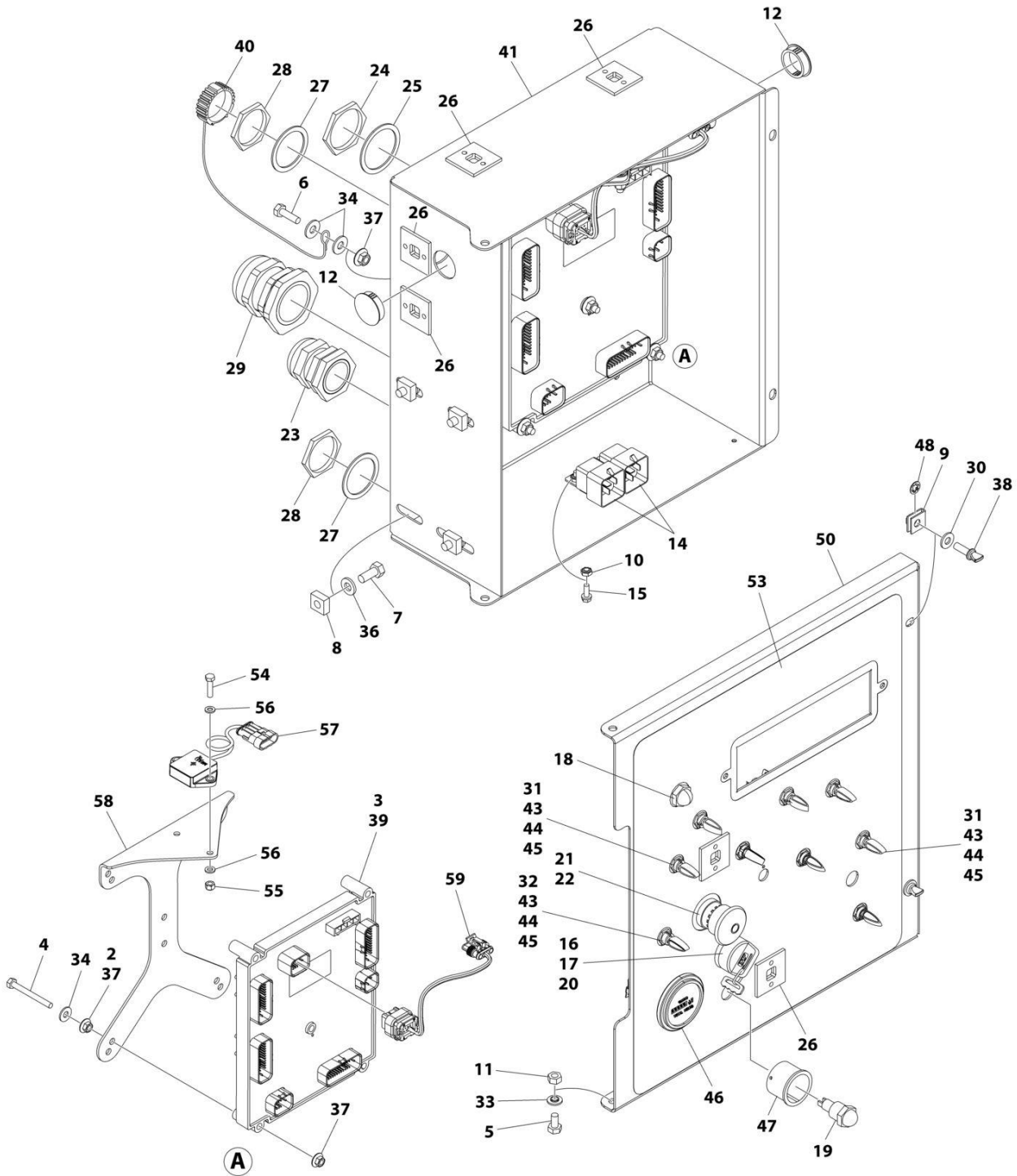
ITEM	PART NUMBER	QTY	DESCRIPTION	REV
	1001266468	Ref	CONSOLE BOX ASSEMBLY (TOWER STOW) (CE & UK CA SPEC)	D
2	0100011	AR	Compound, Locking	
3	0100048	AR	Grease, Dielectric	
4	0630548	5	Bolt, 2-1/2 Tap	
5	0641404	2	Bolt 1/4 x 1/2	
6	0641407	1	Bolt 1/4 x 7/8	
7	0641506	4	Bolt 5/16 x 3/4	
8	3300205	4	Nut, Retainer	
9	3300353	2	Nut, Tinnerman	
10	3300408	2	Nut, Plastic Insert	
11	3311405	2	Nut 1/4	
12	3520031	2	Plug	
14	3740049	2	Relay	
15	3900268	2	Screw #10 x 1/2	
16	3910804	6	Screw #8 x 1/4	
17	4070991	1	Shim	
18	4360387	1	Switch, Push Button	
19	4360469	1	Switch, Key	
19	2860030	1	Key Replacement	
20	4360475	1	Switch, Emergency Stop	
20	7020175	1	Cap, Mushroom	
20	7020176	1	Block, Contact	
21	4360476	1	Switch, Contact Block	
22	4460426	1	Connector, Strain Relief	
23	4460470	1	Nut, Terminal	
24	4460471	1	Washer, Terminal	
25	4460488	6	Mounting Base, Terminal	
26	4460496	2	Washer, Terminal	
27	4460497	2	Nut, Terminal	
28	4460526	1	Connector, Strain Relief	
29	4711400	2	Washer 1/4	
30	4740397	8	Spacer	
31	4740444	1	Washer	
32	4740518	2	Washer	
33	4751400	7	Washer 1/4	
35	4891500	4	Washer 5/16	
36	77143013	11	Nut 1/4-20	
37	1001103308	2	Screw 1/4	
38	1001280600	1	Module, Ground Control	
		Ref	Note: Re-calibration Required when Replaced.	
39	1001106736	1	Cap, Dust	
40	1001137364	1	Lamp	
41	1001287467	1	Box	
42	1001284919	1	Harness, Valve (Not Shown - See Separate Breakdown in ELECTRICAL Section)	
43	1001155043	9	Washer	
44	1001155044	9	Nut 15/32-32	
45	1001155045	9	Switch, Toggle	

SECTION 2 - TURNTABLE

ITEM	PART NUMBER	QTY	DESCRIPTION	REV
46	10836804	1	Gauge	
47	1001176469	1	Shroud	
48	1001188874	2	Nut	
49	1001285378	1	Harness, Engine (Not Shown - See Separate Breakdown in ELECTRICAL Section)	
50	1001297391	1	Lid	
51	1001263355	1	Decal, Faceplate	
52	1001285346	1	Harness, Ground Control Box (Not Shown - See Separate Breakdown in ELECTRICAL Section)	
53	1001285801	NLA	Wire Diagram (Not Shown)	
54	0760612	2	Bolt M6 x 25	
55	3290605	2	Nut M6	
56	4811700	4	Washer M6	
57	1001219601	1	Sensor, Tilt Dual Axis CAN	
58	1001271794	1	Bracket, Tilt Sensor	
59	1001276143	1	Harness, Tilt Sensor (See Separate Breakdown in ELECTRICAL Section)	

SECTION 2 - TURNTABLE

FIGURE 2-35. GROUND CONTROL BOX ASSEMBLY - DEUTZ TD2.2L3 (STAGE V) ENGINES AND TOWER STOW



ART_1001266899_D

SECTION 2 - TURNTABLE

FIGURE 2-35. GROUND CONTROL BOX ASSEMBLY - DEUTZ TD2.2L3 (STAGE V) ENGINES AND TOWER STOW

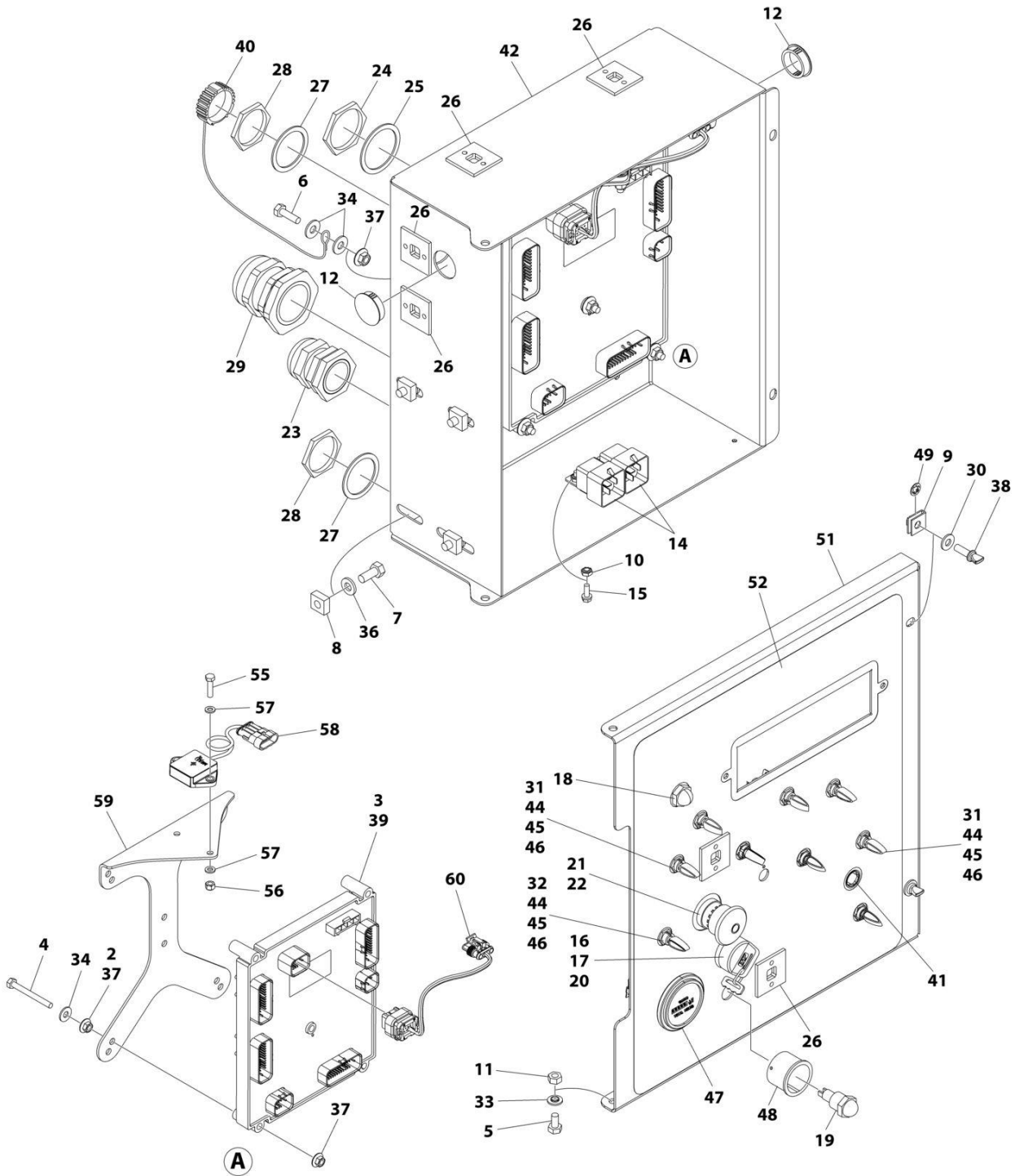
ITEM	PART NUMBER	QTY	DESCRIPTION	REV
	1001266899	Ref	GROUND CONTROL BOX ASSEMBLY	D
2	0100011	AR	Compound, Locking	
3	0100048	AR	Grease, Dielectric	
4	0630548	5	Bolt 2-1/2 Tap	
5	0641404	2	Bolt 1/4 x 1/2	
6	0641407	1	Bolt 1/4 x 7/8	
7	0641506	4	Bolt 5/16 x 3/4	
8	3300205	4	Nut, Retainer	
9	3300353	2	Nut, Tinnerman	
10	3300408	2	Nut, Plastic Insert	
11	3311405	2	Nut 1/4	
12	3520031	2	Plug	
14	3740049	2	Relay	
15	3900268	2	Screw #10 x 1/2	
16	3910804	6	Screw #8 x 1/4	
17	4070991	1	Shim	
18	4360274	1	Switch, Push Button	
19	4360387	1	Switch, Push Button	
20	4360469	1	Switch, Key	
20	2860030	1	Key Replacement	
21	4360475	1	Switch, Emergency Stop	
21	7020175	1	Cap, Mushroom	
21	7020176	1	Block, Contact	
22	4360476	1	Switch, Contact Block	
23	4460426	1	Connector, Strain Relief	
24	4460470	1	Nut, Terminal	
25	4460471	1	Washer, Terminal	
26	4460488	6	Mounting Base, Terminal	
27	4460496	2	Washer, Terminal	
28	4460497	2	Nut, Terminal	
29	4460526	1	Connector, Strain Relief	
30	4711400	2	Washer 1/4	
31	4740397	8	Spacer	
32	4740444	1	Washer	
33	4740518	2	Washer	
34	4751400	7	Washer 1/4	
36	4891500	4	Washer 5/16	
37	77143013	11	Nut 1/4-20	
38	1001103308	2	Screw 1/4	
39	1001280600	1	Module, Ground Control	
		Ref	Note: Re-calibration Required when Replaced.	
40	1001106736	1	Cap, Dust	
41	1001287467	1	Box	
42	1001284919	1	Harness, Valve (Not Shown - See Separate Breakdown in ELECTRICAL Section)	
43	1001155043	9	Washer	
44	1001155044	9	Nut 15/32-32	
45	1001155045	9	Switch, Toggle	
46	10836804	1	Gauge, Display	

SECTION 2 - TURNTABLE

ITEM	PART NUMBER	QTY	DESCRIPTION	REV
47	1001176469	1	Shroud	
48	1001188874	2	Nut	
49	1001286030	1	Harness, Engine (Not Shown - See Separate Breakdown in ELECTRICAL Section)	
50	1001297391	1	Lid	
51	1001285346	1	Harness, Ground Control Box (Not Shown - See Separate Breakdown in ELECTRICAL Section)	
52	1001285801	NLA	Wire Diagram (Not Shown)	
53	1001266878	1	Decal, Faceplate	
55	3290605	2	Nut M6	
54	0760612	2	Bolt M6 x 25	
56	4811700	4	Washer M6	
57	1001219601	1	Sensor, Tilt Dual Axis CAN	
58	1001271794	1	Bracket, Tilt Sensor	
59	1001276143	1	Harness, Tilt Sensor (See Separate Breakdown in ELECTRICAL Section)	

SECTION 2 - TURNTABLE

FIGURE 2-36. GROUND CONTROL BOX ASSEMBLY - DEUTZ TD2.2L3 (STAGE V) ENGINES AND TOWER STOW



ART_1001263368_D

SECTION 2 - TURNTABLE

FIGURE 2-36. GROUND CONTROL BOX ASSEMBLY - DEUTZ TD2.2L3 (STAGE V) ENGINES AND TOWER STOW

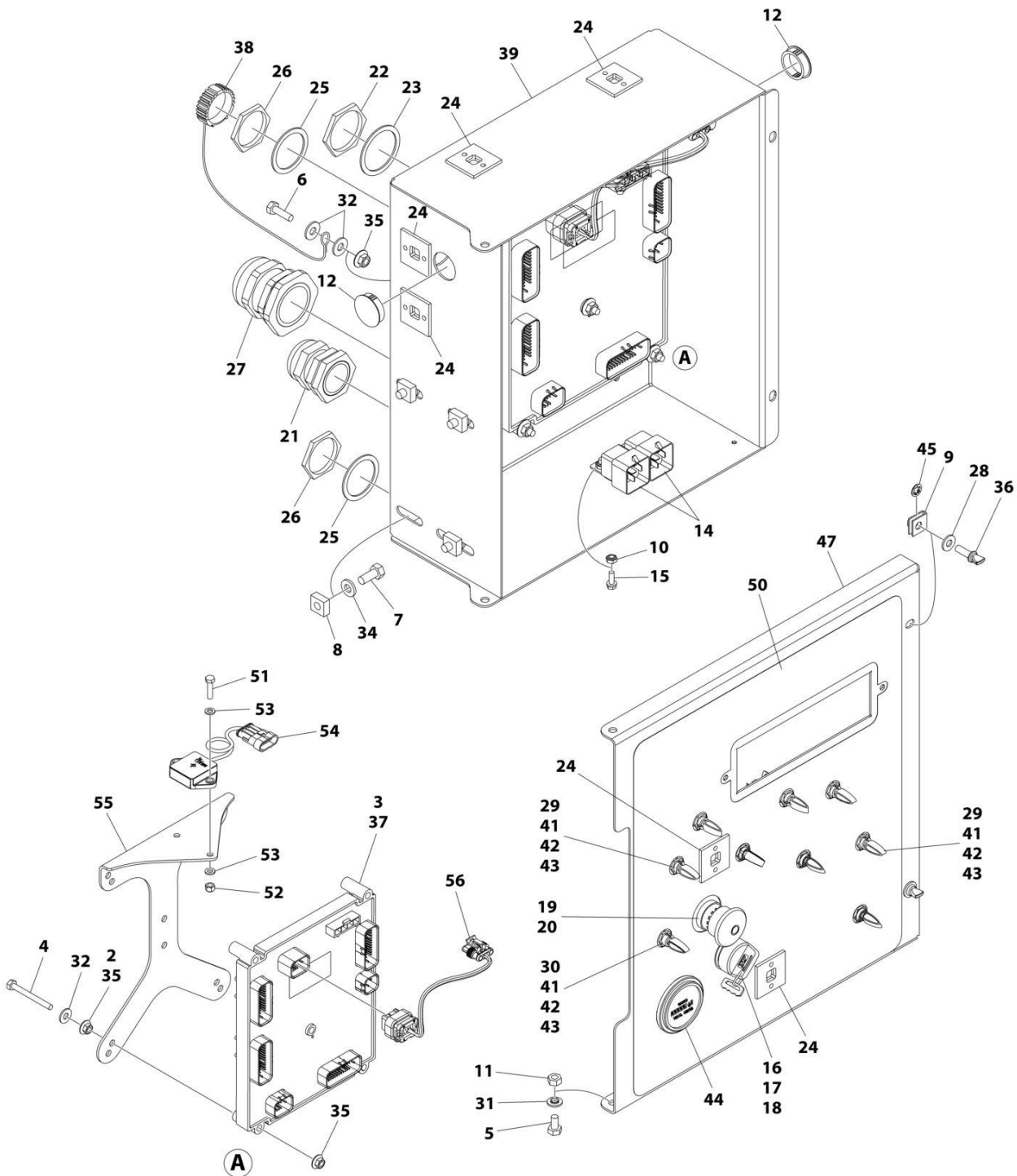
ITEM	PART NUMBER	QTY	DESCRIPTION	REV
	1001263368	Ref	CONSOLE BOX ASSEMBLY (TOWER STOW)	D
2	0100011	AR	Compound, Locking	
3	0100048	AR	Grease, Dielectric	
4	0630548	5	Bolt, 2-1/2 Tap	
5	0641404	2	Bolt 1/4 x 1/2	
6	0641407	1	Bolt 1/4 x 7/8	
7	0641506	4	Bolt 5/16 x 3/4	
8	3300205	4	Nut, Retainer	
9	3300353	2	Nut, Tinnerman	
10	3300408	2	Nut, Plastic Insert	
11	3311405	2	Nut 1/4	
12	3520031	2	Plug	
14	3740049	2	Relay	
15	3900268	2	Screw #10 x 1/2	
16	3910804	6	Screw #8 x 1/4	
17	4070991	1	Shim	
18	4360274	1	Switch, Push Button	
19	4360387	1	Switch, Push Button	
20	4360469	1	Switch, Key	
20	2860030	1	Key Replacement	
21	4360475	1	Switch, Emergency Stop	
21	7020175	1	Cap, Mushroom	
21	7020176	1	Block, Contact	
22	4360476	1	Switch, Contact Block	
23	4460426	1	Connector, Strain Relief	
24	4460470	1	Nut, Terminal	
25	4460471	1	Washer, Terminal	
26	4460488	6	Mounting Base, Terminal	
27	4460496	2	Washer, Terminal	
28	4460497	2	Nut, Terminal	
29	4460526	1	Connector, Strain Relief	
30	4711400	2	Washer 1/4	
31	4740397	8	Spacer	
32	4740444	1	Washer	
33	4740518	2	Washer	
34	4751400	7	Washer 1/4	
36	4891500	4	Washer 5/16	
37	77143013	11	Nut 1/4-20	
38	1001103308	2	Screw 1/4	
39	1001280600	1	Module, Ground Control	
		Ref	Note: Re-calibration Required when Replaced.	
40	1001106736	1	Cap, Dust	
41	1001137364	1	Lamp	
42	1001287467	1	Box	
43	1001284919	1	Harness, Valve (Not Shown - See Separate Breakdown in ELECTRICAL Section)	
44	1001155043	9	Washer	
45	1001155044	9	Nut 15/32-32	
46	1001155045	9	Switch, Toggle	

SECTION 2 - TURNTABLE

ITEM	PART NUMBER	QTY	DESCRIPTION	REV
47	10836804	1	Gauge	
48	1001176469	1	Shroud	
49	1001188874	2	Nut	
50	1001286030	1	Harness, Engine (Not Shown - See Separate Breakdown in ELECTRICAL Section)	
51	1001297391	1	Lid	
52	1001263357	1	Decal, Faceplate	
53	1001285346	1	Harness, Ground Control Box (Not Shown - See Separate Breakdown in ELECTRICAL Section)	
54	1001285801	NLA	Wire Diagram (Not Shown)	
55	0760612	2	Bolt M6 x 25	
56	3290605	2	Nut M6	
57	4811700	4	Washer M6	
58	1001219601	1	Sensor, Tilt Dual Axis CAN	
59	1001271794	1	Bracket, Tilt Sensor	
60	1001276143	1	Harness, Tilt Sensor (See Separate Breakdown in ELECTRICAL Section)	

SECTION 2 - TURNTABLE

FIGURE 2-37. GROUND CONTROL BOX ASSEMBLY - DEUTZ TD2.9L4, DEUTZ D2.9L4 AND DEUTZ D2.9L4 (CHINA IV) ENGINES - WITH MECHANICAL HOUR METER



ART_1001266897_D

SECTION 2 - TURNTABLE

FIGURE 2-37. GROUND CONTROL BOX ASSEMBLY - DEUTZ TD2.9L4, DEUTZ D2.9L4 AND DEUTZ D2.9L4 (CHINA IV) ENGINES - WITH MECHANICAL HOUR METER

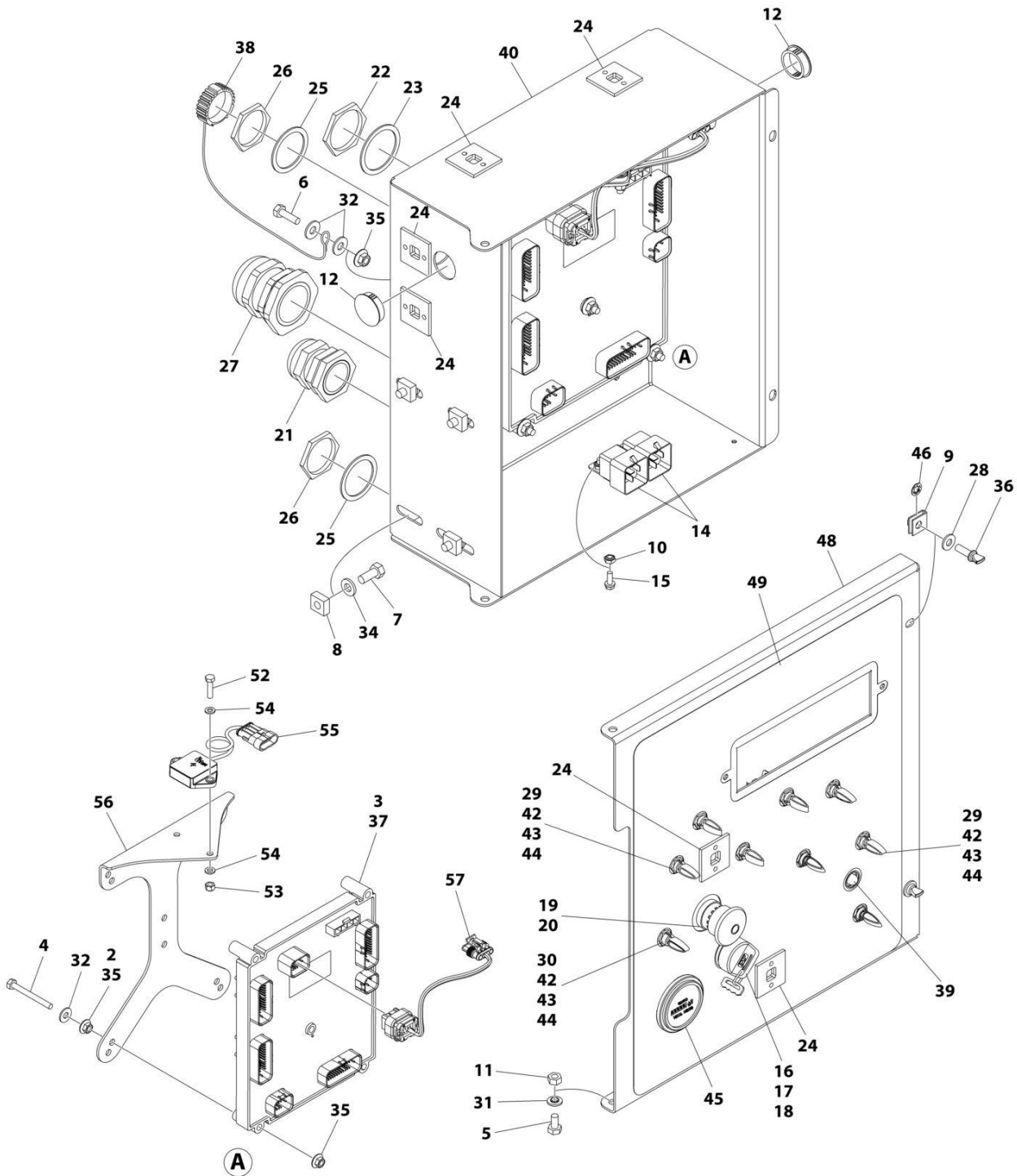
ITEM	PART NUMBER	QTY	DESCRIPTION	REV
	1001266897	Ref	GROUND CONTROL BOX ASSEMBLY	D
2	0100011	AR	Compound, Locking	
3	0100048	AR	Grease, Dielectric	
4	0630548	5	Bolt, 2-1/2 Tap	
5	0641404	2	Bolt 1/4 x 1/2	
6	0641407	1	Bolt 1/4 x 7/8	
7	0641506	4	Bolt 5/16 x 3/4	
8	3300205	4	Nut, Retainer	
9	3300353	2	Nut, Tinnerman	
10	3300408	2	Nut, Plastic Insert	
11	3311405	2	Nut 1/4	
12	3520031	2	Plug	
14	3740049	2	Relay	
15	3900268	2	Screw #10 x 1/2	
16	3910804	6	Screw #8 x 1/4	
17	4070991	1	Shim	
18	4360469	1	Switch, Key	
18	2860030	1	Key Replacement	
19	4360475	1	Switch, Emergency Stop	
19	7020175	1	Cap, Mushroom	
19	7020176	1	Block, Contact	
20	4360476	1	Switch, Contact Block	
21	4460426	1	Connector, Strain Relief	
22	4460470	1	Nut, Terminal	
23	4460471	1	Washer, Terminal	
24	4460488	6	Mounting Base, Terminal	
25	4460496	2	Washer, Terminal	
26	4460497	2	Nut, Terminal	
27	4460526	1	Connector, Strain Relief	
28	4711400	2	Washer 1/4	
29	4740397	8	Spacer	
30	4740444	1	Washer	
31	4740518	2	Washer	
32	4751400	7	Washer 1/4	
34	4891500	4	Washer 5/16	
35	77143013	11	Nut 1/4-20	
36	1001103308	2	Screw 1/4	
37	1001280600	1	Module, Ground Control	
		Ref	Note: Re-calibration Required when Replaced.	
38	1001106736	1	Cap, Dust	
39	1001287467	1	Box	
40	1001284919	1	Harness, Valve (Not Shown - See Separate Breakdown in ELECTRICAL Section)	
41	1001155043	9	Washer	
42	1001155044	9	Nut 15/32-32	
43	1001155045	9	Switch, Toggle	
44	10836804	1	Hour Meter	
45	1001188874	2	Nut	

SECTION 2 - TURNTABLE

ITEM	PART NUMBER	QTY	DESCRIPTION	REV
46	1001286030	1	Harness, Engine (Not Shown - See Separate Breakdown in ELECTRICAL Section)	
47	1001280403	1	Lid	
48	1001285346	1	Harness, Ground Control Box (Not Shown - See Separate Breakdown in ELECTRICAL Section)	
49	1001285801	NLA	Wire Diagram (Not Shown)	
50	1001266876	1	Decal, Faceplate	
51	0760612	2	Bolt M6 x 25	
52	3290605	2	Nut M6	
53	4811700	4	Washer M6	
54	1001219601	1	Sensor, Tilt Dual Axis CAN	
55	1001271794	1	Bracket, Tilt Sensor	
56	1001276143	1	Harness, Tilt Sensor (See Separate Breakdown in ELECTRICAL Section)	

SECTION 2 - TURNTABLE

FIGURE 2-38. GROUND CONTROL BOX ASSEMBLY - DEUTZ TD2.9L4, DEUTZ D2.9L4 AND DEUTZ D2.9L4 (CHINA IV) ENGINES AND TOWER STOW - WITH MECHANICAL HOUR METER



ART_1001263366_D

SECTION 2 - TURNTABLE

FIGURE 2-38. GROUND CONTROL BOX ASSEMBLY - DEUTZ TD2.9L4, DEUTZ D2.9L4 AND DEUTZ D2.9L4 (CHINA IV) ENGINES AND TOWER STOW - WITH MECHANICAL HOUR METER

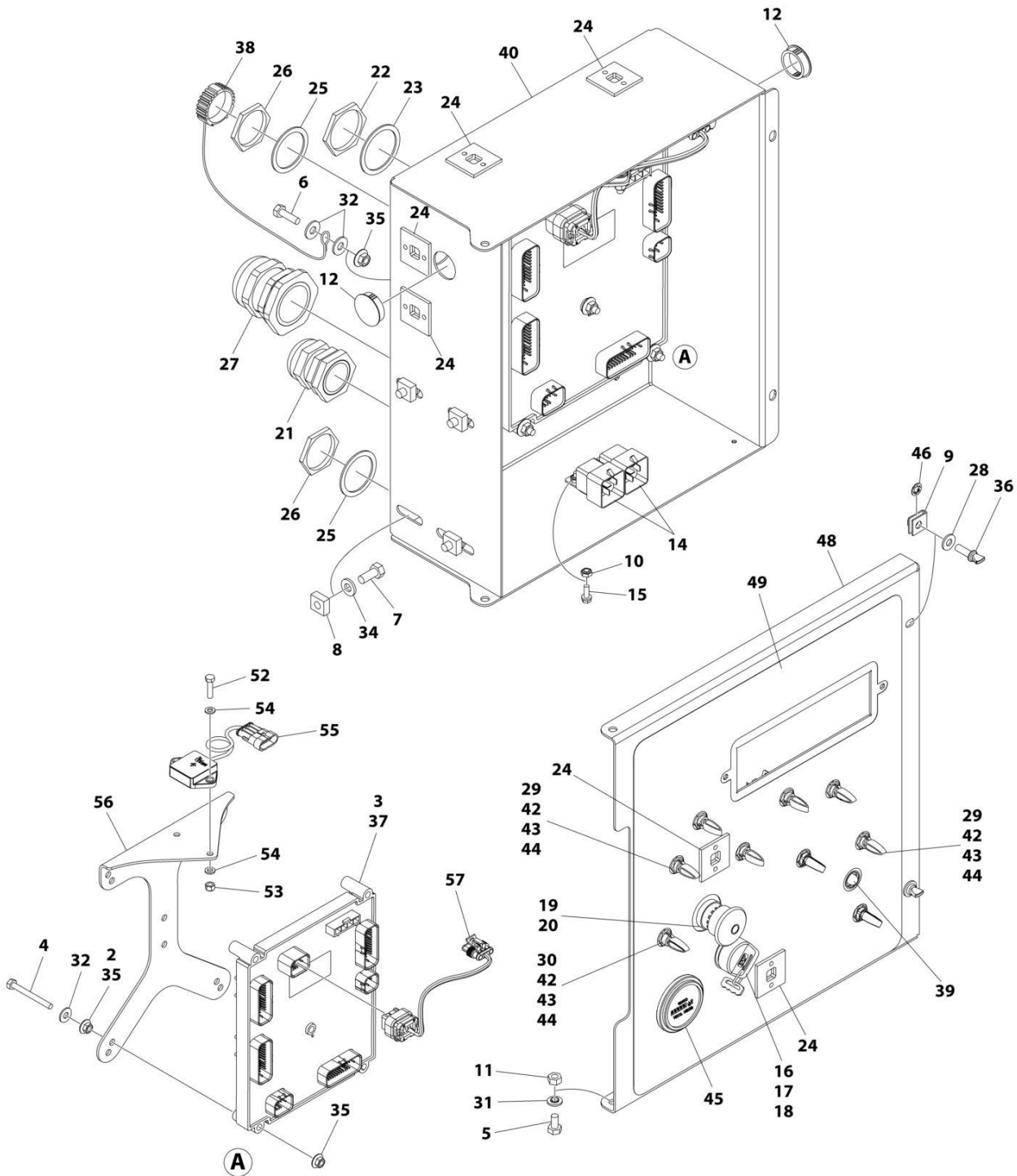
ITEM	PART NUMBER	QTY	DESCRIPTION	REV
	1001263366	Ref	CONSOLE BOX ASSEMBLY (TOWER STOW)	D
2	0100011	AR	Compound, Locking	
3	0100048	AR	Grease, Dielectric	
4	0630548	5	Bolt, 2-1/2 Tap	
5	0641404	2	Bolt 1/4 x 1/2	
6	0641407	1	Bolt 1/4 x 7/8	
7	0641506	4	Bolt 5/16 x 3/4	
8	3300205	4	Nut, Retainer	
9	3300353	2	Nut, Tinnerman	
10	3300408	2	Nut, Plastic Insert	
11	3311405	2	Nut 1/4	
12	3520031	2	Plug	
14	3740049	2	Relay	
15	3900268	2	Screw #10 x 1/2	
16	3910804	6	Screw #8 x 1/4	
17	4070991	1	Shim	
18	4360469	1	Switch, Key	
18	2860030	1	Key Replacement	
19	4360475	1	Switch, Emergency Stop	
19	7020175	1	Cap, Mushroom	
19	7020176	1	Block, Contact	
20	4360476	1	Switch, Contact Block	
21	4460426	1	Connector, Strain Relief	
22	4460470	1	Nut, Terminal	
23	4460471	1	Washer, Terminal	
24	4460488	6	Mounting Base, Terminal	
25	4460496	2	Washer, Terminal	
26	4460497	2	Nut, Terminal	
27	4460526	1	Connector, Strain Relief	
28	4711400	2	Washer 1/4	
29	4740397	8	Spacer	
30	4740444	1	Washer	
31	4740518	2	Washer	
32	4751400	7	Washer 1/4	
34	4891500	4	Washer 5/16	
35	77143013	11	Nut 1/4-20	
36	1001103308	2	Screw 1/4	
37	1001280600	1	Module, Ground Control	
		Ref	Note: Re-calibration Required when Replaced.	
38	1001106736	1	Cap, Dust	
39	1001137364	1	Lamp	
40	1001287467	1	Box	
41	1001284919	1	Harness, Valve (Not Shown - See Separate Breakdown in ELECTRICAL Section)	
42	1001155043	9	Washer	
43	1001155044	9	Nut 15/32-32	
44	1001155045	9	Switch, Toggle	
45	10836804	1	Hour Meter	
46	1001188874	2	Nut	

SECTION 2 - TURNTABLE

ITEM	PART NUMBER	QTY	DESCRIPTION	REV
47	1001286030	1	Harness, Engine (Not Shown - See Separate Breakdown in ELECTRICAL Section)	
48	1001280403	1	Lid	
49	1001263356	1	Decal, Faceplate	
50	1001285346	1	Harness, Ground Control Box (Not Shown - See Separate Breakdown in ELECTRICAL Section)	
51	1001285801	NLA	Wire Diagram (Not Shown)	
52	0760612	2	Bolt M6 x 25	
53	3290605	2	Nut M6	
54	4811700	4	Washer M6	
55	1001219601	1	Sensor, Tilt Dual Axis CAN	
56	1001271794	1	Bracket, Tilt Sensor	
57	1001276143	1	Harness, Tilt Sensor (See Separate Breakdown in ELECTRICAL Section)	

SECTION 2 - TURNTABLE

FIGURE 2-39. GROUND CONTROL BOX ASSEMBLY - FORD DF 2.5L AND TOWER STOW - WITH MECHANICAL HOUR METER



ART_1001263367_D

SECTION 2 - TURNTABLE

FIGURE 2-39. GROUND CONTROL BOX ASSEMBLY - FORD DF 2.5L AND TOWER STOW - WITH MECHANICAL HOUR METER

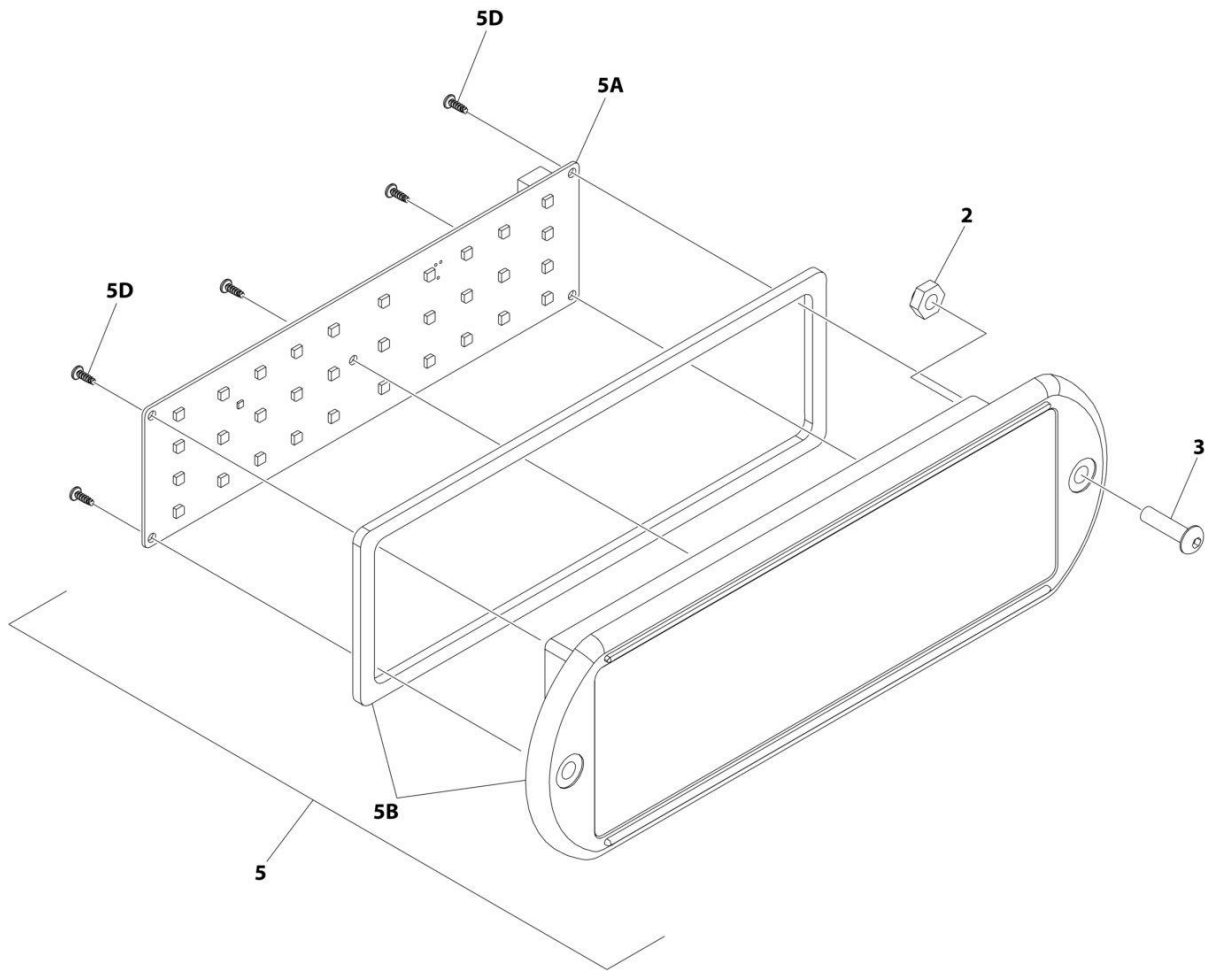
ITEM	PART NUMBER	QTY	DESCRIPTION	REV
	1001263367	Ref	CONSOLE BOX ASSEMBLY (TOWER STOW)	D
2	0100011	AR	Compound, Locking	
3	0100048	AR	Grease, Dielectric	
4	0630548	5	Bolt, 2-1/2 Tap	
5	0641404	2	Bolt 1/4 x 1/2	
6	0641407	1	Bolt 1/4 x 7/8	
7	0641506	4	Bolt 5/16 x 3/4	
8	3300205	4	Nut, Retainer	
9	3300353	2	Nut, Tinnerman	
10	3300408	2	Nut, Plastic Insert	
11	3311405	2	Nut 1/4	
12	3520031	2	Plug	
14	3740049	2	Relay	
15	3900268	2	Screw #10 x 1/2	
16	3910804	6	Screw #8 x 1/4	
17	4070991	1	Shim	
18	4360469	1	Switch, Key	
18	2860030	1	Key Replacement	
19	4360475	1	Switch, Emergency Stop	
19	7020175	1	Cap, Mushroom	
19	7020176	1	Block, Contact	
20	4360476	1	Switch, Contact Block	
21	4460426	1	Connector, Strain Relief	
22	4460470	1	Nut, Terminal	
23	4460471	1	Washer, Terminal	
24	4460488	6	Mounting Base, Terminal	
25	4460496	2	Washer, Terminal	
26	4460497	2	Nut, Terminal	
27	4460526	1	Connector, Strain Relief	
28	4711400	2	Washer 1/4	
29	4740397	8	Spacer	
30	4740444	1	Washer	
31	4740518	2	Washer	
32	4751400	7	Washer 1/4	
34	4891500	4	Washer 5/16	
35	77143013	11	Nut 1/4-20	
36	1001103308	2	Screw 1/4	
37	1001280600	1	Module, Ground Control	
		Ref	Note: Re-calibration Required when Replaced.	
38	1001106736	1	Cap, Dust	
39	1001137364	1	Lamp	
40	1001287467	1	Box	
41	1001284919	1	Harness, Valve (Not Shown - See Separate Breakdown in ELECTRICAL Section)	
42	1001155043	9	Washer	
43	1001155044	9	Nut 15/32-32	
44	1001155045	9	Switch, Toggle	
45	10836804	1	Hour Meter	
46	1001188874	2	Nut	

SECTION 2 - TURNTABLE

ITEM	PART NUMBER	QTY	DESCRIPTION	REV
47	1001286031	1	Harness, Engine (Not Shown - See Separate Breakdown in ELECTRICAL Section)	
48	1001280403	1	Lid	
49	1001263356	1	Decal, Faceplate	
50	1001285346	1	Harness, Ground Control Box (Not Shown - See Separate Breakdown in ELECTRICAL Section)	
51	1001285801	NLA	Wire Diagram (Not Shown)	
52	0760612	2	Bolt M6 x 25	
53	3290605	2	Nut M6	
54	4811700	4	Washer M6	
55	1001219601	1	Sensor, Tilt Dual Axis CAN	
56	1001271794	1	Bracket, Tilt Sensor	
57	1001276143	1	Harness, Tilt Sensor (See Separate Breakdown in ELECTRICAL Section)	

SECTION 2 - TURNTABLE

FIGURE 2-40. LIGHT PANEL INSTALLATION – GROUND CONTROL (SN STARTING WITH 03)



ART_1001233959_D_10F2

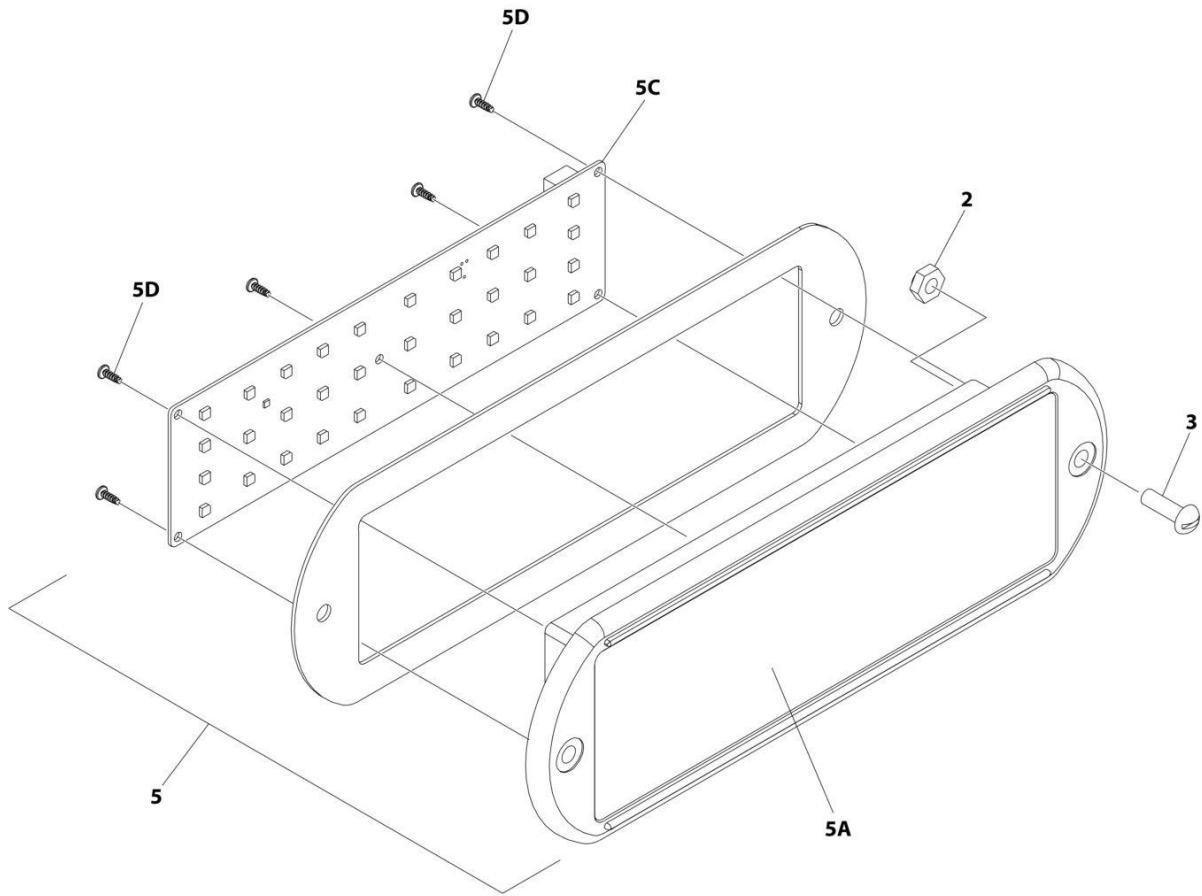
SECTION 2 - TURNTABLE

FIGURE 2-40. LIGHT PANEL INSTALLATION – GROUND CONTROL (SN STARTING WITH 03)

ITEM	PART NUMBER	QTY	DESCRIPTION	REV
	1001233959	Ref	LIGHT PANEL INSTALLATION	D
2	3300408	2	Nut, Nylon Insert	
3	0630518	2	Screw #10 x 3/4	
5	1001237546	1	Light Panel Assembly	J
5A	1001282106	1	Panel, LED Light	
5B	1001236091	1	Lens, Icon (Includes Gasket)	
5D		Ref	Screw	

SECTION 2 - TURNTABLE

FIGURE 2-41. LIGHT PANEL INSTALLATION – GROUND CONTROL (SN STARTING WITH B3)



ART_1001241398_B_10F2

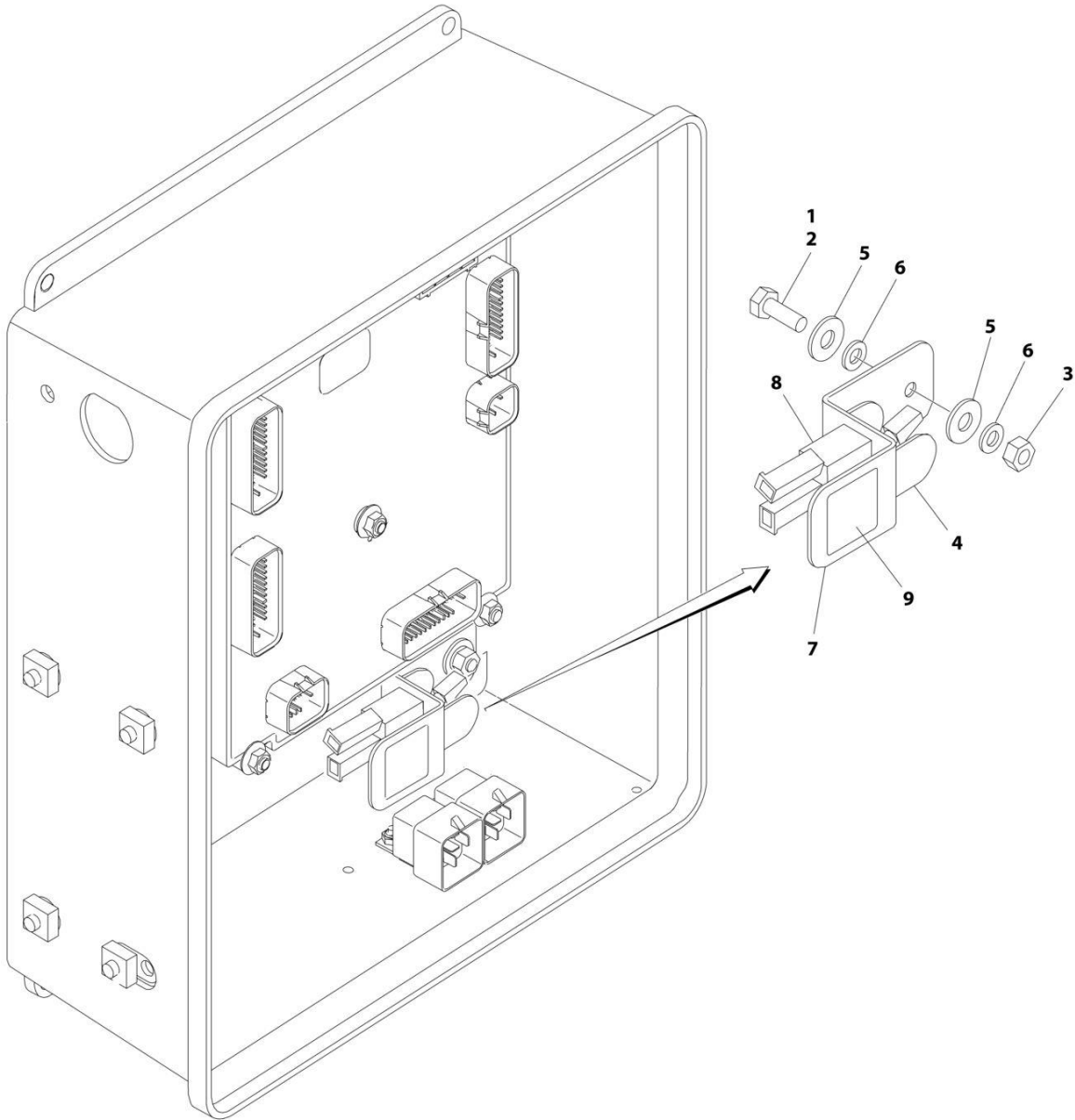
SECTION 2 - TURNTABLE

FIGURE 2-41. LIGHT PANEL INSTALLATION – GROUND CONTROL (SN STARTING WITH B3)

ITEM	PART NUMBER	QTY	DESCRIPTION	REV
	1001241398	Ref	LIGHT PANEL INSTALLATION	B
2	3300408	2	Nut, Nylon Insert	
3	3911010	2	Screw #10 x 5/8	
5	1001238673	1	Light Panel Assembly	
5A	1001236091	1	Lens, I-Con	
5C	1001238732	1	Panel, LED Light	
5D		Ref	Screw	

SECTION 2 - TURNTABLE

FIGURE 2-42. CRIBBING ENABLE SWITCH INSTALLATION



ART_1001115918

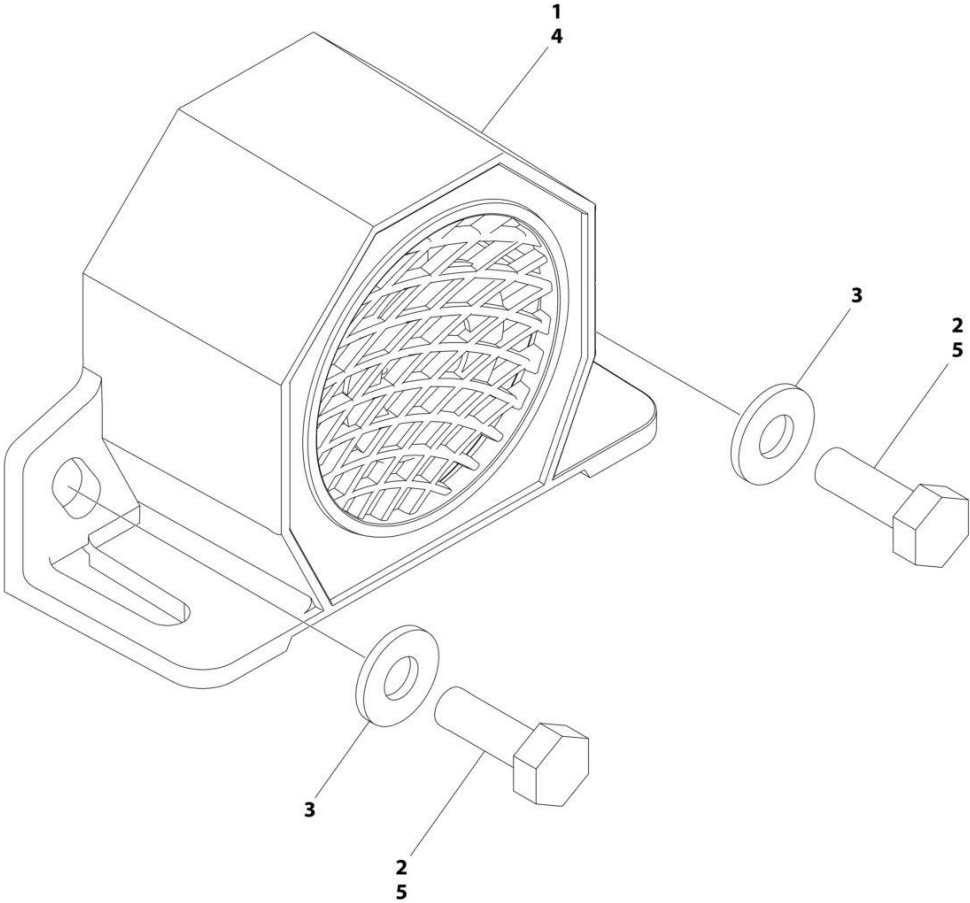
SECTION 2 - TURNTABLE

FIGURE 2-42. CRIBBING ENABLE SWITCH INSTALLATION

ITEM	PART NUMBER	QTY	DESCRIPTION	REV
	1001115918	Ref	CRIBBING ENABLE SWITCH INSTALLATION	A
1	0100011	AR	Compound, Locking	
2	0641406	1	Bolt 1/4 x 3/4	
3	3311401	1	Nut 1/4	
4	4060906	1	Guard, Switch	
5	4751400	2	Washer 1/4	
6	4761400	2	Washer 1/4	
7	1001115889	1	Bracket	
8	1001115915	1	Cribbing Enable Harness	
8	4360336	1	Switch, Toggle	
8	4460226	2	Socket, Female	
9	1001115967	1	Decal - Cribbing	

SECTION 2 - TURNTABLE

FIGURE 2-43. ALARMS INSTALLATION



ART_1001160074

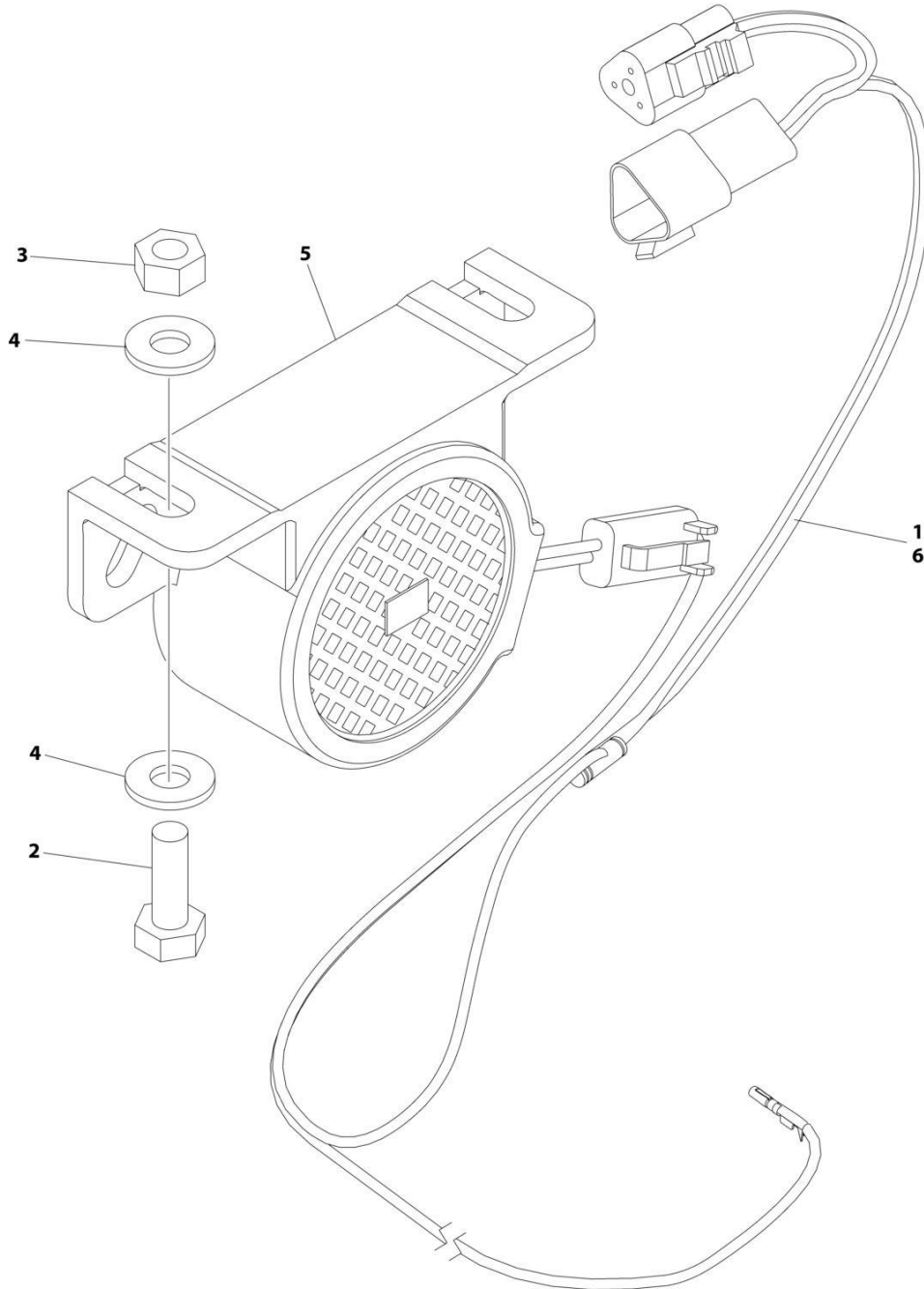
SECTION 2 - TURNTABLE

FIGURE 2-43. ALARMS INSTALLATION

ITEM	PART NUMBER	QTY	DESCRIPTION	REV
	1001160074	Ref	ALARMS INSTALLATION	A
1	0140044	1	Alarm	
2	0641406	2	Bolt 1/4 x 3/4	
3	4711400	2	Washer 1/4	
4	0100048	AR	Compound, Dielectric	
5	0100011	AR	Compound, Locking	

SECTION 2 - TURNTABLE

FIGURE 2-44. BACKUP ALARM (WHITE NOISE) INSTALLATION



ART_1001239346

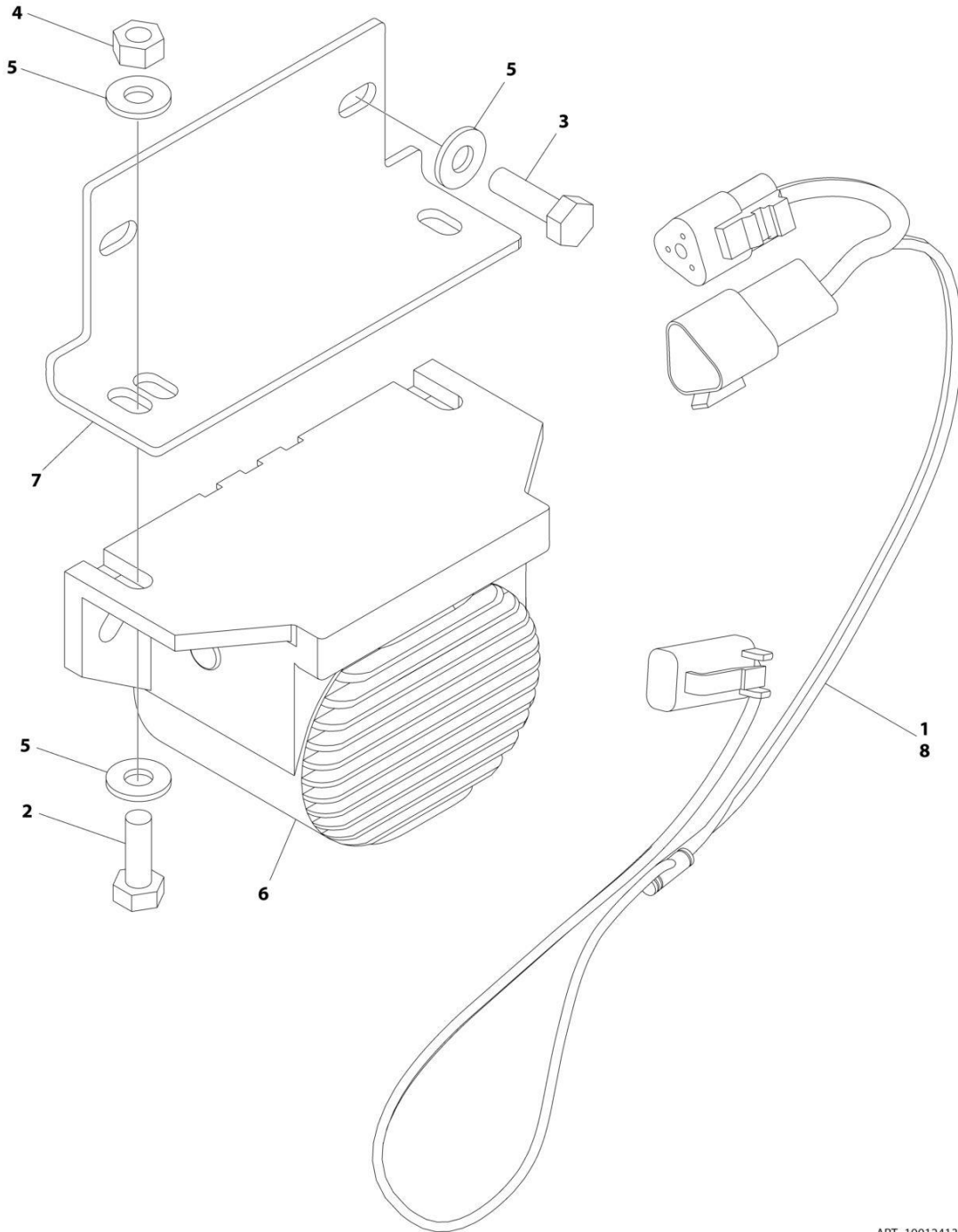
SECTION 2 - TURNTABLE

FIGURE 2-44. BACKUP ALARM (WHITE NOISE) INSTALLATION

ITEM	PART NUMBER	QTY	DESCRIPTION	REV
	1001239346	Ref	BACKUP ALARM (WHITE NOISE) INSTALLATION	B
1	0100048	AR	Grease, Dielectric	
2	0641406	2	Bolt 1/4 x 3/4	
3	3311405	2	Valve, Check	
4	4711400	4	Washer 1/4	
6	1001184682	1	Alarm	
6	4460897	1	Connector - 2 Position	
6	4460464	2	Pin, Male	
6	1001231007	1	Harness, White Noise Motion Alarm (See Separate Breakdown in ELECTRICAL SECTION)	

SECTION 2 - TURNTABLE

FIGURE 2-45. BACKUP ALARM AMBIENT (WHITE NOISE) INSTALLATION



ART_1001241384

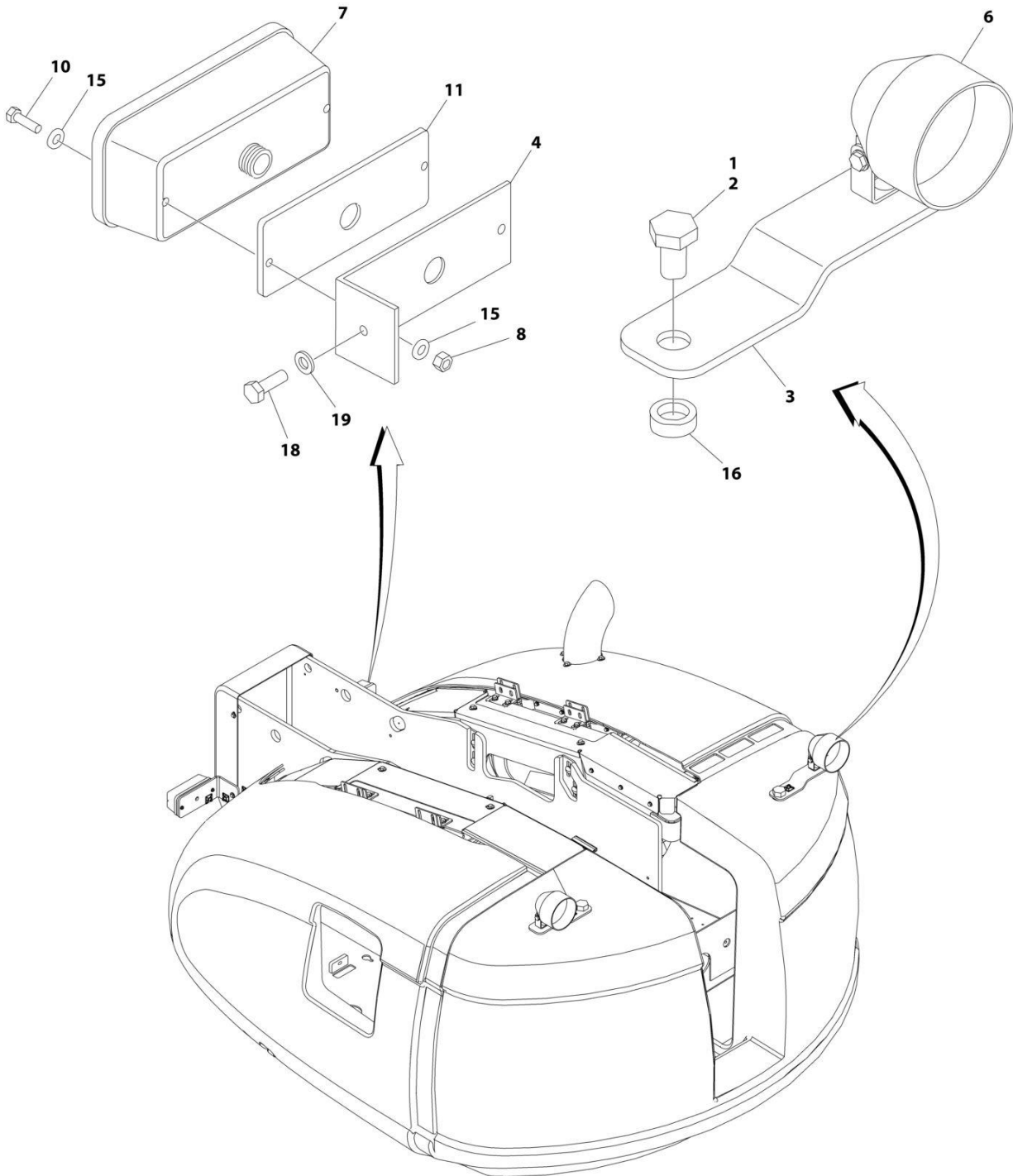
SECTION 2 - TURNTABLE

FIGURE 2-45. BACKUP ALARM AMBIENT (WHITE NOISE) INSTALLATION

ITEM	PART NUMBER	QTY	DESCRIPTION	REV
	1001241384	Ref	BACKUP ALARM AMBIENT (WHITE NOISE) INSTALLATION	B
1	0100048	AR	Grease, Dielectric	
2	0641406	2	Bolt 1/4 x 3/4	
3	0641407	2	Bolt 1/4 x 7/8	
4	3311405	2	Nut 1/4	
5	4711400	6	Washer 1/4	
6	1001182806	1	Alarm	
6	4460897	1	Connector - 2 Position	
6	4460464	2	Pin, Male	
7	1001231886	1	Plate	
8	1001231007	1	Harness, White Noise Motion Alarm (See Separate Breakdown in ELECTRICAL SECTION)	

SECTION 2 - TURNTABLE

FIGURE 2-46. HEAD AND TAIL LIGHTS INSTALLATION (OPTIONAL)



ART_1001176296

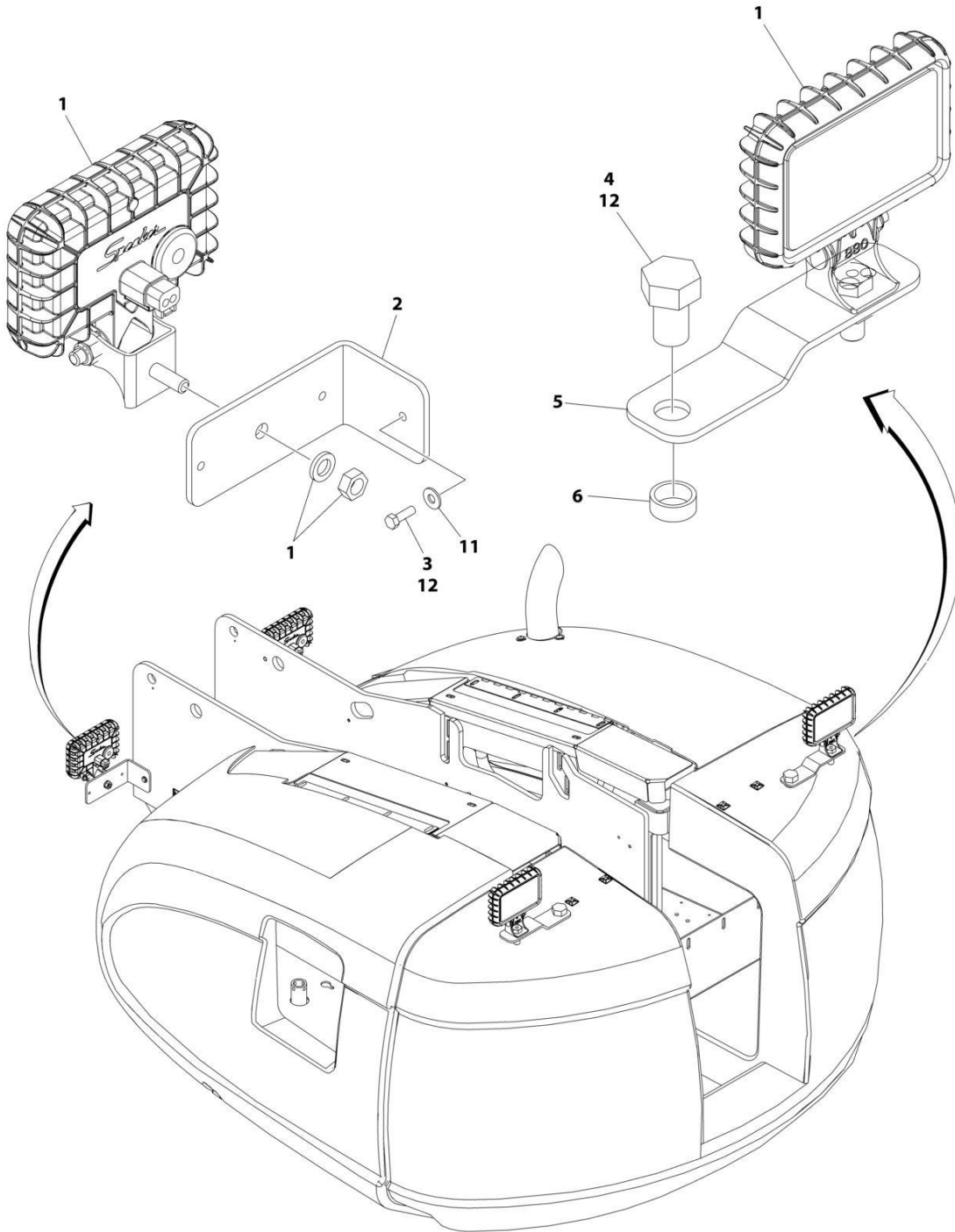
SECTION 2 - TURNTABLE

FIGURE 2-46. HEAD AND TAIL LIGHTS INSTALLATION (OPTIONAL)

ITEM	PART NUMBER	QTY	DESCRIPTION	REV
	1001176296	Ref	LIGHTS INSTALLATIONS (OPTIONAL)	A
1	0100011	AR	Compound, Locking	
2	0642612	2	Bolt 1 x 1-1/2	
3	0902206	2	Bracket, Mounting	
4	0903119	2	Bracket	
5	1705170	1	Decal - Lights (Not Shown - Located on Console)	
6	2920110	2	Headlight	
7	2920113	2	Tail Light	
8	3311005	4	Nut #10	
9	3311605	2	Nut 3/8 (Not Shown)	
10	3911040	4	Screw #10 x 2-1/2	
11	3960461	2	Gasket	
12	4240032	AR	Tie-Strap (Not Shown)	
13	4360522	1	Switch, Push Button (Not Shown - Located on Console)	
14	4460234	18	Mount, Tie-Strap (Not Shown)	
15	4751000	4	Washer #10	
16	4892600	2	Washer	
18	0641408	2	Bolt 1/4 x 1	
19	4751400	2	Washer 1/4	

SECTION 2 - TURNTABLE

FIGURE 2-47. CHASSIS ILLUMINATION LIGHTS INSTALLATION (OPTIONAL)



ART_0274200_D

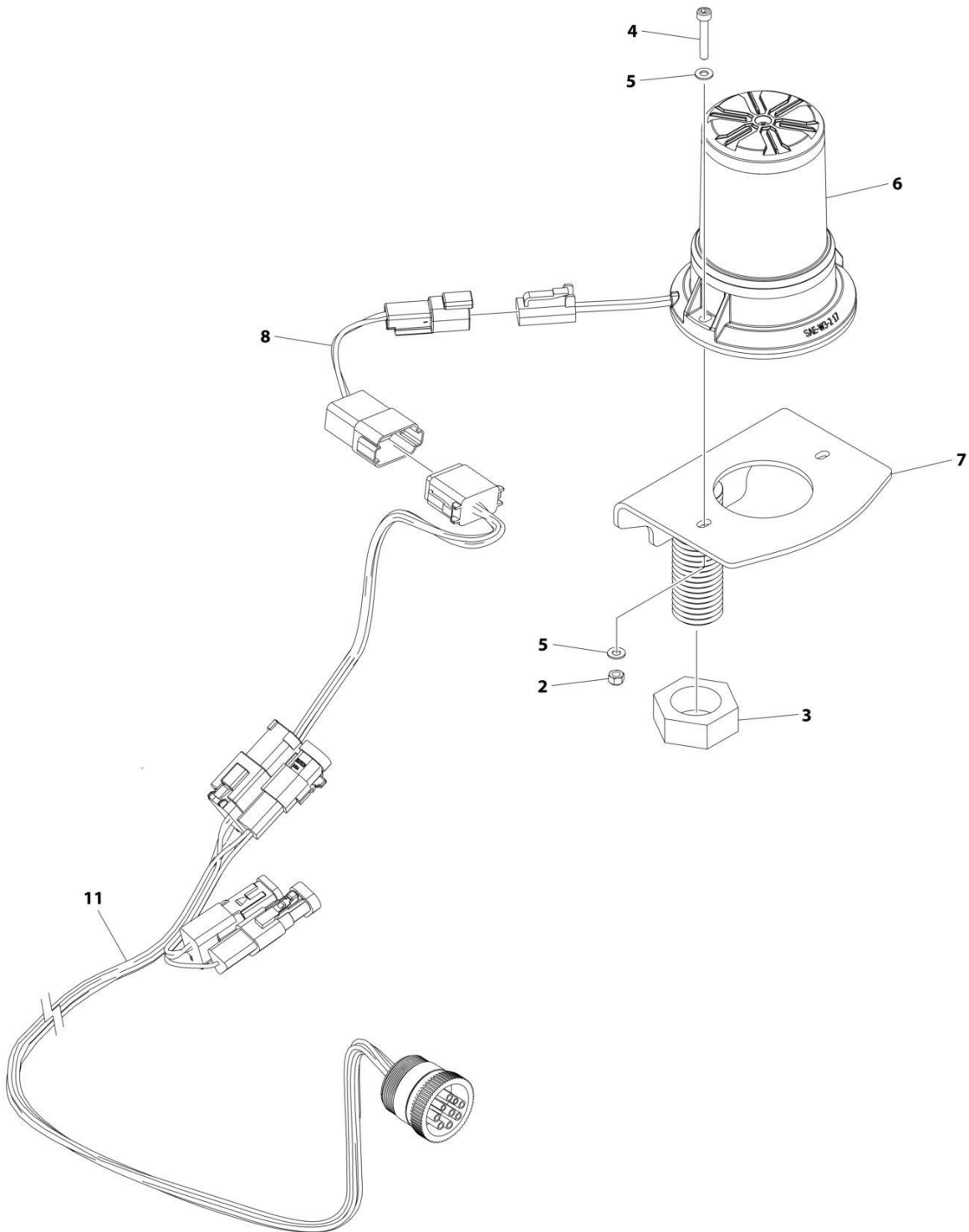
SECTION 2 - TURNTABLE

FIGURE 2-47. CHASSIS ILLUMINATION LIGHTS INSTALLATION (OPTIONAL)

ITEM	PART NUMBER	QTY	DESCRIPTION	REV
	0274200	Ref	CHASSIS ILLUMINATION LIGHT INSTALLATION	D
1	1001236816	4	Lamp, Worklight	
2	0903119	2	Bracket, Light Mounting	
3	0641508	2	Bolt 5/16 x 1	
4	0642612	2	Bolt 1 x 1-1/2	
5	0902206	2	Bracket, Light Mounting	
6	4220162	2	Spacer	
9	4360522	1	Switch, Push Button (Not Shown - Located on Console)	
10	4460234	10	Mount, Cable (Not Shown)	
11	4751500	2	Washer 5/16	
12	0100011	AR	Compound, Locking	
13	4240032	21	Strap, Tie (Not Shown)	
14	1705170	1	Decal - Lights (Not Shown)	

SECTION 2 - TURNTABLE

FIGURE 2-48. STROBE LIGHT INSTALLATION (AMBER)



ART_1001160077_E

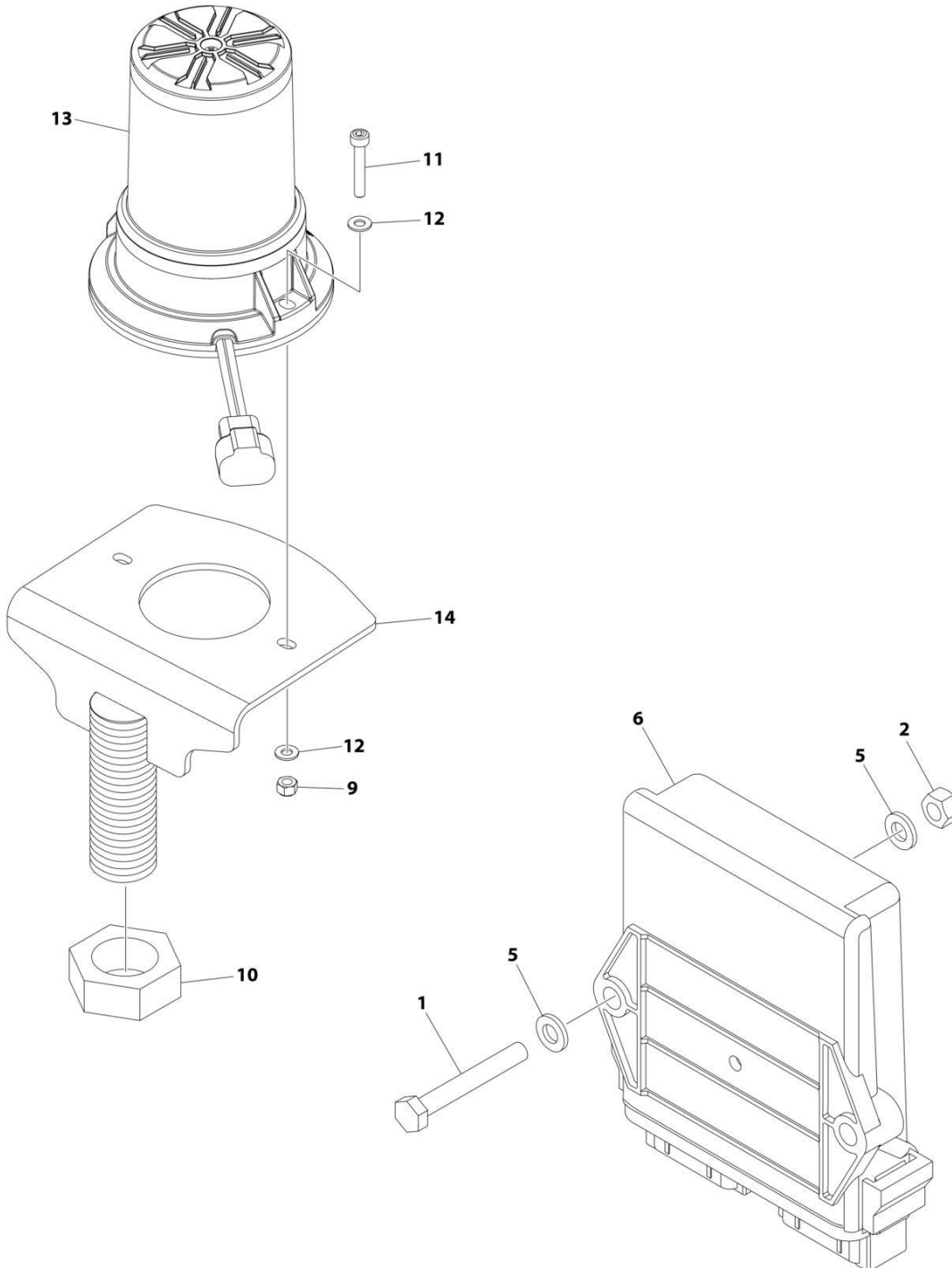
SECTION 2 - TURNTABLE

FIGURE 2-48. STROBE LIGHT INSTALLATION (AMBER)

ITEM	PART NUMBER	QTY	DESCRIPTION	REV
	1001160077	Ref	STROBE LIGHT INSTALLATION (AMBER)	E
2	3290405	2	Nut, Lock M4	
3	3312602	1	Nut	
4	4031509	2	Capscrew M4 x 25	
5	4811400	4	Washer M4	
6	1001270594	1	Strobe Light/Harness Assembly	
6	4460891	1	Connector	
6	4460465	2	Socket	
7	1001275149	2	Mount	
8	1001283776	1	Harness, Strobe Jumper (See Separate Breakdown in ELECTRICAL Section)	
9	4240017	AR	Tie-Strap (Not Shown)	
10	4460234	AR	Mount, Tie-Strap (Not Shown)	
11	1001286622	1	CSB Harness (See Separate Breakdown in ELECTRICAL Section)	

SECTION 2 - TURNTABLE

FIGURE 2-49. STROBE LIGHT INSTALLATION (BLUE)



ART_1001242251_C

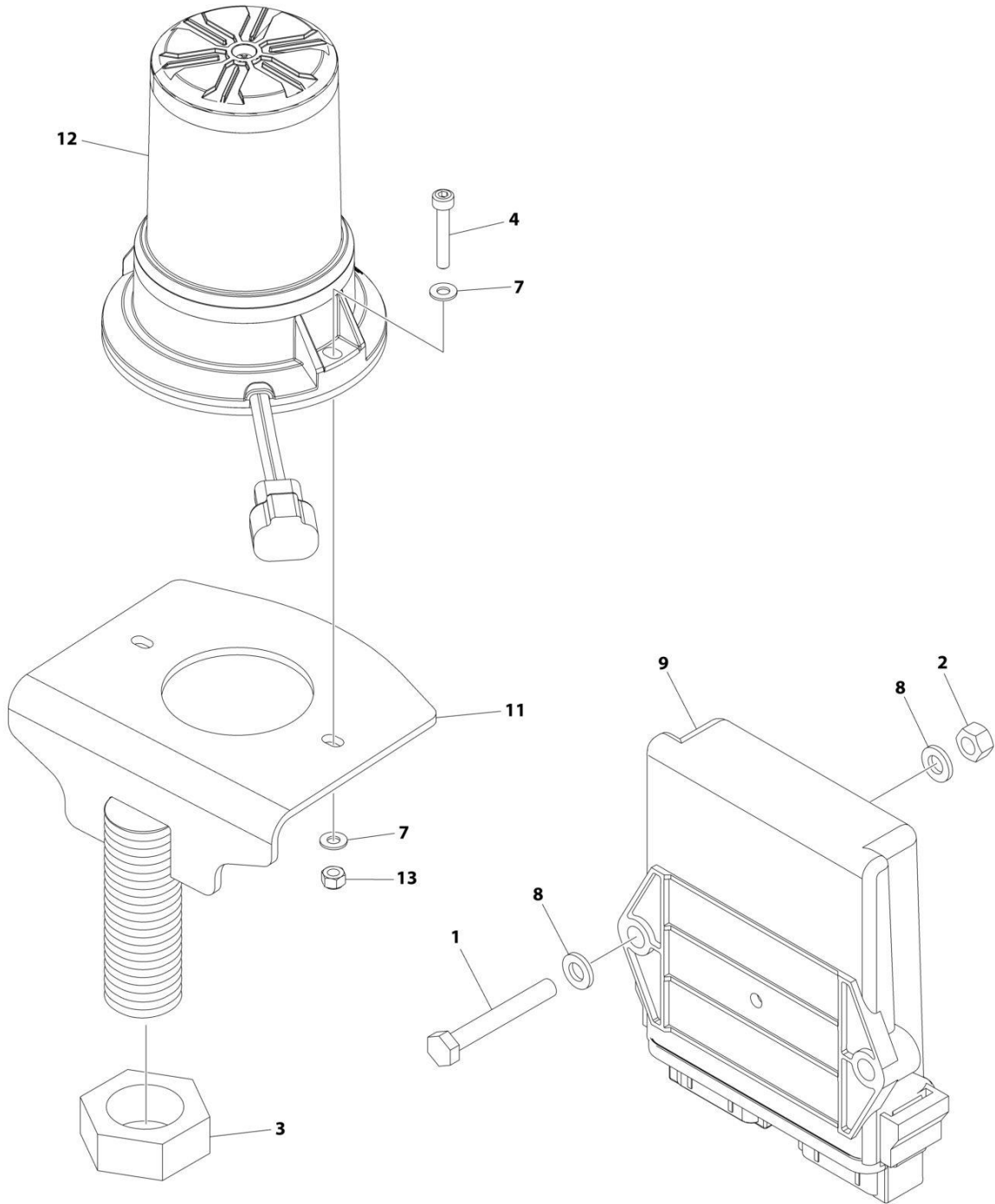
SECTION 2 - TURNTABLE

FIGURE 2-49. STROBE LIGHT INSTALLATION (BLUE)

ITEM	PART NUMBER	QTY	DESCRIPTION	REV
	1001242251	Ref	STROBE LIGHT INSTALLATION (BLUE)	C
1	0700617	2	Bolt M6 x 45	
2	3290607	2	Nut M6 x 1	
3	4240032	AR	Tie-Strap (Not Shown)	
4	4460488	AR	Mounting Base (Not Shown)	
5	4811700	4	Washer M6	
6	1001142683	1	Module, Control Beacon	
7	1001142736	1	Harness, Beacon Control (Not Shown - See Separate Breakdown in ELECTRICAL Section)	
9	3290405	2	Nut, Lock M4	
10	3312602	1	Nut 1	
11	4031509	2	Capscrew M4 x 25	
12	4811400	4	Washer M4	
13	1001272681	1	Strobe Light/Harness Assembly	
13	4460897	1	Connector	
13	4460464	2	Socket	
14	1001275149	1	Mount, Beacon	

SECTION 2 - TURNTABLE

FIGURE 2-50. STROBE LIGHT INSTALLATION (RED)



ART_1001242252_C

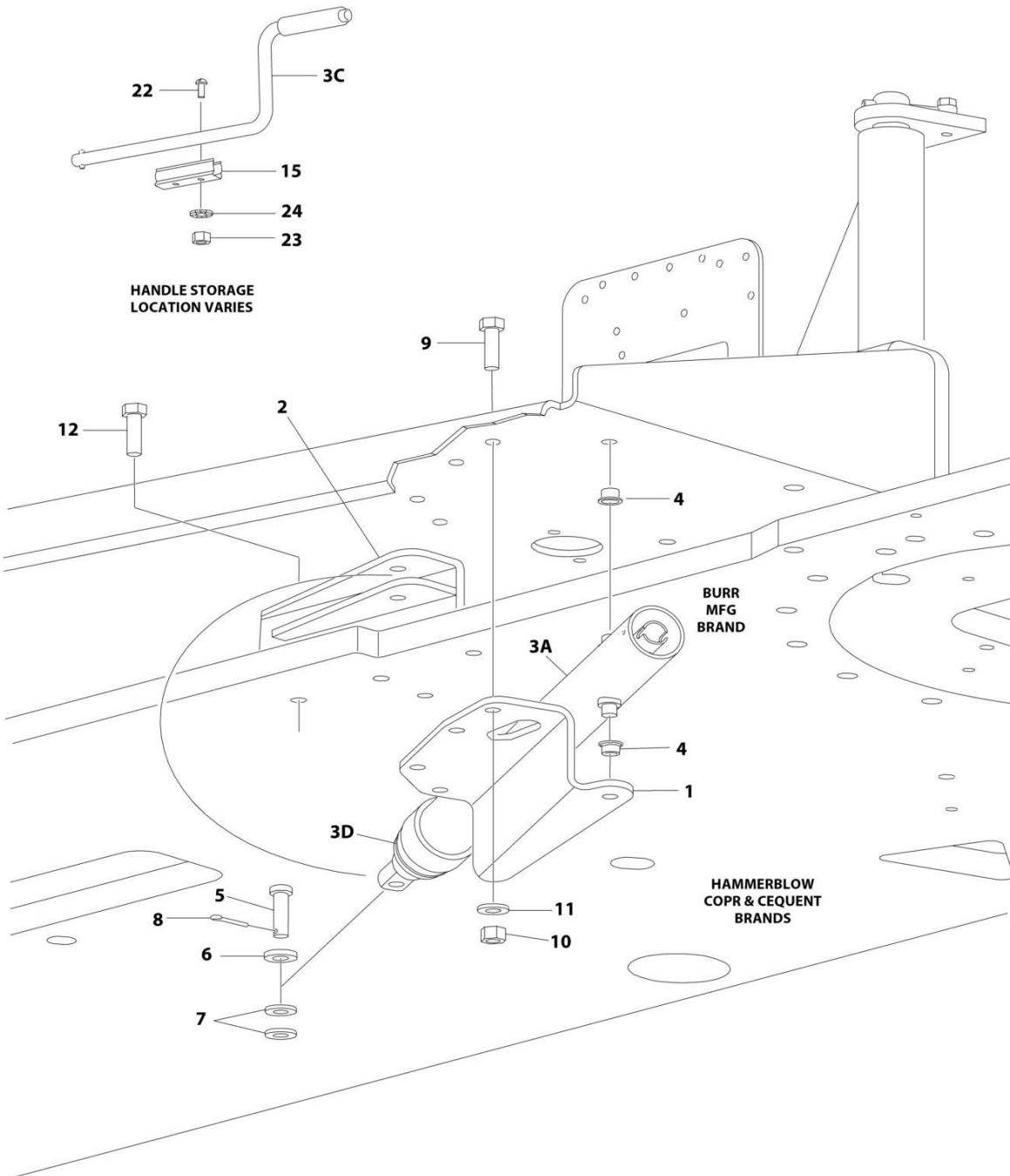
SECTION 2 - TURNTABLE

FIGURE 2-50. STROBE LIGHT INSTALLATION (RED)

ITEM	PART NUMBER	QTY	DESCRIPTION	REV
	1001242252	Ref	STROBE LIGHT INSTALLATION (RED)	C
1	0700617	2	Bolt M6 x 45	
2	3290607	2	Nut M6 x 1	
3	3312602	1	Nut 1	
4	4031509	2	Capscrew M4 x 25	
5	4240032	AR	Tie-Strap (Not Shown)	
6	4460488	AR	Mounting Base (Not Shown)	
7	4811400	4	Washer M4	
8	4811700	4	Washer M6	
9	1001142683	1	Module, Control Beacon	
10	1001142736	1	Harness, Beacon Control (Not Shown - See Separate Breakdown in ELECTRICAL Section)	
11	1001275149	1	Mount, Beacon	
12	1001272682	1	Strobe Light/Harness Assembly	
12	4460897	1	Connector	
12	4460464	2	Socket	
13	3290405	2	Nut, Lock M4	

SECTION 2 - TURNTABLE

FIGURE 2-51. ENGINE TRAY JACK INSTALLATION – DEUTZ D2011 ENGINES



ART_0255880

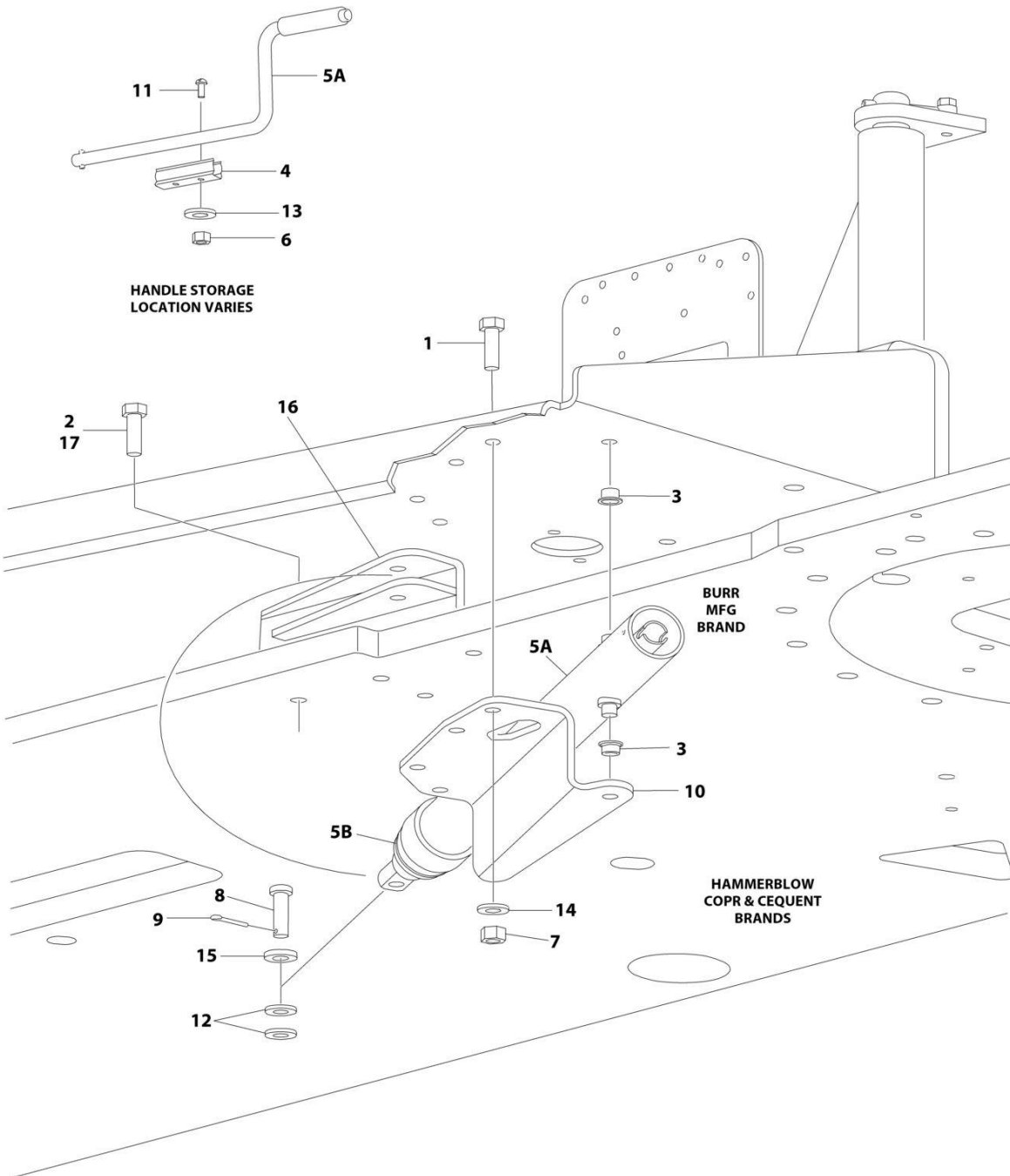
SECTION 2 - TURNTABLE

FIGURE 2-51. ENGINE TRAY JACK INSTALLATION – DEUTZ D2011 ENGINES

ITEM	PART NUMBER	QTY	DESCRIPTION	REV
	0255880	Ref	ENGINE TRAY JACK INSTALLATION	6-H
1	3537445	1	Bracket	
2	4845163	1	Bracket	
3	2840018	1	Hydraulic Jack Assembly (Not Shown)	
3A		Ref	Burr Manufacturing Brand	
3B		Ref	Hammer blow Corp and Cequent Brands	
3C		Ref	Handle Options:	
3C	7016374	1	Burr Manufacturing Brand	
3C	7024598	1	Hammer blow Corp and Cequent Brands	
3D	7016322	1	Wiper (Burr Manufacturing Brand Only)	
4	0962051	2	Bushing, Flanged	
5	3430816	1	Pin, Clevis	
6	4891800	1	Washer 1/2 Hardened	
7	4711800	2	Washer 1/2	
8	3450404	1	Pin, Cotter 1/8 x 1	
9	0641609	4	Bolt 3/8 x 1-1/8	
10	3311605	4	Nut 3/8	
11	4891600	4	Washer 3/8	
12	0641810	4	Bolt 1/2 x 1-1/4	
15	1380147	1	Clip, Spring	
22	3910608	2	Screw #6 x 1	
23	3310601	2	Nut #6	
24	4770600	2	Washer #6	

SECTION 2 - TURNTABLE

FIGURE 2-52. ENGINE TRAY JACK INSTALLATION – DEUTZ TD2.2L3 (STAGE V), DEUTZ TD2.9L4 AND DEUTZ D2.9L4 (CHINA IV) ENGINES



ART_1001137891

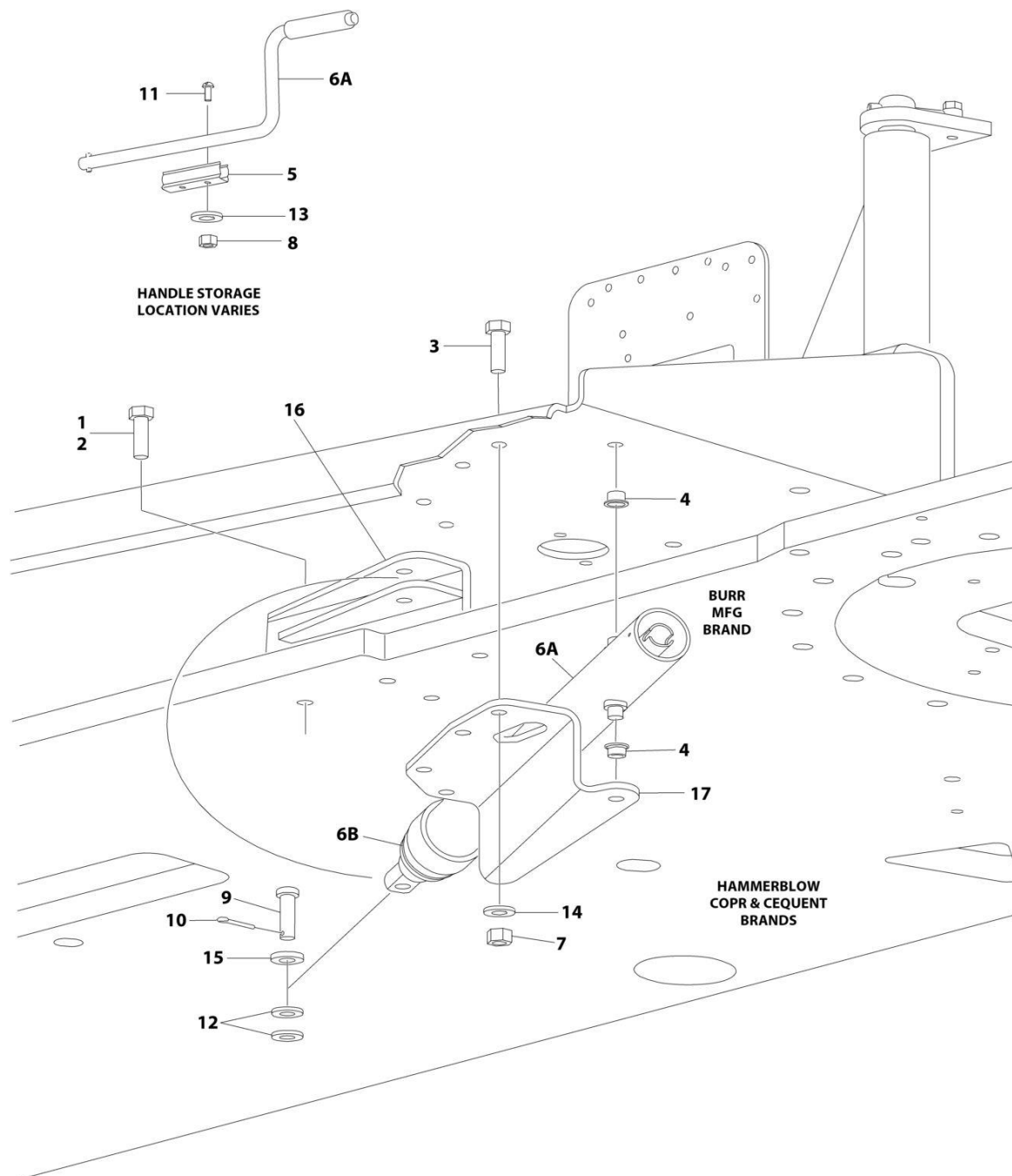
SECTION 2 - TURNTABLE

**FIGURE 2-52. ENGINE TRAY JACK INSTALLATION – DEUTZ TD2.2L3 (STAGE V), DEUTZ TD2.9L4
AND DEUTZ D2.9L4 (CHINA IV) ENGINES**

ITEM	PART NUMBER	QTY	DESCRIPTION	REV
	1001137891	Ref	ENGINE TRAY JACK INSTALLATION	B
1	0641609	4	Bolt 3/8 x 1-1/8	
2	0641810	4	Bolt 1/2 x 1-1/4	
3	0962051	2	Bushing, Flanged	
4	1380147	1	Clip, Spring	
5	2840016	1	Jack and Handle Assembly (Not Shown)	
5A		Ref	Handle Options:	
5A	7016374	1	Burr Manufacturing Brand	
5A	7024598	1	Hammer blow Corp Brand	
5B	7016322	1	Wiper (Burr Manufacturing Brand Only)	
6	3310601	2	Nut #6	
7	3311605	4	Nut 3/8	
8	3430816	1	Pin, Clevis	
9	3450404	1	Pin, Cotter 1/8 x 1	
10	3537445	1	Bracket	
11	3910608	2	Screw #6 x 1	
12	4711800	6	Washer 1/2	
13	4770600	2	Washer #6	
14	4891600	4	Washer 3/8	
15	4891800	1	Washer 1/2 Hardened	
16	1001137892	1	Bracket	
17	0100011	AR	Compound, Locking	

SECTION 2 - TURNTABLE

FIGURE 2-53. ENGINE TRAY JACK INSTALLATION – FORD DF 2.5L ENGINES



ART_1001218548

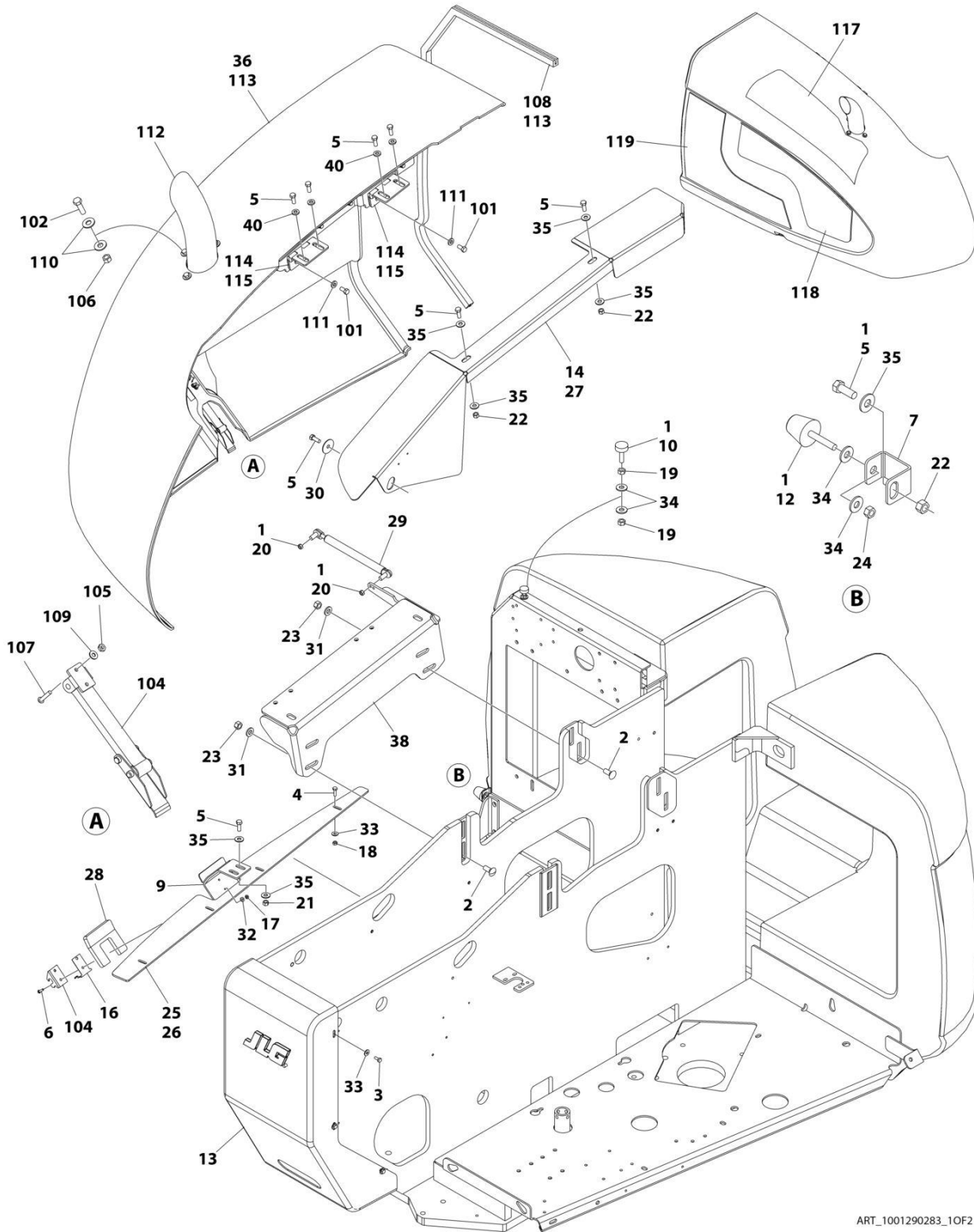
SECTION 2 - TURNTABLE

FIGURE 2-53. ENGINE TRAY JACK INSTALLATION – FORD DF 2.5L ENGINES

ITEM	PART NUMBER	QTY	DESCRIPTION	REV
	1001218548	Ref	ENGINE TRAY JACK INSTALLATION	A
1	0100011	AR	Compound, Locking	
2	0641810	4	Bolt 1/2 x 1-1/4	
3	0761014	3	Bolt M10 x 30	
4	0962051	2	Bushing, Flanged	
5	1380147	1	Clip, Spring	
6	2840016	1	Jack and Handle Assembly (Not Shown)	
6A		Ref	Handle Options:	
6A	7016374	1	Burr Manufacturing Brand	
6A	7024598	1	Hammer blow Corp Brand	
6B	7016322	1	Wiper (Burr Manufacturing Brand Only)	
7	3291007	3	Nut M10	
8	3310601	2	Nut #6	
9	3430816	1	Pin, Clevis	
10	3450404	1	Pin, Cotter 1/8 x 1	
11	3910608	2	Screw #6 x 1	
12	4711800	6	Washer 1/2	
13	4770600	2	Washer #6	
14	4812000	6	Washer M10	
15	4891800	1	Washer 1/2 Hardened	
16	1001137892	1	Bracket	
17	1001218547	1	Bracket	

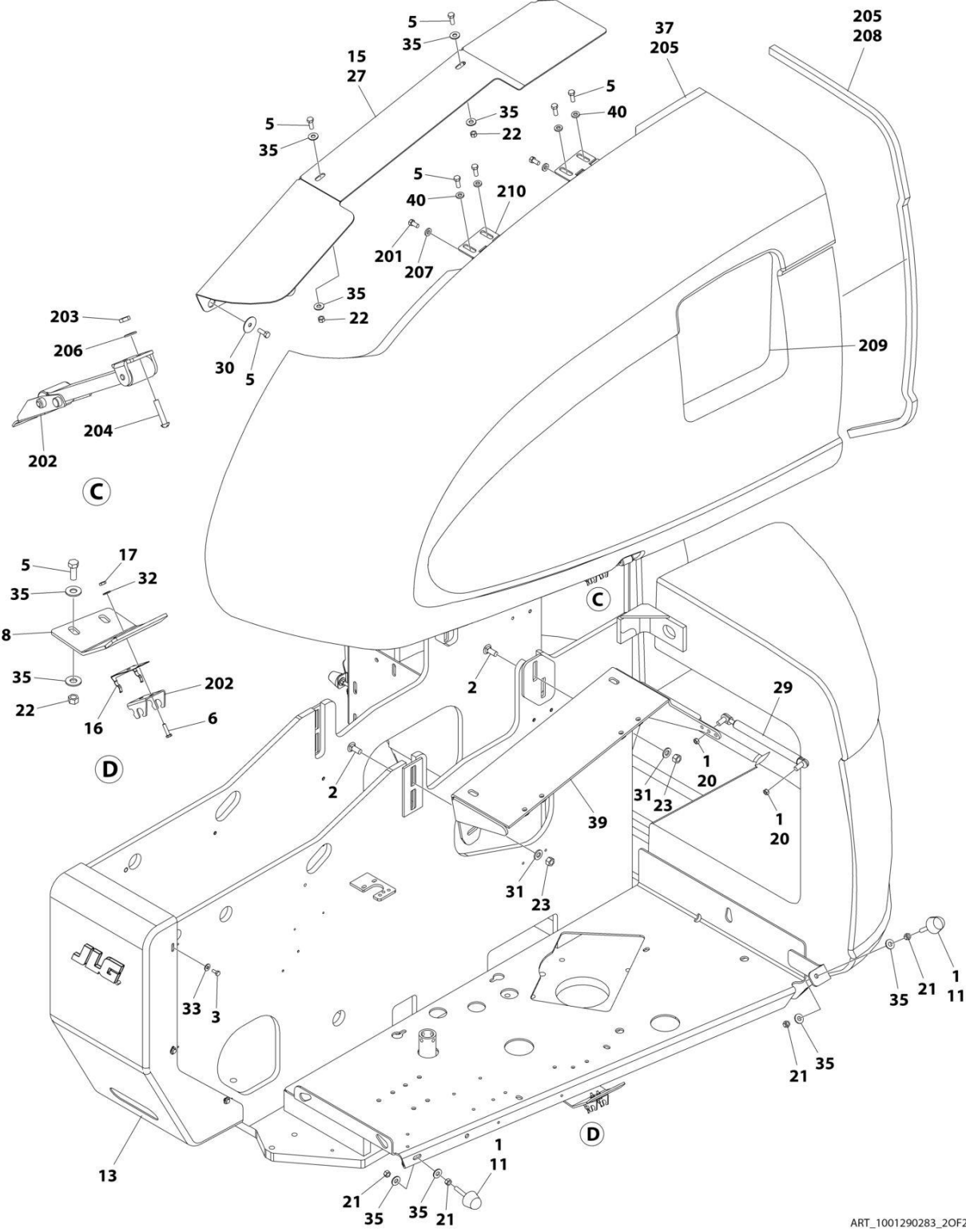
SECTION 2 - TURNTABLE

FIGURE 2-54. HOODS INSTALLATION – DEUTZ D2011 ENGINES WITHOUT NOISE REDUCTION (ABS)



ART_1001290283_10F2

SECTION 2 - TURNTABLE



ART_1001290283_20F2

SECTION 2 - TURNTABLE

FIGURE 2-54. HOODS INSTALLATION – DEUTZ D2011 ENGINES WITHOUT NOISE REDUCTION (ABS)

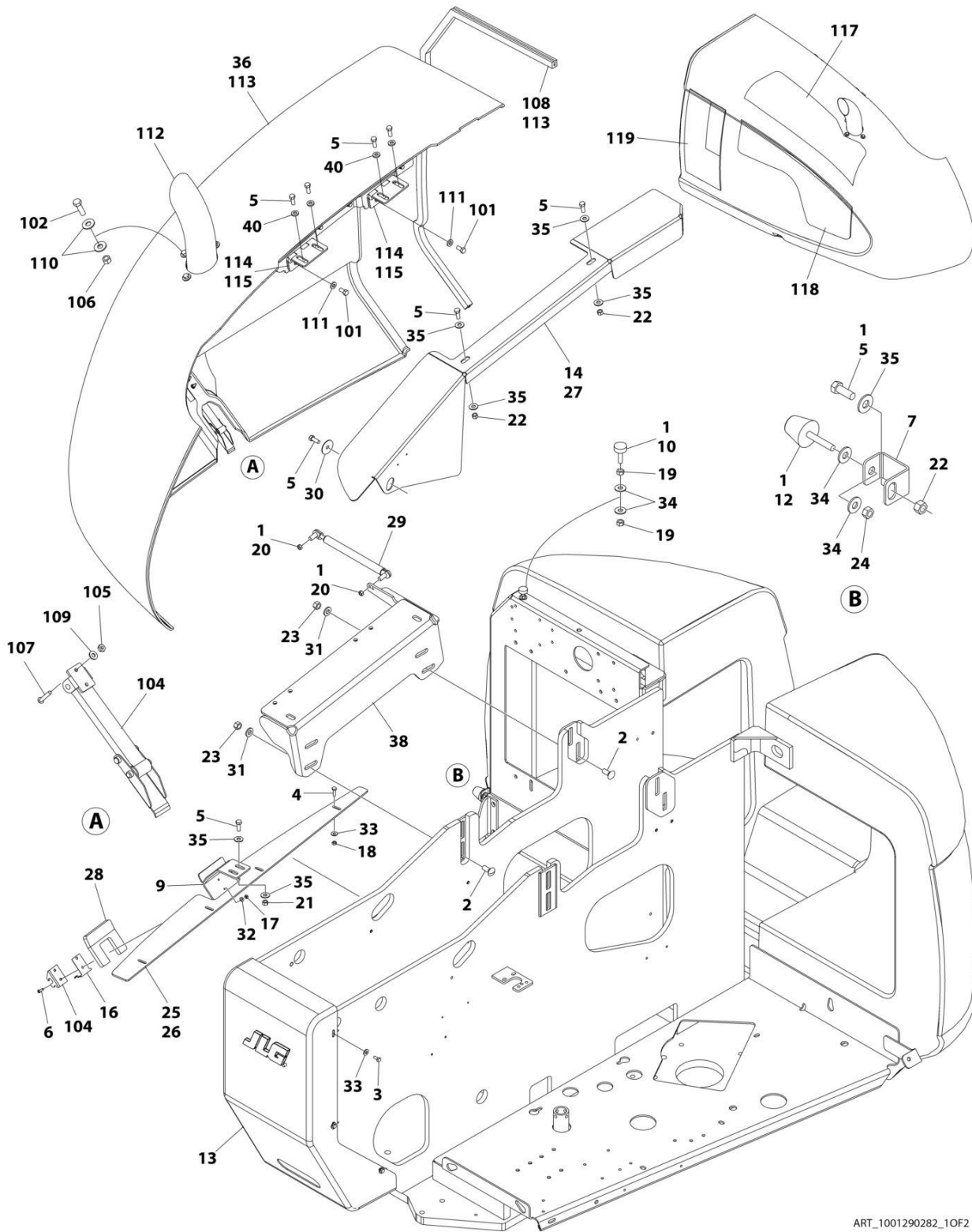
ITEM	PART NUMBER	QTY	DESCRIPTION	REV
	See Note	Ref	Note: replacement decals must be ordered separately.	
	1001290283	Ref	HOODS INSTALLATION	B
1	0100011	AR	Compound, Locking	
2	0630507	8	Bolt, Carriage 1/2 x 1-1/4	
3	0641405	6	Bolt 1/4 x 3/4	
4	0641407	4	Bolt 1/4 x 7/8	
5	0641608	19	Bolt 3/8 x 1	
6	0721006	4	Bolt #10 x 3/4	
7	0902219	1	Bracket, Bumper	
8	1001137876	1	Bracket, Latch - Tank Side	
9	0902335	1	Bracket, Latch - Engine Side	
10	0940049	1	Bumper	
11	0940071	2	Bumper	
12	0940088	1	Bumper	
13	1670767	1	Cover, Turntable	
14	2680433	1	Spacer, Hood (Engine Side)	
15	2680434	1	Spacer, Hood (Tank Side)	
16	2940188	2	Latch, Spring Clip	
17	3311005	4	Nut #10	
18	3311405	4	Nut 1/4	
19	3311501	2	Nut 5/16	
20	3311505	4	Nut 5/16	
21	3311601	6	Nut 3/8	
22	3311605	7	Nut 3/8	
23	3311805	8	Nut 1/2	
24	3321501	1	Nut 5/16	
25	3539923	1	Plate, Seal	
26	3960389	3.5 ft/1m	Seal, Bulb	
27	3960418	7 ft/2.1m	Seal	
28	3960467	1	Seal, Foam	
29	4160143	2	Spring, Gas	
30	4740076	2	Washer, Fender	
31	4740171	8	Washer 1/2 Hardened	
32	4751000	4	Washer #10	
33	4751400	10	Washer 1/4	
34	4751500	4	Washer 5/16	
35	4751600	21	Washer 3/8	
36	1001290289	1	Hood - Engine Side (See Items 101-119 for Breakdown)	
37	1001290399	1	Hood - Tank Side (See Items 201-210 for Breakdown)	
38	1001235948	1	Mount - Engine Side	
39	1001152557	1	Mount - Tank Side	
40	4891600	8	Washer 3/8 Hardened	
	1001290289	Ref	HOOD ENGINE SIDE	A
101	0641608	2	Bolt 3/8 x 1	
102	0641610	3	Bolt 3/8 x 1-1/4	
103	0641611	2	Bolt 3/8 x 1-3/8	
104	2940088	1	Latch	
105	3311005	2	Nut #10	
106	3311605	3	Nut 3/8	

SECTION 2 - TURNTABLE

ITEM	PART NUMBER	QTY	DESCRIPTION	REV
107	3911016	2	Screw #10 x 1	
108	4060805	64 in /1.6m	Flex-Trim	
109	4711000	2	Washer #10	
110	4751600	6	Washer 3/8	
111	4891600	4	Washer 3/8 Hardened	
112	1001160598	1	Outlet, Exhaust	
113	1001164281	2.5 ft /0.76m	Seal	
114	1001169610	3	Spacer, Hinge	
115	1001188467	2	Hinge	
117	1001160961	1	Insulation	
118	1001160963	1	Insulation	
119	1001161027	1	Insulation	
	1001290399	Ref	HOOD TANK SIDE	A
201	0641606	4	Bolt 3/8 x 3/4	
202	2940088	1	Latch	
203	3311005	2	Nut #10	
204	3911016	2	Screw #10 x 1	
205	4060805	62 in /1.6m	Flex-Trim	
206	4751000	2	Washer #10	
207	4891600	4	Washer 3/8 Hardened	
208	1001164281	3 ft /0.91m	Seal	
209	1001166394	4.5 ft /1.4m	Seal	
210	1001188467	2	Hinge	

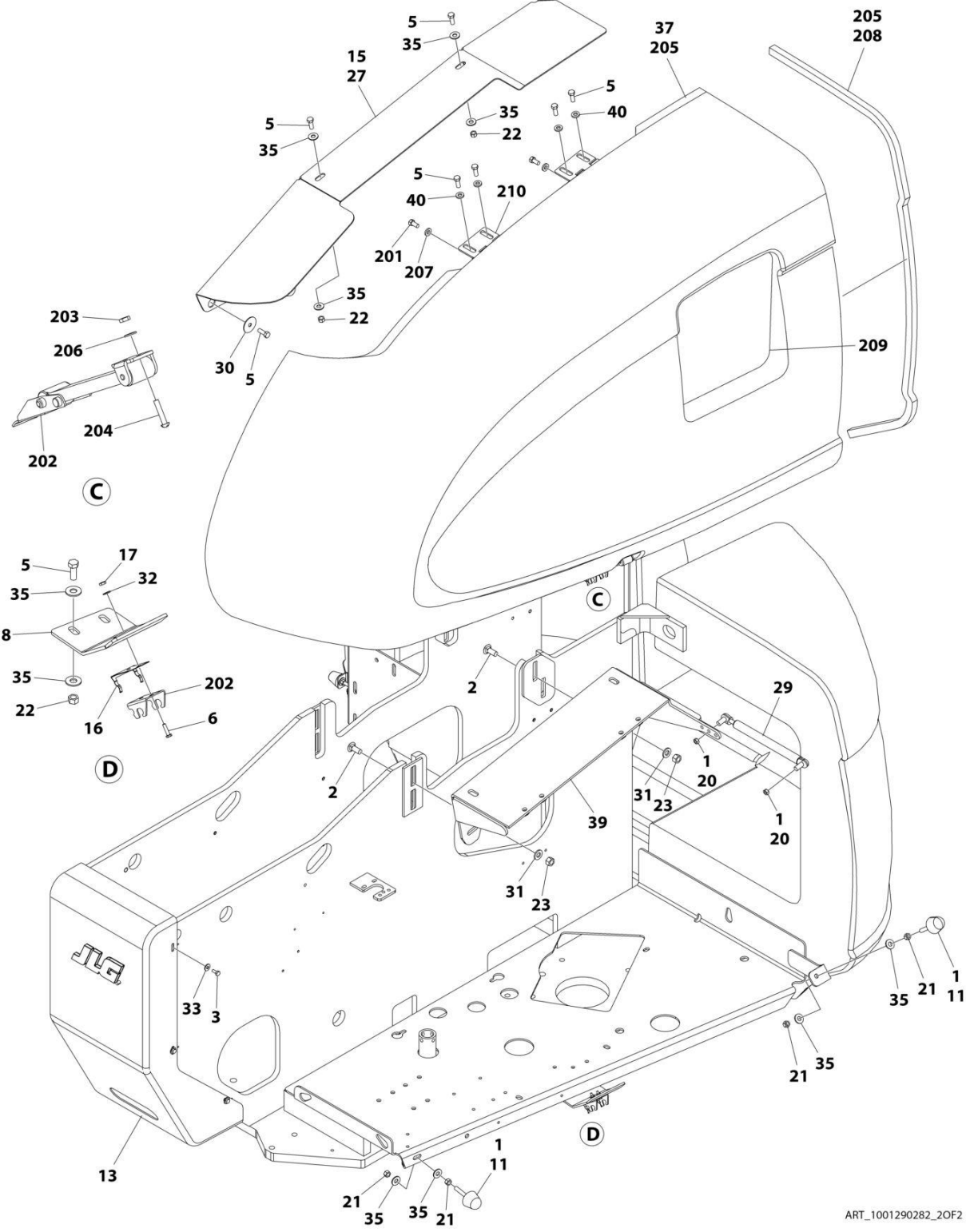
SECTION 2 - TURNTABLE

FIGURE 2-55. HOODS INSTALLATION – DEUTZ D2011 ENGINES WITH NOISE REDUCTION (ABS)



ART_1001290282_10F2

SECTION 2 - TURNTABLE



ART_1001290282_20F2

SECTION 2 - TURNTABLE

FIGURE 2-55. HOODS INSTALLATION – DEUTZ D2011 ENGINES WITH NOISE REDUCTION (ABS)

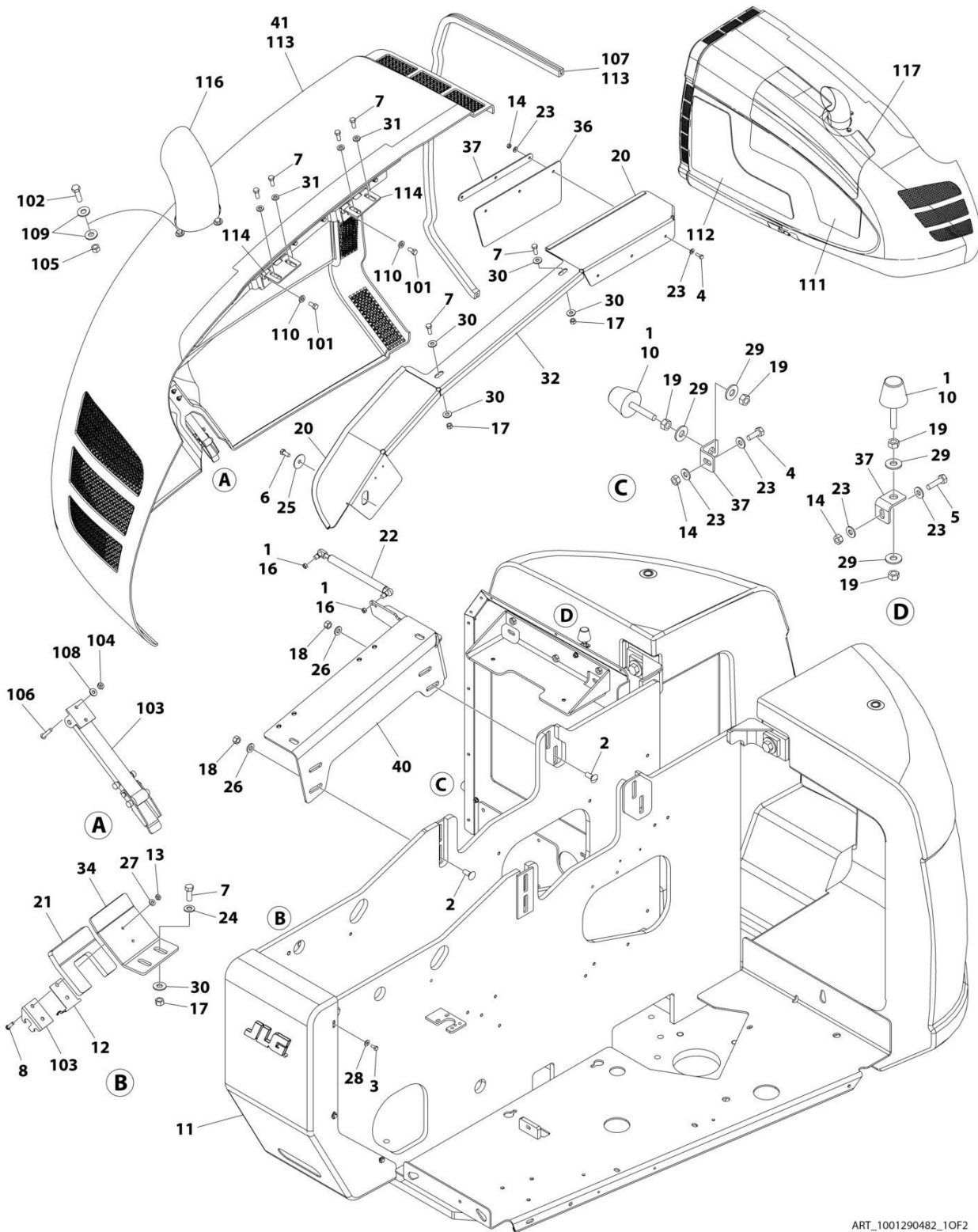
ITEM	PART NUMBER	QTY	DESCRIPTION	REV
	See Note	Ref	Note: replacement decals must be ordered separately.	
	1001290282	1	HOODS INSTALLATION	B
1	0100011	AR	Compound, Locking	
2	0630507	8	Bolt, Carriage 1/2 x 1-1/4	
3	0641405	6	Bolt 1/4 x 3/4	
4	0641407	4	Bolt 1/4 x 7/8	
5	0641608	19	Bolt 3/8 x 1	
6	0721006	4	Bolt #10 x 3/4	
7	0902219	1	Bracket, Bumper	
8	1001137876	1	Bracket, Latch - Tank Side	
9	0902335	1	Bracket, Latch - Engine Side	
10	0940049	1	Bumper	
11	0940071	2	Bumper	
12	0940088	1	Bumper	
13	1670767	1	Cover, Turntable	
14	2680433	1	Spacer, Hood (Engine Side)	
15	2680434	1	Spacer, Hood (Tank Side)	
16	2940188	2	Latch, Spring Clip	
17	3311005	4	Nut #10	
18	3311405	4	Nut 1/4	
19	3311501	2	Nut 5/16	
20	3311505	4	Nut 5/16	
21	3311601	6	Nut 3/8	
22	3311605	7	Nut 3/8	
23	3311805	8	Nut 1/2	
24	3321501	1	Nut 5/16	
25	3539923	1	Plate, Seal	
26	3960389	3.5 ft/1m	Seal, Bulb	
27	3960418	7 ft/2.1m	Seal	
28	3960467	1	Seal, Foam	
29	4160143	2	Spring, Gas	
30	4740076	2	Washer, Fender	
31	4740171	8	Washer 1/2 Hardened	
32	4751000	4	Washer #10	
33	4751400	10	Washer 1/4	
34	4751500	4	Washer 5/16	
35	4751600	21	Washer 3/8	
36	1001290352	1	Hood - Engine Side (See Items 101-119 for Breakdown)	
37	1001290399	1	Hood - Tank Side (See Items 201-210 for Breakdown)	
38	1001235948	1	Mount - Engine Side	
39	1001152557	1	Mount - Tank Side	
40	4891600	8	Washer 3/8 Hardened	
	1001290352	Ref	HOOD - ENGINE SIDE	A
101	0641608	2	Bolt 3/8 x 1	
102	0641610	3	Bolt 3/8 x 1-1/4	
103	0641611	2	Bolt 3/8 x 1-3/8	
104	2940088	1	Latch	
105	3311005	2	Nut #10	
106	3311605	3	Nut 3/8	
107	3911016	2	Screw #10 x 1	

SECTION 2 - TURNTABLE

ITEM	PART NUMBER	QTY	DESCRIPTION	REV
108	4060805	64 in /1.6m	Flex-Trim	
109	4711000	2	Washer #10	
110	4751600	6	Washer 3/8	
111	4891600	4	Washer 3/8 Hardened	
112	1001160598	1	Outlet, Exhaust	
113	1001164281	2.5 ft /0.76m	Seal	
114	1001169610	3	Spacer, Hinge	
115	1001188467	2	Hinge	
117	1001160961	1	Insulation	
118	1001160963	1	Insulation	
119	1001161027	1	Insulation	
	1001290399	Ref	HOOD TANK SIDE	A
201	0641606	4	Bolt 3/8 x 3/4	
202	2940088	1	Latch	
203	3311005	2	Nut #10	
204	3911016	2	Screw #10 x 1	
205	4060805	62 in /1.6m	Flex-Trim	
206	4751000	2	Washer #10	
207	4891600	4	Washer 3/8 Hardened	
208	1001164281	3 ft /0.91m	Seal	
209	1001166394	4.5 ft /1.4m	Seal	
210	1001188467	2	Hinge	

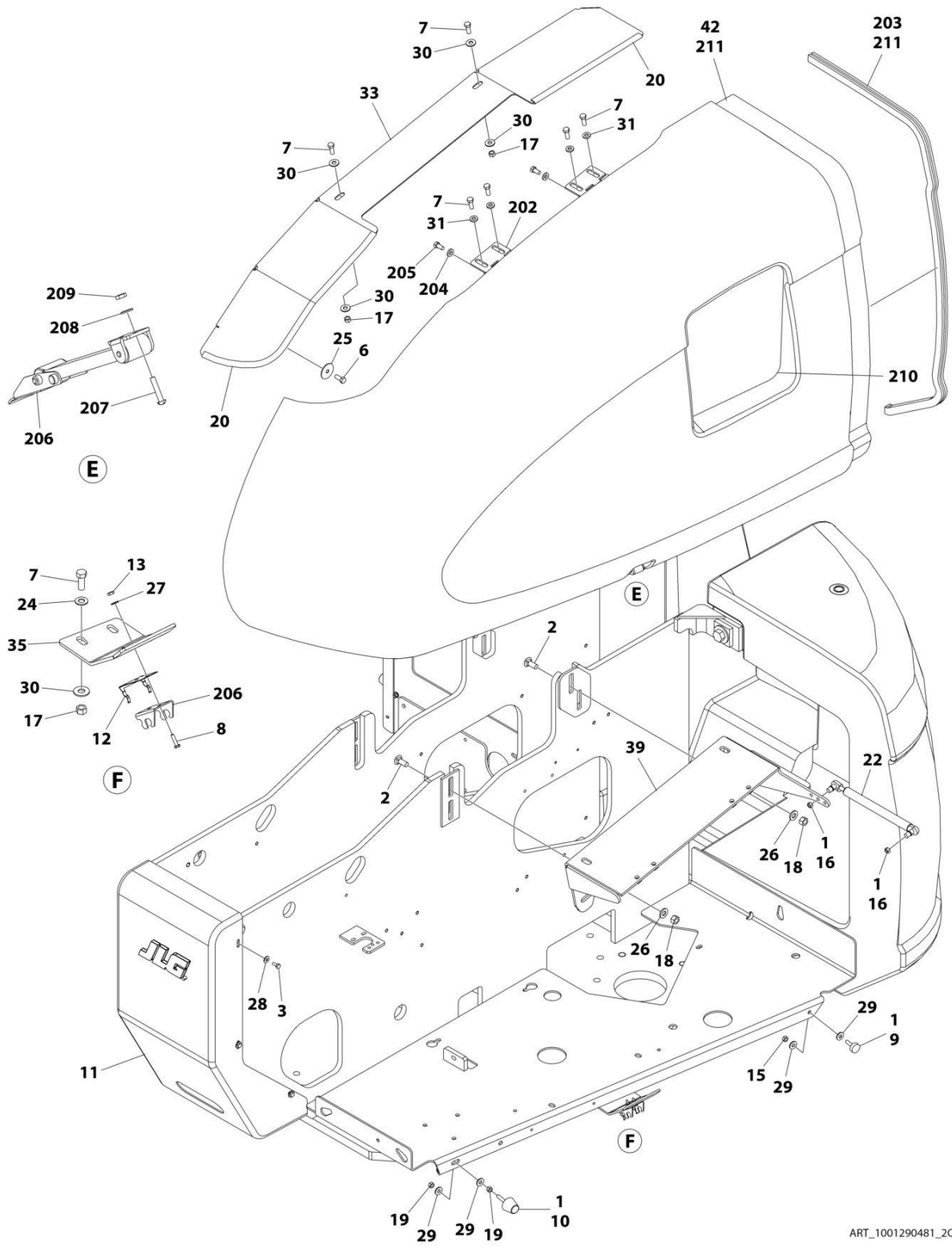
SECTION 2 - TURNTABLE

FIGURE 2-56. HOODS INSTALLATION – DEUTZ TD2.2L3 (STAGE V) ENGINES (ABS)



ART_1001290482_10F2

SECTION 2 - TURNTABLE



ART_1001290481_20F2

SECTION 2 - TURNTABLE

FIGURE 2-56. HOODS INSTALLATION – DEUTZ TD2.2L3 (STAGE V) ENGINES (ABS)

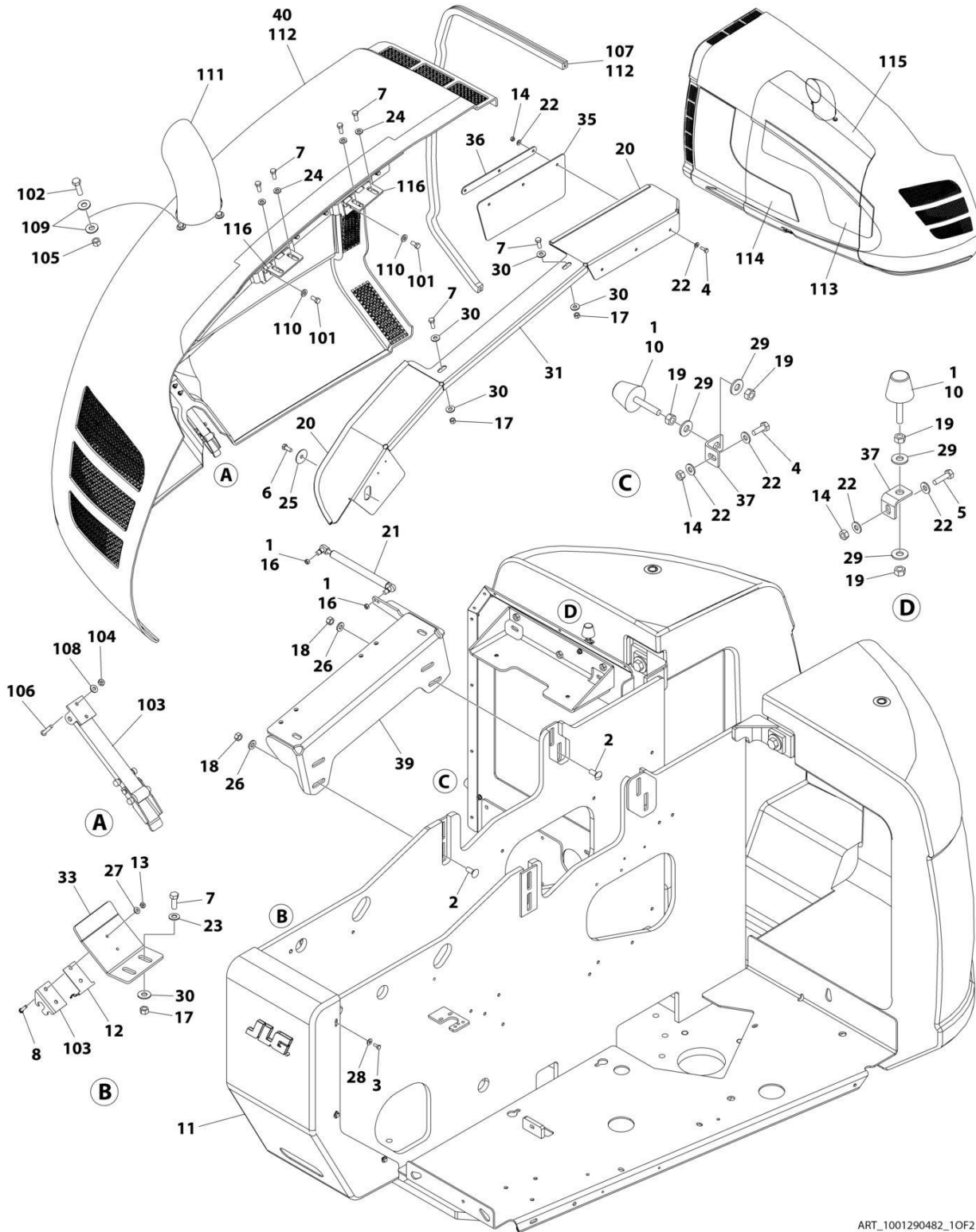
ITEM	PART NUMBER	QTY	DESCRIPTION	REV
	See Note	Ref	Note: replacement decals must be ordered separately.	
	1001290481	Ref	HOODS INSTALLATION	B
1	0100011	AR	Compound, Locking	
2	0630507	8	Bolt, Carriage 1/2 x 1-1/4	
3	0641405	6	Bolt 1/4 x 3/4	
4	0641406	4	Bolt 1/4 x 3/4	
5	0641408	1	Bolt 1/4 x 1	
6	0641607	2	Bolt 3/8 x 7/8	
7	0641608	16	Bolt 3/8 x 1	
8	0721006	4	Bolt #10 x 3/4	
9	0940049	1	Bumper	
10	0940088	3	Bumper	
11	1670767	1	Cover, Turntable	
12	2940188	2	Latch, Spring Clip	
13	3311005	4	Nut #10	
14	3311405	5	Nut 1/4	
15	3311501	1	Nut 5/16	
16	3311505	4	Nut 5/16	
17	3311605	8	Nut 3/8	
18	3311805	8	Nut 1/2	
19	3321501	6	Nut 5/16	
20	3960418	7 ft/2.1m	Seal	
21	3960467	1	Seal, Foam	
22	4160143	2	Spring, Gas	
23	4711400	10	Washer 1/4	
24	4711600	4	Washer 3/8	
25	4740076	2	Washer, Fender	
26	4740171	8	Washer 1/2 Hardened	
27	4751000	4	Washer #10	
28	4751400	6	Washer 1/4	
29	4751500	8	Washer 5/16	
30	4751600	12	Washer 3/8	
31	4891600	8	Washer 3/8 Hardened	
32	1001137853	1	Spacer, Hood (Engine Side)	
33	1001137854	1	Spacer, Hood (Tank Side)	
34	1001137875	1	Bracket, Latch - Engine Side	
35	1001137876	1	Bracket, Latch - Tank Side	
36	1001137878	1	Rubber, Baffle	
37	1001137879	1	Bracket, Baffle	
38	1001137886	2	Bracket, Bumper	
39	1001152557	1	Mount - Tank Side	
40	1001253100	1	Mount - Engine Side	
41	1001290484	1	Hood - Engine Side (See Items 101-117 for Breakdown)	
42	1001290485	1	Hood - Tank Side (See Items 202-211 for Breakdown)	
	1001290484	Ref	HOOD ENGINE SIDE	A
101	0641606	4	Bolt 3/8 x 3/4	
102	0641610	3	Bolt 3/8 x 1-1/4	
103	2940088	1	Latch	
104	3311005	2	Nut #10	
105	3311605	3	Nut 3/8	

SECTION 2 - TURNTABLE

ITEM	PART NUMBER	QTY	DESCRIPTION	REV
106	3911016	2	Screw #10 x 1	
107	3960462	5 ft /1.52m	Seal	
108	4751000	2	Washer #10	
109	4751600	6	Washer 3/8	
110	4891600	4	Washer 3/8 Hardened	
111	1001160963	1	Insulation	
112	1001160964	1	Insulation	
113	1001164281	2.5 ft /0.76m	Seal	
114	1001188467	2	Hinge	
116	1001252082	1	Outlet, Exhaust	
117	1001258377	1	Insulation	
	1001290485	Ref	HOOD TANK SIDE	A
202	1001188467	2	Hinge	
203	3960462	5 ft /1.52m	Seal	
204	4891600	4	Washer 3/8 Hardened	
205	0641606	4	Bolt 3/8 x 3/4	
206	2940088	1	Latch	
207	3911016	2	Screw #10 x 1	
208	4751000	2	Washer #10	
209	3311005	2	Nut #10	
210	1001166394	4.5 ft /1.4m	Seal	
211	1001164281	2.6 ft /0.8m	Seal	

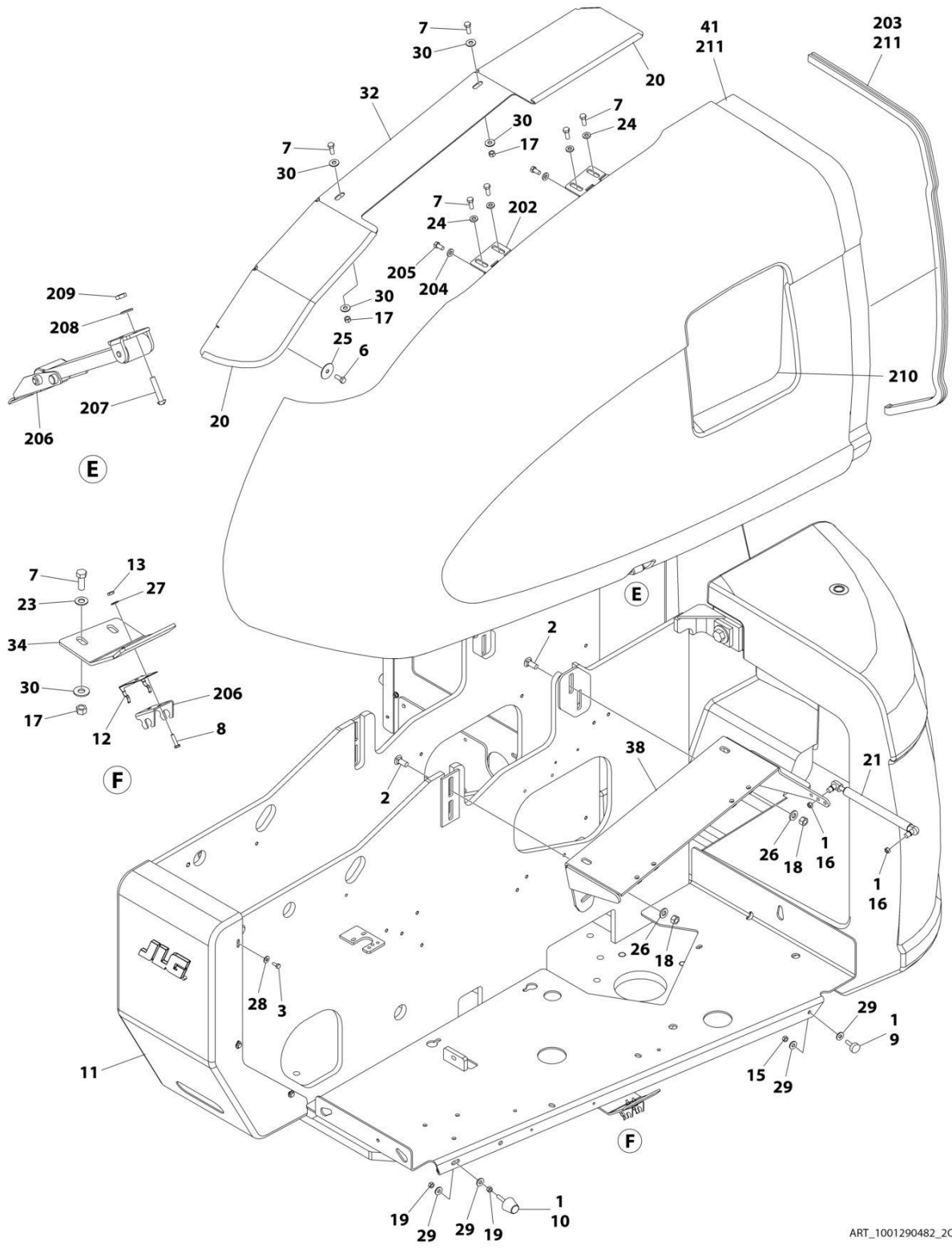
SECTION 2 - TURNTABLE

FIGURE 2-57. HOODS INSTALLATION – DEUTZ TD2.9L4, DEUTZ D2.9L4, DEUTZ D2.9L4 (CHINA IV) AND FORD DF 2.5L ENGINES (ABS)



ART_1001290482_10F2

SECTION 2 - TURNTABLE



ART_1001290482_20F2

SECTION 2 - TURNTABLE

FIGURE 2-57. HOODS INSTALLATION – DEUTZ TD2.9L4, DEUTZ D2.9L4, DEUTZ D2.9L4 (CHINA IV) AND FORD DF 2.5L ENGINES (ABS)

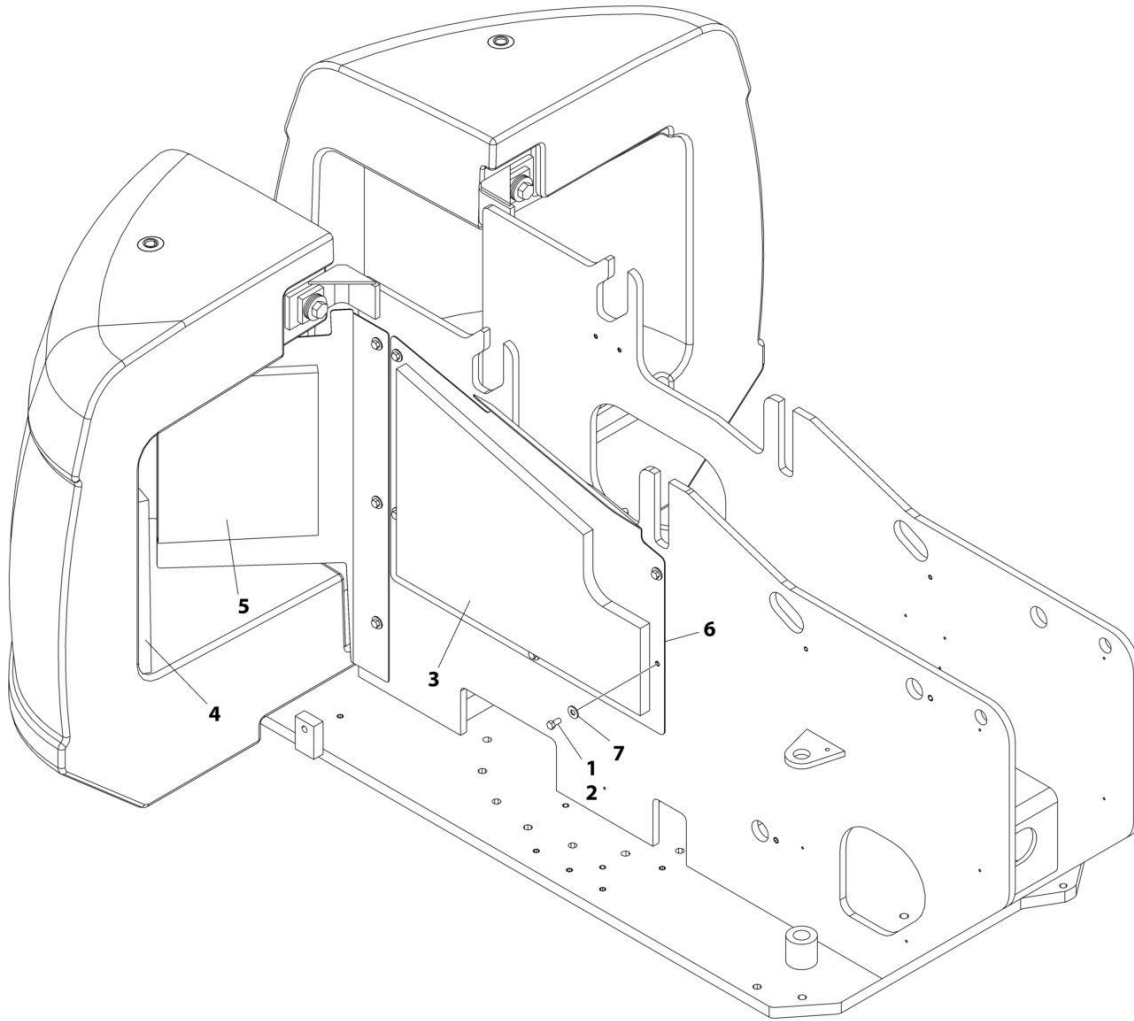
ITEM	PART NUMBER	QTY	DESCRIPTION	REV
	See Note	Ref	Note: replacement decals must be ordered separately.	
	1001290482	Ref	HOODS INSTALLATION	B
1	0100011	AR	Compound, Locking	
2	0630507	8	Bolt, Carriage 1/2 x 1-1/4	
3	0641405	6	Bolt 1/4 x 3/4	
4	0641406	4	Bolt 1/4 x 3/4	
5	0641408	1	Bolt 1/4 x 1	
6	0641607	2	Bolt 3/8 x 7/8	
7	0641608	16	Bolt 3/8 x 1	
8	0721006	4	Bolt #10 x 3/4	
9	0940049	1	Bumper	
10	0940088	3	Bumper	
11	1670767	1	Cover, Turntable	
12	2940188	2	Latch, Spring Clip	
13	3311005	4	Nut #10	
14	3311405	5	Nut 1/4	
15	3311501	1	Nut 5/16	
16	3311505	4	Nut 5/16	
17	3311605	8	Nut 3/8	
18	3311805	8	Nut 1/2	
19	3321501	6	Nut 5/16	
20	3960418	7 ft/2.1m	Seal	
21	4160143	2	Spring, Gas	
22	4711400	10	Washer 1/4	
23	4711600	4	Washer 3/8	
24	4891600	8	Washer 3/8 Hardened	
25	4740076	2	Washer, Fender	
26	4740171	8	Washer 1/2 Hardened	
27	4751000	4	Washer #10	
28	4751400	6	Washer 1/4	
29	4751500	8	Washer 5/16	
30	4751600	12	Washer 3/8	
31	1001137853	1	Spacer, Hood (Engine Side)	
32	1001137854	1	Spacer, Hood (Tank Side)	
33	1001137875	1	Bracket, Latch - Engine Side	
34	1001137876	1	Bracket, Latch - Tank Side	
35	1001137878	1	Rubber, Baffle	
36	1001137879	1	Bracket, Baffle	
37	1001137886	2	Bracket, Bumper	
38	1001152557	1	Mount - Tank Side	
39	1001235948	1	Mount - Engine Side	
40	1001290483	1	Hood - Engine Side (See Items 101-116 for Breakdown)	
41	1001290485	1	Hood - Tank Side (See Items 202-211 for Breakdown)	
	1001290483	Ref	HOOD - ENGINE SIDE	A
101	0641606	4	Bolt 3/8 x 3/4	
102	0641610	3	Bolt 3/8 x 1-1/4	
103	2940088	1	Latch	
104	3311005	2	Nut #10	
105	3311605	3	Nut 3/8	

SECTION 2 - TURNTABLE

ITEM	PART NUMBER	QTY	DESCRIPTION	REV
106	3911016	2	Screw #10 x 1	
107	3960462	5 ft /1.52m	Seal	
108	4751000	2	Washer #10	
109	4751600	6	Washer 3/8	
110	4891600	4	Washer 3/8 Hardened	
111	1001137860	1	Outlet, Exhaust	
112	1001164281	2.5 ft /0.76m	Seal	
113	1001160963	1	Insulation	
114	1001160964	1	Insulation	
115	1001165741	1	Insulation	
116	1001188467	2	Hinge	
	1001290485	Ref	HOOD TANK SIDE	A
202	1001188467	2	Hinge	
203	3960462	5 ft /1.52m	Seal	
204	4891600	4	Washer 3/8 Hardened	
205	0641606	4	Bolt 3/8 x 3/4	
206	2940088	1	Latch	
207	3911016	2	Screw #10 x 1	
208	4751000	2	Washer #10	
209	3311005	2	Nut #10	
210	1001166394	4.5 ft /1.4m	Seal	
211	1001164281	2.6 ft /0.8m	Seal	

SECTION 2 - TURNTABLE

FIGURE 2-58. NOISE REDUCTION INSTALLATION - DEUTZ ENGINES



ART_1001152325

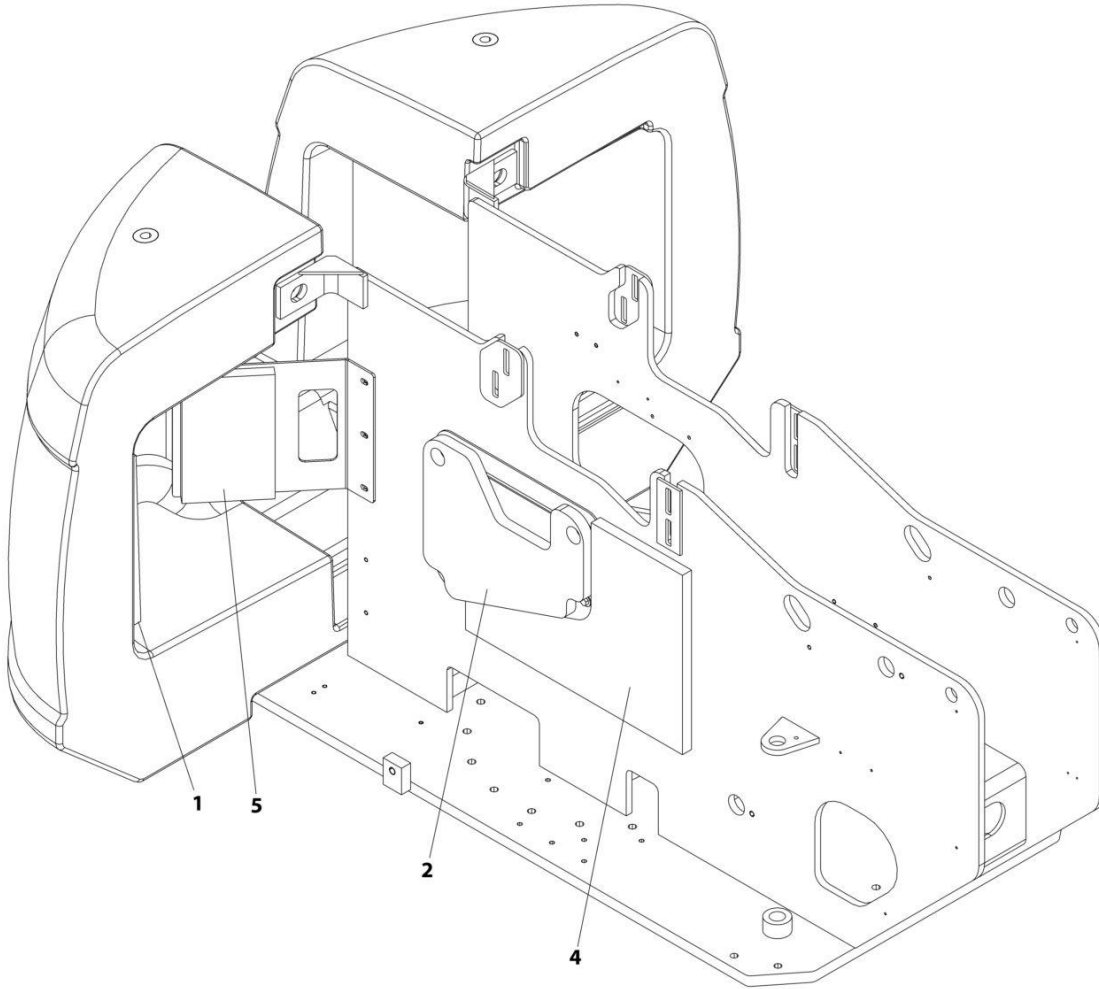
SECTION 2 - TURNTABLE

FIGURE 2-58. NOISE REDUCTION INSTALLATION - DEUTZ ENGINES

ITEM	PART NUMBER	QTY	DESCRIPTION	REV
	1001152325	Ref	NOISE REDUCTION INSTALLATION	A
1	0100011	AR	Compound, Locking	
2	0641606	5	Bolt 3/8 x 3/4	
3	2820078	1	Foam, Acoustical	
4	2820082	1	Foam, Acoustical	
5	2820083	1	Foam, Acoustical	
6	3539988	1	Plate, Baffle	
7	4751600	5	Washer 3/8	

SECTION 2 - TURNTABLE

FIGURE 2-59. NOISE REDUCTION INSTALLATION - DEUTZ TD2.2L3 (STAGE V) AND DEUTZ D2.9L4 (CHINA IV) ENGINES



ART_1001255777

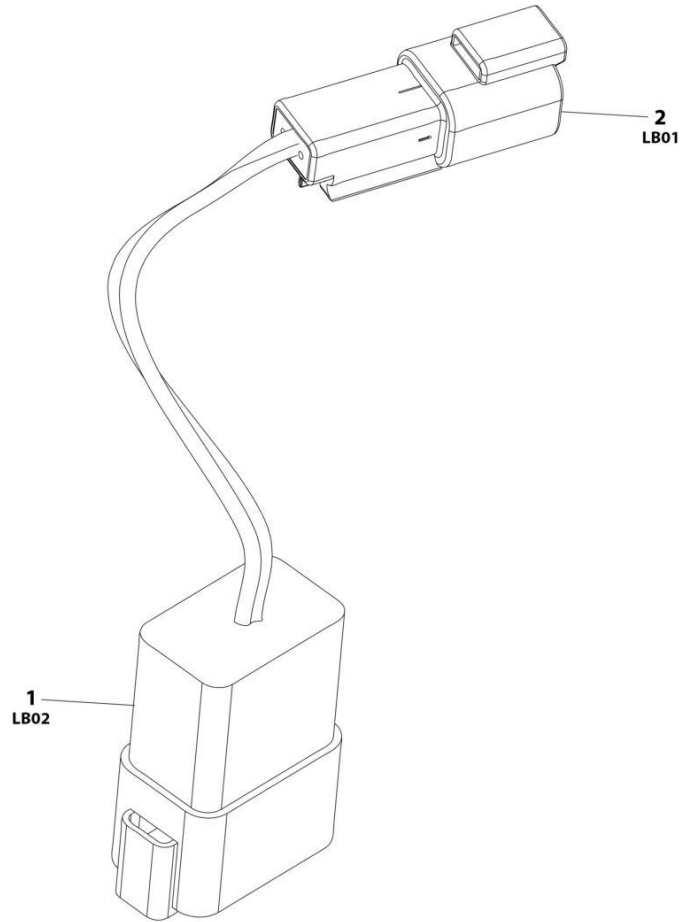
SECTION 2 - TURNTABLE

FIGURE 2-59. NOISE REDUCTION INSTALLATION - DEUTZ TD2.2L3 (STAGE V) AND DEUTZ D2.9L4 (CHINA IV) ENGINES

ITEM	PART NUMBER	QTY	DESCRIPTION	REV
	1001255777	Ref	NOISE REDUCTION INSTALLATION	C
1	2820082	1	Foam, Acoustical	
2	1001254499	1	Insulate, Foam	
4	1001254738	1	Insulate, Foam	
5	1001254769	1	Insulate, Foam	

SECTION 2 - TURNTABLE

FIGURE 2-60. STROBE LIGHT JUMPER HARNESS



ART_1001283776

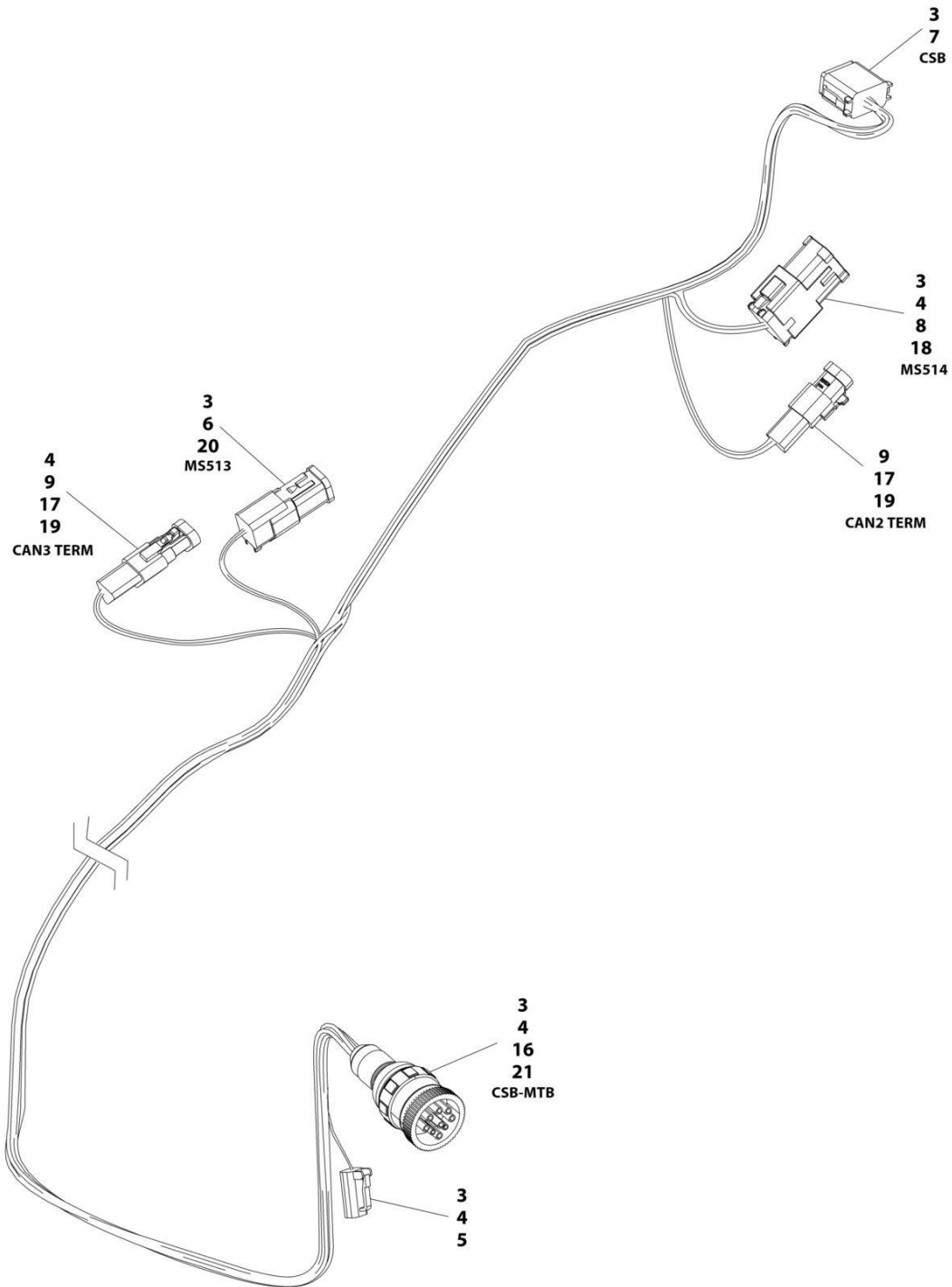
SECTION 2 - TURNTABLE

FIGURE 2-60. STROBE LIGHT JUMPER HARNESS

ITEM	PART NUMBER	QTY	DESCRIPTION	REV
	1001283776	Ref	STROBE LIGHT HARNESS (AMBER)	A
1	4460931	1	Connector	
1	4460464	2	Pin	
1	4460466	6	Plug	
2	4460897	1	Connector	
2	4460464	2	Pin	

SECTION 2 - TURNTABLE

FIGURE 2-61. CSB HARNESS



ART_1001286622

SECTION 2 - TURNTABLE

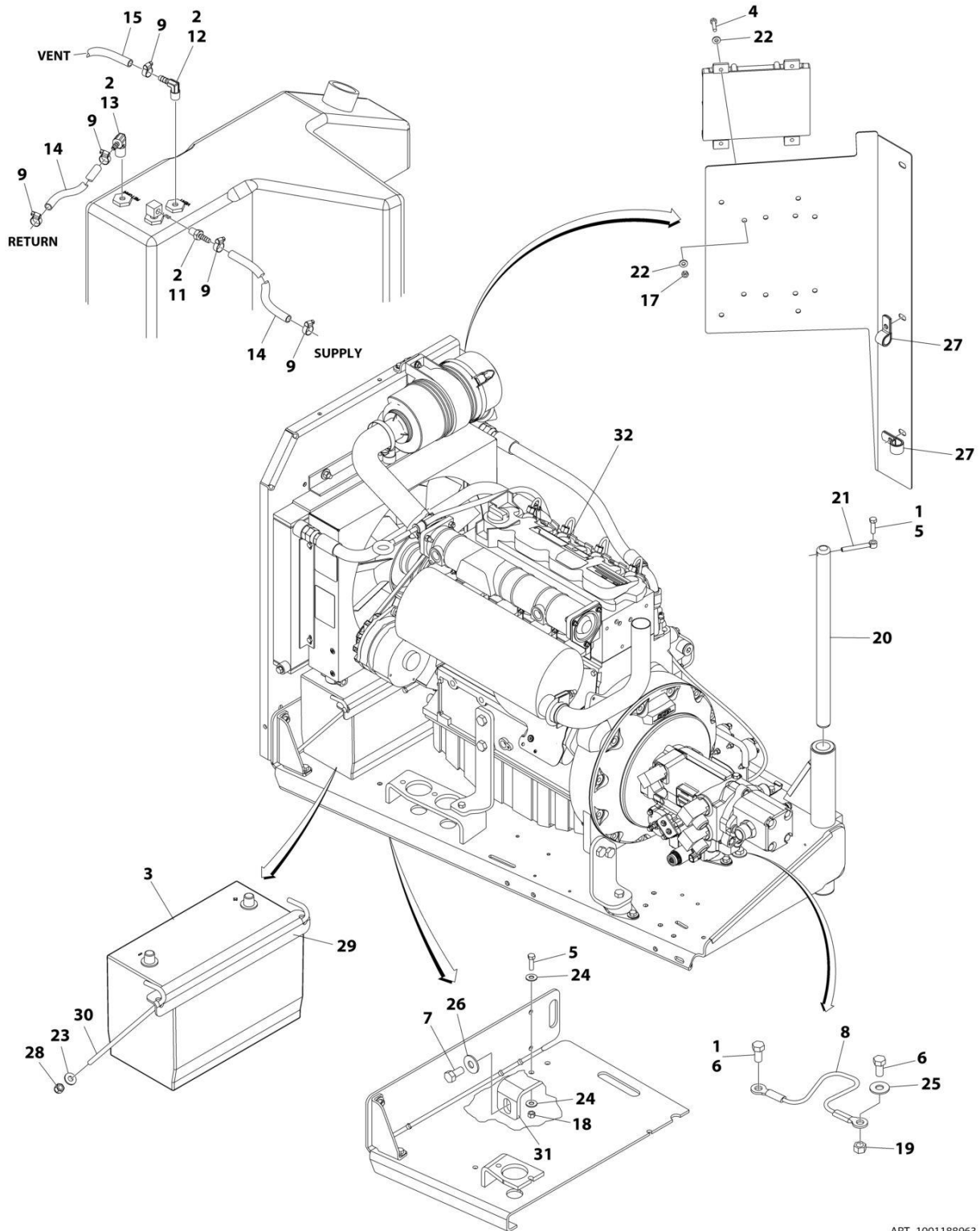
FIGURE 2-61. CSB HARNESS

ITEM	PART NUMBER	QTY	DESCRIPTION	REV
	1001286622	Ref	CSB HARNESS	C
3	4460465	32	Socket	
4	4460466	6	Plug, Terminal	
5	4460891	1	Connector	
6	4460894	1	Connector	
7	4460930	1	Connector	
8	4460933	1	Connector	
9	4460943	6	Pin	
16	1001112796	1	Connector	
17	1001116815	2	Connector	
18	1001119020	1	Connector	
19	1001144147	2	Pin	
20	1001226541	1	Connector	
21	4461042	1	Connector	

SECTION 3 - ENGINE

SECTION 3 - ENGINE

FIGURE 3-1. DEUTZ D2011 ENGINE INSTALLATION - (WITHOUT ARCTIC PACKAGE) (SN STARTING WITH 03)



ART_1001188963

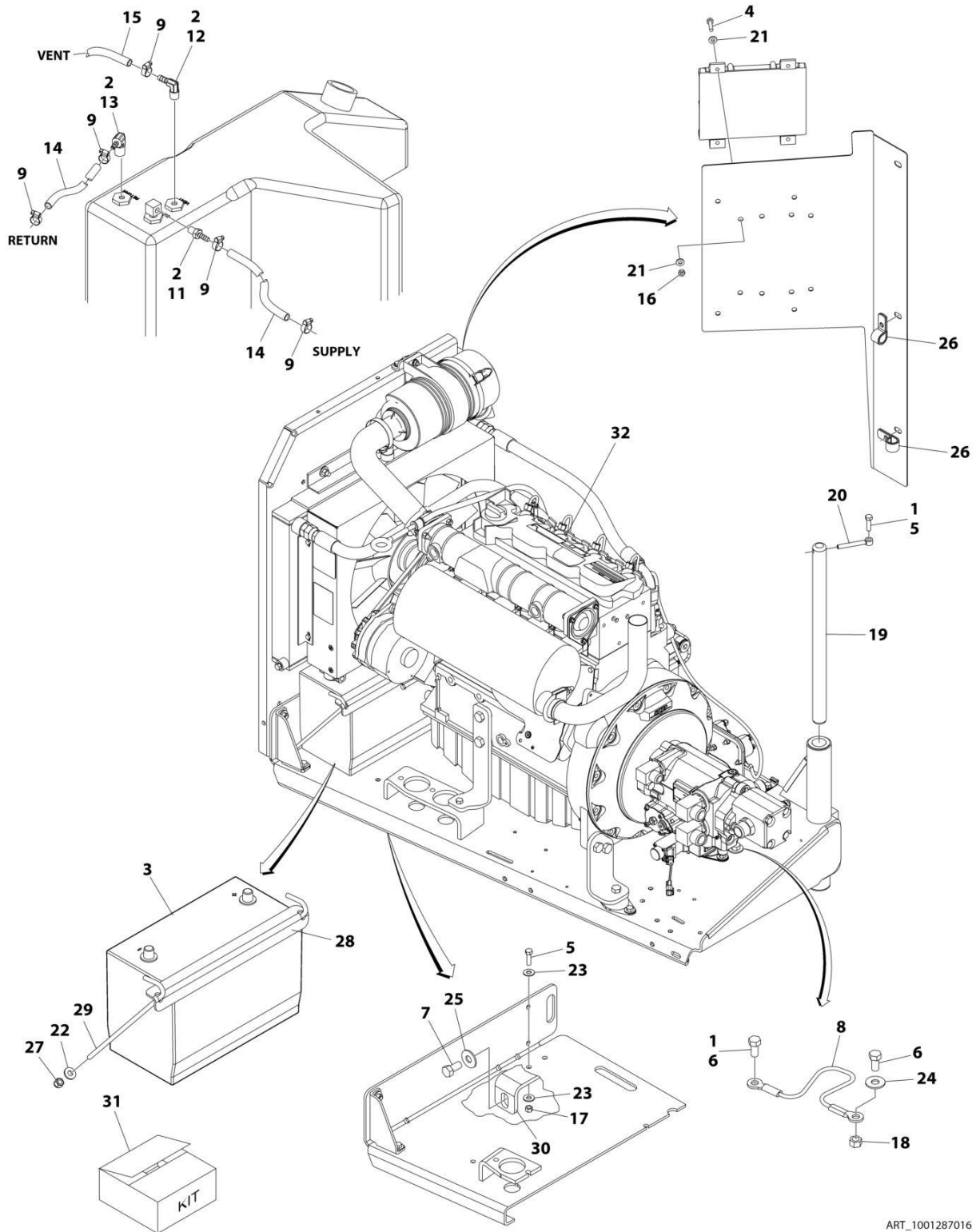
SECTION 3 - ENGINE

FIGURE 3-1. DEUTZ D2011 ENGINE INSTALLATION - (WITHOUT ARCTIC PACKAGE) (SN STARTING WITH 03)

ITEM	PART NUMBER	QTY	DESCRIPTION	REV
	1001188963	Ref	DEUTZ D2011 ENGINE INSTALLATION	B
1	0100011	AR	Compound, Locking	
2	0100020	AR	Sealant, Pipe	
3	0400075	1	Battery	
4	0641409	4	Bolt 1/4 x 1-1/8	
5	0641610	3	Bolt 3/8 x 1-1/4	
6	0641808	2	Bolt 1/2 x 1	
7	0642010	1	Bolt 5/8 x 1-1/4	
8	1060637	1	Cable, Lanyard	
9	1320022	5	Clamp, Hose	
10	1701505	1	Decal - Diesel (Not Shown - Located on Hood)	
11	2180348	1	Fitting, Straight Barbed	
12	2220313	1	Fitting, 90	
13	2221176	1	Fitting, Straight Barbed	
14	2720058	24 ft /7.3m	Hose	
15	2750532	6 ft /1.8m	Hose	
16	1001241578	1	Battery Cable Kit (No Info at Time of Printing)	A
17	3311405	4	Nut 1/4	
18	3311605	2	Nut 3/8	
19	3311805	1	Nut 1/2	
20	3422448	1	Pin, Pivot	
21	3841143	1	Pin, Keeper	
22	4711400	8	Washer 1/4	
23	4751500	2	Washer 5/16	
24	4751600	4	Washer 3/8	
25	4751800	1	Washer 1/2	
26	4752000	1	Washer 5/8	
27	85941017	2	Clamp	
28	88521205	2	Nut 5/16	
29	91401281	1	Hold-down, Battery	
30	1001093382	2	J-Bolt	
31	1001151070	1	Angle	
32	1001188954	1	Engine Assembly with Pumps (See Separate Breakdown in this Section)	

SECTION 3 - ENGINE

FIGURE 3-2. DEUTZ D2011 ENGINE INSTALLATION - (WITHOUT ARCTIC PACKAGE) (SN STARTING WITH B3)



ART_1001287016

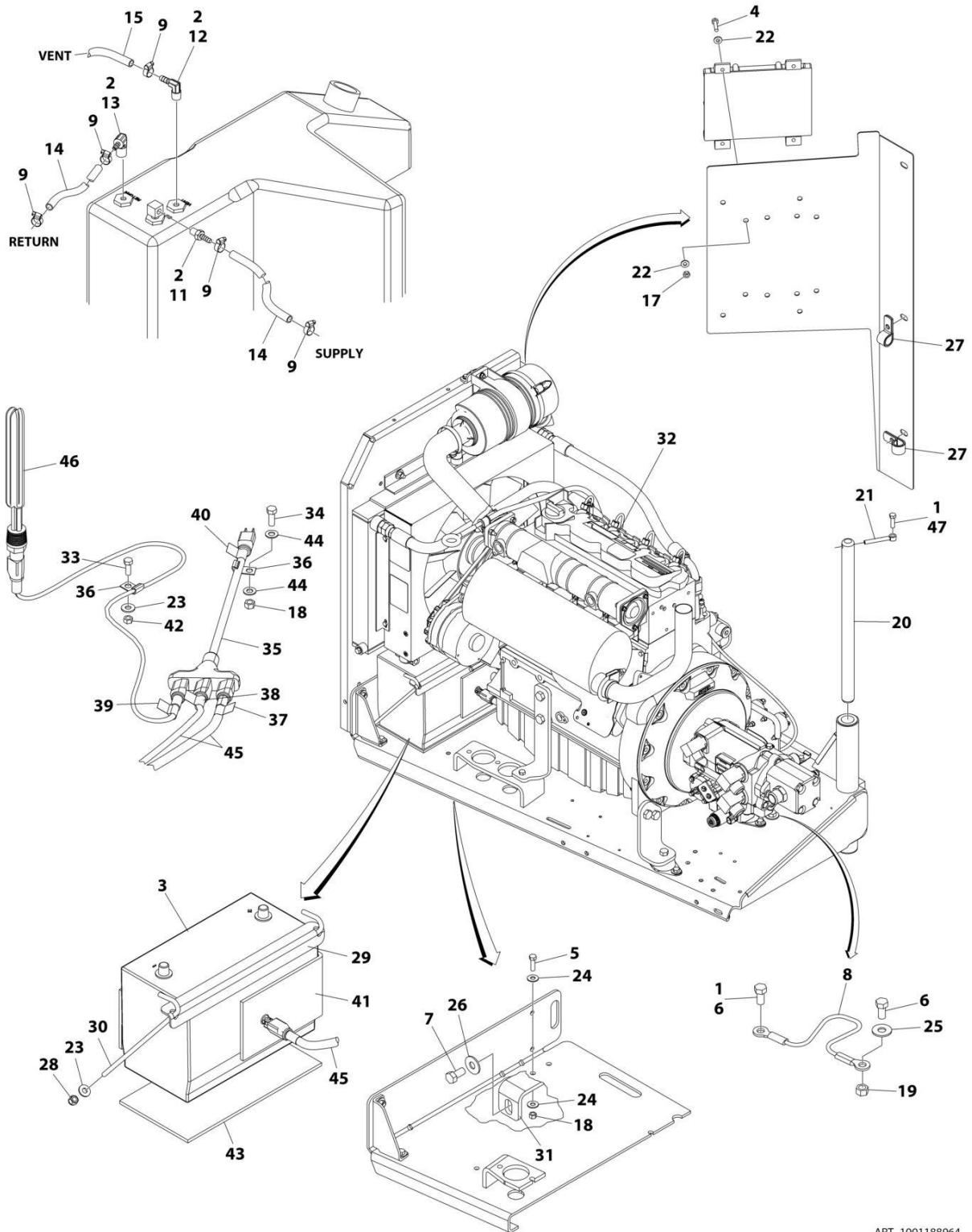
SECTION 3 - ENGINE

FIGURE 3-2. DEUTZ D2011 ENGINE INSTALLATION - (WITHOUT ARCTIC PACKAGE) (SN STARTING WITH B3)

ITEM	PART NUMBER	QTY	DESCRIPTION	REV
	1001287016	Ref	DEUTZ D2011 ENGINE INSTALLATION	A
1	0100011	AR	Compound, Locking	
2	0100020	AR	Sealant, Pipe	
3	0400075	1	Battery	
4	0641409	4	Bolt 1/4 x 1-1/8	
5	0641610	3	Bolt 3/8 x 1-1/4	
6	0641808	2	Bolt 1/2 x 1	
7	0642010	1	Bolt 5/8 x 1-1/4	
8	1060637	1	Cable, Lanyard	
9	1320022	5	Clamp, Hose	
10	1701505	1	Decal - Diesel (Not Shown - Located on Hood)	
11	2180348	1	Fitting, Straight Barbed	
12	2220313	1	Fitting, 90	
13	2221176	1	Fitting, Straight Barbed	
14	2720058	24 ft /7.3m	Hose	
15	2750532	6 ft /1.8m	Hose	
16	3311405	4	Nut, Lock 1/4	
17	3311605	2	Nut, Lock 3/8	
18	3311805	1	Nut, Lock 1/2	
19	3422448	1	Pin, Pivot	
20	3841143	1	Pin, Keeper	
21	4711400	8	Washer 1/4	
22	4751500	2	Washer 5/16	
23	4751600	4	Washer 3/8	
24	4751800	1	Washer 1/2	
25	4752000	1	Washer 5/8	
26	85941017	2	Clamp	
27	88521205	2	Nut, Lock 5/16	
28	91401281	1	Hold-down, Battery	
29	1001093382	2	J-Bolt	
30	1001151070	1	Angle	
31	1001241578	1	Battery Cable Kit (No Service Parts Available at Time of Printing)	
32	1001287017	1	Engine Assembly with Pumps (See Separate Breakdown in this Section)	

SECTION 3 - ENGINE

FIGURE 3-3. DEUTZ D2011 ENGINE INSTALLATION - (WITH ARCTIC PACKAGE) (SN STARTING WITH 03)



ART_1001188964

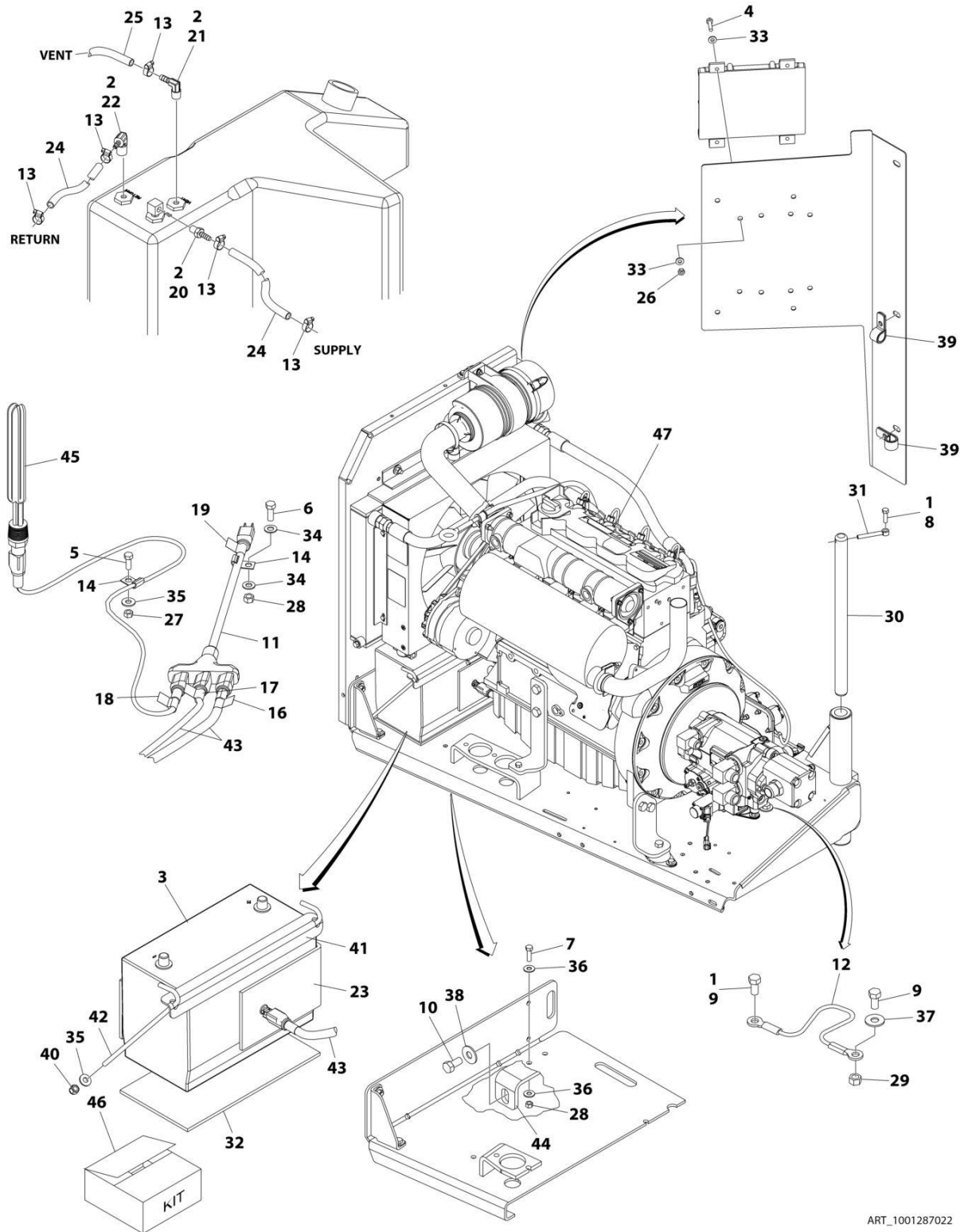
SECTION 3 - ENGINE

FIGURE 3-3. DEUTZ D2011 ENGINE INSTALLATION - (WITH ARCTIC PACKAGE) (SN STARTING WITH 03)

ITEM	PART NUMBER	QTY	DESCRIPTION	REV
	1001188964	Ref	DEUTZ D2011 ENGINE INSTALLATION	D
1	0100011	AR	Compound, Locking	
2	0100020	AR	Sealant, Pipe	
3	0400075	1	Battery	
4	0641409	4	Bolt 1/4 x 1-1/8	
5	0641610	2	Bolt 3/8 x 1-1/4	
6	0641808	2	Bolt 1/2 x 1	
7	0642010	1	Bolt 5/8 x 1-1/4	
8	1060637	1	Cable, Lanyard	
9	1320022	5	Clamp, Hose	
10	1701505	1	Decal - Diesel (Not Shown - Located on Hood)	
11	2180348	1	Fitting, Straight Barbed	
12	2220313	1	Fitting, 90	
13	2221176	1	Fitting, Straight Barbed	
14	2720058	24 ft /7.3m	Hose	
15	2750532	6 ft /1.8m	Hose	
16	1001241578	1	Battery Cable Kit (No Info at Time of Printing)	
17	3311405	4	Nut 1/4	
18	3311605	3	Nut 3/8	
19	3311805	1	Nut 1/2	
20	3422448	1	Pin, Pivot	
21	3841143	1	Pin, Keeper	
22	4711400	8	Washer 1/4	
23	4751500	3	Washer 5/16	
24	4751600	4	Washer 3/8	
25	4751800	1	Washer 1/2	
26	4752000	1	Washer 5/8	
27	85941017	2	Clamp	
28	88521205	2	Nut 5/16	
29	91401281	1	Hold-down, Battery	
30	1001093382	2	J-Bolt	
31	1001151070	1	Angle	
32	1001188955	1	Engine Assembly with Pumps (See Separate Breakdown in this Section)	
33	0641507	1	Bolt 5/16 x 7/8	
34	0641608	1	Bolt 3/8 x 1	
35	1060626	1	Cord, 3-Way Extension	
36	1320223	2	Clamp	
37	1702941	1	Decal - Battery Heater	
38	1702942	1	Decal - Engine Block Heater	
39	1702943	1	Decal - Hydraulic Tank Heater	
40	1702944	1	Decal - Heater Cord	
41	2580024	1	Heater, Battery	
42	3311505	1	Nut 5/16	
43	3980007	1	Seat, Battery	
44	4711600	2	Washer 3/8	
45	1001150918	2	Cable, Immersion Heater	
46	1001188972	1	Heater, Hydraulic Tank	

SECTION 3 - ENGINE

FIGURE 3-4. DEUTZ D2011 ENGINE INSTALLATION - (WITH ARCTIC PACKAGE) (SN STARTING WITH B3)



ART_1001287022

SECTION 3 - ENGINE

FIGURE 3-4. DEUTZ D2011 ENGINE INSTALLATION - (WITH ARCTIC PACKAGE) (SN STARTING WITH B3)

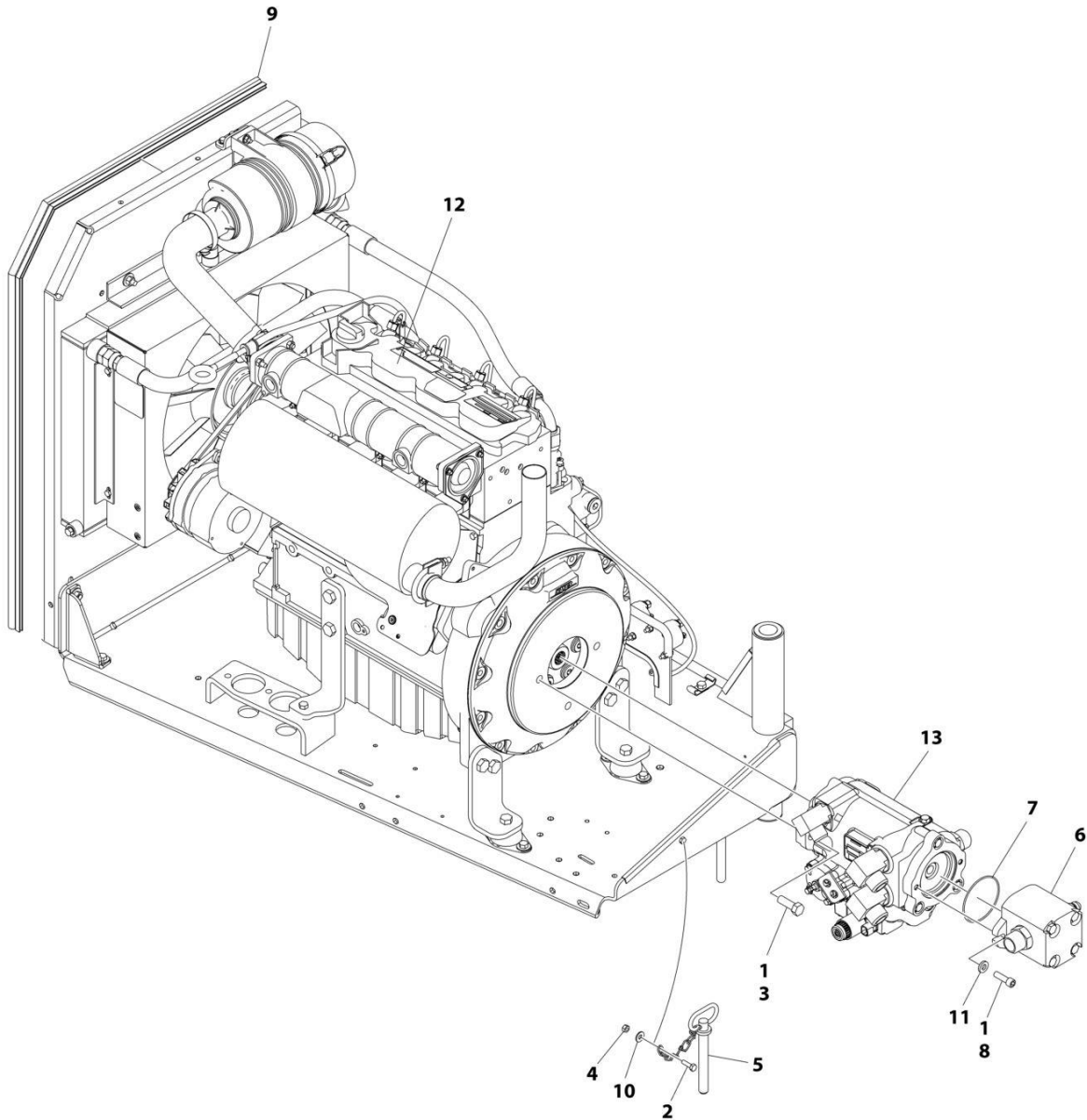
ITEM	PART NUMBER	QTY	DESCRIPTION	REV
	1001287022	Ref	DEUTZ D2011 ENGINE INSTALLATION	A
1	0100011	AR	Compound, Locking	
2	0100020	AR	Sealant, Pipe	
3	0400075	1	Battery	
4	0641409	4	Bolt 1/4 x 1-1/8	
5	0641507	1	Bolt 5/16 x 7/8	
6	0641608	1	Bolt 3/8 x 1	
7	0641610	2	Bolt 3/8 x 1-1/4	
8	0641612	1	Bolt 3/8 x 1-1/2	
9	0641808	2	Bolt 1/2 x 1	
10	0642010	1	Bolt 5/8 x 1-1/4	
11	1060626	1	Cord, 3-Way Extension	
12	1060637	1	Cable, Lanyard	
13	1320022	5	Clamp, Hose	
14	1320223	2	Clamp	
15	1701505	1	Decal - Diesel (Not Shown - Located on Hood)	
16	1702941	1	Decal - Battery Heater	
17	1702942	1	Decal - Engine Block Heater	
18	1702943	1	Decal - Hydraulic Tank Heater	
19	1702944	1	Decal - Heater Cord	
20	2180348	1	Fitting, Straight Barbed	
21	2220313	1	Fitting, 90	
22	2221176	1	Fitting, Straight Barbed	
23	2580024	1	Heater, Battery	
24	2720058	24 ft /7.3m	Hose	
25	2750532	6 ft /1.8m	Hose	
26	3311405	4	Nut, Lock 1/4	
27	3311505	1	Nut, Lock 5/16	
28	3311605	3	Nut, Lock 3/8	
29	3311805	1	Nut, Lock 1/2	
30	3422448	1	Pin, Pivot	
31	3841143	1	Pin, Keeper	
32	3980007	1	Seat, Battery	
33	4711400	8	Washer 1/4	
34	4711600	2	Washer 3/8	
35	4751500	3	Washer 5/16	
36	4751600	4	Washer 3/8	
37	4751800	1	Washer 1/2	
38	4752000	1	Washer 5/8	
39	85941017	2	Clamp	
40	88521205	2	Nut, Lock 5/16	
41	91401281	1	Hold-down, Battery	
42	1001093382	2	J-Bolt	
43	1001150918	2	Cable, Immersion Heater	
44	1001151070	1	Angle	
45	1001188972	1	Heater, Hydraulic Tank	
46	1001241578	1	Battery Cable Kit (No Service Parts Available at Time of Printing)	

SECTION 3 - ENGINE

ITEM	PART NUMBER	QTY	DESCRIPTION	REV
47	1001287023	1	Engine Assembly with Pumps (See Separate Breakdown in this Section)	

SECTION 3 - ENGINE

FIGURE 3-5. DEUTZ D2011 ENGINE/PUMP SUB-ASSEMBLY - (WITHOUT ARCTIC PACKAGE) (SN STARTING WITH 03)



ART_1001188954

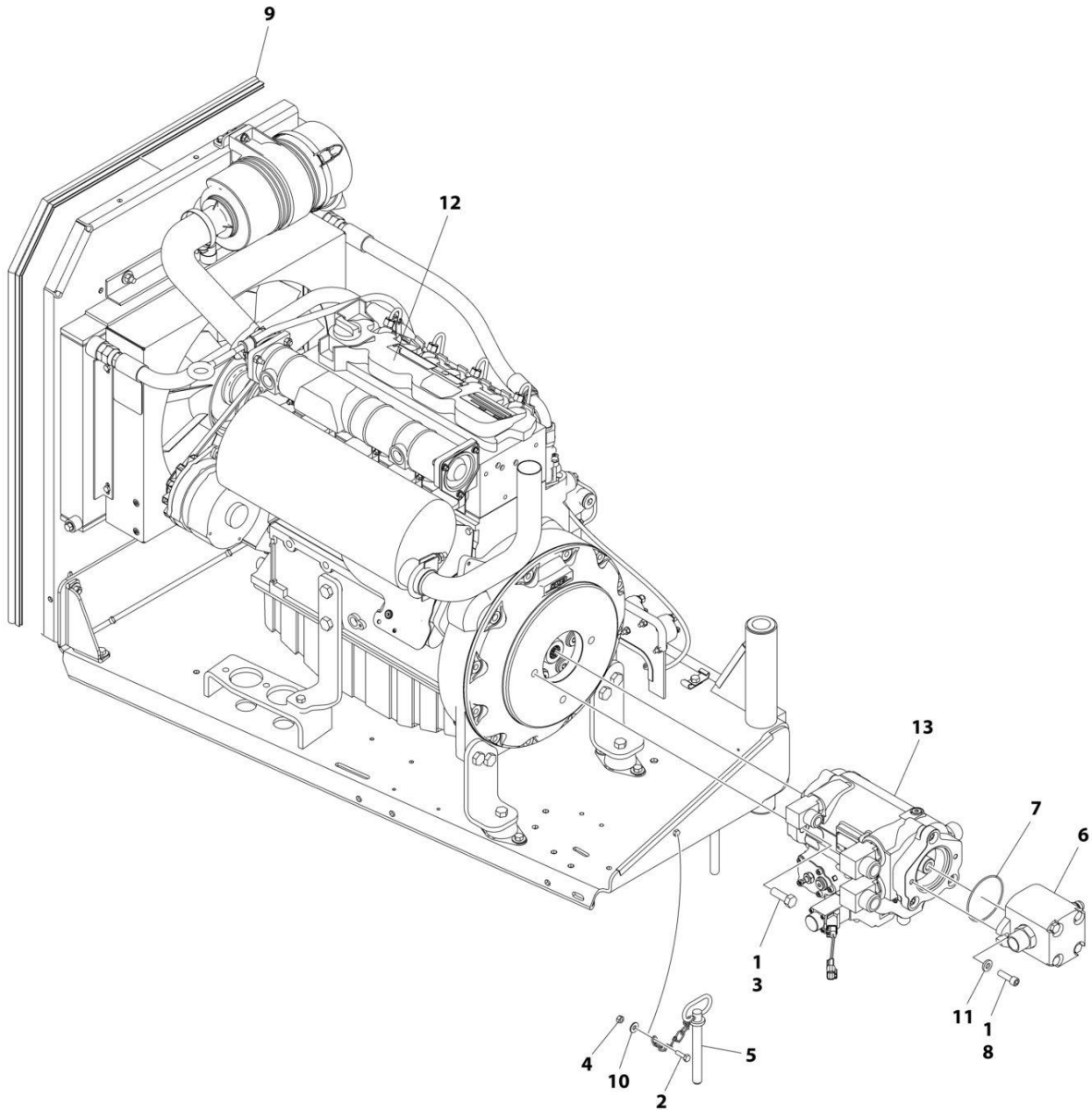
SECTION 3 - ENGINE

FIGURE 3-5. DEUTZ D2011 ENGINE/PUMP SUB-ASSEMBLY - (WITHOUT ARCTIC PACKAGE) (SN STARTING WITH 03)

ITEM	PART NUMBER	QTY	DESCRIPTION	REV
	1001188954	Ref	DEUTZ D2011 ENGINE/PUMP SUB-ASSEMBLY	B
1	0100011	AR	Compound, Locking	
2	0641407	1	Bolt 1/4 x 7/8	
3	0641812	2	Bolt 1/2 x 1-1/2	
4	3311405	1	Nut 1/4	
5	3422533	1	Pin, Hitch	
6	3600395	1	Gear Pump Assembly with Fittings (See Separate Breakdown in this section)	
7	3790152	1	O-Ring	
8	3931620	2	Capscrew 3/8 x 1-1/4	
9	3960389	5 ft /1.5m	Seal	
10	4751400	1	Washer 1/4	
11	4891600	2	Washer 3/8 Hardened	
12	1001150158	1	Engine Assembly (See Separate Breakdown in this Section)	
13	1001188952	1	Piston Pump Assembly with Fittings (See Separate Breakdown in this section)	

SECTION 3 - ENGINE

FIGURE 3-6. DEUTZ D2011 ENGINE/PUMP SUB-ASSEMBLY - (WITHOUT ARCTIC PACKAGE) (SN STARTING WITH B3)



ART_1001287017

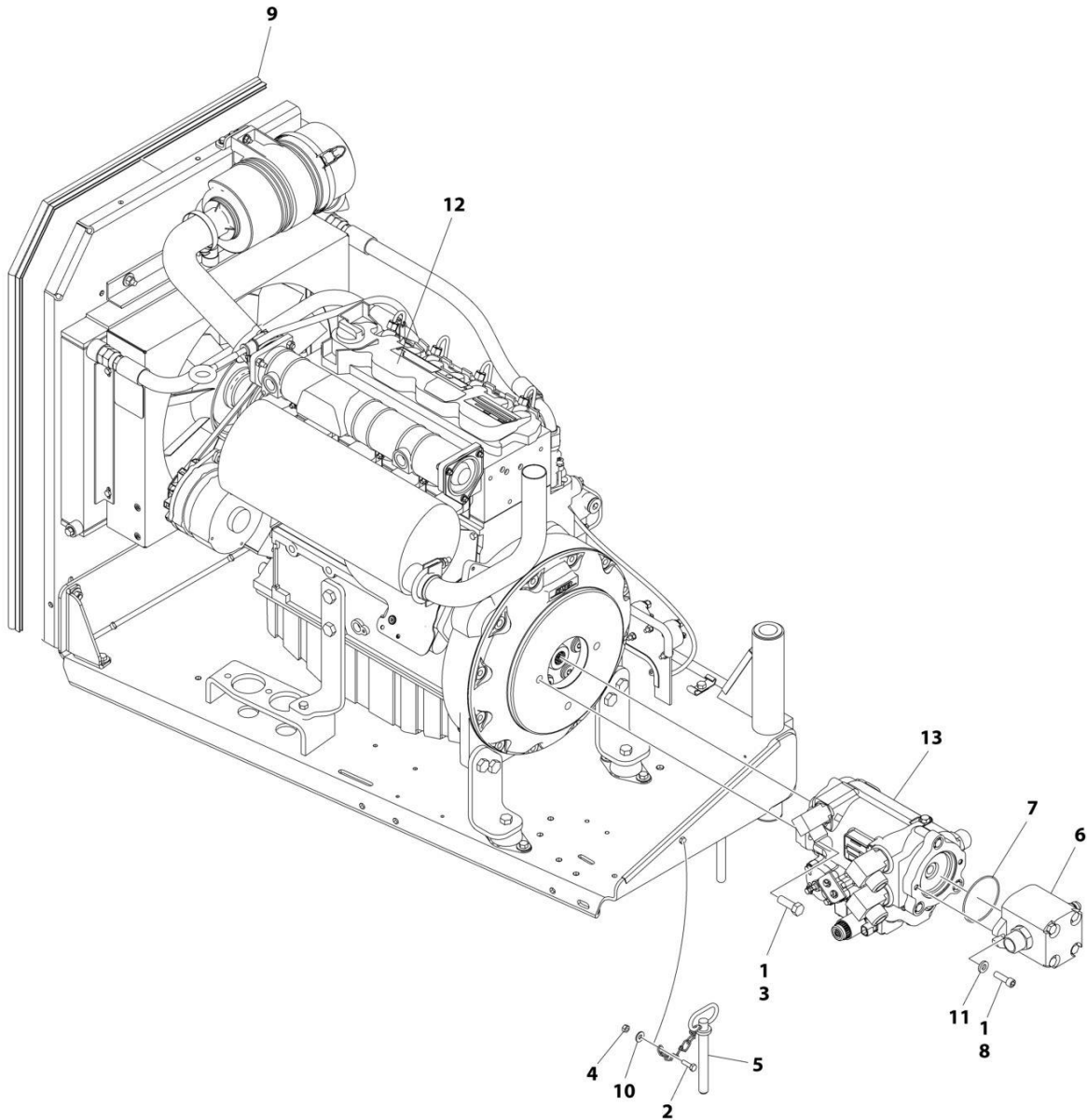
SECTION 3 - ENGINE

FIGURE 3-6. DEUTZ D2011 ENGINE/PUMP SUB-ASSEMBLY - (WITHOUT ARCTIC PACKAGE) (SN STARTING WITH B3)

ITEM	PART NUMBER	QTY	DESCRIPTION	REV
	1001287017	Ref	DEUTZ D2011 ENGINE/PUMP SUB-ASSEMBLY	B
1	0100011	AR	Compound, Locking	
2	0641407	1	Bolt 1/4 x 7/8	
3	0641812	2	Bolt 1/2 x 1-1/2	
4	3311405	1	Nut, Lock 1/4	
5	3422533	1	Pin, Hitch	
6	3600395	1	Gear Pump Assembly with Fittings (See Separate Breakdown in this section)	
8	3931620	2	Capscrew 3/8 x 1-1/4	
9	3960389	5 ft /1.5m	Seal	
10	4751400	1	Washer 1/4	
11	4891600	2	Washer 3/8 Hardened	
12	1001150158	1	Engine Assembly (See Separate Breakdown in this Section)	
13	1001287018	1	Piston Pump Assembly with Fittings (See Separate Breakdown in this section)	

SECTION 3 - ENGINE

FIGURE 3-7. DEUTZ D2011 ENGINE/PUMP SUB-ASSEMBLY - (WITH ARCTIC PACKAGE) (SN STARTING WITH 03)



ART_1001188955

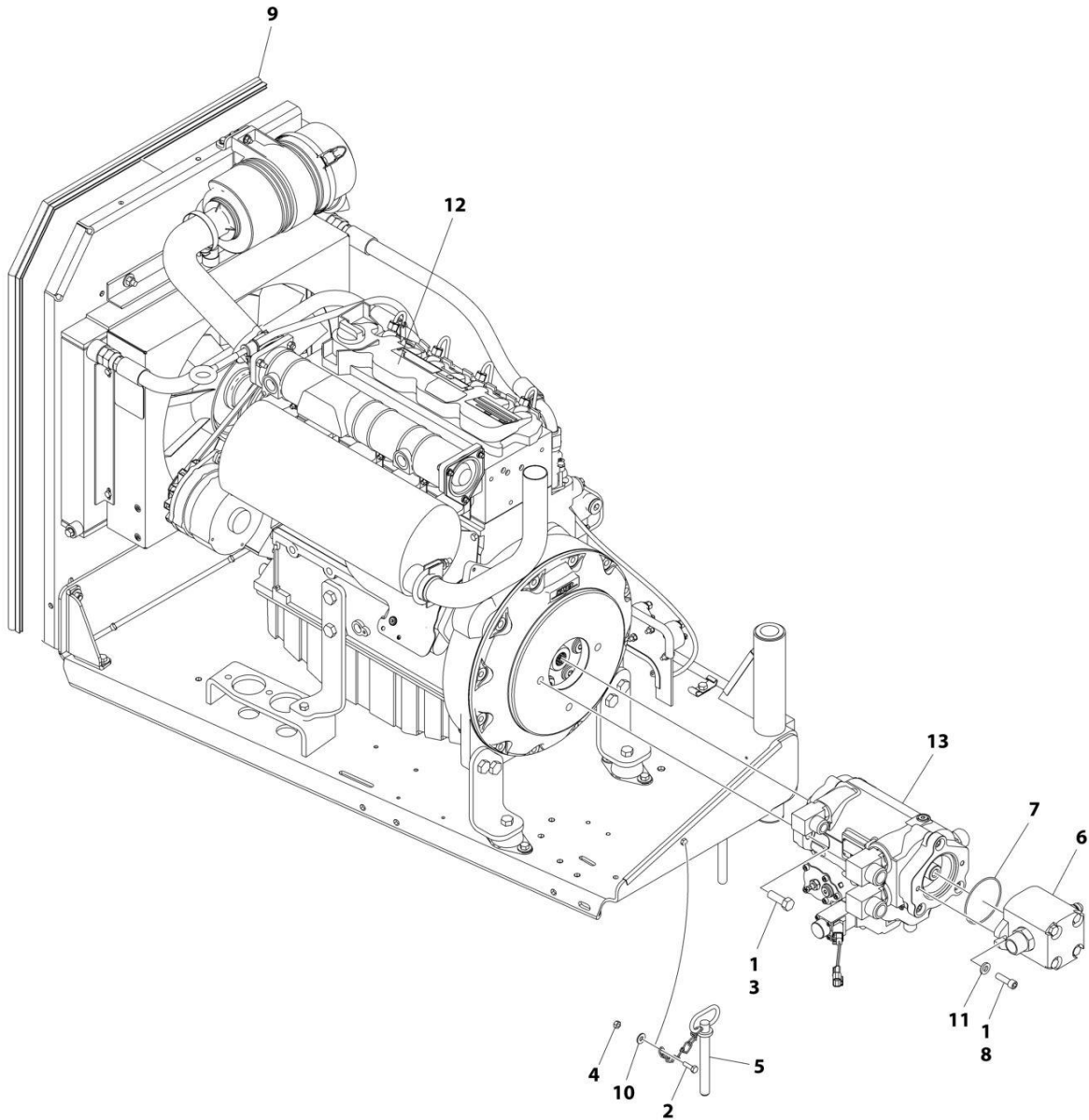
SECTION 3 - ENGINE

FIGURE 3-7. DEUTZ D2011 ENGINE/PUMP SUB-ASSEMBLY - (WITH ARCTIC PACKAGE) (SN STARTING WITH 03)

ITEM	PART NUMBER	QTY	DESCRIPTION	REV
	1001188955	Ref	DEUTZ D2011 ENGINE/PUMP SUB-ASSEMBLY	A
1	0100011	AR	Compound, Locking	
2	0641407	1	Bolt 1/4 x 7/8	
3	0641812	2	Bolt 1/2 x 1-1/2	
4	3311405	1	Nut 1/4	
5	3422533	1	Pin, Hitch	
6	3600395	1	Gear Pump Assembly with Fittings (See Separate Breakdown in this section)	
7	3790152	1	O-Ring	
8	3931620	2	Capscrew 3/8 x 1-1/4	
9	3960389	5 ft /1.5m	Seal	
10	4751400	1	Washer 1/4	
11	4891600	2	Washer 3/8 Hardened	
12	1001150179	1	Engine Assembly (See Separate Breakdown in this Section)	
13	1001188952	1	Piston Pump Assembly with Fittings (See Separate Breakdown in this section)	

SECTION 3 - ENGINE

FIGURE 3-8. DEUTZ D2011 ENGINE/PUMP SUB-ASSEMBLY - (WITH ARCTIC PACKAGE) (SN STARTING WITH B3)



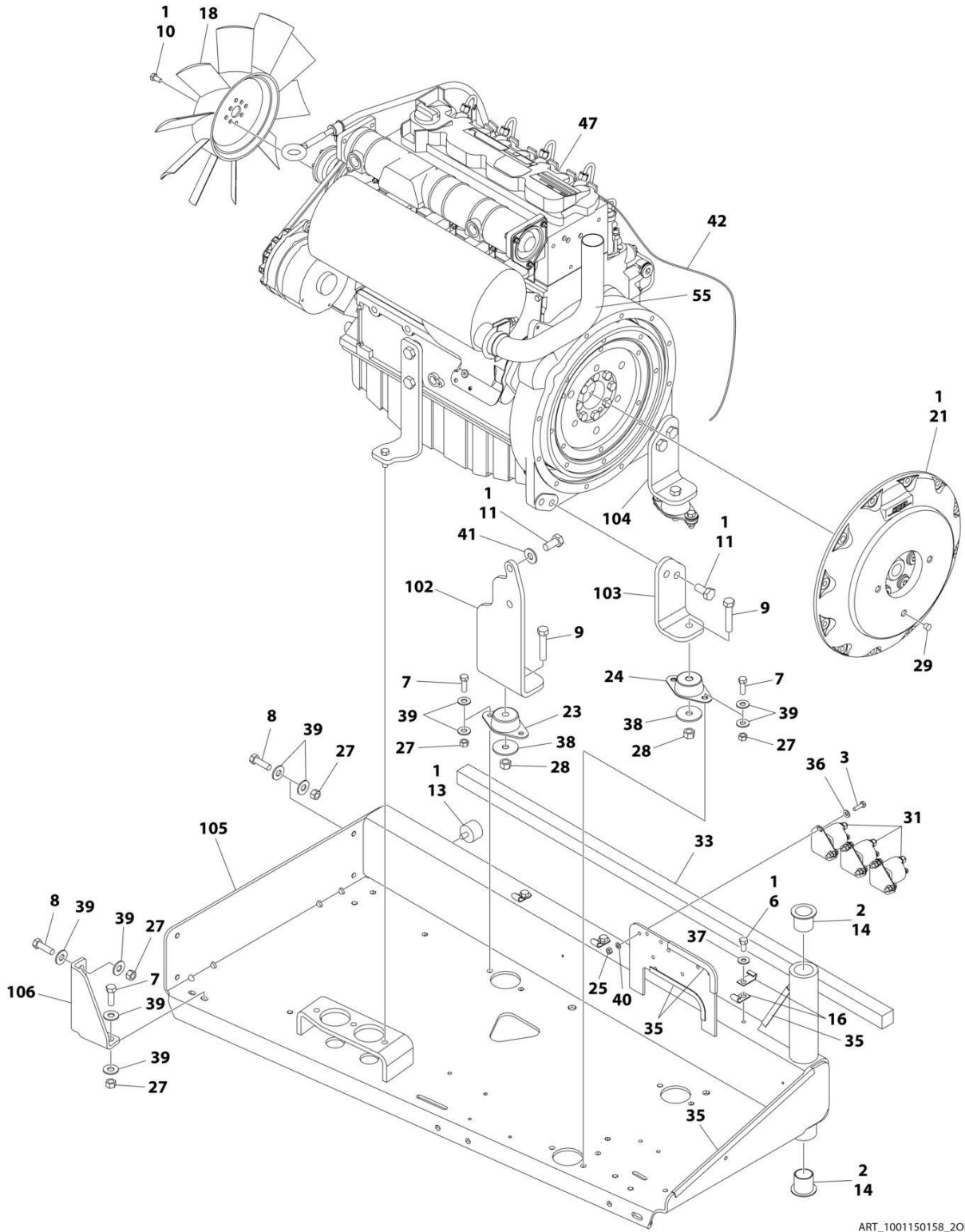
ART_1001287023

SECTION 3 - ENGINE

FIGURE 3-8. DEUTZ D2011 ENGINE/PUMP SUB-ASSEMBLY - (WITH ARCTIC PACKAGE) (SN STARTING WITH B3)

ITEM	PART NUMBER	QTY	DESCRIPTION	REV
	1001287023	Ref	DEUTZ D2011 ENGINE/PUMP SUB-ASSEMBLY	B
1	0100011	AR	Compound, Locking	
2	0641407	1	Bolt 1/4 x 7/8	
3	0641812	2	Bolt 1/2 x 1-1/2	
4	3311405	1	Nut, Lock 1/4	
5	3422533	1	Pin, Hitch	
6	3600395	1	Gear Pump Assembly with Fittings (See Separate Breakdown in this section)	
8	3931620	2	Capscrew 3/8 x 1-1/4	
9	3960389	5 ft /1.5m	Seal	
10	4751400	1	Washer 1/4	
11	4891600	2	Washer 3/8 Hardened	
12	1001150179	1	Engine Assembly (See Separate Breakdown in this Section)	
13	1001287018	1	Piston Pump Assembly with Fittings (See Separate Breakdown in this section)	

SECTION 3 - ENGINE



ART_1001150158_20F2

SECTION 3 - ENGINE

FIGURE 3-9. DEUTZ D2011 ENGINE ASSEMBLY - WITHOUT ARCTIC PACKAGE

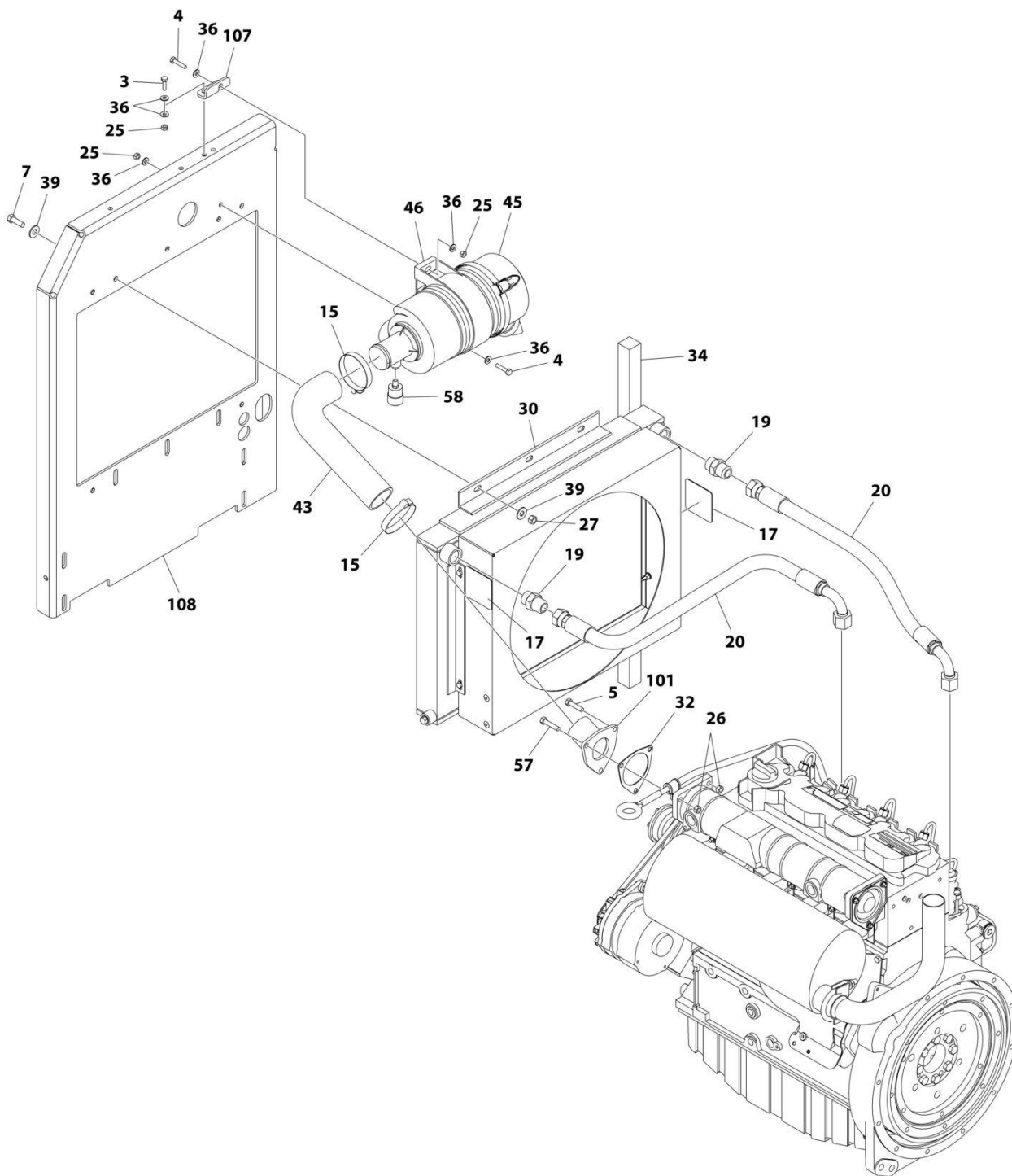
ITEM	PART NUMBER	QTY	DESCRIPTION	REV
	1001150158	Ref	DEUTZ D2011 ENGINE ASSEMBLY	M
1	0100011	AR	Compound, Locking	
2	0100062	AR	Compound, Locking	
3	0641407	8	Bolt 1/4 x 7/8	
4	0641410	2	Bolt 1/4 x 1-1/4	
5	0641510	2	Bolt 5/16 x 1- 1/4	
6	0641606	3	Bolt 3/8 x 3/4	
7	0641609	14	Bolt 3/8 x 1-1/8	
8	0641610	4	Bolt 3/8 x 1-1/4	
9	0641820	3	Bolt 1/2 x 2-1/2	
10	0700808	4	Bolt M8 x 16mm	
11	0771414	6	Bolt M14 x 30	
13	0940070	1	Bumper	
14	0961986	2	Bushing, Flanged	
15	1320016	2	Clamp	
16	1320223	4	J-Clip	
17	1703162	2	Decal - Caution Fan Blade	
18	2060025	1	Fan	
19	2220451	2	Fitting, Straight	
20	2720398	2	Hose, Oil Cooler	
21	2902065	1	Kit, Pump Coupling (See Separate Breakdown in this Section)	
23	3200401	1	Mount, Motor (Front)	
24	3200406	2	Mount, Motor (Rear)	
25	3311405	10	Nut 1/4	
26	3311505	3	Nut 5/16	
27	3311605	18	Nut 3/8	
28	3311805	3	Nut 1/2	
29	3520054	2	Plug, Hole	
30	1001150998	1	Radiator	
31	3740067	3	Relay	
32	3960407	1	Gasket, Air Intake	
33	3960468	1	Seal	
34	3960469	1	Seal	
35	4060805	37 in /1m	Flex-Trim	
36	4711400	14	Washer 1/4	
37	4711600	3	Washer 3/8	
38	4740274	3	Washer, Snubbing	
39	4751600	36	Washer 3/8	
40	4791400	6	Starwasher 1/4	
41	4812200	2	Washer M14	
42	4923379	1	Harness, Glow Plug	
43	1001130041	1	Elbow	
45	1001141693	1	Air Cleaner Assembly	
45	70003783	1	Element, Filter	
46	1001141694	1	Clamp, Air Filter	
47	1001146368	Ref	Deutz D2011 Engine Components (See Separate Breakdown in this Section)	
55	1001151251	1	Pipe, Exhaust	
56	0641512	1	Bolt 5/16 x 1-1/2	
57	1001143390	1	Indicator, Air Filter Service	

SECTION 3 - ENGINE

ITEM	PART NUMBER	QTY	DESCRIPTION	REV
100	1001265493	1	Kit – Engine Parts	A
101	1001139819	1	Adapter, Air Intake	
102	1001149704	1	Support, Engine (Front)	
103	1001149705	1	Support, Engine (Rear)	
104	1001149706	1	Support, Engine (Rear)	
105	1001149793	1	Tray	
106	1001150915	1	Support	
107	1001151078	1	Angle	
108	1001151206	1	Plate, Radiator Mounting	

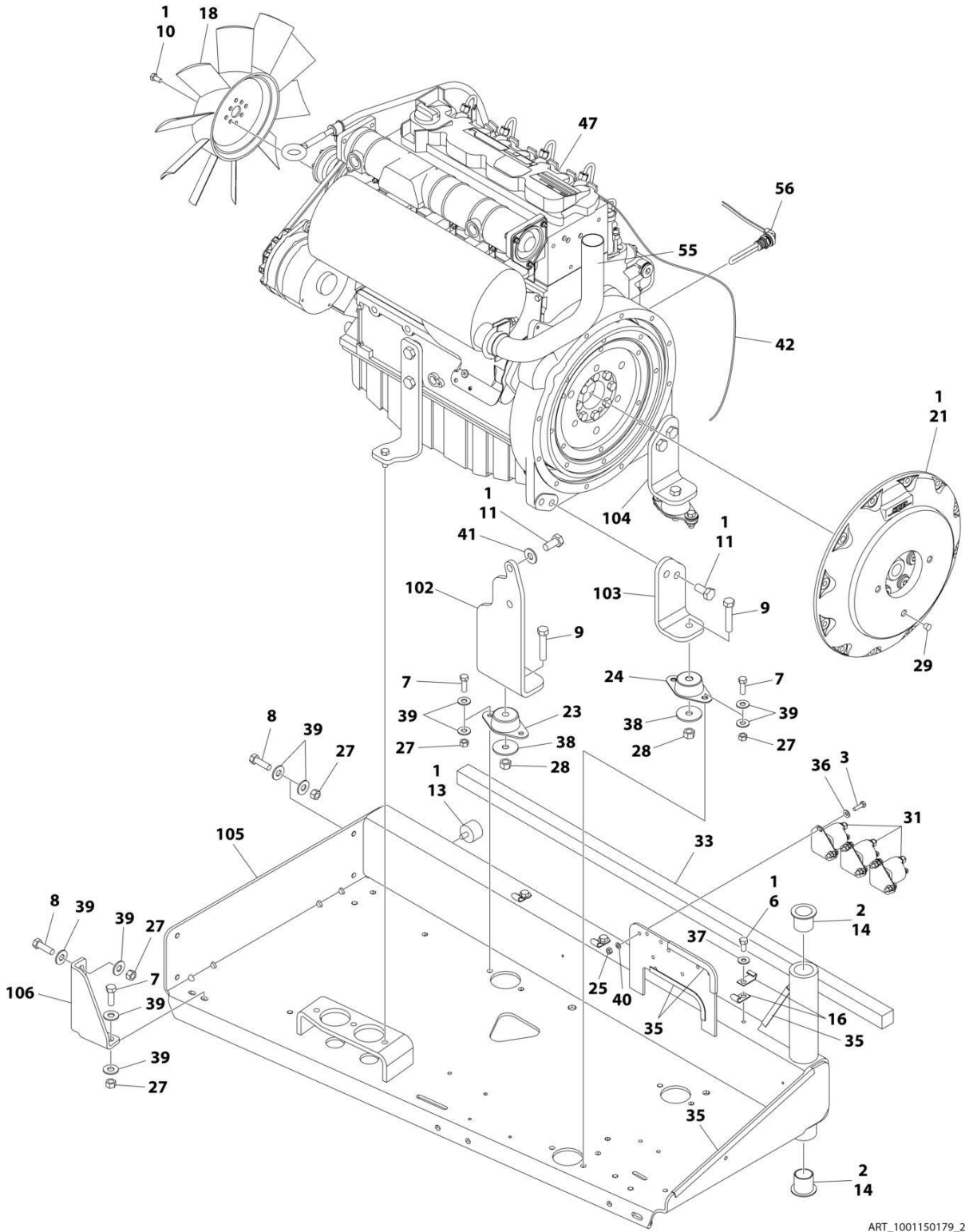
SECTION 3 - ENGINE

FIGURE 3-10. DEUTZ D2011 ENGINE ASSEMBLY - WITH ARCTIC PACKAGE



ART_1001150179_10F2

SECTION 3 - ENGINE



ART_1001150179_20F2

SECTION 3 - ENGINE

FIGURE 3-10. DEUTZ D2011 ENGINE ASSEMBLY - WITH ARCTIC PACKAGE

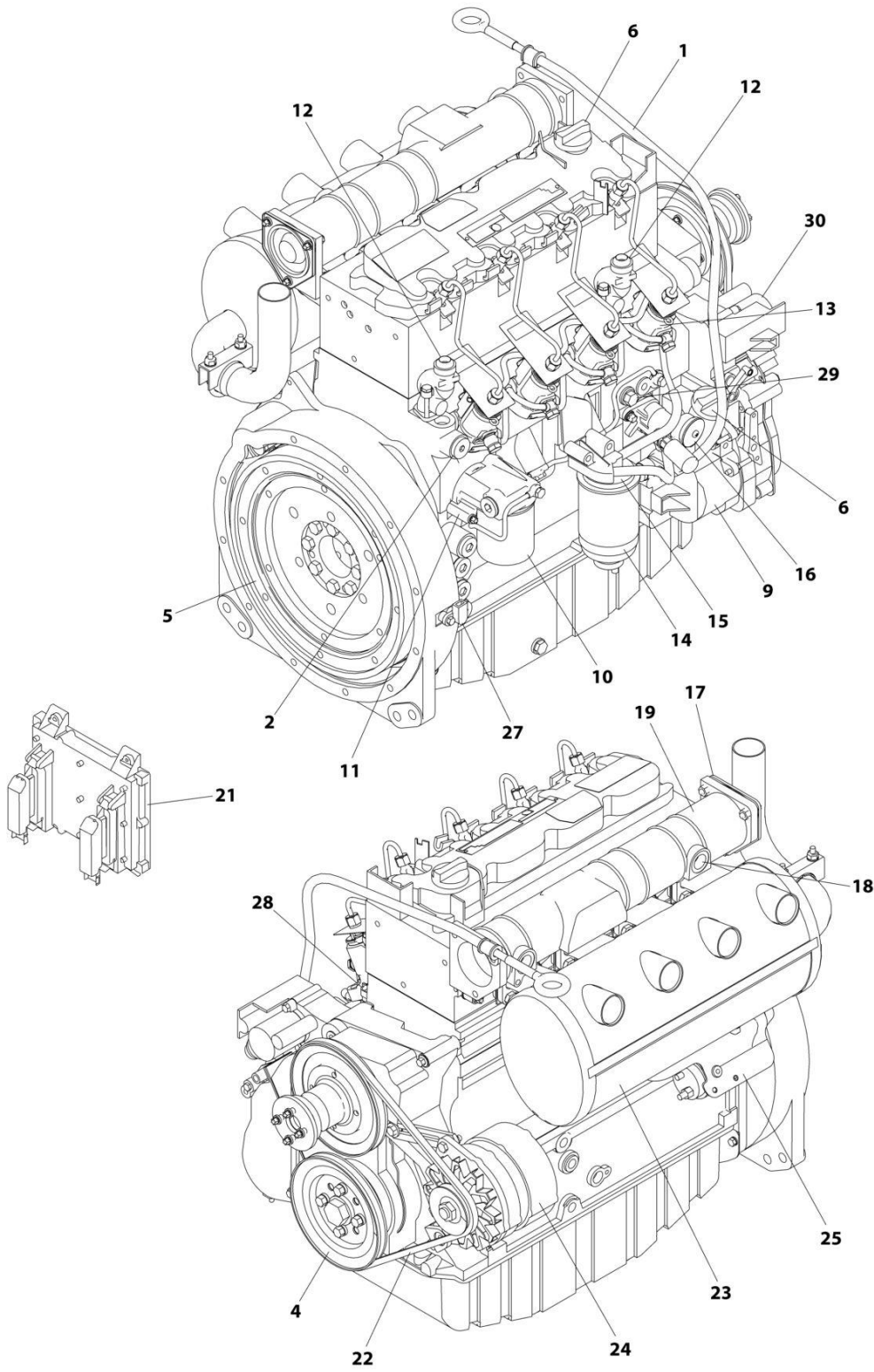
ITEM	PART NUMBER	QTY	DESCRIPTION	REV
	1001150179	Ref	DEUTZ D2011 ENGINE ASSEMBLY	K
1	0100011	AR	Compound, Locking	
2	0100062	AR	Compound, Locking	
3	0641407	8	Bolt 1/4 x 7/8	
4	0641410	2	Bolt 1/4 x 1-1/4	
5	0641510	2	Bolt 5/16 x 1-1/4	
6	0641606	3	Bolt 3/8 x 3/4	
7	0641609	14	Bolt 3/8 x 1-1/8	
8	0641610	4	Bolt 3/8 x 1-1/4	
9	0641820	3	Bolt 1/2 x 2-1/2	
10	0700808	4	Bolt M8 x 16mm	
11	0771414	6	Bolt M14 x 30	
13	0940070	1	Bumper	
14	0961986	2	Bushing, Flanged	
15	1320016	2	Clamp	
16	1320223	4	J-Clip	
17	1703162	2	Decal - Caution Fan Blade	
18	2060025	1	Fan	
19	2220451	2	Fitting, Straight	
20	2720398	2	Hose, Oil Cooler	
21	2902065	1	Kit, Pump Coupling (See Separate Breakdown in this Section)	
23	3200401	1	Mount, Motor (Front)	
24	3200406	2	Mount, Motor (Rear)	
25	3311405	10	Nut 1/4	
26	3311505	3	Nut 5/16	
27	3311605	18	Nut 3/8	
28	3311805	3	Nut 1/2	
29	3520054	2	Plug, Hole	
30	1001150998	1	Radiator	
31	3740067	3	Relay	
32	3960407	1	Gasket, Air Intake	
33	3960468	1	Seal	
34	3960469	1	Seal	
35	4060805	37 in /1m	Flex-Trim	
36	4711400	14	Washer 1/4	
37	4711600	3	Washer 3/8	
38	4740274	3	Washer, Snubbing	
39	4751600	36	Washer 3/8	
40	4791400	6	Starwasher 1/4	
41	4812200	2	Washer M14	
42	4923379	1	Harness, Glow Plug	
43	1001130041	1	Elbow	
45	1001141693	1	Air Cleaner Assembly	
45	70003783	1	Element, Filter	
46	1001141694	1	Clamp, Air Filter	
47	1001146368	Ref	Deutz D2011 Engine Components (See Separate Breakdown in this Section)	
55	1001151251	1	Pipe, Exhaust	
56	2580062	1	Heater, Engine Block	
57	0641512	1	Bolt 5/16 x 1-1/2	

SECTION 3 - ENGINE

ITEM	PART NUMBER	QTY	DESCRIPTION	REV
58	1001143390	1	Indicator, Air Filter Service	
100	1001265493	1	Mounting Kit (Not Shown)	
101	1001139819	1	Adapter, Air Intake	
102	1001149704	1	Support, Engine (Front)	
103	1001149705	1	Support, Engine (Rear)	
104	1001149706	1	Support, Engine (Rear)	
105	1001149793	1	Tray	
106	1001150915	1	Support	
107	1001151078	1	Angle	
108	1001151206	1	Plate, Radiator Mounting	

SECTION 3 - ENGINE

FIGURE 3-11. DEUTZ D2011 ENGINE COMPONENTS



ART_1001146368

SECTION 3 - ENGINE

FIGURE 3-11. DEUTZ D2011 ENGINE COMPONENTS

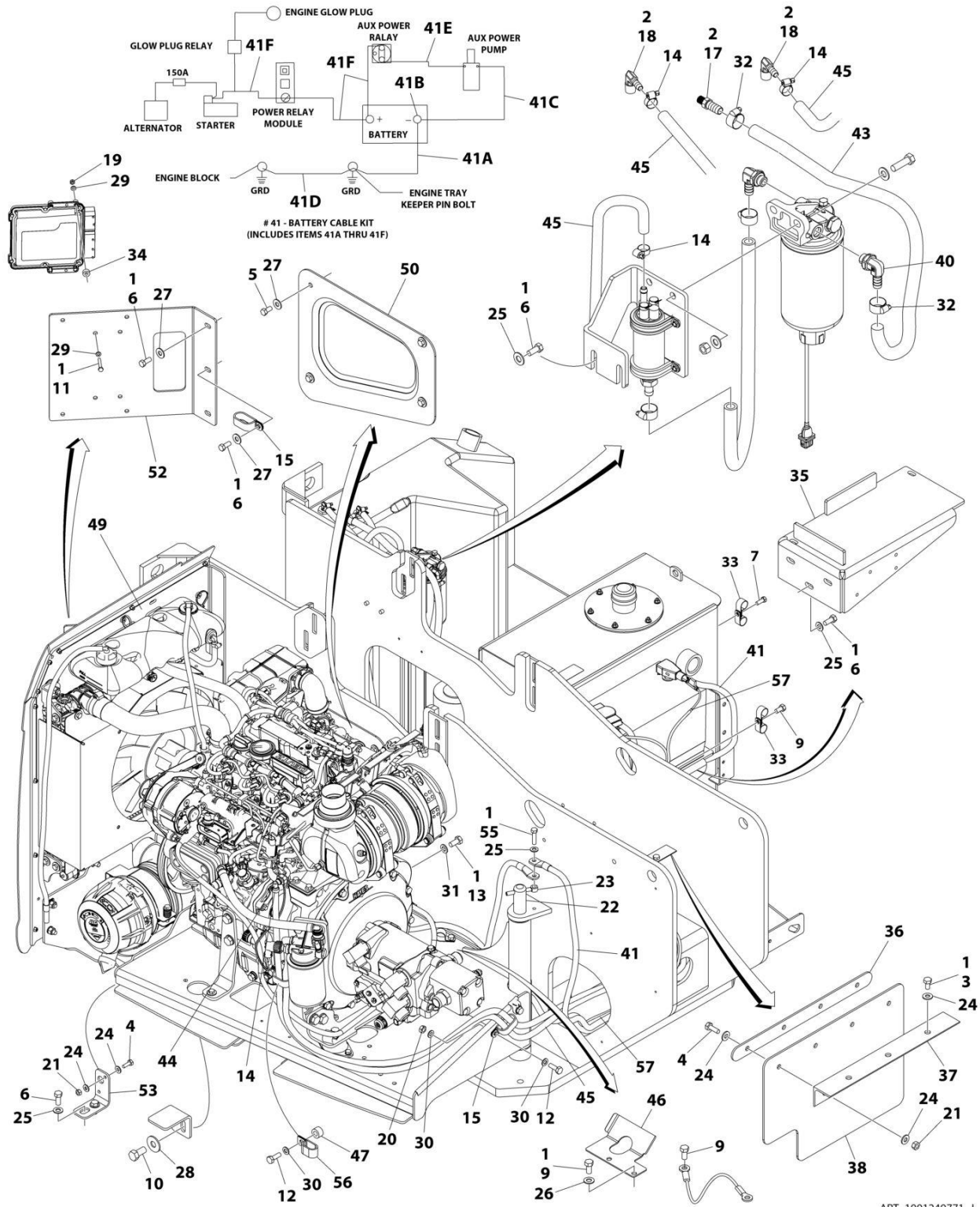
ITEM	PART NUMBER	QTY	DESCRIPTION	REV
	1001146368	Ref	DEUTZ D2011 ENGINE COMPONENTS	E
1	7026631	1	Dipstick	
1	7020487	1	O-Ring, Dipstick	
1	70001002	1	Tube, Dipstick	
1	7020403	1	Seal, Dipstick Tube	
2	70003475	1	Thermostat	
2	7020460	1	Spring, Compression	
3	70002718	1	Seal, Rear Main (Not Shown)	
4	70005479	1	Pulley	
5	70001870	1	Flywheel	
5	7024579	1	Ring Gear	
6	7020465	2	Cap, Filler	
7	70003456	1	Gasket, Head (Not Shown)	
7	70003457	1	Gasket, Head (Not Shown)	
7	70003003	1	Gasket, Head (Not Shown)	
8	7020431	1	Gasket, Valve Cover (Not Shown)	
9	70001850	1	Pump, Oil Lube	
9	7020468	1	Seal Between Oil Pump and Engine Block (Not Shown)	
10	7016331	1	Filter, Oil	
11	70003472	1	Bracket, Oil Filter (Includes Spring, Control Valve, Temperature Sensor, Seal and Plug)	
11	7027236	1	Sensor, Temperature	
11	70003473	1	Gasket, Oil Filter Bracket to Engine Block	
12	70004268	2	Fitting, Radiator Connector (Located Between Item 220 and Engine Block)	
12	70004269	2	Seal for Radiator Connector Fitting	
13	70003478	4	Injector, Fuel	
13	70003136	4	Seal	
13		Ref	Pump, Injector Options:	
13	70000912	1	Series A Injector	
13	70000913	4	Series B Injector	
13	70000914	1	Series C Injector	
13	70000915	1	Series D Injector	
14	7016328	1	Filter, Fuel	
15	70001423	1	Bracket, Fuel Filter	
16	70000916	1	Pump Fuel Supply	
16	70001435	1	Repair Kit for Pump	
16	70000919	1	Hand Pump	
16	70000918	1	Seal, Hand Pump	
16	70000917	1	O-Seal Between Fuel Pump and Engine Block (Not Shown)	
17	70003469	1	Flange	
17	70003468	1	O-Seal	
18	70025084	1	Plug	
19	70003470	1	Manifold, Intake	
19	70001871	4	Gasket, Intake Manifold to Engine Block (Not Shown)	
20	70001847	1	Breather Valve (Not Shown - Located on Front Cover)	
20	70001126	1	Seal, Breather Valve	
21	7027795	1	Module, Control	
22	7020408	1	V-Belt	
23	7000695	1	Muffler (Includes Saddle Clamp)	

SECTION 3 - ENGINE

ITEM	PART NUMBER	QTY	DESCRIPTION	REV
23	7020471	4	Gasket, Exhaust Manifold (Not Shown)	
23	70004270	8	Stud, Exhaust Manifold (Not Shown)	
24	70004056	1	Alternator	
24	70001868	1	Regulator, Voltage Options (Not Shown)	
24	70001866	1	Gasket for Voltage Regulator (Not Shown)	
24	70002234	1	Bracket, Adjusting (Not Shown)	
24	70000851	1	Bracket, Mounting (Not Shown)	
25	7020479	1	Starter	
25	70004058	1	Relay	
25	70001498	1	Shield, Starter Heat	
26	70004059	1	Plug- In Connector for Analyzer (Not Shown)	
26	7027796	1	Harness, Module to Engine Harness (Not Shown)	
26	70004060	1	Plug- In Connector on p/n 7027796 Harness (Not Shown)	
26	70001872	1	Harness, Engine (Not Shown)	
26	70004103	1	Harness, Alternator (Not Shown)	
26	70004271	1	Harness, Starter (Not Shown)	
27	70004272	1	Sensor, Speed	
27	70003932	1	Spacer	
28	7027791	1	Transmitter, Temperature	
29	7027790	1	Sensor, Oil Pressure	
30	7027792	1	Actuator, Throttle	
30	7027276	1	Spring, Actuator	
31	70000345	4	Plug, Glow (Not Shown)	
32	70004273	1	Set, Engine Gasket (Not Shown)	

SECTION 3 - ENGINE

FIGURE 3-12. DEUTZ TD2.2L3 (STAGE V) ENGINES INSTALLATION - (WITHOUT ARCTIC PACKAGE)



ART_1001249771_J

SECTION 3 - ENGINE

FIGURE 3-12. DEUTZ TD2.2L3 (STAGE V) ENGINES INSTALLATION - (WITHOUT ARCTIC PACKAGE)

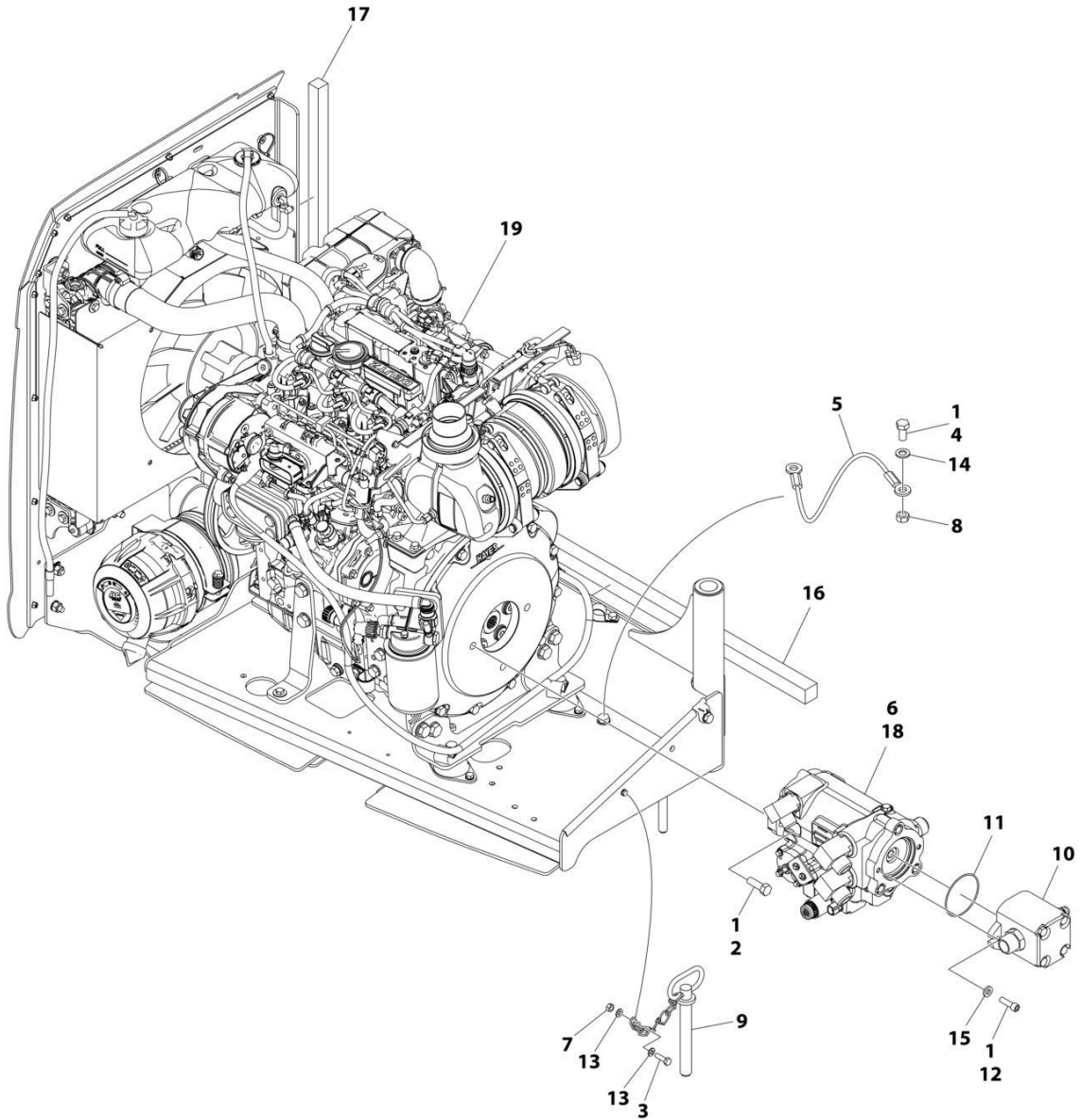
ITEM	PART NUMBER	QTY	DESCRIPTION	REV
	1001249771	Ref	DEUTZ TD2.2L3 (STAGE V) ENGINES INSTALLATION	J
1	0100011	AR	Compound, Locking	
2	0100020	AR	Sealant, Pipe	
3	0641404	3	Bolt 1/4 x 1/2	
4	0641406	5	Bolt 1/4 x 3/4	
5	0641606	4	Bolt 3/8 x 3/4	
6	0641607	12	Bolt 3/8 x 7/8	
7	0641608	1	Bolt 3/8 x 1	
9	0641808	4	Bolt 1/2 x 1	
10	0642010	1	Bolt 5/8 x 1-1/4	
11	0700616	4	Bolt M6 x 40	
12	0761014	2	Bolt M10 x 30	
13	0771212	1	Bolt M12 x 25 Grade 10.9	
14	1320022	5	Clamp	
15	1321716	2	P-Clamp	
16	1701505	1	Decal - Diesel (Not Shown - Located on Hood)	
17	2180832	1	Fitting, Straight Barbed	
18	2220313	2	Fitting, 90 Barbed	
19	3290601	4	Nut M6	
20	3291001	1	Nut M10	
21	3311405	5	Nut 1/4	
22	3422448	1	Pin, Pivot	
23	3841143	1	Pin, Keeper	
24	4711400	13	Washer 1/4	
25	4711600	10	Washer 3/8	
26	4711800	2	Washer 1/2	
27	4751600	7	Washer 3/8	
28	4752000	1	Washer 5/8	
29	4811700	8	Washer M6	
30	4812000	3	Washer M10	
31	4812100	1	Washer M12	
32	8405006	2	Clamp	
33	8406201	6	Clip	
34	1001110425	4	Spacer	
35	1001137868	1	Bracket, Battery	
36	1001137880	1	Bracket, Baffle	
37	1001137881	1	Angle	
38	1001137882	1	Support, Rubber	
39	1001138491	1	Harness, Fuel Pump (Pump requiring Push-on Terminals) (Not Shown - See Separate Breakdown in ELECTRICAL Section)	
40	1001142501	1	Fitting, 90 Barbed	
41	1001145047	1	Battery Cable Kit	
41A	7027072	1	Cable, Battery (Black) (Battery - to Tray Pivot Grd)	
41B	8270147	1	Terminal, Battery (With Boot)	
41B	See Note	1	Boot, Black (Note: Not Available for Purchase)	
41C	7027073	1	Cable, Battery (Black) (Battery - to Aux Pump and Relay Grd)	
41C	See Note	1	Boot, Black (Note: Not Available for Purchase)	
41D	7027074	1	Cable, Battery (Black) (Engine to Tray Pivot Grd)	
41E	7027075	1	Cable (Red) (Aux Relay to Aux Pump)	
41E	70003952	2	Boot, Red	

SECTION 3 - ENGINE

ITEM	PART NUMBER	QTY	DESCRIPTION	REV
41F	7027076	1	Cable (Red) (Battery + to Aux Relay/Power Module/Starter)	
41F	See Note	1	Boot, Red (Battery) (Note: Not Available for Purchase)	
42	1001146588	1	Tie-Strap (Not Shown)	
43	1001154405	3 ft/ 0.9m	Hose	
44	1001155823	1	Fitting, 90 Quick Disconnect	
45	1001165035	23.5 ft/ 7.2m	Hose	
46	1001172793	1	Guide, Hose	
47	1001220266	1	Spacer	
49	1001277602	1	Engine Assembly with Pumps (See Separate Breakdown in this Section)	
50	1001260654	1	Cover	
52	1001137866	1	Plate, Baffle	
53	1001256879	1	Bracket	
54	4240099	AR	Tie-Strap (Not Shown)	
55	0641612	1	Bolt 3/8 x 1-1/2	
56	1001026127	1	Clamp	
57	1001289593	1	ECU Power Jumper Harness (Not Shown - Separate Breakdown in ELECTRICAL Section)	

SECTION 3 - ENGINE

FIGURE 3-13. DEUTZ TD2.2L3 (STAGE V) ENGINE/PUMP SUB-ASSEMBLY - (WITHOUT ARCTIC PACKAGE)



ART_1001277602

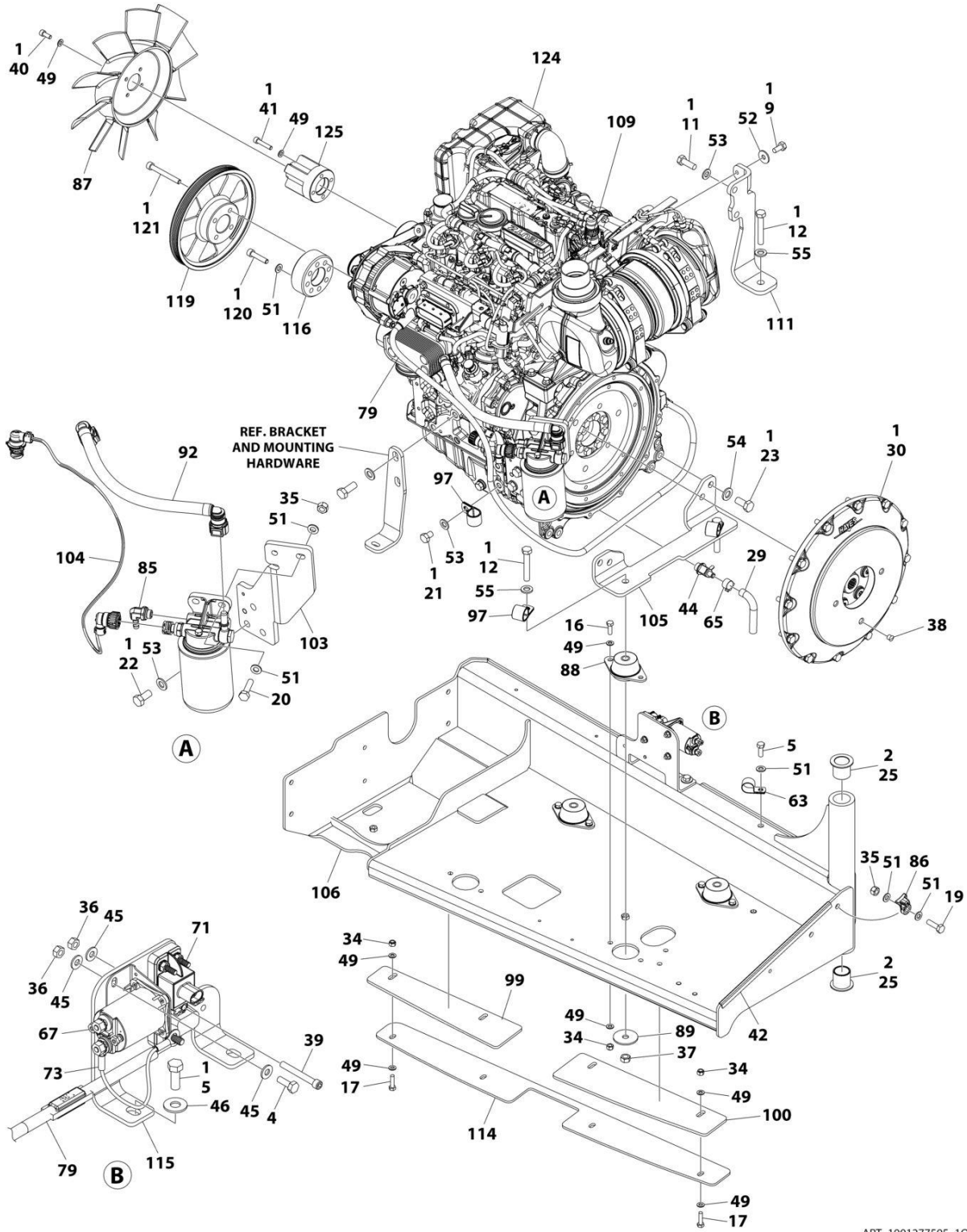
SECTION 3 - ENGINE

FIGURE 3-13. DEUTZ TD2.2L3 (STAGE V) ENGINE/PUMP SUB-ASSEMBLY - (WITHOUT ARCTIC PACKAGE)

ITEM	PART NUMBER	QTY	DESCRIPTION	REV
	1001277602	Ref	DEUTZ TD2.9L4 ENGINE/PUMP SUB-ASSEMBLY	A
1	0100011	AR	Compound, Locking	
2	0641812	2	Bolt 1/2 x 1-1/2	
3	0700610	1	Bolt M6 x 20	
4	0761212	1	Bolt M12 x 25	
5	1060637	1	Lanyard	
6	3020037	AR	Grease, Pump Coupling	
7	3290601	1	Nut M6	
8	3291201	1	Nut M12	
9	3422533	1	Pin, Hitch	
10	3600395	1	Gear Pump Assembly with Fittings (See Separate Breakdown in this Section)	
11	3790152	1	O-Ring	
12	3931620	2	Bolt 3/8 x 1-1/4	
13	4811700	2	Washer M6	
14	4812100	1	Washer M12	
15	4891600	2	Washer 3/8 Hardened	
16	1001137873	1	Seal	
17	1001137874	1	Seal	
18	1001188952	1	Pump Assembly with Fittings (See Separate Breakdown in this Section)	
19	1001277595	1	Engine Assembly (See Separate Breakdown in this Section)	

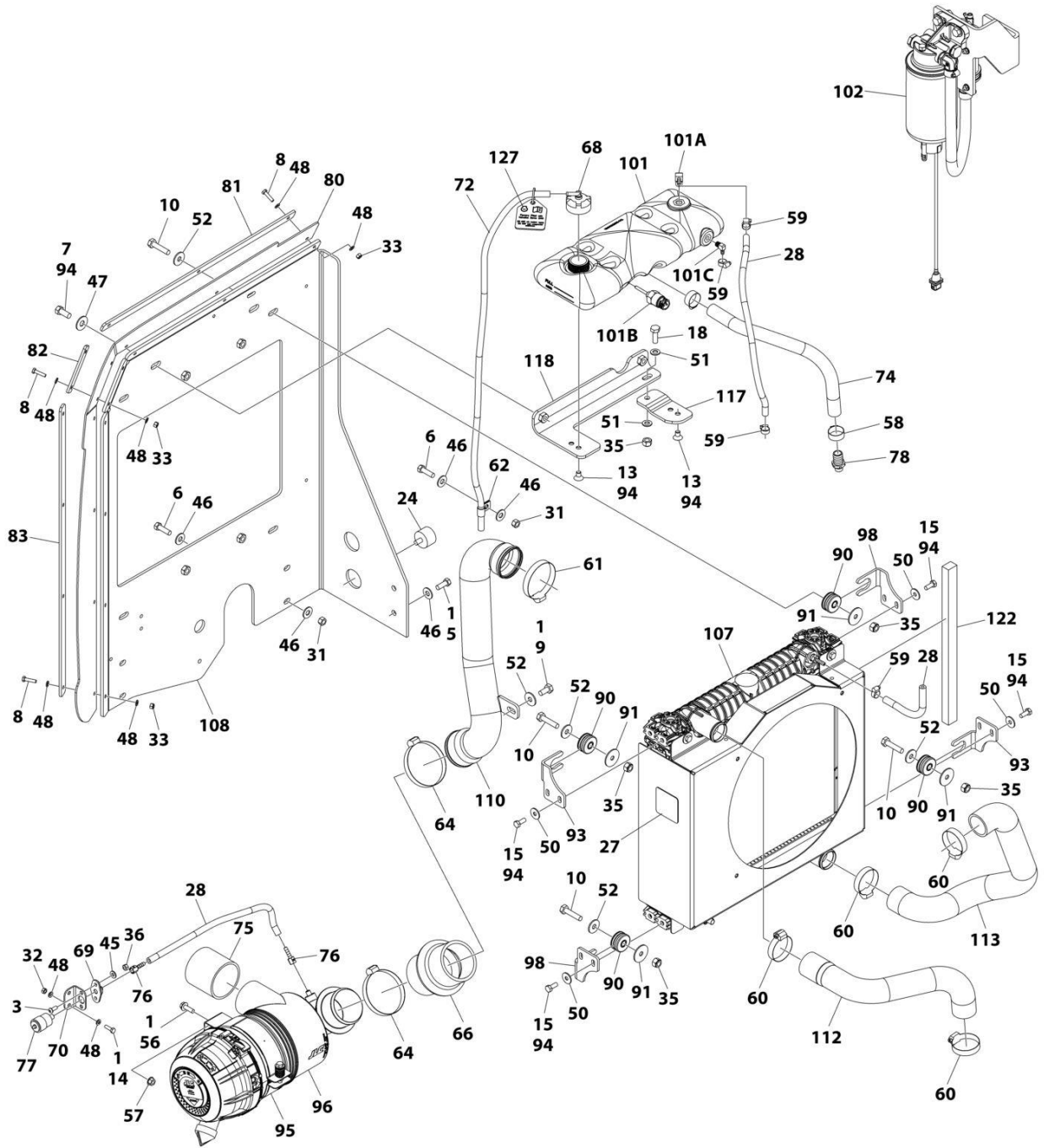
SECTION 3 - ENGINE

FIGURE 3-14. DEUTZ TD2.2L3 (STAGE V) ENGINES ASSEMBLY - WITHOUT ARCTIC PACKAGE



ART_1001277595_1OF2

SECTION 3 - ENGINE



ART_1001277595_20F2

SECTION 3 - ENGINE

FIGURE 3-14. DEUTZ TD2.2L3 (STAGE V) ENGINES ASSEMBLY - WITHOUT ARCTIC PACKAGE

ITEM	PART NUMBER	QTY	DESCRIPTION	REV
	1001277595	Ref	DEUTZ TD2.9L4 ENGINE ASSEMBLY	F
1	0100011	AR	Compound, Locking	
2	0100062	AR	Adhesive	
3	0630407	2	Screw 1/4 x 5/8	
4	0641406	2	Bolt 1/4 x 3/4	
5	0641608	5	Bolt 3/8 x 1	
6	0641610	4	Screw 3/8 x 1-1/4	
7	0641708	2	Bolt 7/16 x 1	
8	0700612	9	Bolt M6 x 25	
9	0701012	1	Bolt M10 x 25	
10	0701017	4	Bolt M10 x 45	
11	0711215	2	Bolt M12 x 35	
12	0711223	3	Bolt M12 x 75	
13	0741605	2	Screw, Flathead 3/8 x 5/8	
14	0760610	2	Bolt M6 x 20	
15	0760810	8	Bolt M8 x 20	
16	0760812	6	Bolt M8 x 25	
17	0760814	4	Bolt M8 x 30	
18	0761014	1	Bolt M10 x 30	
19	0761015	1	Bolt M10 x 35	
20	0761016	2	Bolt M10 x 40	
21	0761212	1	Bolt M12 x 25	
22	0761214	3	Bolt M12 x 30	
23	0771414	4	Bolt M14 x 30	
24	0940070	1	Bumper	
25	0961986	2	Bushing, Flanged	
26	1062255	1	Tie-Strap (Not Shown)	
27	1703162	1	Decal - Fan Blade	
28	2720015	4 ft/2 m	Hose	
29	2720340	6 in/15 cm	Hose	
30	2902065	1	Kit, Pump Coupling (See Separate Breakdown in this Section)	
31	3271605	4	Nut Grade 8	
32	3290601	2	Nut M6	
33	3290605	9	Nut M6	
34	3290805	10	Nut M8	
35	3291005	8	Nut M10	
36	3311405	5	Nut 1/4	
37	3331211	3	Nut M12	
38	3520054	1	Plug	
39	3931432	1	Capscrew 1/4 x 2	
40	4031908	4	Capscrew M8 x 20	
41	4031912	4	Capscrew M8 x 40	
42	4060805	14 in/36 cm	Flex-Trim	
43	4240099	AR	Tie-Strap (Not Shown)	
44	4640751	1	Valve, Oil Drain	
45	4711400	7	Washer 1/4	
46	4751600	12	Washer 3/8	
47	4751700	2	Washer 7/16	
48	4811700	22	Washer M6	

SECTION 3 - ENGINE

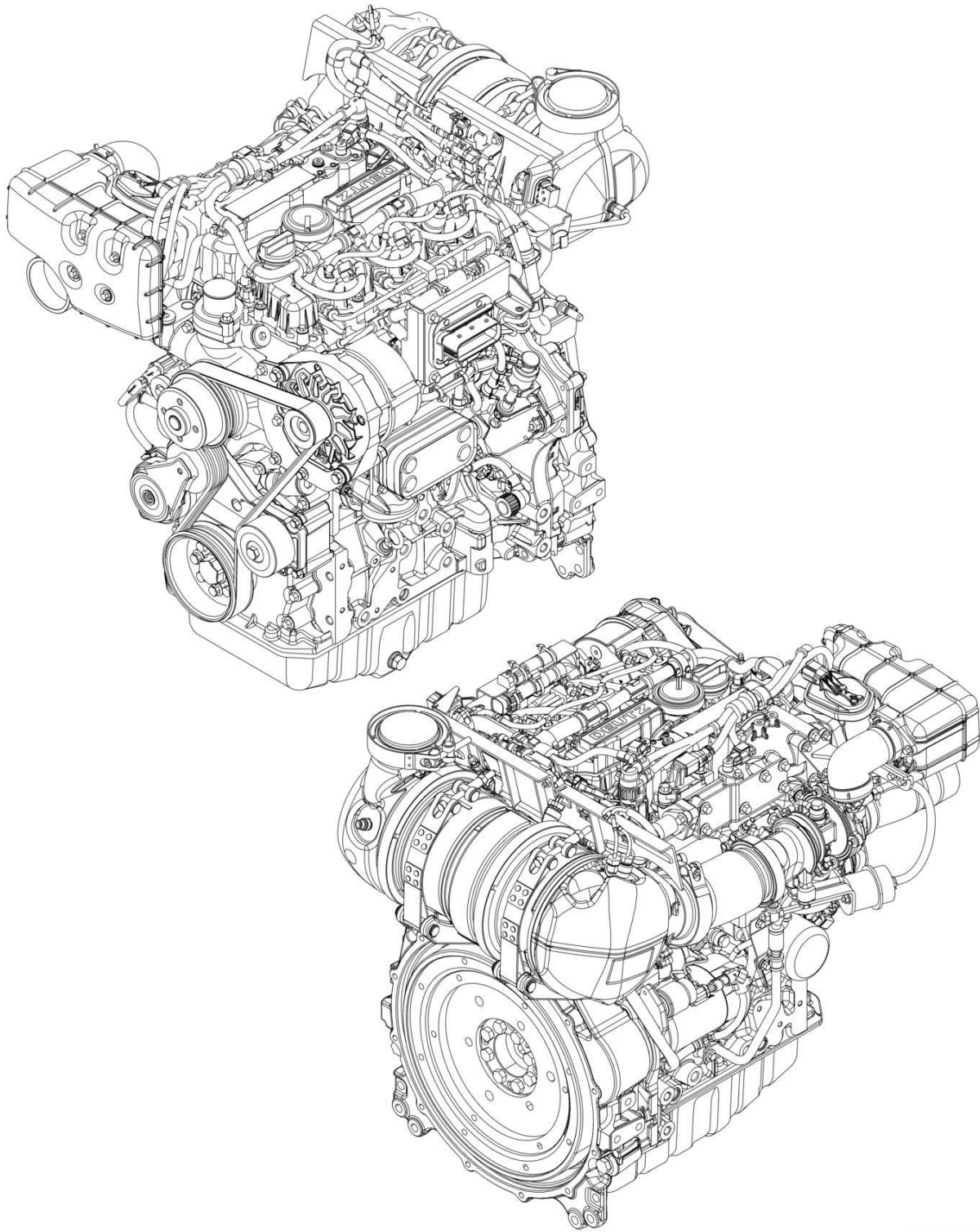
ITEM	PART NUMBER	QTY	DESCRIPTION	REV
49	4811900	28	Washer M8	
50	4811902	8	Washer M8	
51	4812000	13	Washer M10	
52	4812002	5	Washer M10	
53	4812100	6	Washer M12	
54	4812200	4	Washer M14	
55	5241200	3	Washer M12	
56	5250812	2	Bolt M8 x 25	
57	5260800	2	Nut M8	
58	8405007	2	Clamp	
59	8405009	4	Clamp	
60	8405104	4	Clamp	
61	8405204	1	Clamp	
62	8406110	1	Clip	
63	8406201	1	Clip	
64	8410011	2	Clamp	
65	8410013	1	Clamp	
66	91403244	1	Hose	
67	1001117308	1	Relay	
68	1001136834	1	Cap, Tank	
69	1001138173	1	Support	
70	1001138175	1	Bracket	
71	1001138228	1	Relay, Power Module	
71	70023592	1	Fuse 20Amp (Switched Output)	
71	70023593	1	Fuse 30Amp (Battery Output)	
72	1001138248	38 in/1 m	Tube	
73	1001141304	1	Wire	
74	1001141370	1	Hose	
75	1001141585	1	Hose, Air Inlet	
76	1001141995	2	Fitting, Straight Barbed	
77	1001143390	1	Indicator, Service	
78	1001143797	1	Fitting, Straight Barbed	
79	1001143907	1	Cable, Alternator Power	
80	1001144409	1	Panel, Rubber	
81	1001144410	1	Bracket, Panel Clamp	
82	1001144411	1	Bracket, Panel Clamp	
83	1001144412	1	Bracket, Panel Clamp	
84	1001146588	6	Tie-Strap (Not Shown)	
85	1001152489	1	Fitting, 90 Barbed	
86	1001156107	1	Holder, Cable	
87	1001165849	1	Fan	
88	1001166718	3	Mount, Motor	
89	1001168018	3	Washer	
90	1001169054	4	Isolator	
91	1001169138	4	Washer	
92	1001177359	1	Hose	
93	1001178223	2	Bracket	
94	1001180620	AR	Adhesive	
95	1001186426	1	Clamp	
96	1001189979	1	Air Cleaner Assembly Filter Element	
96	70005008	1	Element, Filter (Not Shown)	

SECTION 3 - ENGINE

ITEM	PART NUMBER	QTY	DESCRIPTION	REV
97	1001191620	3	Clamp	
98	1001204325	2	Bracket	
99	1001219454	1	Seal	
100	1001219456	1	Seal	
101	1001230635	1	Tank	
101A	1001134488	1	Fitting, 90 Barbed	
101B	1001138827	1	Sensor, Coolant Level	
101C	1001140564	1	Fitting, 90 Barbed	
102	1001235949	1	Bracket, Fuel Pump/Filter Assembly (See Separate Breakdown in this Section)	
103	1001237947	1	Mount	
104	1001245913	1	Harness, Deutz Fuel Filter (See Separate Breakdown in ELECTRICAL Section)	
105	1001246813	1	Mount, Rear Engine	
106	1001247029	1	Support, Engine Tray	
107	1001247716	1	Radiator and Shroud Assembly	
107	1001247714	1	Shroud	
107	1001250607	1	Radiator	
108	1001248434	1	Mount	
109	1001249045	1	Pipe, Exhaust	
110	1001249232	1	Pipe	
111	1001249234	1	Mount, Engine	
112	1001249261	1	Hose, Radiator - Upper	
113	1001249705	1	Hose, Radiator - Lower	
114	1001251131	1	Plate	
115	1001258252	1	Plate, Relay Mounting	
116	1001258800	1	Adapter	
117	1001260412	1	Bracket, Surge Tank	
118	1001260413	1	Bracket, Tank	
119	1001281192	1	Pulley	
120	1001261045	4	Capscrew M10 x 45 Grade 10.9	
121	1001261085	4	Capscrew M10 x 85 Grade 10.9	
122	1001269861	1	Seal	
123	1001276645	1	Harness, Engine (Not Shown - See Separate Breakdown in ELECTRICAL Section)	
124	1001277590	1	Deutz TD2.2L3 (Stage V) Engines (See Separate Breakdown in this Section)	
125	1001278329	1	Adapter	
126	4240032	1	Tie-Strap (Not Shown)	
127	1001291401	1	Tag, Coolant	

SECTION 3 - ENGINE

FIGURE 3-15. DEUTZ TD2.2L3 (STAGE V) ENGINE COMPONENTS



ART_1001277590

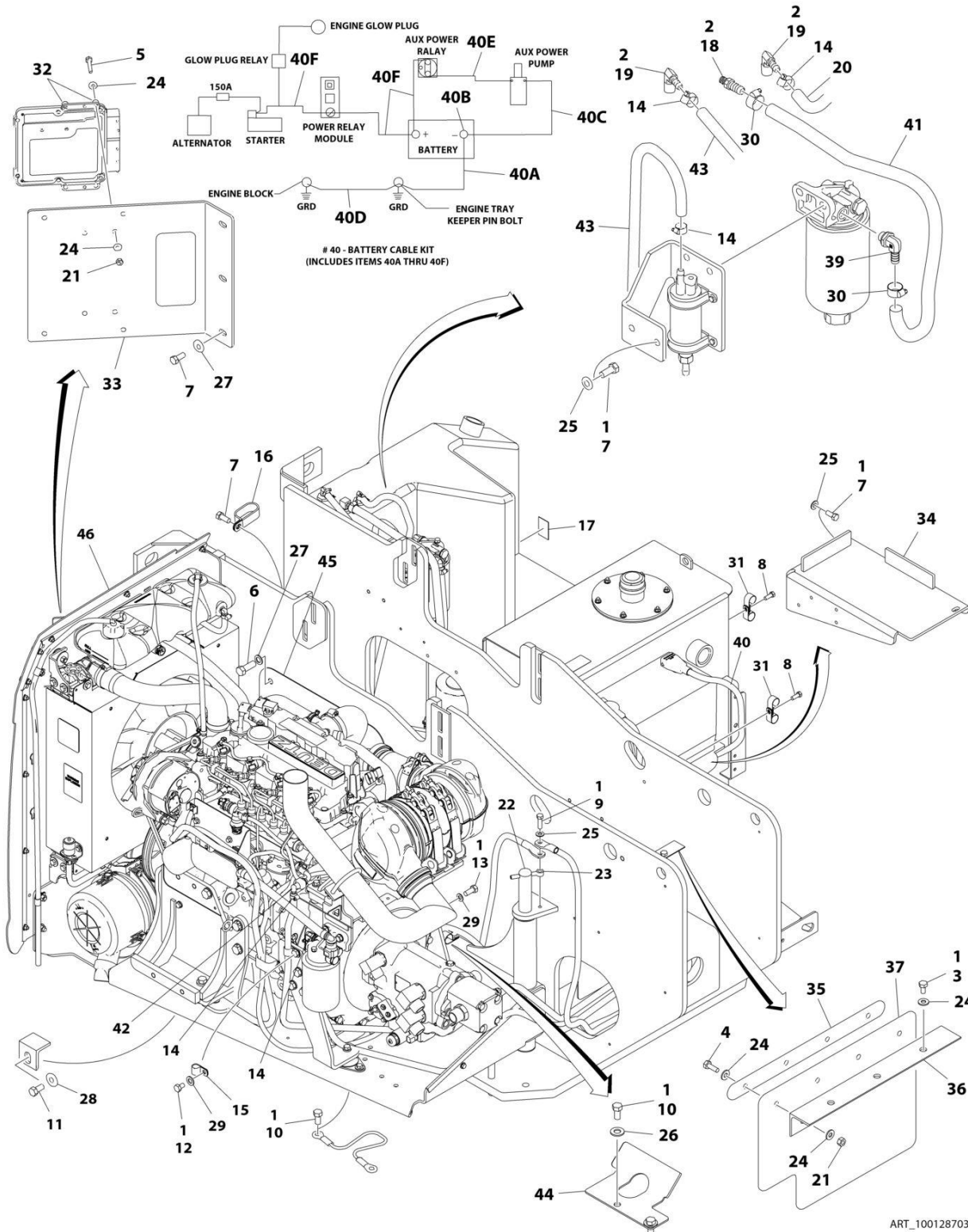
SECTION 3 - ENGINE

FIGURE 3-15. DEUTZ TD2.2L3 (STAGE V) ENGINE COMPONENTS

ITEM	PART NUMBER	QTY	DESCRIPTION	REV
	1001277590	Ref	DEUTZ ENGINE COMPONENTS	A
	See Note	Ref	Note: No Service Parts Available at Time of Printing	

SECTION 3 - ENGINE

FIGURE 3-16. DEUTZ D2.9L4 (49HP) ENGINE INSTALLATION - (WITHOUT ARCTIC PACKAGE) (SN STARTING WITH 03)



ART_1001287033

SECTION 3 - ENGINE

FIGURE 3-16. DEUTZ D2.9L4 (49HP) ENGINE INSTALLATION - (WITHOUT ARCTIC PACKAGE) (SN STARTING WITH 03)

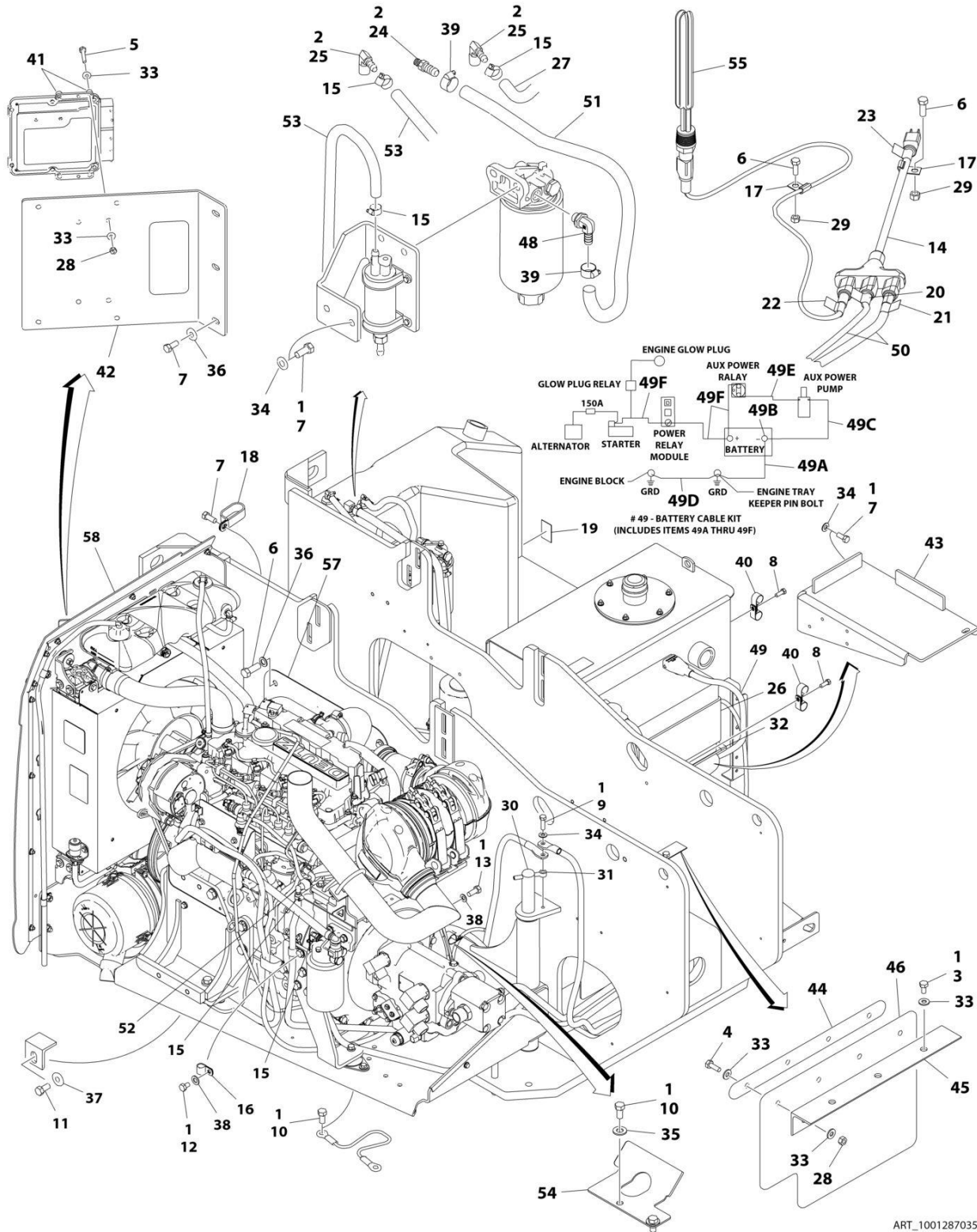
ITEM	PART NUMBER	QTY	DESCRIPTION	REV
	1001287033	Ref	DEUTZ D2.9L4 ENGINE INSTALLATION	A
1	0100011	AR	Compound, Locking	
2	0100020	AR	Sealant, Pipe	
3	0641404	3	Bolt 1/4 x 1/2	
4	0641406	4	Bolt 1/4 x 3/4	
5	0641412	4	Bolt 1/4 x 1-1/2	
6	0641606	4	Bolt 3/8 x 3/4	
7	0641607	9	Bolt 3/8 x 7/8	
8	0641608	2	Bolt 3/8 x 1	
9	0641612	1	Bolt 3/8 x 1-1/2	
10	0641808	3	Bolt 3/8 x 1	
11	0642010	1	Bolt 5/8 x 1-1/4	
12	0761008	1	Bolt M10 x 16	
13	0771212	1	Bolt M12 x 25 Class 10.9	
14	1320022	5	Clamp	
15	1320061	1	Clamp	
16	1321716	1	P-Clamp	
17	1701505	1	Decal - Diesel (Located on Hood)	
18	2180832	1	Fitting, Straight Barbed	
19	2220313	2	Fitting, 90 Barbed	
20	2750532	5 ft / 1.6m	Hose	
21	3311405	8	Nut 1/4	
22	3422448	1	Pin, Pivot	
23	3841143	1	Pin, Keeper	
24	4711400	19	Washer 1/4	
25	4711600	6	Washer 3/8	
26	4711800	2	Washer 1/2	
27	4751600	7	Washer 3/8	
28	4752000	1	Washer 5/8	
29	4812100	2	Washer M12	
30	8405006	2	Clamp	
31	8406201	4	Clip	
32	1001110425	4	Spacer	
33	1001137866	1	Plate, Baffle	
34	1001137868	1	Bracket, Battery	
35	1001137880	1	Bracket, Baffle	
36	1001137881	1	Angle	
37	1001137882	1	Support, Rubber	
38	1001138491	1	Harness, Fuel Pump (Pump requiring Push-on Terminals) (Not Shown - See Separate Breakdown in ELECTRICAL Section)	
39	1001142501	1	Fitting, 90 Barbed	
40	1001145047	1	Battery Cable Kit	
40A	7027072	1	Cable, Battery (Black) (Battery - to Tray Pivot Grd)	
40B	8270147	1	Terminal, Battery (With Boot)	
40B	See Note	1	Boot, Black (Note: Not Available for Purchase)	
40C	7027073	1	Cable, Battery (Black) (Battery - to Aux Pump and Relay Grds)	
40C	See Note	1	Boot, Black (Note: Not Available for Purchase)	
40D	7027074	1	Cable, Battery (Black) (Engine to Tray Pivot Grd)	
40E	7027075	1	Cable (Red) (Aux Relay to Aux Pump)	

SECTION 3 - ENGINE

ITEM	PART NUMBER	QTY	DESCRIPTION	REV
40E	70003952	2	Boot, Red	
40F	7027076	1	Cable (Red) (Battery + to Aux Relay/Power Module/Starter)	
40F	See Note	1	Boot, Red (Battery) (Note: Not Available for Purchase)	
41	1001154405	3 ft /.9m	Hose	
42	1001155823	1	Fitting, 90 Quick Disconnect	
43	1001165035	23.5 ft /7.2m	Hose	
44	1001172793	1	Guide, Hose	
45	1001252521	1	Cover	
46	1001287034	1	Engine Assembly with Pumps (See Separate Breakdown in this Section)	

SECTION 3 - ENGINE

FIGURE 3-17. DEUTZ D2.9L4 (49HP) ENGINE INSTALLATION - WITH ARCTIC PACKAGE) (SN STARTING WITH 03)



ART_1001287035

SECTION 3 - ENGINE

FIGURE 3-17. DEUTZ D2.9L4 (49HP) ENGINE INSTALLATION - WITH ARCTIC PACKAGE) (SN STARTING WITH 03)

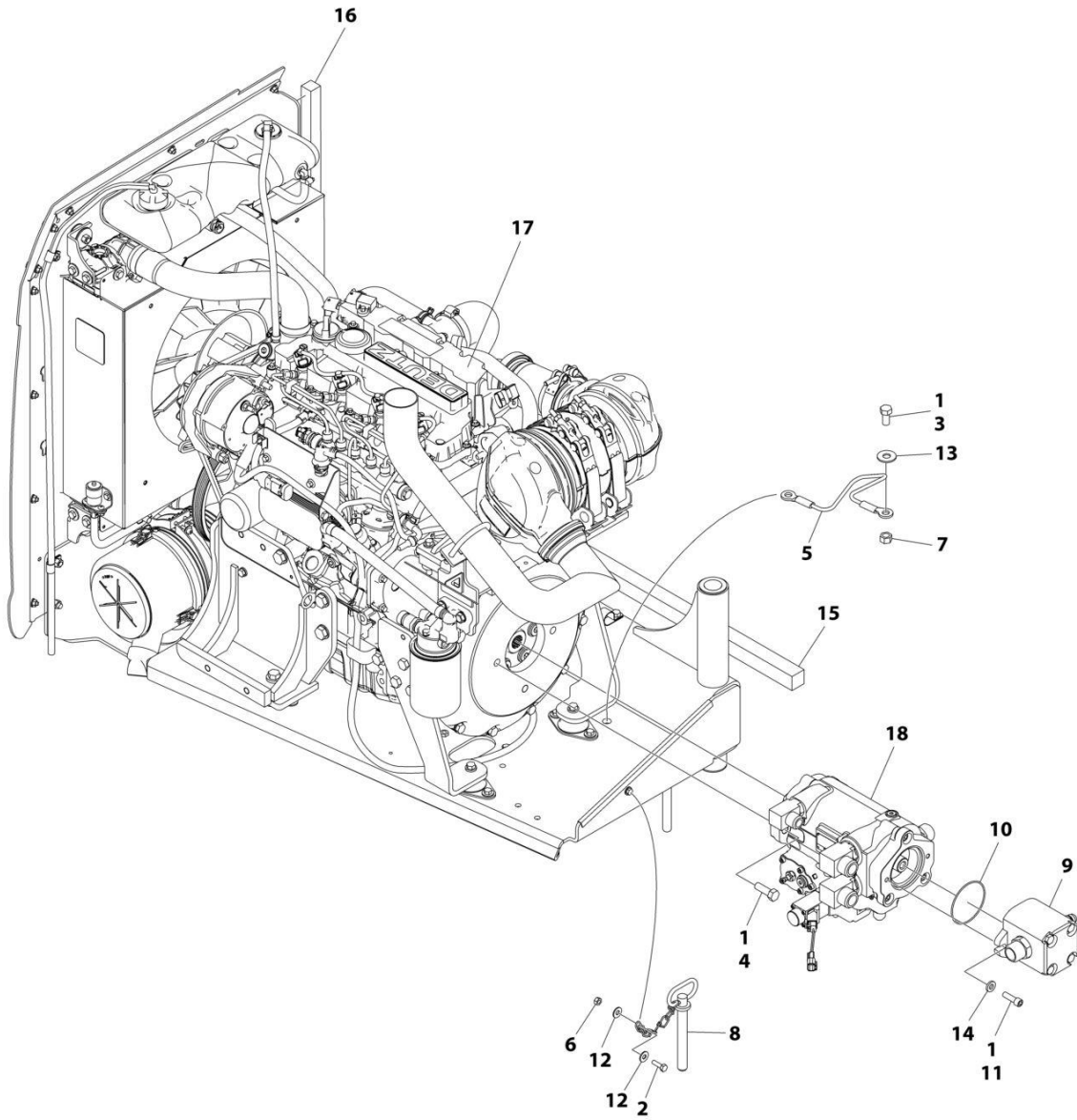
ITEM	PART NUMBER	QTY	DESCRIPTION	REV
	1001287035	Ref	DEUTZ D2.9L4 ENGINE INSTALLATION	A
1	0100011	AR	Compound, Locking	
2	0100020	AR	Sealant, Pipe	
3	0641404	3	Bolt 1/4 x 1/2	
4	0641406	4	Bolt 1/4 x 3/4	
5	0641412	4	Bolt 1/4 x 1-1/2	
6	0641606	6	Bolt 3/8 x 3/4	
7	0641607	9	Bolt 3/8 x 7/8	
8	0641608	2	Bolt 3/8 x 1	
9	0641612	1	Bolt 3/8 x 1-1/2	
10	0641808	3	Bolt 1/2 x 1	
11	0642010	1	Bolt 5/8 x 1-1/4	
12	0761008	1	Bolt M10 x 16	
13	0771212	1	Bolt M12 x 25 Class 10.9	
14	1060626	1	Cord, 3 Way Extension	
15	1320022	5	Clamp	
16	1320061	1	Clamp	
17	1320223	2	Clamp	
18	1321716	1	P-Clamp	
19	1701505	1	Decal - Diesel (Located on Hood)	
20	1702941	1	Decal - Battery Heater	
21	1702942	1	Decal - Engine Block Heater	
22	1702943	1	Decal - Hydraulic Tank Heater	
23	1702944	1	Decal - Heater Cord	
24	2180832	1	Fitting, Straight Barbed	
25	2220313	2	Fitting, 90 Barbed	
26	2580024	1	Heater, Battery	
27	2750532	5 ft /1.6m	Hose	
28	3311405	8	Nut, Lock 1/4	
29	3311605	2	Nut, Lock 3/8	
30	3422448	1	Pin, Pivot	
31	3841143	1	Pin, Keeper	
32	3980007	1	Seat, Battery	
33	4711400	19	Washer 1/4	
34	4711600	6	Washer 3/8	
35	4711800	2	Washer 1/2	
36	4751600	7	Washer 3/8	
37	4752000	1	Washer 5/8	
38	4812100	2	Washer M12	
39	8405006	2	Clamp	
40	8406201	4	Clip	
41	1001110425	4	Spacer	
42	1001137866	1	Plate, Baffle	
43	1001137868	1	Bracket, Battery	
44	1001137880	1	Bracket, Baffle	
45	1001137881	1	Angle	
46	1001137882	1	Support, Rubber	
47	1001138491	1	Harness, Fuel Pump (Pump requiring Push-on Terminals) (Not Shown - See Separate Breakdown in ELECTRICAL Section)	

SECTION 3 - ENGINE

ITEM	PART NUMBER	QTY	DESCRIPTION	REV
48	1001142501	1	Fitting, 90 Barbed	
49	1001145047	1	Battery Cable Kit	
49A	7027072	1	Cable, Battery (Black) (Battery - to Tray Pivot Grd)	
49B	8270147	1	Terminal, Battery (With Boot)	
49B	See Note	1	Boot, Black (Note: Not Available for Purchase)	
49C	7027073	1	Cable, Battery (Black) (Battery - to Aux Pump and Relay Grds)	
49C	See Note	1	Boot, Black (Note: Not Available for Purchase)	
49D	7027074	1	Cable, Battery (Black) (Engine to Tray Pivot Grd)	
49E	7027075	1	Cable (Red) (Aux Relay to Aux Pump)	
49E	70003952	2	Boot, Red	
49F	7027076	1	Cable (Red) (Battery + to Aux Relay/Power Module/Starter)	
49F	See Note	1	Boot, Red (Battery) (Note: Not Available for Purchase)	
50	1001150918	1	Cable, Immersion Heater	
51	1001154405	3 ft /.9m	Hose	
52	1001155823	1	Fitting, 90 Quick Disconnect	
53	1001165035	23.5 ft /7.2m	Hose	
54	1001172793	1	Guide, Hose	
55	1001188972	1	Heater, Hydraulic Tank	
56	1001233763	1	Breather Heater Installation (Not Shown - See Separate Breakdown in this Section)	
57	1001252521	1	Cover	
58	1001287036	1	Engine Assembly with Pumps (See Separate Breakdown in this Section)	

SECTION 3 - ENGINE

FIGURE 3-18. DEUTZ D2.9L4 (49HP) ENGINE/PUMP SUB-ASSEMBLY - (WITHOUT ARCTIC PACKAGE) (SN STARTING WITH 03)



ART_1001287034

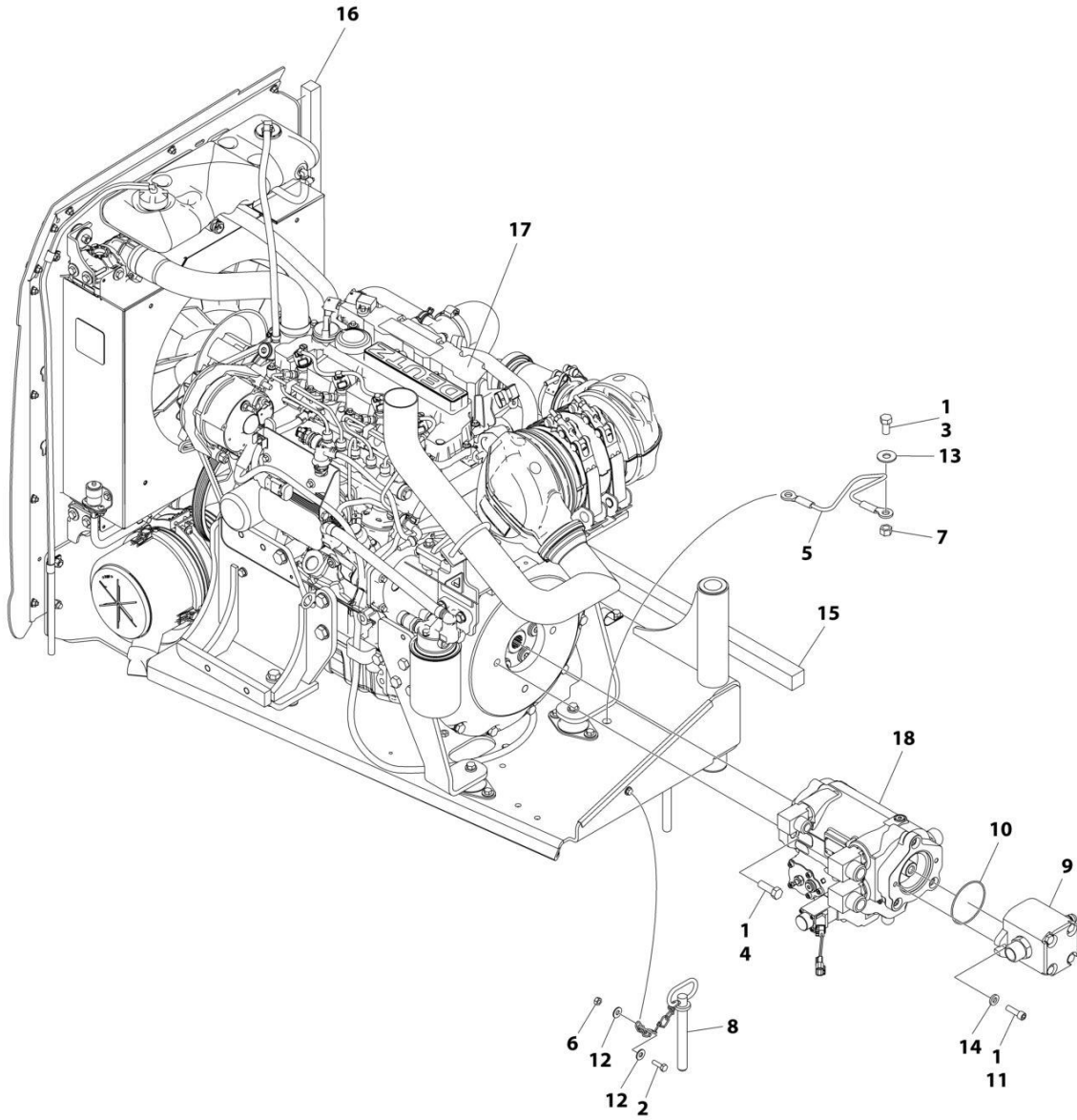
SECTION 3 - ENGINE

FIGURE 3-18. DEUTZ D2.9L4 (49HP) ENGINE/PUMP SUB-ASSEMBLY - (WITHOUT ARCTIC PACKAGE) (SN STARTING WITH 03)

ITEM	PART NUMBER	QTY	DESCRIPTION	REV
	1001287034	Ref	DEUTZ D2.9L4 ENGINE/PUMP SUB-ASSEMBLY	B
1	0100011	AR	Compound, Locking	
2	0641406	1	Bolt 1/4 x 3/4	
3	0641808	1	Bolt 1/2 x 1	
4	0641812	2	Bolt 1/2 x 1-1/2	
5	1060637	1	Lanyard	
6	3311405	1	Nut, Lock 1/4	
7	3311801	1	Nut 1/2	
8	3422533	1	Pin, Hitch	
9	3600395	1	Gear Pump Assembly with Fittings (See Separate Breakdown in this Section)	
10	70007827	1	O-Ring (Part of Item 18)	
11	3931620	2	Bolt 3/8 x 1-1/4	
12	4711400	2	Washer 1/4	
13	4751800	1	Washer 1/2	
14	4891600	2	Washer 3/8 Hardened	
15	1001137873	1	Seal	
16	1001137874	1	Seal	
17	1001246593	1	Engine Assembly (See Separate Breakdown in this Section)	
18	1001287018	1	Pump Assembly with Fittings (See Separate Breakdown in this Section)	

SECTION 3 - ENGINE

FIGURE 3-19. DEUTZ D2.9L4 (49HP) ENGINE/PUMP SUB-ASSEMBLY - (WITH ARCTIC PACKAGE)
(SN STARTING WITH 03)



ART_1001287036

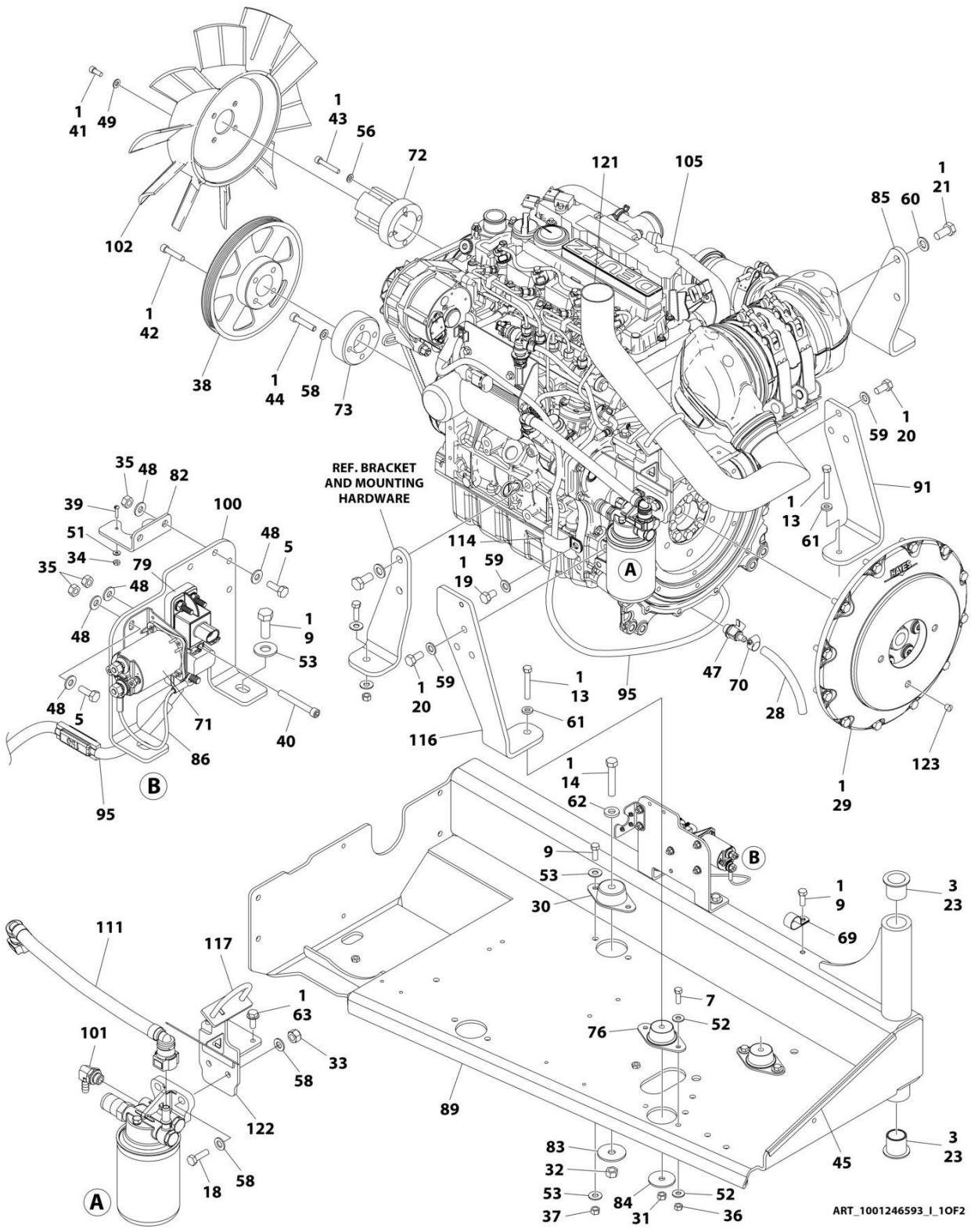
SECTION 3 - ENGINE

**FIGURE 3-19. DEUTZ D2.9L4 (49HP) ENGINE/PUMP SUB-ASSEMBLY - (WITH ARCTIC PACKAGE)
(SN STARTING WITH 03)**

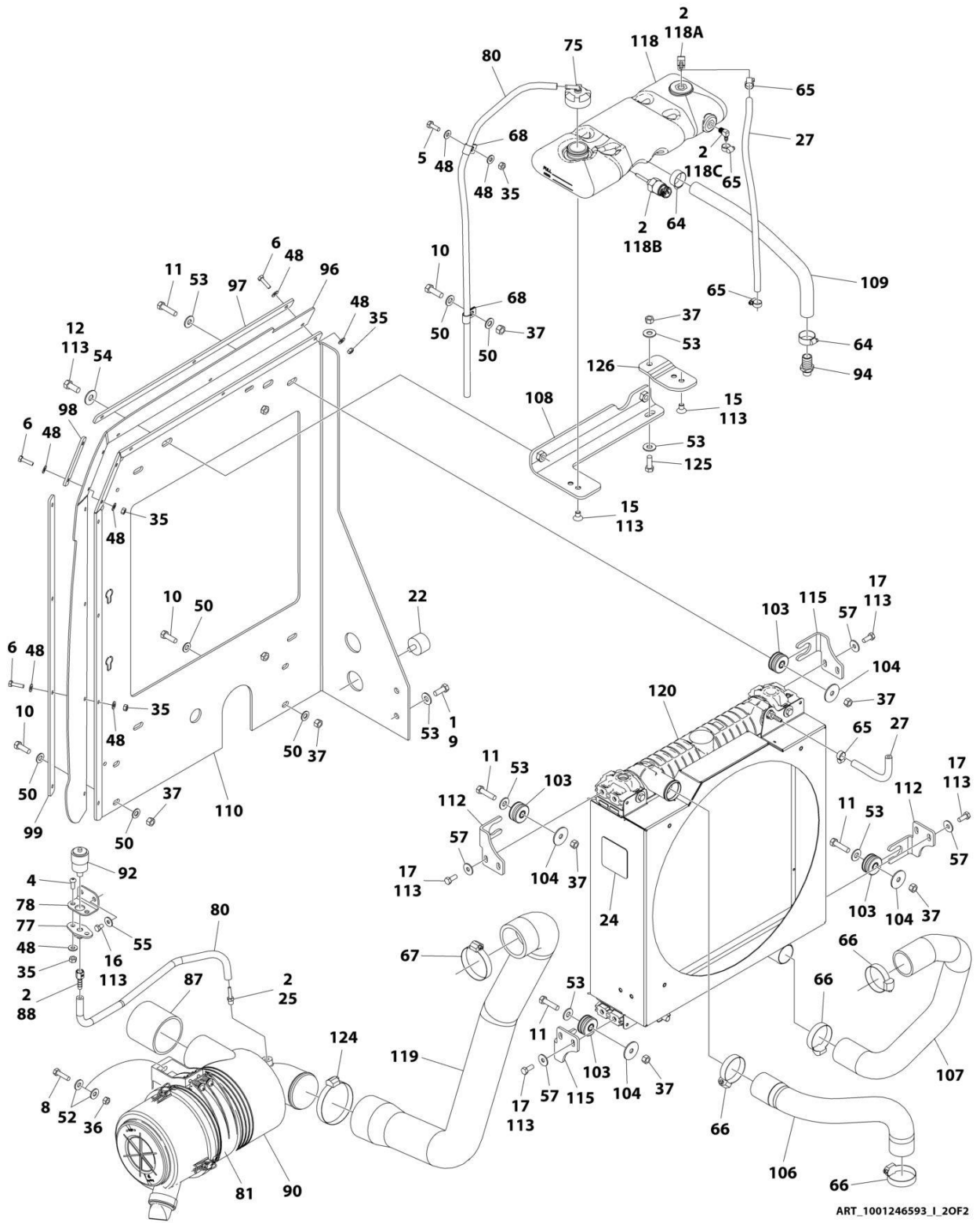
ITEM	PART NUMBER	QTY	DESCRIPTION	REV
	1001287036	Ref	DEUTZ D2.9L4 ENGINE/PUMP SUB-ASSEMBLY	B
1	0100011	AR	Compound, Locking	
2	0641406	1	Bolt 1/4 x 3/4	
3	0641808	1	Bolt 1/2 x 1	
4	0641812	2	Bolt 1/2 x 1-1/2	
5	1060637	1	Lanyard	
6	3311405	1	Nut, Lock 1/4	
7	3311801	1	Nut 1/2	
8	3422533	1	Pin, Hitch	
9	3600395	1	Gear Pump Assembly with Fittings (See Separate Breakdown in this Section)	
10	70007827	1	O-Ring (Part of Item 18)	
11	3931620	2	Bolt 3/8 x 1-1/4	
12	4711400	2	Washer 1/4	
13	4751800	1	Washer 1/2	
14	4891600	2	Washer 3/8 Hardened	
15	1001137873	1	Seal	
16	1001137874	1	Seal	
17	1001246590	1	Engine Assembly (See Separate Breakdown in this Section)	
18	1001287018	1	Pump Assembly with Fittings (See Separate Breakdown in this Section)	

SECTION 3 - ENGINE

FIGURE 3-20. DEUTZ D2.9L4 (49HP) ENGINE ASSEMBLY - WITHOUT ARCTIC PACKAGE



SECTION 3 - ENGINE



ART_1001246593_I_20F2

SECTION 3 - ENGINE

FIGURE 3-20. DEUTZ D2.9L4 (49HP) ENGINE ASSEMBLY - WITHOUT ARCTIC PACKAGE

ITEM	PART NUMBER	QTY	DESCRIPTION	REV
	1001246593	Ref	DEUTZ D2.9L4 ENGINE ASSEMBLY	H
1	0100011	AR	Compound, Locking	
2	0100020	AR	Sealant	
3	0100062	AR	Adhesive	
4	0630407	2	Screw 1/4 x 5/8	
5	0641406	5	Bolt 1/4 x 3/4	
6	0641408	9	Bolt 1/4 x 1	
7	0641508	4	Bolt 5/16 x 1	
8	0641510	2	Bolt 5/16 x 1-1/4	
9	0641608	7	Bolt 3/8 x 1	
10	0641609	4	Bolt 3/8 x 1-1/8	
11	0641612	4	Bolt 3/8 x 1-1/2	
12	0641708	2	Bolt 7/16 x 1	
13	0681620	2	Bolt 3/8 x 2-1/2 Grade 8	
14	0681822	1	Bolt 1/2 x 2-3/4 Grade 8	
15	0741605	2	Screw, Flathead 3/8 x 5/8	
16	0760605	2	Bolt M6 x 10	
17	0760810	8	Bolt M8 x 20	
18	0761015	2	Bolt M10 x 35	
19	0761210	1	Bolt M12 x 20	
20	0771212	6	Bolt M12 x 25 Grade 10.9	
21	0771414	2	Bolt M14 x 30	
22	0940070	1	Bumper	
23	0961986	2	Bushing, Flanged	
24	1703162	1	Decal - Fan Blade	
25	2220315	1	Fitting, Straight Barbed	
27	2720015	26 in /.9m	Hose	
28	2720340	16 in /40.6cm	Hose	
29	2902065	1	Kit, Pump Coupling (See Separate Breakdown in this Section)	
30	3200401	1	Mount, Motor	
31	3271601	2	Nut 3/8 Grade 8	
32	3271801	1	Nut 1/2 Grade 8	
33	3291005	2	Nut M10	
34	3310401	3	Nut #4	
35	3311405	17	Nut 1/4	
36	3311505	6	Nut 5/16	
37	3311605	11	Nut 3/8	
38	3580320	1	Pulley	
39	3910408	3	Screw #4 x 1/2	
40	3931432	1	Capscrew 1/4 x 2	
41	3931512	4	Capscrew 5/16 x 3/4	
42	3931628	4	Capscrew 3/8 x 1-3/4	
43	4031914	4	Capscrew M8 x 50	
44	4032014	4	Capscrew M10 x 50	
45	4060805	14 in /36cm	Flex-Trim	
46	4240099	AR	Tie-Strap (Not Shown)	
47	4640751	1	Valve, Oil Drain	
48	4711400	31	Washer 1/4	

SECTION 3 - ENGINE

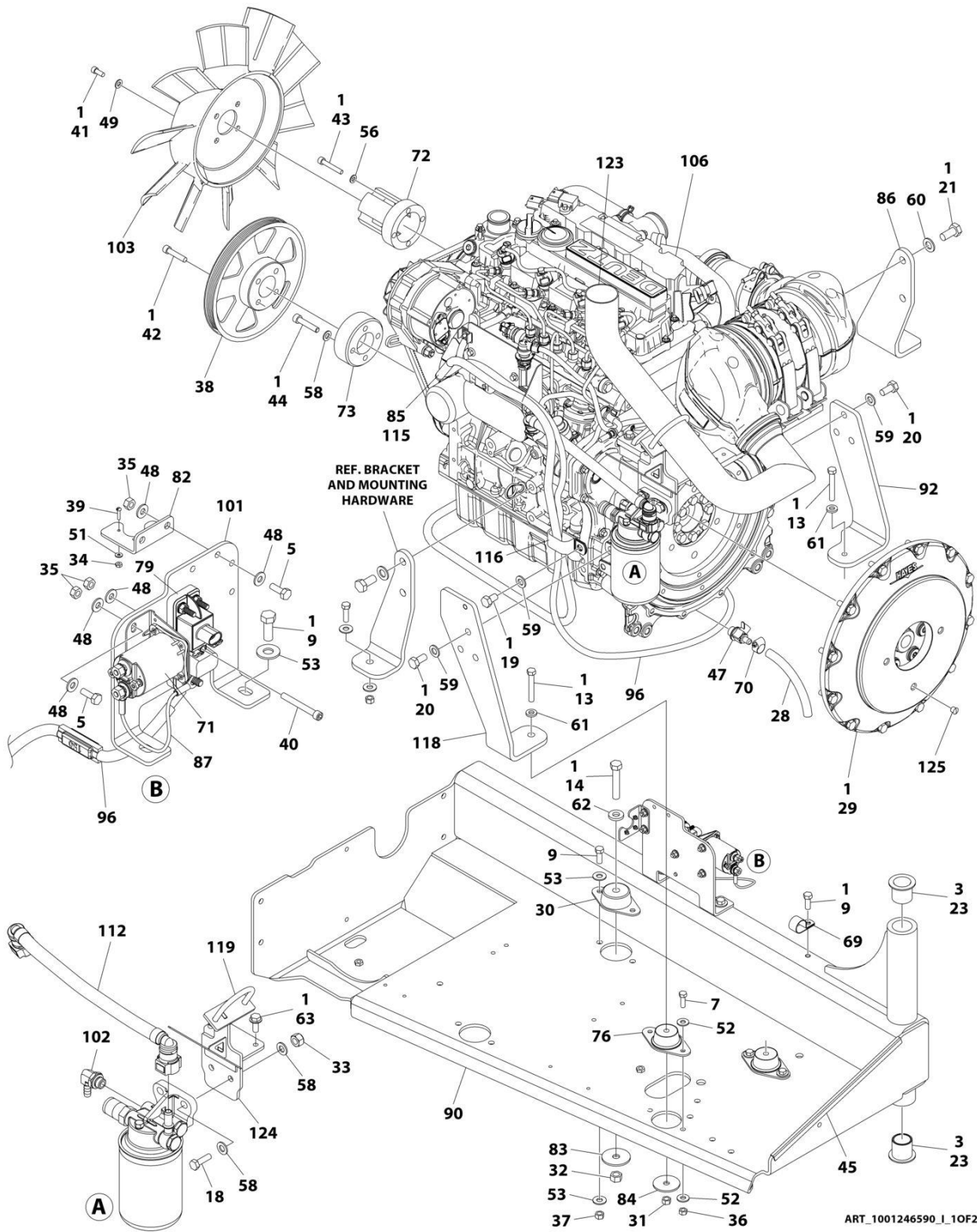
ITEM	PART NUMBER	QTY	DESCRIPTION	REV
49	4711500	4	Washer 5/16	
50	4711600	8	Washer 3/8	
51	4750400	3	Washer #4	
52	4751500	12	Washer 5/16	
53	4751600	14	Washer 3/8	
54	4751700	2	Washer 7/16	
55	4811702	2	Washer M6	
56	4811900	4	Washer M8	
57	4811902	8	Washer M8	
58	4812000	8	Washer M10	
59	4812100	7	Washer M12	
60	4812200	2	Washer M14	
61	4891600	2	Washer 3/8 Hardened	
62	4891800	1	Washer 1/2 Hardened	
63	5250810	2	Bolt M8 x 20	
64	8405007	2	Clamp	
65	8405009	4	Clamp	
66	8405104	4	Clamp	
67	8405204	1	Clamp	
68	8406110	2	Clip	
69	8406201	1	Clip	
70	8410013	1	Clamp	
71	1001117308	1	Relay	
72	1001135138	1	Adapter	
73	1001135679	1	Adapter	
75	1001136834	1	Cap, Tank	
76	1001138170	2	Mount, Motor	
77	1001138173	1	Support	
78	1001138175	1	Bracket	
79	1001138228	1	Relay, Power Module	
79	70023593	1	Fuse 30Amp (Battery Output)	
79	70023592	1	Fuse 20Amp (Switched Output)	
80	1001138248	67 in /1.7m	Tube	
81	1001138557	1	Clamp	
82	1001139240	1	Bracket	
83	1001139409	1	Washer, Special	
84	1001139429	2	Washer, Special	
85	1001140454	1	Mount, Front Engine	
86	1001141304	1	Harness, Glow Plug	
87	1001141585	1	Hose, Air Inlet	
88	1001141995	1	Fitting, Straight Barbed	
89	1001142538	1	Support	
90	1001142615	1	Air Cleaner Assembly Filter Element	
90	91403102	1	Element, Filter (Not Shown)	
91	1001142635	1	Mount, Rear Engine	
92	1001143390	1	Indicator, Service	
93	1001143726	1	Harness, Engine (Not Shown - See Separate Breakdown in ELECTRICAL SECTION)	
94	1001143797	1	Fitting, Straight Barbed	
95	1001143907	1	Cable, Alternator Power	
96	1001144409	1	Panel, Rubber	

SECTION 3 - ENGINE

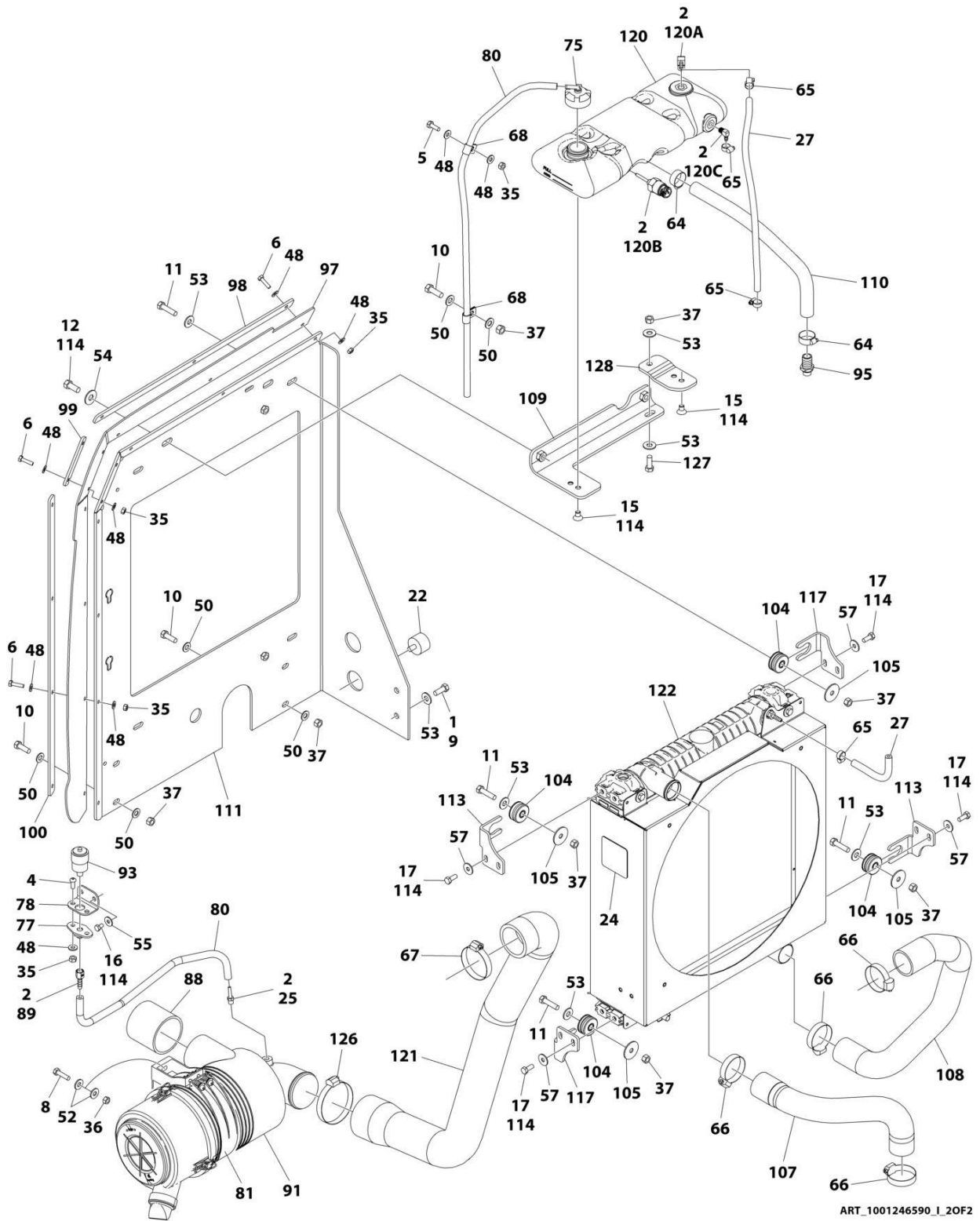
ITEM	PART NUMBER	QTY	DESCRIPTION	REV
97	1001144410	1	Bracket, Panel Clamp	
98	1001144411	1	Bracket, Panel Clamp	
99	1001144412	1	Bracket, Panel Clamp	
100	1001145154	1	Plate, Relay Mounting	
101	1001152489	1	Fitting, 90 Barbed	
102	1001165849	1	Fan	
103	1001169054	4	Isolator	
104	1001169138	4	Washer	
105	1001249965	1	Deutz D2.9L4 Engine Components (See Separate Breakdown in this Section)	
106	1001176225	1	Hose, Radiator - Upper	
107	1001176226	1	Hose, Radiator - Lower	
108	1001260413	1	Bracket, Tank	
109	1001176511	1	Hose	
110	1001176723	1	Plate Radiator Mounting	
111	1001177359	1	Hose	
112	1001178223	2	Bracket	
113	1001180620	AR	Adhesive	
114	1001181899	1	Clamp	
115	1001204325	2	Bracket	
116	1001205051	1	Mount, Rear Engine	
117	1001228506	1	Bolt, U-Bolt	
118	1001230635	1	Tank	
118A	1001134488	1	Fitting, 90 Barbed	
118B	1001138827	1	Sensor, Coolant Level	
118C	1001140564	1	Fitting, 90 Barbed	
119	1001247105	1	Hose, Inlet	
120	1001247676	1	Radiator and Shroud Assembly	
120	1001203495	1	Radiator	
120	1001247564	1	Shroud	
121	1001248477	1	Pipe, Exhaust	
122	1001248480	1	Bracket	
123	3520054	1	Plug	
124	8410011	1	Clamp	
125	0681608	1	Bolt 3/8 x 1	
126	1001260412	1	Bracket	
127	1001162335	1	Bracket, Fuel Pump/Filter Assembly (Not Shown) (See Separate Breakdown in this Section)	

SECTION 3 - ENGINE

FIGURE 3-21. DEUTZ D2.9L4 (49HP) ENGINE ASSEMBLY - WITH ARCTIC PACKAGE



SECTION 3 - ENGINE



ART_1001246590_I_20F2

SECTION 3 - ENGINE

FIGURE 3-21. DEUTZ D2.9L4 (49HP) ENGINE ASSEMBLY - WITH ARCTIC PACKAGE

ITEM	PART NUMBER	QTY	DESCRIPTION	REV
	1001246590	Ref	DEUTZ D2.9L4 ENGINE ASSEMBLY	H
1	0100011	AR	Compound, Locking	
2	0100020	AR	Sealant	
3	0100062	AR	Adhesive	
4	0630407	2	Screw 1/4 x 5/8	
5	0641406	5	Bolt 1/4 x 3/4	
6	0641408	9	Bolt 1/4 x 1	
7	0641508	4	Bolt 5/16 x 1	
8	0641510	2	Bolt 5/16 x 1-1/4	
9	0641608	7	Bolt 3/8 x 1	
10	0641609	4	Bolt 3/8 x 1-1/8	
11	0641612	4	Bolt 3/8 x 1-1/2	
12	0641708	2	Bolt 7/16 x 1	
13	0681620	2	Bolt 3/8 x 2-1/2 Grade 8	
14	0681822	1	Bolt 1/2 x 2-3/4 Grade 8	
15	0741605	2	Screw, Flathead 3/8 x 5/8	
16	0760605	2	Bolt M6 x 10	
17	0760810	8	Bolt M8 x 20	
18	0761015	2	Bolt M10 x 35	
19	0761210	1	Bolt M12 x 20	
20	0771212	6	Bolt M12 x 25 Grade 10.9	
21	0771414	2	Bolt M14 x 30	
22	0940070	1	Bumper	
23	0961986	2	Bushing, Flanged	
24	1703162	1	Decal - Fan Blade	
25	2220315	1	Fitting, Straight Barbed	
27	2720015	26 in /.9m	Hose	
28	2720340	16 in /40.6cm	Hose	
29	2902065	1	Kit, Pump Coupling (See Separate Breakdown in this section)	
30	3200401	1	Mount, Motor	
31	3271601	2	Nut 3/8 Grade 8	
32	3271801	1	Nut 1/2 Grade 8	
33	3291005	2	Nut M10	
34	3310401	3	Nut #4	
35	3311405	17	Nut 1/4	
36	3311505	6	Nut 5/16	
37	3311605	11	Nut 3/8	
38	3580320	1	Pulley	
39	3910408	3	Screw #4 x 1/2	
40	3931432	1	Capscrew 1/4 x 2	
41	3931512	4	Capscrew 5/16 x 3/4	
42	3931628	4	Capscrew 3/8 x 1-3/4	
43	4031914	4	Capscrew M8 x 50	
44	4032014	4	Capscrew M10 x 50	
45	4060805	14 in /36cm	Flex-Trim	
46	4240099	AR	Tie-Strap (Not Shown)	
47	4640751	1	Valve, Oil Drain	
48	4711400	31	Washer 1/4	

SECTION 3 - ENGINE

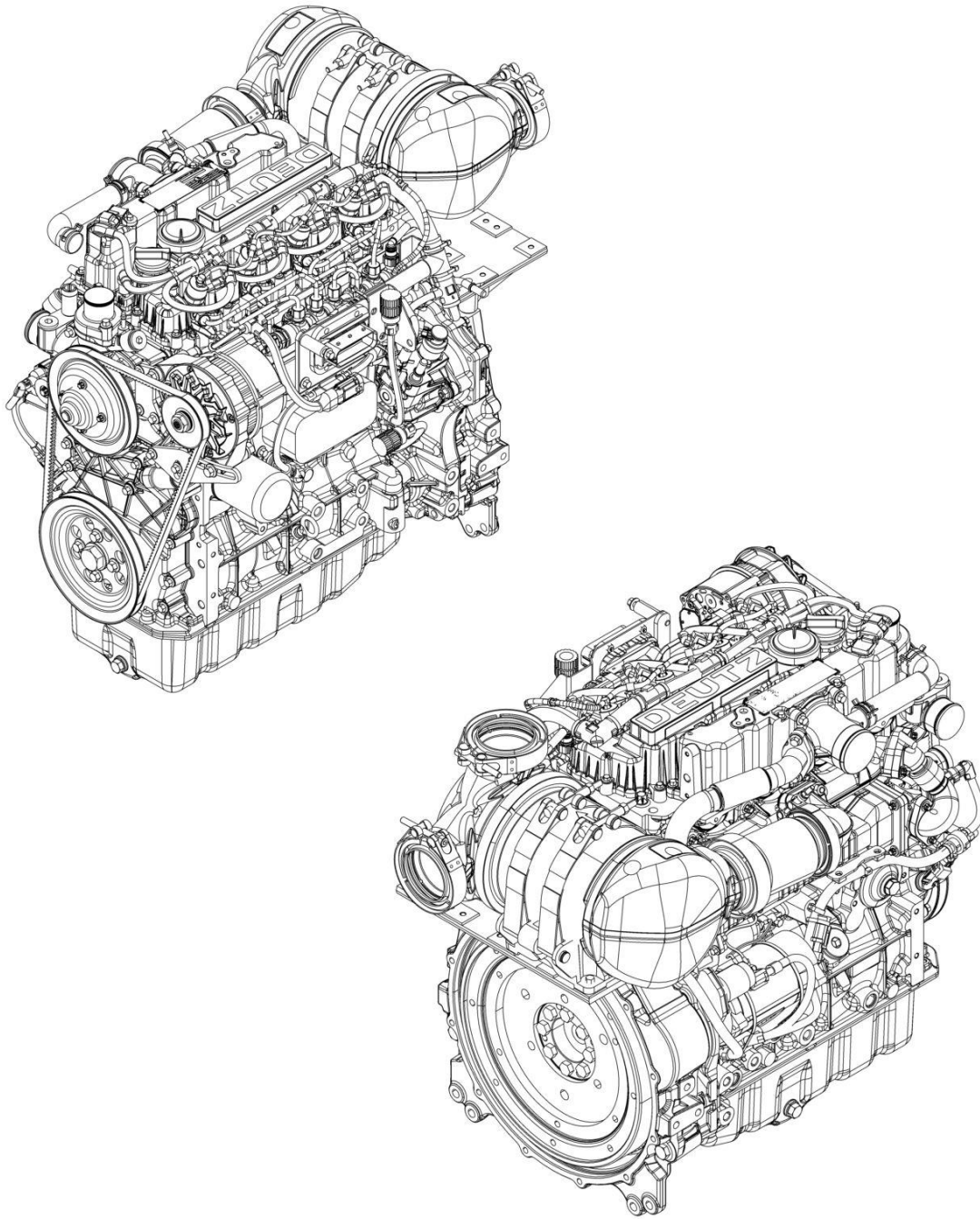
ITEM	PART NUMBER	QTY	DESCRIPTION	REV
49	4711500	4	Washer 5/16	
50	4711600	8	Washer 3/8	
51	4750400	3	Washer #4	
52	4751500	12	Washer 5/16	
53	4751600	14	Washer 3/8	
54	4751700	2	Washer 7/16	
55	4811702	2	Washer M6	
56	4811900	4	Washer M8	
57	4811902	8	Washer M8	
58	4812000	8	Washer M10	
59	4812100	7	Washer M12	
60	4812200	2	Washer M14	
61	4891600	2	Washer 3/8 Hardened	
62	4891800	1	Washer 1/2 Hardened	
63	5250810	2	Bolt M8 x 20	
64	8405007	2	Clamp	
65	8405009	4	Clamp	
66	8405104	4	Clamp	
67	8405204	1	Clamp	
68	8406110	2	Clip	
69	8406201	1	Clip	
70	8410013	1	Clamp	
71	1001117308	1	Relay	
72	1001135138	1	Adapter	
73	1001135679	1	Adapter	
75	1001136834	1	Cap, Tank	
76	1001138170	2	Mount, Motor	
77	1001138173	1	Support	
78	1001138175	1	Bracket	
79	1001138228	1	Relay, Power Module	
79	70023593	1	Fuse 30Amp (Battery Output)	
79	70023592	1	Fuse 20Amp (Switched Output)	
80	1001138248	67 in /1.7m	Tube	
81	1001138557	1	Clamp	
82	1001139240	1	Bracket	
83	1001139409	1	Washer, Special	
84	1001139429	2	Washer, Special	
85	1001140312	1	Heater, Engine Block	
86	1001140454	1	Mount, Front Engine	
87	1001141304	1	Harness, Glow Plug	
88	1001141585	1	Hose, Air Inlet	
89	1001141995	1	Fitting, Straight Barbed	
90	1001142538	1	Support	
91	1001142615	1	Air Cleaner Assembly Filter Element	
91	91403102	1	Element, Filter (Not Shown)	
92	1001142635	1	Mount, Rear Engine	
93	1001143390	1	Indicator, Service	
94	1001143726	1	Harness, Engine (Not Shown - See Separate Breakdown in ELECTRICAL SECTION)	
95	1001143797	1	Fitting, Straight Barbed	
96	1001143907	1	Cable, Alternator Power	

SECTION 3 - ENGINE

ITEM	PART NUMBER	QTY	DESCRIPTION	REV
97	1001144409	1	Panel, Rubber	
98	1001144410	1	Bracket, Panel Clamp	
99	1001144411	1	Bracket, Panel Clamp	
100	1001144412	1	Bracket, Panel Clamp	
101	1001145154	1	Plate, Relay Mounting	
102	1001152489	1	Fitting, 90 Barbed	
103	1001165849	1	Fan	
104	1001169054	4	Isolator	
105	1001169138	4	Washer	
106	1001249965	1	Deutz D2.9L4 Engine Components (See Separate Breakdown in this Section)	
107	1001176225	1	Hose, Radiator - Upper	
108	1001176226	1	Hose, Radiator - Lower	
109	1001260413	1	Bracket, Tank	
110	1001176511	1	Hose	
111	1001176723	1	Plate Radiator Mounting	
112	1001177359	1	Hose	
113	1001178223	2	Bracket	
114	1001180620	AR	Adhesive	
115	1001181895	AR	Adhesive	
116	1001181899	1	Clamp	
117	1001204325	2	Bracket	
118	1001205051	1	Mount, Rear Engine	
119	1001228506	1	Bolt, U-Bolt	
120	1001230635	1	Tank	
120A	1001134488	1	Fitting, 90 Barbed	
120B	1001138827	1	Sensor, Coolant Level	
120C	1001140564	1	Fitting, 90 Barbed	
121	1001247105	1	Hose, Inlet	
122	1001247676	1	Radiator and Shroud Assembly	
122	1001203495	1	Radiator	
122	1001247564	1	Shroud	
123	1001248477	1	Pipe, Exhaust	
124	1001248480	1	Bracket	
125	3520054	1	Plug	
126	8410011	1	Clamp	
127	0681608	1	Bolt 3/8 x 1	
128	1001260412	1	Bracket	
129	1001162335	1	Bracket, Fuel Pump/Filter Assembly (Not Shown) (See Separate Breakdown in this Section)	

SECTION 3 - ENGINE

FIGURE 3-22. DEUTZ D2.9L4 (49HP) ENGINE COMPONENTS



ART_1001249965

SECTION 3 - ENGINE

FIGURE 3-22. DEUTZ D2.9L4 (49HP) ENGINE COMPONENTS

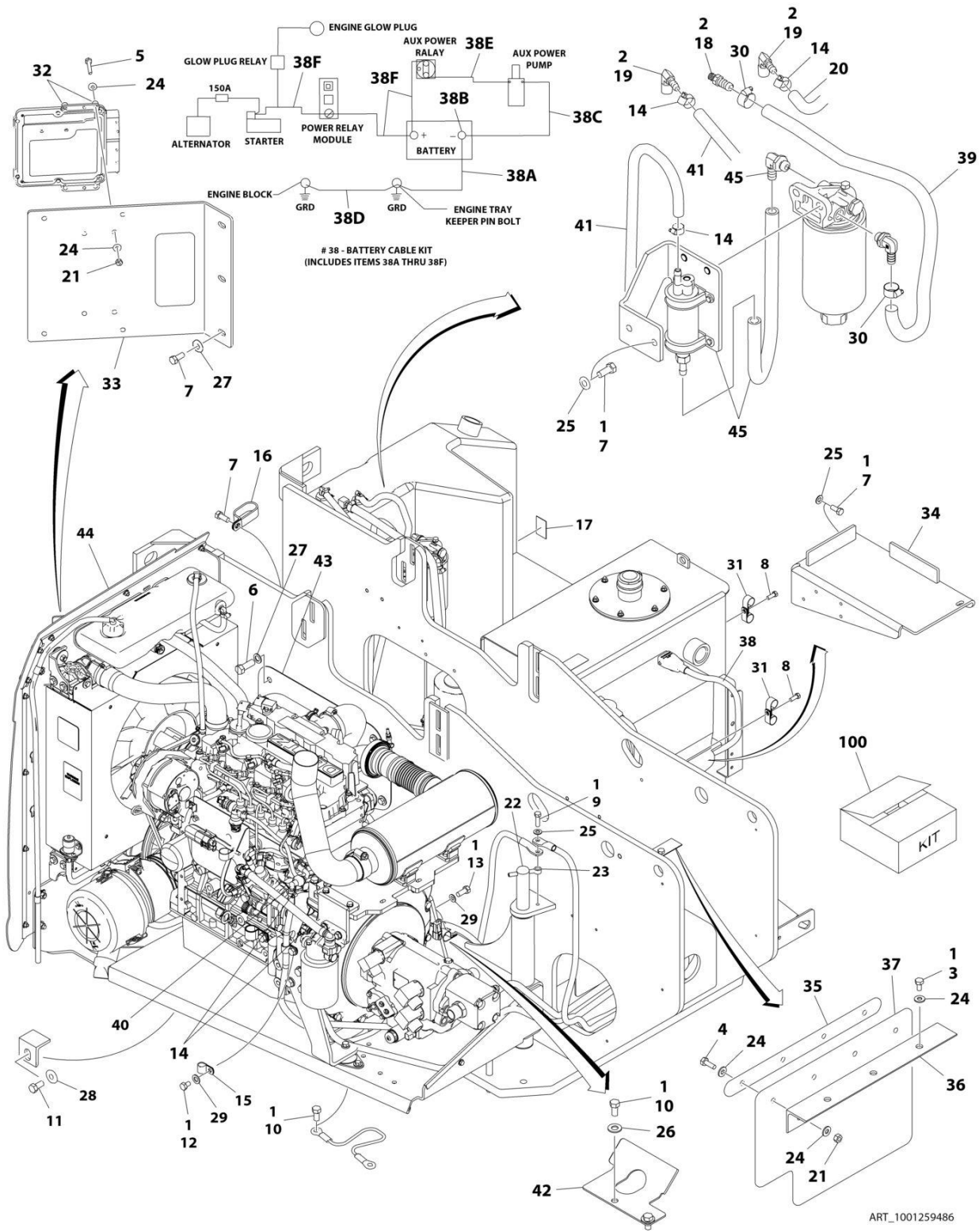
ITEM	PART NUMBER	QTY	DESCRIPTION	REV
	1001249965	Ref	DEUTZ D2.9L4 - EMR4 (49HP) ENGINE COMPONENTS	B
	See Note	Ref	Note: Contact JLG Customer Service for Availability of Additional Components.	
		Ref	Air Intake System	
	70005182	1	Charge Air Elbow	
	70005183	1	Breather Line	
		Ref	Cooling System Components	
	70030360	1	Pump, Coolant	
	70007603	1	Thermostat	
		Ref	Electrical Components	
	70025210	1	Module, Engine Control (ECM/ECU)	
	70024513	1	Harness, Fuel Filter Sensor	
	70024504	1	Sensor, Fuel Pressure	
	70006652	1	Generator	
	70024915	1	Starter	
	70025231	1	Harness, Glow Plug	
	70028540	1	Sensor, Temperature	
	70026210	1	Sensor, Speed	
	70024507	1	Sensor, Pressure (Air Intake)	
	70031145	4	Plug, Glow	
		Ref	Exhaust Components	
	70031136	1	Pipe, Exhaust	
	70004282	1	Exhaust Manifold	
		Ref	Fuel System Components	
	70030381	1	Pump, High Pressure	
	700004508	1	Valve, Volume Control	
	70004281	1	Injector, Fuel	
	70006144	1	Pump, Fuel Supply (Includes Qty 2 Mounting Clamps)	
	1001225430	1	Filter, Fuel (Pre-Filter) Assembly	
	70024961	1	Filter, Fuel	
	70025239	1	Seal	
	70024513	1	Cable, Sensor	
	70029451	1	Filter, Fuel	
		Ref	Gasket & Seal Components	
	70024905	1	Seal, Dipstick	
	70005942	2	Seal, Oil Plug	
	70024906	1	Gasket, Head	
	70005171	1	Gasket, Valve Cover	
	70002718	1	Seal, Rear Main	
	70025135	1	O-Ring, Oil Lube Pump	
	70005173	1	Gasket, Oil Lube Pump	
	70024925	1	Seal, Oil Cooler	
	70005177	1	Gasket, Charge Air Housing	
	70025200	1	O-Ring, Coolant Pump	
	70007325	1	Seal, Coolant Pump	
	70005184	1	O-Ring, Thermostat	
	70005931	1	Seal, Thermostat	
	70025164	1	Gasket, Exhaust Manifold to Head	
	70007354	1	Gasket, Short Exhaust Pipe to JLG supplied Exhaust	
	70007326	1	Gasket EGR Valve	

SECTION 3 - ENGINE

ITEM	PART NUMBER	QTY	DESCRIPTION	REV
	70031095	1	Gasket, Exhaust Return Pipe (to Air Intake Housing)	
		Ref	Other Components	
	70001870	1	Flywheel	
	7024579	1	Gear, Ring	
		Ref	Oil Lube System	
	7020465	1	Cap, Oil Fill	
	70024904	1	Dipstick	
	70005941	2	Plug, Oil (Includes Seal)	
	70005172	1	Pump, Oil Lube (Includes O-Ring & Gasket)	
	70024494	1	Oil Cooler	
	7016331	1	Filter, Oil	

SECTION 3 - ENGINE

FIGURE 3-23. DEUTZ D2.9L4 ENGINE INSTALLATION (CHINA IV)



ART_1001259486

SECTION 3 - ENGINE

FIGURE 3-23. DEUTZ D2.9L4 ENGINE INSTALLATION (CHINA IV)

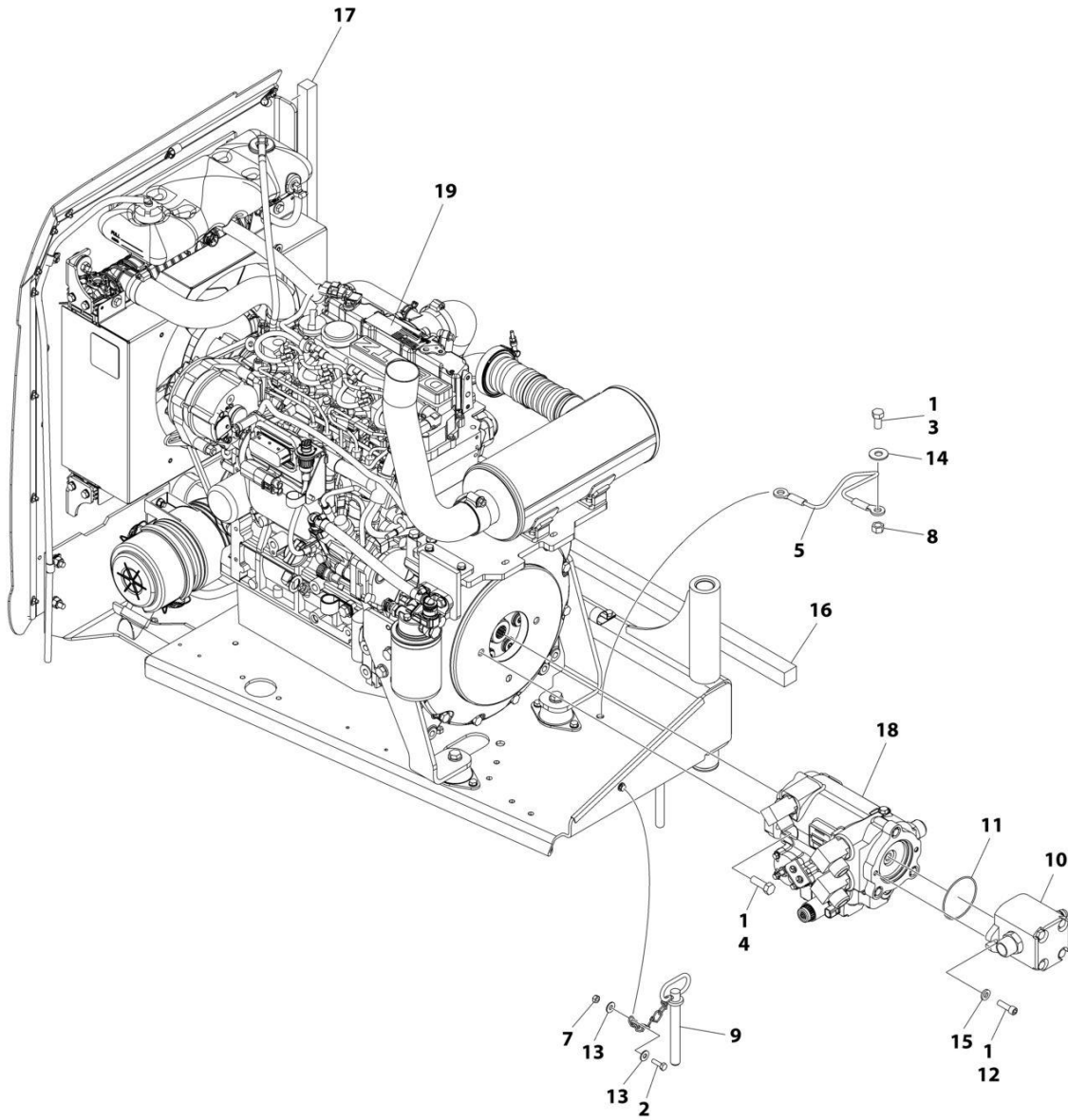
ITEM	PART NUMBER	QTY	DESCRIPTION	REV
	1001259486	Ref	DEUTZ D2.9L4 ENGINE INSTALLATION	A
1	0100011	AR	Compound, Locking	
2	0100020	AR	Sealant, Pipe	
3	0641404	3	Bolt 1/4 x 1/2	
4	0641406	4	Bolt 1/4 x 3/4	
5	0641412	4	Bolt 1/4 x 1-1/2	
6	0641606	4	Bolt 3/8 x 3/4	
7	0641607	9	Bolt 3/8 x 7/8	
8	0641608	2	Bolt 3/8 x 1	
9	0641610	1	Bolt 3/8 x 1-1/4	
10	0641808	3	Bolt 3/8 x 1	
11	0642010	1	Bolt 5/8 x 1-1/4	
12	0761008	1	Bolt M10 x 16	
13	0771212	1	Bolt M12 x 25 Class 10.9	
14	1320022	5	Clamp	
15	1320061	1	Clamp	
16	1321716	1	P-Clamp	
17	1701505	1	Decal - Diesel (Located on Hood)	
18	2180832	1	Fitting, Straight Barbed	
19	2220313	2	Fitting, 90 Barbed	
20	2750532	5 ft /1.6m	Hose	
21	3311405	8	Nut 1/4	
22	3422448	1	Pin, Pivot	
23	3841143	1	Pin, Keeper	
24	4711400	19	Washer 1/4	
25	4711600	6	Washer 3/8	
26	4711800	2	Washer 1/2	
27	4751600	7	Washer 3/8	
28	4752000	1	Washer 5/8	
29	4812100	2	Washer M12	
30	8405006	2	Clamp	
31	8406201	4	Clip	
32	1001110425	4	Spacer	
33	1001137866	1	Plate, Baffle	
34	1001137868	1	Bracket, Battery	
35	1001137880	1	Bracket, Baffle	
36	1001137881	1	Angle	
37	1001137882	1	Support, Rubber	
38	1001145047	1	Battery Cable Kit	
38A	7027072	1	Cable, Battery (Black) (Battery - to Tray Pivot Grd)	
38B	8270147	1	Terminal, Battery (With Boot)	
38B	See Note	1	Boot, Black (Note: Not Available for Purchase)	
38C	7027073	1	Cable, Battery (Black) (Battery - to Aux Pump and Relay Grds)	
38C	See Note	1	Boot, Black (Note: Not Available for Purchase)	
38D	7027074	1	Cable, Battery (Black) (Engine to Tray Pivot Grd)	
38E	7027075	1	Cable (Red) (Aux Relay to Aux Pump)	
38E	70003952	2	Boot, Red	
38F	7027076	1	Cable (Red) (Battery + to Aux Relay/Power Module/Starter)	
38F	See Note	1	Boot, Red (Battery) (Note: Not Available for Purchase)	

SECTION 3 - ENGINE

ITEM	PART NUMBER	QTY	DESCRIPTION	REV
39	1001154405	24 in/61cm	Hose	
40	1001155823	1	Fitting, 90 Quick Disconnect	
41	1001165035	23.83 ft /7m	Hose	
42	1001172793	1	Guide, Hose	
43	1001252521	1	Cover	
44	1001259484	1	Engine Assembly with Pumps (See Separate Breakdown in this Section)	
45	1001260316	1	Fuel Pump & Filter Assembly (See Separate Breakdown in this Section)	
100	1001222665	1	Fuel Pump Terminals Kit (Includes items 101-103)	
101	1001138491	1	Harness, Fuel Pump (Not Shown) (See Separate Breakdown in ELECTRICAL Section)	
103	4460042	1	Terminal (Not Shown)	

SECTION 3 - ENGINE

FIGURE 3-24. DEUTZ D2.9L4 ENGINE ASSEMBLY WITH PUMPS (CHINA IV)



ART_1001259484

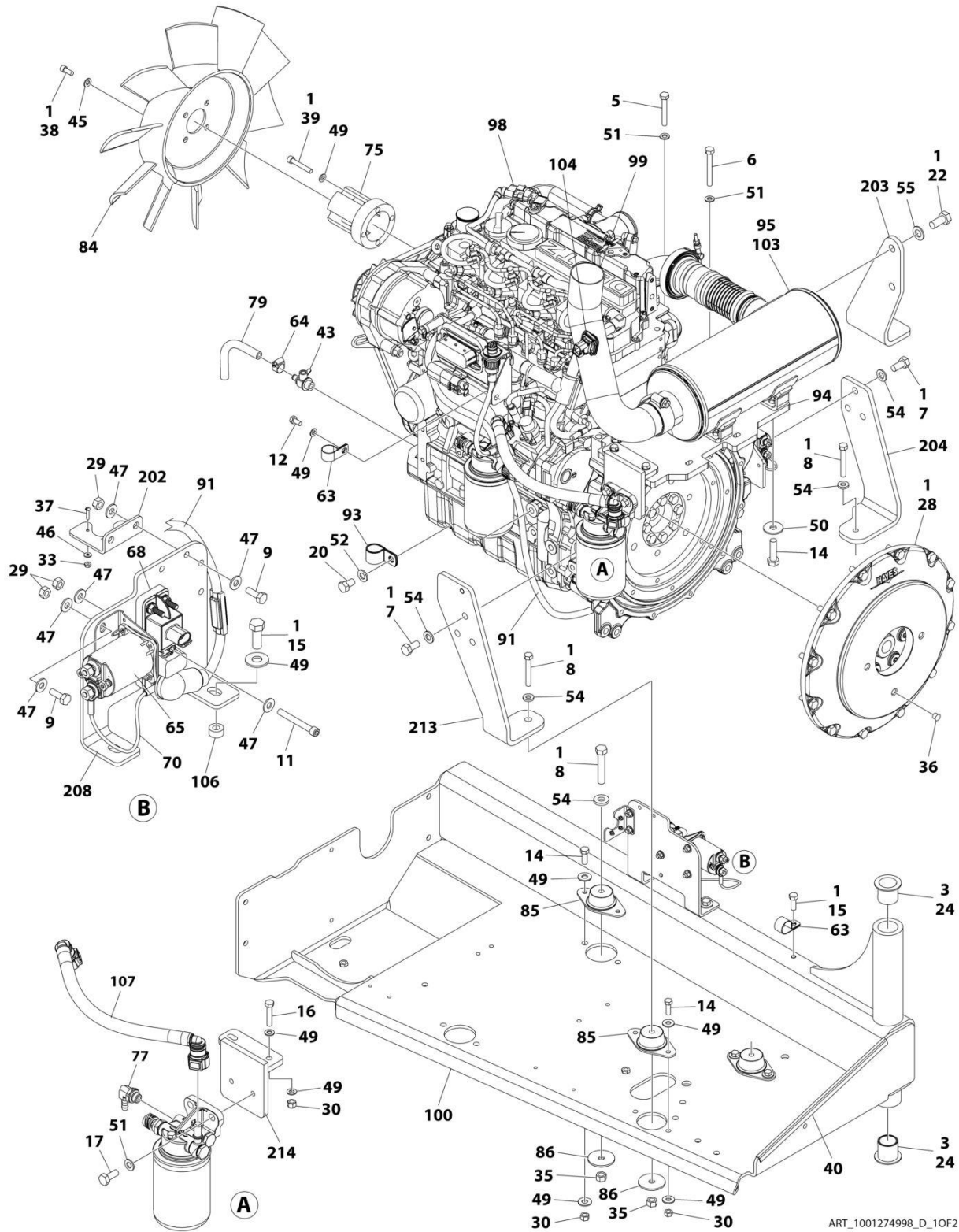
SECTION 3 - ENGINE

FIGURE 3-24. DEUTZ D2.9L4 ENGINE ASSEMBLY WITH PUMPS (CHINA IV)

ITEM	PART NUMBER	QTY	DESCRIPTION	REV
	1001259484	Ref	DEUTZ D2.9L4 ENGINE ASSEMBLY WITH PUMPS	B
1	0100011	AR	Compound, Locking	
2	0641406	1	Bolt 1/4 x 3/4	
3	0641808	1	Bolt 1/2 x 1	
4	0641812	2	Bolt 1/2 x 1-1/2	
5	1060637	1	Lanyard	
7	3311405	1	Nut, Lock 1/4	
8	3311801	1	Nut 1/2	
9	3422533	1	Pin, Hitch	
10	3600395	1	Gear Pump Assembly with Fittings (See Separate Breakdown in this Section)	
11	3790152	1	O-Ring	
12	3931620	2	Bolt 3/8 x 1-1/4	
13	4711400	2	Washer 1/4	
14	4751800	1	Washer 1/2	
15	4891600	2	Washer 3/8 Hardened	
16	1001137873	1	Seal	
17	1001137874	1	Seal	
18	1001188952	1	Pump Assembly with Fittings (See Separate Breakdown in this Section)	
19	1001274998	1	Engine Assembly (See Separate Breakdown in this Section)	

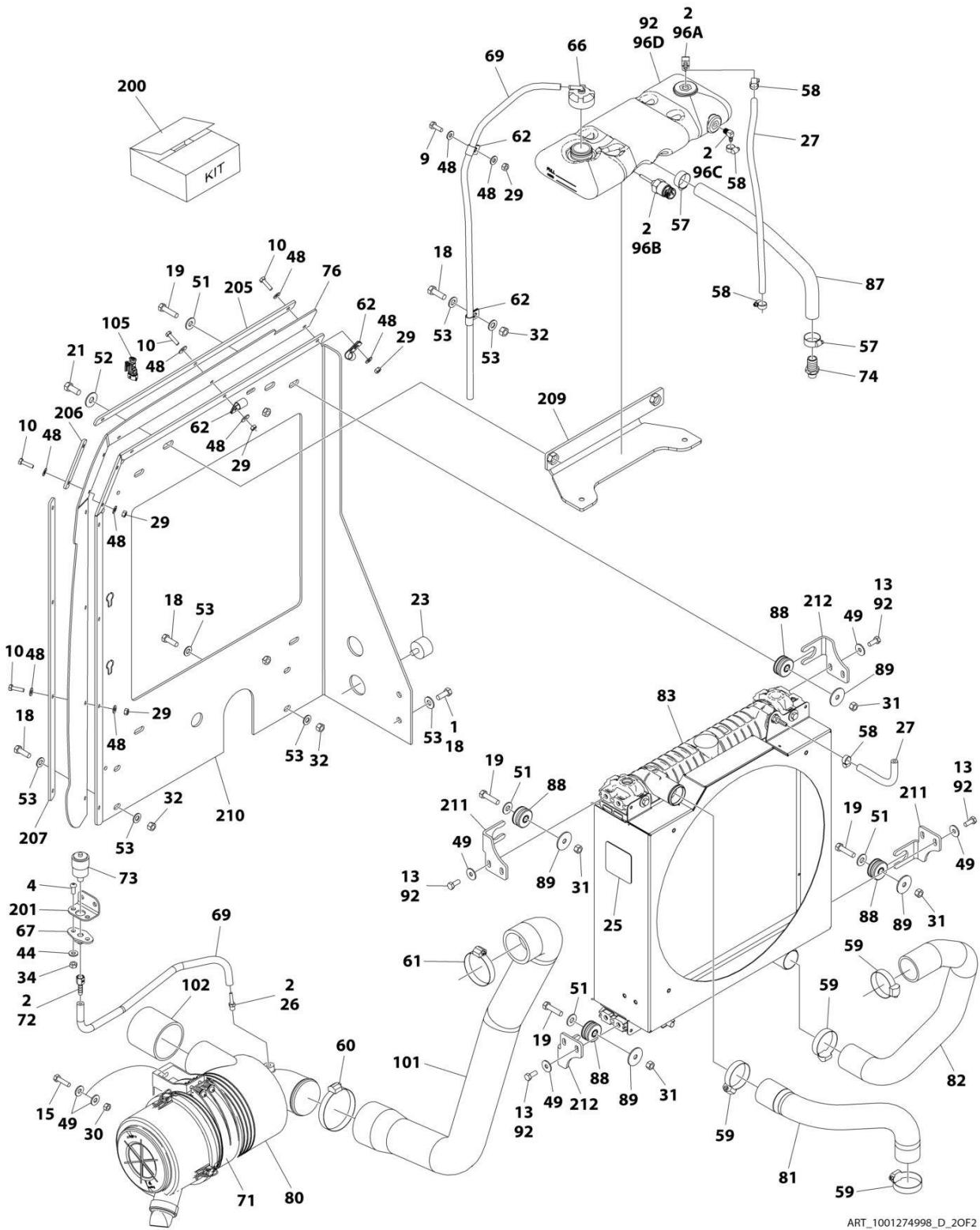
SECTION 3 - ENGINE

FIGURE 3-25. DEUTZ D2.9L4 ENGINE ASSEMBLY (CHINA IV)



ART_1001274998_D_10F2

SECTION 3 - ENGINE



ART_1001274998_D_20F2

SECTION 3 - ENGINE

FIGURE 3-25. DEUTZ D2.9L4 ENGINE ASSEMBLY (CHINA IV)

ITEM	PART NUMBER	QTY	DESCRIPTION	REV
	1001274998	Ref	DEUTZ D2.9L4 ENGINE ASSEMBLY	D
1	0100011	AR	Compound, Locking	
2	0100020	AR	Sealant	
3	0100062	AR	Adhesive	
4	0630407	2	Screw 1/4 x 5/8	
5	0701022	2	Bolt M10 x 70	
6	0701025	2	Bolt M10 x 85	
7	0711214	6	Bolt M12 x 30 Class 10.9	
8	0711224	3	Bolt M12 x 80 Class 10.9	
9	0760610	5	Bolt M6 x 20	
10	0760612	9	Bolt M6 x 25	
11	0760619	1	Bolt M6 x 55	
12	0760808	1	Bolt M6 x 16	
13	0760810	8	Bolt M8 x 20	
14	0760814	10	Bolt M8 x 30	
15	0760815	5	Bolt M8 x 35	
16	0760816	2	Bolt M8 x 40	
17	0761012	2	Bolt M10 x 25	
18	0761016	6	Bolt M10 x 40	
19	0761017	4	Bolt M10 x 45	
20	0761210	1	Bolt M12 x 20	
21	0761214	2	Bolt M12 x 30	
22	0771414	2	Bolt M14 x 30 Class 10.9	
23	0940070	1	Bumper	
24	0961986	2	Bushing, Flanged	
25	1703162	2	Decal - Fan Blade	
26	2220315	1	Fitting, Straight Barbed	
27	2720015	26 in /.9m	Hose	
28	2902065	1	Kit, Pump Coupling (See Separate Breakdown in this Section)	
29	3290601	15	Nut M6	
30	3290805	10	Nut, Lock M8	
31	3291001	4	Nut M10	
32	3291005	4	Nut M10	
33	3310401	3	Nut #4	
34	3311405	2	Nut, Lock 1/4	
35	3331211	3	Nut M12 Class 10	
36	3520054	1	Plug	
37	3910408	3	Screw #4 x 1/2	
38	3931512	4	Capscrew 5/16 x 3/4	
39	4031914	4	Capscrew M8 x 50	
40	4060805	14 in /36cm	Flex-Trim	
41	4240099	AR	Tie-Strap (Not Shown)	
42	4460234	4	Mount, Tie-Strap (Not Shown)	
43	4640751	1	Valve, Oil Drain	
44	4711400	2	Washer 1/4	
45	4711500	4	Washer 5/16	
46	4750400	3	Washer #4	
47	4811700	9	Washer M6	
48	4811702	20	Washer M6	

SECTION 3 - ENGINE

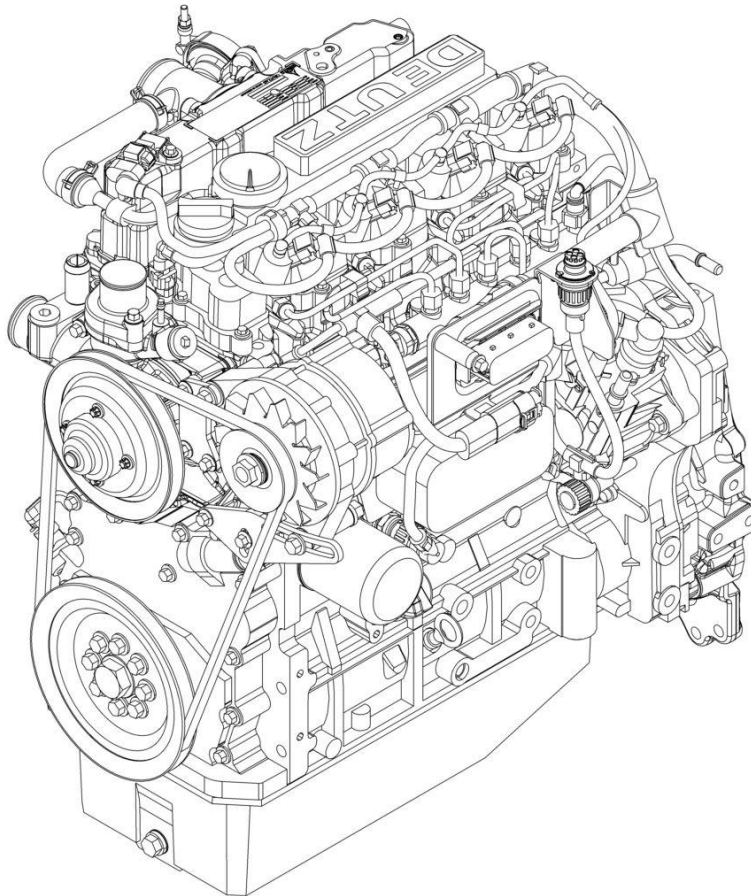
ITEM	PART NUMBER	QTY	DESCRIPTION	REV
49	4811900	35	Washer M8	
50	4811902	4	Washer M8	
51	4812000	10	Washer M10	
52	4812100	3	Washer M12	
53	5241000	10	Washer M10	
54	5241200	9	Washer M12	
55	5241400	2	Washer M14	
57	8405007	2	Clamp	
58	8405009	4	Clamp	
59	8405104	4	Clamp	
60	8405202	1	Clamp	
61	8405204	1	Clamp	
62	8406110	4	Clip	
63	8406201	2	Clip	
64	8410013	1	Clamp	
65	1001117308	1	Relay	
66	1001136834	1	Cap, Tank	
67	1001138173	1	Support	
68	1001138228	1	Relay, Power Module	
68	70023593	1	Fuse 30Amp (Battery Output)	
68	70023592	1	Fuse 20Amp (Switched Output)	
69	1001138248	64 in /1.6m	Tube	
70	1001141304	1	Harness, Glow Plug	
71	1001141694	1	Clamp	
72	1001141995	1	Fitting, Straight Barbed	
73	1001143390	1	Indicator, Service	
74	1001143797	1	Fitting, Straight Barbed	
75	1001286568	1	Adapter	
76	1001144409	1	Panel, Rubber	
77	1001152489	1	Fitting, 90 Barbed	
79	1001165035	1	Hose	
80	1001165388	1	Air Cleaner Assembly	
80	70003783	1	Element, Filter (Not Shown)	
81	1001165405	1	Hose, Upper Radiator	
82	1001165406	1	Hose, Lower Radiator	
83	1001287643	1	Radiator (See Separate Breakdown in this Section)	
84	1001288266	1	Fan	
85	1001166718	3	Mount, Motor	
86	1001168018	3	Washer	
87	1001168099	1	Hose, Coolant	
88	1001169054	4	Isolator	
89	1001169138	4	Washer	
91	1001178788	1	Cable, Alternator	
92	1001180620	AR	Adhesive	
93	1001191620	1	Clamp	
94	1001221203	1	Bracket, Muffler	
95	1001221212	1	Clamp	
96	1001230635	1	Surge Tank Assembly	
96A	1001134488	1	Fitting, 90 Barbed	
96B	1001138827	1	Sensor, Coolant Level	
96C	1001140564	1	Fitting, 90 Barbed	

SECTION 3 - ENGINE

ITEM	PART NUMBER	QTY	DESCRIPTION	REV
96D	1001229542	1	Tank	
97	1001290660	1	Harness, Engine (Not Shown) (See Separate Breakdown in ELECTRICAL Section)	
98	1001258112	1	Deutz D2.9L4 (China IV) Engine (See Separate Breakdown in this Section)	
99	1001260597	1	Pipe, Muffler	
100	1001262870	1	Support	
101	1001274993	1	Hose, Engine Air Intake	
102	1001274997	1	Hose, Air Filter Intake	
103	1001280270	1	Muffler	
104	1001281985	1	Connector	
105	1001281986	1	Connector	
106	1001110425	2	Spacer	
107	1001177359	1	Hose	
200	1001262219	1	Engine Brackets Kit	C
201	1001274994	1	Bracket, Indicator	
202	1001139240	1	Bracket	
203	1001140454	1	Mount, Engine Front Inner	
204	1001288103	1	Mount, Engine Rear Inner	
205	1001144410	1	Bracket, Panel Clamp	
206	1001144411	1	Bracket, Panel Clamp	
207	1001144412	1	Bracket, Panel Clamp	
208	1001145154	1	Plate, Relay Mounting	
209	1001168950	1	Bracket, Surge Tank	
210	1001274996	1	Mount, Radiator	
211	1001169967	2	Bracket, Radiator	
212	1001170035	2	Bracket, Radiator	
213	1001205051	1	Mount, Engine Rear Outer	
214	1001288366	1	Bracket, Fuel Filter	

SECTION 3 - ENGINE

FIGURE 3-26. DUETZ D2.9L4 ENGINE COMPONENTS (CHINA IV)



ART_1001258112

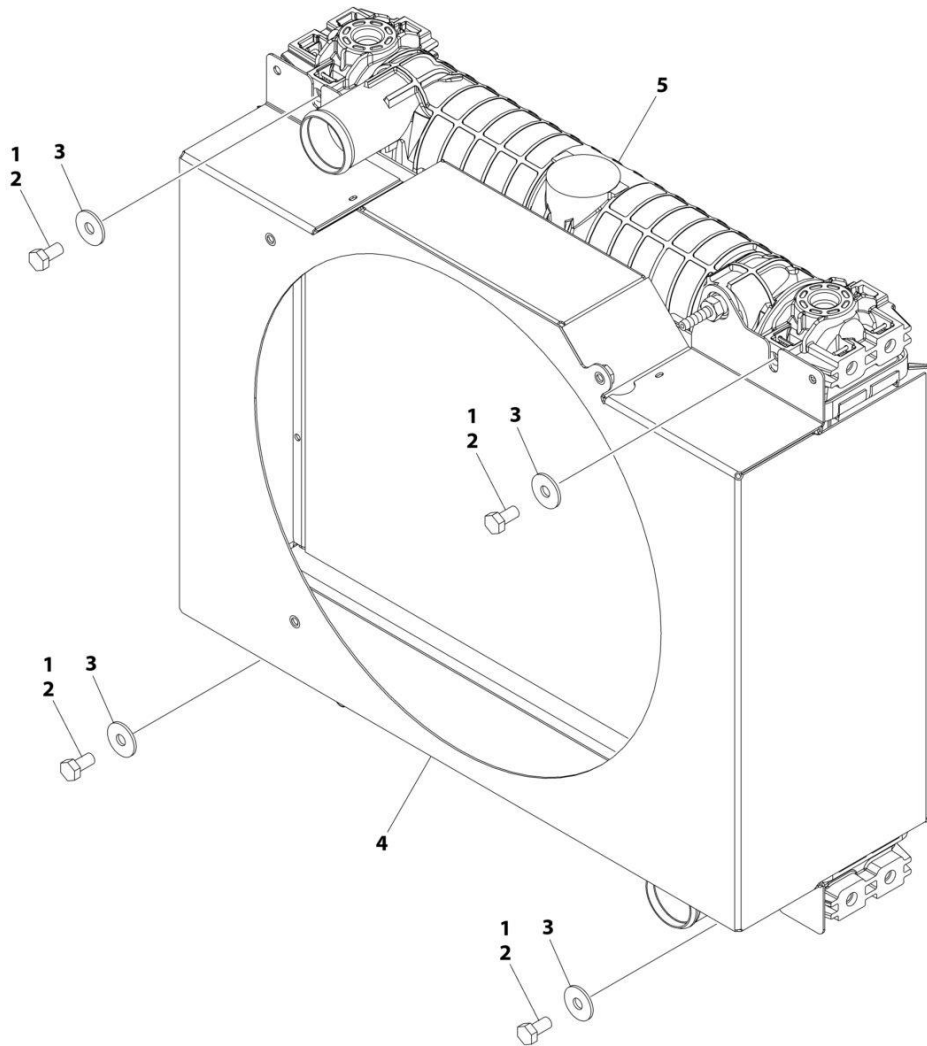
SECTION 3 - ENGINE

FIGURE 3-26. DEUTZ D2.9L4 ENGINE COMPONENTS (CHINA IV)

ITEM	PART NUMBER	QTY	DESCRIPTION	REV
	1001258112	Ref	DEUTZ D2.9L4 ENGINE COMPONENTS	B
	See Note	Ref	Note: No Service Parts Available at Time of Printing.	

SECTION 3 - ENGINE

FIGURE 3-27. RADIATOR ASSEMBLY - DUETZ D2.9L4 ENGINE (CHINA IV)



ART_1001287643

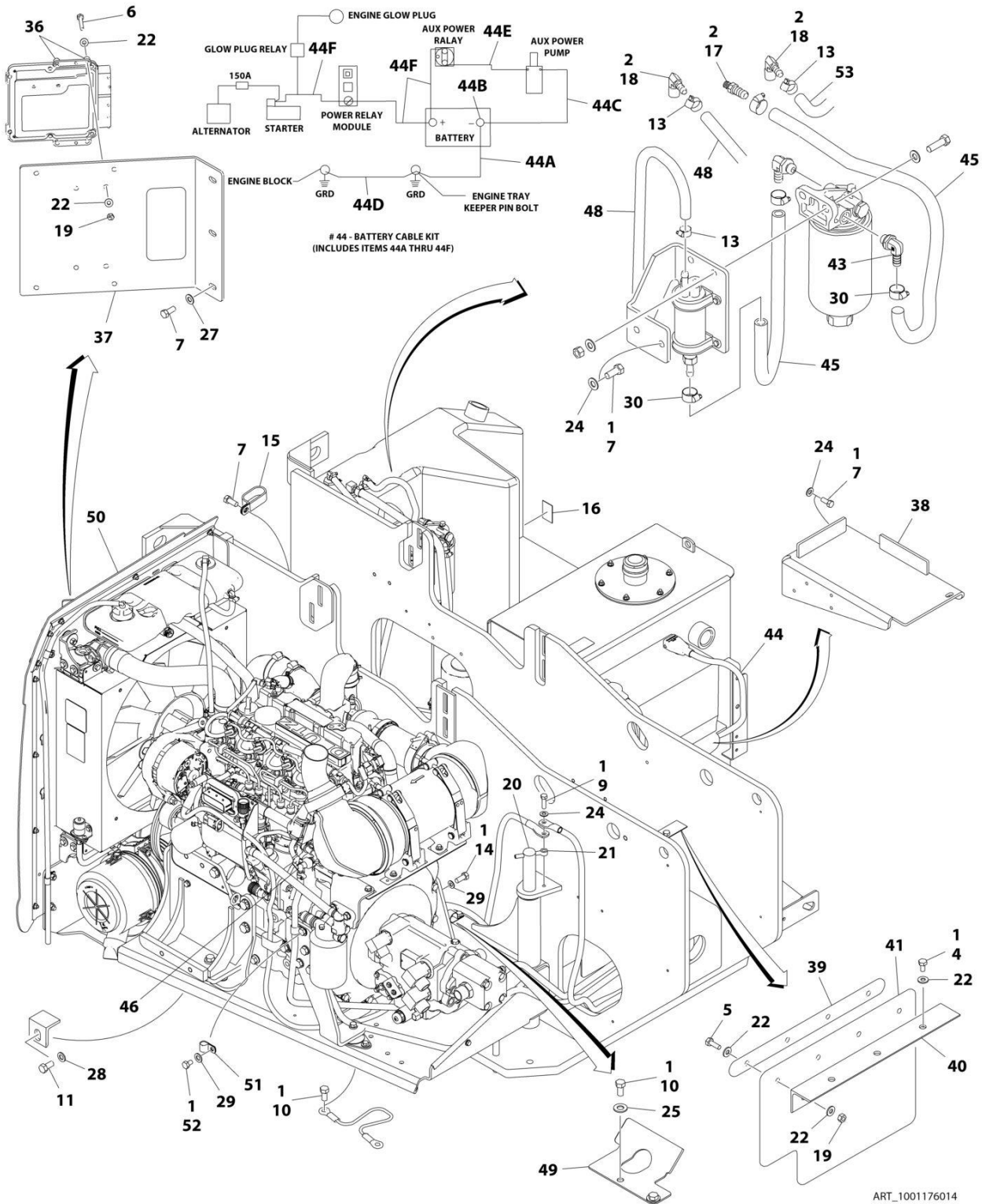
SECTION 3 - ENGINE

FIGURE 3-27. RADIATOR ASSEMBLY - DUETZ D2.9L4 ENGINE (CHINA IV)

ITEM	PART NUMBER	QTY	DESCRIPTION	REV
	1001287643	Ref	RADIATOR ASSEMBLY	A
1	0100011	AR	Compound, Locking	
2	0760808	4	Bolt M8 x 16	
3	4811902	4	Washer M8	
4	1001288267	1	Shroud	
5	1001288272	1	Radiator	

SECTION 3 - ENGINE

FIGURE 3-28. DEUTZ TD2.9L4 (67HP) ENGINE INSTALLATION - (WITHOUT ARCTIC PACKAGE) (SN STARTING WITH 03)



ART_1001176014

SECTION 3 - ENGINE

FIGURE 3-28. DEUTZ TD2.9L4 (67HP) ENGINE INSTALLATION - (WITHOUT ARCTIC PACKAGE) (SN STARTING WITH 03)

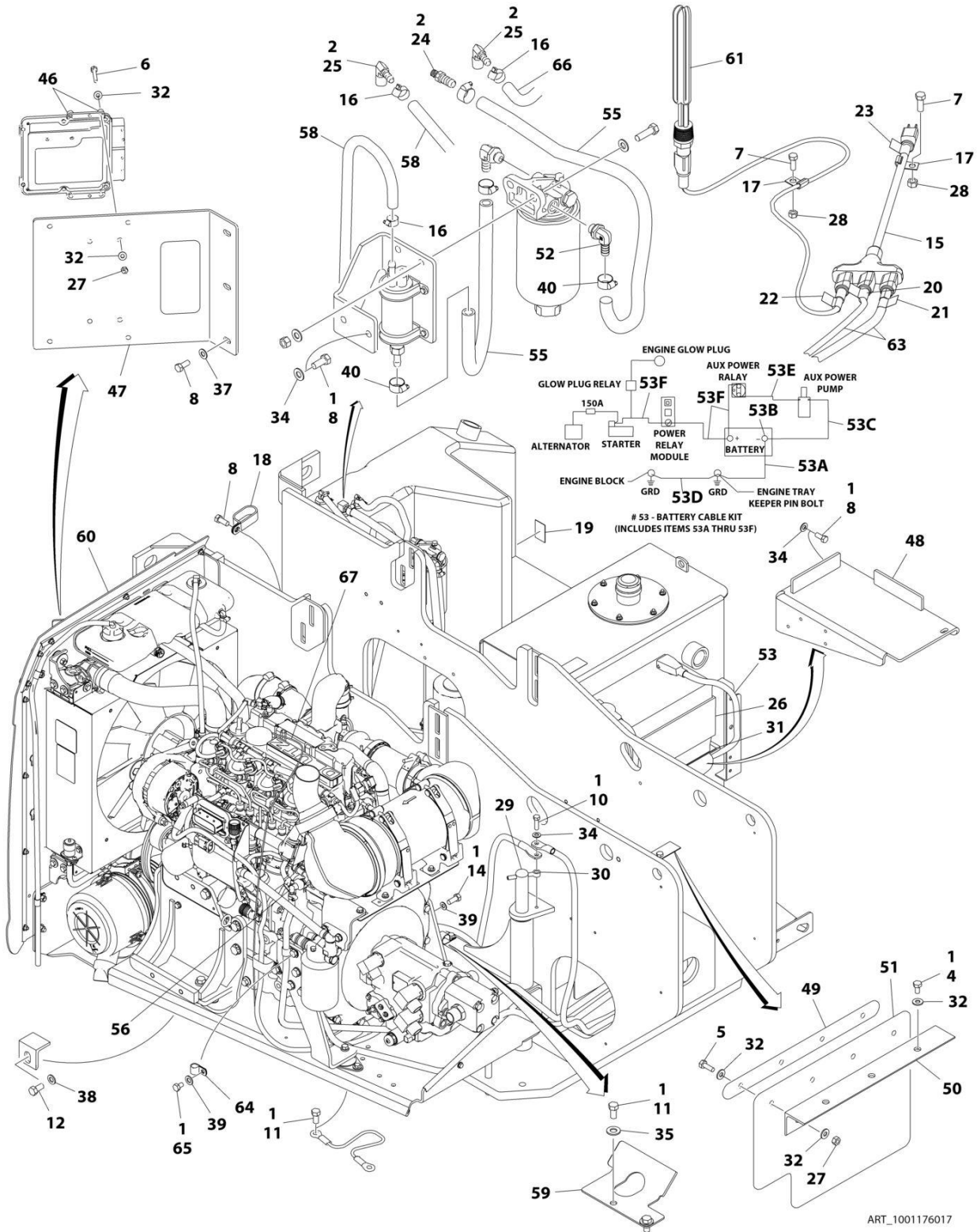
ITEM	PART NUMBER	QTY	DESCRIPTION	REV
	1001176014	Ref	DEUTZ TD2.9L4 ENGINE INSTALLATION	F
1	0100011	AR	Compound, Locking	
2	0100020	AR	Sealant, Pipe	
4	0641404	3	Bolt 1/4 x 1/2	
5	0641406	4	Bolt 1/4 x 3/4	
6	0641412	4	Bolt 1/4 x 1-1/2	
7	0641607	9	Bolt 3/8 x 7/8	
8	0641608	2	Bolt 3/8 x 1 (Not Shown)	
9	0641612	1	Bolt 3/8 x 1-1/2	
10	0641808	3	Bolt 1/2 x 1	
11	0642010	1	Bolt 5/8 x 1-1/4	
13	1320022	5	Clamp	
14	0771212	1	Bolt M12 x 25	
15	1321716	1	P-Clamp	
16	1701505	1	Decal - Diesel	
17	2180832	1	Fitting, Straight Barbed	
18	2220313	2	Fitting, 90 Barbed	
19	3311405	8	Nut 1/4	
20	3422448	1	Pin, Pivot	
21	3841143	1	Pin, Keeper	
22	4711400	19	Washer 1/4	
24	4711600	6	Washer 3/8	
25	4711800	2	Washer 1/2	
27	4751600	3	Washer 3/8	
28	4752000	1	Washer 5/8	
29	4812100	2	Washer M12	
30	8405006	2	Clamp	
32	8406201	4	Clip (Not Shown)	
36	1001110425	4	Spacer	
37	1001137866	1	Plate, Baffle	
38	1001137868	1	Bracket, Battery	
39	1001137880	1	Bracket, Baffle	
40	1001137881	1	Angle	
41	1001137882	1	Support, Rubber	
42	1001138491	1	Harness, Fuel Pump (Pump requiring Push-on Terminals) (Not Shown - See Separate Breakdown in ELECTRICAL Section)	
43	1001142501	1	Fitting, 90 Barbed	
44	1001145047	1	Battery Cable Kit	
44A	7027072	1	Cable, Battery (Black) (Battery - to Tray Pivot Grd)	
44B	8270147	1	Terminal, Battery (With Boot)	
44B	See Note	1	Boot, Black (Note: Not Available for Purchase)	
44C	7027073	1	Cable, Battery (Black) (Battery - to Aux Pump and Relay Grds)	
44C	See Note	1	Boot, Black (Note: Not Available for Purchase)	
44D	7027074	1	Cable, Battery (Black) (Engine to Tray Pivot Grd)	
44E	7027075	1	Cable (Red) (Aux Relay to Aux Pump)	
44E	70003952	2	Boot, Red	
44F	7027076	1	Cable (Red) (Battery + to Aux Relay/Power Module/Starter)	
44F	See Note	1	Boot, Red (Battery) (Note: Not Available for Purchase)	
45	1001154405	3 ft /0.9m	Hose	

SECTION 3 - ENGINE

ITEM	PART NUMBER	QTY	DESCRIPTION	REV
46	1001155823	1	Fitting, 90 Quick Disconnect	
48	1001165035	23.5 ft /7.2m	Hose	
49	1001172793	1	Guide, Hose	
50	1001176013	1	Engine Assembly with Pumps (See Separate Breakdown in this Section)	
51	1320061	1	Clamp	
52	0761008	1	Bolt M10 x 16	
53	2750532	5 ft /1.6m	Hose	

SECTION 3 - ENGINE

FIGURE 3-29. DEUTZ TD2.9L4 (67HP) ENGINE INSTALLATION - (WITH ARCTIC PACKAGE) (SN STARTING WITH 03)



ART_1001176017

SECTION 3 - ENGINE

FIGURE 3-29. DEUTZ TD2.9L4 (67HP) ENGINE INSTALLATION - (WITH ARCTIC PACKAGE) (SN STARTING WITH 03)

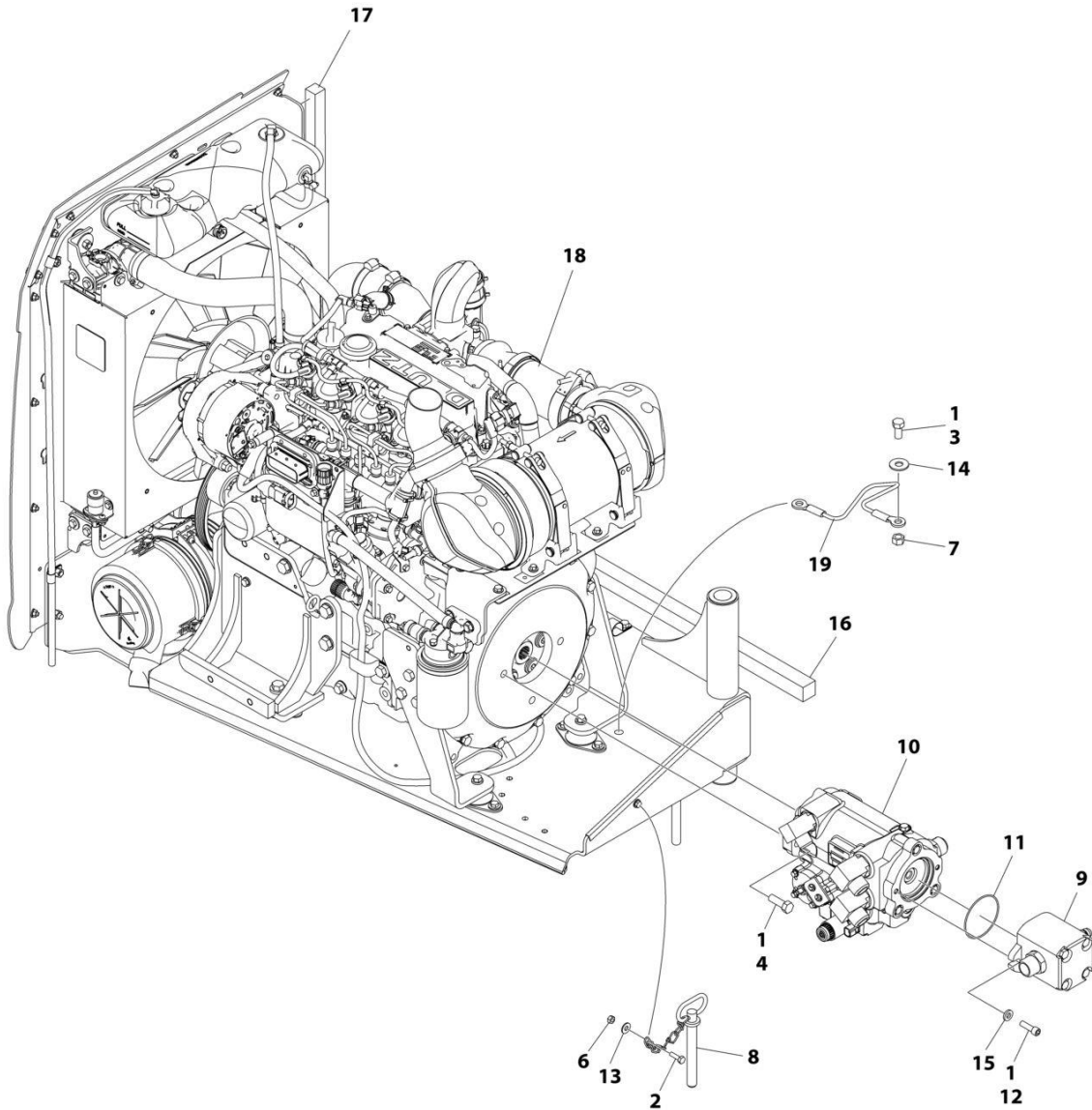
ITEM	PART NUMBER	QTY	DESCRIPTION	REV
	1001176017	Ref	DEUTZ TD2.9L4 ENGINE INSTALLATION	H
1	0100011	AR	Compound, Locking	
2	0100020	AR	Sealant, Pipe	
4	0641404	3	Bolt 1/4 x 1/2	
5	0641406	4	Bolt 1/4 x 3/4	
6	0641412	4	Bolt 1/4 x 1-1/2	
7	0641606	2	Bolt 3/8 x 3/4	
8	0641607	9	Bolt 3/8 x 7/8	
9	0641608	2	Bolt 3/8 x 1 (Not Shown)	
10	0641612	1	Bolt 3/8 x 1-1/2	
11	0641808	3	Bolt 1/2 x 1	
12	0642010	1	Bolt 5/8 x 1-1/4	
14	0771212	1	Bolt M12 x 25	
15	1060626	1	Cord, 3 Way Extension	
16	1320022	5	Clamp	
17	1320223	2	Clamp	
18	1321716	1	P-Clamp	
19	1701505	1	Decal - Diesel	
20	1702941	1	Decal - Battery Heater	
21	1702942	1	Decal - Engine Block Heater	
22	1702943	1	Decal - Hydraulic Tank Heater	
23	1702944	1	Decal - Heater Cord	
24	2180832	1	Fitting, Straight Barbed	
25	2220313	2	Fitting, 90 Barbed	
26	2580024	1	Heater, Battery	
27	3311405	8	Nut 1/4	
28	3311605	2	Nut 3/8	
29	3422448	1	Pin, Pivot	
30	3841143	1	Pin, Keeper	
31	3980007	1	Seat, Battery	
32	4711400	19	Washer 1/4	
34	4711600	8	Washer 3/8	
35	4711800	2	Washer 1/2	
37	4751600	3	Washer 3/8	
38	4752000	1	Washer 5/8	
39	4812100	2	Washer M12	
40	8405006	2	Clamp	
42	8406201	4	Clip (Not Shown)	
46	1001110425	4	Spacer	
47	1001137866	1	Plate, Baffle	
48	1001137868	1	Bracket, Battery	
49	1001137880	1	Bracket, Baffle	
50	1001137881	1	Angle	
51	1001137882	1	Support, Rubber	
52	1001142501	1	Fitting, 90 Barbed	
53	1001145047	1	Battery Cable Kit	
53A	7027072	1	Cable, Battery (Black) (Battery - to Tray Pivot Grd)	
53B	8270147	1	Terminal, Battery (With Boot)	
53B	See Note	1	Boot, Black (Note: Not Available for Purchase)	

SECTION 3 - ENGINE

ITEM	PART NUMBER	QTY	DESCRIPTION	REV
53C	7027073	1	Cable, Battery (Black) (Battery - to Aux Pump and Relay Grds)	
53C	See Note	1	Boot, Black (Note: Not Available for Purchase)	
53D	7027074	1	Cable, Battery (Black) (Engine to Tray Pivot Grd)	
53E	7027075	2	Cable (Red) (Aux Relay to Aux Pump)	
53E	70003952	2	Boot, Red	
53F	7027076	1	Cable (Red) (Battery + to Aux Relay/Power Module/Starter)	
53F	See Note	1	Boot, Red (Battery) (Note: Not Available for Purchase)	
55	1001154405	3 ft /0.9m	Hose	
56	1001155823	1	Fitting, 90 Quick Disconnect	
58	1001165035	23.5 ft /7.2m	Hose	
59	1001172793	1	Guide, Hose	
60	1001176016	1	Engine Assembly with Pumps (See Separate Breakdown in this Section)	
61	1001188972	1	Heater, Hydraulic Tank	
62	1001138491	1	Harness, Fuel Pump (Pump requiring Push-on Terminals) (Not Shown - See Separate Breakdown in ELECTRICAL Section)	
63	1001150918	1	Cable, Immersion Heater	
64	1320061	1	Clamp	
65	0761008	1	Bolt M10 x 16	
66	2750532	5 ft /1.6m	Hose	
67	1001233763	1	Breather Heater Installation (See Separate Breakdown in this Section)	

SECTION 3 - ENGINE

FIGURE 3-30. DEUTZ TD2.9L4 (67HP) ENGINE/PUMP SUB-ASSEMBLY - (WITHOUT ARCTIC PACKAGE) (SN STARTING WITH 03)



ART_1001176013

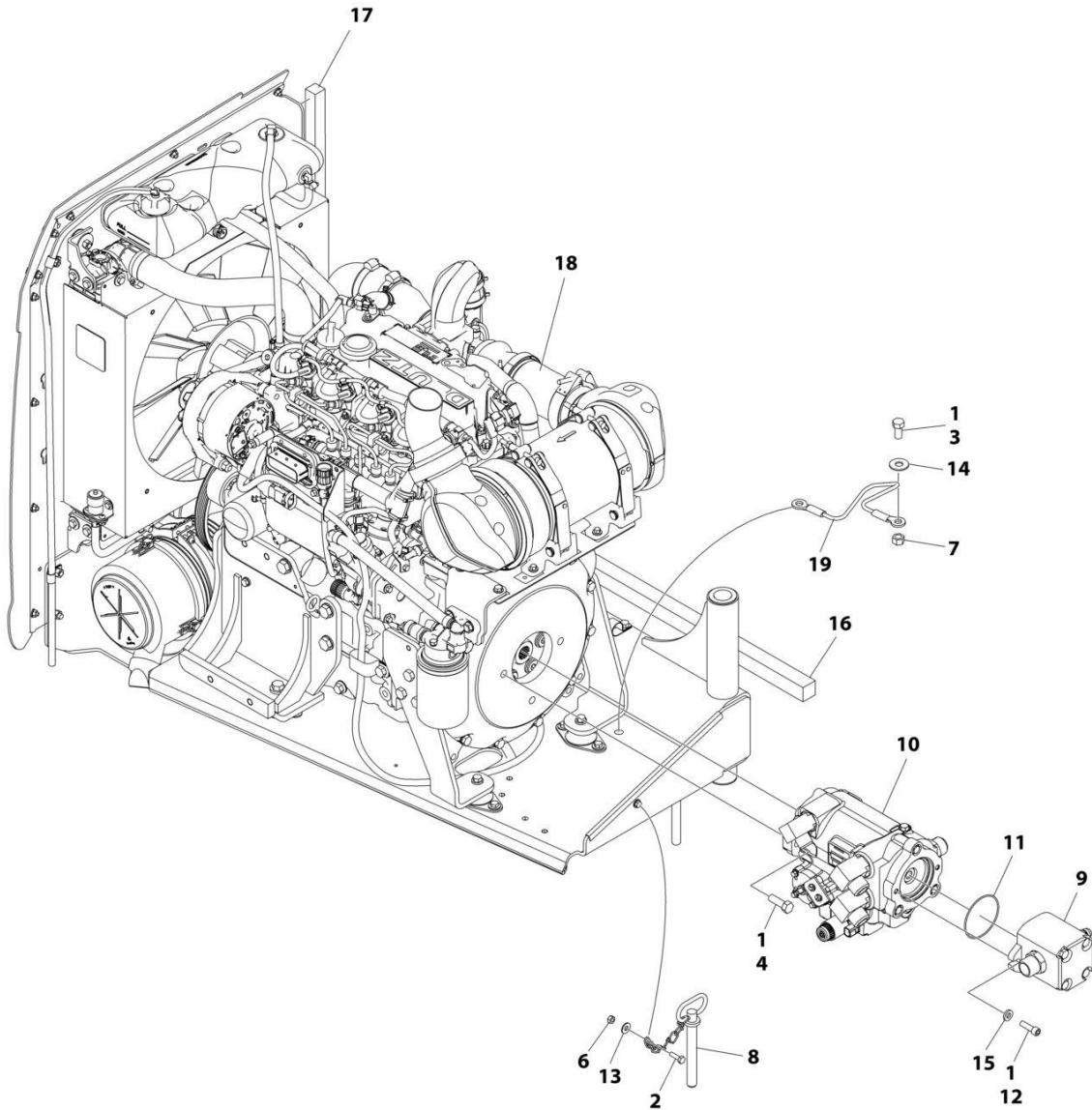
SECTION 3 - ENGINE

FIGURE 3-30. DEUTZ TD2.9L4 (67HP) ENGINE/PUMP SUB-ASSEMBLY - (WITHOUT ARCTIC PACKAGE) (SN STARTING WITH 03)

ITEM	PART NUMBER	QTY	DESCRIPTION	REV
	1001176013	Ref	DEUTZ TD2.9L4 ENGINE/PUMP SUB-ASSEMBLY	F
1	0100011	AR	Compound, Locking	
2	0641406	1	Bolt 1/4 x 3/4	
3	0641808	1	Bolt 1/2 x 1	
4	0641812	2	Bolt 1/2 x 1-1/2	
6	3311405	1	Nut 1/4	
7	3311801	1	Nut 1/2	
8	3422533	1	Pin, Hitch	
9	3600395	1	Gear Pump Assembly with Fittings (See Separate Breakdown in this Section)	
10	1001188952	1	Pump Assembly with Fittings (See Separate Breakdown in this Section)	
11	3790152	1	O-Ring	
12	3931620	2	Bolt 3/8 x 1-1/4	
13	4711400	2	Washer 1/4	
14	4751800	1	Washer 1/2	
15	4891600	2	Washer 3/8 Hardened	
16	1001137873	1	Seal	
17	1001137874	1	Seal	
18	1001176012	1	Engine Assembly (See Separate Breakdown in this Section)	
19	1060637	1	Lanyard	

SECTION 3 - ENGINE

FIGURE 3-31. DEUTZ TD2.9L4 (67HP) ENGINE/PUMP SUB-ASSEMBLY - (WITH ARCTIC PACKAGE)
(SN STARTING WITH 03)



ART_1001176016

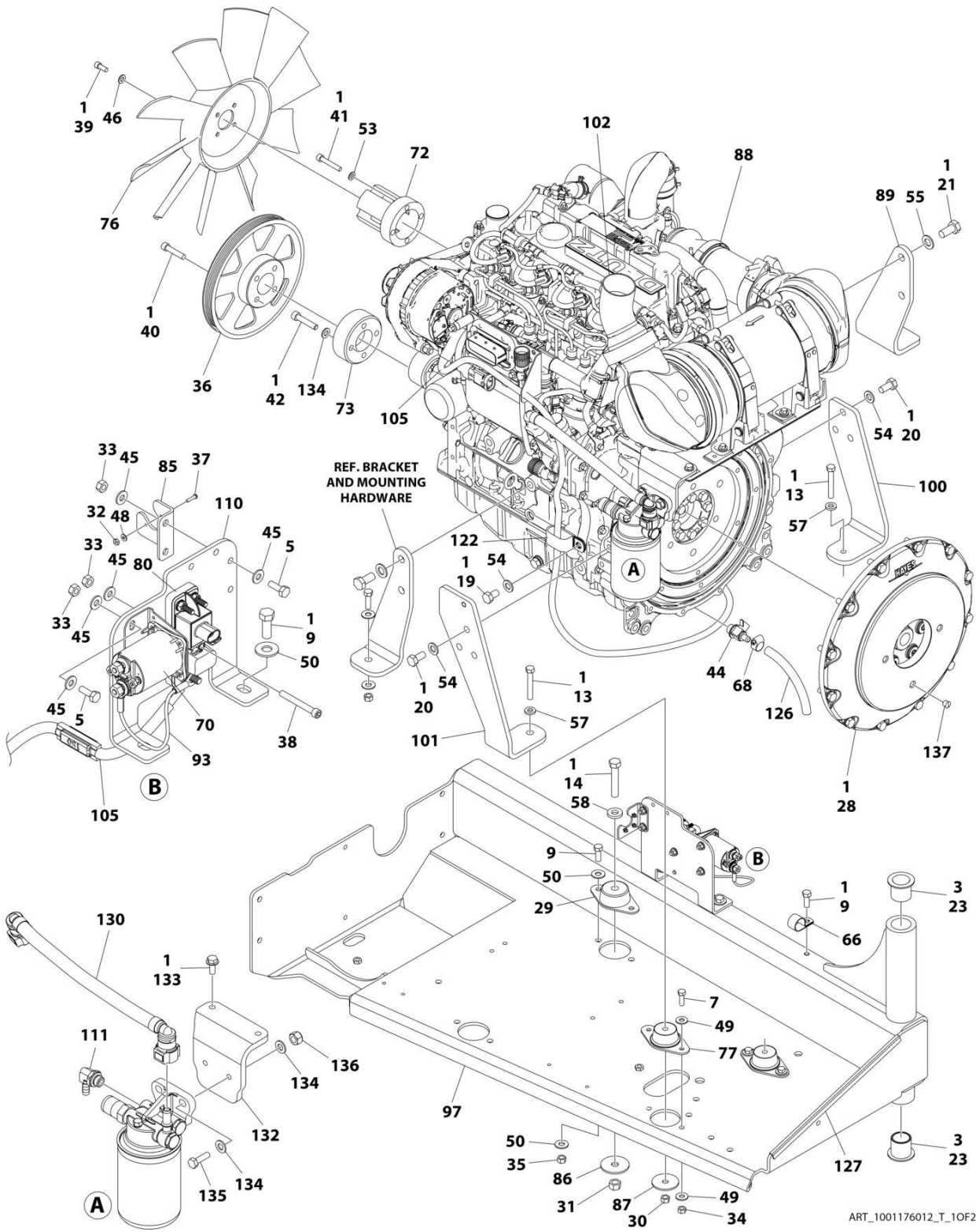
SECTION 3 - ENGINE

**FIGURE 3-31. DEUTZ TD2.9L4 (67HP) ENGINE/PUMP SUB-ASSEMBLY - (WITH ARCTIC PACKAGE)
(SN STARTING WITH 03)**

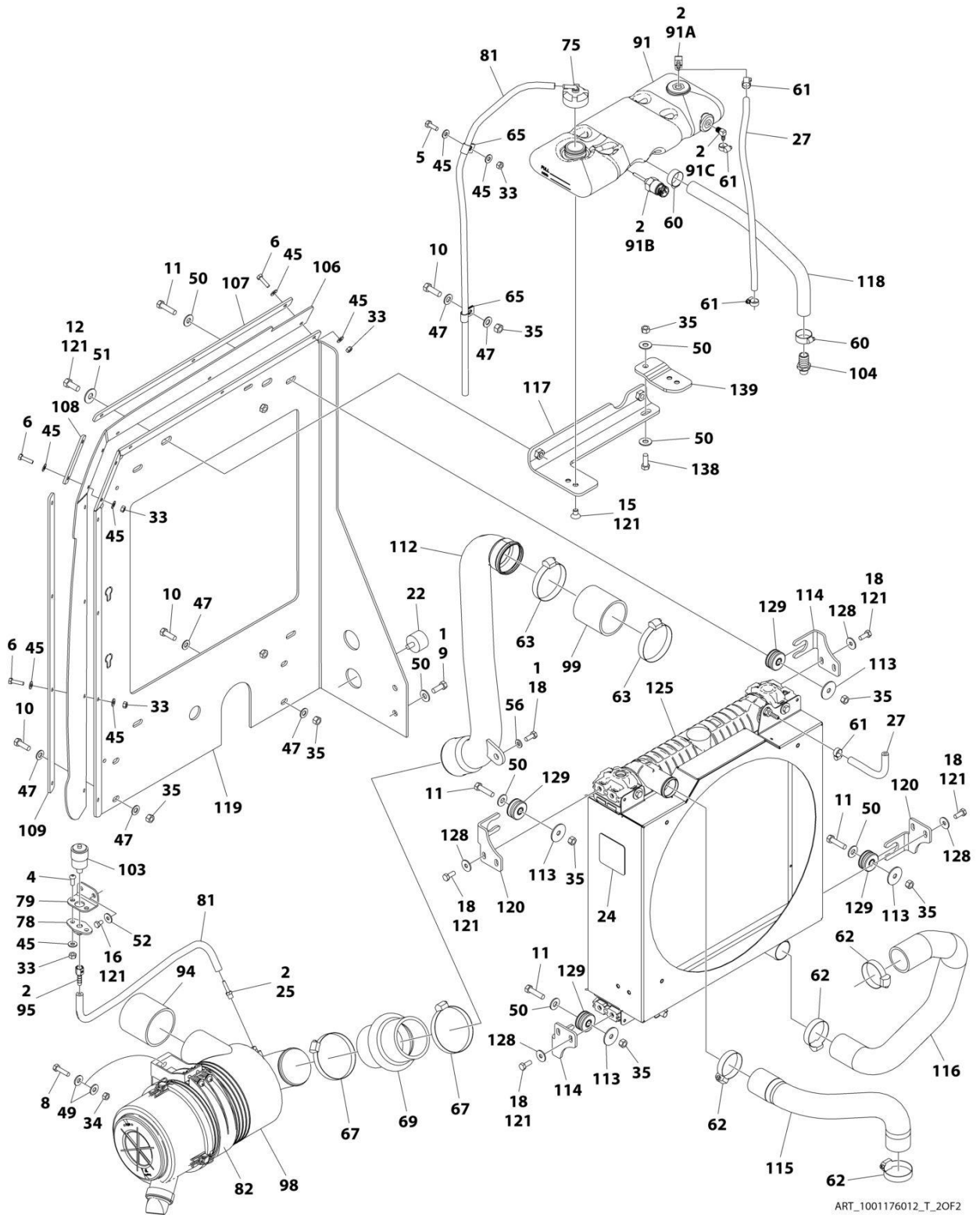
ITEM	PART NUMBER	QTY	DESCRIPTION	REV
	1001176016	Ref	DEUTZ TD2.9L4 ENGINE/PUMP SUB-ASSEMBLY	E
1	0100011	AR	Compound, Locking	
2	0641406	1	Bolt 1/4 x 3/4	
3	0641808	1	Bolt 1/2 x 1	
4	0641812	2	Bolt 1/2 x 1-1/2	
6	3311405	1	Nut 1/4	
7	3311801	1	Nut 1/2	
8	3422533	1	Pin, Hitch	
9	3600395	1	Gear Pump Assembly with Fittings (See Separate Breakdown in this Section)	
10	1001188952	1	Pump Assembly with Fittings (See Separate Breakdown in this Section)	
11	3790152	1	O-Ring	
12	3931620	2	Bolt 3/8 x 1-1/4	
13	4711400	2	Washer 1/4	
14	4751800	1	Washer 1/2	
15	4891600	2	Washer 3/8 Hardened	
16	1001137873	1	Seal	
17	1001137874	1	Seal	
18	1001176015	1	Engine Assembly (See Separate Breakdown in this Section)	
19	1060637	1	Lanyard	

SECTION 3 - ENGINE

FIGURE 3-32. DEUTZ TD2.9L4 (67HP) ENGINE ASSEMBLY - WITHOUT ARCTIC PACKAGE



SECTION 3 - ENGINE



ART_1001176012_T_2OF2

SECTION 3 - ENGINE

FIGURE 3-32. DEUTZ TD2.9L4 (67HP) ENGINE ASSEMBLY - WITHOUT ARCTIC PACKAGE

ITEM	PART NUMBER	QTY	DESCRIPTION	REV
	1001176012	Ref	DEUTZ TD2.9L4 ENGINE ASSEMBLY	T
1	0100011	AR	Compound, Locking	
2	0100020	AR	Sealant	
3	0100062	AR	Adhesive	
4	0630407	2	Screw 1/4 x 5/8	
5	0641406	5	Bolt 1/4 x 3/4	
6	0641408	9	Bolt 1/4 x 1	
7	0641508	4	Bolt 5/16 x 1	
8	0641510	2	Bolt 5/16 x 1-1/4	
9	0641608	7	Bolt 3/8 x 1	
10	0641609	4	Bolt 3/8 x 1-1/8	
11	0641612	4	Bolt 3/8 x 1-1/2	
12	0641708	2	Bolt 7/16 x 1	
13	0681620	2	Bolt 3/8 x 2-1/2 Grade 8	
14	0681822	1	Bolt 1/2 x 2-3/4 Grade 8	
15	0741605	2	Screw, Flathead 3/8 x 5/8	
16	0760605	2	Bolt M6 x 10	
18	0760810	9	Bolt M8 x 20	
19	0761210	1	Bolt M12 x 20	
20	0771212	6	Bolt M12 x 25	
21	0771414	2	Bolt M14 x 30	
22	0940070	1	Bumper	
23	0961986	2	Bushing, Flanged	
24	1703162	1	Decal - Fan Blade	
25	2220315	1	Fitting, Straight Barbed	
27	2720015	26 in /.9m	Hose	
28	2902065	1	Kit, Pump Coupling (See Separate Breakdown in this Section)	
29	3200401	1	Mount, Motor	
30	3271601	2	Nut 3/8 Grade 8	
31	3271801	1	Nut 1/2 Grade 8	
32	3310401	3	Nut #4	
33	3311405	17	Nut 1/4	
34	3311505	6	Nut 5/16	
35	3311605	11	Nut 3/8	
36	3580320	1	Pulley	
37	3910408	3	Screw #4 x 1/2	
38	3931432	1	Capscrew 1/4 x 2	
39	3931512	4	Capscrew 5/16 x 3/4	
40	3931628	4	Capscrew 3/8 x 1-3/4	
41	4031914	4	Capscrew M8 x 50	
42	4032014	4	Capscrew M10 x 50	
43	4240099	AR	Tie-Strap (Not Shown)	
44	4640751	1	Valve, Oil Drain	
45	4711400	31	Washer 1/4	
46	4711500	4	Washer 5/16	
47	4711600	8	Washer 3/8	
48	4750400	3	Washer #4	
49	4751500	12	Washer 5/16	
50	4751600	14	Washer 3/8	
51	4751700	2	Washer 7/16	

SECTION 3 - ENGINE

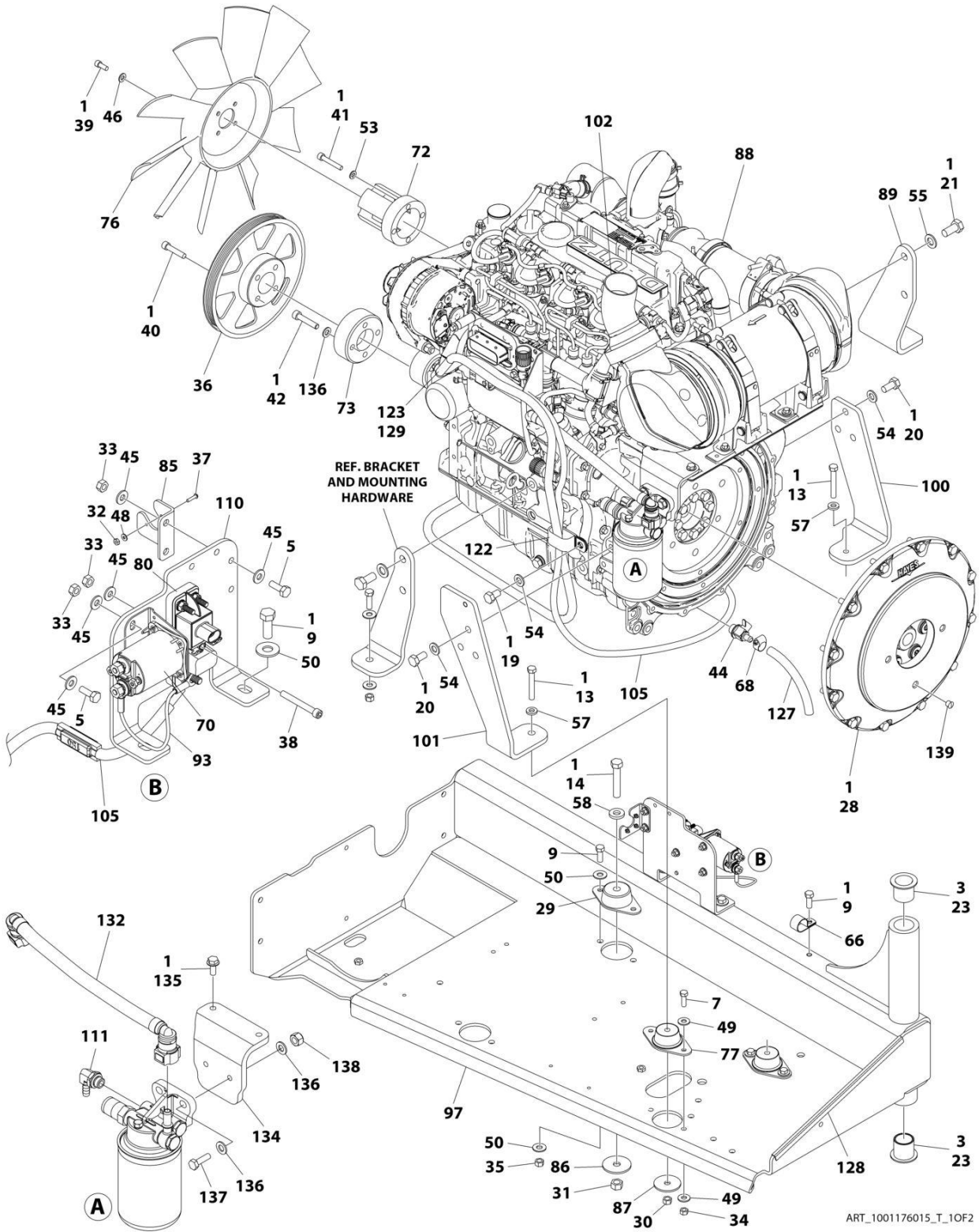
ITEM	PART NUMBER	QTY	DESCRIPTION	REV
52	4811702	2	Washer M6	
53	4811900	4	Washer M8	
54	4812100	7	Washer M12	
55	4812200	2	Washer M14	
56	4891500	1	Washer 5/16 Hardened	
57	4891600	2	Washer 3/8 Hardened	
58	4891800	1	Washer 1/2 Hardened	
60	8405007	2	Clamp	
61	8405009	4	Clamp	
62	8405104	4	Clamp	
63	8405204	2	Clamp	
65	8406110	2	Clip	
66	8406201	1	Clip	
67	8410011	2	Clamp	
68	8410013	1	Clamp	
69	91403244	1	Hose	
70	1001117308	1	Relay	
72	1001135138	1	Adapter	
73	1001135679	1	Adapter	
75	1001136834	1	Cap, Tank	
76	1001137276	1	Fan	
77	1001138170	2	Mount, Motor	
78	1001138173	1	Support	
79	1001138175	1	Bracket	
80	1001138228	1	Relay, Power Module	
80	70023593	1	Fuse 30Amp (Battery Output)	
80	70023592	1	Fuse 20Amp (Switched Output)	
81	1001138248	67 in /1.7m	Tube	
82	1001138557	1	Clamp	
85	1001139240	1	Bracket	
86	1001139409	1	Washer, Special	
87	1001139429	2	Washer, Special	
88	1001249942	1	Deutz TD2.9L4 Engine Components (See Separate Breakdown in this Section)	
89	1001140454	1	Mount, Front Engine	
91	1001230635	1	Tank	
91A	1001134488	1	Fitting, 90 Barbed	
91B	1001138827	1	Sensor, Coolant Level	
91C	1001140564	1	Fitting, 90 Barbed	
93	1001141304	1	Harness, Glow Plug	
94	1001141585	1	Hose, Air Inlet	
95	1001141995	1	Fitting, Straight Barbed	
97	1001142538	1	Support	
98	1001142615	1	Air Cleaner Assembly Filter Element	
98	91403102	1	Element, Filter (Not Shown)	
99	1001142623	1	Hose, Inlet	
100	1001142635	1	Mount, Rear Engine	
101	1001205051	1	Mount, Rear Engine	
102	1001142689	1	Pipe, Exhaust	
103	1001143390	1	Indicator, Service	
104	1001143797	1	Fitting, Straight Barbed	

SECTION 3 - ENGINE

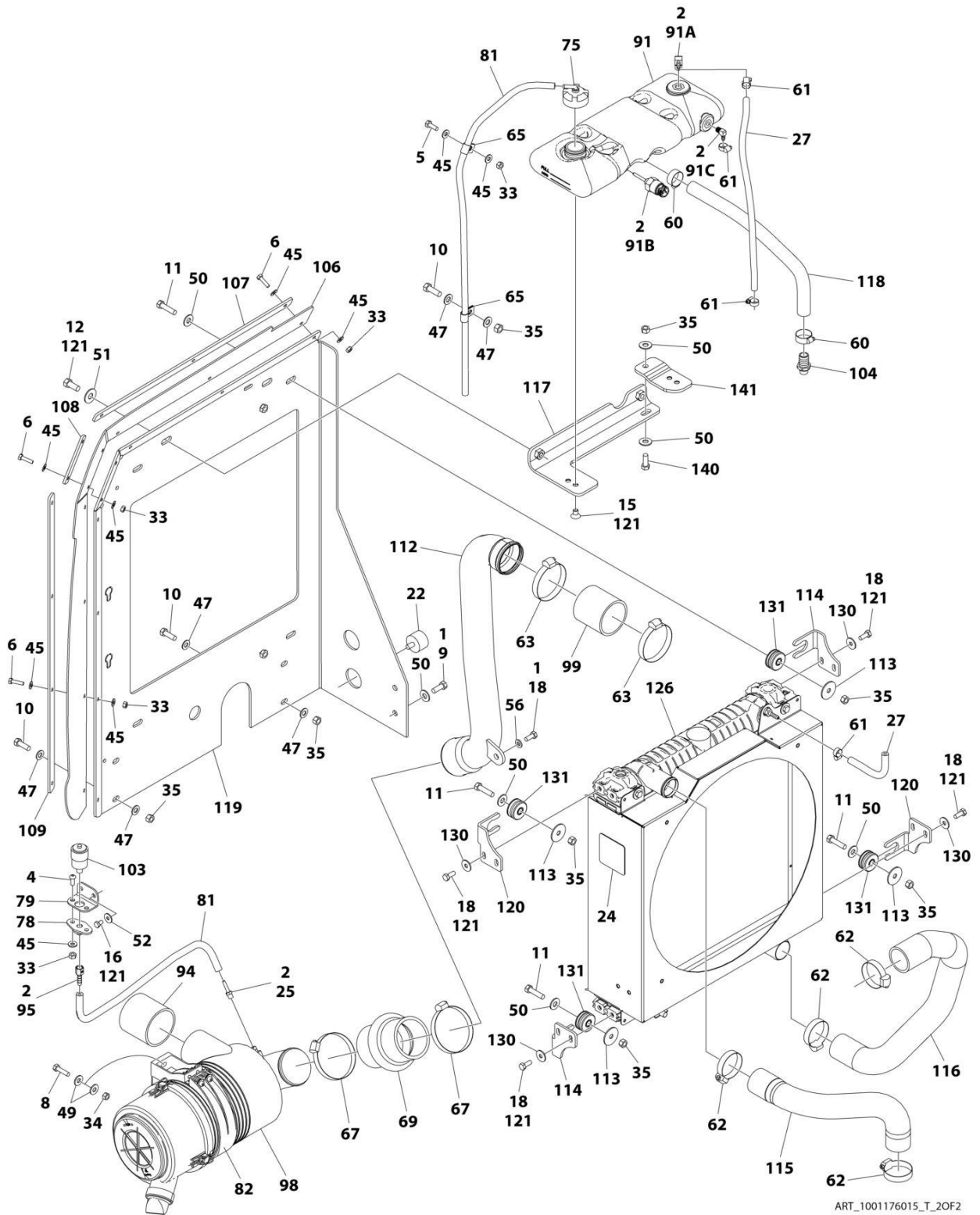
ITEM	PART NUMBER	QTY	DESCRIPTION	REV
105	1001143907	1	Cable, Alternator Power	
106	1001144409	1	Panel, Rubber	
107	1001144410	1	Bracket, Panel Clamp	
108	1001144411	1	Bracket, Panel Clamp	
109	1001144412	1	Bracket, Panel Clamp	
110	1001145154	1	Plate, Relay Mounting	
111	1001152489	1	Fitting, 90 Barbed	
112	1001165842	1	Pipe	
113	1001169138	4	Washer	
114	1001204325	2	Bracket	
115	1001176225	1	Hose, Radiator - Upper	
116	1001176226	1	Hose, Radiator - Lower	
117	1001260413	1	Bracket, Tank	
118	1001176511	1	Hose	
119	1001176723	1	Plate Radiator Mounting	
120	1001178223	2	Bracket	
121	1001180620	AR	Adhesive	
122	1001181899	1	Clamp	
123	1001143726	1	Harness, Engine (Not Shown - See Separate Breakdown in ELECTRICAL Section)	
125	1001167041	1	Radiator and Shroud Assembly	
125	1001203495	1	Radiator	
125	1001204491	1	Shroud	
126	2720340	6 in /15cm	Hose	
127	4060805	14 in / 36cm	Flex-Trim	
128	4811902	8	Washer M8	
129	1001169054	4	Isolator	
130	1001177359	1	Hose	
132	1001178876	1	Mount	
133	5250810	2	Bolt M8 x 20	
134	4812000	8	Washer M10	
135	0761015	2	Bolt M10 x 35	
136	3291005	2	Nut M10	
137	3520054	1	Plug	
138	0681608	1	Bolt 3/8 x 1 Grade 8	
139	1001260412	1	Bracket	
140	1001162335	1	Bracket, Fuel Pump/Filter Assembly (Not Shown - See Separate Breakdown in this Section)	

SECTION 3 - ENGINE

FIGURE 3-33. DEUTZ TD2.9L4 (67HP) ENGINE ASSEMBLY - WITH ARCTIC PACKAGE



SECTION 3 - ENGINE



ART_1001176015_T_2OF2

SECTION 3 - ENGINE

FIGURE 3-33. DEUTZ TD2.9L4 (67HP) ENGINE ASSEMBLY - WITH ARCTIC PACKAGE

ITEM	PART NUMBER	QTY	DESCRIPTION	REV
	1001176015	Ref	DEUTZ TD2.9L4 ENGINE ASSEMBLY	T
1	0100011	AR	Compound, Locking	
2	0100020	AR	Sealant	
3	0100062	AR	Adhesive	
4	0630407	2	Screw 1/4 x 5/8	
5	0641406	5	Bolt 1/4 x 3/4	
6	0641408	9	Bolt 1/4 x 1	
7	0641508	4	Bolt 5/16 x 1	
8	0641510	2	Bolt 5/16 x 1-1/4	
9	0641608	7	Bolt 3/8 x 1	
10	0641609	4	Bolt 3/8 x 1-1/8	
11	0641612	4	Bolt 3/8 x 1-1/2	
12	0641708	2	Bolt 7/16 x 1	
13	0681620	2	Bolt 3/8 x 2-1/2 Grade 8	
14	0681822	1	Bolt 1/2 x 2-3/4 Grade 8	
15	0741605	2	Screw, Flathead 3/8 x 5/8	
16	0760605	2	Bolt M6 x 10	
18	0760810	9	Bolt M8 x 20	
19	0761210	1	Bolt M12 x 20	
20	0771212	6	Bolt M12 x 25	
21	0771414	2	Bolt M14 x 30	
22	0940070	1	Bumper	
23	0961986	2	Bushing, Flanged	
24	1703162	1	Decal - Fan Blade	
25	2220315	1	Fitting, Straight Barbed	
27	2720015	26 in /.9m	Hose	
28	2902065	1	Kit, Pump Coupling (See Separate Breakdown in this Section)	
29	3200401	1	Mount, Motor	
30	3271601	2	Nut 3/8 Grade 8	
31	3271801	1	Nut 1/2 Grade 8	
32	3310401	3	Nut #4	
33	3311405	17	Nut 1/4	
34	3311505	6	Nut 5/16	
35	3311605	11	Nut 3/8	
36	3580320	1	Pulley	
37	3910408	3	Screw #4 x 1/2	
38	3931432	1	Capscrew 1/4 x 2	
39	3931512	4	Capscrew 5/16 x 3/4	
40	3931628	4	Capscrew 3/8 x 1-3/4	
41	4031914	4	Capscrew M8 x 50	
42	4032014	4	Capscrew M10 x 50	
43	4240099	AR	Tie-Strap (Not Shown)	
44	4640751	1	Valve, Oil Drain	
45	4711400	31	Washer 1/4	
46	4711500	4	Washer 5/16	
47	4711600	8	Washer 3/8	
48	4750400	3	Washer #4	
49	4751500	12	Washer 5/16	
50	4751600	14	Washer 3/8	
51	4751700	2	Washer 7/16	

SECTION 3 - ENGINE

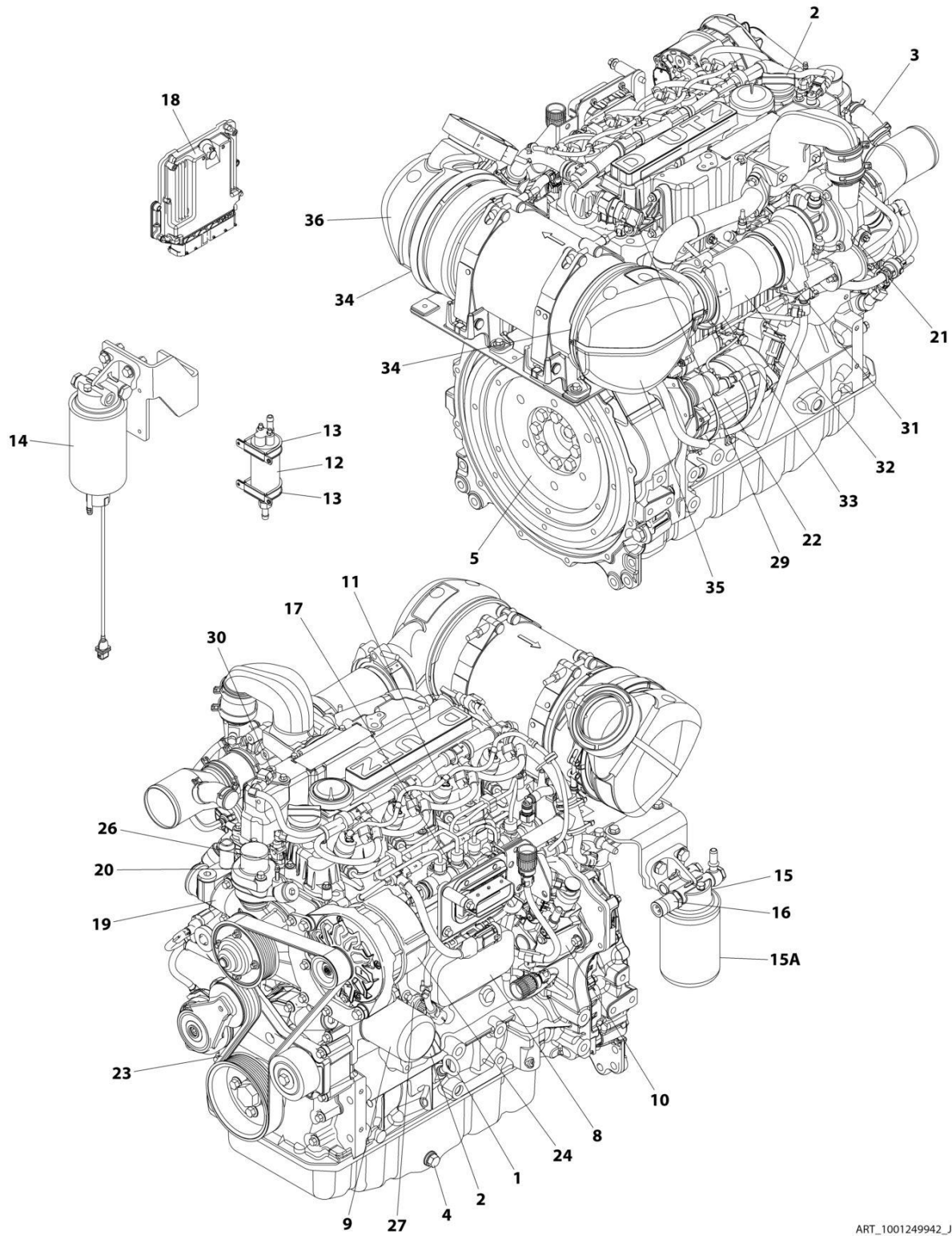
ITEM	PART NUMBER	QTY	DESCRIPTION	REV
52	4811702	2	Washer M6	
53	4811900	4	Washer M8	
54	4812100	7	Washer M12	
55	4812200	2	Washer M14	
56	4891500	1	Washer 5/16 Hardened	
57	4891600	2	Washer 3/8 Hardened	
58	4891800	1	Washer 1/2 Hardened	
60	8405007	2	Clamp	
61	8405009	4	Clamp	
62	8405104	4	Clamp	
63	8405204	2	Clamp	
65	8406110	2	Clip	
66	8406201	1	Clip	
67	8410011	2	Clamp	
68	8410013	1	Clamp	
69	91403244	1	Hose	
70	1001117308	1	Relay	
72	1001135138	1	Adapter	
73	1001135679	1	Adapter	
75	1001136834	1	Cap, Tank	
76	1001137276	1	Fan	
77	1001138170	2	Mount, Motor	
78	1001138173	1	Support	
79	1001138175	1	Bracket	
80	1001138228	1	Relay, Power Module	
80	70023593	1	Fuse 30Amp (Battery Output)	
80	70023592	1	Fuse 20Amp (Switched Output)	
81	1001138248	67 in/1.7m	Tube	
82	1001138557	1	Clamp	
85	1001139240	1	Bracket	
86	1001139409	1	Washer, Special	
87	1001139429	2	Washer, Special	
88	1001249942	1	Deutz TD2.9L4 Engine Components (See Separate Breakdown in this Section)	
89	1001140454	1	Mount, Front Engine	
91	1001230635	1	Tank	
91A	1001134488	1	Fitting, 90 Barbed	
91B	1001138827	1	Sensor, Coolant Level	
91C	1001140564	1	Fitting, 90 Barbed	
93	1001141304	1	Harness, Glow Plug	
94	1001141585	1	Hose, Air Inlet	
95	1001141995	1	Fitting, Straight Barbed	
97	1001142538	1	Support	
98	1001142615	1	Air Cleaner Assembly Filter Element	
98	91403102	1	Element, Filter (Not Shown)	
99	1001142623	1	Hose, Inlet	
100	1001142635	1	Mount, Rear Engine	
101	1001205051	1	Mount, Rear Engine	
102	1001142689	1	Pipe, Exhaust	
103	1001143390	1	Indicator, Service	
104	1001143797	1	Fitting, Straight Barbed	
105	1001143907	1	Cable, Alternator Power	

SECTION 3 - ENGINE

ITEM	PART NUMBER	QTY	DESCRIPTION	REV
106	1001144409	1	Panel, Rubber	
107	1001144410	1	Bracket, Panel Clamp	
108	1001144411	1	Bracket, Panel Clamp	
109	1001144412	1	Bracket, Panel Clamp	
110	1001145154	1	Plate, Relay Mounting	
111	1001152489	1	Fitting, 90 Barbed	
112	1001165842	1	Pipe	
113	1001169138	4	Washer	
114	1001204325	2	Bracket	
115	1001176225	1	Hose, Radiator - Upper	
116	1001176226	1	Hose, Radiator - Lower	
117	1001260413	1	Bracket, Tank	
118	1001176511	1	Hose	
119	1001176723	1	Plate Radiator Mounting	
120	1001178223	2	Bracket	
121	1001180620	AR	Adhesive	
122	1001181899	1	Clamp	
123	1001140312	1	Heater, Engine Block	
124	1001143726	1	Harness, Engine (Not Shown - See Separate Breakdown in ELECTRICAL Section)	
126	1001167041	1	Radiator & Shroud Assembly	
126	1001203495	1	Radiator	
126	1001204491	1	Shroud	
127	2720340	6 in /15cm	Hose	
128	4060805	14 in / 36cm	Flex-Trim	
129	1001181895	AR	Adhesive	
130	4811902	8	Washer M8	
131	1001169054	4	Isolator	
132	1001177359	1	Hose	
134	1001178876	1	Mount	
135	5250810	2	Bolt M8 x 20	
136	4812000	8	Washer M10	
137	0761015	2	Bolt M10 x 35	
138	3291005	2	Nut M10	
139	3520054	1	Plug	
140	0681608	1	Bolt 3/8 x 1 Grade 8	
141	1001260412	1	Bracket	
142	1001162335	1	Bracket, Fuel Pump/Filter Assembly (Not Shown - See Separate Breakdown in this Section)	

SECTION 3 - ENGINE

FIGURE 3-34. DEUTZ TD2.9L4 (67HP) ENGINE COMPONENTS



ART_1001249942_JLG

SECTION 3 - ENGINE

FIGURE 3-34. DEUTZ TD2.9L4 (67HP) ENGINE COMPONENTS

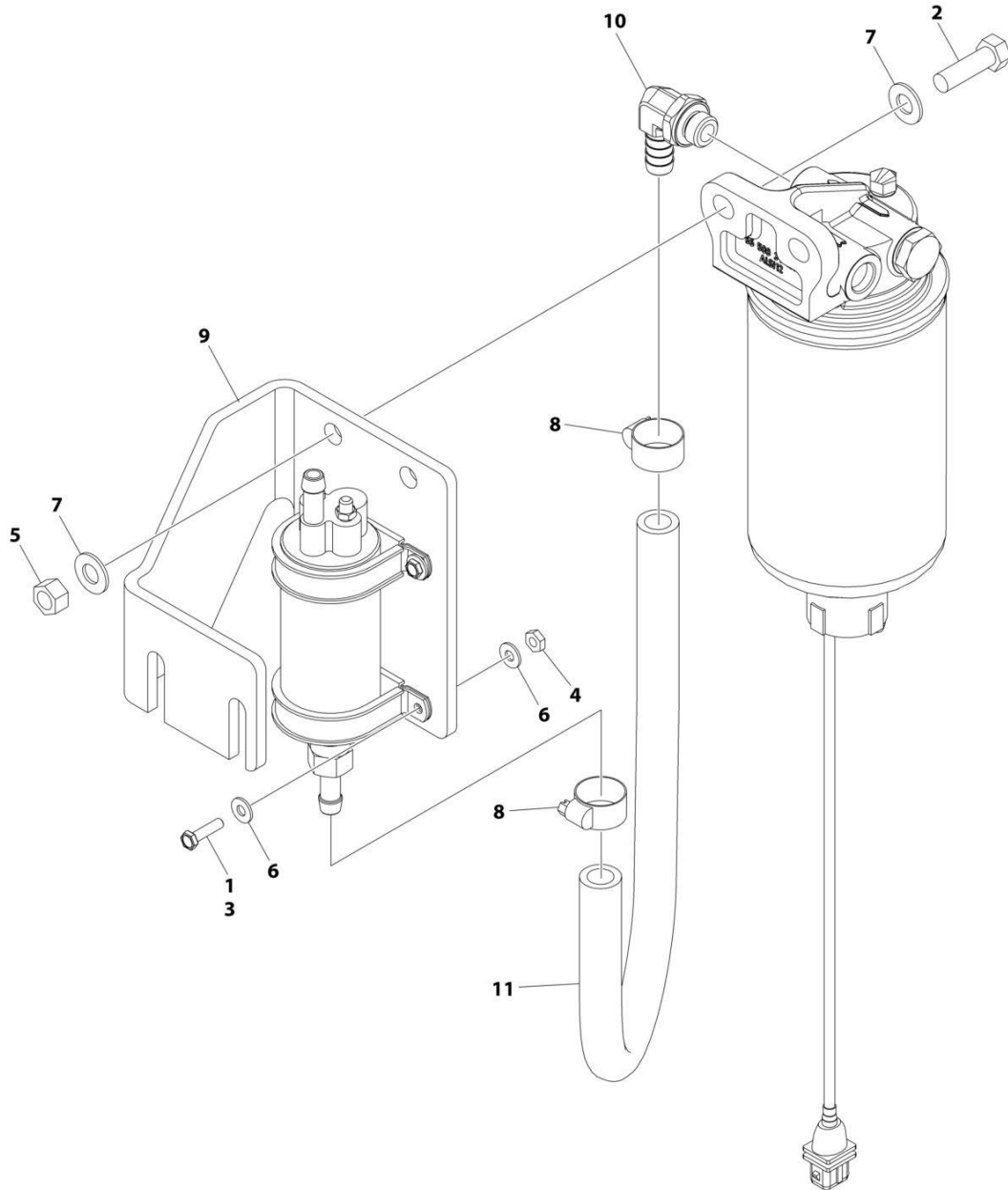
ITEM	PART NUMBER	QTY	DESCRIPTION	REV
	1001249942	Ref	ENGINE COMPONENTS - DEUTZ TD2.9L4	A
1	70024904	1	Dipstick	
1	70024905	1	Seal	
2	7020465	2	Cap, Oil Fill	
3	70025111	2	Clamp	
3	70005920	1	Hose, Breather	
4	70005941	2	Plug	
4	70005942	2	Seal	
5	70001870	1	Flywheel with Ring Gear	
5	7024579	1	Gear, Ring	
6		Ref	Gasket and Seal Options (Not Shown)	
6	70004279	1	Gasket Kit	
6	70024906	1	Gasket, Head	
6	70025205	1	Gasket, Small Valve Cover	
6	70005171	1	Gasket, Large Valve Cover	
6	70005176	1	O-Seal, Valve Cover to Air Charge Elbow	
6	70005177	1	Gasket, Air Charge Pipe to Head	
6	70031095	3	Gasket, Air Charge Pipe & EGR Pipe	
6	70025164	1	Gasket, Exhaust Manifold to Head	
6	70007354	1	Gasket, EGR Pipe to EGR Valve	
6	70007326	1	Gasket, EGR Valve to Housing	
7	70005172	1	Pump, Oil Lube (Not Shown - Located Front Left Side)	
7	70025135	1	O-Ring	
7	70005173	1	Gasket	
8	70024494	1	Cooler, Oil	
8	70024925	1	Gasket	
9	7016331	1	Filter, Oil	
10	70024924	1	Pump, High Pressure (Not Shown - Located Front Left Side)	
10	70025152	1	O-Ring (Between Pump and Spacer)	
10	70024517	1	O-Ring (Between Spacer and Engine Block)	
10	70004505	1	Valve, Overflow	
10	70004506	1	O-Ring	
10	70004507	1	O-Ring	
10	70004508	1	Valve, Volume Control	
10	70004509	1	O-Ring	
10	70004510	1	O-Ring	
11	70025181	4	Injector Fuel	
11	70025140	4	Washer, Sealing	
11	70025146	4	Clamp (Top of Injector)	
11	70025145	4	O-Seal	
11	70025154	4	Shoe, Clamping	
11	70000345	4	Plug, Glow	
11	70025231	1	Harness, Glow Plug (Not Shown)	
12	70006144	1	Pump, Fuel	
13	70025144	2	Clamp	
14	70024961	1	Filter, Fuel	
14	70025153	1	Element, Filter	
14	70024513	1	Cable, Sensor	
14	70025239	1	Seal	
15	70029451	1	Filter With Head	

SECTION 3 - ENGINE

ITEM	PART NUMBER	QTY	DESCRIPTION	REV
15A	70025161	1	Filter, Fuel	
16	70028538	1	Sensor, Pressure	
16	70024920	1	Seal	
17	70025151	1	Rail, Fuel	
17	70025235	1	Repair Kit	
17	70025182	1	Line, Fuel (Cylinders 1 & 2)	
17	70025183	1	Line, Fuel (Cylinders 3 & 4)	
17	70025184	1	Line, Fuel (To Rail)	
18	70025210	1	ECU (Engine Control Unit)	
19	70029797	1	Pump, Water	
19	70025200	1	Seal	
19	70007325	1	Gasket	
20	70005929	1	Thermostat	
20	70005184	1	O-Seal	
20	70025142	1	Cover, Thermostat	
20	70005931	1	Gasket	
21	70004276	1	Turbocharger	
21	70024912	1	Gasket, Square	
21	70024509	1	Gasket, Return Line	
21	70006294	1	O-Seal	
22	70024915	1	Starter	
22	70005648	1	Relay	
22	70005647	1	Solenoid	
23	70004277	1	Belt Drive	
24	70006652	1	Alternator	
24	70006653	1	Regulator, Voltage	
25	70007489	1	Harness, Engine (Not Shown)	
26	70028540	1	Sender, Temperature	
27	70028538	1	Sensor, Pressure	
27	70024920	1	Seal	
28	70026210	2	Sensor, Speed (Not Shown - Located Left Side Front and Flywheel Housing)	
28	70024917	1	Seal (Cam Shaft Speed Sensor)	
28	70005191	1	Seal (Flywheel Shaft Speed Sensor)	
29	70024507	1	Sensor, Pressure	
29	70025120	1	Seal	
30	70024922	1	Sender, Temperature	
30	70025212	1	O-Seal	
31	70005527	1	Clamp	
31	70025788	1	Nut	
32	70004504	1	Compensator	
33	70025242	1	Gasket	
33	70029433	1	Clamp	
34	70029517	2	Clamp	
34	70029520	2	Gasket	
35	70007355	1	Inlet	
36	70007331	1	Outlet	

SECTION 3 - ENGINE

FIGURE 3-35. BRACKET ASSEMBLY - FUEL PUMP AND FILTER (DEUTZ D2.2L3 (STAGE V) ENGINES)



ART_1001235949

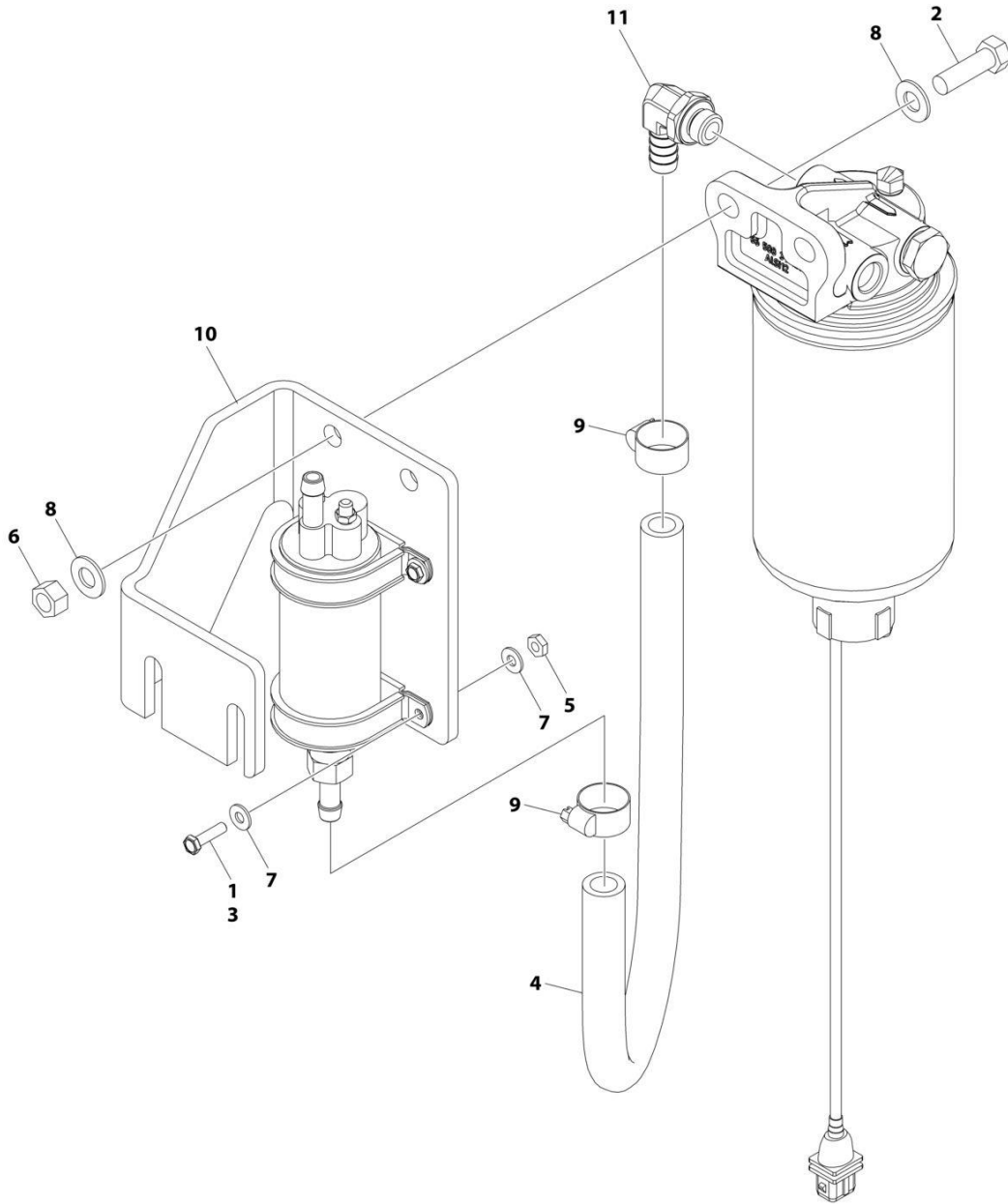
SECTION 3 - ENGINE

FIGURE 3-35. BRACKET ASSEMBLY - FUEL PUMP AND FILTER (DEUTZ D2.2L3 (STAGE V) ENGINES)

ITEM	PART NUMBER	QTY	DESCRIPTION	REV
	1001235949	Ref	BRACKET ASSEMBLY - FUEL PUMP AND FILTER (DEUTZ D2.9L4 (STAGE V) ENGINE)	A
1	0100035	AR	Compound, Locking	
2	0641610	2	Bolt 3/8 x 1-1/4	
3	0721006	4	Bolt #10 x 3/4	
4	3311001	4	Nut #10	
5	3311605	2	Nut 3/8	
6	4711000	8	Washer #10	
7	4711600	4	Washer 3/8	
8	8405006	2	Clamp	
9	1001141870	1	Plate, Fuel Pump Mount	
10	1001142501	1	Fitting, Elbow Barbed	
11	1001154405	1.5 ft /0.4m	Hose	

SECTION 3 - ENGINE

FIGURE 3-36. BRACKET ASSEMBLY - FUEL PUMP AND FILTER (DEUTZ D2.9L4 ENGINE)



ART_1001162335

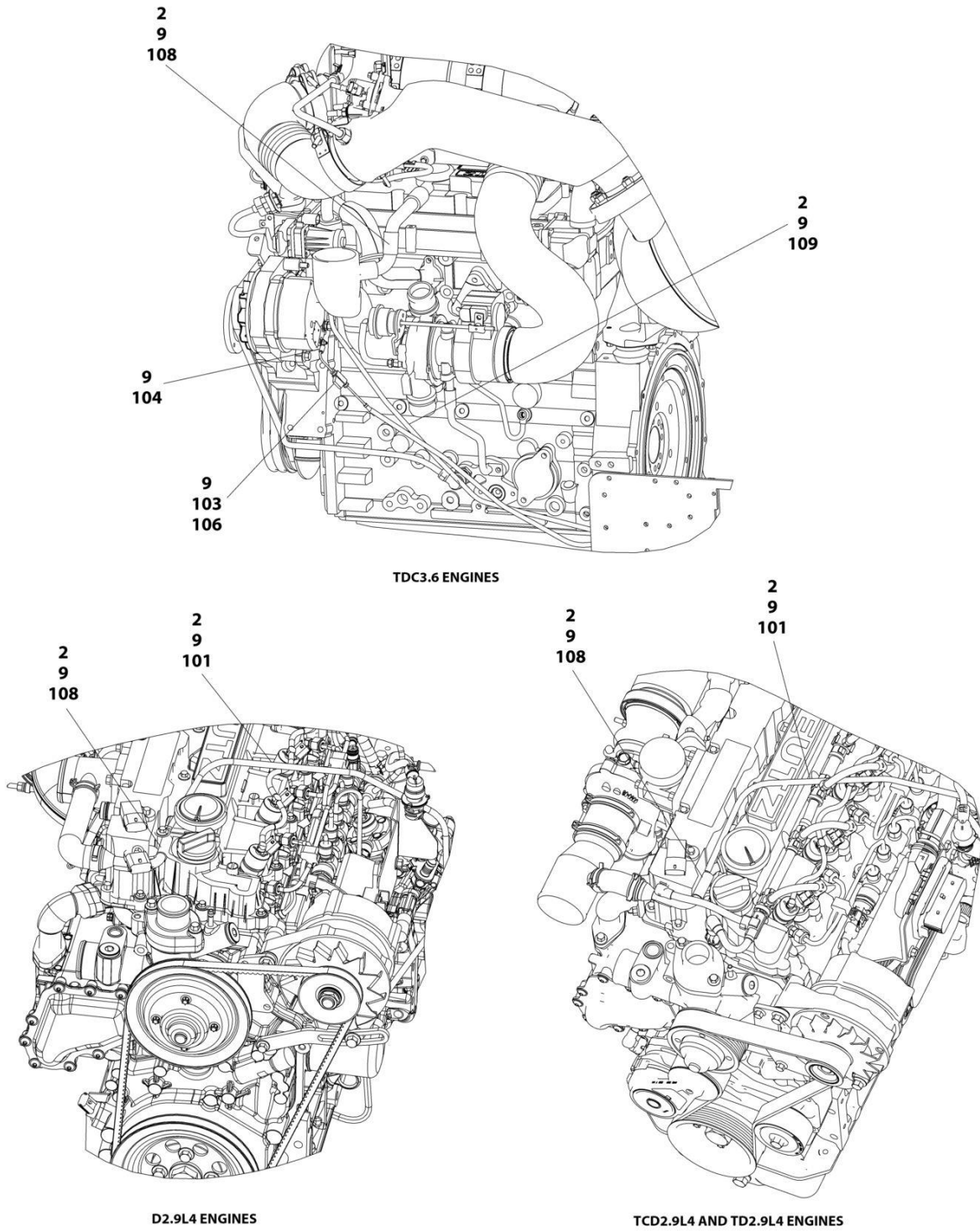
SECTION 3 - ENGINE

FIGURE 3-36. BRACKET ASSEMBLY - FUEL PUMP AND FILTER (DEUTZ D2.9L4 ENGINE)

ITEM	PART NUMBER	QTY	DESCRIPTION	REV
	1001162335	Ref	BRACKET ASSEMBLY - FUEL PUMP AND FILTER (DEUTZ D2.9L4 ENGINE)	E
1	0100011	AR	Compound, Locking	
2	0641610	2	Bolt 3/8 x 1-1/4	
3	0721006	4	Bolt #10 x 3/4	
4	1001154405	AR	Hose	
5	3311001	4	Nut #10	
6	3311605	2	Nut 3/8	
7	4711000	8	Washer #10	
8	4711600	4	Washer 3/8	
9	8405006	2	Clamp	
10	1001141870	1	Plate, Fuel Pump Mount	
11	1001142501	1	Fitting, Elbow Barbed	

SECTION 3 - ENGINE

FIGURE 3-37. BREATHER HEATER INSTALLATION - DEUTZ D2.9L4 ENGINES WITH ARCTIC PACKAGE



ART_1001233763

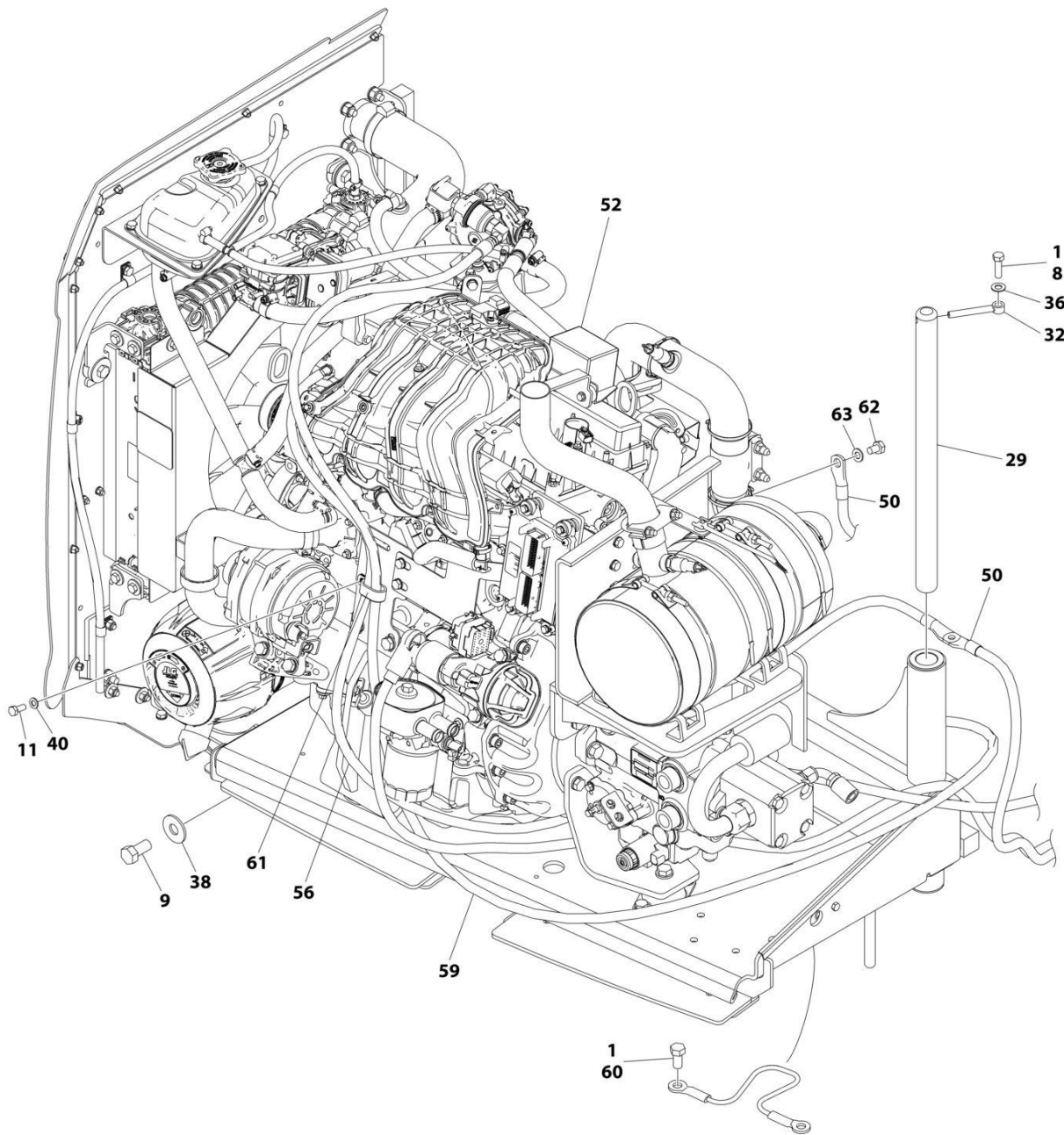
SECTION 3 - ENGINE

FIGURE 3-37. BREATHER HEATER INSTALLATION - DEUTZ D2.9L4 ENGINES WITH ARCTIC PACKAGE

ITEM	PART NUMBER	QTY	DESCRIPTION	REV
	1001233763	Ref	BREATHER HEATER INSTALLATION - DEUTZ ENGINES	D
2	4240099	AR	Tie-Strap	
9	1001243895	1	Breather Heater Harness	C
101	2820035	AR	Insulation	
103	2400060	1	Fuseholder with Cover	
104	4460043	1	Terminal, Ring	
105	4460722	1	Terminal, Ring (Not Shown)	
106	1001196634	1	Fuse - 2 Amp	
108	1001232842	1	Breather Heater Kit	

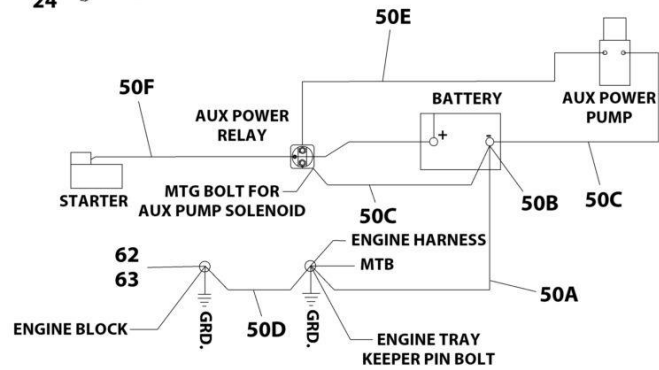
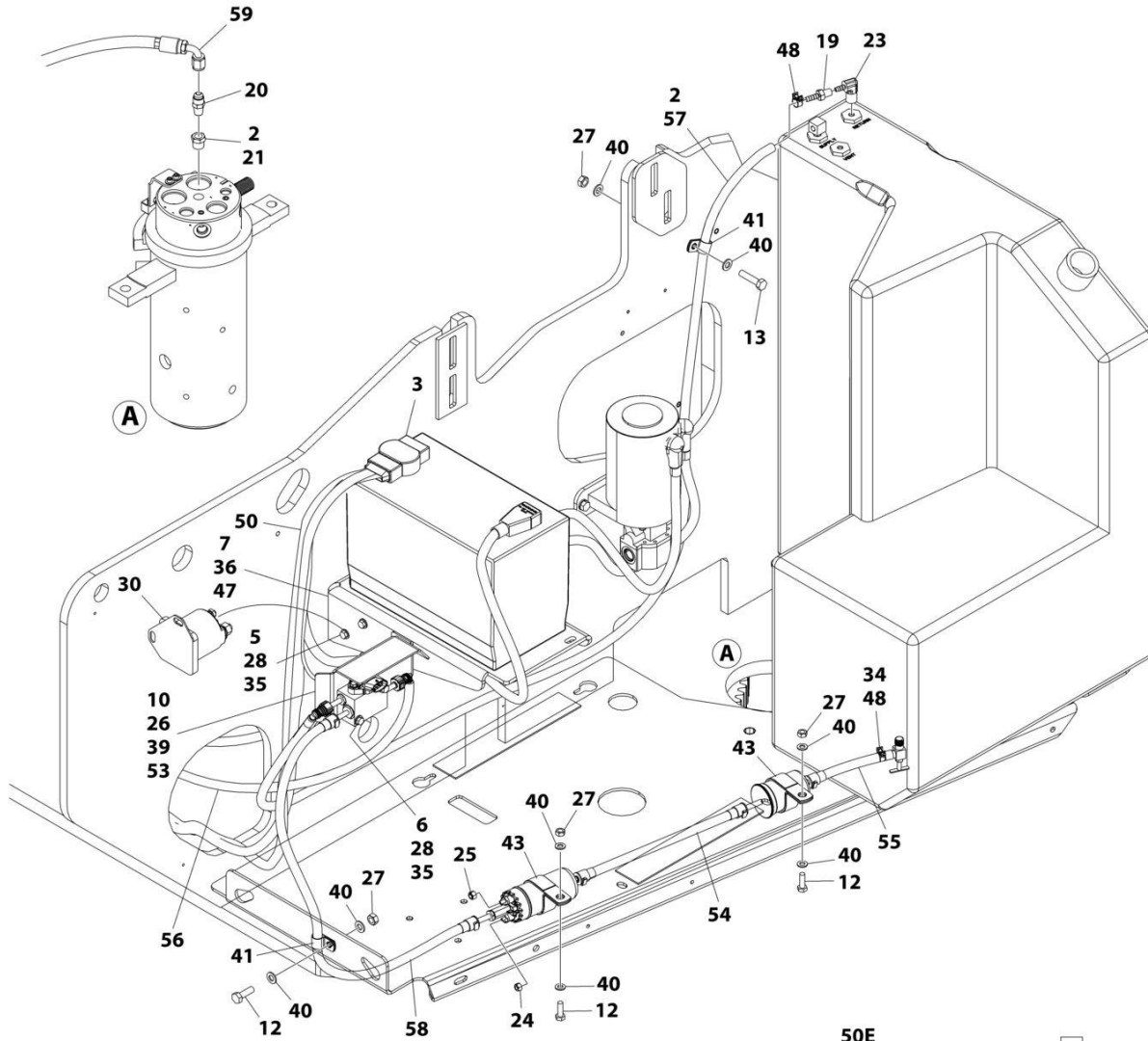
SECTION 3 - ENGINE

FIGURE 3-38. FORD ENGINE INSTALLATION - WITHOUT ARCTIC PACKAGE



ART_1001216912_L_10F2

SECTION 3 - ENGINE



BATTERY CABLE KIT - ITEM 50

ART_1001216912_I_20F2

SECTION 3 - ENGINE

FIGURE 3-38. FORD ENGINE INSTALLATION - WITHOUT ARCTIC PACKAGE

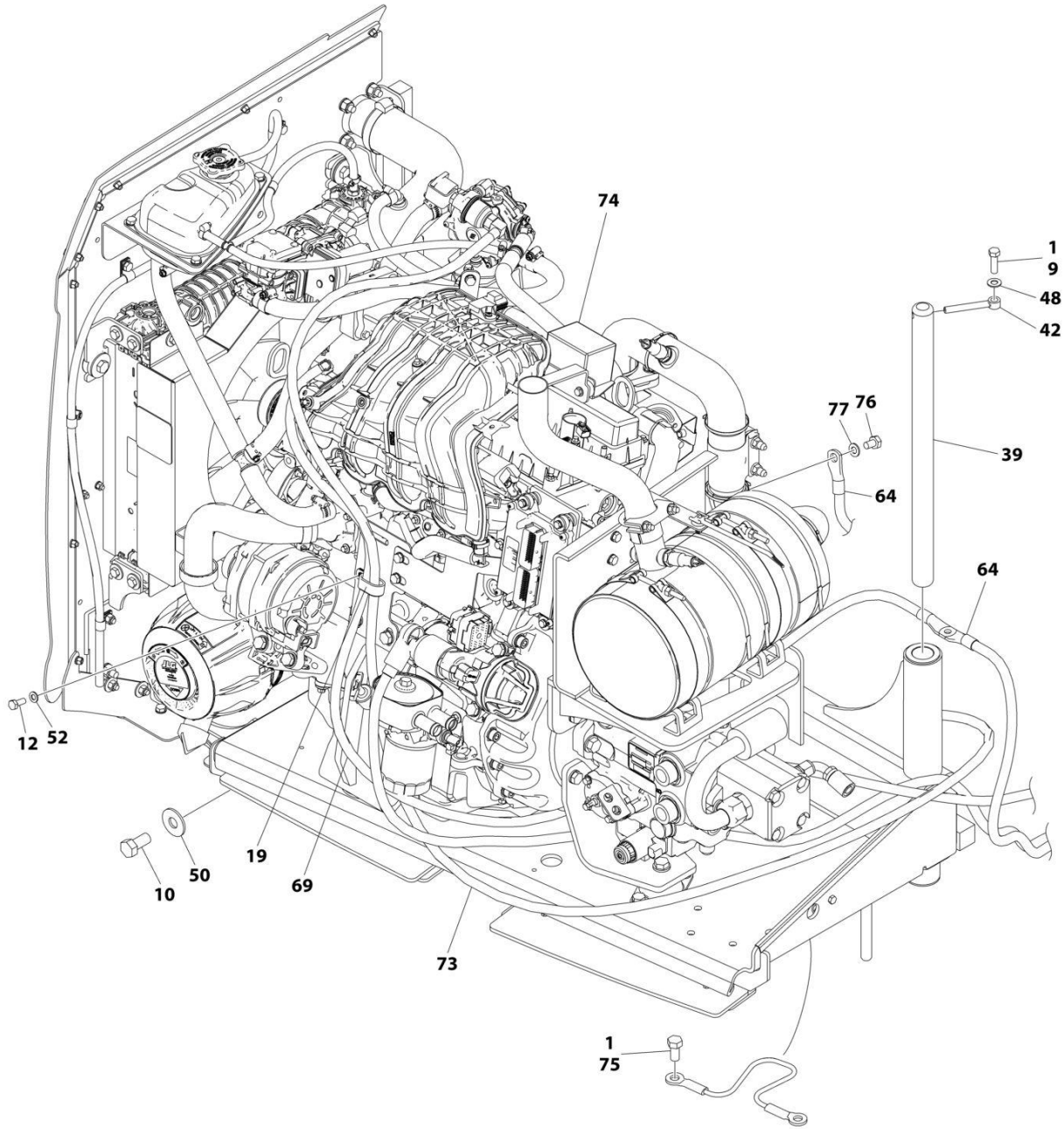
ITEM	PART NUMBER	QTY	DESCRIPTION	REV
	1001216912	Ref	FORD ENGINE INSTALLATION	I
1	0100011	AR	Compound, Locking	
2	0100020	AR	Sealant	
3	0100048	AR	Grease, Terminal	
5	0641406	2	Bolt 1/4 x 3/4	
6	0641416	2	Bolt 1/4 x 2	
7	0641607	3	Bolt 3/8 x 7/8	
8	0641612	1	Bolt 3/8 x 1-1/2	
9	0642010	1	Bolt 5/8 x 1-1/4	
10	0760612	2	Bolt M6 x 25	
11	0760810	1	Bolt M8 x 20	
12	0760812	3	Bolt M8 x 25	
13	0760815	1	Bolt M8 x 35	
17	1701542	1	Decal - Gas (Not Shown)	
18	1701543	2	Decal - LPG (Not Shown)	
19	2180348	1	Fitting, Straight NPT/Barbed	
20	2180418	1	Fitting, Straight	
21	2221197	1	Fitting, Straight NPT	
23	2221176	1	Fitting, 90	
24	3290405	1	Nut M4	
25	3290505	1	Nut M5	
26	3290605	2	Nut M6	
27	3290801	4	Nut M8	
28	3311405	4	Nut 1/4	
29	3422448	1	Pin	
30	3740067	1	Relay	
31	3790012	1	O-Ring (Not Shown - Located on Platform Console Box)	
32	3841143	1	Keeper, Pin	
33	4360336	1	Switch, Toggle (Not Shown - Located on Platform Console Box)	
34	1001221488	1	Tube, Fuel Line	
35	4711400	6	Washer 1/4	
36	4711600	4	Washer 3/8	
38	4752000	1	Washer 5/8	
39	4811702	4	Washer M6	
40	4811900	9	Washer M8	
41	8406101	2	Clip	
43	85941018	2	Clamp	
47	1001137868	1	Bracket, Battery	
48	1001174486	2	Clamp	
50	1001215142	1	Battery Cable Kit	C
50A	7027073	1	Cable, Battery - Ground to Battery -	
50B	8270147	1	Terminal, Battery with Boot	
50C	7027072	1	Cable, Battery - Auxiliary Pump/Relay to Battery -	
50D	70009018	1	Cable, Battery - Engine to Ground	
50E	7027075	1	Cable, Battery - Auxiliary Relay to Auxiliary Pump	
50F	70009019	1	Cable, Battery - Starter/Auxiliary Relay to Battery +	
52	1001216911	1	Engine Assembly with Pumps (See Separate Breakdown in this Section)	
53	1001217645	1	Bracket	
54	1001217418	1	Hose	

SECTION 3 - ENGINE

ITEM	PART NUMBER	QTY	DESCRIPTION	REV
55	1001217419	1	Hose	
56	1001217420	1	Hose	
57	1001217421	1	Hose	
58	1001217422	1	Hose	
59	1001284763	1	Hose	
60	0641808	1	Bolt 1/2 x 1	
61	1321283	1	Clamp	
62	0761008	1	Bolt M10 x 16	
63	4812000	1	Washer M10	

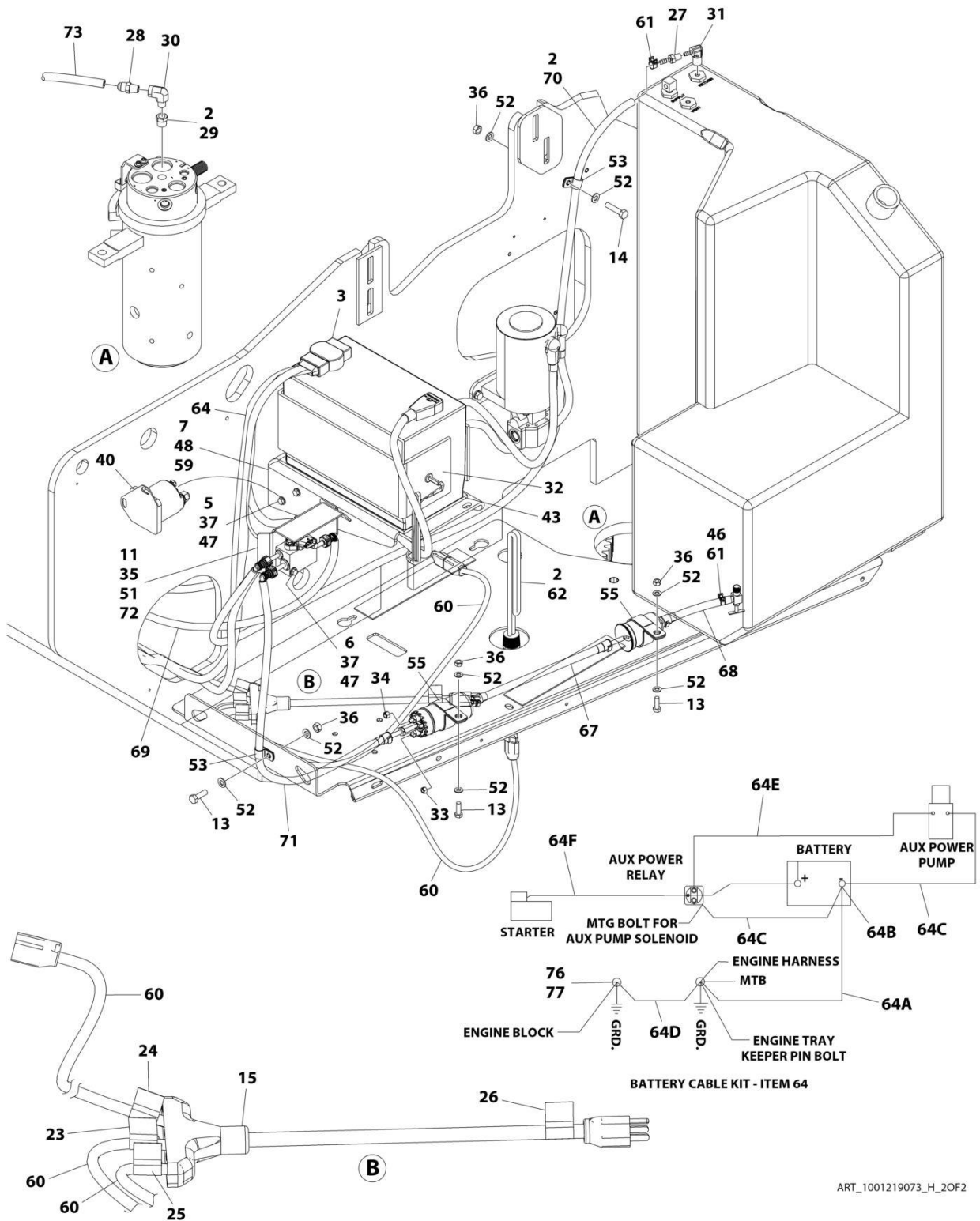
SECTION 3 - ENGINE

FIGURE 3-39. FORD ENGINE INSTALLATION - WITH ARCTIC PACKAGE



ART_1001219073_H_10F2

SECTION 3 - ENGINE



ART_1001219073_H_2OF2

SECTION 3 - ENGINE

FIGURE 3-39. FORD ENGINE INSTALLATION - WITH ARCTIC PACKAGE

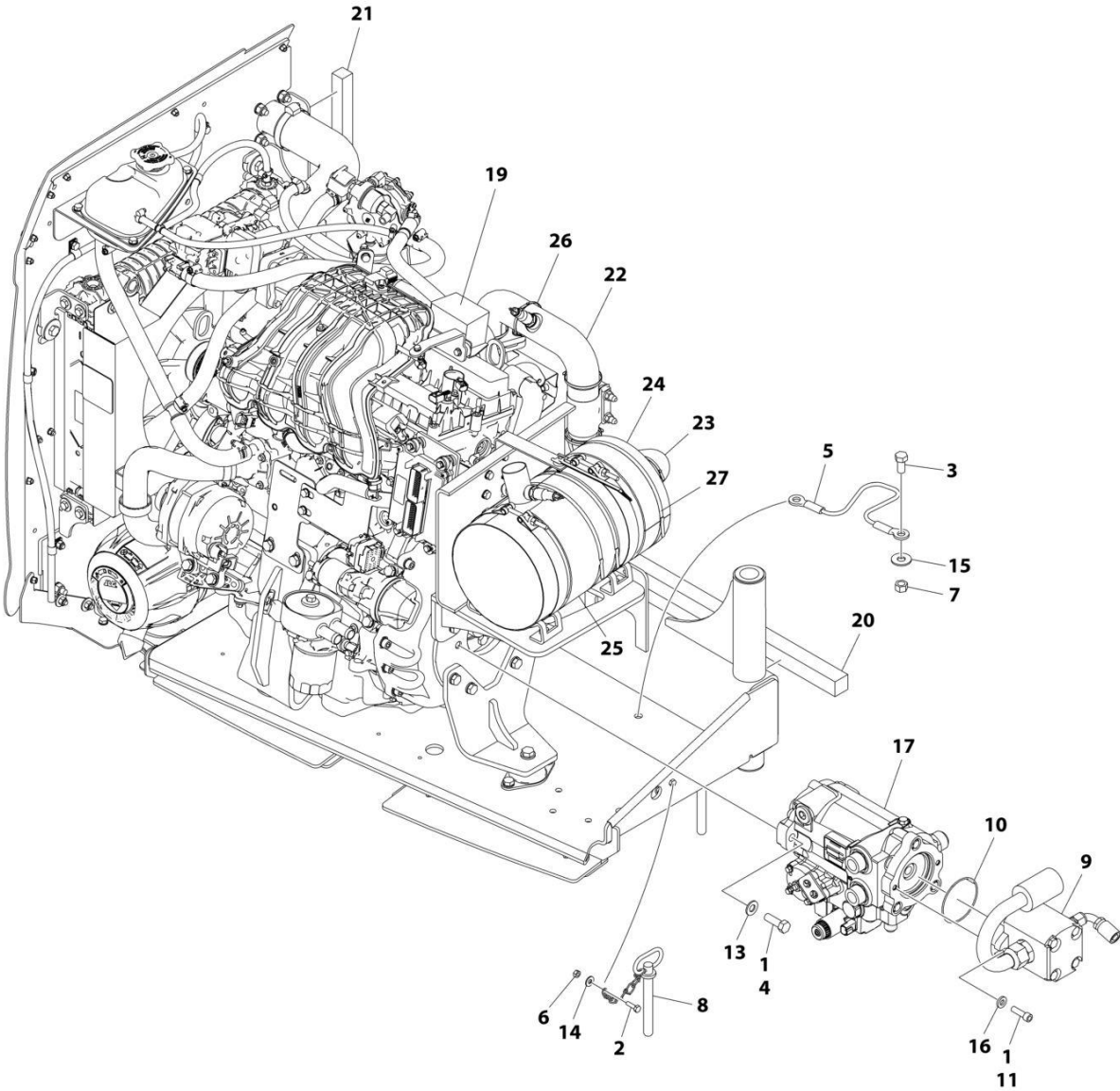
ITEM	PART NUMBER	QTY	DESCRIPTION	REV
	1001219073	Ref	FORD ENGINE INSTALLATION	H
1	0100011	AR	Compound, Locking	
2	0100020	AR	Sealant	
3	0100048	AR	Grease, Terminal	
5	0641406	2	Bolt 1/4 x 3/4	
6	0641416	2	Bolt 1/4 x 2	
7	0641607	3	Bolt 3/8 x 7/8	
9	0641612	1	Bolt 3/8 x 1-1/2	
10	0642010	1	Bolt 5/8 x 1-1/4	
11	0760612	2	Bolt M6 x 25	
12	0760810	1	Bolt M8 x 20	
13	0760812	3	Bolt M8 x 25	
14	0760815	1	Bolt M8 x 35	
15	1060626	1	Plug, 3 Way	
19	1321283	1	Clamp	
21	1701542	1	Decal - Gas (Not Shown)	
22	1701543	2	Decal - LPG (Not Shown)	
23	1702941	1	Decal - Battery Heater	
24	1702942	1	Decal - Engine Block Heater	
25	1702943	1	Decal - Hydraulic Tank Heater	
26	1702944	1	Decal - Heater Cord	
27	2180348	1	Fitting, Straight NPT/Barbed	
28	2180418	1	Fitting, Straight	
29	2221197	1	Fitting, Straight NPT	
30	1001247359	1	Fitting, Straight	
31	2221176	1	Fitting, 90	
32	2580024	1	Heater, Battery	
33	3290405	1	Nut M4	
34	3290505	1	Nut M5	
35	3290605	2	Nut M6	
36	3290801	4	Nut M8	
37	3311405	4	Nut 1/4	
39	3422448	1	Pin	
40	3740067	1	Relay	
41	3790012	1	O-Ring (Not Shown - Located on Platform Console Box)	
42	3841143	1	Keeper, Pin	
43	3980007	1	Seal, Battery	
44	4240099	AR	Tie-Strap (Not Shown)	
45	4360336	1	Switch, Toggle (Not Shown - Located on Platform Console Box)	
46	1001221488	1	Tube, Fuel Line	
47	4711400	6	Washer 1/4	
48	4711600	4	Washer 3/8	
50	4752000	1	Washer 5/8	
51	4811702	4	Washer M6	
52	4811900	9	Washer M8	
53	8406101	2	Clip	
55	85941018	2	Clamp	
59	1001137868	1	Bracket, Battery	
60	1001150918	1	Cable, Immersion Heater	
61	1001174486	2	Clamp	

SECTION 3 - ENGINE

ITEM	PART NUMBER	QTY	DESCRIPTION	REV
62	1001188972	1	Heater, Hydraulic Tank	C
64	1001215142	1	Battery Cable Kit	
64A	7027073	1	Cable, Battery - Ground to Battery -	
64B	8270147	1	Terminal, Battery with Boot	
64C	7027072	1	Cable, Battery - Auxiliary Pump/Relay to Battery -	
64D	70009018	1	Cable, Battery - Engine to Ground	
64E	7027075	1	Cable, Battery - Auxiliary Relay to Auxiliary Pump	
64F	70009019	1	Cable, Battery - Starter/Auxiliary Relay to Battery +	
67	1001217418	1	Hose	
68	1001217419	1	Hose	
69	1001217420	1	Hose	
70	1001217421	1	Hose	
71	1001217422	1	Hose	
72	1001217645	1	Bracket	
73	1001218638	1	Hose	
74	1001219072	1	Engine Assembly with Pumps (See Separate Breakdown in this Section)	
75	0641808	1	Bolt 1/2 x 1	
76	0761008	1	Bolt M10 x 16	
77	4812000	1	Washer M10	

SECTION 3 - ENGINE

FIGURE 3-40. FORD ENGINE/PUMP SUB-ASSEMBLY - WITHOUT ARCTIC PACKAGE



ART_1001216911

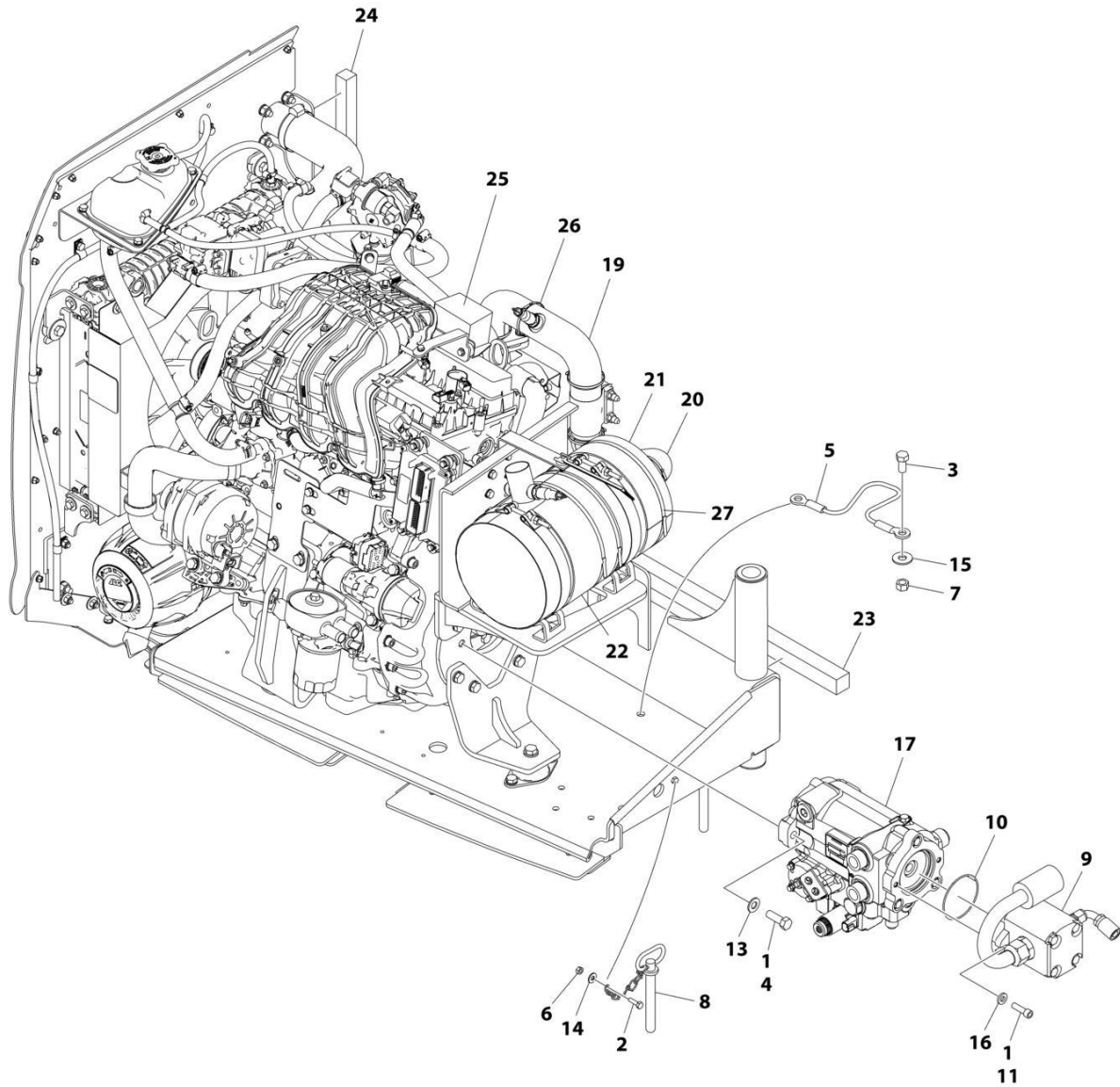
SECTION 3 - ENGINE

FIGURE 3-40. FORD ENGINE/PUMP SUB-ASSEMBLY - WITHOUT ARCTIC PACKAGE

ITEM	PART NUMBER	QTY	DESCRIPTION	REV
	1001216911	Ref	FORD ENGINE AND PUMP SUB-ASSEMBLY	F
1	0100011	AR	Compound, Locking	
2	0641407	1	Bolt 1/4 x 7/8	
3	0641808	1	Bolt 1/2 x 1	
4	0681812	2	Bolt 1/2 x 1-1/2	
5	1060637	1	Cable, Lanyard	
6	3311405	1	Nut 1/4	
7	3311805	1	Nut 1/2	
8	3422533	1	Pin	
9	3600395	1	Gear Pump and Fittings Assembly (See Separate Breakdown in this Section)	
10	3790152	1	O-Ring	
11	3931620	2	Capscrew 3/8 x 1-1/4	
13	4711800	2	Washer 1/2	
14	4751400	1	Washer 1/4	
15	4751800	1	Washer 1/2	
16	4891600	2	Washer 3/8	
17	1001188953	1	Piston Pump and Fitting Assembly (See Separate Breakdown in this Section)	
19	1001215413	1	Engine Assembly (See Separate Breakdown in this Section)	
20	1001217170	1	Seal	
21	1001217184	1	Seal	
22	1001216532	1	Insulate, Exhaust Pipe	
23	1001216533	1	Insulate, Exhaust Pipe	
24	1001216534	1	Insulate, Muffler	
25	1001216535	1	Insulate, Muffler	
26	1001100825	6	Strap	
27	1001221464	3	Strap	

SECTION 3 - ENGINE

FIGURE 3-41. FORD ENGINE/PUMP SUB-ASSEMBLY - WITH ARCTIC PACKAGE



ART_1001219072

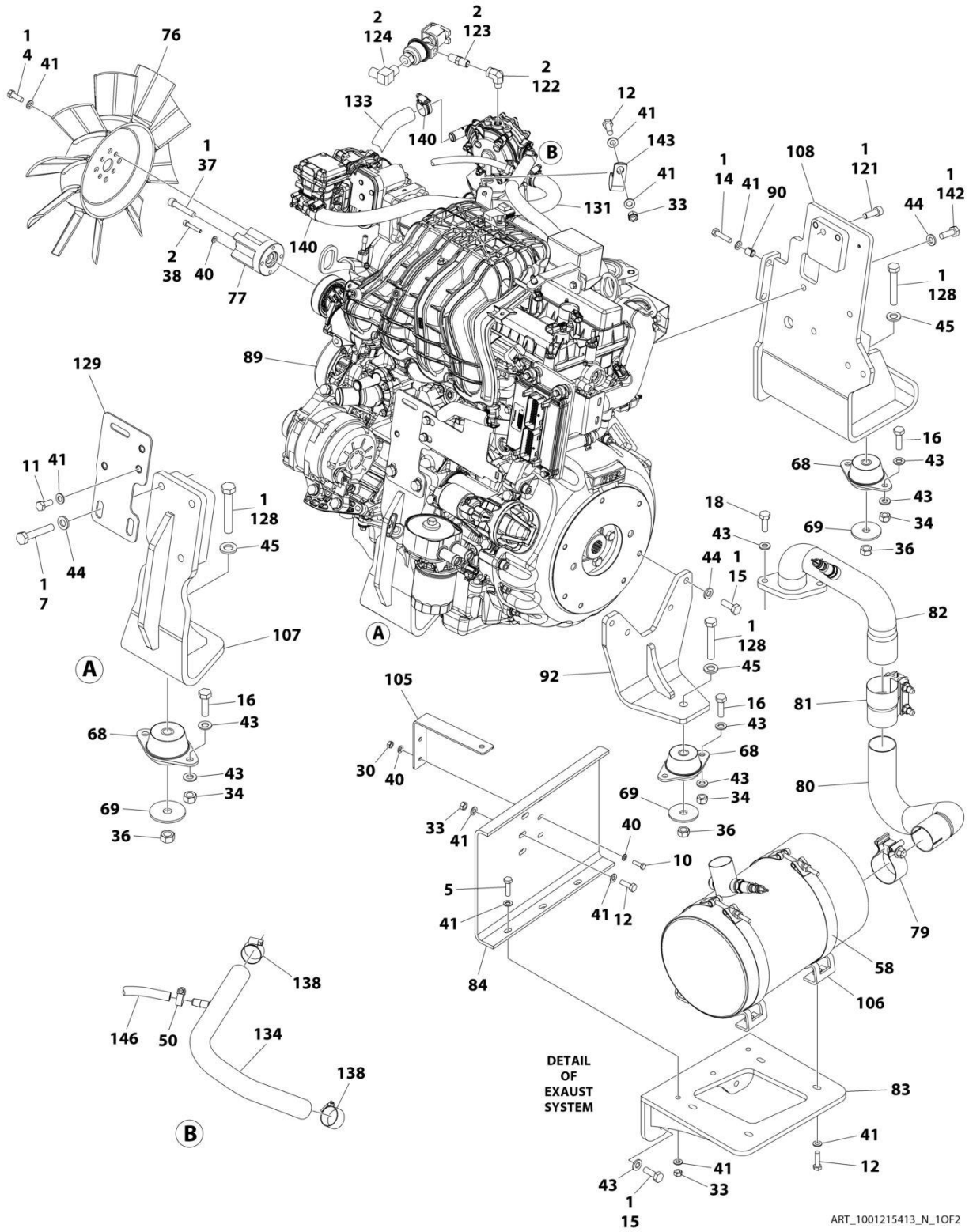
SECTION 3 - ENGINE

FIGURE 3-41. FORD ENGINE/PUMP SUB-ASSEMBLY - WITH ARCTIC PACKAGE

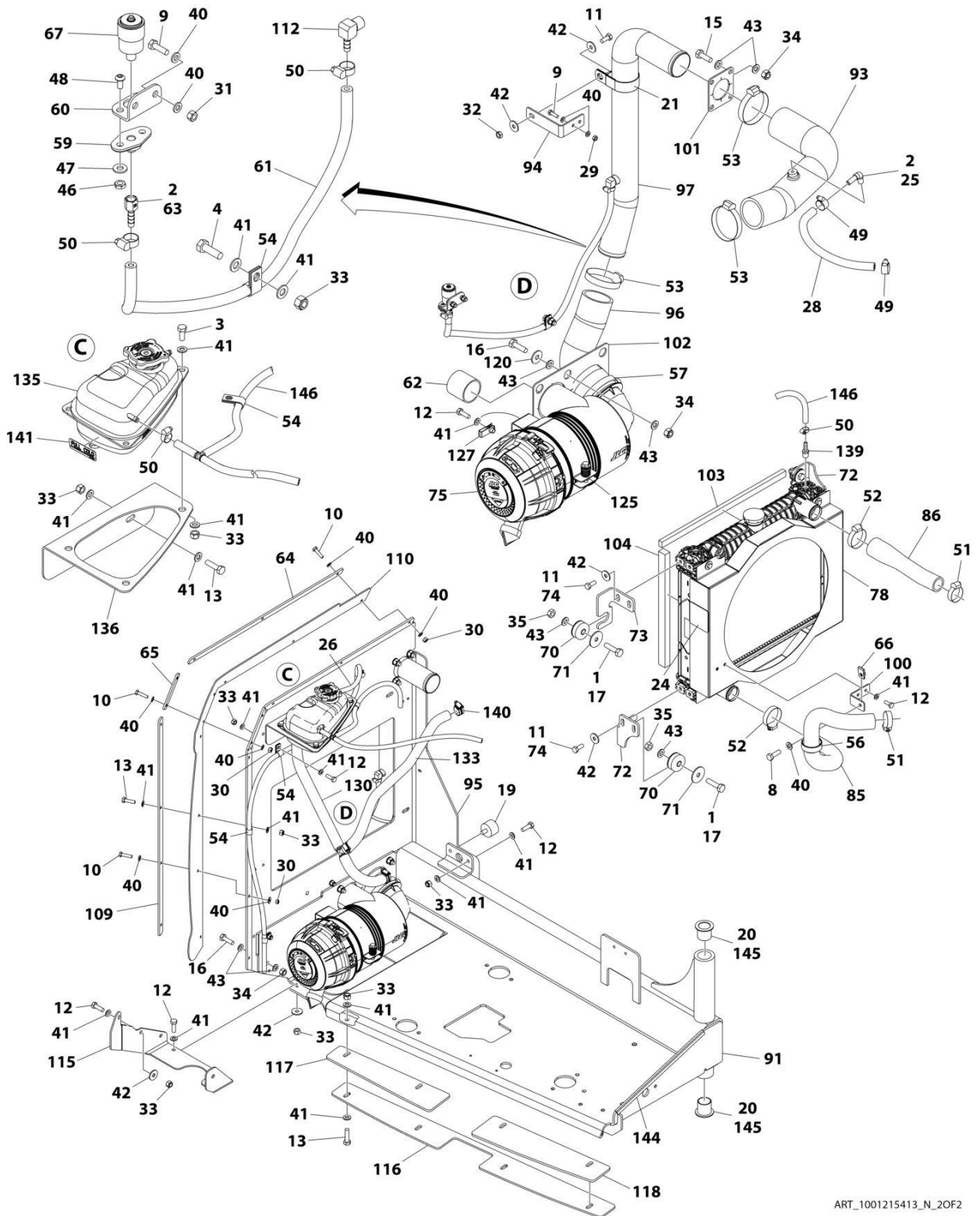
ITEM	PART NUMBER	QTY	DESCRIPTION	REV
	1001219072	Ref	FORD ENGINE AND PUMP SUB-ASSEMBLY	E
1	0100011	AR	Compound, Locking	
2	0641407	1	Bolt 1/4 x 7/8	
3	0641808	1	Bolt 1/2 x 1	
4	0681812	2	Bolt 1/2 x 1-1/2	
5	1060637	1	Cable, Lanyard	
6	3311405	1	Nut 1/4	
7	3311805	1	Nut 1/2	
8	3422533	1	Pin	
9	3600395	1	Gear Pump and Fittings Assembly (See Separate Breakdown in this Section)	
10	3790152	1	O-Ring	
11	3931620	2	Capscrew 3/8 x 1-1/4	
13	4711800	2	Washer 1/2	
14	4751400	1	Washer 1/4	
15	4751800	1	Washer 1/2	
16	4891600	2	Washer 3/8	
17	1001188953	1	Piston Pump and Fitting Assembly (See Separate Breakdown in this Section)	
19	1001216532	1	Insulate, Exhaust Pipe	
20	1001216533	1	Insulate, Exhaust Pipe	
21	1001216534	1	Insulate, Muffler	
22	1001216535	1	Insulate, Muffler	
23	1001217170	1	Seal	
24	1001217184	1	Seal	
25	1001219071	1	Engine Assembly (See Separate Breakdown in this Section)	
26	1001100825	6	Strap	
27	1001221464	3	Strap	

SECTION 3 - ENGINE

FIGURE 3-42. FORD ENGINE ASSEMBLY - WITHOUT ARCTIC PACKAGE



SECTION 3 - ENGINE



ART_1001215413_N_2OF2

SECTION 3 - ENGINE

FIGURE 3-42. FORD ENGINE ASSEMBLY - WITHOUT ARCTIC PACKAGE

ITEM	PART NUMBER	QTY	DESCRIPTION	REV
	1001215413	Ref	FORD ENGINE ASSEMBLY	Q
1	0100011	AR	Compound, Locking	
2	0100020	AR	Sealant	
3	0700810	3	Bolt M8 x 20	
4	0700812	5	Bolt M8 x 25	
5	0700814	3	Bolt M8 x 30	
7	0711020	3	Bolt M10 x 60	
8	0760608	2	Bolt M6 x 16	
9	0760610	4	Bolt M6 x 20	
10	0760612	10	Bolt M6 x 25	
11	0760810	11	Bolt M8 x 20	
12	0760812	19	Bolt M8 x 25	
13	0760814	8	Bolt M8 x 30	
14	0760815	2	Bolt M8 x 35	
15	0761014	11	Bolt M10 x 30	
16	0761015	13	Bolt M10 x 35	
17	0761016	4	Bolt M10 x 40	
18	0771014	2	Bolt M10 x 30	
19	0940070	1	Bumper	
20	0961986	2	Bearing	
21	1320110	1	Clamp	
22	1001187781	1	Tie-Strap (Not Shown)	
24	1703162	2	Decal - Fan Blade	
25	2180467	1	Fitting, Straight NPT/Barbed	
26	2720058	AR	Hose	
28	1001165035	11 in /26cm	Hose	
29	3290601	2	Nut M6	
30	3290605	10	Nut M6	
31	3290607	2	Nut M6	
32	3290801	1	Nut M8	
33	3290805	27	Nut M8	
34	3291005	17	Nut M10	
35	3291001	4	Nut M10	
36	3291201	3	Nut M12	
37	3931632	1	Capscrew 3/8 x 2	
38	4031711	4	Capscrew M6 x 35	
39	4240099	AR	Tie-Strap (Not Shown)	
40	4811700	34	Washer M6	
41	4811900	64	Washer M8	
42	4811902	15	Washer M8	
43	4812000	43	Washer M10	
44	5241000	13	Washer M10	
45	5241200	3	Washer M10	
46	8305401	2	Nut 1/4	
47	8307109	2	Washer 1/4	
48	8310548	2	Screw 1/4 x 1/2	
49	8405006	2	Clamp	
50	8405009	5	Clamp	
51	8405102	2	Clamp	

SECTION 3 - ENGINE

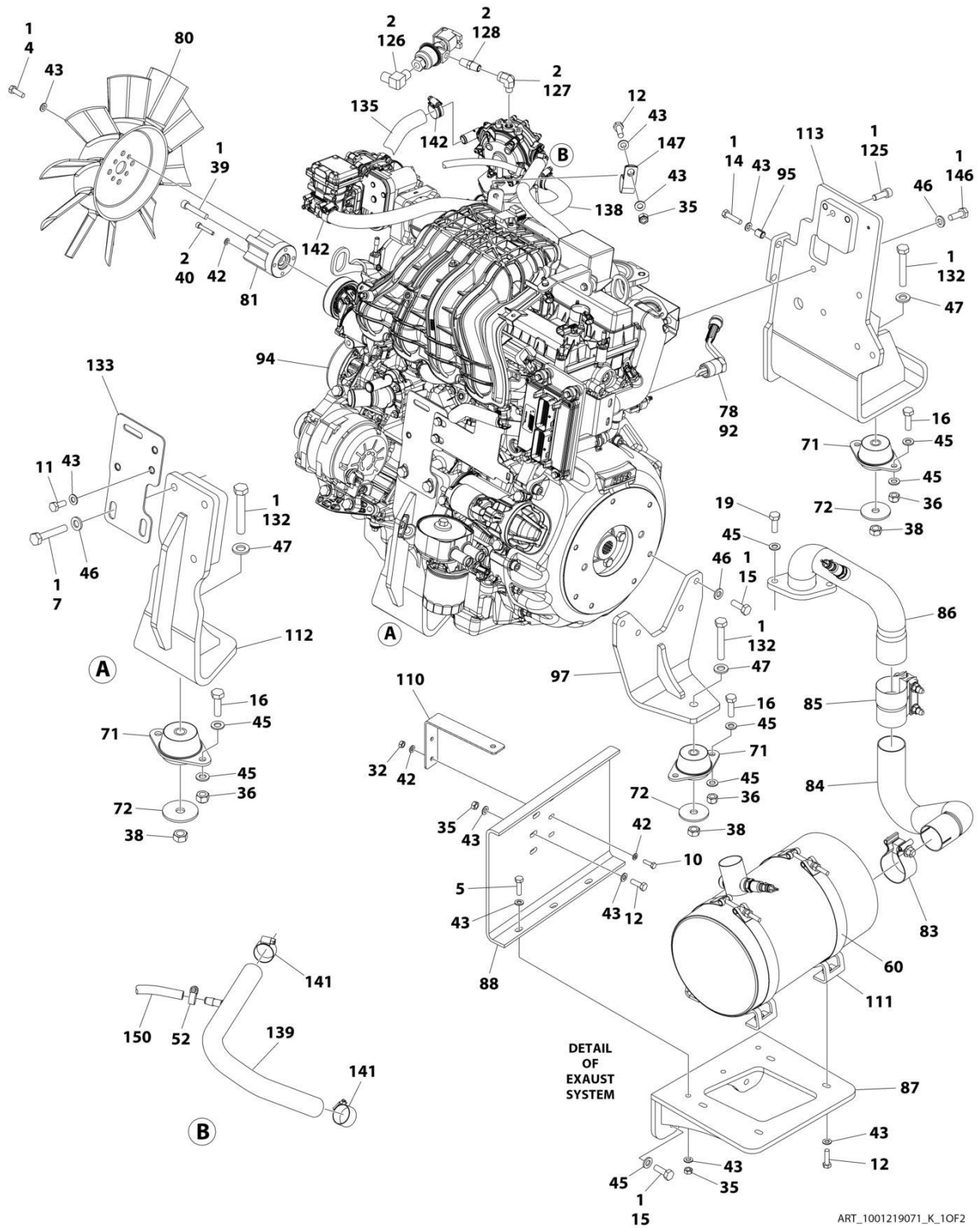
ITEM	PART NUMBER	QTY	DESCRIPTION	REV
52	8405104	2	Clamp	
53	8405203	3	Clamp	
54	8406109	6	Clip	
56	8410001	1	Clamp	
57	8410011	1	Clamp	
58	1001128901	2	Strap, Clamp	
59	1001138173	1	Support	
60	1001138175	1	Bracket	
61	1001138248	31 in/ 77cm	Tube, Nylon	
62	1001141585	1	Hose, Air Cleaner Inlet	
63	1001141995	1	Fitting, Straight NPT/Barbed	
64	1001144410	1	Panel, Clamp	
65	1001144411	1	Panel, Clamp	
66	1001149160	1	Nut, Tinnerman M8	
67	1001149639	1	Indicator, Restriction	
68	1001191610	3	Mount, Motor	
69	1001168018	3	Washer	
70	1001169054	4	Isolator	
71	1001169138	4	Pad	
72	1001170035	2	Bracket	
73	1001176329	2	Bracket	
74	1001180620	AR	Adhesive	
75	1001189979	1	Air Filter Assembly	
75	70005008	1	Element, Filter	
76	1001223042	1	Fan	
77	1001215647	1	Spacer, Fan	
78	1001223923	1	Radiator	
79	1001215681	1	Clamp	
80	1001215899	1	Pipe, Exhaust Inlet	
81	1001215974	1	Clamp	
82	1001216075	1	Pipe, Exhaust Inlet	
83	1001216086	1	Bracket	
84	1001216092	1	Shield, Heat	
85	1001216204	1	Hose, Radiator (Lower)	
86	1001216205	1	Hose, Radiator (Upper)	
89	1001216910	1	Ford Engine Prep Assembly (See Separate Breakdown in this Section)	
90	1001216919	2	Sleeve	
91	1001216951	1	Tray	
92	1001216995	1	Mount, Engine (Rear)	
93	1001217032	1	Tube, Air Intake	
94	1001217046	1	Bracket	
95	1001217082	1	Plate, Radiator	
96	1001217089	1	Tube, Intake (Lower)	
97	1001217090	1	Tube, Intake (Intermediate)	
100	1001217146	1	Support	
101	1001217174	1	Seal	
102	1001217175	1	Seal	
103	1001217183	2	Seal	
104	1001217185	2	Seal	
105	1001217186	1	Support	

SECTION 3 - ENGINE

ITEM	PART NUMBER	QTY	DESCRIPTION	REV
106	1001217543	2	Mount	
107	1001218362	1	Mount, Engine (Front Left)	
108	1001218449	1	Mount, Engine (Front Right)	
109	1001218599	1	Panel, Clamp	
110	1001218600	1	Panel, Rubber	
112	1001134488	1	Fitting, 90 Barbed	
115	1001219445	1	Seal	
116	1001219448	1	Plate	
117	1001219454	1	Seal	
118	1001219456	1	Seal	
120	4812002	6	Washer M10	
121	5272010	1	Capscrew M10 x 30	
122	1001247359	1	Fitting, 90 FSNPSM/NPTF	
123	2220261	1	Fitting, Straight	
124	2180504	1	Fitting, Straight	
125	1001186426	1	Clamp, Air Cleaner	
127	1001221615	2	Nut, Tinnerman M8	
128	0711223	3	Bolt M12 x 75	
129	1001222033	1	Plate	
130	1001224489	1	Hose	
131	1001216531	1	Hose	
133	1001224486	1	Hose	
134	1001227666	1	Hose	
135	1001223584	1	Tank	
136	1001224419	1	Bracket	
138	8410009	2	Clamp	
139	2180348	1	Fitting, Straight Barbed	
140	1001173535	6	Clamp	
141	1001225510	1	Decal - Full Cold	
142	0711014	5	Bolt M10 x 30	
143	8406201	1	Clip	
144	4060805	16 in/.4m	Flex-Trim	
145	0100062	AR	Adhesive	
146	1001227667	1	Hose (Includes Tee)	

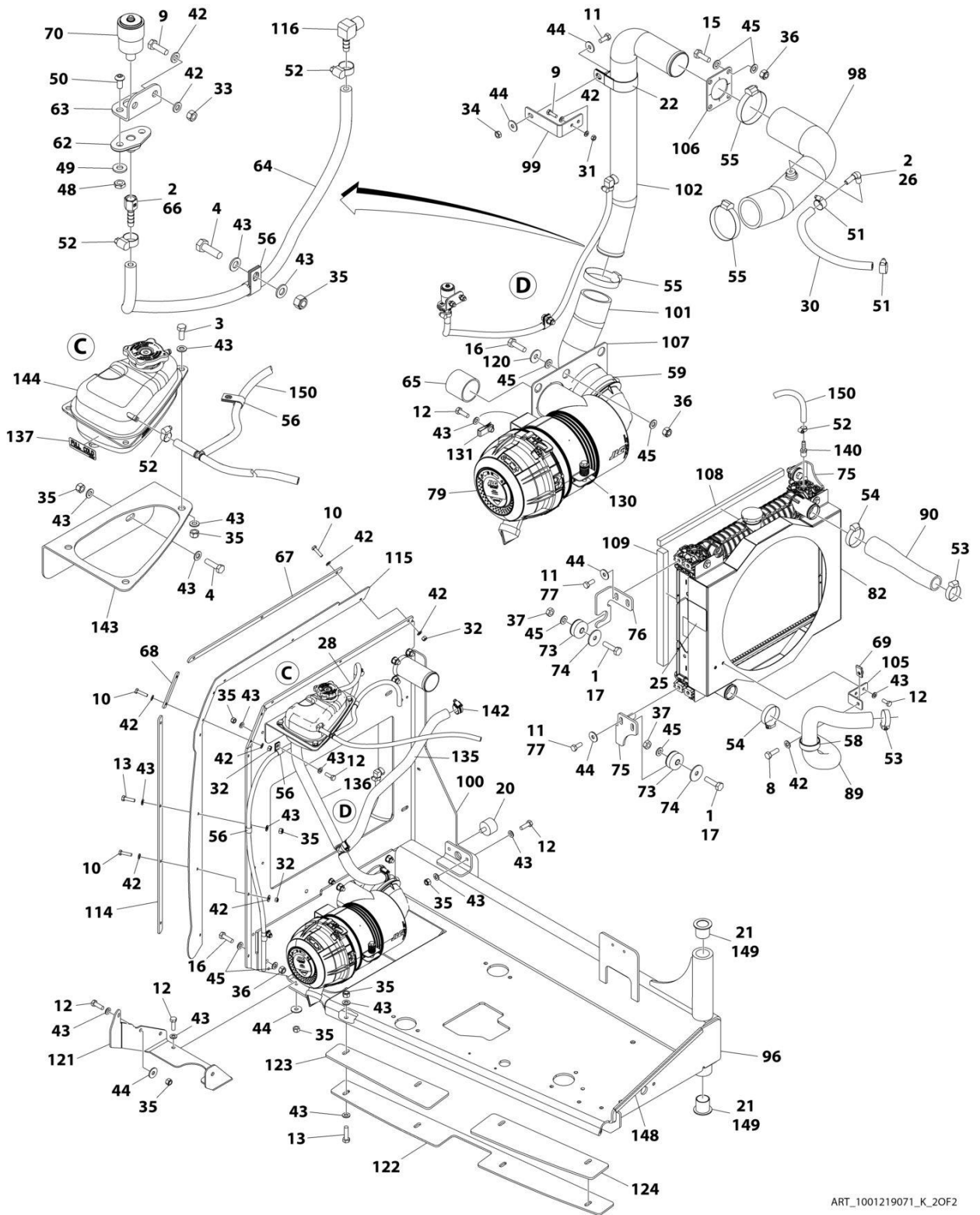
SECTION 3 - ENGINE

FIGURE 3-43. FORD ENGINE ASSEMBLY - WITH ARCTIC PACKAGE



ART_1001219071_K_10F2

SECTION 3 - ENGINE



ART_1001219071_K_20F2

SECTION 3 - ENGINE

FIGURE 3-43. FORD ENGINE ASSEMBLY - WITH ARCTIC PACKAGE

ITEM	PART NUMBER	QTY	DESCRIPTION	REV
	1001219071	Ref	FORD ENGINE ASSEMBLY	N
1	0100011	AR	Compound, Locking	
2	0100020	AR	Sealant	
3	0700810	3	Bolt M8 x 20	
4	0700812	5	Bolt M8 x 25	
5	0700814	3	Bolt M8 x 30	
7	0711020	3	Bolt M10 x 60	
8	0760608	2	Bolt M6 x 16	
9	0760610	4	Bolt M6 x 20	
10	0760612	10	Bolt M6 x 25	
11	0760810	11	Bolt M8 x 20	
12	0760812	19	Bolt M8 x 25	
13	0760814	8	Bolt M8 x 30	
14	0760815	2	Bolt M8 x 35	
15	0761014	11	Bolt M10 x 30	
16	0761015	13	Bolt M10 x 35	
17	0761016	4	Bolt M10 x 40	
19	0771014	2	Bolt M10 x 30	
20	0940070	1	Bumper	
21	0961986	2	Bearing	
22	1320110	1	Clamp	
23	1001187781	1	Tie-Strap (Not Shown)	
25	1703162	2	Decal - Fan Blade	
26	2180467	1	Fitting, Straight NPT/Barbed	
28	2720058	AR	Hose	
30	1001165035	11 in /26cm	Hose	
31	3290601	2	Nut M6	
32	3290605	10	Nut M6	
33	3290607	2	Nut M6	
34	3290801	1	Nut M8	
35	3290805	27	Nut M8	
36	3291005	17	Nut M10	
37	3291001	4	Nut M10	
38	3291201	3	Nut M12	
39	3931632	1	Capscrew 3/8 x 2	
40	4031711	4	Capscrew M6 x 35	
41	4240099	AR	Tie-Strap (Not Shown)	
42	4811700	34	Washer M6	
43	4811900	64	Washer M8	
44	4811902	15	Washer M8	
45	4812000	43	Washer M10	
46	5241000	13	Washer M10	
47	5241200	3	Washer M10	
48	8305401	2	Nut 1/4	
49	8307109	2	Washer 1/4	
50	8310548	2	Screw 1/4 x 1/2	
51	8405006	2	Clamp	
52	8405009	5	Clamp	
53	8405102	2	Clamp	

SECTION 3 - ENGINE

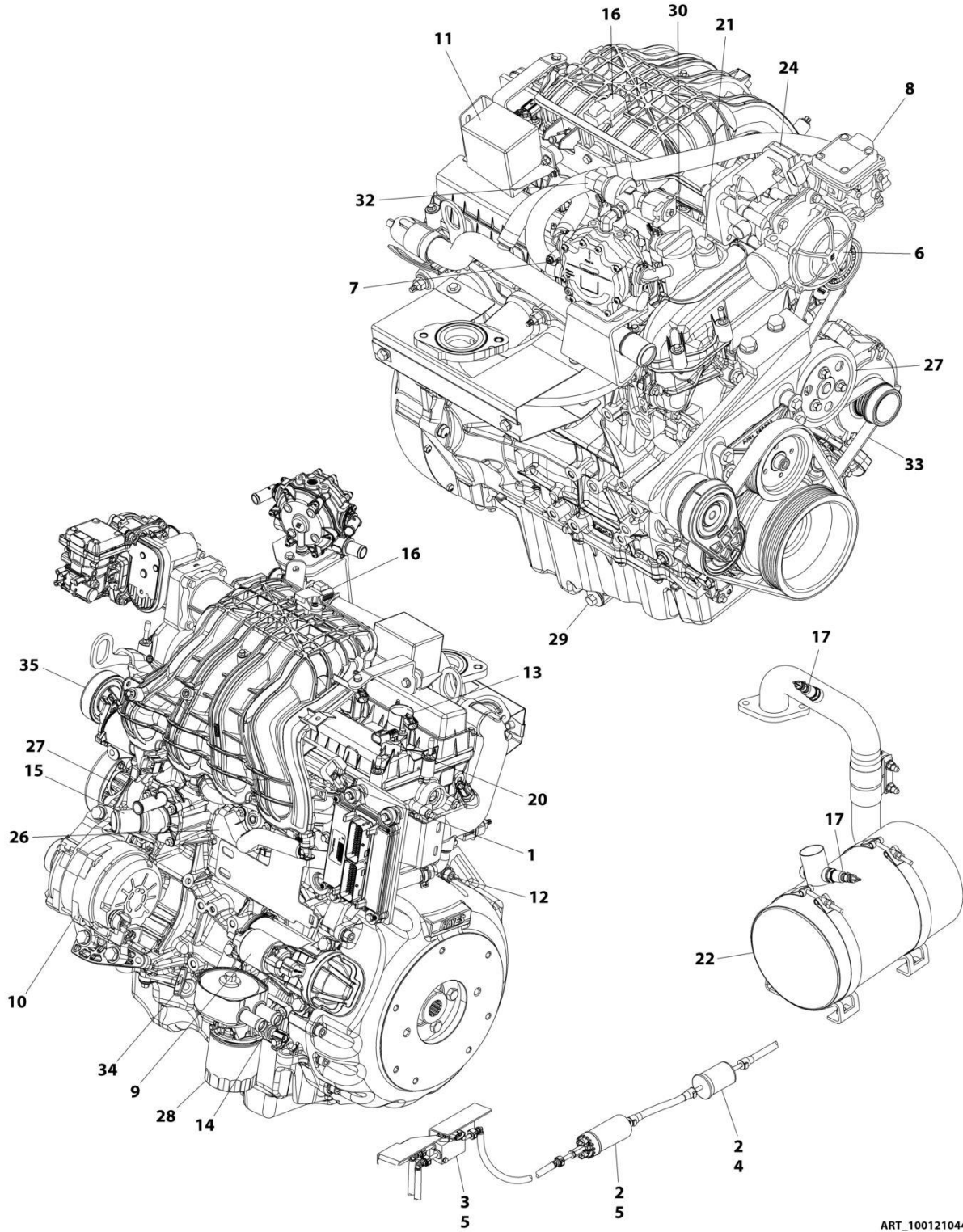
ITEM	PART NUMBER	QTY	DESCRIPTION	REV
54	8405104	2	Clamp	
55	8405203	3	Clamp	
56	8406109	6	Clip	
58	8410001	1	Clamp	
59	8410011	1	Clamp	
60	1001128901	2	Strap, Clamp	
62	1001138173	1	Support	
63	1001138175	1	Bracket	
64	1001138248	31 in/ 77cm	Tube, Nylon	
65	1001141585	1	Hose, Air Cleaner Inlet	
66	1001141995	1	Fitting, Straight NPT/Barbed	
67	1001144410	1	Panel, Clamp	
68	1001144411	1	Panel, Clamp	
69	1001149160	1	Nut, Tinnerman M8	
70	1001149639	1	Indicator, Restriction	
71	1001191610	3	Mount, Motor	
72	1001168018	3	Washer	
73	1001169054	4	Isolator	
74	1001169138	4	Pad	
75	1001170035	2	Bracket	
76	1001176329	2	Bracket	
77	1001180620	AR	Adhesive	
78	1001181895	AR	Adhesive	
79	1001189979	1	Air Filter Assembly	
79	70005008	1	Element, Filter	
80	1001223042	1	Fan	
81	1001215647	1	Spacer, Fan	
82	1001223923	1	Radiator	
83	1001215681	1	Clamp	
84	1001215899	1	Pipe, Exhaust Inlet	
85	1001215974	1	Clamp	
86	1001216075	1	Pipe, Exhaust Inlet	
87	1001216086	1	Bracket	
88	1001216092	1	Shield, Heat	
89	1001216204	1	Hose, Radiator (Lower)	
90	1001216205	1	Hose, Radiator (Upper)	
92	1001216393	1	Heater, Engine Block	
94	1001216910	1	Ford Engine Prep Assembly (See Separate Breakdown in this Section)	
95	1001216919	2	Sleeve	
96	1001216951	1	Tray	
97	1001216995	1	Mount, Engine (Rear)	
98	1001217032	1	Tube, Air Intake	
99	1001217046	1	Bracket	
100	1001217082	1	Plate, Radiator	
101	1001217089	1	Tube, Intake (Lower)	
102	1001217090	1	Tube, Intake (Intermediate)	
105	1001217146	1	Support	
106	1001217174	1	Seal	
107	1001217175	1	Seal	
108	1001217183	2	Seal	

SECTION 3 - ENGINE

ITEM	PART NUMBER	QTY	DESCRIPTION	REV
109	1001217185	2	Seal	
110	1001217186	1	Support	
111	1001217543	2	Mount	
112	1001218362	1	Mount, Engine (Front Left)	
113	1001218449	1	Mount, Engine (Front Right)	
114	1001218599	1	Panel, Clamp	
115	1001218600	1	Panel, Rubber	
116	1001134488	1	Fitting, 90 Barbed	
120	4812002	6	Washer M10	
121	1001219445	1	Seal	
122	1001219448	1	Plate	
123	1001219454	1	Seal	
124	1001219456	1	Seal	
125	5272010	1	Capscrew M10 x 30	
126	2180504	1	Fitting, Straight	
127	1001247359	1	Fitting, 90 FSNPSM/NPTF	
128	2220261	1	Fitting, Straight	
130	1001186426	1	Clamp, Air Cleaner	
131	1001221615	2	Nut, Tinnerman M8	
132	0711223	3	Bolt M12 x 75	
133	1001222033	1	Plate	
135	1001224486	1	Hose	
136	1001224489	1	Hose	
137	1001225510	1	Decal - Full Cold	
138	1001216531	1	Hose	
139	1001227666	1	Hose	
140	2180348	1	Fitting, Straight Barbed	
141	8410009	2	Clamp	
142	1001173535	6	Clamp	
143	1001224419	1	Bracket	
144	1001223584	1	Tank	
146	0711014	5	Bolt M10 x 30	
147	8406201	1	Clip	
148	4060805	16 in/.4m	Flex-Trim	
149	0100062	AR	Adhesive	
150	1001227667	1	Hose (Includes Tee)	

SECTION 3 - ENGINE

FIGURE 3-44. FORD ENGINE COMPONENTS



ART_1001210448

SECTION 3 - ENGINE

FIGURE 3-44. FORD ENGINE COMPONENTS

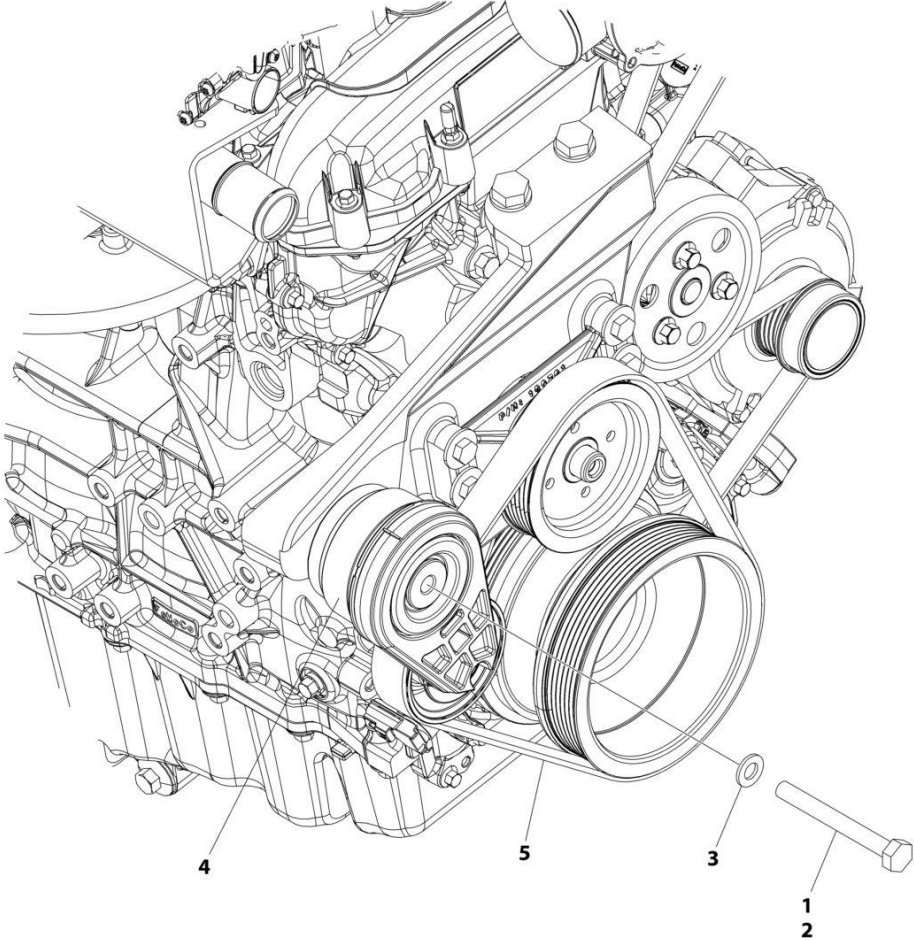
ITEM	PART NUMBER	QTY	DESCRIPTION	REV
	1001210448	Ref	FORD ENGINE COMPONENTS	H
1	70006145	4	Injector, Fuel	
1	70006147	1	Rail, Fuel	
2	70006150	1	Pump, Fuel	
2	70006154	1	Fitting M10	
3	70006151	1	Block, Fuel	
3	70006152	2	Fitting SAE6	
3	70006153	1	Fitting SAE3	
3	70006189	1	Harness, Fuel Block	
4	70006155	1	Filter, Fuel	
5	7022162	8	Clamp	
5	70006157	8	Clip, Fuel Quick Disconnect	
6	70006158	1	Mixer, LP	
6	70006168	1	Mixer Diaphragm Replacement Kit	
6	70006159	1	Adapter, Mixer to Governor	
6	70006160	1	O-Ring, Mixer to Adapter	
6	70006161	1	Seal, Mixer to Adapter	
7	70006162	1	Regulator, LP Vapor	
7	70006166	2	Fitting	
7	70006167	1	Fitting, Straight	
7	70006165	2	Isolator, Rubber	
8	70006163	1	Regulator, Direct Electronic Pressure	
8	70006164	1	Adapter, Fitting 90	
9	70006169	1	Starter	
9	70006233	1	Harness, Alternator/Starter	
10	70006170	1	Alternator	
11	70006173	1	Cover, Relay Box	
11	70006171	2	Relay (Fuel Pump & Power)	
11	70006172	1	Relay (Starter)	
11	70006175	1	Fuse - 20Amp (Starter)	
11	70006174	1	Decal - Relay Box Cover	
11	70006188	1	Harness, Engine	
11	70006165	2	Isolator, Rubber	
12	70006176	1	Module - Engine Control Unit (ECU/GCP)	
12	70006191	1	Software & Diagnostic Cable	
13	70006177	4	Coil and Boot Assembly	
13	70006178	4	Plug, Spark	
14	70006179	1	Switch, Oil Pressure	
15	70006180	1	Sensor, Knock	
16	70006181	1	Sensor, TMAP	
17	70006182	2	Sensor, O2	
18	70006183	1	Sensor, Coolant Temperature (Not Shown - Located Rear of Engine Block)	
19	70006184	1	Sensor, Crank Position (Not Shown - Located at Front RH Side of Block)	
20	70006185	1	Sensor, Cam Position	
21	70006186	1	Solenoid, Timing	
21	70006187	1	Grommet, Rubber	
22	70006194	1	Muffler	
22	70006195	1	Plug (Located at Muffler Outlet)	

SECTION 3 - ENGINE

ITEM	PART NUMBER	QTY	DESCRIPTION	REV
23		Ref	Gasket Options (Not Shown)	
23	70006196	1	Gasket, Exhaust Manifold to Head	
23	70006197	1	Gasket, Exhaust Manifold Outlet	
23	70006200	1	Gasket, Intake Manifold to Head	
23	70006219	1	Gasket Set - Camshaft Cover	
23	70006225	1	Gasket, Cylinder Head	
24	70006198	1	Governor	
24	7027404	1	Gasket, Governor Actuator	
24	70006199	1	Gasket, Governor to Intake Manifold Adapter	
25	70006203	1	Flywheel (Not Shown)	
26	70006205	1	Thermostat (Includes Housing)	
26	70006206	1	Gasket, Water Inlet	
27	70006207	1	Pump, Water	
27	70006208	1	O-Ring, Water Pump	
27	See Note	NSS	Pulley, Water Pump (Note: Not Available for Purchase at This Time)	
28	70006213	1	Filter, Oil	
29	70006215	1	Plug, Oil Drain	
29	70006217	1	Gasket, Oil Drain Plug	
30	70006221	1	Cap, Oil Fill	
31	70006232	1	Sensor, Crank (Not Shown)	
32	70006235	1	Valve, Lock-Off (Includes Filter)	
33	70006202	1	Belt	
34	70006236	1	Dipstick	
35	70007108	1	Belt Tensioner	

SECTION 3 - ENGINE

FIGURE 3-45. DRIVE BELT INSTALLATION - FORD ENGINES MACHINES WITHOUT GENERATORS



ART_1001220404

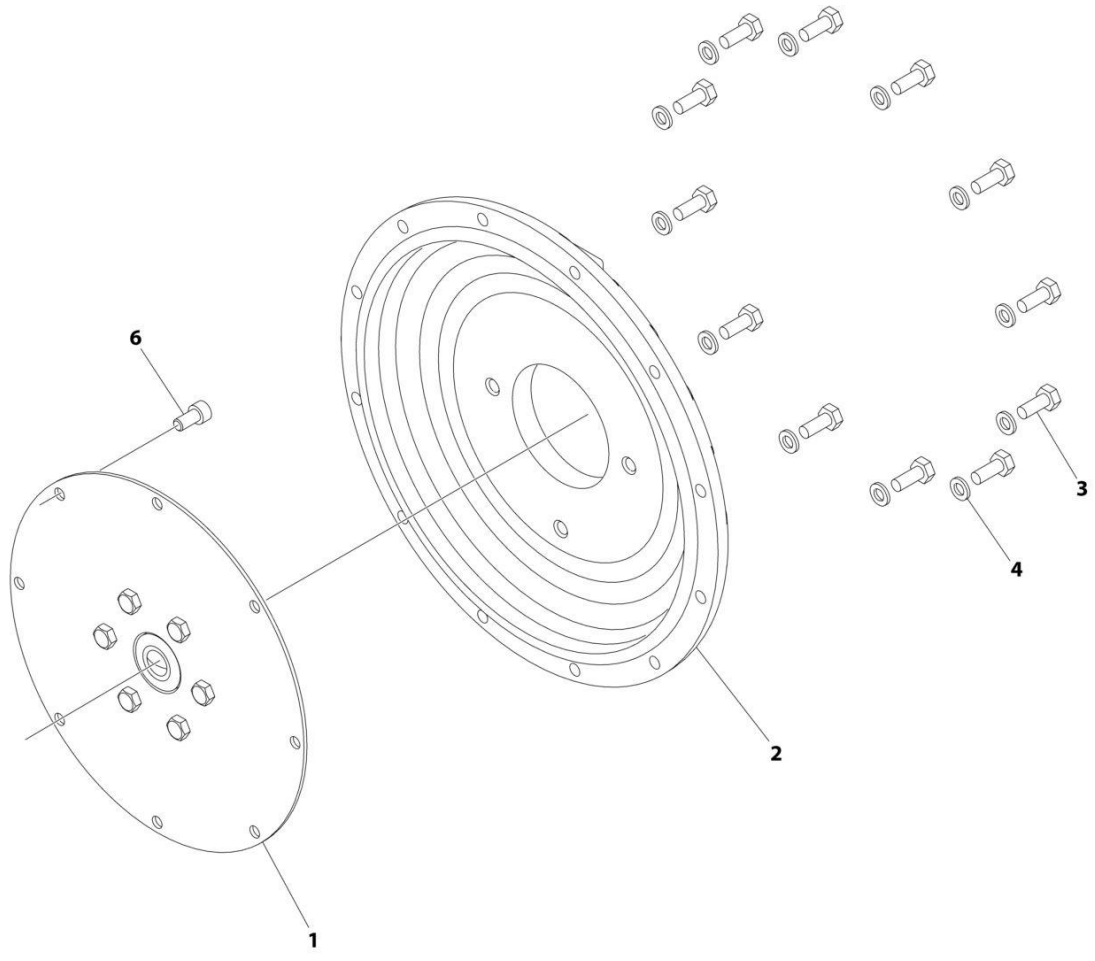
SECTION 3 - ENGINE

FIGURE 3-45. DRIVE BELT INSTALLATION - FORD ENGINES MACHINES WITHOUT GENERATORS

ITEM	PART NUMBER	QTY	DESCRIPTION	REV
	1001220404	Ref	DRIVE BELT INSTALLATION	C
1	0100011	AR	Compound, Locking	
2	0701026	1	Bolt M10 x 90	
3	4812002	1	Washer M10	
4	1001216300	1	Pulley	
5	1001216619	1	V-Belt	

SECTION 3 - ENGINE

FIGURE 3-46. PUMP COUPLING KIT - DEUTZ ENGINES



ART_2902065

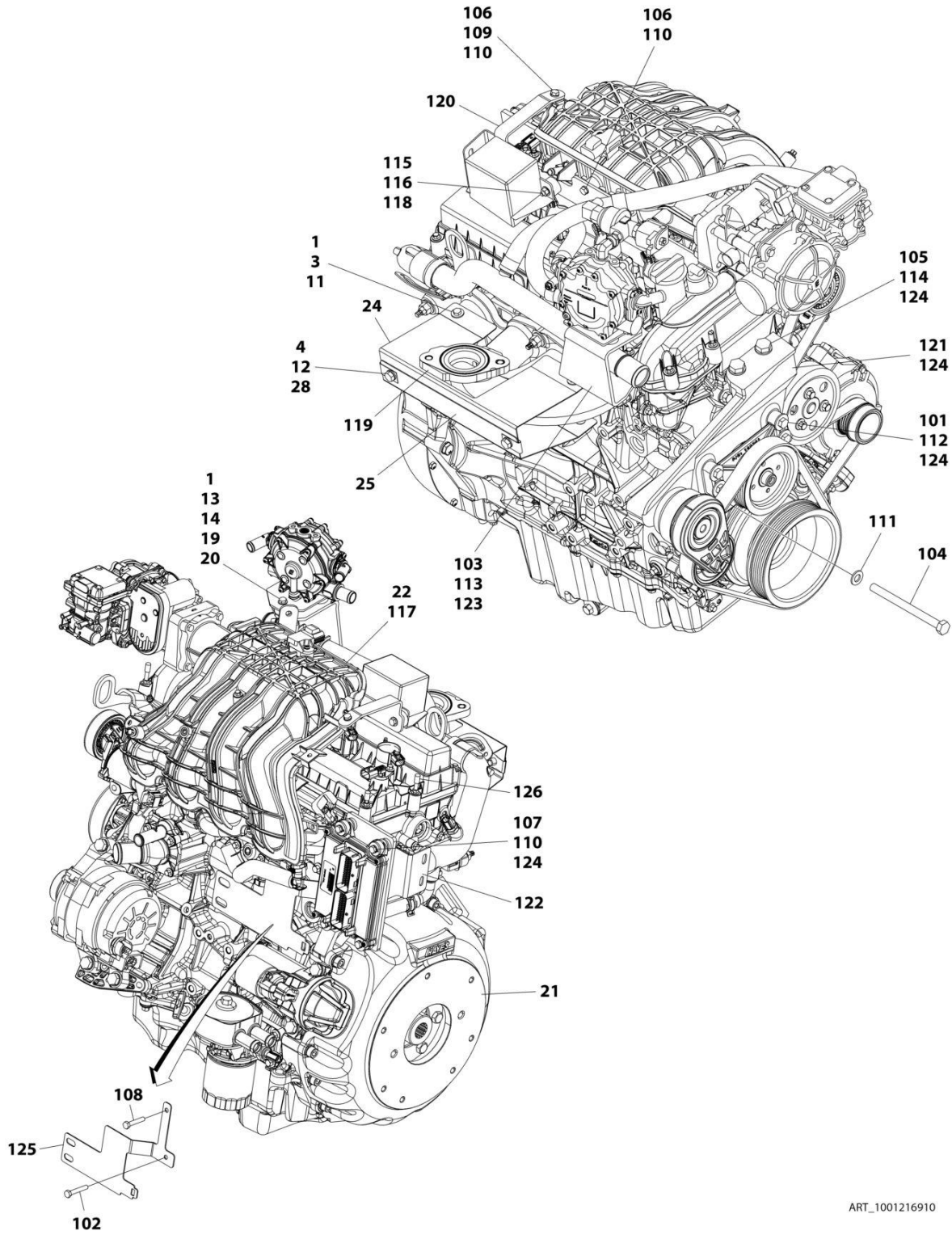
SECTION 3 - ENGINE

FIGURE 3-46. PUMP COUPLING KIT - DEUTZ ENGINES

ITEM	PART NUMBER	QTY	DESCRIPTION	REV
	2902065	Ref	PUMP COUPLING KIT	L
1	70000793	1	Coupling, Hayes	
2	See Note	NSS	Plate, Pump Adapter (Note: Use p/n 2902065)	
3	See Note	NSS	Bolt M10 x 30 Grade 10.9 (Note: Use p/n 2902065)	
4	See Note	NSS	Washer M10 (Note: Use p/n 2902065)	
6	See Note	NSS	Bolt M10 x 20 Grade 10.9 (Note: Use p/n 2902065)	

SECTION 3 - ENGINE

FIGURE 3-47. PUMP COUPLING AND FUEL SYSTEM ASSEMBLY - FORD ENGINES



ART_1001216910

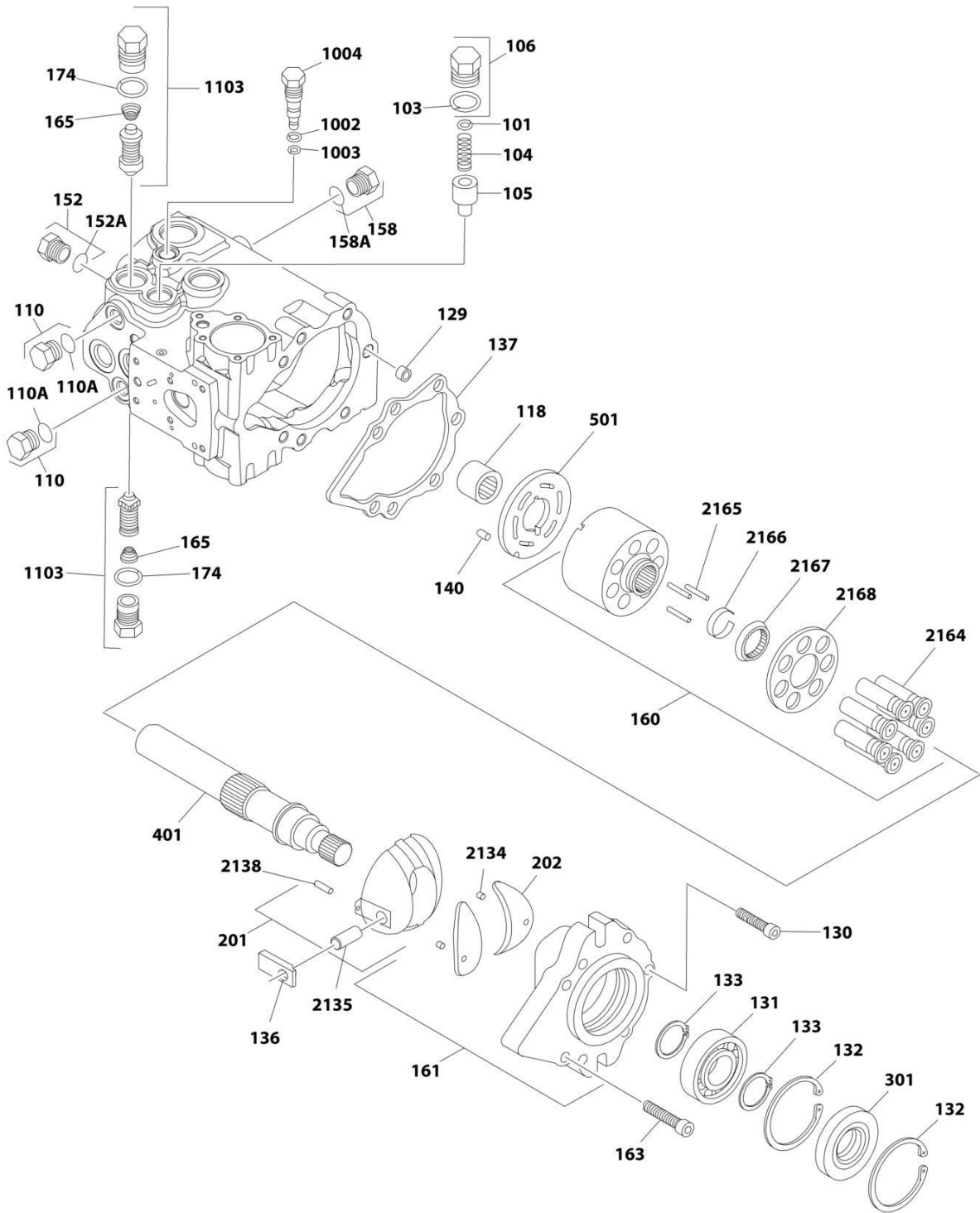
SECTION 3 - ENGINE

FIGURE 3-47. PUMP COUPLING AND FUEL SYSTEM ASSEMBLY - FORD ENGINES

ITEM	PART NUMBER	QTY	DESCRIPTION	REV
	1001216910	Ref	FORD ENGINE PREP ASSEMBLY	F
1	0100011	AR	Compound, Locking	
3	0760605	4	Bolt M6 x 10	
4	0760807	2	Bolt M8 x 14	
11	4811702	4	Washer M6	
12	4811900	2	Washer M8	
13	5250605	3	Bolt M6 x 10	
14	5260600	1	Nut M6 Class 10	
19	1001211794	3	Mount, Isolator	
20	1001227769	1	Plate	
21	1001213810	1	Pump Coupling Kit	
21	70006134	1	Coupling	
21	70006135	1	Housing	
21	70006136	1	Hardware Kit	
22	1001216065	1	Ford Engine Assembly (See Items 101-126 for Breakdown)	
24	1001216768	1	Bracket	
25	1001216769	1	Bracket	
28	1001149160	2	Nut, Tinnerman M8	
	1001216065	Ref	FORD ENGINE PREP ASSEMBLY - BRACKETS/EXHAUST MANIFOLD	M
101	0700816	4	Bolt M8 x 40	
102	0700818	1	Bolt M8 x 50	
103	0701014	2	Bolt M10 x 30	
104	0710827	1	Bolt M8 x 100 Grade 10.9	
105	0711216	2	Bolt M12 x 40	
106	0760610	3	Bolt M6 x 20	
107	0760615	4	Bolt M6 x 35	
108	0760817	1	Bolt M8 x 45	
109	3290601	1	Nut M6	
110	4811700	8	Washer M6	
111	4811900	1	Washer M8	
112	4811902	4	Washer M8	
113	4812000	1	Washer M10	
114	4812100	2	Washer M12	
115	5250605	2	Bolt M6 x 10	
116	5260600	2	Nut M6 Class 10	
117	1001210448	1	Engine, Ford 2.5L (See Separate Breakdown in this Section)	
118	1001211794	2	Mount	
119	1001214827	1	Manifold, Exhaust	
120	1001215384	1	Bracket	
121	1001216071	1	Bracket	
122	1001216144	1	Support, Muffler	
123	1001227772	1	Mount, Vaporizer	
124	0100011	AR	Compound, Locking	
125	1001221545	1	Plate	
126	1001222641	6	Cap	

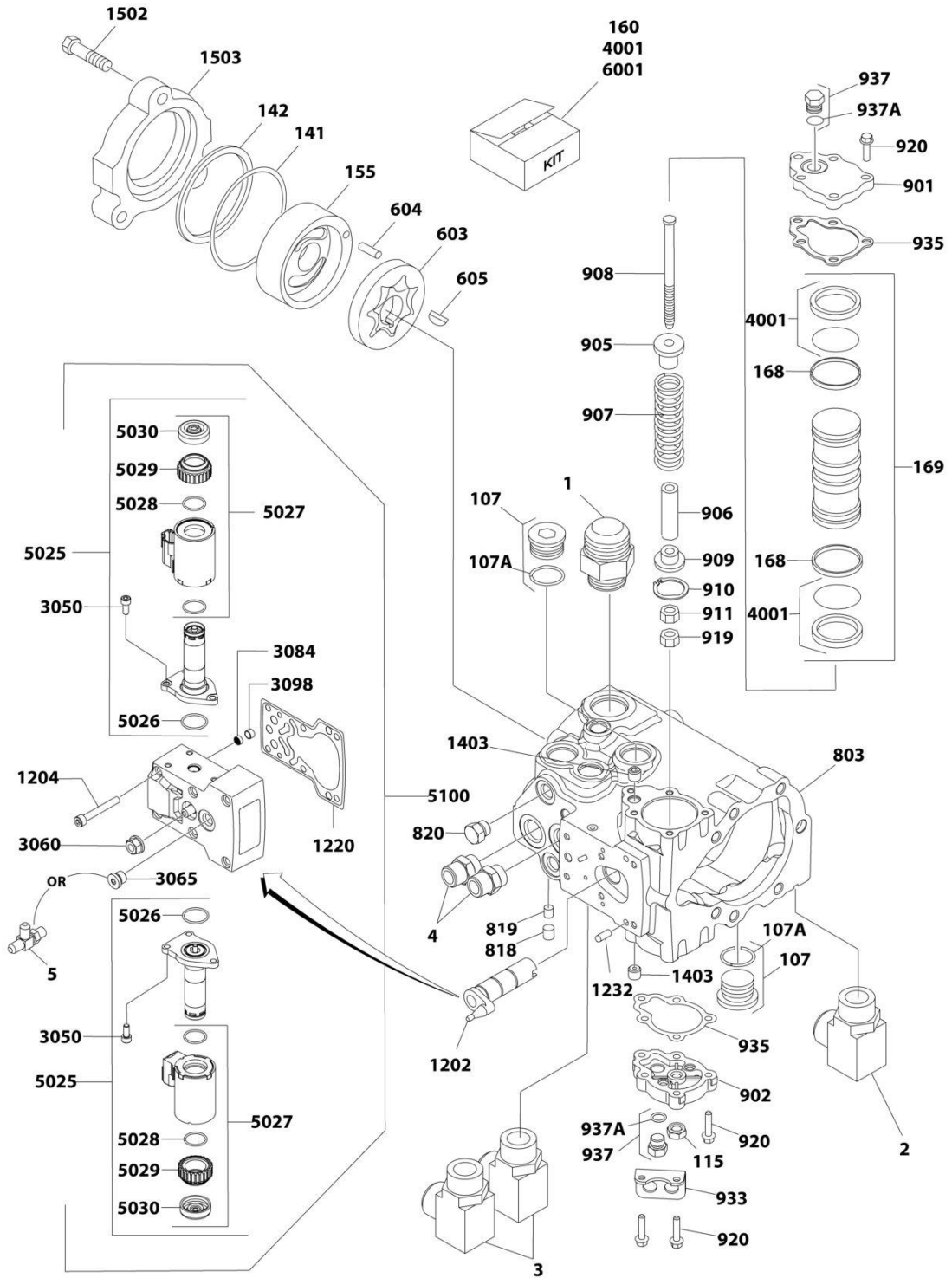
SECTION 3 - ENGINE

FIGURE 3-48. PISTON PUMP ASSEMBLY - DEUTZ ENGINES - DANFOSS



ART_1001188952_10F2

SECTION 3 - ENGINE



ART_1001188952_20F2

SECTION 3 - ENGINE

FIGURE 3-48. PISTON PUMP ASSEMBLY - DEUTZ ENGINES - DANFOSS

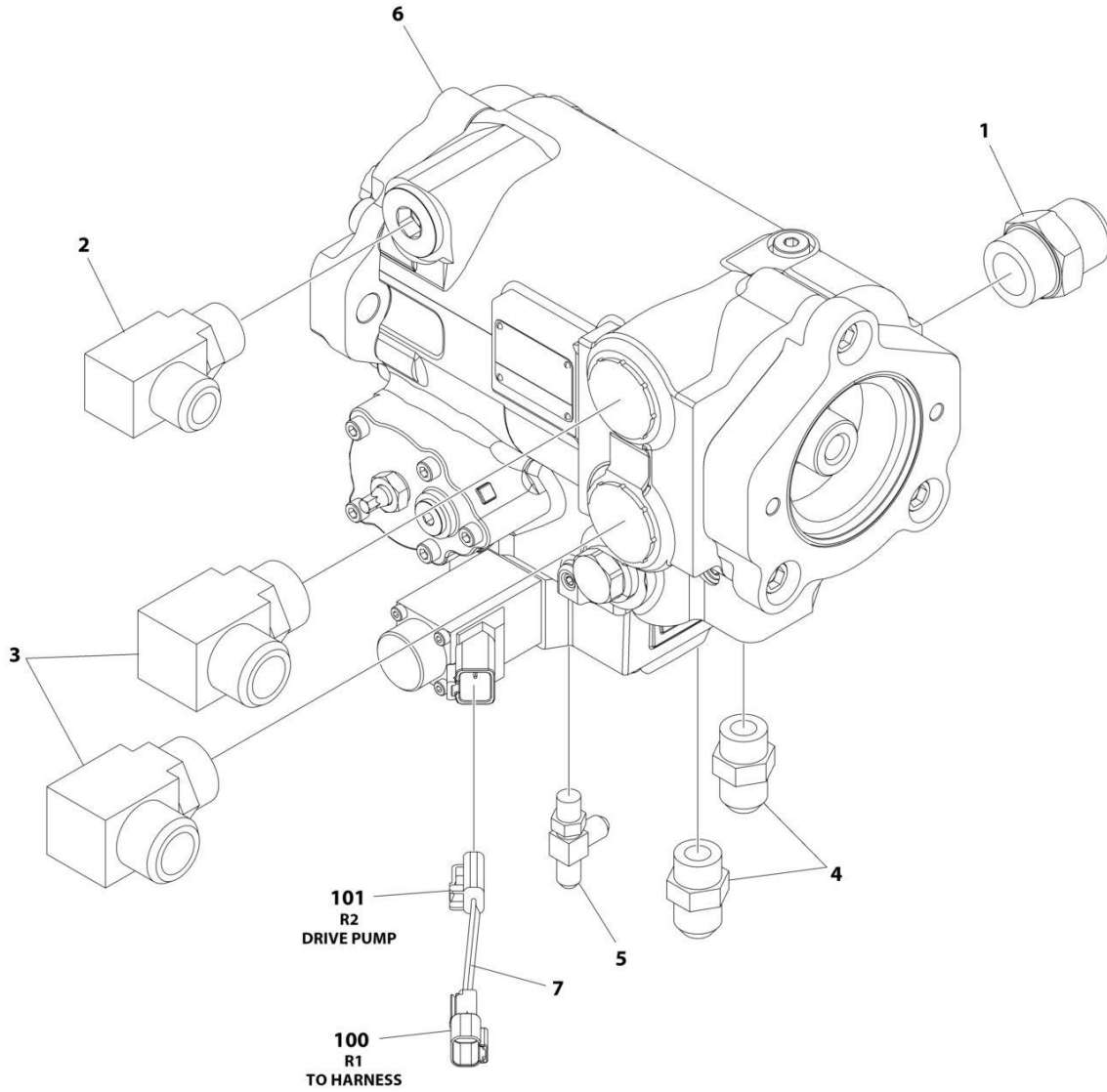
ITEM	PART NUMBER	QTY	DESCRIPTION	REV
	1001188952	Ref	PUMP AND FITTING ASSEMBLY	A
1	2220377	1	Fitting, Straight JIC/ORB	
2	2220578	1	Fitting, 90 JIC/ORB	
3	2220646	2	Fitting, 90 JIC/ORB	
4	2220947	2	Fitting, Straight JIC/ORB	
5	2221034	1	Fitting, Tee JIC/ORB	
	1001186542	1	PISTON PUMP ASSEMBLY	B
101	7007413	1	Shim Kit	
103	7007415	1	O-Ring (Part of Item 106)	
104	7021200	1	Spring, Relief Valve	
105	7007417	1	Valve, Relief	
106	7024874	2	Plug (Includes Items 103)	
107	7007419	2	Plug	
107A	7007418	2	O-Ring	
110	7007420	2	Plug	
110A	7021256	2	O-Ring	
115	7007423	1	Nut, Special	
118	7007425	1	Bearing, Needle	
129	7007435	1	Pin, Spring	
130	7021202	1	Screw	
131	70002176	1	Bearing, Ball	
132	7007438	2	Ring, Retainer	
133	7007439	2	Ring	
136	7007442	1	Sleeve, Bearing	
137	7007443	1	Gasket, Front Cover	
140	7007446	1	Pin	
141	7021233	1	O-Ring	
142	7007448	1	Ring, Load Temper	
152	7007420	1	Plug Assembly	
152A	7021256	1	O-Ring	
155	70005466	1	Cover, Gerotor	
158	7007208	1	Plug	
158A	7007207	1	O-Ring	
160	7010116	1	Cylinder Block Kit (Includes Items 2164-2168)	
161	7024875	1	Cover Assembly - Front (Includes Items 202 & 2134)	
163	7021207	6	Screw	
165	70005467	2	Spring	
168	7021210	2	Bearing	
169	70005468	1	Servo Piston Assembly (Includes Items 168 & 4001)	
174	7007418	2	O-Ring	
201	7007457	1	Swash Plate Assembly (Includes Items 2135 & 2138)	
202	7021212	1	Journal, Bearing	
301	7007459	1	Seal, Lip	
401	7010121	1	Shaft, Main Pump	
501	7021214	1	Plate, Valve	
603	7007463	1	Gerotor Assembly	
604	7007464	1	Pin	
605	7007465	1	Key, Woodruff	
803	See Note	NSS	Housing, Pump (Note: Use p/n 1001186542)	
818	70005469	1	Plug	

SECTION 3 - ENGINE

ITEM	PART NUMBER	QTY	DESCRIPTION	REV
819	70005470	1	Plug	
820	70005469	1	Plug	
901	7021219	1	Cover, Servo (With Adjuster)	
902	7021220	1	Cover, Servo (Without Adjuster)	
905	7023979	1	Guide, Spring	
906	7007484	1	Stop, Servo	
907	7007485	1	Spring	
908	7021221	1	Screw	
909	7007487	1	Guide, Spring	
910	7007488	1	Ring, Retaining	
911	7021222	1	Locknut	
919	7021206	1	Nut	
920	7021223	10	Screw	
933	7021201	1	Bracket, Lifting	
935	7007422	2	Gasket, Servo Cover	
937	7007420	2	Plug	
937A	7021256	2	O-Ring	
1002	7007450	1	Ring, Back-up	
1003	70005471	1	O-Ring	
1004	7024877	1	Valve, Bypass	
1103	7024851	2	Valve, Pressure Relief (Includes Items 165 & 174)	
1202	70005472	1	Sleeve	
1204	70002156	6	Screw	
1220	70002154	1	Gasket	
1232	70002157	2	Pin	
1403	7007477	2	Plug, Orifice (.37)	
1502	7007453	3	Bolt, Hex	
1503	7007476	1	Adapter, Auxiliary Pump	
2134	7021203	2	Pin, Spring	
2135	7007441	1	Handle, Pin	
2138	7007444	1	Pin	
2164	7010117	7	Piston Assembly	
2165	7007431	3	Pin, Slipper Holddown	
2166	7007430	1	Retainer	
2167	7007434	1	Guide, Retainer	
2168	7010119	1	Retainer, Slipper	
3050	70002150	6	Screw	
3060	70005473	1	Nut, Seal	
3065	70002151	1	Plug	
3084	70002134	1	Screen	
3098	70002153	1	Ring	
4001	7007412	1	Seal Kit - Servo Piston	
5025	70002147	2	Solenoid Assembly (Includes Items 5026-5030)	
5026	70002148	2	O-Ring	
5027	70002149	2	Coil Assembly (Includes Items 5028-5030)	
5028	70005474	2	O-Ring	
5029	70005475	2	Screw	
5030	70005476	2	Cap	
5100	70002146	1	EDC Assembly (Includes Items 1204, 1220, 3050-3098 & 5025-5030)	
6001	7021232	1	Seal Kit - Complete (Includes Items 103, 137, 141, 142, 168, 174, 301, 935, 1002, 1003, 4001 and Plug O-Ring)	

SECTION 3 - ENGINE

FIGURE 3-49. PISTON PUMP ASSEMBLY WITH FITTINGS - DEUTZ ENGINES - HENGLI



ART_1001287018

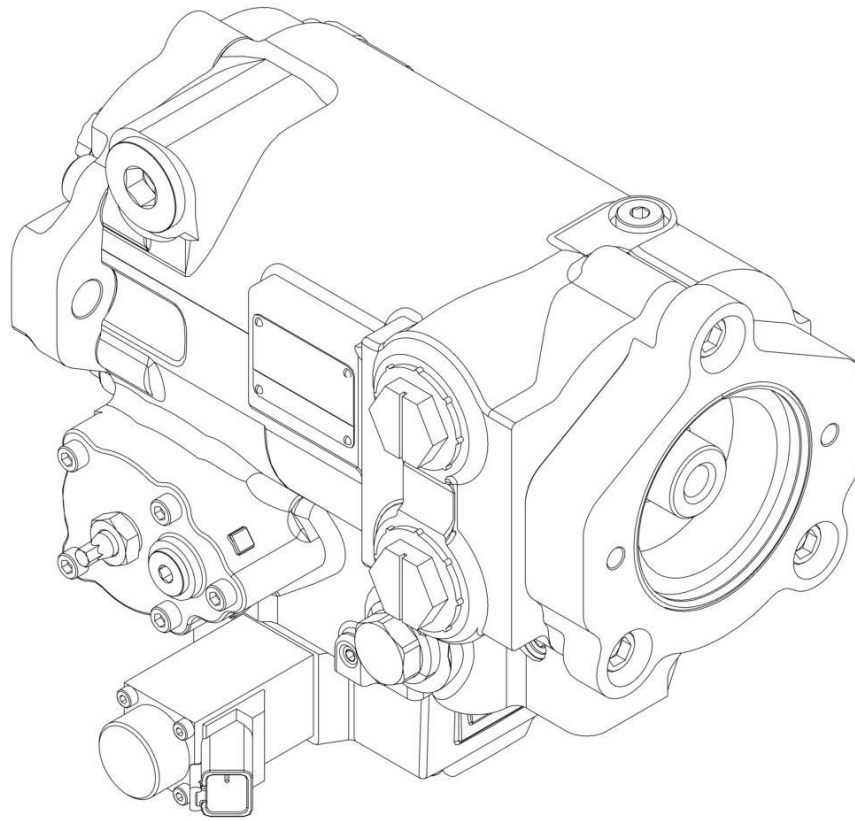
SECTION 3 - ENGINE

FIGURE 3-49. PISTON PUMP ASSEMBLY WITH FITTINGS - DEUTZ ENGINES - HENGLI

ITEM	PART NUMBER	QTY	DESCRIPTION	REV
	1001287018	Ref	PISTON PUMP ASSEMBLY	A
1	2220377	1	Fitting Straight JIC/ORB	
2	2220578	1	Fitting 90 JIC/ORB	
3	2220646	2	Fitting 90 JIC/ORB	
4	2220947	2	Fitting Straight ORB	
5	2221034	1	Fitting Tee	
6	1001287021	1	Piston Pump (See Separate Breakdown in this Section)	
7	1001288858	1	Piston Pump Harness (Includes Items 100 & 101)	A
100	4460897	1	Connector	
100	4460464	2	Terminal	
101	4460891	1	Connector	
101	4460465	2	Terminal	

SECTION 3 - ENGINE

FIGURE 3-50. PISTON PUMP - HENGLI



ART_1001287021

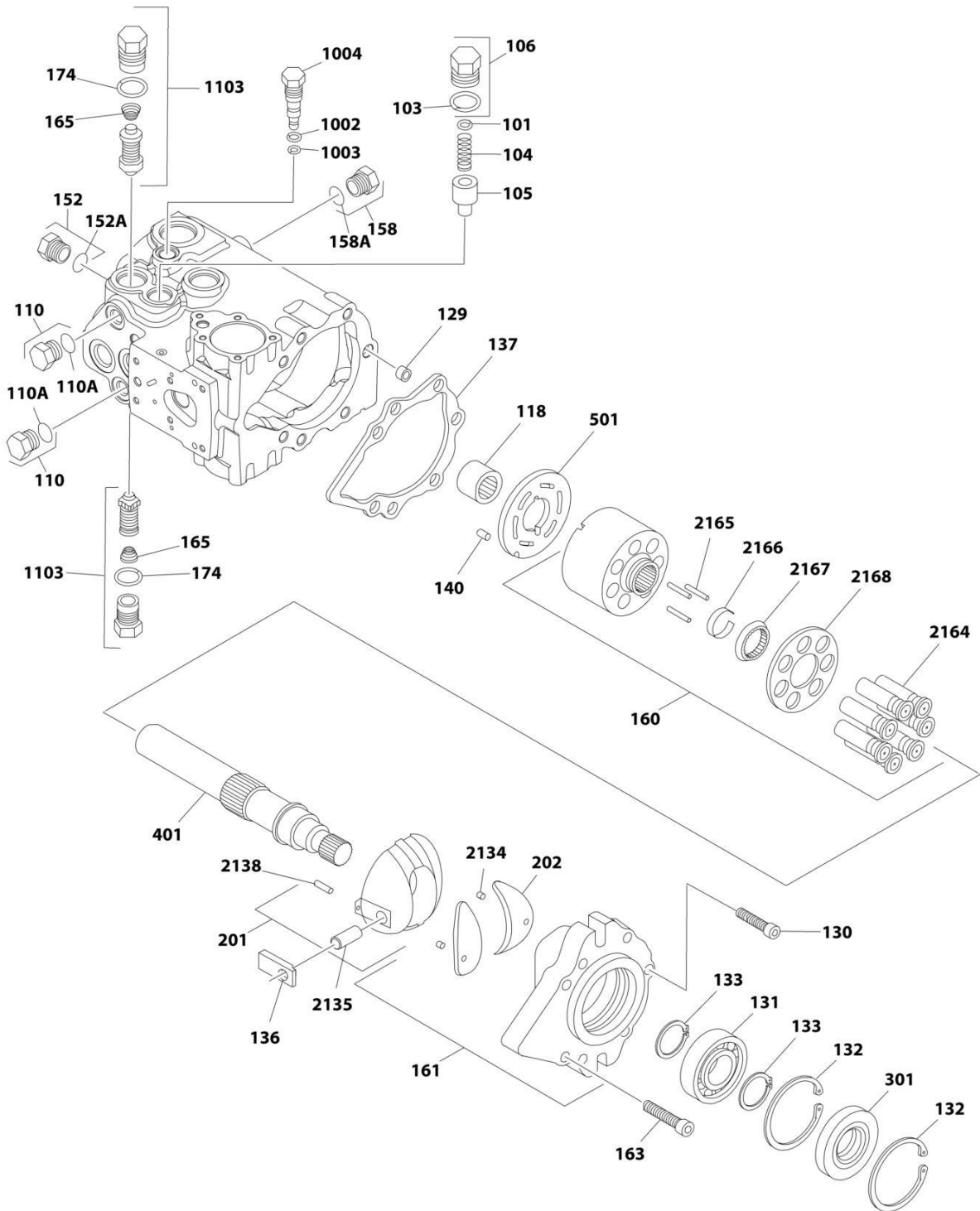
SECTION 3 - ENGINE

FIGURE 3-50. PISTON PUMP - HENGLI

ITEM	PART NUMBER	QTY	DESCRIPTION	REV
	1001287021 See Note	Ref Ref	PISTON PUMP Note: No Service Parts Availabe at Time of Printing	A

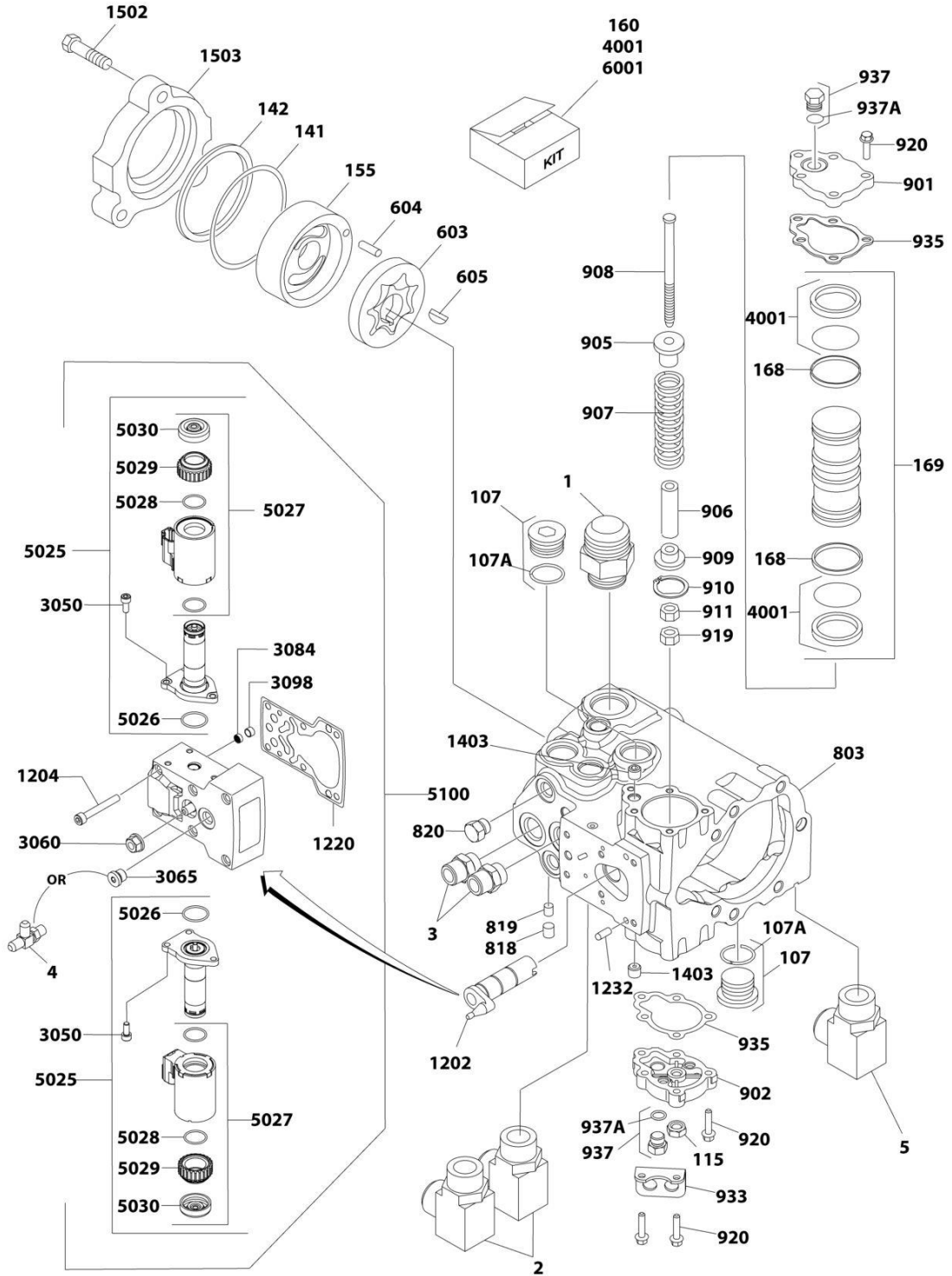
SECTION 3 - ENGINE

FIGURE 3-51. PISTON PUMP ASSEMBLY - FORD ENGINES



ART_1001188953_10F2

SECTION 3 - ENGINE



ART_1001188953_20F2

SECTION 3 - ENGINE

FIGURE 3-51. PISTON PUMP ASSEMBLY - FORD ENGINES

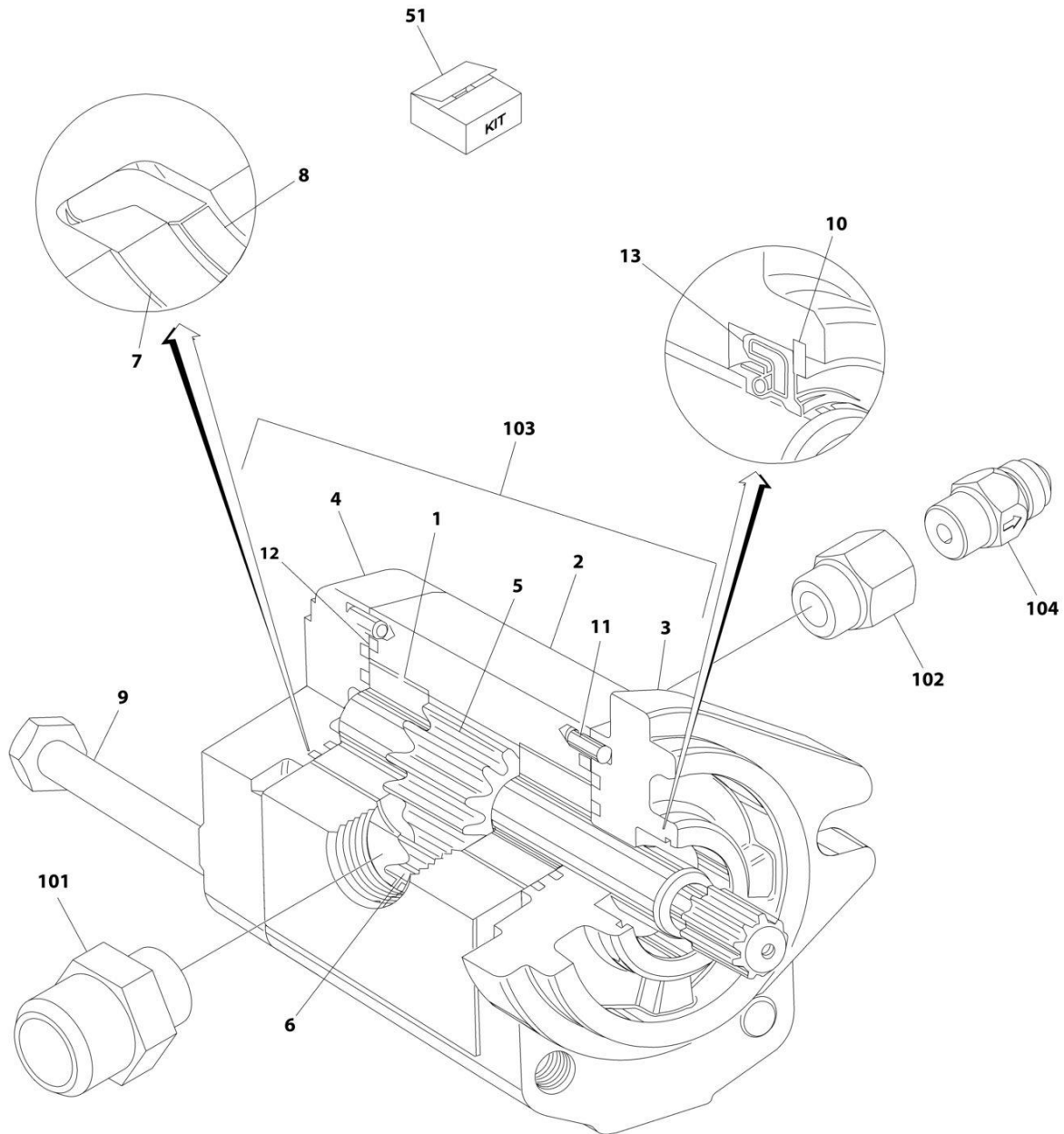
ITEM	PART NUMBER	QTY	DESCRIPTION	REV
	1001188953	Ref	PUMP AND FITTING ASSEMBLY	A
1	2220377	1	Fitting, Straight JIC/ORB	
2	2220451	1	Fitting, Straight JIC/ORB	
3	2220646	2	Fitting, 90 JIC/ORB	
4	2220947	2	Fitting, Straight JIC/ORB	
5	2220711	1	Fitting, Tee JIC/ORB	
	1001186542	Ref	PISTON PUMP ASSEMBLY	B
101	7007413	1	Shim Kit	
103	7007415	1	O-Ring (Part of Item 106)	
104	7021200	1	Spring, Relief Valve	
105	7007417	1	Valve, Relief	
106	7024874	2	Plug (Includes Items 103)	
107	7007419	2	Plug	
107A	7007418	2	O-Ring	
110	7007420	2	Plug	
110A	7021256	2	O-Ring	
115	7007423	1	Nut, Special	
118	7007425	1	Bearing, Needle	
129	7007435	1	Pin, Spring	
130	7021202	1	Screw	
131	70002176	1	Bearing, Ball	
132	7007438	2	Ring, Retainer	
133	7007439	2	Ring	
136	7007442	1	Sleeve, Bearing	
137	7007443	1	Gasket, Front Cover	
140	7007446	1	Pin	
141	7021233	1	O-Ring	
142	7007448	1	Ring, Load Temper	
152	7007420	1	Plug Assembly	
152A	7021256	1	O-Ring	
155	70005466	1	Cover, Gerotor	
158	7007208	1	Plug	
158A	7007207	1	O-Ring	
160	7010116	1	Cylinder Block Kit (Includes Items 2164-2168)	
161	7024875	1	Cover Assembly - Front (Includes Items 202 & 2134)	
163	7021207	6	Screw	
165	70005467	2	Spring	
168	7021210	2	Bearing	
169	70005468	1	Servo Piston Assembly (Includes Items 168 & 4001)	
174	7007418	2	O-Ring	
201	7007457	1	Swash Plate Assembly (Includes Items 2135 & 2138)	
202	7021212	1	Journal, Bearing	
301	7007459	1	Seal, Lip	
401	7010121	1	Shaft, Main Pump	
501	7021214	1	Plate, Valve	
603	7007463	1	Gerotor Assembly	
604	7007464	1	Pin	
605	7007465	1	Key, Woodruff	
803	See Note	NSS	Housing, Pump (Note: Use p/n 1001186542)	
818	70005469	1	Plug	

SECTION 3 - ENGINE

ITEM	PART NUMBER	QTY	DESCRIPTION	REV
819	70005470	1	Plug	
820	70005469	1	Plug	
901	7021219	1	Cover, Servo (With Adjuster)	
902	7021220	1	Cover, Servo (Without Adjuster)	
905	7023979	1	Guide, Spring	
906	7007484	1	Stop, Servo	
907	7007485	1	Spring	
908	7021221	1	Screw	
909	7007487	1	Guide, Spring	
910	7007488	1	Ring, Retaining	
911	7021222	1	Locknut	
919	7021206	1	Nut	
920	7021223	10	Screw	
933	7021201	1	Bracket, Lifting	
935	7007422	2	Gasket, Servo Cover	
937	7007420	2	Plug	
937A	7021256	2	O-Ring	
1002	7007450	1	Ring, Back-up	
1003	70005471	1	O-Ring	
1004	7024877	1	Valve, Bypass	
1103	7024851	2	Valve, Pressure Relief (Includes Items 165 & 174)	
1202	70005472	1	Sleeve	
1204	70002156	6	Screw	
1220	70002154	1	Gasket	
1232	70002157	2	Pin	
1403	7007477	2	Plug, Orifice (.37)	
1502	7007453	3	Bolt, Hex	
1503	7007476	1	Adapter, Auxiliary Pump	
2134	7021203	2	Pin, Spring	
2135	7007441	1	Handle, Pin	
2138	7007444	1	Pin	
2164	7010117	7	Piston Assembly	
2165	7007431	3	Pin, Slipper Holddown	
2166	7007430	1	Retainer	
2167	7007434	1	Guide, Retainer	
2168	7010119	1	Retainer, Slipper	
3050	70002150	6	Screw	
3060	70005473	1	Nut, Seal	
3065	70002151	1	Plug	
3084	70002134	1	Screen	
3098	70002153	1	Ring	
4001	7007412	1	Seal Kit - Servo Piston	
5025	70002147	2	Solenoid Assembly (Includes Items 5026-5030)	
5026	70002148	2	O-Ring	
5027	70002149	2	Coil Assembly (Includes Items 5028-5030)	
5028	70005474	2	O-Ring	
5029	70005475	2	Screw	
5030	70005476	2	Cap	
5100	70002146	1	EDC Assembly (Includes Items 1204, 1220, 3050-3098 & 5025-5030)	
6001	7021232	1	Seal Kit - Complete (Includes Items 103, 137, 141, 142, 168, 174, 301, 935, 1002, 1003, 4001 and Plug O-Ring)	

SECTION 3 - ENGINE

FIGURE 3-52. GEAR PUMP ASSEMBLY



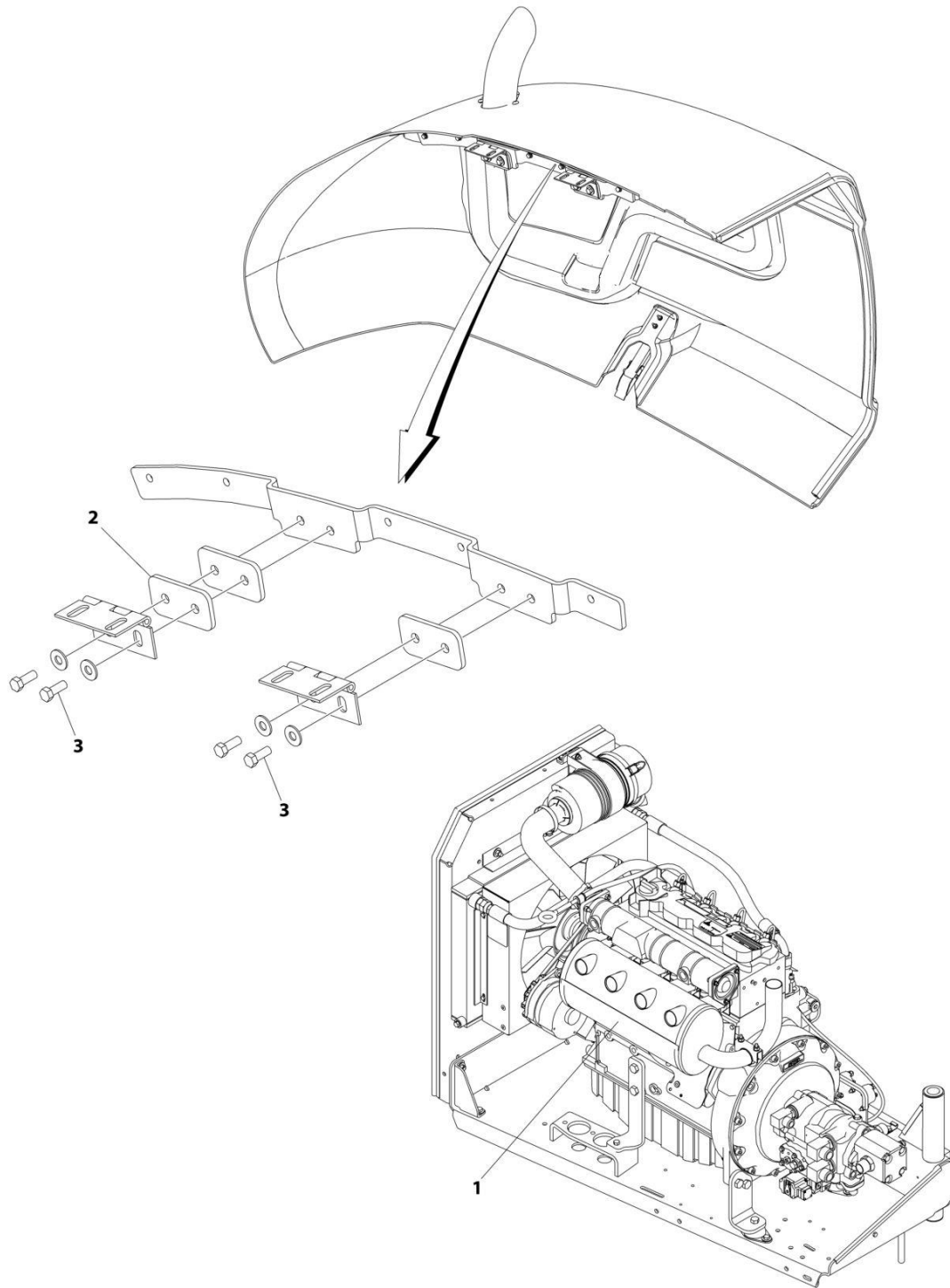
ART_3600242

FIGURE 3-52. GEAR PUMP ASSEMBLY

ITEM	PART NUMBER	QTY	DESCRIPTION	REV
	3600242	Ref	GEAR PUMP ASSEMBLY	
1	7010105	2	Bearing/Bushing	
2	See Note	NSS	Housing (Note: Use Item 3600242)	
3	See Note	NSS	Flange (Note: Use Item 3600242)	
4	7010103	1	Cover	
5	7012987	1	Gear, Drive	
6	7012988	1	Gear, Idler	
7	See Note	NSS	Ring, Anti-Extrusion (Note: Use Item 51)	
8	See Note	NSS	Seal (Note: Use Item 51)	
9	See Note	4	Bolt (Note: Not Available for Purchase)	
10	7010104	1	Ring, Retaining	
11	See Note	NSS	Pin, Dowel (Note: Not Available for Purchase)	
12	See Note	NSS	Seal, O-Ring (Note: Use Item 51)	
13	See Note	NSS	Seal, Shaft (Note: Use Item 51)	
51	7007489	1	Seal Kit (Includes Items 7, 8, 12 & 13)	
	3600395	Ref	GEAR PUMP AND FITTING ASSEMBLY	B
101	2220376	1	Fitting, Straight	
102	2220810	1	Fitting, Reducer	
103	3600242	1	Pump (Includes Items 1 - 13)	
104	4640744	1	Fitting, Check Valve	

SECTION 3 - ENGINE

FIGURE 3-53. SPARK ARRESTOR MUFFLER INSTALLATION - DEUTZ D2011 ENGINES



ART_1001182906

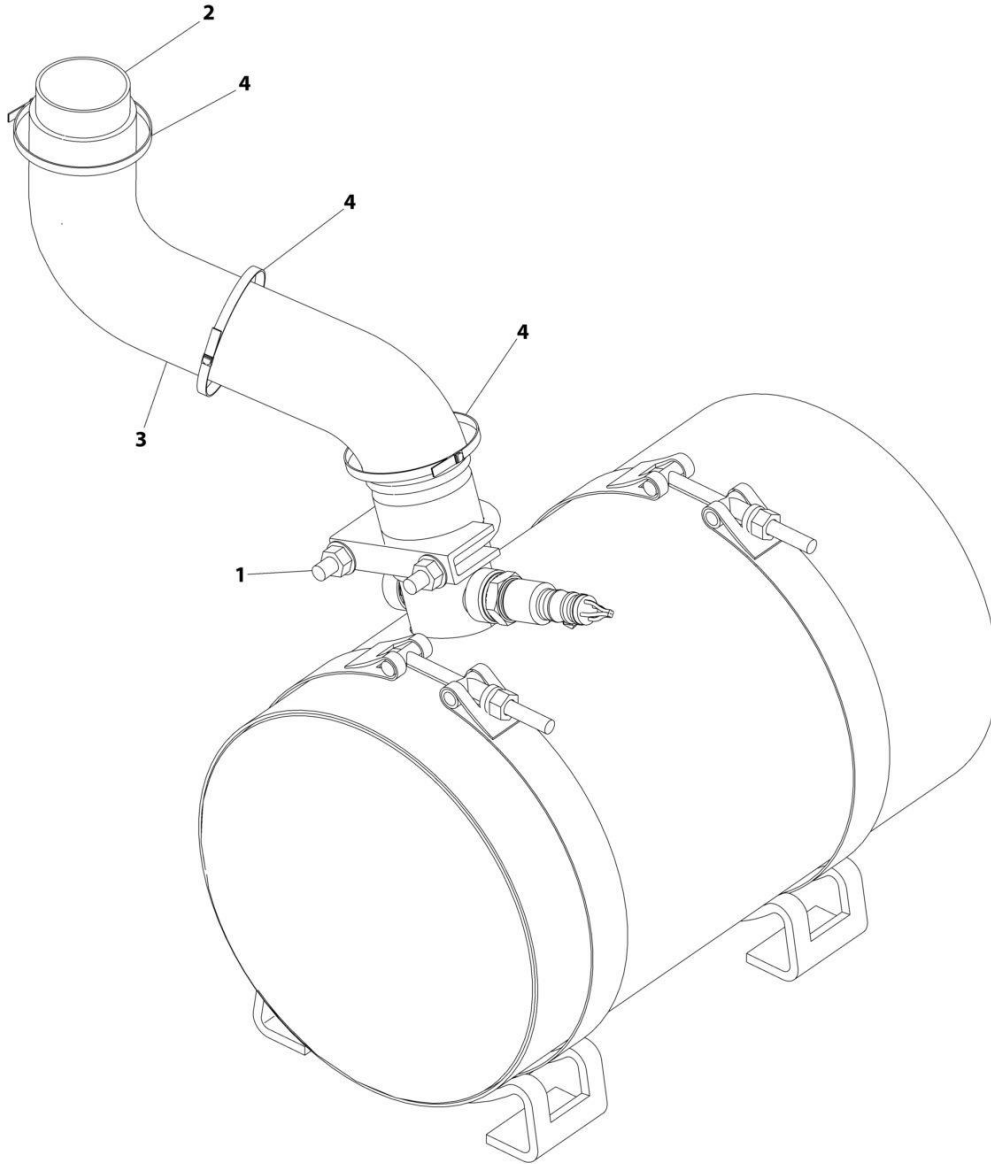
SECTION 3 - ENGINE

FIGURE 3-53. SPARK ARRESTOR MUFFLER INSTALLATION - DEUTZ D2011 ENGINES

ITEM	PART NUMBER	QTY	DESCRIPTION	REV
	1001182906	Ref	MUFFLER INSTALLATION SPARK ARRESTOR	B
1	3220103	1	Muffler	
2	1001169610	1	Spacer	
3	0641608	4	Bolt 3/8 x 1	

SECTION 3 - ENGINE

FIGURE 3-54. EXHAUST PIPE INSTALLATION - FORD DF 2.5L ENGINES



ART_1001220215

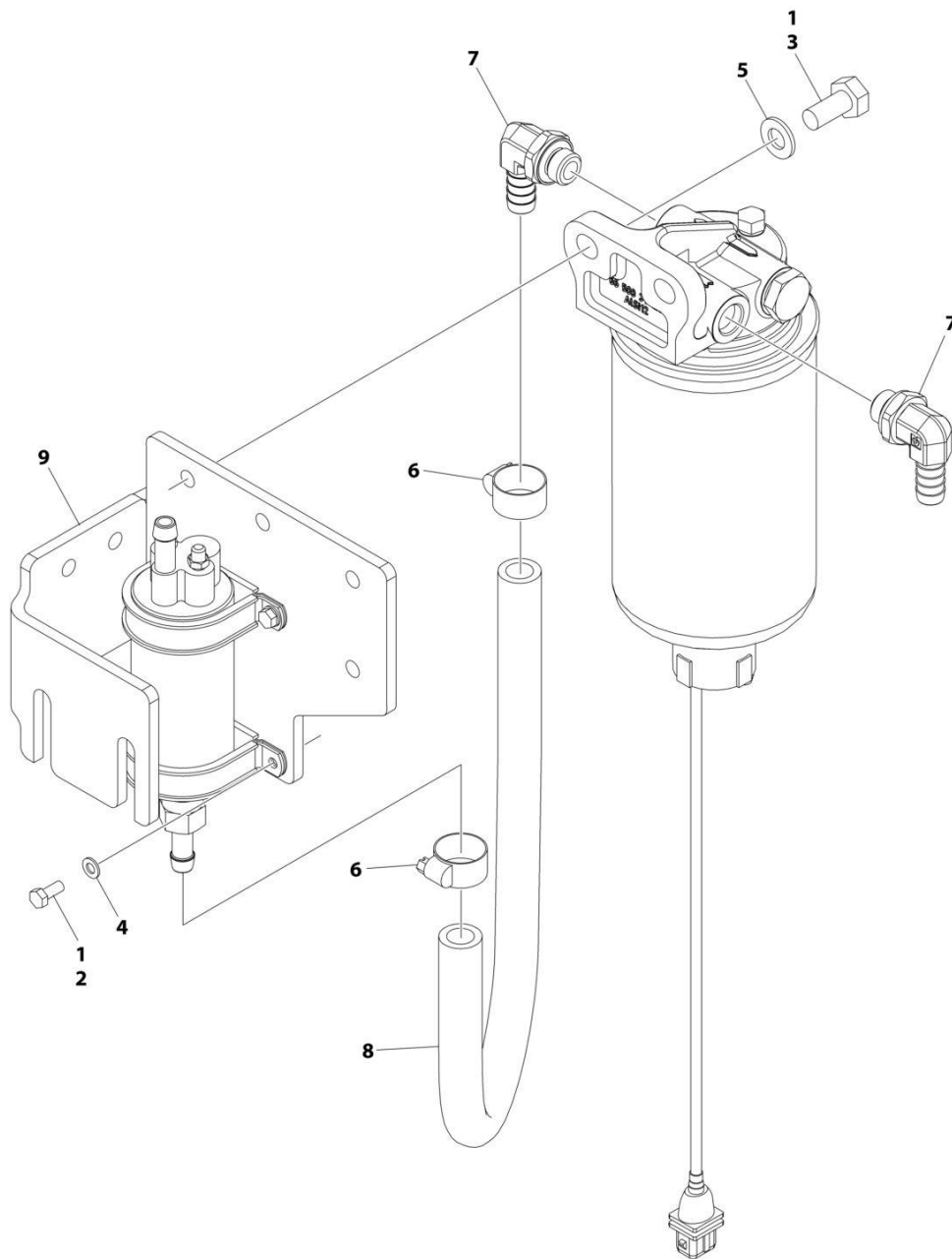
SECTION 3 - ENGINE

FIGURE 3-54. EXHAUST PIPE INSTALLATION - FORD DF 2.5L ENGINES

ITEM	PART NUMBER	QTY	DESCRIPTION	REV
	1001220215	Ref	EXHAUST PIPE INSTALLATION	B
1	1001221397	1	Clamp	
2	1001216160	1	Pipe, Tail	
3	1001216536	1	Insulate	
4	1001100825	3	Strap	

SECTION 3 - ENGINE

FIGURE 3-55. FUEL PUMP AND FILTER ASSEMBLY (DEUTZ D2.9L4 (CHINA IV) ENGINE)



ART_1001260316

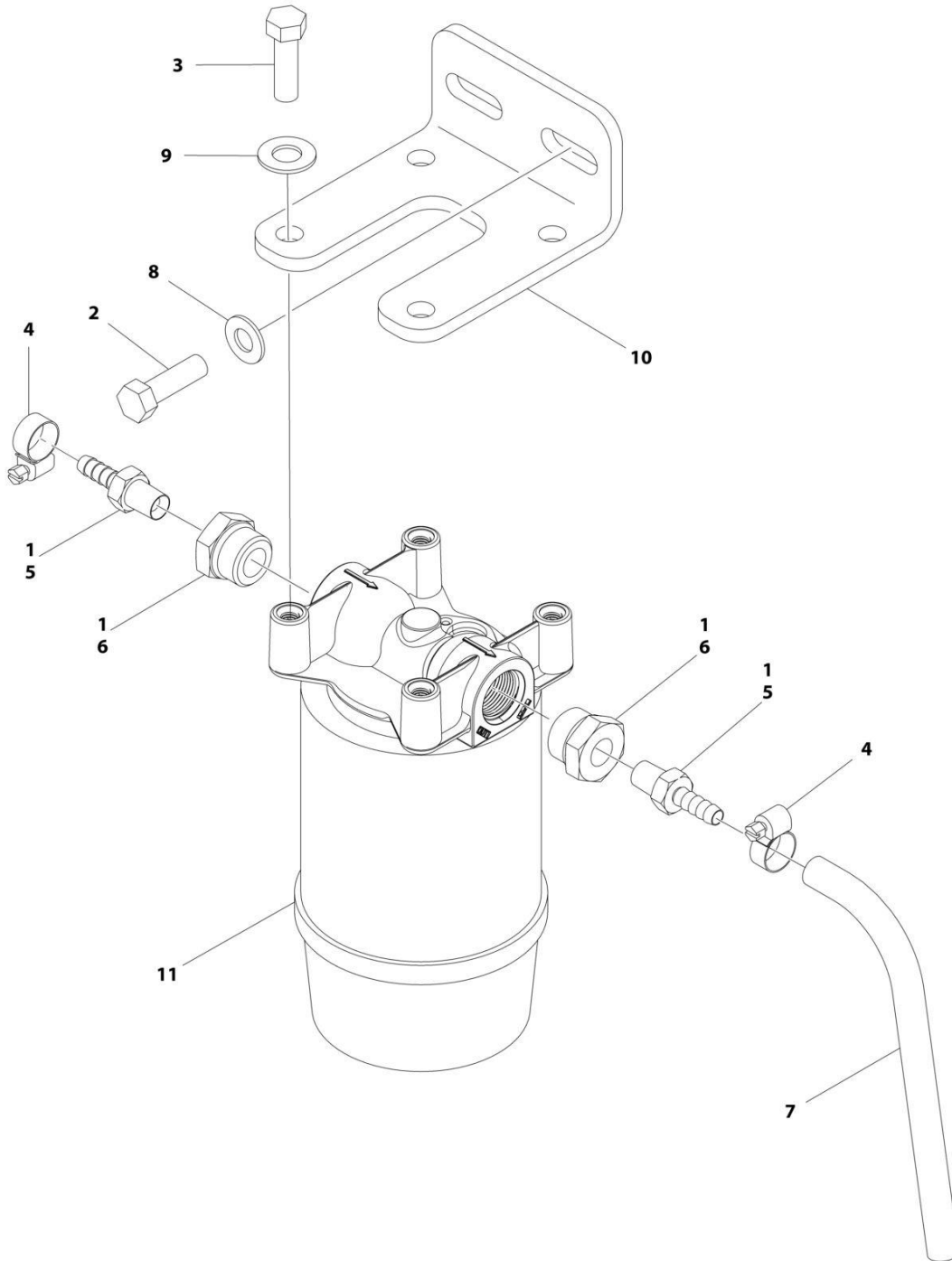
SECTION 3 - ENGINE

FIGURE 3-55. FUEL PUMP AND FILTER ASSEMBLY (DEUTZ D2.9L4 (CHINA IV) ENGINE)

ITEM	PART NUMBER	QTY	DESCRIPTION	REV
	1001260316	Ref	FUEL PUMP AND FILTER ASSEMBLY	B
1	0100011	1	Compound, Locking	
2	0760506	4	Bolt M5 x 12	
3	0761011	2	Bolt M10 x 22	
4	4711600	4	Washer M5	
5	4812000	2	Washer M10	
6	8405006	2	Clamp	
7	1001142501	2	Fitting, Elbow Barbed	
8	1001154405	1.5 ft /0.4m	Hose	
9	1001260317	1	Plate, Fuel Pump Mount	

SECTION 3 - ENGINE

FIGURE 3-56. FUEL-WATER SEPARATOR INSTALLATION - DEUTZ D2011 AND DEUTZ D2011 STAGE V ENGINES



ART_1001199784

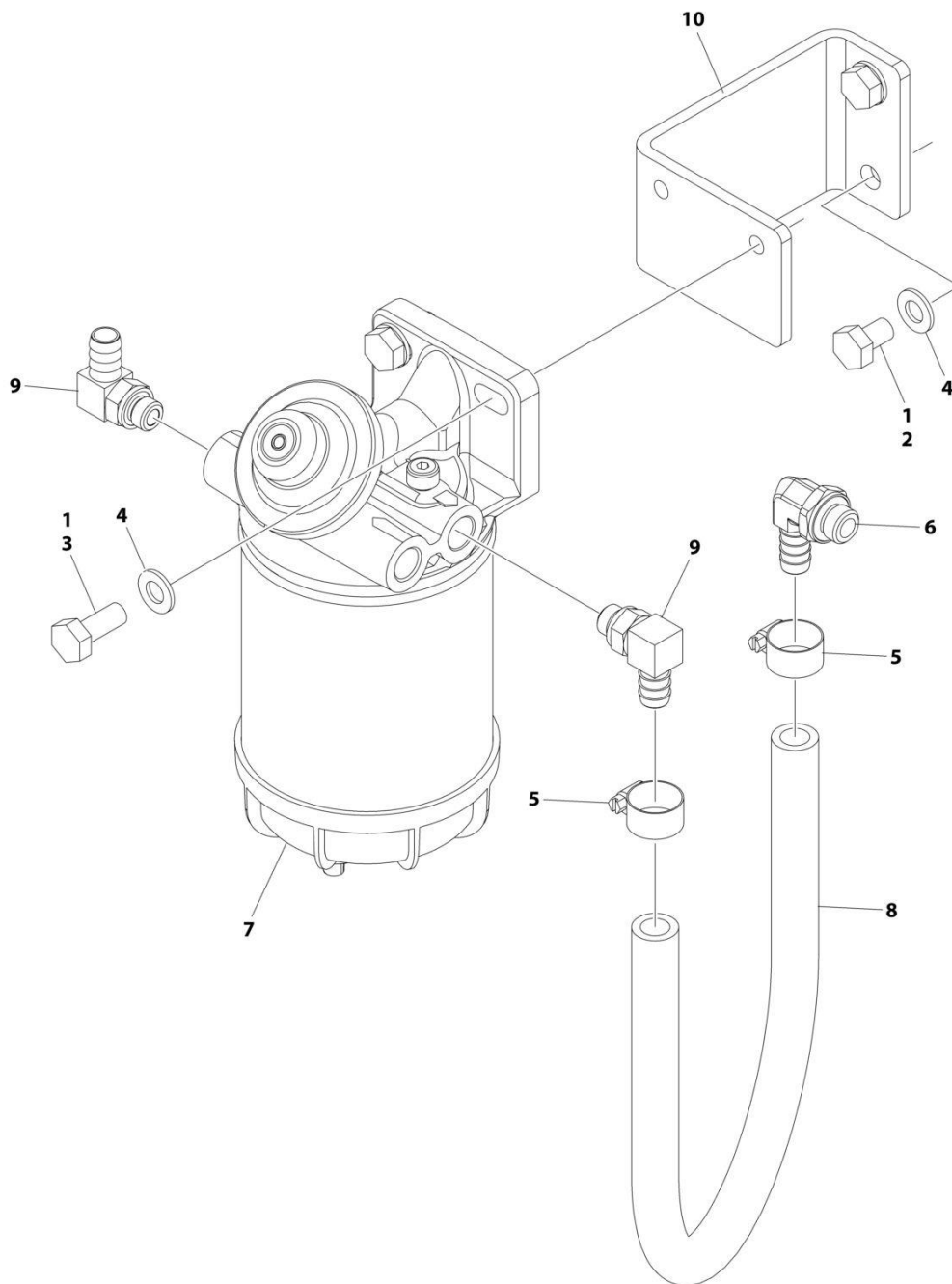
SECTION 3 - ENGINE

**FIGURE 3-56. FUEL-WATER SEPARATOR INSTALLATION - DEUTZ D2011 AND DEUTZ D2011
STAGE V ENGINES**

ITEM	PART NUMBER	QTY	DESCRIPTION	REV
	1001199784	Ref	FUEL-WATER SEPARATOR INSTALLATION	A
1	0100079	AR	Sealant	
2	0641607	2	Bolt 3/8 x 7/8	
3	0641610	4	Bolt 3/8 x 1-1/4	
4	1320022	2	Clamp	
5	2180348	2	Fitting, Straight	
6	2220816	2	Fitting, Straight	
7	2720058	12 in /31cm	Hose	
8	4711600	2	Washer 3/8	
9	4711700	4	Washer 7/16	
10	1001188884	1	Bracket	
11	1001188887	1	Fuel/Water Separator Assembly	
11	1001202280	1	Head	
11	1001202281	1	Element	

SECTION 3 - ENGINE

FIGURE 3-57. FUEL/WATER SEPARATOR INSTALLATION DUETZ D2.9L4 (CHINA IV) ENGINE



ART_1001260319

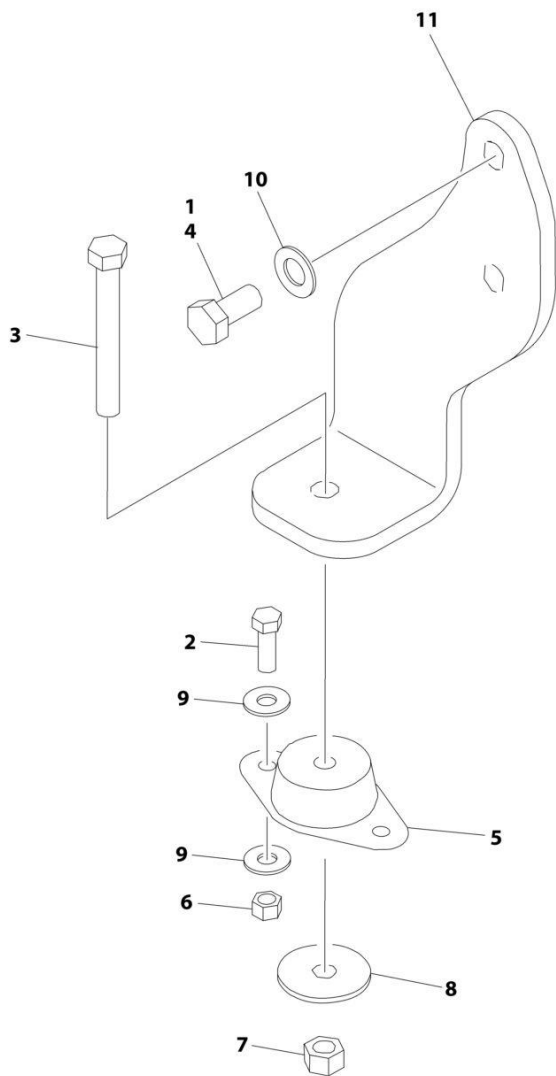
SECTION 3 - ENGINE

FIGURE 3-57. FUEL/WATER SEPARATOR INSTALLATION DUETZ D2.9L4 (CHINA IV) ENGINE

ITEM	PART NUMBER	QTY	DESCRIPTION	REV
	1001260319	Ref	FUEL/WATER SEPARATOR INSTALLATION	A
1	0100011	AR	Compound, Locking	
2	0761008	2	Bolt M10 x 16	
3	0761012	2	Bolt M10 x 25	
4	4812000	4	Washer M10	
5	8405006	2	Clamp	
6	1001142501	1	Fitting 90 Barbed	
7	1001149452	1	Filter	
8	1001154405	21.5 in /54.5cm	Hose	
9	1001258505	2	Fitting 90 Barbed	
10	1001260320	1	Bracket	

SECTION 3 - ENGINE

FIGURE 3-58. RIGHT ENGINE SUPPORT INSTALLATION (DEUTZ D2011 ENGINES MACHINES WITHOUT GENERATORS)



ART_1001151253

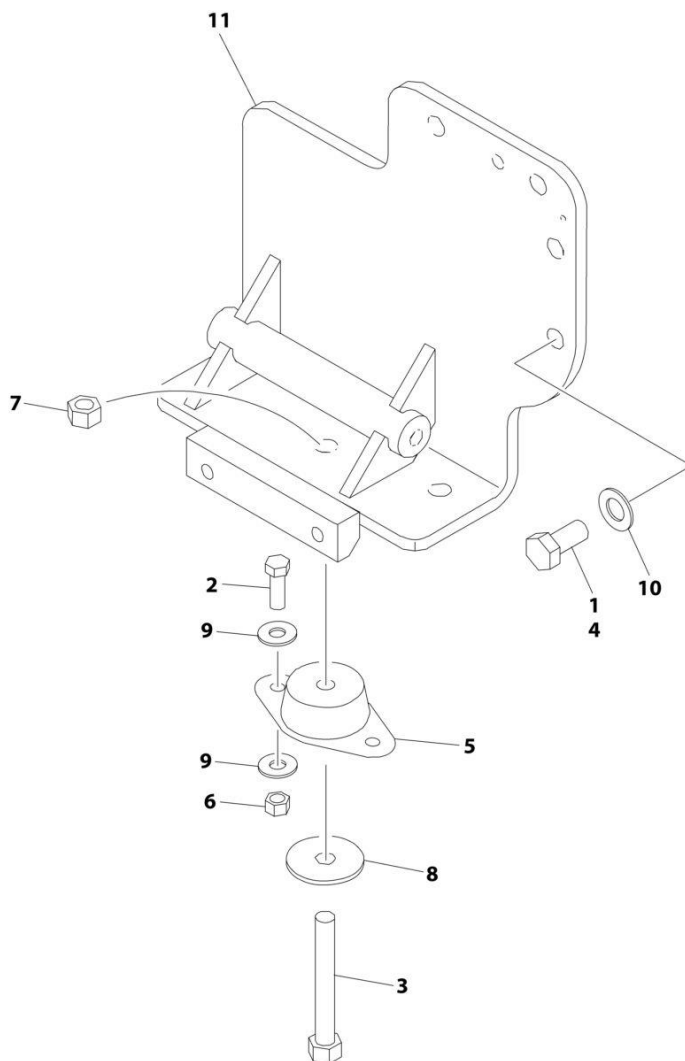
SECTION 3 - ENGINE

FIGURE 3-58. RIGHT ENGINE SUPPORT INSTALLATION (DEUTZ D2011 ENGINES MACHINES WITHOUT GENERATORS)

ITEM	PART NUMBER	QTY	DESCRIPTION	REV
	1001151253	Ref	RIGHT ENGINE SUPPORT INSTALLATION	A
1	0100011	AR	Compound, Locking	
2	0641609	2	Bolt 3/8 x 1-1/8	
3	0641820	1	Bolt 1/2 x 2-1/2	
4	0711414	2	Bolt M14 x 30 Grade 10.9	
5	3200401	1	Mount, Motor	
6	3311605	2	Nut 3/8	
7	3311805	1	Nut 1/2	
8	4740274	1	Washer	
9	4751600	4	Washer 3/8	
10	4812200	2	Washer M14	
11	1001149703	1	Support, Engine (Right Front)	

SECTION 3 - ENGINE

FIGURE 3-59. RIGHT ENGINE SUPPORT INSTALLATION (DEUTZ D2011 ENGINES MACHINES WITH GENERATORS)



ART_1001151252

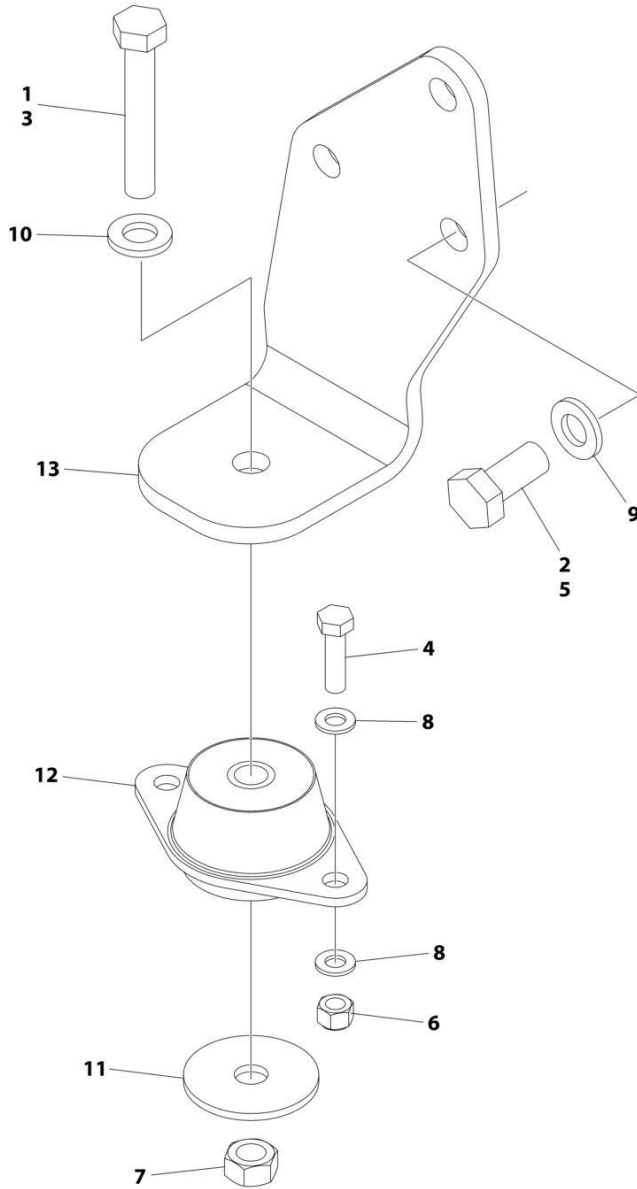
SECTION 3 - ENGINE

FIGURE 3-59. RIGHT ENGINE SUPPORT INSTALLATION (DEUTZ D2011 ENGINES MACHINES WITH GENERATORS)

ITEM	PART NUMBER	QTY	DESCRIPTION	REV
	1001151252	Ref	RIGHT ENGINE SUPPORT INSTALLATION	B
1	0100011	AR	Compound, Locking	
2	0641609	2	Bolt 3/8 x 1-1/8	
3	0641818	1	Bolt 1/2 x 2-1/2	
4	0711414	3	Bolt M14 x 30 Grade 10.9	
5	3200401	1	Mount, Motor	
6	3311605	2	Nut 3/8	
7	3311805	1	Nut 1/2	
8	4740274	1	Washer	
9	4751600	4	Washer 3/8	
10	4812200	3	Washer M14	
11	1001150890	1	Support, Engine (Right Front)	

SECTION 3 - ENGINE

FIGURE 3-60. RIGHT ENGINE SUPPORT INSTALLATION (DEUTZ TD2.2L3 (STAGE V) ENGINES MACHINES WITHOUT GENERATORS)



ART_1001255419

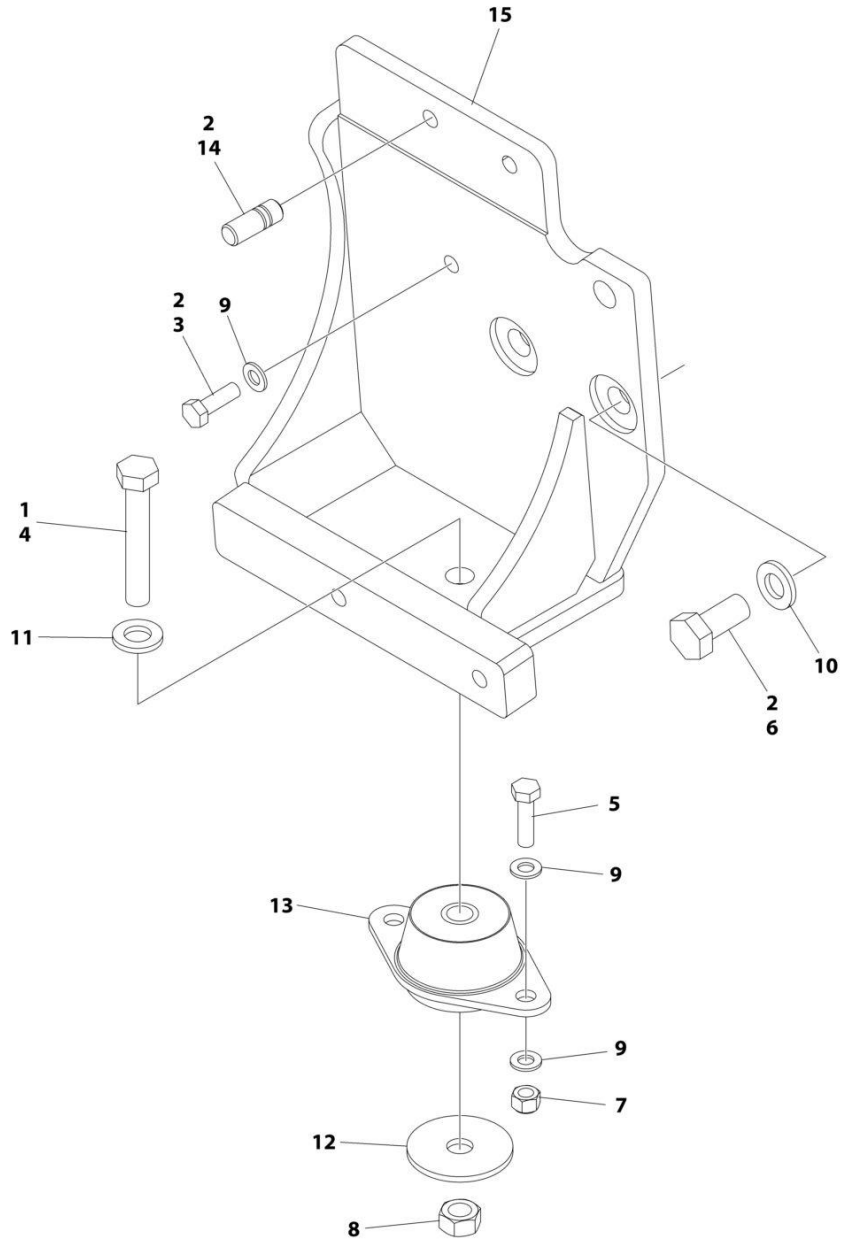
SECTION 3 - ENGINE

**FIGURE 3-60. RIGHT ENGINE SUPPORT INSTALLATION (DEUTZ TD2.2L3 (STAGE V) ENGINES
MACHINES WITHOUT GENERATORS)**

ITEM	PART NUMBER	QTY	DESCRIPTION	REV
	1001255419	Ref	RIGHT ENGINE SUPPORT INSTALLATION	B
1	0100011	AR	Compound, Locking	
2	0100019	AR	Compound, Locking	
3	0711223	1	Bolt M12 x 75	
4	0700814	2	Bolt M8 x 30	
5	0771414	3	Bolt M14 x 30	
6	3290805	2	Nut M8	
7	3331211	1	Nut M12	
8	4811900	4	Washer M8	
9	4812200	3	Washer M14	
10	5241200	1	Washer M12 Hardened	
11	1001168018	1	Washer, Snubbing	
12	1001166718	1	Mount, Motor	
13	1001249986	1	Support, Engine (Right Front)	

SECTION 3 - ENGINE

FIGURE 3-61. RIGHT ENGINE SUPPORT INSTALLATION (DEUTZ TD2.2L3 (STAGE V) ENGINES MACHINES WITH GENERATORS)



ART_1001255418

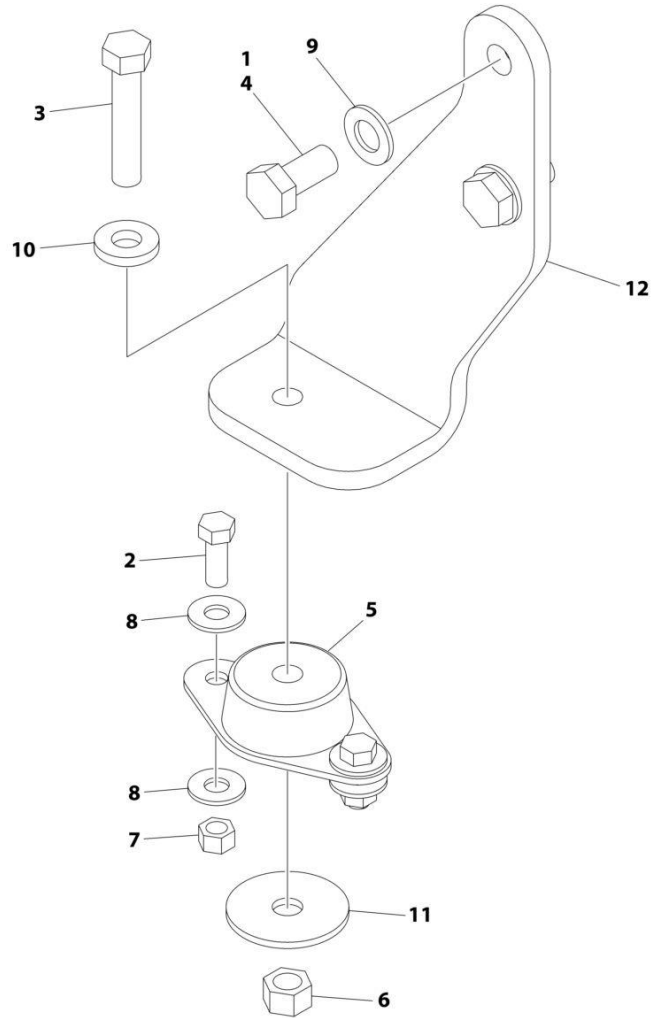
SECTION 3 - ENGINE

FIGURE 3-61. RIGHT ENGINE SUPPORT INSTALLATION (DEUTZ TD2.2L3 (STAGE V) ENGINES MACHINES WITH GENERATORS)

ITEM	PART NUMBER	QTY	DESCRIPTION	REV
	1001255418	Ref	RIGHT ENGINE SUPPORT INSTALLATION	B
1	0100011	AR	Compound, Locking	
2	0100019	AR	Compound, Locking	
3	0700812	1	Bolt M8 x 25	
4	0711223	1	Bolt M12 x 75	
5	0700814	2	Bolt M8 x 30	
6	0771414	3	Bolt M14 x 30	
7	3290805	2	Nut M8	
8	3331211	1	Nut M12	
9	4811900	5	Washer M8	
10	4812200	3	Washer M14	
11	5241200	1	Washer M12 Hardened	
12	1001168018	1	Washer, Snubbing	
13	1001166718	1	Mount, Motor	
14	1001196382	1	Stud	
15	1001247178	1	Support, Engine (Right Front)	

SECTION 3 - ENGINE

FIGURE 3-62. RIGHT ENGINE SUPPORT INSTALLATION (DEUTZ TD2.9L4 AND DEUTZ D2.9L4 ENGINES MACHINES WITHOUT GENERATORS)



ART_1001177043

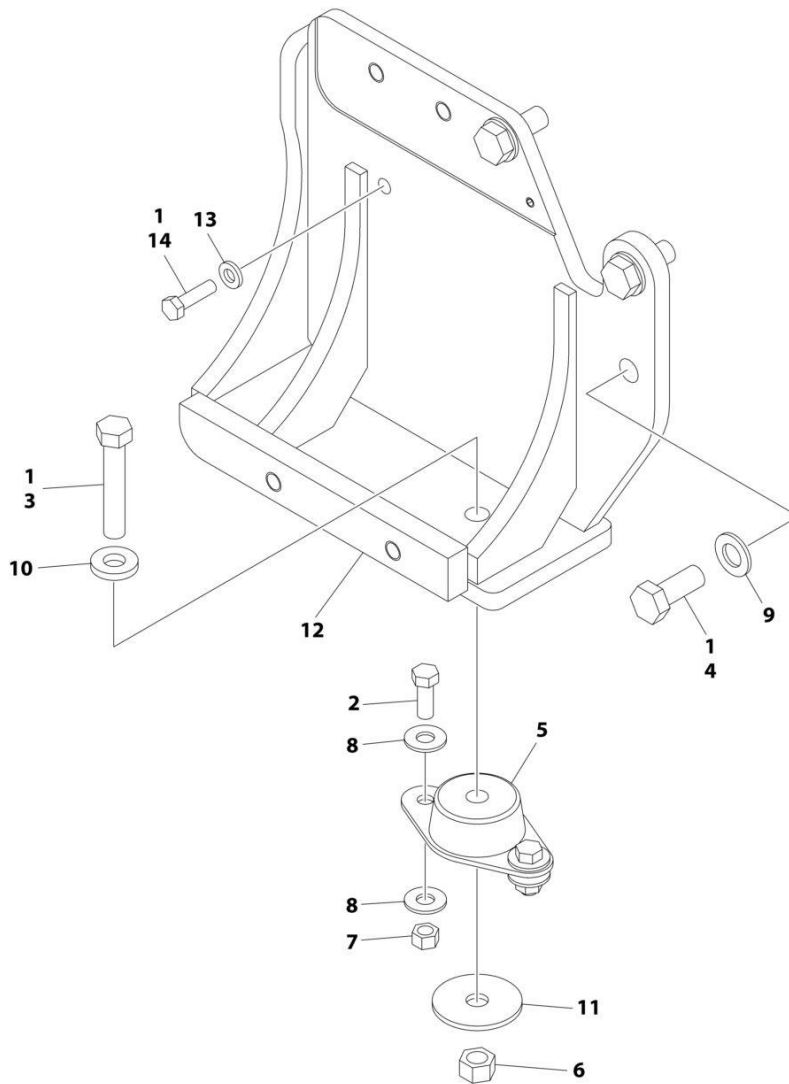
SECTION 3 - ENGINE

FIGURE 3-62. RIGHT ENGINE SUPPORT INSTALLATION (DEUTZ TD2.9L4 AND DEUTZ D2.9L4 ENGINES MACHINES WITHOUT GENERATORS)

ITEM	PART NUMBER	QTY	DESCRIPTION	REV
	1001177043	Ref	RIGHT ENGINE SUPPORT INSTALLATION	A
1	0100011	AR	Compound, Locking	
2	0641608	2	Bolt 3/8 x 1	
3	0681820	1	Bolt 1/2 x 2-1/2	
4	0771414	2	Bolt M14 x 30 Grade 10.9	
5	3200401	1	Mount, Motor	
6	3271801	1	Nut 1/2	
7	3311605	2	Nut 3/8	
8	4751600	4	Washer 3/8	
9	4812200	2	Washer M14	
10	4891800	1	Washer 1/2 Hardened	
11	1001139409	1	Washer, Snubbing	
12	1001177038	1	Support, Engine (Right Front)	

SECTION 3 - ENGINE

FIGURE 3-63. RIGHT ENGINE SUPPORT INSTALLATION (DEUTZ TD2.9L4 AND DEUTZ D2.9L4 ENGINES MACHINES WITH GENERATORS)



ART_1001177399

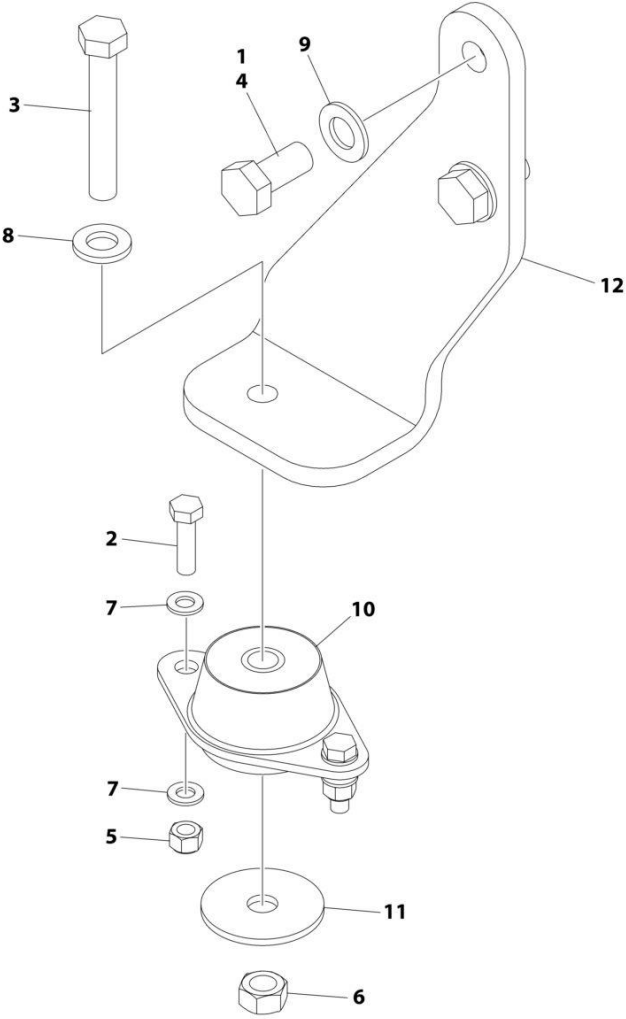
SECTION 3 - ENGINE

FIGURE 3-63. RIGHT ENGINE SUPPORT INSTALLATION (DEUTZ TD2.9L4 AND DEUTZ D2.9L4 ENGINES MACHINES WITH GENERATORS)

ITEM	PART NUMBER	QTY	DESCRIPTION	REV
	1001177399	Ref	RIGHT ENGINE SUPPORT INSTALLATION	B
1	0100011	AR	Compound, Locking	
2	0641608	2	Bolt 3/8 x 1	
3	0681822	1	Bolt 1/2 x 2-3/4 Grade 8	
4	0771415	3	Bolt M14 x 35	
5	3200401	1	Mount, Motor	
6	3271801	1	Nut 1/2 Grade 8	
7	3311605	2	Nut 3/8	
8	4751600	4	Washer 3/8	
9	4812200	2	Washer M14	
10	4891800	1	Washer 1/2 Hardened	
11	1001139409	1	Washer, Snubbing	
12	1001202368	1	Support, Engine (Right Front)	
13	5240800	1	Washer M8 Hardened	
14	0700814	1	Bolt M8 x 30	

SECTION 3 - ENGINE

FIGURE 3-64. RIGHT ENGINE SUPPORT INSTALLATION (DUETZ D2.9L4 (CHINA IV) ENGINES)



ART_1001275117

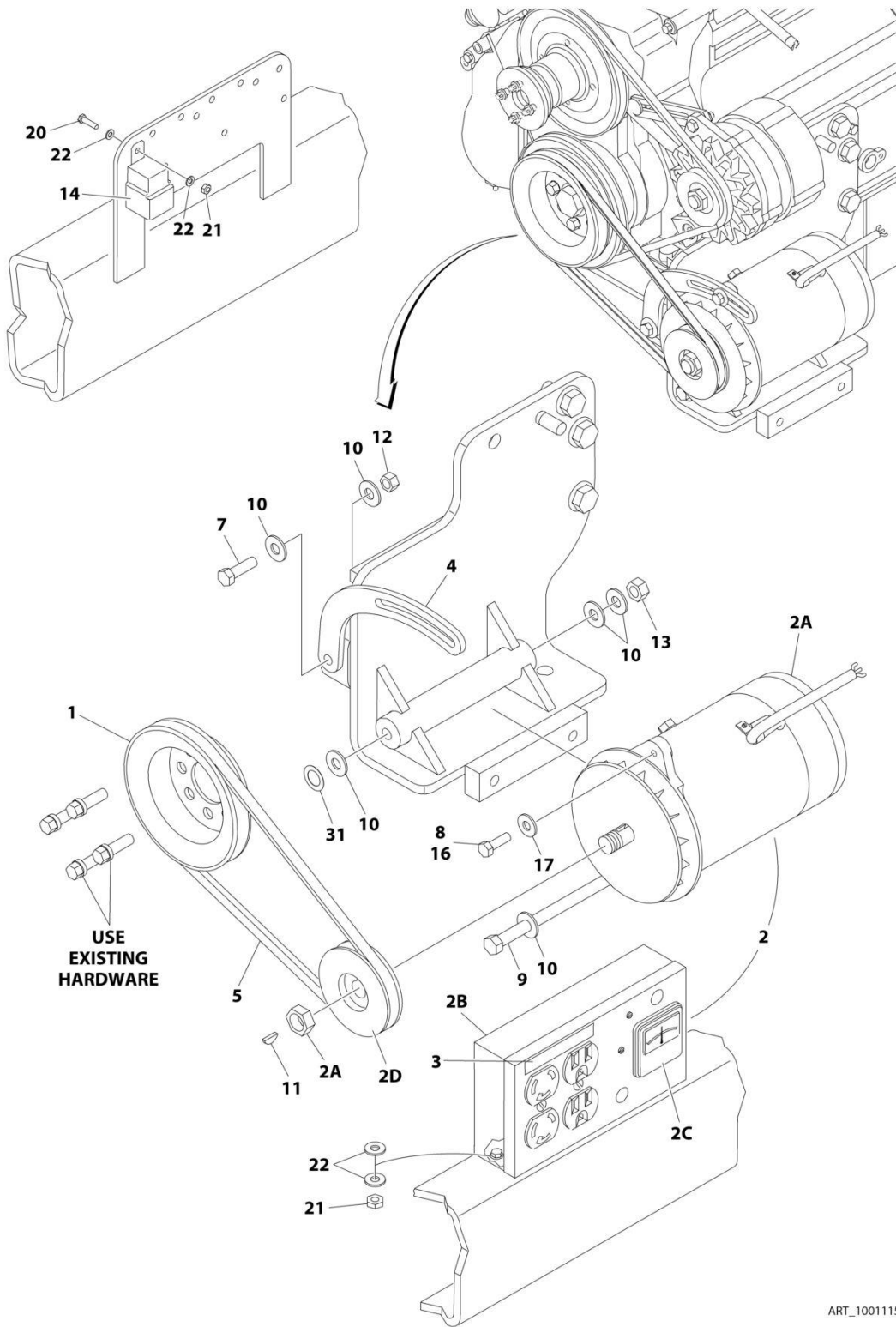
SECTION 3 - ENGINE

FIGURE 3-64. RIGHT ENGINE SUPPORT INSTALLATION (DUETZ D2.9L4 (CHINA IV) ENGINES)

ITEM	PART NUMBER	QTY	DESCRIPTION	REV
	1001275117	Ref	RIGHT ENGINE SUPPORT INSTALLATION	A
1	0100011	AR	Compound, Locking	
2	0700814	2	Bolt M8 x 30	
3	0711224	1	Bolt M12 x 80 Class 10.9	
4	0771414	2	Bolt M14 x 30 Class 10.9	
5	3290805	2	Nut, Lock M8	
6	3331211	1	Nut M12 Class 10	
7	4811900	4	Washer M8	
8	5241200	1	Washer M12	
9	5241400	2	Washer M14	
10	1001166718	1	Mount Engine	
11	1001168018	1	Washer	
12	1001177038	1	Support, Engine (Right Front)	

SECTION 3 - ENGINE

FIGURE 3-65. 2500W/110V/60HZ GENERATOR INSTALLATION - DEUTZ D2011 ENGINES



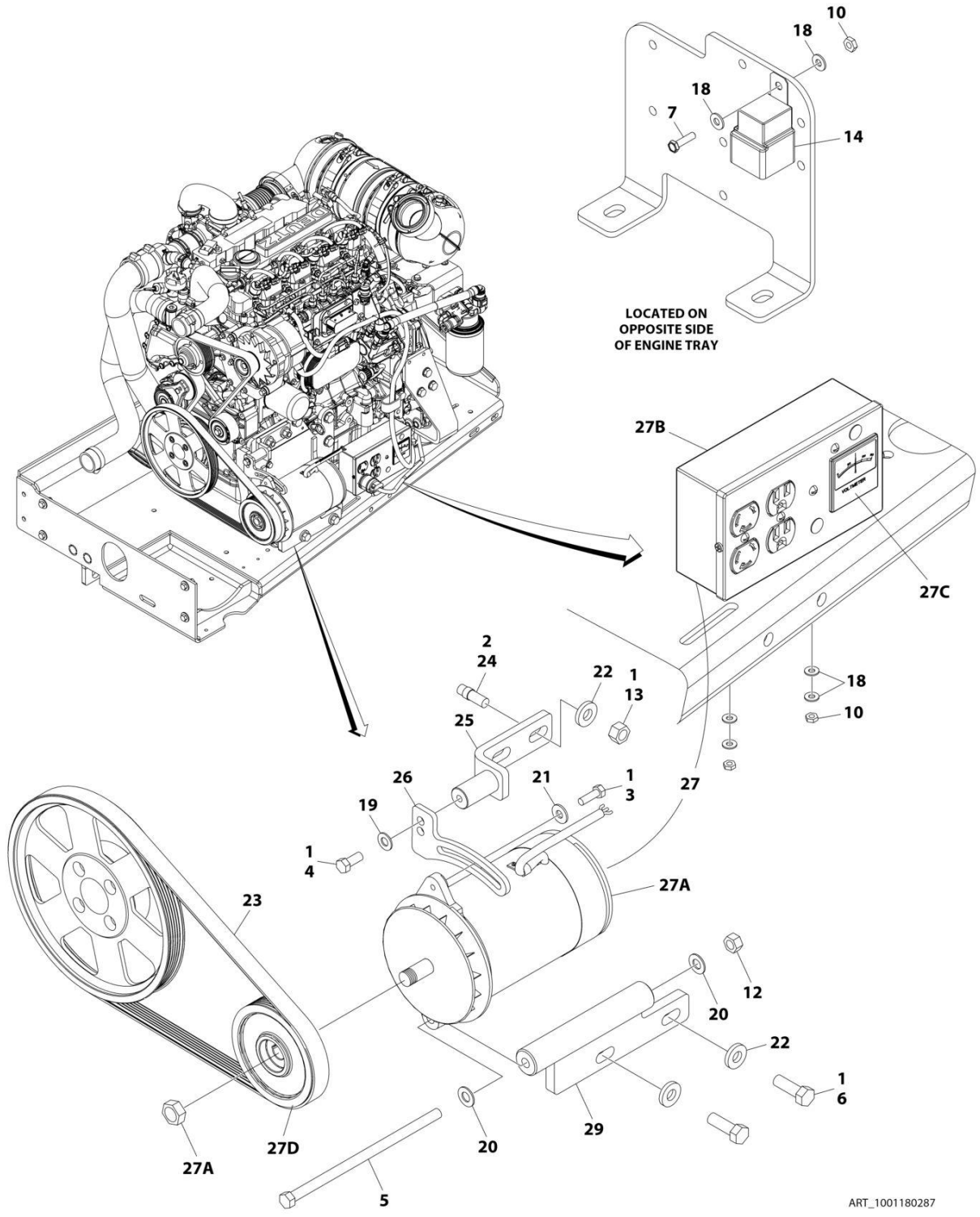
SECTION 3 - ENGINE

FIGURE 3-65. 2500W/110V/60HZ GENERATOR INSTALLATION - DEUTZ D2011 ENGINES

ITEM	PART NUMBER	QTY	DESCRIPTION	REV
	1001115405	Ref	2500W GENERATOR INSTALLATION - 110V/60Hz	B
1	3580158	1	Pulley	
2	2460055	1	Generator and Control Box Assembly:	
2A	7012558	1	Generator Only - 110V/60Hz	
2A		Ref	Note: Replacement Generators come standard with p/n 3580134 pulley. This pulley may not be correct for all applications. Refer to pulley options below.	
2A	7026199	1	Armature with Slip Rings	
2A	7012513	4	Cap, Brush Holder	
2A	7020108	4	Brush	
2A	7020109	4	Holder, Brush	
2A	7012514	1	Fan	
2A	7020110	1	Bell, Front	
2A	7020111	1	Bell, Rear	
2A	7020190	1	Bearing	
2B	7019680	1	Box, Control	
2B		Ref	Receptacle Options:	
2B	4460190	1	Receptacle, Standard	
2B	4460027	1	Receptacle, Twistlock	
2B	4360542	1	Breaker, Circuit	
2B	3520028	1	Plug, Hole	
2C	2420203	1	Voltmeter	
2D	3580276	1	Pulley	
2D	7027887	1	Key, Woodruff	
3	3251243	1	Decal - 110V/60Hz	
4	0200742	1	Arm, Adjusting	
5	0480121	1	V-Belt	
7	0641610	1	Bolt 3/8 x 1-1/4	
8	0100011	AR	Compound, Locking	
9	0641772	1	Bolt 7/16 x 9	
10	4751600	6	Washer 3/8	
11	2860012	1	Key, Woodruff	
12	3311605	1	Nut 3/8	
13	3311705	1	Nut 7/16	
14	3740080	1	Relay	
16	0641508	1	Bolt 5/16 x 1	
17	4751500	AR	Washer 5/16	
18	1001112588	1	Wiring Diagram Components (Not Shown)	
18	1001112589	1	Generator Harness (Not Shown)	
18	4922641	1	Generator ON/OFF Switch Harness (Not Shown - Located at Platform)	
20	0721006	AR	Bolt #10 x 3/4	
21	3311005	3	Nut #10	
22	4751000	AR	Washer #10	
25	4360336	1	Switch, Toggle (Not Shown - Located at Platform)	
26	4740397	1	Bushing (Not Shown - Located at Platform)	
27	4060802	1	Guard, Switch (Not Shown - Located at Platform)	
29	2820031	4 in/ 10cm	Heat Shrink (Not Shown - Located at Platform)	
30	3251102	1	Decal (Not Shown - Located at Platform)	
31	4070585	AR	Shim	

SECTION 3 - ENGINE

FIGURE 3-66. 2500W/110V/60HZ GENERATOR INSTALLATION - DEUTZ TD2.9L4 ENGINES



ART_1001180287

SECTION 3 - ENGINE

FIGURE 3-66. 2500W/110V/60HZ GENERATOR INSTALLATION - DEUTZ TD2.9L4 ENGINES

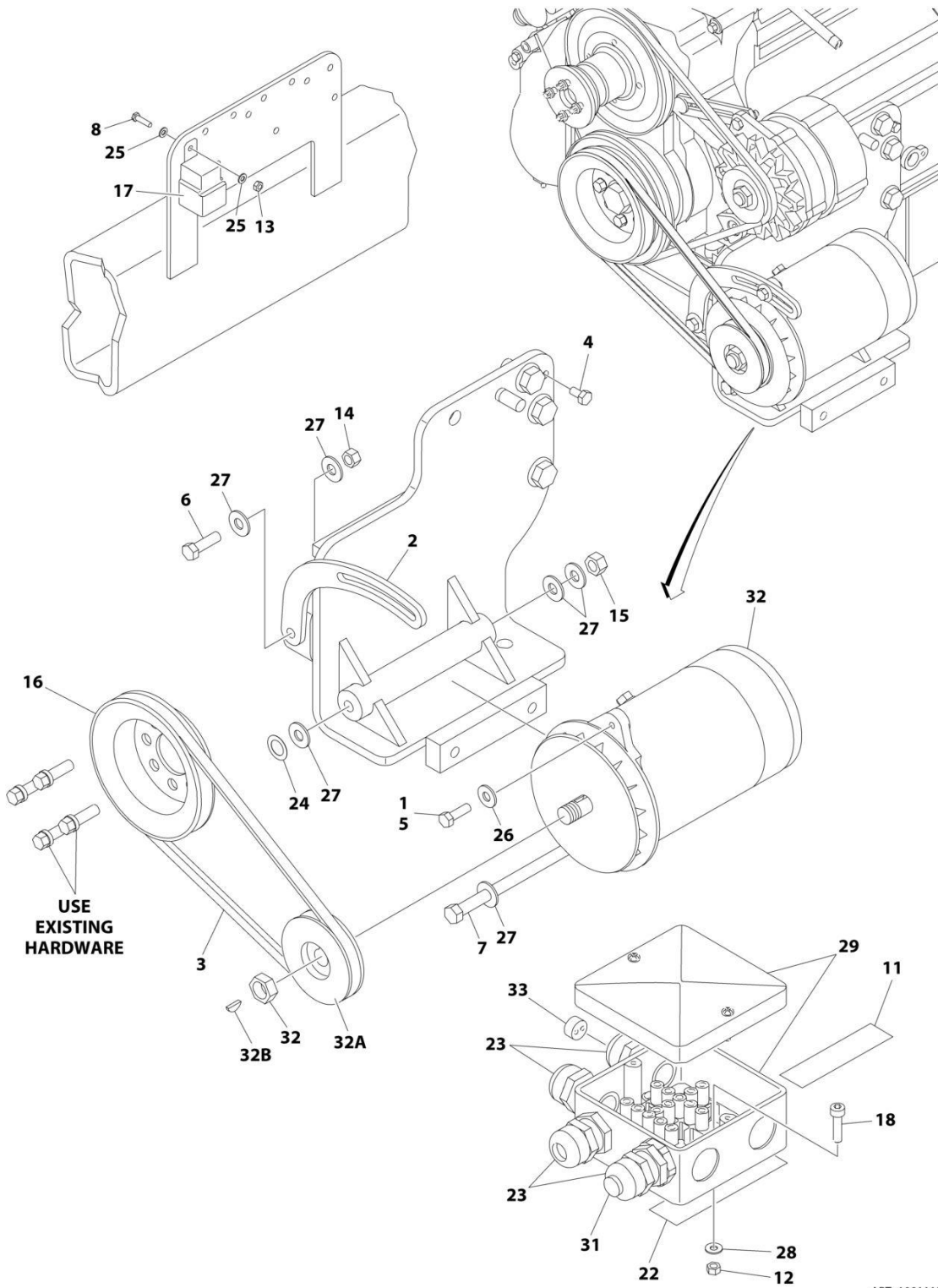
ITEM	PART NUMBER	QTY	DESCRIPTION	REV
	1001180287	Ref	2500W GENERATOR INSTALLATION - DEUTZ TD2.9L4 (OPTIONAL)	C
1	0100011	AR	Compound, Locking	
2	0100019	AR	Compound, Locking	
3	0641508	1	Bolt 5/16 x 1	
4	0641607	1	Bolt 3/8 x 7/8	
5	0641772	1	Bolt 7/16 x 9	
6	0641812	2	Bolt 1/2 x 1-1/2	
7	0721006	1	Screw #10 x 3/4	
8	2820031	AR	Heat Shrink (Not Shown - Located at Platform)	
9	3251102	1	Name Plate - Generator On (Not Shown - Located at Platform)	
10	3311005	3	Nut #10	
12	3311705	1	Nut 7/16	
13	3311801	2	Nut 1/2	
14	3740080	1	Relay	
15	4060802	1	Guard, Switch (Not Shown - Located at Platform)	
16	4240018	AR	Strap, Cable Tie (Not Shown)	
17	4360336	1	Switch, Toggle (Not Shown - Located at Platform)	
18	4711000	6	Washer #10	
19	4711600	1	Washer 3/8	
20	4711700	2	Washer 7/16	
21	4751500	1	Washer 5/16	
22	4891800	4	Washer 1/2	
23	1001148138	1	V-Belt	
24	1001163599	2	Stud	
25	1001216015	1	Bracket	
26	1001179837	1	Arm, Adjustment	
27	1001180001	1	Generator and Control Box Assembly	
27A	7012558	1	Generator Only - 110V/60Hz	
27A		Ref	Note: Replacement Generators come standard with p/n 3580134 pulley. This pulley may not be correct for all applications. Refer to pulley options below.	
27A	7026199	1	Armature with Slip Rings	
27A	7012513	4	Cap, Brush Holder	
27A	7020108	4	Brush	
27A	7020109	4	Holder, Brush	
27A	7012514	1	Fan	
27A	7020110	1	Bell, Front	
27A	7020111	1	Bell, Rear	
27A	7020190	2	Bearing	
27B	7019680	1	Box, Control - 110V/60Hz	
27B		Ref	Receptacle Options:	
27B	4460190	1	Receptacle, Standard (110V Only)	
27B	4460027	1	Receptacle, Twistlock (110V Only)	
27B	4360542	1	Breaker, Circuit	
27B	3520028	1	Plug, Hole	
27C	2420203	1	Voltmeter	
27D	3580276	1	Pulley	
27D	7027887	1	Key, Woodruff	
28		Ref	Wiring Diagram Components (Not Shown)	

SECTION 3 - ENGINE

ITEM	PART NUMBER	QTY	DESCRIPTION	REV
28	4922641	1	Generator On/Off Switch Harness (Not Shown - Located at Platform)	
28	1001180052	1	Generator Harness (Not Shown)	
29	1001181243	1	Mount, Generator	

SECTION 3 - ENGINE

FIGURE 3-67. 2500W/220V/50HZ GENERATOR INSTALLATION - DEUTZ D2011 ENGINES (ANSI EXPORT, AUSTRALIAN AND CHINA SPECS)



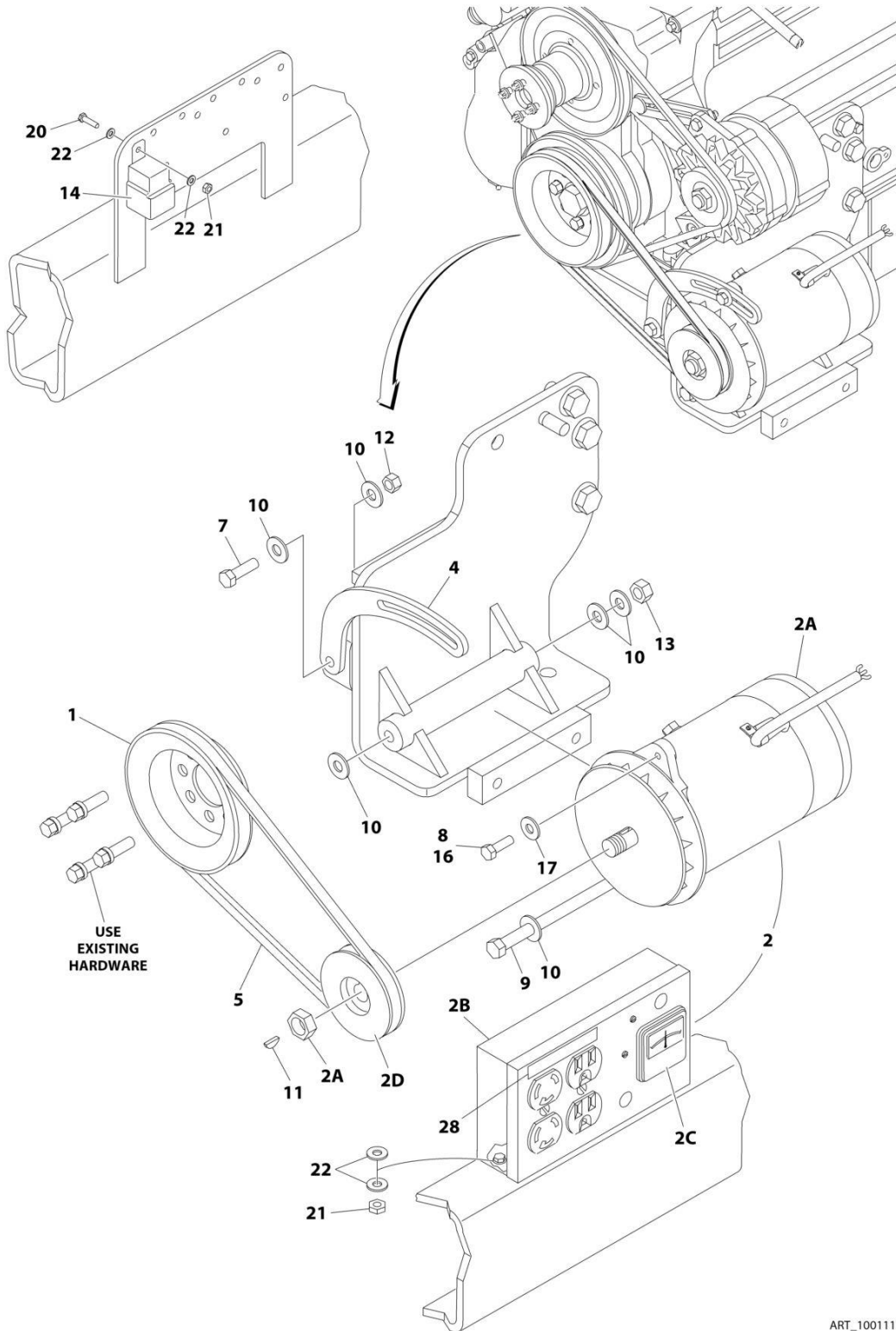
SECTION 3 - ENGINE

FIGURE 3-67. 2500W/220V/50HZ GENERATOR INSTALLATION - DEUTZ D2011 ENGINES (ANSI EXPORT, AUSTRALIAN AND CHINA SPECS)

ITEM	PART NUMBER	QTY	DESCRIPTION	REV
	1001115409	Ref	2500W GENERATOR INSTALLATION - 220V/50Hz	B
1	0100011	AR	Compound, Locking	
2	0200742	1	Arm, Adjusting	
3	0480121	1	V-Belt	
4	0641404	1	Bolt 1/4 x 1/2	
5	0641508	1	Bolt 5/16 x 1	
6	0641610	1	Bolt 3/8 x 1-1/4	
7	0641772	1	Bolt 7/16 x 9	
8	0721006	AR	Bolt #10 x 3/4	
9	2820031	4 in/10cm	Heat Shrink (Not Shown - Located at Platform)	
10	3251102	1	Decal (Not Shown - Located at Platform)	
11	3252507	2	Decal - 220V - 50Hz	
		Ref	Note: One Decal Not Shown - Located on the Inside of Platform Rail.	
12	3290505	1	Nut M5	
13	3311005	1	Nut #10	
14	3311605	1	Nut 3/8	
15	3311705	1	Nut 7/16	
16	3580158	1	Pulley	
17	3740080	1	Relay	
18	4031608	1	Bolt M5 x 20	
19	4060802	1	Guard, Switch (Not Shown - Located at Platform)	
20	4240018	1	Tie Strap (Not Shown)	
21	4360336	1	Switch, Toggle (Not Shown - Located at Platform)	
22	4420060	AR	Tape, Double Coated Acrylic Foam	
23	4460968	3	Connector, Strain Relief	
24	4740397	1	Shim	
25	4751000	2	Washer #10	
26	4751500	1	Washer 5/16	
27	4751600	6	Washer 3/8	
28	4811600	1	Washer M5	
29	1001099869	1	Box, Junction	
30		Ref	Wiring Diagram Components (Not Shown)	
30	4922641	1	Generator On/Off Switch Harness (Not Shown - Located at Platform)	
30	1001112589	1	Generator Harness (Not Shown)	
31	1001100234	1	Light, Red	
32	1001100321	1	Generator	
32	70000123	1	Armature with Slip Rings	
32	7012513	4	Cap, Brush Holder	
32	7020108	4	Brush	
32	7020109	4	Holder, Brush	
32	7012514	1	Fan	
32	7020110	1	Bell, Front	
32	7020111	1	Bell, Rear	
32	7020190	1	Bearing	
32A	3580134	1	Pulley - 50Hz	
32B	7027887	1	Key, Woodruff	
33	0962449	1	Bushing	

SECTION 3 - ENGINE

FIGURE 3-68. 2500W/220V/50HZ GENERATOR INSTALLATION - DEUTZ D2011 ENGINES (ANSI EXPORT, CHINA AND RUSSIA SPECS)



ART_100115406

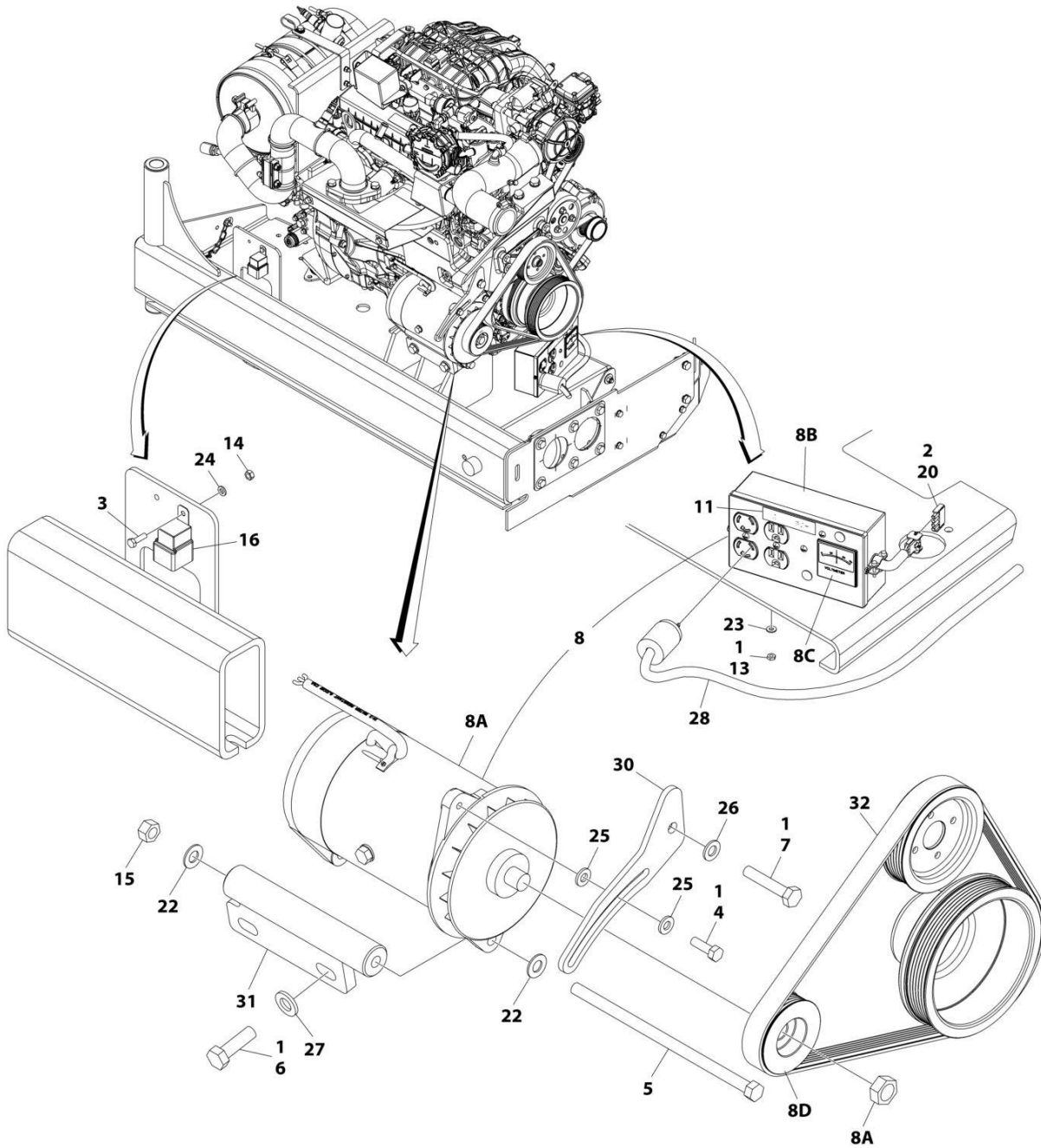
SECTION 3 - ENGINE

FIGURE 3-68. 2500W/220V/50HZ GENERATOR INSTALLATION - DEUTZ D2011 ENGINES (ANSI EXPORT, CHINA AND RUSSIA SPECS)

ITEM	PART NUMBER	QTY	DESCRIPTION	REV
	1001115406	Ref	2500W GENERATOR INSTALLATION - 220V/50Hz	B
1	3580158	1	Pulley	
2	2460056	1	Generator and Control Box Assembly:	
2A	1001100321	1	Generator Only	
2A		Ref	Note: Replacement Generators come standard with p/n 3580134 pulley. This pulley may not be correct for all applications. Refer to pulley options below.	
2A	70000123	1	Armature with Slip Rings	
2A	7012513	4	Cap, Brush Holder	
2A	7020108	4	Brush	
2A	7020109	4	Holder, Brush	
2A	7012514	1	Fan	
2A	7020110	1	Bell, Front	
2A	7020111	1	Bell, Rear	
2A	7020190	1	Bearing	
2B	70000127	1	Box, Control	
2B		Ref	Receptacle Options:	
2B	70000124	1	Receptacle, Double	
2B	70000125	1	Receptacle, Single	
2B	70000126	1	Breaker, Circuit:	
2B	3520028	1	Plug, Hole	
2C	7020192	1	Voltmeter	
2D	3580134	1	Pulley	
2D	7027887	1	Key, Woodruff	
4	0200742	1	Arm, Adjusting	
5	0480121	1	V-Belt	
7	0641610	1	Bolt 3/8 x 1-1/4	
8	0100011	AR	Compound, Locking	
9	0641772	1	Bolt 7/16 x 9	
10	4751600	6	Washer 3/8	
11	2860012	1	Key, Woodruff	
12	3311605	1	Nut 3/8	
13	3311705	1	Nut 7/16	
14	3740080	1	Relay	
16	0641508	1	Bolt 5/16 x 1	
17	4751500	AR	Washer 5/16	
18	1001112588	1	Wiring Diagram Components (Not Shown)	
18	4922641	1	Generator ON/OFF Switch Harness (Not Shown - Located at Platform)	
18	1001112589	1	Generator Harness (Not Shown)	
20	0721006	1	Bolt #10 x 3/4	
21	3311005	1	Nut #10	
22	4751000	1	Washer #10	
25	4360336	1	Switch, Toggle (Not Shown - Located at Platform)	
26	4740397	1	Bushing (Not Shown - Located at Platform)	
27	4060802	1	Guard, Switch (Not Shown - Located at Platform)	
28	3252507	2	Decal - 220V - 50Hz	
29	2820031	4 in/10cm	Heat Shrink (Not Shown - Located at Platform)	
30	3251102	1	Decal (Not Shown - Located at Platform)	

SECTION 3 - ENGINE

FIGURE 3-69. 2500W/60HZ GENERATOR INSTALLATION - FORD ENGINES



ART_1001217188

SECTION 3 - ENGINE

FIGURE 3-69. 2500W/60HZ GENERATOR INSTALLATION - FORD ENGINES

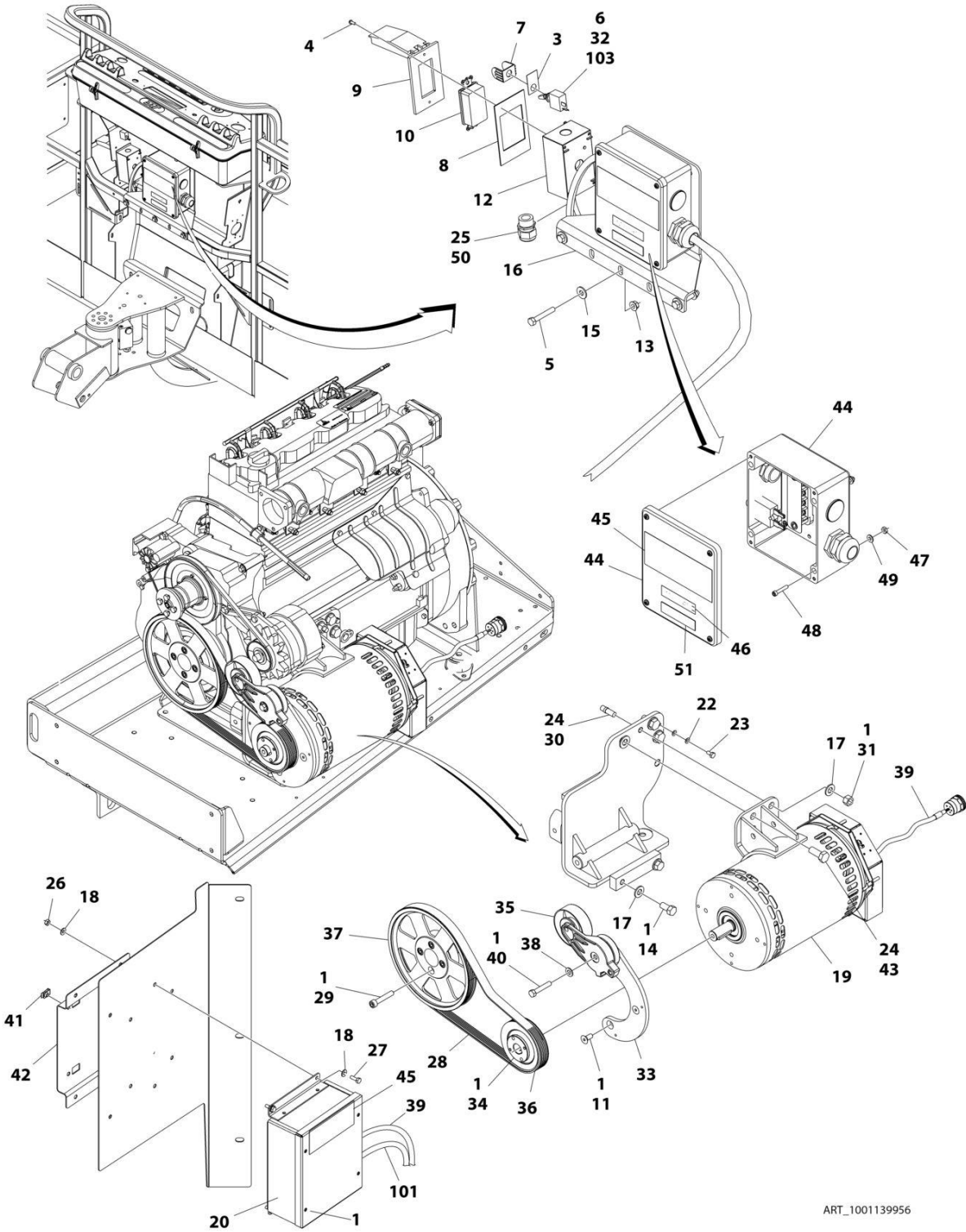
ITEM	PART NUMBER	QTY	DESCRIPTION	REV
	1001217188	Ref	2500W GENERATOR INSTALLATION	G
1	0100011	AR	Compound, Locking	
2	0100048	AR	Grease, Dielectric	
3	0760610	1	Bolt M6 x 20	
4	0641508	1	Bolt 5/16 x 1	
5	0641772	1	Bolt 7/16 x 9	
6	0761216	2	Bolt M12 x 40	
7	0761019	1	Bolt M10 x 55	
8	2460051	1	Generator and Control Box Assembly	
8A	7012558	1	Generator Only - 110V/60Hz	
		Ref	Note: Replacement Generators come standard with pin 3580134 pulley. This pulley may not be correct for all applications. Refer to pulley options below.	
8A	7026199	1	Armature with Slip Rings	
8A	7012513	4	Cap, Brush Holder	
8A	7020108	4	Brush	
8A	7020109	4	Holder, Brush	
8A	7012514	1	Fan	
8A	7020110	1	Bell, Front	
8A	7020111	1	Bell, Rear	
8A	7020190	2	Bearing	
8B	7019680	1	Box, Control - 110V/60Hz	
8B		Ref	Receptacle Options:	
8B	4460190	Ref	Receptacle, Standard (110V Only)	
8B	4460027	1	Receptacle, Twistlock (110V Only)	
8B	4360542	1	Breaker, Circuit	
8B	3520028	1	Plug, Hole	
8C	2420203	1	Voltmeter	
8D	3580324	1	Pulley	
8D	7027887	1	Key, Woodruff	
9	2820031	1	Heat Shrink (Not Shown - Located at Platform)	
10	3251102	1	Nameplate Generator (Not Shown - Located at Platform)	
11	3251243	1	Decal - 120V-60Hz	
13	3311005	2	Nut #10	
14	3290601	1	Nut M6	
15	3311705	1	Nut 7/16	
16	3740080	1	Relay	
17	4060802	1	Guard Switch (Not Shown - Located at Platform)	
18	4240099	AR	Tie-Strap (Not Shown)	
19	4360336	1	Switch, Toggle (Not Shown - Located at Platform)	
20	4460321	1	Plug, Male - 4 Position	
21	4460906	1	Socket, Female (Not Shown)	
22	4711700	2	Washer 7/16	
23	4751000	2	Washer #10	
24	4811700	1	Washer M6	
25	4891500	2	Washer 5/16	
26	4812000	1	Washer M10	
27	5241200	2	Washer M12	
28	4921829	1	Harness, Inverter	
30	1001219632	1	Arm, Adjustment	

SECTION 3 - ENGINE

ITEM	PART NUMBER	QTY	DESCRIPTION	REV
31	1001219630	1	Mount, Generator	
32	1001216391	1	V-Belt	

SECTION 3 - ENGINE

FIGURE 3-70. 4000W/60HZ GENERATOR INSTALLATION - DEUTZ D2011 ENGINES



ART_1001139956

SECTION 3 - ENGINE

FIGURE 3-70. 4000W/60HZ GENERATOR INSTALLATION - DEUTZ D2011 ENGINES

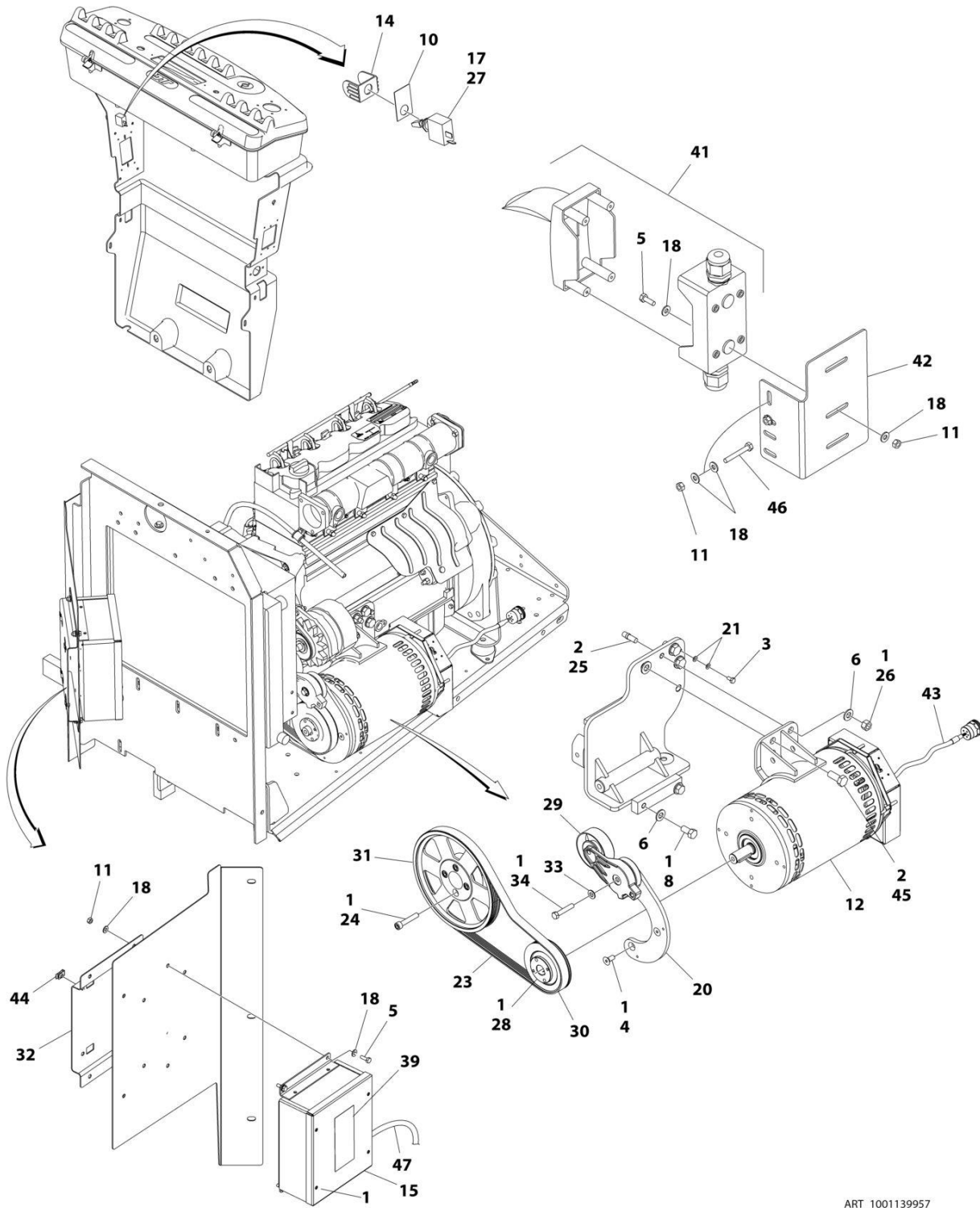
ITEM	PART NUMBER	QTY	DESCRIPTION	REV
	1001139956	Ref	4000W/60Hz Generator Installation - Deutz D2011 Engines	B
1	0100011	1	Compound, Locking	
3	3251102	1	Nameplate, Generator	
4	3910606	4	Screw #6 x 3/8	
5	0641516	3	Bolt 5/16 x 2	
6	4360336	1	Switch, Toggle	
7	4060802	1	Guard, Switch	
8	3960422	1	Gasket, AC Receptacle	
9	1001110873	1	Cover, Gang Vertical Receptacle GFCI	
10	4460346	1	Receptacle	
11	0741607	3	Screw 3/8 x 7/8	
12	0860038	1	Box, Switch-Weatherhead	
13	3311508	3	Nut 5/16	
14	0641808	2	Bolt 1/2 x 1	
15	4751500	3	Washer 5/16	
16	0902888	1	Bracket, Junction Box	
17	4711800	3	Washer 1/2	
18	4711400	8	Washer 1/4	
19	1001129858	1	Generator Assembly	
19	70003709	1	Ring, Retaining (External)	
19	70003708	1	Ring, Retaining (Internal)	
19	70001966	1	Bearing	
19	70004092	1	Endbell (Shaft End)	
19	70004171	1	Key	
19	70004676	1	Rotor	
19	70004684	1	Stator	
19	70004678	1	Endbell (Rear)	
19	70004679	1	Cover, Endbell (Rear)	
19	70004680	1	Enclosure, Wiring	
19	70004685	1	Cover, Enclosure	
19	70004682	1	Switch, Reset (Located on Enclosure Cover)	
19	70004098	1	Connector, Strain Relief (Located on Enclosure Cover)	
20	1001138566	1	Box, Control	
20	70006552	1	Capacitor	
20	70006553	1	Relay	
21	4240018	AR	Tie-Strap (Not Shown)	
22	4791400	2	Washer 1/4	
23	0641404	1	Bolt 1/4 x 1/2	
24	0100019	AR	Compound, Locking	
25	4460071	1	Connector, Strain Relief	
26	3311405	4	Nut 1/4	
27	0641406	4	Bolt 1/4 x 3/4	
28	0480129	1	Belt, Generator	
29	4032015	4	Capscrew M10 x 55	
30	4300157	1	Stud	
31	3311801	1	Nut 1/2	
32	2820031	AR	Heat Shrink	
33	1001139357	1	Mount, Tensioner	
34	0962520	1	Bushing, Split	
35	3580317	1	Tensioner, Belt with Pulley	

SECTION 3 - ENGINE

ITEM	PART NUMBER	QTY	DESCRIPTION	REV
36	3580318	1	Pulley, Generator	
37	3580320	1	Pulley, Engine Deutz	
38	4711600	1	Washer 3/8	
39	1001152532	1	Harness, Generator (See Separate Breakdown in ELECTRICAL Section)	
40	0641616	1	Bolt 3/8 x 2	
41	3300454	4	Nut, U-Style 1/4	
42	3575863	1	Plate	
43	0771415	1	Bolt M14 x 35 Grade 10.9	
44	1001152457	1	Junction Box Assembly	
44	3300396	1	Cover, Breaker	
44	4360070	1	Breaker, Circuit - 15Amp	
44	4460425	1	Connector, Strain Relief (LH Side)	
44	4460426	1	Connector, Strain Relief (RH Side)	
44	1001152530	1	Block, Terminal	
44	1001158363	1	Cover, Terminal Block	
44	1001153260	1	Decal - Wiring Diagram	
45	1705387	3	Decal - Hazardous Voltage	
46	3251243	1	Decal, 120V-60Hz	
47	3311005	4	Nut #10	
48	3931016	4	Capscrew #10 x 1	
49	4751000	4	Washer #10	
50	0100020	AR	Sealant	
51	1705374	1	Decal, 240V-60Hz	
		Ref	ELECTRICAL DIAGRAM COMPONENTS	
101	1001153197	1	Harness, Generator (See Separate Breakdown in ELECTRICAL Section)	
103	4922641	1	Harness, Switch	

SECTION 3 - ENGINE

FIGURE 3-71. 4000W/50HZ GENERATOR INSTALLATION - DEUTZ D2011 ENGINES



ART_1001139957

SECTION 3 - ENGINE

FIGURE 3-71. 4000W/50HZ GENERATOR INSTALLATION - DEUTZ D2011 ENGINES

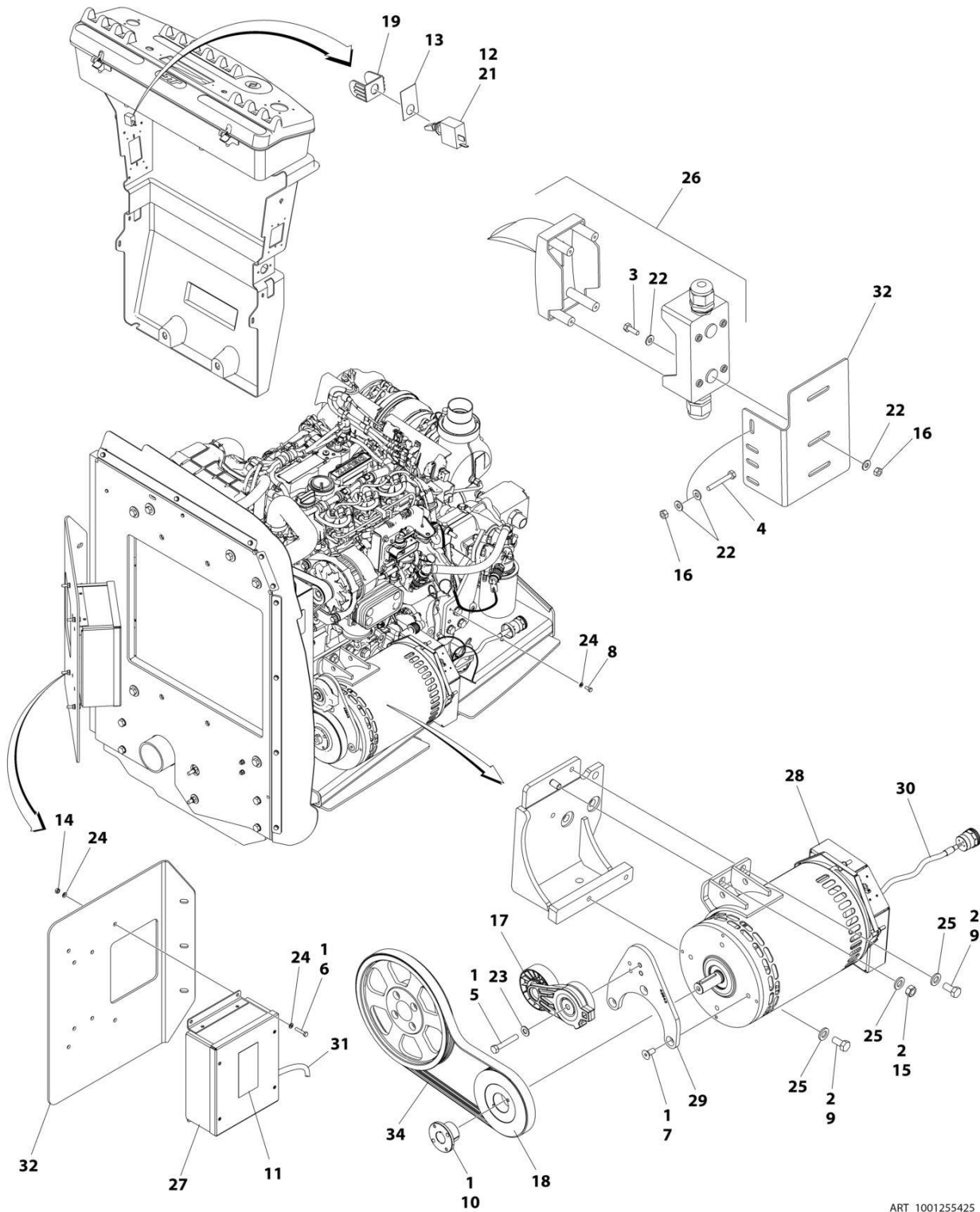
ITEM	PART NUMBER	QTY	DESCRIPTION	REV
	1001139957	Ref	4000W/50HZ Generator Installation - Deutz D2011 Engines	D
1	0100011	AR	Compound, Locking	
2	0100019	AR	Compound, Locking	
3	0641404	1	Bolt 1/4 x 1/2	
4	0741607	3	Screw 3/8 x 7/8	
5	0641406	6	Bolt 1/4 x 3/4	
6	4711800	3	Washer 1/2	
8	0641808	2	Bolt 1/2 x 1	
10	3251102	1	Nameplate, Generator	
11	3311405	8	Nut 1/4	
12	1001138565	1	Generator Assembly	
12	70003709	1	Ring, Retaining (External)	
12	70003708	1	Ring, Retaining (Internal)	
12	70001966	1	Bearing	
12	70004092	1	Endbell (Shaft End)	
12	70004171	1	Key	
12	70004676	1	Rotor	
12	70004677	1	Stator	
12	70004678	1	Endbell (Rear)	
12	70004679	1	Cover, Endbell (Rear)	
12	70004680	1	Enclosure, Wiring	
12	70004681	1	Cover, Enclosure	
12	70004682	1	Switch, Reset (Located on Enclosure Cover)	
12	70004683	1	Connector, Strain Relief (Located on Enclosure Cover)	
14	4060802	1	Guard, Switch	
15	1001138566	1	Box, Control	
15	70006552	1	Capacitor	
15	70006553	1	Relay	
16	4240018	AR	Tie-Strap (Not Shown)	
17	4360336	1	Switch, Toggle	
17	4922641	1	Harness, On/Off Switch	
18	4711400	16	Washer 1/4	
20	1001139357	1	Mount, Tensioner	
21	4791400	2	Washer 1/4	
23	0480126	1	Belt, Generator	
24	4032015	4	Capscrew M10 x 55	
25	4300157	1	Stud	
26	3311801	1	Nut 1/2	
27	2820031	AR	Heat Shrink	
28	0962520	1	Bushing, Split	
29	3580317	1	Tensioner, Belt with Pulley	
30	3580319	1	Pulley, Generator	
31	3580320	1	Pulley, Engine Deutz	
32	3575863	1	Plate	
33	4711600	1	Washer 3/8	
34	0641616	1	Bolt 3/8 x 2	
39	1705489	2	Decal - Hazardous Voltage	
41	1001096070	1	Breaker Box Kit (Not Shown) (See Separate Breakdown in ELECTRICAL SECTION)	
42	1001153636	1	Bracket	

SECTION 3 - ENGINE

ITEM	PART NUMBER	QTY	DESCRIPTION	REV
43	1001152532	1	Harness, Generator (See Separate Breakdown in ELECTRICAL SECTION)	
44	3300454	4	Nut, U-Style 1/4	
45	0771415	1	Bolt M14 x 35 Grade 10.9	
46	0641415	2	Capscrew 1/4 x 1-7/8	
47	1001153197	1	Harness, Generator (See Separate Breakdown in ELECTRICAL SECTION)	

SECTION 3 - ENGINE

FIGURE 3-72. 4000W/50HZ GENERATOR INSTALLATION - DEUTZ TD2.2L3 (STAGE V) ENGINES



ART_1001255425

SECTION 3 - ENGINE

FIGURE 3-72. 4000W/50HZ GENERATOR INSTALLATION - DEUTZ TD2.2L3 (STAGE V) ENGINES

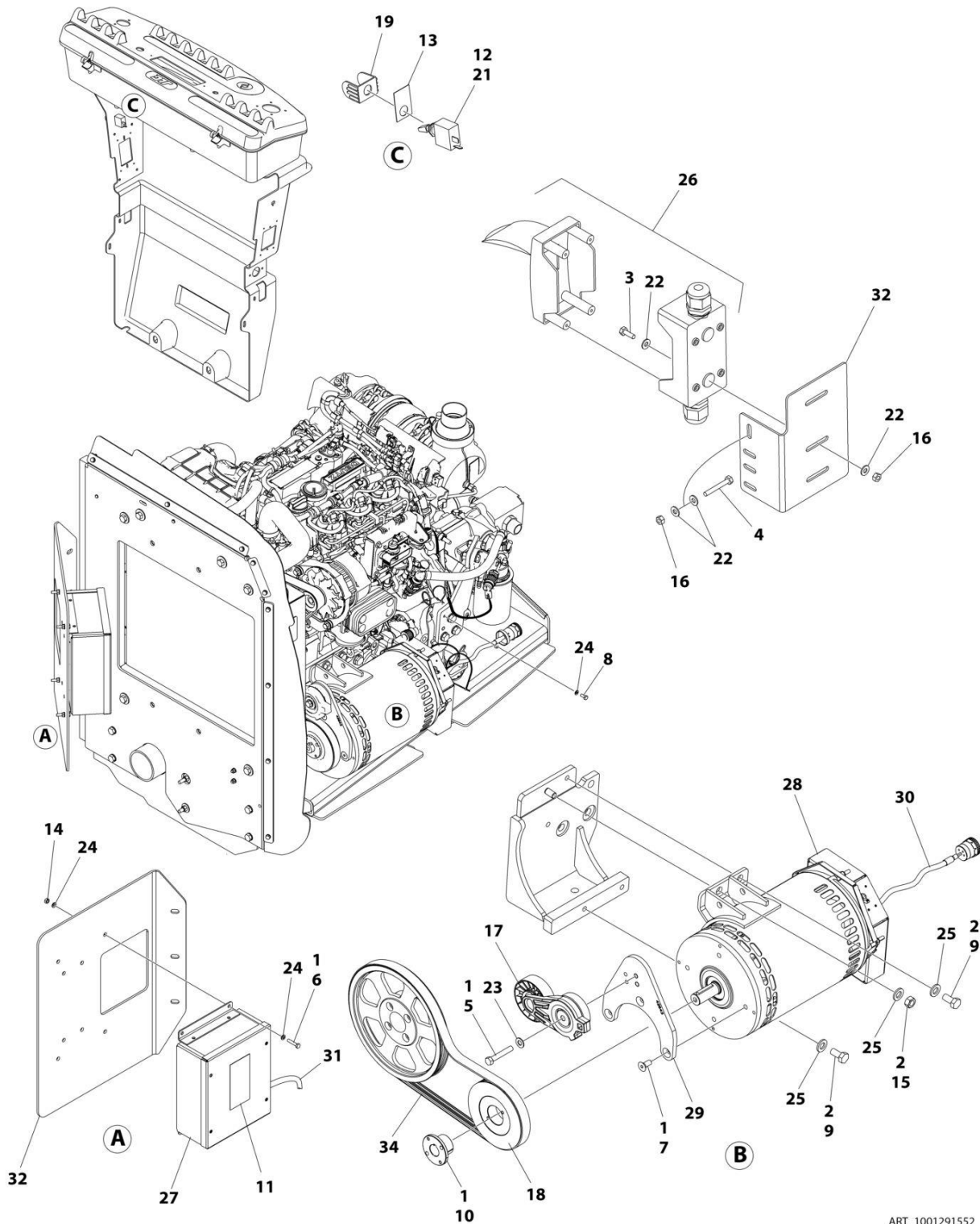
ITEM	PART NUMBER	QTY	DESCRIPTION	REV
	1001255425	Ref	4000W/50HZ Generator Installation - Deutz TD2.2L3 (Stage V) Engines	B
1	0100011	AR	Compound, Locking	
2	0100019	AR	Compound, Locking	
3	0641406	2	Bolt 1/4 x 3/4	
4	0641415	2	Bolt 1/4 x 1-7/8	
5	0641618	1	Bolt 3/8 x 2-1/4	
6	0700614	4	Bolt M6 x 30	
7	0741607	3	Screw 3/8 x 7/8	
8	0760607	1	Bolt M6 x 14	
9	0761212	3	Bolt M12 x 25	
10	0962520	1	Bushing, Split	
11	1705489	2	Decal - Hazardous Voltage	
12	2820031	AR	Heat Shrink	
13	3252764	1	Nameplate	
14	3290601	4	Nut M6	
15	3291201	1	Nut M12	
16	3311405	4	Nut 1/4	
17	3580317	1	Tensioner, Belt with Pulley	
18	3580319	1	Pulley, Generator	
19	4060802	1	Guard, Switch	
20	4240018	AR	Tie-Strap (Not Shown)	
21	4360336	1	Switch, Toggle	
21	4922641	1	Harness, On/Off Switch	
22	4711400	8	Washer 1/4	
23	4711600	1	Washer 3/8	
24	4811700	9	Washer M6	
25	5241200	4	Washer M12	
26	1001096070	1	Breaker Box Kit (See Separate Breakdown in ELECTRICAL SECTION)	
27	1001138566	1	Box, Control	
27	70006552	1	Capacitor	
27	70006553	1	Relay	
28	1001140347	1	Generator Assembly	
28	70003709	1	Ring, Retaining (External)	
28	70003708	1	Ring, Retaining (Internal)	
28	70001966	1	Bearing	
28	70004092	1	Endbell (Shaft End)	
28	70004099	1	Key	
28	70004676	1	Rotor	
28	70004686	1	Stator	
28	70004678	1	Endbell (Rear)	
28	70004679	1	Cover, Endbell (Rear)	
28	70004680	1	Enclosure, Wiring	
28	70004681	1	Cover, Enclosure	
28	70004682	1	Switch, Reset (Located on Enclosure Cover)	
28	70004683	1	Connector, Strain Relief (Located on Enclosure Cover)	
28	4460224	1	Receptacle, Female - 6 Position (Connects to Generator Harness)	
28	4460294	6	Pin, Male (Use with p/n 4460224)	

SECTION 3 - ENGINE

ITEM	PART NUMBER	QTY	DESCRIPTION	REV
28	4460807	6	Seal, Terminal (Use with p/n 4460224)	
28	4460808	1	Seal, Interface (Use with p/n 4460224)	
29	1001142643	1	Support, Gen Tensioner	
30	1001152532	1	Harness, Generator (See Separate Breakdown in ELECTRICAL SECTION)	
31	1001153197	1	Harness, Generator (See Separate Breakdown in ELECTRICAL SECTION)	
32	1001153636	1	Bracket	
33	1001175632	1	Wire	
34	1001214683	1	Belt, Generator	

SECTION 3 - ENGINE

FIGURE 3-73. 4000W/50HZ GENERATOR INSTALLATION - DEUTZ TD2.2L3 (STAGE V) ENGINES MACHINES WITH SN STARTING WITH B3



ART_1001291552

SECTION 3 - ENGINE

**FIGURE 3-73. 4000W/50HZ GENERATOR INSTALLATION - DEUTZ TD2.2L3 (STAGE V) ENGINES
MACHINES WITH SN STARTING WITH B3**

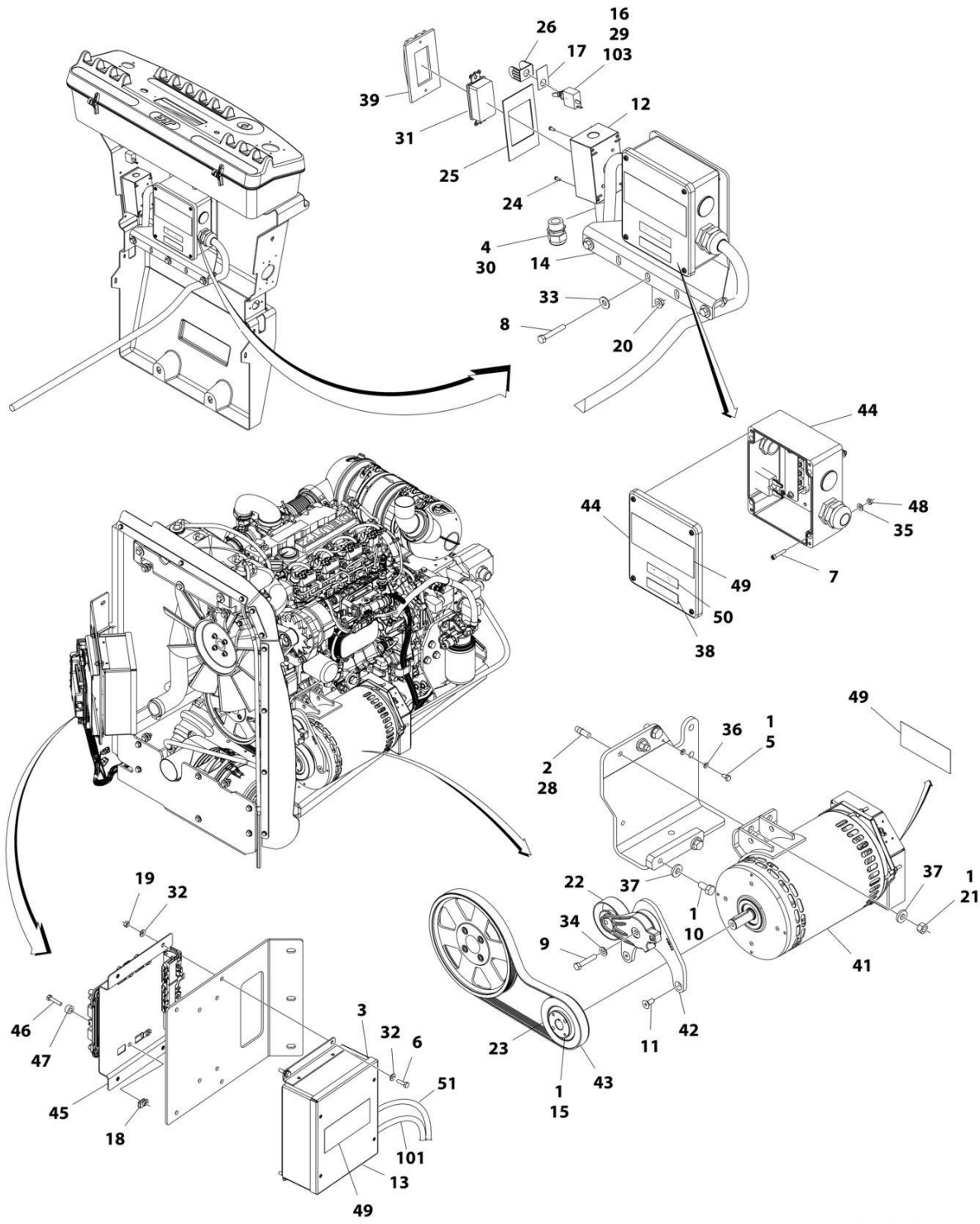
ITEM	PART NUMBER	QTY	DESCRIPTION	REV
	1001291552	Ref	4000W/50HZ GENERATOR INSTALLATION	A
1	0100011	AR	Compound, Locking	
2	0100019	AR	Compound, Locking	
3	0641406	2	Bolt 1/4 x 3/4	
4	0641415	2	Bolt 1/4 x 1-7/8	
5	0641618	1	Bolt 3/8 x 2-1/4	
6	0700614	4	Bolt M6 x 30	
7	0741607	3	Screw 3/8 x 7/8	
8	0760607	1	Bolt M6 x 14	
9	0761212	3	Bolt M12 x 25	
10	0962520	1	Bushing, Split	
11	1705489	2	Decal - Hazardous Voltage	
12	2820031	AR	Heat Shrink	
13	3252764	1	Nameplate	
14	3290601	4	Nut M6	
15	3291201	1	Nut M12	
16	3311405	4	Nut 1/4	
17	3580317	1	Tensioner, Belt with Pulley	
18	3580319	1	Pulley, Generator	
19	4060802	1	Guard, Switch	
20	4240018	AR	Tie-Strap (Not Shown)	
21	4360336	1	Switch, Toggle	
21	4922641	1	Harness, On/Off Switch	
22	4711400	8	Washer 1/4	
23	4711600	1	Washer 3/8	
24	4811700	9	Washer M6	
25	5241200	4	Washer M12	
26	1001289590	1	Breaker Box Kit (See Separate Breakdown in ELECTRICAL Section)	
27	1001138566	1	Box, Control	
27	70006552	1	Capacitor	
27	70006553	1	Relay	
28	1001140347	1	Generator Assembly	
28	70003709	1	Ring, Retaining (External)	
28	70003708	1	Ring, Retaining (Internal)	
28	70001966	1	Bearing	
28	70004092	1	Endbell (Shaft End)	
28	70004099	1	Key	
28	70004676	1	Rotor	
28	70004686	1	Stator	
28	70004678	1	Endbell (Rear)	
28	70004679	1	Cover, Endbell (Rear)	
28	70004680	1	Enclosure, Wiring	
28	70004681	1	Cover, Enclosure	
28	70004682	1	Switch, Reset (Located on Enclosure Cover)	
28	70004683	1	Connector, Strain Relief (Located on Enclosure Cover)	
28	4460224	1	Receptacle, Female - 6 Position (Connects to Generator Harness)	
28	4460294	1	Pin, Male (Use with p/n 4460224)	

SECTION 3 - ENGINE

ITEM	PART NUMBER	QTY	DESCRIPTION	REV
28	4460807	1	Seal, Terminal (Use with p/n 4460224)	
28	4460808	1	Seal, Interface (Use with p/n 4460224)	
29	1001142643	1	Support, Gen Tensioner	
30	1001152532	1	Harness, Generator (See Separate Breakdown in ELECTRICAL Section)	
31	1001153197	1	Harness, Generator (See Separate Breakdown in ELECTRICAL Section)	
32	1001153636	1	Bracket	
33	1001175632	1	Wire (Not Shown)	
34	1001214683	1	Belt, Generator	

SECTION 3 - ENGINE

FIGURE 3-74. 4000W/60HZ GENERATOR INSTALLATION - DEUTZ TD2.9L4 AND DEUTZ D2.9L4 ENGINES



ART_1001171126

SECTION 3 - ENGINE

FIGURE 3-74. 4000W/60HZ GENERATOR INSTALLATION - DEUTZ TD2.9L4 AND DEUTZ D2.9L4 ENGINES

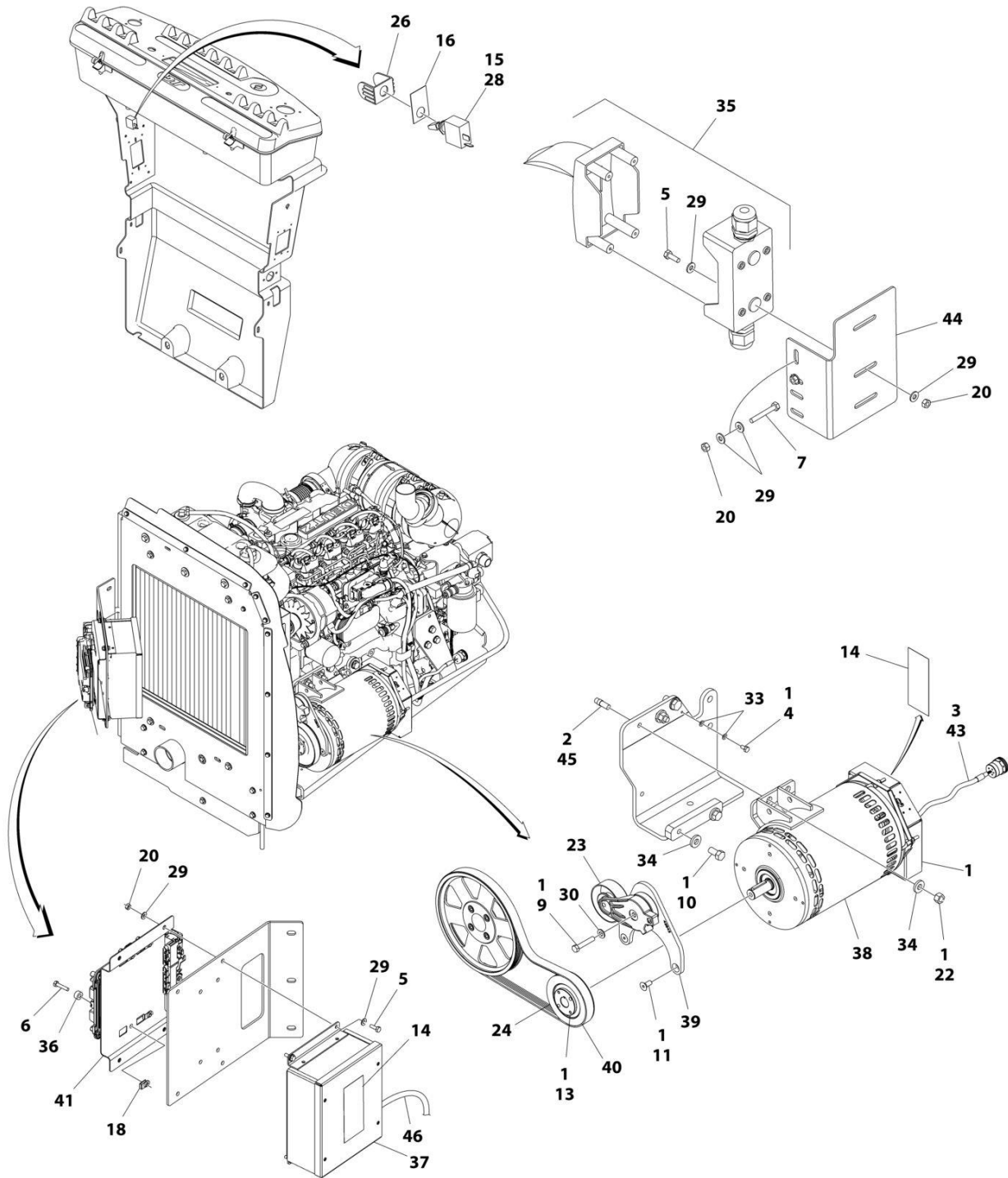
ITEM	PART NUMBER	QTY	DESCRIPTION	REV
	1001171126	Ref	4000W/60HZ Generator Installation	B
1	0100011	AR	Compound, Locking	
2	0100019	AR	Compound, Locking	
3	0100048	AR	Grease, Dielectric	
4	0100079	AR	Sealant	
5	0641404	1	Bolt 1/4 x 1/2	
6	0641407	4	Bolt 1/4 x 7/8	
7	3931016	4	Capscrew #10 x 1	
8	0641516	3	Bolt 5/16 x 2	
9	0641616	1	Bolt 3/8 x 2	
10	0641808	2	Bolt 1/2 x 1	
11	0741607	3	Screw, Flathead 3/8 x 7/8	
12	0860038	1	Box, Switch	
13	1001138566	1	Box, Control	
13	70006552	1	Capacitor	
13	70006553	1	Relay	
14	0902888	1	Bracket, Junction Box	
15	0962520	1	Bushing, Split	
16	2820031	0.33 ft /.10m	Heat Shrink	
17	3251102	1	Nameplate, Generator	
18	3300454	4	Nut, U-Style 1/4	
19	3311405	4	Nut 1/4	
20	3311508	3	Nut 5/16	
21	3311801	2	Nut 1/2	
22	3580317	1	Tensioner, Belt with Pulley	
23	3580318	1	Pulley, Generator	
24	3910606	4	Screw #6 x 3/8	
25	3960422	1	Gasket, AC Receptacle	
26	4060802	1	Guard, Switch	
27	4240018	AR	Tie-Strap (Not Shown)	
28	1001163599	2	Stud	
29	4360336	1	Switch, Toggle	
30	4460071	1	Connector, Strain Relief	
31	4460346	1	Receptacle	
32	4711400	8	Washer 1/4	
33	4751500	3	Washer 5/16	
34	4711600	1	Washer 3/8	
35	4751000	4	Washer #10	
36	4791400	2	Washer 1/4	
37	4891800	4	Washer 1/2	
38	1705374	1	Decal, 240V	
39	1001110873	1	Cover, Receptacle	
41	1001140346	1	Generator Assembly	
41	70003709	1	Ring, Retaining (External)	
41	70003708	1	Ring, Retaining (Internal)	
41	70001966	1	Bearing	
41	70004092	1	Endbell (Shaft End)	
41	70004099	1	Key	

SECTION 3 - ENGINE

ITEM	PART NUMBER	QTY	DESCRIPTION	REV
41	70004676	1	Rotor	
41	70004687	1	Stator	
41	70004678	1	Endbell (Rear)	
41	70004679	1	Cover, Endbell (Rear)	
41	70004680	1	Enclosure, Wiring	
41	70004685	1	Cover, Enclosure	
41	70004682	1	Switch, Reset (Located on Enclosure Cover)	
41	70004098	1	Connector, Strain Relief (Located on Enclosure Cover)	
41	4460224	1	Receptacle, Female - 6 Position (Connects to Generator Harness)	
41	4460294	6	Pin, Male (Use with p/n 4460224)	
41	4460807	6	Seal, Terminal (Use with p/n 4460224)	
41	4460808	1	Seal, Interface (Use with p/n 4460224)	
42	1001142643	1	Support, Gen Tensioner	
43	1001142646	1	Belt, Generator	
44	1001152457	1	Junction Box Assembly	
44	3300396	1	Cover, Breaker	
44	4360070	1	Breaker, Circuit - 15Amp	
44	4460425	1	Connector, Strain Relief (LH Side)	
44	4460426	1	Connector, Strain Relief (RH Side)	
44	1001152530	1	Block, Terminal	
44	1001158363	1	Cover, Terminal Block	
44	1001153260	1	Decal - Wiring Diagram	
45	1001145330	1	Bracket	
46	0641410	4	Bolt 1/4 x 1-1/4	
47	1001110425	4	Spacer	
48	3311005	4	Nut #10	
49	1705387	3	Decal - Hazardous Voltage	
50	3251243	1	Decal, 120V-60Hz	
51	1001152532	1	Harness, Generator (See Separate Breakdown in ELECTRICAL SECTION)	
		Ref	ELECTRICAL DIAGRAM COMPONENTS	
101	1001153259	1	Harness, Generator	
103	4922641	1	Harness, Switch	

SECTION 3 - ENGINE

FIGURE 3-75. 4000W/50HZ GENERATOR INSTALLATION - DEUTZ TD2.9L4 AND DEUTZ D2.9L4 ENGINES



ART_1001171268

SECTION 3 - ENGINE

FIGURE 3-75. 4000W/50HZ GENERATOR INSTALLATION - DEUTZ TD2.9L4 AND DEUTZ D2.9L4 ENGINES

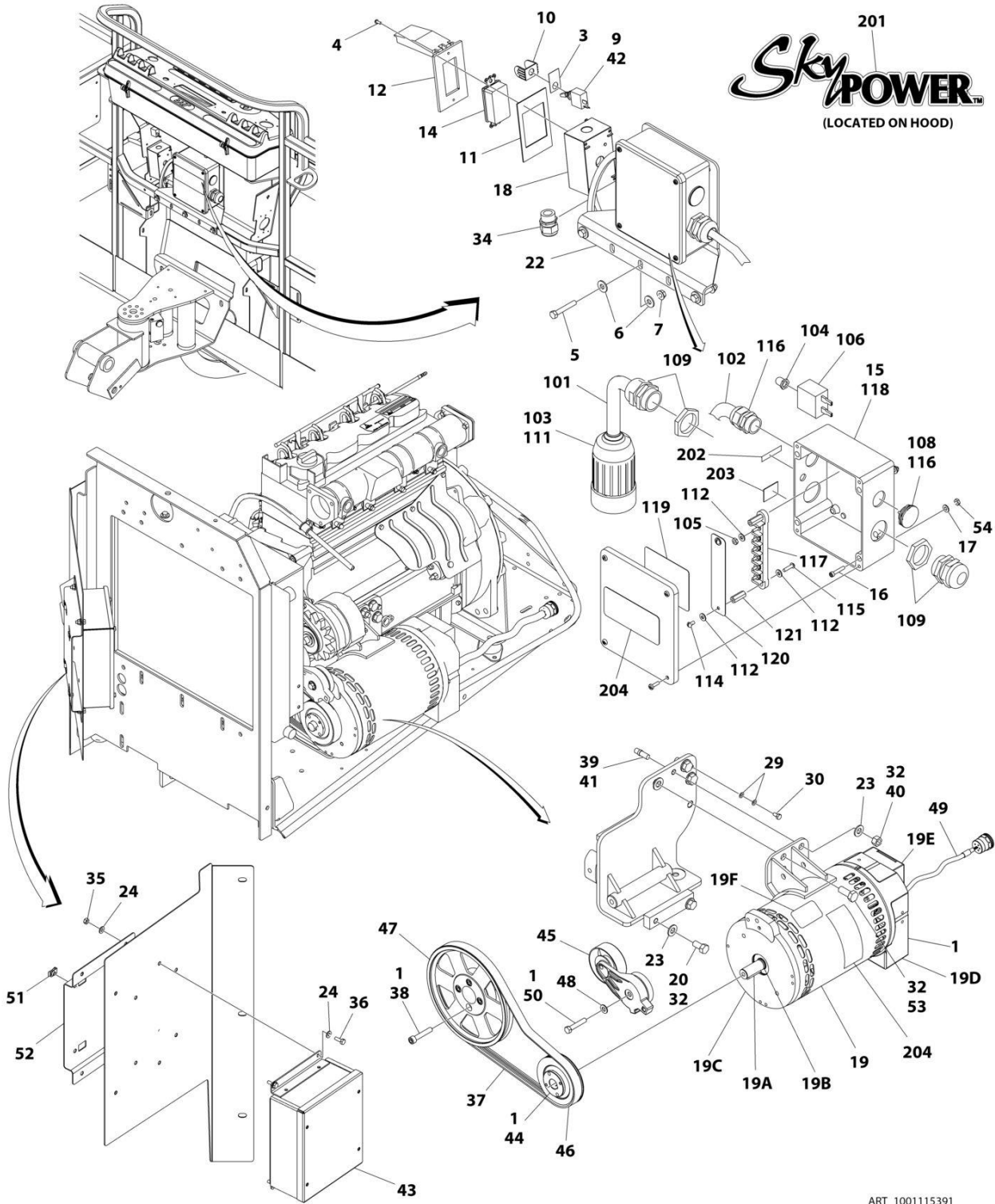
ITEM	PART NUMBER	QTY	DESCRIPTION	REV
	1001171268	Ref	4000W/50HZ Generator Installation	C
1	0100011	AR	Compound, Locking	
2	0100019	AR	Compound, Locking	
3	0100048	AR	Grease, Dielectric	
4	0641404	1	Bolt 1/4 x 1/2	
5	0641406	6	Bolt 1/4 x 3/4	
6	0641410	4	Bolt 1/4 x 1-1/4	
7	0641415	2	Bolt 1/4 x 1-7/8	
9	0641618	1	Bolt 3/8 x 2-1/4	
10	0641808	2	Bolt 1/2 x 1	
11	0741607	3	Screw, Flathead 3/8 x 7/8	
13	0962520	1	Bushing, Split	
14	1705489	2	Decal - Hazardous Voltage	
15	2820031	0.33 ft /.10m	Heat Shrink	
16	3251102	1	Nameplate, Generator	
18	3300454	4	Nut, U-Style 1/4	
20	3311405	4	Nut 1/4	
22	3311801	2	Nut 1/2	
23	3580317	1	Tensioner, Belt with Pulley	
24	3580319	1	Pulley, Generator	
26	4060802	1	Guard, Switch	
27	4240018	AR	Tie-Strap (Not Shown)	
28	4360336	1	Switch, Toggle	
29	4711400	16	Washer 1/4	
30	4711600	1	Washer 3/8	
33	4791400	2	Washer 1/4	
34	4891800	4	Washer 1/2	
35	1001096070	1	Breaker Box Kit (Not Shown) (See Separate Breakdown in ELECTRICAL SECTION)	
36	1001110425	4	Spacer	
37	1001138566	1	Box, Control	
37	70006552	1	Capacitor	
37	70006553	1	Relay	
38	1001140347	1	Generator Assembly	
38	70003709	1	Ring, Retaining (External)	
38	70003708	1	Ring, Retaining (Internal)	
38	70001966	1	Bearing	
38	70004092	1	Endbell (Shaft End)	
38	70004099	1	Key	
38	70004676	1	Rotor	
38	70004686	1	Stator	
38	70004678	1	Endbell (Rear)	
38	70004679	1	Cover, Endbell (Rear)	
38	70004680	1	Enclosure, Wiring	
38	70004681	1	Cover, Enclosure	
38	70004682	1	Switch, Reset (Located on Enclosure Cover)	
38	70004683	1	Connector, Strain Relief (Located on Enclosure Cover)	

SECTION 3 - ENGINE

ITEM	PART NUMBER	QTY	DESCRIPTION	REV
38	4460224	1	Receptacle, Female - 6 Position (Connects to Generator Harness)	
38	4460294	6	Pin, Male (Use with p/n 4460224)	
38	4460807	6	Seal, Terminal (Use with p/n 4460224)	
38	4460808	1	Seal, INterface (Use with p/n 4460224)	
39	1001142643	1	Support, Gen Tensioner	
40	1001142645	1	Belt	
41	1001145330	1	Bracket	
43	1001152532	1	Harness, Generator (See Separate Breakdown in ELECTRICAL SECTION)	
44	1001153636	1	Bracket	
45	1001163599	2	Stud	
46	1001153259	1	Harness, Generator	

SECTION 3 - ENGINE

FIGURE 3-76. 7500W/60HZ SKYPOWER GENERATOR INSTALLATION - DEUTZ D2011 ENGINES



SECTION 3 - ENGINE

FIGURE 3-76. 7500W/60HZ SKYPOWER GENERATOR INSTALLATION - DEUTZ D2011 ENGINES

ITEM	PART NUMBER	QTY	DESCRIPTION	REV
	1001115391	Ref	7500W/60HZ SKYPOWER GENERATOR INSTALLATION	F
1	0100011	AR	Compound, Locking	
3	3252764	1	Nameplate	
4	3910606	4	Screw #6 x 3/8	
5	0641516	3	Bolt 5/16 x 2	
6	4711500	6	Washer	
7	3311505	3	Nut 5/16	
9	4360336	1	Switch, Toggle	
10	4060802	1	Guard, Switch	
11	3960422	1	Gasket	
12	1001110873	1	Cover, Receptacle	
14	4460346	1	Receptacle	
15	1001157592	Ref	Junction Box Assembly Options (See Items 101-121 for Breakdown)	
16	3931016	4	Capscrew #10 x 1	
17	4751000	4	Washer #10	
18	0860038	1	Box, Switch	
19	2460048	1	Generator Assembly	D
19	70001100	1	Rotor (Includes p/n 70001384 & 70000863) (Not Shown)	
19	70001384	1	Bearing, Ball Radial (Not Shown)	
19	70000863	1	Fan (Not Shown)	
19	70002088	1	Stator (Not Shown)	
19	70002297	1	Stud	
19	70003631	1	Brushholder Assembly (Not Shown)	
19A	70004171	1	Key	
19B	70001966	1	Bearing, Ball Radial (Located in Belt Tensioner Endbell)	
19B	70003708	1	Ring, Internal Retaining (Located in Belt Tensioner Endbell)	
19B	70003709	1	Ring, External Retaining (Located in Belt Tensioner Endbell)	
19C	70001953	1	Endbell, Belt Tensioner	
19D	70004169	1	Endbell, Brush Block	
19E	70002290	1	Shroud	
19E	7027799	1	Block, Connector 6 Position (Not Shown)	
19E	7026626	1	Connector - 6 Position with Seal (Not Shown)	
19E	70002460	1	Nut, Brass (Attaches p/n 7027799 to Cover) (Not Shown)	
19E	7024485	1	Breaker, Circuit 30Amp (Not Shown)	
19E	70001696	1	Boot, Breaker (Not Shown)	
19E	7026597	1	Connector, W/Leads (Not Shown)	
19E	7026188	1	Clamp, Cable (Not Shown)	
19E	70003708	1	Ring, Retaining (Internal) (Not Shown)	
19E	70003709	1	Ring, Retaining (External) (Not Shown)	
19E	70004169	1	Plate, End Panel	
19E	70001974	1	Decal - Terminal Connections	
19F	70001973	1	Decal - Warning Moving Parts	
20	0641808	2	Bolt 1/2 x 1	
22	0902888	1	Bracket, Box Mounting	
23	4711800	3	Washer 1/2	
24	4711400	8	Washer 1/4	
28	4240018	AR	Tie-Strap (Not Shown)	
29	4791400	2	Starwasher 1/4	
30	0641403	1	Bolt 1/4 x 3/8	

SECTION 3 - ENGINE

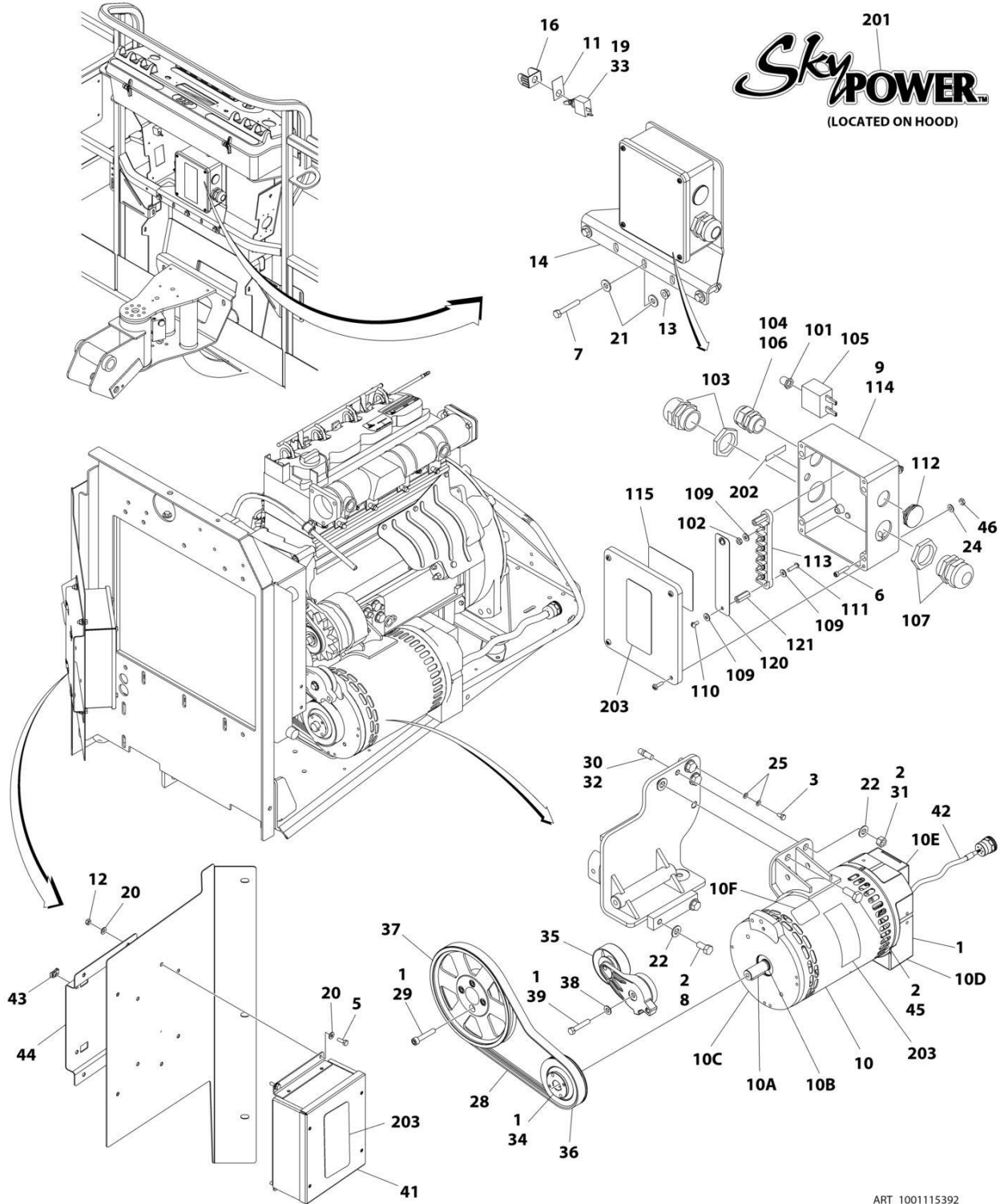
ITEM	PART NUMBER	QTY	DESCRIPTION	REV
32	0100019	AR	Compound, Locking	
34	4460071	1	Connector, Strain Relief	
35	3311405	4	Nut 1/4	
36	0641406	4	Bolt 1/4 x 3/4	
37	0480129	1	Belt, Drive	
38	4032015	4	Capscrew M10 x 55	
39	4300157	1	Stud	
40	3311801	1	Nut 1/2	
41	0100062	AR	Adhesive	
42	2820031	1	Insulator	
43	0861538	1	Control Box Assembly	
43	7024488	1	Card, Circuit - Generator Power	
43	See Note	1	Fuse (Note: Not Available - Purchase Locally)	
43	7024489	1	Card, Circuit - Control	
		Ref	Note: Same Circuit Card (p/n 7024489) is used for both 60Hz and 50Hz. When replacing card, rocker switch on card must be set for required application	
43	70000619	1	Harness, Circuit Card	
44	0962520	1	Bushing, Split Taper	
45	3580317	1	Tensioner, Belt	
46	3580318	1	Pulley	
47	3580320	1	Pulley	
48	4711600	1	Washer 3/8	
49	4922925	1	Harness, Generator (See Separate Breakdown in ELECTRICAL SECTION)	
50	0641618	1	Bolt 3/8 x 2-1/4	
51	3300454	4	Nut Special 1/4	
52	3575863	1	Plate, EMR2 Mount	
53	0771415	1	Bolt M14 x 35	
54	3311005	4	Nut #10	
	1001157592	Ref	JUNCTION BOX ASSEMBLY	D
101	1060343	AR	Cable, Electrical 10/4	
102	1001179154	2 ft/.6m	Cable, Electrical 12/3	
103	1671092	1	Cover	
104	3300396	1	Cover, Fuse	
105	3311001	6	Nut #10	
106	4360070	1	Circuit Breaker - 15 Amp	
108	4460425	1	Strain Relief, Terminal	
109	4460426	2	Connector, Strain Relief	
111	4460963	1	Connector	
112	4711000	10	Washer #10	
114	10702077	2	Screw #10 x 3/8	
115	10702082	2	Screw #10 x 3/4	
116	1001152525	1	Plug, Hole	
117	1001157520	1	Block, Terminal - 6 Pole	
118	1001157521	1	Box, Junction	
119	1001157528	1	Decal - Wiring Schematic	
120	1001158007	1	Cover, PVC	
121	1001158008	2	Stand-Off	
	0272435	Ref	DECAL INSTALLATION	D
201	1705460	2	Decal - SkyPower	
202	3251243	1	Decal - 120V - 60Hz (Located on Opposite Side)	

SECTION 3 - ENGINE

ITEM	PART NUMBER	QTY	DESCRIPTION	REV
203	1705375	1	Decal - 240V - 3 Phase	B
204	1705387	3	Decal, Hazardous Voltage	
	1001157769	Ref	ELECTRICAL DIAGRAM COMPONENTS	
301	1001152429	1	Generator Harness (Not Shown - See Separate Breakdown in ELECTRICAL SECTION)	
304	4922641	1	Switch Harness (Not Shown)	

SECTION 3 - ENGINE

FIGURE 3-77. 7500W/50HZ SKYPOWER GENERATOR INSTALLATION - DEUTZ D2011 ENGINES



ART_1001115392

SECTION 3 - ENGINE

FIGURE 3-77. 7500W/50HZ SKYPOWER GENERATOR INSTALLATION - DEUTZ D2011 ENGINES

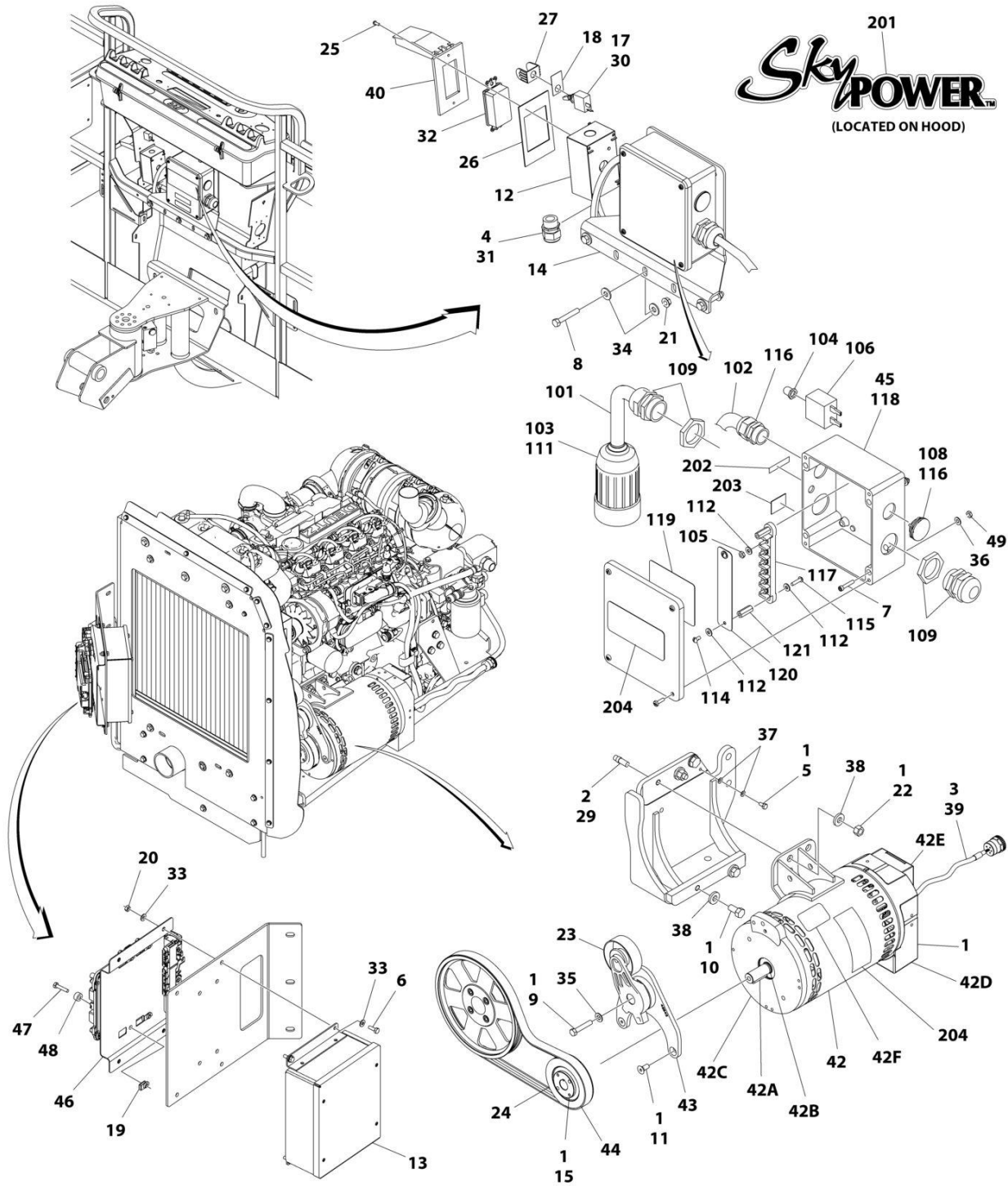
ITEM	PART NUMBER	QTY	DESCRIPTION	REV
	1001115392	Ref	7500W/50HZ SKYPOWER GENERATOR INSTALLATION	E
1	0100011	AR	Compound, Locking	
2	0100019	AR	Compound, Locking	
3	0641403	1	Bolt 1/4 x 3/8	
5	0641406	4	Bolt 1/4 x 3/4	
6	3931016	4	Capscrew #10 x 1	
7	0641516	3	Bolt 5/16 x 2	
8	0641808	2	Bolt 1/2 x 1	
9	1001157525	Ref	Junction Box Assembly Options (See Items 101-121 for Breakdown)	
10	2460048	1	Generator Assembly	D
10	70001100	1	Rotor (Includes p/n 70001384 & 70000863) (Not Shown)	
10	70001384	1	Bearing, Ball Radial (Not Shown)	
10	70000863	1	Fan (Not Shown)	
10	70002088	1	Stator (Not Shown)	
10	70002297	1	Stud	
10	70003631	1	Brushholder Assembly (Not Shown)	
10A	70004171	1	Key	
10B	70001966	1	Bearing, Ball Radial (Located in Belt Tensioner Endbell)	
10B	70003708	1	Ring, Internal Retaining (Located in Belt Tensioner Endbell)	
10B	70003709	1	Ring, External Retaining (Located in Belt Tensioner Endbell)	
10C	70001953	1	Endbell, Belt Tensioner	
10D	70004169	1	Endbell, Brush Block	
10E	70002290	1	Shroud	
10E	7027799	1	Block, Connector 6 Position (Not Shown)	
10E	7026626	1	Connector - 6 Position with Seal (Not Shown)	
10E	70002460	1	Nut, Brass (Attaches p/n 7027799 to Cover) (Not Shown)	
10E	7024485	1	Breaker, Circuit 30Amp (Not Shown)	
10E	70001696	1	Boot, Breaker (Not Shown)	
10E	7026597	1	Connector, W/Leads (Not Shown)	
10E	7026188	1	Clamp, Cable (Not Shown)	
10E	70003708	1	Ring, Retaining (Internal) (Not Shown)	
10E	70003709	1	Ring, Retaining (External) (Not Shown)	
10E	70004169	1	Plate, End Panel	
10E	70001974	1	Decal - Terminal Connections	
10F	70001973	1	Decal - Warning Moving Parts	
11	3252764	1	Nameplate	
12	3311405	4	Nut 1/4	
13	3311505	3	Nut 5/16	
14	0902888	1	Bracket, Box Mounting	
16	4060802	1	Guard, Switch	
18	4240018	AR	Tie-Strap (Not Shown)	
19	4360336	1	Switch, Toggle	
20	4711400	8	Washer 1/4	
21	4711500	6	Washer	
22	4711800	3	Washer 1/2	
24	4751000	4	Washer #10	
25	4791400	2	Starwasher 1/4	
28	0480126	1	Belt, Drive	
29	4032015	4	Capscrew M10 x 55	

SECTION 3 - ENGINE

ITEM	PART NUMBER	QTY	DESCRIPTION	REV
30	4300157	1	Stud	
31	3311801	1	Nut 1/2	
32	0100062	AR	Adhesive	
33	2820031	1	Insulator	
34	0962520	1	Bushing, Split Taper	
35	3580317	1	Tensioner, Belt	
36	3580319	1	Pulley	
37	3580320	1	Pulley	
38	4711600	1	Washer 3/8	
39	0641618	1	Bolt 3/8 x 2-1/4	
41	0861572	1	Control Box Assembly	
41	7024488	1	Card, Circuit - Generator Power	
41	See Note	1	Fuse (Note: Not Available - Purchase Locally)	
41	7024489	1	Card, Circuit - Control	
		Ref	"Note: Same Circuit Card (p/n 7024489) is used for both 60Hz and 50Hz. When replacing card, rocker switch on card must be set for required application."	
41	7000619	1	Harness, Circuit Card	
42	4922925	1	Harness, Generator (See Separate Breakdown in ELECTRICAL SECTION)	
43	3300454	4	Nut Special 1/4	
44	3575863	1	Plate, EMR2 Mount	
45	0771415	1	Bolt M14 x 35	
46	3311005	4	Nut #10	
	1001157525	Ref	JUNCTION BOX ASSEMBLY	B
101	3300396	1	Cover, Fuse	
102	3311001	6	Nut #10	
103	3520189	1	Plug	
104	3520192	1	Plug	
105	4360070	1	Circuit Breaker - 15 Amp	
106	4460425	1	Strain Relief, Terminal	
107	4460426	2	Connector, Strain Relief	
109	4711000	10	Washer #10	
110	10702077	2	Screw #10 x 3/8	
111	10702082	2	Screw #10 x 3/4	
112	1001152525	1	Plug, Hole	
113	1001157520	1	Block, Terminal - 6 Pole	
114	1001157521	1	Box, Junction	
115	1001157528	1	Decal - Wiring Schematic	
120	1001158007	1	Cover, PVC	
121	1001158008	2	Stand-Off	
	0272589	Ref	DECAL INSTALLATION	A
201	1705460	2	Decal - SkyPower	
202	1705461	1	Decal - 240V - 3 Phase	
203	1705489	Ref	Decal, Hazardous Voltage	
	1001157769	Ref	ELECTRICAL DIAGRAM COMPONENTS	B
301	1001152429	1	Generator Harness (Not Shown - See Separate Breakdown in ELECTRICAL SECTION)	
304	4922641	1	Switch Harness (Not Shown)	

SECTION 3 - ENGINE

FIGURE 3-78. 7500W/60HZ SKYPOWER GENERATOR INSTALLATION - DEUTZ TD2.9L4 AND DEUTZ D2.9L4 ENGINES



ART_1001145227

SECTION 3 - ENGINE

FIGURE 3-78. 7500W/60HZ SKYPOWER GENERATOR INSTALLATION - DEUTZ TD2.9L4 AND DEUTZ D2.9L4 ENGINES

ITEM	PART NUMBER	QTY	DESCRIPTION	REV
	1001145227	Ref	7500W/60HZ SKYPOWER GENERATOR INSTALLATION	G
1	0100011	AR	Compound, Locking	
2	0100019	AR	Compound, Locking	
3	0100048	AR	Grease, Dielectric	
4	0100079	AR	Sealant	
5	0641404	1	Bolt 1/4 x 1/2	
6	0641407	4	Bolt 1/4 x 7/8	
7	3931016	4	Capscrew #10 x 1	
8	0641516	3	Bolt 5/16 x 2	
9	0641616	1	Bolt 3/8 x 2	
10	0641808	2	Bolt 1/2 x 1	
11	0741607	3	Screw, Flathead 3/8 x 7/8	
12	0860038	1	Box, Switch	
13	0861538	1	Control Box Assembly	
13	7024488	1	Card, Circuit - Generator Power	
13	See Note	1	Fuse (Note: Not Available - Purchase Locally)	
13	7024489	1	Card, Circuit - Control	
		Ref	Note: Same Circuit Card (p/n 7024489) is used for both 60Hz and 50Hz. When replacing card, rocker switch on card must be set for required application.	
13	70000619	1	Harness, Circuit Card	
14	0902888	1	Bracket, Box Mounting	
15	0962520	1	Bushing, Split Taper	
17	2820031	1	Insulator	
18	3252764	1	Nameplate	
19	3300454	4	Nut Special 1/4	
20	3311405	4	Nut 1/4	
21	3311505	3	Nut 5/16	
22	3311801	2	Nut 1/2	
23	3580317	1	Tensioner, Belt	
24	3580318	1	Pulley	
25	3910606	4	Screw #6 x 3/8	
26	3960422	1	Gasket	
27	4060802	1	Guard, Switch	
28	4240018	AR	Tie-Strap (Not Shown)	
29	1001163599	2	Stud	
30	4360336	1	Switch, Toggle	
31	4460071	1	Connector, Strain Relief	
32	4460346	1	Receptacle	
33	4711400	8	Washer 1/4	
34	4711500	6	Washer	
35	4711600	1	Washer 3/8	
36	4751000	4	Washer #10	
37	4791400	2	Starwasher 1/4	
38	4891800	4	Washer 1/2	
39	4922925	1	Harness, Generator (See Separate Breakdown in ELECTRICAL SECTION)	
40	1001110873	1	Cover, Receptacle	
42	1001212223	1	Generator Assembly	

SECTION 3 - ENGINE

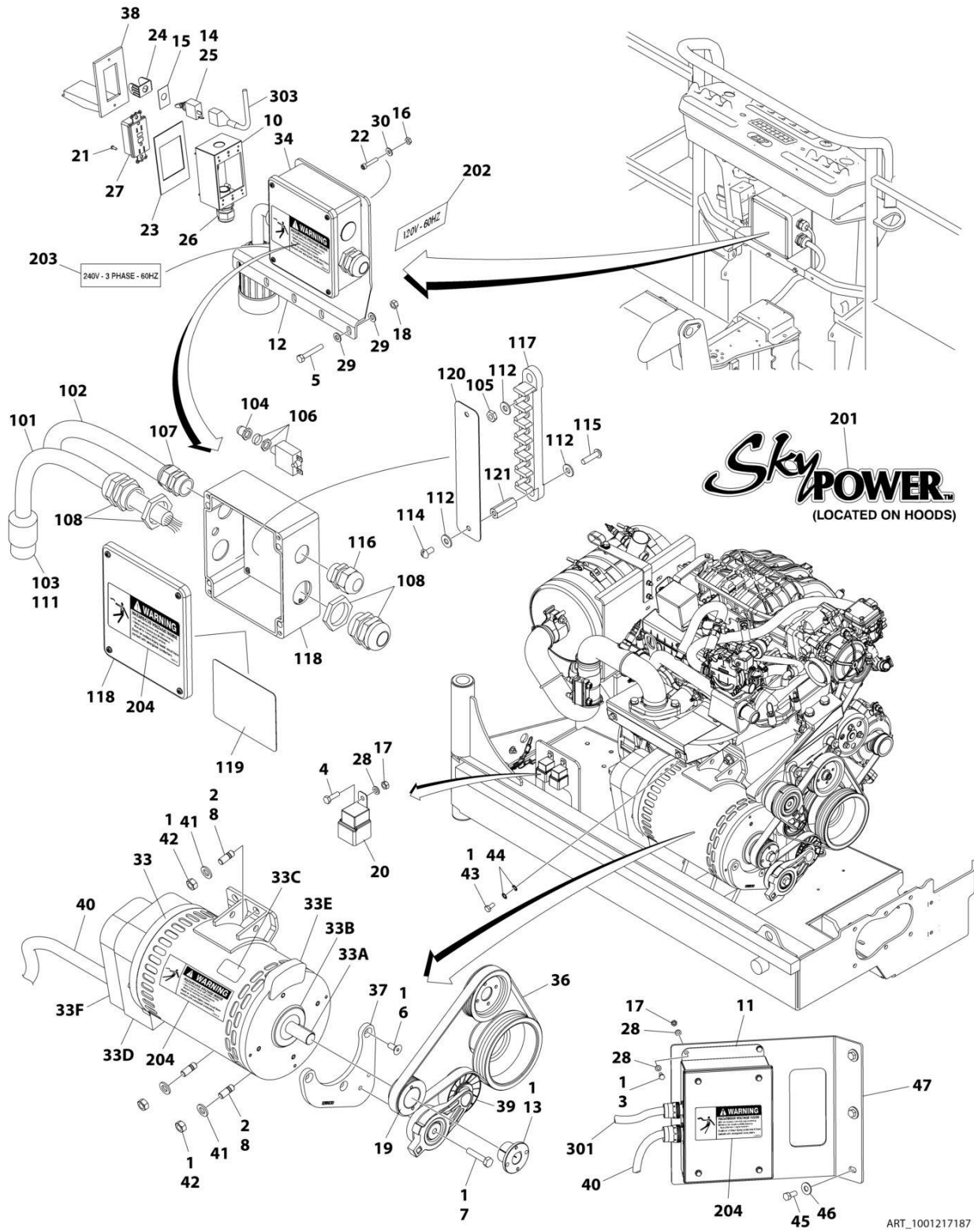
ITEM	PART NUMBER	QTY	DESCRIPTION	REV
42	70001100	1	Rotor (Includes p/n 70001384 & 70000863) (Not Shown)	
42	70001384	1	Bearing, Ball Radial (Not Shown)	
42	70000863	1	Fan (Not Shown)	
42	70006093	1	Stator (Not Shown)	
42	70002297	1	Stud	
42	70003631	1	Brushholder Assembly (Not Shown)	
42A	70004099	1	Key	
42B	70001966	1	Bearing, Ball Radial (Located in Belt Tensioner Endbell)	
42B	70003708	1	Ring, Internal Retaining (Located in Belt Tensioner Endbell)	
42B	70003709	1	Ring, External Retaining (Located in Belt Tensioner Endbell)	
42C	70004092	1	Endbell, Belt Tensioner	
42D	70004094	1	Endbell, Brush Block	
42E	70006094	1	Shroud	
42E	70002291	1	Insulator, Endbell	
42E	7027799	1	Block, Connector - 6 Position (Not Shown)	
42E	70002460	1	Nut, Brass (Attaches p/n 7027799 to Cover) (Not Shown)	
42E	70006095	1	Breaker, Circuit 30Amp (Not Shown)	
42E	70006096	1	Boot, Breaker (Not Shown)	
42E	7026626	1	Connector, 6 Position (Includes Seal) (Not Shown - Plugs into Item 45)	
42E	7026597	1	Connector with Leads (Not Shown)	
42E	70004098	1	Clamp, Cable (Not Shown)	
42E	70006097	1	Plate, End Panel	
42E	70001974	1	Decal - Terminal Connections	
42F	70001973	1	Decal - Warning Moving Parts	
43	1001142643	1	Support, Gen Tensioner	
44	1001142646	1	Belt, Generator	
45	1001157592	Ref	Junction Box Assembly Options (See Items 101-121 for Breakdown)	
46	1001145330	1	Bracket	
47	0641410	4	Bolt 1/4 x 1-1/4	
48	1001110425	4	Spacer	
49	3311005	4	Nut #10	
	1001157592	Ref	JUNCTION BOX ASSEMBLY	D
101	1060343	AR	Cable, Electrical 10/4	
102	1001179154	2 ft /0.6m	Cable, Electrical 12/3	
103	1671092	1	Cover	
104	3300396	1	Cover, Fuse	
105	3311001	6	Nut #10	
106	4360070	1	Circuit Breaker - 15 Amp	
108	4460425	1	Strain Relief, Terminal	
109	4460426	2	Connector, Strain Relief	
111	4460963	1	Connector	
112	4711000	10	Washer #10	
114	10702077	2	Screw #10 x 3/8	
115	10702082	2	Screw #10 x 3/4	
116	1001152525	1	Plug, Hole	
117	1001157520	1	Block, Terminal - 6 Pole	
118	1001157521	1	Box, Junction	
119	1001157528	1	Decal - Wiring Schematic	
120	1001158007	1	Cover, PVC	
121	1001158008	2	Stand-Off	

SECTION 3 - ENGINE

ITEM	PART NUMBER	QTY	DESCRIPTION	REV
	0272435	Ref	DECAL INSTALLATION	D
201	1705460	2	Decal - SkyPower	
202	3251243	1	Decal - 120V - 60Hz (Located on Opposite Side)	
203	1705375	1	Decal - 240V - 3 Phase	
204	1705387	3	Decal, Hazardous Voltage	
	1001157770	Ref	ELECTRICAL DIAGRAM COMPONENTS	A
301	1001119968	1	Generator Harness (Not Shown - See Separate Breakdown in ELECTRICAL SECTION)	
303	4922641	1	Switch Harness (Not Shown)	

SECTION 3 - ENGINE

FIGURE 3-79. 7500W/60HZ SKYPOWER GENERATOR INSTALLATION - FORD ENGINES



SECTION 3 - ENGINE

FIGURE 3-79. 7500W/60HZ SKYPOWER GENERATOR INSTALLATION - FORD ENGINES

ITEM	PART NUMBER	QTY	DESCRIPTION	REV
	1001217187	Ref	7500W/60HZ SKYPOWER GENERATOR INSTALLATION	F
1	0100011	AR	Compound, Locking	
2	0100019	AR	Compound, Locking	
3	0760608	4	Bolt M6 x 16	
4	0760610	2	Bolt M6 x 20	
5	0641516	3	Bolt 5/16 x 2	
6	0741607	3	Screw 3/8 x 7/8	
7	0761018	1	Bolt M10 x 50	
8	1001196382	4	Stud	
10	0860038	1	Box, Switch	
11	0861538	1	Control Box Assembly	
11	7024488	1	Card, Circuit - Generator Power	
11	See Note	1	Fuse (Note: Not Available - Purchase Locally)	
11	7024489	1	Card, Circuit - Control	
11	70000619	1	Harness, Circuit Card	
12	0902888	1	Bracket, Box Mounting	
13	0962520	1	Bushing, Spilt Taper	
14	2820031	1	Heat Shrink	
15	3252764	1	Nameplate - AC & Weld	
16	3311005	4	Nut #10	
17	3290601	6	Nut M6	
18	3311505	3	Nut 5/16	
19	3580314	1	Pulley	
20	3740080	2	Relay	
21	3910606	2	Screw #6 x 3/8	
22	3931016	4	Capscrew #10 x 1	
23	3960422	1	Gasket	
24	4060802	1	Guard, Switch	
25	4360336	1	Switch, Toggle	
26	4460071	1	Connector, Strain Relief	
27	4460346	1	Receptacle	
28	4811700	10	Washer #10	
29	4711500	6	Washer 5/16	
30	4751000	4	Washer #10	
33	1001136104	1	Generator Assembly	
33	70003631	1	Brushholder Assembly (Not Shown)	
33	7024485	1	Breaker, Circuit 30Amp (Not Shown)	
33	70001696	1	Boot, Breaker (Not Shown)	
33	70001966	1	Bearing, Ball Radial (Located in Belt Tensioner Endbell - Not Shown)	
33	7027799	1	Block, Connector 6 Position (Not Shown)	
33	70002460	6	Nut, Brass (Attaches p/n 7027799 to Cover) (Not Shown)	
33	7026188	1	Clamp, Cable (Not Shown)	
33	7026597	1	Connector, W/Leads (Not Shown)	
33	7026626	1	Connector - 6 Position with Seal (Not Shown)	
33	70002088	1	Stator (Not Shown)	
33	70004169	1	Panel, End (Not Shown)	
33	70001974	1	Decal - Terminal Connections (Not Shown)	
33	70000863	1	Fan (Not Shown)	
33	70002297	4	Stud (Not Shown)	

SECTION 3 - ENGINE

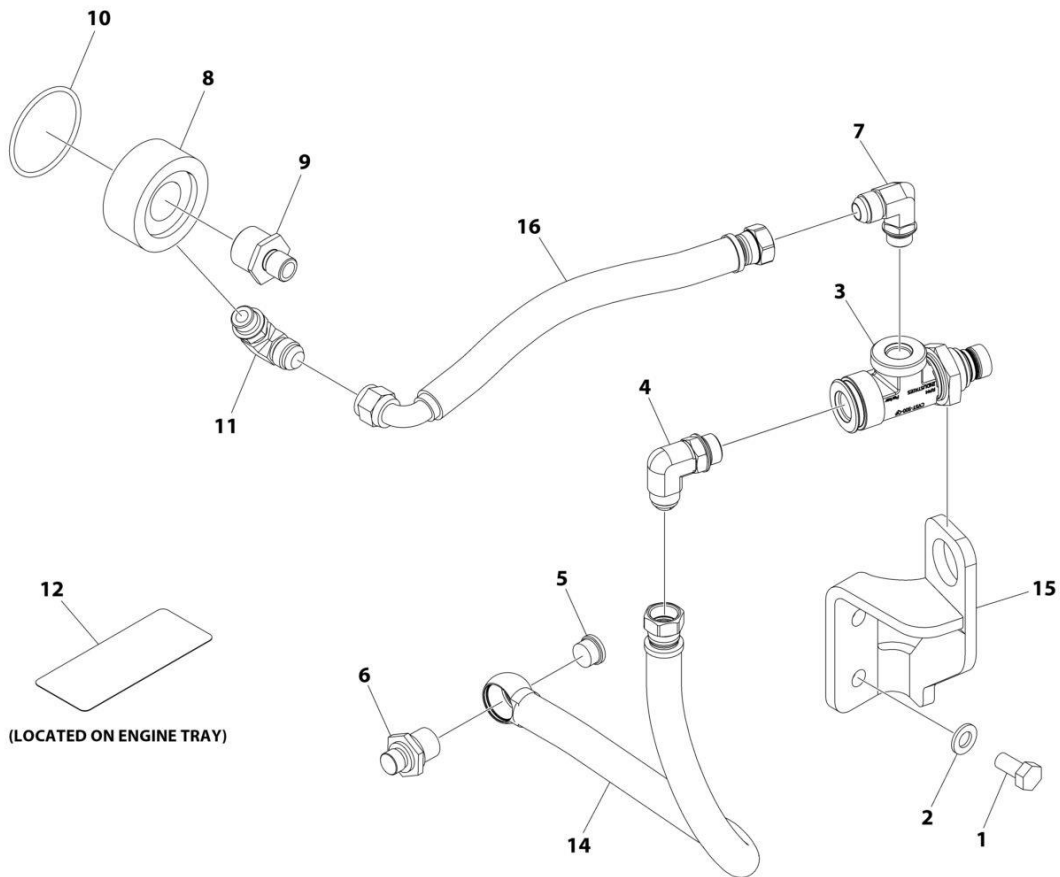
ITEM	PART NUMBER	QTY	DESCRIPTION	REV
33A	70004171	1	Key	
33A	70001100	1	Armature, Generator (Includes Radial Ball Bearing on End with Brushes and Fan)	
33A	70001384	1	Bearing, Ball Radial	
33B	70001966	1	Bearing, Radial Ball	
33B	70003708	1	Ring, Internal Retaining (Located in Belt Tensioner Endbell)	
33B	70003709	1	Ring, External Retaining (Located in Belt Tensioner Endbell)	
33C	70001973	1	Decal - Warning Moving Parts	
33D	70004169	1	Endbell, Brush Block	
33E	70001953	1	Endbell, Belt Tensioner	
33F	70004169	1	Endbell, Shroud Assembly	
34	1001157592	1	Junction Box Assembly (See Items 101-121 for Breakdown)	
36	1001216390	1	V-Belt	
37	1001218930	1	Mount, Tensioner	
38	1001110873	1	Cover, Receptacle	
39	3580317	1	Tensioner, Belt	
40	4922925	1	Harness, Generator (See Separate Breakdown in ELECTRICAL SECTION)	
41	5241200	4	Washer M12	
42	3291201	4	Nut M12	
43	0760606	1	Bolt M6 x 12	
44	4871700	2	Washer M6	
45	0641607	3	Bolt 3/8 x 7/8	
46	4751600	3	Washer 3/8	
47	1001137866	1	Bracket	
	1001157592	Ref	JUNCTION BOX ASSEMBLY	C
101	1060343	1.5 ft /0.5m	Cable, Electrical - 10/4	
102	1001179154	2.5 ft /0.8m	Cable Electrical - 12/3	
103	1671092	1	Cover, Connector	
104	3300396	1	Cover, Fuse	
105	3311001	6	Nut #10	
106	4360070	1	Breaker, Circuit 15Amp	
107	4460425	1	Connector, Strain Relief	
108	4460426	2	Connector, Strain Relief	
111	4460963	1	Receptacle	
112	4711000	10	Washer #10	
114	10702077	2	Screw #10 x 3/8	
115	10702082	2	Screw #10 x 3/4	
116	1001152525	1	Plug, Hole	
117	1001157520	1	Block, Terminal Pole	
118	1001157521	1	Box, Junction	
119	1001157528	1	Decal - Box Junction	
120	1001158007	1	Cover	
121	1001158008	2	Standoff	
	0272435	Ref	DECAL INSTALLATION	D
201	1705460	2	Decal - SkyPower	
202	3251243	1	Decal - 120V - 60Hz (Located on Opposite Side)	
203	1705375	1	Decal - 240V - 3 Phase	
204	1705387	3	Decal, Hazardous Voltage	
	1001221498	Ref	ELECTRICAL DIAGRAM COMPONENTS	B

SECTION 3 - ENGINE

ITEM	PART NUMBER	QTY	DESCRIPTION	REV
301	1001257972	1	Generator Harness (See Separate Breakdown in ELECTRICAL SECTION)	A
303	4922641	1	Switch Harness	

SECTION 3 - ENGINE

FIGURE 3-80. QUICKFIT OIL VALVE (DEUTZ TD ENGINES)



ART_1001285349

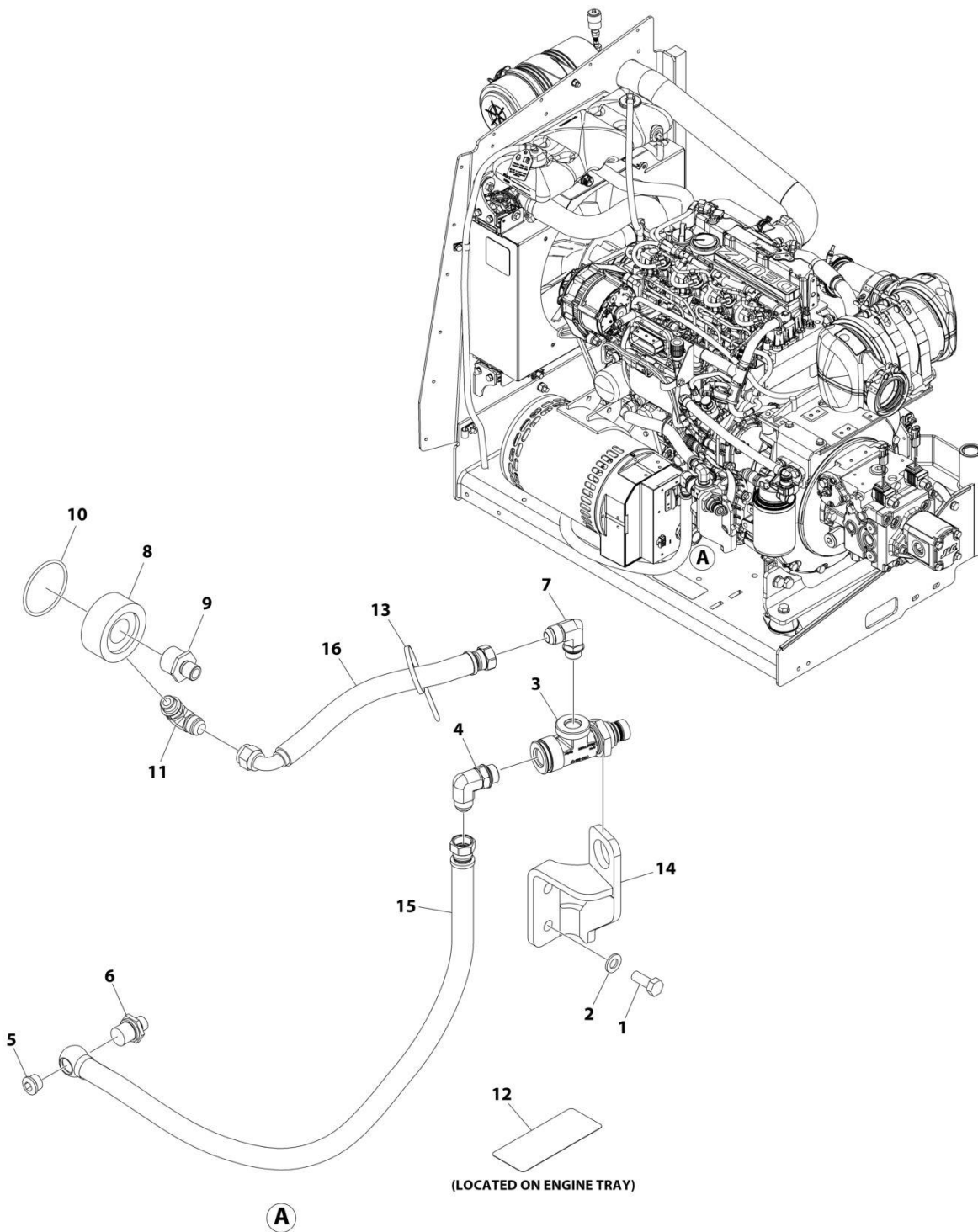
SECTION 3 - ENGINE

FIGURE 3-80. QUICKFIT OIL VALVE (DEUTZ TD ENGINES)

ITEM	PART NUMBER	QTY	DESCRIPTION	REV
	1001285349	Ref	QUICKFIT OIL VALVE	A
1	0761212	2	Bolt M12 x 25	
2	4812100	2	Washer M12	
3	1001281298	1	Valve, Quickfit	
4	1001281301	1	Fitting, 90	
5	1001281304	1	Plug	
6	1001281305	1	Fitting, Banjo	
7	1001281307	1	Fitting, 90	
8	1001281309	1	Filter, Ring	
9	1001281310	1	Fitting, Straight	
10	1001281311	1	O-Ring	
11	1001281359	1	Valve, Check	
12	1001281360	1	Decal - RPM Quickfit	
13	1001281656	1	Tie-Strap (Not Shown)	
14	1001284101	1	Hose	
15	1001287536	1	Bracket	
16	1001288113	1	Hose	

SECTION 3 - ENGINE

FIGURE 3-81. QUICKFIT OIL VALVE (DEUTZ D ENGINES)



ART_1001285636

SECTION 3 - ENGINE

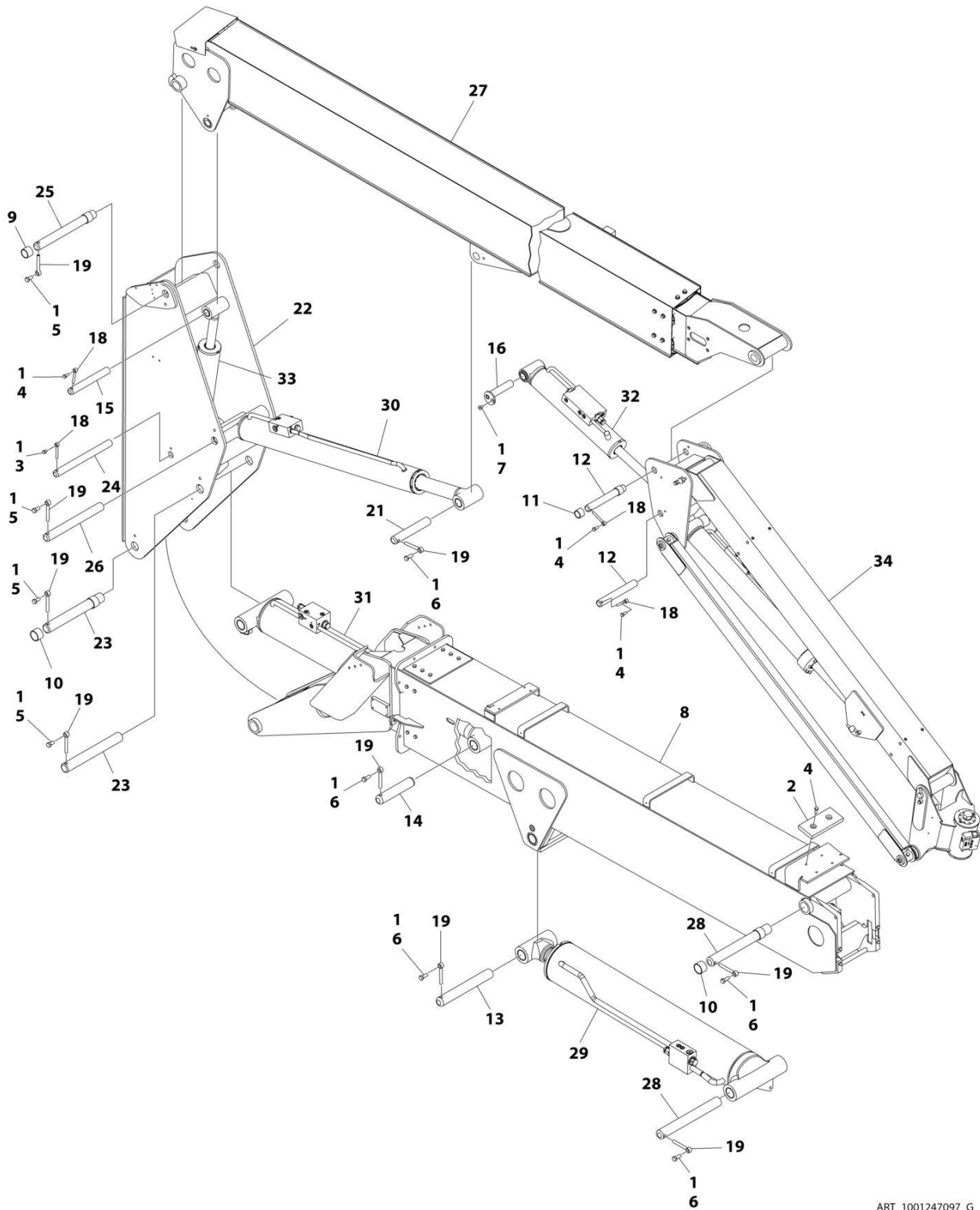
FIGURE 3-81. QUICKFIT OIL VALVE (DEUTZ D ENGINES)

ITEM	PART NUMBER	QTY	DESCRIPTION	REV
	1001285636	Ref	QUICKFIT OIL DRAIN INSTALLATION	A
1	0761214	2	Bolt M12 x 30	
2	4812100	2	Washer M12	
3	1001281298	1	Valve, Quickfit	
4	1001281301	1	Fitting, 90	
5	1001281304	1	Plug	
6	1001281305	1	Fitting, Banjo	
7	1001281307	1	Fitting, 90	
8	1001281309	1	Filter, Ring	
9	1001281310	1	Fitting, Straight	
10	1001281311	1	O-Ring	
11	1001281359	1	Valve, Check	
12	1001281360	1	Decal - RPM Quickfit	
13	1001281656	1	Tie-Strap	
14	1001287536	1	Bracket	
15	1001287552	1	Hose	
16	1001288113	1	Hose	

SECTION 4 - BOOM

SECTION 4 - BOOM

FIGURE 4-1. BOOMS AND CYLINDERS INSTALLATION - WITHOUT ARCTIC PACKAGE



ART_1001247097_G

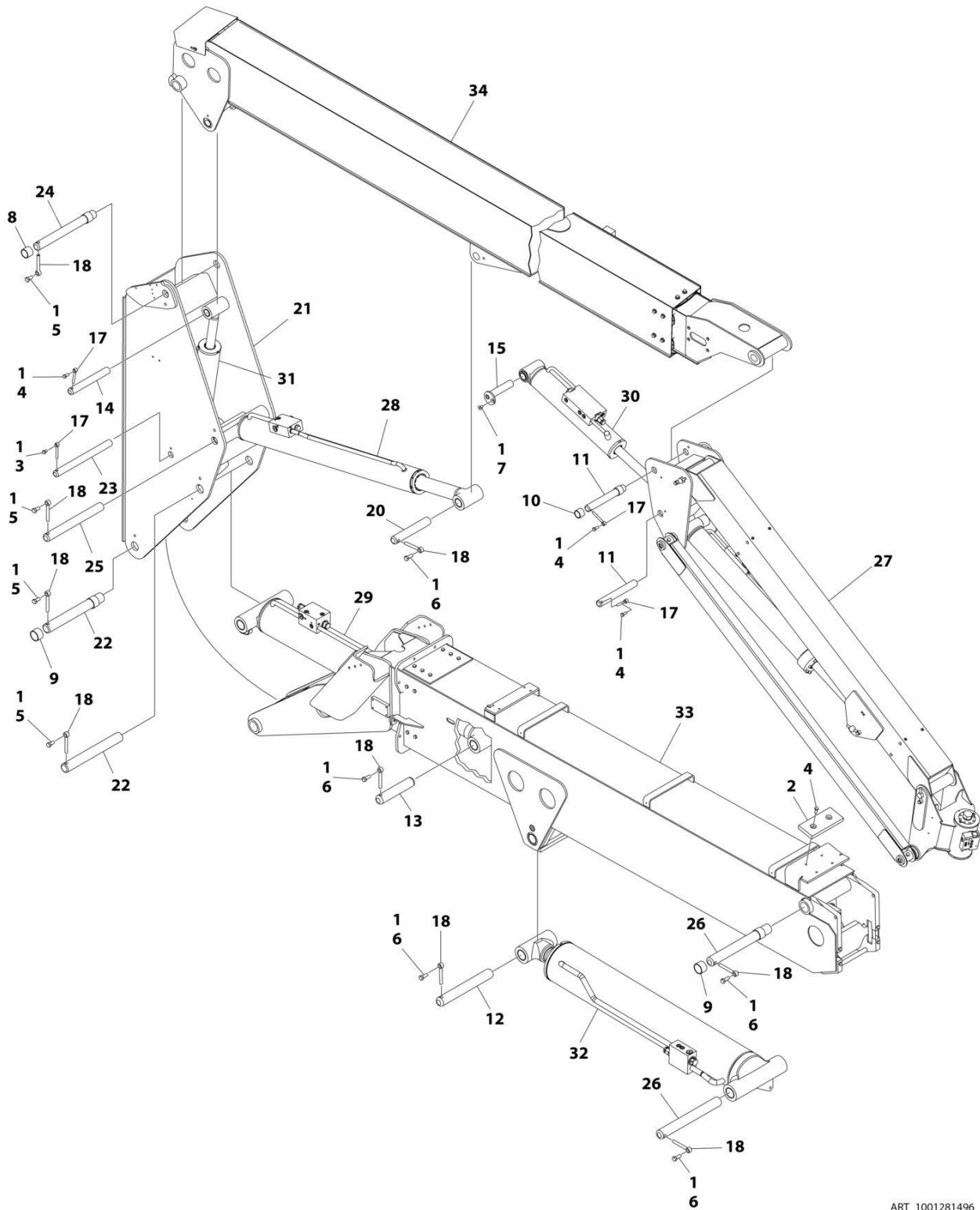
SECTION 4 - BOOM

FIGURE 4-1. BOOMS AND CYLINDERS INSTALLATION - WITHOUT ARCTIC PACKAGE

ITEM	PART NUMBER	QTY	DESCRIPTION	REV
	1001247097	Ref	BOOMS AND CYLINDERS INSTALLATION	G
1	0100011	AR	Compound, Locking	
2	0561076	1	Block, Boom Rest	
3	0641604	1	Bolt 3/8 x 1/2	
4	0641607	5	Bolt 3/8 x 7/8	
5	0641808	4	Bolt 1/2 x 1	
6	0641810	5	Bolt 1/2 x 1-1/4	
7	0741605	1	Screw, Countersunk 3/8 x 5/8	
8	0801019	1	Tower Boom Assembly (See Separate Breakdown in this Section)	
9	0961948	2	Bushing	
10	0961949	4	Bushing	
11	0961951	2	Bushing	
12	3422561	2	Pin	
13	3422573	1	Pin	
14	3422575	1	Pin	
15	3422579	1	Pin	
16	3422583	1	Pin	
17	3790012	1	O-Ring (Not Shown - Used with Item 20 Located on Platform Console Box)	
18	3841143	4	Keeper, Pin - 3/8	
19	3841203	9	Keeper, Pin - 1/2	
20	4360328	1	Toggle, Switch (Not Shown - Located on Platform Console Box)	
21	1001097822	1	Pin	
22	1001152639	1	Upright	
23	1001155093	2	Pin	
24	1001155094	1	Pin	
25	1001155096	1	Pin	
26	1001155097	1	Pin	
27	1001156501	1	Main Boom Assembly (See Separate Breakdown in this Section)	
28	1001158810	2	Pin	
29	1001261003	1	Tower Lift Cylinder Assembly (See Separate Breakdown in CYLINDER Section)	
30	1001251004	1	Tower Lift Cylinder Assembly (See Separate Breakdown in CYLINDER Section)	
31	1001251042	1	Main Lift Cylinder Assembly (See Separate Breakdown in CYLINDER Section)	
32	1001251051	1	Platform (Slave) Level Cylinder Assembly (See Separate Breakdown in CYLINDER Section)	
33	1001251052	1	Master Cylinder Assembly (See Separate Breakdown in CYLINDER Section)	
34	1001247146	1	Jib Boom Assembly (See Separate Breakdown in this Section)	

SECTION 4 - BOOM

FIGURE 4-2. BOOMS AND CYLINDERS INSTALLATION - WITHOUT ARCTIC PACKAGE



ART_1001281496

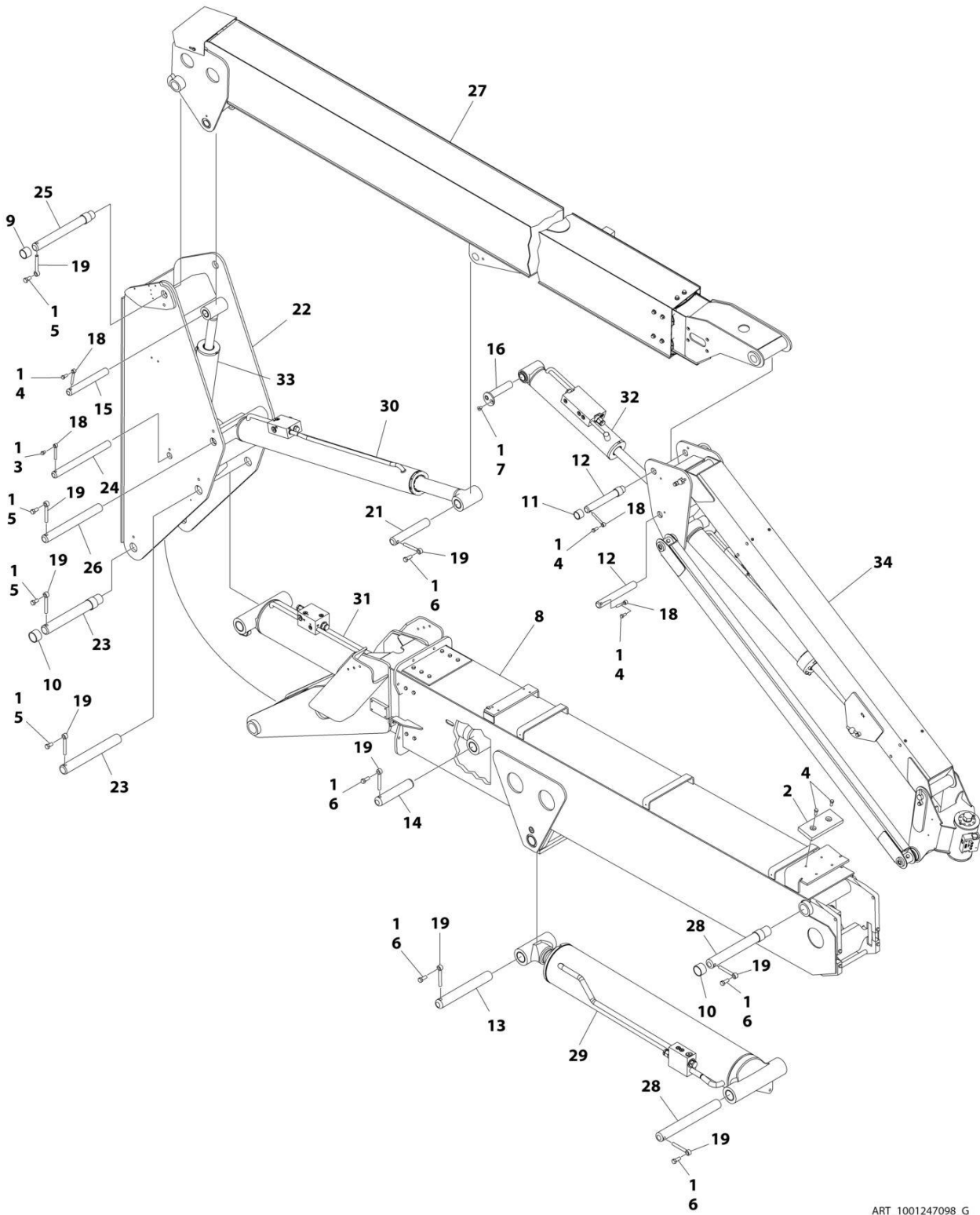
SECTION 4 - BOOM

FIGURE 4-2. BOOMS AND CYLINDERS INSTALLATION - WITHOUT ARCTIC PACKAGE

ITEM	PART NUMBER	QTY	DESCRIPTION	REV
	1001281496	Ref	BOOMS AND CYLINDERS INSTALLATION	A
1	0100011	AR	Compound, Locking	
2	0561076	1	Block, Boom Rest	
3	0641604	1	Bolt 3/8 x 1/2	
4	0641607	5	Bolt 3/8 x 7/8	
5	0641808	4	Bolt 1/2 x 1	
6	0641810	5	Bolt 1/2 x 1-1/4	
7	0741605	1	Screw, Countersunk 3/8 x 5/8	
8	0961948	2	Bushing	
9	0961949	4	Bushing	
10	0961951	2	Bushing	
11	3422561	2	Pin	
12	3422573	1	Pin	
13	3422575	1	Pin	
14	3422579	1	Pin	
15	3422583	1	Pin	
16	3790012	1	O-Ring (Not Shown – Used with Item 19 Located on Platform Console Box)	
17	3841143	4	Keeper, Pin - 3/8	
18	3841203	9	Keeper, Pin - 1/2	
19	4360328	1	Toggle, Switch (Not Shown – Located on Platform Console Box)	
20	1001097822	1	Pin	
21	1001152639	1	Upright	
22	1001155093	2	Pin	
23	1001155094	1	Pin	
24	1001155096	1	Pin	
25	1001155097	1	Pin	
26	1001158810	2	Pin	
27	1001247146	1	Jib Boom Assembly (See Separate Breakdown in this Section)	
28	1001251004	1	Main Lift Cylinder Assembly (See Separate Breakdown in CYLINDER Section)	
29	1001251042	1	Upright Level Cylinder Assembly (See Separate Breakdown in CYLINDER Section)	
30	1001251051	1	Platform (Slave) Level Cylinder Assembly (See Separate Breakdown in CYLINDER Section)	
31	1001251052	1	Master Cylinder Assembly (See Separate Breakdown in CYLINDER Section)	
32	1001261003	1	Tower Lift Cylinder Assembly (See Separate Breakdown in CYLINDER Section)	
33	1001281497	1	Tower Boom Assembly (See Separate Breakdown in this Section)	
34	1001281544	1	Main Boom Assembly (See Separate Breakdown in this Section)	

SECTION 4 - BOOM

FIGURE 4-3. BOOMS AND CYLINDERS INSTALLATION - WITHOUT ARCTIC PACKAGE



ART_1001247098_G

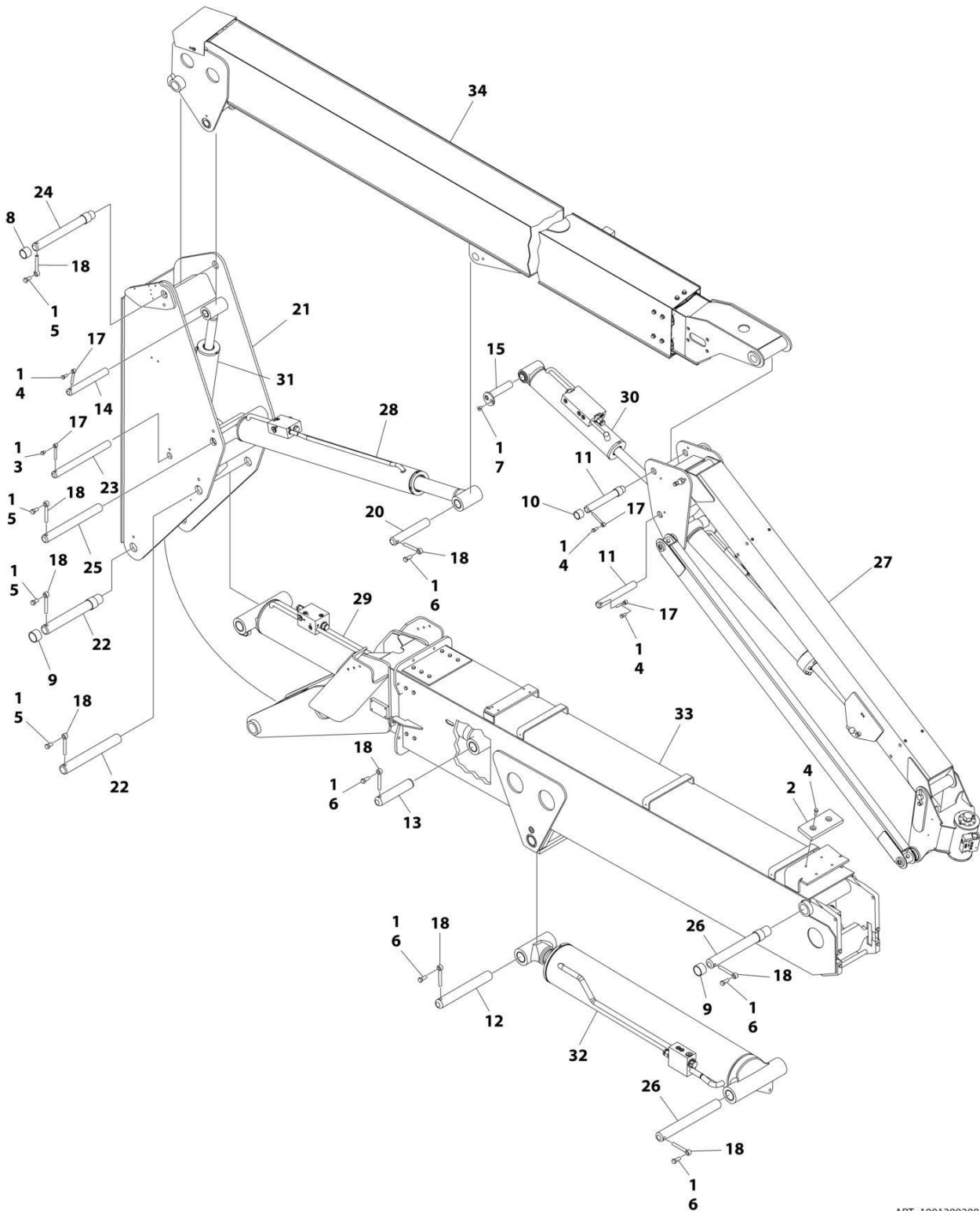
SECTION 4 - BOOM

FIGURE 4-3. BOOMS AND CYLINDERS INSTALLATION - WITHOUT ARCTIC PACKAGE

ITEM	PART NUMBER	QTY	DESCRIPTION	REV
	1001247098	Ref	BOOMS AND CYLINDERS INSTALLATION	G
1	0100011	AR	Compound, Locking	
2	0561076	1	Block, Boom Rest	
3	0641604	1	Bolt 3/8 x 1/2	
4	0641607	5	Bolt 3/8 x 7/8	
5	0641808	4	Bolt 1/2 x 1	
6	0641810	5	Bolt 1/2 x 1-1/4	
7	0741605	1	Screw, Countersunk 3/8 x 5/8	
8	0801019	1	Tower Boom Assembly (See Separate Breakdown in this Section)	
9	0961948	2	Bushing	
10	0961949	4	Bushing	
11	0961951	2	Bushing	
12	3422561	2	Pin	
13	3422573	1	Pin	
14	3422575	1	Pin	
15	3422579	1	Pin	
16	3422583	1	Pin	
17	3790012	1	O-Ring (Not Shown - Used with Item #20 located on Platform Console Box)	
18	3841143	4	Keeper, Pin - 3/8	
19	3841203	9	Keeper, Pin - 1/2	
20	4360328	1	Toggle, Switch (Not Shown - Located on Platform Console Box)	
21	1001097822	1	Pin	
22	1001152639	1	Upright	
23	1001155093	2	Pin	
24	1001155094	1	Pin	
25	1001155096	1	Pin	
26	1001155097	1	Pin	
27	1001156501	1	Main Boom Assembly (See Separate Breakdown in this Section)	
28	1001158810	2	Pin	
29	1001261003	1	Tower Lift Cylinder Assembly (See Separate Breakdown in CYLINDER Section)	
30	1001251004	1	Main Lift Cylinder Assembly (See Separate Breakdown in CYLINDER Section)	
31	1001251042	1	Upright Level Cylinder Assembly (See Separate Breakdown in CYLINDER Section)	
32	1001251051	1	Platform (Slave) Level Cylinder Assembly (See Separate Breakdown in CYLINDER Section)	
33	1001251052	1	Master Cylinder Assembly (See Separate Breakdown in CYLINDER Section)	
34	1001247146	1	Jib Boom Assembly (See Separate Breakdown in this Section)	

SECTION 4 - BOOM

FIGURE 4-4. BOOMS AND CYLINDERS INSTALLATION - WITH ARCTIC PACKAGE



ART_1001289288

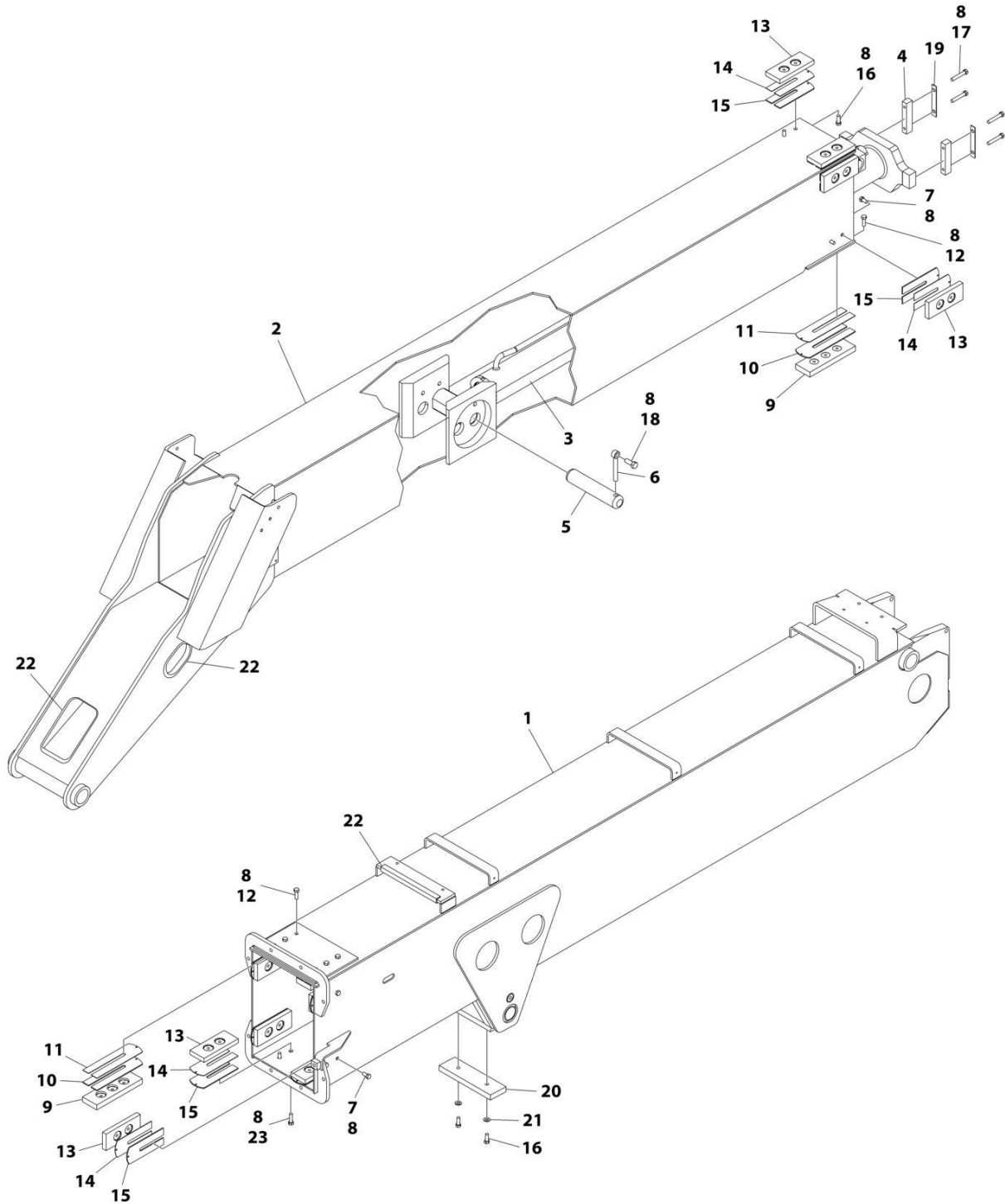
SECTION 4 - BOOM

FIGURE 4-4. BOOMS AND CYLINDERS INSTALLATION - WITH ARCTIC PACKAGE

ITEM	PART NUMBER	QTY	DESCRIPTION	REV
	1001289288	Ref	BOOMS AND CYLINDERS INSTALLATION	A
1	0100011	AR	Compound, Locking	
2	0561076	1	Block, Boom Rest	
3	0641604	1	Bolt 3/8 x 1/2	
4	0641607	5	Bolt 3/8 x 7/8	
5	0641808	4	Bolt 1/2 x 1	
6	0641810	5	Bolt 1/2 x 1-1/4	
7	0741605	1	Screw, Countersunk 3/8 x 5/8	
8	0961948	2	Bushing	
9	0961949	4	Bushing	
10	0961951	2	Bushing	
11	3422561	2	Pin	
12	3422573	1	Pin	
13	3422575	1	Pin	
14	3422579	1	Pin	
15	3422583	1	Pin	
16	3790012	1	O-Ring (Not Shown - Used with Item 19 Located on Platform Console Box)	
17	3841143	4	Keeper, Pin - 3/8	
18	3841203	9	Keeper, Pin - 1/2	
19	4360328	1	Toggle, Switch (Not Shown - Located on Platform Console Box)	
20	1001097822	1	Pin	
21	1001152639	1	Upright	
22	1001155093	2	Pin	
23	1001155094	1	Pin	
24	1001155096	1	Pin	
25	1001155097	1	Pin	
26	1001158810	2	Pin	
27	1001247146	1	Jib Boom Assembly (See Separate Breakdown in this Section)	
28	1001251004	1	Main Lift Cylinder Assembly (See Separate Breakdown in CYLINDER Section)	
29	1001251042	1	Upright Level Cylinder Assembly (See Separate Breakdown in CYLINDER Section)	
30	1001251051	1	Platform (Slave) Level Cylinder Assembly (See Separate Breakdown in CYLINDER Section)	
31	1001251052	1	Master Cylinder Assembly (See Separate Breakdown in CYLINDER Section)	
32	1001261003	1	Tower Lift Cylinder Assembly (See Separate Breakdown in CYLINDER Section)	
33	1001281497	1	Tower Boom Assembly (See Separate Breakdown in this Section)	
34	1001281544	1	Main Boom Assembly (See Separate Breakdown in this Section)	

SECTION 4 - BOOM

FIGURE 4-5. TOWER BOOM ASSEMBLY



ART_0801019_K

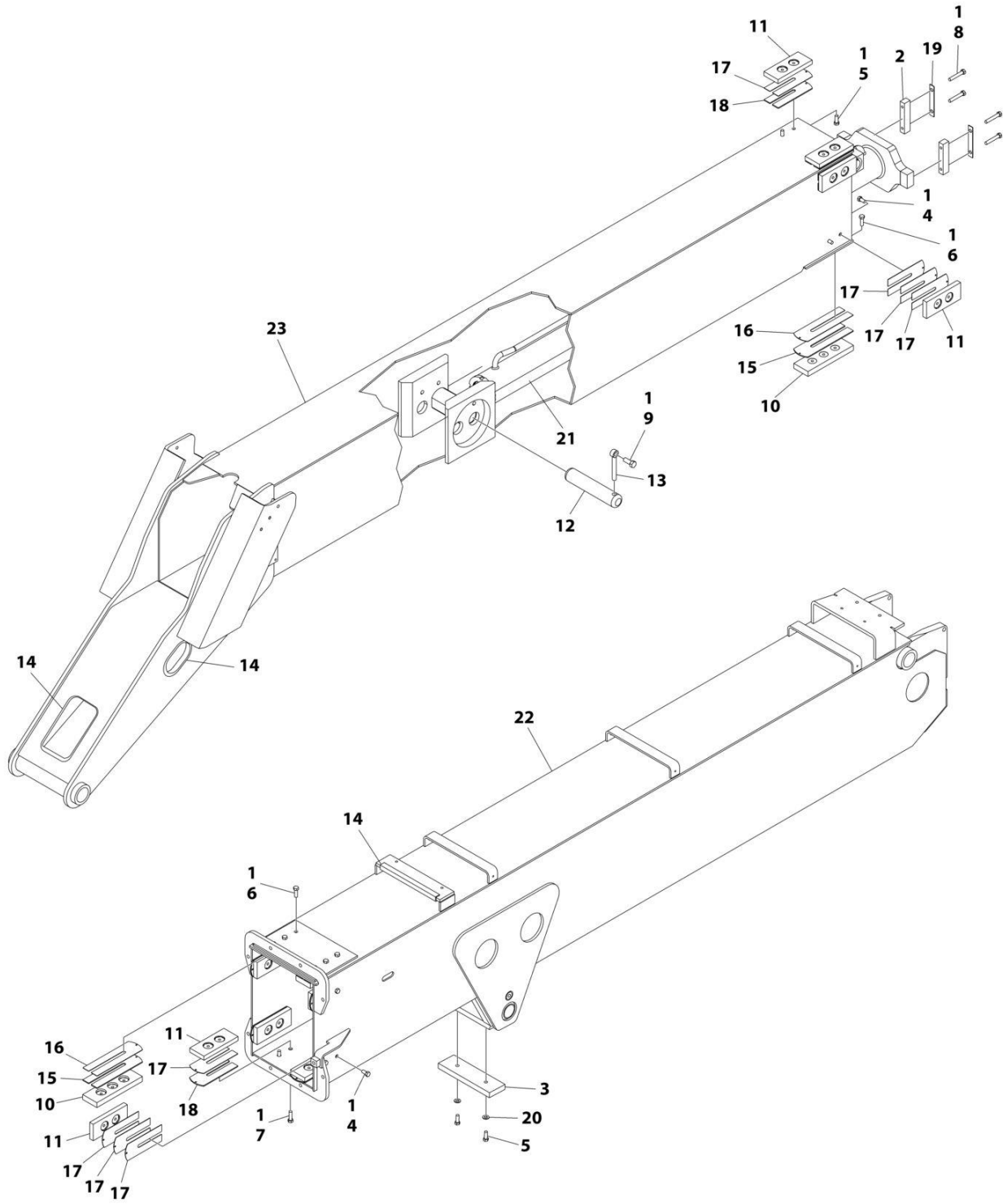
SECTION 4 - BOOM

FIGURE 4-5. TOWER BOOM ASSEMBLY

ITEM	PART NUMBER	QTY	DESCRIPTION	REV
	0801019	Ref	TOWER BOOM ASSEMBLY	K
1	0801622	NLA	Base	
2	0801637	1	Fly	
3	1001251006	1	Cylinder Assembly - Tower Telescope (See Separate Breakdown in CYLINDER Section)	
4	0561185	2	Block, Attach	
5	3422575	1	Pin	
6	3841203	1	Keeper, Pin	
7	0641606	16	Bolt 3/8 x 3/4	
8	0100011	AR	Compound, Locking	
9	3340871	4	Pad, Wear	
10	4070863	4	Shim .12	
11	4070864	4	Shim .05	
12	0641609	12	Bolt 3/8 x 1-1/8	
13	3340881	12	Pad, Wear	
14	4070897	12	Shim .05	
15	4070898	12	Shim .12	
16	0641608	6	Bolt 3/8 x 1	
17	0641618	4	Bolt 3/8 x 2-1/4	
18	0641810	1	Bolt 1/2 x 1-1/4	
19	4070929	AR	Shim	
20	0561248	1	Block, Boom Rest	
21	4711600	2	Washer 3/8	
22	4060808	AR	Flex-Trim	
23	0641610	4	Bolt 3/8 x 1-1/4	

SECTION 4 - BOOM

FIGURE 4-6. TOWER BOOM ASSEMBLY



ART_1001281497

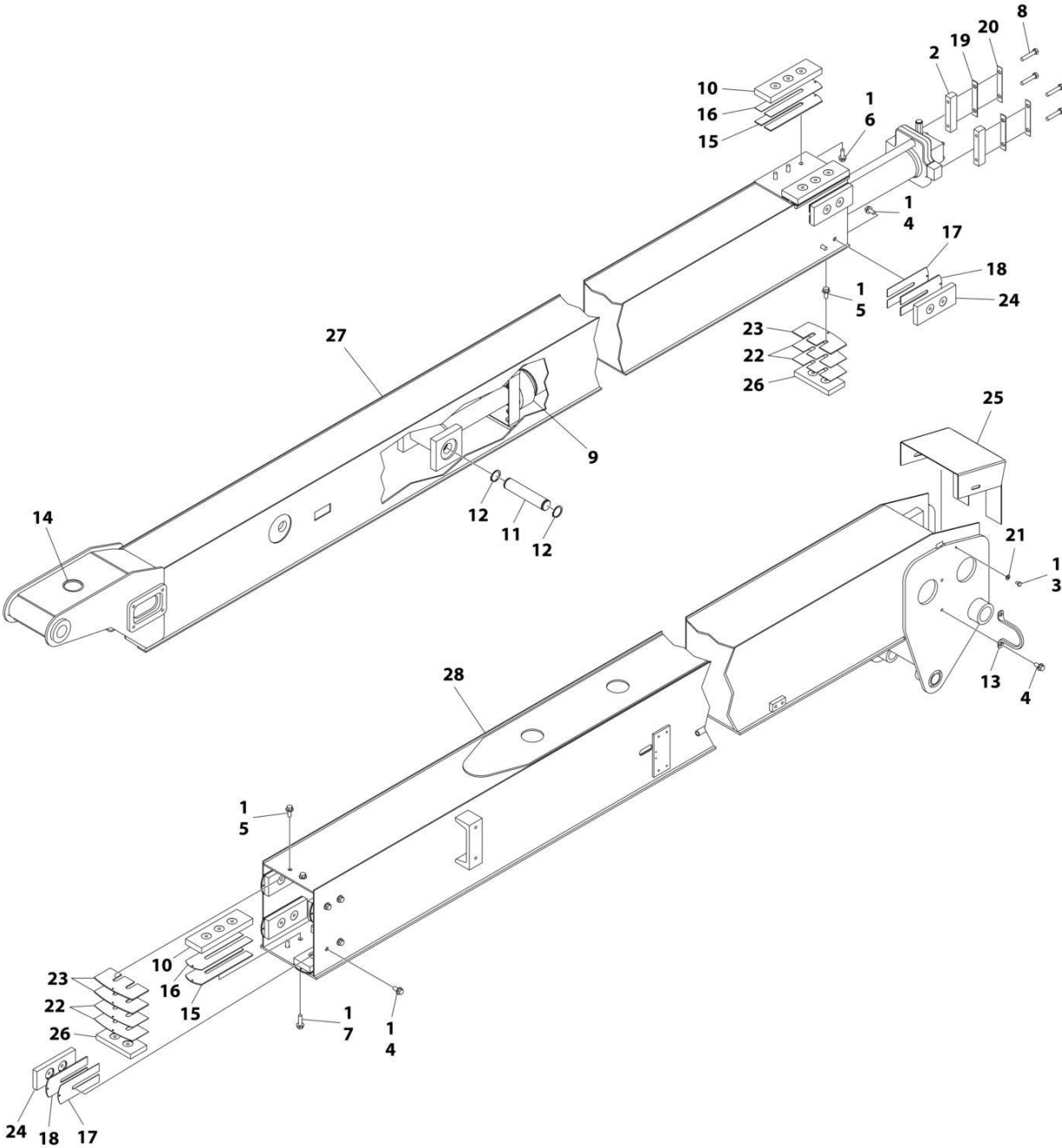
SECTION 4 - BOOM

FIGURE 4-6. TOWER BOOM ASSEMBLY

ITEM	PART NUMBER	QTY	DESCRIPTION	REV
	1001281497	Ref	TOWER BOOM ASSEMBLY	A
1	0100011	AR	Compound, Locking	
2	0561185	2	Block, Attach	
3	0561248	1	Block, Boom Rest	
4	0641606	16	Bolt 3/8 x 3/4	
5	0641608	6	Bolt 3/8 x 1	
6	0641609	12	Bolt 3/8 x 1-1/8	
7	0641610	4	Bolt 3/8 x 1-1/4	
8	0641618	4	Bolt 3/8 x 2-1/4	
9	0641810	1	Bolt 1/2 x 1-1/4	
10	3340871	4	Pad, Wear	
11	3340881	12	Pad, Wear	
12	3422575	1	Pin	
13	3841203	1	Keeper, Pin	
14	4060808	AR	Flex-Trim	
15	4070863	4	Shim .12	
16	4070864	4	Shim .05	
17	4070897	28	Shim .05	
18	4070898	4	Shim .12	
19	4070929	AR	Shim	
20	4711600	2	Washer 3/8	
21	1001251006	1	Cylinder Assembly - Tower Telescope (See Separate Breakdown in CYLINDER Section)	
22	1001281498	1	Base, Tower Boom	
23	1001281527	1	Fly, Tower Boom	

SECTION 4 - BOOM

FIGURE 4-7. MAIN BOOM ASSEMBLY



ART_1001156501_G

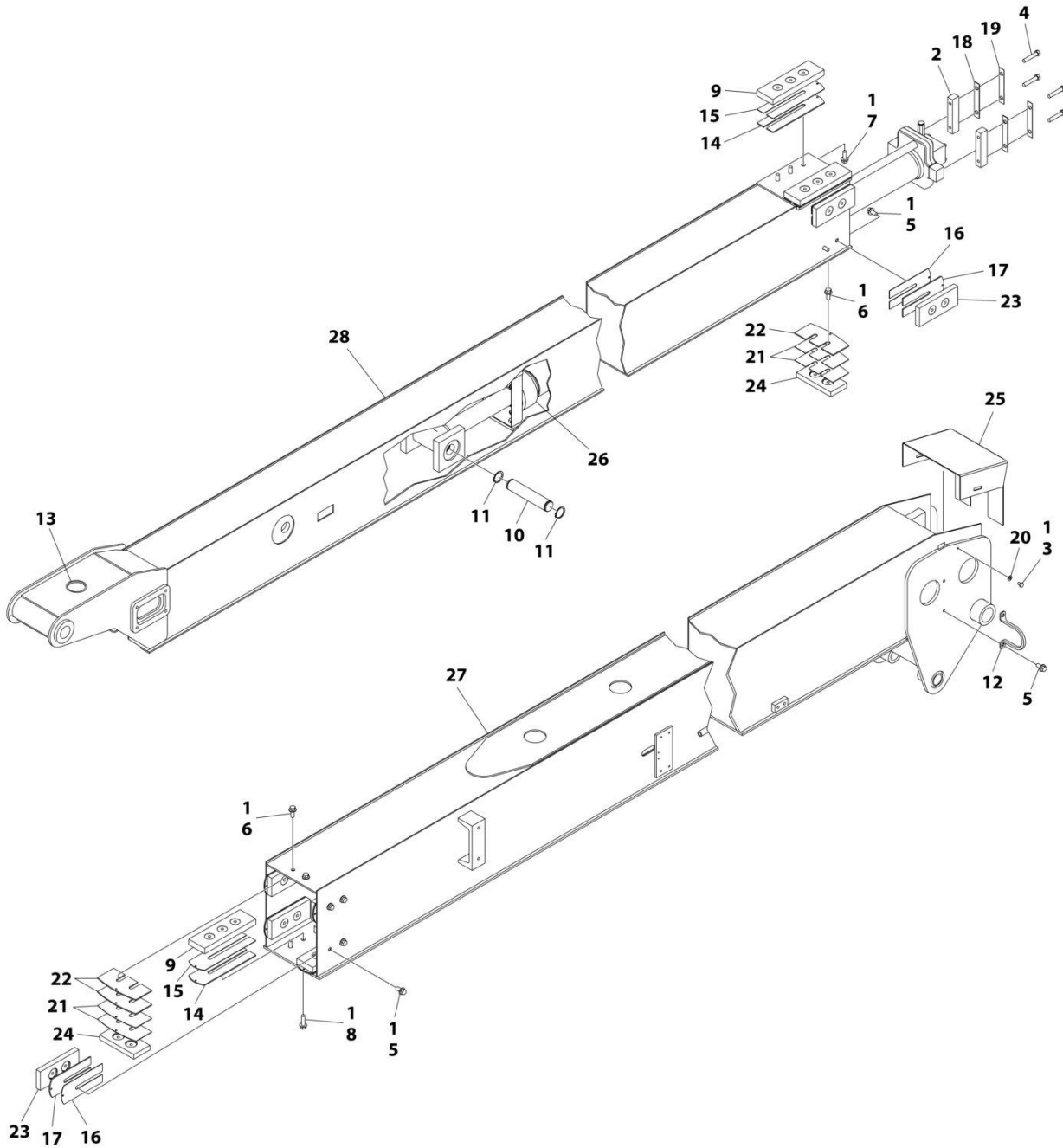
SECTION 4 - BOOM

FIGURE 4-7. MAIN BOOM ASSEMBLY

ITEM	PART NUMBER	QTY	DESCRIPTION	REV
	1001156501	Ref	BOOM ASSEMBLY	G
1	0100011	AR	Compound, Locking	
2	0561185	2	Block	
3	0641403	2	Bolt 1/4 x 3/8	
4	0811606	18	Bolt 3/8 x 3/4 Grade 8	
5	0811607	4	Bolt 3/8 x 7/8 Grade 8	
6	0811608	6	Bolt 3/8 x 1 Grade 8	
7	0811610	6	Bolt 3/8 x 1-1/4 Grade 8	
8	0641616	4	Bolt 3/8 x 2	
9	1001251007	1	Telescope Cylinder Assembly (See Separate Breakdown in CYLINDER Section)	
10	3340871	4	Pad, Wear	
11	3422457	1	Pin	
12	3760133	2	Ring, Retaining	
13	3841340	1	Loop, Hose	
14	4060805	AR	Flex-Trim	
15	4070863	AR	Shim .12	
16	4070864	AR	Shim .05	
17	4070897	AR	Shim .05	
18	4070898	AR	Shim .12	
19	4070929	AR	Shim	
20	4071007	AR	Shim	
21	4751200	2	Washer #12	
22	1001136590	AR	Shim 18Ga	
23	1001138436	AR	Shim 11Ga	
24	1001148652	8	Pad, Wear	
25	1001162828	1	Cover, Boom	
26	1001152127	2	Pad, Wear	
27	1001156502	1	Fly, Boom	
28	1001152249	1	Base, Boom	

SECTION 4 - BOOM

FIGURE 4-8. MAIN BOOM ASSEMBLY



ART_1001281544

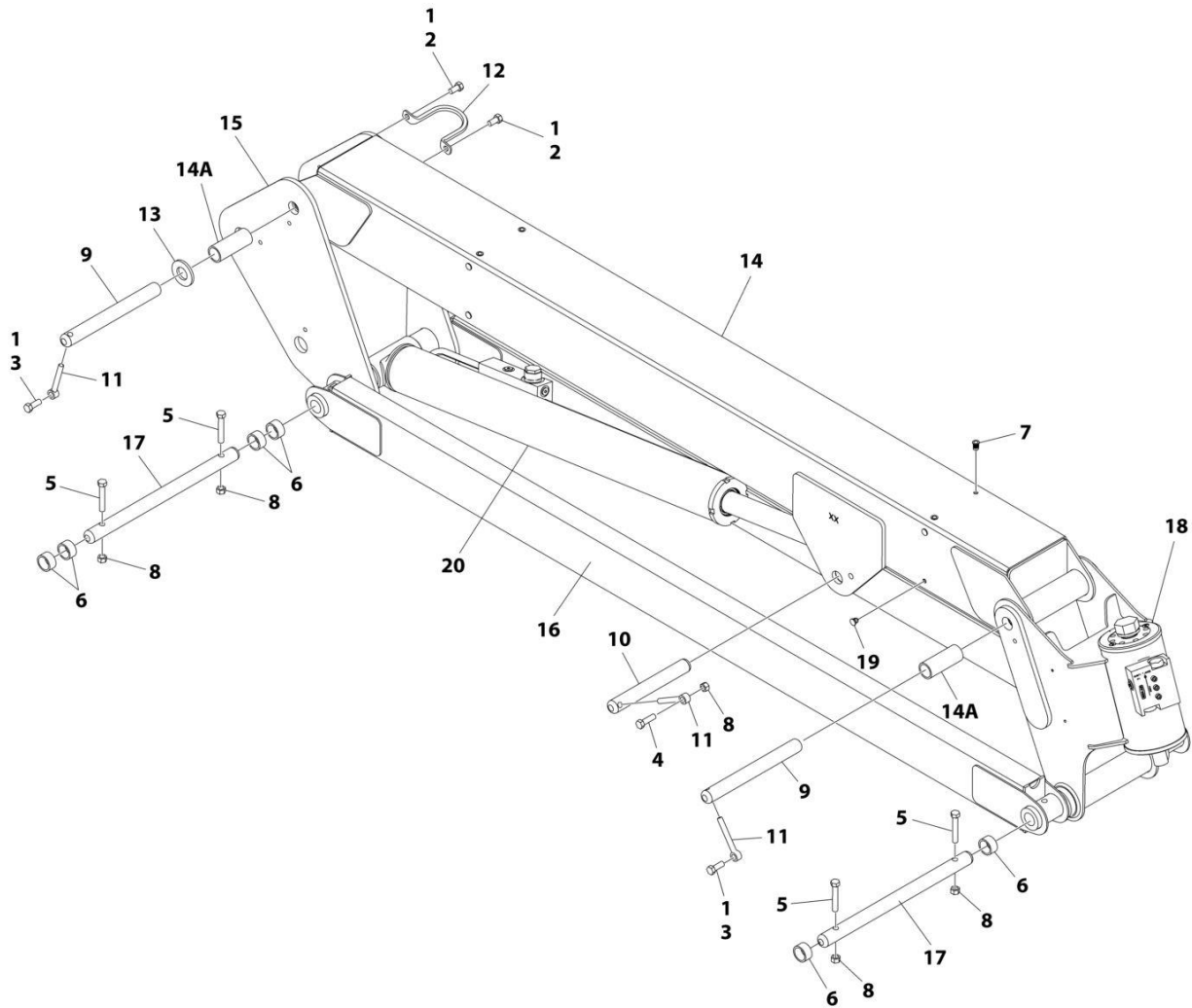
SECTION 4 - BOOM

FIGURE 4-8. MAIN BOOM ASSEMBLY

ITEM	PART NUMBER	QTY	DESCRIPTION	REV
	1001281544	Ref	BOOM ASSEMBLY	A
1	0100011	AR	Compound, Locking	
2	0561185	2	Block	
3	0641403	2	Bolt 1/4 x 3/8	
4	0641616	4	Bolt 3/8 x 2	
5	0811606	18	Bolt 3/8 x 3/4 Grade 8	
6	0811607	4	Bolt 3/8 x 7/8 Grade 8	
7	0811608	6	Bolt 3/8 x 1 Grade 8	
8	0811610	6	Bolt 3/8 x 1-1/4 Grade 8	
9	3340871	4	Pad, Wear	
10	3422457	1	Pin	
11	3760133	2	Ring, Retaining	
12	3841340	1	Loop, Hose	
13	4060805	AR	Flex-Trim	
14	4070863	4	Shim .12	
15	4070864	4	Shim .05	
16	4070897	8	Shim .05	
17	4070898	8	Shim .12	
18	4070929	AR	Shim	
19	4071007	AR	Shim	
20	4751200	2	Washer #12	
21	1001136590	4	Shim 18Ga	
22	1001138436	3	Shim 11Ga	
23	1001148652	8	Pad, Wear	
24	1001152127	2	Pad, Wear	
25	1001162828	1	Cover, Boom	
26	1001251007	1	Telescope Cylinder Assembly (See Separate Breakdown in CYLINDER Section)	
27	1001281545	1	Base, Main Boom	
28	1001281567	1	Fly, Main Boom	

SECTION 4 - BOOM

FIGURE 4-9. JIB BOOM ASSEMBLY



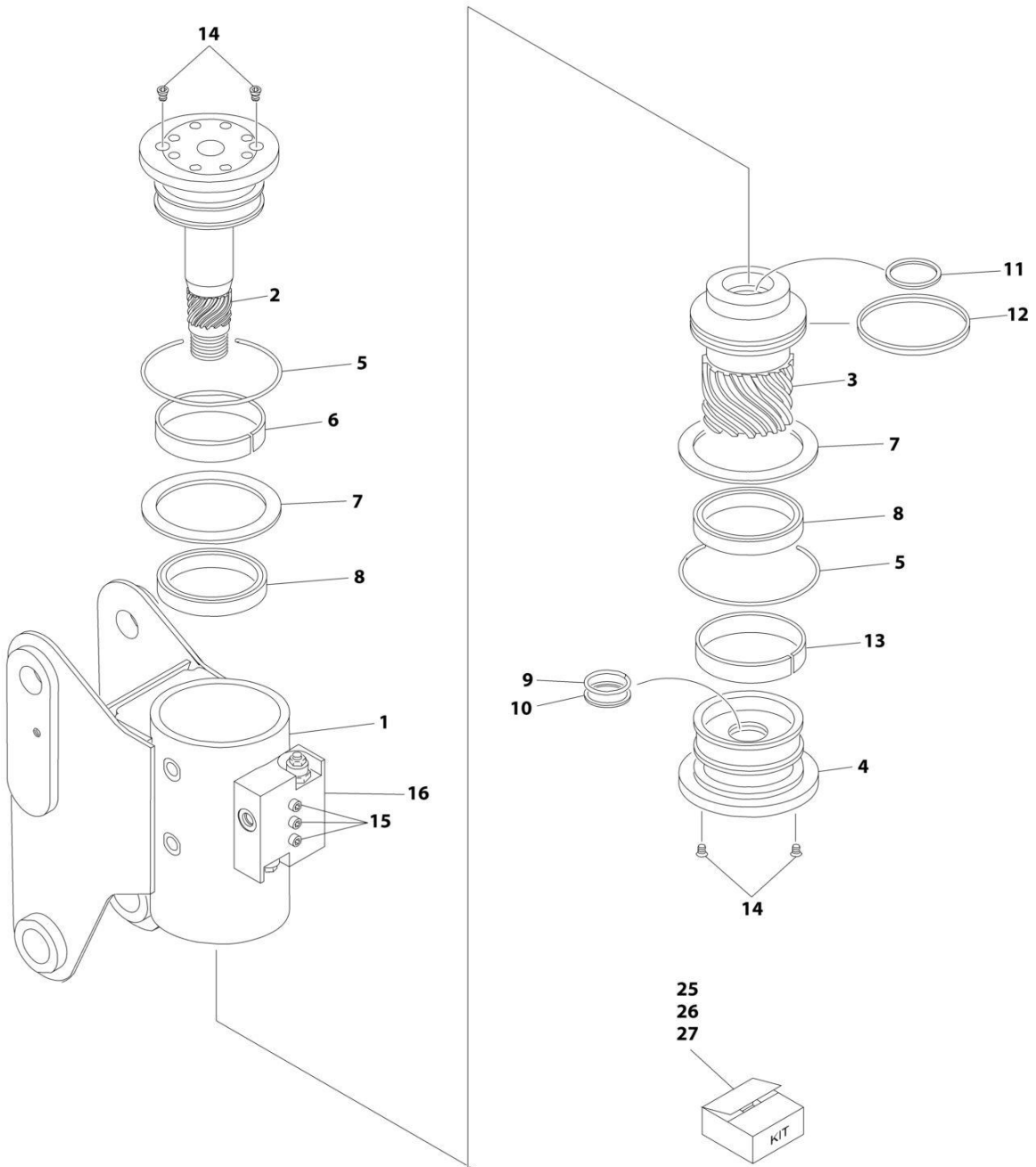
ART_1001247146_D

FIGURE 4-9. JIB BOOM ASSEMBLY

ITEM	PART NUMBER	QTY	DESCRIPTION	REV
	1001247146	Ref	JIB BOOM ASSEMBLY	D
1	0100011	AR	Compound, Locking	
2	0641606	2	Bolt 3/8 x 3/4	
3	0641608	2	Bolt 3/8 x 1	
4	0641610	1	Bolt 3/8 x 1-1/4	
5	0641618	4	Bolt 3/8 x 2-1/4	
6	0961947	6	Bushing	
7	1001176636	4	Rivnut	
7	1001260680	4	Rivnut	
8	3311605	5	Nut 3/8	
9	3422860	2	Pin	
10	3422867	1	Pin	
11	3841143	3	Keeper, Pin	
12	3841340	1	Loop, Hose	
13	4740439	2	Washer, Thrust	
14	4844816	1	Tube - Top	
14A	0962335	4	Bushing	
15	1001169384	1	Pivot Weldment	
16	4844817	2	Tube - Bottom	
17	3422861	2	Pin	
18	1001217780	1	Rotator Assembly (See Separate Breakdown in this Section)	
19	1001223899	8	Fastener	
20	1001251012	1	Jib Lift Cylinder Assembly (See Separate Breakdown in CYLINDER Section)	

SECTION 4 - BOOM

FIGURE 4-10. ROTATOR ASSEMBLY



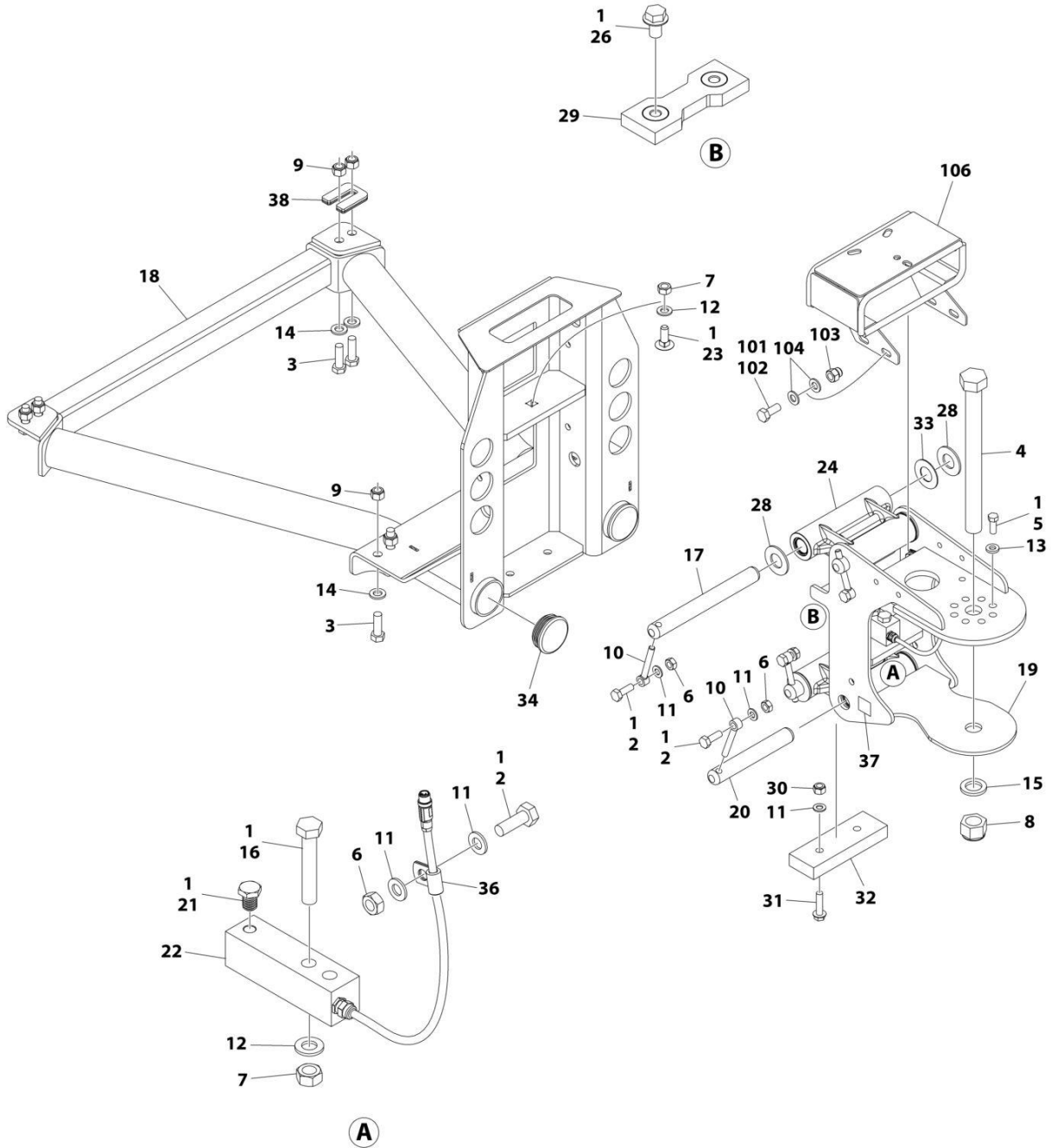
ART_1001217780

FIGURE 4-10. ROTATOR ASSEMBLY

ITEM	PART NUMBER	QTY	DESCRIPTION	REV
	1001217780	Ref	ROTATOR ASSEMBLY	A
1	See Note	NSS	Housing/Ring Gear Assembly (Note: Not Available - Purchase Complete Assembly)	
2	7017162	1	Shaft	
2	7017195	2	Bushing, Shaft	
3	7017163	1	Piston/Sleeve Assembly	
4	7017164	1	Cap, End	
5	See Note	NSS	O-Ring (Note: Use Item 25)	
6	See Note	NSS	Bearing, Shaft (Note: Use Item 26)	
7	See Note	NSS	Washer, Thrust (Note: Use Item 26)	
8	See Note	NSS	Packing, Bearing (Note: Use Item 25)	
9	See Note	NSS	Seal, Cap (Note: Use Item 25)	
10	See Note	NSS	Ring, Back-up Cap (Note: Use Item 25)	
11	See Note	NSS	Seal, Rod (Note: Use Item 25)	
12	See Note	NSS	Seal, Piston (Note: Use Item 25)	
13	See Note	NSS	Bearing, Cap (Note: Use Item 26)	
14	70001697	6	Capscrew 1/4 x 3/8 Grade 8	
15	See Note	3	Bolt 1/4 x 1-1/2 Grade 8 (Note: Not Available - Purchase Locally)	
16	7017172	1	Valve Assembly	
16	7017192	2	Cartridge, Valve	
16	See Note	NSS	Seal Kit - 7017192 Valve (Note: Not Available - Purchase Cartridge)	
16	See Note	NSS	Cartridge, Valve (Not Shown - Located on Side of Block) (Note: Not Available - Purchase Complete Valve)	
16	See Note	NSS	Seal Kit - Valve Located on Side of Block (Note: Not Available - Purchase Cartridge)	
25	70000342	1	Seal Kit (Includes Items 5, 8-12 & 27)	
26	7017159	1	Bearing Kit (Includes Items 6, 7 & 13)	
27	7017142	1	Hardware Kit (Includes Dowel Pins, Plugs and Item 14)	

SECTION 4 - BOOM

FIGURE 4-11. PLATFORM SUPPORT INSTALLATION



ART_1001167596_N

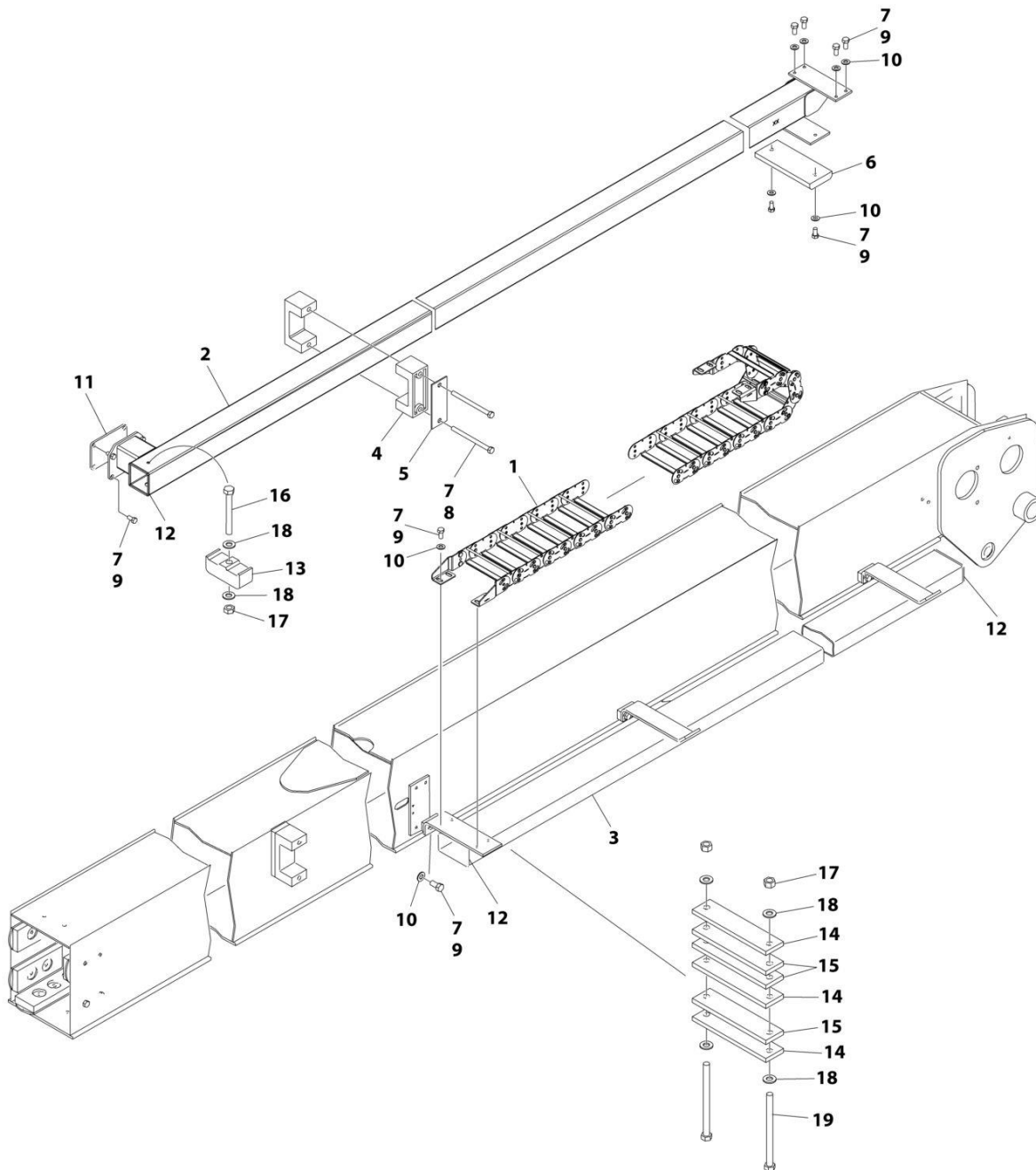
SECTION 4 - BOOM

FIGURE 4-11. PLATFORM SUPPORT INSTALLATION

ITEM	PART NUMBER	QTY	DESCRIPTION	REV
	1001167596	Ref	PLATFORM SUPPORT INSTALLATION	N
1	0100011	AR	Compound, Locking	
2	0761014	5	Bolt M10 x 30	
3	0761216	8	Bolt M12 x 40	
4	1001255133	1	Bolt 1 x 11 GRD8	
5	0681608	8	Bolt 3/8 x 1 GRD8	
6	3291001	5	Nut M10	
7	3291201	3	Nut M12	
8	1001174040	1	Nut 1	
9	3291205	8	Nut M12	
10	3841143	4	Keeper, Pin	
11	4812000	8	Washer M10	
12	4812100	3	Washer M12	
13	4891600	8	Washer 3/8	
14	5241200	8	Washer M12	
15	4892600001	1	Washer 1	
16	1001098828	2	Bolt M12 x 70 CL10.9	
17	1001167565	2	Pin	
18	1001200494	1	Support, Platform	
19	1001167567	1	Support, Rotator	
20	1001168402	2	Pin	
21	1001188622	1	Screw	
22	1001247468	1	Loadcell	
23	1001188844	1	Bolt M12 x 35	
24	1001201351	2	Link	
24	1001187382	4	Bearing	
24	1001187383	4	Seal	
26	5251008	2	Bolt M10 x 16 CL10.9	
28	1001189002	8	Bearing	
29	1001190985	1	Pad, Wear	
30	3291005	2	Nut M10	
31	5251016	2	Bolt M10 x 40 CL10.9	
32	1001200491	1	Pad, Wear	
33	1001189001	4	Bearing	
34	1001204725	2	Plug	
36	91203039	1	Clamp	
37	1001216630	2	Decal - Tie Down/No Lift	
38	1001238421	Ref	Kit, Platform Leveling (Not Shown)	
	1001202687	Ref	VALVE MOUNT INSTALLATION	B
101	0100011	AR	Compound, Locking	
102	0760810	4	Bolt M8 x 20	
103	3290806	4	Nut M8	
104	4811900	8	Washer M8	
106	1001208994	1	Mount, Valve	

SECTION 4 - BOOM

FIGURE 4-12. POWER TRACK INSTALLATION - MAIN BOOM



ART_0255288_H

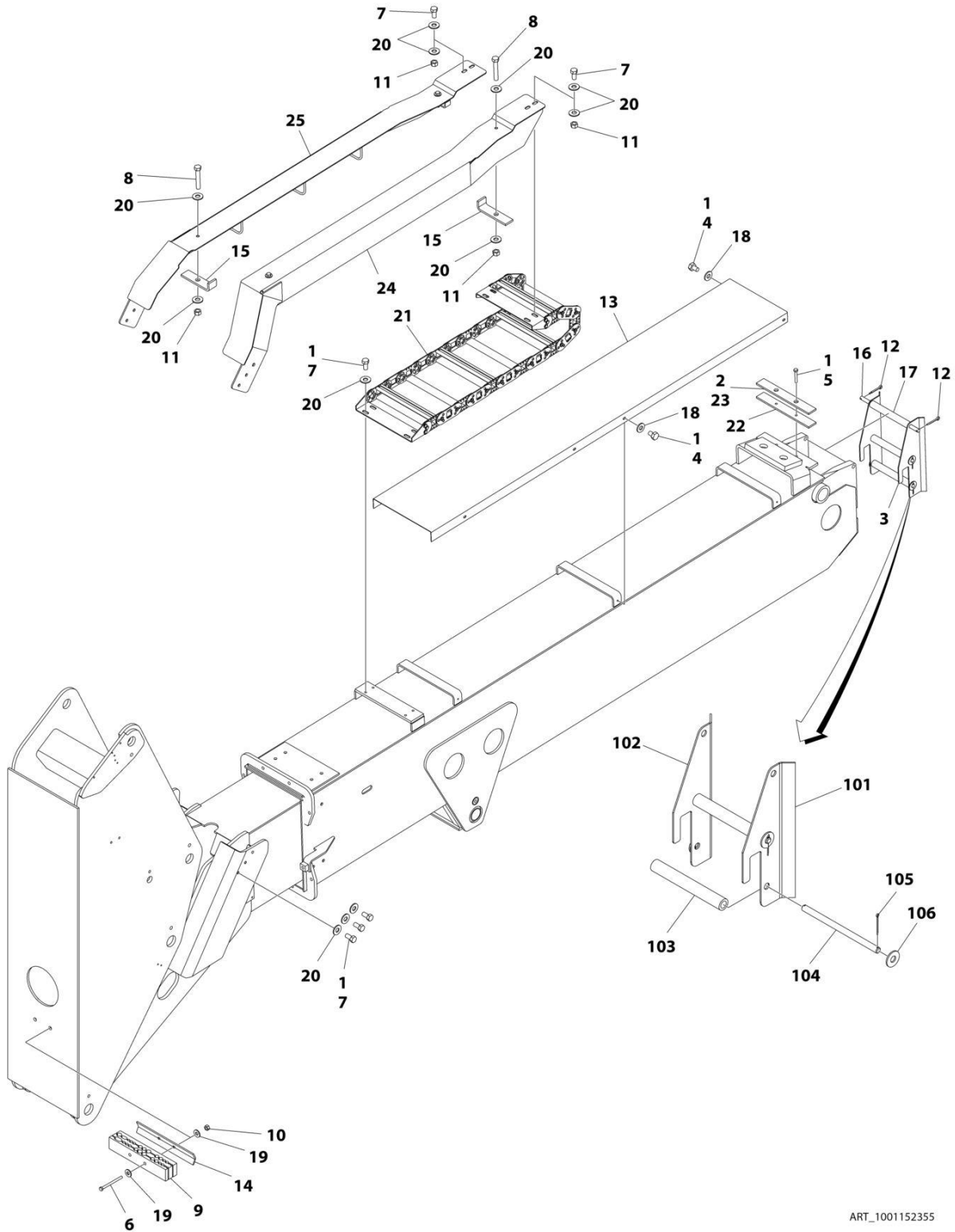
SECTION 4 - BOOM

FIGURE 4-12. POWER TRACK INSTALLATION - MAIN BOOM

ITEM	PART NUMBER	QTY	DESCRIPTION	REV
	0255288	Ref	POWER TRACK INSTALLATION	H
1	1001255961	1	Power Track Assembly	
1	70007467	AR	Repair Section	
1	70007466	1	Mounting Bracket Kit	
2	1001161417	1	Tube Weldment	
3	4844979	1	Support, Power Track	
4	3340764	2	Pad, Wear	
5	3538758	1	Plate, Cover Support	
6	3340765	1	Pad	
7	0100011	AR	Compound, Locking	
8	0641640	2	Bolt 3/8 x 5	
9	0641606	20	Bolt 3/8 x 3/4	
10	4711600	16	Washer 3/8	
11	4070969	AR	Shim	
12	4060803	3.5 ft/ 1.07m	Flex-Trim	
13	1320314	1	Clamp, Hose/Cable	
14	3574185	3	Plate	
15	4071062	4	Shim	
16	0641522	1	Bolt 5/16 x 2-3/4	
17	3311505	3	Nut 5/16	
18	4711500	6	Washer 5/16	
19	0641540	2	Bolt 5/16 x 5	

SECTION 4 - BOOM

FIGURE 4-13. POWER TRACK INSTALLATION - TOWER BOOM



ART_1001152355

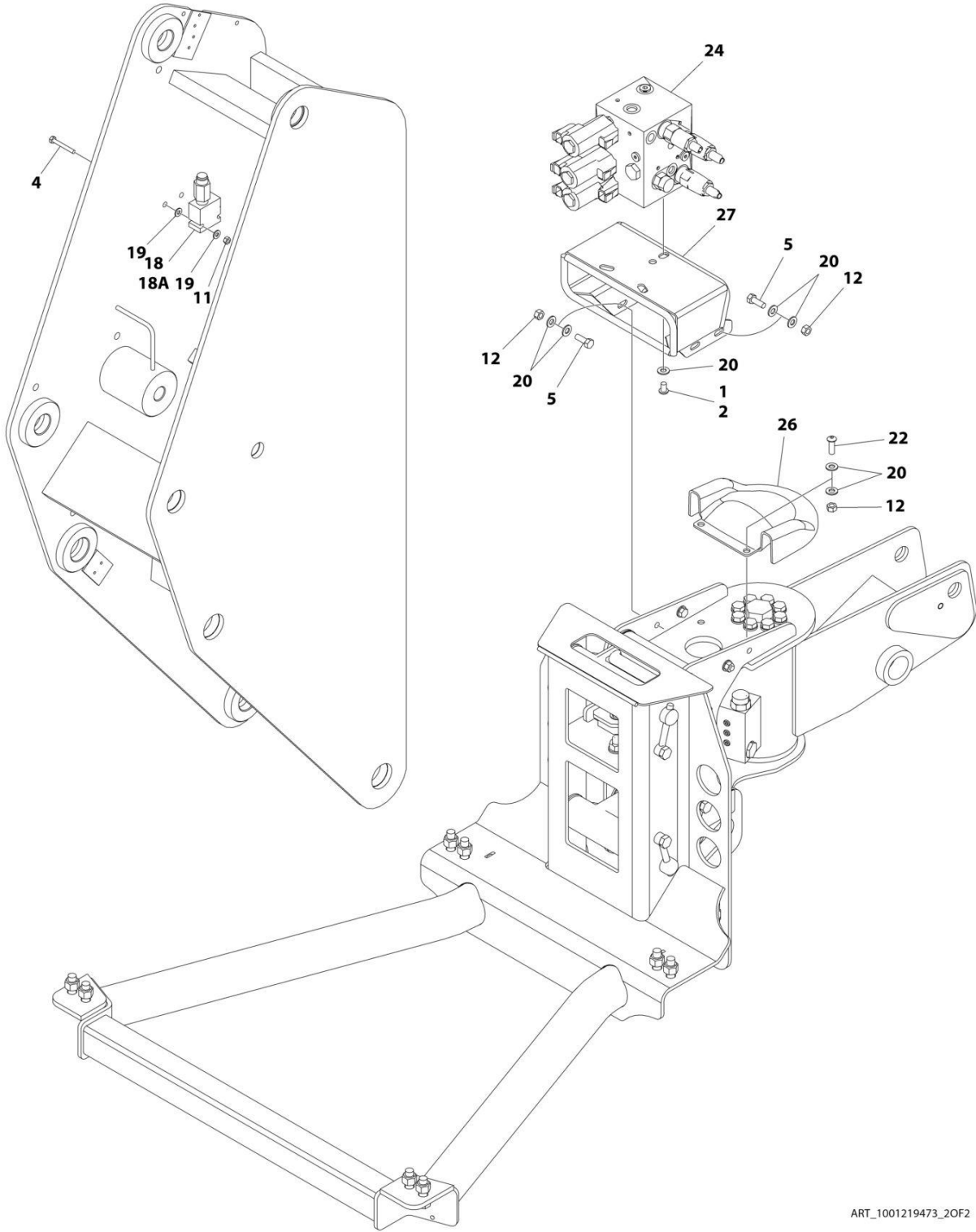
SECTION 4 - BOOM

FIGURE 4-13. POWER TRACK INSTALLATION - TOWER BOOM

ITEM	PART NUMBER	QTY	DESCRIPTION	REV
	1001152355	Ref	POWER TRACK INSTALLATION	D
1	0100011	AR	Compound, Locking	
2	0100081	AR	Adhesive	
3	0257573	1	Roller Hanger Assembly (Includes Items 101-106)	
4	0641403	6	Bolt 1/4 x 3/8	
5	0641516	2	Bolt 5/16 x 2	
6	0641532	2	Bolt 5/16 x 4	
7	0641606	14	Bolt 3/8 x 3/4	
8	0641618	4	Bolt 3/8 x 2-1/4	
9	1320243	1	Clamp, Block	
10	3311505	2	Nut 5/16	
11	3311605	8	Nut 3/8	
12	3450606	2	Pin, Cotter	
13	3539228	1	Plate, Cover	
14	3570374	1	Plate	
15	1001232880	4	Plate	
16	3841295	1	Rod	
17	4567241	1	Tube	
18	4711400	6	Washer 1/4	
19	4751500	4	Washer 5/16	
20	4751600	26	Washer 3/8	
21	1001099835	1	Power Track Assembly	
21	70002001	AR	Repair Section	
21	70002002	1	Mounting Bracket Kit	
22	1001110500	1	Plate	
23	1001110501	1	Pad	
24	1001151542	1	Bracket	
25	1001151586	1	Bracket	
	0257573	Ref	ROLLER HANGER ASSEMBLY	B
101	3570277	1	Plate (Left Side)	
102	3570270	1	Plate (Right Side)	
103	4567241	2	Roller, Tube	
104	3841347	2	Rod	
105	3450306	4	Pin, Cotter	
106	4751800	4	Washer 1/2	

SECTION 4 - BOOM

FIGURE 4-14. CONTROL VALVES INSTALLATION – 2WS WITH DEUTZ D2011 ENGINES



ART_1001219473_20F2

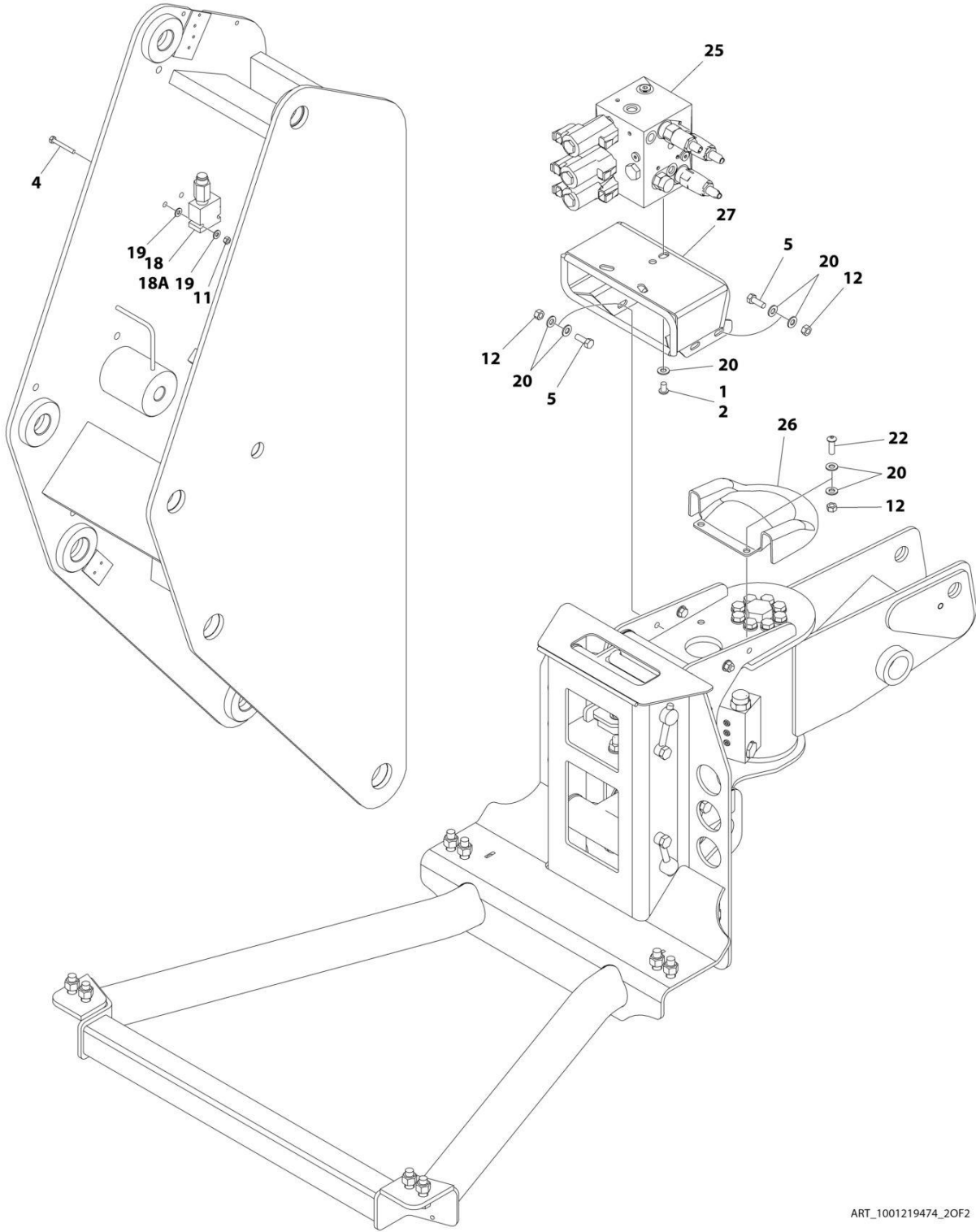
SECTION 4 - BOOM

FIGURE 4-14. CONTROL VALVES INSTALLATION – 2WS WITH DEUTZ D2011 ENGINES

ITEM	PART NUMBER	QTY	DESCRIPTION	REV
	1001219473	Ref	CONTROL VALVES INSTALLATION	B
1	0100011	AR	Compound, Locking	
2	0630467	3	Screw 5/6-18 x 1/2	
4	0641416	2	Bolt 1/4 x 2	
5	0641507	4	Bolt 5/16 x 7/8	
11	3311405	2	Nut 1/4-20	
12	3311505	6	Nut 5/16	
18	4640929	1	Valve Assembly - Relief	
18A	7012970	1	Cartridge Valve	
18A	7012953	1	Seal Kit - 7012970 Valve	
19	4711400	4	Washer 1/4	
20	4711500	15	Washer 5/16	
22	88261024	2	Screw 5/16 x 1	
24	1001152565	1	Control Valve Assembly (See Separate Breakdown in this Section)	
26	1001207969	1	Cover	
27	1001208994	1	Mount	

SECTION 4 - BOOM

FIGURE 4-15. CONTROL VALVES INSTALLATION – 4WS WITH DEUTZ D2011 ENGINES



ART_1001219474_20F2

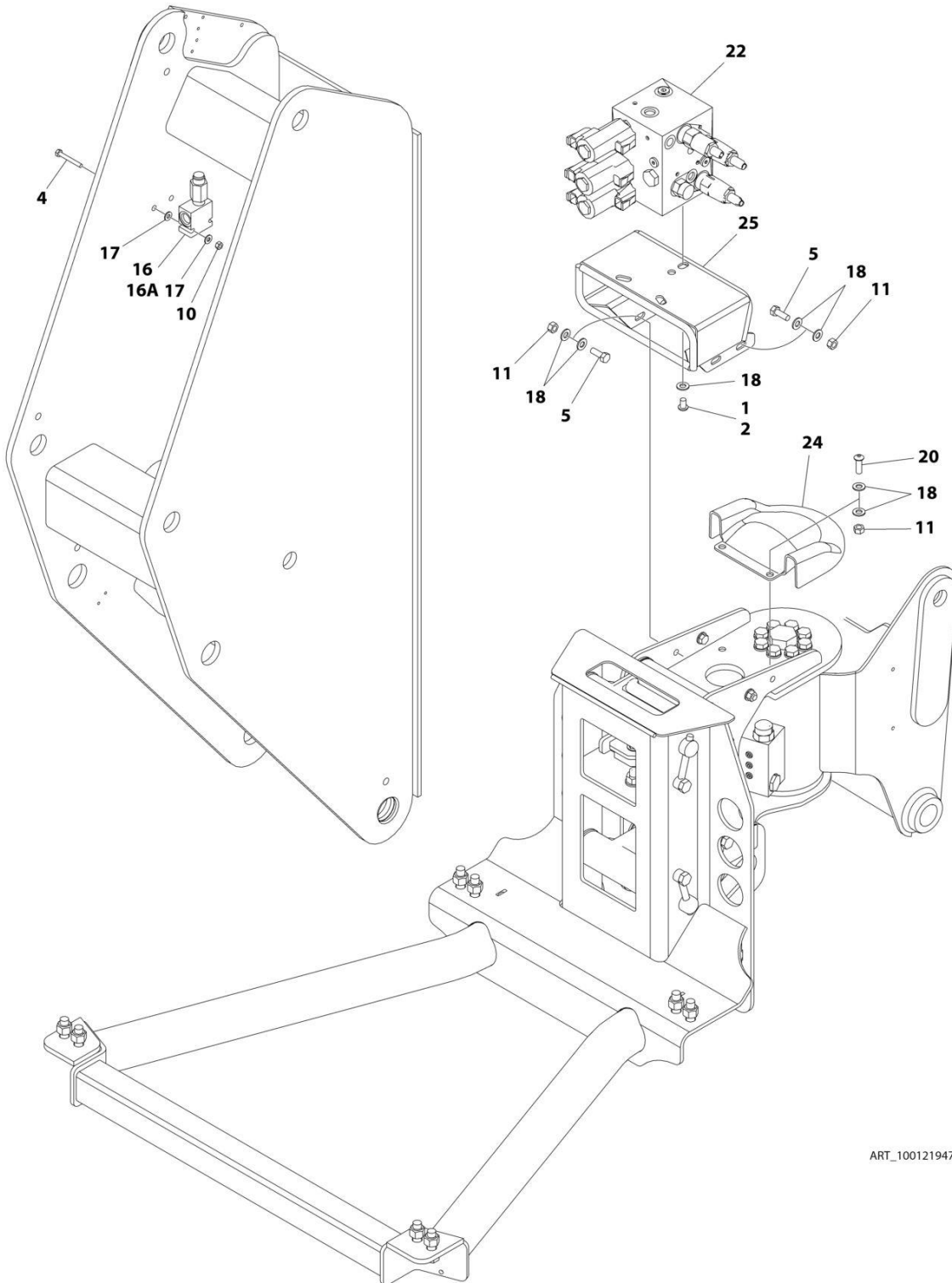
SECTION 4 - BOOM

FIGURE 4-15. CONTROL VALVES INSTALLATION – 4WS WITH DEUTZ D2011 ENGINES

ITEM	PART NUMBER	QTY	DESCRIPTION	REV
	1001219474	Ref	CONTROL VALVES INSTALLATION	B
1	0100011	AR	Compound, Locking	
2	0630467	3	Screw 5/6-18 x 1/2	
4	0641416	2	Bolt 1/4 x 2	
5	0641507	4	Bolt 5/16 x 7/8	
11	3311405	2	Nut 1/4-20	
12	3311505	6	Nut 5/16	
18	4640929	1	Valve Assembly - Relief	
18A	7012970	1	Cartridge Valve	
18A	7012953	1	Seal Kit - 7012970 Valve	
19	4711400	4	Washer 1/4	
20	4711500	15	Washer 5/16	
22	88261024	2	Screw 5/16 x 1	
25	1001152565	1	Control Valve Assembly (See Separate Breakdown in this Section)	
26	1001207969	1	Cover	
27	1001208994	1	Mount	

SECTION 4 - BOOM

FIGURE 4-16. CONTROL VALVES INSTALLATION – 2WS WITH DEUTZ TD2.3L3, DEUTZ TD2.9L4, DEUTZ TD2.9L4 (STAGE V), DEUTZ D2.9L4 (CHINA IV) AND FORD ENGINES



ART_1001219476_2OF2

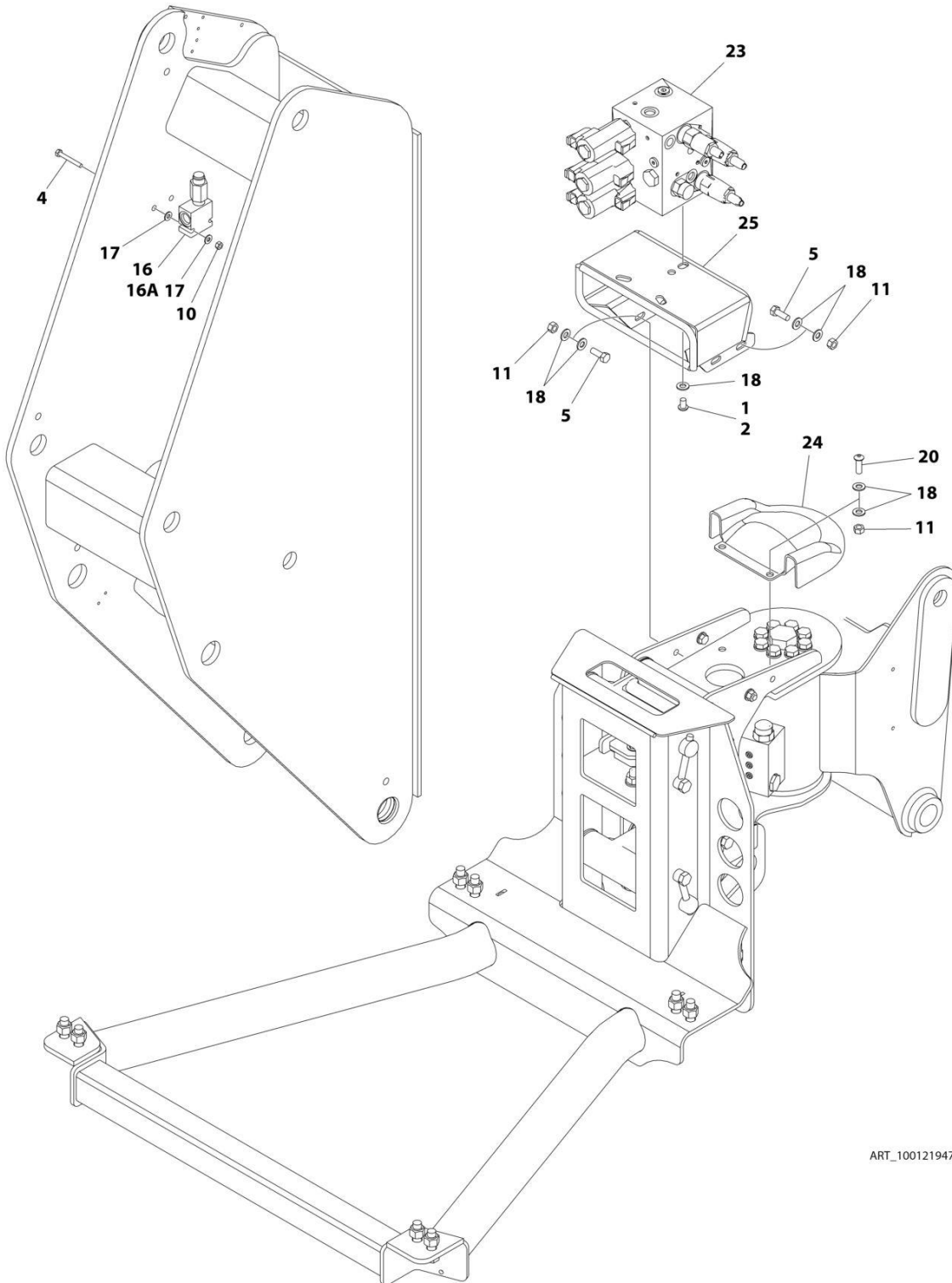
SECTION 4 - BOOM

FIGURE 4-16. CONTROL VALVES INSTALLATION – 2WS WITH DEUTZ TD2.3L3, DEUTZ TD2.9L4, DEUTZ TD2.9L4 (STAGE V), DEUTZ D2.9L4 (CHINA IV) AND FORD ENGINES

ITEM	PART NUMBER	QTY	DESCRIPTION	REV
	1001219476	Ref	CONTROL VALVES INSTALLATION	B
1	0100011	AR	Compound, Locking	
2	0630467	3	Screw 5/6-18 x 1/2	
4	0641416	2	Bolt 1/4 x 2	
5	0641507	4	Bolt 5/16 x 7/8	
10	3311405	2	Nut 1/4-20	
11	3311505	6	Nut 5/16	
16	4640929	1	Valve Assembly - Relief	
16A	7012970	1	Cartridge Valve	
16A	7012953	1	Seal Kit - 7012970 Valve	
17	4711400	4	Washer 1/4	
18	4711500	15	Washer 5/16	
20	88261024	2	Screw 5/16 x 1	
22	1001152565	1	Control Valve Assembly (See Separate Breakdown in this Section)	
24	1001207969	1	Cover	
25	1001208994	1	Mount	

SECTION 4 - BOOM

FIGURE 4-17. CONTROL VALVES INSTALLATION – 4WS WITH DEUTZ TD2.3L3, DEUTZ TD2.9L4, DEUTZ TD2.9L4 (STAGE V), DEUTZ D2.9L4 (CHINA IV) AND FORD ENGINES



ART_1001219476_2OF2

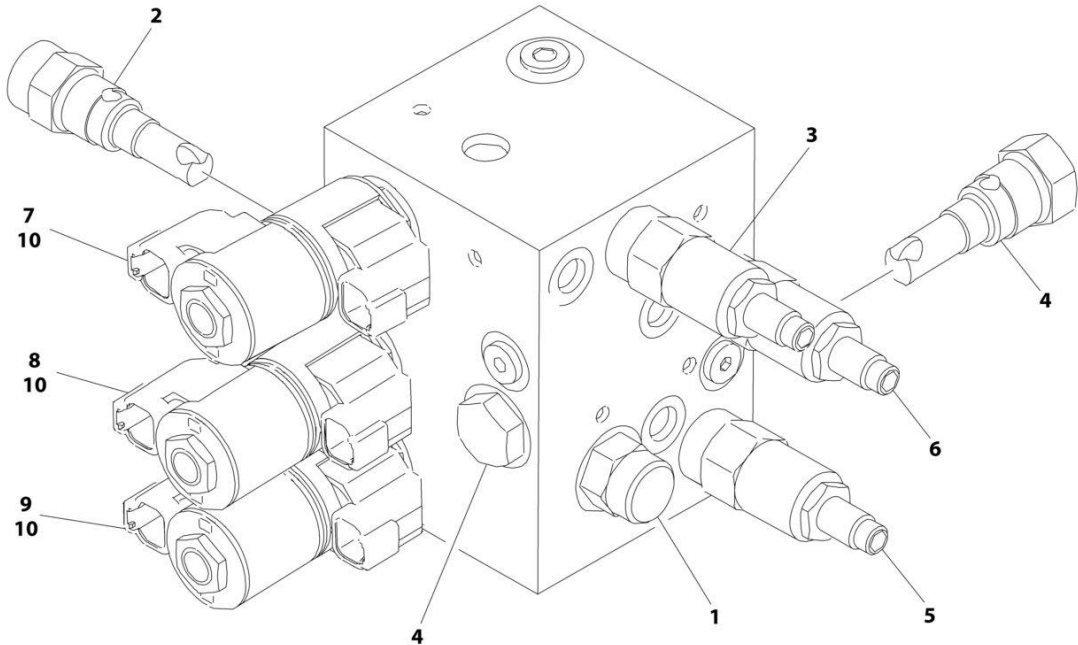
SECTION 4 - BOOM

FIGURE 4-17. CONTROL VALVES INSTALLATION – 4WS WITH DEUTZ TD2.3L3, DEUTZ TD2.9L4, DEUTZ TD2.9L4 (STAGE V), DEUTZ D2.9L4 (CHINA IV) AND FORD ENGINES

ITEM	PART NUMBER	QTY	DESCRIPTION	REV
	1001219478	Ref	CONTROL VALVES INSTALLATION	B
1	0100011	AR	Compound, Locking	
2	0630467	3	Screw 5/6-18 x 1/2	
4	0641416	2	Bolt 1/4 x 2	
5	0641507	4	Bolt 5/16 x 7/8	
10	3311405	2	Nut 1/4-20	
11	3311505	6	Nut 5/16	
16	4640929	1	Valve Assembly - Relief	
16A	7012970	1	Cartridge Valve	
16A	7012953	1	Seal Kit - 7012970 Valve	
17	4711400	4	Washer 1/4	
18	4711500	15	Washer 5/16	
20	88261024	2	Screw 5/16 x 1	
23	1001152565	1	Control Valve Assembly (See Separate Breakdown in this Section)	
24	1001207969	1	Cover	
25	1001208994	1	Mount	

SECTION 4 - BOOM

FIGURE 4-18. CONTROL VALVE ASSEMBLY



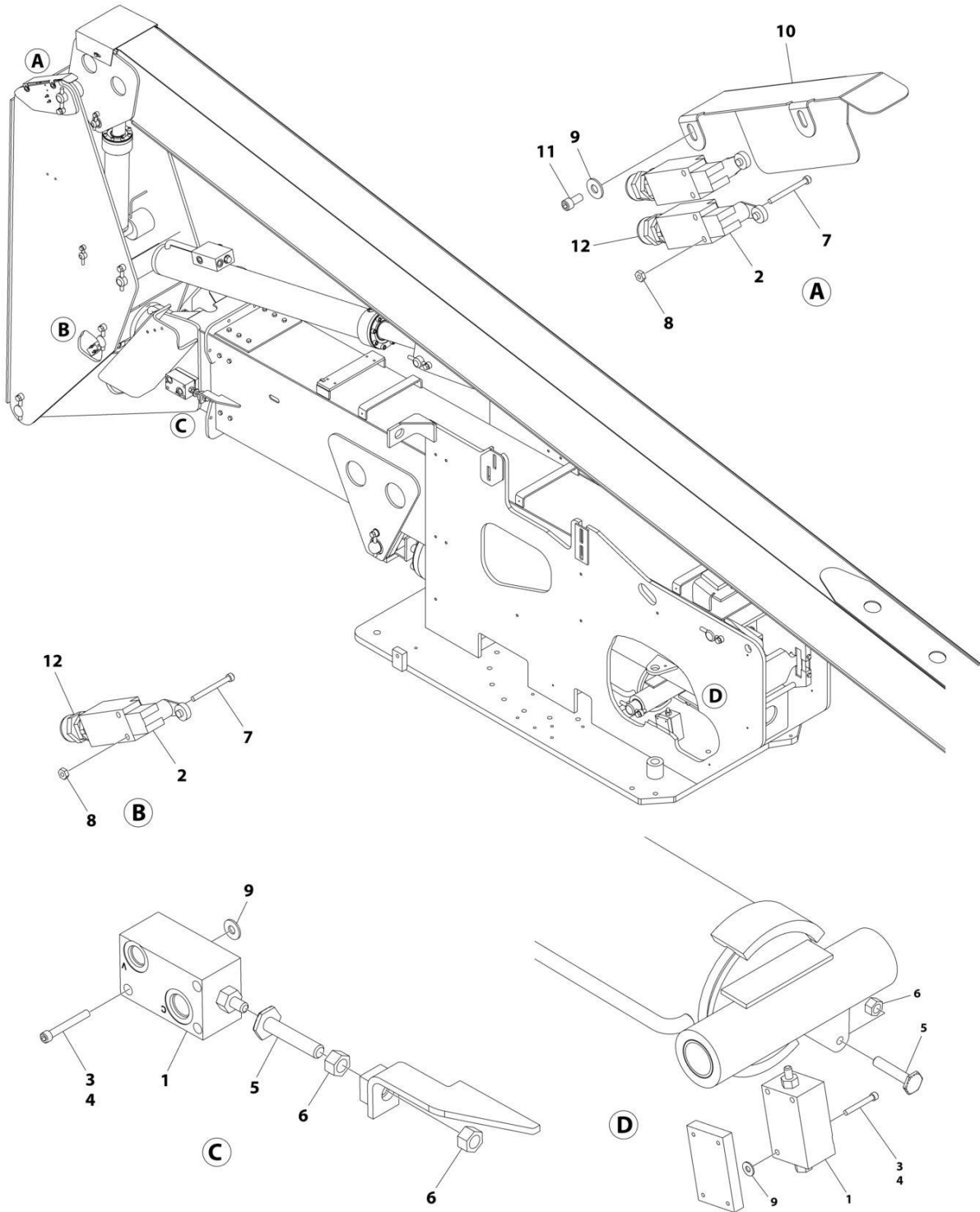
ART_1001152565

FIGURE 4-18. CONTROL VALVE ASSEMBLY

ITEM	PART NUMBER	QTY	DESCRIPTION	REV
	1001152565	Ref	BOOM VALVE ASSEMBLY	C
1	7012989	1	Valve, Flow	
1	7012953	1	Seal Kit - 7012989 Valve	
2	7012965	1	Valve, Flow	
2	7012953	1	Seal Kit - 7012965 Valve	
3	70003790	1	Valve, Relief	
3	7021653	1	Seal Kit - 70003790 Valve	
4	7012914	2	Valve, Cartridge	
4	7012918	2	Seal Kit - 7012914 Valve	
5	7023911	1	Valve, Relief	
5	7012967	1	Seal Kit - 7023911 Valve	
6	7023912	1	Valve, Relief	
6	7012967	1	Seal Kit - 7023912 Valve	
7	7017452	1	Valve, Solenoid (Jib)	
7	7017402	2	Seal Kit - 7017452 Valve	
8	7017452	1	Valve, Solenoid (Platform Level)	
8	7017402	1	Seal Kit - 7017452 Valve	
9	7017452	1	Valve, Solenoid (Rotator)	
9	7017402	2	Seal Kit - 7017452 Valve	
10	70002386	6	Coil	
11	70002064	2	Plug, Orifice (Not Shown)	
12	7017406	2	Plug (Not Shown)	

SECTION 4 - BOOM

FIGURE 4-19. BOOM VALVES AND LIMIT SWITCHES INSTALLATION



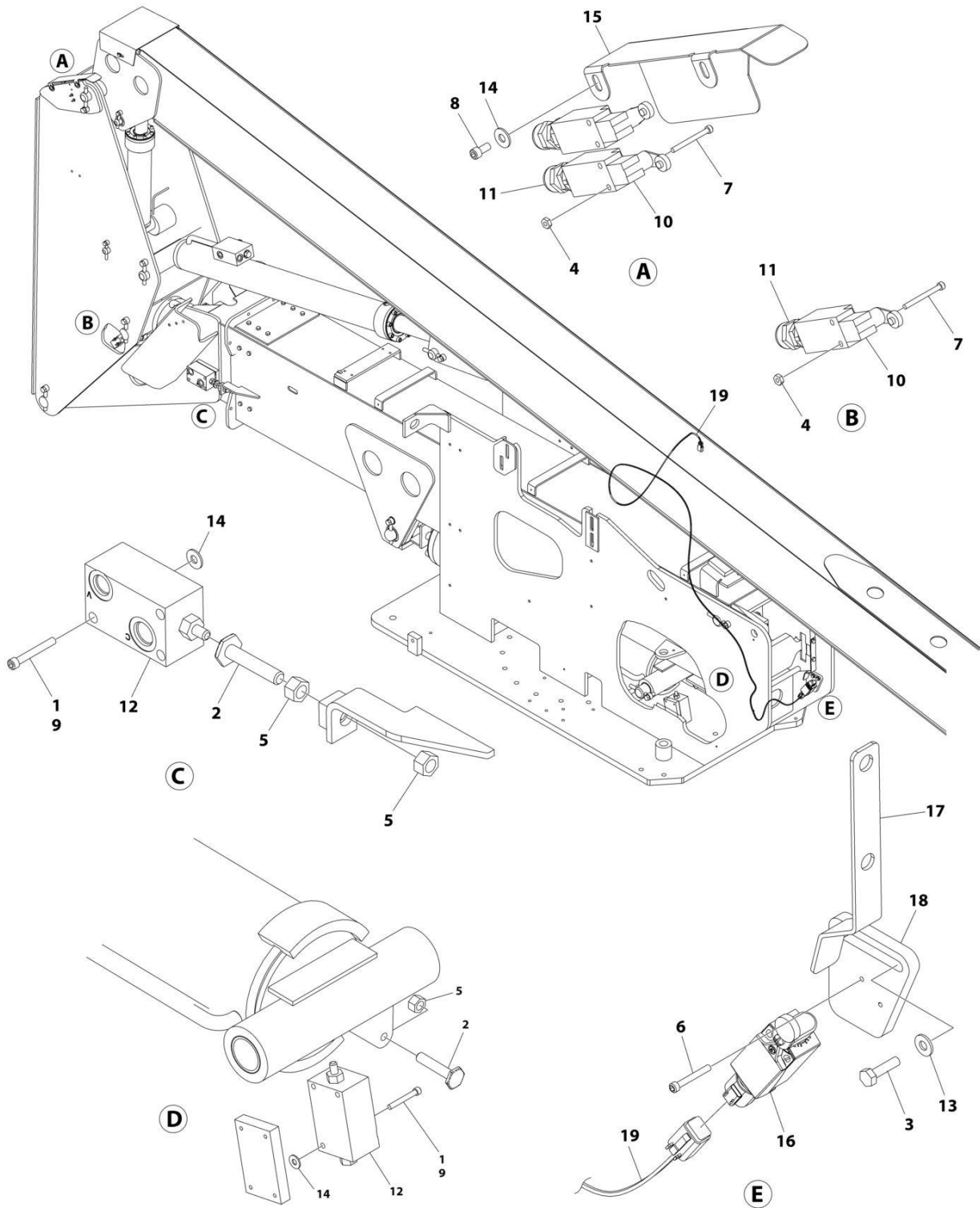
ART_1001155267

FIGURE 4-19. BOOM VALVES AND LIMIT SWITCHES INSTALLATION

ITEM	PART NUMBER	QTY	DESCRIPTION	REV
	1001155267	Ref	BOOM VALVES AND LIMIT SWITCHES INSTALLATION	C
1	4641436	2	Valve, Manual 2-Way	
2	4360578	2	Switch, Limit	
3	3931430	6	Bolt, Socket Head 1/4 x 1-7/8	
4	0100011	AR	Compound, Locking	
5	0630427	2	Bolt, Special	
6	3311801	3	Nut 1/2	
7	3930828	4	Bolt, Socket Head #8 x 1-3/4	
8	3310801	4	Nut #8	
9	4751400	8	Washer 1/4	
10	1001155399	1	Cover, Switch	
11	3931408	2	Bolt, Socket 1/4 x 1/2	
12	4460968	2	Connector, Strain Relief	

SECTION 4 - BOOM

FIGURE 4-20. BOOM VALVES AND LIMIT SWITCHES INSTALLATION - WITH TOWER STOW



ART_1001266165

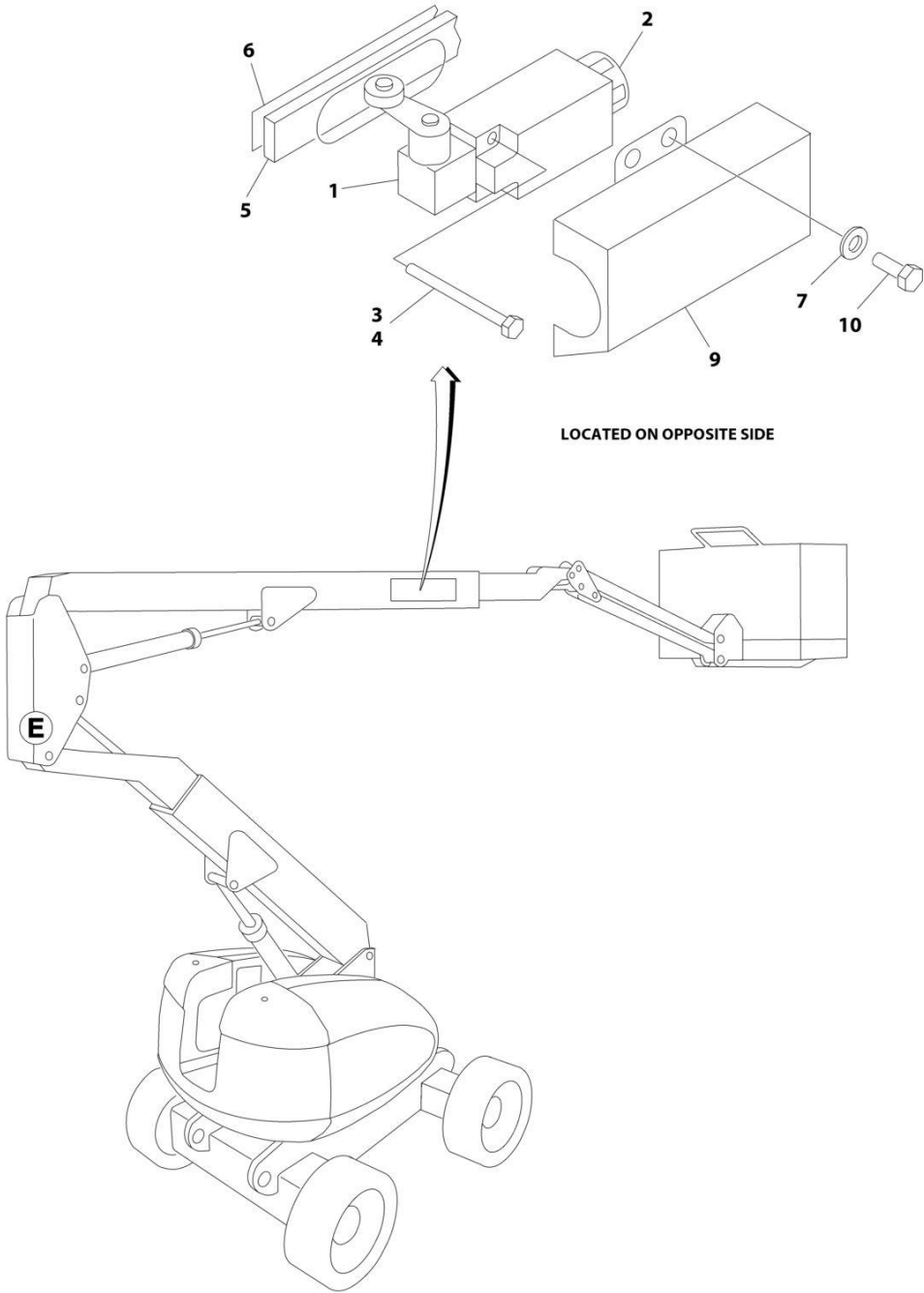
SECTION 4 - BOOM

FIGURE 4-20. BOOM VALVES AND LIMIT SWITCHES INSTALLATION - WITH TOWER STOW

ITEM	PART NUMBER	QTY	DESCRIPTION	REV
	1001266165	Ref	BOOM VALVES AND LIMIT SWITCHES INSTALLATION	A
1	0100011	AR	Compound, Locking	
2	0630427	2	Bolt, Special	
3	0641408	2	Bolt 1/4 x 1	
4	3310801	4	Nut #8	
5	3311801	3	Nut 1/2	
6	3930820	2	Bolt, Socket Head #8 x 1-1/4	
7	3930828	4	Bolt, Socket Head #8 x 1-3/4	
8	3931408	2	Bolt, Socket 1/4 x 1/2	
9	3931430	6	Bolt, Socket Head 1/4 x 1-7/8	
10	4360578	2	Switch, Limit	
11	4460968	2	Connector, Strain Relief	
12	4641436	2	Valve, Manual 2-Way	
13	4711400	2	Washer 1/4	
14	4751400	8	Washer 1/4	
15	1001155399	1	Cover, Switch	
16	1001172271	1	Switch, Roller Limit	
17	1001259642	1	Plate	
18	1001260070	1	Beacket	
19	1001266829	1	Harness, Tower Stow Indicator	

SECTION 4 - BOOM

FIGURE 4-21. TRANSPORT POSITION SWITCH INSTALLATION



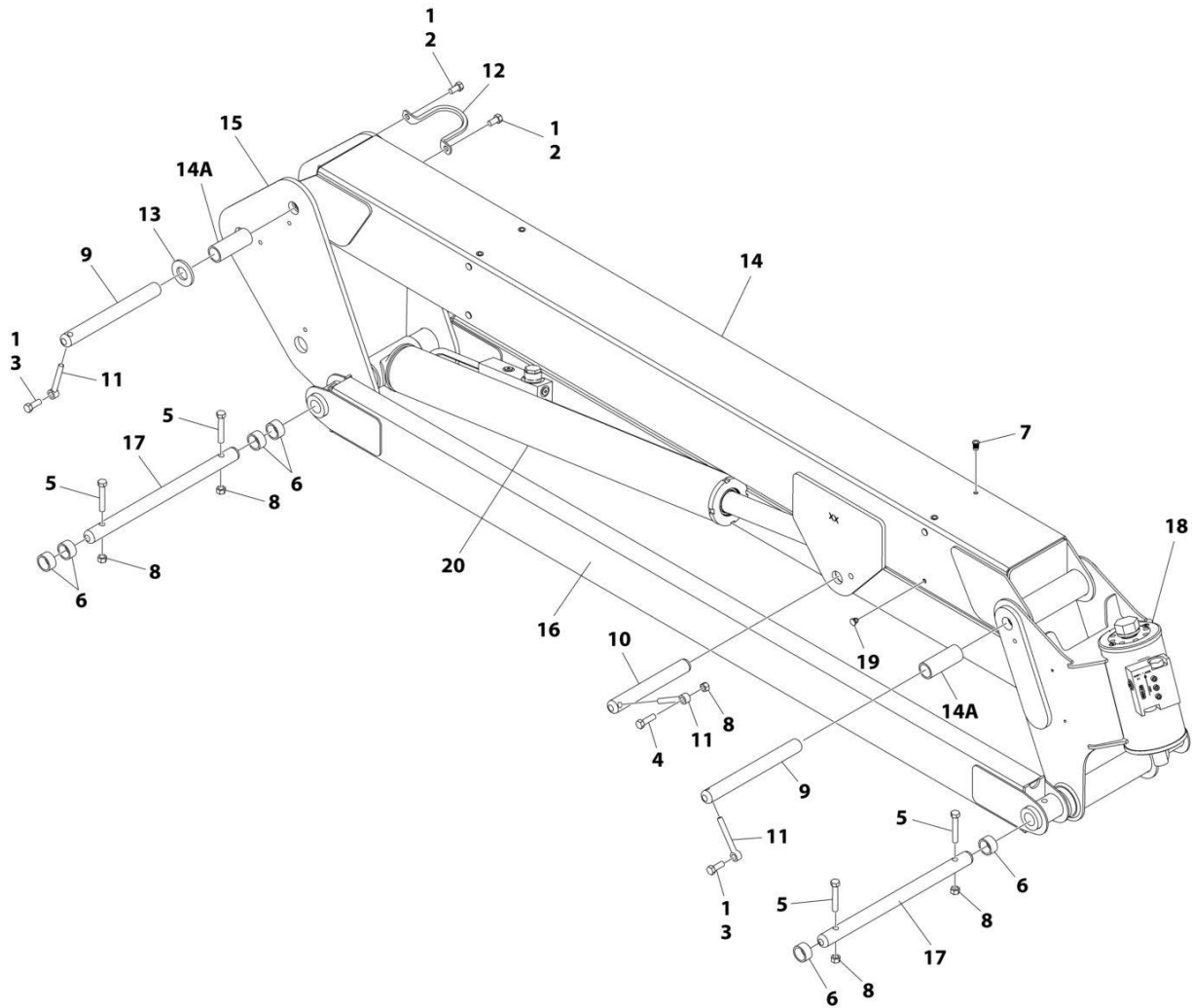
ART_0256336

FIGURE 4-21. TRANSPORT POSITION SWITCH INSTALLATION

ITEM	PART NUMBER	QTY	DESCRIPTION	REV
	0256336	Ref	TRANSPORT POSITION SWITCHES INSTALLATION	C
1	4360578	1	Switch, Limit	
2	4460968	1	Connector, Strain Relief	
3	0100035	AR	Compound, Locking	
4	3930816	2	Bolt, Socket Head #8 x 1	
5	1001106480	1	Bar, Fiberglass	
6	4420060	10.5 ft/ 3.2m	Tape, Foam	
7	4751400	4	Washer 1/4	
9	1670824	1	Cover, Switch	
10	0641403	4	Bolt 3/8 x 3/8	

SECTION 4 - BOOM

FIGURE 4-22. JIB BOOM ASSEMBLY



ART_1001247146_D

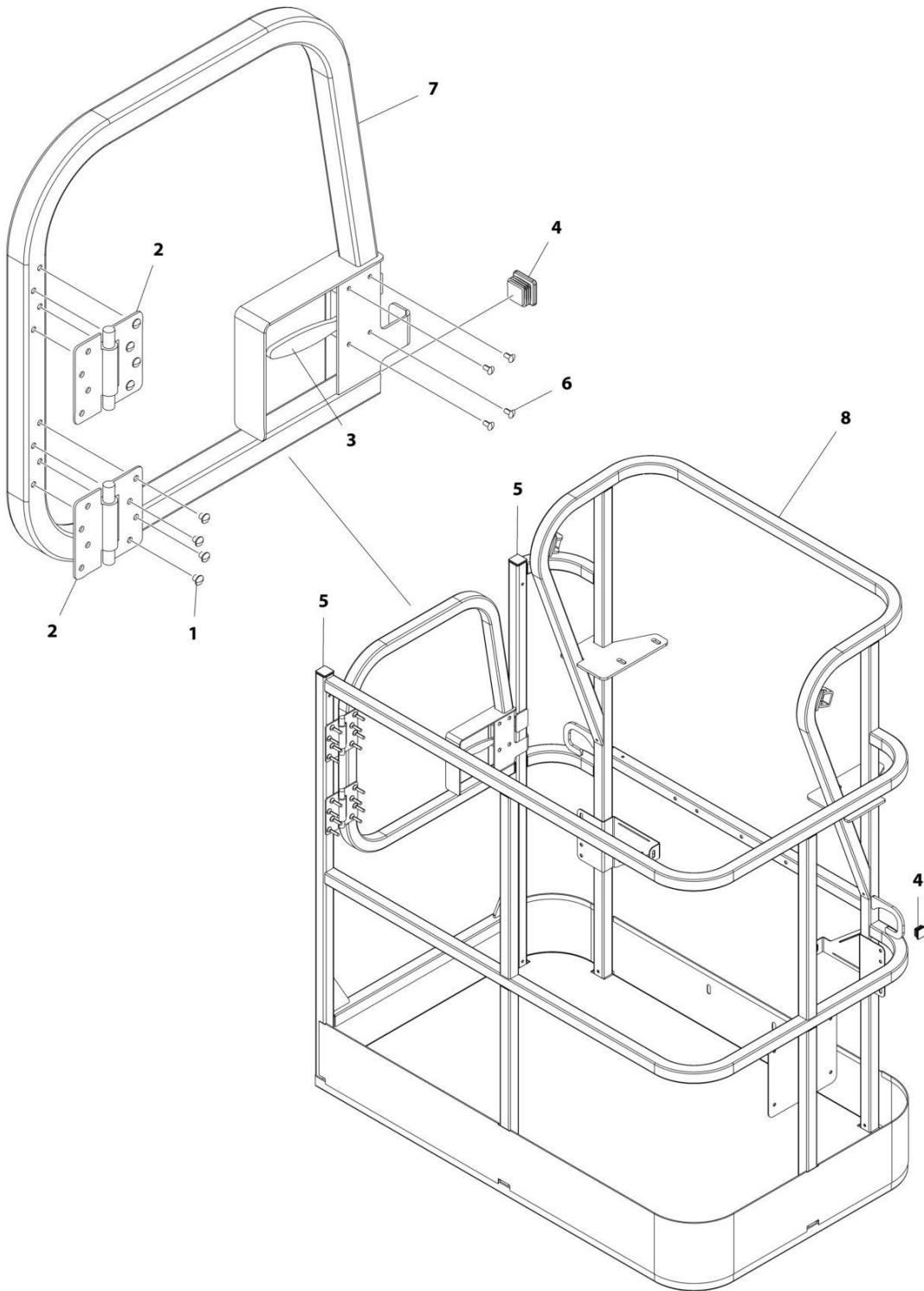
FIGURE 4-22. JIB BOOM ASSEMBLY

ITEM	PART NUMBER	QTY	DESCRIPTION	REV
	1001247146	Ref	JIB BOOM ASSEMBLY	D
1	0100011	AR	Compound, Locking	
2	0641606	2	Bolt 3/8 x 3/4	
3	0641608	2	Bolt 3/8 x 1	
4	0641610	1	Bolt 3/8 x 1-1/4	
5	0641618	4	Bolt 3/8 x 2-1/4	
6	0961947	6	Bushing	
7	1001176636	4	Rivnut	
7	1001260680	4	Rivnut	
8	3311605	5	Nut 3/8	
9	3422860	2	Pin	
10	3422867	1	Pin	
11	3841143	3	Keeper, Pin	
12	3841340	1	Loop, Hose	
13	4740439	2	Washer, Thrust	
14	4844816	1	Tube - Top	
14A	0962335	4	Bushing	
15	1001169384	1	Pivot Weldment	
16	4844817	2	Tube - Bottom	
17	3422861	2	Pin	
18	1001217780	1	Rotator Assembly (See Separate Breakdown in this Section)	
19	1001223899	8	Fastener	
20	1001251012	1	Jib Lift Cylinder Assembly (See Separate Breakdown in CYLINDER Section)	

SECTION 5 - PLATFORM

SECTION 5 - PLATFORM

FIGURE 5-1. PLATFORM ASSEMBLY - 30IN X 4FT (76.2CM X 1.22M) WITH SWING GATE



ART_1001186387

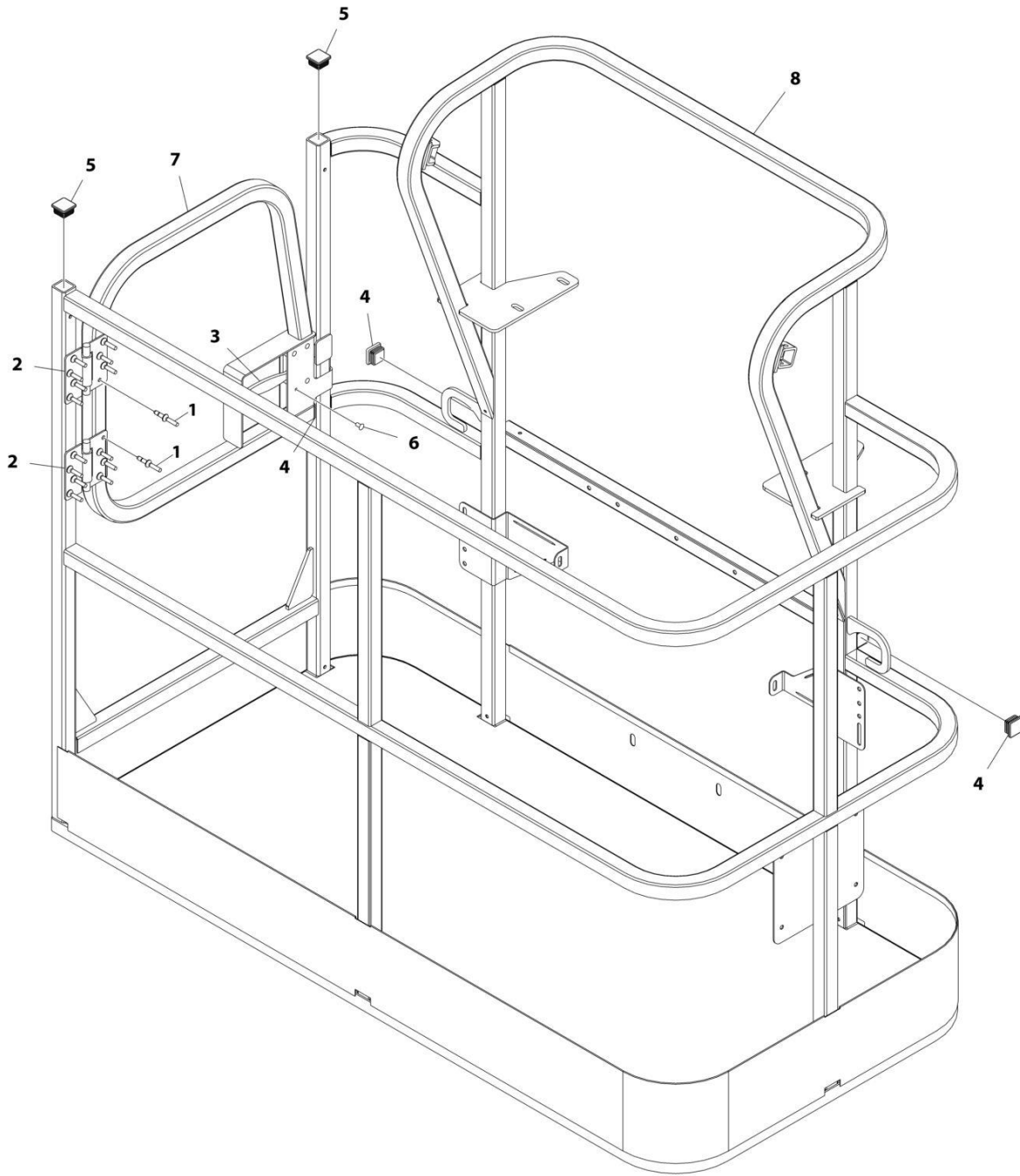
SECTION 5 - PLATFORM

FIGURE 5-1. PLATFORM ASSEMBLY - 30IN X 4FT (76.2CM X 1.22M) WITH SWING GATE

ITEM	PART NUMBER	QTY	DESCRIPTION	REV
	1001186387	Ref	PLATFORM ASSEMBLY	C
		Ref	Note: Platform and Mesh must be ordered separately for Platforms with Mesh. See SPECIAL OPTIONS SECTION for Mesh Installations.	
		Ref	Note: Replacement Decals Must be Ordered Separately - See DECALS SECTION.	
1	2080040	16	Fastener, Huck	
2	2600281	2	Hinge, Self-Closing	
3	2940074	1	Latch	
4	3520072	3	Plug	
5	3520198	2	Plug	
6	3820020	4	Rivet	
7	1001144629	1	Gate	
8	See Note	1	Platform (Note: Not Available - Purchase Platform Assembly)	

SECTION 5 - PLATFORM

FIGURE 5-2. PLATFORM ASSEMBLY - 30IN X 5FT (76CM X 1.52M) WITH SWING GATE



ART_1001186386

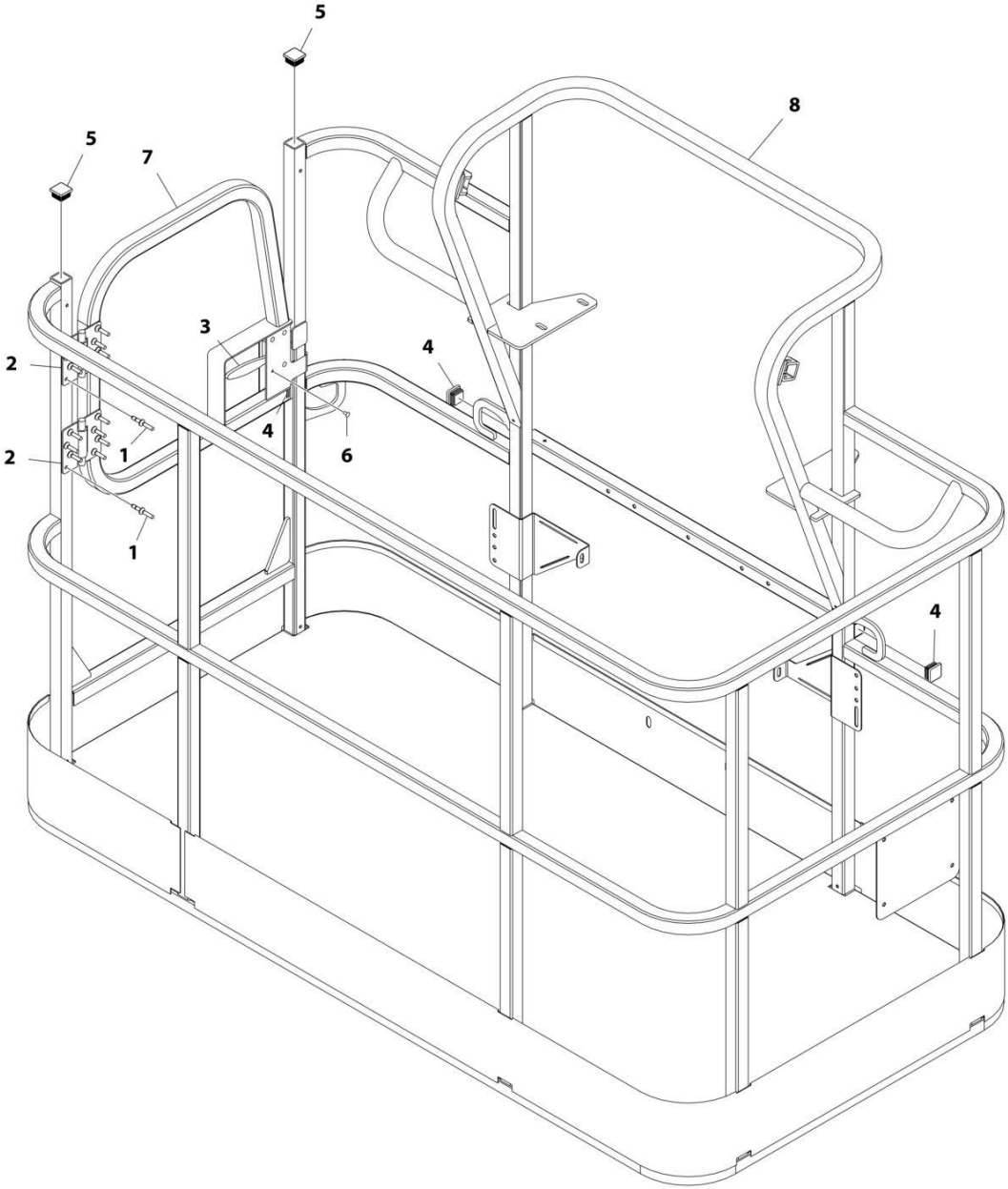
SECTION 5 - PLATFORM

FIGURE 5-2. PLATFORM ASSEMBLY - 30IN X 5FT (76CM X 1.52M) WITH SWING GATE

ITEM	PART NUMBER	QTY	DESCRIPTION	REV
	1001186386	Ref	PLATFORM ASSEMBLY	C
		Ref	Note: Platform and Mesh must be ordered separately for Platforms with Mesh. See SPECIAL OPTIONS SECTION for Mesh Installations.	
		Ref	Note: Replacement Decals Must be Ordered Separately - See DECALS SECTION.	
1	2080040	16	Fastener, Huck	
2	2600281	2	Hinge, Self-Closing	
3	2940074	1	Latch	
4	3520072	3	Plug	
5	3520198	2	Plug	
6	3820020	4	Rivet	
7	1001144629	1	Gate	
8	See Note	NSS	Platform (Note: Not Available - Purchase Platform Assembly)	

SECTION 5 - PLATFORM

FIGURE 5-3. PLATFORM ASSEMBLY - 36IN X 6FT (91.5CM X 1.83M) WITH SWING GATE



ART_1001186384

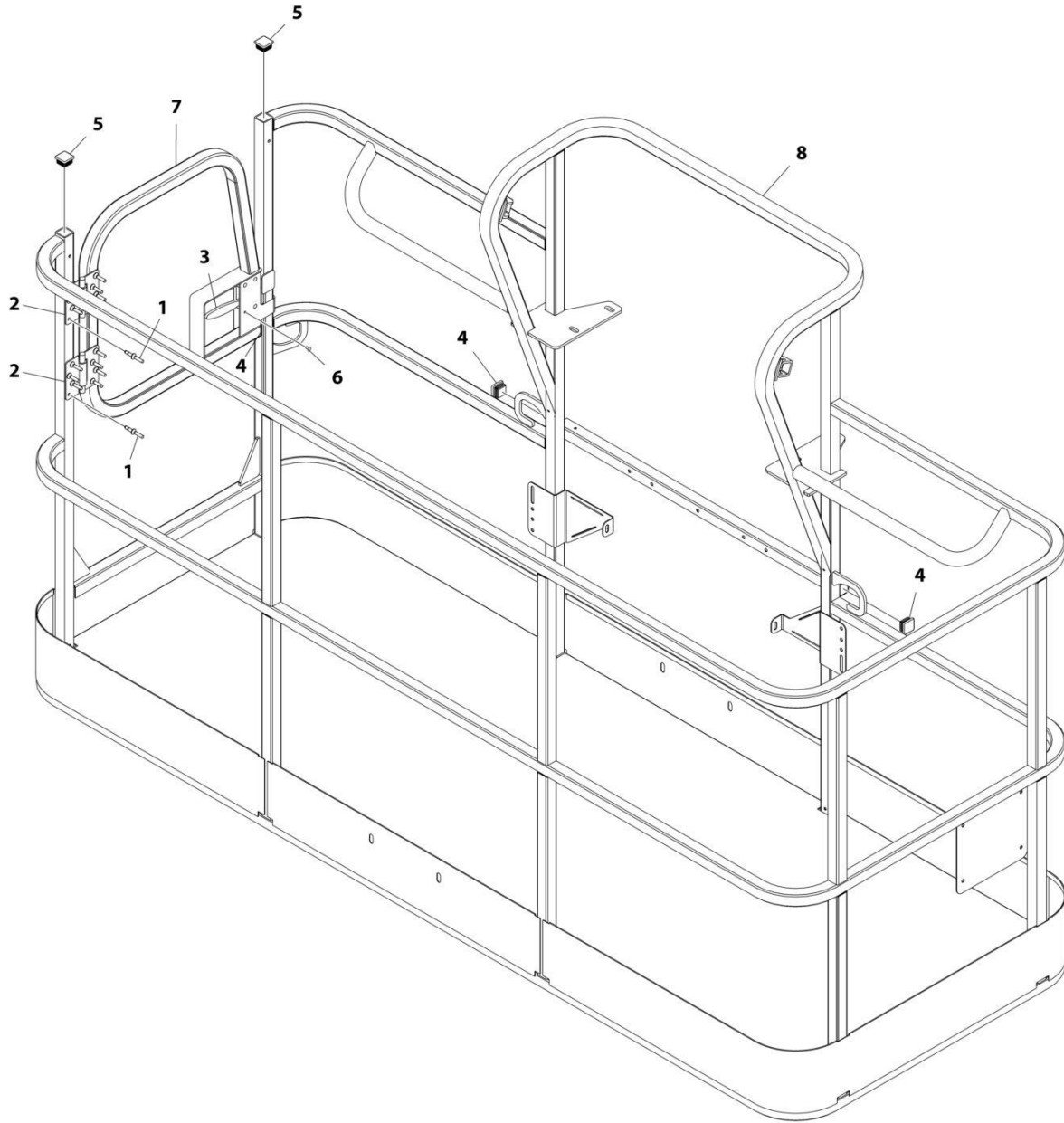
SECTION 5 - PLATFORM

FIGURE 5-3. PLATFORM ASSEMBLY - 36IN X 6FT (91.5CM X 1.83M) WITH SWING GATE

ITEM	PART NUMBER	QTY	DESCRIPTION	REV
	1001186384	Ref	PLATFORM ASSEMBLY - 36IN X 6FT (91.5CM X 1.83M) WITH SWING GATE	C
	See Note	Ref	Note: Platform and Mesh must be ordered separately for Platforms with Mesh. See SPECIAL OPTIONS SECTION for Mesh Installations.	
	See Note	Ref	Note: Replacement Decals Must be Ordered Separately - See DECALS SECTION.	
1	2080040	16	Fastener, Huck	
2	2600281	2	Hinge	
3	2940074	1	Latch	
4	3520072	3	Plug	
5	3520198	2	Plug	
6	3820020	4	Rivet	
7	1001144629	1	Gate	
8	See Note	NSS	Platform (Note: Not Available - Purchase Platform Assembly)	

SECTION 5 - PLATFORM

FIGURE 5-4. PLATFORM ASSEMBLY - 36IN X 8FT (91.5CM X 2.44M) WITH SWING GATE



ART_1001186383

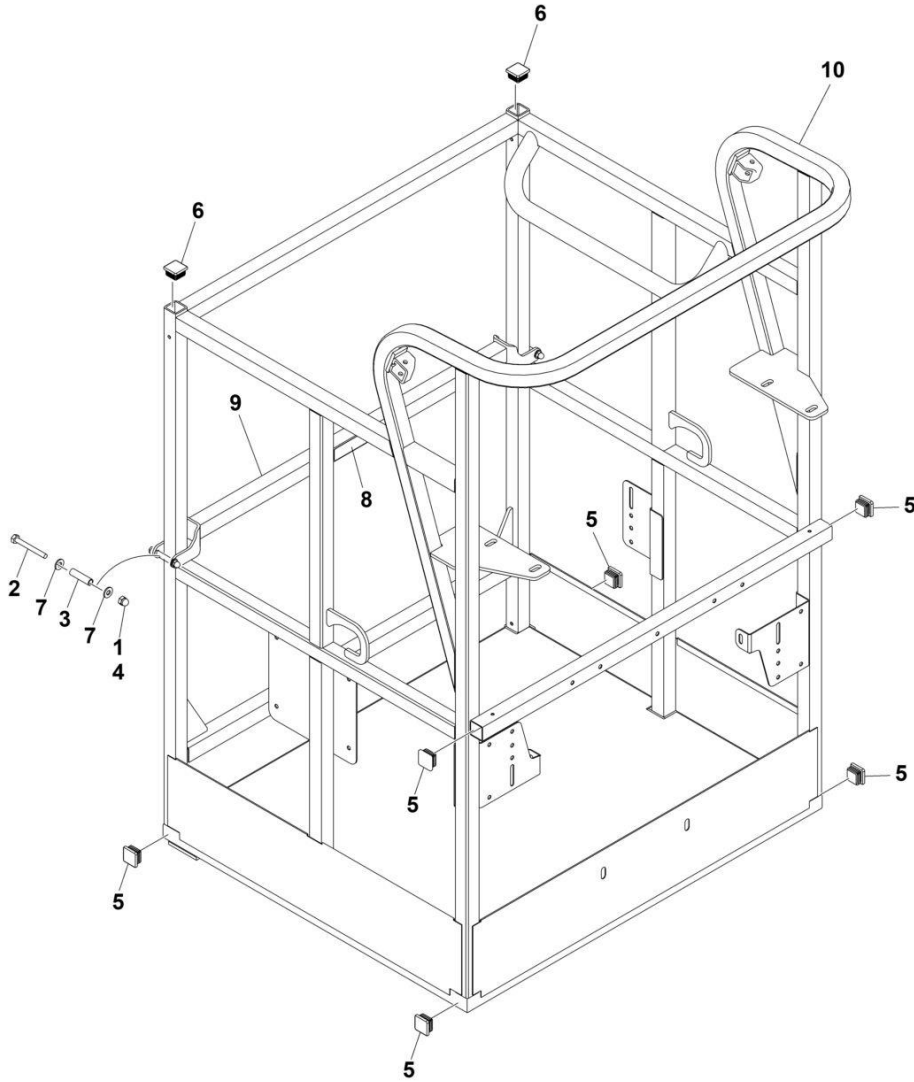
SECTION 5 - PLATFORM

FIGURE 5-4. PLATFORM ASSEMBLY - 36IN X 8FT (91.5CM X 2.44M) WITH SWING GATE

ITEM	PART NUMBER	QTY	DESCRIPTION	REV
	1001186383	Ref	PLATFORM ASSEMBLY - 36IN X 8FT (91.5CM X 2.44M) WITH SWING GATE	D
		Ref	Note: Platform and Mesh must be ordered separately for Platforms with Mesh. See SPECIAL OPTIONS SECTION for Mesh Installations.	
		Ref	Note: Replacement Decals Must be Ordered Separately - See DECALS SECTION.	
1	2080040	16	Fastener, Huck	
2	2600281	2	Hinge	
3	2940074	1	Latch	
4	3520072	3	Plug	
5	3520198	2	Plug	
6	3820020	4	Rivet	
7	1001144629	1	Gate	
8	See Note	NSS	Platform (Note: Not Available - Purchase Platform Assembly)	

SECTION 5 - PLATFORM

FIGURE 5-5. PLATFORM ASSEMBLY - 30IN X 3FT (76CM X .91M) WITH DROP BAR



ART_1001228215

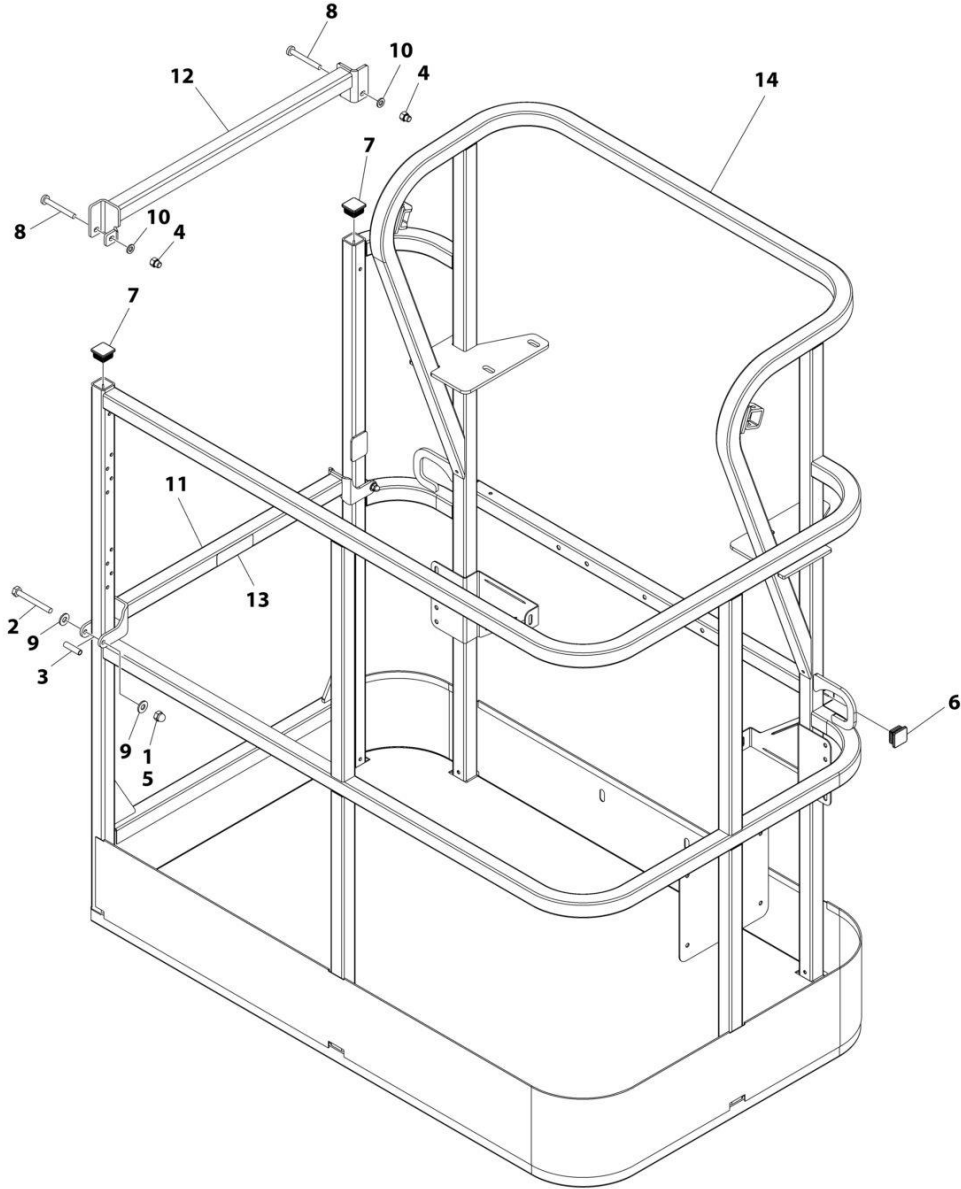
SECTION 5 - PLATFORM

FIGURE 5-5. PLATFORM ASSEMBLY - 30IN X 3FT (76CM X .91M) WITH DROP BAR

ITEM	PART NUMBER	QTY	DESCRIPTION	REV
	1001228215	Ref	PLATFORM ASSEMBLY	A
	See Note	Ref	Note: Platform and Mesh must be ordered separately for Platforms with Mesh. See SPECIAL OPTIONS SECTION for Mesh Installations.	
	See Note	Ref	Note: Replacement Decals Must be Ordered Separately - See DECAL SECTION.	
1	0100011	AR	Compound, Locking	
2	0641418	2	Bolt 1/4 x 2-1/4	
3	0961845	2	Bushing	
4	3300151	2	Nut 1/4	
5	3520072	6	Cap, Plug	
6	3520198	2	Cap, Plug	
7	4711400	4	Washer 1/4	
8	1001140429	1	Decal - Drop Bar	
9	1001226872	1	Bar, Drop	
10	See Note	NSS	Platform (Note: Not Available - Purchase Platform Assembly)	

SECTION 5 - PLATFORM

FIGURE 5-6. PLATFORM ASSEMBLY - 30IN X 4FT (76.2CM X 1.22M) WITH DROP BAR



ART_1001186375

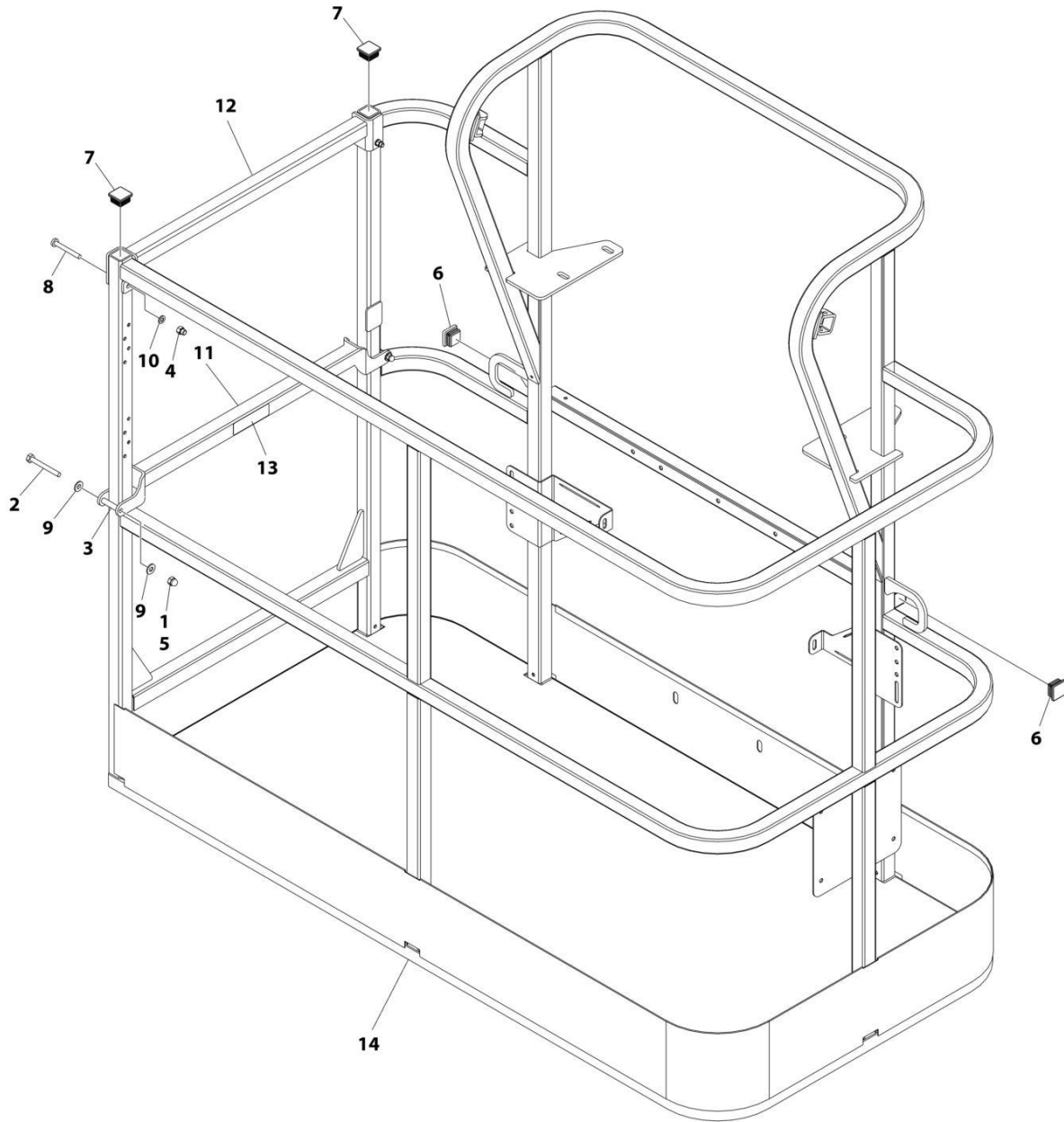
SECTION 5 - PLATFORM

FIGURE 5-6. PLATFORM ASSEMBLY - 30IN X 4FT (76.2CM X 1.22M) WITH DROP BAR

ITEM	PART NUMBER	QTY	DESCRIPTION	REV
	1001186375	Ref	PLATFORM ASSEMBLY	B
		Ref	Note: Platform and Mesh must be ordered separately for Platforms with Mesh. See SPECIAL OPTIONS SECTION for Mesh Installations.	
		Ref	Note: Replacement Decals Must be Ordered Separately - See DECALS SECTION.	
1	0100011	AR	Compound, Locking	
2	0641418	2	Bolt 1/4 x 2-1/4	
3	0961845	2	Bushing	
4	3290606	2	Nut M6	
5	3300151	2	Nut 1/4	
6	3520072	2	Plug	
7	3520198	2	Plug	
8	4010618	2	Screw M6 x 50	
9	4711400	4	Washer 1/4	
10	4811700	2	Washer M6	
11	1001138494	1	Bar, Drop	
12	1001138514	1	Rail - Top	
13	1001140429	1	Decal - Drop Bar	
14	See Note	1	Platform (Note: Not Available - Purchase Platform Assembly)	

SECTION 5 - PLATFORM

FIGURE 5-7. PLATFORM ASSEMBLY - 30IN X 5FT (76CM X 1.52M) WITH DROP BAR



ART_1001186377

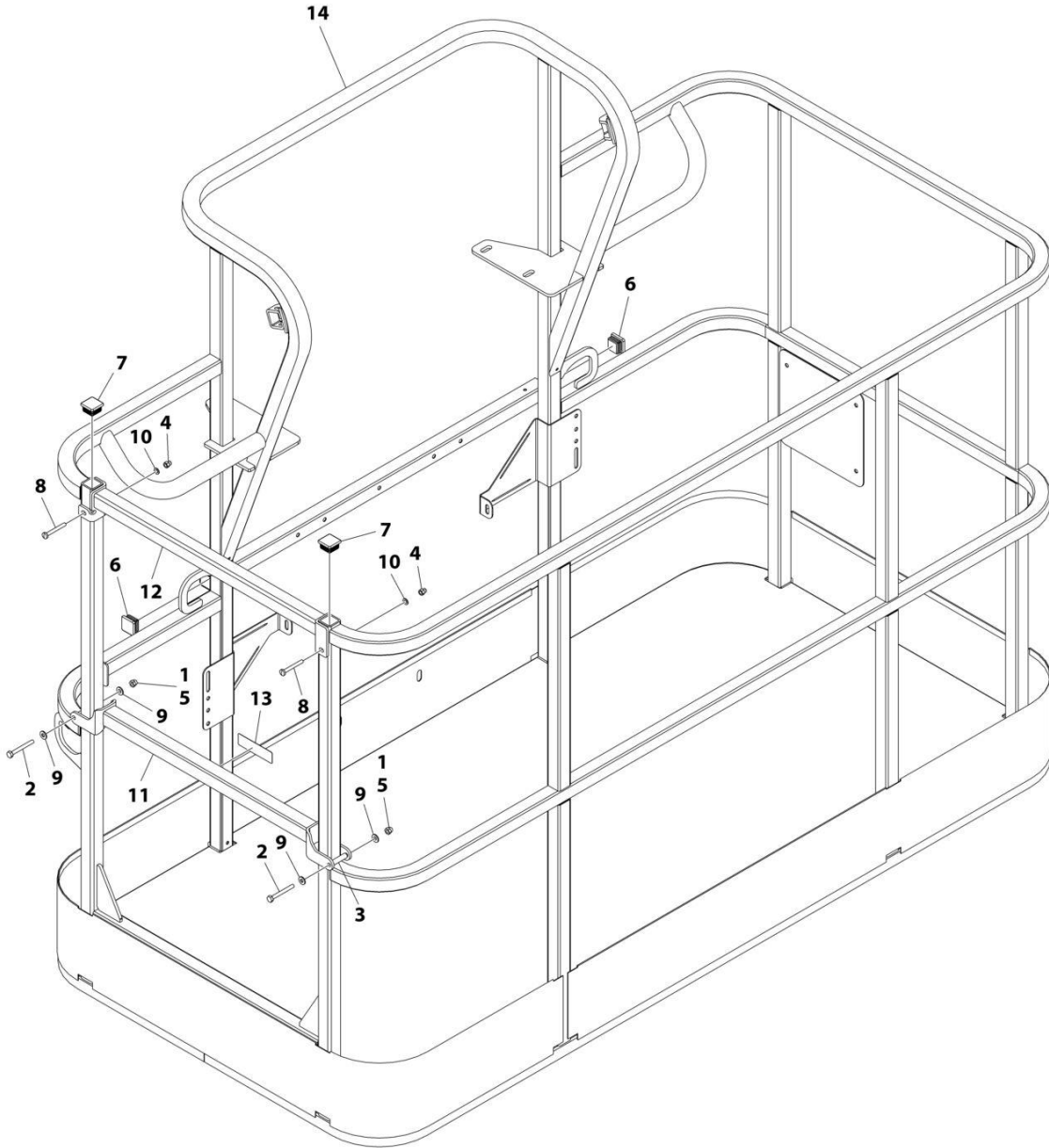
SECTION 5 - PLATFORM

FIGURE 5-7. PLATFORM ASSEMBLY - 30IN X 5FT (76CM X 1.52M) WITH DROP BAR

ITEM	PART NUMBER	QTY	DESCRIPTION	REV
	1001186377	Ref	PLATFORM ASSEMBLY	C
		Ref	Note: Platform and Mesh must be ordered separately for Platforms with Mesh. See SPECIAL OPTIONS SECTION for Mesh Installations.	
		Ref	Note: Replacement Decals Must be Ordered Separately - See DECALS SECTION.	
1	0100011	AR	Compound, Locking	
2	0641420	2	Bolt 1/4 x 2-1/2	
3	0961845	2	Bushing	
4	3290606	2	Nut M6	
5	3300151	2	Nut 1/4	
6	3520072	2	Plug	
7	3520198	2	Plug	
8	4010618	2	Screw M6 x 50	
9	4711400	4	Washer 1/4	
10	4811700	2	Washer M6	
11	1001138494	1	Bar, Drop	
12	1001138514	1	Rail (Top)	
13	1001140429	1	Decal - Drop Bar	
14	See Note	NSS	Platform (Note: Not Available - Purchase Platform Assembly)	

SECTION 5 - PLATFORM

FIGURE 5-8. PLATFORM ASSEMBLY - 36IN X 6FT (91.5CM X 1.83M) WITH DROP BAR



ART_1001186379

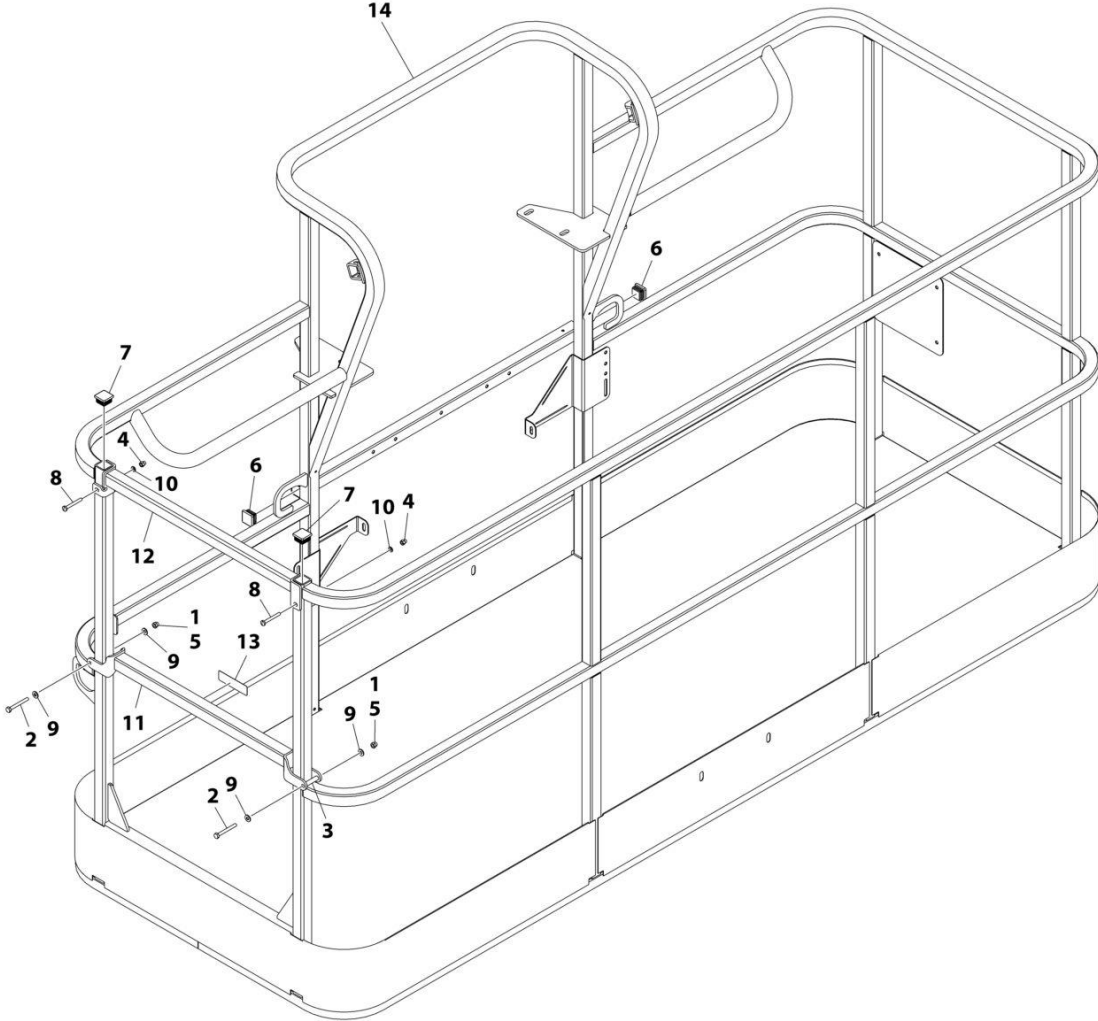
SECTION 5 - PLATFORM

FIGURE 5-8. PLATFORM ASSEMBLY - 36IN X 6FT (91.5CM X 1.83M) WITH DROP BAR

ITEM	PART NUMBER	QTY	DESCRIPTION	REV
	1001186379	Ref	PLATFORM ASSEMBLY - 36IN X 6FT (91.5CM X 1.83M) WITH DROP BAR	B
		Ref	Note: Platform and Mesh must be ordered separately for Platforms with Mesh. See SPECIAL OPTIONS SECTION for Mesh Installations.	
		Ref	Note: Replacement Decals Must be Ordered Separately - See DECALS SECTION.	
1	0100011	AR	Compound, Locking	
2	0641418	2	Bolt 1/4 x 2-1/4	
3	0961845	2	Bushing	
4	3290606	2	Nut M6	
5	3300151	2	Nut 1/4	
6	3520072	2	Plug	
7	3520198	2	Plug	
8	4010618	2	Screw M6 x 50	
9	4711400	4	Washer 1/4	
10	4811700	2	Washer M6	
11	1001138494	1	Bar, Drop	
12	1001138514	1	Rail (Top)	
13	1001140429	1	Decal - Drop Bar	
14	See Note	NSS	Platform (Note: Not Available - Purchase Platform Assembly)	

SECTION 5 - PLATFORM

FIGURE 5-9. PLATFORM ASSEMBLY - 36IN X 8FT (91.5CM X 2.44M) WITH DROP BAR



ART_1001186382

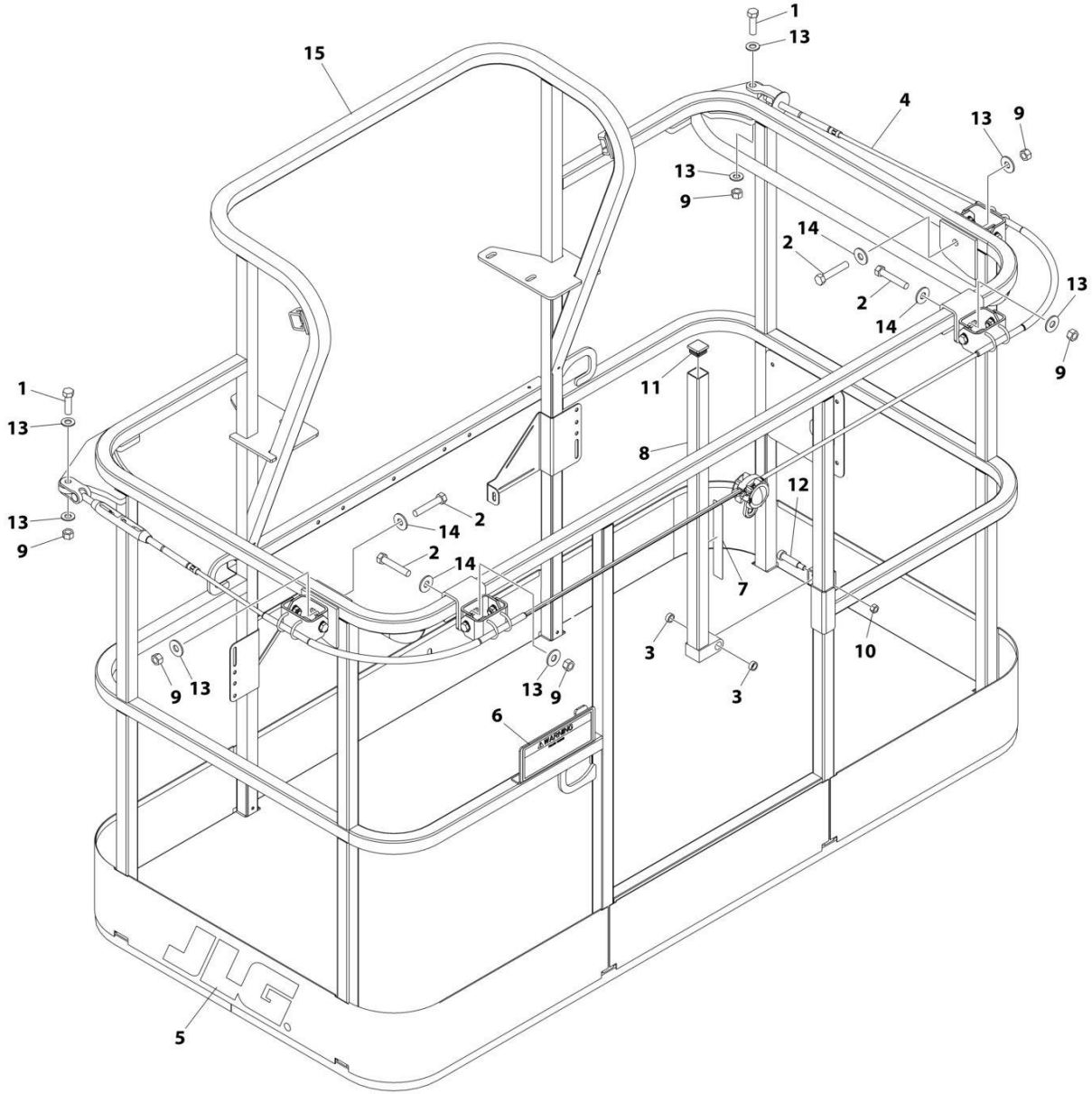
SECTION 5 - PLATFORM

FIGURE 5-9. PLATFORM ASSEMBLY - 36IN X 8FT (91.5CM X 2.44M) WITH DROP BAR

ITEM	PART NUMBER	QTY	DESCRIPTION	REV
	1001186382	Ref	PLATFORM ASSEMBLY - 36IN X 8FT (91.5CM X 2.44M) WITH DROP BAR	C
		Ref	Note: Platform and Mesh must be ordered separately for Platforms with Mesh. See SPECIAL OPTIONS SECTION for Mesh Installations.	
		Ref	Note: Replacement Decals Must be Ordered Separately - See DECALS SECTION.	
1	0100011	AR	Compound, Locking	
2	0641418	2	Bolt 1/4 x 2-1/4	
3	0961845	2	Bushing	
4	3290606	2	Nut M6	
5	3300151	2	Nut 1/4	
6	3520072	2	Plug	
7	3520198	2	Plug	
8	4010618	2	Screw M6 x 50	
9	4711400	4	Washer 1/4	
10	4811700	2	Washer M6	
11	1001138494	1	Bar, Drop	
12	1001138514	1	Rail (Top)	
13	1001140429	1	Decal - Drop Bar	
14	See Note	NSS	Platform (Note: Not Available - Purchase Platform Assembly)	

SECTION 5 - PLATFORM

FIGURE 5-10. PLATFORM ASSEMBLY - 36IN X 6FT (91.5CM X 1.83M) WITH FALL ARREST



ART_1001186333

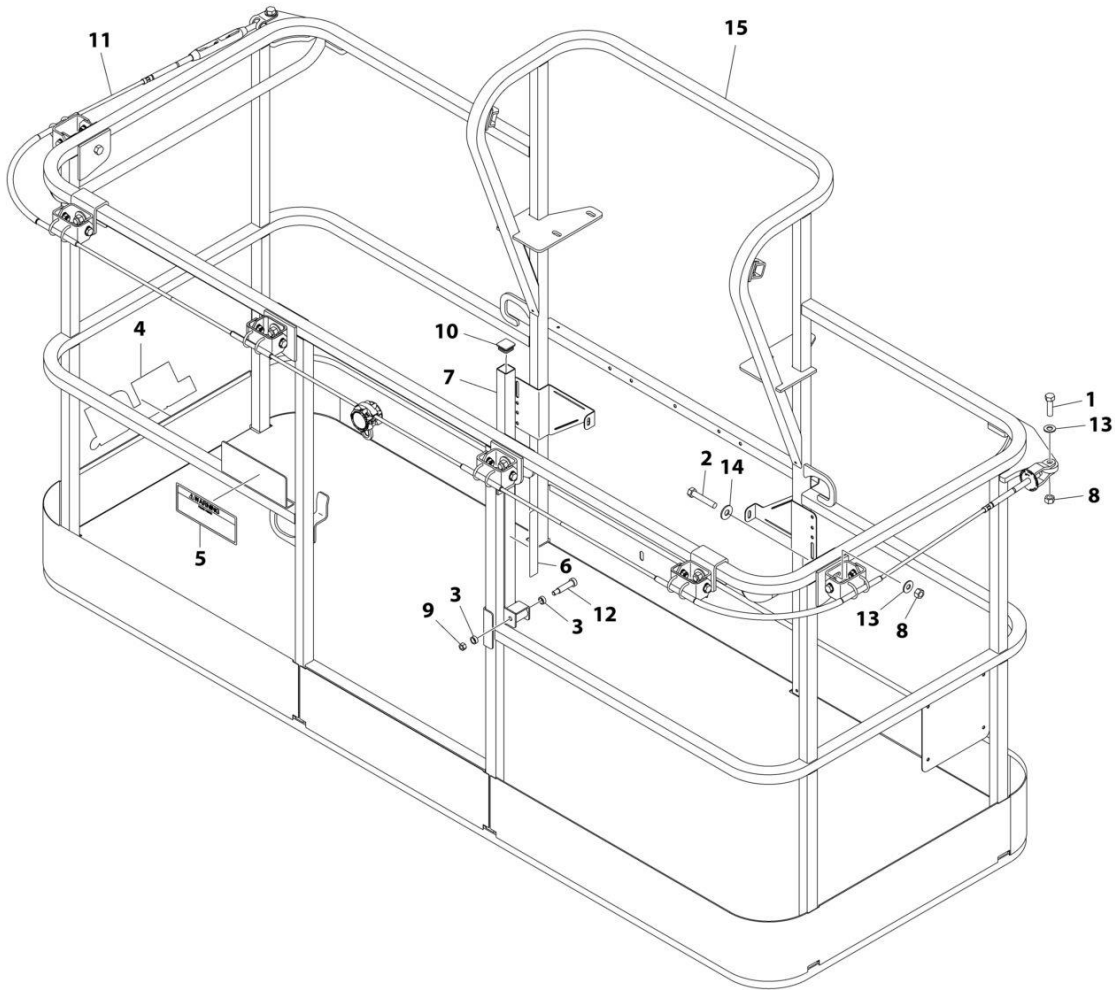
SECTION 5 - PLATFORM

FIGURE 5-10. PLATFORM ASSEMBLY - 36IN X 6FT (91.5CM X 1.83M) WITH FALL ARREST

ITEM	PART NUMBER	QTY	DESCRIPTION	REV
	1001186333	Ref	PLATFORM ASSEMBLY	C
		Ref	Note: Replacement Decals Must be Ordered Separately - See DECALS SECTION.	
1	0681814	2	Bolt 1/2 x 1-3/4 Grade 8	
2	0681822	4	Bolt 1/2 x 2-3/4 Grade 8	
3	0962270	2	Bearing	
4	1001203655	1	Cable	
5	1702773	1	Decal - JLG	
6	1705014	1	Decal - Safety	
7	1706385	1	Decal - Drop Bar	
8	2410014	1	Bar, Drop	
9	3271805	6	Nut 1/2 Grade 8	
10	3311605	1	Nut 3/8	
11	3520072	1	Plug	
12	3900054	1	Bolt 1/2 x 1-3/4	
13	4711800	8	Washer 1/2	
14	4751800	4	Washer 1/2	
15	See Note	NSS	Platform (Note: Not Available - Purchase Platform Assembly)	

SECTION 5 - PLATFORM

FIGURE 5-11. PLATFORM ASSEMBLY - 36IN X 8FT (91.5CM X 2.44M) WITH FALL ARREST



ART_1001186334

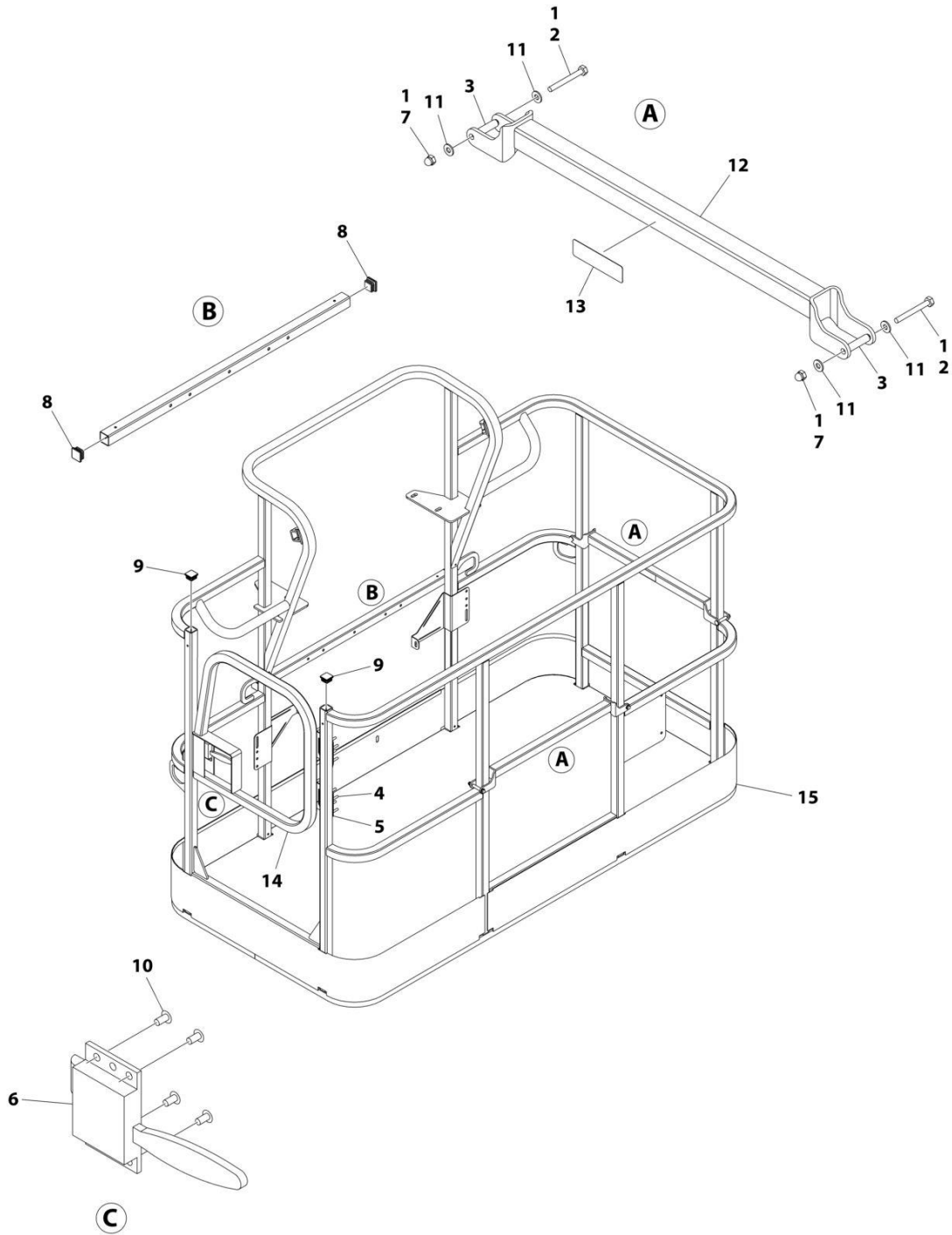
SECTION 5 - PLATFORM

FIGURE 5-11. PLATFORM ASSEMBLY - 36IN X 8FT (91.5CM X 2.44M) WITH FALL ARREST

ITEM	PART NUMBER	QTY	DESCRIPTION	REV
	1001186334	Ref	PLATFORM ASSEMBLY	D
		Ref	Note: Replacement Decals Must be Ordered Separately - See DECALS SECTION.	
1	0681814	2	Bolt 1/2 x 1-3/4 Grade 8	
2	0681822	6	Bolt 1/2 x 2-3/4 Grade 8	
3	0962270	2	Bearing	
4	1702773	1	Decal - JLG	
5	1705014	1	Decal - Safety	
6	1706385	1	Decal - Drop Bar	
7	2410014	1	Bar, Drop	
8	3271805	8	Nut 1/2 Grade 8	
9	3311605	1	Nut 3/8	
10	3520072	1	Plug	
11	1001203656	1	Cable	
12	3900054	1	Bolt 1/2 x 1-3/4	
13	4711800	2	Washer 1/2	
14	4751800	6	Washer 1/2	
15	See Note	NSS	Platform (Note: Purchase Platform Assembly)	

SECTION 5 - PLATFORM

FIGURE 5-12. PLATFORM ASSEMBLY - 36IN X 6FT (91.5CM X 1.83M) TRI-ENTRY WITH SWING GATE



ART_1001228376

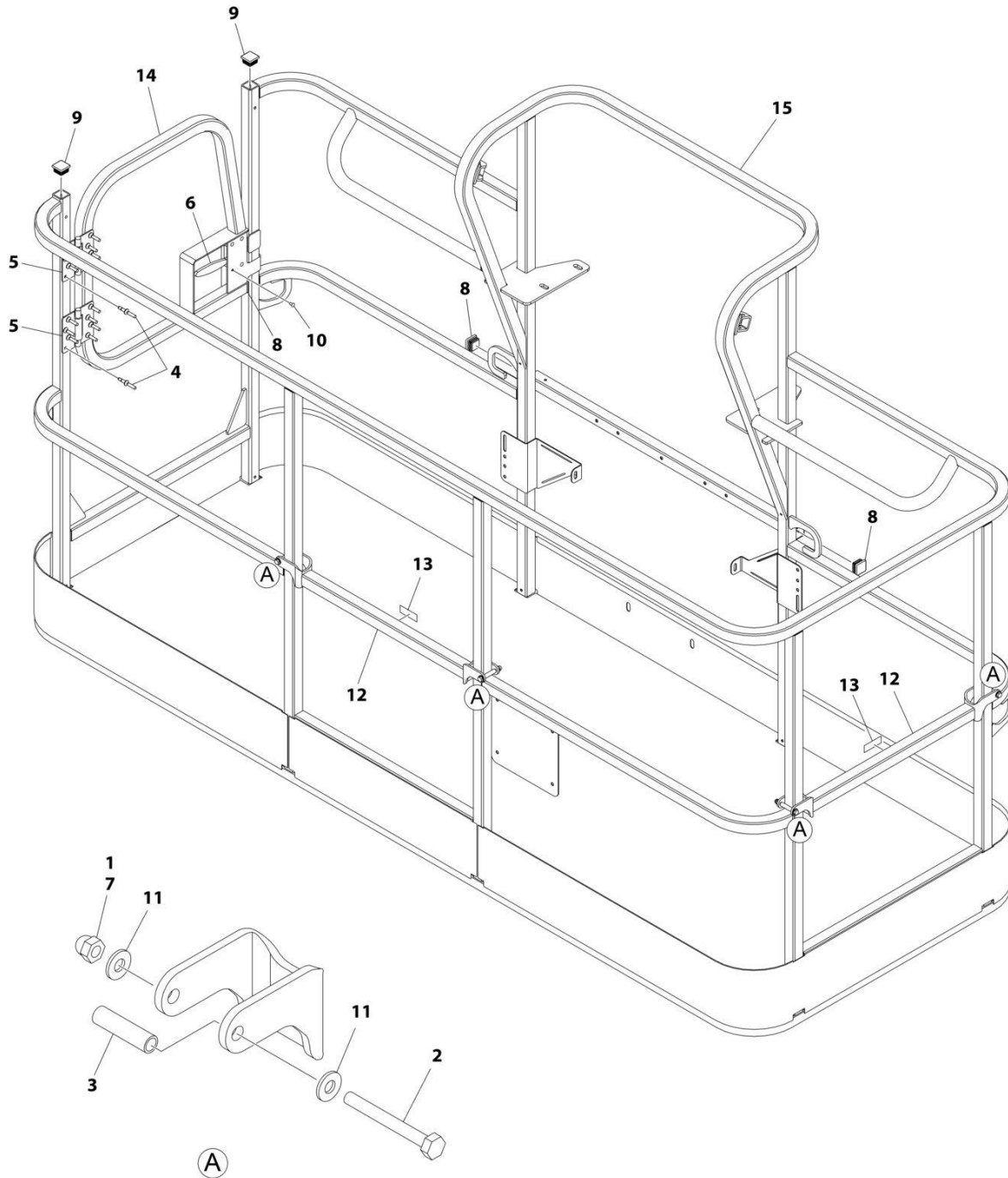
SECTION 5 - PLATFORM

FIGURE 5-12. PLATFORM ASSEMBLY - 36IN X 6FT (91.5CM X 1.83M) TRI-ENTRY WITH SWING GATE

ITEM	PART NUMBER	QTY	DESCRIPTION	REV
	1001228376	Ref	PLATFORM ASSEMBLY - 36IN x 6FT (91.5CM x 1.83M)	B
		Ref	Note: Platform and Mesh must be ordered separately for Platforms with Mesh. See SPECIAL OPTIONS SECTION for Mesh Installations.	
		Ref	Note: Replacement Decals Must be Ordered Separately - See DECAL SECTION.	
1	0100011	AR	Compound, Locking	
2	0641418	4	Bolt 1/4 x 2-1/4	
3	0961845	4	Bushing	
4	2080040	16	Fastener	
5	2600281	2	Hinge	
6	2940074	1	Latch	
7	3300151	4	Nut 1/4	
8	3520072	3	Plug	
9	3520198	2	Plug	
10	3820020	4	Rivet	
11	4711400	8	Washer 1/4	
12	1001138494	2	Bar, Drop	
13	1001140429	2	Decal - Drop Bar	
14	1001144629	1	Gate	
15	See Note	NSS	Platform (Note: Not Available - Purchase Platform Assembly)	

SECTION 5 - PLATFORM

FIGURE 5-13. PLATFORM ASSEMBLY - 36IN X 8FT (91.5CM X 2.44M) TRI-ENTRY WITH SWING GATE



ART_1001228243

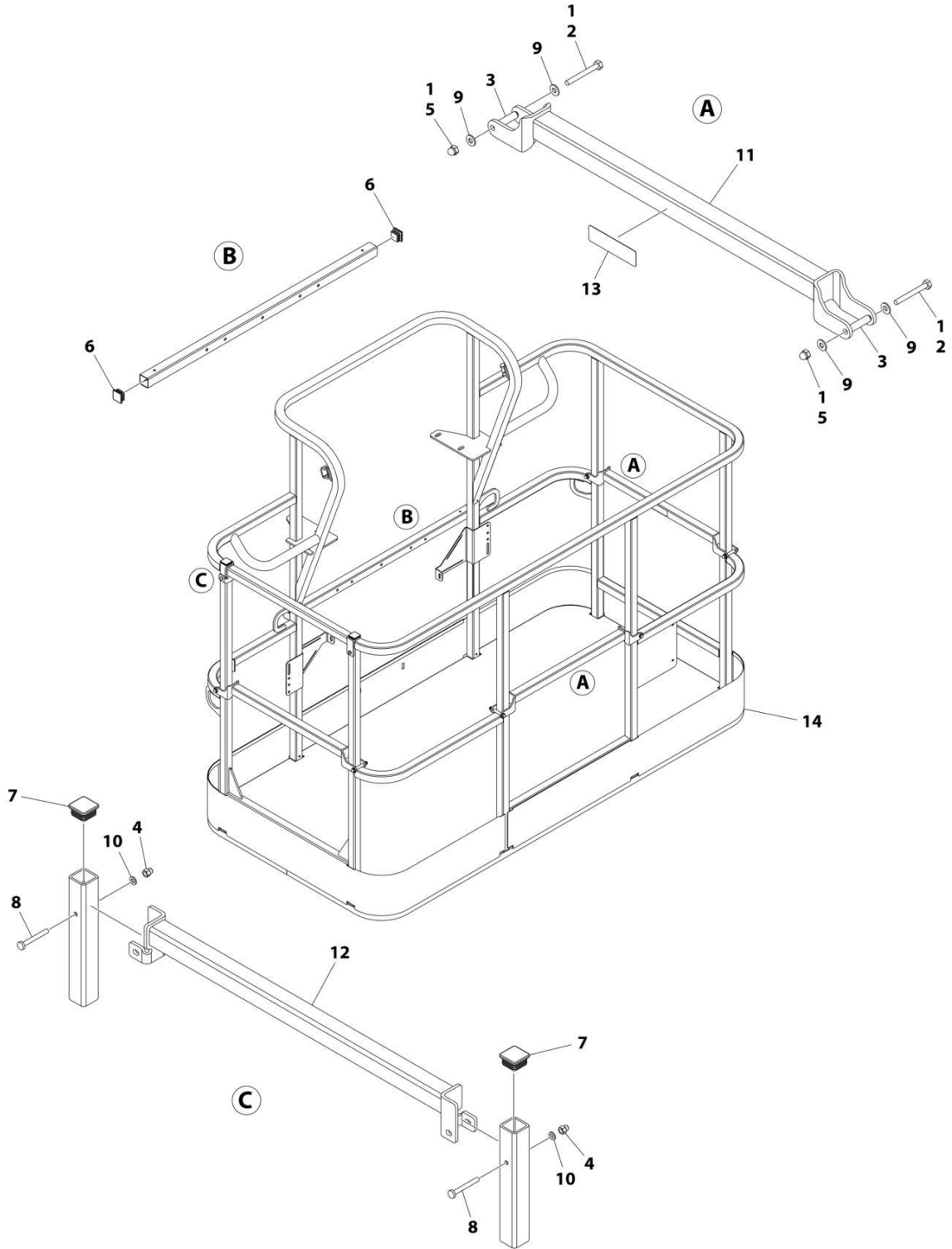
SECTION 5 - PLATFORM

FIGURE 5-13. PLATFORM ASSEMBLY - 36IN X 8FT (91.5CM X 2.44M) TRI-ENTRY WITH SWING GATE

ITEM	PART NUMBER	QTY	DESCRIPTION	REV
	1001228243	Ref	PLATFORM ASSEMBLY - 36IN X 8FT (91.5CM X 2.44M) WITH TRI-ENTRY	A
		Ref	Note: Platform and Mesh must be ordered separately for Platforms with Mesh. See SPECIAL OPTIONS SECTION for Mesh Installations.	
1	0100011	AR	Compound, Locking	
2	0641418	4	Bolt 1/4 x 2-1/4	
3	0961845	4	Bushing	
4	2080040	16	Fastener, Huck	
5	2600281	2	Hinge, Self-Closing	
6	2940074	1	Latch	
7	3300151	4	Nut 1/4	
8	3520072	3	Cap, Plug	
9	3520198	2	Cap, Plug	
10	3820020	4	Rivet	
11	4711400	8	Washer 1/4	
12	1001138494	2	Bar, Drop	
13	1001140429	2	Decal - Drop Bar	
14	1001144629	1	Gate, Weldment	
15	See Note	1	Platform (Note: Not Available - Purchase Platform Assembly)	

SECTION 5 - PLATFORM

FIGURE 5-14. PLATFORM ASSEMBLY - 36IN X 6FT (91.5CM X 1.83M) TRI-ENTRY WITH DROP BAR



ART_1001228377

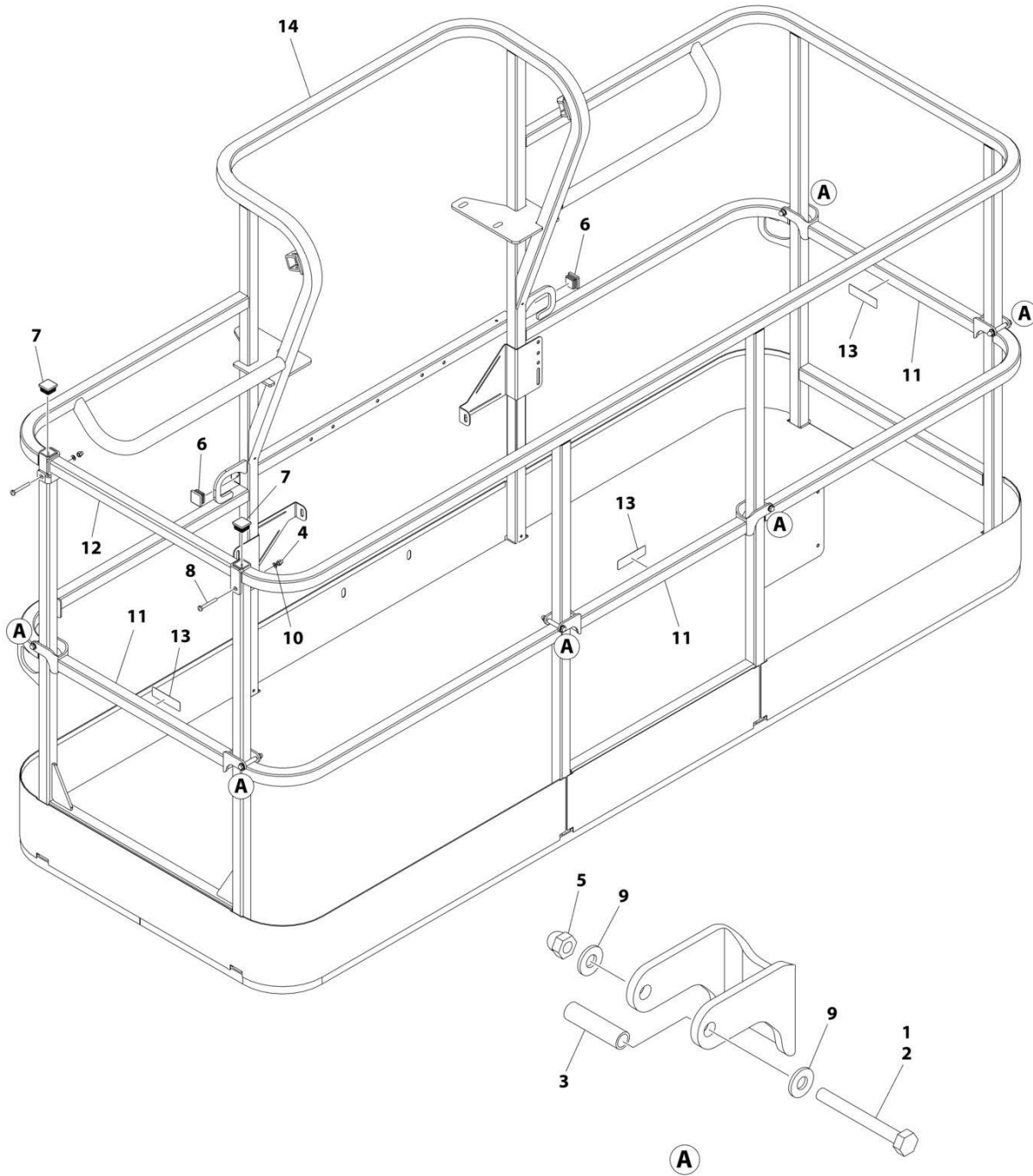
SECTION 5 - PLATFORM

FIGURE 5-14. PLATFORM ASSEMBLY - 36IN X 6FT (91.5CM X 1.83M) TRI-ENTRY WITH DROP BAR

ITEM	PART NUMBER	QTY	DESCRIPTION	REV
	1001228377	Ref	PLATFORM ASSEMBLY - 36IN x 6FT (91.5CM x 1.83M)	B
		Ref	Note: Platform and Mesh must be ordered separately for Platforms with Mesh. See SPECIAL OPTIONS SECTION for Mesh Installations.	
		Ref	Note: Replacement Decals Must be Ordered Separately - See DECAL SECTION.	
1	0100011	1	Compound, Locking	
2	0641418	6	Bolt 1/4 x 2-1/4	
3	0961845	6	Bushing	
4	3290606	2	Nut M6	
5	3300151	6	Nut 1/4	
6	3520072	2	Plug	
7	3520198	2	Plug	
8	4010618	2	Screw M6 x 50	
9	4711400	12	Washer 1/4	
10	4811700	2	Washer M6	
11	1001138494	3	Bar, Drop	
12	1001138514	1	Rail (Top)	
13	1001140429	3	Decal - Drop Bar	
14	See Note	NSS	Platform, Weldment (Note: Not Available - Purchase Platform Assembly)	

SECTION 5 - PLATFORM

FIGURE 5-15. PLATFORM ASSEMBLY - 36IN X 8FT (91.5CM X 2.44M) TRI-ENTRY WITH DROPBAR



ART_1001228375

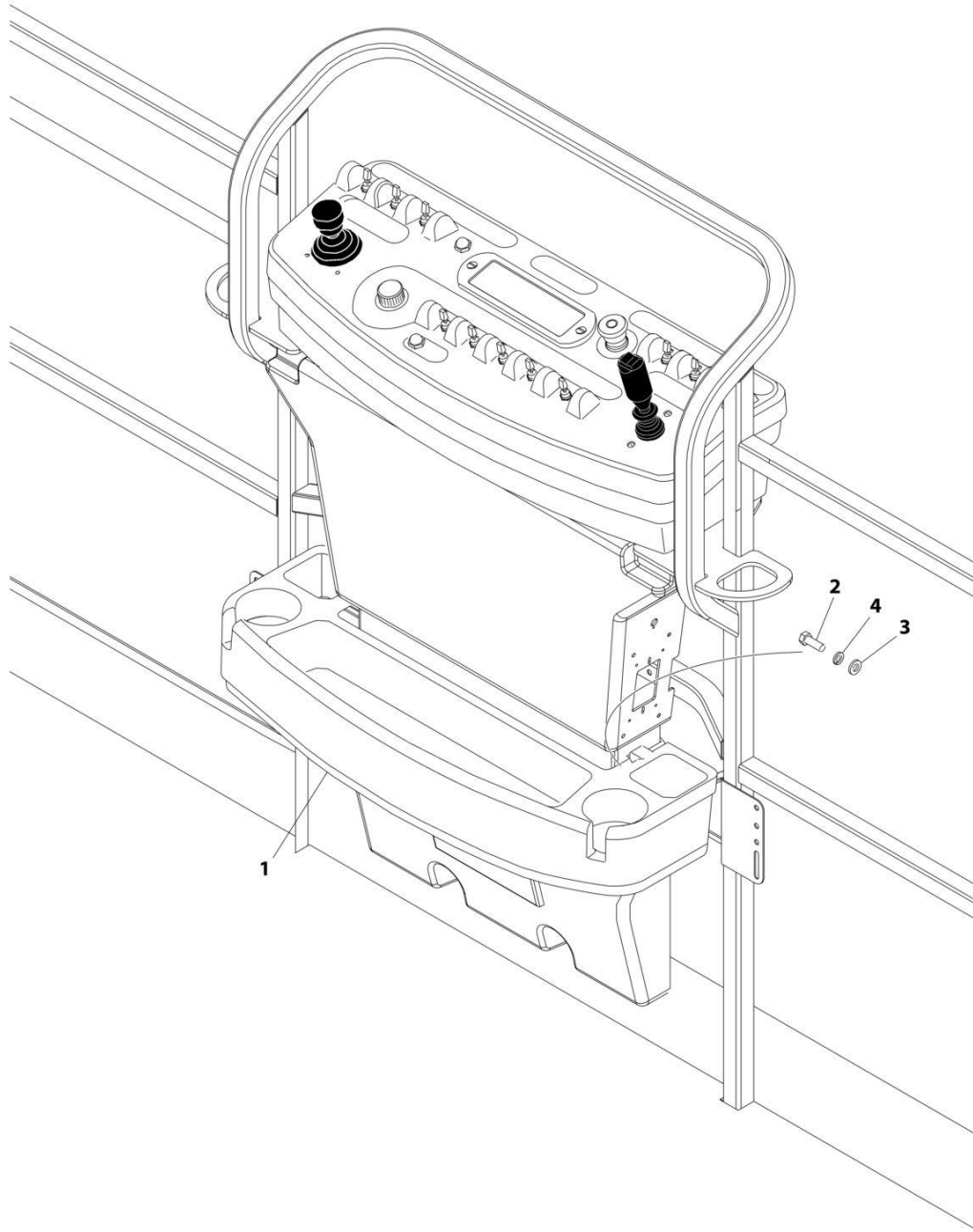
SECTION 5 - PLATFORM

FIGURE 5-15. PLATFORM ASSEMBLY - 36IN X 8FT (91.5CM X 2.44M) TRI-ENTRY WITH DROPBAR

ITEM	PART NUMBER	QTY	DESCRIPTION	REV
	1001228375	Ref	PLATFORM ASSEMBLY - 36IN X 8FT (91.5CM X 2.44M) WITH TRI-ENTRY	A
		Ref	Note: Platform and Mesh must be ordered separately for Platforms with Mesh. See SPECIAL OPTIONS SECTION for Mesh Installations.	
		Ref	Note: Replacement Decals Must be Ordered Separately - See DECAL SECTION.	
1	0100011	AR	Compound, Locking	
2	0641418	6	Bolt 1/4 x 2-1/4	
3	0961845	6	Bushing	
4	3290606	2	Nut M6 x 1	
5	3300151	6	Nut 1/4	
6	3520072	2	Cap, Plug	
7	3520198	2	Cap, Plug	
8	4010618	2	Screw M6 x 50	
9	4711400	12	Washer 1/4	
10	4811700	2	Washer M6	
11	1001138494	3	Bar, Drop	
12	1001138514	1	Rail (Top)	
13	1001140429	3	Decal - Drop Bar	
14	See Note	1	Platform (Note: Not Available - Purchase Platform Assembly)	

SECTION 5 - PLATFORM

FIGURE 5-16. TRAY ASSEMBLY



ART_1580012

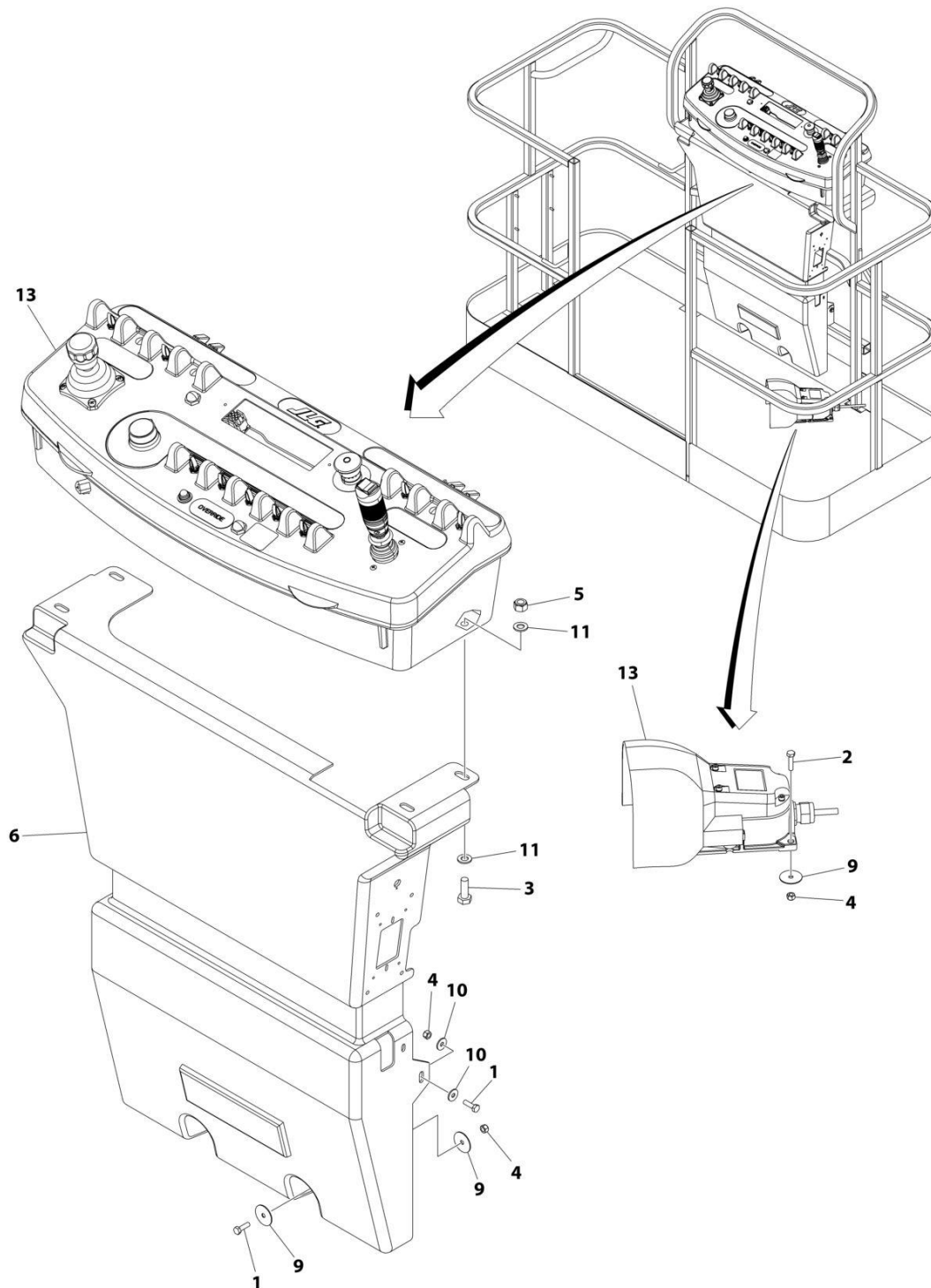
SECTION 5 - PLATFORM

FIGURE 5-16. TRAY ASSEMBLY

ITEM	PART NUMBER	QTY	DESCRIPTION	REV
	1580012	Ref	TRAY ASSEMBLY	C
1	See Note	NSS	Tray, Storage (Center) (Note: Purchase p/n 1580012)	
2	0641406	2	Bolt 1/4 x 3/4	
3	4751400	2	Washer 1/4	
4	4761400	2	Washer 1/4	

SECTION 5 - PLATFORM

FIGURE 5-17. CONSOLE AND FOOT SWITCH INSTALLATION (WITHOUT TOWER STOW)



ART_1001266073_B

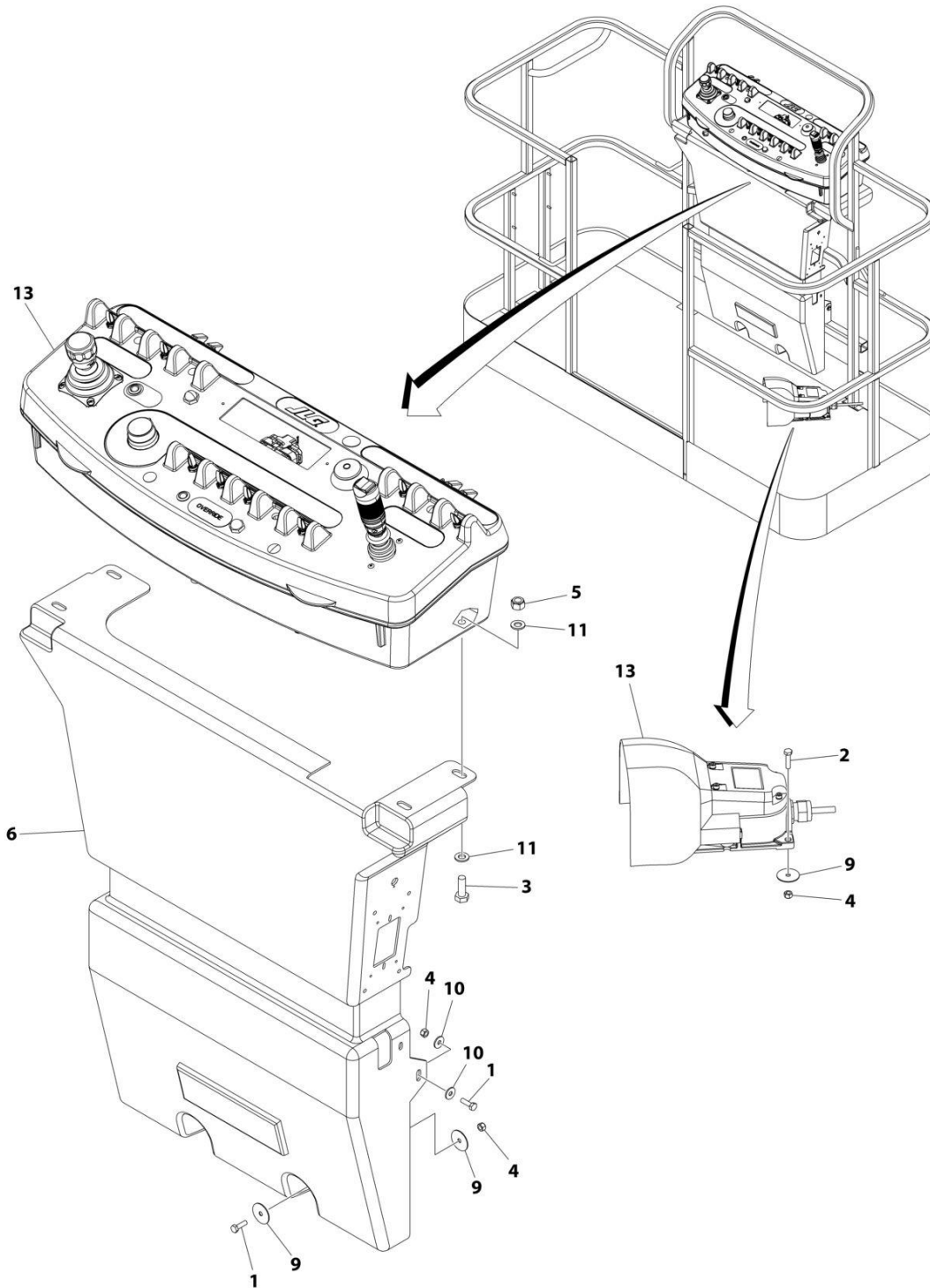
SECTION 5 - PLATFORM

FIGURE 5-17. CONSOLE AND FOOT SWITCH INSTALLATION (WITHOUT TOWER STOW)

ITEM	PART NUMBER	QTY	DESCRIPTION	REV
	1001266073	Ref	PLATFORM CONSOLE AND FOOTSWITCH INSTALLATION	B
1	0641406	4	Bolt 1/4 x 3/4	
2	0641408	3	Bolt 1/4 x 1	
3	0641610	4	Bolt 3/8 x 1-1/4	
4	3311405	7	Nut 1/4	
5	3311605	4	Nut 3/8	
6	3380434	1	Panel	
9	4740362	7	Washer	
10	4751400	4	Washer 1/4	
11	4761600	8	Washer 3/8	
13	1001266069	1	Platform Console Assembly (See Separate Breakdown in this Section)	

SECTION 5 - PLATFORM

FIGURE 5-18. CONSOLE AND FOOT SWITCH INSTALLATION (WITH TOWER STOW)



ART_1001264239_B

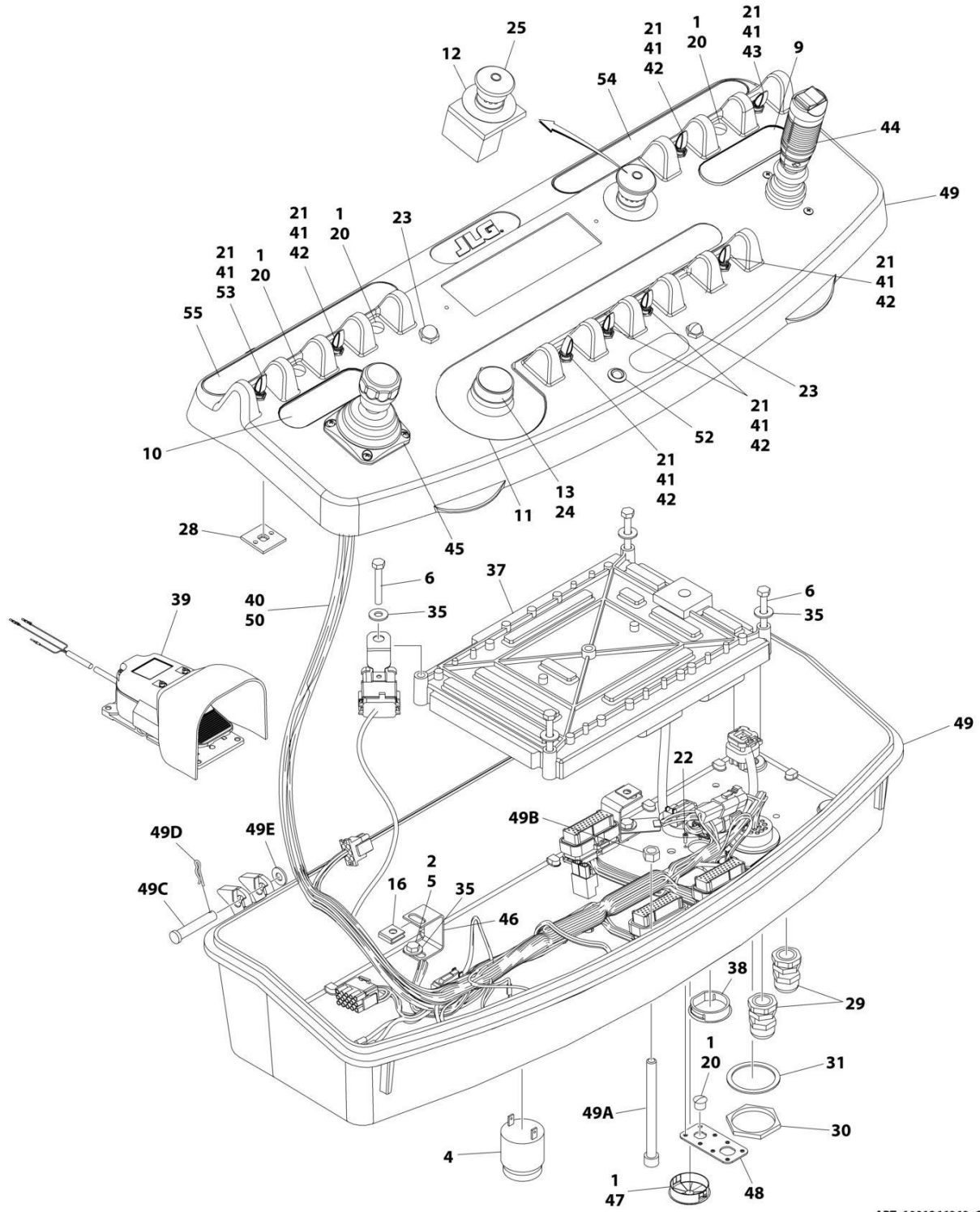
SECTION 5 - PLATFORM

FIGURE 5-18. CONSOLE AND FOOT SWITCH INSTALLATION (WITH TOWER STOW)

ITEM	PART NUMBER	QTY	DESCRIPTION	REV
	1001264239	Ref	PLATFORM CONSOLE AND FOOTSWITCH INSTALLATION (TOWER STOW)	B
1	0641406	4	Bolt 1/4 x 3/4	
2	0641408	3	Bolt 1/4 x 1	
3	0641610	4	Bolt 3/8 x 1-1/4	
4	3311405	7	Nut 1/4	
5	3311605	4	Nut 3/8	
6	3380434	1	Panel	
9	4740362	7	Washer	
10	4751400	4	Washer 1/4	
11	4761600	8	Washer 3/8	
13	1001263588	1	Platform Console Assembly (See Separate Breakdown in this Section)	

SECTION 5 - PLATFORM

FIGURE 5-19. CONSOLE BOX ASSEMBLY WITH FOOTSWITCH (WITHOUT TOWER STOW)



ART_1001266069_C

SECTION 5 - PLATFORM

FIGURE 5-19. CONSOLE BOX ASSEMBLY WITH FOOTSWITCH (WITHOUT TOWER STOW)

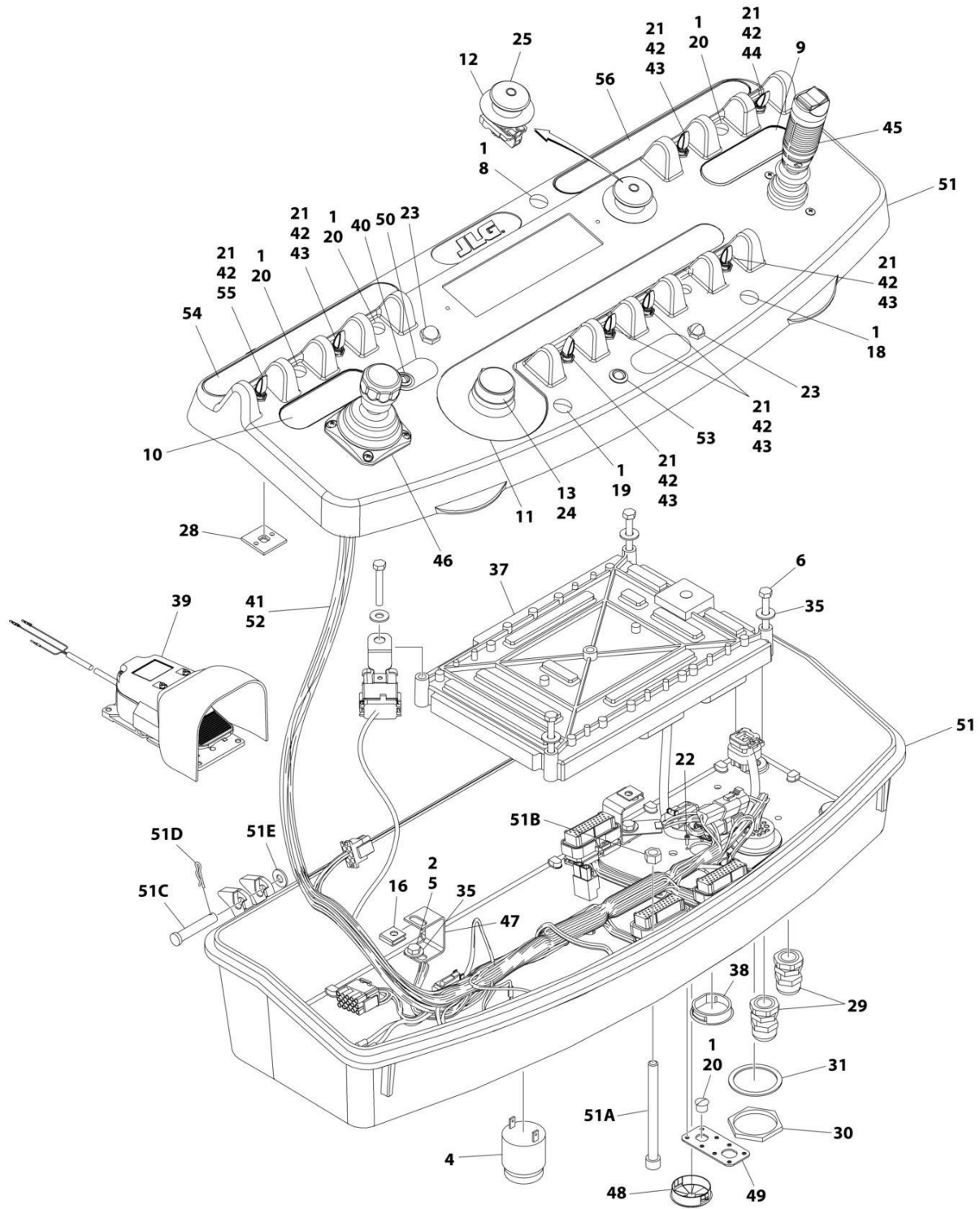
ITEM	PART NUMBER	QTY	DESCRIPTION	REV
	1001266069	Ref	CONSOLE BOX ASSEMBLY	C
1	0100009	AR	Sealant	
2	0100035	AR	Compound, Locking	
4	0140011	1	Alarm	
5	0641405	4	Bolt 1/4 x 5/8	
6	0641414	4	Bolt 1/4 x 1-3/4	
9	1702565	1	Decal - Drive and Steer	
10	1702566	1	Decal - Lift and Swing	
11	1702567	1	Decal - Function Speed	
12	1704260	1	Decal - Emergency Stop	
13	2560136	1	Handle, Knob	
16	3300353	4	Nut, Tinnerman	
20	3520054	4	Plug	
21	3790012	8	O-Ring	
22	3900349	8	Capscrew M2.5 x 8	
23	4360387	2	Switch, Push Button	
24	4360407	1	Controller, Speed	
24	4460224	1	Receptacle, Female - 6 Position	
24	4460226	6	Socket, Female	
24	See Note	1	Gasket "Top Hat" (Included with Switch) (Note: Not Available - Purchase Complete Controller)	
24	70003784	1	Seal	
25	1001274559	1	Switch, Emergency Stop	
28	4460234	6	Mount, Tie-Strap	
29	4460428	2	Connector, Strain Relief	
30	4460470	1	Nut, Terminal	
31	4460471	1	Washer, Terminal	
35	4751400	8	Washer 1/4	
36	4922666	1	Analyzer Harness (Not Shown)	
36	4460761	1	Receptacle, Female - 4 Position	
36	4460227	4	Pin, Male	
37	1001106938	1	Module, Platform (Note: Re-calibration Required when Replaced)	
38	1001110434	1	Plug	
39	1001117174	1	Footswitch Assembly (See Separate Breakdown in this Section)	
40	1001139135	1	Boom Valve Harness (See Separate Breakdown in ELECTRICAL Section)	
41	1001155044	8	Nut 15/32	
42	1001155045	6	Switch, Toggle	
43	1001159256	1	Switch, Toggle	
44	1001275628	1	Controller Assembly (Drive and Steer)	
45	1001275629	1	Controller Assembly (Lift and Swing)	
46	1001172760	4	Bracket	
47	1001185281	1	Plug	
48	1001213882	1	Mount	
49	1001215228	1	Console Box Assembly	
49A	0630568	1	Capscrew 3/8 x 4-1/2	
49B	3311601	1	Nut 3/8	
49C	3430616	2	Pin	
49D	3470003	2	Hairpin	
49E	4711600	2	Washer 3/8	

SECTION 5 - PLATFORM

ITEM	PART NUMBER	QTY	DESCRIPTION	REV
50	1001266648	1	Platform Console Harness (See Separate Breakdown in ELECTRICAL Section)	
51	4240099	AR	Tie-Strap (Not Shown)	
52	1001206532	1	Lamp, LED Indicator Yellow	
53	1001161709	1	Switch, Toggle DPDT	
54	1001184618	1	Decal - Stop & Auxiliary Power	
55	1001184626	1	Decal - Horn	

SECTION 5 - PLATFORM

FIGURE 5-20. CONSOLE BOX ASSEMBLY WITH FOOTSWITCH (WITH TOWER STOW)



ART_1001263588_C

SECTION 5 - PLATFORM

FIGURE 5-20. CONSOLE BOX ASSEMBLY WITH FOOTSWITCH (WITH TOWER STOW)

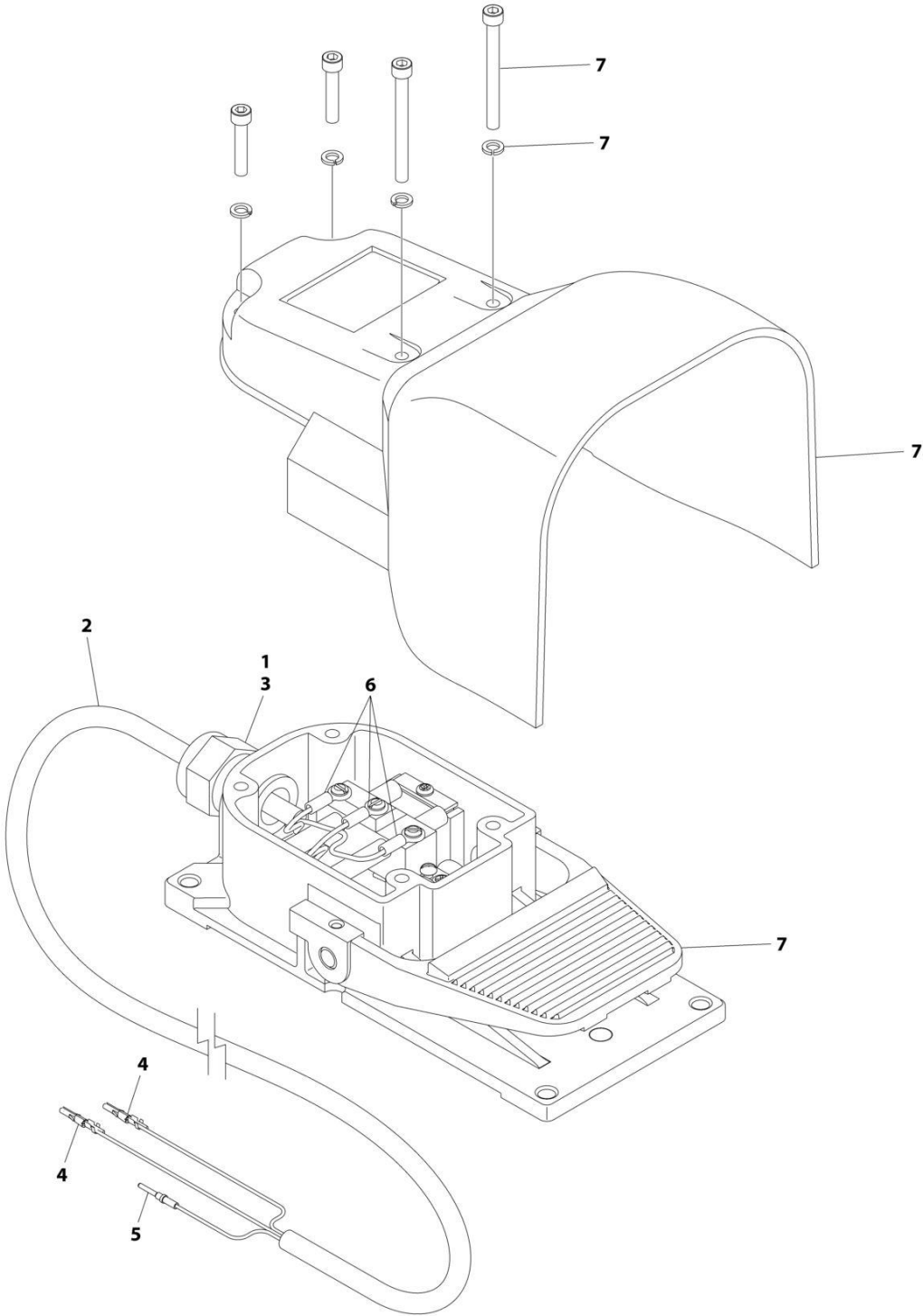
ITEM	PART NUMBER	QTY	DESCRIPTION	REV
	1001263588	Ref	CONSOLE BOX ASSEMBLY	C
1	0100009	AR	Sealant	
2	0100035	AR	Compound, Locking	
4	0140011	1	Alarm	
5	0641405	1	Bolt 1/4 x 5/8	
6	0641414	4	Bolt 1/4 x 1-3/4	
8	1671314	1	Cover	
9	1702565	1	Decal - Drive and Steer	
10	1702566	1	Decal - Lift and Swing	
11	1702567	1	Decal - Function Speed	
12	1704260	1	Decal - Emergency Stop	
13	2560136	1	Handle, Knob	
16	3300353	4	Nut, Tinnerman	
18	3520026	2	Plug	
19	3520027	1	Plug	
20	3520054	4	Plug	
21	3790012	8	O-Ring	
22	3900349	8	Capscrew M2.5 x 8	
23	4360387	2	Switch, Push Button	
24	4360407	1	Controller, Speed	
24	4460224	1	Receptacle, Female - 6 Position	
24	4460226	6	Socket, Female	
24	See Note	1	Gasket "Top Hat" (Included with Switch) (Note: Not Available - Purchase Complete Controller)	
24	70003784	1	Seal	
25	1001274559	1	Switch, Emergency Stop	
28	4460234	6	Mount, Tie-Strap	
29	4460428	2	Connector, Strain Relief	
30	4460470	1	Nut, Terminal	
31	4460471	1	Washer, Terminal	
35	4751400	8	Washer 1/4	
36	4922666	1	Analyzer Harness (Not Shown)	
36	4460761	1	Receptacle, Female - 4 Position	
36	4460227	4	Pin, Male	
37	1001106938	1	Module, Platform (Note: Re-calibration Required when Replaced)	
38	1001110434	1	Plug	
39	1001117174	1	Footswitch Assembly (See Separate Breakdown in this Section)	
40	1001137364	1	Light, Indicator	
41	1001139135	1	Boom Valve Harness (See Separate Breakdown in ELECTRICAL Section)	
42	1001155044	8	Nut 15/32	
43	1001155045	6	Switch, Toggle	
44	1001159256	1	Switch, Toggle	
45	1001275628	1	Controller Assembly (Drive and Steer)	
46	1001275629	1	Controller Assembly (Lift and Swing)	
47	1001172760	4	Bracket	
48	1001185281	1	Plug	
49	1001213882	1	Mount	
50	1001260937	1	Decal - Tower Stow	
51	1001263587	1	Console Box Assembly	

SECTION 5 - PLATFORM

ITEM	PART NUMBER	QTY	DESCRIPTION	REV
51A	0630568	1	Capscrew 3/8 x 4-1/2	
51B	3311601	1	Nut 3/8	
51C	3430616	2	Pin	
51D	3470003	2	Hairpin	
51E	4711600	2	Washer 3/8	
52	1001266648	1	Platform Console Harness (See Separate Breakdown in ELECTRICAL Section)	
53	1001206532	1	Lamp, LED Indicator Yellow	
54	1001184626	1	Decal - Horn	
55	1001161709	1	Switch, Toggle DPDT	
56	1001184618	1	Decal - Stop & Auxiliary Power	
57	4240099	AR	Tie-Strap (Not Shown)	

SECTION 5 - PLATFORM

FIGURE 5-21. FOOTSWITCH ASSEMBLY



ART_100117174

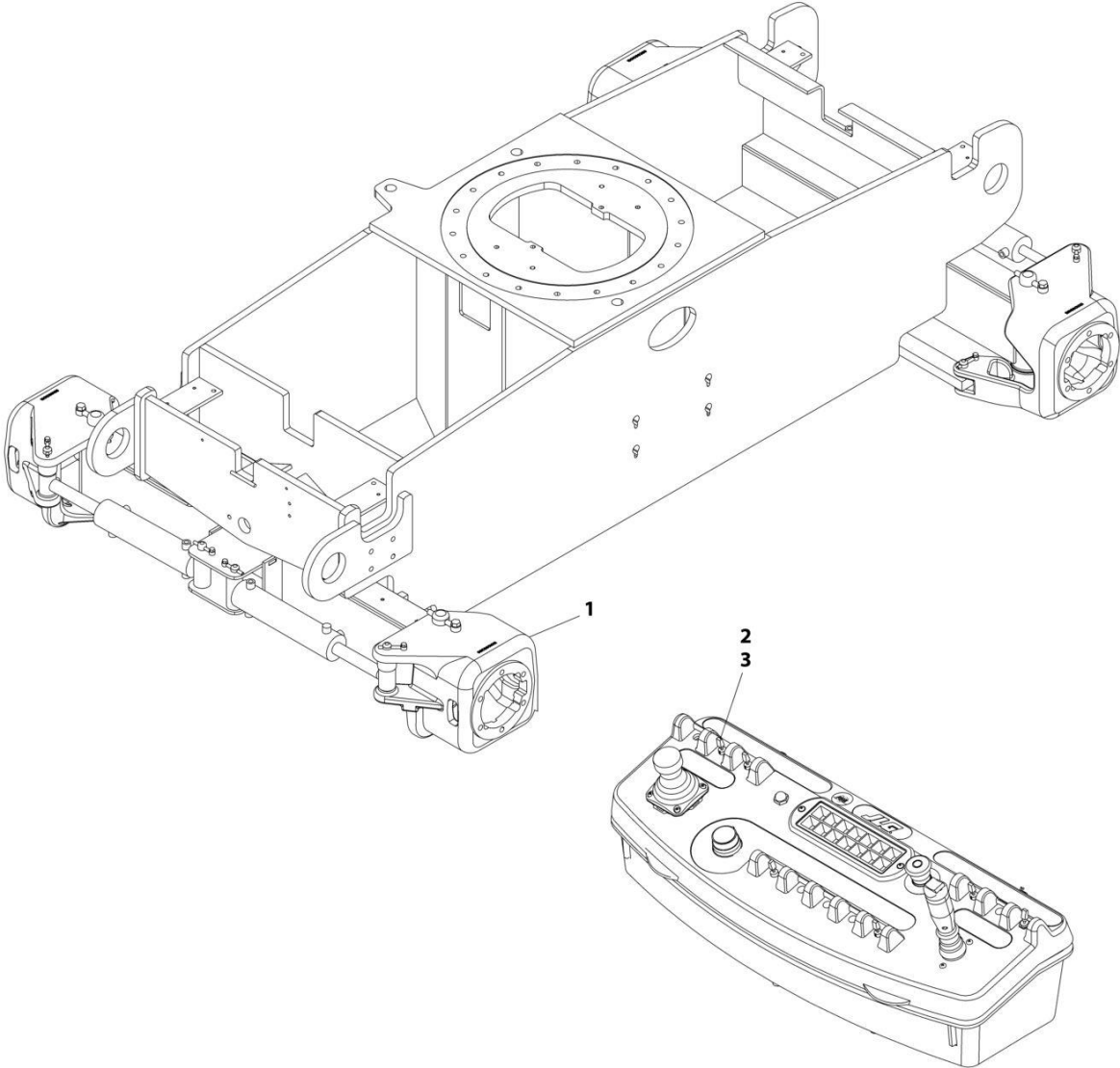
SECTION 5 - PLATFORM

FIGURE 5-21. FOOTSWITCH ASSEMBLY

ITEM	PART NUMBER	QTY	DESCRIPTION	REV
	1001117174	Ref	FOOTSWITCH ASSEMBLY	C
1	0100020	AR	Sealant	
2	1060918	7.5 ft/ 2.3m	Cable, Electrical - 18/3	
3	4460071	1	Connector, Strain Relief	
4	4460226	2	Socket, Female	
5	4460464	1	Pin, Male	
6	1001098122	3	Terminal	
7	1001117172	1	Footswitch	
7	70002902	1	Switch, 20Amp	
7	70002903	1	Gasket	
7	70002905	1	Cover	
7	70002904	1	Kit, Replacement Bolt	

SECTION 5 - PLATFORM

FIGURE 5-22. CRAB STEER SWITCH INSTALLATION - 4WS (WITHOUT TOW PACKAGE)



ART_1001148163

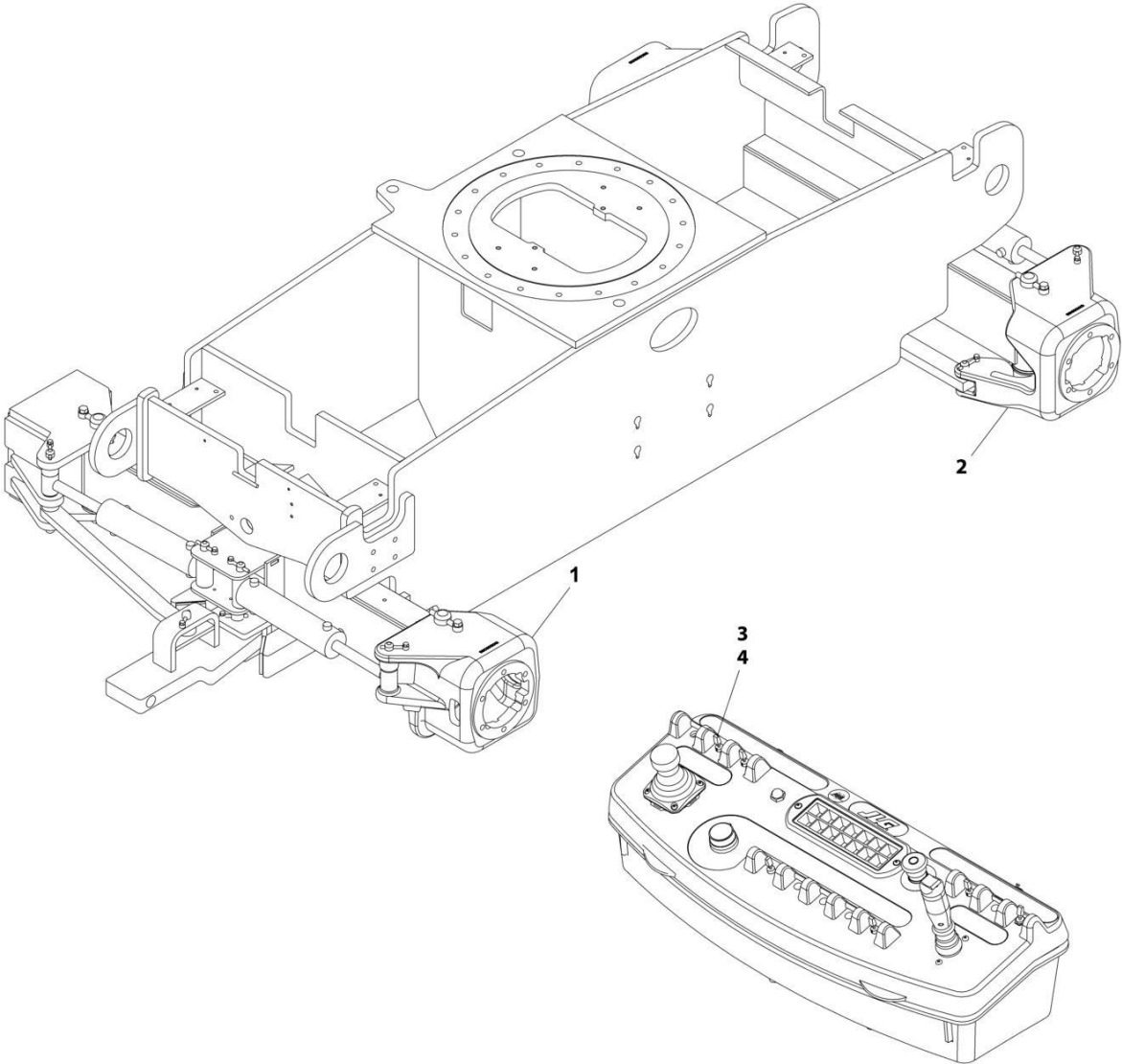
SECTION 5 - PLATFORM

FIGURE 5-22. CRAB STEER SWITCH INSTALLATION - 4WS (WITHOUT TOW PACKAGE)

ITEM	PART NUMBER	QTY	DESCRIPTION	REV
1	1001148163	Ref	CRAB STEER SWITCH INSTALLATION - 4WS Steering Installation (Crab Steer) (See Separate Breakdown in FRAME SECTION)	B
	1001148162	Ref		
2	4360331	1	Switch, Toggle	
3	3790012	1	O-Ring	

SECTION 5 - PLATFORM

FIGURE 5-23. CRAB STEER SWITCH INSTALLATION - 4WS (WITH TOW PACKAGE)



ART_1001148166

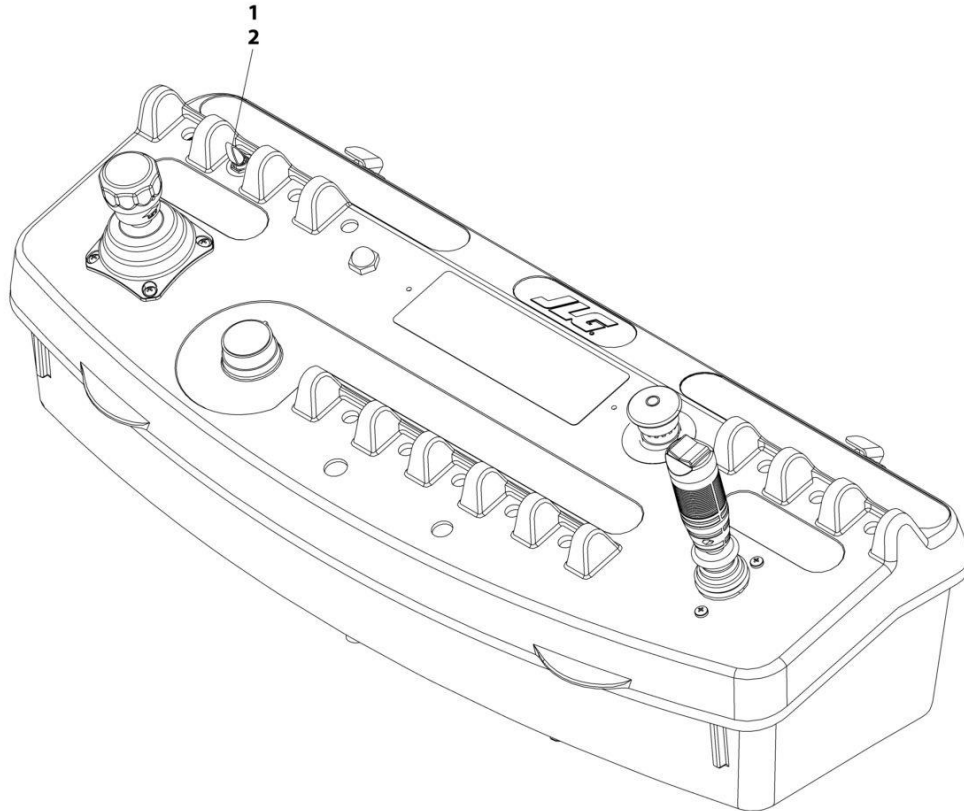
SECTION 5 - PLATFORM

FIGURE 5-23. CRAB STEER SWITCH INSTALLATION - 4WS (WITH TOW PACKAGE)

ITEM	PART NUMBER	QTY	DESCRIPTION	REV
1	1001148166	Ref	CRAB STEER SWITCH INSTALLATION - 4WS	B
	1001148164	Ref	Steering Installation (Not Shown - See Separate Breakdown in FRAME SECTION)	
2	1001148162	Ref	Steering Installation (Crab Steer) (Not Shown - See Separate Breakdown in FRAME SECTION)	
3	4360331	1	Switch, Toggle	
4	3790012	1	O-Ring	

SECTION 5 - PLATFORM

FIGURE 5-24. STEER SWITCH INSTALLATION – 4WS



ART_0258945

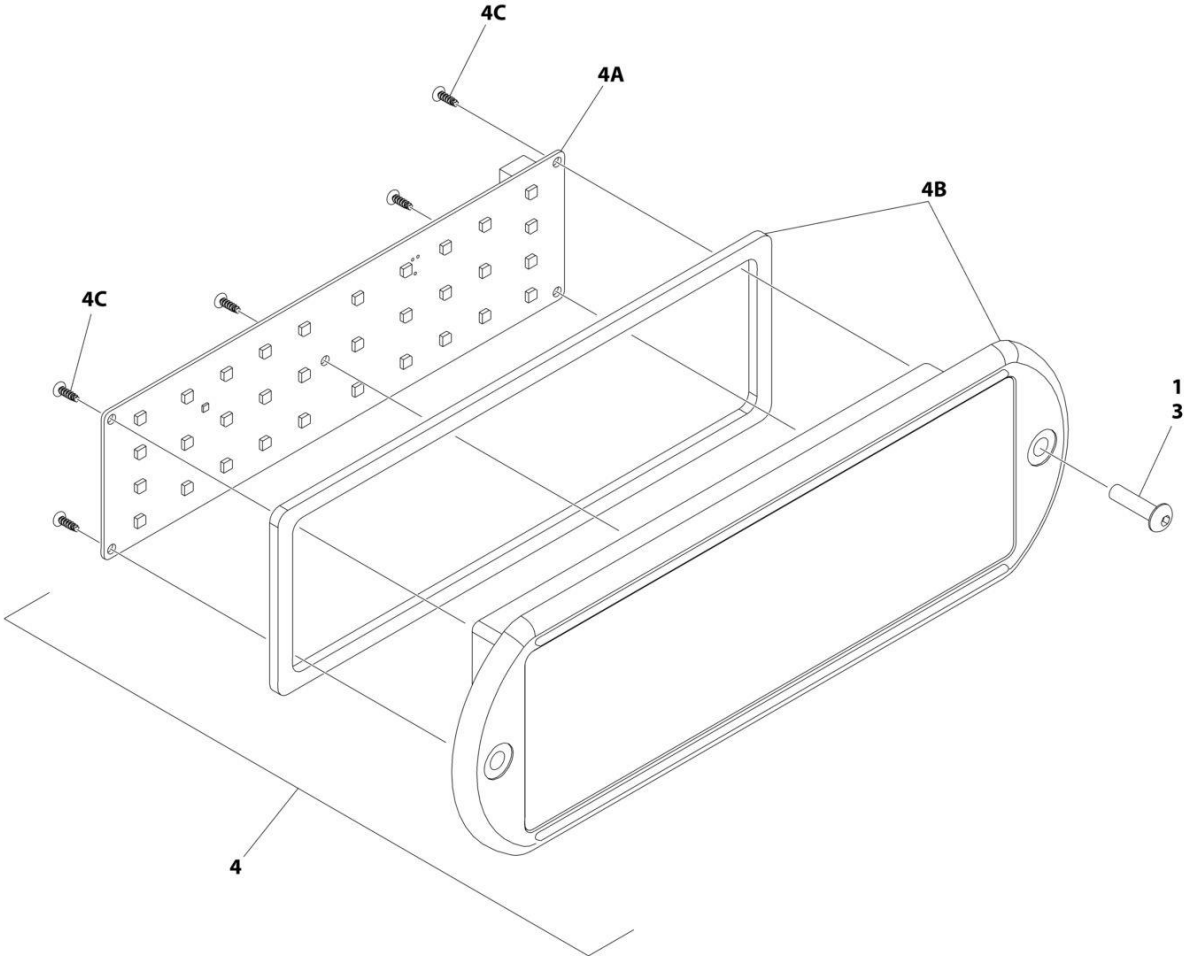
SECTION 5 - PLATFORM

FIGURE 5-24. STEER SWITCH INSTALLATION – 4WS

ITEM	PART NUMBER	QTY	DESCRIPTION	REV
	0258945	Ref	STEER SWITCH INSTALLATION - 4WS	A
1	4360331	1	Switch, Toggle	
2	3790012	1	O-Ring	

SECTION 5 - PLATFORM

FIGURE 5-25. LIGHT PANEL INSTALLATION (SN STARTING WITH 03)



ART_1001233959_D_20F2

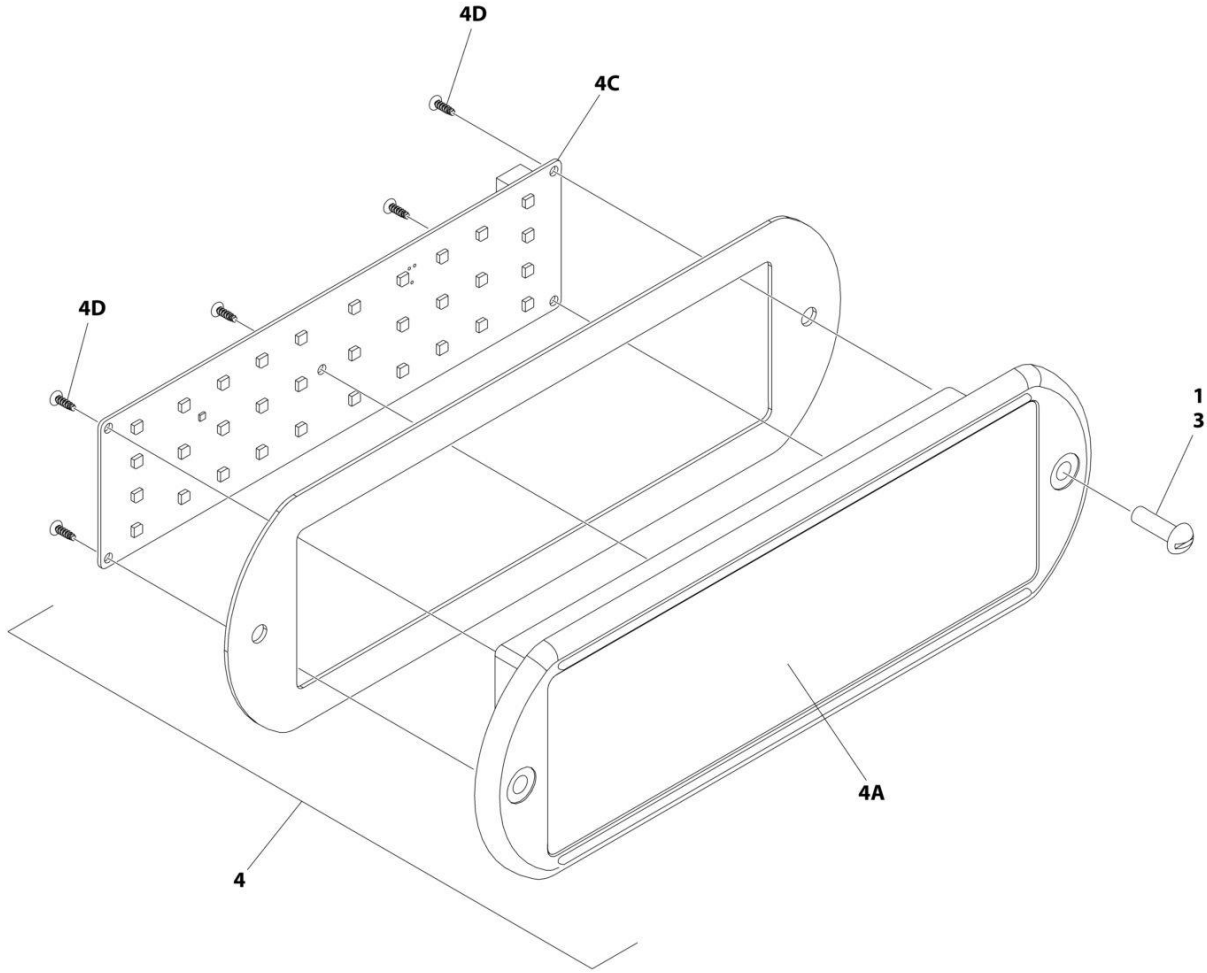
SECTION 5 - PLATFORM

FIGURE 5-25. LIGHT PANEL INSTALLATION (SN STARTING WITH 03)

ITEM	PART NUMBER	QTY	DESCRIPTION	REV
	1001233959	Ref	LIGHT PANEL INSTALLATION - PLATFORM CONSOLE	D
1	0100035	AR	Compound, Locking	
3	0630518	2	Screw #10 x 3/4	
4	1001284583	1	Light Panel Assembly	A
4A	1001282106	1	Panel, LED Light	
4B	1001284582	1	Lens, Icon (Includes Gasket)	
4C		Ref	Screw	

SECTION 5 - PLATFORM

FIGURE 5-26. LIGHT PANEL INSTALLATION (SN STARTING WITH B3)



ART_1001241398_B_2OF2

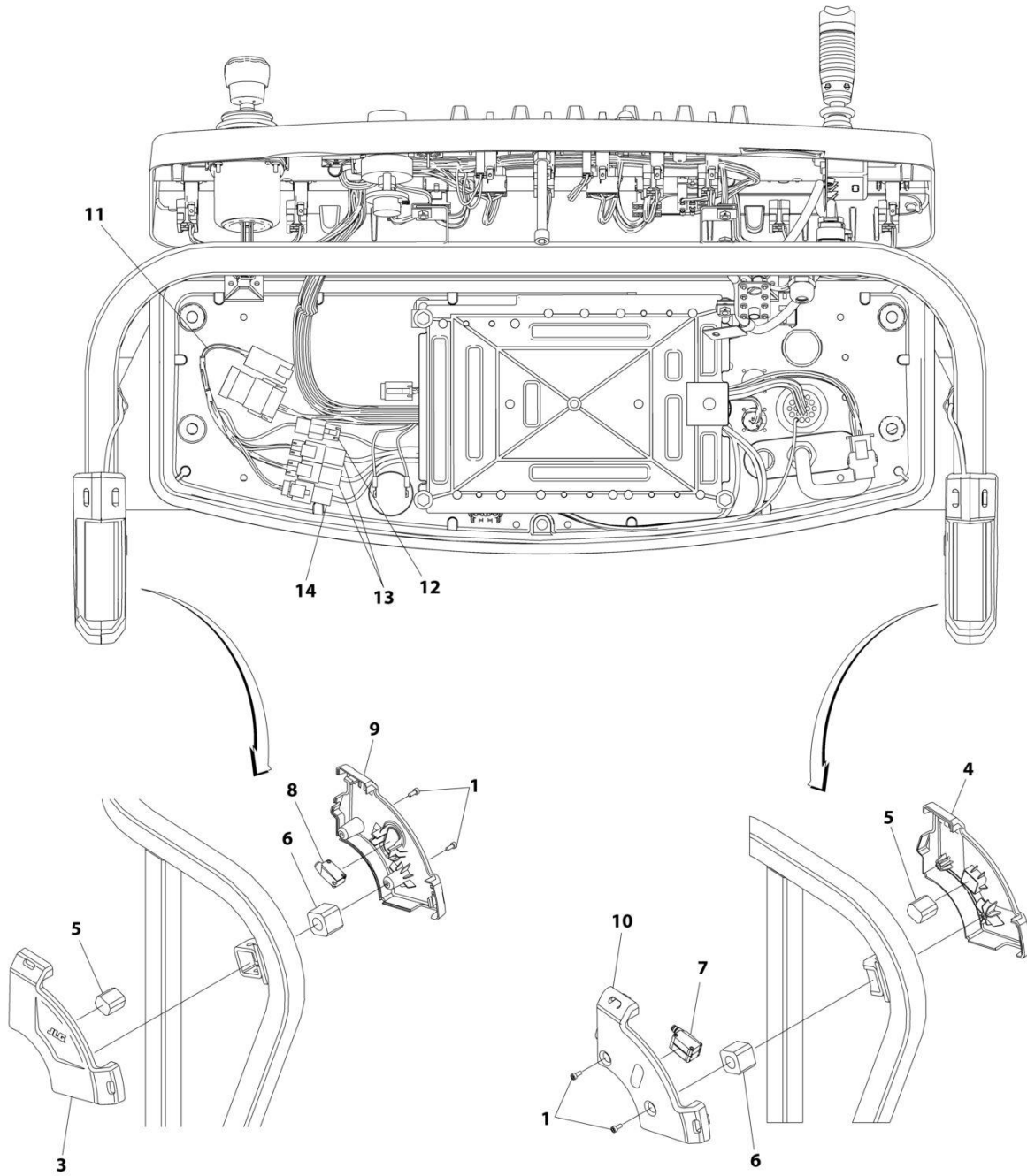
SECTION 5 - PLATFORM

FIGURE 5-26. LIGHT PANEL INSTALLATION (SN STARTING WITH B3)

ITEM	PART NUMBER	QTY	DESCRIPTION	REV
	1001241398	Ref	LIGHT PANEL INSTALLATION - PLATFORM CONSOLE	B
1	0100035	AR	Compound, Locking	
3	3911010	2	Screw #10 x 5/8	
4	1001238671	1	Light Panel Assembly	
4A	1001236087	1	Lens, I-Con	
4C	1001238732	1	Panel, LED Light	
4D		Ref	Screw	

SECTION 5 - PLATFORM

FIGURE 5-27. SKYEYE INSTALLATION



ART_1001229341

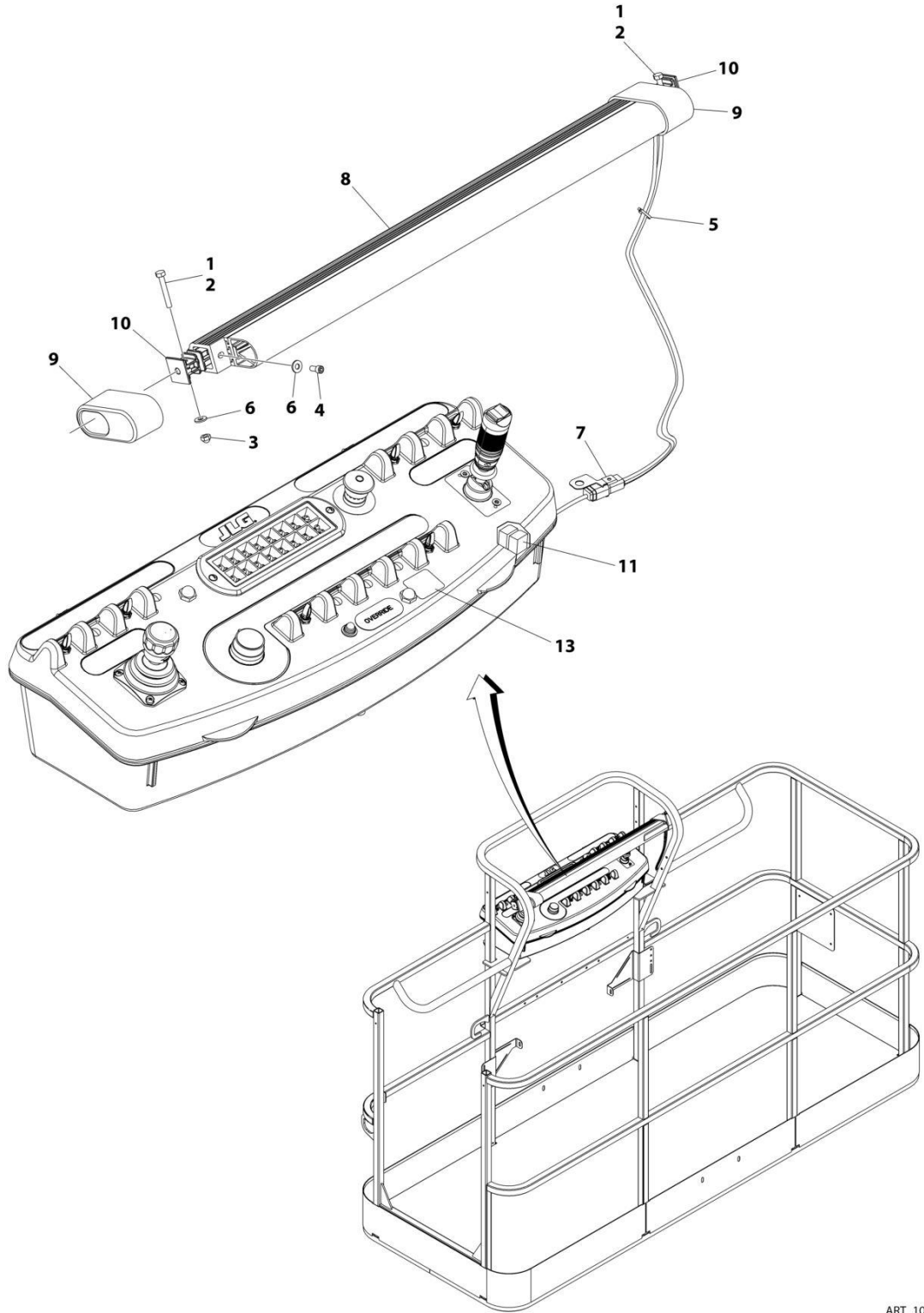
SECTION 5 - PLATFORM

FIGURE 5-27. SKYEYE INSTALLATION

ITEM	PART NUMBER	QTY	DESCRIPTION	REV
	1001229341	Ref	SKYEYE INSTALLATION	B
1	4031505	4	Bolt M4 x 10	
2	4240033	AR	Tie-Strap (Not Shown)	
3	1001227633	1	Housing, LH Outer	
4	1001227634	1	Housing, RH Outer	
5	1001227985	2	Shim	
6	1001227987	2	Shim	
7	1001228224	2	Sensor, Receiver	
8	1001228225	1	Sensor, Emitter	
9	1001232164	1	Housing, LH Inner	
10	1001232165	1	Housing, RH Inner	
11	1001237865	1	Harness, Skyeeye Intermediate (See Separate Breakdown in ELECTRICAL Section)	
12	1001238319	NLA	Harness, Skyeeye Drain Jumper	
12	1001187674	1	Plug, Male - 2 Position	
12	4460942	1	Terminal	
12	4460466	1	Plug, Terminal	
12	4460508	1	Pin, Male	
13	1001237863	2	Harness, Skyeeye Receiver (See Separate Breakdown in ELECTRICAL Section)	
14	1001237864	1	Harness, Skyeeye Emitter (See Separate Breakdown in ELECTRICAL Section)	

SECTION 5 - PLATFORM

FIGURE 5-28. SKYGUARD BAR INSTALLATION



ART_1001238495

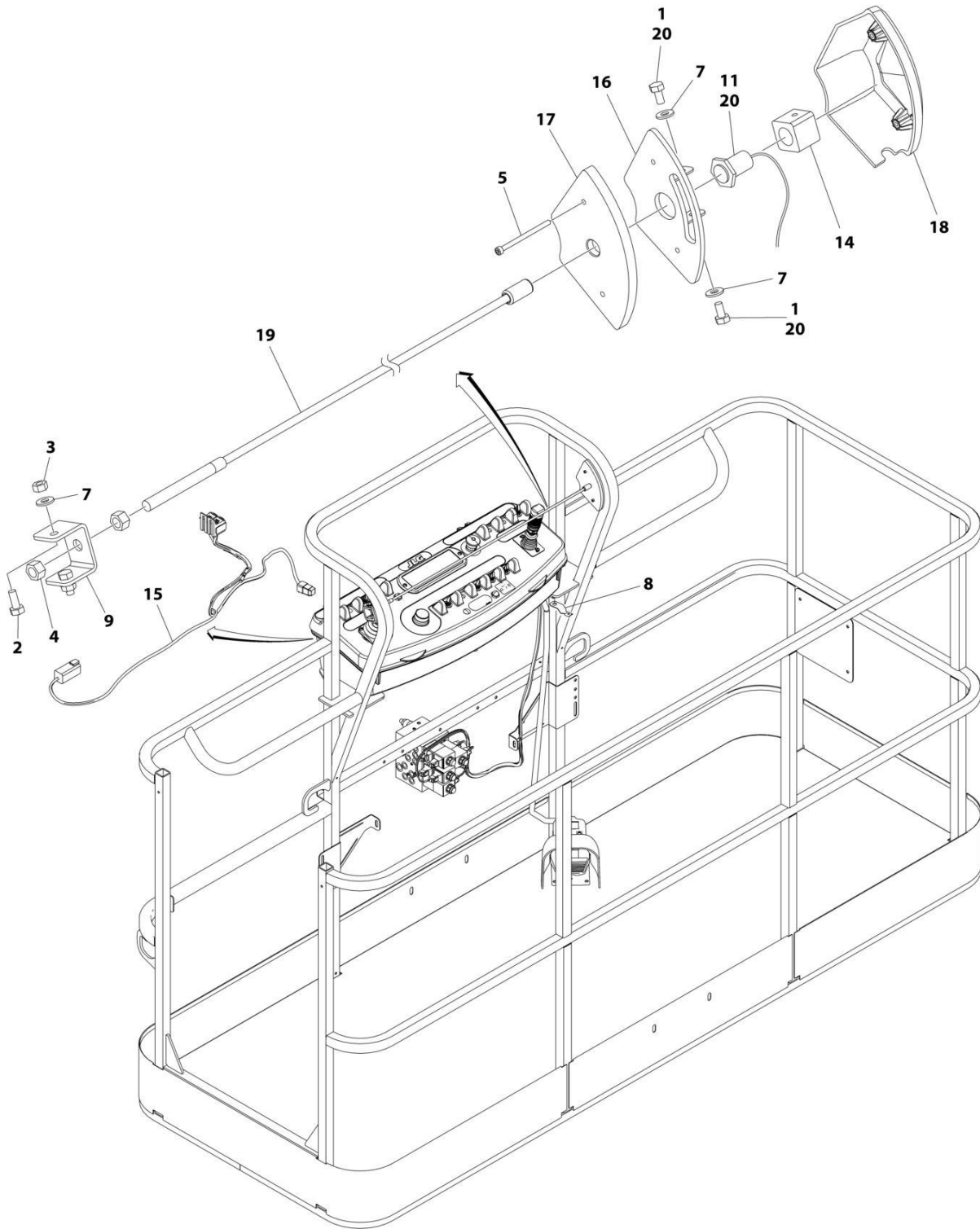
SECTION 5 - PLATFORM

FIGURE 5-28. SKYGUARD BAR INSTALLATION

ITEM	PART NUMBER	QTY	DESCRIPTION	REV
	1001238495	Ref	SKYGUARD BAR INSTALLATION	A
1	0100011	AR	Compound, Locking	
2	0641414	2	Bolt 1/4 x 1-3/4	
3	3300430	2	Nut 1/4	
4	3931408	2	Capscrew 1/4 x 1/2	
5	4240033	8	Tie-Strap	
6	4711400	6	Washer 1/4	
7	1001120328	1	Mount	
8	1001137673	1	SkyGuard Switch Assembly	
9	1001186517	2	Cover, Platform Sensor	
10	1001209664	2	Support, Block	
11	1001186431	2	Relay	
12	1001225580	1	Interface Harness Assembly (Not Shown - Located Inside Console Box) (See Separate Breakdown in ELECTRICAL Section)	
13	1001144433	1	Decal - No Weight SkyGuard	

SECTION 5 - PLATFORM

FIGURE 5-29. SKYLINE INSTALLATION



ART_1001238559_D

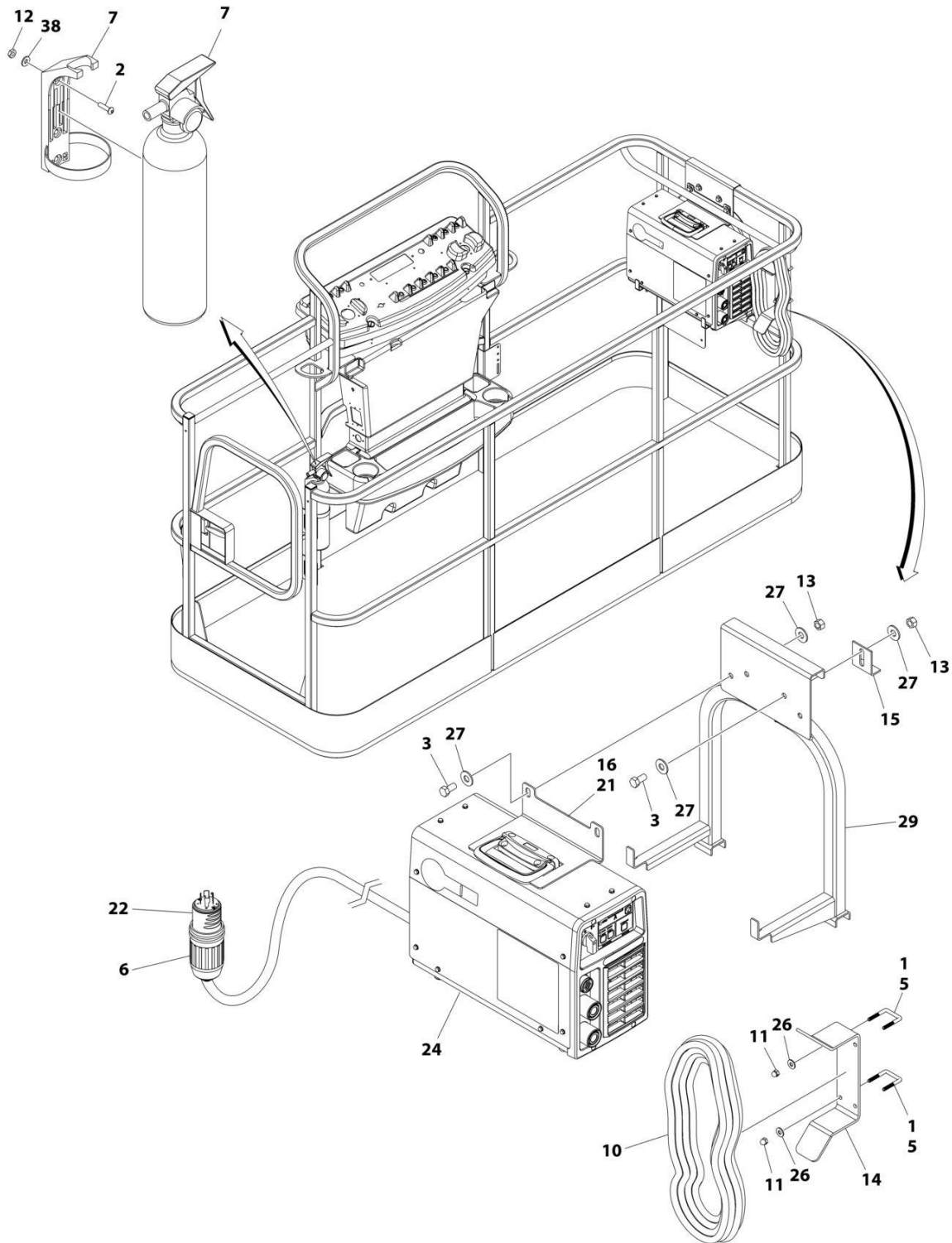
SECTION 5 - PLATFORM

FIGURE 5-29. SKYLINE INSTALLATION

ITEM	PART NUMBER	QTY	DESCRIPTION	REV
	1001238559	Ref	SKYLINE INSTALLATION	D
1	0641404	2	Bolt 1/4 x 1/2	
2	0641405	2	Bolt 1/4 x 5/8	
3	3311405	2	Nut 1/4	
4	3311601	2	Nut 3/8	
5	4031516	2	Capscrew M4 x 60	
6	4240033	AR	Tie-Strap (Not Shown)	
7	4711400	4	Washer 1/4	
8	1001120328	1	Mount	
9	1001232642	1	Bracket	
11	1001232667	1	Sensor, Proximity	
11	1001311034	1	Sensor, Proximity	
14	1001236552	1	Block	
15	1001238418	1	Harness, Skyline (See Separate Breakdown in ELECTRICAL Section)	
16	1001238472	1	Mount	
17	1001254473	1	Housing, LH	
18	1001241965	1	Housing, RH	
19	1001254472	1	Rod	
20	0100011	AR	Compound, Locking	

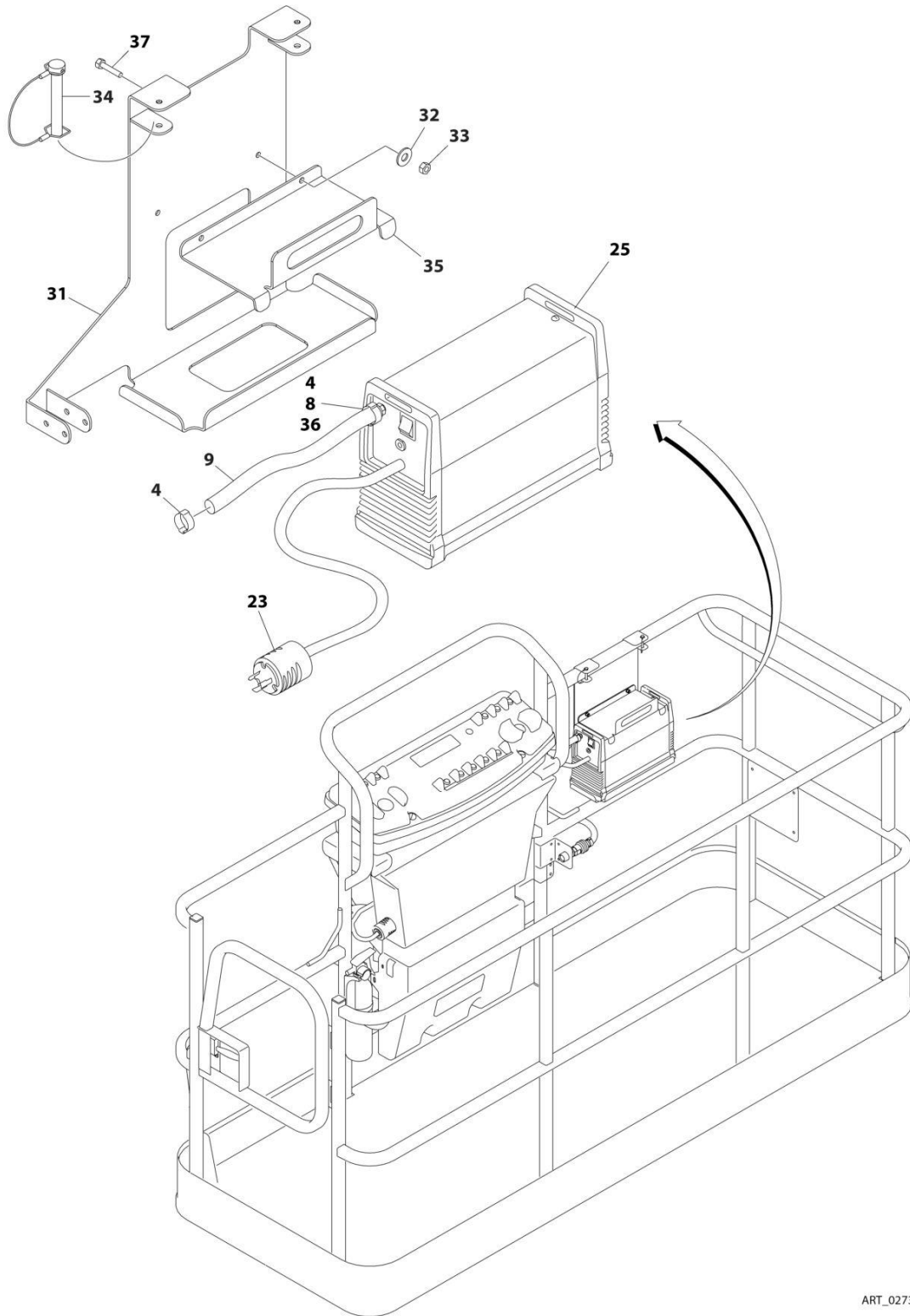
SECTION 5 - PLATFORM

FIGURE 5-30. SKYWELDER/SKYCUTTER COMBO INSTALLATION (60HZ) (ANSI, ANSI EXPORT, CSA, AUSTRALIAN, CHINA AND JAPANESE SPECS)



ART_0273353_H_10F2

SECTION 5 - PLATFORM



ART_0273353_H_20F2

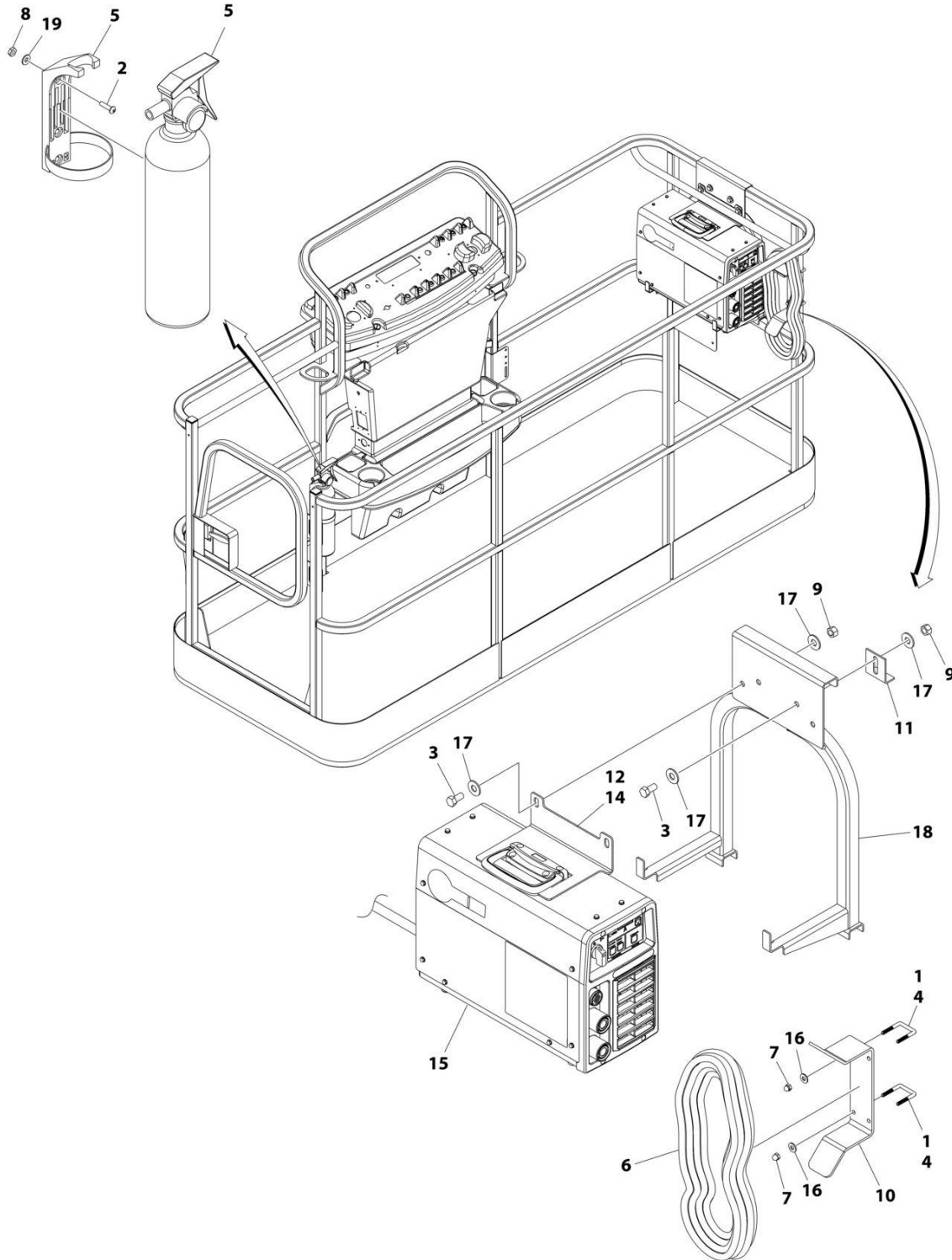
SECTION 5 - PLATFORM

FIGURE 5-30. SKYWELDER/SKYCUTTER COMBO INSTALLATION (60HZ) (ANSI, ANSI EXPORT, CSA, AUSTRALIAN, CHINA AND JAPANESE SPECS)

ITEM	PART NUMBER	QTY	DESCRIPTION	REV
	0273353	Ref	SKYWELDER/SKYCUTTER COMBO INSTALLATION (60HZ)	H
1	0100011	AR	Compound, Locking	
2	0630518	2	Screw #10 x 3/4	
3	0641606	4	Bolt 3/8 x 3/4	
4	1320177	2	Clamp	
5	1320302	2	Clamp	
6	1671093	1	Cover, Plug	
7	2030010	1	Extinguisher, Fire	
8	2180832	1	Fitting, Barbed/NPT	
9	2720160	4.5 ft /1.37m	Hose	
10	2902217	1	Weld Leads Kit	
11	3300151	4	Nut 1/4	
12	3311005	2	Nut #10	
13	3311605	4	Nut 3/8	
14	3573400	1	Bracket	
15	3577121	2	Angle	
16	1001269573	1	Plate	
20	4240099	AR	Tie-Strap (Not Shown)	
21	4420037	2.36 ft /.71m	Tape	
22	4460962	1	Plug, Twist Lock	
23	4460971	1	Plug, Twist Lock	
24	1001268820	1	Welder Assembly (See Separate Breakdown in this section)	
25	1001098012	1	Plasma Cutter Assembly (See Separate Breakdown in this Section)	
26	4751400	4	Washer 1/4	
27	4751600	8	Washer 3/8	
29	1001269322	1	Support	
31	1001145405	1	Bracket	
32	4811700	2	Washer M6	
33	3290605	2	Nut M6	
34	3421453	3	Pin	
35	3576799	1	Plate, Hold-Down	
36	0100020	1	Sealant	
37	4010608	2	Screw M6 x 16	
38	4751000	2	Washer #10	

SECTION 5 - PLATFORM

FIGURE 5-31. SKYWELDER INSTALLATION (50HZ)



ART_0272521_G

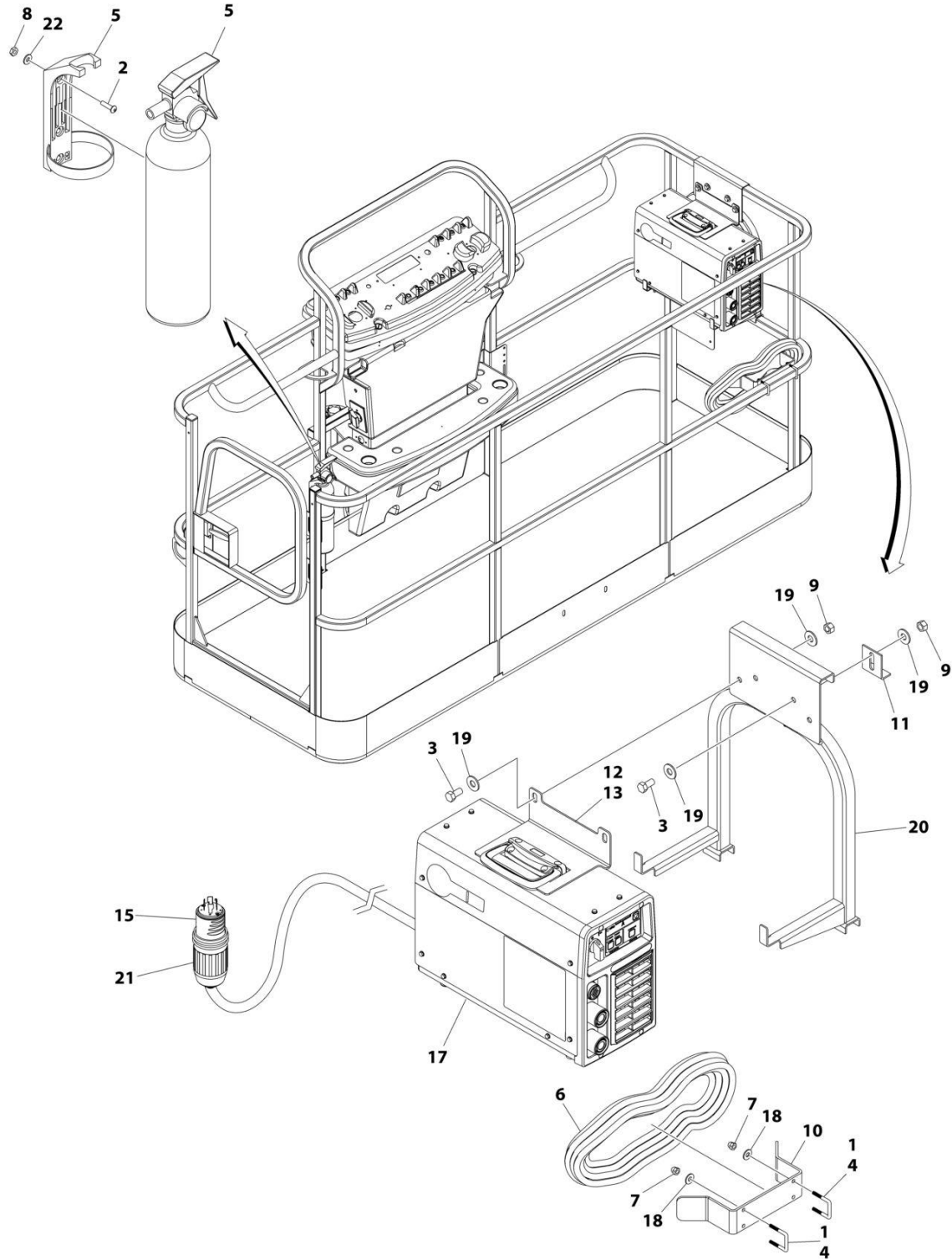
SECTION 5 - PLATFORM

FIGURE 5-31. SKYWELDER INSTALLATION (50HZ)

ITEM	PART NUMBER	QTY	DESCRIPTION	REV
	0272521	Ref	SKYWELDER INSTALLATION	G
1	0100011	AR	Compound, Locking	
2	0630518	2	Screw #10 x 3/4	
3	0641606	4	Bolt 3/8 x 3/4	
4	1320302	2	U-Clamp	
5	2030010	1	Extinguisher, Fire	
6	2902217	1	Weld Leads Kit	
7	3300151	4	Nut 1/4	
8	3311005	2	Nut #10	
9	3311605	4	Nut 3/8	
10	3573400	1	Bracket	
11	3577121	2	Angle	
12	1001269573	1	Plate	
13	4240099	AR	Tie-Strap (Not Shown)	
14	4420037	AR	Tape	
15	1001268820	1	Welder Assembly (See Separate Breakdown in this Section)	
16	4751400	4	Washer 1/4	
17	4751600	8	Washer 3/8	
18	1001269322	1	Support	
19	4751000	2	Washer #10	

SECTION 5 - PLATFORM

FIGURE 5-32. SKYWELDER INSTALLATION (60HZ)



ART_0272254_J

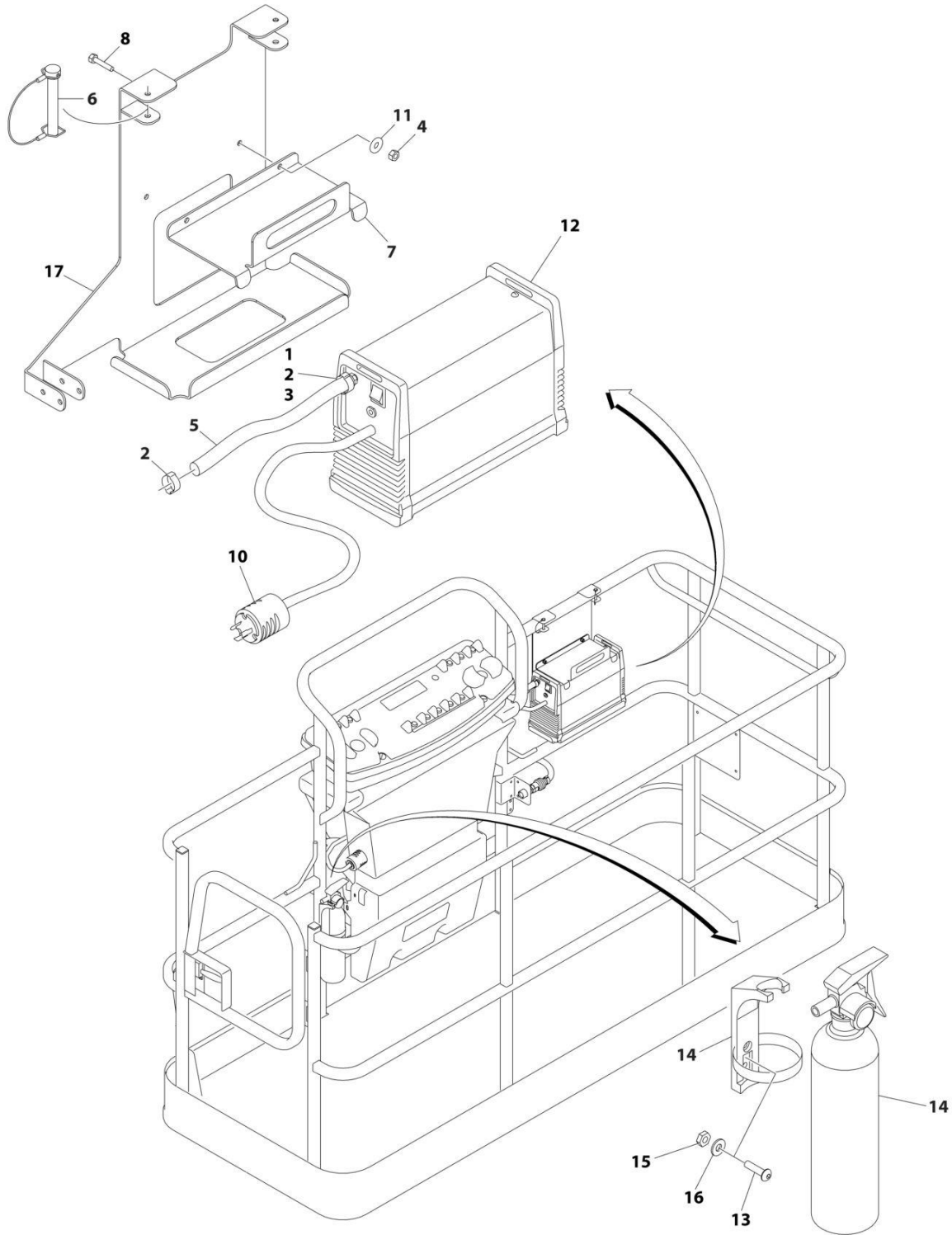
SECTION 5 - PLATFORM

FIGURE 5-32. SKYWELDER INSTALLATION (60HZ)

ITEM	PART NUMBER	QTY	DESCRIPTION	REV
	0272254	Ref	SKYWELDER INSTALLATION	J
1	0100011	AR	Compound, Locking	
2	0630518	2	Screw #10 x 3/4	
3	0641606	4	Bolt 3/8 x 3/4	
4	1320302	2	U-Clamp	
5	2030010	1	Extinguisher, Fire	
6	2902217	1	Weld Leads Kit	
7	3300151	4	Nut 1/4	
8	3311005	2	Nut #10	
9	3311605	4	Nut 3/8	
10	3573400	1	Bracket	
11	3577121	2	Angle	
12	1001269573	1	Plate	
13	4420037	AR	Tape	
14	4240099	AR	Tie-Strap (Not Shown)	
15	4460962	1	Plug, Male Twistlock	
17	1001268820	1	Welder Assembly (See Separate Breakdown in this Section)	
18	4751400	4	Washer 1/4	
19	4751600	8	Washer 3/8	
20	1001269322	1	Support	
21	1671093	1	Cover, Plug	
22	4751000	2	Washer #10	

SECTION 5 - PLATFORM

FIGURE 5-33. SKYCUTTER INSTALLATION (ANSI, ANSI EXPORT, CSA, CHINA AND JAPANESE SPECS)



ART_1001098149_D

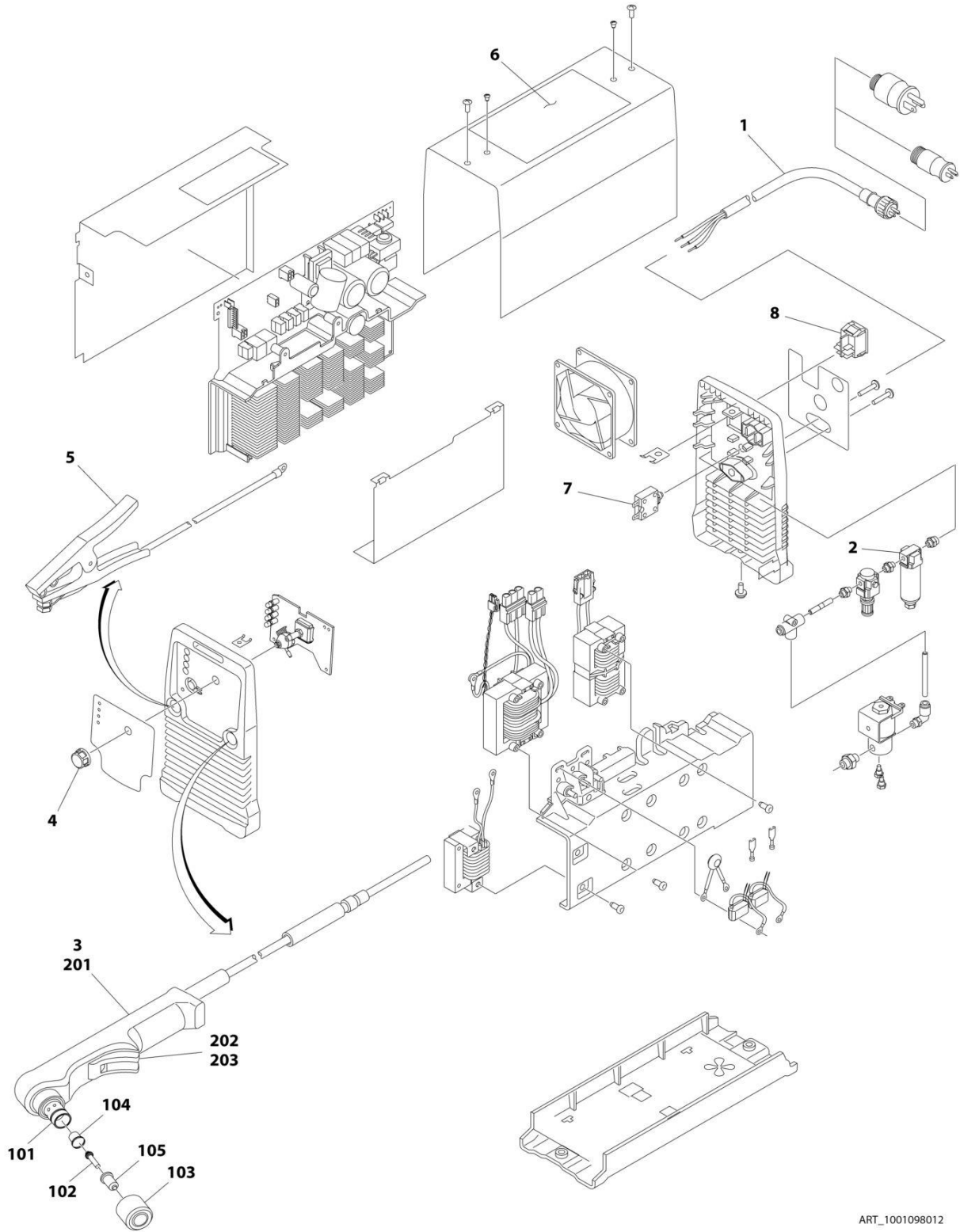
SECTION 5 - PLATFORM

FIGURE 5-33. SKYCUTTER INSTALLATION (ANSI, ANSI EXPORT, CSA, CHINA AND JAPANESE SPECS)

ITEM	PART NUMBER	QTY	DESCRIPTION	REV
	1001098149	Ref	SKYCUTTER INSTALLATION	D
		Ref	Note: When replacing platform on machines with SkyCutter option, new bracket p/n 1001145405 must be purchased to accommodate SkyCutter components.	
1	0100020	AR	Sealant	
2	1320177	2	Clamp, Hose	
3	2180832	1	Fitting, NPT/Barbed	
4	3290605	2	Nut M6	
5	2720160	3 ft /.9m	Hose	
6	3421453	3	Pin	
7	3576799	1	Plate, Hold-Down	
8	4010608	2	Screw M6 x 16	
10	4460971	1	Plug, Twistlock	
11	4811700	2	Washer M6	
12	1001098012	1	Plasma Cutter Assembly (See Separate Breakdown in this Section)	
13	0630518	2	Screw #10 x 3/4	
14	2030010	1	Extinguisher, Fire	
15	3311005	2	Nut #10	
16	4751000	2	Washer #10	
17	1001145405	1	Support	

SECTION 5 - PLATFORM

FIGURE 5-34. PLASMA CUTTER ASSEMBLY



ART_1001098012

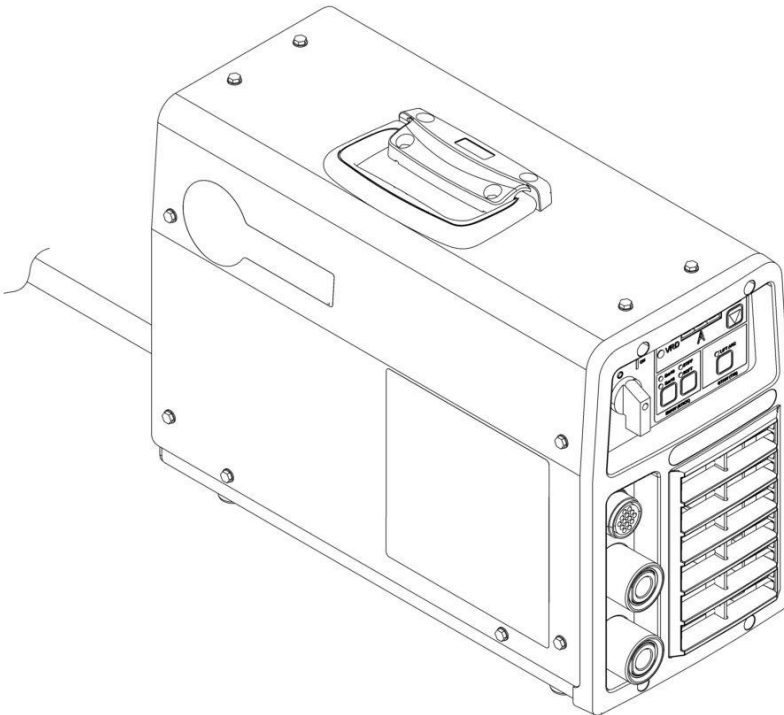
SECTION 5 - PLATFORM

FIGURE 5-34. PLASMA CUTTER ASSEMBLY

ITEM	PART NUMBER	QTY	DESCRIPTION	REV
	1001098012	Ref	PLASMA CUTTER ASSEMBLY	A
		Ref	Note: For Other Components, contact your Miller Welder Dealer.	
1	70001424	1	Cable, Power	
1	70001425	1	Decal - Voltage Warning	
2	70001427	1	Filter, Regulator	
3	70001428	1	Torch Assembly (See Items 101-203 for Breakdown)	
4	7024471	1	Knob	
5	70001429	1	Clamp with Cable	
6	70001430	1	Decal - Caution	
7	70001431	1	Breaker, Circuit	
8	70001432	1	Switch, Rocker	
	70001428	Ref	TORCH ASSEMBLY	
101	7024530	1	O-Ring	
102	7024531	1	Electrode	
103	7024532	1	Cup, Retaining	
104	7024533	1	Swirl Ring	
105	7024534	1	Tip	
201	7024535	1	Handle, Torch	
202	7024536	1	Switch	
203	7024537	1	Trigger	

SECTION 5 - PLATFORM

FIGURE 5-35. WELDER ASSEMBLY



ART_1001268820

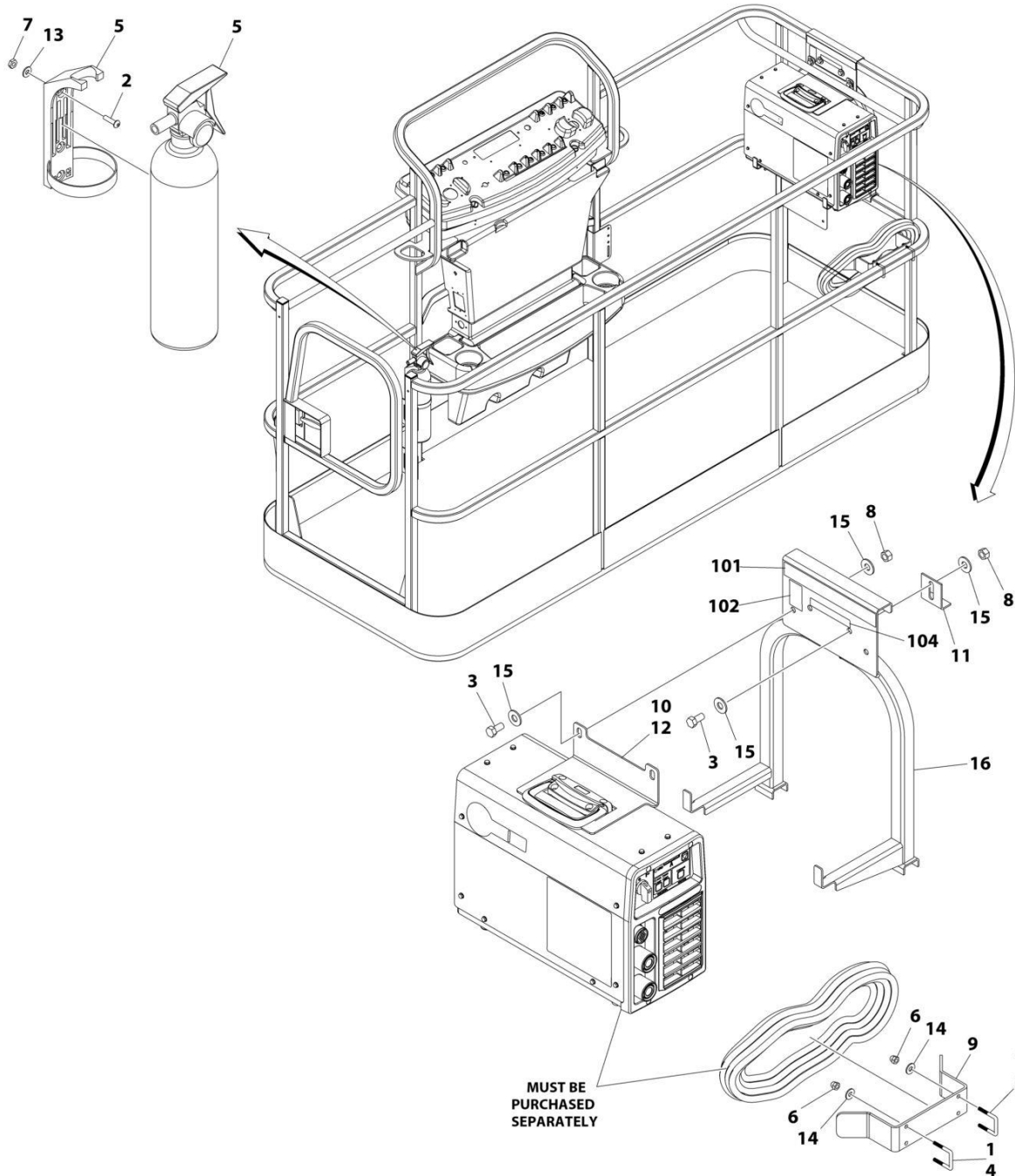
SECTION 5 - PLATFORM

FIGURE 5-35. WELDER ASSEMBLY

ITEM	PART NUMBER	QTY	DESCRIPTION	REV
	1001268820	1 Ref	WELDER ASSEMBLY Note: No Service Parts available at time of Printing.	B

SECTION 5 - PLATFORM

FIGURE 5-36. SKYWELDER PREP PACKAGE (60HZ)



ART_1001128527_C

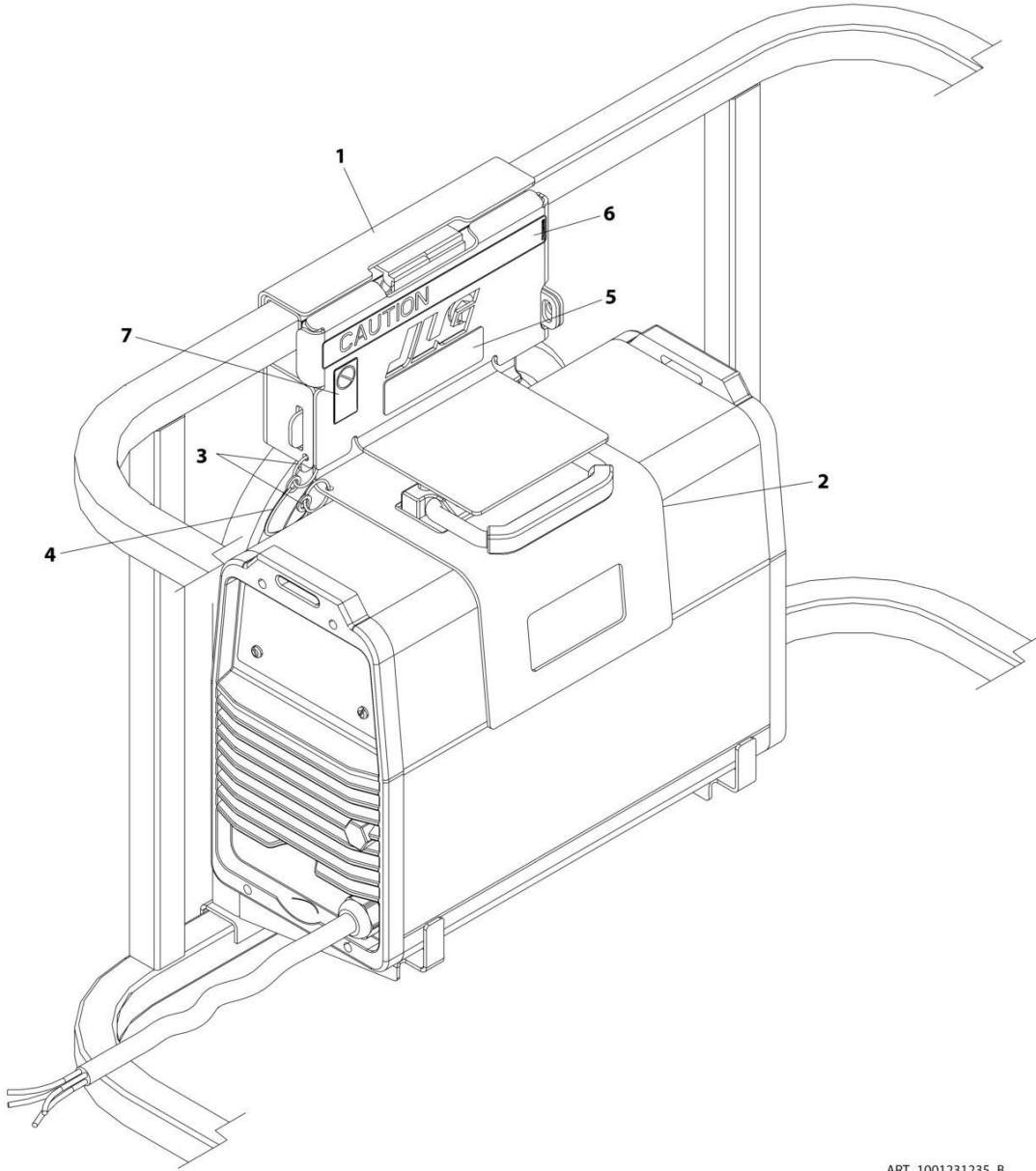
SECTION 5 - PLATFORM

FIGURE 5-36. SKYWELDER PREP PACKAGE (60HZ)

ITEM	PART NUMBER	QTY	DESCRIPTION	REV
	1001128527	Ref	SKYWELDER PREP PACKAGE	C
1	0100011	AR	Compound, Locking	
2	0630518	2	Screw #10 x 3/4	
3	0641606	4	Bolt 3/8 x 3/4	
4	1320302	2	U-Clamp	
5	2030010	1	Extinguisher, Fire	
6	3300151	4	Nut 1/4	
7	3311005	2	Nut #10	
8	3311605	4	Nut 3/8	
9	3573400	1	Bracket	
10	1001269573	1	Plate	
11	3577121	2	Angle	
12	4420037	AR	Tape	
13	4751000	2	Washer #10	
14	4751400	4	Washer 1/4	
15	4751600	8	Washer 3/8	
16	1001269322	1	Support	
	1001128556	Ref	SKYWELDER DECAL INSTALLATION	D
101	1702868	1	Decal - No Hands	
102	1705305	1	Decal - Weld Lead	
104	1001228988	1	Decal - Weight	

SECTION 5 - PLATFORM

FIGURE 5-37. SKYWELDER LOCKING BRACKET INSTALLATION



ART_1001231235_B

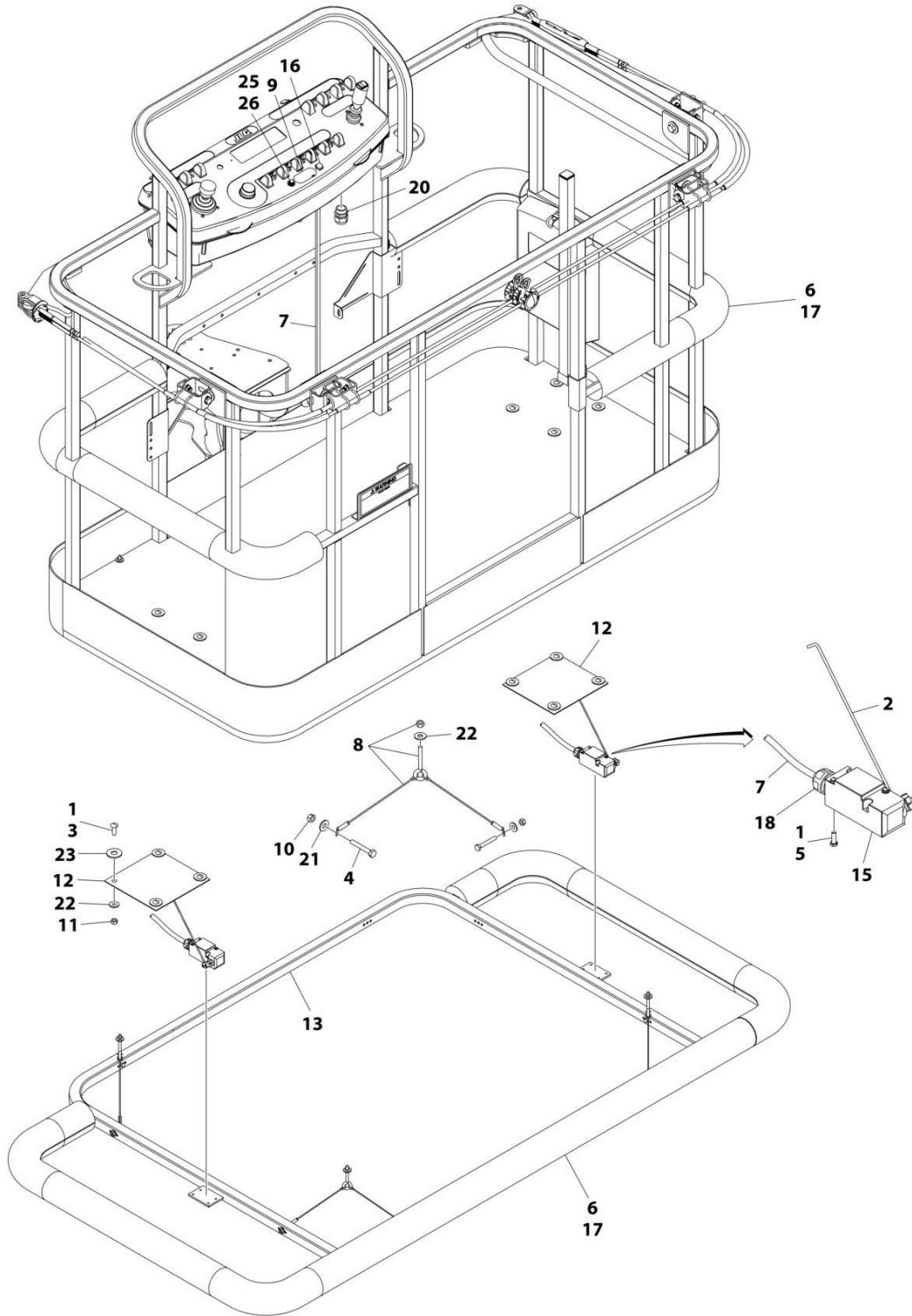
SECTION 5 - PLATFORM

FIGURE 5-37. SKYWELDER LOCKING BRACKET INSTALLATION

ITEM	PART NUMBER	QTY	DESCRIPTION	REV
	1001231235	Ref	SKYWELDER LOCKING BRACKET INSTALLATION	B
1	1001231180	1	Bracket	
2	1001231183	1	Plate	
3	3760170	2	Ring	
4	1060379	1	Lanyard	
5	1001252628	1	Decal - Weight	
6	1702868	1	Decal - No Hands	
7	1705305	1	Decal - Weld Lead	

SECTION 5 - PLATFORM

FIGURE 5-38. SOFT TOUCH INSTALLATION - 6FT (1.83M) FALL ARREST PLATFORM



ART_1001108256

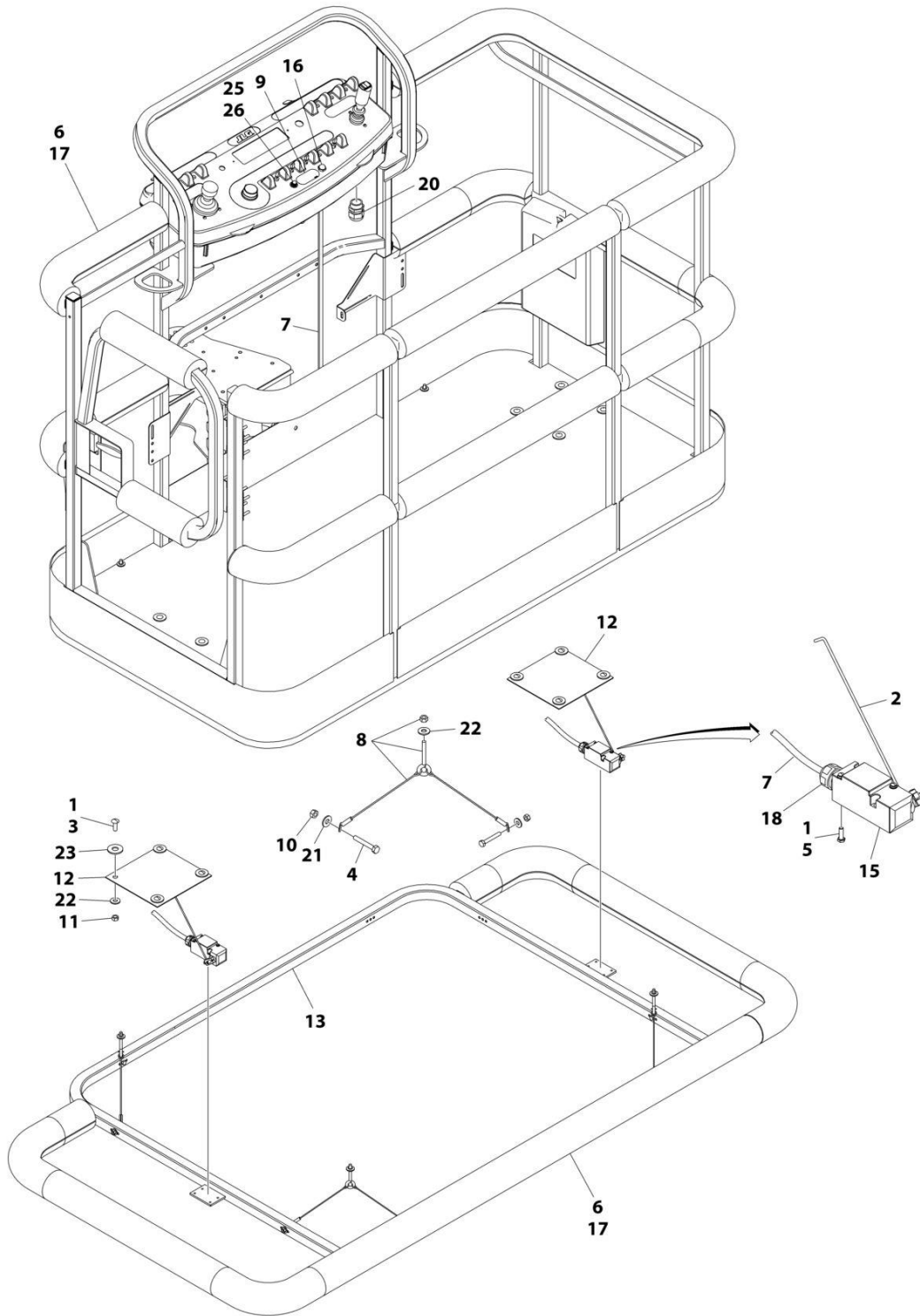
SECTION 5 - PLATFORM

FIGURE 5-38. SOFT TOUCH INSTALLATION - 6FT (1.83M) FALL ARREST PLATFORM

ITEM	PART NUMBER	QTY	DESCRIPTION	REV
	1001108256	Ref	SOFT TOUCH INSTALLATION	C
1	0100011	AR	Compound, Locking	
2	0200048	2	Arm, Switch	
3	0630462	8	Bolt	
4	0641414	8	Bolt 1/4 x 1-3/4	
5	0731005	4	Bolt #10 x 5/8	
6	0940177	1	Bumper Kit (Includes Corners and Enough Straight Material for One Platform)	
6	0940092	8	Bumper (Corner)	
6	0940094	AR	Bumper (12ft Length)	
7	1060341	23 ft/7m	Cable, Soft Touch - 16/2	
8	1060903	4	Wire Rope and Eyebolt Assembly	
9	1702938	1	Decal - Soft Touch Override	
10	3311401	8	Nut 1/4	
11	3311501	8	Nut 5/16	
12	3575359	2	Plate, Switch Strike	
13	3641569	1	Rail, Soft Touch	
14	4240099	7	Tie-Strap (Not Shown)	
15	4360057	2	Switch, Limit	
16	4360387	1	Switch, Push Button	
17	4420068	AR	Tape, Adhesive	
17	1001197017	AR	Tie-Strap	
18	4460049	2	Connector, Strain Relief	
19	4460234	7	Tie-Strap (Not Shown)	
20	4460425	1	Connector, Strain Relief	
21	4751400	8	Washer 1/4	
22	4751500	9	Washer 5/16	
23	4751800	8	Washer 1/2	
25	2920028	1	Light, Indicator	
26	2920029	1	Bulb, Light	

SECTION 5 - PLATFORM

FIGURE 5-39. SOFT TOUCH SYSTEM INSTALLATION - 6FT/1.8M PLATFORMS



ART_0273824

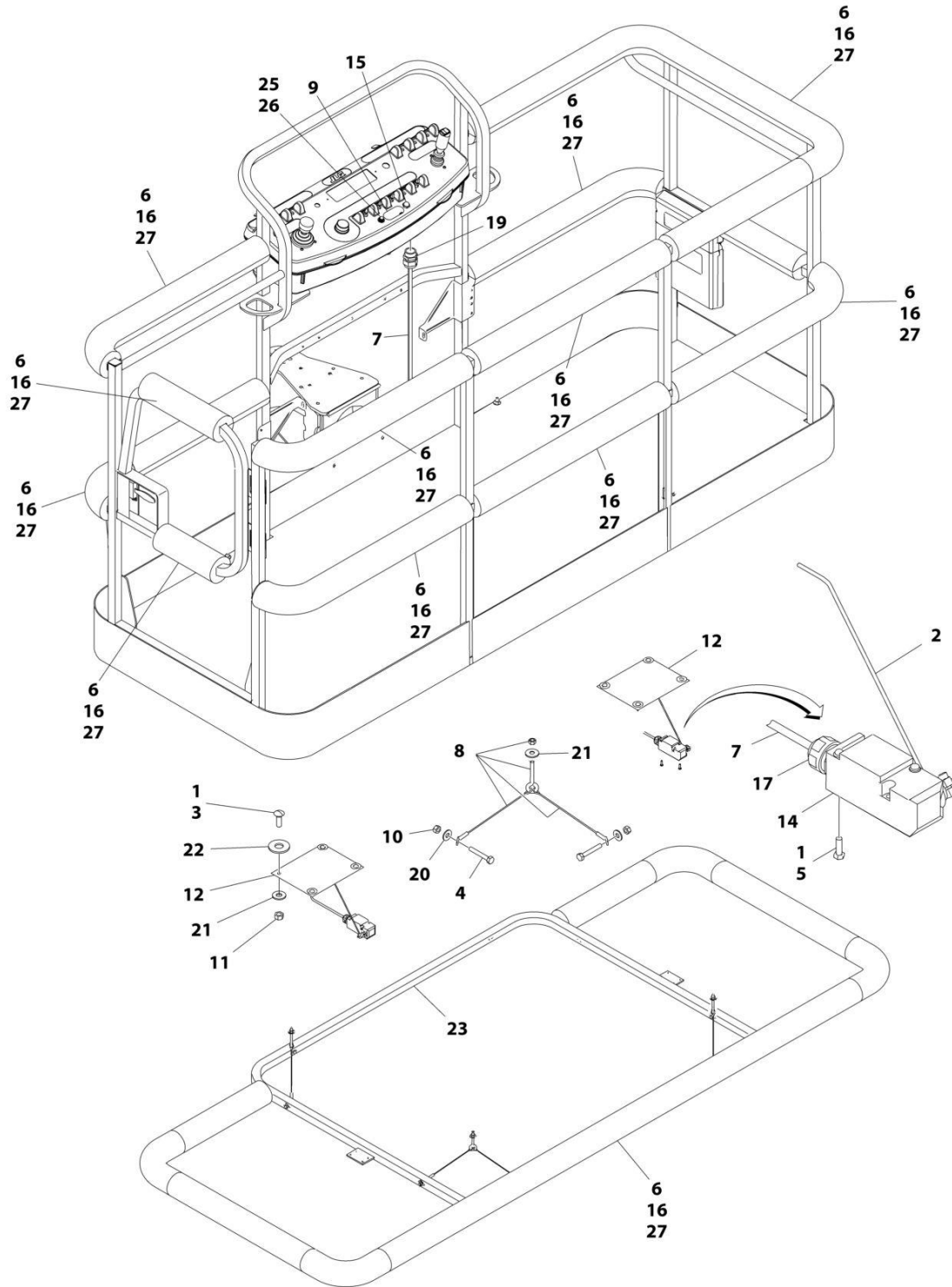
SECTION 5 - PLATFORM

FIGURE 5-39. SOFT TOUCH SYSTEM INSTALLATION - 6FT/1.8M PLATFORMS

ITEM	PART NUMBER	QTY	DESCRIPTION	REV
	0273824	Ref	SOFT TOUCH SYSTEM INSTALLATION	D
1	0100011	AR	Compound, Locking	
2	0200048	2	Arm, Switch	
3	0630462	8	Bolt	
4	0641414	8	Bolt 1/4 x 1-3/4	
5	0731005	4	Bolt #10 x 5/8	
6	0940134	1	Bumper Kit (Includes Corners and Enough Straight Material for One Platform)	
6	0940092	AR	Bumper (Corner)	
6	0940094	AR	Bumper (12ft Length)	
7	1060341	23 ft/7m	Cable, Soft Touch - 16/2	
8	1060903	4	Wire Rope and Eyebolt Assembly	
9	1702938	1	Decal - Soft Touch Override	
10	3311401	8	Nut 1/4	
11	3311501	8	Nut 5/16	
12	3575359	2	Plate, Switch Strike	
13	3641569	1	Rail, Soft Touch	
14	4240099	7	Tie-Strap (Not Shown)	
15	4360057	2	Switch, Limit	
16	4360387	1	Switch, Push Button	
17	4420068	AR	Tape, Adhesive	
17	1001197017	AR	Tie-Strap	
18	4460049	2	Connector, Strain Relief	
19	4460234	7	Tie-Strap (Not Shown)	
20	4460425	1	Connector, Strain Relief	
21	4751400	8	Washer 1/4	
22	4751500	12	Washer 5/16	
23	4751800	8	Washer 1/2	
24	4933218	1	Wiring Diagram (Not Shown - Reference Only)	
25	2920028	1	Light, Indicator	
26	2920029	1	Bulb, Light	

SECTION 5 - PLATFORM

FIGURE 5-40. SOFT TOUCH SYSTEM INSTALLATION - 8FT/2.44M PLATFORM



ART_0272427

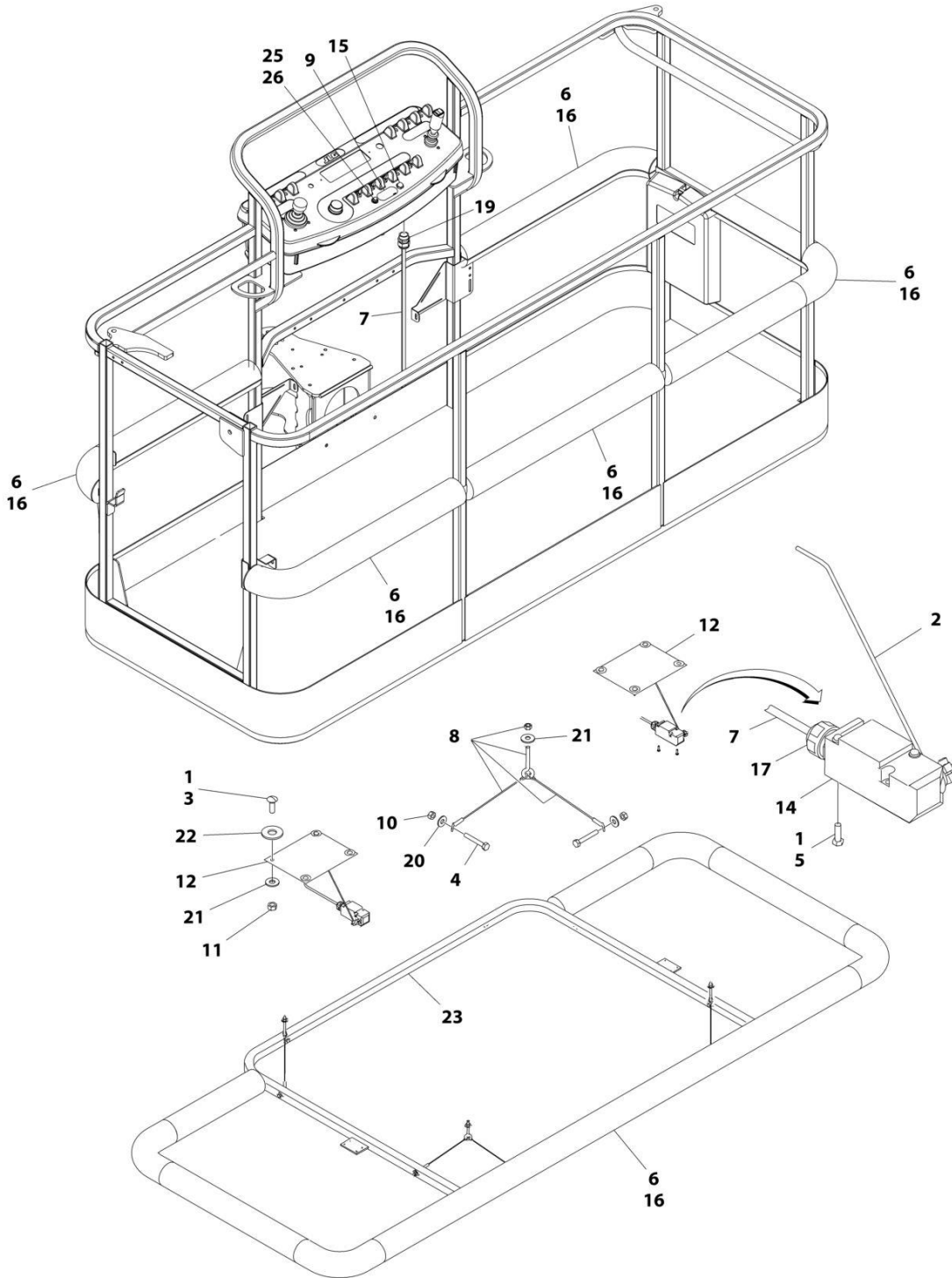
SECTION 5 - PLATFORM

FIGURE 5-40. SOFT TOUCH SYSTEM INSTALLATION - 8FT/2.44M PLATFORM

ITEM	PART NUMBER	QTY	DESCRIPTION	REV
	0272427	Ref	SOFT TOUCH SYSTEM INSTALLATION	G
1	0100011	AR	Compound, Locking	
2	0200048	2	Arm, Switch	
3	0630462	8	Bolt	
4	0641414	8	Bolt 1/4 x 1-3/4	
5	0721005	4	Bolt #10 x 5/8	
6	0940103	1	Bumper Kit (Includes Corners and Enough Straight Material for One Platform)	
6	0940092	12	Bumper (Corner)	
6	0940094	AR	Bumper (12ft Length)	
7	1060341	23 ft/7m	Cable, Electrical - 16/2	
8	1060903	4	Wire Rope and Eyebolt Assembly	
9	1702938	1	Decal - Soft Touch Override	
10	3311401	8	Nut 1/4	
11	3311501	8	Nut 5/16	
12	3574091	2	Plate, Switch Strike	
13	4240099	7	Tie-Strap (Not Shown)	
14	4360057	2	Switch, Limit	
15	4360387	1	Switch, Push Button	
16	4420068	AR	Tape, Adhesive	
16	1001197017	AR	Tie-Strap	
17	4460049	2	Connector, Strain Relief	
18	4460234	7	Tie-Strap (Not Shown)	
19	4460425	1	Connector, Strain Relief	
20	4751400	8	Washer 1/4	
21	4751500	12	Washer 5/16	
22	4751800	8	Washer 1/2	
23	4846673	1	Rail, Soft Touch	
24	4933218	1	Soft Touch Wiring Diagram (Not Shown - Reference Only)	
25	2920028	1	Light, Indicator	
26	2920029	1	Bulb, Light	

SECTION 5 - PLATFORM

FIGURE 5-41. SOFT TOUCH INSTALLATION - 8FT (2.4M) FALL ARREST PLATFORM



ART_0273706

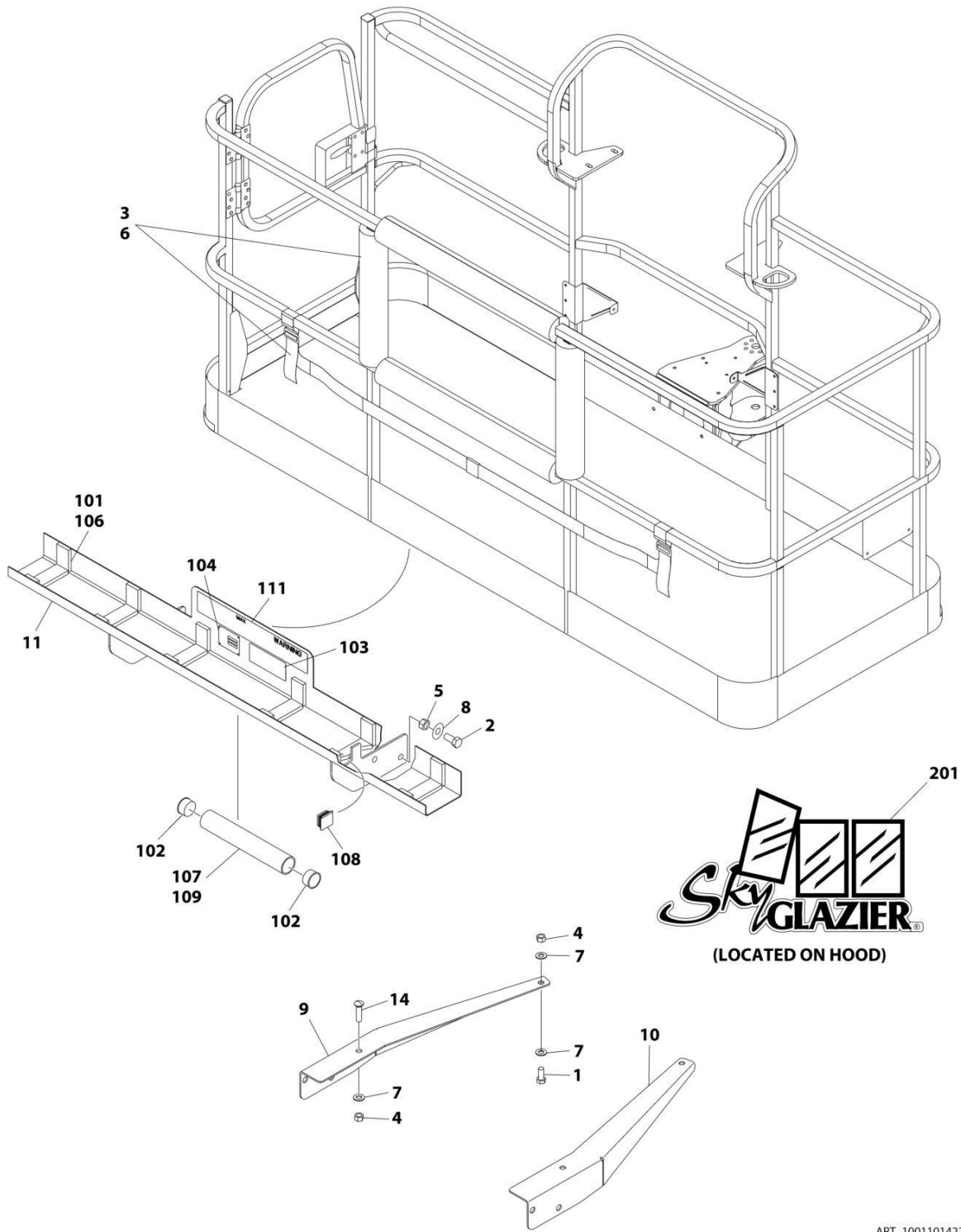
SECTION 5 - PLATFORM

FIGURE 5-41. SOFT TOUCH INSTALLATION - 8FT (2.4M) FALL ARREST PLATFORM

ITEM	PART NUMBER	QTY	DESCRIPTION	REV
	0273706	Ref	SOFT TOUCH INSTALLATION	D
1	0100011	AR	Compound, Locking	
2	0200048	2	Arm, Switch	
3	0630462	8	Bolt	
4	0641414	8	Bolt 1/4 x 1-3/4	
5	0721005	4	Bolt #10 x 5/8	
6	0940133	1	Bumper Kit (Includes Corners and Enough Straight Material for One Platform)	
6	0940092	8	Bumper (Corner)	
6	0940094	AR	Bumper (12ft Length)	
7	1060341	23 ft/7m	Cable, Soft Touch - 16/2	
8	1060903	4	Wire Rope and Eyebolt Assembly	
9	1702938	1	Decal - Soft Touch Override	
10	3311401	8	Nut 1/4	
11	3311501	8	Nut 5/16	
12	3574091	2	Plate, Switch Strike	
13	4240099	7	Tie-Strap (Not Shown)	
14	4360057	2	Switch, Limit	
15	4360387	1	Switch, Push Button	
16	4420068	AR	Tape, Adhesive	
16	1001197017	AR	Tie-Strap	
17	4460049	2	Connector, Strain Relief	
18	4460234	7	Tie-Strap (Not Shown)	
19	4460425	1	Connector, Strain Relief	
20	4751400	8	Washer 1/4	
21	4751500	12	Washer 5/16	
22	4751800	8	Washer 1/2	
23	4846673	1	Rail, Soft Touch	
25	2920028	1	Light, Indicator	
26	2920029	1	Bulb, Light	

SECTION 5 - PLATFORM

FIGURE 5-42. SKYGLAZIER INSTALLATION (ALL SPECS EXCEPT AUSTRALIAN AAND JAPANESE SPECS)



ART_1001101422

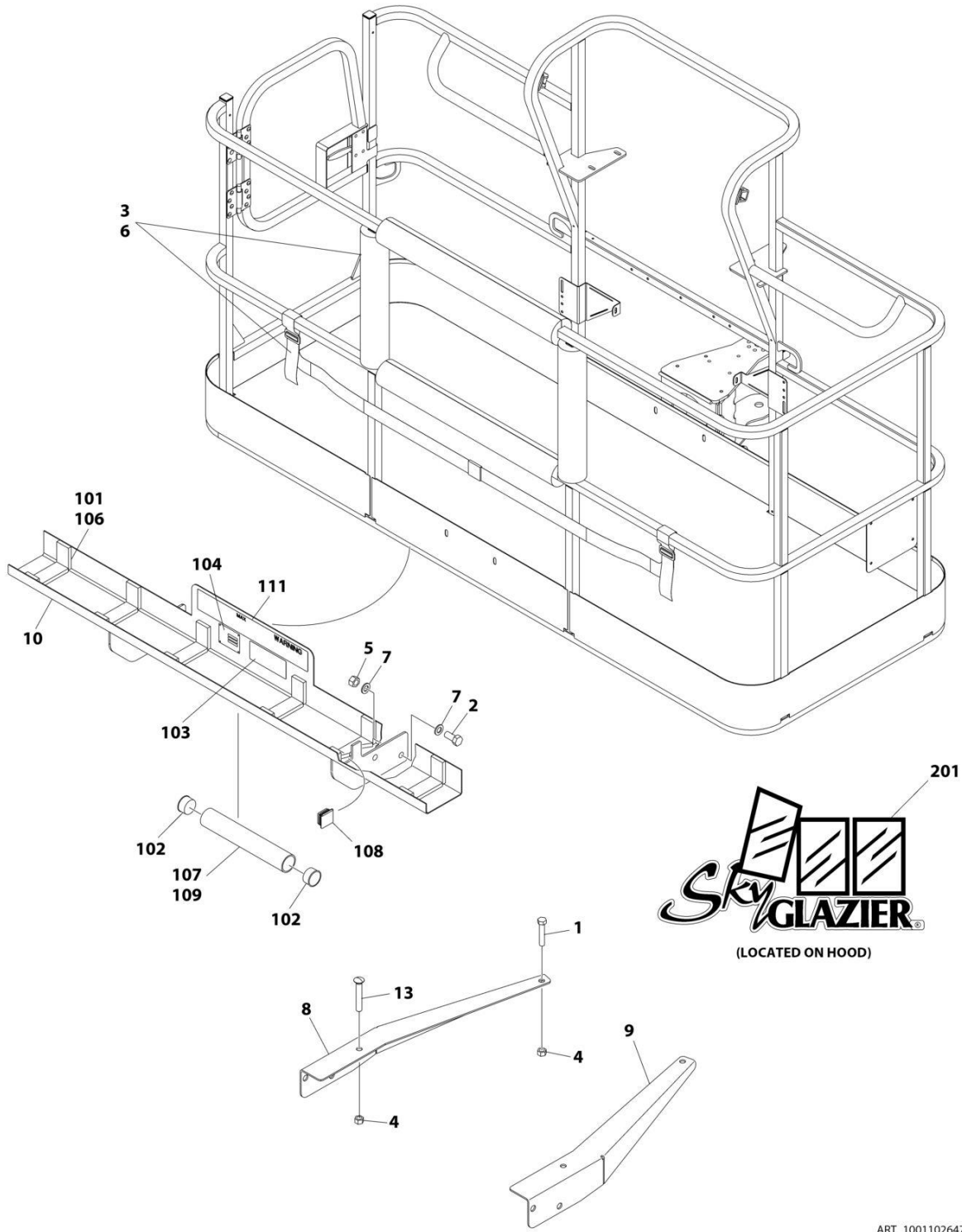
SECTION 5 - PLATFORM

FIGURE 5-42. SKYGLAZIER INSTALLATION (ALL SPECS EXCEPT AUSTRALIAN AAND JAPANESE SPECS)

ITEM	PART NUMBER	QTY	DESCRIPTION	REV
	1001101422	Ref	SKYGLAZIER INSTALLATION	C
1	0642012	2	Bolt 5/8 x 1-1/2	
2	0642212	4	Bolt 3/4 x 1-1/2	
3	2902212	1	Bumpers and Strap Kit	
3	0940102	1	Bumper Only	
3	4240149	1	Strap Only	
4	3312005	4	Nut 5/8	
5	3312205	4	Nut 3/4	
6	4420014	AR	Tape	
7	4712000	6	Washer 5/8	
8	4712200	8	Washer 3/4	
9	1001099366	1	Support	
10	1001099367	1	Support	
11	1001101421	1	Tray Assembly (See Items 101-111 for Breakdown)	
14	8310129	2	Bolt 3/4 x 2-1/2	
	1001101421	Ref	TRAY ASSEMBLY	F
101	0100081	AR	Adhesive	
102	1120555	2	Cap, Tube	
103	1701509	1	Decal - Manual	
104	See Note	NSS	Nameplate - Serial Number (Note: Not Available for Purchase)	
106	3340956	1	Pad Kit	
107	3460334	1	Tube	
108	3520071	2	Plug	
109	4420066	AR	Tape, Double Sided	
111	1001163131	2	Decal - Glazier Capacity	
	0272418	Ref	SKYGLAZIER DECAL INSTALLATION	4
201	1705358	2	Decal - SkyGlazier	

SECTION 5 - PLATFORM

FIGURE 5-43. SKYGLAZIER INSTALLATION (ANSI EXPORT AND AUSTRALIAN SPECS)



ART_1001102647

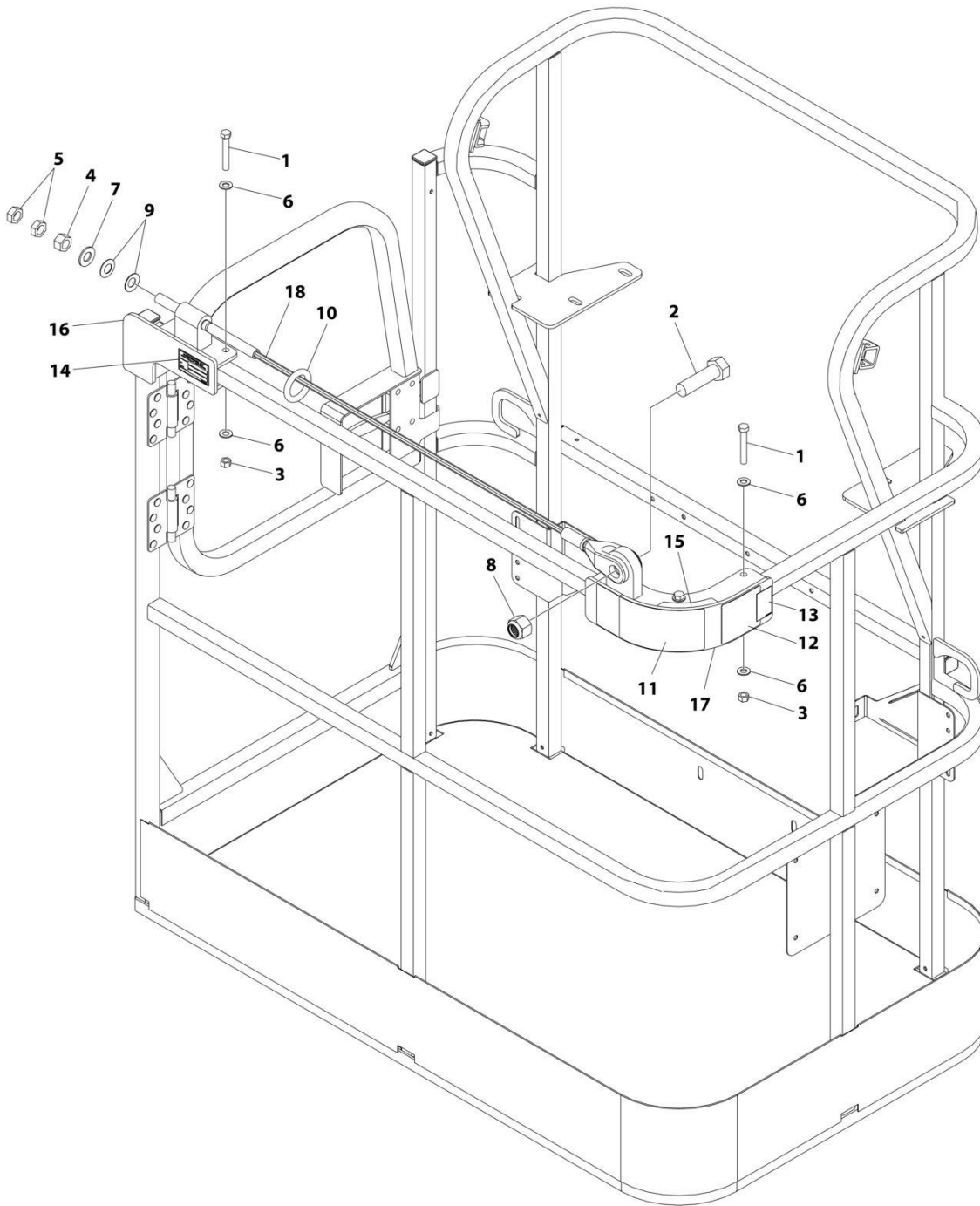
SECTION 5 - PLATFORM

FIGURE 5-43. SKYGLAZIER INSTALLATION (ANSI EXPORT AND AUSTRALIAN SPECS)

ITEM	PART NUMBER	QTY	DESCRIPTION	REV
	1001102647	Ref	SKYGLAZIER INSTALLATION (AUSTRALIAN SPECS)	C
1	0642026	2	Bolt 5/8 x 3-1/4	
2	0642212	4	Bolt 3/4 x 1-1/2	
3	2902212	1	Bumpers and Strap Kit	
3	0940102	1	Bumper Only	
3	4240149	1	Strap Only	
4	3312005	4	Nut 5/8	
5	3312205	4	Nut 3/4	
6	4420014	AR	Tape	
7	4712200	8	Washer 3/4	
8	1001099366	1	Support	
9	1001099367	1	Support	
10	1001101421	1	Tray Assembly (See Items 101-111 for Breakdown)	
13	8310230	2	Bolt 5/8 x 4	
	1001101421	Ref	TRAY ASSEMBLY	E
101	0100081	AR	Adhesive	
102	1120555	2	Cap, Tube	
103	1701509	1	Decal - Manual	
104	See Note	NSS	Nameplate - Serial Number (Note: Not Available for Purchase)	
106	3340956	1	Pad Kit	
107	3460334	1	Tube	
108	3520071	2	Plug	
109	4420066	AR	Tape, Double Sided	
111	1001163131	2	Decal - Glazier Capacity	
	0272418	Ref	SKYGLAZIER DECAL INSTALLATION	4
201	1705358	2	Decal - SkyGlazier	

SECTION 5 - PLATFORM

FIGURE 5-44. FALL ARREST INSTALLATION (BOLT-ON) (4FT/1.22M PLATFORM)



ART_1001261338

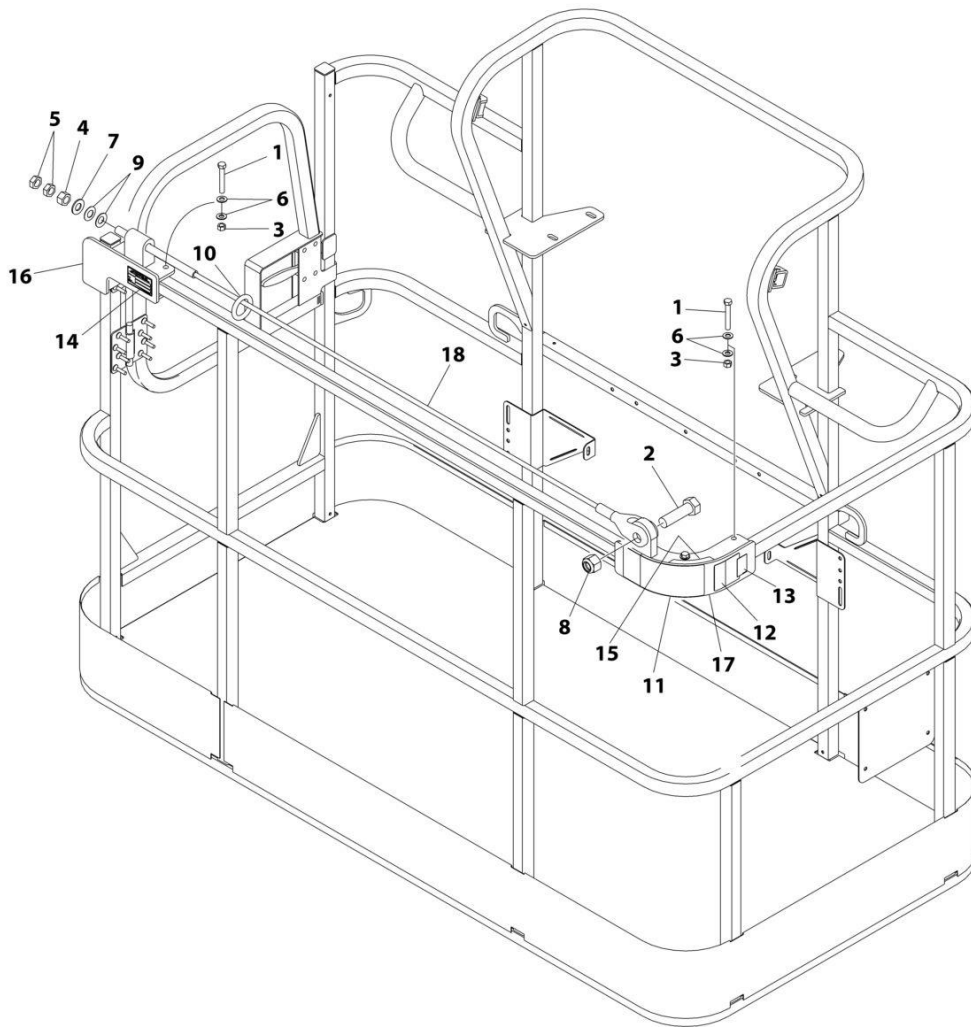
SECTION 5 - PLATFORM

FIGURE 5-44. FALL ARREST INSTALLATION (BOLT-ON) (4FT/1.22M PLATFORM)

ITEM	PART NUMBER	QTY	DESCRIPTION	REV
	1001261338	Ref	FALL ARREST INSTALLATION	A
1	0681620	6	Bolt 3/8 x 2-1/2	
2	0682424	1	Bolt 7/8 x 3	
3	3271605	6	Nut 3/8	
4	3272001	1	Nut 5/8	
5	3312002	2	Nut 5/8	
6	4711600	12	Washer 3/8	
7	4712000	1	Washer 5/8	
8	88521214	1	Nut 7/8	
9	1001236891	2	Washer	
10	1001236895	1	Ring	
11	1001238263	1	Decal - Warning Falling Hazard	
12	1001248140	1	Decal - Bolt Fall Arrest Re-Cert	
13	1001248141	1	Decal - Incription	
14	See Note	NSS	Nameplate - Manufacturers Serial Number (Note: Not Available for Purchase)	
15	1001252629	1	Decal - Weight	
16	1001257271	1	Bracket (RH)	
17	1001257274	1	Bracket (LH)	
18	1001261335	1	Rope	

SECTION 5 - PLATFORM

FIGURE 5-45. FALL ARREST INSTALLATION (BOLT-ON EXTERNAL) (5FT/1.52M PLATFORM)



ART_1001257275

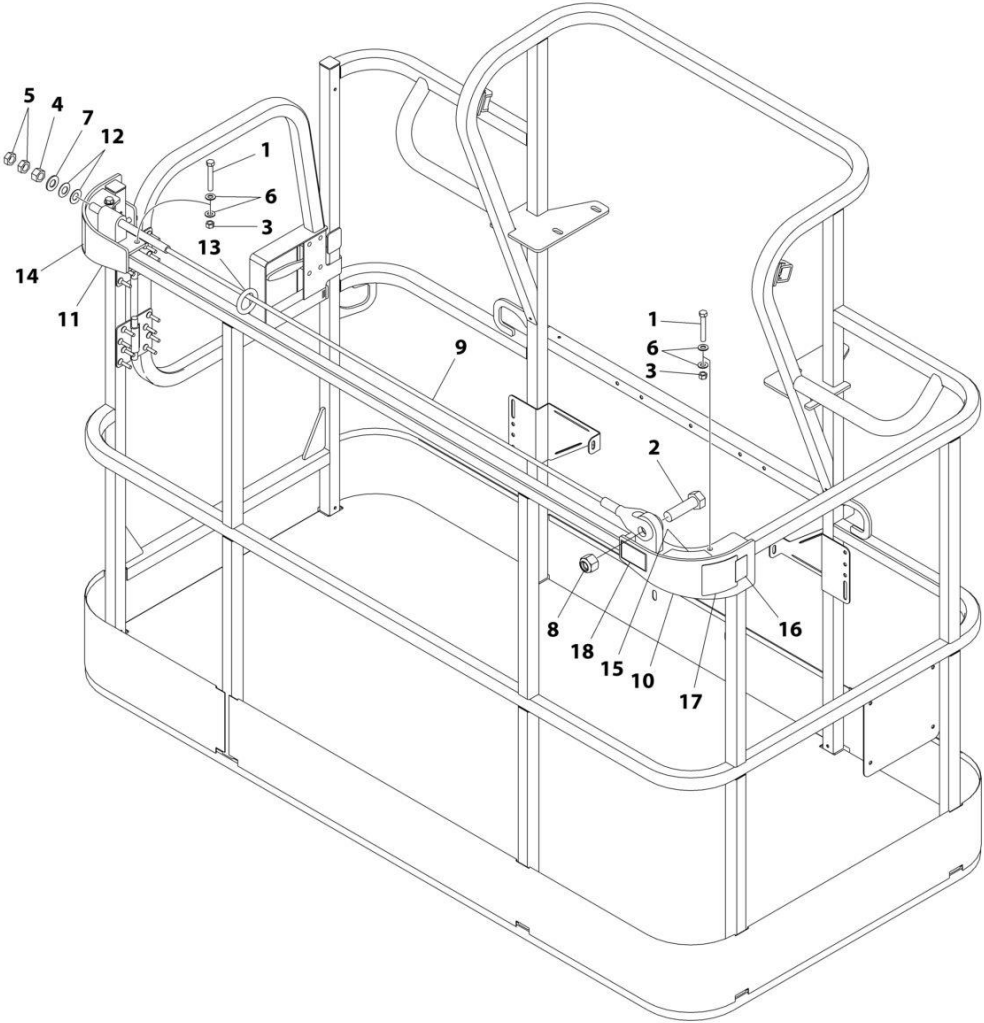
SECTION 5 - PLATFORM

FIGURE 5-45. FALL ARREST INSTALLATION (BOLT-ON EXTERNAL) (5FT/1.52M PLATFORM)

ITEM	PART NUMBER	QTY	DESCRIPTION	REV
	1001257275	Ref	FALL ARREST INSTALLATION (BOLT - ON) 6FT/1.82M PLATFORM	A
1	0681620	6	Bolt 3/8 x 2-1/2	
2	0682424	1	Bolt 7/8 x 3	
3	3271605	6	Nut 3/8	
4	3272001	1	Nut 5/8	
5	3312002	2	Nut 5/8	
6	4711600	12	Washer 3/8	
7	4712000	1	Washer 5/8	
8	88521214	1	Nut 7/8	
9	1001236891	2	Washer	
10	1001236895	1	Ring	
11	1001238263	1	Decal - Warning Falling Hazard	
12	1001248140	1	Decal - Bolt Fall Arrest Re-Cert	
13	1001248141	1	Decal - Incription	
14	See Note	NSS	Nameplate - Manufacturers Serial Number (Note: Not Available for Purchase)	
15	1001252629	1	Decal - Weight	
16	1001257271	1	Bracket (RH)	
17	1001257274	1	Bracket (LH)	
18	1001258005	1	Rope	

SECTION 5 - PLATFORM

FIGURE 5-46. FALL ARREST INSTALLATION (BOLT-ON EXTERNAL) (6FT/1.82M PLATFORM)



ART_1001236747

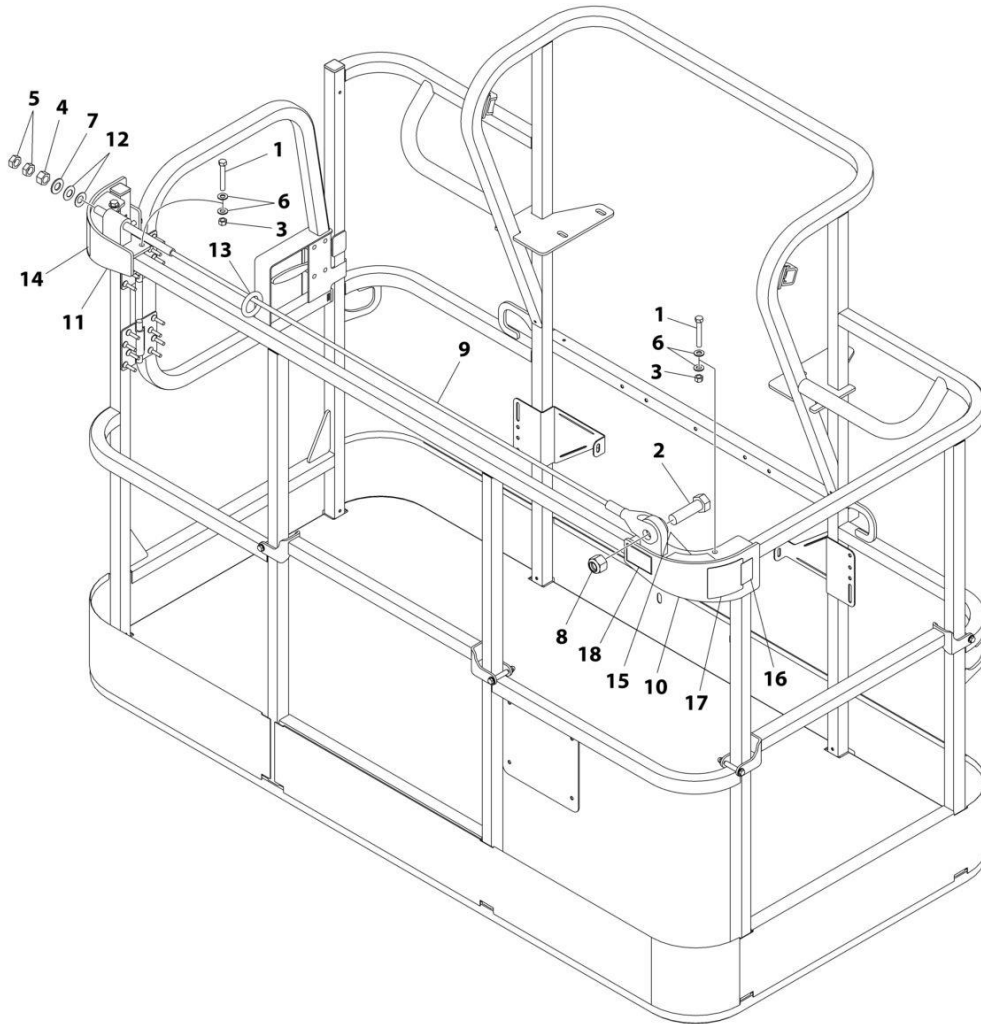
SECTION 5 - PLATFORM

FIGURE 5-46. FALL ARREST INSTALLATION (BOLT-ON EXTERNAL) (6FT/1.82M PLATFORM)

ITEM	PART NUMBER	QTY	DESCRIPTION	REV
	1001236747	Ref	FALL ARREST INSTALLATION (BOLT - ON) 6FT/1.82M PLATFORM	C
1	0681620	6	Bolt 3/8 x 2-1/2	
2	0682424	1	Bolt 7/8 x 3	
3	3271605	6	Nut 3/8	
4	3272001	1	Nut 5/8	
5	3312002	2	Nut 5/8	
6	4711600	12	Washer 3/8	
7	4712000	1	Washer 5/8	
8	88521214	1	Nut 7/8	
9	1001231950	1	Rope	
10	1001232010	1	Bracket (RH)	
11	1001232011	1	Bracket (LH)	
12	1001236891	2	Washer	
13	1001236895	1	Ring	
14	1001238263	1	Decal - Warning Falling Hazard	
15	1001252629	1	Decal - Weight	
16	1001248140	1	Decal - Bolt Fall Arrest Re-Cert	
17	1001248141	1	Decal - Inscription	

SECTION 5 - PLATFORM

FIGURE 5-47. FALL ARREST INSTALLATION (BOLT-ON EXTERNAL) (6FT/1.82M TRI-ENTRY PLATFORM)



ART_1001238463

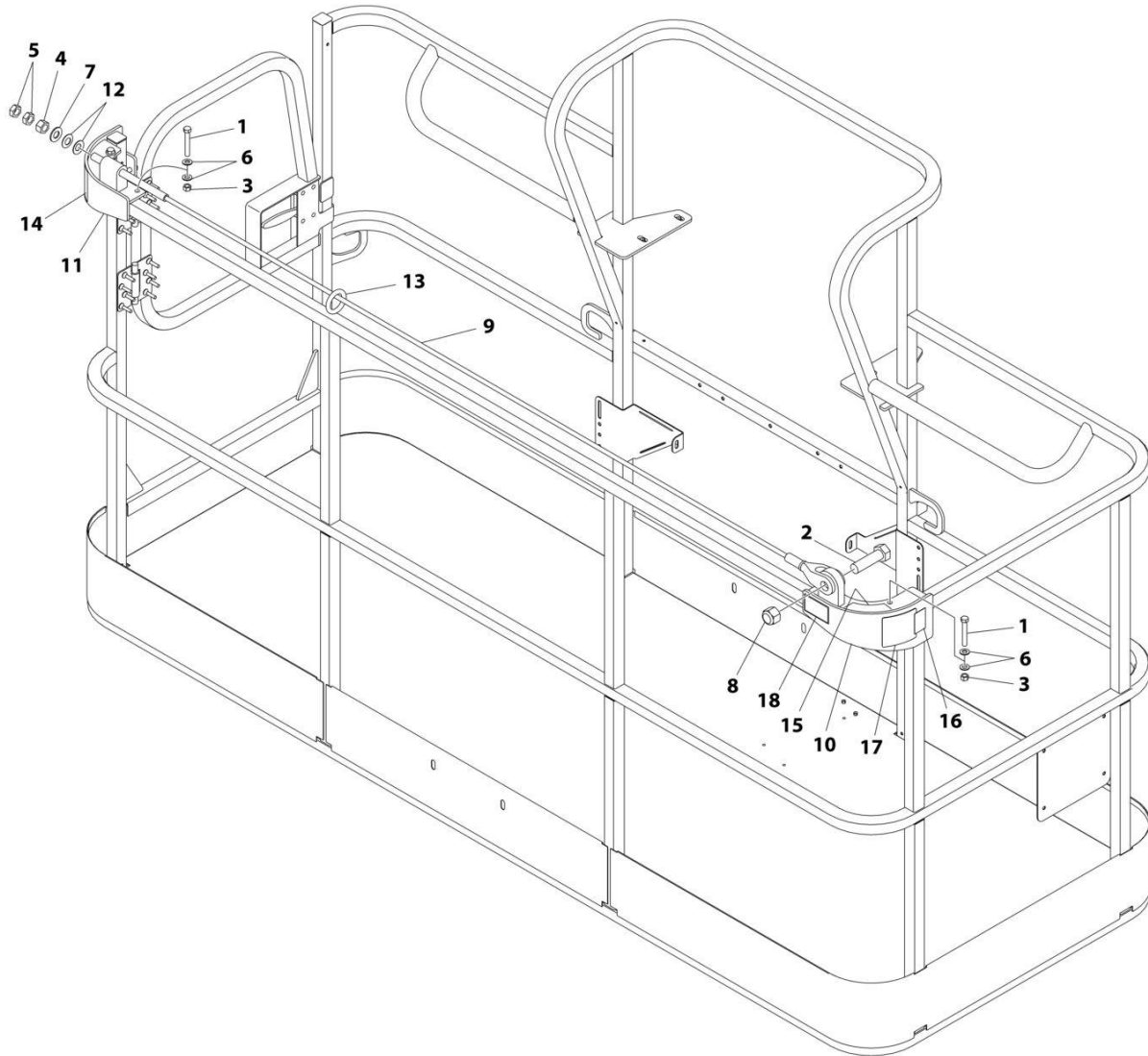
SECTION 5 - PLATFORM

FIGURE 5-47. FALL ARREST INSTALLATION (BOLT-ON EXTERNAL) (6FT/1.82M TRI-ENTRY PLATFORM)

ITEM	PART NUMBER	QTY	DESCRIPTION	REV
	1001238463	Ref	FALL ARREST INSTALLATION (BOLT - ON) 6FT/1.82M PLATFORM	C
1	0681620	6	Bolt 3/8 x 2-1/2	
2	0682424	1	Bolt 7/8 x 3	
3	3271605	6	Nut 3/8	
4	3272001	1	Nut 5/8	
5	3312002	2	Nut 5/8	
6	4711600	12	Washer 3/8	
7	4712000	1	Washer 5/8	
8	88521214	1	Nut 7/8	
9	1001231950	1	Rope	
10	1001232010	1	Bracket (RH)	
11	1001232011	1	Bracket (LH)	
12	1001236891	2	Washer	
13	1001236895	1	Ring	
14	1001238263	1	Decal - Warning Falling Hazard	
15	1001252629	1	Decal - Weight	
16	1001248140	1	Decal - Bolt Fall Arrest Re-Cert	
17	1001248141	1	Decal - Inscription	

SECTION 5 - PLATFORM

FIGURE 5-48. FALL ARREST INSTALLATION (BOLT-ON EXTERNAL) (8FT/2.4M PLATFORM)



ART_1001236746

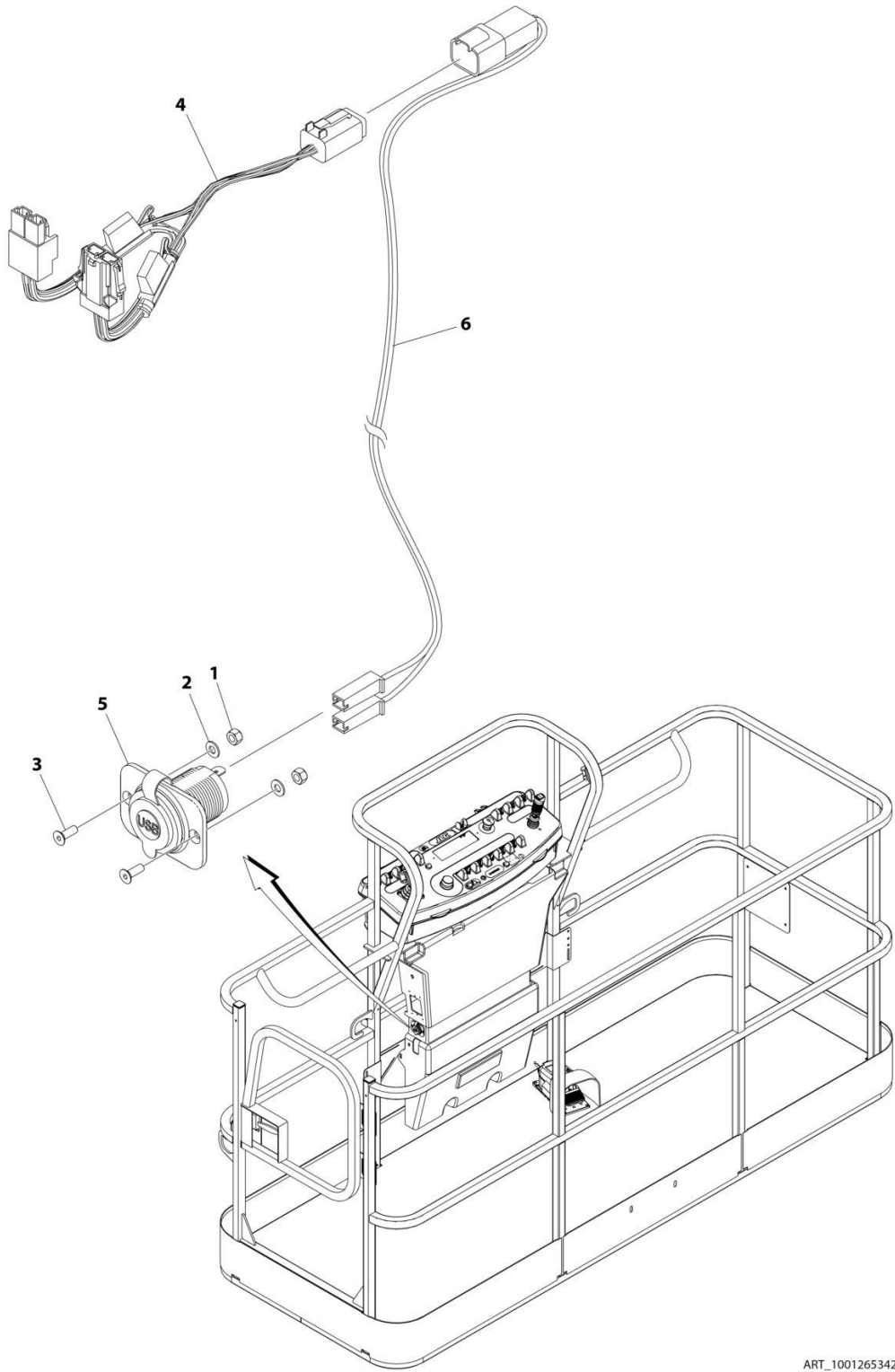
SECTION 5 - PLATFORM

FIGURE 5-48. FALL ARREST INSTALLATION (BOLT-ON EXTERNAL) (8FT/2.4M PLATFORM)

ITEM	PART NUMBER	QTY	DESCRIPTION	REV
	1001236746	Ref	FALL ARREST INSTALLATION (BOLT - ON) 8FT/2.4M PLATFORM	C
1	0681620	6	Bolt 3/8 x 2-1/2	
2	0682424	1	Bolt 7/8 x 3	
3	3271605	6	Nut 3/8	
4	3272001	1	Nut 5/8	
5	3312002	2	Nut 5/8	
6	4711600	12	Washer 3/8	
7	4712000	1	Washer 5/8	
8	88521214	1	Nut 7/8	
9	1001231949	1	Rope	
10	1001232010	1	Bracket (RH)	
11	1001232011	1	Bracket (LH)	
12	1001236891	2	Washer	
13	1001236895	1	Ring	
14	1001238263	1	Decal - Warning Falling Hazard	
15	1001252629	1	Decal - Weight 23LBS/10.4KG	
16	1001248140	1	Decal - Bolt Fall Arrest Re-Cert	
17	1001248141	1	Decal - Inscription	

SECTION 5 - PLATFORM

FIGURE 5-49. USB CHARGER INSTALLATION



ART_1001265342

SECTION 5 - PLATFORM

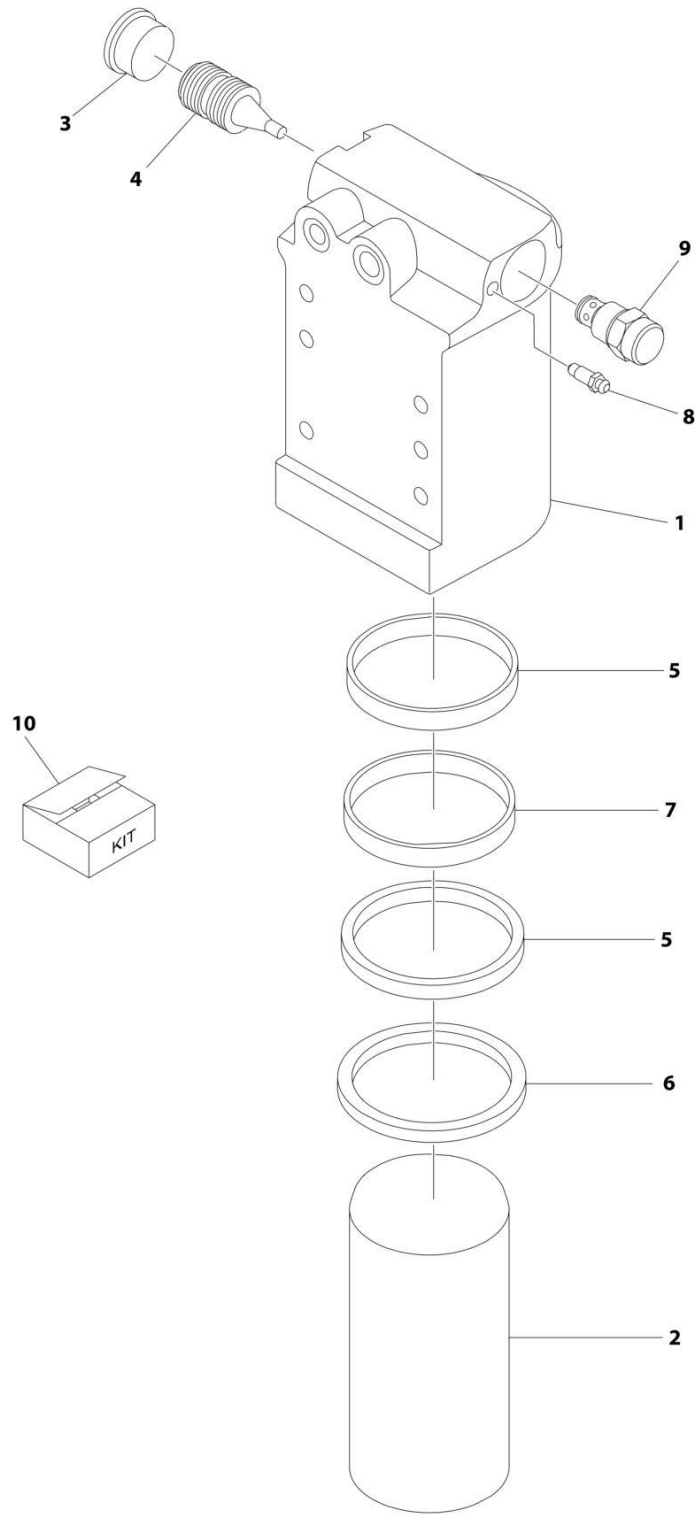
FIGURE 5-49. USB CHARGER INSTALLATION

ITEM	PART NUMBER	QTY	DESCRIPTION	REV
	1001265342	Ref	USB CHARGER INSTALLATION	A
1	3290405	2	Nut M4	
2	4811400	2	Washer M4	
3	1001097244	2	Screw M4 x 12	
4	1001120484	1	Harness, Work Lights	
4	4460879	1	Plug, Male - 2 Position	
4	4460887	2	Terminal	
4	2400060	2	Fuseholder Includes Cover	
4	8229249	2	Fuse, 3 Amp	
4	4460884	1	Connector - 4 Position	
4	4460465	4	Socket, Female	
4	1001120471	1	Connector - 2 Position	
4	1001120477	2	Terminal	
5	1001210636	1	Receptacle, USB	
6	1001265163	1	Harness, USB	A
6	4460260	2	Cover, Terminal	
6	4460259	2	Terminal	
6	4460932	1	Receptacle, Bussbar - 4 Position	
6	4460464	2	Pin, Male	
6	4460466	2	Plug, Terminal	

SECTION 6 - CYLINDER

SECTION 6 - CYLINDER

FIGURE 6-1. AXLE LOCKOUT CYLINDER ASSEMBLY (MACHINES WITH SN STARTING WITH 03)



ART_1684465

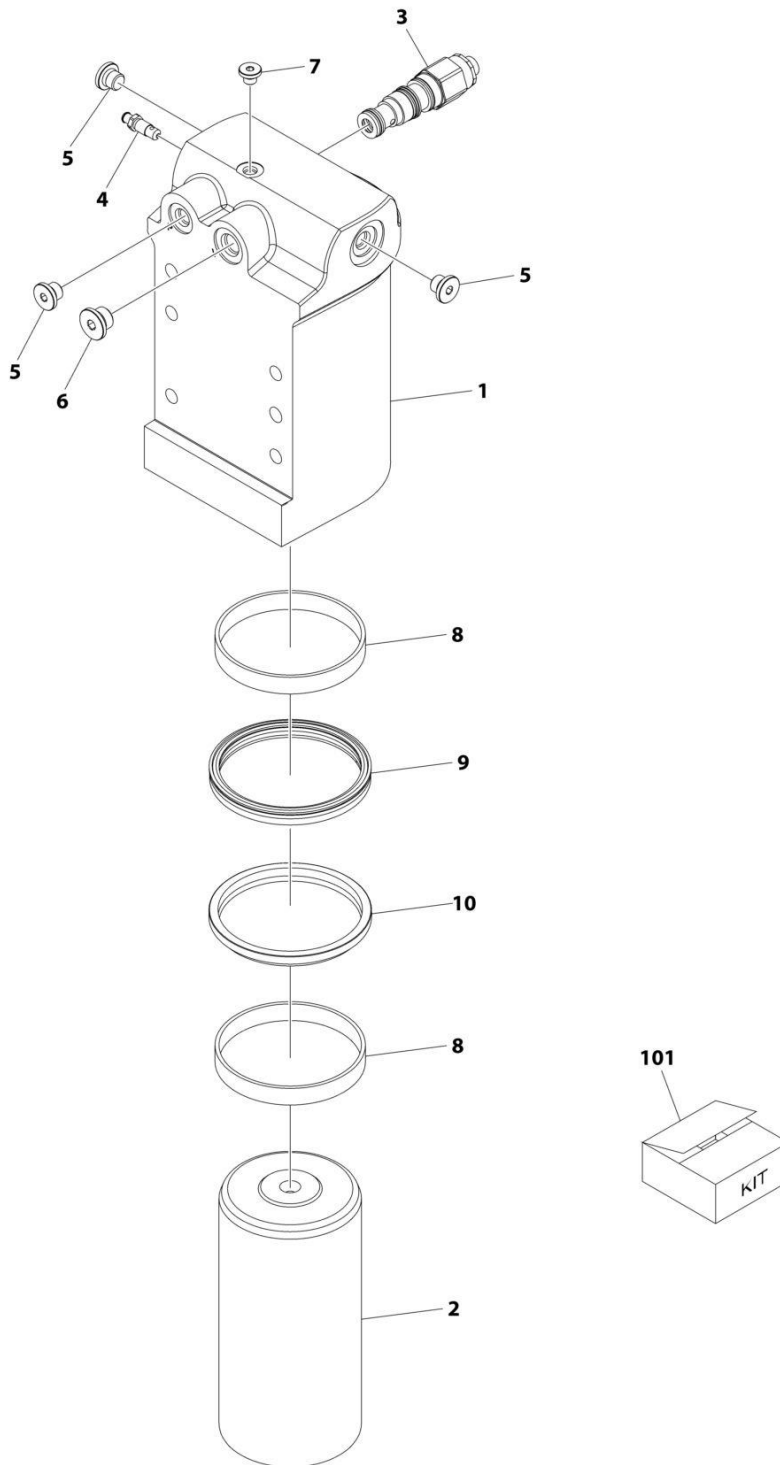
SECTION 6 - CYLINDER

FIGURE 6-1. AXLE LOCKOUT CYLINDER ASSEMBLY (MACHINES WITH SN STARTING WITH 03)

ITEM	PART NUMBER	QTY	DESCRIPTION	REV
	1684465	Ref	AXLE LOCKOUT CYLINDER ASSEMBLY	J
		Ref	Note: Original Cylinder may have been replaced with Service Replacement. Identify PN Stamped on Cylinder Before Ordering Parts.	
1	0370026	1	Barrel	
2	1684290	1	Rod	
3	2220890	1	Plug	
4	3480288	1	Piston, Pilot	
5	See Note	NSS	Ring, Wear (Note: Use Item 110)	
6	See Note	NSS	Wiper (Note: Use Item 110)	
7	See Note	NSS	Seal, Rod (Note: Use Item 110)	
8	4640858	1	Bleeder	
9	4641390	1	Cartridge, Valve	
9	7017496	1	Seal Kit	
10	2902266	1	Seal Kit (Includes Items 105-107)	

SECTION 6 - CYLINDER

FIGURE 6-2. AXLE LOCKOUT CYLINDER ASSEMBLY (MACHINES WITH SN STARTING WITH B3)



ART_1001256181

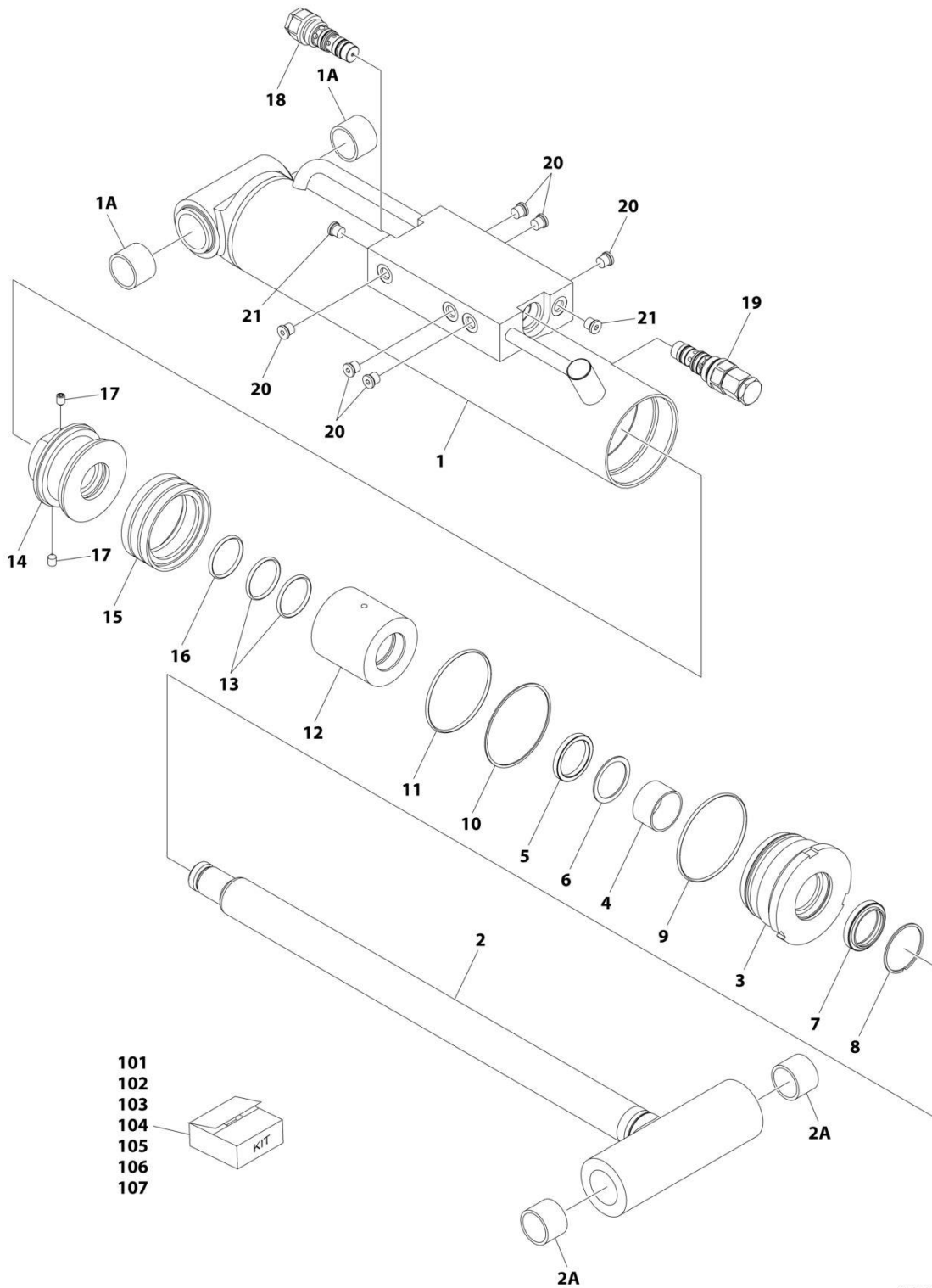
SECTION 6 - CYLINDER

FIGURE 6-2. AXLE LOCKOUT CYLINDER ASSEMBLY (MACHINES WITH SN STARTING WITH B3)

ITEM	PART NUMBER	QTY	DESCRIPTION	REV
	1001256181	Ref	AXLE LOCKOUT CYLINDER ASSEMBLY	A
		Ref	Note: Original Cylinder May Have Been Replaced with Service Replacement. Identify PN Stamped on Cylinder Before Ordering Parts.	
1	See Note	NSS	Tube (Note: Not Available for Purchase)	
2	70008244	1	Rod	
3	1001117372	1	Valve	
4	70008246	1	Plug, Bleeder	
5	2220883	3	Plug 7/16	
6	2220885	1	Plug 9/16	
7	2220881	1	Plug 5/16	
8	See Note	NSS	Ring, Wear (Note: Use Item 101)	
9	See Note	NSS	Seal, Rod (Note: Use Item 101)	
10	See Note	NSS	Wiper, Rod (Note: Use Item 101)	
101	70008275	1	Seal Kit (Includes Items 8-10)	

SECTION 6 - CYLINDER

FIGURE 6-3. LEVEL (PLATFORM SLAVE) CYLINDER ASSEMBLY (SAE AND METRIC MATERIAL BOOMS)



ART_1001251051

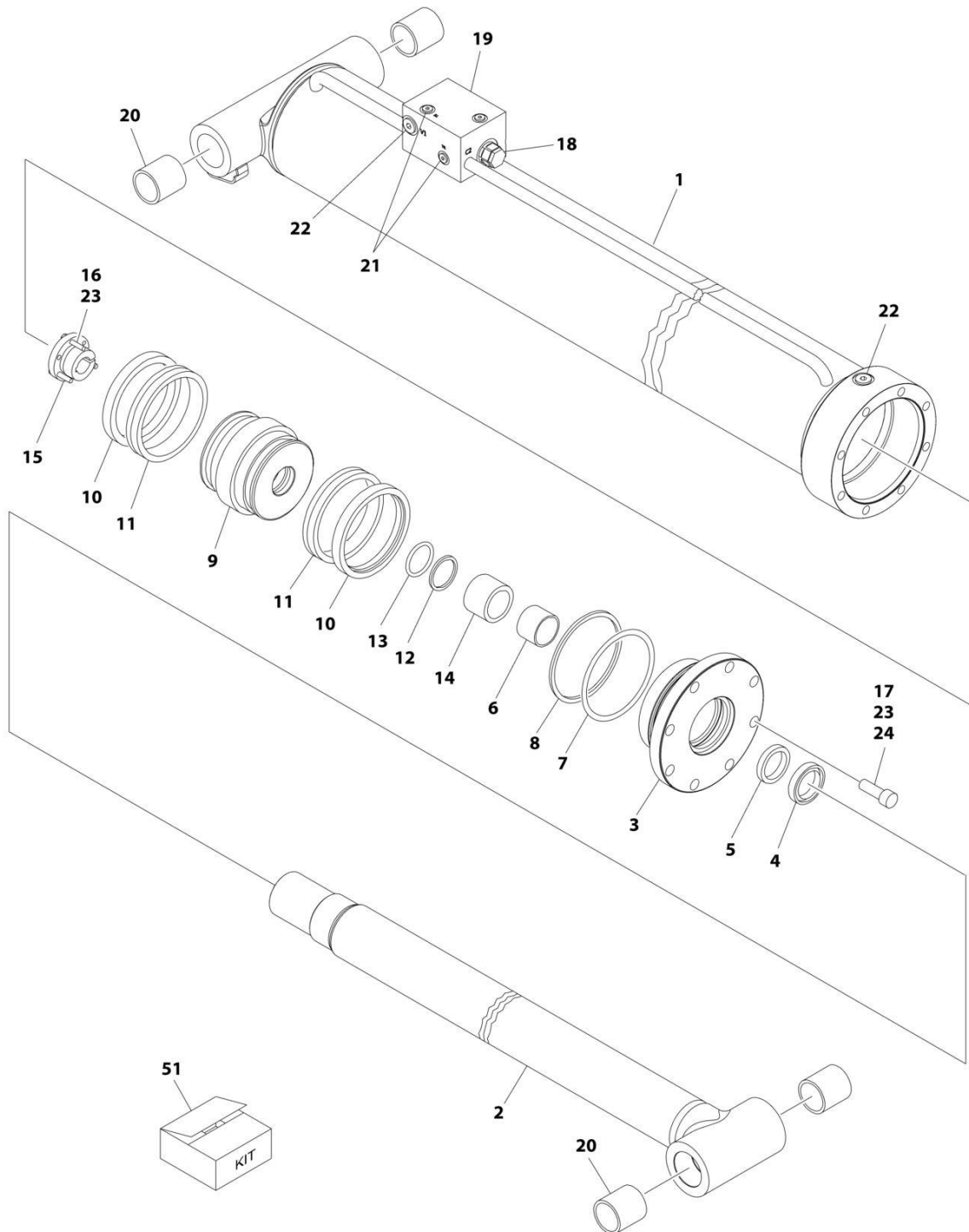
SECTION 6 - CYLINDER

FIGURE 6-3. LEVEL (PLATFORM SLAVE) CYLINDER ASSEMBLY (SAE AND METRIC MATERIAL BOOMS)

ITEM	PART NUMBER	QTY	DESCRIPTION	REV
	1001251051	Ref	LEVEL CYLINDER ASSEMBLY	A
		Ref	Note: Original Cylinder May Have Been Replaced with Service Replacement. Identify PN Stamped on Cylinder Before Ordering Parts.	
1	See Note	NSS	Barrel (Note: Use p/n 1001251051)	
1A	0961951	2	Bushing	
2	See Note	NSS	Rod (Note: Use Item 102)	
2A	0961951	2	Bushing	
3	See Note	NSS	Head (Note: Use Item 103)	
4	See Note	NSS	Ring, Wear (Note: Use Item 103)	
5	See Note	NSS	Seal (Note: Use Item 104)	
6	See Note	NSS	Ring, Back-up (Note: Use Item 104)	
7	See Note	NSS	Wiper (Note: Use Item 104)	
8	See Note	NSS	Ring, Retaining (Note: Use Item 104)	
9	See Note	NSS	O-Ring (Note: Use Item 104)	
10	See Note	NSS	Ring, Back-up (Note: Use Item 104)	
11	See Note	NSS	O-Ring (Note: Use Item 104)	
12	See Note	NSS	Spacer (Note: Use Item 105)	
13	See Note	NSS	O-Ring (Note: Use Item 105)	
14	See Note	NSS	Piston (Note: Use Item 106)	
15	See Note	NSS	Seal (Note: Use Item 104)	
16	See Note	NSS	O-Ring (Note: Use Item 104)	
17	See Note	NSS	Setscrew (Note: Use Item 106)	
18	4640509	1	Cartridge, Valve	
18	2900792	1	Seal Kit - 4640509 Valve	
19	4640932	1	Cartridge, Valve	
19	7011112	1	Seal Kit - 4640932 Valve	
20	See Note	NSS	Plug (Note: Use Item 107)	
20	See Note	NSS	O-Ring (Note: Use Item 107)	
21	See Note	NSS	Dust Cap (Note: Use Item 101)	
101	See Note	NSS	Barrel Kit - Cylinder 1001258051 (Includes Items 1, 1A & 21)	
102	70007387	1	Rod Kit - Cylinder 1001258051 (Includes Items 2 & 2A)	
103	70007388	1	Rod Cover Kit - Cylinder 1001258051 (Includes Items 3 & 4)	
104	70007389	1	Seal Kit - 1001228051 Cylinder (Includes Items 5-11, 15 & 16)	
105	70007390	1	Spacer Kit - 1001228051 Cylinder (Includes Items 12 & 13)	
106	70007391	1	Piston Kit - 1001228051 Cylinder (Includes Items 14 & 17)	
107	70007392	1	Plug Kit - 1001228051 Cylinder (Includes Items 1 & 20)	

SECTION 6 - CYLINDER

FIGURE 6-4. UPRIGHT LEVEL CYLINDER ASSEMBLY (Prior to SN 03002924230, Prior to SN B300015405, Except SN 0300286728 through 0300286731, Excluding 0300291013)



ART_1001228042

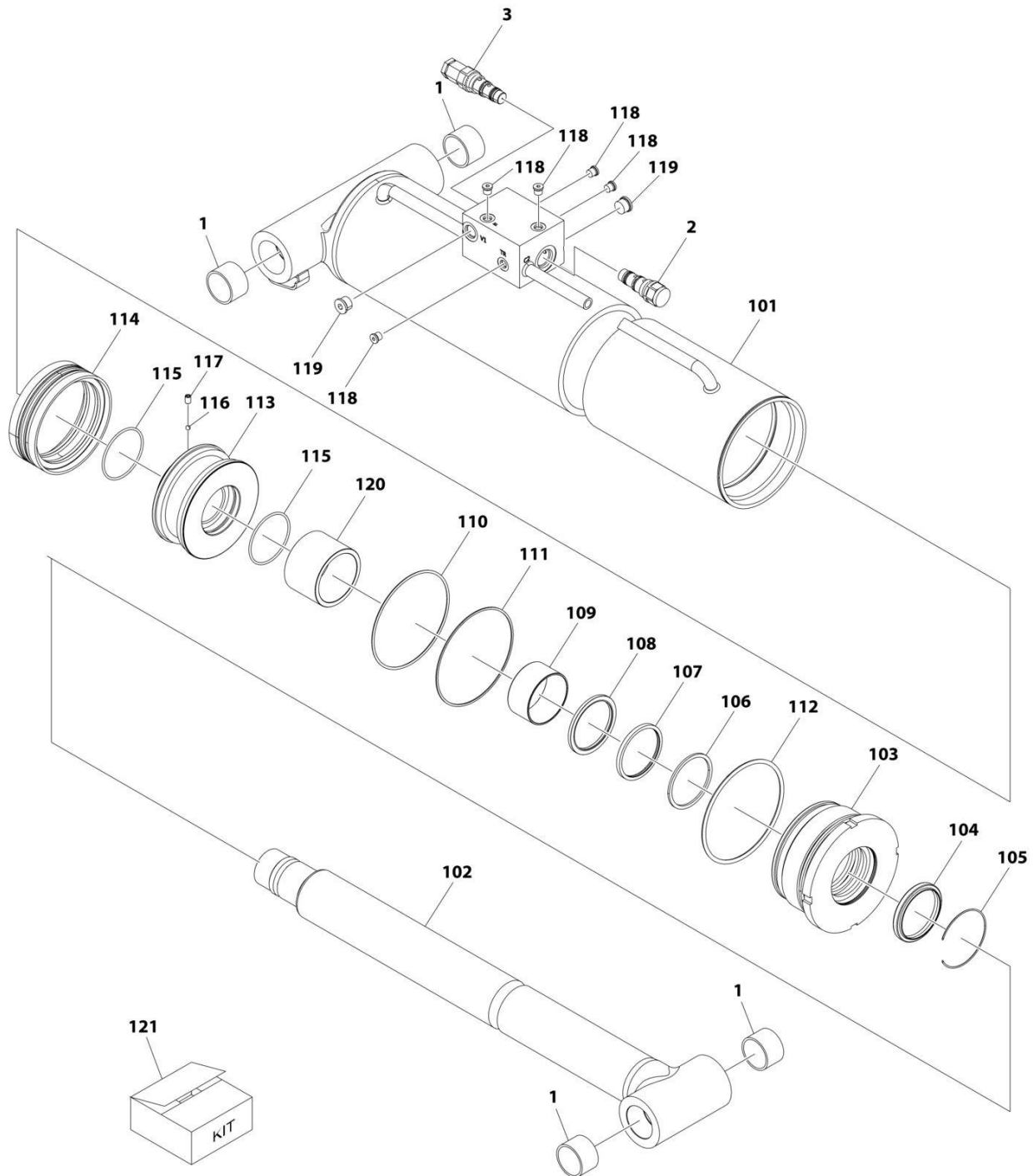
SECTION 6 - CYLINDER

FIGURE 6-4. UPRIGHT LEVEL CYLINDER ASSEMBLY (Prior to SN 03002924230, Prior to SN B300015405, Except SN 0300286728 through 0300286731, Excluding 0300291013)

ITEM	PART NUMBER	QTY	DESCRIPTION	REV
	1001228042	Ref	UPRIGHT LEVEL CYLINDER ASSEMBLY	E
		Ref	Note: Original Equipment components may have been replaced with Service Replacement components part. Identify p/n stamped on cylinder before ordering parts.	
1	See Note	NSS	Barrel (Note: Not Available for Purchase)	
2	70006489	1	Rod	
3	70006488	1	Head	
4	See Note	NSS	Wiper (Note: Use Item 51)	
5	See Note	NSS	Seal, Rod (Note: Use Item 51)	
6	See Note	NSS	Ring, Wear (Note: Use Item 51)	
7	See Note	NSS	O-Ring (Note: Use Item 51)	
8	See Note	NSS	Ring, Back-up (Note: Use Item 51)	
9	70006487	1	Piston	
10	See Note	NSS	Ring, Lock (Note: Use Item 51)	
11	See Note	NSS	Seal, Hydrolock (Note: Use Item 51)	
12	See Note	NSS	O-Ring (Note: Use Item 51)	
13	See Note	NSS	Ring, Back-up (Note: Use Item 51)	
14	70006486	1	Spacer, Tube	
15	0961898	1	Bushing, Tapered (Use Item #16 in place of supplied bolts)	
16	0630536	3	Bolt 3/8 x 1-1/2	
17	3932032	8	Bolt, Socket Head 5/16 x 2	
18	4640509	1	Cartridge, Valve	
18	2900792	1	Seal Kit - 4640509 Valve	
19	4640605	1	Cartridge, Valve	
19	2900792	1	Seal Kit - 4640605 Valve	
20	0961949	4	Bushing	
21	2220883	5	Plug, O-Ring	
22	2220886	AR	Plug, O-Ring	
23	0100011	AR	Compound, Locking	
24	0100038	AR	Primer, Locking	
51	2901285	1	Seal Kit (Includes Items 4-8 & 10-13)	

SECTION 6 - CYLINDER

FIGURE 6-5. UPRIGHT LEVEL CYLINDER ASSEMBLY (SN 0300292423 to Present, SN B300015405 to Present, SN 0300286728 through 0300286731, Including 0300291013)



ART_1001251042

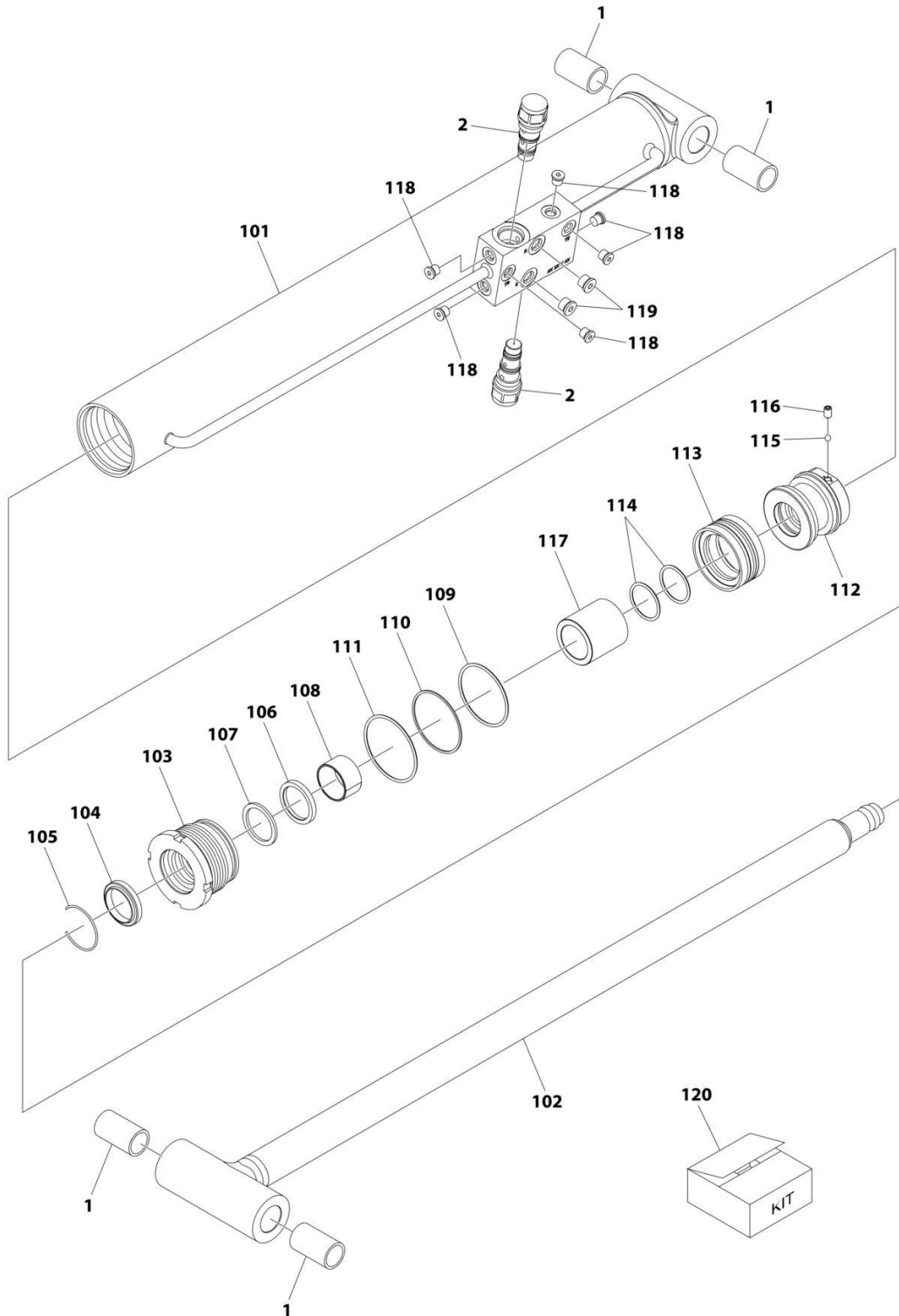
SECTION 6 - CYLINDER

FIGURE 6-5. UPRIGHT LEVEL CYLINDER ASSEMBLY (SN 0300292423 to Present, SN B300015405 to Present, SN 0300286728 through 0300286731, Including 0300291013)

ITEM	PART NUMBER	QTY	DESCRIPTION	REV
	1001251042	Ref	UPRIGHT LEVEL CYLINDER ASSEMBLY Note: Original Cylinder May Have Been Replaced with Service Replacement. Identify PN Stamped on Cylinder Before Ordering Parts.	A
		Ref		
1	0961949	4	Bushing	
2	4640509	1	Cartridge, Valve	
2	2900792	2	Seal Kit - 4640509 Valve	
3	4640605	1	Cartridge, Valve	
3	2900792	1	Seal Kit - 4640605 Valve	
101	See Note	NSS	Tube (Not Available for Purchase)	
102	70002793	1	Rod	
103	70008194	1	Head	
104	See Note	NSS	Wiper, Dust (Note: Use Item 121)	
105	70023379	1	RETAINING RING	
106	See Note	NSS	Seal, Rod (Note: Use Item 121)	
107	See Note	NSS	Ring, Backup (Note: Use Item 121)	
108	See Note	1	Ring, Buffer (Note: Use Item 121)	
109	70052522	1	Bushing	
110	See Note	NSS	O-Ring (Note: Use Item 121)	
111	See Note	NSS	Ring, Backup (Note: Use Item 121)	
112	See Note	NSS	O-Ring (Note: Use Item 121)	
113	70008195	1	Piston	
114	See Note	NSS	Seal, Piston (Note: Use Item 121)	
115	See Note	NSS	O-Ring (Note: Use Item 121)	
116	70022564	1	Ball, Steel	
117	70029468	1	Screw, Set	
118	2220883	5	Plug 7/16	
119	2220886	2	Plug 3/4	
120	70008196	1	Spacer	
121	70008197	1	Seal Kit (Includes Items 104, 106-108, 110-112 ,114 & 115)	

SECTION 6 - CYLINDER

FIGURE 6-6. LIFT CYLINDER ASSEMBLY - JIB (SN 0300292423 to Present, SN B300015405 to Present, SN 0300286728 through 0300286731, Including 0300291013)



ART_1001251012

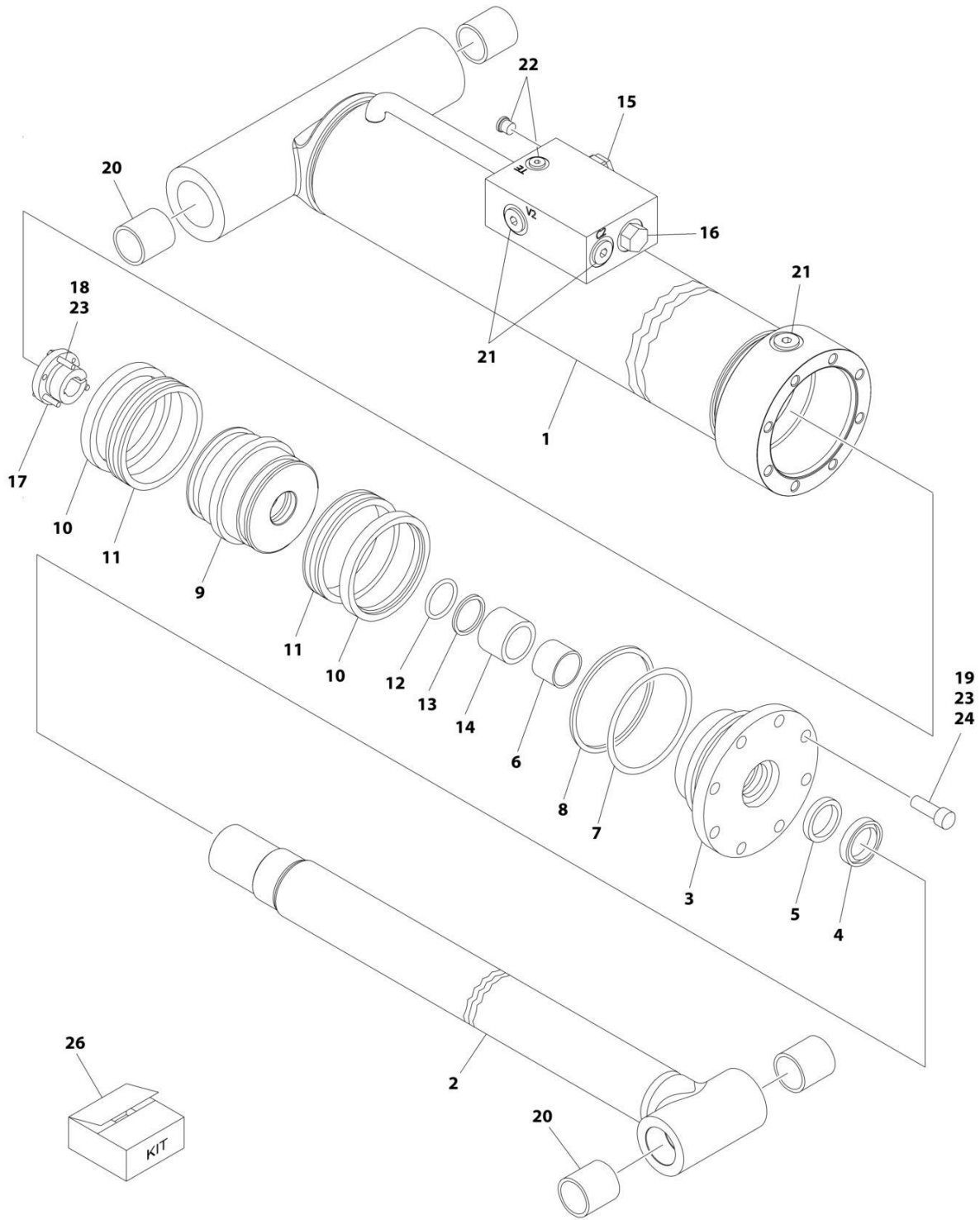
SECTION 6 - CYLINDER

FIGURE 6-6. LIFT CYLINDER ASSEMBLY - JIB (SN 0300292423 to Present, SN B300015405 to Present, SN 0300286728 through 0300286731, Including 0300291013)

ITEM	PART NUMBER	QTY	DESCRIPTION	REV
	1001251012	Ref	LIFT CYLINDER ASSEMBLY - JIB	A
		Ref	Note: Original Cylinder May Have Been Replaced with Service Replacement. Identify PN Stamped on Cylinder Before Ordering Parts.	
1	0962336	4	Bushing	
2	4640509	2	Cartridge, Valve	
2	2900792	2	Seal Kit - 4640509 Valve	
101	See Note	NSS	Tube (Note: Not Available for Purchase)	
102	70008175	1	Rod	
103	70008176	1	Head	
104	See Note	NSS	Wiper, Dust (Note: Use Item 120)	
105	70002373	1	Ring, Retaining	
106	See Note	NSS	Seal, Rod (Note: Use Item 120)	
107	See Note	NSS	Ring, Backup (Note: Use Item 120)	
108	70005871	1	Bushing	
109	See Note	NSS	O-Ring (Note: Use Item 120)	
110	See Note	NSS	Ring, Backup (Note: Use Item 120)	
111	See Note	NSS	O-Ring (Note: Use Item 120)	
112	70008177	1	Piston	
113	See Note	NSS	Seal, Piston (Note: Use Item 120)	
114	See Note	NSS	O-Ring (Note: Use Item 120)	
115	70022564	1	Ball, Steel	
116	70006596	1	Setscrew	
117	70008178	1	Spacer	
118	2220883	6	Plug 7/16	
119	2220885	2	Plug 9/16	
120	70008179	1	Seal Kit (Includes Items 104, 106-107, 109-111 & 113-114)	

SECTION 6 - CYLINDER

FIGURE 6-7. LIFT CYLINDER ASSEMBLY - MAIN BOOM (Prior to SN 03002924230, Prior to SN B300015405, Except SN 0300286728 through 0300286731, Excluding 0300291013, 0300292087, 0300292098, 0300292099, 0300292238, 0300292239 and 0300292386)



ART_1001228004

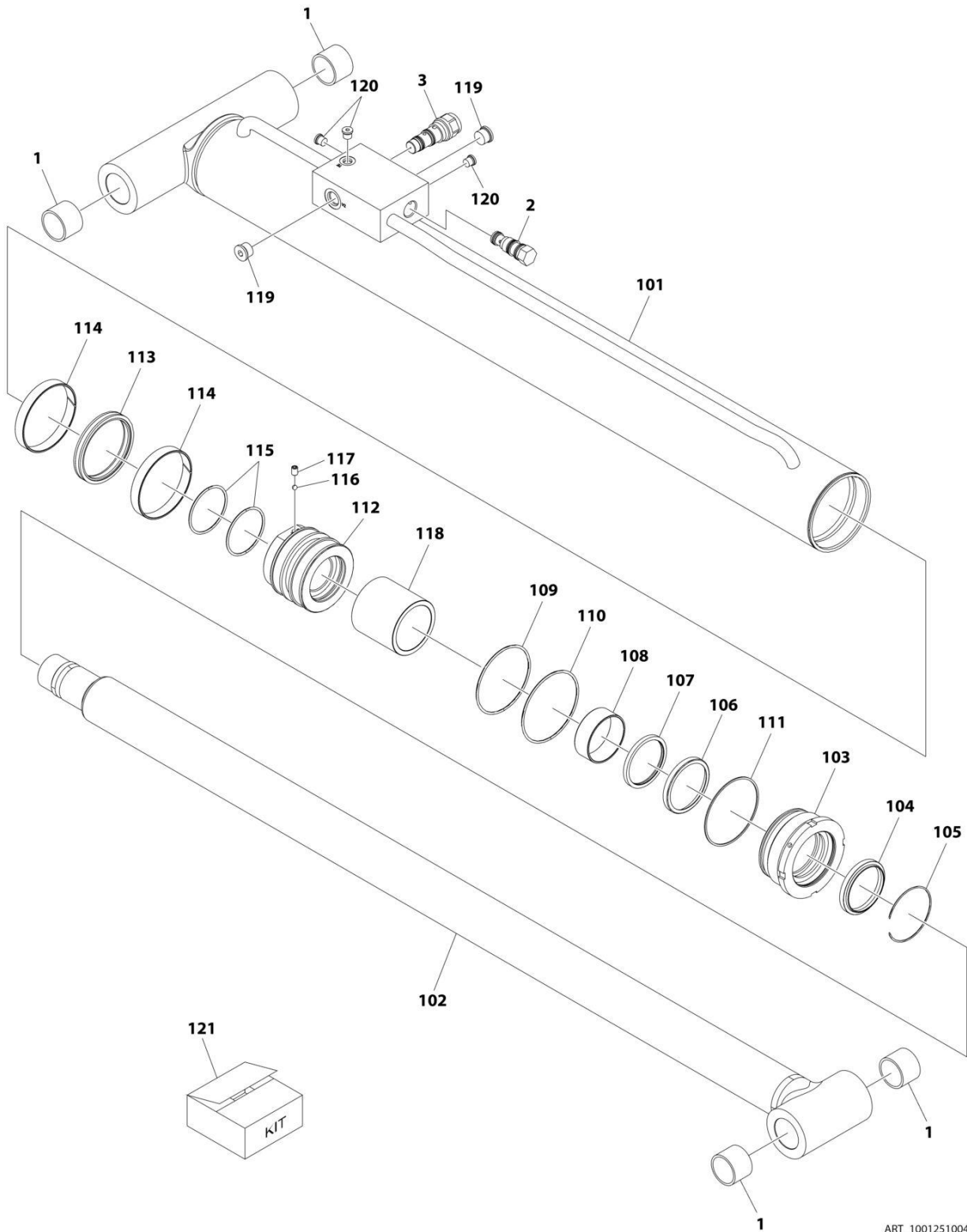
SECTION 6 - CYLINDER

FIGURE 6-7. LIFT CYLINDER ASSEMBLY - MAIN BOOM (Prior to SN 03002924230, Prior to SN B300015405, Except SN 0300286728 through 0300286731, Excluding 0300291013, 0300292087, 0300292098, 0300292099, 0300292238, 0300292239 and 0300292386)

ITEM	PART NUMBER	QTY	DESCRIPTION	REV
	1001228004	Ref	LIFT CYLINDER ASSEMBLY - MAIN BOOM	C
		Ref	Note: Original Equipment components may have been replaced with Service Replacement components part. Identify p/n stamped on cylinder before ordering parts.	
1	See Note	NSS	Barrel (Note: Not Available for Purchase)	
2	70006481	1	Rod	
3	70006480	1	Head	
4	See Note	NSS	Wiper (Note: Use Item 26)	
5	See Note	NSS	Seal, Rod (Note: Use Item 26)	
6	See Note	NSS	Ring, Wear (Note: Use Item 26)	
7	See Note	NSS	O-Ring (Note: Use Item 26)	
8	See Note	NSS	Ring, Back-up (Note: Use Item 26)	
9	70006479	1	Piston	
10	See Note	NSS	Ring, Lock (Note: Use Item 26)	
11	See Note	NSS	Seal (Note: Use Item 26)	
12	See Note	NSS	O-Ring (Note: Use Item 26)	
13	See Note	NSS	Ring, Back-up (Note: Use Item 26)	
14	70006478	1	Spacer	
15	4640509	1	Cartridge, Valve	
15	2900792	1	Seal Kit - 4640509 Valve	
16	4640438	1	Cartridge, Valve	
16	2900770	1	Seal Kit - 4640438 Valve	
17	0961897	1	Bushing, Tapered	
18	0630535	3	Bolt 1/4 x 1-1/8	
19	3931720	8	Capscrew, Socket Head 7/16 x 1-1/4	
20	0961948	2	Bushing	
21	2220886	4	Plug, O-Ring	
22	2220883	3	Plug, O-Ring	
23	0100011	AR	Compound, Locking	
24	0100038	AR	Primer, Locking	
26	2901273	1	Seal Kit (Includes Items 4-8 & 10-13)	

SECTION 6 - CYLINDER

FIGURE 6-8. LIFT CYLINDER ASSEMBLY - MAIN BOOM (SN 0300292430 to Present, SN B300015405 to Present, SN 0300286728 through 0300286731, Including 0300291013, 0300292087, 0300292098, 0300292099, 0300292238, 0300292239 and 0300292386)



ART_1001251004

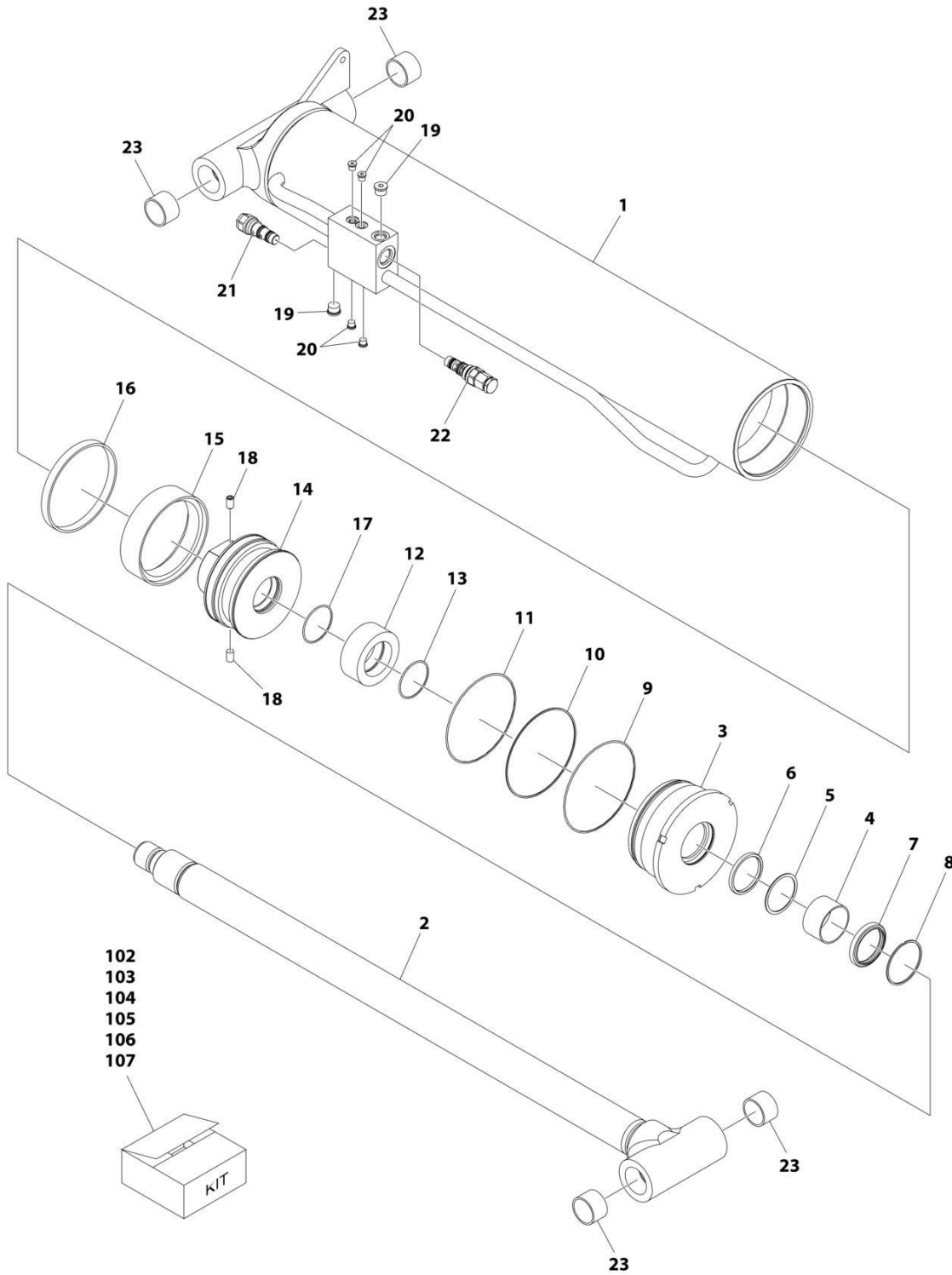
SECTION 6 - CYLINDER

FIGURE 6-8. LIFT CYLINDER ASSEMBLY - MAIN BOOM (SN 0300292430 to Present, SN B300015405 to Present, SN 0300286728 through 0300286731, Including 0300291013, 0300292087, 0300292098, 0300292099, 0300292238, 0300292239 and 0300292386)

ITEM	PART NUMBER	QTY	DESCRIPTION	REV
	1001251004	Ref	LIFT CYLINDER ASSEMBLY - MAIN BOOM	A
		Ref	Note: Original Cylinder May Have Been Replaced with Service Replacement. Identify PN Stamped on Cylinder Before Ordering Parts.	
1	0961948	4	Bushing	
2	4640438	1	Cartridge, Valve	
2	2900770	1	Seal Kit - 4640438 Valve	
3	4640509	1	Cartridge, Valve	
3	2900792	1	Seal Kit - 4640509 Valve	
101	See Note	NSS	Barrel (Note: Not Available for Purchase)	
102	70008160	1	Rod	
103	70008161	1	Head	
104	See Note	NSS	Wiper, Dust (Note: Use Item 121)	
105	70050795	1	Ring, Retaining	
106	See Note	NSS	Seal, Rod (Note: Use Item 121)	
107	See Note	NSS	Ring, Backup (Note: Use Item 121)	
108	70007052	NSS	Bearing	
109	See Note	NSS	O-Ring	
110	See Note	NSS	Ring, Backup (Note: Use Item 121)	
111	See Note	NSS	O-Ring (Note: Use Item 121)	
112	70007452	1	Piston	
113	See Note	NSS	Seal, Piston (Note: Use Item 121)	
114	See Note	NSS	Ring, Wear (Note: Use Item 121)	
115	See Note	NSS	O-Ring (Note: Use Item 121)	
116	70022564	1	Ball, Steel	
117	70023369	1	Setscrew	
118	70008162	1	Spacer	
119	2220886	2	Plug (3/4)	
120	2220883	3	Plug (7/16)	
121	70008163	1	Seal Kit (Includes Items 104, 106-107, 110-111 & 113-115)	

SECTION 6 - CYLINDER

FIGURE 6-9. LIFT CYLINDER ASSEMBLY - TOWER BOOM



ART_1001261003

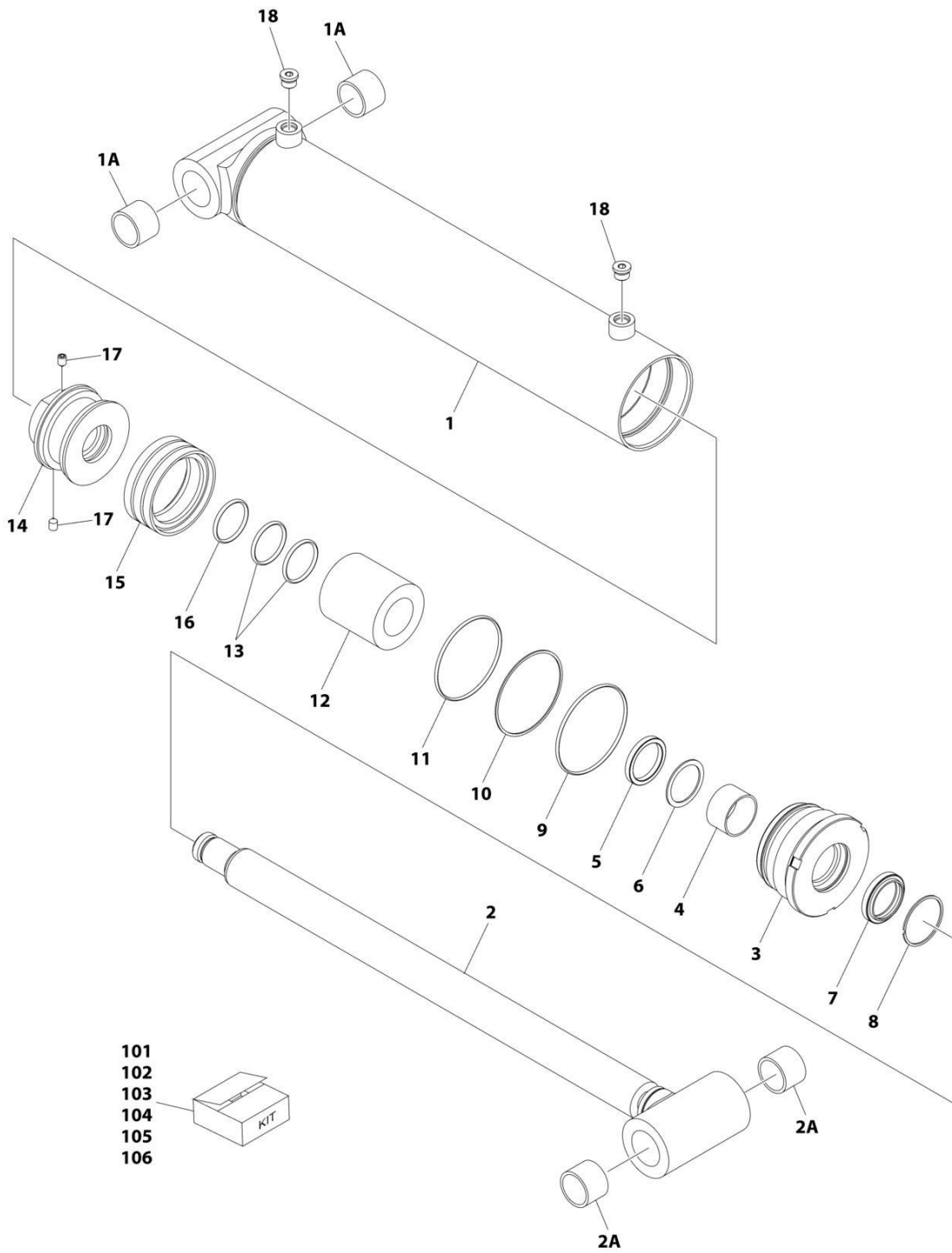
SECTION 6 - CYLINDER

FIGURE 6-9. LIFT CYLINDER ASSEMBLY - TOWER BOOM

ITEM	PART NUMBER	QTY	DESCRIPTION	REV
	1001261003	Ref	LIFT CYLINDER ASSEMBLY - MAIN BOOM	A
		Ref	Note: Original Cylinder May Have Been Replaced with Service Replacement. Identify PN Stamped on Cylinder Before Ordering Parts.	
1	See Note	NSS	Barrel (Use p/n 1001261003)	
2	See Note	NSS	Rod (Use Item 102)	
3	See Note	NSS	Head (Use Item 103)	
4	See Note	NSS	Ring, Wear (Use Item 103)	
5	See Note	NSS	O-Ring (Note: Use Item 104)	
6	See Note	NSS	Ring, Back-up (Note: Use Item 104)	
7	See Note	NSS	Wiper (Note: Use Item 104)	
8	See Note	NSS	Ring, Retainer (Note: Use Item 104)	
9	See Note	NSS	O-Ring (Note: Use Item 104)	
10	See Note	NSS	Ring, Back-Up (Note: Use Item 104)	
11	See Note	NSS	O-Ring (Note: Use Item 104)	
12	See Note	NSS	Spacer (Note: Use Item 105)	
13	See Note	NSS	O-Ring (Note: Use Item 105)	
14	See Note	NSS	Piston (Note: Use Item 106)	
15	See Note	NSS	Seal (Note: Use Item 104)	
16	See Note	NSS	Ring, Wear (Note: Use Item 104)	
17	See Note	NSS	O-Ring (Note: Use Item 104)	
18	See Note	NSS	Setscrew (Note: Use Item 106)	
19	See Note	NSS	Plug 3/4	
20	See Note	NSS	Plug 7/16	
21	4640509	1	Cartridge, Counterbalance Valve	
21	2900792	1	Seal Kit - 4640509 Valve	
22	4640605	1	Cartridge, Counterbalance Valve	
22	2900792	1	Seal Kit - 4640605 Valve	
23	0961949	4	Bearing	
102	70007460	1	Rod Kit (Includes Item 2 & 23)	
103	70007461	1	Rod Cover Kit (Includes Item 3 & 4)	
104	70007462	1	Seal Kit (Includes Item 5-11 & 15-17)	
105	70007463	1	Spacer Kit (Includes Item 12 & 13)	
106	70007464	1	Piston Kit (Includes Item 14 & 18)	
107	70007465	1	Plug Kit (Includes Item 20)	

SECTION 6 - CYLINDER

FIGURE 6-10. MASTER CYLINDER ASSEMBLY



ART_1001251052

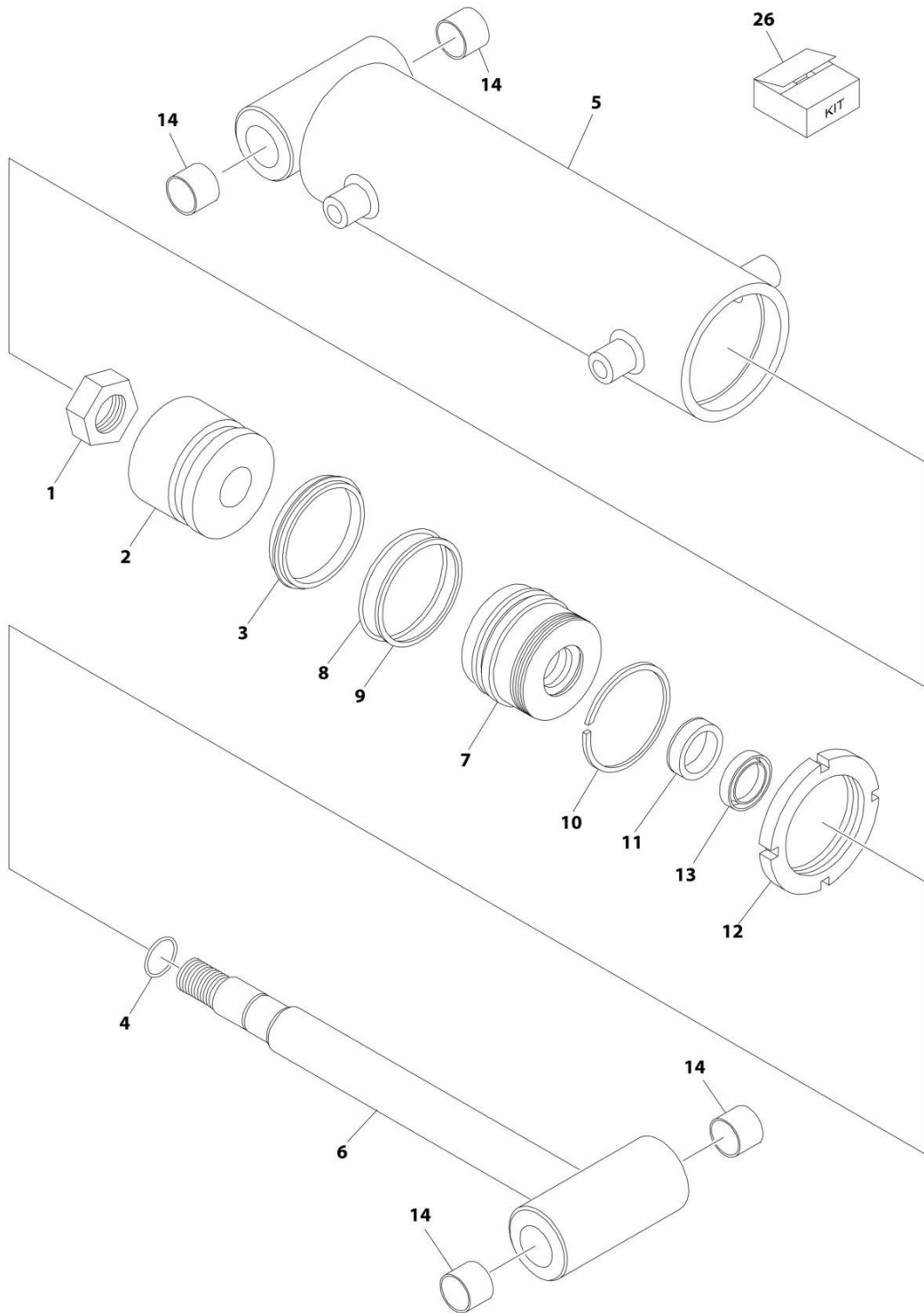
SECTION 6 - CYLINDER

FIGURE 6-10. MASTER CYLINDER ASSEMBLY

ITEM	PART NUMBER	QTY	DESCRIPTION	REV
	1001251052	Ref	MASTER CYLINDER ASSEMBLY	A
		Ref	Note: Original Cylinder May Have Been Replaced with Service Replacement. Identify PN Stamped on Cylinder Before Ordering Parts.	
1	See Note	NSS	Barrel (Note: Not Available for Purchase)	
1A	0961951	2	Bushing	
2	See Note	NSS	Rod Weldment (Note: Use Item 102)	
2A	0961951	2	Bushing	
3	See Note	NSS	Head (Note: Use Item 103)	
4	See Note	NSS	Ring, Wear (Note: Use Item 103)	
5	See Note	NSS	Seal (Note: Use Item 104)	
6	See Note	NSS	Ring, Back-up (Note: Use Item 104)	
7	See Note	NSS	Wiper (Note: Use Item 104)	
8	See Note	NSS	Ring, Retaining (Note: Use Item 104)	
9	See Note	NSS	O-Ring (Note: Use Item 104)	
10	See Note	NSS	Ring, Back-up (Note: Use Item 104)	
11	See Note	NSS	O-Ring (Note: Use Item 104)	
12	See Note	NSS	Spacer (Note: Use Item 105)	
13	See Note	NSS	O-Ring (Note: Use Item 105)	
14	See Note	NSS	Piston (Note: Use Item 106)	
15	See Note	NSS	Seal (Note: Use Item 104)	
16	See Note	NSS	O-Ring (Note: Use Item 104)	
17	See Note	NSS	Setscrew (Note: Use Item 106)	
18	See Note	NSS	Dust Cap (Note: Use Item 101)	
101	See Note	NSS	Barrel Kit - Cylinder 1001258052 (Includes Items 1, 1A & 18)	
102	70007393	1	Rod Kit - Cylinder 1001258052 (Includes Items 2 & 2A)	
103	70007388	1	Rod Cover Kit - Cylinder 1001258052 (Includes Items 3 & 4)	
104	70007389	1	Seal Kit - 1001228052 Cylinder (Includes Items 5-11, 15 & 16)	
104	70007390	1	Spacer Kit - 1001228052 Cylinder (Includes Items 12 & 13)	
106	70007391	1	Piston Kit - 1001228052 Cylinder (Includes Items 14 & 17)	

SECTION 6 - CYLINDER

FIGURE 6-11. STEER CYLINDER ASSEMBLY (7FT/2.1M WIDE MACHINES)



ART_1684418

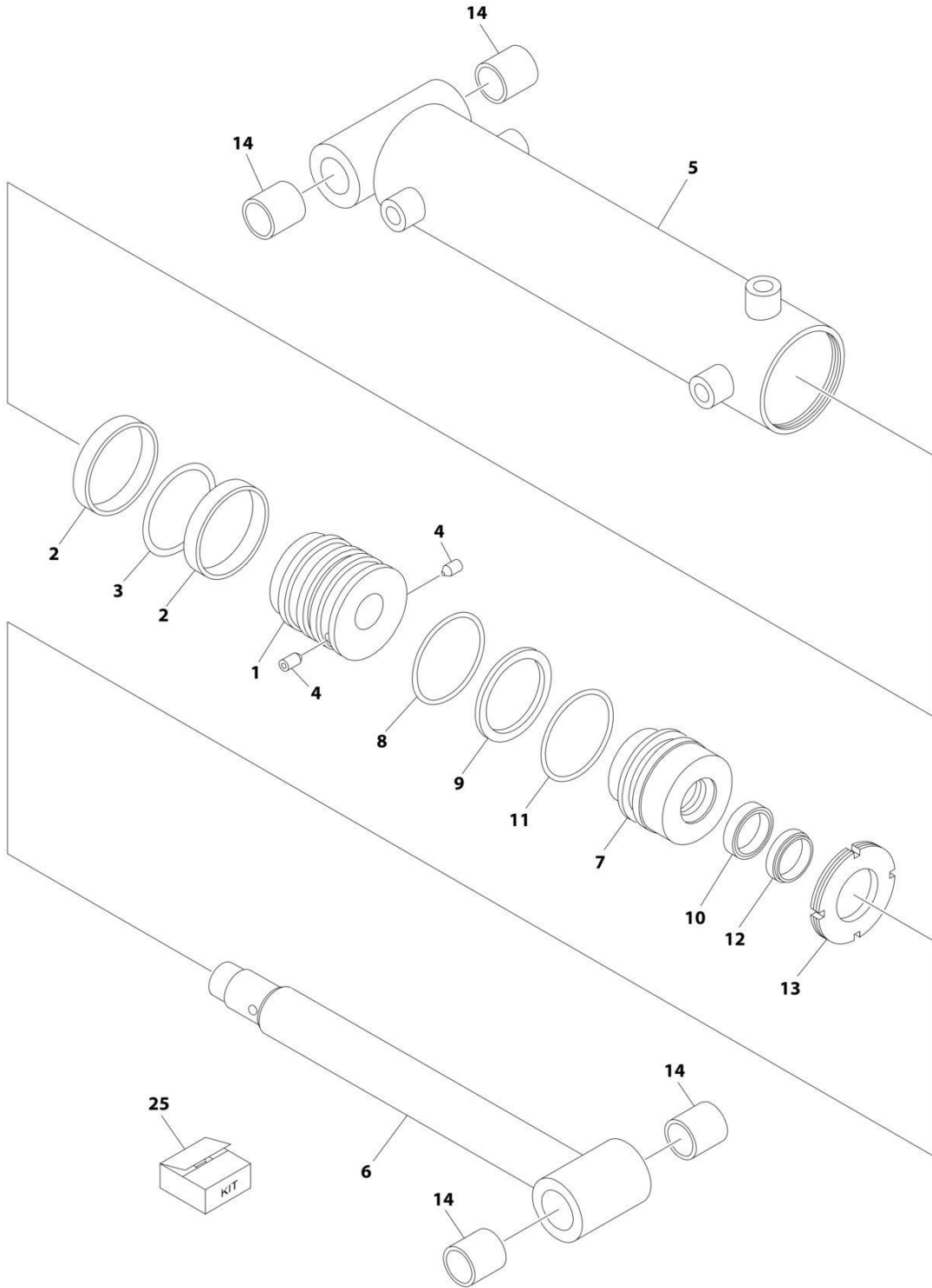
SECTION 6 - CYLINDER

FIGURE 6-11. STEER CYLINDER ASSEMBLY (7FT/2.1M WIDE MACHINES)

ITEM	PART NUMBER	QTY	DESCRIPTION	REV
	1684418	Ref	STEER CYLINDER ASSEMBLY (7FT/2.1M WIDE MACHINES)	A
		Ref	Note: Original Cylinder may have been replaced with Service Replacement. Identify PN Stamped on Cylinder Before Ordering Parts.	
1	7001626	1	Locknut	
2	7001627	1	Piston	
3	7001625	1	Seal	
4	7001625	1	O-Ring	
5	See Note	1	Barrel (Note: Not Available for Purchase)	
6	7023038	1	Rod	
7	7001629	1	Guide	
8	See Note	NSS	O-Ring (Note: Use Item 26)	
9	See Note	NSS	Ring, Back-Up (Note: Use Item 26)	
10	See Note	NSS	Ring, Retaining (Note: Use Item 26)	
11	See Note	NSS	Seal, Lip (Note: Use Item 26)	
12	7001630	1	Nut, Spanner	
13	See Note	NSS	Ring, Wiper (Note: Use Item 26)	
14	0961890	4	Bushing	
26	7001625	1	Seal Kit (Includes Items 3, 4, 8-11 & 13)	

SECTION 6 - CYLINDER

FIGURE 6-12. STEER CYLINDER ASSEMBLY (8FT/2.4M WIDE MACHINES)



ART_1001097242

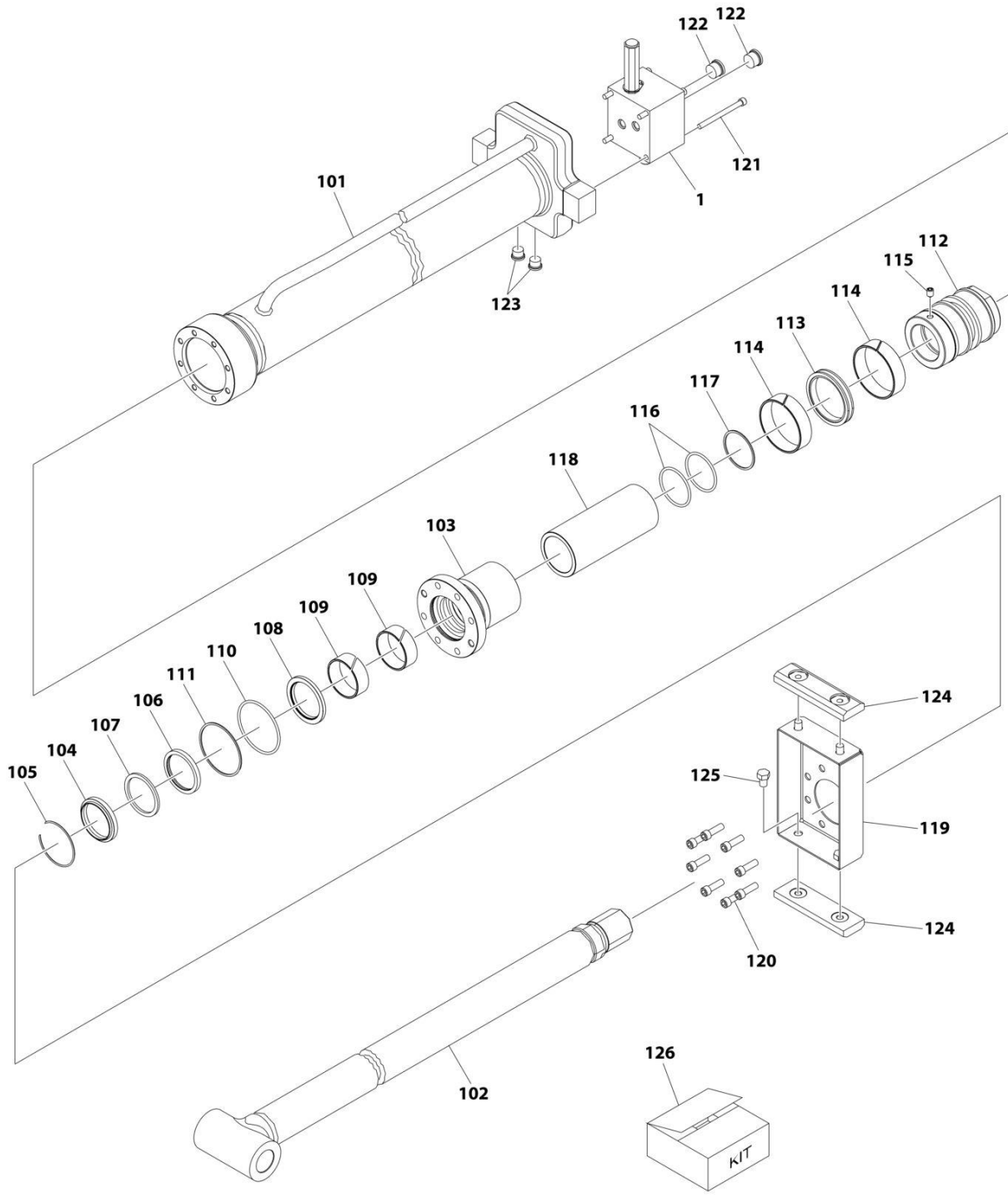
SECTION 6 - CYLINDER

FIGURE 6-12. STEER CYLINDER ASSEMBLY (8FT/2.4M WIDE MACHINES)

ITEM	PART NUMBER	QTY	DESCRIPTION	REV
	1001097242	Ref	STEER CYLINDER ASSEMBLY	A
		Ref	Note: Original Cylinder may have been replaced with Service Replacement. Identify PN Stamped on Cylinder Before Ordering Parts.	
1	70002752	1	Piston	
1	0100011	AR	Compound, Locking	
1	0100038	AR	Primer, Locking	
2	See Note	NSS	Seal (Note: Use Item 25)	
3	See Note	NSS	O-Ring (Note: Use Item 25)	
4	70002745	2	Setscrew	
5	70002753	1	Barrel	
6	70002754	1	Rod	
7	70002755	1	Head	
8	See Note	NSS	O-Ring (Note: Use Item 25)	
9	See Note	NSS	Ring, Back-Up (Note: Use Item 25)	
10	See Note	NSS	Seal (Note: Use Item 25)	
11	See Note	NSS	O-Ring (Note: Use Item 25)	
12	See Note	NSS	Wiper (Note: Use Item 25)	
13	70002756	1	Nut, Spanner	
13	0100011	AR	Compound, Locking	
13	0100038	AR	Primer, Locking	
14	0962356	4	Bushing	
25	70002757	1	Seal Kit (Includes Items 2, 3 & 8-12)	

SECTION 6 - CYLINDER

FIGURE 6-13. TELESCOPE CYLINDER ASSEMBLY - MAIN BOOM (SN 0300292423 to Present, SN B300015405 to Present, SN 0300286728 through 0300286731, Including 0300291013)



ART_1001251007

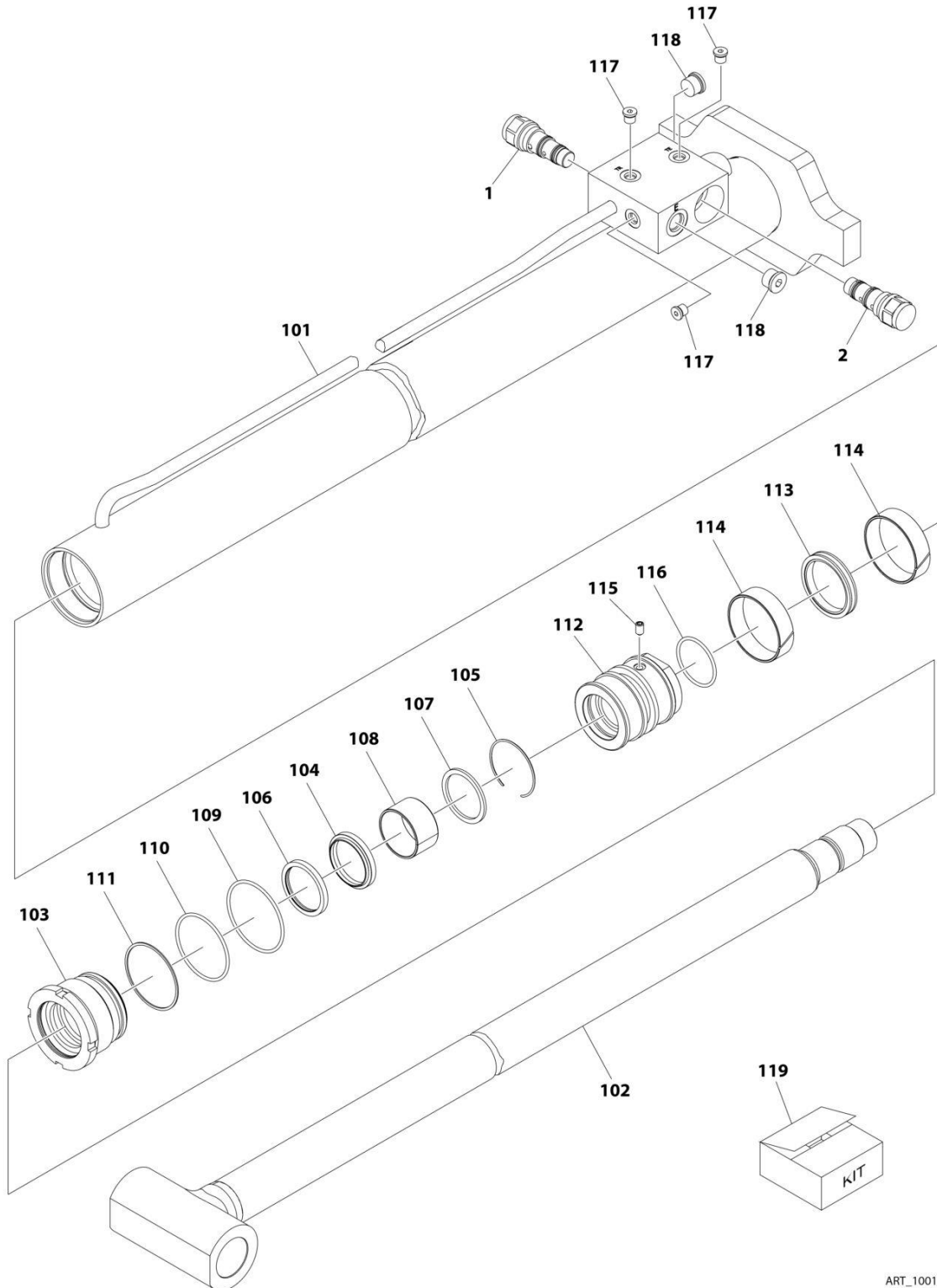
SECTION 6 - CYLINDER

FIGURE 6-13. TELESCOPE CYLINDER ASSEMBLY - MAIN BOOM (SN 0300292423 to Present, SN B300015405 to Present, SN 0300286728 through 0300286731, Including 0300291013)

ITEM	PART NUMBER	QTY	DESCRIPTION	REV
	1001251007	Ref	TELESCOPE CYLINDER ASSEMBLY	A
		Ref	Note: Original Cylinder may have been replaced with Service Replacement. Identify PN Stamped on Cylinder Before Ordering Parts.	
1	4640862	1	Valve Block Assembly	
101	See Note	NSS	Barrel (Note: Not Available for Purchase)	
102	70008167	1	Rod	
103	70008168	1	Head	
104	See Note	1	Wiper, Dust (Note: Use Item 126)	
105	70002412	1	Ring, Retaining	
106	See Note	1	Seal, Rod (Note: Use Item 126)	
107	See Note	1	Ring, Backup (Note: Use Item 126)	
108	See Note	1	Ring, Buffer (Note: Use Item 126)	
109	See Note	2	Ring, Wear (Note: Use Item 126)	
110	See Note	1	O-Ring (Note: Use Item 126)	
111	See Note	1	Ring, Backup (Note: Use Item 126)	
112	70008169	1	Piston	
113	See Note	1	Seal, Piston (Note: Use Item 126)	
114	See Note	2	Ring, Wear (Note: Use Item 126)	
115	70005839	1	Setscrew	
116	See Note	2	O-Ring (Note: Use Item 126)	
117	See Note	1	Ring, Backup (Note: Use Item 126)	
118	70008170	1	Spacer	
119	See Note	NSS	Plate (Note: Not Available for Purchase)	
120	70008171	8	Bolt M8 x 35	
121	70008045	4	Bolt M6 X 80	
122	See Note	2	Plug (3/4) (Note: Not Available for Purchase)	
123	2220885	2	Plug (9/16)	
124	70008172	2	Pad, Wear	
125	70008173	4	Bolt M8 x 12	
126	70008174	1	Seal Kit (Includes Items 104, 106-111, 113-114 & 116-117)	

SECTION 6 - CYLINDER

FIGURE 6-14. TELESCOPE CYLINDER ASSEMBLY - TOWER BOOM (SN 0300292423 to Present, SN B300015405 to Present, SN 0300286728 through 0300286731, Including 0300291013)



ART_1001251006

SECTION 6 - CYLINDER

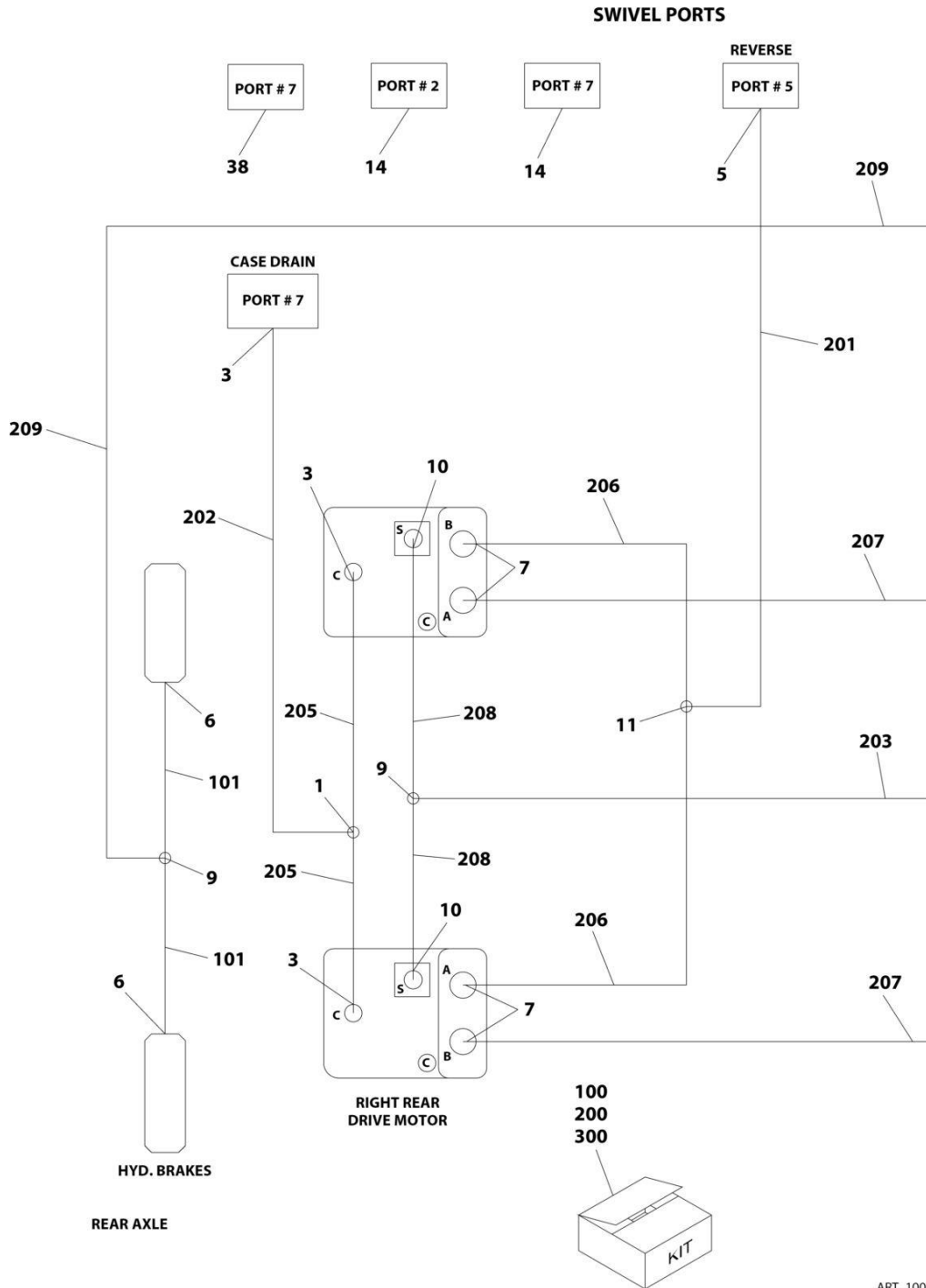
FIGURE 6-14. TELESCOPE CYLINDER ASSEMBLY - TOWER BOOM (SN 0300292423 to Present, SN B300015405 to Present, SN 0300286728 through 0300286731, Including 0300291013)

ITEM	PART NUMBER	QTY	DESCRIPTION	REV
	1001251006	Ref	TELESCOPE CYLINDER ASSEMBLY - TOWER BOOM	A
		Ref	Note: Original Cylinder May Have Been Replaced with Service Replacement. Identify PN Stamped on Cylinder Before Ordering Parts.	
1	4640509	1	Cartridge, Valve	
1	2900792	1	Seal Kit - 4640509 Valve	
2	4640999	1	Cartridge, Valve	
2	2900792	1	Seal Kit - 4640999 Valve	
101	See Note	NSS	Barrel (Note: Not Available for Purchase)	
102	70008164	1	Rod	
103	70008165	1	Head	
104	See Note	1	Wiper, Dust (Note: Use Item 119)	
105	70002412	1	Ring, Retaining	
106	See Note	1	Seal, Rod (Note: Use Item 119)	
107	See Note	1	Ring, Backup (Note: Use Item 119)	
108	70052577	1	Bearing	
109	See Note	1	O-Ring (Note: Use Item 119)	
110	See Note	1	Ring, Backup (Note: Use Item 119)	
111	See Note	1	O-Ring (Note: Use Item 119)	
112	70007064	1	Piston	
113	See Note	1	Seal, Piston (Note: Use Item 119)	
114	See Note	2	Ring, Wear (Note: Use Item 119)	
115	70006817	1	Setscrew	
116	See Note	1	O-Ring (Note: Use Item 119)	
117	2220883	3	Plug (7/16)	
118	2220886	2	Plug (3/4)	
119	70008166	1	Seal Kit (Includes Items 104, 106-107, 109-111, 113-114 & 116)	

SECTION 7 - HYDRAULIC

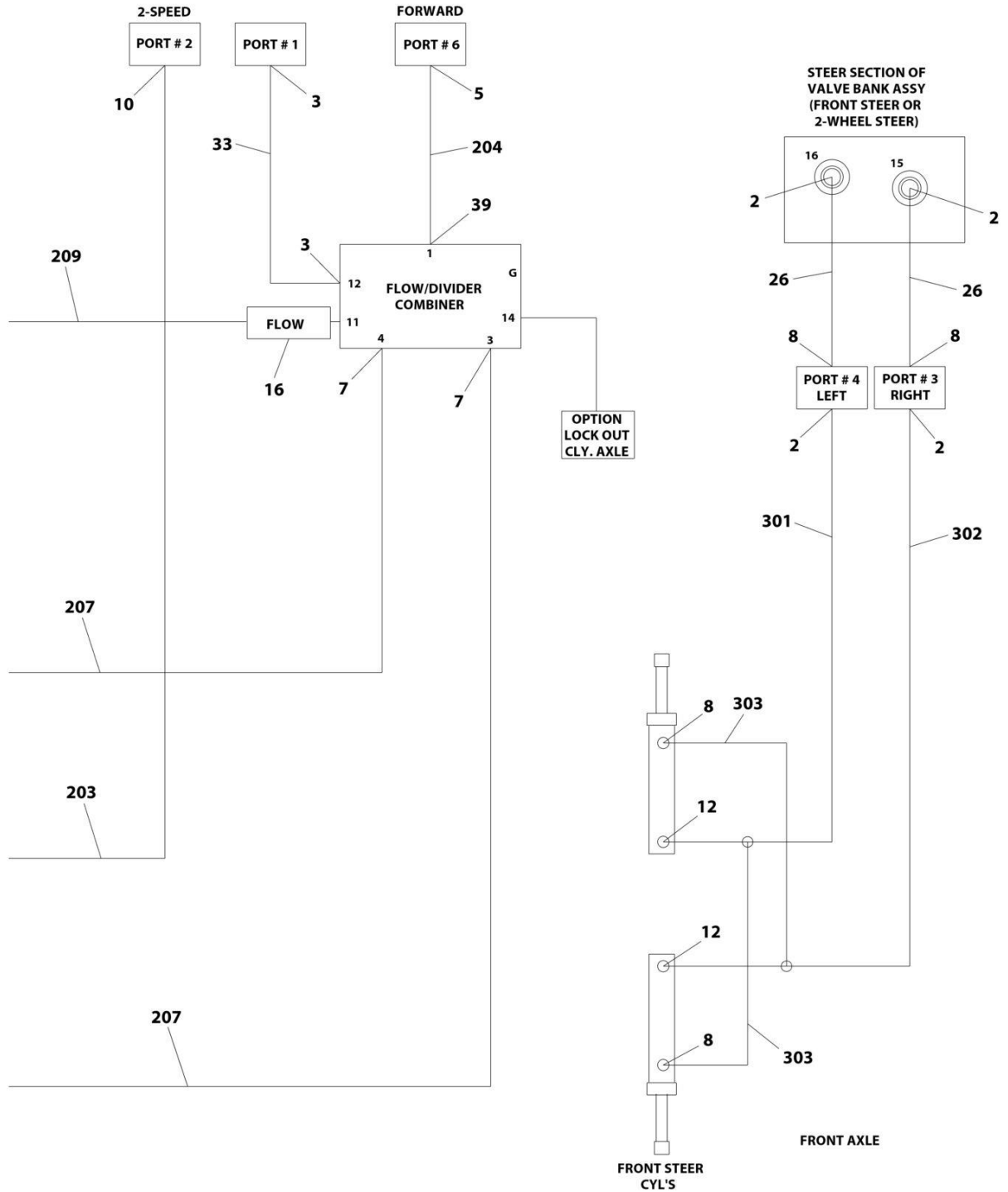
SECTION 7 - HYDRAULIC

FIGURE 7-1. DRIVE HYDRAULIC DIAGRAM - 2WD/2WS



ART_1001140416_10F2

SECTION 7 - HYDRAULIC



ART_1001140416_2OF2

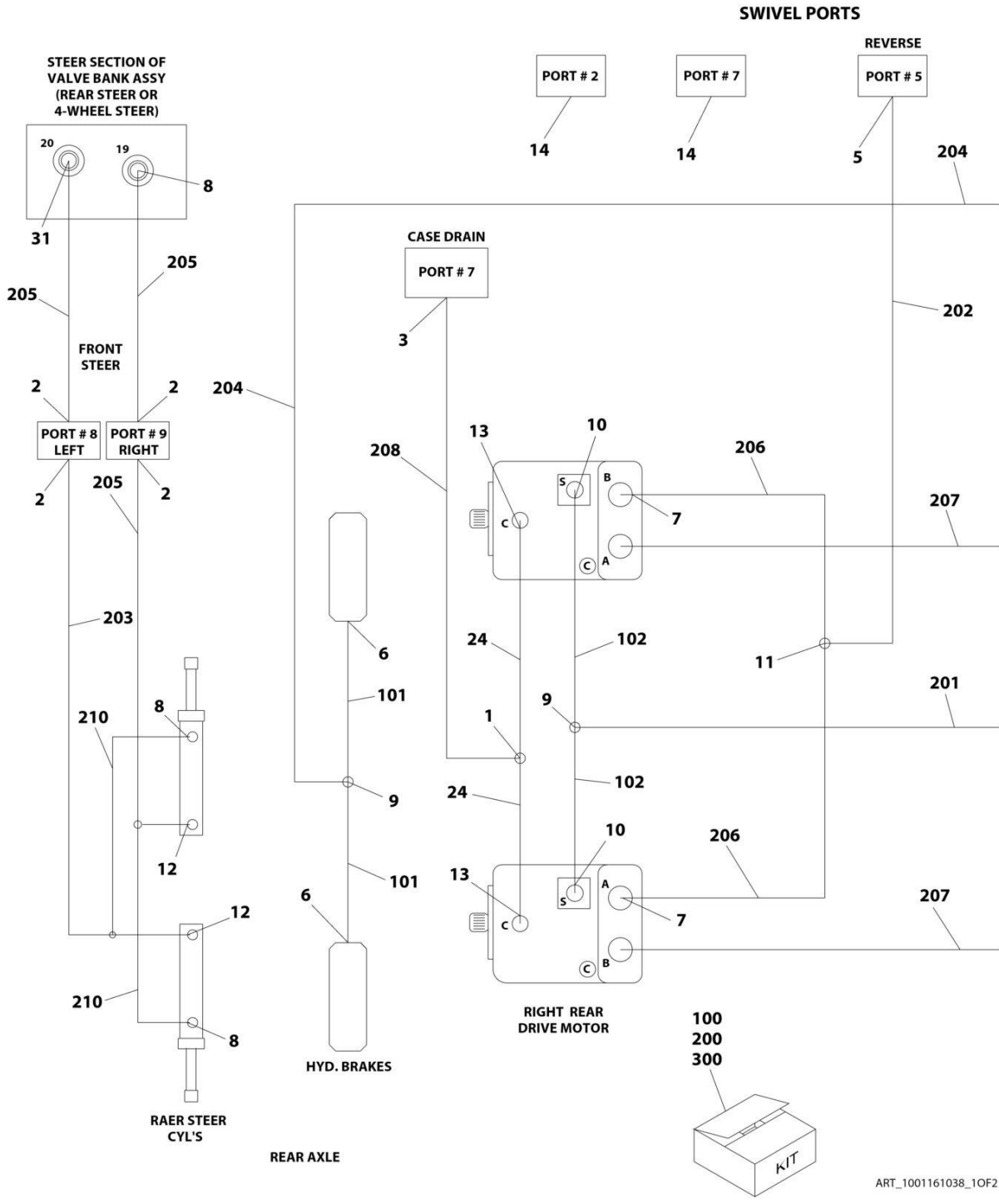
SECTION 7 - HYDRAULIC

FIGURE 7-1. DRIVE HYDRAULIC DIAGRAM - 2WD/2WS

ITEM	PART NUMBER	QTY	DESCRIPTION	REV
	1001140416	Ref	DRIVE HYDRAULIC DIAGRAM - 2WD/2WS	F
1	2220362	1	Fitting, Tee JIC/JIC/JIC	
2	2220371	4	Fitting, Straight JIC/ORB	
3	2220373	5	Fitting, Straight JIC/ORB	
5	2220377	2	Fitting, Straight JIC/ORB	
6	2220415	2	Fitting, Straight JIC/ORB	
7	2220451	6	Fitting, Straight JIC/ORB	
8	2220473	4	Fitting, 90 JIC/ORB	
9	2220504	2	Fitting, Tee JIC/JIC/JIC	
10	2220582	3	Fitting, Straight JIC/ORB	
11	2221170	1	Fitting, Tee JIC/JIC/JIC	
12	2220606	2	Fitting, Tee JIC/ORB/JIC	
14	2220237	3	Fitting, Plug ORB	
16	4641307	1	Valve, Check	
26	2752620	2	Hose	
33	2752929	1	Hose	
38	2220238	1	Plug	
39	2220646	1	Fitting, 90 JIC/ORB	
100	1001269820	1	Hose Assembly - Axle Kit	
101	1001152527	2	Hose	
200	1001269821	1	Hose Assembly - Rear Kit	
201	2752341	1	Hose	
202	2752928	1	Hose	
203	2753924	1	Hose	
204	2754227	1	Hose	
205	1001140449	2	Hose	
206	1001151364	2	Hose	
207	1001151365	2	Hose	
208	1001152527	2	Hose	
209	1001155379	1	Hose	
300	1001269822	1	Hose Assembly - Front Kit	
301	2752475	1	Hose	
302	2752611	1	Hose	
303	2753397	2	Hose	

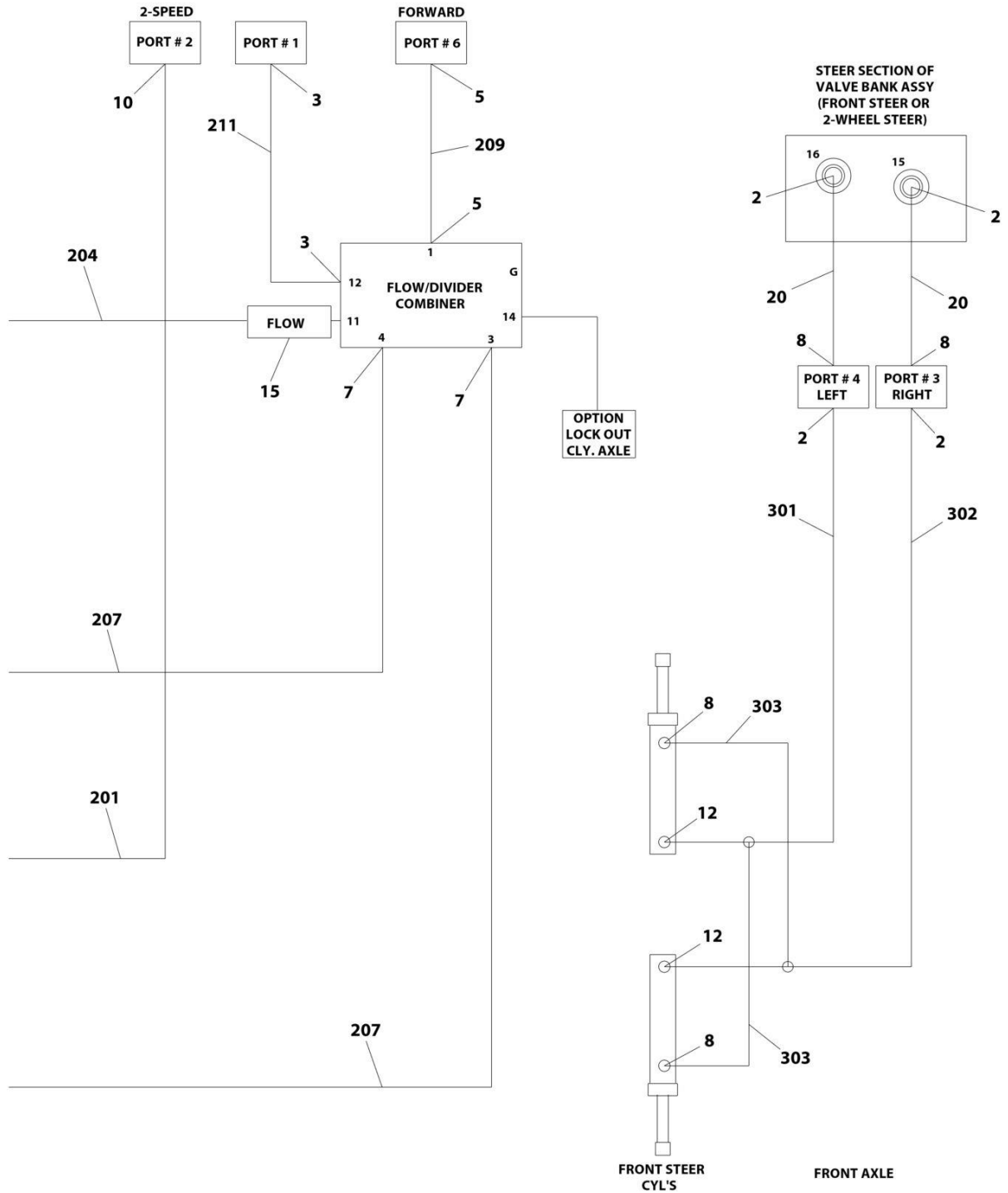
SECTION 7 - HYDRAULIC

FIGURE 7-2. DRIVE HYDRAULIC DIAGRAM - 2WD/4WS



ART_1001161038_10F2

SECTION 7 - HYDRAULIC



ART_1001161038_2OF2

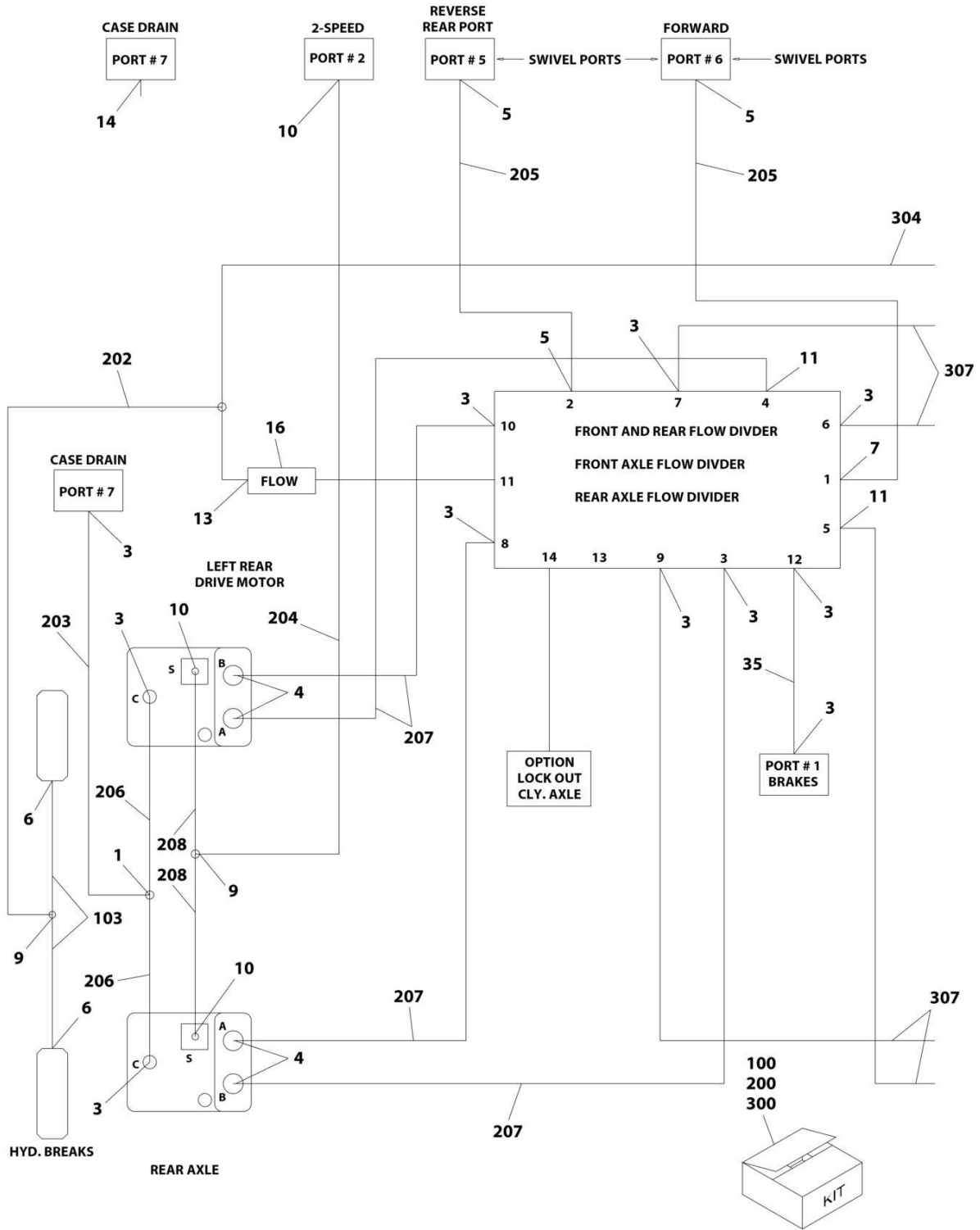
SECTION 7 - HYDRAULIC

FIGURE 7-2. DRIVE HYDRAULIC DIAGRAM - 2WD/4WS

ITEM	PART NUMBER	QTY	DESCRIPTION	REV
	1001161038	Ref	DRIVE HYDRAULIC DIAGRAM - 2WD/4WS	F
1	2220362	1	Fitting, Tee JIC/JIC/JIC	
2	2220371	8	Fitting, Straight JIC/ORB	
3	2220373	3	Fitting, Straight JIC/ORB	
5	2220377	3	Fitting, Straight JIC/ORB	
6	2220415	2	Fitting, Straight JIC/ORB	
7	2220451	6	Fitting, Straight JIC/ORB	
8	2220473	7	Fitting, 90 JIC/ORB	
9	2220504	2	Fitting, Tee JIC/JIC/JIC	
10	2220582	3	Fitting, Straight JIC/ORB	
11	2221170	1	Fitting, Tee JIC/JIC/JIC	
12	2220606	4	Fitting, Tee JIC/ORB/JIC	
13	2220596	2	Fitting, 90 JIC/ORB	
14	2220237	3	Fitting, Plug ORB	
15	4641307	1	Valve, Check	
20	2752620	2	Hose	
24	84719619	2	Hose	
31	2220819	1	Fitting, 90 JIC/ORB	
100	1001269823	1	Hose Assembly - Axle Kit	
101	2751410	2	Hose	
102	2752445	2	Hose	
200	1001269824	1	Hose Assembly - Rear Kit	
201	2751410	1	Hose	
202	2752321	1	Hose	
203	2752475	1	Hose	
204	2752574	1	Hose	
205	2752611	3	Hose	
206	2753016	2	Hose	
207	2753017	2	Hose	
208	2753187	1	Hose	
209	2753435	1	Hose	
210	2754235	2	Hose	
211	2754323	1	Hose	
300	1001269825	1	Hose Assembly - Front Kit	
301	2752475	1	Hose	
302	2752611	1	Hose	
303	2754235	1	Hose	

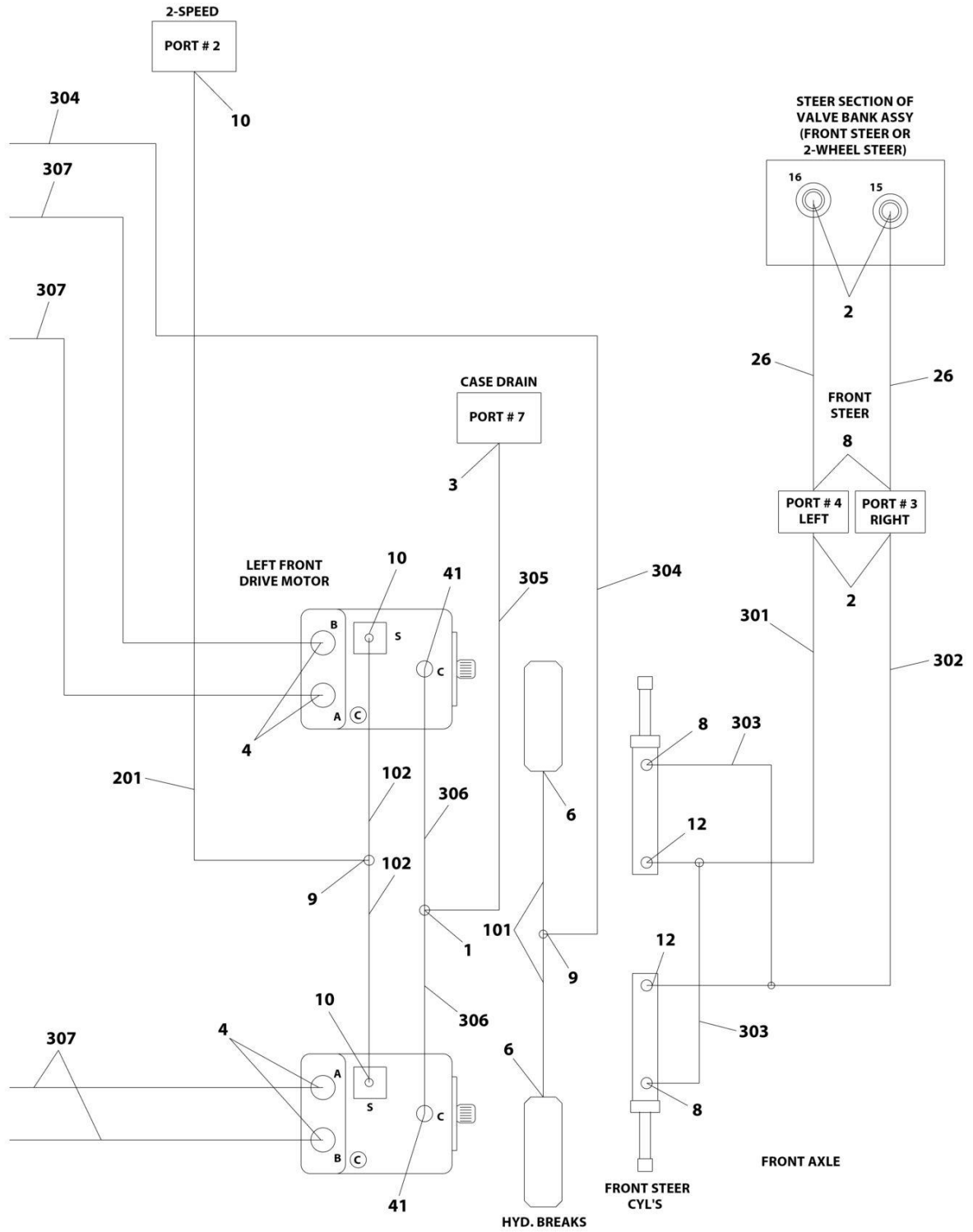
SECTION 7 - HYDRAULIC

FIGURE 7-3. DRIVE HYDRAULIC DIAGRAM - 4WD/2WS WITHOUT ARCTIC PACKAGE



ART_1001140418_1OF2

SECTION 7 - HYDRAULIC



ART_1001140418_2OF2

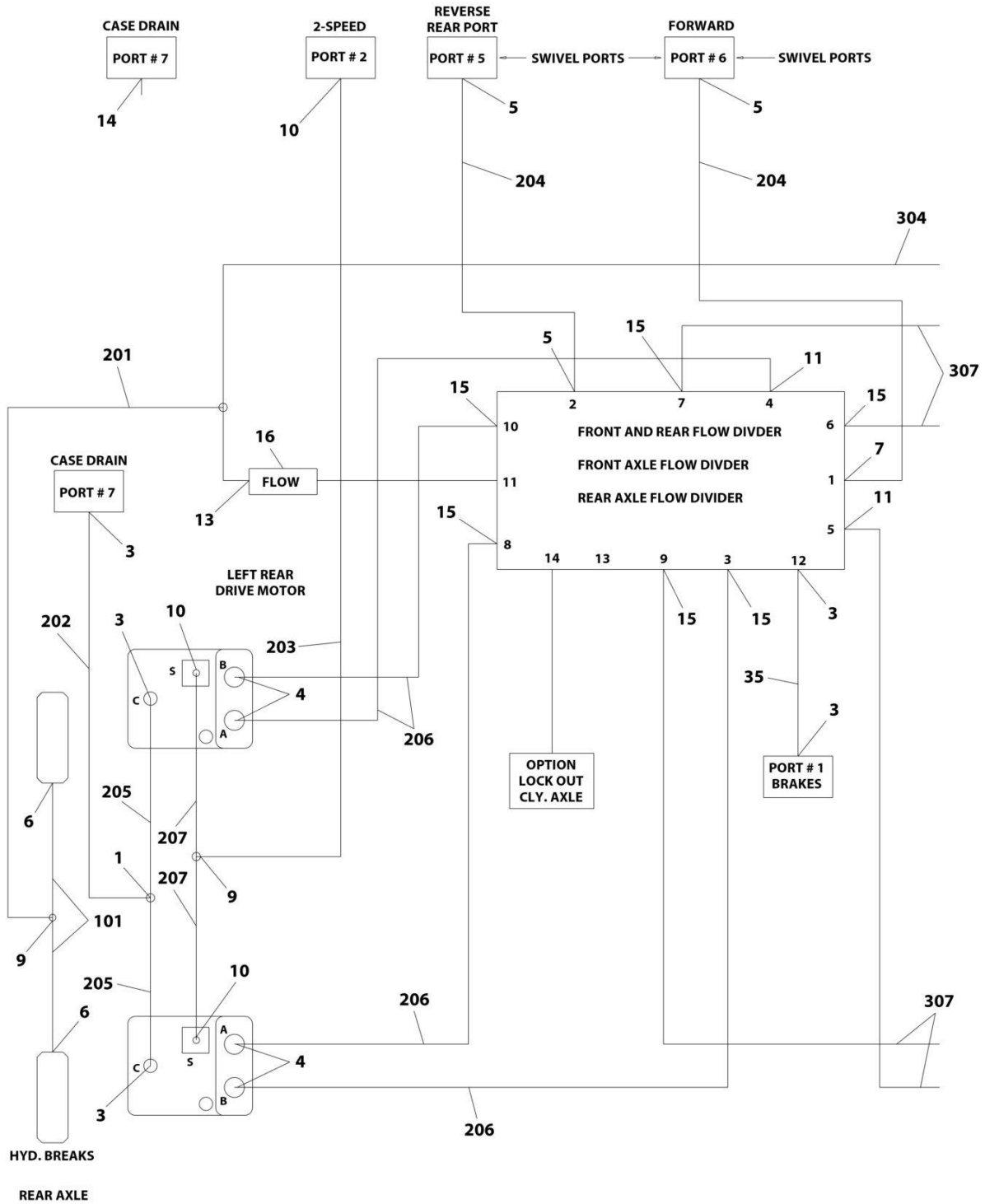
SECTION 7 - HYDRAULIC

FIGURE 7-3. DRIVE HYDRAULIC DIAGRAM - 4WD/2WS WITHOUT ARCTIC PACKAGE

ITEM	PART NUMBER	QTY	DESCRIPTION	REV
	1001140418	Ref	DRIVE HYDRAULIC DIAGRAM - 4WD/2WS	E
1	2220362	2	Fitting, Tee JIC/JIC/JIC	
2	2220371	4	Fitting, Straight JIC/ORB	
3	2220373	12	Fitting, Straight JIC/ORB	
4	2220375	8	Fitting, Straight JIC/ORB	
5	2220377	3	Fitting, Straight JIC/ORB	
6	2220415	4	Fitting, Straight JIC/ORB	
7	2220646	1	Fitting, 90 JIC/ORB	
8	2220473	4	Fitting, 90 JIC/ORB	
9	2220504	4	Fitting, Tee JIC/JIC/JIC	
10	2220582	6	Fitting, Straight JIC/ORB	
11	2220596	2	Fitting, 90 JIC/ORB	
12	2220606	2	Fitting, Tee JIC/ORB/JIC	
13	2220861	1	Fitting, Tee JIC/FSJIC/JIC	
14	2220237	1	Fitting, Plug ORB	
16	4641284	1	Valve, Check	
26	2752620	2	Hose	
35	2753929	1	Hose	
41	2220474	2	Fitting, 90 JIC/ORB	
100	1001269814	1	Hose Assembly - Axle Kit	
101	2753926	2	Hose	
102	1001140451	2	Hose	
103	1001152527	2	Hose	
200	1001269815	1	Hose Assembly - Rear Kit	
201	2752592	1	Hose	
202	2752910	1	Hose	
203	2752928	1	Hose	
204	2753924	1	Hose	
205	2754227	2	Hose	
206	1001140449	2	Hose	
207	1001151358	4	Hose	
208	1001152527	2	Hose	
300	1001269816	1	Hose Assembly - Front Kit	
301	2752475	1	Hose	
302	2752611	1	Hose	
303	2753397	2	Hose	
304	2754229	1	Hose	
305	2754231	1	Hose	
306	1001140455	2	Hose	
307	1001152491	4	Hose	

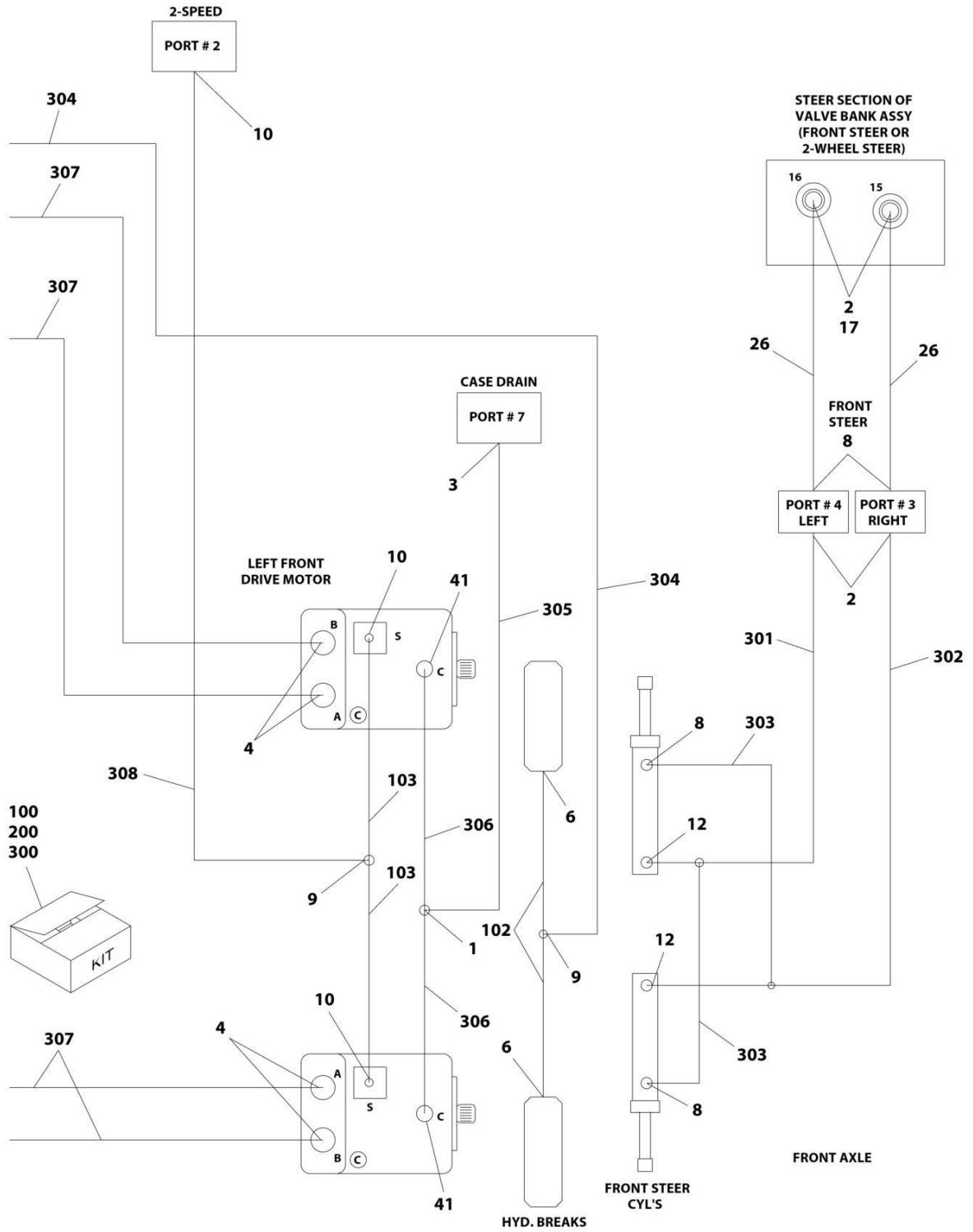
SECTION 7 - HYDRAULIC

FIGURE 7-4. DRIVE HYDRAULIC DIAGRAM - 4WD/2WS WITH ARCTIC PACKAGE



ART_1001140420_1OF2

SECTION 7 - HYDRAULIC



ART_1001140420_2OF2

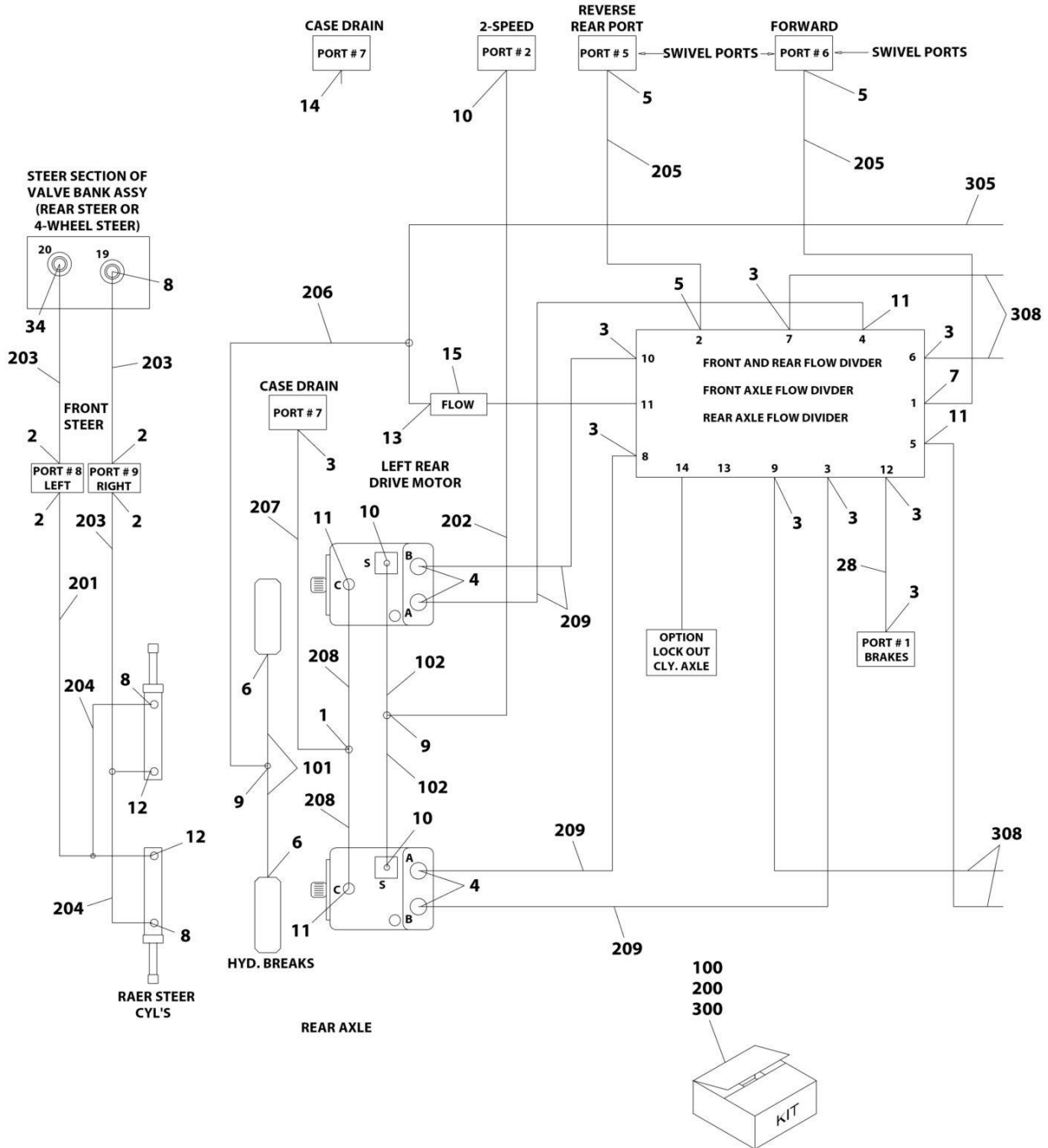
SECTION 7 - HYDRAULIC

FIGURE 7-4. DRIVE HYDRAULIC DIAGRAM - 4WD/2WS WITH ARCTIC PACKAGE

ITEM	PART NUMBER	QTY	DESCRIPTION	REV
	1001140420	Ref	DRIVE HYDRAULIC DIAGRAM - 4WD/2WS	E
1	2220362	2	Fitting, Tee JIC/JIC/JIC	
2	2220371	4	Fitting, Straight JIC/ORB	
3	2220373	6	Fitting, Straight JIC/ORB	
4	2220375	8	Fitting, Straight JIC/ORB	
5	2220377	3	Fitting, Straight JIC/ORB	
6	2220415	4	Fitting, Straight JIC/ORB	
7	2220646	1	Fitting, 90 JIC/ORB	
8	2220473	4	Fitting, 90 JIC/ORB	
9	2220504	4	Fitting, Tee JIC/JIC/JIC	
10	2220582	6	Fitting, Straight JIC/ORB	
11	2220596	2	Fitting, 90 JIC/ORB	
12	2220606	2	Fitting, Tee JIC/ORB/JIC	
13	2220861	1	Fitting, Tee JIC/FSJIC/JIC	
14	2220237	1	Fitting, Plug ORB	
15	2220500	6	Fitting, 45 JIC/ORB	
16	4641284	1	Valve, Check	
17	2220507	2	Fitting, 90	
26	2752620	2	Hose	
35	2752929	1	Hose	
41	2220474	2	Fitting, 90 JIC/ORB	
100	1001269817	1	Hose Assembly - Axle Kit	
101	2752592	2	Hose	
102	2754731	2	Hose	
103	1001140456	2	Hose	
200	1001269818	1	Hose Assembly - Rear Kit	
201	2752910	1	Hose	
202	2752928	1	Hose	
203	2753924	1	Hose	
204	2754227	2	Hose	
205	1001140449	2	Hose	
206	1001151358	4	Hose	
207	1001152527	2	Hose	
300	1001269819	1	Hose Assembly - Front Kit	
301	2752475	1	Hose	
302	2752611	1	Hose	
303	2753397	2	Hose	
304	2754229	1	Hose	
305	2754231	1	Hose	
306	1001140458	2	Hose	
307	1001152499	4	Hose	
308	1001152527	1	Hose	

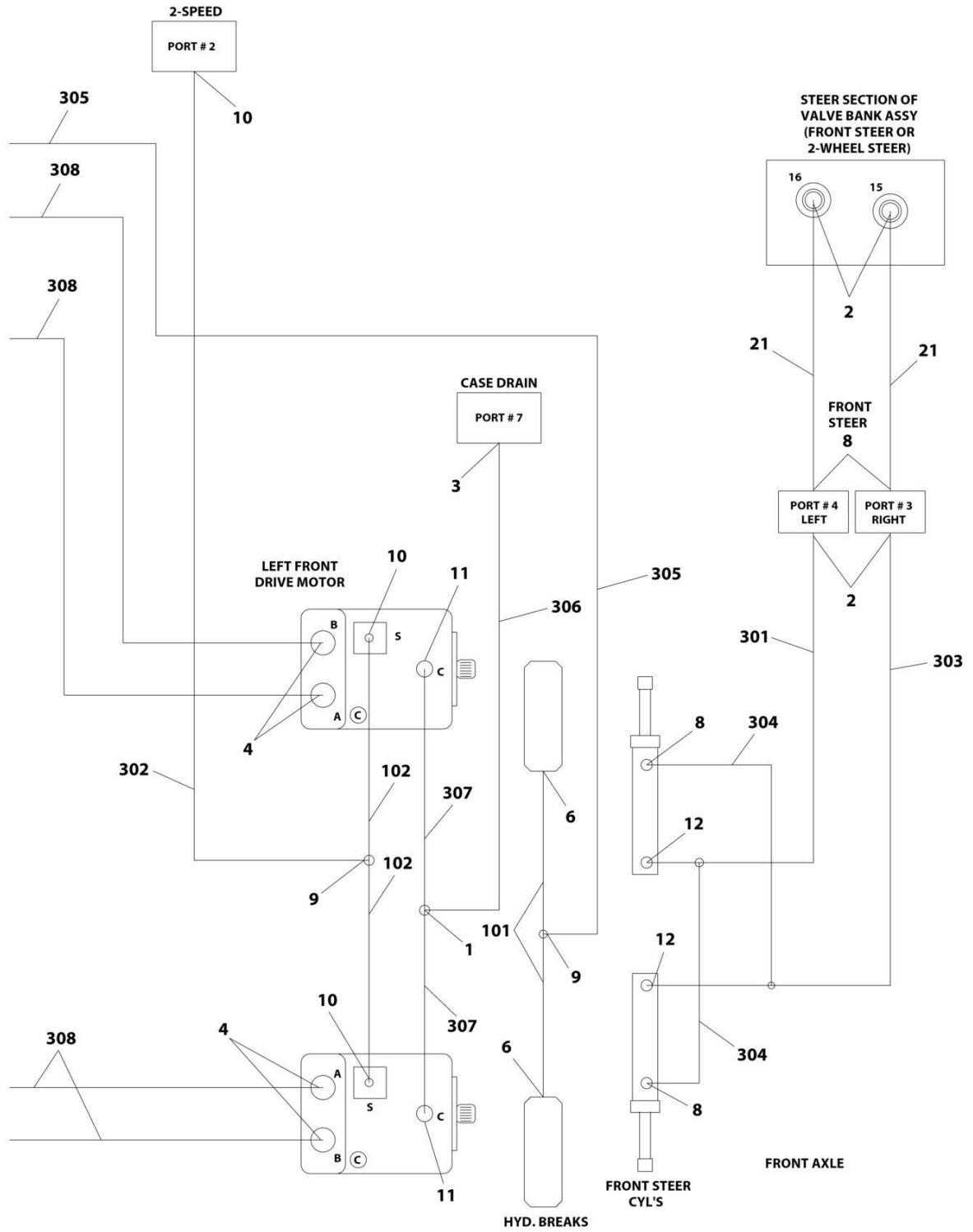
SECTION 7 - HYDRAULIC

FIGURE 7-5. DRIVE HYDRAULIC DIAGRAM - 4WD/4WS WITHOUT ARCTIC PACKAGE



ART_1001161039_10F2

SECTION 7 - HYDRAULIC



ART_1001161039_2OF2

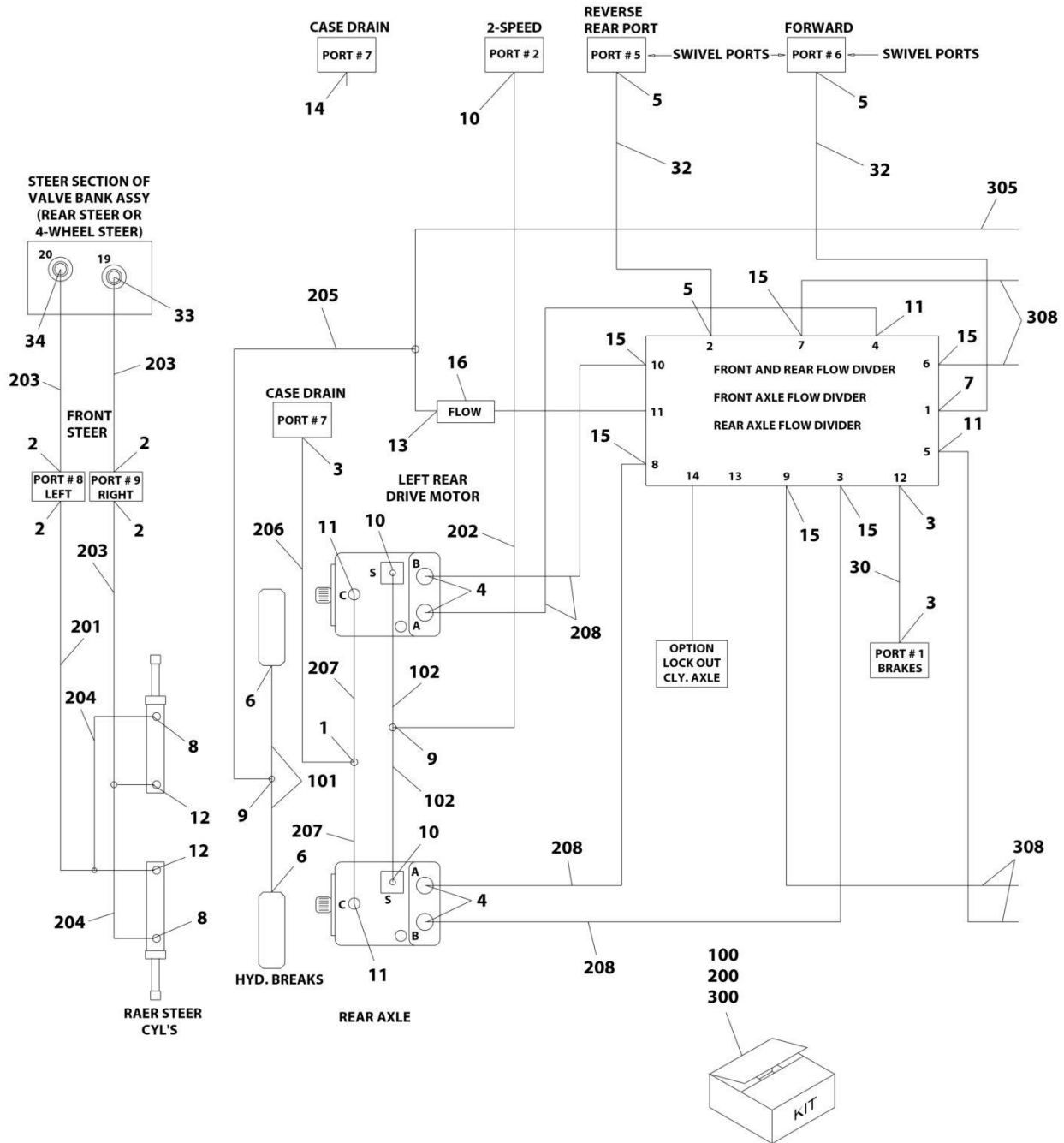
SECTION 7 - HYDRAULIC

FIGURE 7-5. DRIVE HYDRAULIC DIAGRAM - 4WD/4WS WITHOUT ARCTIC PACKAGE

ITEM	PART NUMBER	QTY	DESCRIPTION	REV
	1001161039	Ref	DRIVE HYDRAULIC DIAGRAM - 4WD/4WS	C
1	2220362	2	Fitting, Tee JIC/JIC/JIC	
2	2220371	8	Fitting, Straight JIC/ORB	
3	2220373	10	Fitting, Straight JIC/ORB	
4	2220375	8	Fitting, Straight JIC/ORB	
5	2220377	3	Fitting, Straight JIC/ORB	
6	2220415	4	Fitting, Straight JIC/ORB	
7	2220646	1	Fitting, 90 JIC/ORB	
8	2220473	7	Fitting, 90 JIC/ORB	
9	2220504	4	Fitting, Tee JIC/JIC/JIC	
10	2220582	6	Fitting, Straight JIC/ORB	
11	2220596	6	Fitting, 90 JIC/ORB	
12	2220606	4	Fitting, Tee JIC/ORB/JIC	
13	2220861	1	Fitting, Tee JIC/FSJIC/JIC	
14	2220237	1	Fitting, Plug ORB	
15	4641284	1	Valve, Check	
21	2752620	2	Hose	
28	2752929	1	Hose	
34	2220819	1	Fitting, 90 JIC/ORB	
100	1001269826	1	Hose Assembly - Axle Kit	
101	2753926	4	Hose	
102	1001140451	4	Hose	
200	1001269827	1	Hose Assembly - Rear Kit	
201	2752475	1	Hose	
202	2752592	1	Hose	
203	2752611	3	Hose	
204	2753397	2	Hose	
205	2754227	2	Hose	
206	2754229	1	Hose	
207	2754231	1	Hose	
208	1001140455	2	Hose	
209	1001152491	4	Hose	
300	1001269828	1	Hose Assembly - Front Kit	
301	2752475	1	Hose	
302	2752592	1	Hose	
303	2752611	1	Hose	
304	2753397	2	Hose	
305	2754229	1	Hose	
306	2754231	1	Hose	
307	1001140455	2	Hose	
308	1001152491	4	Hose	

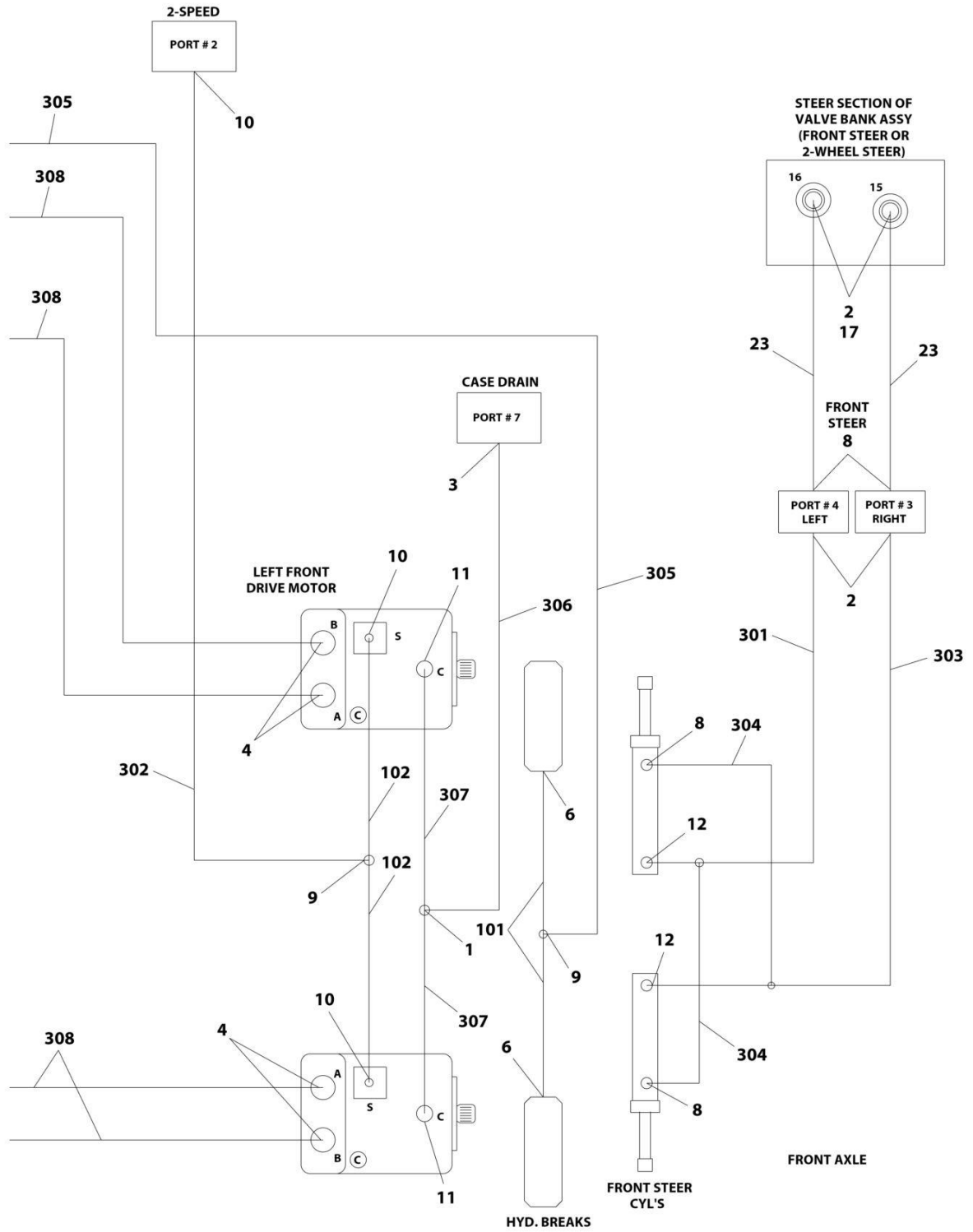
SECTION 7 - HYDRAULIC

FIGURE 7-6. DRIVE HYDRAULIC DIAGRAM - 4WD/4WS WITH ARCTIC PACKAGE



ART_1001161040_10F2

SECTION 7 - HYDRAULIC



ART_1001161040_2OF2

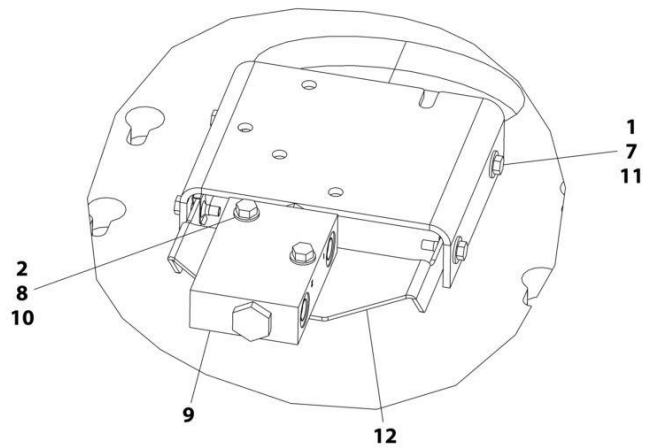
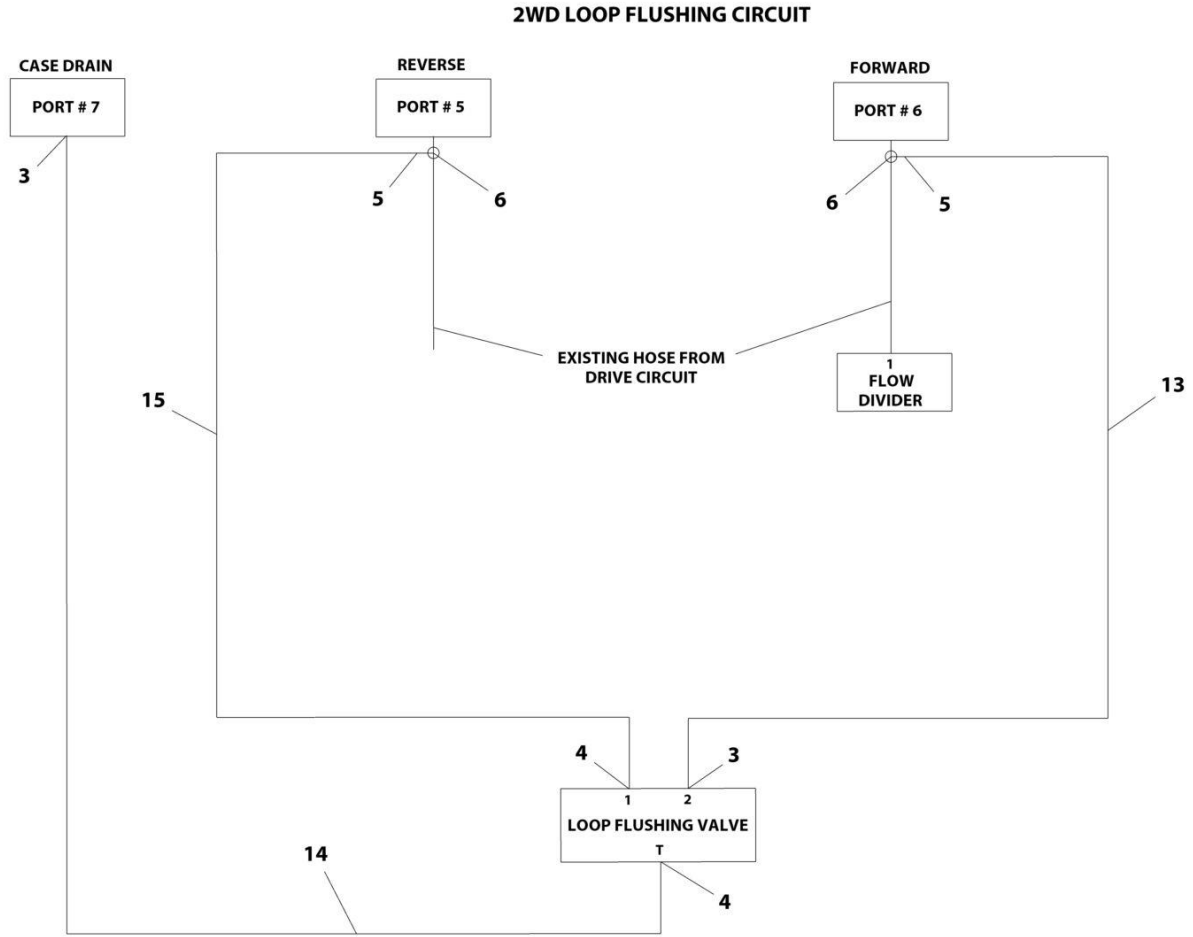
SECTION 7 - HYDRAULIC

FIGURE 7-6. DRIVE HYDRAULIC DIAGRAM - 4WD/4WS WITH ARCTIC PACKAGE

ITEM	PART NUMBER	QTY	DESCRIPTION	REV
	1001161040	Ref	DRIVE HYDRAULIC DIAGRAM - 4WD/4WS	C
1	2220362	2	Fitting, Tee JIC/JIC/JIC	
2	2220371	8	Fitting, Straight JIC/ORB	
3	2220373	4	Fitting, Straight JIC/ORB	
4	2220375	8	Fitting, Straight JIC/ORB	
5	2220377	3	Fitting, Straight JIC/ORB	
6	2220415	4	Fitting, Straight JIC/ORB	
7	2220646	1	Fitting, 90 JIC/ORB	
8	2220473	6	Fitting, 90 JIC/ORB	
9	2220504	4	Fitting, Tee JIC/JIC/JIC	
10	2220582	6	Fitting, Straight JIC/ORB	
11	2220596	6	Fitting, 90 JIC/ORB	
12	2220606	4	Fitting, Tee JIC/ORB/JIC	
13	2220861	1	Fitting, Tee JIC/FSJIC/JIC	
14	2220237	1	Fitting, Plug ORB	
15	2220500	6	Fitting, 45 JIC/ORB	
16	4641284	1	Valve, Check	
17	2220507	2	Fitting, 90	
23	2752620	2	Hose	
30	2752929	1	Hose	
32	2754227	2	Hose	
33	2220473	1	Fitting, 90 JIC/ORB	
34	2220819	1	Fitting, 90 JIC/ORB	
100	1001269829	1	Hose Assembly - Arctic Axle Kit	
101	2754731	4	Hose	
102	1001140456	4	Hose	
200	1001269830	1	Hose Assembly - Arctic Rear Kit	
201	2752475	1	Hose	
202	2752592	1	Hose	
203	2752611	3	Hose	
204	2753397	2	Hose	
205	2754229	1	Hose	
206	2754231	1	Hose	
207	1001140458	2	Hose	
208	1001152499	4	Hose	
300	1001269831	1	Hose Assembly - Arctic Front Kit	
301	2752475	1	Hose	
302	2752592	1	Hose	
303	2752611	1	Hose	
304	2753397	2	Hose	
305	2754229	1	Hose	
306	2754231	1	Hose	
307	1001140458	2	Hose	
308	1001152499	4	Hose	

SECTION 7 - HYDRAULIC

FIGURE 7-7. FLUSHING LOOP HYDRAULIC INSTALLATION - 2WD



ART_1001152620

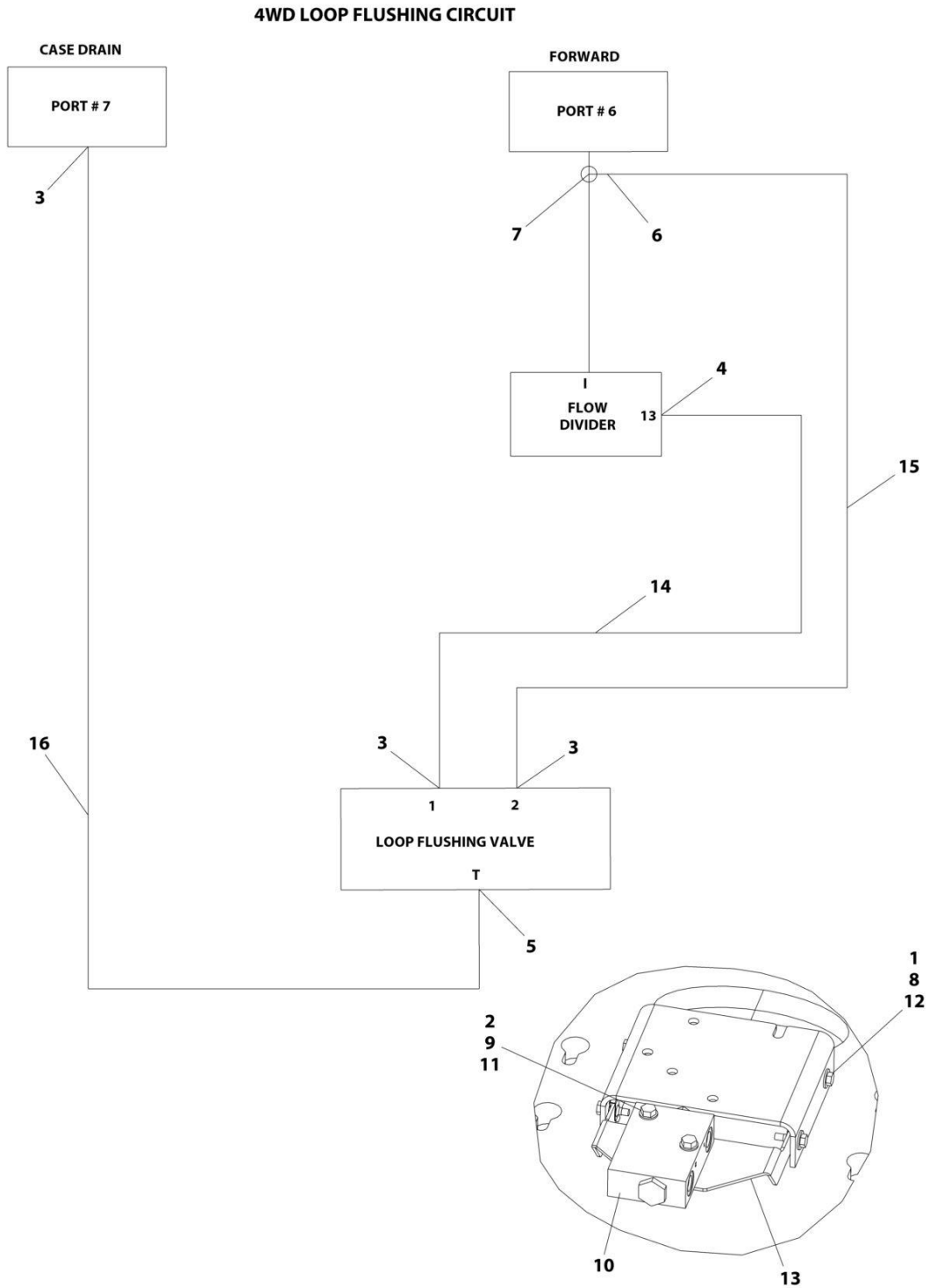
SECTION 7 - HYDRAULIC

FIGURE 7-7. FLUSHING LOOP HYDRAULIC INSTALLATION - 2WD

ITEM	PART NUMBER	QTY	DESCRIPTION	REV
	1001152620	Ref	FLUSHING LOOP HYDRAULIC INSTALLATION - 2WD	C
1	0641408	4	Bolt 1/4 x 1	
2	0641516	2	Bolt 5/16 x 2	
3	2220371	2	Fitting, Straight JIC/ORB	
4	2220473	2	Fitting, 90 JIC/ORB	
5	2220623	2	Fitting, Straight JIC/FSJIC	
6	2221026	2	Fitting, Tee JIC/ORB/JIC	
7	3300454	4	Nut 1/4	
8	3311505	2	Nut 5/16	
9	1001224927	1	Valve, Flushing Loop	
9	7024881	1	Piston, Pilot	
9	7021639	2	Cartridge, Check Valve	
9	2900756	2	Seal Kit - 7021639 Valve	
10	4711500	4	Washer 5/16	
11	4751400	4	Washer 1/4	
12	1001150612	1	Bracket14	
13	1001152636	1	Hose	
14	1001152637	1	Hose	
15	1001152731	1	Hose	

SECTION 7 - HYDRAULIC

FIGURE 7-8. FLUSHING LOOP HYDRAULIC INSTALLATION - 4WD



ART_1001152619

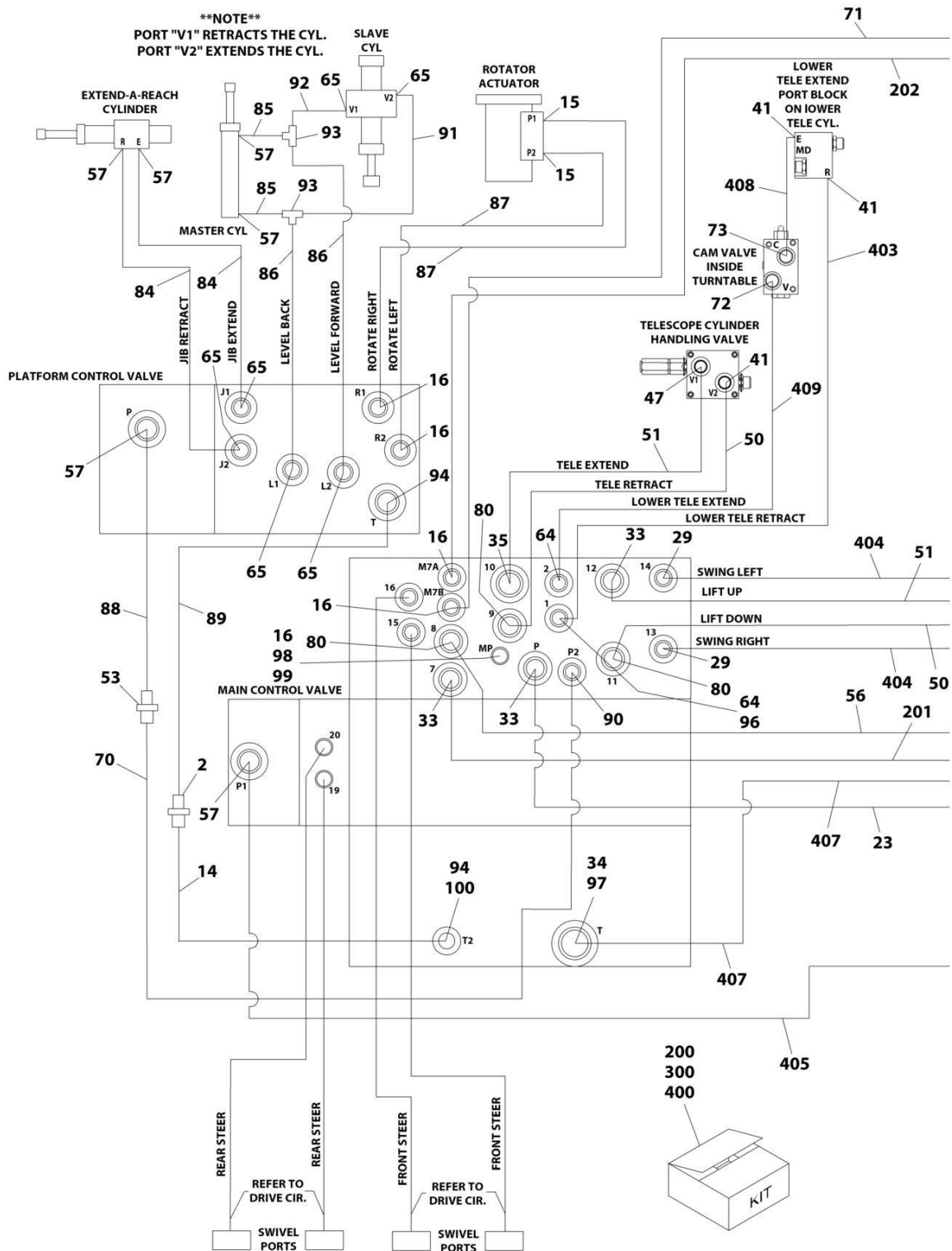
SECTION 7 - HYDRAULIC

FIGURE 7-8. FLUSHING LOOP HYDRAULIC INSTALLATION - 4WD

ITEM	PART NUMBER	QTY	DESCRIPTION	REV
	1001152619	Ref	FLUSHING LOOP HYDRAULIC INSTALLATION - 4WD	C
1	0641408	4	Bolt 1/4 x 1	
2	0641516	2	Bolt 5/16 x 2	
3	2220371	3	Fitting, Straight JIC/ORB	
4	2220372	1	Fitting, Straight JIC/ORB	
5	2220473	1	Fitting, 90 JIC/ORB	
6	2220623	1	Fitting, Straight JIC/FSJIC	
7	2221026	1	Fitting, Tee JIC/ORB/JIC	
8	3300454	4	Nut 1/4	
9	3311505	2	Nut 5/16	
10	1001224927	1	Valve, Flushing Loop	
10	7024881	1	Piston, Pilot	
10	7021639	2	Cartridge, Check Valve	
10	2900756	2	Seal Kit - 7021639 Valve	
11	4711500	4	Washer 5/16	
12	4751400	4	Washer 1/4	
13	1001150612	1	Bracket14	
14	1001152635	1	Hose	
15	1001152636	1	Hose	
16	1001152637	1	Hose	

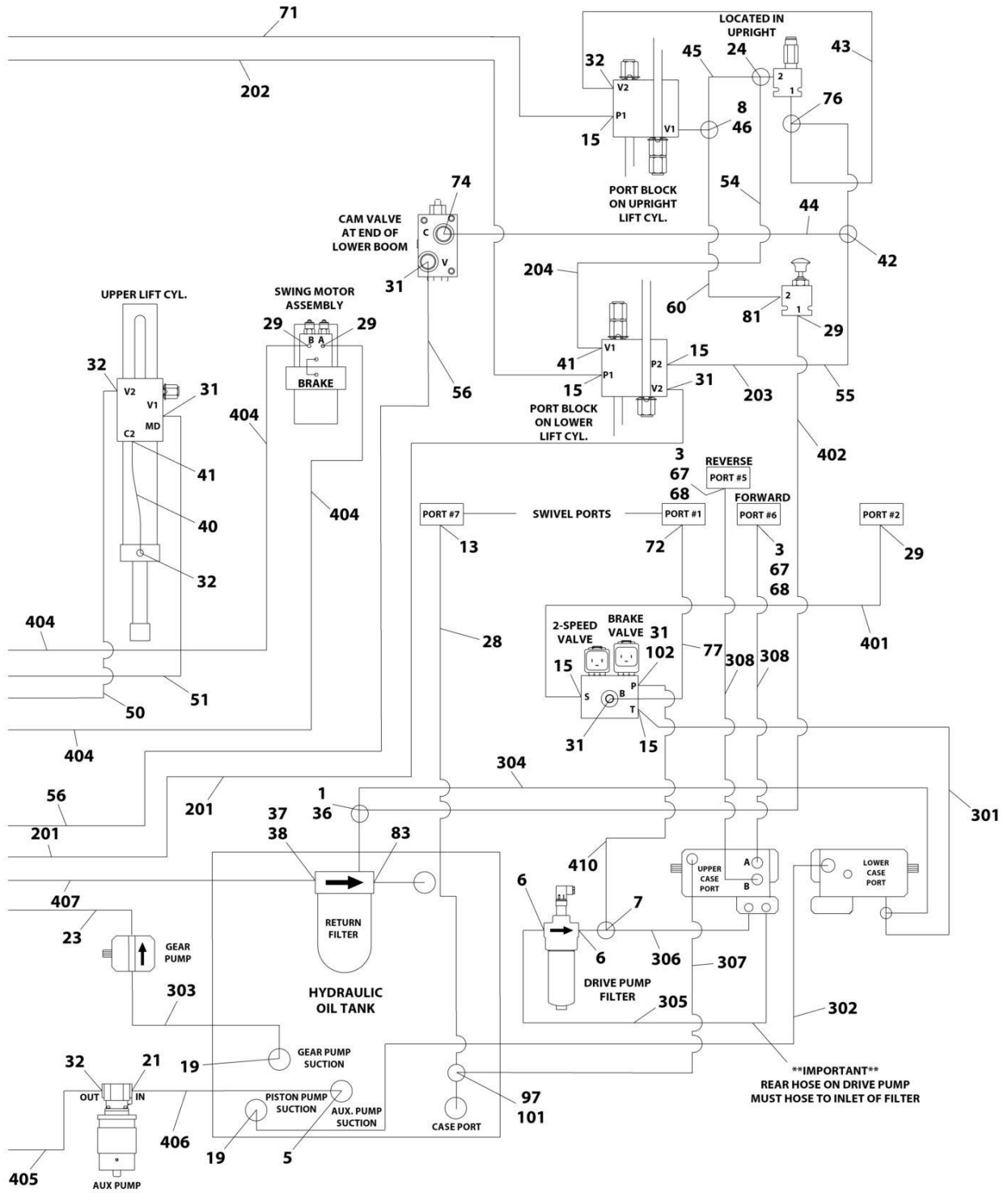
SECTION 7 - HYDRAULIC

FIGURE 7-9. HYDRAULIC DIAGRAM – STANDARD (DEUTZ D2011 ENGINES)



ART_1001189668_10F2

SECTION 7 - HYDRAULIC



ART_1001189668_2OF2

SECTION 7 - HYDRAULIC

FIGURE 7-9. HYDRAULIC DIAGRAM – STANDARD (DEUTZ D2011 ENGINES)

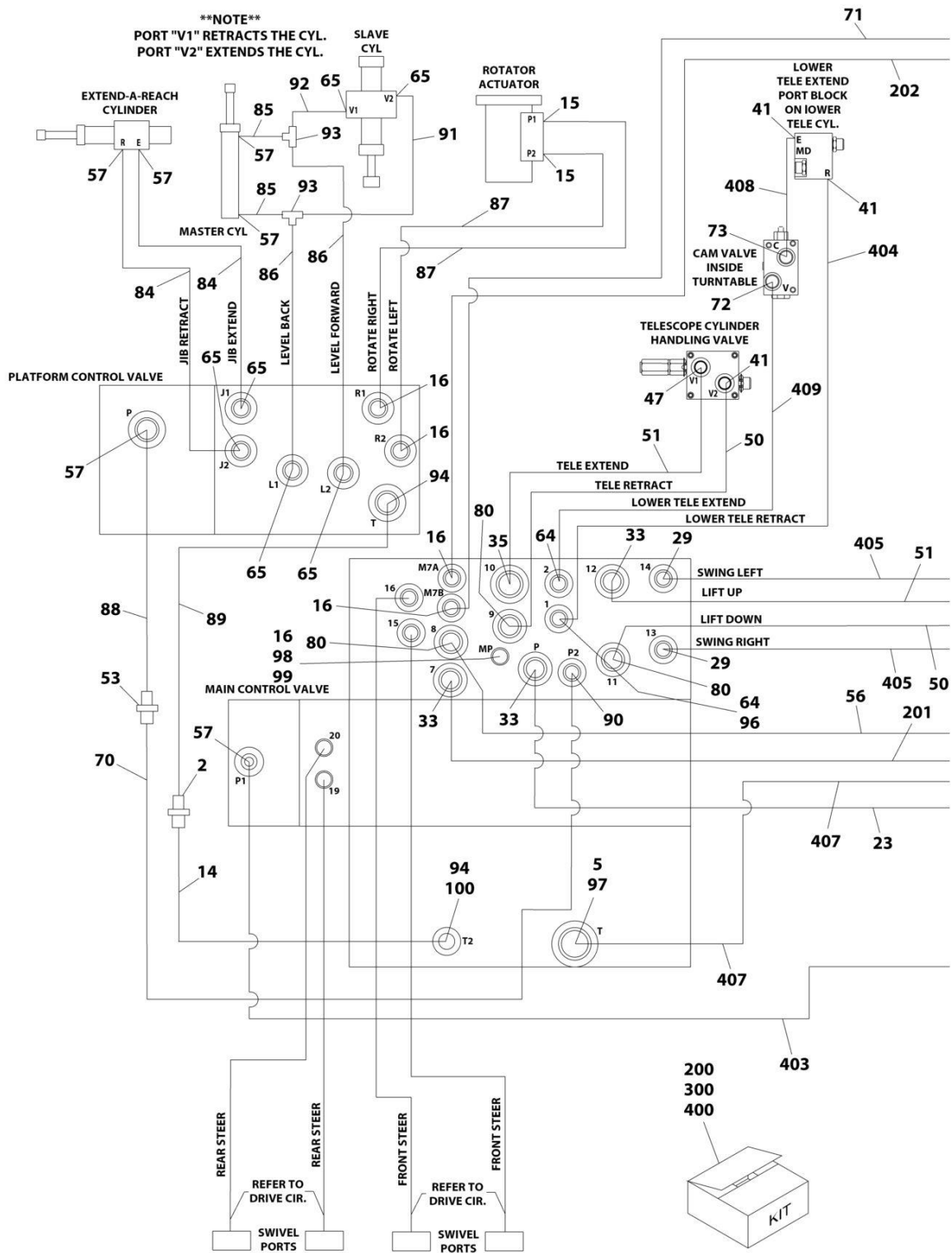
ITEM	PART NUMBER	QTY	DESCRIPTION	REV
	1001189668	Ref	HYDRAULIC DIAGRAM- STANDARD	D
1	2220605	1	Fitting, Tee JIC/FSJIC/JIC	
2	2220512	1	Fitting, Straight JIC/JIC	
3	2220377	2	Fitting, Straight JIC/ORB	
5	2220578	1	Fitting, 90 JIC/ORB	
6	2221042	2	Fitting, 90 JIC/ORB	
7	2220948	1	Fitting, Tee JIC/FSJIC/JIC	
8	2220618	1	Fitting, Straight JIC/FSJIC	
13	2220375	1	Fitting, Straight JIC/ORB	
14	1001161036	1	Hose	
15	2220466	7	Fitting, 90 JIC/ORB	
16	2220415	5	Fitting, Straight JIC/ORB	
19	2220379	2	Fitting, Straight JIC/ORB	
21	2220567	1	Fitting, 90 JIC/ORB	
23	2752929	1	Hose	
24	2220602	1	Fitting, Tee JIC/ORB/JIC	
28	2753968	1	Hose	
29	2220582	6	Fitting, Straight JIC/ORB	
31	2220596	4	Fitting, 90 JIC/ORB	
32	2220628	3	Fitting, 90 JIC/ORB	
33	2220381	3	Fitting, Straight JIC/ORB	
34	2220451	1	Fitting, Straight JIC/ORB	
35	2220374	1	Fitting, Straight JIC/ORB	
36	2220574	1	Fitting, Straight JIC/NPTF	
37	2220921	1	Fitting, Straight FORB/ORB	
38	2220498	1	Fitting, 45 JIC/ORB	
41	2220372	4	Fitting, Straight JIC/ORB	
42	2221065	1	Fitting, Tee JIC/FSJIC/JIC	
43	2752462	1	Hose	
44	2753134	1	Hose	
45	2752497	1	Hose	
46	2220999	1	Fitting, Tee JIC/ORB/JIC	
47	2220500	1	Fitting, 45 JIC/ORB	
50	2753055	2	Hose	
51	2752939	2	Hose	
53	2220511	1	Fitting, Straight JIC/JIC	
54	2753056	1	Hose	
55	2752991	1	Hose	
56	2753135	1	Hose	
57	2220473	6	Fitting, 90 JIC/ORB	
60	2752990	1	Hose	
64	2220998	2	Fitting, Straight JIC/ORB	
65	2220603	6	Fitting, Straight JIC/ORB	
67	0100011	AR	Compound, Locking	
68	0100038	AR	Primer, Locking	
69	1703534	2	Decal - Hose Tags (Not Shown)	
70	1001161030	1	Hose	
71	2752987	1	Hose	
72	2220373	1	Fitting, Straight JIC/ORB	
73	2220947	1	Fitting, Straight JIC/ORB	

SECTION 7 - HYDRAULIC

ITEM	PART NUMBER	QTY	DESCRIPTION	REV
74	2221036	1	Fitting, 90 JIC/ORB	
76	2221053	1	Fitting, Tee JIC/ORB/JIC	
77	2752519	1	Hose	
80	1001104423	3	Fitting, Straight JIC/ORB	
81	2220472	1	Fitting, 90 JIC/ORB	
83	2220893	1	Fitting, Straight ORB/ORB	
84	1001155672	2	Hose	
85	1001155675	2	Hose	
86	1001155673	2	Hose	
87	1001155669	2	Hose	
88	1001155678	1	Hose	
89	1001155677	1	Hose	
90	80233041	1	Valve, Check	
91	1001155670	1	Hose	
92	1001155671	1	Hose	
93	2220490	2	Fitting, Tee JIC/JIC/JIC	
94	2220600	2	Fitting, Straight JIC/ORB	
96	2220657	1	Fitting, 45 JIC/FSJIC	
97	2220409	2	Fitting, 45 JIC/FSJIC	
98	2752995	1	Hose	
99	91143177	1	Fitting, Test	
100	2220386	1	Fitting, 90 JIC/FSJIC	
101	2220738	1	Fitting, Tee JIC/ORB/JIC	
102	2220474	1	Fitting, 90 JIC/ORB	
200	1001269805	1	Hose Assembly - Turntable Kit	
201	2752506	1	Hose	
202	2752593	1	Hose	
203	2752985	1	Hose	
204	2753052	1	Hose	
300	1001269809	1	Hose Assembly - T4I Turntable E/S Kit	
301	2752573	1	Hose	
302	2752723	1	Hose	
303	2752724	1	Hose	
304	2753390	1	Hose	
305	2754329	1	Hose	
306	2754330	1	Hose	
307	1001093549	1	Hose	
308	1001150715	2	Hose	
400	1001269810	1	Hose Assembly - T4I Turntable T/S Kit	
401	2751396	1	Hose	
402	2752453	1	Hose	
403	2752484	1	Hose	
404	2752600	2	Hose	
405	2752635	1	Hose	
406	2752656	1	Hose	
407	2752783	1	Hose	
408	2753132	1	Hose	
409	2753133	1	Hose	
410	2754328	1	Hose	

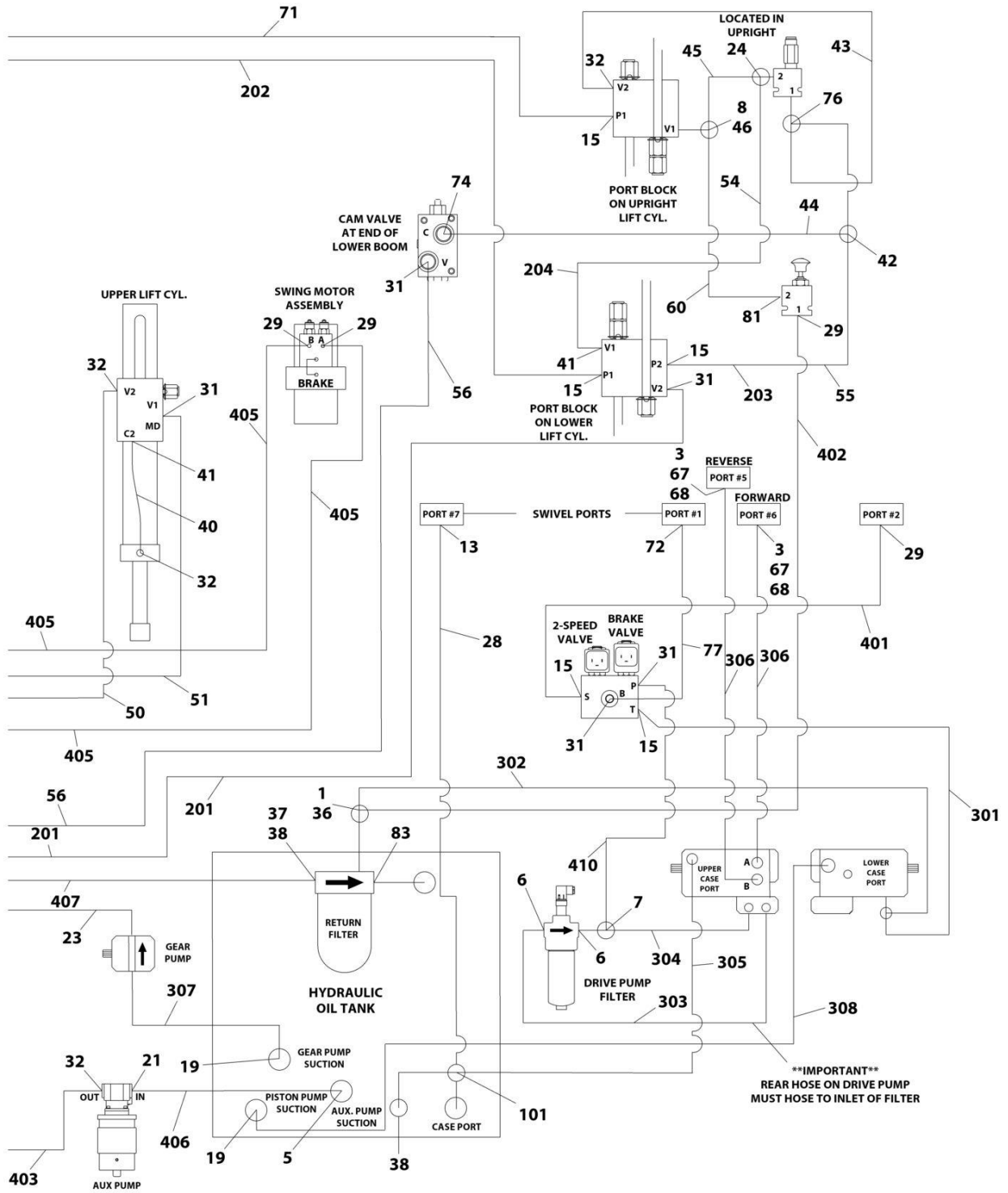
SECTION 7 - HYDRAULIC

FIGURE 7-10. HYDRAULIC DIAGRAM - STANDARD (DEUTZ TD2.2L3 (STAGE V), DEUTZ D2.9L4 (CHINA IV) AND DEUTZ TD2.9L4 ENGINES)



ART_1001189666_10F2

SECTION 7 - HYDRAULIC



ART_1001189666_2OF2

SECTION 7 - HYDRAULIC

FIGURE 7-10. HYDRAULIC DIAGRAM - STANDARD (DEUTZ TD2.2L3 (STAGE V), DEUTZ D2.9L4 (CHINA IV) AND DEUTZ TD2.9L4 ENGINES)

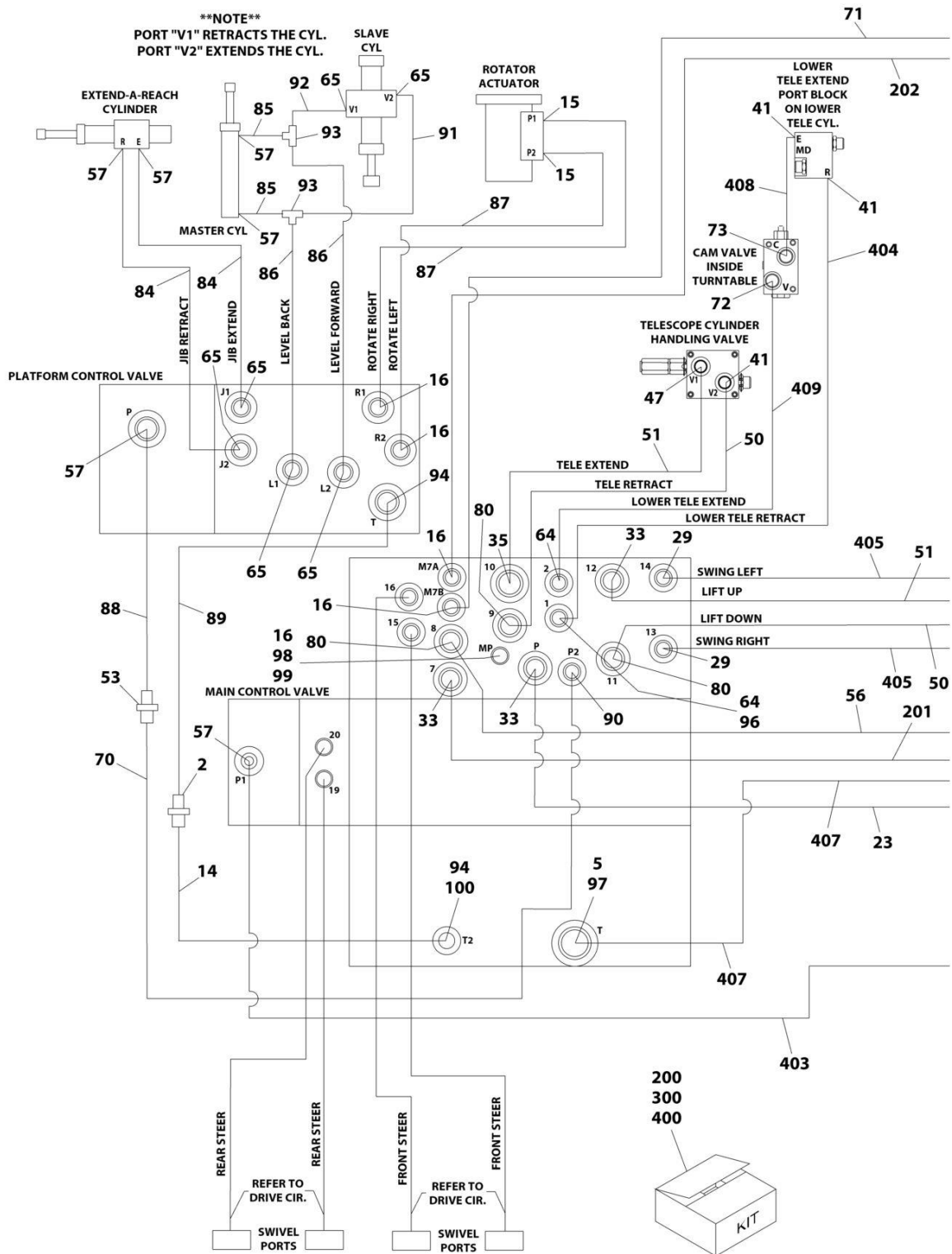
ITEM	PART NUMBER	QTY	DESCRIPTION	REV
	1001189666	Ref	HYDRAULIC DIAGRAM- STANDARD	F
1	2220605	1	Fitting, Tee JIC/FSJIC/JIC	
2	2220512	1	Fitting, Straight JIC/JIC	
3	2220377	2	Fitting, Straight JIC/ORB	
5	2220451	2	Fitting, Straight JIC/ORB	
6	2221042	2	Fitting, 90 JIC/ORB	
7	2220948	1	Fitting, Tee JIC/FSJIC/JIC	
8	2220618	1	Fitting, Straight JIC/FSJIC	
13	2220375	1	Fitting, Straight JIC/ORB	
14	1001161036	1	Hose	
15	2220466	7	Fitting, 90 JIC/ORB	
16	2220415	5	Fitting, Straight JIC/ORB	
19	2220379	2	Fitting, Straight JIC/ORB	
21	2220567	1	Fitting, 90 JIC/ORB	
23	2752929	1	Hose	
24	2220602	1	Fitting, Tee JIC/ORB/JIC	
28	2753968	1	Hose	
29	2220582	6	Fitting, Straight JIC/ORB	
31	2220596	5	Fitting, 90 JIC/ORB	
32	2220628	3	Fitting, 90 JIC/ORB	
33	2220381	3	Fitting, Straight JIC/ORB	
35	2220374	1	Fitting, Straight JIC/ORB	
36	2220574	1	Fitting, Straight JIC/NPTF	
37	2220921	1	Fitting, Straight FORB/ORB	
38	2220498	1	Fitting, 45 JIC/ORB	
41	2220372	4	Fitting, Straight JIC/ORB	
42	2221065	1	Fitting, Tee JIC/FSJIC/JIC	
43	2752462	1	Hose	
44	2753134	1	Hose	
45	2752497	1	Hose	
46	2220999	1	Fitting, Tee JIC/ORB/JIC	
47	2220500	1	Fitting, 45 JIC/ORB	
50	2753055	2	Hose	
51	2752939	2	Hose	
53	2220511	1	Fitting, Straight JIC/JIC	
54	2753056	1	Hose	
55	2752991	1	Hose	
56	2753135	1	Hose	
57	2220473	6	Fitting, 90 JIC/ORB	
60	2752990	1	Hose	
64	2220998	2	Fitting, Straight JIC/ORB	
65	2220603	6	Fitting, Straight JIC/ORB	
67	0100011	AR	Compound, Locking	
68	0100038	AR	Primer, Locking	
69	1703534	2	Decal - Hose Tags (Not Shown)	
70	1001161030	1	Hose	
71	2752987	1	Hose	
72	2220373	1	Fitting, Straight JIC/ORB	
73	2220947	1	Fitting, Straight JIC/ORB	

SECTION 7 - HYDRAULIC

ITEM	PART NUMBER	QTY	DESCRIPTION	REV
74	2221036	1	Fitting, 90 JIC/ORB	
76	2221053	1	Fitting, Tee JIC/ORB/JIC	
77	2752519	1	Hose	
80	1001104423	3	Fitting, Straight JIC/ORB	
81	2220472	1	Fitting, 90 S JIC/ORB	
83	2220893	1	Fitting, Straight ORB/ORB	
84	1001155672	2	Hose	
85	1001155675	2	Hose	
86	1001155673	2	Hose	
87	1001155669	2	Hose	
88	1001155678	1	Hose	
89	1001155677	1	Hose	
90	80233041	1	Valve, Check	
91	1001155670	1	Hose	
92	1001155671	1	Hose	
93	2220490	2	Fitting, Tee JIC/JIC/JIC	
94	2220600	2	Fitting, Straight JIC/ORB	
96	2220657	1	Fitting, 45 JIC/FSJIC	
97	2220409	1	Fitting, 45 JIC/FSJIC	
98	2752995	1	Hose	
99	91143177	1	Fitting, Test	
100	2220386	1	Fitting, 90 JIC/FSJIC	
101	2220578	1	Fitting, 90 JIC/ORB	
200	1001269805	1	Hose Assembly - Turntable Kit	
201	2752506	1	Hose	
202	2752593	1	Hose	
203	2752985	1	Hose	
204	2753052	1	Hose	
300	1001269812	1	Hose Assembly - Turntable E/S Kit	
301	2753002	1	Hose	
302	2753390	1	Hose	
303	2754329	1	Hose	
304	2754330	1	Hose	
305	1001150714	1	Hose	
306	1001150715	2	Hose	
307	1001150718	1	Hose	
308	1001172535	1	Hose	
400	1001269807	1	Hose Assembly - T4F Turntable T/S Kit	
401	2751396	1	Hose	
402	2752453	1	Hose	
403	2752478	1	Hose	
404	2752484	1	Hose	
405	2752600	2	Hose	
406	2752656	1	Hose	
407	2752783	1	Hose	
408	2753132	1	Hose	
409	2753133	1	Hose	
410	1001150717	1	Hose	

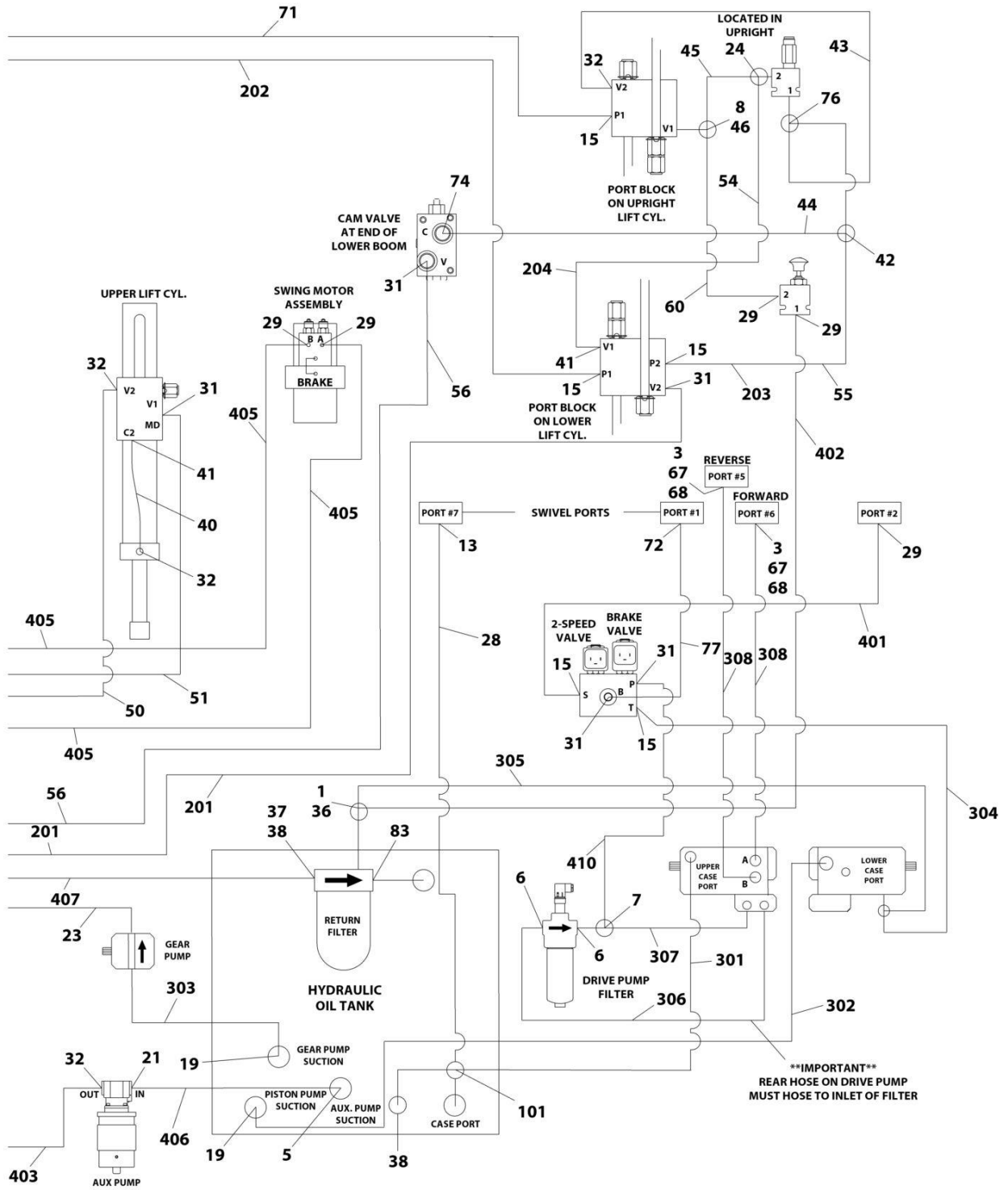
SECTION 7 - HYDRAULIC

FIGURE 7-11. HYDRAULIC DIAGRAM – STANDARD (FORD ENGINES)



ART_1001221613_10F2

SECTION 7 - HYDRAULIC



ART_1001221613_2OF2

SECTION 7 - HYDRAULIC

FIGURE 7-11. HYDRAULIC DIAGRAM – STANDARD (FORD ENGINES)

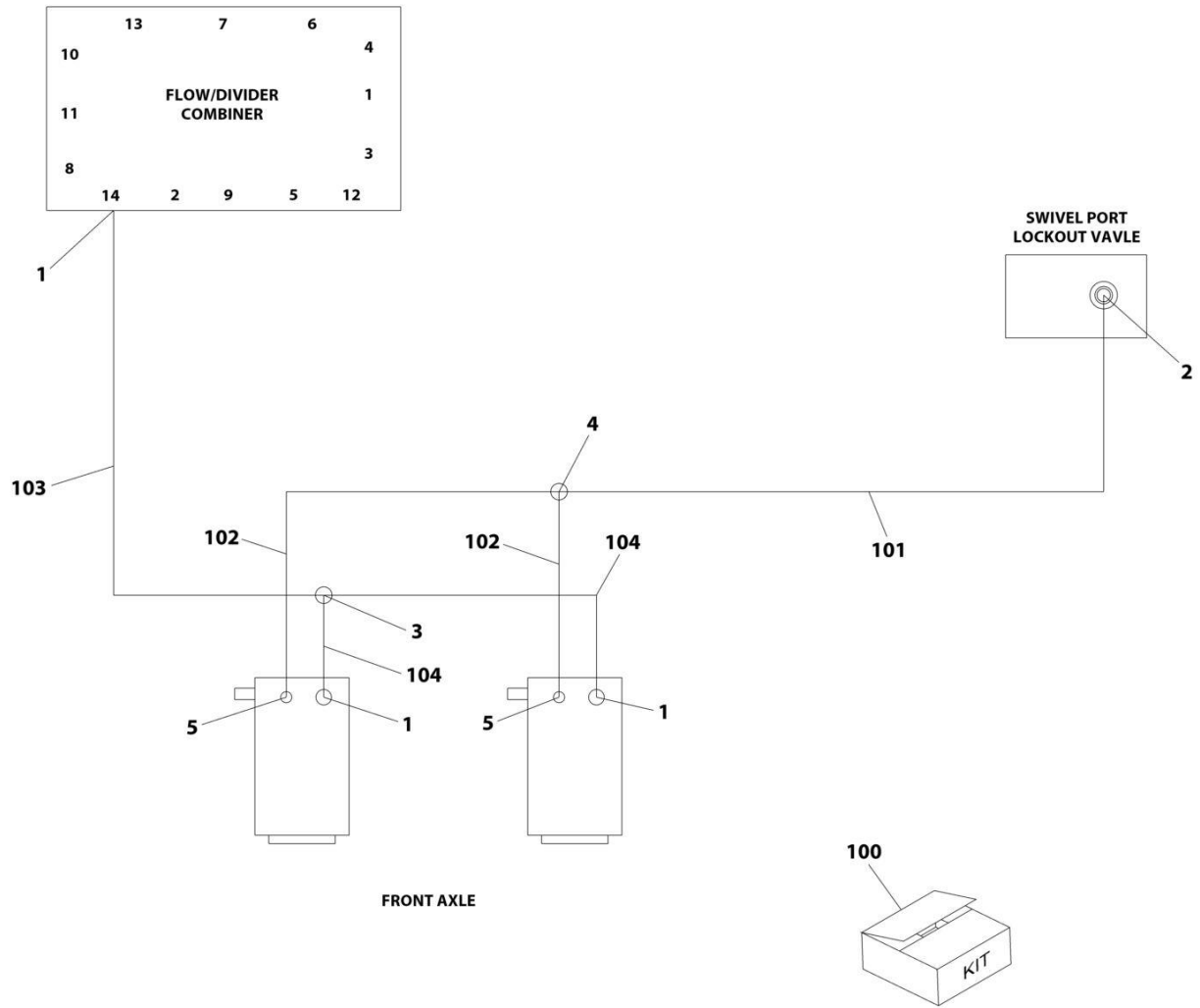
ITEM	PART NUMBER	QTY	DESCRIPTION	REV
	1001221613	Ref	HYDRAULIC DIAGRAM- STANDARD	E
1	2220605	1	Fitting, Tee JIC/FSJIC/JIC	
2	2220512	1	Fitting, Straight JIC/JIC	
3	2220377	2	Fitting, Straight JIC/ORB	
5	2220451	2	Fitting, Straight JIC/ORB	
6	2221042	2	Fitting, 90 JIC/ORB	
7	2220948	1	Fitting, Tee JIC/FSJIC/JIC	
8	2220618	1	Fitting, Straight JIC/FSJIC	
13	2220375	1	Fitting, Straight JIC/ORB	
14	1001161036	1	Hose	
15	2220466	7	Fitting, 90 JIC/ORB	
16	2220415	5	Fitting, Straight JIC/ORB	
19	2220379	2	Fitting, Straight JIC/ORB	
21	2220567	1	Fitting, 90 JIC/ORB	
23	2752929	1	Hose	
24	2220602	1	Fitting, Tee JIC/ORB/JIC	
28	2753968	1	Hose	
29	2220582	7	Fitting, Straight JIC/ORB	
31	2220596	5	Fitting, 90 JIC/ORB	
32	2220628	3	Fitting, 90 JIC/ORB	
33	2220381	3	Fitting, Straight JIC/ORB	
35	2220374	1	Fitting, Straight JIC/ORB	
36	2220574	1	Fitting, Straight JIC/NPTF	
37	2220921	1	Fitting, Straight FORB/ORB	
38	2220498	2	Fitting, 45 JIC/ORB	
41	2220372	4	Fitting, Straight JIC/ORB	
42	2221065	1	Fitting, Tee JIC/FSJIC/JIC	
43	2752462	1	Hose	
44	2753134	1	Hose	
45	2752497	1	Hose	
46	2220999	1	Fitting, Tee JIC/ORB/JIC	
47	2220500	1	Fitting, 45 JIC/ORB	
50	2753055	2	Hose	
51	2752939	2	Hose	
53	2220511	1	Fitting, Straight JIC/JIC	
54	2753056	1	Hose	
55	2752991	1	Hose	
56	2753135	1	Hose	
57	2220473	6	Fitting, 90 JIC/ORB	
60	2752990	1	Hose	
64	2220998	2	Fitting, Straight JIC/ORB	
65	2220603	6	Fitting, Straight JIC/ORB	
67	0100011	AR	Compound, Locking	
68	0100038	AR	Primer, Locking	
69	1703534	2	Decal - Hose Tags (Not Shown)	
70	1001161030	1	Hose	
71	2752987	1	Hose	
72	2220373	2	Fitting, Straight JIC/ORB	
73	2220947	1	Fitting, Straight JIC/ORB	
74	2221036	1	Fitting, 90 JIC/ORB	

SECTION 7 - HYDRAULIC

ITEM	PART NUMBER	QTY	DESCRIPTION	REV
76	2221053	1	Fitting, Tee JIC/ORB/JIC	
77	2752519	1	Hose	
80	1001104423	3	Fitting, Straight JIC/ORB	
83	2220893	1	Fitting, Straight ORB/ORB	
84	1001155672	2	Hose	
85	1001155675	2	Hose	
86	1001155673	2	Hose	
87	1001155669	2	Hose	
88	1001155678	1	Hose	
89	1001155677	1	Hose	
90	80233041	1	Valve, Check	
91	1001155670	1	Hose	
92	1001155671	1	Hose	
93	2220490	2	Fitting, Tee JIC/JIC/JIC	
94	2220600	2	Fitting, Straight JIC/ORB	
96	2220657	1	Fitting, 45 JIC/FSJIC	
97	2220409	1	Fitting, 45 JIC/FSJIC	
98	2752995	1	Hose	
99	91143177	1	Fitting, Test	
100	2220386	1	Fitting, 90 JIC/FSJIC	
101	2220578	1	Fitting, 90 JIC/ORB	
200	1001269805	1	Hose Assembly - Turntable Kit	
201	2752506	1	Hose	
202	2752593	1	Hose	
203	2752985	1	Hose	
204	2753052	1	Hose	
300	1001269806	1	Hose Assembly - Turntable E/S Kit	
301	2751362	1	Hose	
302	2752723	1	Hose	
303	2752724	1	Hose	
304	2753000	1	Hose	
305	2753390	1	Hose	
306	2754329	1	Hose	
307	2754330	1	Hose	
308	1001150715	2	Hose	
400	1001269807	1	Hose Assembly - Turntable T/S Kit	
401	2751396	1	Hose	
402	2752453	1	Hose	
403	2752478	1	Hose	
404	2752484	1	Hose	
405	2752600	2	Hose	
406	2752656	1	Hose	
407	2752783	1	Hose	
408	2753132	1	Hose	
409	2753133	1	Hose	
410	1001150717	1	Hose	

SECTION 7 - HYDRAULIC

FIGURE 7-12. HYDRAULIC DIAGRAM - OSCILLATING AXLE (7FT/2.1M WIDE MACHINES)



ART_2792690

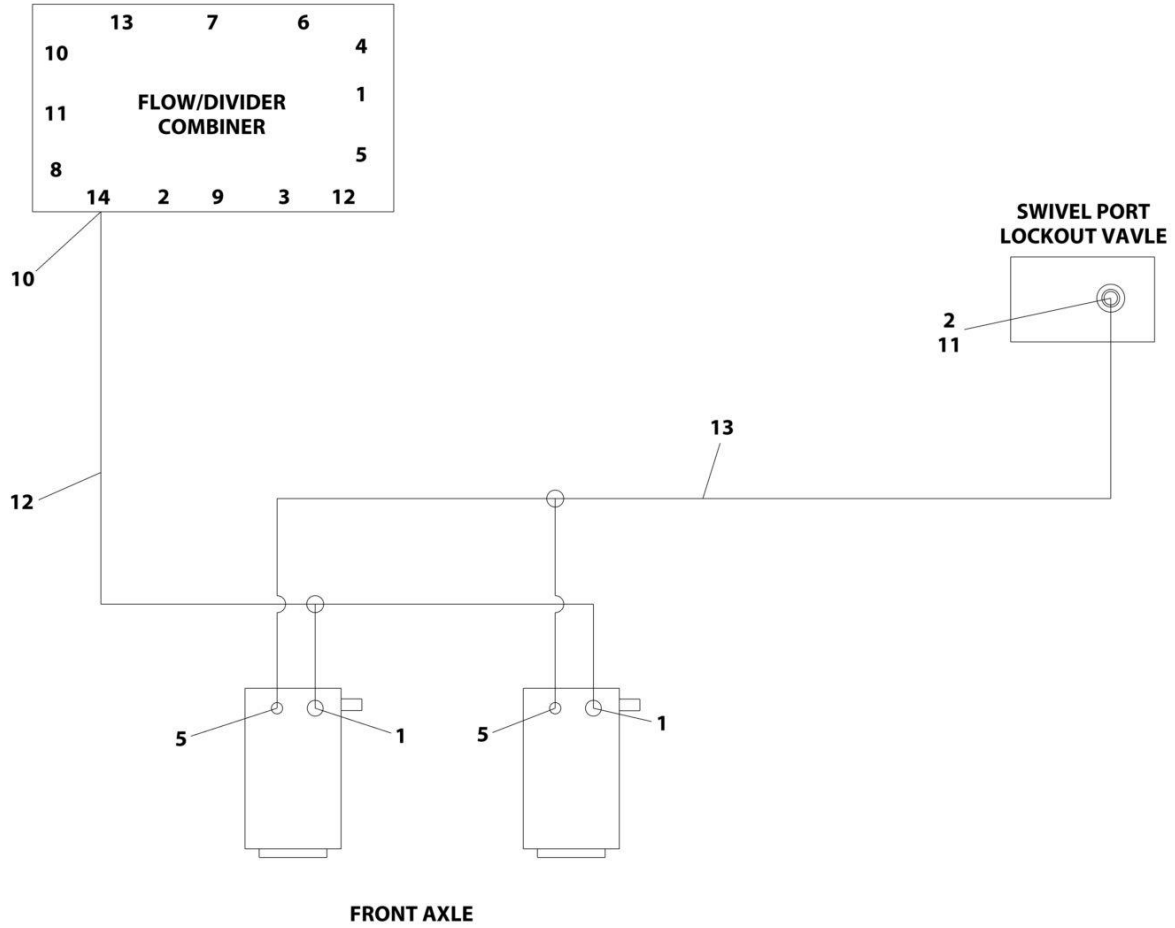
SECTION 7 - HYDRAULIC

FIGURE 7-12. HYDRAULIC DIAGRAM - OSCILLATING AXLE (7FT/2.1M WIDE MACHINES)

ITEM	PART NUMBER	QTY	DESCRIPTION	REV
	2792690	Ref	AXLE LOCKOUT DIAGRAM - OSCILLATING AXLE	B
1	2220371	3	Fitting, Straight JIC/ORB	
2	2220468	1	Fitting, Straight JIC/ORB	
3	2220490	1	Fitting, Tee JIC/JIC/JIC	
4	2220504	1	Fitting, Tee JIC/JIC/JIC	
5	2220415	2	Fitting, Straight JIC/ORB	
100	1001284737	1	Hose Kit (Includes Items 101-104)	
101	2751410	1	Hose	
102	2751434	2	Hose	
103	2752462	1	Hose	
104	2753933	2	Hose	

SECTION 7 - HYDRAULIC

FIGURE 7-13. HYDRAULIC DIAGRAM - OSCILLATING AXLE (8FT/2.4M WIDE MACHINES)



ART_1001151349

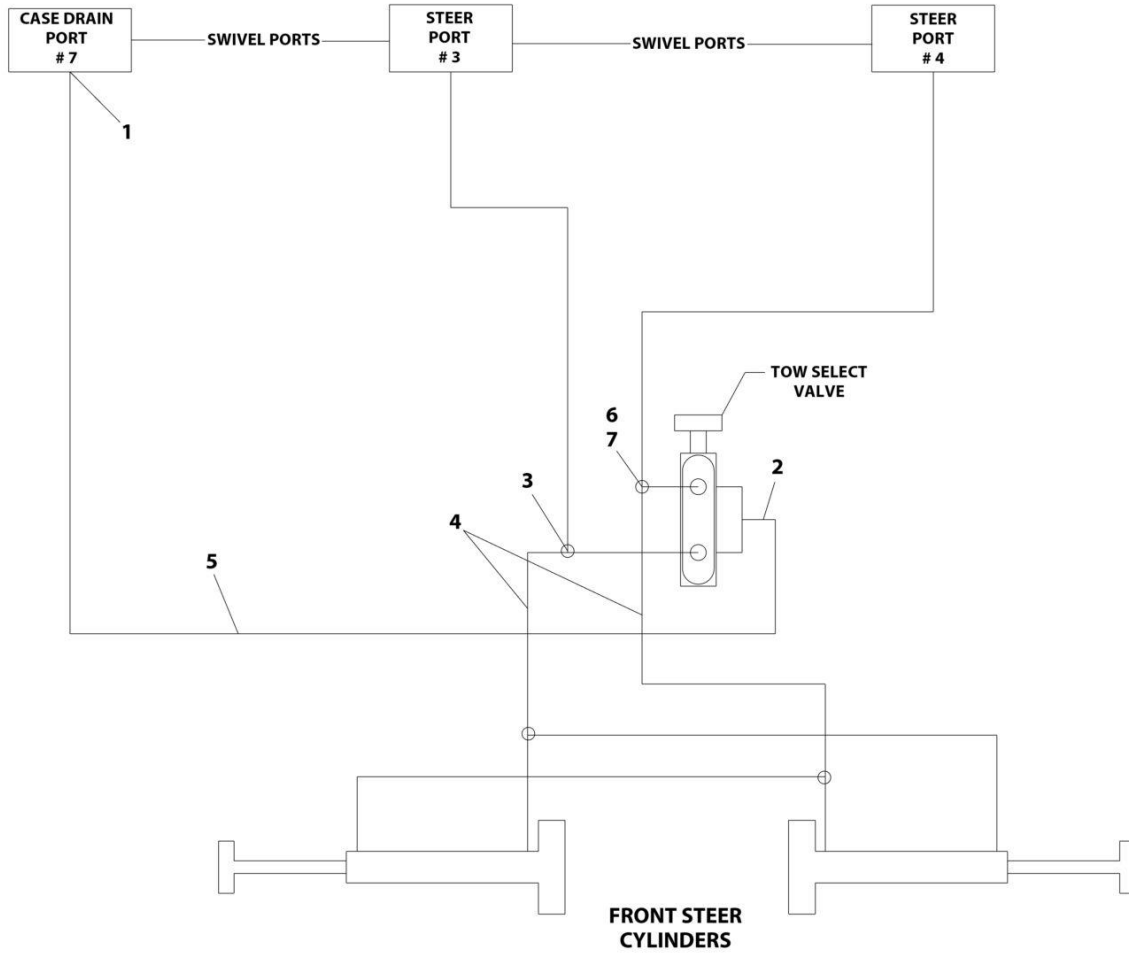
SECTION 7 - HYDRAULIC

FIGURE 7-13. HYDRAULIC DIAGRAM - OSCILLATING AXLE (8FT/2.4M WIDE MACHINES)

ITEM	PART NUMBER	QTY	DESCRIPTION	REV
	1001151349	Ref	AXLE LOCKOUT DIAGRAM - OSCILLATING AXLE	C
1	2220371	2	Fitting, Straight JIC/ORB	
2	2220468	1	Fitting, Straight JIC/ORB	
5	2220415	2	Fitting, Straight JIC/ORB	
10	2220473	1	Fitting, 90 JIC/ORB	
11	2220654	1	Fitting, 90 JIC/FSJIC	
12	1001188890	1	Hose	
13	1001188891	1	Hose	

SECTION 7 - HYDRAULIC

FIGURE 7-14. HYDRAULIC DIAGRAM – TOW BAR



ART_2792630

SECTION 7 - HYDRAULIC

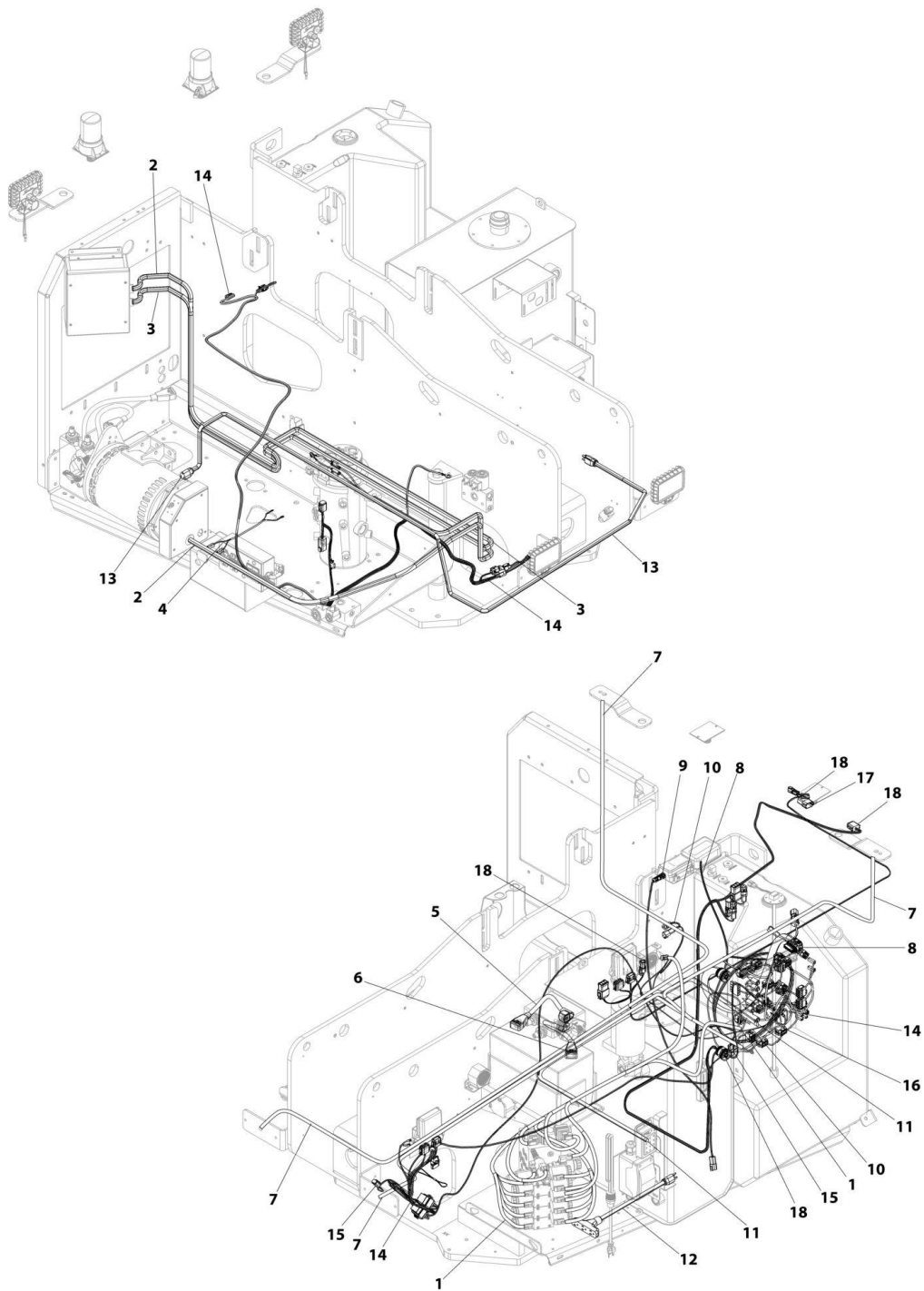
FIGURE 7-14. HYDRAULIC DIAGRAM – TOW BAR

ITEM	PART NUMBER	QTY	DESCRIPTION	REV
	2792630	Ref	TOW BAR DIAGRAM	C
1	2220473	1	Fitting, 90 JIC/ORB	
2	2220628	1	Fitting, 90 JIC/ORB	
3	2221053	1	Fitting, Tee JIC/ORB/JIC	
4	1001113790	2	Hose	
5	1001113818	1	Hose	
6	2220372	1	Fitting, Straight JIC/ORB	
7	2220635	1	Fitting, Tee JIC/FSJIC/JIC	

SECTION 8 - ELECTRICAL

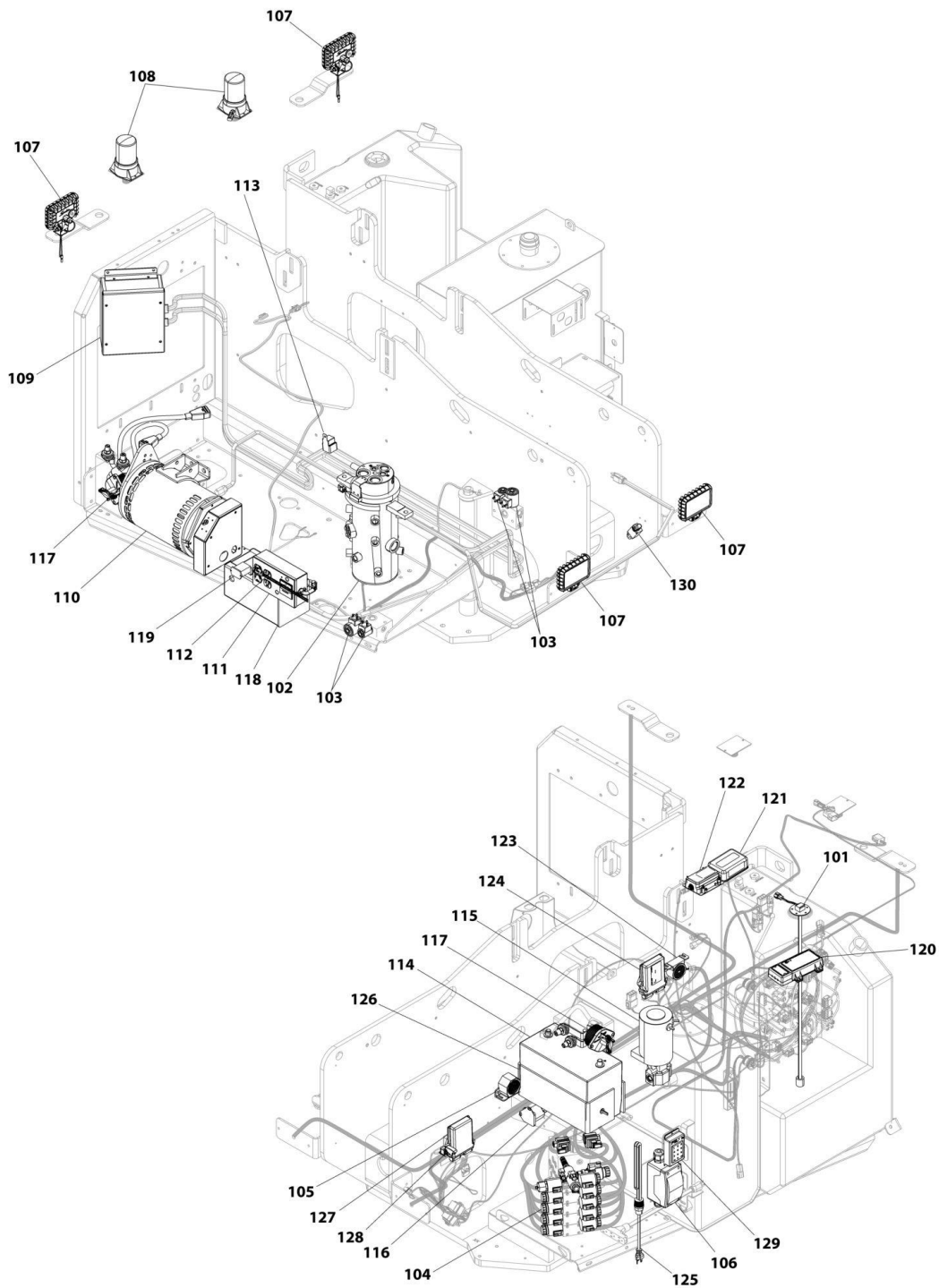
SECTION 8 - ELECTRICAL

FIGURE 8-1. 600AJ ELECTRICAL LAYOUT



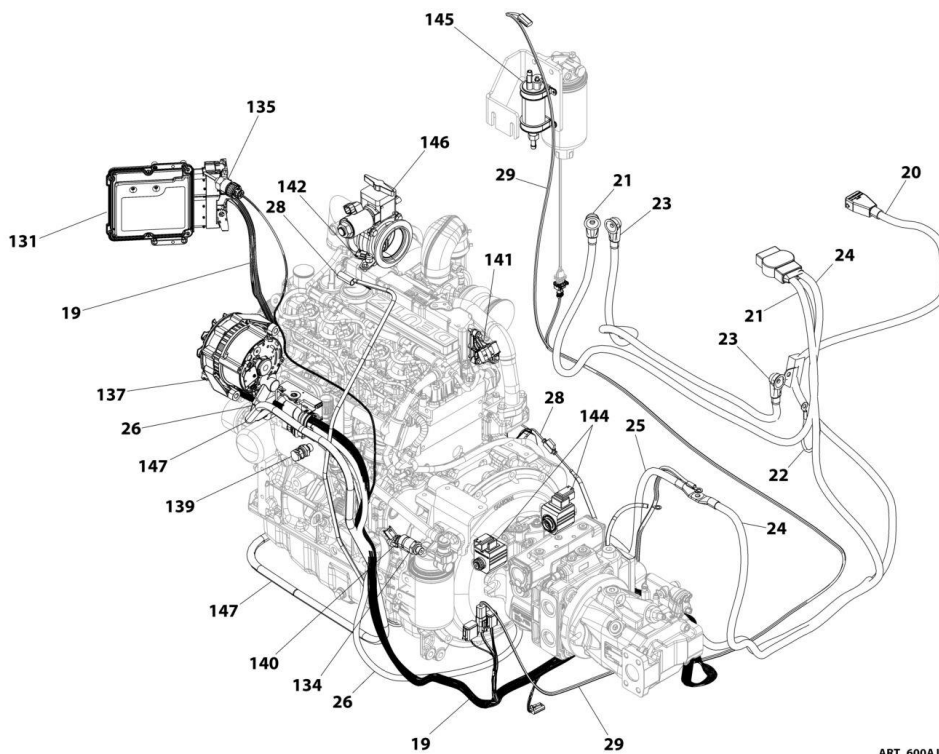
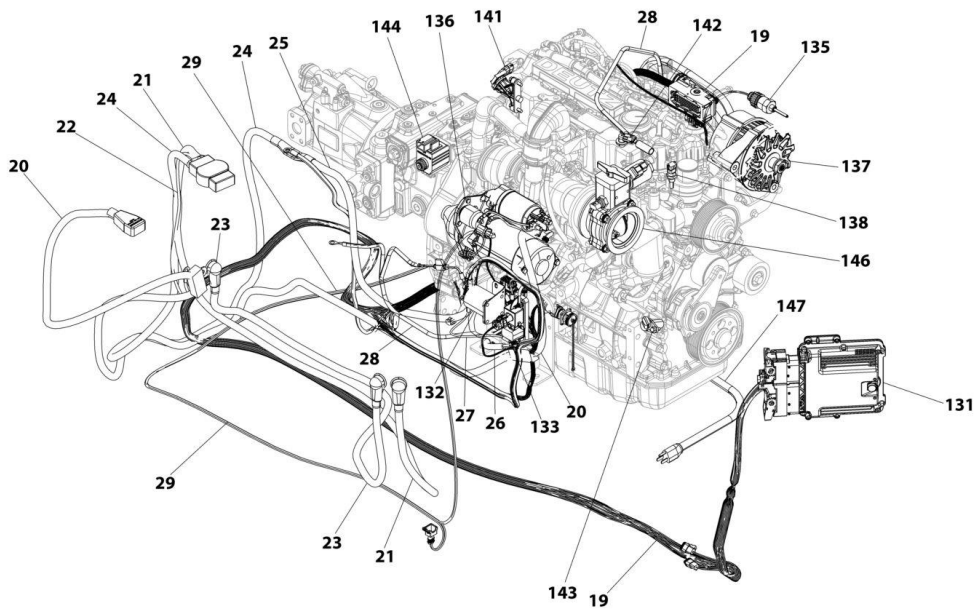
ART_600AJ-ELECTRICAL_TURNTABLE-HARNESS

SECTION 8 - ELECTRICAL



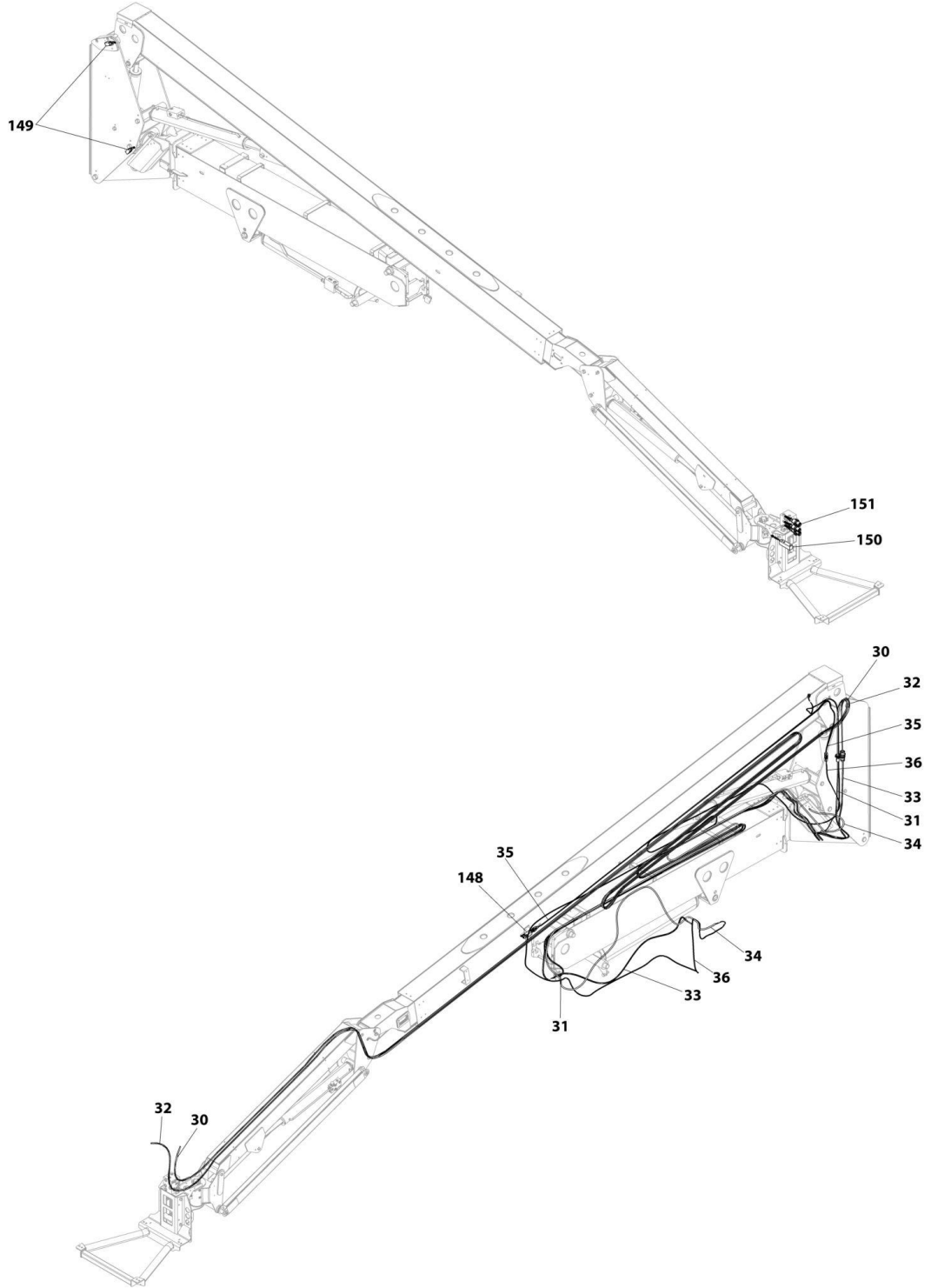
ART_600AJ-ELECTRICAL_TURNTABLE-COMPONENT

SECTION 8 - ELECTRICAL



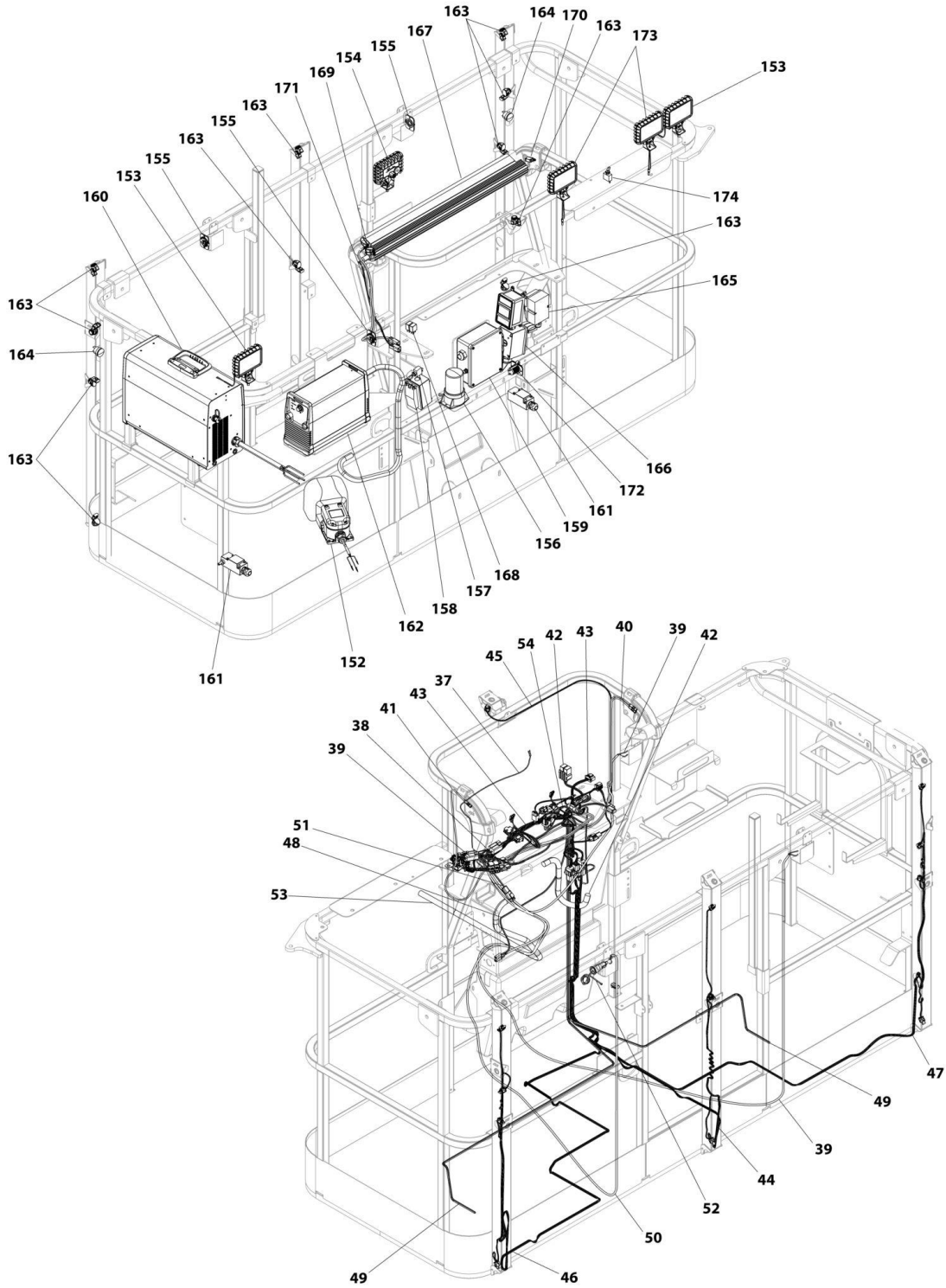
ART_600AJ-ELECTRICAL_ENGINE_DEUTZ-2.9L4

SECTION 8 - ELECTRICAL



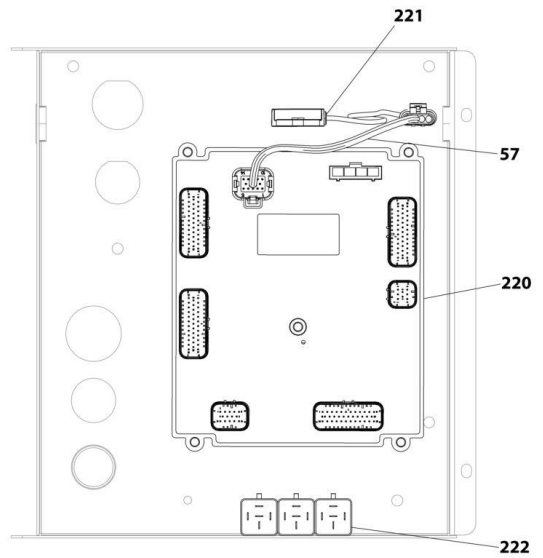
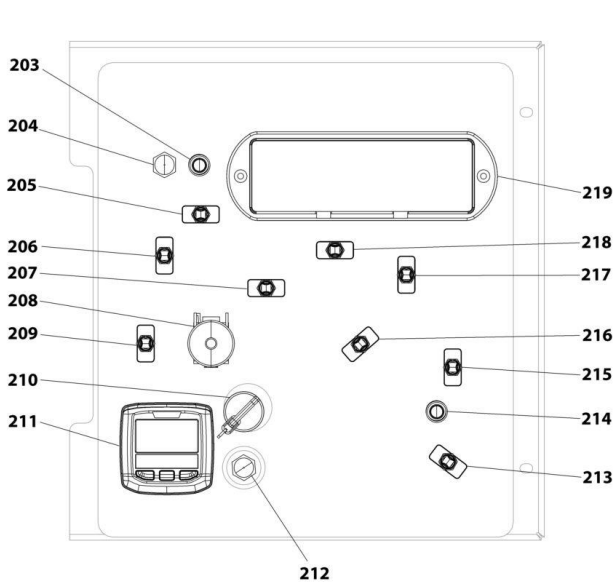
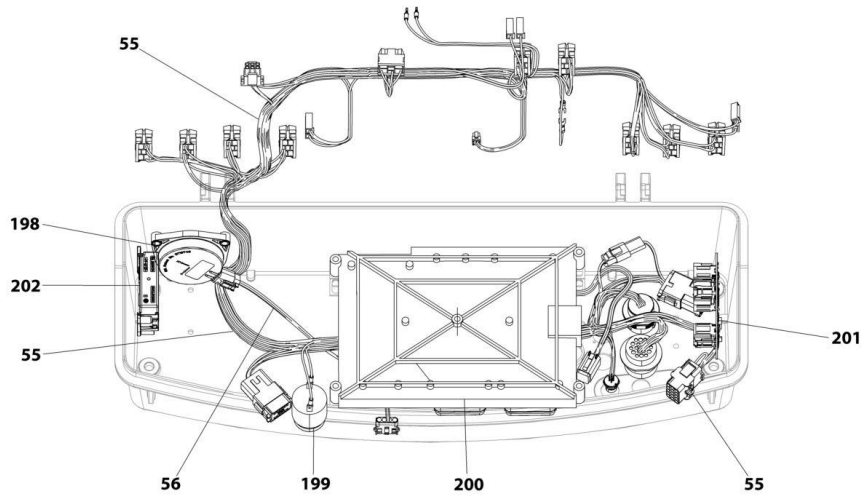
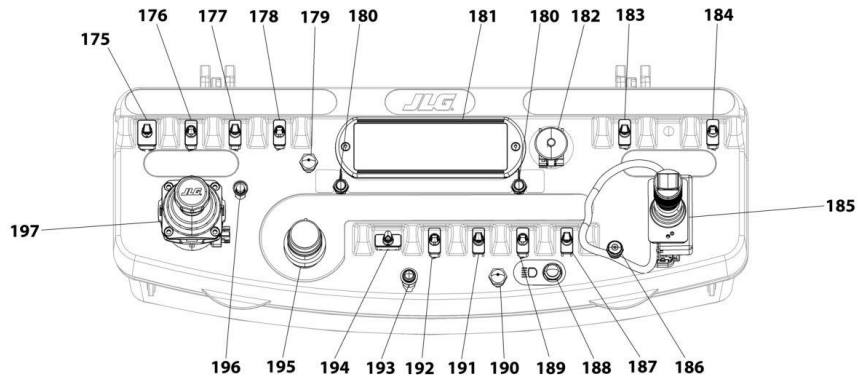
ART_600AJ-ELECTRICAL_BOOM

SECTION 8 - ELECTRICAL



ART_600AJ-ELECTRICAL_PLATFORM

SECTION 8 - ELECTRICAL



ART_600AJ-ELECTRICAL_CONTROLS

SECTION 8 - ELECTRICAL

FIGURE 8-1. 600AJ ELECTRICAL LAYOUT

ITEM	PART NUMBER	QTY	DESCRIPTION	REV
		Ref	Note: This figure is for identifying part location only. Not all machine configurations/options shown.	
		Ref	HARNESS LIST	
1		Ref	Harness, Main Valve	
2		Ref	Harness, Generator to Control Box	
3		Ref	Harness, Generator Control Box to Engine	
4		Ref	Harness, Hourmeter	
5		Ref	Cable, Battery (+) to Disconnect	
6		Ref	Cable, Battery (-) to Disconnect	
7		Ref	Harness, Head and Tail Light	
8		Ref	Harness, Clearsky	
9		Ref	Harness, Xirgo Jumper	
10		Ref	Harness, White Noise Alarm	
11		Ref	Harness, Security Lock	
12		Ref	3-Way Plug	
13		Ref	Cable, Extension	
14		Ref	Harness, ASOV	
15		Ref	Harness, Tower Stow	
16		Ref	Harness, Ground Control	
17		Ref	Harness, Strobe Light Jumper	
18		Ref	Harness, Strobe Light Control	
19		Ref	Harness, Engine	
20		Ref	Cable, Battery (+) to Starter	
21		Ref	Cable, Battery (-) to Aux Pump	
22		Ref	Cable, Battery (-) to Relay	
23		Ref	Cable, Aux Pump to Relay	
24		Ref	Cable, Battery (-) to Ground	
25		Ref	Cable, Engine Ground	
26		Ref	Harness, Alternator Power	
27		Ref	Harness, Glow Plug Fuse	
28		Ref	Heater, Breather	
29		Ref	Harness, Fuel Pump	
30		Ref	Cable, AC Ground to Platform (Upper)	
31		Ref	Cable, AC Ground to Platform (Lower)	
32		Ref	Cable, Boom (Upper)	
33		Ref	Cable, Boom (Lower)	
34		Ref	Harness, Tilt Sensor	
35		Ref	Harness, Proximity Sensor (Upper)	
36		Ref	Harness, Proximity Sensor (Lower)	
37		Ref	Harness, Platform Strobe Light	
38		Ref	Harness, SkyGuard	
39		Ref	Harness, SkyEye Intermediate	
40		Ref	Harness, SkyEye Receiver	
41		Ref	Harness, SkyEye Emitter	
42		Ref	Harness, SkyLine	
43		Ref	Harness, SkySense Main	
44		Ref	Harness, SkySense Mid Tube	
45		Ref	Harness SkySense Overhead Sensor	
46		Ref	Harness, SkySense Left Tube	
47		Ref	Harness, SkySense Right Tube	

SECTION 8 - ELECTRICAL

ITEM	PART NUMBER	QTY	DESCRIPTION	REV
48		Ref	Harness, USB	
49		Ref	Cable, Soft Touch	
50		Ref	Harness, Portable Work Light	
51		Ref	Harness, Portable Light Power	
52		Ref	Harness, Portable Work Light Extension	
53		Ref	Harness, Platform Valve	
54		Ref	Harness, Platform Work Light	
55		Ref	Harness, Platform Console	
56		Ref	Harness, Tilt Sensor	
57		Ref	Harness, Tilt Sensor	
		Ref	COMPONENT LIST	
101		Ref	Sensor, Fuel Level	
102		Ref	Rotary Coupling	
103		Ref	Solenoids, Axle Valve	
104		Ref	Solenoids, Main Control Valve	
105		Ref	Alarm	
106		Ref	AC Breaker Box	
107		Ref	Road Lights	
108		Ref	Light, Strobe	
109		Ref	Box, Generator Control	
110		Ref	Generator	
111		Ref	Generator Junction Box	
112		Ref	Light, Generator	
113		Ref	Relay	
114		Ref	Battery	
115		Ref	Auxiliary Pump/Motor	
116		Ref	Relay	
117		Ref	Switch, Battery Disconnect	
118		Ref	Transformer, Cold Weather	
119		Ref	Generator Hourmeter	
120		Ref	Module, ClearSky Telematics CANBUS	
121		Ref	Antenna, ClearSky Telematics	
122		Ref	Module, ClearSky Telematics 3-Wire	
123		Ref	Alarm, White Noise	
124		Ref	Module, Strobe Control	
125		Ref	Heater, Immersion	
126		Ref	Heater, Battery	
127		Ref	Module, ASOV Control	
128		Ref	Switch, ASOV	
129		Ref	Lock, Programmable	
130		Ref	Sensor, Tower Stow	
131		Ref	Module, Engine Control	
132		Ref	Relay	
133		Ref	Relay	
134		Ref	Sensor, Pressure	
135		Ref	Sensor, Coolant Level	
136		Ref	Starter	
137		Ref	Alternator	
138		Ref	Sensor, Engine Coolant Temperature	
139		Ref	Sensor, Pressure	
140		Ref	Sensor, Speed	

SECTION 8 - ELECTRICAL

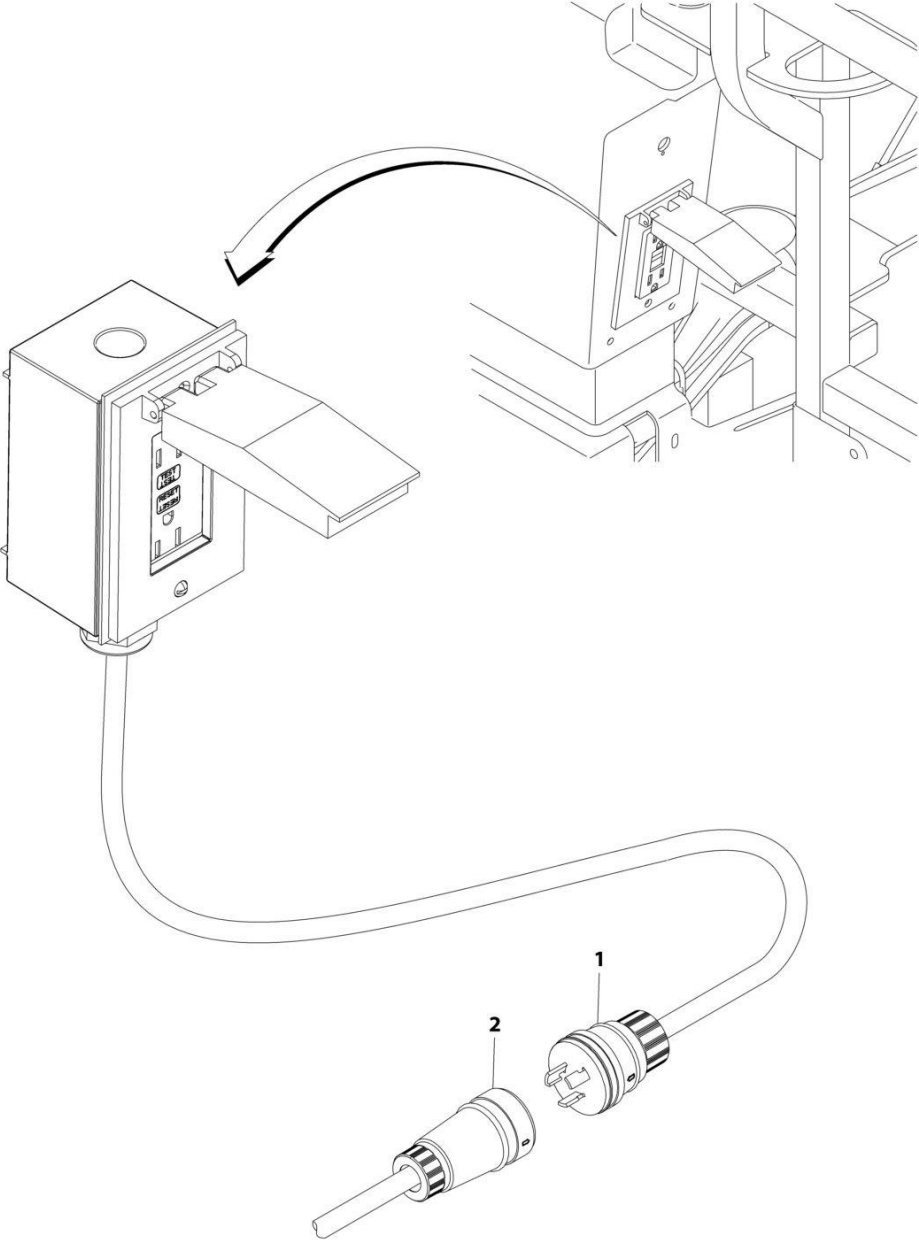
ITEM	PART NUMBER	QTY	DESCRIPTION	REV
141		Ref	Sensor, Oil Pressure	
142		Ref	Sensor, Temperature	
143		Ref	Sensor, Speed	
144		Ref	Solenoids, Hydrostatic Pump	
145		Ref	Fuel Pump	
146		Ref	Air Shut Off Valve (ASOV)	
147		Ref	Heater, Engine Block	
148		Ref	Sensor, Transport Position	
149		Ref	Sensor, Proximity	
150		Ref	Cell, Load Sensing	
151		Ref	Solenoids, Platform Valve	
152		Ref	Footswitch	
153		Ref	Platform Work Light	
154		Ref	Portable Work Light	
155		Ref	AC Receptacle	
156		Ref	Light, Platform Strobe	
157		Ref	Switch, Generator	
158		Ref	AC Receptacle	
159		Ref	Junction Box	
160		Ref	Welding Machine	
161		Ref	Switch, Soft Touch Limit	
162		Ref	Plasma Cutter	
163		Ref	Sensor, SkySense	
164		Ref	Alarm	
165		Ref	AC Receptacle	
166		Ref	AC Receptacle/Breaker Box	
167		Ref	Switch, SkyGuard	
168		Ref	Relay	
169		Ref	Sensor, SkyEye Receiver	
170		Ref	Sensor, SkyEye Emitter	
171		Ref	Sensor, SkyLine Proximity	
172		Ref	USB Receptacle	
173		Ref	Platform Flood Light	
174		Ref	Switch, Platform Flood Light	
175		Ref	Switch, Drive Speed/ Torque Select	
176		Ref	Switch, Steer Select	
177		Ref	Switch, Platform Leveling Override	
178		Ref	Switch, Fuel Select	
179		Ref	Switch, Horn	
180		Ref	Light, SkySense Indicator	
181		Ref	Display, Platform	
182		Ref	Switch, Emergency Stop	
183		Ref	Switch, Start/Auxilliary Power	
184		Ref	Switch, Drive Orientation Override	
185		Ref	Controller, Drive/Steer	
186		Ref	Switch, SkySense	
187		Ref	Switch, Boom Telescope	
188		Ref	Switch, Lights	
189		Ref	Switch, Jib Up/Down	
190		Ref	Switch, Soft Touch/SkyGuard/SkySense Override	
191		Ref	Switch, Tower Telescope	

SECTION 8 - ELECTRICAL

ITEM	PART NUMBER	QTY	DESCRIPTION	REV
192		Ref	Switch, Tower Lift	
193		Ref	Light, Soft Touch/SkyGuard/SkySense Indicator	
194		Ref	Switch, Platform Rotate	
195		Ref	Switch, Function Speed Control	
196		Ref	Light, Boom Stow Indicator	
197		Ref	Controller, Main Lift/Swing	
198		Ref	Sensor, Tilt	
199		Ref	Alarm	
200		Ref	Module, Platform	
201		Ref	Module, SkySense Control	
202		Ref	Module, SkySense Sensor	
203		Ref	Light, ASOV Indicator	
204		Ref	Switch, Diesel Particulate Filter (DPF)	
205		Ref	Switch, Platform Rotate	
206		Ref	Switch, Platform Leveling Override	
207		Ref	Switch, Jib Up/Down	
208		Ref	Switch, Emergency Stop	
209		Ref	Switch, Engine Start/ Auxiliary Power	
210		Ref	Switch, Key	
211		Ref	Display, Ground	
212		Ref	Switch, Machine Safety System Override (MSSO)	
213		Ref	Switch, Turntable Swing	
214		Ref	Light, Boom Stow/ASOV Indicator	
215		Ref	Switch, Tower Lift	
216		Ref	Switch, Tower Telescope	
217		Ref	Switch, Boom Lift	
218		Ref	Switch, Boom Telescope	
219		Ref	Indicator Panel	
220		Ref	Module, Ground Control	
221		Ref	Sensor, Tilt	
222		Ref	Relay	

SECTION 8 - ELECTRICAL

**FIGURE 8-2. AC CABLE CONNECTOR INSTALLATION - 110V/220V (MACHINES NO GENERATOR)
(ANSI EXPORT, AUSTRALIAN, CHINA, RUSSIA, CE & UK CA SPECS)**



ART_1001213655

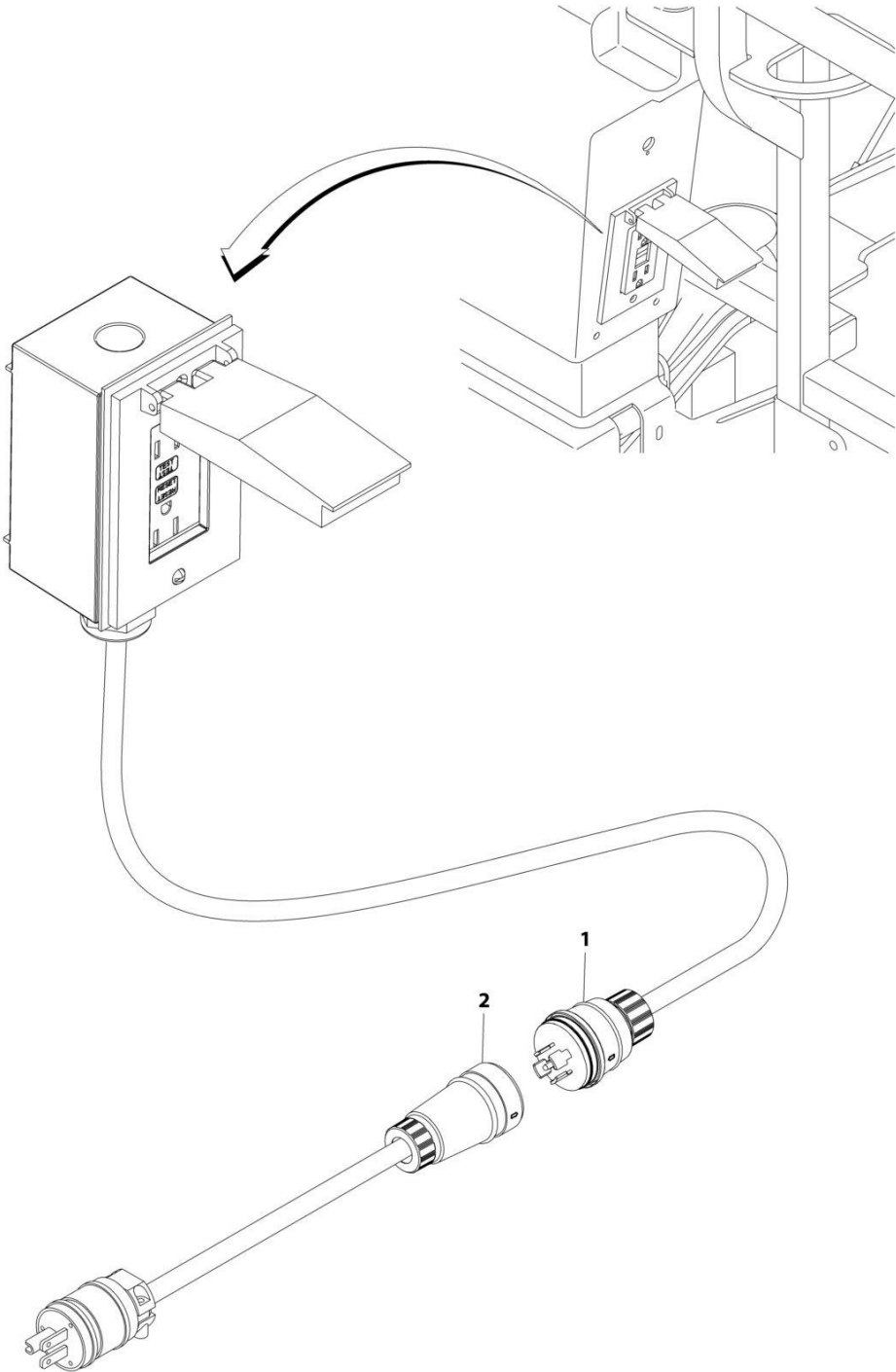
SECTION 8 - ELECTRICAL

**FIGURE 8-2. AC CABLE CONNECTOR INSTALLATION - 110V/220V (MACHINES NO GENERATOR)
(ANSI EXPORT, AUSTRALIAN, CHINA, RUSSIA, CE & UK CA SPECS)**

ITEM	PART NUMBER	QTY	DESCRIPTION	REV
	1001213655	Ref	AC CABLE INSTALLATION - 110V/220V	A
1	1001214095	1	Plug, Male	
2	1001214096	1	Plug, Female	

SECTION 8 - ELECTRICAL

**FIGURE 8-3. AC CABLE CONNECTOR INSTALLATION – SKYPOWER (MACHINES NO GENERATOR)
(ALL SPECS EXCEPT CE & UK CA SPECS)**



ART_0272433

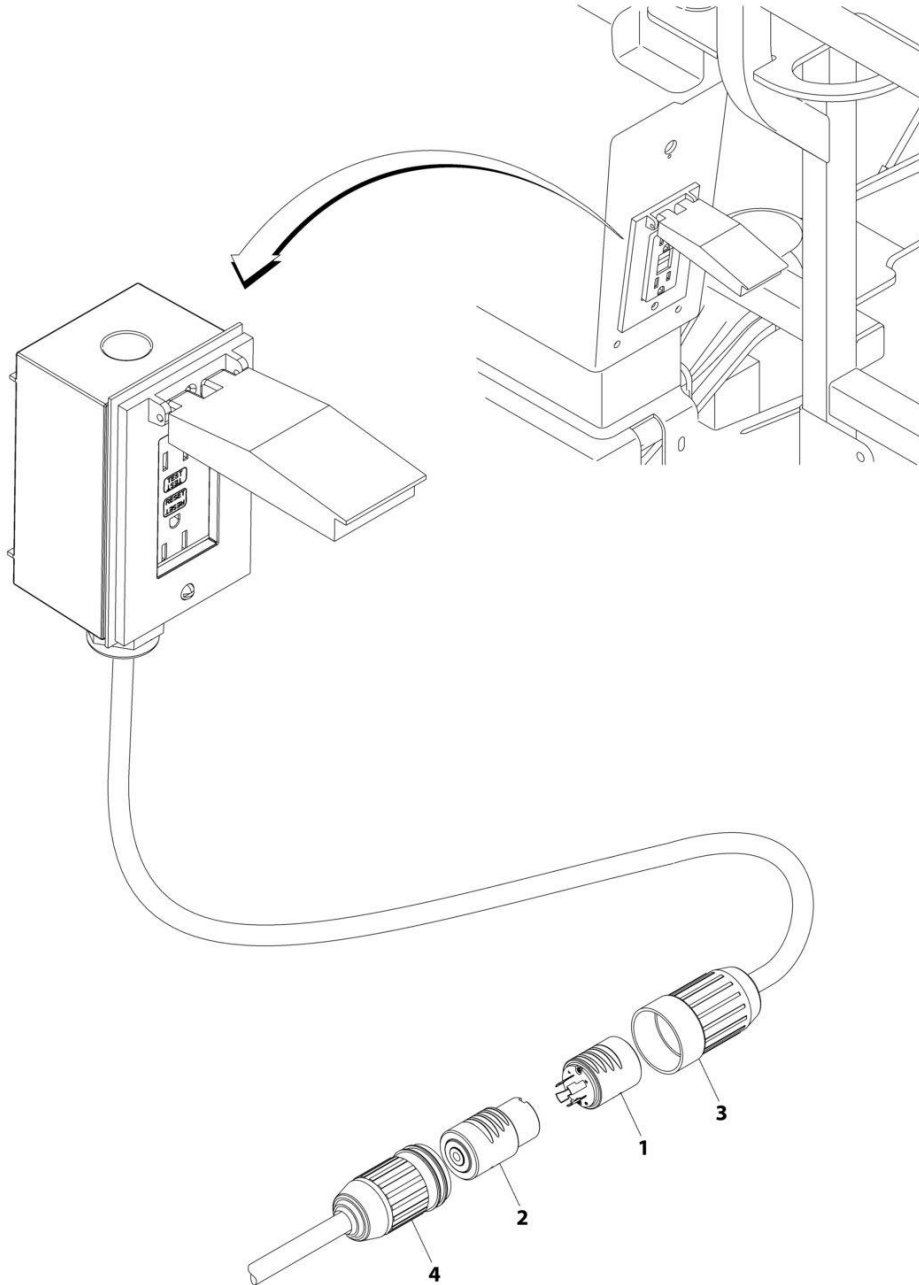
SECTION 8 - ELECTRICAL

**FIGURE 8-3. AC CABLE CONNECTOR INSTALLATION – SKYPOWER (MACHINES NO GENERATOR)
(ALL SPECS EXCEPT CE & UK CA SPECS)**

ITEM	PART NUMBER	QTY	DESCRIPTION	REV
	0272433	Ref	AC CABLE INSTALLATION - 110V/220V	D
1	1001218622	1	Plug, Male	
2	1001218623	1	Plug, Female	

SECTION 8 - ELECTRICAL

FIGURE 8-4. AC CABLE CONNECTOR INSTALLATION – 4000W GENERATOR (MACHINES NO GENERATOR) (ALL SPECS EXCEPT AUSTRALIAN, RUSSIA, CE & UK CA SPECS)



ART_1001160272

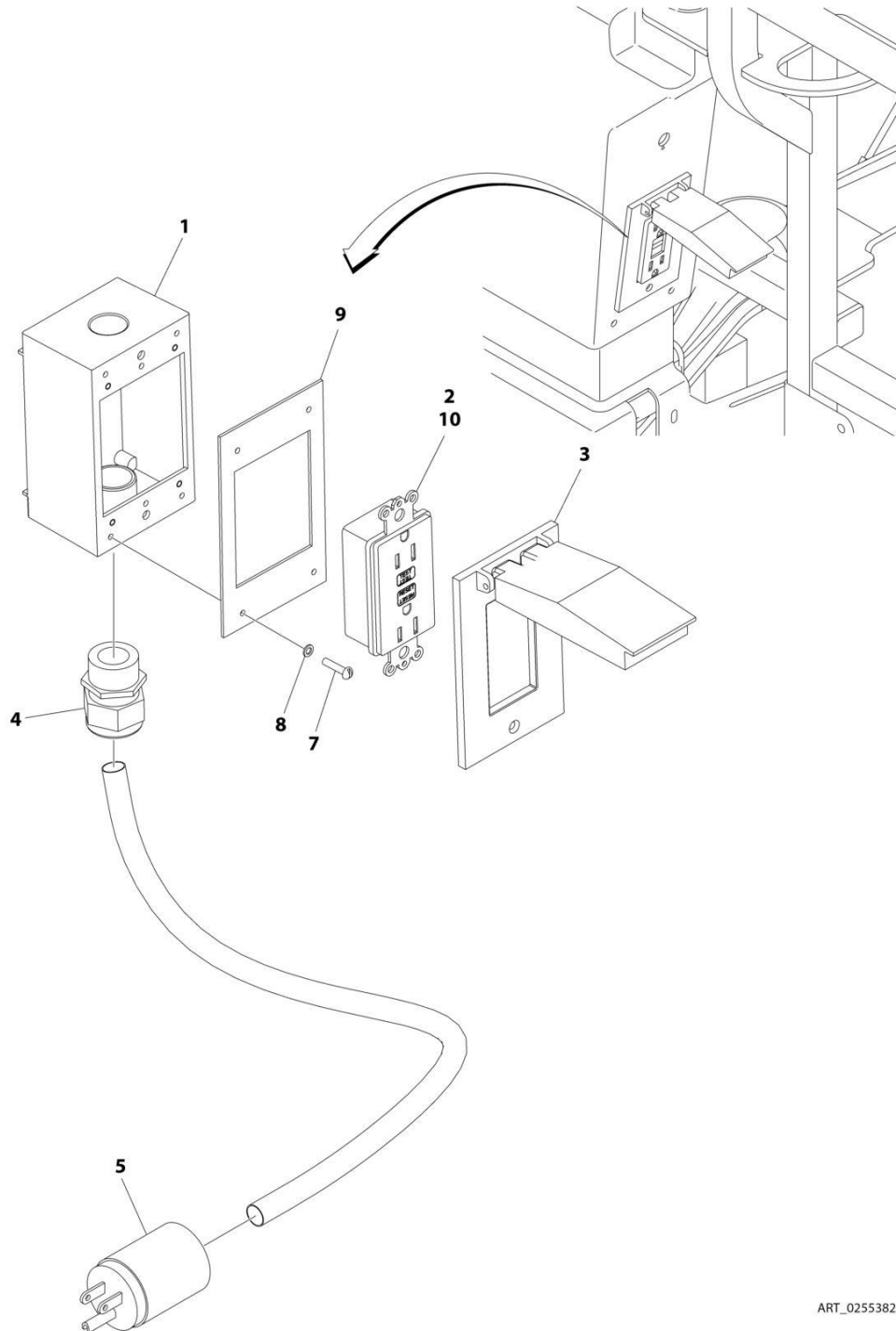
SECTION 8 - ELECTRICAL

FIGURE 8-4. AC CABLE CONNECTOR INSTALLATION – 4000W GENERATOR (MACHINES NO GENERATOR) (ALL SPECS EXCEPT AUSTRALIAN, RUSSIA, CE & UK CA SPECS)

ITEM	PART NUMBER	QTY	DESCRIPTION	REV
	1001160272	Ref	AC CABLE CONNECTOR INSTALLATION – 4000W GENERATOR	A
1	4460962	1	Plug, Male	
2	4460963	1	Connector	
3	1671092	1	Cover	
4	1671093	1	Plug	

SECTION 8 - ELECTRICAL

FIGURE 8-5. AC BOX AT PLATFORM INSTALLATION - 110V GFI RECEPTACLE (MACHINES WITH 2500W GENERATOR/NO GENERATOR OPTIONS) (ALL SPECS EXCEPT AUSTRALIAN, RUSSIA, CE & UK CA SPECS)



ART_0255382

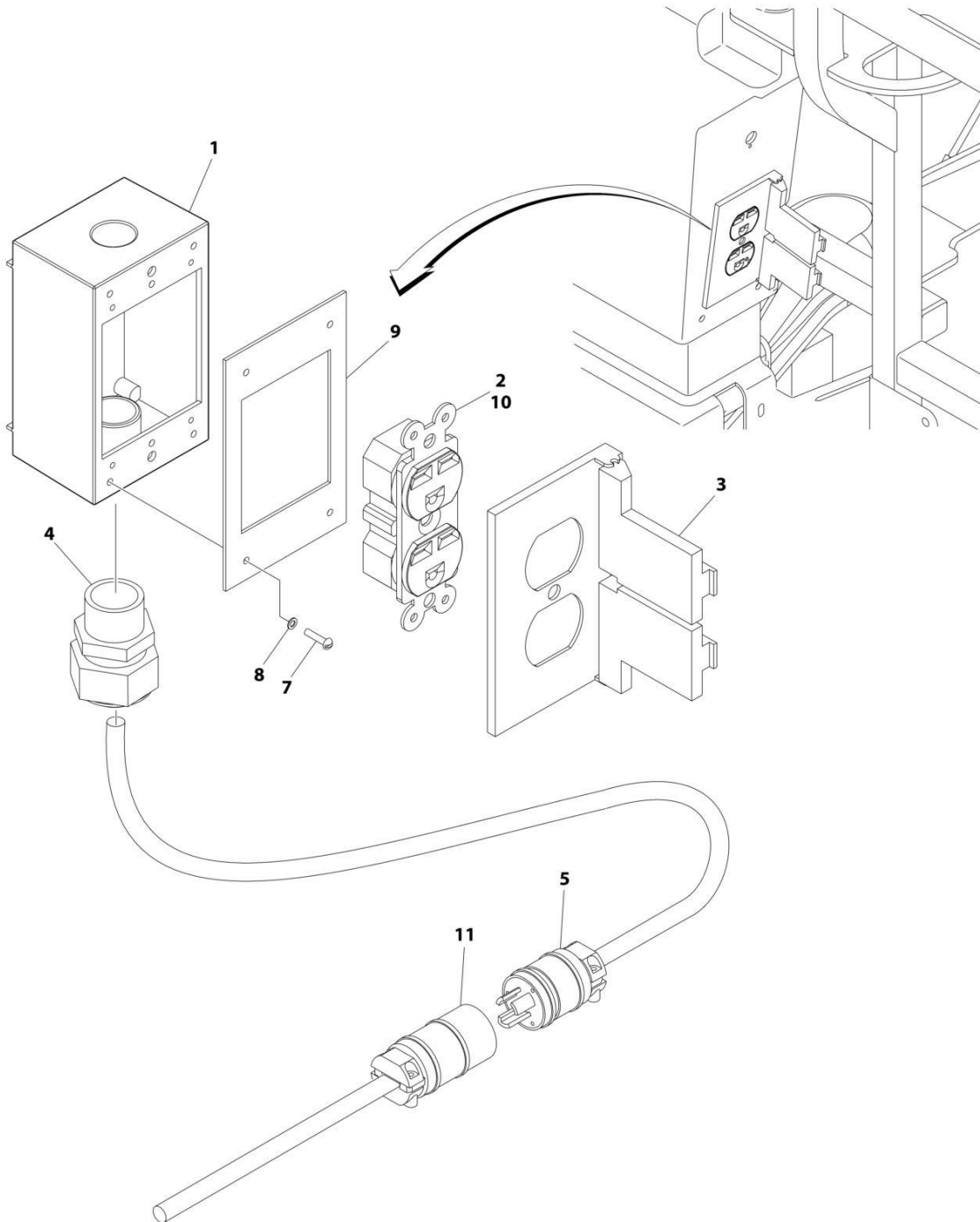
SECTION 8 - ELECTRICAL

FIGURE 8-5. AC BOX AT PLATFORM INSTALLATION - 110V GFI RECEPTACLE (MACHINES WITH 2500W GENERATOR/NO GENERATOR OPTIONS) (ALL SPECS EXCEPT AUSTRALIAN, RUSSIA, CE & UK CA SPECS)

ITEM	PART NUMBER	QTY	DESCRIPTION	REV
	0255382	Ref	AC BOX AT PLATFORM INSTALLATION - 110V	C
1	0860038	1	Box, Switch	
2	4460346	1	Receptacle	
3	1001110873	1	Shield, Cover	
4	4460071	1	Connector, Strain Relief	
5	1001227309	1	Plug, Male	
7	3910610	4	Screw #6 x 5/8	
8	4760600	4	Washer #6	
9	3960422	1	Gasket	
10	4460315	1	Terminal, Spade	
18	4460205	1	Plug, Male (Not Shown - Located at turntable base)	

SECTION 8 - ELECTRICAL

FIGURE 8-6. AC BOX AT PLATFORM INSTALLATION - 220V RECEPTACLE (MACHINES WITH 2500W GENERATOR/NO GENERATOR OPTIONS) (ANSI, ANSI EXPORT, CSA, CHINA AND JAPANESE SPECS)



ART_0257176

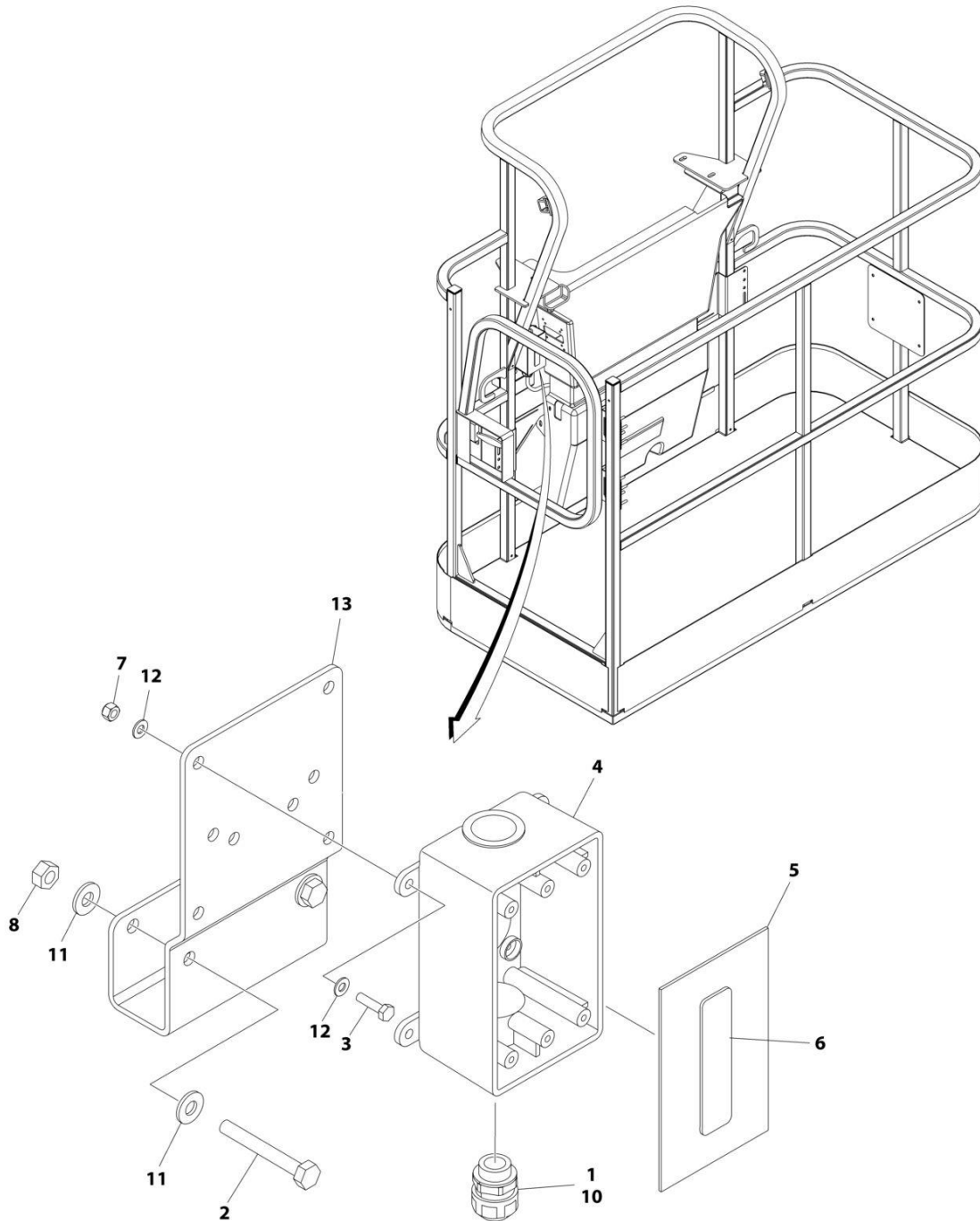
SECTION 8 - ELECTRICAL

FIGURE 8-6. AC BOX AT PLATFORM INSTALLATION - 220V RECEPTACLE (MACHINES WITH 2500W GENERATOR/NO GENERATOR OPTIONS) (ANSI, ANSI EXPORT, CSA, CHINA AND JAPANESE SPECS)

ITEM	PART NUMBER	QTY	DESCRIPTION	REV
	0257176	Ref	AC BOX AT PLATFORM INSTALLATION - 220V	C
1	0860038	1	Box, Switch	
2	4460125	1	Receptacle	
3	4060092	1	Shield, Cover	
4	4460071	1	Connector, Strain Relief	
5	1001227309	1	Plug, Male	
7	3910610	4	Screw #6 x 5/8	
8	4760600	4	Washer #6	
9	3960422	1	Gasket	
10	4460315	1	Terminal, Spade	
11	1001227310	1	Connector, Female	
18	4460233	1	Plug (Not Shown - Located at turntable base)	

SECTION 8 - ELECTRICAL

FIGURE 8-7. AC BOX AT PLATFORM INSTALLATION - BOX WITH COVER (2X4 BOX) (4000W GENERATOR) (ALL SPECS EXCEPT ANSI AND CSA SPECS)



ART_1001194365

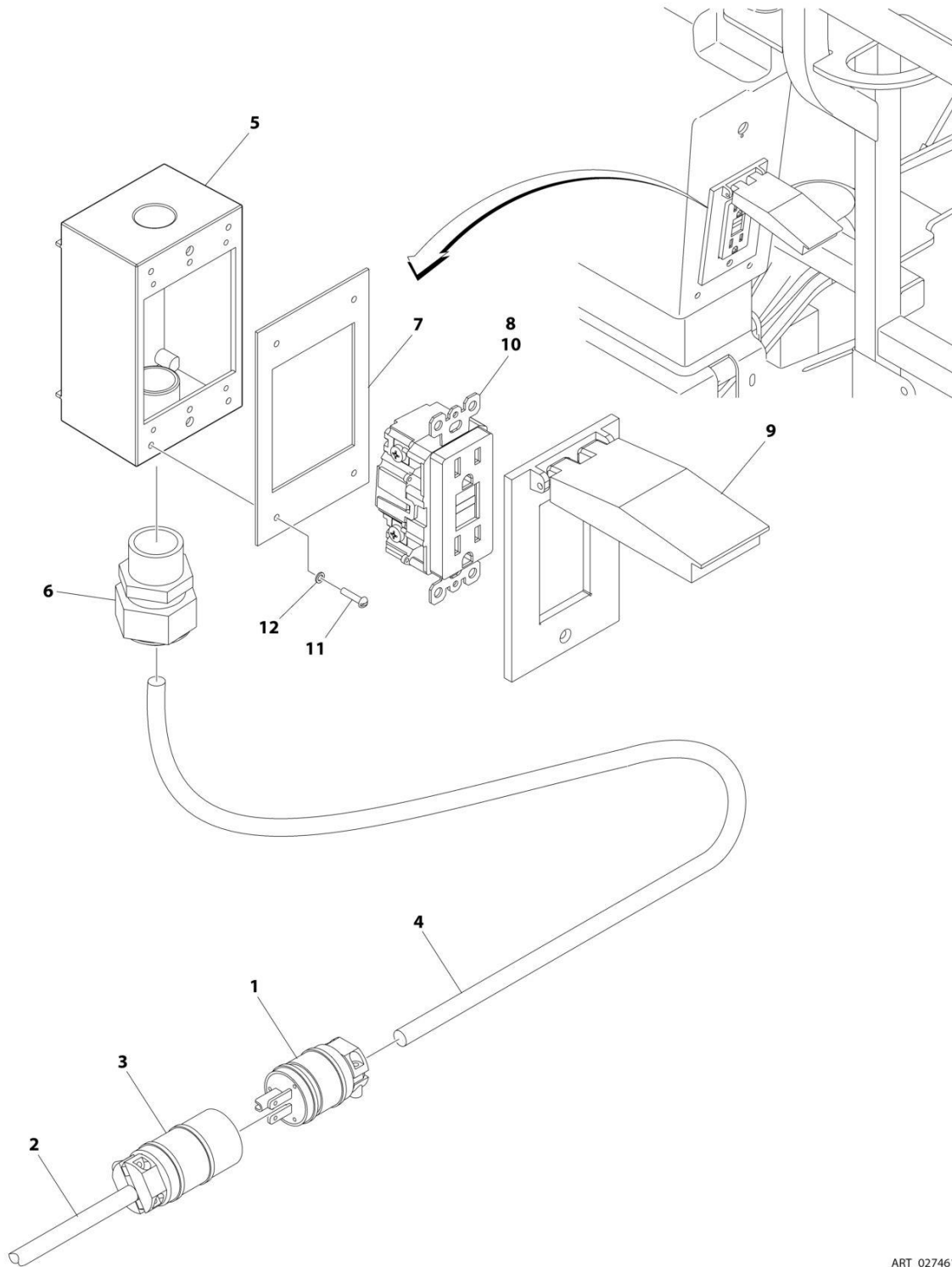
SECTION 8 - ELECTRICAL

FIGURE 8-7. AC BOX AT PLATFORM INSTALLATION - BOX WITH COVER (2X4 BOX) (4000W GENERATOR) (ALL SPECS EXCEPT ANSI AND CSA SPECS)

ITEM	PART NUMBER	QTY	DESCRIPTION	REV
	1001194365	Ref	AC BOX AT PLATFORM INSTALLATION - BOX WITH COVER (2X4 BOX)	A
1	0100020	AR	Sealant	
2	0641416	2	Bolt 1/4 x 2	
3	0700408	4	Bolt M4 x 16	
4	0861731	1	Box, Switch	
5	1670603	1	Cover	
6	3251242	1	Decal - 240V/50Hz	
7	3290405	4	Nut M4	
8	3311405	2	Nut 1/4	
9	4460384	3	Terminal (Not Shown)	
10	4460662	1	Connector, Strain Relief	
11	4711400	4	Washer 1/4	
12	4811400	8	Washer M4	
13	1001193018	1	Bracket, AC Receptacle	

SECTION 8 - ELECTRICAL

FIGURE 8-8. AC BOX AT PLATFORM INSTALLATION – DUAL AC 110V GFI (MACHINES WITH 2500W GENERATOR) (ANSI EXPORT AND CHINA SPECS)



ART_0274618

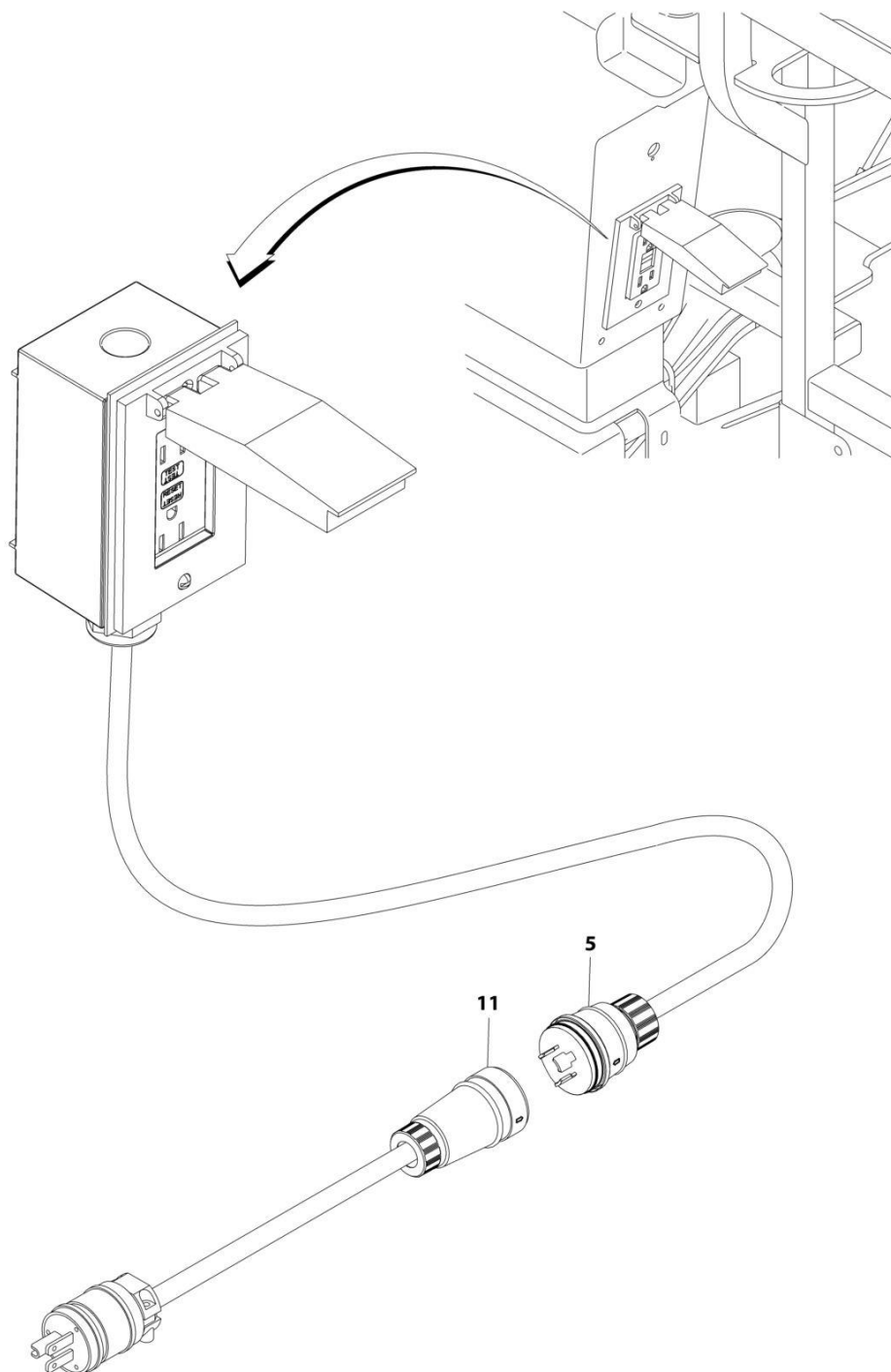
SECTION 8 - ELECTRICAL

FIGURE 8-8. AC BOX AT PLATFORM INSTALLATION – DUAL AC 110V GFI (MACHINES WITH 2500W GENERATOR) (ANSI EXPORT AND CHINA SPECS)

ITEM	PART NUMBER	QTY	DESCRIPTION	REV
	0274618	Ref	AC BOX AT PLATFORM INSTALLATION – DUAL AC 110V GFI	2
1	4460205	4	Plug, Male	
2	4922892	1	Cable, Electrical 12/3 (Tower Boom)	
3	4460134	2	Plug, Female	
4	4922894	1	Cable, Electrical 12/3 (Main Boom)	
5	0860038	1	Box, Switch	
6	4460071	1	Connector, Strain Relief	
7	3960422	1	Gasket	
8	4460346	1	Receptacle	
9	1001110873	1	Shield, Cover	
10	4460315	1	Terminal, Spade	
11	3910606	4	Screw #6 x 3/8	
12	4760600	4	Washer #6	

SECTION 8 - ELECTRICAL

FIGURE 8-9. AC BOX AT PLATFORM MID-BOOM PLUG INSTALLATION (WITHOUT 7500W SKYPOWER GENERATOR)



ART_0256202

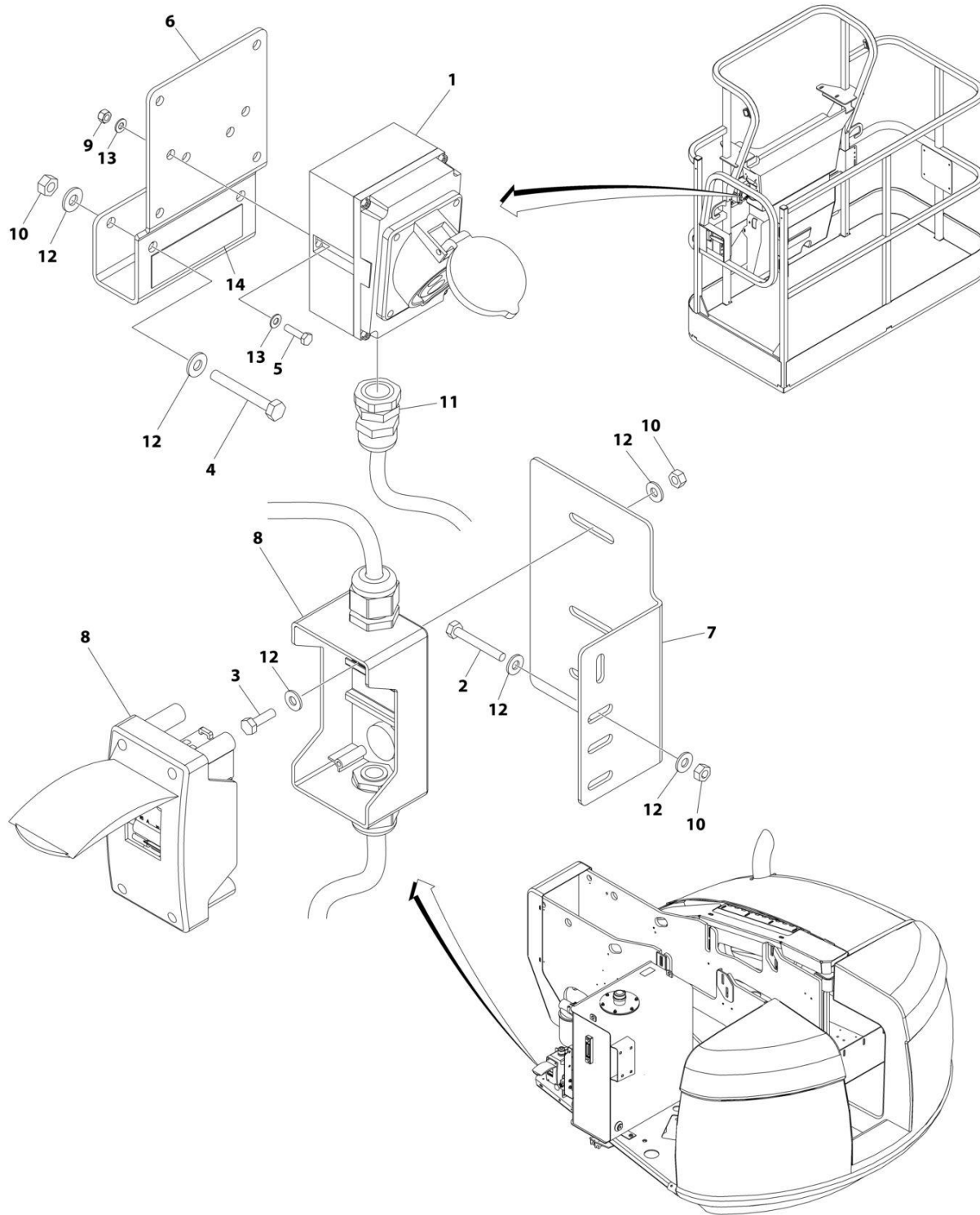
SECTION 8 - ELECTRICAL

FIGURE 8-9. AC BOX AT PLATFORM MID-BOOM PLUG INSTALLATION (WITHOUT 7500W SKYPOWER GENERATOR)

ITEM	PART NUMBER	QTY	DESCRIPTION	REV
	0256202	Ref	AC BOX AT PLATFORM MID-BOOM PLUG INSTALLATION	D
5	1001213584	1	Plug	
11	1001213585	1	Receptacle	

SECTION 8 - ELECTRICAL

FIGURE 8-10. AC BOX AT PLATFORM INSTALLATION - 110V IEC YELLOW (CE, RUSSIA & UK CA SPECS)



ART_0275656

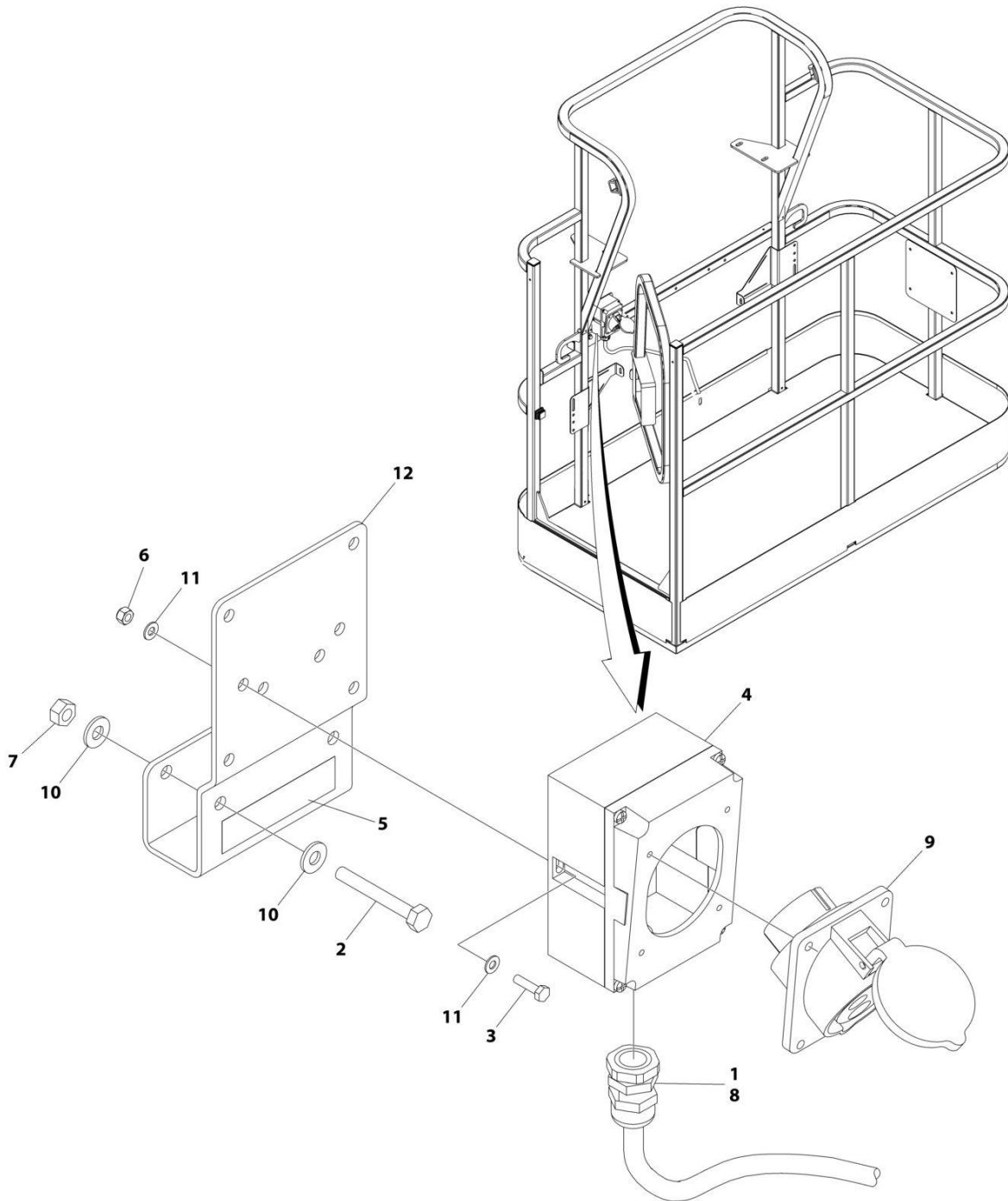
SECTION 8 - ELECTRICAL

FIGURE 8-10. AC BOX AT PLATFORM INSTALLATION - 110V IEC YELLOW (CE, RUSSIA & UK CA SPECS)

ITEM	PART NUMBER	QTY	DESCRIPTION	REV
	0275656	Ref	AC BOX AT PLATFORM INSTALLATION - 110V IEC YELLOW	F
1	0275216	1	Receptacle Box Kit (See Separate Breakdown in this Section)	
2	0641415	2	Bolt 1/4 x 1-7/8	
3	0641407	2	Bolt 1/4 x 7/8	
4	0641416	2	Bolt 1/4 x 2	
5	0700408	2	Bolt M4 x 16	
6	1001193018	1	Bracket	
7	1001153636	1	Bracket	
8	1001096070	1	Breaker Box Kit (See Separate Breakdown in this Section)	
9	3290405	2	Nut M4	
10	3311405	6	Nut 1/4	
11	4460968	1	Connector, Strain Relief	
12	4711400	12	Washer 1/4	
13	4811400	4	Washer M4	
14	1705325	2	Decal - 110V	

SECTION 8 - ELECTRICAL

FIGURE 8-11. AC BOX AT PLATFORM INSTALLATION - 110V IEC 60309 YELLOW (4000W GENERATOR) (CE, RUSSIA & UK CA SPECS)



ART_1001194203

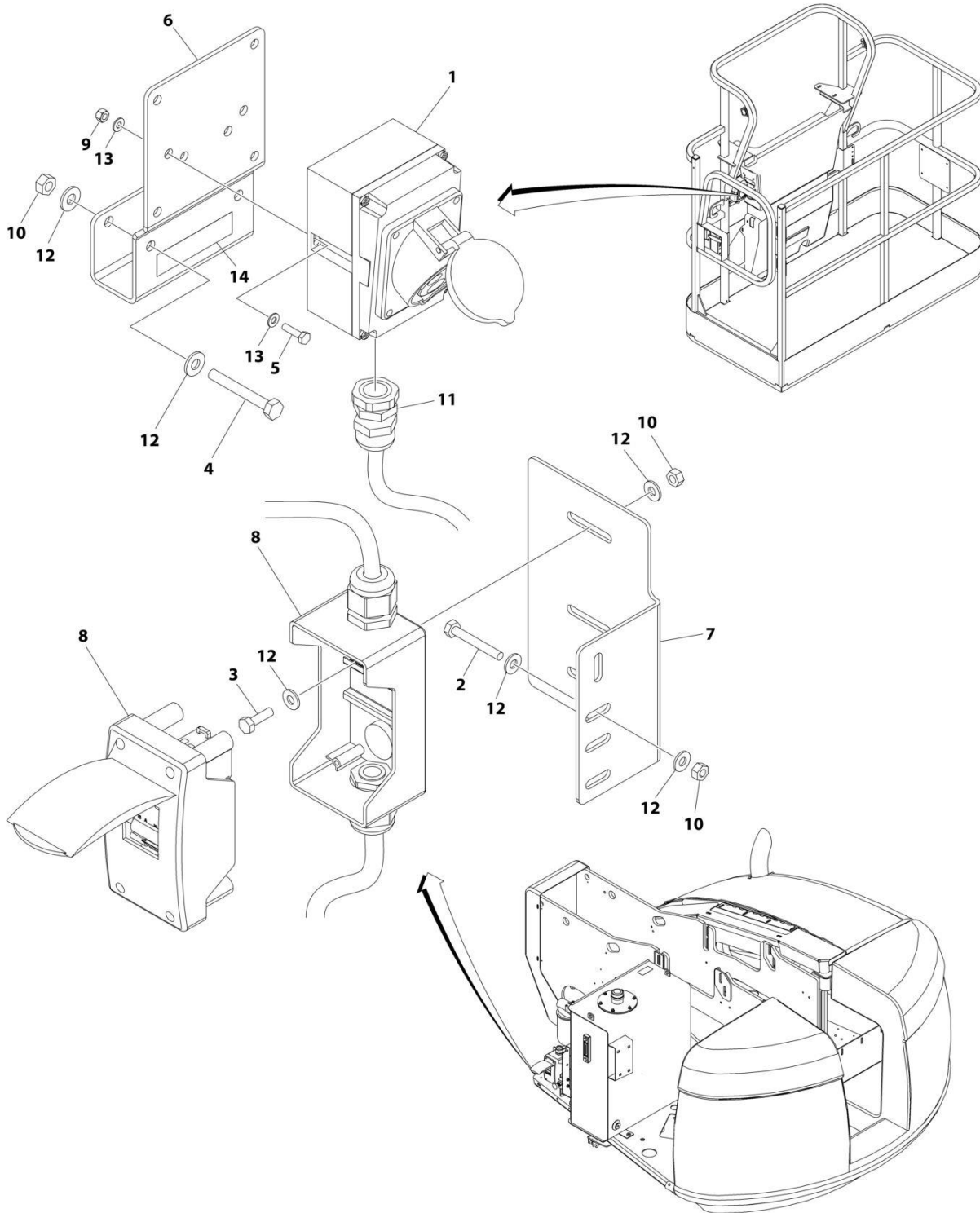
SECTION 8 - ELECTRICAL

FIGURE 8-11. AC BOX AT PLATFORM INSTALLATION - 110V IEC 60309 YELLOW (4000W GENERATOR) (CE, RUSSIA & UK CA SPECS)

ITEM	PART NUMBER	QTY	DESCRIPTION	REV
	1001194203	Ref	AC BOX AT PLATFORM INSTALLATION	B
1	0100020	AR	Sealant, Pipe	
2	0641416	2	Bolt 1/4 x 2	
3	0700408	2	Bolt M4 x 16	
4	0861781	1	Box, Switch	
5	1705325	1	Decal - 110V	
6	3290405	2	Nut M4	
7	3311405	2	Nut 1/4	
8	4460968	1	Connector, Strain Relief	
9	4461198	1	Receptacle	
10	4711400	4	Washer 1/4	
11	4811400	4	Washer M4	
12	1001193018	1	Bracket, AC Receptacle	

SECTION 8 - ELECTRICAL

FIGURE 8-12. AC BOX AT PLATFORM INSTALLATION - 220V IEC BLUE (CE, RUSSIA & UK CA SPECS)



ART_0275652

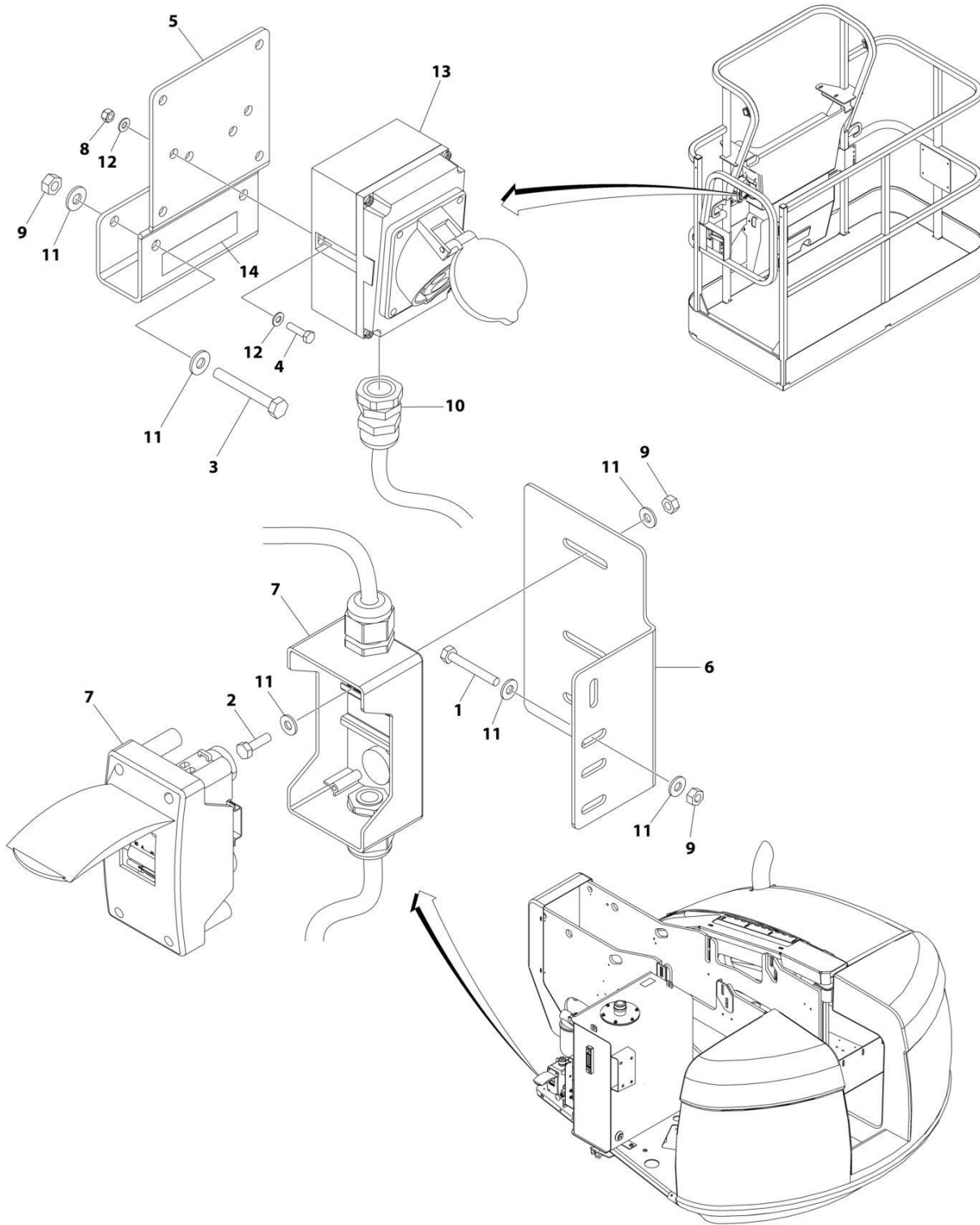
SECTION 8 - ELECTRICAL

FIGURE 8-12. AC BOX AT PLATFORM INSTALLATION - 220V IEC BLUE (CE, RUSSIA & UK CA SPECS)

ITEM	PART NUMBER	QTY	DESCRIPTION	REV
	0275652	Ref	AC BOX AT PLATFORM INSTALLATION - 220V IEC BLUE	F
1	0275217	1	Receptacle Box Kit (See Separate Breakdown in this Section)	
2	0641415	2	Bolt 1/4 x 1-7/8	
3	0641407	2	Bolt 1/4 x 7/8	
4	0641416	2	Bolt 1/4 x 2	
5	0700408	2	Bolt M4 x 16	
6	1001193018	1	Bracket	
7	1001153636	1	Bracket	
8	1001096070	1	Breaker Box Kit (See Separate Breakdown in this Section)	
9	3290405	2	Nut M4	
10	3311405	6	Nut 1/4	
11	4460968	1	Connector, Strain Relief	
12	4711400	12	Washer 1/4	
13	4811400	4	Washer M4	
14	3252507	1	Decal - 240V-50/60Hz	

SECTION 8 - ELECTRICAL

FIGURE 8-13. AC BOX AT PLATFORM INSTALLATION - 220V IEC BLUE (2500W GENERATOR) (CE, RUSSIA & UK CA SPECS)



ART_1001100401

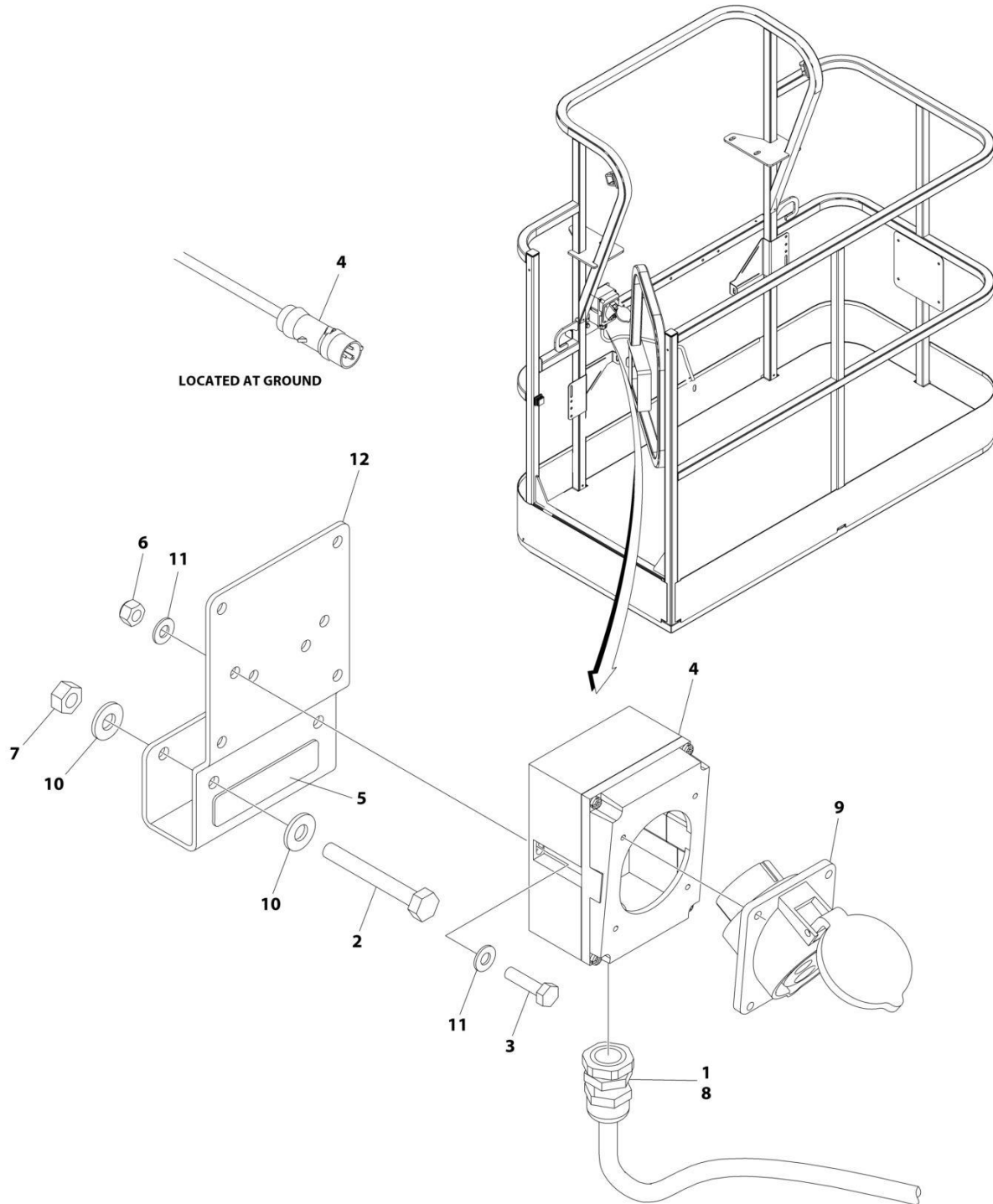
SECTION 8 - ELECTRICAL

FIGURE 8-13. AC BOX AT PLATFORM INSTALLATION - 220V IEC BLUE (2500W GENERATOR) (CE, RUSSIA & UK CA SPECS)

ITEM	PART NUMBER	QTY	DESCRIPTION	REV
	1001100401	Ref	AC BOX AT PLATFORM INSTALLATION	F
1	0641415	2	Bolt 1/4 x 1-7/8	
2	0641407	2	Bolt 1/4 x 7/8	
3	0641416	2	Bolt 1/4 x 2	
4	0700408	2	Bolt M4 x 16	
5	1001193018	1	Bracket	
6	1001153636	1	Bracket	
7	1001109554	1	Breaker Box Kit (See Separate Breakdown in this Section)	
8	3290405	2	Nut M4	
9	3311405	6	Nut 1/4	
10	4460662	1	Connector, Strain Relief	
11	4711400	12	Washer 1/4	
12	4811400	8	Washer M4	
13	1001100342	1	Receptacle Box Kit (See Separate Breakdown in this Section)	
14	3252507	1	Decal - 240V-50/60Hz	

SECTION 8 - ELECTRICAL

FIGURE 8-14. AC BOX AT PLATFORM INSTALLATION - 220V IEC 60309 BLUE (4000W GENERATOR)
(CE, RUSSIA & UK CA SPECS)



ART_1001194204

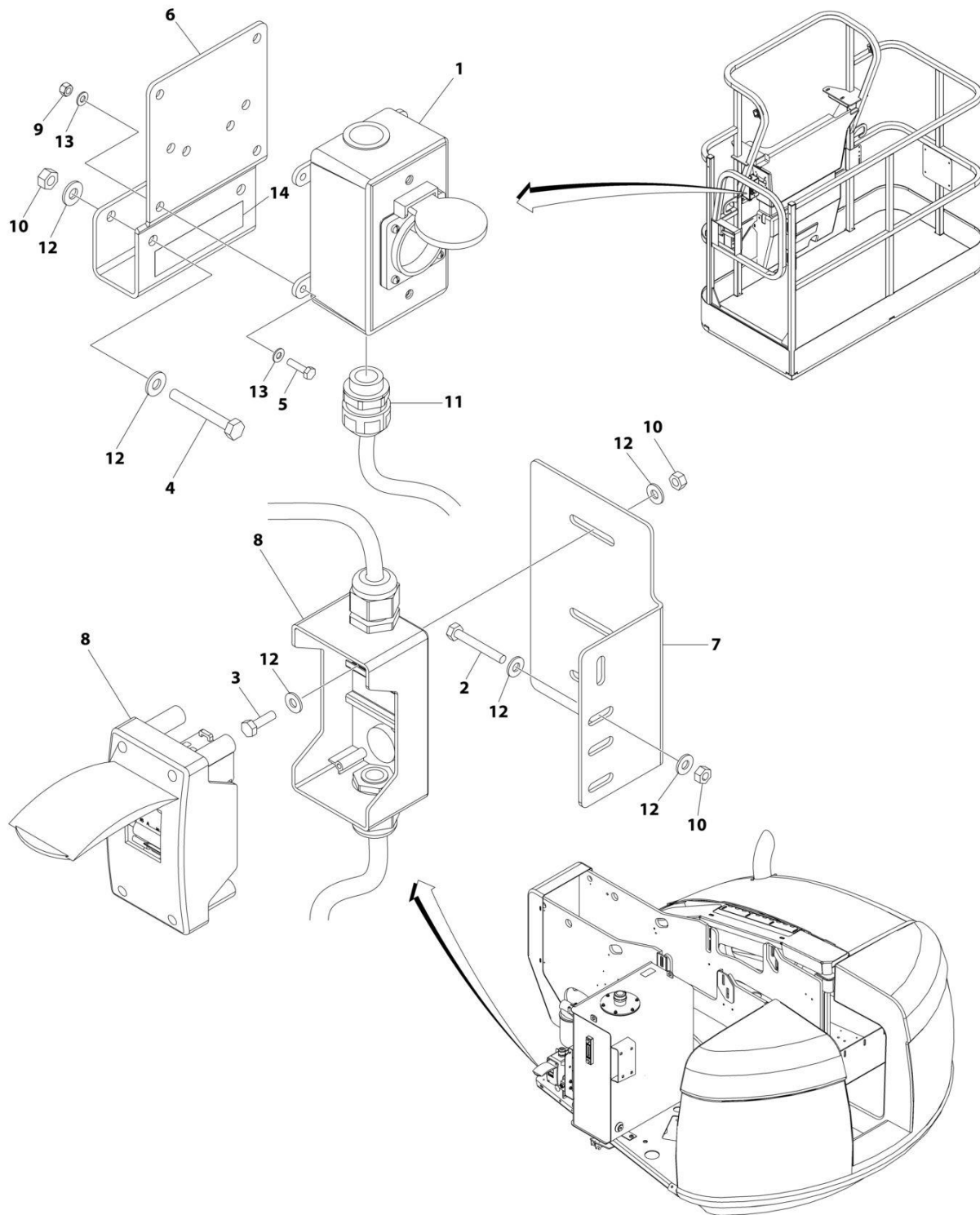
SECTION 8 - ELECTRICAL

**FIGURE 8-14. AC BOX AT PLATFORM INSTALLATION - 220V IEC 60309 BLUE (4000W GENERATOR)
(CE, RUSSIA & UK CA SPECS)**

ITEM	PART NUMBER	QTY	DESCRIPTION	REV
	1001194204	Ref	AC BOX AT PLATFORM INSTALLATION	B
1	0100020	AR	Sealant, Pipe	
2	0641416	2	Bolt 1/4 x 2	
3	0700408	2	Bolt M4 x 16	
4	0861781	1	Box, Switch	
5	3251242	1	Decal - 240V/50Hz	
6	3290405	2	Nut M4	
7	3311405	2	Nut 1/4	
8	4460968	1	Connector, Strain Relief	
9	4461201	1	Receptacle	
10	4711400	4	Washer 1/4	
11	4811400	4	Washer M4	
12	1001193018	1	Bracket, AC Receptacle	

SECTION 8 - ELECTRICAL

FIGURE 8-15. AC BOX AT PLATFORM INSTALLATION - 220V CEE7 POST GROUND (CE, RUSSIA & UK CA SPECS)



ART_0275653

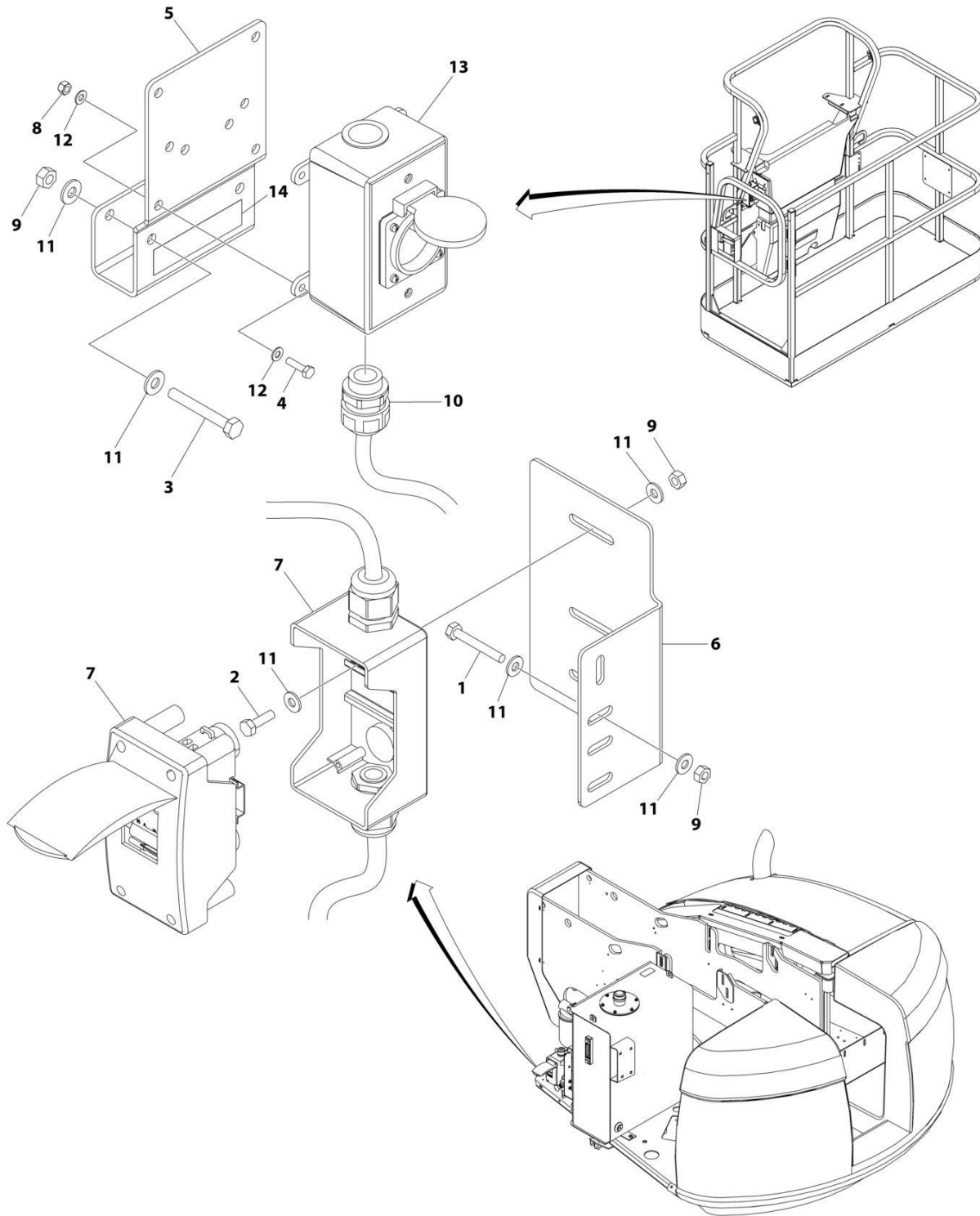
SECTION 8 - ELECTRICAL

FIGURE 8-15. AC BOX AT PLATFORM INSTALLATION - 220V CEE7 POST GROUND (CE, RUSSIA & UK CA SPECS)

ITEM	PART NUMBER	QTY	DESCRIPTION	REV
	0275653	Ref	AC BOX AT PLATFORM INSTALLATION	G
1	0275452	1	Receptacle Box Kit - 220V CEE7 Post Ground 21in x 4in (See Separate Breakdown in this Section)	
2	0641415	2	Bolt 1/4 x 1-7/8	
3	0641407	2	Bolt 1/4 x 7/8	
4	0641416	2	Bolt 1/4 x 2	
5	0700408	4	Bolt M4 x 16	
6	1001193018	1	Bracket	
7	1001153636	1	Bracket	
8	1001096070	1	Breaker Box Kit (See Separate Breakdown in this Section)	
9	3290405	4	Nut M4	
10	3311405	6	Nut 1/4	
11	4460662	1	Connector, Strain Relief	
12	4711400	12	Washer 1/4	
13	4811400	8	Washer M4	
14	3252507	1	Decal - 240V-50/60Hz	

SECTION 8 - ELECTRICAL

FIGURE 8-16. AC BOX AT PLATFORM INSTALLATION - 220V CEE7 POST GROUND (2500W GENERATOR) (CE, RUSSIA & UK CA SPECS)



ART_1001100397

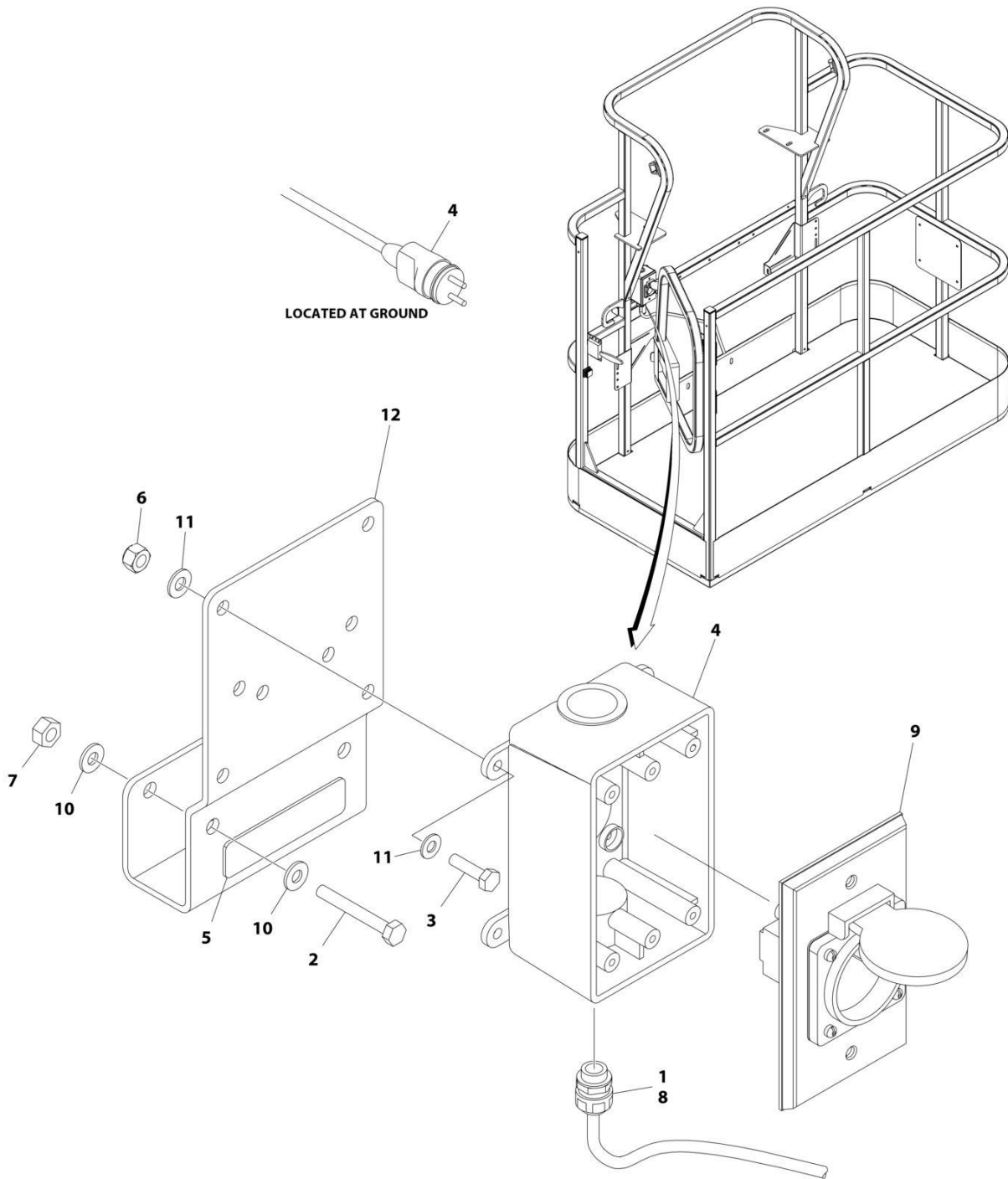
SECTION 8 - ELECTRICAL

FIGURE 8-16. AC BOX AT PLATFORM INSTALLATION - 220V CEE7 POST GROUND (2500W GENERATOR) (CE, RUSSIA & UK CA SPECS)

ITEM	PART NUMBER	QTY	DESCRIPTION	REV
	1001100397	Ref	AC BOX AT PLATFORM INSTALLATION	H
1	0641415	2	Bolt 1/4 x 1-7/8	
2	0641407	2	Bolt 1/4 x 7/8	
3	0641416	2	Bolt 1/4 x 2	
4	0700408	4	Bolt M4 x 16	
5	1001193018	1	Bracket	
6	1001153636	1	Bracket	
7	1001109554	1	Breaker Box Kit (See Separate Breakdown in this Section)	
8	3290405	4	Nut M4	
9	3311405	6	Nut 1/4	
10	4460662	1	Connector, Strain Relief	
11	4711400	12	Washer 1/4	
12	4811400	8	Washer M4	
13	1001100345	1	Receptacle Box Kit (See Separate Breakdown in this Section)	
14	3252507	1	Decal - 240V-50/60Hz	

SECTION 8 - ELECTRICAL

FIGURE 8-17. AC BOX AT PLATFORM INSTALLATION - 220V CEE7 POST GROUND (2X4 BOX)
(4000W GENERATOR) (CE, RUSSIA & UK CA SPECS)



ART_1001194197

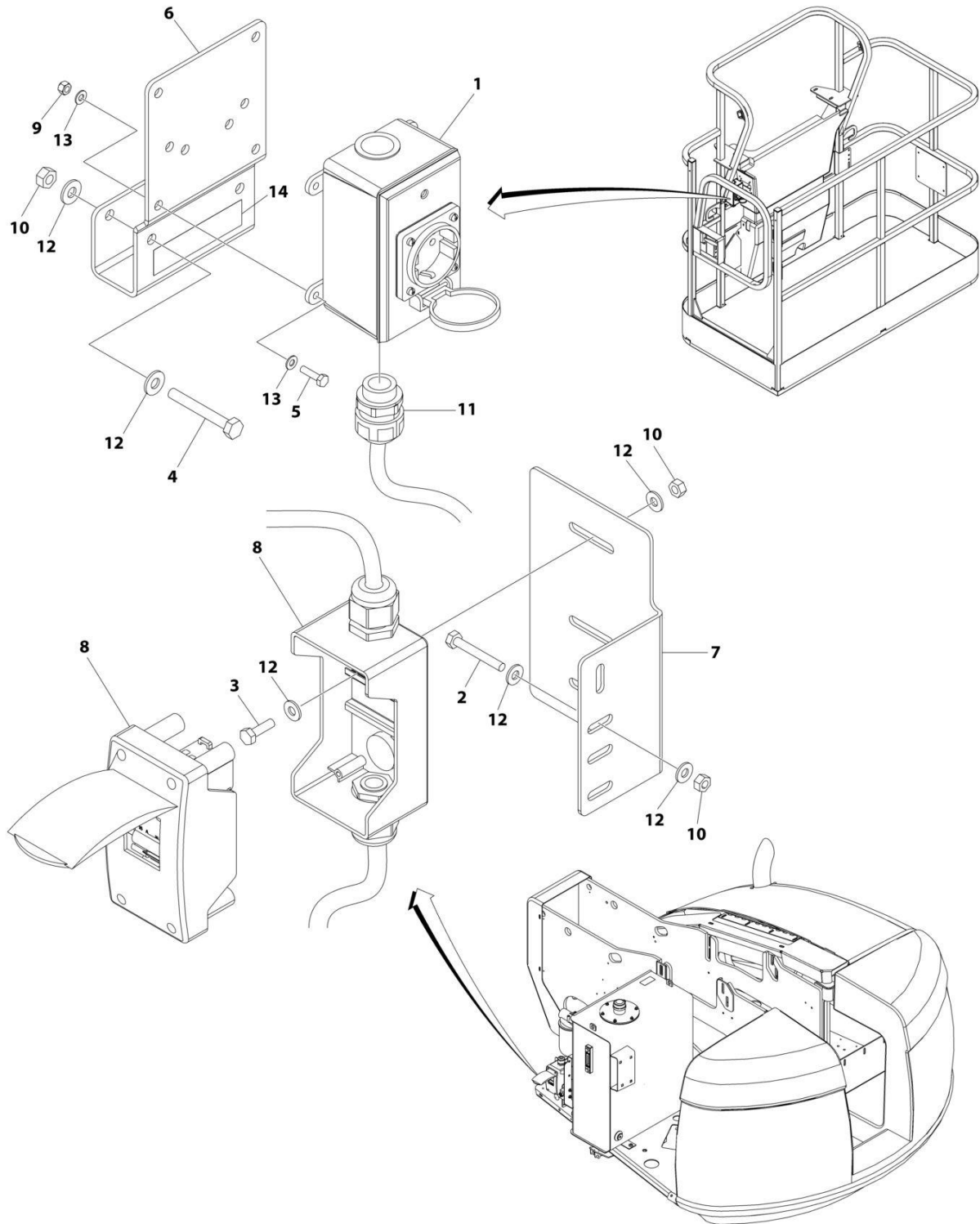
SECTION 8 - ELECTRICAL

**FIGURE 8-17. AC BOX AT PLATFORM INSTALLATION - 220V CEE7 POST GROUND (2X4 BOX)
(4000W GENERATOR) (CE, RUSSIA & UK CA SPECS)**

ITEM	PART NUMBER	QTY	DESCRIPTION	REV
	1001194197	Ref	AC BOX AT PLATFORM INSTALLATION	B
1	0100020	AR	Sealant, Pipe	
2	0641416	2	Bolt 1/4 x 2	
3	0700408	4	Bolt M4 x 16	
4	0861731	1	Box, Switch	
5	3251242	1	Decal - 240V/50Hz	
6	3290405	4	Nut M4	
7	3311405	2	Nut 1/4	
8	4460662	1	Connector, Strain Relief	
9	4461244	1	Receptacle	
10	4711400	4	Washer 1/4	
11	4811400	8	Washer M4	
12	1001193018	1	Bracket, AC Receptacle	
13	4460806	2	Terminal, Fork (Not Shown)	
14	1001205958	1	Terminal (Not Shown)	

SECTION 8 - ELECTRICAL

FIGURE 8-18. AC BOX AT PLATFORM INSTALLATION - 220V CEE7 SIDE GROUND (CE, RUSSIA & UK CA SPECS)



ART_0275654

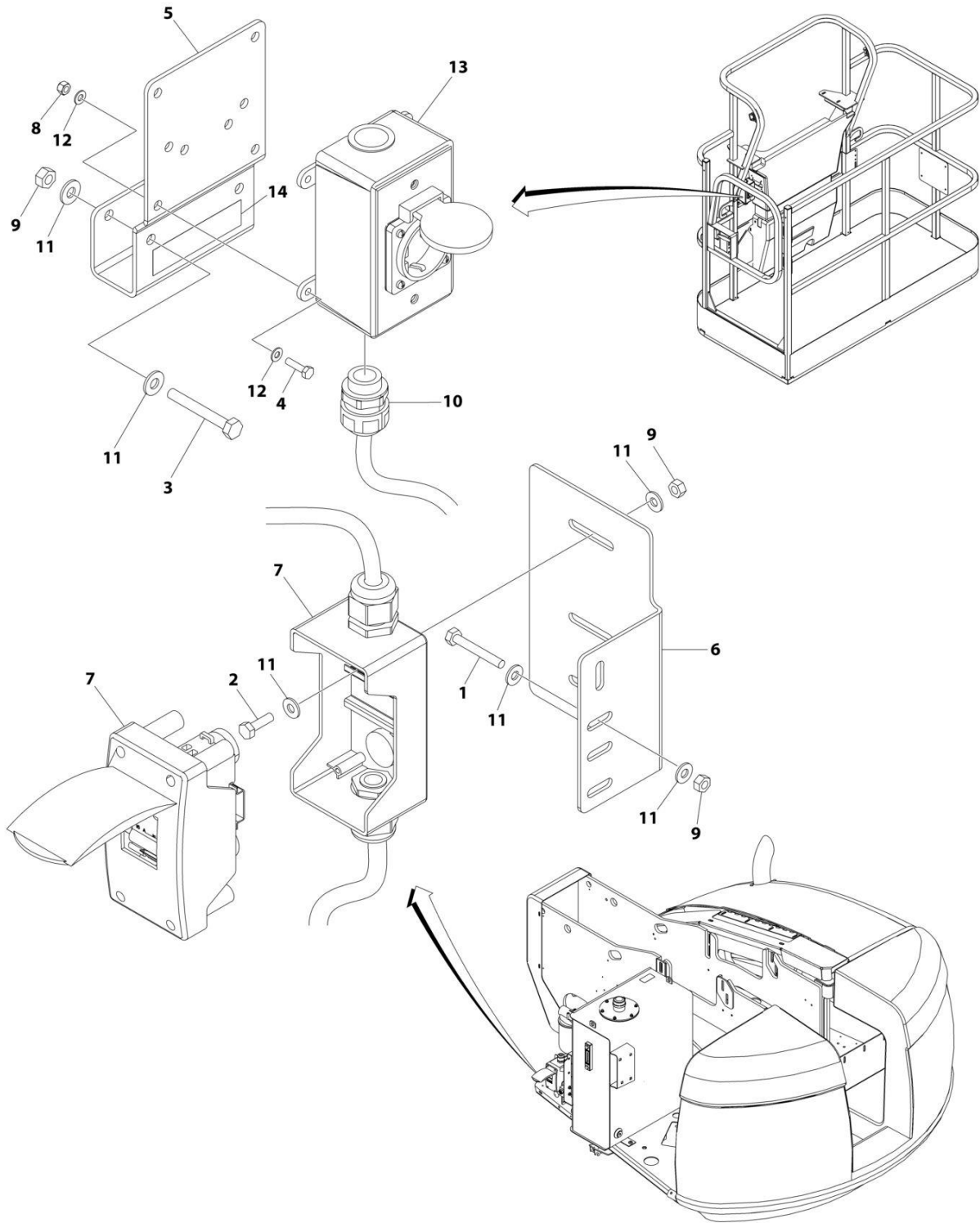
SECTION 8 - ELECTRICAL

FIGURE 8-18. AC BOX AT PLATFORM INSTALLATION - 220V CEE7 SIDE GROUND (CE, RUSSIA & UK CA SPECS)

ITEM	PART NUMBER	QTY	DESCRIPTION	REV
	0275654	Ref	AC BOX AT PLATFORM INSTALLATION - 220V CEE7 2X4 BOX SIDE GROUND	G
1	0275453	1	Receptacle Box Kit (See Separate Breakdown in this Section)	
2	0641415	2	Bolt 1/4 x 1-7/8	
3	0641407	2	Bolt 1/4 x 7/8	
4	0641416	2	Bolt 1/4 x 2	
5	0700408	4	Bolt M4 x 16	
6	1001193018	1	Bracket	
7	1001153636	1	Bracket	
8	1001096070	1	Breaker Box Kit (See Separate Breakdown in this Section)	
9	3290405	4	Nut M4	
10	3311405	6	Nut 1/4	
11	4460662	1	Connector, Strain Relief	
12	4711400	12	Washer 1/4	
13	4811400	8	Washer M4	
14	3252507	1	Decal - 240V-50/60Hz	

SECTION 8 - ELECTRICAL

FIGURE 8-19. AC BOX AT PLATFORM INSTALLATION - 220V CEE7 SIDE GROUND (2500W GENERATOR) (CE, RUSSIA & UK CA SPECS)



ART_1001100398

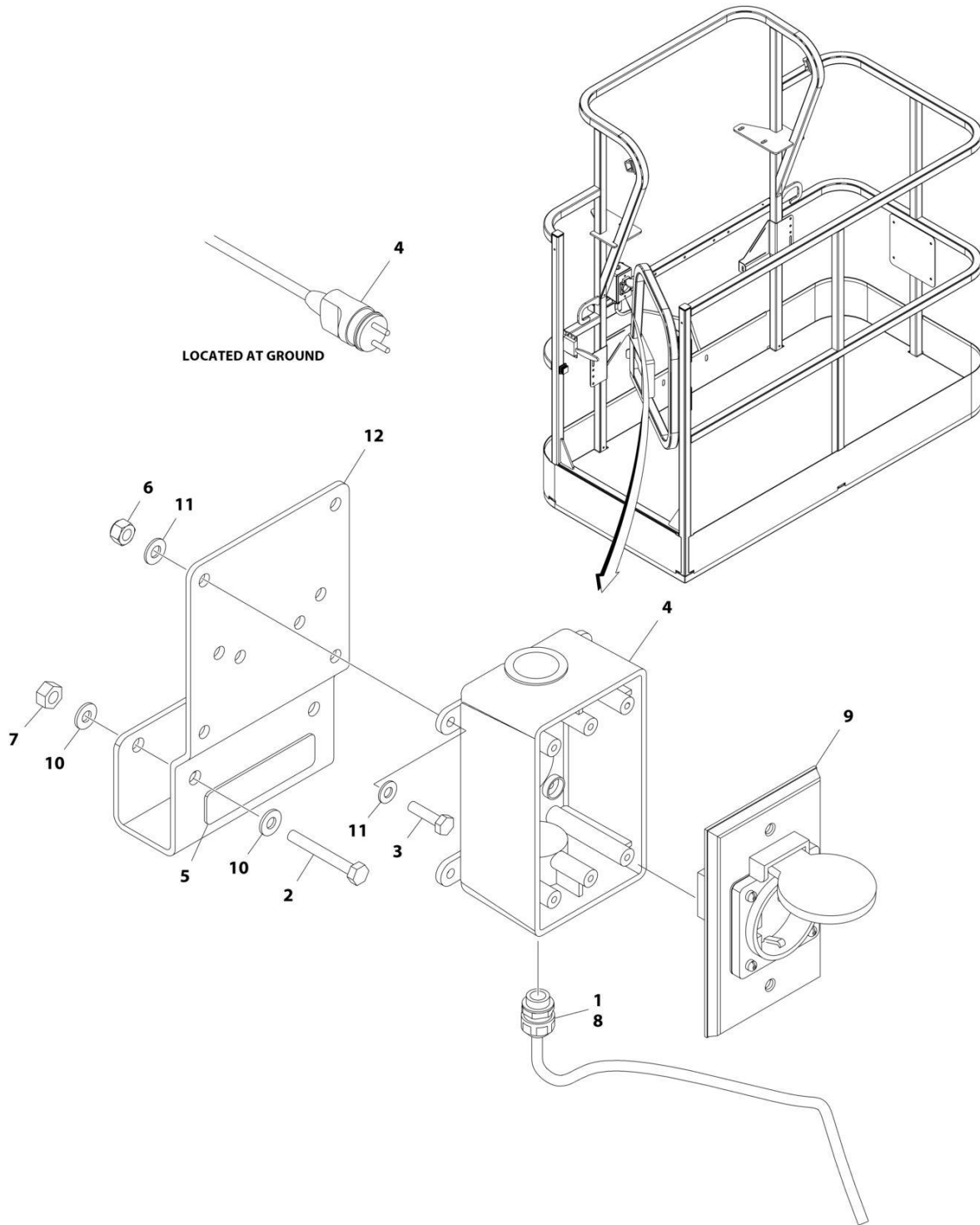
SECTION 8 - ELECTRICAL

FIGURE 8-19. AC BOX AT PLATFORM INSTALLATION - 220V CEE7 SIDE GROUND (2500W GENERATOR) (CE, RUSSIA & UK CA SPECS)

ITEM	PART NUMBER	QTY	DESCRIPTION	REV
	1001100398	Ref	AC BOX AT PLATFORM INSTALLATION	H
1	0641415	2	Bolt 1/4 x 1-7/8	
2	0641407	2	Bolt 1/4 x 7/8	
3	0641416	2	Bolt 1/4 x 2	
4	0700408	4	Bolt M4 x 16	
5	1001193018	1	Bracket	
6	1001153636	1	Bracket	
7	1001109554	1	Breaker Box Kit (See Separate Breakdown in this Section)	
8	3290405	4	Nut M4	
9	3311405	6	Nut 1/4	
10	4460662	1	Connector, Strain Relief	
11	4711400	12	Washer 1/4	
12	4811400	8	Washer M4	
13	1001100347	1	Receptacle Box Kit (See Separate Breakdown in this Section)	
14	3252507	1	Decal - 240V-50/60Hz	

SECTION 8 - ELECTRICAL

FIGURE 8-20. AC BOX AT PLATFORM INSTALLATION - 220V CEE7 SIDE GROUND (2X4 BOX)
(4000W GENERATOR) (CE, RUSSIA & UK CA SPECS)



ART_1001194198

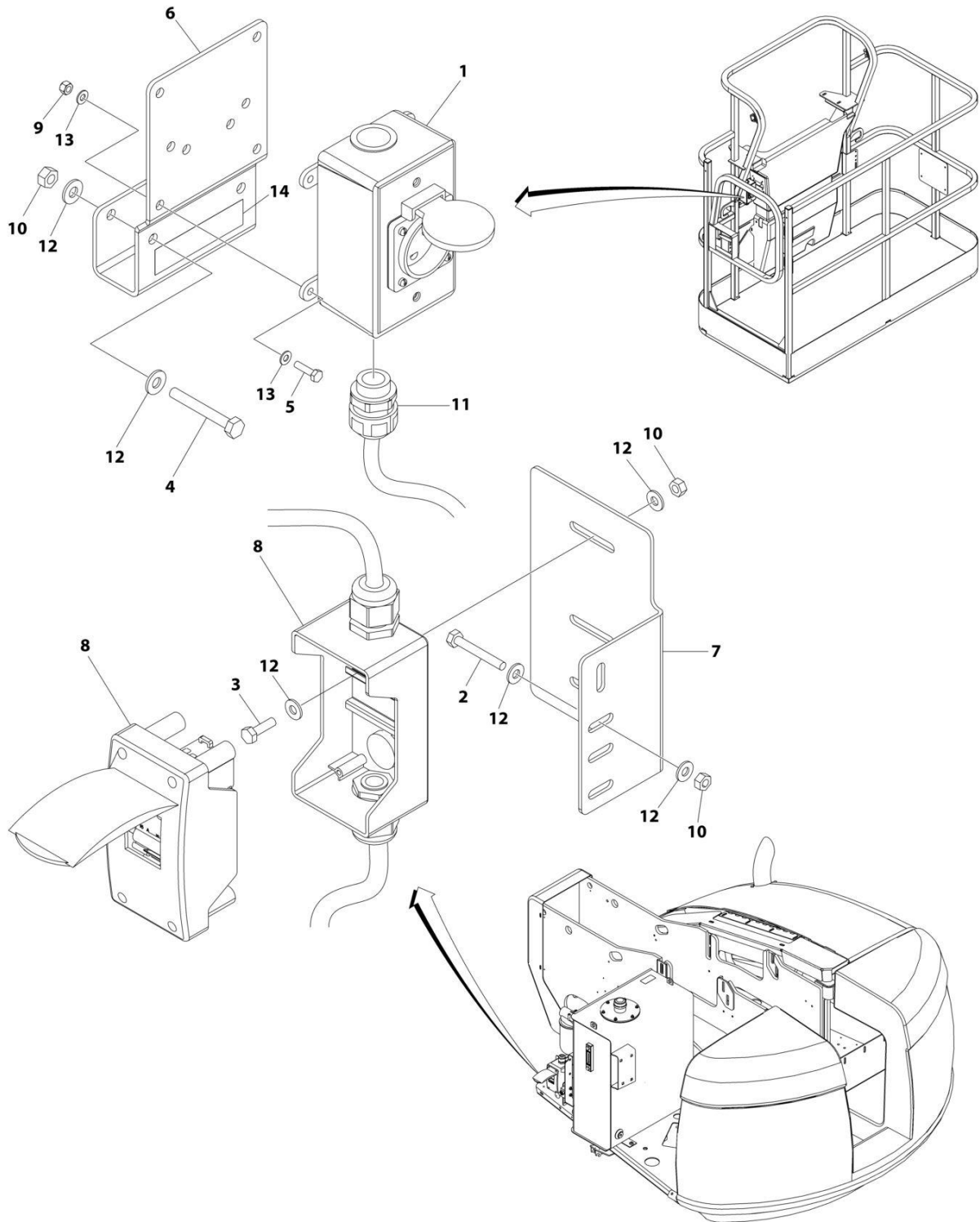
SECTION 8 - ELECTRICAL

**FIGURE 8-20. AC BOX AT PLATFORM INSTALLATION - 220V CEE7 SIDE GROUND (2X4 BOX)
(4000W GENERATOR) (CE, RUSSIA & UK CA SPECS)**

ITEM	PART NUMBER	QTY	DESCRIPTION	REV
	1001194198	Ref	AC BOX AT PLATFORM INSTALLATION	B
1	0100020	AR	Sealant, Pipe	
2	0641416	2	Bolt 1/4 x 2	
3	0700408	4	Bolt M4 x 16	
4	0861731	1	Box, Switch	
5	3251242	1	Decal - 240V/50Hz	
6	3290405	4	Nut M4	
7	3311405	2	Nut 1/4	
8	4460662	1	Connector, Strain Relief	
9	4461245	1	Receptacle	
10	4711400	4	Washer 1/4	
11	4811400	8	Washer M4	
12	1001193018	1	Bracket, AC Receptacle	
13	4460806	2	Terminal, Fork (Not Shown)	
14	1001205958	1	Terminal (Not Shown)	

SECTION 8 - ELECTRICAL

FIGURE 8-21. AC BOX AT PLATFORM INSTALLATION - 220V AFSINT 107 (CE, RUSSIA & UK CA SPECS)



ART_0275660

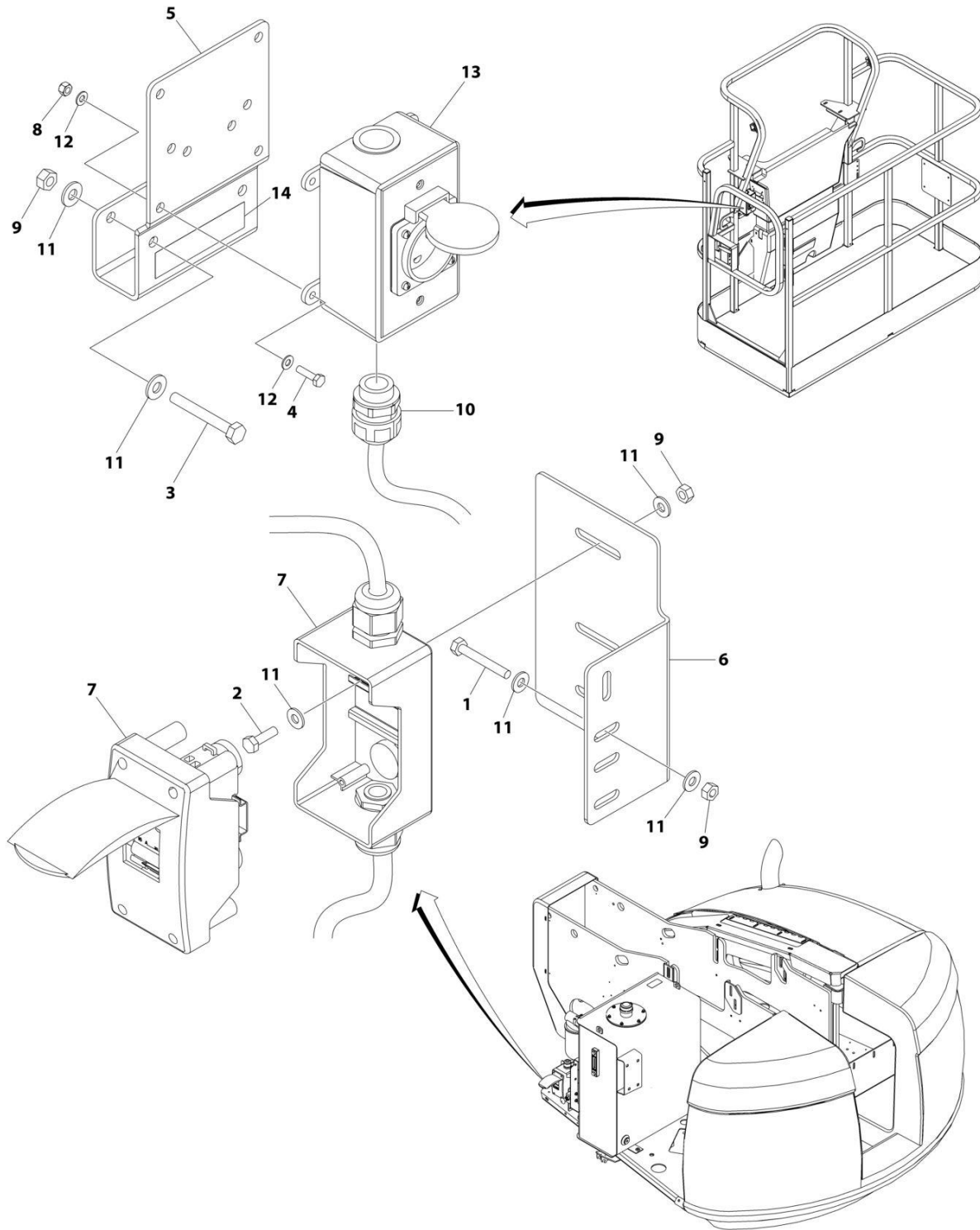
SECTION 8 - ELECTRICAL

FIGURE 8-21. AC BOX AT PLATFORM INSTALLATION - 220V AFSINT 107 (CE, RUSSIA & UK CA SPECS)

ITEM	PART NUMBER	QTY	DESCRIPTION	REV
	0275660	Ref	AC BOX AT PLATFORM INSTALLATION - 220V AFSINT 107	G
1	0275454	1	Receptacle Box Kit (See Separate Breakdown in this Section)	
2	0641415	2	Bolt 1/4 x 1-7/8	
3	0641407	2	Bolt 1/4 x 7/8	
4	0641416	2	Bolt 1/4 x 2	
5	0700408	4	Bolt M4 x 16	
6	1001193018	1	Bracket	
7	1001153636	1	Bracket	
8	1001096070	1	Breaker Box Kit (See Separate Breakdown in this Section)	
9	3290405	4	Nut M4	
10	3311405	6	Nut 1/4	
11	4460662	1	Connector, Strain Relief	
12	4711400	12	Washer 1/4	
13	4811400	8	Washer M4	
14	3252507	1	Decal - 240V-50/60Hz	

SECTION 8 - ELECTRICAL

FIGURE 8-22. AC BOX AT PLATFORM INSTALLATION - 220V AFSINT 107 (2500W GENERATOR) (CE, RUSSIA & UK CA SPECS)



ART_1001100399

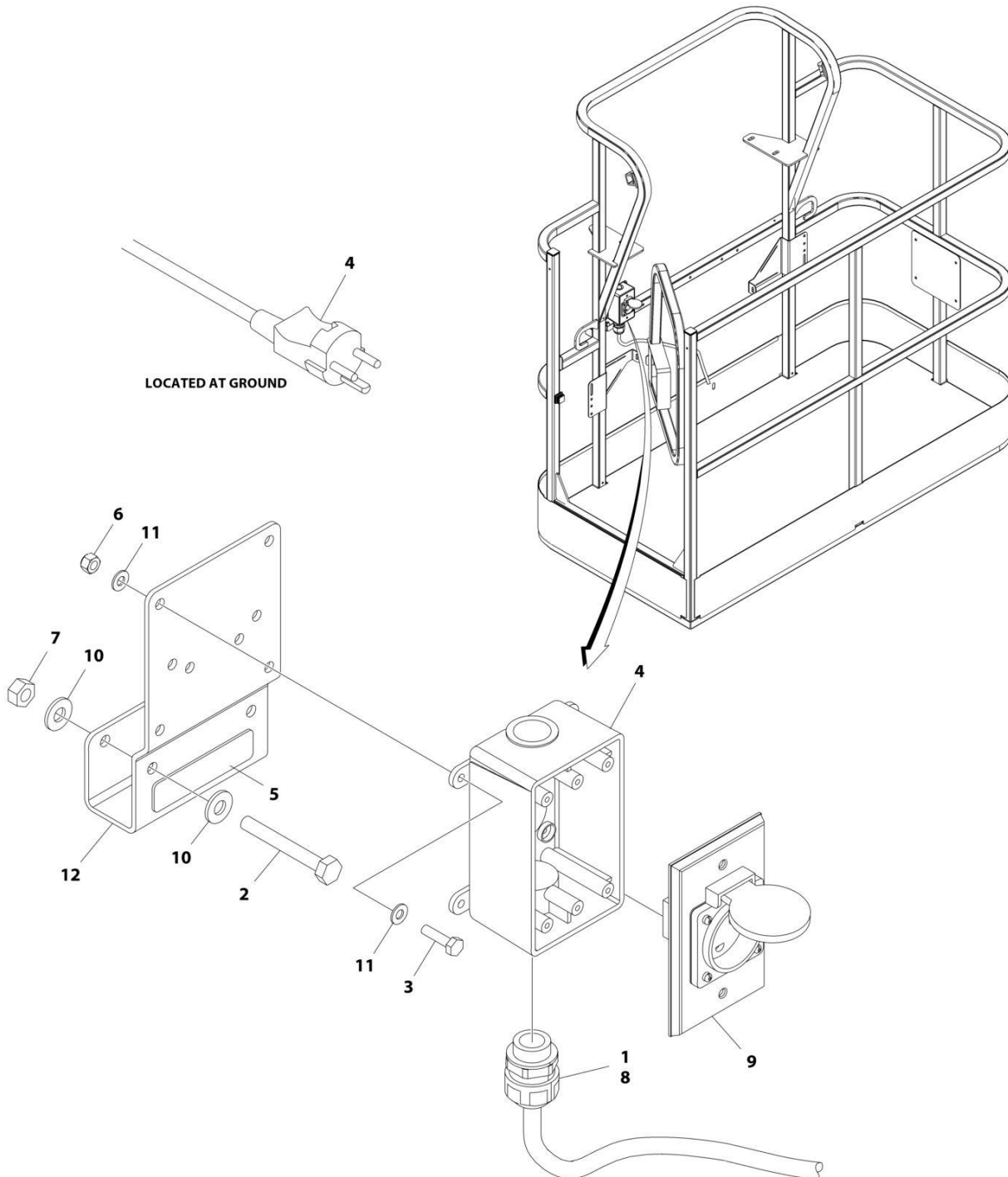
SECTION 8 - ELECTRICAL

FIGURE 8-22. AC BOX AT PLATFORM INSTALLATION - 220V AFSINT 107 (2500W GENERATOR) (CE, RUSSIA & UK CA SPECS)

ITEM	PART NUMBER	QTY	DESCRIPTION	REV
	1001100399	Ref	AC BOX AT PLATFORM INSTALLATION	G
1	0641415	2	Bolt 1/4 x 1-7/8	
2	0641407	2	Bolt 1/4 x 7/8	
3	0641416	2	Bolt 1/4 x 2	
4	0700408	4	Bolt M4 x 16	
5	1001193018	1	Bracket	
6	1001153636	1	Bracket	
7	1001109554	1	Breaker Box Kit (See Separate Breakdown in this Section)	
8	3290405	4	Nut M4	
9	3311405	6	Nut 1/4	
10	4460662	1	Connector, Strain Relief	
11	4711400	12	Washer 1/4	
12	4811400	8	Washer M4	
13	1001100346	1	Receptacle Box Kit (See Separate Breakdown in this Section)	
14	3252507	1	Decal - 240V-50/60Hz	

SECTION 8 - ELECTRICAL

FIGURE 8-23. AC BOX AT PLATFORM INSTALLATION - 220V AFSINT 107 KEYED GROUND (2X4 BOX) (4000W GENERATOR) (CE, RUSSIA & UK CA SPECS)



ART_1001194200

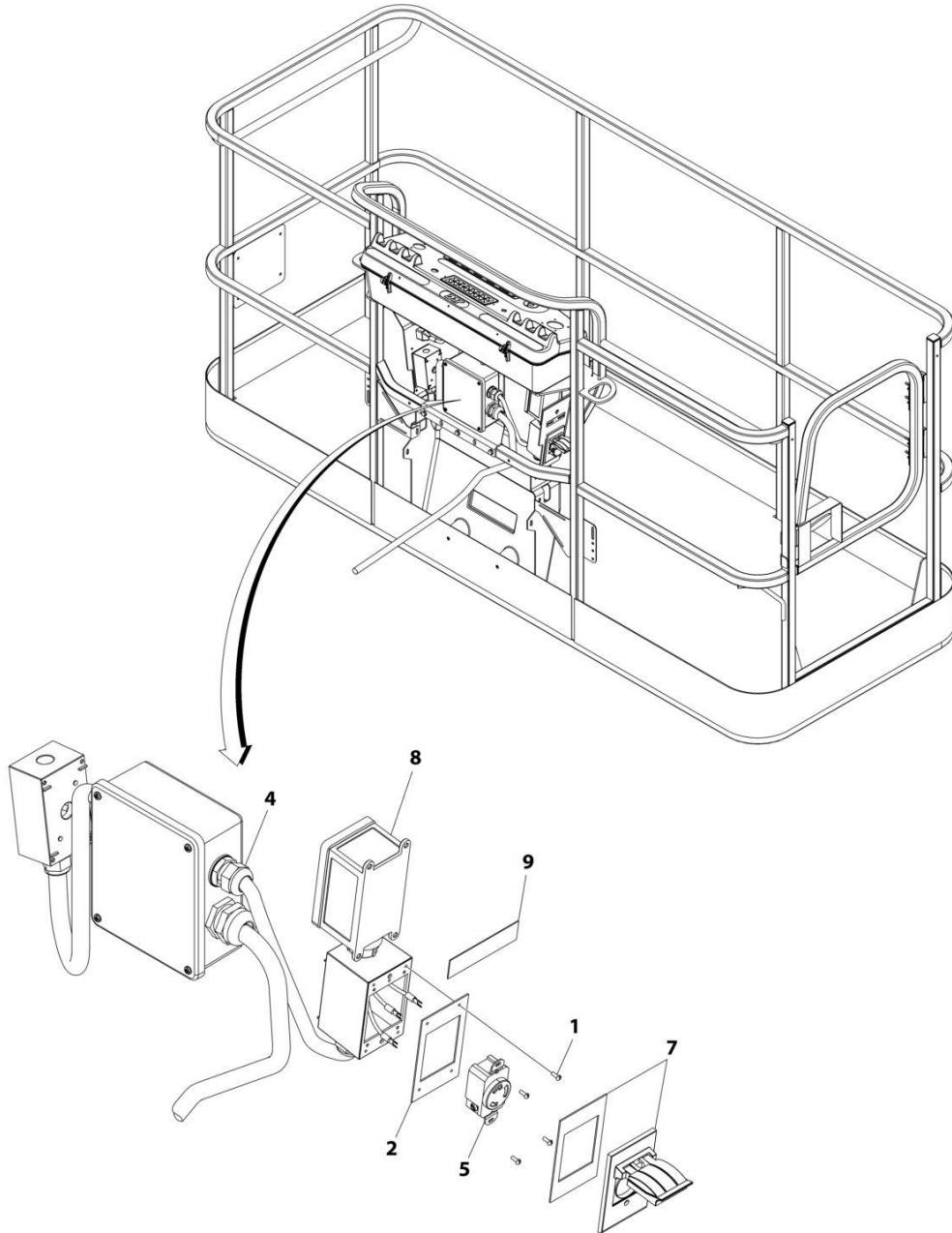
SECTION 8 - ELECTRICAL

FIGURE 8-23. AC BOX AT PLATFORM INSTALLATION - 220V AFSINT 107 KEYED GROUND (2X4 BOX) (4000W GENERATOR) (CE, RUSSIA & UK CA SPECS)

ITEM	PART NUMBER	QTY	DESCRIPTION	REV
	1001194200	Ref	AC BOX AT PLATFORM INSTALLATION	B
1	0100020	AR	Sealant, Pipe	
2	0641416	2	Bolt 1/4 x 2	
3	0700408	4	Bolt M4 x 16	
4	0861731	1	Box, Switch	
5	3251242	1	Decal - 240V/50Hz	
6	3290405	4	Nut M4	
7	3311405	2	Nut 1/4	
8	4460662	1	Connector, Strain Relief	
9	4461246	1	Receptacle	
10	4711400	4	Washer 1/4	
11	4811400	8	Washer M4	
12	1001193018	1	Bracket, AC Receptacle	
13	1001205958	1	Terminal (Not Shown)	

SECTION 8 - ELECTRICAL

FIGURE 8-24. AC BOX AT PLATFORM INSTALLATION - 240V GFCI RECEPTACLE (4000W SKYPOWER GENERATOR) (ANSI, ANSI EXPORT, CHINA, CSA AND JAPANESE SPECS)



ART_1001171131

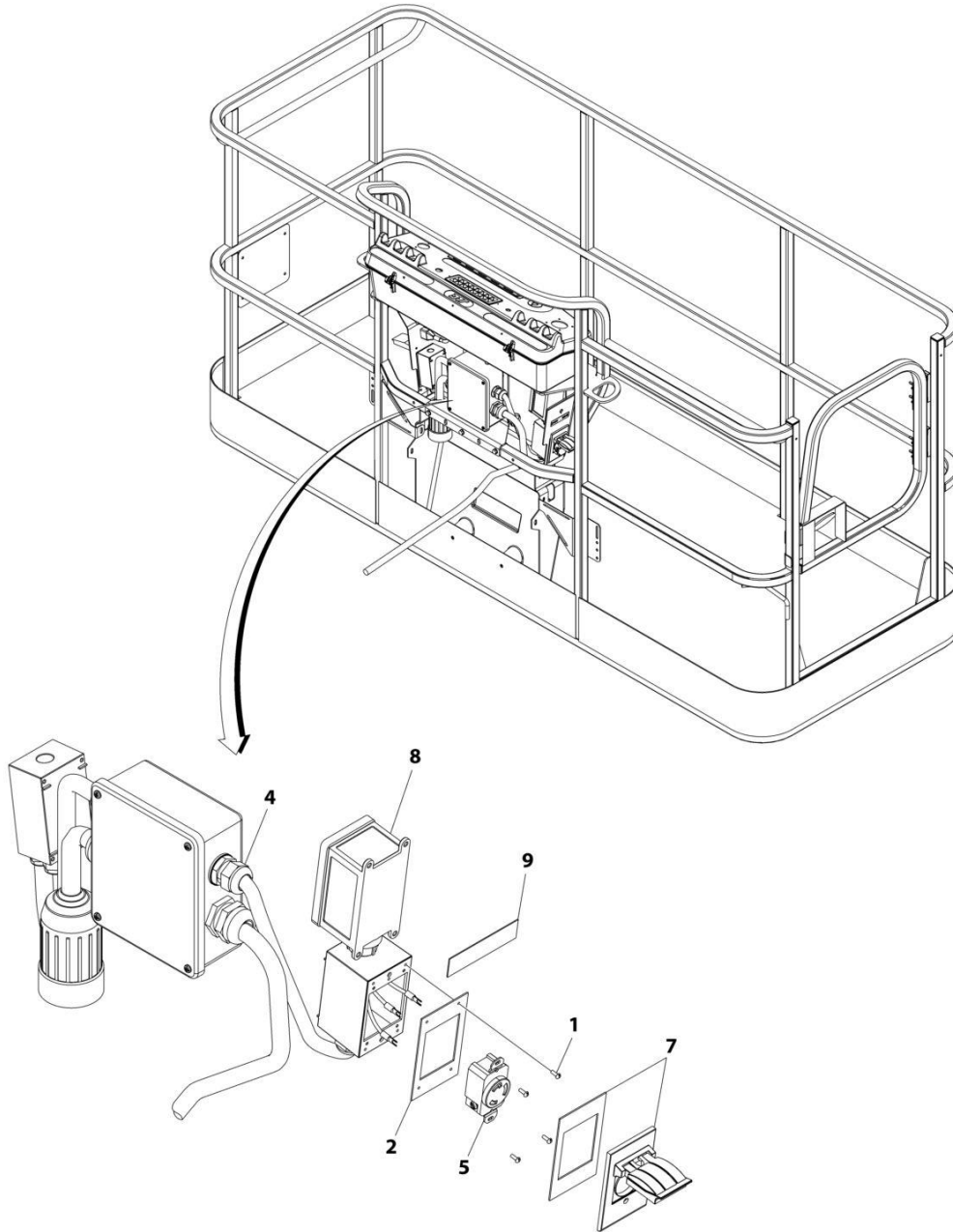
SECTION 8 - ELECTRICAL

FIGURE 8-24. AC BOX AT PLATFORM INSTALLATION - 240V GFCI RECEPTACLE (4000W SKYPOWER GENERATOR) (ANSI, ANSI EXPORT, CHINA, CSA AND JAPANESE SPECS)

ITEM	PART NUMBER	QTY	DESCRIPTION	REV
	1001171131	Ref	AC BOX AT PLATFORM INSTALLATION - 240V RECEPTACLE	B
1	3910606	4	Screw 6 x 3/8	
2	3960422	1	Gasket	
3	4240018	AR	Tie-Strap (Not Shown)	
4	4460425	1	Connector, Strain Relief	
5	1001176862	1	Receptacle	
7	1001110872	1	Cover, Receptacle	
8	1001159120	1	Receptacle/Breaker Box Assembly	
8	1001148675	1	Box, Receptacle	
8	1001159118	1	Breaker GFCI 30Amp 240VAC	
8	4460612	1	Connector, Strain Relief	
8	1001159119	1	Connector (Between Boxes)	
9	1705374	1	Decal - 240V/60Hz	

SECTION 8 - ELECTRICAL

FIGURE 8-25. AC BOX AT PLATFORM INSTALLATION - 240V GFCI RECEPTACLE (7500W SKYPOWER GENERATOR) (ANSI AND CSA SPECS)



ART_1001159121

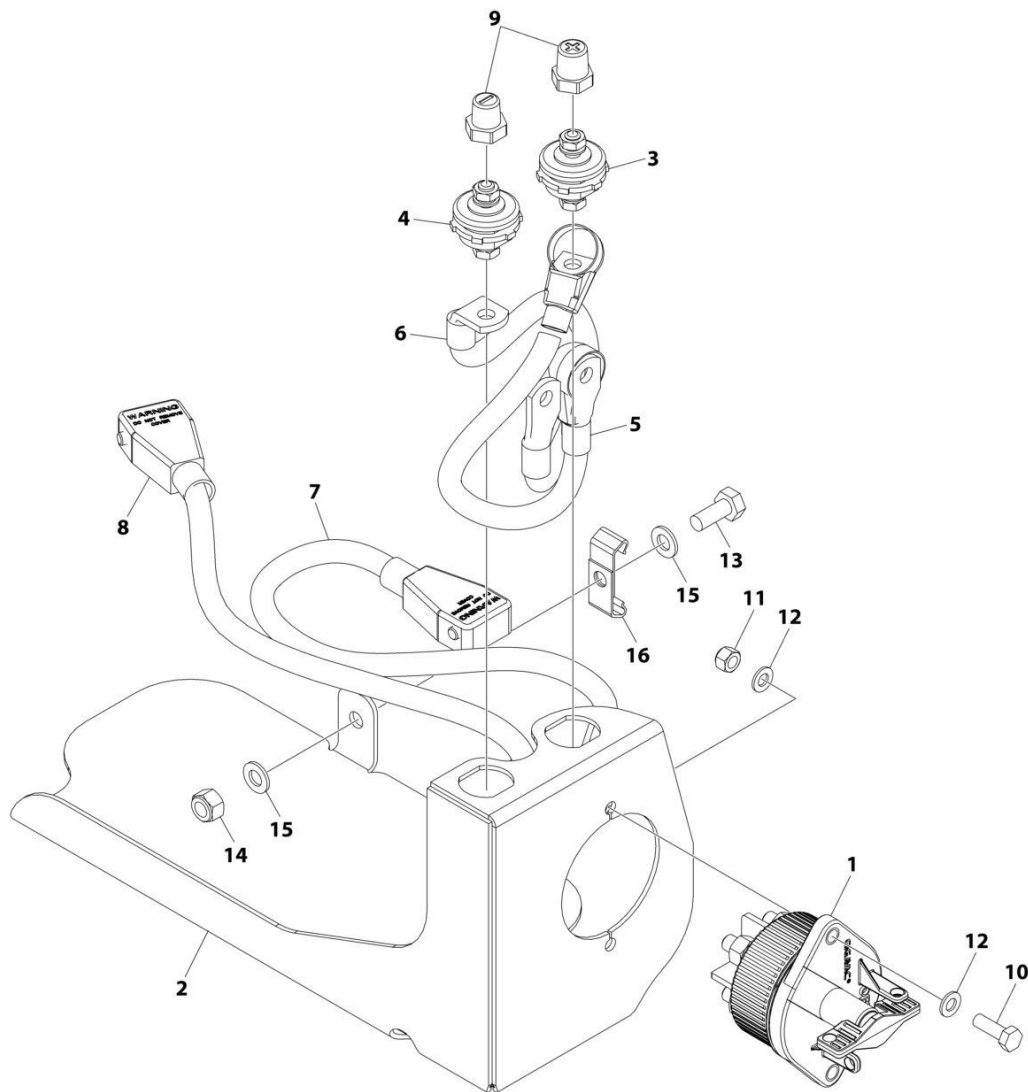
SECTION 8 - ELECTRICAL

FIGURE 8-25. AC BOX AT PLATFORM INSTALLATION - 240V GFCI RECEPTACLE (7500W SKYPOWER GENERATOR) (ANSI AND CSA SPECS)

ITEM	PART NUMBER	QTY	DESCRIPTION	REV
	1001159121	Ref	AC BOX AT PLATFORM INSTALLATION - 240V RECEPTACLE	B
1	3910606	4	Screw 6 x 3/8	
2	3960422	1	Gasket	
3	4240018	AR	Tie-Strap (Not Shown)	
4	4460425	1	Connector, Strain Relief	
5	4460958	1	Receptacle	
7	1001110872	1	Cover, Receptacle	
8	1001159120	1	Receptacle/Breaker Box Assembly	
8	1001148675	1	Box, Receptacle	
8	1001159118	1	Breaker Box Assembly	
8	4460612	1	Connector, Strain Relief	
8	1001159119	1	Connector (Between Boxes)	
9	1705374	1	Decal - 240V/60Hz	

SECTION 8 - ELECTRICAL

FIGURE 8-26. BATTERY DISCONNECT SWITCH INSTALLATION - DEUTZ D2011 ENGINES



ART_1001214396

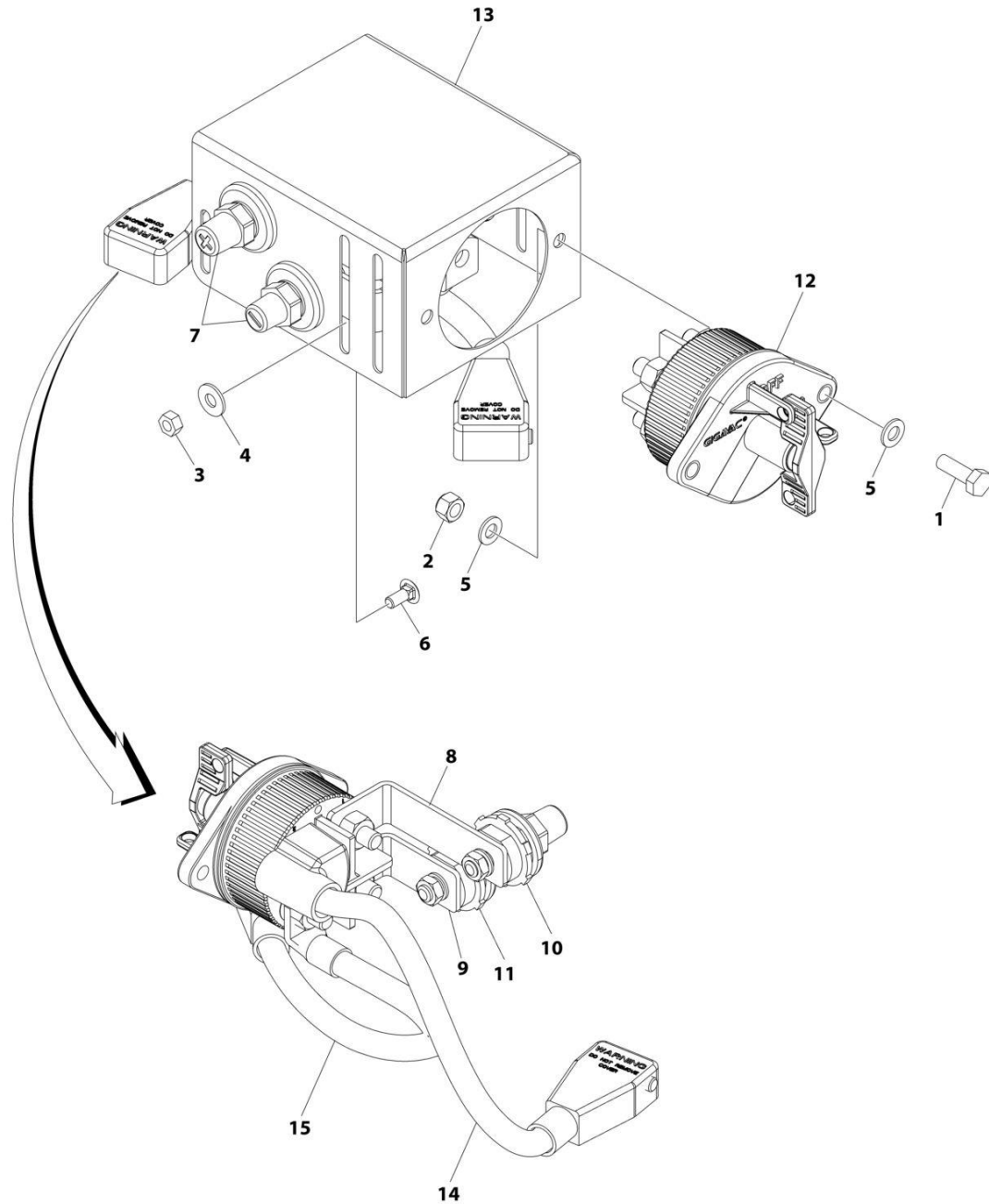
SECTION 8 - ELECTRICAL

FIGURE 8-26. BATTERY DISCONNECT SWITCH INSTALLATION - DEUTZ D2011 ENGINES

ITEM	PART NUMBER	QTY	DESCRIPTION	REV
	1001214396	Ref	BATTERY DISCONNECT SWITCH INSTALLATION	B
1	1001225346	1	Switch	
2	1001226529	1	Mount	
3	1001214570	1	Connector (Red)	
4	1001214571	1	Connector (Black)	
5	1001236375	1	Cable (Positive)	
6	1001236376	1	Cable (Negative)	
7	1001236377	1	Cable (Positive)	
8	1001236378	1	Cable (Negative)	
9	1001206476	1	Connector	
10	0760812	2	Bolt M8 x 25	
11	3290805	2	Nut M8	
12	4811900	4	Washer M8	
13	0761012	1	Bolt M10 x 25	
14	3291005	1	Nut M10	
15	4812000	2	Washer M10	
16	1320223	2	Clamp	

SECTION 8 - ELECTRICAL

FIGURE 8-27. BATTERY DISCONNECT SWITCH INSTALLATION (DEUTZ TD2.2L3 (STAGE V), DEUTZ TD2.9L4, DEUTZ D2.9L4, DEUTZ D2.9L4 (CHINA IV) AND FORD DF2.5L ENGINES)



ART_1001236304

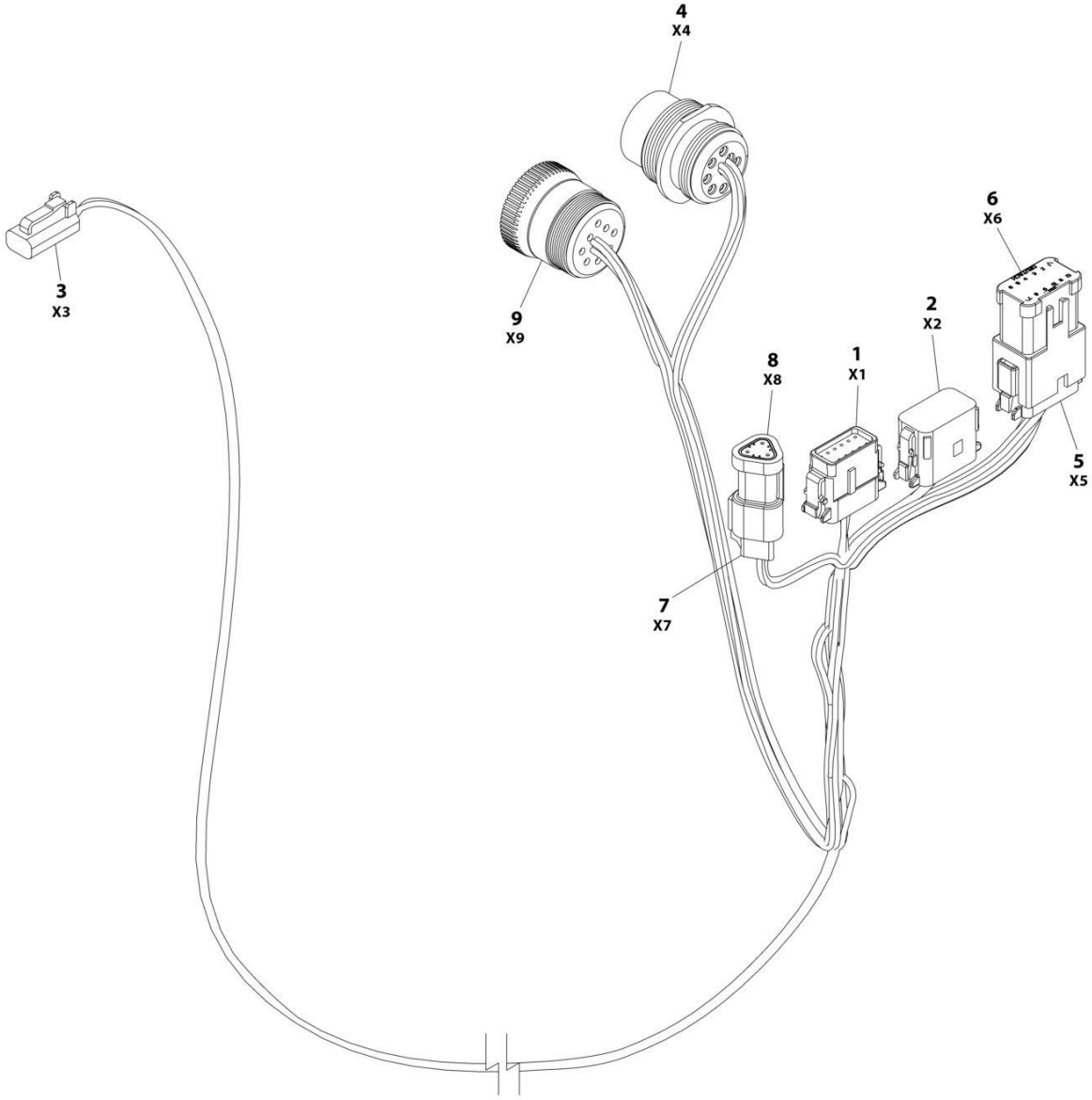
SECTION 8 - ELECTRICAL

FIGURE 8-27. BATTERY DISCONNECT SWITCH INSTALLATION (DEUTZ TD2.2L3 (STAGE V), DEUTZ TD2.9L4, DEUTZ D2.9L4, DEUTZ D2.9L4 (CHINA IV) AND FORD DF2.5L ENGINES)

ITEM	PART NUMBER	QTY	DESCRIPTION	REV
	1001236304	Ref	BATTERY DISCONNECT SWITCH INSTALLATION	A
1	0760812	2	Bolt M8 x 25	
2	3290805	2	Nut M8	
3	3311405	3	Nut 1/4	
4	4751400	3	Washer 1/4	
5	4811900	4	Washer M8	
6	88411013	3	Bolt 1/4 x 3/4	
7	1001206476	1	Connectors, Post	
8	1001209432	1	Bussbar	
9	1001209474	1	Bussbar	
10	1001214570	1	Connector (Red)	
11	1001214571	1	Connector (Black)	
12	1001225346	1	Switch, Battery	
13	1001226531	1	Mount	
14	1001236504	1	Cable, Battery (+)	
15	1001236505	1	Cable, Battery (-)	

SECTION 8 - ELECTRICAL

FIGURE 8-28. BEACON LIGHT HARNESS (BLUE AND RED BEACON LIGHT)



ART_1001142736

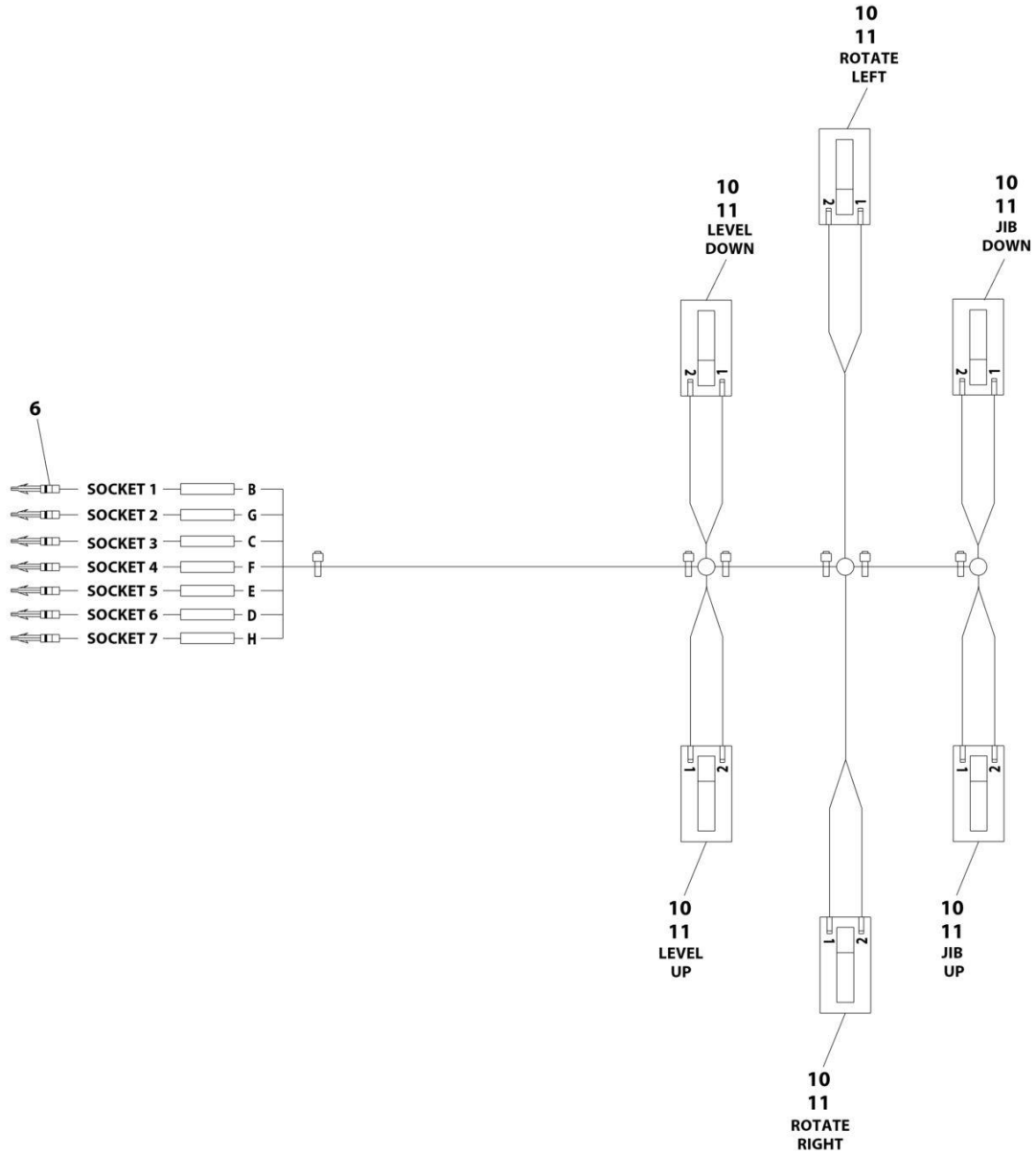
SECTION 8 - ELECTRICAL

FIGURE 8-28. BEACON LIGHT HARNESS (BLUE AND RED BEACON LIGHT)

ITEM	PART NUMBER	QTY	DESCRIPTION	REV
	1001142736	Ref	STROBE LIGHT HARNESS	F
1	1001116808	1	Plug, Male - 12 Position	
1	4460928	3	Socket, Female	
1	4460518	9	Plug, Terminal	
2	1001116774	1	Plug, Male - 12 Position	
2	4460928	3	Socket, Female	
2	4460518	9	Plug, Terminal	
3	4460891	1	Plug, Male - 2 Position	
3	4460465	2	Socket, Female	
4	1001112612	1	Connector - 9 Position	
4	4460464	6	Pin, Male	
4	4460466	3	Plug, Terminal	
5	4460933	1	Plug, Male - 12 Position	
5	4460465	12	Socket, Female	
6	1001119020	1	Bussbar - 12 Position	
7	4461095	1	Plug, Male - 3 Position	
7	4460465	3	Socket, Female	
8	4461070	1	Bussbar - 3 Position	
9	1001112796	1	Connector - 9 Position	
9	4460465	6	Socket, Female	
9	4460466	3	Plug, Terminal	

SECTION 8 - ELECTRICAL

FIGURE 8-29. BOOM VALVE HARNESS



ART_1001139135

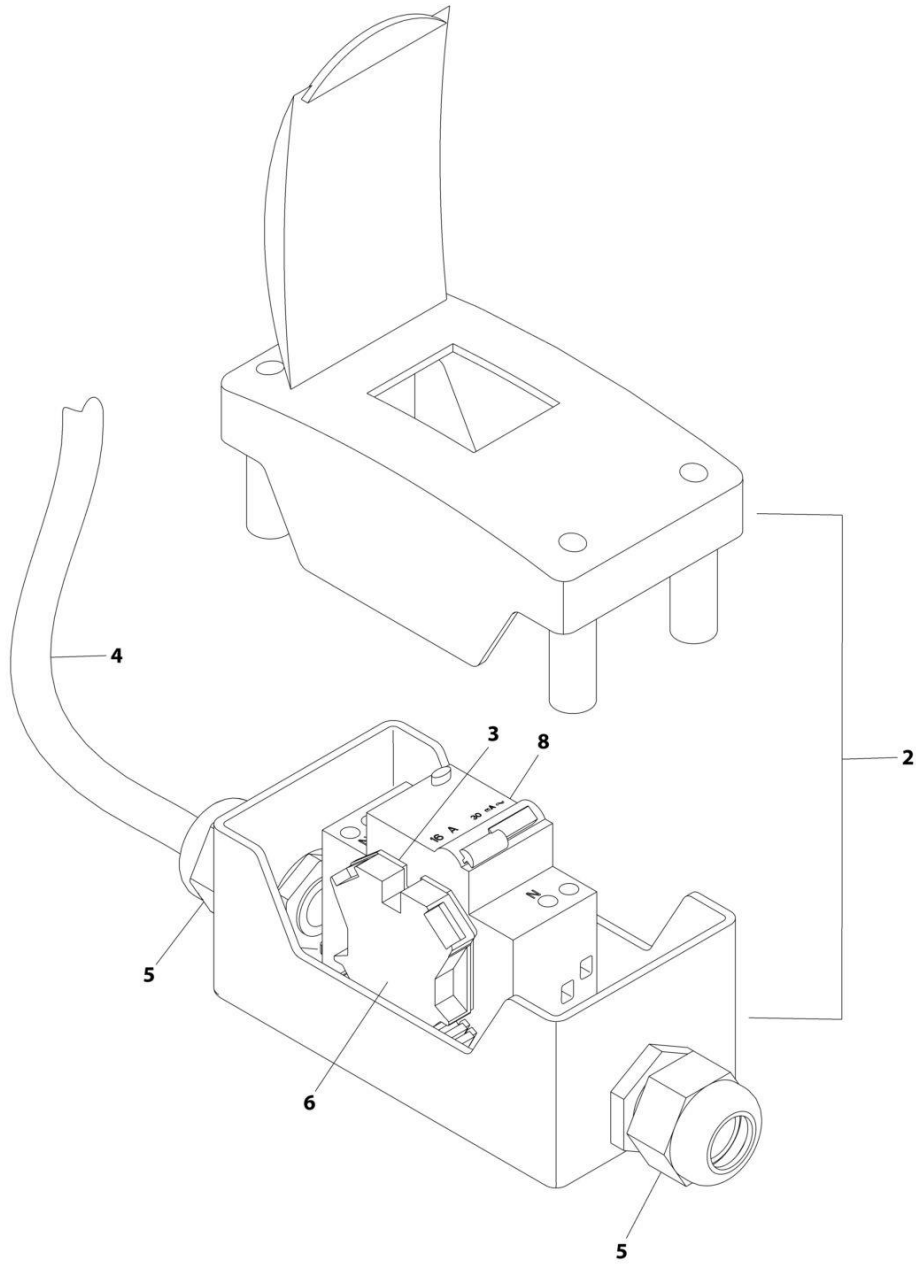
SECTION 8 - ELECTRICAL

FIGURE 8-29. BOOM VALVE HARNESS

ITEM	PART NUMBER	QTY	DESCRIPTION	REV
	1001139135	Ref	BOOM VALVE HARNESS	3
6	4460226	7	Terminal, Socket	
10	4460891	6	Deutsch connector	
11	1001116692	12	Socket	

SECTION 8 - ELECTRICAL

FIGURE 8-30. BREAKER BOX KIT - SINGLE DOUBLE POLE BREAKER (WITH 4000W/50HZ GENERATOR)



ART_1001096070

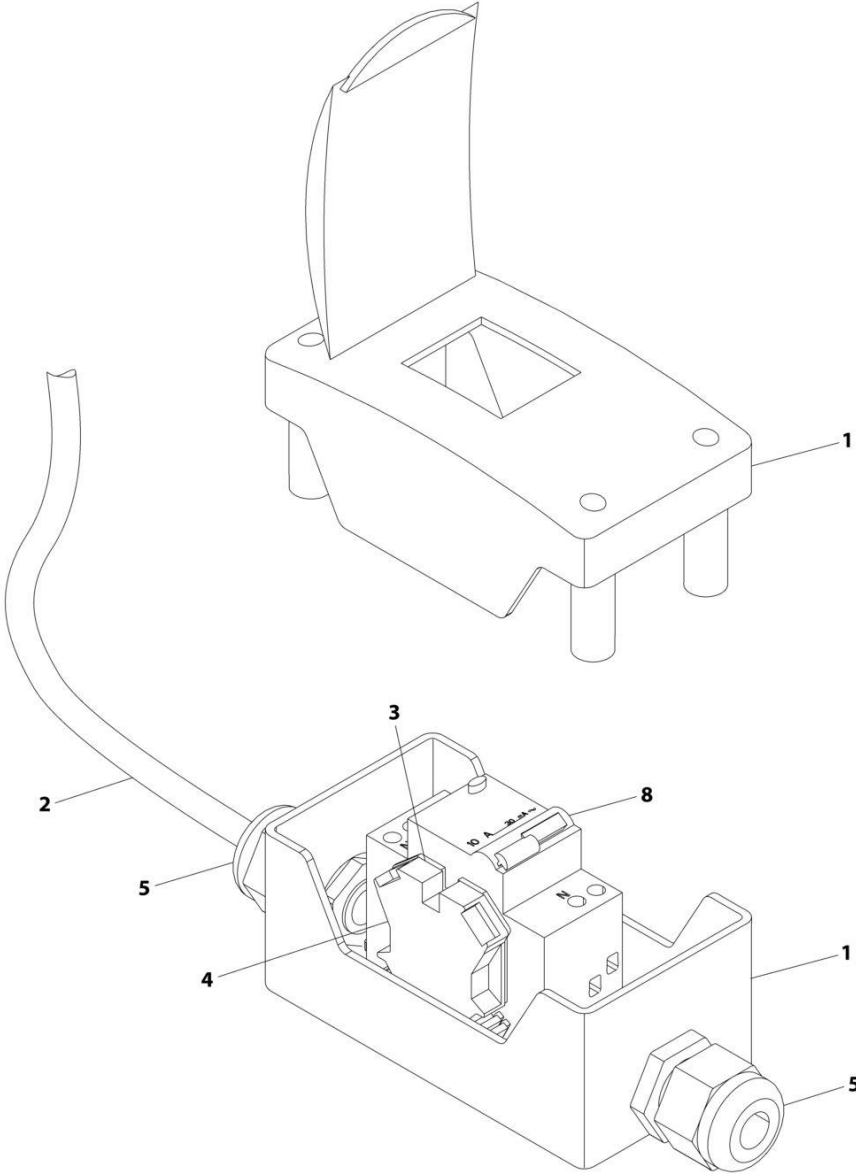
SECTION 8 - ELECTRICAL

FIGURE 8-30. BREAKER BOX KIT - SINGLE DOUBLE POLE BREAKER (WITH 4000W/50HZ GENERATOR)

ITEM	PART NUMBER	QTY	DESCRIPTION	REV
	1001096070	Ref	BREAKER BOX KIT	E
2	0861880	1	Box	
3	4460956	1	Barrier, Terminal Block End	
4	1060908	12 ft/ 3.6m	Cable, 12/3	
5	1001097150	2	Connector, Strain Relief	
6	4460957	1	Block, Terminal	
8	1001181045	1	Breaker, 16Amp	

SECTION 8 - ELECTRICAL

FIGURE 8-31. BREAKER BOX KIT - 30MA/16 AMP (WITH GENERATOR)



ART_1001109554

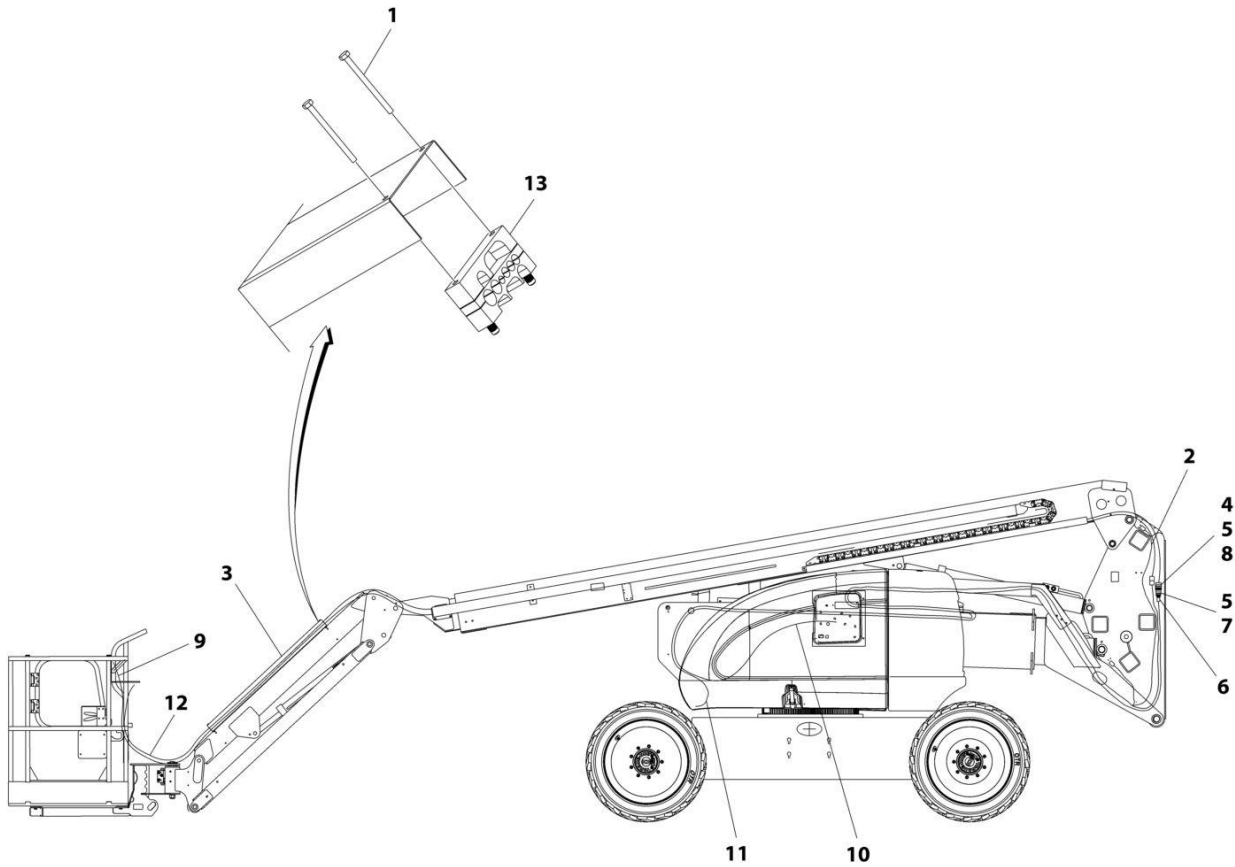
SECTION 8 - ELECTRICAL

FIGURE 8-31. BREAKER BOX KIT - 30MA/16 AMP (WITH GENERATOR)

ITEM	PART NUMBER	QTY	DESCRIPTION	REV
	1001109554	Ref	BREAKER BOX KIT - 30mA/16 AMP	C
1	0861880	1	Box, Breaker	
2	1060908	12 ft /3.6m	Cable, Electrical 12/3	
3	4460956	1	Barrier, Terminal Block End	
4	4460957	1	Block, Terminal	
5	1001097150	2	Connector, Strain Relief	
8	1001181046	1	Breaker, Double 30mA/16Amp	

SECTION 8 - ELECTRICAL

FIGURE 8-32. BOOM CABLES INSTALLATION - WITH 2500W GENERATOR OR NO GENERATOR AND WITHOUT ARCTIC PACKAGE (ANSI, CSA, AND JAPANESE SPECS) (MACHINES WITH SN STARTING WITH 03)



ART_1001165366

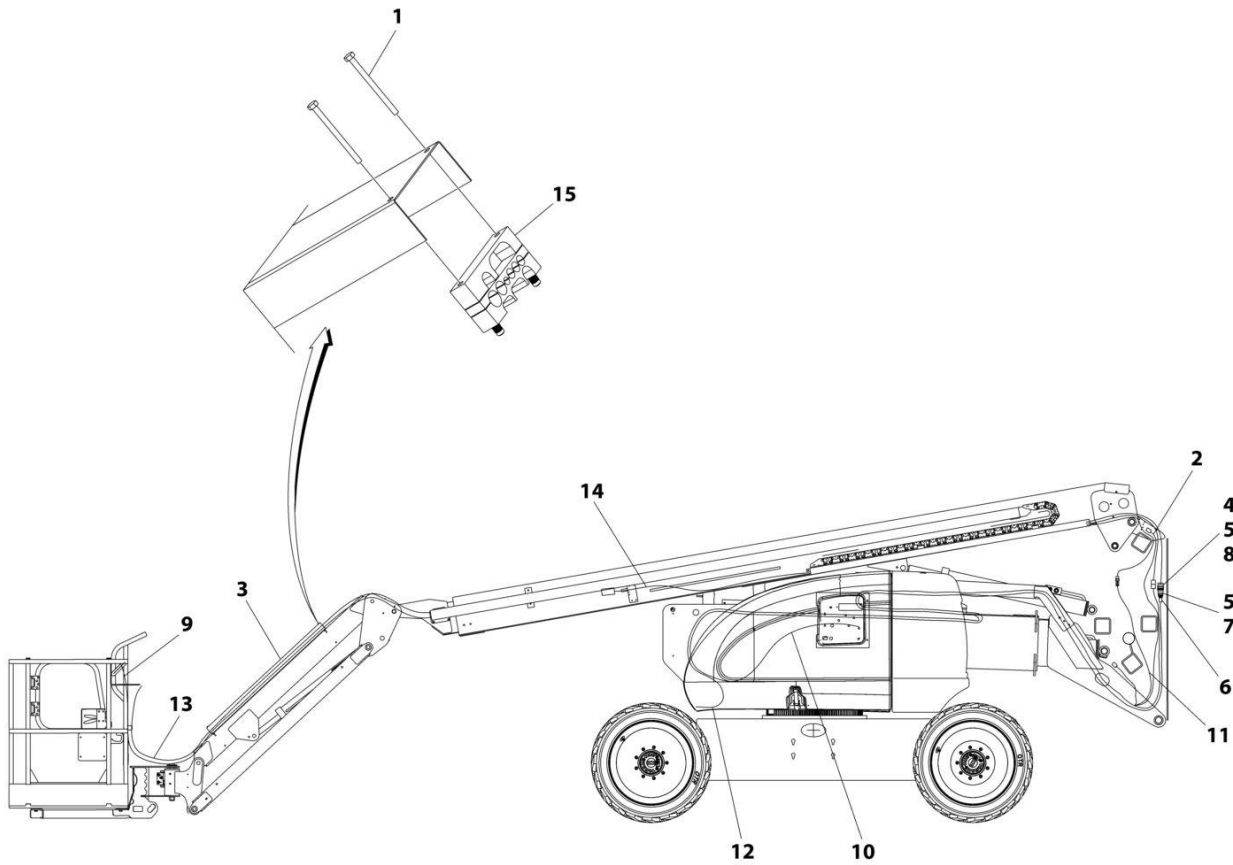
SECTION 8 - ELECTRICAL

FIGURE 8-32. BOOM CABLES INSTALLATION - WITH 2500W GENERATOR OR NO GENERATOR AND WITHOUT ARCTIC PACKAGE (ANSI, CSA, AND JAPANESE SPECS) (MACHINES WITH SN STARTING WITH 03)

ITEM	PART NUMBER	QTY	DESCRIPTION	REV
	1001165366	Ref	BOOM CABLES INSTALLATION	B
1	0700626	4	Bolt M6 x 90	
2	1061033	2	Cable, Electrical 18/2	
3	1671034	1	Cover	
4	2820031	4 in /10.1cm	Heat Shrink	
5	4460466	8	Plug, Terminal	
6	4460473	1	Clamp, Cable	
7	4460865	1	Connector - 19 Position	
8	4460866	1	Connector - 19 Position	
9	4922493	1	Harness, Main Boom without Arctic Package (See Separate Breakdown in this Section)	
10	4922494	1	Harness, Tower Boom Cable without Arctic Package (See Separate Breakdown in this Section)	
11	4922892	1	Cable, Electrical 12/3 (Tower Boom)	
12	4922894	1	Cable, Electrical 12/3 (Main Boom)	
13	1001165350	2	Clamp, Block	

SECTION 8 - ELECTRICAL

FIGURE 8-33. BOOM CABLES INSTALLATION – WITH 2500W GENERATOR OR NO GENERATOR AND WITHOUT ARCTIC PACKAGE (CE, RUSSIA & UK CA SPECS) (MACHINES WITH SN STARTING WITH 03)



ART_1001165551

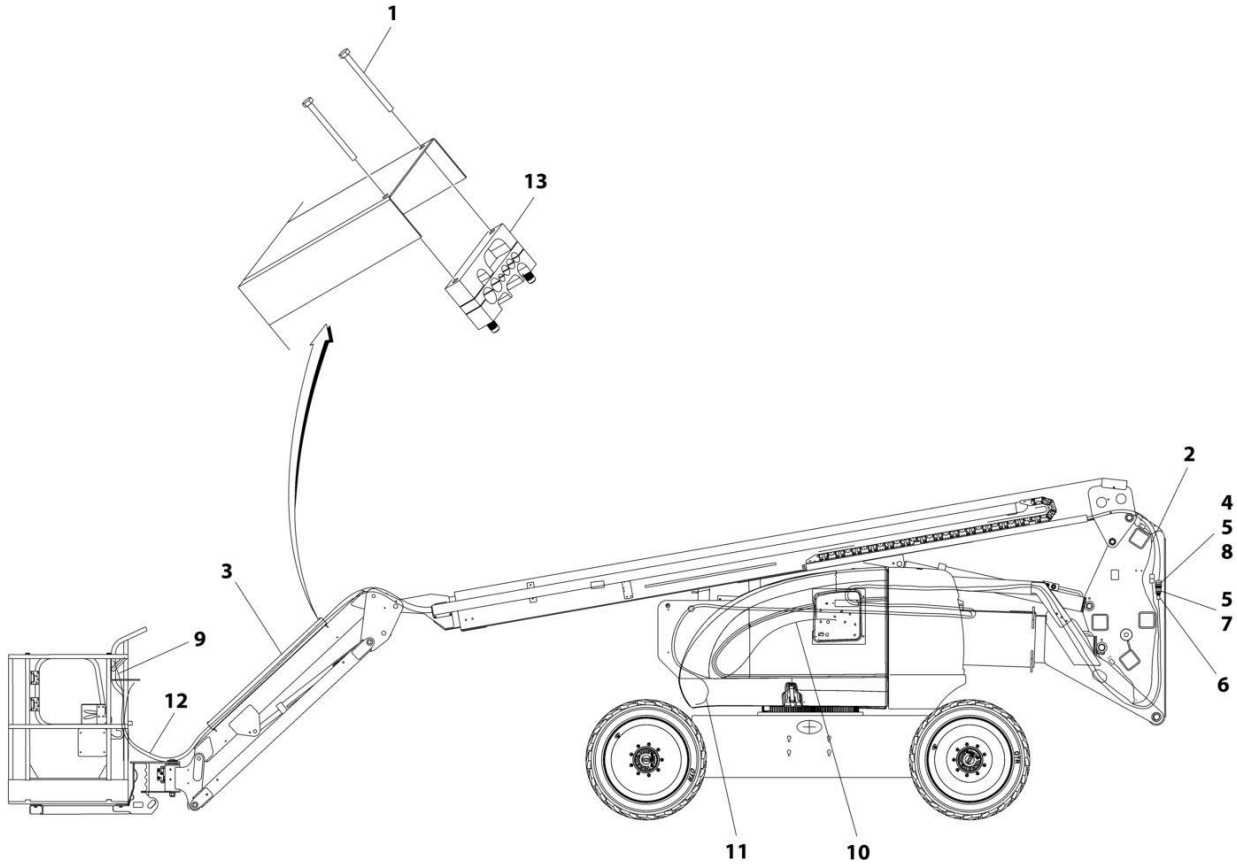
SECTION 8 - ELECTRICAL

FIGURE 8-33. BOOM CABLES INSTALLATION – WITH 2500W GENERATOR OR NO GENERATOR AND WITHOUT ARCTIC PACKAGE (CE, RUSSIA & UK CA SPECS) (MACHINES WITH SN STARTING WITH 03)

ITEM	PART NUMBER	QTY	DESCRIPTION	REV
	1001165551	Ref	BOOM CABLES INSTALLATION	C
1	0700626	4	Bolt 1/4 x 3	
2	1061033	2	Cable, Electrical 18/2	
3	1671034	1	Cover	
4	2820031	4 in /10.1cm	Heat Shrink	
5	4460466	8	Plug, Terminal	
6	4460473	1	Clamp, Cable	
7	4460865	1	Connector - 19 Position	
8	4460866	1	Connector - 19 Position	
9	4922493	1	Harness, Main Boom without Arctic Package (See Separate Breakdown in this Section)	
10	4922494	1	Harness, Tower Boom Cable without Arctic Package (See Separate Breakdown in this Section)	
11	4922891	1	Cable, Electrical - 18/2 Tower Boom Length	
12	4922893	1	Cable, Electrical 12/3 (Tower Boom)	
13	4922895	1	Cable, Electrical 12/3 (Main Boom)	
14	4922896	1	Cable, Electrical - 18/2 Main Boom Length	
15	1001165350	2	Clamp, Block	

SECTION 8 - ELECTRICAL

**FIGURE 8-34. BOOM CABLES INSTALLATION - WITH 2500W GENERATOR OR NO GENERATOR WITHOUT AND ARCTIC PACKAGE (ANSI EXPORT, AUSTRALIAN, RUSSIA AND CHINA SPECS)
(MACHINES WITH SN STARTING WITH 03)**



ART_1001165554

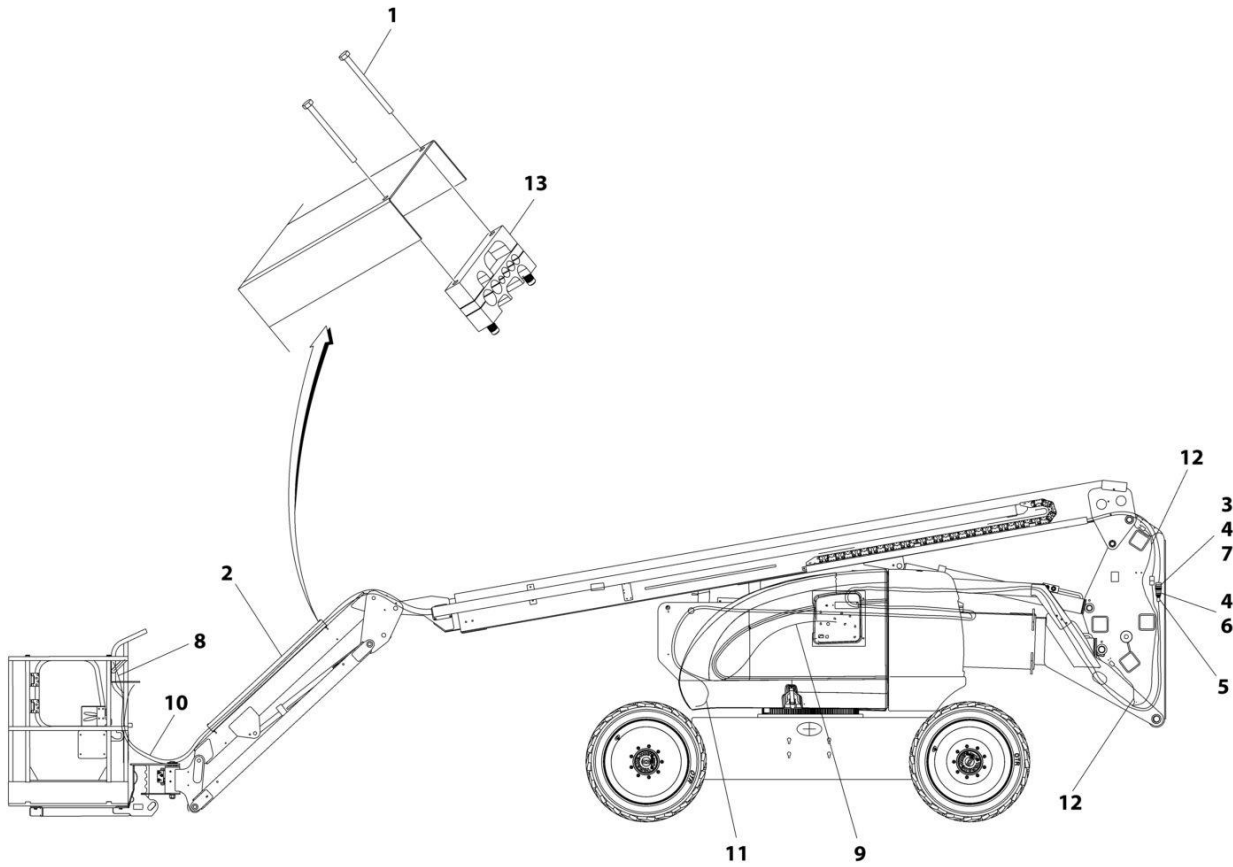
SECTION 8 - ELECTRICAL

**FIGURE 8-34. BOOM CABLES INSTALLATION - WITH 2500W GENERATOR OR NO GENERATOR WITHOUT AND ARCTIC PACKAGE (ANSI EXPORT, AUSTRALIAN, RUSSIA AND CHINA SPECS)
(MACHINES WITH SN STARTING WITH 03)**

ITEM	PART NUMBER	QTY	DESCRIPTION	REV
	1001165554	Ref	BOOM CABLES INSTALLATION	B
1	0700626	4	Bolt M6 x 90	
2	1061033	2	Cable, Electrical 18/2	
3	1671034	1	Cover	
4	2820031	4 in /10.1cm	Heat Shrink	
5	4460466	8	Plug, Terminal	
6	4460473	1	Clamp, Cable	
7	4460865	1	Connector - 19 Position	
8	4460866	1	Connector - 19 Position	
9	4922493	1	Harness, Main Boom without Arctic Package (See Separate Breakdown in this Section)	
10	4922494	1	Harness, Tower Boom Cable without Arctic Package (See Separate Breakdown in this Section)	
11	4922893	1	Cable, Electrical 12/3 (Tower Boom)	
12	4922895	1	Cable, Electrical 12/3 (Main Boom)	
13	1001165350	2	Clamp, Block	

SECTION 8 - ELECTRICAL

FIGURE 8-35. BOOM CABLES INSTALLATION - WITH 2500W GENERATOR OR NO GENERATOR AND WITH ARCTIC PACKAGE (ANSI, ANSI EXPORT, CSA, RUSSIA AND CHINA SPECS) (MACHINES WITH SN STARTING WITH 03)



ART_1001165556

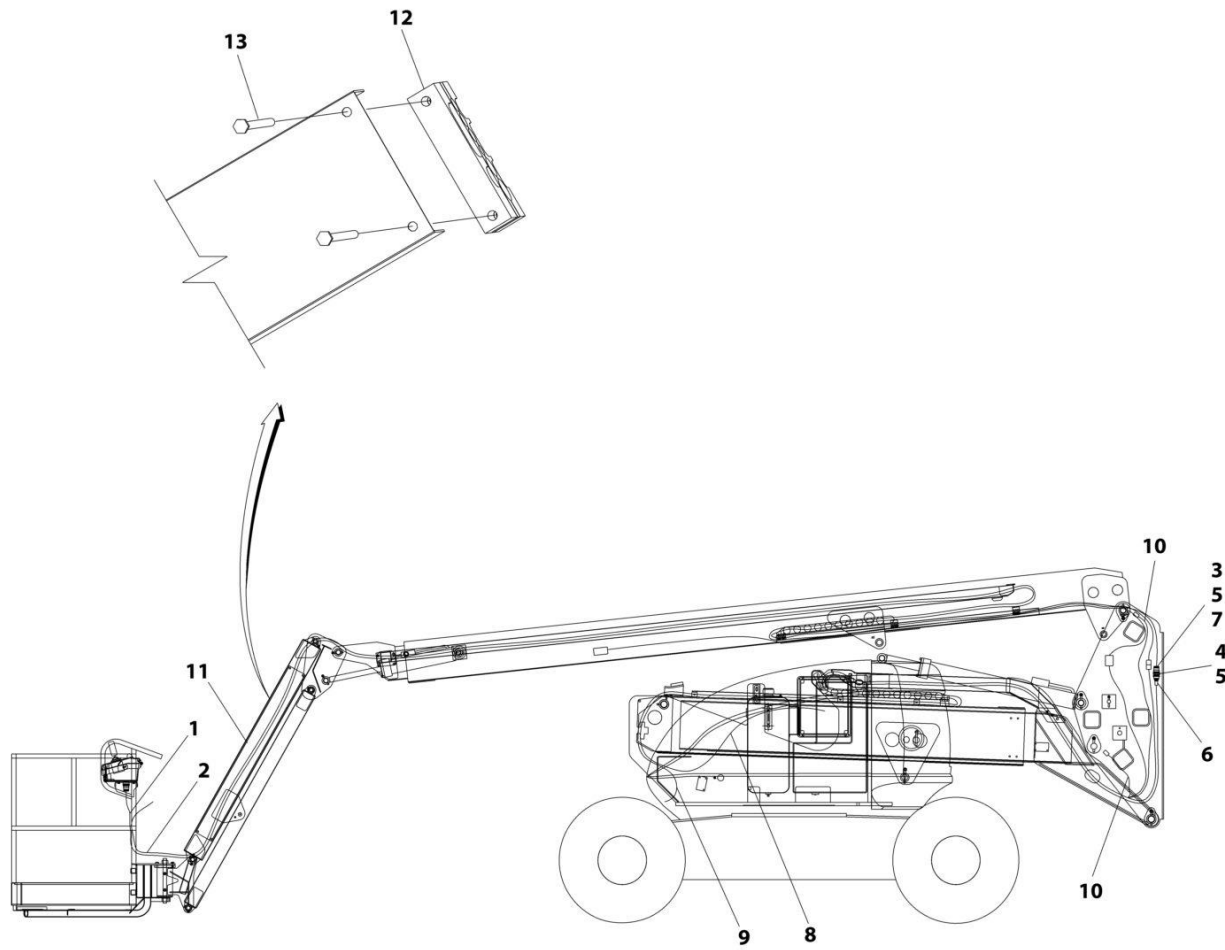
SECTION 8 - ELECTRICAL

FIGURE 8-35. BOOM CABLES INSTALLATION - WITH 2500W GENERATOR OR NO GENERATOR AND WITH ARCTIC PACKAGE (ANSI, ANSI EXPORT, CSA, RUSSIA AND CHINA SPECS) (MACHINES WITH SN STARTING WITH 03)

ITEM	PART NUMBER	QTY	DESCRIPTION	REV
	1001165556	Ref	BOOM CABLES INSTALLATION	B
1	0700626	4	Bolt M6 x 90	
2	1671034	1	Cover	
3	2820031	4 in /10.1cm	Heat Shrink	
4	4460466	8	Plug, Terminal	
5	4460473	1	Clamp, Cable	
6	4460865	1	Connector - 19 Position	
7	4460866	1	Connector - 19 Position	
8	4923472	1	Harness, Main Boom with Arctic Package (See Separate Breakdown in this Section)	
9	4923473	1	Harness, Tower Boom Cable with Arctic Package (See Separate Breakdown in this Section)	
10	4923474	1	Cable, Electrical 12/3 (Main Boom)	
11	4923475	1	Cable, Electrical 12/3 (Tower Boom)	
12	4923476	2	Cable, Electrical 18/2	
13	1001165350	2	Clamp, Block	

SECTION 8 - ELECTRICAL

FIGURE 8-36. BOOM CABLES INSTALLATION – WITH 2500W GENERATOR (FORD DF 2.5L ENGINES) (ALL SPECS EXCEPT AUSTRALIAN, RUSSIA, CE & UK CA SPECS)



ART_1001153322

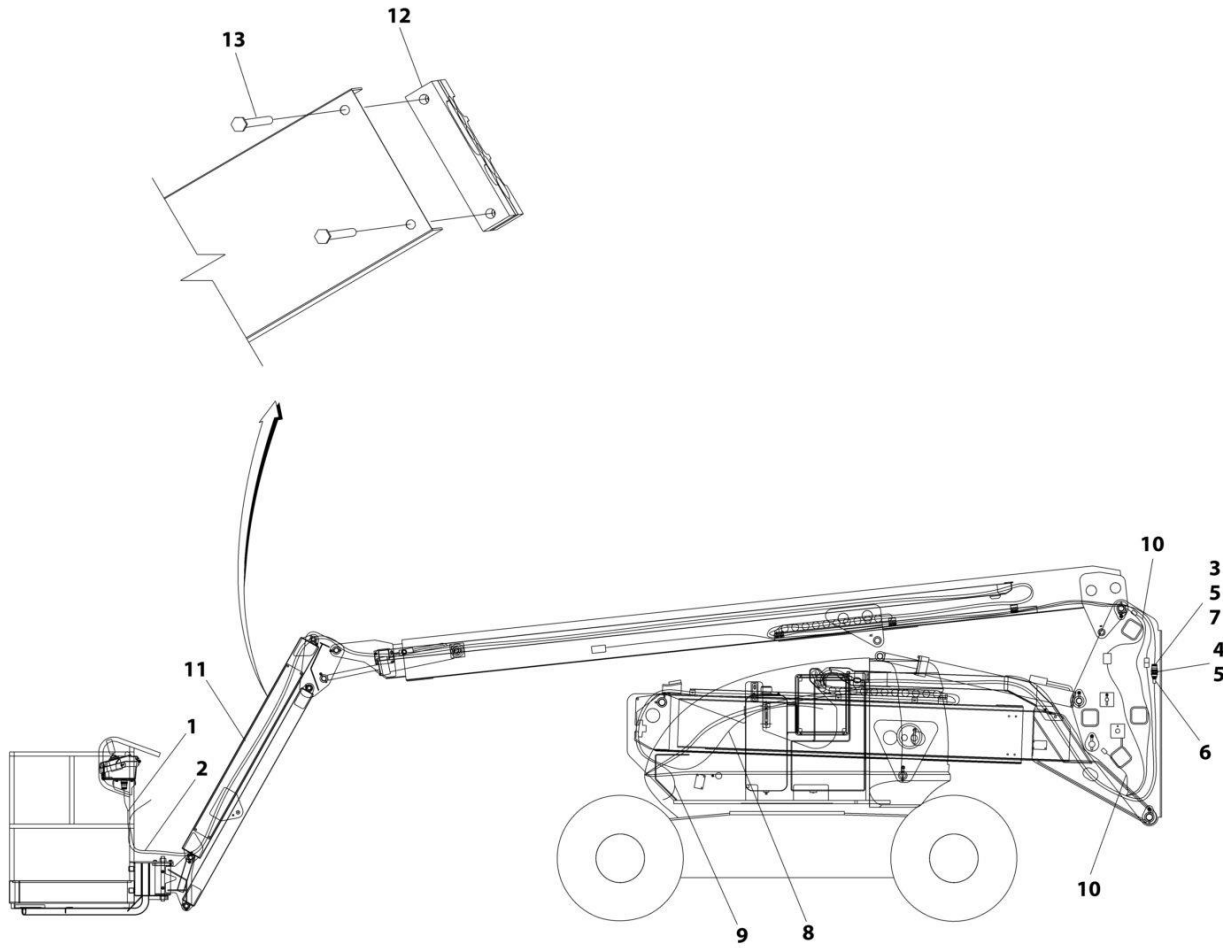
SECTION 8 - ELECTRICAL

FIGURE 8-36. BOOM CABLES INSTALLATION – WITH 2500W GENERATOR (FORD DF 2.5L ENGINES) (ALL SPECS EXCEPT AUSTRALIAN, RUSSIA, CE & UK CA SPECS)

ITEM	PART NUMBER	QTY	DESCRIPTION	REV
	1001153322	Ref	BOOM CABLES INSTALLATION	A
1	4922493	1	Harness, Main Boom without Arctic Package (See Separate Breakdown in this Section)	
2	1001156489	1	Cable, Electrical 10/4	
3	2820031	4 in /10.1cm	Heat Shrink	
4	4460865	1	Connector - 19 Position	
5	4460466	8	Plug, Terminal	
6	4460473	1	Clamp, Cable	
7	4460866	1	Connector - 19 Position	
8	4922494	1	Harness, Tower Boom Cable without Arctic Package (See Separate Breakdown in this Section)	
9	1001156490	1	Cable, Electrical 10/4	
10	1061033	2	Cable, Electrical 18/2	
11	1670769	1	Cover	
12	0561237	2	Clamp, Block	
13	0641416	4	Bolt 1/4 x 2	

SECTION 8 - ELECTRICAL

FIGURE 8-37. BOOM CABLES INSTALLATION – WITH 4000W GENERATOR (ALL SPECS EXCEPT AUSTRALIAN, RUSSIA, CE & UK CA SPECS)



ART_1001153322

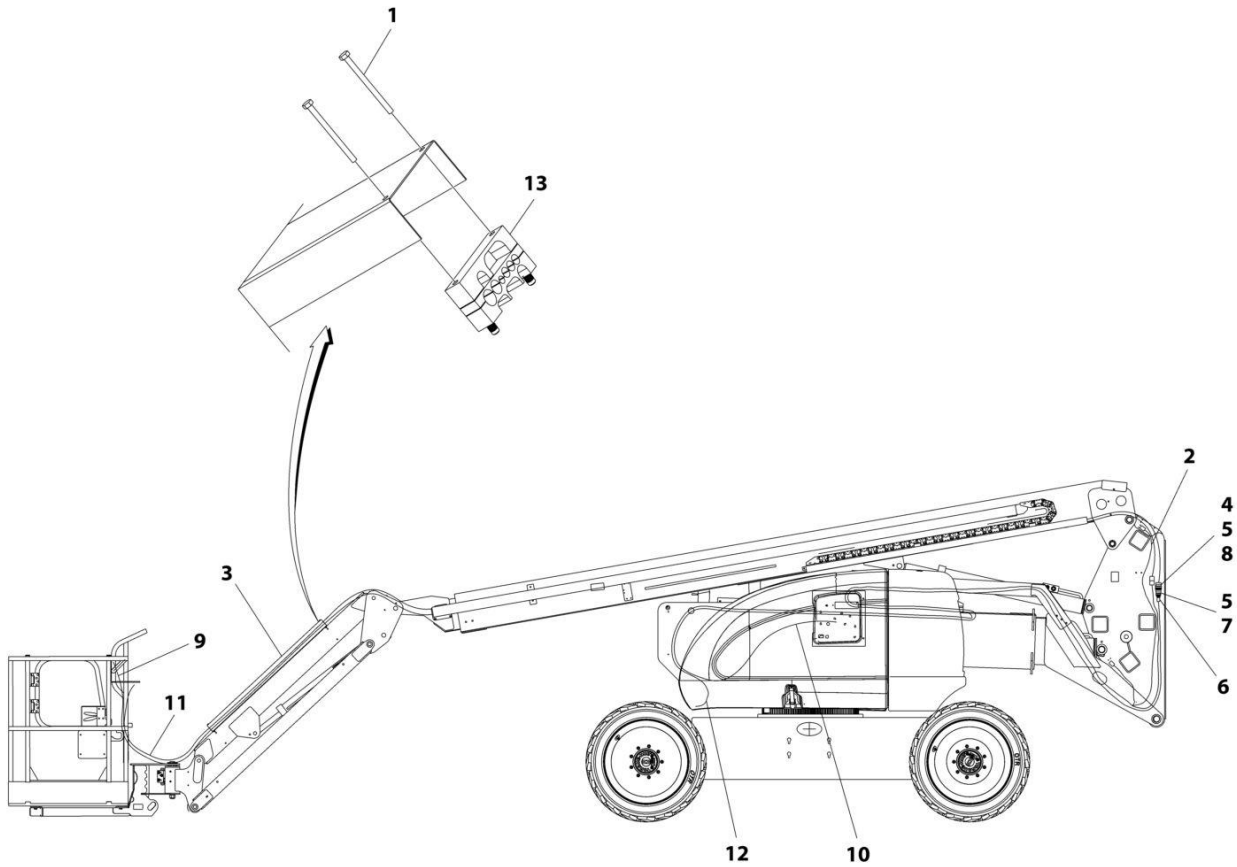
SECTION 8 - ELECTRICAL

FIGURE 8-37. BOOM CABLES INSTALLATION – WITH 4000W GENERATOR (ALL SPECS EXCEPT AUSTRALIAN, RUSSIA, CE & UK CA SPECS)

ITEM	PART NUMBER	QTY	DESCRIPTION	REV
	1001153322	Ref	BOOM CABLES INSTALLATION	A
1	4922493	1	Harness, Main Boom without Arctic Package (See Separate Breakdown in this Section)	
2	1001156489	1	Cable, Electrical 10/4	
3	2820031	4 in /10.1cm	Heat Shrink	
4	4460865	1	Connector - 19 Position	
5	4460466	8	Plug, Terminal	
6	4460473	1	Clamp, Cable	
7	4460866	1	Connector - 19 Position	
8	4922494	1	Harness, Tower Boom Cable without Arctic Package (See Separate Breakdown in this Section)	
9	1001156490	1	Cable, Electrical 10/4	
10	1061033	2	Cable, Electrical 18/2	
11	1670769	1	Cover	
12	0561237	2	Clamp, Block	
13	0641416	4	Bolt 1/4 x 2	

SECTION 8 - ELECTRICAL

FIGURE 8-38. BOOM CABLES INSTALLATION - WITH 7500W GENERATOR WITHOUT ARCTIC PACKAGE (ANSI, ANSI EXPORT, CSA, CHINA SPECS) (MACHINES WITH SN STARTING WITH 03)



ART_1001165552

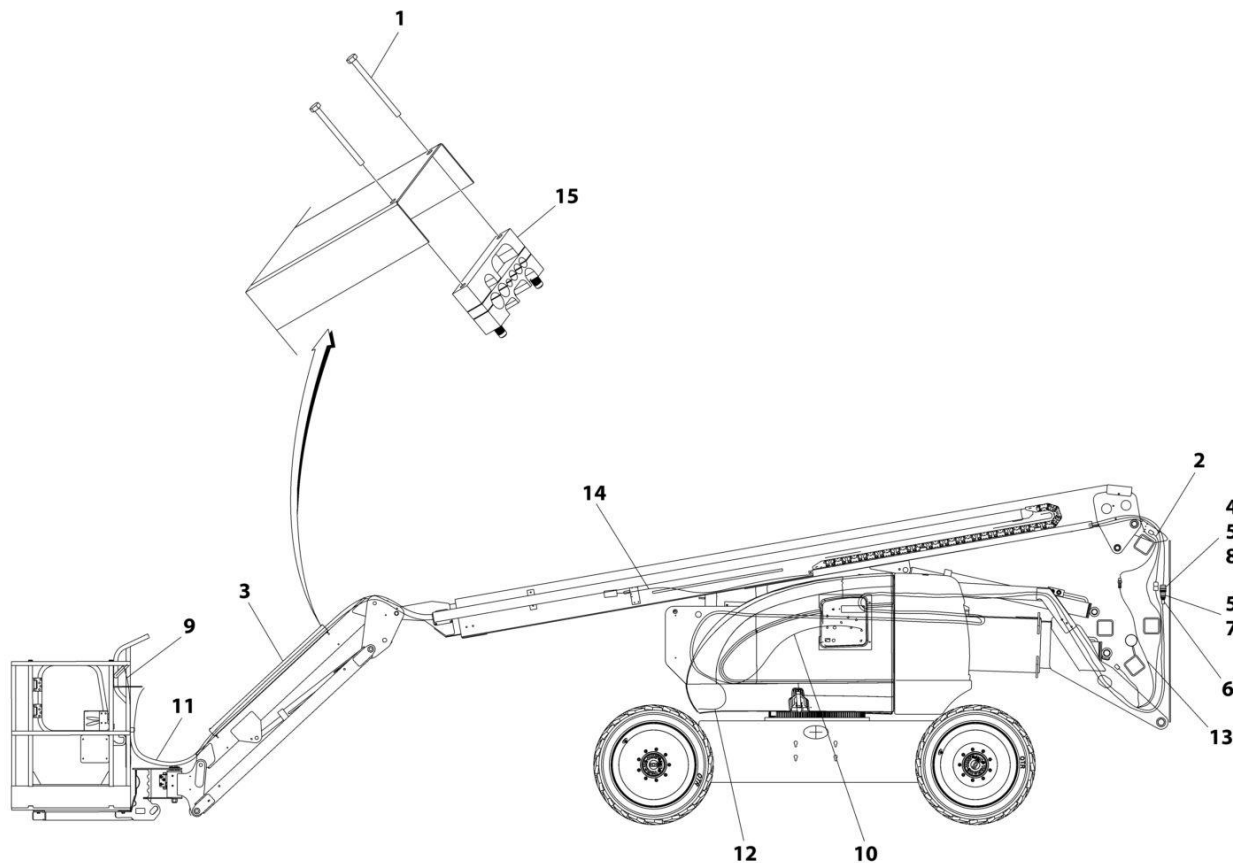
SECTION 8 - ELECTRICAL

FIGURE 8-38. BOOM CABLES INSTALLATION - WITH 7500W GENERATOR WITHOUT ARCTIC PACKAGE (ANSI, ANSI EXPORT, CSA, CHINA SPECS) (MACHINES WITH SN STARTING WITH 03)

ITEM	PART NUMBER	QTY	DESCRIPTION	REV
	1001165552	Ref	BOOM CABLES INSTALLATION	B
1	0700626	4	Bolt M6 x 90	
2	1061033	2	Cable, Electrical 18/2	
3	1671034	1	Cover	
4	2820031	4 in /10.1cm	Heat Shrink	
5	4460466	8	Plug, Terminal	
6	4460473	1	Clamp, Cable	
7	4460865	1	Connector - 19 Position	
8	4460866	1	Connector - 19 Position	
9	4922493	1	Harness, Main Boom without Arctic Package (See Separate Breakdown in this Section)	
10	4922494	1	Harness, Tower Boom Cable without Arctic Package (See Separate Breakdown in this Section)	
11	4922810	1	Cable, Electrical 8/5 (Main Boom)	
12	4922811	1	Cable, Electrical 8/5 (Tower Boom)	
13	1001165350	2	Clamp, Block	

SECTION 8 - ELECTRICAL

FIGURE 8-39. BOOM CABLES INSTALLATION – WITH 7500W GENERATOR WITHOUT ARCTIC PACKAGE (RUSSIA SPEC) (MACHINES WITH SN STARTING WITH 03)



ART_1001165553

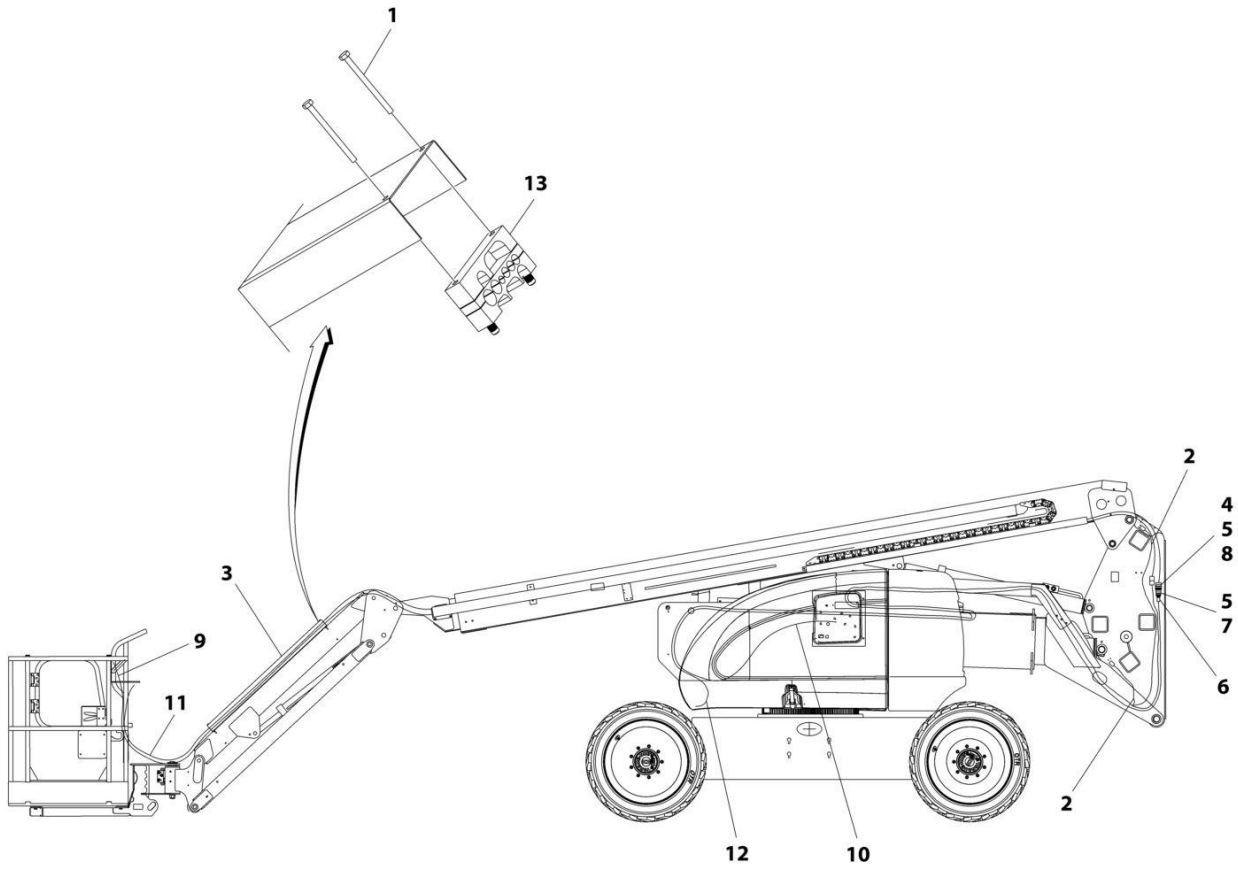
SECTION 8 - ELECTRICAL

FIGURE 8-39. BOOM CABLES INSTALLATION – WITH 7500W GENERATOR WITHOUT ARCTIC PACKAGE (RUSSIA SPEC) (MACHINES WITH SN STARTING WITH 03)

ITEM	PART NUMBER	QTY	DESCRIPTION	REV
	1001165553	Ref	BOOM CABLES INSTALLATION	C
1	0700626	4	Bolt M6 x 90	
2	1061033	2	Cable, Electrical 18/2	
3	1671034	1	Cover	
4	2820031	4 in /10.1cm	Heat Shrink	
5	4460466	8	Plug, Terminal	
6	4460473	1	Clamp, Cable	
7	4460865	1	Connector - 19 Position	
8	4460866	1	Connector - 19 Position	
9	4922493	1	Harness, Main Boom without Arctic Package (See Separate Breakdown in this Section)	
10	4922494	1	Harness, Tower Boom Cable without Arctic Package (See Separate Breakdown in this Section)	
11	4922810	1	Cable, Electrical 8/5 (Main Boom)	
12	4922811	1	Cable, Electrical 8/5 (Tower Boom)	
13	4922891	1	Cable, Electrical - 18/2 Tower Boom Length	
14	4922896	1	Cable, Electrical - 18/2 Main Boom Length	
15	1001165350	2	Clamp, Block	

SECTION 8 - ELECTRICAL

FIGURE 8-40. BOOM CABLES INSTALLATION - WITH 7500W GENERATOR WITHOUT ARCTIC PACKAGE (AUSTRALIAN AND JAPANESE SPECS) (MACHINES WITH SN STARTING WITH 03)



ART_1001165555

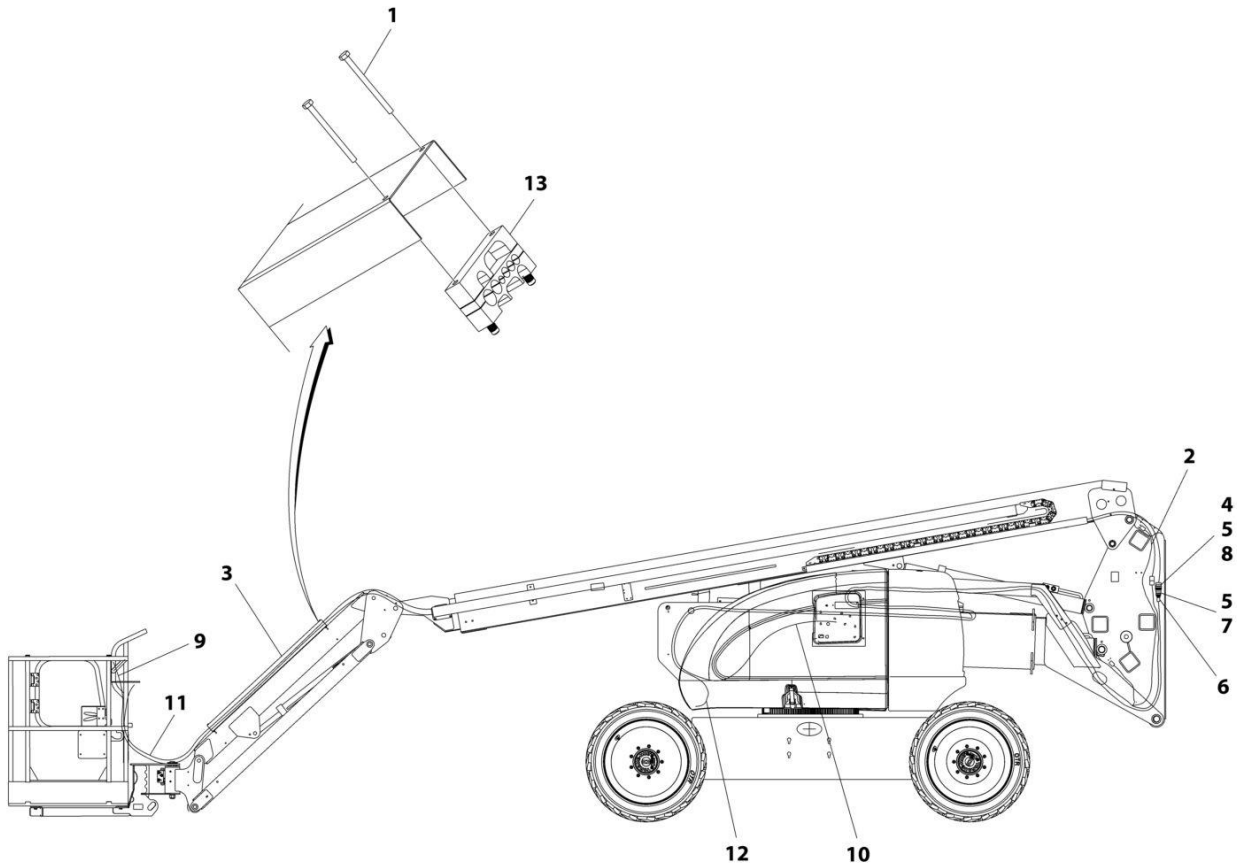
SECTION 8 - ELECTRICAL

FIGURE 8-40. BOOM CABLES INSTALLATION - WITH 7500W GENERATOR WITHOUT ARCTIC PACKAGE (AUSTRALIAN AND JAPANESE SPECS) (MACHINES WITH SN STARTING WITH 03)

ITEM	PART NUMBER	QTY	DESCRIPTION	REV
	1001165555	Ref	BOOM CABLES INSTALLATION	B
1	0700626	4	Bolt M6 x 90	
2	1061033	2	Cable, Electrical 18/2	
3	1671034	1	Cover	
4	2820031	4 in /10.1cm	Heat Shrink	
5	4460466	8	Plug, Terminal	
6	4460473	1	Clamp, Cable	
7	4460865	1	Connector - 19 Position	
8	4460866	1	Connector - 19 Position	
9	4922493	1	Harness, Main Boom without Arctic Package (See Separate Breakdown in this Section)	
10	4922494	1	Harness, Tower Boom Cable without Arctic Package (See Separate Breakdown in this Section)	
11	4922810	1	Cable, Electrical 8/5 (Main Boom)	
12	4922811	1	Cable, Electrical 8/5 (Tower Boom)	
13	1001165350	2	Clamp, Block	

SECTION 8 - ELECTRICAL

FIGURE 8-41. BOOM CABLES INSTALLATION - WITH 7500W GENERATOR WITHOUT ARCTIC PACKAGE (ANSI EXPORT CIS, AND CHINA SPECS) (MACHINES WITH SN STARTING WITH B3)



ART_1001165552

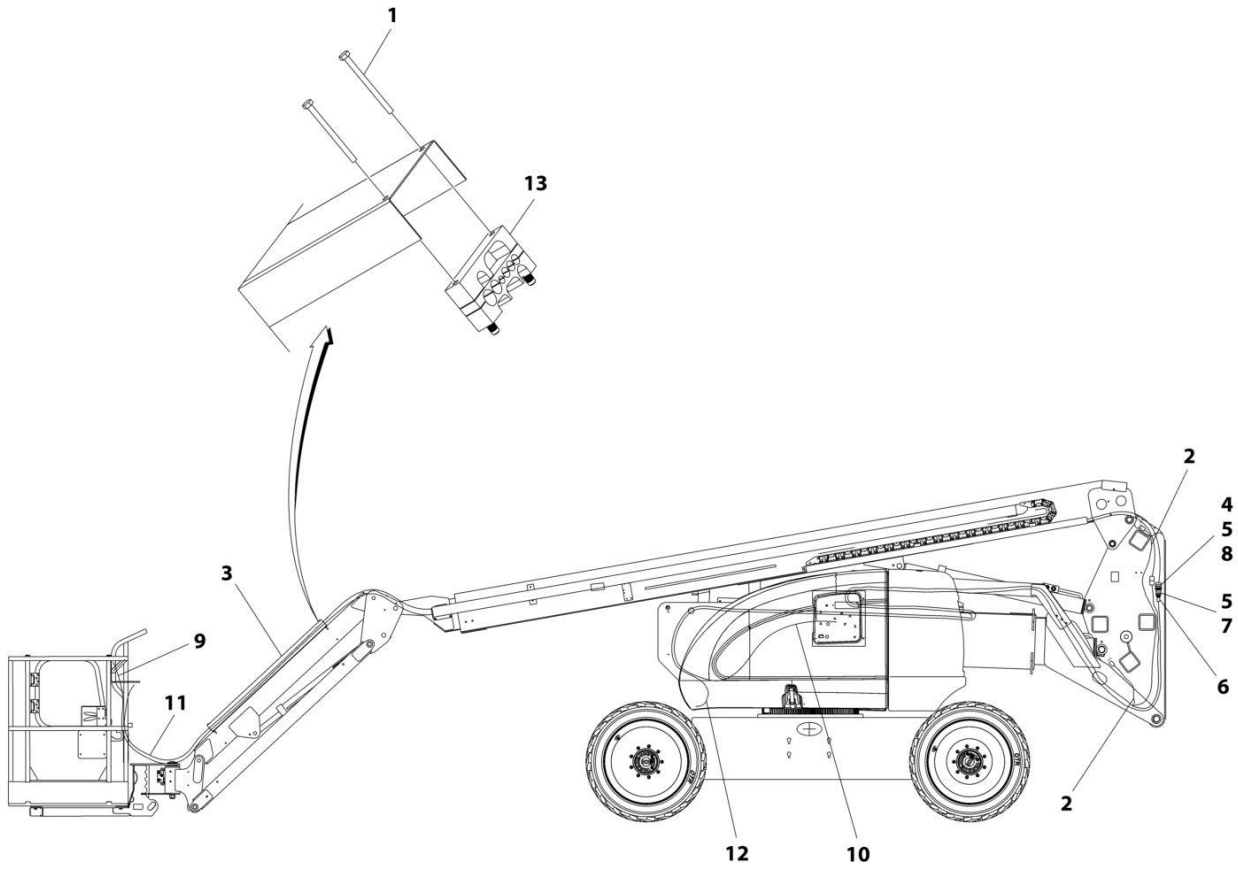
SECTION 8 - ELECTRICAL

FIGURE 8-41. BOOM CABLES INSTALLATION - WITH 7500W GENERATOR WITHOUT ARCTIC PACKAGE (ANSI EXPORT CIS, AND CHINA SPECS) (MACHINES WITH SN STARTING WITH B3)

ITEM	PART NUMBER	QTY	DESCRIPTION	REV
	1001165552	Ref	BOOM CABLES INSTALLATION	B
1	0700626	4	Bolt M6 x 90	
2	1061033	2	Cable, Electrical 18/2	
3	1671034	1	Cover	
4	2820031	4 in /10.1cm	Heat Shrink	
5	4460466	8	Plug, Terminal	
6	4460473	1	Clamp, Cable	
7	4460865	1	Connector - 19 Position	
8	4460866	1	Connector - 19 Position	
9	4922493	1	Harness, Main Boom without Arctic Package (See Separate Breakdown in this Section)	
10	4922494	1	Harness, Tower Boom Cable without Arctic Package (See Separate Breakdown in this Section)	
11	4922810	1	Cable, Electrical 8/5 (Main Boom)	
12	4922811	1	Cable, Electrical 8/5 (Tower Boom)	
13	1001165350	2	Clamp, Block	

SECTION 8 - ELECTRICAL

FIGURE 8-42. BOOM CABLES INSTALLATION - WITH 7500W GENERATOR WITHOUT ARCTIC PACKAGE (AUSTRALAIN SPECS)



ART_1001165555

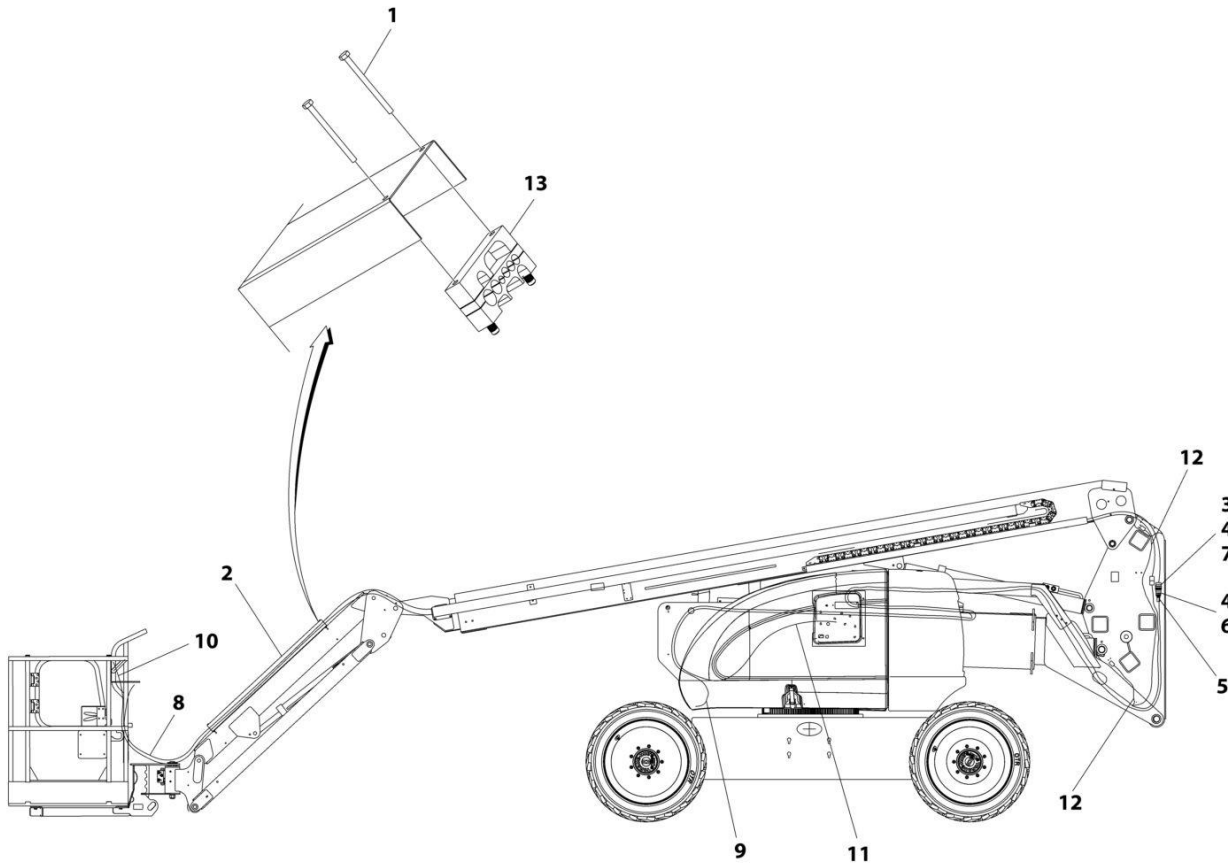
SECTION 8 - ELECTRICAL

FIGURE 8-42. BOOM CABLES INSTALLATION - WITH 7500W GENERATOR WITHOUT ARCTIC PACKAGE (AUSTRALAIN SPECS)

ITEM	PART NUMBER	QTY	DESCRIPTION	REV
	1001165555	Ref	BOOM CABLES INSTALLATION	B
1	0700626	4	Bolt M6 x 90	
2	1061033	2	Cable, Electrical 18/2	
3	1671034	1	Cover	
4	2820031	4 in /10.1cm	Heat Shrink	
5	4460466	8	Plug, Terminal	
6	4460473	1	Clamp, Cable	
7	4460865	1	Connector - 19 Position	
8	4460866	1	Connector - 19 Position	
9	4922493	1	Harness, Main Boom without Arctic Package (See Separate Breakdown in this Section)	
10	4922494	1	Harness, Tower Boom Cable without Arctic Package (See Separate Breakdown in this Section)	
11	4922810	1	Cable, Electrical 8/5 (Main Boom)	
12	4922811	1	Cable, Electrical 8/5 (Tower Boom)	
13	1001165350	2	Clamp, Block	

SECTION 8 - ELECTRICAL

FIGURE 8-43. BOOM CABLES INSTALLATION - WITH 7500W GENERATOR AND ARCTIC PACKAGE
(ANSI, ANSI EXPORT, CSA AND CHINA SPECS)



ART_1001165557

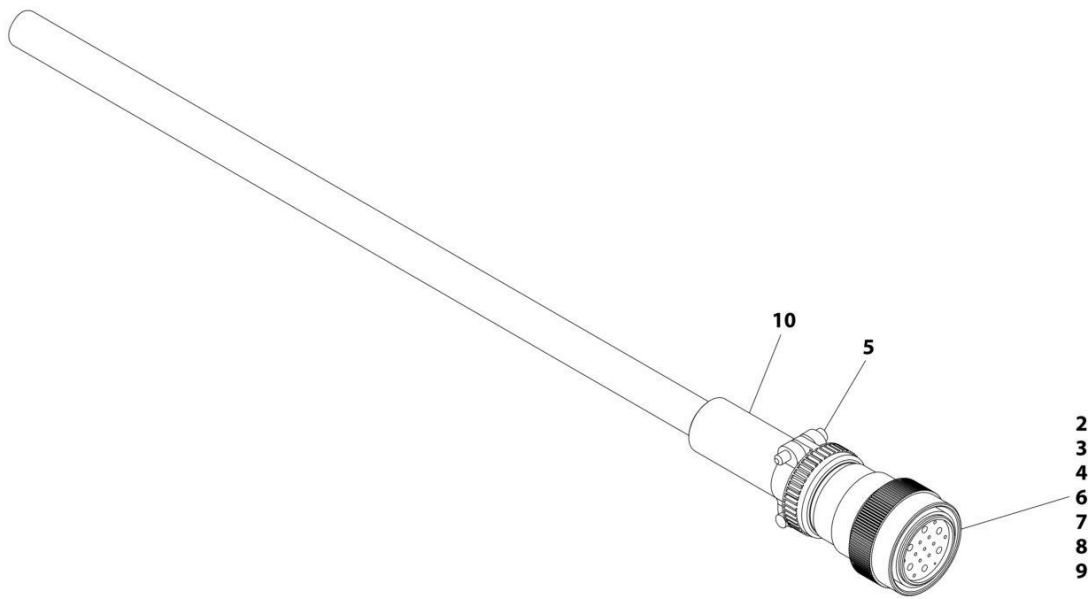
SECTION 8 - ELECTRICAL

**FIGURE 8-43. BOOM CABLES INSTALLATION - WITH 7500W GENERATOR AND ARCTIC PACKAGE
(ANSI, ANSI EXPORT, CSA AND CHINA SPECS)**

ITEM	PART NUMBER	QTY	DESCRIPTION	REV
	1001165557	Ref	BOOM CABLES INSTALLATION	B
1	0700626	4	Bolt M6 x 90	
2	1671034	1	Cover	
3	2820031	4 in /10.1cm	Heat Shrink	
4	4460466	8	Plug, Terminal	
5	4460473	1	Clamp, Cable	
6	4460865	1	Connector - 19 Position	
7	4460866	1	Connector - 19 Position	
8	4922810	1	Cable, Electrical 8/5 (Main Boom)	
9	4922811	1	Cable, Electrical 8/5 (Tower Boom)	
10	4923472	1	Harness, Main Boom with Arctic Package (See Separate Breakdown in this Section)	
11	4923473	1	Harness, Tower Boom Cable with Arctic Package (See Separate Breakdown in this Section)	
12	1061033	2	Cable, Electrical 18/2	
13	1001165350	2	Clamp, Block	

SECTION 8 - ELECTRICAL

FIGURE 8-44. BOOM CABLE - MAIN BOOM (WITHOUT ARCTIC PACKAGE)



ART_4922493

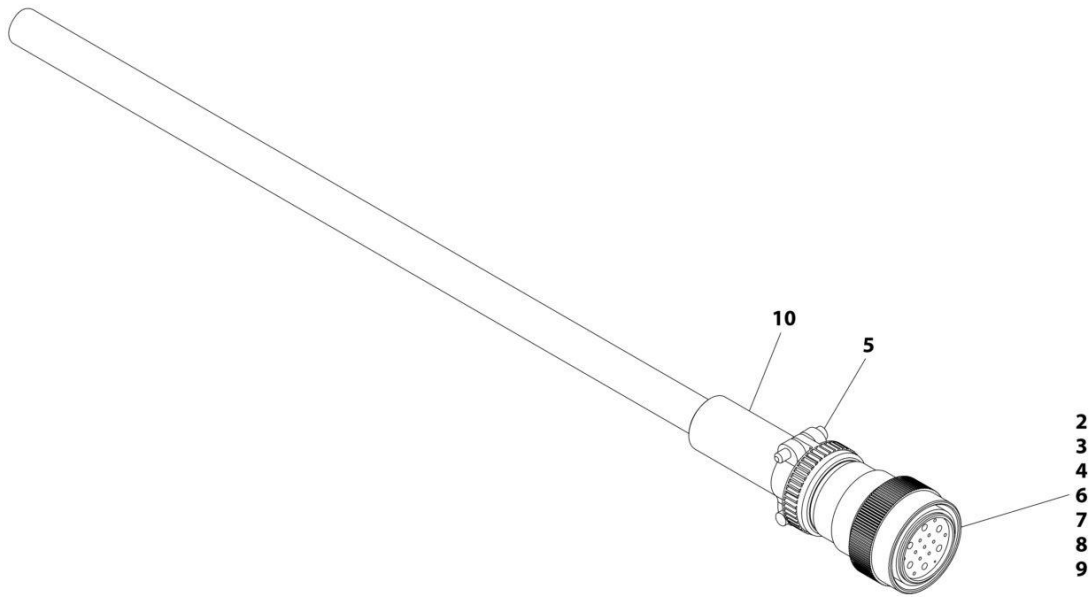
SECTION 8 - ELECTRICAL

FIGURE 8-44. BOOM CABLE - MAIN BOOM (WITHOUT ARCTIC PACKAGE)

ITEM	PART NUMBER	QTY	DESCRIPTION	REV
	4922493	Ref	BOOM CABLE - MAIN BOOM	D
2	4460465	11	Socket, Female	
3	4460865	1	Connector - 19 Position	
4	4460509	4	Socket, Female	
5	4460473	1	Clamp	
6	4460466	4	Plug, Terminal	
7	4460464	11	Pin, Male	
8	4460508	4	Pin, Male	
9	2820118	AR	Heatshrink, Clear	
10	1001226400	1	Insulate, Heatshrink	

SECTION 8 - ELECTRICAL

FIGURE 8-45. BOOM CABLE - MAIN BOOM (WITH ARCTIC PACKAGE)



ART_4923472

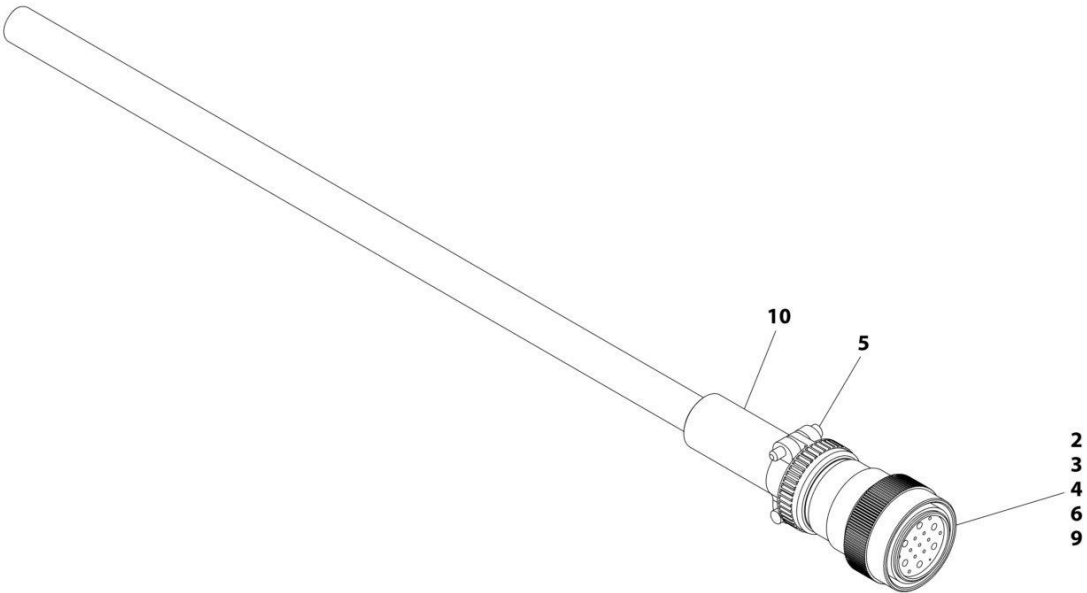
SECTION 8 - ELECTRICAL

FIGURE 8-45. BOOM CABLE - MAIN BOOM (WITH ARCTIC PACKAGE)

ITEM	PART NUMBER	QTY	DESCRIPTION	REV
	4923472	Ref	BOOM CABLE - MAIN BOOM	B
2	4460465	11	Socket, Female	
3	4460865	1	Connector - 19 Position	
4	4460509	4	Socket, Female	
5	4460473	1	Clamp	
6	4460466	4	Plug, Terminal	
7	4460464	11	Pin, Male	
8	4460508	4	Pin, Male	
9	2820118	AR	Heatshrink, Clear	
10	1001226400	1	Insulate, Heatshrink	

SECTION 8 - ELECTRICAL

FIGURE 8-46. BOOM CABLE - TOWER BOOM (WITHOUT ARCTIC PACKAGE)



ART_4922494

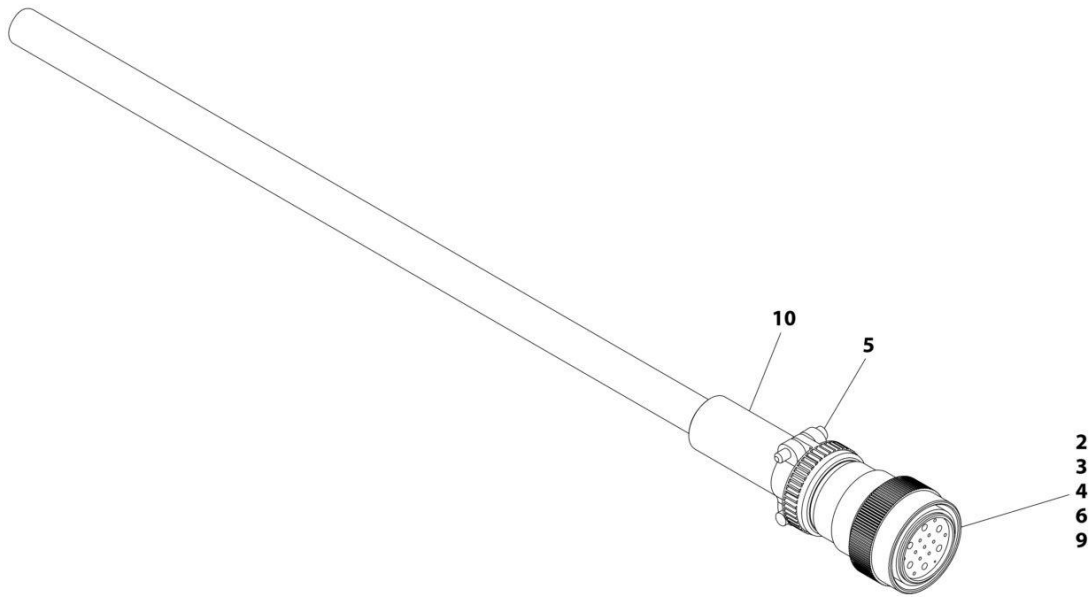
SECTION 8 - ELECTRICAL

FIGURE 8-46. BOOM CABLE - TOWER BOOM (WITHOUT ARCTIC PACKAGE)

ITEM	PART NUMBER	QTY	DESCRIPTION	REV
	4922494	Ref	BOOM CABLE - TOWER BOOM	C
2	4460465	22	Socket, Female	
3	4460865	1	Connector - 19 Position	
4	4460509	8	Socket, Female	
5	4460473	1	Clamp	
6	4460466	4	Plug, Terminal	
9	2820118	AR	Heatshrink, Clear	
10	1001226400	1	Insulate, Heatshrink	

SECTION 8 - ELECTRICAL

FIGURE 8-47. BOOM CABLE - TOWER BOOM (WITH ARCTIC PACKAGE)



ART_4923473

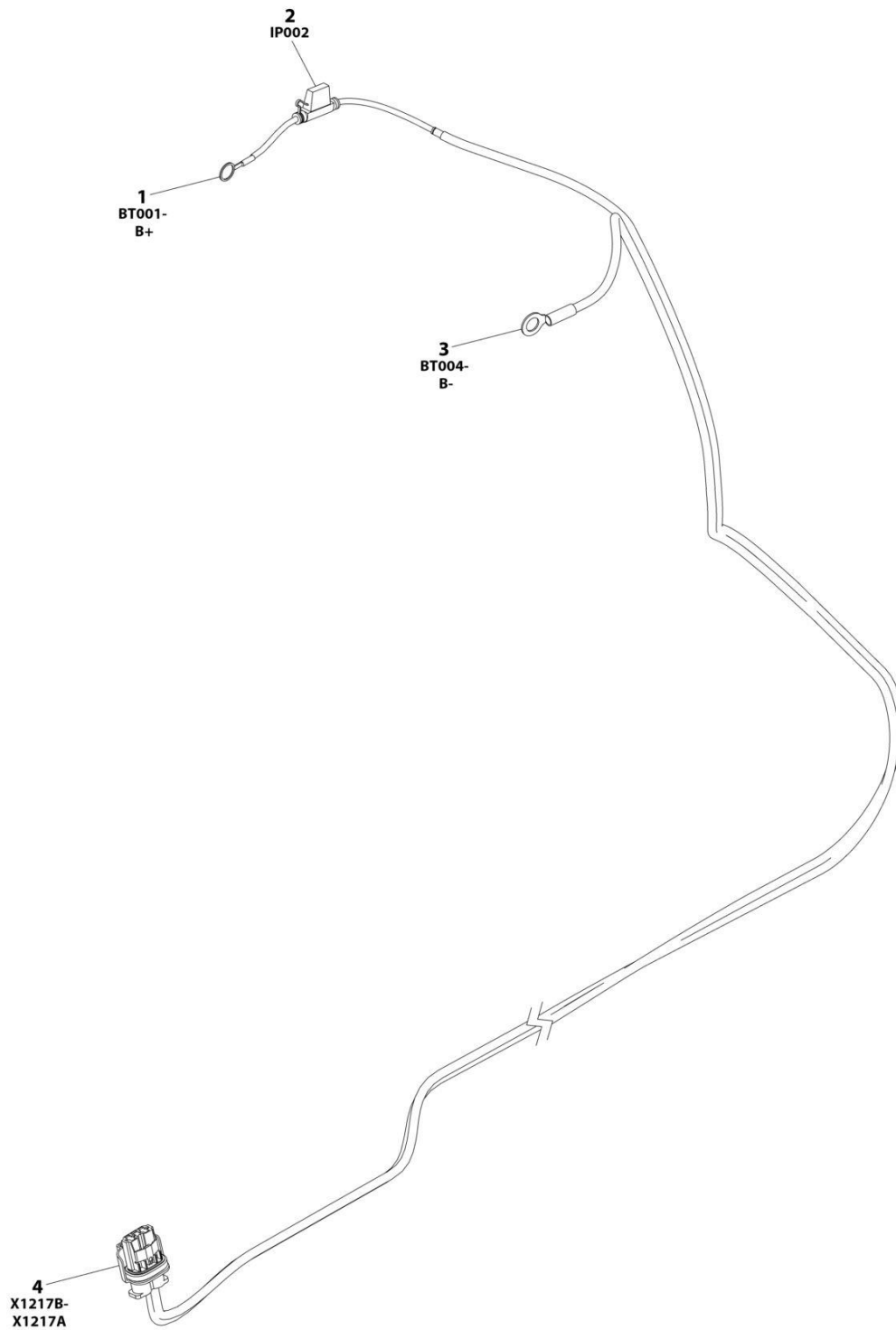
SECTION 8 - ELECTRICAL

FIGURE 8-47. BOOM CABLE - TOWER BOOM (WITH ARCTIC PACKAGE)

ITEM	PART NUMBER	QTY	DESCRIPTION	REV
	4923473	Ref	BOOM CABLE - TOWER BOOM	B
2	4460465	22	Socket, Female	
3	4460865	1	Connector - 19 Position	
4	4460509	8	Socket, Female	
5	4460473	1	Clamp	
6	4460466	4	Plug, Terminal	
9	2820118	AR	Heatshrink, Clear	
10	1001226400	1	Insulate, Heatshrink	

SECTION 8 - ELECTRICAL

FIGURE 8-48. ECU POWER JUMPER HARNESS



ART_1001289593

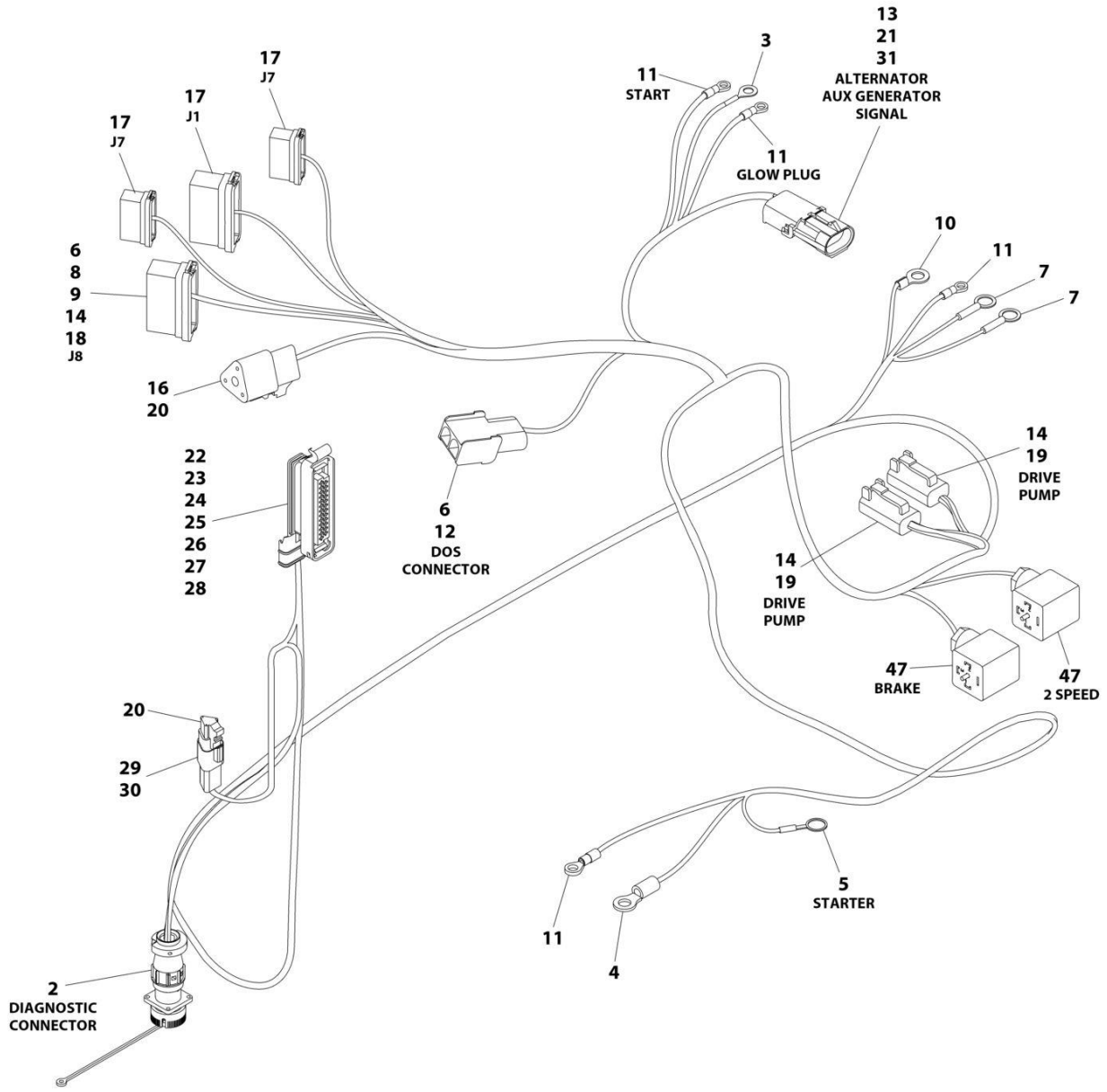
SECTION 8 - ELECTRICAL

FIGURE 8-48. ECU POWER JUMPER HARNESS

ITEM	PART NUMBER	QTY	DESCRIPTION	REV
	1001289593	Ref	ECU POWER JUMPER HARNESS	A
1	4460019	1	Terminal Ring	
2	1001172064	1	Fuse Holder	
2	1001172065	1	Fuse 30Amp	
3	8220164	1	Terminal Ring	
4	1001142938	1	Connector	
4	1001142940	2	Terminal	
4	1001142941	2	Seal	

SECTION 8 - ELECTRICAL

FIGURE 8-49. ENGINE HARNESS ASSEMBLY (DEUTZ D2011 ENGINES)



ART_1001285378

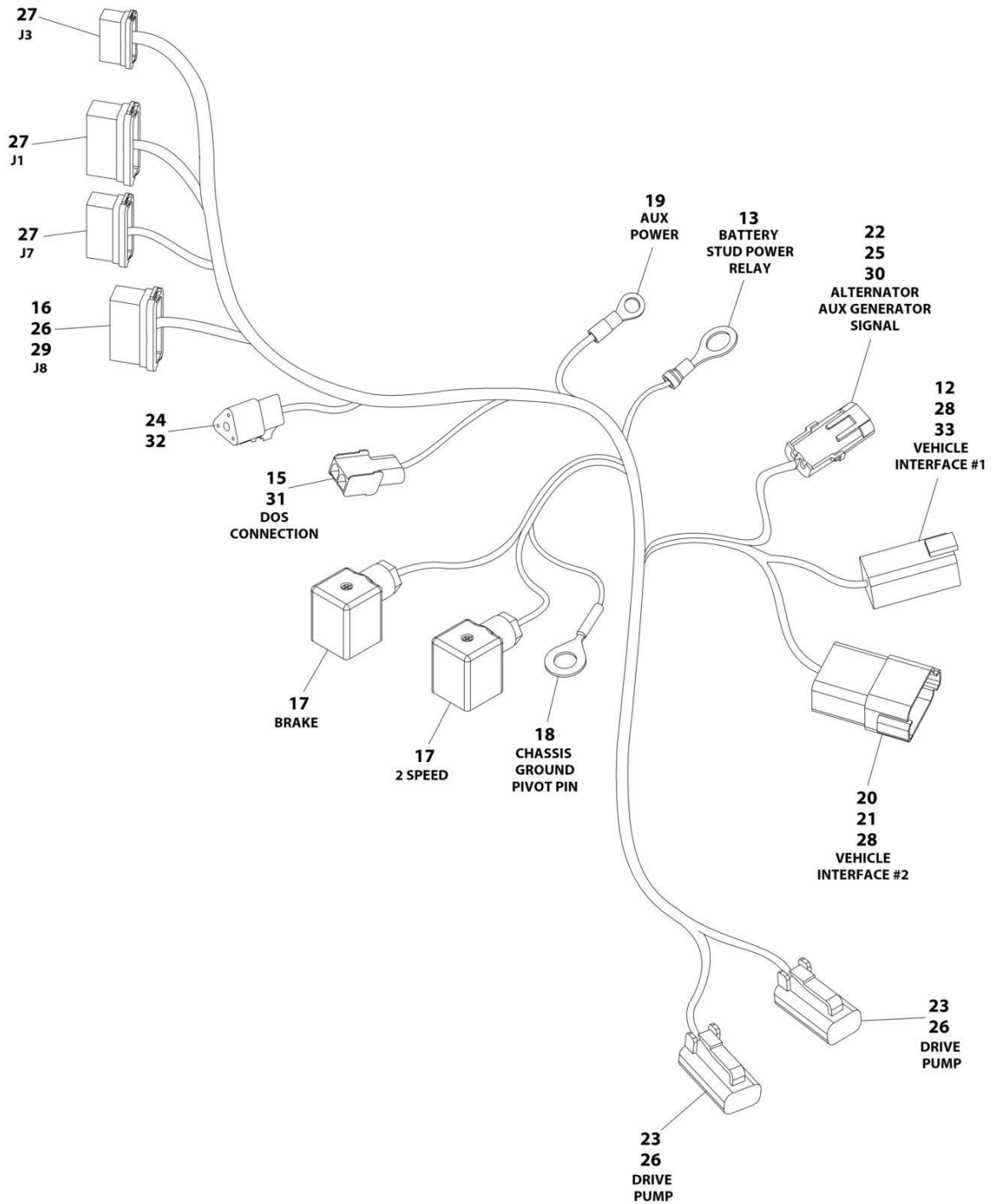
SECTION 8 - ELECTRICAL

FIGURE 8-49. ENGINE HARNESS ASSEMBLY (DEUTZ D2011 ENGINES)

ITEM	PART NUMBER	QTY	DESCRIPTION	REV
	1001285378	Ref	ENGINE HARNESS - DEUTZ D2011 ENGINES	A
2	2902443	1	Receptacle Kit	
2	4461071	8	Socket	
2	4461072	1	Receptacle	
2	4461073	1	Cap, Dust	
2	4461074	1	Shell, Black	
3	4460019	1	Terminal, Ring	
4	4460043	1	Terminal, Ring	
5	4460142	1	Terminal, Ring	
6	4460226	4	Socket	
7	4460256	2	Terminal, Ring	
8	4460259	1	Terminal	
10	4460260	1	Housing, Terminal	
11	4460313	4	Terminal, Ring	
12	4460424	1	Connector	
13	4460458	2	Seal	
14	4460465	6	Socket	
16	4460539	1	Connector	
17	4460871	10	Socket	
18	4460887	1	Terminal	
19	4460891	2	Connector	
20	4460944	6	Socket	
21	4460979	2	Terminal	
22	4461005	5	Terminal	
23	4461006	5	Seal	
24	4461008	18	Plug, Terminal	
25	4461052	1	Connector	
26	4461053	1	Plug	
27	4461054	2	Seal	
28	4461060	2	Terminal	
29	4461070	1	Connector	
30	4461095	1	Terminal	
31	4461157	1	Connector	
47	1001263923	2	Connector	

SECTION 8 - ELECTRICAL

FIGURE 8-50. ENGINE HARNESS (DEUTZ TD2.9L4 ENGINES)



ART_1001286030

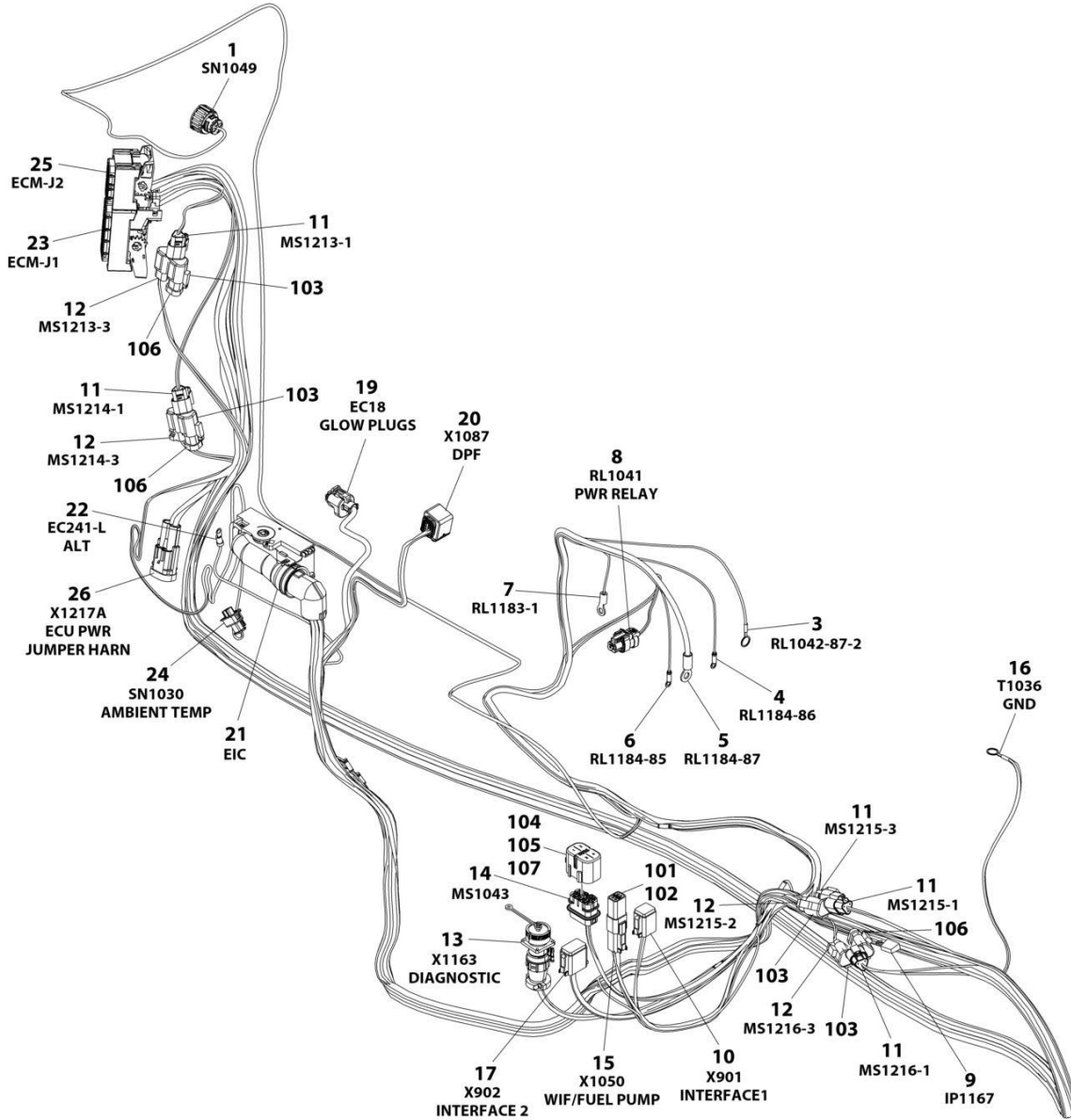
SECTION 8 - ELECTRICAL

FIGURE 8-50. ENGINE HARNESS (DEUTZ TD2.9L4 ENGINES)

ITEM	PART NUMBER	QTY	DESCRIPTION	REV
	1001286030	Ref	ENGINE HARNESS - DEUTZ TD2.9L4 ENGINES	A
12	4460943	3	Pin	
13	4460738	1	Terminal, Ring	
15	4460424	1	Connector	
16	4460268	1	Socket	
17	1001263923	2	DIN Connector without Diode	
18	4460019	1	Terminal, Ring	
19	4460313	1	Terminal, Ring	
20	4460931	1	Connector	
21	4460466	4	Plug, Terminal	
22	4460979	2	Pin	
23	4460891	2	Connector	
24	4460539	1	Connector	
25	4460458	2	Seal, Terminal	
26	4460465	7	Socket	
27	4460871	11	Socket	
28	4460464	8	Pin	
29	4460887	1	Pin	
30	4461157	1	Connector	
31	4460226	2	Socket	
32	4460944	3	Socket	
33	4460899	1	Connector	

SECTION 8 - ELECTRICAL

FIGURE 8-51. ENGINE HARNESS - DEUTZ TD2.2L3 (STAGE V) ENGINES



ART_1001276645_B

SECTION 8 - ELECTRICAL

FIGURE 8-51. ENGINE HARNESS - DEUTZ TD2.2L3 (STAGE V) ENGINES

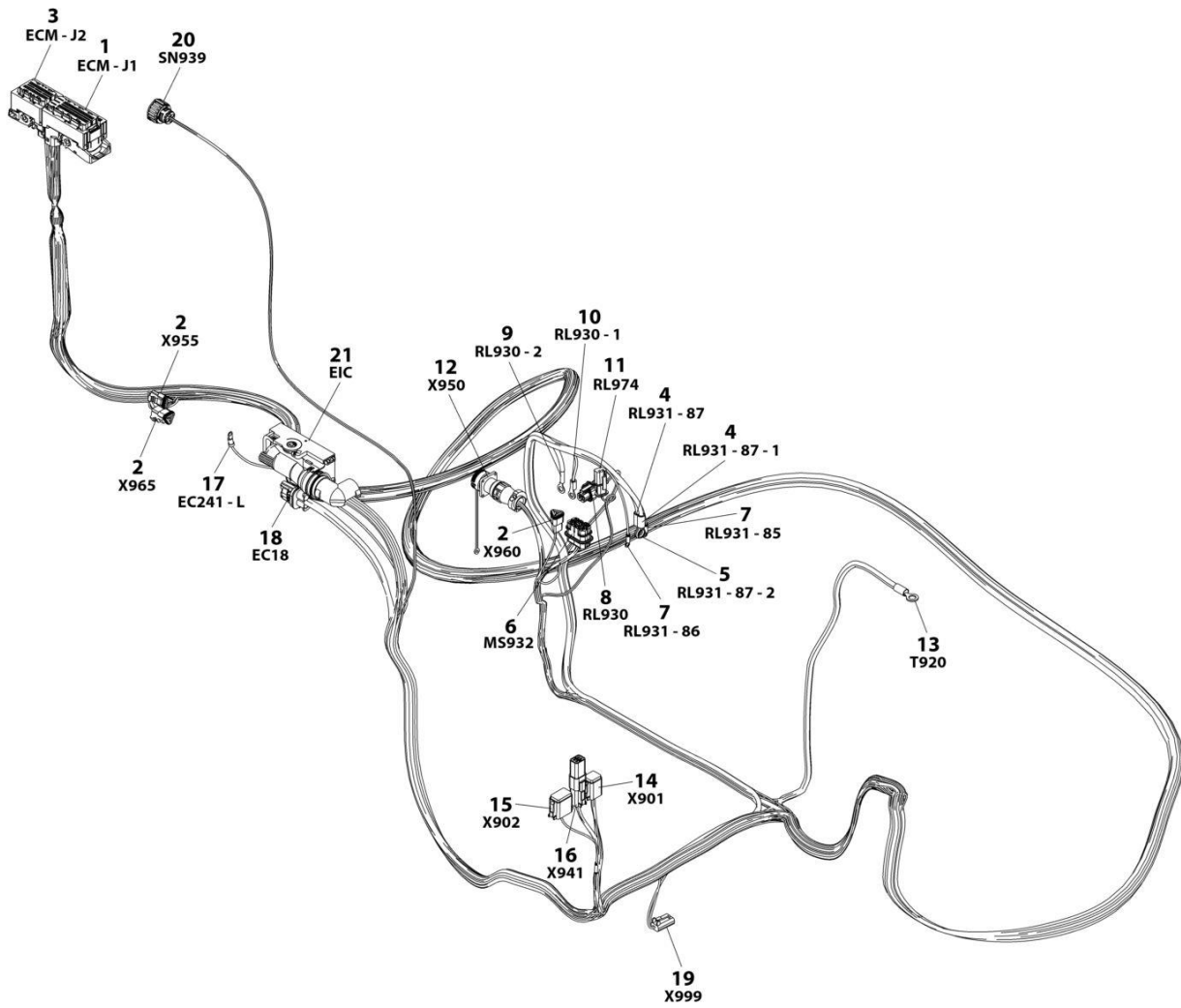
ITEM	PART NUMBER	QTY	DESCRIPTION	REV
	1001276645	Ref	ENGINE HARNESS	B
1	1001133714	1	Connector	
1	1001133715	3	Terminal	
1	1001135651	1	Plug	
1	1001135650	3	Seal	
3	4460703	1	Terminal, Ring	
4	4460247	1	Terminal, Ring	
5	1001117107	1	Terminal, Ring	
6	4460247	1	Terminal, Ring	
7	4460043	1	Terminal, Ring	
8	1001116952	1	Connector	
8	4460465	2	Socket	
9	1001170764	1	Holder, Fuse	
9	1001197719	1	Resistor 0.5 Watt	
10	4460894	1	Connector	
10	4460465	2	Socket	
10	4460944	2	Socket	
10	4460466	2	Plug	
11	1001116812	5	Connector	
11	4460944	10	Socket	
11	4460466	5	Plug, Terminal	
12	4460539	4	Connector	
12	4460944	8	Socket	
12	4460466	4	Plug	
13	2902443	1	Receptacle Kit	
13	4461071	6	Terminal	
14	80484084	1	Connector	
14	1001116728	4	Terminal	
14	1001116727	4	Plug	
14	4460458	4	Plug	
15	4460884	1	Connector	
15	4460465	2	Socket	
15	4460942	1	Socket	
16	4460019	1	Terminal, Ring	
17	4460930	1	Connector	
17	4460465	7	Socket	
17	4460466	1	Plug	
19	1001253873	1	Connector	
19	1001142940	1	Terminal	
19	1001142941	1	Seal	
20	1001239202	1	Connector	
20	1001126363	7	Terminal	
20	1001126391	1	Seal, Terminal	
20	1001126364	7	Seal, Terminal	
21	1001126362	1	Connector	
21	1001126363	37	Terminal	
21	1001126365	2	Terminal	
21	1001126391	9	Plug	
21	4461008	4	Plug	
21	1001126392	10	Terminal	

SECTION 8 - ELECTRICAL

ITEM	PART NUMBER	QTY	DESCRIPTION	REV
21	1001126364	37	Seal, Terminal	
21	1001223459	10	Seal, Terminal	
21	4461054	2	Seal	
22	4460042	1	Terminal, Ring	
23	1001133956	1	Connector	
23	1001126351	3	Terminal	
23	1001182361	6	Terminal	
23	1001252527	4	Terminal	
23	1001230934	25	Terminal	
23	1001230935	55	Plug	
23	1001230936	1	Plug	
23	1001182365	6	Seal, Terminal	
24	1001126487	1	Connector	
24	1001167635	2	Terminal	
24	1001126485	2	Seal	
25	1001133957	1	Connector	
25	1001126351	11	Terminal	
25	1001230934	26	Terminal	
25	1001230935	10	Plug	
25	1001230936	13	Plug	
26	1001289552	1	Connector	
26	1001289553	2	Socket	
26	1001142941	2	Plug	
101	4460466	4	Plug	
102	4460932	1	Connector	
103	4460945	4	Receptacle	
104	8229242	1	Fuse, 5Amp	
105	80983191	1	Fuse, 10Amp	
106	1001116815	3	Connector	
107	1001147264	1	Cap	

SECTION 8 - ELECTRICAL

FIGURE 8-52. ENGINE HARNESS - DEUTZ TD2.9L4 AND D2.9L4 ENGINES



ART_1001143726

SECTION 8 - ELECTRICAL

FIGURE 8-52. ENGINE HARNESS - DEUTZ TD2.9L4 AND D2.9L4 ENGINES

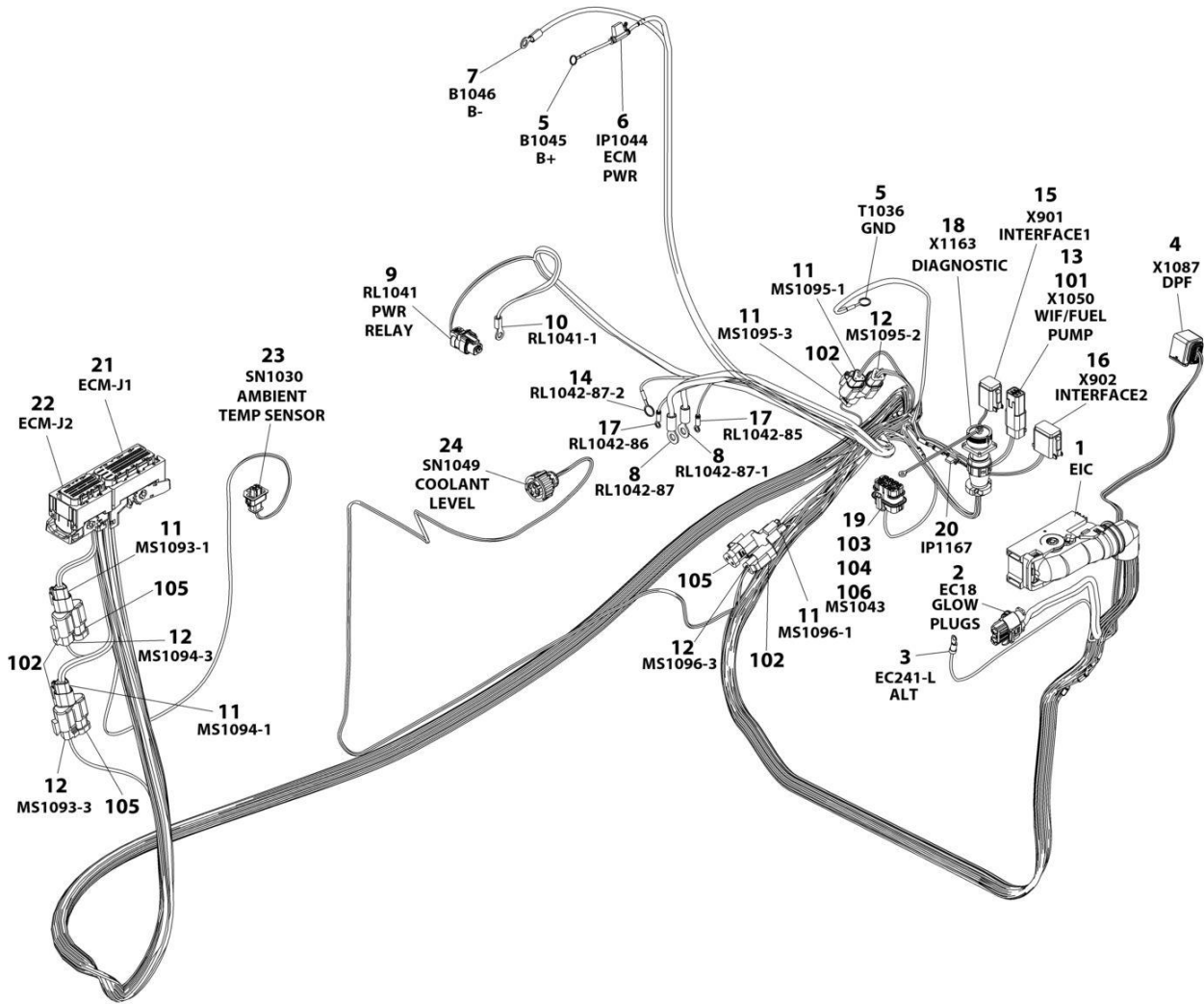
ITEM	PART NUMBER	QTY	DESCRIPTION	REV
	1001143726	Ref	ENGINE HARNESS	L
1	1001133956	1	Connector - 94 Position	
1	1001126351	2	Terminal	
1	1001126352	6	Terminal	
1	1001126384	21	Terminal	
1	1001126357	2	Plug, Terminal	
1	1001126356	63	Plug, Terminal	
2	4461095	3	Plug, Male - 3 Position	
2	4460944	6	Socket, Female	
2	4460466	3	Plug, Terminal	
3	1001133957	1	Connector - 60 Position	
3	1001126351	13	Terminal	
3	1001126384	17	Terminal	
3	1001126357	11	Plug, Terminal	
3	1001126356	19	Plug, Terminal	
4	1001117107	2	Terminal, Ring	
5	4460703	1	Terminal, Ring	
6	80484084	1	Plug, Male - 8 Position	
6	8229242	1	Fuse - 5Amp	
6	80983191	1	Fuse - 10Amp	
6	1001116728	4	Socket, Female	
6	1001116727	4	Plug, Terminal	
6	4460458	4	Seal, Terminal	
6	1001147264	1	Cap	
7	4460247	2	Terminal, Ring	
8	1001116952	1	Plug, Male - 2 Position	
8	4460465	2	Socket, Female	
9	1001117106	1	Terminal, Ring	
10	4460043	1	Terminal, Ring	
11	1001138110	1	Connector - 2 Position	
11	1001138111	2	Terminal	
11	1001138113	2	Seal	
12	2902443	1	Receptacle Kit	
12	4461073	1	Cap, Dust	
12	4461071	6	Terminal	
13	8220115	1	Terminal, Ring	
14	4460894	1	Plug, Male - 6 Position	
14	4460465	3	Socket, Female	
14	4460944	2	Socket, Female	
14	4460466	1	Plug, Terminal	
15	4460930	1	Plug, Male - 8 Position	
15	4460465	1	Socket, Female	
15	4460466	7	Plug, Terminal	
16	1001220379	1	Plug, Male - 4 Position	
16	4460465	2	Socket, Female	
16	4460942	2	Socket, Female	
16	4460932	1	Receptacle, Bussbar - 4 Position	
17	4460042	1	Terminal, Ring	
18	1001142938	1	Plug, Male - 2 Position	
18	1001142940	2	Terminal	

SECTION 8 - ELECTRICAL

ITEM	PART NUMBER	QTY	DESCRIPTION	REV
18	1001142941	2	Seal	
19	4460891	1	Plug, Male - 4 Position	
19	4460465	2	Socket, Female	
19	1001171403	1	Resistor Assembly	
19	4460897	1	Receptacle, Female - 4 Position	
20	1001133714	1	Connector - 4 Position	
20	1001133715	3	Terminal	
20	1001135650	3	Seal, Terminal	
20	1001135651	1	Plug, Terminal	
21	1001126362	1	Connector - 62 Position	
21	1001126363	23	Terminal	
21	1001126392	10	Terminal	
21	1001126365	2	Terminal	
21	1001126391	23	Plug, Terminal	
21	4461008	4	Plug, Terminal	
21	1001256506	2	Seal, Terminal	
21	1001126364	21	Seal, Terminal	
21	1001223459	10	Seal, Terminal	
21	4461008	4	Plug, Terminal	
21	1001151856	1	Elbow	

SECTION 8 - ELECTRICAL

FIGURE 8-53. ENGINE HARNESS - DEUTZ D2.9L4 (CHINA IV) ENGINES



ART_1001290660

SECTION 8 - ELECTRICAL

FIGURE 8-53. ENGINE HARNESS - DEUTZ D2.9L4 (CHINA IV) ENGINES

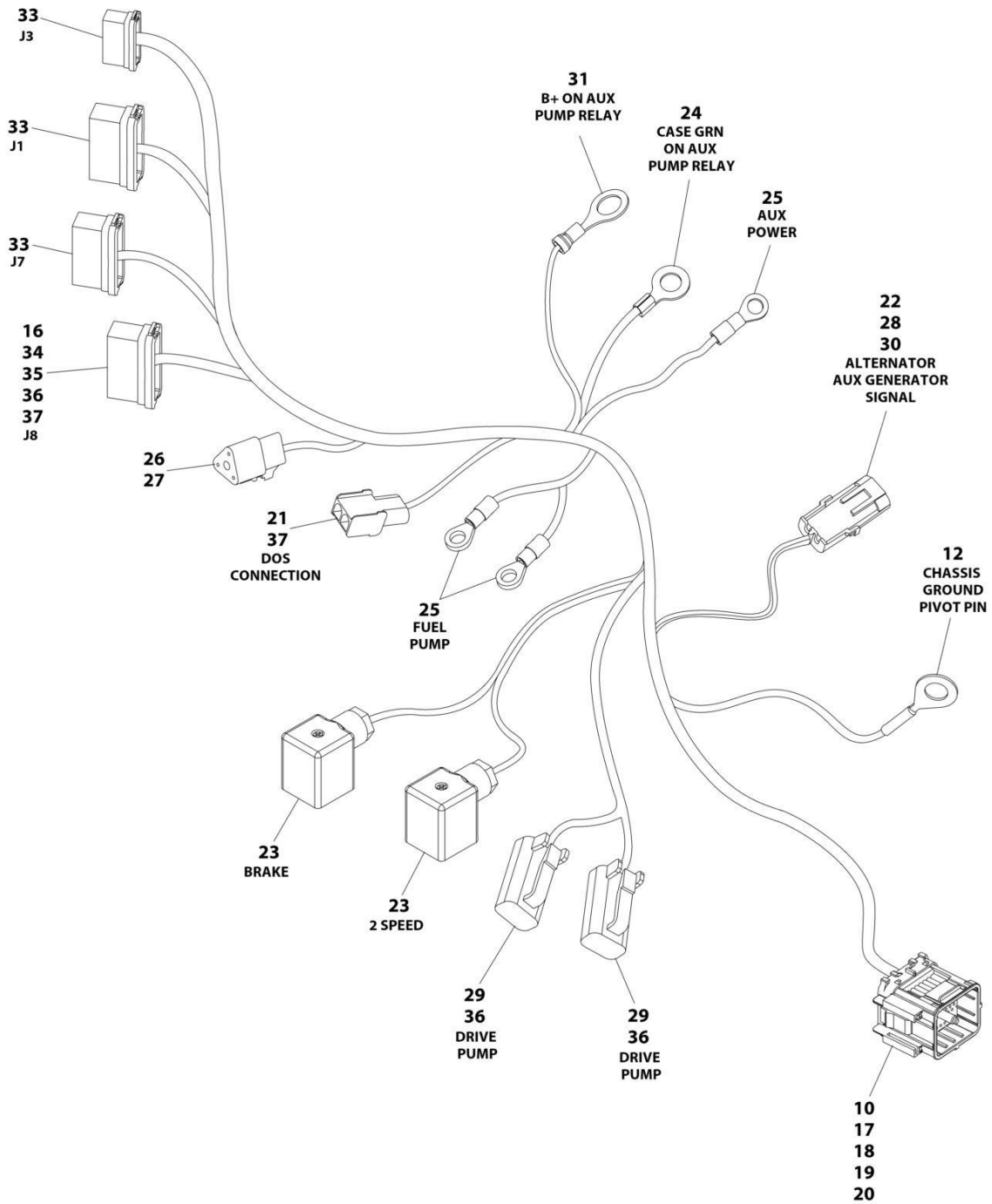
ITEM	PART NUMBER	QTY	DESCRIPTION	REV
	1001290660	Ref	ENGINE HARNESS - DEUTZ D2.9L4 (CHINA IV)	A
1	1001126362	1	Connector	
1	1001126363	37	Socket (20-17Awg - Gold)	
1	1001126391	7	Plug (3.6mm)	
1	1001126392	12	Socket (16Awg - Tin)	
1	4461008	4	Plug (5.6mm)	
1	1001167632	2	Socket (0.5-1.0mm2 - Tin)	
1	1001126364	37	Seal, Terminal (Use with Socket 1001126363)	
1	1001223459	12	Seal, Terminal (Use with Socket 1001126392)	
1	4461054	2	Seal, Terminal (Use with Socket 1001167632)	
1	1001151856	1	Elbow, Connector	
2	1001142938	1	Connector	
2	1001142940	2	Socket	
2	1001142941	2	Seal, Terminal	
3	4460042	1	Terminal, Ring	
4	1001239202	1	Connector	
4	1001126363	7	Socket	
4	1001126391	1	Plug	
4	1001126364	7	Seal, Terminal	
5	4460019	2	Terminal, Ring	
6	1001172064	1	Fuseholder	
6	1001172065	1	Fuse 30Amp	
7	8220115	1	Terminal, Ring	
8	1001117107	2	Terminal, Ring	
9	1001116952	1	Connector	
9	4460465	2	Socket	
10	4460043	1	Terminal, Ring	
11	1001116812	5	Connector	
11	4460944	10	Socket	
11	4460466	5	Plug	
12	4460539	4	Connector	
12	4460944	8	Socket	
12	4460466	4	Plug	
13	4460884	1	Connector	
13	4460465	2	Socket (20-16Awg)	
13	4460942	2	Socket (16-14Awg)	
14	4460703	1	Terminal, Ring	
15	4460894	1	Connector	
15	4460465	2	Socket (Nickel)	
15	4460944	2	Socket (Gold)	
15	4460466	2	Plug	
16	4460930	1	Connector	
16	4460465	1	Socket	
16	4460466	7	Plug	
17	4460247	2	Terminal, Ring	
18	2902443	1	Receptacle Kit	
18	4461071	8	Socket	
18	4461072	1	Connector	
18	4461073	1	Cap, Dust	
18	4461074	1	Backshell	

SECTION 8 - ELECTRICAL

ITEM	PART NUMBER	QTY	DESCRIPTION	REV
19	80484084	1	Connector	
19	4460746	3	Socket (20-17Awg)	
19	1001234800	1	Socket (16Awg)	
19	4460748	4	Plug	
19	4460458	4	Seal, Terminal	
20	1001170764	1	Fuseholder	
20	1001197719	1	Resistor 1/2Watt	
21	1001133956	1	Connector	
21	1001182361	6	Socket (1.5-2.5mm2)	
21	1001126351	3	Socket (18-15Awg)	
21	1001230934	23	Socket (0.75mm2)	
21	1001230935	57	Plug (1.5mm)	
21	1001252527	4	Socket (0.85mm2)	
21	1001230936	1	Plug (1.85mm)	
21	1001182365	6	Seal, Terminal	
22	1001133957	1	Connector	
22	1001230936	11	Plug (1.85mm)	
22	1001126351	13	Socket (18-15Awg)	
22	1001230935	10	Plug (1.5mm)	
22	1001230934	26	Socket (0.75mm2)	
23	1001126487	1	Connector	
23	1001167635	2	Socket	
23	1001126485	2	Seal, Terminal	
24	1001133714	1	Connector	
24	1001133715	3	Socket	
24	1001135651	1	Plug	
24	1001135650	2	Seal, Terminal	
101	4460932	1	Connector, Female	
102	4460945	4	Connector, 3-Way	
103	8229242	1	Fuse 5Amp	
104	80983191	1	Fuse 10Amp	
105	1001116815	3	Connector	
106	1001147264	1	Cap	

SECTION 8 - ELECTRICAL

FIGURE 8-54. ENGINE HARNESS (FORD DF2.5L ENGINES)



ART_1001286031

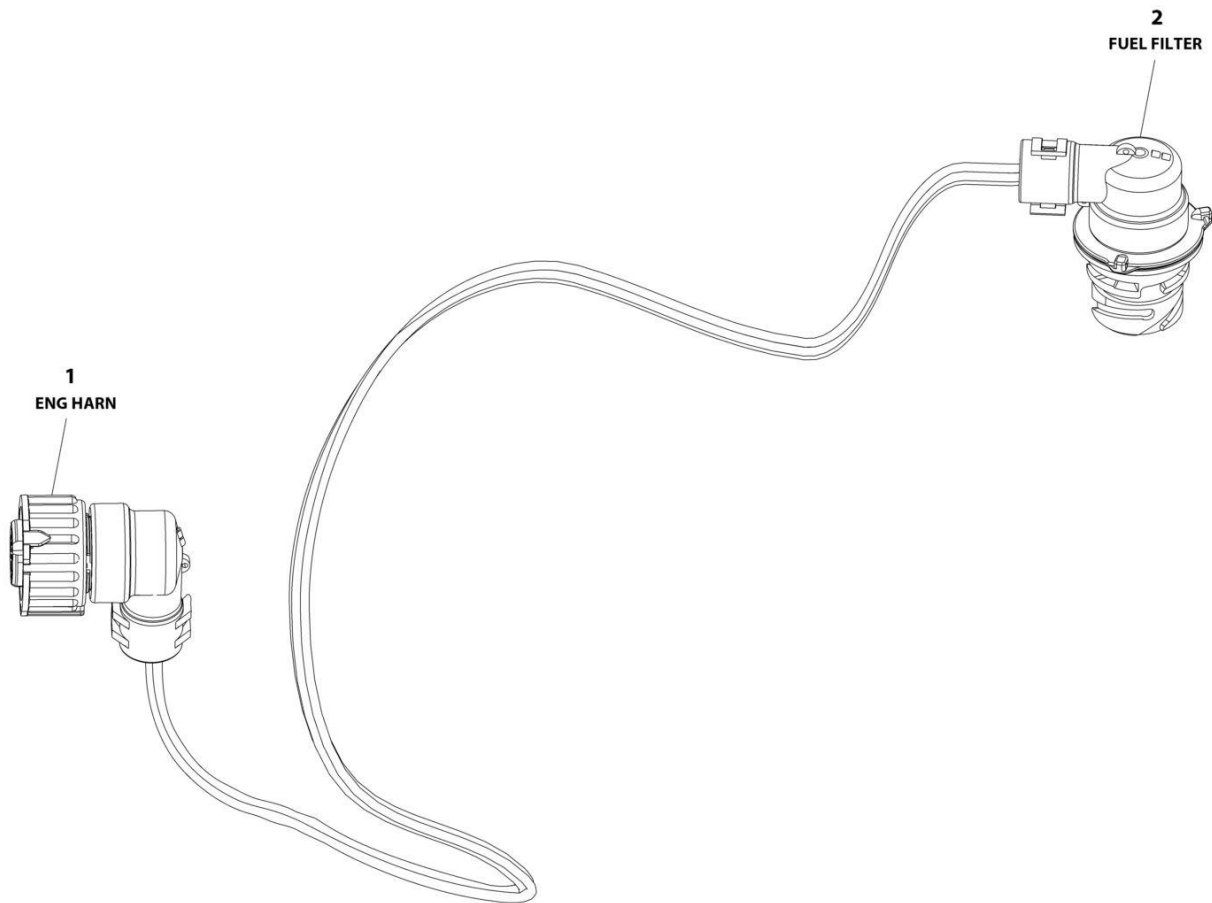
SECTION 8 - ELECTRICAL

FIGURE 8-54. ENGINE HARNESS (FORD DF2.5L ENGINES)

ITEM	PART NUMBER	QTY	DESCRIPTION	REV
	1001286031	Ref	ENGINE HARNESS - FORD DF2.5L ENGINES	A
10	1001216213	3	Plug, Terminal	
12	4460019	1	Terminal, Ring	
16	4460259	1	Terminal	
17	1001216212	1	Terminal	
18	1001215534	33	Plug, Terminal	
19	1001215091	5	Terminal	
20	1001215016	1	Connector	
21	4460424	1	Connector	
22	4460979	1	Terminal	
23	1001263923	2	DIN Connector without Diode	
24	4460312	1	Terminal, Ring	
25	4460313	3	Terminal, Ring	
26	4460539	1	Connector	
27	4460944	3	Socket	
28	4461157	1	Connector	
29	4460891	2	Connector	
30	4460458	2	Seal, Terminal	
31	4460738	1	Terminal, Ring	
33	4460871	9	Socket	
34	4460260	1	Housing, Terminal	
35	4460887	1	Pin	
36	4460465	6	Socket	
37	4460226	3	Socket	

SECTION 8 - ELECTRICAL

FIGURE 8-55. FUEL HARNESS - DEUTZ TD2.2L3 (STAGE V) ENGINES



ART_1001245913

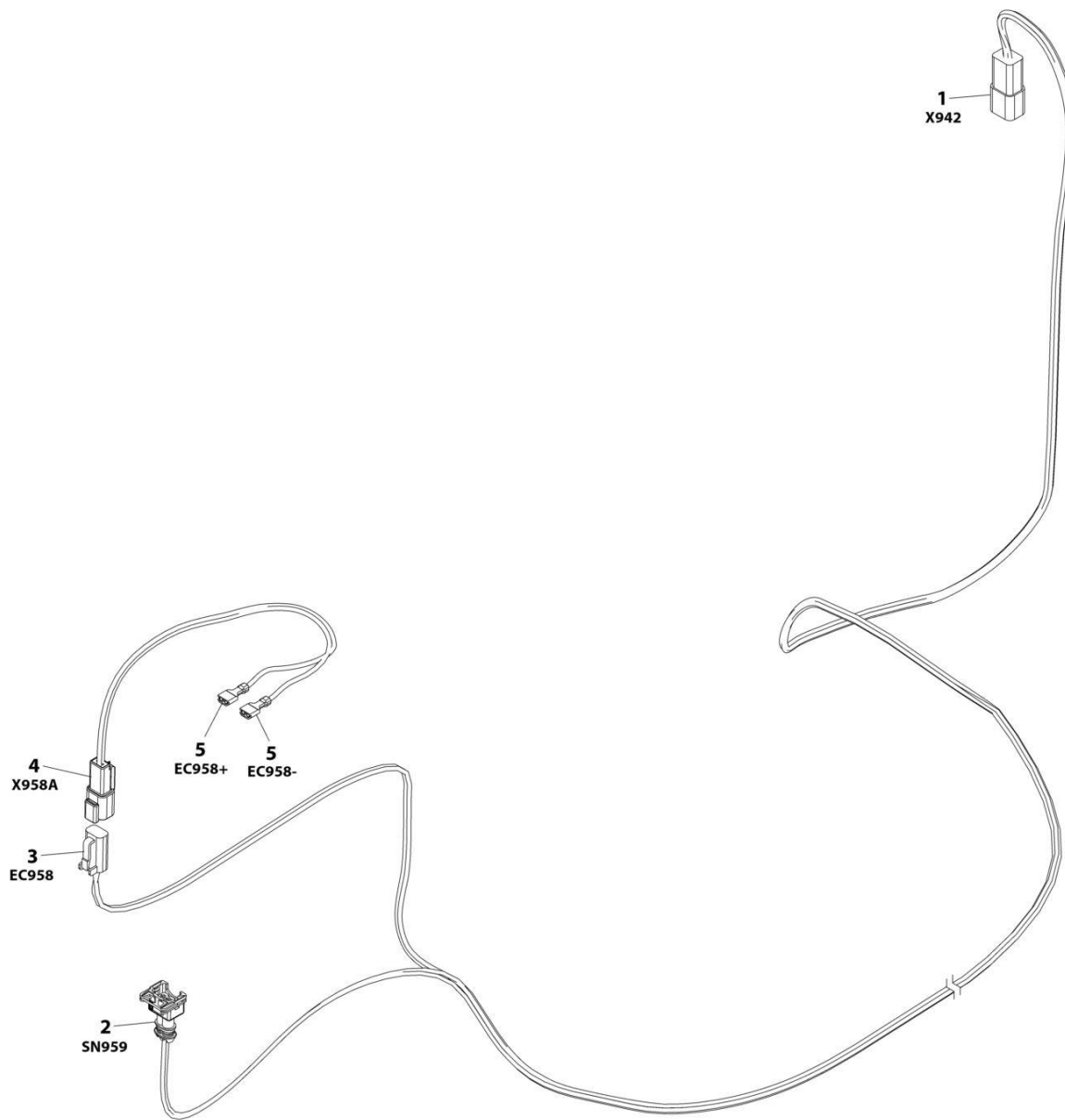
SECTION 8 - ELECTRICAL

FIGURE 8-55. FUEL HARNESS - DEUTZ TD2.2L3 (STAGE V) ENGINES

ITEM	PART NUMBER	QTY	DESCRIPTION	REV
	1001245913	Ref	FUEL HARNESS - DEUTZ (STAGE V) ENGINE	D
1	1001148842	1	Connector - 4 Position	
1	1001148841	4	Pin, Male	
1	1001135650	4	Seal	
2	1001133714	1	Plug, Male - 4 Position	
2	1001133715	4	Socket, Female	
2	1001135650	4	Seal	

SECTION 8 - ELECTRICAL

FIGURE 8-56. FUEL HARNESS - DEUTZ TCD2.9L4 ENGINES AND DEUTZ D2.9L4 ENGINES



ART_1001138491

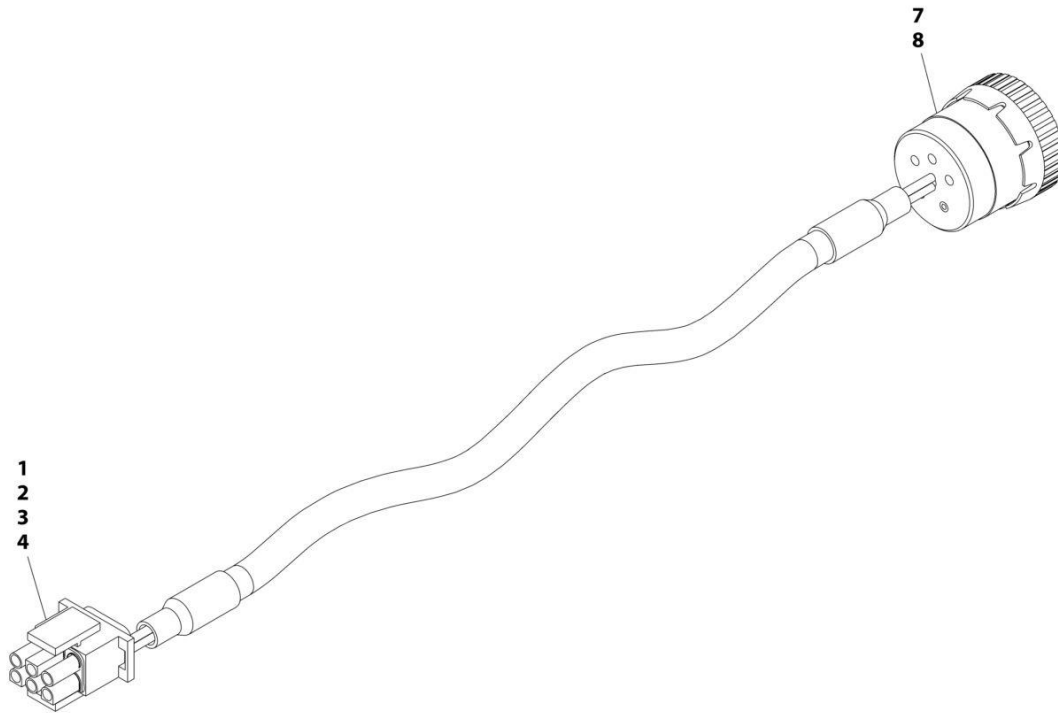
SECTION 8 - ELECTRICAL

FIGURE 8-56. FUEL HARNESS - DEUTZ TCD2.9L4 ENGINES AND DEUTZ D2.9L4 ENGINES

ITEM	PART NUMBER	QTY	DESCRIPTION	REV
	1001138491	Ref	FUEL PUMP HARNESS	D
1	4460932	1	Receptacle, Female - 4 Position	
1	4460941	2	Pin, Male	
1	4460464	2	Pin, Male	
2	1001116983	1	Plug, Male - 2 Position	
2	1001116710	2	Socket, Female	
2	4461054	2	Seal	
3	4460891	1	Plug, Male - 2 Position	
3	4460942	2	Socket, Female	
4	4460897	1	Connector - 2 Position	
4	4460941	2	Pin, Male	
5	8220051	2	Terminal, Ring	

SECTION 8 - ELECTRICAL

FIGURE 8-57. GENERATOR TO CONTROL BOX HARNESS (4000W GENERATOR)



ART_1001152532

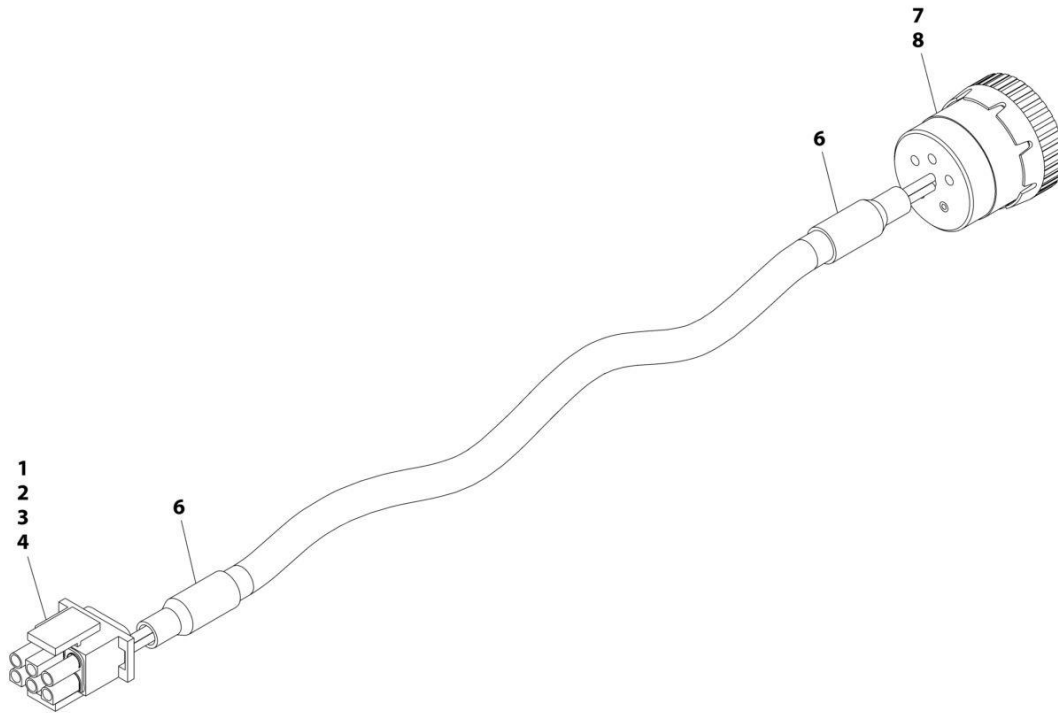
SECTION 8 - ELECTRICAL

FIGURE 8-57. GENERATOR TO CONTROL BOX HARNESS (4000W GENERATOR)

ITEM	PART NUMBER	QTY	DESCRIPTION	REV
	1001152532	Ref	GENERATOR HARNESS	A
1	4460225	1	Connector - 6 Position	
2	4460268	2	Socket, Female	
3	4460807	1	Seal	
4	4460808	1	Seal	
7	4460465	2	Socket, Female	
8	77363233	1	Connector - 6 Position	

SECTION 8 - ELECTRICAL

FIGURE 8-58. GENERATOR TO CONTROL BOX HARNESS (7500W GENERATOR)



ART_4922925

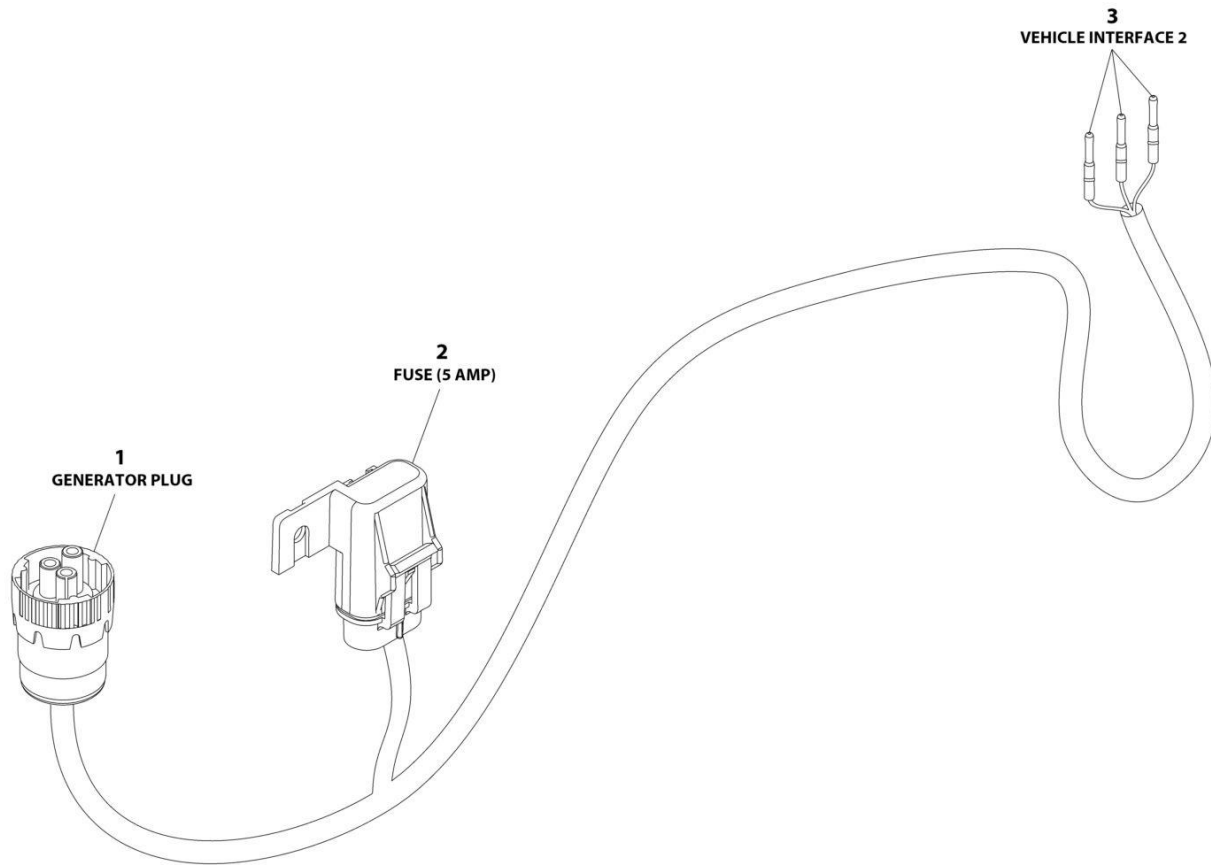
SECTION 8 - ELECTRICAL

FIGURE 8-58. GENERATOR TO CONTROL BOX HARNESS (7500W GENERATOR)

ITEM	PART NUMBER	QTY	DESCRIPTION	REV
	4922925	Ref	GENERATOR TO CONTROL BOX HARNESS (7500W GENERATOR)	C
1	4460225	1	Plug, Male - 2 Position	
2	4460268	6	Socket, Female	
3	4460807	1	Seal	
4	4460808	1	Seal	
6	2820019	AR	Heat Shrink	
7	4460465	6	Socket, Female	
8	77363233	1	Connector - 6 Position	

SECTION 8 - ELECTRICAL

FIGURE 8-59. GENERATOR HARNESS - 7500W GENERATOR



ART_1001119968

SECTION 8 - ELECTRICAL

FIGURE 8-59. GENERATOR HARNESS - 7500W GENERATOR

ITEM	PART NUMBER	QTY	DESCRIPTION	REV
	1001119968	Ref	GENERATOR HARNESS - 7500W GENERATOR	C
1	4460967	1	Connector - 3 Position	
1	4460465	3	Socket, Female	
2	1001117078	1	Connector, Metri-Pack with 5Amp Fuse	
3	4460465	3	Socket, Female	

SECTION 8 - ELECTRICAL

FIGURE 8-60. GENERATOR TO ENGINE HARNESS - 4000W GENERATOR



ART_1001153197

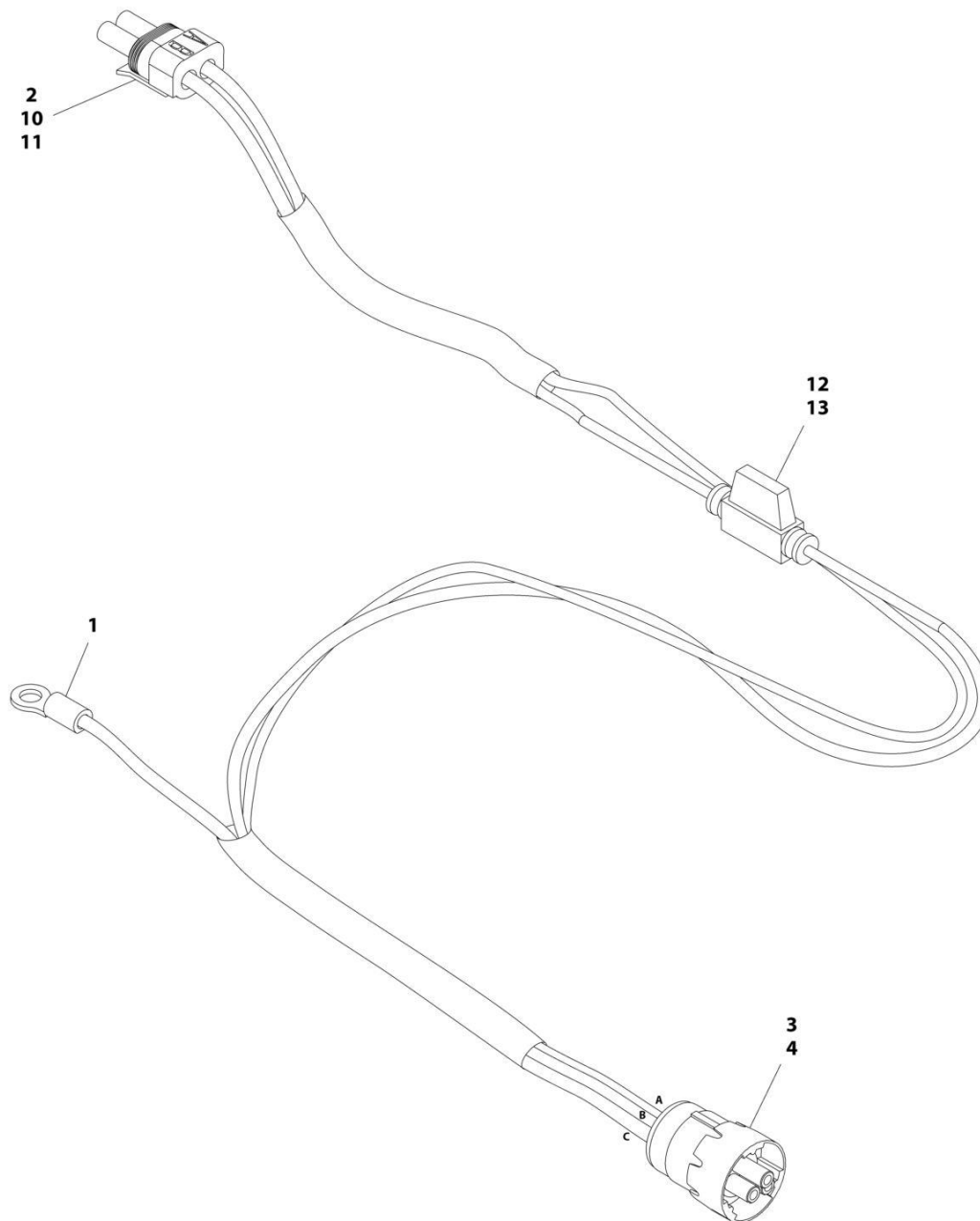
SECTION 8 - ELECTRICAL

FIGURE 8-60. GENERATOR TO ENGINE HARNESS - 4000W GENERATOR

ITEM	PART NUMBER	QTY	DESCRIPTION	REV
	1001153197	Ref	GENERATOR TO ENGINE HARNESS	B
1	4460967	1	Plug, Male - 3 Position	
1	4460465	2	Socket, Female	
2	4460043	1	Terminal, Ring	
3	4460742	1	Plug, Male - 2 Position	
3	4460743	1	Socket, Female	
3	4460458	1	Seal, Terminal	
3	1001116727	1	Plug, Terminal	

SECTION 8 - ELECTRICAL

FIGURE 8-61. GENERATOR TO ENGINE HARNESS - 7500W SKYPOWER GENERATOR (DEUTZ D2011 ONLY)



ART_1001152429

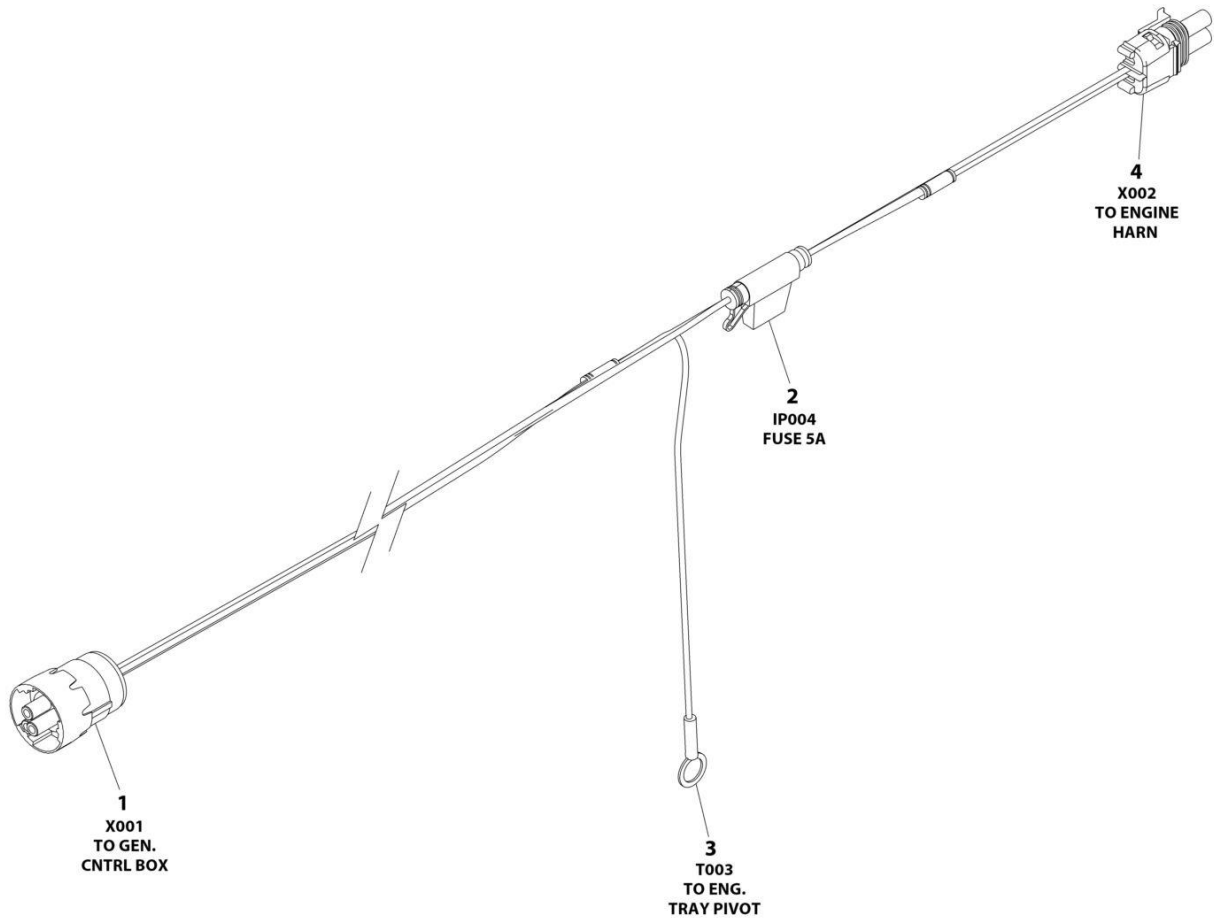
SECTION 8 - ELECTRICAL

FIGURE 8-61. GENERATOR TO ENGINE HARNESS - 7500W SKYPOWER GENERATOR (DEUTZ D2011 ONLY)

ITEM	PART NUMBER	QTY	DESCRIPTION	REV
	1001152429	Ref	GENERATOR TO ENGINE HARNESS	C
1	4460043	1	Terminal, Ring	
2	4460742	1	Plug, Male - 2 Position	
3	4460967	1	Connector - 3 Position	
4	4460465	3	Socket, Female	
10	4460743	2	Terminal, Female	
11	4460458	2	Seal	
12	2400060	1	Fuseholder (Includes Cover)	
13	2400064	1	Fuse - 5Amp	

SECTION 8 - ELECTRICAL

FIGURE 8-62. GENERATOR TO ENGINE HARNESS - 7500W SKYPOWER GENERATOR (FORD ENGINES ONLY)



ART_1001257972

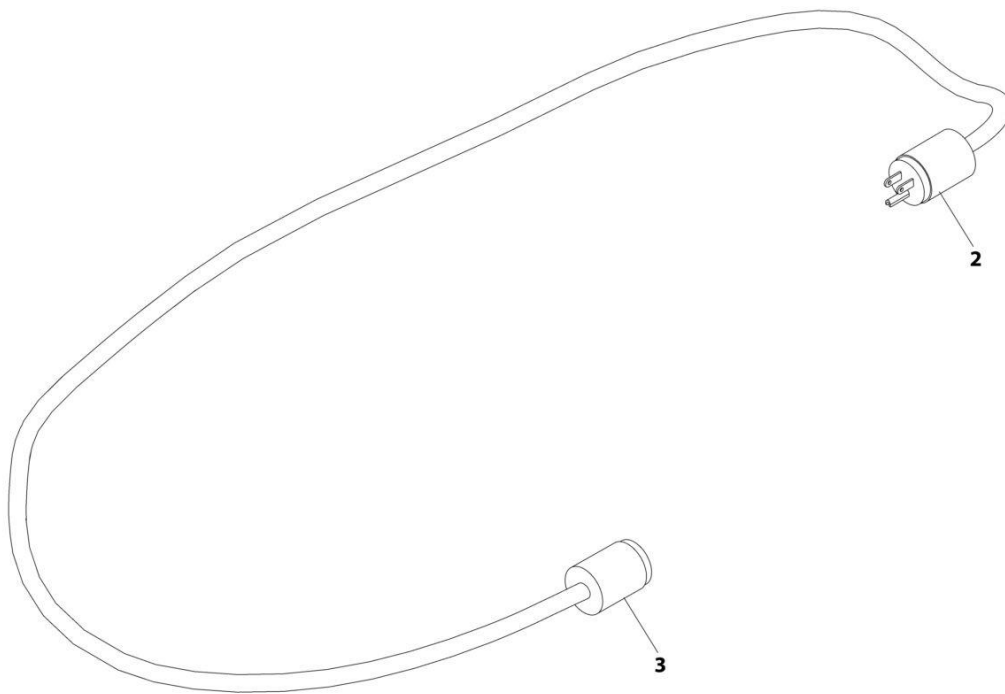
SECTION 8 - ELECTRICAL

FIGURE 8-62. GENERATOR TO ENGINE HARNESS - 7500W SKYPOWER GENERATOR (FORD ENGINES ONLY)

ITEM	PART NUMBER	QTY	DESCRIPTION	REV
	1001257972	Ref	GENERATOR TO ENGINE HARNESS	A
1	4460967	1	Plug, Male - 3 Position	
1	4460465	3	Socket, Female	
2	2400060	1	Fuse-holder (Includes Cover)	
2	2400064	1	Fuse - 5Amp	
3	4460256	1	Terminal, Ring	
4	4460742	1	Plug, Male - 2 Position	
4	4460457	2	Socket, Female	
4	4460458	2	Seal, Terminal	

SECTION 8 - ELECTRICAL

FIGURE 8-63. GENERATOR TO REAR OF BOOM HARNESS - 110V



ART_4921829

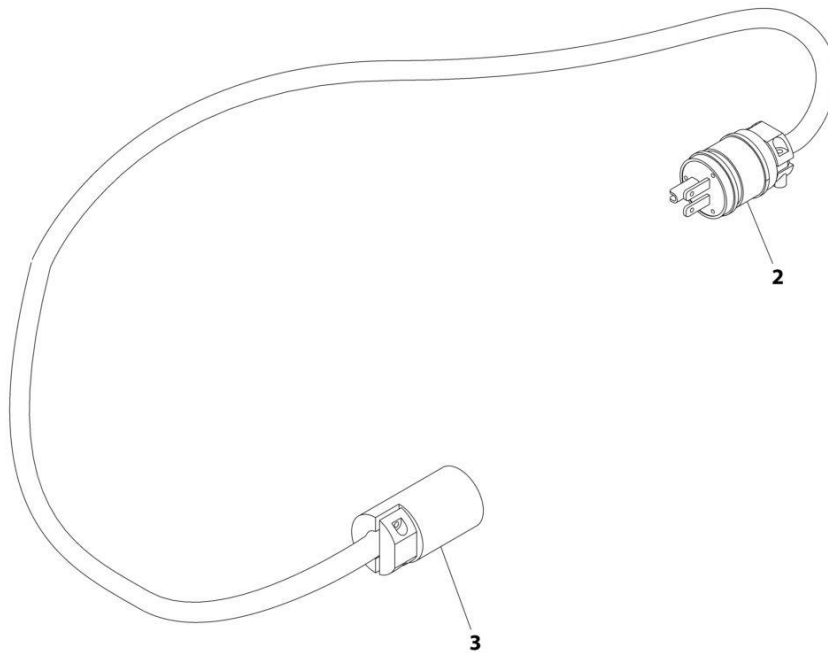
SECTION 8 - ELECTRICAL

FIGURE 8-63. GENERATOR TO REAR OF BOOM HARNESS - 110V

ITEM	PART NUMBER	QTY	DESCRIPTION	REV
	4921829	Ref	GENERATOR TO REAR OF BOOM HARNESS - 110V	Z-A
2	4460205	1	Plug, Male	
3	4460134	1	Connector, Female	

SECTION 8 - ELECTRICAL

FIGURE 8-64. GENERATOR TO REAR OF BOOM HARNESS - 220V



ART_4921954

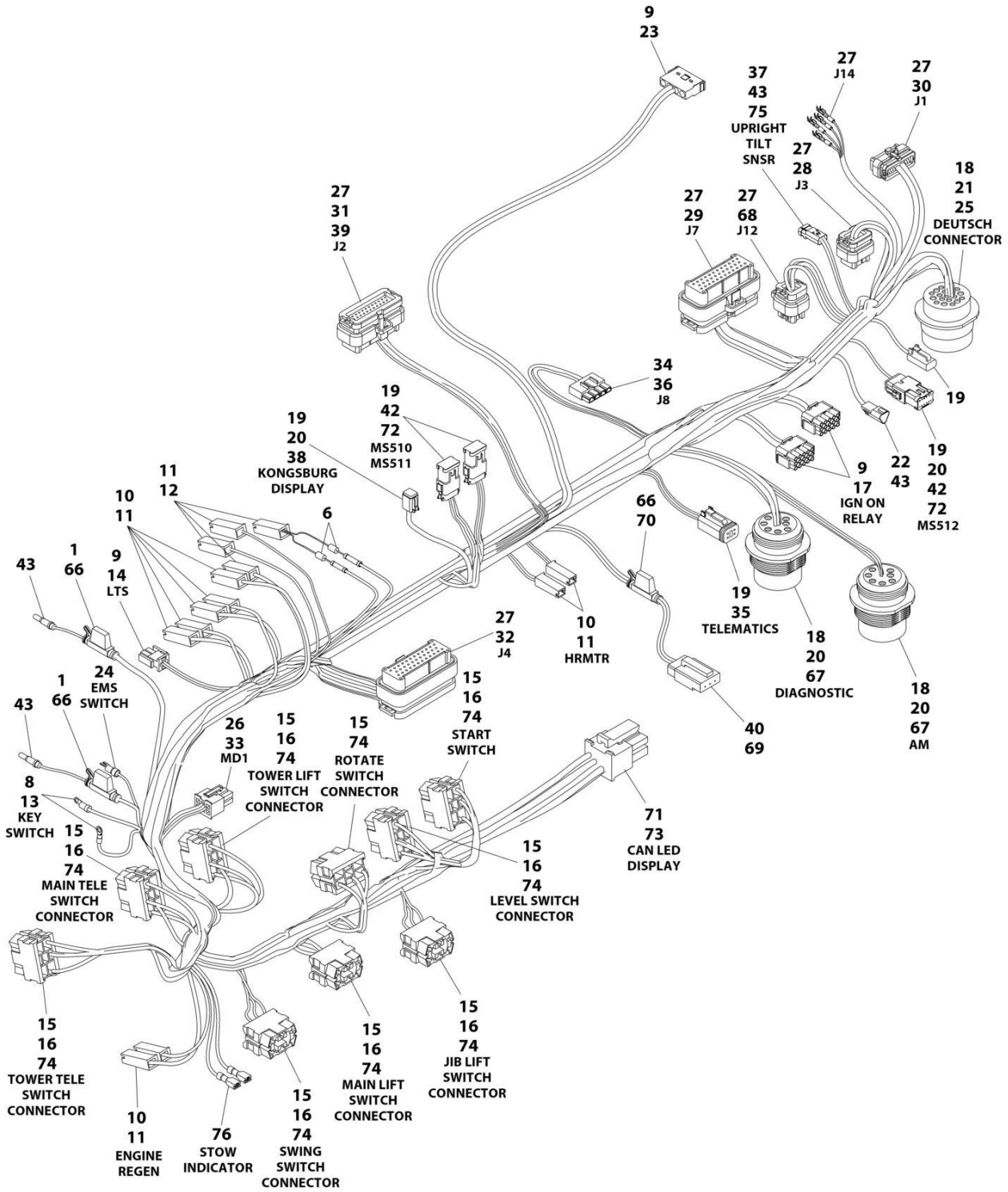
SECTION 8 - ELECTRICAL

FIGURE 8-64. GENERATOR TO REAR OF BOOM HARNESS - 220V

ITEM	PART NUMBER	QTY	DESCRIPTION	REV
	4921954	Ref	GENERATOR TO REAR OF BOOM HARNESS - 220V	2
2	4460233	1	Terminal, Plug	
3	4460701	1	Terminal, Connector	

SECTION 8 - ELECTRICAL

FIGURE 8-65. GROUND CONTROL BOX HARNESS



ART_1001285346

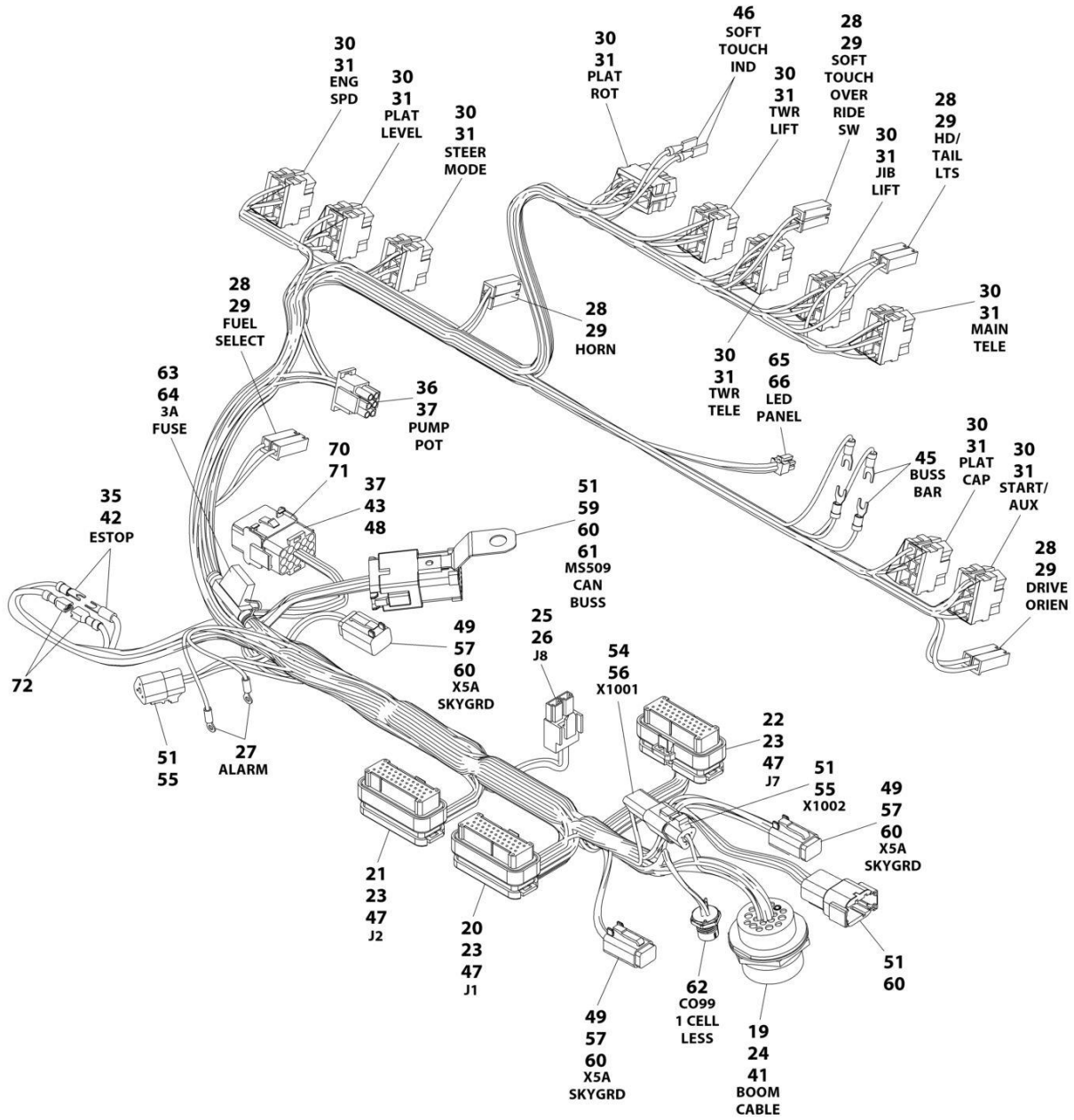
SECTION 8 - ELECTRICAL

FIGURE 8-65. GROUND CONTROL BOX HARNESS

ITEM	PART NUMBER	QTY	DESCRIPTION	REV
	1001285346	Ref	GROUND CONTROL BOX HARNESS	C
1	2400060	2	Fuse Holder	
6	3990010	2	Diode, 6 Amp	
8	4460142	4	Terminal, Ring	
9	4460227	36	Pin	
10	4460259	11	Socket	
11	4460260	15	Housing, Terminal	
12	4460297	4	Socket	
13	4460313	3	Terminal, Ring	
14	4460320	1	Connector	
15	4460418	9	Connector, Switch	
16	4460419	8	Socket	
17	4460434	2	Connector	
18	4460464	27	Terminal	
19	4460465	45	Terminal	
20	4460466	9	Plug, Terminal	
21	4460508	4	Pin	
22	4460536	1	Connector	
23	4460761	1	Connector	
24	4460806	5	Terminal, Fork	
25	4460866	1	Terminal	
26	4460868	1	Connector	
27	4460871	88	Socket	
28	4460872	1	Connector	
29	4460873	1	Connector	
30	4460874	1	Connector	
31	4460875	1	Connector	
32	4460876	1	Connector	
33	4460877	4	Socket	
34	4460878	1	Housing, Terminal	
35	4460884	1	Connector	
36	4460887	3	Socket	
37	1001229530	1	Connector	
38	4460894	1	Plug	
39	4460905	2	Seal	
40	4460911	1	Plug, Terminal	
42	4460933	3	Connector	
43	4460943	8	Terminal	
66	8229242	3	Fuse 5 Amp	
67	1001112612	2	Connector	
67	1001249095	2	Connector	
68	1001113961	1	Plug	
69	1001116694	3	Terminal	
70	1001255901	1	Fuse Holder	
71	1001237668	5	Socket	
72	1001119020	3	Connector	
73	1001237667	1	Connector	
74	1001159186	18	Socket	
75	1001200497	1	Connector	
76	1001201885	2	Terminal	

SECTION 8 - ELECTRICAL

FIGURE 8-66. PLATFORM CONSOLE BOX HARNESS



ART_1001266648

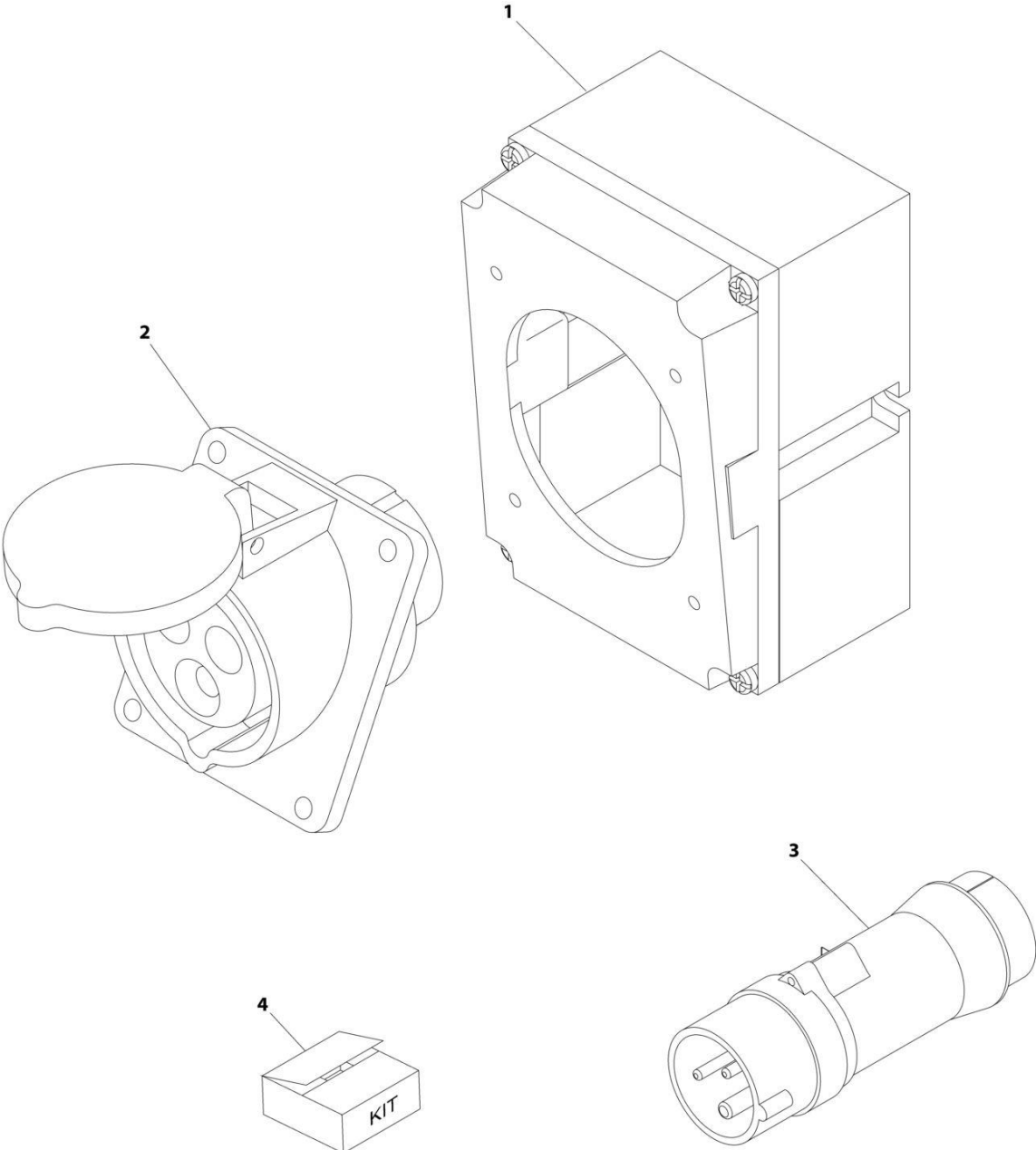
SECTION 8 - ELECTRICAL

FIGURE 8-66. PLATFORM CONSOLE BOX HARNESS

ITEM	PART NUMBER	QTY	DESCRIPTION	REV
	1001266648	Ref	PLATFORM CONSOLE BOX HARNESS	B
19	4460866	1	Connector - 19 Position	
20	4460874	1	Connector - 35 Position	
21	4460875	1	Connector - 35 Position	
22	4460873	1	Connector - 35 Position	
23	4460871	81	Socket, Female	
24	4460464	6	Pin, Male	
25	4460879	1	Plug, Male - 2 Position	
26	4460887	2	Terminal	
27	1001098122	2	Terminal, Ring	
28	4460260	10	Housing, Terminal	
29	4460259	10	Terminal	
30	4460418	9	Connector, Switch	
31	4460419	27	Terminal	
32	4120035	14	Socket, Light (Not Shown)	
33	4460634	14	Socket, Lamp (Single Wire) (Not Shown)	
34	4460635	14	Socket, Lamp (Double Wire) (Not Shown)	
35	4460888	1	Terminal, Fork	
36	4460225	1	Plug, Male - 6 Position	
37	4460227	31	Pin, Male	
41	4460508	3	Pin, Male	
42	4460806	1	Terminal, Fork	
43	4460434	2	Connector - 15 Position	
44	2920129	14	Bulb (Not Shown)	
45	4460183	4	Terminal, Fork	
46	4460016	2	Terminal	
47	4460905	24	Plug, Terminal	
48	4460267	1	Pin, Male	
49	4460465	5	Socket, Female	
51	4460944	11	Socket, Female	
54	4460536	1	Receptacle, Female - 3 Position	
55	4460539	1	Plug, Male - 3 Position	
56	4460943	3	Pin, Male	
57	4460894	2	Plug, Male - 6 Position	
59	4460933	2	Plug, Male - 12 Position	
60	4460466	5	Plug, Terminal	
61	1001119020	1	Connector, Buss Bar - 12 Position	
62	1001213447	1	Connector - 5 Position	
63	2400060	1	Fuseholder Includes Cover	
64	8229249	1	Fuse, 3 Amp	
65	1001237667	1	Plug, Male - 6 Position	
66	1001237668	4	Socket, Female	
70	4460708	2	Connector - 15 Position	
71	4460226	2	Socket, Female	
72	1001201885	2	Terminal	

SECTION 8 - ELECTRICAL

FIGURE 8-67. RECEPTACLE BOX KIT - 110V IEC YELLOW (CE, RUSSIA, & UK CA SPEC)



ART_0275216

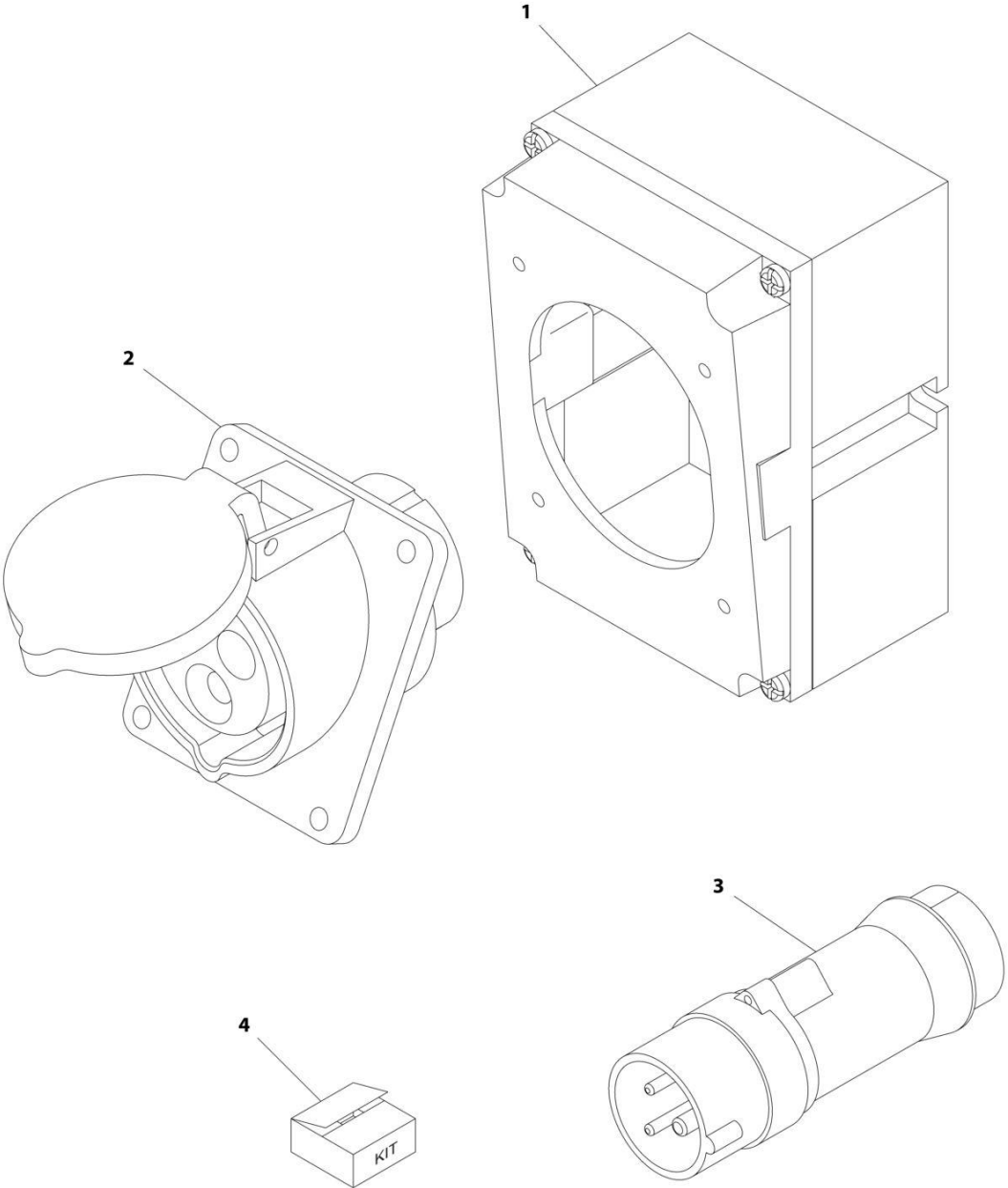
SECTION 8 - ELECTRICAL

FIGURE 8-67. RECEPTACLE BOX KIT - 110V IEC YELLOW (CE, RUSSIA, & UK CA SPEC)

ITEM	PART NUMBER	QTY	DESCRIPTION	REV
	0275216	Ref	RECEPTACLE BOX KIT - 110V IEC YELLOW	B
1	0861781	1	Box, Switch	
2	4461198	1	Receptacle	
3	4461196	1	Plug, Male	
4	1001100341	1	Plug and Socket Kit (Includes Items 1-3 and Female Plug p/n 4461197)	

SECTION 8 - ELECTRICAL

FIGURE 8-68. RECEPTACLE BOX KIT - 220V IEC BLUE (CE, RUSSIA & UK CA SPEC)



ART_0275217

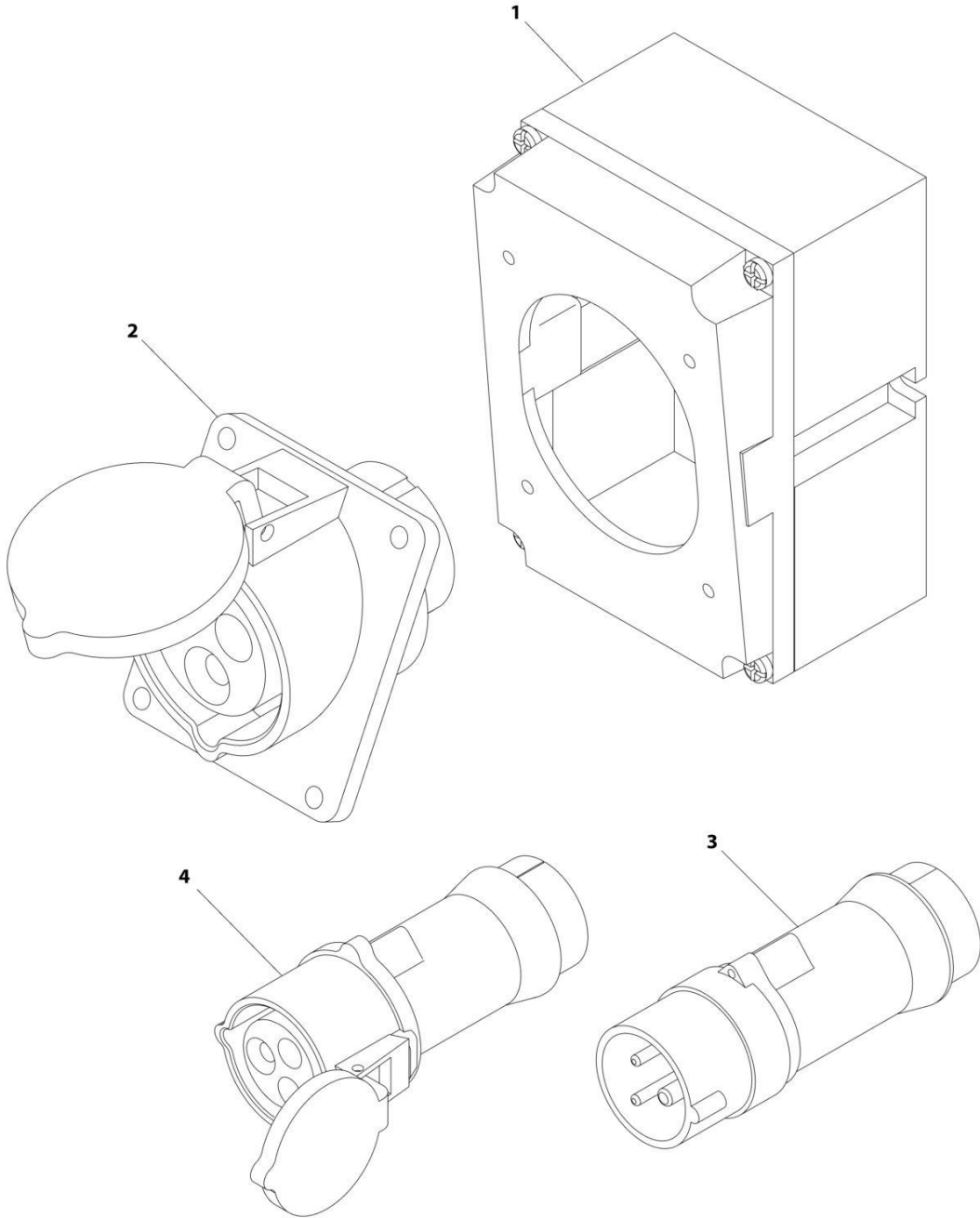
SECTION 8 - ELECTRICAL

FIGURE 8-68. RECEPTACLE BOX KIT - 220V IEC BLUE (CE, RUSSIA & UK CA SPEC)

ITEM	PART NUMBER	QTY	DESCRIPTION	REV
	0275217	Ref	RECEPTACLE BOX KIT - 220V IEC BLUE	B
1	0861781	1	Box, Switch	
2	4461201	1	Receptacle	
3	4461199	1	Plug, Male	
4	1001100342	1	Plug and Socket Kit (Includes Items 1-3 and Female Plug p/n 4461200)	

SECTION 8 - ELECTRICAL

FIGURE 8-69. RECEPTACLE BOX KIT - 220V IEC BLUE (2500W GENERATOR) (CE, RUSSIA & UK CA SPECS)



ART_1001100342

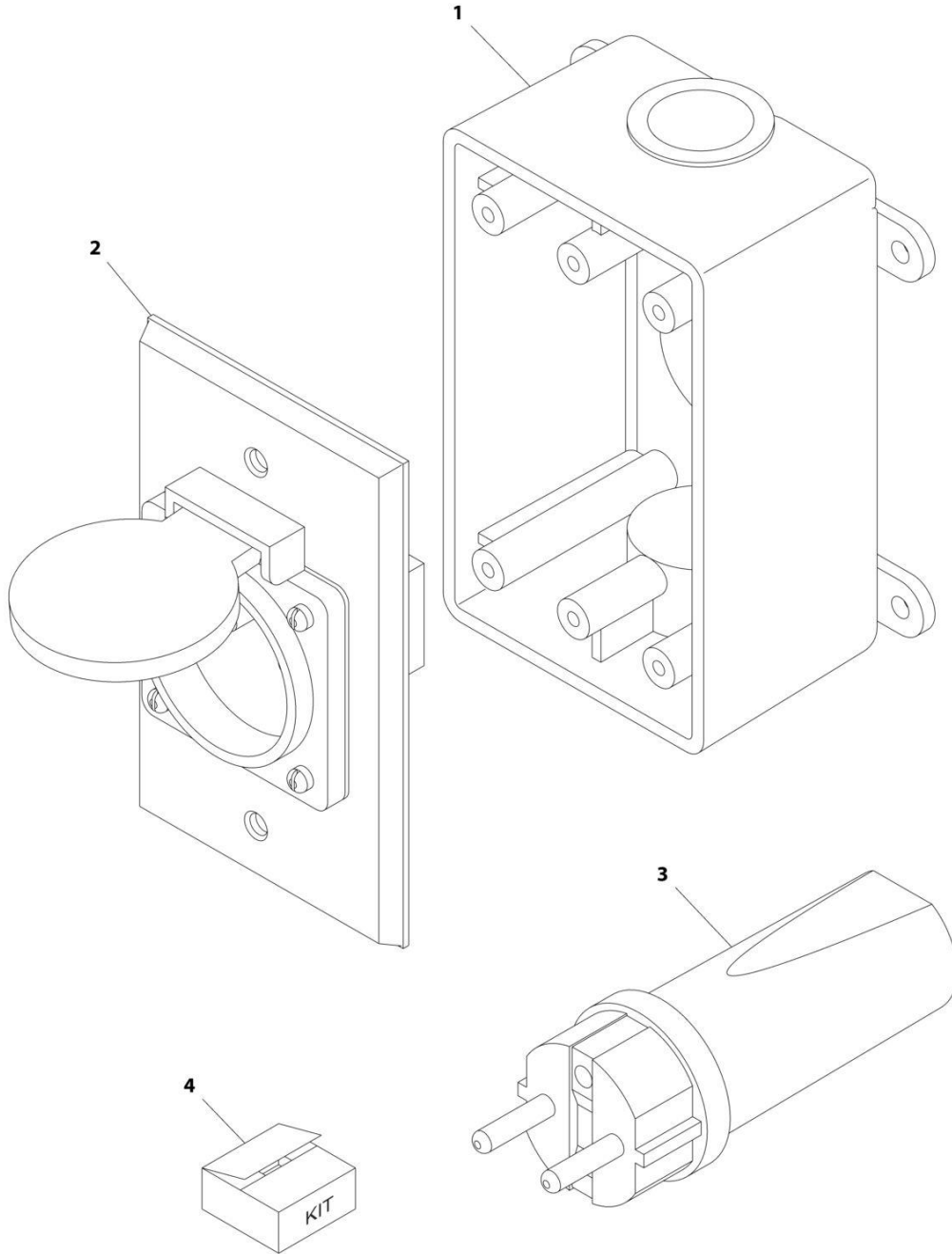
SECTION 8 - ELECTRICAL

FIGURE 8-69. RECEPTACLE BOX KIT - 220V IEC BLUE (2500W GENERATOR) (CE, RUSSIA & UK CA SPECS)

ITEM	PART NUMBER	QTY	DESCRIPTION	REV
	1001100342	Ref	RECEPTACLE BOX KIT - 220V IEC BLUE WITH 2500W GENERATOR (CE & UK CA SPECS)	2
1	0861781	1	Box, Switch	
2	4461201	1	Receptacle	
3	4461199	1	Plug, Male	
4	4461200	1	Plug, Female	

SECTION 8 - ELECTRICAL

FIGURE 8-70. RECEPTACLE BOX KIT - 220V CEE7 POST GROUND WITHOUT 2500W GENERATOR (2X4 BOX) (CE, RUSSIA & UK CA SPECS)



ART_0275452

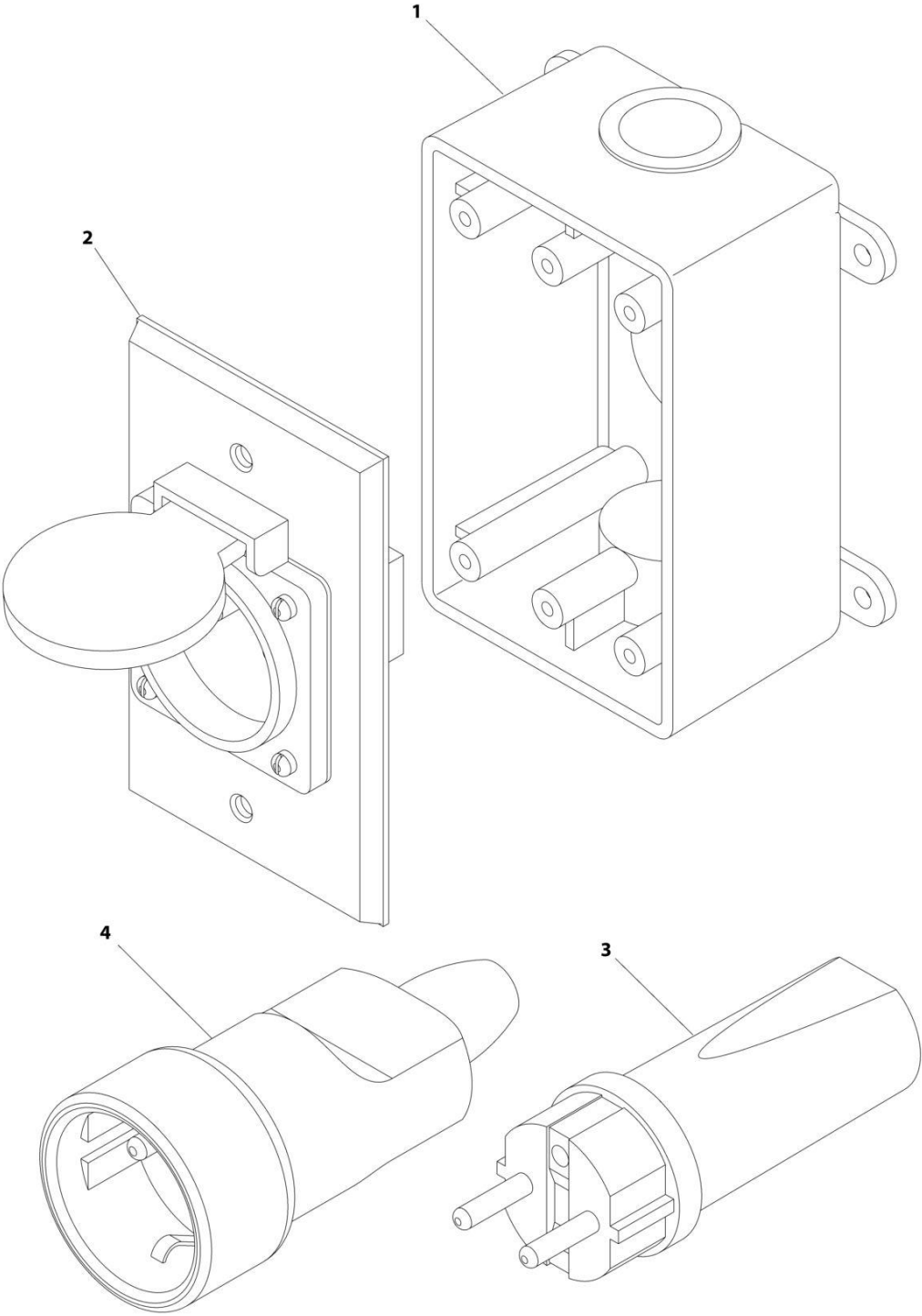
SECTION 8 - ELECTRICAL

**FIGURE 8-70. RECEPTACLE BOX KIT - 220V CEE7 POST GROUND WITHOUT 2500W GENERATOR
(2X4 BOX) (CE, RUSSIA & UK CA SPECS)**

ITEM	PART NUMBER	QTY	DESCRIPTION	REV
	0275452	Ref	RECEPTACLE BOX KIT - 220V CEE7 POST GROUND	C
1	0861731	1	Box, Switch	
2	4461244	1	Receptacle	
3	4461205	1	Plug, Male	
4	1001100345	1	Plug and Socket Kit (Includes Items 1-3 and Female Plug p/n 4461206)	

SECTION 8 - ELECTRICAL

**FIGURE 8-71. RECEPTACLE BOX KIT - 220V CEE7 POST GROUND (2X4 BOX) (2500W GENERATOR)
(CE, RUSSIA & UK CA SPECS)**



ART_1001100345

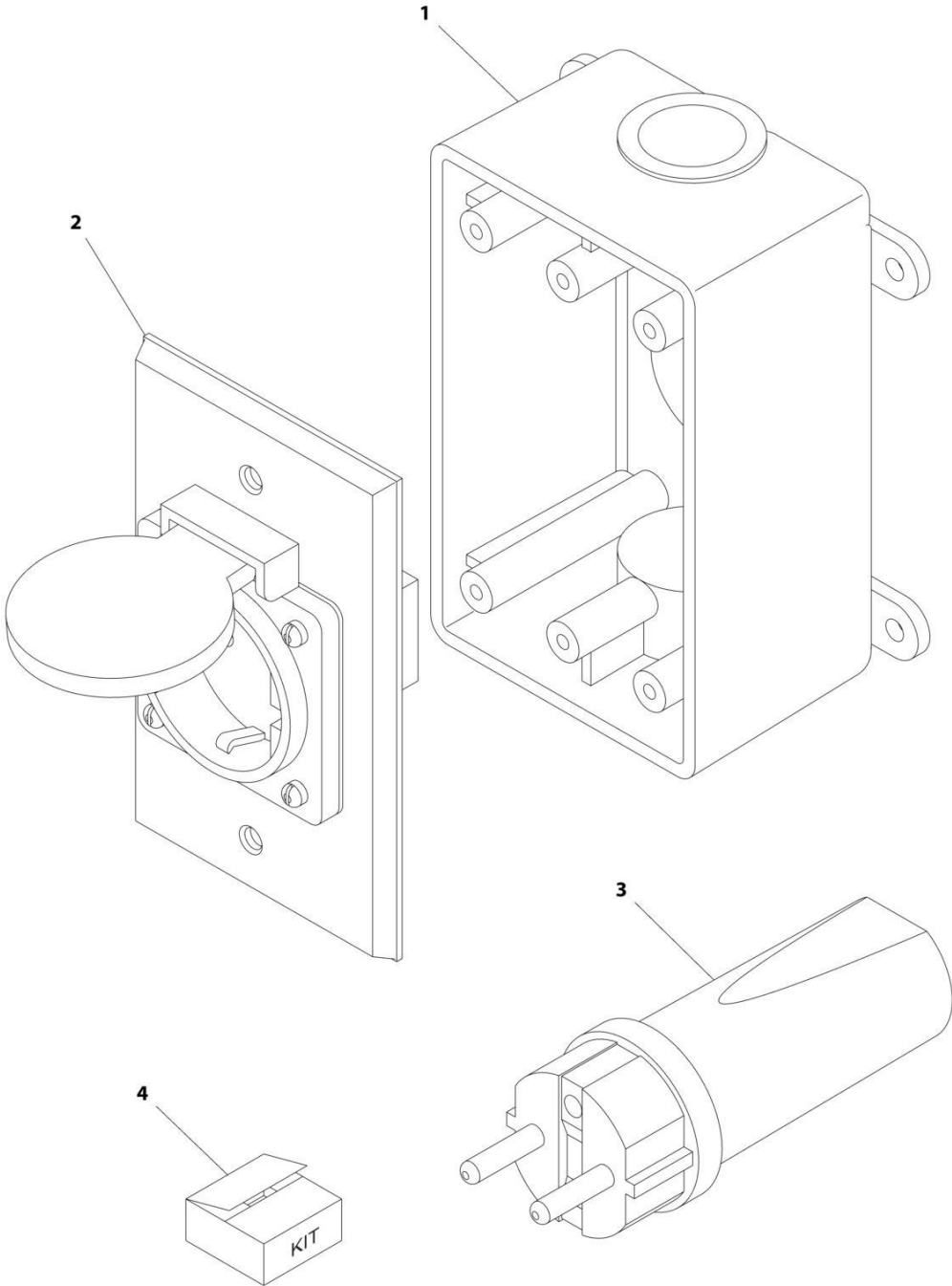
SECTION 8 - ELECTRICAL

**FIGURE 8-71. RECEPTACLE BOX KIT - 220V CEE7 POST GROUND (2X4 BOX) (2500W GENERATOR)
(CE, RUSSIA & UK CA SPECS)**

ITEM	PART NUMBER	QTY	DESCRIPTION	REV
	1001100345	Ref	RECEPTACLE BOX KIT - 220V CEE7 POST GROUND	C
1	0861731	1	Box, Switch	
2	4461244	1	Receptacle	
3	4461205	1	Plug, Male	
4	4461203	1	Plug, Female	

SECTION 8 - ELECTRICAL

FIGURE 8-72. RECEPTACLE BOX KIT - 220V CEE7 SIDE GROUND (CE, RUSSIA & UK CA SPEC)



ART_0275453

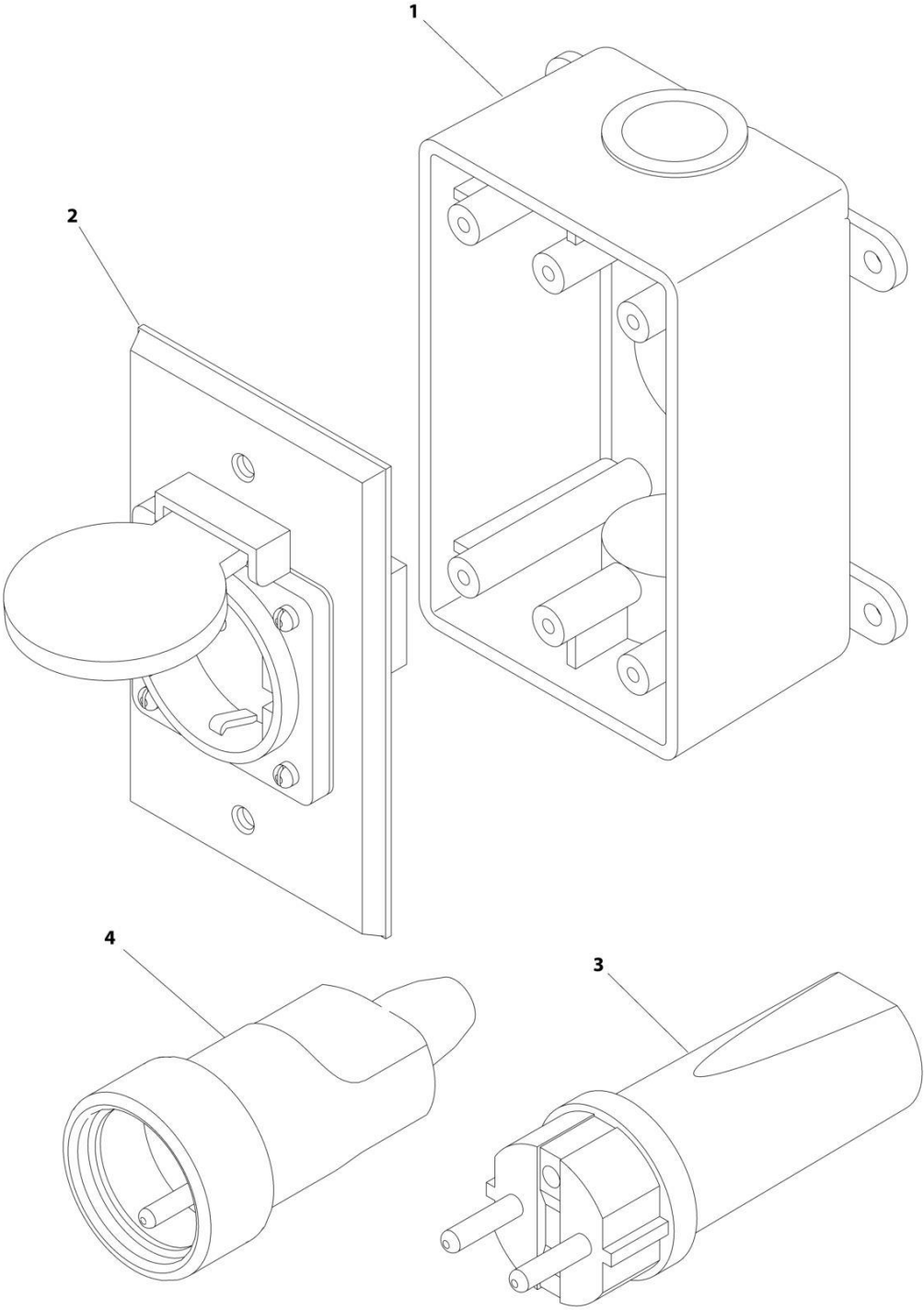
SECTION 8 - ELECTRICAL

FIGURE 8-72. RECEPTACLE BOX KIT - 220V CEE7 SIDE GROUND (CE, RUSSIA & UK CA SPEC)

ITEM	PART NUMBER	QTY	DESCRIPTION	REV
	0275453	Ref	RECEPTACLE BOX KIT - 220V CEE7 SIDE GROUND	B
1	0861731	1	Box, Switch	
2	4461245	1	Receptacle	
3	4461205	1	Plug, Male	
4	1001100347	1	Plug and Socket Kit (Includes Items 1-3 and Female Plug p/n 4461206)	

SECTION 8 - ELECTRICAL

**FIGURE 8-73. RECEPTACLE BOX KIT - 220V CEE7 SIDE GROUND (2X4 BOX) (2500W GENERATOR)
(CE, RUSSIA & UK CA SPECS)**



ART_1001100347

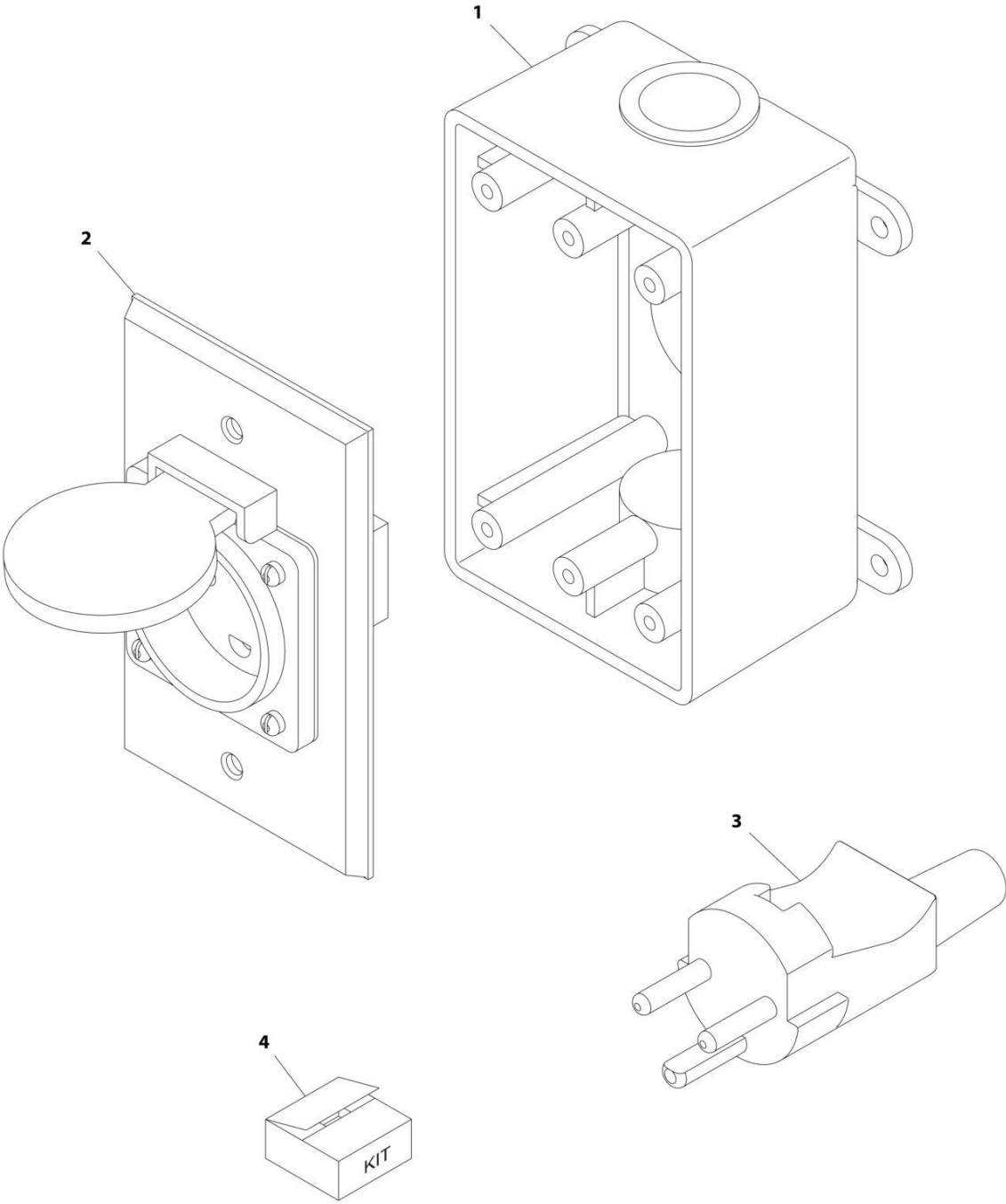
SECTION 8 - ELECTRICAL

**FIGURE 8-73. RECEPTACLE BOX KIT - 220V CEE7 SIDE GROUND (2X4 BOX) (2500W GENERATOR)
(CE, RUSSIA & UK CA SPECS)**

ITEM	PART NUMBER	QTY	DESCRIPTION	REV
	1001100347	Ref	RECEPTACLE BOX KIT - 220V CEE7 SIDE GROUND	3
1	0861731	1	Box, Switch	
2	4461245	1	Receptacle	
3	4461205	1	Plug, Male	
4	4461206	1	Plug, Female	

SECTION 8 - ELECTRICAL

FIGURE 8-74. RECEPTACLE BOX KIT - 220V AFSINT 107 (CE, RUSSIA & UK CA SPEC)



ART_0275454

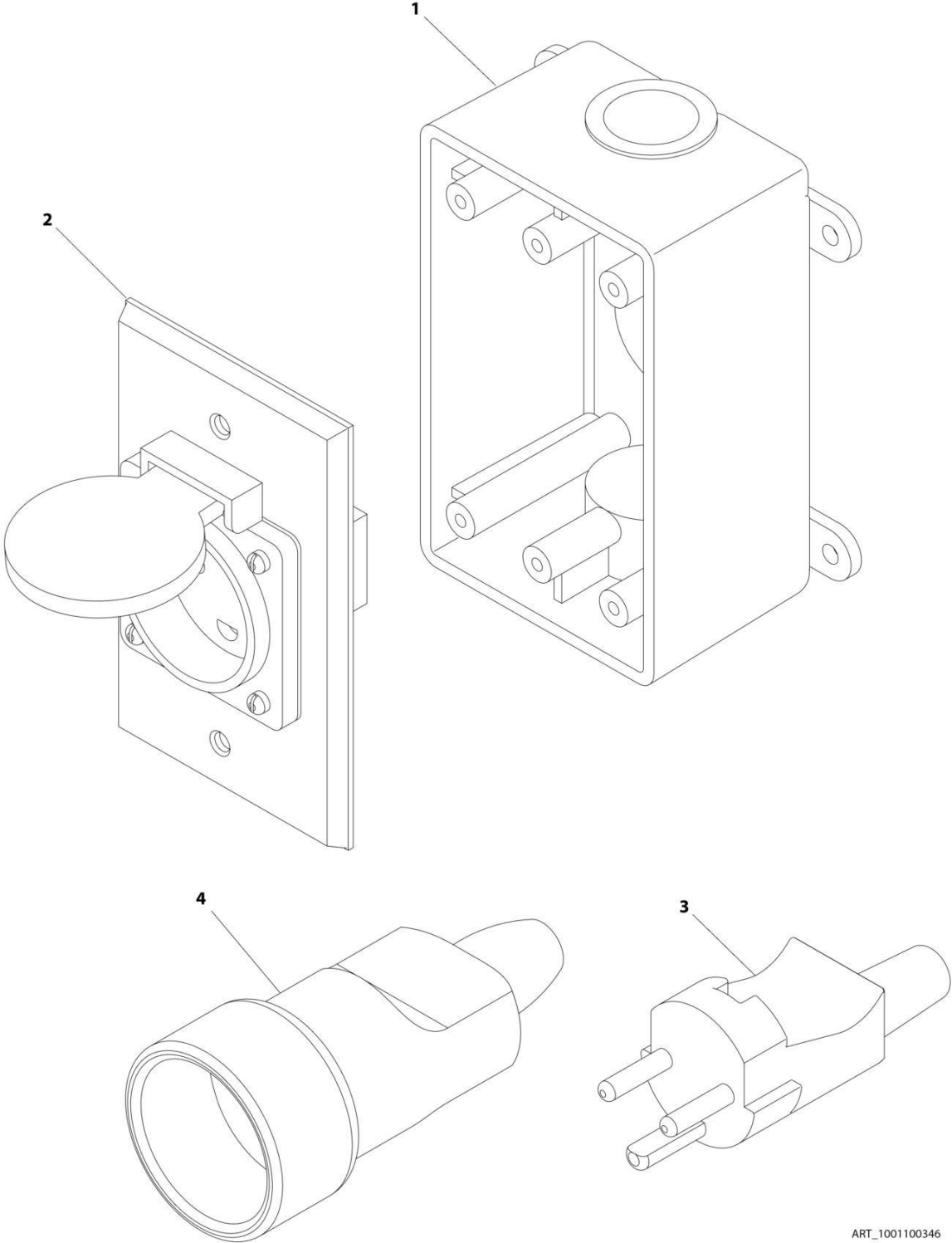
SECTION 8 - ELECTRICAL

FIGURE 8-74. RECEPTACLE BOX KIT - 220V AFSINT 107 (CE, RUSSIA & UK CA SPEC)

ITEM	PART NUMBER	QTY	DESCRIPTION	REV
	0275454	Ref	RECEPTACLE BOX KIT - 220V AFSINT 107	B
1	0861731	1	Box, Switch	
2	4461246	1	Receptacle	
3	4461249	1	Plug, Male	
4	1001100346	1	Plug and Socket Kit (Includes Items 1-3 and Female Plug p/n 4461250)	

SECTION 8 - ELECTRICAL

FIGURE 8-75. RECEPTACLE BOX KIT - 220V AFSINT 107 KEYED GROUND (2X4 BOX) (2500W GENERATOR) (CE, RUSSIA & UK CA SPECS)



ART_1001100346

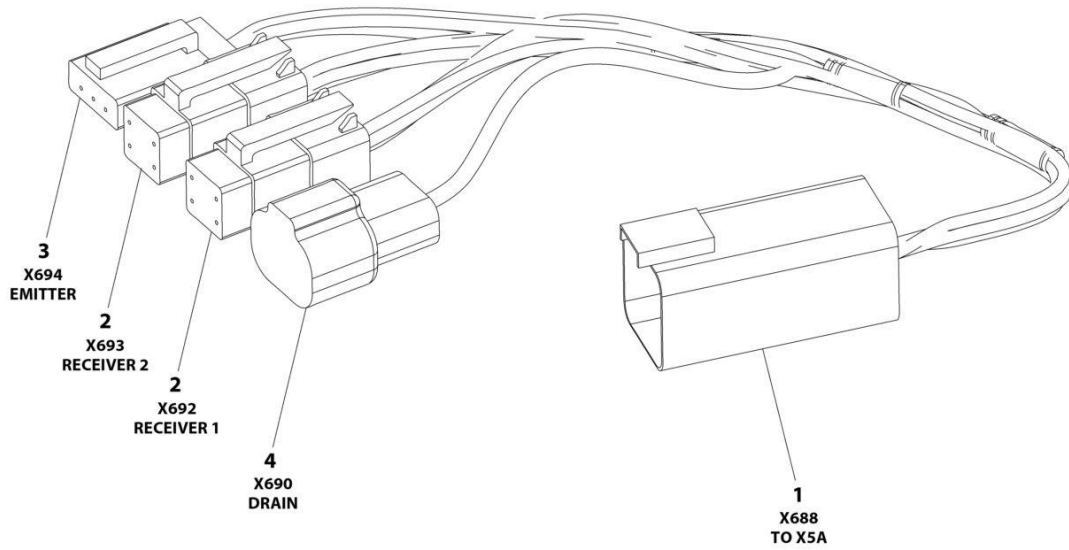
SECTION 8 - ELECTRICAL

FIGURE 8-75. RECEPTACLE BOX KIT - 220V AFSINT 107 KEYED GROUND (2X4 BOX) (2500W GENERATOR) (CE, RUSSIA & UK CA SPECS)

ITEM	PART NUMBER	QTY	DESCRIPTION	REV
	1001100346	Ref	RECEPTACLE BOX KIT - 220V AFSINT 107 KEYED GROUND WITH 2500W GENERATOR (2X4 BOX) (CE & UK CA SPECS)	2
1	0861731	1	Box, Switch	
2	4461246	1	Receptacle	
3	4461249	1	Plug, Male	
4	4461250	1	Plug, Female	

SECTION 8 - ELECTRICAL

FIGURE 8-76. SKYEYE INTERMEDIATE HARNESS



ART_1001237865

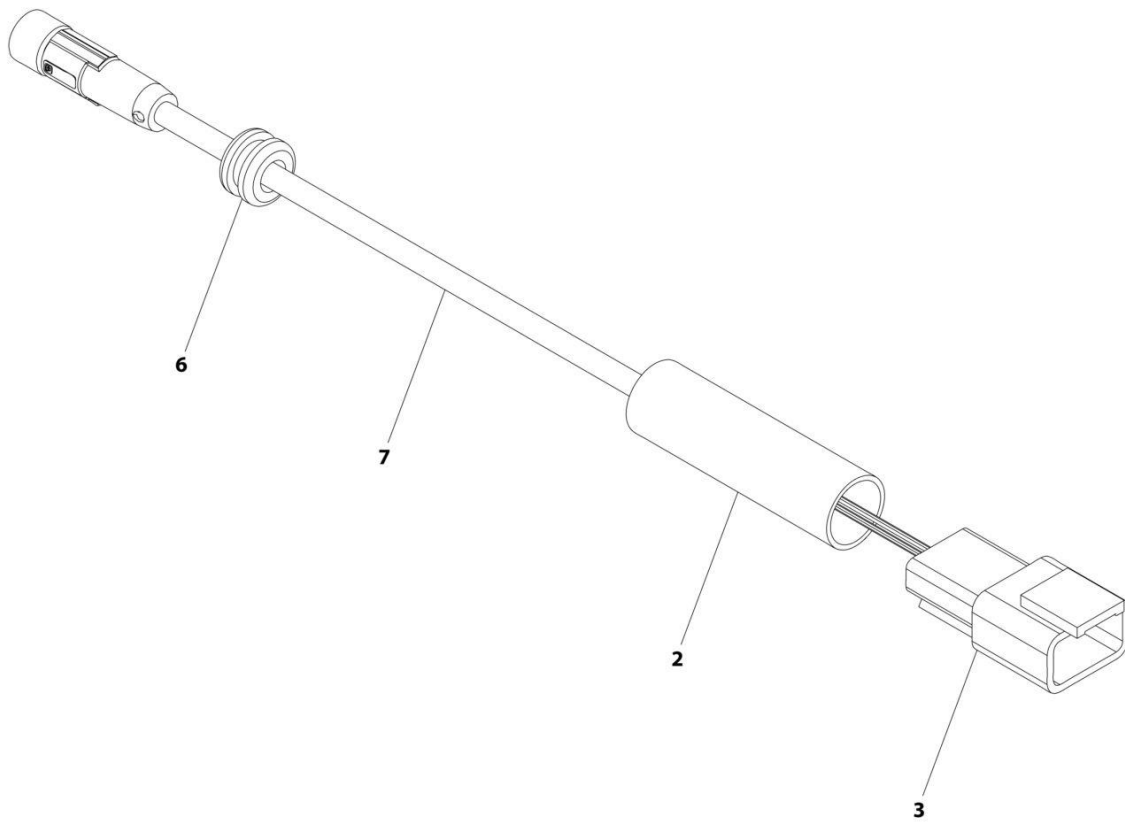
SECTION 8 - ELECTRICAL

FIGURE 8-76. SKYEYE INTERMEDIATE HARNESS

ITEM	PART NUMBER	QTY	DESCRIPTION	REV
	1001237865	Ref	SKYEYE INTERMEDIATE HARNESS	A
1	4460899	1	Connector - 6 Position	
1	4460943	4	Pin, Male	
1	4460466	2	Plug, Terminal	
2	4461077	2	Connector - 4 Position	
2	1001119619	8	Socket, Female	
3	4460911	1	Connector - 3 Position	
3	1001119619	3	Socket, Female	
4	1001187681	1	Connector - 2 Position	
4	4460941	1	Pin, Male	
4	4460466	1	Plug, Terminal	

SECTION 8 - ELECTRICAL

FIGURE 8-77. SKYEYE EMITTER HARNESS



ART_1001237864

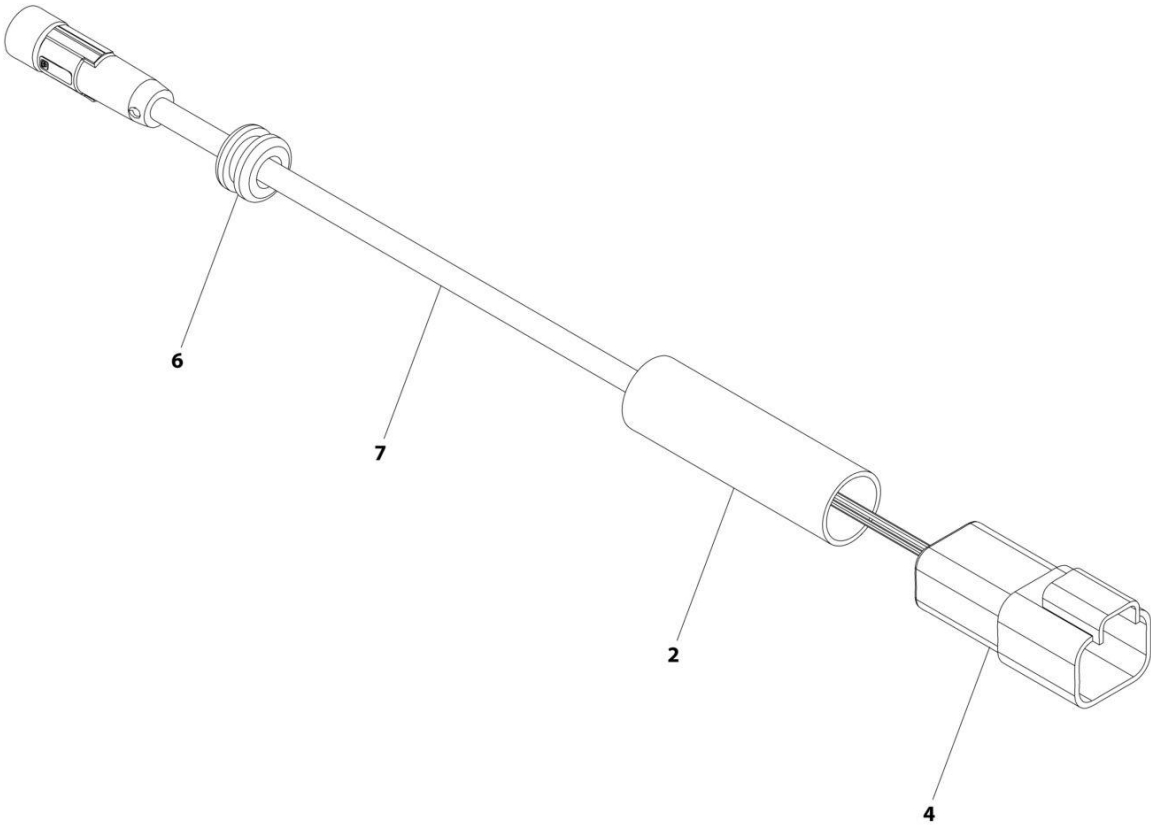
SECTION 8 - ELECTRICAL

FIGURE 8-77. SKYEYE EMITTER HARNESS

ITEM	PART NUMBER	QTY	DESCRIPTION	REV
	1001237864	Ref	SKYEYE EMITTER HARNESS	A
2	2820247	AR	Tubing, Heat Shrink	
3	4460910	1	Connector - 3 Position	
3	1001119620	3	Pin, Male	
6	1001227996	1	Grommet	
7	1001237862	1	Cable, M8 Female Cordset	

SECTION 8 - ELECTRICAL

FIGURE 8-78. SKYEYE RECEIVER HARNESS



ART_1001237863

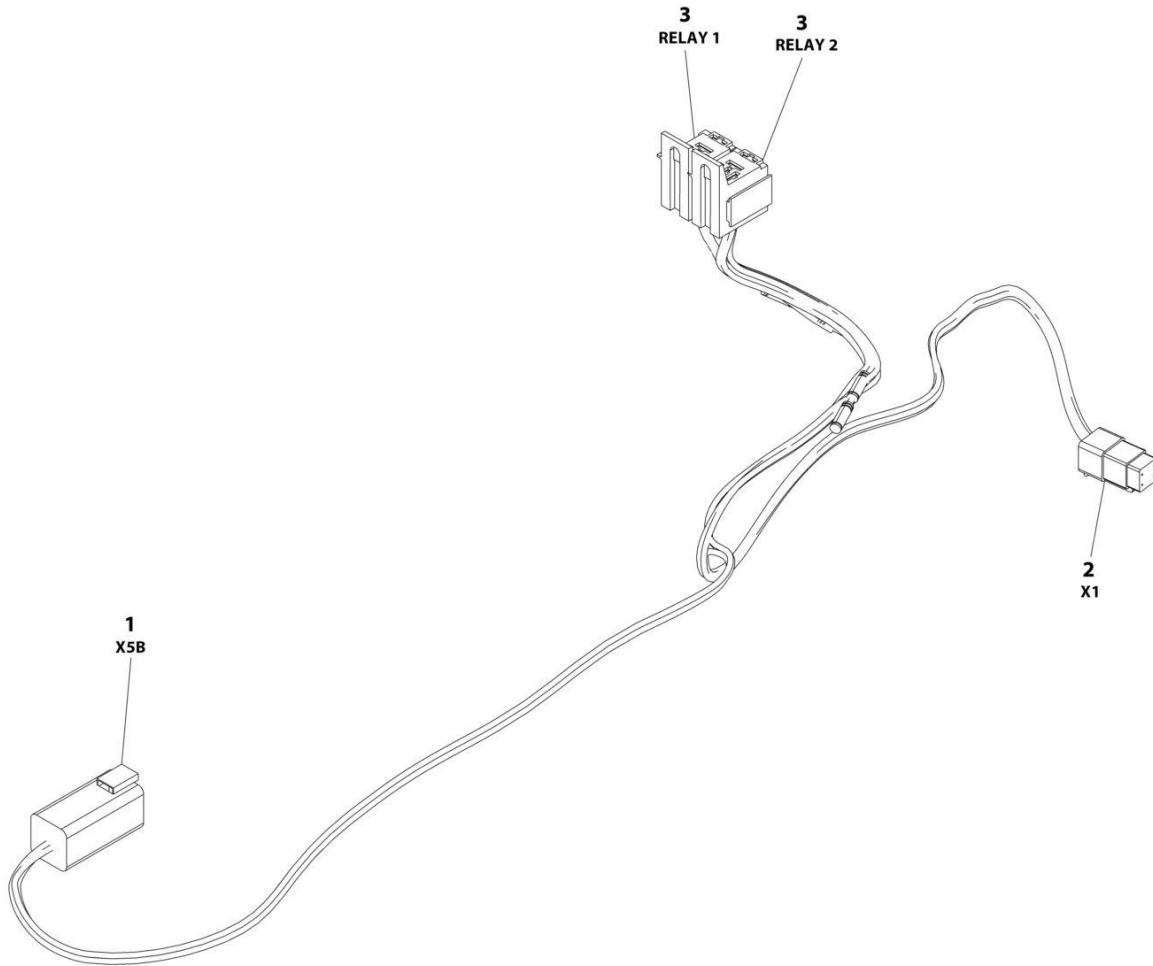
SECTION 8 - ELECTRICAL

FIGURE 8-78. SKYEYE RECEIVER HARNESS

ITEM	PART NUMBER	QTY	DESCRIPTION	REV
	1001237863	Ref	SKYEYE RECEIVER HARNESS	A
2	2820247	AR	Tubing, Heat Shrink	
4	1001097051	1	Connector - 4 Position	
4	1001119620	4	Pin, Male	
6	1001227996	1	Grommet	
7	1001237862	1	Cable, M8 Female Cordset	

SECTION 8 - ELECTRICAL

FIGURE 8-79. SKYLINE HARNESS



ART_1001238418

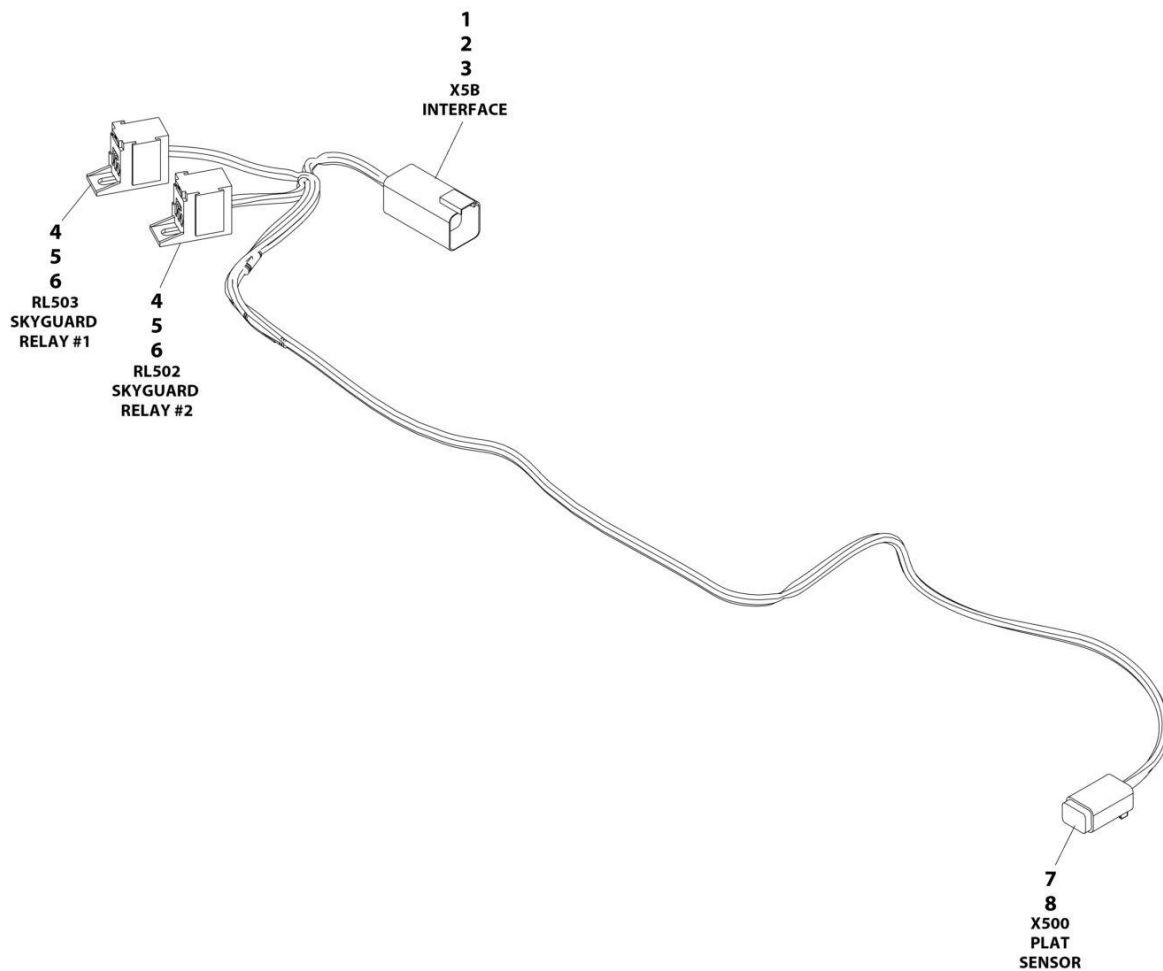
SECTION 8 - ELECTRICAL

FIGURE 8-79. SKYLINE HARNESS

ITEM	PART NUMBER	QTY	DESCRIPTION	REV
	1001238418	Ref	SKYLINE HARNESS	B
1	4460899	1	Connector - 6 Position	
1	4460464	4	Pin, Male	
1	4460466	2	Plug, Terminal	
2	4461077	1	Connector - 4 Position	
2	1001126009	4	Socket, Female	
3	1001186432	2	Plug, Relay	
3	1001118388	5	Terminal	
3	1001118384	3	Terminal	
3	3740086	2	Relay	

SECTION 8 - ELECTRICAL

FIGURE 8-80. SKYGUARD INTERFACE HARNESS



ART_1001225580

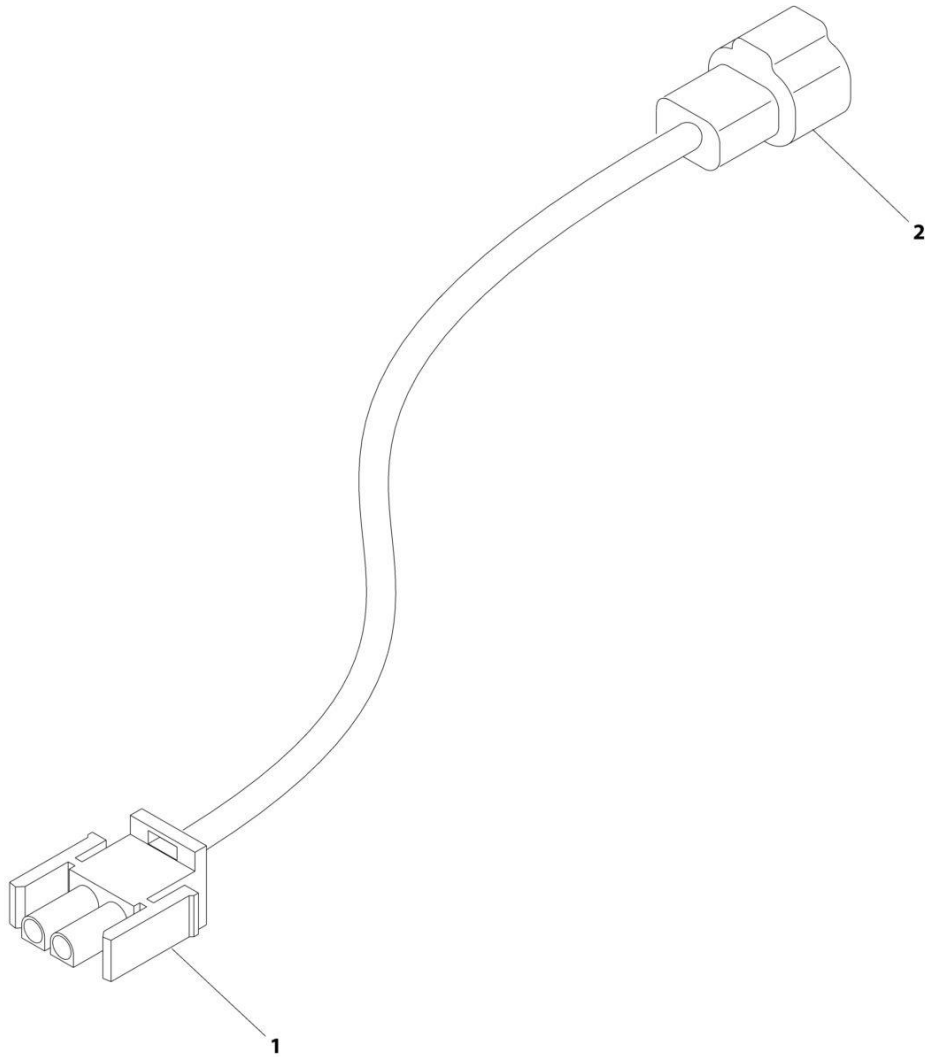
SECTION 8 - ELECTRICAL

FIGURE 8-80. SKYGUARD INTERFACE HARNESS

ITEM	PART NUMBER	QTY	DESCRIPTION	REV
	1001225580	Ref	INTERFACE HARNESS - WITH 1 CELL LSS	D
1	4460899	1	Connector	
2	4460464	4	Terminal	
3	4460466	2	Plug	
4	1001186432	2	Connector	
5	1001116720	4	Terminal	
6	1001118388	4	Terminal	
7	4460884	1	Connector	
8	4460465	4	Terminal	

SECTION 8 - ELECTRICAL

FIGURE 8-81. STROBE LIGHT HARNESS (AMBER)



ART_1001149818

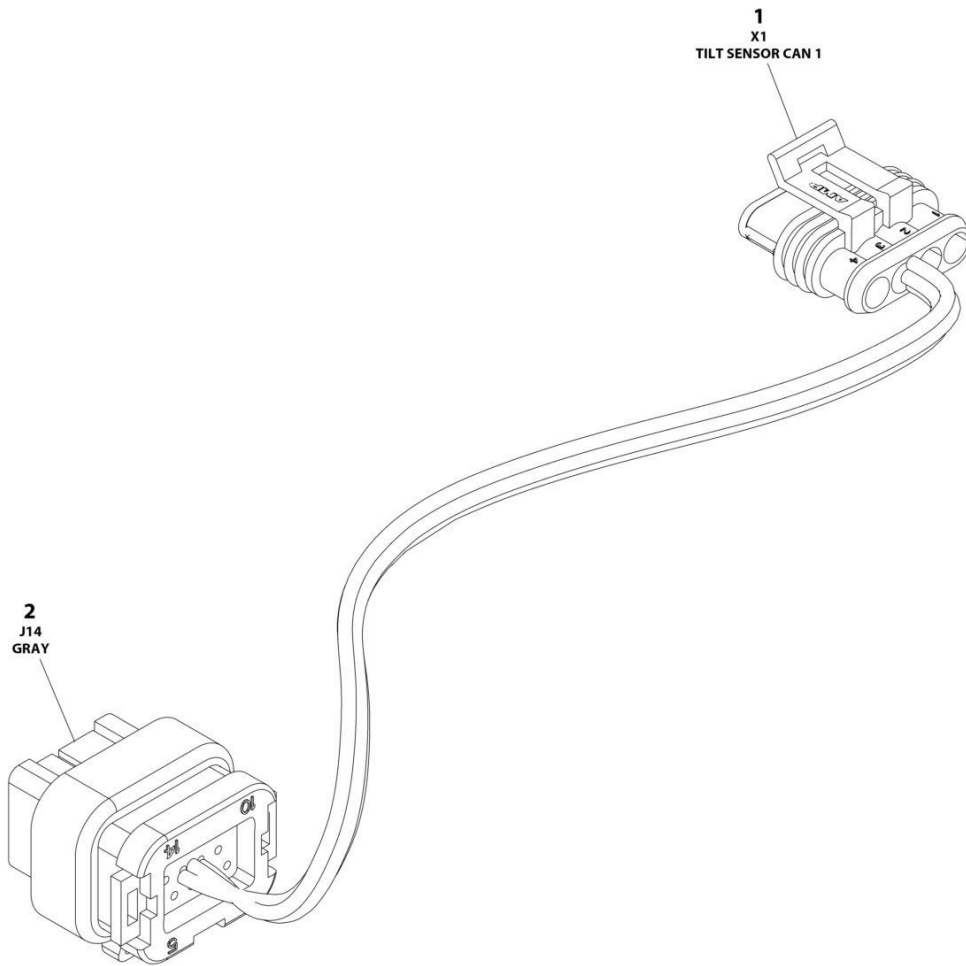
SECTION 8 - ELECTRICAL

FIGURE 8-81. STROBE LIGHT HARNESS (AMBER)

ITEM	PART NUMBER	QTY	DESCRIPTION	REV
	1001149818	Ref	STROBE LIGHT HARNESS (AMBER)	D
1	4460320	1	Plug, Male - 2 Position	
1	4460267	2	Pin, Male	
2	4460897	1	Connector - 2 Position	
2	4460464	2	Pin, Male	

SECTION 8 - ELECTRICAL

FIGURE 8-82. TILT SENSOR HARNESS



ART_1001276143

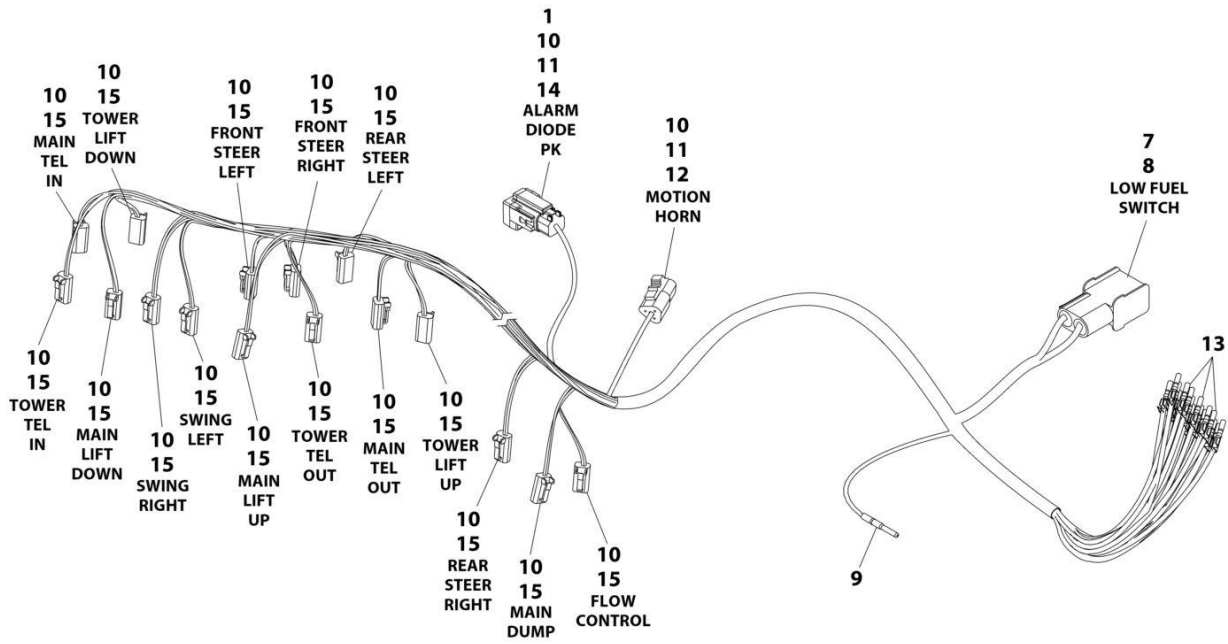
SECTION 8 - ELECTRICAL

FIGURE 8-82. TILT SENSOR HARNESS

ITEM	PART NUMBER	QTY	DESCRIPTION	REV
	1001276143	Ref	TILT SENSOR HARNESS	B
1	1001103012	1	Connector - 4 Position	
1	1001107854	4	Terminal, Male	
1	1001104498	4	Terminal, Seal	
2	1001246859	1	Connector - 14 Position	
2	4460871	4	Socekt, Female	
2	4460905	10	Plug, Terminal	

SECTION 8 - ELECTRICAL

FIGURE 8-83. VALVE HARNESS



ART_1001284919

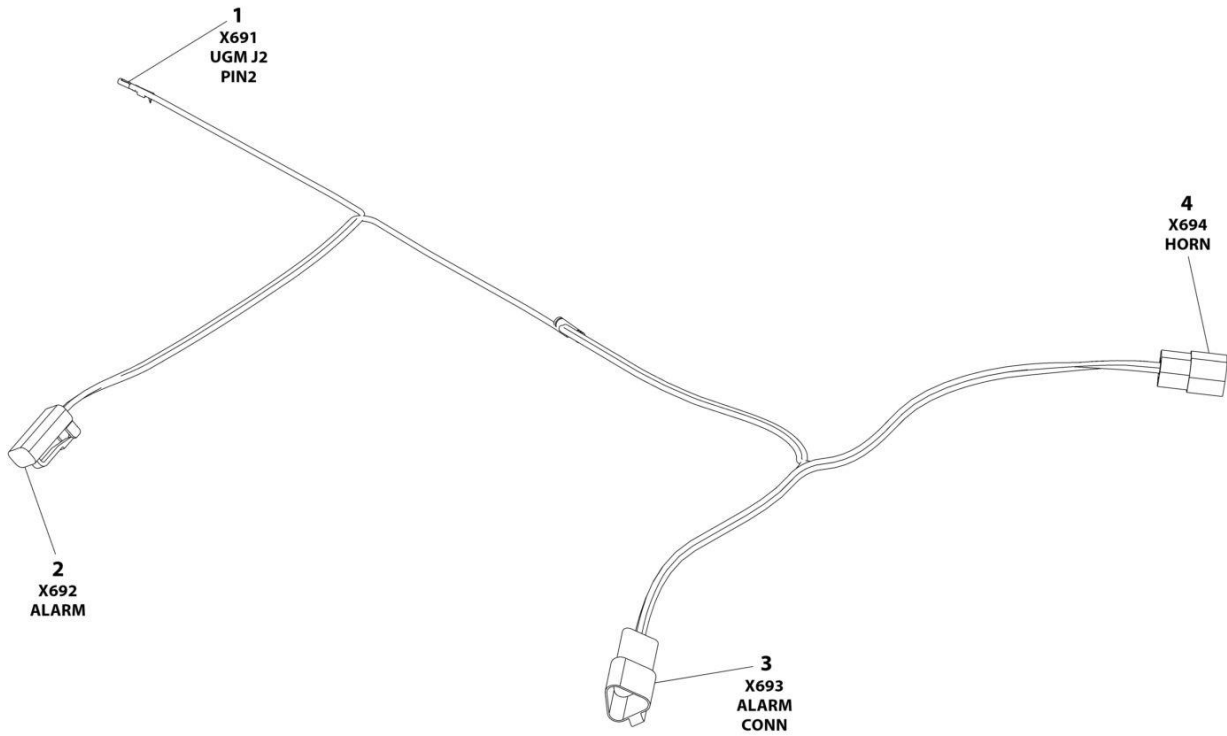
SECTION 8 - ELECTRICAL

FIGURE 8-83. VALVE HARNESS

ITEM	PART NUMBER	QTY	DESCRIPTION	REV
	1001284919	Ref	VALVE HARNESS - MAIN VALVE	A
1	1001152266	1	Connector	
7	4460268	2	Socket	
8	4460424	1	Connector	
9	4460464	1	Pin	
10	4460465	37	Socket	
11	4460466	2	Plug, Seal	
12	4460539	1	Connector	
13	4460871	26	Socket	
14	4460884	1	Connector	
15	4460891	16	Connector	

SECTION 8 - ELECTRICAL

FIGURE 8-84. WHITE NOISE ALARM HARNESS



ART_1001231007

SECTION 8 - ELECTRICAL

FIGURE 8-84. WHITE NOISE ALARM HARNESS

ITEM	PART NUMBER	QTY	DESCRIPTION	REV
	1001231007	Ref	WHITE NOISE ALARM INSTALLATION	B
1	4460871	1	Terminal	
2	4460891	1	Plug, Male - 2 Position	
2	4460465	2	Socket, Female	
3	4460536	1	Receptacle, Female - 3 Position	
3	4460464	3	Pin, Male	
4	4460539	1	Plug, Male - 3 Position	
4	4460465	3	Socket, Female	

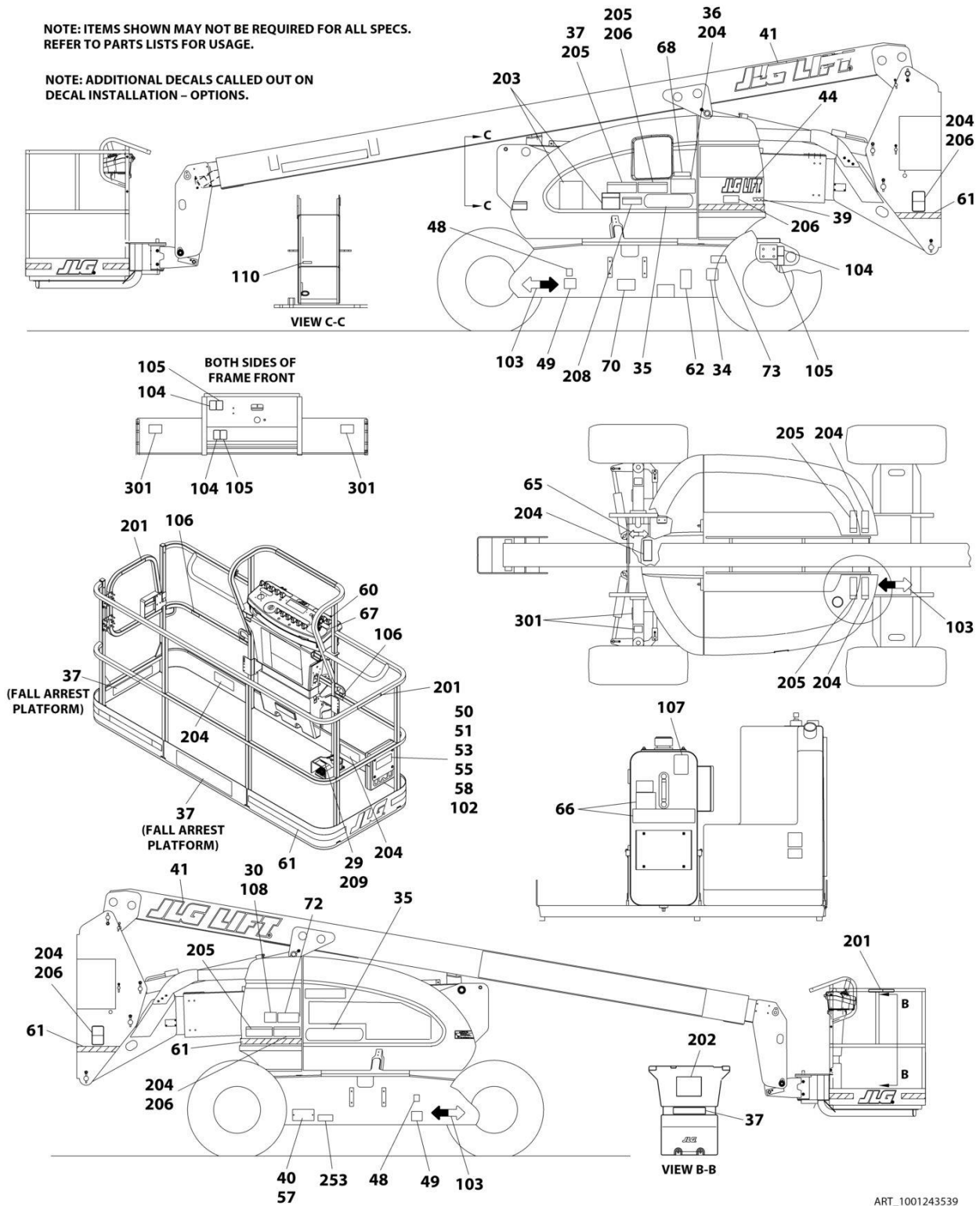
SECTION 9 - DECALS

SECTION 9 - DECALS

FIGURE 9-1. DECAL INSTALLATION - ANSI SPECS

NOTE: ITEMS SHOWN MAY NOT BE REQUIRED FOR ALL SPECS.
REFER TO PARTS LISTS FOR USAGE.

NOTE: ADDITIONAL DECALS CALLED OUT ON
DECAL INSTALLATION - OPTIONS.



ART_1001243539

SECTION 9 - DECALS

FIGURE 9-1. DECAL INSTALLATION - ANSI SPECS

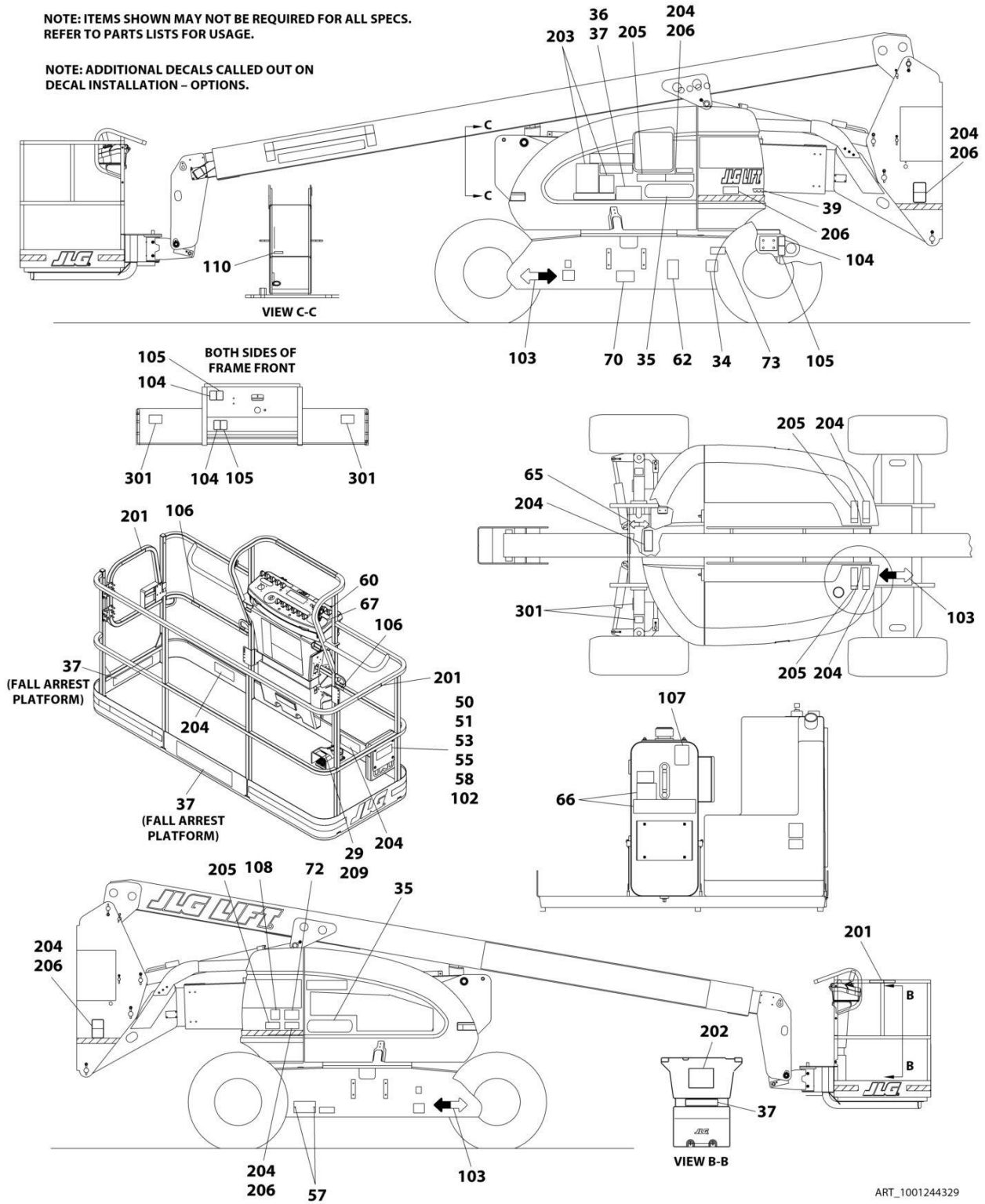
ITEM	PART NUMBER	QTY	DESCRIPTION	REV
	1001243539	Ref	DECALS INSTALLATION	F
29	3252347	1	Nameplate - Footswitch	
34	See Note	NSS	Decal - Bar Code (Note: Not Available for Purchase)	
35	1001267311	2	Decal - 600AJ	
36	1001253921	1	Decal - Capacity	
37	1001253920	1	Decal - Capacity	
39	1704885	1	Decal - Website	
50	0100011	AR	Compound, Locking	
51	0641406	4	Bolt 1/4 x 3/4	
53	0860520	1	Box, Manual Storage	
55	3311405	4	Nut 1/4	
57	3820001	2	Rivet	
58	4751400	8	Washer 1/4	
60	1001184618	AR	Decal - Stop	
61	4420051	22 ft/6.7m	Decal - Warning Stripe	
62	1001131269	1	Decal - Patent	
65	1703687	1	Decal - Direction Arrow	
66	1702265	1	Decal - Upright Level Over-Ride	
67	1705351	1	Decal - Drive/Steer Instructions	
70	1001223055	1	Decal - Yearly Inspection	
72	1001284682	1	Decal - Lift Diagram	
73	1001223453	1	Decal - ICES	
100	2902303	1	Decal Kit - Master (Includes Items 102-110)	
102	1701509	1	Decal - Manual	
103	1701529	6	Decal - Arrow	
104	1703811	4	Decal - Tie Down/Lift	
105	1703814	6	Decal - Tie Down	
106	1704277	4	Decal - Attach Lanyard Here	
107	1704412	1	Decal - Hydraulic Oil Chart	
110	3251243	1	Nameplate - 120V-60Hz	
201	1702868	2	Decal - No Hands	
202	1703797	1	Decal - Warning/Danger	
203	1705336	1	Decal - Warning Inspection (MTB)	
204	1703804	5	Decal - Warning Crushing	
205	1703805	5	Decal - Danger Electrocution	
206	1703953	7	Decal - Warning Crushing	
300	1001156892	1	Decal Max Tire Load Kit (Includes Item 301)	
301	1001156891	4	Decal - Max Tire Load	

SECTION 9 - DECALS

FIGURE 9-2. DECAL INSTALLATION - AUSTRALIAN SPECS

NOTE: ITEMS SHOWN MAY NOT BE REQUIRED FOR ALL SPECS.
REFER TO PARTS LISTS FOR USAGE.

NOTE: ADDITIONAL DECALS CALLED OUT ON
DECAL INSTALLATION - OPTIONS.



ART_1001244329

SECTION 9 - DECALS

FIGURE 9-2. DECAL INSTALLATION - AUSTRALIAN SPECS

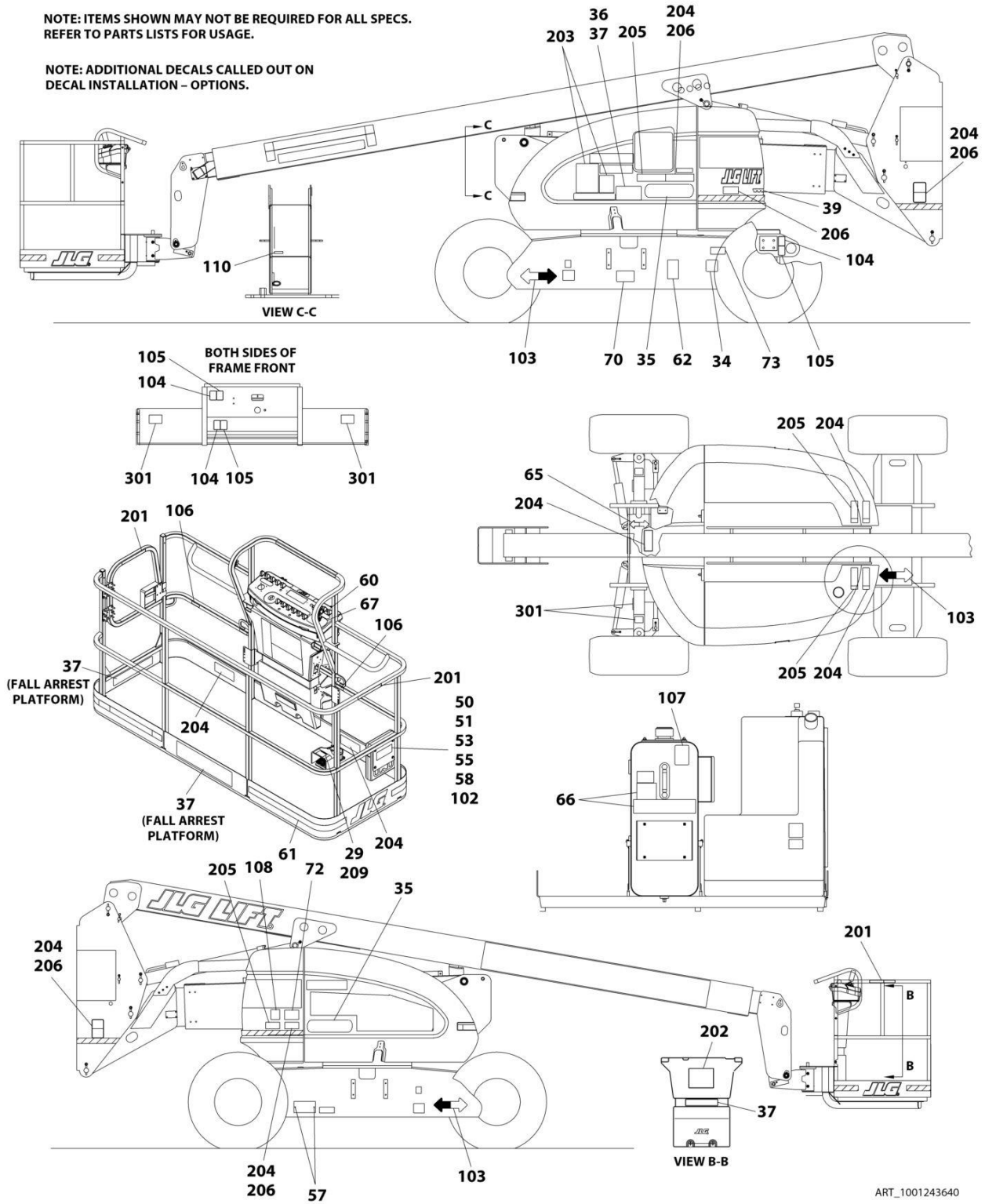
ITEM	PART NUMBER	QTY	DESCRIPTION	REV
	1001244329	Ref	DECALS INSTALLATION	F
34	See Note	NSS	Decal - Bar Code (Note: Not Available for Purchase)	
35	1001267311	2	Decal - 600AJ	
37	1705978	2	Decal - Capacity	
39	1704885	1	Decal - Website	
50	0100011	AR	Compound, Locking	
51	0641406	4	Bolt 1/4 x 3/4	
53	0860520	1	Box, Manual Storage	
55	3311405	4	Nut 1/4	
57	3820001	2	Rivet	
58	4751400	8	Washer 1/4	
60	1001184618	AR	Decal - Stop	
65	1703687	1	Decal - Direction Arrow	
66	1705977	1	Decal - Upright Level Over-Ride	
67	1001112551	1	Decal - Emergency Controls	
72	1001284682	1	Decal - Lift Diagram	
100	2902303	1	Decal Kit - Master (Includes Items 102-108)	
102	1701509	1	Decal - Manual	
103	1701529	6	Decal - Arrow	
104	1703811	4	Decal - Tie Down/Lift	
105	1703814	6	Decal - Tie Down	
106	1704277	4	Decal - Attach Lanyard Here	
107	1704412	1	Decal - Hydraulic Oil Chart	
108	1705084	1	Decal - Sound Level	
200	2902329	1	Decal Kit - Country Spec (Includes Items 202-209)	
202	1705921	1	Decal - Tipping/Electrical Platform	
203	1705822	1	Decal - Electrical/Safety Manual	
204	1701518	10	Decal - Warning Crushing	
205	1705961	5	Decal - Danger Electrocution	
209	1705828	1	Decal - Footswitch	
300	1001156892	1	Decal Max Tire Load Kit (Includes Item 301)	
301	1001156891	4	Decal - Max Tire Load	

SECTION 9 - DECALS

FIGURE 9-3. DECAL INSTALLATION - BRAZILIAN SPECS

NOTE: ITEMS SHOWN MAY NOT BE REQUIRED FOR ALL SPECS.
REFER TO PARTS LISTS FOR USAGE.

NOTE: ADDITIONAL DECALS CALLED OUT ON
DECAL INSTALLATION - OPTIONS.



SECTION 9 - DECALS

FIGURE 9-3. DECAL INSTALLATION - BRAZILIAN SPECS

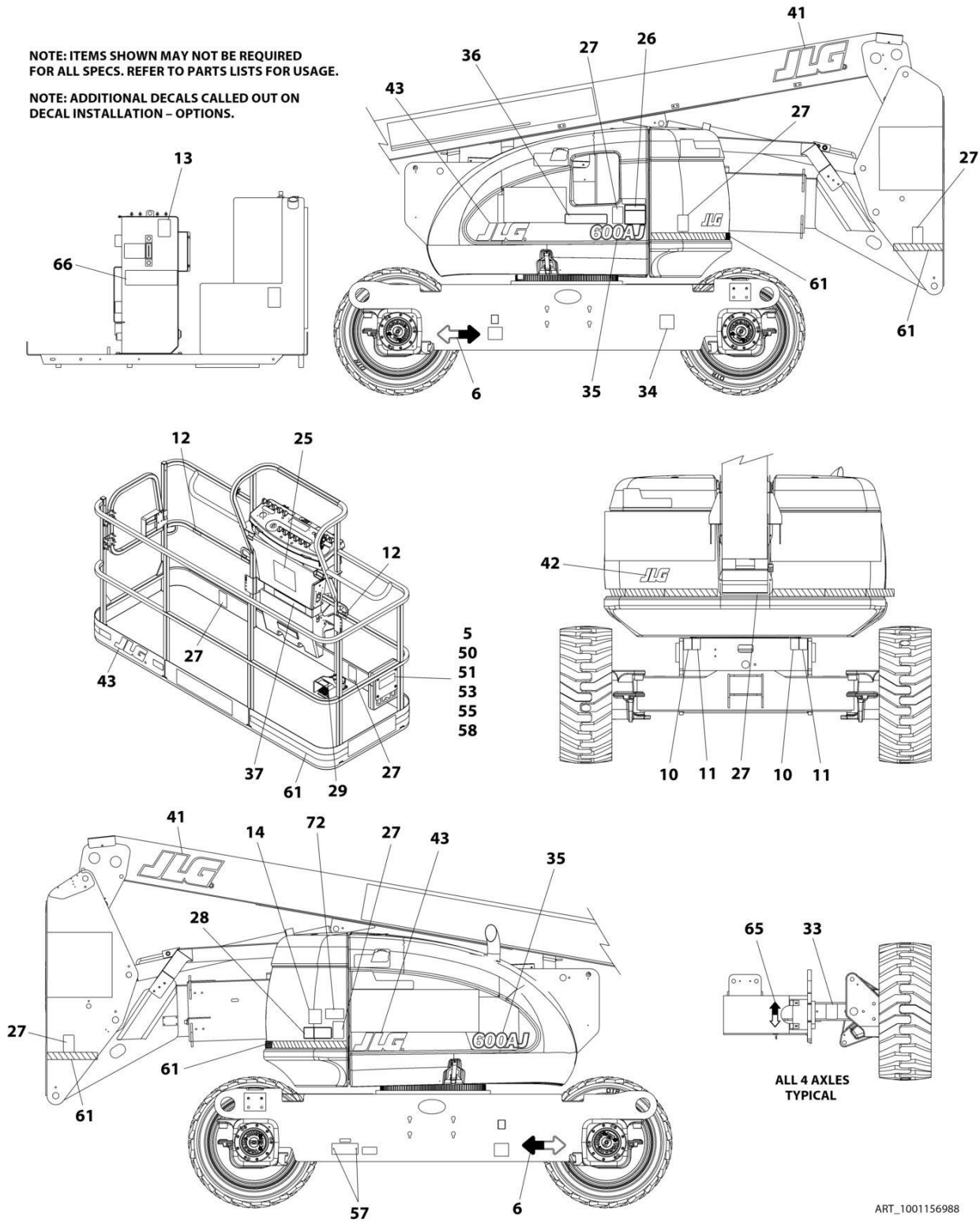
ITEM	PART NUMBER	QTY	DESCRIPTION	REV
	1001243640	Ref	DECAL INSTALLATION	F
34	See Note	NSS	Decal - Bar Code (Note: Not Available for Purchase)	
35	1001267311	2	Decal - 600AJ	
36	1001253937	1	Decal - Capacity	
37	1001253936	1	Decal - Capacity	
39	1704885	1	Decal - Website	
50	0100011	AR	Compound, Locking	
51	0641406	4	Bolt 1/4 x 3/4	
53	0860520	1	Box, Manual Storage	
55	3311405	4	Nut 1/4	
57	3820001	2	Rivet	
58	4751400	8	Washer 1/4	
60	1001184618	AR	Decal - Stop	
61	4420051	22 ft/6.7m	Decal - Warning Stripe	
65	1703687	1	Decal - Direction Arrow	
66	1703544	1	Decal - Upright Level Over-Ride	
67	1705905	1	Decal - Drive/Steer Instructions	
70	1001267885	1	Decal - Yearly Inspection	
72	1001284682	1	Decal - Lift Diagram	
100	2902303	1	Decal Kit - Master (Includes Items 102-110)	
102	1701509	1	Decal - Manual	
103	1701529	6	Decal - Arrow	
104	1703811	4	Decal - Tie Down/Lift	
105	1703814	6	Decal - Tie Down	
106	1704277	4	Decal - Attach Lanyard Here	
107	1704412	1	Decal - Hydraulic Oil Chart	
200	2902312	1	Decal Kit - Country Spec (Includes Items 201-209)	
201	1705967	2	Decal - No Hands	
202	1705895	1	Decal - Warning/Danger	
203	1705896	1	Decal - Warning Inspection (MTB)	
204	1705898	5	Decal - Warning Crushing	
205	1705897	5	Decal - Danger Electrocution	
206	1705903	7	Decal - Warning Crushing	
209	1705902	1	Decal - Footswitch	
300	1001156892	1	Decal Max Tire Load Kit (Includes Item 301)	
301	1001156891	4	Decal - Max Tire Load	

SECTION 9 - DECALS

FIGURE 9-4. DECAL INSTALLATION - CE & UK CA SPECS

NOTE: ITEMS SHOWN MAY NOT BE REQUIRED FOR ALL SPECS. REFER TO PARTS LISTS FOR USAGE.

NOTE: ADDITIONAL DECALS CALLED OUT ON DECAL INSTALLATION - OPTIONS.



ART_1001156988

SECTION 9 - DECALS

FIGURE 9-4. DECAL INSTALLATION - CE & UK CA SPECS

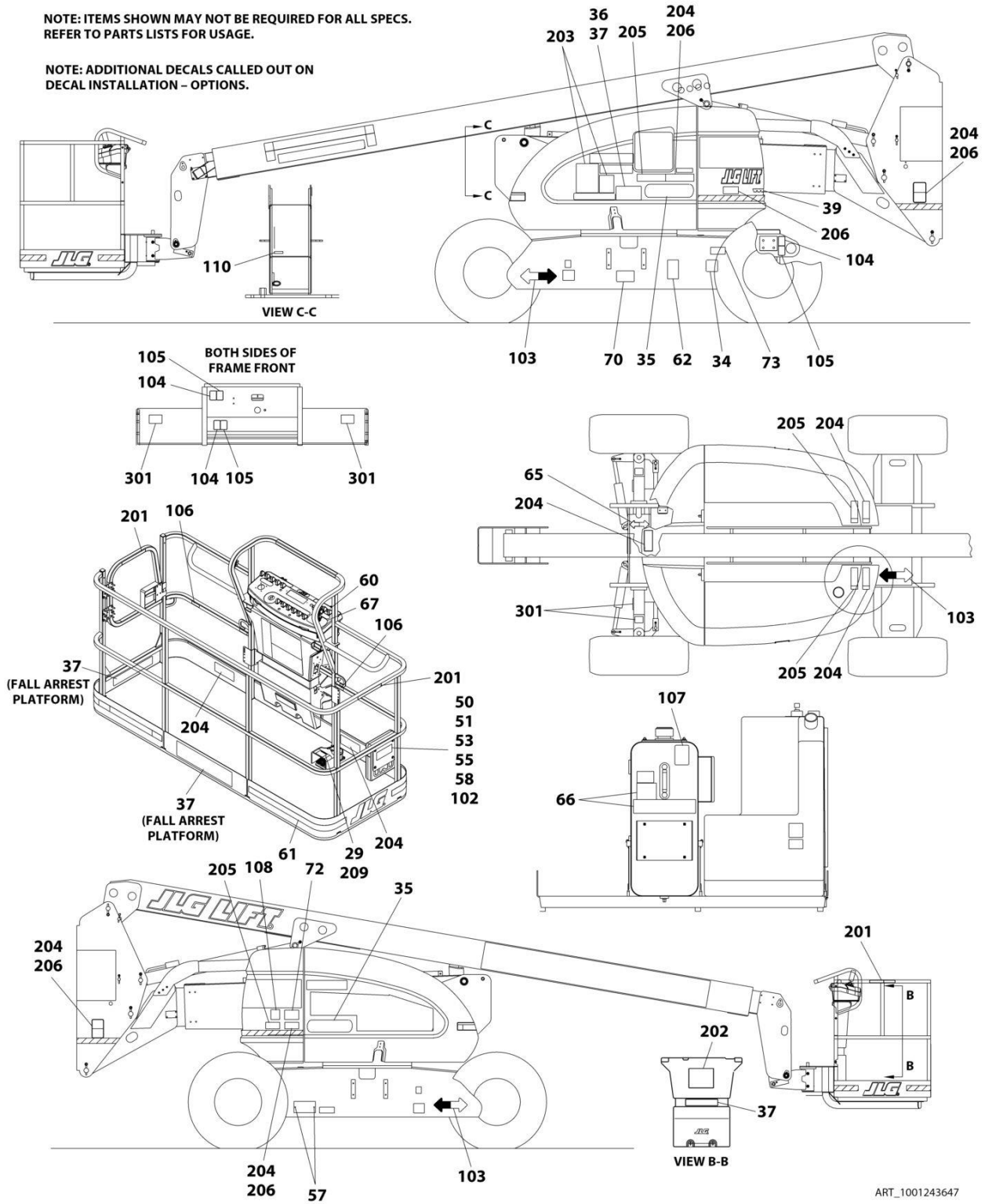
ITEM	PART NUMBER	QTY	DESCRIPTION	REV
	1001156988	Ref	DECALS INSTALLATION	M
1	2902303	1	Decal Kit - Master (Includes Items 5-13)	
5	1701509	1	Decal - Manual	
6	1701529	3	Decal - Arrow	
10	1703811	4	Decal - Tie Down/Lift	
11	1703814	4	Decal - Tie Down	
12	1704277	3	Decal - Attach Lanyard Here	
13	1704412	1	Decal - Hydraulic Oil Chart	
14	1001273784	1	Decal - Sound Power 100dB Deutz (Stage V)	
18	2902329	1	Decal Kit - Country Spec (Includes Items 25-29)	
25	1705921	1	Decal - Tipping/Electrical Platform	
26	1705822	1	Decal - Electrical/Safety Manual	
27	1701518	10	Decal - Warning Crushing	
28	1705961	3	Decal - Danger Electrocution	
29	1705828	4	Decal - Footswitch	
32	1001156892	1	Decal Max Tire Load Kit (Includes Item 33)	
33	1001156891	4	Decal - Max Tire Load	
34	See Note	NSS	Decal - Bar Code (Note: Not Available for Purchase)	
35	1001267311	2	Decal - 600AJ	
36	1705978	1	Decal - Capacity	
37	1705978	1	Decal - Capacity	
41	1001159323	2	Decal - JLG (8in Height)	
42	1701435	1	Decal - JLG (3-1/2in Height)	
43	1702773	3	Decal - JLG (5in Height)	
50	0100011	AR	Compound, Locking	
51	0641406	4	Bolt 1/4 x 3/4	
53	0860520	1	Box, Manual Storage	
55	3311405	4	Nut 1/4	
57	3820001	2	Rivet	
58	4751400	8	Washer 1/4	
61	4420051	22 ft /6.7m	Decal - Warning Stripe	
65	1703687	1	Decal - Direction Arrow	
66	1705977	1	Decal - Upright Level Over-Ride	
72	1001284682	1	Decal - Lift Diagram	
73	1001184618	AR	Decal - Stop (Not Shown)	

SECTION 9 - DECALS

FIGURE 9-5. DECAL INSTALLATION - CHINESE SPECS (TRADITIONAL)

NOTE: ITEMS SHOWN MAY NOT BE REQUIRED FOR ALL SPECS.
REFER TO PARTS LISTS FOR USAGE.

NOTE: ADDITIONAL DECALS CALLED OUT ON
DECAL INSTALLATION - OPTIONS.



SECTION 9 - DECALS

FIGURE 9-5. DECAL INSTALLATION - CHINESE SPECS (TRADITIONAL)

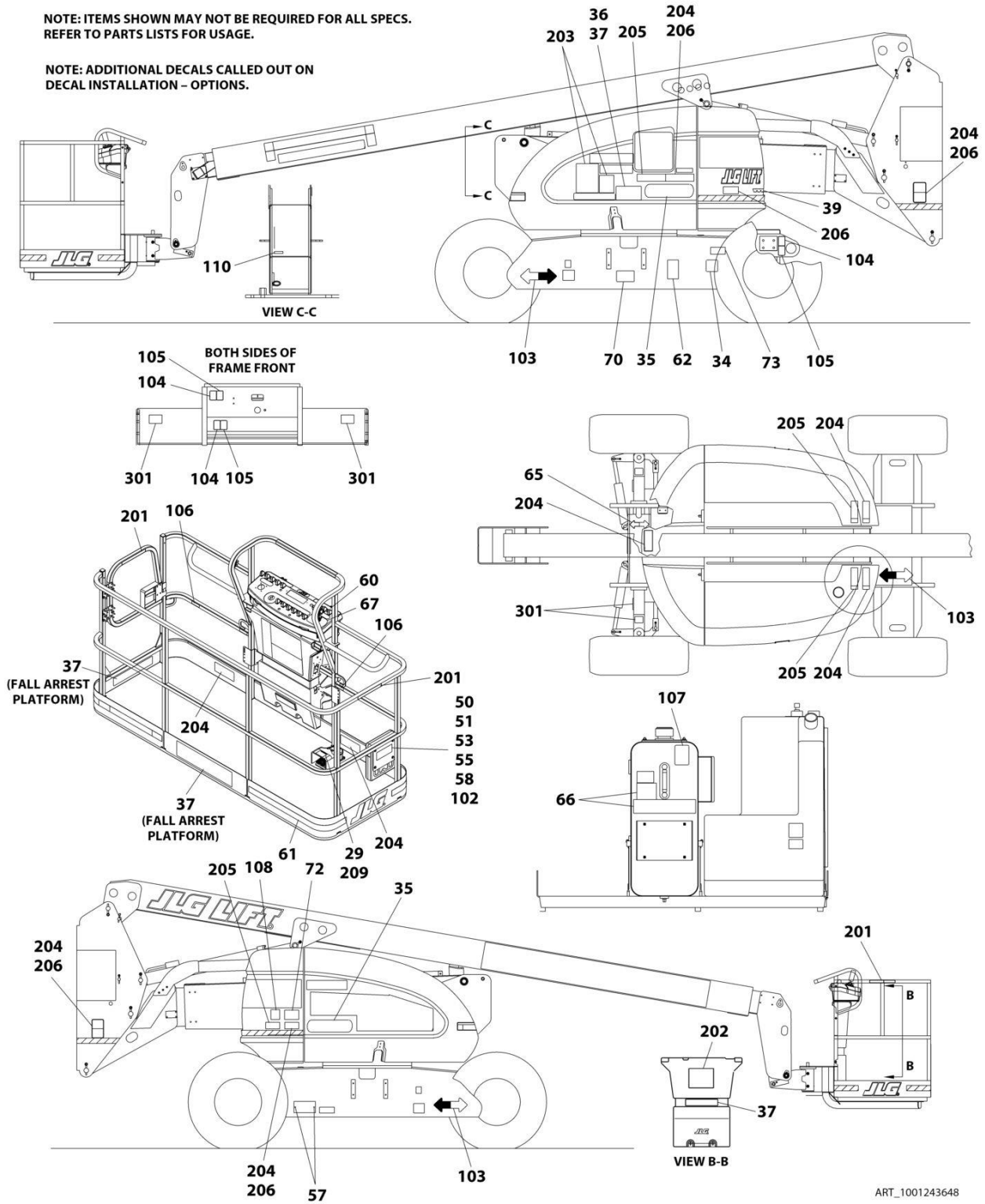
ITEM	PART NUMBER	QTY	DESCRIPTION	REV
	1001243647	Ref	DECALS INSTALLATION	E
34	See Note	NSS	Decal - Bar Code (Note: Not Available for Purchase)	
35	1001267311	2	Decal - 600AJ	
36	1001253927	1	Decal - Capacity	
37	1001253926	1	Decal - Capacity	
39	1704885	1	Decal - Website	
50	0100011	AR	Compound, Locking	
51	0641406	4	Bolt 1/4 x 3/4	
53	0860520	1	Box, Manual Storage	
55	3311405	4	Nut 1/4	
57	3820001	2	Rivet	
58	4751400	8	Washer 1/4	
60	1001184618	AR	Decal - Stop	
61	4420051	22 ft/6.7m	Decal - Warning Stripe	
65	1703687	1	Decal - Direction Arrow	
66	1001116862	1	Decal - Upright Level Over-Ride	
67	1001116863	1	Decal - Drive/Steer Instructions	
70	1001224050	1	Decal - Yearly Inspection	
72	1001284682	1	Decal - Lift Diagram	
100	2902303	1	Decal Kit - Master (Includes Items 102-110)	
102	1701509	1	Decal - Manual	
103	1701529	6	Decal - Arrow	
104	1703811	4	Decal - Tie Down/Lift	
105	1703814	6	Decal - Tie Down	
106	1704277	4	Decal - Attach Lanyard Here	
107	1704412	1	Decal - Hydraulic Oil Chart	
110	3251243	1	Nameplate - 120V-60Hz	
200	2902309	1	Decal Kit - Country Spec (Includes Items 201-209)	
201	1001116846	2	Decal - No Hands	
202	1703925	1	Decal - Warning/Danger	
203	1001116849	2	Decal - Warning Inspection (MTB)	
204	1703949	5	Decal - Warning Crushing	
205	1001116851	5	Decal - Danger Electrocution	
206	1703943	7	Decal - Warning Crushing	
209	1703982	1	Decal - Foot Switch	
300	1001156892	1	Decal Max Tire Load Kit (Includes Item 301)	
301	1001156891	4	Decal - Max Tire Load	

SECTION 9 - DECALS

FIGURE 9-6. DECAL INSTALLATION - CHINESE SPECS (SIMPLIFIED)

NOTE: ITEMS SHOWN MAY NOT BE REQUIRED FOR ALL SPECS.
REFER TO PARTS LISTS FOR USAGE.

NOTE: ADDITIONAL DECALS CALLED OUT ON
DECAL INSTALLATION - OPTIONS.



ART_1001243648

SECTION 9 - DECALS

FIGURE 9-6. DECAL INSTALLATION - CHINESE SPECS (SIMPLIFIED)

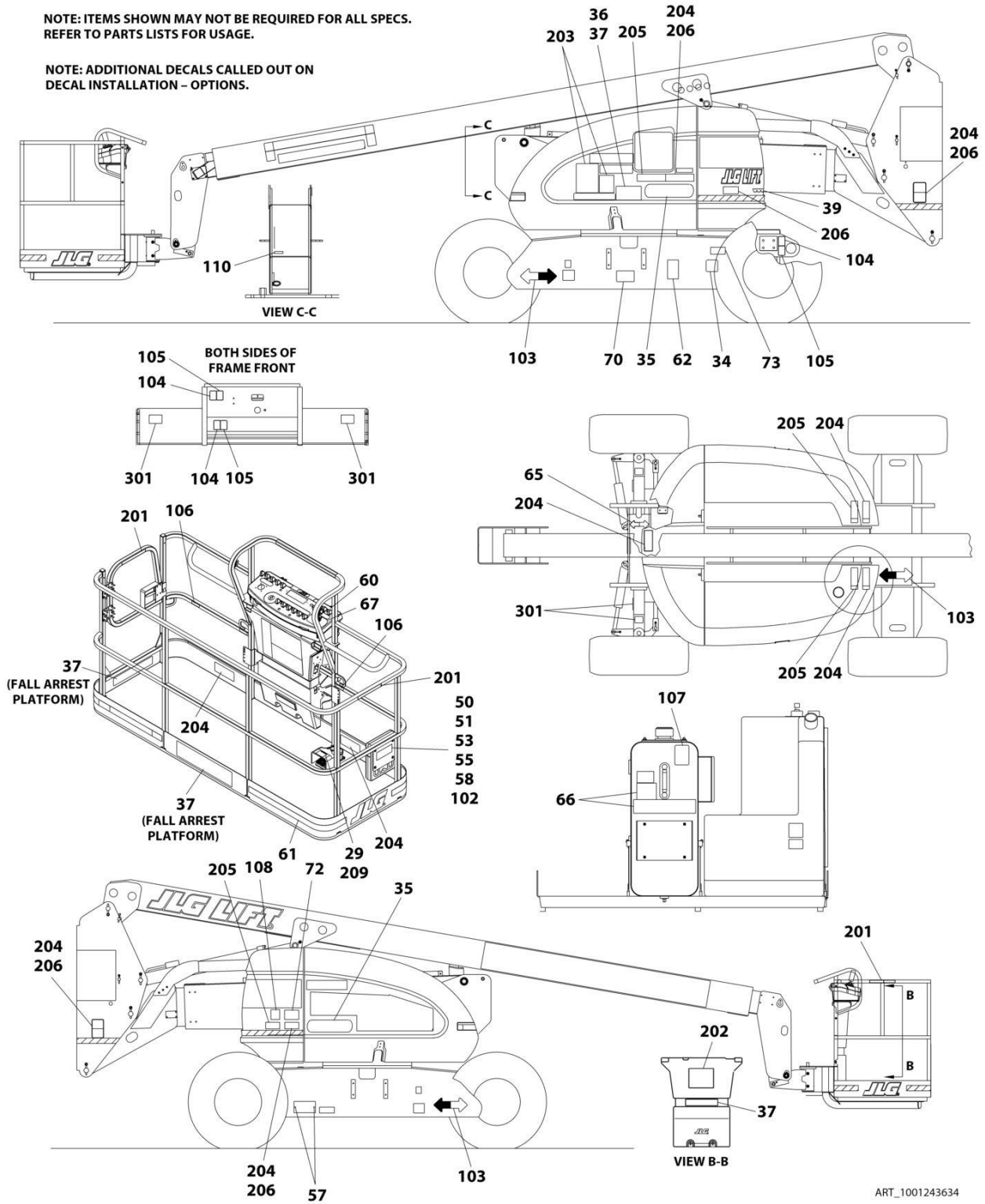
ITEM	PART NUMBER	QTY	DESCRIPTION	REV
	1001243648	Ref	DECALS INSTALLATION	E
34	See Note	NSS	Decal - Bar Code (Note: Not Available for Purchase)	
35	1001267311	2	Decal - 600AJ	
36	1001253935	1	Decal - Capacity	
37	1001253934	1	Decal - Capacity	
39	1704885	1	Decal - Website	
50	0100011	AR	Compound, Locking	
51	0641406	4	Bolt 1/4 x 3/4	
53	0860520	1	Box, Manual Storage	
55	3311405	4	Nut 1/4	
57	3820001	2	Rivet	
58	4751400	8	Washer 1/4	
60	1001184618	AR	Decal - Stop	
61	4420051	22 ft/6.7m	Decal - Warning Stripe	
65	1703687	1	Decal - Direction Arrow	
66	1001116861	1	Decal - Upright Level Over-Ride	
67	1705430	1	Decal - Drive/Steer Instructions	
70	1001224051	1	Decal - Yearly Inspection	
72	1001284682	1	Decal - Lift Diagram	
100	2902303	1	Decal Kit - Master (Includes Items 102-110)	
102	1701509	1	Decal - Manual	
103	1701529	6	Decal - Arrow	
104	1703811	4	Decal - Tie Down/Lift	
105	1703814	6	Decal - Tie Down	
106	1704277	4	Decal - Attach Lanyard Here	
107	1704412	1	Decal - Hydraulic Oil Chart	
110	3251243	1	Nameplate - 120V-60Hz	
200	1001116844	1	Decal Kit - Country Spec (Includes Items 201-209)	
201	1705968	2	Decal - No Hands	
202	1001116847	1	Decal - Warning/Danger	
203	1001116848	2	Decal - Warning Inspection (MTB)	
204	1001116850	6	Decal - Warning Crushing	
205	1703937	5	Decal - Danger Electrocution	
206	1001116845	7	Decal - Warning Crushing	
209	1001116852	1	Decal - Foot Switch	
300	1001156892	1	Decal Max Tire Load Kit (Includes Item 301)	
301	1001156891	4	Decal - Max Tire Load	

SECTION 9 - DECALS

FIGURE 9-7. DECAL INSTALLATION - CSA SPECS

NOTE: ITEMS SHOWN MAY NOT BE REQUIRED FOR ALL SPECS.
REFER TO PARTS LISTS FOR USAGE.

NOTE: ADDITIONAL DECALS CALLED OUT ON
DECAL INSTALLATION - OPTIONS.



ART_1001243634

SECTION 9 - DECALS

FIGURE 9-7. DECAL INSTALLATION - CSA SPECS

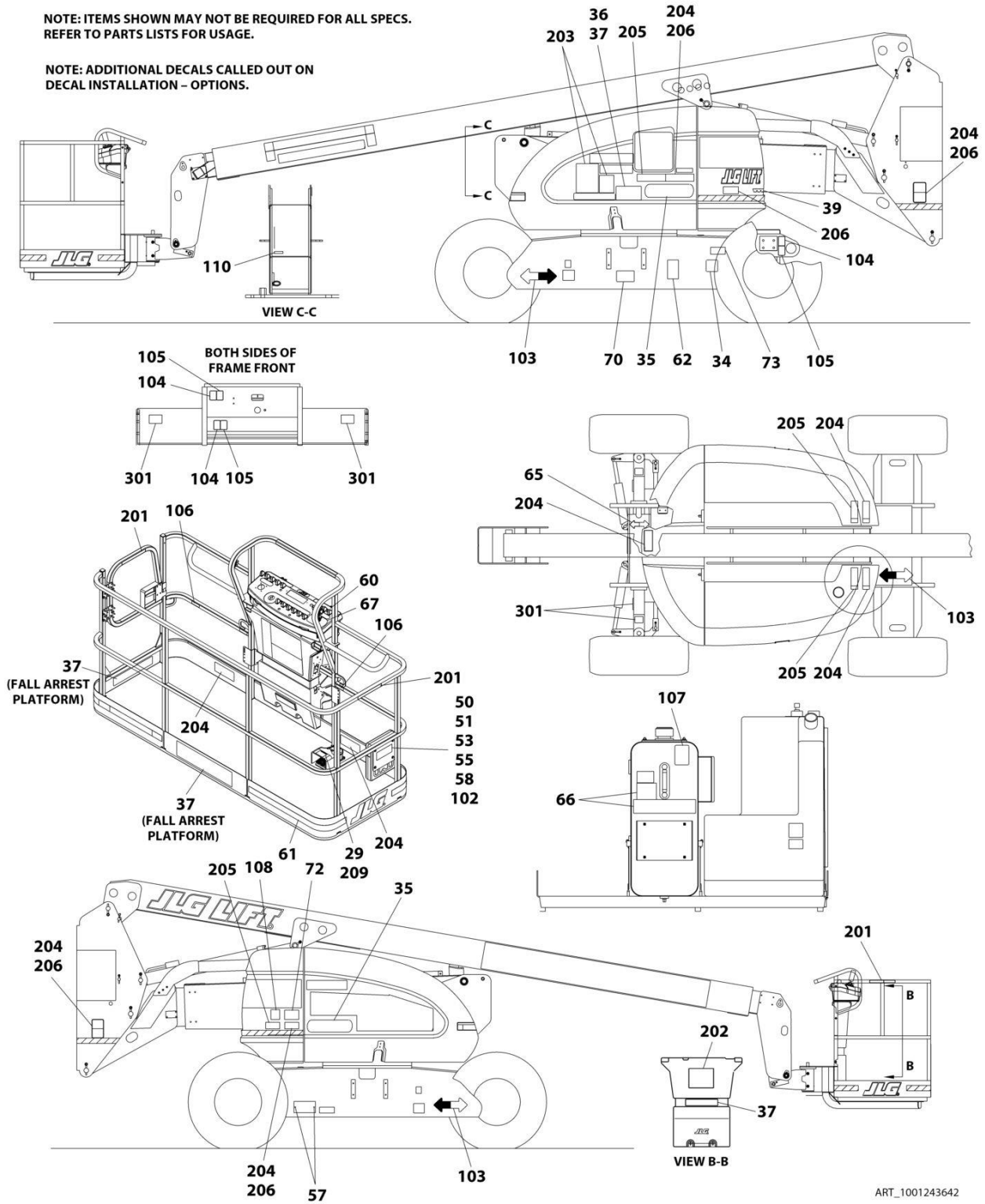
ITEM	PART NUMBER	QTY	DESCRIPTION	REV
	1001243634	Ref	DECALS INSTALLATION	E
34	See Note	NSS	Decal - Bar Code (Note: Not Available for Purchase)	
35	1001267311	2	Decal - 600AJ	
36	1001253923	1	Decal - Capacity	
37	1001253922	1	Decal - Capacity	
39	1704885	1	Decal - Website	
50	0100011	AR	Compound, Locking	
51	0641406	4	Bolt 1/4 x 3/4	
53	0860520	1	Box, Manual Storage	
55	3311405	4	Nut 1/4	
57	3820001	2	Rivet	
58	4751400	8	Washer 1/4	
60	1001184618	AR	Decal - Stop	
61	4420051	22 ft/6.7m	Decal - Warning Stripe	
62	1001131269	1	Decal - Patent	
65	1703687	1	Decal - Direction Arrow	
66	1703990	1	Decal - Upright Level Over-Ride	
67	1705429	1	Decal - Drive/Steer Instructions	
70	1001223971	1	Decal - Yearly Inspection	
72	1001284682	1	Decal - Lift Diagram	
73	1001223453	1	Decal - ICES	
100	2902303	1	Decal Kit - Master (Includes Items 102-110)	
102	1701509	1	Decal - Manual	
103	1701529	6	Decal - Arrow	
104	1703811	4	Decal - Tie Down/Lift	
105	1703814	6	Decal - Tie Down	
106	1704277	4	Decal - Attach Lanyard Here	
107	1704412	1	Decal - Hydraulic Oil Chart	
110	3251243	1	Nameplate - 120V-60Hz	
200	2902322	1	Decal Kit - Country Spec (Includes Items 201-209)	
201	1704000	2	Decal - No Hands	
202	1703624	1	Decal - Warning/Danger	
203	1705347	1	Decal - Warning Inspection (MTB)	
204	1703948	5	Decal - Warning Crushing	
205	1703936	5	Decal - Danger Electrocution	
206	1703942	7	Decal - Warning Crushing	
209	1703984	1	Decal - Footswitch	
300	1001156892	1	Decal Max Tire Load Kit (Includes Item 301)	
301	1001156891	4	Decal - Max Tire Load	

SECTION 9 - DECALS

FIGURE 9-8. DECAL INSTALLATION - JAPANESE SPECS

NOTE: ITEMS SHOWN MAY NOT BE REQUIRED FOR ALL SPECS.
REFER TO PARTS LISTS FOR USAGE.

NOTE: ADDITIONAL DECALS CALLED OUT ON
DECAL INSTALLATION - OPTIONS.



ART_1001243642

SECTION 9 - DECALS

FIGURE 9-8. DECAL INSTALLATION - JAPANESE SPECS

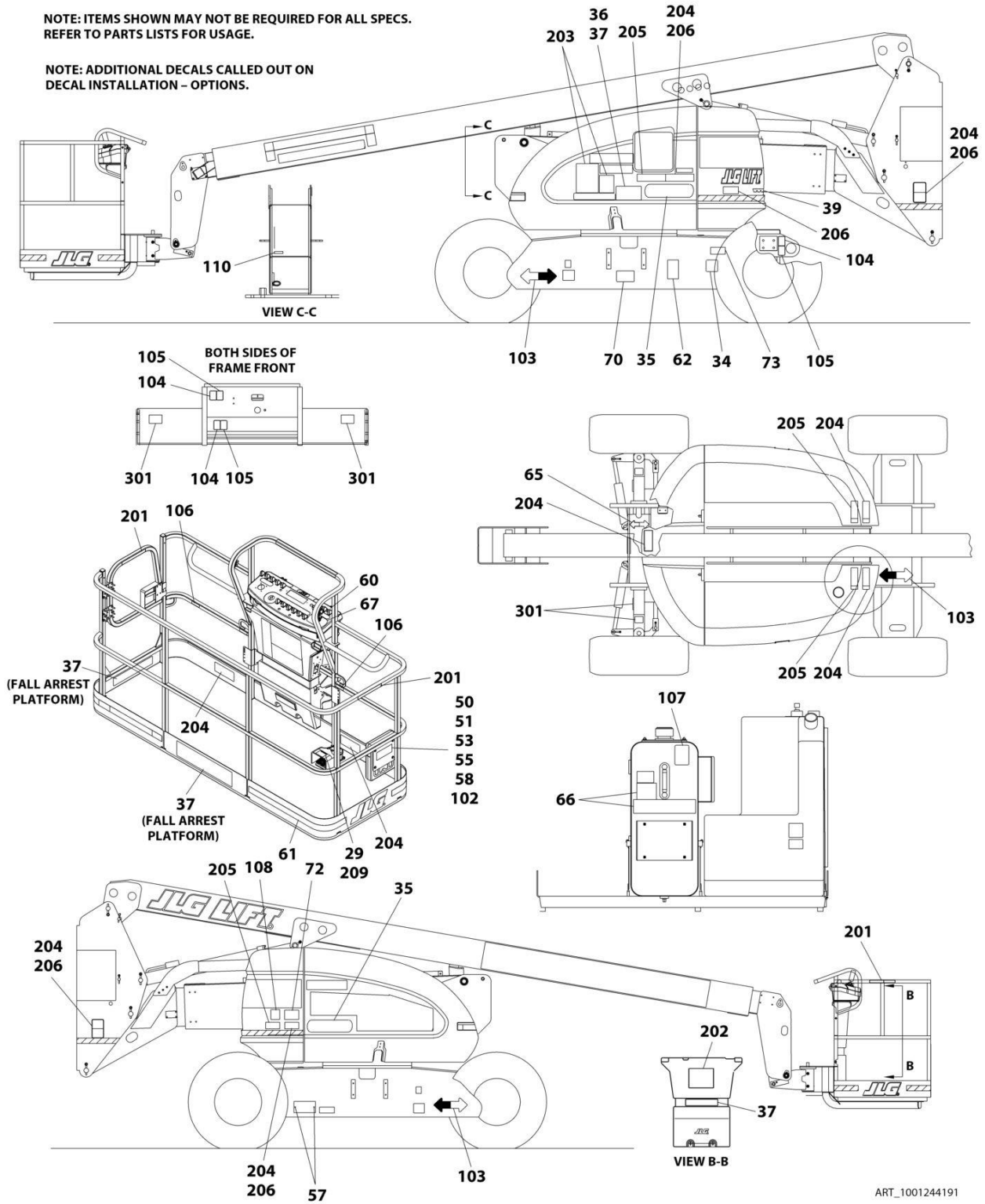
ITEM	PART NUMBER	QTY	DESCRIPTION	REV
	1001243642	Ref	DECALS INSTALLATION	E
34	See Note	NSS	Decal - Bar Code (Note: Not Available for Purchase)	
35	1001267311	2	Decal - 600AJ	
36	1001253933	1	Decal - Capacity	
37	1001253932	1	Decal - Capacity	
39	1704885	1	Decal - Website	
50	0100011	AR	Compound, Locking	
51	0641406	4	Bolt 1/4 x 3/4	
53	0860520	1	Box, Manual Storage	
55	3311405	4	Nut 1/4	
57	3820001	2	Rivet	
58	4751400	8	Washer 1/4	
60	1001184618	AR	Decal - Stop	
61	4420051	22 ft/6.7m	Decal - Warning Stripe	
65	1703687	1	Decal - Direction Arrow	
66	1702271	1	Decal - Upright Level Over-Ride	
67	1705426	1	Decal - Drive/Steer Instructions	
70	1001224053	1	Decal - Yearly Inspection	
72	1001284682	1	Decal - Lift Diagram	
100	2902303	1	Decal Kit - Master (Includes Items 102-110)	
102	1701509	1	Decal - Manual	
103	1701529	6	Decal - Arrow	
104	1703811	4	Decal - Tie Down/Lift	
105	1703814	6	Decal - Tie Down	
106	1704277	4	Decal - Attach Lanyard Here	
107	1704412	1	Decal - Hydraulic Oil Chart	
110	3251243	1	Nameplate - 120V-60Hz	
200	2902308	1	Decal Kit - Country Spec (Includes Items 202-209)	
202	1703926	1	Decal - Warning/Danger	
203	1705344	1	Decal - Warning Inspection (MTB)	
204	1703950	5	Decal - Warning Crushing	
205	1703938	5	Decal - Danger Electrocution	
206	1703944	7	Decal - Warning Crushing	
209	1703980	1	Decal - Footswitch	
300	1001156892	1	Decal Max Tire Load Kit (Includes Item 301)	
301	1001156891	4	Decal - Max Tire Load	

SECTION 9 - DECALS

FIGURE 9-9. DECAL INSTALLATION - KOREAN SPECS

NOTE: ITEMS SHOWN MAY NOT BE REQUIRED FOR ALL SPECS.
REFER TO PARTS LISTS FOR USAGE.

NOTE: ADDITIONAL DECALS CALLED OUT ON
DECAL INSTALLATION - OPTIONS.



SECTION 9 - DECALS

FIGURE 9-9. DECAL INSTALLATION - KOREAN SPECS

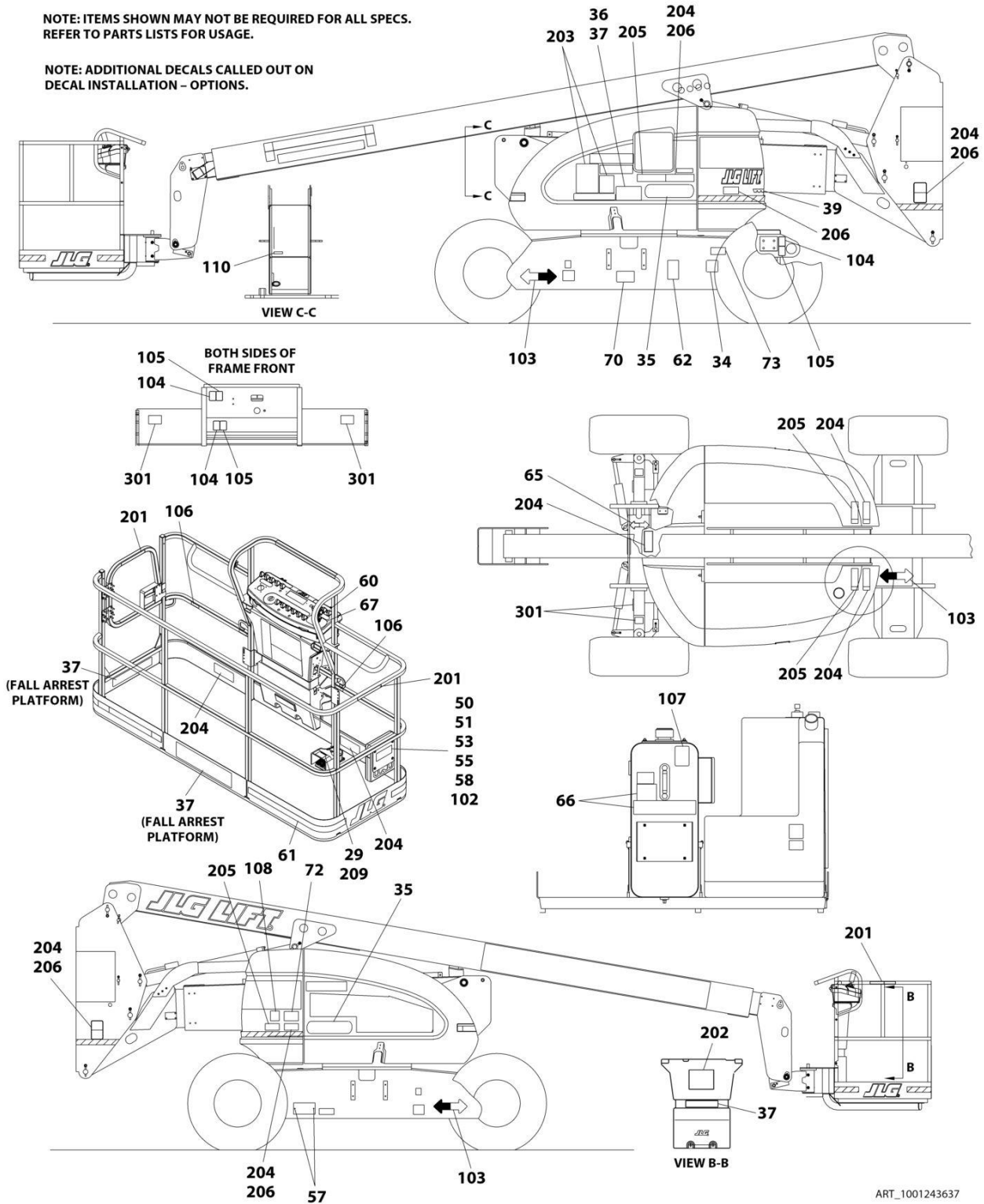
ITEM	PART NUMBER	QTY	DESCRIPTION	REV
	1001244191	Ref	DECALS INSTALLATION	F
34	See Note	NSS	Decal - Bar Code (Note: Not Available for Purchase)	
35	1001267311	2	Decal - 600AJ	
36	1001253925	1	Decal - Capacity	
37	1001253924	1	Decal - Capacity	
39	1704885	1	Decal - Website	
50	0100011	AR	Compound, Locking	
51	0641406	4	Bolt 1/4 x 3/4	
53	0860520	1	Box, Manual Storage	
55	3311405	4	Nut 1/4	
57	3820001	2	Rivet	
58	4751400	8	Washer 1/4	
60	1001184618	AR	Decal - Stop	
61	4420051	22 ft/6.7m	Decal - Warning Stripe	
65	1703687	1	Decal - Direction Arrow	
66	1703987	1	Decal - Upright Level Over-Ride	
67	1705427	1	Decal - Drive/Steer Instructions	
70	1001224048	1	Decal - Yearly Inspection	
72	1001284682	1	Decal - Lift Diagram	
100	2902303	1	Decal Kit - Master (Includes Items 102-110)	
102	1701509	1	Decal - Manual	
103	1701529	6	Decal - Arrow	
104	1703811	4	Decal - Tie Down/Lift	
105	1703814	6	Decal - Tie Down	
106	1704277	4	Decal - Attach Lanyard Here	
107	1704412	1	Decal - Hydraulic Oil Chart	
110	3251243	1	Nameplate - 120V-60Hz	
200	2902310	1	Decal Kit - Country Spec (Includes Items 201-209)	
201	1705969	2	Decal - No Hands	
202	1703927	1	Decal - Warning/Danger	
203	1705345	1	Decal - Warning Inspection (MTB)	
204	1703951	5	Decal - Warning Crushing	
205	1703939	5	Decal - Danger Electrocution	
206	1703945	7	Decal - Warning Crushing	
209	1703981	1	Decal - Footswitch	
300	1001156892	1	Decal Max Tire Load Kit (Includes Item 301)	
301	1001156891	4	Decal - Max Tire Load	

SECTION 9 - DECALS

FIGURE 9-10. DECAL INSTALLATION – LATIN AMERICAN SPECS (MACHINES WITH SN STARTING WITH 03) (MACHINES WITH SN STARTING WITH B3 SEE BUILD SHEET) DECAL INSTALLATION - KOREAN SPECS (MACHINES WITH SN STARTING WITH 03) BOOM CABLES INSTALLATION - WITH 7500W GENERATOR WITHOUT ARCTIC PACKAGE (ANSI EXPORT CIS, AND CHINA SPECS) BOOM CABLES INSTALLATION - WITH 7500W 50HZ GENERATOR WITHOUT ARCTIC PACKAGE (ANSI EXPORT, CHINA AND AUSTRALIAN SPECS)

NOTE: ITEMS SHOWN MAY NOT BE REQUIRED FOR ALL SPECS. REFER TO PARTS LISTS FOR USAGE.

NOTE: ADDITIONAL DECALS CALLED OUT ON DECAL INSTALLATION – OPTIONS.



ART_1001243637

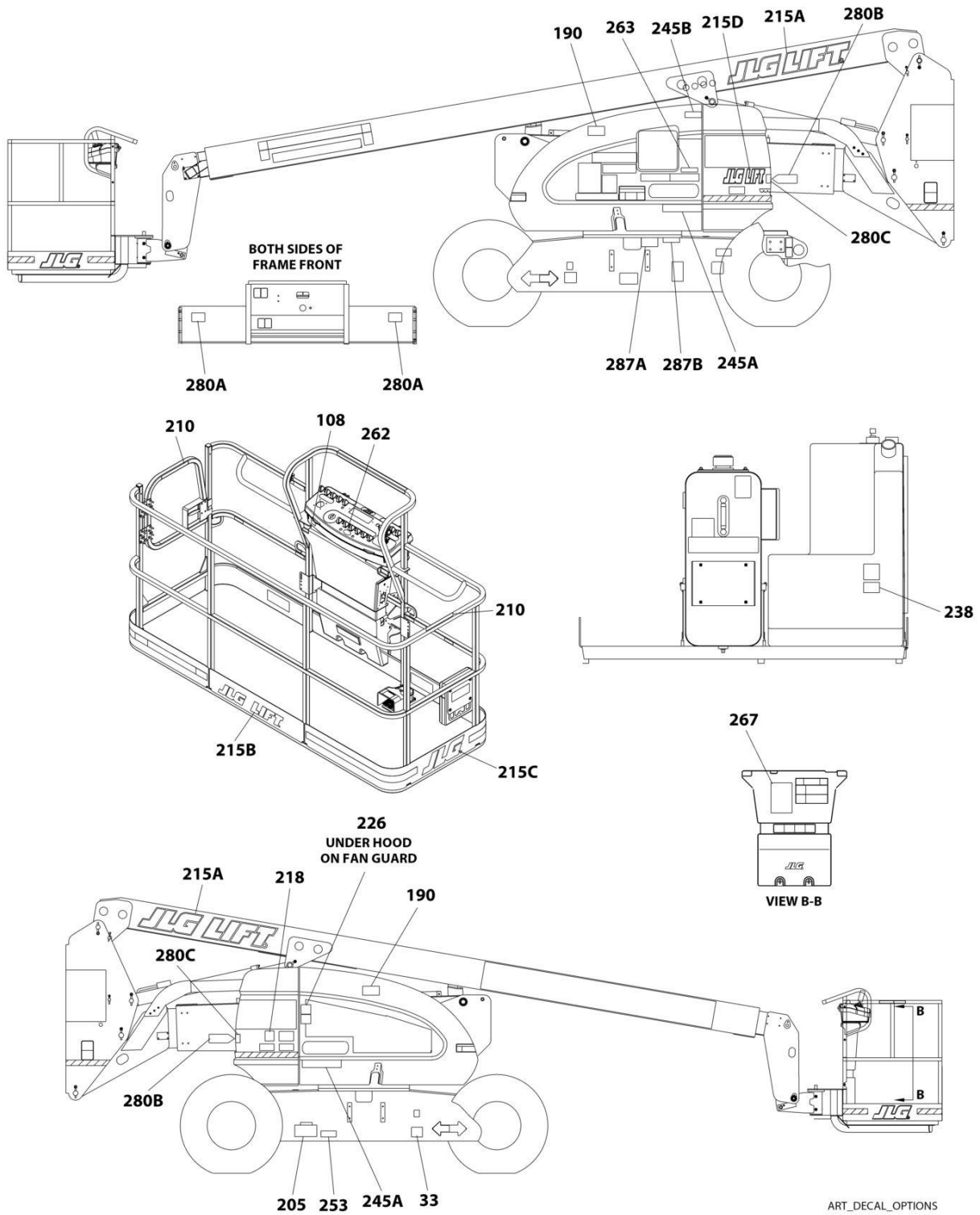
SECTION 9 - DECALS

FIGURE 9-10. DECAL INSTALLATION – LATIN AMERICAN SPECS (MACHINES WITH SN STARTING WITH 03) (MACHINES WITH SN STARTING WITH B3 SEE BUILD SHEET)DECAL INSTALLATION - KOREAN SPECS (MACHINES WITH SN STARTING WITH 03)BOOM CABLES INSTALLATION - WITH 7500W GENERATOR WITHOUT ARCTIC PACKAGE (ANSI EXPORT CIS, AND CHINA SPECS) BOOM CABLES INSTALLATION - WITH 7500W 50HZ GENERATOR WITHOUT ARCTIC PACKAGE (ANSI EXPORT, CHINA AND AUSTRALIAN SPECS)

ITEM	PART NUMBER	QTY	DESCRIPTION	REV
	1001243637	Ref	DECALS INSTALLATION	E
34	See Note	NSS	Decal - Bar Code (Note: Not Available for Purchase)	
35	1001267311	2	Decal - 600AJ	
36	1001253931	1	Decal - Capacity	
37	1001253930	1	Decal - Capacity	
39	1704885	1	Decal - Website	
50	0100011	AR	Compound, Locking	
51	0641406	4	Bolt 1/4 x 3/4	
53	0860520	1	Box, Manual Storage	
55	3311405	4	Nut 1/4	
57	3820001	2	Rivet	
58	4751400	8	Washer 1/4	
60	1001184618	AR	Decal - Stop	
61	4420051	22 ft/6.7m	Decal - Warning Stripe	
65	1703687	1	Decal - Direction Arrow	
66	1702617	1	Decal - Upright Level Over-Ride	
67	1705910	1	Decal - Drive/Steer Instructions	
70	1001224049	1	Decal - Yearly Inspection	
72	1001284682	1	Decal - Lift Diagram	
100	2902303	1	Decal Kit - Master (Includes Items 102-110)	
102	1701509	1	Decal - Manual	
103	1701529	6	Decal - Arrow	
104	1703811	4	Decal - Tie Down/Lift	
105	1703814	6	Decal - Tie Down	
106	1704277	4	Decal - Attach Lanyard Here	
107	1704412	1	Decal - Hydraulic Oil Chart	
110	3251243	1	Nameplate - 120V-60Hz	
200	2902311	1	Decal Kit - Country Spec (Includes Items 201-209)	
201	1704001	2	Decal - No Hands	
202	1703923	1	Decal - Warning/Danger	
203	1705917	1	Decal - Warning Inspection (MTB)	
204	1703947	5	Decal - Warning Crushing	
205	1703935	5	Decal - Danger Electrocution	
206	1703941	7	Decal - Warning Crushing	
209	1703983	1	Decal - Footswitch	
300	1001156892	1	Decal Max Tire Load Kit (Includes Item 301)	
301	1001156891	4	Decal - Max Tire Load	

SECTION 9 - DECALS

FIGURE 9-11. DECAL INSTALLATION - OPTIONS (ALL SPECS EXCEPT CE & UK CA SPECS)



SECTION 9 - DECALS

FIGURE 9-11. DECAL INSTALLATION - OPTIONS (ALL SPECS EXCEPT CE & UK CA SPECS)

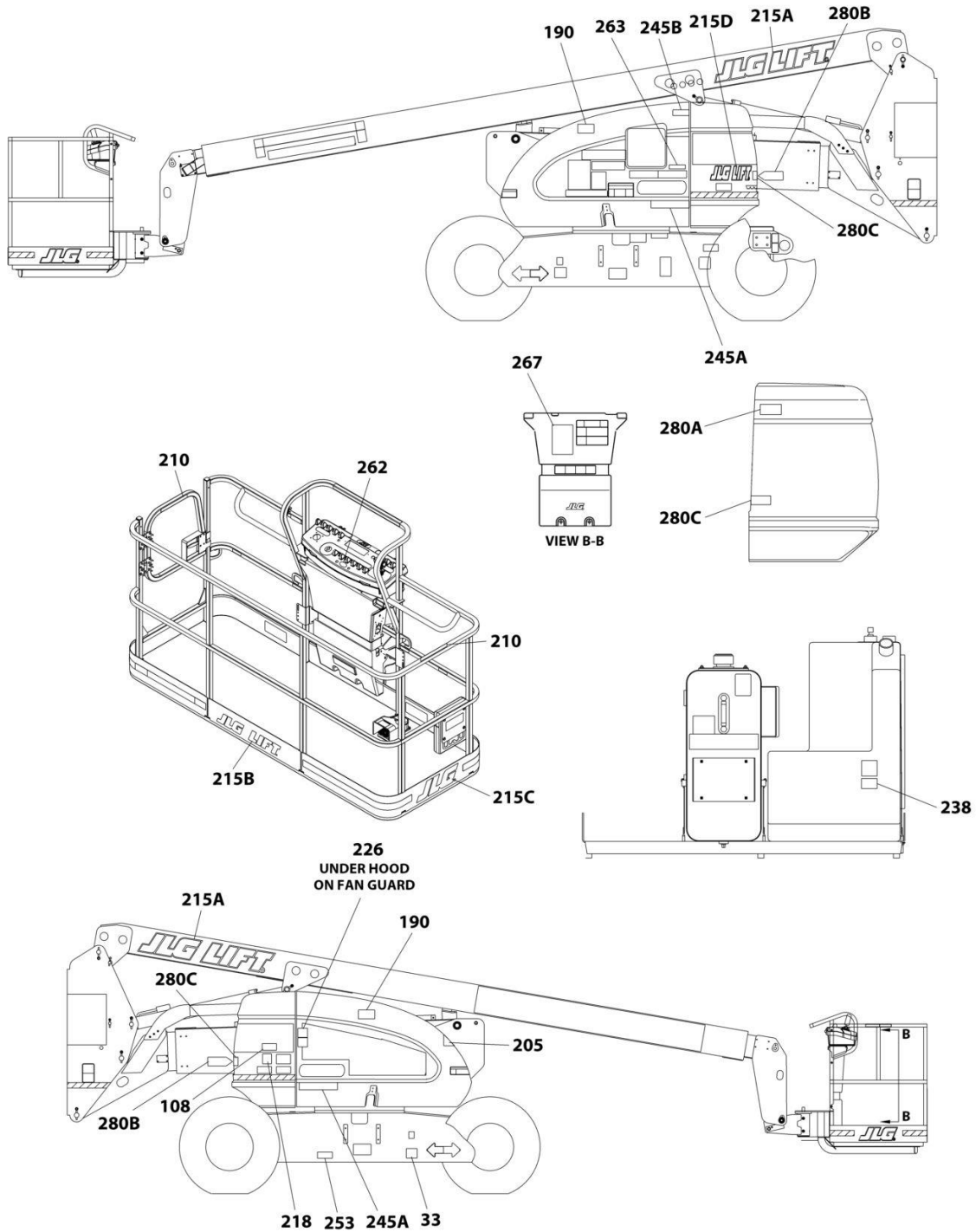
ITEM	PART NUMBER	QTY	DESCRIPTION	REV
	1001244322	Ref	DECAL INSTALLATION - REFERENCE CHART (ALL SPECS EXCEPT CE & UK CA SPECS) (MACHINES WITH SN STARTING WITH 03)	E
	1001217567	Ref	DECAL INSTALLATION - REFERENCE CHART (CE & UK CA SPECS) (MACHINES WITH SN STARTING WITH 03)	G
	1001252332	Ref	DECAL INSTALLATION - REFERENCE CHART (MACHINES WITH SN STARTING WITH B3)	
	1001245477	Ref	DECAL INSTALLATION - OPTIONS (MACHINES WITH SN STARTING WITH 03)	A
	1001260601	Ref	DECAL INSTALLATION - OPTIONS (MACHINES WITH SN STARTING WITH B3)	A
33	1700818	1	Decal - Fuel (LP Gas Machines) (English Language) (ANSI and Australian Specs)	
33	1704271	1	Decal - Fuel (LP Gas Machines) (English/French Languages) (CSA Specs)	
33	1702720	1	Decal - Fuel (LP Gas Machines) (English/Spanish Languages) (ANSI Export Specs)	
108	1001231801	1	Decal - Warning Proposition 65 (ANSI Specs)	
109	1702788	1	Decal - Biodegradable Hydraulic Fluid (English Language) (ANSI, Australian, CSA, CE & UK CA Specs)	
109	1703479	1	Decal - Biodegradable Hydraulic Fluid (German Language) (CE & UK CA Specs)	
190	0272418	Ref	Decal - SkyGlazier (Machines with SkyGlazier Option)	
190	1705358	2	Decal - SkyGlazier	
205	See Note	1	Nameplate - Manufacturers Serial Number (Note: Not Available for Purchase)	
210	1702868	2	Decal - No Hands (English Language)	
210	1705968	2	Decal - No Hands (English/Chinese Language) (Simplified)	
210	1001116846	2	Decal - No Hands (English/Chinese Language) (Traditional)	
210	1704000	2	Decal - No Hands (English/French Language)	
210	1705969	2	Decal - No Hands (English/Korean Language)	
210	1705967	2	Decal - No Hands (English/Portuguese Language)	
210	1704001	2	Decal - No Hands (English/Spanish Language)	
215	0274094	Ref	Decal - Logo Installation (All Specs Except CE & UK CA Specs)	
215A	1702861	2	Decal - JLG Lift 41	
215B	1702774	2	Decal - JLG Lift 42	
215C	1702773	1	Decal - JLG 43	
215D	1702860	1	Decal - JLG Lift 44	
218	3251813	1	Decal - USA	
226	1704972	1	Decal - Warning Explosion/ Fire (English Language) (Diesel Machines) (ANSI Specs)	
226	1706098	1	Decal - Warning Explosion/Fire (English Language) (Diesel Machines) (Australian, CE & UK CA Specs)	
226	1706059	1	Decal - Warning Explosion/Fire (English/Portuguese Language) (Diesel Machines) (Brazil Specs)	
226	1706060	1	Decal - Warning Explosion/Fire (English/Chinese Language) (Diesel Machines) (Chinese Specs)	
226	1706064	1	Decal - Warning Explosion/Fire (English Language) (Diesel Machines) (CSA Specs)	
226	1706062	1	Decal - Warning Explosion/Fire (English/Japanese Language) (Diesel Machines) (Japanese Specs)	
226	1706061	1	Decal - Warning Explosion/Fire (English/Korean Language) (Diesel Machines) (Korean Specs)	

SECTION 9 - DECALS

ITEM	PART NUMBER	QTY	DESCRIPTION	REV
226	1706063	1	Decal - Warning Explosion/Fire - (English/Spanish Language) (Diesel Machines) (Latin American Specs)	
238	1001125387	1	Decal - Ultra Low Sulfur Fuel (Diesel Machines) (ANSI, ANSI Export (HRC) & CSA Specs)	
238	1001139654	1	Decal - Ultra Low Sulfur Fuel (Diesel Machines) (Japanese, CE & UK CA Specs)	
245	1001127095	Ref	Decal Installation - ClearSky (Machines with ClearSky Option)	
245A	1001116208	2	Decal - ClearSky	
245B	1001120989	1	Decal - Radio Frequency	
245	1001294756	Ref	Clearsky Smart Fleet Decal Installation	
245A	1001120989	1	Decal - Radio Frequency	
245B	1001294815	1	Decal - ClearSky	
253	1001143852	1	Decal - Emission Compliance (Diesel Machines) (ANSI Export (LRC), Australian, Chinese, CE & UK CA Specs)	
262	1001141300	1	Decal - SkyGuard Override (Machines without Soft Touch Option)	
262	1001141302	1	Decal - SkyGuard Override (Machines with Soft Touch Option)	
263	1001197408	1	Decal - MSSO (CE & UK CA Specs)	
267	1001200124	1	Decal - Quick Start Guide (Danish Language)	
267	1001200121	1	Decal - Quick Start Guide (Dutch Language)	
267	1001180861	1	Decal - Quick Start Guide (English Language)	
267	1001200120	1	Decal - Quick Start Guide (French Language)	
267	1001200122	1	Decal - Quick Start Guide (German Language)	
267	1001200127	1	Decal - Quick Start Guide (Norwegian Language)	
267	1001200125	1	Decal - Quick Start Guide (Swedish Language)	
267	1001200126	1	Decal - Quick Start Guide (Spanish Language)	
280	1001220864	Ref	Decal Kit - Boom Transport Position	
280A	1001220512	2	Decal - Lower Boom	
280B	1001220510	2	Decal - Warning Arrow	
280C	1001220511	2	Decal - Warning Stripe	
287	1001292417	1	Decal - ECO Installation (Machines With SN Starting With B3)	
287A	1001292415	1	Decal - ECO Label	
287A	3820001	4	Rivet	
287B	See Note	1	Nameplate - Mein Code (Note: Not Available for Purchase)	
287B	3820001	4	Rivet	

SECTION 9 - DECALS

FIGURE 9-12. DECAL INSTALLATION - OPTIONS (CE & UK CA SPECS)



ART_DECAL_OPTIONS

SECTION 9 - DECALS

FIGURE 9-12. DECAL INSTALLATION - OPTIONS (CE & UK CA SPECS)

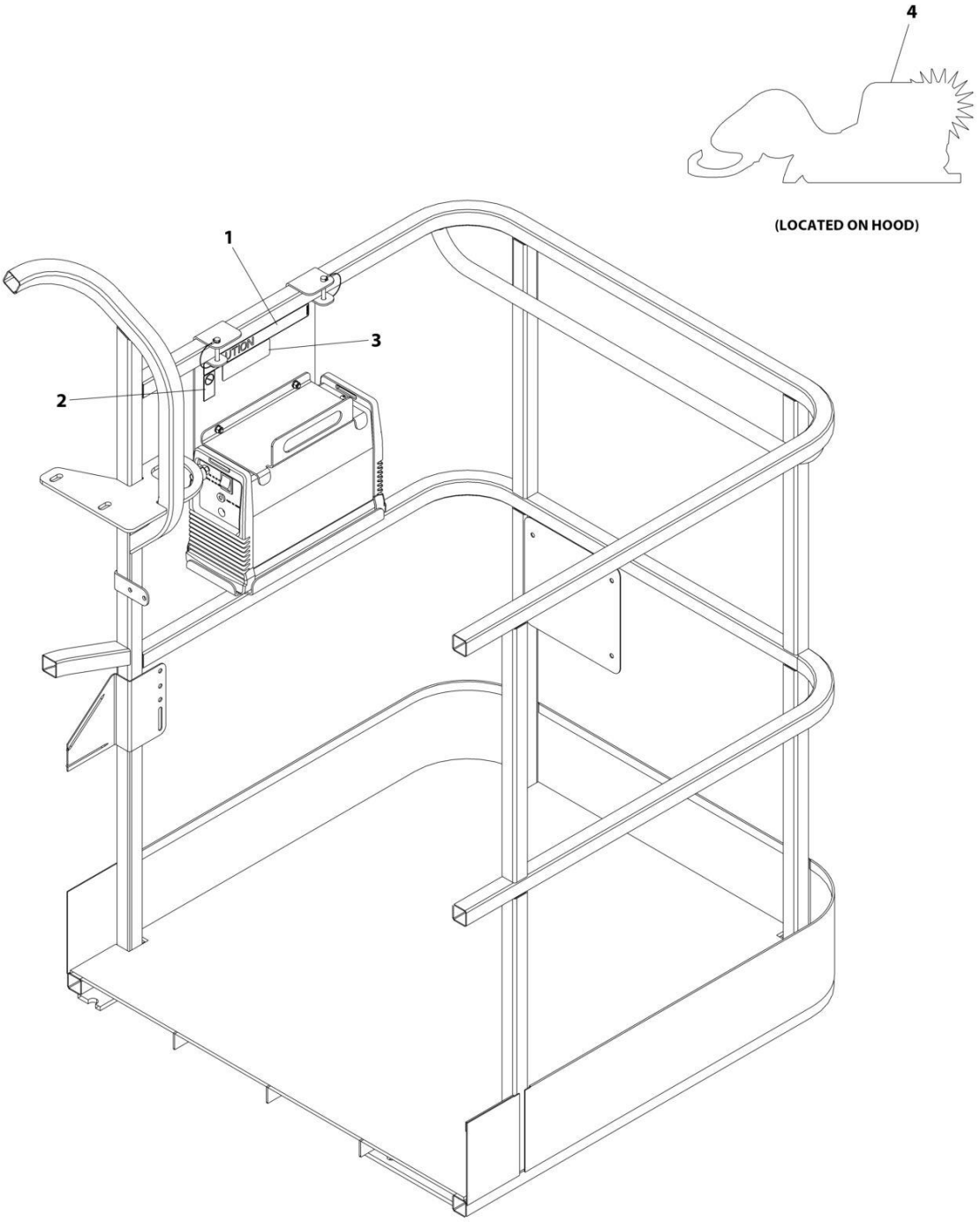
ITEM	PART NUMBER	QTY	DESCRIPTION	REV
	1001244322	Ref	DECAL INSTALLATION - REFERENCE CHART (ALL SPECS EXCEPT CE & UK CA SPECS)	F
	1001217567	Ref	DECAL INSTALLATION - REFERENCE CHART (CE & UK CA SPECS)	A
	1001245477	Ref	DECAL INSTALLATION - OPTIONS	H
33	1700818	1	Decal - Fuel (LP Gas Machines) (English Language) (ANSI and Australian Specs)	
33	1704271	1	Decal - Fuel (LP Gas Machines) (English/French Languages) (CSA Specs)	
33	1702720	1	Decal - Fuel (LP Gas Machines) (English/Spanish Languages) (ANSI Export Specs)	
108	1001231801	1	Decal - Warning Proposition 65 (ANSI Specs)	
109	1702788	1	Decal - Biodegradable Hydraulic Fluid (English Language)	
109	1703479	1	Decal - Biodegradable Hydraulic Fluid (German Language) (CE & UK CA Specs)	
190	0272418	Ref	Decal - SkyGlazier (Machines with SkyGlazier Option)	
190	1705358	2	Decal - SkyGlazier	
205	See Note	1	Nameplate - Manufacturers Serial Number (Note: Not Available for Purchase)	
210	1702868	2	Decal - No Hands (English Language)	
210	1705968	2	Decal - No Hands (English/Chinese Language) (Simplified)	
210	1001116846	2	Decal - No Hands (English/Chinese Language) (Traditional)	
210	1704000	2	Decal - No Hands (English/French Language)	
210	1705969	2	Decal - No Hands (English/Korean Language)	
210	1705967	2	Decal - No Hands (English/Portuguese Language)	
210	1704001	2	Decal - No Hands (English/Spanish Language)	
215	0274094	Ref	Decal - Logo Installation (All Specs Except CE & UK CA Specs)	
215A	1702861	2	Decal - JLG Lift 41	
215B	1702774	2	Decal - JLG Lift 42	
215C	1702773	1	Decal - JLG 43	
215D	1702860	1	Decal - JLG Lift 44	
218	3251813	1	Decal - USA	
226	1704972	1	Decal - Warning Explosion/ Fire (English Language) (Diesel Machines) (ANSI Specs)	
226	1706098	1	Decal - Warning Explosion/Fire (English Language) (Diesel Machines) (Australian, CE & UK CA Specs)	
226	1706059	1	Decal - Warning Explosion/Fire (English/Portuguese Language) (Diesel Machines) (Brazil Specs)	
226	1706060	1	Decal - Warning Explosion/Fire (English/Chinese Language) (Diesel Machines) (Chinese Specs)	
226	1706064	1	Decal - Warning Explosion/Fire (English Language) (Diesel Machines) (CSA Specs)	
226	1706062	1	Decal - Warning Explosion/Fire (English/Japanese Language) (Diesel Machines) (Japanese Specs)	
226	1706061	1	Decal - Warning Explosion/Fire (English/Korean Language) (Diesel Machines) (Korean Specs)	
226	1706063	1	Decal - Warning Explosion/Fire - (English/Spanish Language) (Diesel Machines) (Latin American Specs)	
238	1001125387	1	Decal - Ultra Low Sulfur Fuel (Diesel Machines) (ANSI, ANSI Export (HRC) & CSA Specs)	
238	1001139654	1	Decal - Ultra Low Sulfur Fuel (Diesel Machines) (Japanese, CE & UK CA Specs)	
245	1001127095	Ref	Decal Installation - ClearSky (Machines with ClearSky Option)	

SECTION 9 - DECALS

ITEM	PART NUMBER	QTY	DESCRIPTION	REV
245A	1001116208	2	Decal - ClearSky	
245B	1001120989	1	Decal - Radio Frequency	
253	1001143852	1	Decal - Emission Compliance (Diesel Machines) (ANSI Export (LRC), Australian, Chinese, CE & UK CA Specs)	
262	1001141300	1	Decal - SkyGuard Override (Machines without Soft Touch Option)	
262	1001141302	1	Decal - SkyGuard Override (Machines with Soft Touch Option)	
263	1001197408	1	Decal - MSSO (CE & UK CA Specs)	
267	1001200124	1	Decal - Quick Start Guide (Danish Language)	
267	1001200121	1	Decal - Quick Start Guide (Dutch Language)	
267	1001180861	1	Decal - Quick Start Guide (English Language)	
267	1001200120	1	Decal - Quick Start Guide (French Language)	
267	1001200122	1	Decal - Quick Start Guide (German Language)	
267	1001200127	1	Decal - Quick Start Guide (Norwegian Language)	
267	1001200125	1	Decal - Quick Start Guide (Swedish Language)	
267	1001200126	1	Decal - Quick Start Guide (Spanish Language)	
280	1001220864	Ref	Decal Kit - Boom Transport Position	
280A	1001220512	2	Decal - Lower Boom	
280B	1001220510	2	Decal - Warning Arrow	
280C	1001220511	2	Decal - Warning Stripe	

SECTION 9 - DECALS

FIGURE 9-13. SKYCUTTER DECAL INSTALLATION (ANSI, ANSI EXPORT, CSA AND CHINA SPECS)



ART_0272599

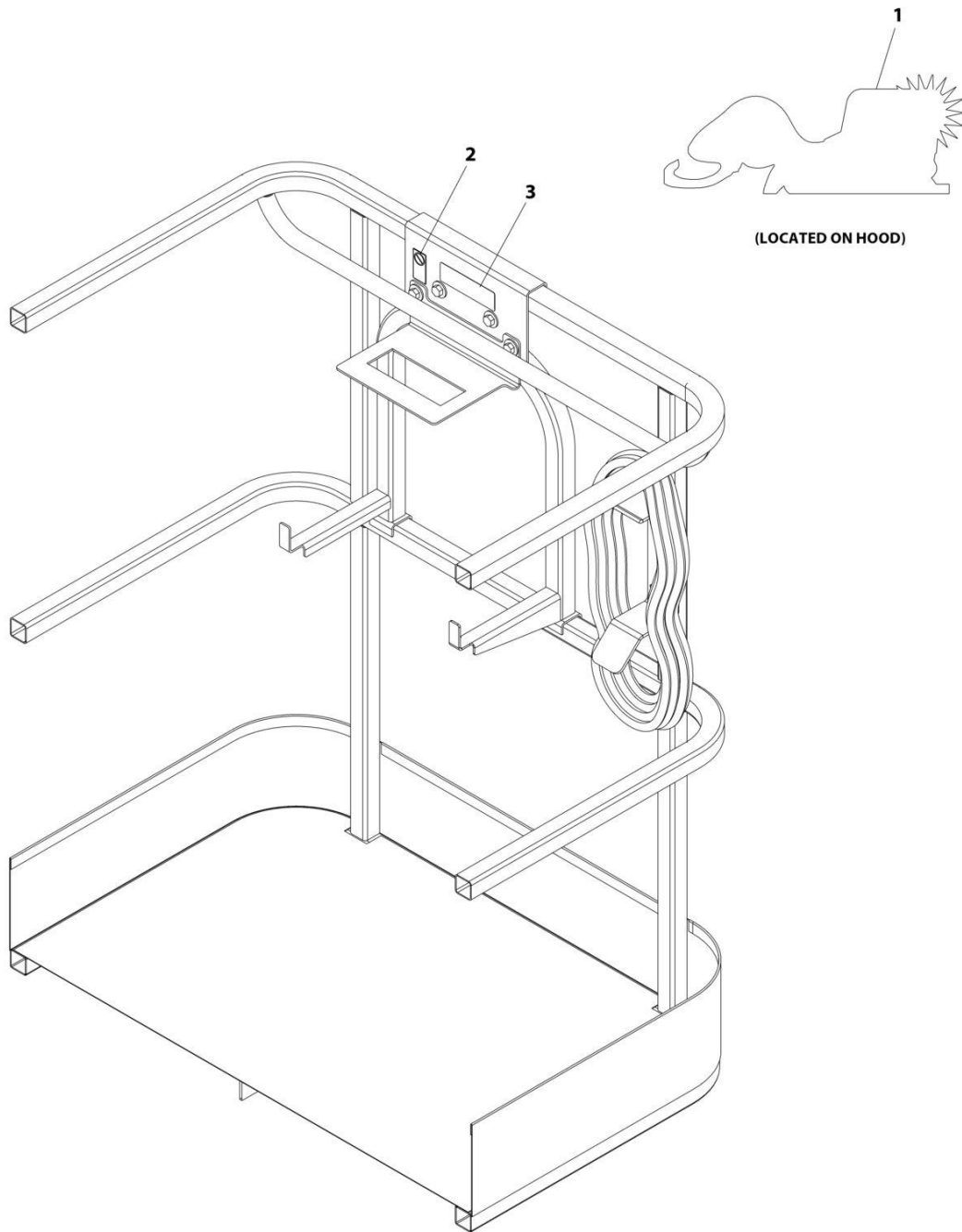
SECTION 9 - DECALS

FIGURE 9-13. SKYCUTTER DECAL INSTALLATION (ANSI, ANSI EXPORT, CSA AND CHINA SPECS)

ITEM	PART NUMBER	QTY	DESCRIPTION	REV
	0272599	Ref	SKYCUTTER DECAL INSTALLATION	C
1	1702868	1	Decal - No Hands	
2	1705305	1	Decal - Weld Leads	
3	1001252627	1	Decal - Weight	
4	1705490	2	Decal - SkyCutter	

SECTION 9 - DECALS

FIGURE 9-14. SKYCUTTER DECAL INSTALLATION (JAPANESE SPECS)



ART_0272607_C

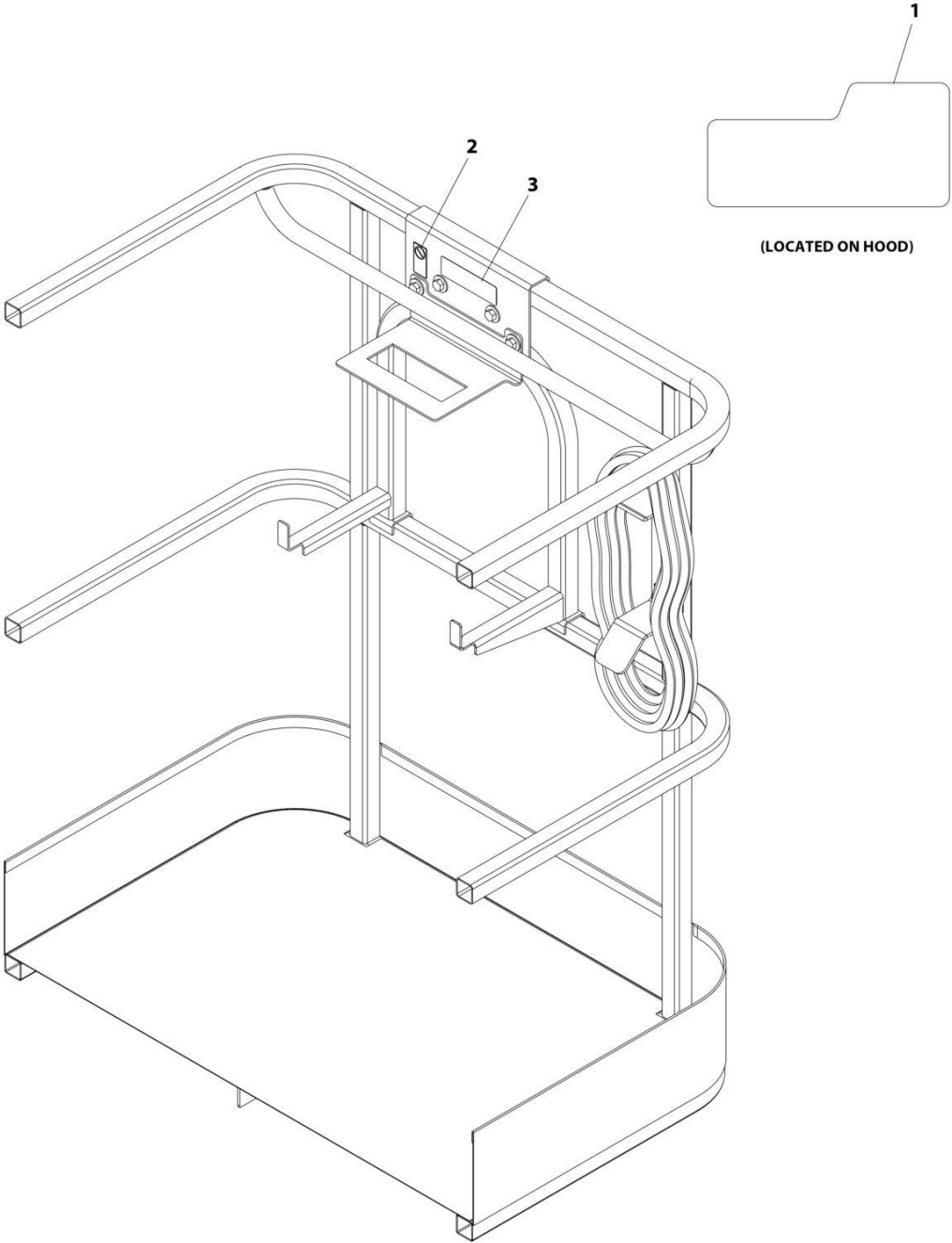
SECTION 9 - DECALS

FIGURE 9-14. SKYCUTTER DECAL INSTALLATION (JAPANESE SPECS)

ITEM	PART NUMBER	QTY	DESCRIPTION	REV
	0272607	1	SKYCUTTER DECAL INSTALLATION	C
1	1705490	2	Decal - SkyCutter	
2	1705305	1	Decal - Weld Lead	
3	1001252627	1	Decal - Weight	

SECTION 9 - DECALS

FIGURE 9-15. SKYWELDER DECAL INSTALLATION - 50HZ



ART_0272588

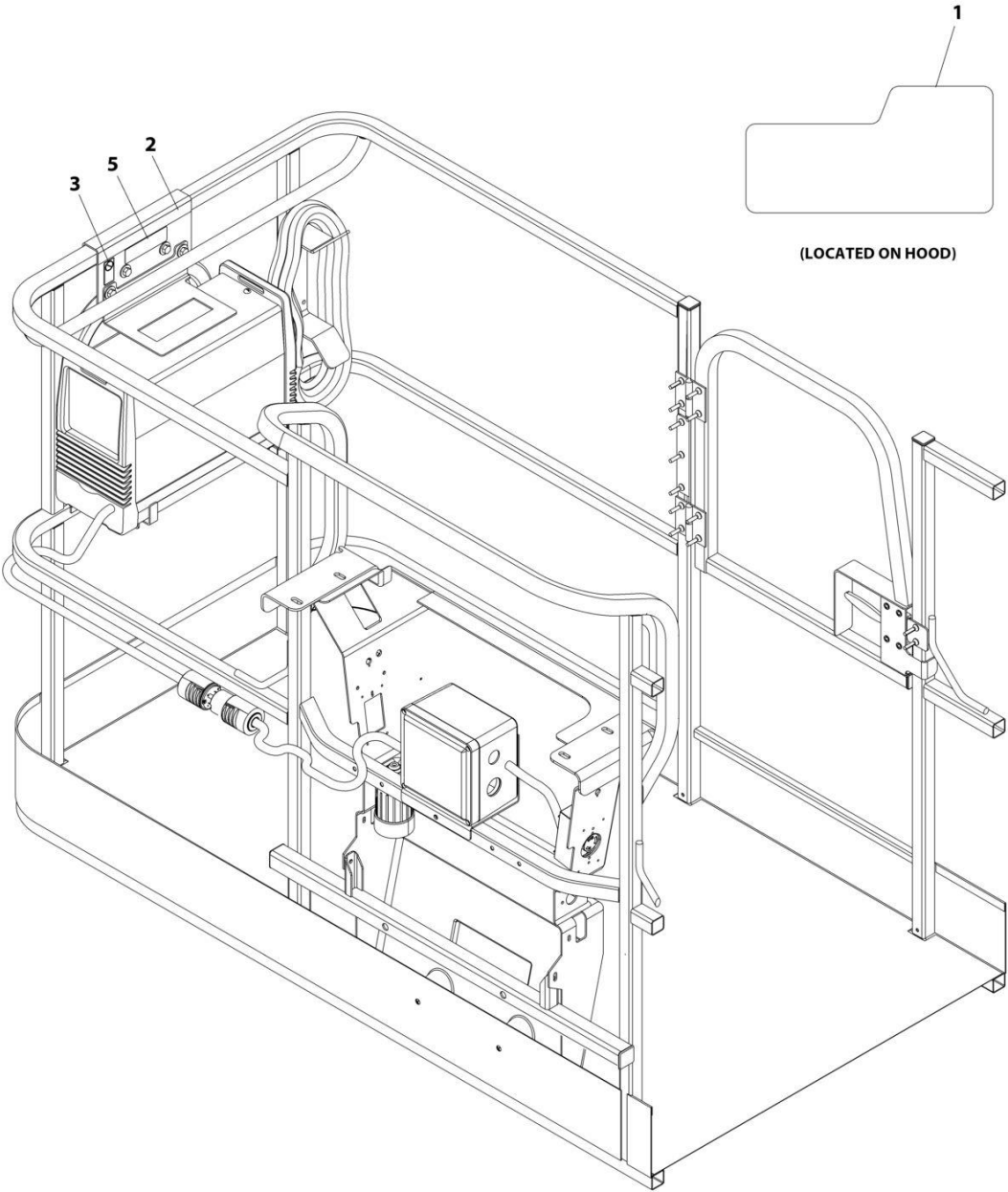
SECTION 9 - DECALS

FIGURE 9-15. SKYWELDER DECAL INSTALLATION - 50HZ

ITEM	PART NUMBER	QTY	DESCRIPTION	REV
	0272588	Ref	SKYWELDER DECAL INSTALLATION - 50Hz	B
1	1705355	2	Decal - SkyWelder	
2	1705305	1	Decal - Weld Lead	
3	1001228988	1	Decal - Weight	

SECTION 9 - DECALS

FIGURE 9-16. SKYWELDER DECAL INSTALLATION - 60HZ



ART_0272448_D

SECTION 9 - DECALS

FIGURE 9-16. SKYWELDER DECAL INSTALLATION - 60HZ

ITEM	PART NUMBER	QTY	DESCRIPTION	REV
	0272448	Ref	SKYWELDER DECAL INSTALLATION - 60Hz	D
1	1705355	2	Decal - SkyWelder	
2	1702868	1	Decal - No Hands	
3	1705305	1	Decal - Weld Lead	
5	1001228988	1	Decal - Weight	

SECTION 10 - RECOMMENDED SERVICE PARTS STOCK

SECTION 10 - RECOMMENDED SERVICE PARTS STOCK

SECTION 10 - RECOMMENDED SERVICE PARTS STOCK

FIGURE 10-1. RECOMMENDED SERVICE PARTS STOCK

ITEM	PART NUMBER	QTY	DESCRIPTION	REV
	See Note	Ref	Note: The following list will service one machine (built to current production per date on the front cover) with emergency repair parts which can be installed in the field. Parts from the list should be replaced when inventory is depleted to keep service parts stock supplied. For further information, contact your JLG dealer or the JLG Industries Parts Department.	
	4360476	1	Block, Contact (Ground Control Box and Platform Console Box)	
	7020176	1	Block, Contact (Ground Control Box and Platform Console Box)	
	1001181045	1	Breaker, 16Amp (Breaker Box with 4000W/50HZ Generator)	
	4360542	1	Breaker, Circuit (2500W/60HZ Generators)	
	70000126	1	Breaker, Circuit (2500W/50HZ on ANSI Export, China and Russia Specs)	
	70001431	1	Breaker, Circuit (Plasma Cutter)	
	4360070	1	Breaker, Circuit - 15Amp (4000W/60HZ and 7500W Generators)	
	7024485	1	Breaker, Circuit 30Amp (7500W Generators with Deutz D2011 and Ford Engines)	
	70006095	1	Breaker, Circuit 30Amp (7500W Generator with Deutz TD2.9L4 and D2.9L4 Engines)	
	1001181046	1	Breaker, Double 30mA/16Amp (Breaker Box)	
	1001159118	1	Breaker, GFCI 30Amp (240V AC Box at Platform)	
	7024444	1	Breather/Fill Cap (Helgensen Brand) (Hydraulic Oil Tank)	
	70004862	1	Breather/Fill Cap/Strainer Kit (Hydac Brand) (Hydraulic Oil Tank)	
	70002386	1	Coil (Boom Control Valve)	
	7012943	1	Coil (Turntable Control Valve)	
	7012944	1	Coil (Turntable Control Valve)	
	70004463	1	Coil (Main Valve Block)	
	70004595	1	Coil (Main Valve Block)	
	70004653	1	Coil (Main Valve Block)	
	70004673	1	Coil (Main Valve Block - 4WS)	
	80434249	1	Coil (Main Valve Block)	
	7012772	1	Coil (Main Valve Block and 4WS Valve and Articulating Jib Valve)	
	1001275628	1	Controller Assembly (Drive and Steer)	
	1001275629	1	Controller Assembly (Lift and Swing)	
	1001117174	1	Controller, Footswitch Assembly (Platform Console Box Assembly)	
	3990010	2	Diode, 6 Amp (Ground Control Box Harness)	
		Ref	Engine - Deutz D2011	
	70003783	12	Filter, Air	
	7016331	12	Filter, Oil	
	7016328	12	Filter, Fuel	
	7027795	1	Module, Control	
	3740067	1	Relay	
		Ref	Engine - Deutz TD2.2L3 (Stage V)	
	70005008	12	Filter, Air	
	8229242	2	Fuse , 5Amp	
	80983191	2	Fuse, 10Amp	
	70023592	2	Fuse, 20Amp	
	70023593	2	Fuse, 30Amp	
	1001117308	1	Relay	
		Ref	Engine - Deutz D2.9L4	
	91403102	12	Filter, Air	

SECTION 10 - RECOMMENDED SERVICE PARTS STOCK

ITEM	PART NUMBER	QTY	DESCRIPTION	REV
	1001225431	12	Filter, Fuel (Engine Mounted)	
	1001225430	12	Filter, Fuel (Frame Mounted)	
	7016331	12	Filter, Oil	
	70023592	2	Fuse, 20Amp	
	70023593	2	Fuse, 30Amp	
	70025210	1	Module, ECU	
	1001117308	1	Relay	
		Ref	Engine - Deutz TD2.9L4	
	91403102	12	Filter, Air	
	70025161	12	Filter, Fuel (Engine Mounted)	
	70025153	12	Filter, Fuel (Frame Mounted)	
	7016331	12	Filter, Oil	
	8229242	2	Fuse , 5Amp	
	80983191	2	Fuse, 10Amp	
	70023592	2	Fuse, 20Amp	
	70023593	2	Fuse, 30Amp	
	70025210	1	Module, ECU	
	70005648	1	Relay	
	1001117308	1	Relay	
		Ref	Engine - Ford	
	70005008	12	Filter, Air	
	70006155	12	Filter, Fuel	
	70006213	12	Filter, Oil	
	70006175	2	Fuse, 20Amp	
	70006176	1	Module - Engine Control Unit	
	3740067	1	Relay	
	70006171	1	Relay	
	70006172	1	Relay	
	2120149	12	Element, Filter (Turntable Control Valves)	
	2120210	12	Element, Filter (Turntable Control Valves)	
	8229249	2	Fuse, 3 Amp (Platform Console Box Harness and USB Charger)	
	2400064	2	Fuse, 5Amp (7500W Generator Harness with Duetz D2011 and Ford Engines)	
	8229242	2	Fuse, 5Amp (Ground Control Box Harness)	
	2860030	1	Key Replacement (Ground Control Box Assemblies)	
	2940074	1	Latch (Platforms with Swing Gate)	
	1001142683	1	Module, Control Beacon	
	1001103667	1	Module, Ground Control	
	1001106938	1	Module, Platform (Platform Console Box)	
	3740080	1	Relay (2500W Generators and 7500W Generator with Ford Engines)	
	70006553	1	Relay (4000W Generators)	
	3740067	1	Relay (Auxiliary Pump)	
	3740049	1	Relay (Ground Control Box)	
	1001186431	1	Relay (SkyGuard)	
	3740086	1	Relay (SkyLine)	
	1001228225	1	Sensor, Emitter (SkyEye)	
	4360436	1	Sensor, Fuel Level (Tank Installations)	
	4360578	1	Sensor, Limit Switch (Boom Valves and Limit Switch and Transport Position Switch)	
	4360057	1	Sensor, Limit Switch (Soft Touch Installations)	
	1001247468	1	Sensor, Loadcell (Platform Support Installation)	

SECTION 10 - RECOMMENDED SERVICE PARTS STOCK

ITEM	PART NUMBER	QTY	DESCRIPTION	REV
	4360517	1	Sensor, Proximity (Rotary Coupling)	
	1001232667	1	Sensor, Proximity (SkyLine)	
	1001228224	1	Sensor, Receiver (SkyEye)	
	1001172271	1	Sensor, Roller Limit Switch (Boom Valves and Limit Switch)	
	1001137673	1	Sensor, SkyGuard Switch Assembly	
	1001225346	1	Switch, Battery (Battery Disconnect)	
	4360475	1	Switch, Emergency Stop (Ground Control Box and Platform Console Box)	
	4360469	1	Switch, Key (Ground Control Box)	
	4360274	1	Switch, Push Button (Ground Control Box with Deutz TD2.2L3 Engine)	
	4360387	1	Switch, Push Button (Ground Control Box and Platform Console Box)	
	4360522	1	Switch, Push Button (Head and Tail Lights and Chassis Illumination Installations)	
	70001432	1	Switch, Rocker (Plasma Cutter Assembly)	
	4360407	1	Switch, Speed (Platform Console Box)	
	4360336	1	Switch, Toggle (Cribbing Enable Switch Installation and All Generators)	
	4360328	1	Switch, Toggle (Ground Control Box and Platform Console Box)	
	1001155045	1	Switch, Toggle (Ground Control Box and Platform Console Box)	
	4360331	1	Switch, Toggle (Platform Console Box)	
	1001159256	1	Switch, Toggle (Platform Console Box)	

SECTION 11 - SPECIAL OPTIONS

SECTION 11 - SPECIAL OPTIONS

FIGURE 11-1. SPECIAL OPTIONS/ACCESSORIES/KITS

ITEM	PART NUMBER	QTY	DESCRIPTION	REV
		Ref	Note: This list is to accommodate machines ordered with special equipment. Options may not be applicable to all models. For more specific parts information contact JLG Parts Department.	
		Ref	SPECIAL OPTIONS/ACCESSORIES/KITS	
	1001204884	Ref	Air Intake Shut-off Valve Installation (Deutz DT2.9L4 Engines) (ANSI & CSA Specs)	
	1001247570	Ref	Air Intake Shut-off Valve Installation (Deutz D2.9L4 Engines) (ANSI & CSA Specs)	
		Ref	Airline to Platform Installation Options:	
	0258966	Ref	1/2in – Without Arctic Package (600AJ)	
	1001093438	Ref	1/2in - With Arctic Package (600AJ)	
	1001249695	Ref	Analyzer and Cable Kit	
	1001249941	Ref	Battery Powered Analyzer Installation Kit	
	0256366	Ref	Boom Wiper Installation (600AJ)	
	1001233047	Ref	Breather Heater Kit - Deutz D2.9L4 and TD2.9L4 Engines	
	1001172045	Ref	Cable/Ladder Carrier Installation	
	2910477	Ref	Cam Valve Replacement Kit	
		Ref	ClearSky (Telematics) Add-on Kits (Dealer Installed)	
	1001242409	Ref	ClearSky (Telematics) Access Control Installation Kit (Dealer Installed) (ANSI, ANSI Export, CSA, CE & UK CA Specs)	
	1001265378	Ref	ClearSky (Telematics) Added-on Kit (Dealer Installed) (ANSI, ANSI Export and CSA Specs)	
	1001246142	Ref	ClearSky (Telematics) Added-on Kit (Dealer Installed) (Australian Specs)	
	1001243184	Ref	ClearSky (Telematics) Added-on Kit (Dealer Installed) (CE & UK CA Specs)	
	1001276923	Ref	ClearSky (Telematics) 3 Wire GT1030 Added-on Kit (Dealer Installed)	
		Ref	ClearSky Telematics Installation (Factory Installed)	
	1001227472	Ref	ClearSky Telematics - Canbus (All Specs Except China and Russia Specs)	
	1001228946	Ref	ClearSky Telematics - Canbus (ANSI Export, Russia, CE & UK CA Specs)	
	1001246522	Ref	ClearSky Telematics - Canbus (Australian Specs)	
	1001246523	Ref	ClearSky Telematics - Canbus (China Specs)	
	1001229107	Ref	ClearSky Telematics 3-Wire Connection (ANSI and CSA Specs) (Module PN 1001266328)	
	1001233237	Ref	ClearSky Telematics 3-Wire Connection (ANSI Export, Russia, CE & UK CA Specs) (Module PN 1001233236)	
	1001276610	Ref	ClearSky Telematics 3-Wire Connection (All Specs Except China Specs) (Module PN 1001272659)	
		Ref	Cold Weather Package	
	1001152340	Ref	Cold Weather Package - Deutz D2011 Engines	
	0271912	Ref	Cold Weather Package - Deutz D2011 Engines	
	0274883	Ref	Cold Weather Package with Transformer- Deutz D2011 Engines	
	1001256385	Ref	Cold Weather Package - Deutz TD2.2L3 Engines	
	1001151900	Ref	Cold Weather Package - Deutz TD2.9L4 Engines	
	1001282099	Ref	Cold Weather Package - Deutz TD2.9L4 (China IV) Engines	
	1001217832	Ref	Cold Weather Package - Ford Engines	
	1001276007	Ref	Controller Service Kit - Drive/Steer	
	1001276008	Ref	Controller Service Kit - Lift/Swing	

SECTION 11 - SPECIAL OPTIONS

ITEM	PART NUMBER	QTY	DESCRIPTION	REV
	1001157013	Ref	Counterweight Installation (Required for Soft Touch Systems)	
	0255928	Ref	Cylinder Bellows Installation (Boom) (600AJ)	
		Ref	Cylinder Bellows Installation (Frame)	
	1001151379	Ref	2WD/2WS & 4WD/2WS 8ft/2.4m Width	
	1001151380	Ref	2WD/4WS & 4WD/4WS 8ft/2.4m Width Machines	
	1001152771	Ref	2WD/4WS 7ft/2.1m Width Machines	
		Ref	Cylinder Bellows Installation (Frame)	
	0255483	Ref	2WS 8ft/2.4m Width	
	0255487	Ref	4WS 8ft/2.4m Width Machines	
	0257195	Ref	Decal - Government Warranty	
		Ref	Decal Kit Options – Factory Installed:	
	2902307	Ref	Country Spec – ANSI and ANSI Export	
	2902329	Ref	Country Spec – Australian, CE & UK CA	
	2902312	Ref	Country Spec – Brazil	
	2902322	Ref	Country Spec – CSA	
	1001116844	Ref	Country Spec – Chinese (Simplified)	
	2902309	Ref	Country Spec – Chinese (Traditional)	
	2902308	Ref	Country Spec – Japanese	
	2902310	Ref	Country Spec – Korean	
	2902311	Ref	Country Spec – Latin America	
	2902303	Ref	Master	
		Ref	Decal Kit Options – Dealer Installed:	
	1001270516	Ref	Machine – ANSI 9220 Spec	
	1001238895	Ref	Platform – ANSI Spec	
	1001272198	Ref	Platform – ANSI 9220 Spec	
	1001119561	Ref	Platform Console Box – ANSI Spec	
	1001272085	Ref	Platform Console Box – ANSI 9220 Spec	
	4932990	Ref	Drive Cutout Kit (Above Elevation Beyond Transport) (All Specs)	
	4932993	Ref	Drive Cutout Kit (Above Elevation Tilt) (ANSI, ANSI Export, Australian, Japanese and China Specs)	
	2902395	Ref	Drive/Steer Cutout Kit (All Specs)	
	1001253619	Ref	Electrical Assembly Module Box 12 Kit	
	1001253618	Ref	Electrical Assembly Module Box 4/8 Kit	
		Ref	Electrical Connector Kits	
	1001148902	Ref	Amp/Tyco Electrical Connector Kit	
	1001148903	Ref	Deutsch DT Electrical Connector Kit	
	1001148904	Ref	Deutsch HD Electrical Connector Kit	
	1001148905	Ref	Packard Electrical Connector Kit	
	1001148906	Ref	Various Electrical Connectors Kit	
	1001218022	Ref	Engine Block Heater Installations (Ford Engines Only)	
	1001252033	Ref	Enhanced Detection System (EDS) Level 1 (2-Bar) Installation Kit	
	1001252034	Ref	Enhanced Detection System (EDS) Level 2 (3-Bar) Installation Kit	
	1001269630	Ref	Fall Arrest (Bolt-on) Add-on Kit (4ft/1.22m Platform (All Specs)	
	1001269629	Ref	Fall Arrest (Bolt-on) Add-on Kit (5ft/1.52m Platform (All Specs)	
	1001269631	Ref	Fall Arrest (Bolt-on) Add-on Kit (6ft/1.82m Platform (All Specs)	
	1001237883	Ref	Fall Arrest (Bolt-on) Add-on Kit (6ft/1.82m Platform (ANSI, ANSI Export, China, CSA & Japanese Specs) (Fits Platform p/ns 1001186384 & 1001144024)	
	1001237882	Ref	Fall Arrest (Bolt-on) Add-on Kit (8ft/2.4m Platform (ANSI, ANSI Export, China, CSA & Japanese Specs) (Fits Platform p/ns 1001186383 & 1001144023)	
		Ref	Fan Cover/Guard Options:	

SECTION 11 - SPECIAL OPTIONS

ITEM	PART NUMBER	QTY	DESCRIPTION	REV
	1001182599	Ref	Fan Guard Installation (Deutz D2011 and Deutz D2011 Stage V Engines)	
	1001258140	Ref	Fan Guard Installation, Deutz TD2.2L3 (Stage V) Engines	
	1001177694	Ref	Fan Guard Installation (Deutz TD2.9L4 and Deutz D2.9L4 (China IV) Engines)	
	1001093389	Ref	Fan Cover Installation (Ford DF 2.5L Engines)	
		Ref	Filter Kits:	
		Ref	Combined Filter Kit (Hydraulic/Air and Fuel/Engine Oil)	
	1001166960	Ref	Deutz D2011 Engine	
	1001181148	Ref	Deutz TD2.9L4 Engine	
	1001114042	Ref	Ford DF2.5L Engine	
	1001290375	Ref	QUICKFIT OIL DRAIN (FORD)	
	1001139099	Ref	Fire Extinguisher Installation	
	1001265676	Ref	Ford 42 Way Connector Kit	
	1001117294	Ref	Footswitch Shield (Arctic Package)	
	3380652	Ref	Footswitch Shield	
	1001202749	Ref	Fuel Cap Cover Installation (Black) (All Machines) (Note: Lock p/n 1001102157 Must be purchased separately)	
	1001191395	Ref	Fuel Cap Cover Installation (Green) (Diesel Machines) (Note: Lock p/n 1001102157 Must be purchased separately)	
	1001247338	Ref	Fuel Cap Cover Installation (Red) (Gasoline Machines) (Note: Lock p/n 1001102157 Must be purchased separately) (Machines With SN Starting With 03)	
	1001209629	Ref	Hose Kit - Platform Valve	
	1001239617	Ref	Hose Kit - Power Track Upper	
	2910100	Ref	Hose/Cable Chafe Protection Kit	
	1001241406	Ref	Hostile Environment Add-on Kit (7FT Chassis)	
	1001204924	Ref	Hostile Environment Add-on Kit (8FT Chassis) (600AJ)	
	1001094475	Ref	Hourmeter for Generator Installation	
	1001229935	Ref	Hydraulic Tank Locker Installation	
	1001268736	Ref	Jib Link Kit	
	0273492	Ref	Lights Installation - Platform Worklights	
	1001282215	Ref	Kit, Platform Worklights	
	0274180	Ref	Lights Installation - Platform Flood Lights	
	1001243597	Ref	Lights Installation - Portable Platform Worklights	
	1001236951	Ref	Low Temperature Cut-out Switch Installation	
	1001204296	Ref	Oil Cooler Replacement Kit (Deutz TD2.9L4 Engine Only) (RCP to Ymer Cooler)	
	1001272166	Ref	Pipe Rack Add-on Kit (Dealer Installed)	
		Ref	Platform Box Cover Installations:	
	1001195304	Ref	Clear Polycarbonate Cover – Factory Installed (All Specs)	
	1001270482	Ref	Steel Cover – Dealer Installed (China Specs)	
	1001266290	Ref	Steel Cover – Factory Installed (All Specs except Australian and China Specs)	
	1001125230	Ref	Steel Cover – Factory Installed (ANSI Export and China Specs)	
	1001125229	Ref	Steel Cover – Factory Installed (Korean Specs)	
	1001214984	Ref	Platform Control Box Film Installation	
	2915228	Ref	Platform Conversion Kit (Front to Side Entry)	
	1580013	Ref	Platform Corner Storage Tray	
		Ref	Platform Entry Kits:	
	1001142504	Ref	Kit, Replace Swing Gate with Drop Bar	
	1001142505	Ref	Kit, Replace Drop Bar with Swing Gate	
	1001274833	Ref	Platform Floormat Add-on Kit - 30x48 Platform	

SECTION 11 - SPECIAL OPTIONS

ITEM	PART NUMBER	QTY	DESCRIPTION	REV
	1001274832	Ref	Platform Floormat Add-on Kit - 30x60 Platform	
	1001274830	Ref	Platform Floormat Add-on Kit - 36x72 Platform	
	1001274829	Ref	Platform Floormat Add-on Kit - 36x96 Platform	
		Ref	Platform Mesh to Top Rail Add-on Kits:	
	1001214552	Ref	30in x 4ft (76cm x 1.22m) with Gate	
	1001214559	Ref	30in x 5ft (76cm x 1.52m) with Gate	
	1001214561	Ref	36in x 6ft (91.5cm x 1.83m) with Gate	
	1001214562	Ref	36in x 8ft (91.5cm x 2.44m) with Gate	
		Ref	Platform Mesh to Top Rail Installations	
	1001272182	Ref	30in x 4ft (76cm x 1.22m)	
	1001271888	Ref	30in x 5ft (76cm x 1.52m)	
	1001271642	Ref	36in x 6ft (91.5cm x 1.83m)	
	1001269187	Ref	36in x 8ft (91.5cm x 2.44m)	
		Ref	Platform Mesh to Mid Rail Add-on Kits:	
	1001214478	Ref	30in x 4ft (76cm x 1.22m) with Gate	
	1001214515	Ref	30in x 5ft (76cm x 1.52m) with Gate	
	1001214540	Ref	36in x 6ft (91.5cm x 1.83m) with Gate	
	1001214548	Ref	36in x 8ft (91.5cm x 2.44m) with Gate	
		Ref	Platform Mesh to Mid Rail Installations	
	1001272274	Ref	30in x 4ft (76cm x 1.22m)	
	1001272178	Ref	30in x 5ft (76cm x 1.52m)	
	1001271760	Ref	36in x 6ft (91.5cm x 1.83m)	
	1001269389	Ref	36in x 8ft (91.5cm x 2.44m)	
		Ref	Plastic Mesh to Top Rail Installations	
	1001266807	Ref	30in x 4ft (76cm x 1.22m)	
	1001266801	Ref	30in x 5ft (76cm x 1.52m)	
	1001266489	Ref	36in x 6ft (91.5cm x 1.83m)	
	1001266056	Ref	36in x 8ft (91.5cm x 2.44m)	
		Ref	Plastic Mesh to Mid Rail Installations	
	1001266969	Ref	30in x 4ft (76cm x 1.22m)	
	1001266799	Ref	30in x 5ft (76cm x 1.52m)	
	1001266284	Ref	36in x 6ft (91.5cm x 1.83m)	
	1001266098	Ref	36in x 8ft (91.5cm x 2.44m)	
		Ref	Platform, Top Rail Extensions	
	0272733	Ref	3ft x 6ft Platforms	
	0272725	Ref	3ft x 8ft Platforms	
	1001209059	Ref	Platform Work Surface Installation	
	1001152965	Ref	Platform Beacon Installation	
	1001200234	Ref	Radiator Replacement Kit (RCP to Modine) (Deutz TD2.9L4 Engine Only)	
	1001171018	Ref	RCD Box Installation (Brazil Spec)	
	1001099572	Ref	Security Lock (Programmable) Installation	
	1001190884	Ref	Service Tools & Kits	V
	1001247073	Ref	SkyEye Retrofit Kit	
	1001241547	Ref	SkyEye Housing Kit (LH)	
	1001241548	Ref	SkyEye Housing Kit (RH)	
		Ref	SkyGuard Component Options:	
	1001206477	Ref	SkyGuard Complete Add-on Kit (Blue Beacon)	
	1001210026	Ref	SkyGuard Complete Add-on Kit (Red Beacon)	
	1001250035	Ref	SkyGuard Platform Sensor Kit	
	1001137440	1	SkyGuard Platform Sensor Harness	
	1001186431	2	Relay	

SECTION 11 - SPECIAL OPTIONS

ITEM	PART NUMBER	QTY	DESCRIPTION	REV
	1001250595	Ref	SkyGuard 6-Pin Retrofit Installation Kit	
	1001249052	Ref	SkyGuard Retrofit Kit (Dealer Installed)	
	1001262016	Ref	SkyLine Kit	
	1001289905	1	SkySense (EDS) Level 1 Booms (2-Bar) Installation Kit	
	1001289906	1	SkySense (EDS) Level 2 Booms (2-Bar) Installation Kit	
	1001250465	Ref	SkySense/Enhanced Detection System (EDS) Level 1 (2 Bar) Installation Kit	
	1001250466	Ref	SkySense/Enhanced Detection System (EDS) Level 2 (3 Bar) Installation Kit	
	1001282461	Ref	SkySense Padding Installation - For 30 x 48 Platforms equipped with SkySense	
	1001275644	Ref	SkySense Padding Installation - For 30 x 60 Platforms equipped with SkySense	
	1001275642	Ref	SkySense Padding Installation - For 36 x 72 Platforms equipped with SkySense	
	1001269655	Ref	SkySense Padding Installation - For 36 x 96 Platforms equipped with SkySense	
	1001263395	1	SkyWelder Kit (Dealer Installed)	
	1001121593	Ref	SoftTouch Add-on Kit (36in x 8ft (91.5cm x 2.44m) Platforms)	
	1001121592	Ref	SoftTouch Add-on Kit (36in x 6ft (91.5cm x 1.83m) Platforms)	
		Ref	Strobe Light Installations (Amber) (Machines With SN Starting With 03):	
		Ref	Tools for Service	
	2901443	1	Analyzer Kit	
	7002840	1	Antirotaion Pin Removal Tool	
	8896941	1	Wire Stripper	
	7002821	1	Wire Crimper (To install wire ends to wires)	
	7002823	1	Pin/Socket Extractor - Universal (To Remove Pins/Sockets from Connectors)	
	4460467	1	Extractor - 16-18 Gauge (For Removal of Pin/Sockets from Deutsch Connectors)	
	4460510	1	Extractor - 12-14 Gauge (For Removal of Pin/Sockets from Deutsch Connectors)	
	7002822	1	Screwdriver, Potentiometer (To Adjust Drive Controllers)	
	7016654	1	Screwdriver, Magnetic	
	7004275	1	Seal Installation Tool - 1in	
	7004276	1	Seal Installation Tool - 1 1/2in	
	7002826	1	Seal Installation Tool - 2in	
	7016655	1	Wire Rope Sheave Gauge	
	7016652	1	Huck Bolt Fastener (For Small Huck Bolts Only)	
	2900838	1	U.S. Standards Fastener (Hardware) Kit	
	7014676	1	U.S. Standards Tool Kit	
	1001137005	1	Software Cable Kit	
	1001228577	Ref	Telematics Gateway (Dealer Installed)	
	1001284510	Ref	Telematics Gateway + (Dealer Installed)	
	1001258951	Ref	Tower Stow Switch Installation Kit	
	1001238825	Ref	Turntable Bearing Kit	
	1001274249	Ref	USB Charger Port Add-on Kit (Dealer Installed)	
	1001277840	Ref	UGM1 TO UGM2 RETROFIT ADE1 KIT	
	1001277848	Ref	GM1 TO UGM2 RETROFIT ADE1 KIT	
	1001262959	Ref	Voltage Relocation Kit	
	2910167	Ref	Wear Pad Kit	
	0272772	Ref	Weld Leads	

PART NUMBER INDEX

SECTION 11 - SPECIAL OPTIONS

0100009.....585, 589	0100062 ... 139, 268, 272, 286, 306, 312, 328, 350, 356, 386, 392, 482, 486	0275653 769	0641407.... 159, 163, 167, 171, 175, 179, 183, 187, 191, 205, 224, 228, 259, 261, 263, 265, 268, 272, 379, 381, 473, 489, 759, 763, 765, 769, 771, 775, 777, 781, 783
0100011.... 19, 21, 23, 25, 27, 29, 31, 33, 35, 37, 39, 41, 43, 47, 49, 51, 53, 83, 85, 87, 89, 93, 95, 97, 99, 109, 111, 121, 127, 129, 131, 133, 135, 137, 139, 151, 153, 155, 157, 159, 163, 167, 171, 175, 179, 183, 187, 191, 199, 201, 207, 209, 219, 221, 224, 228, 232, 236, 239, 249, 251, 253, 255, 259, 261, 263, 265, 268, 272, 279, 283, 286, 293, 297, 301, 303, 306, 312, 321, 325, 328, 335, 337, 341, 345, 347, 350, 356, 367, 372, 376, 379, 381, 384, 390, 399, 403, 423, 427, 429, 431, 433, 435, 437, 439, 441, 443, 445, 449, 451, 453, 457, 461, 465, 469, 473, 477, 481, 485, 489, 493, 503, 505, 507, 509, 511, 513, 515, 517, 519, 523, 525, 527, 529, 531, 533, 535, 539, 541, 545, 557, 559, 561, 563, 565, 571, 573, 575, 577, 607, 609, 612, 615, 617, 625, 629, 631, 633, 635, 661, 667, 677, 714, 718, 722, 917, 919, 921, 923, 925, 927, 929, 931, 933, 935	0100063 37	0275654 775	0641408.... 207, 232, 236, 306, 312, 350, 356, 541, 581, 583, 709, 711
0100019.... 115, 121, 433, 435, 445, 457, 461, 465, 469, 473, 477, 482, 485, 489, 493	0100079 425, 473, 489	0275656 759	0641409.... 249, 251, 253, 255
0100020.... 131, 133, 135, 137, 139, 145, 147, 249, 251, 253, 255, 279, 293, 297, 306, 312, 321, 328, 337, 341, 350, 356, 372, 376, 384, 390, 458, 593, 612, 619, 753, 761, 767, 773, 779, 785	0100081 527, 637, 639	0275660 781	0641410.... 268, 272, 474, 477, 490
0100035.... 365, 543, 585, 589, 601, 603	0100087 149	0280171 19, 25	0641412.... 293, 297, 321, 337, 341
0100038.... 23, 25, 27, 29, 31, 661, 667, 677, 714, 718, 722	0140011 585, 589	0280185 23	0641414.... 93, 95, 97, 99, 585, 589, 607, 629, 631, 633, 635
0100048.... 159, 163, 167, 171, 175, 179, 183, 187, 191, 201, 203, 205, 372, 376, 453, 473, 477, 489	0140044 201	0362910 89	0641415.... 462, 465, 469, 477, 759, 763, 765, 769, 771, 775, 777, 781, 783
	0181949 145, 147	0370026 655	0641416.... 93, 95, 97, 99, 372, 376, 529, 531, 533, 535, 753, 759, 761, 763, 765, 767, 769, 771, 773, 775, 777, 779, 781, 783, 785, 811, 813
	0200048 ... 629, 631, 633, 635	0400075 ... 109, 111, 249, 251, 253, 255	0641418.... 557, 559, 563, 565, 571, 573, 575, 577
	0200742 443, 449, 451	0440018 37, 39	0641420..... 561
	0255288 525	0440019 37, 39	0641505..... 79, 81
	0255382 749	0440161 37, 39	0641506.... 159, 163, 167, 171, 175, 179, 183, 187, 191
	0255410 123	0440170 35, 45	0641507.... 253, 255, 529, 531, 533, 535
	0255483 959	0440171 35, 45	0641508.... 209, 306, 312, 350, 356, 443, 445, 449, 451, 453
	0255487 959	0440207 121	0641510.... 268, 272, 306, 312, 350, 356
	0255880 217	0480121 443, 449, 451	0641512..... 268, 272
	0255928 959	0480126 461, 485	0641516... 83, 85, 87, 457, 473, 481, 485, 489, 493, 527, 709, 711
	0256202 757	0480129 457, 482	0641520.... 151, 155, 157
	0256336 543	0561076 ... 503, 505, 507, 509	0641522..... 525
	0256366 958	0561185 ... 511, 513, 515, 517	0641530..... 47, 49
	0257176 751	0561237 811, 813	0641532..... 527
	0257195 959	0561248 511, 513	0641540..... 525
	0257573 527	0630407 ... 286, 306, 312, 328, 350, 356	0641552..... 51, 53
	0258945 599	0630427 539, 541	0641604.... 503, 505, 507, 509
	0258966 958	0630462 ... 629, 631, 633, 635	0641606.... 131, 133, 135, 137, 139, 147, 225, 229, 232, 233, 236, 237, 239, 268, 272, 279, 293, 297, 321, 341, 511, 513, 519, 525, 527, 545, 612, 615, 617, 625
	0270528 83, 85, 87, 89	0630467 ... 529, 531, 533, 535	0641607.... 109, 111, 155, 232, 236, 279, 293,
	0271912 958	0630490 35, 37, 39, 45	
	0272254 617	0630507 ... 224, 228, 232, 236	
	0272418 ... 637, 639, 937, 941	0630518 ... 195, 601, 612, 615, 617, 619, 625	
	0272427 633	0630535 667	
	0272433 745	0630536 661	
	0272435 482, 491, 494	0630548 ... 159, 163, 167, 171, 175, 179, 183, 187, 191	
	0272448 951	0630568 585, 590	
	0272521 615	0641403 ... 481, 485, 515, 517, 527, 543	
	0272588 949	0641404 37, 39, 159, 163, 167, 171, 175, 179, 183, 187, 191, 279, 293, 297, 321, 337, 341, 449, 457, 461, 473, 477, 489, 609	
	0272589 486	0641405 ... 224, 228, 232, 236, 585, 589, 609	
	0272599 945	0641406 ... 109, 111, 199, 201, 203, 205, 232, 236, 279, 286, 293, 297, 301, 303, 306, 312, 321, 325, 337, 341, 345, 347, 350, 356, 372, 376, 457, 461, 465, 469, 477, 482, 485, 579, 581, 583, 917, 919, 921, 923, 925, 927, 929, 931, 933, 935	
	0272607 947		
	0272725 961		
	0272733 961		
	0272772 962		
	0273353 612		
	0273492 960		
	0273706 635		
	0273824 631		
	0274047 25		
	0274054 19		
	0274062 37		
	0274094 937, 941		
	0274180 960		
	0274200 209		
	0274229 77		
	0274256 23		
	0274257 39		
	0274618 755		
	0274883 958		
	0275216 759, 879		
	0275217 763, 881		
	0275452 769, 885		
	0275453 775, 889		
	0275454 781, 893		
	0275652 763		

SECTION 11 - SPECIAL OPTIONS

297, 321, 337, 341, 372, 376, 425, 445, 494, 503, 505, 507, 509	0642012 ... 19, 21, 23, 25, 27, 29, 31, 33, 35, 37, 41, 43, 637	0731005.... 131, 133, 135, 137, 139, 629, 631	0801637 511
0641608 ... 33, 35, 37, 39, 41, 43, 93, 95, 97, 99, 149, 155, 224, 228, 232, 236, 253, 255, 279, 286, 293, 297, 306, 312, 321, 337, 341, 350, 356, 419, 437, 439, 511, 513, 519, 545	0642026 639	0741605.... 286, 306, 312, 350, 356, 503, 505, 507, 509	0811606 515, 517
0641609 ... 217, 219, 268, 272, 306, 312, 350, 356, 429, 431, 511, 513	0642212 637, 639	0741606..... 109, 111	0811607 515, 517
0641610 ... 155, 224, 228, 232, 236, 249, 251, 253, 255, 268, 272, 286, 321, 365, 367, 425, 443, 449, 451, 511, 513, 519, 545, 581, 583	0642612 207, 209	0741607.... 35, 39, 43, 89, 457, 461, 465, 469, 473, 477, 489, 493	0811608 515, 517
0641611 49, 224, 228	0651406 93, 95, 97, 99	0760506..... 423	0811610 515, 517
0641612 ... 127, 129, 255, 280, 293, 297, 306, 312, 337, 341, 350, 356, 372, 376	0681608 37, 39, 308, 314, 352, 358, 523	0760605.... 306, 312, 350, 356, 403	0860038 ... 457, 473, 481, 489, 493, 749, 751, 755
0641613 93, 97	0681620 ... 306, 312, 350, 356, 641, 643, 645, 647, 649	0760606..... 494	0860520 ... 917, 919, 921, 923, 925, 927, 929, 931, 933, 935
0641614 ... 131, 133, 135, 137, 139	0681710 47, 49, 51, 53	0760607..... 465, 469	0861538 482, 489, 493
0641616 ... 458, 461, 473, 489, 515, 517	0681812 379, 381	0760608... 77, 79, 81, 384, 390, 493	0861572 486
0641617 145	0681814 567, 569	0760610.... 286, 328, 384, 390, 403, 453, 493	0861731 ... 753, 773, 779, 785, 885, 887, 889, 891, 893, 895
0641618 . 49, 51, 53, 465, 469, 477, 482, 486, 511, 513, 519, 527, 545	0681820 437	0760612.... 160, 164, 168, 172, 176, 180, 184, 188, 192, 328, 372, 376, 384, 390	0861781 ... 761, 767, 879, 881, 883
0641640 525	0682018 121	0760615..... 403	0861880 799, 801
0641708 ... 286, 306, 312, 350, 356	0682022 33	0760619..... 328	0902206 207, 209
0641772 ... 443, 445, 449, 451, 453	0682218 115	0760807..... 403	0902219 224, 228
0641808 ... 249, 251, 253, 255, 279, 293, 297, 301, 303, 321, 325, 337, 341, 345, 347, 373, 377, 379, 381, 457, 461, 473, 477, 481, 485, 489, 503, 505, 507, 509	0682424 ... 641, 643, 645, 647, 649	0760808..... 328, 335	0902335 224, 228
0641810 ... 217, 219, 221, 503, 505, 507, 509, 511, 513	0700408 ... 753, 759, 761, 763, 765, 767, 769, 771, 773, 775, 777, 779, 781, 783, 785	0760810.... 286, 306, 312, 328, 350, 356, 372, 376, 384, 390, 523	0902888 ... 457, 473, 481, 485, 489, 493
0641811 127, 129	0700610 283	0760812.... 286, 372, 376, 384, 390, 791, 793	0903056 127, 129
0641812 ... 259, 261, 263, 265, 283, 301, 303, 325, 345, 347, 445	0700612 286	0760814.... 286, 328, 384, 390	0903119 207, 209
0641814 ... 23, 25, 27, 29, 31	0700616 279	0760815.... 328, 372, 376, 384, 390	0940049 ... 224, 228, 232, 236
0641816 19	0700617 213, 215	0760816..... 328	0940070 ... 268, 272, 286, 306, 312, 328, 350, 356, 384, 390
0641818 139, 431	0700626 ... 803, 805, 807, 809, 815, 817, 819, 821, 823, 825	0760817..... 403	0940071 224, 228
0641820 268, 272, 429	0700808 268, 272	0761008.... 293, 297, 321, 338, 342, 373, 377, 427	0940088 ... 224, 228, 232, 236
0641824 127, 129	0700810 384, 390	0761011..... 423	0940092 ... 629, 631, 633, 635
0642010 89, 249, 251, 253, 255, 279, 293, 297, 321, 337, 341, 372, 376	0700812 ... 384, 390, 435	0761012.... 328, 427, 791	0940094 ... 629, 631, 633, 635
	0700814 ... 384, 390, 433, 435, 439, 441	0761014.... 153, 221, 279, 286, 384, 390, 523	0940102 637, 639
	0700816 403	0761015.... 153, 286, 306, 312, 352, 358, 384, 390	0940103 633
	0700818 403	0761016.... 286, 328, 384, 390	0940133 635
	0700821 153	0761017..... 328	0940134 631
	0701012 286	0761018..... 493	0940177 629
	0701014 151, 403	0761019..... 453	0961845 ... 557, 559, 561, 563, 565, 571, 573, 575, 577
	0701017 286	0761210.... 306, 312, 328, 350, 356	0961890 675
	0701022 328	0761212.... 283, 286, 465, 469, 497	0961897 667
	0701025 328	0761214.... 286, 328, 499	0961898 661
	0701026 399	0761216..... 453, 523	0961947 519, 545
	0710827 403	0771014.... 157, 384, 390	0961948 ... 503, 505, 507, 509, 667, 669
	0711014 386, 392	0771212.... 157, 279, 293, 297, 306, 312, 321, 337, 341, 350, 356	0961949 ... 503, 505, 507, 509, 661, 663, 671
	0711020 384, 390	0771414.... 268, 272, 286, 306, 312, 328, 350, 356, 433, 435, 437, 441	0961950 ... 19, 21, 23, 25, 27, 29, 31
	0711214 328	0771415.... 439, 458, 462, 482, 486	0961951 ... 503, 505, 507, 509, 659, 673
	0711215 286	0801019.... 503, 507, 511	0961986 ... 268, 272, 286, 306, 312, 328, 350, 356, 384, 390
	0711216 403	0801622..... 511	0962005 37, 39
	0711223 ... 286, 386, 392, 433, 435		0962051 217, 219, 221
	0711224 328, 441		0962131 ... 33, 35, 37, 41, 43
	0711414 429, 431		0962270 567, 569
	0720804 145, 147		0962272 37, 39
	0721003 35, 45		0962292 35, 39, 43
	0721004 89		
	0721005 633, 635		
	0721006 ... 224, 228, 232, 236, 365, 367, 443, 445, 449, 451		

SECTION 11 - SPECIAL OPTIONS

0962335.....519, 545	1001103667 955	1001116849 925	1001130041.....268, 272
0962336.....665	1001104423 715, 719, 723	1001116850 927	1001130220.....79, 81
0962348.....35, 39, 43	1001104498 909	1001116851 925	1001131269.....917, 929
0962356.....33, 35, 41, 43, 677	1001106480 543	1001116852 927	1001133714.....841, 846, 850, 855
0962449.....449	1001106736 159, 163, 167, 171, 175, 179, 183, 187, 191	1001116861 927	1001133715.....841, 846, 850, 855
0962520.....457, 461, 465, 469, 473, 477, 482, 486, 489, 493	1001106938 585, 589, 955	1001116862 925	1001133956.....842, 845, 850
1001026127280	1001106974 127	1001116863 925	1001133957.....842, 845, 850
1001093382.....109, 111, 249, 251, 253, 255	1001106975 129	1001116952 841, 845, 849	1001134488.....288, 308, 314, 329, 351, 357, 386, 392
1001093389.....960	1001107498 127	1001116983 857	1001135138.....307, 313, 351, 357
1001093438958	1001107499 129	1001117078 863	1001135600.....51, 53, 71
1001093549715	1001107854 909	1001117106 845	1001135650.....841, 846, 850, 855
1001094475960	1001108256 629	1001117107 841, 845, 849	1001135651.....841, 846, 850
1001096070.....461, 465, 477, 759, 763, 769, 775, 781, 799	1001109554 765, 771, 777, 783, 801	1001117172 593	1001135679.....307, 313, 351, 357
1001096398157	1001110425 279, 293, 297, 321, 330, 337, 341, 474, 477, 490	1001117174 585, 589, 593, 954	1001136104.....493
1001097051901	1001110434 585, 589	1001117294 960	1001136590.....515, 517
1001097150.....799, 801	1001110500 527	1001117308 287, 307, 313, 329, 351, 357, 954, 955	1001136667.....47
1001097242.....33, 35, 41, 43, 677	1001110501 527	1001117372 657	1001136668.....51
1001097244651	1001110872 787, 789	1001118133 139	1001136669.....53
1001097822.....503, 505, 507, 509	1001110873 457, 473, 481, 489, 494, 749, 755	1001118384 903	1001136670.....47, 49, 69
1001098012.....612, 619, 621	10011112551 919	1001118388 903, 905	1001136834.....287, 307, 313, 329, 351, 357
1001098122.....593, 877	1001112588 443, 451	1001119020 245, 795, 875, 877	1001137005.....962
1001098149619	1001112589 443, 449, 451	1001119561 959	1001137276.....351, 357
1001098503.....51, 53, 75	1001112612 795, 875	1001119619 897	1001137364.....163, 171, 179, 187, 191, 589
1001098828523	1001112796 245, 795	1001119620 899, 901	1001137440.....961
100109919633, 41	1001113790 729	1001119968 491, 863	1001137673.....607, 956
1001099366637, 639	1001113818 729	1001120328 607, 609	1001137853.....232, 236
1001099367637, 639	1001113961 875	1001120471 651	1001137854.....232, 236
100109938733, 41, 43	1001113984 ... 47, 49, 51, 53, 65	1001120477 651	1001137860.....237
100109939193, 95, 97, 99	1001114042 960	1001120484 651	1001137863.....135, 137, 139
1001099572961	1001115391 481	1001120989 938, 942	1001137865.....135
1001099835527	1001115392 485	1001121592 962	1001137866.....280, 293, 297, 321, 337, 341, 494
1001099869449	1001115405 443	1001121593 962	1001137868.....279, 293, 297, 321, 337, 341, 372, 376
100110012047, 49, 73	1001115406 451	1001125229 960	1001137873.....283, 301, 303, 325, 345, 347
1001100234449	1001115409 449	1001125230 960	1001137874.....283, 301, 303, 325, 345, 347
1001100321449, 451	1001115889 199	1001125387 938, 941	1001137875.....232, 236
1001100341879	1001115915 199	1001125492 115	1001137876.....224, 228, 232, 236
1001100342765, 881, 883	1001115918 199	1001126009 903	1001137878.....232, 236
1001100345771, 885, 887	1001115967 199	1001126351 842, 845, 850	1001137879.....232, 236
1001100346783, 893, 895	1001116208 938, 942	1001126352 845	1001137880.....279, 293, 297, 321, 337, 341
1001100347777, 889, 891	1001116692 797	1001126356 845	1001137881.....279, 293, 297, 321, 337, 341
1001100397771	1001116694 875	1001126357 845	1001137882.....279, 293, 297, 321, 337, 341
1001100398777	1001116710 857	1001126362 841, 846, 849	1001137885.....125
1001100399783	1001116720 905	1001126363 841, 846, 849	1001137886.....232, 236
1001100401765	1001116727 841, 845, 865	1001126364 841, 842, 846, 849	1001137891.....219
1001100825379, 381, 421	1001116728 841, 845	1001126365 841, 846	
1001101421637, 639	1001116774 795	1001126366 841, 846	
1001101422637	1001116808 795	1001126384 845	
1001102647639	1001116812 841, 849	1001126391 841, 846, 849	
1001103012909	1001116815 245, 842, 850	1001126392 841, 846, 849	
1001103308159, 163, 167, 171, 175, 179, 183, 187, 191	1001116844 927, 959	1001126485 842, 850	
	1001116845 927	1001126487 842, 850	
	1001116846 925, 937, 941	1001127095 938, 941	
	1001116847 927	1001128527 625	
	1001116848 927	1001128556 625	
		1001128901 385, 391	
		1001129858 457	

SECTION 11 - SPECIAL OPTIONS

1001137892 219, 221	1001141300..... 938, 942	1001144433..... 607	1001150890 431
1001137895 109	1001141302..... 938, 942	1001144629..... 549, 551,	1001150915 269, 273
1001137896 125	1001141304..... 287, 307,	553, 555, 571, 573	1001150918 253, 255,
1001138110 845	313, 329, 351, 357	1001145047..... 279, 293,	298, 342, 376
1001138111 845	1001141370..... 287	298, 321, 337, 341	1001150998 268, 272
1001138113 845	1001141585..... 287, 307,	1001145154..... 308, 314,	1001151010 145
1001138170 307, 313,	313, 351, 357, 385, 391	330, 352, 358	1001151070 249, 251,
351, 357	1001141693..... 268, 272	1001145227 489	253, 255
1001138173 287, 307,	1001141694..... 268, 272,	1001145292 125	1001151078 269, 273
313, 329, 351, 357,	329	1001145330..... 474, 478,	1001151206 269, 273
385, 391	1001141870..... 365, 367	490	1001151251 268, 272
1001138175 287, 307,	1001141995..... 287, 307,	1001145405..... 612, 619	1001151252 431
313, 351, 357, 385, 391	313, 329, 351, 357,	1001145706..... 153, 155	1001151253 429
1001138228 287, 307,	385, 391	1001146368..... 268, 272,	1001151268 131, 135,
313, 329, 351, 357	1001142501..... 279, 293,	275	139, 141
1001138248 287, 307,	298, 337, 341, 365,	1001146588..... 280, 287	1001151349 727
313, 329, 351, 357,	367, 423, 427	1001147067 59	1001151358 694, 698
385, 391	1001142504..... 960	1001147068 61	1001151364 686
1001138436 515, 517	1001142505..... 960	1001147264 842, 845,	1001151365 686
1001138491 279, 293,	1001142538..... 307, 313,	850	1001151379 959
297, 322, 337, 342, 857	351, 357	1001148138..... 445	1001151380 959
1001138494 559, 561,	1001142615..... 307, 313,	1001148161 33	1001151542 527
563, 565, 571, 573,	351, 357	1001148162. 41, 595, 597	1001151584 79, 81
575, 577	1001142623..... 351, 357	1001148163 595	1001151586 527
1001138514 559, 561,	1001142635..... 307, 313,	1001148164 43, 597	1001151856 846, 849
563, 565, 575, 577	351, 357	1001148165 35	1001151897 79
1001138557 307, 313,	1001142643..... 466, 470,	1001148166 597	1001151900 958
351, 357	474, 478, 490	1001148168 27	1001152046 81
1001138565 461	1001142645..... 478	1001148169 21	1001152049 81
1001138566 457, 461,	1001142646..... 474, 490	1001148170 31	1001152066 131
465, 469, 473, 477	1001142683..... 213, 215,	1001148171 21, 27, 29	1001152070 139
1001138827 288, 308,	955	1001148172 31	1001152127 515, 517
314, 329, 351, 357	1001142689..... 351, 357	1001148178 35, 43	1001152172 149
1001139099 960	1001142736..... 213, 215,	1001148652 515, 517	1001152181 115
1001139135 585, 589,	795	1001148675 787, 789	1001152234 115
797	1001142938..... 835, 845,	1001148841 855	1001152249 515
1001139240 307, 313,	849	1001148842 855	1001152266 911
330, 351, 357	1001142940..... 835, 841,	1001148902 959	1001152325 239
1001139357 457, 461	845, 849	1001148903 959	1001152340 958
1001139409 307, 313,	1001142941..... 835, 841,	1001148904 959	1001152355 527
351, 357, 437, 439	842, 846, 849	1001148905 959	1001152428 131, 133
1001139429 307, 313,	1001143390..... 268, 273,	1001148906 959	1001152429 483, 486,
351, 357	287, 307, 313, 329,	1001149160..... 385, 391,	867
1001139654 938, 941	351, 357	403	1001152457 458, 474
1001139819 269, 273	1001143726..... 307, 313,	1001149452 427	1001152489 287, 308,
1001139956 457	352, 358, 845	1001149639..... 385, 391	314, 329, 352, 358
1001139957 461	1001143765..... 153, 155	1001149703 429	1001152491 694, 702
1001140312 313, 358	1001143766..... 153, 155	1001149704 269, 273	1001152499 698, 706
1001140346 473	1001143797..... 287, 307,	1001149705 269, 273	1001152525 482, 486,
1001140347 465, 469,	313, 329, 351, 357	1001149706 269, 273	490, 494
477	1001143812..... 151, 153,	1001149793 269, 273	1001152527 686, 694,
1001140416 686	155	1001149818 907	698
1001140418 694	1001143852..... 938, 942	1001149927 121	1001152530 458, 474
1001140420 698	1001143907..... 287, 307,	1001150158..... 259, 261,	1001152532 458, 462,
1001140429 557, 559,	313, 352, 357	268	466, 470, 474, 478, 859
561, 563, 565, 571,	1001144041..... 109, 111	1001150179..... 263, 265,	1001152557 224, 228,
573, 575, 577	1001144147..... 245	272	232, 236
1001140449 686, 694,	1001144409..... 287, 307,	1001150391 121	1001152561 .. 97, 99, 105
698	314, 329, 352, 358	1001150569 87	1001152565 529, 531,
1001140451 694, 702	1001144410..... 287, 308,	1001150570 85	533, 535, 537
1001140454 307, 313,	314, 330, 352, 358,	1001150571 83	1001152619 711
330, 351, 357	385, 391	1001150612 709, 711	1001152620 709
1001140455 694, 702	1001144411..... 287, 308,	1001150714 719	1001152635 711
1001140456 698, 706	314, 330, 352, 358,	1001150715 715, 719,	1001152636 709, 711
1001140458 698, 706	385, 391	723	1001152637 709, 711
1001140564 288, 308,	1001144412..... 287, 308,	1001150717 719, 723	1001152639 503, 505,
314, 329, 351, 357	314, 330, 352, 358	1001150718 719	507, 509

SECTION 11 - SPECIAL OPTIONS

1001152731.....709	1001156892..... 917, 919, 921, 923, 925, 927, 929, 931, 933, 935	1001165366 803	1001176225.....308, 314, 352, 358
1001152771.....959	1001156988 923	1001165388 329	1001176226.....308, 314, 352, 358
1001152887...93, 95, 101	1001157013 959	1001165405 329	1001176296.....207
1001152965.....961	1001157520..... 482, 486, 490, 494	1001165406 329	1001176329.....385, 391
1001153197.....458, 462, 466, 470, 865	1001157521..... 482, 486, 490, 494	1001165551 805	1001176469.....167, 172, 176, 180
1001153259.....474, 478	1001157525..... 485, 486	1001165552 815, 821	1001176511.....308, 314, 352, 358
1001153260.....458, 474	1001157528..... 482, 486, 490, 494	1001165553 817	1001176636.....519, 545
1001153322.....811, 813	1001157592..... 481, 482, 490, 494	1001165554 807	1001176666.....155
1001153636.....461, 466, 470, 478, 759, 763, 765, 769, 771, 775, 777, 781, 783	1001157604 149	1001165555 819, 823	1001176667.....155
1001154405.....280, 294, 298, 322, 337, 342, 365, 367, 423, 427	1001157769 483, 486	1001165556 809	1001176723.....308, 314, 352, 358
1001155043.....159, 163, 167, 171, 175, 179, 183, 187, 191	1001157770 491	1001165557 825	1001176862.....787
1001155044.....159, 163, 167, 171, 175, 179, 183, 187, 191, 585, 589	1001158007..... 482, 486, 490, 494	1001165741 237	1001177038.....437, 441
1001155045.....159, 163, 167, 171, 175, 179, 183, 187, 191, 585, 589, 956	1001158008..... 482, 486, 490, 494	1001165842 352, 358	1001177043.....437
1001155093.....503, 505, 507, 509	1001158363..... 458, 474	1001165849 287, 308, 314	1001177090.....153, 155
1001155094.....503, 505, 507, 509	1001158720 149	1001166394 225, 229, 233, 237	1001177359.....287, 308, 314, 330, 352, 358
1001155096.....503, 505, 507, 509	1001158810..... 503, 505, 507, 509	1001166718 287, 329, 433, 435, 441	1001177399.....439
1001155097.....503, 505, 507, 509	1001159118..... 787, 789, 954	1001166960 960	1001177694.....960
1001155267.....539	1001159119..... 787, 789	1001167041 352, 358	1001178223.....287, 308, 314, 352, 358
1001155379.....686	1001159120..... 787, 789	1001167565 523	1001178512.....147
1001155399.....539, 541	1001159121 789	1001167567 523	1001178788.....329
1001155574.....33, 35, 41, 43	1001159186 875	1001167596 523	1001178789.....127, 129
1001155669.....715, 719, 723	1001159256..... 585, 589, 956	1001167632 849	1001178876.....352, 358
1001155670.....715, 719, 723	1001159323 923	1001167635 842, 850	1001179154.....482, 490, 494
1001155671.....715, 719, 723	1001160074 201	1001168018 287, 329, 385, 391, 433, 435, 441	1001179156.....157
1001155672.....715, 719, 723	1001160077 211	1001168099 329	1001179837.....445
1001155673.....715, 719, 723	1001160272 747	1001168402 523	1001180001.....445
1001155675.....715, 719, 723	1001160598..... 225, 229	1001168950 330	1001180052.....446
1001155677.....715, 719, 723	1001160961 225, 229	1001169054 287, 308, 314, 329, 352, 358, 385, 391	1001180287.....445
1001155678.....715, 719, 723	1001160963..... 225, 229, 233, 237	1001169384 519, 545	1001180620.....287, 308, 314, 329, 352, 358, 385, 391
1001155823.....280, 294, 298, 322, 338, 342	1001160964..... 233, 237	1001169610 225, 229, 419	1001180861.....938, 942
1001156107.....287	1001161027..... 225, 229	1001169967 330	1001181045.....799, 954
1001156489.....811, 813	1001161030..... 714, 718, 722	1001170035 330, 385, 391	1001181046.....801, 954
1001156490.....811, 813	1001161036..... 714, 718, 722	1001170764 841, 850	1001181148.....960
1001156501.....503, 507, 515	1001161038 690	1001171018 961	1001181243.....446
1001156502.....515	1001161039 702	1001171126 473	1001181895.....314, 358, 391
1001156891.....917, 919, 921, 923, 925, 927, 929, 931, 933, 935	1001161040 706	1001171131 787	1001181899.....308, 314, 352, 358
	1001161417 525	1001171268 477	1001182361.....842, 850
	1001161709..... 586, 590	1001171403 846	1001182365.....842, 850
	1001161761..... 79, 81	1001172045 958	1001182599.....960
	1001162335..... 308, 314, 352, 358, 367	1001172064 835, 849	1001182806.....205
	1001162828..... 515, 517	1001172065 835, 849	1001182906.....419
	1001163131 637, 639	1001172271 541, 956	1001182997.....131, 133, 135, 137, 139
	1001163599..... 445, 473, 478, 489	1001172535 719	1001183924.....151, 153, 155, 157
	1001164281..... 225, 229, 233, 237	1001172760 585, 589	1001184618.....586, 590, 917, 919, 921, 923, 925, 927, 929, 931, 933, 935
	1001165035..... 280, 294, 298, 322, 329, 338, 342, 384, 390	1001172793 280, 294, 298, 322, 338, 342	1001184626.....586, 590
	1001165350..... 803, 805, 807, 809, 815, 817, 819, 821, 823, 825	1001173535 386, 392	1001184682.....203
		1001174040 523	1001184881.....57
		1001174486 372, 376	1001185030.....19, 23, 25
		1001175632 466, 470	1001185281.....585, 589
		1001176012 345, 350	1001186333.....567
		1001176013 338, 345	
		1001176014 337	
		1001176015 347, 356	
		1001176016 342, 347	
		1001176017 341	

SECTION 11 - SPECIAL OPTIONS

1001186334 569	1001197017..... 629, 631, 633, 635	1001214515..... 961	1001217183 385, 391
1001186375 559	1001197408..... 938, 942	1001214540..... 961	1001217184 379, 381
1001186377 561	1001197719..... 841, 850	1001214548..... 961	1001217185 385, 392
1001186379 563	1001199784..... 425	1001214552..... 961	1001217186 385, 392
1001186382 565	1001200120..... 938, 942	1001214559..... 961	1001217187 493
1001186383 555	1001200121..... 938, 942	1001214561..... 961	1001217188 453
1001186384 553	1001200122..... 938, 942	1001214562..... 961	1001217418 372, 377
1001186386 551	1001200124..... 938, 942	1001214570..... 791, 793	1001217419 373, 377
1001186387 549	1001200125..... 938, 942	1001214571..... 791, 793	1001217420 373, 377
1001186426 287, 386, 392	1001200126..... 938, 942	1001214683..... 466, 470	1001217421 373, 377
1001186431 607, 955, 961	1001200127..... 938, 942	1001214747..... 61	1001217422 373, 377
1001186432 903, 905	1001200234..... 961	1001214748..... 61	1001217543 386, 392
1001186517 607	1001200491..... 523	1001214827 403	1001217567 937, 941
1001186542 406, 414	1001200494..... 523	1001214984..... 960	1001217645 372, 377
1001187382 523	1001200497..... 875	1001215016..... 853	1001217780 519, 521, 545
1001187383 523	1001201351..... 523	1001215091..... 853	1001217832 958
1001187674 605	1001201885..... 875, 877	1001215142..... 372, 377	1001218022 959
1001187681 897	1001202280..... 425	1001215228..... 585	1001218362 386, 392
1001187781 384, 390	1001202281..... 425	1001215384..... 403	1001218393 157
1001188467 225, 229, 233, 237	1001202368..... 439	1001215413..... 379, 384	1001218394 157
1001188622 523	1001202687..... 523	1001215534..... 853	1001218395 157
1001188844 523	1001202749..... 960	1001215647..... 385, 391	1001218449 386, 392
1001188874 159, 163, 167, 172, 176, 180, 183, 187, 191	1001203495..... 308, 314, 352, 358	1001215681..... 385, 391	1001218547 221
1001188884 425	1001203655..... 567	1001215899..... 385, 391	1001218548 221
1001188887 425	1001203656..... 569	1001215974..... 385, 391	1001218599 386, 392
1001188890 727	1001204296..... 960	1001216015..... 445	1001218600 386, 392
1001188891 727	1001204325..... 288, 308, 314, 352, 358	1001216065..... 403	1001218622 745
1001188952 259, 263, 283, 325, 345, 347, 406	1001204491..... 352, 358	1001216071..... 403	1001218623 745
1001188953 379, 381, 414	1001204725..... 523	1001216075..... 385, 391	1001218638 377
1001188954 249, 259	1001204884..... 958	1001216086..... 385, 391	1001218930 494
1001188955 253, 263	1001204924..... 960	1001216092..... 385, 391	1001219071 381, 390
1001188963 249	1001205051..... 308, 314, 330, 351, 357	1001216144..... 403	1001219072 377, 381
1001188964 253	1001205958..... 773, 779, 785	1001216160..... 421	1001219073 376
1001188972 253, 255, 298, 342, 377	1001206476..... 791, 793	1001216204..... 385, 391	1001219445 386, 392
1001189001 523	1001206477..... 961	1001216205..... 385, 391	1001219448 386, 392
1001189002 523	1001206532..... 586, 590	1001216212..... 853	1001219454 288, 386, 392
1001189666 718	1001207345..... 59	1001216213..... 853	1001219456 288, 386, 392
1001189668 714	1001207346..... 59	1001216300..... 399	1001219457 157
1001189979 287, 385, 391	1001207969..... 529, 531, 533, 535	1001216390..... 494	1001219458 157
1001190884 961	1001208994..... 523, 529, 531, 533, 535	1001216391..... 454	1001219473 93, 529
1001190985 523	1001209059..... 961	1001216393..... 391	1001219474 97, 531
1001191395 960	1001209432..... 793	1001216531..... 386, 392	1001219476 95, 533
1001191610 385, 391	1001209474..... 793	1001216532..... 379, 381	1001219478 99, 535
1001191620 288, 329	1001209629..... 960	1001216533..... 379, 381	1001219601 160, 164, 168, 172, 176, 180, 184, 188, 192
1001193018 753, 759, 761, 763, 765, 767, 769, 771, 773, 775, 777, 779, 781, 783, 785	1001209664..... 607	1001216534..... 379, 381	1001219630 454
1001194197 773	1001210026..... 961	1001216535..... 379, 381	1001219632 453
1001194198 779	1001210448..... 395, 403	1001216536..... 421	1001220215 421
1001194200 785	1001210636..... 651	1001216619..... 399	1001220266 280
1001194203 761	1001211794..... 403	1001216630..... 523	1001220379 845
1001194204 767	1001212223..... 489	1001216768..... 403	1001220404 399
1001194365 753	1001213447..... 877	1001216769..... 403	1001220510 938, 942
1001195304 960	1001213584..... 757	1001216910..... 385, 391, 403	1001220511 938, 942
1001196382 435, 493	1001213585..... 757	1001216911..... 372, 379	1001220512 938, 942
1001196634 369	1001213655..... 743	1001216912..... 372	1001220864 938, 942
	1001213810..... 403	1001216919..... 385, 391	1001221203 329
	1001213882..... 585, 589	1001216951..... 385, 391	1001221212 329
	1001214095..... 743	1001216995..... 385, 391	1001221397 421
	1001214096..... 743	1001217032..... 385, 391	1001221464 379, 381
	1001214396..... 791	1001217046..... 385, 391	1001221488 372, 376
	1001214478..... 961	1001217082..... 385, 391	1001221498 494
		1001217089..... 385, 391	1001221545 403
		1001217090..... 385, 391	1001221613 722
		1001217146..... 385, 391	
		1001217170..... 379, 381	
		1001217174..... 385, 391	
		1001217175..... 385, 391	

SECTION 11 - SPECIAL OPTIONS

1001221615.....386, 392	1001230635..... 288, 308, 314, 329, 351, 357	1001238319..... 605	1001248140..... 641, 643, 645, 647, 649
1001221621.....157	1001230934..... 842, 850	1001238418..... 609, 903	1001248141..... 641, 643, 645, 647, 649
1001222033.....386, 392	1001230935..... 842, 850	1001238421..... 523	1001248434.....288
1001222641.....403	1001230936..... 842, 850	1001238463..... 647	1001248477.....308, 314
1001222665.....322	1001231007..... 203, 205, 913	1001238472..... 609	1001248480.....308, 314
10012223042.....385, 391	1001231180..... 627	1001238495..... 607	1001249045.....288
10012223055.....917	1001231183..... 627	1001238559..... 609	1001249052.....962
10012223453.....917, 929	1001231235..... 627	1001238671..... 603	1001249095.....875
10012223459.....842, 846, 849	1001231676..... 57	1001238673..... 197	1001249232.....288
10012223584.....386, 392	1001231677..... 57	1001238732..... 197, 603	1001249234.....288
10012223899.....519, 545	1001231678..... 57	1001238825..... 962	1001249261.....288
10012223923.....385, 391	1001231801..... 937, 941	1001238895..... 959	1001249448.....151
10012223971.....929	1001231886..... 205	1001239202..... 841, 849	1001249449.....151
10012224048.....933	1001231949..... 649	1001239291..... 111	1001249695.....958
10012224049.....935	1001231950..... 645, 647	1001239346..... 203	1001249705.....288
10012224050.....925	1001232010..... 645, 647, 649	1001239617..... 960	1001249771.....279
10012224051.....927	1001232011..... 645, 647, 649	1001241384..... 205	1001249941.....958
10012224053.....931	1001232164..... 605	1001241398..... 197, 603	1001249942.....351, 357, 361
10012224419.....386, 392	1001232165..... 605	1001241406..... 960	1001249965.....308, 314, 317
10012224486.....386, 392	1001232642..... 609	1001241547..... 961	1001249986.....433
10012224489.....386, 392	1001232667..... 609, 956	1001241548..... 961	1001250035.....961
10012224927.....709, 711	1001232842..... 369	1001241578..... 249, 251, 253, 255	1001250465.....962
10012225346.....791, 793, 956	1001232880..... 527	1001241965..... 609	1001250466.....962
10012225430.....317, 955	1001233047..... 958	1001242251..... 213	1001250595.....962
10012225431.....955	1001233237..... 958	1001242252..... 215	1001250607.....288
10012225510.....386, 392	1001233763..... 298, 342, 369	1001242409..... 958	1001251004.....503, 505, 507, 509, 669
10012225580.....607, 905	1001233959..... 195, 601	1001243184..... 958	1001251006.....511, 513, 681
10012226400.....827, 829, 831, 833	1001234800..... 850	1001243539..... 917	1001251007.....515, 517, 679
10012226529.....791	1001235948..... 224, 228, 236	1001243597..... 960	1001251012.....519, 545, 665
10012226531.....793	1001235949..... 288, 365	1001243634..... 929	1001251042.....503, 505, 507, 509, 663
10012226541.....245	1001236087..... 603	1001243637..... 935	1001251051.....503, 505, 507, 509, 659
10012226872.....557	1001236091..... 195, 197	1001243640..... 921	1001251052.....503, 505, 507, 509, 673
10012227309.....749, 751	1001236303..... 111	1001243642..... 931	1001251131.....288
10012227310.....751	1001236304..... 793	1001243647..... 925	1001252033.....959
10012227472.....958	1001236375..... 791	1001243648..... 927	1001252034.....959
10012227633.....605	1001236376..... 791	1001243895..... 369	1001252082.....233
10012227634.....605	1001236377..... 791	1001244191..... 933	1001252332.....937
10012227666.....386, 392	1001236378..... 791	1001244322..... 937, 941	1001252521.....294, 298, 322
10012227667.....386, 392	1001236504..... 793	1001244329..... 919	1001252527..... 842, 850
10012227769.....403	1001236552..... 609	1001245477..... 937, 941	1001252627.....945, 947
10012227772.....403	1001236746..... 649	1001245913..... 288, 855	1001252628.....627
10012227985.....605	1001236747..... 645	1001246142..... 958	1001252629..... 641, 643, 645, 647, 649
10012227987.....605	1001236816..... 209	1001246522..... 958	1001253100.....232
10012227996.....899, 901	1001236891..... 641, 643, 645, 647, 649	1001246523..... 958	1001253618.....959
1001228004.....667	1001236895..... 641, 643, 645, 647, 649	1001246590..... 303, 312	1001253619.....959
1001228042.....661	1001236951..... 960	1001246593..... 301, 306	1001253805.....151
1001228215.....557	1001237546..... 195	1001246813..... 288	1001253806.....151
1001228224.....605, 956	1001237667..... 875, 877	1001246859..... 909	1001253873.....841
1001228225.....605, 955	1001237668..... 875, 877	1001247029..... 288	1001253920.....917
1001228243.....573	1001237862..... 899, 901	1001247073..... 961	1001253921.....917
1001228375.....577	1001237863..... 605, 901	1001247097..... 503	1001253922.....929
1001228376.....571	1001237864..... 605, 899	1001247098..... 507	1001253923.....929
1001228377.....575	1001237865..... 605, 897	1001247105..... 308, 314	1001253924.....933
1001228506.....308, 314	1001237882..... 959	1001247146..... 503, 505, 507, 509, 519, 545	1001253925.....933
1001228577.....962	1001237883..... 959	1001247178..... 435	
1001228946.....958	1001237884..... 605, 899	1001247338..... 960	
1001228988.....625, 949, 951	1001237885..... 605, 897	1001247358..... 145, 147	
1001229107.....958	1001237886..... 605, 899	1001247359..... 376, 386, 392	
1001229341.....605	1001237887..... 959	1001247468..... 523, 955	
1001229530.....875	1001237888..... 959	1001247564..... 308, 314	
1001229542.....330	1001237889..... 959	1001247570..... 958	
1001229810.....115, 118	1001237947..... 288	1001247676..... 308, 314	
1001229935.....960	1001238263..... 641, 643, 645, 647, 649	1001247714..... 288	
		1001247716..... 288	

SECTION 11 - SPECIAL OPTIONS

1001253926..... 925	1001263356..... 164, 188, 192	1001269815..... 694	1001276143..... 160, 164, 168, 172, 176, 180, 184, 188, 192, 909
1001253927..... 925	1001263357..... 180	1001269816..... 694	1001276610..... 958
1001253930..... 935	1001263365..... 163	1001269817..... 698	1001276645..... 288, 841
1001253931..... 935	1001263366..... 187	1001269818..... 698	1001276661..... 153
1001253932..... 931	1001263367..... 191	1001269819..... 698	1001276664 ... 33, 35, 41, 43
1001253933..... 931	1001263368..... 179	1001269820..... 686	1001276697..... 153
1001253934..... 927	1001263395..... 962	1001269821..... 686	1001276923..... 958
1001253935..... 927	1001263587..... 589	1001269822..... 686	1001277590..... 288, 291
1001253936..... 921	1001263588..... 583, 589	1001269823..... 690	1001277595..... 283, 286
1001253937..... 921	1001263923..... 837, 839, 853	1001269824..... 690	1001277602..... 280, 283
1001254472..... 609	1001264239..... 583	1001269825..... 690	1001277840..... 962
1001254473..... 609	1001265163..... 651	1001269826..... 702	1001277848..... 962
1001254499..... 241	1001265342..... 651	1001269827..... 702	1001278329..... 288
1001254738..... 241	1001265378..... 958	1001269828..... 702	1001280270..... 330
1001254769..... 241	1001265493..... 269, 273	1001269829..... 706	1001280403..... 160, 164, 184, 188, 192
1001255133..... 523	1001265538..... 29	1001269830..... 706	1001280600..... 159, 163, 167, 171, 175, 179, 183, 187, 191
1001255413..... 151	1001265676..... 960	1001269831..... 706	1001281192..... 288
1001255418..... 435	1001266056..... 961	1001269861..... 288	1001281298..... 497, 499
1001255419..... 433	1001266069..... 581, 585	1001270482..... 960	1001281301..... 497, 499
1001255425..... 465	1001266073..... 581	1001270516..... 959	1001281304..... 497, 499
1001255777..... 241	1001266098..... 961	1001270594..... 211	1001281305..... 497, 499
1001255901..... 875	1001266165..... 541	1001271642..... 961	1001281307..... 497, 499
1001255961..... 525	1001266284..... 961	1001271760..... 961	1001281309..... 497, 499
1001256181..... 29, 657	1001266290..... 960	1001271794..... 160, 164, 168, 172, 176, 180, 184, 188, 192	1001281311..... 497, 499
1001256385..... 958	1001266468..... 171	1001271888..... 961	1001281359..... 497, 499
1001256506..... 846	1001266489..... 961	1001272085..... 959	1001281360..... 497, 499
1001256879..... 280	1001266648..... 586, 590, 877	1001272166..... 960	1001281496..... 505
1001257271..... 641, 643	1001266799..... 961	1001272178..... 961	1001281497..... 505, 509, 513
1001257274..... 641, 643	1001266801..... 961	1001272182..... 961	1001281498..... 513
1001257275..... 643	1001266807..... 961	1001272198..... 959	1001281527..... 513
1001257972..... 495, 869	1001266829..... 541	1001272274..... 961	1001281544..... 505, 509, 517
1001258005..... 643	1001266873..... 159	1001272546..... 63	1001281545..... 517
1001258112..... 330, 333	1001266874..... 168	1001272547..... 63	1001281567..... 517
1001258140..... 960	1001266876..... 160, 184	1001272681..... 213	1001281656..... 497, 499
1001258252..... 288	1001266878..... 176	1001272682..... 215	1001281985..... 330
1001258377..... 233	1001266897..... 183	1001272784..... 923	1001281986..... 330
1001258505..... 427	1001266899..... 175	1001274219..... 131, 133, 135, 137, 139	1001282099..... 958
1001258800..... 288	1001266900..... 167	1001274249..... 962	1001282106..... 195, 601
1001258951..... 962	1001266969..... 961	1001274526..... 133, 137, 143	1001282215..... 960
1001259484..... 322, 325	1001267311..... 917, 919, 921, 923, 925, 927, 929, 931, 933, 935	1001274559..... 159, 585, 589	1001282461..... 962
1001259486..... 321	1001267885..... 921	1001274829..... 961	1001282827..... 133
1001259642..... 541	1001268736..... 960	1001274830..... 961	1001282828..... 137
1001260070..... 541	1001268820..... 612, 615, 617, 623	1001274832..... 961	1001283776..... 211, 243
1001260316..... 322, 423	1001269187..... 961	1001274833..... 960	1001284101..... 497
1001260317..... 423	1001269322..... 612, 615, 617, 625	1001274993..... 330	1001284510..... 962
1001260319..... 427	1001269389..... 961	1001274994..... 330	1001284582..... 601
1001260320..... 427	1001269573..... 612, 615, 617, 625	1001274996..... 330	1001284583..... 601
1001260412..... 288, 308, 314, 352, 358	1001269629..... 959	1001274997..... 330	1001284682..... 917, 919, 921, 923, 925, 927, 929, 931, 933, 935
1001260413..... 288, 308, 314, 352, 358	1001269630..... 959	1001274998..... 325, 328	1001284737..... 725
1001260597..... 330	1001269631..... 959	1001275117..... 441	1001284763..... 373
1001260601..... 937	1001269655..... 962	1001275149..... 211, 213, 215	1001284919..... 159, 163, 167, 171, 175, 179, 183, 187, 191, 911
1001260654..... 280	1001269805..... 715, 719, 723	1001275628..... 585, 589, 954	1001284960..... 131, 133, 135, 137
1001260680..... 519, 545	1001269806..... 723	1001275629..... 585, 589, 954	1001284961..... 139
1001260937..... 589	1001269807..... 719, 723	1001275642..... 962	
1001261003..... 503, 505, 507, 509, 671	1001269809..... 715	1001275644..... 962	
1001261045..... 288	1001269810..... 715	1001276007..... 958	
1001261085..... 288	1001269812..... 719	1001276008..... 958	
1001261335..... 641	1001269814..... 694		
1001261338..... 641			
1001262016..... 962			
1001262219..... 330			
1001262870..... 330			
1001262959..... 962			
1001263355..... 172			

SECTION 11 - SPECIAL OPTIONS

1001285346.....160, 164, 168, 172, 176, 180, 184, 188, 192, 875	1001297391 168, 172, 176, 180	1671093 612, 617, 747	1703927.....933
1001285349.....497	1001311034..... 609	1671314 589	1703935.....935
1001285378.....160, 164, 168, 172, 837	1060341 ... 629, 631, 633, 635	1684290 655	1703936.....929
1001285636.....499	1060343 482, 490, 494	1684418 37, 39, 675	1703937.....927
1001285801.....160, 164, 168, 172, 176, 180, 184, 188, 192	1060379 627	1684465 ... 23, 25, 27, 31, 655	1703938.....931
1001286030.....176, 180, 184, 188, 839	1060584 89	1700818 937, 941	1703939.....933
1001286031.....192, 853	1060626 ... 253, 255, 297, 341, 376	1701435 923	1703941.....935
1001286568.....329	1060637 ... 249, 251, 253, 255, 283, 301, 303, 325, 345, 347, 379, 381	1701505 ... 249, 251, 253, 255, 279, 293, 297, 321, 337, 341	1703942.....929
1001286622.....211, 245	1060903 ... 629, 631, 633, 635	1701509 ... 637, 639, 917, 919, 921, 923, 925, 927, 929, 931, 933, 935	1703943.....925
1001287016.....251	1060908 799, 801	1701518 919, 923	1703944.....931
1001287017.....251, 261	1060918 593	1701529 ... 917, 919, 921, 923, 925, 927, 929, 931, 933, 935	1703945.....933
1001287018.....261, 265, 301, 303, 409	1061033 ... 803, 805, 807, 811, 813, 815, 817, 819, 821, 823, 825	1701542 372, 376	1703947.....935
1001287021.....409, 411	1062255 286	1701543 372, 376	1703948.....929
1001287022.....255	10702077 . 482, 486, 490, 494	1702265 917	1703949.....925
1001287023.....256, 265	10702082 . 482, 486, 490, 494	1702271 931	1703950.....931
1001287033.....293	10836804 . 159, 163, 167, 172, 175, 180, 183, 187, 191	1702565 585, 589	1703951.....933
1001287034.....294, 301	1120304 35, 45	1702566 585, 589	1703953.....917
1001287035.....297	1120460 37, 39	1702567 585, 589	1703980.....931
1001287036.....298, 303	1120555 637, 639	1702617 935	1703981.....933
1001287467.....159, 163, 167, 171, 175, 179, 183, 187, 191	1260017 123, 125	1702720 937, 941	1703982.....925
1001287536.....497, 499	1320016 268, 272	1702773 ... 567, 569, 923, 937, 941	1703983.....935
1001287552.....499	1320022 ... 249, 251, 253, 255, 279, 293, 297, 321, 337, 341, 425	1702774 937, 941	1703984.....929
1001287643.....329, 335	1320061 ... 293, 297, 321, 338, 342	1702788 937, 941	1703987.....933
1001288103.....330	1320110 384, 390	1702860 937, 941	1703990.....929
1001288113.....497, 499	1320127 145, 147	1702861 937, 941	1704000.....929, 937, 941
1001288266.....329	1320162 ... 151, 153, 155, 157	1702868 ... 625, 627, 917, 937, 941, 945, 951	1704001.....935, 937, 941
1001288267.....335	1320177 612, 619	1702938 ... 629, 631, 633, 635	1704260.....585, 589
1001288272.....335	1320218 145, 147	1702941 ... 253, 255, 297, 341, 376	1704271.....937, 941
1001288366.....330	1320220 145, 147	1702943 ... 253, 255, 297, 341, 376	1704272.....85
1001288858.....409	1320223 ... 253, 255, 268, 272, 297, 341, 791	1702944 ... 253, 255, 297, 341, 376	1704277....917, 919, 921, 923, 925, 927, 929, 931, 933, 935
1001289288.....509	1320243 527	1703162 ... 268, 272, 286, 306, 312, 328, 350, 356, 384, 390	1704412....917, 919, 921, 923, 925, 927, 929, 931, 933, 935
1001289552.....842	1320302 ... 612, 615, 617, 625	1703479 937, 941	1704578.....83
1001289553.....842	1320314 525	1703534 714, 718, 722	1704885....917, 919, 921, 925, 927, 929, 931, 933, 935
1001289590.....469	1321283 373, 376	1703544 921	1704972.....937, 941
1001289593.....280, 835	1321716 ... 109, 111, 279, 293, 297, 321, 337, 341	1703624 929	1705014.....567, 569
1001289905.....962	1380147 ... 217, 219, 221	1703687 ... 917, 919, 921, 923, 925, 927, 929, 931, 933, 935	1705084.....919
1001289906.....962	1580012 579	1703797 917	1705090.....83
1001290282.....228	1580013 960	1703804 917	1705170.....207, 209
1001290283.....224	1670603 753	1703805 917	1705305....625, 627, 945, 947, 949, 951
1001290289.....224	1670767 ... 224, 228, 232, 236	1703811 ... 917, 919, 921, 923, 925, 927, 929, 931, 933, 935	1705325.....759, 761
1001290352.....228	1670769 811, 813	17038804 917	1705336.....917
1001290375.....960	1670824 543	17038814 ... 917, 919, 921, 923, 925, 927, 929, 931, 933, 935	1705344.....931
1001290399.....224, 225, 228, 229	1671034 ... 803, 805, 807, 809, 815, 817, 819, 821, 823, 825	1703923 935	1705345.....933
1001290481.....232	1671092 ... 482, 490, 494, 747	1703925 925	1705347.....929
1001290482.....236		1703926 931	1705351.....917
1001290483.....236			1705355.....949, 951
1001290484.....232			1705358....637, 639, 937, 941
1001290485.....232, 233, 236, 237			1705374....458, 473, 787, 789
1001290660.....330, 849			1705375....483, 491, 494
1001291401.....288			1705387....458, 474, 483, 491, 494
1001291552.....469			1705426.....931
1001292415.....938			1705427.....933
1001292417.....938			1705429.....929
1001294756.....938			1705430.....927
1001294815.....938			1705460....482, 486, 491, 494
			1705461.....486

SECTION 11 - SPECIAL OPTIONS

1705489 ... 461, 465, 469, 477, 486	2220315 ... 306, 312, 328, 350, 356	2220623.....709, 711	2720144 145, 147
1705490 945, 947	2220362 ... 686, 690, 694, 698, 702, 706	2220628....714, 718, 722, 729	2720160 612, 619
1705820 85	2220371 ... 686, 690, 694, 698, 702, 706, 709, 711, 725, 727	2220635.....729	2720340 ... 286, 306, 312, 352, 358
1705822 919, 923	2220372 ... 711, 714, 718, 722, 729	2220646....406, 409, 414, 686, 694, 698, 702, 706	2720398 268, 272
1705828 919, 923	2220373 ... 686, 690, 694, 698, 702, 706, 714, 718, 722	2220654.....727	2750532 ... 249, 251, 253, 255, 293, 297, 321, 338, 342
1705895 921	2220374 ... 714, 718, 722	2220657....715, 719, 723	2750949 149
1705896 921	2220375 ... 694, 698, 702, 706, 714, 718, 722	2220682.....157	2751362 723
1705897 921	2220376417	2220700....151, 153, 155, 157	2751396 715, 719, 723
1705898 921	2220377 ... 406, 409, 414, 686, 690, 694, 698, 702, 706, 714, 718, 722	2220711414	2751410 690, 725
1705902 921	2220379 714, 718, 722	2220738.....149, 715	2751434 725
1705903 921	2220381 714, 718, 722	2220810.....417	2752321 690
1705905 921	2220386 715, 719, 723	2220816.....425	2752341 686
1705910 935	2220409 ... 715, 719, 723	2220819....690, 702, 706	2752445 690
1705917 935	2220415 ... 686, 690, 694, 698, 702, 706, 714, 718, 722, 725, 727	2220861....694, 698, 702, 706	2752453 715, 719, 723
1705921 919, 923	2220418 145, 147	2220881.....657	2752462 ... 714, 718, 722, 725
1705961 919, 923	2220451 ... 151, 153, 155, 157, 268, 272, 414, 686, 690, 714, 718, 722	2220883....657, 661, 663, 665, 667, 669, 681	2752475 ... 686, 690, 694, 698, 702, 706
1705967 ... 921, 937, 941	2220466 714, 718, 722	2220885....657, 665, 679	2752478 719, 723
1705968 927, 937, 941	2220468 725, 727	2220886....101, 661, 663, 667, 669, 681	2752484 ... 715, 719, 723
1705969 933, 937, 941	2220472 715, 719	2220890.....655	2752497 ... 714, 718, 722
1705977 919, 923	2220473 ... 686, 690, 694, 698, 702, 706, 709, 711, 714, 718, 722, 727, 729	2220893....715, 719, 723	2752506 715, 719, 723
1705978 919, 923	2220474 694, 698, 715	2220921....714, 718, 722	2752519 715, 719, 723
1706059 937, 941	2220490 ... 715, 719, 723, 725	2220921....714, 718, 722	2752530 151, 153, 155
1706060 937, 941	2220498 714, 718, 722	2220947....406, 409, 414, 714, 718, 722	2752573 715
1706061 937, 941	2220500 ... 698, 706, 714, 718, 722	2220948....714, 718, 722	2752574 690
1706062 937, 941	2220504 ... 686, 690, 694, 698, 702, 706, 725	2220998....714, 718, 722	2752592 ... 694, 698, 702, 706
1706063 938, 941	2220507 698, 706	2220999....714, 718, 722	2752593 715, 719, 723
1706064 937, 941	2220511 714, 718, 722	2221024.....145, 147	2752600 715, 719, 723
1706098 937, 941	2220512 714, 718, 722	2221026.....709, 711	2752611 ... 686, 690, 694, 698, 702, 706
1706385 567, 569	2220513 149	2221034.....406, 409	2752620 ... 686, 690, 694, 698, 702, 706
1706593 85	2220518 149, 157	2221036....715, 719, 722	2752635 715
1706957 87	2220567 714, 718, 722	2221042....714, 718, 722	2752656 715, 719, 723
1706960 87	2220574 ... 714, 718, 722	2221053....715, 719, 723, 729	2752659 149
2030010 ... 612, 615, 617, 619, 625	2220578 ... 151, 153, 155, 157, 406, 409, 714, 719, 723	2221065....714, 718, 722	2752661 149
2060025 268, 272	2220582 ... 686, 690, 694, 698, 702, 706, 714, 718, 722	2221170.....686, 690	2752723 715, 723
2080040 ... 549, 551, 553, 555, 571, 573	2220596 ... 690, 694, 698, 702, 706, 714, 718, 722	2221176....249, 251, 253, 255, 372, 376	2752724 715, 723
2120149 ... 93, 95, 97, 99, 955	2220600 715, 719, 723	2221197....145, 147, 372, 376	2752783 715, 719, 723
2120164 93, 95, 97, 99	2220602 714, 718, 722	2230046.....149	2752910 694, 698
2120209 93, 95, 97, 99	2220603 714, 718, 722	2400060....369, 651, 867, 869, 875, 877	2752928 686, 694, 698
2120210 ... 93, 95, 97, 99, 955	2220605 714, 718, 722	2400064....867, 869, 955	2752929 ... 686, 698, 702, 706, 714, 718, 722
2180348 ... 249, 251, 253, 255, 372, 376, 386, 392, 425	2220606 ... 686, 690, 694, 698, 702, 706	2410014.....567, 569	2752939 714, 718, 722
2180387 145, 147	2220618 714, 718, 722	2420203....443, 445, 453	2752985 715, 719, 723
2180388 145, 147	2220622 ... 131, 133, 135, 137	2460048.....481, 485	2752987 714, 718, 722
2180389 145, 147	2220623 37, 686, 690, 694, 698, 702, 706	2460051.....453	2752990 714, 718, 722
2180418 ... 145, 147, 372, 376	2220628 686	2460055.....443	2752991 714, 718, 722
2180467 384, 390	2220632 ... 145, 147, 386, 392	2460056.....451	2752995 715, 719, 723
2180504 386, 392	2220633 ... 249, 251, 253, 255, 279, 293, 297, 321, 337, 341	2560136.....585, 589	2753000 723
2180832 ... 279, 293, 297, 321, 337, 341, 612, 619	2220637 ... 131, 133, 135, 137	2580024....253, 255, 297, 341, 376	2753002 719
2200222 ... 131, 133, 135, 137	2220638 686	2580062.....272	2753016 690
2220237 37, 686, 690, 694, 698, 702, 706	2220640 ... 145, 147, 386, 392	2600281....549, 551, 553, 555, 571, 573	2753017 690
2220238 686	2220642 ... 249, 251, 253, 255, 279, 293, 297, 321, 337, 341	2680433.....224, 228	2753052 715, 719, 723
2220261 ... 145, 147, 386, 392	2220643 ... 249, 251, 253, 255, 279, 293, 297, 321, 337, 341	2680434.....224, 228	2753055 714, 718, 722
2220313 ... 249, 251, 253, 255, 279, 293, 297, 321, 337, 341	2220644 ... 686, 690, 694, 698, 702, 706	2720015....286, 306, 312, 328, 350, 356	2753056 714, 718, 722
	2220648 714, 718, 722	2720058....249, 251, 253, 255, 384, 390, 425	2753132 715, 719, 723
			2753133 715, 719, 723
			2753134 714, 718, 722
			2753135 714, 718, 722
			2753187 690
			2753354 149

SECTION 11 - SPECIAL OPTIONS

2753390.....715, 719, 723	2902309..... 925, 959	775, 777, 779, 781, 783, 785	3311405....93, 95, 97, 99, 109, 111, 159, 163, 167, 171, 175, 179, 183, 187, 191, 203, 205, 224, 228, 232, 236, 249, 251, 253, 255, 259, 261, 263, 265, 268, 272, 279, 286, 293, 297, 301, 303, 306, 312, 321, 325, 328, 337, 341, 345, 347, 350, 356, 372, 376, 379, 381,457, 461, 465, 469, 473, 477, 482, 485, 489, 529, 531, 533, 535, 581, 583, 609, 753, 759, 761, 763, 765, 767, 769, 771, 773, 775, 777, 779, 781, 783, 785, 793, 917, 919, 921, 923, 925, 927, 929, 931, 933, 935
2753397....686, 694, 698, 702, 706	2902310..... 933, 959	3290505 372, 376, 449	3311501....224, 228, 232, 236, 629, 631, 633, 635
2753435.....690	2902311..... 935, 959	3290601 ... 279, 283, 286, 328, 384, 390, 403, 453, 465, 469, 493	3311505.... 47, 49, 51, 53, 224, 228, 232, 236, 253, 255, 268, 272, 306, 312, 350, 356, 481, 485, 489, 493, 525, 527, 529, 531, 533, 535, 709, 711
2753924.....686, 694, 698	2902312..... 921, 959	3290605 ... 160, 164, 168, 172, 176, 180, 184, 188, 192, 286, 372, 376, 384, 390, 612, 619	3311508.....457, 473
2753926.....694, 702	2902322..... 929, 959	3290606 ... 559, 561, 563, 565, 575, 577	3311601.... 131, 133, 135, 137, 224, 228, 585, 590, 609
2753929.....694	2902329.... 919, 923, 959	3290607 ... 213, 215, 384, 390	3311605.... 145, 149, 207, 217, 219, 224, 228, 232, 236, 249, 251, 253, 255, 268, 272, 297, 306, 312, 341, 350, 356, 365, 367, 429, 431, 437, 439, 443, 449, 451, 519, 527, 545, 567, 569, 581, 583, 612, 615, 617, 625
2753933.....725	2902395..... 959	3290801 ... 372, 376, 384, 390	3311608.....155
2753968.....714, 718, 722	2902443 ... 837, 841, 845, 849	3290805 ... 286, 328, 384, 390, 433, 435, 441, 791, 793	3311705.... 443, 445, 449, 451, 453
2754227....686, 694, 698, 702, 706	2910100..... 960	3290806 523	3311801.... 301, 303, 325, 345, 347, 445, 457, 461, 473, 477, 482, 486, 489, 539, 541
2754229....694, 698, 702, 706	2910167..... 962	3291001 ... 157, 279, 328, 384, 390, 523	3311805.... 224, 228, 232, 236, 249, 251, 253, 255, 268, 272, 379, 381, 429, 431
2754231....694, 698, 702, 706	2910477..... 958	3291005 ... 153, 286, 306, 312, 328, 352, 358, 384, 390, 523, 791	3312002.... 115, 641, 643, 645, 647, 649
2754235.....690	2915228..... 960	3291007 221	3312005..... 637, 639
2754323.....690	2920028... 629, 631, 633, 635	3291201 ... 283, 384, 390, 465, 469, 494, 523	3312205..... 637, 639
2754328.....715	2920029 ... 629, 631, 633, 635	3291202 157	3312602.... 211, 213, 215
2754329.....715, 719, 723	2920110..... 207	3291205 523	3313403.....37, 39
2754330.....715, 719, 723	2920113..... 207	3300106 ... 37, 39, 47, 49, 51, 53	3321501.... 224, 228, 232, 236
2754332.....715, 719, 723	2920129..... 877	3300151 ... 557, 559, 561, 563, 565, 571, 573, 575, 577, 612, 615, 617, 625	3322201..... 127, 129
2754731.....698, 706	2940074 ... 549, 551, 553, 555, 571, 573, 955	3300205 ... 159, 163, 167, 171, 175, 179, 183, 187, 191	
2780271.....35, 45	2940088 ... 224, 225, 228, 229, 232, 233, 236, 237	3300353 ... 159, 163, 167, 171, 175, 179, 183, 187, 191, 585, 589	
2780276.....37, 39	2940188 ... 224, 228, 232, 236	3300396 ... 458, 474, 482, 486, 490, 494	
2792630.....729	2980125..... 39	3300408 ... 159, 163, 167, 171, 175, 179, 183, 187, 191, 195, 197	
2792690.....23, 25, 725	3020017..... 45	3300430 607	
2820019.....861	3020029..... 121	3300454 ... 458, 462, 473, 477, 482, 486, 489, 709, 711	
2820031.... 443, 445, 449, 451, 453, 457, 461, 465, 469, 473, 477, 482, 486, 489, 493, 803, 805, 807, 809, 811, 813, 815, 817, 819, 821, 823, 825	3020037..... 283	3310401 ... 306, 312, 328, 350, 356	
2820035.....369	3200401 ... 268, 272, 306, 312, 350, 356, 429, 431, 437, 439	3310601 217, 219, 221	
2820078.....239	3200406 268, 272	3310801 539, 541	
2820082.....239, 241	3220103..... 419	3310805 145, 147	
2820083.....239	3250872..... 83	3311001 ... 365, 367, 482, 486, 490, 494	
2820118....827, 829, 831, 833	3251102 ... 443, 445, 449, 451, 453, 457, 461, 473, 477	3311005 ... 207, 224, 225, 228, 229, 232, 233, 236, 237, 443, 445, 449, 451, 453, 458, 474, 482, 486, 490, 493, 612, 615, 617, 619, 625	
2820247.....899, 901	3251242 ... 753, 767, 773, 779, 785	3311401 ... 199, 629, 631, 633, 635	
2840016.....219, 221	3251243 ... 443, 453, 458, 474, 482, 491, 494, 917, 925, 927, 929, 931, 933, 935		
2840018.....217	3251813..... 937, 941		
2841677.....37	3252347..... 917		
2860012.....443, 451	3252507 ... 449, 451, 763, 765, 769, 771, 775, 777, 781, 783		
2860030.... 159, 163, 167, 171, 175, 179, 183, 187, 191, 955	3252764 ... 465, 469, 481, 485, 489, 493		
2900708.... 93, 95, 97, 99	3271601 49, 155, 306, 312, 350, 356		
2900756.....709, 711	3271605 ... 286, 641, 643, 645, 647, 649		
2900770.....667, 669	3271801 ... 306, 312, 350, 356, 437, 439		
2900792.... 659, 661, 663, 665, 667, 669, 671, 681	3271805 ... 127, 129, 567, 569		
2900838.....962	3272001 33, 641, 643, 645, 647, 649		
2901273.....667	3290405 ... 211, 213, 215, 372, 376, 651, 753, 759, 761, 763, 765, 767, 769, 771, 773,		
2901285.....661			
2901443.....962			
2902065.... 268, 272, 286, 306, 312, 328, 350, 356, 401			
2902212.....637, 639			
2902217.... 612, 615, 617			
2902266.....655			
2902303.... 917, 919, 921, 923, 925, 927, 929, 931, 933, 935, 959			
2902307.....959			
2902308.....931, 959			

SECTION 11 - SPECIAL OPTIONS

3323403 35, 37, 39, 45	3520028 ... 443, 445, 451, 453	3740049.... 159, 163, 167, 171, 175, 179, 183, 187, 191, 955	3931512... 306, 312, 328, 350, 356
3331211 ... 286, 328, 433, 435, 441	3520031 ... 159, 163, 167, 171, 175, 179, 183, 187, 191	3740067.... 109, 111, 268, 272, 372, 376, 954, 955	3931620... 259, 261, 263, 265, 283, 301, 303, 325, 345, 347, 379, 381
3340764 525	3520054 ... 268, 272, 286, 308, 314, 328, 352, 358, 585, 589	3740080.... 443, 445, 449, 451, 453, 493, 955	3931628... 306, 312, 350, 356
3340765 525	3520071 637, 639	3740086..... 903, 955	3931632 384, 390
3340871 ... 511, 513, 515, 517	3520072 ... 549, 551, 553, 555, 557, 559, 561, 563, 565, 567, 569, 571, 573, 575, 577	3760133..... 515, 517	3931720 667
3340881 511, 513	3520189 486	3760170..... 89, 123, 125, 627	3931840 21
3340911 49, 51, 53	3520192 486	3790012 37, 39, 372, 376, 503, 505, 507, 509, 585, 589, 595, 597, 599	3932030 47, 49, 51, 53
3340956 637, 639	3520198 ... 549, 551, 553, 555, 557, 559, 561, 563, 565, 571, 573, 575, 577	3790152.... 259, 263, 283, 325, 345, 347, 379, 381	3932032 661
3340966 35, 39, 43	3537445 217, 219	3790158.... 47, 49, 51, 53	3940604 83
3380434 581, 583	3538758 525	3820001 917, 919, 921, 923, 925, 927, 929, 931, 933, 935, 938	3952020 115
3380558 77	3539228 527	3820020 549, 551, 553, 555, 571, 573	3960098 37, 39
3380560 77	3539877 19, 21	3841143.... 33, 35, 37, 39, 41, 43, 249, 251, 253, 255, 279, 293, 297, 321, 337, 341, 372, 376, 503, 505, 507, 509, 519, 523, 545	3960343 35, 45
3380652 960	3539923 224, 228	3841203.... 503, 505, 507, 509, 511, 513	3960389 ... 224, 228, 259, 261, 263, 265
3420372 89	3539988 239	3841258.... 19, 21, 23, 25, 27, 29, 31, 33, 35, 37, 41, 43	3960407 268, 272
3420447 89	3570270 527	3841263..... 37, 39	3960418 ... 224, 228, 232, 236
3421453 612, 619	3570277 527	3841295..... 527	3960422 ... 457, 473, 481, 489, 493, 749, 751, 755, 787, 789
3421565 89, 123	3570374 527	3841340.... 515, 517, 519, 545	3960461 207
3422326 33, 35, 41, 43	3572009 89	3841347 527	3960462 233, 237
3422327 39	3572010 89	3900054..... 567, 569	3960467 224, 228, 232
3422426 37, 39	3572011 89	3900268.... 159, 163, 167, 171, 175, 179, 183, 187, 191	3960468 268, 272
3422429 37, 39	3572012 89	3900293..... 115	3960469 268, 272
3422430 37, 39	3573400 ... 612, 615, 617, 625	3900349..... 585, 589	3980007 ... 253, 255, 297, 341, 376
3422448 ... 249, 251, 253, 255, 279, 293, 297, 321, 337, 341, 372, 376	3574091 633, 635	3910408.... 306, 312, 328, 350, 356	3990010 875, 954
3422457 515, 517	3574185 525	3910606.... 457, 473, 481, 489, 493, 755, 787, 789	4010608 612, 619
3422533 ... 259, 261, 263, 265, 283, 301, 303, 325, 345, 347, 379, 381	3575359 629, 631	3910608.... 217, 219, 221	4010618 ... 559, 561, 563, 565, 575, 577
3422561 ... 503, 505, 507, 509	3575716 39	3910610..... 749, 751	4031505 605
3422567 35, 43	3575863 ... 458, 461, 482, 486	3910804.... 159, 163, 167, 171, 175, 179, 183, 187, 191	4031509 211, 213, 215
3422573 ... 503, 505, 507, 509	3576799 612, 619	3911010..... 197, 603	4031516 609
3422575 ... 503, 505, 507, 509, 511, 513	3577121 ... 612, 615, 617, 625	3911016.... 225, 228, 229, 233, 237	4031608 449
3422579 ... 503, 505, 507, 509	3580134 449, 451	3911040..... 207	4031711 384, 390
3422583 ... 503, 505, 507, 509	3580158 443, 449, 451	3930816..... 543	4031908 286
3422813 35, 39, 43	3580276 443, 445	3930820..... 541	4031912 286
3422841 89	3580314 493	3931016.... 458, 473, 481, 485, 489, 493	4031914 ... 306, 312, 328, 350, 356
3422847 89	3580317 ... 457, 461, 465, 469, 473, 477, 482, 486, 489, 494	3931408.... 539, 541, 607	4032014 ... 306, 312, 350, 356
3422848 35, 39, 43	3580318 ... 458, 473, 482, 489	3931430..... 539, 541	4032015 ... 457, 461, 482, 485
3422860 519, 545	3580319 ... 461, 465, 469, 477, 486	3931432.... 286, 306, 312, 350, 356	4060092 751
3422861 519, 545	3580320 ... 306, 312, 350, 356, 458, 461, 482, 486		4060802 ... 443, 445, 449, 451, 453, 457, 461, 465, 469, 473, 477, 481, 485, 489, 493
3422867 519, 545	3580324 453		4060803 525
3422900 ... 33, 35, 37, 41, 43	3600242 417		4060804 ... 79, 81, 93, 95, 97, 99
3422902 33, 35, 41, 43	3600365 93, 97, 109, 111, 113		4060805 ... 225, 229, 268, 272, 286, 306, 312, 328, 352, 358, 386, 392, 515, 517
3422903 33, 35, 41, 43	3600395 ... 259, 261, 263, 265, 283, 301, 303, 325, 345, 347, 379, 381, 417		4060807 ... 47, 51, 93, 95, 97, 99
3423175 37, 39	3620034 149		4060808 511, 513
3423184 21, 27, 29, 31	3641569 629, 631		4060906 199
3430616 585, 590			4060918 93, 95, 97, 99
3430816 217, 219, 221			4070585 443
3450306 527			
3450404 217, 219, 221			
3450606 527			
3450810 37			
3451010 35, 37, 39, 45			
3460334 637, 639			
3470003 585, 590			
3480288 655			
3520026 589			
3520027 589			

SECTION 11 - SPECIAL OPTIONS

4070863.....511, 513, 515, 517	469, 473, 477, 481, 485, 489, 493, 956	4460256 837, 869	817, 819, 821, 823, 825, 827, 829, 831, 833
4070864.....511, 513, 515, 517	4360387 ... 167, 171, 175, 179, 585, 589, 629,	4460259 ... 651, 837, 853, 875, 877	4460488.... 159, 163, 167, 171, 175, 179, 183, 187, 191, 213, 215
4070897.....511, 513, 515, 517	631, 633, 635, 956	4460260 ... 651, 837, 853, 875, 877	4460496.... 159, 163, 167, 171, 175, 179, 183, 187, 191
4070898.....511, 513, 515, 517	4360407 585, 589, 956	4460267 877, 907	4460497.... 159, 163, 167, 171, 175, 179, 183, 187, 191
4070929.....511, 513, 515, 517	4360436 955	4460268 ... 839, 859, 861, 911	4460497.... 159, 163, 167, 171, 175, 179, 183, 187, 191
4070944.....21	4360469 ... 159, 163, 167, 171, 175, 179, 183, 187, 191, 956	4460294 ... 465, 469, 474, 478	4460508.... 605, 827, 829, 875, 877
4070945.....21	4360475 ... 159, 163, 167, 171, 175, 179, 183,	4460297 875	4460509.... 827, 829, 831, 833
4070969.....525	187, 191, 956	4460312 853	4460510.....962
4070991.... 159, 163, 167, 171, 175, 179, 183, 187, 191	4360476 ... 159, 163, 167, 171, 175, 179, 183, 187, 191, 954	4460313 ... 837, 839, 853, 875	4460518.....795
4071007.....515, 517	4360517 127, 129, 956	4460315 749, 751, 755	4460526.... 159, 163, 167, 171, 175, 179, 183, 187, 191
4071059.....35, 39, 43	4360522 207, 209, 956	4460320 875, 907	4460536.... 875, 877, 913
4071062.....525	4360542 ... 443, 445, 453, 954	4460321 453	4460539.... 837, 839, 841, 849, 853, 877, 911, 913
4071101.... 21, 27, 29, 31	4360578 ... 539, 541, 543, 955	4460346 ... 457, 473, 481, 489, 493, 749, 755	4460612.....787, 789
4120035.....877	4400275 145, 147	4460384 753	4460634.....877
4130396.....35	4420014 637, 639	4460418 875, 877	4460635.....877
4130399.....43	4420037 ... 612, 615, 617, 625	4460419 875, 877	4460662.... 753, 765, 769, 771, 773, 775, 777, 779, 781, 783, 785
4130400.....35	4420038 ... 131, 133, 135, 137, 139	4460424 ... 837, 839, 853, 911	4460701.....873
4130401.....37	4420051 . 83, 85, 87, 917, 921, 923, 925, 927, 929, 931, 933, 935	4460425 ... 458, 474, 482, 486, 490, 494, 629, 631, 633, 635, 787, 789	4460703.... 841, 845, 849
4130402.....37	4420060 449, 543	4460426 ... 159, 163, 167, 171, 175, 179, 183, 187, 191, 458, 474, 482, 486, 490, 494	4460708.....877
4130409.....45	4420066 637, 639	4460426 ... 159, 163, 167, 171, 175, 179, 183, 187, 191, 458, 474, 482, 486, 490, 494	4460722.....369
4130410.....33, 45	4420068 ... 629, 631, 633, 635	4460426 ... 159, 163, 167, 171, 175, 179, 183, 187, 191, 458, 474, 482, 486, 490, 494	4460738.....839, 853
4130413.....37, 39	4460016 877	4460426 ... 159, 163, 167, 171, 175, 179, 183, 187, 191, 458, 474, 482, 486, 490, 494	4460742.... 865, 867, 869
4130414.....37, 39	4460019 ... 835, 837, 839, 841, 849, 853	4460426 ... 159, 163, 167, 171, 175, 179, 183, 187, 191, 458, 474, 482, 486, 490, 494	4460743.....865, 867
4160143.... 224, 228, 232, 236	4460027 443, 445, 453	4460426 ... 159, 163, 167, 171, 175, 179, 183, 187, 191, 458, 474, 482, 486, 490, 494	4460746.....850
4220162.....209	4460042 ... 322, 842, 845, 849	4460426 ... 159, 163, 167, 171, 175, 179, 183, 187, 191, 458, 474, 482, 486, 490, 494	4460748.....850
4240017.....211	4460043 ... 369, 837, 841, 845, 849, 865, 867	4460426 ... 159, 163, 167, 171, 175, 179, 183, 187, 191, 458, 474, 482, 486, 490, 494	4460761.... 585, 589, 875
4240018.... 445, 449, 457, 461, 465, 469, 473, 477, 481, 485, 489, 787, 789	4460049 ... 629, 631, 633, 635	4460426 ... 159, 163, 167, 171, 175, 179, 183, 187, 191, 458, 474, 482, 486, 490, 494	4460806.... 773, 779, 875, 877
4240032.... 207, 209, 213, 215, 288	4460071 ... 457, 473, 482, 489, 493, 593, 749, 751, 755	4460426 ... 159, 163, 167, 171, 175, 179, 183, 187, 191, 458, 474, 482, 486, 490, 494	4460807.... 466, 470, 474, 478, 859, 861
4240033.... 605, 607, 609	4460125 751	4460426 ... 159, 163, 167, 171, 175, 179, 183, 187, 191, 458, 474, 482, 486, 490, 494	4460808.... 466, 470, 474, 478, 859, 861
4240084.....49	4460134 755, 871	4460426 ... 159, 163, 167, 171, 175, 179, 183, 187, 191, 458, 474, 482, 486, 490, 494	4460865.... 803, 805, 807, 809, 811, 813, 815, 817, 819, 821, 823, 825, 827, 829, 831, 833
4240099.... 280, 286, 306, 312, 328, 350, 356, 369, 376, 384, 390, 453, 586, 590, 612, 615, 617, 629, 631, 633, 635	4460142 837, 875	4460426 ... 159, 163, 167, 171, 175, 179, 183, 187, 191, 458, 474, 482, 486, 490, 494	4460866.... 803, 805, 807, 809, 811, 813, 815, 817, 819, 821, 823, 825, 875, 877
4240102.... 131, 133, 135, 137	4460183 877	4460426 ... 159, 163, 167, 171, 175, 179, 183, 187, 191, 458, 474, 482, 486, 490, 494	4460868.....875
4240149.....637, 639	4460190 443, 445, 453	4460426 ... 159, 163, 167, 171, 175, 179, 183, 187, 191, 458, 474, 482, 486, 490, 494	4460871.... 837, 839, 853, 875, 877, 909, 911, 913
4280295.... 131, 133, 135, 137	4460205 749, 755, 871	4460426 ... 159, 163, 167, 171, 175, 179, 183, 187, 191, 458, 474, 482, 486, 490, 494	4460872.....875
4300157.... 457, 461, 482, 486	4460224 ... 465, 469, 474, 478, 585, 589	4460426 ... 159, 163, 167, 171, 175, 179, 183, 187, 191, 458, 474, 482, 486, 490, 494	4460873.....875, 877
4360057.... 629, 631, 633, 635, 955	4460225 859, 861, 877	4460426 ... 159, 163, 167, 171, 175, 179, 183, 187, 191, 458, 474, 482, 486, 490, 494	4460874.....875, 877
4360070.... 458, 474, 482, 486, 490, 494, 954	4460226 ... 199, 585, 589, 593, 797, 837, 839, 853, 877	4460426 ... 159, 163, 167, 171, 175, 179, 183, 187, 191, 458, 474, 482, 486, 490, 494	4460875.....875, 877
4360274.... 175, 179, 956	4460227 ... 585, 589, 875, 877	4460426 ... 159, 163, 167, 171, 175, 179, 183, 187, 191, 458, 474, 482, 486, 490, 494	4460876.....875
4360328.... 503, 505, 507, 509, 956	4460233 751, 873	4460426 ... 159, 163, 167, 171, 175, 179, 183, 187, 191, 458, 474, 482, 486, 490, 494	4460877.....875
4360331 37, 39, 595, 597, 599, 956	4460234 ... 207, 209, 211, 328, 585, 589, 629, 631, 633, 635	4460426 ... 159, 163, 167, 171, 175, 179, 183, 187, 191, 458, 474, 482, 486, 490, 494	4460878.....875
4360336.... 199, 372, 376, 443, 445, 449, 451, 453, 457, 461, 465,	4460247 841, 845, 849	4460426 ... 159, 163, 167, 171, 175, 179, 183, 187, 191, 458, 474, 482, 486, 490, 494	4460879.....651, 877

SECTION 11 - SPECIAL OPTIONS

4460887 ... 651, 837, 839, 853, 875, 877	4461200 883	607, 609, 753, 759, 761, 763, 765, 767, 769, 771, 773, 775, 777, 779, 781, 783, 785	4751000 89, 131, 133, 135, 137, 139, 207, 224, 225, 228, 229, 232, 233, 236, 237, 443, 449, 451, 453, 458, 473, 481, 485, 489, 493, 612, 615, 617, 619, 625
4460888 877	4461201 767, 881, 883	471150079, 81, 151, 155, 157, 307, 313, 328, 350, 356, 481, 485, 489, 493, 525, 529, 531, 533, 535, 709, 711	4751200 515, 517
4460891 ... 211, 245, 409, 795, 797, 837, 839, 846, 853, 857, 911, 913	4461203 887	4711600 93, 95, 97, 99, 232, 236, 253, 255, 268, 272, 279, 293, 297, 307, 313, 321, 337, 341, 350, 356, 365, 367, 372, 376, 423, 425, 445, 458, 461, 465, 469, 473, 477, 482, 486, 489, 511, 513, 525, 585, 590, 641, 643, 645, 647, 649	4751400 ... 111, 159, 163, 167, 171, 175, 179, 183, 187, 191, 199, 207, 224, 228, 232, 236, 259, 261, 263, 265, 379, 381, 539, 541, 543, 579, 581, 583, 585, 589, 612, 615, 617, 625, 629, 631, 633, 635, 709, 711, 793, 917, 919, 921, 923, 925, 927, 929, 931, 933, 935
4460894 ... 245, 841, 845, 849, 875, 877	4461206 891	4711700 425, 445, 453	4751500 ... 47, 49, 51, 53, 109, 111, 209, 224, 228, 232, 236, 249, 251, 253, 255, 307, 313, 350, 356, 443, 445, 449, 451, 457, 473, 527, 629, 631, 633, 635
4460897 ... 203, 205, 213, 215, 243, 409, 846, 857, 907	4461244 773, 885, 887	4712000 637, 641, 643, 645, 647, 649	4751600 ... 49, 51, 53, 77, 127, 129, 131, 133, 135, 137, 139, 145, 147, 149, 155, 224, 225, 228, 229, 232, 233, 236, 237, 239, 249, 251, 253, 255, 268, 272, 279, 286, 293, 297, 307, 313, 321, 337, 341, 350, 356, 429, 431, 437, 439, 443, 449, 451, 494, 527, 612, 615, 617, 625
4460899 ... 839, 897, 903, 905	4461245 779, 889, 891	4712200 637, 639	4751700 ... 286, 307, 313, 350, 356
4460905 875, 877, 909	4461246 785, 893, 895	4740016 37, 39	4751800 ... 127, 129, 139, 249, 251, 253, 255, 301, 303, 325, 345, 347, 379, 381, 527, 567, 569, 629, 631, 633, 635
4460906 453	4461249 893, 895	4740036 89	4752000 ... 249, 251, 253, 255, 279, 293, 297, 321, 337, 341, 372, 376
4460910 899	4461250 895	4740057 115	4760600 749, 751, 755
4460911 875, 897	4520256 63	4740076 224, 228, 232, 236	4761000 35, 45
4460928 795	4520287 55, 57	4740111 33, 35, 39, 41, 43	4761400 199, 579
4460930 ... 245, 841, 845, 849	4520288 55	4740155 35, 39, 43	4761600 ... 109, 111, 581, 583
4460931 243, 839	4520344 55	4740158 19, 21, 23, 25, 27, 29, 31	4770600 217, 219, 221
4460932 ... 651, 842, 845, 850, 857	4520345 55	4740171 224, 228, 232, 236	4791400 ... 109, 111, 268, 272, 457, 461, 473, 477, 481, 485, 489
4460933 ... 245, 795, 875, 877	4520346 55	4740184 39	4791600 49
4460941 857, 897	4520672 63	4740229 21, 27, 29, 31	4811400 ... 211, 213, 215, 651, 753, 759, 761,
4460942 ... 605, 841, 845, 849, 857	4567123 149	4740256 33, 35, 37, 41, 43	
4460943 ... 245, 839, 875, 877, 897	4567241 527	4740274 268, 272, 429, 431	
4460944 ... 837, 839, 841, 845, 849, 853, 877	4568119 139	4740283 35, 45	
4460945 842, 850	4568133 89	4740362 581, 583	
4460946 899	4640113 55, 63	4740393 47, 49, 51, 53	
4460947 875, 897	4640261 83, 85, 87	4740397 159, 163, 167, 171, 175, 179, 183, 187, 191, 443, 449, 451	
4460948 795	4640438 667, 669	4740439 519, 545	
4460949 ... 245, 841, 845, 849, 857	4640509 ... 659, 661, 663, 665, 667, 669, 671, 681	4740444 159, 163, 167, 171, 175, 179, 183, 187, 191	
4460950 ... 245, 839, 875, 877, 897	4640605 661, 663, 671	4740463 33, 35, 37, 41, 43	
4460951 ... 837, 839, 841, 845, 849, 853, 877	4640744 417	4740518 159, 163, 167, 171, 175, 179, 183, 187, 191	
4460952 837, 839, 841, 845, 849, 853, 877	4640751 ... 286, 306, 312, 328, 350, 356	4740542 19	
4460953 837, 839, 841, 845, 849, 853, 877	4640858 655	4750400 307, 313, 328, 350, 356	
4460954 837, 839, 841, 845, 849, 853, 877	4640862 679	4750800 145, 147	
4460955 837, 839, 841, 845, 849, 853, 877	4640866 93, 95, 97, 99		
4460956 799, 801	4640929 ... 529, 531, 533, 535		
4460957 799, 801	4640932 659		
4460958 789	4640990 149		
4460959 ... 612, 617, 747	4640999 681		
4460960 ... 482, 490, 494, 747	4641022 139		
4460961 ... 863, 865, 867, 869	4641122 57		
4460962 ... 449, 539, 541, 543, 759, 761, 763, 767	4641264 151, 153, 155		
4460963 ... 612, 619	4641284 ... 694, 698, 702, 706		
4460964 ... 837, 839, 853	4641307 686, 690		
4460965 837	4641390 655		
4460966 837	4641436 539, 541		
4460967 ... 837, 841, 846, 849	4711000 ... 225, 229, 365, 367, 445, 482, 486, 490, 494		
4460968 245	4711400 ... 93, 95, 97, 99, 109, 111, 159, 163, 167, 171, 175, 179, 183, 187, 191, 201, 203, 205, 232, 236, 249, 251, 253, 255, 268, 272, 279, 286, 293, 297, 301, 303, 306, 312, 321, 325, 328, 337, 341, 345, 347, 350, 356, 372, 376, 457, 461, 465, 469, 473, 477, 481, 485, 489, 527, 529, 531, 533, 535, 541, 557, 559, 561, 563, 565, 571, 573, 575, 577,		
4460969 837, 849			
4460970 837, 849			
4460971 897, 903			
4460972 795, 837, 845			
4460973 837, 845, 849			
4460974 837, 849			
4460975 897, 903			
4460976 795, 837, 845			
4460977 837, 839, 853			
4460978 879			
4460979 761, 879			
4460980 881, 883			

SECTION 11 - SPECIAL OPTIONS

763, 765, 767, 769, 771, 773, 775, 777, 779, 781, 783, 785	4921954 873	70000861 69, 71	70002149.....407, 415
4811600.....449	4922493 ... 803, 805, 807, 811, 813, 815, 817, 819, 821, 823, 827	70000862 69, 71	70002150.....407, 415
4811700.... 160, 164, 168, 172, 176, 180, 184, 188, 192, 213, 215, 279, 283, 286, 328, 384, 390, 403, 453, 465, 469, 493, 559, 561, 563, 565, 575, 577, 612, 619	4922494 ... 803, 805, 807, 811, 813, 815, 817, 819, 821, 823, 831	70000863 . 481, 485, 490, 493	70002151..... 407, 415
481170279, 81, 307, 313, 328, 351, 357, 372, 376, 403	4922641 ... 443, 446, 449, 451, 458, 461, 465, 469, 474, 483, 486, 491, 495	70000912 275	70002153..... 407, 415
4811900.... 153, 287, 307, 313, 329, 351, 357, 372, 376, 384, 390, 403, 433, 435, 441, 523, 791, 793	4922666 585, 589	70000913 275	70002154..... 407, 415
4811902.... 287, 307, 313, 329, 335, 352, 358, 384, 390, 403	4922810 ... 815, 817, 819, 821, 823, 825	70000914 275	70002156..... 407, 415
4812000.... 153, 157, 221, 279, 287, 307, 313, 329, 352, 358, 373, 377, 384, 390, 403, 423, 427, 453, 523, 791	4922811 ... 815, 817, 819, 821, 823, 825	70000915 275	70002157..... 407, 415
4812002.... 151, 287, 386, 392, 399	4922891 805, 817	70000916 275	7000217..... 118
4812100.... 157, 279, 283, 287, 293, 297, 307, 313, 321, 329, 337, 341, 351, 357, 403, 497, 499, 523	4922892 755, 803	70000917 275	70002176..... 69, 71, 406, 414
4812200.... 268, 272, 287, 307, 313, 351, 357, 429, 431, 433, 435, 437, 439	4922893 805, 807	70000918 275	70002201..... 65
4844816..... 519, 545	4922894 755, 803	70000919 275	70002209... 93, 95, 97, 99
4844817 519, 545	4922895 805, 807	70000934 .. 93, 95, 97, 99	70002212..... 129
4844958..... 123	4922896 805, 817	70001002 275	70002234..... 276
4844979..... 525	4922925 ... 482, 486, 489, 494, 861	70001100 . 481, 485, 490, 494	7000228..... 118
4845163..... 217	4923379 268, 272	70001126 275	7000229..... 118
4846295..... 89	4923472 ... 809, 825, 829	70001248 127	70002290..... 481, 485
4846296..... 89	4923473 ... 809, 825, 833	70001384 . 481, 485, 490, 494	70002291..... 490
4846673..... 633, 635	4923474 809	70001423 275	70002297.. 481, 485, 490, 493
4846935..... 35, 43	4923475 809	70001424 621	7000230..... 118
4871700..... 494	4923476 809	70001425 621	70002373..... 665
4891500.... 159, 163, 167, 171, 175, 179, 183, 187, 191, 351, 357, 453	4932990 959	70001427 621	70002386..... 537, 954
4891600.... 217, 219, 224, 225, 228, 229, 232, 233, 236, 237, 259, 261, 263, 265, 283, 301, 303, 307, 313, 325, 345, 347, 351, 357, 379, 381, 523	4932993 959	70001428 621	70002412..... 679, 681
4891800.... 23, 25, 27, 29, 31, 217, 219, 221, 307, 313, 351, 357, 437, 439, 445, 473, 477, 489	4933218 631, 633	70001429 621	7000246..... 118
4892000..... 33, 121	5240800 439	70001430 621	70002460.. 481, 485, 490, 493
4892600..... 207	5241000 ... 47, 49, 51, 53, 329, 384, 390	70001431 621, 954	7000247..... 118
4892600001..... 523	5241200 ... 287, 329, 384, 390, 433, 435, 441, 453, 465, 469, 494, 523	70001432 621, 956	7000248..... 118
4921829..... 453, 871	5241400 329, 441	70001435 275	7000248..... 118
	5250605 403	70001498 276	7000255..... 118
	5250810 ... 307, 313, 352, 358	70001696 .. 481, 485, 493	7000257..... 118
	5250812 287	70001697 521	70002718..... 275, 317
	5251008 523	70001847 275	70002745..... 677
	5251016 523	70001850 275	70002752..... 677
	5260600 403	70001866 276	70002753..... 677
	5260800 287	70001870 .. 275, 318, 361	70002754..... 677
	5272010 386, 392	70001871 275	70002755..... 677
	70000123 449, 451	70001872 276	70002756..... 677
	70000124 451	70001953 .. 481, 485, 494	70002757..... 677
	70000125 451	70001966 . 457, 461, 465, 469, 473, 477, 481, 485, 490, 493, 494	70002758..... 101, 105
	70000126 451, 954	70001973 . 481, 485, 490, 494	70002759..... 102, 106
	70000127 451	70001974 . 481, 485, 490, 493	70002793..... 663
	70000342 521	70002001 527	70002902..... 593
	70000345 276, 361	70002002 527	70002903..... 593
	700004508 317	70002020 65	70002904..... 593
	70000619 . 482, 486, 489, 493	70002026 65	70002905..... 593
	70000781 73	70002027 65	70003003..... 275
	70000793 401	70002054 65	70003019..... 101, 105
	70000851 276	70002057 65	70003136..... 275
	70000852 69, 71	70002059 65	70003408..... 75
	70000853 69, 71	70002063 75	70003454..... 127, 129
	70000854 69, 71	70002064 75, 537	70003456..... 275
	70000857 69, 71	70002066 118	70003457..... 275
	70000858 69, 71	70002085 118	70003468..... 275
		70002088 .. 481, 485, 493	70003469..... 275
		7000213 118	70003470..... 275
		70002133 69, 71	70003472..... 275
		70002134 407, 415	70003473..... 275
		70002146 407, 415	70003475..... 275
		70002147 407, 415	70003478..... 275
		70002148 407, 415	70003525..... 101, 105
			70003628..... 69, 71
			70003631.. 481, 485, 490, 493

SECTION 11 - SPECIAL OPTIONS

70003708 . 457, 461, 465, 469, 473, 477, 481, 485, 490, 494	70004460 101, 105	70005201 101	70006157 395
70003709 . 457, 461, 465, 469, 473, 477, 481, 485, 490, 494	70004461 101, 105	70005202 101, 105	70006158 395
70003783 . 268, 272, 329, 954	70004463 .. 101, 105, 954	70005203 118	70006159 395
70003784 585, 589	70004504 362	70005232 102, 106	70006160 395
70003790 537	70004505 361	70005298 65	70006161 395
70003932 276	70004506 361	70005299 65	70006162 395
70003952 . 279, 294, 298, 321, 337, 342	70004507 361	70005300 65	70006163 395
70004017 73	70004508 361	70005301 65	70006164 395
70004037 118	70004509 361	70005302 65	70006165 395
70004040 118	70004510 361	70005303 65	70006166 395
70004041 118	70004594 101, 105	70005304 65	70006167 395
70004042 118	70004595 .. 101, 105, 954	70005305 65	70006168 395
70004043 118	70004596 101, 105	70005306 65	70006169 395
70004044 118	70004597 101, 105	70005307 65	70006170 395
70004045 118	70004617 101, 105	70005308 65	70006171 395, 955
70004047 118	70004652 101, 105	70005309 65	70006172 395, 955
70004052 .. 101, 105, 106	70004653 .. 101, 105, 954	70005311 65	70006173 395
70004056 276	70004654 101, 105	70005312 65	70006174 395
70004058 276	70004655 101, 105	70005313 65	70006175 395, 955
70004059 276	70004656 101, 105	70005314 65	70006176 395, 955
70004060 276	70004657 101, 105	70005315 65	70006177 395
70004092 . 457, 461, 465, 469, 473, 477, 490	70004659 101, 105	70005316 65	70006178 395
70004094 490	70004660 101, 105	70005317 65	70006179 395
70004098 .. 457, 474, 490	70004661 101, 105	70005318 65	70006180 395
70004099 . 465, 469, 473, 477, 490	70004662 101, 105	70005319 65	70006181 395
70004103 276	70004663 101, 105	70005320 66	70006182 395
70004169 . 481, 485, 493, 494	70004664 101, 105	70005321 66	70006183 395
70004171 . 457, 461, 481, 485, 494	70004665 101, 105	70005466 406, 414	70006184 395
70004201 69, 71	70004666 101, 105	70005467 406, 414	70006185 395
70004202 69, 71	70004667 101, 105	70005468 406, 414	70006186 395
70004203 69, 71	70004668 101	70005469 .. 406, 407, 414, 415	70006187 395
70004204 69, 71	70004670 105	70005470 407, 415	70006188 395
70004205 71	70004671 106	70005471 407, 415	70006189 395
70004207 69	70004672 106	70005472 407, 415	70006191 395
70004268 275	70004673 106, 954	70005473 407, 415	70006194 395
70004269 275	70004674 106	70005474 407, 415	70006195 395
70004270 276	70004676 . 457, 461, 465, 469, 474, 477	70005475 407, 415	70006196 396
70004271 276	70004677 461	70005476 407, 415	70006197 396
70004272 276	70004678 . 457, 461, 465, 469, 474, 477	70005479 275	70006198 396
70004273 276	70004679 . 457, 461, 465, 469, 474, 477	70005527 362	70006199 396
70004276 362	70004680 . 457, 461, 465, 469, 474, 477	70005647 362	70006200 396
70004277 362	70004681 . 461, 465, 469, 477	70005648 362, 955	70006202 396
70004279 361	70004682 . 457, 461, 465, 469, 474, 477	70005679 679	70006203 396
70004281 317	70004683 . 461, 465, 469, 477	70005839 665	70006205 396
70004282 317	70004684 457	70005871 665	70006206 396
70004353 65	70004685 457, 474	70005920 361	70006207 396
70004355 65	70004686 .. 465, 469, 477	70005929 362	70006208 396
70004356 65	70004687 474	70005931 317, 362	70006213 396, 955
70004361 65	70004688 474	70005941 318, 361	70006215 396
70004363 65	70004862 141, 954	70005942 317, 361	70006217 396
70004365 65	70005008 . 287, 385, 391, 954, 955	70006093 490	70006219 396
70004367 65	70005171 317, 361	70006094 490	70006221 396
70004369 65	70005172 318, 361	70006095 490, 954	70006225 396
70004370 65	70005173 317, 361	70006096 490	70006232 396
70004371 65	70005176 361	70006097 490	70006233 395
70004447 65	70005177 317, 361	70006134 403	70006235 396
70004459 101, 105	70005182 317	70006135 403	70006236 396
	70005183 317	70006136 403	70006294 362
	70005184 317, 362	70006144 317, 361	70006304 118
	70005191 362	70006145 395	70006478 667
		70006147 395	70006479 667
		70006150 395	70006480 667
		70006151 395	70006481 667
		70006152 395	70006486 661
		70006153 395	70006487 661
		70006154 395	70006488 661
		70006155 395, 955	70006489 661

SECTION 11 - SPECIAL OPTIONS

70006552..457, 461, 465, 469, 473, 477	70008262..... 143	70025182..... 362	7007463.....406, 414
70006553..457, 461, 465, 469, 473, 477, 955	70008263..... 143	70025183..... 362	7007464.....406, 414
70006596.....665	70008264..... 143	70025184..... 362	7007465.....406, 414
70006652.....317, 362	70008268..... 143	70025200..... 317, 362	7007476.....407, 415
70006653.....362	70008269..... 143	70025205..... 361	7007477.....407, 415
70006817.....681	70008270..... 143	70025210.. 317, 362, 955	7007484.....407, 415
7000695.....275	70008271..... 143	70025212..... 362	7007485.....407, 415
70007052.....669	70008272..... 143	70025231..... 317, 361	7007487.....407, 415
70007064.....681	70008273..... 143	70025235..... 362	7007488.....407, 415
70007108.....396	70008275..... 657	70025239..... 317, 361	7007489.....417
70007325.....317, 362	70008578.. 131, 135, 137	70025242..... 362	7007633.....118
70007326.....317, 361	70008579.. 131, 135, 137	70025788..... 362	7010103.....417
70007331.....362	70008580..... 139	70026210..... 317, 362	7010104.....417
70007354.....317, 361	70008581..... 139	7002821..... 962	7010105.....417
70007355.....362	70008582..... 139	7002822..... 962	7010116.....406, 414
70007387.....659	70009018..... 372, 377	7002823..... 962	7010117.....407, 415
70007388.....659, 673	70009019..... 372, 377	7002826..... 962	7010119.....407, 415
70007389.....659, 673	7001625..... 675	7002840..... 962	7010121.....406, 414
70007390.....659, 673	7001626..... 675	70028538..... 362	7010492.....118
70007391.....659, 673	7001627..... 675	70028540..... 317, 362	7010543.... 93, 95, 97, 99
70007392.....659	7001629..... 675	70029433..... 362	7011043.....113
70007393.....673	7001630..... 675	70029451..... 317, 361	7011044.....113
70007438.....69, 71	70021202..... 105	70029468..... 663	7011048.....113
70007452.....669	70022564.. 663, 665, 669	70029517..... 362	7011062.....113
70007460.....671	70023369..... 669	70029520..... 362	7011063.....113
70007461.....671	70023379..... 663	70029797..... 362	7011064.....113
70007462.....671	70023592.. 287, 307, 313, 329, 351, 357, 954, 955	70030360..... 317	7011065.....113
70007463.....671	70023593.. 287, 307, 313, 329, 351, 357, 954, 955	70030381..... 317	7011066.....113
70007464.....671	70023859..... 101, 105	70031095..... 318, 361	7011112.....659
70007465.....671	70023862..... 101, 105	70031136..... 317	7012513.... 443, 445, 449, 451, 453
70007466.....525	70023867..... 101, 105	70031145..... 317	7012514.... 443, 445, 449, 451, 453
70007467.....525	70024457..... 101, 105	7004248..... 113	7012518.... 93, 95, 97, 99
70007489.....362	70024494..... 318, 361	7004275..... 962	7012558.... 443, 445, 453
70007603.....317	70024504..... 317	7004276..... 962	7012772.....954
70007827.....301, 303	70024507..... 317, 362	7004290..... 113	7012773..... 101, 105
70008045.....679	70024509..... 362	70050795..... 669	7012914.....537
70008160.....669	70024513..... 317, 361	70052522..... 663	7012918.....537
70008161.....669	70024517..... 361	70052577..... 681	7012919.....537
70008162.....669	70024519..... 361	7007207..... 406, 414	7012918.....537
70008163.....669	70024904..... 318, 361	7007208..... 406, 414	7012941.... 93, 95, 97, 99
70008164.....681	70024905..... 317, 361	7007412..... 407, 415	7012943.... 93, 95, 97, 99, 954
70008165.....681	70024906..... 317, 361	7007413..... 406, 414	7012944.... 93, 95, 97, 99, 954
70008166.....681	70024912..... 362	7007415..... 406, 414	7012953.... 529, 531, 533, 535, 537
70008167.....679	70024915..... 317, 362	7007417..... 406, 414	7012959.... 93, 95, 97, 99
70008168.....679	70024917..... 362	7007418..... 406, 414	7012965.....537
70008169.....679	70024920..... 362	7007419 69, 71, 406, 414	7012967.....537
70008170.....679	70024922..... 362	7007420 69, 71, 406, 407, 414, 415	7012970.... 529, 531, 533, 535
70008171.....679	70024924..... 361	7007422..... 407, 415	7012987.....417
70008172.....679	70024925..... 317, 361	7007423..... 406, 414	7012988.....417
70008173.....679	70024961..... 317, 361	7007425..... 406, 414	7012989.....537
70008174.....679	70025084..... 275	7007430..... 407, 415	7012995.... 93, 95, 97, 99
70008175.....665	70025111..... 361	7007431..... 407, 415	7013189.....129
70008176.....665	70025120..... 362	7007434..... 407, 415	7014676.....962
70008177.....665	70025135..... 317, 361	7007435..... 406, 414	7016322.... 217, 219, 221
70008178.....665	70025140..... 361	7007438..... 406, 414	7016328.....275, 954
70008179.....665	70025142..... 362	7007439 69, 71, 406, 414	7016331.... 275, 318, 361, 954, 955
70008194.....663	70025144..... 361	7007441..... 407, 415	7016374.... 217, 219, 221
70008195.....663	70025145..... 361	7007442..... 406, 414	7016652.....962
70008196.....663	70025146..... 361	7007443..... 406, 414	7016654.....962
70008197.....663	70025151..... 362	7007444..... 407, 415	7016655.....962
70008244.....657	70025152..... 361	7007446 69, 71, 406, 414	7017023.....118
70008246.....657	70025153..... 361, 955	7007448..... 406, 414	7017028.....118
70008253.....143	70025154..... 361	7007450..... 407, 415	
70008257.....143	70025161..... 362, 955	7007453..... 407, 415	
70008260.....143	70025164..... 317, 361	7007457..... 406, 414	
	70025181..... 361	7007459..... 406, 414	

SECTION 11 - SPECIAL OPTIONS

7017070	118	7021223	407, 415	7024868.....	69, 71	8229249	651, 877, 955
7017072	118	7021232	407, 415	7024874.....	406, 414	8270147 ...	279, 293, 298,
7017080	118	7021233	406, 414	7024875.....	406, 414	321, 337, 341, 372, 377	
7017085	118	7021249	69, 71	7024877.....	407, 415	8305401	384, 390
7017142	521	7021256 ...	406, 407, 414,	7024881.....	709, 711	8307109	384, 390
7017159	521	415		7024892.....	73, 75	8310129	637
7017162	521	7021275	69, 71	7026188.....	481, 485, 493	8310230	639
7017163	521	7021375	101, 105	7026197.....	127, 129	8310548	384, 390
7017164	521	7021625	73, 75	7026199.....	443, 445, 453	8405006 ...	279, 293, 297,
7017172	521	7021639	709, 711	7026503.....	127	321, 337, 341, 365,	
7017192	521	7021653	537	7026504.....	127	367, 384, 390, 423, 427	
7017195	521	7022162	395	7026505.....	127, 129	8405007 ...	287, 307, 313,
7017402	537	7022311	69, 71	7026506.....	127, 129	329, 351, 357	
7017406	537	7022314	69, 71	7026507.....	127, 129	8405009 ...	287, 307, 313,
7017452	537	7022321	69, 71	7026509.....	127, 129	329, 351, 357, 384, 390	
7017496	655	7022368	69, 71	7026511.....	129	8405102	384, 390
7018942	101, 105	7022371	69, 71	7026597....	481, 485, 490,	8405104 ...	287, 307, 313,
7019680 ...	443, 445, 453	7022397	73, 75	493		329, 351, 357, 385, 391	
7020020 ...	93, 95, 97, 99	7022399	73, 75	7026626....	481, 485, 490,	8405202	329
7020021 ...	93, 95, 97, 99	7023038	675	493		8405203	385, 391
7020108 ...	443, 445, 449,	7023911	537	7026631.....	275	8405204 ...	287, 307, 313,
451, 453		7023912	537	7027072....	279, 293, 298,	329, 351, 357	
7020109 ...	443, 445, 449,	7023917	75	321, 337, 341, 372, 377		8406101	372, 376
451, 453		7023933	75	7027073....	279, 293, 298,	8406109	385, 391
7020110 ...	443, 445, 449,	7023935	73, 75	321, 337, 342, 372, 377		8406110 ...	287, 307, 313,
451, 453		7023936	73, 75	7027074....	279, 293, 298,	329, 351, 357	
7020111 ...	443, 445, 449,	7023979	407, 415	321, 337, 342		8406201 ...	109, 279, 287,
451, 453		7024100	118	7027075....	279, 293, 298,	293, 297, 307, 313,	
7020175 ...	159, 163, 167,	7024404	127, 129	321, 337, 342, 372, 377		321, 329, 337, 341,	
171, 175, 179, 183,		7024439	141	7027076....	280, 294, 298,	351, 357, 386, 392	
187, 191		7024440	141	321, 337, 342		8406302	157
7020176 ...	159, 163, 167,	7024441	141	7027236.....	275	8410001	385, 391
171, 175, 179, 183,		7024443	141	7027276.....	276	8410009	386, 392
187, 191, 954		7024444	141, 954	7027404.....	396	8410011 ...	287, 308, 314,
7020190 ...	443, 445, 449,	7024445	141	7027740.....	69, 71	351, 357, 385, 391	
451, 453		7024446	141	7027790.....	276	8410013 ...	287, 307, 313,
7020192	451	7024471	621	7027791.....	276	329, 351, 357	
7020403	275	7024485 ...	481, 485, 493,	7027792.....	276	84719619.....	690
7020408	275	954		7027795.....	275, 954	85941017. 249, 251, 253,	
7020431	275	7024488 ...	482, 486, 489,	7027796.....	276	255	
7020460	275	493		7027799....	481, 485, 490,	85941018.....	372, 376
7020465	275, 318, 361	7024489 ...	482, 486, 489,	493		88261024. 529, 531, 533,	
7020468	275	493		7027887....	443, 445, 449,	535	
7020471	276	7024530	621	451, 453		88411013.....	111, 793
7020479	276	7024531	621	77143013. 159, 163, 167,		88521205. 109, 111, 249,	
7020487	275	7024532	621	171, 175, 179, 183,		251, 253, 255	
7021200	406, 414	7024533	621	187, 191		88521214. 641, 643, 645,	
7021201	407, 415	7024534	621	77363233.....	859, 861	647, 649	
7021202	406, 414	7024535	621	80233041 ...	715, 719, 723	8896941	962
7021203	407, 415	7024536	621	80434249... 101, 105, 954		91143177 ..	715, 719, 723
7021206	407, 415	7024537	621	80484084... 841, 845, 850		91203039.....	523
7021207	406, 414	7024579	275, 318, 361	80934561.....	127, 129	91401281. 109, 249, 251,	
7021210	406, 414	7024598	217, 219, 221	80983191. 842, 845, 850,		253, 255	
7021212	406, 414	7024704	118	954, 955		91403102. 307, 313, 351,	
7021214	406, 414	7024762	118	8220051.....	857	357, 954, 955	
7021219	407, 415	7024763	118	8220115.....	845, 849	91403244 ..	287, 351, 357
7021220	407, 415	7024784	118	8220164.....	835	91474405.....	106
7021221	407, 415	7024851	407, 415	8229242....	842, 845, 850,		
7021222	407, 415	7024867	69, 71	875, 954, 955			



**Corporate Office
JLG Industries, Inc.
1 JLG Drive
McConnellsburg, PA 17233-9533 USA
☎ (717) 485-5161 (Corporate)
☎ (877) 554-5438 (Customer Support)
📠 (717) 485-6417**

**Visit our website for JLG Worldwide Locations.
www.jlg.com**



OSHKOSH™