



Illustrated Parts Manual

Model **600AJ HC3**

PVC
2301

P/N
31221508

July 10, 2023 - Rev B

ANSI

CE



**UK
CA**

AS/NZS



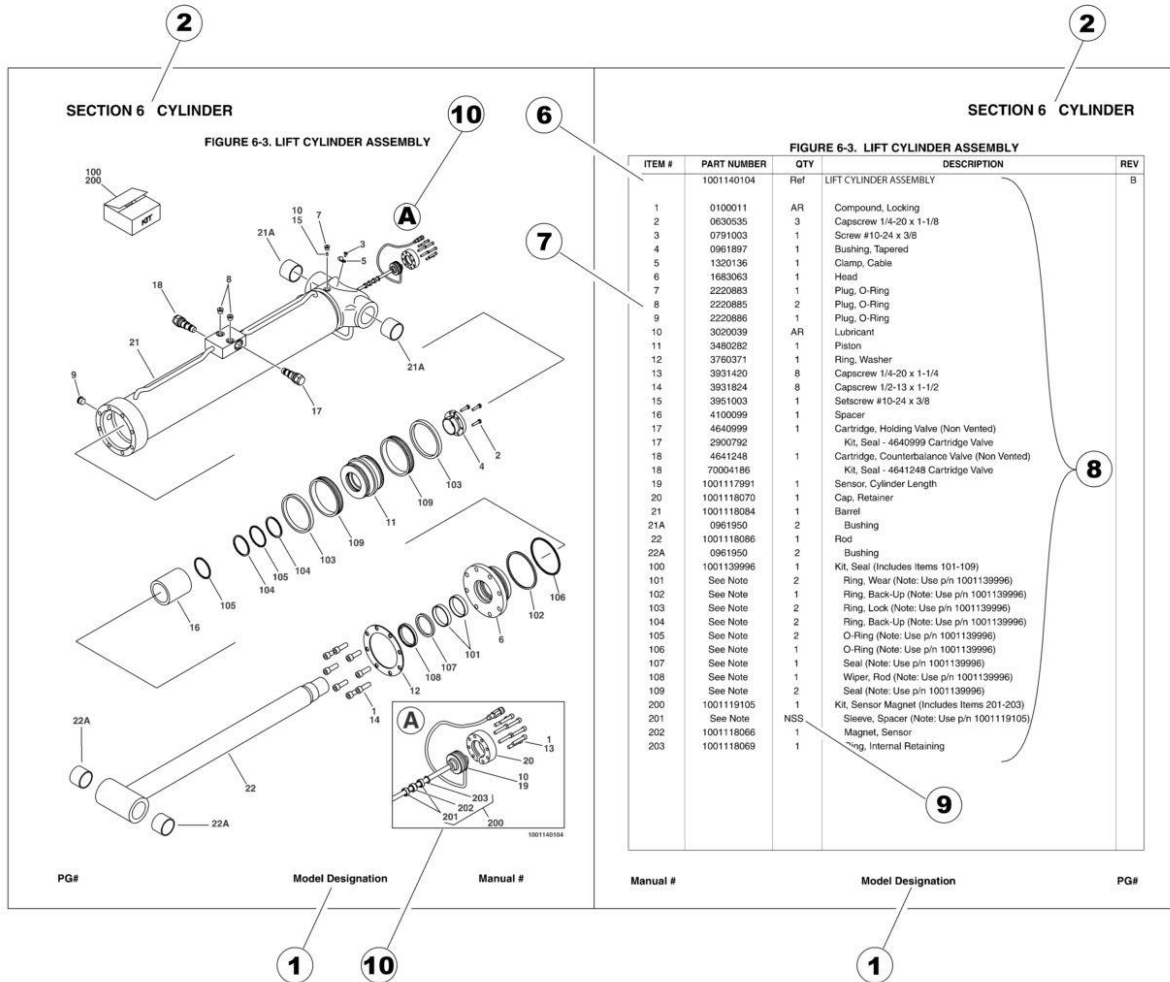
An Oshkosh Corporation Company

REVISION LOG

January 9, 2023 - A - Original Issue of Manual (Edited to B/M 1001245251 Revision S)

July 10, 2023 - B - Revised Manual (Edited to B/M 1001245251 Revision U)

GENERAL INFORMATION



1) MACHINE IDENTIFICATION

Machines are identified by model and in some cases a combination of models, serial number (SN) or regional standard (i.e ANSI, CE, CSA). Components may also be identified by SN or manufacturer. Common components that may be identified by these characteristics are engines and hydraulic components.

2) PARTS MANUAL ORGANIZATION

Product information in this manual is organized under section titles. Frame, Cylinder, Hydraulic and Electrical are a few examples. Each section is organized by figure and page number. The information within the Figure is then organized by item number, part number, description and corresponding illustration (s).

3) TABLE OF CONTENTS (NOT SHOWN)

A table of contents is found toward the beginning of the manual. Figure number, description and page number are provided for quick reference to the page containing the related information.

4) RECOMMENDED SPARE PARTS (NOT SHOWN)

The Recommended Spare Parts List, located near the end of the manual, reference most frequently used maintenance parts.

5) PART NUMBER INDEX (NOT SHOWN)

A numerical index listing all part numbers and the corresponding page number(s) appears at the back of the manual.

GENERAL INFORMATION

6) NON-SERVICED PARTS

In some instances, it is necessary to display non-serviced parts, assemblies or installations. In the case of assemblies and installations there will be a Ref in the Qty. column. In case of parts that are not available for service within assemblies or components, there will be a NSS (Not Sold Separately) or NLA (No Longer Available) listed in the Qty. column of the manual.

7) PARTS LIST ITEM NUMBERS

Numbers shown in the item# column correspond to numbers used in the associated illustration (s). Item numbers which are missing from the sequence in the parts list are not used on that page.

8) INDENTED PARTS DESCRIPTION

An indented part description is included in the item under which it is indented.

9) ABBREVIATION AND SYMBOLS

AC.....	Alternating Current	L.....	Liter
ADE.....	Advanced Design Electronics	LB(LBS).....	Pounds
AG.....	Agricultural	LCD.....	Liquid Crystal Display
ANSI.....	American National Standards Institute	LED.....	Light Emitting Diodes
AR.....	As Required	LH.....	Left Hand
ASSY.....	Assembly	LRC.....	Low Rated Countries
AUS.....	Australia	LSS.....	Load Sensing System
AUX.....	Auxiliary	M(m).....	Metric/Meter
AWG.....	American Wire Gauge	MM(mm).....	Milimeter
B/M.....	Bill of Material	mA.....	Miliamps
CAC.....	Charge Air Cooler	NLA.....	No Longer Available
CE.....	European Conformity	NPT.....	National Pipe Threads
CCW.....	Counter Clockwise	NSS.....	Not Sold Separately
CM.....	Centimeter	OD.....	Outside Diameter
CW.....	Clockwise	ORB.....	O-Ring Boss
CSA.....	Canadian Standards Association	ORFS.....	O-Ring Face Seal
CYL.....	Cylinder	OZ (oz).....	Ounces
DIA.....	Diameter	PG.....	Page
DC.....	Direct Current	PN.....	Part Number
DEF.....	Diesel Exhaust Fluid	QT(qt.).....	Quarts
EMS.....	Emergency Stop	QTY.....	Quantity
ENG.....	Engine	REF.....	Reference
FT(ft).....	Feet	REV.....	Revision Level
GA(Ga).....	Gauge	RH.....	Right Hand
HRC.....	High Rated Countries	SAE.....	Society of Automotive Engineers
HVAC.....	Heating, Ventilating, and Air Conditioning	SN.....	Serial Number
HYD.....	Hydraulic	SPEC(S).....	Specifications
Hz.....	Hertz	T/T.....	Turntable
ID.....	Inside Diameter	UGM.....	Universal Ground Module
IN.....	inches	V.....	Volts
ISO.....	International Organization for Standards	W.....	Watts
JIC.....	Joint Industry Council	#.....	Number
KG.....	Kilogram		

10) ILLUSTRATION REFERENCE LETTERS

When necessary, illustrations may contain reference letters that are intended to track information (i. e. hoses, harnesses) from one point to another or to track visual enlargement of components to show details that may be located in another area on the illustration.

Note: Due to continuous product improvements, JLG Industries, Inc. reserves the right to make specification changes without prior notification. Contact JLG Industries, Inc. for updated information.

TABLE OF CONTENTS

SECTION 1 - FRAME.....	15
FIGURE 1-1. AXLE INSTALLATION (WITHOUT TOW PACKAGE).....	16
FIGURE 1-2. AXLE INSTALLATION (WITH TOW PACKAGE)	18
FIGURE 1-3. STEERING INSTALLATION (WITHOUT TOW PACKAGE).....	20
FIGURE 1-4. STEERING INSTALLATION (WITH TOW PACKAGE)	22
FIGURE 1-5. WHEEL DRIVE INSTALLATION.....	24
FIGURE 1-6. DRIVE MOTOR ASSEMBLY	26
FIGURE 1-7. DRIVE HUB ASSEMBLY	28
FIGURE 1-8. FLOW DIVIDER ASSEMBLY.....	32
FIGURE 1-9. TIRE AND WHEEL INSTALLATION - FOAM FILLED.....	34
FIGURE 1-10. TIRE AND WHEEL INSTALLATION - FOAM FILLED NON-MARKING.....	36
FIGURE 1-11. TIRE AND WHEEL INSTALLATION - FOAM FILLED (TURF).....	38
FIGURE 1-12. FRAME SHIELDS INSTALLATION – 2WS (8FT/2.4M WIDE MACHINES)	40
FIGURE 1-13. TOW PACKAGE INSTALLATION (ANSI SPECS) (OPTIONAL).....	42
FIGURE 1-14. TOW PACKAGE INSTALLATION (CSA SPECS) (OPTIONAL).....	44
FIGURE 1-15. TOW PACKAGE INSTALLATION (CE, RUSSIAN & UK CA SPECS) (OPTIONAL)	46
FIGURE 1-16. TOW BAR ASSEMBLY.....	48
FIGURE 1-17. LP TANKS INSTALLATION	50
SECTION 2 - TURNTABLE.....	53
FIGURE 2-1. CONTROL VALVES INSTALLATION - DEUTZ D2011 ENGINES	54
FIGURE 2-2. CONTROL VALVES INSTALLATION - DEUTZ DT2.9L4, DEUTZ TD2.2L3 STAGE V & FORD ENGINES.....	56
FIGURE 2-3. MAIN VALVE BLOCK ASSEMBLY – 2WS	58
FIGURE 2-4. AUXILIARY PUMP INSTALLATION.....	62
FIGURE 2-5. AUXILIARY PUMP INSTALLATION WITH BATTERY DISCONNECT	64
FIGURE 2-6. AUXILIARY PUMP ASSEMBLY.....	66
FIGURE 2-7. SWING DRIVE INSTALLATION	68
FIGURE 2-8. SWING MOTOR/HUB ASSEMBLY.....	70
FIGURE 2-9. TURNTABLE BEARING INSTALLATION	74
FIGURE 2-10. TURNTABLE LOCK INSTALLATION (DEUTZ D2011 & FORD ENGINE MACHINES).....	76
FIGURE 2-11. TURNTABLE LOCK INSTALLATION (DEUTZ TD2.9L4 & DEUTZ TD2.2L3 STAGE V ENGINE MACHINES).....	78
FIGURE 2-12. ROTARY COUPLING INSTALLATION.....	80
FIGURE 2-13. TANK INSTALLATION – DEUTZ D2011 ENGINE	82
FIGURE 2-14. TANK INSTALLATION – DEUTZ TD2.9L4 & TD2.2L3 STAGE V ENGINES.....	84
FIGURE 2-15. TANK INSTALLATION – FORD ENGINE	86
FIGURE 2-16. HYDRAULIC OIL TANK ASSEMBLY.....	88
FIGURE 2-17. HYDRAULIC OIL COOLER INSTALLATION - DEUTZ D2011 ENGINES (OPTIONAL)	90
FIGURE 2-18. HYDRAULIC OIL COOLER INSTALLATION - DEUTZ TD2.2L3 STAGE V ENGINES (OPTIONAL)	92
FIGURE 2-19. HYDRAULIC OIL COOLER INSTALLATION - DEUTZ TD2.9L4 ENGINES (OPTIONAL).....	94
FIGURE 2-20. HYDRAULIC OIL COOLER INSTALLATION – FORD ENGINES (OPTIONAL)	96
FIGURE 2-21. GROUND CONTROL BOX ASSEMBLY (DEUTZ D2011 ENGINE) - WITH MECHANICAL HOUR METER (ALL SPECS EXCEPT CE & UK CA SPECS).....	98
FIGURE 2-22. GROUND CONTROL BOX ASSEMBLY (DEUTZ D2011 ENGINE) (CE & UK CA SPECS).....	102
FIGURE 2-23. GROUND CONTROL BOX ASSEMBLY (DEUTZ 2.9L4 ENGINE) - WITH MECHANICAL HOUR METER	106
FIGURE 2-24. GROUND CONTROL BOX ASSEMBLY (FORD ENGINE) - WITH MECHANICAL HOUR METER.....	110

TABLE OF CONTENTS

FIGURE 2-25. GROUND CONTROL BOX ASSEMBLY (DEUTZ TD2.2L3 ENGINE).....	114
FIGURE 2-26. GROUND CONTROL BOX ASSEMBLY (DEUTZ D2011 ENGINE) (TOWER STOW) - WITH MECHANICAL HOUR METER (ANSI EXPORT (LRC), AUSTRALIAN & CHINEASE SPECS).....	118
FIGURE 2-27. GROUND CONTROL BOX ASSEMBLY (DEUTZ D2011 ENGINE) (TOWER STOW) (CE & UK CA SPECS).....	122
FIGURE 2-28. GROUND CONTROL BOX ASSEMBLY (DEUTZ 2.9L4 ENGINE) (TOWER STOW) - WITH MECHANICAL HOUR METER.....	126
FIGURE 2-29. GROUND CONTROL BOX ASSEMBLY (FORD ENGINE) (TOWER STOW) - WITH MECHANICAL HOUR METER	130
FIGURE 2-30. GROUND CONTROL BOX ASSEMBLY (DEUTZ TD2.2L3 ENGINE) (TOWER STOW)	134
FIGURE 2-31. LIGHT PANEL INSTALLATION - GROUND CONTROL	138
FIGURE 2-32. CRIBBING ENABLE SWITCH INSTALLATION.....	140
FIGURE 2-33. ALARM INSTALLATION.....	142
FIGURE 2-34. ALARM (WHITE NOISE AMBIENT) INSTALLATION.....	144
FIGURE 2-35. ALARM (WHITE NOISE) INSTALLATION.....	146
FIGURE 2-36. STROBE LIGHT INSTALLATION (AMBER).....	148
FIGURE 2-37. STROBE LIGHT INSTALLATION (BLUE)	150
FIGURE 2-38. STROBE LIGHT INSTALLATION (RED)	152
FIGURE 2-39. HOODS INSTALLATION – DEUTZ D2011 ENGINES WITHOUT NOISE REDUCTION (ABS)	154
FIGURE 2-40. HOODS INSTALLATION – DEUTZ D2011 ENGINES WITH NOISE REDUCTION (ABS).....	158
FIGURE 2-41. HOODS INSTALLATION – DEUTZ TD2.2L3 STAGE V ENGINES (ABS)	162
FIGURE 2-42. HOODS INSTALLATION – DEUTZ TD2.9L4 AND FORD DF 2.5L ENGINES (ABS)	166
FIGURE 2-43. NOISE REDUCTION INSTALLATION - DEUTZ D2011 & DEUTZ TD2.9L4 ENGINES	170
FIGURE 2-44. NOISE REDUCTION INSTALLATION - DEUTZ TD2.2L3 ENGINES	172
SECTION 3 - ENGINE	175
FIGURE 3-1. DEUTZ D2011 ENGINE INSTALLATION – WITHOUT ARCTIC PACKAGE	176
FIGURE 3-2. DEUTZ D2011 ENGINE INSTALLATION – WITH ARCTIC PACKAGE	178
FIGURE 3-3. DEUTZ D2011 ENGINE/PUMP SUB-ASSEMBLY – WITHOUT ARCTIC PACKAGE	180
FIGURE 3-4. DEUTZ D2011 ENGINE/PUMP SUB-ASSEMBLY – WITH ARCTIC PACKAGE.....	182
FIGURE 3-5. DEUTZ D2011 ENGINE ASSEMBLY – WITHOUT ARCTIC PACKAGE	184
FIGURE 3-6. DEUTZ D2011 ENGINE ASSEMBLY – WITH ARCTIC PACKAGE	188
FIGURE 3-7. DEUTZ D2011 ENGINE COMPONENTS.....	192
FIGURE 3-8. DEUTZ TD2.2L3 (STAGE V) ENGINE INSTALLATION.....	196
FIGURE 3-9. DEUTZ TD2.2L3 (STAGE V) ENGINE/PUMP SUB-ASSEMBLY	200
FIGURE 3-10. DEUTZ TD2.2L3 (STAGE V) ENGINE ASSEMBLY	202
FIGURE 3-11. DEUTZ TD2.2L3 (STAGE V) ENGINE COMPONENTS.....	208
FIGURE 3-12. BRACKET ASSEMBLY - FUEL PUMP AND FILTER (DEUTZ D2.2L3 ENGINE)	210
FIGURE 3-13. DEUTZ TD2.9L4 - 49HP ENGINE INSTALLATION - WITHOUT ARCTIC PACKAGE	212
FIGURE 3-14. DEUTZ TD2.9L4 - 49HP ENGINE INSTALLATION - WITH ARCTIC PACKAGE.....	216
FIGURE 3-15. DEUTZ TD2.9L4 - 49HP ENGINE/PUMP SUB-ASSEMBLY – WITHOUT ARCTIC PACKAGE.....	220
FIGURE 3-16. DEUTZ TD2.9L4 - 49HP ENGINE/PUMP SUB-ASSEMBLY – WITH ARCTIC PACKAGE	222
FIGURE 3-17. DEUTZ TD2.9L4 - 49HP ENGINE ASSEMBLY – WITH ARCTIC PACKAGE	224
FIGURE 3-18. DEUTZ TD2.9L4 - 49HP ENGINE ASSEMBLY – WITHOUT ARCTIC PACKAGE.....	230
FIGURE 3-19. DEUTZ TD2.9L4 - 49HP ENGINE COMPONENTS	236
FIGURE 3-20. DEUTZ TD2.9L4 - 63HP ENGINE INSTALLATION - WITHOUT ARCTIC PACKAGE	240
FIGURE 3-21. DEUTZ TD2.9L4 - 63HP ENGINE INSTALLATION - WITH ARCTIC PACKAGE	244
FIGURE 3-22. DEUTZ TD2.9L4 - 63HP ENGINE/PUMP SUB-ASSEMBLY – WITHOUT ARCTIC PACKAGE.....	248

TABLE OF CONTENTS

FIGURE 3-23. DEUTZ TD2.9L4 - 63HP ENGINE/PUMP SUB-ASSEMBLY – WITH ARCTIC PACKAGE	250
FIGURE 3-24. DEUTZ TD2.9L4 - 63HP ENGINE ASSEMBLY – WITHOUT ARCTIC PACKAGE	252
FIGURE 3-25. DEUTZ TD2.9L4 - 63HP ENGINE ASSEMBLY – WITH ARCTIC PACKAGE.....	258
FIGURE 3-26. DEUTZ TD2.9L4 - 63HP ENGINE COMPONENTS	264
FIGURE 3-27. BRACKET ASSEMBLY - FUEL PUMP AND FILTER (DEUTZ D2.9L4 ENGINE).....	268
FIGURE 3-28. BREATHER HEATER INSTALLATION - DEUTZ D2.9L4 ENGINES WITH ARCTIC PACKAGE	270
FIGURE 3-29. QUICKFIT OIL DRAIN (DEUTZ TD 2.9L)	272
FIGURE 3-30. QUICKFIT OIL DRAIN (DEUTZ D ENGINES)	274
FIGURE 3-31. FORD ENGINE INSTALLATION - WITHOUT ARCTIC PACKAGE	276
FIGURE 3-32. FORD ENGINE INSTALLATION - WITH ARCTIC PACKAGE	280
FIGURE 3-33. FORD ENGINE/PUMP SUB-ASSEMBLY - WITHOUT ARCTIC PACKAGE.....	284
FIGURE 3-34. FORD ENGINE/PUMP SUB-ASSEMBLY - WITH ARCTIC PACKAGE	286
FIGURE 3-35. FORD ENGINE ASSEMBLY - WITHOUT ARCTIC PACKAGE	288
FIGURE 3-36. FORD ENGINE ASSEMBLY - WITH ARCTIC PACKAGE	294
FIGURE 3-37. PUMP COUPLING AND FUEL SYSTEM ASSEMBLY (FORD ENGINES).....	300
FIGURE 3-38. FORD ENGINE COMPONENTS.....	302
FIGURE 3-39. DRIVE BELT INSTALLATION - FORD ENGINES MACHINES WITHOUT GENERATORS	306
FIGURE 3-40. PUMP COUPLING KIT - DEUTZ ENGINES	308
FIGURE 3-41. PISTON PUMP ASSEMBLY - DEUTZ ENGINES - DANFOSS	310
FIGURE 3-42. PISTON PUMP ASSEMBLY WITH FITTINGS - DEUTZ ENGINES - HENGLI	314
FIGURE 3-43. PISTON PUMP ASSEMBLY - FORD ENGINES.....	316
FIGURE 3-44. PISTON PUMP ASSEMBLY	320
FIGURE 3-45. GEAR PUMP ASSEMBLY	322
FIGURE 3-46. SPARK ARRESTOR MUFFLER INSTALLATION - DEUTZ D2011 ENGINES	324
FIGURE 3-47. EXHAUST PIPE INSTALLATION - FORD ENGINES	326
FIGURE 3-48. FUEL-WATER SEPARATOR INSTALLATION - DEUTZ D2011 ENGINES (OPTIONAL)	328
FIGURE 3-49. RIGHT ENGINE SUPPORT INSTALLATION (DEUTZ D2011 ENGINES MACHINES WITHOUT GENERATORS)	330
FIGURE 3-50. RIGHT ENGINE SUPPORT INSTALLATION (DEUTZ D2011 ENGINES MACHINES WITH GENERATORS)....	332
FIGURE 3-51. RIGHT ENGINE SUPPORT INSTALLATION (DEUTZ TD2.2L3 ENGINES MACHINES WITHOUT GENERATORS)	334
FIGURE 3-52. RIGHT ENGINE SUPPORT INSTALLATION (DEUTZ TD2.2L3 ENGINES MACHINES WITH GENERATORS)	336
FIGURE 3-53. RIGHT ENGINE SUPPORT INSTALLATION (DEUTZ TD2.9L4 ENGINES MACHINES WITHOUT GENERATORS)	338
FIGURE 3-54. RIGHT ENGINE SUPPORT INSTALLATION (DEUTZ TD2.9L4 ENGINES MACHINES WITH GENERATORS)	340
FIGURE 3-55. ENGINE TRAY JACK INSTALLATION - DEUTZ D2011 ENGINES.....	342
FIGURE 3-56. ENGINE TRAY JACK INSTALLATION - DEUTZ TD2.9L4 & TD2.2L3 STAGE V ENGINES.....	344
FIGURE 3-57. ENGINE TRAY JACK INSTALLATION - FORD ENGINES.....	346
FIGURE 3-58. 2500W/110V/60HZ GENERATOR INSTALLATION - DEUTZ D2011 ENGINES.....	348
FIGURE 3-59. 2500W/220V/50HZ GENERATOR INSTALLATION - DEUTZ D2011 ENGINES.....	350
FIGURE 3-60. 2500W/110V/60HZ GENERATOR INSTALLATION - DEUTZ TD2.9L4 ENGINES.....	352
FIGURE 3-61. 2500W/220V/50HZ GENERATOR INSTALLATION - DEUTZ D2011 ENGINES (ANSI EXPORT AND CHINA SPECS)	356
FIGURE 3-62. 2500W GENERATOR INSTALLATION - FORD ENGINES	358
FIGURE 3-63. 4000W/60HZ GENERATOR INSTALLATION - DEUTZ D2011 ENGINES	362
FIGURE 3-64. 4000W/50HZ GENERATOR INSTALLATION - DEUTZ D2011 ENGINES	366
FIGURE 3-65. 4000W/50HZ GENERATOR INSTALLATION - DEUTZ TD2.2L3 ENGINES	370

TABLE OF CONTENTS

FIGURE 3-66. 4000W/60HZ GENERATOR INSTALLATION - DEUTZ TD2.9L4 ENGINES.....	374
FIGURE 3-67. 4000W/50HZ GENERATOR INSTALLATION - DEUTZ TD2.9L4 ENGINES.....	378
FIGURE 3-68. 7500W/60HZ SKYPOWER GENERATOR INSTALLATION - DEUTZ D2011 ENGINES	382
FIGURE 3-69. 7500W/50HZ SKYPOWER GENERATOR INSTALLATION - DEUTZ D2011 ENGINES	386
FIGURE 3-70. 7500W/50HZ SKYPOWER GENERATOR INSTALLATION - DEUTZ TD2.2L3 STAGE V ENGINES	390
FIGURE 3-71. 7500W/60HZ SKYPOWER GENERATOR INSTALLATION - DEUTZ TD2.9L4 ENGINES	394
FIGURE 3-72. 7500W/60HZ SKYPOWER GENERATOR INSTALLATION - FORD ENGINES	398
SECTION 4 - BOOM.....	403
FIGURE 4-1. BOOMS AND CYLINDERS INSTALLATION.....	404
FIGURE 4-2. TOWER BOOM ASSEMBLY	406
FIGURE 4-3. MAIN BOOM ASSEMBLY	408
FIGURE 4-4. JIB BOOM ASSEMBLY	410
FIGURE 4-5. ROTATOR ASSEMBLY.....	412
FIGURE 4-6. PLATFORM SUPPORT INSTALLATION	414
FIGURE 4-7. POWER TRACK INSTALLATION - MAIN BOOM	416
FIGURE 4-8. POWER TRACK INSTALLATION - TOWER BOOM	418
FIGURE 4-9. CONTROL VALVES INSTALLATION - DEUTZ D2011 AND STAGE V ENGINES	420
FIGURE 4-10. CONTROL VALVES INSTALLATION - DEUTZ TD2.9L4 & FORD ENGINES	422
FIGURE 4-11. BOOM VALVE ASSEMBLY.....	424
FIGURE 4-12. BOOM VALVES AND LIMIT SWITCHES INSTALLATION.....	426
FIGURE 4-13. BOOM SENSOR INSTALLATION (TOWER STOW).....	428
SECTION 5 - PLATFORM.....	431
FIGURE 5-1. PLATFORM ASSEMBLY - 30IN X 4FT (76.2CM X 1.22M) WITH SWING GATE	432
FIGURE 5-2. PLATFORM ASSEMBLY - 30IN X 5FT (76CM X 1.52M) - GATE ENTRY	434
FIGURE 5-3. PLATFORM ASSEMBLY - 36IN X 6FT (91.5CM X 1.83M) WITH SWING GATE	436
FIGURE 5-4. PLATFORM ASSEMBLY - 36IN X 8FT (91.5CM X 2.44M) WITH SWING GATE	438
FIGURE 5-5. PLATFORM ASSEMBLY - 30IN X 3FT (76CM X .91M) - DROP BAR ENTRY	440
FIGURE 5-6. PLATFORM ASSEMBLY - 30IN X 4FT (76.2CM X 1.22M) WITH DROP BAR	442
FIGURE 5-7. PLATFORM ASSEMBLY - 30IN X 5FT (76CM X 1.52M) - DROP BAR ENTRY	444
FIGURE 5-8. PLATFORM ASSEMBLY - 36IN X 6FT (91.5CM X 1.83M) WITH DROP BAR	446
FIGURE 5-9. PLATFORM ASSEMBLY - 36IN X 8FT (91.5CM X 2.44M) WITH DROP BAR	448
FIGURE 5-10. PLATFORM ASSEMBLY - 36IN X 6FT (91.5CM X 1.83M) WITH FALL ARREST	450
FIGURE 5-11. PLATFORM ASSEMBLY - 36IN X 8FT (91.5CM X 2.44M) WITH FALL ARREST	452
FIGURE 5-12. PLATFORM ASSEMBLY - 36IN X 6FT (91.5CM X 1.83M) TRI-ENTRY WITH SWING GATE	454
FIGURE 5-13. PLATFORM ASSEMBLY - 36IN X 8FT (91.5CM X 2.44M) TRI-ENTRY WITH SWING GATE	456
FIGURE 5-14. PLATFORM ASSEMBLY - 36IN X 6FT (91.5CM X 1.83M) TRI-ENTRY WITH DROPBAR	458
FIGURE 5-15. PLATFORM ASSEMBLY - 36IN X 8FT (91.5CM X 2.44M) TRI-ENTRY WITH DROPBAR	460
FIGURE 5-16. TRAY ASSEMBLY.....	462
FIGURE 5-17. CONSOLE AND FOOTSWITCH INSTALLATION	464
FIGURE 5-18. CONSOLE AND FOOTSWITCH INSTALLATION (TOWER STOW).....	466
FIGURE 5-19. CONSOLE BOX ASSEMBLY WITH FOOTSWITCH	468
FIGURE 5-20. CONSOLE BOX ASSEMBLY WITH FOOTSWITCH (TOWER STOW).....	472
FIGURE 5-21. FOOTSWITCH ASSEMBLY	476
FIGURE 5-22. CRAB STEER SWITCH INSTALLATION - 4WS (WITHOUT TOW PACKAGE).....	478

TABLE OF CONTENTS

FIGURE 5-23. CRAB STEER SWITCH INSTALLATION - 4WS (WITH TOW PACKAGE).....	480
FIGURE 5-24. LIGHT PANEL INSTALLATION	482
FIGURE 5-25. STEER SWITCH INSTALLATION – 4WS.....	484
FIGURE 5-26. SKYEYE INSTALLATION	486
FIGURE 5-27. SKYGUARD BAR INSTALLATION.....	488
FIGURE 5-28. SKYLINE INSTALLATION	490
FIGURE 5-29. SKYGLAZIER INSTALLATION (ALL SPECS EXCEPT CHINA, JAPANESE, CE & UK CA SPECS) (OPTIONAL)	492
FIGURE 5-30. SKYCUTTER INSTALLATION (OPTIONAL)	494
FIGURE 5-31. PLASMA CUTTER ASSEMBLY.....	496
FIGURE 5-32. SKYWELDER/SKYCUTTER COMBO INSTALLATION (60HZ) (OPTIONAL)	498
FIGURE 5-33. SKYWELDER INSTALLATION (50HZ) (OPTIONAL).....	502
FIGURE 5-34. SKYWELDER INSTALLATION (60HZ) (OPTIONAL).....	504
FIGURE 5-35. WELDER ASSEMBLY	506
FIGURE 5-36. SKYWELDER PREP PACKAGE (60HZ) (OPTIONAL)	508
FIGURE 5-37. SKYWELDER LOCKING BRACKET INSTALLATION (OPTIONAL).....	510
FIGURE 5-38. SOFT TOUCH SYSTEM INSTALLATION - 6FT/1.8M PLATFORMS (OPTIONAL).....	512
FIGURE 5-39. SOFT TOUCH SYSTEM INSTALLATION - 6FT/1.8M FALL ARREST PLATFORMS (OPTIONAL).....	514
FIGURE 5-40. SOFT TOUCH SYSTEM INSTALLATION - 8FT/2.44M PLATFORM (OPTIONAL)	516
FIGURE 5-41. SOFT TOUCH SYSTEM INSTALLATION - 8FT/2.44M FALL ARREST PLATFORM (OPTIONAL)	518
FIGURE 5-42. PLATFORM PADDING INSTALLATION (30IN/76CM DEPTH PLATFORMS) (ANSI, ANSI EXPORT, CSA AND CHINA SPECS) (OPTIONAL).....	520
FIGURE 5-43. FALL ARREST (BOLT-ON) INSTALLATION - 30IN X 4FT PLATFORM (ALL SPECS EXCEPT CE & UK CA SPECS) (OPTIONAL).....	522
FIGURE 5-44. FALL ARREST (BOLT-ON) INSTALLATION - 30IN X 5FT PLATFORM (ALL SPECS EXCEPT CE & UK CA SPECS) (OPTIONAL).....	524
FIGURE 5-45. FALL ARREST (BOLT-ON) INSTALLATION - 36IN X 6FT PLATFORM (ALL SPECS EXCEPT CE & UK CA SPECS) (OPTIONAL).....	526
FIGURE 5-46. FALL ARREST (BOLT-ON) INSTALLATION - 36IN X 6FT TRI-ENTRY PLATFORM (ALL SPECS EXCEPT CE & UK CA SPECS) (OPTIONAL).....	528
FIGURE 5-47. FALL ARREST (BOLT-ON) INSTALLATION - 36IN X 8FT PLATFORM (ALL SPECS EXCEPT CE & UK CA SPECS) (OPTIONAL).....	530
FIGURE 5-48. USB CHARGER INSTALLATION	532
SECTION 6 - CYLINDER.....	535
FIGURE 6-1. AXLE LOCKOUT CYLINDER ASSEMBLY	536
FIGURE 6-2. LEVEL (PLATFORM SLAVE) CYLINDER ASSEMBLY	538
FIGURE 6-3. LEVEL (UPRIGHT) CYLINDER ASSEMBLY	540
FIGURE 6-4. LIFT CYLINDER ASSEMBLY - JIB.....	542
FIGURE 6-5. LIFT CYLINDER ASSEMBLY - JIB.....	544
FIGURE 6-6. LIFT CYLINDER ASSEMBLY - JIB.....	546
FIGURE 6-7. LIFT CYLINDER ASSEMBLY - MAIN BOOM	548
FIGURE 6-8. LIFT CYLINDER ASSEMBLY - MAIN BOOM	550
FIGURE 6-9. MASTER CYLINDER ASSEMBLY.....	552
FIGURE 6-10. STEER CYLINDER ASSEMBLY.....	554
FIGURE 6-11. TELESCOPE CYLINDER ASSEMBLY - MAIN BOOM	556
FIGURE 6-12. TELESCOPE CYLINDER ASSEMBLY - TOWER BOOM.....	558
SECTION 7 - HYDRAULIC	561

TABLE OF CONTENTS

FIGURE 7-1. DRIVE HYDRAULIC DIAGRAM - 4WD/2WS WITHOUT ARCTIC PACKAGE	562
FIGURE 7-2. DRIVE HYDRAULIC DIAGRAM - 4WD/2WS WITH ARCTIC PACKAGE	566
FIGURE 7-3. FLUSHING LOOP HYDRAULIC INSTALLATION - 4WD	570
FIGURE 7-4. HYDRAULIC DIAGRAM - STANDARD (DEUTZ D2011 ENGINE)	572
FIGURE 7-5. HYDRAULIC DIAGRAM - STANDARD (DEUTZ TD2.9L4 & DEUTZ TD2.2L3 STAGE V ENGINES)	578
FIGURE 7-6. HYDRAULIC DIAGRAM - STANDARD (FORD ENGINES)	584
FIGURE 7-7. HYDRAULIC DIAGRAM - OSCILLATING AXLE	590
FIGURE 7-8. HYDRAULIC DIAGRAM - TOW BAR	592
SECTION 8 - ELECTRICAL	595
FIGURE 8-1. AC CABLE CONNECTOR INSTALLATION - 110V/220V (MACHINES NO GENERATOR) (ANSI EXPORT, AUSTRALIAN, CHINA, CE & UK CA SPECS)	596
FIGURE 8-2. AC CABLE CONNECTOR INSTALLATION – SKYPOWER (MACHINES NO GENERATOR) (ALL SPECS)	598
FIGURE 8-3. AC CABLE CONNECTOR INSTALLATION – 4000W GENERATOR (MACHINES NO GENERATOR) (ALL SPECS EXCEPT AUSTRALIAN, CE & UK CA SPECS)	600
FIGURE 8-4. AC BOX AT PLATFORM INSTALLATION - 110V GFI RECEPTACLE (MACHINES WITH 2500W GENERATOR/NO GENERATOR OPTIONS) (ALL SPECS EXCEPT AUSTRALIAN, CE& UK CA SPECS)	602
FIGURE 8-5. AC BOX AT PLATFORM INSTALLATION - 220V RECEPTACLE (MACHINES WITH 2500W GENERATOR/NO GENERATOR OPTIONS) (ANSI, CSA AND JAPANESE SPECS)	604
FIGURE 8-6. AC BOX AT PLATFORM INSTALLATION - BOX WITH COVER (2X4 BOX) (ANSI EXPORT SPECS) (4000W GENERATOR)	606
FIGURE 8-7. AC BOX AT PLATFORM INSTALLATION – DUAL AC 110V GFI (MACHINES WITH 2500W GENERATOR) (ANSI EXPORT AND CHINA SPECS)	608
FIGURE 8-8. AC BOX AT PLATFORM INSTALLATION - 110V IEC YELLOW (CE & UK CA SPECS)	610
FIGURE 8-9. AC BOX AT PLATFORM INSTALLATION - 110V IEC 60309 YELLOW (CE & UK CA SPECS) (4000W GENERATOR)	612
FIGURE 8-10. AC BOX AT PLATFORM INSTALLATION - 220V IEC BLUE (CE& UK CA SPECS)	614
FIGURE 8-11. AC BOX AT PLATFORM INSTALLATION - 220V IEC BLUE (CE & UK CA SPECS) (2500W GENERATOR)	616
FIGURE 8-12. AC BOX AT PLATFORM INSTALLATION - 220V IEC 60309 BLUE (CE & UK CA SPECS) (4000W GENERATOR)	618
FIGURE 8-13. AC BOX AT PLATFORM INSTALLATION - 220V CEE7 POST GROUND (CE & UK CA SPECS)	620
FIGURE 8-14. AC BOX AT PLATFORM INSTALLATION - 220V CEE7 POST GROUND (CE & UK CA SPECS) (2500W GENERATOR)	622
FIGURE 8-15. AC BOX AT PLATFORM INSTALLATION - 220V CEE7 POST GROUND (2X4 BOX) (CE & UK CA SPECS) (4000W GENERATOR)	624
FIGURE 8-16. AC BOX AT PLATFORM INSTALLATION - 220V CEE7 SIDE GROUND (CE & UK CA SPECS)	626
FIGURE 8-17. AC BOX AT PLATFORM INSTALLATION - 220V CEE7 SIDE GROUND (CE & UK CA SPECS) (2500W GENERATOR)	628
FIGURE 8-18. AC BOX AT PLATFORM INSTALLATION - 220V CEE7 SIDE GROUND (2X4 BOX) (CE & UK CA SPECS) (4000W GENERATOR)	630
FIGURE 8-19. AC BOX AT PLATFORM INSTALLATION - 220V AFSINT 107 (CE & UK CA SPECS)	632
FIGURE 8-20. AC BOX AT PLATFORM INSTALLATION - 220V AFSINT 107 (CE & UK CA SPECS) (2500W GENERATOR)	634
FIGURE 8-21. AC BOX AT PLATFORM INSTALLATION - 220V AFSINT 107 KEYED GROUND (2X4 BOX) (CE & UK CA SPECS) (4000W GENERATOR)	636
FIGURE 8-22. AC BOX AT PLATFORM INSTALLATION - 240V GFCI RECEPTACLE (ANSI, ANSI EXPORT, CHINA, CSA AND JAPANESE SPECS WITH 4000W SKYPOWER GENERATOR)	638
FIGURE 8-23. AC BOX AT PLATFORM INSTALLATION - 240V GFCI RECEPTACLE (ANSI AND CSA SPECS WITH 7500W SKYPOWER GENERATOR)	640
FIGURE 8-24. BATTERY DISCONNECT SWITCH INSTALLATION – DEUTZ D2011 ENGINES	642
FIGURE 8-25. BATTERY DISCONNECT SWITCH INSTALLATION (DEUTZ TD2.9L4, DEUTZ D2.9L4, DEUTZ TD2.2L3 STAGE V AND FORD DF2.5L ENGINES)	644

TABLE OF CONTENTS

FIGURE 8-26. BEACON LIGHT HARNESS (BLUE AND RED BEACON LIGHT).....	646
FIGURE 8-27. BOOM CABLES INSTALLATION - WITH 2500W GENERATOR OR NO GENERATOR.....	648
FIGURE 8-28. BOOM CABLE INSTALLATION - WITH 4000W/50HZ GENERATOR.....	650
FIGURE 8-29. BOOM CABLES INSTALLATION - WITH 4000W/60HZ GENERATOR.....	652
FIGURE 8-30. BOOM CABLE INSTALLATION - WITH 7500W GENERATOR.....	654
FIGURE 8-31. BOOM CABLE - MAIN BOOM.....	656
FIGURE 8-32. BOOM CABLE - TOWER BOOM (WITHOUT ARCTIC PACKAGE).....	658
FIGURE 8-33. BREAKER BOX KIT - SINGLE DOUBLE POLE BREAKER (WITH 4000W/50HZ GENERATOR).....	660
FIGURE 8-34. BREAKER BOX KIT - 30MA/16 AMP (WITH GENERATOR).....	662
FIGURE 8-35. CSB HARNESS.....	664
FIGURE 8-36. ENGINE HARNESS ASSEMBLY (DEUTZ D2011 ENGINES).....	666
FIGURE 8-37. ENGINE HARNESS ASSEMBLY (DEUTZ TD2.9L4 & DEUTZ DT2.2L3 STAGE V ENGINES).....	668
FIGURE 8-38. ENGINE HARNESS - DEUTZ TD2.2L3 ENGINES.....	670
FIGURE 8-39. ENGINE HARNESS - DEUTZ TD2.9L4 ENGINES.....	674
FIGURE 8-40. ENGINE HARNESS ASSEMBLY (FORD DF2.5L ENGINES).....	678
FIGURE 8-41. ECU POWER JUMPER HARNESS.....	680
FIGURE 8-42. FUEL HARNESS - DEUTZ TD2.2L3 (STAGE V) ENGINE.....	682
FIGURE 8-43. FUEL HARNESS - DEUTZ TD2.9L4 ENGINES.....	684
FIGURE 8-44. FULL EXTENSION PROXIMITY HARNESS.....	686
FIGURE 8-45. GENERATOR TO CONTROL BOX HARNESS - 4000W.....	688
FIGURE 8-46. GENERATOR TO CONTROL BOX HARNESS - 7500W GENERATOR.....	690
FIGURE 8-47. GENERATOR HARNESS - 7500W GENERATOR (FORD ENGINES).....	692
FIGURE 8-48. GENERATOR HARNESS - 7500W GENERATOR (DEUTZ TD2.9L4 ENGINES).....	694
FIGURE 8-49. GENERATOR TO ENGINE HARNESS - 2500W.....	696
FIGURE 8-50. GENERATOR TO ENGINE HARNESS - 4000W.....	698
FIGURE 8-51. GENERATOR TO ENGINE HARNESS - 7500W SKYPOWER GENERATOR (DEUTZ D2011 ONLY).....	700
FIGURE 8-52. GENERATOR TO REAR OF BOOM HARNESS - 110V.....	702
FIGURE 8-53. GENERATOR TO REAR OF BOOM HARNESS - 220V.....	704
FIGURE 8-54. GROUND CONTROL BOX HARNESS.....	706
FIGURE 8-55. MID PROXIMITY HARNESS.....	708
FIGURE 8-56. PLATFORM CONSOLE BOX HARNESS.....	710
FIGURE 8-57. RECEPTACLE BOX KIT - 110V IEC YELLOW (CE & UK CA SPEC).....	712
FIGURE 8-58. RECEPTACLE BOX KIT - 220V IEC BLUE (CE & UK CA SPEC).....	714
FIGURE 8-59. RECEPTACLE BOX KIT - 220V IEC BLUE (CE & UK CA SPECS) (2500W GENERATOR).....	716
FIGURE 8-60. RECEPTACLE BOX KIT - 220V CEE7 POST GROUND WITHOUT 2500W GENERATOR (2X4 BOX) (CE & UK CA SPECS).....	718
FIGURE 8-61. RECEPTACLE BOX KIT - 220V CEE7 POST GROUND (2X4 BOX) (CE & UK CA SPECS) (2500W GENERATOR).....	720
FIGURE 8-62. RECEPTACLE BOX KIT - 220V CEE7 SIDE GROUND (CE & UK CA SPEC).....	722
FIGURE 8-63. RECEPTACLE BOX KIT - 220V CEE7 SIDE GROUND (2X4 BOX) (CE & UK CA SPECS) (2500W GENERATOR).....	724
FIGURE 8-64. RECEPTACLE BOX KIT - 220V AFSINT 107 (CE & UK CA SPEC).....	726
FIGURE 8-65. RECEPTACLE BOX KIT - 220V AFSINT 107 KEYED GROUND (2X4 BOX) (CE & UK CA SPECS) (2500W GENERATOR).....	728
FIGURE 8-66. SKYEYE INTERMEDIATE HARNESS.....	730
FIGURE 8-67. SKYEYE EMITTER HARNESS.....	732
FIGURE 8-68. SKYEYE RECEIVER HARNESS.....	734

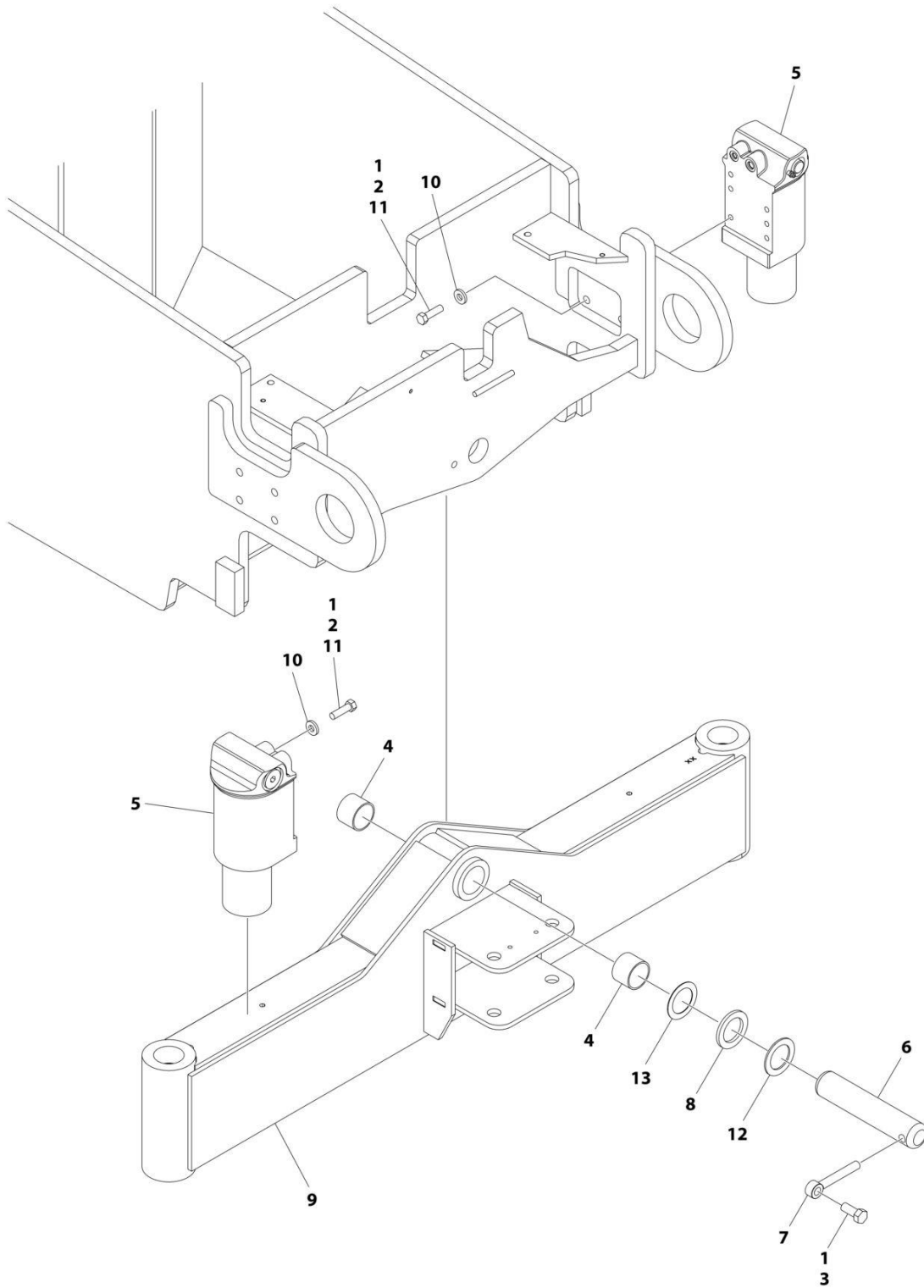
TABLE OF CONTENTS

FIGURE 8-69. SKYLINE HARNESS	736
FIGURE 8-70. SKYGUARD INTERFACE HARNESS	738
FIGURE 8-71. STROBE LIGHT JUMPER HARNESS	740
FIGURE 8-72. TILT SENSOR HARNESS	742
FIGURE 8-73. VALVE HARNESS - BOOM VALVE	744
FIGURE 8-74. VALVE HARNESS - MAIN CONTROL VALVE	746
FIGURE 8-75. WHITE NOISE ALARM HARNESS	748
SECTION 9 - DECALS	751
FIGURE 9-1. DECAL INSTALLATION - ANSI SPECS	752
FIGURE 9-2. DECAL INSTALLATION - AUSTRALIAN SPECS	754
FIGURE 9-3. DECAL INSTALLATION - BRAZIL SPECS	756
FIGURE 9-4. DECAL INSTALLATION - CE, RUSSIAN & UK CA SPECS	758
FIGURE 9-5. DECAL INSTALLATION - CHINESE SPECS (SIMPLIFIED)	760
FIGURE 9-6. DECAL INSTALLATION - CHINESE SPECS (TRADITIONAL)	762
FIGURE 9-7. DECAL INSTALLATION - CSA SPECS	764
FIGURE 9-8. DECAL INSTALLATION - JAPANESE SPECS	766
FIGURE 9-9. DECAL INSTALLATION - KOREAN SPECS	768
FIGURE 9-10. DECAL INSTALLATION - LATIN AMERICAN SPECS	770
FIGURE 9-11. DECAL INSTALLATION - OPTIONS	772
FIGURE 9-12. SKYCUTTER DECAL INSTALLATION (ALL SPECS EXCEPT AUSTRALIAN, CE & JAPANESE SPECS)	776
FIGURE 9-13. SKYCUTTER DECAL INSTALLATION (JAPANESE SPECS)	778
FIGURE 9-14. SKYWELDER DECAL INSTALLATION - 50HZ	780
FIGURE 9-15. SKYWELDER DECAL INSTALLATION - 60HZ	782
SECTION 10 - RECOMMENDED SERVICE PARTS STOCK	785
FIGURE 10-1. RECOMMENDED SERVICE PART STOCK	786
SECTION 11 - SPECIAL OPTIONS/ACCESSORIES/KITS	789
FIGURE 11-1. SPECIAL OPTIONS/ACCESSORIES/KITS	790
PART NUMBER INDEX	795

SECTION 1 - FRAME

SECTION 1 - FRAME

FIGURE 1-1. AXLE INSTALLATION (WITHOUT TOW PACKAGE)



ART_1001148168

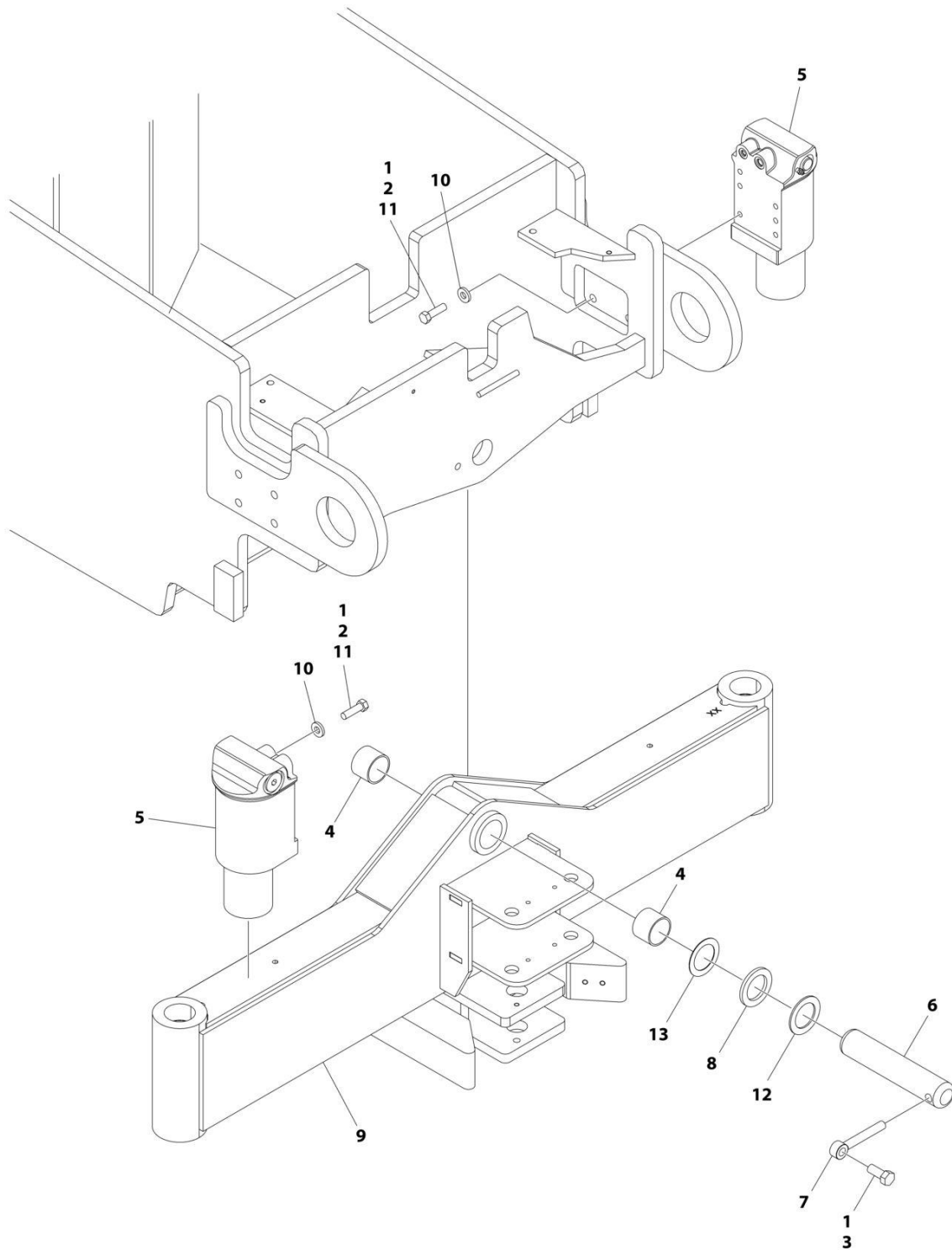
SECTION 1 - FRAME

FIGURE 1-1. AXLE INSTALLATION (WITHOUT TOW PACKAGE)

ITEM	PART NUMBER	QTY	DESCRIPTION	REV
	1001148168	Ref	AXLE INSTALLATION - OSCILLATING	C
1	0100011	AR	Compound, Locking	
2	0641814	8	Bolt 1/2 x 1-3/4	
3	0642012	1	Bolt 5/8 x 1-1/2	
4	0961950	2	Bearing	
5	1684465	2	Lockout Cylinder Assembly (See Separate Breakdown in CYLINDER SECTION)	
6	3423184	1	Pin	
7	3841258	1	Keeper, Pin	
8	4740158	AR	Thrustwasher	
9	1001148171	1	Axle Weldment	
10	4891800	8	Washer 1/2 Hardened	
11	0100038	AR	Primer, Locking	
12	4740229	AR	Thrustwasher	
13	4071101	AR	Shim (18Ga)	

SECTION 1 - FRAME

FIGURE 1-2. AXLE INSTALLATION (WITH TOW PACKAGE)



ART_1001148170

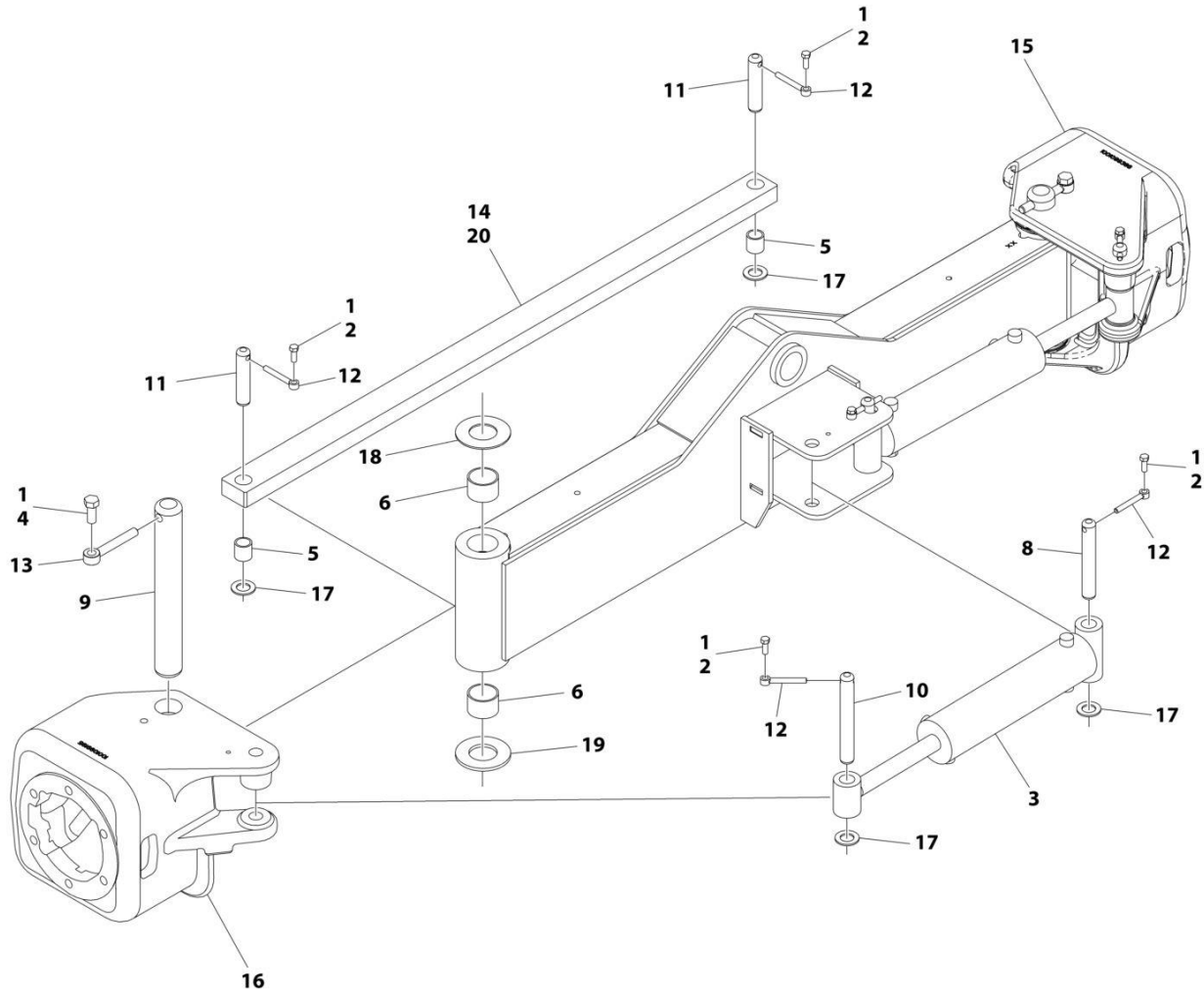
SECTION 1 - FRAME

FIGURE 1-2. AXLE INSTALLATION (WITH TOW PACKAGE)

ITEM	PART NUMBER	QTY	DESCRIPTION	REV
	1001148170	Ref	AXLE INSTALLATION - OSCILLATING	C
1	0100011	AR	Compound, Locking	
2	0641814	8	Bolt 1/2 x 1-3/4	
3	0642012	1	Bolt 5/8 x 1-1/2	
4	0961950	2	Bearing	
5	1684465	2	Axle Lockout Cylinder Assembly (See Separate Breakdown in CYLINDER SECTION)	
6	3423184	1	Pin	
7	3841258	1	Keeper, Pin	
8	4740158	1	Thrustwasher	
9	1001148172	1	Axle Weldment	
10	4891800	8	Washer 1/2 Hardened	
11	0100038	AR	Primer, Locking	
12	4071101	AR	Shim (18Ga)	
13	4740229	AR	Thrustwasher	

SECTION 1 - FRAME

FIGURE 1-3. STEERING INSTALLATION (WITHOUT TOW PACKAGE)



ART_1001148162

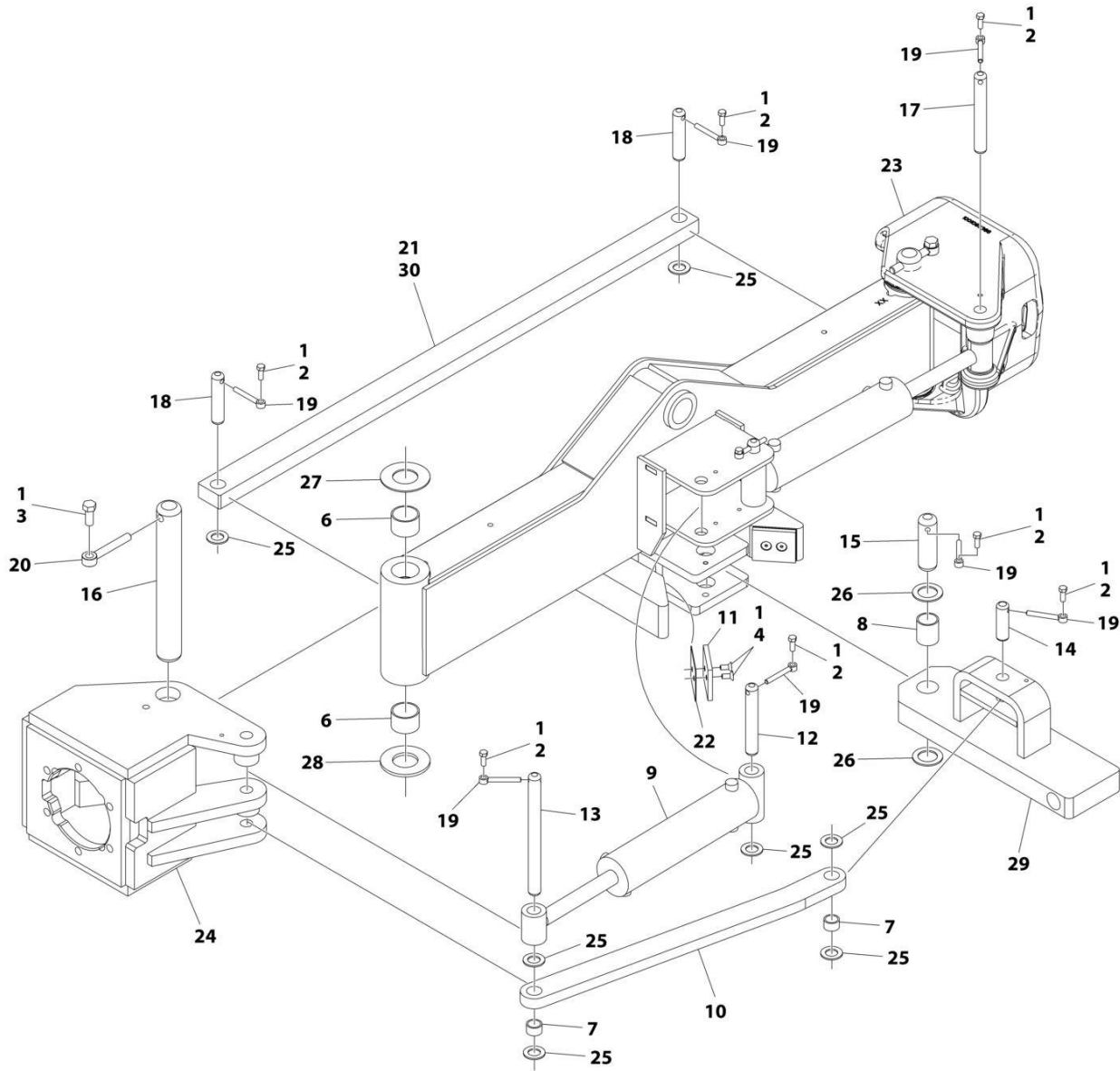
SECTION 1 - FRAME

FIGURE 1-3. STEERING INSTALLATION (WITHOUT TOW PACKAGE)

ITEM	PART NUMBER	QTY	DESCRIPTION	REV
	1001148162	Ref	STEERING INSTALLATION – 4WD/2WS	D
1	0100011	AR	Compound, Locking	
2	0641608	6	Bolt 3/8 x 1	
3	1001097242	2	Steer Cylinder Assembly (See Separate Breakdown in CYLINDER SECTION)	
4	0642012	2	Bolt 5/8 x 1-1/2	
5	0962356	2	Bushing (Part of item 20)	
6	0962131	4	Bushing	
8	3422326	2	Pin	
9	3422900	2	Pin	
10	3422902	1	Pin	
11	3422903	2	Pin	
12	3841143	6	Keeper, Pin	
13	3841258	2	Keeper, Pin	
14	1001155574	NLA	Tie-Rod (Part of Item 20) (Use Item 20 as replacement)	
15	1001099387	1	Spindle (LH)	
16	1001099196	1	Spindle (RH)	
17	4740111	6	Thrustwasher	
18	4740256	2	Thrustwasher	
19	4740463	2	Thrustwasher	
20	1001276664	1	Tie-Rod Assembly (Includes Items 5 & 14)	

SECTION 1 - FRAME

FIGURE 1-4. STEERING INSTALLATION (WITH TOW PACKAGE)



ART_1001148164_D

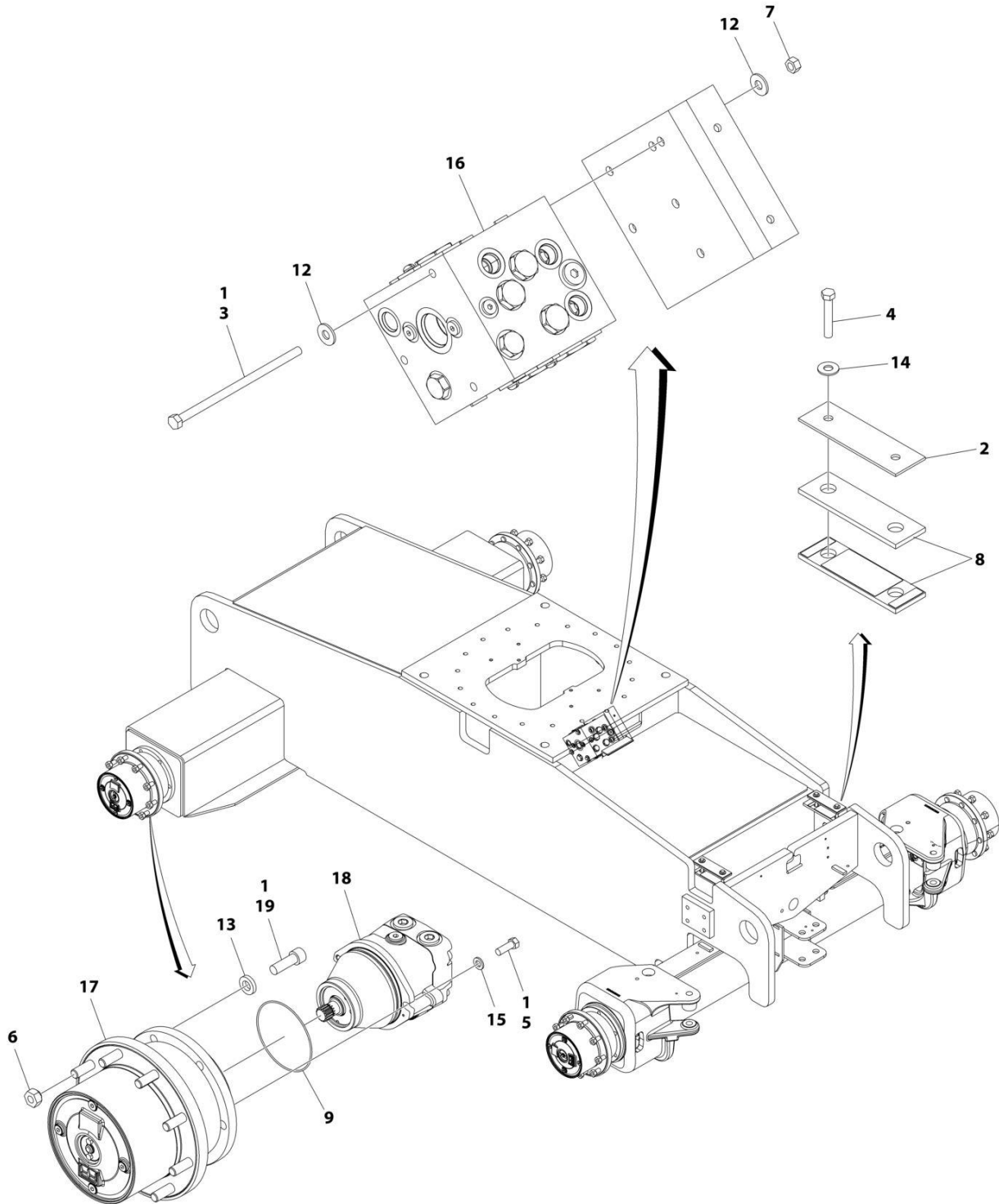
SECTION 1 - FRAME

FIGURE 1-4. STEERING INSTALLATION (WITH TOW PACKAGE)

ITEM	PART NUMBER	QTY	DESCRIPTION	REV
	1001148164	Ref	STEERING INSTALLATION - 4WD/2WS	D
1	0100011	AR	Compound, Locking	
2	0641608	8	Bolt 3/8 x 1	
3	0642012	2	Bolt 5/8 x 1-1/2	
4	0741607	4	Screw 3/8 x 7/8	
5	0962356	2	Bearing (Part of item 30)	
6	0962131	4	Bushing	
7	0962292	2	Bushing	
8	0962348	1	Bushing	
9	1001097242	2	Steer Cylinder Assembly (See Separate Breakdown in CYLINDER Section)	
10	1001148178	1	Link	
11	3340966	2	Pad	
12	3422326	2	Pin	
13	3422567	1	Pin	
14	3422813	1	Pin	
15	3422848	1	Pin	
16	3422900	2	Pin	
17	3422902	1	Pin	
18	3422903	2	Pin	
19	3841143	8	Keeper, Pin	
20	3841258	2	Keeper, Pin	
21	1001155574	NLA	Tie-Rod (Part of Item 30) (Use Item 30 as replacement)	
22	4071059	2	Shim	
23	1001099387	1	Spindle (LH)	
24	4130399	1	Spindle (RH)	
25	4740111	9	Thrustwasher	
26	4740155	2	Thrustwasher	
27	4740256	2	Thrustwasher	
28	4740463	2	Thrustwasher	
29	4846935	1	Pivot	
30	1001276664	1	Tie-Rod Assembly (Includes Items 5 & 21)	

SECTION 1 - FRAME

FIGURE 1-5. WHEEL DRIVE INSTALLATION



ART_1001136668

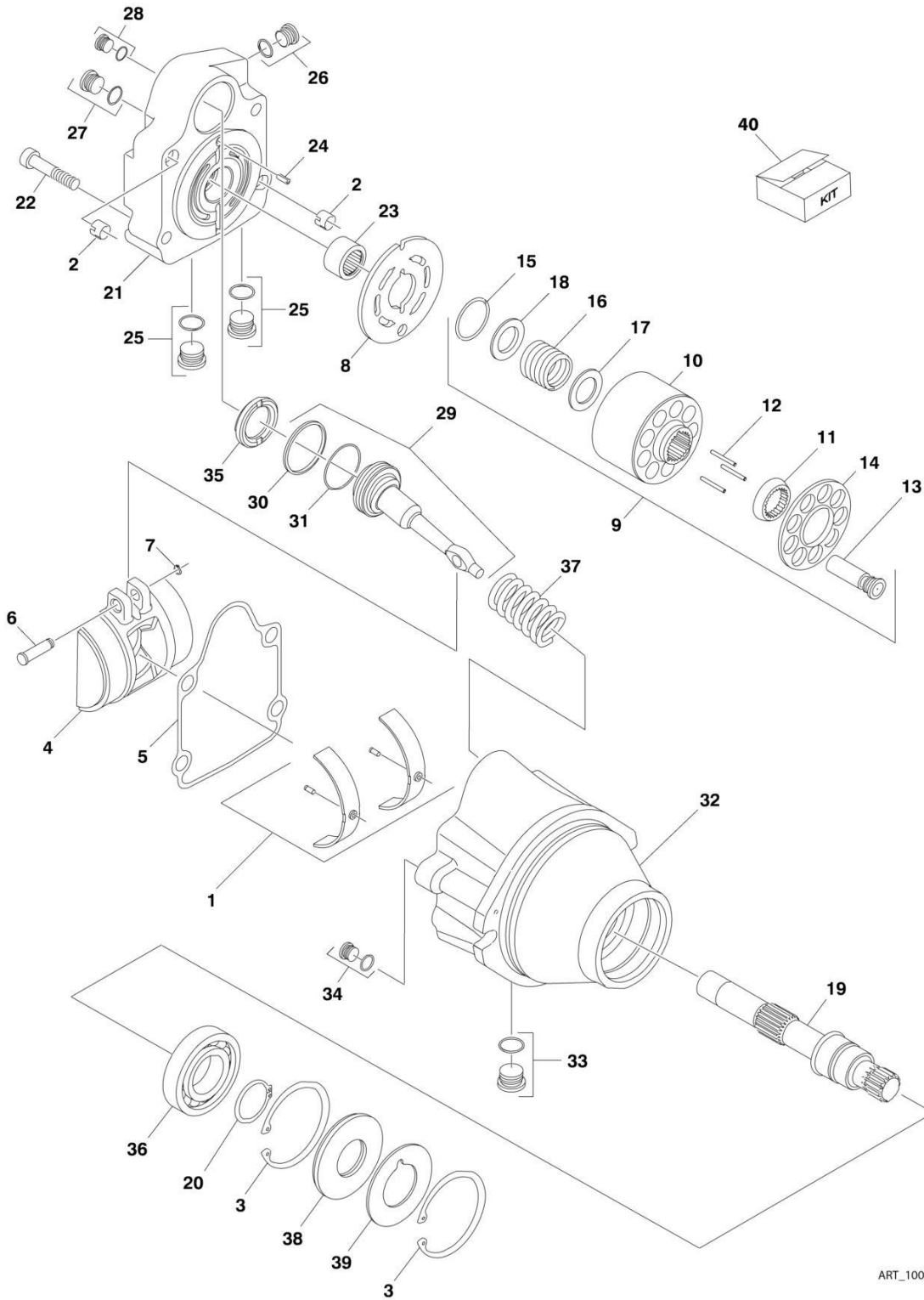
SECTION 1 - FRAME

FIGURE 1-5. WHEEL DRIVE INSTALLATION

ITEM	PART NUMBER	QTY	DESCRIPTION	REV
	1001136668	Ref	WHEEL DRIVE INSTALLATION - 4WD/2WS	H
1	0100011	AR	Compound, Locking	
2	0363012	2	Clamp	
3	0641552	3	Bolt 5/16 x 6-1/2	
4	0641618	4	Bolt 3/8 x 2-1/4	
5	0681710	4	Bolt 7/16 x 1-1/4 Grade 8	
6	3300106	36	Nut, Wheel	
7	3311505	3	Nut 5/16	
8	3340911	4	Rubber, Clamp	
9	3790158	4	O-Ring	
12	4751500	4	Washer 5/16	
13	4740393	24	Washer 5/8 Hardened	
14	4751600	4	Washer 3/8	
15	5241000	8	Washer M10 Hardened	
16	1001098503	1	Flow Divider Valve Assembly (See Separate Breakdown in this Section)	
17	1001113984	4	Drive Hub Assembly (See Separate Breakdown in this Section)	
18	1001135600	4	Drive Motor Assembly Options (See Separate Breakdown in this Section)	
19	3932030	24	Capscrew 5/8 x 1-7/8	
22	4060807	AR	Flex Trim (Not Shown)	

SECTION 1 - FRAME

FIGURE 1-6. DRIVE MOTOR ASSEMBLY



ART_1001135600

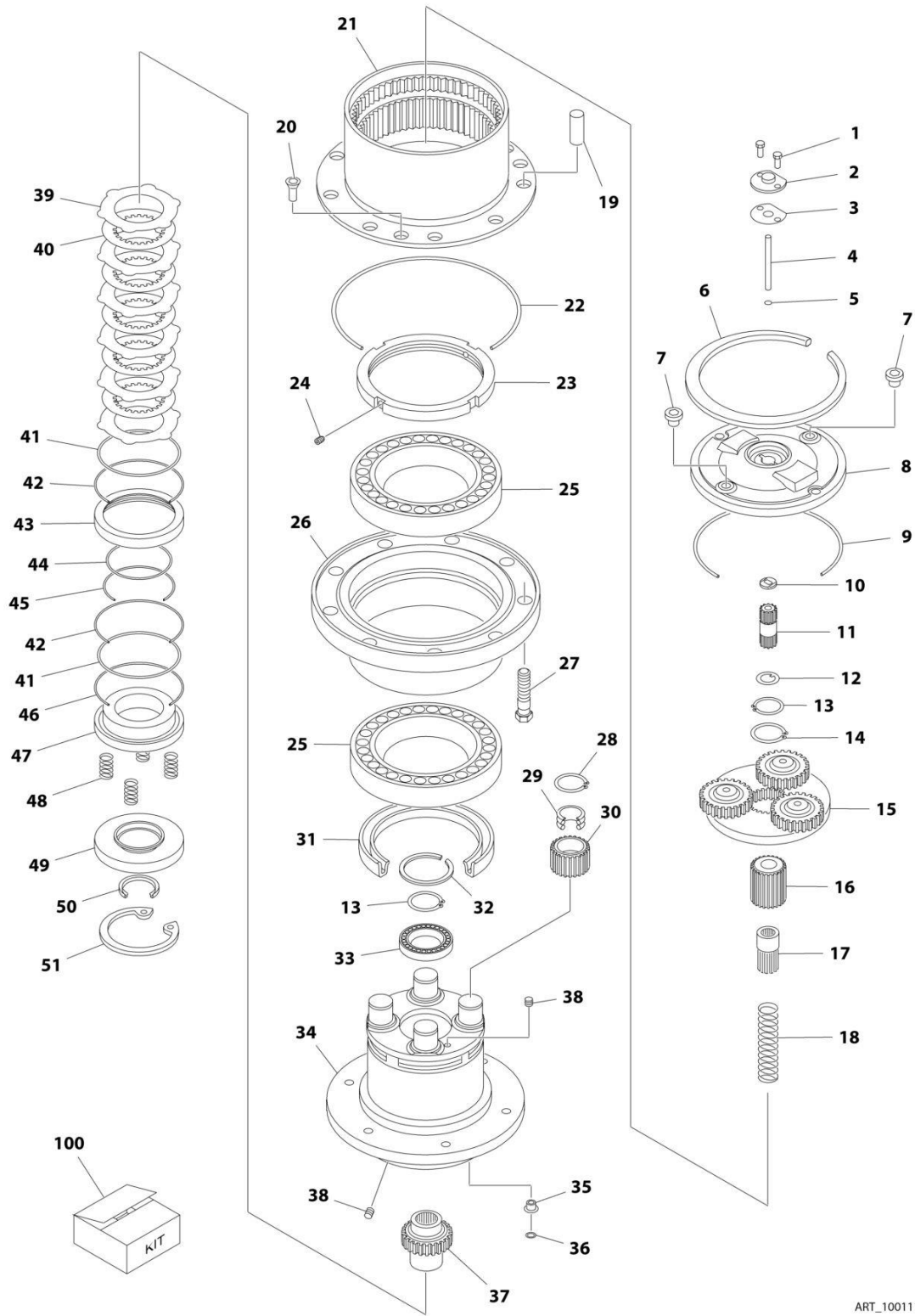
SECTION 1 - FRAME

FIGURE 1-6. DRIVE MOTOR ASSEMBLY

ITEM	PART NUMBER	QTY	DESCRIPTION	REV
	1001135600	Ref	DRIVE MOTOR ASSEMBLY	C
1	70000852	1	Swash Plate Bearing Kit	
2	70003628	2	Pin	
3	70007438	2	Ring, Retaining	
4	70000853	1	Swash Plate	
5	See Note	NSS	Gasket (Note: Use Item 40)	
6	70004201	1	Pin	
7	70004202	1	Ring, Retaining	
8	70000854	1	Plate, Valve	
9	7027740	1	Cylinder Block Kit (Includes Items 10-18)	
10	7027740	1	Block, Cylinder	
11	70000854	1	Guide, Slipper Retainer	
12	7021275	3	Pin, Slipper Hold Down	
13	70004203	9	Piston Assembly	
14	70000857	1	Retainer, Slipper	
15	7022311	1	Ring, Retaining	
16	7024867	1	Spring	
17	7024868	1	Washer	
18	7022314	1	Retainer, Spring	
19	70000858	1	Shaft	
20	7007439	1	Ring, Retaining	
21	70004204	1	Cap, End - Axial	
22	7022368	4	Capscrew	
23	7021249	1	Bearing, Needle	
24	7007446	1	Pin	
25	7007419	2	Plug with O-Ring	
25	See Note	NSS	O-Ring (Note: Not Sold Separately - Purchase Item 25 or 40)	
26	7007420	1	Plug with O-Ring	
26	70000862	1	O-Ring (Note: Not Sold Separately - Purchase Item 26 or 40)	
27	7022321	1	Plug with O-Ring	
27	70000862	1	O-Ring (Note: Not Sold Separately - Purchase Item 27 or 40)	
28	7007420	1	Plug with O-Ring	
28	70000862	1	O-Ring (Note: Not Sold Separately - Purchase Item 28 or 40)	
29	70004205	1	Servo - 4WD	
30	See Note	NSS	Ring, Piston (Note: Not Sold Separately - Purchase Item 29 or 40)	
31	See Note	NSS	O-Ring (Note: Not Sold Separately - Purchase Item 29 or 40)	
32	See Note	NSS	Housing (Note: Not Available - Purchase Complete Motor)	
33	7022321	1	Plug with O-Ring	
33	70000862	1	O-Ring (Note: Not Sold Separately - Purchase Item 33 or 40)	
34	70002133	1	Plug with O-Ring	
34	70000862	1	O-Ring (Note: Not Sold Separately - Purchase Item 34 or 40)	
35	70004205	1	Stop (4WD Motor Only)	
36	70002176	1	Bearing	
37	70000861	1	Spring	
38	See Note	NSS	Seal, Lip (Note: Use Item 40)	
39	7022371	1	Washer, Support	
40	70000862	1	Seal Kit (Includes Items 5, 30, 31, 38 and Plug O-Rings)	

SECTION 1 - FRAME

FIGURE 1-7. DRIVE HUB ASSEMBLY



ART_1001113984

SECTION 1 - FRAME

FIGURE 1-7. DRIVE HUB ASSEMBLY

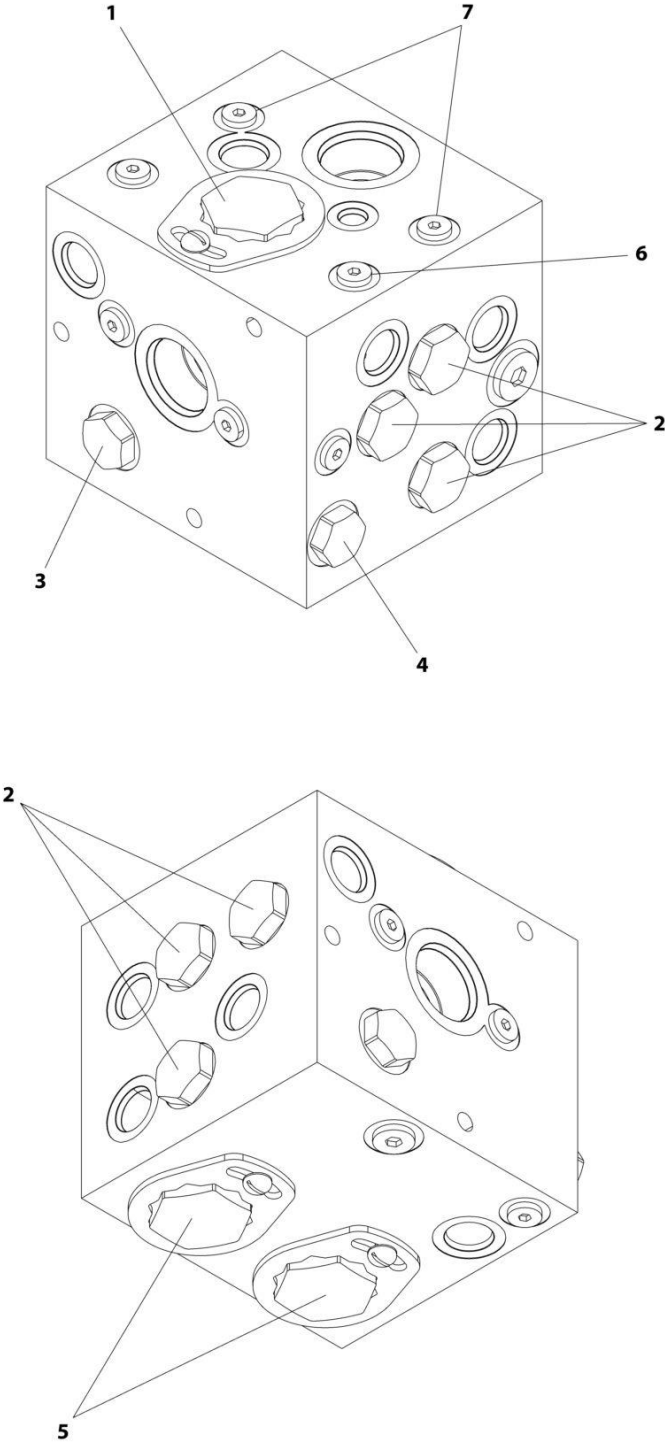
ITEM	PART NUMBER	QTY	DESCRIPTION	REV
	1001113984	Ref	DRIVE HUB ASSEMBLY	E
1	70004353	2	Screw	
2	70005298	1	Cover, Disengagement	
3	70002201	1	Gasket	
4	70002059	1	Pin, Disengagement	
5	See Note	NSS	O-Ring (Note: Use Item 100)	
6	70005299	1	Ring	
7	70002057	4	Plug	
8	70005300	1	Cover	
9	See Note	NSS	O-Ring (Note: Use Item 100)	
10	70002054	1	Shim	
11	70005301	1	Pinion	
12	70005302	1	Shim	
13	70004355	2	Ring, Outer Retention	
14	70004356	1	Ring, Inner Retention	
15	70005303	1	Reduction Gear Assembly	
16	70005304	1	Pinion	
17	70005305	1	Coupling, Disengagement Half	
18	70005306	1	Spring, Disengagement	
19	70005307	9	Plug	
20	70004361	3	Screw	
21	70005308	1	Ring, Planetary	
22	See Note	NSS	O-Ring (Note: Use Item 100)	
23	70005309	1	Nut, Ring	
24	70004363	2	Screw	
25	70005311	2	Bearing	
26	70004365	1	Support, Hub	
27	70005312	9	Column	
28	70004367	4	Ring, Outer Retention	
29	70005313	4	Bearing	
30	70004369	4	Wheel, Planet	
31	See Note	NSS	Seal, Oil (Note: Use Item 100)	
32	70004370	1	Ring	
33	70004371	1	Bearing	
34	70005314	1	Axle, Stub	
35	70005315	1	Plug	
36	See Note	NSS	O-Ring (Note: Use Item 100)	
37	70005316	1	Shaft, Input	
38	70004447	2	Plug	
39	70002027	6	Disc, Steel	
40	70002026	5	Disc, Sintered	
41	See Note	NSS	Seal (Note: Use Item 100)	
42	See Note	NSS	O-Ring (Note: Use Item 100)	
43	70005317	1	Spacer	
44	See Note	NSS	Seal (Note: Use Item 100)	
45	See Note	NSS	O-Ring (Note: Use Item 100)	
46	See Note	NSS	O-Ring (Note: Use Item 100)	
47	70005318	1	Piston	
48	70002020	6	Spring, Brake	
49	70005319	1	Spacer	

SECTION 1 - FRAME

ITEM	PART NUMBER	QTY	DESCRIPTION	REV
50	See Note	NSS	Seal, Oil (Note: Use Item 100)	
51	70005320	1	Ring, Inner Retention	
100	70005321	1	Seal Kit (Includes Items 5, 9, 22, 31, 36, 41, 42, 44, 45, 46 & 50)	

SECTION 1 - FRAME

FIGURE 1-8. FLOW DIVIDER ASSEMBLY



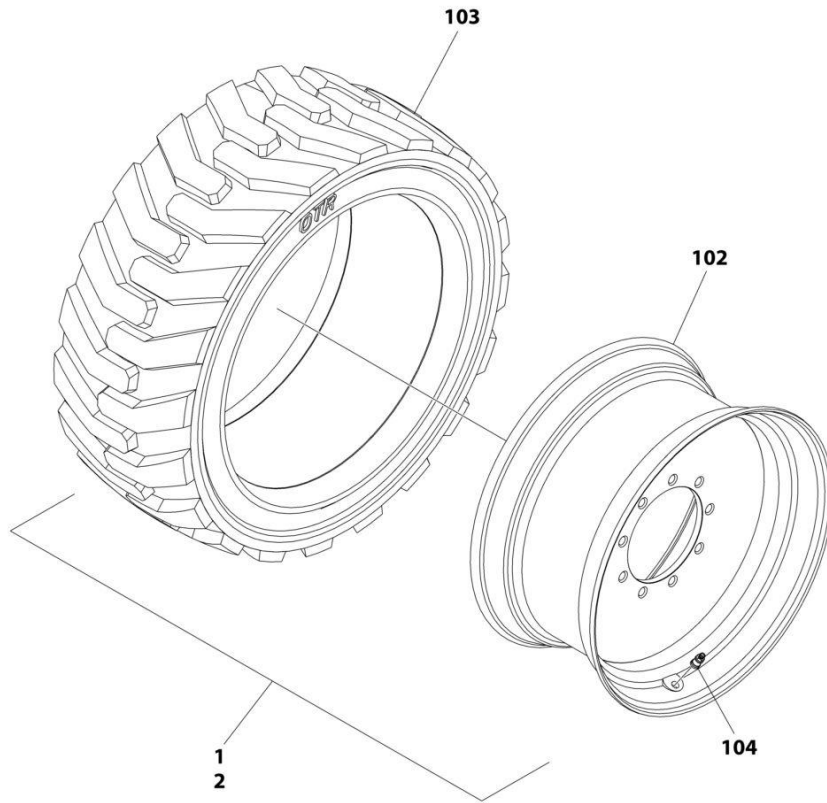
ART_1001098503

FIGURE 1-8. FLOW DIVIDER ASSEMBLY

ITEM	PART NUMBER	QTY	DESCRIPTION	REV
	1001098503	Ref	FLOW DIVIDER ASSEMBLY - 4WD	C
1	7023933	1	Valve, Cartridge (Flow Divider)	
1	7021625	1	Seal Kit - Flow Divider Cartridge	
2		Ref	Valve, Cartridge (Check) Options:	
2	7022397	6	Valve p/n 4641410	
2	7022399	6	Seal Kit - Check Cartridge	
2	70003408	6	Valve p/n 1001098503	
2	7022399	6	Seal Kit - Check Cartridge	
3	7023935	1	Valve, Cartridge (Check)	
3	7023936	1	Seal Kit - Check Cartridge	
4	7024892	1	Valve, Cartridge (Check)	
4	7023936	1	Seal Kit - Check Cartridge	
5	7023917	2	Valve, Cartridge (Flow Divider)	
5	7021625	2	Seal Kit - Flow Divider Cartridge	
6	70002063	1	Plug, Orifice	
7	70002064	2	Plug, Orifice	

SECTION 1 - FRAME

FIGURE 1-9. TIRE AND WHEEL INSTALLATION - FOAM FILLED



ART_4520346

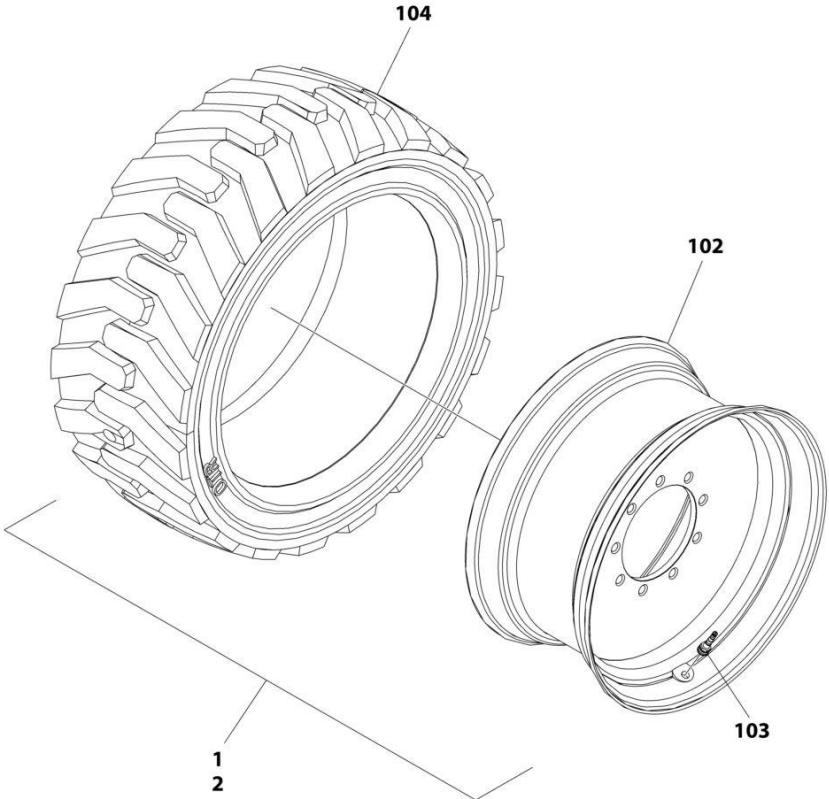
SECTION 1 - FRAME

FIGURE 1-9. TIRE AND WHEEL INSTALLATION - FOAM FILLED

ITEM	PART NUMBER	QTY	DESCRIPTION	REV
	4520346	Ref	TIRE AND WHEEL INSTALLATION - FOAM FILLED	C
		Ref	Note: Assemblies may require ballast/foam filling to manufacturer's specifications prior to installing on a machine. Refer to Operation and Safety or Service and Maintenance Manuals.	
		Ref	Note: Purchase individual tire and/or rim only if able to foam fill tire and wheel assembly, otherwise, purchase complete assembly.	
1	4520344	2	Tire and Wheel Assembly - Foam-Filled (Left Side)	H
2	4520345	2	Tire and Wheel Assembly - Foam-Filled (Right Side)	H
102	4520287	AR	Rim, Wheel (1 Per Assembly)	
103	4520288	AR	Tire - IN355/55D625 (1 Per Assembly)	
104	4640113	AR	Valve, Air (1 Per Assembly)	

SECTION 1 - FRAME

FIGURE 1-10. TIRE AND WHEEL INSTALLATION - FOAM FILLED NON-MARKING



ART_1001231678

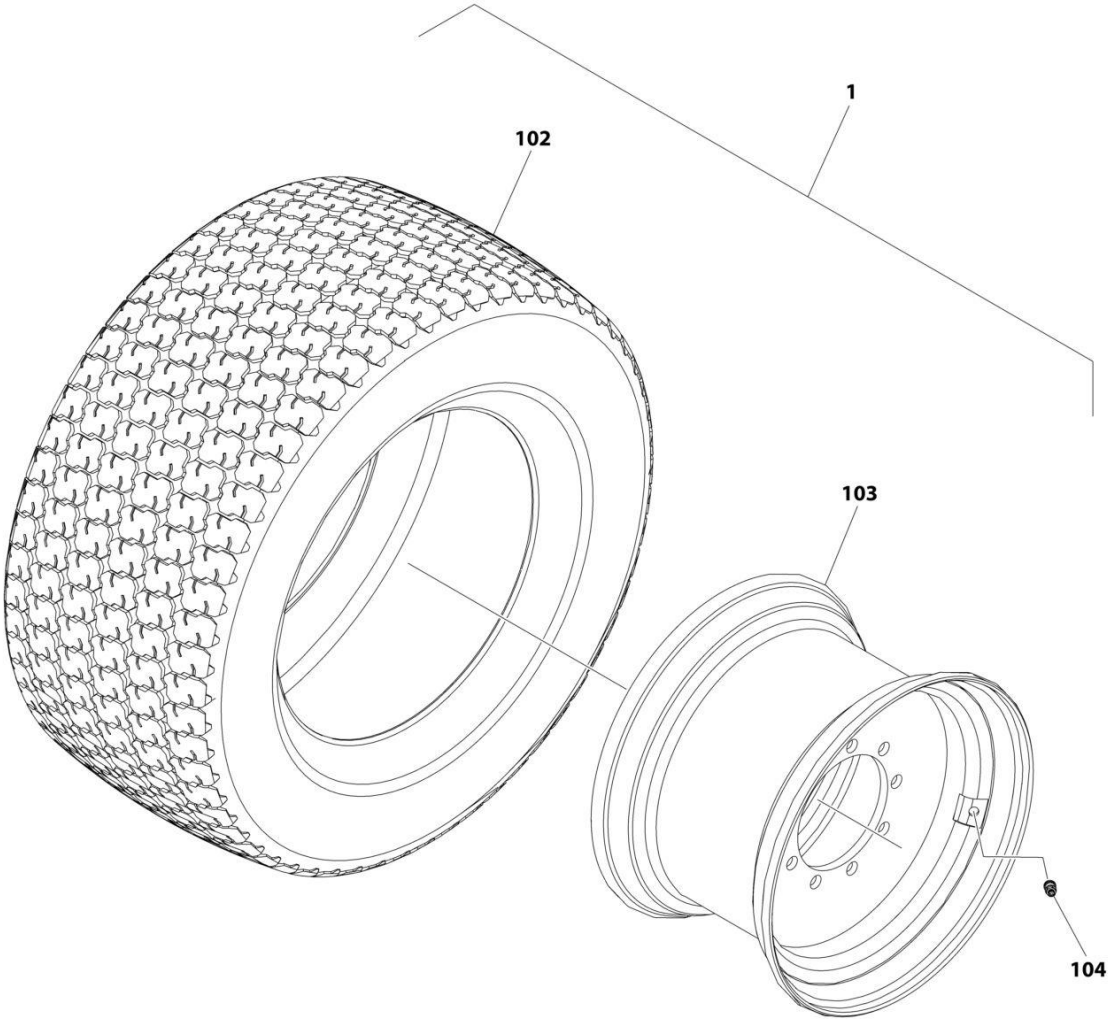
SECTION 1 - FRAME

FIGURE 1-10. TIRE AND WHEEL INSTALLATION - FOAM FILLED NON-MARKING

ITEM	PART NUMBER	QTY	DESCRIPTION	REV
	1001231678	Ref	TIRE AND WHEEL INSTALLATION - FOAM FILLED NON - MARKING	A
		Ref	Note: Assemblies may require ballast/foam filling to manufacturer's specifications prior to installing on a machine. Refer to Operation and Safety or Service and Maintenance Manuals.	
		Ref	Note: Purchase individual tire and/or rim only if able to foam fill tire and wheel assembly, otherwise, purchase complete assembly.	
1	1001231676	2	Tire and Wheel Assembly - Foam-Filled (Left Side)	C
2	1001231677	2	Tire and Wheel Assembly - Foam-Filled (Right Side)	B
102	4520287	AR	Rim, Wheel (1 Per Assembly)	
103	4641122	AR	Valve, Air (1 Per Assembly)	
104	1001184881	AR	Tire - IN355/55D625 (1 Per Assembly)	

SECTION 1 - FRAME

FIGURE 1-11. TIRE AND WHEEL INSTALLATION - FOAM FILLED (TURF)



ART_1001272547

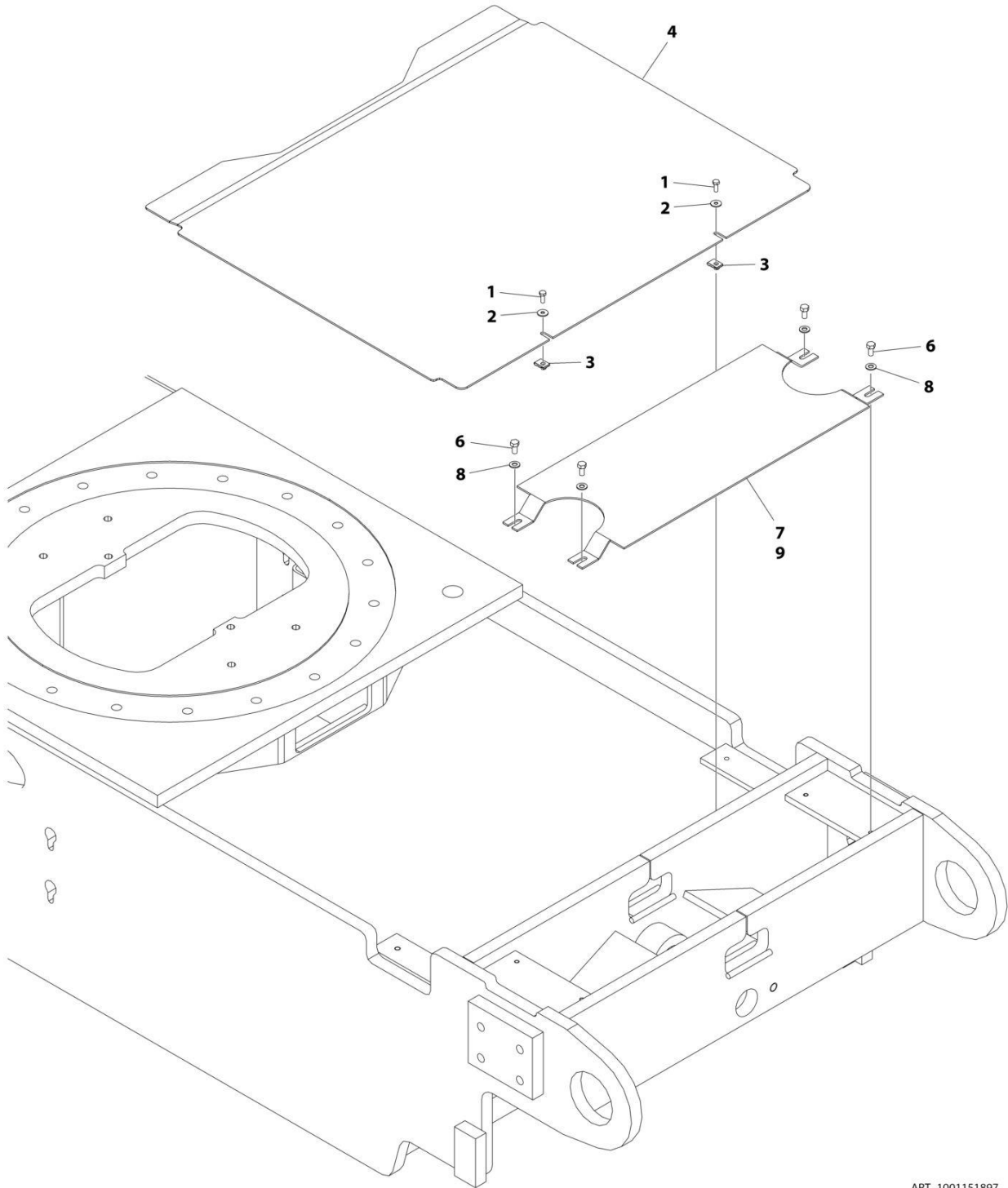
SECTION 1 - FRAME

FIGURE 1-11. TIRE AND WHEEL INSTALLATION - FOAM FILLED (TURF)

ITEM	PART NUMBER	QTY	DESCRIPTION	REV
	1001272547	Ref	TIRE AND WHEEL INSTALLATION - TURF	A
1	1001272546	4	Tire and Wheel Assembly	
102	4520256	1	Tire, 41/18LL x 22.5	
103	4520672	1	Wheel, Sand Tire 22.5 x 14	
104	4640113	1	Valve, Tire	

SECTION 1 - FRAME

FIGURE 1-12. FRAME SHIELDS INSTALLATION – 2WS (8FT/2.4M WIDE MACHINES)



ART_1001151897

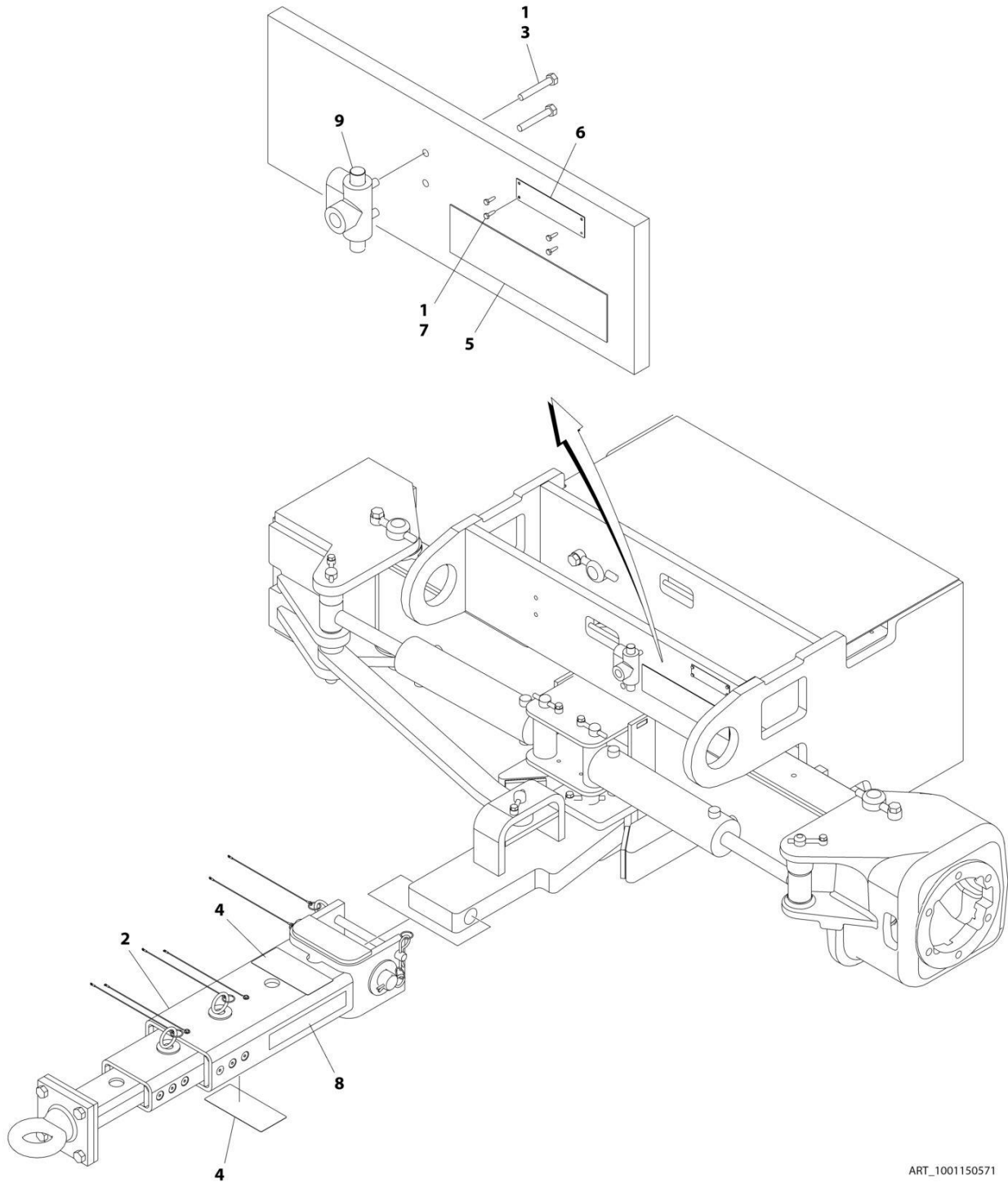
SECTION 1 - FRAME

FIGURE 1-12. FRAME SHIELDS INSTALLATION – 2WS (8FT/2.4M WIDE MACHINES)

ITEM	PART NUMBER	QTY	DESCRIPTION	REV
	1001151897	Ref	FRAME SHIELDS INSTALLATION	C
1	0760608	2	Bolt M6 x 16	
2	4811702	2	Washer M6	
3	1001130220	2	Nut, Tinnerman M6	
4	1001151584	1	Shield, Frame - Front	
6	0641505	4	Bolt 5/16 x 5/8	
7	4060804	1	Flex-Trim	
8	4711500	4	Washer 5/16	
9	1001161761	1	Shield, Frame - Rear	

SECTION 1 - FRAME

FIGURE 1-13. TOW PACKAGE INSTALLATION (ANSI SPECS) (OPTIONAL)



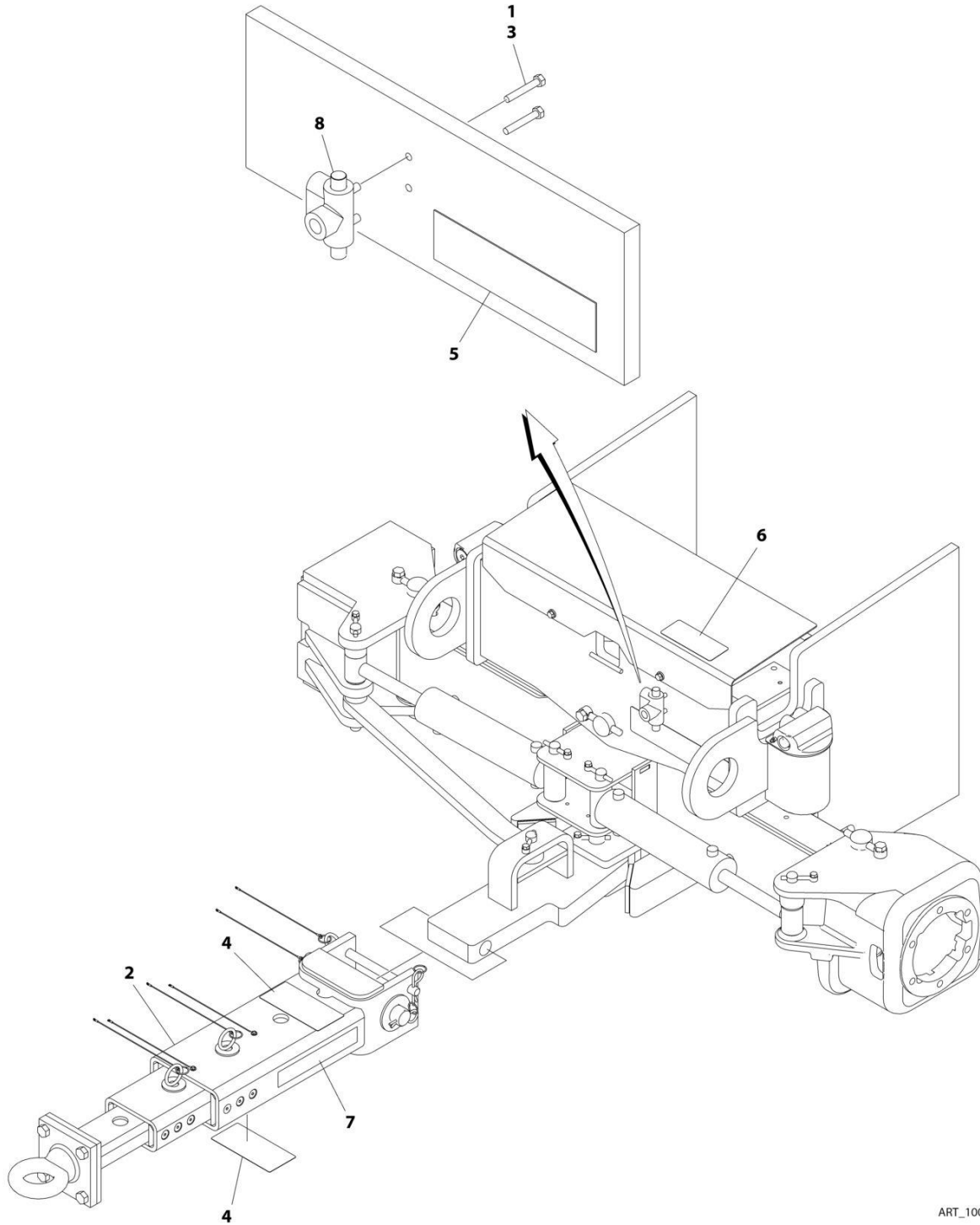
SECTION 1 - FRAME

FIGURE 1-13. TOW PACKAGE INSTALLATION (ANSI SPECS) (OPTIONAL)

ITEM	PART NUMBER	QTY	DESCRIPTION	REV
	1001150571	Ref	TOW BAR INSTALLATION	D
1	0100011	AR	Compound, Locking	
2	0270528	1	Tow Bar Assembly (See Separate Breakdown in this Section)	
3	0641516	2	Bolt 5/16 x 2	
4	1704578	2	Decal - Crushing	
5	1705090	1	Decal - Towing Instruction	
6	3250872	1	Nameplate - Steer/Tow Select	
7	3940604	4	Screw #6 x 1/2	
8	4420051	AR	Tape, Safety	
9	4640261	1	Valve, Float Position	

SECTION 1 - FRAME

FIGURE 1-14. TOW PACKAGE INSTALLATION (CSA SPECS) (OPTIONAL)



ART_1001150570

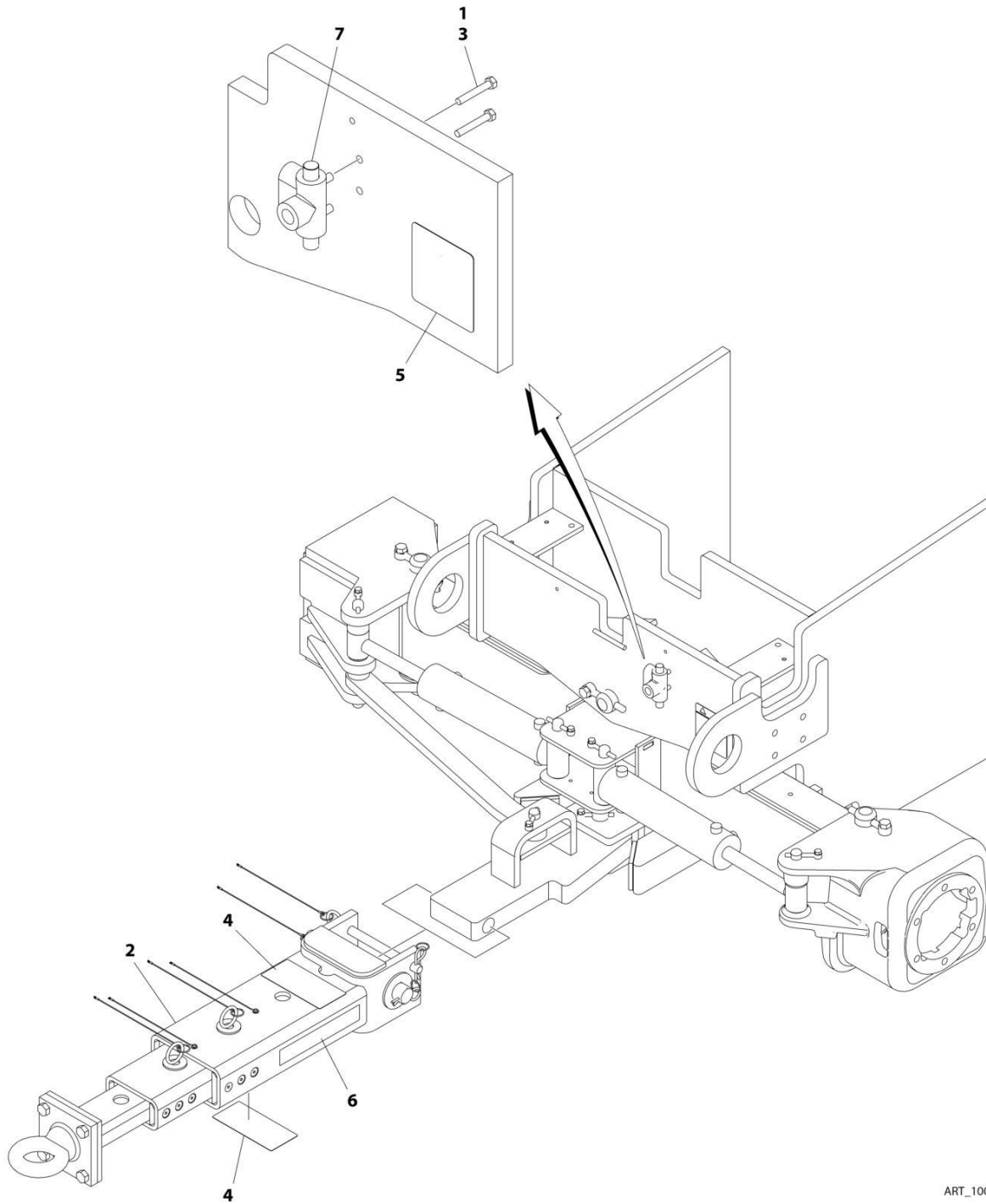
SECTION 1 - FRAME

FIGURE 1-14. TOW PACKAGE INSTALLATION (CSA SPECS) (OPTIONAL)

ITEM	PART NUMBER	QTY	DESCRIPTION	REV
	1001150570	Ref	TOW BAR INSTALLATION	D
1	0100011	AR	Compound, Locking	
2	0270528	1	Tow Bar Assembly (See Separate Breakdown in this Section)	
3	0641516	2	Bolt 5/16 x 2	
4	1706593	2	Decal - Crushing	
5	1705820	1	Decal - Towing Instruction	
6	1704272	1	Nameplate - Steer/Tow Select	
7	4420051	AR	Tape, Safety	
8	4640261	1	Valve, Float Position	

SECTION 1 - FRAME

FIGURE 1-15. TOW PACKAGE INSTALLATION (CE, RUSSIAN & UK CA SPECS) (OPTIONAL)



ART_1001150569

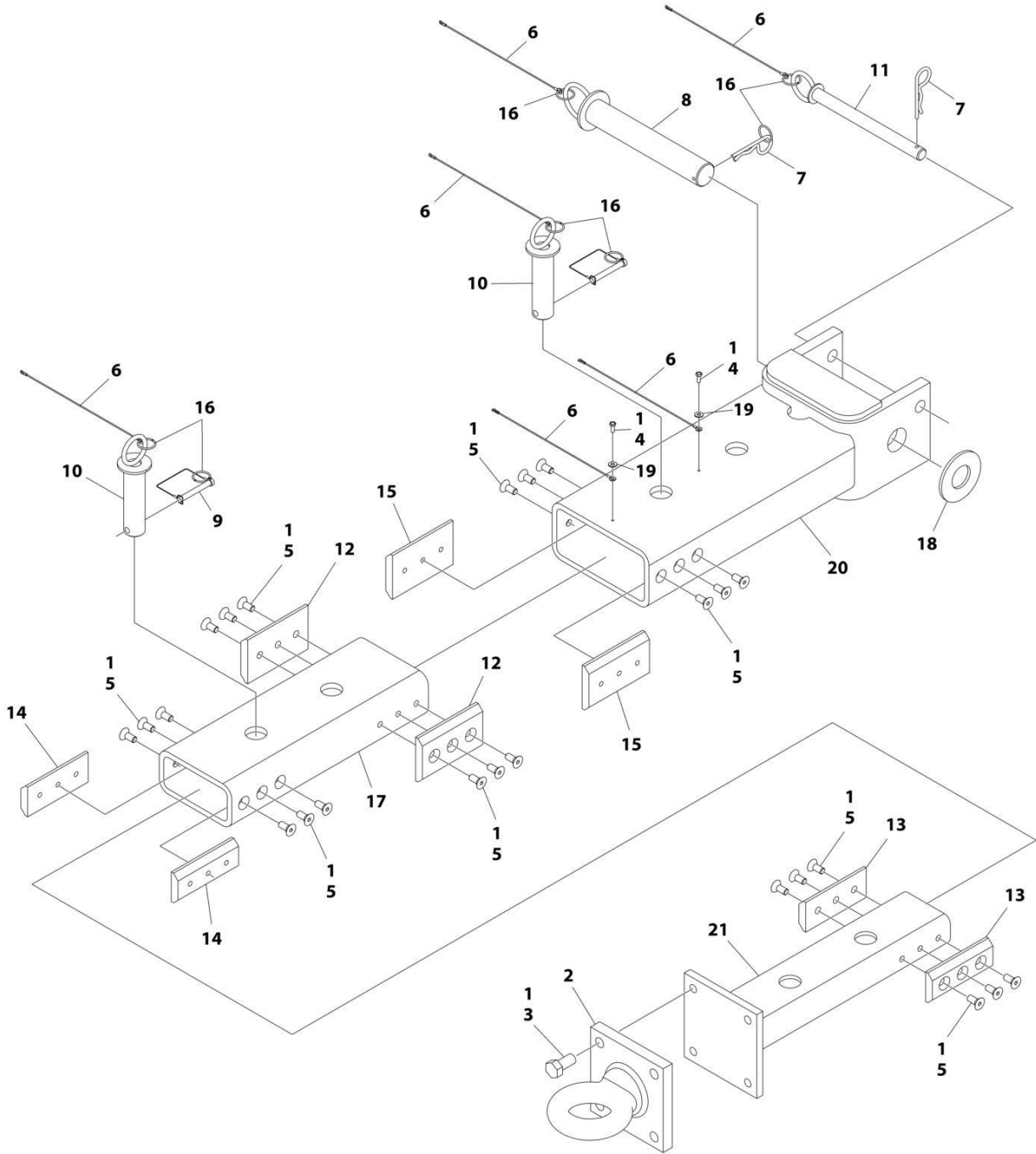
SECTION 1 - FRAME

FIGURE 1-15. TOW PACKAGE INSTALLATION (CE, RUSSIAN & UK CA SPECS) (OPTIONAL)

ITEM	PART NUMBER	QTY	DESCRIPTION	REV
	1001150569	Ref	TOW BAR INSTALLATION	A
1	0100011	AR	Compound, Locking	
2	0270528	1	Tow Bar Assembly (See Separate Breakdown in this Section)	
3	0641516	2	Bolt 5/16 x 2	
4	1706960	2	Decal - Crushing	
5	1706957	1	Decal - Towing Instruction	
6	4420051	AR	Tape, Safety	
7	4640261	1	Valve, Float Position	

SECTION 1 - FRAME

FIGURE 1-16. TOW BAR ASSEMBLY



ART_0270528

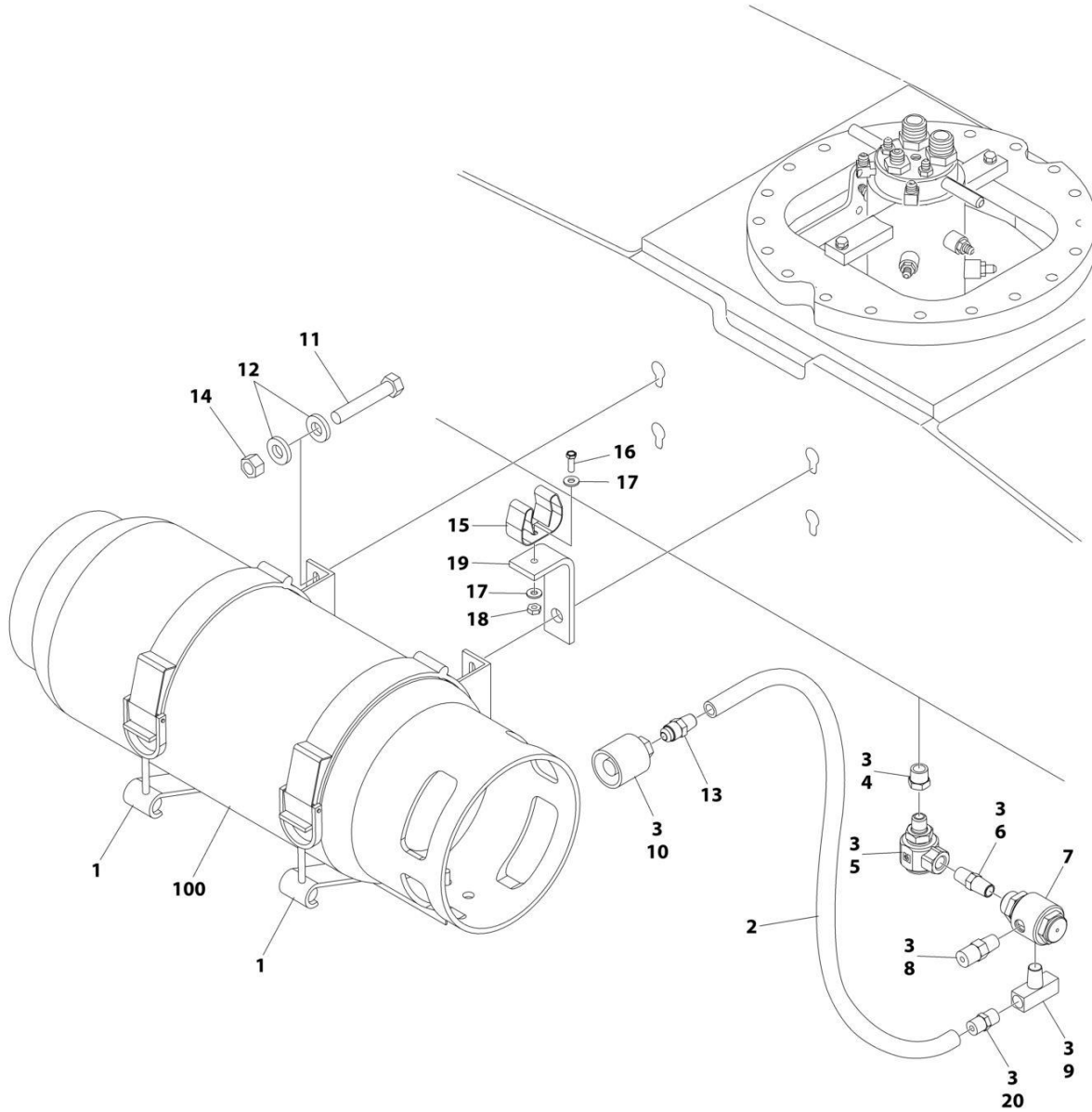
SECTION 1 - FRAME

FIGURE 1-16. TOW BAR ASSEMBLY

ITEM	PART NUMBER	QTY	DESCRIPTION	REV
	0270528	Ref	TOW BAR ASSEMBLY	B
1	0100011	AR	Compound, Locking	
2	0362910	1	Pintle, Draw Eye	
3	0642010	4	Bolt 5/8 x 1-1/4	
4	0721004	2	Screw, Hex Machine	
5	0741607	24	Screw, Countersunk 3/8 x 7/8	
6	1060584	6	Cable, Lanyard	
7	3420372	2	Pin, Cotter	
8	3420447	1	Pin, Towing	
9	3421565	2	Pin, Snap	
10	3422841	2	Pin	
11	3422847	1	Pin	
12	3572009	2	Plate, Slide Stop	
13	3572010	2	Plate, Slide Stop	
14	3572011	2	Plate, Slide Stop	
15	3572012	2	Plate, Slide Stop	
16	3760170	8	Ring, Split	
17	4568133	1	Tube, Tow Bar	
18	4740036	1	Washer	
19	4751000	2	Washer #10	
20	4846295	1	Tow Bar Attach Weldment	
21	4846296	1	Pintle Attach Weldment	

SECTION 1 - FRAME

FIGURE 1-17. LP TANKS INSTALLATION



ART_1001151010_E

SECTION 1 - FRAME

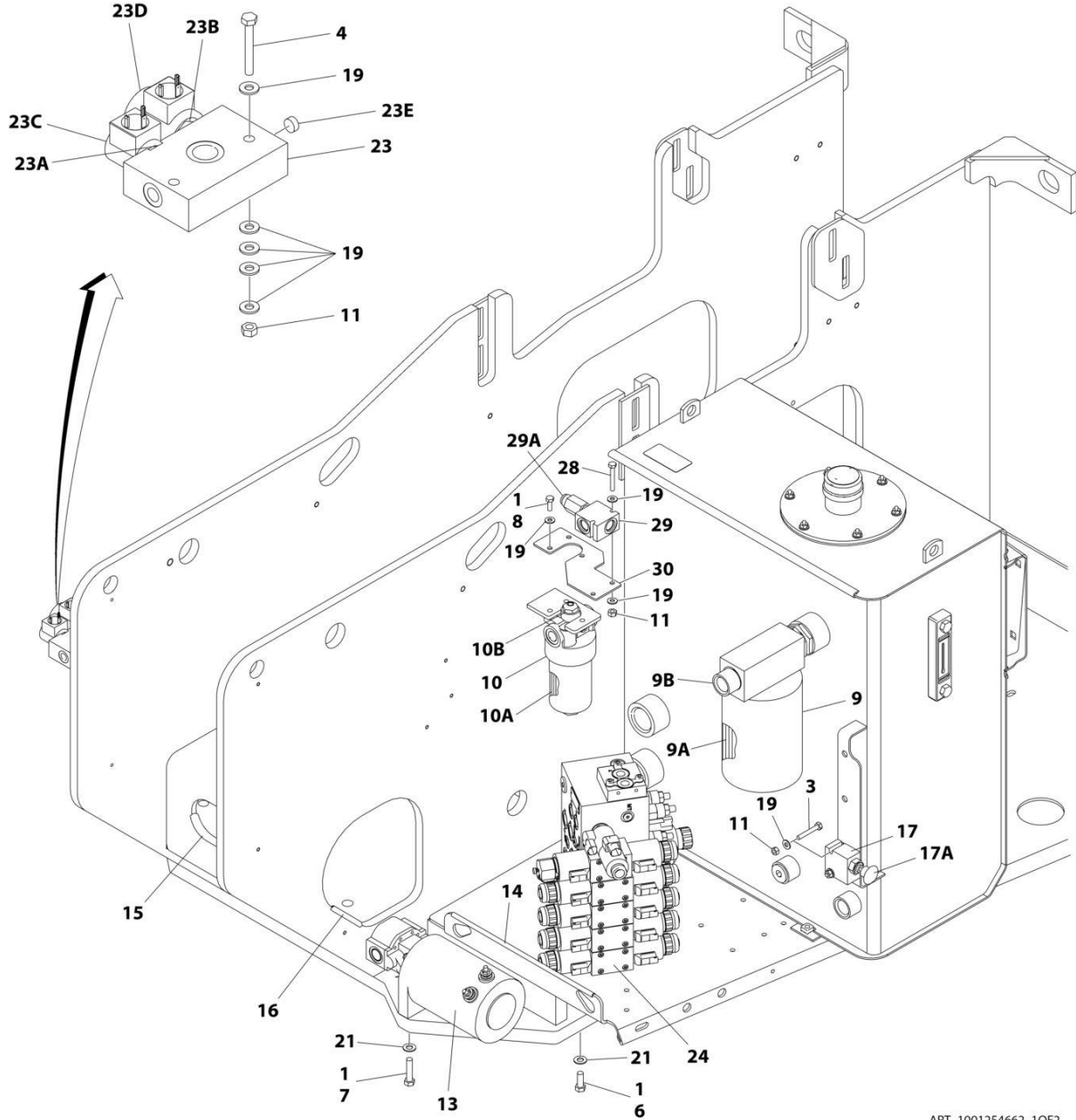
FIGURE 1-17. LP TANKS INSTALLATION

ITEM	PART NUMBER	QTY	DESCRIPTION	REV
	1001151010	Ref	LP TANK BRACKETS INSTALLATION	E
1	1320220	2	Clamp	
1	1320127	2	Clamp, Toggle (1 Per Clamp)	
2	2720144	2	Hose	
3	0100020	AR	Sealant, Pipe	
4	2221197	1	Fitting, Reducer	
5	1001247358	1	Fitting, 90 Swivel	
6	2220261	1	Fitting, Nipple	
7	2180388	1	Fitting, Bulkhead	
8	2180389	1	Valve, Relief	
9	2220418	1	Fitting, Tee	
10	2180387	2	Fitting, Straight	
11	0641617	8	Bolt 3/8 x 2-1/8	
12	4751600	16	Washer 3/8	
13	2180418	2	Fitting, Connector	
14	3311605	8	Nut 3/8	
15	1320218	2	Clamp, Spring	
16	0720804	2	Screw #8 x 1/2	
17	4750800	4	Washer #8	
18	3310805	2	Nut #8	
19	0181949	2	Angle, Support	
20	2221024	2	Fitting, Union Ball Check	
100	4400275	1	Tank, LP - 43.5 Lbs. (Aluminum)	
100	4400420	1	Tank, LP - 43.5 Lbs. (Steel)	

SECTION 2 - TURNTABLE

SECTION 2 - TURNTABLE

FIGURE 2-1. CONTROL VALVES INSTALLATION - DEUTZ D2011 ENGINES



ART_1001254662_10F2

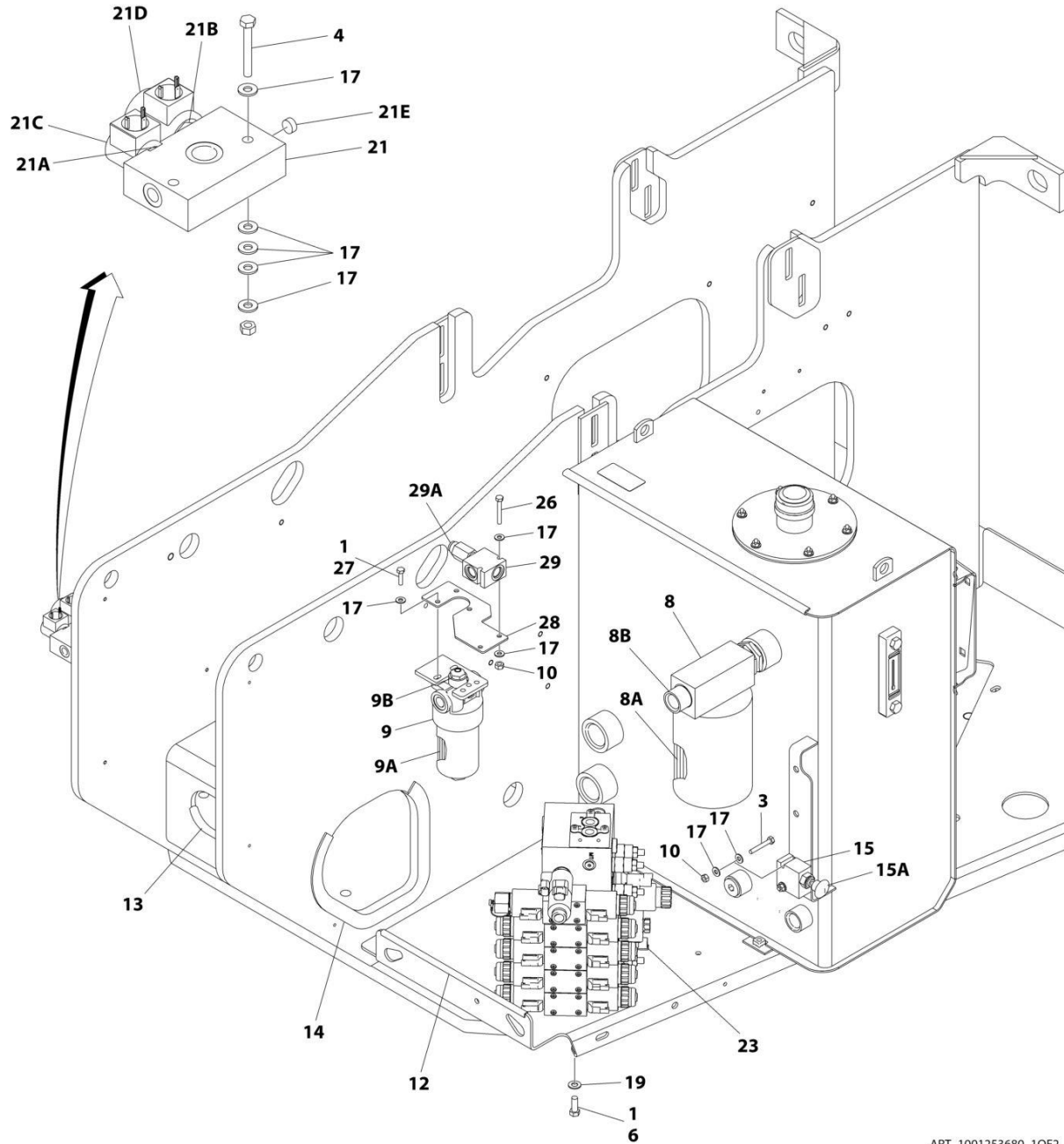
SECTION 2 - TURNTABLE

FIGURE 2-1. CONTROL VALVES INSTALLATION - DEUTZ D2011 ENGINES

ITEM	PART NUMBER	QTY	DESCRIPTION	REV
	1001254662	Ref	CONTROL VALVES INSTALLATION	B
1	0100011	AR	Compound, Locking	
3	0641414	2	Bolt 1/4 x 1-3/4	
4	0641416	2	Bolt 1/4 x 2	
6	0641608	3	Bolt 3/8 x 1	
7	0641613	2	Bolt 3/8 x 1-5/8	
8	0651406	3	Bolt 1/4 x 3/4	
9	2120164	1	Return Filter Assembly	B
9A	2120149	1	Element, Filter	
9B	7020021	1	Manual Indicator	
10	2120209	1	Hydraulic Pressure Filter Assembly	
10A	2120210	1	Element, Filter	
10B	7020020	1	Manual Indicator	
10C	70000934	1	O-Ring, Filter Bowl (Not Shown)	
11	3311405	8	Nut 1/4	
13	3600365	1	Auxiliary Pump Assembly (See Separate Breakdown in this Section)	
14	4060804	AR	Trim-Loc 3/16	
15	4060807	AR	Trim-Loc 3/8	
16	4060918	AR	Trim-Loc 5/8	
17	4640866	1	Manual Pull Valve Assembly	
17	2900708	1	Seal Kit - 4640866 Valve	
17A	7012959	1	Knob	
19	4711400	25	Washer 1/4	
21	4711600	5	Washer 3/8	
23	1001099391	1	Brake/Selector Valve Assembly	
23A	7012941	1	Cartridge without Coil	
23A	7010543	1	Seal Kit - 7012941 Cartridge	
23B	7012995	1	Cartridge without Coil	
23B	7012518	1	Seal Kit - 7012995 Cartridge	
23C	7012944	1	Coil	
23D	7012943	1	Coil	
23E	70002209	1	Orifice	
25	1001152887	1	Main Valve Block Assembly - 2WS (See Separate Breakdown in this Section)	
28	0641415	2	Capscrew 1/4 x 1-7/8	
29	1001271534	1	Valve, Direct Acting Relief.	
29A	70007677	1	Cartridge	
29A	7017496	1	Seal Kit	
30	1001271582	1	Mount	

SECTION 2 - TURNTABLE

FIGURE 2-2. CONTROL VALVES INSTALLATION - DEUTZ DT2.9L4, DEUTZ TD2.2L3 STAGE V & FORD ENGINES



ART_1001253680_10F2

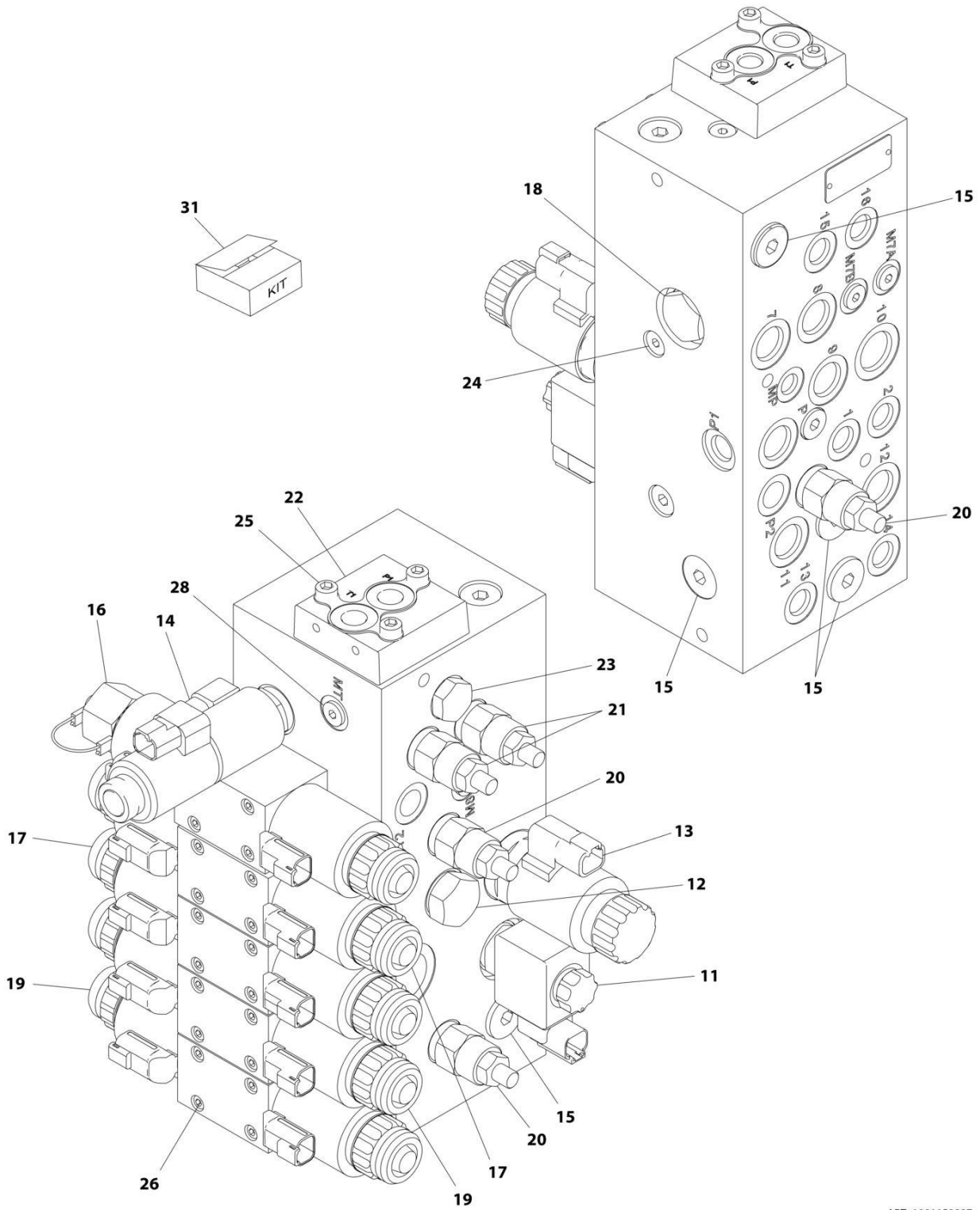
SECTION 2 - TURNTABLE

FIGURE 2-2. CONTROL VALVES INSTALLATION - DEUTZ DT2.9L4, DEUTZ TD2.2L3 STAGE V & FORD ENGINES

ITEM	PART NUMBER	QTY	DESCRIPTION	REV
	1001253680	Ref	CONTROL VALVES INSTALLATION	B
1	0100011	AR	Compound, Locking	
3	0641414	2	Bolt 1/4 x 1-3/4	
4	0641416	2	Bolt 1/4 x 2	
6	0641608	3	Bolt 3/8 x 1	
8	2120164	1	Return Filter Assembly	B
8A	2120149	1	Element, Filter	
8B	7020021	1	Manual Indicator	
9	2120209	1	Hydraulic Pressure Filter Assembly	
9A	2120210	1	Element, Filter	
9B	7020020	1	Manual Indicator	
9C	70000934	1	O-Ring, Filter Bowl (Not Shown)	
10	3311405	6	Nut 1/4	
12	4060804	AR	Trim-Loc 3/16	
13	4060807	AR	Trim-Loc 3/8	
14	4060918	AR	Trim-Loc 5/8	
15	4640866	1	Manual Pull Valve Assembly	
15	2900708	1	Seal Kit - 4640866 Valve	
15A	7012959	1	Knob	
17	4711400	25	Washer 1/4	
19	4711600	3	Washer 3/8	
21	1001099391	1	Brake/Selector Valve Assembly	
21A	7012941	1	Cartridge without Coil	
21A	7010543	1	Seal Kit - 7012941 Cartridge	
21B	7012995	1	Cartridge without Coil	
21B	7012518	1	Seal Kit - 7012995 Cartridge	
21C	7012944	1	Coil	
21D	7012943	1	Coil	
21E	70002209	1	Orifice	
23	1001152887	1	Main Valve Block Assembly - 2WS (See Separate Breakdown in this Section)	
26	0641415	2	Capscrew 1/4 x 1-7/8	
27	0651408	3	Capscrew 1/4 x 1	
28	1001271582	1	Mount	
29	1001271534	1	Valve, Direct Acting Relief	
29A	70007677	1	Cartridge	
29A	7017496	1	Seal Kit	

SECTION 2 - TURNTABLE

FIGURE 2-3. MAIN VALVE BLOCK ASSEMBLY – 2WS



ART_1001152887

SECTION 2 - TURNTABLE

FIGURE 2-3. MAIN VALVE BLOCK ASSEMBLY – 2WS

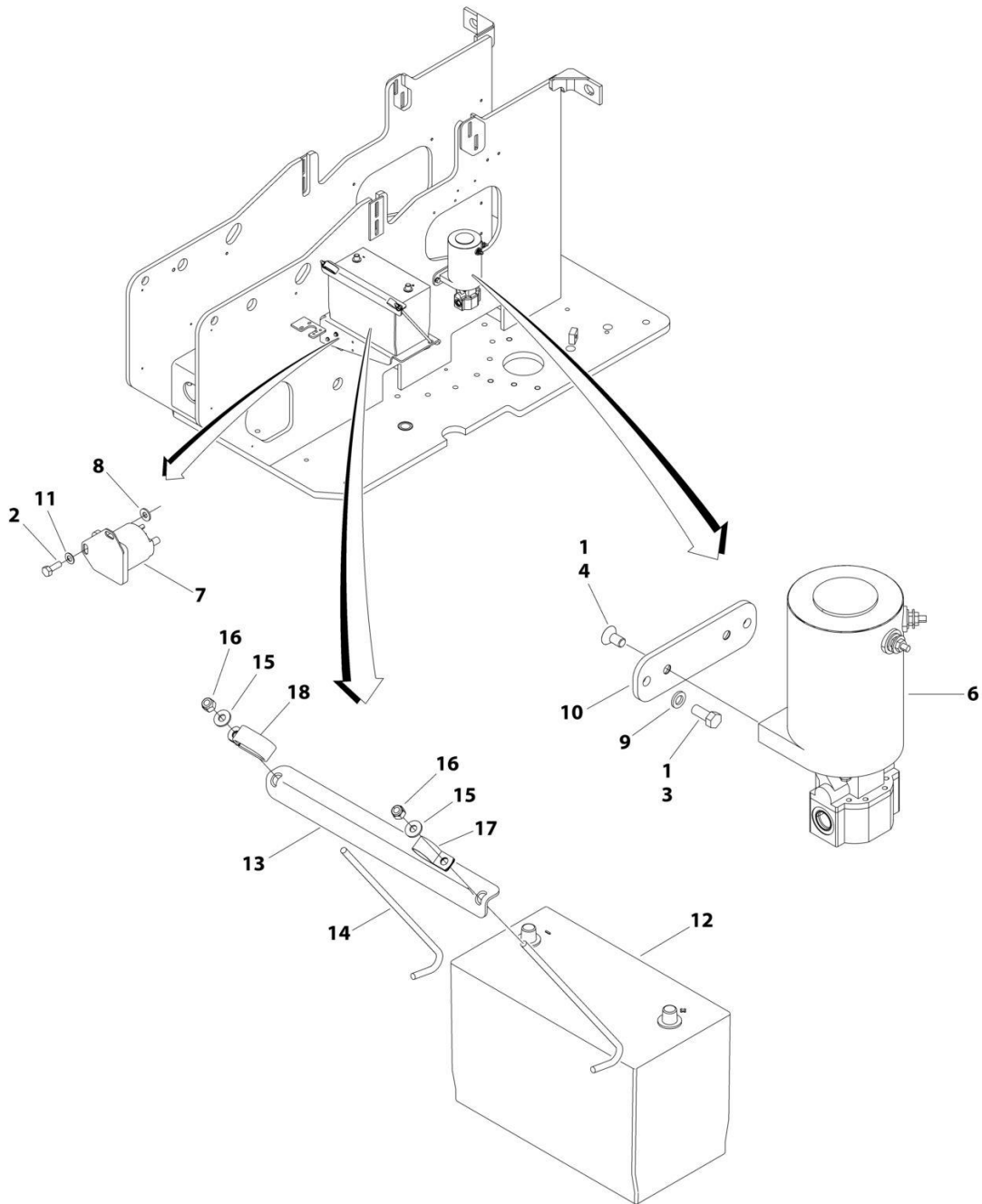
ITEM	PART NUMBER	QTY	DESCRIPTION	REV
	1001152887	Ref	MAIN VALVE BLOCK ASSEMBLY - 2WS	F
11	70004652	1	Valve, Cartridge Less Coil (Dump)	
11	70023867	1	Seal kit - 70004652 Valve	
11	70004653	1	Coil	
11	70004654	1	Nut, Coil	
12	70004655	1	Valve, Cartridge	
12	70004656	1	Seal Kit - 70004655 Valve	
13	70004657	1	Valve, Cartridge Less Coil	
13	70004594	1	Seal Kit - 70004657 Valve	
13	70004595	1	Coil	
13	70004597	1	Nut, Coil	
13	70004596	1	O-Ring, Pole Tube	
14	70004659	1	Valve, Cartridge Less Coil (Steer)	
14	70004660	1	Seal - Kit - 70004659 Valve	
14	80434249	2	Coil	
14	70004661	1	Nut, Coil	
14	70024457	1	O-Ring, Pole Tube (Upper)	
14	70004662	1	O-Ring, Pole Tube (Lower)	
15	70023859	5	Valve, Cartridge	
16	70004663	1	Valve Assembly (Lower Lift)	
16	7012773	1	Seal Kit - 70004663 Valve	
16	70004660	2	Coil	
16	7021375	1	Nut, Coil (Plastic)	
16	70004661	2	O-Ring, Pole Tube	
16	70003525	1	Not, Coil (Aluminum)	
16	70004664	1	Lanyard	
17	70004459	2	Valve Assembly (Upper Tele and Lower Tele)	
17	7012773	1	Seal Kit - 70004459 Valve	
17	70004460	2	Coil	
17	7021375	2	Nut, Coil	
17	70004661	2	O-Ring, Pole Tube	
18	70004665	1	Valve, Cartridge	
18	70023862	1	Seal Kit - 70004665 Valve	
19	70004666	2	Valve Assembly (Swing and Upper Lift)	
19	7012773	1	Seal Kit - 70004666 Valve	
19	70004463	2	Coil	
19	7021375	2	Nut, Coil	
19	70004461	2	O-Ring, Pole Tube	
20	70003019	3	Valve, Cartridge	
20	70004052	3	Seal Kit - 70003019	
21	70003019	2	Valve, Cartridge	
21	70004052	2	Seal Kit - 70003019 Valve	
22	70004667	1	Cover	
23	2220886	1	Plug	
24	70004668	1	Plug	
25	70005201	3	Capscrew	
26	7018942	20	Capscrew	
27	70005202	2	O-Ring (Not Shown - Located under Item 22)	
28	70002758	6	Plug 7/16	
29	70004617	4	Plug 9/16 (Not Shown)	

SECTION 2 - TURNTABLE

ITEM	PART NUMBER	QTY	DESCRIPTION	REV
30	70002759	1	Plug 3/4 (Not Shown - Located under Item 73)	
31	70005232	1	Bolt Kit	

SECTION 2 - TURNTABLE

FIGURE 2-4. AUXILIARY PUMP INSTALLATION



ART_1001137895

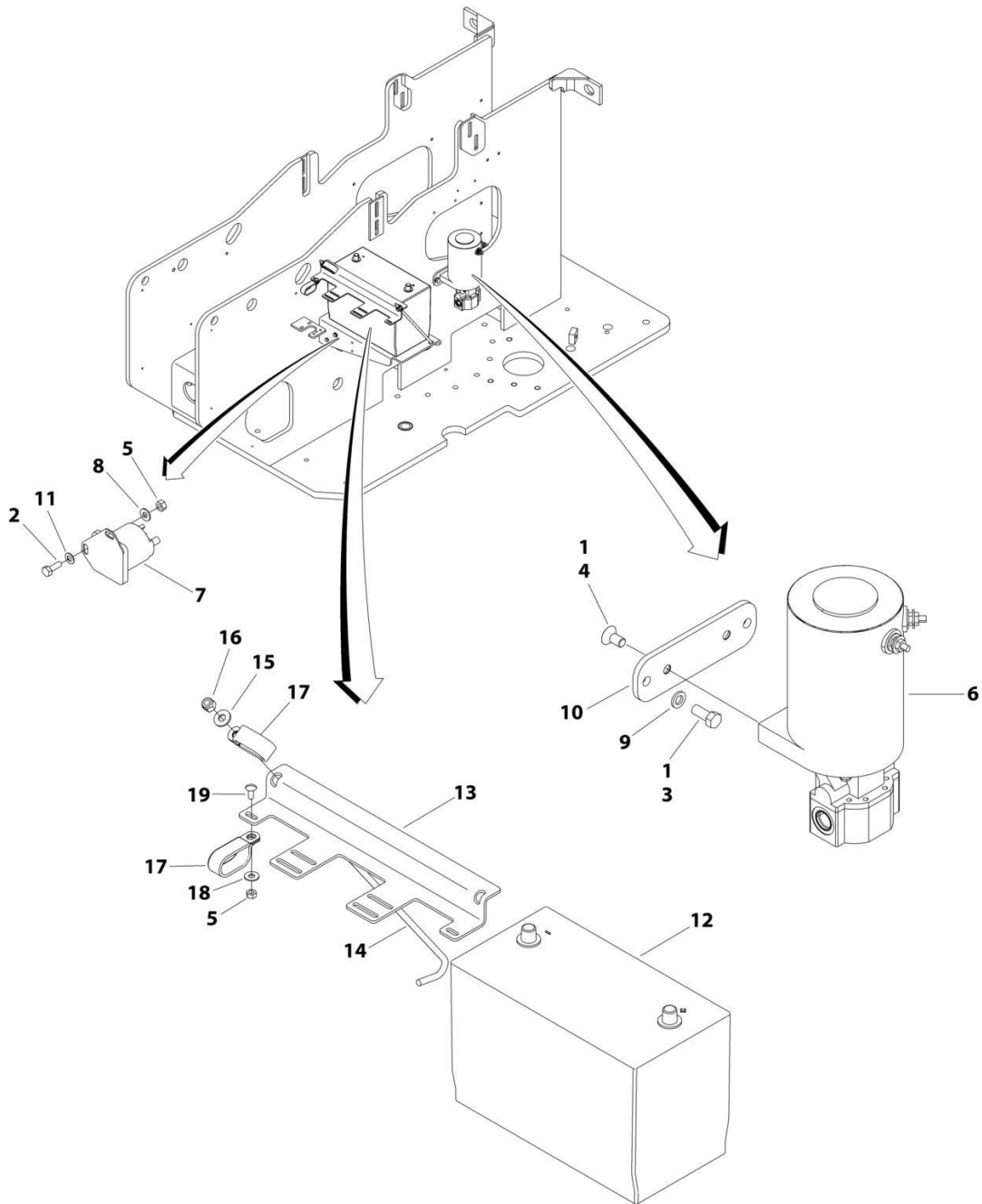
SECTION 2 - TURNTABLE

FIGURE 2-4. AUXILIARY PUMP INSTALLATION

ITEM	PART NUMBER	QTY	DESCRIPTION	REV
	1001137895	Ref	AUXILIARY PUMP INSTALLATION	D
1	0100011	AR	Compound, Locking	
2	0641406	2	Bolt 1/4 x 3/4	
3	0641607	2	Bolt 3/8 x 7/8	
4	0741606	2	Screw, Countersunk 1/4 x 3/4	
5	3311405	2	Nut 1/4	
6	3600365	1	Auxiliary Pump Assembly (See Separate Breakdown in this Section)	
7	3740067	1	Relay	
8	4711400	3	Washer 1/4	
9	4761600	2	Washer 3/8	
10	1001144041	1	Plate	
11	4791400	1	Washer 1/4	
12	0400075	1	Battery	
13	91401281	1	Bracket	
14	1001093382	2	Bolt, J Bolt	
15	4751500	2	Washer 5/16	
16	88521205	2	Nut 5/16	
17	8406201	1	Clip	
18	1321716	1	Clamp	

SECTION 2 - TURNTABLE

FIGURE 2-5. AUXILIARY PUMP INSTALLATION WITH BATTERY DISCONNECT



ART_1001239291

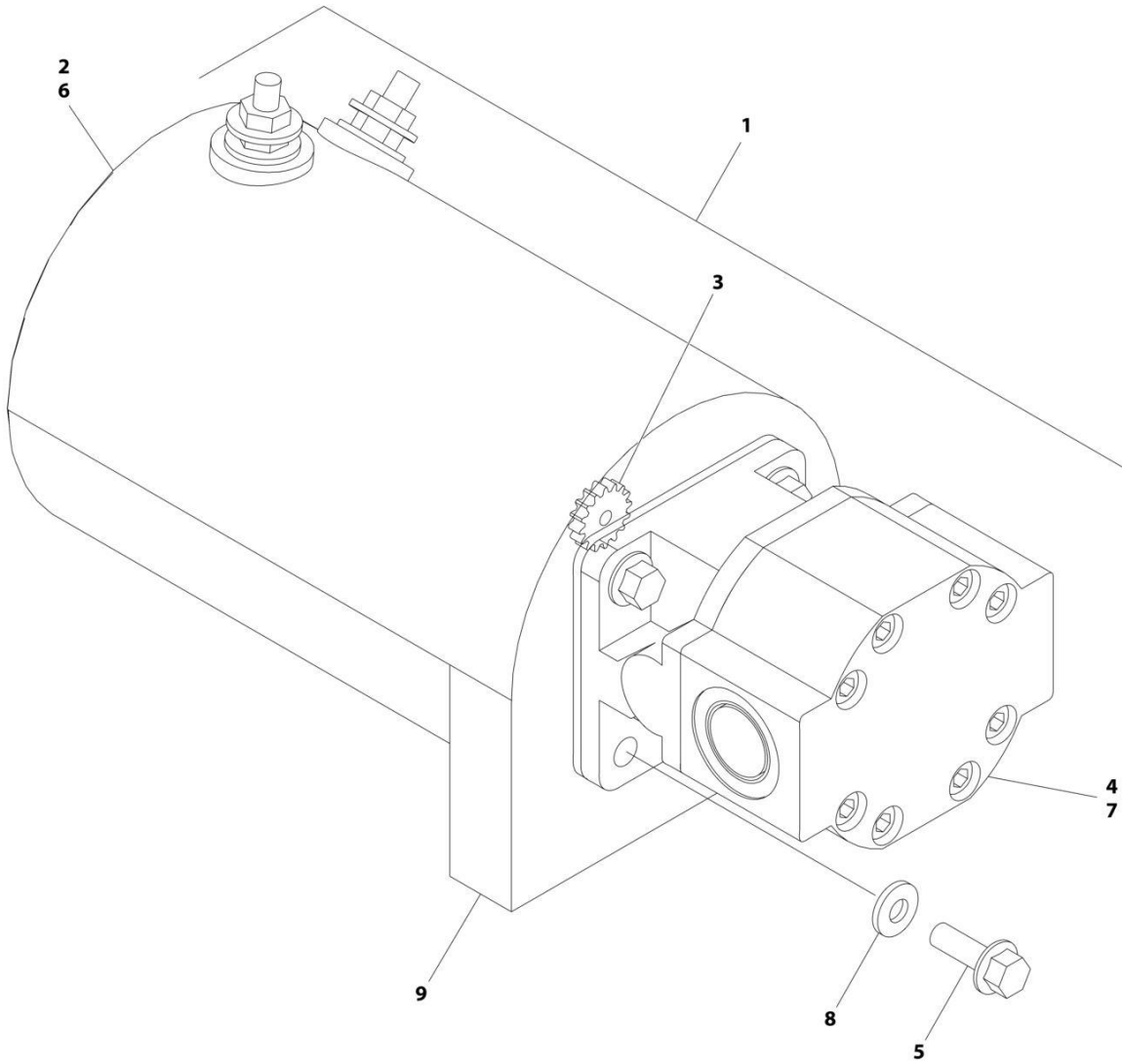
SECTION 2 - TURNTABLE

FIGURE 2-5. AUXILIARY PUMP INSTALLATION WITH BATTERY DISCONNECT

ITEM	PART NUMBER	QTY	DESCRIPTION	REV
	1001239291	Ref	AUXILIARY PUMP WITH BATTERY DISCONNECT INSTALLATION	A
1	0100011	AR	Compound, Locking	
2	0641406	2	Bolt 1/4 x 3/4	
3	0641607	2	Bolt 3/8 x 7/8	
4	0741606	2	Screw, Countersunk 1/4 x 3/4	
5	3311405	3	Nut 1/4	
6	3600365	1	Auxiliary Pump Assembly (See Separate Breakdown in this Section)	
7	3740067	1	Relay	
8	4711400	3	Washer 1/4	
9	4761600	2	Washer 3/8	
10	1001144041	1	Plate	
11	4791400	1	Washer 1/4	
12	0400075	1	Battery	
13	1001236303	1	Plate	
14	1001093382	2	Bolt, J Bolt	
15	4751500	2	Washer 5/16	
16	88521205	2	Nut 5/16	
17	1321716	1	Clamp	
18	4751400	1	Washer 1/4	
19	88411013	1	Bolt 1/4 x 3/4	

SECTION 2 - TURNTABLE

FIGURE 2-6. AUXILIARY PUMP ASSEMBLY



ART_3600365

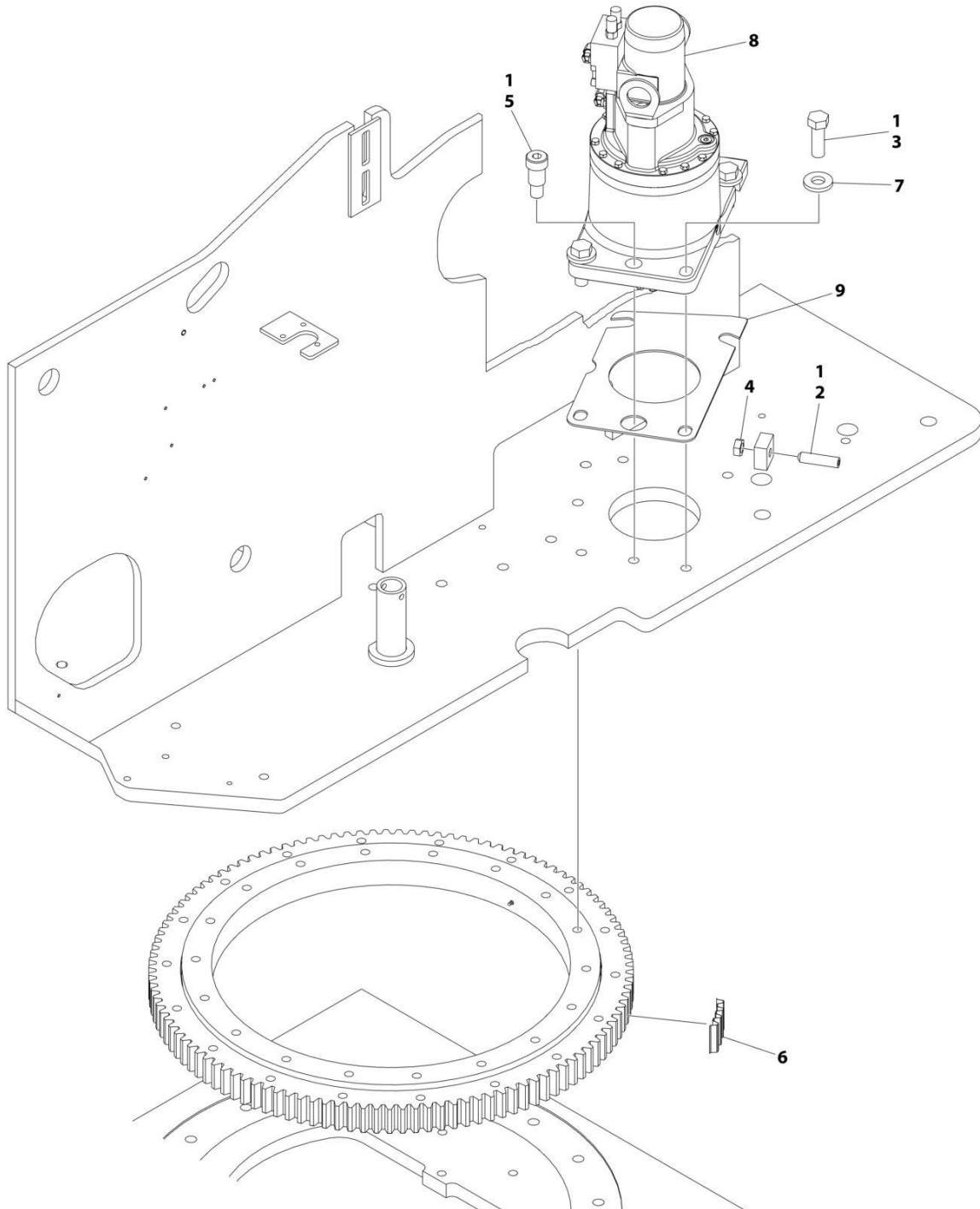
SECTION 2 - TURNTABLE

FIGURE 2-6. AUXILIARY PUMP ASSEMBLY

ITEM	PART NUMBER	QTY	DESCRIPTION	REV
1	3600365	Ref	AUXILIARY PUMP ASSEMBLY	B
2	7004290	1	Replacement Motor with Endhead Item 15H (was p/n 7011067)	
2	7004248	1	Replacement Motor without Endhead Item 15H	
2	7011065	1	Brush Kit - 7011067 Motor	
3	7011063	1	Coupling	
4	7011064	1	Replacement Pump	
4	7011066	1	Seal Kit - 7011064 Pump	
4	7004290	1	Relief Valve (Note: Not Available - Replace Complete Pump)	
5	7011043	4	Bolt (Mounts Pump to Mounting Bracket)	
6	See Note	2	Bolt (Motor to Bracket) (Note: Not Available for Purchase)	
7	7011044	1	Gasket	
8	7011048	4	Washer	
9	7011062	4	Endhead, Motor	

SECTION 2 - TURNTABLE

FIGURE 2-7. SWING DRIVE INSTALLATION



ART_1001152181

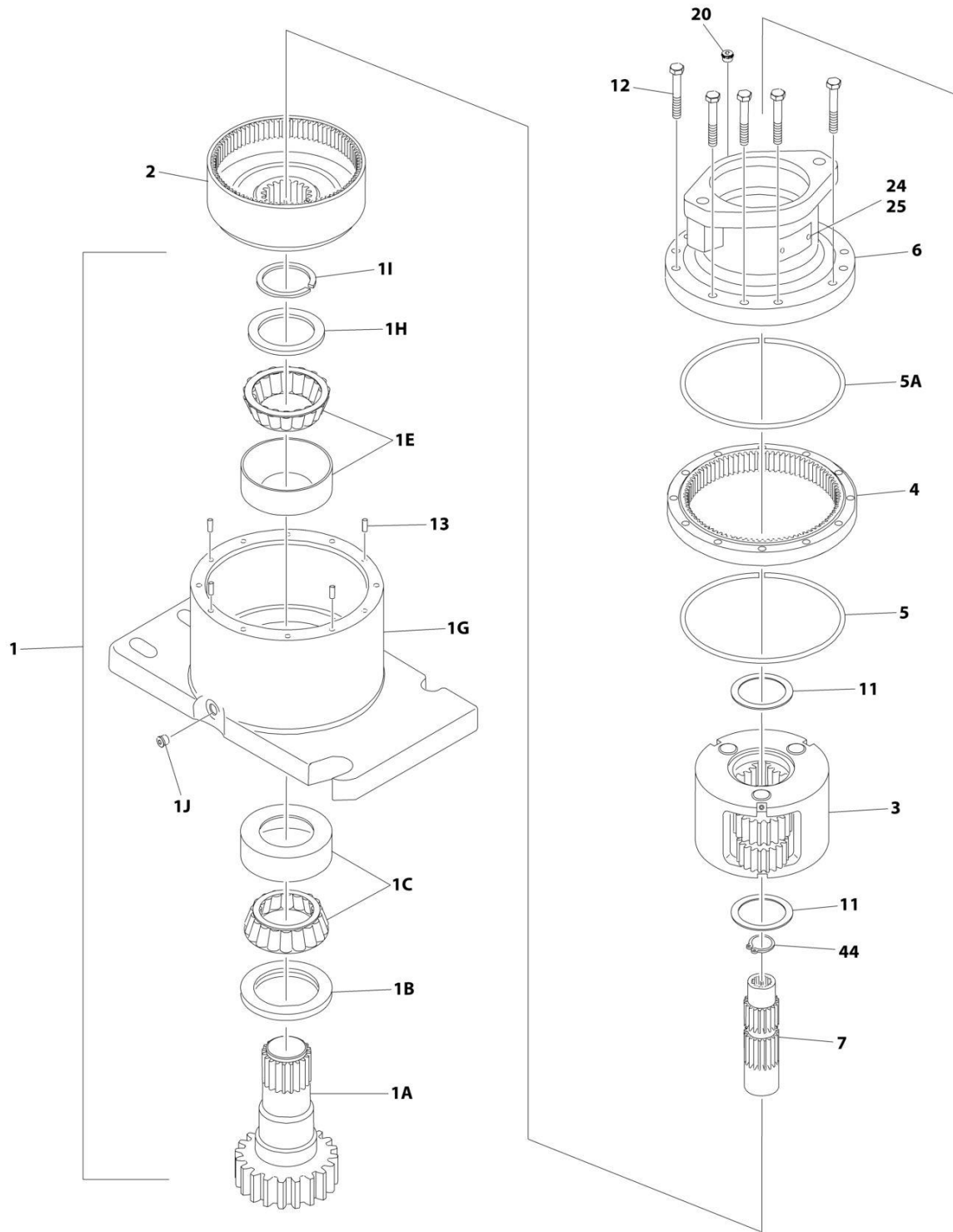
SECTION 2 - TURNTABLE

FIGURE 2-7. SWING DRIVE INSTALLATION

ITEM	PART NUMBER	QTY	DESCRIPTION	REV
	1001152181	Ref	SWING DRIVE INSTALLATION	E
1	0100019	AR	Compound, Locking	
2	3952020	1	Setscrew 5/8 x 2-1/2	
3	0682218	4	Bolt 3/4 x 2-1/4 Grade 8	
4	3312002	1	Nut, Jam 5/8	
5	3900293	1	Capscrew 1 x 1-1/4	
6	1001125492	1	Shim	
7	4740057	4	Flatwasher, Hardened	
8	1001229810	1	Swing Hub Assembly (See Separate Breakdown in this section)	
9	1001152234	1	Plate, Spacer	

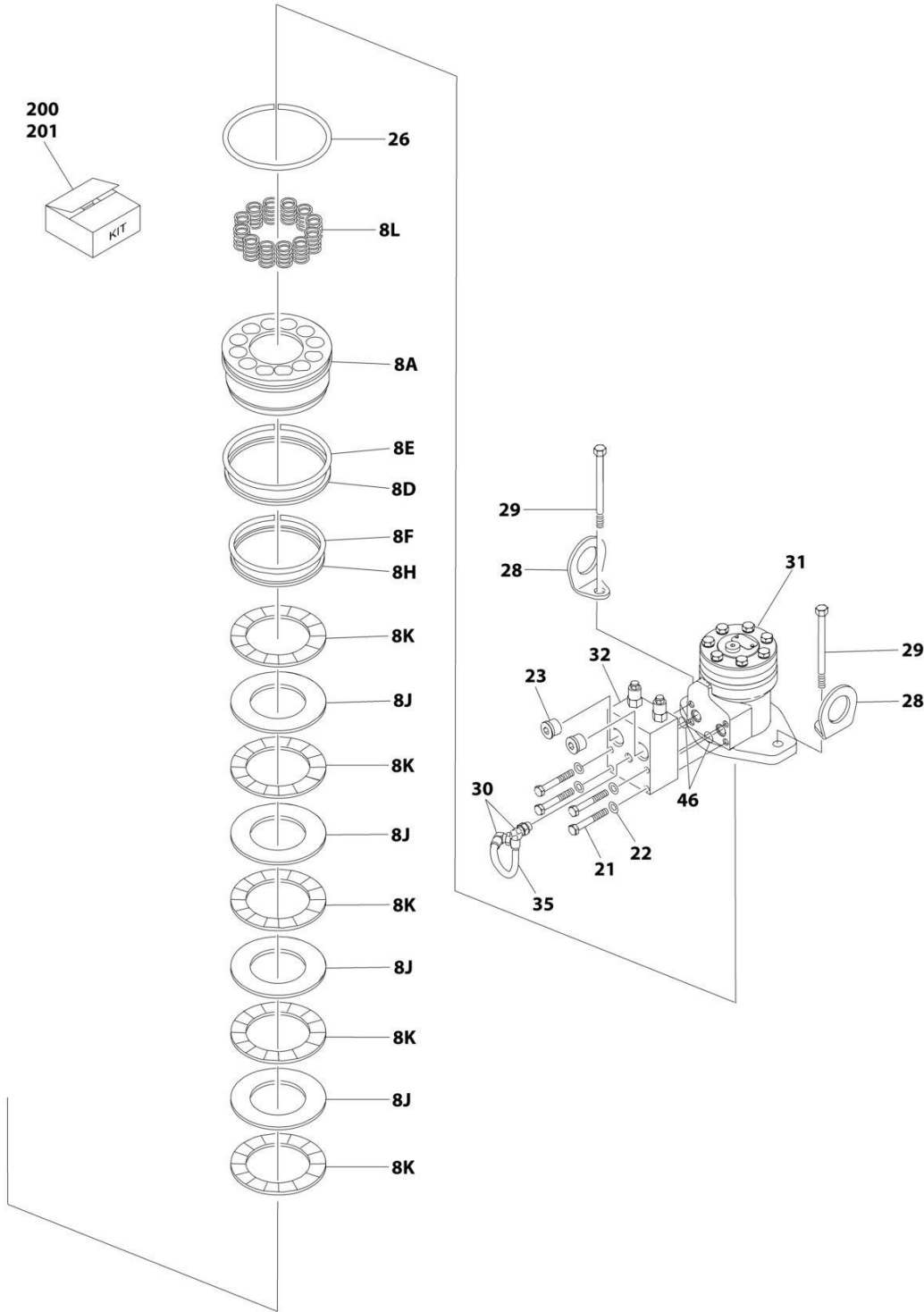
SECTION 2 - TURNTABLE

FIGURE 2-8. SWING MOTOR/HUB ASSEMBLY



ART_1001229810_10F2

SECTION 2 - TURNTABLE



ART_1001229810_20F2

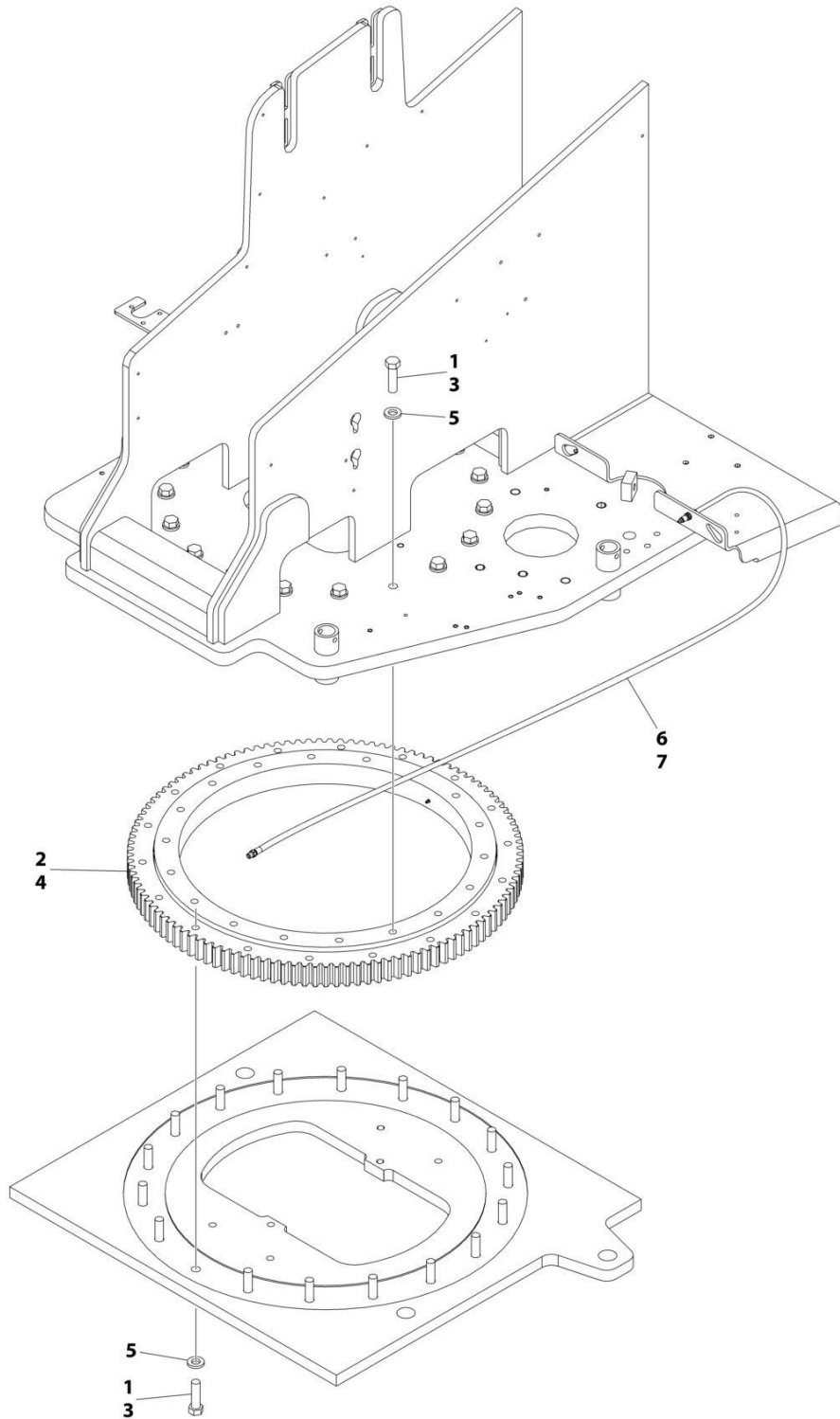
SECTION 2 - TURNTABLE

FIGURE 2-8. SWING MOTOR/HUB ASSEMBLY

ITEM	PART NUMBER	QTY	DESCRIPTION	REV
	1001229810	Ref	SWING MOTOR/HUB ASSEMBLY	C
1	See Note	1	Housing/Shaft Assembly (Note: Not Available - Purchase Individual Components)	
1A	7010492	1	Shaft, Output	
1B	7000228	1	Seal, Lip	
1C	7000255	1	Bearing Kit (Includes Cup and Cone)	
1E	7000257	1	Bearing Kit (Includes Cup and Cone)	
1G	7024762	1	Housing	
1H	7007633	1	Washer, Thrust	
1I	7000229	1	Ring, Retaining	
1J	7017072	1	Plug, Pipe	
2	7000246	1	Gear, Internal	
3	7000247	1	Carrier Assembly	
4	7000248	1	Gear, Ring	
5	7000230	1	O-Ring	
5A	7017070	1	O-Ring	
6	1001229810	NSS	Housing, Brake (Note: Not Available - Purchase Complete Assembly)	
7	70005203	1	Gear, Sun	
8A	70004037	1	Piston	
8D	70004041	1	O-Ring	
8E	70004044	1	Ring, Back-up	
8F	70004042	1	O-Ring	
8H	70004043	1	Ring, Back-up	
8J	70002085	4	Disc, Rotor	
8K	70002085	5	Disc, Stator	
8L	70002066	14	Spring	
11	7000253	2	Washer, Thrust	
12	7000217	12	Bolt 3/8 x 2-1/4 Grade 8	
13	7017080	4	Pin, Dowel	
20	7017072	1	Plug, Pipe	
21	7024704	4	Bolt 5/16 x 2 Grade 8	
22	70004045	4	Washer	
23	7017023	2	Plug, Pipe	
24	See Note	NSS	Plate, ID (Note: Not Available for Purchase)	
25	See Note	NSS	Rivet (Note: Not Available for Purchase)	
26	7024763	1	O-Ring	
28	See Note	NSS	Lug, Lifting (Note: Not Available for Purchase)	
29	70004040	2	Bolt 1/2 x 1 (Grade 8)	
30	7017085	2	Elbow	
31	70006304	1	Motor Assembly	
32	7024784	1	Valve Assembly - Complete (No Serviceable Parts)	
35	70004047	1	Tube	
44	7017028	1	Ring, Internal Retaining	
45	7000213	2	O-Ring	
		Ref	KIT OPTIONS:	
200	7024100	1	Seal Kit - Swing Hub (Includes Items 1B, 1I, 5, 5A & 11)	
201	70002085	1	Disc Kit - Swing Brake (Includes Items 8J & 8K)	

SECTION 2 - TURNTABLE

FIGURE 2-9. TURNTABLE BEARING INSTALLATION



ART_1001150391

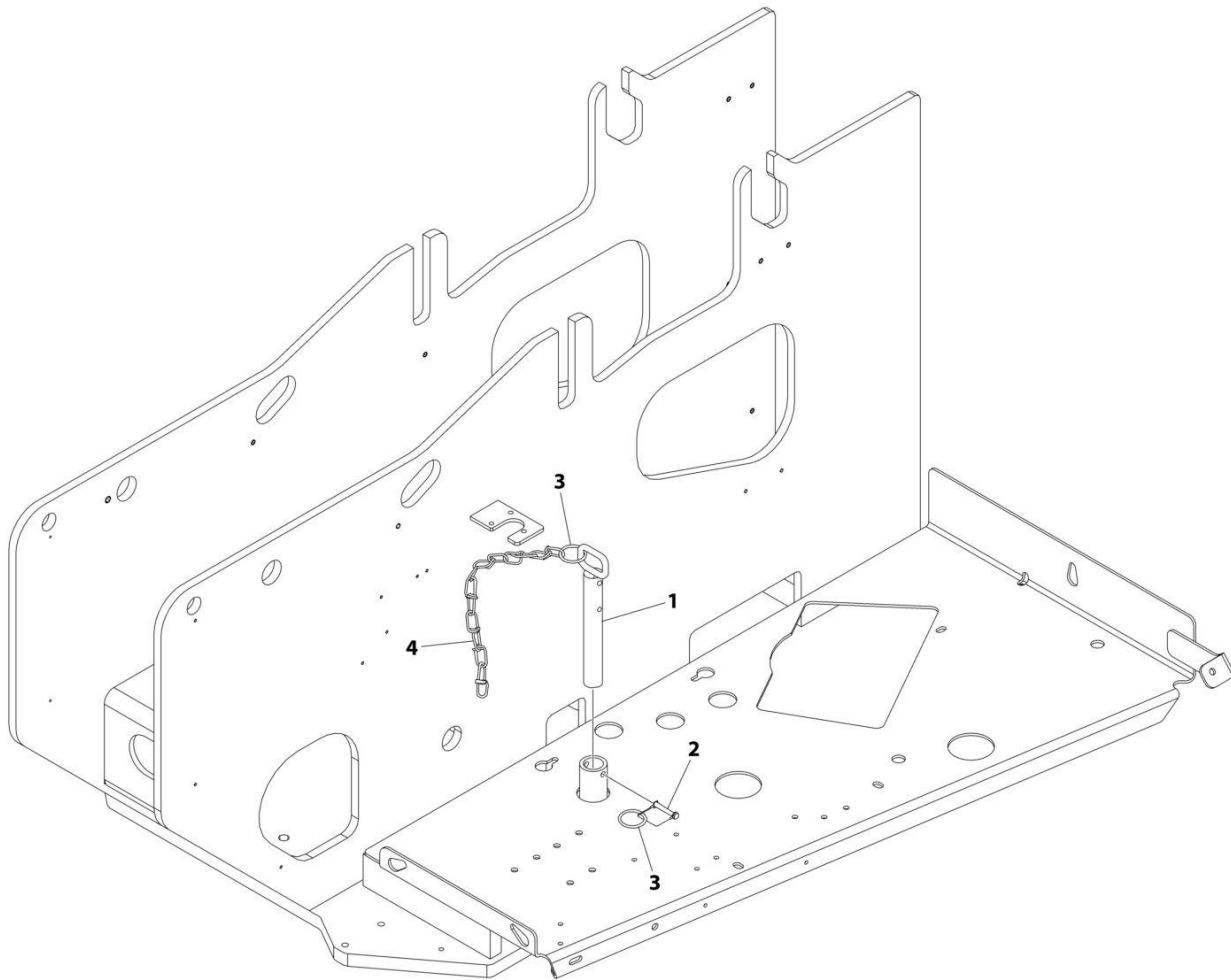
SECTION 2 - TURNTABLE

FIGURE 2-9. TURNTABLE BEARING INSTALLATION

ITEM	PART NUMBER	QTY	DESCRIPTION	REV
	1001150391	Ref	TURNTABLE BEARING AND REMOTE LUBE INSTALLATION	C
1	0100019	AR	Compound, Locking	
2	0440207	1	Bearing, Turntable	
3	0682018	36	Bolt 5/8 x 2-1/4 Grade 8	
4	3020029	AR	Lubricant	
5	4892000	36	Washer 5/8 Hardened	
6	0100011	AR	Compound, Locking	
7	1001149927	1	Hose (Includes Grease Fitting and Adapter Fittings)	

SECTION 2 - TURNTABLE

FIGURE 2-10. TURNTABLE LOCK INSTALLATION (DEUTZ D2011 & FORD ENGINE MACHINES)



ART_0255410

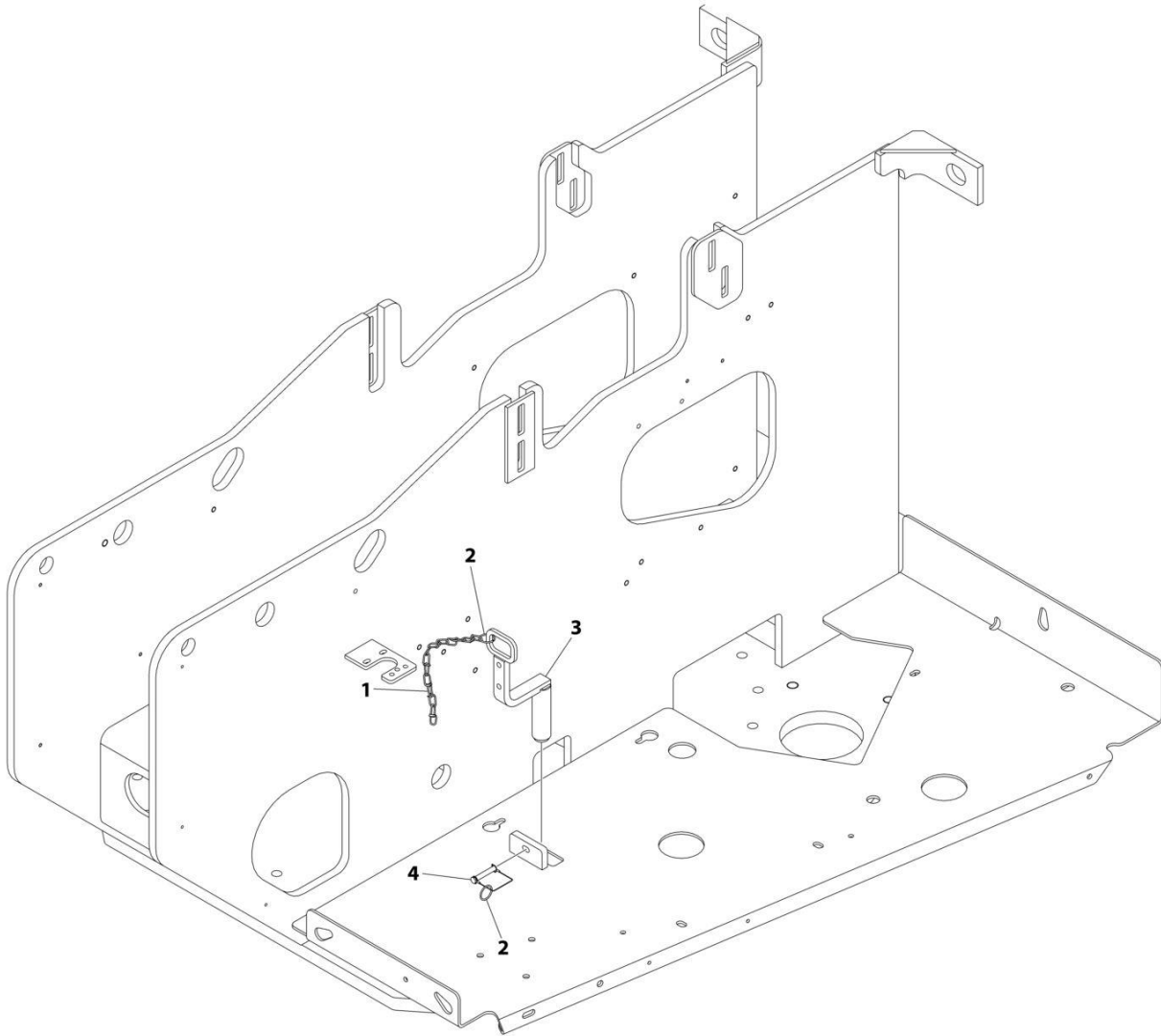
SECTION 2 - TURNTABLE

FIGURE 2-10. TURNTABLE LOCK INSTALLATION (DEUTZ D2011 & FORD ENGINE MACHINES)

ITEM	PART NUMBER	QTY	DESCRIPTION	REV
	0255410	Ref	TURNTABLE LOCK INSTALLATION	B
1	4844958	1	Pin	
2	3421565	1	Pin, Snap	
3	3760170	2	Ring, Quick Release	
4	1260017	9 in /23cm	Chain	

SECTION 2 - TURNTABLE

FIGURE 2-11. TURNTABLE LOCK INSTALLATION (DEUTZ TD2.9L4 & DEUTZ TD2.2L3 STAGE V ENGINE MACHINES)



ART_1001137885

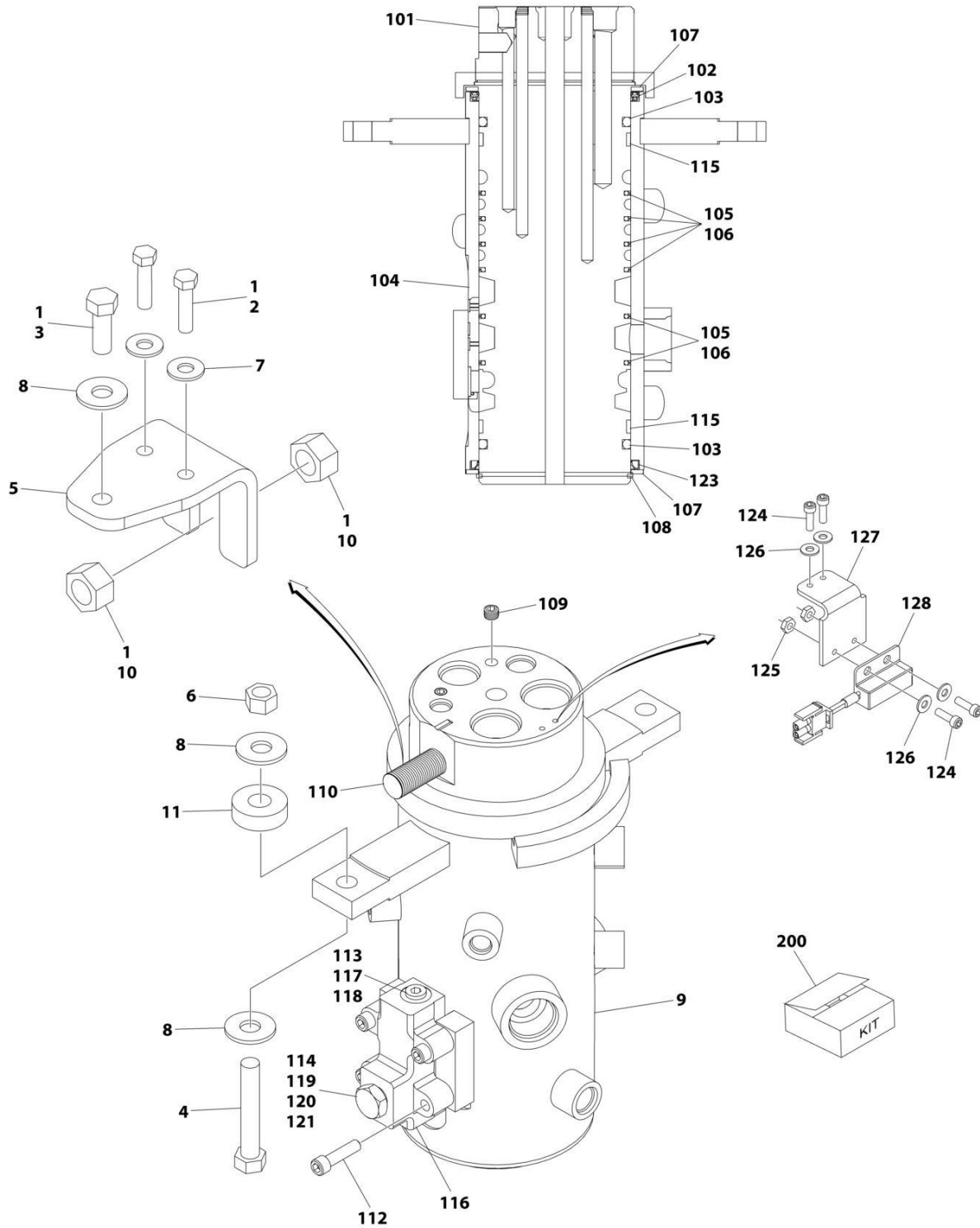
SECTION 2 - TURNTABLE

FIGURE 2-11. TURNTABLE LOCK INSTALLATION (DEUTZ TD2.9L4 & DEUTZ TD2.2L3 STAGE V ENGINE MACHINES)

ITEM	PART NUMBER	QTY	DESCRIPTION	REV
	1001137885	Ref	TURNTABLE LOCK INSTALLATION	A
1	1260017	9 in /23cm	Chain	
2	3760170	2	Ring, Quick Release	
3	1001137896	1	Pin	
4	1001145292	1	Pin, Snap	

SECTION 2 - TURNTABLE

FIGURE 2-12. ROTARY COUPLING INSTALLATION



ART_1001107498

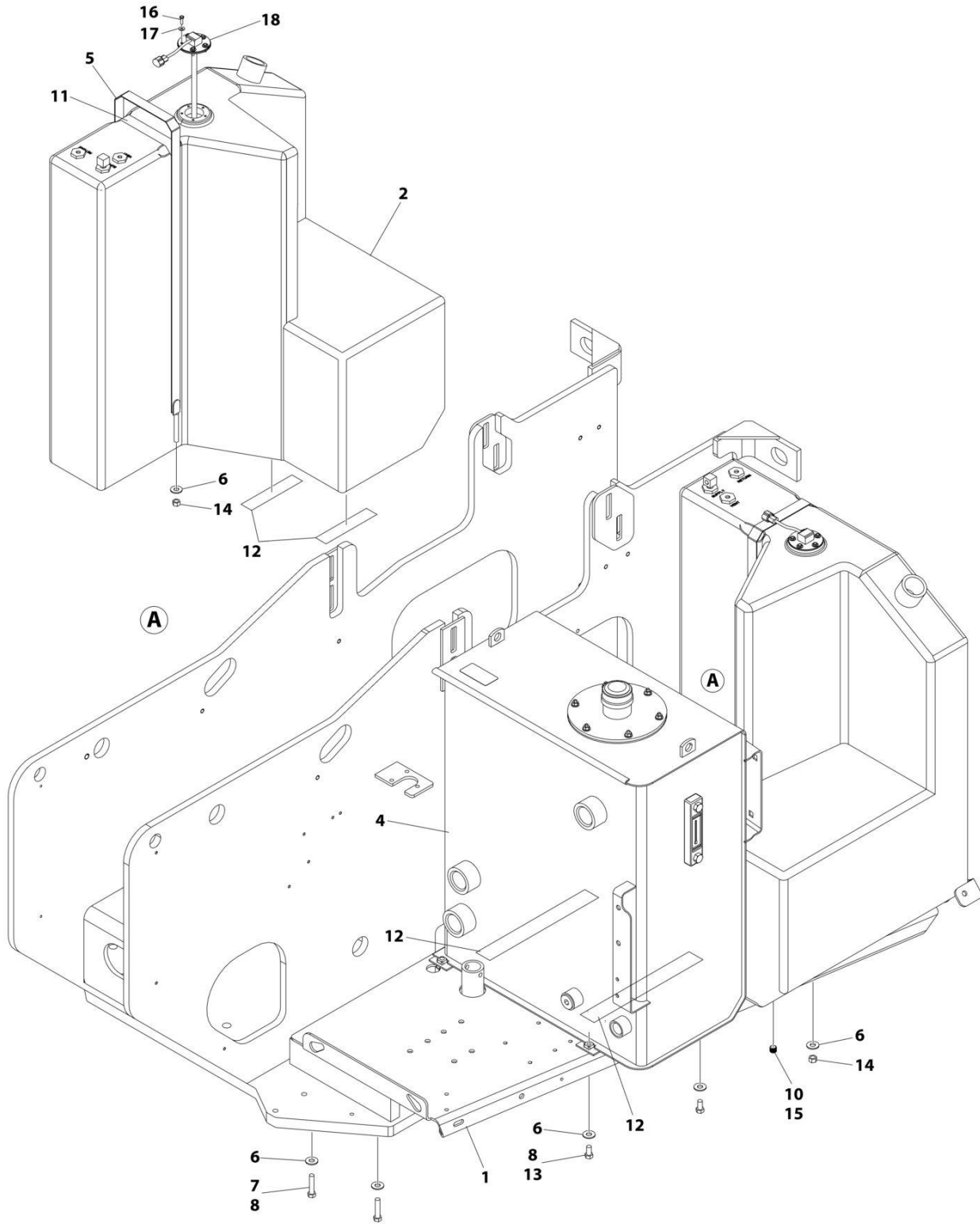
SECTION 2 - TURNTABLE

FIGURE 2-12. ROTARY COUPLING INSTALLATION

ITEM	PART NUMBER	QTY	DESCRIPTION	REV
	1001107498	Ref	ROTARY COUPLING INSTALLATION	B
1	0100011	AR	Compound, Locking	
2	0641612	2	Bolt 3/8 x 1-1/2	
3	0641811	1	Bolt 1/2 x 1-3/8	
4	0641824	2	Bolt 1/2 x 3	
5	0903056	1	Bracket	
6	3271805	2	Nut 1/2	
7	4751600	2	Washer 3/8	
8	4751800	5	Washer 1/2	
9	1001106974	1	Coupling, Rotary (See Items 101-121 for Breakdown)	
10	3322201	2	Nut 3/4	
11	1001178789	2	Shim	
	1001106974	Ref	ROTARY COUPLING ASSEMBLY	B
101	See Note	NSS	Body (Note: Not Available - Purchase Complete Assembly)	
102	70001248	1	Seal	
103	See Note	NSS	O-Ring (Note: Use Item 200A or 200B) (Note: Use Item 200A or 200B)	
104	See Note	NSS	Housing (Note: Not Available - Purchase Complete Assembly)	
105	70001248	6	Seal, Cap	
106	70001248	6	O-Ring	
107	7026503	2	Ring	
108	7026504	1	Ring, Retaining	
109	80934561	2	Plug	
110	See Note	1	Lug, Torque (Note: Not Available for Purchase)	
112	7026197	4	Bolt 5/16 x 1-1/4	
113	See Note	NSS	O-Ring (Note: Use Item 200A or 200B)	
114	See Note	NSS	O-Ring (Note: Use Item 200A or 200B)	
115	See Note	NSS	Bearing (Note: Use Item 200A or 200B)	
116	7024404	1	Block Valve Assembly	
117	7026505	1	Plug	
118	7026506	1	Valve, Check	
119	7026507	1	Plug	
120	7024404	1	Plunger, Valve (Note: Not Available for Purchase)	
121	7026509	1	Spring, Compression	
122	See Note	NSS	Protective Netting (Not Shown) (Note: Not Available for Purchase)	
123	70001248	1	Seal	
124	See Note	NSS	Screw, Socket Head #10 x 1/2 (Note: Not Available for Purchase)	
125	See Note	NSS	Nut #10 (Note: Not Available for Purchase)	
126	See Note	NSS	Washer #10 (Note: Not Available for Purchase)	
127	70003454	1	Bracket, Switch Mounting	
128	4360517	1	Switch, Proximity	
200	70001248	1	Seal Kit (Includes Items 102, 103, 105, 106, 113, 114, 115 & 123)	

SECTION 2 - TURNTABLE

FIGURE 2-13. TANK INSTALLATION – DEUTZ D2011 ENGINE



ART_1001152066_D

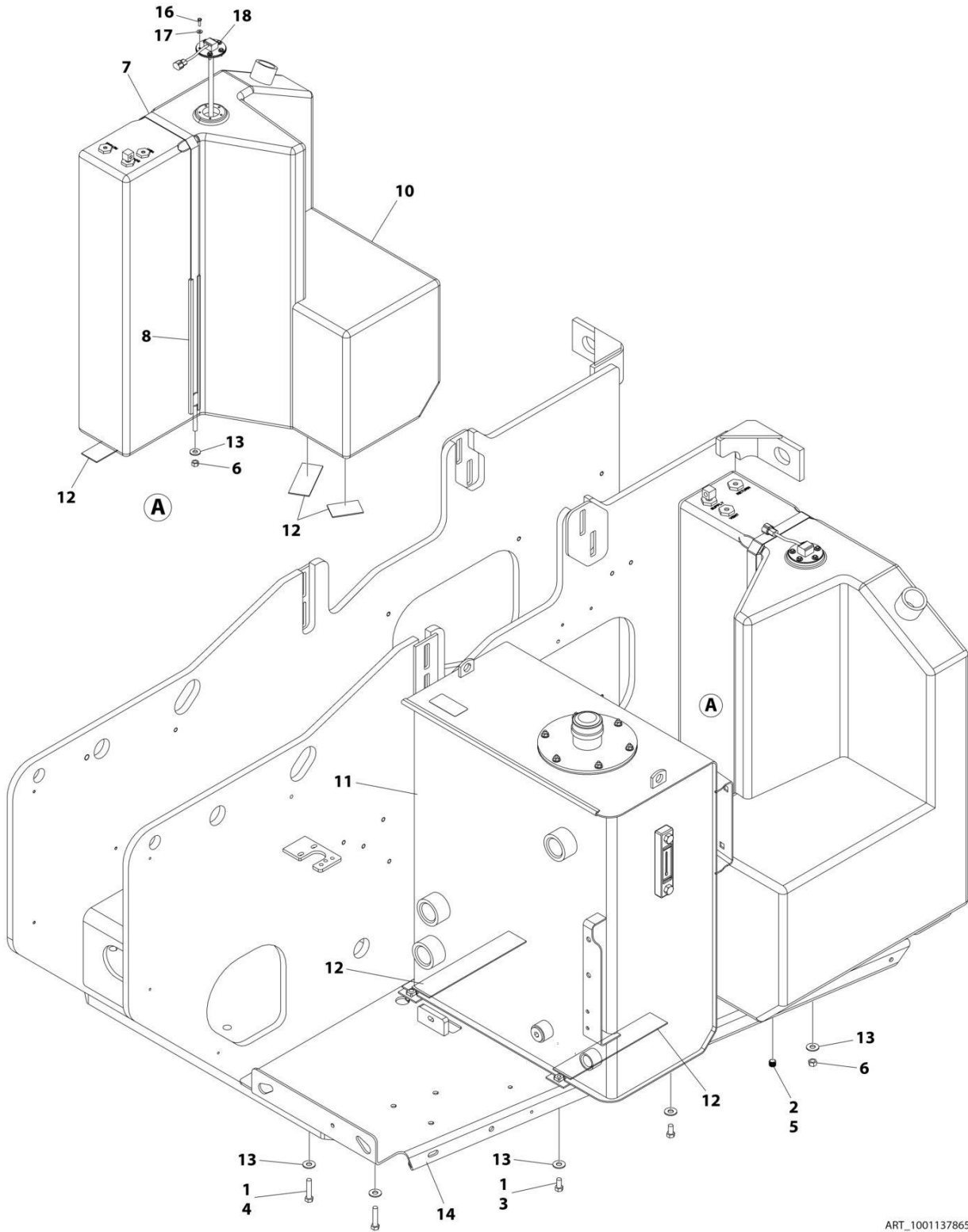
SECTION 2 - TURNTABLE

FIGURE 2-13. TANK INSTALLATION – DEUTZ D2011 ENGINE

ITEM	PART NUMBER	QTY	DESCRIPTION	REV
	1001152066	Ref	TANK INSTALLATION	D
1	1001152428	1	Tray	
2	1001284960	1	Tank, Fuel	
2	70008578	1	Cap	
2	70008579	1	Tube, Pickup	
4	1001151268	1	Hydraulic Oil Tank Assembly (See Separate Breakdown in this Section)	
5	4240102	1	Strap, Tank	
6	4751600	10	Washer 3/8	
7	0641614	4	Bolt 3/8 x 1-3/4	
8	0100011	AR	Compound, Locking	
9	1001182997	AR	Sealant, Pipe (Not Shown)	
10	2200222	1	Plug	
11	4280295	18 in /46cm	Strip, Protective	
12	4420038	AR	Tape, Rubber	
13	0641606	4	Bolt 3/8 x 3/4	
14	3311601	2	Nut 3/8	
15	0100020	AR	Sealant	
16	0731005	5	Bolt #10 x 5/8	
17	4751000	5	Washer #10	
18	1001274219	1	Gauge, Fuel Level	

SECTION 2 - TURNTABLE

FIGURE 2-14. TANK INSTALLATION – DEUTZ TD2.9L4 & TD2.2L3 STAGE V ENGINES



ART_1001137865_G

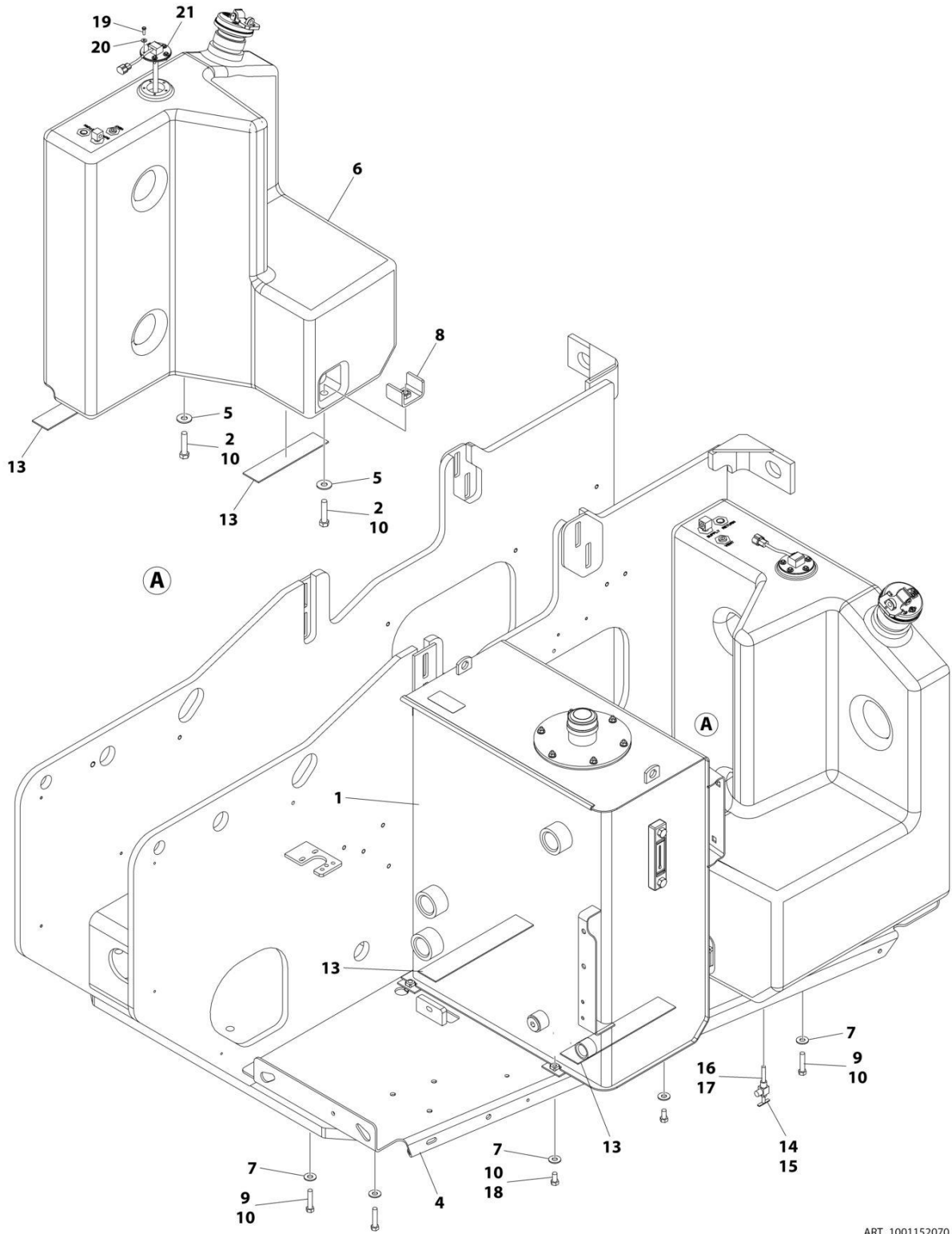
SECTION 2 - TURNTABLE

FIGURE 2-14. TANK INSTALLATION – DEUTZ TD2.9L4 & TD2.2L3 STAGE V ENGINES

ITEM	PART NUMBER	QTY	DESCRIPTION	REV
	1001137865	Ref	TANK INSTALLATION	G
1	0100011	AR	Compound, Locking	
2	0100020	AR	Sealant	
3	0641606	4	Bolt 3/8 x 3/4	
4	0641614	4	Bolt 3/8 x 1-3/4	
5	2200222	1	Plug	
6	3311601	2	Nut 3/8	
7	4240102	1	Strap, Tank	
8	4280295	18 in /46cm	Strip, Protective	
10	1001284960	1	Tank, Fuel	
10	70008578	1	Cap	
10	70008579	1	Tube, Pickup	
11	1001151268	1	Hydraulic Oil Tank Assembly (See Separate Breakdown in this Section)	
12	4420038	AR	Tape, Rubber	
13	4751600	10	Washer 3/8	
14	1001137863	1	Tray	
15	1001182997	AR	Sealant, Pipe (Not Shown)	
16	0731005	5	Bolt #10 x 5/8	
17	4751000	5	Washer #10	
18	1001274219	1	Gauge, Fuel Level	

SECTION 2 - TURNTABLE

FIGURE 2-15. TANK INSTALLATION – FORD ENGINE



ART_1001152070_E

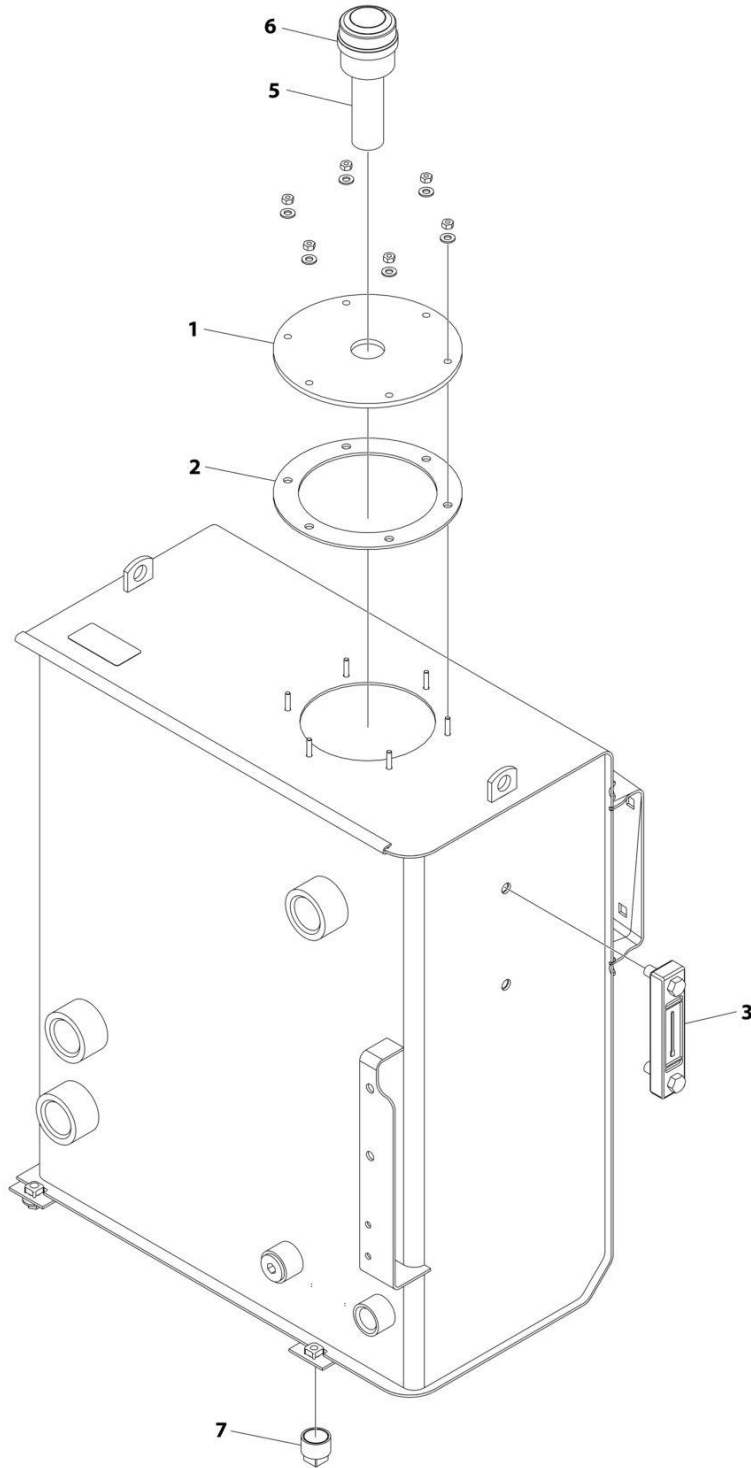
SECTION 2 - TURNTABLE

FIGURE 2-15. TANK INSTALLATION – FORD ENGINE

ITEM	PART NUMBER	QTY	DESCRIPTION	REV
	1001152070	Ref	TANK INSTALLATION	E
1	1001151268	1	Hydraulic Oil Tank Assembly (See Separate Breakdown in this Section)	
2	0641818	2	Bolt 1/2 x 2-1/4	
4	1001137863	1	Tray	
5	4751800	2	Washer 1/2	
6	1001284961	1	Tank, Fuel	
7	4751600	8	Washer 3/8	
8	1001118133	2	Bracket	
9	0641614	4	Bolt 3/8 x 1-3/4	
10	0100011	AR	Compound, Locking	
11	1001182997	AR	Sealant, Pipe (Not Shown)	
13	4420038	AR	Tape, Rubber	
14	4641022	1	Valve, Needle	
15	0100020	AR	Sealant	
16	0100062	AR	Retaining Compound #680	
17	4568119	1	Tube, Fuel	
17	70008580	1	Cap	
17	70008581	1	Tube, Pickup	
17	70008582	1	Bulkhead Assembly	
18	0641606	4	Bolt 3/8 x 3/4	
19	0731005	5	Bolt #10 x 5/8	
20	4751000	5	Washer #10	
21	1001274219	1	Gauge, Fuel Level	

SECTION 2 - TURNTABLE

FIGURE 2-16. HYDRAULIC OIL TANK ASSEMBLY



ART_1001151268

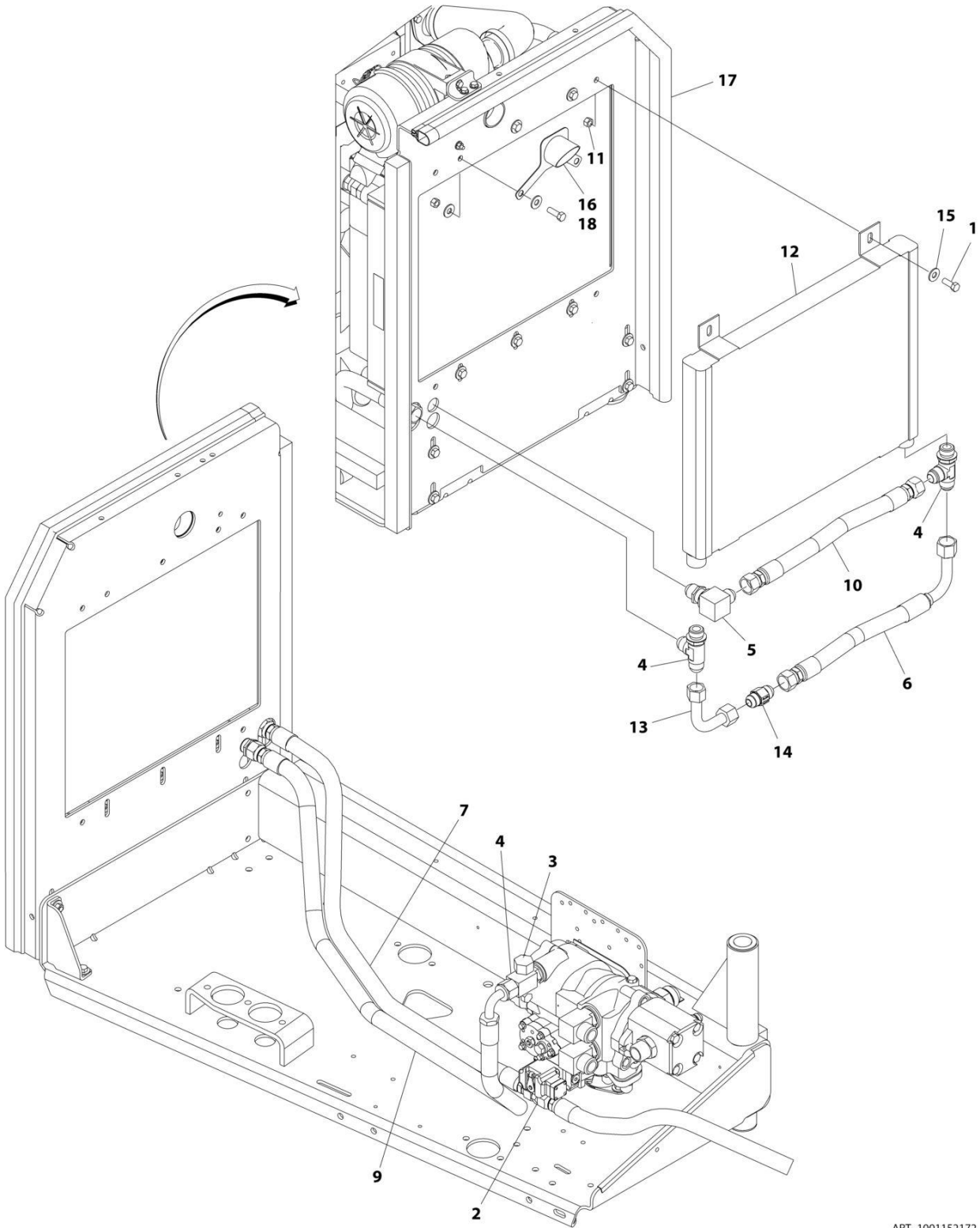
SECTION 2 - TURNTABLE

FIGURE 2-16. HYDRAULIC OIL TANK ASSEMBLY

ITEM	PART NUMBER	QTY	DESCRIPTION	REV
	1001151268	Ref	HYDRAULIC OIL TANK ASSEMBLY	H
1	7024439	1	Cover	
2	7024440	1	Gasket	
3	7024441	1	Gauge, Sight	
5	7024443	1	Neck, Fill (Helgensen Brand)	
5	See Note	NSS	Neck, Fill (Hydac Brand) (Note: Use Item 70004862)	
5	7024445	1	Screen (Helgensen Brand)	
5	See Note	NSS	Screen (Hydac Brand) (Note: Use Item 70004862)	
6	7024444	1	Breather/Fill Cap (Helgensen Brand)	
6	70004862	1	Breather/Fill Cap/Strainer Kit (Hydac Brand)	
7	7024446	1	Plug, Magnetic	

SECTION 2 - TURNTABLE

FIGURE 2-17. HYDRAULIC OIL COOLER INSTALLATION - DEUTZ D2011 ENGINES (OPTIONAL)



ART_1001152172

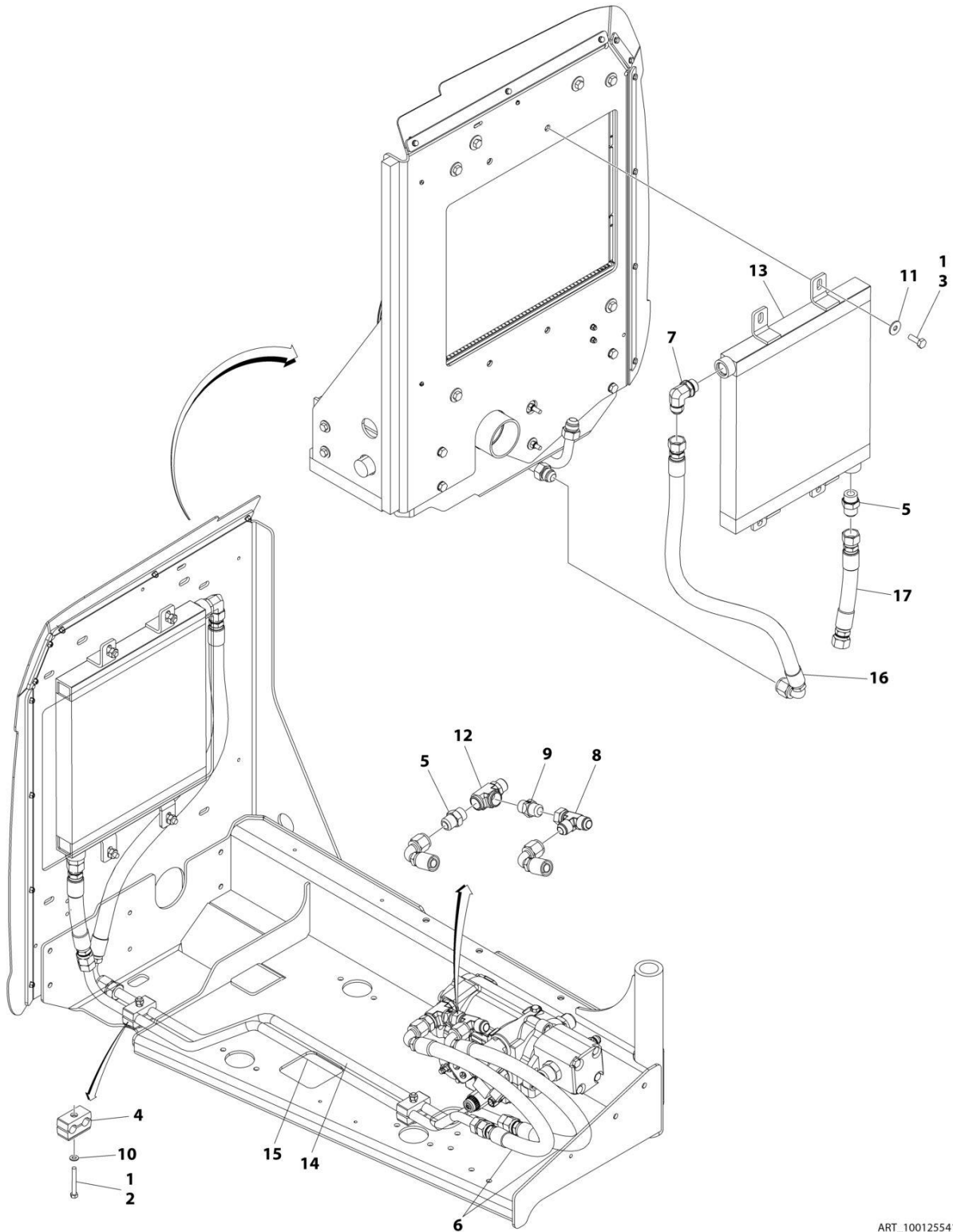
SECTION 2 - TURNTABLE

FIGURE 2-17. HYDRAULIC OIL COOLER INSTALLATION - DEUTZ D2011 ENGINES (OPTIONAL)

ITEM	PART NUMBER	QTY	DESCRIPTION	REV
	1001152172	Ref	HYDRAULIC OIL COOLER INSTALLATION	C
1	0641608	4	Bolt 3/8 x 1	
2	2220513	1	Fitting, Straight JIC/JIC	
3	2220518	1	Fitting, Cap	
4	2220738	3	Fitting, Tee JIC/ORB/JIC	
5	2230046	1	Fitting, 90 JIC/JIC	
6	2752659	1	Hose	
7	2752661	1	Hose	
9	2753354	1	Hose	
10	2750949	1	Hose	
11	3311605	4	Nut 3/8	
12	3620034	1	Cooler, Hydraulic Oil	
13	4567123	1	Tube 90	
14	4640990	1	Valve, Check	
15	4751600	4	Washer 3/8	
16	0100087	AR	Adhesive	
17	1001157604	5 ft /1.52m	Seal	
18	1001158720	1	Shroud	

SECTION 2 - TURNTABLE

FIGURE 2-18. HYDRAULIC OIL COOLER INSTALLATION - DEUTZ TD2.2L3 STAGE V ENGINES (OPTIONAL)



ART_1001255413

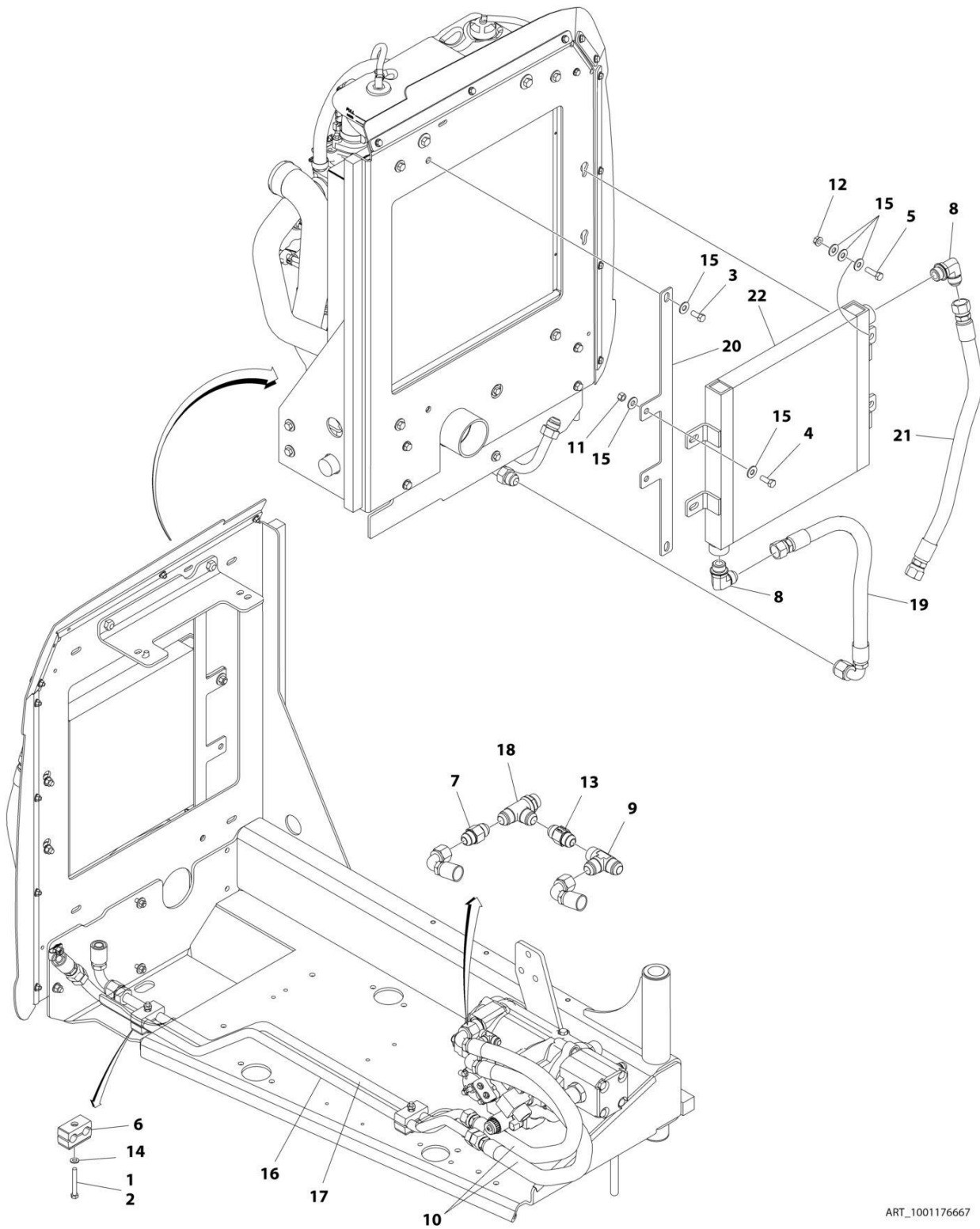
SECTION 2 - TURNTABLE

FIGURE 2-18. HYDRAULIC OIL COOLER INSTALLATION - DEUTZ TD2.2L3 STAGE V ENGINES (OPTIONAL)

ITEM	PART NUMBER	QTY	DESCRIPTION	REV
	1001255413	Ref	HYDRAULIC OIL COOLER INSTALLATION	A
1	0100011	AR	Compound, Locking	
2	0641520	2	Bolt 5/16 x 2-1/2	
3	0701014	4	Bolt M10 x 30	
4	1320162	2	Clamp	
5	2220451	2	Fitting, Straight JIC/ORB	
6	2752530	2	Hose	
7	2220578	1	Fitting, 90 JIC/ORB	
8	2220700	1	Fitting, Tee JIC/FSJIC/JIC	
9	4641264	1	Valve, Check	
10	4711500	2	Washer 5/16	
11	4812002	4	Washer M10	
12	1001143812	1	Fitting, Tee ORB/ORB/ORB	
13	1001183924	1	Cooler, Hydraulic Oil	
14	1001249448	1	Tube	
15	1001249449	1	Tube	
16	1001253805	1	Hose	
17	1001253806	1	Hose	

SECTION 2 - TURNTABLE

FIGURE 2-19. HYDRAULIC OIL COOLER INSTALLATION - DEUTZ TD2.9L4 ENGINES (OPTIONAL)



ART_1001176667

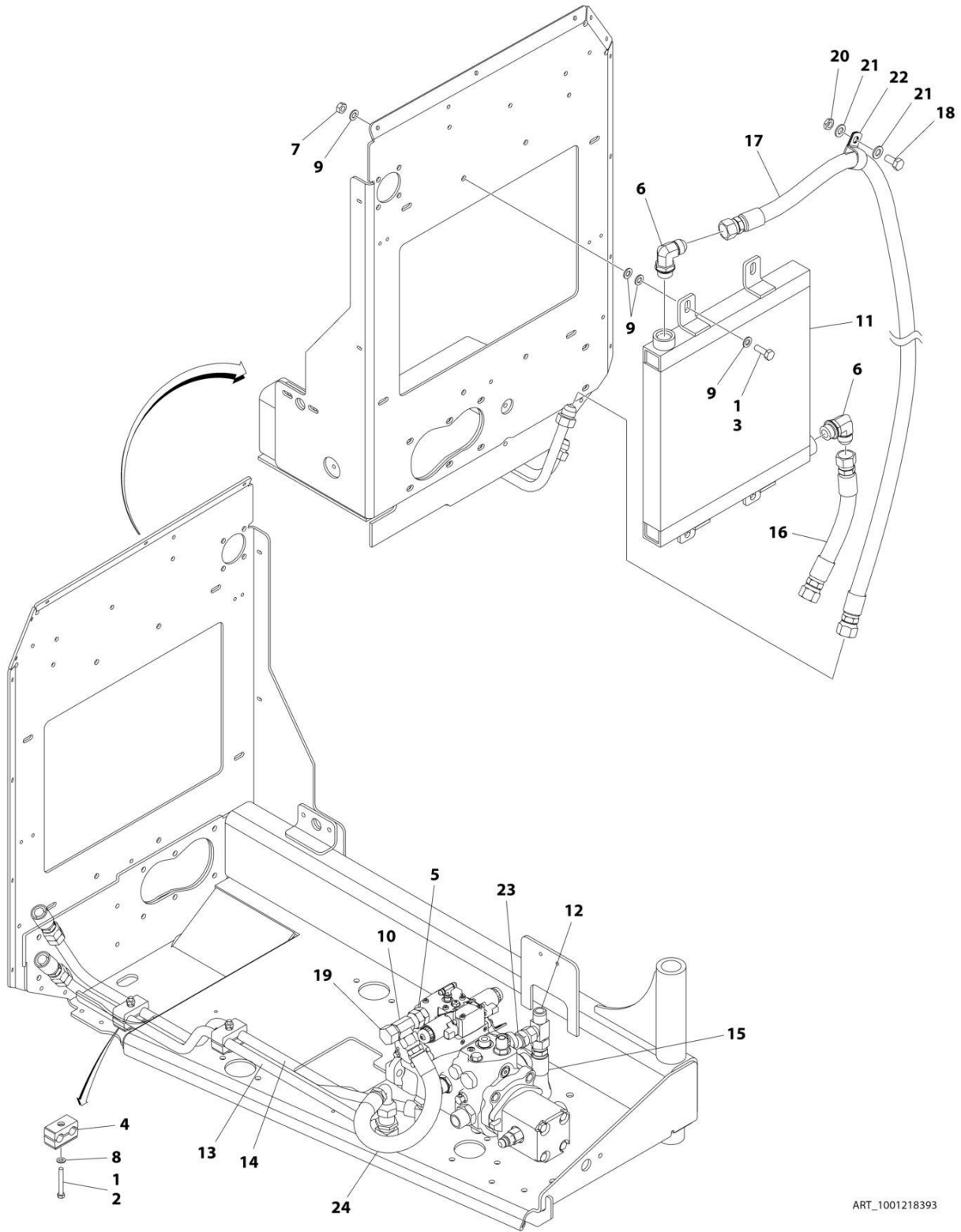
SECTION 2 - TURNTABLE

FIGURE 2-19. HYDRAULIC OIL COOLER INSTALLATION - DEUTZ TD2.9L4 ENGINES (OPTIONAL)

ITEM	PART NUMBER	QTY	DESCRIPTION	REV
	1001176667	Ref	HYDRAULIC OIL COOLER INSTALLATION	C
1	0100011	AR	Compound, Locking	
2	0641520	2	Bolt 5/16 x 2-1/2	
3	0641607	2	Bolt 3/8 x 7/8	
4	0641608	2	Bolt 3/8 x 1	
5	0641610	2	Bolt 3/8 x 1-1/4	
6	1320162	2	Clamp	
7	2220451	1	Fitting, Straight JIC/ORB	
8	2220578	2	Fitting, 90 JIC/ORB	
9	2220700	1	Fitting, Tee JIC/FSJIC/JIC	
10	2752530	2	Hose	
11	3271601	2	Nut 3/8	
12	3311608	2	Nut 3/8	
13	4641264	1	Valve, Check	
14	4711500	2	Washer 5/16	
15	4751600	12	Washer 3/8	
16	1001143765	1	Tube	
17	1001143766	1	Tube	
18	1001143812	1	Fitting, Tee ORB/ORB/ORB	
19	1001145706	1	Hose	
20	1001176666	1	Plate	
21	1001177090	1	Hose	
22	1001183924	1	Cooler, Hydraulic Oil	

SECTION 2 - TURNTABLE

FIGURE 2-20. HYDRAULIC OIL COOLER INSTALLATION – FORD ENGINES (OPTIONAL)



ART_1001218393

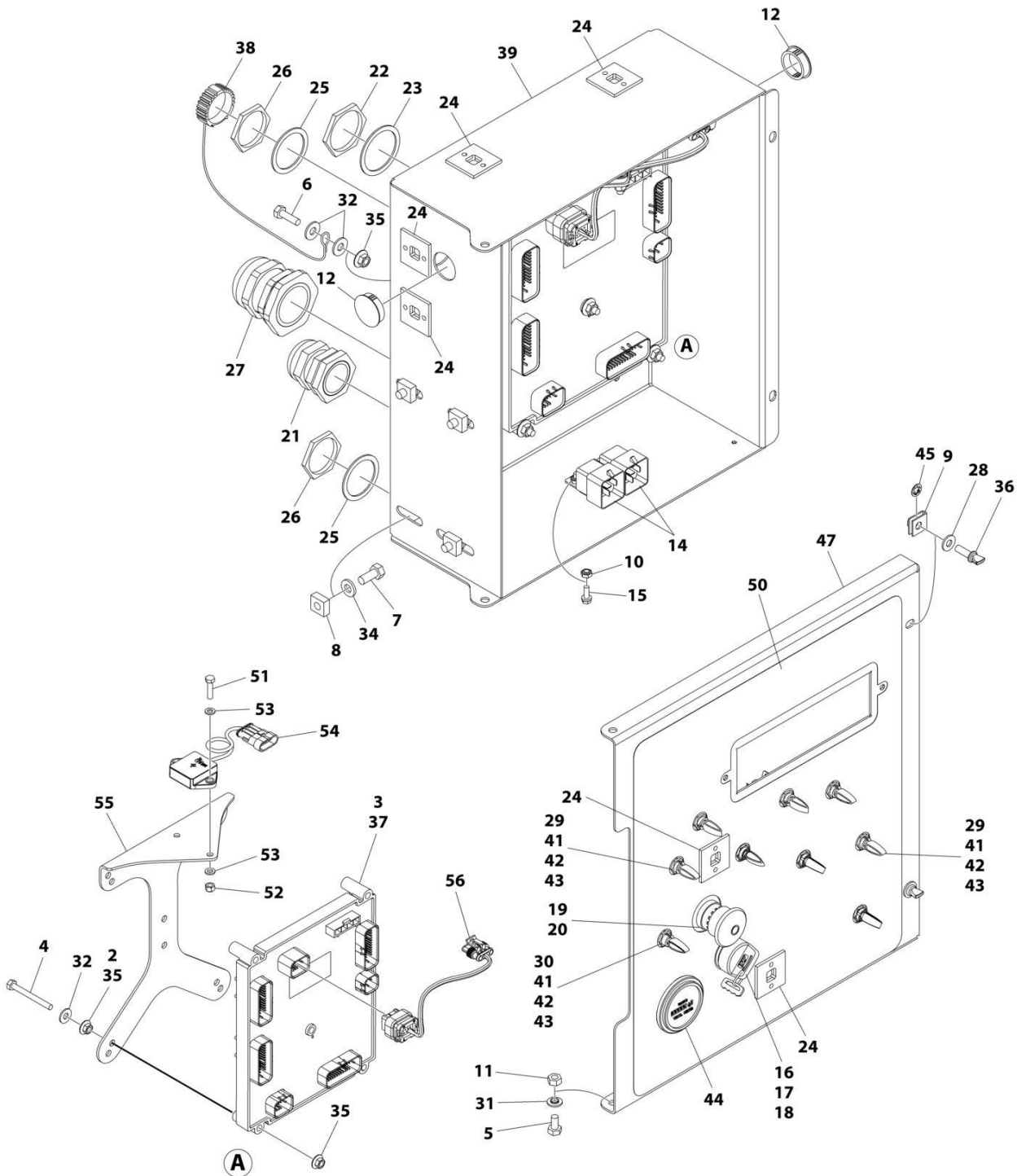
SECTION 2 - TURNTABLE

FIGURE 2-20. HYDRAULIC OIL COOLER INSTALLATION – FORD ENGINES (OPTIONAL)

ITEM	PART NUMBER	QTY	DESCRIPTION	REV
	1001218393	Ref	HYDRAULIC OIL COOLER INSTALLATION	C
1	0100011	AR	Compound, Locking	
2	0641520	2	Bolt 5/16 x 2-1/2	
3	0771014	4	Bolt M10 x 30	
4	1320162	2	Clamp	
5	2220451	1	Fitting, Straight JIC/ORB	
6	2220578	2	Fitting, 90 JIC/ORB	
7	3291001	4	Nut M10	
8	4711500	2	Washer 5/16	
9	4812000	16	Washer M10	
10	2220700	1	Fitting, Tee JIC/FSJIC/JIC	
11	1001183924	1	Cooler, Hydraulic Oil	
12	2220682	1	Fitting, Tee JIC/JIC/JIC	
13	1001218394	1	Tube	
14	1001218395	1	Tube	
15	1001219457	1	Hose	
16	1001219458	1	Hose	
17	1001096398	1	Hose	
18	0771212	1	Bolt M12 x 25	
19	2220518	1	Fitting, Cap	
20	3291202	1	Nut M12	
21	4812100	2	Washer M12	
22	8406302	1	Clamp	
23	1001179156	1	Valve, Check	
24	1001221621	1	Hose	

SECTION 2 - TURNTABLE

FIGURE 2-21. GROUND CONTROL BOX ASSEMBLY (DEUTZ D2011 ENGINE) - WITH MECHANICAL HOUR METER (ALL SPECS EXCEPT CE & UK CA SPECS)



ART_1001266873_E

SECTION 2 - TURNTABLE

FIGURE 2-21. GROUND CONTROL BOX ASSEMBLY (DEUTZ D2011 ENGINE) - WITH MECHANICAL HOUR METER (ALL SPECS EXCEPT CE & UK CA SPECS)

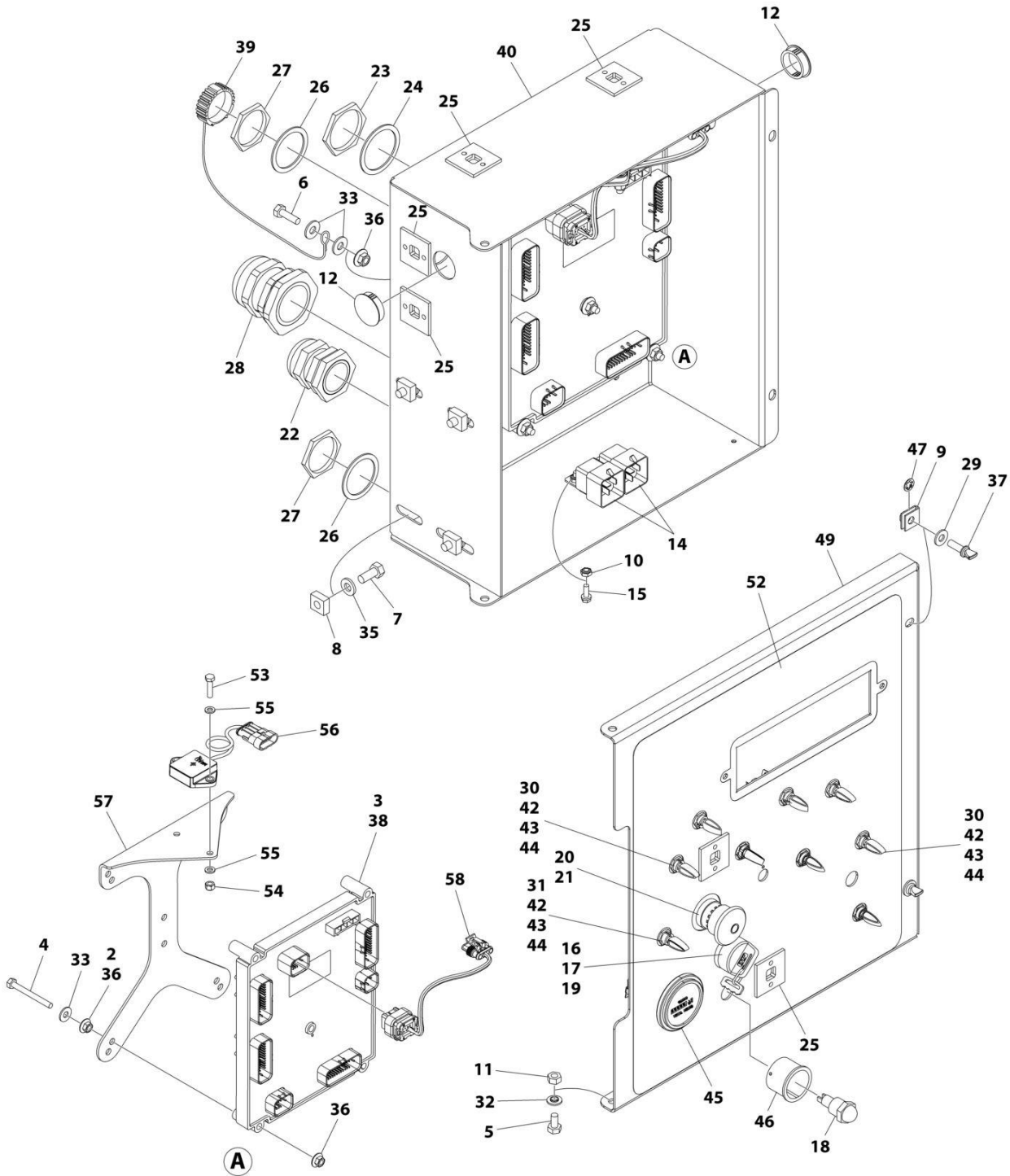
ITEM	PART NUMBER	QTY	DESCRIPTION	REV
	1001266873	Ref	GROUND CONTROL BOX ASSEMBLY	E
2	0100011	AR	Compound, Locking	
3	0100048	AR	Grease, Dielectric	
4	0630548	5	Bolt, 2-1/2 Tap	
5	0641404	2	Bolt 1/4 x 1/2	
6	0641407	1	Bolt 1/4 x 7/8	
7	0641506	4	Bolt 5/16 x 3/4	
8	3300205	4	Nut, Retainer	
9	3300353	2	Nut, Tinnerman	
10	3300408	2	Nut, Plastic Insert	
11	3311405	2	Nut 1/4	
12	3520031	2	Plug	
14	3740049	2	Relay	
15	3900268	2	Screw #10 x 1/2	
16	3910804	6	Screw #8 x 1/4	
17	4070991	1	Shim	
18	4360469	1	Switch, Key	
18	2860030	1	Key Replacement	
19	4360475	1	Switch, Emergency Stop (Metal)	
19	7020175	1	Cap, Mushroom	
19	7020176	1	Block, Contact	
19	1001274559	1	Switch, Emergency Stop (Plastic)	
20	4360476	1	Switch, Contact Block	
21	4460426	1	Connector, Strain Relief	
22	4460470	1	Nut, Terminal	
23	4460471	1	Washer, Terminal	
24	4460488	6	Mounting Base, Terminal	
25	4460496	2	Washer, Terminal	
26	4460497	2	Nut, Terminal	
27	4460526	1	Connector, Strain Relief	
28	4711400	2	Washer 1/4	
29	4740397	8	Spacer	
30	4740444	1	Washer	
31	4740518	2	Washer	
32	4751400	7	Washer 1/4	
34	4891500	4	Washer 5/16	
35	77143013	11	Nut 1/4-20	
36	1001103308	2	Screw 1/4	
37	1001280600	1	Module, Ground Control	
		Ref	Note: Re-calibration Required when Replaced.	
38	1001106736	1	Cap, Dust	
39	1001287467	1	Plate	
40	1001284919	1	Harness, Valve (Not Shown - See Separate Breakdown in ELECTRICAL Section)	
41	1001155043	9	Washer	
42	1001155044	9	Nut 15/32-32	
43	1001155045	9	Switch, Toggle	
44	10836804	1	Hour Meter	
45	1001188874	2	Nut	

SECTION 2 - TURNTABLE

ITEM	PART NUMBER	QTY	DESCRIPTION	REV
46	1001285378	1	Harness, Engine (Not Shown - See Separate Breakdown in ELECTRICAL Section)	
47	1001280403	1	Plate	
48	1001285346	1	Harness, Ground Control Box (Not Shown - See Separate Breakdown in ELECTRICAL Section)	
49	1001285801	NLA	Wire Diagram (Not Shown)	
50	1001266876	1	Decal, Faceplate	
51	0760612	2	Bolt M6 x 25	
52	3290605	2	Nut M6	
53	4811700	4	Washer M6	
54	1001219601	1	Sensor, Tilt Dual Axis CAN	
55	1001271794	1	Bracket, Tilt Sensor	
56	1001276143	1	Harness, Tilt Sensor (See Separate Breakdown in ELECTRICAL Section)	

SECTION 2 - TURNTABLE

FIGURE 2-22. GROUND CONTROL BOX ASSEMBLY (DEUTZ D2011 ENGINE) (CE & UK CA SPECS)



ART_1001266900_D

SECTION 2 - TURNTABLE

FIGURE 2-22. GROUND CONTROL BOX ASSEMBLY (DEUTZ D2011 ENGINE) (CE & UK CA SPECS)

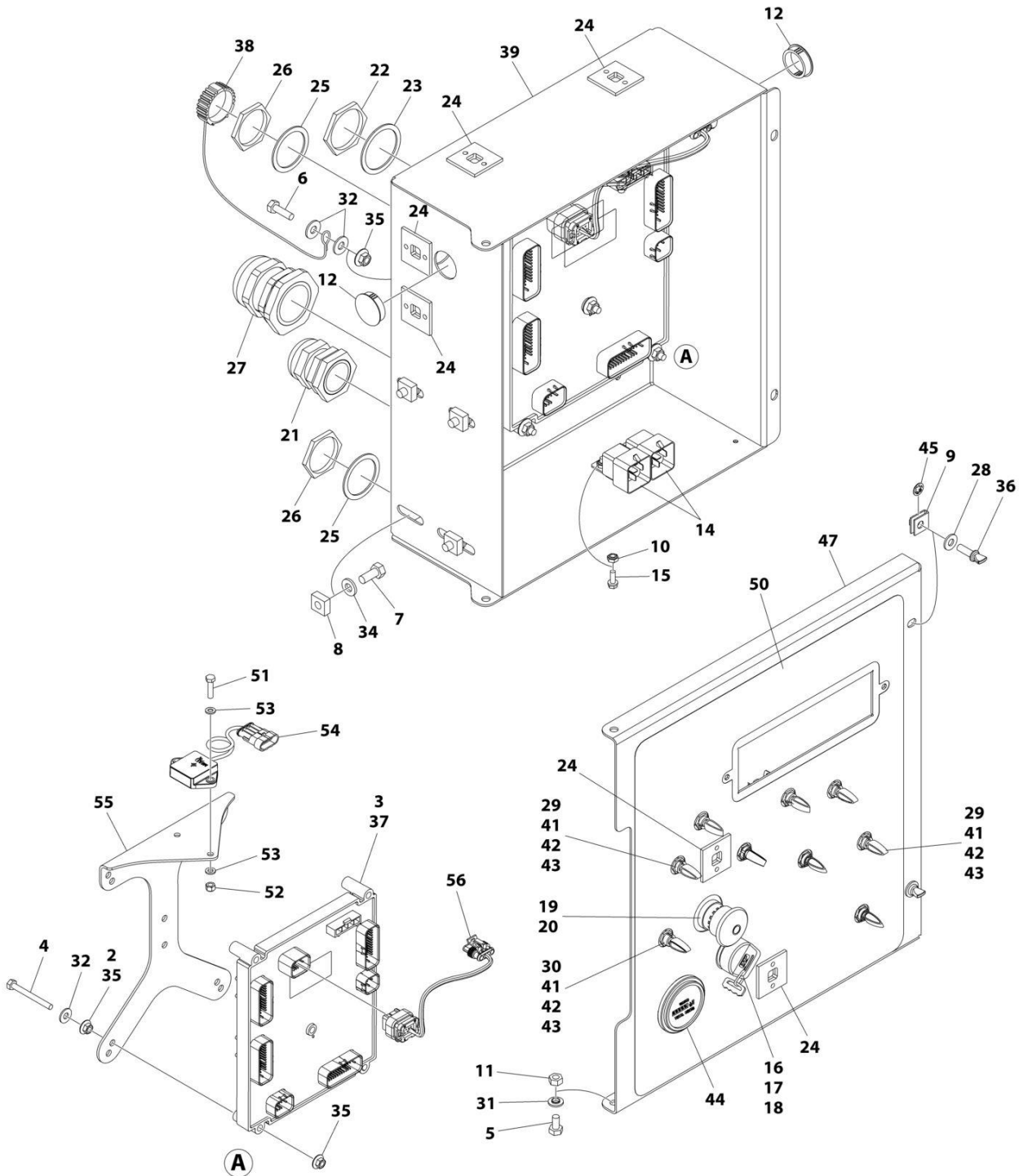
ITEM	PART NUMBER	QTY	DESCRIPTION	REV
	1001266900	Ref	GROUND CONTROL BOX ASSEMBLY	D
2	0100011	AR	Compound, Locking	
3	0100048	AR	Grease, Dielectric	
4	0630548	5	Bolt, 2-1/2 Tap	
5	0641404	2	Bolt 1/4 x 1/2	
6	0641407	1	Bolt 1/4 x 7/8	
7	0641506	4	Bolt 5/16 x 3/4	
8	3300205	4	Nut, Retainer	
9	3300353	2	Nut, Tinnerman	
10	3300408	2	Nut, Plastic Insert	
11	3311405	2	Nut 1/4	
12	3520031	2	Plug	
14	3740049	2	Relay	
15	3900268	2	Screw #10 x 1/2	
16	3910804	6	Screw #8 x 1/4	
17	4070991	1	Shim	
18	4360387	1	Switch, Push Button	
19	4360469	1	Switch, Key	
19	2860030	1	Key Replacement	
20	4360475	1	Switch, Emergency Stop	
20	7020175	1	Cap, Mushroom	
20	7020176	1	Block, Contact	
21	4360476	1	Switch, Contact Block	
22	4460426	1	Connector, Strain Relief	
23	4460470	1	Nut, Terminal	
24	4460471	1	Washer, Terminal	
25	4460488	6	Mounting Base, Terminal	
26	4460496	2	Washer, Terminal	
27	4460497	2	Nut, Terminal	
28	4460526	1	Connector, Strain Relief	
29	4711400	2	Washer 1/4	
30	4740397	8	Spacer	
31	4740444	1	Washer	
32	4740518	2	Washer	
33	4751400	7	Washer 1/4	
35	4891500	4	Washer 5/16	
36	77143013	11	Nut 1/4-20	
37	1001103308	2	Screw 1/4	
38	1001280600	1	Module, Ground Control	
		Ref	Note: Re-calibration Required when Replaced.	
39	1001106736	1	Cap, Dust	
40	1001287467	1	Box	
41	1001284919	1	Harness, Valve (Not Shown - See Separate Breakdown in ELECTRICAL Section)	
42	1001155043	9	Washer	
43	1001155044	9	Nut 15/32-32	
44	1001155045	9	Switch, Toggle	
45	10836804	1	Gauge, Display	
46	1001176469	1	Shroud	
47	1001188874	2	Nut	

SECTION 2 - TURNTABLE

ITEM	PART NUMBER	QTY	DESCRIPTION	REV
48	1001285378	1	Harness, Engine (Not Shown - See Separate Breakdown in ELECTRICAL Section)	
49	1001297391	1	Lid	
50	1001285346	1	Harness, Ground Control Box (Not Shown - See Separate Breakdown in ELECTRICAL Section)	
51	1001285801	NLA	Wire Diagram (Not Shown)	
52	1001266874	1	Decal, Faceplate	
53	0760612	2	Bolt M6 x 25	
54	3290605	2	Nut M6	
55	4811700	4	Washer M6	
56	1001219601	1	Sensor, Tilt Dual Axis CAN	
57	1001271794	1	Bracket, Tilt Sensor	
58	1001276143	1	Harness, Tilt Sensor (See Separate Breakdown in ELECTRICAL Section)	

SECTION 2 - TURNTABLE

FIGURE 2-23. GROUND CONTROL BOX ASSEMBLY (DEUTZ 2.9L4 ENGINE) - WITH MECHANICAL HOUR METER



ART_1001266897_D

SECTION 2 - TURNTABLE

FIGURE 2-23. GROUND CONTROL BOX ASSEMBLY (DEUTZ 2.9L4 ENGINE) - WITH MECHANICAL HOUR METER

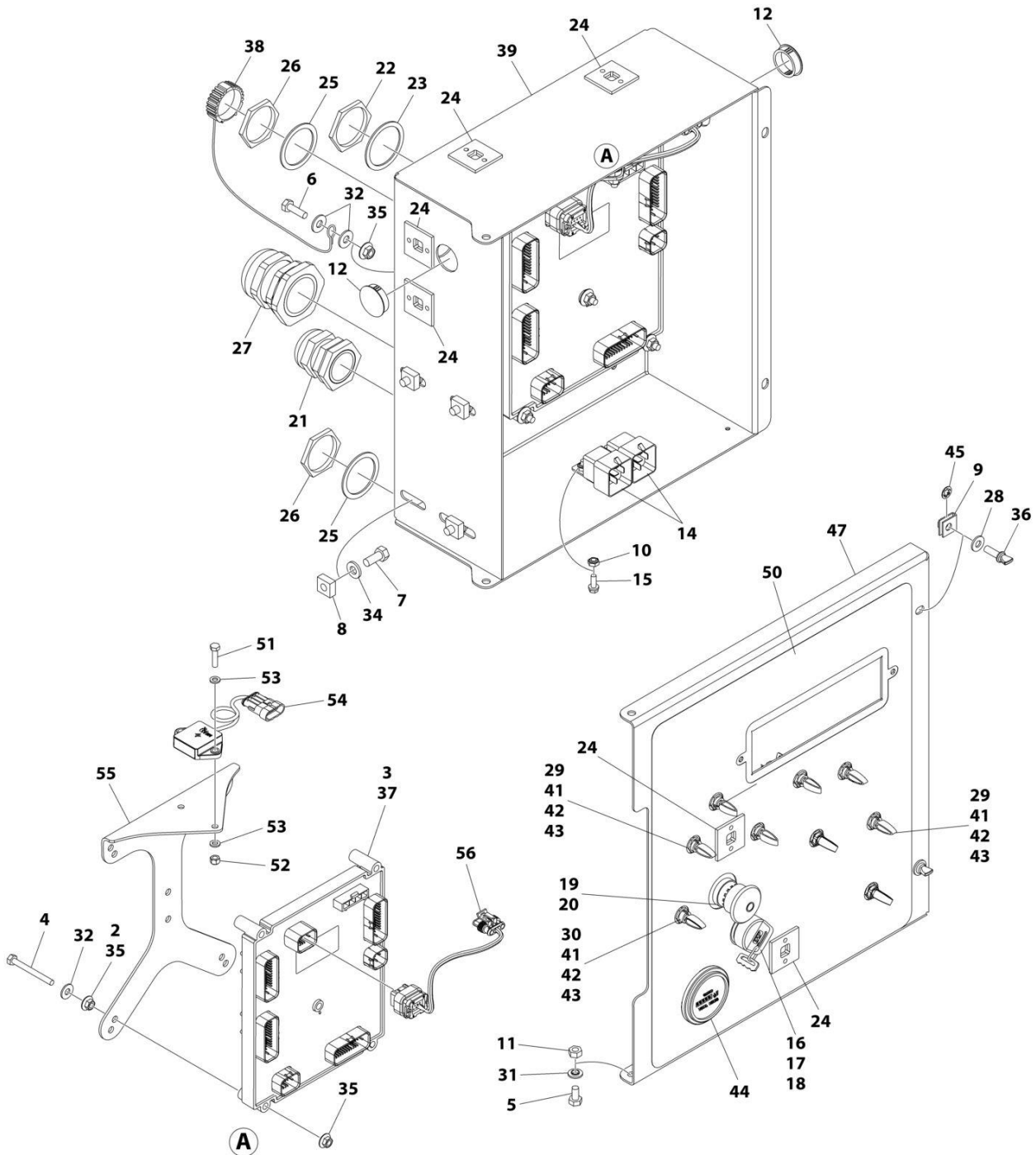
ITEM	PART NUMBER	QTY	DESCRIPTION	REV
	1001266897	Ref	GROUND CONTROL BOX ASSEMBLY	D
2	0100011	AR	Compound, Locking	
3	0100048	AR	Grease, Dielectric	
4	0630548	5	Bolt, 2-1/2 Tap	
5	0641404	2	Bolt 1/4 x 1/2	
6	0641407	1	Bolt 1/4 x 7/8	
7	0641506	4	Bolt 5/16 x 3/4	
8	3300205	4	Nut, Retainer	
9	3300353	2	Nut, Tinnerman	
10	3300408	2	Nut, Plastic Insert	
11	3311405	2	Nut 1/4	
12	3520031	2	Plug	
14	3740049	2	Relay	
15	3900268	2	Screw #10 x 1/2	
16	3910804	6	Screw #8 x 1/4	
17	4070991	1	Shim	
18	4360469	1	Switch, Key	
18	2860030	1	Key Replacement	
19	4360475	1	Switch, Emergency Stop	
19	7020175	1	Cap, Mushroom	
19	7020176	1	Block, Contact	
20	4360476	1	Switch, Contact Block	
21	4460426	1	Connector, Strain Relief	
22	4460470	1	Nut, Terminal	
23	4460471	1	Washer, Terminal	
24	4460488	6	Mounting Base, Terminal	
25	4460496	2	Washer, Terminal	
26	4460497	2	Nut, Terminal	
27	4460526	1	Connector, Strain Relief	
28	4711400	2	Washer 1/4	
29	4740397	8	Spacer	
30	4740444	1	Washer	
31	4740518	2	Washer	
32	4751400	7	Washer 1/4	
34	4891500	4	Washer 5/16	
35	77143013	11	Nut 1/4-20	
36	1001103308	2	Screw 1/4	
37	1001280600	1	Module, Ground Control	
		Ref	Note: Re-calibration Required when Replaced.	
38	1001106736	1	Cap, Dust	
39	1001287467	1	Box	
40	1001284919	1	Harness, Valve (Not Shown - See Separate Breakdown in ELECTRICAL Section)	
41	1001155043	9	Washer	
42	1001155044	9	Nut 15/32-32	
43	1001155045	9	Switch, Toggle	
44	10836804	1	Hour Meter	
45	1001188874	2	Nut	

SECTION 2 - TURNTABLE

ITEM	PART NUMBER	QTY	DESCRIPTION	REV
46	1001286030	1	Harness, Engine (Not Shown - See Separate Breakdown in ELECTRICAL Section)	
47	1001280403	1	Lid	
48	1001285346	1	Harness, Ground Control Box (Not Shown - See Separate Breakdown in ELECTRICAL Section)	
49	1001285801	NLA	Wire Diagram (Not Shown)	
50	1001266876	1	Decal, Faceplate	
51	0760612	2	Bolt M6 x 25	
52	3290605	2	Nut M6	
53	4811700	4	Washer M6	
54	1001219601	1	Sensor, Tilt Dual Axis CAN	
55	1001271794	1	Bracket, Tilt Sensor	
56	1001276143	1	Harness, Tilt Sensor (See Separate Breakdown in ELECTRICAL Section)	

SECTION 2 - TURNTABLE

FIGURE 2-24. GROUND CONTROL BOX ASSEMBLY (FORD ENGINE) - WITH MECHANICAL HOUR METER



ART_1001266898_D

SECTION 2 - TURNTABLE

FIGURE 2-24. GROUND CONTROL BOX ASSEMBLY (FORD ENGINE) - WITH MECHANICAL HOUR METER

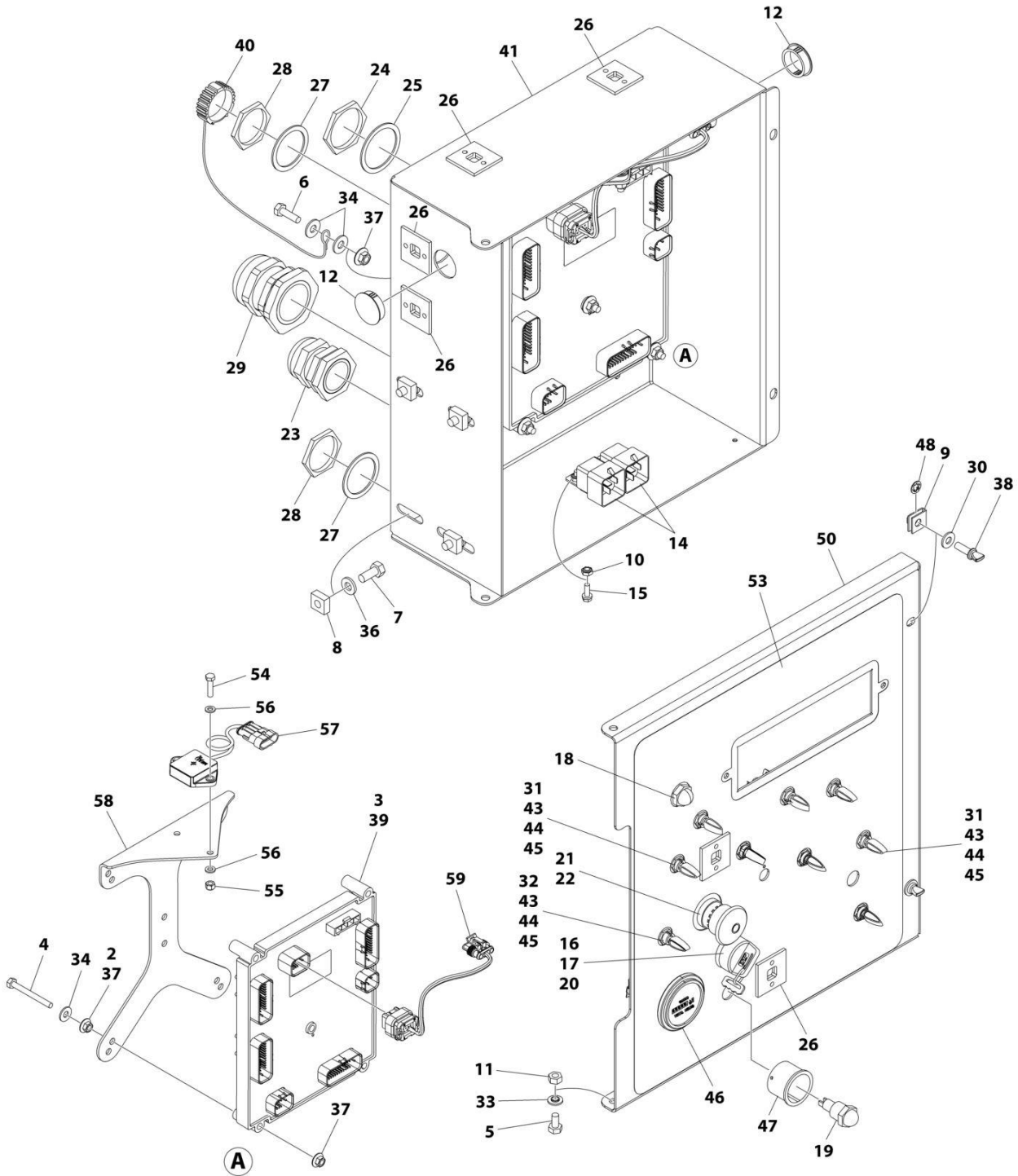
ITEM	PART NUMBER	QTY	DESCRIPTION	REV
	1001266898	Ref	GROUND CONTROL BOX ASSEMBLY	D
2	0100011	AR	Compound, Locking	
3	0100048	AR	Grease, Dielectric	
4	0630548	5	Bolt, 2-1/2 Tap	
5	0641404	2	Bolt 1/4 x 1/2	
6	0641407	1	Bolt 1/4 x 7/8	
7	0641506	4	Bolt 5/16 x 3/4	
8	3300205	4	Nut, Retainer	
9	3300353	2	Nut, Tinnerman	
10	3300408	2	Nut, Plastic Insert	
11	3311405	2	Nut 1/4	
12	3520031	2	Plug	
14	3740049	2	Relay	
15	3900268	2	Screw #10 x 1/2	
16	3910804	6	Screw #8 x 1/4	
17	4070991	1	Shim	
18	4360469	1	Switch, Key	
18	2860030	1	Key Replacement	
19	4360475	1	Switch, Emergency Stop	
19	7020175	1	Cap, Mushroom	
19	7020176	1	Block, Contact	
20	4360476	1	Switch, Contact Block	
21	4460426	1	Connector, Strain Relief	
22	4460470	1	Nut, Terminal	
23	4460471	1	Washer, Terminal	
24	4460488	6	Mounting Base, Terminal	
25	4460496	2	Washer, Terminal	
26	4460497	2	Nut, Terminal	
27	4460526	1	Connector, Strain Relief	
28	4711400	2	Washer 1/4	
29	4740397	8	Spacer	
30	4740444	1	Washer	
31	4740518	2	Washer	
32	4751400	7	Washer 1/4	
34	4891500	4	Washer 5/16	
35	77143013	11	Nut 1/4-20	
36	1001103308	2	Screw 1/4	
37	1001280600	1	Module, Ground Control	
		Ref	Note: Re-calibration Required when Replaced.	
38	1001106736	1	Cap, Dust	
39	1001287467	1	Box	
40	1001284919	1	Harness, Valve (Not Shown - See Separate Breakdown in ELECTRICAL Section)	
41	1001155043	9	Washer	
42	1001155044	9	Nut 15/32-32	
43	1001155045	9	Switch, Toggle	
44	10836804	1	Hour Meter	
45	1001188874	2	Nut	

SECTION 2 - TURNTABLE

ITEM	PART NUMBER	QTY	DESCRIPTION	REV
46	1001286031	1	Harness, Engine (Not Shown - See Separate Breakdown in ELECTRICAL Section)	
47	1001280403	1	Lid	
48	1001285346	1	Harness, Ground Control Box (Not Shown - See Separate Breakdown in ELECTRICAL Section)	
49	1001285801	NLA	Wire Diagram (Not Shown)	
50	1001266876	1	Decal, Faceplate	
51	0760612	2	Bolt M6 x 25	
52	3290605	2	Nut M6	
53	4811700	4	Washer M6	
54	1001219601	1	Sensor, Tilt Dual Axis CAN	
55	1001271794	1	Bracket, Tilt Sensor	
56	1001276143	1	Harness, Tilt Sensor (See Separate Breakdown in ELECTRICAL Section)	

SECTION 2 - TURNTABLE

FIGURE 2-25. GROUND CONTROL BOX ASSEMBLY (DEUTZ TD2.2L3 ENGINE)



ART_1001266899_D

SECTION 2 - TURNTABLE

FIGURE 2-25. GROUND CONTROL BOX ASSEMBLY (DEUTZ TD2.2L3 ENGINE)

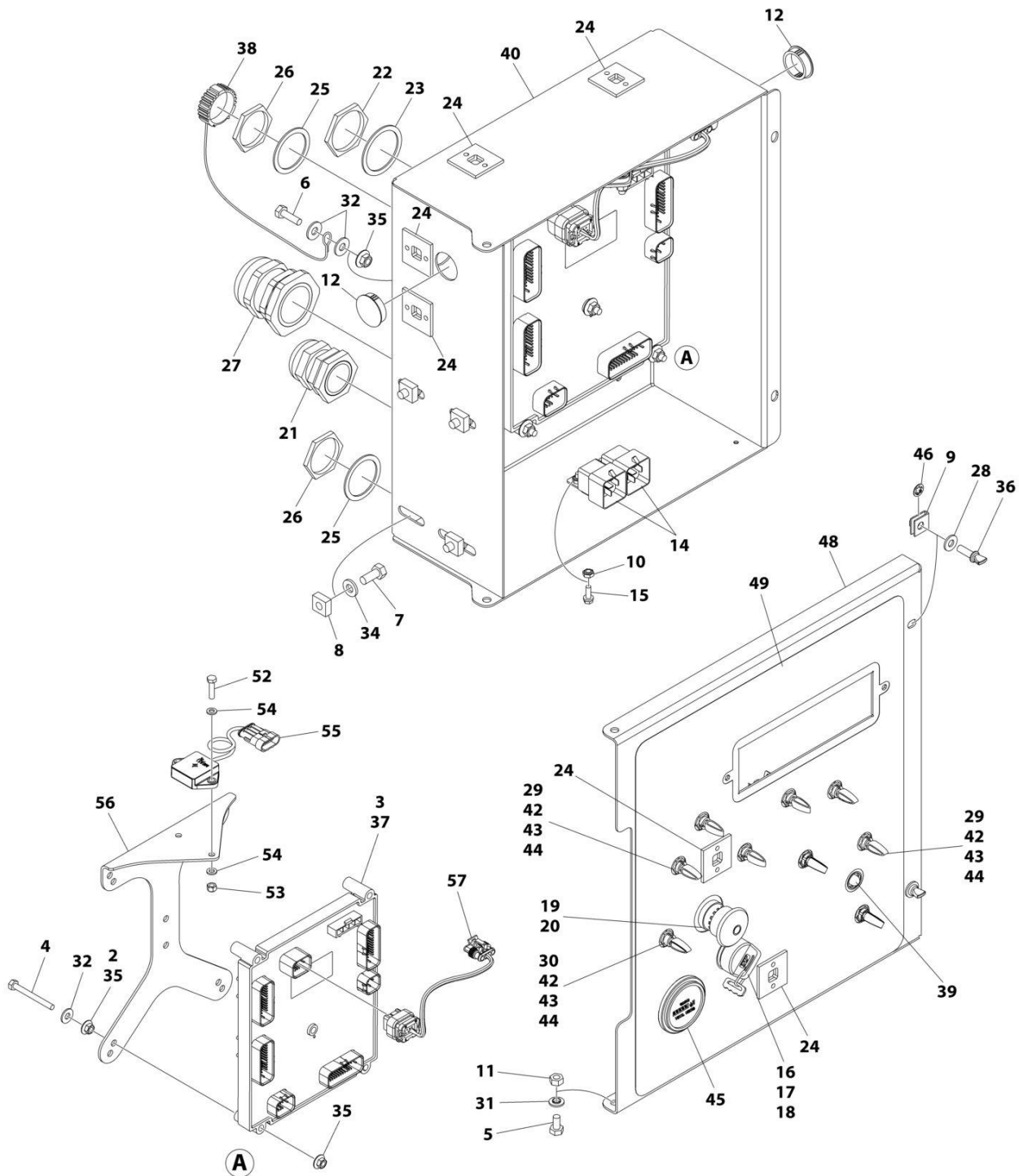
ITEM	PART NUMBER	QTY	DESCRIPTION	REV
	1001266899	Ref	GROUND CONTROL BOX ASSEMBLY	D
2	0100011	AR	Compound, Locking	
3	0100048	AR	Grease, Dielectric	
4	0630548	5	Bolt 2-1/2 Tap	
5	0641404	2	Bolt 1/4 x 1/2	
6	0641407	1	Bolt 1/4 x 7/8	
7	0641506	4	Bolt 5/16 x 3/4	
8	3300205	4	Nut, Retainer	
9	3300353	2	Nut, Tinnerman	
10	3300408	2	Nut, Plastic Insert	
11	3311405	2	Nut 1/4	
12	3520031	2	Plug	
14	3740049	2	Relay	
15	3900268	2	Screw #10 x 1/2	
16	3910804	6	Screw #8 x 1/4	
17	4070991	1	Shim	
18	4360274	1	Switch, Push Button	
19	4360387	1	Switch, Push Button	
20	4360469	1	Switch, Key	
20	2860030	1	Key Replacement	
21	4360475	1	Switch, Emergency Stop	
21	7020175	1	Cap, Mushroom	
21	7020176	1	Block, Contact	
22	4360476	1	Switch, Contact Block	
23	4460426	1	Connector, Strain Relief	
24	4460470	1	Nut, Terminal	
25	4460471	1	Washer, Terminal	
26	4460488	6	Mounting Base, Terminal	
27	4460496	2	Washer, Terminal	
28	4460497	2	Nut, Terminal	
29	4460526	1	Connector, Strain Relief	
30	4711400	2	Washer 1/4	
31	4740397	8	Spacer	
32	4740444	1	Washer	
33	4740518	2	Washer	
34	4751400	7	Washer 1/4	
36	4891500	4	Washer 5/16	
37	77143013	11	Nut 1/4-20	
38	1001103308	2	Screw 1/4	
39	1001280600	1	Module, Ground Control	
		Ref	Note: Re-calibration Required when Replaced.	
40	1001106736	1	Cap, Dust	
41	1001287467	1	Box	
42	1001284919	1	Harness, Valve (Not Shown - See Separate Breakdown in ELECTRICAL Section)	
43	1001155043	9	Washer	
44	1001155044	9	Nut 15/32-32	
45	1001155045	9	Switch, Toggle	
46	10836804	1	Gauge, Display	
47	1001176469	1	Shroud	

SECTION 2 - TURNTABLE

ITEM	PART NUMBER	QTY	DESCRIPTION	REV
48	1001188874	2	Nut	
49	1001286030	1	Harness, Engine (Not Shown - See Separate Breakdown in ELECTRICAL Section)	
50	1001297391	1	Lid	
51	1001285346	1	Harness, Ground Control Box (Not Shown - See Separate Breakdown in ELECTRICAL Section)	
52	1001285801	NLA	Wire Diagram (Not Shown)	
53	1001266878	1	Decal, Faceplate	
55	3290605	2	Nut M6	
54	0760612	2	Bolt M6 x 25	
56	4811700	4	Washer M6	
57	1001219601	1	Sensor, Tilt Dual Axis CAN	
58	1001271794	1	Bracket, Tilt Sensor	
59	1001276143	1	Harness, Tilt Sensor (See Separate Breakdown in ELECTRICAL Section)	

SECTION 2 - TURNTABLE

FIGURE 2-26. GROUND CONTROL BOX ASSEMBLY (DEUTZ D2011 ENGINE) (TOWER STOW) - WITH MECHANICAL HOUR METER (ANSI EXPORT (LRC), AUSTRALIAN & CHINESE SPECS)



ART_1001263365_D

SECTION 2 - TURNTABLE

FIGURE 2-26. GROUND CONTROL BOX ASSEMBLY (DEUTZ D2011 ENGINE) (TOWER STOW) - WITH MECHANICAL HOUR METER (ANSI EXPORT (LRC), AUSTRALIAN & CHINEASE SPECS)

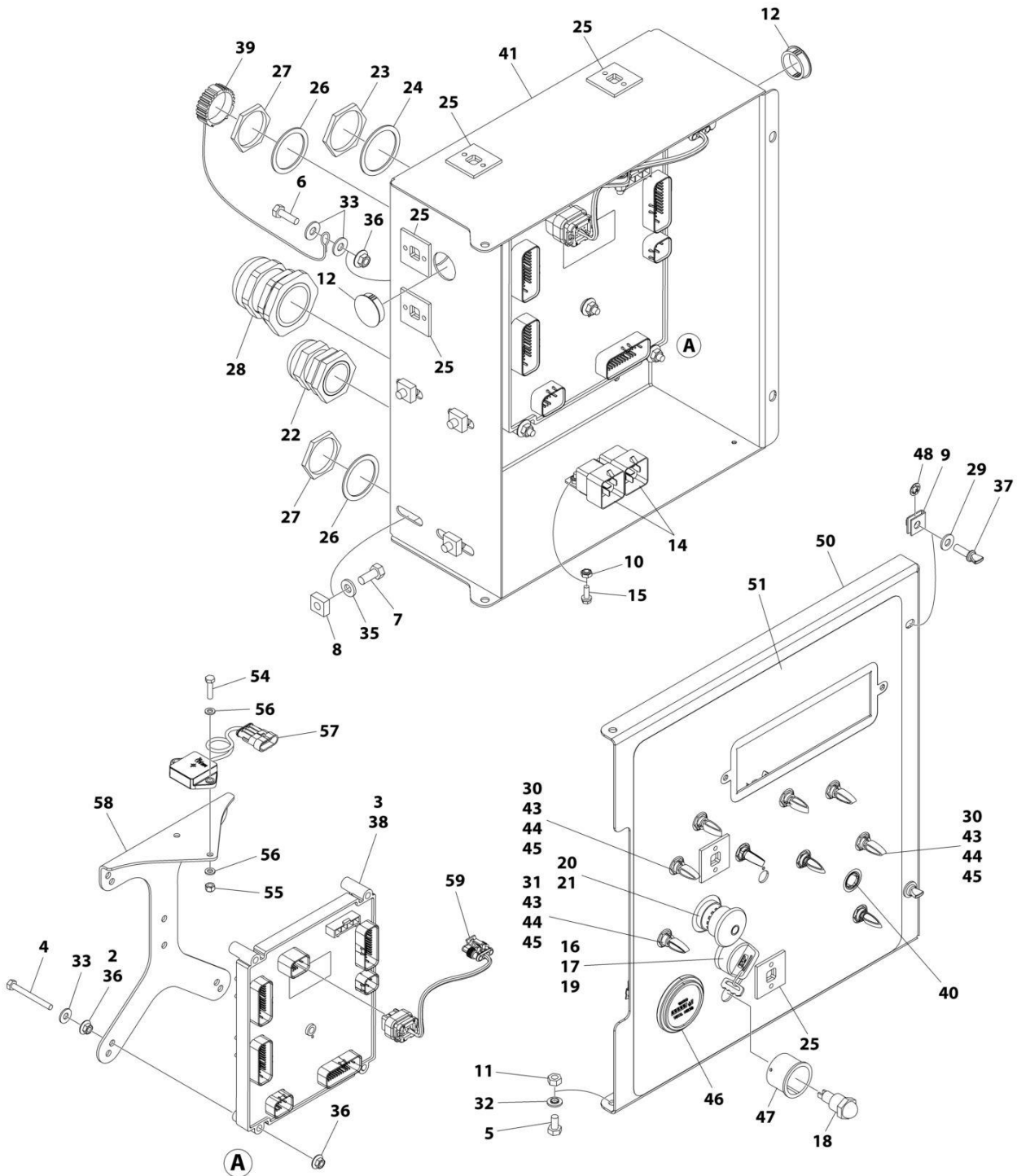
ITEM	PART NUMBER	QTY	DESCRIPTION	REV
	1001263365	Ref	CONSOLE BOX ASSEMBLY	D
2	0100011	AR	Compound, Locking	
3	0100048	AR	Grease, Dielectric	
4	0630548	5	Bolt, 2-1/2 Tap	
5	0641404	2	Bolt 1/4 x 1/2	
6	0641407	1	Bolt 1/4 x 7/8	
7	0641506	4	Bolt 5/16 x 3/4	
8	3300205	4	Nut, Retainer	
9	3300353	2	Nut, Tinnerman	
10	3300408	2	Nut, Plastic Insert	
11	3311405	2	Nut 1/4	
12	3520031	2	Plug	
14	3740049	2	Relay	
15	3900268	2	Screw #10 x 1/2	
16	3910804	6	Screw #8 x 1/4	
17	4070991	1	Shim	
18	4360469	1	Switch, Key	
18	2860030	1	Key Replacement	
19	4360475	1	Switch, Emergency Stop	
19	7020175	1	Cap, Mushroom	
19	7020176	1	Block, Contact	
20	4360476	1	Switch, Contact Block	
21	4460426	1	Connector, Strain Relief	
22	4460470	1	Nut, Terminal	
23	4460471	1	Washer, Terminal	
24	4460488	6	Mounting Base, Terminal	
25	4460496	2	Washer, Terminal	
26	4460497	2	Nut, Terminal	
27	4460526	1	Connector, Strain Relief	
28	4711400	2	Washer 1/4	
29	4740397	8	Spacer	
30	4740444	1	Washer	
31	4740518	2	Washer	
32	4751400	7	Washer 1/4	
34	4891500	4	Washer 5/16	
35	77143013	11	Nut 1/4-20	
36	1001103308	2	Screw 1/4	
37	1001280600	1	Module, Ground Control	
		Ref	Note: Re-calibration Required when Replaced.	
38	1001106736	1	Cap, Dust	
39	1001137364	1	Lamp	
40	1001287467	1	Box	
41	1001284919	1	Harness, Valve (Not Shown - See Separate Breakdown in ELECTRICAL Section)	
42	1001155043	9	Washer	
43	1001155044	9	Nut 15/32-32	
44	1001155045	9	Switch, Toggle	
45	10836804	1	Hour Meter	
46	1001188874	2	Nut	

SECTION 2 - TURNTABLE

ITEM	PART NUMBER	QTY	DESCRIPTION	REV
47	1001285378	1	Harness, Engine (Not Shown - See Separate Breakdown in ELECTRICAL Section)	
48	1001280403	1	Lid	
49	1001263356	1	Decal, Faceplate	
50	1001285346	1	Harness, Ground Control Box (Not Shown - See Separate Breakdown in ELECTRICAL Section)	
51	1001285801	NLA	Wire Diagram (Not Shown)	
52	0760612	2	Bolt M6 x 25	
53	3290605	2	Nut M6	
54	4811700	4	Washer M6	
55	1001219601	1	Sensor, Tilt Dual Axis CAN	
56	1001271794	1	Bracket, Tilt Sensor	
57	1001276143	1	Harness, Tilt Sensor (See Separate Breakdown in ELECTRICAL Section)	

SECTION 2 - TURNTABLE

FIGURE 2-27. GROUND CONTROL BOX ASSEMBLY (DEUTZ D2011 ENGINE) (TOWER STOW) (CE & UK CA SPECS)



ART_1001266468_D

SECTION 2 - TURNTABLE

FIGURE 2-27. GROUND CONTROL BOX ASSEMBLY (DEUTZ D2011 ENGINE) (TOWER STOW) (CE & UK CA SPECS)

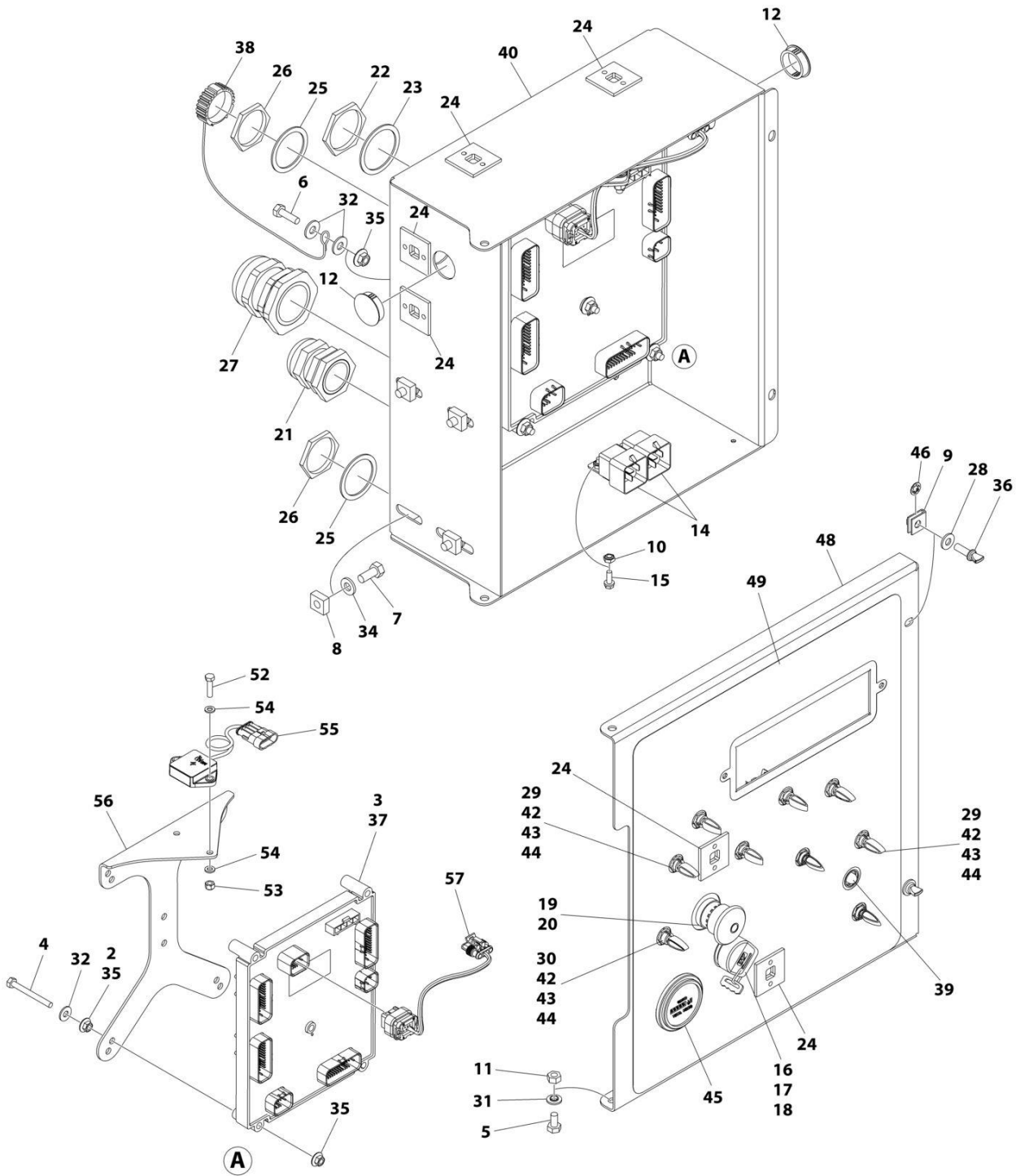
ITEM	PART NUMBER	QTY	DESCRIPTION	REV
	1001266468	Ref	CONSOLE BOX ASSEMBLY (TOWER STOW) (CE & UK CA SPEC)	D
2	0100011	AR	Compound, Locking	
3	0100048	AR	Grease, Dielectric	
4	0630548	5	Bolt, 2-1/2 Tap	
5	0641404	2	Bolt 1/4 x 1/2	
6	0641407	1	Bolt 1/4 x 7/8	
7	0641506	4	Bolt 5/16 x 3/4	
8	3300205	4	Nut, Retainer	
9	3300353	2	Nut, Tinnerman	
10	3300408	2	Nut, Plastic Insert	
11	3311405	2	Nut 1/4	
12	3520031	2	Plug	
14	3740049	2	Relay	
15	3900268	2	Screw #10 x 1/2	
16	3910804	6	Screw #8 x 1/4	
17	4070991	1	Shim	
18	4360387	1	Switch, Push Button	
19	4360469	1	Switch, Key	
19	2860030	1	Key Replacement	
20	4360475	1	Switch, Emergency Stop	
20	7020175	1	Cap, Mushroom	
20	7020176	1	Block, Contact	
21	4360476	1	Switch, Contact Block	
22	4460426	1	Connector, Strain Relief	
23	4460470	1	Nut, Terminal	
24	4460471	1	Washer, Terminal	
25	4460488	6	Mounting Base, Terminal	
26	4460496	2	Washer, Terminal	
27	4460497	2	Nut, Terminal	
28	4460526	1	Connector, Strain Relief	
29	4711400	2	Washer 1/4	
30	4740397	8	Spacer	
31	4740444	1	Washer	
32	4740518	2	Washer	
33	4751400	7	Washer 1/4	
35	4891500	4	Washer 5/16	
36	77143013	11	Nut 1/4-20	
37	1001103308	2	Screw 1/4	
38	1001280600	1	Module, Ground Control	
		Ref	Note: Re-calibration Required when Replaced.	
39	1001106736	1	Cap, Dust	
40	1001137364	1	Lamp	
41	1001287467	1	Box	
42	1001284919	1	Harness, Valve (Not Shown - See Separate Breakdown in ELECTRICAL Section)	
43	1001155043	9	Washer	
44	1001155044	9	Nut 15/32-32	
45	1001155045	9	Switch, Toggle	

SECTION 2 - TURNTABLE

ITEM	PART NUMBER	QTY	DESCRIPTION	REV
46	10836804	1	Gauge	
47	1001176469	1	Shroud	
48	1001188874	2	Nut	
49	1001285378	1	Harness, Engine (Not Shown - See Separate Breakdown in ELECTRICAL Section)	
50	1001297391	1	Lid	
51	1001263355	1	Decal, Faceplate	
52	1001285346	1	Harness, Ground Control Box (Not Shown - See Separate Breakdown in ELECTRICAL Section)	
53	1001285801	NLA	Wire Diagram (Not Shown)	
54	0760612	2	Bolt M6 x 25	
55	3290605	2	Nut M6	
56	4811700	4	Washer M6	
57	1001219601	1	Sensor, Tilt Dual Axis CAN	
58	1001271794	1	Bracket, Tilt Sensor	
59	1001276143	1	Harness, Tilt Sensor (See Separate Breakdown in ELECTRICAL Section)	

SECTION 2 - TURNTABLE

FIGURE 2-28. GROUND CONTROL BOX ASSEMBLY (DEUTZ 2.9L4 ENGINE) (TOWER STOW) - WITH MECHANICAL HOUR METER



ART_1001263366_D

SECTION 2 - TURNTABLE

FIGURE 2-28. GROUND CONTROL BOX ASSEMBLY (DEUTZ 2.9L4 ENGINE) (TOWER STOW) - WITH MECHANICAL HOUR METER

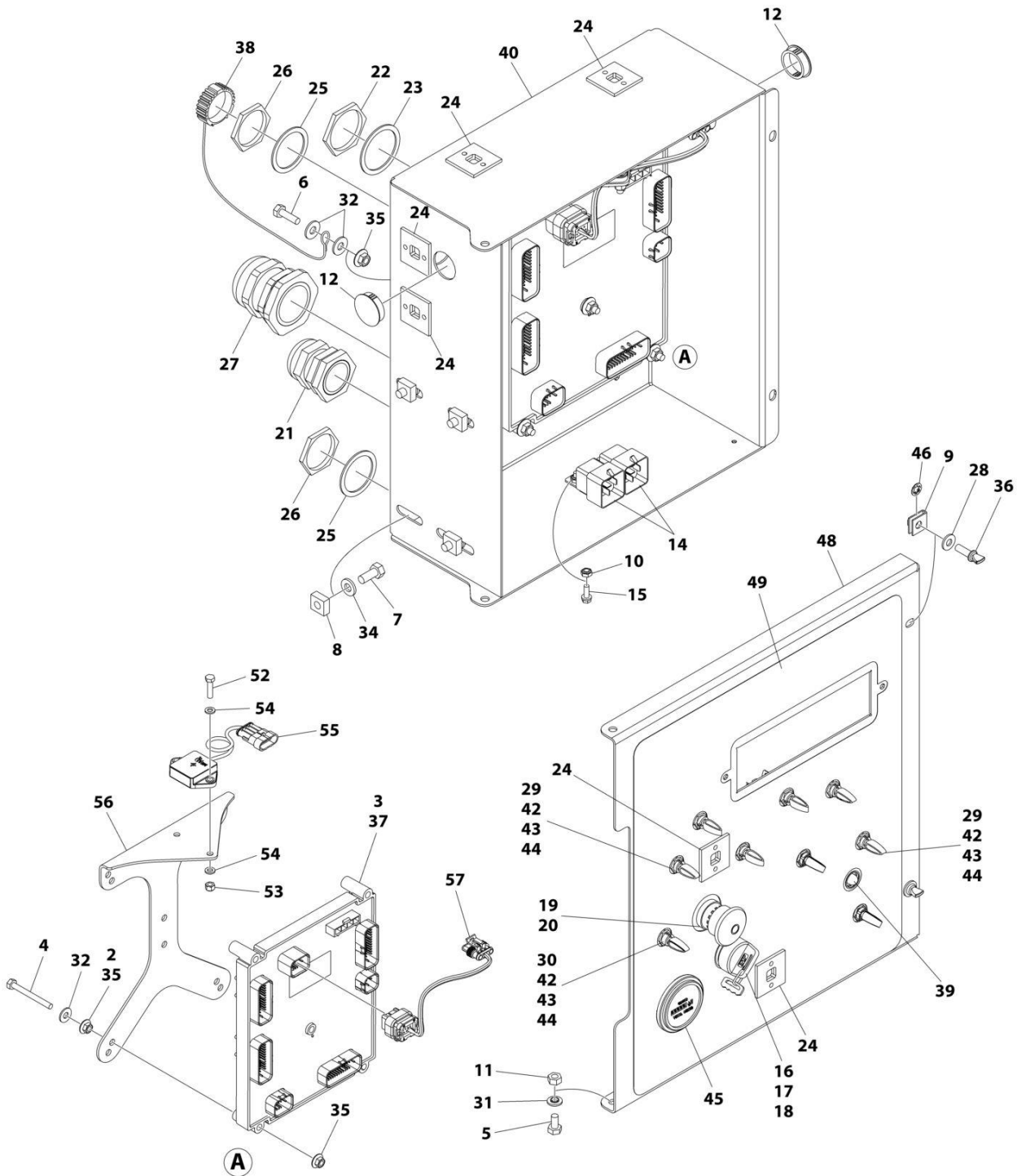
ITEM	PART NUMBER	QTY	DESCRIPTION	REV
	1001263366	Ref	CONSOLE BOX ASSEMBLY (TOWER STOW)	D
2	0100011	AR	Compound, Locking	
3	0100048	AR	Grease, Dielectric	
4	0630548	5	Bolt, 2-1/2 Tap	
5	0641404	2	Bolt 1/4 x 1/2	
6	0641407	1	Bolt 1/4 x 7/8	
7	0641506	4	Bolt 5/16 x 3/4	
8	3300205	4	Nut, Retainer	
9	3300353	2	Nut, Tinnerman	
10	3300408	2	Nut, Plastic Insert	
11	3311405	2	Nut 1/4	
12	3520031	2	Plug	
14	3740049	2	Relay	
15	3900268	2	Screw #10 x 1/2	
16	3910804	6	Screw #8 x 1/4	
17	4070991	1	Shim	
18	4360469	1	Switch, Key	
18	2860030	1	Key Replacement	
19	4360475	1	Switch, Emergency Stop	
19	7020175	1	Cap, Mushroom	
19	7020176	1	Block, Contact	
20	4360476	1	Switch, Contact Block	
21	4460426	1	Connector, Strain Relief	
22	4460470	1	Nut, Terminal	
23	4460471	1	Washer, Terminal	
24	4460488	6	Mounting Base, Terminal	
25	4460496	2	Washer, Terminal	
26	4460497	2	Nut, Terminal	
27	4460526	1	Connector, Strain Relief	
28	4711400	2	Washer 1/4	
29	4740397	8	Spacer	
30	4740444	1	Washer	
31	4740518	2	Washer	
32	4751400	7	Washer 1/4	
34	4891500	4	Washer 5/16	
35	77143013	11	Nut 1/4-20	
36	1001103308	2	Screw 1/4	
37	1001280600	1	Module, Ground Control	
		Ref	Note: Re-calibration Required when Replaced.	
38	1001106736	1	Cap, Dust	
39	1001137364	1	Lamp	
40	1001287467	1	Box	
41	1001284919	1	Harness, Valve (Not Shown - See Separate Breakdown in ELECTRICAL Section)	
42	1001155043	9	Washer	
43	1001155044	9	Nut 15/32-32	
44	1001155045	9	Switch, Toggle	
45	10836804	1	Hour Meter	
46	1001188874	2	Nut	

SECTION 2 - TURNTABLE

ITEM	PART NUMBER	QTY	DESCRIPTION	REV
47	1001286030	1	Harness, Engine (Not Shown - See Separate Breakdown in ELECTRICAL Section)	
48	1001280403	1	Lid	
49	1001263356	1	Decal, Faceplate	
50	1001285346	1	Harness, Ground Control Box (Not Shown - See Separate Breakdown in ELECTRICAL Section)	
51	1001285801	NLA	Wire Diagram (Not Shown)	
52	0760612	2	Bolt M6 x 25	
53	3290605	2	Nut M6	
54	4811700	4	Washer M6	
55	1001219601	1	Sensor, Tilt Dual Axis CAN	
56	1001271794	1	Bracket, Tilt Sensor	
57	1001276143	1	Harness, Tilt Sensor (See Separate Breakdown in ELECTRICAL Section)	

SECTION 2 - TURNTABLE

FIGURE 2-29. GROUND CONTROL BOX ASSEMBLY (FORD ENGINE) (TOWER STOW) - WITH MECHANICAL HOUR METER



ART_1001263367_D

SECTION 2 - TURNTABLE

FIGURE 2-29. GROUND CONTROL BOX ASSEMBLY (FORD ENGINE) (TOWER STOW) - WITH MECHANICAL HOUR METER

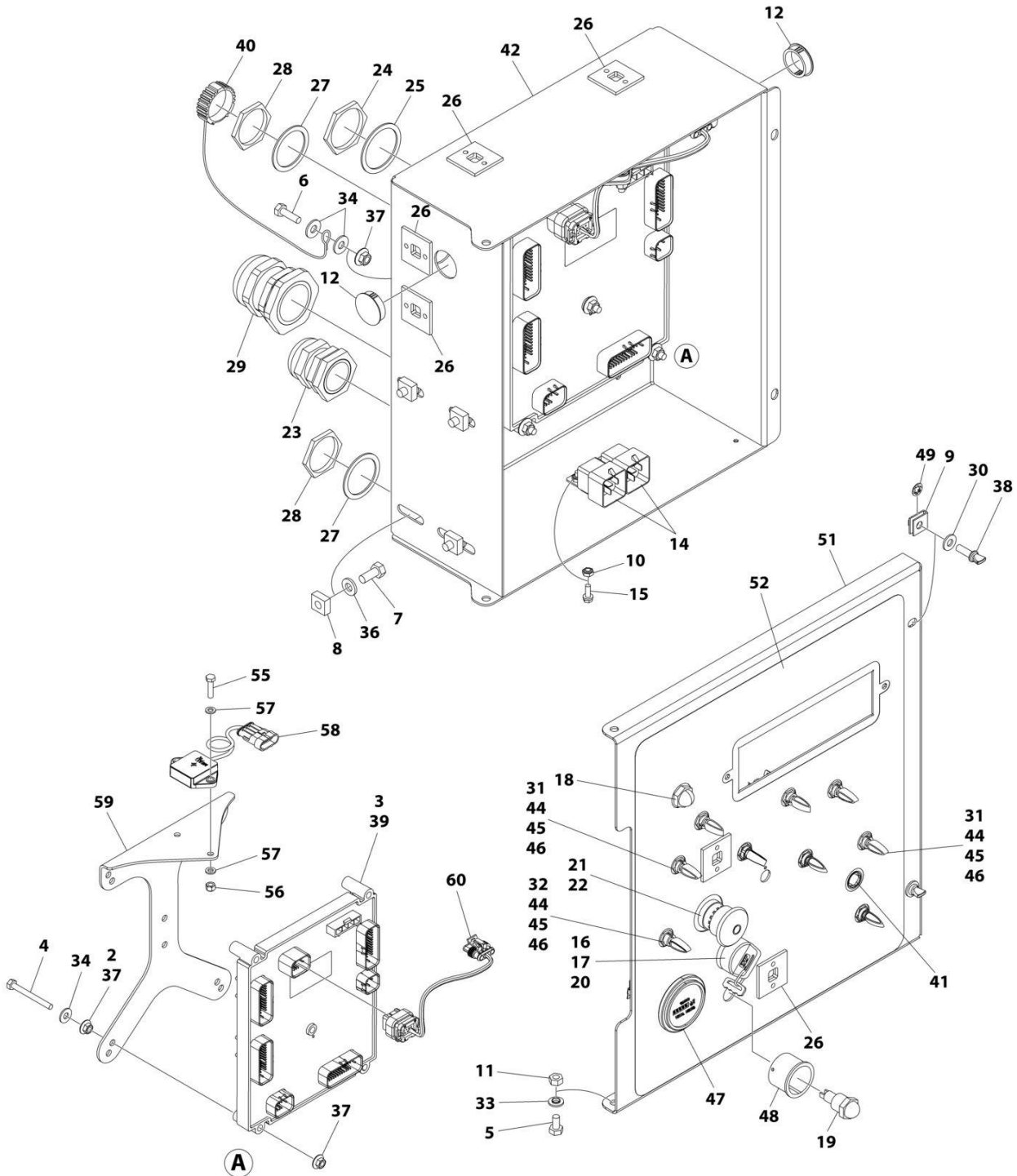
ITEM	PART NUMBER	QTY	DESCRIPTION	REV
	1001263367	Ref	CONSOLE BOX ASSEMBLY (TOWER STOW)	D
2	0100011	AR	Compound, Locking	
3	0100048	AR	Grease, Dielectric	
4	0630548	5	Bolt, 2-1/2 Tap	
5	0641404	2	Bolt 1/4 x 1/2	
6	0641407	1	Bolt 1/4 x 7/8	
7	0641506	4	Bolt 5/16 x 3/4	
8	3300205	4	Nut, Retainer	
9	3300353	2	Nut, Tinnerman	
10	3300408	2	Nut, Plastic Insert	
11	3311405	2	Nut 1/4	
12	3520031	2	Plug	
14	3740049	2	Relay	
15	3900268	2	Screw #10 x 1/2	
16	3910804	6	Screw #8 x 1/4	
17	4070991	1	Shim	
18	4360469	1	Switch, Key	
18	2860030	1	Key Replacement	
19	4360475	1	Switch, Emergency Stop	
19	7020175	1	Cap, Mushroom	
19	7020176	1	Block, Contact	
20	4360476	1	Switch, Contact Block	
21	4460426	1	Connector, Strain Relief	
22	4460470	1	Nut, Terminal	
23	4460471	1	Washer, Terminal	
24	4460488	6	Mounting Base, Terminal	
25	4460496	2	Washer, Terminal	
26	4460497	2	Nut, Terminal	
27	4460526	1	Connector, Strain Relief	
28	4711400	2	Washer 1/4	
29	4740397	8	Spacer	
30	4740444	1	Washer	
31	4740518	2	Washer	
32	4751400	7	Washer 1/4	
34	4891500	4	Washer 5/16	
35	77143013	11	Nut 1/4-20	
36	1001103308	2	Screw 1/4	
37	1001280600	1	Module, Ground Control	
		Ref	Note: Re-calibration Required when Replaced.	
38	1001106736	1	Cap, Dust	
39	1001137364	1	Lamp	
40	1001287467	1	Box	
41	1001284919	1	Harness, Valve (Not Shown - See Separate Breakdown in ELECTRICAL Section)	
42	1001155043	9	Washer	
43	1001155044	9	Nut 15/32-32	
44	1001155045	9	Switch, Toggle	
45	10836804	1	Hour Meter	
46	1001188874	2	Nut	

SECTION 2 - TURNTABLE

ITEM	PART NUMBER	QTY	DESCRIPTION	REV
47	1001286031	1	Harness, Engine (Not Shown - See Separate Breakdown in ELECTRICAL Section)	
48	1001280403	1	Lid	
49	1001263356	1	Decal, Faceplate	
50	1001285346	1	Harness, Ground Control Box (Not Shown - See Separate Breakdown in ELECTRICAL Section)	
51	1001285801	NLA	Wire Diagram (Not Shown)	
52	0760612	2	Bolt M6 x 25	
53	3290605	2	Nut M6	
54	4811700	4	Washer M6	
55	1001219601	1	Sensor, Tilt Dual Axis CAN	
56	1001271794	1	Bracket, Tilt Sensor	
57	1001276143	1	Harness, Tilt Sensor (See Separate Breakdown in ELECTRICAL Section)	

SECTION 2 - TURNTABLE

FIGURE 2-30. GROUND CONTROL BOX ASSEMBLY (DEUTZ TD2.2L3 ENGINE) (TOWER STOW)



ART_1001263368_D

SECTION 2 - TURNTABLE

FIGURE 2-30. GROUND CONTROL BOX ASSEMBLY (DEUTZ TD2.2L3 ENGINE) (TOWER STOW)

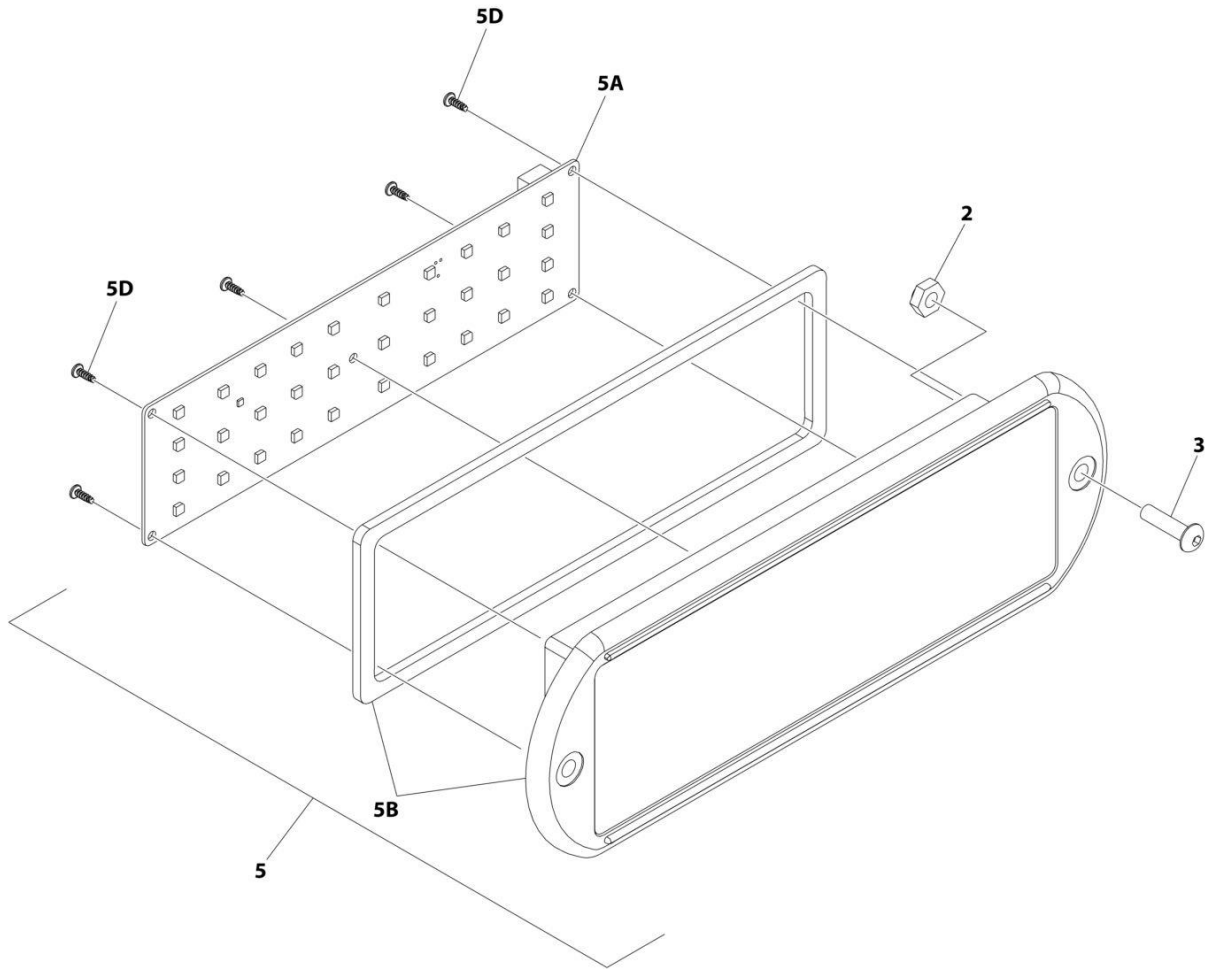
ITEM	PART NUMBER	QTY	DESCRIPTION	REV
	1001263368	Ref	CONSOLE BOX ASSEMBLY (TOWER STOW)	D
2	0100011	AR	Compound, Locking	
3	0100048	AR	Grease, Dielectric	
4	0630548	5	Bolt, 2-1/2 Tap	
5	0641404	2	Bolt 1/4 x 1/2	
6	0641407	1	Bolt 1/4 x 7/8	
7	0641506	4	Bolt 5/16 x 3/4	
8	3300205	4	Nut, Retainer	
9	3300353	2	Nut, Tinnerman	
10	3300408	2	Nut, Plastic Insert	
11	3311405	2	Nut 1/4	
12	3520031	2	Plug	
14	3740049	2	Relay	
15	3900268	2	Screw #10 x 1/2	
16	3910804	6	Screw #8 x 1/4	
17	4070991	1	Shim	
18	4360274	1	Switch, Push Button	
19	4360387	1	Switch, Push Button	
20	4360469	1	Switch, Key	
20	2860030	1	Key Replacement	
21	4360475	1	Switch, Emergency Stop	
21	7020175	1	Cap, Mushroom	
21	7020176	1	Block, Contact	
22	4360476	1	Switch, Contact Block	
23	4460426	1	Connector, Strain Relief	
24	4460470	1	Nut, Terminal	
25	4460471	1	Washer, Terminal	
26	4460488	6	Mounting Base, Terminal	
27	4460496	2	Washer, Terminal	
28	4460497	2	Nut, Terminal	
29	4460526	1	Connector, Strain Relief	
30	4711400	2	Washer 1/4	
31	4740397	8	Spacer	
32	4740444	1	Washer	
33	4740518	2	Washer	
34	4751400	7	Washer 1/4	
36	4891500	4	Washer 5/16	
37	77143013	11	Nut 1/4-20	
38	1001103308	2	Screw 1/4	
39	1001280600	1	Module, Ground Control	
		Ref	Note: Re-calibration Required when Replaced.	
40	1001106736	1	Cap, Dust	
41	1001137364	1	Lamp	
42	1001287467	1	Box	
43	1001284919	1	Harness, Valve (Not Shown - See Separate Breakdown in ELECTRICAL Section)	
44	1001155043	9	Washer	
45	1001155044	9	Nut 15/32-32	
46	1001155045	9	Switch, Toggle	
47	10836804	1	Gauge	

SECTION 2 - TURNTABLE

ITEM	PART NUMBER	QTY	DESCRIPTION	REV
48	1001176469	1	Shroud	
49	1001188874	2	Nut	
50	1001286030	1	Harness, Engine (Not Shown - See Separate Breakdown in ELECTRICAL Section)	
51	1001297391	1	Lid	
52	1001263357	1	Decal, Faceplate	
53	1001285346	1	Harness, Ground Control Box (Not Shown - See Separate Breakdown in ELECTRICAL Section)	
54	1001285801	NLA	Wire Diagram (Not Shown)	
55	0760612	2	Bolt M6 x 25	
56	3290605	2	Nut M6	
57	4811700	4	Washer M6	
58	1001219601	1	Sensor, Tilt Dual Axis CAN	
59	1001271794	1	Bracket, Tilt Sensor	
60	1001276143	1	Harness, Tilt Sensor (See Separate Breakdown in ELECTRICAL Section)	

SECTION 2 - TURNTABLE

FIGURE 2-31. LIGHT PANEL INSTALLATION - GROUND CONTROL



ART_1001233959_D_10F2

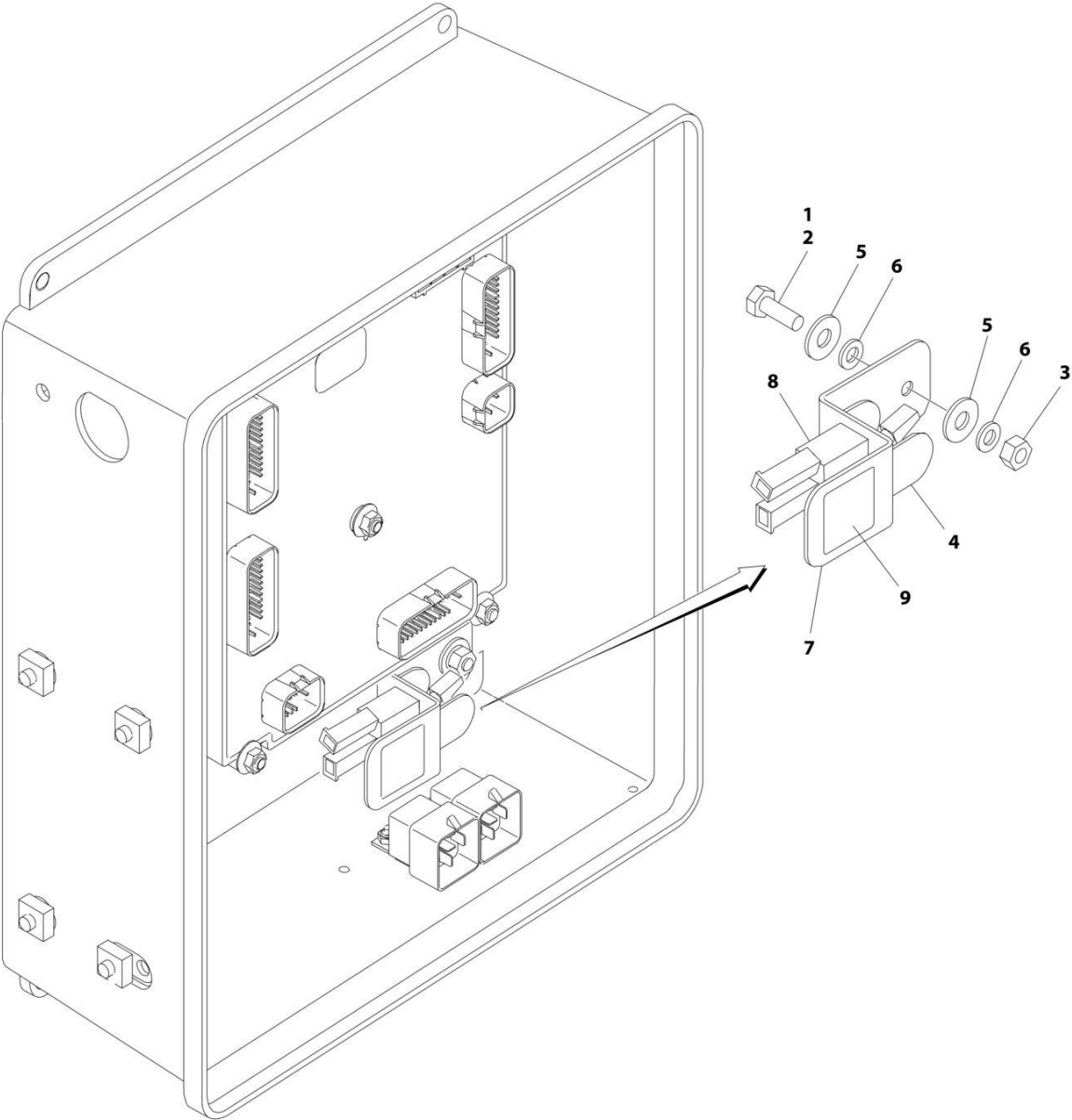
SECTION 2 - TURNTABLE

FIGURE 2-31. LIGHT PANEL INSTALLATION - GROUND CONTROL

ITEM	PART NUMBER	QTY	DESCRIPTION	REV
	1001233959	Ref	LIGHT PANEL INSTALLATION	D
2	3300408	2	Nut, Nylon Insert	
3	0630518	2	Screw #10 x 3/4	
5	1001237546	1	Light Panel Assembly	J
5A	1001282106	1	Panel, LED Light	
5B	1001236091	1	Lens, Icon (Includes Gasket)	
5D		Ref	Screw	

SECTION 2 - TURNTABLE

FIGURE 2-32. CRIBBING ENABLE SWITCH INSTALLATION



ART_1001115918

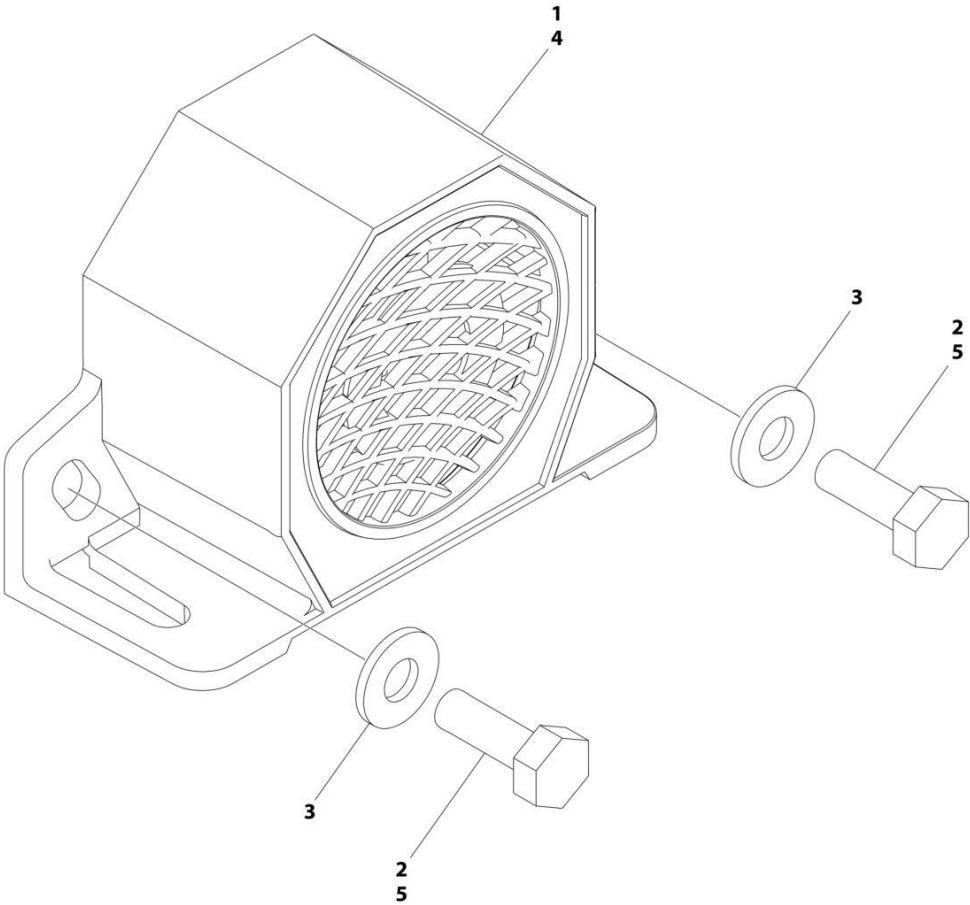
SECTION 2 - TURNTABLE

FIGURE 2-32. CRIBBING ENABLE SWITCH INSTALLATION

ITEM	PART NUMBER	QTY	DESCRIPTION	REV
	1001115918	Ref	CRIBBING ENABLE SWITCH INSTALLATION	A
1	0100011	AR	Compound, Locking	
2	0641406	1	Bolt 1/4 x 3/4	
3	3311401	1	Nut 1/4	
4	4060906	1	Guard, Switch	
5	4751400	2	Washer 1/4	
6	4761400	2	Washer 1/4	
7	1001115889	1	Bracket	
8	1001115915	1	Cribbing Enable Harness	
8	4360336	1	Switch, Toggle	
8	4460226	2	Socket, Female	
9	1001115967	1	Decal - Cribbing	

SECTION 2 - TURNTABLE

FIGURE 2-33. ALARM INSTALLATION



ART_1001160074

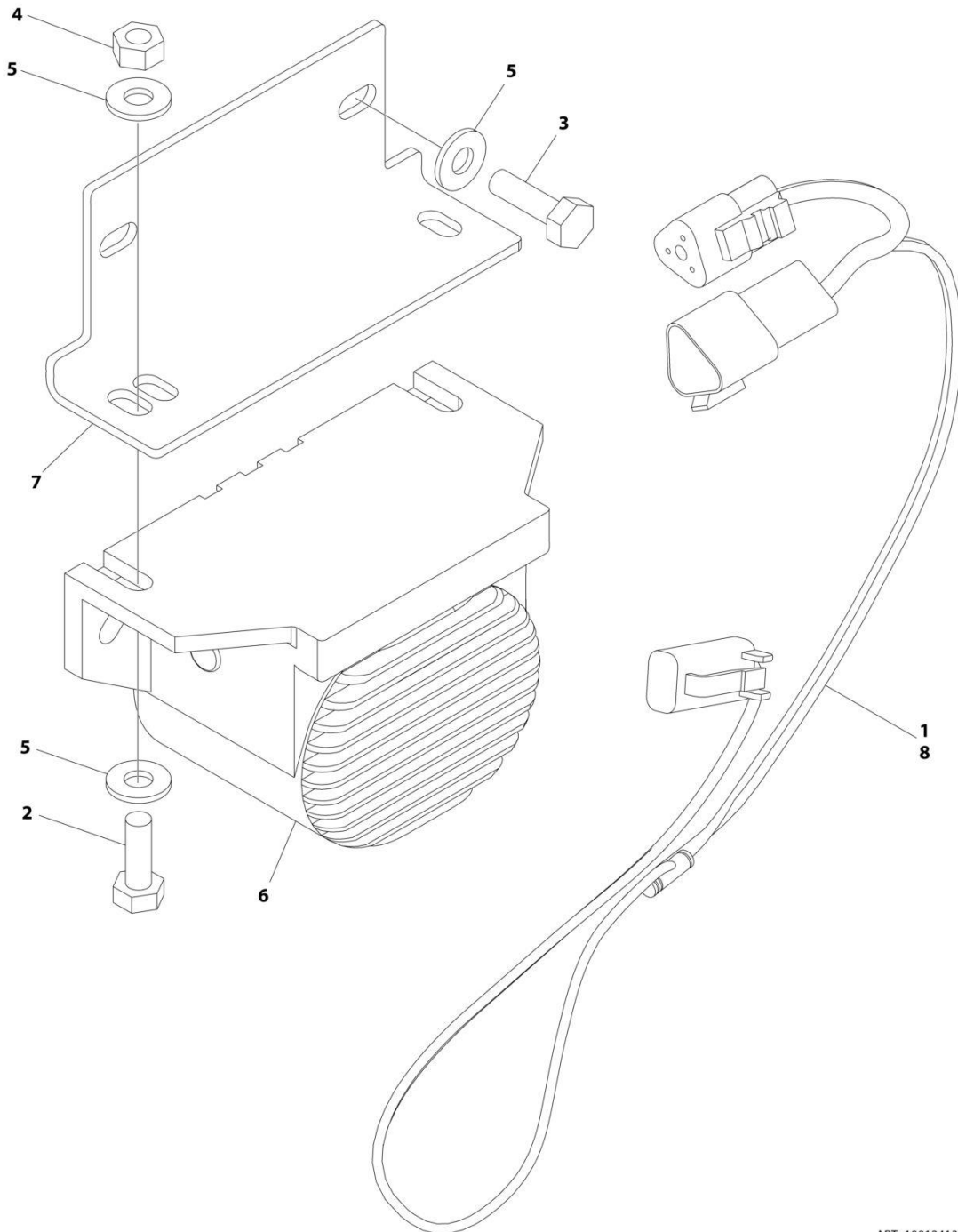
SECTION 2 - TURNTABLE

FIGURE 2-33. ALARM INSTALLATION

ITEM	PART NUMBER	QTY	DESCRIPTION	REV
	1001160074	Ref	ALARMS INSTALLATION	A
1	0140044	1	Alarm	
2	0641406	2	Bolt 1/4 x 3/4	
3	4711400	2	Washer 1/4	
4	0100048	AR	Compound, Dielectric	
5	0100011	AR	Compound, Locking	

SECTION 2 - TURNTABLE

FIGURE 2-34. ALARM (WHITE NOISE AMBIENT) INSTALLATION



ART_1001241384

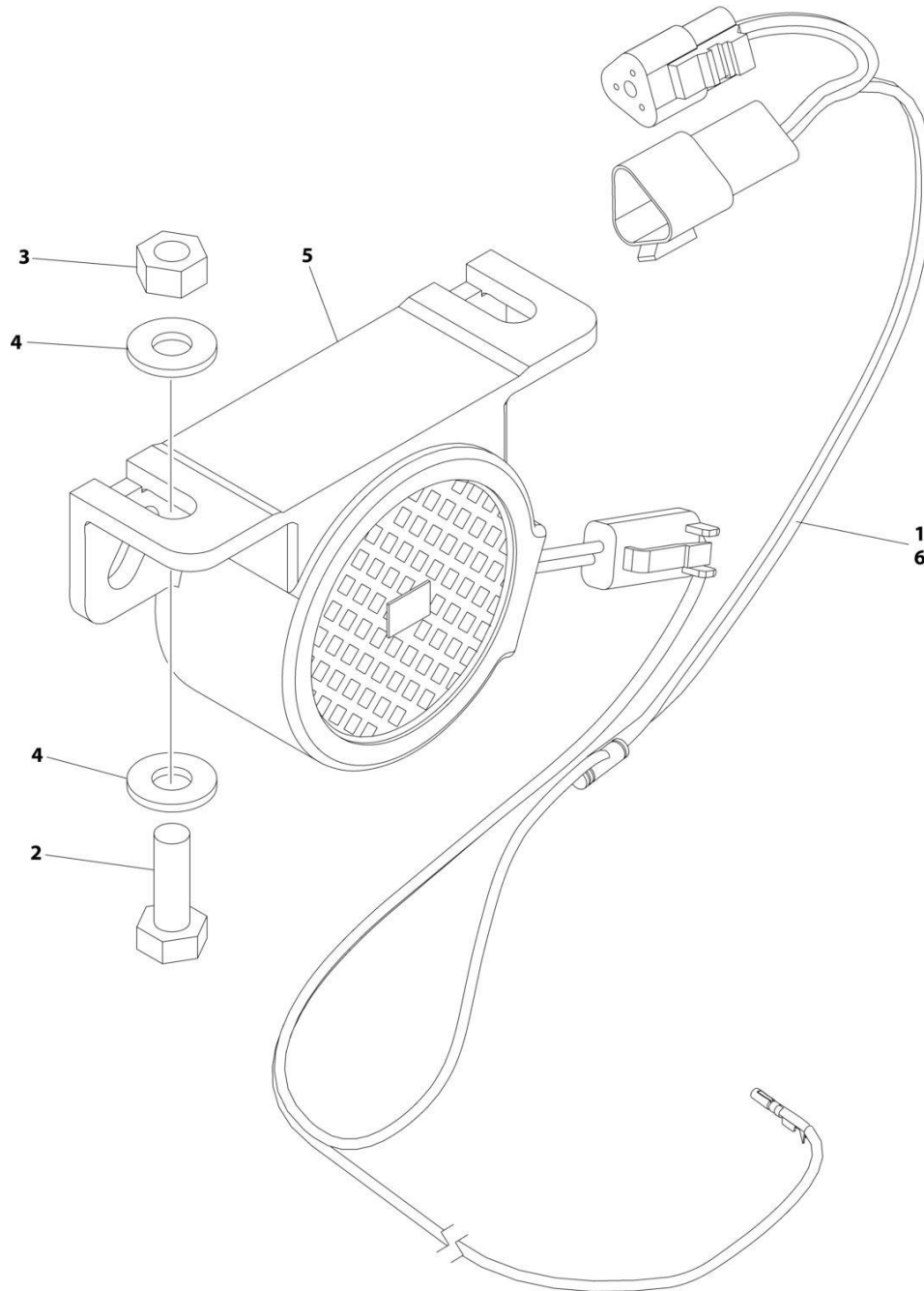
SECTION 2 - TURNTABLE

FIGURE 2-34. ALARM (WHITE NOISE AMBIENT) INSTALLATION

ITEM	PART NUMBER	QTY	DESCRIPTION	REV
	1001241384	Ref	BACKUP ALARM AMBIENT (WHITE NOISE) INSTALLATION	B
1	0100048	AR	Grease, Dielectric	
2	0641406	2	Bolt 1/4 x 3/4	
3	0641407	2	Bolt 1/4 x 7/8	
4	3311405	2	Nut 1/4	
5	4711400	6	Washer 1/4	
6	1001182806	1	Alarm	
6	4460897	1	Connector - 2 Position	
6	4460464	2	Pin, Male	
7	1001231886	1	Plate	
8	1001231007	1	Harness, White Noise Motion Alarm (See Separate Breakdown in ELECTRICAL SECTION)	

SECTION 2 - TURNTABLE

FIGURE 2-35. ALARM (WHITE NOISE) INSTALLATION



ART_1001239346

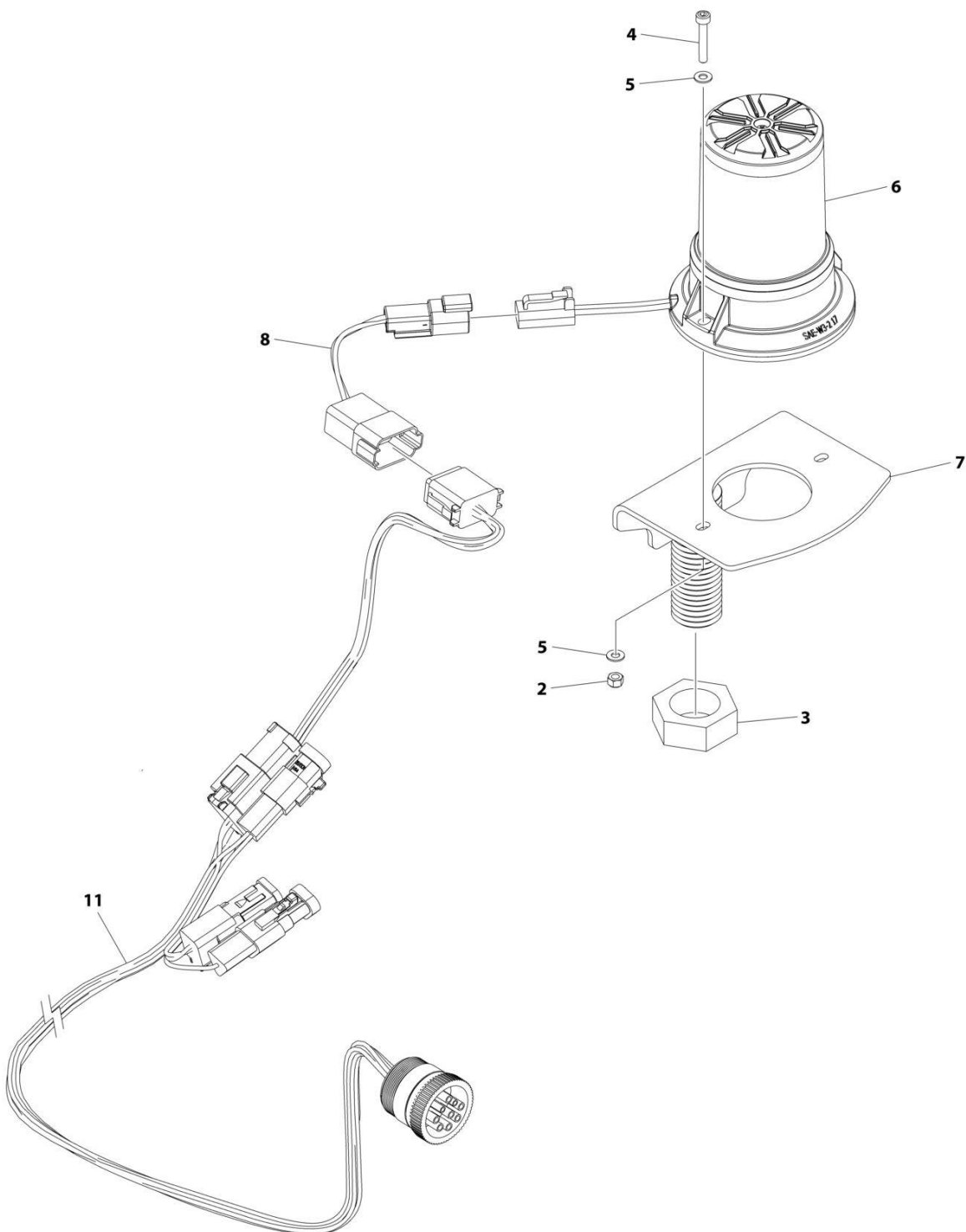
SECTION 2 - TURNTABLE

FIGURE 2-35. ALARM (WHITE NOISE) INSTALLATION

ITEM	PART NUMBER	QTY	DESCRIPTION	REV
	1001239346	Ref	BACKUP ALARM (WHITE NOISE) INSTALLATION	B
1	0100048	AR	Grease, Dielectric	
2	0641406	2	Bolt 1/4 x 3/4	
3	3311405	2	Valve, Check	
4	4711400	4	Washer 1/4	
6	1001184682	1	Alarm	
6	4460897	1	Connector - 2 Position	
6	4460464	2	Pin, Male	
6	1001231007	1	Harness, White Noise Motion Alarm (See Separate Breakdown in ELECTRICAL SECTION)	

SECTION 2 - TURNTABLE

FIGURE 2-36. STROBE LIGHT INSTALLATION (AMBER)



ART_1001160077_E

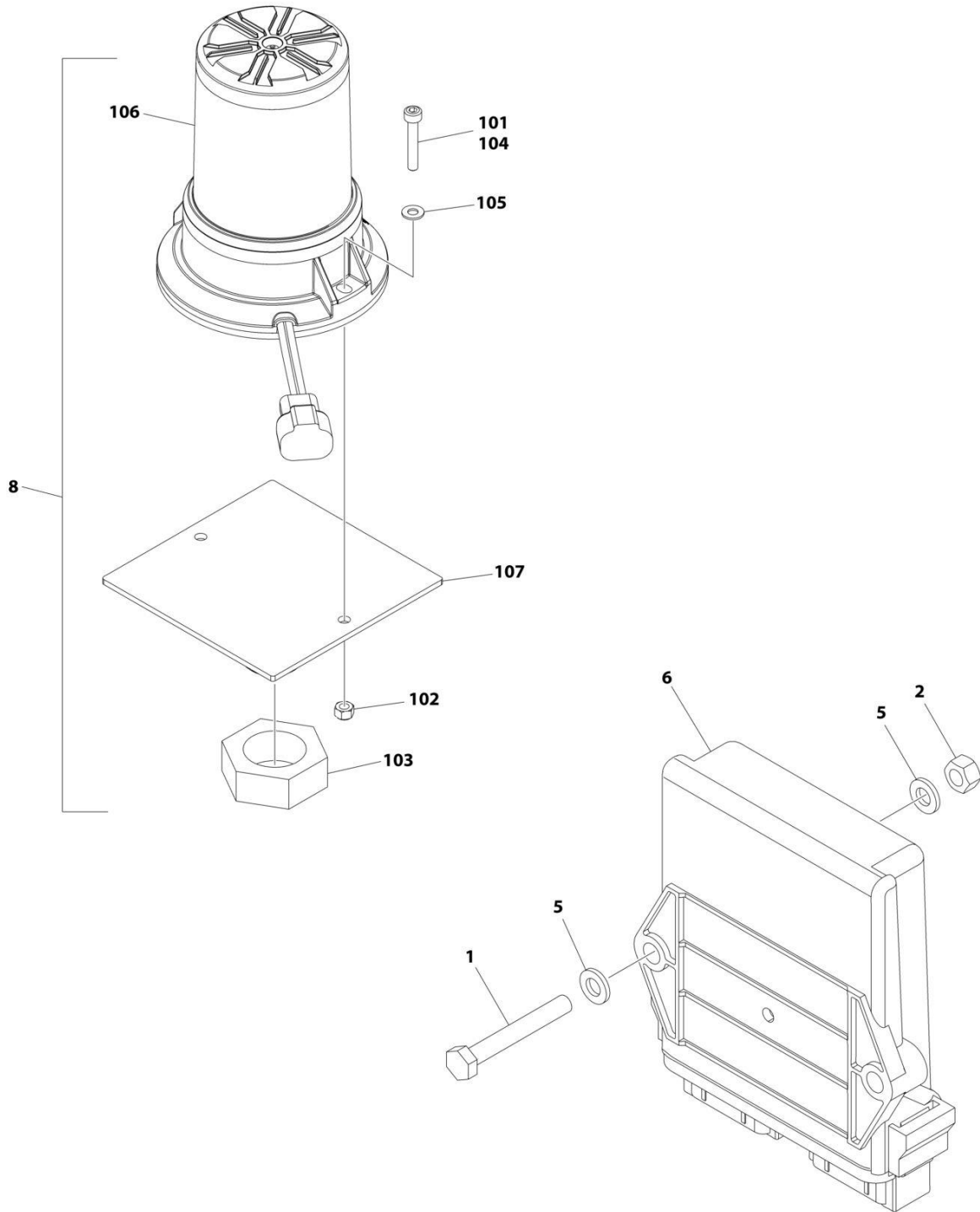
SECTION 2 - TURNTABLE

FIGURE 2-36. STROBE LIGHT INSTALLATION (AMBER)

ITEM	PART NUMBER	QTY	DESCRIPTION	REV
	1001160077	Ref	STROBE LIGHT INSTALLATION (AMBER)	E
2	3290405	2	Nut, Lock M4	
3	3312602	1	Nut	
4	4031509	2	Capscrew M4 x 25	
5	4811400	4	Washer M4	
6	1001270594	1	Strobe Light/Harness Assembly	
6	4460891	1	Connector	
6	4460465	2	Socket	
7	1001275149	2	Mount	
8	1001283776	1	Harness, Strobe Jumper (See Separate Breakdown in ELECTRICAL Section)	
9	4240017	AR	Tie-Strap (Not Shown)	
10	4460234	AR	Mount, Tie-Strap (Not Shown)	
11	1001286622	1	CSB Harness (See Separate Breakdown in ELECTRICAL Section)	

SECTION 2 - TURNTABLE

FIGURE 2-37. STROBE LIGHT INSTALLATION (BLUE)



ART_1001242251_B

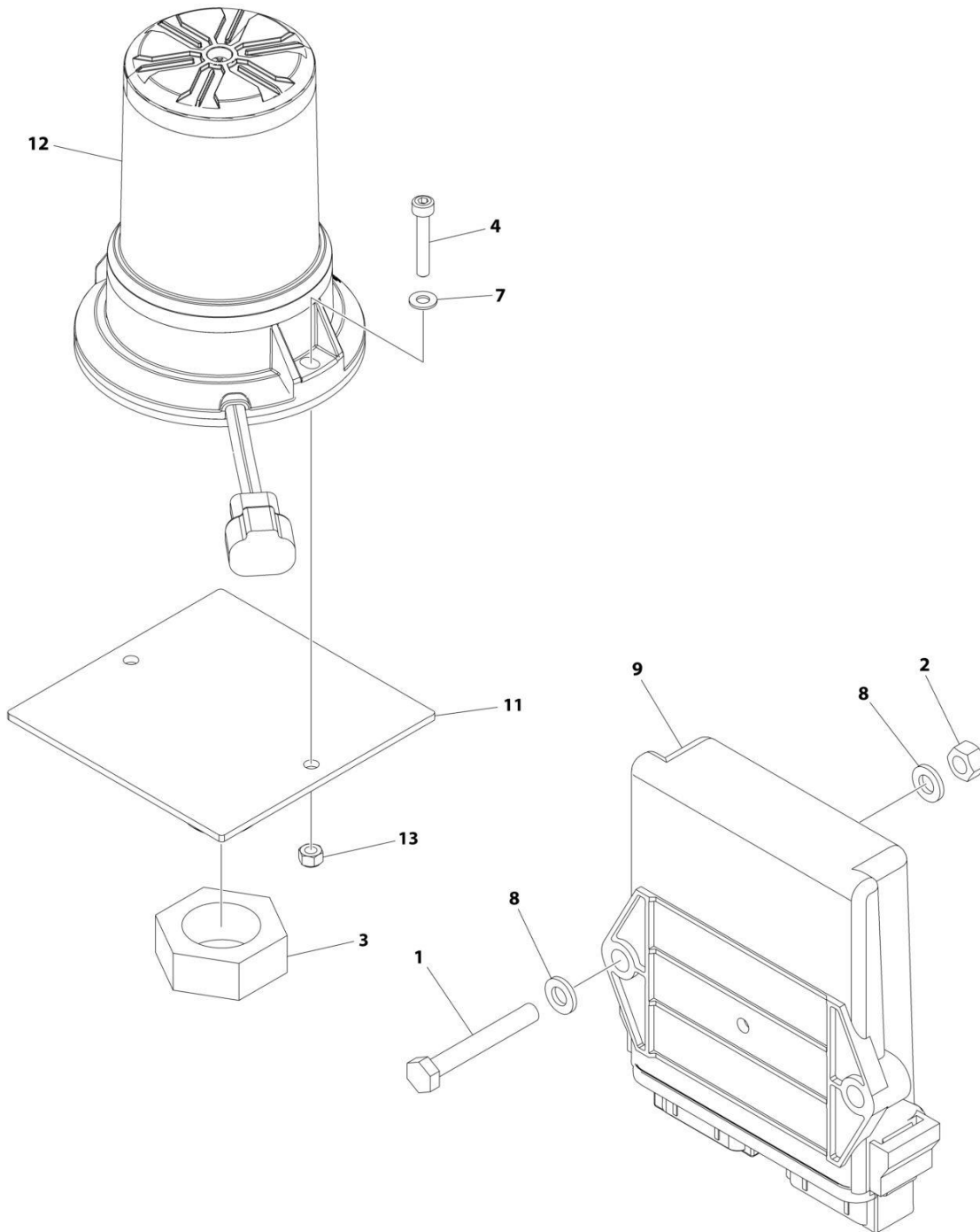
SECTION 2 - TURNTABLE

FIGURE 2-37. STROBE LIGHT INSTALLATION (BLUE)

ITEM	PART NUMBER	QTY	DESCRIPTION	REV
	1001242251	Ref	STROBE LIGHT INSTALLATION (BLUE)	B
1	0700617	2	Bolt M6 x 45	
2	3290607	2	Nut M6 x 1	
3	4240032	AR	Tie-Strap (Not Shown)	
4	4460488	AR	Mounting Base (Not Shown)	
5	4811700	4	Washer M6	
6	1001142683	1	Module, Control Beacon	
7	1001142736	1	Harness, Beacon Control (Not Shown - See Separate Breakdown in ELECTRICAL Section)	
8	1001278845	1	Blue Beacon Light Kit (See Items 101-107 for Breakdown)	
101	0100035	AR	Compound, Locking	
102	3290405	2	Nut, Lock M4	
103	3312602	1	Nut 1	
104	4031509	2	Capscrew M4 x 25	
105	4811400	2	Washer M4	
106	1001272681	1	Strobe Light/Harness Assembly	
106	4460897	1	Connector	
106	4460464	2	Socket	
107	1001278850	1	Mount, Beacon	

SECTION 2 - TURNTABLE

FIGURE 2-38. STROBE LIGHT INSTALLATION (RED)



ART_1001242252_B

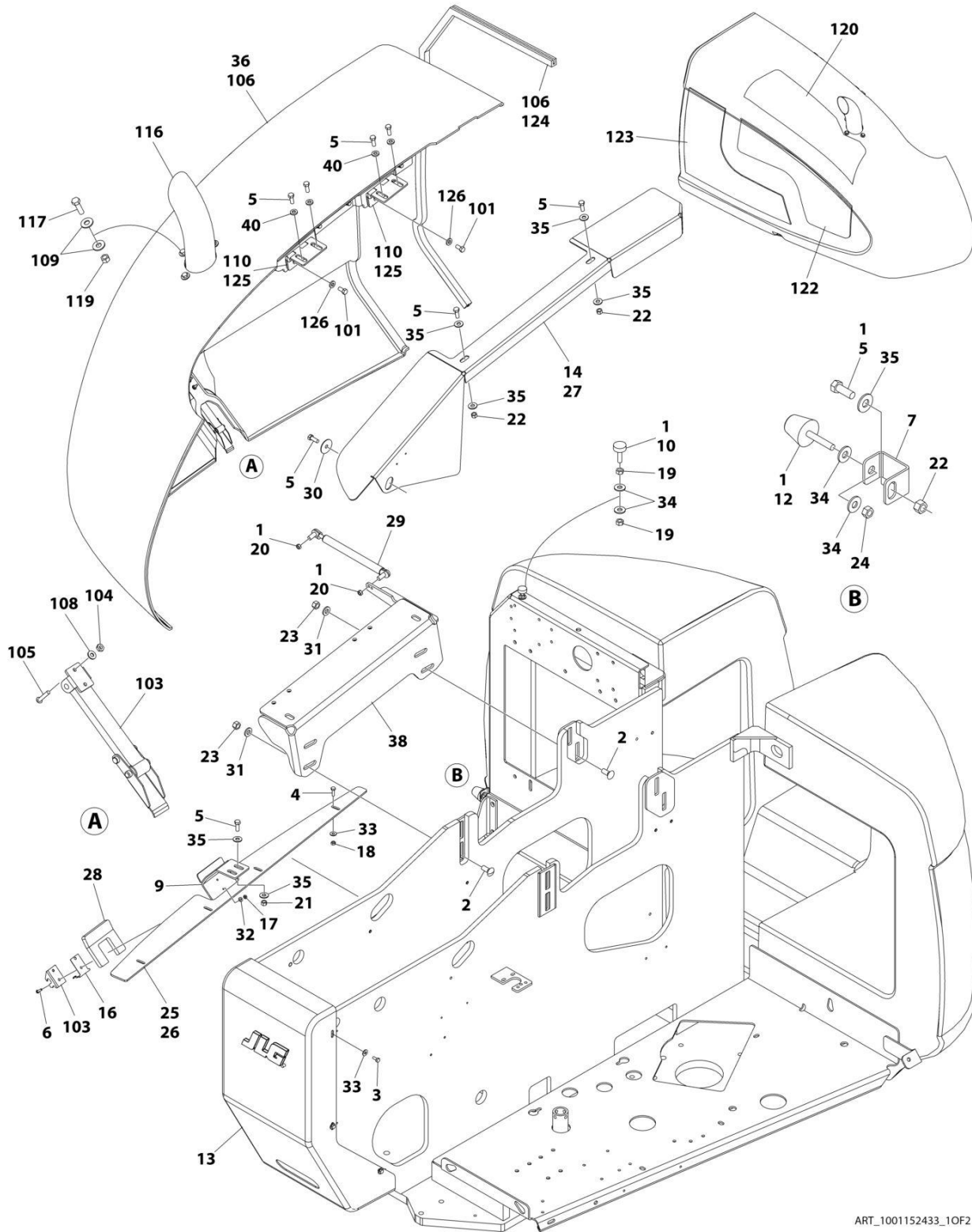
SECTION 2 - TURNTABLE

FIGURE 2-38. STROBE LIGHT INSTALLATION (RED)

ITEM	PART NUMBER	QTY	DESCRIPTION	REV
	1001242252	Ref	STROBE LIGHT INSTALLATION (RED)	B
1	0700617	2	Bolt M6 x 45	
2	3290607	2	Nut M6 x 1	
3	3312602	1	Nut 1	
4	4031509	4	Capscrew M4 x 25	
5	4240032	AR	Tie-Strap (Not Shown)	
6	4460488	AR	Mounting Base (Not Shown)	
7	4811400	2	Washer M4	
8	4811700	4	Washer M6	
9	1001142683	1	Module, Control Beacon	
10	1001142736	1	Harness, Beacon Control (Not Shown - See Separate Breakdown in ELECTRICAL Section)	
11	1001278850	1	Mount, Beacon	
12	1001272682	1	Strobe Light/Harness Assembly	
12	4460897	1	Connector	
12	4460464	2	Socket	
13	3290405	2	Nut, Lock M4	

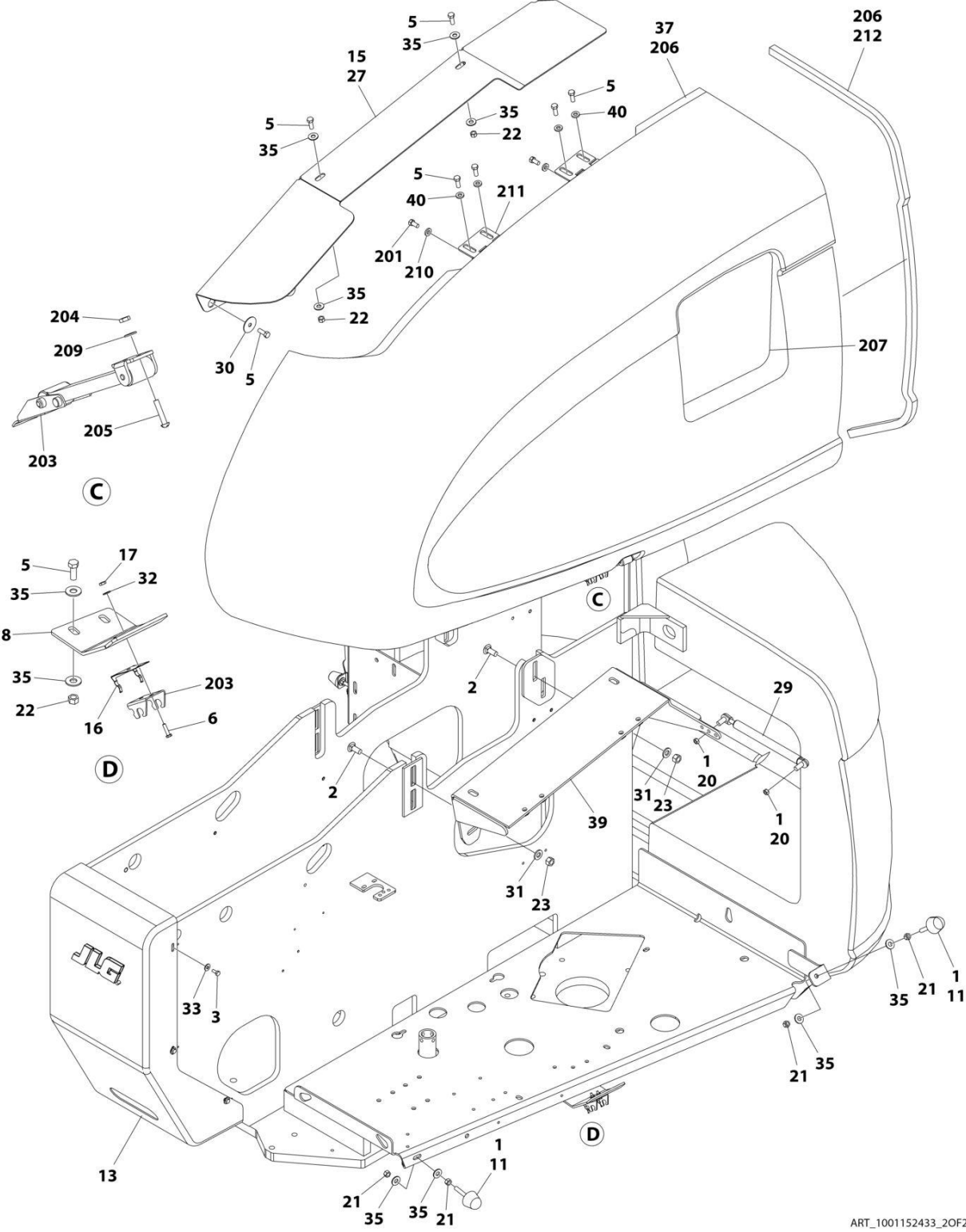
SECTION 2 - TURNTABLE

FIGURE 2-39. HOODS INSTALLATION – DEUTZ D2011 ENGINES WITHOUT NOISE REDUCTION (ABS)



ART_1001152433_10F2

SECTION 2 - TURNTABLE



ART_1001152433_20F2

SECTION 2 - TURNTABLE

FIGURE 2-39. HOODS INSTALLATION – DEUTZ D2011 ENGINES WITHOUT NOISE REDUCTION (ABS)

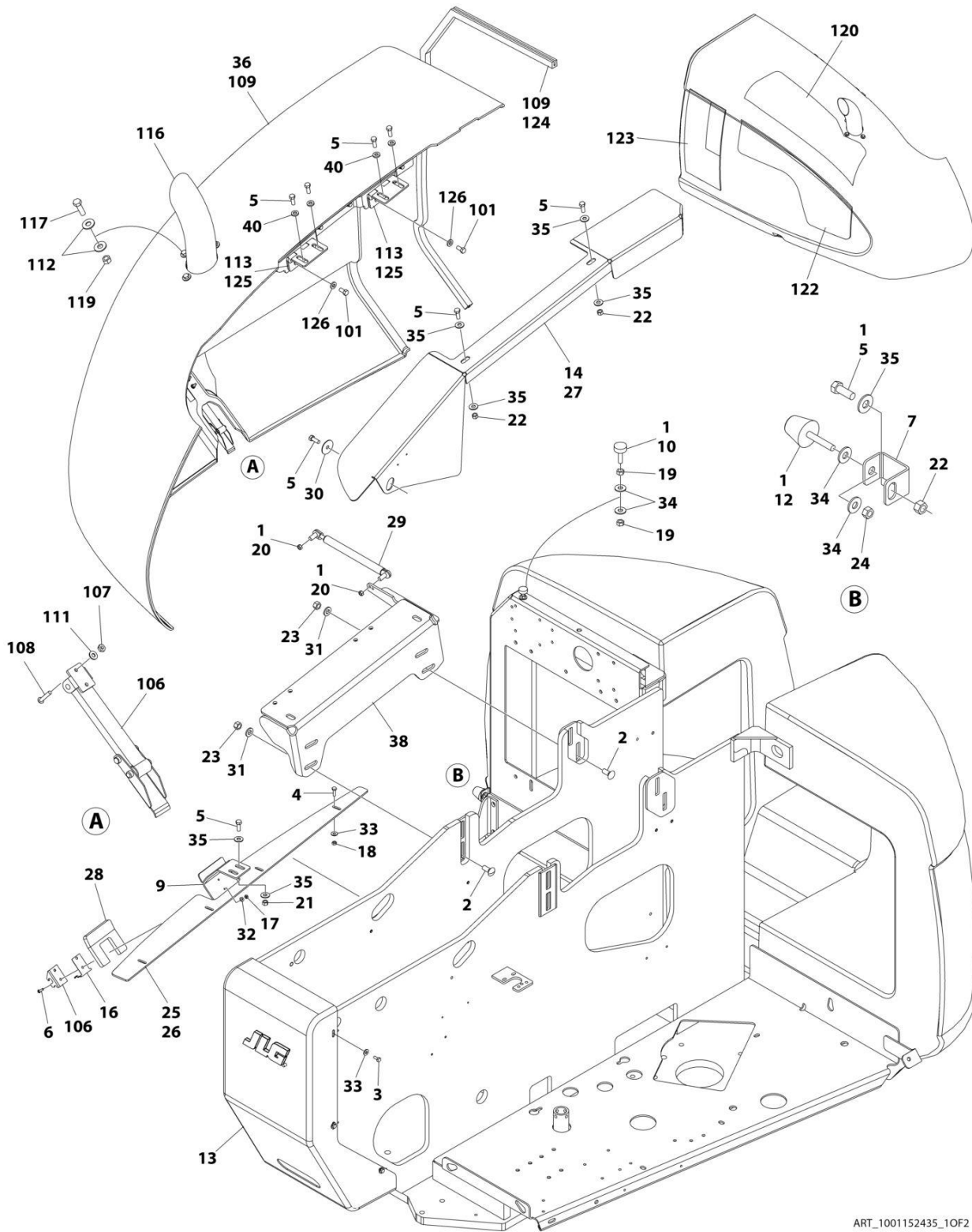
ITEM	PART NUMBER	QTY	DESCRIPTION	REV
		Ref	Note: replacement decals must be ordered separately.	
	1001152433	Ref	HOODS INSTALLATION	I
1	0100011	AR	Compound, Locking	
2	0630507	8	Bolt, Carriage 1/2 x 1-1/4	
3	0641405	6	Bolt 1/4 x 3/4	
4	0641407	4	Bolt 1/4 x 7/8	
5	0641608	19	Bolt 3/8 x 1	
6	0721006	4	Bolt #10 x 3/4	
7	0902219	1	Bracket, Bumper	
8	1001137876	1	Bracket, Latch - Tank Side	
9	0902335	1	Bracket, Latch - Engine Side	
10	0940049	1	Bumper	
11	0940071	2	Bumper	
12	0940088	1	Bumper	
13	1670767	1	Cover, Turntable	
14	2680433	1	Spacer, Hood (Engine Side)	
15	2680434	1	Spacer, Hood (Tank Side)	
16	2940188	2	Latch, Spring Clip	
17	3311005	4	Nut #10	
18	3311405	4	Nut 1/4	
19	3311501	2	Nut 5/16	
20	3311505	4	Nut 5/16	
21	3311601	6	Nut 3/8	
22	3311605	7	Nut 3/8	
23	3311805	8	Nut 1/2	
24	3321501	2	Nut 5/16	
25	3539923	1	Plate, Seal	
26	3960389	3.5 ft/1m	Seal, Bulb	
27	3960418	7 ft/2.1m	Seal	
28	3960467	1	Seal, Foam	
29	4160143	2	Spring, Gas	
30	4740076	2	Washer, Fender	
31	4740171	8	Washer 1/2 Hardened	
32	4751000	4	Washer #10	
33	4751400	10	Washer 1/4	
34	4751500	4	Washer 5/16	
35	4751600	21	Washer 3/8	
38	1001235948	1	Mount - Engine Side	
39	1001152557	1	Mount - Tank Side	
40	4891600	8	Washer 3/8 Hardened	
	1001294637	Ref	HOOD KIT (Includes Items 101 & 201)	A
101	1001160004	Ref	HOOD - ENGINE SIDE	I
102	0641606	4	Bolt 3/8 x 3/4	
103	2940088	1	Latch	
104	3311005	2	Nut #10	
105	3911016	2	Screw #10 x 1	
106	1001164281	2.5 ft /0.78m	Seal	
108	4711000	2	Washer #10	

SECTION 2 - TURNTABLE

ITEM	PART NUMBER	QTY	DESCRIPTION	REV
109	4751600	6	Washer 3/8	
110	1001188467	2	Hinge	
116	1001160598	1	Outlet, Exhaust	
117	0641610	3	Bolt 3/8 x 1-1/4	
119	3311605	3	Nut 3/8	
120	1001160961	1	Insulation	
122	1001160963	1	Insulation	
123	1001160964	1	Insulation	
124	4060805	64 in /1.6m	Flex-Trim	
125	1001169610	2	Spacer, Hinge	
126	4891600	4	Washer 3/8 Hardened	
201	1001160003	Ref	HOOD TANK SIDE	H
202	0641606	4	Bolt 3/8 x 3/4	
203	2940088	1	Latch	
204	3311005	2	Nut #10	
205	3911016	2	Screw #10 x 1	
206	1001164281	3 ft /0.91m	Seal	
207	1001166394	4.5 ft /1.4m	Seal	
209	4751000	2	Washer #10	
210	4891600	4	Washer 3/8 Hardened	
211	1001188467	2	Hinge	
212	4060805	62 in /1.6m	Flex-Trim	

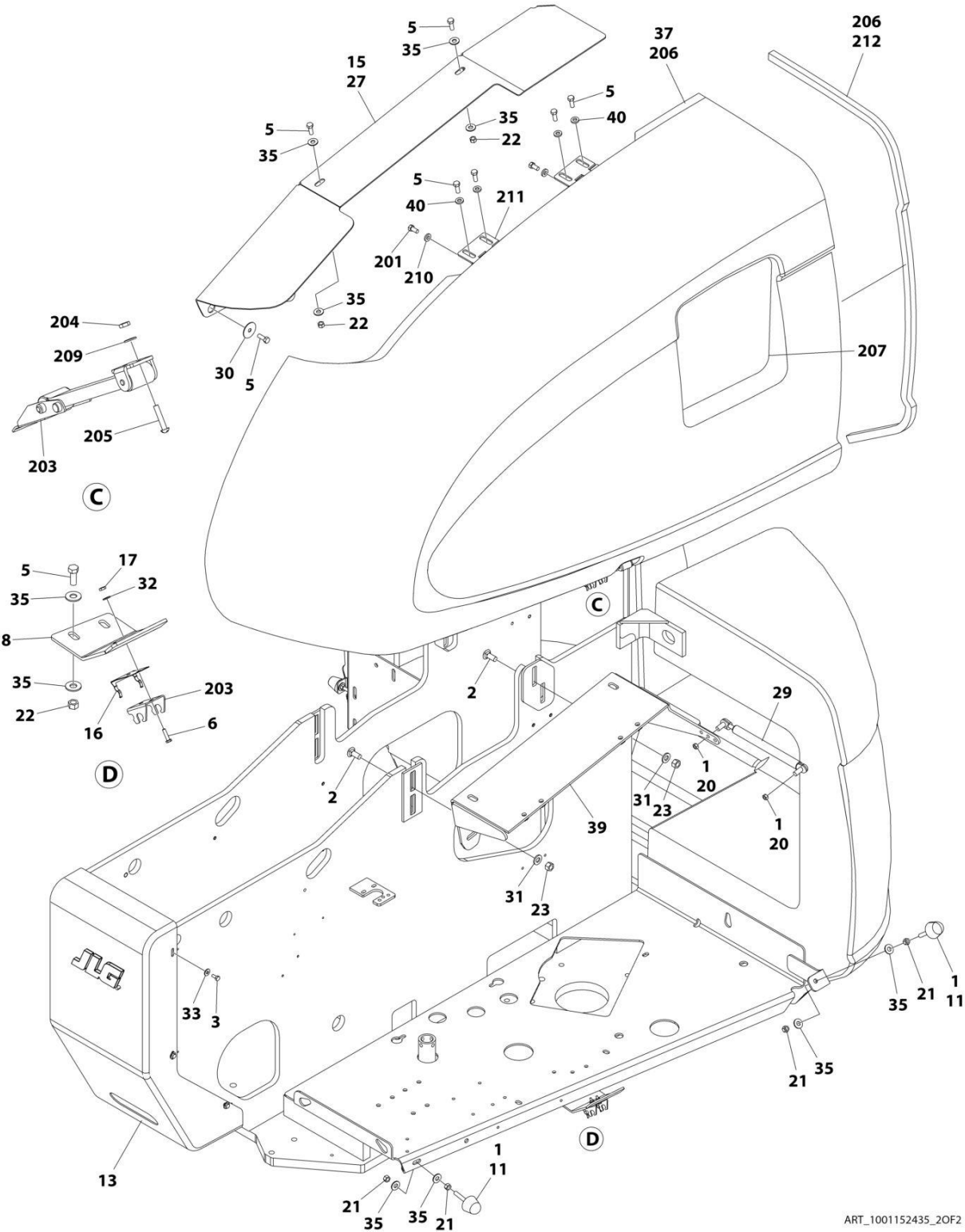
SECTION 2 - TURNTABLE

FIGURE 2-40. HOODS INSTALLATION – DEUTZ D2011 ENGINES WITH NOISE REDUCTION (ABS)



ART_1001152435_10F2

SECTION 2 - TURNTABLE



ART_1001152435_20F2

SECTION 2 - TURNTABLE

FIGURE 2-40. HOODS INSTALLATION – DEUTZ D2011 ENGINES WITH NOISE REDUCTION (ABS)

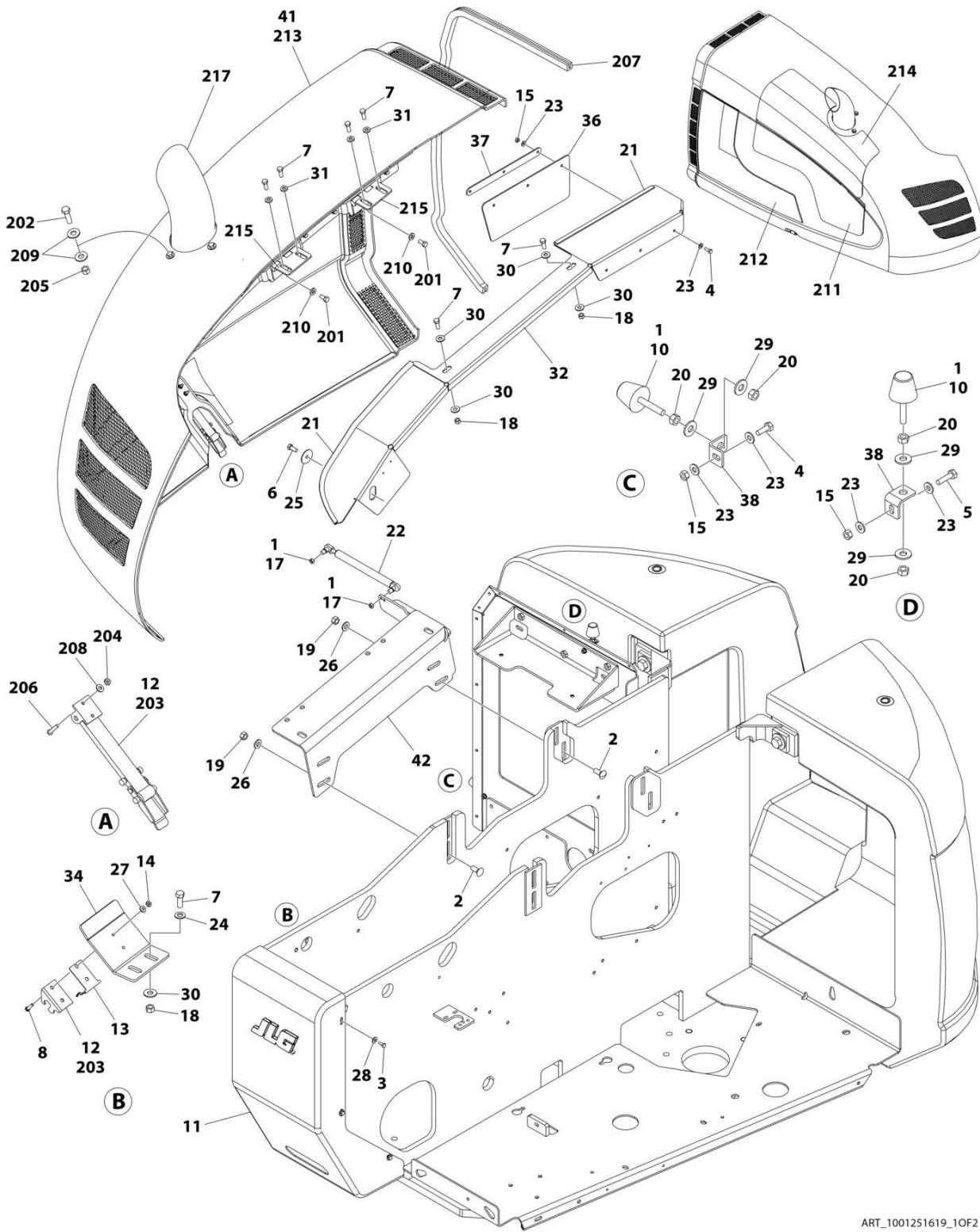
ITEM	PART NUMBER	QTY	DESCRIPTION	REV
	See Note	Ref	Note: replacement decals must be ordered separately.	
	1001152435	Ref	HOODS INSTALLATION	K
1	0100011	AR	Compound, Locking	
2	0630507	8	Bolt, Carriage 1/2 x 1-1/4	
3	0641405	6	Bolt 1/4 x 3/4	
4	0641407	4	Bolt 1/4 x 7/8	
5	0641608	19	Bolt 3/8 x 1	
6	0721006	4	Bolt #10 x 3/4	
7	0902219	1	Bracket, Bumper	
8	1001137876	1	Bracket, Latch - Tank Side	
9	0902335	1	Bracket, Latch - Engine Side	
10	0940049	1	Bumper	
11	0940071	2	Bumper	
12	0940088	1	Bumper	
13	1670767	1	Cover, Turntable	
14	2680433	1	Spacer, Hood (Engine Side)	
15	2680434	1	Spacer, Hood (Tank Side)	
16	2940188	2	Latch, Spring Clip	
17	3311005	4	Nut #10	
18	3311405	4	Nut 1/4	
19	3311501	2	Nut 5/16	
20	3311505	4	Nut 5/16	
21	3311601	6	Nut 3/8	
22	3311605	7	Nut 3/8	
23	3311805	8	Nut 1/2	
24	3321501	2	Nut 5/16	
25	3539923	1	Plate, Seal	
26	3960389	3.5 ft/1m	Seal, Bulb	
27	3960418	7 ft/2.1m	Seal	
28	3960467	1	Seal, Foam	
29	4160143	2	Spring, Gas	
30	4740076	2	Washer, Fender	
31	4740171	8	Washer 1/2 Hardened	
32	4751000	4	Washer #10	
33	4751400	10	Washer 1/4	
34	4751500	4	Washer 5/16	
35	4751600	21	Washer 3/8	
36	1001160034	1	Hood - Engine Side (See Items 101-126 for Breakdown)	
37	1001160003	1	Hood - Tank Side (See Items 201-212 for Breakdown)	
38	1001235948	1	Mount - Engine Side	
39	1001152557	1	Mount - Tank Side	
40	4891600	8	Washer 3/8 Hardened	
100	1001294604	Ref	HOOD KIT (Includes Items 101 & 201)	A
101	1001160034	Ref	HOOD - ENGINE SIDE (Includes Items 102-126)	K
102	0641606	4	Bolt 3/8 x 3/4	
106	2940088	1	Latch	
107	3311005	2	Nut #10	
108	3911016	2	Screw #10 x 1	
109	1001164281	2.5 ft /0.76m	Seal	

SECTION 2 - TURNTABLE

ITEM	PART NUMBER	QTY	DESCRIPTION	REV
111	4711000	2	Washer #10	
112	4751600	6	Washer 3/8	
113	1001188467	2	Hinge	
116	1001160598	1	Outlet, Exhaust	
117	0641610	3	Bolt 3/8 x 1-1/4	
119	3311605	3	Nut 3/8	
120	1001160961	1	Insulation	
122	1001160963	1	Insulation	
123	1001161027	1	Insulation	
124	4060805	64 in /1.6m	Flex-Trim	
125	1001169610	2	Spacer, Hinge	
126	4891600	4	Washer 3/8 Hardened	
201	1001160003	Ref	HOOD TANK SIDE (Includes Items 202-212)	H
202	0641606	4	Bolt 3/8 x 3/4	
203	2940088	1	Latch	
204	3311005	2	Nut #10	
205	3911016	2	Screw #10 x 1	
206	1001164281	3 ft /0.91m	Seal	
207	1001166394	4.5 ft /1.4m	Seal	
209	4751000	2	Washer #10	
210	4891600	4	Washer 3/8 Hardened	
211	1001188467	2	Hinge	
212	4060805	62 in /1.6m	Flex-Trim	

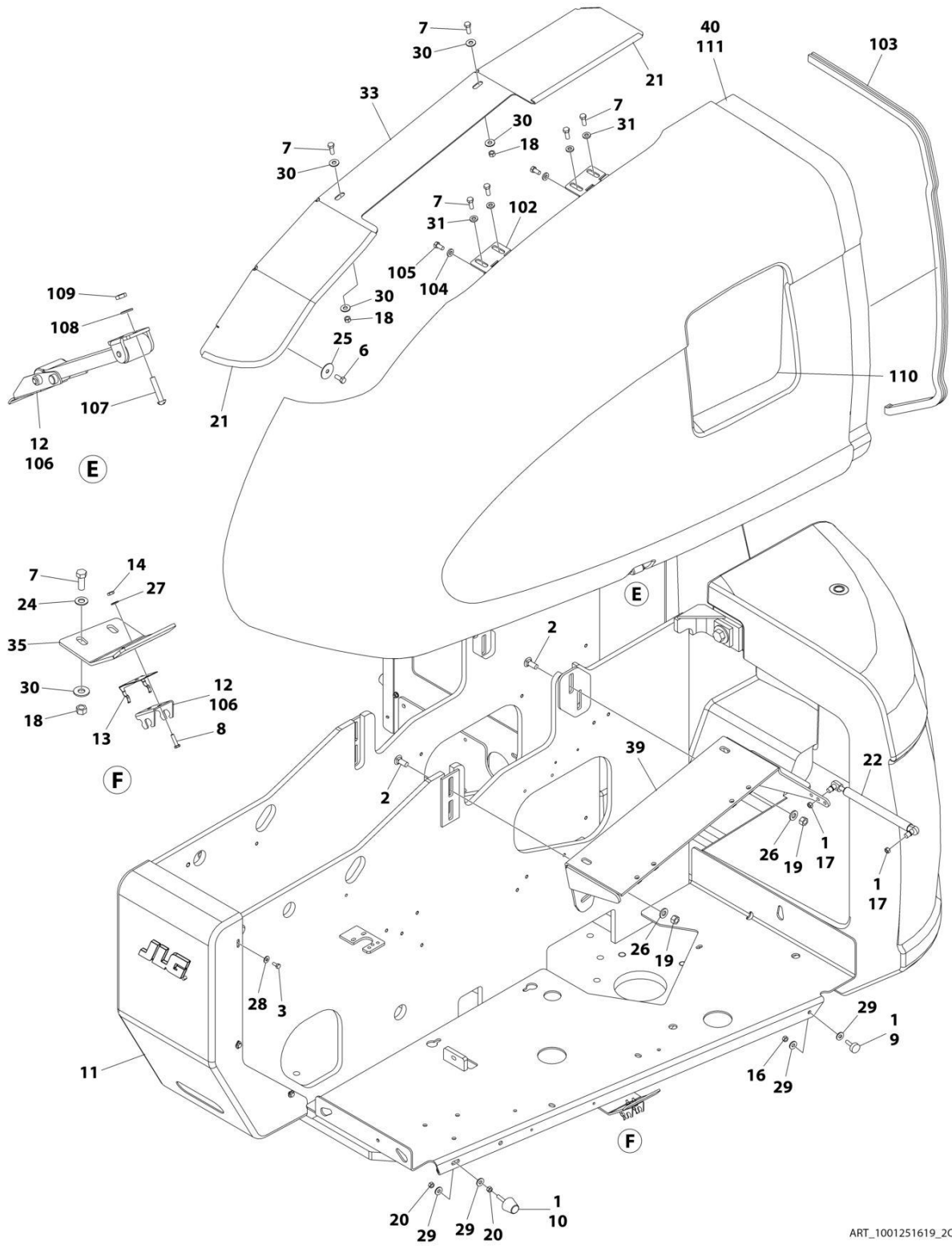
SECTION 2 - TURNTABLE

FIGURE 2-41. HOODS INSTALLATION – DEUTZ TD2.2L3 STAGE V ENGINES (ABS)



ART_1001251619_10F2

SECTION 2 - TURNTABLE



ART_1001251619_20F2

SECTION 2 - TURNTABLE

FIGURE 2-41. HOODS INSTALLATION – DEUTZ TD2.2L3 STAGE V ENGINES (ABS)

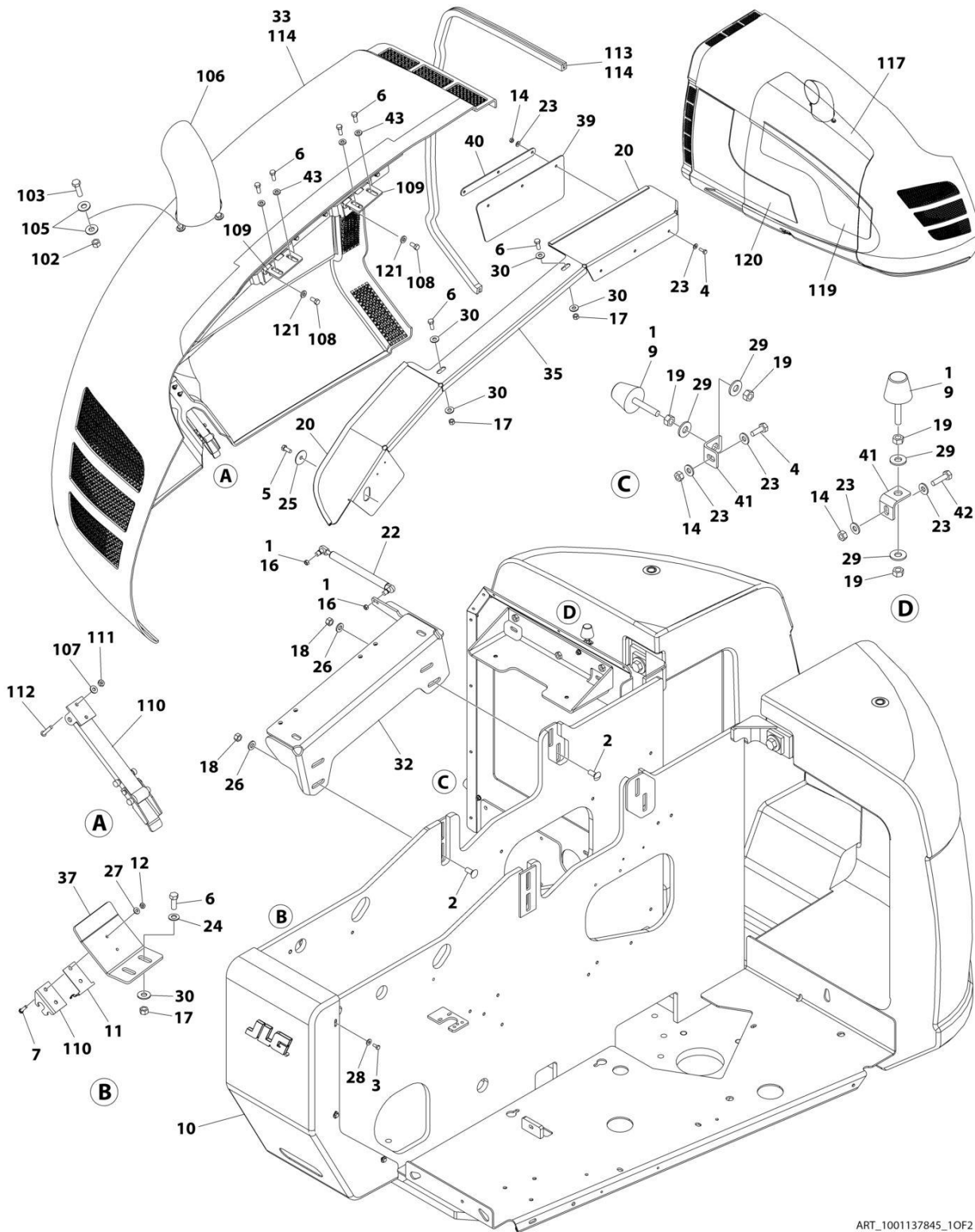
ITEM	PART NUMBER	QTY	DESCRIPTION	REV
	See Note	Ref	Note: replacement decals must be ordered separately.	
	1001251619	Ref	HOODS INSTALLATION	E
1	0100011	AR	Compound, Locking	
2	0630507	8	Bolt, Carriage 1/2 x 1-1/4	
3	0641405	6	Bolt 1/4 x 3/4	
4	0641406	4	Bolt 1/4 x 3/4	
5	0641408	1	Bolt 1/4 x 1	
6	0641607	2	Bolt 3/8 x 7/8	
7	0641608	16	Bolt 3/8 x 1	
8	0721006	4	Bolt #10 x 3/4	
9	0940049	1	Bumper	
10	0940088	3	Bumper	
11	1670767	1	Cover, Turntable	
12	2940088	2	Latch	
13	2940188	2	Latch, Spring Clip	
14	3311005	4	Nut #10	
15	3311405	5	Nut 1/4	
16	3311501	1	Nut 5/16	
17	3311505	4	Nut 5/16	
18	3311605	8	Nut 3/8	
19	3311805	8	Nut 1/2	
20	3321501	6	Nut 5/16	
21	3960418	7 ft/2.1m	Seal	
22	4160143	2	Spring, Gas	
23	4711400	10	Washer 1/4	
24	4711600	4	Washer 3/8	
25	4740076	2	Washer, Fender	
26	4740171	8	Washer 1/2 Hardened	
27	4751000	4	Washer #10	
28	4751400	6	Washer 1/4	
29	4751500	8	Washer 5/16	
30	4751600	12	Washer 3/8	
31	4891600	8	Washer 3/8 Hardened	
32	1001137853	1	Spacer, Hood (Engine Side)	
33	1001137854	1	Spacer, Hood (Tank Side)	
34	1001137875	1	Bracket, Latch - Engine Side	
35	1001137876	1	Bracket, Latch - Tank Side	
36	1001137878	1	Rubber, Baffle	
37	1001137879	1	Bracket, Baffle	
38	1001137886	2	Bracket, Bumper	
39	1001152557	1	Mount - Tank Side	
40	1001160190	1	Hood - Tank Side (See Items 202-211 for Breakdown)	
41	1001251618	1	Hood - Engine Side (See Items 201-217 for Breakdown)	
42	1001253100	1	Mount - Engine Side	
43	3960467	1	Seal	
100	1001294603	Ref	HOOD KIT (Includes Items 101 & 201)	A
	1001160190	Ref	HOOD TANK SIDE (Includes Items 102-111)	G
102	1001188467	2	Hinge	
103	3960462	5 ft /1.52m	Seal	

SECTION 2 - TURNTABLE

ITEM	PART NUMBER	QTY	DESCRIPTION	REV
104	4891600	4	Washer 3/8 Hardened	D
105	0641606	4	Bolt 3/8 x 3/4	
106	2940088	1	Latch	
107	3911016	2	Screw #10 x 1	
108	4751000	2	Washer #10	
109	3311005	2	Nut #10	
110	1001166394	4.5 ft /1.4m	Seal	
111	1001164281	2.5 ft /0.8m	Seal	
201	1001251618	Ref	HOOD - ENGINE SIDE	
201	0641606	4	Bolt 3/8 x 3/4	
202	0641610	3	Bolt 3/8 x 1-1/4	
203	2940088	1	Latch	
204	3311005	2	Nut #10	
205	3311605	3	Nut 3/8	
206	3911016	2	Screw #10 x 1	
207	3960462	5 ft /1.52m	Seal	
208	4751000	2	Washer #10	
209	4751600	6	Washer 3/8	
210	4891600	4	Washer 3/8 Hardened	
211	1001160963	1	Insulation	
212	1001160964	1	Insulation	
213	1001164281	2.5 ft /0.76m	Seal	
214	1001258377	1	Insulation	
215	1001188467	2	Hinge	
217	1001252082	1	Outlet, Exhaust	

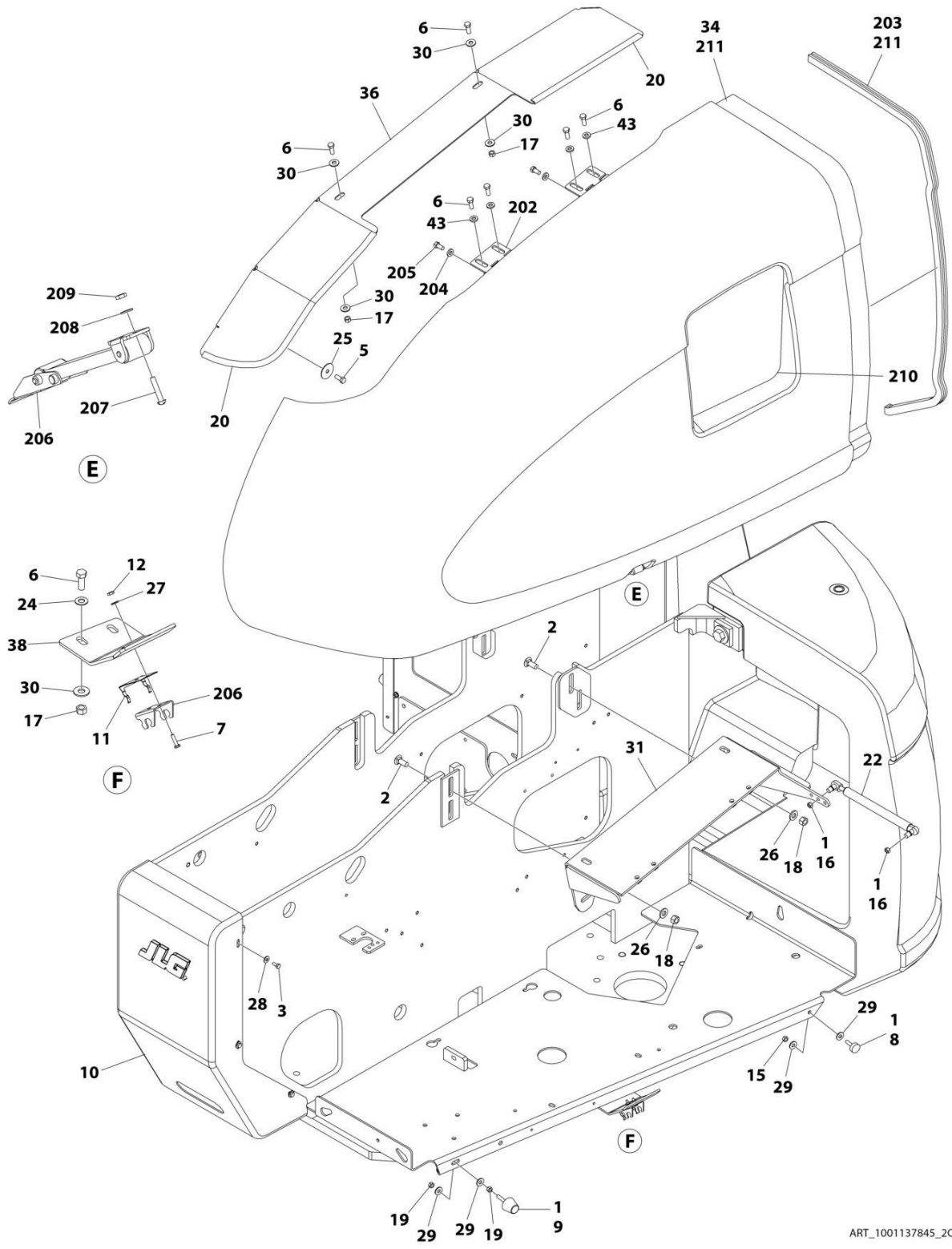
SECTION 2 - TURNTABLE

FIGURE 2-42. HOODS INSTALLATION – DEUTZ TD2.9L4 AND FORD DF 2.5L ENGINES (ABS)



ART_1001137845_10F2

SECTION 2 - TURNTABLE



ART_1001137845_20F2

SECTION 2 - TURNTABLE

FIGURE 2-42. HOODS INSTALLATION – DEUTZ TD2.9L4 AND FORD DF 2.5L ENGINES (ABS)

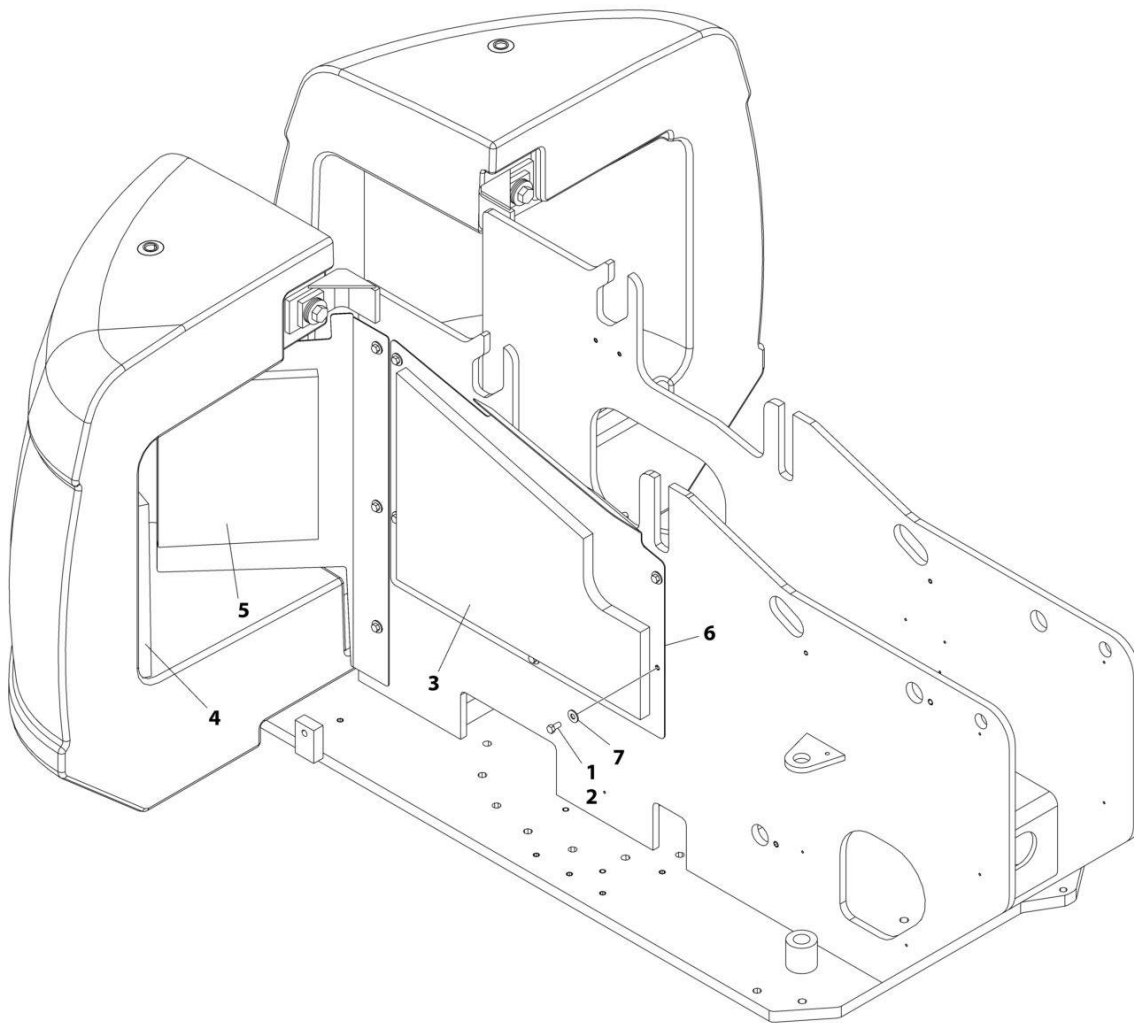
ITEM	PART NUMBER	QTY	DESCRIPTION	REV
	See Note	Ref	Note: replacement decals must be ordered separately.	
	1001137845	Ref	HOODS INSTALLATION	I
1	0100011	AR	Compound, Locking	
2	0630507	8	Bolt, Carriage 1/2 x 1-1/4	
3	0641405	6	Bolt 1/4 x 3/4	
4	0641406	4	Bolt 1/4 x 3/4	
5	0641607	2	Bolt 3/8 x 7/8	
6	0641608	16	Bolt 3/8 x 1	
7	0721006	4	Bolt #10 x 3/4	
8	0940049	1	Bumper	
9	0940088	3	Bumper	
10	1670767	1	Cover, Turntable	
11	2940188	2	Latch, Spring Clip	
12	3311005	4	Nut #10	
14	3311405	5	Nut 1/4	
15	3311501	1	Nut 5/16	
16	3311505	4	Nut 5/16	
17	3311605	8	Nut 3/8	
18	3311805	8	Nut 1/2	
19	3321501	6	Nut 5/16	
20	3960418	7 ft/2.1m	Seal	
22	4160143	2	Spring, Gas	
23	4711400	10	Washer 1/4	
24	4711600	4	Washer 3/8	
25	4740076	2	Washer, Fender	
26	4740171	8	Washer 1/2 Hardened	
27	4751000	4	Washer #10	
28	4751400	6	Washer 1/4	
29	4751500	8	Washer 5/16	
30	4751600	12	Washer 3/8	
31	1001152557	1	Mount - Tank Side	
32	1001235948	1	Mount - Engine Side	
35	1001137853	1	Spacer, Hood (Engine Side)	
36	1001137854	1	Spacer, Hood (Tank Side)	
37	1001137875	1	Bracket, Latch - Engine Side	
38	1001137876	1	Bracket, Latch - Tank Side	
39	1001137878	1	Rubber, Baffle	
40	1001137879	1	Bracket, Baffle	
41	1001137886	2	Bracket, Bumper	
42	0641408	1	Bolt 1/4 x 1	
43	4891600	8	Washer 3/8 Hardened	
100	1001294703	Ref	HOOD KIT (Includes Items 101 & 201)	A
101	1001160189	Ref	HOOD - ENGINE SIDE (Includes items 102-121)	G
102	3311605	3	Nut 3/8	
103	0641610	3	Bolt 3/8 x 1-1/4	
105	4751600	6	Washer 3/8	
106	1001137860	1	Outlet, Exhaust	
107	4751000	2	Washer #10	
108	0641606	4	Bolt 3/8 x 3/4	
109	1001188467	2	Hinge	

SECTION 2 - TURNTABLE

ITEM	PART NUMBER	QTY	DESCRIPTION	REV
110	2940088	1	Latch	
111	3311005	2	Nut #10	
112	3911016	2	Screw #10 x 1	
113	3960462	5 ft /1.52m	Seal	
114	1001164281	2.5 ft /0.76m	Seal	
117	1001165741	1	Insulation	
119	1001160963	1	Insulation	
120	1001160964	1	Insulation	
121	4891600	4	Washer 3/8 Hardened	
201	1001160190	Ref	HOOD TANK SIDE (Includes items 202-211)	G
202	1001188467	2	Hinge	
203	3960462	5 ft /1.52m	Seal	
204	4891600	4	Washer 3/8 Hardened	
205	0641606	4	Bolt 3/8 x 3/4	
206	2940088	1	Latch	
207	3911016	2	Screw #10 x 1	
208	4751000	2	Washer #10	
209	3311005	2	Nut #10	
210	1001166394	4.5 ft /1.4m	Seal	
211	1001164281	2.6 ft /0.8m	Seal	

SECTION 2 - TURNTABLE

FIGURE 2-43. NOISE REDUCTION INSTALLATION - DEUTZ D2011 & DEUTZ TD2.9L4 ENGINES



ART_1001152325

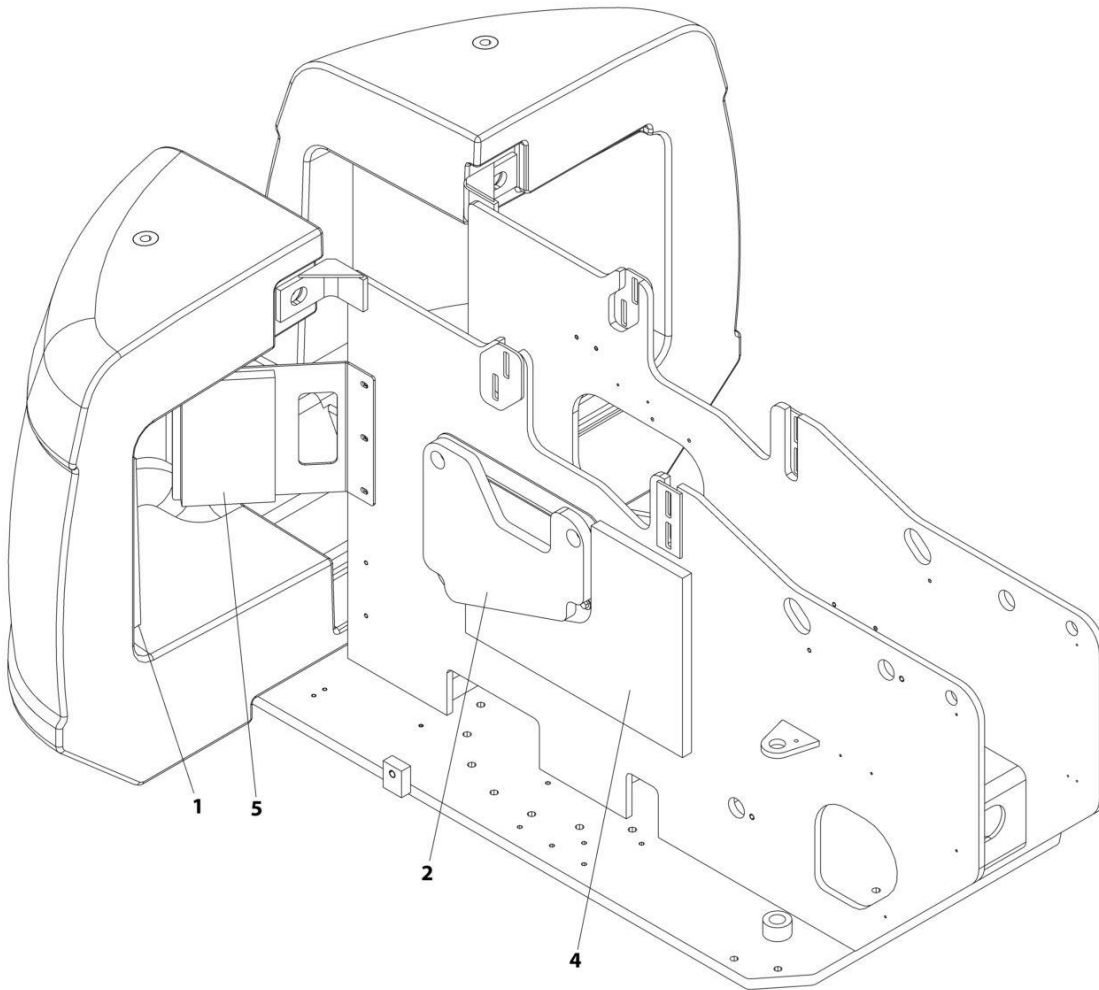
SECTION 2 - TURNTABLE

FIGURE 2-43. NOISE REDUCTION INSTALLATION - DEUTZ D2011 & DEUTZ TD2.9L4 ENGINES

ITEM	PART NUMBER	QTY	DESCRIPTION	REV
	1001152325	Ref	NOISE REDUCTION INSTALLATION	A
1	0100011	AR	Compound, Locking	
2	0641606	5	Bolt 3/8 x 3/4	
3	2820078	1	Foam, Acoustical	
4	2820082	1	Foam, Acoustical	
5	2820083	1	Foam, Acoustical	
6	3539988	1	Plate, Baffle	
7	4751600	5	Washer 3/8	

SECTION 2 - TURNTABLE

FIGURE 2-44. NOISE REDUCTION INSTALLATION - DEUTZ TD2.2L3 ENGINES



ART_1001255777

SECTION 2 - TURNTABLE

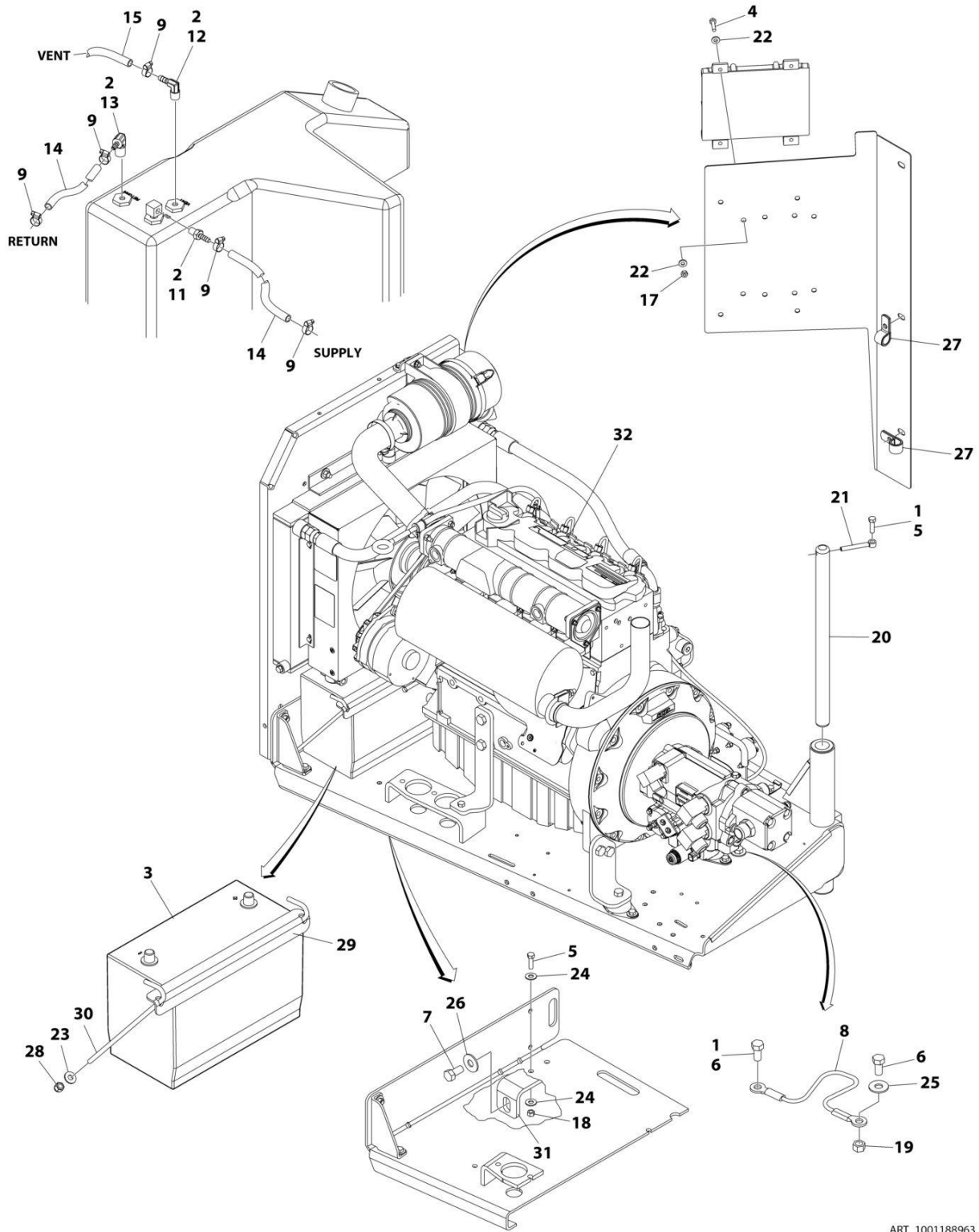
FIGURE 2-44. NOISE REDUCTION INSTALLATION - DEUTZ TD2.2L3 ENGINES

ITEM	PART NUMBER	QTY	DESCRIPTION	REV
	1001255777	Ref	NOISE REDUCTION INSTALLATION	C
1	2820082	1	Foam, Acoustical	
2	1001254499	1	Insulate, Foam	
4	1001254738	1	Insulate, Foam	
5	1001254769	1	Insulate, Foam	

SECTION 3 - ENGINE

SECTION 3 - ENGINE

FIGURE 3-1. DEUTZ D2011 ENGINE INSTALLATION – WITHOUT ARCTIC PACKAGE



ART_1001188963

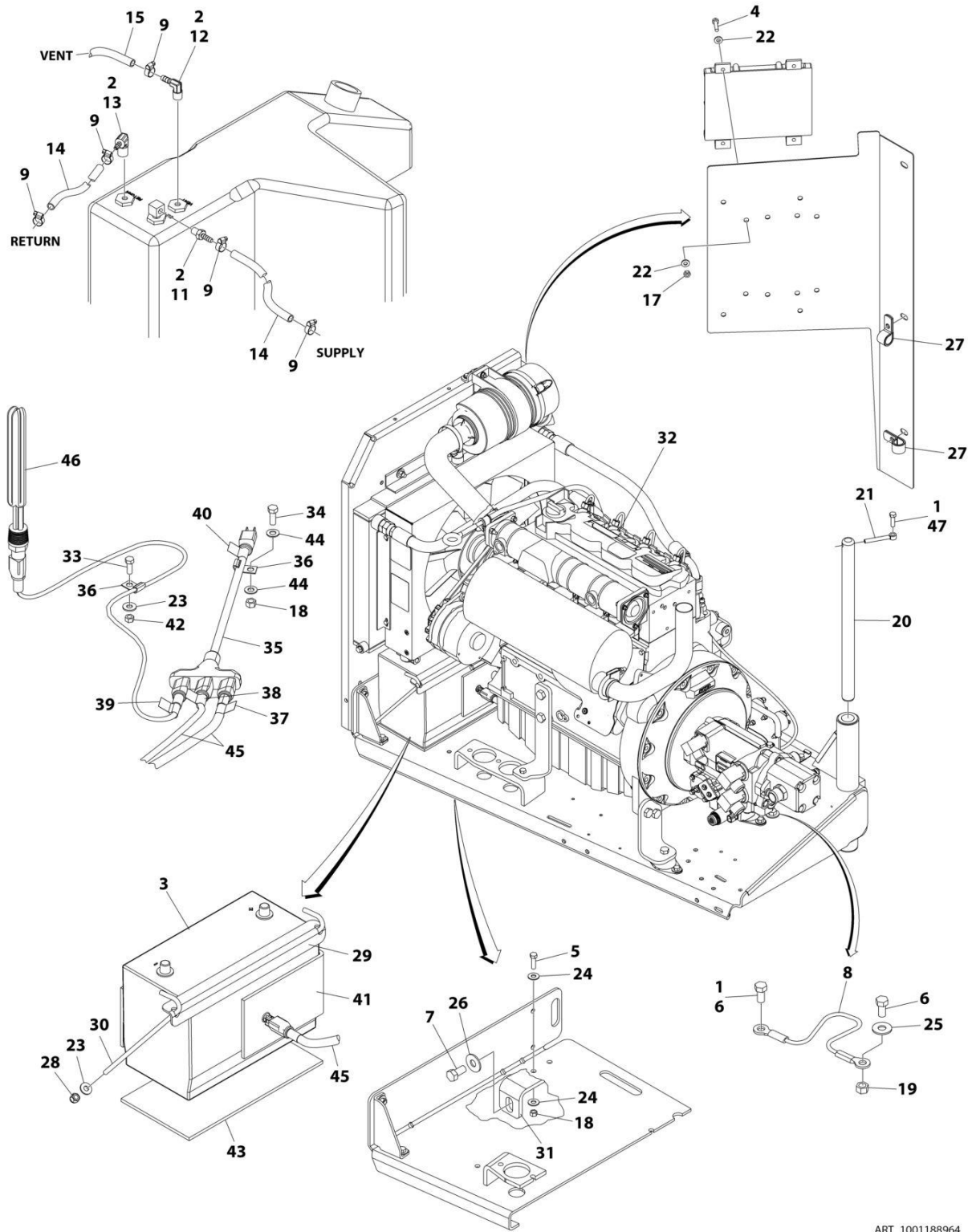
SECTION 3 - ENGINE

FIGURE 3-1. DEUTZ D2011 ENGINE INSTALLATION – WITHOUT ARCTIC PACKAGE

ITEM	PART NUMBER	QTY	DESCRIPTION	REV
	1001188963	Ref	DEUTZ D2011 ENGINE INSTALLATION	B
1	0100011	AR	Compound, Locking	
2	0100020	AR	Sealant, Pipe	
3	0400075	1	Battery	
4	0641409	4	Bolt 1/4 x 1-1/8	
5	0641610	3	Bolt 3/8 x 1-1/4	
6	0641808	2	Bolt 1/2 x 1	
7	0642010	1	Bolt 5/8 x 1-1/4	
8	1060637	1	Cable, Lanyard	
9	1320022	5	Clamp, Hose	
10	1701505	1	Decal - Diesel (Not Shown - Located on Hood)	
11	2180348	1	Fitting, Straight Barbed	
12	2220313	1	Fitting, 90	
13	2221176	1	Fitting, Straight Barbed	
14	2720058	24 ft /7.3m	Hose	
15	2750532	6 ft /1.8m	Hose	
16	1001241578	1	Battery Cable Kit (No Info at Time of Printing)	A
17	3311405	4	Nut 1/4	
18	3311605	2	Nut 3/8	
19	3311805	1	Nut 1/2	
20	3422448	1	Pin, Pivot	
21	3841143	1	Pin, Keeper	
22	4711400	8	Washer 1/4	
23	4751500	2	Washer 5/16	
24	4751600	4	Washer 3/8	
25	4751800	1	Washer 1/2	
26	4752000	1	Washer 5/8	
27	85941017	2	Clamp	
28	88521205	2	Nut 5/16	
29	91401281	1	Hold-down, Battery	
30	1001093382	2	J-Bolt	
31	1001151070	1	Angle	
32	1001188954	1	Engine Assembly with Pumps (See Separate Breakdown in this Section)	

SECTION 3 - ENGINE

FIGURE 3-2. DEUTZ D2011 ENGINE INSTALLATION – WITH ARCTIC PACKAGE



ART_1001188964

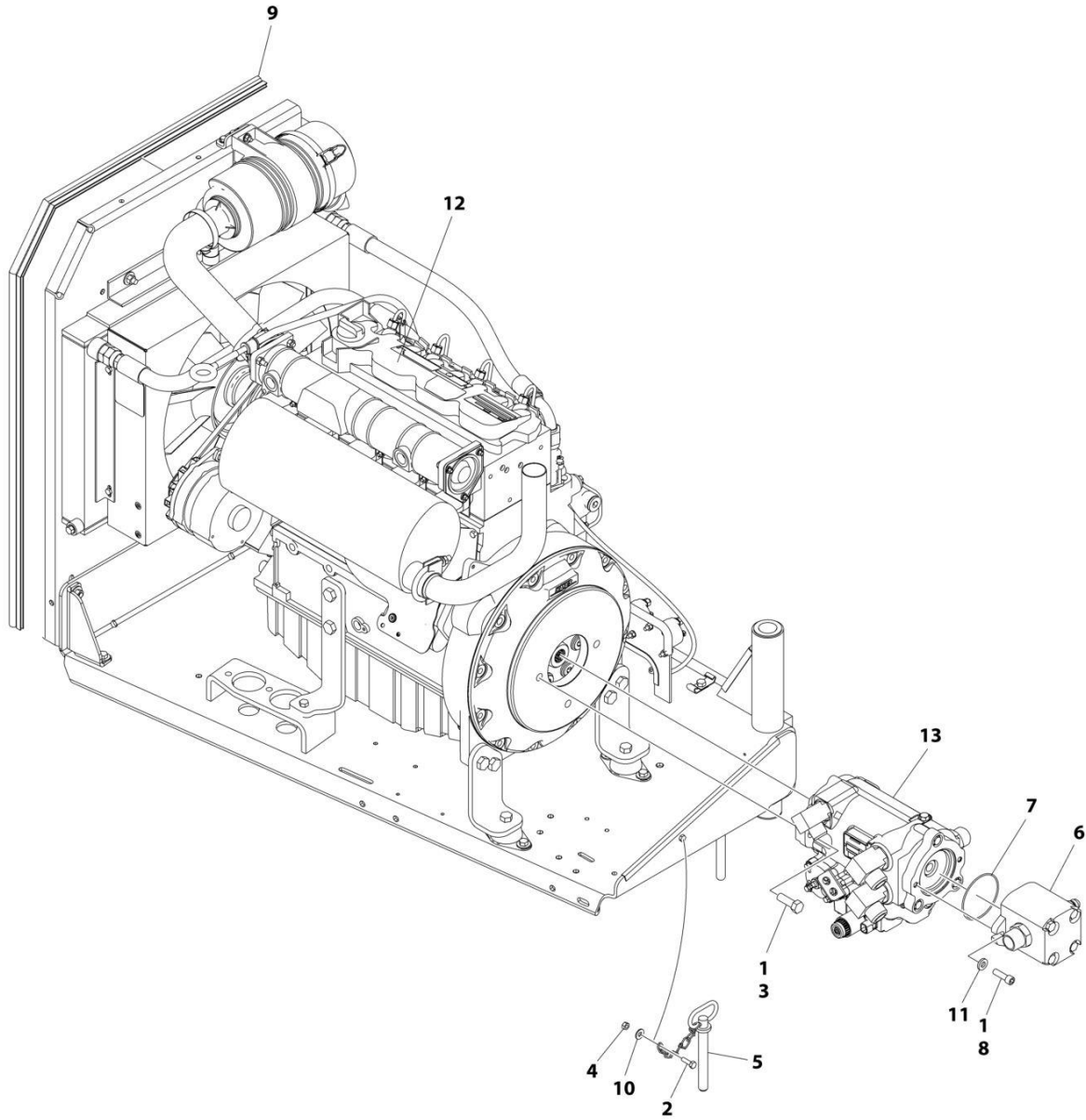
SECTION 3 - ENGINE

FIGURE 3-2. DEUTZ D2011 ENGINE INSTALLATION – WITH ARCTIC PACKAGE

ITEM	PART NUMBER	QTY	DESCRIPTION	REV
	1001188964	Ref	DEUTZ D2011 ENGINE INSTALLATION	D
1	0100011	AR	Compound, Locking	
2	0100020	AR	Sealant, Pipe	
3	0400075	1	Battery	
4	0641409	4	Bolt 1/4 x 1-1/8	
5	0641610	2	Bolt 3/8 x 1-1/4	
6	0641808	2	Bolt 1/2 x 1	
7	0642010	1	Bolt 5/8 x 1-1/4	
8	1060637	1	Cable, Lanyard	
9	1320022	5	Clamp, Hose	
10	1701505	1	Decal - Diesel (Not Shown - Located on Hood)	
11	2180348	1	Fitting, Straight Barbed	
12	2220313	1	Fitting, 90	
13	2221176	1	Fitting, Straight Barbed	
14	2720058	24 ft /7.3m	Hose	
15	2750532	6 ft /1.8m	Hose	
16	1001241578	1	Battery Cable Kit (No Info at Time of Printing)	
17	3311405	4	Nut 1/4	
18	3311605	3	Nut 3/8	
19	3311805	1	Nut 1/2	
20	3422448	1	Pin, Pivot	
21	3841143	1	Pin, Keeper	
22	4711400	8	Washer 1/4	
23	4751500	3	Washer 5/16	
24	4751600	4	Washer 3/8	
25	4751800	1	Washer 1/2	
26	4752000	1	Washer 5/8	
27	85941017	2	Clamp	
28	88521205	2	Nut 5/16	
29	91401281	1	Hold-down, Battery	
30	1001093382	2	J-Bolt	
31	1001151070	1	Angle	
32	1001188955	1	Engine Assembly with Pumps (See Separate Breakdown in this Section)	
33	0641507	1	Bolt 5/16 x 7/8	
34	0641608	1	Bolt 3/8 x 1	
35	1060626	1	Cord, 3-Way Extension	
36	1320223	2	Clamp	
37	1702941	1	Decal - Battery Heater	
38	1702942	1	Decal - Engine Block Heater	
39	1702943	1	Decal - Hydraulic Tank Heater	
40	1702944	1	Decal - Heater Cord	
41	2580024	1	Heater, Battery	
42	3311505	1	Nut 5/16	
43	3980007	1	Seat, Battery	
44	4711600	2	Washer 3/8	
45	1001150918	2	Cable, Immersion Heater	
46	1001188972	1	Heater, Hydraulic Tank	

SECTION 3 - ENGINE

FIGURE 3-3. DEUTZ D2011 ENGINE/PUMP SUB-ASSEMBLY – WITHOUT ARCTIC PACKAGE



ART_1001188954

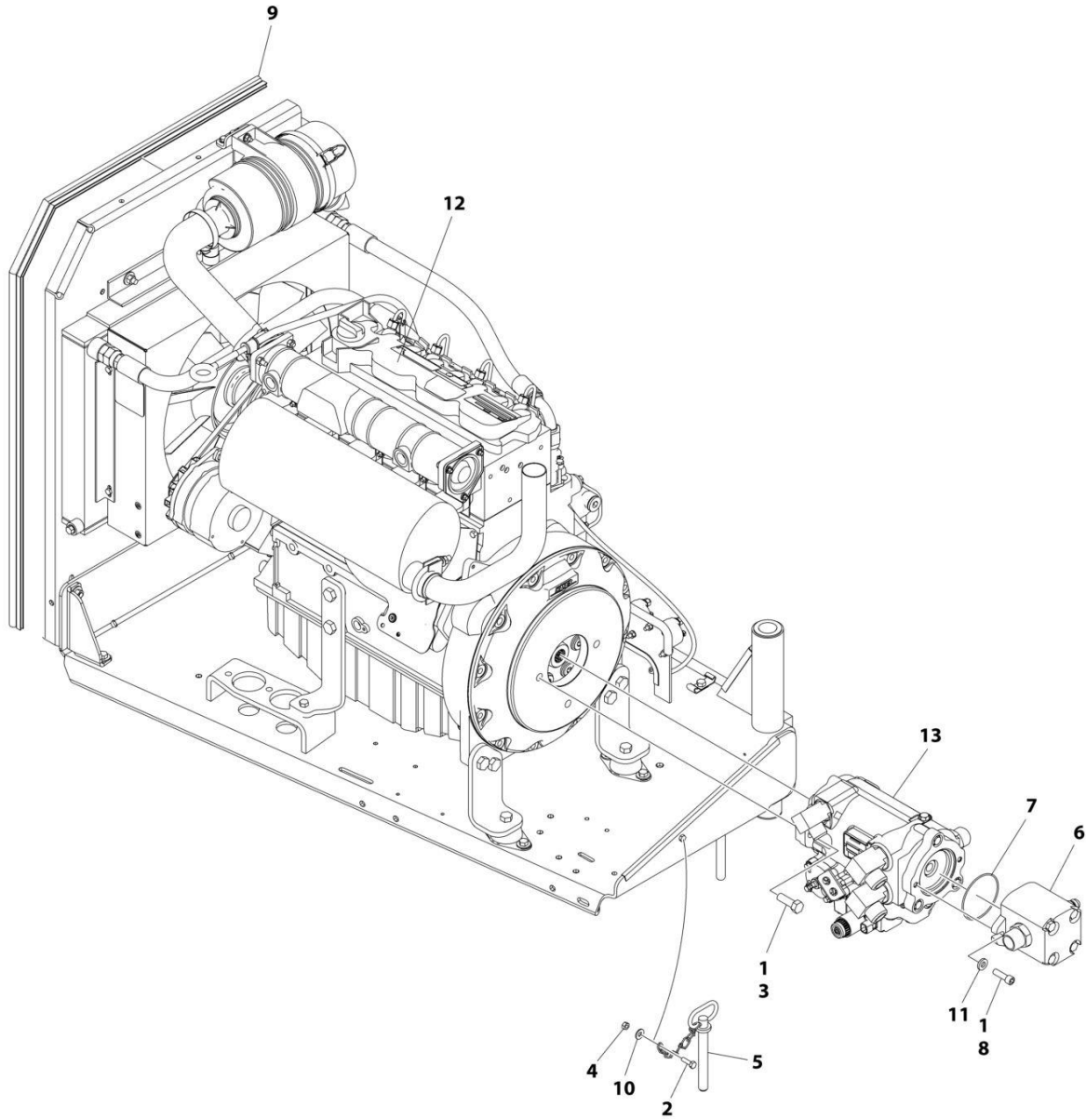
SECTION 3 - ENGINE

FIGURE 3-3. DEUTZ D2011 ENGINE/PUMP SUB-ASSEMBLY – WITHOUT ARCTIC PACKAGE

ITEM	PART NUMBER	QTY	DESCRIPTION	REV
	1001188954	Ref	DEUTZ D2011 ENGINE/PUMP SUB-ASSEMBLY	B
1	0100011	AR	Compound, Locking	
2	0641407	1	Bolt 1/4 x 7/8	
3	0641812	2	Bolt 1/2 x 1-1/2	
4	3311405	1	Nut 1/4	
5	3422533	1	Pin, Hitch	
6	3600395	1	Gear Pump Assembly with Fittings (See Separate Breakdown in this section)	
7	3790152	1	O-Ring	
8	3931620	2	Capscrew 3/8 x 1-1/4	
9	3960389	5 ft /1.5m	Seal	
10	4751400	1	Washer 1/4	
11	4891600	2	Washer 3/8 Hardened	
12	1001150158	1	Engine Assembly (See Separate Breakdown in this Section)	
13	1001188952	1	Piston Pump Assembly with Fittings (See Separate Breakdown in this section)	

SECTION 3 - ENGINE

FIGURE 3-4. DEUTZ D2011 ENGINE/PUMP SUB-ASSEMBLY – WITH ARCTIC PACKAGE



ART_1001188955

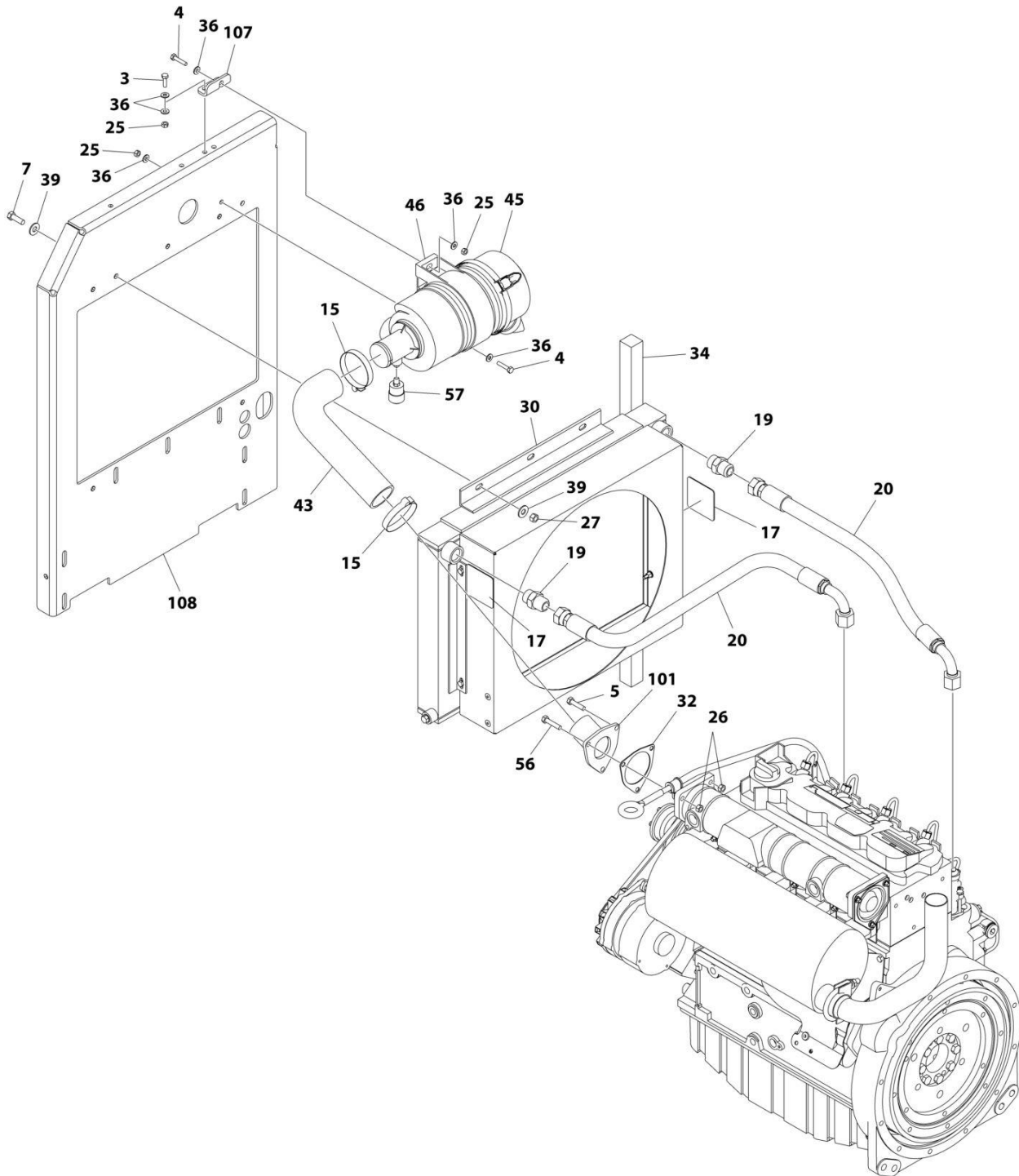
SECTION 3 - ENGINE

FIGURE 3-4. DEUTZ D2011 ENGINE/PUMP SUB-ASSEMBLY – WITH ARCTIC PACKAGE

ITEM	PART NUMBER	QTY	DESCRIPTION	REV
	1001188955	Ref	DEUTZ D2011 ENGINE/PUMP SUB-ASSEMBLY	A
1	0100011	AR	Compound, Locking	
2	0641407	1	Bolt 1/4 x 7/8	
3	0641812	2	Bolt 1/2 x 1-1/2	
4	3311405	1	Nut 1/4	
5	3422533	1	Pin, Hitch	
6	3600395	1	Gear Pump Assembly with Fittings (See Separate Breakdown in this section)	
7	3790152	1	O-Ring	
8	3931620	2	Capscrew 3/8 x 1-1/4	
9	3960389	5 ft /1.5m	Seal	
10	4751400	1	Washer 1/4	
11	4891600	2	Washer 3/8 Hardened	
12	1001150179	1	Engine Assembly (See Separate Breakdown in this Section)	
13	1001188952	1	Piston Pump Assembly with Fittings (See Separate Breakdown in this section)	

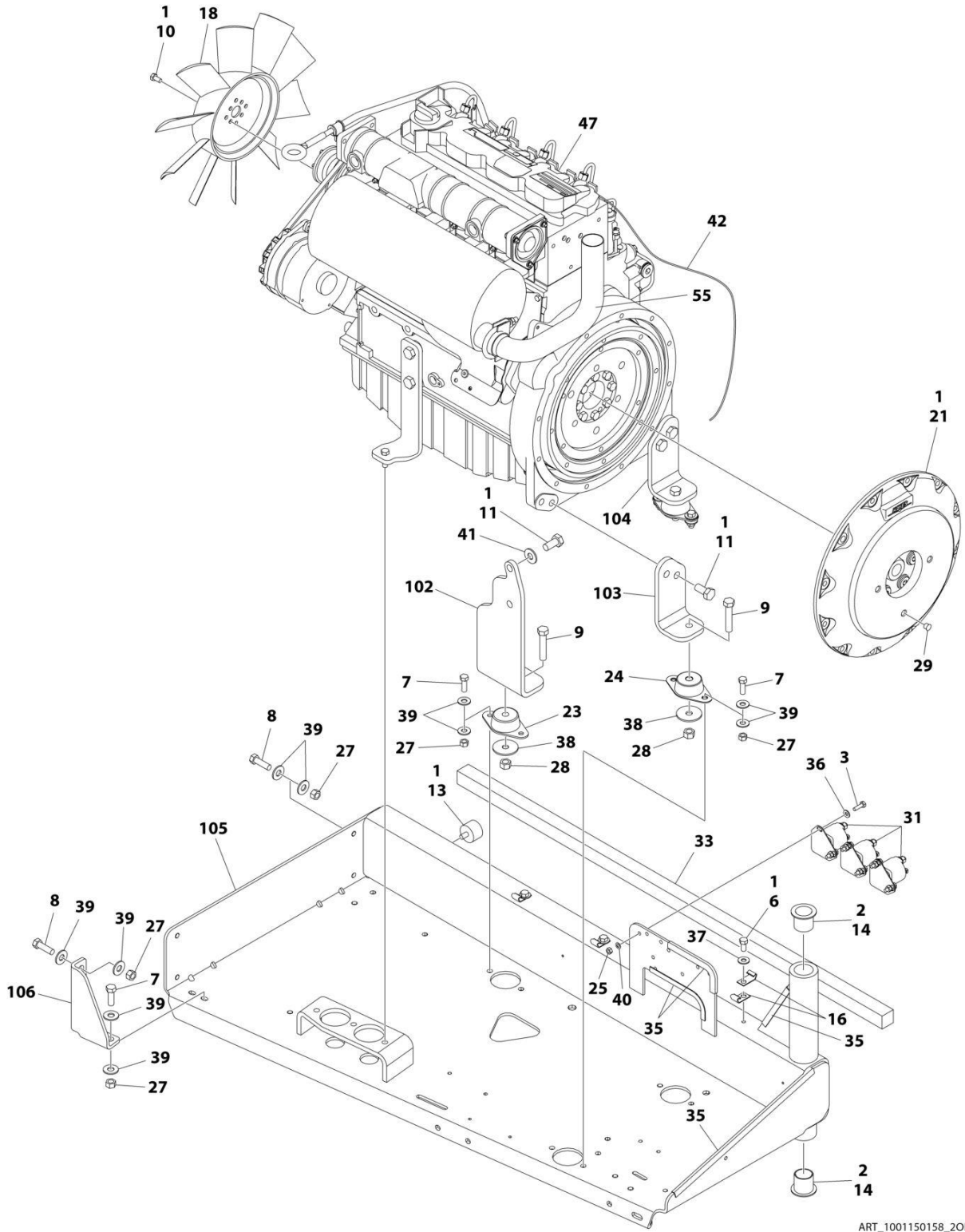
SECTION 3 - ENGINE

FIGURE 3-5. DEUTZ D2011 ENGINE ASSEMBLY – WITHOUT ARCTIC PACKAGE



ART_1001150158_10F2

SECTION 3 - ENGINE



ART_1001150158_20F2

SECTION 3 - ENGINE

FIGURE 3-5. DEUTZ D2011 ENGINE ASSEMBLY – WITHOUT ARCTIC PACKAGE

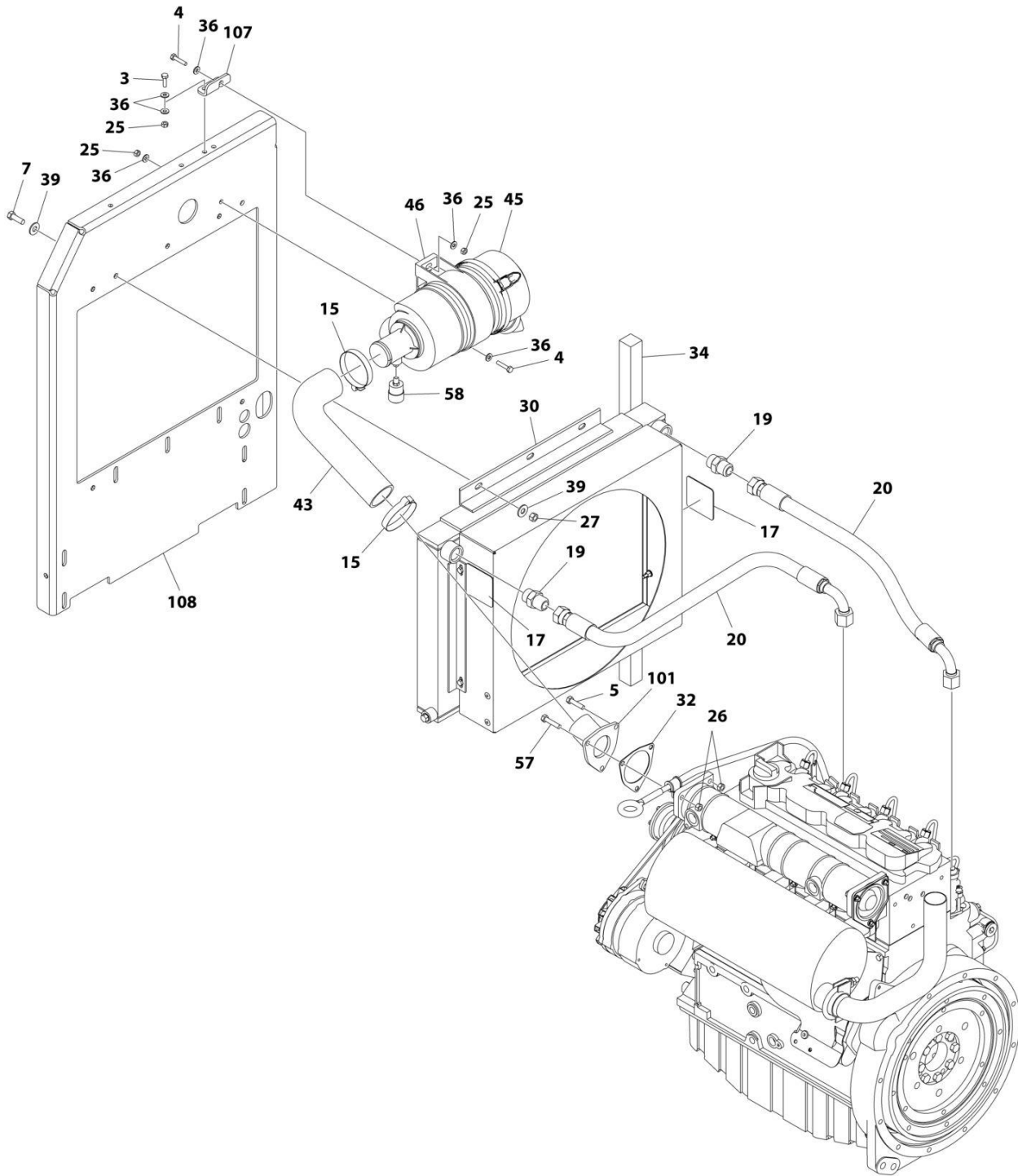
ITEM	PART NUMBER	QTY	DESCRIPTION	REV
	1001150158	Ref	DEUTZ D2011 ENGINE ASSEMBLY	M
1	0100011	AR	Compound, Locking	
2	0100062	AR	Compound, Locking	
3	0641407	8	Bolt 1/4 x 7/8	
4	0641410	2	Bolt 1/4 x 1-1/4	
5	0641510	2	Bolt 5/16 x 1- 1/4	
6	0641606	3	Bolt 3/8 x 3/4	
7	0641609	14	Bolt 3/8 x 1-1/8	
8	0641610	4	Bolt 3/8 x 1-1/4	
9	0641820	3	Bolt 1/2 x 2-1/2	
10	0700808	4	Bolt M8 x 16mm	
11	0771414	6	Bolt M14 x 30	
13	0940070	1	Bumper	
14	0961986	2	Bushing, Flanged	
15	1320016	2	Clamp	
16	1320223	4	J-Clip	
17	1703162	2	Decal - Caution Fan Blade	
18	2060025	1	Fan	
19	2220451	2	Fitting, Straight	
20	2720398	2	Hose, Oil Cooler	
21	2902065	1	Kit, Pump Coupling (See Separate Breakdown in this Section)	
23	3200401	1	Mount, Motor (Front)	
24	3200406	2	Mount, Motor (Rear)	
25	3311405	10	Nut 1/4	
26	3311505	3	Nut 5/16	
27	3311605	18	Nut 3/8	
28	3311805	3	Nut 1/2	
29	3520054	2	Plug, Hole	
30	1001150998	1	Radiator	
31	3740067	3	Relay	
32	3960407	1	Gasket, Air Intake	
33	3960468	1	Seal	
34	3960469	1	Seal	
35	4060805	37 in /1m	Flex-Trim	
36	4711400	14	Washer 1/4	
37	4711600	3	Washer 3/8	
38	4740274	3	Washer, Snubbing	
39	4751600	36	Washer 3/8	
40	4791400	6	Starwasher 1/4	
41	4812200	2	Washer M14	
42	4923379	1	Harness, Glow Plug	
43	1001130041	1	Elbow	
45	1001141693	1	Air Cleaner Assembly	
45	70003783	1	Element, Filter	
46	1001141694	1	Clamp, Air Filter	
47	1001146368	Ref	Deutz D2011 Engine Components (See Separate Breakdown in this Section)	
55	1001151251	1	Pipe, Exhaust	
56	0641512	1	Bolt 5/16 x 1-1/2	
57	1001143390	1	Indicator, Air Filter Service	

SECTION 3 - ENGINE

ITEM	PART NUMBER	QTY	DESCRIPTION	REV
100	1001265493	1	Kit – Engine Parts	A
101	1001139819	1	Adapter, Air Intake	
102	1001149704	1	Support, Engine (Front)	
103	1001149705	1	Support, Engine (Rear)	
104	1001149706	1	Support, Engine (Rear)	
105	1001149793	1	Tray	
106	1001150915	1	Support	
107	1001151078	1	Angle	
108	1001151206	1	Plate, Radiator Mounting	

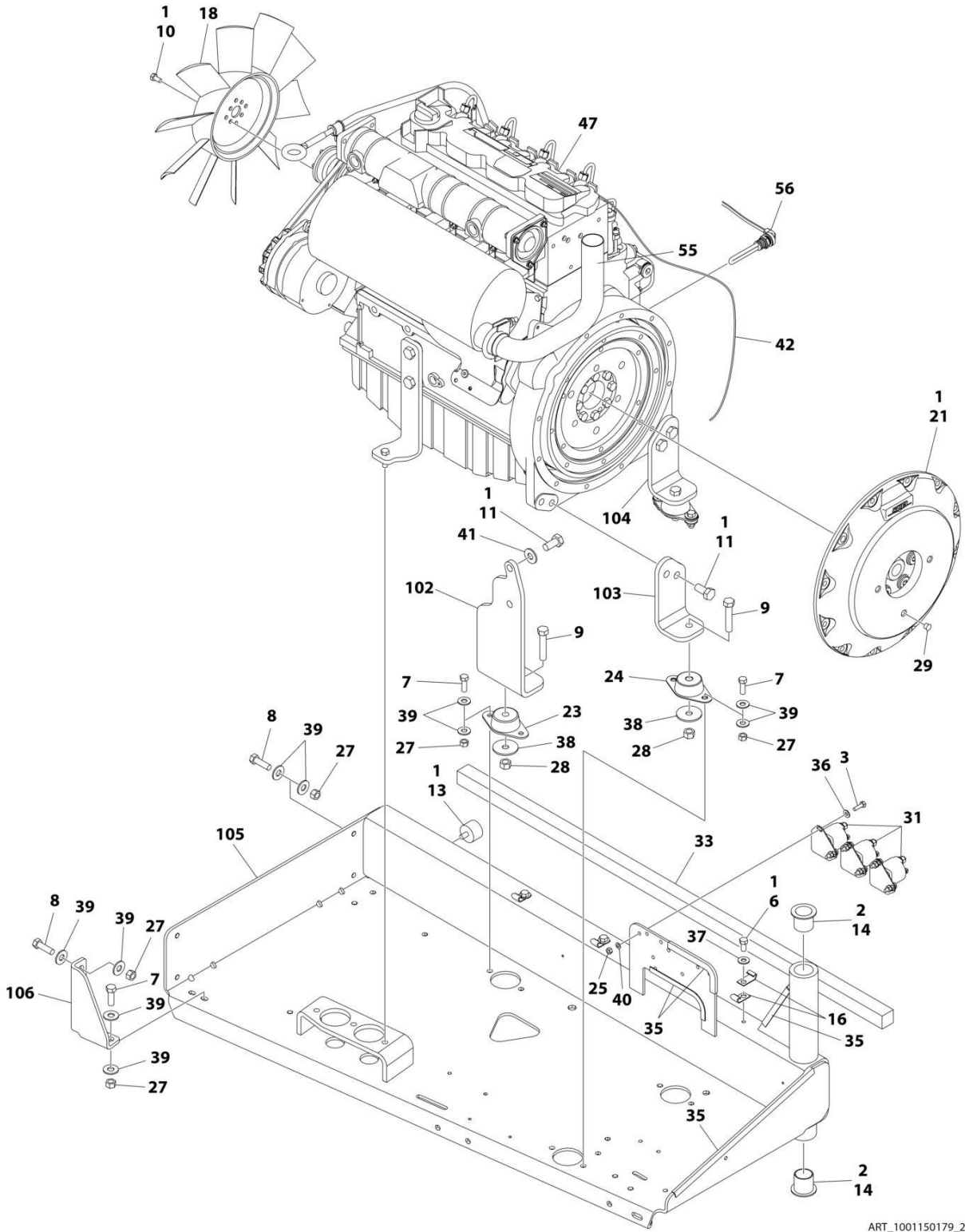
SECTION 3 - ENGINE

FIGURE 3-6. DEUTZ D2011 ENGINE ASSEMBLY – WITH ARCTIC PACKAGE



ART_1001150179_10F2

SECTION 3 - ENGINE



ART_1001150179_20F2

SECTION 3 - ENGINE

FIGURE 3-6. DEUTZ D2011 ENGINE ASSEMBLY – WITH ARCTIC PACKAGE

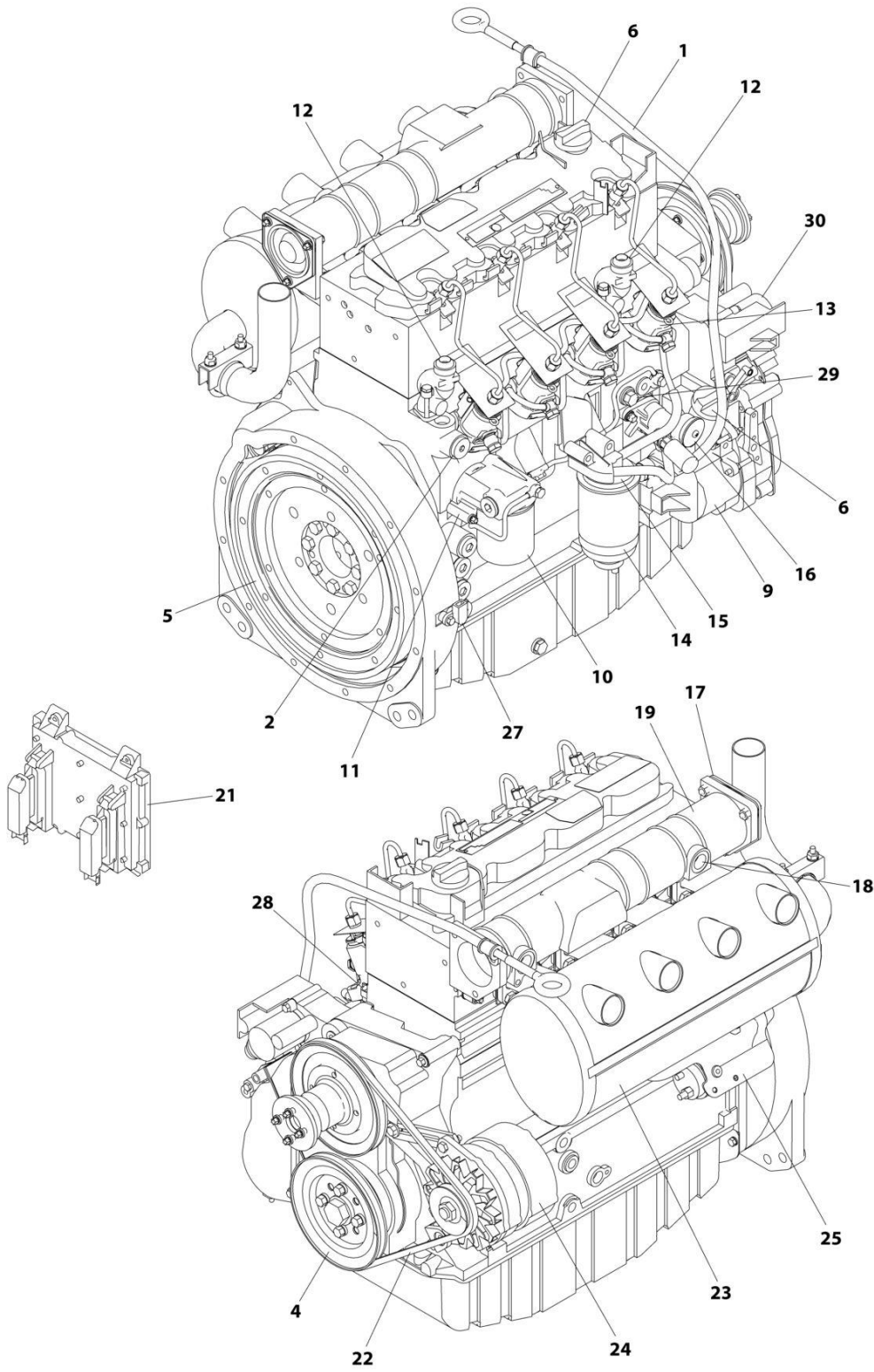
ITEM	PART NUMBER	QTY	DESCRIPTION	REV
	1001150179	Ref	DEUTZ D2011 ENGINE ASSEMBLY	K
1	0100011	AR	Compound, Locking	
2	0100062	AR	Compound, Locking	
3	0641407	8	Bolt 1/4 x 7/8	
4	0641410	2	Bolt 1/4 x 1-1/4	
5	0641510	2	Bolt 5/16 x 1-1/4	
6	0641606	3	Bolt 3/8 x 3/4	
7	0641609	14	Bolt 3/8 x 1-1/8	
8	0641610	4	Bolt 3/8 x 1-1/4	
9	0641820	3	Bolt 1/2 x 2-1/2	
10	0700808	4	Bolt M8 x 16mm	
11	0771414	6	Bolt M14 x 30	
13	0940070	1	Bumper	
14	0961986	2	Bushing, Flanged	
15	1320016	2	Clamp	
16	1320223	4	J-Clip	
17	1703162	2	Decal - Caution Fan Blade	
18	2060025	1	Fan	
19	2220451	2	Fitting, Straight	
20	2720398	2	Hose, Oil Cooler	
21	2902065	1	Kit, Pump Coupling (See Separate Breakdown in this Section)	
23	3200401	1	Mount, Motor (Front)	
24	3200406	2	Mount, Motor (Rear)	
25	3311405	10	Nut 1/4	
26	3311505	3	Nut 5/16	
27	3311605	18	Nut 3/8	
28	3311805	3	Nut 1/2	
29	3520054	2	Plug, Hole	
30	1001150998	1	Radiator	
31	3740067	3	Relay	
32	3960407	1	Gasket, Air Intake	
33	3960468	1	Seal	
34	3960469	1	Seal	
35	4060805	37 in /1m	Flex-Trim	
36	4711400	14	Washer 1/4	
37	4711600	3	Washer 3/8	
38	4740274	3	Washer, Snubbing	
39	4751600	36	Washer 3/8	
40	4791400	6	Starwasher 1/4	
41	4812200	2	Washer M14	
42	4923379	1	Harness, Glow Plug	
43	1001130041	1	Elbow	
45	1001141693	1	Air Cleaner Assembly	
45	70003783	1	Element, Filter	
46	1001141694	1	Clamp, Air Filter	
47	1001146368	Ref	Deutz D2011 Engine Components (See Separate Breakdown in this Section)	
55	1001151251	1	Pipe, Exhaust	
56	2580062	1	Heater, Engine Block	
57	0641512	1	Bolt 5/16 x 1-1/2	

SECTION 3 - ENGINE

ITEM	PART NUMBER	QTY	DESCRIPTION	REV
58	1001143390	1	Indicator, Air Filter Service	
100	1001265493	1	Mounting Kit (Not Shown)	
101	1001139819	1	Adapter, Air Intake	
102	1001149704	1	Support, Engine (Front)	
103	1001149705	1	Support, Engine (Rear)	
104	1001149706	1	Support, Engine (Rear)	
105	1001149793	1	Tray	
106	1001150915	1	Support	
107	1001151078	1	Angle	
108	1001151206	1	Plate, Radiator Mounting	

SECTION 3 - ENGINE

FIGURE 3-7. DEUTZ D2011 ENGINE COMPONENTS



ART_1001146368

SECTION 3 - ENGINE

FIGURE 3-7. DEUTZ D2011 ENGINE COMPONENTS

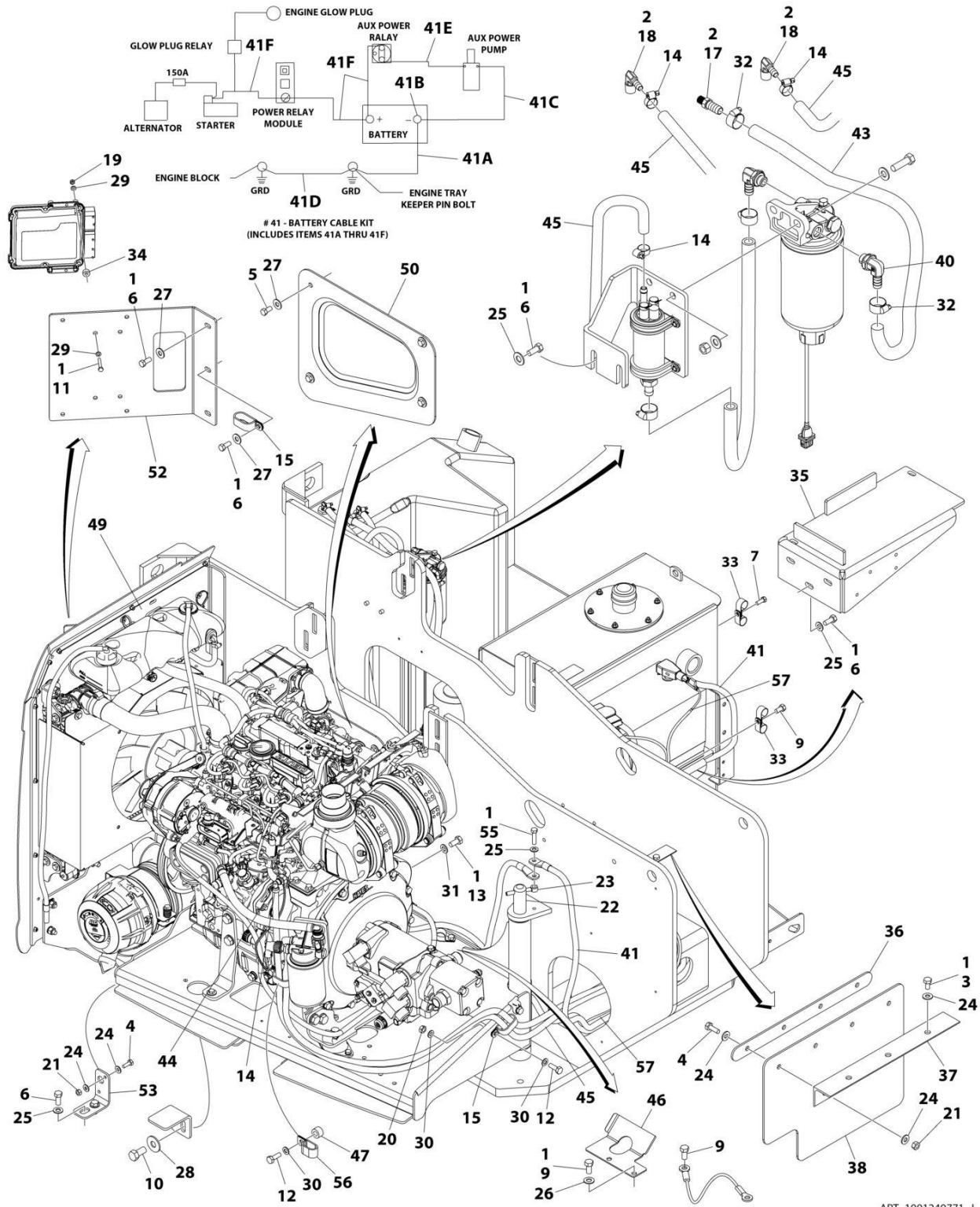
ITEM	PART NUMBER	QTY	DESCRIPTION	REV
	1001146368	Ref	DEUTZ D2011 ENGINE COMPONENTS	E
1	7026631	1	Dipstick	
1	7020487	1	O-Ring, Dipstick	
1	70001002	1	Tube, Dipstick	
1	7020403	1	Seal, Dipstick Tube	
2	70003475	1	Thermostat	
2	7020460	1	Spring, Compression	
3	70002718	1	Seal, Rear Main (Not Shown)	
4	70005479	1	Pulley	
5	70001870	1	Flywheel	
5	7024579	1	Ring Gear	
6	7020465	2	Cap, Filler	
7	70003456	1	Gasket, Head (Not Shown)	
7	70003457	1	Gasket, Head (Not Shown)	
7	70003003	1	Gasket, Head (Not Shown)	
8	7020431	1	Gasket, Valve Cover (Not Shown)	
9	70001850	1	Pump, Oil Lube	
9	7020468	1	Seal Between Oil Pump and Engine Block (Not Shown)	
10	7016331	1	Filter, Oil	
11	70003472	1	Bracket, Oil Filter (Includes Spring, Control Valve, Temperature Sensor, Seal and Plug)	
11	7027236	1	Sensor, Temperature	
11	70003473	1	Gasket, Oil Filter Bracket to Engine Block	
12	70004268	2	Fitting, Radiator Connector (Located Between Item 220 and Engine Block)	
12	70004269	2	Seal for Radiator Connector Fitting	
13	70003478	4	Injector, Fuel	
13	70003136	4	Seal	
13		Ref	Pump, Injector Options:	
13	70000912	1	Series A Injector	
13	70000913	4	Series B Injector	
13	70000914	1	Series C Injector	
13	70000915	1	Series D Injector	
14	7016328	1	Filter, Fuel	
15	70001423	1	Bracket, Fuel Filter	
16	70000916	1	Pump Fuel Supply	
16	70001435	1	Repair Kit for Pump	
16	70000919	1	Hand Pump	
16	70000918	1	Seal, Hand Pump	
16	70000917	1	O-Seal Between Fuel Pump and Engine Block (Not Shown)	
17	70003469	1	Flange	
17	70003468	1	O-Seal	
18	70025084	1	Plug	
19	70003470	1	Manifold, Intake	
19	70001871	4	Gasket, Intake Manifold to Engine Block (Not Shown)	
20	70001847	1	Breather Valve (Not Shown - Located on Front Cover)	
20	70001126	1	Seal, Breather Valve	
21	7027795	1	Module, Control	
22	7020408	1	V-Belt	
23	7000695	1	Muffler (Includes Saddle Clamp)	

SECTION 3 - ENGINE

ITEM	PART NUMBER	QTY	DESCRIPTION	REV
23	7020471	4	Gasket, Exhaust Manifold (Not Shown)	
23	70004270	8	Stud, Exhaust Manifold (Not Shown)	
24	70004056	1	Alternator	
24	70001868	1	Regulator, Voltage Options (Not Shown)	
24	70001866	1	Gasket for Voltage Regulator (Not Shown)	
24	70002234	1	Bracket, Adjusting (Not Shown)	
24	70000851	1	Bracket, Mounting (Not Shown)	
25	7020479	1	Starter	
25	70004058	1	Relay	
25	70001498	1	Shield, Starter Heat	
26	70004059	1	Plug- In Connector for Analyzer (Not Shown)	
26	7027796	1	Harness, Module to Engine Harness (Not Shown)	
26	70004060	1	Plug- In Connector on p/n 7027796 Harness (Not Shown)	
26	70001872	1	Harness, Engine (Not Shown)	
26	70004103	1	Harness, Alternator (Not Shown)	
26	70004271	1	Harness, Starter (Not Shown)	
27	70004272	1	Sensor, Speed	
27	70003932	1	Spacer	
28	7027791	1	Transmitter, Temperature	
29	7027790	1	Sensor, Oil Pressure	
30	7027792	1	Actuator, Throttle	
30	7027276	1	Spring, Actuator	
31	70000345	4	Plug, Glow (Not Shown)	
32	70004273	1	Set, Engine Gasket (Not Shown)	

SECTION 3 - ENGINE

FIGURE 3-8. DEUTZ TD2.2L3 (STAGE V) ENGINE INSTALLATION



ART_1001249771_J

SECTION 3 - ENGINE

FIGURE 3-8. DEUTZ TD2.2L3 (STAGE V) ENGINE INSTALLATION

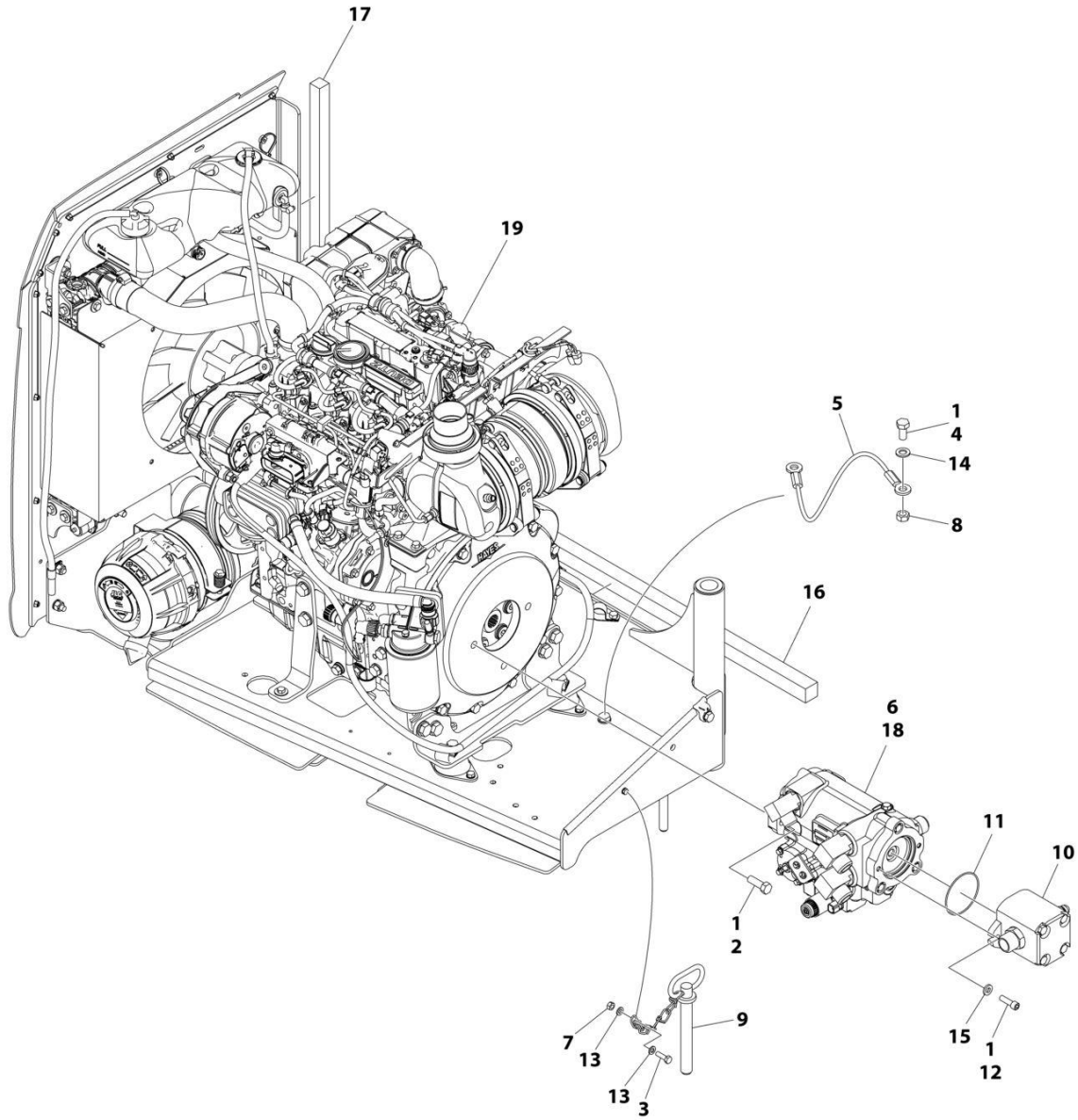
ITEM	PART NUMBER	QTY	DESCRIPTION	REV
	1001249771	Ref	DEUTZ TD2.2L3 (STAGE V) ENGINES INSTALLATION	J
1	0100011	AR	Compound, Locking	
2	0100020	AR	Sealant, Pipe	
3	0641404	3	Bolt 1/4 x 1/2	
4	0641406	5	Bolt 1/4 x 3/4	
5	0641606	4	Bolt 3/8 x 3/4	
6	0641607	12	Bolt 3/8 x 7/8	
7	0641608	1	Bolt 3/8 x 1	
9	0641808	4	Bolt 1/2 x 1	
10	0642010	1	Bolt 5/8 x 1-1/4	
11	0700616	4	Bolt M6 x 40	
12	0761014	2	Bolt M10 x 30	
13	0771212	1	Bolt M12 x 25 Grade 10.9	
14	1320022	5	Clamp	
15	1321716	2	P-Clamp	
16	1701505	1	Decal - Diesel (Not Shown - Located on Hood)	
17	2180832	1	Fitting, Straight Barbed	
18	2220313	2	Fitting, 90 Barbed	
19	3290601	4	Nut M6	
20	3291001	1	Nut M10	
21	3311405	5	Nut 1/4	
22	3422448	1	Pin, Pivot	
23	3841143	1	Pin, Keeper	
24	4711400	13	Washer 1/4	
25	4711600	10	Washer 3/8	
26	4711800	2	Washer 1/2	
27	4751600	7	Washer 3/8	
28	4752000	1	Washer 5/8	
29	4811700	8	Washer M6	
30	4812000	3	Washer M10	
31	4812100	1	Washer M12	
32	8405006	2	Clamp	
33	8406201	6	Clip	
34	1001110425	4	Spacer	
35	1001137868	1	Bracket, Battery	
36	1001137880	1	Bracket, Baffle	
37	1001137881	1	Angle	
38	1001137882	1	Support, Rubber	
39	1001138491	1	Harness, Fuel Pump (Pump requiring Push-on Terminals) (Not Shown - See Separate Breakdown in ELECTRICAL Section)	
40	1001142501	1	Fitting, 90 Barbed	
41	1001145047	1	Battery Cable Kit	
41A	7027072	1	Cable, Battery (Black) (Battery - to Tray Pivot Grd)	
41B	8270147	1	Terminal, Battery (With Boot)	
41B	See Note	1	Boot, Black (Note: Not Available for Purchase)	
41C	7027073	1	Cable, Battery (Black) (Battery - to Aux Pump and Relay Grd)	
41C	See Note	1	Boot, Black (Note: Not Available for Purchase)	
41D	7027074	1	Cable, Battery (Black) (Engine to Tray Pivot Grd)	
41E	7027075	1	Cable (Red) (Aux Relay to Aux Pump)	
41E	70003952	2	Boot, Red	

SECTION 3 - ENGINE

ITEM	PART NUMBER	QTY	DESCRIPTION	REV
41F	7027076	1	Cable (Red) (Battery + to Aux Relay/Power Module/Starter)	
41F	See Note	1	Boot, Red (Battery) (Note: Not Available for Purchase)	
42	1001146588	1	Tie-Strap (Not Shown)	
43	1001154405	3 ft/ 0.9m	Hose	
44	1001155823	1	Fitting, 90 Quick Disconnect	
45	1001165035	23.5 ft/ 7.2m	Hose	
46	1001172793	1	Guide, Hose	
47	1001220266	1	Spacer	
49	1001277602	1	Engine Assembly with Pumps (See Separate Breakdown in this Section)	
50	1001260654	1	Cover	
52	1001137866	1	Plate, Baffle	
53	1001256879	1	Bracket	
54	4240099	AR	Tie-Strap (Not Shown)	
55	0641612	1	Bolt 3/8 x 1-1/2	
56	1001026127	1	Clamp	
57	1001289593	1	ECU Power Jumper Harness (Not Shown - Separate Breakdown in ELECTRICAL Section)	

SECTION 3 - ENGINE

FIGURE 3-9. DEUTZ TD2.2L3 (STAGE V) ENGINE/PUMP SUB-ASSEMBLY



ART_1001277602

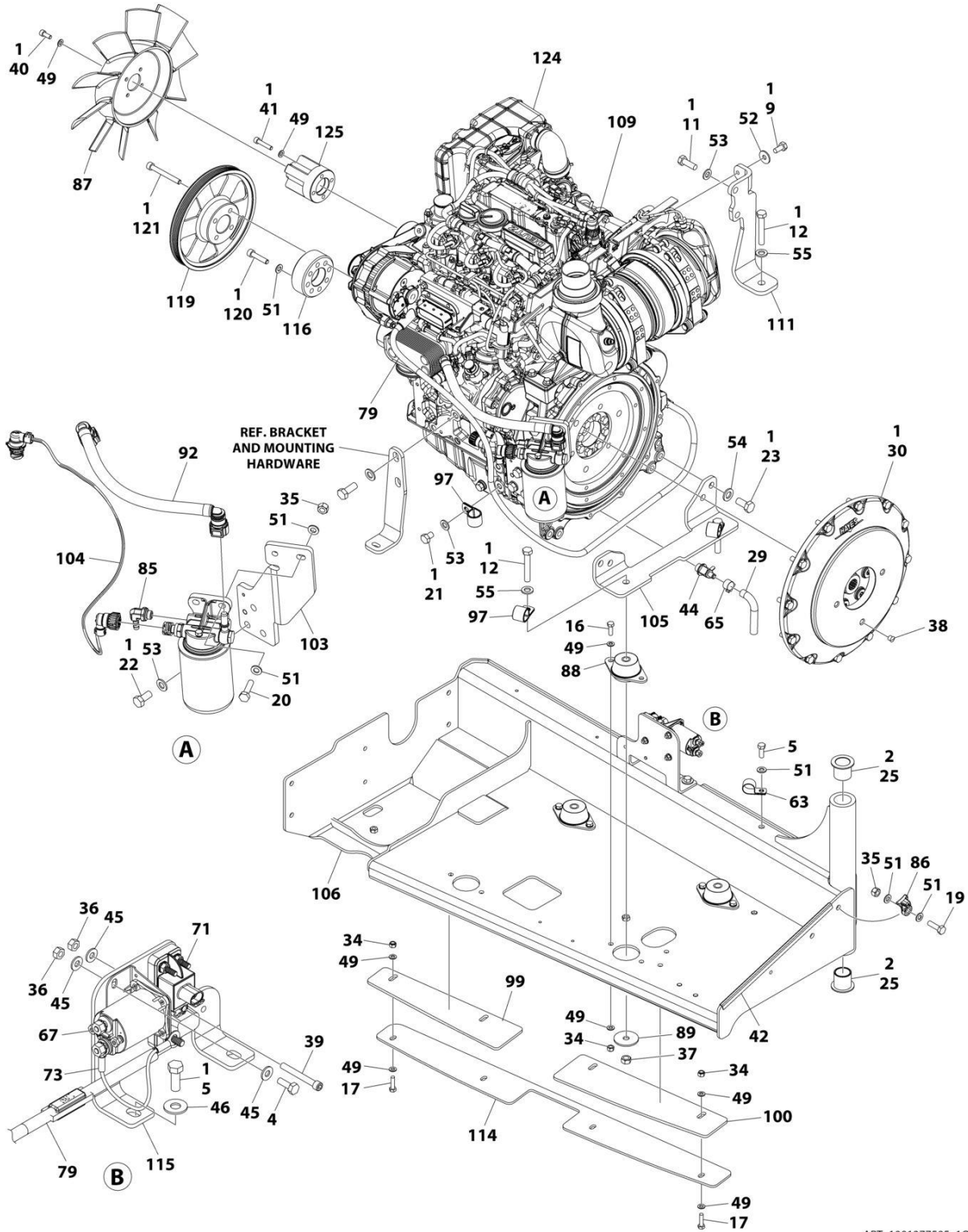
SECTION 3 - ENGINE

FIGURE 3-9. DEUTZ TD2.2L3 (STAGE V) ENGINE/PUMP SUB-ASSEMBLY

ITEM	PART NUMBER	QTY	DESCRIPTION	REV
	1001277602	Ref	DEUTZ TD2.9L4 ENGINE/PUMP SUB-ASSEMBLY	A
1	0100011	AR	Compound, Locking	
2	0641812	2	Bolt 1/2 x 1-1/2	
3	0700610	1	Bolt M6 x 20	
4	0761212	1	Bolt M12 x 25	
5	1060637	1	Lanyard	
6	3020037	AR	Grease, Pump Coupling	
7	3290601	1	Nut M6	
8	3291201	1	Nut M12	
9	3422533	1	Pin, Hitch	
10	3600395	1	Gear Pump Assembly with Fittings (See Separate Breakdown in this Section)	
11	3790152	1	O-Ring	
12	3931620	2	Bolt 3/8 x 1-1/4	
13	4811700	2	Washer M6	
14	4812100	1	Washer M12	
15	4891600	2	Washer 3/8 Hardened	
16	1001137873	1	Seal	
17	1001137874	1	Seal	
18	1001188952	1	Pump Assembly with Fittings (See Separate Breakdown in this Section)	
19	1001277595	1	Engine Assembly (See Separate Breakdown in this Section)	

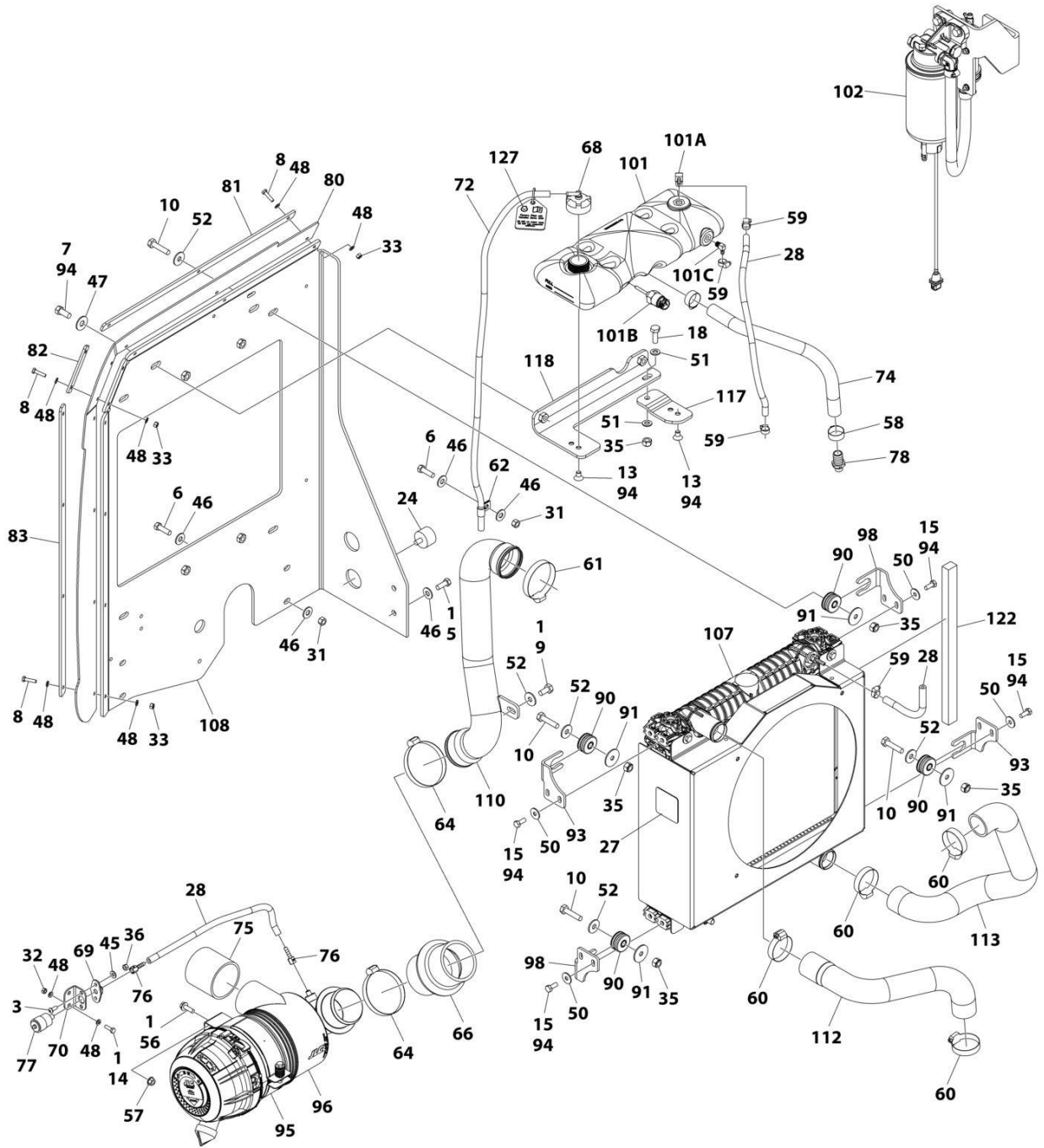
SECTION 3 - ENGINE

FIGURE 3-10. DEUTZ TD2.2L3 (STAGE V) ENGINE ASSEMBLY



ART_1001277595_1OF2

SECTION 3 - ENGINE



ART_1001277595_2OF2

SECTION 3 - ENGINE

FIGURE 3-10. DEUTZ TD2.2L3 (STAGE V) ENGINE ASSEMBLY

ITEM	PART NUMBER	QTY	DESCRIPTION	REV
	1001277595	Ref	DEUTZ TD2.9L4 ENGINE ASSEMBLY	F
1	0100011	AR	Compound, Locking	
2	0100062	AR	Adhesive	
3	0630407	2	Screw 1/4 x 5/8	
4	0641406	2	Bolt 1/4 x 3/4	
5	0641608	5	Bolt 3/8 x 1	
6	0641610	4	Screw 3/8 x 1-1/4	
7	0641708	2	Bolt 7/16 x 1	
8	0700612	9	Bolt M6 x 25	
9	0701012	1	Bolt M10 x 25	
10	0701017	4	Bolt M10 x 45	
11	0711215	2	Bolt M12 x 35	
12	0711223	3	Bolt M12 x 75	
13	0741605	2	Screw, Flathead 3/8 x 5/8	
14	0760610	2	Bolt M6 x 20	
15	0760810	8	Bolt M8 x 20	
16	0760812	6	Bolt M8 x 25	
17	0760814	4	Bolt M8 x 30	
18	0761014	1	Bolt M10 x 30	
19	0761015	1	Bolt M10 x 35	
20	0761016	2	Bolt M10 x 40	
21	0761212	1	Bolt M12 x 25	
22	0761214	3	Bolt M12 x 30	
23	0771414	4	Bolt M14 x 30	
24	0940070	1	Bumper	
25	0961986	2	Bushing, Flanged	
26	1062255	1	Tie-Strap (Not Shown)	
27	1703162	1	Decal - Fan Blade	
28	2720015	4 ft/2 m	Hose	
29	2720340	6 in/15 cm	Hose	
30	2902065	1	Kit, Pump Coupling (See Separate Breakdown in this Section)	
31	3271605	4	Nut Grade 8	
32	3290601	2	Nut M6	
33	3290605	9	Nut M6	
34	3290805	10	Nut M8	
35	3291005	8	Nut M10	
36	3311405	5	Nut 1/4	
37	3331211	3	Nut M12	
38	3520054	1	Plug	
39	3931432	1	Capscrew 1/4 x 2	
40	4031908	4	Capscrew M8 x 20	
41	4031912	4	Capscrew M8 x 40	
42	4060805	14 in/36 cm	Flex-Trim	
43	4240099	AR	Tie-Strap (Not Shown)	
44	4640751	1	Valve, Oil Drain	
45	4711400	7	Washer 1/4	
46	4751600	12	Washer 3/8	
47	4751700	2	Washer 7/16	
48	4811700	22	Washer M6	

SECTION 3 - ENGINE

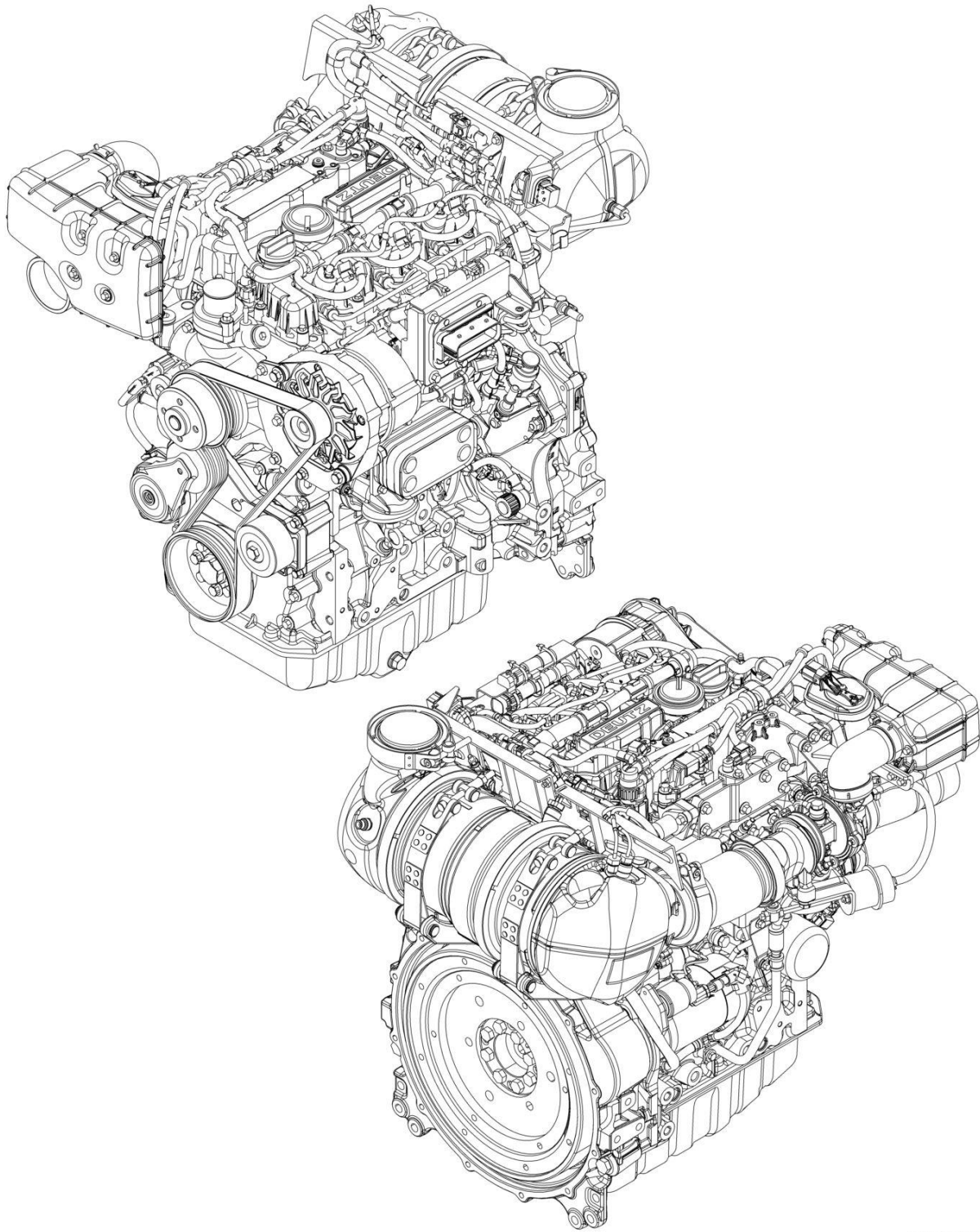
ITEM	PART NUMBER	QTY	DESCRIPTION	REV
49	4811900	28	Washer M8	
50	4811902	8	Washer M8	
51	4812000	13	Washer M10	
52	4812002	5	Washer M10	
53	4812100	6	Washer M12	
54	4812200	4	Washer M14	
55	5241200	3	Washer M12	
56	5250812	2	Bolt M8 x 25	
57	5260800	2	Nut M8	
58	8405007	2	Clamp	
59	8405009	4	Clamp	
60	8405104	4	Clamp	
61	8405204	1	Clamp	
62	8406110	1	Clip	
63	8406201	1	Clip	
64	8410011	2	Clamp	
65	8410013	1	Clamp	
66	91403244	1	Hose	
67	1001117308	1	Relay	
68	1001136834	1	Cap, Tank	
69	1001138173	1	Support	
70	1001138175	1	Bracket	
71	1001138228	1	Relay, Power Module	
71	70023592	1	Fuse 20Amp (Switched Output)	
71	70023593	1	Fuse 30Amp (Battery Output)	
72	1001138248	38 in/1 m	Tube	
73	1001141304	1	Wire	
74	1001141370	1	Hose	
75	1001141585	1	Hose, Air Inlet	
76	1001141995	2	Fitting, Straight Barbed	
77	1001143390	1	Indicator, Service	
78	1001143797	1	Fitting, Straight Barbed	
79	1001143907	1	Cable, Alternator Power	
80	1001144409	1	Panel, Rubber	
81	1001144410	1	Bracket, Panel Clamp	
82	1001144411	1	Bracket, Panel Clamp	
83	1001144412	1	Bracket, Panel Clamp	
84	1001146588	6	Tie-Strap (Not Shown)	
85	1001152489	1	Fitting, 90 Barbed	
86	1001156107	1	Holder, Cable	
87	1001165849	1	Fan	
88	1001166718	3	Mount, Motor	
89	1001168018	3	Washer	
90	1001169054	4	Isolator	
91	1001169138	4	Washer	
92	1001177359	1	Hose	
93	1001178223	2	Bracket	
94	1001180620	AR	Adhesive	
95	1001186426	1	Clamp	
96	1001189979	1	Air Cleaner Assembly Filter Element	
96	70005008	1	Element, Filter (Not Shown)	

SECTION 3 - ENGINE

ITEM	PART NUMBER	QTY	DESCRIPTION	REV
97	1001191620	3	Clamp	
98	1001204325	2	Bracket	
99	1001219454	1	Seal	
100	1001219456	1	Seal	
101	1001230635	1	Tank	
101A	1001134488	1	Fitting, 90 Barbed	
101B	1001138827	1	Sensor, Coolant Level	
101C	1001140564	1	Fitting, 90 Barbed	
102	1001235949	1	Bracket, Fuel Pump/Filter Assembly (See Separate Breakdown in this Section)	
103	1001237947	1	Mount	
104	1001245913	1	Harness, Deutz Fuel Filter (See Separate Breakdown in ELECTRICAL Section)	
105	1001246813	1	Mount, Rear Engine	
106	1001247029	1	Support, Engine Tray	
107	1001247716	1	Radiator and Shroud Assembly	
107	1001247714	1	Shroud	
107	1001250607	1	Radiator	
108	1001248434	1	Mount	
109	1001249045	1	Pipe, Exhaust	
110	1001249232	1	Pipe	
111	1001249234	1	Mount, Engine	
112	1001249261	1	Hose, Radiator - Upper	
113	1001249705	1	Hose, Radiator - Lower	
114	1001251131	1	Plate	
115	1001258252	1	Plate, Relay Mounting	
116	1001258800	1	Adapter	
117	1001260412	1	Bracket, Surge Tank	
118	1001260413	1	Bracket, Tank	
119	1001281192	1	Pulley	
120	1001261045	4	Capscrew M10 x 45 Grade 10.9	
121	1001261085	4	Capscrew M10 x 85 Grade 10.9	
122	1001269861	1	Seal	
123	1001276645	1	Harness, Engine (Not Shown - See Separate Breakdown in ELECTRICAL Section)	
124	1001277590	1	Deutz TD2.2L3 (Stage V) Engines (See Separate Breakdown in this Section)	
125	1001278329	1	Adapter	
126	4240032	1	Tie-Strap (Not Shown)	
127	1001291401	1	Tag, Coolant	

SECTION 3 - ENGINE

FIGURE 3-11. DEUTZ TD2.2L3 (STAGE V) ENGINE COMPONENTS



ART_1001277590

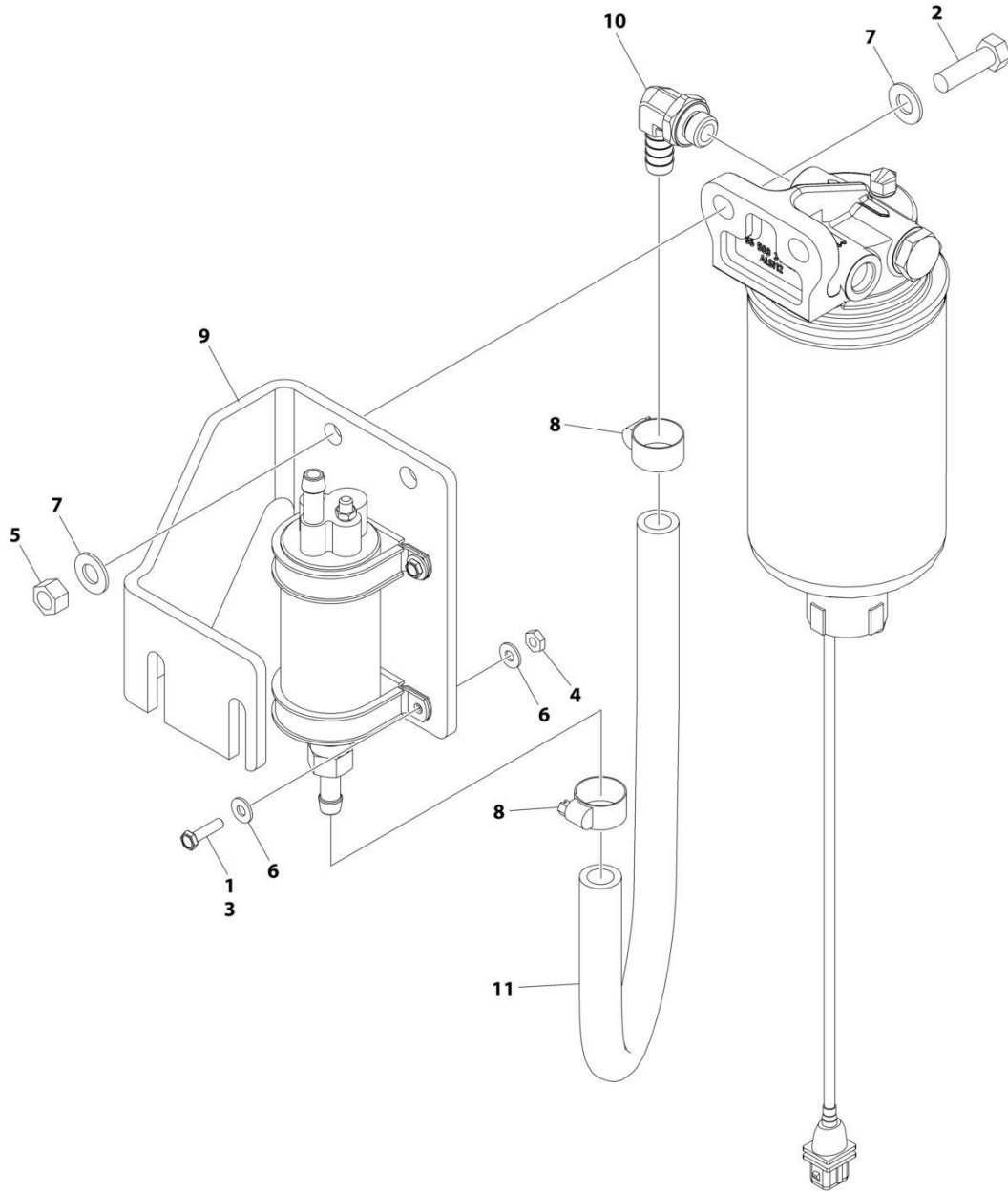
SECTION 3 - ENGINE

FIGURE 3-11. DEUTZ TD2.2L3 (STAGE V) ENGINE COMPONENTS

ITEM	PART NUMBER	QTY	DESCRIPTION	REV
	1001277590	Ref	DEUTZ ENGINE COMPONENTS	A
	See Note	Ref	Note: No Service Parts Available at Time of Printing	

SECTION 3 - ENGINE

FIGURE 3-12. BRACKET ASSEMBLY - FUEL PUMP AND FILTER (DEUTZ D2.2L3 ENGINE)



ART_1001235949

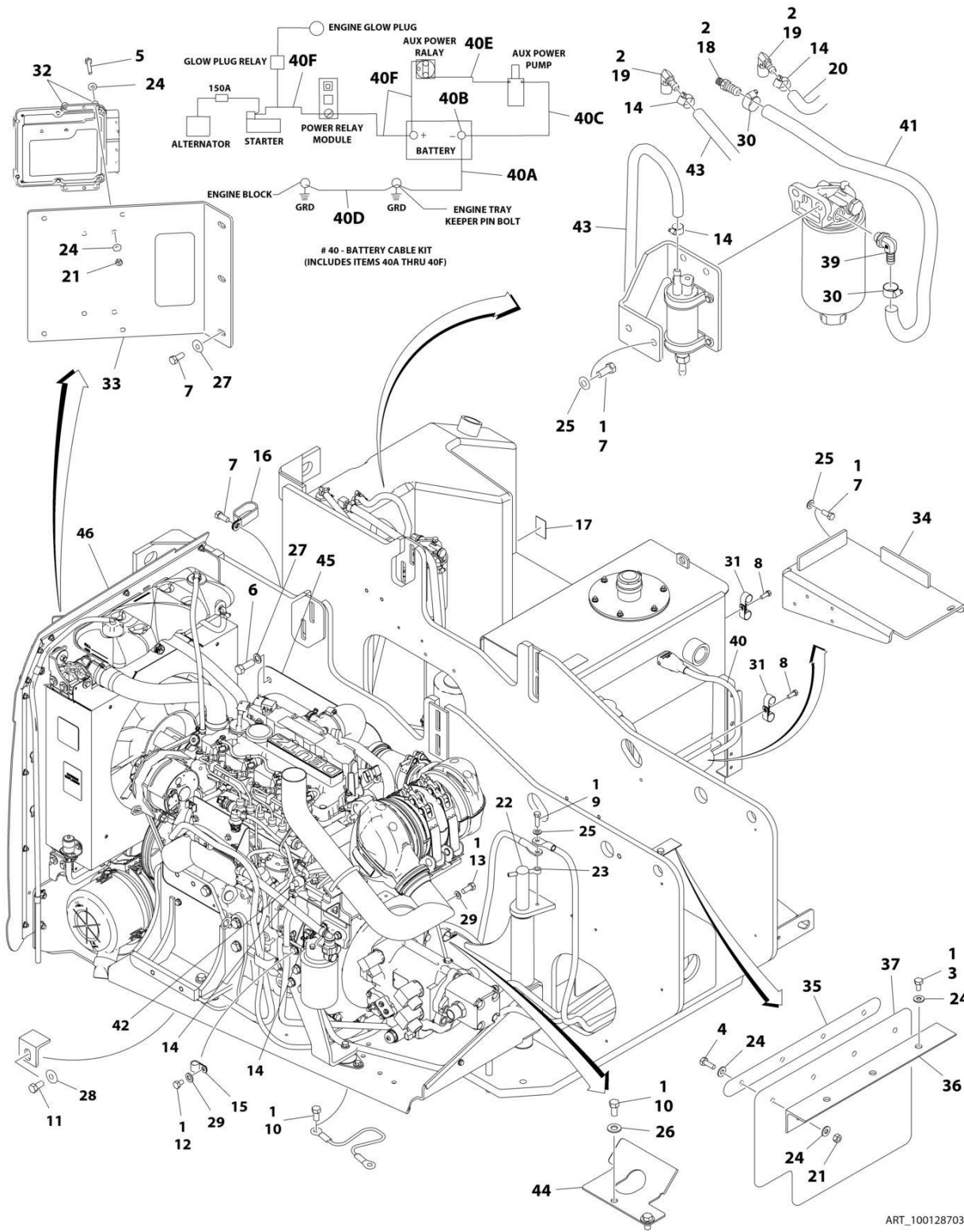
SECTION 3 - ENGINE

FIGURE 3-12. BRACKET ASSEMBLY - FUEL PUMP AND FILTER (DEUTZ D2.2L3 ENGINE)

ITEM	PART NUMBER	QTY	DESCRIPTION	REV
	1001235949	Ref	BRACKET ASSEMBLY - FUEL PUMP AND FILTER (DEUTZ D2.9L4 (STAGE V) ENGINE)	A
1	0100035	AR	Compound, Locking	
2	0641610	2	Bolt 3/8 x 1-1/4	
3	0721006	4	Bolt #10 x 3/4	
4	3311001	4	Nut #10	
5	3311605	2	Nut 3/8	
6	4711000	8	Washer #10	
7	4711600	4	Washer 3/8	
8	8405006	2	Clamp	
9	1001141870	1	Plate, Fuel Pump Mount	
10	1001142501	1	Fitting, Elbow Barbed	
11	1001154405	1.5 ft /0.4m	Hose	

SECTION 3 - ENGINE

FIGURE 3-13. DEUTZ TD2.9L4 - 49HP ENGINE INSTALLATION - WITHOUT ARCTIC PACKAGE



SECTION 3 - ENGINE

FIGURE 3-13. DEUTZ TD2.9L4 - 49HP ENGINE INSTALLATION - WITHOUT ARCTIC PACKAGE

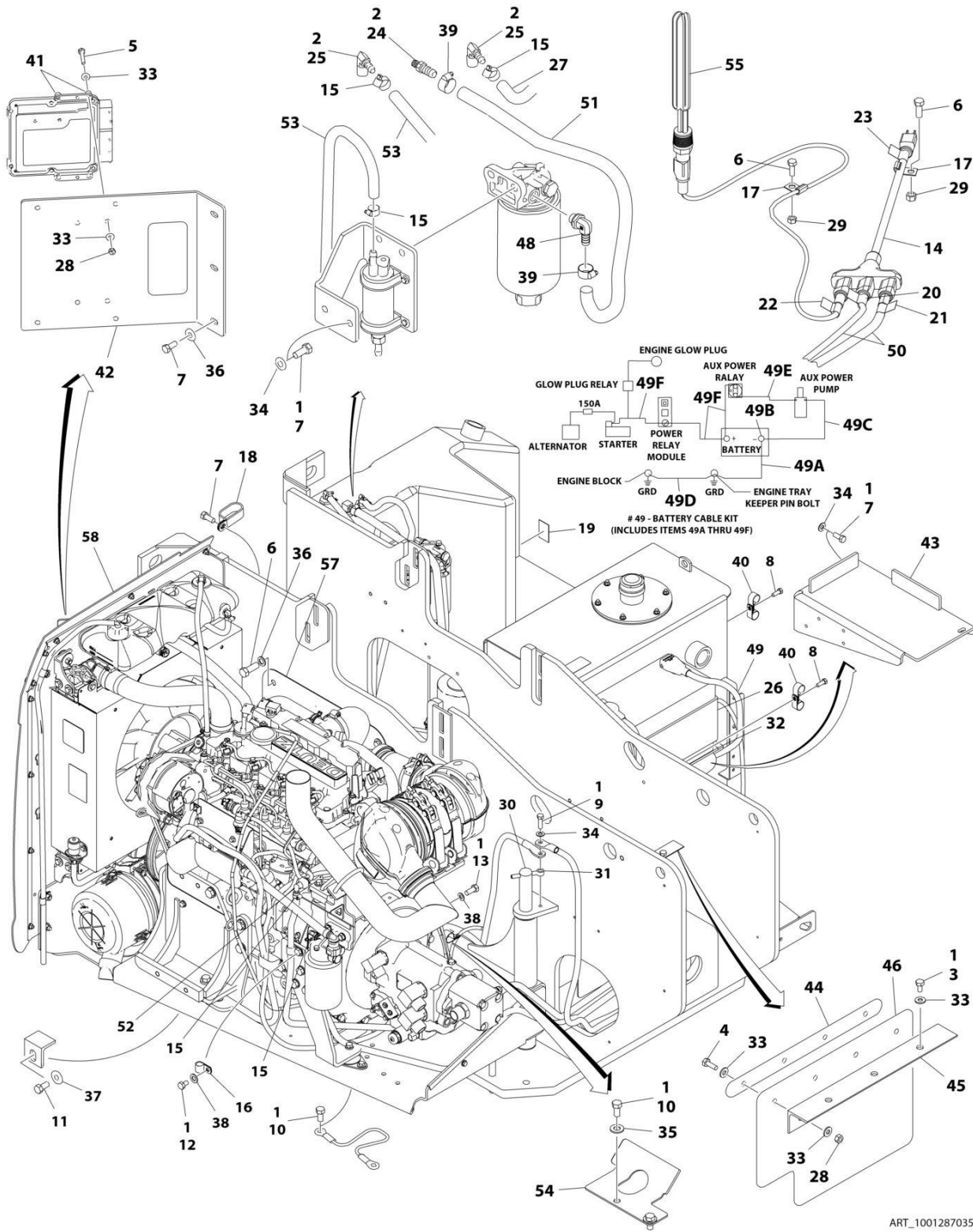
ITEM	PART NUMBER	QTY	DESCRIPTION	REV
	1001287033	Ref	DEUTZ D2.9L4 ENGINE INSTALLATION	A
1	0100011	AR	Compound, Locking	
2	0100020	AR	Sealant, Pipe	
3	0641404	3	Bolt 1/4 x 1/2	
4	0641406	4	Bolt 1/4 x 3/4	
5	0641412	4	Bolt 1/4 x 1-1/2	
6	0641606	4	Bolt 3/8 x 3/4	
7	0641607	9	Bolt 3/8 x 7/8	
8	0641608	2	Bolt 3/8 x 1	
9	0641612	1	Bolt 3/8 x 1-1/2	
10	0641808	3	Bolt 3/8 x 1	
11	0642010	1	Bolt 5/8 x 1-1/4	
12	0761008	1	Bolt M10 x 16	
13	0771212	1	Bolt M12 x 25 Class 10.9	
14	1320022	5	Clamp	
15	1320061	1	Clamp	
16	1321716	1	P-Clamp	
17	1701505	1	Decal - Diesel (Located on Hood)	
18	2180832	1	Fitting, Straight Barbed	
19	2220313	2	Fitting, 90 Barbed	
20	2750532	5 ft /1.6m	Hose	
21	3311405	8	Nut 1/4	
22	3422448	1	Pin, Pivot	
23	3841143	1	Pin, Keeper	
24	4711400	19	Washer 1/4	
25	4711600	6	Washer 3/8	
26	4711800	2	Washer 1/2	
27	4751600	7	Washer 3/8	
28	4752000	1	Washer 5/8	
29	4812100	2	Washer M12	
30	8405006	2	Clamp	
31	8406201	4	Clip	
32	1001110425	4	Spacer	
33	1001137866	1	Plate, Baffle	
34	1001137868	1	Bracket, Battery	
35	1001137880	1	Bracket, Baffle	
36	1001137881	1	Angle	
37	1001137882	1	Support, Rubber	
38	1001138491	1	Harness, Fuel Pump (Pump requiring Push-on Terminals) (Not Shown - See Separate Breakdown in ELECTRICAL Section)	
39	1001142501	1	Fitting, 90 Barbed	
40	1001145047	1	Battery Cable Kit	
40A	7027072	1	Cable, Battery (Black) (Battery - to Tray Pivot Grd)	
40B	8270147	1	Terminal, Battery (With Boot)	
40B	See Note	1	Boot, Black (Note: Not Available for Purchase)	
40C	7027073	1	Cable, Battery (Black) (Battery - to Aux Pump and Relay Grds)	
40C	See Note	1	Boot, Black (Note: Not Available for Purchase)	
40D	7027074	1	Cable, Battery (Black) (Engine to Tray Pivot Grd)	
40E	7027075	1	Cable (Red) (Aux Relay to Aux Pump)	
40E	70003952	2	Boot, Red	

SECTION 3 - ENGINE

ITEM	PART NUMBER	QTY	DESCRIPTION	REV
40F	7027076	1	Cable (Red) (Battery + to Aux Relay/Power Module/Starter)	
40F	See Note	1	Boot, Red (Battery) (Note: Not Available for Purchase)	
41	1001154405	3 ft /.9m	Hose	
42	1001155823	1	Fitting, 90 Quick Disconnect	
43	1001165035	23.5 ft /7.2m	Hose	
44	1001172793	1	Guide, Hose	
45	1001252521	1	Cover	
46	1001287034	1	Engine Assembly with Pumps (See Separate Breakdown in this Section)	

SECTION 3 - ENGINE

FIGURE 3-14. DEUTZ TD2.9L4 - 49HP ENGINE INSTALLATION - WITH ARCTIC PACKAGE



ART_1001287035

SECTION 3 - ENGINE

FIGURE 3-14. DEUTZ TD2.9L4 - 49HP ENGINE INSTALLATION - WITH ARCTIC PACKAGE

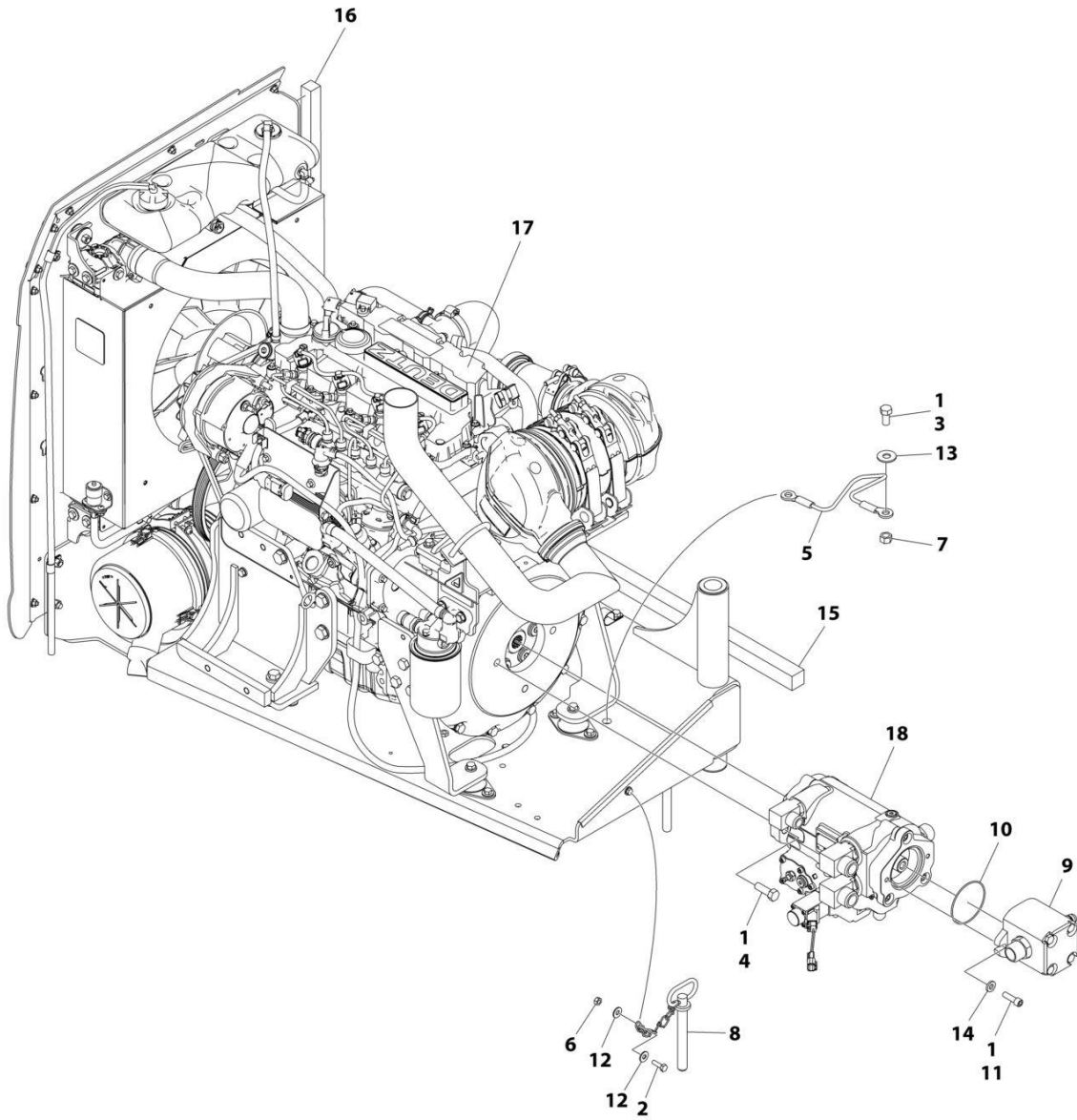
ITEM	PART NUMBER	QTY	DESCRIPTION	REV
	1001287035	Ref	DEUTZ D2.9L4 ENGINE INSTALLATION	A
1	0100011	AR	Compound, Locking	
2	0100020	AR	Sealant, Pipe	
3	0641404	3	Bolt 1/4 x 1/2	
4	0641406	4	Bolt 1/4 x 3/4	
5	0641412	4	Bolt 1/4 x 1-1/2	
6	0641606	6	Bolt 3/8 x 3/4	
7	0641607	9	Bolt 3/8 x 7/8	
8	0641608	2	Bolt 3/8 x 1	
9	0641612	1	Bolt 3/8 x 1-1/2	
10	0641808	3	Bolt 1/2 x 1	
11	0642010	1	Bolt 5/8 x 1-1/4	
12	0761008	1	Bolt M10 x 16	
13	0771212	1	Bolt M12 x 25 Class 10.9	
14	1060626	1	Cord, 3 Way Extension	
15	1320022	5	Clamp	
16	1320061	1	Clamp	
17	1320223	2	Clamp	
18	1321716	1	P-Clamp	
19	1701505	1	Decal - Diesel (Located on Hood)	
20	1702941	1	Decal - Battery Heater	
21	1702942	1	Decal - Engine Block Heater	
22	1702943	1	Decal - Hydraulic Tank Heater	
23	1702944	1	Decal - Heater Cord	
24	2180832	1	Fitting, Straight Barbed	
25	2220313	2	Fitting, 90 Barbed	
26	2580024	1	Heater, Battery	
27	2750532	5 ft /1.6m	Hose	
28	3311405	8	Nut, Lock 1/4	
29	3311605	2	Nut, Lock 3/8	
30	3422448	1	Pin, Pivot	
31	3841143	1	Pin, Keeper	
32	3980007	1	Seat, Battery	
33	4711400	19	Washer 1/4	
34	4711600	6	Washer 3/8	
35	4711800	2	Washer 1/2	
36	4751600	7	Washer 3/8	
37	4752000	1	Washer 5/8	
38	4812100	2	Washer M12	
39	8405006	2	Clamp	
40	8406201	4	Clip	
41	1001110425	4	Spacer	
42	1001137866	1	Plate, Baffle	
43	1001137868	1	Bracket, Battery	
44	1001137880	1	Bracket, Baffle	
45	1001137881	1	Angle	
46	1001137882	1	Support, Rubber	
47	1001138491	1	Harness, Fuel Pump (Pump requiring Push-on Terminals) (Not Shown - See Separate Breakdown in ELECTRICAL Section)	
48	1001142501	1	Fitting, 90 Barbed	

SECTION 3 - ENGINE

ITEM	PART NUMBER	QTY	DESCRIPTION	REV
49	1001145047	1	Battery Cable Kit	
49A	7027072	1	Cable, Battery (Black) (Battery - to Tray Pivot Grd)	
49B	8270147	1	Terminal, Battery (With Boot)	
49B	See Note	1	Boot, Black (Note: Not Available for Purchase)	
49C	7027073	1	Cable, Battery (Black) (Battery - to Aux Pump and Relay Grds)	
49C	See Note	1	Boot, Black (Note: Not Available for Purchase)	
49D	7027074	1	Cable, Battery (Black) (Engine to Tray Pivot Grd)	
49E	7027075	1	Cable (Red) (Aux Relay to Aux Pump)	
49E	70003952	2	Boot, Red	
49F	7027076	1	Cable (Red) (Battery + to Aux Relay/Power Module/Starter)	
49F	See Note	1	Boot, Red (Battery) (Note: Not Available for Purchase)	
50	1001150918	1	Cable, Immersion Heater	
51	1001154405	3 ft /.9m	Hose	
52	1001155823	1	Fitting, 90 Quick Disconnect	
53	1001165035	23.5 ft /7.2m	Hose	
54	1001172793	1	Guide, Hose	
55	1001188972	1	Heater, Hydraulic Tank	
56	1001233763	1	Breather Heater Installation (Not Shown - See Separate Breakdown in this Section)	
57	1001252521	1	Cover	
58	1001287036	1	Engine Assembly with Pumps (See Separate Breakdown in this Section)	

SECTION 3 - ENGINE

FIGURE 3-15. DEUTZ TD2.9L4 - 49HP ENGINE/PUMP SUB-ASSEMBLY – WITHOUT ARCTIC PACKAGE



ART_1001287034

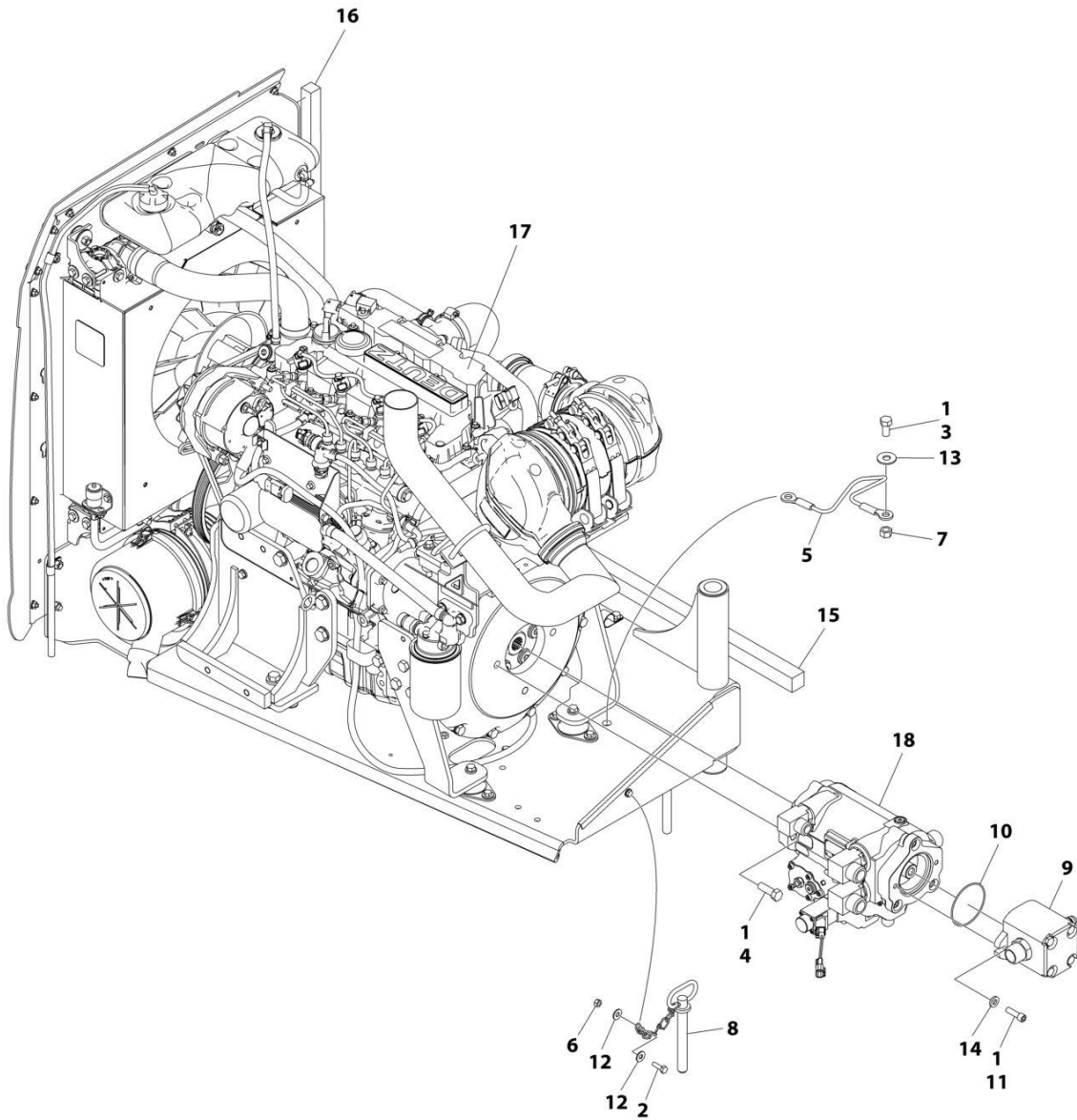
SECTION 3 - ENGINE

FIGURE 3-15. DEUTZ TD2.9L4 - 49HP ENGINE/PUMP SUB-ASSEMBLY – WITHOUT ARCTIC PACKAGE

ITEM	PART NUMBER	QTY	DESCRIPTION	REV
	1001287034	Ref	DEUTZ D2.9L4 ENGINE/PUMP SUB-ASSEMBLY	B
1	0100011	AR	Compound, Locking	
2	0641406	1	Bolt 1/4 x 3/4	
3	0641808	1	Bolt 1/2 x 1	
4	0641812	2	Bolt 1/2 x 1-1/2	
5	1060637	1	Lanyard	
6	3311405	1	Nut, Lock 1/4	
7	3311801	1	Nut 1/2	
8	3422533	1	Pin, Hitch	
9	3600395	1	Gear Pump Assembly with Fittings (See Separate Breakdown in this Section)	
10	70007827	1	O-Ring (Part of Item 18)	
11	3931620	2	Bolt 3/8 x 1-1/4	
12	4711400	2	Washer 1/4	
13	4751800	1	Washer 1/2	
14	4891600	2	Washer 3/8 Hardened	
15	1001137873	1	Seal	
16	1001137874	1	Seal	
17	1001246593	1	Engine Assembly (See Separate Breakdown in this Section)	
18	1001287018	1	Pump Assembly with Fittings (See Separate Breakdown in this Section)	

SECTION 3 - ENGINE

FIGURE 3-16. DEUTZ TD2.9L4 - 49HP ENGINE/PUMP SUB-ASSEMBLY – WITH ARCTIC PACKAGE



ART_1001287036

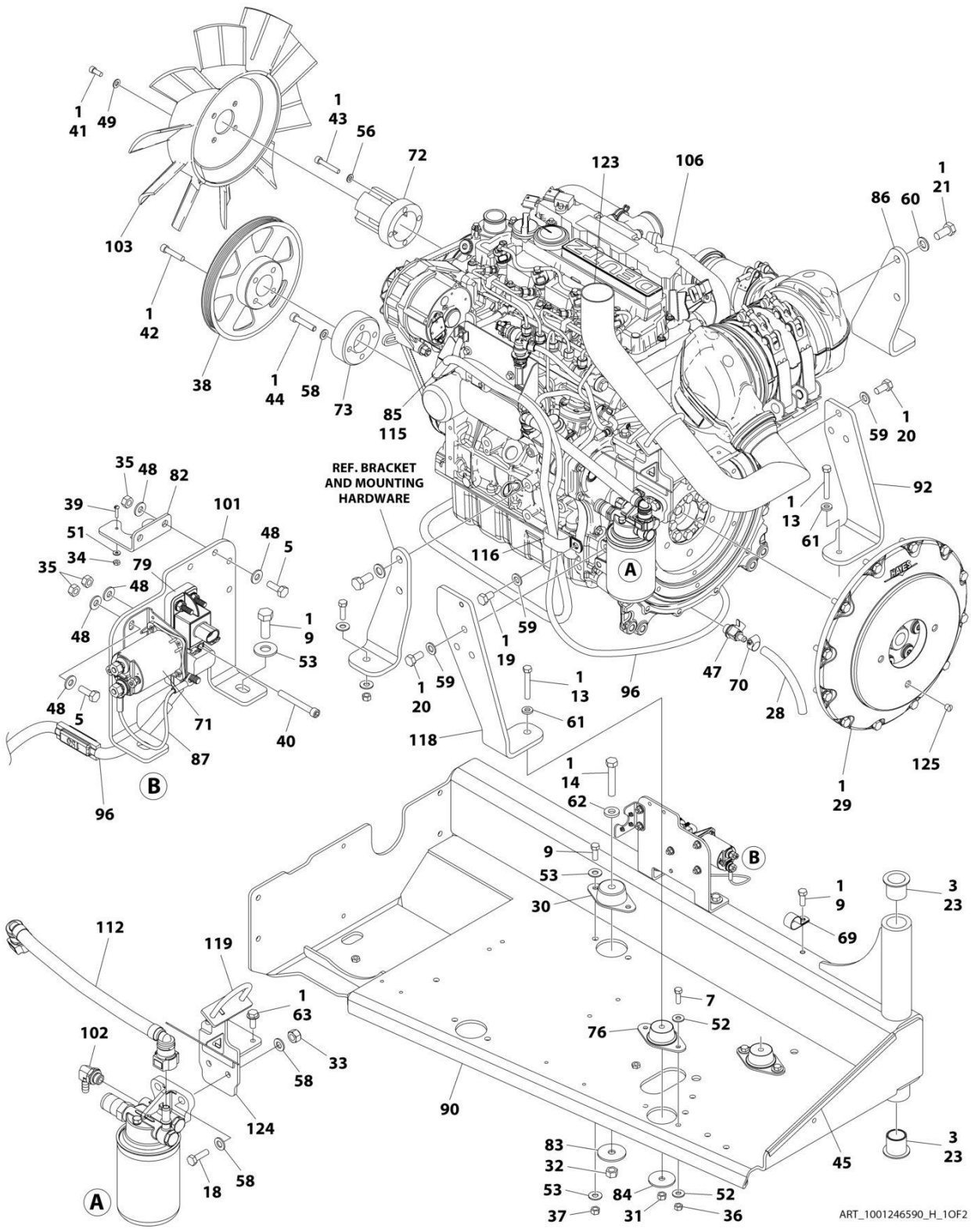
SECTION 3 - ENGINE

FIGURE 3-16. DEUTZ TD2.9L4 - 49HP ENGINE/PUMP SUB-ASSEMBLY – WITH ARCTIC PACKAGE

ITEM	PART NUMBER	QTY	DESCRIPTION	REV
	1001287036	Ref	DEUTZ D2.9L4 ENGINE/PUMP SUB-ASSEMBLY	B
1	0100011	AR	Compound, Locking	
2	0641406	1	Bolt 1/4 x 3/4	
3	0641808	1	Bolt 1/2 x 1	
4	0641812	2	Bolt 1/2 x 1-1/2	
5	1060637	1	Lanyard	
6	3311405	1	Nut, Lock 1/4	
7	3311801	1	Nut 1/2	
8	3422533	1	Pin, Hitch	
9	3600395	1	Gear Pump Assembly with Fittings (See Separate Breakdown in this Section)	
10	70007827	1	O-Ring (Part of Item 18)	
11	3931620	2	Bolt 3/8 x 1-1/4	
12	4711400	2	Washer 1/4	
13	4751800	1	Washer 1/2	
14	4891600	2	Washer 3/8 Hardened	
15	1001137873	1	Seal	
16	1001137874	1	Seal	
17	1001246590	1	Engine Assembly (See Separate Breakdown in this Section)	
18	1001287018	1	Pump Assembly with Fittings (See Separate Breakdown in this Section)	

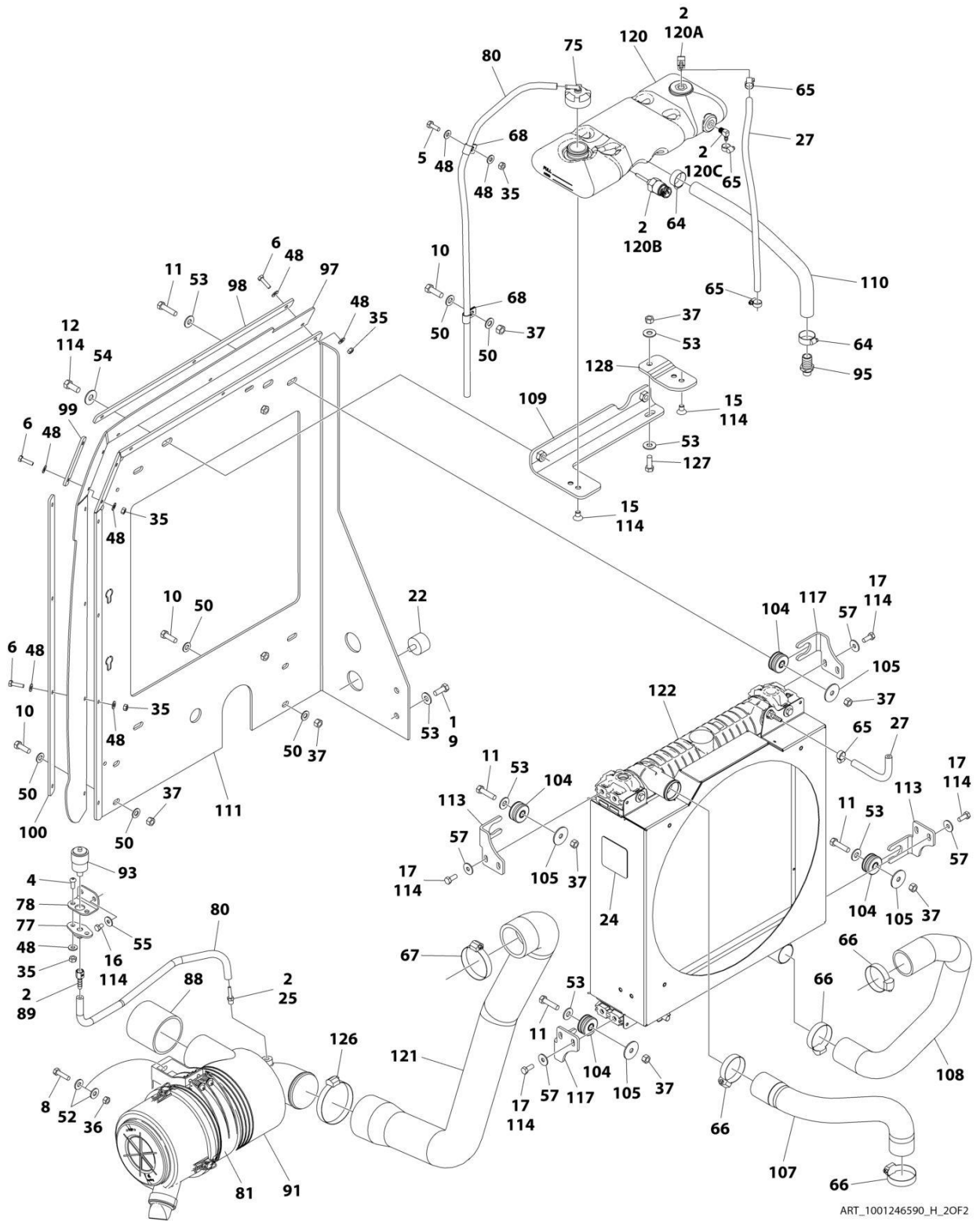
SECTION 3 - ENGINE

FIGURE 3-17. DEUTZ TD2.9L4 - 49HP ENGINE ASSEMBLY – WITH ARCTIC PACKAGE



ART_1001246590_H_10F2

SECTION 3 - ENGINE



ART_1001246590_H_2OF2

SECTION 3 - ENGINE

FIGURE 3-17. DEUTZ TD2.9L4 - 49HP ENGINE ASSEMBLY – WITH ARCTIC PACKAGE

ITEM	PART NUMBER	QTY	DESCRIPTION	REV
	1001246590	Ref	DEUTZ D2.9L4 ENGINE ASSEMBLY	H
1	0100011	AR	Compound, Locking	
2	0100020	AR	Sealant	
3	0100062	AR	Adhesive	
4	0630407	2	Screw 1/4 x 5/8	
5	0641406	5	Bolt 1/4 x 3/4	
6	0641408	9	Bolt 1/4 x 1	
7	0641508	4	Bolt 5/16 x 1	
8	0641510	2	Bolt 5/16 x 1-1/4	
9	0641608	7	Bolt 3/8 x 1	
10	0641609	4	Bolt 3/8 x 1-1/8	
11	0641612	4	Bolt 3/8 x 1-1/2	
12	0641708	2	Bolt 7/16 x 1	
13	0681620	2	Bolt 3/8 x 2-1/2 Grade 8	
14	0681822	1	Bolt 1/2 x 2-3/4 Grade 8	
15	0741605	2	Screw, Flathead 3/8 x 5/8	
16	0760605	2	Bolt M6 x 10	
17	0760810	8	Bolt M8 x 20	
18	0761015	2	Bolt M10 x 35	
19	0761210	1	Bolt M12 x 20	
20	0771212	6	Bolt M12 x 25 Grade 10.9	
21	0771414	2	Bolt M14 x 30	
22	0940070	1	Bumper	
23	0961986	2	Bushing, Flanged	
24	1703162	1	Decal - Fan Blade	
25	2220315	1	Fitting, Straight Barbed	
27	2720015	26 in /.9m	Hose	
28	2720340	16 in /40.6cm	Hose	
29	2902065	1	Kit, Pump Coupling (See Separate Breakdown in this section)	
30	3200401	1	Mount, Motor	
31	3271601	2	Nut 3/8 Grade 8	
32	3271801	1	Nut 1/2 Grade 8	
33	3291005	2	Nut M10	
34	3310401	3	Nut #4	
35	3311405	17	Nut 1/4	
36	3311505	6	Nut 5/16	
37	3311605	11	Nut 3/8	
38	3580320	1	Pulley	
39	3910408	3	Screw #4 x 1/2	
40	3931432	1	Capscrew 1/4 x 2	
41	3931512	4	Capscrew 5/16 x 3/4	
42	3931628	4	Capscrew 3/8 x 1-3/4	
43	4031914	4	Capscrew M8 x 50	
44	4032014	4	Capscrew M10 x 50	
45	4060805	14 in /36cm	Flex-Trim	
46	4240099	AR	Tie-Strap (Not Shown)	
47	4640751	1	Valve, Oil Drain	
48	4711400	31	Washer 1/4	

SECTION 3 - ENGINE

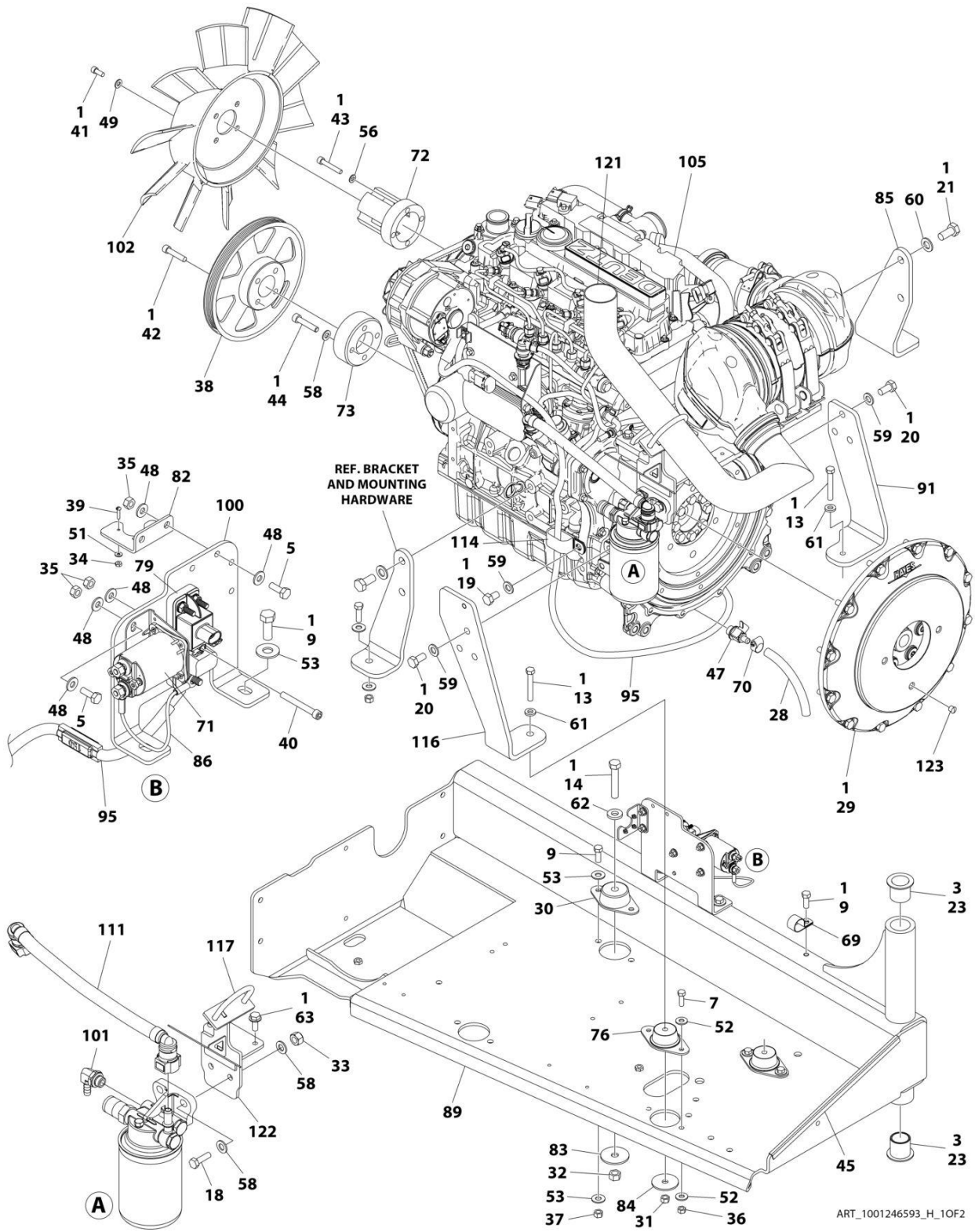
ITEM	PART NUMBER	QTY	DESCRIPTION	REV
49	4711500	4	Washer 5/16	
50	4711600	8	Washer 3/8	
51	4750400	3	Washer #4	
52	4751500	12	Washer 5/16	
53	4751600	14	Washer 3/8	
54	4751700	2	Washer 7/16	
55	4811702	2	Washer M6	
56	4811900	4	Washer M8	
57	4811902	8	Washer M8	
58	4812000	8	Washer M10	
59	4812100	7	Washer M12	
60	4812200	2	Washer M14	
61	4891600	2	Washer 3/8 Hardened	
62	4891800	1	Washer 1/2 Hardened	
63	5250810	2	Bolt M8 x 20	
64	8405007	2	Clamp	
65	8405009	4	Clamp	
66	8405104	4	Clamp	
67	8405204	1	Clamp	
68	8406110	2	Clip	
69	8406201	1	Clip	
70	8410013	1	Clamp	
71	1001117308	1	Relay	
72	1001135138	1	Adapter	
73	1001135679	1	Adapter	
75	1001136834	1	Cap, Tank	
76	1001138170	2	Mount, Motor	
77	1001138173	1	Support	
78	1001138175	1	Bracket	
79	1001138228	1	Relay, Power Module	
79	70023593	1	Fuse 30Amp (Battery Output)	
79	70023592	1	Fuse 20Amp (Switched Output)	
80	1001138248	67 in /1.7m	Tube	
81	1001138557	1	Clamp	
82	1001139240	1	Bracket	
83	1001139409	1	Washer, Special	
84	1001139429	2	Washer, Special	
85	1001140312	1	Heater, Engine Block	
86	1001140454	1	Mount, Front Engine	
87	1001141304	1	Harness, Glow Plug	
88	1001141585	1	Hose, Air Inlet	
89	1001141995	1	Fitting, Straight Barbed	
90	1001142538	1	Support	
91	1001142615	1	Air Cleaner Assembly Filter Element	
91	91403102	1	Element, Filter (Not Shown)	
92	1001142635	1	Mount, Rear Engine	
93	1001143390	1	Indicator, Service	
94	1001143726	1	Harness, Engine (Not Shown - See Separate Breakdown in ELECTRICAL SECTION)	
95	1001143797	1	Fitting, Straight Barbed	
96	1001143907	1	Cable, Alternator Power	

SECTION 3 - ENGINE

ITEM	PART NUMBER	QTY	DESCRIPTION	REV
97	1001144409	1	Panel, Rubber	
98	1001144410	1	Bracket, Panel Clamp	
99	1001144411	1	Bracket, Panel Clamp	
100	1001144412	1	Bracket, Panel Clamp	
101	1001145154	1	Plate, Relay Mounting	
102	1001152489	1	Fitting, 90 Barbed	
103	1001165849	1	Fan	
104	1001169054	4	Isolator	
105	1001169138	4	Washer	
106	1001170617	1	Deutz D2.9L4 Engine Components (See Separate Breakdown in this Section)	
107	1001176225	1	Hose, Radiator - Upper	
108	1001176226	1	Hose, Radiator - Lower	
109	1001260413	1	Bracket, Tank	
110	1001176511	1	Hose	
111	1001176723	1	Plate Radiator Mounting	
112	1001177359	1	Hose	
113	1001178223	2	Bracket	
114	1001180620	AR	Adhesive	
115	1001181895	AR	Adhesive	
116	1001181899	1	Clamp	
117	1001204325	2	Bracket	
118	1001205051	1	Mount, Rear Engine	
119	1001228506	1	Bolt, U-Bolt	
120	1001230635	1	Tank	
120A	1001134488	1	Fitting, 90 Barbed	
120B	1001138827	1	Sensor, Coolant Level	
120C	1001140564	1	Fitting, 90 Barbed	
121	1001247105	1	Hose, Inlet	
122	1001247676	1	Radiator and Shroud Assembly	
122	1001203495	1	Radiator	
122	1001247564	1	Shroud	
123	1001248477	1	Pipe, Exhaust	
124	1001248480	1	Bracket	
125	3520054	1	Plug	
126	8410011	1	Clamp	
127	0681608	1	Bolt 3/8 x 1	
128	1001260412	1	Bracket	
129	1001162335	1	Bracket, Fuel Pump/Filter Assembly (Not Shown) (See Separate Breakdown in this Section)	

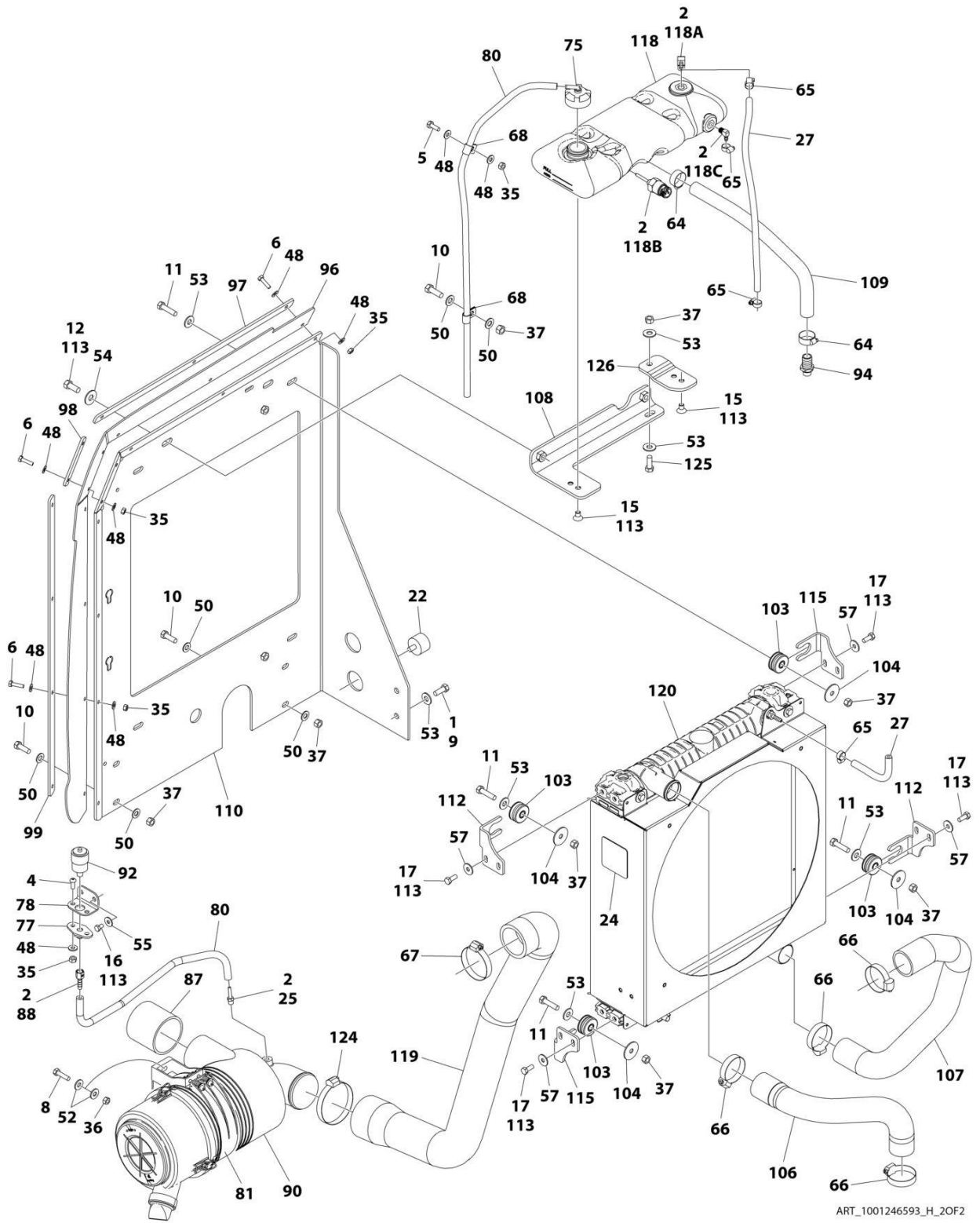
SECTION 3 - ENGINE

FIGURE 3-18. DEUTZ TD2.9L4 - 49HP ENGINE ASSEMBLY – WITHOUT ARCTIC PACKAGE



ART_1001246593_H_10F2

SECTION 3 - ENGINE



ART_1001246593_H_20F2

SECTION 3 - ENGINE

FIGURE 3-18. DEUTZ TD2.9L4 - 49HP ENGINE ASSEMBLY – WITHOUT ARCTIC PACKAGE

ITEM	PART NUMBER	QTY	DESCRIPTION	REV
	1001246593	Ref	DEUTZ D2.9L4 ENGINE ASSEMBLY	H
1	0100011	AR	Compound, Locking	
2	0100020	AR	Sealant	
3	0100062	AR	Adhesive	
4	0630407	2	Screw 1/4 x 5/8	
5	0641406	5	Bolt 1/4 x 3/4	
6	0641408	9	Bolt 1/4 x 1	
7	0641508	4	Bolt 5/16 x 1	
8	0641510	2	Bolt 5/16 x 1-1/4	
9	0641608	7	Bolt 3/8 x 1	
10	0641609	4	Bolt 3/8 x 1-1/8	
11	0641612	4	Bolt 3/8 x 1-1/2	
12	0641708	2	Bolt 7/16 x 1	
13	0681620	2	Bolt 3/8 x 2-1/2 Grade 8	
14	0681822	1	Bolt 1/2 x 2-3/4 Grade 8	
15	0741605	2	Screw, Flathead 3/8 x 5/8	
16	0760605	2	Bolt M6 x 10	
17	0760810	8	Bolt M8 x 20	
18	0761015	2	Bolt M10 x 35	
19	0761210	1	Bolt M12 x 20	
20	0771212	6	Bolt M12 x 25 Grade 10.9	
21	0771414	2	Bolt M14 x 30	
22	0940070	1	Bumper	
23	0961986	2	Bushing, Flanged	
24	1703162	1	Decal - Fan Blade	
25	2220315	1	Fitting, Straight Barbed	
27	2720015	26 in /.9m	Hose	
28	2720340	16 in /40.6cm	Hose	
29	2902065	1	Kit, Pump Coupling (See Separate Breakdown in this Section)	
30	3200401	1	Mount, Motor	
31	3271601	2	Nut 3/8 Grade 8	
32	3271801	1	Nut 1/2 Grade 8	
33	3291005	2	Nut M10	
34	3310401	3	Nut #4	
35	3311405	17	Nut 1/4	
36	3311505	6	Nut 5/16	
37	3311605	11	Nut 3/8	
38	3580320	1	Pulley	
39	3910408	3	Screw #4 x 1/2	
40	3931432	1	Capscrew 1/4 x 2	
41	3931512	4	Capscrew 5/16 x 3/4	
42	3931628	4	Capscrew 3/8 x 1-3/4	
43	4031914	4	Capscrew M8 x 50	
44	4032014	4	Capscrew M10 x 50	
45	4060805	14 in /36cm	Flex-Trim	
46	4240099	AR	Tie-Strap (Not Shown)	
47	4640751	1	Valve, Oil Drain	
48	4711400	31	Washer 1/4	

SECTION 3 - ENGINE

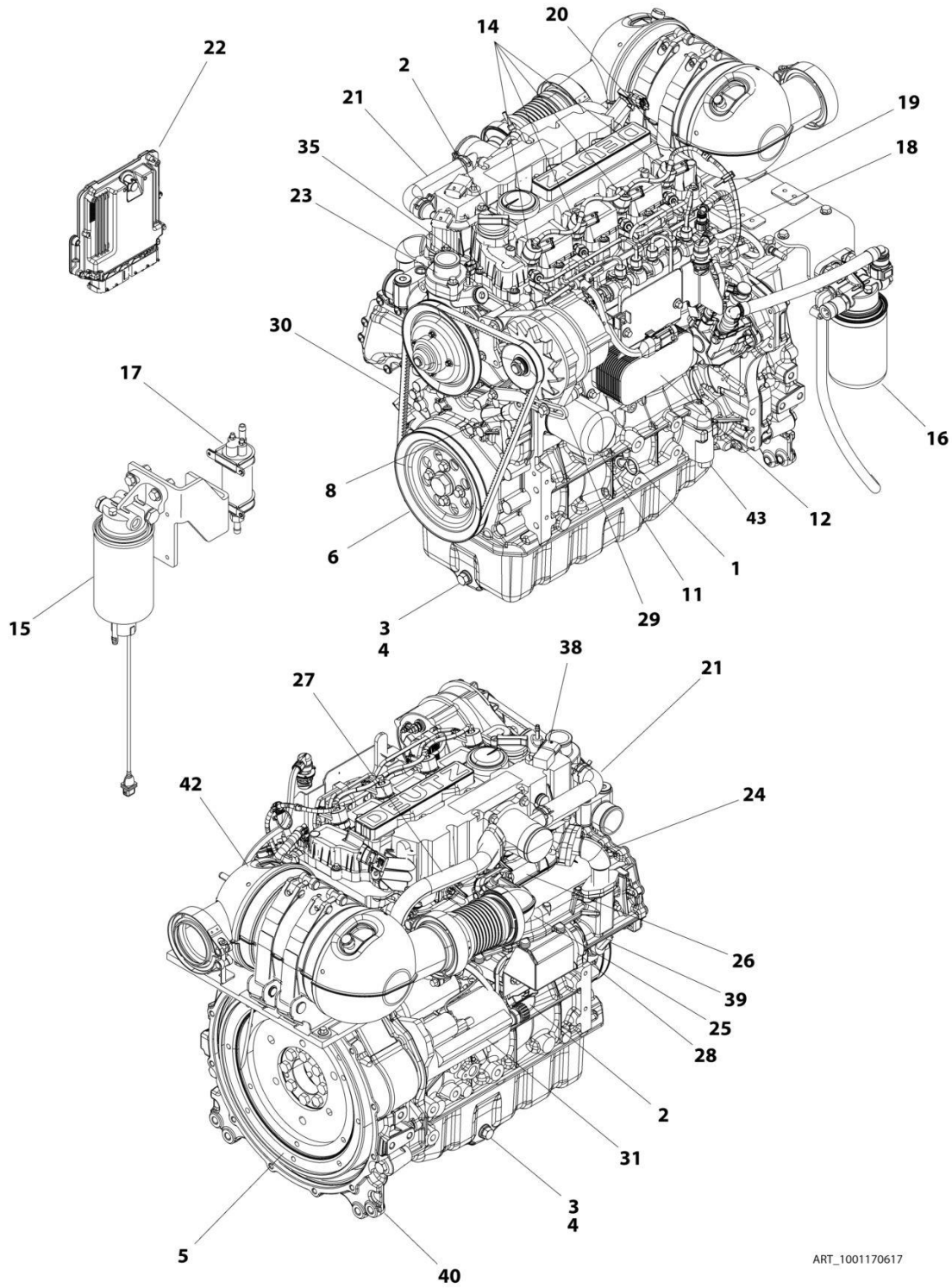
ITEM	PART NUMBER	QTY	DESCRIPTION	REV
49	4711500	4	Washer 5/16	
50	4711600	8	Washer 3/8	
51	4750400	3	Washer #4	
52	4751500	12	Washer 5/16	
53	4751600	14	Washer 3/8	
54	4751700	2	Washer 7/16	
55	4811702	2	Washer M6	
56	4811900	4	Washer M8	
57	4811902	8	Washer M8	
58	4812000	8	Washer M10	
59	4812100	7	Washer M12	
60	4812200	2	Washer M14	
61	4891600	2	Washer 3/8 Hardened	
62	4891800	1	Washer 1/2 Hardened	
63	5250810	2	Bolt M8 x 20	
64	8405007	2	Clamp	
65	8405009	4	Clamp	
66	8405104	4	Clamp	
67	8405204	1	Clamp	
68	8406110	2	Clip	
69	8406201	1	Clip	
70	8410013	1	Clamp	
71	1001117308	1	Relay	
72	1001135138	1	Adapter	
73	1001135679	1	Adapter	
75	1001136834	1	Cap, Tank	
76	1001138170	2	Mount, Motor	
77	1001138173	1	Support	
78	1001138175	1	Bracket	
79	1001138228	1	Relay, Power Module	
79	70023593	1	Fuse 30Amp (Battery Output)	
79	70023592	1	Fuse 20Amp (Switched Output)	
80	1001138248	67 in /1.7m	Tube	
81	1001138557	1	Clamp	
82	1001139240	1	Bracket	
83	1001139409	1	Washer, Special	
84	1001139429	2	Washer, Special	
85	1001140454	1	Mount, Front Engine	
86	1001141304	1	Harness, Glow Plug	
87	1001141585	1	Hose, Air Inlet	
88	1001141995	1	Fitting, Straight Barbed	
89	1001142538	1	Support	
90	1001142615	1	Air Cleaner Assembly Filter Element	
90	91403102	1	Element, Filter (Not Shown)	
91	1001142635	1	Mount, Rear Engine	
92	1001143390	1	Indicator, Service	
93	1001143726	1	Harness, Engine (Not Shown - See Separate Breakdown in ELECTRICAL SECTION)	
94	1001143797	1	Fitting, Straight Barbed	
95	1001143907	1	Cable, Alternator Power	
96	1001144409	1	Panel, Rubber	

SECTION 3 - ENGINE

ITEM	PART NUMBER	QTY	DESCRIPTION	REV
97	1001144410	1	Bracket, Panel Clamp	
98	1001144411	1	Bracket, Panel Clamp	
99	1001144412	1	Bracket, Panel Clamp	
100	1001145154	1	Plate, Relay Mounting	
101	1001152489	1	Fitting, 90 Barbed	
102	1001165849	1	Fan	
103	1001169054	4	Isolator	
104	1001169138	4	Washer	
105	1001170617	1	Deutz D2.9L4 Engine Components (See Separate Breakdown in this Section)	
106	1001176225	1	Hose, Radiator - Upper	
107	1001176226	1	Hose, Radiator - Lower	
108	1001260413	1	Bracket, Tank	
109	1001176511	1	Hose	
110	1001176723	1	Plate Radiator Mounting	
111	1001177359	1	Hose	
112	1001178223	2	Bracket	
113	1001180620	AR	Adhesive	
114	1001181899	1	Clamp	
115	1001204325	2	Bracket	
116	1001205051	1	Mount, Rear Engine	
117	1001228506	1	Bolt, U-Bolt	
118	1001230635	1	Tank	
118A	1001134488	1	Fitting, 90 Barbed	
118B	1001138827	1	Sensor, Coolant Level	
118C	1001140564	1	Fitting, 90 Barbed	
119	1001247105	1	Hose, Inlet	
120	1001247676	1	Radiator and Shroud Assembly	
120	1001203495	1	Radiator	
120	1001247564	1	Shroud	
121	1001248477	1	Pipe, Exhaust	
122	1001248480	1	Bracket	
123	3520054	1	Plug	
124	8410011	1	Clamp	
125	0681608	1	Bolt 3/8 x 1	
126	1001260412	1	Bracket	
127	1001162335	1	Bracket, Fuel Pump/Filter Assembly (Not Shown) (See Separate Breakdown in this Section)	

SECTION 3 - ENGINE

FIGURE 3-19. DEUTZ TD2.9L4 - 49HP ENGINE COMPONENTS



ART_1001170617

SECTION 3 - ENGINE

FIGURE 3-19. DEUTZ TD2.9L4 - 49HP ENGINE COMPONENTS

ITEM	PART NUMBER	QTY	DESCRIPTION	REV
	1001170617	Ref	ENGINE COMPONENTS - DEUTZ D2.9L4 ENGINE	E
1	70024904	1	Dipstick	
1	70024905	1	O-Ring	
2	7020465	2	Cap, Filler	
3	70025088	2	Plug, Oil	
4	7020404	2	Ring, Sealing	
5	70001870	1	Flywheel	
5	7024579	1	Ring, Gear	
6	70025198	1	Pulley, Crank	
7	70024906	1	Gasket, Head (Not Shown)	
7	70025195	1	Gasket, Valve Cover (Not Shown)	
7	70005171	1	Gasket, Valve Cover (Not Shown)	
8	70025076	1	Valve	
8	70025091	1	Plug	
8	70025176	1	Spring	
8	70025082	1	Seal	
9	70004280	1	Seal, Crankshaft (Front) (Not Shown)	
9	70002718	1	Seal, Crankshaft (Rear) (Not Shown)	
10	70005172	1	Pump, Oil Lube (Not Shown)	
10	70025135	1	O-Ring (Not Shown)	
10	70005173	1	Gasket (Not Shown)	
11	7016331	1	Filter, Oil	
12	70004275	1	Cooler, Oil	
12	70024925	1	Gasket	
13	70025171	1	Pipe, Oil Suction (Not Shown)	
14	70004281	4	Injector, Fuel	
14	70025140	4	Washer, Sealing	
14	70025146	4	Clamp (Top of Injector)	
14	70025145	4	O-Ring	
14	70025154	4	Shoe, Clamping	
15	70024961	1	Bracket, Fuel Filter	
15	1001225430	1	Filter, Fuel	
15	70024513	1	Cable, Sensor	
15	70025239	1	Seal	
16	70025160	1	Bracket, Fuel Filter	
16	1001225431	1	Filter, Fuel	
16	70024504	1	Sensor, Pressure	
16	70024920	1	O-Ring	
16	70004513	2	Ring, Sealing	
17	70005174	NLA	Pump, Fuel (Use p/n 1001226098)	
17	70025144	2	Clamp	
18	70025151	1	Rail, Fuel	
18	70025235	1	Repair Kit	
18	70025240	1	O-Ring	
19	70025182	1	Line, Fuel (Cylinder 1 + 2)	
19	70025183	1	Line, Fuel (Cylinder 3 + 4)	
19	70025184	1	Line, Fuel (Fuel Rail to Pump)	
20	70024502	1	Fuel Return Pipe	
20	70025185	1	Hose, Fuel	
20	70025101	2	Clamp	

SECTION 3 - ENGINE

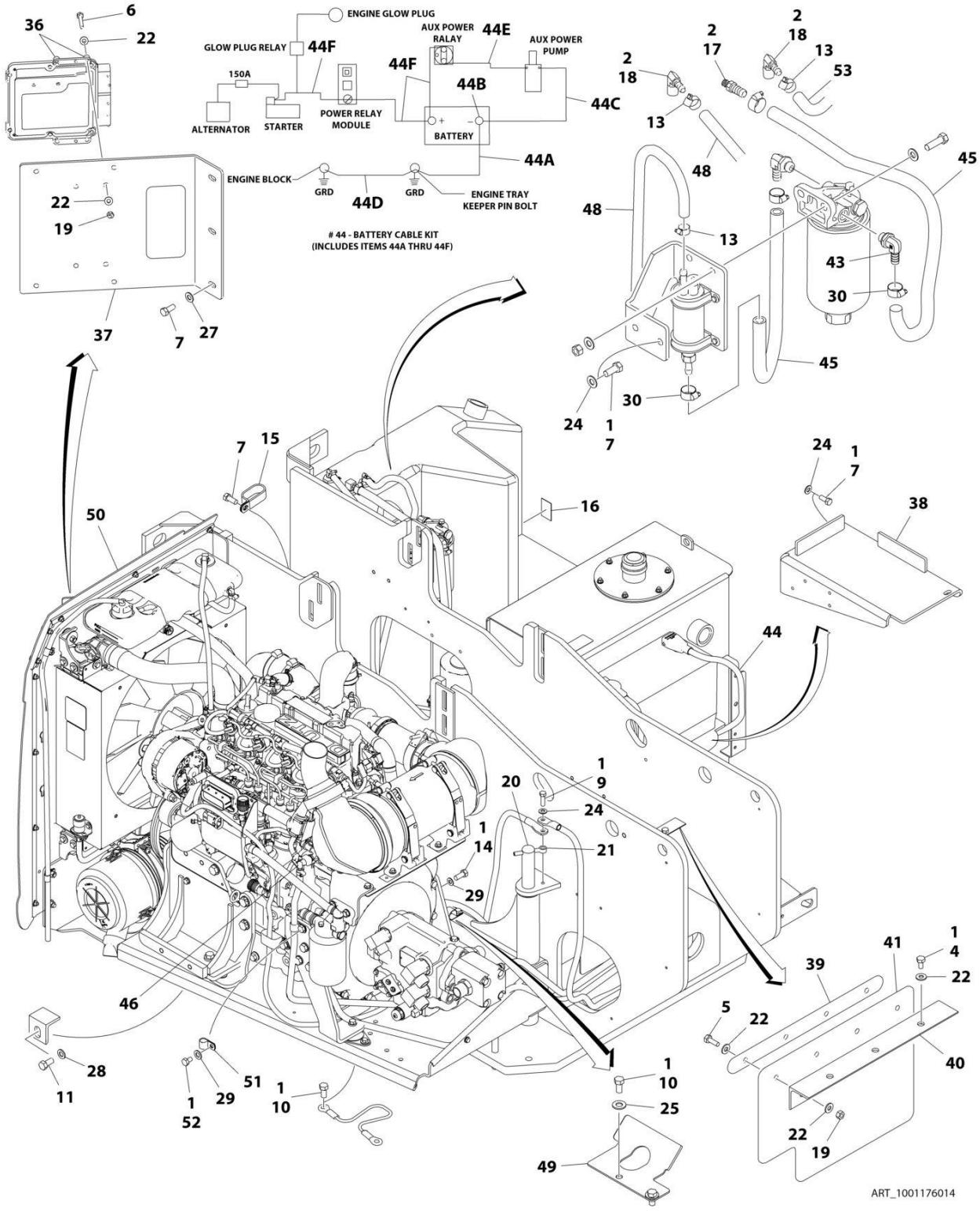
ITEM	PART NUMBER	QTY	DESCRIPTION	REV
20	70025109	2	Clamp	
20	70025115	1	Clamp, Pipe	
20	70025133	1	Hose	
20	70025148	1	Connector, Plug-in	
21	70005182	1	Elbow, Air Charger	
21	70005176	1	O-Ring	
21	70005177	1	Gasket	
21	70005180	1	Line, Breather	
21	70005181	1	O-Ring	
21	70005183	1	Line, Breather	
21	70025111	2	Clamp	
22	70025210	1	Module, ECU	
23	70024910	1	Pump, Water	
23	70025084	1	Plug	
23	7020492	1	O-Ring	
23	70025200	1	Seal	
23	70024473	1	Thermostat	
23	70005184	1	O-Ring (Thermostat)	
23	70025142	1	Cover, Thermostat	
23	70025159	1	Pulley, Water Pump	
24	70025177	1	Pipe	
24	70025179	1	Gasket	
25	70005185	1	Manifold	
25	70024912	1	Gasket	
26	70004282	1	Manifold, Exhaust	
26	70025164	1	Gasket, Exhaust Manifold	
27	70005186	1	Pipe	
27	70025179	1	Gasket (Two Hole)	
27	70025180	1	Gasket (Three Hole)	
28	70004283	1	Module, ERG	
28	70005188	1	Valve, Control	
28	70005189	1	O-Ring	
29	70024914	1	Alternator	
29	70025149	1	Regulator	
29	70025131	1	Fan	
29	70025150	1	Pulley	
29	70025191	1	Plate, Retaining	
29	70025201	1	Bracket, Alternator	
30	70024913	1	V-Belt	
31	70024915	1	Starter	
32	70025231	1	Harness, Glow Plug (Not Shown)	
32	70025233	1	Connector (Not Shown)	
33	70025221	1	Connector, Plug-In (Not Shown)	
33	70025781	1	Connector, Plug-In (Not Shown)	
33	70025779	1	Ring, Fastening (Not Shown)	
34	70004284	1	Harness, Engine (Not Shown)	
34	70025165	1	Plate, Retaining (Not Shown)	
34	70025216	1	Adapter (Not Shown)	
34	70025215	1	Bracket, Fixing (Not Shown)	
34	70025228	2	Bracket (Not Shown)	
34	70025226	1	Connector, Plug-In (Not Shown)	

SECTION 3 - ENGINE

ITEM	PART NUMBER	QTY	DESCRIPTION	REV
34	70025220	5	Connector, Plug-In (Not Shown)	
34	70025222	3	Connector, Plug-In (Not Shown)	
34	70025223	1	Connector, Plug-In (Not Shown)	
34	70025219	1	Connector, Plug-In (Not Shown)	
34	70025238	1	Connector, Plug-In (Not Shown)	
34	70025221	2	Connector, Plug-In (Not Shown)	
34	70025217	8	Clamp (Not Shown)	
34	70025213	2	Clip (Not Shown)	
34	70025209	1	Bracket (Not Shown)	
34	70025225	1	Support (Not Shown)	
34	70025218	3	Clamp (Not Shown)	
34	70025237	1	Connector, Plug-In (Not Shown)	
34	70025214	1	Cap (Not Shown)	
34	70025224	2	Clamp (Not Shown)	
34	70025166	1	Support, Harness (Not Shown)	
34	70025211	1	Plate, Retaining (Not Shown)	
34	70025189	1	Plate, Retaining (Not Shown)	
34	70025236	1	Support, Harness (Not Shown)	
35	70024918	1	Sender, Temperature	
36	70024504	1	Sensor, Pressure (Not Shown - Located Left Side Front)	
36	70024920	1	O-Ring (Not Shown)	
37	70024503	1	Sensor, Speed (Not Shown)	
37	70005191	1	O-Ring	
38	70024507	1	Sensor, Pressure	
38	70025120	1	Seal	
39	70024503	1	Sensor, Speed	
39	70024917	1	Seal	
40	70025192	1	Housing	
40	70025113	2	Pin	
41	70000345	4	Plug, Glow (Not Shown)	
42	70005446	1	Outlet, Muffler	
42	70025241	1	Clip	
42	70025242	2	Gasket	
42	70004504	1	Compensator	
42	70024512	1	Clamp	
42	70025877	1	Clamp	
43	70124530	1	Valve, Relief	
43	70025660	1	Plug	
43	70124538	1	Spring	
43	70104570	1	Seal	

SECTION 3 - ENGINE

FIGURE 3-20. DEUTZ TD2.9L4 - 63HP ENGINE INSTALLATION - WITHOUT ARCTIC PACKAGE



ART_1001176014

SECTION 3 - ENGINE

FIGURE 3-20. DEUTZ TD2.9L4 - 63HP ENGINE INSTALLATION - WITHOUT ARCTIC PACKAGE

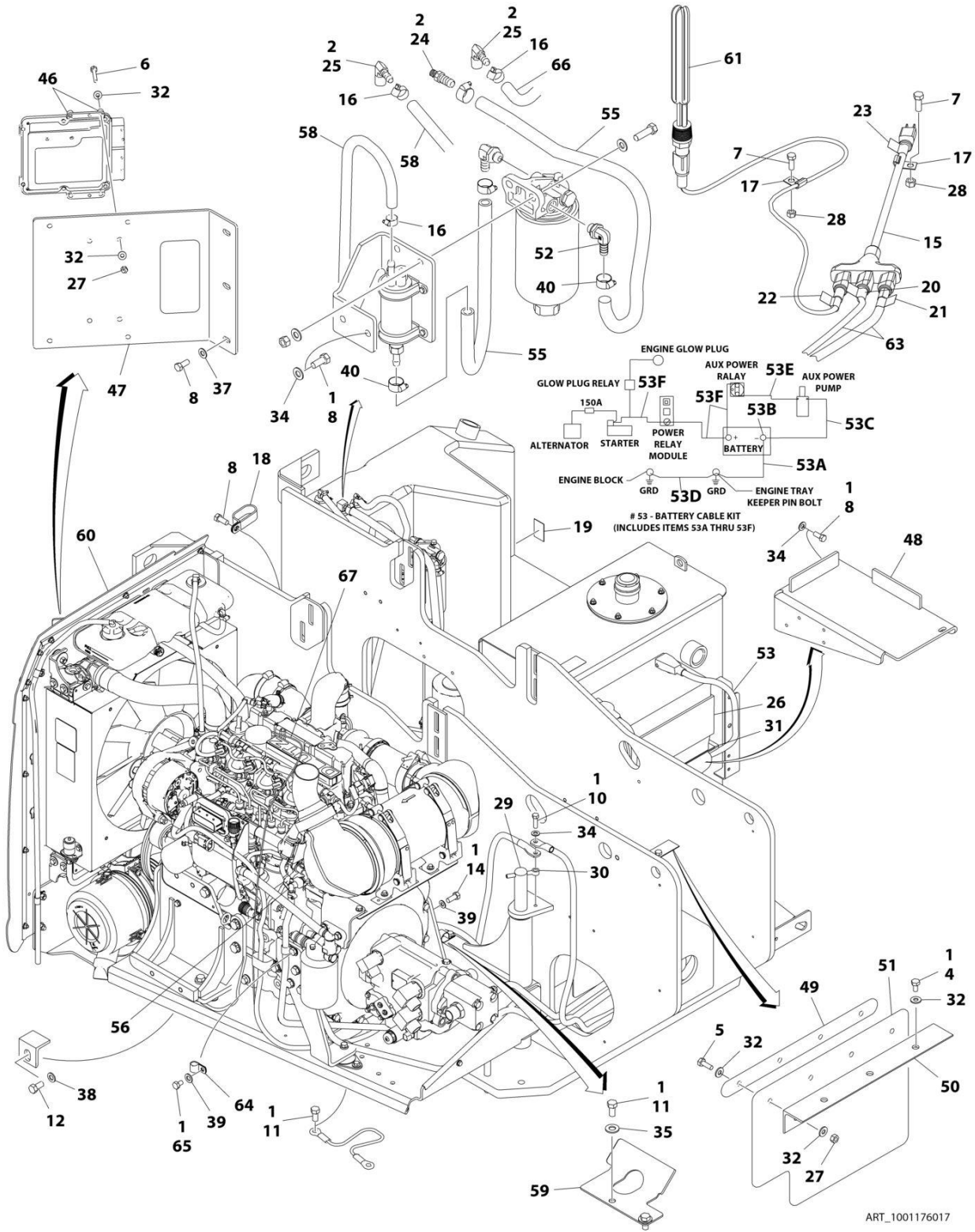
ITEM	PART NUMBER	QTY	DESCRIPTION	REV
	1001176014	Ref	DEUTZ TD2.9L4 ENGINE INSTALLATION	F
1	0100011	AR	Compound, Locking	
2	0100020	AR	Sealant, Pipe	
4	0641404	3	Bolt 1/4 x 1/2	
5	0641406	4	Bolt 1/4 x 3/4	
6	0641412	4	Bolt 1/4 x 1-1/2	
7	0641607	9	Bolt 3/8 x 7/8	
8	0641608	2	Bolt 3/8 x 1 (Not Shown)	
9	0641612	1	Bolt 3/8 x 1-1/2	
10	0641808	3	Bolt 1/2 x 1	
11	0642010	1	Bolt 5/8 x 1-1/4	
13	1320022	5	Clamp	
14	0771212	1	Bolt M12 x 25	
15	1321716	1	P-Clamp	
16	1701505	1	Decal - Diesel	
17	2180832	1	Fitting, Straight Barbed	
18	2220313	2	Fitting, 90 Barbed	
19	3311405	8	Nut 1/4	
20	3422448	1	Pin, Pivot	
21	3841143	1	Pin, Keeper	
22	4711400	19	Washer 1/4	
24	4711600	6	Washer 3/8	
25	4711800	2	Washer 1/2	
27	4751600	3	Washer 3/8	
28	4752000	1	Washer 5/8	
29	4812100	2	Washer M12	
30	8405006	2	Clamp	
32	8406201	4	Clip (Not Shown)	
36	1001110425	4	Spacer	
37	1001137866	1	Plate, Baffle	
38	1001137868	1	Bracket, Battery	
39	1001137880	1	Bracket, Baffle	
40	1001137881	1	Angle	
41	1001137882	1	Support, Rubber	
42	1001138491	1	Harness, Fuel Pump (Pump requiring Push-on Terminals) (Not Shown - See Separate Breakdown in ELECTRICAL Section)	
43	1001142501	1	Fitting, 90 Barbed	
44	1001145047	1	Battery Cable Kit	
44A	7027072	1	Cable, Battery (Black) (Battery - to Tray Pivot Grd)	
44B	8270147	1	Terminal, Battery (With Boot)	
44B	See Note	1	Boot, Black (Note: Not Available for Purchase)	
44C	7027073	1	Cable, Battery (Black) (Battery - to Aux Pump and Relay Grds)	
44C	See Note	1	Boot, Black (Note: Not Available for Purchase)	
44D	7027074	1	Cable, Battery (Black) (Engine to Tray Pivot Grd)	
44E	7027075	1	Cable (Red) (Aux Relay to Aux Pump)	
44E	70003952	2	Boot, Red	
44F	7027076	1	Cable (Red) (Battery + to Aux Relay/Power Module/Starter)	
44F	See Note	1	Boot, Red (Battery) (Note: Not Available for Purchase)	
45	1001154405	3 ft /0.9m	Hose	
46	1001155823	1	Fitting, 90 Quick Disconnect	

SECTION 3 - ENGINE

ITEM	PART NUMBER	QTY	DESCRIPTION	REV
48	1001165035	23.5 ft /7.2m	Hose	
49	1001172793	1	Guide, Hose	
50	1001176013	1	Engine Assembly with Pumps (See Separate Breakdown in this Section)	
51	1320061	1	Clamp	
52	0761008	1	Bolt M10 x 16	
53	2750532	5 ft /1.6m	Hose	

SECTION 3 - ENGINE

FIGURE 3-21. DEUTZ TD2.9L4 - 63HP ENGINE INSTALLATION - WITH ARCTIC PACKAGE



ART_1001176017

SECTION 3 - ENGINE

FIGURE 3-21. DEUTZ TD2.9L4 - 63HP ENGINE INSTALLATION - WITH ARCTIC PACKAGE

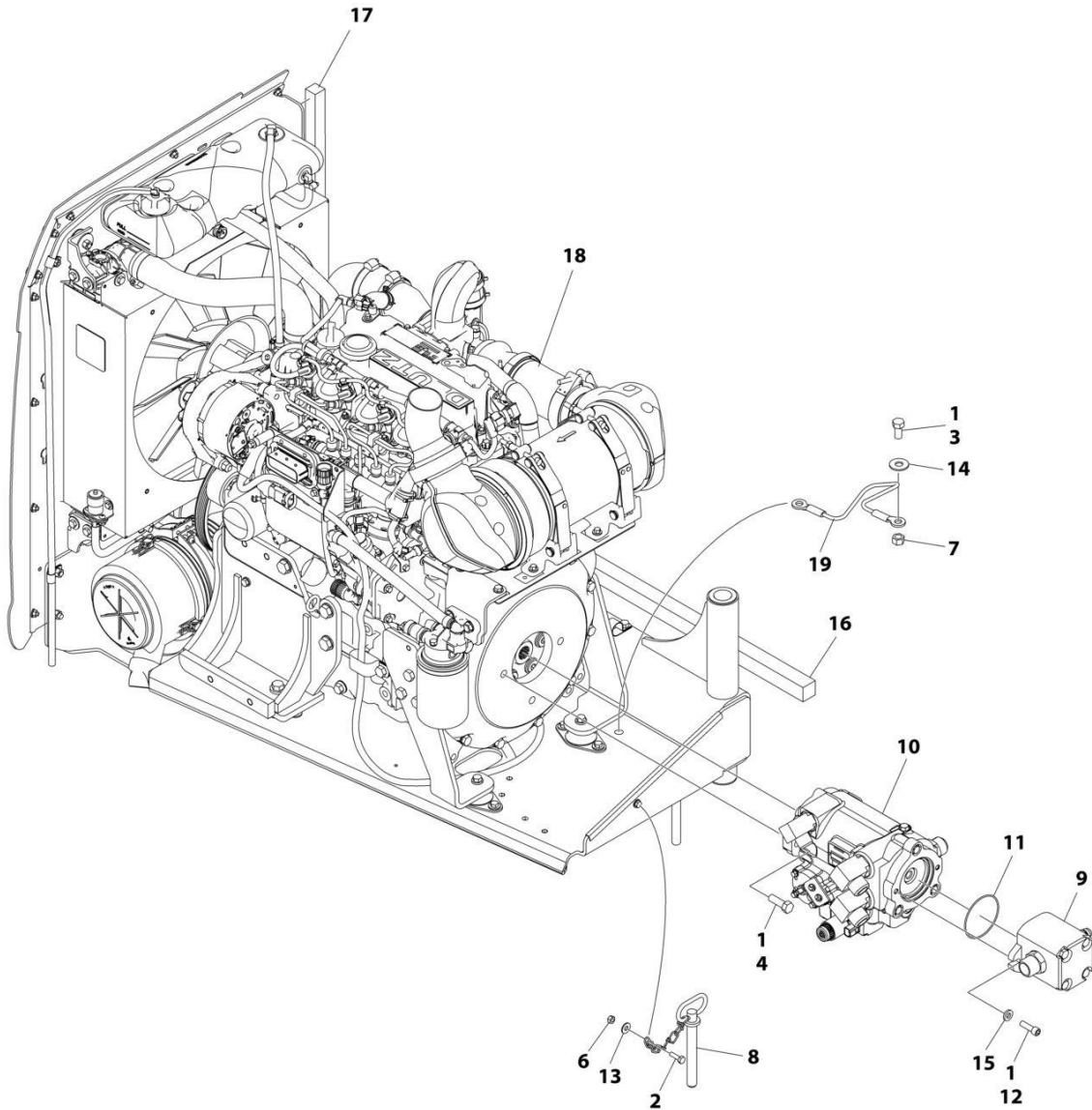
ITEM	PART NUMBER	QTY	DESCRIPTION	REV
	1001176017	Ref	DEUTZ TD2.9L4 ENGINE INSTALLATION	H
1	0100011	AR	Compound, Locking	
2	0100020	AR	Sealant, Pipe	
4	0641404	3	Bolt 1/4 x 1/2	
5	0641406	4	Bolt 1/4 x 3/4	
6	0641412	4	Bolt 1/4 x 1-1/2	
7	0641606	2	Bolt 3/8 x 3/4	
8	0641607	9	Bolt 3/8 x 7/8	
9	0641608	2	Bolt 3/8 x 1 (Not Shown)	
10	0641612	1	Bolt 3/8 x 1-1/2	
11	0641808	3	Bolt 1/2 x 1	
12	0642010	1	Bolt 5/8 x 1-1/4	
14	0771212	1	Bolt M12 x 25	
15	1060626	1	Cord, 3 Way Extension	
16	1320022	5	Clamp	
17	1320223	2	Clamp	
18	1321716	1	P-Clamp	
19	1701505	1	Decal - Diesel	
20	1702941	1	Decal - Battery Heater	
21	1702942	1	Decal - Engine Block Heater	
22	1702943	1	Decal - Hydraulic Tank Heater	
23	1702944	1	Decal - Heater Cord	
24	2180832	1	Fitting, Straight Barbed	
25	2220313	2	Fitting, 90 Barbed	
26	2580024	1	Heater, Battery	
27	3311405	8	Nut 1/4	
28	3311605	2	Nut 3/8	
29	3422448	1	Pin, Pivot	
30	3841143	1	Pin, Keeper	
31	3980007	1	Seat, Battery	
32	4711400	19	Washer 1/4	
34	4711600	8	Washer 3/8	
35	4711800	2	Washer 1/2	
37	4751600	3	Washer 3/8	
38	4752000	1	Washer 5/8	
39	4812100	2	Washer M12	
40	8405006	2	Clamp	
42	8406201	4	Clip (Not Shown)	
46	1001110425	4	Spacer	
47	1001137866	1	Plate, Baffle	
48	1001137868	1	Bracket, Battery	
49	1001137880	1	Bracket, Baffle	
50	1001137881	1	Angle	
51	1001137882	1	Support, Rubber	
52	1001142501	1	Fitting, 90 Barbed	
53	1001145047	1	Battery Cable Kit	
53A	7027072	1	Cable, Battery (Black) (Battery - to Tray Pivot Grd)	
53B	8270147	1	Terminal, Battery (With Boot)	
53B	See Note	1	Boot, Black (Note: Not Available for Purchase)	
53C	7027073	1	Cable, Battery (Black) (Battery - to Aux Pump and Relay Grds)	

SECTION 3 - ENGINE

ITEM	PART NUMBER	QTY	DESCRIPTION	REV
53C	See Note	1	Boot, Black (Note: Not Available for Purchase)	
53D	7027074	1	Cable, Battery (Black) (Engine to Tray Pivot Grd)	
53E	7027075	2	Cable (Red) (Aux Relay to Aux Pump)	
53E	70003952	2	Boot, Red	
53F	7027076	1	Cable (Red) (Battery + to Aux Relay/Power Module/Starter)	
53F	See Note	1	Boot, Red (Battery) (Note: Not Available for Purchase)	
55	1001154405	3 ft /0.9m	Hose	
56	1001155823	1	Fitting, 90 Quick Disconnect	
58	1001165035	23.5 ft /7.2m	Hose	
59	1001172793	1	Guide, Hose	
60	1001176016	1	Engine Assembly with Pumps (See Separate Breakdown in this Section)	
61	1001188972	1	Heater, Hydraulic Tank	
62	1001138491	1	Harness, Fuel Pump (Pump requiring Push-on Terminals) (Not Shown - See Separate Breakdown in ELECTRICAL Section)	
63	1001150918	1	Cable, Immersion Heater	
64	1320061	1	Clamp	
65	0761008	1	Bolt M10 x 16	
66	2750532	5 ft /1.6m	Hose	
67	1001233763	1	Breather Heater Installation (See Separate Breakdown in this Section)	

SECTION 3 - ENGINE

FIGURE 3-22. DEUTZ TD2.9L4 - 63HP ENGINE/PUMP SUB-ASSEMBLY – WITHOUT ARCTIC PACKAGE



ART_1001176013

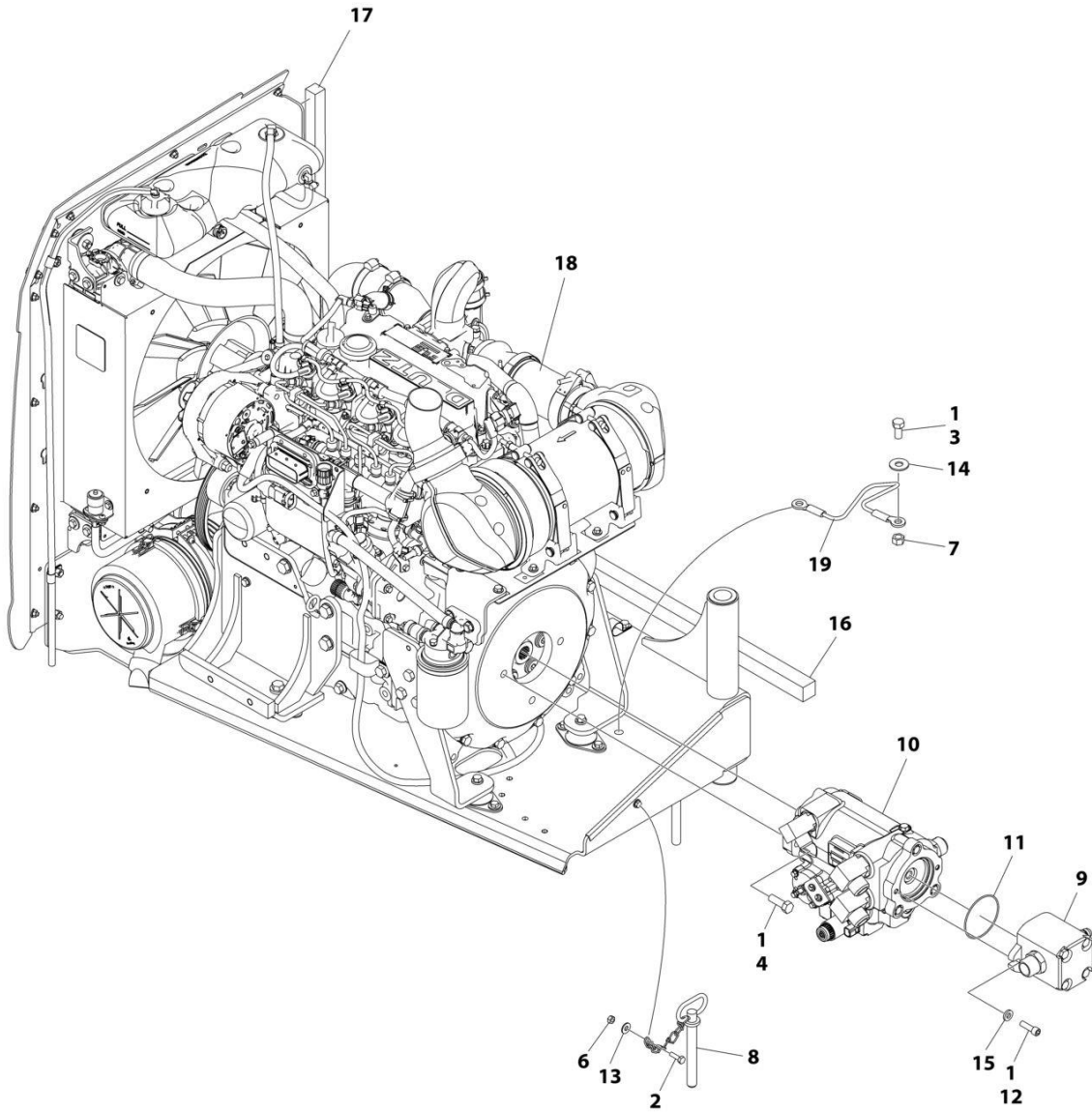
SECTION 3 - ENGINE

FIGURE 3-22. DEUTZ TD2.9L4 - 63HP ENGINE/PUMP SUB-ASSEMBLY – WITHOUT ARCTIC PACKAGE

ITEM	PART NUMBER	QTY	DESCRIPTION	REV
	1001176013	Ref	DEUTZ TD2.9L4 ENGINE/PUMP SUB-ASSEMBLY	F
1	0100011	AR	Compound, Locking	
2	0641406	1	Bolt 1/4 x 3/4	
3	0641808	1	Bolt 1/2 x 1	
4	0641812	2	Bolt 1/2 x 1-1/2	
6	3311405	1	Nut 1/4	
7	3311801	1	Nut 1/2	
8	3422533	1	Pin, Hitch	
9	3600395	1	Gear Pump Assembly with Fittings (See Separate Breakdown in this Section)	
10	1001188952	1	Pump Assembly with Fittings (See Separate Breakdown in this Section)	
11	3790152	1	O-Ring	
12	3931620	2	Bolt 3/8 x 1-1/4	
13	4711400	2	Washer 1/4	
14	4751800	1	Washer 1/2	
15	4891600	2	Washer 3/8 Hardened	
16	1001137873	1	Seal	
17	1001137874	1	Seal	
18	1001176012	1	Engine Assembly (See Separate Breakdown in this Section)	
19	1060637	1	Lanyard	

SECTION 3 - ENGINE

FIGURE 3-23. DEUTZ TD2.9L4 - 63HP ENGINE/PUMP SUB-ASSEMBLY – WITH ARCTIC PACKAGE



ART_1001176016

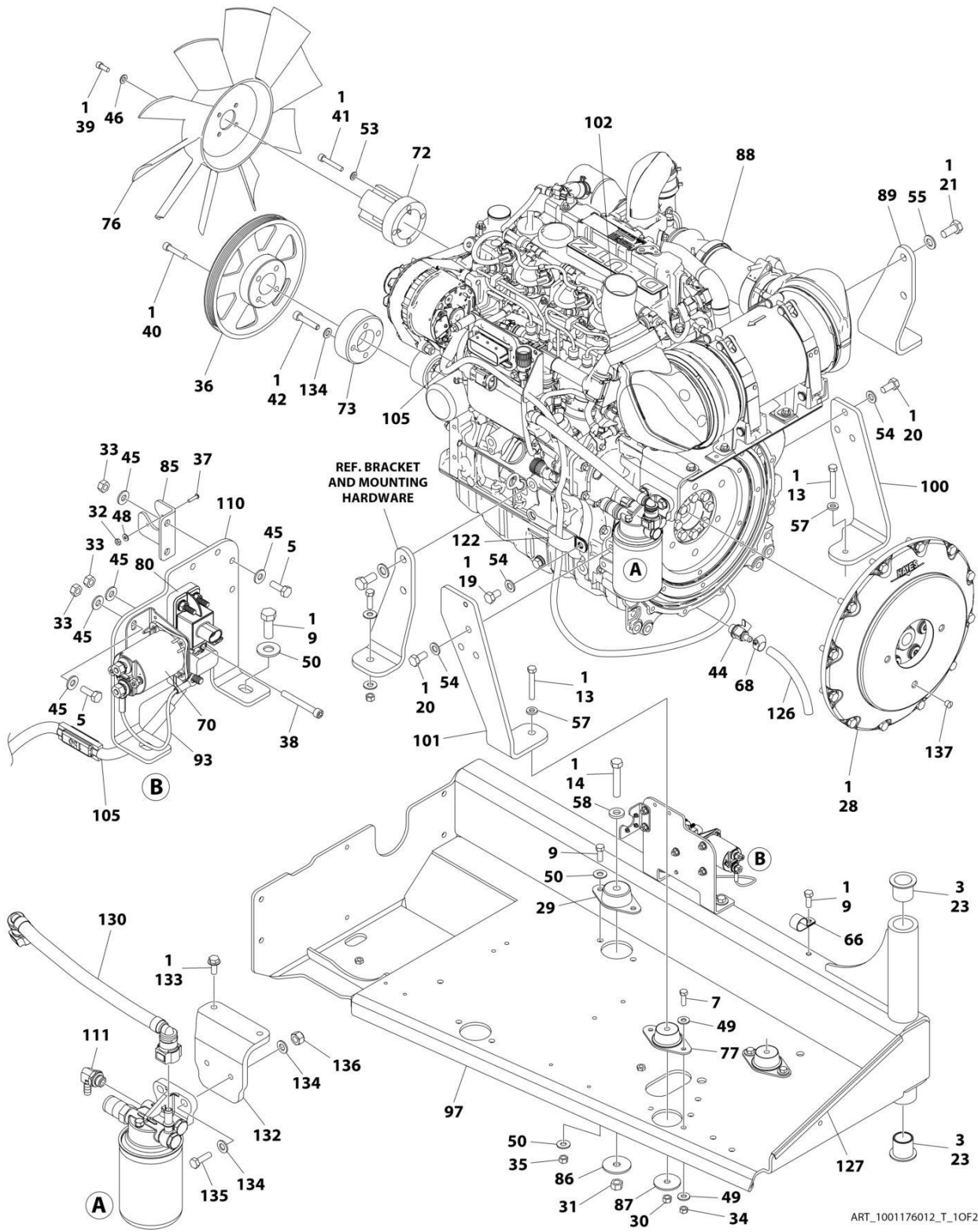
SECTION 3 - ENGINE

FIGURE 3-23. DEUTZ TD2.9L4 - 63HP ENGINE/PUMP SUB-ASSEMBLY – WITH ARCTIC PACKAGE

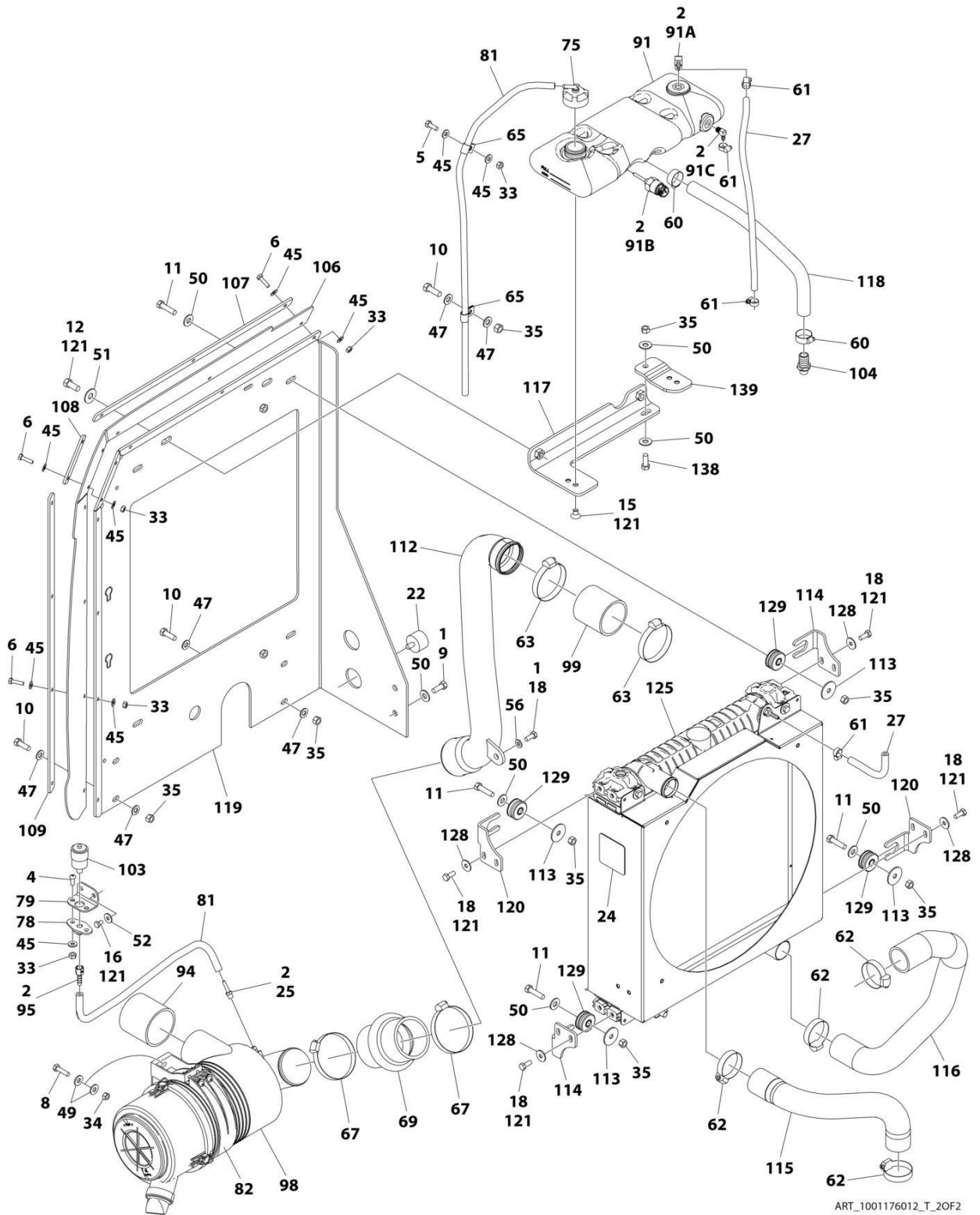
ITEM	PART NUMBER	QTY	DESCRIPTION	REV
	1001176016	Ref	DEUTZ TD2.9L4 ENGINE/PUMP SUB-ASSEMBLY	E
1	0100011	AR	Compound, Locking	
2	0641406	1	Bolt 1/4 x 3/4	
3	0641808	1	Bolt 1/2 x 1	
4	0641812	2	Bolt 1/2 x 1-1/2	
6	3311405	1	Nut 1/4	
7	3311801	1	Nut 1/2	
8	3422533	1	Pin, Hitch	
9	3600395	1	Gear Pump Assembly with Fittings (See Separate Breakdown in this Section)	
10	1001188952	1	Pump Assembly with Fittings (See Separate Breakdown in this Section)	
11	3790152	1	O-Ring	
12	3931620	2	Bolt 3/8 x 1-1/4	
13	4711400	2	Washer 1/4	
14	4751800	1	Washer 1/2	
15	4891600	2	Washer 3/8 Hardened	
16	1001137873	1	Seal	
17	1001137874	1	Seal	
18	1001176015	1	Engine Assembly (See Separate Breakdown in this Section)	
19	1060637	1	Lanyard	

SECTION 3 - ENGINE

FIGURE 3-24. DEUTZ TD2.9L4 - 63HP ENGINE ASSEMBLY – WITHOUT ARCTIC PACKAGE



SECTION 3 - ENGINE



ART_1001176012_T_2OF2

SECTION 3 - ENGINE

FIGURE 3-24. DEUTZ TD2.9L4 - 63HP ENGINE ASSEMBLY – WITHOUT ARCTIC PACKAGE

ITEM	PART NUMBER	QTY	DESCRIPTION	REV
	1001176012	Ref	DEUTZ TD2.9L4 ENGINE ASSEMBLY	T
1	0100011	AR	Compound, Locking	
2	0100020	AR	Sealant	
3	0100062	AR	Adhesive	
4	0630407	2	Screw 1/4 x 5/8	
5	0641406	5	Bolt 1/4 x 3/4	
6	0641408	9	Bolt 1/4 x 1	
7	0641508	4	Bolt 5/16 x 1	
8	0641510	2	Bolt 5/16 x 1-1/4	
9	0641608	7	Bolt 3/8 x 1	
10	0641609	4	Bolt 3/8 x 1-1/8	
11	0641612	4	Bolt 3/8 x 1-1/2	
12	0641708	2	Bolt 7/16 x 1	
13	0681620	2	Bolt 3/8 x 2-1/2 Grade 8	
14	0681822	1	Bolt 1/2 x 2-3/4 Grade 8	
15	0741605	2	Screw, Flathead 3/8 x 5/8	
16	0760605	2	Bolt M6 x 10	
18	0760810	9	Bolt M8 x 20	
19	0761210	1	Bolt M12 x 20	
20	0771212	6	Bolt M12 x 25	
21	0771414	2	Bolt M14 x 30	
22	0940070	1	Bumper	
23	0961986	2	Bushing, Flanged	
24	1703162	1	Decal - Fan Blade	
25	2220315	1	Fitting, Straight Barbed	
27	2720015	26 in /.9m	Hose	
28	2902065	1	Kit, Pump Coupling (See Separate Breakdown in this Section)	
29	3200401	1	Mount, Motor	
30	3271601	2	Nut 3/8 Grade 8	
31	3271801	1	Nut 1/2 Grade 8	
32	3310401	3	Nut #4	
33	3311405	17	Nut 1/4	
34	3311505	6	Nut 5/16	
35	3311605	11	Nut 3/8	
36	3580320	1	Pulley	
37	3910408	3	Screw #4 x 1/2	
38	3931432	1	Capscrew 1/4 x 2	
39	3931512	4	Capscrew 5/16 x 3/4	
40	3931628	4	Capscrew 3/8 x 1-3/4	
41	4031914	4	Capscrew M8 x 50	
42	4032014	4	Capscrew M10 x 50	
43	4240099	AR	Tie-Strap (Not Shown)	
44	4640751	1	Valve, Oil Drain	
45	4711400	31	Washer 1/4	
46	4711500	4	Washer 5/16	
47	4711600	8	Washer 3/8	
48	4750400	3	Washer #4	
49	4751500	12	Washer 5/16	
50	4751600	14	Washer 3/8	
51	4751700	2	Washer 7/16	

SECTION 3 - ENGINE

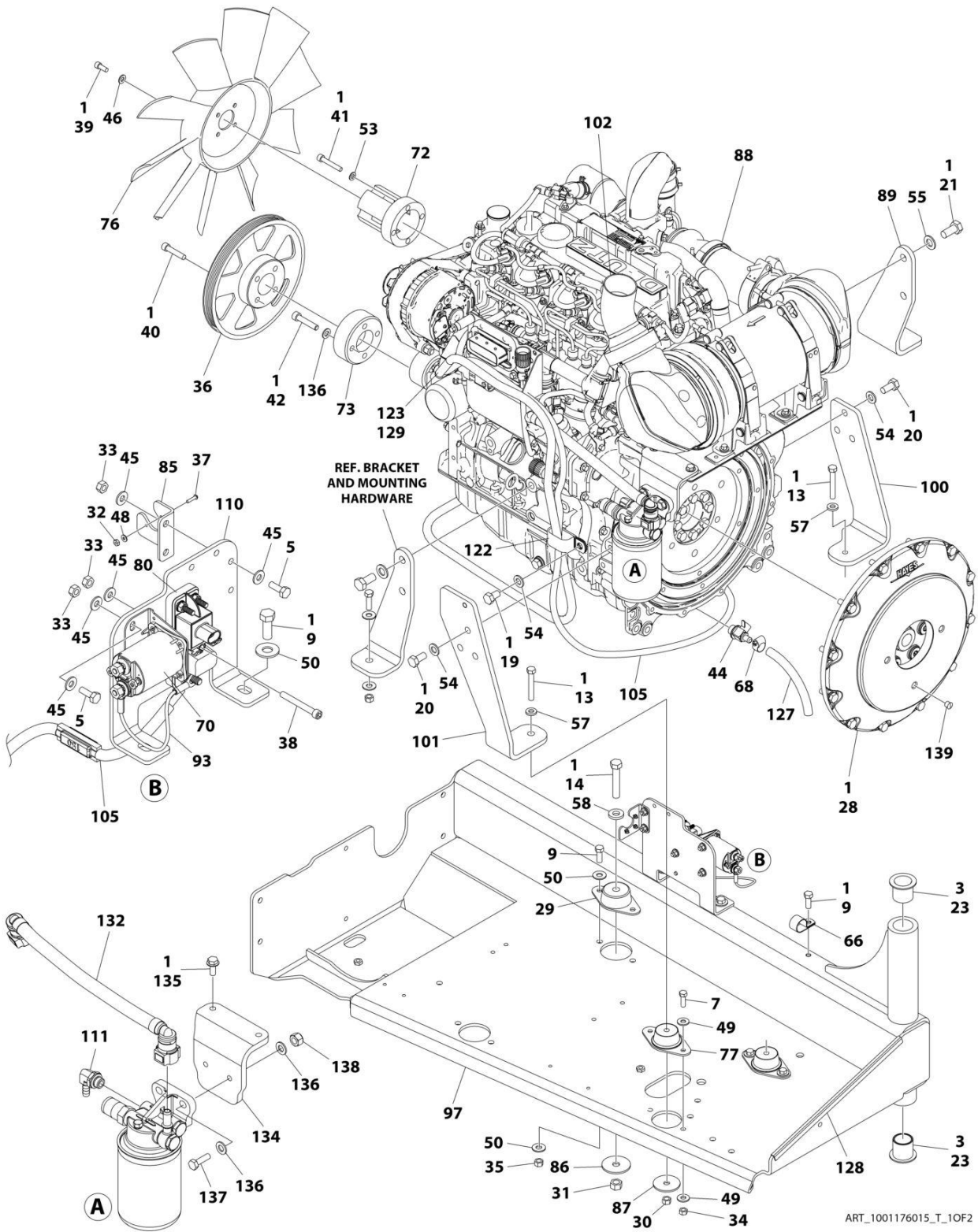
ITEM	PART NUMBER	QTY	DESCRIPTION	REV
52	4811702	2	Washer M6	
53	4811900	4	Washer M8	
54	4812100	7	Washer M12	
55	4812200	2	Washer M14	
56	4891500	1	Washer 5/16 Hardened	
57	4891600	2	Washer 3/8 Hardened	
58	4891800	1	Washer 1/2 Hardened	
60	8405007	2	Clamp	
61	8405009	4	Clamp	
62	8405104	4	Clamp	
63	8405204	2	Clamp	
65	8406110	2	Clip	
66	8406201	1	Clip	
67	8410011	2	Clamp	
68	8410013	1	Clamp	
69	91403244	1	Hose	
70	1001117308	1	Relay	
72	1001135138	1	Adapter	
73	1001135679	1	Adapter	
75	1001136834	1	Cap, Tank	
76	1001137276	1	Fan	
77	1001138170	2	Mount, Motor	
78	1001138173	1	Support	
79	1001138175	1	Bracket	
80	1001138228	1	Relay, Power Module	
80	70023593	1	Fuse 30Amp (Battery Output)	
80	70023592	1	Fuse 20Amp (Switched Output)	
81	1001138248	67 in /1.7m	Tube	
82	1001138557	1	Clamp	
85	1001139240	1	Bracket	
86	1001139409	1	Washer, Special	
87	1001139429	2	Washer, Special	
88	1001249942	1	Deutz TD2.9L4 Engine Components (See Separate Breakdown in this Section)	
89	1001140454	1	Mount, Front Engine	
91	1001230635	1	Tank	
91A	1001134488	1	Fitting, 90 Barbed	
91B	1001138827	1	Sensor, Coolant Level	
91C	1001140564	1	Fitting, 90 Barbed	
93	1001141304	1	Harness, Glow Plug	
94	1001141585	1	Hose, Air Inlet	
95	1001141995	1	Fitting, Straight Barbed	
97	1001142538	1	Support	
98	1001142615	1	Air Cleaner Assembly Filter Element	
98	91403102	1	Element, Filter (Not Shown)	
99	1001142623	1	Hose, Inlet	
100	1001142635	1	Mount, Rear Engine	
101	1001205051	1	Mount, Rear Engine	
102	1001142689	1	Pipe, Exhaust	
103	1001143390	1	Indicator, Service	
104	1001143797	1	Fitting, Straight Barbed	

SECTION 3 - ENGINE

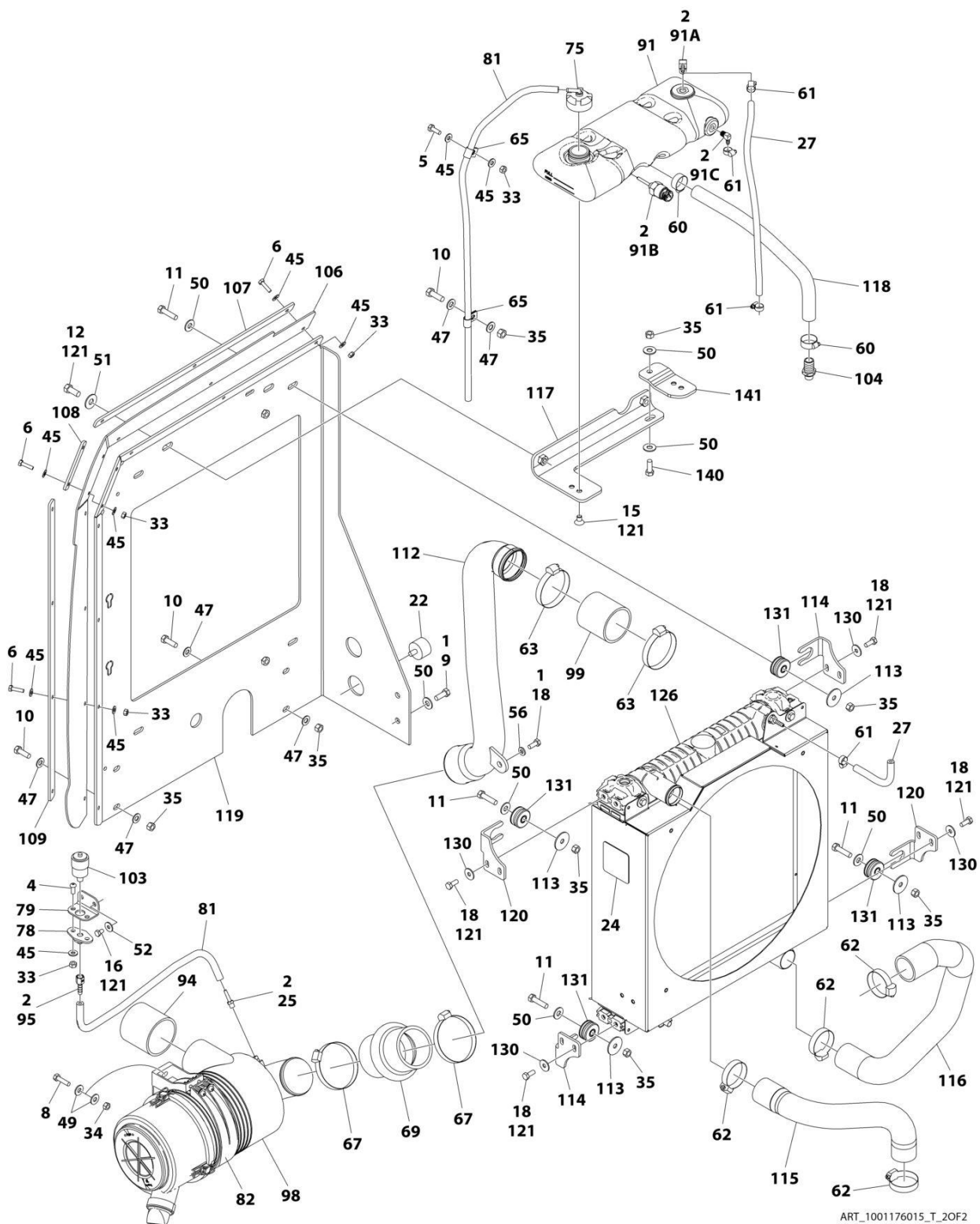
ITEM	PART NUMBER	QTY	DESCRIPTION	REV
105	1001143907	1	Cable, Alternator Power	
106	1001144409	1	Panel, Rubber	
107	1001144410	1	Bracket, Panel Clamp	
108	1001144411	1	Bracket, Panel Clamp	
109	1001144412	1	Bracket, Panel Clamp	
110	1001145154	1	Plate, Relay Mounting	
111	1001152489	1	Fitting, 90 Barbed	
112	1001165842	1	Pipe	
113	1001169138	4	Washer	
114	1001204325	2	Bracket	
115	1001176225	1	Hose, Radiator - Upper	
116	1001176226	1	Hose, Radiator - Lower	
117	1001260413	1	Bracket, Tank	
118	1001176511	1	Hose	
119	1001176723	1	Plate Radiator Mounting	
120	1001178223	2	Bracket	
121	1001180620	AR	Adhesive	
122	1001181899	1	Clamp	
123	1001143726	1	Harness, Engine (Not Shown - See Separate Breakdown in ELECTRICAL Section)	
125	1001167041	1	Radiator and Shroud Assembly	
125	1001203495	1	Radiator	
125	1001204491	1	Shroud	
126	2720340	6 in /15cm	Hose	
127	4060805	14 in / 36cm	Flex-Trim	
128	4811902	8	Washer M8	
129	1001169054	4	Isolator	
130	1001177359	1	Hose	
132	1001178876	1	Mount	
133	5250810	2	Bolt M8 x 20	
134	4812000	8	Washer M10	
135	0761015	2	Bolt M10 x 35	
136	3291005	2	Nut M10	
137	3520054	1	Plug	
138	0681608	1	Bolt 3/8 x 1 Grade 8	
139	1001260412	1	Bracket	
140	1001162335	1	Bracket, Fuel Pump/Filter Assembly (Not Shown - See Separate Breakdown in this Section)	

SECTION 3 - ENGINE

FIGURE 3-25. DEUTZ TD2.9L4 - 63HP ENGINE ASSEMBLY – WITH ARCTIC PACKAGE



SECTION 3 - ENGINE



ART_1001176015_T_2OF2

SECTION 3 - ENGINE

FIGURE 3-25. DEUTZ TD2.9L4 - 63HP ENGINE ASSEMBLY – WITH ARCTIC PACKAGE

ITEM	PART NUMBER	QTY	DESCRIPTION	REV
	1001176015	Ref	DEUTZ TD2.9L4 ENGINE ASSEMBLY	T
1	0100011	AR	Compound, Locking	
2	0100020	AR	Sealant	
3	0100062	AR	Adhesive	
4	0630407	2	Screw 1/4 x 5/8	
5	0641406	5	Bolt 1/4 x 3/4	
6	0641408	9	Bolt 1/4 x 1	
7	0641508	4	Bolt 5/16 x 1	
8	0641510	2	Bolt 5/16 x 1-1/4	
9	0641608	7	Bolt 3/8 x 1	
10	0641609	4	Bolt 3/8 x 1-1/8	
11	0641612	4	Bolt 3/8 x 1-1/2	
12	0641708	2	Bolt 7/16 x 1	
13	0681620	2	Bolt 3/8 x 2-1/2 Grade 8	
14	0681822	1	Bolt 1/2 x 2-3/4 Grade 8	
15	0741605	2	Screw, Flathead 3/8 x 5/8	
16	0760605	2	Bolt M6 x 10	
18	0760810	9	Bolt M8 x 20	
19	0761210	1	Bolt M12 x 20	
20	0771212	6	Bolt M12 x 25	
21	0771414	2	Bolt M14 x 30	
22	0940070	1	Bumper	
23	0961986	2	Bushing, Flanged	
24	1703162	1	Decal - Fan Blade	
25	2220315	1	Fitting, Straight Barbed	
27	2720015	26 in /.9m	Hose	
28	2902065	1	Kit, Pump Coupling (See Separate Breakdown in this Section)	
29	3200401	1	Mount, Motor	
30	3271601	2	Nut 3/8 Grade 8	
31	3271801	1	Nut 1/2 Grade 8	
32	3310401	3	Nut #4	
33	3311405	17	Nut 1/4	
34	3311505	6	Nut 5/16	
35	3311605	11	Nut 3/8	
36	3580320	1	Pulley	
37	3910408	3	Screw #4 x 1/2	
38	3931432	1	Capscrew 1/4 x 2	
39	3931512	4	Capscrew 5/16 x 3/4	
40	3931628	4	Capscrew 3/8 x 1-3/4	
41	4031914	4	Capscrew M8 x 50	
42	4032014	4	Capscrew M10 x 50	
43	4240099	AR	Tie-Strap (Not Shown)	
44	4640751	1	Valve, Oil Drain	
45	4711400	31	Washer 1/4	
46	4711500	4	Washer 5/16	
47	4711600	8	Washer 3/8	
48	4750400	3	Washer #4	
49	4751500	12	Washer 5/16	
50	4751600	14	Washer 3/8	
51	4751700	2	Washer 7/16	

SECTION 3 - ENGINE

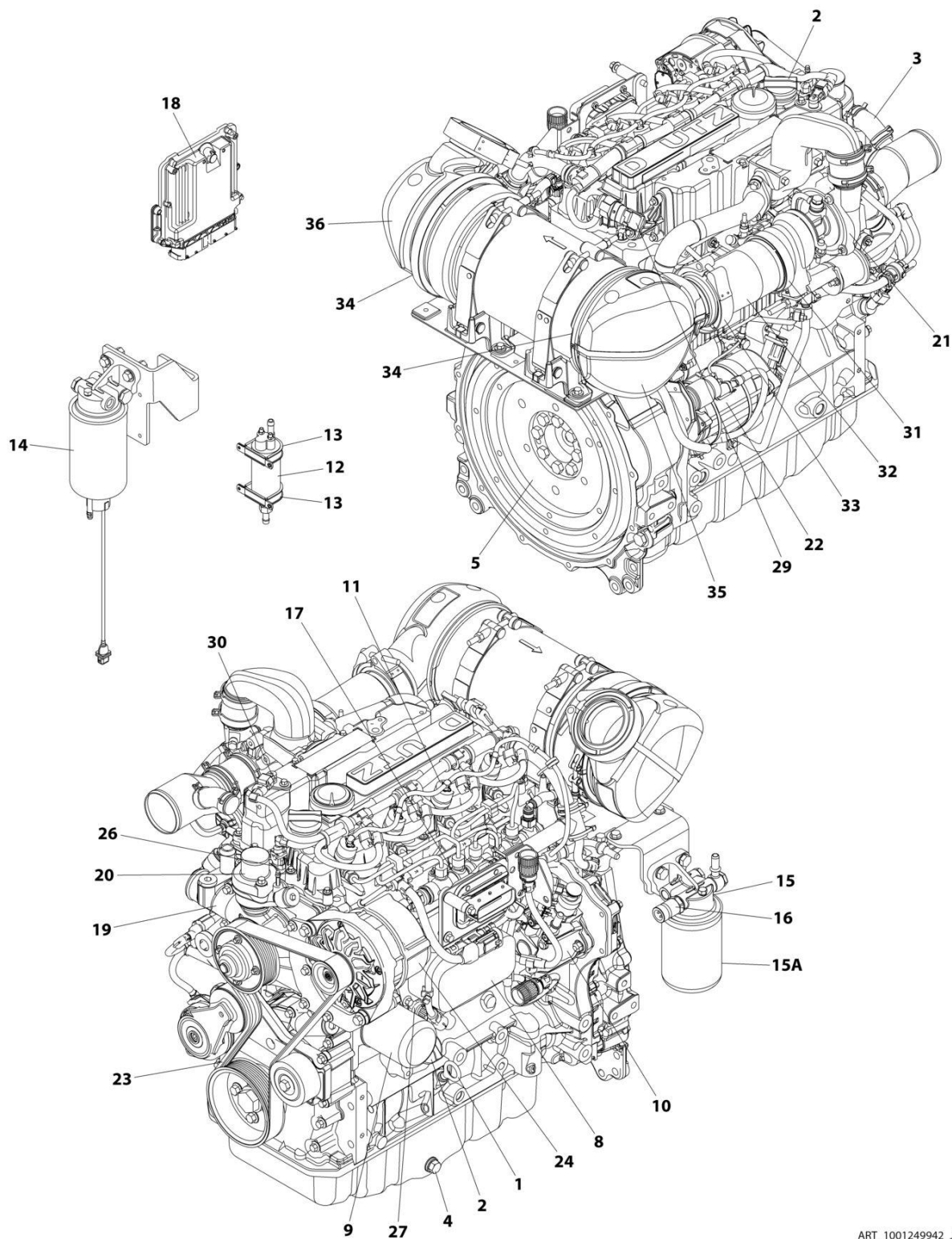
ITEM	PART NUMBER	QTY	DESCRIPTION	REV
52	4811702	2	Washer M6	
53	4811900	4	Washer M8	
54	4812100	7	Washer M12	
55	4812200	2	Washer M14	
56	4891500	1	Washer 5/16 Hardened	
57	4891600	2	Washer 3/8 Hardened	
58	4891800	1	Washer 1/2 Hardened	
60	8405007	2	Clamp	
61	8405009	4	Clamp	
62	8405104	4	Clamp	
63	8405204	2	Clamp	
65	8406110	2	Clip	
66	8406201	1	Clip	
67	8410011	2	Clamp	
68	8410013	1	Clamp	
69	91403244	1	Hose	
70	1001117308	1	Relay	
72	1001135138	1	Adapter	
73	1001135679	1	Adapter	
75	1001136834	1	Cap, Tank	
76	1001137276	1	Fan	
77	1001138170	2	Mount, Motor	
78	1001138173	1	Support	
79	1001138175	1	Bracket	
80	1001138228	1	Relay, Power Module	
80	70023593	1	Fuse 30Amp (Battery Output)	
80	70023592	1	Fuse 20Amp (Switched Output)	
81	1001138248	67 in/1.7m	Tube	
82	1001138557	1	Clamp	
85	1001139240	1	Bracket	
86	1001139409	1	Washer, Special	
87	1001139429	2	Washer, Special	
88	1001249942	1	Deutz TD2.9L4 Engine Components (See Separate Breakdown in this Section)	
89	1001140454	1	Mount, Front Engine	
91	1001230635	1	Tank	
91A	1001134488	1	Fitting, 90 Barbed	
91B	1001138827	1	Sensor, Coolant Level	
91C	1001140564	1	Fitting, 90 Barbed	
93	1001141304	1	Harness, Glow Plug	
94	1001141585	1	Hose, Air Inlet	
95	1001141995	1	Fitting, Straight Barbed	
97	1001142538	1	Support	
98	1001142615	1	Air Cleaner Assembly Filter Element	
98	91403102	1	Element, Filter (Not Shown)	
99	1001142623	1	Hose, Inlet	
100	1001142635	1	Mount, Rear Engine	
101	1001205051	1	Mount, Rear Engine	
102	1001142689	1	Pipe, Exhaust	
103	1001143390	1	Indicator, Service	
104	1001143797	1	Fitting, Straight Barbed	
105	1001143907	1	Cable, Alternator Power	

SECTION 3 - ENGINE

ITEM	PART NUMBER	QTY	DESCRIPTION	REV
106	1001144409	1	Panel, Rubber	
107	1001144410	1	Bracket, Panel Clamp	
108	1001144411	1	Bracket, Panel Clamp	
109	1001144412	1	Bracket, Panel Clamp	
110	1001145154	1	Plate, Relay Mounting	
111	1001152489	1	Fitting, 90 Barbed	
112	1001165842	1	Pipe	
113	1001169138	4	Washer	
114	1001204325	2	Bracket	
115	1001176225	1	Hose, Radiator - Upper	
116	1001176226	1	Hose, Radiator - Lower	
117	1001260413	1	Bracket, Tank	
118	1001176511	1	Hose	
119	1001176723	1	Plate Radiator Mounting	
120	1001178223	2	Bracket	
121	1001180620	AR	Adhesive	
122	1001181899	1	Clamp	
123	1001140312	1	Heater, Engine Block	
124	1001143726	1	Harness, Engine (Not Shown - See Separate Breakdown in ELECTRICAL Section)	
126	1001167041	1	Radiator & Shroud Assembly	
126	1001203495	1	Radiator	
126	1001204491	1	Shroud	
127	2720340	6 in /15cm	Hose	
128	4060805	14 in / 36cm	Flex-Trim	
129	1001181895	AR	Adhesive	
130	4811902	8	Washer M8	
131	1001169054	4	Isolator	
132	1001177359	1	Hose	
134	1001178876	1	Mount	
135	5250810	2	Bolt M8 x 20	
136	4812000	8	Washer M10	
137	0761015	2	Bolt M10 x 35	
138	3291005	2	Nut M10	
139	3520054	1	Plug	
140	0681608	1	Bolt 3/8 x 1 Grade 8	
141	1001260412	1	Bracket	
142	1001162335	1	Bracket, Fuel Pump/Filter Assembly (Not Shown - See Separate Breakdown in this Section)	

SECTION 3 - ENGINE

FIGURE 3-26. DEUTZ TD2.9L4 - 63HP ENGINE COMPONENTS



ART_1001249942_JLG

SECTION 3 - ENGINE

FIGURE 3-26. DEUTZ TD2.9L4 - 63HP ENGINE COMPONENTS

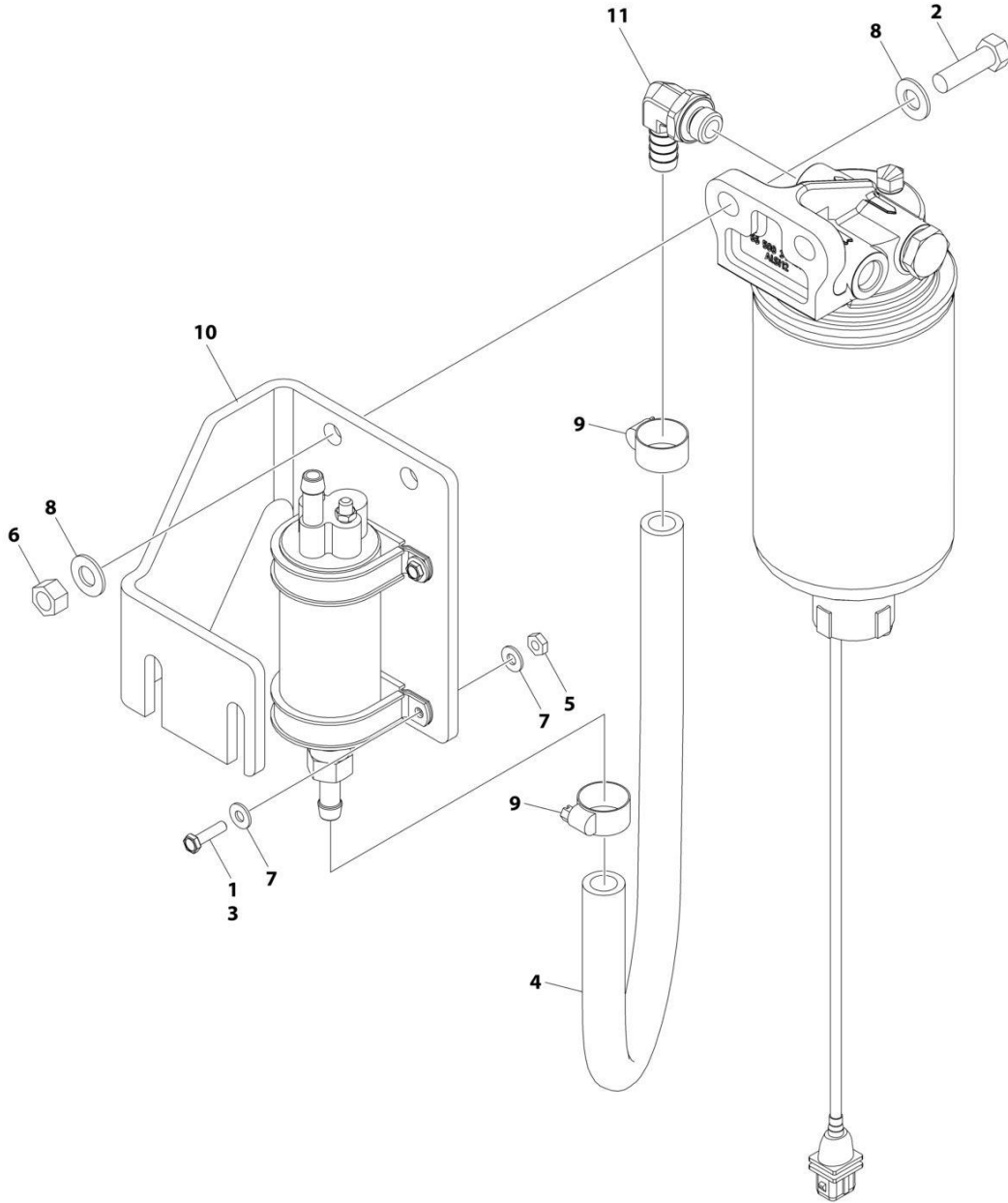
ITEM	PART NUMBER	QTY	DESCRIPTION	REV
	1001249942	Ref	ENGINE COMPONENTS - DEUTZ TD2.9L4	A
1	70024904	1	Dipstick	
1	70024905	1	Seal	
2	7020465	2	Cap, Oil Fill	
3	70025111	2	Clamp	
3	70005920	1	Hose, Breather	
4	70005941	2	Plug	
4	70005942	2	Seal	
5	70001870	1	Flywheel with Ring Gear	
5	7024579	1	Gear, Ring	
6		Ref	Gasket and Seal Options (Not Shown)	
6	70004279	1	Gasket Kit	
6	70024906	1	Gasket, Head	
6	70025205	1	Gasket, Small Valve Cover	
6	70005171	1	Gasket, Large Valve Cover	
6	70005176	1	O-Seal, Valve Cover to Air Charge Elbow	
6	70005177	1	Gasket, Air Charge Pipe to Head	
6	70031095	3	Gasket, Air Charge Pipe & EGR Pipe	
6	70025164	1	Gasket, Exhaust Manifold to Head	
6	70007354	1	Gasket, EGR Pipe to EGR Valve	
6	70007326	1	Gasket, EGR Valve to Housing	
7	70005172	1	Pump, Oil Lube (Not Shown - Located Front Left Side)	
7	70025135	1	O-Ring	
7	70005173	1	Gasket	
8	70024494	1	Cooler, Oil	
8	70024925	1	Gasket	
9	7016331	1	Filter, Oil	
10	70024924	1	Pump, High Pressure (Not Shown - Located Front Left Side)	
10	70025152	1	O-Ring (Between Pump and Spacer)	
10	70024517	1	O-Ring (Between Spacer and Engine Block)	
10	70004505	1	Valve, Overflow	
10	70004506	1	O-Ring	
10	70004507	1	O-Ring	
10	70004508	1	Valve, Volume Control	
10	70004509	1	O-Ring	
10	70004510	1	O-Ring	
11	70025181	4	Injector Fuel	
11	70025140	4	Washer, Sealing	
11	70025146	4	Clamp (Top of Injector)	
11	70025145	4	O-Seal	
11	70025154	4	Shoe, Clamping	
11	70000345	4	Plug, Glow	
11	70025231	1	Harness, Glow Plug (Not Shown)	
12	70006144	1	Pump, Fuel	
13	70025144	2	Clamp	
14	70024961	1	Filter, Fuel	
14	70025153	1	Element, Filter	
14	70024513	1	Cable, Sensor	
14	70025239	1	Seal	
15	70029451	1	Filter With Head	

SECTION 3 - ENGINE

ITEM	PART NUMBER	QTY	DESCRIPTION	REV
15A	70025161	1	Filter, Fuel	
16	70028538	1	Sensor, Pressure	
16	70024920	1	Seal	
17	70025151	1	Rail, Fuel	
17	70025235	1	Repair Kit	
17	70025182	1	Line, Fuel (Cylinders 1 & 2)	
17	70025183	1	Line, Fuel (Cylinders 3 & 4)	
17	70025184	1	Line, Fuel (To Rail)	
18	70025210	1	ECU (Engine Control Unit)	
19	70029797	1	Pump, Water	
19	70025200	1	Seal	
19	70007325	1	Gasket	
20	70005929	1	Thermostat	
20	70005184	1	O-Seal	
20	70025142	1	Cover, Thermostat	
20	70005931	1	Gasket	
21	70004276	1	Turbocharger	
21	70024912	1	Gasket, Square	
21	70024509	1	Gasket, Return Line	
21	70006294	1	O-Seal	
22	70024915	1	Starter	
22	70005648	1	Relay	
22	70005647	1	Solenoid	
23	70004277	1	Belt Drive	
24	70006652	1	Alternator	
24	70006653	1	Regulator, Voltage	
25	70007489	1	Harness, Engine (Not Shown)	
26	70028540	1	Sender, Temperature	
27	70028538	1	Sensor, Pressure	
27	70024920	1	Seal	
28	70026210	2	Sensor, Speed (Not Shown - Located Left Side Front and Flywheel Housing)	
28	70024917	1	Seal (Cam Shaft Speed Sensor)	
28	70005191	1	Seal (Flywheel Shaft Speed Sensor)	
29	70024507	1	Sensor, Pressure	
29	70025120	1	Seal	
30	70024922	1	Sender, Temperature	
30	70025212	1	O-Seal	
31	70005527	1	Clamp	
31	70025788	1	Nut	
32	70004504	1	Compensator	
33	70025242	1	Gasket	
33	70029433	1	Clamp	
34	70029517	2	Clamp	
34	70029520	2	Gasket	
35	70007355	1	Inlet	
36	70007331	1	Outlet	

SECTION 3 - ENGINE

FIGURE 3-27. BRACKET ASSEMBLY - FUEL PUMP AND FILTER (DEUTZ D2.9L4 ENGINE)



ART_1001162335

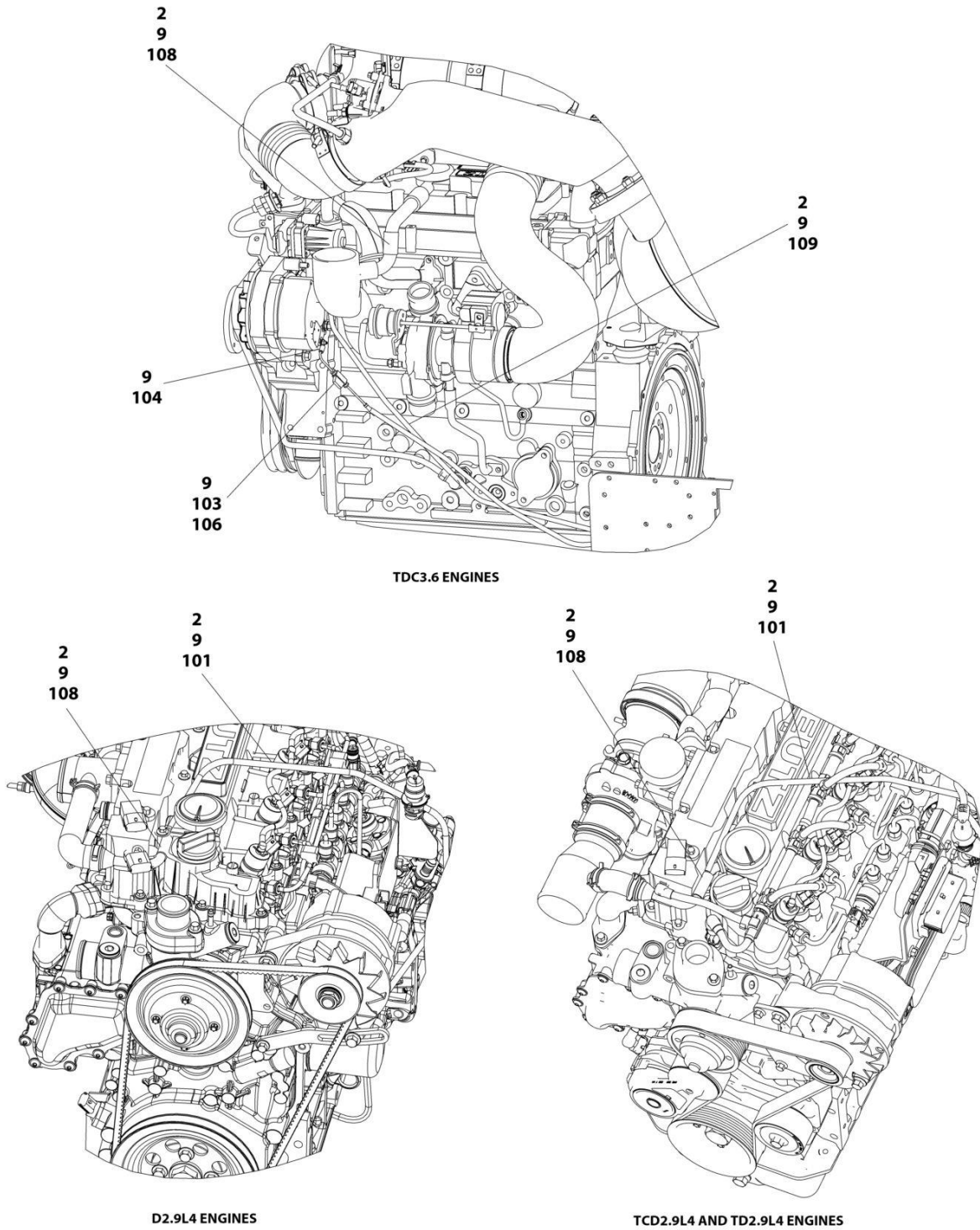
SECTION 3 - ENGINE

FIGURE 3-27. BRACKET ASSEMBLY - FUEL PUMP AND FILTER (DEUTZ D2.9L4 ENGINE)

ITEM	PART NUMBER	QTY	DESCRIPTION	REV
	1001162335	Ref	BRACKET ASSEMBLY - FUEL PUMP AND FILTER (DEUTZ D2.9L4 ENGINE)	E
1	0100011	AR	Compound, Locking	
2	0641610	2	Bolt 3/8 x 1-1/4	
3	0721006	4	Bolt #10 x 3/4	
4	1001154405	AR	Hose	
5	3311001	4	Nut #10	
6	3311605	2	Nut 3/8	
7	4711000	8	Washer #10	
8	4711600	4	Washer 3/8	
9	8405006	2	Clamp	
10	1001141870	1	Plate, Fuel Pump Mount	
11	1001142501	1	Fitting, Elbow Barbed	

SECTION 3 - ENGINE

FIGURE 3-28. BREATHER HEATER INSTALLATION - DEUTZ D2.9L4 ENGINES WITH ARCTIC PACKAGE



ART_1001233763

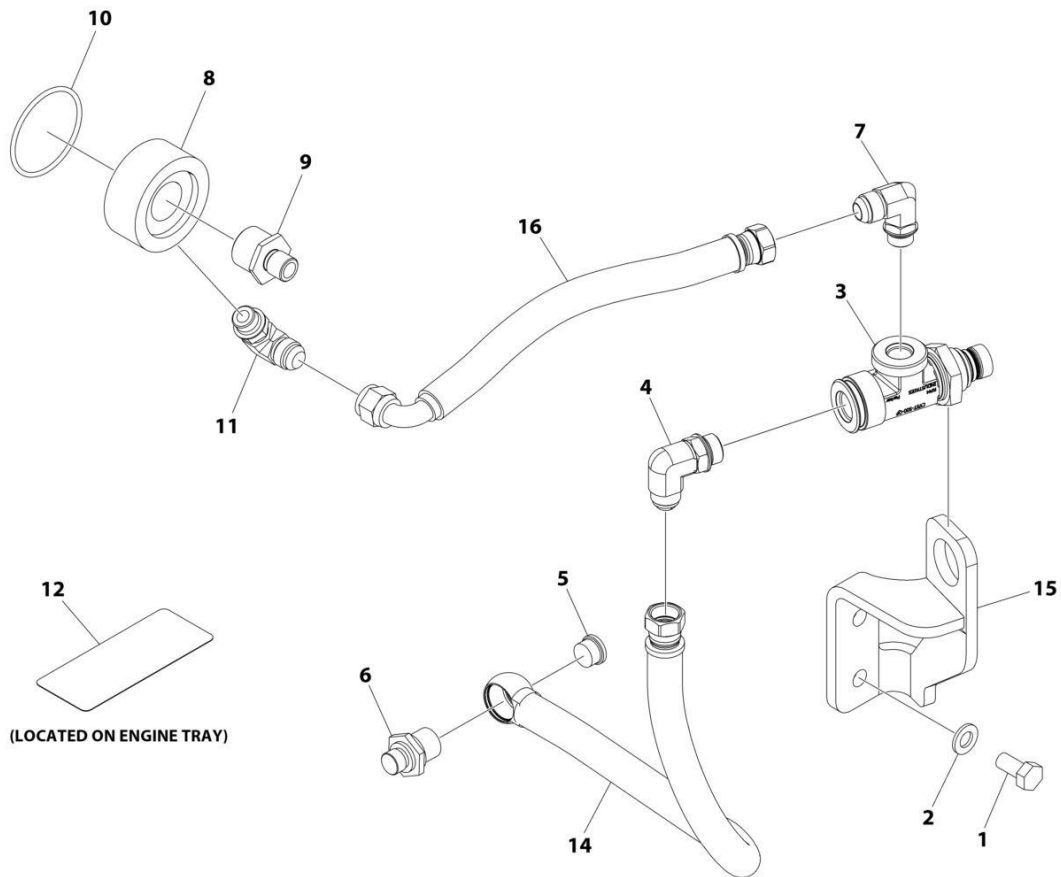
SECTION 3 - ENGINE

FIGURE 3-28. BREATHER HEATER INSTALLATION - DEUTZ D2.9L4 ENGINES WITH ARCTIC PACKAGE

ITEM	PART NUMBER	QTY	DESCRIPTION	REV
	1001233763	Ref	BREATHER HEATER INSTALLATION - DEUTZ ENGINES	D
2	4240099	AR	Tie-Strap	
9	1001243895	1	Breather Heater Harness	C
101	2820035	AR	Insulation	
103	2400060	1	Fuseholder with Cover	
104	4460043	1	Terminal, Ring	
105	4460722	1	Terminal, Ring (Not Shown)	
106	1001196634	1	Fuse - 2 Amp	
108	1001232842	1	Breather Heater Kit	

SECTION 3 - ENGINE

FIGURE 3-29. QUICKFIT OIL DRAIN (DEUTZ TD 2.9L)



ART_1001285349

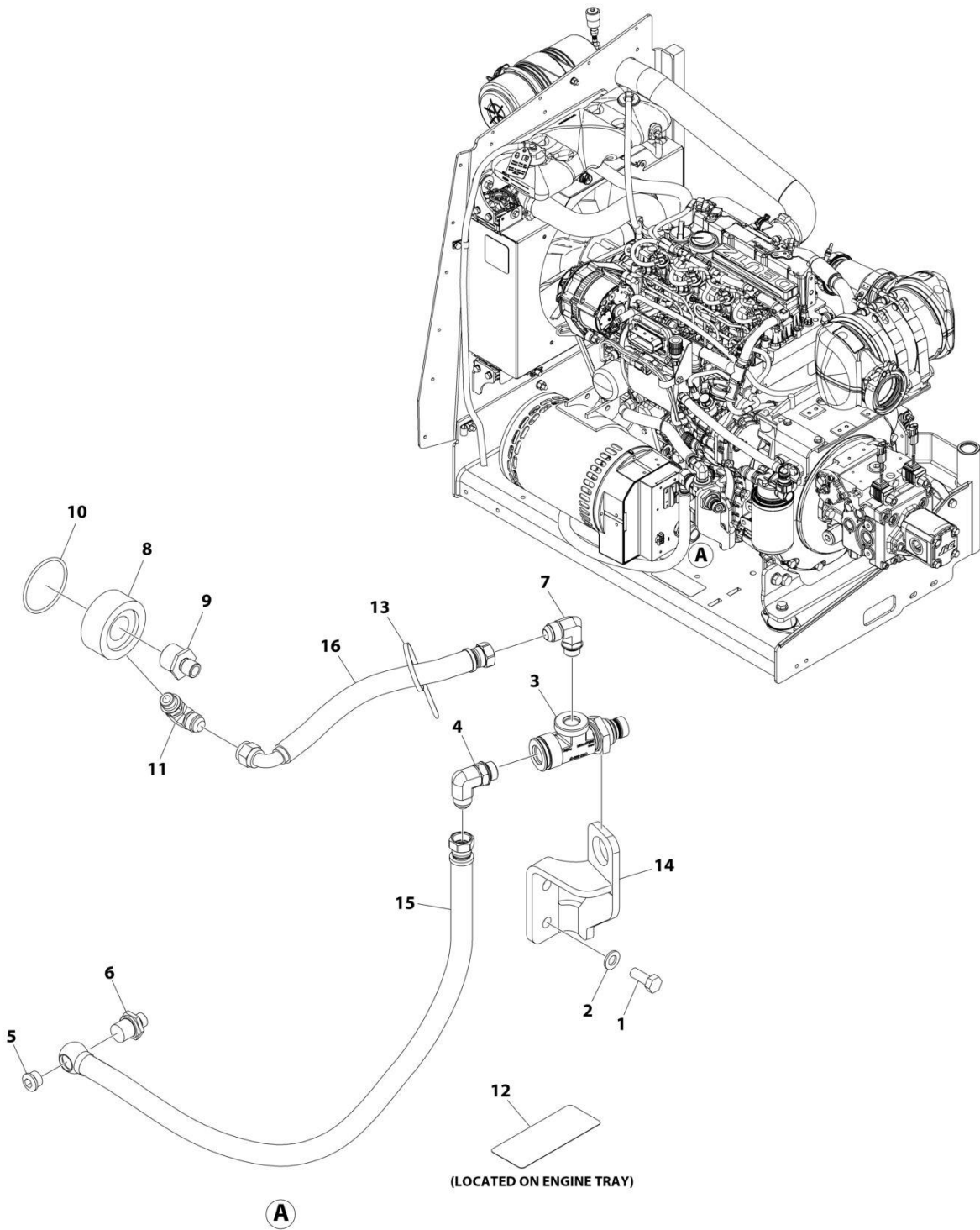
SECTION 3 - ENGINE

FIGURE 3-29. QUICKFIT OIL DRAIN (DEUTZ TD 2.9L)

ITEM	PART NUMBER	QTY	DESCRIPTION	REV
	1001285349	Ref	QUICKFIT OIL VALVE	A
1	0761212	2	Bolt M12 x 25	
2	4812100	2	Washer M12	
3	1001281298	1	Valve, Quickfit	
4	1001281301	1	Fitting, 90	
5	1001281304	1	Plug	
6	1001281305	1	Fitting, Banjo	
7	1001281307	1	Fitting, 90	
8	1001281309	1	Filter, Ring	
9	1001281310	1	Fitting, Straight	
10	1001281311	1	O-Ring	
11	1001281359	1	Valve, Check	
12	1001281360	1	Decal - RPM Quickfit	
13	1001281656	1	Tie-Strap (Not Shown)	
14	1001284101	1	Hose	
15	1001287536	1	Bracket	
16	1001288113	1	Hose	

SECTION 3 - ENGINE

FIGURE 3-30. QUICKFIT OIL DRAIN (DEUTZ D ENGINES)



ART_1001285636

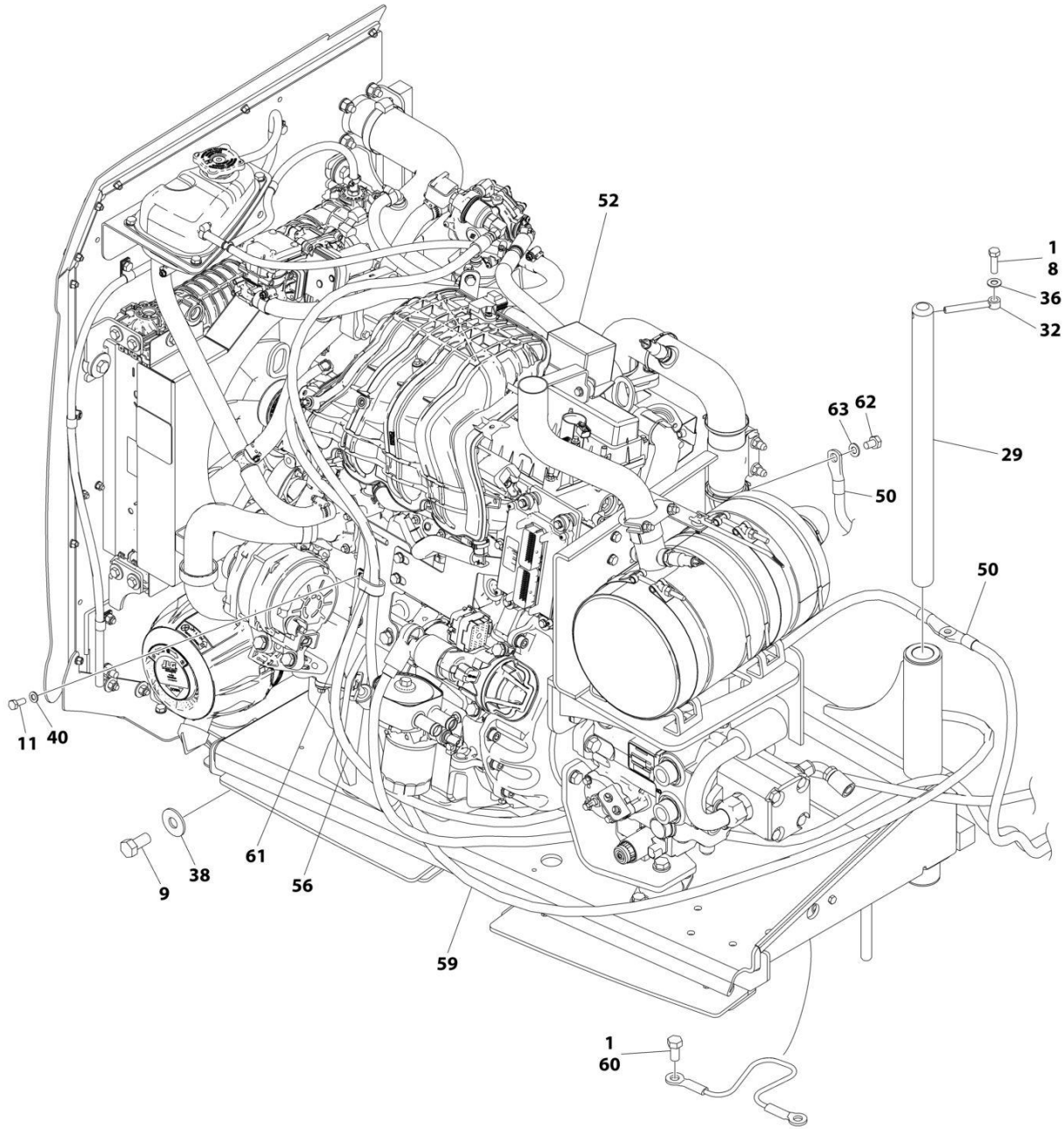
SECTION 3 - ENGINE

FIGURE 3-30. QUICKFIT OIL DRAIN (DEUTZ D ENGINES)

ITEM	PART NUMBER	QTY	DESCRIPTION	REV
	1001285636	Ref	QUICKFIT OIL DRAIN INSTALLATION	A
1	0761214	2	Bolt M12 x 30	
2	4812100	2	Washer M12	
3	1001281298	1	Valve, Quickfit	
4	1001281301	1	Fitting, 90	
5	1001281304	1	Plug	
6	1001281305	1	Fitting, Banjo	
7	1001281307	1	Fitting, 90	
8	1001281309	1	Filter, Ring	
9	1001281310	1	Fitting, Straight	
10	1001281311	1	O-Ring	
11	1001281359	1	Valve, Check	
12	1001281360	1	Decal - RPM Quickfit	
13	1001281656	1	Tie-Strap	
14	1001287536	1	Bracket	
15	1001287552	1	Hose	
16	1001288113	1	Hose	

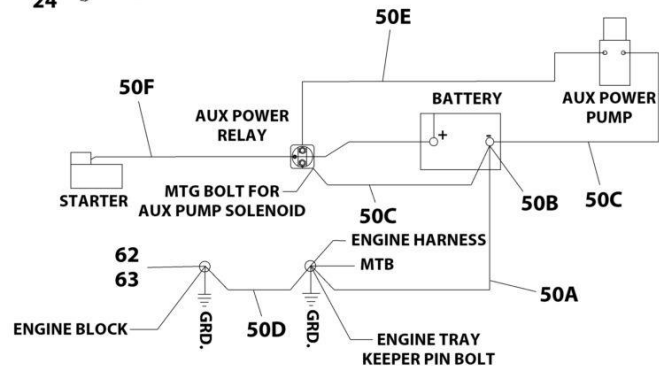
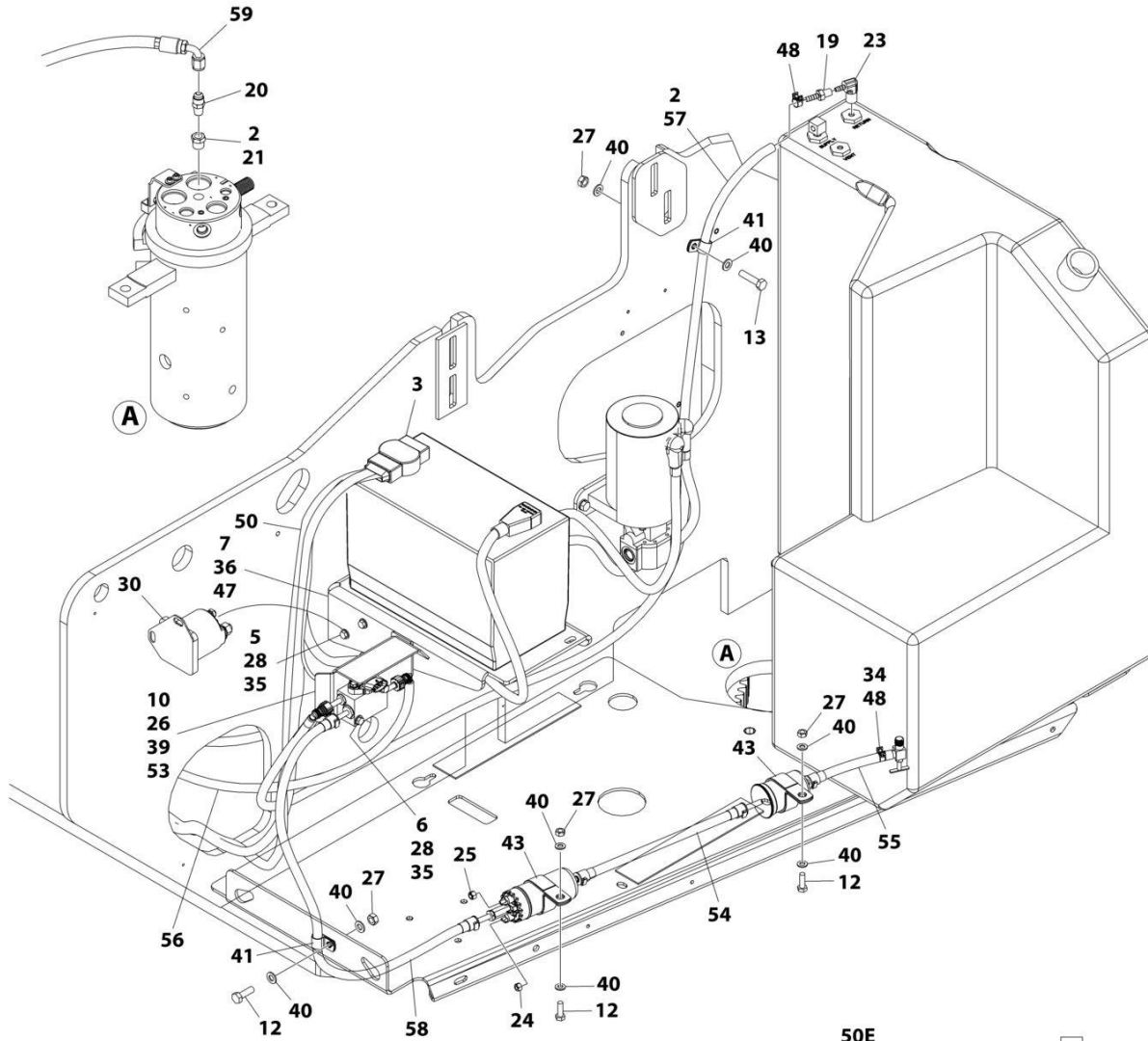
SECTION 3 - ENGINE

FIGURE 3-31. FORD ENGINE INSTALLATION - WITHOUT ARCTIC PACKAGE



ART_1001216912_L_10F2

SECTION 3 - ENGINE



BATTERY CABLE KIT - ITEM 50

ART_1001216912_I_20F2

SECTION 3 - ENGINE

FIGURE 3-31. FORD ENGINE INSTALLATION - WITHOUT ARCTIC PACKAGE

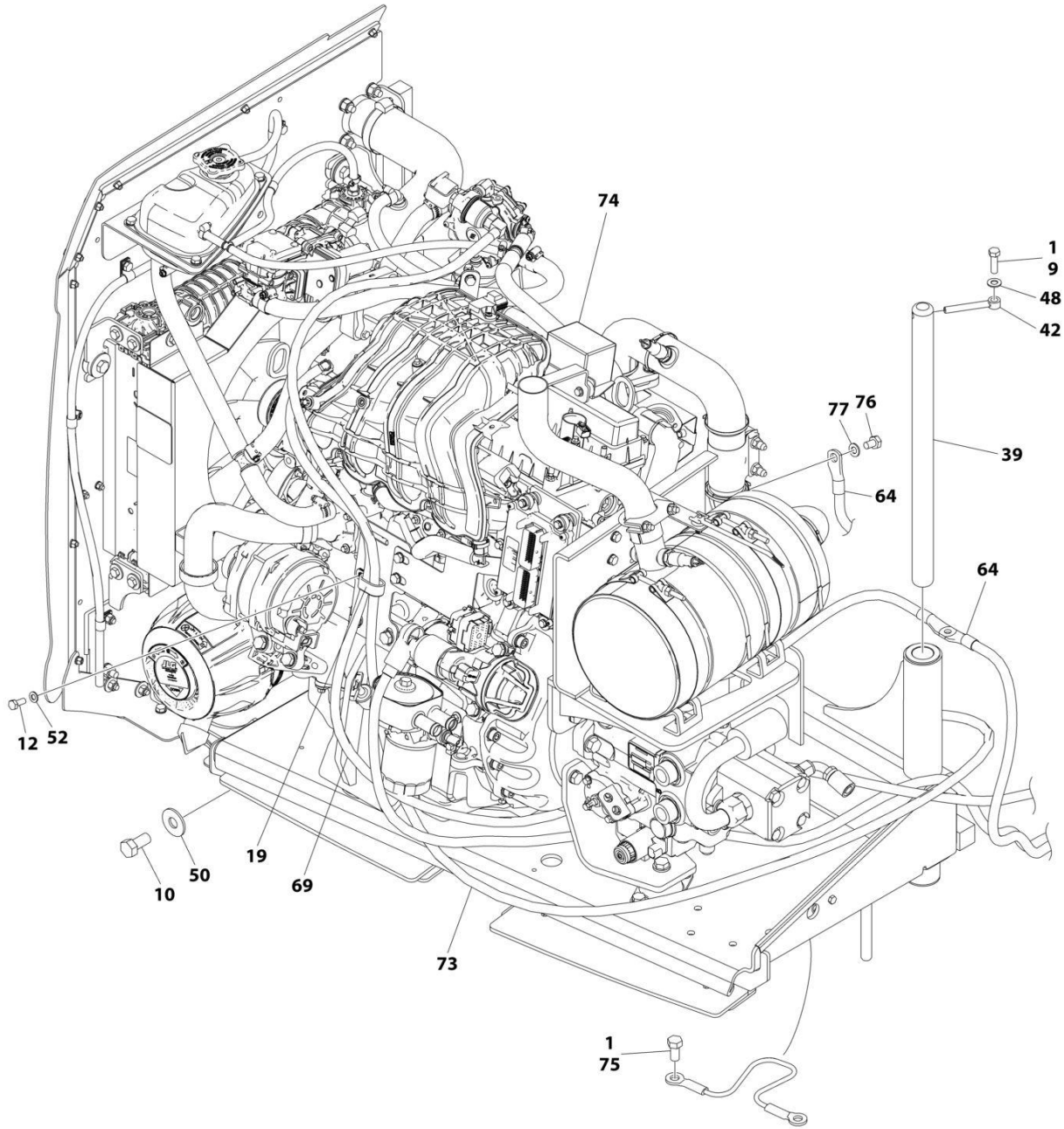
ITEM	PART NUMBER	QTY	DESCRIPTION	REV
	1001216912	Ref	FORD ENGINE INSTALLATION	I
1	0100011	AR	Compound, Locking	
2	0100020	AR	Sealant	
3	0100048	AR	Grease, Terminal	
5	0641406	2	Bolt 1/4 x 3/4	
6	0641416	2	Bolt 1/4 x 2	
7	0641607	3	Bolt 3/8 x 7/8	
8	0641612	1	Bolt 3/8 x 1-1/2	
9	0642010	1	Bolt 5/8 x 1-1/4	
10	0760612	2	Bolt M6 x 25	
11	0760810	1	Bolt M8 x 20	
12	0760812	3	Bolt M8 x 25	
13	0760815	1	Bolt M8 x 35	
17	1701542	1	Decal - Gas (Not Shown)	
18	1701543	2	Decal - LPG (Not Shown)	
19	2180348	1	Fitting, Straight NPT/Barbed	
20	2180418	1	Fitting, Straight	
21	2221197	1	Fitting, Straight NPT	
23	2221176	1	Fitting, 90	
24	3290405	1	Nut M4	
25	3290505	1	Nut M5	
26	3290605	2	Nut M6	
27	3290801	4	Nut M8	
28	3311405	4	Nut 1/4	
29	3422448	1	Pin	
30	3740067	1	Relay	
31	3790012	1	O-Ring (Not Shown - Located on Platform Console Box)	
32	3841143	1	Keeper, Pin	
33	4360336	1	Switch, Toggle (Not Shown - Located on Platform Console Box)	
34	1001221488	1	Tube, Fuel Line	
35	4711400	6	Washer 1/4	
36	4711600	4	Washer 3/8	
38	4752000	1	Washer 5/8	
39	4811702	4	Washer M6	
40	4811900	9	Washer M8	
41	8406101	2	Clip	
43	85941018	2	Clamp	
47	1001137868	1	Bracket, Battery	
48	1001174486	2	Clamp	
50	1001215142	1	Battery Cable Kit	C
50A	7027073	1	Cable, Battery - Ground to Battery -	
50B	8270147	1	Terminal, Battery with Boot	
50C	7027072	1	Cable, Battery - Auxiliary Pump/Relay to Battery -	
50D	70009018	1	Cable, Battery - Engine to Ground	
50E	7027075	1	Cable, Battery - Auxiliary Relay to Auxiliary Pump	
50F	70009019	1	Cable, Battery - Starter/Auxiliary Relay to Battery +	
52	1001216911	1	Engine Assembly with Pumps (See Separate Breakdown in this Section)	
53	1001217645	1	Bracket	
54	1001217418	1	Hose	

SECTION 3 - ENGINE

ITEM	PART NUMBER	QTY	DESCRIPTION	REV
55	1001217419	1	Hose	
56	1001217420	1	Hose	
57	1001217421	1	Hose	
58	1001217422	1	Hose	
59	1001284763	1	Hose	
60	0641808	1	Bolt 1/2 x 1	
61	1321283	1	Clamp	
62	0761008	1	Bolt M10 x 16	
63	4812000	1	Washer M10	

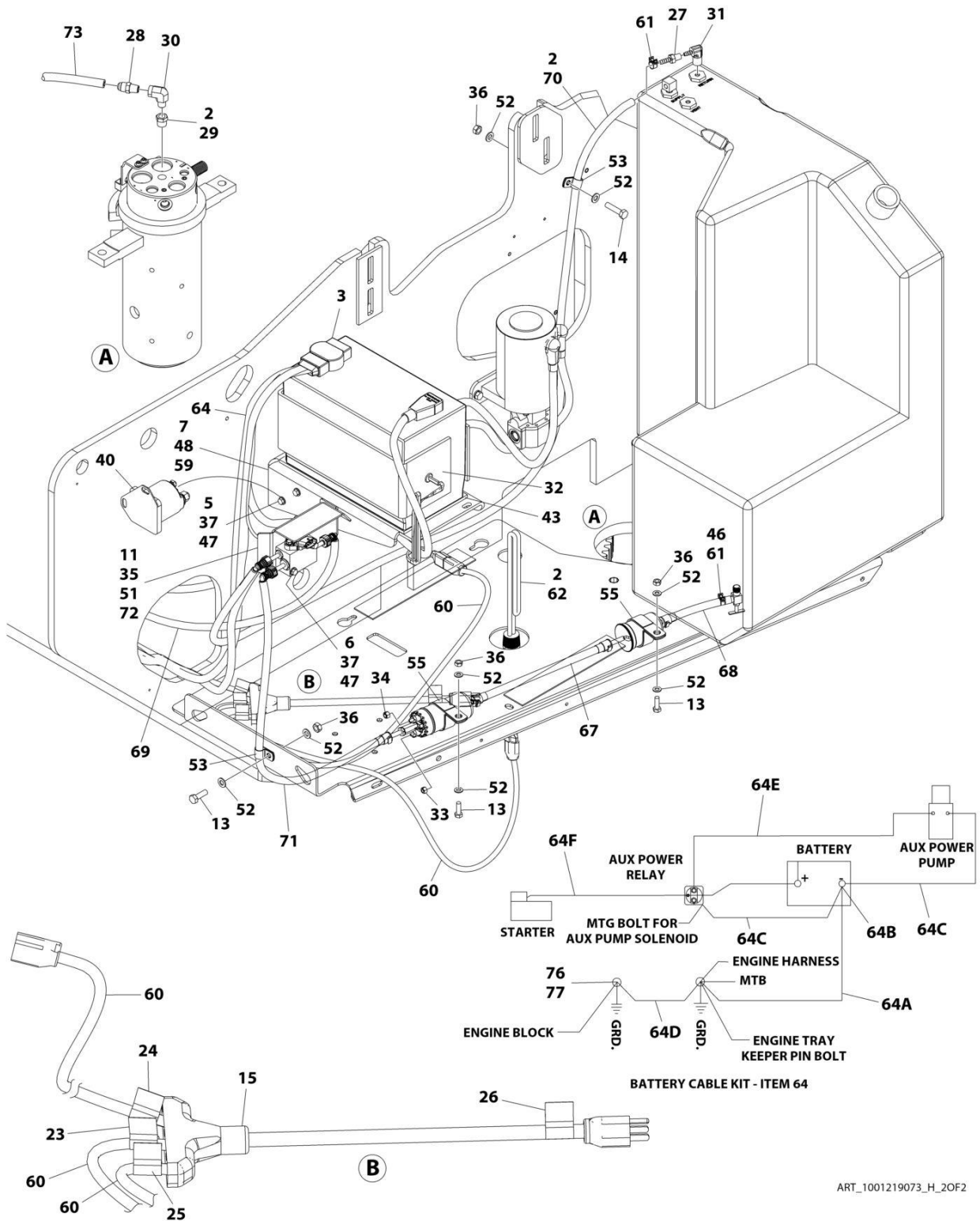
SECTION 3 - ENGINE

FIGURE 3-32. FORD ENGINE INSTALLATION - WITH ARCTIC PACKAGE



ART_1001219073_H_10F2

SECTION 3 - ENGINE



ART_1001219073_H_20F2

SECTION 3 - ENGINE

FIGURE 3-32. FORD ENGINE INSTALLATION - WITH ARCTIC PACKAGE

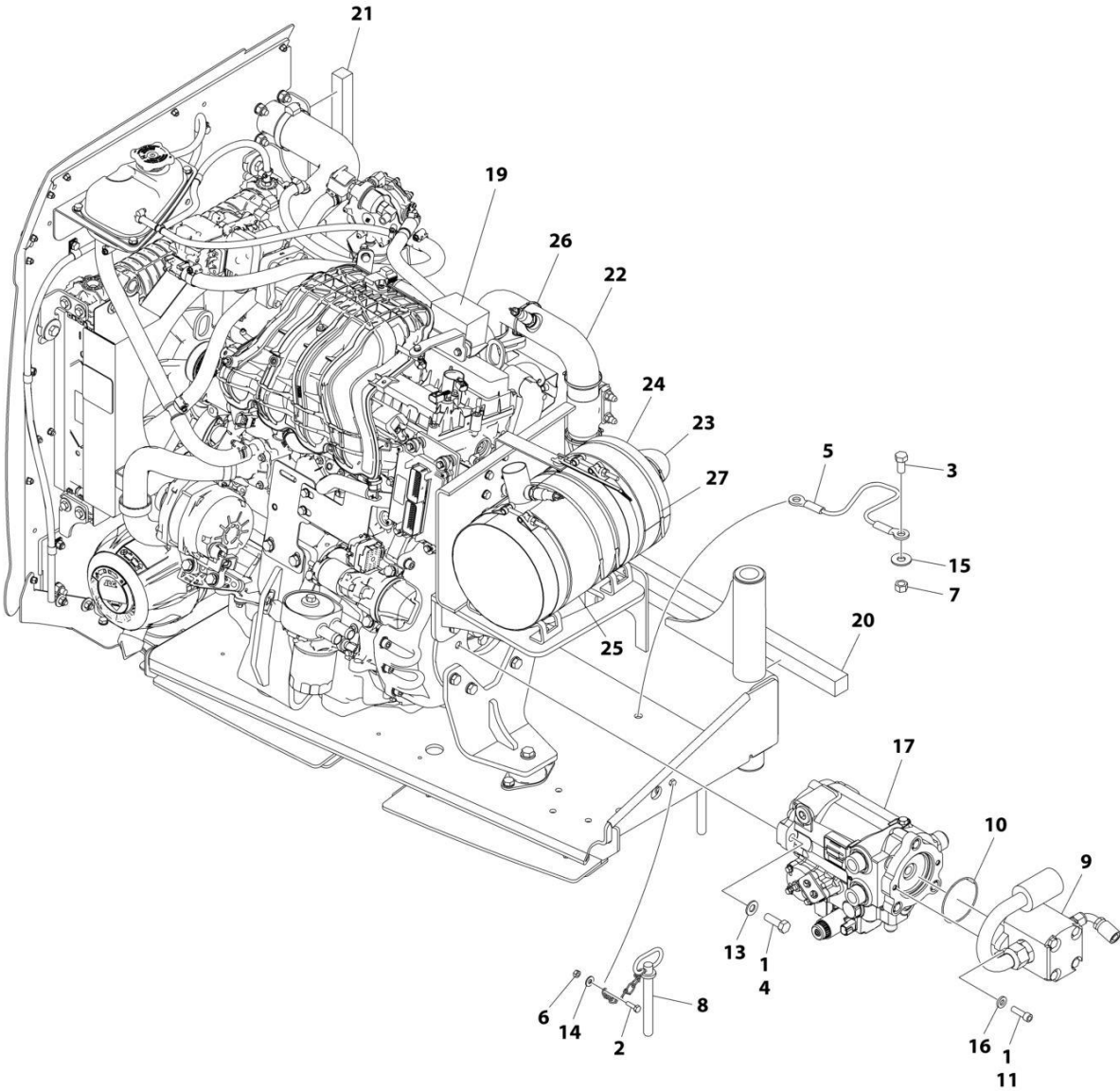
ITEM	PART NUMBER	QTY	DESCRIPTION	REV
	1001219073	Ref	FORD ENGINE INSTALLATION	H
1	0100011	AR	Compound, Locking	
2	0100020	AR	Sealant	
3	0100048	AR	Grease, Terminal	
5	0641406	2	Bolt 1/4 x 3/4	
6	0641416	2	Bolt 1/4 x 2	
7	0641607	3	Bolt 3/8 x 7/8	
9	0641612	1	Bolt 3/8 x 1-1/2	
10	0642010	1	Bolt 5/8 x 1-1/4	
11	0760612	2	Bolt M6 x 25	
12	0760810	1	Bolt M8 x 20	
13	0760812	3	Bolt M8 x 25	
14	0760815	1	Bolt M8 x 35	
15	1060626	1	Plug, 3 Way	
19	1321283	1	Clamp	
21	1701542	1	Decal - Gas (Not Shown)	
22	1701543	2	Decal - LPG (Not Shown)	
23	1702941	1	Decal - Battery Heater	
24	1702942	1	Decal - Engine Block Heater	
25	1702943	1	Decal - Hydraulic Tank Heater	
26	1702944	1	Decal - Heater Cord	
27	2180348	1	Fitting, Straight NPT/Barbed	
28	2180418	1	Fitting, Straight	
29	2221197	1	Fitting, Straight NPT	
30	1001247359	1	Fitting, Straight	
31	2221176	1	Fitting, 90	
32	2580024	1	Heater, Battery	
33	3290405	1	Nut M4	
34	3290505	1	Nut M5	
35	3290605	2	Nut M6	
36	3290801	4	Nut M8	
37	3311405	4	Nut 1/4	
39	3422448	1	Pin	
40	3740067	1	Relay	
41	3790012	1	O-Ring (Not Shown - Located on Platform Console Box)	
42	3841143	1	Keeper, Pin	
43	3980007	1	Seal, Battery	
44	4240099	AR	Tie-Strap (Not Shown)	
45	4360336	1	Switch, Toggle (Not Shown - Located on Platform Console Box)	
46	1001221488	1	Tube, Fuel Line	
47	4711400	6	Washer 1/4	
48	4711600	4	Washer 3/8	
50	4752000	1	Washer 5/8	
51	4811702	4	Washer M6	
52	4811900	9	Washer M8	
53	8406101	2	Clip	
55	85941018	2	Clamp	
59	1001137868	1	Bracket, Battery	
60	1001150918	1	Cable, Immersion Heater	
61	1001174486	2	Clamp	

SECTION 3 - ENGINE

ITEM	PART NUMBER	QTY	DESCRIPTION	REV
62	1001188972	1	Heater, Hydraulic Tank	C
64	1001215142	1	Battery Cable Kit	
64A	7027073	1	Cable, Battery - Ground to Battery -	
64B	8270147	1	Terminal, Battery with Boot	
64C	7027072	1	Cable, Battery - Auxiliary Pump/Relay to Battery -	
64D	70009018	1	Cable, Battery - Engine to Ground	
64E	7027075	1	Cable, Battery - Auxiliary Relay to Auxiliary Pump	
64F	70009019	1	Cable, Battery - Starter/Auxiliary Relay to Battery +	
67	1001217418	1	Hose	
68	1001217419	1	Hose	
69	1001217420	1	Hose	
70	1001217421	1	Hose	
71	1001217422	1	Hose	
72	1001217645	1	Bracket	
73	1001218638	1	Hose	
74	1001219072	1	Engine Assembly with Pumps (See Separate Breakdown in this Section)	
75	0641808	1	Bolt 1/2 x 1	
76	0761008	1	Bolt M10 x 16	
77	4812000	1	Washer M10	

SECTION 3 - ENGINE

FIGURE 3-33. FORD ENGINE/PUMP SUB-ASSEMBLY - WITHOUT ARCTIC PACKAGE



ART_1001216911

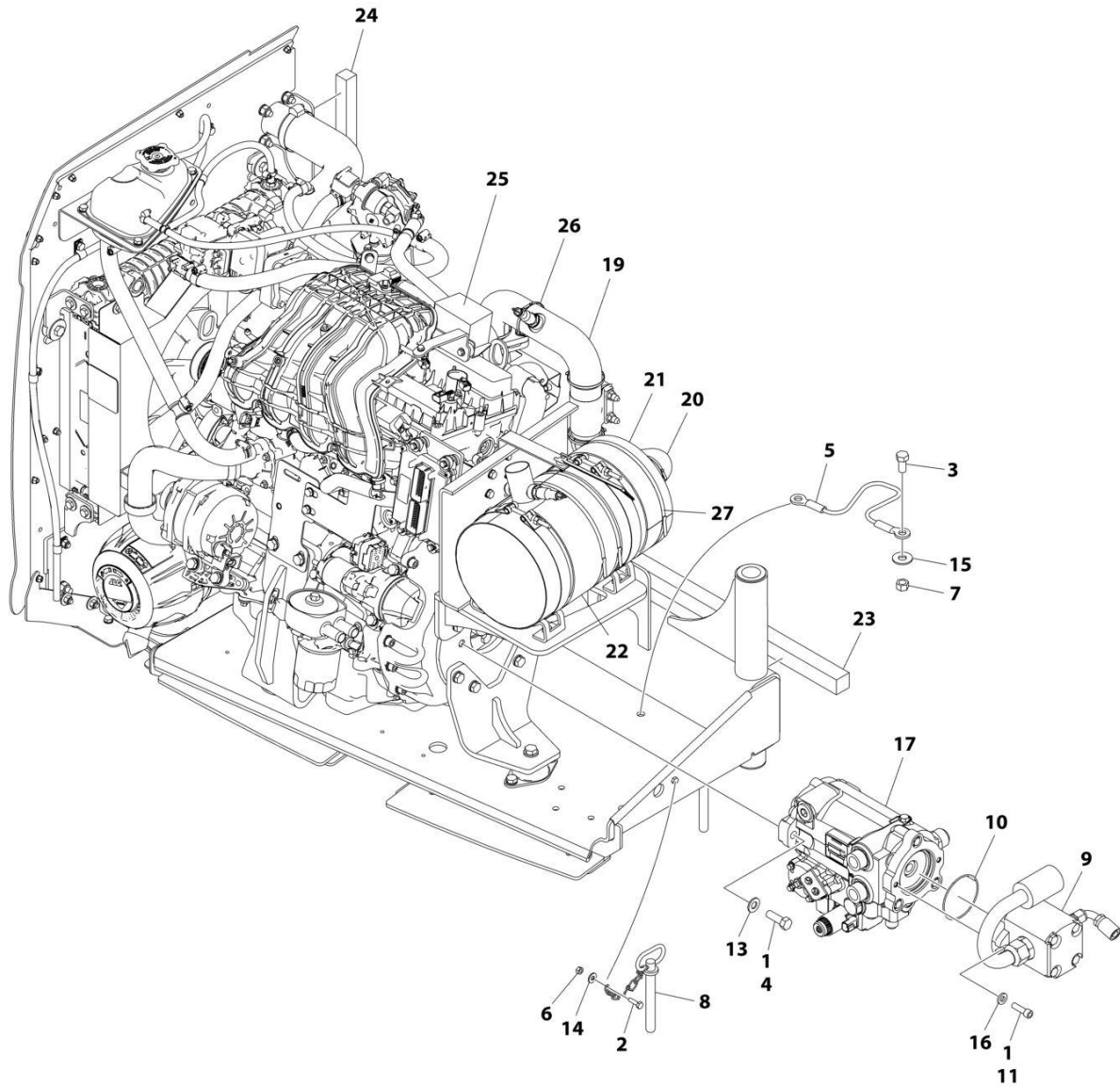
SECTION 3 - ENGINE

FIGURE 3-33. FORD ENGINE/PUMP SUB-ASSEMBLY - WITHOUT ARCTIC PACKAGE

ITEM	PART NUMBER	QTY	DESCRIPTION	REV
	1001216911	Ref	FORD ENGINE AND PUMP SUB-ASSEMBLY	F
1	0100011	AR	Compound, Locking	
2	0641407	1	Bolt 1/4 x 7/8	
3	0641808	1	Bolt 1/2 x 1	
4	0681812	2	Bolt 1/2 x 1-1/2	
5	1060637	1	Cable, Lanyard	
6	3311405	1	Nut 1/4	
7	3311805	1	Nut 1/2	
8	3422533	1	Pin	
9	3600395	1	Gear Pump and Fittings Assembly (See Separate Breakdown in this Section)	
10	3790152	1	O-Ring	
11	3931620	2	Capscrew 3/8 x 1-1/4	
13	4711800	2	Washer 1/2	
14	4751400	1	Washer 1/4	
15	4751800	1	Washer 1/2	
16	4891600	2	Washer 3/8	
17	1001188953	1	Piston Pump and Fitting Assembly (See Separate Breakdown in this Section)	
19	1001215413	1	Engine Assembly (See Separate Breakdown in this Section)	
20	1001217170	1	Seal	
21	1001217184	1	Seal	
22	1001216532	1	Insulate, Exhaust Pipe	
23	1001216533	1	Insulate, Exhaust Pipe	
24	1001216534	1	Insulate, Muffler	
25	1001216535	1	Insulate, Muffler	
26	1001100825	6	Strap	
27	1001221464	3	Strap	

SECTION 3 - ENGINE

FIGURE 3-34. FORD ENGINE/PUMP SUB-ASSEMBLY - WITH ARCTIC PACKAGE



ART_1001219072

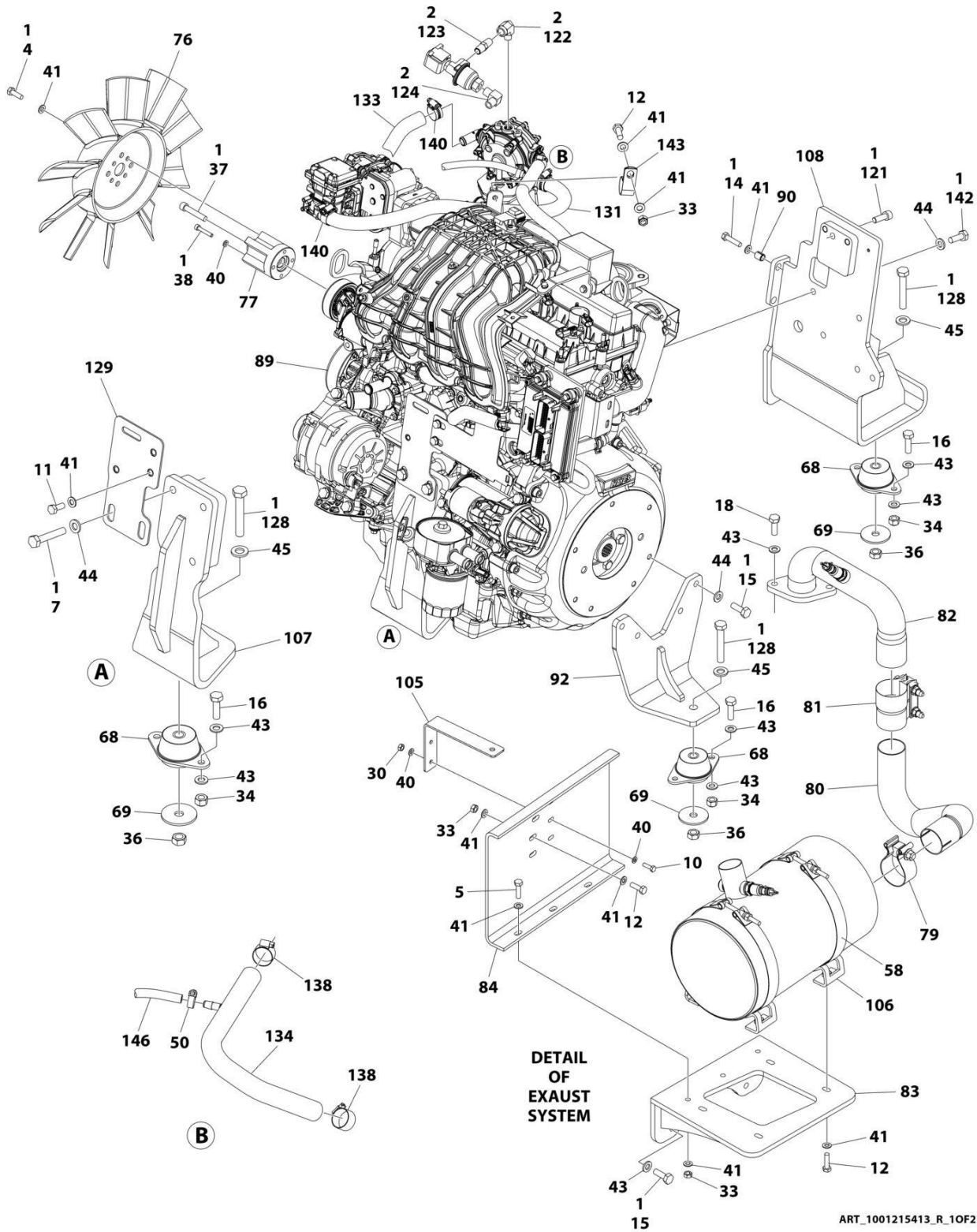
SECTION 3 - ENGINE

FIGURE 3-34. FORD ENGINE/PUMP SUB-ASSEMBLY - WITH ARCTIC PACKAGE

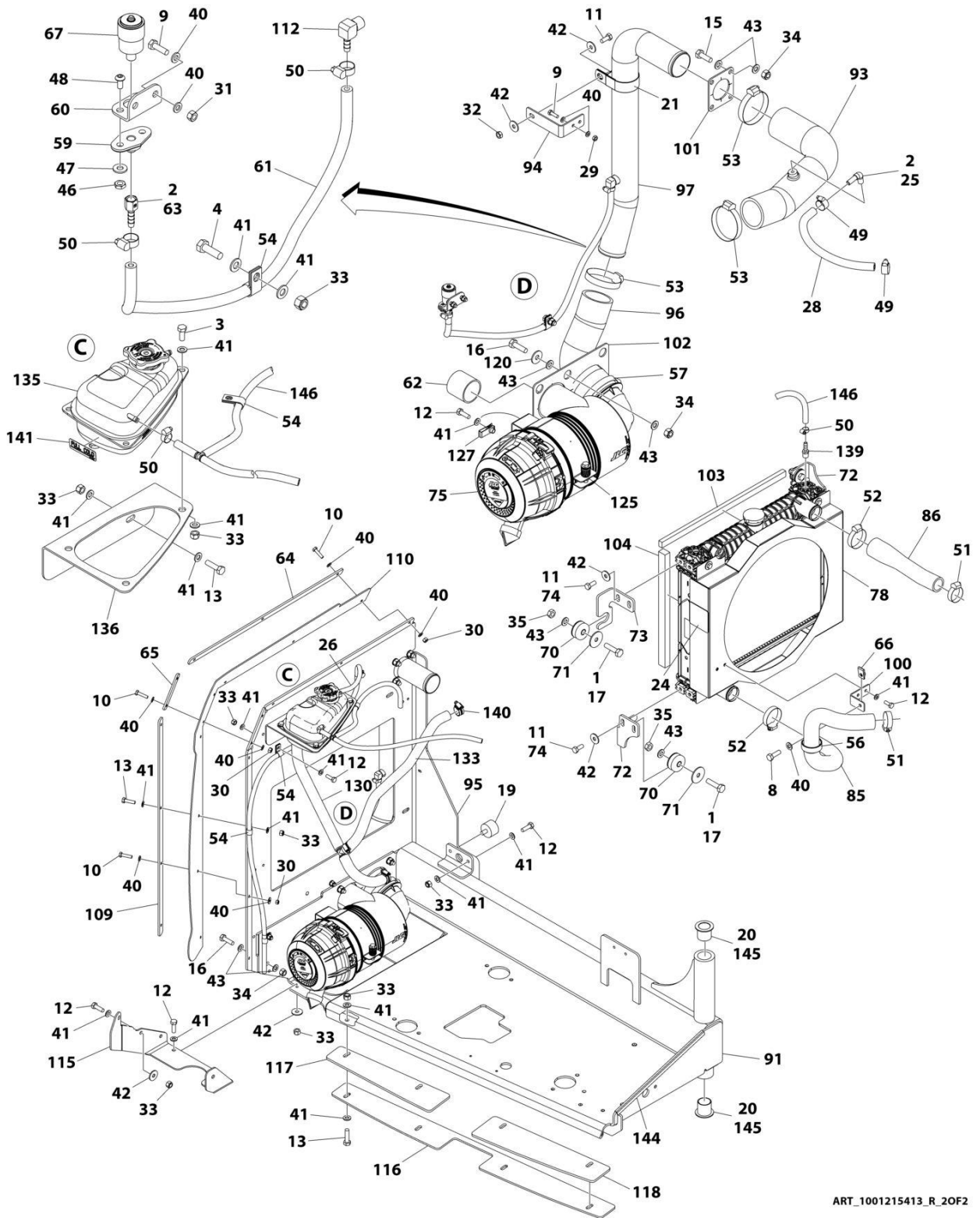
ITEM	PART NUMBER	QTY	DESCRIPTION	REV
	1001219072	Ref	FORD ENGINE AND PUMP SUB-ASSEMBLY	E
1	0100011	AR	Compound, Locking	
2	0641407	1	Bolt 1/4 x 7/8	
3	0641808	1	Bolt 1/2 x 1	
4	0681812	2	Bolt 1/2 x 1-1/2	
5	1060637	1	Cable, Lanyard	
6	3311405	1	Nut 1/4	
7	3311805	1	Nut 1/2	
8	3422533	1	Pin	
9	3600395	1	Gear Pump and Fittings Assembly (See Separate Breakdown in this Section)	
10	3790152	1	O-Ring	
11	3931620	2	Capscrew 3/8 x 1-1/4	
13	4711800	2	Washer 1/2	
14	4751400	1	Washer 1/4	
15	4751800	1	Washer 1/2	
16	4891600	2	Washer 3/8	
17	1001188953	1	Piston Pump and Fitting Assembly (See Separate Breakdown in this Section)	
19	1001216532	1	Insulate, Exhaust Pipe	
20	1001216533	1	Insulate, Exhaust Pipe	
21	1001216534	1	Insulate, Muffler	
22	1001216535	1	Insulate, Muffler	
23	1001217170	1	Seal	
24	1001217184	1	Seal	
25	1001219071	1	Engine Assembly (See Separate Breakdown in this Section)	
26	1001100825	6	Strap	
27	1001221464	3	Strap	

SECTION 3 - ENGINE

FIGURE 3-35. FORD ENGINE ASSEMBLY - WITHOUT ARCTIC PACKAGE



SECTION 3 - ENGINE



ART_1001215413_R_20F2

SECTION 3 - ENGINE

FIGURE 3-35. FORD ENGINE ASSEMBLY - WITHOUT ARCTIC PACKAGE

ITEM	PART NUMBER	QTY	DESCRIPTION	REV
	1001215413	Ref	FORD ENGINE ASSEMBLY	R
1	0100011	AR	Compound, Locking	
2	0100020	AR	Sealant	
3	0700810	3	Bolt M8 x 20	
4	0700812	5	Bolt M8 x 25	
5	0700814	3	Bolt M8 x 30	
7	0711020	3	Bolt M10 x 60	
8	0760608	2	Bolt M6 x 16	
9	0760610	4	Bolt M6 x 20	
10	0760612	10	Bolt M6 x 25	
11	0760810	11	Bolt M8 x 20	
12	0760812	19	Bolt M8 x 25	
13	0760814	8	Bolt M8 x 30	
14	0760815	2	Bolt M8 x 35	
15	0761014	11	Bolt M10 x 30	
16	0761015	13	Bolt M10 x 35	
17	0761016	4	Bolt M10 x 40	
18	0771014	2	Bolt M10 x 30	
19	0940070	1	Bumper	
20	0961986	2	Bearing	
21	1320110	1	Clamp	
22	1001187781	1	Tie-Strap (Not Shown)	
24	1703162	2	Decal - Fan Blade	
25	2180467	1	Fitting, Straight NPT/Barbed	
26	2720058	AR	Hose	
28	1001165035	11 in /26cm	Hose	
29	3290601	2	Nut M6	
30	3290605	10	Nut M6	
31	3290607	2	Nut M6	
32	3290801	1	Nut M8	
33	3290805	27	Nut M8	
34	3291005	17	Nut M10	
35	3291001	4	Nut M10	
36	3291201	3	Nut M12	
37	3931632	1	Capscrew 3/8 x 2	
38	4031711	4	Capscrew M6 x 35	
39	4240099	AR	Tie-Strap (Not Shown)	
40	4811700	34	Washer M6	
41	4811900	64	Washer M8	
42	4811902	15	Washer M8	
43	4812000	43	Washer M10	
44	5241000	12	Washer M10	
45	5241200	3	Washer M10	
46	8305401	2	Nut 1/4	
47	8307109	2	Washer 1/4	
48	8310548	2	Screw 1/4 x 1/2	
49	8405006	2	Clamp	
50	8405009	5	Clamp	
51	8405102	2	Clamp	

SECTION 3 - ENGINE

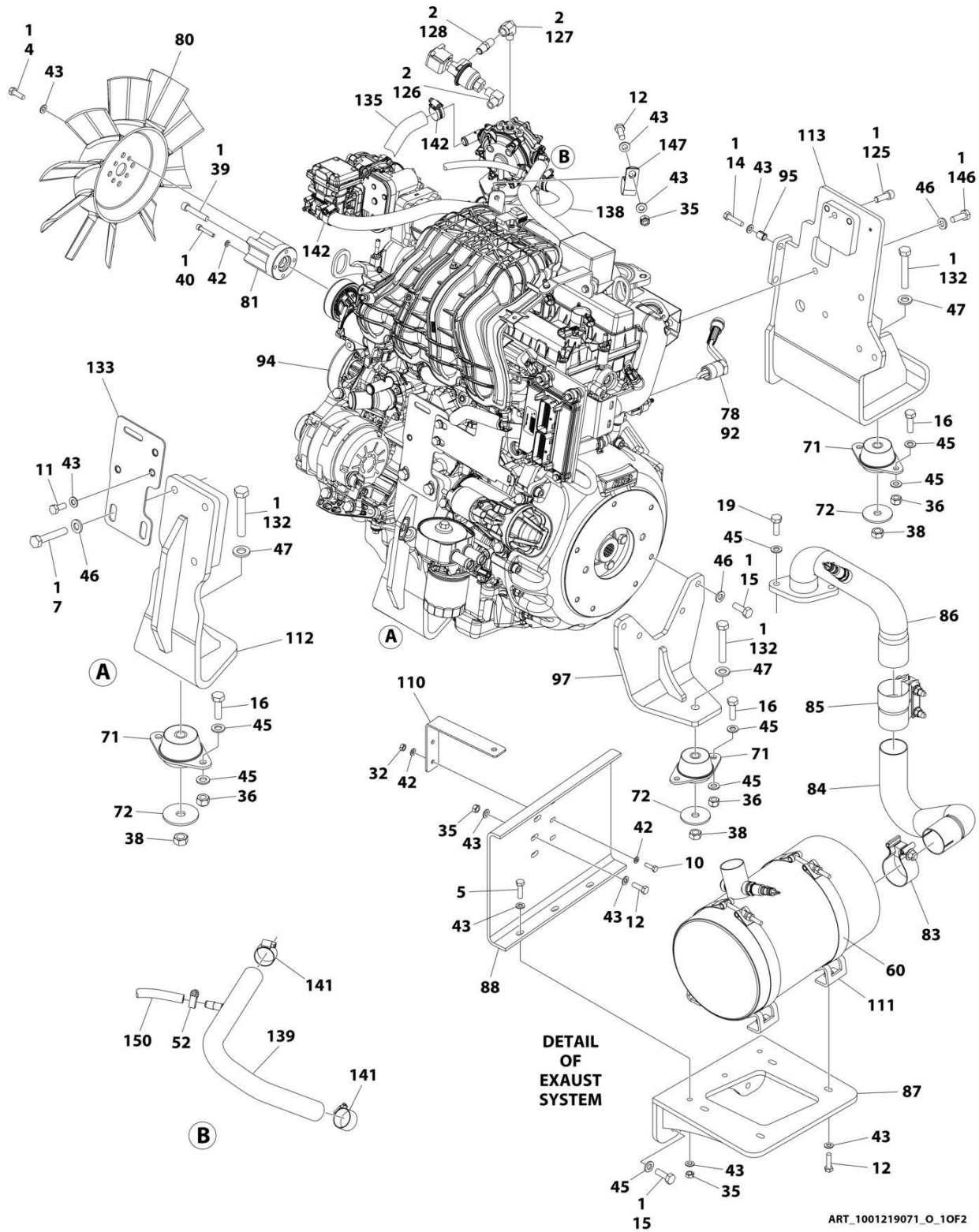
ITEM	PART NUMBER	QTY	DESCRIPTION	REV
52	8405104	2	Clamp	
53	8405203	3	Clamp	
54	8406109	6	Clip	
56	8410001	1	Clamp	
57	8410011	1	Clamp	
58	1001128901	2	Strap, Clamp	
59	1001138173	1	Support	
60	1001138175	1	Bracket	
61	1001138248	31 in/ 77cm	Tube, Nylon	
62	1001141585	1	Hose, Air Cleaner Inlet	
63	1001141995	1	Fitting, Straight NPT/Barbed	
64	1001144410	1	Panel, Clamp	
65	1001144411	1	Panel, Clamp	
66	1001149160	1	Nut, Tinnerman M8	
67	1001149639	1	Indicator, Restriction	
68	1001191610	3	Mount, Motor	
69	1001168018	3	Washer	
70	1001169054	4	Isolator	
71	1001169138	4	Pad	
72	1001170035	2	Bracket	
73	1001176329	2	Bracket	
74	1001180620	AR	Adhesive	
75	1001189979	1	Air Filter Assembly	
75	70005008	1	Element, Filter	
76	1001223042	1	Fan	
77	1001215647	1	Spacer, Fan	
78	1001223923	1	Radiator and Shroud Assembly	
78	1001224010	1	Radiator	
78	1001223922	1	Shroud	
79	1001215681	1	Clamp	
80	1001215899	1	Pipe, Exhaust Inlet	
81	1001215974	1	Clamp	
82	1001216075	1	Pipe, Exhaust Inlet	
83	1001216086	1	Bracket	
84	1001216092	1	Shield, Heat	
85	1001216204	1	Hose, Radiator (Lower)	
86	1001216205	1	Hose, Radiator (Upper)	
89	1001216910	1	Ford Engine Prep Assembly (See Separate Breakdown in this Section)	
90	1001216919	2	Sleeve	
91	1001216951	1	Tray	
92	1001290252	1	Mount, Engine (Rear)	
93	1001217032	1	Tube, Air Intake	
94	1001217046	1	Bracket	
95	1001217082	1	Plate, Radiator	
96	1001217089	1	Tube, Intake (Lower)	
97	1001217090	1	Tube, Intake (Intermediate)	
100	1001217146	1	Support	
101	1001217174	1	Seal	
102	1001217175	1	Seal	
103	1001217183	2	Seal	

SECTION 3 - ENGINE

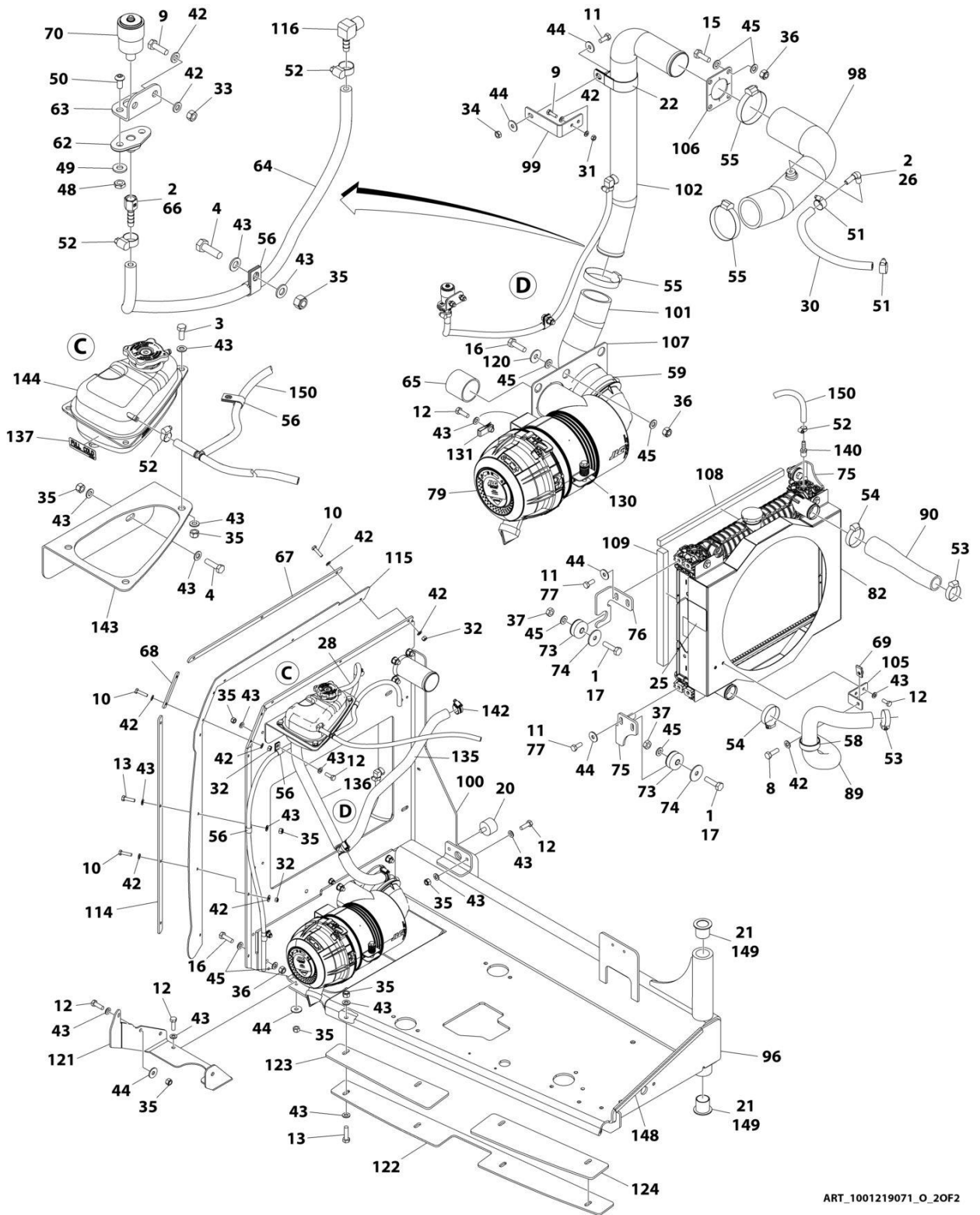
ITEM	PART NUMBER	QTY	DESCRIPTION	REV
104	1001217185	2	Seal	
105	1001217186	1	Support	
106	1001217543	2	Mount	
107	1001218362	1	Mount, Engine (Front Left)	
108	1001218449	1	Mount, Engine (Front Right)	
109	1001218599	1	Panel, Clamp	
110	1001218600	1	Panel, Rubber	
112	1001134488	1	Fitting, 90 Barbed	
115	1001219445	1	Seal	
116	1001219448	1	Plate	
117	1001219454	1	Seal	
118	1001219456	1	Seal	
120	4812002	6	Washer M10	
121	5272010	1	Capscrew M10 x 30	
122	1001247359	1	Fitting, 90	
123	2220261	1	Fitting, Straight	
124	2180504	1	Fitting, Straight	
125	1001186426	1	Clamp, Air Cleaner	
127	1001221615	2	Nut, Tinnerman M8	
128	0711223	3	Bolt M12 x 75	
129	1001222033	1	Plate	
130	1001224489	1	Hose	
131	1001216531	1	Hose	
133	1001224486	1	Hose	
134	1001227666	1	Hose	
135	1001223584	1	Tank	
136	1001224419	1	Bracket	
138	8410009	2	Clamp	
139	2180348	1	Fitting, Straight Barbed	
140	1001173535	6	Clamp	
141	1001225510	1	Decal - Full Cold	
142	0711014	5	Bolt M10 x 30	
143	8406201	1	Clip	
144	4060805	16 in/.4m	Flex-Trim	
145	0100062	AR	Adhesive	
146	1001227667	1	Hose (Includes Tee)	
147	1001303818	1	Washer M10 (Not Shown)	

SECTION 3 - ENGINE

FIGURE 3-36. FORD ENGINE ASSEMBLY - WITH ARCTIC PACKAGE



SECTION 3 - ENGINE



ART_1001219071_O_20F2

SECTION 3 - ENGINE

FIGURE 3-36. FORD ENGINE ASSEMBLY - WITH ARCTIC PACKAGE

ITEM	PART NUMBER	QTY	DESCRIPTION	REV
	1001219071	Ref	FORD ENGINE ASSEMBLY	O
1	0100011	AR	Compound, Locking	
2	0100020	AR	Sealant	
3	0700810	3	Bolt M8 x 20	
4	0700812	5	Bolt M8 x 25	
5	0700814	3	Bolt M8 x 30	
7	0711020	3	Bolt M10 x 60	
8	0760608	2	Bolt M6 x 16	
9	0760610	4	Bolt M6 x 20	
10	0760612	10	Bolt M6 x 25	
11	0760810	11	Bolt M8 x 20	
12	0760812	19	Bolt M8 x 25	
13	0760814	8	Bolt M8 x 30	
14	0760815	2	Bolt M8 x 35	
15	0761014	11	Bolt M10 x 30	
16	0761015	13	Bolt M10 x 35	
17	0761016	4	Bolt M10 x 40	
19	0771014	2	Bolt M10 x 30	
20	0940070	1	Bumper	
21	0961986	2	Bearing	
22	1320110	1	Clamp	
23	1001187781	1	Tie-Strap (Not Shown)	
25	1703162	2	Decal - Fan Blade	
26	2180467	1	Fitting, Straight NPT/Barbed	
28	2720058	AR	Hose	
30	1001165035	11 in /26cm	Hose	
31	3290601	2	Nut M6	
32	3290605	10	Nut M6	
33	3290607	2	Nut M6	
34	3290801	1	Nut M8	
35	3290805	27	Nut M8	
36	3291005	17	Nut M10	
37	3291001	4	Nut M10	
38	3291201	3	Nut M12	
39	3931632	1	Capscrew 3/8 x 2	
40	4031711	4	Capscrew M6 x 35	
41	4240099	AR	Tie-Strap (Not Shown)	
42	4811700	34	Washer M6	
43	4811900	64	Washer M8	
44	4811902	15	Washer M8	
45	4812000	43	Washer M10	
46	5241000	12	Washer M10	
47	5241200	3	Washer M10	
48	8305401	2	Nut 1/4	
49	8307109	2	Washer 1/4	
50	8310548	2	Screw 1/4 x 1/2	
51	8405006	2	Clamp	
52	8405009	5	Clamp	
53	8405102	2	Clamp	

SECTION 3 - ENGINE

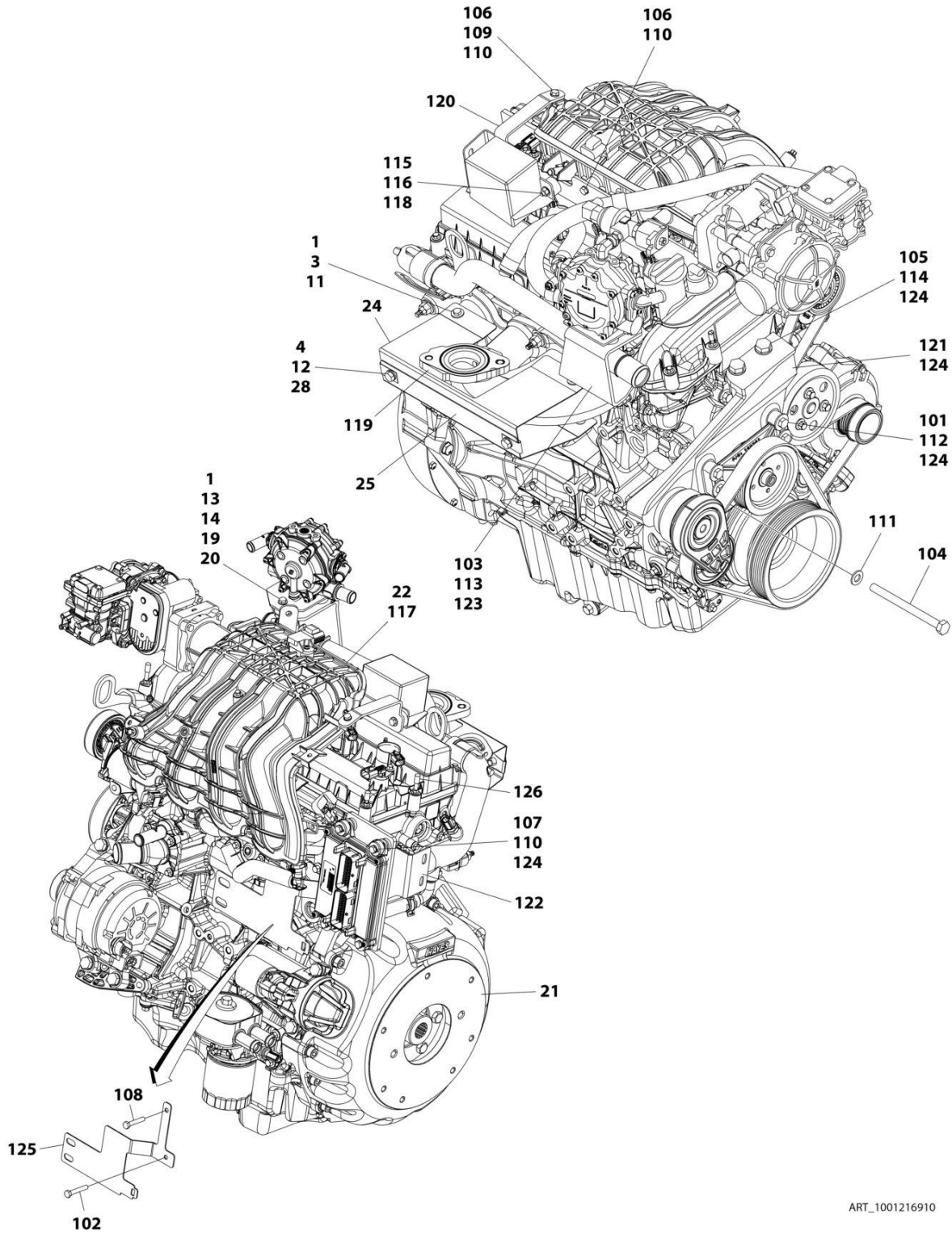
ITEM	PART NUMBER	QTY	DESCRIPTION	REV
54	8405104	2	Clamp	
55	8405203	3	Clamp	
56	8406109	6	Clip	
58	8410001	1	Clamp	
59	8410011	1	Clamp	
60	1001128901	2	Strap, Clamp	
62	1001138173	1	Support	
63	1001138175	1	Bracket	
64	1001138248	31 in/ 77cm	Tube, Nylon	
65	1001141585	1	Hose, Air Cleaner Inlet	
66	1001141995	1	Fitting, Straight NPT/Barbed	
67	1001144410	1	Panel, Clamp	
68	1001144411	1	Panel, Clamp	
69	1001149160	1	Nut, Tinnerman M8	
70	1001149639	1	Indicator, Restriction	
71	1001191610	3	Mount, Motor	
72	1001168018	3	Washer	
73	1001169054	4	Isolator	
74	1001169138	4	Pad	
75	1001170035	2	Bracket	
76	1001176329	2	Bracket	
77	1001180620	AR	Adhesive	
78	1001181895	AR	Adhesive	
79	1001189979	1	Air Filter Assembly	
79	70005008	1	Element, Filter	
80	1001223042	1	Fan	
81	1001215647	1	Spacer, Fan	
82	1001223923	1	Radiator and Shroud Assembly	
82	1001224010	1	Radiator	
82	1001223922	1	Shroud	
83	1001215681	1	Clamp	
84	1001215899	1	Pipe, Exhaust Inlet	
85	1001215974	1	Clamp	
86	1001216075	1	Pipe, Exhaust Inlet	
87	1001216086	1	Bracket	
88	1001216092	1	Shield, Heat	
89	1001216204	1	Hose, Radiator (Lower)	
90	1001216205	1	Hose, Radiator (Upper)	
92	1001216393	1	Heater, Engine Block	
94	1001216910	1	Ford Engine Prep Assembly (See Separate Breakdown in this Section)	
95	1001216919	2	Sleeve	
96	1001216951	1	Tray	
97	1001290252	1	Mount, Engine (Rear)	
98	1001217032	1	Tube, Air Intake	
99	1001217046	1	Bracket	
100	1001217082	1	Plate, Radiator	
101	1001217089	1	Tube, Intake (Lower)	
102	1001217090	1	Tube, Intake (Intermediate)	
105	1001217146	1	Support	
106	1001217174	1	Seal	

SECTION 3 - ENGINE

ITEM	PART NUMBER	QTY	DESCRIPTION	REV
107	1001217175	1	Seal	
108	1001217183	2	Seal	
109	1001217185	2	Seal	
110	1001217186	1	Support	
111	1001217543	2	Mount	
112	1001218362	1	Mount, Engine (Front Left)	
113	1001218449	1	Mount, Engine (Front Right)	
114	1001218599	1	Panel, Clamp	
115	1001218600	1	Panel, Rubber	
116	1001134488	1	Fitting, 90 Barbed	
120	4812002	6	Washer M10	
121	1001219445	1	Seal	
122	1001219448	1	Plate	
123	1001219454	1	Seal	
124	1001219456	1	Seal	
125	5272010	1	Capscrew M10 x 30	
126	2180504	1	Fitting, Straight	
127	1001247359	1	Fitting, 90	
128	2220261	1	Fitting, Straight	
130	1001186426	1	Clamp, Air Cleaner	
131	1001221615	2	Nut, Tinnerman M8	
132	0711223	3	Bolt M12 x 75	
133	1001222033	1	Plate	
135	1001224486	1	Hose	
136	1001224489	1	Hose	
137	1001225510	1	Decal - Full Cold	
138	1001216531	1	Hose	
139	1001227666	1	Hose	
140	2180348	1	Fitting, Straight Barbed	
141	8410009	2	Clamp	
142	1001173535	6	Clamp	
143	1001224419	1	Bracket	
144	1001223584	1	Tank	
146	0711014	5	Bolt M10 x 30	
147	8406201	1	Clip	
148	4060805	16 in/.4m	Flex-Trim	
149	0100062	AR	Adhesive	
150	1001227667	1	Hose (Includes Tee)	
151	1001303818	1	Washer M10 (Not Shown)	

SECTION 3 - ENGINE

FIGURE 3-37. PUMP COUPLING AND FUEL SYSTEM ASSEMBLY (FORD ENGINES)



ART_1001216910

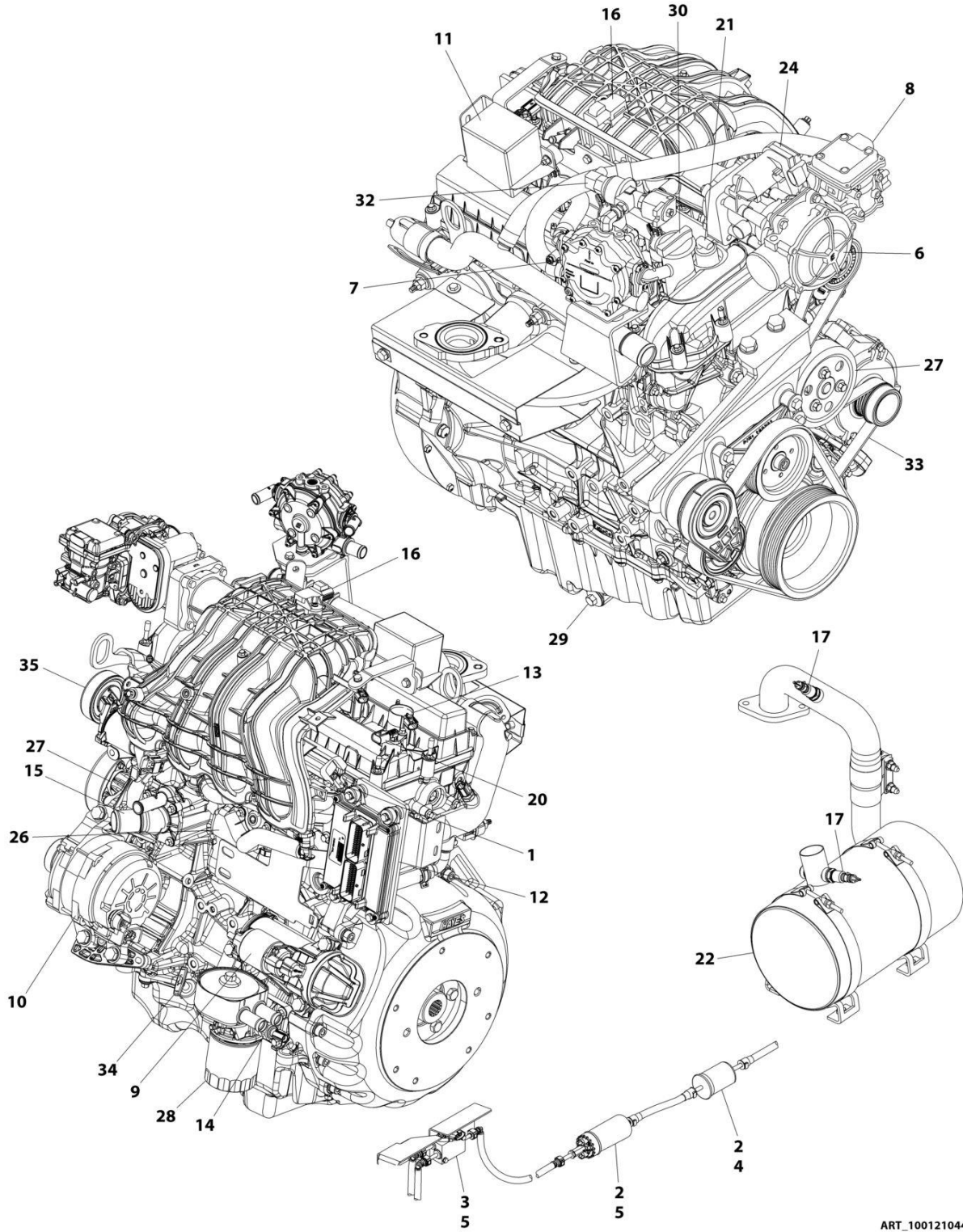
SECTION 3 - ENGINE

FIGURE 3-37. PUMP COUPLING AND FUEL SYSTEM ASSEMBLY (FORD ENGINES)

ITEM	PART NUMBER	QTY	DESCRIPTION	REV
	1001216910	Ref	FORD ENGINE PREP ASSEMBLY	F
1	0100011	AR	Compound, Locking	
3	0760605	4	Bolt M6 x 10	
4	0760807	2	Bolt M8 x 14	
11	4811702	4	Washer M6	
12	4811900	2	Washer M8	
13	5250605	3	Bolt M6 x 10	
14	5260600	1	Nut M6 Class 10	
19	1001211794	3	Mount, Isolator	
20	1001227769	1	Plate	
21	1001213810	1	Pump Coupling Kit	
21	70006134	1	Coupling	
21	70006135	1	Housing	
21	70006136	1	Hardware Kit	
22	1001216065	1	Ford Engine Assembly (See Items 101-126 for Breakdown)	
24	1001216768	1	Bracket	
25	1001216769	1	Bracket	
28	1001149160	2	Nut, Tinnerman M8	
	1001216065	Ref	FORD ENGINE PREP ASSEMBLY - BRACKETS/EXHAUST MANIFOLD	M
101	0700816	4	Bolt M8 x 40	
102	0700818	1	Bolt M8 x 50	
103	0701014	2	Bolt M10 x 30	
104	0710827	1	Bolt M8 x 100 Grade 10.9	
105	0711216	2	Bolt M12 x 40	
106	0760610	3	Bolt M6 x 20	
107	0760615	4	Bolt M6 x 35	
108	0760817	1	Bolt M8 x 45	
109	3290601	1	Nut M6	
110	4811700	8	Washer M6	
111	4811900	1	Washer M8	
112	4811902	4	Washer M8	
113	4812000	1	Washer M10	
114	4812100	2	Washer M12	
115	5250605	2	Bolt M6 x 10	
116	5260600	2	Nut M6 Class 10	
117	1001210448	1	Engine, Ford 2.5L (See Separate Breakdown in this Section)	
118	1001211794	2	Mount	
119	1001214827	1	Manifold, Exhaust	
120	1001215384	1	Bracket	
121	1001216071	1	Bracket	
122	1001216144	1	Support, Muffler	
123	1001227772	1	Mount, Vaporizer	
124	0100011	AR	Compound, Locking	
125	1001221545	1	Plate	
126	1001222641	6	Cap	

SECTION 3 - ENGINE

FIGURE 3-38. FORD ENGINE COMPONENTS



ART_1001210448

SECTION 3 - ENGINE

FIGURE 3-38. FORD ENGINE COMPONENTS

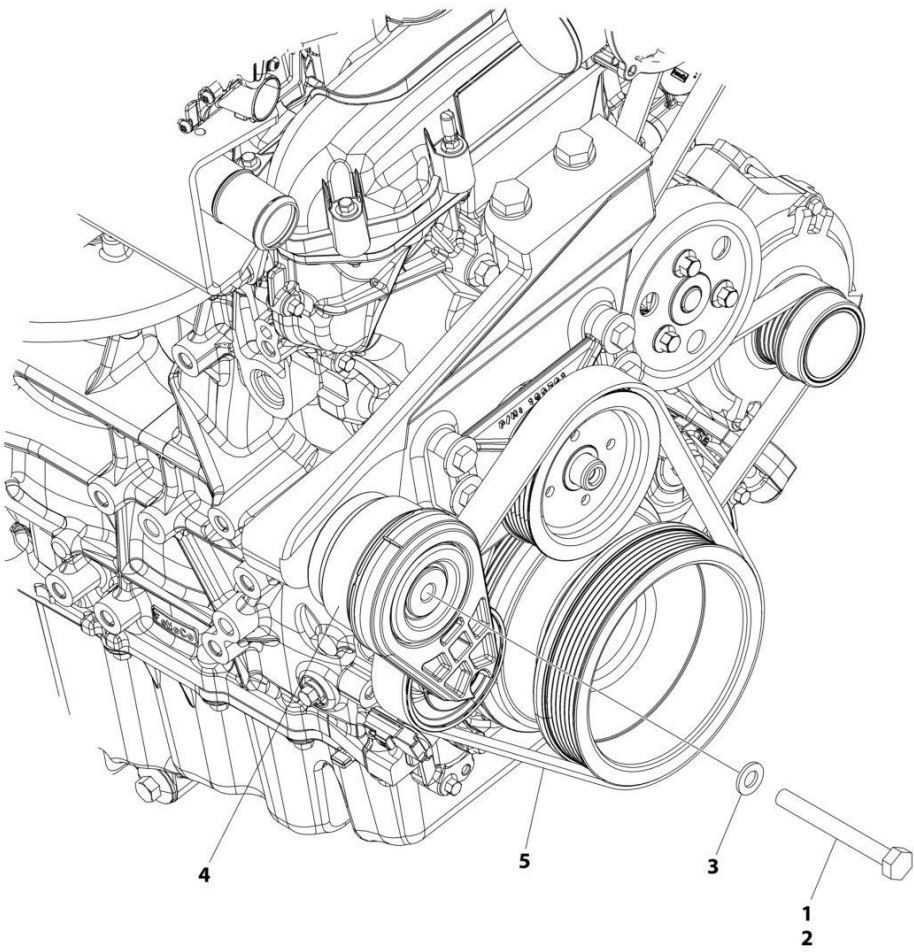
ITEM	PART NUMBER	QTY	DESCRIPTION	REV
	1001210448	Ref	FORD ENGINE COMPONENTS	H
1	70006145	4	Injector, Fuel	
1	70006147	1	Rail, Fuel	
2	70006150	1	Pump, Fuel	
2	70006154	1	Fitting M10	
3	70006151	1	Block, Fuel	
3	70006152	2	Fitting SAE6	
3	70006153	1	Fitting SAE3	
3	70006189	1	Harness, Fuel Block	
4	70006155	1	Filter, Fuel	
5	7022162	8	Clamp	
5	70006157	8	Clip, Fuel Quick Disconnect	
6	70006158	1	Mixer, LP	
6	70006168	1	Mixer Diaphragm Replacement Kit	
6	70006159	1	Adapter, Mixer to Governor	
6	70006160	1	O-Ring, Mixer to Adapter	
6	70006161	1	Seal, Mixer to Adapter	
7	70006162	1	Regulator, LP Vapor	
7	70006166	2	Fitting	
7	70006167	1	Fitting, Straight	
7	70006165	2	Isolator, Rubber	
8	70006163	1	Regulator, Direct Electronic Pressure	
8	70006164	1	Adapter, Fitting 90	
9	70006169	1	Starter	
9	70006233	1	Harness, Alternator/Starter	
10	70006170	1	Alternator	
11	70006173	1	Cover, Relay Box	
11	70006171	2	Relay (Fuel Pump & Power)	
11	70006172	1	Relay (Starter)	
11	70006175	1	Fuse - 20Amp (Starter)	
11	70006174	1	Decal - Relay Box Cover	
11	70006188	1	Harness, Engine	
11	70006165	2	Isolator, Rubber	
12	70006176	1	Module - Engine Control Unit (ECU/GCP)	
12	70006191	1	Software & Diagnostic Cable	
13	70006177	4	Coil and Boot Assembly	
13	70006178	4	Plug, Spark	
14	70006179	1	Switch, Oil Pressure	
15	70006180	1	Sensor, Knock	
16	70006181	1	Sensor, TMAP	
17	70006182	2	Sensor, O2	
18	70006183	1	Sensor, Coolant Temperature (Not Shown - Located Rear of Engine Block)	
19	70006184	1	Sensor, Crank Position (Not Shown - Located at Front RH Side of Block)	
20	70006185	1	Sensor, Cam Position	
21	70006186	1	Solenoid, Timing	
21	70006187	1	Grommet, Rubber	
22	70006194	1	Muffler	
22	70006195	1	Plug (Located at Muffler Outlet)	

SECTION 3 - ENGINE

ITEM	PART NUMBER	QTY	DESCRIPTION	REV
23		Ref	Gasket Options (Not Shown)	
23	70006196	1	Gasket, Exhaust Manifold to Head	
23	70006197	1	Gasket, Exhaust Manifold Outlet	
23	70006200	1	Gasket, Intake Manifold to Head	
23	70006219	1	Gasket Set - Camshaft Cover	
23	70006225	1	Gasket, Cylinder Head	
24	70006198	1	Governor	
24	7027404	1	Gasket, Governor Actuator	
24	70006199	1	Gasket, Governor to Intake Manifold Adapter	
25	70006203	1	Flywheel (Not Shown)	
26	70006205	1	Thermostat (Includes Housing)	
26	70006206	1	Gasket, Water Inlet	
27	70006207	1	Pump, Water	
27	70006208	1	O-Ring, Water Pump	
27	See Note	NSS	Pulley, Water Pump (Note: Not Available for Purchase at This Time)	
28	70006213	1	Filter, Oil	
29	70006215	1	Plug, Oil Drain	
29	70006217	1	Gasket, Oil Drain Plug	
30	70006221	1	Cap, Oil Fill	
31	70006232	1	Sensor, Crank (Not Shown)	
32	70006235	1	Valve, Lock-Off (Includes Filter)	
33	70006202	1	Belt	
34	70006236	1	Dipstick	
35	70007108	1	Belt Tensioner	

SECTION 3 - ENGINE

FIGURE 3-39. DRIVE BELT INSTALLATION - FORD ENGINES MACHINES WITHOUT GENERATORS



ART_1001220404

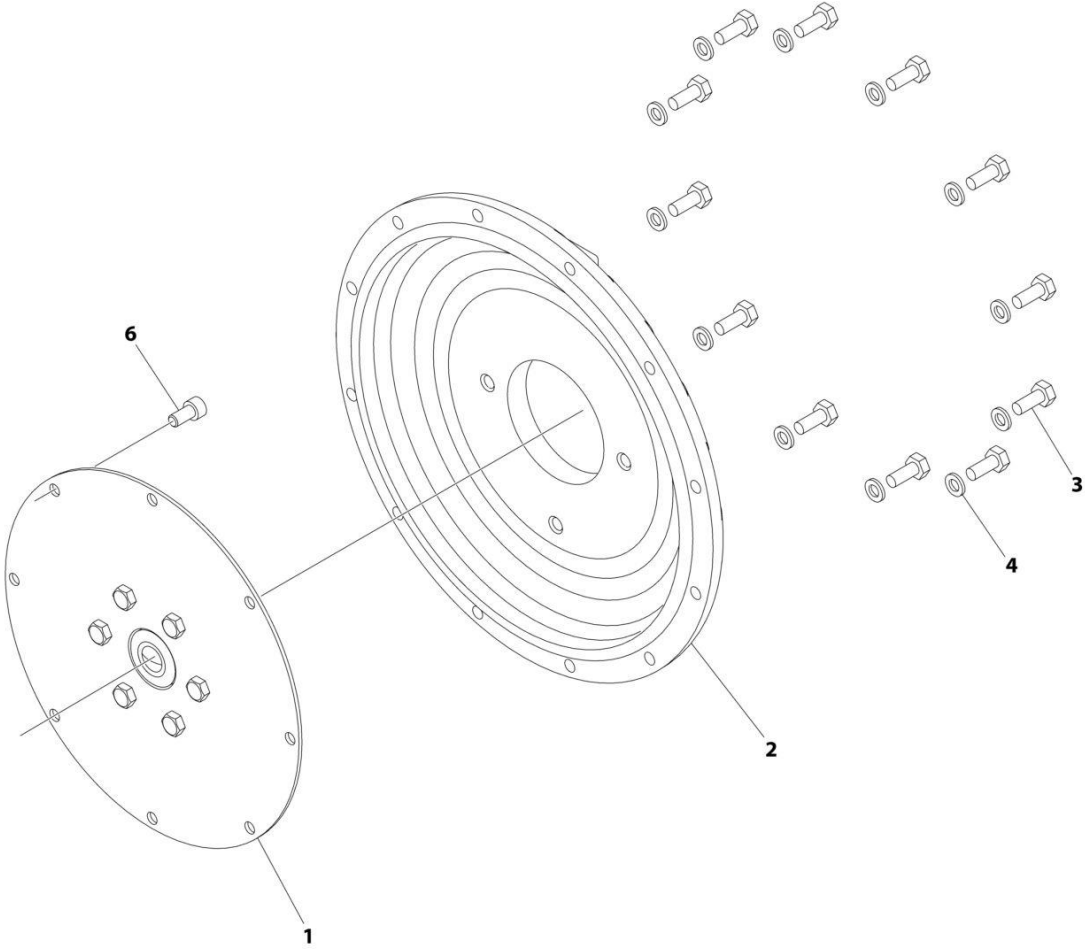
SECTION 3 - ENGINE

FIGURE 3-39. DRIVE BELT INSTALLATION - FORD ENGINES MACHINES WITHOUT GENERATORS

ITEM	PART NUMBER	QTY	DESCRIPTION	REV
	1001220404	Ref	DRIVE BELT INSTALLATION	C
1	0100011	AR	Compound, Locking	
2	0701026	1	Bolt M10 x 90	
3	4812002	1	Washer M10	
4	1001216300	1	Pulley	
5	1001216619	1	V-Belt	

SECTION 3 - ENGINE

FIGURE 3-40. PUMP COUPLING KIT - DEUTZ ENGINES



ART_2902065

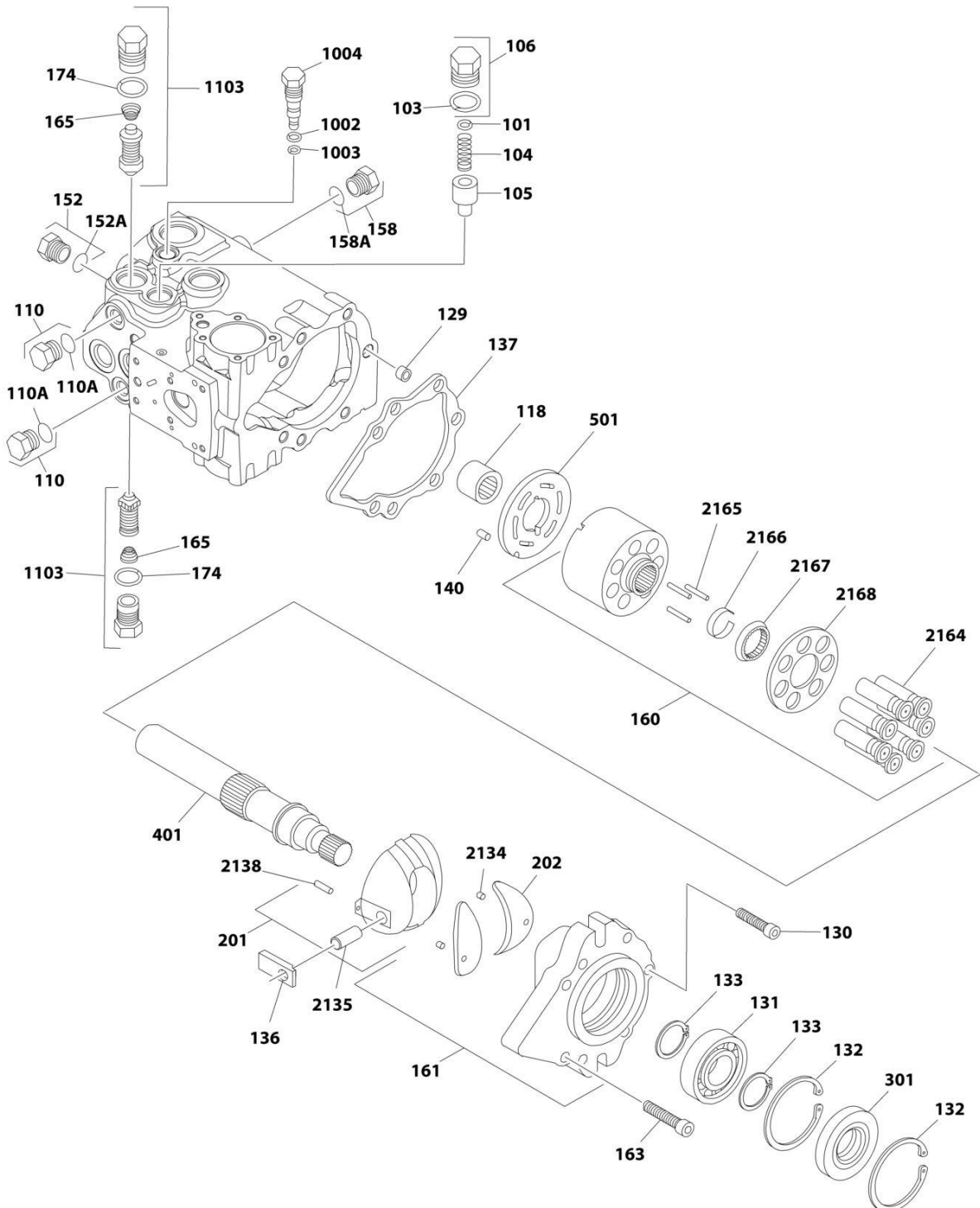
SECTION 3 - ENGINE

FIGURE 3-40. PUMP COUPLING KIT - DEUTZ ENGINES

ITEM	PART NUMBER	QTY	DESCRIPTION	REV
	2902065	Ref	PUMP COUPLING KIT	L
1	70000793	1	Coupling, Hayes	
2	See Note	NSS	Plate, Pump Adapter (Note: Use p/n 2902065)	
3	See Note	NSS	Bolt M10 x 30 Grade 10.9 (Note: Use p/n 2902065)	
4	See Note	NSS	Washer M10 (Note: Use p/n 2902065)	
6	See Note	NSS	Bolt M10 x 20 Grade 10.9 (Note: Use p/n 2902065)	

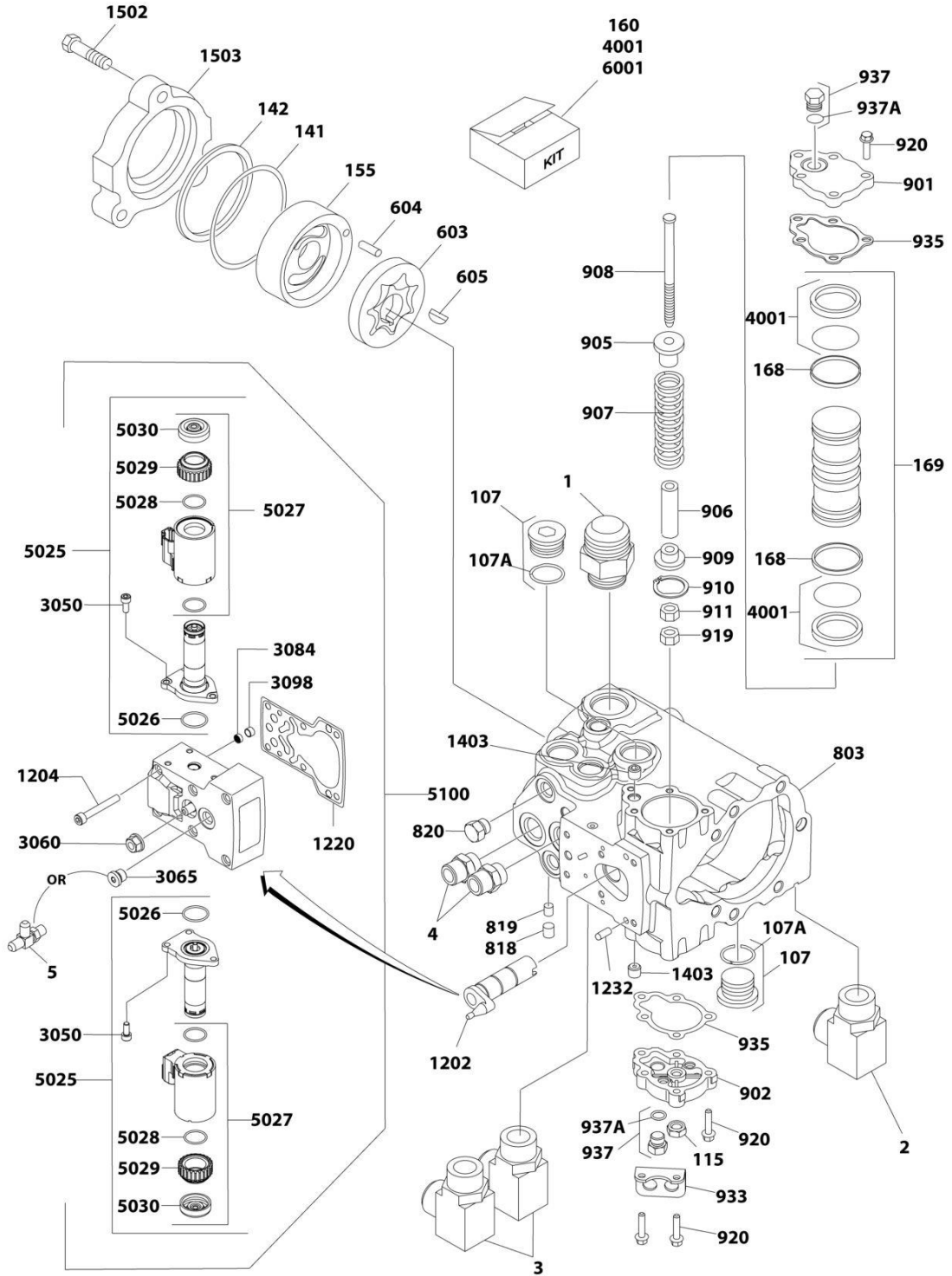
SECTION 3 - ENGINE

FIGURE 3-41. PISTON PUMP ASSEMBLY - DEUTZ ENGINES - DANFOSS



ART_1001188952_10F2

SECTION 3 - ENGINE



ART_1001188952_20F2

SECTION 3 - ENGINE

FIGURE 3-41. PISTON PUMP ASSEMBLY - DEUTZ ENGINES - DANFOSS

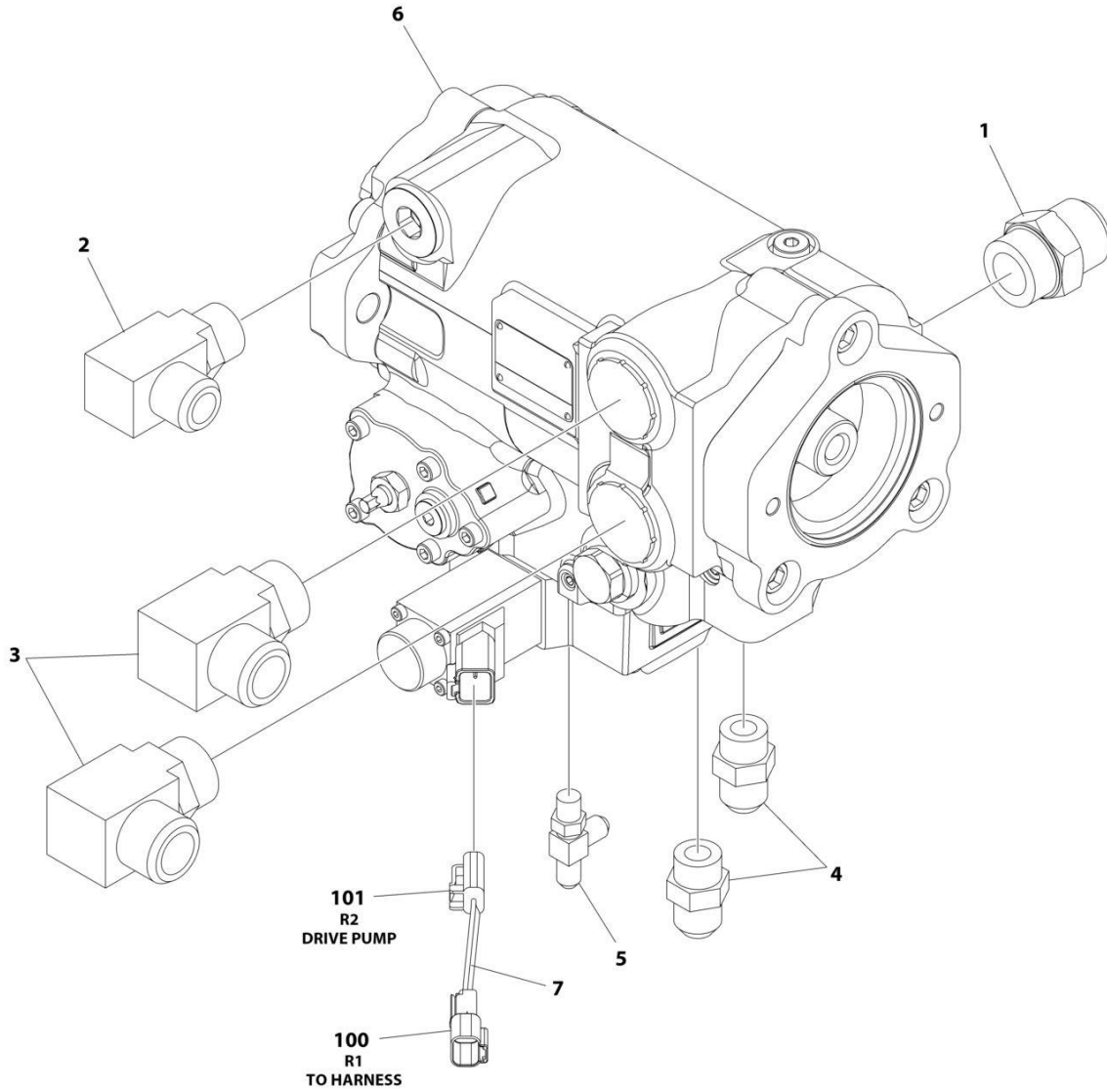
ITEM	PART NUMBER	QTY	DESCRIPTION	REV
	1001188952	Ref	PUMP AND FITTING ASSEMBLY	A
1	2220377	1	Fitting, Straight JIC/ORB	
2	2220578	1	Fitting, 90 JIC/ORB	
3	2220646	2	Fitting, 90 JIC/ORB	
4	2220947	2	Fitting, Straight JIC/ORB	
5	2221034	1	Fitting, Tee JIC/ORB	
	1001186542	1	PISTON PUMP ASSEMBLY	B
101	7007413	1	Shim Kit	
103	7007415	1	O-Ring (Part of Item 106)	
104	7021200	1	Spring, Relief Valve	
105	7007417	1	Valve, Relief	
106	7024874	2	Plug (Includes Items 103)	
107	7007419	2	Plug	
107A	7007418	2	O-Ring	
110	7007420	2	Plug	
110A	7021256	2	O-Ring	
115	7007423	1	Nut, Special	
118	7007425	1	Bearing, Needle	
129	7007435	1	Pin, Spring	
130	7021202	1	Screw	
131	70002176	1	Bearing, Ball	
132	7007438	2	Ring, Retainer	
133	7007439	2	Ring	
136	7007442	1	Sleeve, Bearing	
137	7007443	1	Gasket, Front Cover	
140	7007446	1	Pin	
141	7021233	1	O-Ring	
142	7007448	1	Ring, Load Temper	
152	7007420	1	Plug Assembly	
152A	7021256	1	O-Ring	
155	70005466	1	Cover, Gerotor	
158	7007208	1	Plug	
158A	7007207	1	O-Ring	
160	7010116	1	Cylinder Block Kit (Includes Items 2164-2168)	
161	7024875	1	Cover Assembly - Front (Includes Items 202 & 2134)	
163	7021207	6	Screw	
165	70005467	2	Spring	
168	7021210	2	Bearing	
169	70005468	1	Servo Piston Assembly (Includes Items 168 & 4001)	
174	7007418	2	O-Ring	
201	7007457	1	Swash Plate Assembly (Includes Items 2135 & 2138)	
202	7021212	1	Journal, Bearing	
301	7007459	1	Seal, Lip	
401	7010121	1	Shaft, Main Pump	
501	7021214	1	Plate, Valve	
603	7007463	1	Gerotor Assembly	
604	7007464	1	Pin	
605	7007465	1	Key, Woodruff	
803	See Note	NSS	Housing, Pump (Note: Use p/n 1001186542)	
818	70005469	1	Plug	

SECTION 3 - ENGINE

ITEM	PART NUMBER	QTY	DESCRIPTION	REV
819	70005470	1	Plug	
820	70005469	1	Plug	
901	7021219	1	Cover, Servo (With Adjuster)	
902	7021220	1	Cover, Servo (Without Adjuster)	
905	7023979	1	Guide, Spring	
906	7007484	1	Stop, Servo	
907	7007485	1	Spring	
908	7021221	1	Screw	
909	7007487	1	Guide, Spring	
910	7007488	1	Ring, Retaining	
911	7021222	1	Locknut	
919	7021206	1	Nut	
920	7021223	10	Screw	
933	7021201	1	Bracket, Lifting	
935	7007422	2	Gasket, Servo Cover	
937	7007420	2	Plug	
937A	7021256	2	O-Ring	
1002	7007450	1	Ring, Back-up	
1003	70005471	1	O-Ring	
1004	7024877	1	Valve, Bypass	
1103	7024851	2	Valve, Pressure Relief (Includes Items 165 & 174)	
1202	70005472	1	Sleeve	
1204	70002156	6	Screw	
1220	70002154	1	Gasket	
1232	70002157	2	Pin	
1403	7007477	2	Plug, Orifice (.37)	
1502	7007453	3	Bolt, Hex	
1503	7007476	1	Adapter, Auxiliary Pump	
2134	7021203	2	Pin, Spring	
2135	7007441	1	Handle, Pin	
2138	7007444	1	Pin	
2164	7010117	7	Piston Assembly	
2165	7007431	3	Pin, Slipper Holddown	
2166	7007430	1	Retainer	
2167	7007434	1	Guide, Retainer	
2168	7010119	1	Retainer, Slipper	
3050	70002150	6	Screw	
3060	70005473	1	Nut, Seal	
3065	70002151	1	Plug	
3084	70002134	1	Screen	
3098	70002153	1	Ring	
4001	7007412	1	Seal Kit - Servo Piston	
5025	70002147	2	Solenoid Assembly (Includes Items 5026-5030)	
5026	70002148	2	O-Ring	
5027	70002149	2	Coil Assembly (Includes Items 5028-5030)	
5028	70005474	2	O-Ring	
5029	70005475	2	Screw	
5030	70005476	2	Cap	
5100	70002146	1	EDC Assembly (Includes Items 1204, 1220, 3050-3098 & 5025-5030)	
6001	7021232	1	Seal Kit - Complete (Includes Items 103, 137, 141, 142, 168, 174, 301, 935, 1002, 1003, 4001 and Plug O-Ring)	

SECTION 3 - ENGINE

FIGURE 3-42. PISTON PUMP ASSEMBLY WITH FITTINGS - DEUTZ ENGINES - HENGLI



ART_1001287018

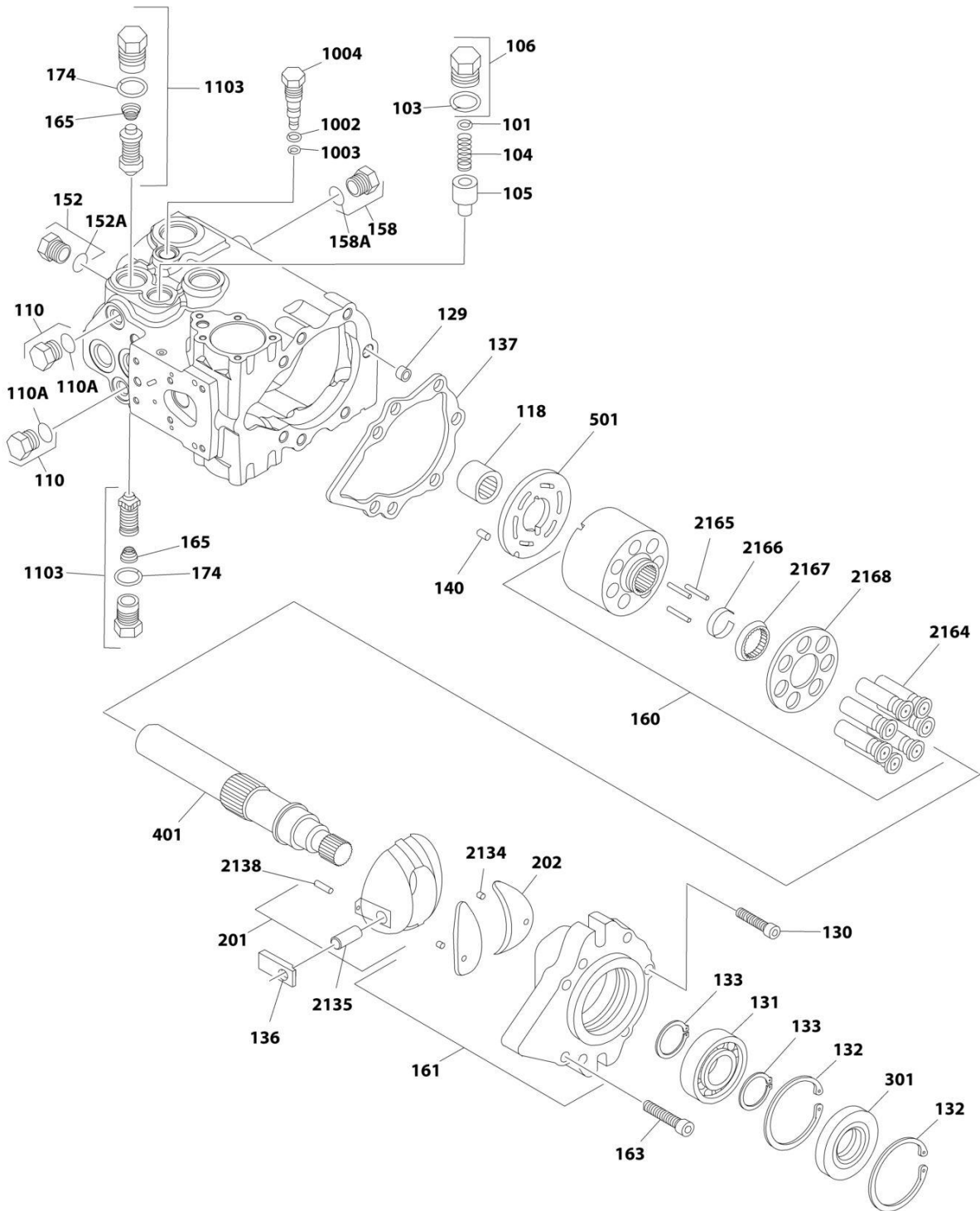
SECTION 3 - ENGINE

FIGURE 3-42. PISTON PUMP ASSEMBLY WITH FITTINGS - DEUTZ ENGINES - HENGLI

ITEM	PART NUMBER	QTY	DESCRIPTION	REV
	1001287018	Ref	PISTON PUMP ASSEMBLY	A
1	2220377	1	Fitting Straight JIC/ORB	
2	2220578	1	Fitting 90 JIC/ORB	
3	2220646	2	Fitting 90 JIC/ORB	
4	2220947	2	Fitting Straight ORB	
5	2221034	1	Fitting Tee	
6	1001287021	1	Piston Pump (See Separate Breakdown in this Section)	
7	1001288858	1	Piston Pump Harness (Includes Items 100 & 101)	A
100	4460897	1	Connector	
100	4460464	2	Terminal	
101	4460891	1	Connector	
101	4460465	2	Terminal	

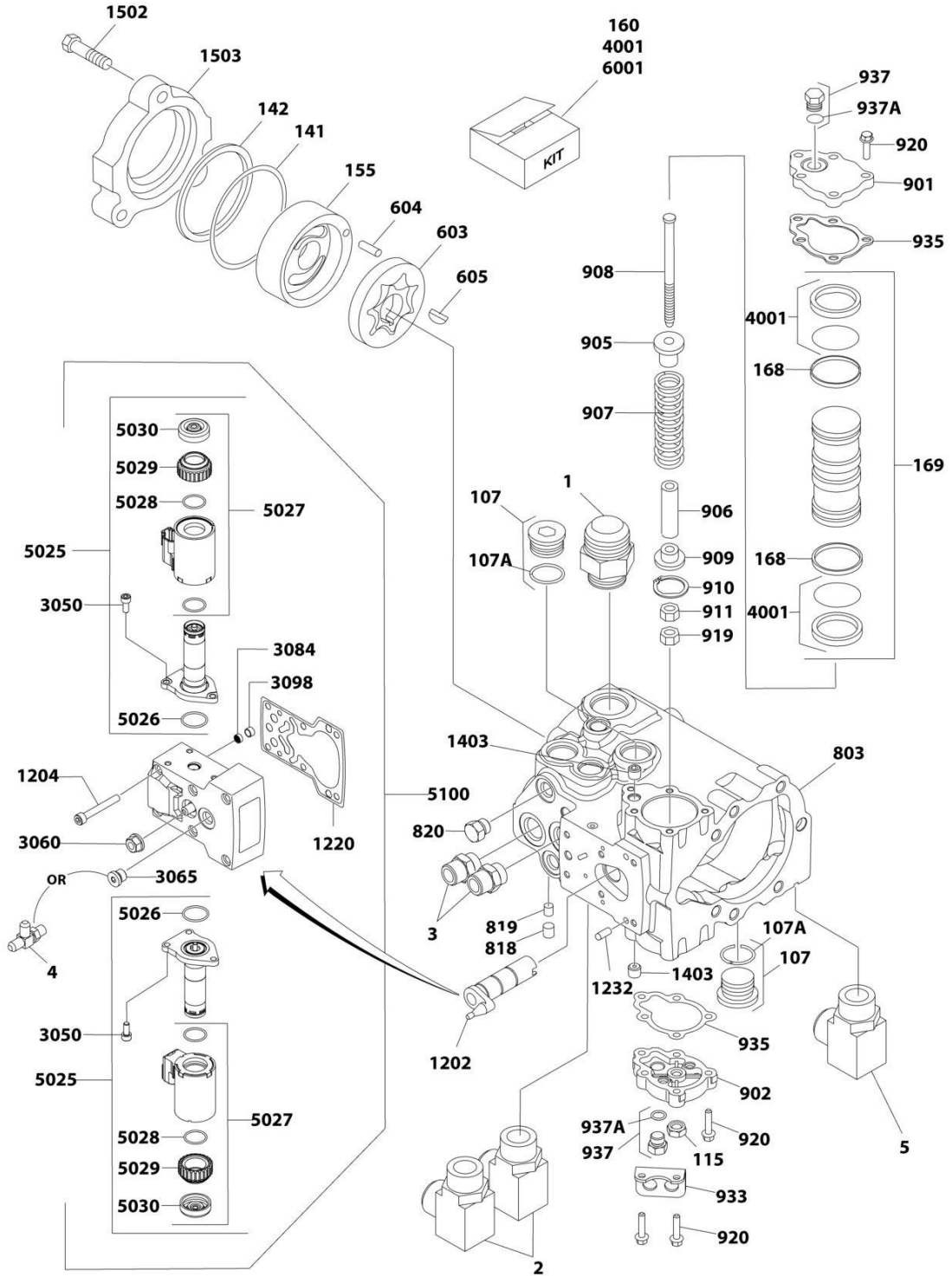
SECTION 3 - ENGINE

FIGURE 3-43. PISTON PUMP ASSEMBLY - FORD ENGINES



ART_1001188953_10F2

SECTION 3 - ENGINE



ART_1001188953_20F2

SECTION 3 - ENGINE

FIGURE 3-43. PISTON PUMP ASSEMBLY - FORD ENGINES

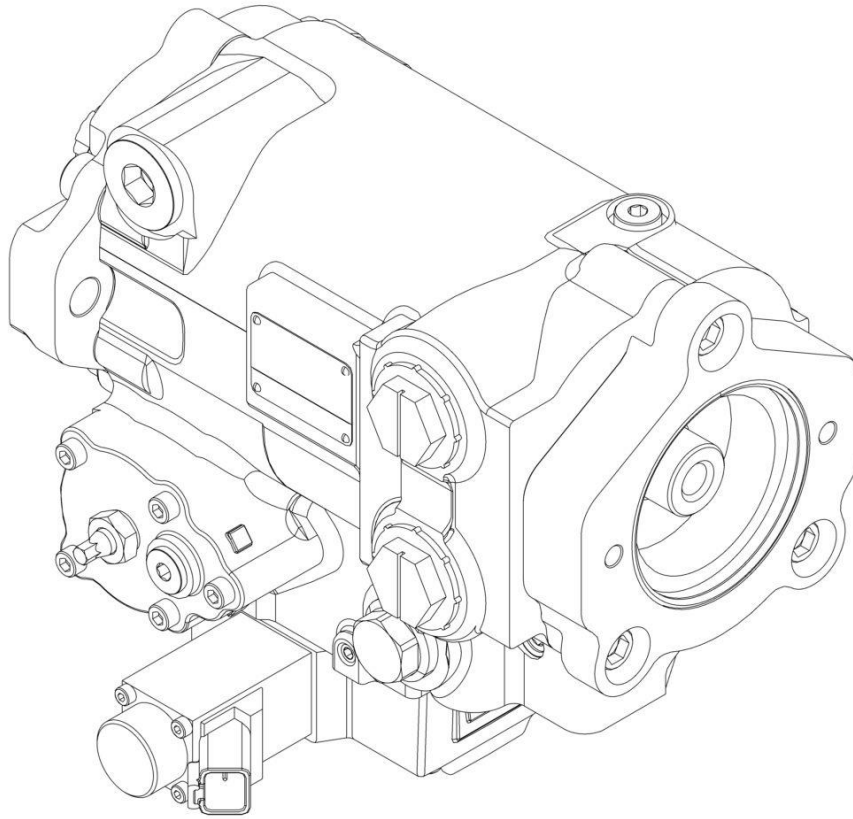
ITEM	PART NUMBER	QTY	DESCRIPTION	REV
	1001188953	Ref	PUMP AND FITTING ASSEMBLY	A
1	2220377	1	Fitting, Straight JIC/ORB	
2	2220451	1	Fitting, Straight JIC/ORB	
3	2220646	2	Fitting, 90 JIC/ORB	
4	2220947	2	Fitting, Straight JIC/ORB	
5	2220711	1	Fitting, Tee JIC/ORB	
	1001186542	Ref	PISTON PUMP ASSEMBLY	B
101	7007413	1	Shim Kit	
103	7007415	1	O-Ring (Part of Item 106)	
104	7021200	1	Spring, Relief Valve	
105	7007417	1	Valve, Relief	
106	7024874	2	Plug (Includes Items 103)	
107	7007419	2	Plug	
107A	7007418	2	O-Ring	
110	7007420	2	Plug	
110A	7021256	2	O-Ring	
115	7007423	1	Nut, Special	
118	7007425	1	Bearing, Needle	
129	7007435	1	Pin, Spring	
130	7021202	1	Screw	
131	70002176	1	Bearing, Ball	
132	7007438	2	Ring, Retainer	
133	7007439	2	Ring	
136	7007442	1	Sleeve, Bearing	
137	7007443	1	Gasket, Front Cover	
140	7007446	1	Pin	
141	7021233	1	O-Ring	
142	7007448	1	Ring, Load Temper	
152	7007420	1	Plug Assembly	
152A	7021256	1	O-Ring	
155	70005466	1	Cover, Gerotor	
158	7007208	1	Plug	
158A	7007207	1	O-Ring	
160	7010116	1	Cylinder Block Kit (Includes Items 2164-2168)	
161	7024875	1	Cover Assembly - Front (Includes Items 202 & 2134)	
163	7021207	6	Screw	
165	70005467	2	Spring	
168	7021210	2	Bearing	
169	70005468	1	Servo Piston Assembly (Includes Items 168 & 4001)	
174	7007418	2	O-Ring	
201	7007457	1	Swash Plate Assembly (Includes Items 2135 & 2138)	
202	7021212	1	Journal, Bearing	
301	7007459	1	Seal, Lip	
401	7010121	1	Shaft, Main Pump	
501	7021214	1	Plate, Valve	
603	7007463	1	Gerotor Assembly	
604	7007464	1	Pin	
605	7007465	1	Key, Woodruff	
803	See Note	NSS	Housing, Pump (Note: Use p/n 1001186542)	
818	70005469	1	Plug	

SECTION 3 - ENGINE

ITEM	PART NUMBER	QTY	DESCRIPTION	REV
819	70005470	1	Plug	
820	70005469	1	Plug	
901	7021219	1	Cover, Servo (With Adjuster)	
902	7021220	1	Cover, Servo (Without Adjuster)	
905	7023979	1	Guide, Spring	
906	7007484	1	Stop, Servo	
907	7007485	1	Spring	
908	7021221	1	Screw	
909	7007487	1	Guide, Spring	
910	7007488	1	Ring, Retaining	
911	7021222	1	Locknut	
919	7021206	1	Nut	
920	7021223	10	Screw	
933	7021201	1	Bracket, Lifting	
935	7007422	2	Gasket, Servo Cover	
937	7007420	2	Plug	
937A	7021256	2	O-Ring	
1002	7007450	1	Ring, Back-up	
1003	70005471	1	O-Ring	
1004	7024877	1	Valve, Bypass	
1103	7024851	2	Valve, Pressure Relief (Includes Items 165 & 174)	
1202	70005472	1	Sleeve	
1204	70002156	6	Screw	
1220	70002154	1	Gasket	
1232	70002157	2	Pin	
1403	7007477	2	Plug, Orifice (.37)	
1502	7007453	3	Bolt, Hex	
1503	7007476	1	Adapter, Auxiliary Pump	
2134	7021203	2	Pin, Spring	
2135	7007441	1	Handle, Pin	
2138	7007444	1	Pin	
2164	7010117	7	Piston Assembly	
2165	7007431	3	Pin, Slipper Holddown	
2166	7007430	1	Retainer	
2167	7007434	1	Guide, Retainer	
2168	7010119	1	Retainer, Slipper	
3050	70002150	6	Screw	
3060	70005473	1	Nut, Seal	
3065	70002151	1	Plug	
3084	70002134	1	Screen	
3098	70002153	1	Ring	
4001	7007412	1	Seal Kit - Servo Piston	
5025	70002147	2	Solenoid Assembly (Includes Items 5026-5030)	
5026	70002148	2	O-Ring	
5027	70002149	2	Coil Assembly (Includes Items 5028-5030)	
5028	70005474	2	O-Ring	
5029	70005475	2	Screw	
5030	70005476	2	Cap	
5100	70002146	1	EDC Assembly (Includes Items 1204, 1220, 3050-3098 & 5025-5030)	
6001	7021232	1	Seal Kit - Complete (Includes Items 103, 137, 141, 142, 168, 174, 301, 935, 1002, 1003, 4001 and Plug O-Ring)	

SECTION 3 - ENGINE

FIGURE 3-44. PISTON PUMP ASSEMBLY



ART_1001287021

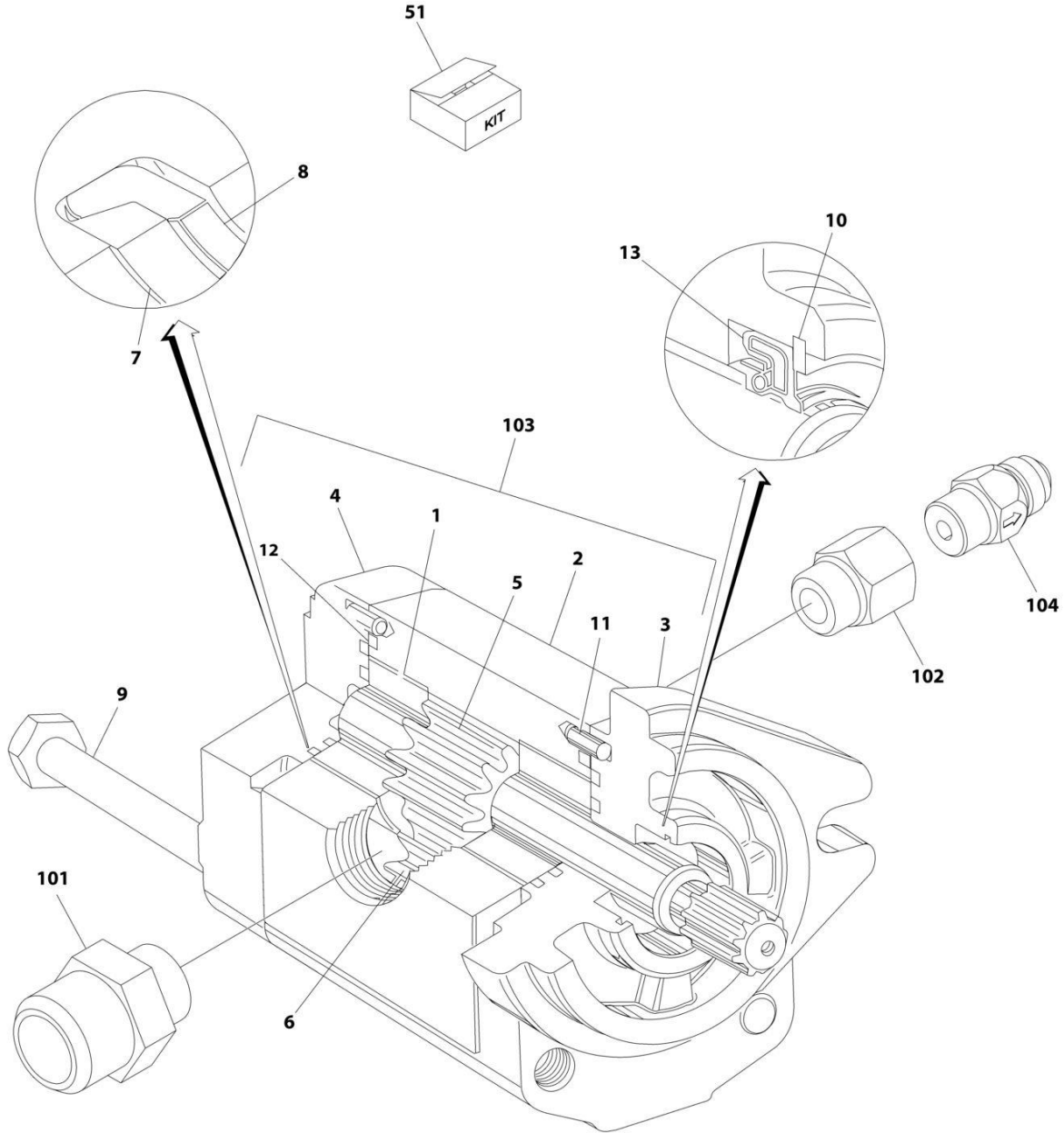
SECTION 3 - ENGINE

FIGURE 3-44. PISTON PUMP ASSEMBLY

ITEM	PART NUMBER	QTY	DESCRIPTION	REV
	1001287021	Ref	PISTON PUMP	A
	See Note	Ref	Note: No Service Parts Availabe at Time of Printing	

SECTION 3 - ENGINE

FIGURE 3-45. GEAR PUMP ASSEMBLY



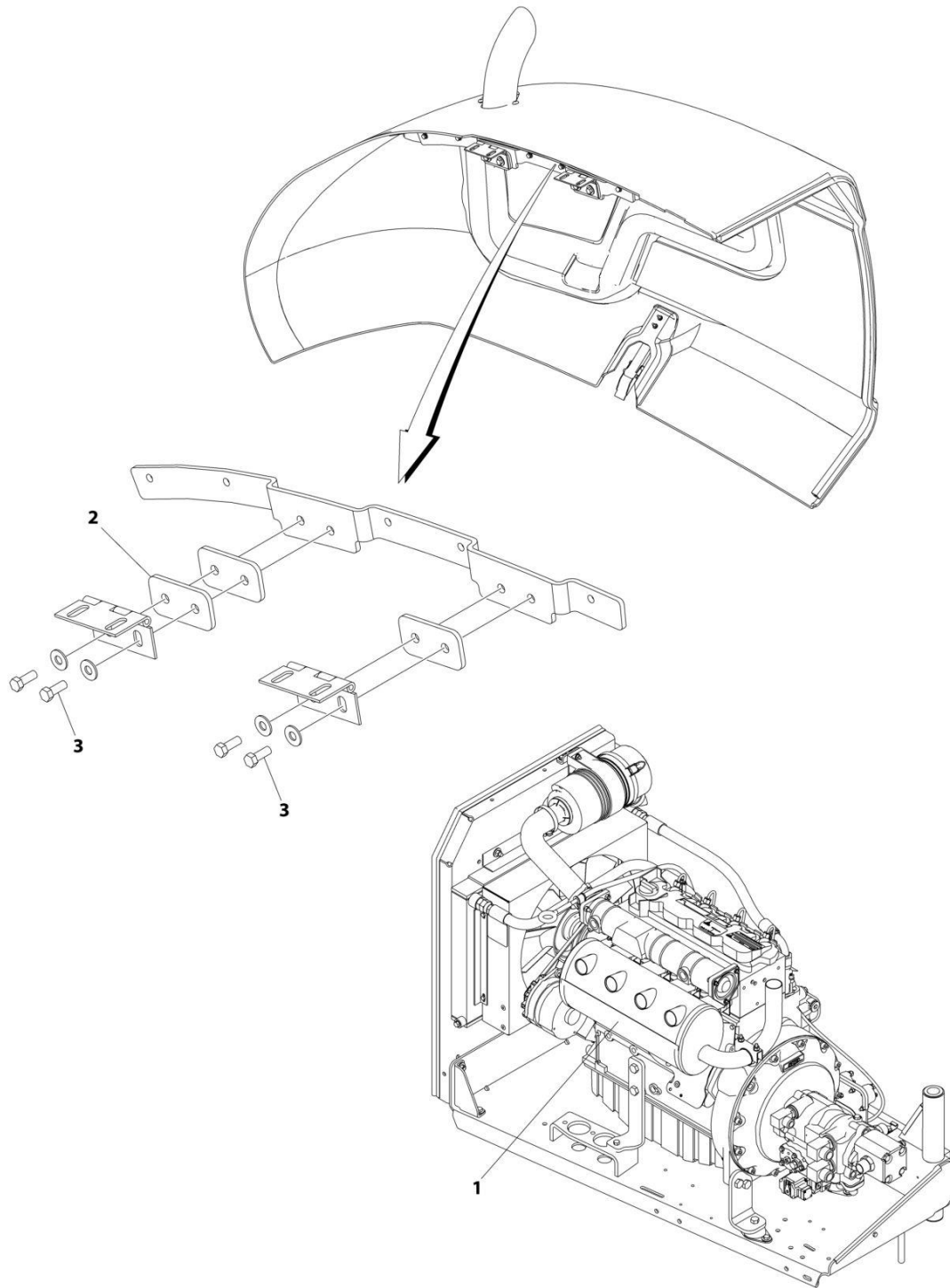
ART_3600242

FIGURE 3-45. GEAR PUMP ASSEMBLY

ITEM	PART NUMBER	QTY	DESCRIPTION	REV
	3600242	Ref	GEAR PUMP ASSEMBLY	
1	7010105	2	Bearing/Bushing	
2	See Note	NSS	Housing (Note: Use Item 3600242)	
3	See Note	NSS	Flange (Note: Use Item 3600242)	
4	7010103	1	Cover	
5	7012987	1	Gear, Drive	
6	7012988	1	Gear, Idler	
7	See Note	NSS	Ring, Anti-Extrusion (Note: Use Item 51)	
8	See Note	NSS	Seal (Note: Use Item 51)	
9	See Note	4	Bolt (Note: Not Available for Purchase)	
10	7010104	1	Ring, Retaining	
11	See Note	NSS	Pin, Dowel (Note: Not Available for Purchase)	
12	See Note	NSS	Seal, O-Ring (Note: Use Item 51)	
13	See Note	NSS	Seal, Shaft (Note: Use Item 51)	
51	7007489	1	Seal Kit (Includes Items 7, 8, 12 & 13)	
	3600395	Ref	GEAR PUMP AND FITTING ASSEMBLY	B
101	2220376	1	Fitting, Straight	
102	2220810	1	Fitting, Reducer	
103	3600242	1	Pump (Includes Items 1 - 13)	
104	4640744	1	Fitting, Check Valve	

SECTION 3 - ENGINE

FIGURE 3-46. SPARK ARRESTOR MUFFLER INSTALLATION - DEUTZ D2011 ENGINES



ART_1001182906

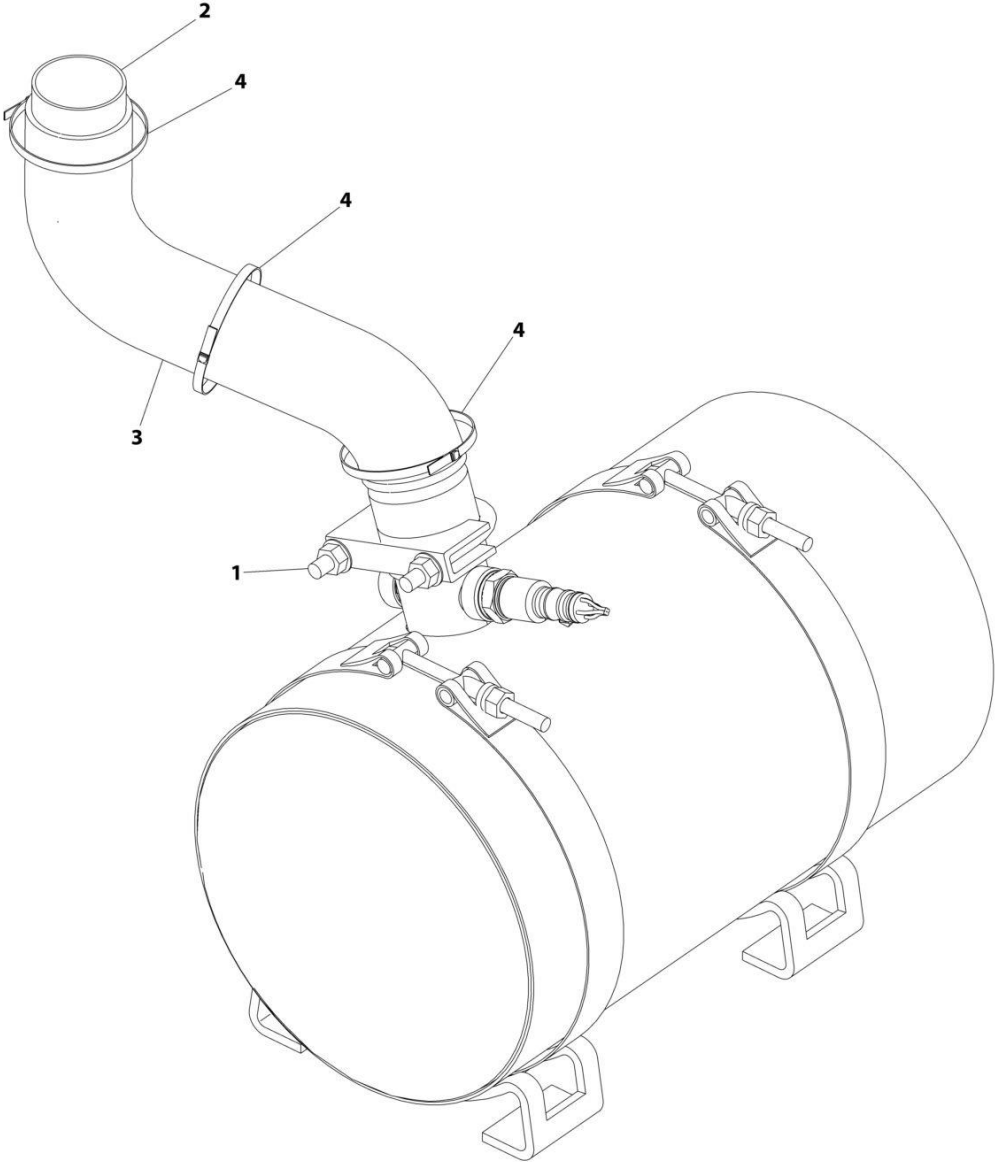
SECTION 3 - ENGINE

FIGURE 3-46. SPARK ARRESTOR MUFFLER INSTALLATION - DEUTZ D2011 ENGINES

ITEM	PART NUMBER	QTY	DESCRIPTION	REV
	1001182906	Ref	MUFFLER INSTALLATION SPARK ARRESTOR	B
1	3220103	1	Muffler	
2	1001169610	1	Spacer	
3	0641608	4	Bolt 3/8 x 1	

SECTION 3 - ENGINE

FIGURE 3-47. EXHAUST PIPE INSTALLATION - FORD ENGINES



ART_1001220215

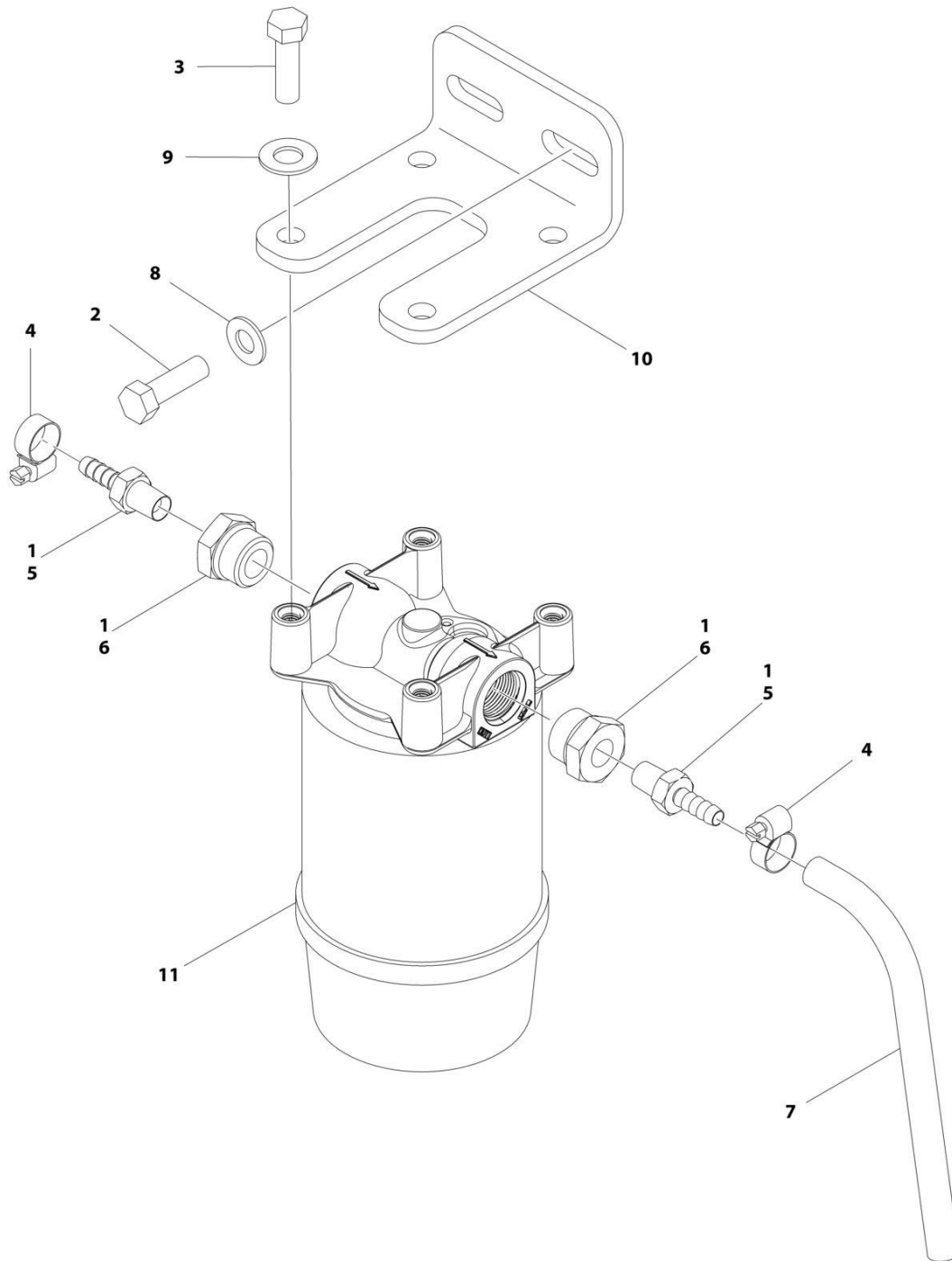
SECTION 3 - ENGINE

FIGURE 3-47. EXHAUST PIPE INSTALLATION - FORD ENGINES

ITEM	PART NUMBER	QTY	DESCRIPTION	REV
	1001220215	Ref	EXHAUST PIPE INSTALLATION	B
1	1001221397	1	Clamp	
2	1001216160	1	Pipe, Tail	
3	1001216536	1	Insulate	
4	1001100825	3	Strap	

SECTION 3 - ENGINE

FIGURE 3-48. FUEL-WATER SEPARATOR INSTALLATION - DEUTZ D2011 ENGINES (OPTIONAL)



ART_1001199784

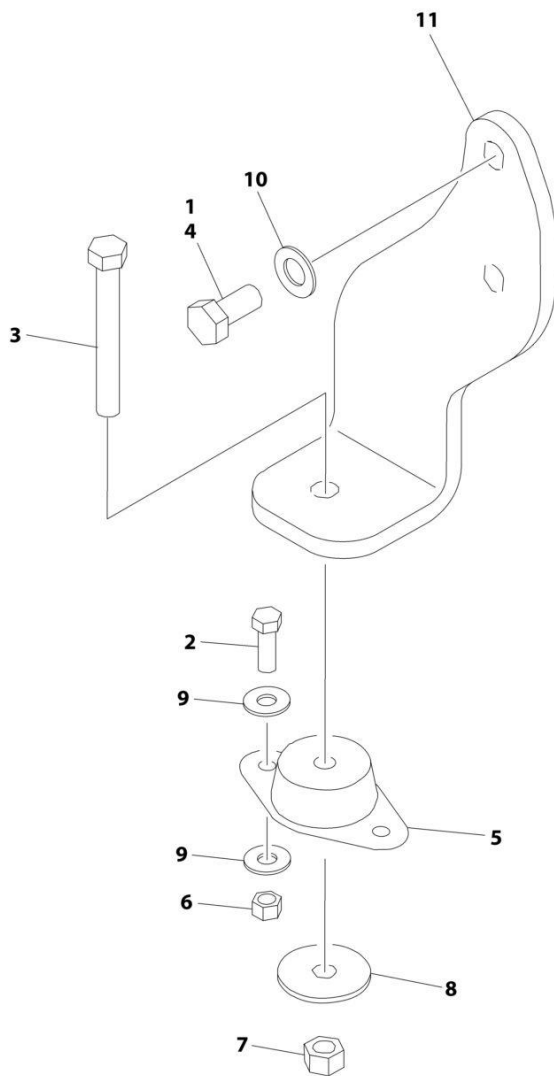
SECTION 3 - ENGINE

FIGURE 3-48. FUEL-WATER SEPARATOR INSTALLATION - DEUTZ D2011 ENGINES (OPTIONAL)

ITEM	PART NUMBER	QTY	DESCRIPTION	REV
	1001199784	Ref	FUEL-WATER SEPARATOR INSTALLATION	A
1	0100079	AR	Sealant	
2	0641607	2	Bolt 3/8 x 7/8	
3	0641610	4	Bolt 3/8 x 1-1/4	
4	1320022	2	Clamp	
5	2180348	2	Fitting, Straight	
6	2220816	2	Fitting, Straight	
7	2720058	12 in /31cm	Hose	
8	4711600	2	Washer 3/8	
9	4711700	4	Washer 7/16	
10	1001188884	1	Bracket	
11	1001188887	1	Fuel/Water Separator Assembly	
11	1001202280	1	Head	
11	1001202281	1	Element	

SECTION 3 - ENGINE

FIGURE 3-49. RIGHT ENGINE SUPPORT INSTALLATION (DEUTZ D2011 ENGINES MACHINES WITHOUT GENERATORS)



ART_1001151253

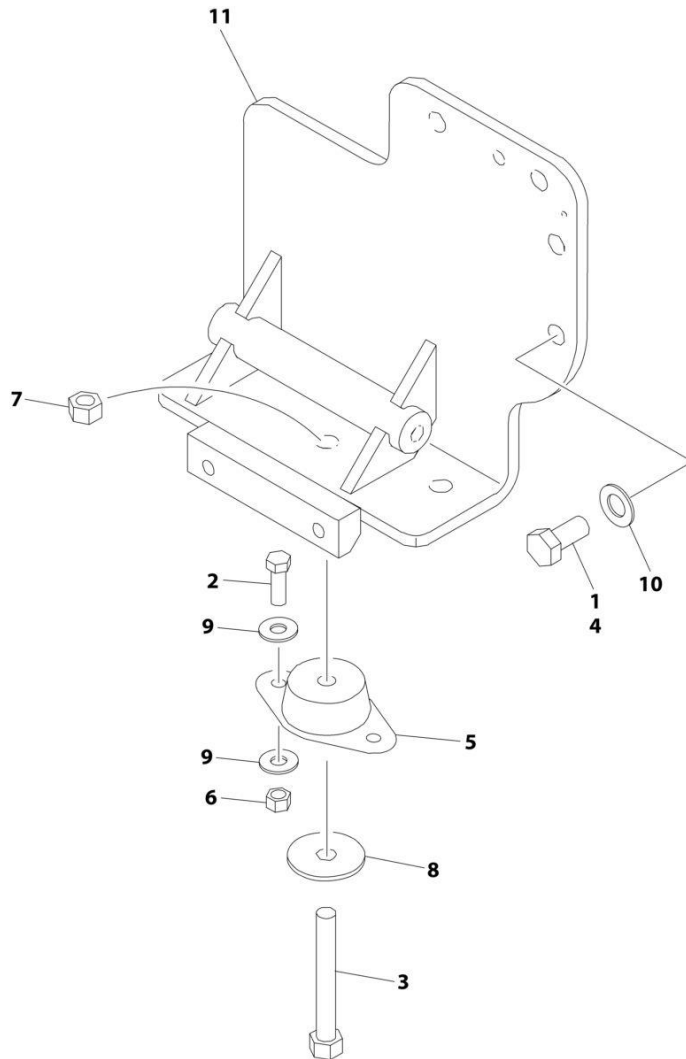
SECTION 3 - ENGINE

FIGURE 3-49. RIGHT ENGINE SUPPORT INSTALLATION (DEUTZ D2011 ENGINES MACHINES WITHOUT GENERATORS)

ITEM	PART NUMBER	QTY	DESCRIPTION	REV
	1001151253	Ref	RIGHT ENGINE SUPPORT INSTALLATION	A
1	0100011	AR	Compound, Locking	
2	0641609	2	Bolt 3/8 x 1-1/8	
3	0641820	1	Bolt 1/2 x 2-1/2	
4	0711414	2	Bolt M14 x 30 Grade 10.9	
5	3200401	1	Mount, Motor	
6	3311605	2	Nut 3/8	
7	3311805	1	Nut 1/2	
8	4740274	1	Washer	
9	4751600	4	Washer 3/8	
10	4812200	2	Washer M14	
11	1001149703	1	Support, Engine (Right Front)	

SECTION 3 - ENGINE

FIGURE 3-50. RIGHT ENGINE SUPPORT INSTALLATION (DEUTZ D2011 ENGINES MACHINES WITH GENERATORS)



ART_1001151252

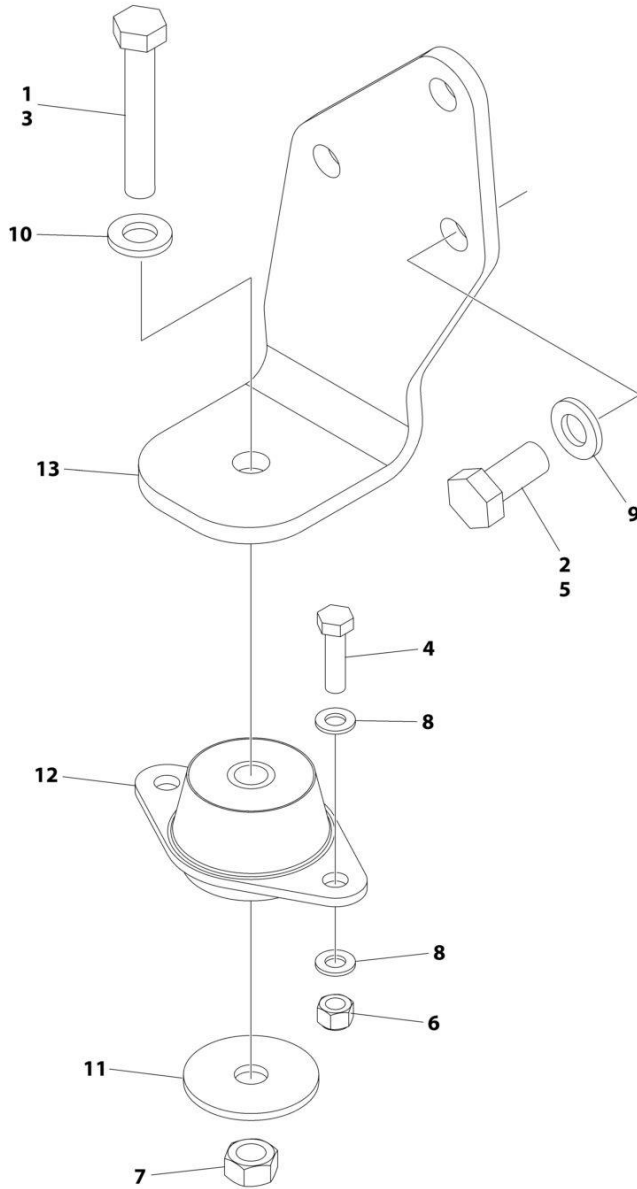
SECTION 3 - ENGINE

FIGURE 3-50. RIGHT ENGINE SUPPORT INSTALLATION (DEUTZ D2011 ENGINES MACHINES WITH GENERATORS)

ITEM	PART NUMBER	QTY	DESCRIPTION	REV
	1001151252	Ref	RIGHT ENGINE SUPPORT INSTALLATION	B
1	0100011	AR	Compound, Locking	
2	0641609	2	Bolt 3/8 x 1-1/8	
3	0641818	1	Bolt 1/2 x 2-1/2	
4	0711414	3	Bolt M14 x 30 Grade 10.9	
5	3200401	1	Mount, Motor	
6	3311605	2	Nut 3/8	
7	3311805	1	Nut 1/2	
8	4740274	1	Washer	
9	4751600	4	Washer 3/8	
10	4812200	3	Washer M14	
11	1001150890	1	Support, Engine (Right Front)	

SECTION 3 - ENGINE

FIGURE 3-51. RIGHT ENGINE SUPPORT INSTALLATION (DEUTZ TD2.2L3 ENGINES MACHINES WITHOUT GENERATORS)



ART_1001255419

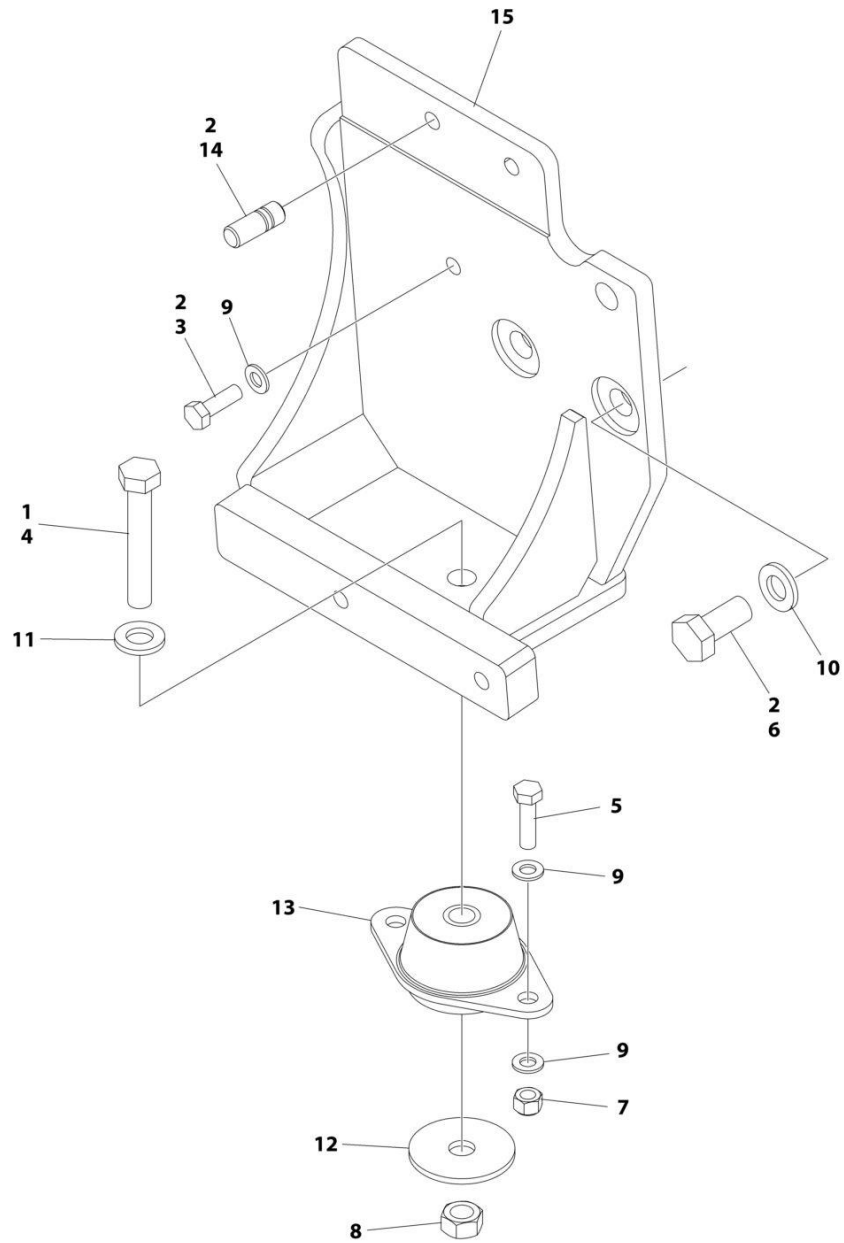
SECTION 3 - ENGINE

FIGURE 3-51. RIGHT ENGINE SUPPORT INSTALLATION (DEUTZ TD2.2L3 ENGINES MACHINES WITHOUT GENERATORS)

ITEM	PART NUMBER	QTY	DESCRIPTION	REV
	1001255419	Ref	RIGHT ENGINE SUPPORT INSTALLATION	B
1	0100011	AR	Compound, Locking	
2	0100019	AR	Compound, Locking	
3	0711223	1	Bolt M12 x 75	
4	0700814	2	Bolt M8 x 30	
5	0771414	3	Bolt M14 x 30	
6	3290805	2	Nut M8	
7	3331211	1	Nut M12	
8	4811900	4	Washer M8	
9	4812200	3	Washer M14	
10	5241200	1	Washer M12 Hardened	
11	1001168018	1	Washer, Snubbing	
12	1001166718	1	Mount, Motor	
13	1001249986	1	Support, Engine (Right Front)	

SECTION 3 - ENGINE

FIGURE 3-52. RIGHT ENGINE SUPPORT INSTALLATION (DEUTZ TD2.2L3 ENGINES MACHINES WITH GENERATORS)



ART_1001255418

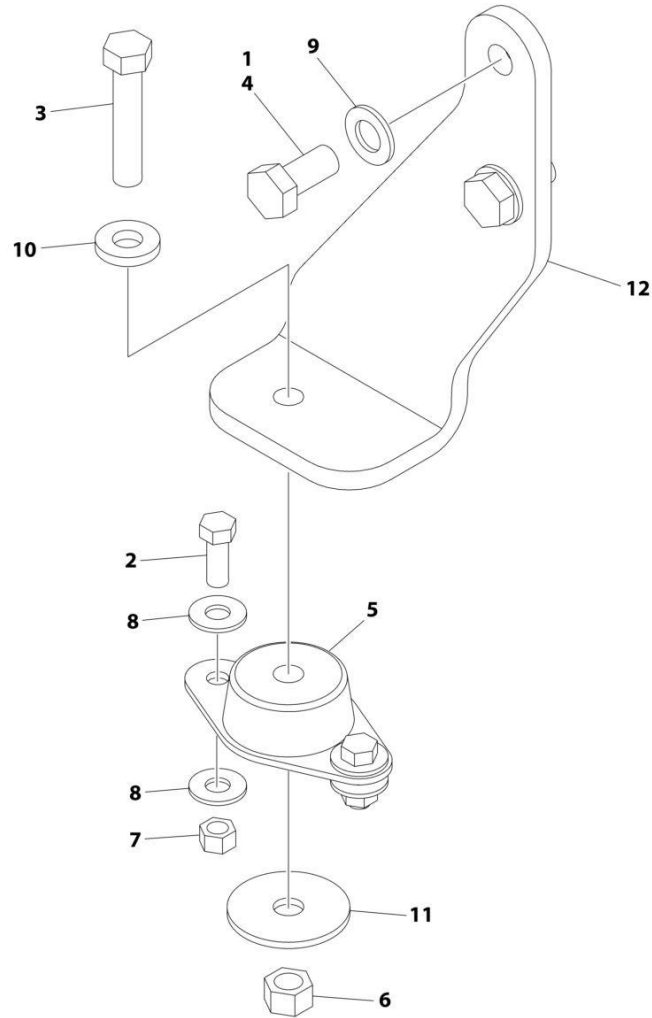
SECTION 3 - ENGINE

FIGURE 3-52. RIGHT ENGINE SUPPORT INSTALLATION (DEUTZ TD2.2L3 ENGINES MACHINES WITH GENERATORS)

ITEM	PART NUMBER	QTY	DESCRIPTION	REV
	1001255418	Ref	RIGHT ENGINE SUPPORT INSTALLATION	B
1	0100011	AR	Compound, Locking	
2	0100019	AR	Compound, Locking	
3	0700812	1	Bolt M8 x 25	
4	0711223	1	Bolt M12 x 75	
5	0700814	2	Bolt M8 x 30	
6	0771414	3	Bolt M14 x 30	
7	3290805	2	Nut M8	
8	3331211	1	Nut M12	
9	4811900	5	Washer M8	
10	4812200	3	Washer M14	
11	5241200	1	Washer M12 Hardened	
12	1001168018	1	Washer, Snubbing	
13	1001166718	1	Mount, Motor	
14	1001196382	1	Stud	
15	1001247178	1	Support, Engine (Right Front)	

SECTION 3 - ENGINE

FIGURE 3-53. RIGHT ENGINE SUPPORT INSTALLATION (DEUTZ TD2.9L4 ENGINES MACHINES WITHOUT GENERATORS)



ART_1001177043

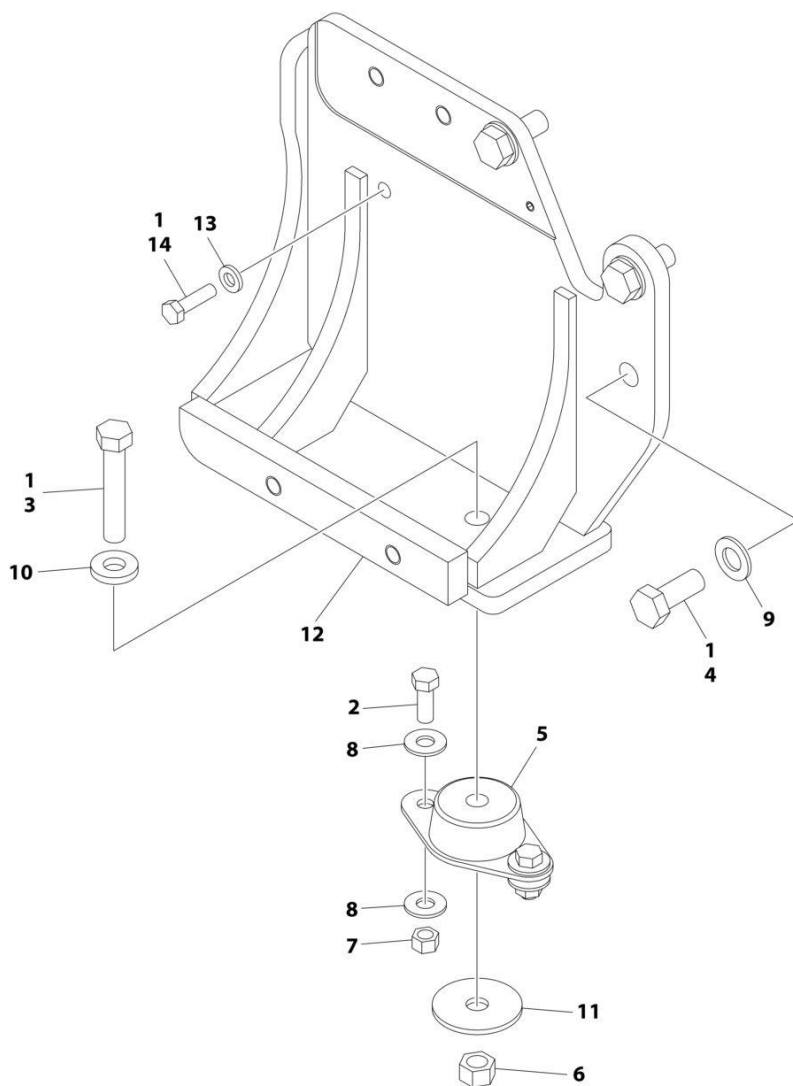
SECTION 3 - ENGINE

FIGURE 3-53. RIGHT ENGINE SUPPORT INSTALLATION (DEUTZ TD2.9L4 ENGINES MACHINES WITHOUT GENERATORS)

ITEM	PART NUMBER	QTY	DESCRIPTION	REV
	1001177043	Ref	RIGHT ENGINE SUPPORT INSTALLATION	A
1	0100011	AR	Compound, Locking	
2	0641608	2	Bolt 3/8 x 1	
3	0681820	1	Bolt 1/2 x 2-1/2	
4	0771414	2	Bolt M14 x 30 Grade 10.9	
5	3200401	1	Mount, Motor	
6	3271801	1	Nut 1/2	
7	3311605	2	Nut 3/8	
8	4751600	4	Washer 3/8	
9	4812200	2	Washer M14	
10	4891800	1	Washer 1/2 Hardened	
11	1001139409	1	Washer, Snubbing	
12	1001177038	1	Support, Engine (Right Front)	

SECTION 3 - ENGINE

FIGURE 3-54. RIGHT ENGINE SUPPORT INSTALLATION (DEUTZ TD2.9L4 ENGINES MACHINES WITH GENERATORS)



ART_1001177399

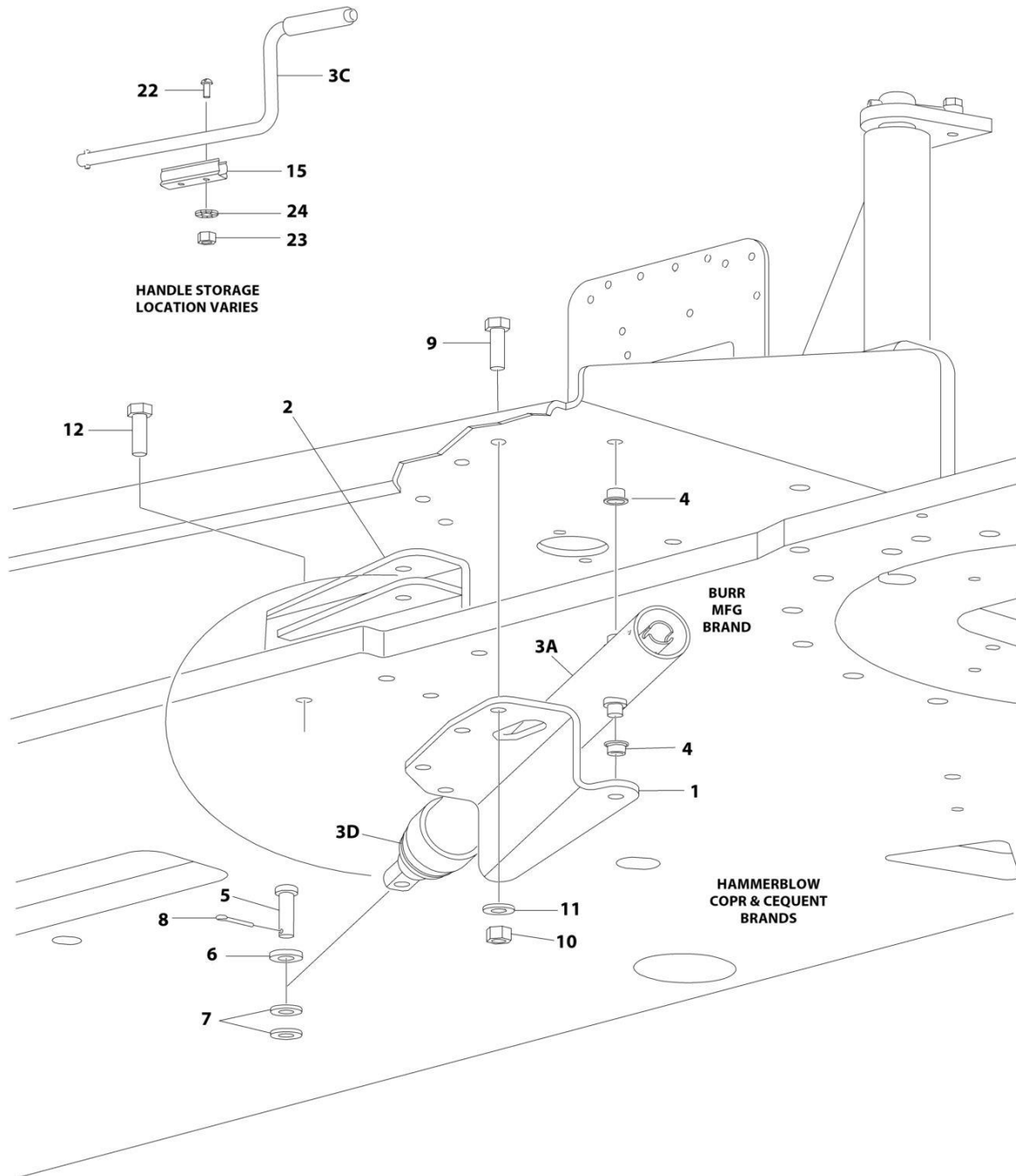
SECTION 3 - ENGINE

FIGURE 3-54. RIGHT ENGINE SUPPORT INSTALLATION (DEUTZ TD2.9L4 ENGINES MACHINES WITH GENERATORS)

ITEM	PART NUMBER	QTY	DESCRIPTION	REV
	1001177399	Ref	RIGHT ENGINE SUPPORT INSTALLATION	B
1	0100011	AR	Compound, Locking	
2	0641608	2	Bolt 3/8 x 1	
3	0681822	1	Bolt 1/2 x 2-3/4 Grade 8	
4	0771415	3	Bolt M14 x 35	
5	3200401	1	Mount, Motor	
6	3271801	1	Nut 1/2 Grade 8	
7	3311605	2	Nut 3/8	
8	4751600	4	Washer 3/8	
9	4812200	2	Washer M14	
10	4891800	1	Washer 1/2 Hardened	
11	1001139409	1	Washer, Snubbing	
12	1001202368	1	Support, Engine (Right Front)	
13	5240800	1	Washer M8 Hardened	
14	0700814	1	Bolt M8 x 30	

SECTION 3 - ENGINE

FIGURE 3-55. ENGINE TRAY JACK INSTALLATION - DEUTZ D2011 ENIGNES



ART_0255880

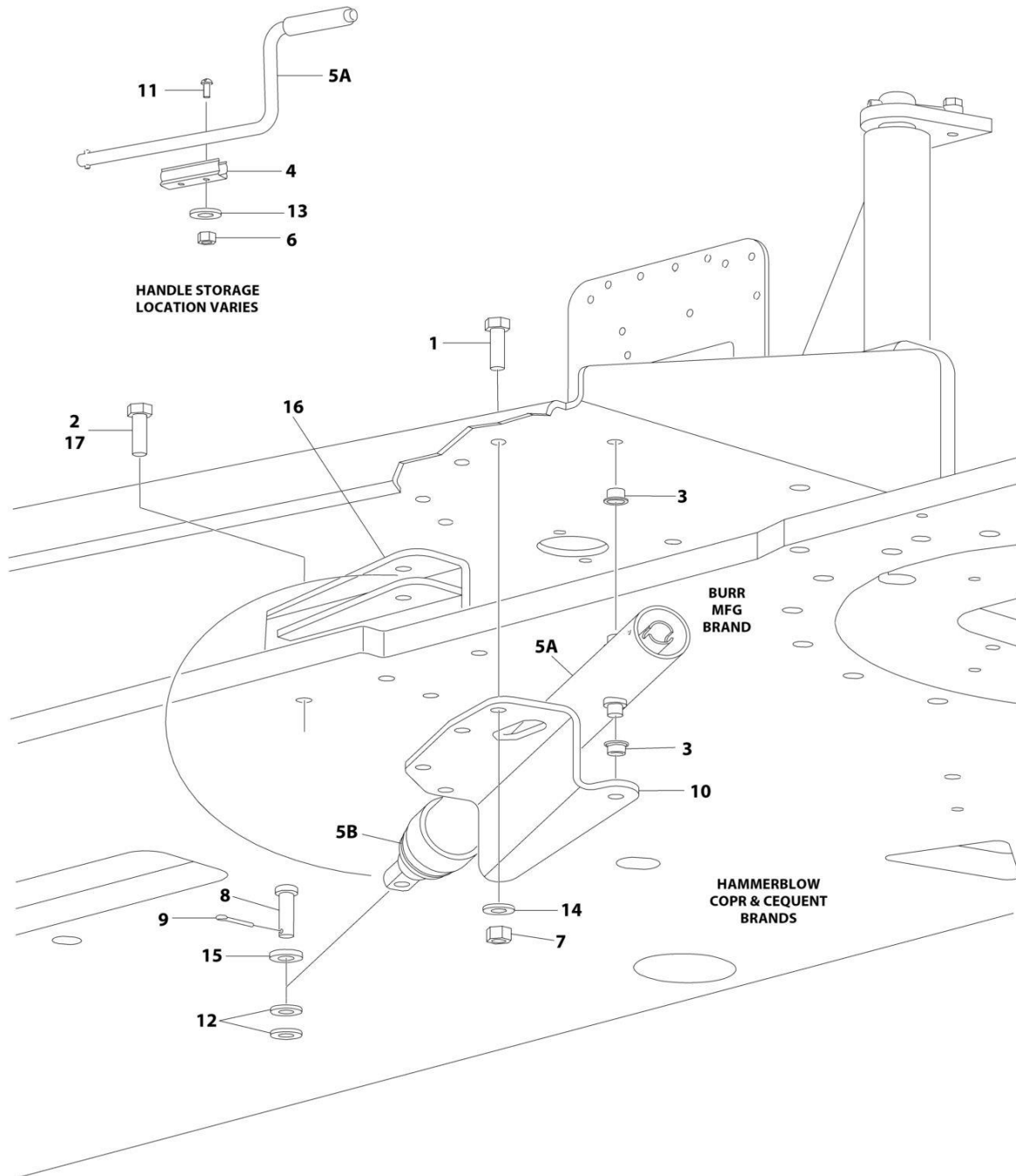
SECTION 3 - ENGINE

FIGURE 3-55. ENGINE TRAY JACK INSTALLATION - DEUTZ D2011 ENIGNES

ITEM	PART NUMBER	QTY	DESCRIPTION	REV
	0255880	Ref	ENGINE TRAY JACK INSTALLATION	6-H
1	3537445	1	Bracket	
2	4845163	1	Bracket	
3	2840018	1	Hydraulic Jack Assembly (Not Shown)	
3A		Ref	Burr Manufacturing Brand	
3B		Ref	Hammer blow Corp and Cequent Brands	
3C		Ref	Handle Options:	
3C	7016374	1	Burr Manufacturing Brand	
3C	7024598	1	Hammer blow Corp and Cequent Brands	
3D	7016322	1	Wiper (Burr Manufacturing Brand Only)	
4	0962051	2	Bushing, Flanged	
5	3430816	1	Pin, Clevis	
6	4891800	1	Washer 1/2 Hardened	
7	4711800	2	Washer 1/2	
8	3450404	1	Pin, Cotter 1/8 x 1	
9	0641609	4	Bolt 3/8 x 1-1/8	
10	3311605	4	Nut 3/8	
11	4891600	4	Washer 3/8	
12	0641810	4	Bolt 1/2 x 1-1/4	
15	1380147	1	Clip, Spring	
22	3910608	2	Screw #6 x 1	
23	3310601	2	Nut #6	
24	4770600	2	Washer #6	

SECTION 3 - ENGINE

FIGURE 3-56. ENGINE TRAY JACK INSTALLATION - DEUTZ TD2.9L4 & TD2.2L3 STAGE V ENGINES



ART_1001137891

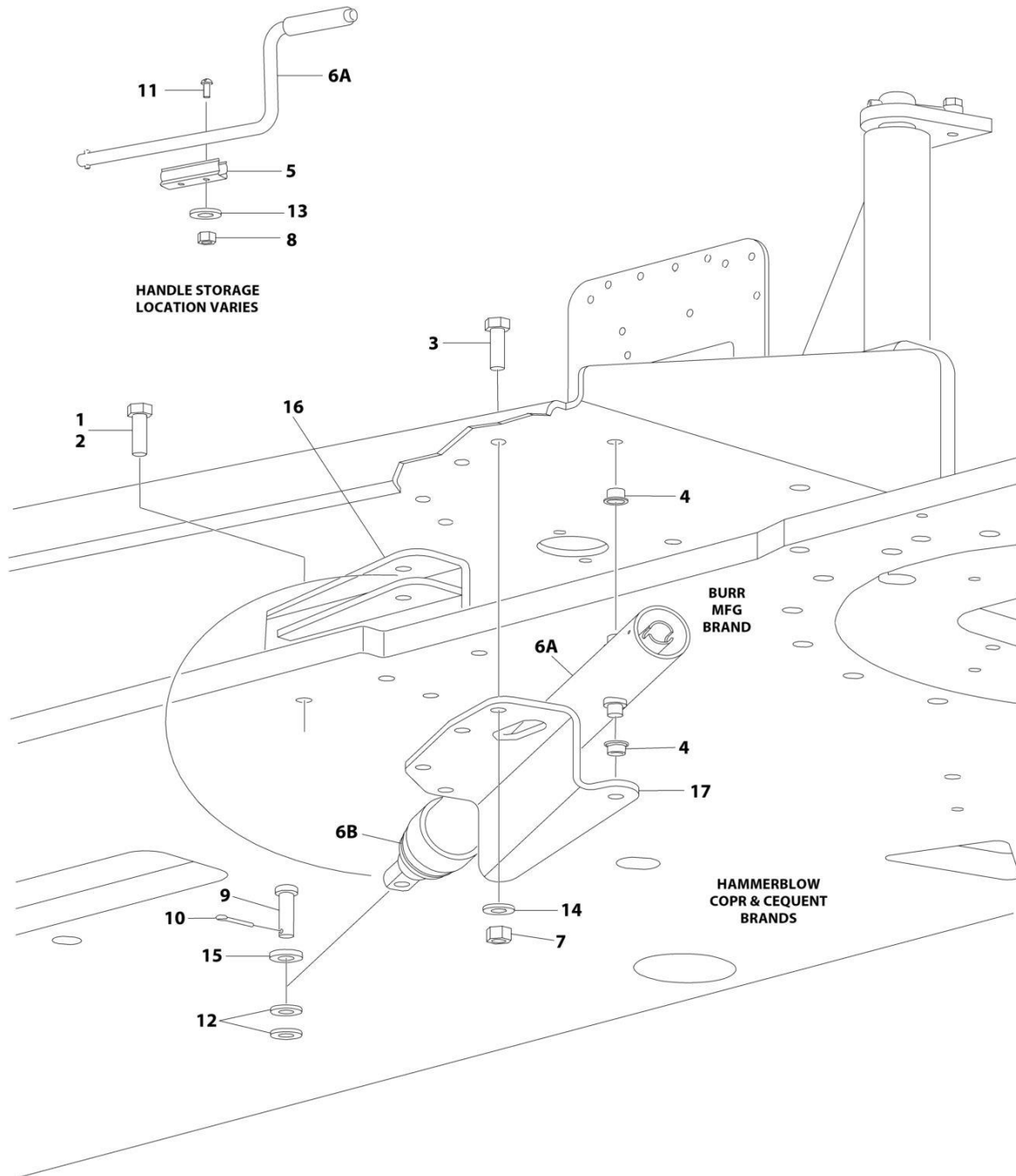
SECTION 3 - ENGINE

FIGURE 3-56. ENGINE TRAY JACK INSTALLATION - DEUTZ TD2.9L4 & TD2.2L3 STAGE V ENGINES

ITEM	PART NUMBER	QTY	DESCRIPTION	REV
	1001137891	Ref	ENGINE TRAY JACK INSTALLATION	B
1	0641609	4	Bolt 3/8 x 1-1/8	
2	0641810	4	Bolt 1/2 x 1-1/4	
3	0962051	2	Bushing, Flanged	
4	1380147	1	Clip, Spring	
5	2840016	1	Jack and Handle Assembly (Not Shown)	
5A		Ref	Handle Options:	
5A	7016374	1	Burr Manufacturing Brand	
5A	7024598	1	Hammer blow Corp Brand	
5B	7016322	1	Wiper (Burr Manufacturing Brand Only)	
6	3310601	2	Nut #6	
7	3311605	4	Nut 3/8	
8	3430816	1	Pin, Clevis	
9	3450404	1	Pin, Cotter 1/8 x 1	
10	3537445	1	Bracket	
11	3910608	2	Screw #6 x 1	
12	4711800	6	Washer 1/2	
13	4770600	2	Washer #6	
14	4891600	4	Washer 3/8	
15	4891800	1	Washer 1/2 Hardened	
16	1001137892	1	Bracket	
17	0100011	AR	Compound, Locking	

SECTION 3 - ENGINE

FIGURE 3-57. ENGINE TRAY JACK INSTALLATION - FORD ENIGNES



ART_1001218548

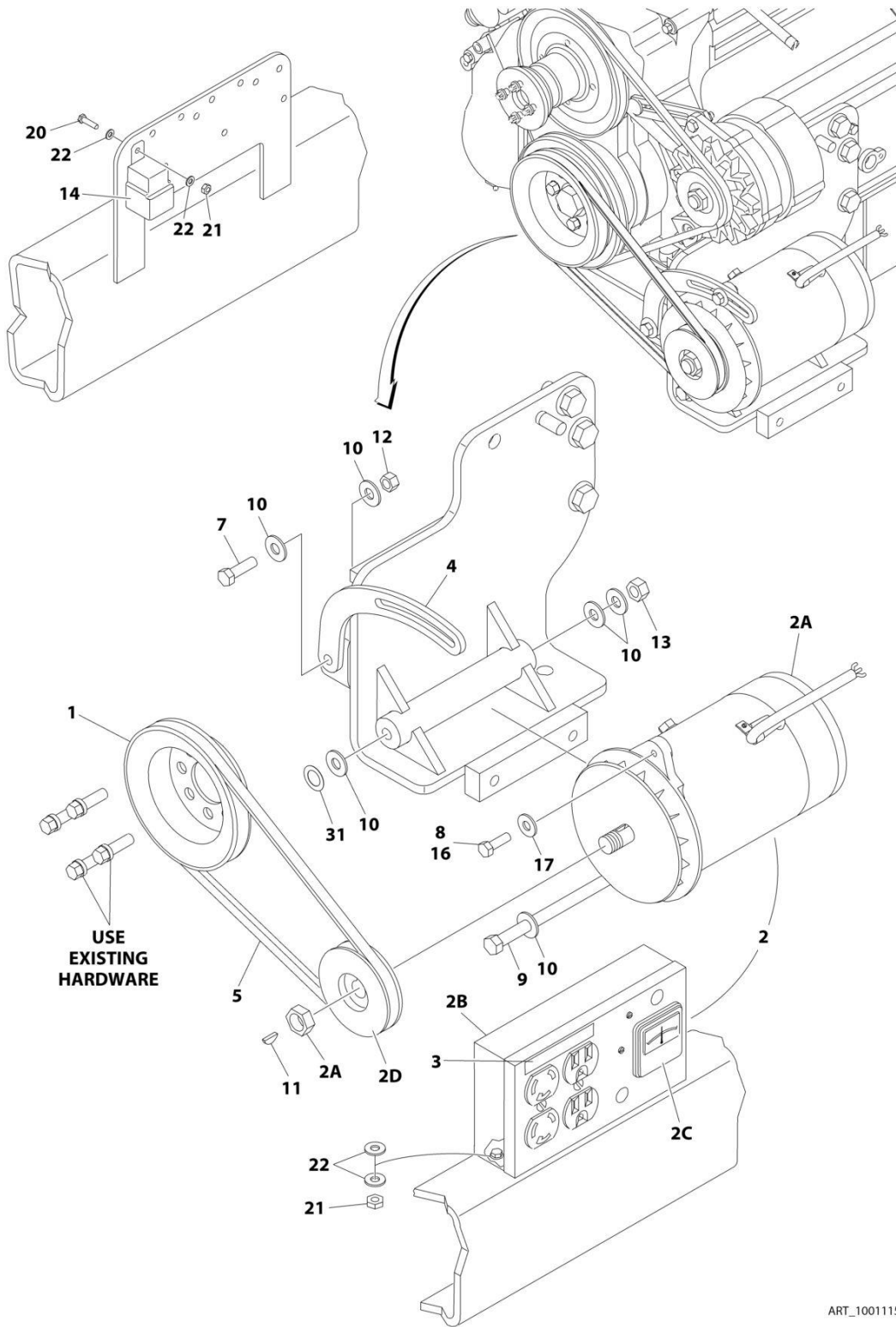
SECTION 3 - ENGINE

FIGURE 3-57. ENGINE TRAY JACK INSTALLATION - FORD ENIGNES

ITEM	PART NUMBER	QTY	DESCRIPTION	REV
	1001218548	Ref	ENGINE TRAY JACK INSTALLATION	A
1	0100011	AR	Compound, Locking	
2	0641810	4	Bolt 1/2 x 1-1/4	
3	0761014	3	Bolt M10 x 30	
4	0962051	2	Bushing, Flanged	
5	1380147	1	Clip, Spring	
6	2840016	1	Jack and Handle Assembly (Not Shown)	
6A		Ref	Handle Options:	
6A	7016374	1	Burr Manufacturing Brand	
6A	7024598	1	Hammer blow Corp Brand	
6B	7016322	1	Wiper (Burr Manufacturing Brand Only)	
7	3291007	3	Nut M10	
8	3310601	2	Nut #6	
9	3430816	1	Pin, Clevis	
10	3450404	1	Pin, Cotter 1/8 x 1	
11	3910608	2	Screw #6 x 1	
12	4711800	6	Washer 1/2	
13	4770600	2	Washer #6	
14	4812000	6	Washer M10	
15	4891800	1	Washer 1/2 Hardened	
16	1001137892	1	Bracket	
17	1001218547	1	Bracket	

SECTION 3 - ENGINE

FIGURE 3-58. 2500W/110V/60HZ GENERATOR INSTALLATION - DEUTZ D2011 ENGINES



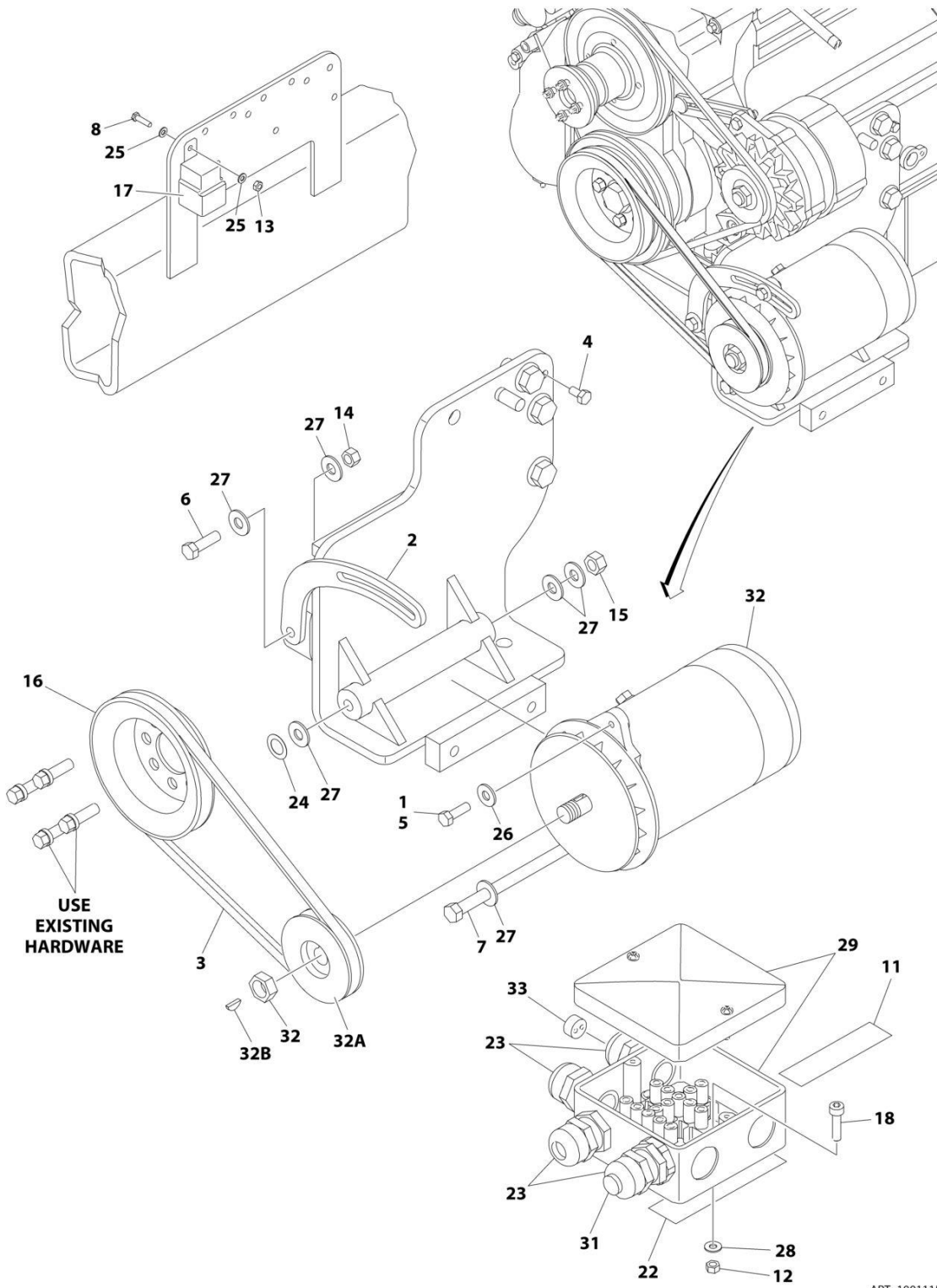
SECTION 3 - ENGINE

FIGURE 3-58. 2500W/110V/60HZ GENERATOR INSTALLATION - DEUTZ D2011 ENGINES

ITEM	PART NUMBER	QTY	DESCRIPTION	REV
	1001115405	Ref	2500W GENERATOR INSTALLATION - 110V/60Hz	B
1	3580158	1	Pulley	
2	2460055	1	Generator and Control Box Assembly:	
2A	7012558	1	Generator Only - 110V/60Hz	
2A		Ref	Note: Replacement Generators come standard with p/n 3580134 pulley. This pulley may not be correct for all applications. Refer to pulley options below.	
2A	7026199	1	Armature with Slip Rings	
2A	7012513	4	Cap, Brush Holder	
2A	7020108	4	Brush	
2A	7020109	4	Holder, Brush	
2A	7012514	1	Fan	
2A	7020110	1	Bell, Front	
2A	7020111	1	Bell, Rear	
2A	7020190	1	Bearing	
2B	7019680	1	Box, Control	
2B		Ref	Receptacle Options:	
2B	4460190	1	Receptacle, Standard	
2B	4460027	1	Receptacle, Twistlock	
2B	4360542	1	Breaker, Circuit	
2B	3520028	1	Plug, Hole	
2C	2420203	1	Voltmeter	
2D	3580276	1	Pulley	
2D	7027887	1	Key, Woodruff	
3	3251243	1	Decal - 110V/60Hz	
4	0200742	1	Arm, Adjusting	
5	0480121	1	V-Belt	
7	0641610	1	Bolt 3/8 x 1-1/4	
8	0100011	AR	Compound, Locking	
9	0641772	1	Bolt 7/16 x 9	
10	4751600	6	Washer 3/8	
11	2860012	1	Key, Woodruff	
12	3311605	1	Nut 3/8	
13	3311705	1	Nut 7/16	
14	3740080	1	Relay	
16	0641508	1	Bolt 5/16 x 1	
17	4751500	AR	Washer 5/16	
18	1001112588	1	Wiring Diagram Components (Not Shown)	
18	1001112589	1	Generator Harness (Not Shown)	
18	4922641	1	Generator ON/OFF Switch Harness (Not Shown - Located at Platform)	
20	0721006	AR	Bolt #10 x 3/4	
21	3311005	3	Nut #10	
22	4751000	AR	Washer #10	
25	4360336	1	Switch, Toggle (Not Shown - Located at Platform)	
26	4740397	1	Bushing (Not Shown - Located at Platform)	
27	4060802	1	Guard, Switch (Not Shown - Located at Platform)	
29	2820031	4 in/ 10cm	Heat Shrink (Not Shown - Located at Platform)	
30	3251102	1	Decal (Not Shown - Located at Platform)	
31	4070585	AR	Shim	

SECTION 3 - ENGINE

FIGURE 3-59. 2500W/220V/50HZ GENERATOR INSTALLATION - DEUTZ D2011 ENGINES



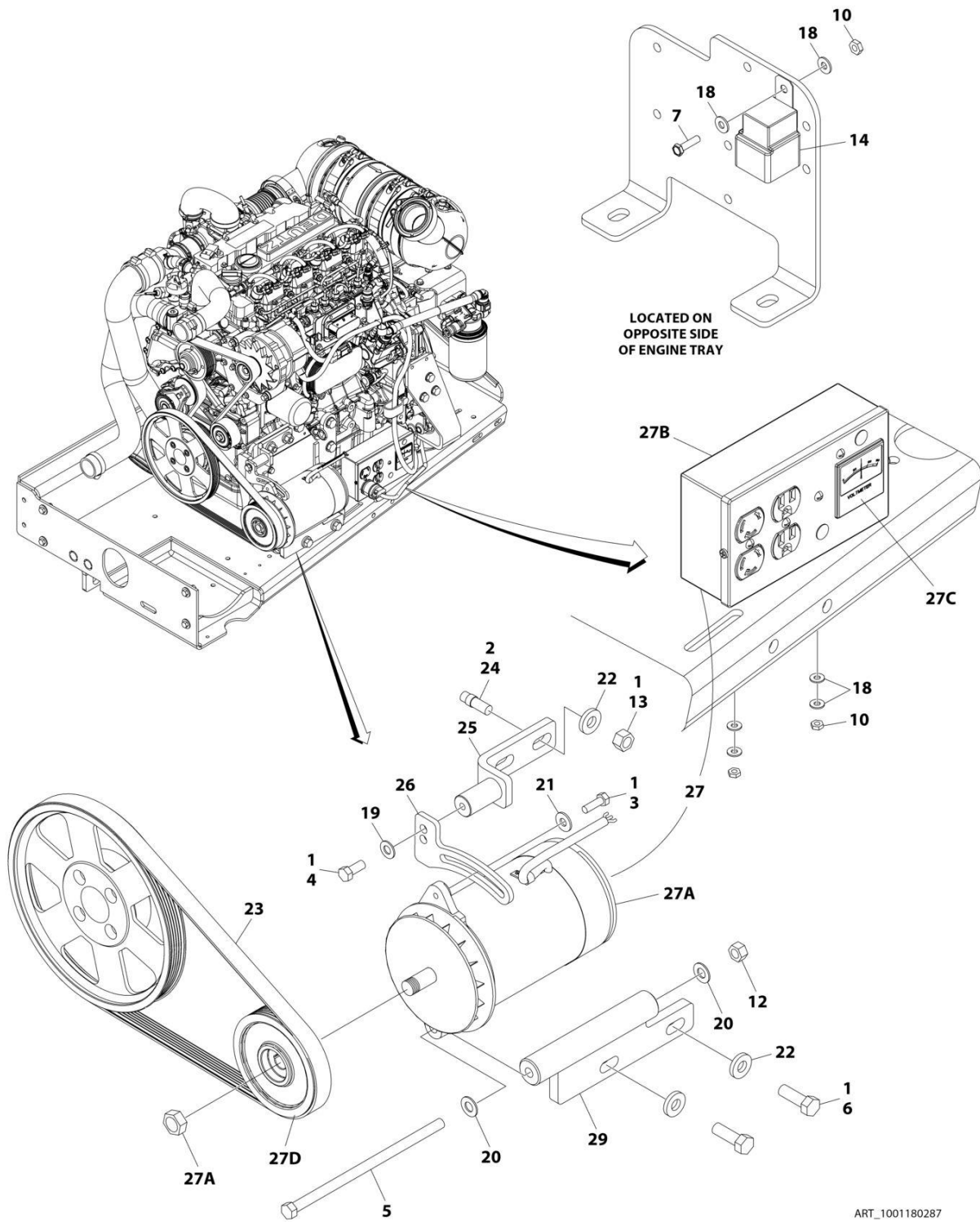
SECTION 3 - ENGINE

FIGURE 3-59. 2500W/220V/50HZ GENERATOR INSTALLATION - DEUTZ D2011 ENGINES

ITEM	PART NUMBER	QTY	DESCRIPTION	REV
	1001115409	Ref	2500W GENERATOR INSTALLATION - 220V/50Hz	B
1	0100011	AR	Compound, Locking	
2	0200742	1	Arm, Adjusting	
3	0480121	1	V-Belt	
4	0641404	1	Bolt 1/4 x 1/2	
5	0641508	1	Bolt 5/16 x 1	
6	0641610	1	Bolt 3/8 x 1-1/4	
7	0641772	1	Bolt 7/16 x 9	
8	0721006	AR	Bolt #10 x 3/4	
9	2820031	4 in/10cm	Heat Shrink (Not Shown - Located at Platform)	
10	3251102	1	Decal (Not Shown - Located at Platform)	
11	3252507	2	Decal - 220V - 50Hz	
		Ref	Note: One Decal Not Shown - Located on the Inside of Platform Rail.	
12	3290505	1	Nut M5	
13	3311005	1	Nut #10	
14	3311605	1	Nut 3/8	
15	3311705	1	Nut 7/16	
16	3580158	1	Pulley	
17	3740080	1	Relay	
18	4031608	1	Bolt M5 x 20	
19	4060802	1	Guard, Switch (Not Shown - Located at Platform)	
20	4240018	1	Tie Strap (Not Shown)	
21	4360336	1	Switch, Toggle (Not Shown - Located at Platform)	
22	4420060	AR	Tape, Double Coated Acrylic Foam	
23	4460968	3	Connector, Strain Relief	
24	4740397	1	Shim	
25	4751000	2	Washer #10	
26	4751500	1	Washer 5/16	
27	4751600	6	Washer 3/8	
28	4811600	1	Washer M5	
29	1001099869	1	Box, Junction	
30		Ref	Wiring Diagram Components (Not Shown)	
30	4922641	1	Generator On/Off Switch Harness (Not Shown - Located at Platform)	
30	1001112589	1	Generator Harness (Not Shown)	
31	1001100234	1	Light, Red	
32	1001100321	1	Generator	
32	70000123	1	Armature with Slip Rings	
32	7012513	4	Cap, Brush Holder	
32	7020108	4	Brush	
32	7020109	4	Holder, Brush	
32	7012514	1	Fan	
32	7020110	1	Bell, Front	
32	7020111	1	Bell, Rear	
32	7020190	1	Bearing	
32A	3580134	1	Pulley - 50Hz	
32B	7027887	1	Key, Woodruff	
33	0962449	1	Bushing	

SECTION 3 - ENGINE

FIGURE 3-60. 2500W/110V/60HZ GENERATOR INSTALLATION - DEUTZ TD2.9L4 ENGINES



ART_1001180287

SECTION 3 - ENGINE

FIGURE 3-60. 2500W/110V/60HZ GENERATOR INSTALLATION - DEUTZ TD2.9L4 ENGINES

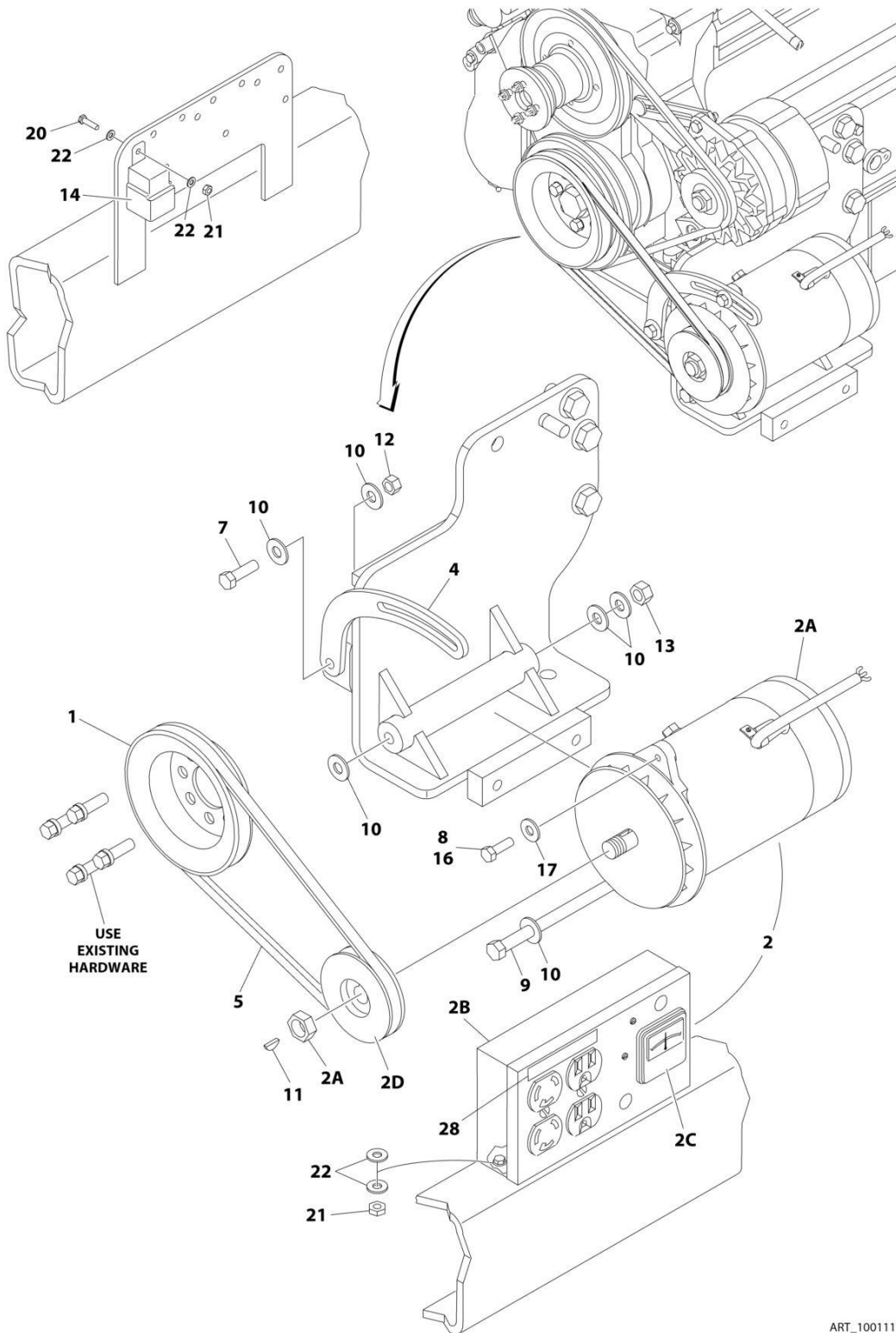
ITEM	PART NUMBER	QTY	DESCRIPTION	REV
	1001180287	Ref	2500W GENERATOR INSTALLATION - DEUTZ TD2.9L4 (OPTIONAL)	C
1	0100011	AR	Compound, Locking	
2	0100019	AR	Compound, Locking	
3	0641508	1	Bolt 5/16 x 1	
4	0641607	1	Bolt 3/8 x 7/8	
5	0641772	1	Bolt 7/16 x 9	
6	0641812	2	Bolt 1/2 x 1-1/2	
7	0721006	1	Screw #10 x 3/4	
8	2820031	AR	Heat Shrink (Not Shown - Located at Platform)	
9	3251102	1	Name Plate - Generator On (Not Shown - Located at Platform)	
10	3311005	3	Nut #10	
12	3311705	1	Nut 7/16	
13	3311801	2	Nut 1/2	
14	3740080	1	Relay	
15	4060802	1	Guard, Switch (Not Shown - Located at Platform)	
16	4240018	AR	Strap, Cable Tie (Not Shown)	
17	4360336	1	Switch, Toggle (Not Shown - Located at Platform)	
18	4711000	6	Washer #10	
19	4711600	1	Washer 3/8	
20	4711700	2	Washer 7/16	
21	4751500	1	Washer 5/16	
22	4891800	4	Washer 1/2	
23	1001148138	1	V-Belt	
24	1001163599	2	Stud	
25	1001216015	1	Bracket	
26	1001179837	1	Arm, Adjustment	
27	1001180001	1	Generator and Control Box Assembly	
27A	7012558	1	Generator Only - 110V/60Hz	
27A		Ref	Note: Replacement Generators come standard with p/n 3580134 pulley. This pulley may not be correct for all applications. Refer to pulley options below.	
27A	7026199	1	Armature with Slip Rings	
27A	7012513	4	Cap, Brush Holder	
27A	7020108	4	Brush	
27A	7020109	4	Holder, Brush	
27A	7012514	1	Fan	
27A	7020110	1	Bell, Front	
27A	7020111	1	Bell, Rear	
27A	7020190	2	Bearing	
27B	7019680	1	Box, Control - 110V/60Hz	
27B		Ref	Receptacle Options:	
27B	4460190	1	Receptacle, Standard (110V Only)	
27B	4460027	1	Receptacle, Twistlock (110V Only)	
27B	4360542	1	Breaker, Circuit	
27B	3520028	1	Plug, Hole	
27C	2420203	1	Voltmeter	
27D	3580276	1	Pulley	
27D	7027887	1	Key, Woodruff	
28		Ref	Wiring Diagram Components (Not Shown)	

SECTION 3 - ENGINE

ITEM	PART NUMBER	QTY	DESCRIPTION	REV
28	4922641	1	Generator On/Off Switch Harness (Not Shown - Located at Platform)	
28	1001180052	1	Generator Harness (Not Shown)	
29	1001181243	1	Mount, Generator	

SECTION 3 - ENGINE

FIGURE 3-61. 2500W/220V/50HZ GENERATOR INSTALLATION - DEUTZ D2011 ENGINES (ANSI EXPORT AND CHINA SPECS)



ART_100115406

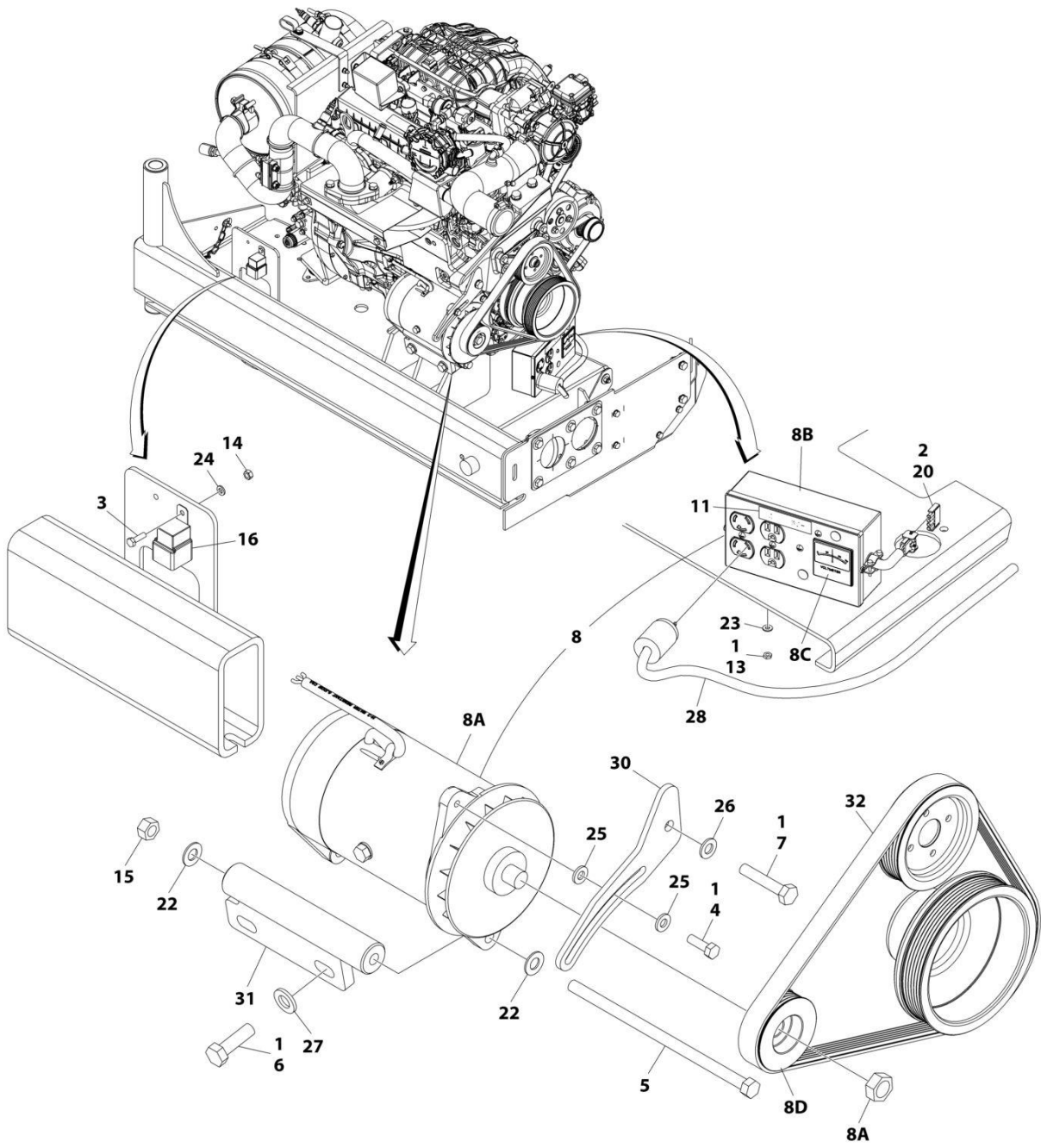
SECTION 3 - ENGINE

FIGURE 3-61. 2500W/220V/50HZ GENERATOR INSTALLATION - DEUTZ D2011 ENGINES (ANSI EXPORT AND CHINA SPECS)

ITEM	PART NUMBER	QTY	DESCRIPTION	REV
	1001115406	Ref	2500W GENERATOR INSTALLATION - 220V/50Hz	B
1	3580158	1	Pulley	
2	2460056	1	Generator and Control Box Assembly:	
2A	1001100321	1	Generator Only	
2A		Ref	Note: Replacement Generators come standard with p/n 3580134 pulley. This pulley may not be correct for all applications. Refer to pulley options below.	
2A	70000123	1	Armature with Slip Rings	
2A	7012513	4	Cap, Brush Holder	
2A	7020108	4	Brush	
2A	7020109	4	Holder, Brush	
2A	7012514	1	Fan	
2A	7020110	1	Bell, Front	
2A	7020111	1	Bell, Rear	
2A	7020190	1	Bearing	
2B	70000127	1	Box, Control	
2B		Ref	Receptacle Options:	
2B	70000124	1	Receptacle, Double	
2B	70000125	1	Receptacle, Single	
2B	70000126	1	Breaker, Circuit:	
2B	3520028	1	Plug, Hole	
2C	7020192	1	Voltmeter	
2D	3580134	1	Pulley	
2D	7027887	1	Key, Woodruff	
4	0200742	1	Arm, Adjusting	
5	0480121	1	V-Belt	
7	0641610	1	Bolt 3/8 x 1-1/4	
8	0100011	AR	Compound, Locking	
9	0641772	1	Bolt 7/16 x 9	
10	4751600	6	Washer 3/8	
11	2860012	1	Key, Woodruff	
12	3311605	1	Nut 3/8	
13	3311705	1	Nut 7/16	
14	3740080	1	Relay	
16	0641508	1	Bolt 5/16 x 1	
17	4751500	AR	Washer 5/16	
18	1001112588	1	Wiring Diagram Components (Not Shown)	
18	4922641	1	Generator ON/OFF Switch Harness (Not Shown - Located at Platform)	
18	1001112589	1	Generator Harness (Not Shown)	
20	0721006	1	Bolt #10 x 3/4	
21	3311005	1	Nut #10	
22	4751000	1	Washer #10	
25	4360336	1	Switch, Toggle (Not Shown - Located at Platform)	
26	4740397	1	Bushing (Not Shown - Located at Platform)	
27	4060802	1	Guard, Switch (Not Shown - Located at Platform)	
28	3252507	2	Decal - 220V - 50Hz	
29	2820031	4 in/10cm	Heat Shrink (Not Shown - Located at Platform)	
30	3251102	1	Decal (Not Shown - Located at Platform)	

SECTION 3 - ENGINE

FIGURE 3-62. 2500W GENERATOR INSTALLATION - FORD ENGINES



ART_1001217188

SECTION 3 - ENGINE

FIGURE 3-62. 2500W GENERATOR INSTALLATION - FORD ENGINES

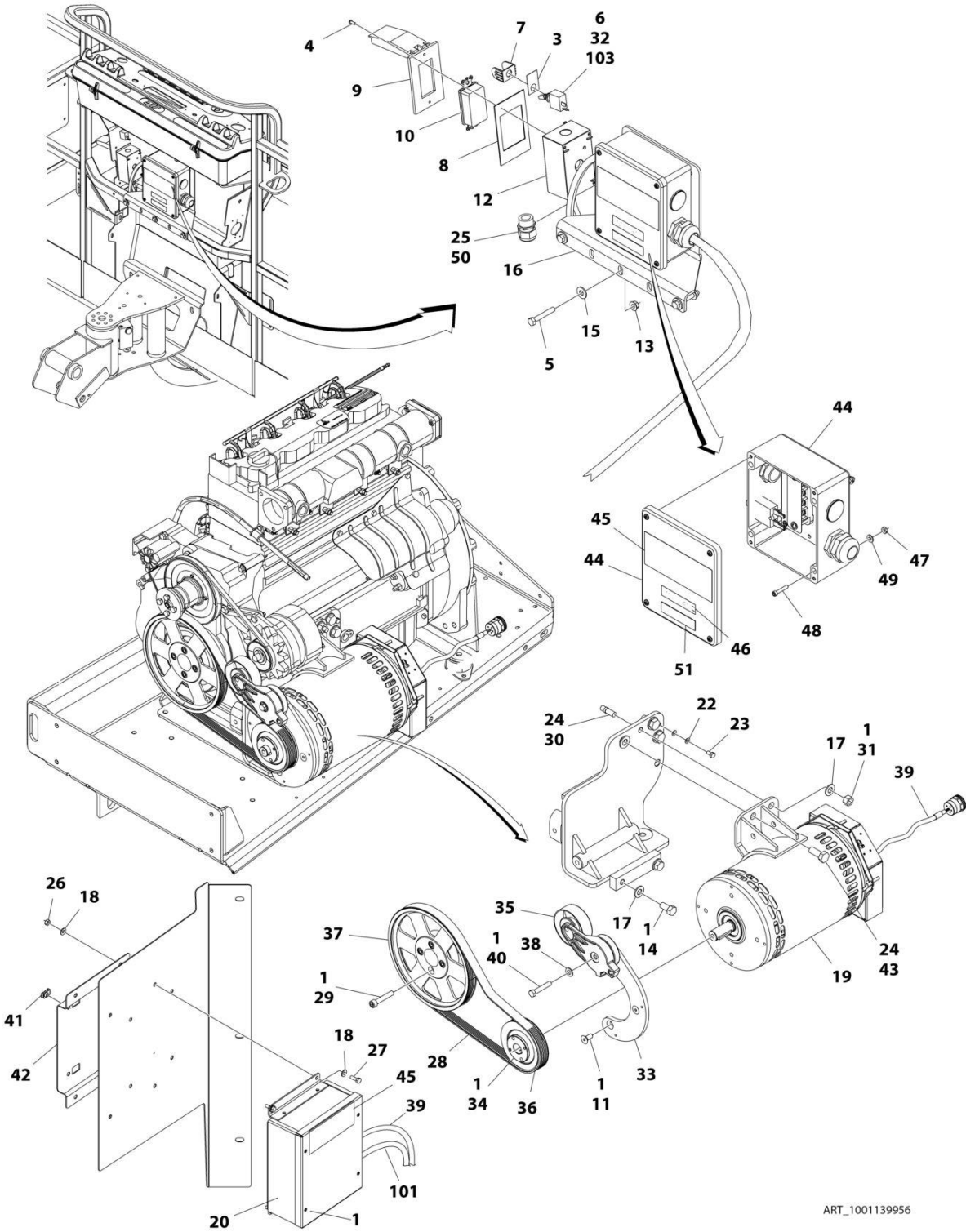
ITEM	PART NUMBER	QTY	DESCRIPTION	REV
	1001217188	Ref	2500W GENERATOR INSTALLATION	G
1	0100011	AR	Compound, Locking	
2	0100048	AR	Grease, Dielectric	
3	0760610	1	Bolt M6 x 20	
4	0641508	1	Bolt 5/16 x 1	
5	0641772	1	Bolt 7/16 x 9	
6	0761216	2	Bolt M12 x 40	
7	0761019	1	Bolt M10 x 55	
8	2460051	1	Generator and Control Box Assembly	
8A	7012558	1	Generator Only - 110V/60Hz	
		Ref	Note: Replacement Generators come standard with pin 3580134 pulley. This pulley may not be correct for all applications. Refer to pulley options below.	
8A	7026199	1	Armature with Slip Rings	
8A	7012513	4	Cap, Brush Holder	
8A	7020108	4	Brush	
8A	7020109	4	Holder, Brush	
8A	7012514	1	Fan	
8A	7020110	1	Bell, Front	
8A	7020111	1	Bell, Rear	
8A	7020190	2	Bearing	
8B	7019680	1	Box, Control - 110V/60Hz	
8B		Ref	Receptacle Options:	
8B	4460190	Ref	Receptacle, Standard (110V Only)	
8B	4460027	1	Receptacle, Twistlock (110V Only)	
8B	4360542	1	Breaker, Circuit	
8B	3520028	1	Plug, Hole	
8C	2420203	1	Voltmeter	
8D	3580324	1	Pulley	
8D	7027887	1	Key, Woodruff	
9	2820031	1	Heat Shrink (Not Shown - Located at Platform)	
10	3251102	1	Nameplate Generator (Not Shown - Located at Platform)	
11	3251243	1	Decal - 120V-60Hz	
13	3311005	2	Nut #10	
14	3290601	1	Nut M6	
15	3311705	1	Nut 7/16	
16	3740080	1	Relay	
17	4060802	1	Guard Switch (Not Shown - Located at Platform)	
18	4240099	AR	Tie-Strap (Not Shown)	
19	4360336	1	Switch, Toggle (Not Shown - Located at Platform)	
20	4460321	1	Plug, Male - 4 Position	
21	4460906	1	Socket, Female (Not Shown)	
22	4711700	2	Washer 7/16	
23	4751000	2	Washer #10	
24	4811700	1	Washer M6	
25	4891500	2	Washer 5/16	
26	4812000	1	Washer M10	
27	5241200	2	Washer M12	
28	4921829	1	Harness, Inverter	
30	1001219632	1	Arm, Adjustment	

SECTION 3 - ENGINE

ITEM	PART NUMBER	QTY	DESCRIPTION	REV
31	1001219630	1	Mount, Generator	
32	1001216391	1	V-Belt	

SECTION 3 - ENGINE

FIGURE 3-63. 4000W/60HZ GENERATOR INSTALLATION - DEUTZ D2011 ENGINES



ART_1001139956

SECTION 3 - ENGINE

FIGURE 3-63. 4000W/60HZ GENERATOR INSTALLATION - DEUTZ D2011 ENGINES

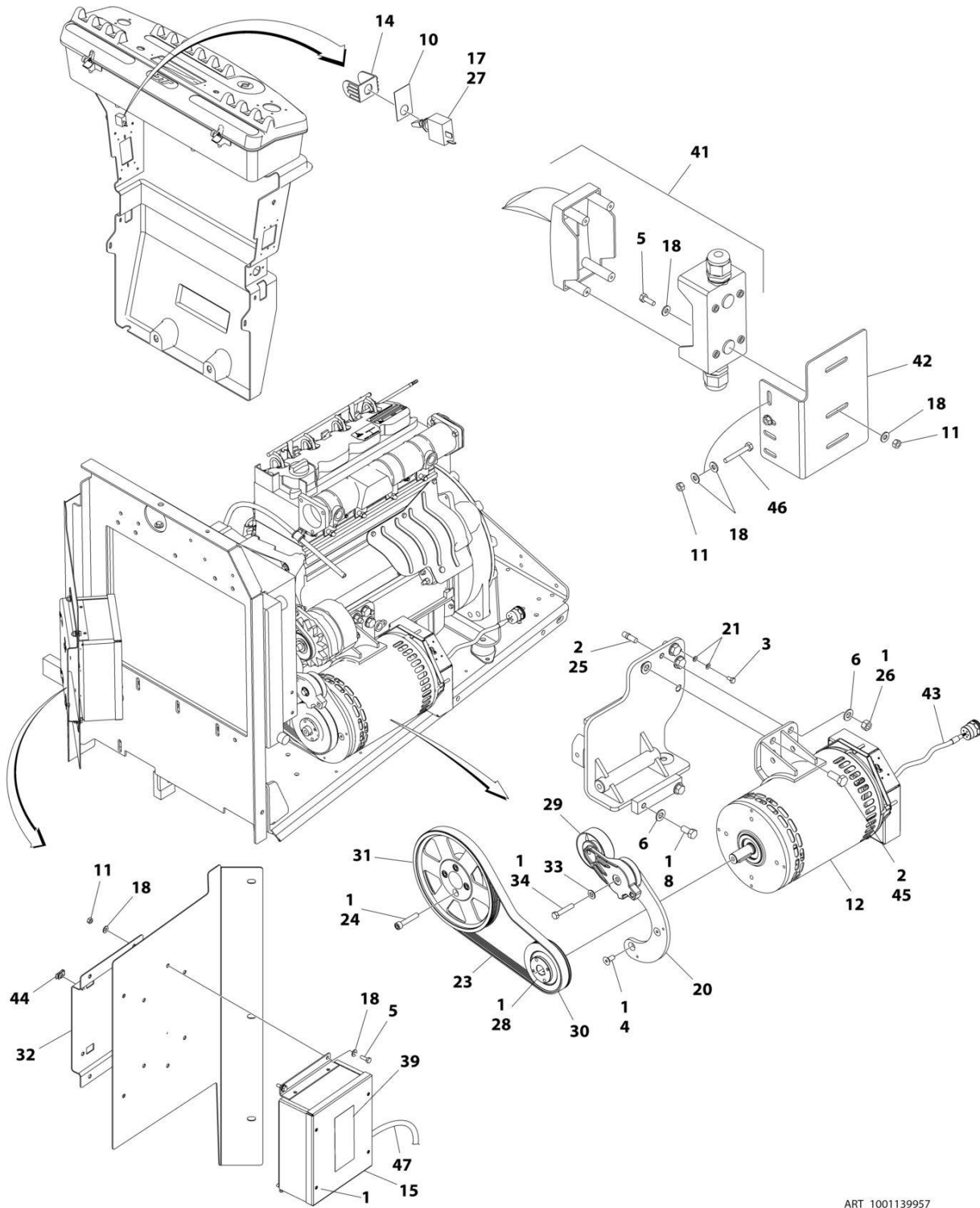
ITEM	PART NUMBER	QTY	DESCRIPTION	REV
	1001139956	Ref	4000W/60Hz Generator Installation - Deutz D2011 Engines	B
1	0100011	1	Compound, Locking	
3	3251102	1	Nameplate, Generator	
4	3910606	4	Screw #6 x 3/8	
5	0641516	3	Bolt 5/16 x 2	
6	4360336	1	Switch, Toggle	
7	4060802	1	Guard, Switch	
8	3960422	1	Gasket, AC Receptacle	
9	1001110873	1	Cover, Gang Vertical Receptacle GFCI	
10	4460346	1	Receptacle	
11	0741607	3	Screw 3/8 x 7/8	
12	0860038	1	Box, Switch-Weatherhead	
13	3311508	3	Nut 5/16	
14	0641808	2	Bolt 1/2 x 1	
15	4751500	3	Washer 5/16	
16	0902888	1	Bracket, Junction Box	
17	4711800	3	Washer 1/2	
18	4711400	8	Washer 1/4	
19	1001129858	1	Generator Assembly	
19	70003709	1	Ring, Retaining (External)	
19	70003708	1	Ring, Retaining (Internal)	
19	70001966	1	Bearing	
19	70004092	1	Endbell (Shaft End)	
19	70004171	1	Key	
19	70004676	1	Rotor	
19	70004684	1	Stator	
19	70004678	1	Endbell (Rear)	
19	70004679	1	Cover, Endbell (Rear)	
19	70004680	1	Enclosure, Wiring	
19	70004685	1	Cover, Enclosure	
19	70004682	1	Switch, Reset (Located on Enclosure Cover)	
19	70004098	1	Connector, Strain Relief (Located on Enclosure Cover)	
20	1001138566	1	Box, Control	
20	70006552	1	Capacitor	
20	70006553	1	Relay	
21	4240018	AR	Tie-Strap (Not Shown)	
22	4791400	2	Washer 1/4	
23	0641404	1	Bolt 1/4 x 1/2	
24	0100019	AR	Compound, Locking	
25	4460071	1	Connector, Strain Relief	
26	3311405	4	Nut 1/4	
27	0641406	4	Bolt 1/4 x 3/4	
28	0480129	1	Belt, Generator	
29	4032015	4	Capscrew M10 x 55	
30	4300157	1	Stud	
31	3311801	1	Nut 1/2	
32	2820031	AR	Heat Shrink	
33	1001139357	1	Mount, Tensioner	
34	0962520	1	Bushing, Split	
35	3580317	1	Tensioner, Belt with Pulley	

SECTION 3 - ENGINE

ITEM	PART NUMBER	QTY	DESCRIPTION	REV
36	3580318	1	Pulley, Generator	
37	3580320	1	Pulley, Engine Deutz	
38	4711600	1	Washer 3/8	
39	1001152532	1	Harness, Generator (See Separate Breakdown in ELECTRICAL Section)	
40	0641616	1	Bolt 3/8 x 2	
41	3300454	4	Nut, U-Style 1/4	
42	3575863	1	Plate	
43	0771415	1	Bolt M14 x 35 Grade 10.9	
44	1001152457	1	Junction Box Assembly	
44	3300396	1	Cover, Breaker	
44	4360070	1	Breaker, Circuit - 15Amp	
44	4460425	1	Connector, Strain Relief (LH Side)	
44	4460426	1	Connector, Strain Relief (RH Side)	
44	1001152530	1	Block, Terminal	
44	1001158363	1	Cover, Terminal Block	
44	1001153260	1	Decal - Wiring Diagram	
45	1705387	3	Decal - Hazardous Voltage	
46	3251243	1	Decal, 120V-60Hz	
47	3311005	4	Nut #10	
48	3931016	4	Capscrew #10 x 1	
49	4751000	4	Washer #10	
50	0100020	AR	Sealant	
51	1705374	1	Decal, 240V-60Hz	
		Ref	ELECTRICAL DIAGRAM COMPONENTS	
101	1001153197	1	Harness, Generator (See Separate Breakdown in ELECTRICAL Section)	
103	4922641	1	Harness, Switch	

SECTION 3 - ENGINE

FIGURE 3-64. 4000W/50HZ GENERATOR INSTALLATION - DEUTZ D2011 ENGINES



ART_1001139957

SECTION 3 - ENGINE

FIGURE 3-64. 4000W/50HZ GENERATOR INSTALLATION - DEUTZ D2011 ENGINES

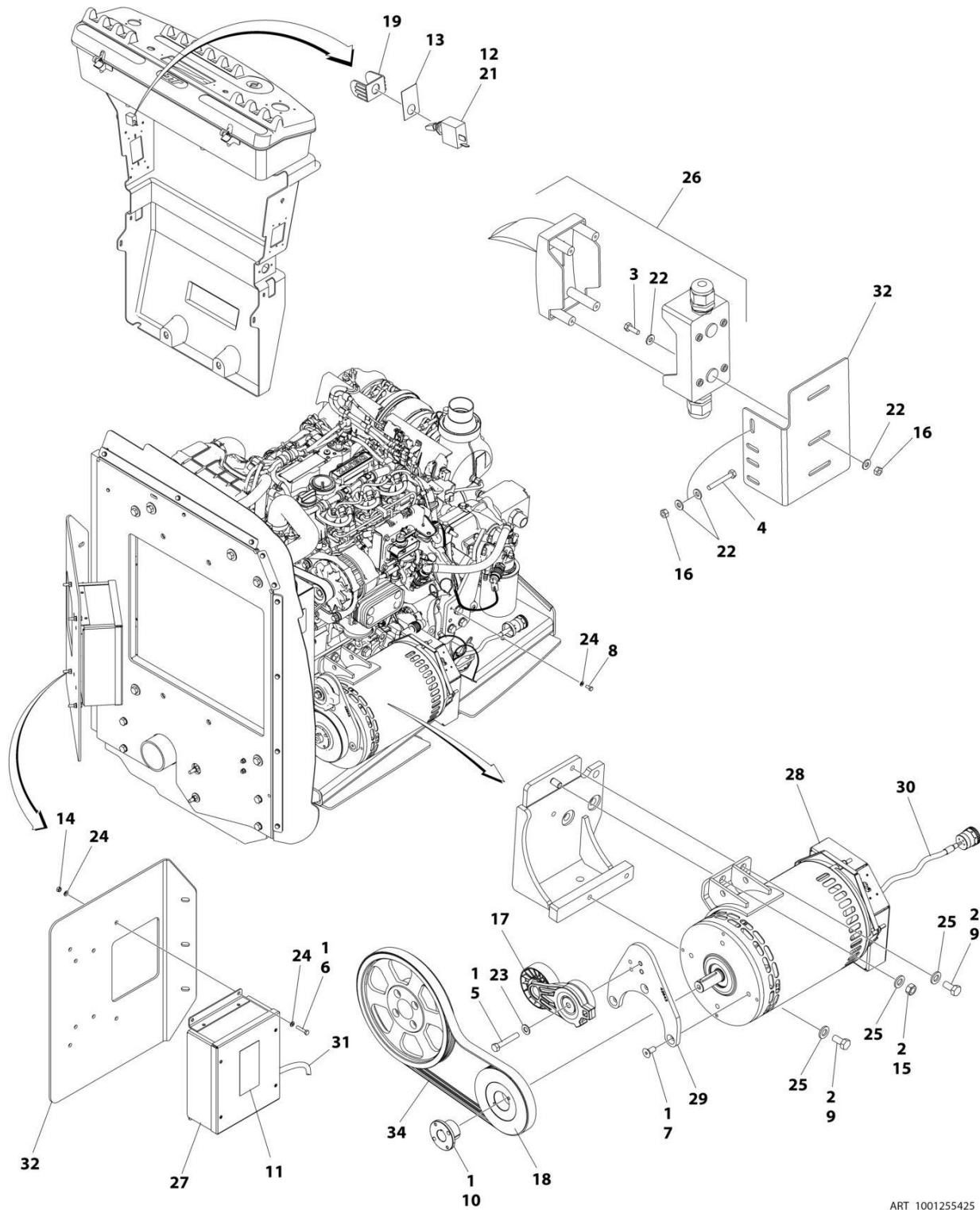
ITEM	PART NUMBER	QTY	DESCRIPTION	REV
	1001139957	Ref	4000W/50HZ Generator Installation - Deutz D2011 Engines	D
1	0100011	AR	Compound, Locking	
2	0100019	AR	Compound, Locking	
3	0641404	1	Bolt 1/4 x 1/2	
4	0741607	3	Screw 3/8 x 7/8	
5	0641406	6	Bolt 1/4 x 3/4	
6	4711800	3	Washer 1/2	
8	0641808	2	Bolt 1/2 x 1	
10	3251102	1	Nameplate, Generator	
11	3311405	8	Nut 1/4	
12	1001138565	1	Generator Assembly	
12	70003709	1	Ring, Retaining (External)	
12	70003708	1	Ring, Retaining (Internal)	
12	70001966	1	Bearing	
12	70004092	1	Endbell (Shaft End)	
12	70004171	1	Key	
12	70004676	1	Rotor	
12	70004677	1	Stator	
12	70004678	1	Endbell (Rear)	
12	70004679	1	Cover, Endbell (Rear)	
12	70004680	1	Enclosure, Wiring	
12	70004681	1	Cover, Enclosure	
12	70004682	1	Switch, Reset (Located on Enclosure Cover)	
12	70004683	1	Connector, Strain Relief (Located on Enclosure Cover)	
14	4060802	1	Guard, Switch	
15	1001138566	1	Box, Control	
15	70006552	1	Capacitor	
15	70006553	1	Relay	
16	4240018	AR	Tie-Strap (Not Shown)	
17	4360336	1	Switch, Toggle	
17	4922641	1	Harness, On/Off Switch	
18	4711400	16	Washer 1/4	
20	1001139357	1	Mount, Tensioner	
21	4791400	2	Washer 1/4	
23	0480126	1	Belt, Generator	
24	4032015	4	Capscrew M10 x 55	
25	4300157	1	Stud	
26	3311801	1	Nut 1/2	
27	2820031	AR	Heat Shrink	
28	0962520	1	Bushing, Split	
29	3580317	1	Tensioner, Belt with Pulley	
30	3580319	1	Pulley, Generator	
31	3580320	1	Pulley, Engine Deutz	
32	3575863	1	Plate	
33	4711600	1	Washer 3/8	
34	0641616	1	Bolt 3/8 x 2	
39	1705489	2	Decal - Hazardous Voltage	
41	1001096070	1	Breaker Box Kit (Not Shown) (See Separate Breakdown in ELECTRICAL SECTION)	
42	1001153636	1	Bracket	

SECTION 3 - ENGINE

ITEM	PART NUMBER	QTY	DESCRIPTION	REV
43	1001152532	1	Harness, Generator (See Separate Breakdown in ELECTRICAL SECTION)	
44	3300454	4	Nut, U-Style 1/4	
45	0771415	1	Bolt M14 x 35 Grade 10.9	
46	0641415	2	Capscrew 1/4 x 1-7/8	
47	1001153197	1	Harness, Generator (See Separate Breakdown in ELECTRICAL SECTION)	

SECTION 3 - ENGINE

FIGURE 3-65. 4000W/50HZ GENERATOR INSTALLATION - DEUTZ TD2.2L3 ENGINES



ART_1001255425

SECTION 3 - ENGINE

FIGURE 3-65. 4000W/50HZ GENERATOR INSTALLATION - DEUTZ TD2.2L3 ENGINES

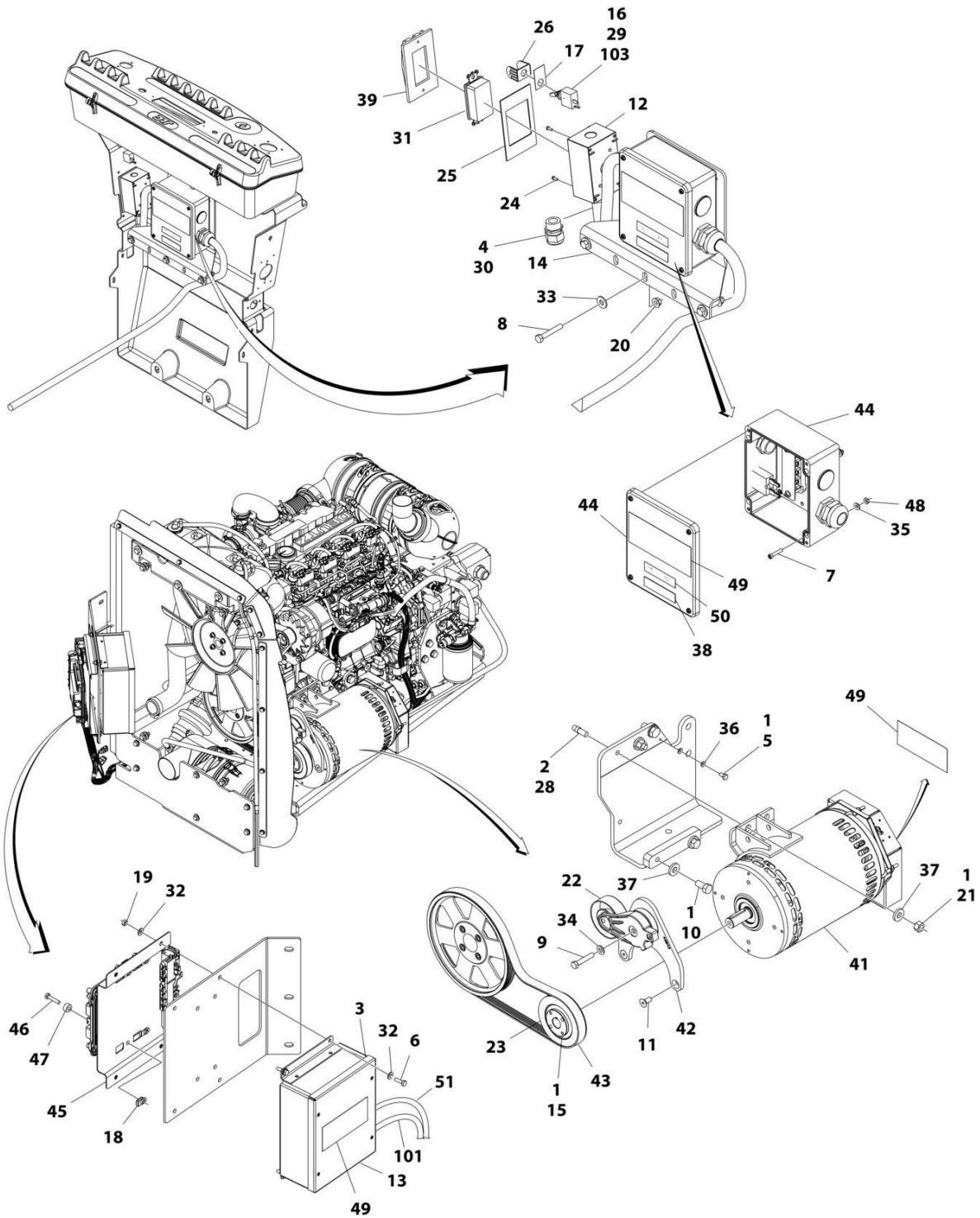
ITEM	PART NUMBER	QTY	DESCRIPTION	REV
	1001255425	Ref	4000W/50HZ Generator Installation - Deutz TD2.2L3 (Stage V) Engines	B
1	0100011	AR	Compound, Locking	
2	0100019	AR	Compound, Locking	
3	0641406	2	Bolt 1/4 x 3/4	
4	0641415	2	Bolt 1/4 x 1-7/8	
5	0641618	1	Bolt 3/8 x 2-1/4	
6	0700614	4	Bolt M6 x 30	
7	0741607	3	Screw 3/8 x 7/8	
8	0760607	1	Bolt M6 x 14	
9	0761212	3	Bolt M12 x 25	
10	0962520	1	Bushing, Split	
11	1705489	2	Decal - Hazardous Voltage	
12	2820031	AR	Heat Shrink	
13	3252764	1	Nameplate	
14	3290601	4	Nut M6	
15	3291201	1	Nut M12	
16	3311405	4	Nut 1/4	
17	3580317	1	Tensioner, Belt with Pulley	
18	3580319	1	Pulley, Generator	
19	4060802	1	Guard, Switch	
20	4240018	AR	Tie-Strap (Not Shown)	
21	4360336	1	Switch, Toggle	
21	4922641	1	Harness, On/Off Switch	
22	4711400	8	Washer 1/4	
23	4711600	1	Washer 3/8	
24	4811700	9	Washer M6	
25	5241200	4	Washer M12	
26	1001096070	1	Breaker Box Kit (See Separate Breakdown in ELECTRICAL SECTION)	
27	1001138566	1	Box, Control	
27	70006552	1	Capacitor	
27	70006553	1	Relay	
28	1001140347	1	Generator Assembly	
28	70003709	1	Ring, Retaining (External)	
28	70003708	1	Ring, Retaining (Internal)	
28	70001966	1	Bearing	
28	70004092	1	Endbell (Shaft End)	
28	70004099	1	Key	
28	70004676	1	Rotor	
28	70004686	1	Stator	
28	70004678	1	Endbell (Rear)	
28	70004679	1	Cover, Endbell (Rear)	
28	70004680	1	Enclosure, Wiring	
28	70004681	1	Cover, Enclosure	
28	70004682	1	Switch, Reset (Located on Enclosure Cover)	
28	70004683	1	Connector, Strain Relief (Located on Enclosure Cover)	
28	4460224	1	Receptacle, Female - 6 Position (Connects to Generator Harness)	
28	4460294	6	Pin, Male (Use with p/n 4460224)	

SECTION 3 - ENGINE

ITEM	PART NUMBER	QTY	DESCRIPTION	REV
28	4460807	6	Seal, Terminal (Use with p/n 4460224)	
28	4460808	1	Seal, Interface (Use with p/n 4460224)	
29	1001142643	1	Support, Gen Tensioner	
30	1001152532	1	Harness, Generator (See Separate Breakdown in ELECTRICAL SECTION)	
31	1001153197	1	Harness, Generator (See Separate Breakdown in ELECTRICAL SECTION)	
32	1001153636	1	Bracket	
33	1001175632	1	Wire	
34	1001214683	1	Belt, Generator	

SECTION 3 - ENGINE

FIGURE 3-66. 4000W/60HZ GENERATOR INSTALLATION - DEUTZ TD2.9L4 ENGINES



ART_1001171126

SECTION 3 - ENGINE

FIGURE 3-66. 4000W/60HZ GENERATOR INSTALLATION - DEUTZ TD2.9L4 ENGINES

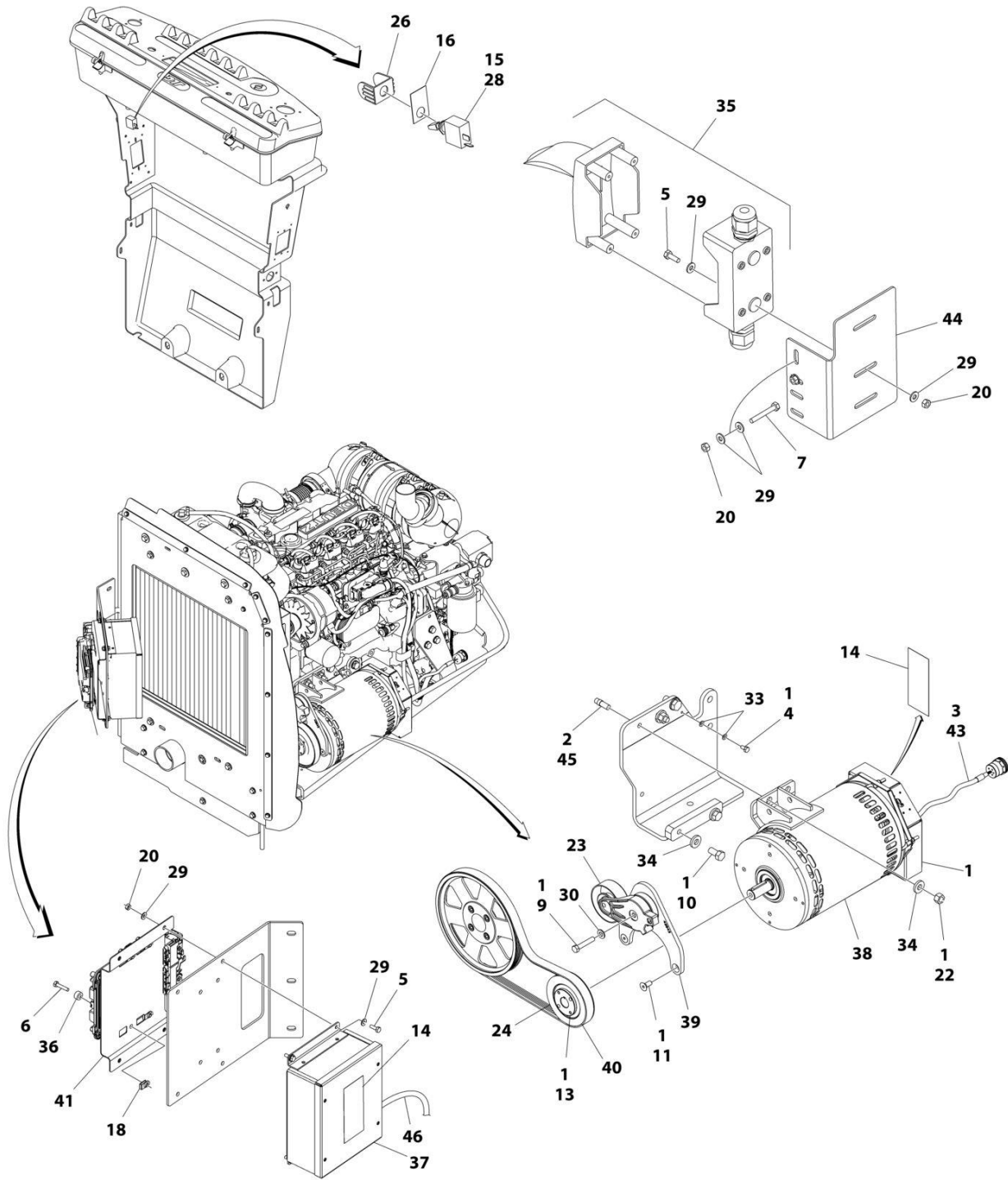
ITEM	PART NUMBER	QTY	DESCRIPTION	REV
	1001171126	Ref	4000W/60HZ Generator Installation	B
1	0100011	AR	Compound, Locking	
2	0100019	AR	Compound, Locking	
3	0100048	AR	Grease, Dielectric	
4	0100079	AR	Sealant	
5	0641404	1	Bolt 1/4 x 1/2	
6	0641407	4	Bolt 1/4 x 7/8	
7	3931016	4	Capscrew #10 x 1	
8	0641516	3	Bolt 5/16 x 2	
9	0641616	1	Bolt 3/8 x 2	
10	0641808	2	Bolt 1/2 x 1	
11	0741607	3	Screw, Flathead 3/8 x 7/8	
12	0860038	1	Box, Switch	
13	1001138566	1	Box, Control	
13	70006552	1	Capacitor	
13	70006553	1	Relay	
14	0902888	1	Bracket, Junction Box	
15	0962520	1	Bushing, Split	
16	2820031	0.33 ft /.10m	Heat Shrink	
17	3251102	1	Nameplate, Generator	
18	3300454	4	Nut, U-Style 1/4	
19	3311405	4	Nut 1/4	
20	3311508	3	Nut 5/16	
21	3311801	2	Nut 1/2	
22	3580317	1	Tensioner, Belt with Pulley	
23	3580318	1	Pulley, Generator	
24	3910606	4	Screw #6 x 3/8	
25	3960422	1	Gasket, AC Receptacle	
26	4060802	1	Guard, Switch	
27	4240018	AR	Tie-Strap (Not Shown)	
28	1001163599	2	Stud	
29	4360336	1	Switch, Toggle	
30	4460071	1	Connector, Strain Relief	
31	4460346	1	Receptacle	
32	4711400	8	Washer 1/4	
33	4751500	3	Washer 5/16	
34	4711600	1	Washer 3/8	
35	4751000	4	Washer #10	
36	4791400	2	Washer 1/4	
37	4891800	4	Washer 1/2	
38	1705374	1	Decal, 240V	
39	1001110873	1	Cover, Receptacle	
41	1001140346	1	Generator Assembly	
41	70003709	1	Ring, Retaining (External)	
41	70003708	1	Ring, Retaining (Internal)	
41	70001966	1	Bearing	
41	70004092	1	Endbell (Shaft End)	
41	70004099	1	Key	
41	70004676	1	Rotor	

SECTION 3 - ENGINE

ITEM	PART NUMBER	QTY	DESCRIPTION	REV
41	70004687	1	Stator	
41	70004678	1	Endbell (Rear)	
41	70004679	1	Cover, Endbell (Rear)	
41	70004680	1	Enclosure, Wiring	
41	70004685	1	Cover, Enclosure	
41	70004682	1	Switch, Reset (Located on Enclosure Cover)	
41	70004098	1	Connector, Strain Relief (Located on Enclosure Cover)	
41	4460224	1	Receptacle, Female - 6 Position (Connects to Generator Harness)	
41	4460294	6	Pin, Male (Use with p/n 4460224)	
41	4460807	6	Seal, Terminal (Use with p/n 4460224)	
41	4460808	1	Seal, Interface (Use with p/n 4460224)	
42	1001142643	1	Support, Gen Tensioner	
43	1001142646	1	Belt, Generator	
44	1001152457	1	Junction Box Assembly	
44	3300396	1	Cover, Breaker	
44	4360070	1	Breaker, Circuit - 15Amp	
44	4460425	1	Connector, Strain Relief (LH Side)	
44	4460426	1	Connector, Strain Relief (RH Side)	
44	1001152530	1	Block, Terminal	
44	1001158363	1	Cover, Terminal Block	
44	1001153260	1	Decal - Wiring Diagram	
45	1001145330	1	Bracket	
46	0641410	4	Bolt 1/4 x 1-1/4	
47	1001110425	4	Spacer	
48	3311005	4	Nut #10	
49	1705387	3	Decal - Hazardous Voltage	
50	3251243	1	Decal, 120V-60Hz	
51	1001152532	1	Harness, Generator (See Separate Breakdown in ELECTRICAL SECTION)	
		Ref	ELECTRICAL DIAGRAM COMPONENTS	
101	1001153259	1	Harness, Generator	
103	4922641	1	Harness, Switch	

SECTION 3 - ENGINE

FIGURE 3-67. 4000W/50HZ GENERATOR INSTALLATION - DEUTZ TD2.9L4 ENGINES



ART_1001171268

SECTION 3 - ENGINE

FIGURE 3-67. 4000W/50HZ GENERATOR INSTALLATION - DEUTZ TD2.9L4 ENGINES

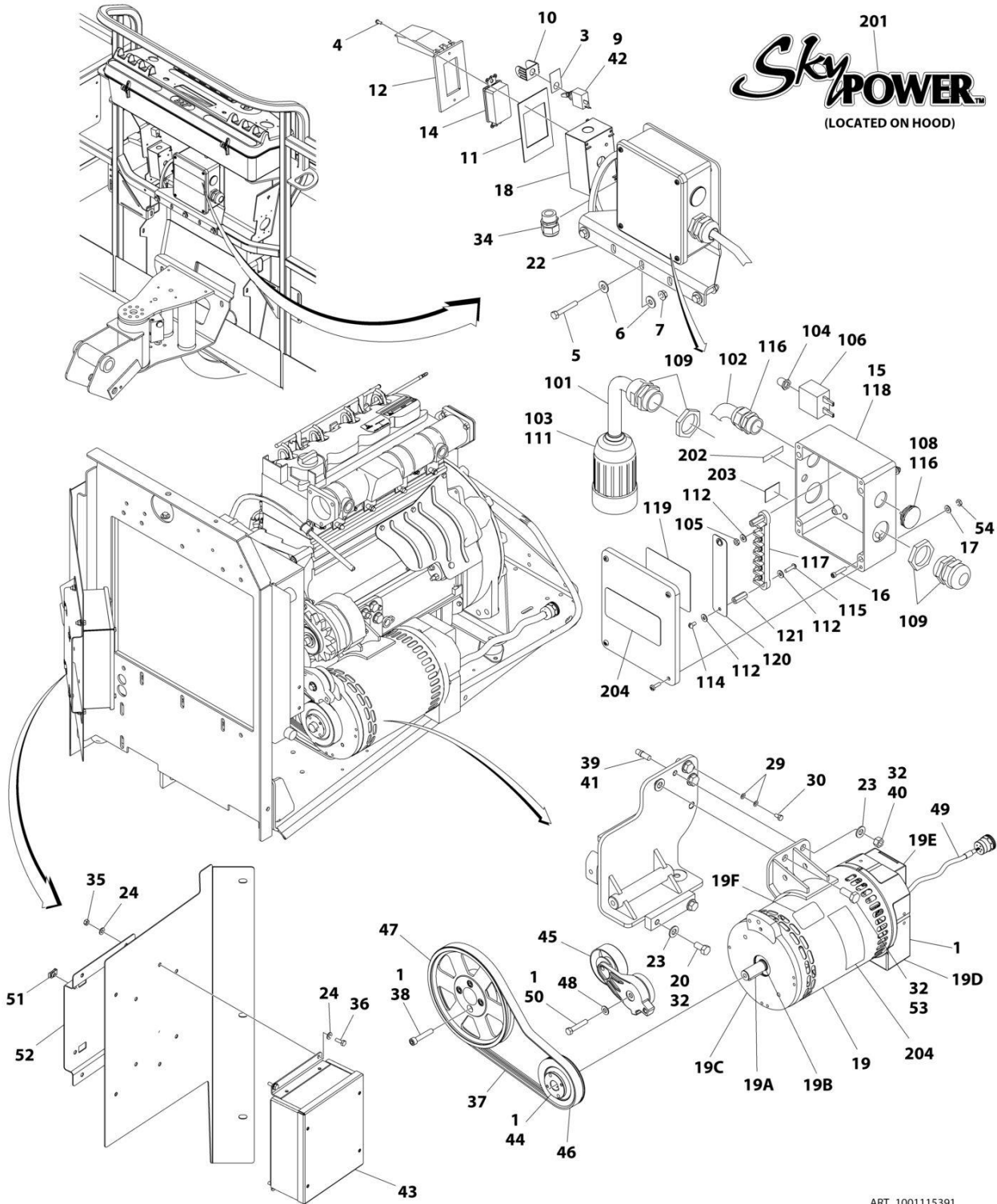
ITEM	PART NUMBER	QTY	DESCRIPTION	REV
	1001171268	Ref	4000W/50HZ Generator Installation	C
1	0100011	AR	Compound, Locking	
2	0100019	AR	Compound, Locking	
3	0100048	AR	Grease, Dielectric	
4	0641404	1	Bolt 1/4 x 1/2	
5	0641406	6	Bolt 1/4 x 3/4	
6	0641410	4	Bolt 1/4 x 1-1/4	
7	0641415	2	Bolt 1/4 x 1-7/8	
9	0641618	1	Bolt 3/8 x 2-1/4	
10	0641808	2	Bolt 1/2 x 1	
11	0741607	3	Screw, Flathead 3/8 x 7/8	
13	0962520	1	Bushing, Split	
14	1705489	2	Decal - Hazardous Voltage	
15	2820031	0.33 ft /.10m	Heat Shrink	
16	3251102	1	Nameplate, Generator	
18	3300454	4	Nut, U-Style 1/4	
20	3311405	4	Nut 1/4	
22	3311801	2	Nut 1/2	
23	3580317	1	Tensioner, Belt with Pulley	
24	3580319	1	Pulley, Generator	
26	4060802	1	Guard, Switch	
27	4240018	AR	Tie-Strap (Not Shown)	
28	4360336	1	Switch, Toggle	
29	4711400	16	Washer 1/4	
30	4711600	1	Washer 3/8	
33	4791400	2	Washer 1/4	
34	4891800	4	Washer 1/2	
35	1001096070	1	Breaker Box Kit (Not Shown) (See Separate Breakdown in ELECTRICAL SECTION)	
36	1001110425	4	Spacer	
37	1001138566	1	Box, Control	
37	70006552	1	Capacitor	
37	70006553	1	Relay	
38	1001140347	1	Generator Assembly	
38	70003709	1	Ring, Retaining (External)	
38	70003708	1	Ring, Retaining (Internal)	
38	70001966	1	Bearing	
38	70004092	1	Endbell (Shaft End)	
38	70004099	1	Key	
38	70004676	1	Rotor	
38	70004686	1	Stator	
38	70004678	1	Endbell (Rear)	
38	70004679	1	Cover, Endbell (Rear)	
38	70004680	1	Enclosure, Wiring	
38	70004681	1	Cover, Enclosure	
38	70004682	1	Switch, Reset (Located on Enclosure Cover)	
38	70004683	1	Connector, Strain Relief (Located on Enclosure Cover)	
38	4460224	1	Receptacle, Female - 6 Position (Connects to Generator Harness)	

SECTION 3 - ENGINE

ITEM	PART NUMBER	QTY	DESCRIPTION	REV
38	4460294	6	Pin, Male (Use with p/n 4460224)	
38	4460807	6	Seal, Terminal (Use with p/n 4460224)	
38	4460808	1	Seal, INterface (Use with p/n 4460224)	
39	1001142643	1	Support, Gen Tensioner	
40	1001142645	1	Belt	
41	1001145330	1	Bracket	
43	1001152532	1	Harness, Generator (See Separate Breakdown in ELECTRICAL SECTION)	
44	1001153636	1	Bracket	
45	1001163599	2	Stud	
46	1001153259	1	Harness, Generator	

SECTION 3 - ENGINE

FIGURE 3-68. 7500W/60HZ SKYPOWER GENERATOR INSTALLATION - DEUTZ D2011 ENGINES



SECTION 3 - ENGINE

FIGURE 3-68. 7500W/60HZ SKYPOWER GENERATOR INSTALLATION - DEUTZ D2011 ENGINES

ITEM	PART NUMBER	QTY	DESCRIPTION	REV
	1001115391	Ref	7500W/60HZ SKYPOWER GENERATOR INSTALLATION	F
1	0100011	AR	Compound, Locking	
3	3252764	1	Nameplate	
4	3910606	4	Screw #6 x 3/8	
5	0641516	3	Bolt 5/16 x 2	
6	4711500	6	Washer	
7	3311505	3	Nut 5/16	
9	4360336	1	Switch, Toggle	
10	4060802	1	Guard, Switch	
11	3960422	1	Gasket	
12	1001110873	1	Cover, Receptacle	
14	4460346	1	Receptacle	
15	1001157592	Ref	Junction Box Assembly Options (See Items 101-121 for Breakdown)	
16	3931016	4	Capscrew #10 x 1	
17	4751000	4	Washer #10	
18	0860038	1	Box, Switch	
19	2460048	1	Generator Assembly	D
19	70001100	1	Rotor (Includes p/n 70001384 & 70000863) (Not Shown)	
19	70001384	1	Bearing, Ball Radial (Not Shown)	
19	70000863	1	Fan (Not Shown)	
19	70002088	1	Stator (Not Shown)	
19	70002297	1	Stud	
19	70003631	1	Brushholder Assembly (Not Shown)	
19A	70004171	1	Key	
19B	70001966	1	Bearing, Ball Radial (Located in Belt Tensioner Endbell)	
19B	70003708	1	Ring, Internal Retaining (Located in Belt Tensioner Endbell)	
19B	70003709	1	Ring, External Retaining (Located in Belt Tensioner Endbell)	
19C	70001953	1	Endbell, Belt Tensioner	
19D	70004169	1	Endbell, Brush Block	
19E	70002290	1	Shroud	
19E	7027799	1	Block, Connector 6 Position (Not Shown)	
19E	7026626	1	Connector - 6 Position with Seal (Not Shown)	
19E	70002460	1	Nut, Brass (Attaches p/n 7027799 to Cover) (Not Shown)	
19E	7024485	1	Breaker, Circuit 30Amp (Not Shown)	
19E	70001696	1	Boot, Breaker (Not Shown)	
19E	7026597	1	Connector, W/Leads (Not Shown)	
19E	7026188	1	Clamp, Cable (Not Shown)	
19E	70003708	1	Ring, Retaining (Internal) (Not Shown)	
19E	70003709	1	Ring, Retaining (External) (Not Shown)	
19E	70004169	1	Plate, End Panel	
19E	70001974	1	Decal - Terminal Connections	
19F	70001973	1	Decal - Warning Moving Parts	
20	0641808	2	Bolt 1/2 x 1	
22	0902888	1	Bracket, Box Mounting	
23	4711800	3	Washer 1/2	
24	4711400	8	Washer 1/4	
28	4240018	AR	Tie-Strap (Not Shown)	
29	4791400	2	Starwasher 1/4	
30	0641403	1	Bolt 1/4 x 3/8	

SECTION 3 - ENGINE

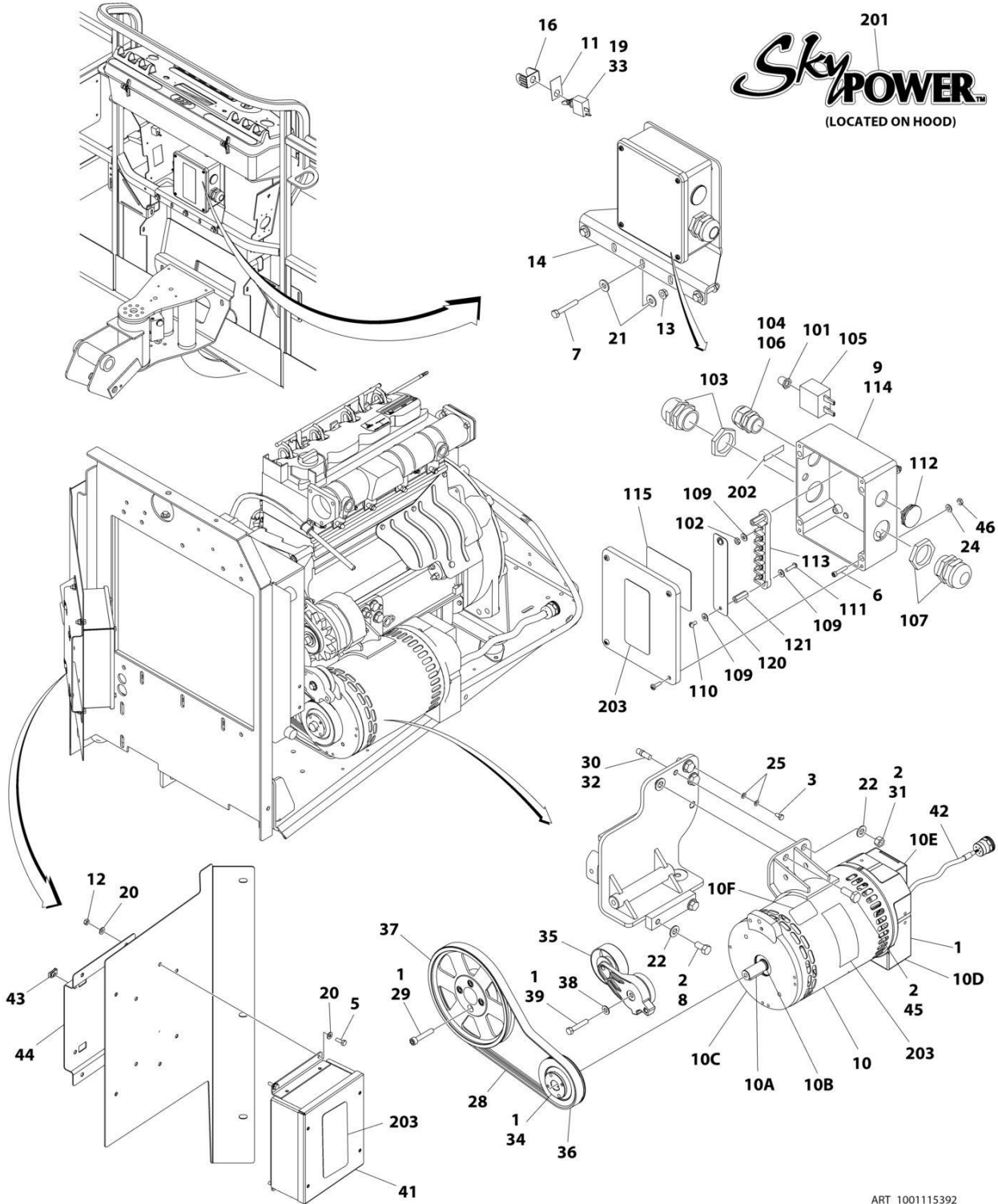
ITEM	PART NUMBER	QTY	DESCRIPTION	REV
32	0100019	AR	Compound, Locking	
34	4460071	1	Connector, Strain Relief	
35	3311405	4	Nut 1/4	
36	0641406	4	Bolt 1/4 x 3/4	
37	0480129	1	Belt, Drive	
38	4032015	4	Capscrew M10 x 55	
39	4300157	1	Stud	
40	3311801	1	Nut 1/2	
41	0100062	AR	Adhesive	
42	2820031	1	Insulator	
43	0861538	1	Control Box Assembly	
43	7024488	1	Card, Circuit - Generator Power	
43	See Note	1	Fuse (Note: Not Available - Purchase Locally)	
43	7024489	1	Card, Circuit - Control	
		Ref	Note: Same Circuit Card (p/n 7024489) is used for both 60Hz and 50Hz. When replacing card, rocker switch on card must be set for required application	
43	70000619	1	Harness, Circuit Card	
44	0962520	1	Bushing, Split Taper	
45	3580317	1	Tensioner, Belt	
46	3580318	1	Pulley	
47	3580320	1	Pulley	
48	4711600	1	Washer 3/8	
49	4922925	1	Harness, Generator (See Separate Breakdown in ELECTRICAL SECTION)	
50	0641618	1	Bolt 3/8 x 2-1/4	
51	3300454	4	Nut Special 1/4	
52	3575863	1	Plate, EMR2 Mount	
53	0771415	1	Bolt M14 x 35	
54	3311005	4	Nut #10	
	1001157592	Ref	JUNCTION BOX ASSEMBLY	D
101	1060343	AR	Cable, Electrical 10/4	
102	1001179154	2 ft/.6m	Cable, Electrical 12/3	
103	1671092	1	Cover	
104	3300396	1	Cover, Fuse	
105	3311001	6	Nut #10	
106	4360070	1	Circuit Breaker - 15 Amp	
108	4460425	1	Strain Relief, Terminal	
109	4460426	2	Connector, Strain Relief	
111	4460963	1	Connector	
112	4711000	10	Washer #10	
114	10702077	2	Screw #10 x 3/8	
115	10702082	2	Screw #10 x 3/4	
116	1001152525	1	Plug, Hole	
117	1001157520	1	Block, Terminal - 6 Pole	
118	1001157521	1	Box, Junction	
119	1001157528	1	Decal - Wiring Schematic	
120	1001158007	1	Cover, PVC	
121	1001158008	2	Stand-Off	
	0272435	Ref	DECAL INSTALLATION	D
201	1705460	2	Decal - SkyPower	
202	3251243	1	Decal - 120V - 60Hz (Located on Opposite Side)	

SECTION 3 - ENGINE

ITEM	PART NUMBER	QTY	DESCRIPTION	REV
203	1705375	1	Decal - 240V - 3 Phase	B
204	1705387	3	Decal, Hazardous Voltage	
	1001157769	Ref	ELECTRICAL DIAGRAM COMPONENTS	
301	1001152429	1	Generator Harness (Not Shown - See Separate Breakdown in ELECTRICAL SECTION)	
304	4922641	1	Switch Harness (Not Shown)	

SECTION 3 - ENGINE

FIGURE 3-69. 7500W/50HZ SKYPOWER GENERATOR INSTALLATION - DEUTZ D2011 ENGINES



ART_1001115392

SECTION 3 - ENGINE

FIGURE 3-69. 7500W/50HZ SKYPOWER GENERATOR INSTALLATION - DEUTZ D2011 ENGINES

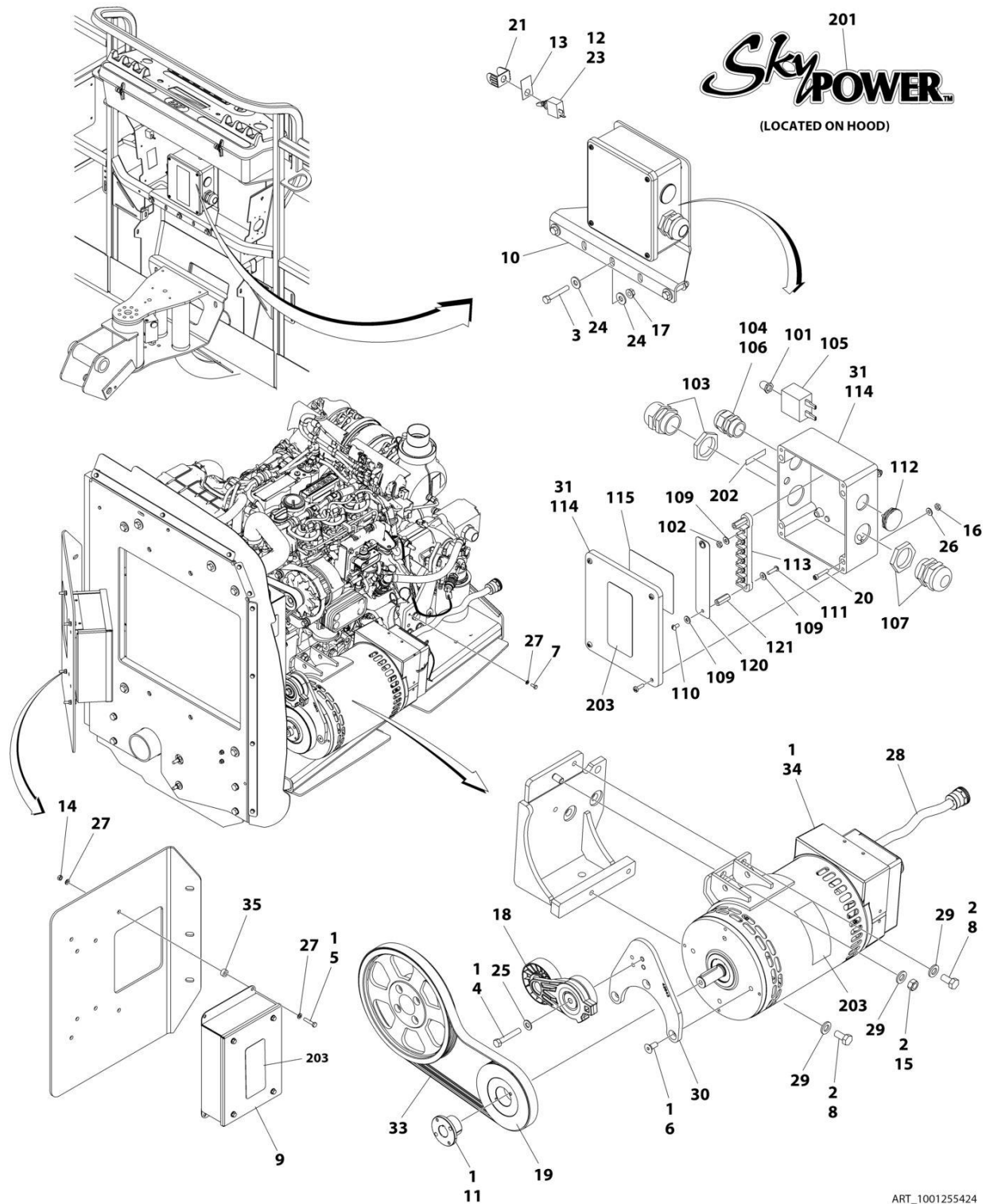
ITEM	PART NUMBER	QTY	DESCRIPTION	REV
	1001115392	Ref	7500W/50HZ SKYPOWER GENERATOR INSTALLATION	E
1	0100011	AR	Compound, Locking	
2	0100019	AR	Compound, Locking	
3	0641403	1	Bolt 1/4 x 3/8	
5	0641406	4	Bolt 1/4 x 3/4	
6	3931016	4	Capscrew #10 x 1	
7	0641516	3	Bolt 5/16 x 2	
8	0641808	2	Bolt 1/2 x 1	
9	1001157525	Ref	Junction Box Assembly Options (See Items 101-121 for Breakdown)	
10	2460048	1	Generator Assembly	D
10	70001100	1	Rotor (Includes p/n 70001384 & 70000863) (Not Shown)	
10	70001384	1	Bearing, Ball Radial (Not Shown)	
10	70000863	1	Fan (Not Shown)	
10	70002088	1	Stator (Not Shown)	
10	70002297	1	Stud	
10	70003631	1	Brushholder Assembly (Not Shown)	
10A	70004171	1	Key	
10B	70001966	1	Bearing, Ball Radial (Located in Belt Tensioner Endbell)	
10B	70003708	1	Ring, Internal Retaining (Located in Belt Tensioner Endbell)	
10B	70003709	1	Ring, External Retaining (Located in Belt Tensioner Endbell)	
10C	70001953	1	Endbell, Belt Tensioner	
10D	70004169	1	Endbell, Brush Block	
10E	70002290	1	Shroud	
10E	7027799	1	Block, Connector 6 Position (Not Shown)	
10E	7026626	1	Connector - 6 Position with Seal (Not Shown)	
10E	70002460	1	Nut, Brass (Attaches p/n 7027799 to Cover) (Not Shown)	
10E	7024485	1	Breaker, Circuit 30Amp (Not Shown)	
10E	70001696	1	Boot, Breaker (Not Shown)	
10E	7026597	1	Connector, W/Leads (Not Shown)	
10E	7026188	1	Clamp, Cable (Not Shown)	
10E	70003708	1	Ring, Retaining (Internal) (Not Shown)	
10E	70003709	1	Ring, Retaining (External) (Not Shown)	
10E	70004169	1	Plate, End Panel	
10E	70001974	1	Decal - Terminal Connections	
10F	70001973	1	Decal - Warning Moving Parts	
11	3252764	1	Nameplate	
12	3311405	4	Nut 1/4	
13	3311505	3	Nut 5/16	
14	0902888	1	Bracket, Box Mounting	
16	4060802	1	Guard, Switch	
18	4240018	AR	Tie-Strap (Not Shown)	
19	4360336	1	Switch, Toggle	
20	4711400	8	Washer 1/4	
21	4711500	6	Washer	
22	4711800	3	Washer 1/2	
24	4751000	4	Washer #10	
25	4791400	2	Starwasher 1/4	
28	0480126	1	Belt, Drive	
29	4032015	4	Capscrew M10 x 55	

SECTION 3 - ENGINE

ITEM	PART NUMBER	QTY	DESCRIPTION	REV
30	4300157	1	Stud	
31	3311801	1	Nut 1/2	
32	0100062	AR	Adhesive	
33	2820031	1	Insulator	
34	0962520	1	Bushing, Split Taper	
35	3580317	1	Tensioner, Belt	
36	3580319	1	Pulley	
37	3580320	1	Pulley	
38	4711600	1	Washer 3/8	
39	0641618	1	Bolt 3/8 x 2-1/4	
41	0861572	1	Control Box Assembly	
41	7024488	1	Card, Circuit - Generator Power	
41	See Note	1	Fuse (Note: Not Available - Purchase Locally)	
41	7024489	1	Card, Circuit - Control	
		Ref	"Note: Same Circuit Card (p/n 7024489) is used for both 60Hz and 50Hz. When replacing card, rocker switch on card must be set for required application."	
41	70000619	1	Harness, Circuit Card	
42	4922925	1	Harness, Generator (See Separate Breakdown in ELECTRICAL SECTION)	
43	3300454	4	Nut Special 1/4	
44	3575863	1	Plate, EMR2 Mount	
45	0771415	1	Bolt M14 x 35	
46	3311005	4	Nut #10	
	1001157525	Ref	JUNCTION BOX ASSEMBLY	B
101	3300396	1	Cover, Fuse	
102	3311001	6	Nut #10	
103	3520189	1	Plug	
104	3520192	1	Plug	
105	4360070	1	Circuit Breaker - 15 Amp	
106	4460425	1	Strain Relief, Terminal	
107	4460426	2	Connector, Strain Relief	
109	4711000	10	Washer #10	
110	10702077	2	Screw #10 x 3/8	
111	10702082	2	Screw #10 x 3/4	
112	1001152525	1	Plug, Hole	
113	1001157520	1	Block, Terminal - 6 Pole	
114	1001157521	1	Box, Junction	
115	1001157528	1	Decal - Wiring Schematic	
120	1001158007	1	Cover, PVC	
121	1001158008	2	Stand-Off	
	0272589	Ref	DECAL INSTALLATION	A
201	1705460	2	Decal - SkyPower	
202	1705461	1	Decal - 240V - 3 Phase	
203	1705489	Ref	Decal, Hazardous Voltage	
	1001157769	Ref	ELECTRICAL DIAGRAM COMPONENTS	B
301	1001152429	1	Generator Harness (Not Shown - See Separate Breakdown in ELECTRICAL SECTION)	
304	4922641	1	Switch Harness (Not Shown)	

SECTION 3 - ENGINE

FIGURE 3-70. 7500W/50HZ SKYPOWER GENERATOR INSTALLATION - DEUTZ TD2.2L3 STAGE V ENGINES



SECTION 3 - ENGINE

FIGURE 3-70. 7500W/50HZ SKYPOWER GENERATOR INSTALLATION - DEUTZ TD2.2L3 STAGE V ENGINES

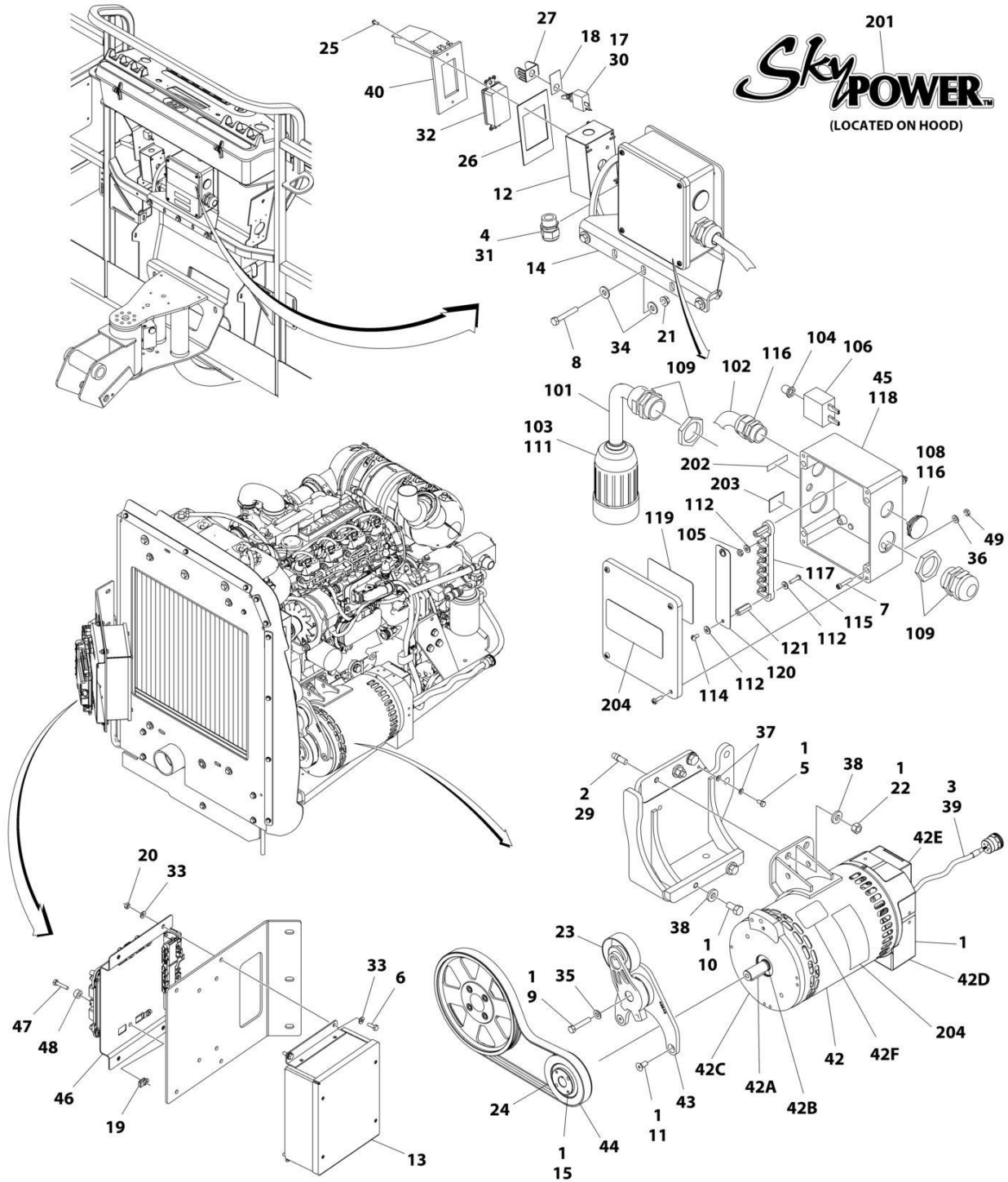
ITEM	PART NUMBER	QTY	DESCRIPTION	REV
	1001255424	Ref	7500W/50HZ SKYPOWER GENERATOR INSTALLATION	B
1	0100011	AR	Compound, Locking	
2	0100019	AR	Compound, Locking	
3	0641516	3	Bolt 5/16 x 2	
4	0641618	1	Bolt 3/8 x 2-1/4	
5	0700614	4	Bolt M6 x 30	
6	0741607	3	Screw, Flathead 3/8 x 7/8	
7	0760607	1	Bolt M6 x 14	
8	0761212	3	Bolt M12 x 25	
9	0861572	1	Control Box Assembly	
9	7024488	1	Card, Circuit - Generator Power	
9	See Note	1	Fuse (Note: Not Available - Purchase Locally)	
9	7024489	1	Card, Circuit - Control	
		Ref	"Note: Same Circuit Card (p/n 7024489) is used for both 60Hz and 50Hz. When replacing card, rocker switch on card must be set for required application."	
9	70000619	1	Harness, Circuit Card	
10	0902888	1	Bracket, Box Mounting	
11	0962520	1	Bushing, Split Taper	
12	2820031	AR	Insulator	
13	3252764	1	Nameplate	
14	3290601	4	Nut M6	
15	3291201	1	Nut M12	
16	3311005	4	Nut #10	
17	3311505	3	Nut 5/16	
18	3580317	1	Tensioner, Belt	
19	3580319	1	Pulley	
20	3931016	4	Capscrew #10 x 1	
21	4060802	1	Guard, Switch	
22	4240018	AR	Tie-Strap (Not Shown)	
23	4360336	1	Switch, Toggle	
24	4711500	6	Washer	
25	4711800	1	Washer 1/2	
26	4751000	4	Washer #10	
27	4811700	9	Washer M6	
28	4922925	1	Harness, Generator (See Separate Breakdown in ELECTRICAL SECTION)	
29	5241200	4	Washer M12	
30	1001142643	1	Support, Gen Tensioner	
31	1001157525	Ref	Junction Box Assembly Options (See Items 101-121 for Breakdown)	
33	1001214683	1	Belt, Generator	
34	1001248105	1	Generator Assembly - 50Hz (Note: No service parts available at time of printing)	
35	1001110425	1	Spacer	
	1001157525	Ref	JUNCTION BOX ASSEMBLY	B
101	3300396	1	Cover, Fuse	
102	3311001	6	Nut #10	
103	3520189	1	Plug	
104	3520192	1	Plug	

SECTION 3 - ENGINE

ITEM	PART NUMBER	QTY	DESCRIPTION	REV
105	4360070	1	Circuit Breaker - 15 Amp	
106	4460425	1	Strain Relief, Terminal	
107	4460426	2	Connector, Strain Relief	
109	4711000	10	Washer #10	
110	10702077	2	Screw #10 x 3/8	
111	10702082	2	Screw #10 x 3/4	
112	1001152525	1	Plug, Hole	
113	1001157520	1	Block, Terminal - 6 Pole	
114	1001157521	1	Box, Junction	
115	1001157528	1	Decal - Wiring Schematic	
120	1001158007	1	Cover, PVC	
121	1001158008	2	Stand-Off	
	0272589	Ref	DECAL INSTALLATION	A
201	1705460	2	Decal - SkyPower	
202	1705461	1	Decal - 240V - 3 Phase	
203	1705489	Ref	Decal, Hazardous Voltage	
	1001157769	Ref	ELECTRICAL DIAGRAM COMPONENTS	B
301	1001152429	1	Generator Harness (Not Shown - See Separate Breakdown in ELECTRICAL SECTION)	
304	4922641	1	Switch Harness (Not Shown)	

SECTION 3 - ENGINE

FIGURE 3-71. 7500W/60HZ SKYPOWER GENERATOR INSTALLATION - DEUTZ TD2.9L4 ENGINES



ART_1001145227

SECTION 3 - ENGINE

FIGURE 3-71. 7500W/60HZ SKYPOWER GENERATOR INSTALLATION - DEUTZ TD2.9L4 ENGINES

ITEM	PART NUMBER	QTY	DESCRIPTION	REV
	1001145227	Ref	7500W/60HZ SKYPOWER GENERATOR INSTALLATION	G
1	0100011	AR	Compound, Locking	
2	0100019	AR	Compound, Locking	
3	0100048	AR	Grease, Dielectric	
4	0100079	AR	Sealant	
5	0641404	1	Bolt 1/4 x 1/2	
6	0641407	4	Bolt 1/4 x 7/8	
7	3931016	4	Capscrew #10 x 1	
8	0641516	3	Bolt 5/16 x 2	
9	0641616	1	Bolt 3/8 x 2	
10	0641808	2	Bolt 1/2 x 1	
11	0741607	3	Screw, Flathead 3/8 x 7/8	
12	0860038	1	Box, Switch	
13	0861538	1	Control Box Assembly	
13	7024488	1	Card, Circuit - Generator Power	
13	See Note	1	Fuse (Note: Not Available - Purchase Locally)	
13	7024489	1	Card, Circuit - Control	
		Ref	Note: Same Circuit Card (p/n 7024489) is used for both 60Hz and 50Hz. When replacing card, rocker switch on card must be set for required application.	
13	70000619	1	Harness, Circuit Card	
14	0902888	1	Bracket, Box Mounting	
15	0962520	1	Bushing, Split Taper	
17	2820031	1	Insulator	
18	3252764	1	Nameplate	
19	3300454	4	Nut Special 1/4	
20	3311405	4	Nut 1/4	
21	3311505	3	Nut 5/16	
22	3311801	2	Nut 1/2	
23	3580317	1	Tensioner, Belt	
24	3580318	1	Pulley	
25	3910606	4	Screw #6 x 3/8	
26	3960422	1	Gasket	
27	4060802	1	Guard, Switch	
28	4240018	AR	Tie-Strap (Not Shown)	
29	1001163599	2	Stud	
30	4360336	1	Switch, Toggle	
31	4460071	1	Connector, Strain Relief	
32	4460346	1	Receptacle	
33	4711400	8	Washer 1/4	
34	4711500	6	Washer	
35	4711600	1	Washer 3/8	
36	4751000	4	Washer #10	
37	4791400	2	Starwasher 1/4	
38	4891800	4	Washer 1/2	
39	4922925	1	Harness, Generator (See Separate Breakdown in ELECTRICAL SECTION)	
40	1001110873	1	Cover, Receptacle	
42	1001212223	1	Generator Assembly	
42	70001100	1	Rotor (Includes p/n 70001384 & 70000863) (Not Shown)	

SECTION 3 - ENGINE

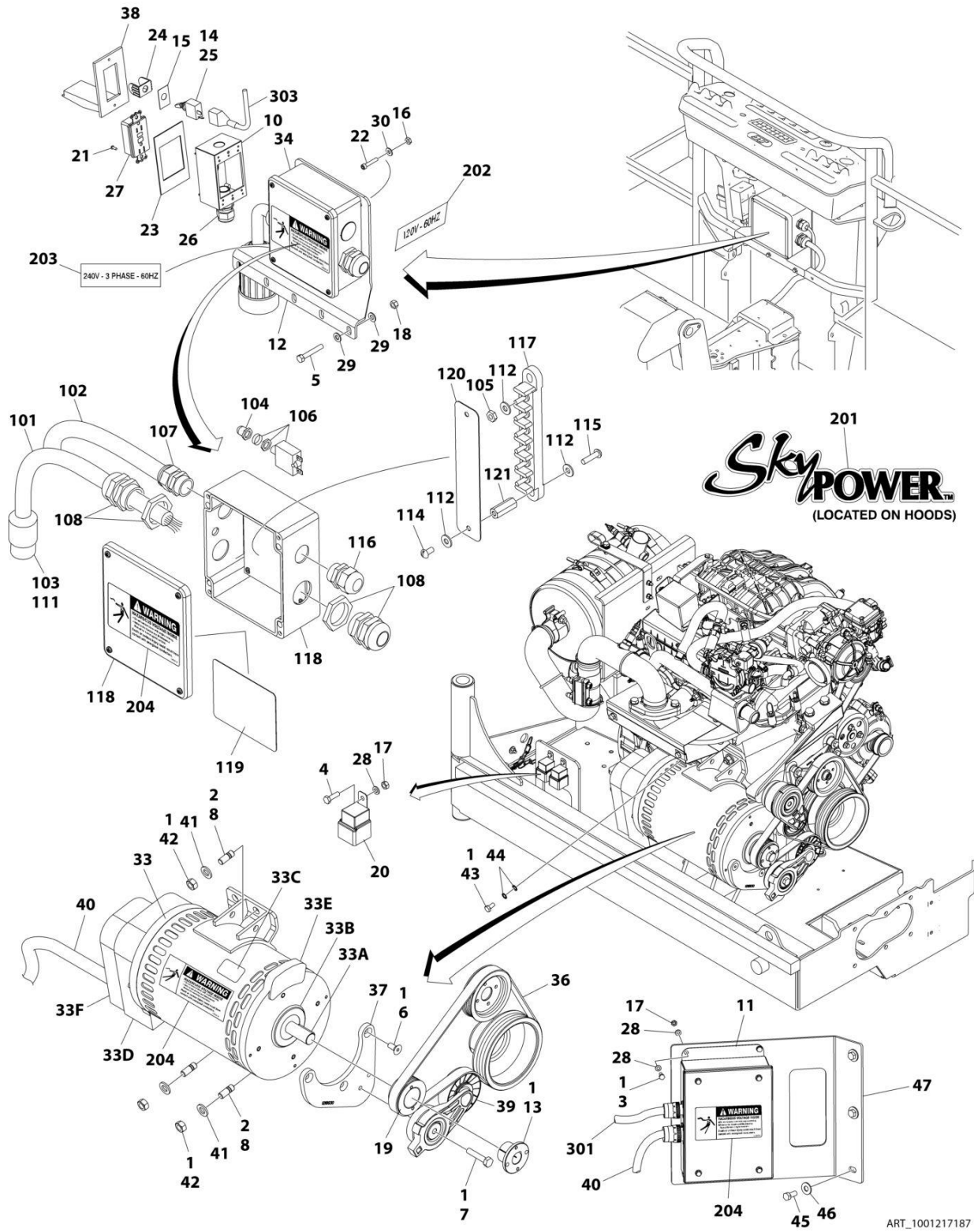
ITEM	PART NUMBER	QTY	DESCRIPTION	REV
42	70001384	1	Bearing, Ball Radial (Not Shown)	
42	70000863	1	Fan (Not Shown)	
42	70006093	1	Stator (Not Shown)	
42	70002297	1	Stud	
42	70003631	1	Brushholder Assembly (Not Shown)	
42A	70004099	1	Key	
42B	70001966	1	Bearing, Ball Radial (Located in Belt Tensioner Endbell)	
42B	70003708	1	Ring, Internal Retaining (Located in Belt Tensioner Endbell)	
42B	70003709	1	Ring, External Retaining (Located in Belt Tensioner Endbell)	
42C	70004092	1	Endbell, Belt Tensioner	
42D	70004094	1	Endbell, Brush Block	
42E	70006094	1	Shroud	
42E	70002291	1	Insulator, Endbell	
42E	7027799	1	Block, Connector - 6 Position (Not Shown)	
42E	70002460	1	Nut, Brass (Attaches p/n 7027799 to Cover) (Not Shown)	
42E	70006095	1	Breaker, Circuit 30Amp (Not Shown)	
42E	70006096	1	Boot, Breaker (Not Shown)	
42E	7026626	1	Connector, 6 Position (Includes Seal) (Not Shown - Plugs into Item 45)	
42E	7026597	1	Connector with Leads (Not Shown)	
42E	70004098	1	Clamp, Cable (Not Shown)	
42E	70006097	1	Plate, End Panel	
42E	70001974	1	Decal - Terminal Connections	
42F	70001973	1	Decal - Warning Moving Parts	
43	1001142643	1	Support, Gen Tensioner	
44	1001142646	1	Belt, Generator	
45	1001157592	Ref	Junction Box Assembly Options (See Items 101-121 for Breakdown)	
46	1001145330	1	Bracket	
47	0641410	4	Bolt 1/4 x 1-1/4	
48	1001110425	4	Spacer	
49	3311005	4	Nut #10	
	1001157592	Ref	JUNCTION BOX ASSEMBLY	D
101	1060343	AR	Cable, Electrical 10/4	
102	1001179154	2 ft /0.6m	Cable, Electrical 12/3	
103	1671092	1	Cover	
104	3300396	1	Cover, Fuse	
105	3311001	6	Nut #10	
106	4360070	1	Circuit Breaker - 15 Amp	
108	4460425	1	Strain Relief, Terminal	
109	4460426	2	Connector, Strain Relief	
111	4460963	1	Connector	
112	4711000	10	Washer #10	
114	10702077	2	Screw #10 x 3/8	
115	10702082	2	Screw #10 x 3/4	
116	1001152525	1	Plug, Hole	
117	1001157520	1	Block, Terminal - 6 Pole	
118	1001157521	1	Box, Junction	
119	1001157528	1	Decal - Wiring Schematic	
120	1001158007	1	Cover, PVC	
121	1001158008	2	Stand-Off	
	0272435	Ref	DECAL INSTALLATION	D

SECTION 3 - ENGINE

ITEM	PART NUMBER	QTY	DESCRIPTION	REV
201	1705460	2	Decal - SkyPower	A
202	3251243	1	Decal - 120V - 60Hz (Located on Opposite Side)	
203	1705375	1	Decal - 240V - 3 Phase	
204	1705387	3	Decal, Hazardous Voltage	
	1001157770	Ref	ELECTRICAL DIAGRAM COMPONENTS	
301	1001119968	1	Generator Harness (Not Shown - See Separate Breakdown in ELECTRICAL SECTION)	
303	4922641	1	Switch Harness (Not Shown)	

SECTION 3 - ENGINE

FIGURE 3-72. 7500W/60HZ SKYPOWER GENERATOR INSTALLATION - FORD ENGINES



SECTION 3 - ENGINE

FIGURE 3-72. 7500W/60HZ SKYPOWER GENERATOR INSTALLATION - FORD ENGINES

ITEM	PART NUMBER	QTY	DESCRIPTION	REV
	1001217187	Ref	7500W/60HZ SKYPOWER GENERATOR INSTALLATION	F
1	0100011	AR	Compound, Locking	
2	0100019	AR	Compound, Locking	
3	0760608	4	Bolt M6 x 16	
4	0760610	2	Bolt M6 x 20	
5	0641516	3	Bolt 5/16 x 2	
6	0741607	3	Screw 3/8 x 7/8	
7	0761018	1	Bolt M10 x 50	
8	1001196382	4	Stud	
10	0860038	1	Box, Switch	
11	0861538	1	Control Box Assembly	
11	7024488	1	Card, Circuit - Generator Power	
11	See Note	1	Fuse (Note: Not Available - Purchase Locally)	
11	7024489	1	Card, Circuit - Control	
11	70000619	1	Harness, Circuit Card	
12	0902888	1	Bracket, Box Mounting	
13	0962520	1	Bushing, Spilt Taper	
14	2820031	1	Heat Shrink	
15	3252764	1	Nameplate - AC & Weld	
16	3311005	4	Nut #10	
17	3290601	6	Nut M6	
18	3311505	3	Nut 5/16	
19	3580314	1	Pulley	
20	3740080	2	Relay	
21	3910606	2	Screw #6 x 3/8	
22	3931016	4	Capscrew #10 x 1	
23	3960422	1	Gasket	
24	4060802	1	Guard, Switch	
25	4360336	1	Switch, Toggle	
26	4460071	1	Connector, Strain Relief	
27	4460346	1	Receptacle	
28	4811700	10	Washer #10	
29	4711500	6	Washer 5/16	
30	4751000	4	Washer #10	
33	1001136104	1	Generator Assembly	
33	70003631	1	Brushholder Assembly (Not Shown)	
33	7024485	1	Breaker, Circuit 30Amp (Not Shown)	
33	70001696	1	Boot, Breaker (Not Shown)	
33	70001966	1	Bearing, Ball Radial (Located in Belt Tensioner Endbell - Not Shown)	
33	7027799	1	Block, Connector 6 Position (Not Shown)	
33	70002460	6	Nut, Brass (Attaches p/n 7027799 to Cover) (Not Shown)	
33	7026188	1	Clamp, Cable (Not Shown)	
33	7026597	1	Connector, W/Leads (Not Shown)	
33	7026626	1	Connector - 6 Position with Seal (Not Shown)	
33	70002088	1	Stator (Not Shown)	
33	70004169	1	Panel, End (Not Shown)	
33	70001974	1	Decal - Terminal Connections (Not Shown)	
33	70000863	1	Fan (Not Shown)	
33	70002297	4	Stud (Not Shown)	

SECTION 3 - ENGINE

ITEM	PART NUMBER	QTY	DESCRIPTION	REV
33A	70004171	1	Key	
33A	70001100	1	Armature, Generator (Includes Radial Ball Bearing on End with Brushes and Fan)	
33A	70001384	1	Bearing, Ball Radial	
33B	70001966	1	Bearing, Radial Ball	
33B	70003708	1	Ring, Internal Retaining (Located in Belt Tensioner Endbell)	
33B	70003709	1	Ring, External Retaining (Located in Belt Tensioner Endbell)	
33C	70001973	1	Decal - Warning Moving Parts	
33D	70004169	1	Endbell, Brush Block	
33E	70001953	1	Endbell, Belt Tensioner	
33F	70004169	1	Endbell, Shroud Assembly	
34	1001157592	1	Junction Box Assembly (See Items 101-121 for Breakdown)	
36	1001216390	1	V-Belt	
37	1001218930	1	Mount, Tensioner	
38	1001110873	1	Cover, Receptacle	
39	3580317	1	Tensioner, Belt	
40	4922925	1	Harness, Generator (See Separate Breakdown in ELECTRICAL SECTION)	
41	5241200	4	Washer M12	
42	3291201	4	Nut M12	
43	0760606	1	Bolt M6 x 12	
44	4871700	2	Washer M6	
45	0641607	3	Bolt 3/8 x 7/8	
46	4751600	3	Washer 3/8	
47	1001137866	1	Bracket	
	1001157592	Ref	JUNCTION BOX ASSEMBLY	C
101	1060343	1.5 ft /0.5m	Cable, Electrical - 10/4	
102	1001179154	2.5 ft /0.8m	Cable Electrical - 12/3	
103	1671092	1	Cover, Connector	
104	3300396	1	Cover, Fuse	
105	3311001	6	Nut #10	
106	4360070	1	Breaker, Circuit 15Amp	
107	4460425	1	Connector, Strain Relief	
108	4460426	2	Connector, Strain Relief	
111	4460963	1	Receptacle	
112	4711000	10	Washer #10	
114	10702077	2	Screw #10 x 3/8	
115	10702082	2	Screw #10 x 3/4	
116	1001152525	1	Plug, Hole	
117	1001157520	1	Block, Terminal Pole	
118	1001157521	1	Box, Junction	
119	1001157528	1	Decal - Box Junction	
120	1001158007	1	Cover	
121	1001158008	2	Standoff	
	0272435	Ref	DECAL INSTALLATION	D
201	1705460	2	Decal - SkyPower	
202	3251243	1	Decal - 120V - 60Hz (Located on Opposite Side)	
203	1705375	1	Decal - 240V - 3 Phase	
204	1705387	3	Decal, Hazardous Voltage	
	1001221498	Ref	ELECTRICAL DIAGRAM COMPONENTS	B

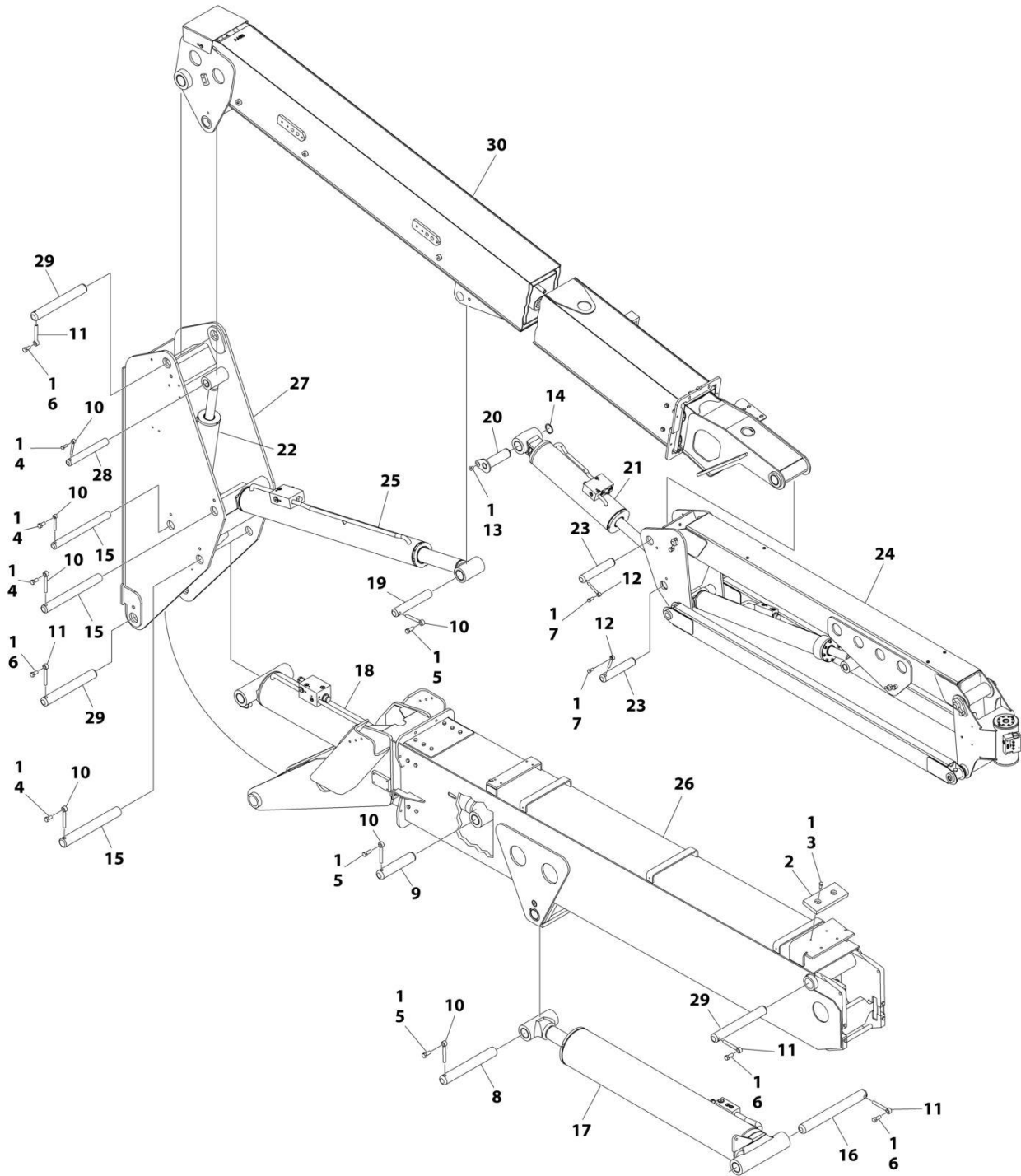
SECTION 3 - ENGINE

ITEM	PART NUMBER	QTY	DESCRIPTION	REV
301	1001257972	1	Generator Harness (See Separate Breakdown in ELECTRICAL SECTION)	A
303	4922641	1	Switch Harness	

SECTION 4 - BOOM

SECTION 4 - BOOM

FIGURE 4-1. BOOMS AND CYLINDERS INSTALLATION



ART_1001246978_G

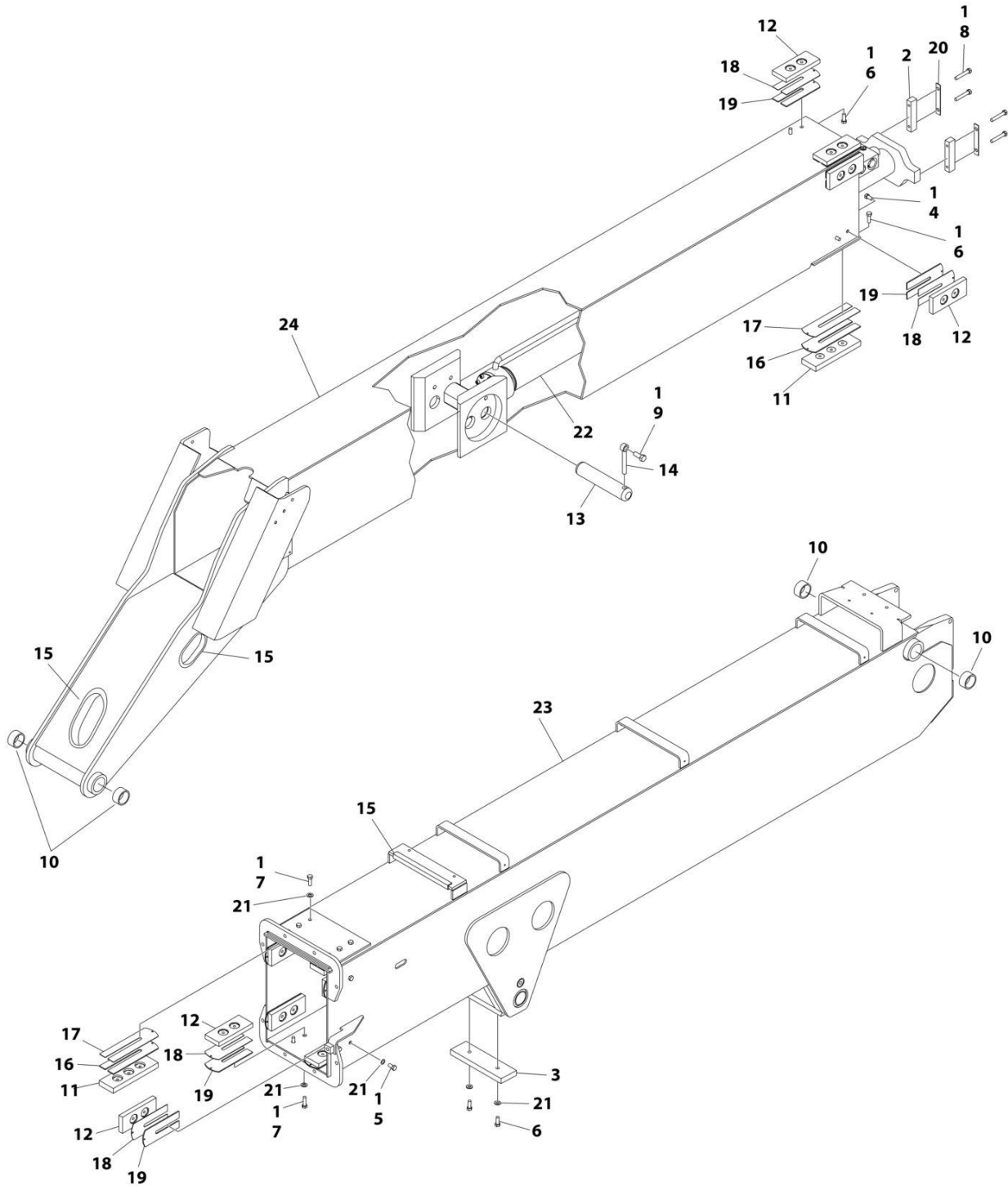
SECTION 4 - BOOM

FIGURE 4-1. BOOMS AND CYLINDERS INSTALLATION

ITEM	PART NUMBER	QTY	DESCRIPTION	REV
	1001246978	Ref	BOOMS AND CYLINDERS INSTALLATION	G
1	0100011	AR	Compound, Locking	
2	0561076	1	Block, Boom Rest	
3	0641607	2	Bolt 3/8 x 7/8	
4	0641809	4	Bolt 1/2 x 1-1/8	
5	0641810	3	Bolt 1/2 x 1-1/4	
6	0642012	4	Bolt 5/8 x 1-1/2	
7	0761212	2	Bolt M12 x 25	
8	1001267717	1	Pin	
9	3422575	1	Pin	
10	3841203	7	Keeper, Pin - 1/2	
11	3841258	4	Keeper, Pin	
12	3841709	2	Keeper, Pin - 1/2	
13	1001137032	1	Screw M10 x 16	
14	1001138671	1	Ring, Retaining	
15	1001155093	3	Pin	
16	1001267716	1	Pin	
17	1001261003	1	Tower Lift Cylinder Assembly (See Separate Breakdown in CYLINDER SECTION)	
18	1001251042	1	Upright Level Cylinder Assembly (See Separate Breakdown in CYLINDER SECTION)	
19	1001237138	1	Pin	
20	1001237142	1	Pin	
21	1001237697	1	Platform (Slave) Level Cylinder Assembly (See Separate Breakdown in CYLINDER SECTION)	
22	1001237698	1	Master Cylinder Assembly (See Separate Breakdown in CYLINDER SECTION)	
23	1001237949	1	Pin	
24	1001238328	1	Jib Boom Assembly (See Separate Breakdown in this Section)	
25	1001245761	1	Main Lift Cylinder Assembly (See Separate Breakdown in CYLINDER SECTION)	
26	1001246934	1	Tower Boom Assembly (See Separate Breakdown in this Section)	
27	1001246951	1	Upright	
28	1001246952	1	Pin	
29	1001246974	3	Pin	
30	1001248265	1	Main Boom Assembly (See Separate Breakdown in this Section)	

SECTION 4 - BOOM

FIGURE 4-2. TOWER BOOM ASSEMBLY



ART_1001246934

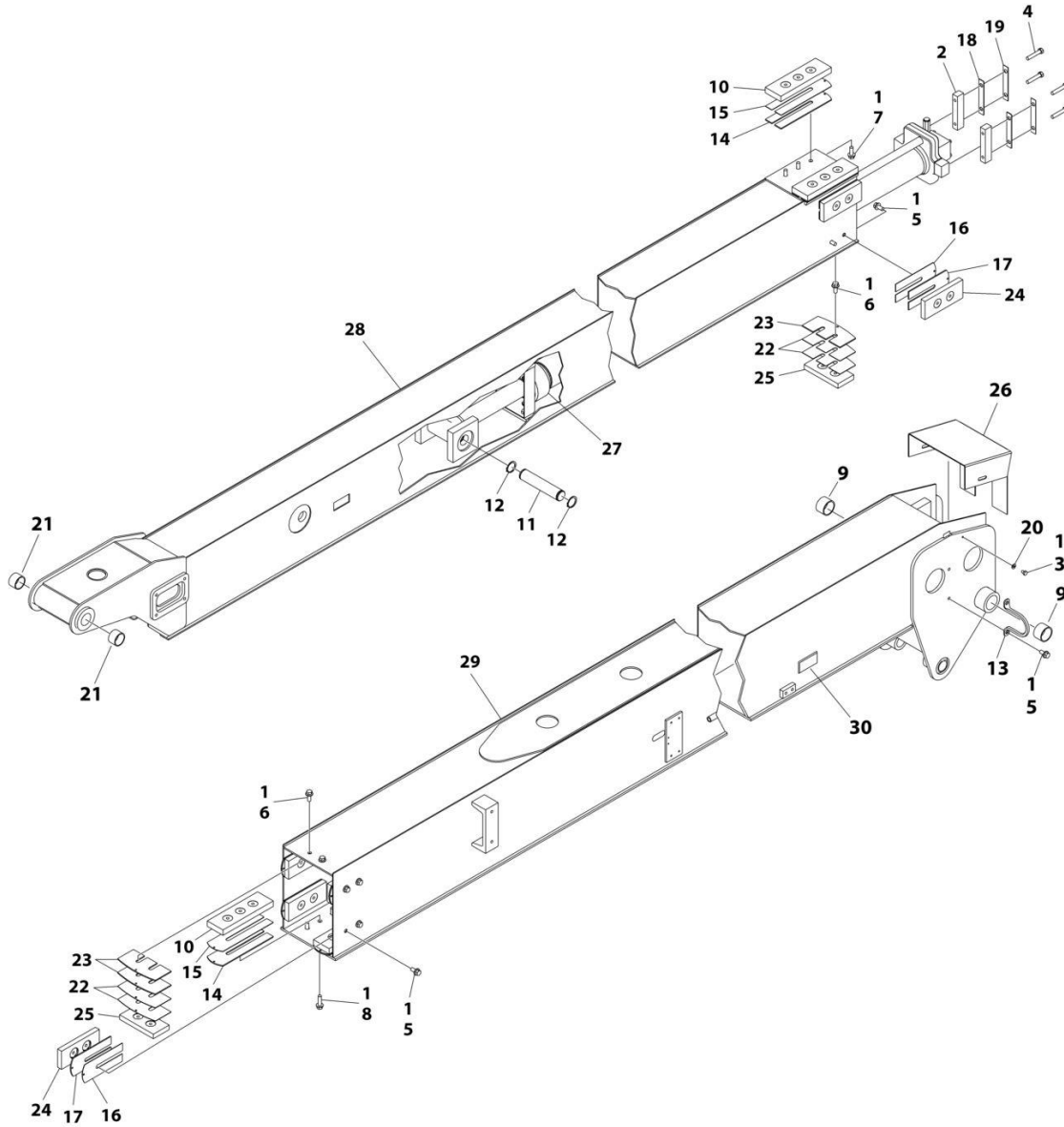
SECTION 4 - BOOM

FIGURE 4-2. TOWER BOOM ASSEMBLY

ITEM	PART NUMBER	QTY	DESCRIPTION	REV
	1001246934	Ref	TOWER BOOM ASSEMBLY	B
1	0100011	AR	Compound, Locking	
2	0561185	2	Block, Attach	
3	0561248	1	Block, Boom Rest	
4	0641606	8	Bolt 3/8 x 3/4	
5	0641607	8	Bolt 3/8 x 7/8	
6	0641608	12	Bolt 3/8 x 1	
7	0641610	10	Bolt 3/8 x 1-1/4	
8	0641616	4	Bolt 3/8 x 2	
9	0641810	1	Bolt 1/2 x 1-1/4	
10	0962036	4	Bushing	
11	3340871	4	Pad, Wear	
12	3340881	12	Pad, Wear	
13	3422575	1	Pin	
14	3841203	1	Keeper, Pin	
15	4060808	AR	Flex-Trim	
16	4070863	4	Shim .12	
17	4070864	4	Shim .05	
18	4070897	10	Shim .05	
19	4070898	12	Shim .12	
20	4070929	AR	Shim	
21	4711600	20	Washer 3/8	
22	1001228006	1	Cylinder Assembly - Tower Telescope (See Separate Breakdown in CYLINDER SECTION)	
23	1001246935	1	Base, Boom	
24	1001246936	1	Fly, Boom	

SECTION 4 - BOOM

FIGURE 4-3. MAIN BOOM ASSEMBLY



ART_1001248265

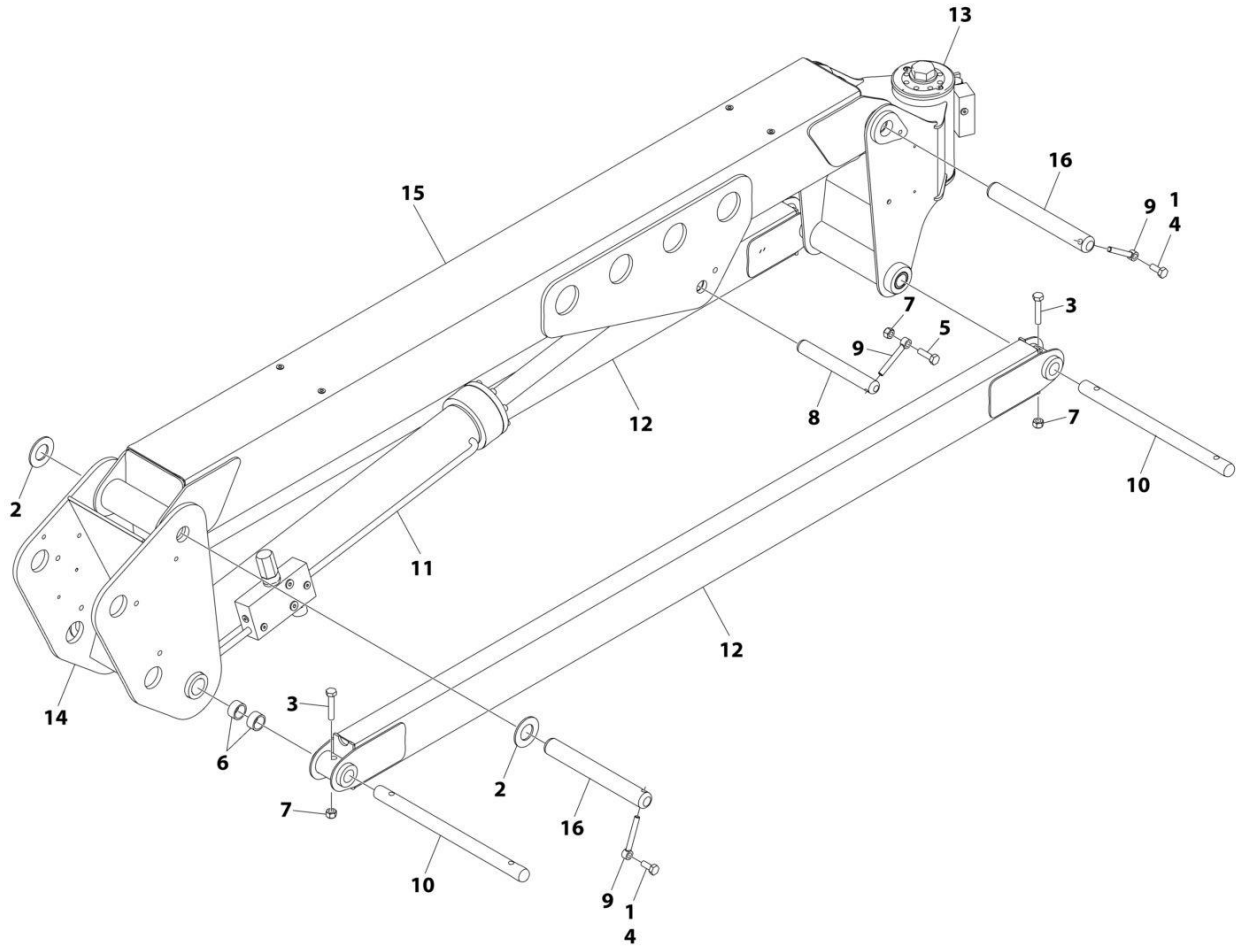
SECTION 4 - BOOM

FIGURE 4-3. MAIN BOOM ASSEMBLY

ITEM	PART NUMBER	QTY	DESCRIPTION	REV
	1001248265	Ref	BOOM ASSEMBLY	B
1	0100011	AR	Compound, Locking	
2	0561185	2	Block	
3	0641403	2	Bolt 1/4 x 3/8	
4	0641616	4	Bolt 3/8 x 2	
5	0811606	18	Bolt 3/8 x 3/4	
6	0811607	4	Bolt 3/8 x 7/8	
7	0811608	6	Bolt 3/8 x 1	
8	0811610	6	Bolt 3/8 x 1-1/4	
9	0962036	2	Bushing	
10	3340871	4	Pad, Wear	
11	3422457	1	Pin	
12	3760133	2	Ring, Retaining	
13	3841340	1	Loop, Hose	
14	4070863	4	Shim .12	
15	4070864	4	Shim .05	
16	4070897	8	Shim .05	
17	4070898	8	Shim .12	
18	4070929	AR	Shim	
19	4071007	AR	Shim	
20	4751200	2	Washer #12	
21	1001118666	2	Bushing	
22	1001136590	2	Shim 18Ga	
23	1001138436	4	Shim 11Ga	
24	1001148652	8	Pad, Wear	
25	1001152127	2	Pad, Wear	
26	1001162828	1	Cover, Boom	
27	1001228007	1	Telescope Cylinder Assembly (See Separate Breakdown in CYLINDER SECTION)	
28	1001248248	1	Fly, Boom	
29	1001248261	1	Base, Boom	
30	1001250737	3	Cover	

SECTION 4 - BOOM

FIGURE 4-4. JIB BOOM ASSEMBLY



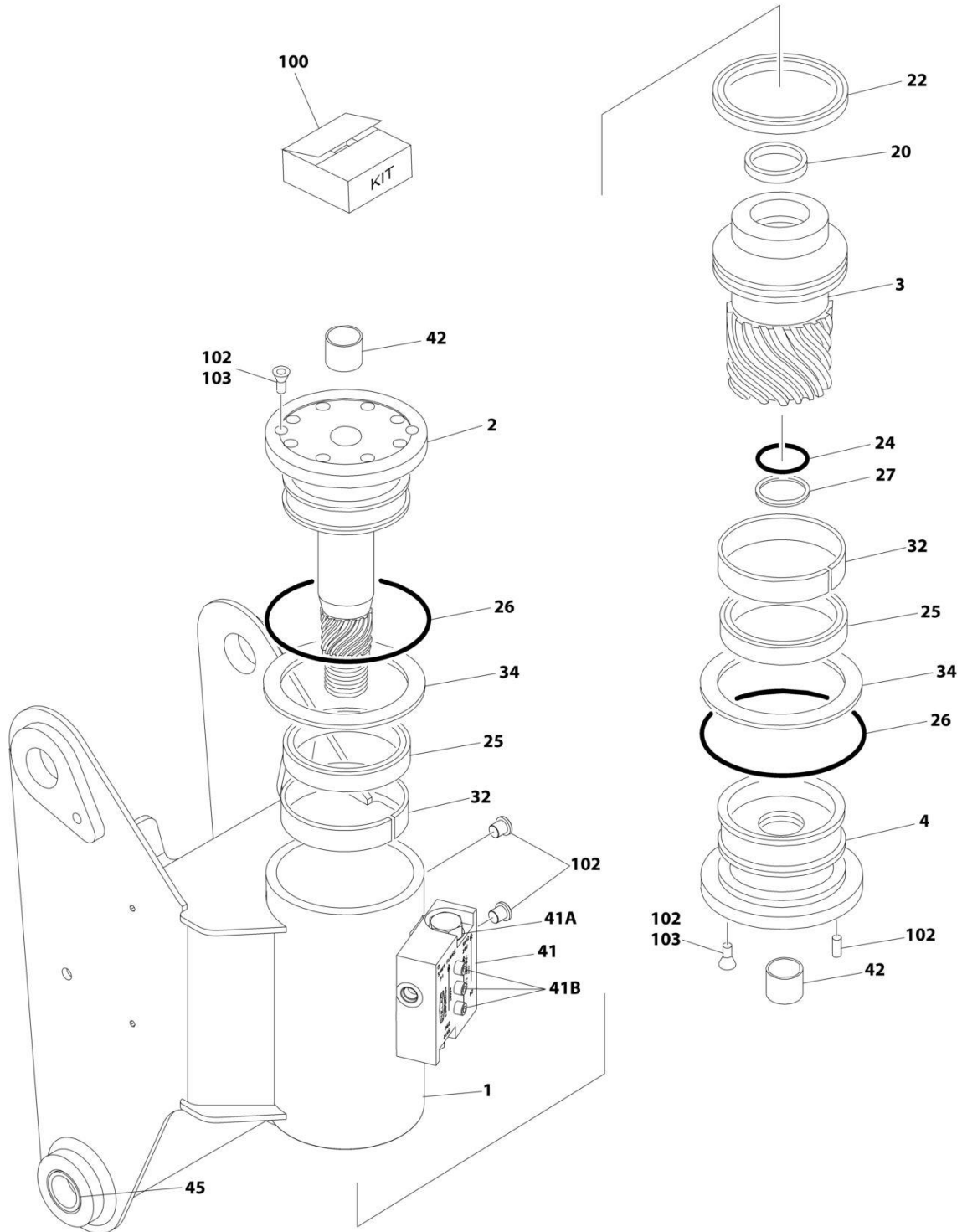
ART_1001238328_F

FIGURE 4-4. JIB BOOM ASSEMBLY

ITEM	PART NUMBER	QTY	DESCRIPTION	REV
	1001238328	Ref	JIB BOOM ASSEMBLY	F
1	0100011	AR	Compound, Locking	
2	0440162	2	Thrustwasher 0.188IN Thick	
2	0440237	1	Thrustwasher 0.125IN Thick	
3	0701020	1	Bolt M10 x 60	
4	0761012	2	Bolt M10 x 25	
5	0761015	1	Bolt M10 x 35	
6	0961947	4	Bearing 1IN ID x 1.25IN OD x 5/8IN L	
6	1001134289	4	Bearing 1IN ID x 1.5IN OD x 1IN L	
7	3291005	5	Nut M10	
8	3422867	1	Pin	
9	3841143	3	Keeper, Pin	
10	3422861	1	Pin	
11	1001264991	1	Lift Cylinder Assembly - Jib (See Separate Breakdown in CYLINDER SECTION)	
12	4844817	1	Link	
13	1001234811	1	Rotator Assembly (See Separate Breakdown in this Section)	
14	1001238168	1	Pivot	
15	1001238333	1	Tube (Upper)	
15	0962155	1	Bushing	
16	1001238398	2	Pin	

SECTION 4 - BOOM

FIGURE 4-5. ROTATOR ASSEMBLY



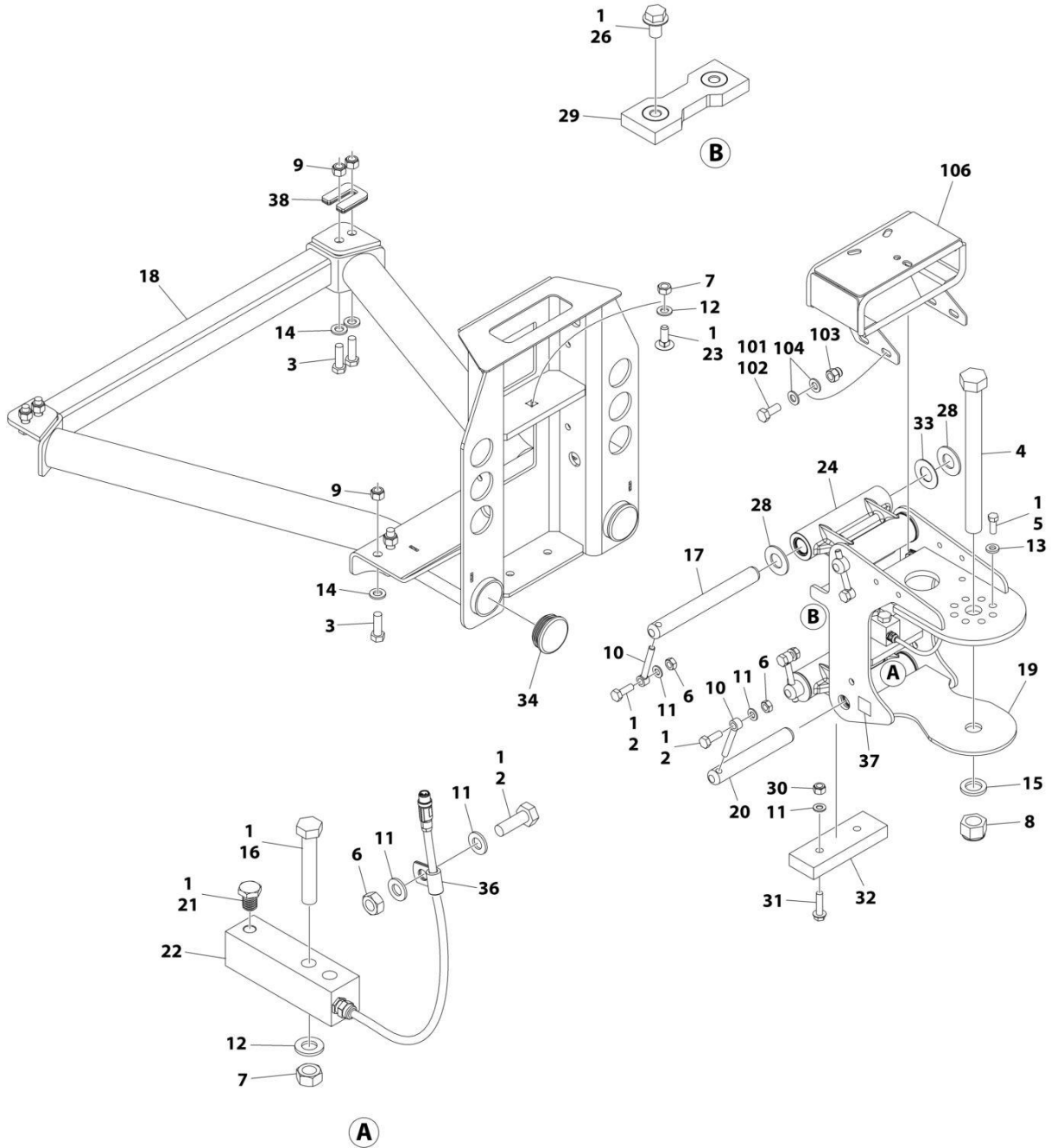
ART_1001234811

FIGURE 4-5. ROTATOR ASSEMBLY

ITEM	PART NUMBER	QTY	DESCRIPTION	REV
	1001234811	Ref	ROTATOR ASSEMBLY	B
1	See Note	NSS	Housing/Ring Gear Assembly (Note: Not Available - Purchase Complete Rotator Assembly)	
2	7017162	1	Shaft Weldment	
3	7017163	1	Piston/Sleeve Assembly	
4	7017164	1	Cap, End	
20	See Note	NSS	T-Seal (Note: Use Item 100)	
22	See Note	NSS	T-Seal (Note: Use Item 100)	
24	See Note	NSS	O-Ring (Note: Use Item 100)	
25	See Note	NSS	Seal (Note: Use Item 100)	
26	See Note	NSS	O-Ring (Note: Use Item 100)	
27	See Note	NSS	Ring, Back-up (Note: Use Item 100)	
32	See Note	NSS	Ring, Wear (Note: Use Item 101)	
34	See Note	NSS	Washer, Thrust (Note: Use Item 101)	
41	7017172	AR	Valve Assembly	
41A	7017192	2	Cartridge, Valve	
41A	See Note	NSS	Seal Kit - 7017192 Valve (Note: Not Available for Purchase)	
41B	See Note	3	Bolt 1/4-20NC x 1-1/2 Grade 8 (Note: Not Available - Purchase Locally)	
42	7017195	2	Bushing	
45	0961947	2	Bushing 1IN ID x 1.25IN OD x 5/8IN L	
45	1001134289	2	Bushing 1IN ID x 1.5IN OD x 1IN L	
100	70000342	1	Seal Kit (Includes Items 20, 22, 24, 25, 27 & 33)	
101	7017159	1	Bearing Kit (Includes Items 32 & 34)	
102	7017142	1	Hardware Kit	
103	70001697	4	Screw, Countersunk 1/4 x 3/8 Grade 8	

SECTION 4 - BOOM

FIGURE 4-6. PLATFORM SUPPORT INSTALLATION



ART_1001167596_N

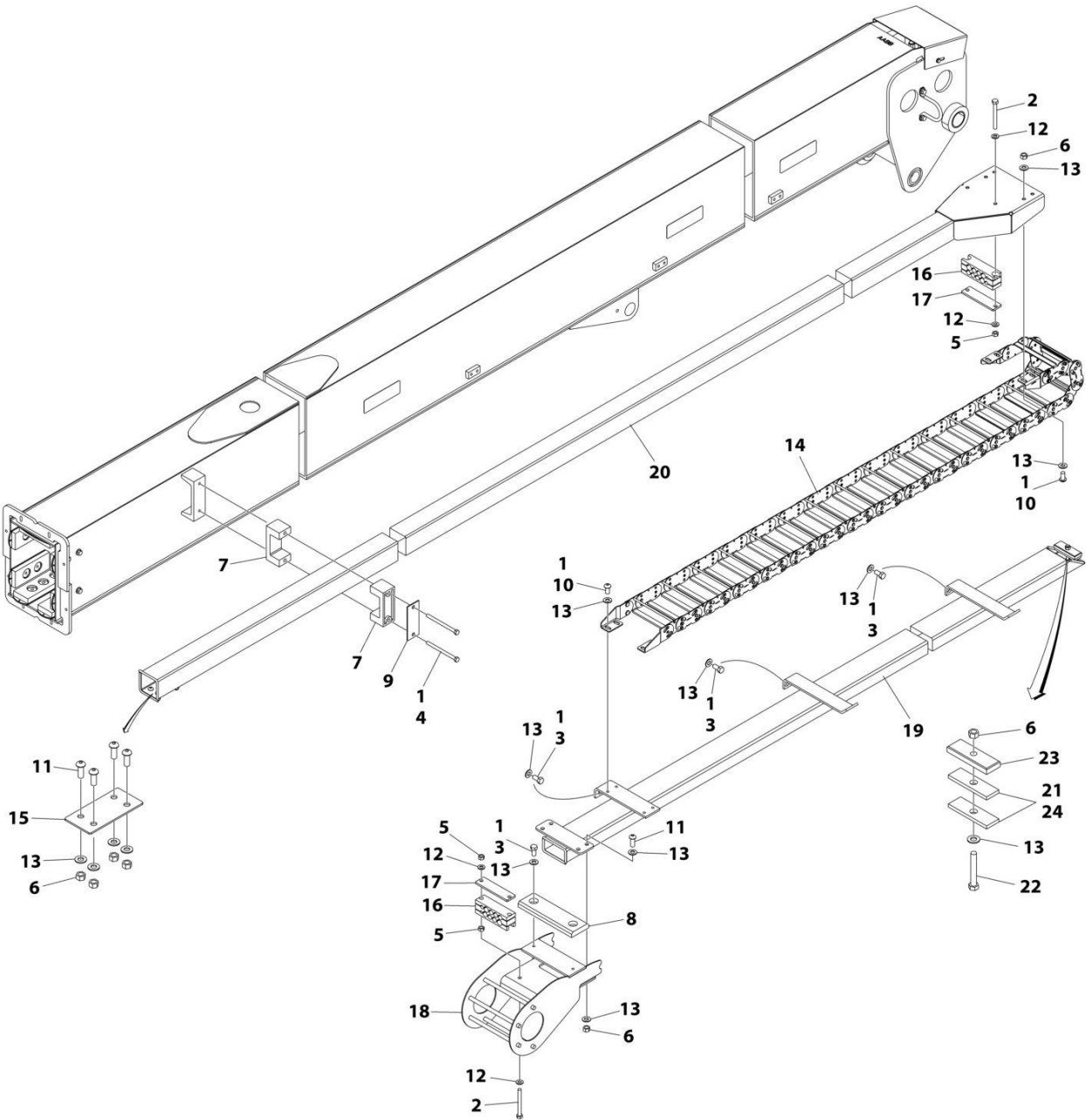
SECTION 4 - BOOM

FIGURE 4-6. PLATFORM SUPPORT INSTALLATION

ITEM	PART NUMBER	QTY	DESCRIPTION	REV
	1001167596	Ref	PLATFORM SUPPORT INSTALLATION	N
1	0100011	AR	Compound, Locking	
2	0761014	5	Bolt M10 x 30	
3	0761216	8	Bolt M12 x 40	
4	1001255133	1	Bolt 1 x 11 GRD8	
5	0681608	8	Bolt 3/8 x 1 GRD8	
6	3291001	5	Nut M10	
7	3291201	3	Nut M12	
8	1001174040	1	Nut 1	
9	3291205	8	Nut M12	
10	3841143	4	Keeper, Pin	
11	4812000	8	Washer M10	
12	4812100	3	Washer M12	
13	4891600	8	Washer 3/8	
14	5241200	8	Washer M12	
15	4892600001	1	Washer 1	
16	1001098828	2	Bolt M12 x 70 CL10.9	
17	1001167565	2	Pin	
18	1001200494	1	Support, Platform	
19	1001167567	1	Support, Rotator	
20	1001168402	2	Pin	
21	1001188622	1	Screw	
22	1001247468	1	Loadcell	
23	1001188844	1	Bolt M12 x 35	
24	1001201351	2	Link	
24	1001187382	4	Bearing	
24	1001187383	4	Seal	
26	5251008	2	Bolt M10 x 16 CL10.9	
28	1001189002	8	Bearing	
29	1001190985	1	Pad, Wear	
30	3291005	2	Nut M10	
31	5251016	2	Bolt M10 x 40 CL10.9	
32	1001200491	1	Pad, Wear	
33	1001189001	4	Bearing	
34	1001204725	2	Plug	
36	91203039	1	Clamp	
37	1001216630	2	Decal - Tie Down/No Lift	
38	1001238421	Ref	Kit, Platform Leveling (Not Shown)	
	1001202687	Ref	VALVE MOUNT INSTALLATION	B
101	0100011	AR	Compound, Locking	
102	0760810	4	Bolt M8 x 20	
103	3290806	4	Nut M8	
104	4811900	8	Washer M8	
106	1001208994	1	Mount, Valve	

SECTION 4 - BOOM

FIGURE 4-7. POWER TRACK INSTALLATION - MAIN BOOM



ART_1001250387

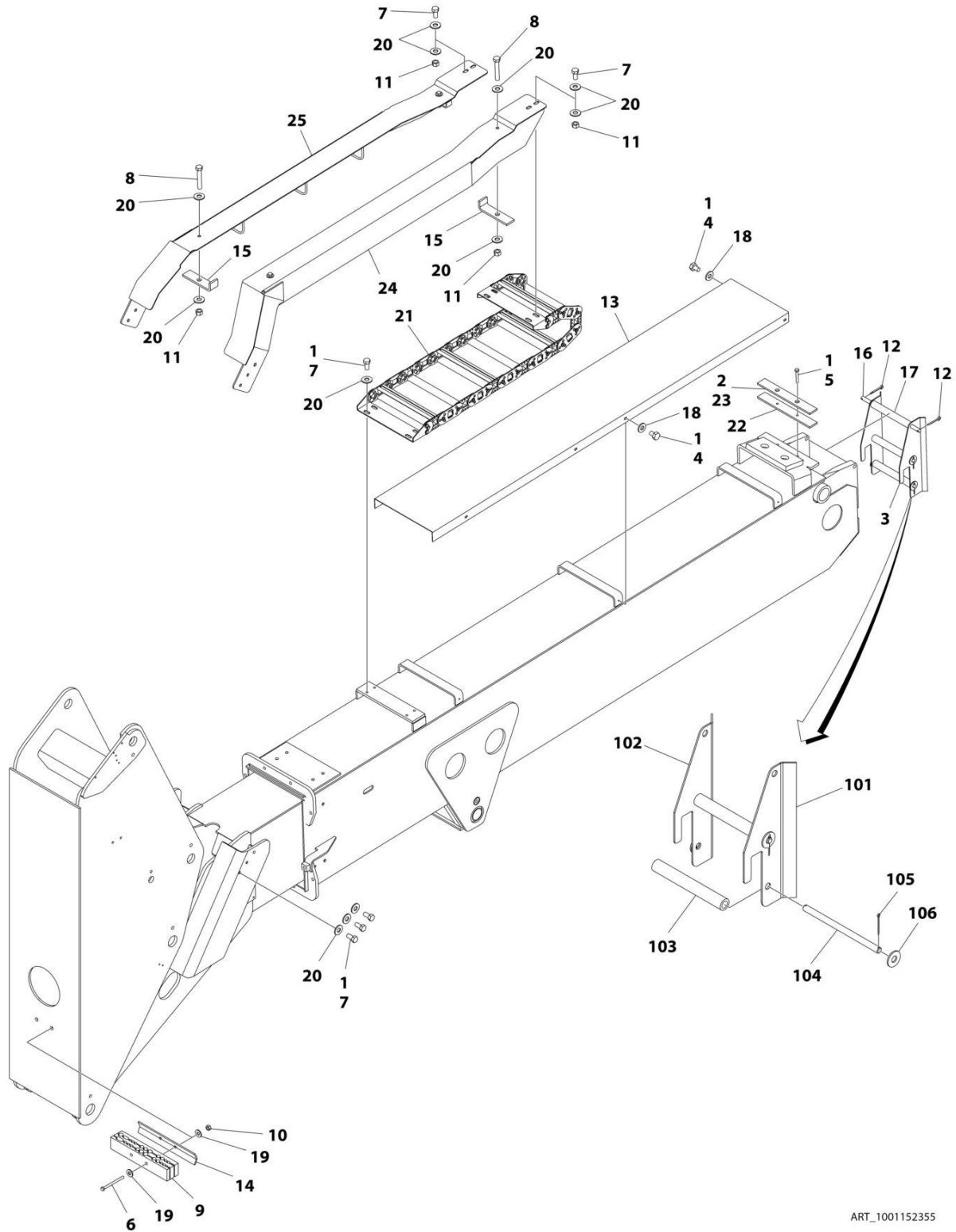
SECTION 4 - BOOM

FIGURE 4-7. POWER TRACK INSTALLATION - MAIN BOOM

ITEM	PART NUMBER	QTY	DESCRIPTION	REV
	1001250387	Ref	POWER TRACK INSTALLATION - MAIN BOOM	E
1	0100011	AR	Compound, Locking	
2	0641524	4	Bolt 5/16 x 3	
3	0641606	8	Bolt 3/8 x 3/4	
4	0641640	2	Bolt 3/8 x 5	
5	3271505	6	Nut 5/16	
6	3271605	13	Nut 3/8	
7	3340764	2	Pad	
8	3340840	1	Pad	
9	3538758	1	Plate	
10	3900283	8	Screw 3/8 x 3/4	
11	3900316	8	Screw 3/8 x 1	
12	4711500	8	Washer 5/16	
13	4711600	33	Washer 3/8	
14	1001255961	1	Power Track Assembly	
14	70007467	1	Repair Section	
14	70007466	1	Mounting Feet Kit	
15	1001176899	1	Plate	
16	1001253817	2	Clamp	
17	1001249824	2	Plate	
18	1001250384	1	Mount	
19	1001250722	1	Mount	
20	1001250900	1	Tube, Push	
21	0100081	AR	Adhesive	
22	0641620	1	Bolt 3/8 x 2-1/2	
23	1320289	1	Clamp	
24	3340943	2	Pad	

SECTION 4 - BOOM

FIGURE 4-8. POWER TRACK INSTALLATION - TOWER BOOM



ART_1001152355

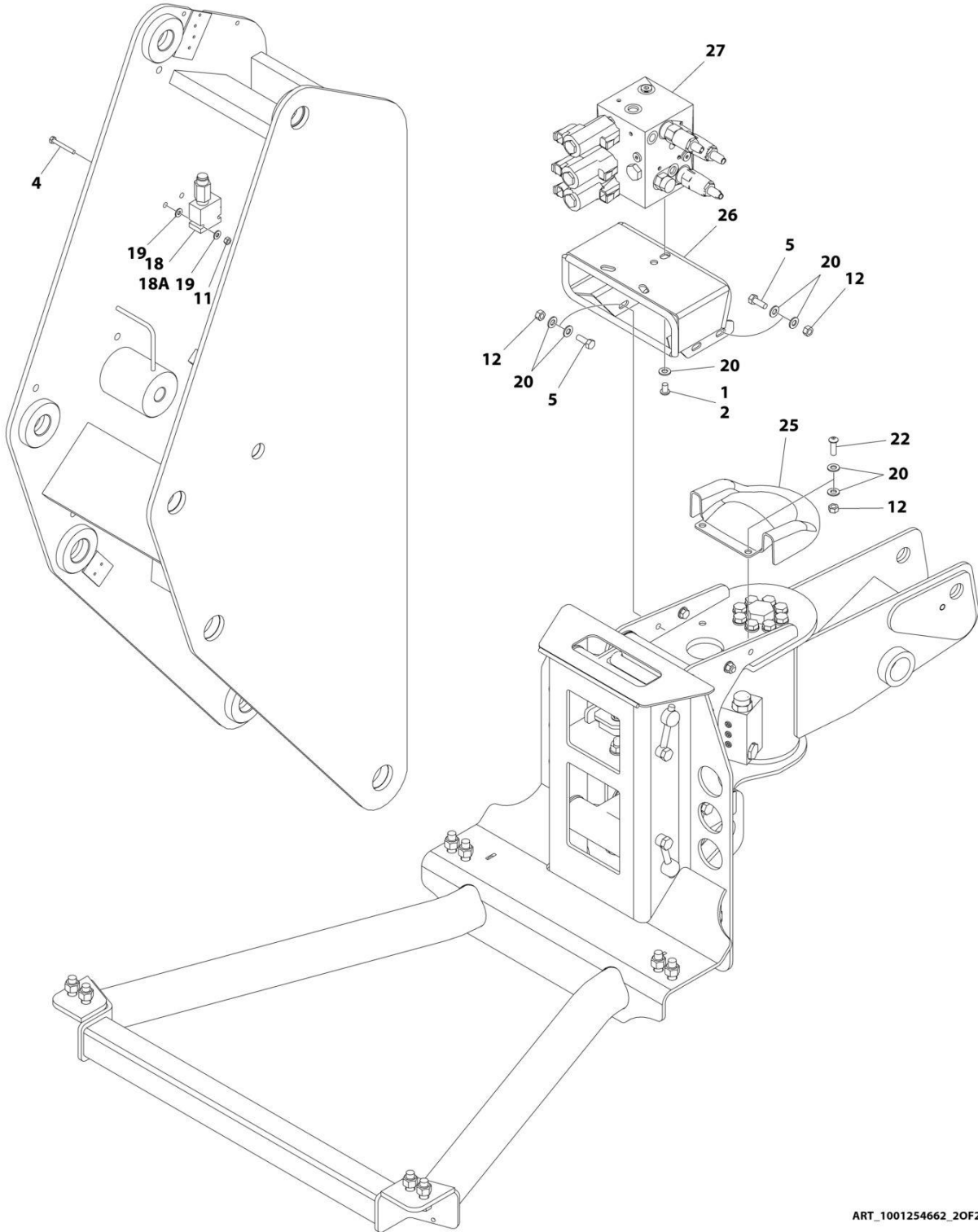
SECTION 4 - BOOM

FIGURE 4-8. POWER TRACK INSTALLATION - TOWER BOOM

ITEM	PART NUMBER	QTY	DESCRIPTION	REV
	1001152355	Ref	POWER TRACK INSTALLATION	D
1	0100011	AR	Compound, Locking	
2	0100081	AR	Adhesive	
3	0257573	1	Roller Hanger Assembly (Includes Items 101-106)	
4	0641403	6	Bolt 1/4 x 3/8	
5	0641516	2	Bolt 5/16 x 2	
6	0641532	2	Bolt 5/16 x 4	
7	0641606	14	Bolt 3/8 x 3/4	
8	0641618	4	Bolt 3/8 x 2-1/4	
9	1320243	1	Clamp, Block	
10	3311505	2	Nut 5/16	
11	3311605	8	Nut 3/8	
12	3450606	2	Pin, Cotter	
13	3539228	1	Plate, Cover	
14	3570374	1	Plate	
15	1001232880	4	Plate	
16	3841295	1	Rod	
17	4567241	1	Tube	
18	4711400	6	Washer 1/4	
19	4751500	4	Washer 5/16	
20	4751600	26	Washer 3/8	
21	1001099835	1	Power Track Assembly	
21	70002001	AR	Repair Section	
21	70002002	1	Mounting Bracket Kit	
22	1001110500	1	Plate	
23	1001110501	1	Pad	
24	1001151542	1	Bracket	
25	1001151586	1	Bracket	
	0257573	Ref	ROLLER HANGER ASSEMBLY	B
101	3570277	1	Plate (Left Side)	
102	3570270	1	Plate (Right Side)	
103	4567241	2	Roller, Tube	
104	3841347	2	Rod	
105	3450306	4	Pin, Cotter	
106	4751800	4	Washer 1/2	

SECTION 4 - BOOM

FIGURE 4-9. CONTROL VALVES INSTALLATION - DEUTZ D2011 AND STAGE V ENGINES



ART_1001254662_20F2

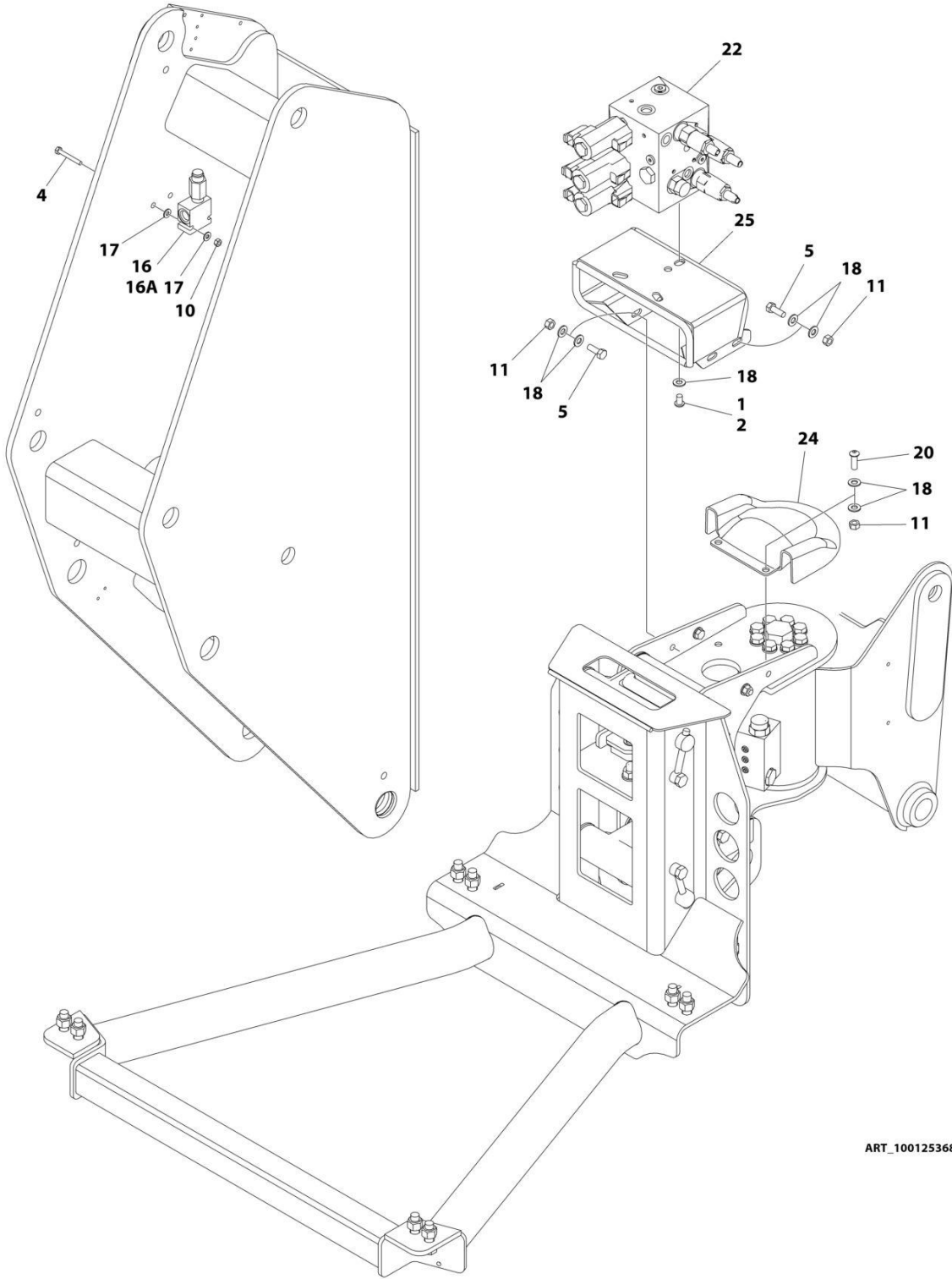
SECTION 4 - BOOM

FIGURE 4-9. CONTROL VALVES INSTALLATION - DEUTZ D2011 AND STAGE V ENGINES

ITEM	PART NUMBER	QTY	DESCRIPTION	REV
	1001254662	Ref	CONTROL VALVES INSTALLATION	B
1	0100011	AR	Compound, Locking	
2	0630467	3	Screw 5/6-18 x 1/2	
4	0641416	2	Bolt 1/4 x 2	
5	0641507	4	Bolt 5/16 x 7/8	
11	3311405	2	Nut 1/4-20	
12	3311505	6	Nut 5/16	
18	4640929	1	Valve Assembly - Relief	
18A	7012970	1	Cartridge Valve	
18A	7012953	1	Seal Kit - 7012970 Valve	
19	4711400	4	Washer 1/4	
20	4711500	15	Washer 5/16	
22	88261024	2	Screw 5/16 x 1	
25	1001207969	1	Cover	
26	1001208994	1	Mount	
27	1001253677	1	Control Valve Assembly (See Separate Breakdown in this Section)	

SECTION 4 - BOOM

FIGURE 4-10. CONTROL VALVES INSTALLATION - DEUTZ TD2.9L4 & FORD ENGINES



ART_1001253680_20F2

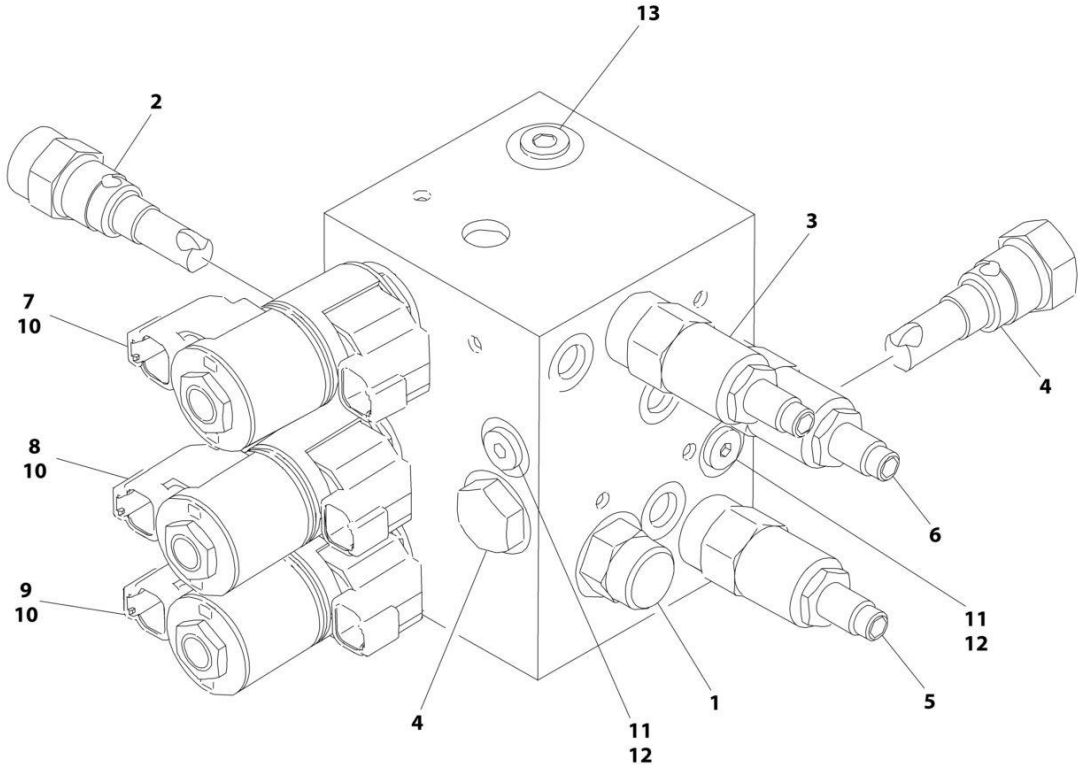
SECTION 4 - BOOM

FIGURE 4-10. CONTROL VALVES INSTALLATION - DEUTZ TD2.9L4 & FORD ENGINES

ITEM	PART NUMBER	QTY	DESCRIPTION	REV
	1001253680	Ref	CONTROL VALVES INSTALLATION	B
1	0100011	AR	Compound, Locking	
2	0630467	3	Screw 5/6-18 x 1/2	
4	0641416	2	Bolt 1/4 x 2	
5	0641507	4	Bolt 5/16 x 7/8	
10	3311405	2	Nut 1/4-20	
11	3311505	6	Nut 5/16	
16	4640929	1	Valve Assembly - Relief	
16A	7012970	1	Cartridge Valve	
16A	7012953	1	Seal Kit - 7012970 Valve	
17	4711400	4	Washer 1/4	
18	4711500	15	Washer 5/16	
20	88261024	2	Screw 5/16 x 1	
22	1001253677	1	Control Valve Assembly (See Separate Breakdown in this Section)	
24	1001207969	1	Cover	
25	1001208994	1	Mount	

SECTION 4 - BOOM

FIGURE 4-11. BOOM VALVE ASSEMBLY



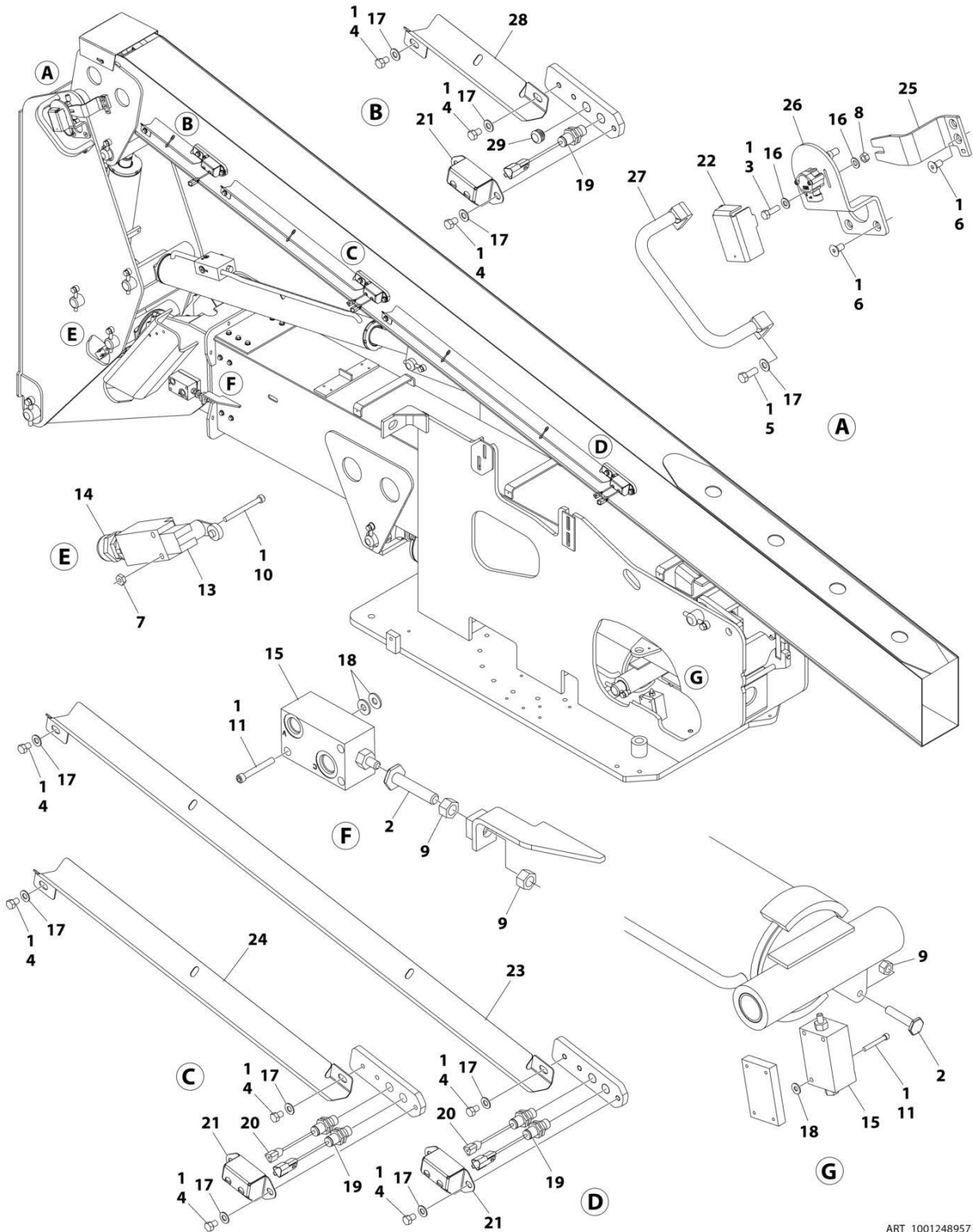
ART_1001253677

FIGURE 4-11. BOOM VALVE ASSEMBLY

ITEM	PART NUMBER	QTY	DESCRIPTION	REV
	1001253677	Ref	BOOM VALVE ASSEMBLY	B
1	7012989	1	Valve, Flow	
1	7012953	1	Seal Kit - 7012989 Valve	
2	7012965	1	Valve, Flow	
2	7012953	1	Seal Kit - 7012965 Valve	
3	70004151	1	Valve, Relief	
3	7021653	1	Seal Kit - 70003962 Valve	
4	7012914	2	Valve, Cartridge	
4	7012918	2	Seal Kit - 7012914 Valve	
5	7023911	1	Valve, Relief	
5	7012967	1	Seal Kit - 7023911 Valve	
6	70007446	1	Valve, Relief	
6	7012998	1	Seal Kit - 70007446 Valve	
7	7017452	1	Valve, Solenoid (Jib)	
7	7017402	2	Seal Kit - 7017452 Valve	
8	7017452	1	Valve, Solenoid (Platform Level)	
8	7017402	1	Seal Kit - 7017452 Valve	
9	7017452	1	Valve, Solenoid (Rotator)	
9	7017402	2	Seal Kit - 7017452 Valve	
10	70002386	6	Coil	
11	70002064	2	Plug, Orifice	
12	2220883	2	Plug	
13	91164079	1	Plug	

SECTION 4 - BOOM

FIGURE 4-12. BOOM VALVES AND LIMIT SWITCHES INSTALLATION



ART_1001248957

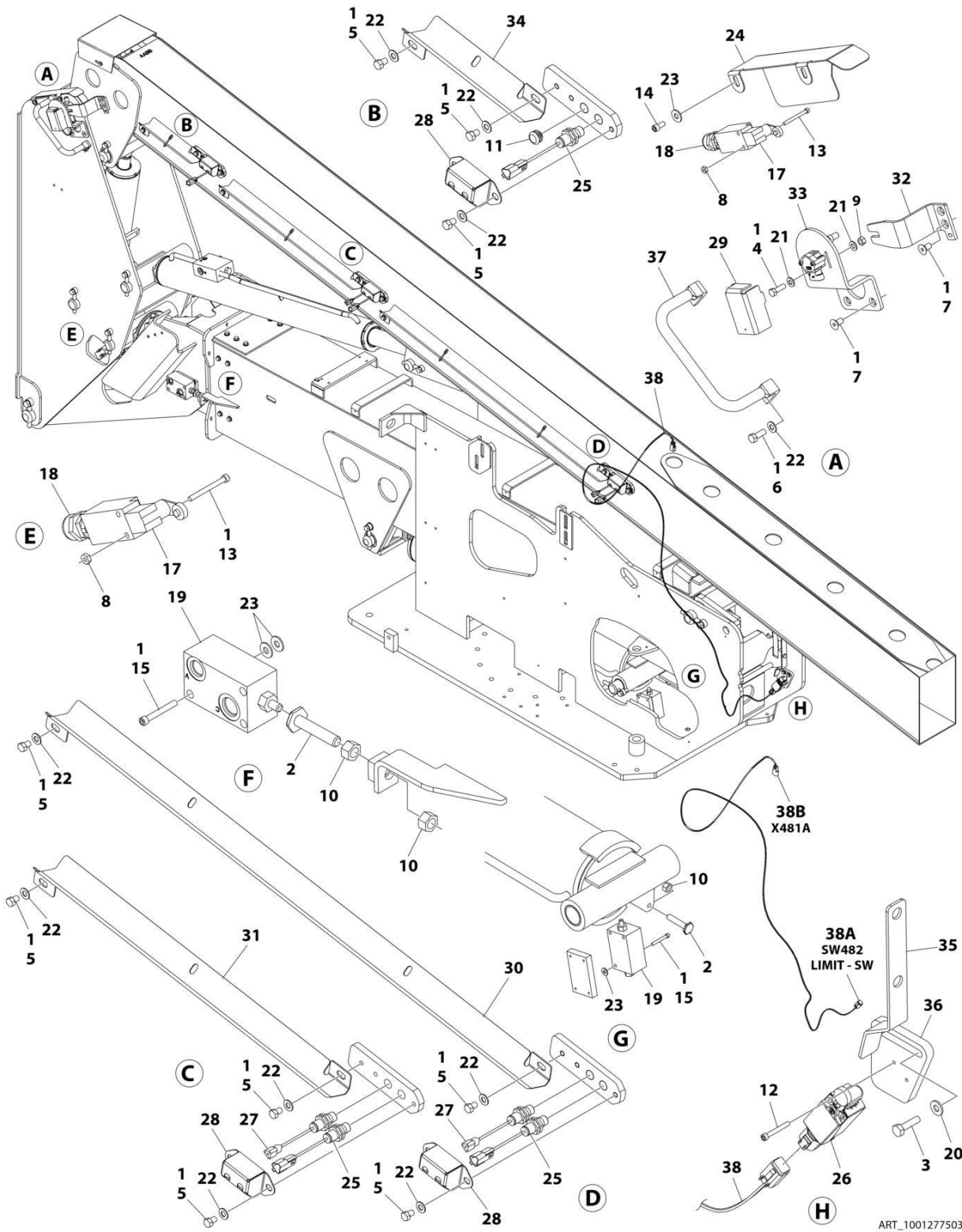
SECTION 4 - BOOM

FIGURE 4-12. BOOM VALVES AND LIMIT SWITCHES INSTALLATION

ITEM	PART NUMBER	QTY	DESCRIPTION	REV
	1001248957	Ref	BOOM VALVES AND LIMIT SWITCHES INSTALLATION	D
1	0100011	AR	Compound, Locking	
2	0630427	2	Bolt	
3	0641508	1	Bolt 5/16 x 1	
4	0641604	12	Bolt 3/8 x 1/2	
5	0641608	2	Bolt 3/8 x 1	
6	0741606	4	Screw 3/8 x 3/4	
7	3310801	2	Nut #8	
8	3311501	1	Nut 5/6	
9	3311801	3	Nut 1/2	
10	3930828	2	Capscrew #8 x 1-3/4	
11	3931430	6	Capscrew 1/4 x 1-7/8	
12	4240033	5	Tie-Strap (Not Shown)	
13	4360578	1	Switch, Limit	
14	4460968	1	Connector, Strain Relief	
15	4641436	2	Valve, 2-Way	
16	4711500	2	Washer 5/16	
17	4711600	14	Washer 3/8	
18	4751400	9	Washer 1/4	
19	1001170847	3	Sensor, Proximity	
20	1001182570	2	Sensor, Proximity	
21	1001204715	3	Bracket	
22	1001211588	1	Shield	
23	1001238138	1	Angle	
24	1001238327	1	Angle	
25	1001248958	1	Plate	
26	1001248962	1	Sensor, Angle	
27	1001263612	1	Bar, Guard	
28	1001250531	1	Plate	
29	3520193	1	Plug	

SECTION 4 - BOOM

FIGURE 4-13. BOOM SENSOR INSTALLATION (TOWER STOW)



ART_1001277503

SECTION 4 - BOOM

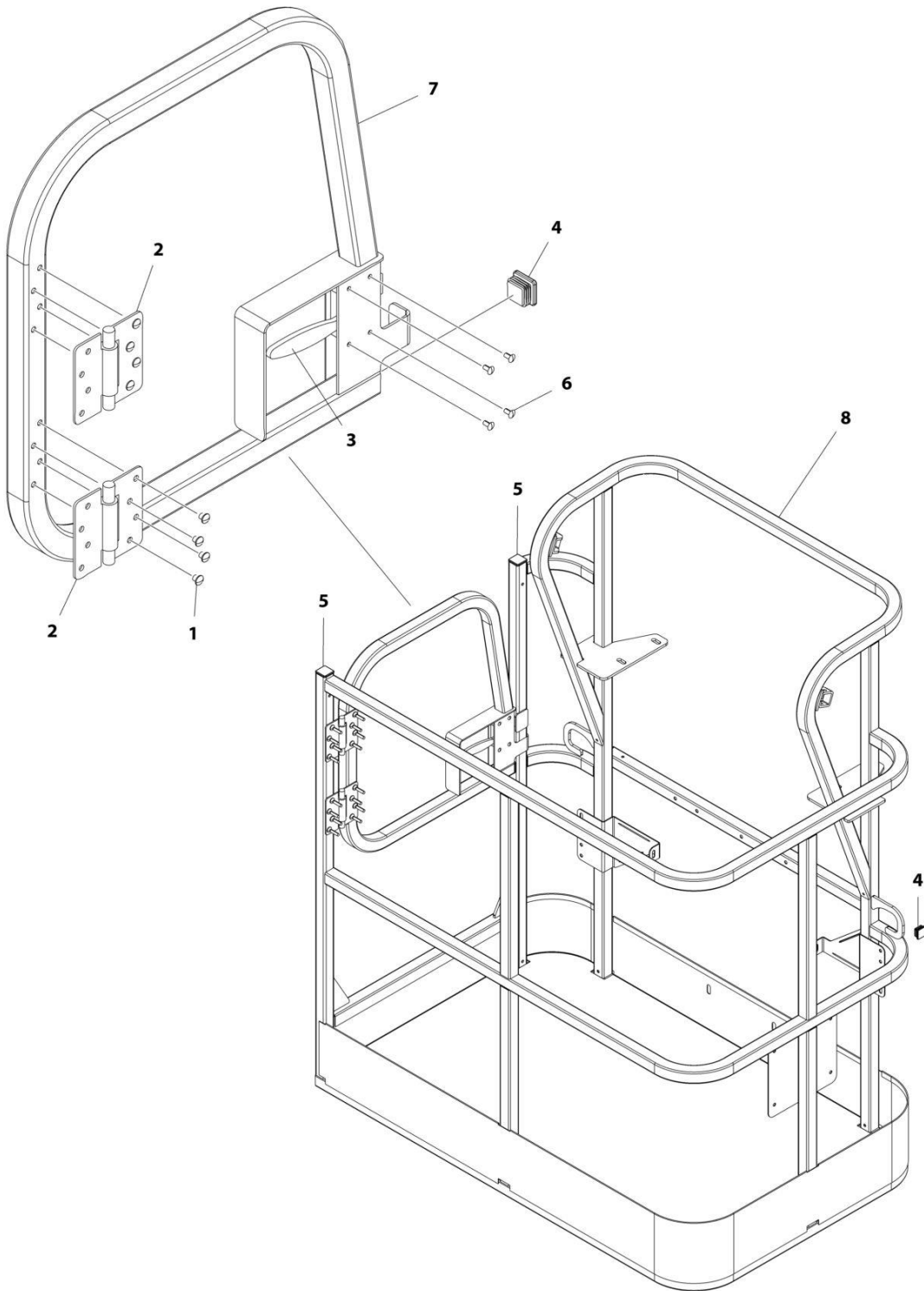
FIGURE 4-13. BOOM SENSOR INSTALLATION (TOWER STOW)

ITEM	PART NUMBER	QTY	DESCRIPTION	REV
	1001277503	Ref	BOOM SENSOR INSTALLATION	A
1	0100011	AR	Compound, Locking	
2	0630427	2	Bolt	
3	0641408	2	Bolt 1/4 x 1	
4	0641508	1	Bolt 5/16 x 1	
5	0641604	12	Bolt 3/8 x 1/2	
6	0641608	2	Bolt 3/8 x 1	
7	0741606	4	Screw 3/8 x 3/4	
8	3310801	4	Nut #8	
9	3311501	1	Nut 5/6	
10	3311801	3	Nut 1/2	
11	3520193	1	Plug	
12	3930820	2	Capscrew #8 x 1-1/4	
13	3930828	4	Capscrew #8 x 1-3/4	
14	3931408	2	Capscrew 1/4 x 1/2	
15	3931430	6	Capscrew 1/4 x 1-7/8	
16	4240033	5	Tie-Strap (Not Shown)	
17	4360578	2	Switch, Limit	
18	4460968	2	Connector, Strain Relief	
19	4641436	2	Valve, 2-Way	
20	4711400	2	Washer 1/4	
21	4711500	2	Washer 5/16	
22	4711600	14	Washer 3/8	
23	4751400	11	Washer 1/4	
24	1001155399	1	Cover, Limit Switch	
25	1001170847	3	Sensor, Proximity	
26	1001172271	1	Switch, Roller Limit	
27	1001182570	2	Sensor, Proximity	
28	1001204715	3	Bracket	
29	1001211588	1	Shield	
30	1001238138	1	Angle	
31	1001238327	1	Angle	
32	1001248958	1	Plate	
33	1001248962	1	Sensor, Angle	
34	1001250531	1	Plate	
35	1001259642	1	Plate	
36	1001260070	1	Bracket, Limit Switch	
37	1001263612	1	Bar, Guard	
38	1001266829	1	Harness, Tower Stow Indicator	
38A	4460884	1	Connector - 4 Position	
38A	4460465	2	Socket, Female	
38A	4460466	2	Plug, Terminal	
38B	4460910	1	Connector - 3 Position	
38B	1001116695	2	Terminal, Pin	
38B	4460518	1	Plug, Terminal	

SECTION 5 - PLATFORM

SECTION 5 - PLATFORM

FIGURE 5-1. PLATFORM ASSEMBLY - 30IN X 4FT (76.2CM X 1.22M) WITH SWING GATE



ART_1001186387

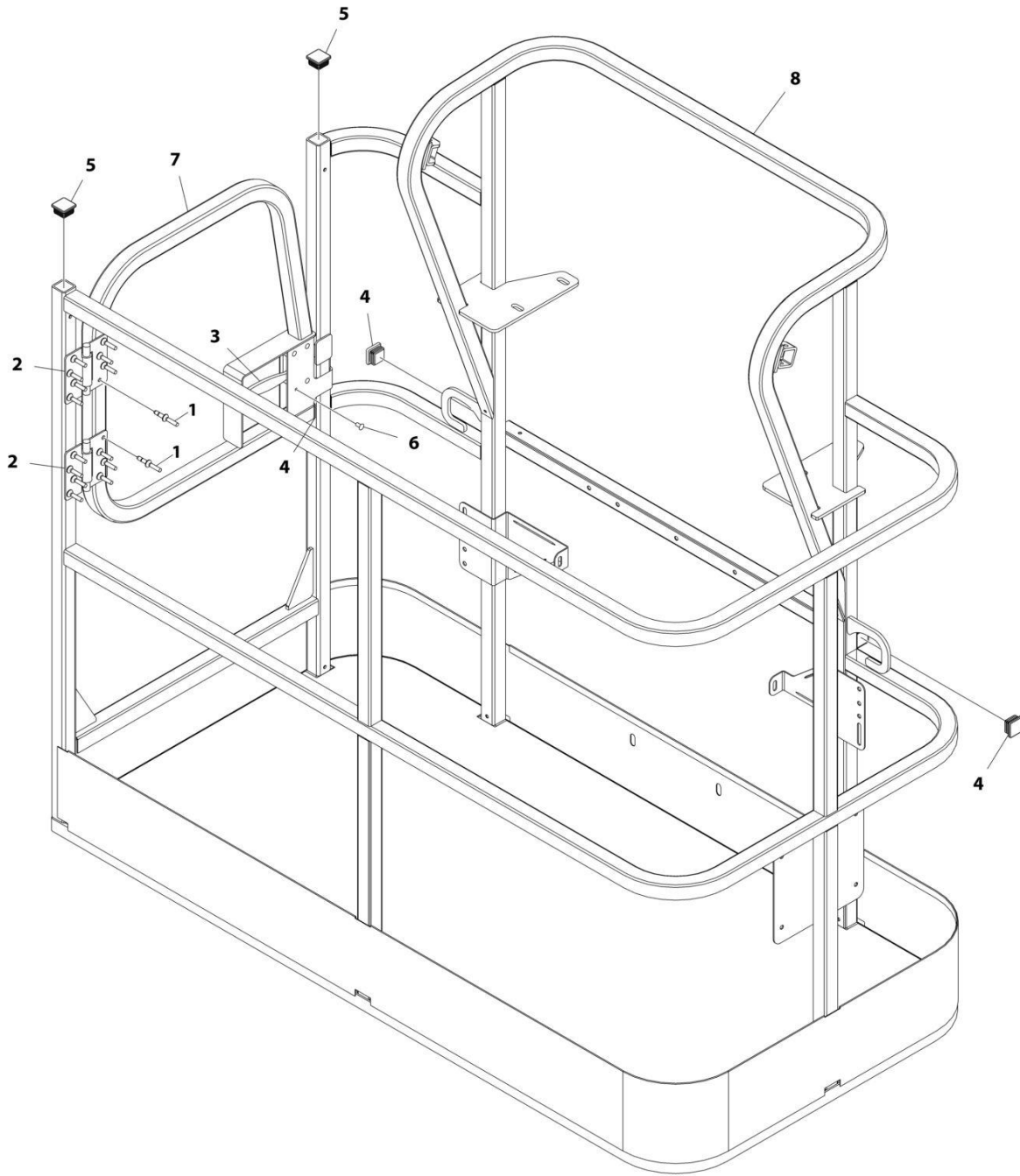
SECTION 5 - PLATFORM

FIGURE 5-1. PLATFORM ASSEMBLY - 30IN X 4FT (76.2CM X 1.22M) WITH SWING GATE

ITEM	PART NUMBER	QTY	DESCRIPTION	REV
	1001186387	Ref	PLATFORM ASSEMBLY	C
		Ref	Note: Platform and Mesh must be ordered separately for Platforms with Mesh. See SPECIAL OPTIONS SECTION for Mesh Installations.	
		Ref	Note: Replacement Decals Must be Ordered Separately - See DECALS SECTION.	
1	2080040	16	Fastener, Huck	
2	2600281	2	Hinge, Self-Closing	
3	2940074	1	Latch	
4	3520072	3	Plug	
5	3520198	2	Plug	
6	3820020	4	Rivet	
7	1001144629	1	Gate	
8	See Note	1	Platform (Note: Not Available - Purchase Platform Assembly)	

SECTION 5 - PLATFORM

FIGURE 5-2. PLATFORM ASSEMBLY - 30IN X 5FT (76CM X 1.52M) - GATE ENTRY



ART_1001186386

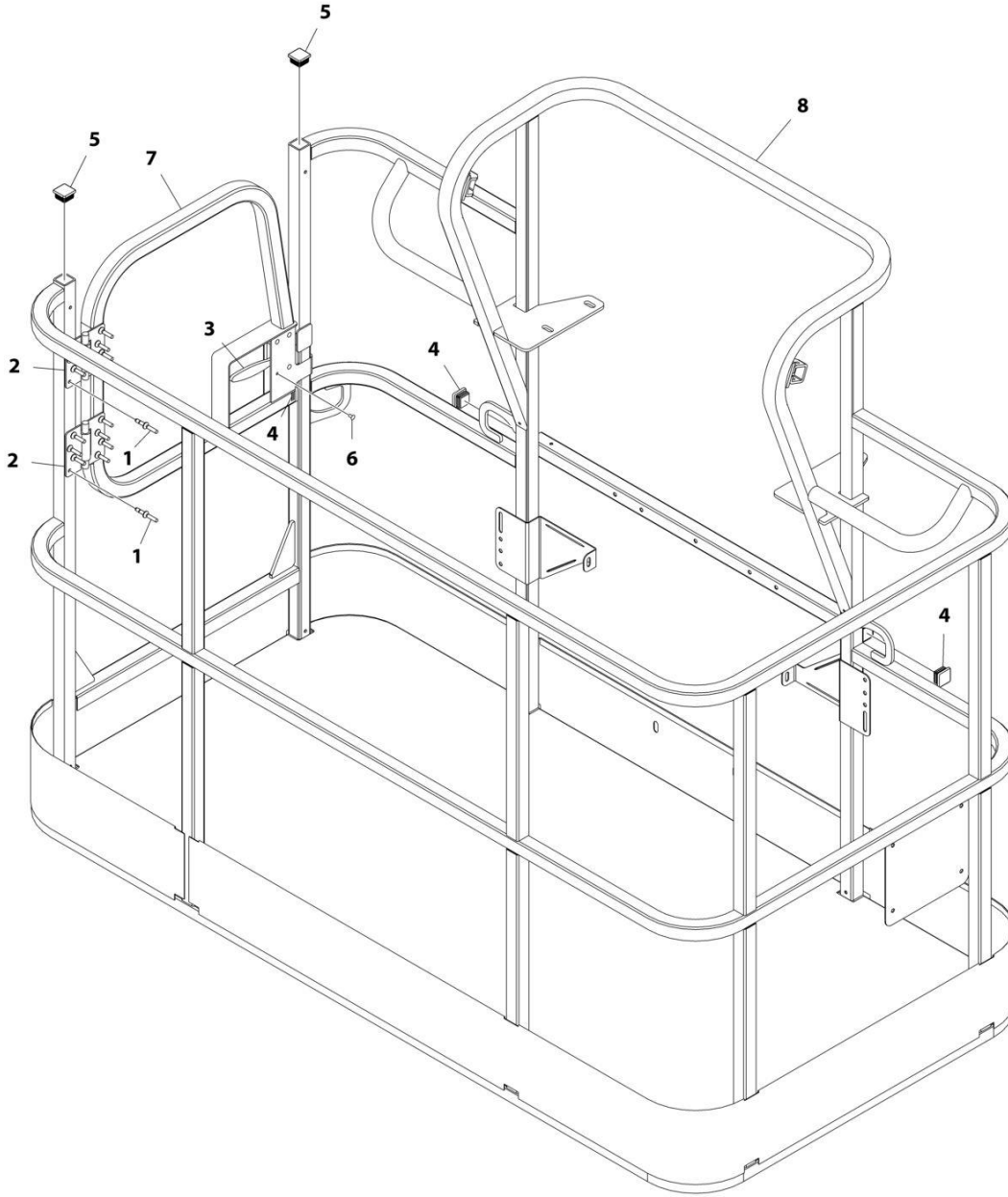
SECTION 5 - PLATFORM

FIGURE 5-2. PLATFORM ASSEMBLY - 30IN X 5FT (76CM X 1.52M) - GATE ENTRY

ITEM	PART NUMBER	QTY	DESCRIPTION	REV
	1001186386	Ref	PLATFORM ASSEMBLY	C
		Ref	Note: Platform and Mesh must be ordered separately for Platforms with Mesh. See SPECIAL OPTIONS SECTION for Mesh Installations.	
		Ref	Note: Replacement Decals Must be Ordered Separately - See DECALS SECTION.	
1	2080040	16	Fastener, Huck	
2	2600281	2	Hinge, Self-Closing	
3	2940074	1	Latch	
4	3520072	3	Plug	
5	3520198	2	Plug	
6	3820020	4	Rivet	
7	1001144629	1	Gate	
8	See Note	NSS	Platform (Note: Not Available - Purchase Platform Assembly)	

SECTION 5 - PLATFORM

FIGURE 5-3. PLATFORM ASSEMBLY - 36IN X 6FT (91.5CM X 1.83M) WITH SWING GATE



ART_1001186384

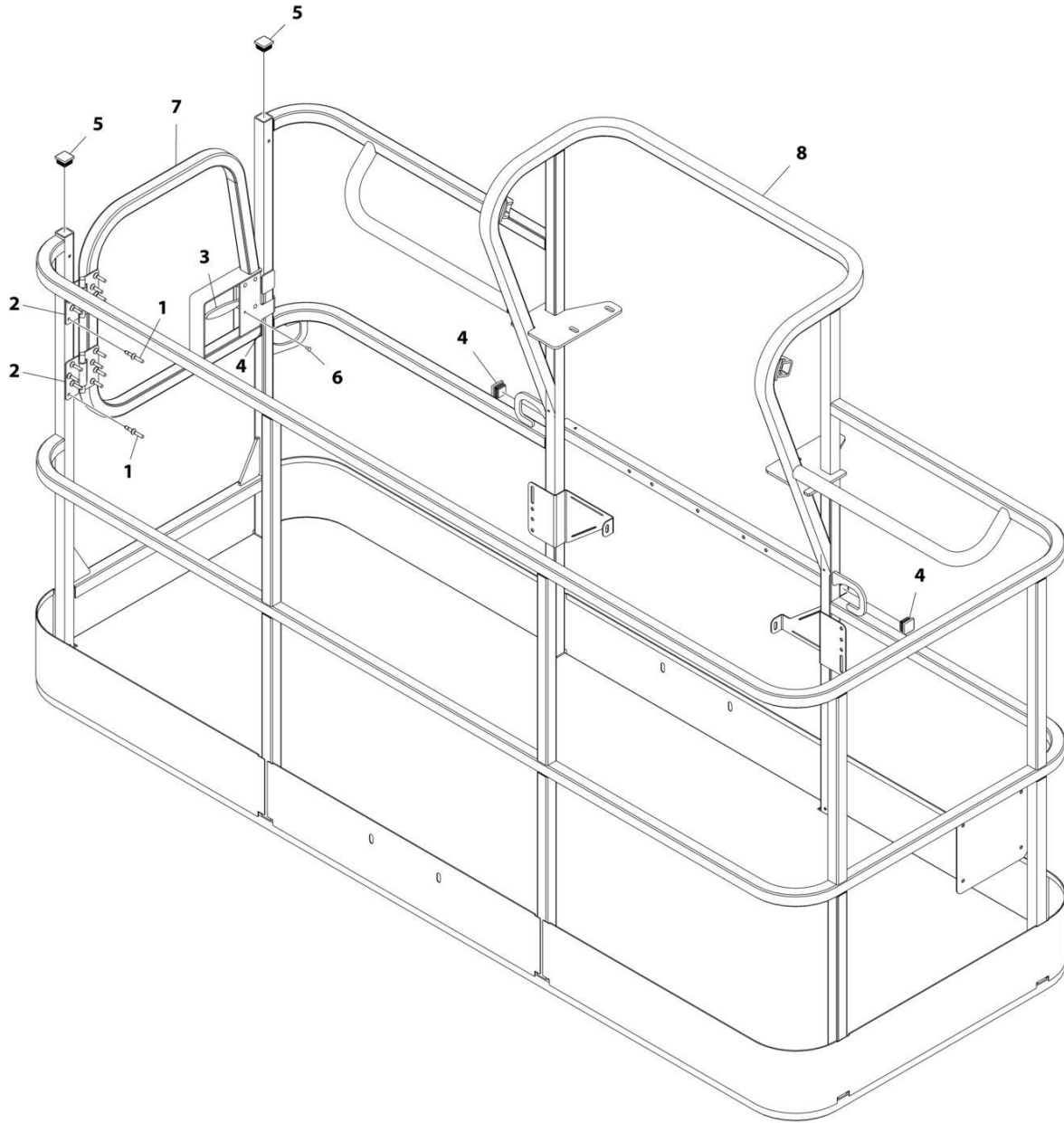
SECTION 5 - PLATFORM

FIGURE 5-3. PLATFORM ASSEMBLY - 36IN X 6FT (91.5CM X 1.83M) WITH SWING GATE

ITEM	PART NUMBER	QTY	DESCRIPTION	REV
	1001186384	Ref	PLATFORM ASSEMBLY - 36IN X 6FT (91.5CM X 1.83M) WITH SWING GATE	C
	See Note	Ref	Note: Platform and Mesh must be ordered separately for Platforms with Mesh. See SPECIAL OPTIONS SECTION for Mesh Installations.	
	See Note	Ref	Note: Replacement Decals Must be Ordered Separately - See DECALS SECTION.	
1	2080040	16	Fastener, Huck	
2	2600281	2	Hinge	
3	2940074	1	Latch	
4	3520072	3	Plug	
5	3520198	2	Plug	
6	3820020	4	Rivet	
7	1001144629	1	Gate	
8	See Note	NSS	Platform (Note: Not Available - Purchase Platform Assembly)	

SECTION 5 - PLATFORM

FIGURE 5-4. PLATFORM ASSEMBLY - 36IN X 8FT (91.5CM X 2.44M) WITH SWING GATE



ART_1001186383

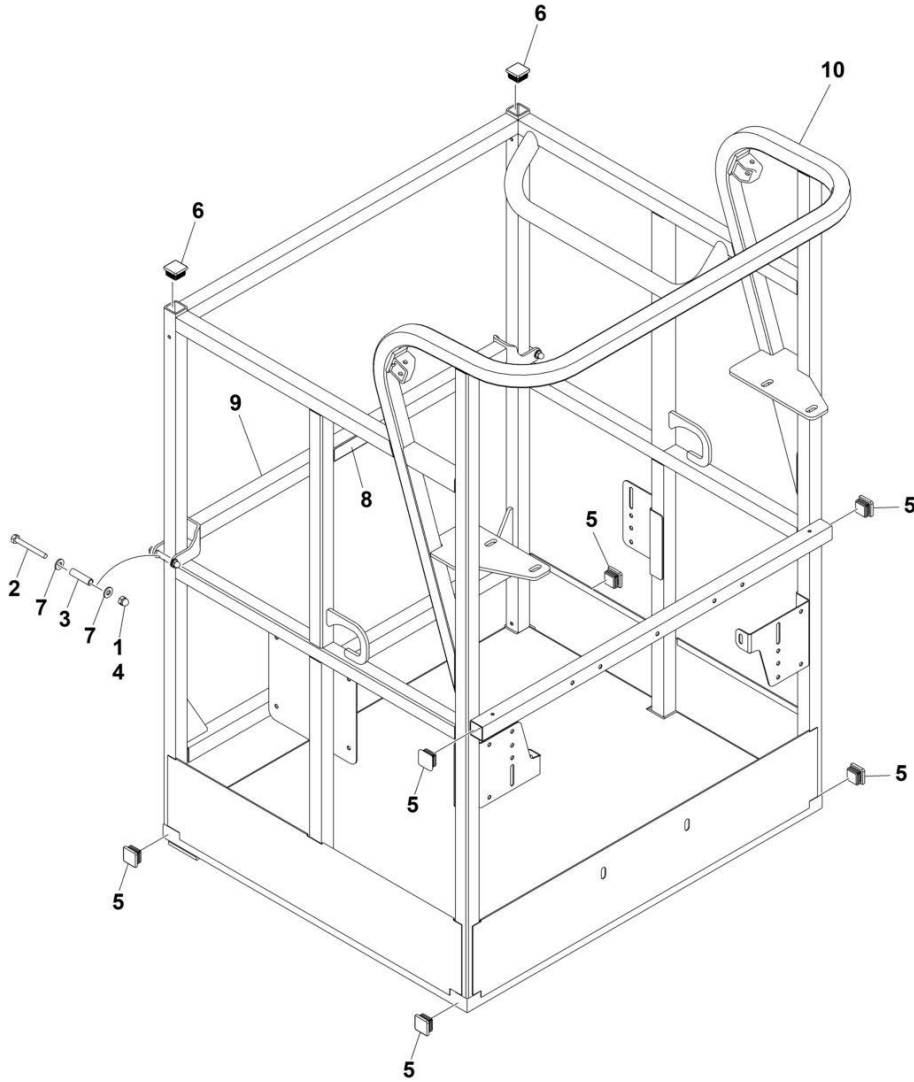
SECTION 5 - PLATFORM

FIGURE 5-4. PLATFORM ASSEMBLY - 36IN X 8FT (91.5CM X 2.44M) WITH SWING GATE

ITEM	PART NUMBER	QTY	DESCRIPTION	REV
	1001186383	Ref	PLATFORM ASSEMBLY - 36IN X 8FT (91.5CM X 2.44M) WITH SWING GATE	D
		Ref	Note: Platform and Mesh must be ordered separately for Platforms with Mesh. See SPECIAL OPTIONS SECTION for Mesh Installations.	
		Ref	Note: Replacement Decals Must be Ordered Separately - See DECALS SECTION.	
1	2080040	16	Fastener, Huck	
2	2600281	2	Hinge	
3	2940074	1	Latch	
4	3520072	3	Plug	
5	3520198	2	Plug	
6	3820020	4	Rivet	
7	1001144629	1	Gate	
8	See Note	NSS	Platform (Note: Not Available - Purchase Platform Assembly)	

SECTION 5 - PLATFORM

FIGURE 5-5. PLATFORM ASSEMBLY - 30IN X 3FT (76CM X .91M) - DROP BAR ENTRY



ART_1001228215

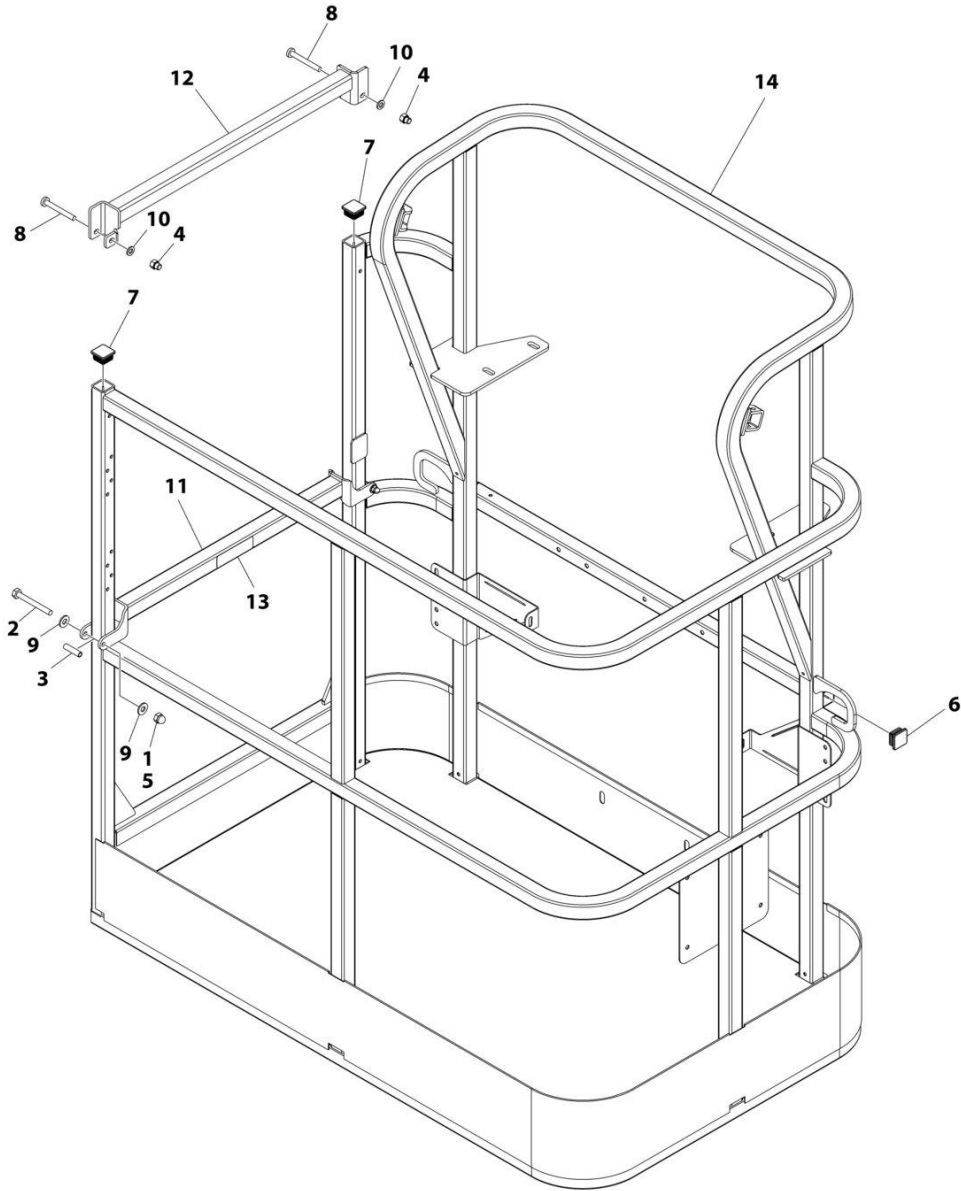
SECTION 5 - PLATFORM

FIGURE 5-5. PLATFORM ASSEMBLY - 30IN X 3FT (76CM X .91M) - DROP BAR ENTRY

ITEM	PART NUMBER	QTY	DESCRIPTION	REV
	1001228215	Ref	PLATFORM ASSEMBLY	A
	See Note	Ref	Note: Platform and Mesh must be ordered separately for Platforms with Mesh. See SPECIAL OPTIONS SECTION for Mesh Installations.	
	See Note	Ref	Note: Replacement Decals Must be Ordered Separately - See DECAL SECTION.	
1	0100011	AR	Compound, Locking	
2	0641418	2	Bolt 1/4 x 2-1/4	
3	0961845	2	Bushing	
4	3300151	2	Nut 1/4	
5	3520072	6	Cap, Plug	
6	3520198	2	Cap, Plug	
7	4711400	4	Washer 1/4	
8	1001140429	1	Decal - Drop Bar	
9	1001226872	1	Bar, Drop	
10	See Note	NSS	Platform (Note: Not Available - Purchase Platform Assembly)	

SECTION 5 - PLATFORM

FIGURE 5-6. PLATFORM ASSEMBLY - 30IN X 4FT (76.2CM X 1.22M) WITH DROP BAR



ART_1001186375

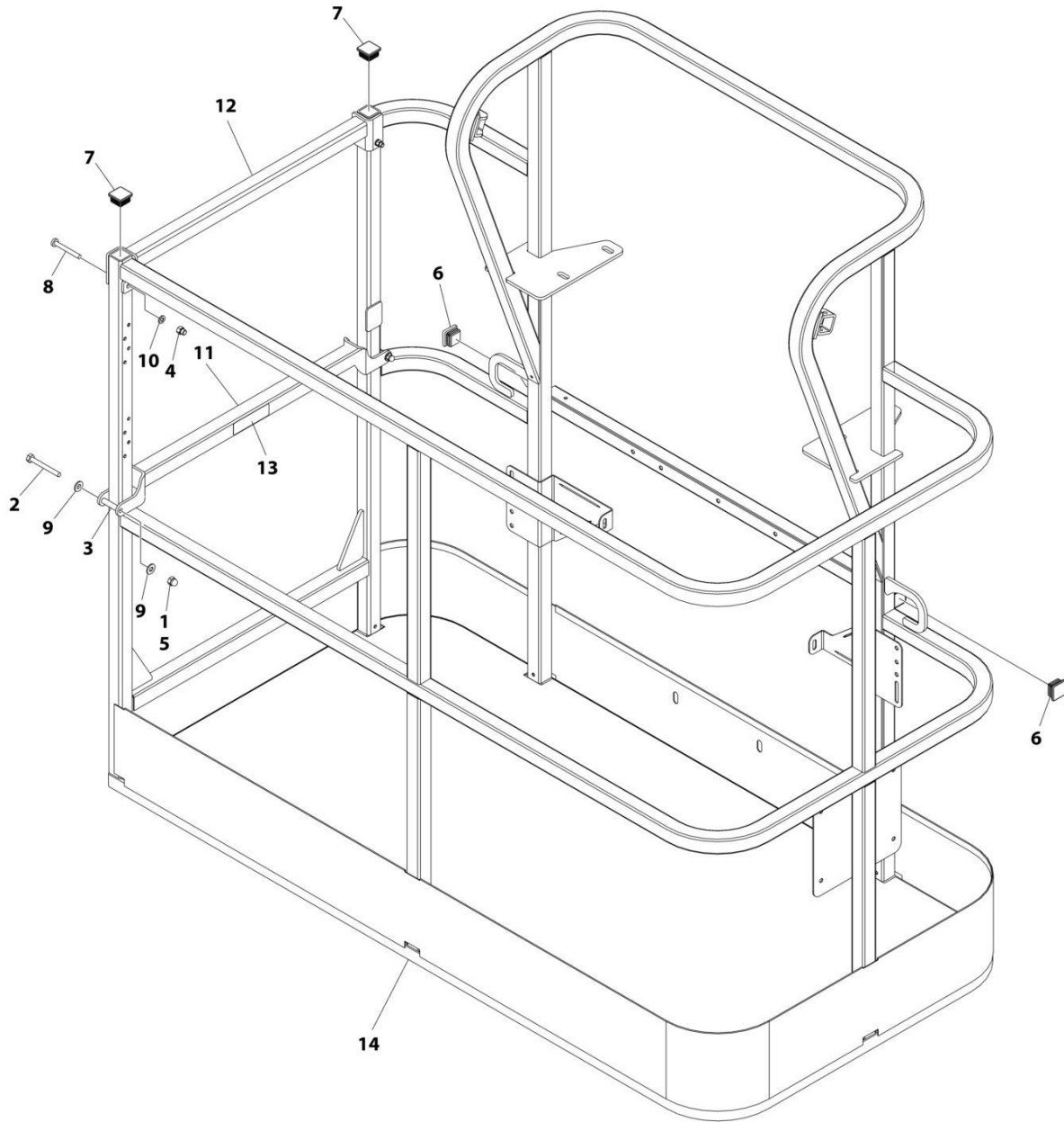
SECTION 5 - PLATFORM

FIGURE 5-6. PLATFORM ASSEMBLY - 30IN X 4FT (76.2CM X 1.22M) WITH DROP BAR

ITEM	PART NUMBER	QTY	DESCRIPTION	REV
	1001186375	Ref	PLATFORM ASSEMBLY	B
		Ref	Note: Platform and Mesh must be ordered separately for Platforms with Mesh. See SPECIAL OPTIONS SECTION for Mesh Installations.	
		Ref	Note: Replacement Decals Must be Ordered Separately - See DECALS SECTION.	
1	0100011	AR	Compound, Locking	
2	0641418	2	Bolt 1/4 x 2-1/4	
3	0961845	2	Bushing	
4	3290606	2	Nut M6	
5	3300151	2	Nut 1/4	
6	3520072	2	Plug	
7	3520198	2	Plug	
8	4010618	2	Screw M6 x 50	
9	4711400	4	Washer 1/4	
10	4811700	2	Washer M6	
11	1001138494	1	Bar, Drop	
12	1001138514	1	Rail - Top	
13	1001140429	1	Decal - Drop Bar	
14	See Note	1	Platform (Note: Not Available - Purchase Platform Assembly)	

SECTION 5 - PLATFORM

FIGURE 5-7. PLATFORM ASSEMBLY - 30IN X 5FT (76CM X 1.52M) - DROP BAR ENTRY



ART_1001186377

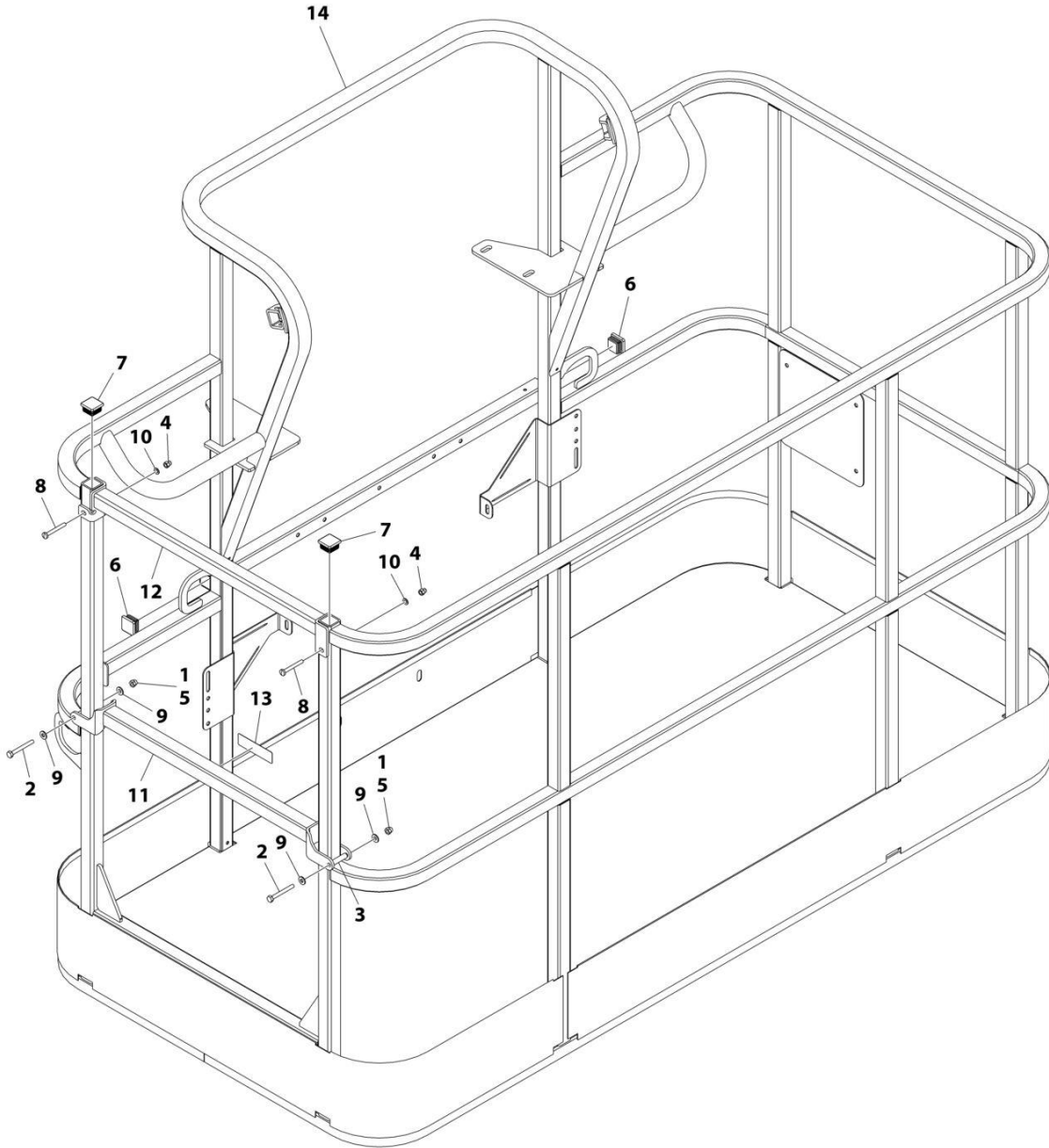
SECTION 5 - PLATFORM

FIGURE 5-7. PLATFORM ASSEMBLY - 30IN X 5FT (76CM X 1.52M) - DROP BAR ENTRY

ITEM	PART NUMBER	QTY	DESCRIPTION	REV
	1001186377	Ref	PLATFORM ASSEMBLY	C
		Ref	Note: Platform and Mesh must be ordered separately for Platforms with Mesh. See SPECIAL OPTIONS SECTION for Mesh Installations.	
		Ref	Note: Replacement Decals Must be Ordered Separately - See DECALS SECTION.	
1	0100011	AR	Compound, Locking	
2	0641420	2	Bolt 1/4 x 2-1/2	
3	0961845	2	Bushing	
4	3290606	2	Nut M6	
5	3300151	2	Nut 1/4	
6	3520072	2	Plug	
7	3520198	2	Plug	
8	4010618	2	Screw M6 x 50	
9	4711400	4	Washer 1/4	
10	4811700	2	Washer M6	
11	1001138494	1	Bar, Drop	
12	1001138514	1	Rail (Top)	
13	1001140429	1	Decal - Drop Bar	
14	See Note	NSS	Platform (Note: Not Available - Purchase Platform Assembly)	

SECTION 5 - PLATFORM

FIGURE 5-8. PLATFORM ASSEMBLY - 36IN X 6FT (91.5CM X 1.83M) WITH DROP BAR



ART_1001186379

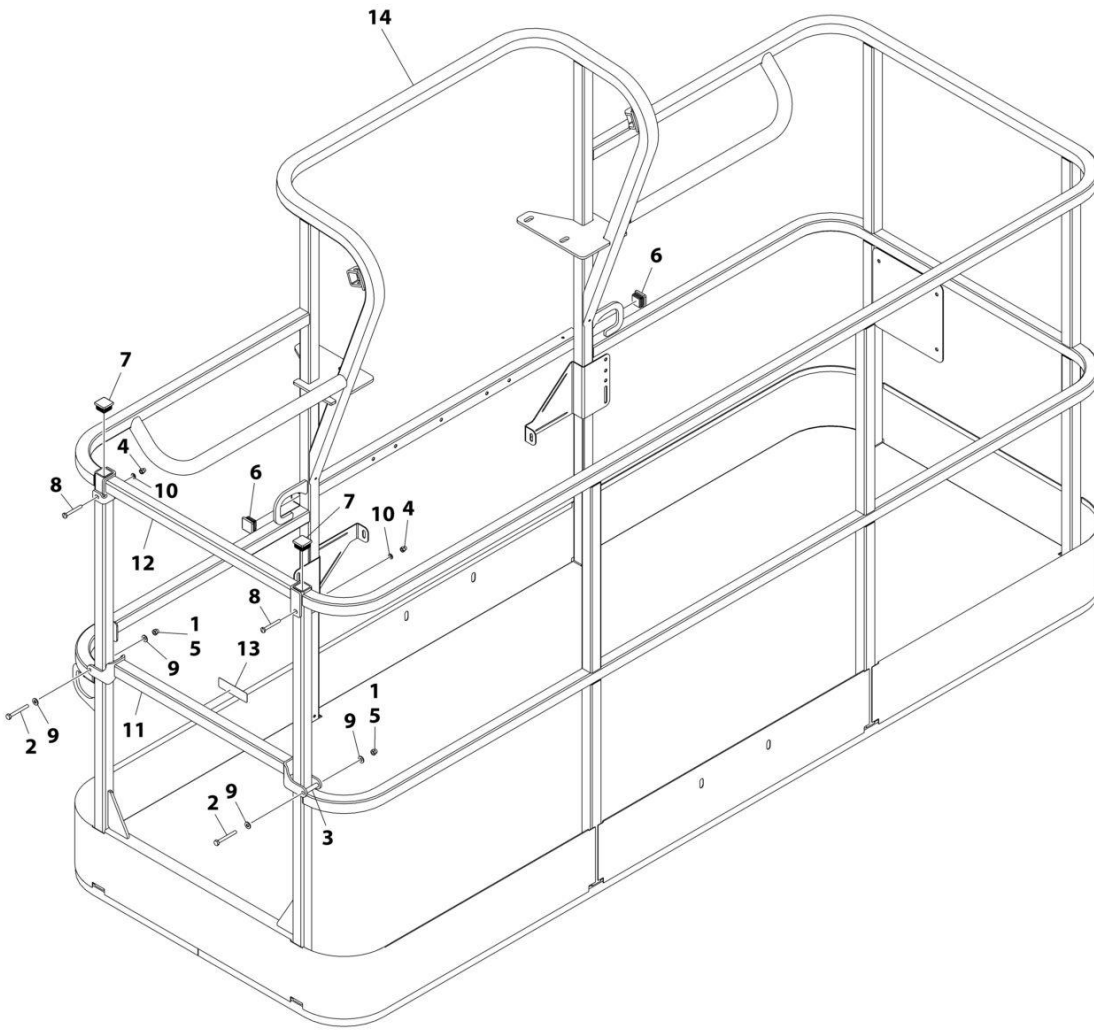
SECTION 5 - PLATFORM

FIGURE 5-8. PLATFORM ASSEMBLY - 36IN X 6FT (91.5CM X 1.83M) WITH DROP BAR

ITEM	PART NUMBER	QTY	DESCRIPTION	REV
	1001186379	Ref	PLATFORM ASSEMBLY - 36IN X 6FT (91.5CM X 1.83M) WITH DROP BAR	B
		Ref	Note: Platform and Mesh must be ordered separately for Platforms with Mesh. See SPECIAL OPTIONS SECTION for Mesh Installations.	
		Ref	Note: Replacement Decals Must be Ordered Separately - See DECALS SECTION.	
1	0100011	AR	Compound, Locking	
2	0641418	2	Bolt 1/4 x 2-1/4	
3	0961845	2	Bushing	
4	3290606	2	Nut M6	
5	3300151	2	Nut 1/4	
6	3520072	2	Plug	
7	3520198	2	Plug	
8	4010618	2	Screw M6 x 50	
9	4711400	4	Washer 1/4	
10	4811700	2	Washer M6	
11	1001138494	1	Bar, Drop	
12	1001138514	1	Rail (Top)	
13	1001140429	1	Decal - Drop Bar	
14	See Note	NSS	Platform (Note: Not Available - Purchase Platform Assembly)	

SECTION 5 - PLATFORM

FIGURE 5-9. PLATFORM ASSEMBLY - 36IN X 8FT (91.5CM X 2.44M) WITH DROP BAR



ART_1001186382

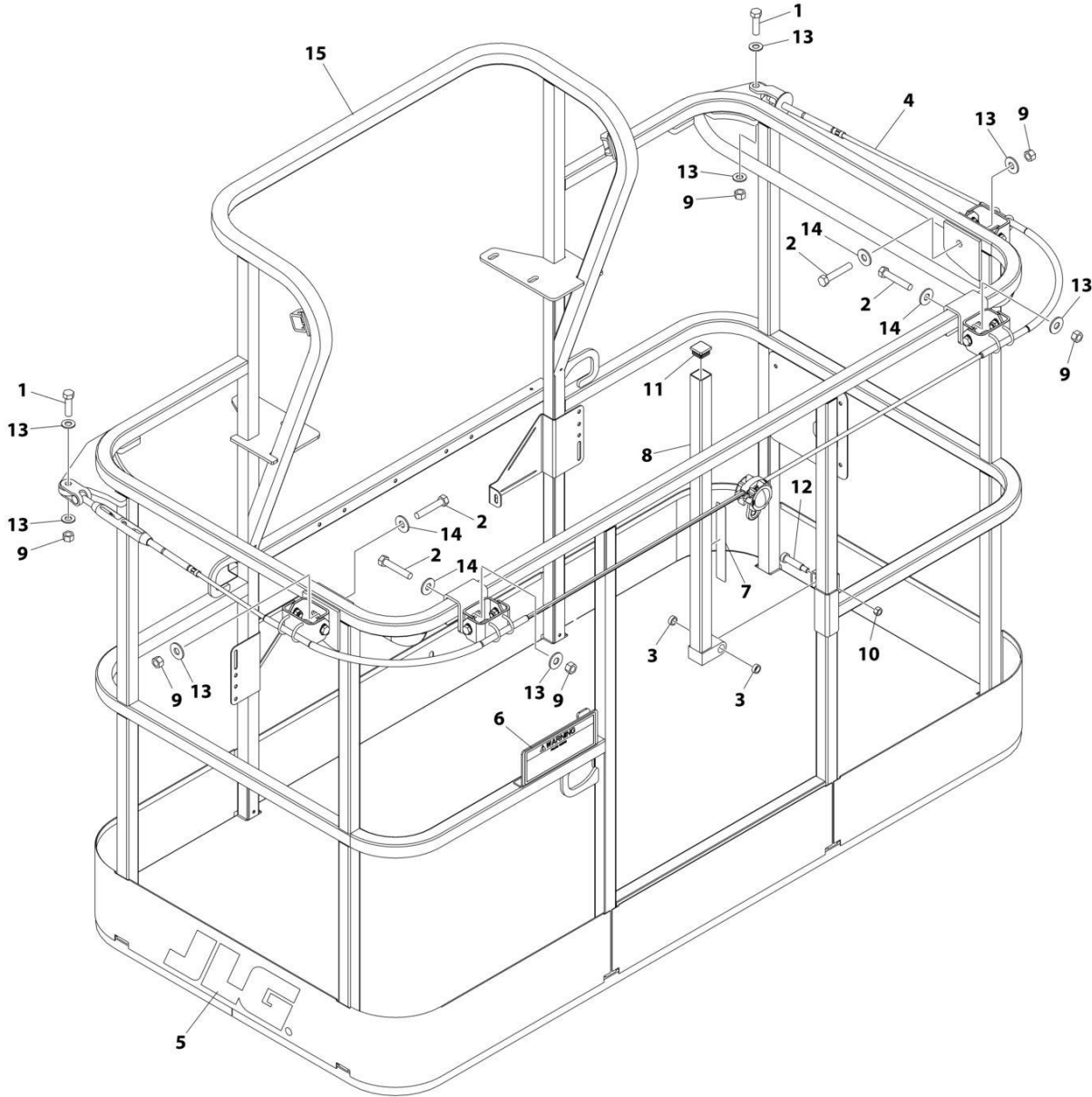
SECTION 5 - PLATFORM

FIGURE 5-9. PLATFORM ASSEMBLY - 36IN X 8FT (91.5CM X 2.44M) WITH DROP BAR

ITEM	PART NUMBER	QTY	DESCRIPTION	REV
	1001186382	Ref	PLATFORM ASSEMBLY - 36IN X 8FT (91.5CM X 2.44M) WITH DROP BAR	C
		Ref	Note: Platform and Mesh must be ordered separately for Platforms with Mesh. See SPECIAL OPTIONS SECTION for Mesh Installations.	
		Ref	Note: Replacement Decals Must be Ordered Separately - See DECALS SECTION.	
1	0100011	AR	Compound, Locking	
2	0641418	2	Bolt 1/4 x 2-1/4	
3	0961845	2	Bushing	
4	3290606	2	Nut M6	
5	3300151	2	Nut 1/4	
6	3520072	2	Plug	
7	3520198	2	Plug	
8	4010618	2	Screw M6 x 50	
9	4711400	4	Washer 1/4	
10	4811700	2	Washer M6	
11	1001138494	1	Bar, Drop	
12	1001138514	1	Rail (Top)	
13	1001140429	1	Decal - Drop Bar	
14	See Note	NSS	Platform (Note: Not Available - Purchase Platform Assembly)	

SECTION 5 - PLATFORM

FIGURE 5-10. PLATFORM ASSEMBLY - 36IN X 6FT (91.5CM X 1.83M) WITH FALL ARREST



ART_1001186333

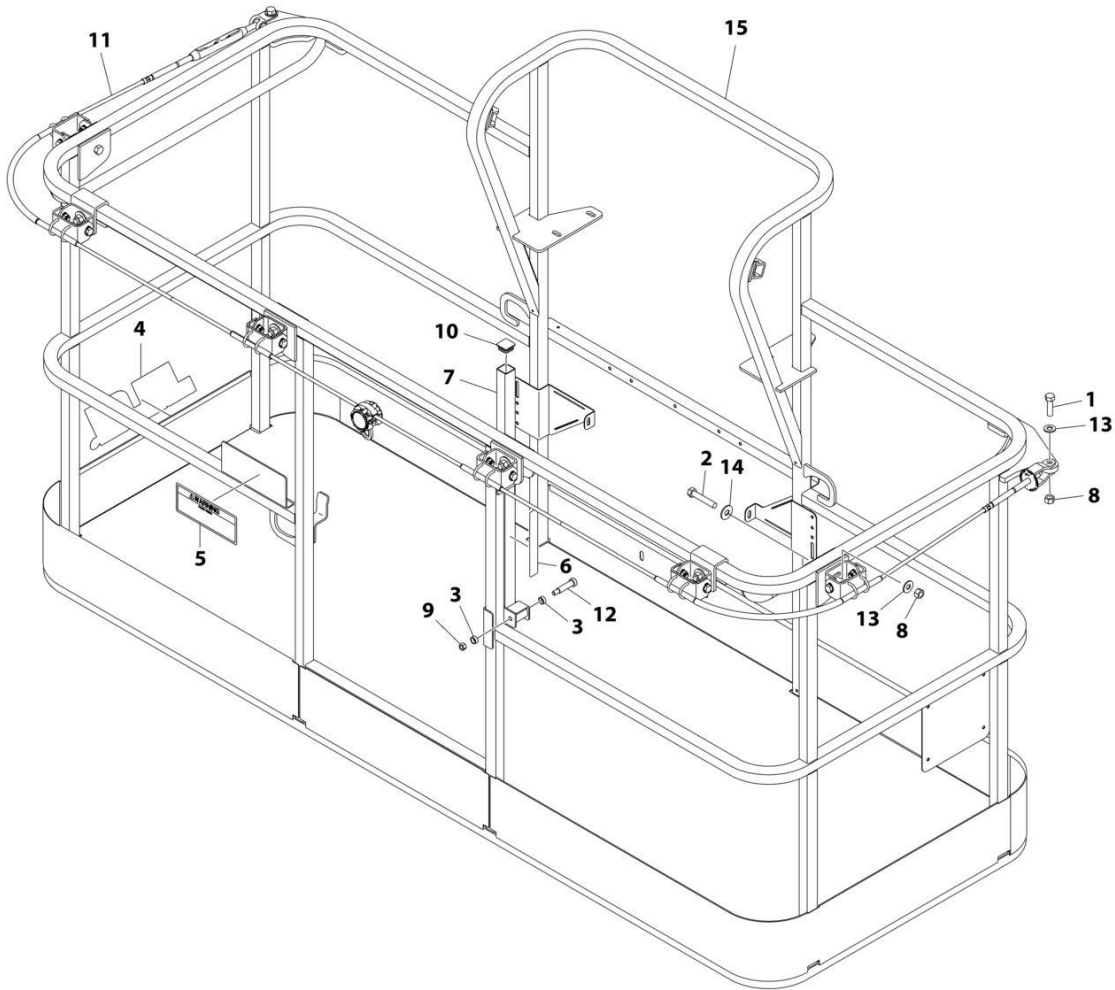
SECTION 5 - PLATFORM

FIGURE 5-10. PLATFORM ASSEMBLY - 36IN X 6FT (91.5CM X 1.83M) WITH FALL ARREST

ITEM	PART NUMBER	QTY	DESCRIPTION	REV
	1001186333	Ref	PLATFORM ASSEMBLY	C
		Ref	Note: Replacement Decals Must be Ordered Separately - See DECALS SECTION.	
1	0681814	2	Bolt 1/2 x 1-3/4 Grade 8	
2	0681822	4	Bolt 1/2 x 2-3/4 Grade 8	
3	0962270	2	Bearing	
4	1001203655	1	Cable	
5	1702773	1	Decal - JLG	
6	1705014	1	Decal - Safety	
7	1706385	1	Decal - Drop Bar	
8	2410014	1	Bar, Drop	
9	3271805	6	Nut 1/2 Grade 8	
10	3311605	1	Nut 3/8	
11	3520072	1	Plug	
12	3900054	1	Bolt 1/2 x 1-3/4	
13	4711800	8	Washer 1/2	
14	4751800	4	Washer 1/2	
15	See Note	NSS	Platform (Note: Not Available - Purchase Platform Assembly)	

SECTION 5 - PLATFORM

FIGURE 5-11. PLATFORM ASSEMBLY - 36IN X 8FT (91.5CM X 2.44M) WITH FALL ARREST



ART_1001186334

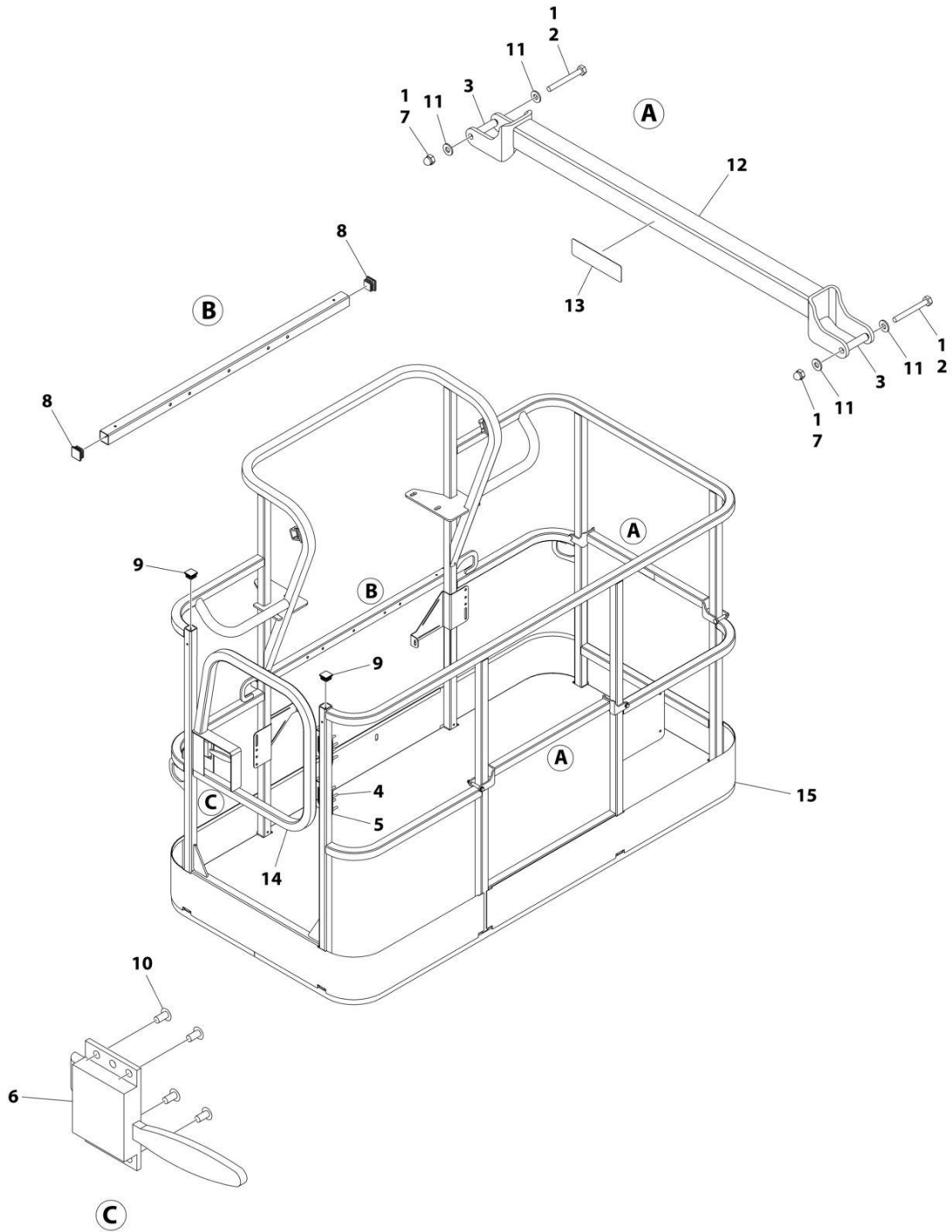
SECTION 5 - PLATFORM

FIGURE 5-11. PLATFORM ASSEMBLY - 36IN X 8FT (91.5CM X 2.44M) WITH FALL ARREST

ITEM	PART NUMBER	QTY	DESCRIPTION	REV
	1001186334	Ref	PLATFORM ASSEMBLY	D
		Ref	Note: Replacement Decals Must be Ordered Separately - See DECALS SECTION.	
1	0681814	2	Bolt 1/2 x 1-3/4 Grade 8	
2	0681822	6	Bolt 1/2 x 2-3/4 Grade 8	
3	0962270	2	Bearing	
4	1702773	1	Decal - JLG	
5	1705014	1	Decal - Safety	
6	1706385	1	Decal - Drop Bar	
7	2410014	1	Bar, Drop	
8	3271805	8	Nut 1/2 Grade 8	
9	3311605	1	Nut 3/8	
10	3520072	1	Plug	
11	1001203656	1	Cable	
12	3900054	1	Bolt 1/2 x 1-3/4	
13	4711800	2	Washer 1/2	
14	4751800	6	Washer 1/2	
15	See Note	NSS	Platform (Note: Purchase Platform Assembly)	

SECTION 5 - PLATFORM

FIGURE 5-12. PLATFORM ASSEMBLY - 36IN X 6FT (91.5CM X 1.83M) TRI-ENTRY WITH SWING GATE



ART_1001228376

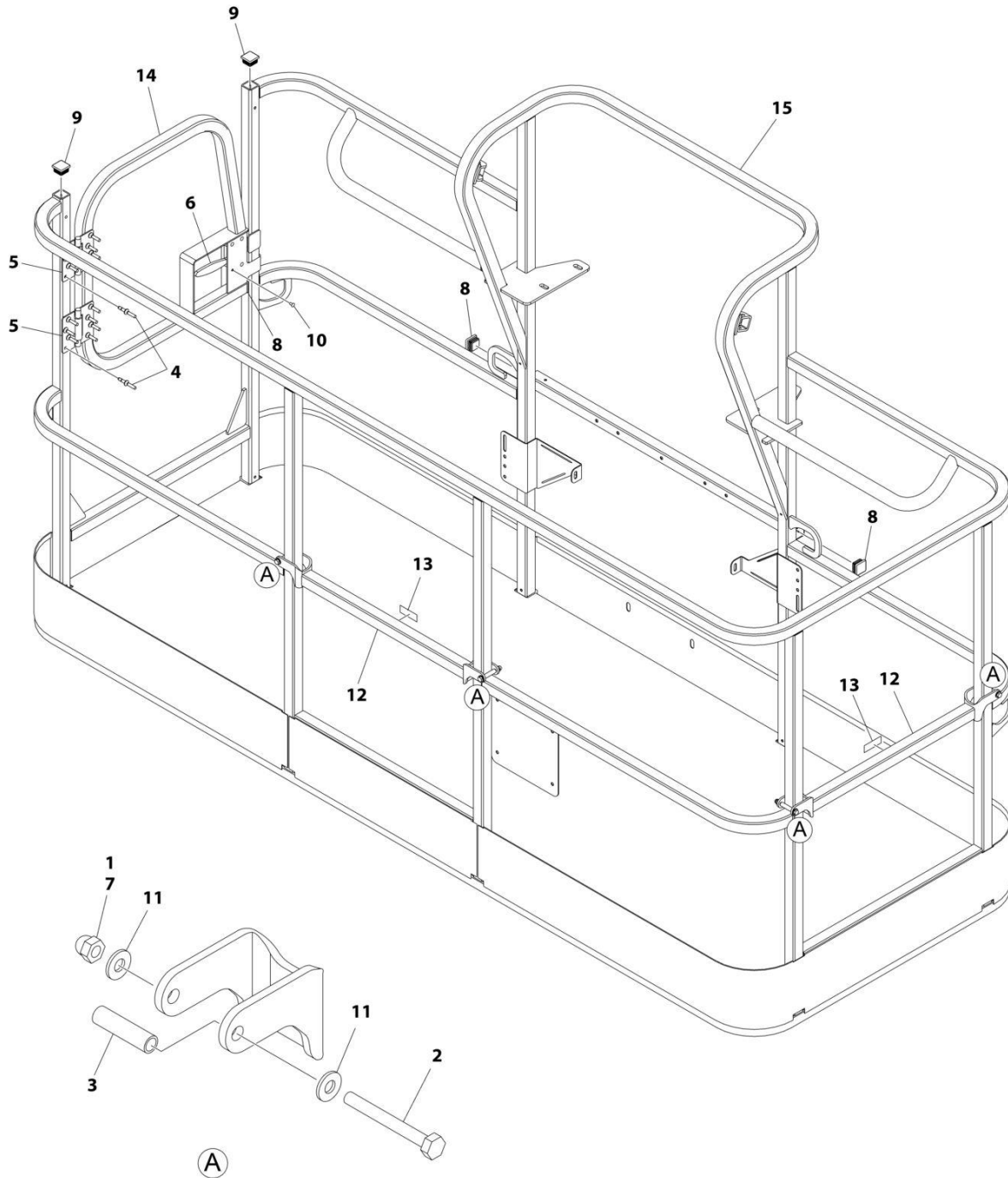
SECTION 5 - PLATFORM

FIGURE 5-12. PLATFORM ASSEMBLY - 36IN X 6FT (91.5CM X 1.83M) TRI-ENTRY WITH SWING GATE

ITEM	PART NUMBER	QTY	DESCRIPTION	REV
	1001228376	Ref	PLATFORM ASSEMBLY - 36IN x 6FT (91.5CM x 1.83M)	B
		Ref	Note: Platform and Mesh must be ordered separately for Platforms with Mesh. See SPECIAL OPTIONS SECTION for Mesh Installations.	
		Ref	Note: Replacement Decals Must be Ordered Separately - See DECAL SECTION.	
1	0100011	AR	Compound, Locking	
2	0641418	4	Bolt 1/4 x 2-1/4	
3	0961845	4	Bushing	
4	2080040	16	Fastener	
5	2600281	2	Hinge	
6	2940074	1	Latch	
7	3300151	4	Nut 1/4	
8	3520072	3	Plug	
9	3520198	2	Plug	
10	3820020	4	Rivet	
11	4711400	8	Washer 1/4	
12	1001138494	2	Bar, Drop	
13	1001140429	2	Decal - Drop Bar	
14	1001144629	1	Gate	
15	See Note	NSS	Platform (Note: Not Available - Purchase Platform Assembly)	

SECTION 5 - PLATFORM

FIGURE 5-13. PLATFORM ASSEMBLY - 36IN X 8FT (91.5CM X 2.44M) TRI-ENTRY WITH SWING GATE



ART_1001228243

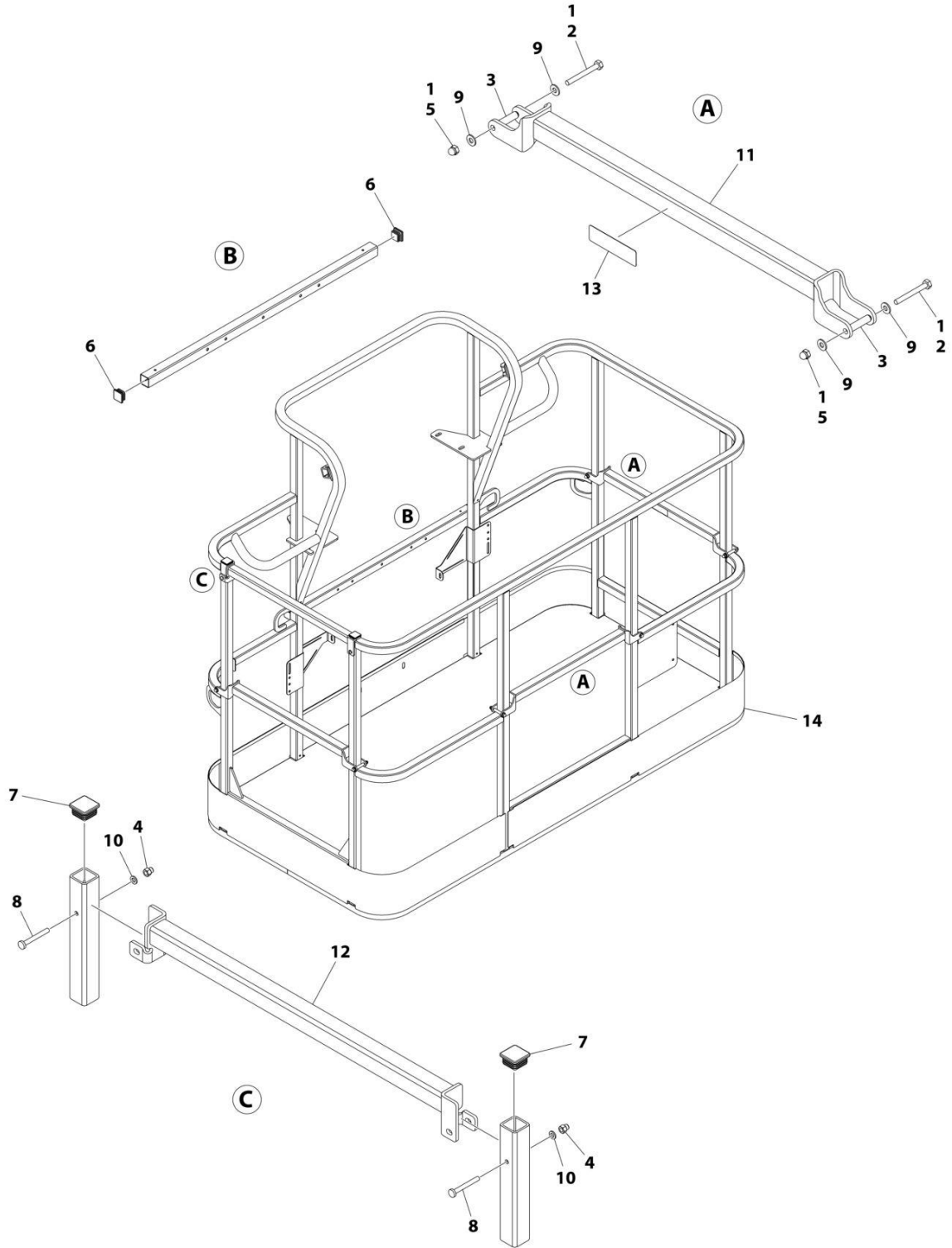
SECTION 5 - PLATFORM

FIGURE 5-13. PLATFORM ASSEMBLY - 36IN X 8FT (91.5CM X 2.44M) TRI-ENTRY WITH SWING GATE

ITEM	PART NUMBER	QTY	DESCRIPTION	REV
	1001228243	Ref	PLATFORM ASSEMBLY - 36IN X 8FT (91.5CM X 2.44M) WITH TRI-ENTRY	A
		Ref	Note: Platform and Mesh must be ordered separately for Platforms with Mesh. See SPECIAL OPTIONS SECTION for Mesh Installations.	
1	0100011	AR	Compound, Locking	
2	0641418	4	Bolt 1/4 x 2-1/4	
3	0961845	4	Bushing	
4	2080040	16	Fastener, Huck	
5	2600281	2	Hinge, Self-Closing	
6	2940074	1	Latch	
7	3300151	4	Nut 1/4	
8	3520072	3	Cap, Plug	
9	3520198	2	Cap, Plug	
10	3820020	4	Rivet	
11	4711400	8	Washer 1/4	
12	1001138494	2	Bar, Drop	
13	1001140429	2	Decal - Drop Bar	
14	1001144629	1	Gate, Weldment	
15	See Note	1	Platform (Note: Not Available - Purchase Platform Assembly)	

SECTION 5 - PLATFORM

FIGURE 5-14. PLATFORM ASSEMBLY - 36IN X 6FT (91.5CM X 1.83M) TRI-ENTRY WITH DROPBAR



ART_1001228377

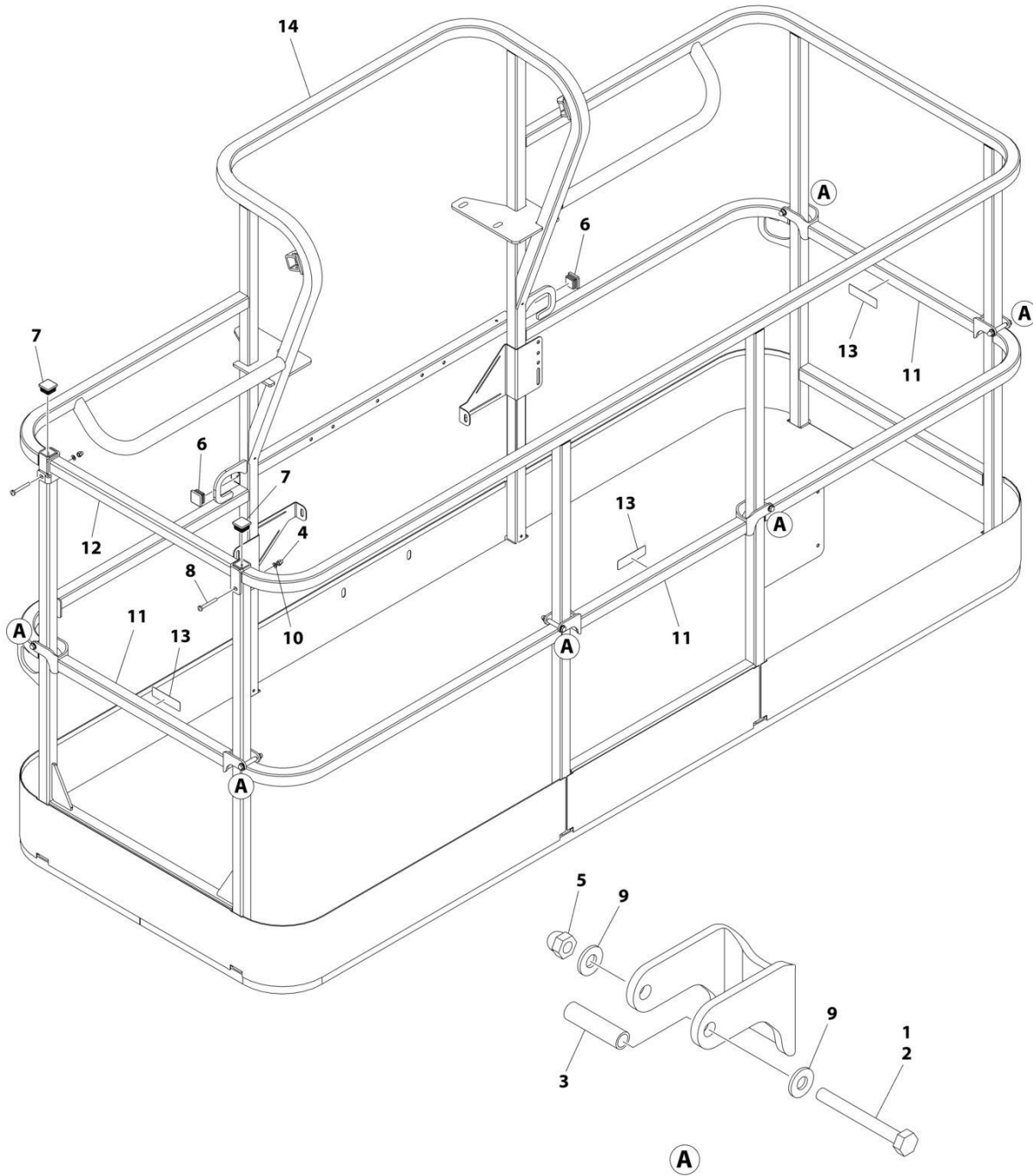
SECTION 5 - PLATFORM

FIGURE 5-14. PLATFORM ASSEMBLY - 36IN X 6FT (91.5CM X 1.83M) TRI-ENTRY WITH DROPBAR

ITEM	PART NUMBER	QTY	DESCRIPTION	REV
	1001228377	Ref	PLATFORM ASSEMBLY - 36IN x 6FT (91.5CM x 1.83M)	B
		Ref	Note: Platform and Mesh must be ordered separately for Platforms with Mesh. See SPECIAL OPTIONS SECTION for Mesh Installations.	
		Ref	Note: Replacement Decals Must be Ordered Separately - See DECAL SECTION.	
1	0100011	1	Compound, Locking	
2	0641418	6	Bolt 1/4 x 2-1/4	
3	0961845	6	Bushing	
4	3290606	2	Nut M6	
5	3300151	6	Nut 1/4	
6	3520072	2	Plug	
7	3520198	2	Plug	
8	4010618	2	Screw M6 x 50	
9	4711400	12	Washer 1/4	
10	4811700	2	Washer M6	
11	1001138494	3	Bar, Drop	
12	1001138514	1	Rail (Top)	
13	1001140429	3	Decal - Drop Bar	
14	See Note	NSS	Platform, Weldment (Note: Not Available - Purchase Platform Assembly)	

SECTION 5 - PLATFORM

FIGURE 5-15. PLATFORM ASSEMBLY - 36IN X 8FT (91.5CM X 2.44M) TRI-ENTRY WITH DROPBAR



ART_1001228375

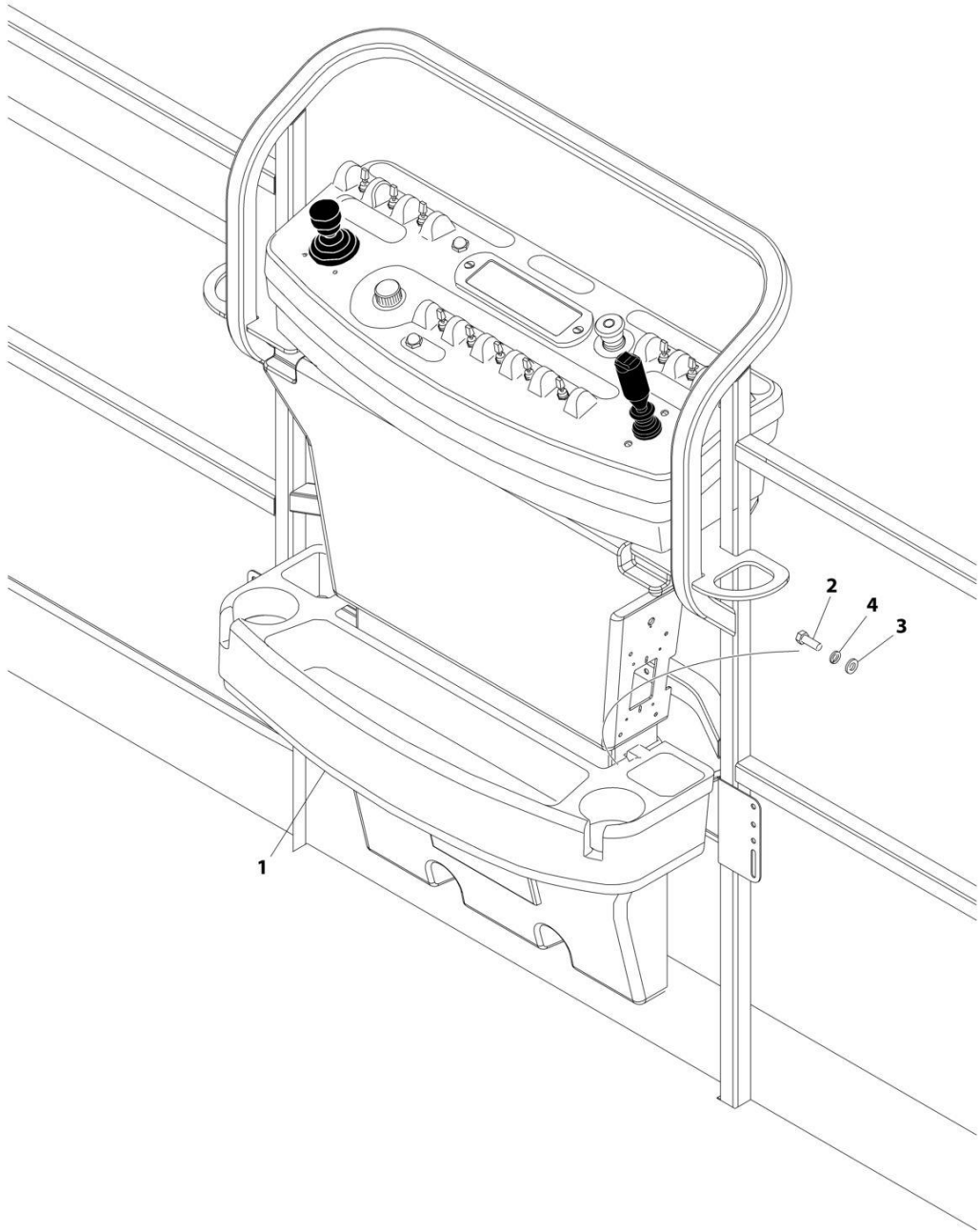
SECTION 5 - PLATFORM

FIGURE 5-15. PLATFORM ASSEMBLY - 36IN X 8FT (91.5CM X 2.44M) TRI-ENTRY WITH DROPBAR

ITEM	PART NUMBER	QTY	DESCRIPTION	REV
	1001228375	Ref	PLATFORM ASSEMBLY - 36IN X 8FT (91.5CM X 2.44M) WITH TRI-ENTRY	A
		Ref	Note: Platform and Mesh must be ordered separately for Platforms with Mesh. See SPECIAL OPTIONS SECTION for Mesh Installations.	
		Ref	Note: Replacement Decals Must be Ordered Separately - See DECAL SECTION.	
1	0100011	AR	Compound, Locking	
2	0641418	6	Bolt 1/4 x 2-1/4	
3	0961845	6	Bushing	
4	3290606	2	Nut M6 x 1	
5	3300151	6	Nut 1/4	
6	3520072	2	Cap, Plug	
7	3520198	2	Cap, Plug	
8	4010618	2	Screw M6 x 50	
9	4711400	12	Washer 1/4	
10	4811700	2	Washer M6	
11	1001138494	3	Bar, Drop	
12	1001138514	1	Rail (Top)	
13	1001140429	3	Decal - Drop Bar	
14	See Note	1	Platform (Note: Not Available - Purchase Platform Assembly)	

SECTION 5 - PLATFORM

FIGURE 5-16. TRAY ASSEMBLY



ART_1580012

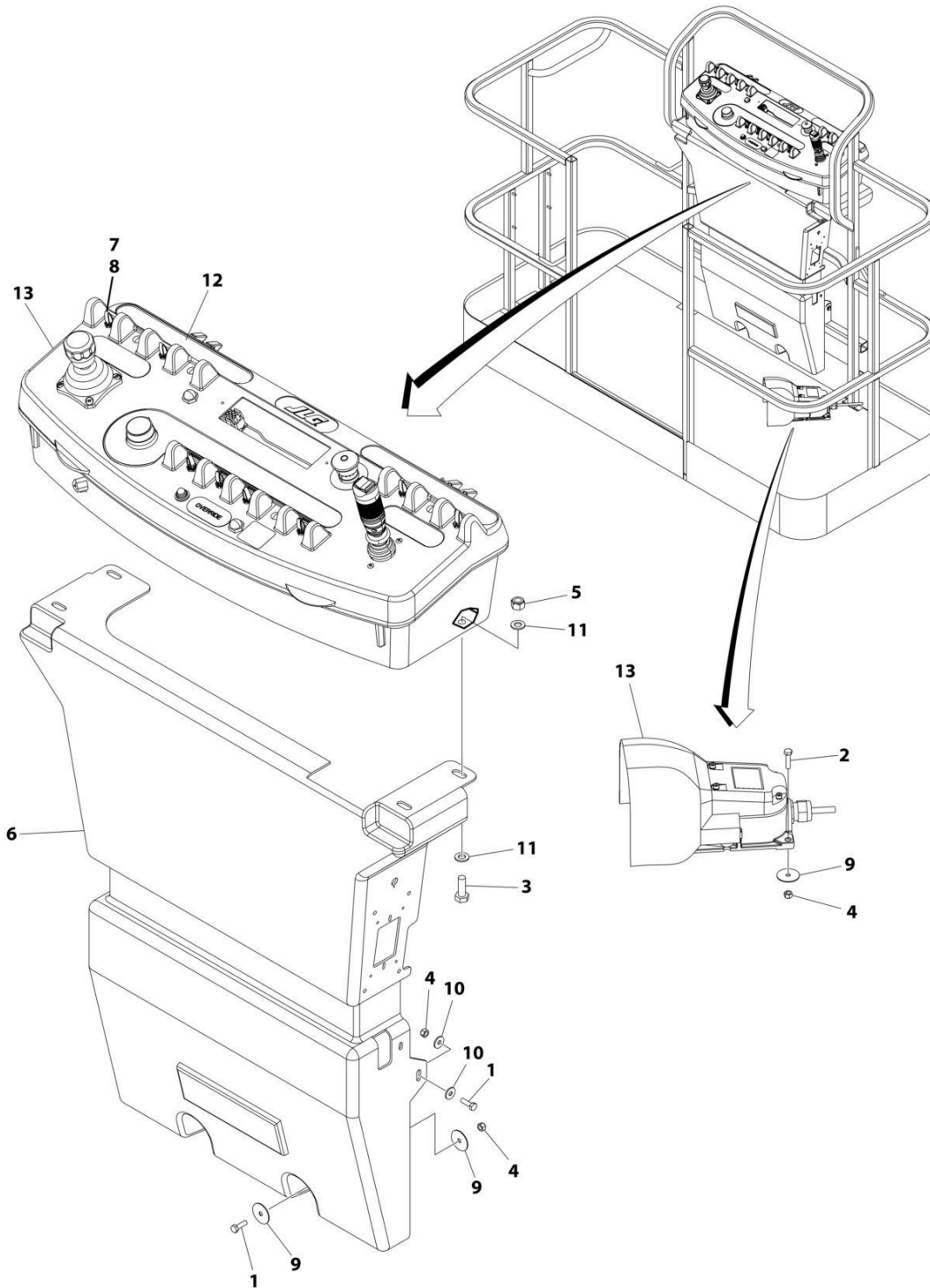
SECTION 5 - PLATFORM

FIGURE 5-16. TRAY ASSEMBLY

ITEM	PART NUMBER	QTY	DESCRIPTION	REV
	1580012	Ref	TRAY ASSEMBLY	C
1	See Note	NSS	Tray, Storage (Center) (Note: Purchase p/n 1580012)	
2	0641406	2	Bolt 1/4 x 3/4	
3	4751400	2	Washer 1/4	
4	4761400	2	Washer 1/4	

SECTION 5 - PLATFORM

FIGURE 5-17. CONSOLE AND FOOTSWITCH INSTALLATION



ART_1001266073

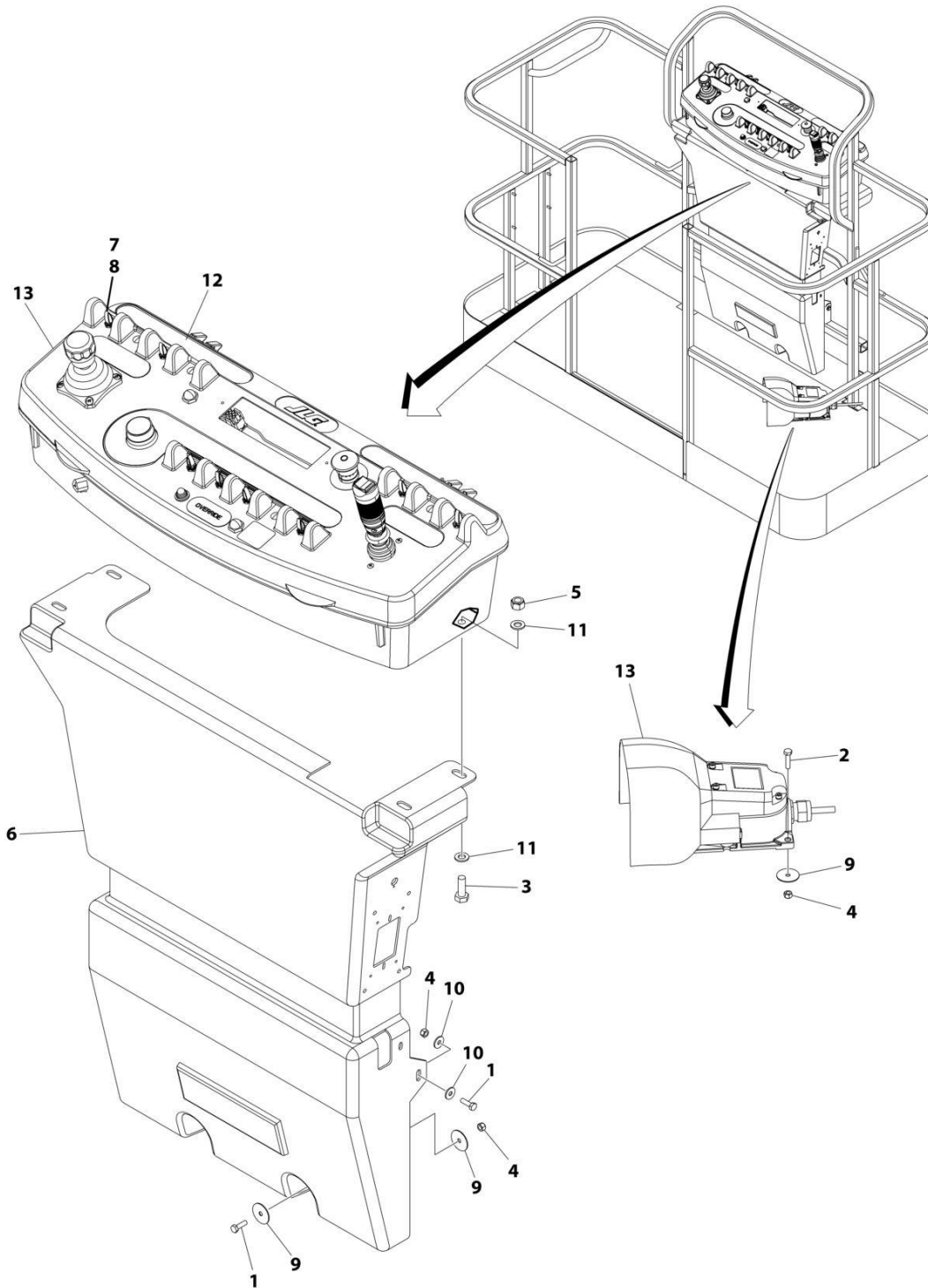
SECTION 5 - PLATFORM

FIGURE 5-17. CONSOLE AND FOOTSWITCH INSTALLATION

ITEM	PART NUMBER	QTY	DESCRIPTION	REV
	1001266073	Ref	PLATFORM CONSOLE AND FOOTSWITCH INSTALLATION	A
1	0641406	4	Bolt 1/4 x 3/4	
2	0641408	3	Bolt 1/4 x 1	
3	0641610	4	Bolt 3/8 x 1-1/4	
4	3311405	7	Nut 1/4	
5	3311605	4	Nut 3/8	
6	3380434	1	Panel	
7	3790012	1	O-Ring	
8	4360331	1	Switch, Toggle	
9	4740362	7	Washer	
10	4751400	4	Washer 1/4	
11	4761600	8	Washer 3/8	
12	1001184626	1	Decal - Horn	
13	1001266069	1	Platform Console Assembly (See Separate Breakdown in this Section)	

SECTION 5 - PLATFORM

FIGURE 5-18. CONSOLE AND FOOTSWITCH INSTALLATION (TOWER STOW)



ART_1001264239

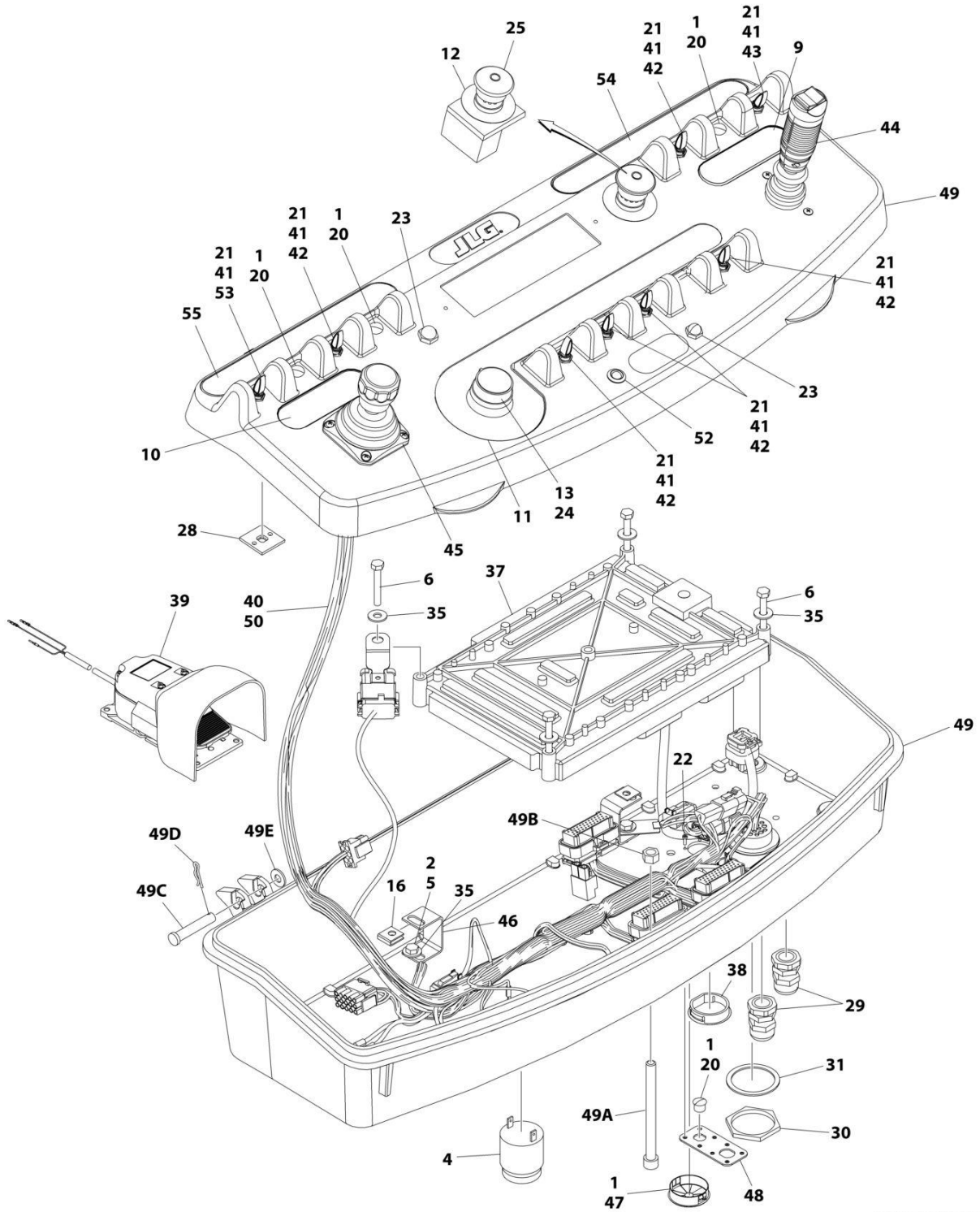
SECTION 5 - PLATFORM

FIGURE 5-18. CONSOLE AND FOOTSWITCH INSTALLATION (TOWER STOW)

ITEM	PART NUMBER	QTY	DESCRIPTION	REV
	1001264239	Ref	PLATFORM CONSOLE AND FOOTSWITCH INSTALLATION (TOWER STOW)	A
1	0641406	4	Bolt 1/4 x 3/4	
2	0641408	3	Bolt 1/4 x 1	
3	0641610	4	Bolt 3/8 x 1-1/4	
4	3311405	7	Nut 1/4	
5	3311605	4	Nut 3/8	
6	3380434	1	Panel	
7	3790012	AR	O-Ring	
8	4360331	AR	Switch, Toggle	
9	4740362	7	Washer	
10	4751400	4	Washer 1/4	
11	4761600	8	Washer 3/8	
12	1001184626	AR	Decal - Horn	
13	1001263588	1	Platform Console Assembly (See Separate Breakdown in this Section)	

SECTION 5 - PLATFORM

FIGURE 5-19. CONSOLE BOX ASSEMBLY WITH FOOTSWITCH



ART_1001266069_C

SECTION 5 - PLATFORM

FIGURE 5-19. CONSOLE BOX ASSEMBLY WITH FOOTSWITCH

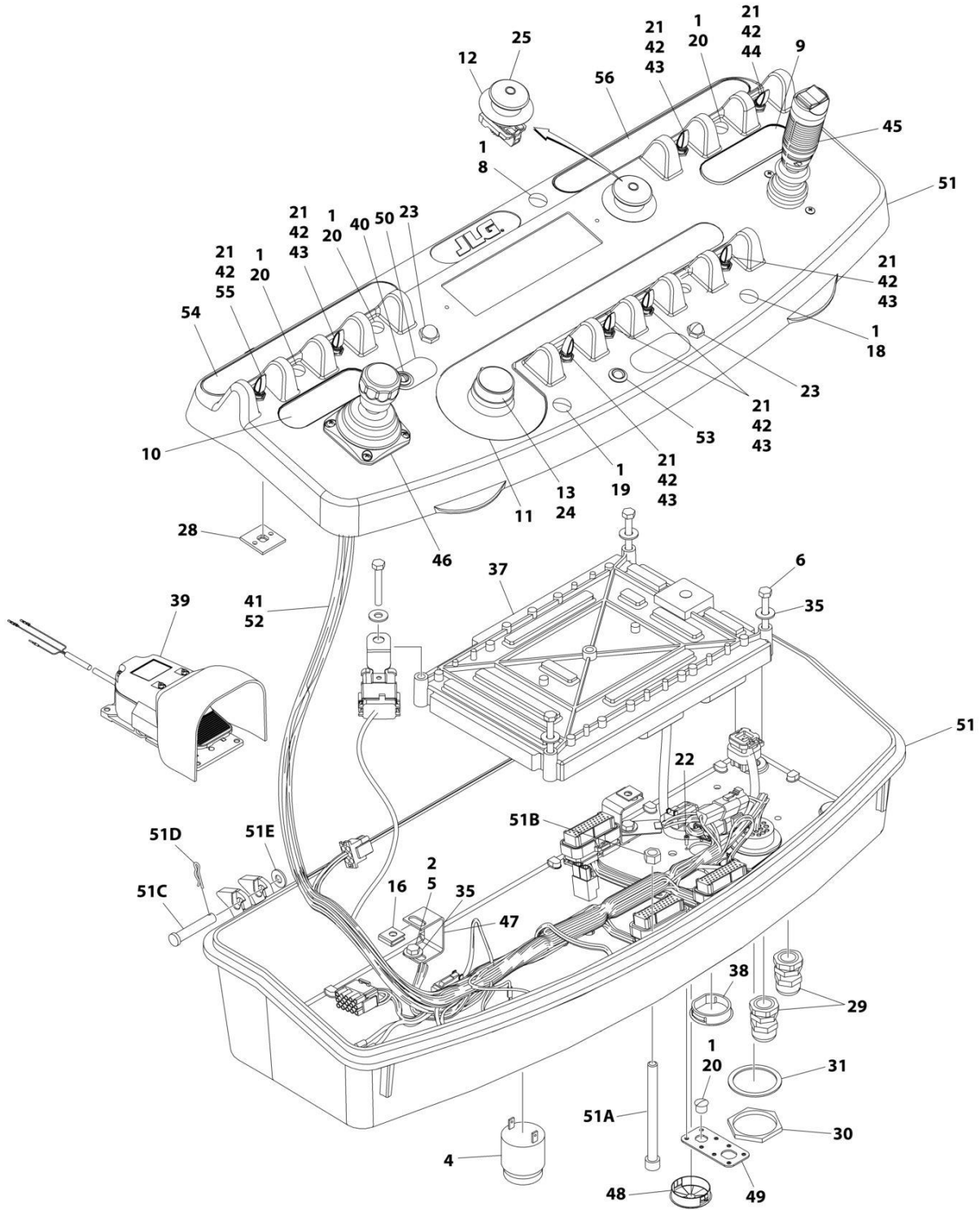
ITEM	PART NUMBER	QTY	DESCRIPTION	REV
	1001266069	Ref	CONSOLE BOX ASSEMBLY	C
1	0100009	AR	Sealant	
2	0100035	AR	Compound, Locking	
4	0140011	1	Alarm	
5	0641405	4	Bolt 1/4 x 5/8	
6	0641414	4	Bolt 1/4 x 1-3/4	
9	1702565	1	Decal - Drive and Steer	
10	1702566	1	Decal - Lift and Swing	
11	1702567	1	Decal - Function Speed	
12	1704260	1	Decal - Emergency Stop	
13	2560136	1	Handle, Knob	
16	3300353	4	Nut, Tinnerman	
20	3520054	4	Plug	
21	3790012	8	O-Ring	
22	3900349	8	Capscrew M2.5 x 8	
23	4360387	2	Switch, Push Button	
24	4360407	1	Controller, Speed	
24	4460224	1	Receptacle, Female - 6 Position	
24	4460226	6	Socket, Female	
24	See Note	1	Gasket "Top Hat" (Included with Switch) (Note: Not Available - Purchase Complete Controller)	
24	70003784	1	Seal	
25	1001274559	1	Switch, Emergency Stop	
28	4460234	6	Mount, Tie-Strap	
29	4460428	2	Connector, Strain Relief	
30	4460470	1	Nut, Terminal	
31	4460471	1	Washer, Terminal	
35	4751400	8	Washer 1/4	
36	4922666	1	Analyzer Harness (Not Shown)	
36	4460761	1	Receptacle, Female - 4 Position	
36	4460227	4	Pin, Male	
37	1001106938	1	Module, Platform (Note: Re-calibration Required when Replaced)	
38	1001110434	1	Plug	
39	1001117174	1	Footswitch Assembly (See Separate Breakdown in this Section)	
40	1001139135	1	Boom Valve Harness (See Separate Breakdown in ELECTRICAL Section)	
41	1001155044	8	Nut 15/32	
42	1001155045	6	Switch, Toggle	
43	1001159256	1	Switch, Toggle	
44	1001275628	1	Controller Assembly (Drive and Steer)	
45	1001275629	1	Controller Assembly (Lift and Swing)	
46	1001172760	4	Bracket	
47	1001185281	1	Plug	
48	1001213882	1	Mount	
49	1001215228	1	Console Box Assembly	
49A	0630568	1	Capscrew 3/8 x 4-1/2	
49B	3311601	1	Nut 3/8	
49C	3430616	2	Pin	
49D	3470003	2	Hairpin	
49E	4711600	2	Washer 3/8	

SECTION 5 - PLATFORM

ITEM	PART NUMBER	QTY	DESCRIPTION	REV
50	1001266648	1	Platform Console Harness (See Separate Breakdown in ELECTRICAL Section)	
51	4240099	AR	Tie-Strap (Not Shown)	
52	1001206532	1	Lamp, LED Indicator Yellow	
53	1001161709	1	Switch, Toggle DPDT	
54	1001184618	1	Decal - Stop & Auxiliary Power	
55	1001184626	1	Decal - Horn	

SECTION 5 - PLATFORM

FIGURE 5-20. CONSOLE BOX ASSEMBLY WITH FOOTSWITCH (TOWER STOW)



ART_1001263588_C

SECTION 5 - PLATFORM

FIGURE 5-20. CONSOLE BOX ASSEMBLY WITH FOOTSWITCH (TOWER STOW)

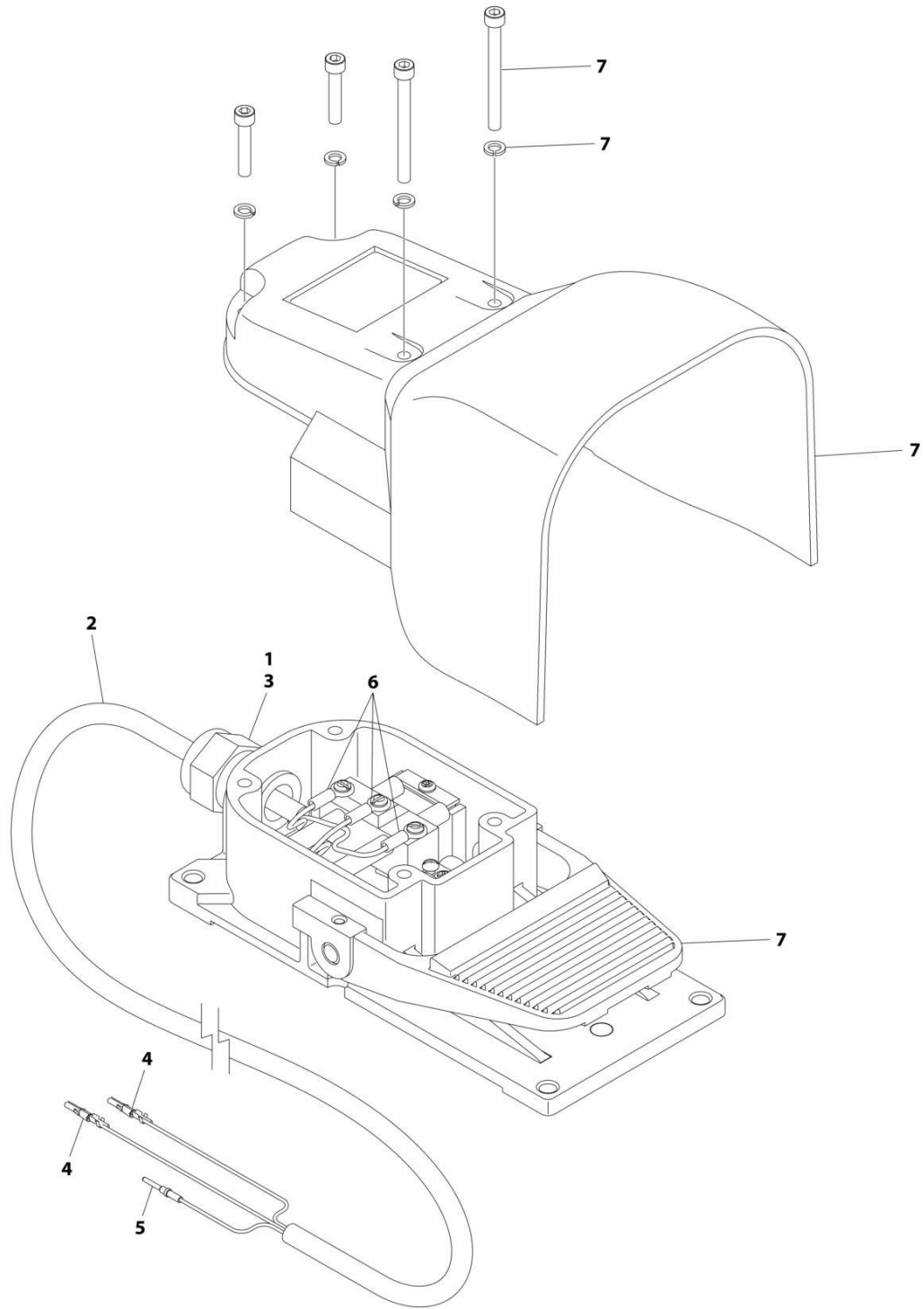
ITEM	PART NUMBER	QTY	DESCRIPTION	REV
	1001263588	Ref	CONSOLE BOX ASSEMBLY	C
1	0100009	AR	Sealant	
2	0100035	AR	Compound, Locking	
4	0140011	1	Alarm	
5	0641405	1	Bolt 1/4 x 5/8	
6	0641414	4	Bolt 1/4 x 1-3/4	
8	1671314	1	Cover	
9	1702565	1	Decal - Drive and Steer	
10	1702566	1	Decal - Lift and Swing	
11	1702567	1	Decal - Function Speed	
12	1704260	1	Decal - Emergency Stop	
13	2560136	1	Handle, Knob	
16	3300353	4	Nut, Tinnerman	
18	3520026	2	Plug	
19	3520027	1	Plug	
20	3520054	4	Plug	
21	3790012	8	O-Ring	
22	3900349	8	Capscrew M2.5 x 8	
23	4360387	2	Switch, Push Button	
24	4360407	1	Controller, Speed	
24	4460224	1	Receptacle, Female - 6 Position	
24	4460226	6	Socket, Female	
24	See Note	1	Gasket "Top Hat" (Included with Switch) (Note: Not Available - Purchase Complete Controller)	
24	70003784	1	Seal	
25	1001274559	1	Switch, Emergency Stop	
28	4460234	6	Mount, Tie-Strap	
29	4460428	2	Connector, Strain Relief	
30	4460470	1	Nut, Terminal	
31	4460471	1	Washer, Terminal	
35	4751400	8	Washer 1/4	
36	4922666	1	Analyzer Harness (Not Shown)	
36	4460761	1	Receptacle, Female - 4 Position	
36	4460227	4	Pin, Male	
37	1001106938	1	Module, Platform (Note: Re-calibration Required when Replaced)	
38	1001110434	1	Plug	
39	1001117174	1	Footswitch Assembly (See Separate Breakdown in this Section)	
40	1001137364	1	Light, Indicator	
41	1001139135	1	Boom Valve Harness (See Separate Breakdown in ELECTRICAL Section)	
42	1001155044	8	Nut 15/32	
43	1001155045	6	Switch, Toggle	
44	1001159256	1	Switch, Toggle	
45	1001275628	1	Controller Assembly (Drive and Steer)	
46	1001275629	1	Controller Assembly (Lift and Swing)	
47	1001172760	4	Bracket	
48	1001185281	1	Plug	
49	1001213882	1	Mount	
50	1001260937	1	Decal - Tower Stow	
51	1001263587	1	Console Box Assembly	

SECTION 5 - PLATFORM

ITEM	PART NUMBER	QTY	DESCRIPTION	REV
51A	0630568	1	Capscrew 3/8 x 4-1/2	
51B	3311601	1	Nut 3/8	
51C	3430616	2	Pin	
51D	3470003	2	Hairpin	
51E	4711600	2	Washer 3/8	
52	1001266648	1	Platform Console Harness (See Separate Breakdown in ELECTRICAL Section)	
53	1001206532	1	Lamp, LED Indicator Yellow	
54	1001184626	1	Decal - Horn	
55	1001161709	1	Switch, Toggle DPDT	
56	1001184618	1	Decal - Stop & Auxiliary Power	
57	4240099	AR	Tie-Strap (Not Shown)	

SECTION 5 - PLATFORM

FIGURE 5-21. FOOTSWITCH ASSEMBLY



ART_1001117174

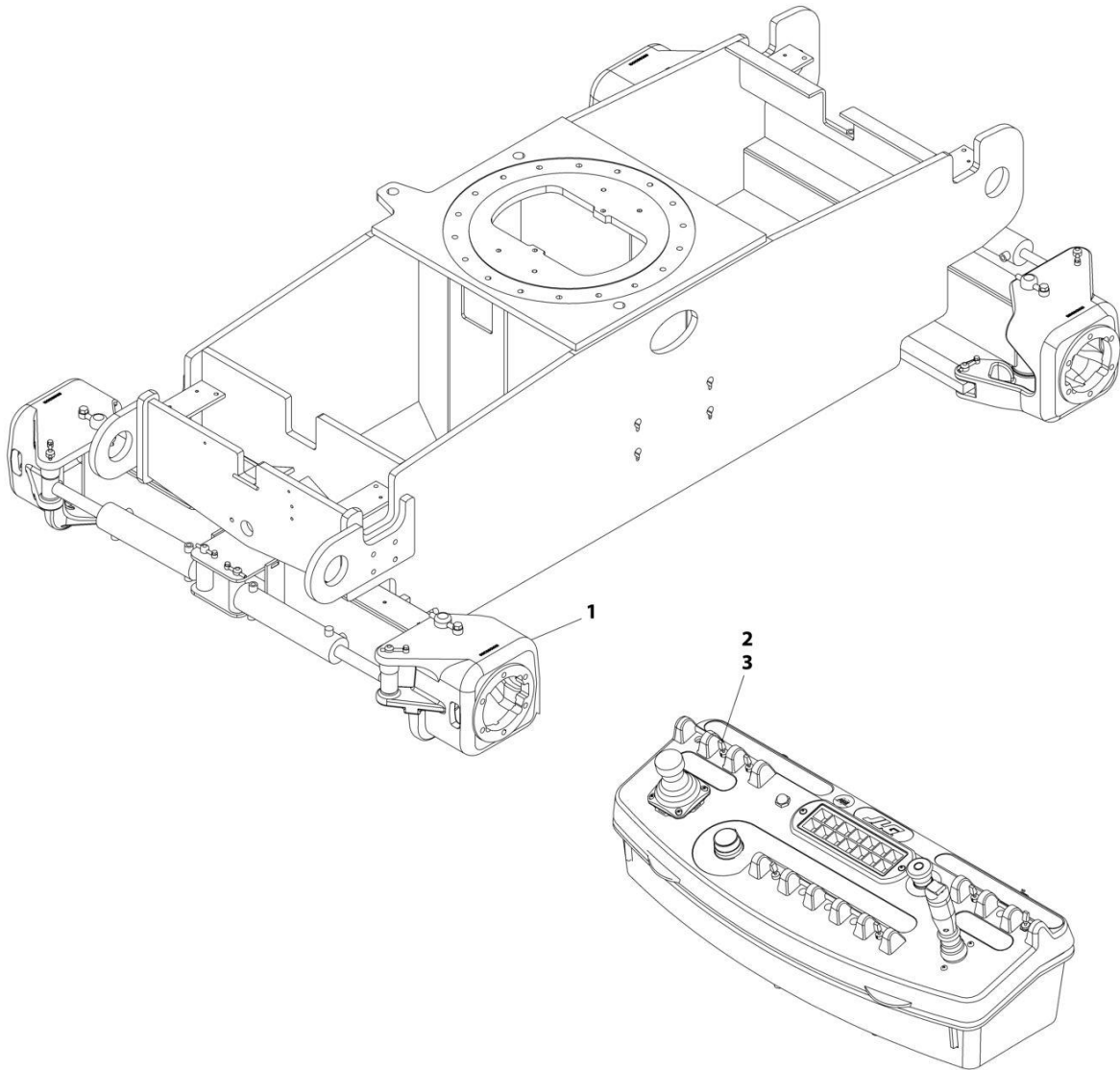
SECTION 5 - PLATFORM

FIGURE 5-21. FOOTSWITCH ASSEMBLY

ITEM	PART NUMBER	QTY	DESCRIPTION	REV
	1001117174	Ref	FOOTSWITCH ASSEMBLY	C
1	0100020	AR	Sealant	
2	1060918	7.5 ft/ 2.3m	Cable, Electrical - 18/3	
3	4460071	1	Connector, Strain Relief	
4	4460226	2	Socket, Female	
5	4460464	1	Pin, Male	
6	1001098122	3	Terminal	
7	1001117172	1	Footswitch	
7	70002902	1	Switch, 20Amp	
7	70002903	1	Gasket	
7	70002905	1	Cover	
7	70002904	1	Kit, Replacement Bolt	

SECTION 5 - PLATFORM

FIGURE 5-22. CRAB STEER SWITCH INSTALLATION - 4WS (WITHOUT TOW PACKAGE)



ART_1001148163

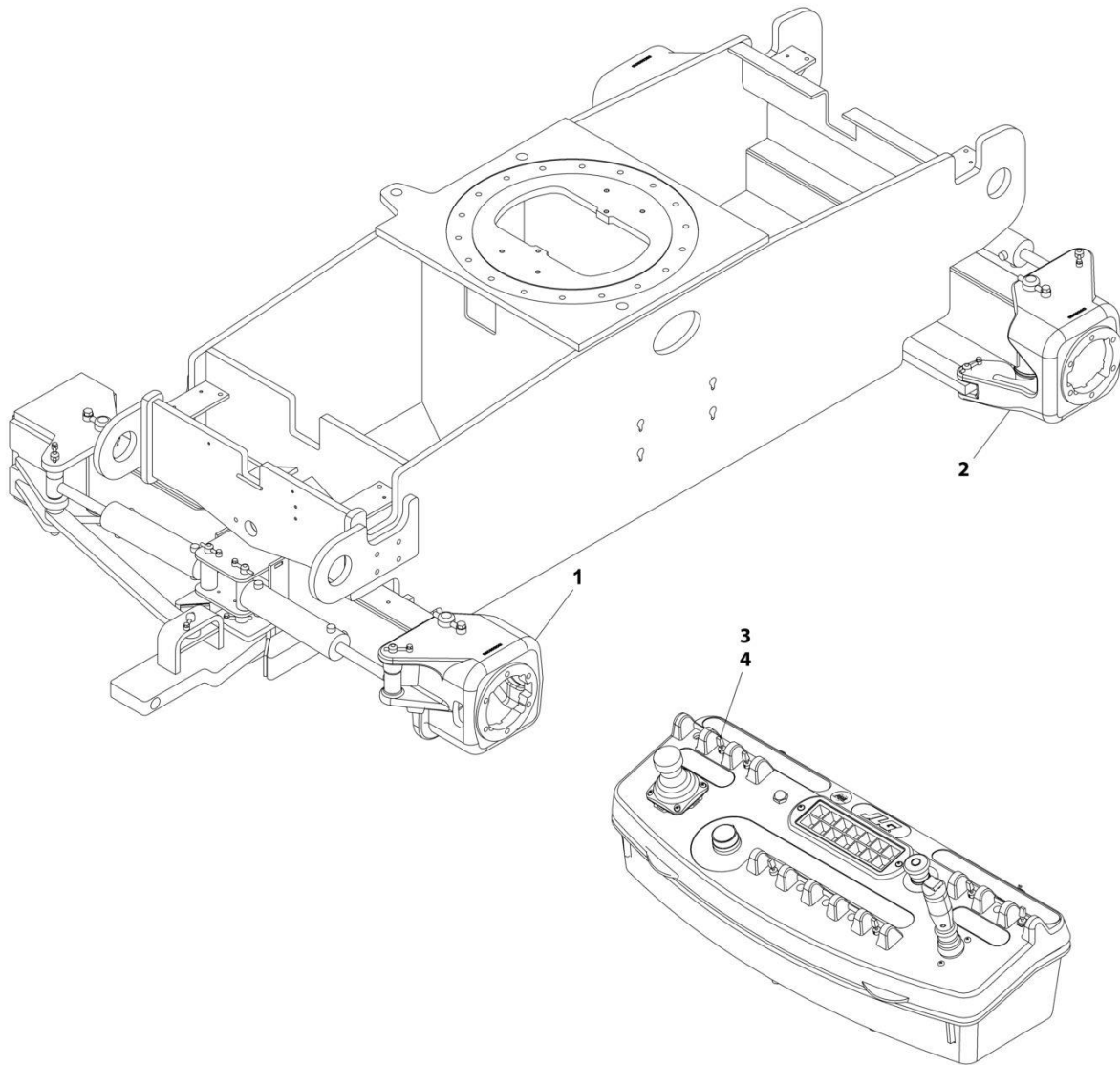
SECTION 5 - PLATFORM

FIGURE 5-22. CRAB STEER SWITCH INSTALLATION - 4WS (WITHOUT TOW PACKAGE)

ITEM	PART NUMBER	QTY	DESCRIPTION	REV
1	1001148163	Ref	CRAB STEER SWITCH INSTALLATION - 4WS	B
	1001148162	Ref	Steering Installation (Crab Steer) (See Separate Breakdown in FRAME SECTION)	
2	4360331	1	Switch, Toggle	
3	3790012	1	O-Ring	

SECTION 5 - PLATFORM

FIGURE 5-23. CRAB STEER SWITCH INSTALLATION - 4WS (WITH TOW PACKAGE)



ART_1001148166

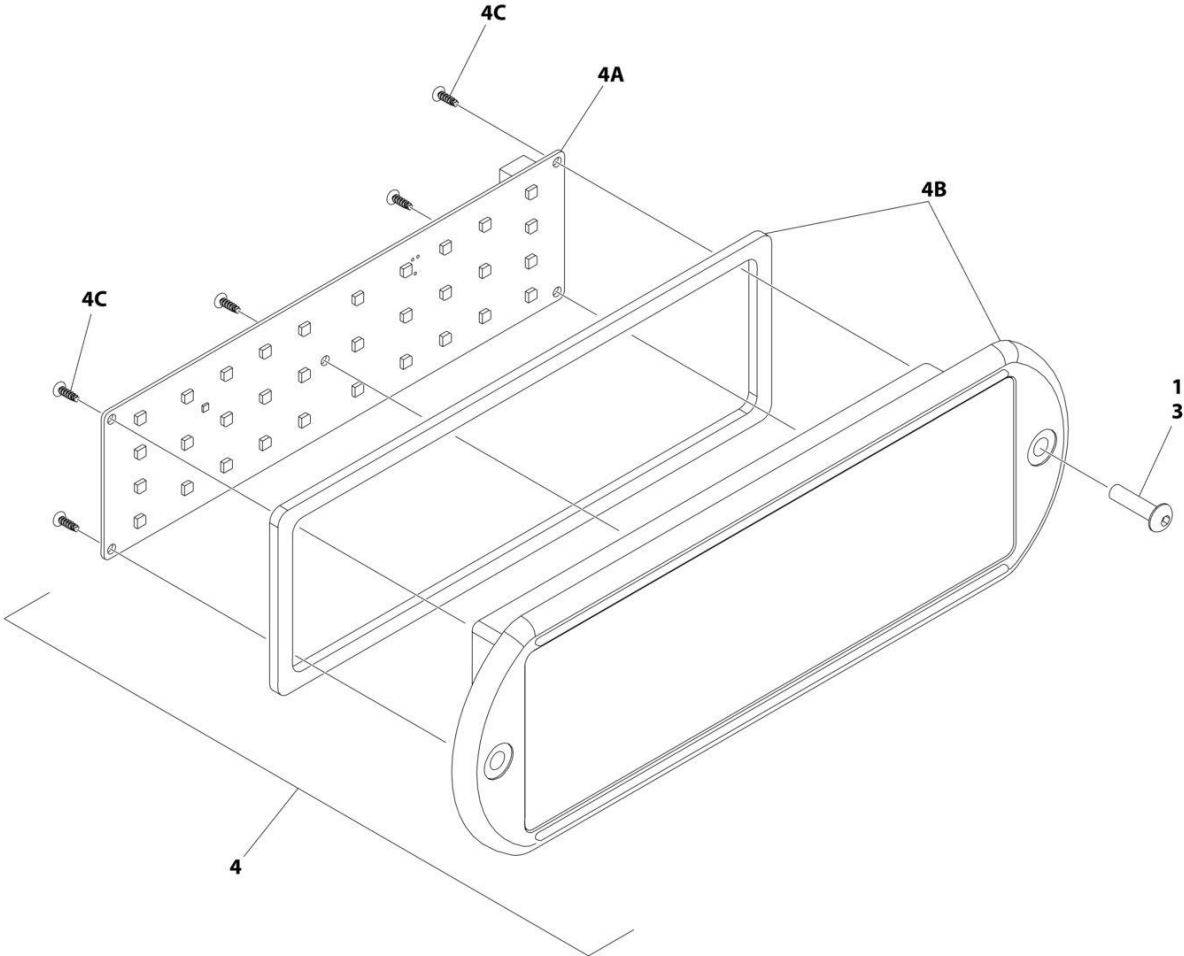
SECTION 5 - PLATFORM

FIGURE 5-23. CRAB STEER SWITCH INSTALLATION - 4WS (WITH TOW PACKAGE)

ITEM	PART NUMBER	QTY	DESCRIPTION	REV
1	1001148166	Ref	CRAB STEER SWITCH INSTALLATION - 4WS	B
	1001148164	Ref	Steering Installation (Not Shown - See Separate Breakdown in FRAME SECTION)	
2	1001148162	Ref	Steering Installation (Crab Steer) (Not Shown - See Separate Breakdown in FRAME SECTION)	
3	4360331	1	Switch, Toggle	
4	3790012	1	O-Ring	

SECTION 5 - PLATFORM

FIGURE 5-24. LIGHT PANEL INSTALLATION



ART_1001233959_D_20F2

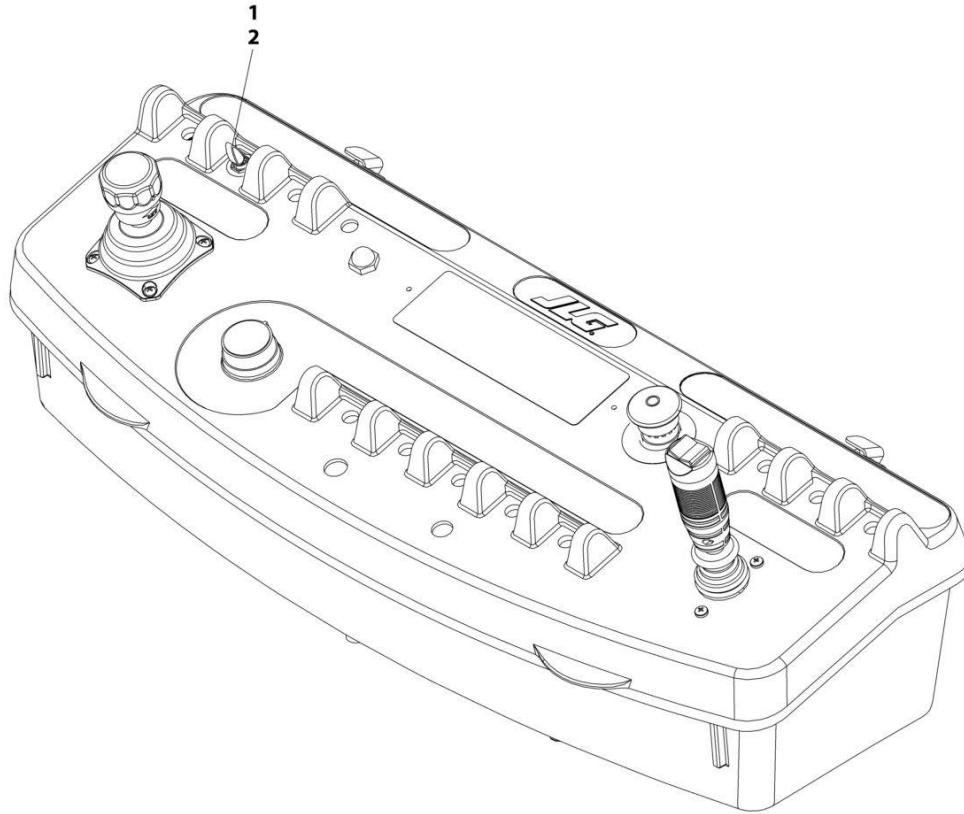
SECTION 5 - PLATFORM

FIGURE 5-24. LIGHT PANEL INSTALLATION

ITEM	PART NUMBER	QTY	DESCRIPTION	REV
	1001233959	Ref	LIGHT PANEL INSTALLATION - PLATFORM CONSOLE	D
1	0100035	AR	Compound, Locking	
3	0630518	2	Screw #10 x 3/4	
4	1001284583	1	Light Panel Assembly	A
4A	1001282106	1	Panel, LED Light	
4B	1001284582	1	Lens, Icon (Includes Gasket)	
4C		Ref	Screw	

SECTION 5 - PLATFORM

FIGURE 5-25. STEER SWITCH INSTALLATION – 4WS



ART_0258945

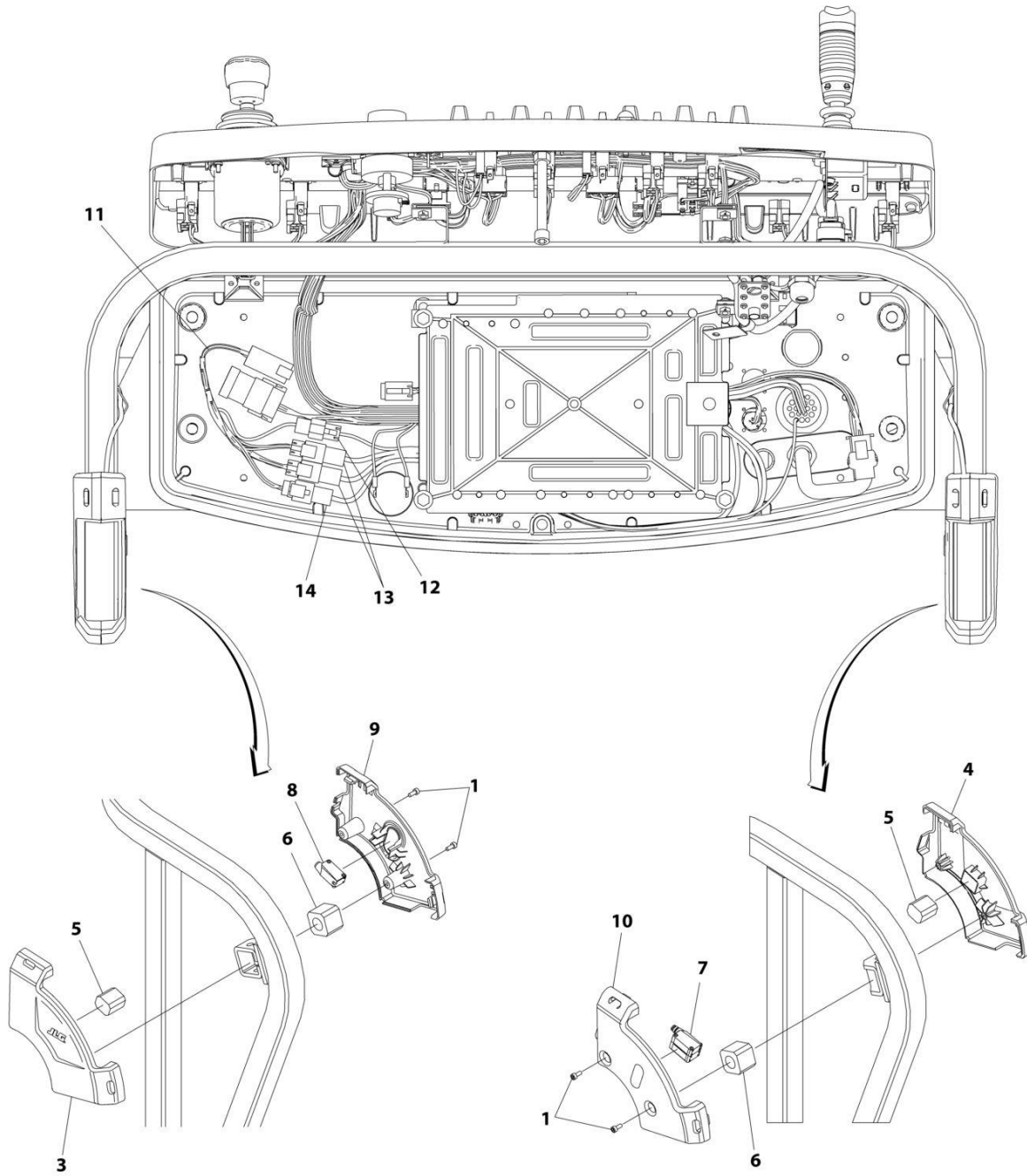
SECTION 5 - PLATFORM

FIGURE 5-25. STEER SWITCH INSTALLATION – 4WS

ITEM	PART NUMBER	QTY	DESCRIPTION	REV
	0258945	Ref	STEER SWITCH INSTALLATION - 4WS	A
1	4360331	1	Switch, Toggle	
2	3790012	1	O-Ring	

SECTION 5 - PLATFORM

FIGURE 5-26. SKYEYE INSTALLATION



ART_1001229341

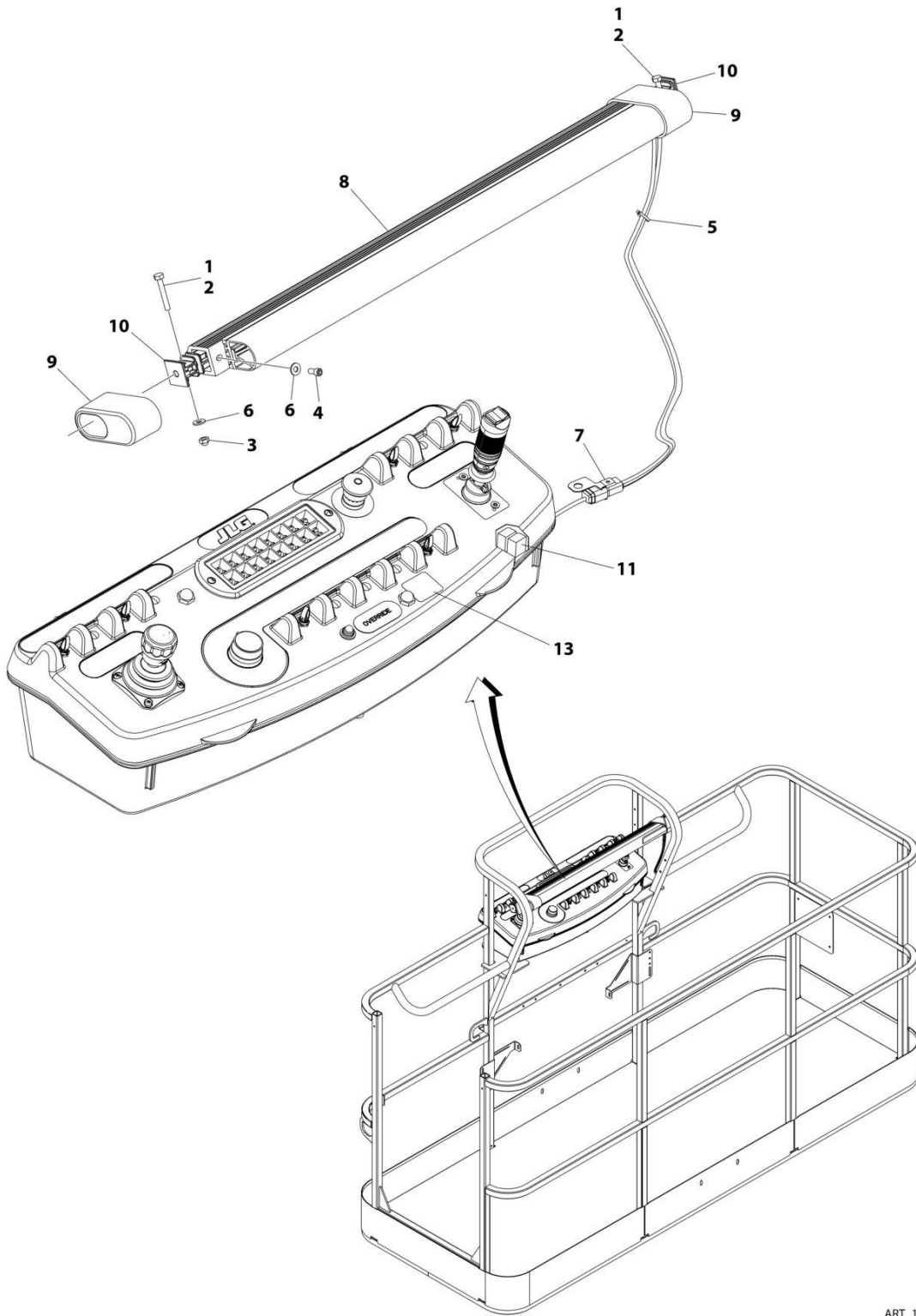
SECTION 5 - PLATFORM

FIGURE 5-26. SKYEYE INSTALLATION

ITEM	PART NUMBER	QTY	DESCRIPTION	REV
	1001229341	Ref	SKYEYE INSTALLATION	B
1	4031505	4	Bolt M4 x 10	
2	4240033	AR	Tie-Strap (Not Shown)	
3	1001227633	1	Housing, LH Outer	
4	1001227634	1	Housing, RH Outer	
5	1001227985	2	Shim	
6	1001227987	2	Shim	
7	1001228224	2	Sensor, Receiver	
8	1001228225	1	Sensor, Emitter	
9	1001232164	1	Housing, LH Inner	
10	1001232165	1	Housing, RH Inner	
11	1001237865	1	Harness, Skyeeye Intermediate (See Separate Breakdown in ELECTRICAL Section)	
12	1001238319	NLA	Harness, Skyeeye Drain Jumper	
12	1001187674	1	Plug, Male - 2 Position	
12	4460942	1	Terminal	
12	4460466	1	Plug, Terminal	
12	4460508	1	Pin, Male	
13	1001237863	2	Harness, Skyeeye Receiver (See Separate Breakdown in ELECTRICAL Section)	
14	1001237864	1	Harness, Skyeeye Emitter (See Separate Breakdown in ELECTRICAL Section)	

SECTION 5 - PLATFORM

FIGURE 5-27. SKYGUARD BAR INSTALLATION



ART_1001238495

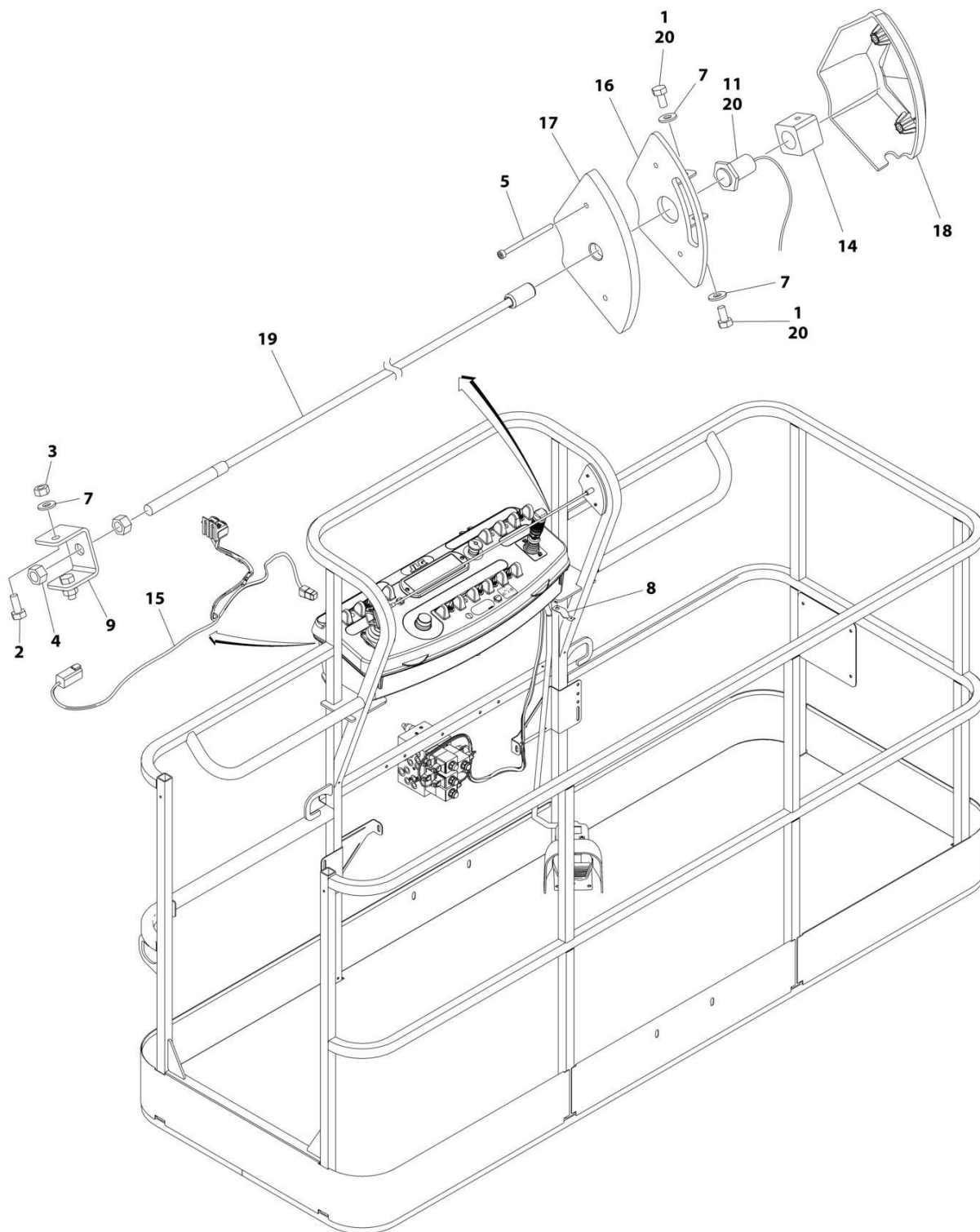
SECTION 5 - PLATFORM

FIGURE 5-27. SKYGUARD BAR INSTALLATION

ITEM	PART NUMBER	QTY	DESCRIPTION	REV
	1001238495	Ref	SKYGUARD BAR INSTALLATION	A
1	0100011	AR	Compound, Locking	
2	0641414	2	Bolt 1/4 x 1-3/4	
3	3300430	2	Nut 1/4	
4	3931408	2	Capscrew 1/4 x 1/2	
5	4240033	8	Tie-Strap	
6	4711400	6	Washer 1/4	
7	1001120328	1	Mount	
8	1001137673	1	SkyGuard Switch Assembly	
9	1001186517	2	Cover, Platform Sensor	
10	1001209664	2	Support, Block	
11	1001186431	2	Relay	
12	1001225580	1	Interface Harness Assembly (Not Shown - Located Inside Console Box) (See Separate Breakdown in ELECTRICAL Section)	
13	1001144433	1	Decal - No Weight SkyGuard	

SECTION 5 - PLATFORM

FIGURE 5-28. SKYLINE INSTALLATION



ART_1001238559_D

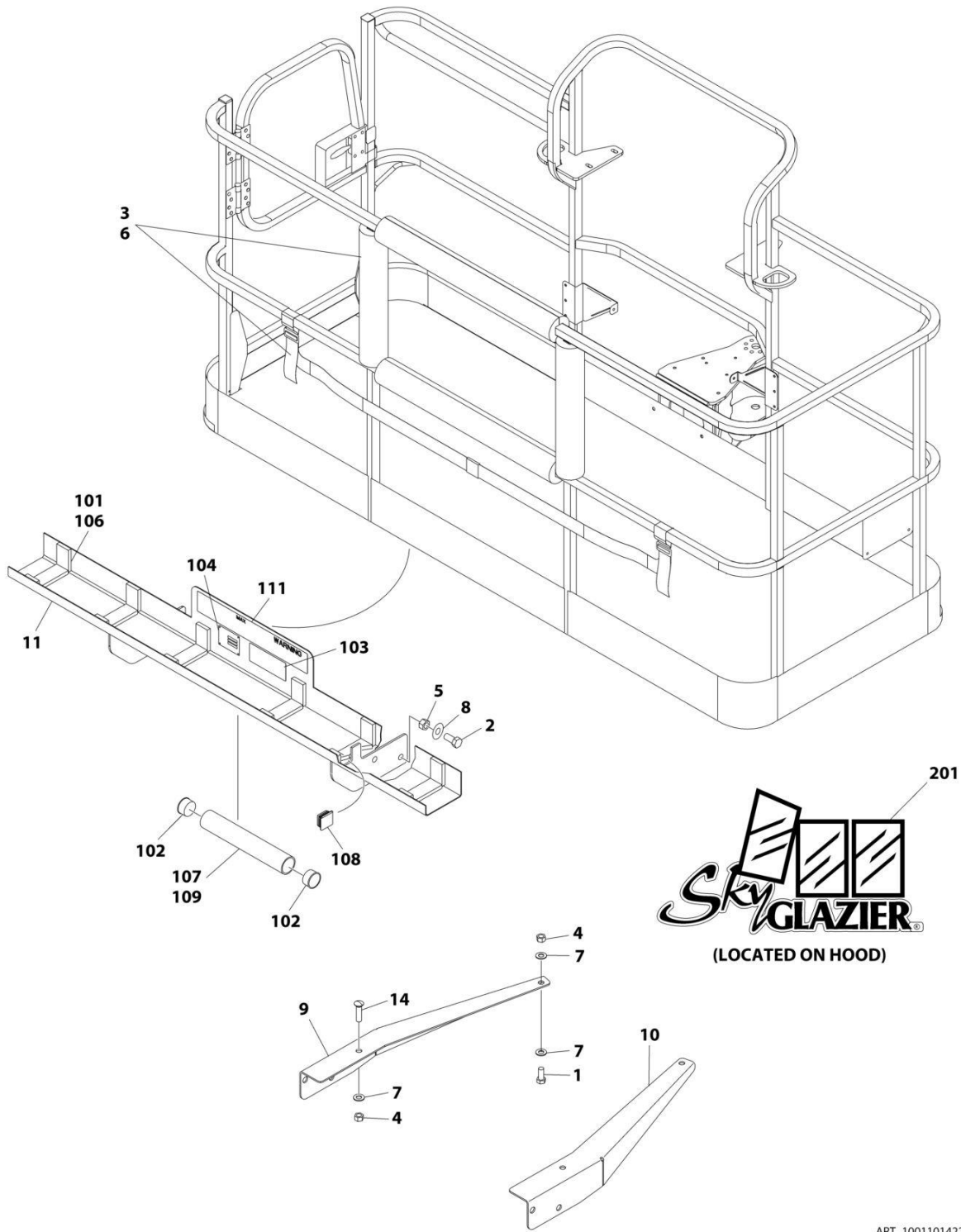
SECTION 5 - PLATFORM

FIGURE 5-28. SKYLINE INSTALLATION

ITEM	PART NUMBER	QTY	DESCRIPTION	REV
	1001238559	Ref	SKYLINE INSTALLATION	D
1	0641404	2	Bolt 1/4 x 1/2	
2	0641405	2	Bolt 1/4 x 5/8	
3	3311405	2	Nut 1/4	
4	3311601	2	Nut 3/8	
5	4031516	2	Capscrew M4 x 60	
6	4240033	AR	Tie-Strap (Not Shown)	
7	4711400	4	Washer 1/4	
8	1001120328	1	Mount	
9	1001232642	1	Bracket	
11	1001232667	1	Sensor, Proximity	
11	1001311034	1	Sensor, Proximity	
14	1001236552	1	Block	
15	1001238418	1	Harness, Skyline (See Separate Breakdown in ELECTRICAL Section)	
16	1001238472	1	Mount	
17	1001254473	1	Housing, LH	
18	1001241965	1	Housing, RH	
19	1001254472	1	Rod	
20	0100011	AR	Compound, Locking	

SECTION 5 - PLATFORM

FIGURE 5-29. SKYGLAZIER INSTALLATION (ALL SPECS EXCEPT CHINA, JAPANESE, CE & UK CA SPECS) (OPTIONAL)



ART_1001101422

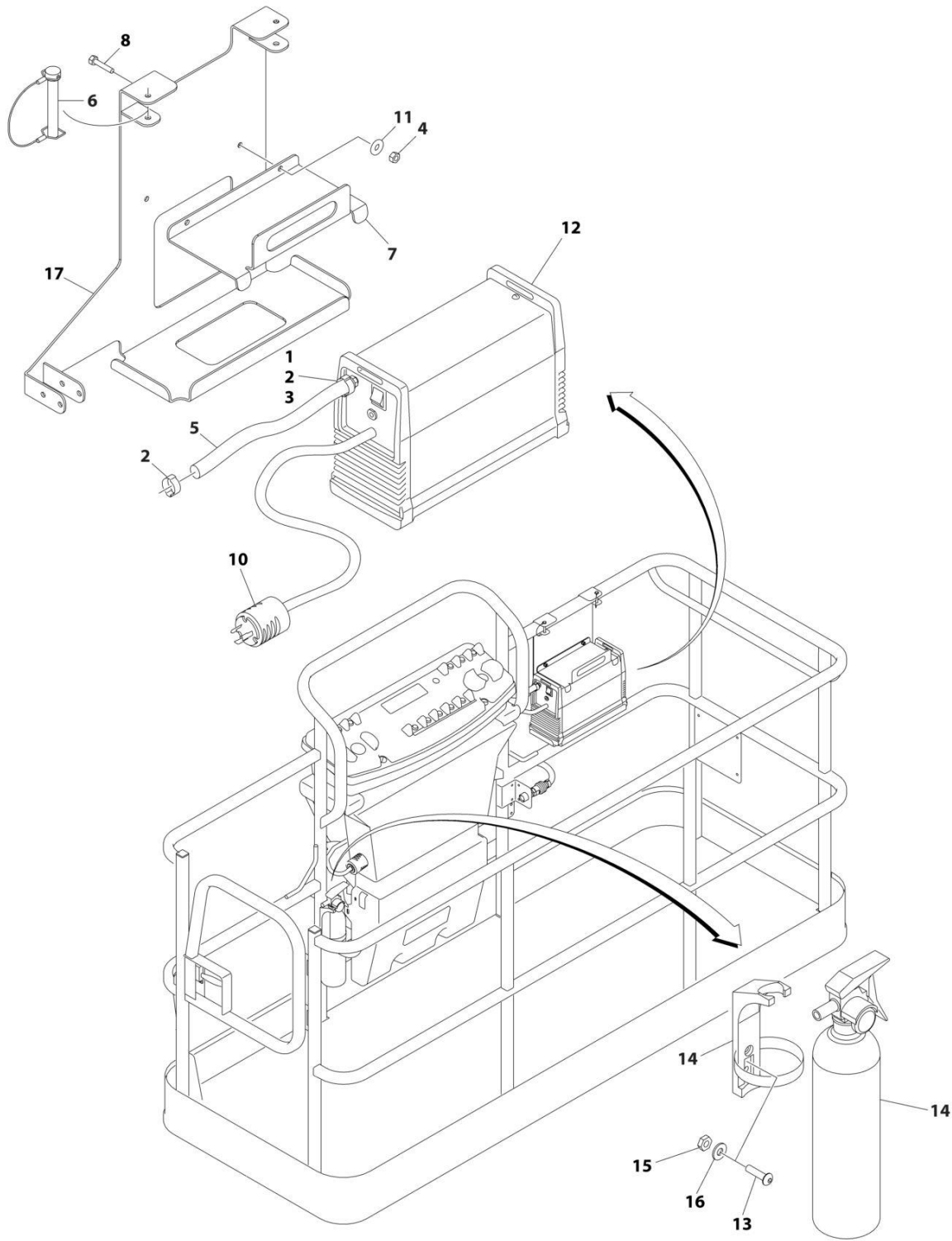
SECTION 5 - PLATFORM

FIGURE 5-29. SKYGLAZIER INSTALLATION (ALL SPECS EXCEPT CHINA, JAPANESE, CE & UK CA SPECS) (OPTIONAL)

ITEM	PART NUMBER	QTY	DESCRIPTION	REV
	1001101422	Ref	SKYGLAZIER INSTALLATION	C
1	0642012	2	Bolt 5/8 x 1-1/2	
2	0642212	4	Bolt 3/4 x 1-1/2	
3	2902212	1	Bumpers and Strap Kit	
3	0940102	1	Bumper Only	
3	4240149	1	Strap Only	
4	3312005	4	Nut 5/8	
5	3312205	4	Nut 3/4	
6	4420014	AR	Tape	
7	4712000	6	Washer 5/8	
8	4712200	8	Washer 3/4	
9	1001099366	1	Support	
10	1001099367	1	Support	
11	1001101421	1	Tray Assembly (See Items 101-111 for Breakdown)	
14	8310129	2	Bolt 3/4 x 2-1/2	
	1001101421	Ref	TRAY ASSEMBLY	F
101	0100081	AR	Adhesive	
102	1120555	2	Cap, Tube	
103	1701509	1	Decal - Manual	
104	See Note	NSS	Nameplate - Serial Number (Note: Not Available for Purchase)	
106	3340956	1	Pad Kit	
107	3460334	1	Tube	
108	3520071	2	Plug	
109	4420066	AR	Tape, Double Sided	
111	1001163131	2	Decal - Glazier Capacity	
	0272418	Ref	SKYGLAZIER DECAL INSTALLATION	4
201	1705358	2	Decal - SkyGlazier	

SECTION 5 - PLATFORM

FIGURE 5-30. SKYCUTTER INSTALLATION (OPTIONAL)



ART_1001098149_D

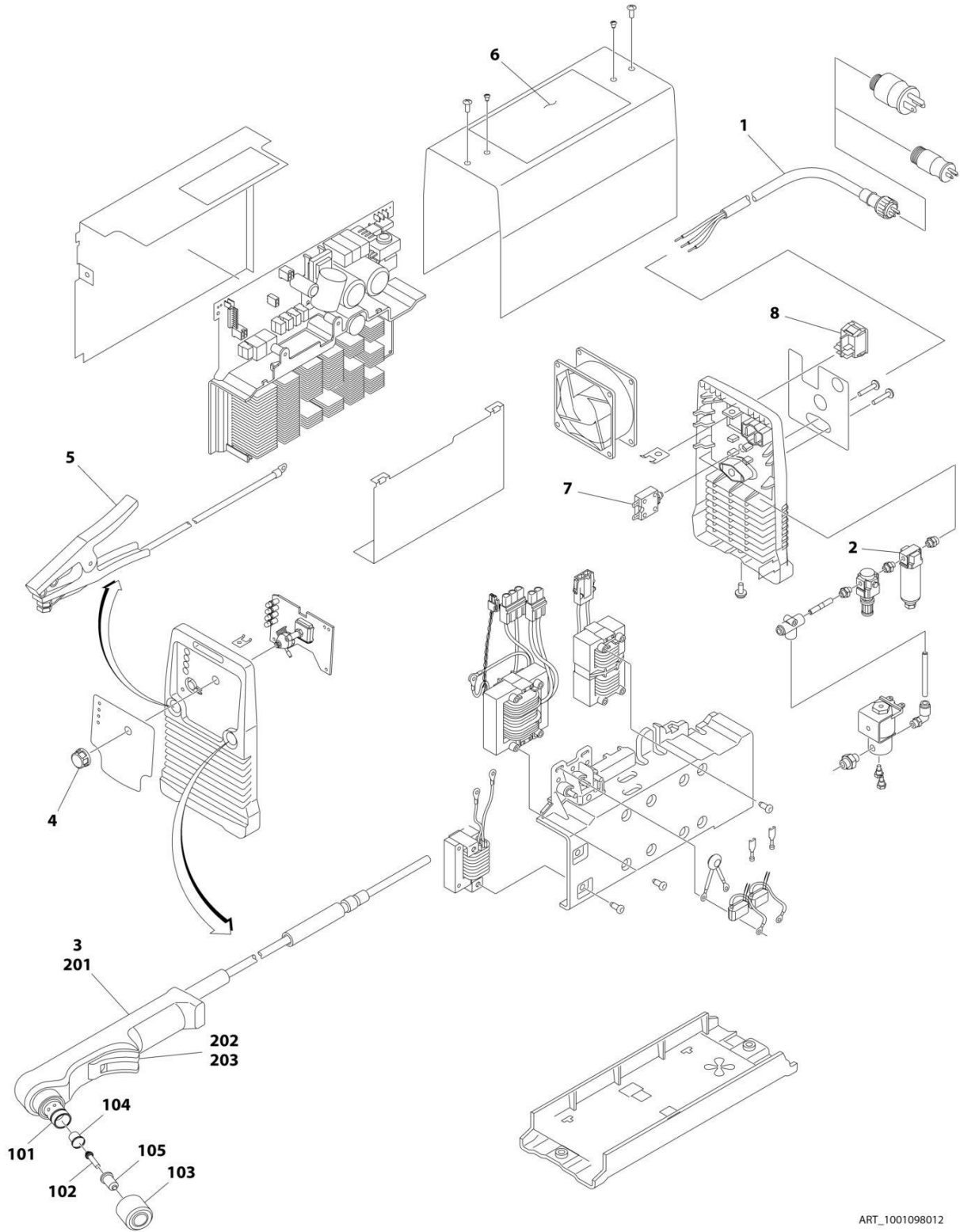
SECTION 5 - PLATFORM

FIGURE 5-30. SKYCUTTER INSTALLATION (OPTIONAL)

ITEM	PART NUMBER	QTY	DESCRIPTION	REV
	1001098149	Ref	SKYCUTTER INSTALLATION	D
		Ref	Note: When replacing platform on machines with SkyCutter option, new bracket p/n 1001145405 must be purchased to accommodate SkyCutter components.	
1	0100020	AR	Sealant	
2	1320177	2	Clamp, Hose	
3	2180832	1	Fitting, NPT/Barbed	
4	3290605	2	Nut M6	
5	2720160	3 ft /.9m	Hose	
6	3421453	3	Pin	
7	3576799	1	Plate, Hold-Down	
8	4010608	2	Screw M6 x 16	
10	4460971	1	Plug, Twistlock	
11	4811700	2	Washer M6	
12	1001098012	1	Plasma Cutter Assembly (See Separate Breakdown in this Section)	
13	0630518	2	Screw #10 x 3/4	
14	2030010	1	Extinguisher, Fire	
15	3311005	2	Nut #10	
16	4751000	2	Washer #10	
17	1001145405	1	Support	

SECTION 5 - PLATFORM

FIGURE 5-31. PLASMA CUTTER ASSEMBLY



ART_1001098012

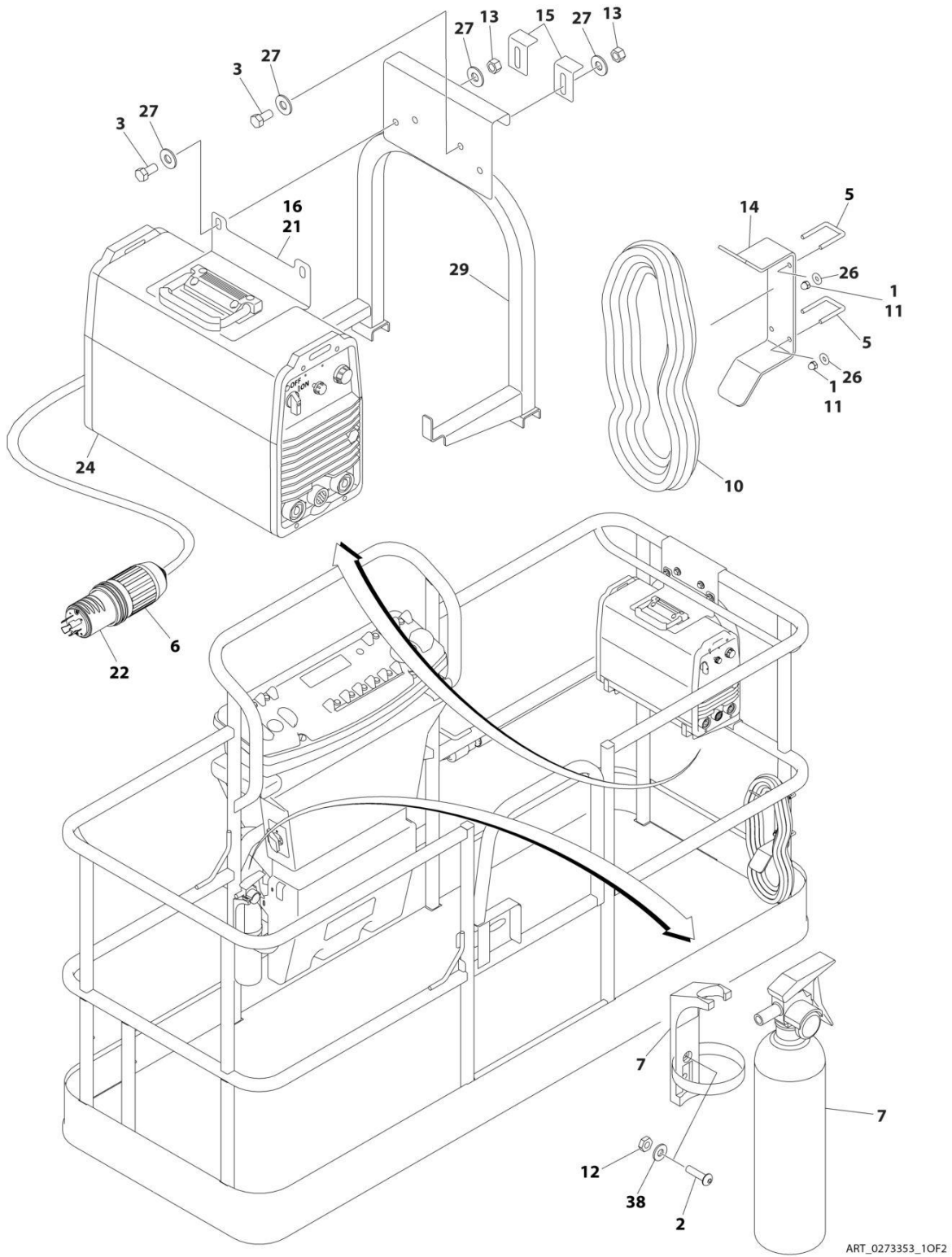
SECTION 5 - PLATFORM

FIGURE 5-31. PLASMA CUTTER ASSEMBLY

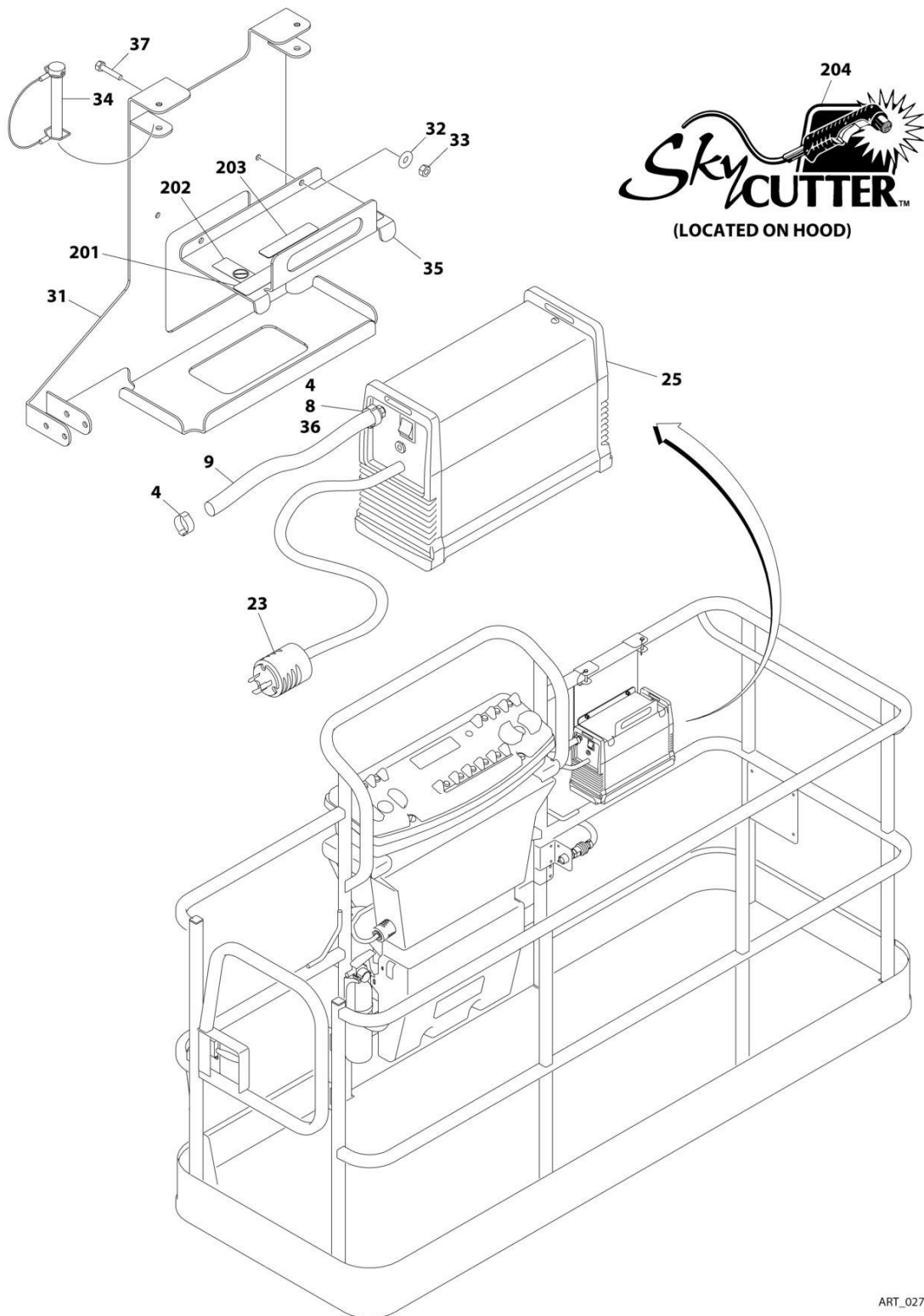
ITEM	PART NUMBER	QTY	DESCRIPTION	REV
	1001098012	Ref	PLASMA CUTTER ASSEMBLY	A
		Ref	Note: For Other Components, contact your Miller Welder Dealer.	
1	70001424	1	Cable, Power	
1	70001425	1	Decal - Voltage Warning	
2	70001427	1	Filter, Regulator	
3	70001428	1	Torch Assembly (See Items 101-203 for Breakdown)	
4	7024471	1	Knob	
5	70001429	1	Clamp with Cable	
6	70001430	1	Decal - Caution	
7	70001431	1	Breaker, Circuit	
8	70001432	1	Switch, Rocker	
	70001428	Ref	TORCH ASSEMBLY	
101	7024530	1	O-Ring	
102	7024531	1	Electrode	
103	7024532	1	Cup, Retaining	
104	7024533	1	Swirl Ring	
105	7024534	1	Tip	
201	7024535	1	Handle, Torch	
202	7024536	1	Switch	
203	7024537	1	Trigger	

SECTION 5 - PLATFORM

FIGURE 5-32. SKYWELDER/SKYCUTTER COMBO INSTALLATION (60HZ) (OPTIONAL)



SECTION 5 - PLATFORM



ART_0273353_20F2

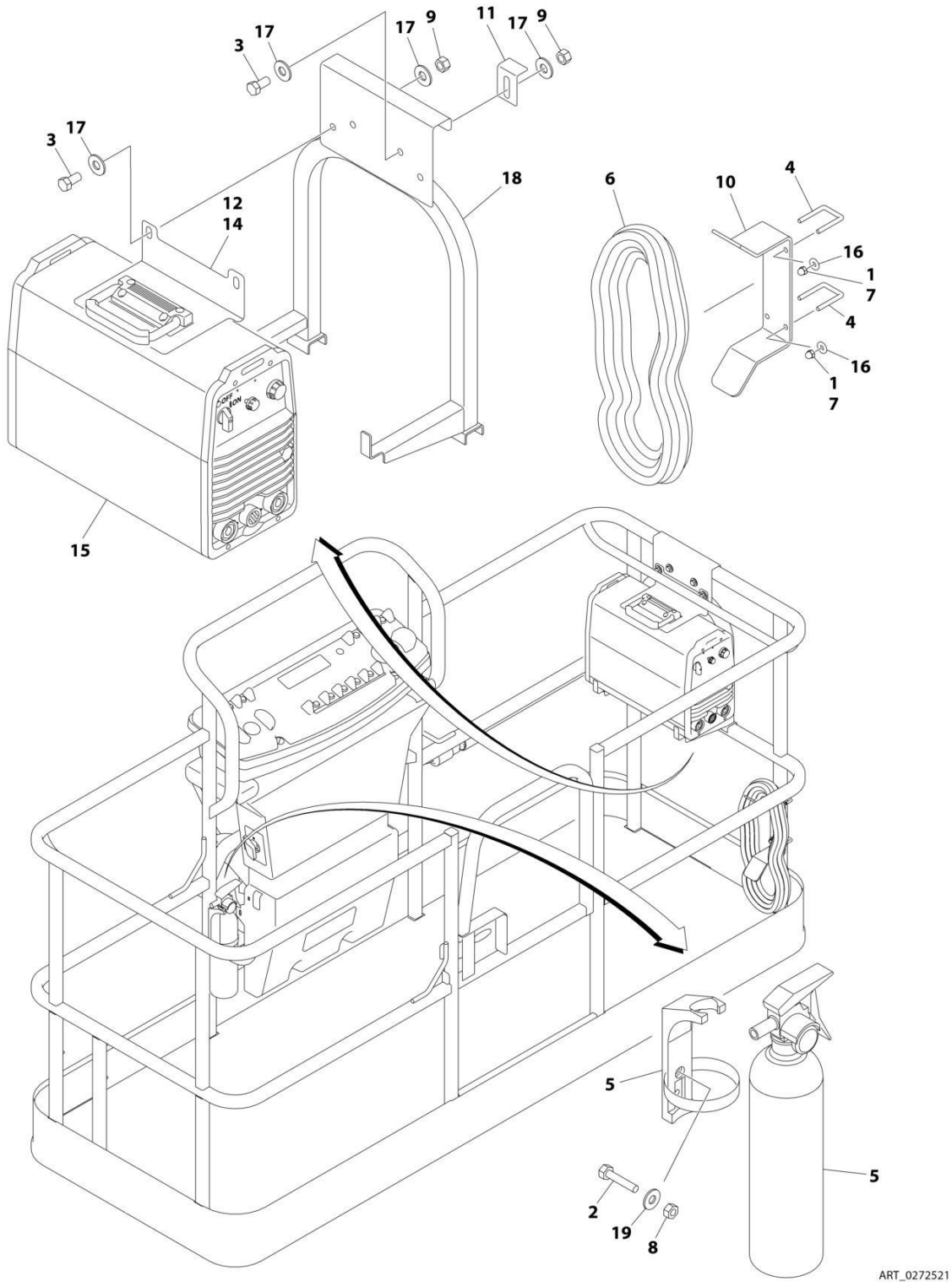
SECTION 5 - PLATFORM

FIGURE 5-32. SKYWELDER/SKYCUTTER COMBO INSTALLATION (60HZ) (OPTIONAL)

ITEM	PART NUMBER	QTY	DESCRIPTION	REV
	0273353	Ref	SKYWELDER/SKYCUTTER COMBO INSTALLATION (60HZ)	G
1	0100011	AR	Compound, Locking	
2	0630518	2	Screw #10 x 3/4	
3	0641606	4	Bolt 3/8 x 3/4	
4	1320177	2	Clamp	
5	1320302	2	Clamp	
6	1671093	1	Cover, Plug	
7	2030010	1	Extinguisher, Fire	
8	2180832	1	Fitting, Barbed/NPT	
9	2720160	4.5 ft/ 1.4m	Hose	
10	2902217	1	Weld Leads Kit	
11	3300151	4	Nut 1/4	
12	3311005	2	Nut #10	
13	3311605	4	Nut 3/8	
14	3573400	1	Bracket	
15	3577121	2	Angle	
16	3573642	1	Plate	
20	4240099	AR	Tie-Strap (Not Shown)	
21	4420037	2.4 ft/ 0.7m	Tape	
22	4460962	1	Plug, Twist Lock	
23	4460971	1	Plug, Twist Lock	
24	4530028	1	Welder Assembly (See Separate Breakdown in this Section)	
25	1001098012	1	Plasma Cutter Assembly (See Separate Breakdown in this Section)	
26	4751400	4	Washer 1/4	
27	4751600	8	Washer 3/8	
29	4846627	1	Support	
31	1001145405	1	Bracket	
32	4811700	2	Washer M6	
33	3290605	2	Nut M6	
34	3421453	3	Pin	
35	3576799	1	Plate, Hold-Down	
36	0100020	1	Sealant	
37	4010608	2	Screw M6 x 16	
38	4751000	2	Washer #10	
	0272448	Ref	SKYWELDER DECAL INSTALLATION	B
101	1705355	2	Decal - SkyWelder	
102	1702868	1	Decal - No Hands	
103	1705305	1	Decal - Weld Leads	
104	1705375	1	Decal - 240V - 3 Phase - 60Hz	
105	1001228988	1	Decal - Weight	
	0272599	Ref	SKYCUTTER DECAL INSTALLATION	B
201	1702868	1	Decal - No Hands	
202	1705305	1	Decal - Weld Leads	
203	1001228988	1	Decal - Weight	
204	1705490	2	Decal - SkyCutter	

SECTION 5 - PLATFORM

FIGURE 5-33. SKYWELDER INSTALLATION (50HZ) (OPTIONAL)



ART_0272521

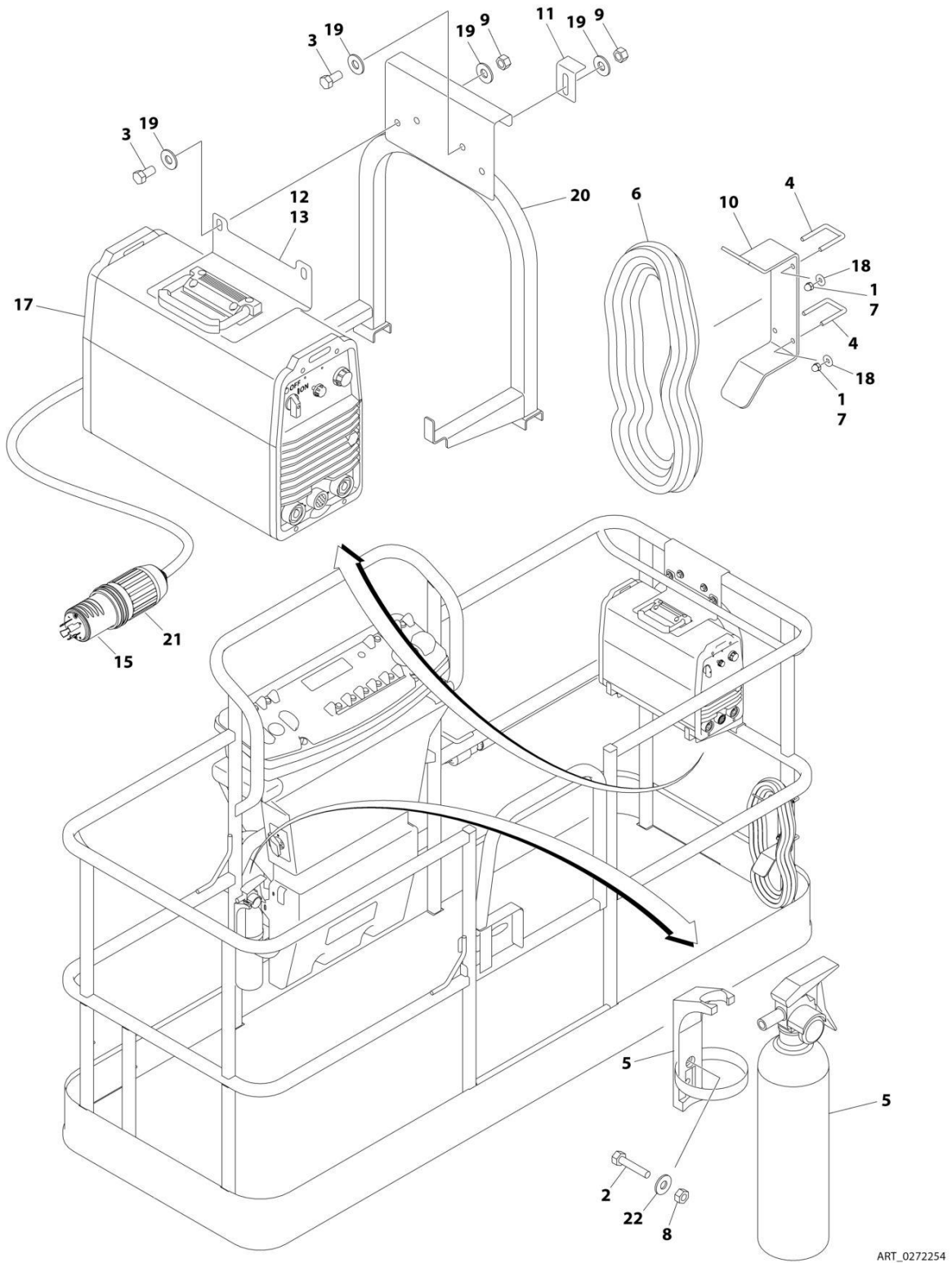
SECTION 5 - PLATFORM

FIGURE 5-33. SKYWELDER INSTALLATION (50HZ) (OPTIONAL)

ITEM	PART NUMBER	QTY	DESCRIPTION	REV
	0272521	Ref	SKYWELDER INSTALLATION	F
1	0100011	AR	Compound, Locking	
2	0630518	2	Screw #10 x 3/4	
3	0641606	4	Bolt 3/8 x 3/4	
4	1320302	2	U-Clamp	
5	2030010	1	Extinguisher, Fire	
6	2902217	1	Weld Leads Kit	
7	3300151	4	Nut 1/4	
8	3311005	2	Nut #10	
9	3311605	4	Nut 3/8	
10	3573400	1	Bracket	
11	3577121	2	Angle	
12	3573642	1	Plate	
13	4240099	AR	Tie-Strap (Not Shown)	
14	4420037	AR	Tape	
15	4530028	1	Welder Assembly (See Separate Breakdown in this Section)	
16	4751400	4	Washer 1/4	
17	4751600	8	Washer 3/8	
18	4846627	1	Support	
19	4751000	2	Washer #10	

SECTION 5 - PLATFORM

FIGURE 5-34. SKYWELDER INSTALLATION (60HZ) (OPTIONAL)



ART_0272254

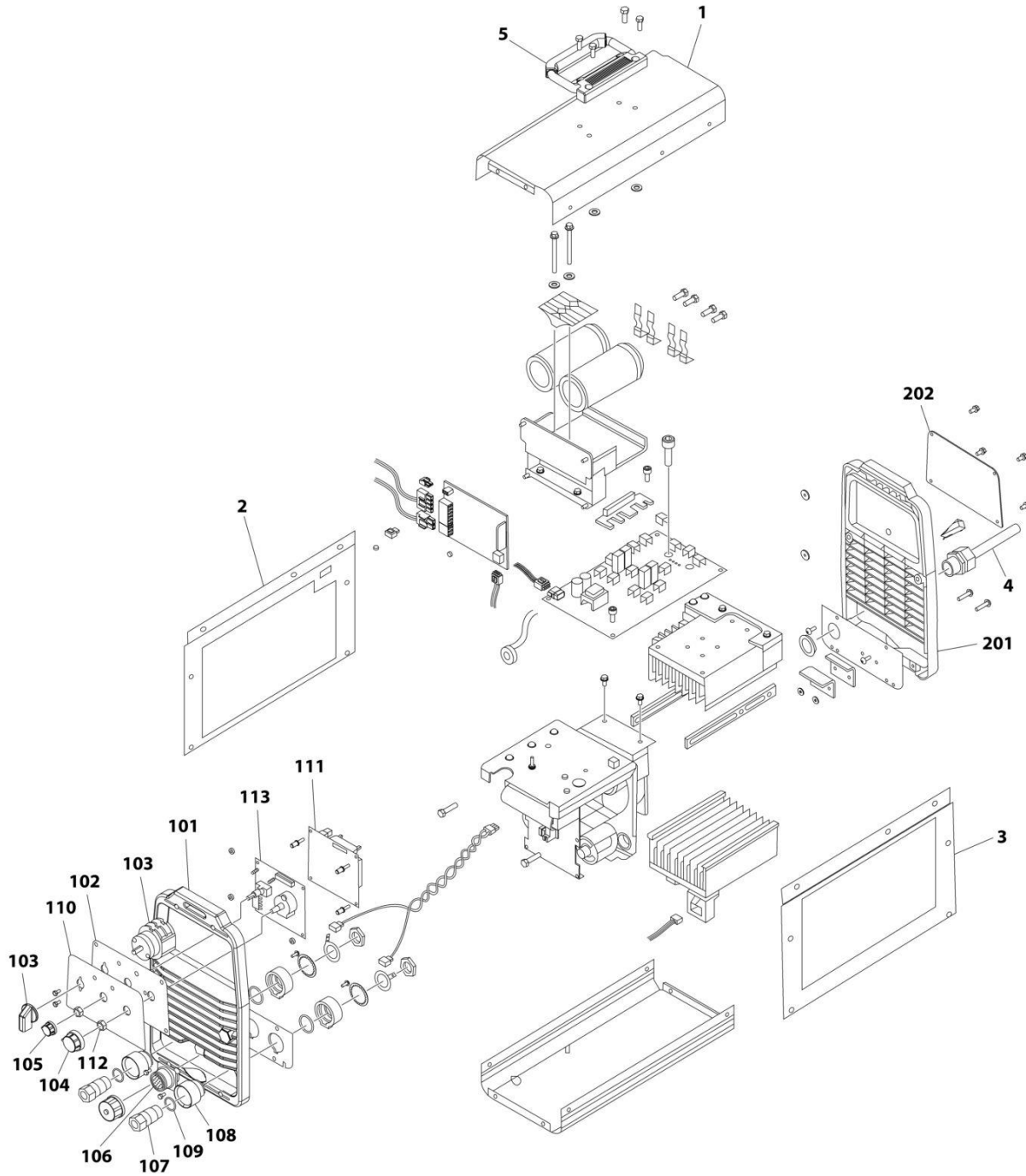
SECTION 5 - PLATFORM

FIGURE 5-34. SKYWELDER INSTALLATION (60HZ) (OPTIONAL)

ITEM	PART NUMBER	QTY	DESCRIPTION	REV
	0272254	Ref	SKYWELDER INSTALLATION	1
1	0100011	AR	Compound, Locking	
2	0630518	2	Screw #10 x 3/4	
3	0641606	4	Bolt 3/8 x 3/4	
4	1320302	2	U-Clamp	
5	2030010	1	Extinguisher, Fire	
6	2902217	1	Weld Leads Kit	
7	3300151	4	Nut 1/4	
8	3311005	2	Nut #10	
9	3311605	4	Nut 3/8	
10	3573400	1	Bracket	
11	3577121	2	Angle	
12	3573642	1	Plate	
13	4420037	AR	Tape	
14	4240099	AR	Tie-Strap (Not Shown)	
15	4460962	1	Plug, Male Twistlock	
17	4530028	1	Welder Assembly (See Separate Breakdown in this Section)	
18	4751400	4	Washer 1/4	
19	4751600	8	Washer 3/8	
20	4846627	1	Support	
21	1671093	1	Cover, Plug	
22	4751000	2	Washer #10	

SECTION 5 - PLATFORM

FIGURE 5-35. WELDER ASSEMBLY



ART_4530028

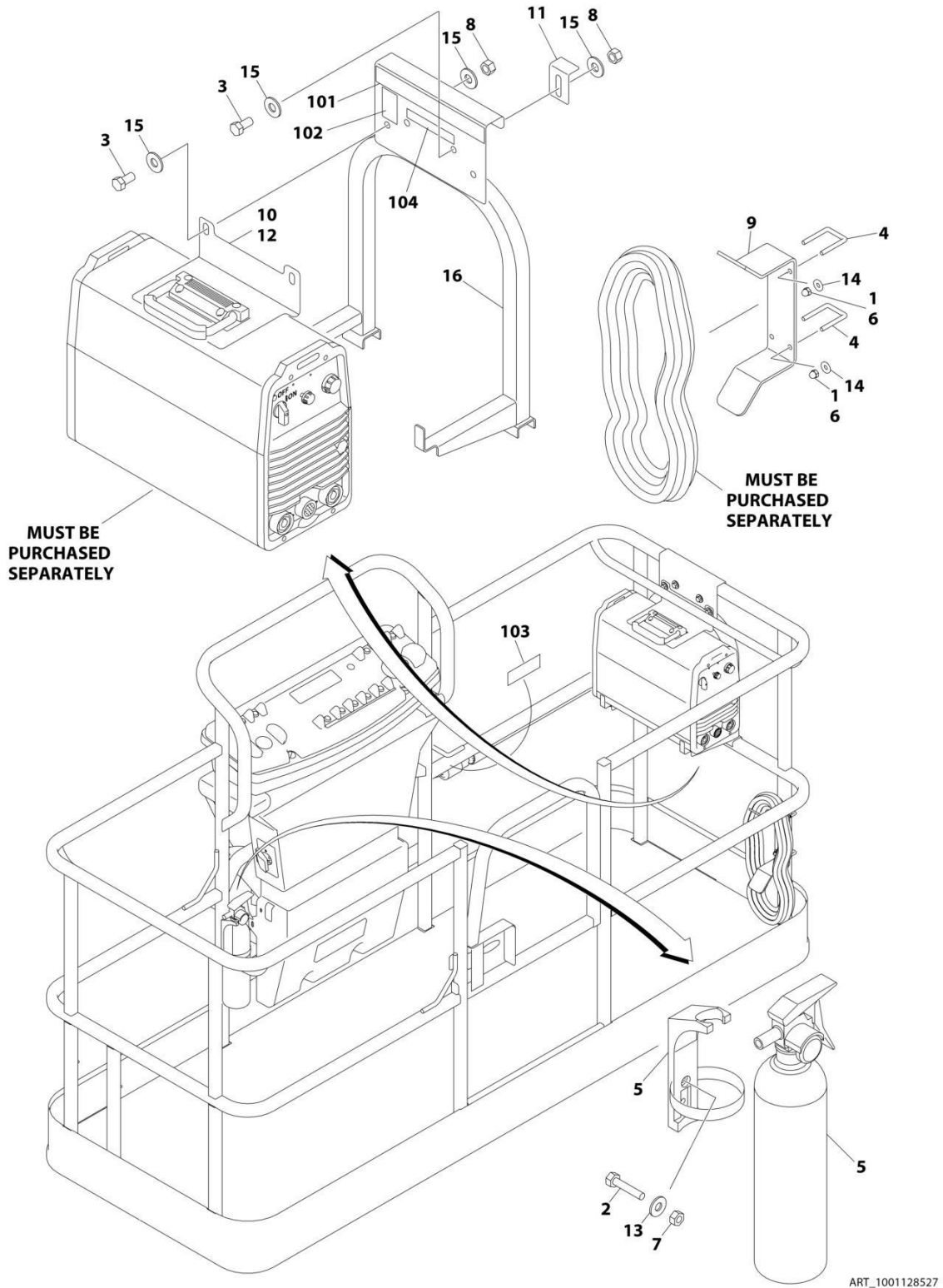
SECTION 5 - PLATFORM

FIGURE 5-35. WELDER ASSEMBLY

ITEM	PART NUMBER	QTY	DESCRIPTION	REV
	4530028	Ref	WELDER ASSEMBLY	B
		Ref	Note: For Other Components, contact your Miller Welder Dealer.	
1	7027773	1	Cover, Top	
1	7027774	1	Decal - Static Precautionary Warning	
2	See Note	NSS	Panel, LH Side (Note: Part of Item 1. Purchase Item 1)	
3	See Note	NSS	Panel, RH Side (Note: Part of Item 1. Purchase Item 1)	
4	7024467	1	Cable, Power	
4	7027775	1	Decal - Electrical Shock Warning (Not Shown)	
5	7027776	1	Handle, Carrying	
101	7024462	1	Panel, Front	
102	7024463	1	Panel, Console	
103	7024469	1	Switch with Lead	
104	7024470	1	Knob	
105	7024471	1	Knob	
106	7024472	1	Receptacle with Leads and Plugs	
107	7024473	2	Receptacle, Twistlock Female	
108	7024474	2	Insulator	
109	7024475	2	O-Ring	
110	7027777	1	Nameplate	
111	7027779	1	Circuit Card Assembly (Process Control)	
112	7024478	2	Nut	
113	7027778	1	Circuit Card Assembly (Operator Interface)	
201	7024462	1	Panel, Rear	
202	7027780	1	Panel, Cover	

SECTION 5 - PLATFORM

FIGURE 5-36. SKYWELDER PREP PACKAGE (60HZ) (OPTIONAL)



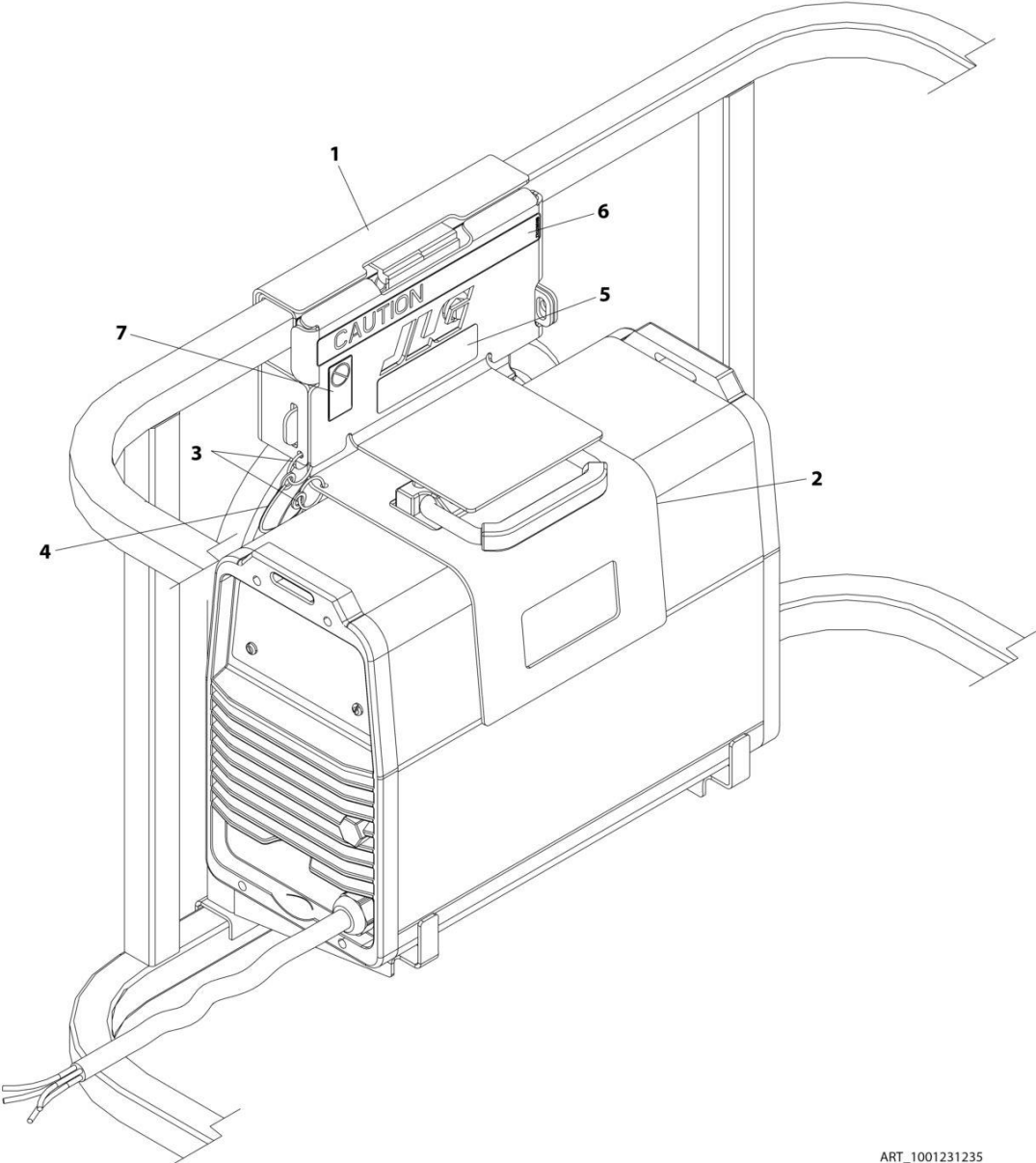
SECTION 5 - PLATFORM

FIGURE 5-36. SKYWELDER PREP PACKAGE (60HZ) (OPTIONAL)

ITEM	PART NUMBER	QTY	DESCRIPTION	REV
	1001128527	Ref	SKYWELDER PREP PACKAGE (60HZ)	B
1	0100011	AR	Compound, Locking	
2	0630518	2	Screw #10 x 3/4	
3	0641606	4	Bolt 3/8 x 3/4	
4	1320302	2	U-Clamp	
5	2030010	1	Extinguisher, Fire	
6	3300151	4	Nut 1/4	
7	3311005	2	Nut #10	
8	3311605	4	Nut 3/8	
9	3573400	1	Bracket	
10	3573642	1	Plate	
11	3577121	2	Angle	
12	4420037	AR	Tape	
13	4751000	2	Washer #10	
14	4751400	4	Washer 1/4	
15	4751600	8	Washer 3/8	
16	4846627	1	Support	
	1001128556	Ref	SKYWELDER DECAL INSTALLATION	C
101	1702868	1	Decal - No Hands	
102	1705305	1	Decal - Weld Lead	
103	1705375	1	Decal - 240V - 3 Phase - 60Hz	
104	1001228988	1	Decal - Weight	

SECTION 5 - PLATFORM

FIGURE 5-37. SKYWELDER LOCKING BRACKET INSTALLATION (OPTIONAL)



ART_1001231235

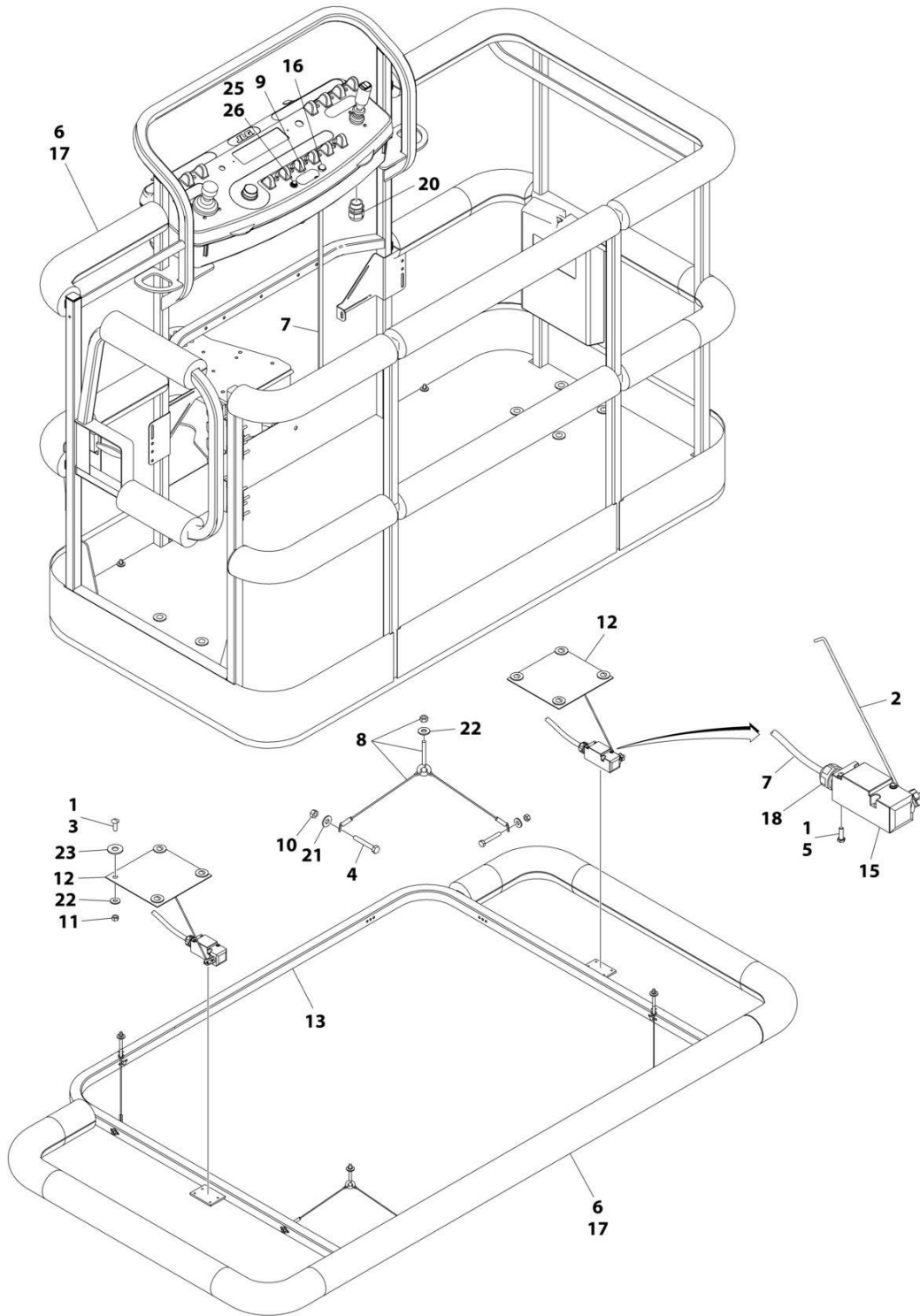
SECTION 5 - PLATFORM

FIGURE 5-37. SKYWELDER LOCKING BRACKET INSTALLATION (OPTIONAL)

ITEM	PART NUMBER	QTY	DESCRIPTION	REV
	1001231235	Ref	SKYWELDER LOCKING BRACKET INSTALLATION	A
1	1001231180	1	Bracket	
2	1001231183	1	Plate	
3	3760170	2	Ring	
4	1060379	1	Lanyard	
5	1001228988	1	Decal - Weight	
6	1702868	1	Decal - No Hands	
7	1705305	1	Decal - Weld Lead	

SECTION 5 - PLATFORM

FIGURE 5-38. SOFT TOUCH SYSTEM INSTALLATION - 6FT/1.8M PLATFORMS (OPTIONAL)



ART_0273824

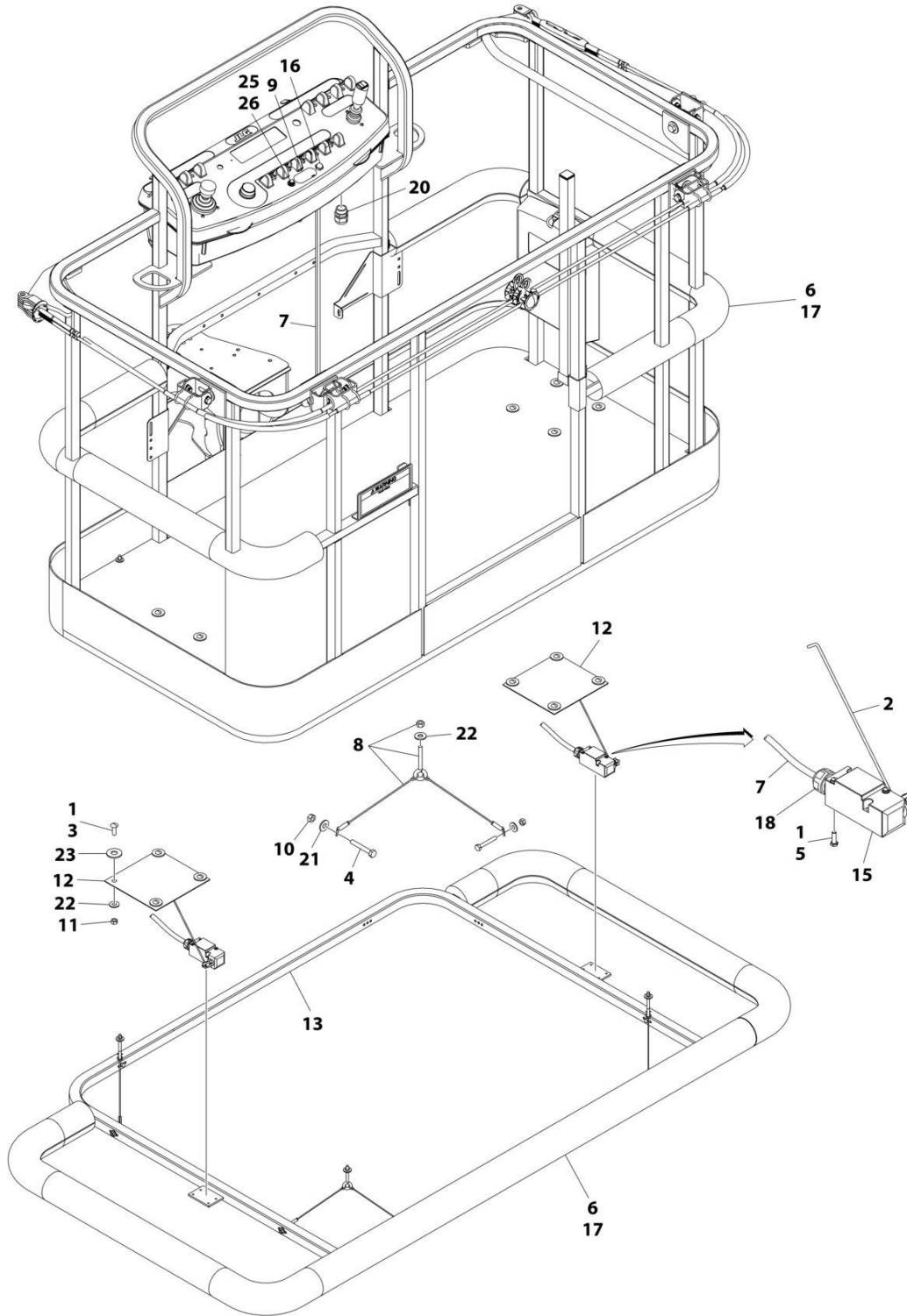
SECTION 5 - PLATFORM

FIGURE 5-38. SOFT TOUCH SYSTEM INSTALLATION - 6FT/1.8M PLATFORMS (OPTIONAL)

ITEM	PART NUMBER	QTY	DESCRIPTION	REV
	0273824	Ref	SOFT TOUCH SYSTEM INSTALLATION	D
1	0100011	AR	Compound, Locking	
2	0200048	2	Arm, Switch	
3	0630462	8	Bolt	
4	0641414	8	Bolt 1/4 x 1-3/4	
5	0731005	4	Bolt #10 x 5/8	
6	0940134	1	Bumper Kit (Includes Corners and Enough Straight Material for One Platform)	
6	0940092	AR	Bumper (Corner)	
6	0940094	AR	Bumper (12ft Length)	
7	1060341	23 ft/7m	Cable, Soft Touch - 16/2	
8	1060903	4	Wire Rope and Eyebolt Assembly	
9	1702938	1	Decal - Soft Touch Override	
10	3311401	8	Nut 1/4	
11	3311501	8	Nut 5/16	
12	3575359	2	Plate, Switch Strike	
13	3641569	1	Rail, Soft Touch	
14	4240099	7	Tie-Strap (Not Shown)	
15	4360057	2	Switch, Limit	
16	4360387	1	Switch, Push Button	
17	4420068	AR	Tape, Adhesive	
17	1001197017	AR	Tie-Strap	
18	4460049	2	Connector, Strain Relief	
19	4460234	7	Tie-Strap (Not Shown)	
20	4460425	1	Connector, Strain Relief	
21	4751400	8	Washer 1/4	
22	4751500	12	Washer 5/16	
23	4751800	8	Washer 1/2	
24	4933218	1	Wiring Diagram (Not Shown - Reference Only)	
25	2920028	1	Light, Indicator	
26	2920029	1	Bulb, Light	

SECTION 5 - PLATFORM

FIGURE 5-39. SOFT TOUCH SYSTEM INSTALLATION - 6FT/1.8M FALL ARREST PLATFORMS (OPTIONAL)



ART_1001108256

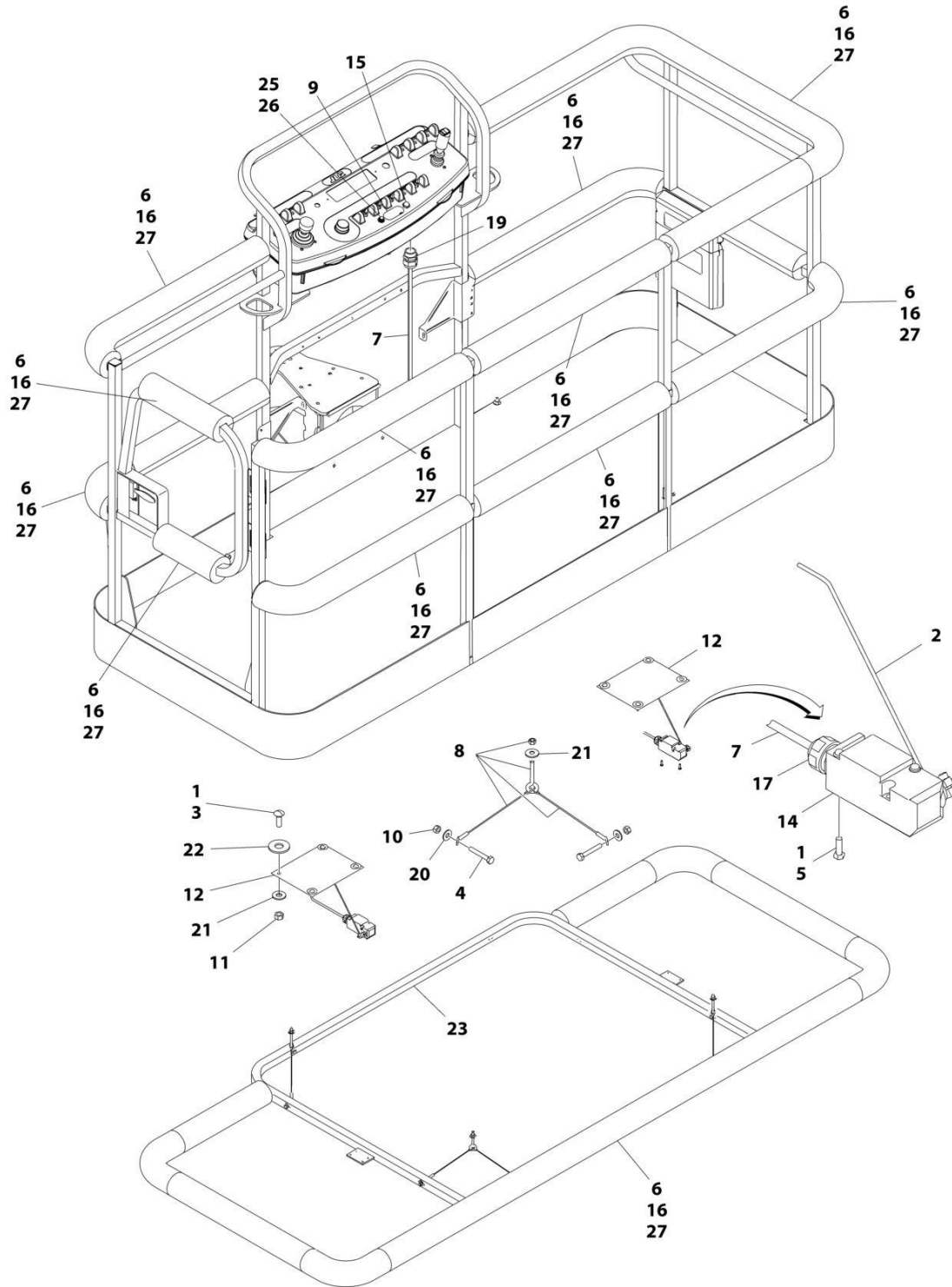
SECTION 5 - PLATFORM

FIGURE 5-39. SOFT TOUCH SYSTEM INSTALLATION - 6FT/1.8M FALL ARREST PLATFORMS (OPTIONAL)

ITEM	PART NUMBER	QTY	DESCRIPTION	REV
	1001108256	Ref	SOFT TOUCH INSTALLATION	C
1	0100011	AR	Compound, Locking	
2	0200048	2	Arm, Switch	
3	0630462	8	Bolt	
4	0641414	8	Bolt 1/4 x 1-3/4	
5	0731005	4	Bolt #10 x 5/8	
6	0940177	1	Bumper Kit (Includes Corners and Enough Straight Material for One Platform)	
6	0940092	8	Bumper (Corner)	
6	0940094	AR	Bumper (12ft Length)	
7	1060341	23 ft/7m	Cable, Soft Touch - 16/2	
8	1060903	4	Wire Rope and Eyebolt Assembly	
9	1702938	1	Decal - Soft Touch Override	
10	3311401	8	Nut 1/4	
11	3311501	8	Nut 5/16	
12	3575359	2	Plate, Switch Strike	
13	3641569	1	Rail, Soft Touch	
14	4240099	7	Tie-Strap (Not Shown)	
15	4360057	2	Switch, Limit	
16	4360387	1	Switch, Push Button	
17	4420068	AR	Tape, Adhesive	
17	1001197017	AR	Tie-Strap	
18	4460049	2	Connector, Strain Relief	
19	4460234	7	Tie-Strap (Not Shown)	
20	4460425	1	Connector, Strain Relief	
21	4751400	8	Washer 1/4	
22	4751500	9	Washer 5/16	
23	4751800	8	Washer 1/2	
25	2920028	1	Light, Indicator	
26	2920029	1	Bulb, Light	

SECTION 5 - PLATFORM

FIGURE 5-40. SOFT TOUCH SYSTEM INSTALLATION - 8FT/2.44M PLATFORM (OPTIONAL)



ART_0272427

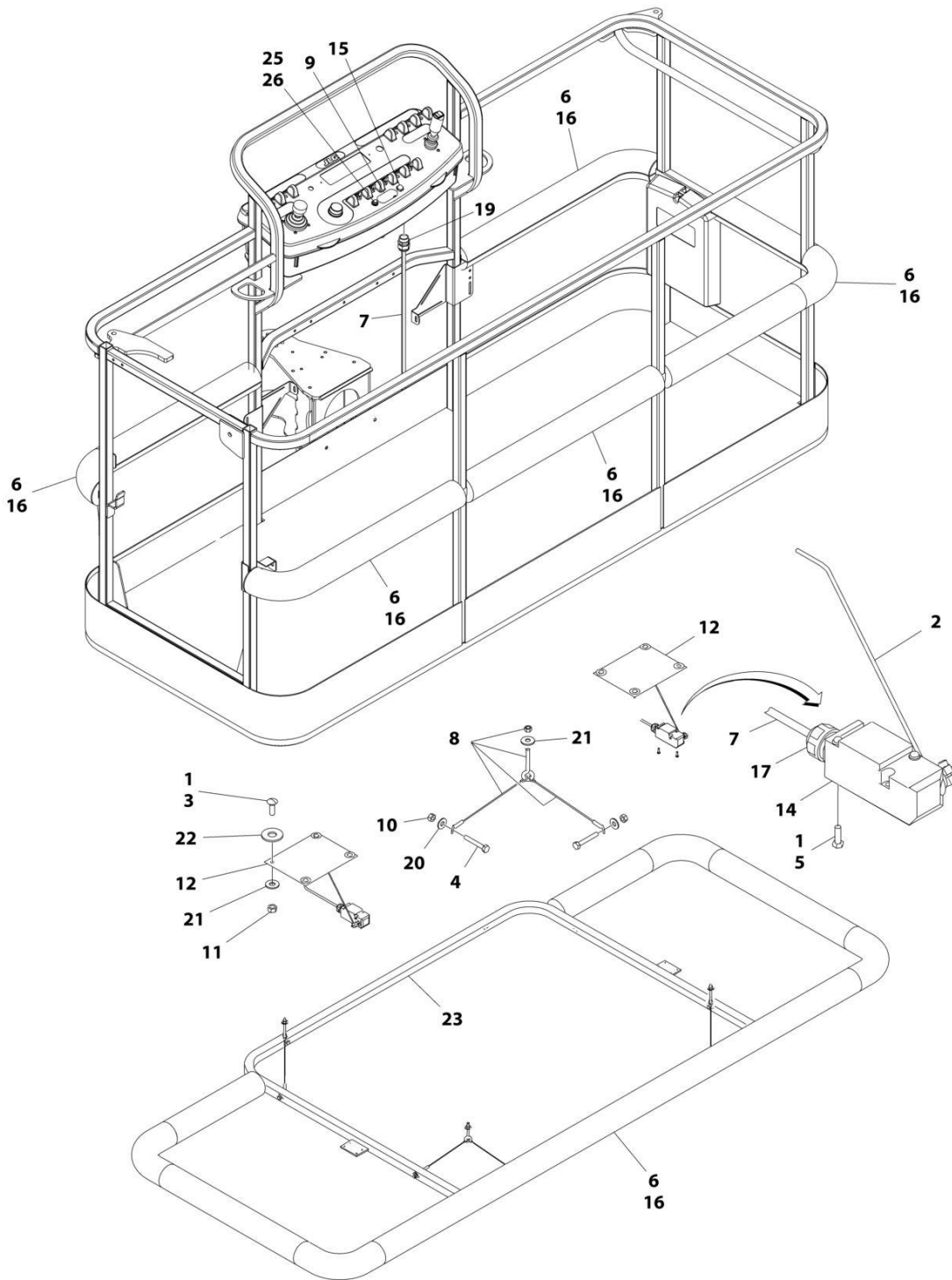
SECTION 5 - PLATFORM

FIGURE 5-40. SOFT TOUCH SYSTEM INSTALLATION - 8FT/2.44M PLATFORM (OPTIONAL)

ITEM	PART NUMBER	QTY	DESCRIPTION	REV
	0272427	Ref	SOFT TOUCH SYSTEM INSTALLATION	G
1	0100011	AR	Compound, Locking	
2	0200048	2	Arm, Switch	
3	0630462	8	Bolt	
4	0641414	8	Bolt 1/4 x 1-3/4	
5	0721005	4	Bolt #10 x 5/8	
6	0940103	1	Bumper Kit (Includes Corners and Enough Straight Material for One Platform)	
6	0940092	12	Bumper (Corner)	
6	0940094	AR	Bumper (12ft Length)	
7	1060341	23 ft/7m	Cable, Electrical - 16/2	
8	1060903	4	Wire Rope and Eyebolt Assembly	
9	1702938	1	Decal - Soft Touch Override	
10	3311401	8	Nut 1/4	
11	3311501	8	Nut 5/16	
12	3574091	2	Plate, Switch Strike	
13	4240099	7	Tie-Strap (Not Shown)	
14	4360057	2	Switch, Limit	
15	4360387	1	Switch, Push Button	
16	4420068	AR	Tape, Adhesive	
16	1001197017	AR	Tie-Strap	
17	4460049	2	Connector, Strain Relief	
18	4460234	7	Tie-Strap (Not Shown)	
19	4460425	1	Connector, Strain Relief	
20	4751400	8	Washer 1/4	
21	4751500	12	Washer 5/16	
22	4751800	8	Washer 1/2	
23	4846673	1	Rail, Soft Touch	
24	4933218	1	Soft Touch Wiring Diagram (Not Shown - Reference Only)	
25	2920028	1	Light, Indicator	
26	2920029	1	Bulb, Light	

SECTION 5 - PLATFORM

FIGURE 5-41. SOFT TOUCH SYSTEM INSTALLATION - 8FT/2.44M FALL ARREST PLATFORM (OPTIONAL)



ART_0273706

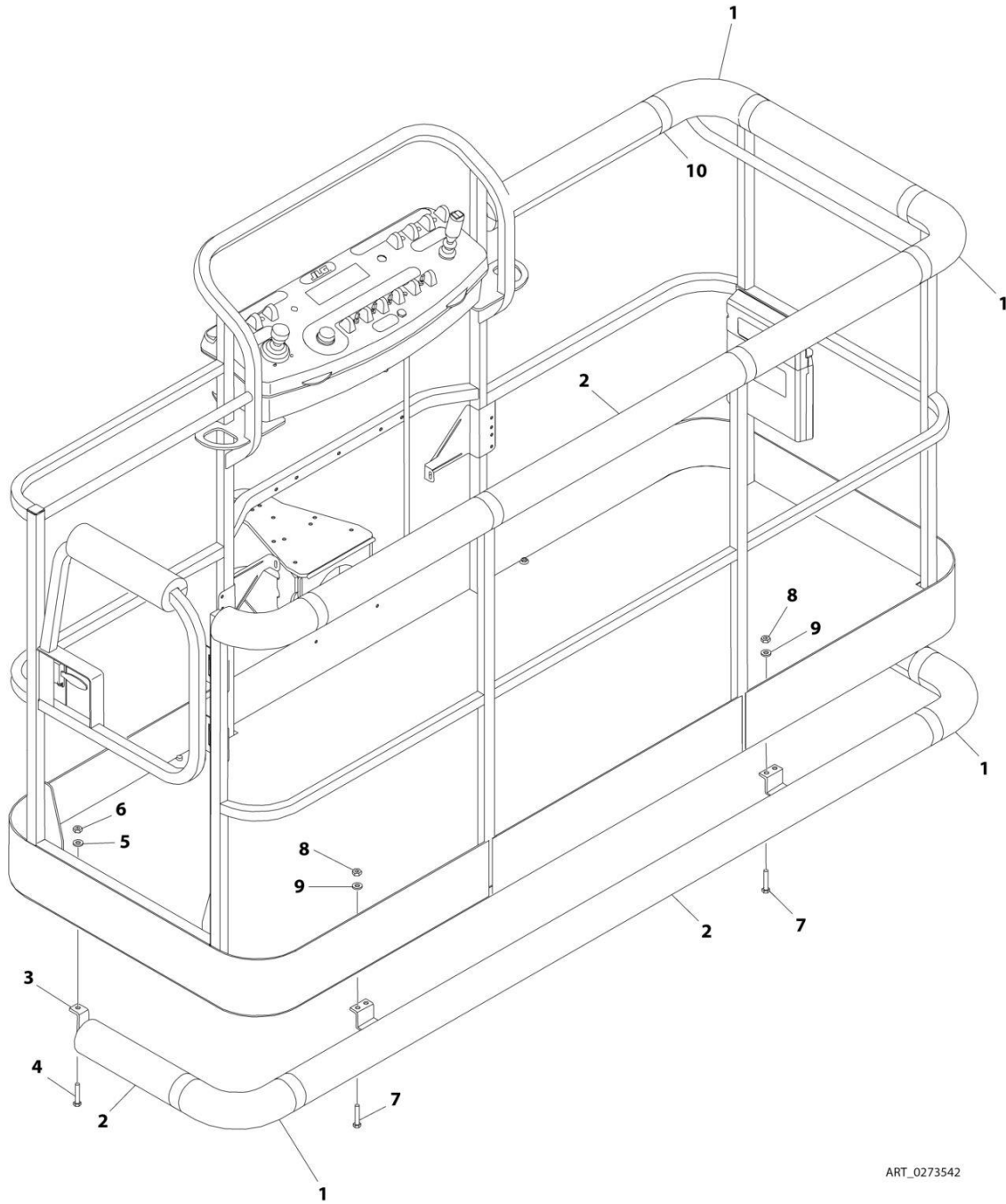
SECTION 5 - PLATFORM

FIGURE 5-41. SOFT TOUCH SYSTEM INSTALLATION - 8FT/2.44M FALL ARREST PLATFORM (OPTIONAL)

ITEM	PART NUMBER	QTY	DESCRIPTION	REV
	0273706	Ref	SOFT TOUCH INSTALLATION	D
1	0100011	AR	Compound, Locking	
2	0200048	2	Arm, Switch	
3	0630462	8	Bolt	
4	0641414	8	Bolt 1/4 x 1-3/4	
5	0721005	4	Bolt #10 x 5/8	
6	0940133	1	Bumper Kit (Includes Corners and Enough Straight Material for One Platform)	
6	0940092	8	Bumper (Corner)	
6	0940094	AR	Bumper (12ft Length)	
7	1060341	23 ft/7m	Cable, Soft Touch - 16/2	
8	1060903	4	Wire Rope and Eyebolt Assembly	
9	1702938	1	Decal - Soft Touch Override	
10	3311401	8	Nut 1/4	
11	3311501	8	Nut 5/16	
12	3574091	2	Plate, Switch Strike	
13	4240099	7	Tie-Strap (Not Shown)	
14	4360057	2	Switch, Limit	
15	4360387	1	Switch, Push Button	
16	4420068	AR	Tape, Adhesive	
16	1001197017	AR	Tie-Strap	
17	4460049	2	Connector, Strain Relief	
18	4460234	7	Tie-Strap (Not Shown)	
19	4460425	1	Connector, Strain Relief	
20	4751400	8	Washer 1/4	
21	4751500	12	Washer 5/16	
22	4751800	8	Washer 1/2	
23	4846673	1	Rail, Soft Touch	
25	2920028	1	Light, Indicator	
26	2920029	1	Bulb, Light	

SECTION 5 - PLATFORM

FIGURE 5-42. PLATFORM PADDING INSTALLATION (30IN/76CM DEPTH PLATFORMS) (ANSI, ANSI EXPORT, CSA AND CHINA SPECS) (OPTIONAL)



ART_0273542

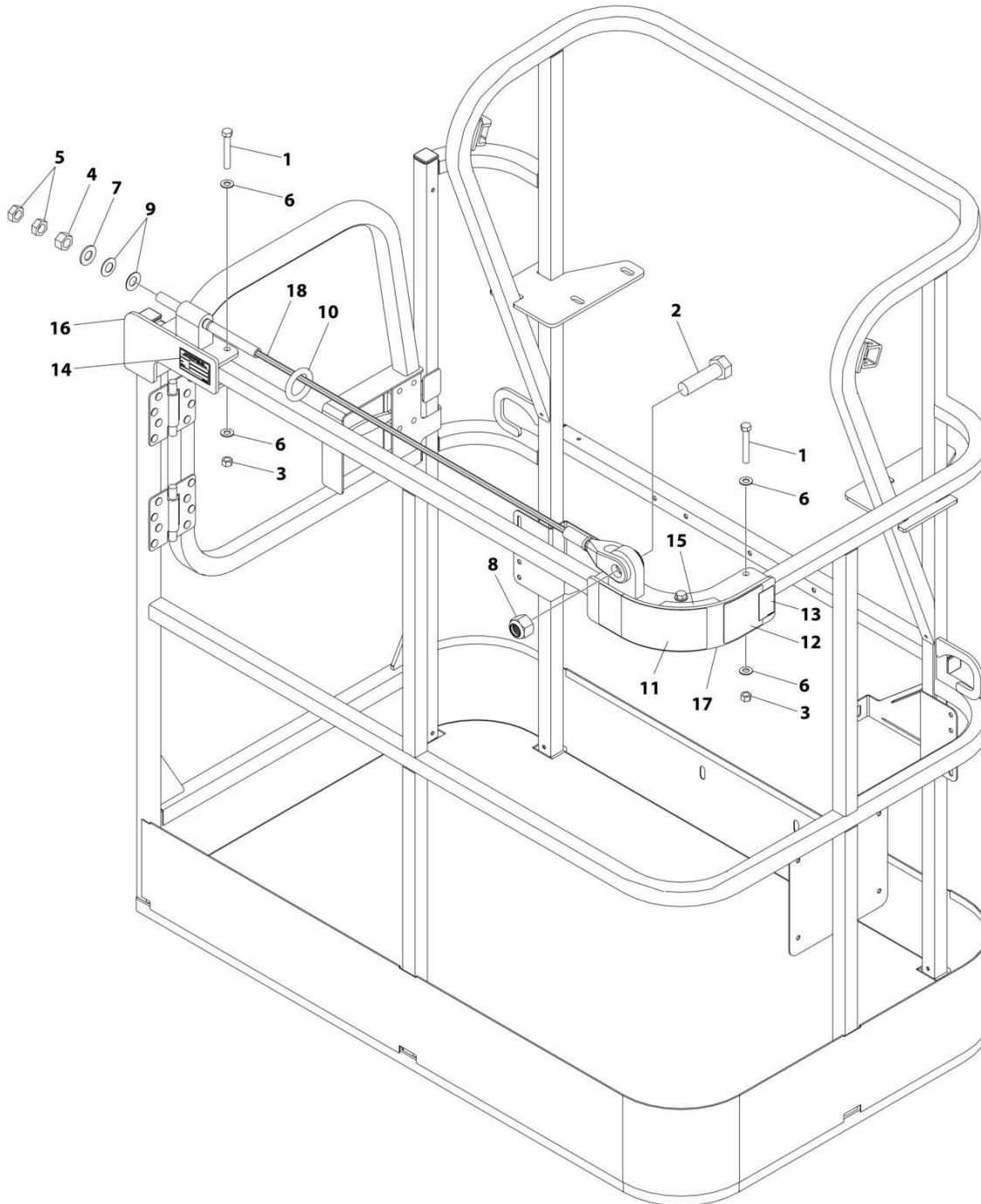
SECTION 5 - PLATFORM

FIGURE 5-42. PLATFORM PADDING INSTALLATION (30IN/76CM DEPTH PLATFORMS) (ANSI, ANSI EXPORT, CSA AND CHINA SPECS) (OPTIONAL)

ITEM	PART NUMBER	QTY	DESCRIPTION	REV
	0273542	Ref	PADDING INSTALLATION (30 X 48 SIDE ENTRY PLATFORM)	A
1	0940092	4	Bumper, Pad (Corner)	
2	0940094	9 ft /2.7m	Bumper, Pad (Square Tubing)	
3	0940131	1	Bumper, Rail	
4	0641516	2	Bolt 5/16 x 2	
5	4751500	2	Washer 5/16	
6	3311505	2	Nut 5/16	
7	0641813	4	Bolt 1/2 x 1-5/8	
8	3311805	4	Nut 1/2	
9	4891800	4	Washer 1/2 Hardened	
10	4420068	30 ft /9.1m	Tape	

SECTION 5 - PLATFORM

FIGURE 5-43. FALL ARREST (BOLT-ON) INSTALLATION - 30IN X 4FT PLATFORM (ALL SPECS EXCEPT CE & UK CA SPECS) (OPTIONAL)



ART_1001261338

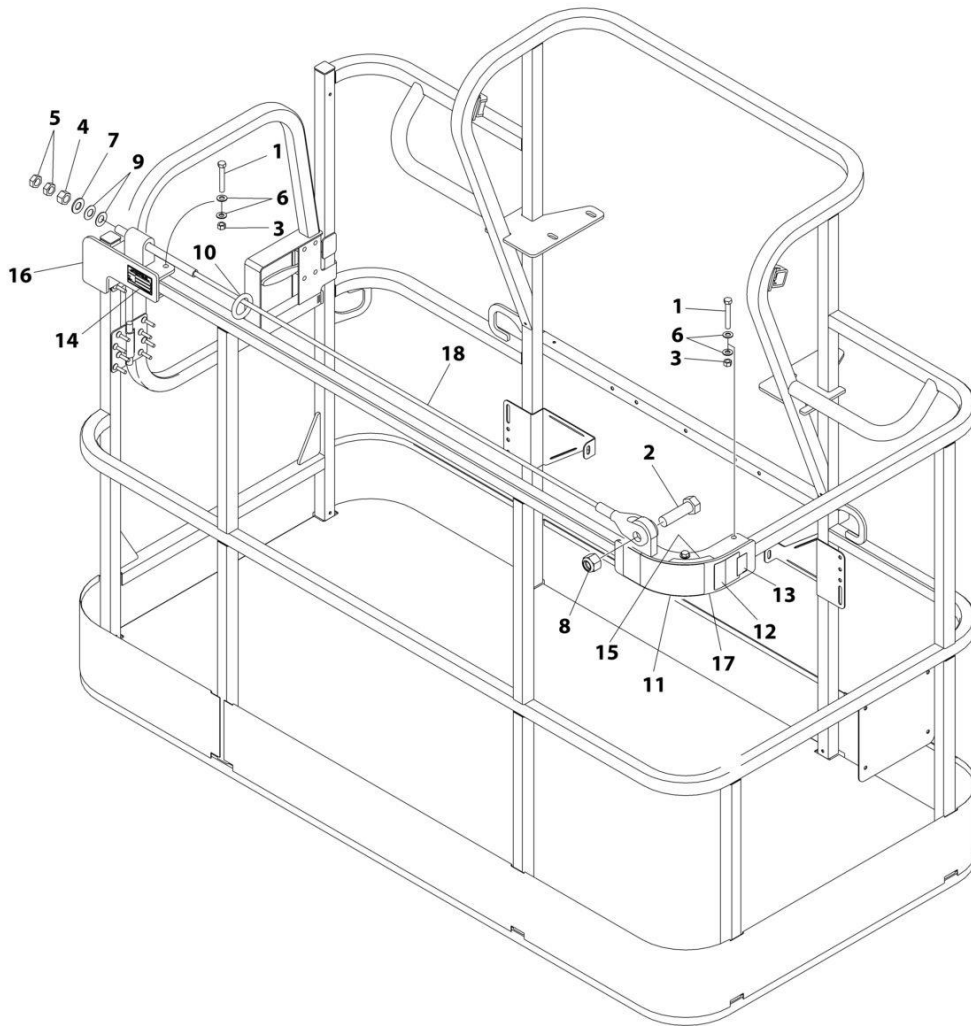
SECTION 5 - PLATFORM

FIGURE 5-43. FALL ARREST (BOLT-ON) INSTALLATION - 30IN X 4FT PLATFORM (ALL SPECS EXCEPT CE & UK CA SPECS) (OPTIONAL)

ITEM	PART NUMBER	QTY	DESCRIPTION	REV
	1001261338	Ref	FALL ARREST INSTALLATION	A
1	0681620	6	Bolt 3/8 x 2-1/2	
2	0682424	1	Bolt 7/8 x 3	
3	3271605	6	Nut 3/8	
4	3272001	1	Nut 5/8	
5	3312002	2	Nut 5/8	
6	4711600	12	Washer 3/8	
7	4712000	1	Washer 5/8	
8	88521214	1	Nut 7/8	
9	1001236891	2	Washer	
10	1001236895	1	Ring	
11	1001238263	1	Decal - Warning Falling Hazard	
12	1001248140	1	Decal - Bolt Fall Arrest Re-Cert	
13	1001248141	1	Decal - Incription	
14	See Note	NSS	Nameplate - Manufacturers Serial Number (Note: Not Available for Purchase)	
15	1001252629	1	Decal - Weight	
16	1001257271	1	Bracket (RH)	
17	1001257274	1	Bracket (LH)	
18	1001261335	1	Rope	

SECTION 5 - PLATFORM

FIGURE 5-44. FALL ARREST (BOLT-ON) INSTALLATION - 30IN X 5FT PLATFORM (ALL SPECS EXCEPT CE & UK CA SPECS) (OPTIONAL)



ART_1001257275

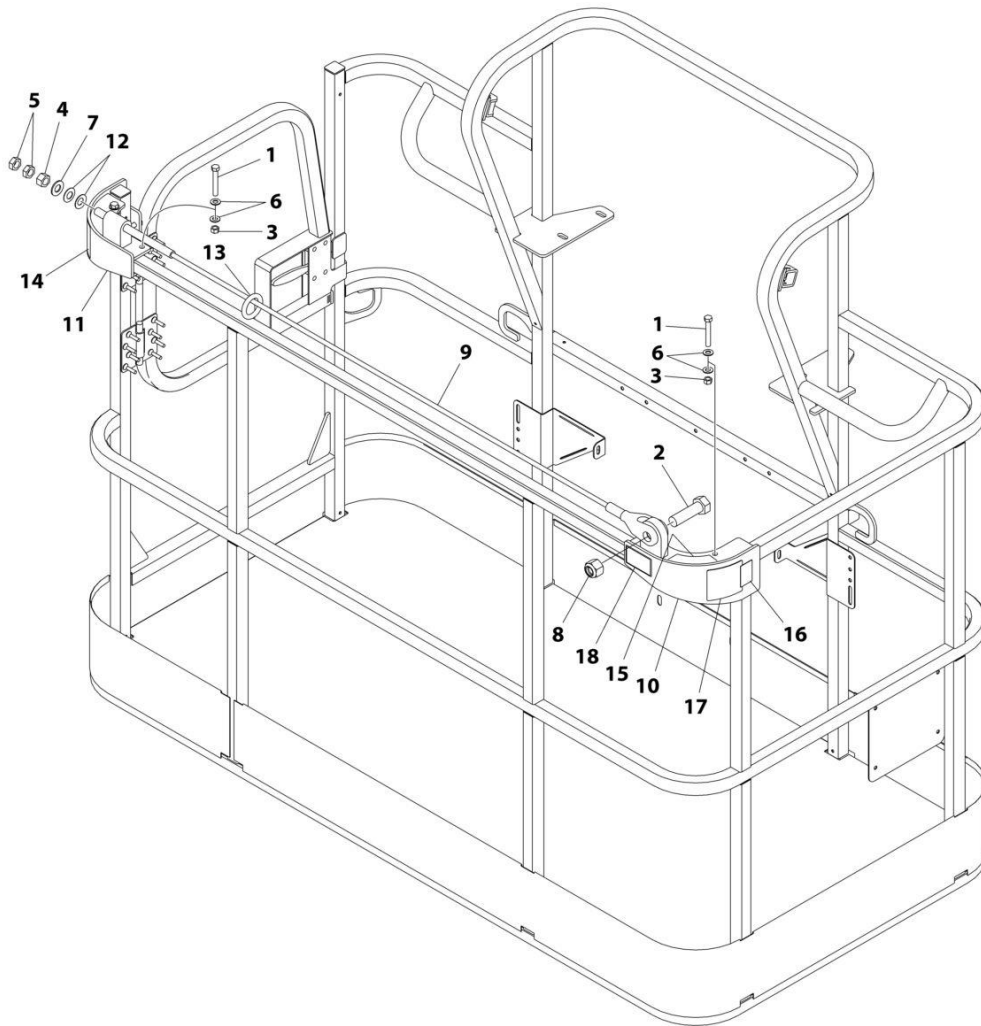
SECTION 5 - PLATFORM

FIGURE 5-44. FALL ARREST (BOLT-ON) INSTALLATION - 30IN X 5FT PLATFORM (ALL SPECS EXCEPT CE & UK CA SPECS) (OPTIONAL)

ITEM	PART NUMBER	QTY	DESCRIPTION	REV
	1001257275	Ref	FALL ARREST INSTALLATION (BOLT - ON) 6FT/1.82M PLATFORM	A
1	0681620	6	Bolt 3/8 x 2-1/2	
2	0682424	1	Bolt 7/8 x 3	
3	3271605	6	Nut 3/8	
4	3272001	1	Nut 5/8	
5	3312002	2	Nut 5/8	
6	4711600	12	Washer 3/8	
7	4712000	1	Washer 5/8	
8	88521214	1	Nut 7/8	
9	1001236891	2	Washer	
10	1001236895	1	Ring	
11	1001238263	1	Decal - Warning Falling Hazard	
12	1001248140	1	Decal - Bolt Fall Arrest Re-Cert	
13	1001248141	1	Decal - Incription	
14	See Note	NSS	Nameplate - Manufacturers Serial Number (Note: Not Available for Purchase)	
15	1001252629	1	Decal - Weight	
16	1001257271	1	Bracket (RH)	
17	1001257274	1	Bracket (LH)	
18	1001258005	1	Rope	

SECTION 5 - PLATFORM

FIGURE 5-45. FALL ARREST (BOLT-ON) INSTALLATION - 36IN X 6FT PLATFORM (ALL SPECS EXCEPT CE & UK CA SPECS) (OPTIONAL)



ART_1001236747

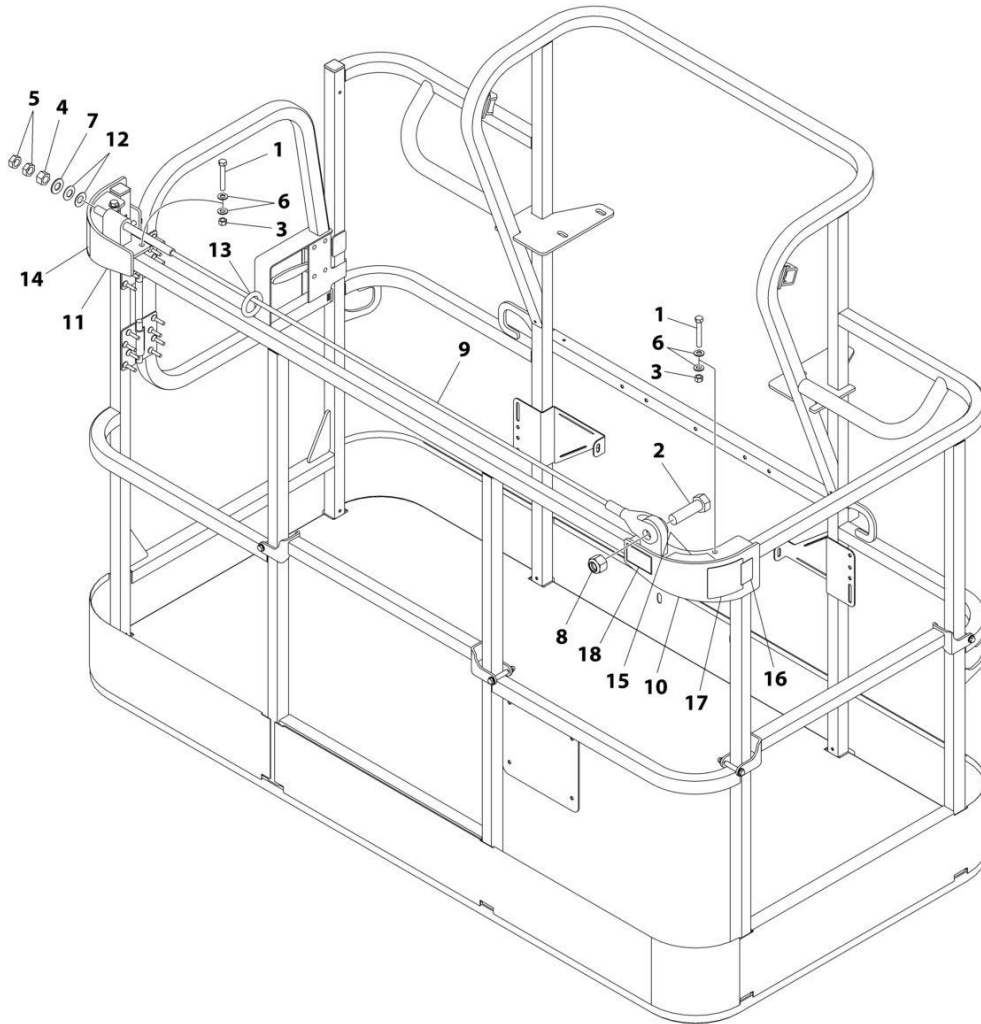
SECTION 5 - PLATFORM

FIGURE 5-45. FALL ARREST (BOLT-ON) INSTALLATION - 36IN X 6FT PLATFORM (ALL SPECS EXCEPT CE & UK CA SPECS) (OPTIONAL)

ITEM	PART NUMBER	QTY	DESCRIPTION	REV
	1001236747	Ref	FALL ARREST INSTALLATION (BOLT - ON) 6FT/1.82M PLATFORM	C
1	0681620	6	Bolt 3/8 x 2-1/2	
2	0682424	1	Bolt 7/8 x 3	
3	3271605	6	Nut 3/8	
4	3272001	1	Nut 5/8	
5	3312002	2	Nut 5/8	
6	4711600	12	Washer 3/8	
7	4712000	1	Washer 5/8	
8	88521214	1	Nut 7/8	
9	1001231950	1	Rope	
10	1001232010	1	Bracket (RH)	
11	1001232011	1	Bracket (LH)	
12	1001236891	2	Washer	
13	1001236895	1	Ring	
14	1001238263	1	Decal - Warning Falling Hazard	
15	1001252629	1	Decal - Weight	
16	1001248140	1	Decal - Bolt Fall Arrest Re-Cert	
17	1001248141	1	Decal - Inscription	

SECTION 5 - PLATFORM

FIGURE 5-46. FALL ARREST (BOLT-ON) INSTALLATION - 36IN X 6FT TRI-ENTRY PLATFORM (ALL SPECS EXCEPT CE & UK CA SPECS) (OPTIONAL)



ART_1001238463

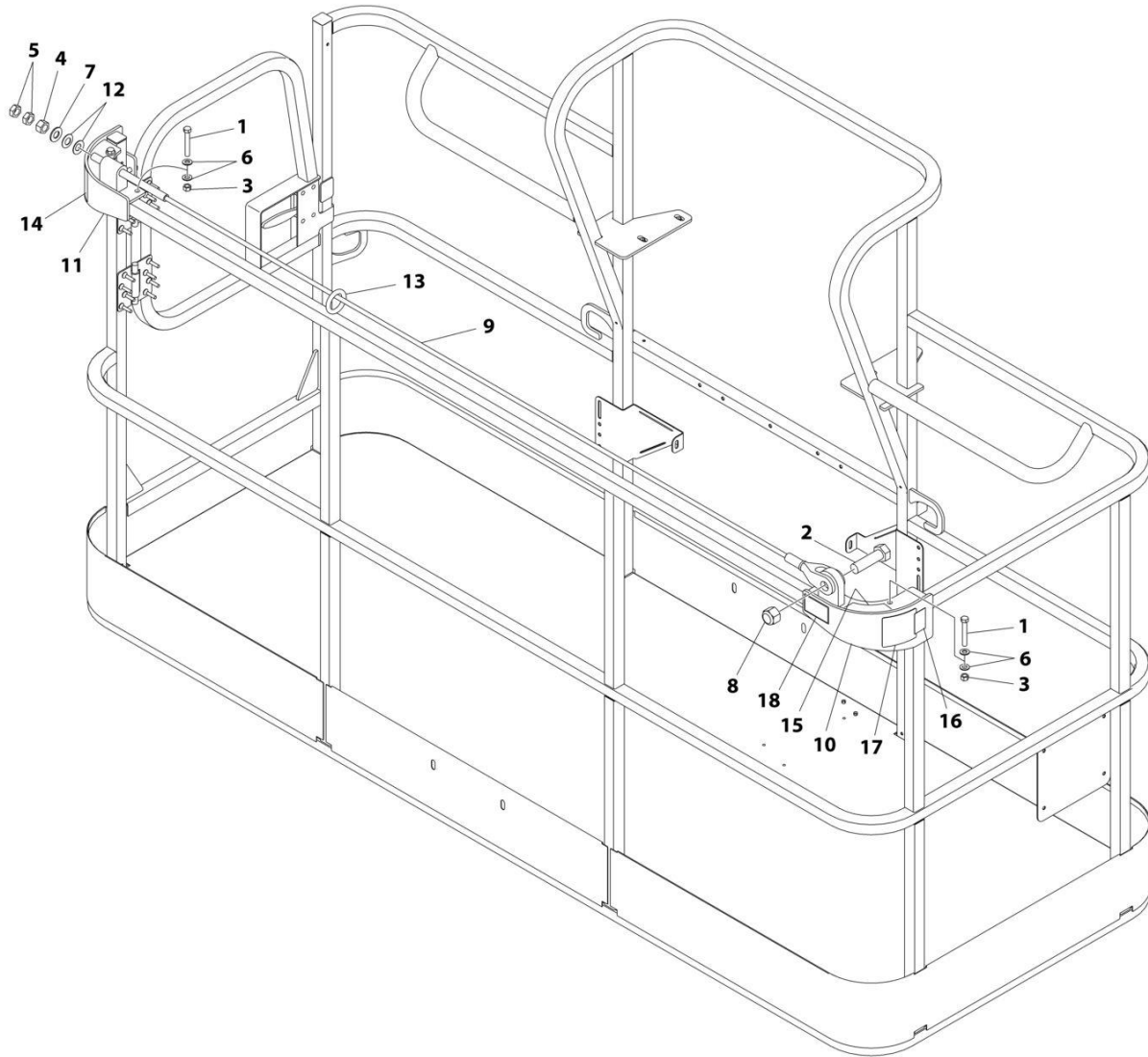
SECTION 5 - PLATFORM

FIGURE 5-46. FALL ARREST (BOLT-ON) INSTALLATION - 36IN X 6FT TRI-ENTRY PLATFORM (ALL SPECS EXCEPT CE & UK CA SPECS) (OPTIONAL)

ITEM	PART NUMBER	QTY	DESCRIPTION	REV
	1001238463	Ref	FALL ARREST INSTALLATION (BOLT - ON) 6FT/1.82M PLATFORM	C
1	0681620	6	Bolt 3/8 x 2-1/2	
2	0682424	1	Bolt 7/8 x 3	
3	3271605	6	Nut 3/8	
4	3272001	1	Nut 5/8	
5	3312002	2	Nut 5/8	
6	4711600	12	Washer 3/8	
7	4712000	1	Washer 5/8	
8	88521214	1	Nut 7/8	
9	1001231950	1	Rope	
10	1001232010	1	Bracket (RH)	
11	1001232011	1	Bracket (LH)	
12	1001236891	2	Washer	
13	1001236895	1	Ring	
14	1001238263	1	Decal - Warning Falling Hazard	
15	1001252629	1	Decal - Weight	
16	1001248140	1	Decal - Bolt Fall Arrest Re-Cert	
17	1001248141	1	Decal - Inscription	

SECTION 5 - PLATFORM

FIGURE 5-47. FALL ARREST (BOLT-ON) INSTALLATION - 36IN X 8FT PLATFORM (ALL SPECS EXCEPT CE & UK CA SPECS) (OPTIONAL)



ART_1001236746

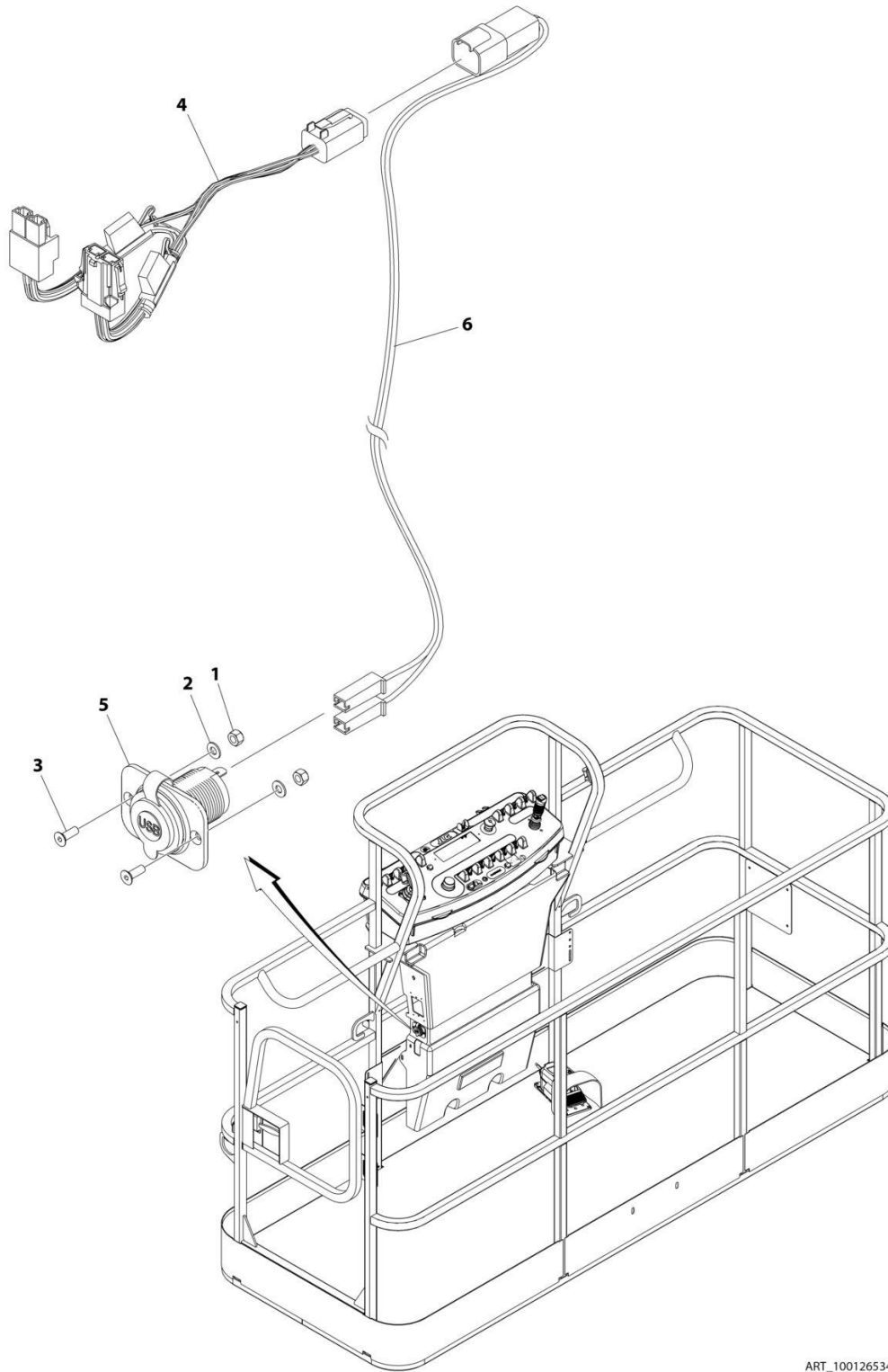
SECTION 5 - PLATFORM

FIGURE 5-47. FALL ARREST (BOLT-ON) INSTALLATION - 36IN X 8FT PLATFORM (ALL SPECS EXCEPT CE & UK CA SPECS) (OPTIONAL)

ITEM	PART NUMBER	QTY	DESCRIPTION	REV
	1001236746	Ref	FALL ARREST INSTALLATION (BOLT - ON) 8FT/2.4M PLATFORM	C
1	0681620	6	Bolt 3/8 x 2-1/2	
2	0682424	1	Bolt 7/8 x 3	
3	3271605	6	Nut 3/8	
4	3272001	1	Nut 5/8	
5	3312002	2	Nut 5/8	
6	4711600	12	Washer 3/8	
7	4712000	1	Washer 5/8	
8	88521214	1	Nut 7/8	
9	1001231949	1	Rope	
10	1001232010	1	Bracket (RH)	
11	1001232011	1	Bracket (LH)	
12	1001236891	2	Washer	
13	1001236895	1	Ring	
14	1001238263	1	Decal - Warning Falling Hazard	
15	1001252629	1	Decal - Weight 23LBS/10.4KG	
16	1001248140	1	Decal - Bolt Fall Arrest Re-Cert	
17	1001248141	1	Decal - Inscription	

SECTION 5 - PLATFORM

FIGURE 5-48. USB CHARGER INSTALLATION



ART_1001265342

SECTION 5 - PLATFORM

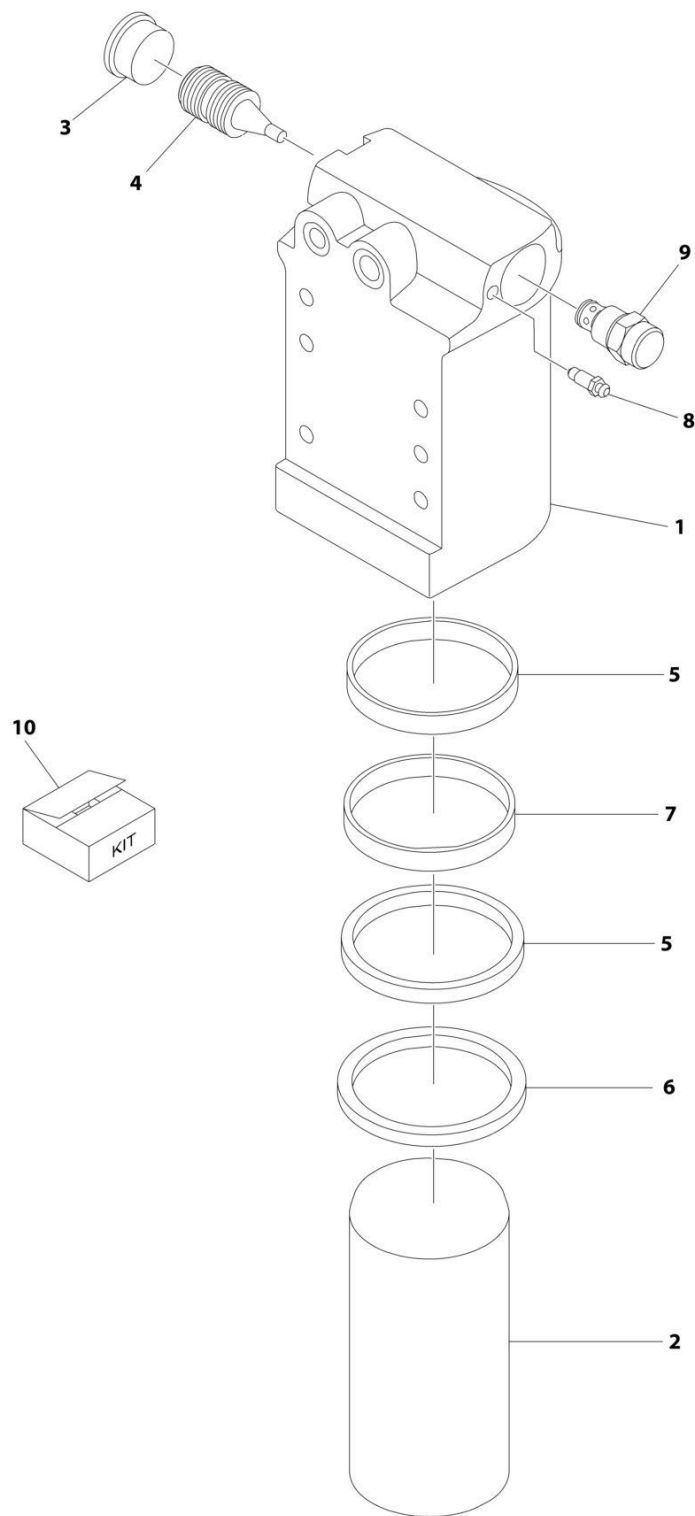
FIGURE 5-48. USB CHARGER INSTALLATION

ITEM	PART NUMBER	QTY	DESCRIPTION	REV
	1001265342	Ref	USB CHARGER INSTALLATION	A
1	3290405	2	Nut M4	
2	4811400	2	Washer M4	
3	1001097244	2	Screw M4 x 12	
4	1001120484	1	Harness, Work Lights	
4	4460879	1	Plug, Male - 2 Position	
4	4460887	2	Terminal	
4	2400060	2	Fuseholder Includes Cover	
4	8229249	2	Fuse, 3 Amp	
4	4460884	1	Connector - 4 Position	
4	4460465	4	Socket, Female	
4	1001120471	1	Connector - 2 Position	
4	1001120477	2	Terminal	
5	1001210636	1	Receptacle, USB	
6	1001265163	1	Harness, USB	A
6	4460260	2	Cover, Terminal	
6	4460259	2	Terminal	
6	4460932	1	Receptacle, Bussbar - 4 Position	
6	4460464	2	Pin, Male	
6	4460466	2	Plug, Terminal	

SECTION 6 - CYLINDER

SECTION 6 - CYLINDER

FIGURE 6-1. AXLE LOCKOUT CYLINDER ASSEMBLY



ART_1684465

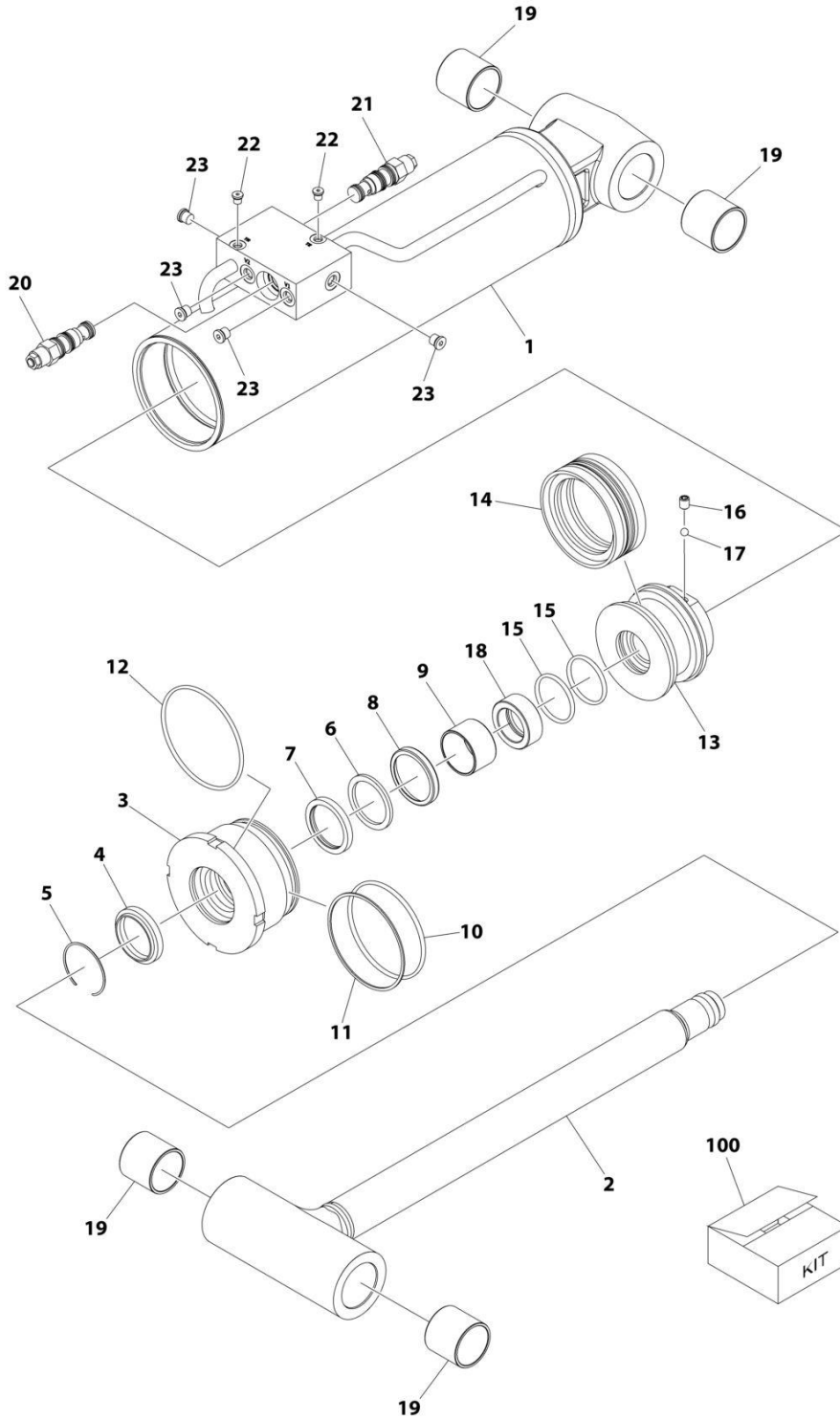
SECTION 6 - CYLINDER

FIGURE 6-1. AXLE LOCKOUT CYLINDER ASSEMBLY

ITEM	PART NUMBER	QTY	DESCRIPTION	REV
	1684465	Ref	AXLE LOCKOUT CYLINDER ASSEMBLY	J
		Ref	Note: Original Cylinder may have been replaced with Service Replacement. Identify PN Stamped on Cylinder Before Ordering Parts.	
1	0370026	1	Barrel	
2	1684290	1	Rod	
3	2220890	1	Plug	
4	3480288	1	Piston, Pilot	
5	See Note	NSS	Ring, Wear (Note: Use Item 110)	
6	See Note	NSS	Wiper (Note: Use Item 110)	
7	See Note	NSS	Seal, Rod (Note: Use Item 110)	
8	4640858	1	Bleeder	
9	4641390	1	Cartridge, Valve	
9	7017496	1	Seal Kit	
10	2902266	1	Seal Kit (Includes Items 105-107)	

SECTION 6 - CYLINDER

FIGURE 6-2. LEVEL (PLATFORM SLAVE) CYLINDER ASSEMBLY



ART_1001237697

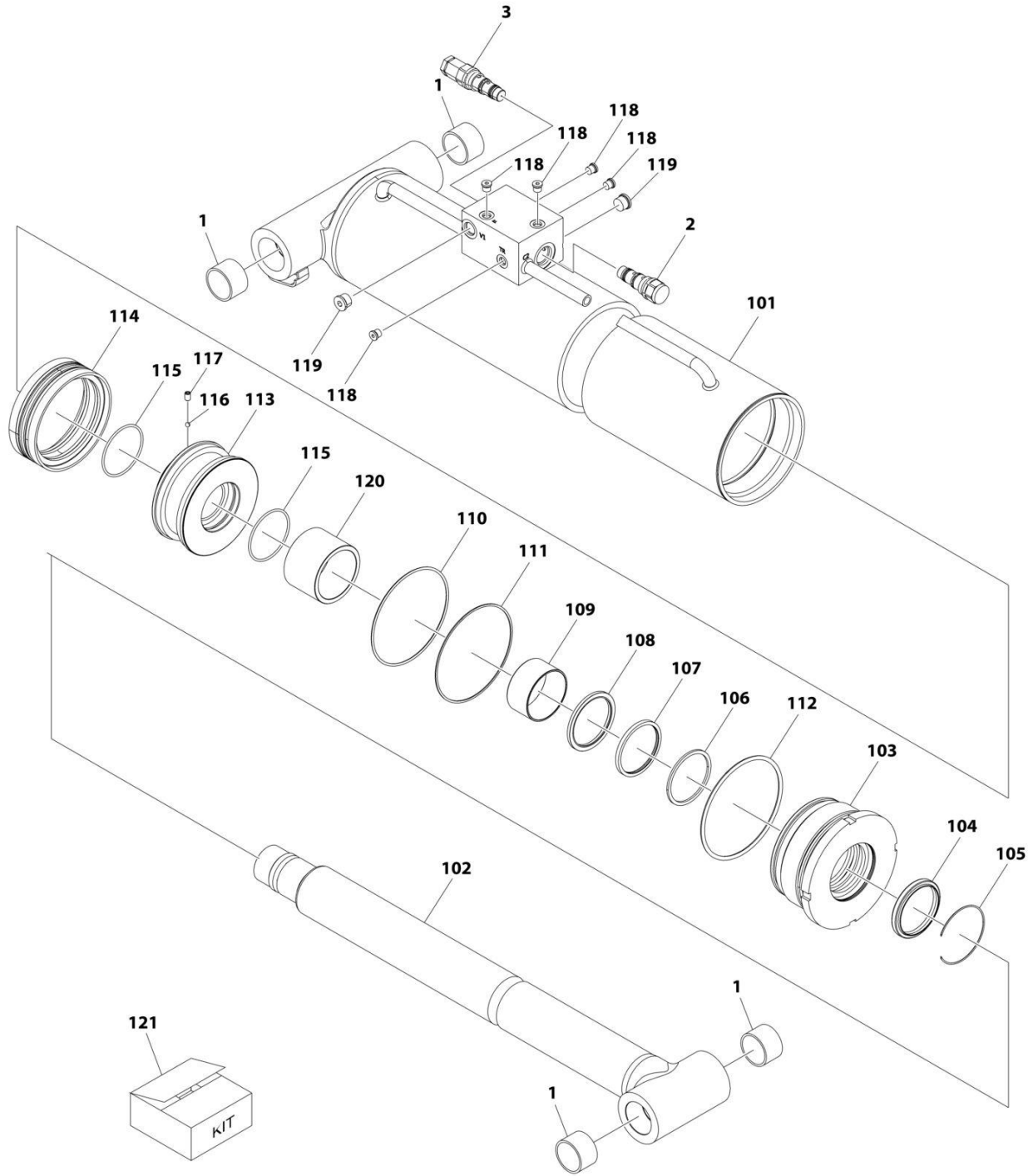
SECTION 6 - CYLINDER

FIGURE 6-2. LEVEL (PLATFORM SLAVE) CYLINDER ASSEMBLY

ITEM	PART NUMBER	QTY	DESCRIPTION	REV
	1001237697	Ref	LEVEL (PLATFORM SLAVE) CYLINDER ASSEMBLY	B
		Ref	Note: Original Cylinder May Have Been Replaced with Service Replacement. Identify PN Stamped on Cylinder Before Ordering Parts.	
1	See Note	NSS	Barrel (Note: Use PN 1001237697)	
2	70007168	1	Rod	
3	70007157	1	Head	
4	See Note	NSS	Wiper (Note: Use Item 100)	
5	70002410	1	Ring, Retaining	
6	See Note	NSS	Seal, Rod (Note: Use Item 100)	
7	See Note	NSS	Ring, Back-up (Note: Use Item 100)	
8	See Note	NSS	Ring (Note: Use Item 100)	
9	70004237	1	Bearing, Dry	
10	See Note	NSS	O-Ring (Note: Use Item 100)	
11	See Note	NSS	Ring, Back-up (Note: Use Item 100)	
12	See Note	NSS	O-Ring (Note: Use Item 100)	
13	70007161	1	Piston	
14	See Note	NSS	Seal, Piston (Note: Use Item 100)	
15	See Note	NSS	O-Ring (Note: Use Item 100)	
16	70023369	1	Setscrew	
17	70022564	1	Ball	
18	70007169	1	Spacer	
19	70007159	4	Bearing	
20	1001168209	1	Cartridge, Valve	
20	2900770	1	Seal Kit - 1001168209 Valve	
21	1001168210	1	Cartridge, Valve	
21	2900770	1	Seal Kit - 1001168210 Valve	
22	2220881	2	Plug, O-Ring 5/16	
23	2220883	4	Plug 7/16	
100	70007160	1	Seal Kit - 1001237697 Cylinder (Includes Items 4, 6, 7, 8, 10, 11, 12, 14 & 15)	

SECTION 6 - CYLINDER

FIGURE 6-3. LEVEL (UPRIGHT) CYLINDER ASSEMBLY



ART_1001251042

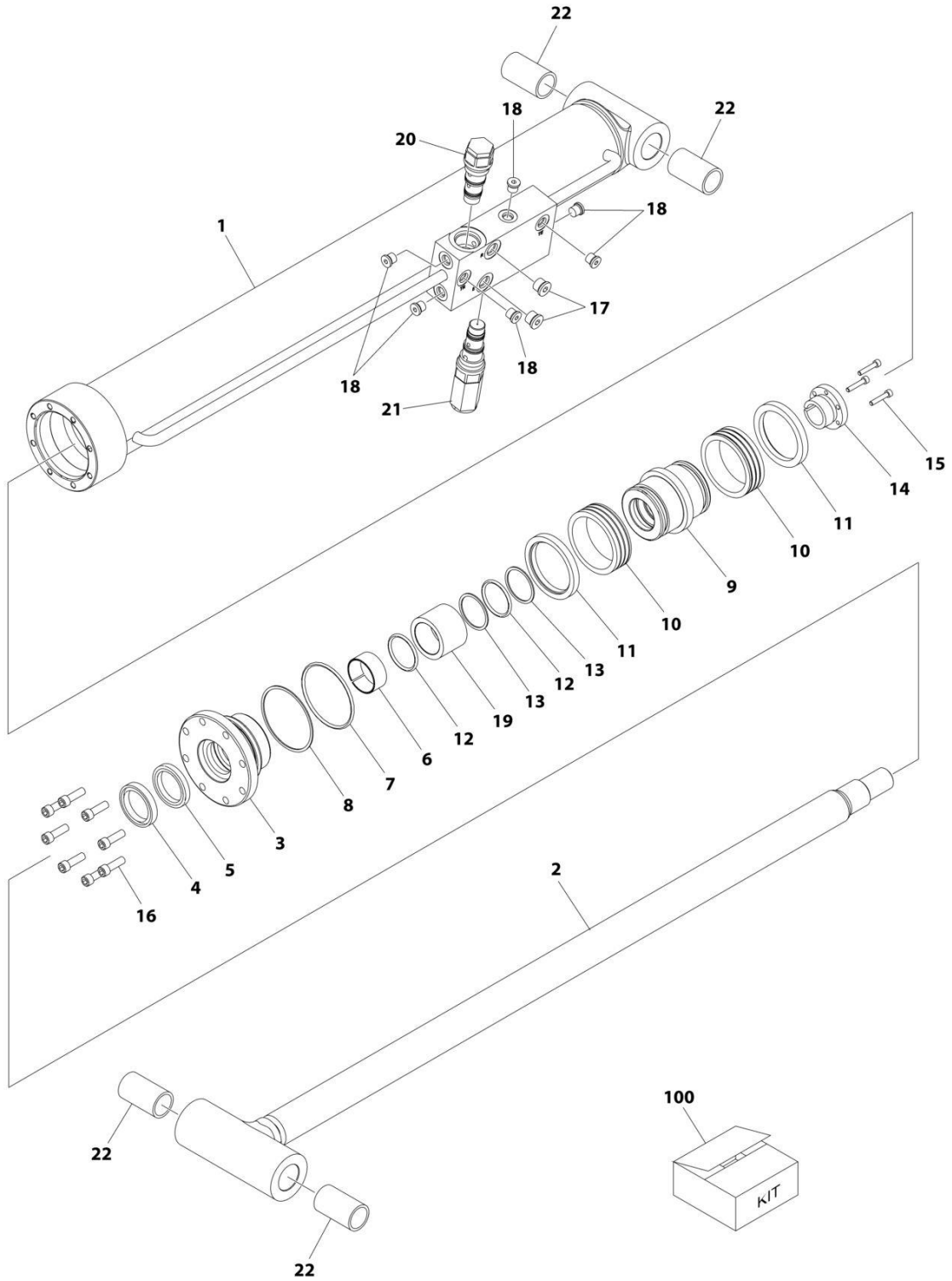
SECTION 6 - CYLINDER

FIGURE 6-3. LEVEL (UPRIGHT) CYLINDER ASSEMBLY

ITEM	PART NUMBER	QTY	DESCRIPTION	REV
	1001251042	Ref	UPRIGHT LEVEL CYLINDER ASSEMBLY	A
		Ref	Note: Original Cylinder May Have Been Replaced with Service Replacement. Identify PN Stamped on Cylinder Before Ordering Parts.	
1	0961949	4	Bushing	
2	4640509	1	Cartridge, Valve	
2	2900792	2	Seal Kit - 4640509 Valve	
3	4640605	1	Cartridge, Valve	
3	2900792	1	Seal Kit - 4640605 Valve	
101	See Note	NSS	Tube (Not Available for Purchase)	
102	70002793	1	Rod	
103	70008194	1	Head	
104	See Note	NSS	Wiper, Dust (Note: Use Item 121)	
105	70023379	1	RETAINING RING	
106	See Note	NSS	Seal, Rod (Note: Use Item 121)	
107	See Note	NSS	Ring, Backup (Note: Use Item 121)	
108	See Note	1	Ring, Buffer (Note: Use Item 121)	
109	70052522	1	Bushing	
110	See Note	NSS	O-Ring (Note: Use Item 121)	
111	See Note	NSS	Ring, Backup (Note: Use Item 121)	
112	See Note	NSS	O-Ring (Note: Use Item 121)	
113	70008195	1	Piston	
114	See Note	NSS	Seal, Piston (Note: Use Item 121)	
115	See Note	NSS	O-Ring (Note: Use Item 121)	
116	70022564	1	Ball, Steel	
117	70029468	1	Screw, Set	
118	2220883	5	Plug 7/16	
119	2220886	2	Plug 3/4	
120	70008196	1	Spacer	
121	70008197	1	Seal Kit (Includes Items 104, 106-108, 110-112 ,114 & 115)	

SECTION 6 - CYLINDER

FIGURE 6-4. LIFT CYLINDER ASSEMBLY - JIB



ART_1001259137

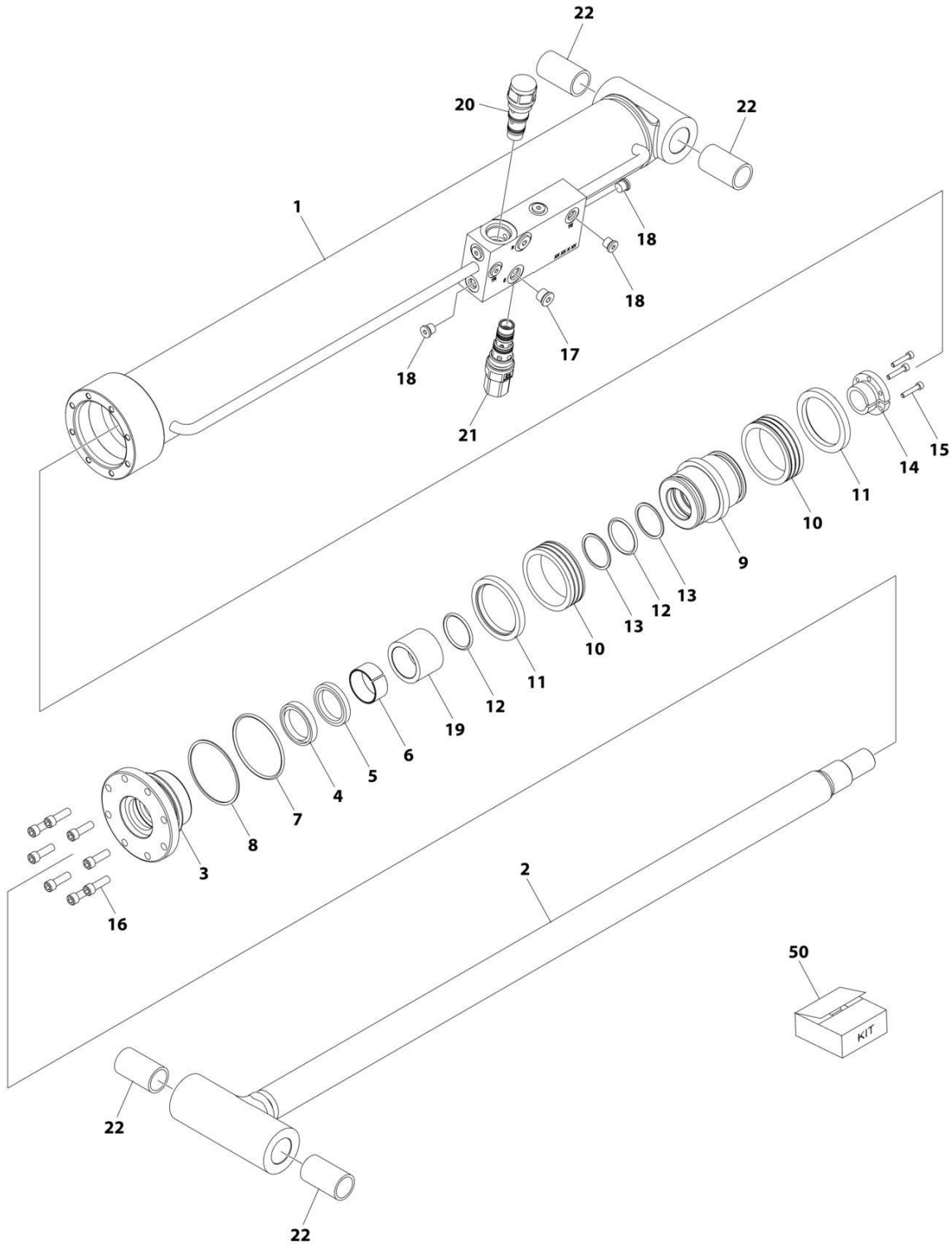
SECTION 6 - CYLINDER

FIGURE 6-4. LIFT CYLINDER ASSEMBLY - JIB

ITEM	PART NUMBER	QTY	DESCRIPTION	REV
	1001259137	Ref	LIFT CYLINDER ASSEMBLY - JIB	B
		Ref	Note: Original Cylinder May Have Been Replaced with Service Replacement. Identify PN Stamped on Cylinder Before Ordering Parts.	
1	See Note	NSS	Barrel (Note: Not Available for Purchase)	
2	70006734	1	Rod	
3	70006649	1	Head	
4	See Note	NSS	Wiper (Note: Use Item 100)	
5	See Note	NSS	Seal, Rod (Note: Use Item 100)	
6	See Note	NSS	Ring, Wear (Note: Use Item 100)	
7	See Note	NSS	O-Ring (Note: Use Item 100)	
8	See Note	NSS	Ring, Back-up (Note: Use Item 100)	
9	70006650	1	Piston	
10	See Note	NSS	Seal (Note: Use Item 100)	
11	See Note	NSS	Ring, Lock (Note: Use Item 100)	
12	See Note	NSS	O-Ring (Note: Use Item 100)	
13	See Note	NSS	Ring, Back-up (Note: Use Item 100)	
14	0961893	1	Bushing, Tapered	
15	0630534	3	Capscrew, Socket Head #10 x 1	
16	70006735	8	Capscrew 5/16	
17	2220885	2	Plug, O-Ring	
18	2220883	6	Plug, O-Ring	
19	70006736	1	Spacer	
20	4640509	1	Cartridge, Valve	
20	2900792	1	Seal Kit - 4640509 Valve	
21	1001259138	1	Cartridge, Valve	
21	70004186	1	Seal Kit - 1001259138 Valve	
22	0962336	4	Bushing	
100	1001138795	1	Seal Kit (Includes Items 4-8 & 10-13)	

SECTION 6 - CYLINDER

FIGURE 6-5. LIFT CYLINDER ASSEMBLY - JIB



ART_1001264302

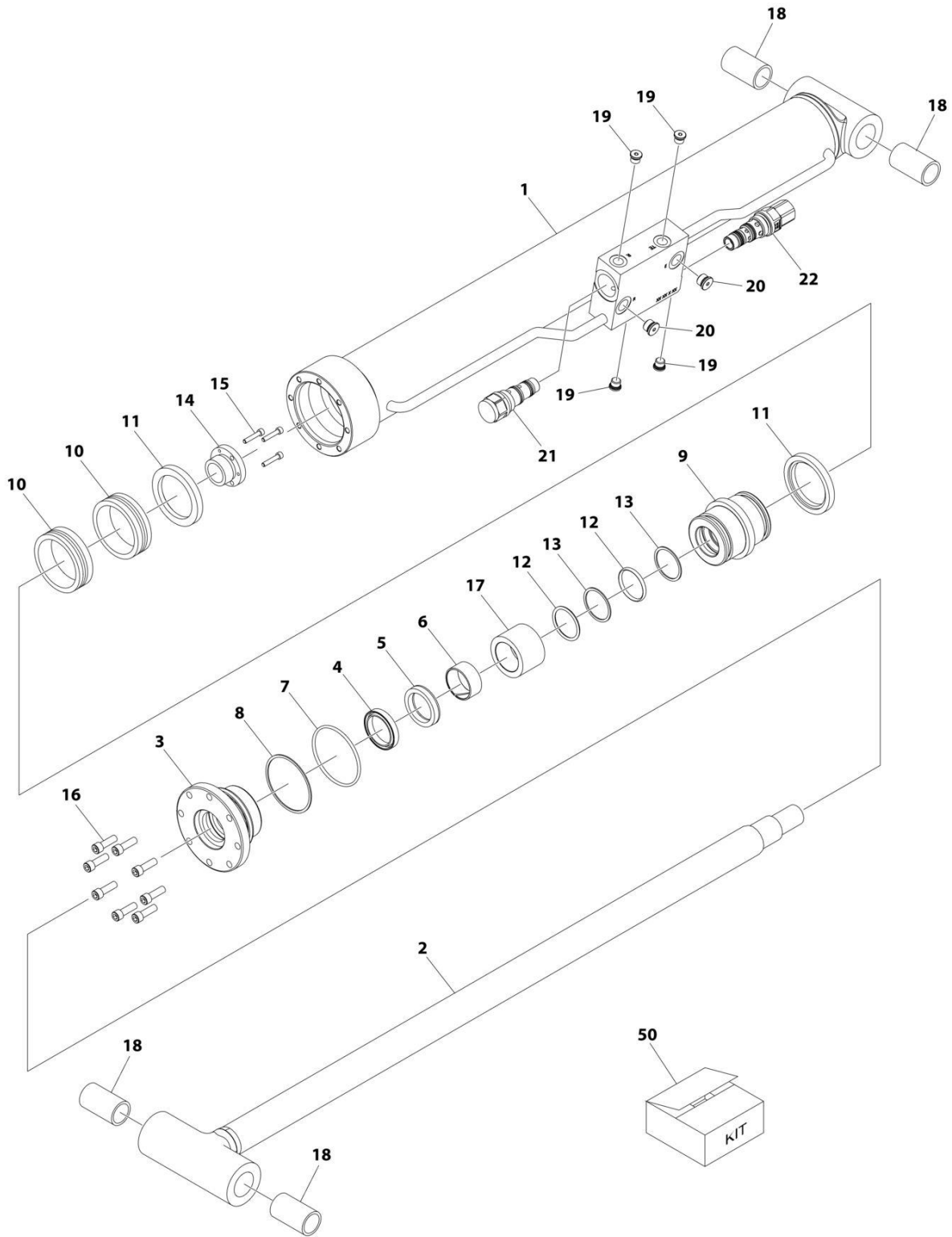
SECTION 6 - CYLINDER

FIGURE 6-5. LIFT CYLINDER ASSEMBLY - JIB

ITEM	PART NUMBER	QTY	DESCRIPTION	REV
	1001264302	Ref	LIFT CYLINDER ASSEMBLY - JIB	B
		Ref	Note: Original Cylinder May Have Been Replaced with Service Replacement. Identify PN Stamped on Cylinder Before Ordering Parts.	
1	See Note	NSS	Barrel	
2	70006734	1	Rod	
3	70006649	1	Head	
4	See Note	NSS	Wiper (Note: Use Item 50)	
5	See Note	NSS	Seal, Rod (Note: Use Item 50)	
6	See Note	NSS	Ring, Wear (Note: Use Item 50)	
7	See Note	NSS	O-Ring (Note: Use Item 50)	
8	See Note	NSS	Ring, Back-up (Note: Use Item 50)	
9	70006650	1	Piston	
10	See Note	NSS	Seal (Note: Use Item 50)	
11	See Note	NSS	Ring, Lock (Note: Use Item 50)	
12	See Note	NSS	O-Ring (Note: Use Item 50)	
13	See Note	NSS	Ring, Back-up (Note: Use Item 50)	
14	0961893	1	Bushing, Tapered	
15	0630534	3	Capscrew	
16	70006735	8	Capscrew	
17	2220885	2	Plug	
18	2220883	6	Plug	
19	70006736	1	Spacer	
20	4640509	1	Cartridge, Counterbalance Valve	
20	2900792	1	Seal Kit - 4640509 Valve	
21	1001263800	1	Cartridge, Counterbalance Valve	
21	70004186	1	Seal Kit - 1001263800 Valve	
22	0962336	4	Bushing	
50	1001138795	1	Seal Kit (Includes Items 4-8 & 10-13)	

SECTION 6 - CYLINDER

FIGURE 6-6. LIFT CYLINDER ASSEMBLY - JIB



ART_1001264991

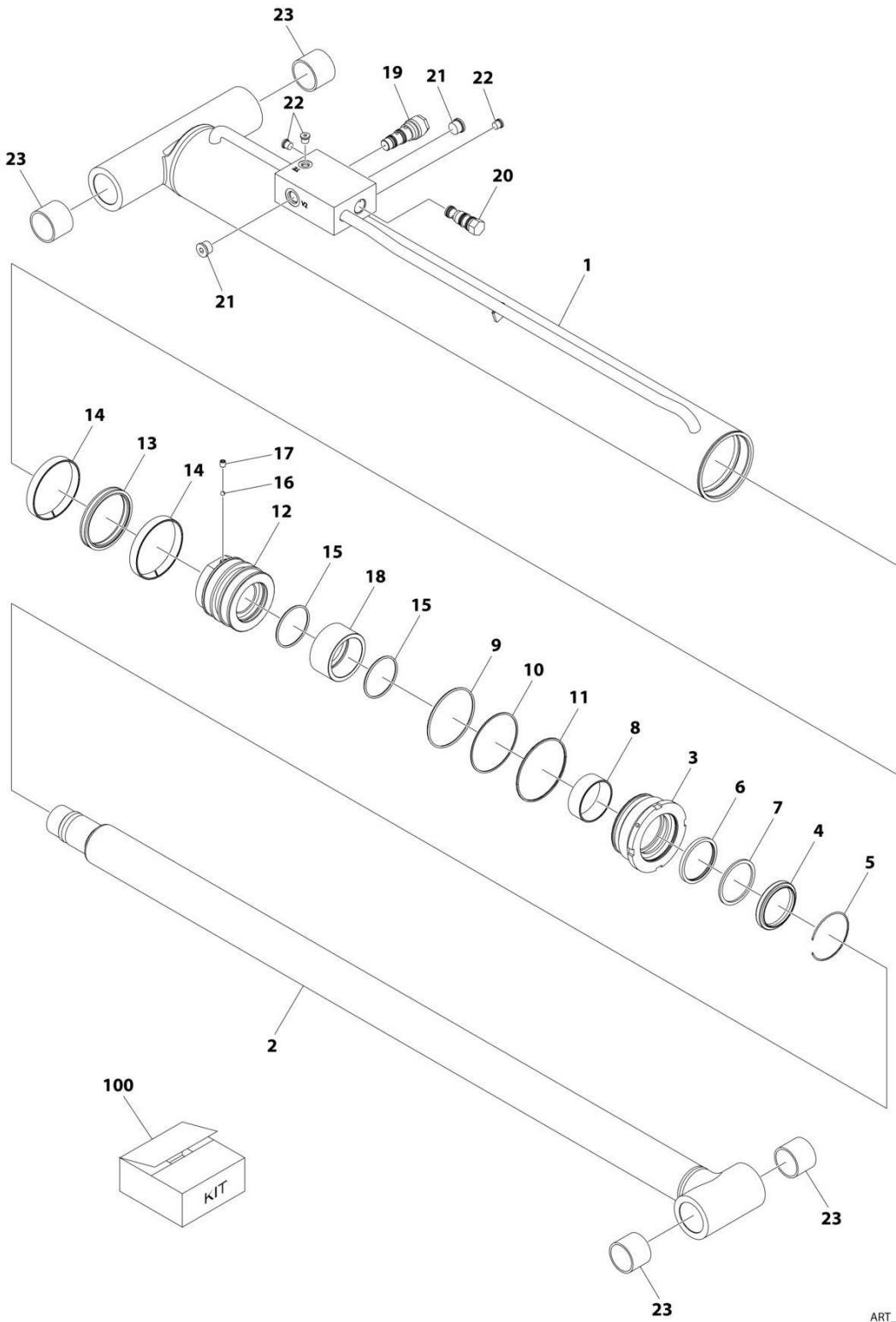
SECTION 6 - CYLINDER

FIGURE 6-6. LIFT CYLINDER ASSEMBLY - JIB

ITEM	PART NUMBER	QTY	DESCRIPTION	REV
	1001264991	Ref	LIFT CYLINDER ASSEMBLY - JIB	B
		Ref	Note: Original Cylinder May Have Been Replaced with Service Replacement. Identify PN Stamped on Cylinder Before Ordering Parts.	
1	See Note	NSS	Barrel (Note: Use PN 1001264991)	
2	70006734	1	Rod	
3	70006649	1	Head	
4	See Note	NSS	Wiper (Note: Use Item 50)	
5	See Note	NSS	Seal, Rod (Note: Use Item 50)	
6	See Note	NSS	Ring, Wear (Note: Use Item 50)	
7	See Note	NSS	O-Ring (Note: Use Item 50)	
8	See Note	NSS	Ring, Back-up (Note: Use Item 50)	
9	70006650	1	Piston	
10	See Note	NSS	Ring, Hydro Lock (Note: Use Item 50)	
11	See Note	NSS	Ring, Guide Lock (Note: Use Item 50)	
12	See Note	NSS	O-Ring (Note: Use Item 50)	
13	See Note	NSS	Ring, Back-up (Note: Use Item 50)	
14	0961893	1	Bushing, Tapered	
15	0630534	3	Capscrew	
16	70006735	8	Capscrew	
17	70006736	1	Spacer	
18	0962336	4	Bearing	
19	70023370	4	Plug	
20	70023371	2	Plug	
21	4640509	1	Cartridge, Counterbalance Valve	
21	2900792	1	Seal Kit - 4640509 Valve	
22	1001263800	1	Cartridge, Counterbalance Valve	
22	70004186	1	Seal Kit - 1001263800 Valve	
50	1001138795	1	Seal Kit - 1001264991 Cylinder (Includes Items 4-8 & 10-13)	

SECTION 6 - CYLINDER

FIGURE 6-7. LIFT CYLINDER ASSEMBLY - MAIN BOOM



ART_1001245761

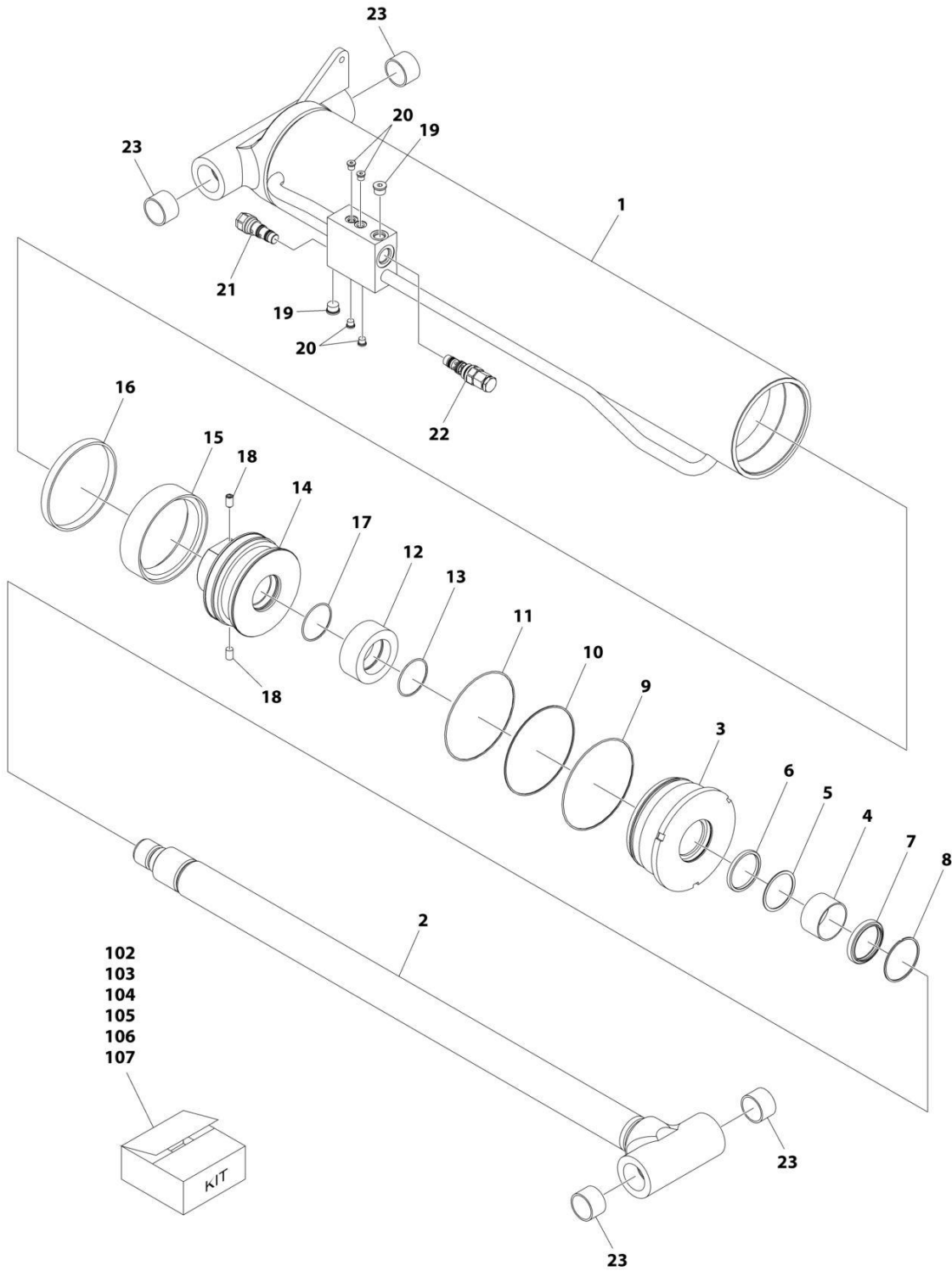
SECTION 6 - CYLINDER

FIGURE 6-7. LIFT CYLINDER ASSEMBLY - MAIN BOOM

ITEM	PART NUMBER	QTY	DESCRIPTION	REV
	1001245761	Ref	LIFT CYLINDER ASSEMBLY - MAIN BOOM	B
		Ref	Note: Original Cylinder May Have Been Replaced with Service Replacement. Identify PN Stamped on Cylinder Before Ordering Parts.	
1	See Note	NSS	Barrel (Use p/n 1001228092)	
2	70007451	1	Rod	
3	70007051	1	Head	
4	See Note	NSS	Wiper (Note: Use Item 100)	
5	70050795	1	Ring, Retainer	
6	See Note	NSS	Seal, Rod (Note: Use Item 100)	
7	See Note	NSS	Ring, Back-up (Note: Use Item 100)	
8	70007052	1	Ring, Wear	
9	See Note	NSS	O-Ring (Note: Use Item 100)	
10	See Note	NSS	Ring, Back-up (Note: Use Item 100)	
11	See Note	NSS	O-Ring (Note: Use Item 100)	
12	70007452	1	Piston	
13	See Note	NSS	Seal (Note: Use Item 100)	
14	See Note	NSS	Ring, Wear (Note: Use Item 100)	
15	See Note	NSS	O-Ring (Note: Use Item 100)	
16	70022564	1	Ball	
17	70023369	1	Setscrew M8 x 10	
18	70007453	1	Spacer	
19	4640509	1	Cartridge, Counterbalance Valve	
19	2900792	1	Seal Kit - 4640509 Cartridges	
20	4640438	1	Cartridge, Check Valve	
20	2900770	1	Seal Kit - 4640438 Valve	
21	2220886	2	Plug 3/4	
22	2220883	3	Plug #4	
23	70007454	4	Bearing	
100	70007455	1	Seal Kit - 1001228092 Cylinder (Includes item 4, 6, 7, 8-10 & 13-15)	

SECTION 6 - CYLINDER

FIGURE 6-8. LIFT CYLINDER ASSEMBLY - MAIN BOOM



ART_1001261003

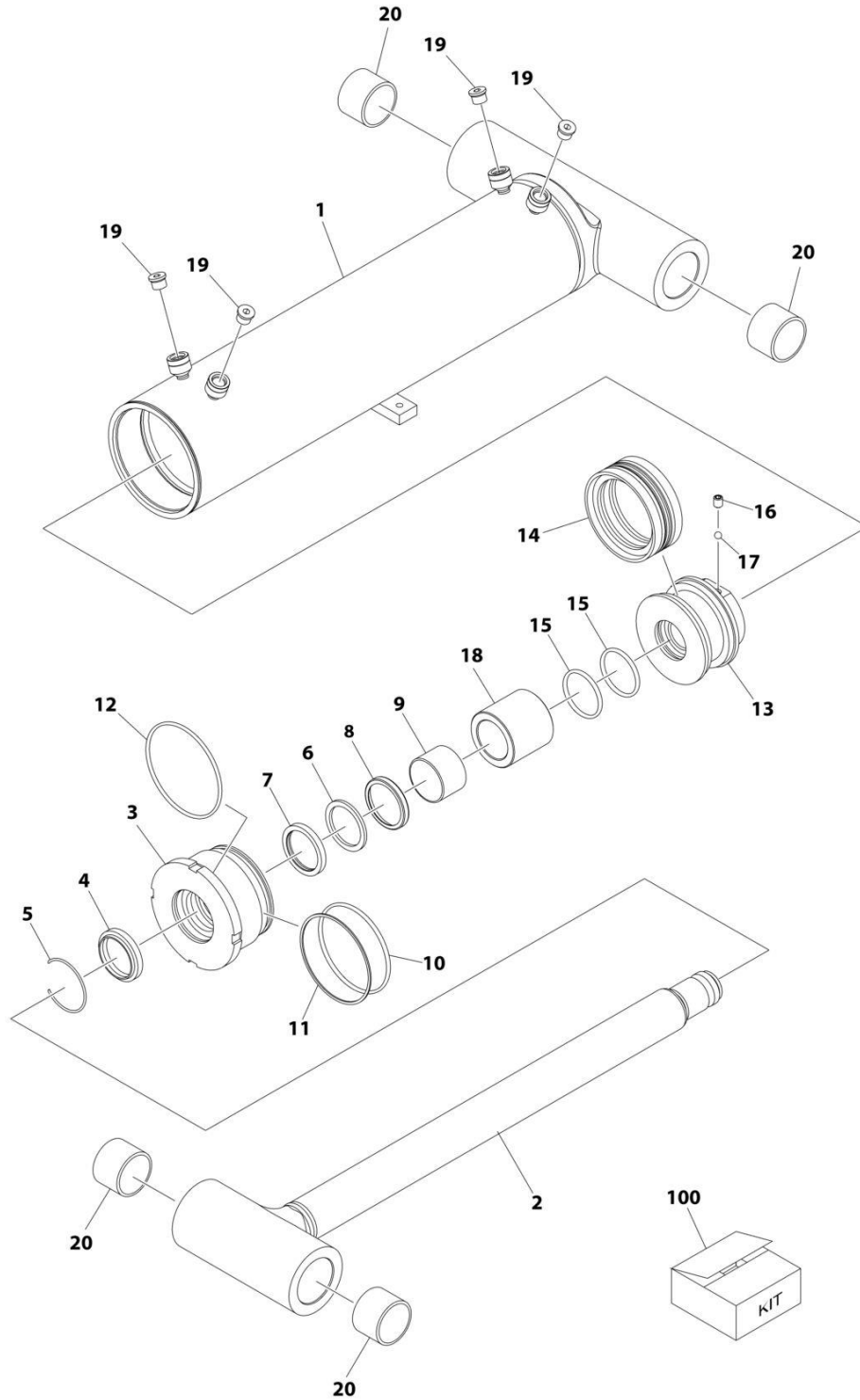
SECTION 6 - CYLINDER

FIGURE 6-8. LIFT CYLINDER ASSEMBLY - MAIN BOOM

ITEM	PART NUMBER	QTY	DESCRIPTION	REV
	1001261003	Ref	LIFT CYLINDER ASSEMBLY - MAIN BOOM	A
		Ref	Note: Original Cylinder May Have Been Replaced with Service Replacement. Identify PN Stamped on Cylinder Before Ordering Parts.	
1	See Note	NSS	Barrel (Use p/n 1001261003)	
2	See Note	NSS	Rod (Use Item 102)	
3	See Note	NSS	Head (Use Item 103)	
4	See Note	NSS	Ring, Wear (Use Item 103)	
5	See Note	NSS	O-Ring (Note: Use Item 104)	
6	See Note	NSS	Ring, Back-up (Note: Use Item 104)	
7	See Note	NSS	Wiper (Note: Use Item 104)	
8	See Note	NSS	Ring, Retainer (Note: Use Item 104)	
9	See Note	NSS	O-Ring (Note: Use Item 104)	
10	See Note	NSS	Ring, Back-Up (Note: Use Item 104)	
11	See Note	NSS	O-Ring (Note: Use Item 104)	
12	See Note	NSS	Spacer (Note: Use Item 105)	
13	See Note	NSS	O-Ring (Note: Use Item 105)	
14	See Note	NSS	Piston (Note: Use Item 106)	
15	See Note	NSS	Seal (Note: Use Item 104)	
16	See Note	NSS	Ring, Wear (Note: Use Item 104)	
17	See Note	NSS	O-Ring (Note: Use Item 104)	
18	See Note	NSS	Setscrew (Note: Use Item 106)	
19	See Note	NSS	Plug 3/4	
20	See Note	NSS	Plug 7/16	
21	4640509	1	Cartridge, Counterbalance Valve	
21	2900792	1	Seal Kit - 4640509 Valve	
22	4640605	1	Cartridge, Counterbalance Valve	
22	2900792	1	Seal Kit - 4640605 Valve	
23	0961949	4	Bearing	
102	70007460	1	Rod Kit (Includes Item 2 & 23)	
103	70007461	1	Rod Cover Kit (Includes Item 3 & 4)	
104	70007462	1	Seal Kit (Includes Item 5-11 & 15-17)	
105	70007463	1	Spacer Kit (Includes Item 12 & 13)	
106	70007464	1	Piston Kit (Includes Item 14 & 18)	
107	70007465	1	Plug Kit (Includes Item 20)	

SECTION 6 - CYLINDER

FIGURE 6-9. MASTER CYLINDER ASSEMBLY



ART_1001237698

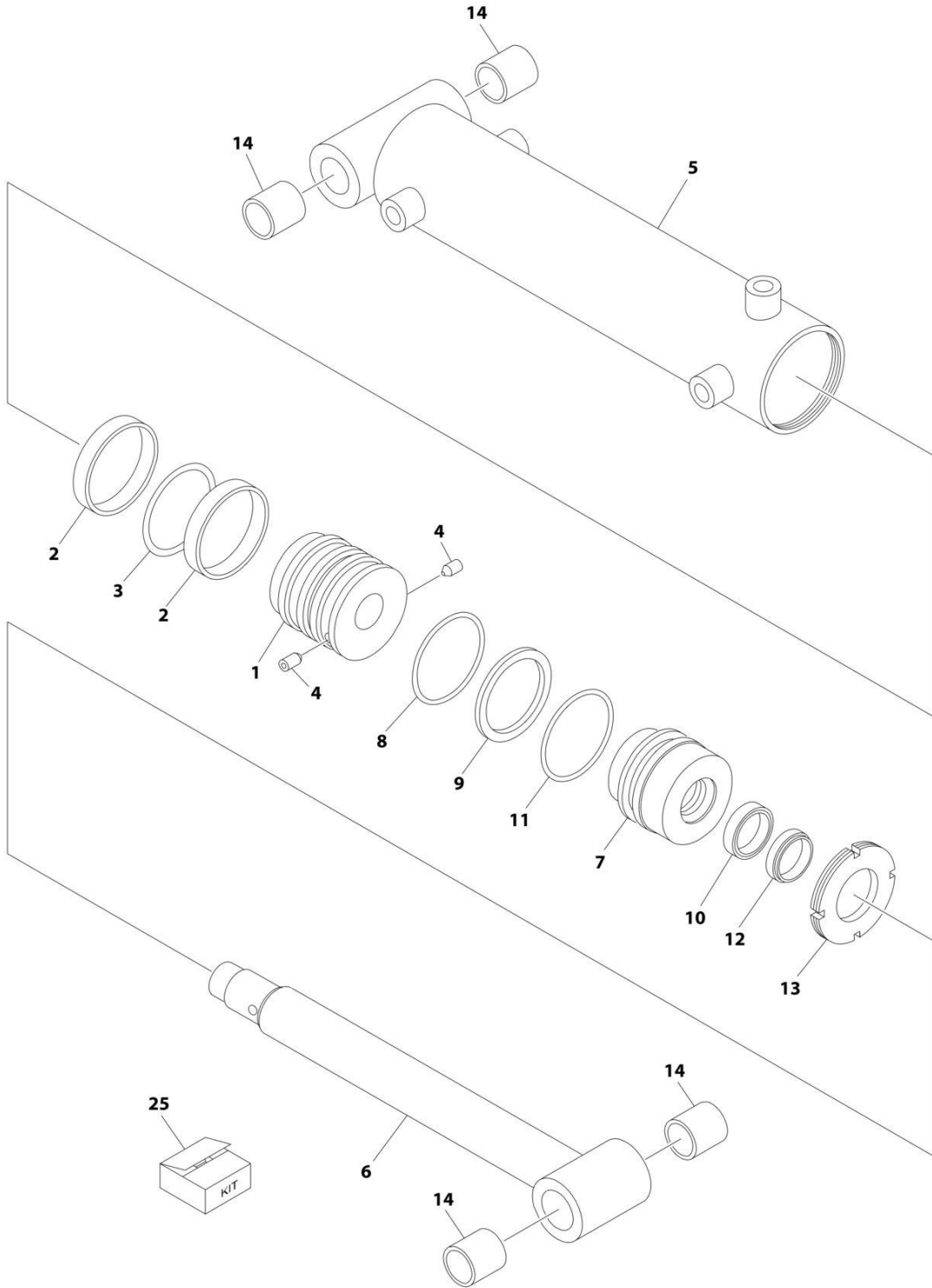
SECTION 6 - CYLINDER

FIGURE 6-9. MASTER CYLINDER ASSEMBLY

ITEM	PART NUMBER	QTY	DESCRIPTION	REV
	1001237698	Ref	MASTER CYLINDER ASSEMBLY	B
		Ref	Note: Original Cylinder May Have Been Replaced with Service Replacement. Identify PN Stamped on Cylinder Before Ordering Parts.	
1	See Note	NSS	Barrel	
2	70007156	1	Rod	
3	70007157	1	Head, Cylinder	
4	See Note	NSS	Wiper (Note: Use Item 100)	
5	70002410	1	Ring, Retaining	
6	See Note	NSS	Seal, Rod (Note: Use Item 100)	
7	See Note	NSS	Ring, Back-up (Note: Use Item 100)	
8	See Note	1	Ring (Note: Use Item 100)	
9	70004237	1	Bearing, Dry	
10	See Note	NSS	O-Ring (Note: Use Item 100)	
11	See Note	NSS	Ring, Back-up (Note: Use Item 100)	
12	See Note	NSS	O-Ring (Note: Use Item 100)	
13	70007161	1	Piston	
14	See Note	NSS	Seal, Piston	
15	See Note	NSS	O-Ring (Note: Use Item 100)	
16	70023369	1	Setscrew M8 x 31.75	
17	70022564	1	Ball	
18	70007158	1	Spacer	
19	2220885	1	Plug 9/16	
20	70005145	4	Bearing	
100	70005146	1	Seal Kit - 1001237698 Cylinder (Includes Items 4, 6, 7, 8, 10, 11, 12, 14 & 15)	

SECTION 6 - CYLINDER

FIGURE 6-10. STEER CYLINDER ASSEMBLY



ART_1001097242

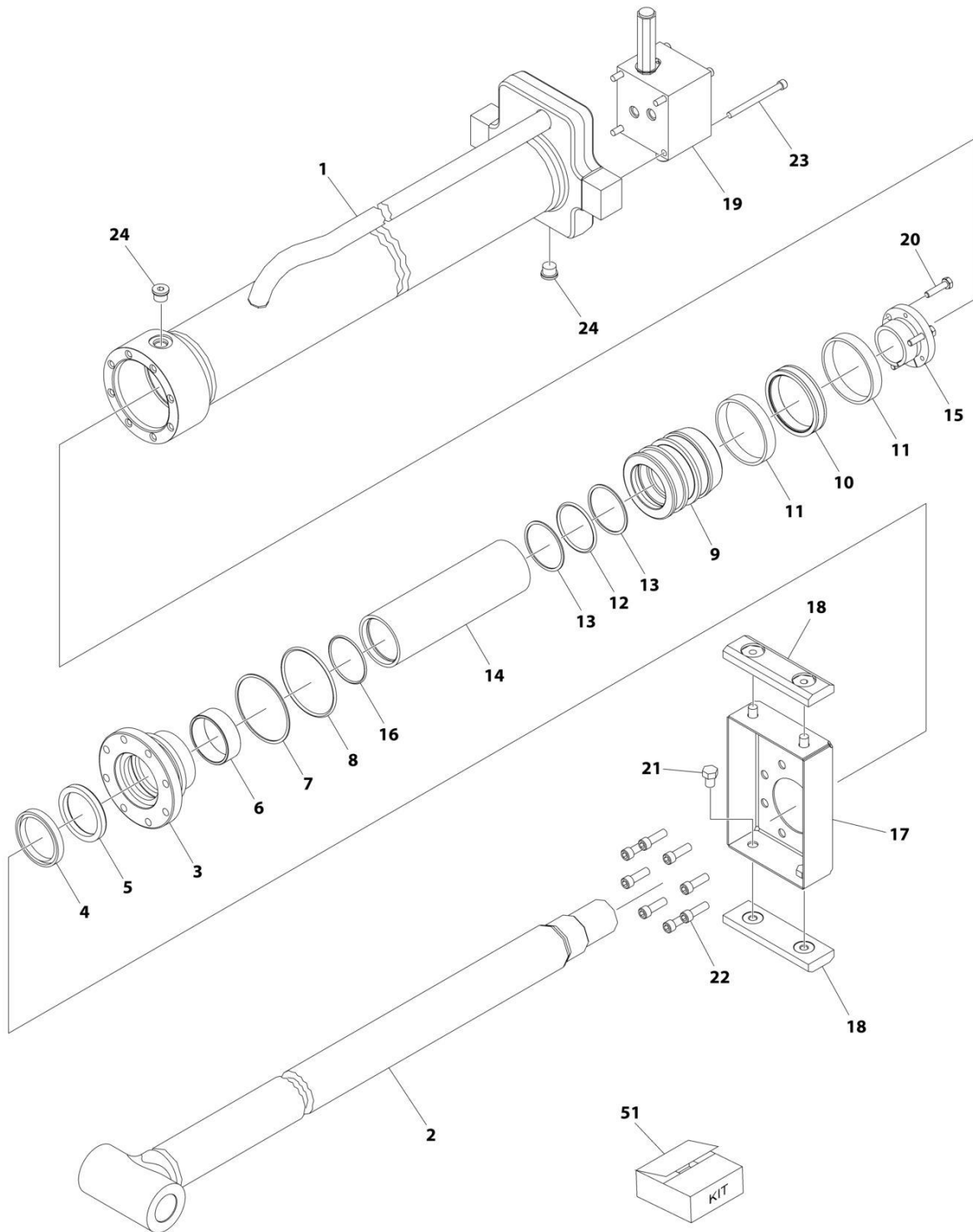
SECTION 6 - CYLINDER

FIGURE 6-10. STEER CYLINDER ASSEMBLY

ITEM	PART NUMBER	QTY	DESCRIPTION	REV
	1001097242	Ref	STEER CYLINDER ASSEMBLY	A
		Ref	Note: Original Cylinder may have been replaced with Service Replacement. Identify PN Stamped on Cylinder Before Ordering Parts.	
1	70002752	1	Piston	
1	0100011	AR	Compound, Locking	
1	0100038	AR	Primer, Locking	
2	See Note	NSS	Seal (Note: Use Item 25)	
3	See Note	NSS	O-Ring (Note: Use Item 25)	
4	70002745	2	Setscrew	
5	70002753	1	Barrel	
6	70002754	1	Rod	
7	70002755	1	Head	
8	See Note	NSS	O-Ring (Note: Use Item 25)	
9	See Note	NSS	Ring, Back-Up (Note: Use Item 25)	
10	See Note	NSS	Seal (Note: Use Item 25)	
11	See Note	NSS	O-Ring (Note: Use Item 25)	
12	See Note	NSS	Wiper (Note: Use Item 25)	
13	70002756	1	Nut, Spanner	
13	0100011	AR	Compound, Locking	
13	0100038	AR	Primer, Locking	
14	0962356	4	Bushing	
25	70002757	1	Seal Kit (Includes Items 2, 3 & 8-12)	

SECTION 6 - CYLINDER

FIGURE 6-11. TELESCOPE CYLINDER ASSEMBLY - MAIN BOOM



ART_1001228007

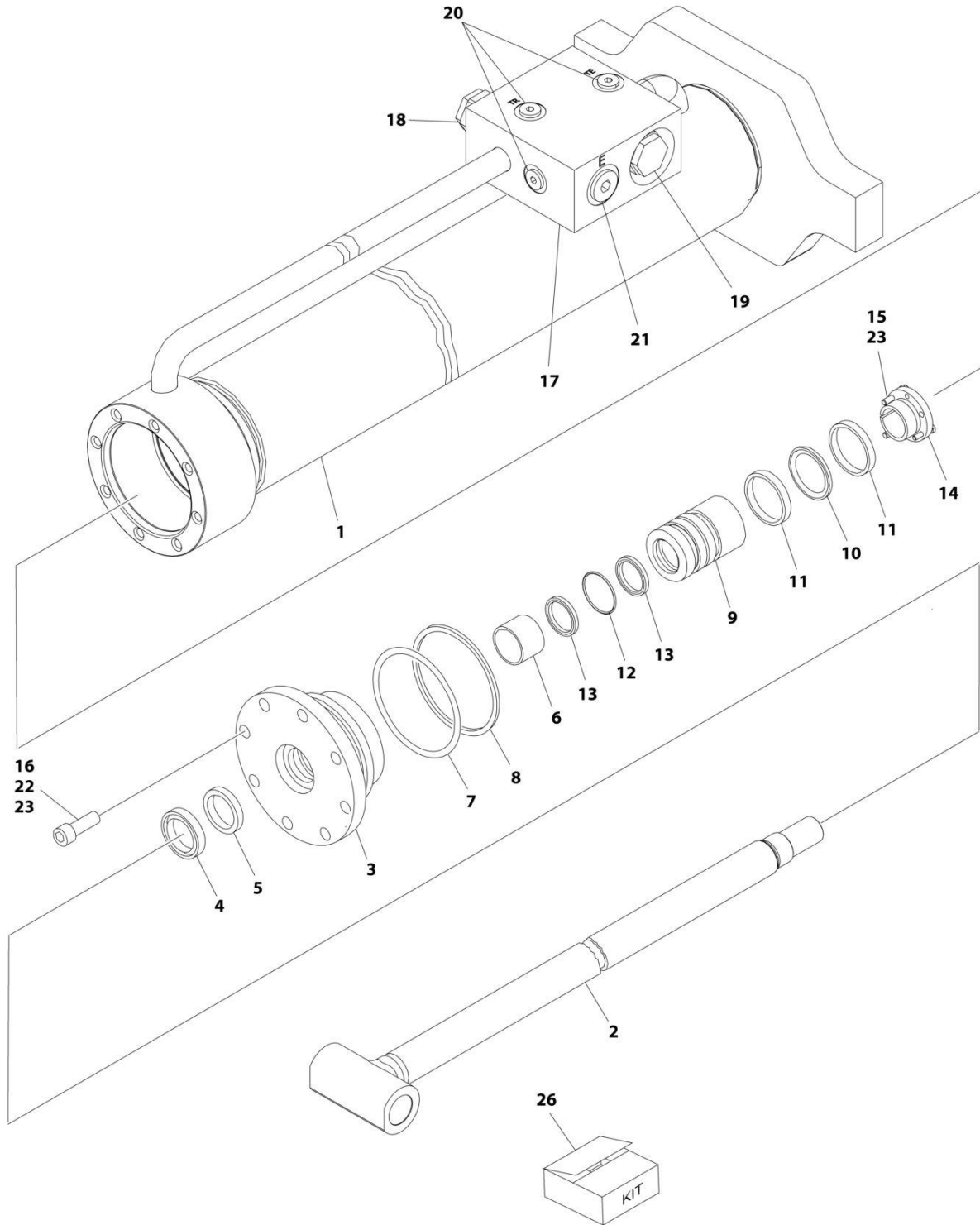
SECTION 6 - CYLINDER

FIGURE 6-11. TELESCOPE CYLINDER ASSEMBLY - MAIN BOOM

ITEM	PART NUMBER	QTY	DESCRIPTION	REV
	1001228007	Ref	TELESCOPE CYLINDER ASSEMBLY	E
		Ref	Note: Original Cylinder may have been replaced with Service Replacement. Identify PN Stamped on Cylinder Before Ordering Parts.	
1	See Note	NSS	Barrel (Note: Use p/n 1001228007)	
2	70006654	1	Rod	
3	70006483	1	Head	
4	See Note	NSS	Wiper (Note: Use Item 51)	
5	See Note	NSS	Seal, Rod (Note: Use Item 51)	
6	See Note	NSS	Ring, Wear (Note: Use Item 51)	
7	See Note	NSS	O-Ring (Note: Use Item 51)	
8	See Note	NSS	Ring, Back-up (Note: Use Item 51)	
9	70006482	1	Piston	
10	See Note	NSS	Seal (Note: Use Item 51)	
11	See Note	NSS	Ring, Wear (Note: Use Item 51)	
12	See Note	NSS	O-Ring (Note: Use Item 51)	
13	See Note	NSS	Ring, Back-up (Note: Use Item 51)	
14	70006655	1	Spacer	
15	0961896	1	Bushing, Tapered	
16	See Note	NSS	O-Ring (Note: Use Item 51)	
17	3538247	1	Plate, Wear Pad Mounting	
18	3340608	2	Pad, Wear	
19	4640862	1	Valve Block Assembly (Note: No Service Part Available - Replace Complete Assembly)	
20	0630535	3	Bolt 1/4 x 1-1/8	
21	0641604	4	Bolt 3/8 x 1/2	
22	3931516	8	Capscrew 5/16 x 1	
22	0100038	AR	Primer, Locking	
22	0100011	AR	Compound, Locking	
23	3931448	4	Capscrew 1/4 x 3	
24	2220885	AR	Plug, O-Ring	
51	2901861	1	Seal Kit - 1001228007 Cylinder (Includes Item 4-8, 10-13 & 16)	

SECTION 6 - CYLINDER

FIGURE 6-12. TELESCOPE CYLINDER ASSEMBLY - TOWER BOOM



ART_1001228006

SECTION 6 - CYLINDER

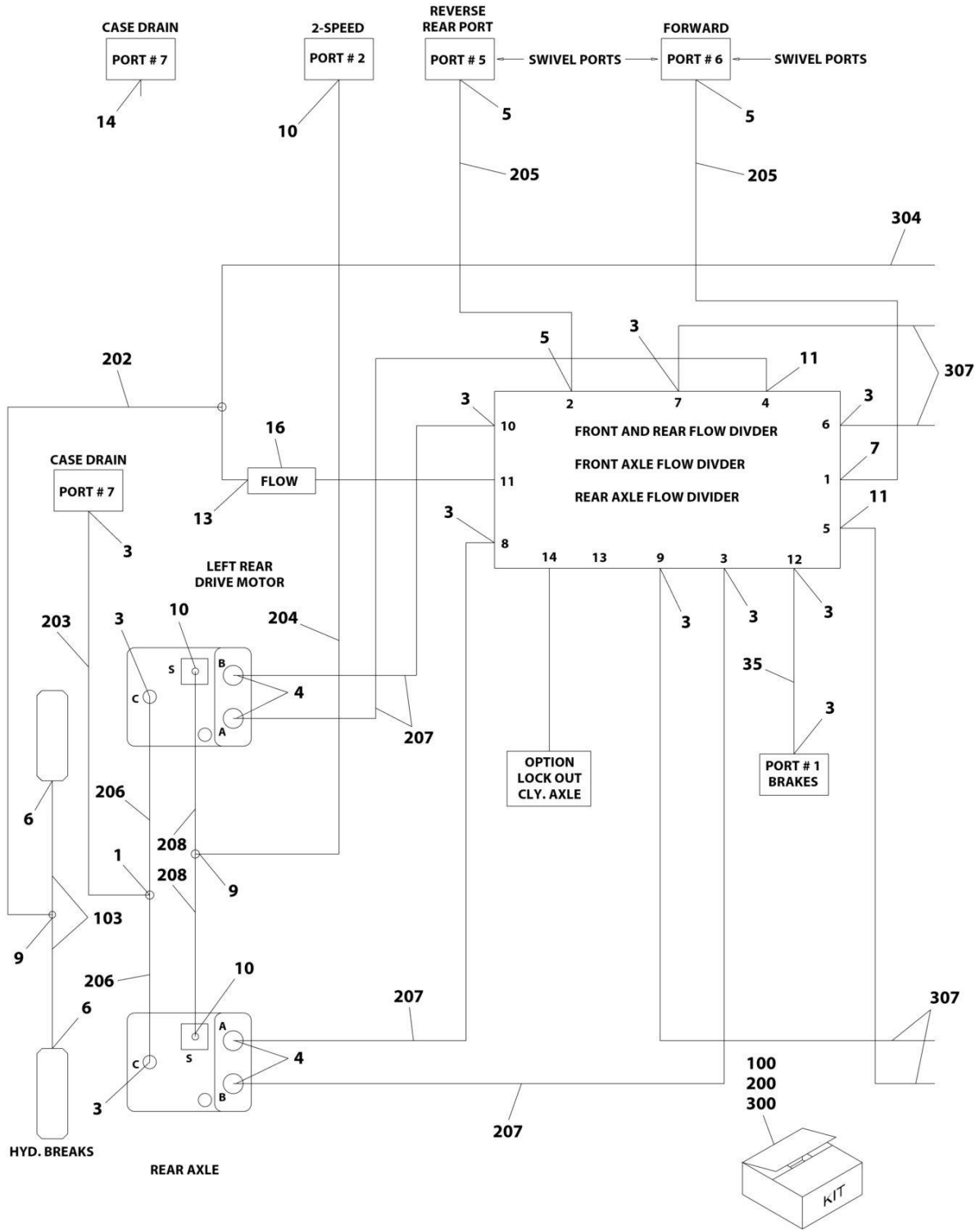
FIGURE 6-12. TELESCOPE CYLINDER ASSEMBLY - TOWER BOOM

ITEM	PART NUMBER	QTY	DESCRIPTION	REV
	1001228006	Ref	TELESCOPE CYLINDER ASSEMBLY - TOWER BOOM	D
		Ref	Note: Original Equipment components may have been replaced with Service Replacement components part. Identify p/n stamped on cylinder before ordering parts.	
1	See Note	NSS	Barrel (Note: Not Available for Purchase)	
2	70006484	1	Rod	
3	70006483	1	Head	
4	See Note	NSS	Wiper (Note: Use Item 26)	
5	See Note	NSS	Seal, Rod (Note: Use Item 26)	
6	See Note	NSS	Ring, Wear (Note: Use Item 26)	
7	See Note	NSS	O-Ring (Note: Use Item 26)	
8	See Note	NSS	Ring, Back-Up (Note: Use Item 26)	
9	70006482	1	Piston	
10	See Note	NSS	T-Seal (Note: Use Item 26)	
11	See Note	NSS	Ring, Wear (Note: Use Item 26)	
12	See Note	NSS	O-Ring (Note: Use Item 26)	
13	See Note	NSS	Ring, Back-Up (Note: Use Item 26)	
14	0961896	1	Bushing, Tapered	
15	0630535	3	Bolt 1/4 x 1-1/8	
16	3931516	8	Capscrew 5/16 x 1	
17	4640647	1	Cartridge, Valve	
17	2900770	1	Seal Kit - 4640647 Valve	
18	4640509	2	Cartridge, Valve	
18	2900792	2	Seal Kit - 4640509 Valve	
19	4640999	1	Cartridge, Valve	
19	2900792	1	Seal Kit - 4640999 Valve	
20	2220883	3	Plug, O-Ring	
21	2220886	2	Plug, O-Ring	
22	0100038	AR	Primer, Locking	
23	0100011	AR	Compound, Locking	
26	2901861	1	Seal Kit - 1001228006 Cylinder (Includes Items 4-8 & 10-13)	

SECTION 7 - HYDRAULIC

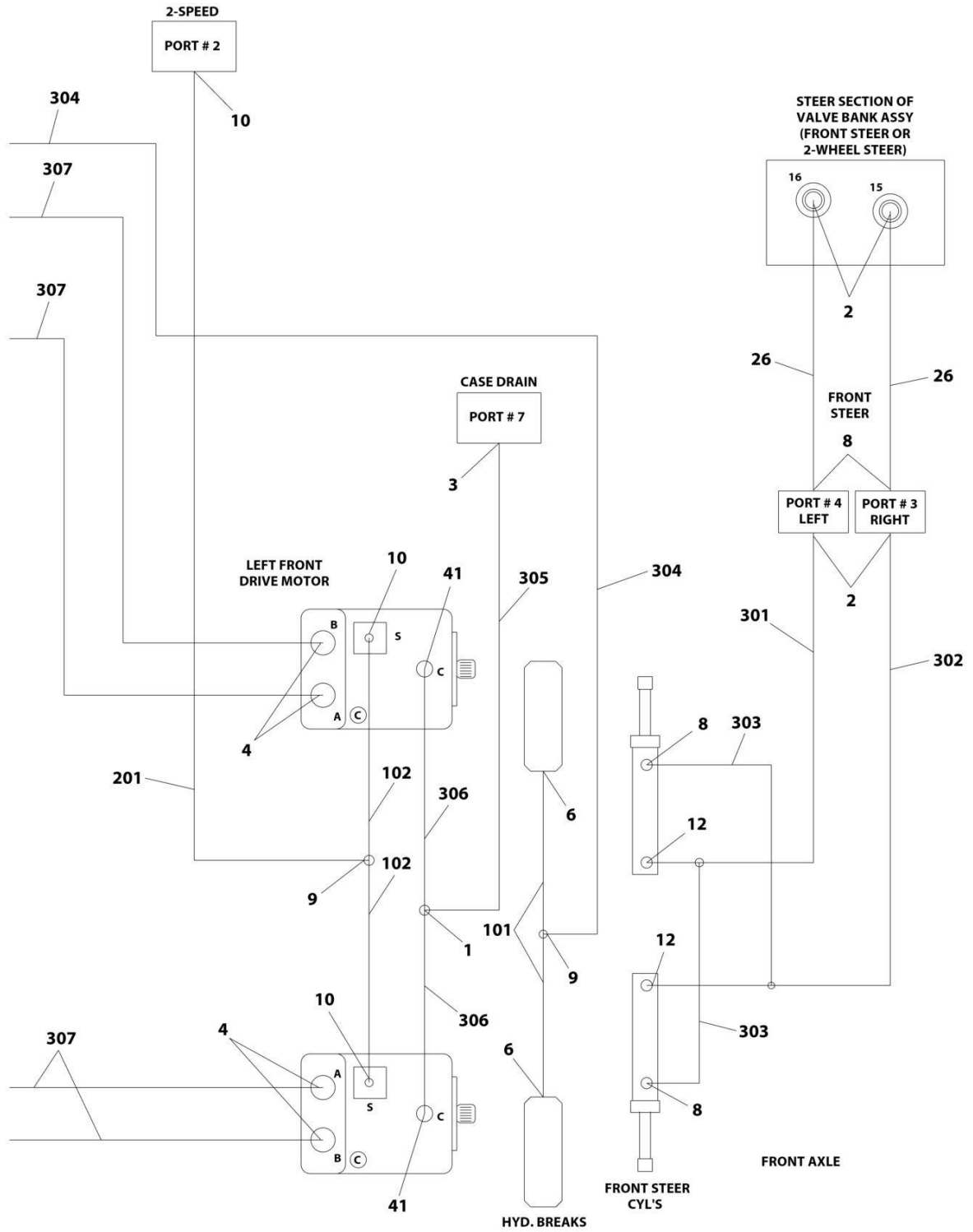
SECTION 7 - HYDRAULIC

FIGURE 7-1. DRIVE HYDRAULIC DIAGRAM - 4WD/2WS WITHOUT ARCTIC PACKAGE



ART_1001140418_1OF2

SECTION 7 - HYDRAULIC



ART_1001140418_2OF2

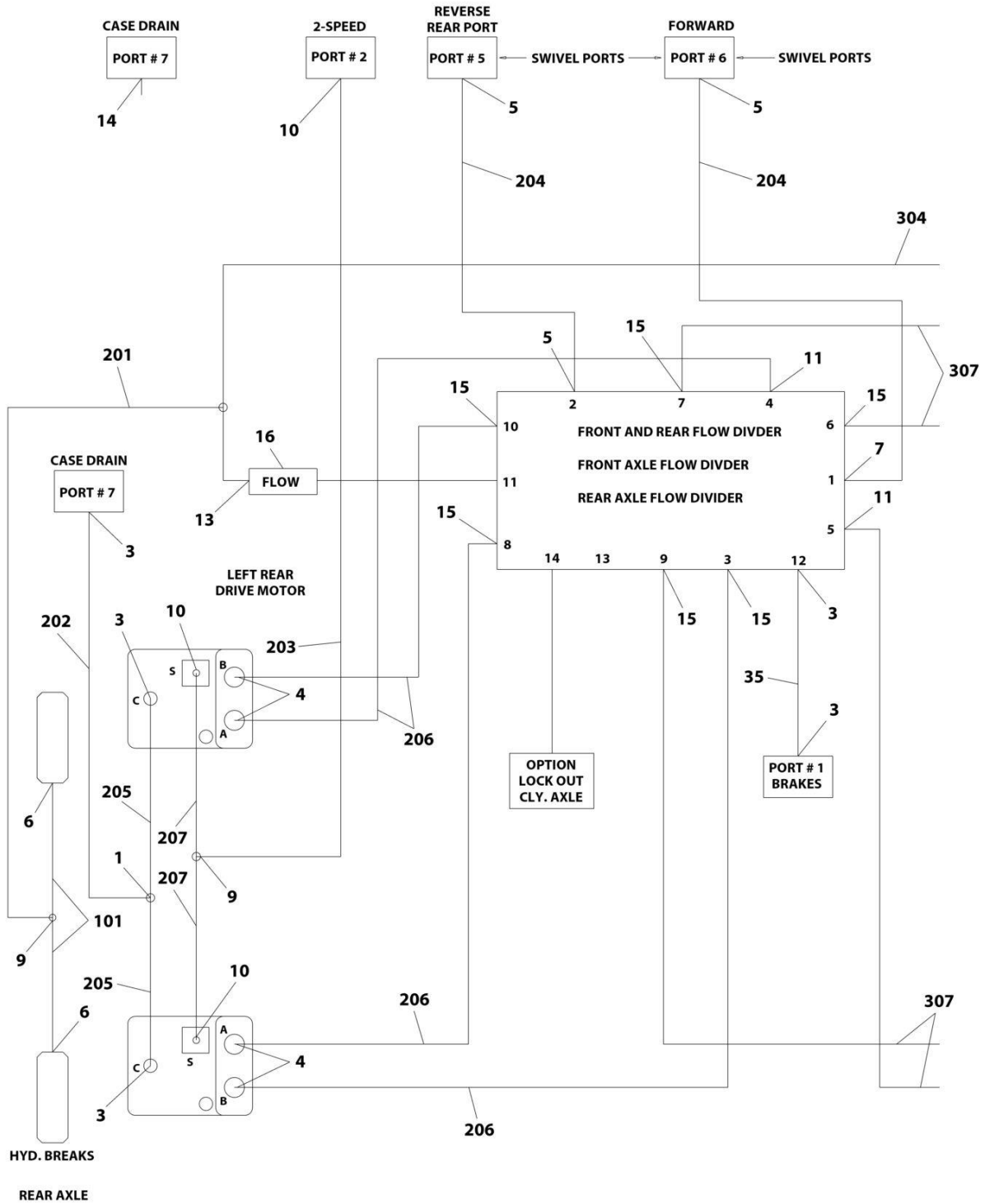
SECTION 7 - HYDRAULIC

FIGURE 7-1. DRIVE HYDRAULIC DIAGRAM - 4WD/2WS WITHOUT ARCTIC PACKAGE

ITEM	PART NUMBER	QTY	DESCRIPTION	REV
	1001140418	Ref	DRIVE HYDRAULIC DIAGRAM - 4WD/2WS	E
1	2220362	2	Fitting, Tee JIC/JIC/JIC	
2	2220371	4	Fitting, Straight JIC/ORB	
3	2220373	12	Fitting, Straight JIC/ORB	
4	2220375	8	Fitting, Straight JIC/ORB	
5	2220377	3	Fitting, Straight JIC/ORB	
6	2220415	4	Fitting, Straight JIC/ORB	
7	2220646	1	Fitting, 90 JIC/ORB	
8	2220473	4	Fitting, 90 JIC/ORB	
9	2220504	4	Fitting, Tee JIC/JIC/JIC	
10	2220582	6	Fitting, Straight JIC/ORB	
11	2220596	2	Fitting, 90 JIC/ORB	
12	2220606	2	Fitting, Tee JIC/ORB/JIC	
13	2220861	1	Fitting, Tee JIC/FSJIC/JIC	
14	2220237	1	Fitting, Plug ORB	
16	4641284	1	Valve, Check	
26	2752620	2	Hose	
35	2753929	1	Hose	
41	2220474	2	Fitting, 90 JIC/ORB	
100	1001269814	1	Hose Assembly - Axle Kit	
101	2753926	2	Hose	
102	1001140451	2	Hose	
103	1001152527	2	Hose	
200	1001269815	1	Hose Assembly - Rear Kit	
201	2752592	1	Hose	
202	2752910	1	Hose	
203	2752928	1	Hose	
204	2753924	1	Hose	
205	2754227	2	Hose	
206	1001140449	2	Hose	
207	1001151358	4	Hose	
208	1001152527	2	Hose	
300	1001269816	1	Hose Assembly - Front Kit	
301	2752475	1	Hose	
302	2752611	1	Hose	
303	2753397	2	Hose	
304	2754229	1	Hose	
305	2754231	1	Hose	
306	1001140455	2	Hose	
307	1001152491	4	Hose	

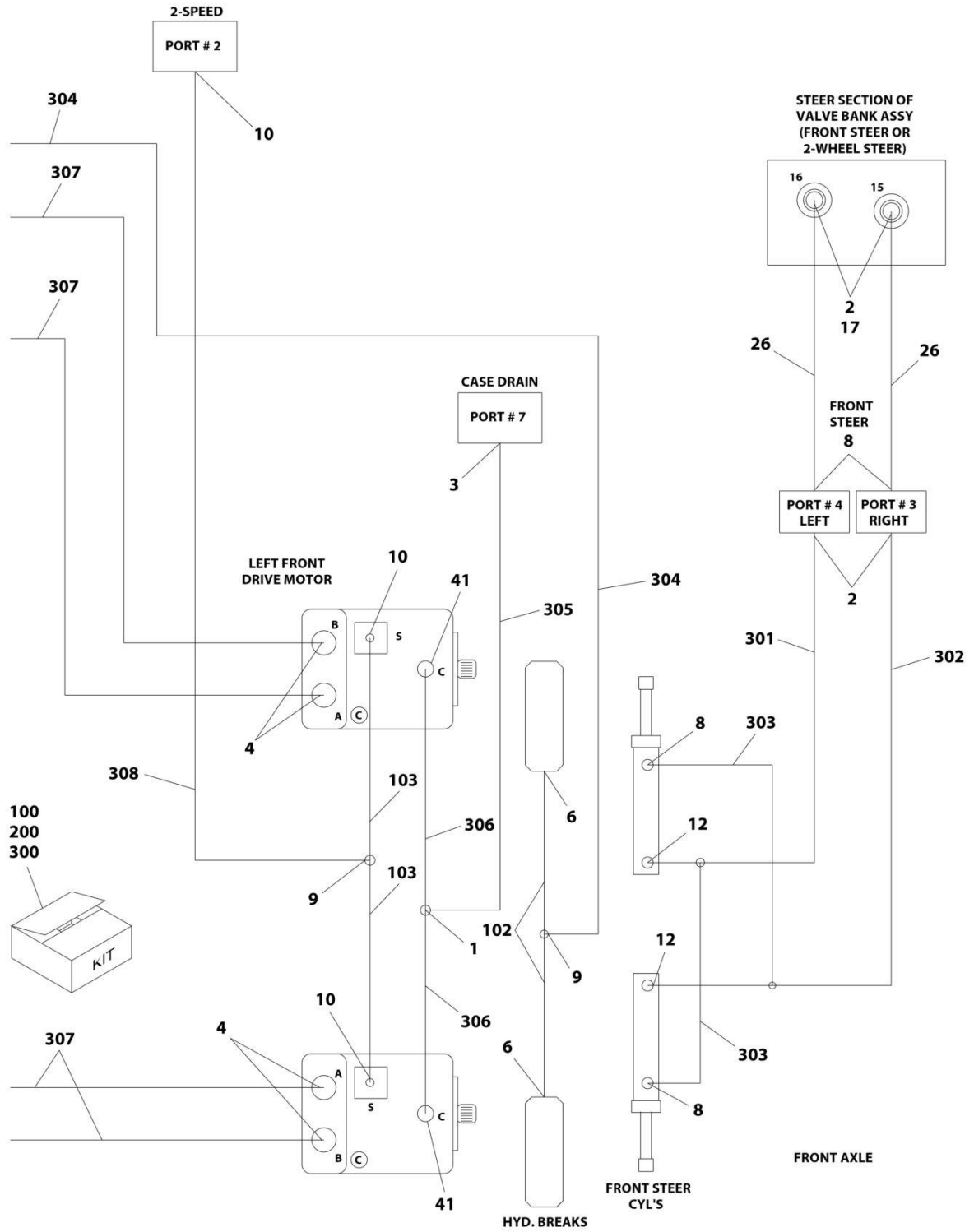
SECTION 7 - HYDRAULIC

FIGURE 7-2. DRIVE HYDRAULIC DIAGRAM - 4WD/2WS WITH ARCTIC PACKAGE



ART_1001140420_1OF2

SECTION 7 - HYDRAULIC



ART_1001140420_20F2

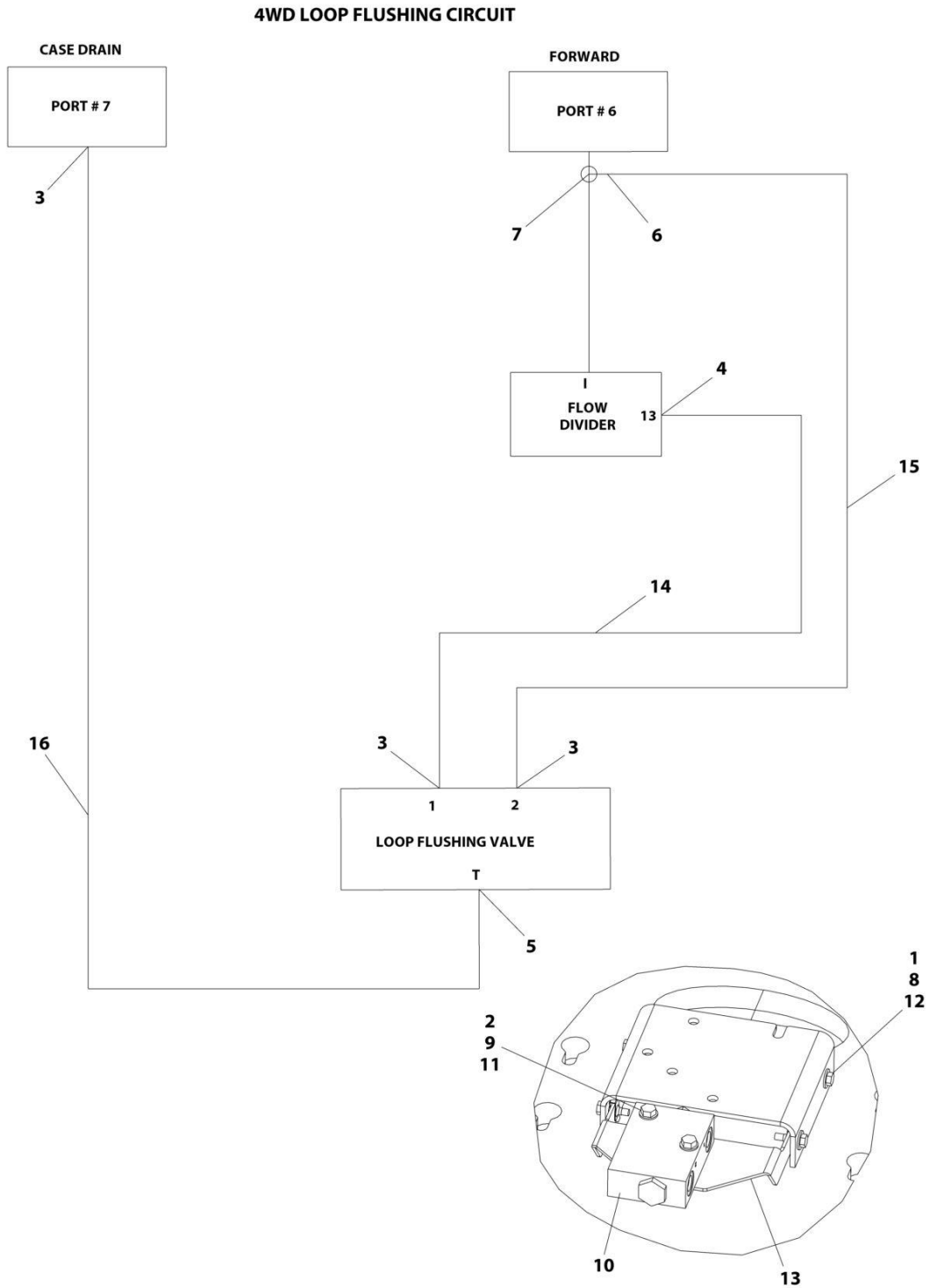
SECTION 7 - HYDRAULIC

FIGURE 7-2. DRIVE HYDRAULIC DIAGRAM - 4WD/2WS WITH ARCTIC PACKAGE

ITEM	PART NUMBER	QTY	DESCRIPTION	REV
	1001140420	Ref	DRIVE HYDRAULIC DIAGRAM - 4WD/2WS	E
1	2220362	2	Fitting, Tee JIC/JIC/JIC	
2	2220371	4	Fitting, Straight JIC/ORB	
3	2220373	6	Fitting, Straight JIC/ORB	
4	2220375	8	Fitting, Straight JIC/ORB	
5	2220377	3	Fitting, Straight JIC/ORB	
6	2220415	4	Fitting, Straight JIC/ORB	
7	2220646	1	Fitting, 90 JIC/ORB	
8	2220473	4	Fitting, 90 JIC/ORB	
9	2220504	4	Fitting, Tee JIC/JIC/JIC	
10	2220582	6	Fitting, Straight JIC/ORB	
11	2220596	2	Fitting, 90 JIC/ORB	
12	2220606	2	Fitting, Tee JIC/ORB/JIC	
13	2220861	1	Fitting, Tee JIC/FSJIC/JIC	
14	2220237	1	Fitting, Plug ORB	
15	2220500	6	Fitting, 45 JIC/ORB	
16	4641284	1	Valve, Check	
17	2220507	2	Fitting, 90	
26	2752620	2	Hose	
35	2752929	1	Hose	
41	2220474	2	Fitting, 90 JIC/ORB	
100	1001269817	1	Hose Assembly - Axle Kit	
101	2752592	2	Hose	
102	2754731	2	Hose	
103	1001140456	2	Hose	
200	1001269818	1	Hose Assembly - Rear Kit	
201	2752910	1	Hose	
202	2752928	1	Hose	
203	2753924	1	Hose	
204	2754227	2	Hose	
205	1001140449	2	Hose	
206	1001151358	4	Hose	
207	1001152527	2	Hose	
300	1001269819	1	Hose Assembly - Front Kit	
301	2752475	1	Hose	
302	2752611	1	Hose	
303	2753397	2	Hose	
304	2754229	1	Hose	
305	2754231	1	Hose	
306	1001140458	2	Hose	
307	1001152499	4	Hose	
308	1001152527	1	Hose	

SECTION 7 - HYDRAULIC

FIGURE 7-3. FLUSHING LOOP HYDRAULIC INSTALLATION - 4WD



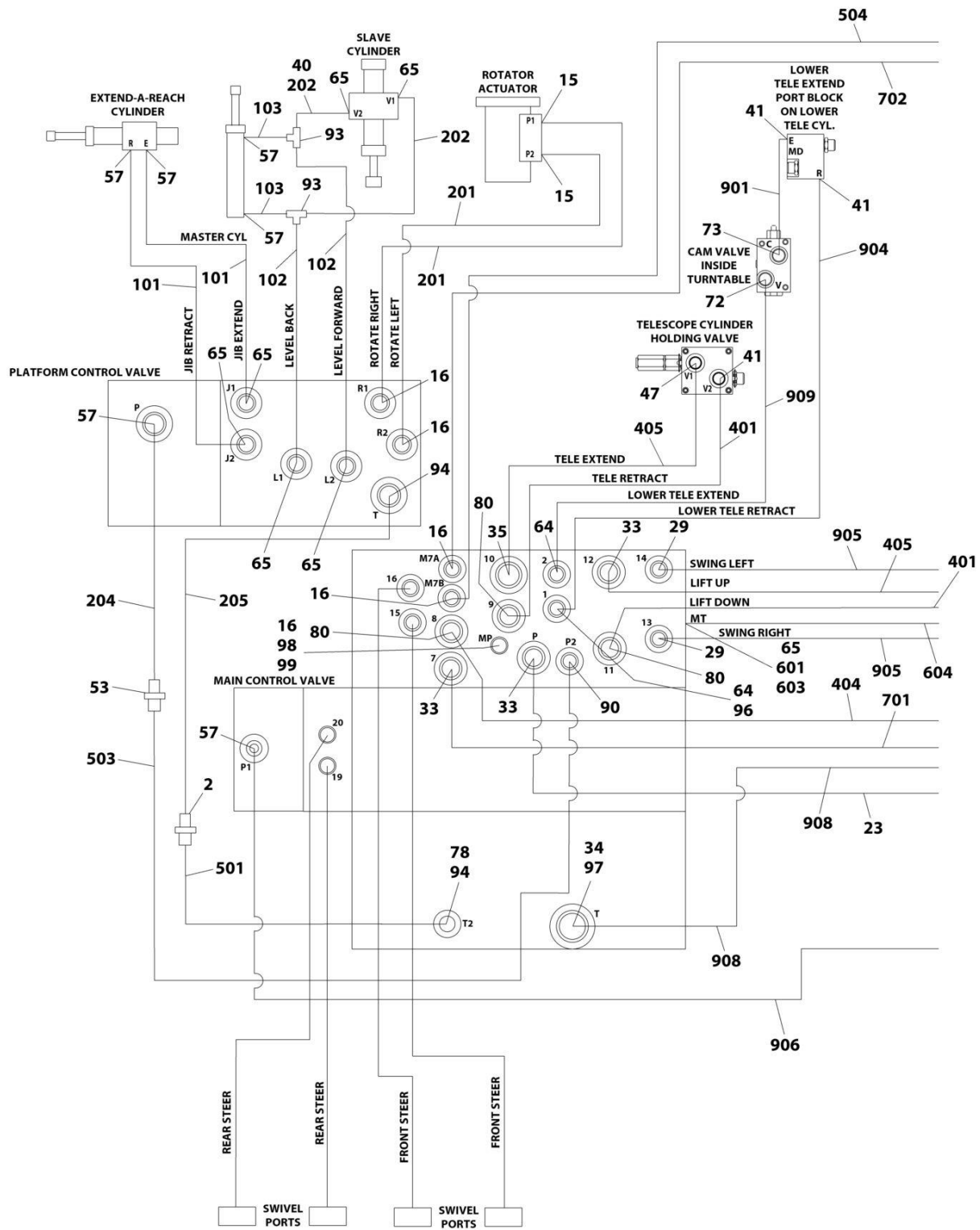
SECTION 7 - HYDRAULIC

FIGURE 7-3. FLUSHING LOOP HYDRAULIC INSTALLATION - 4WD

ITEM	PART NUMBER	QTY	DESCRIPTION	REV
	1001152619	Ref	FLUSHING LOOP HYDRAULIC INSTALLATION - 4WD	C
1	0641408	4	Bolt 1/4 x 1	
2	0641516	2	Bolt 5/16 x 2	
3	2220371	3	Fitting, Straight JIC/ORB	
4	2220372	1	Fitting, Straight JIC/ORB	
5	2220473	1	Fitting, 90 JIC/ORB	
6	2220623	1	Fitting, Straight JIC/FSJIC	
7	2221026	1	Fitting, Tee JIC/ORB/JIC	
8	3300454	4	Nut 1/4	
9	3311505	2	Nut 5/16	
10	1001224927	1	Valve, Flushing Loop	
10	7024881	1	Piston, Pilot	
10	7021639	2	Cartridge, Check Valve	
10	2900756	2	Seal Kit - 7021639 Valve	
11	4711500	4	Washer 5/16	
12	4751400	4	Washer 1/4	
13	1001150612	1	Bracket14	
14	1001152635	1	Hose	
15	1001152636	1	Hose	
16	1001152637	1	Hose	

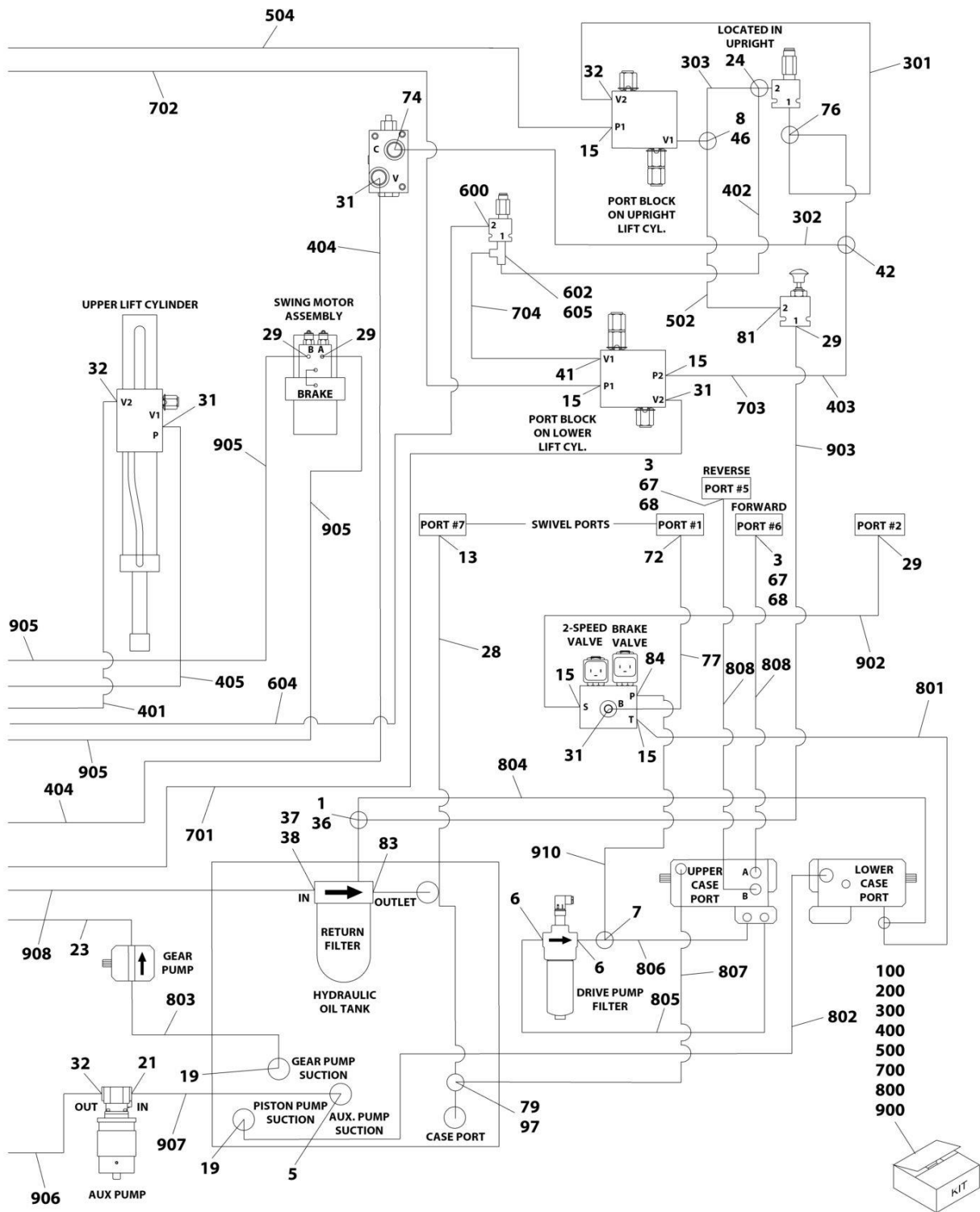
SECTION 7 - HYDRAULIC

FIGURE 7-4. HYDRAULIC DIAGRAM - STANDARD (DEUTZ D2011 ENGINE)



ART_1001254622_1OF2

SECTION 7 - HYDRAULIC



ART_1001254622_2OF2

SECTION 7 - HYDRAULIC

FIGURE 7-4. HYDRAULIC DIAGRAM - STANDARD (DEUTZ D2011 ENGINE)

ITEM	PART NUMBER	QTY	DESCRIPTION	REV
	1001254622	Ref	HYDRAULIC DIAGRAM - STANDARD	E
1	2220605	1	Fitting, Tee JIC/FSJIC/JIC	
2	2220512	1	Fitting, Straight JIC/JIC	
3	2220377	2	Fitting, Straight JIC/ORB	
5	2220578	1	Fitting, 90 JIC/ORB	
6	2221042	2	Fitting, 90 JIC/ORB	
7	2220948	1	Fitting, Tee JIC/FSJIC/JIC	
8	2220618	1	Fitting, Straight JIC/FSJIC	
13	2220375	1	Fitting, Straight JIC/ORB	
15	2220466	7	Fitting, 90 JIC/ORB	
16	2220415	5	Fitting, Straight JIC/ORB	
19	2220379	2	Fitting, Straight JIC/ORB	
21	2220567	1	Fitting, 90 JIC/ORB	
23	2752929	1	Hose	
24	2220602	1	Fitting, Tee JIC/ORB/JIC	
28	2753968	1	Hose	
29	2220582	6	Fitting, Straight JIC/ORB	
31	2220596	4	Fitting, 90 JIC/ORB	
32	2220628	3	Fitting, 90 JIC/ORB	
33	2220381	3	Fitting, Straight JIC/ORB	
34	2220451	1	Fitting, Straight JIC/ORB	
35	2220374	1	Fitting, Straight JIC/ORB	
36	2220574	1	Fitting, Straight JIC/NPTF	
37	2220921	1	Fitting, Straight FORB/ORB	
38	2220498	1	Fitting, 45 JIC/ORB	
40	1001257430	1	Cover, Hose Wrap	
41	2220372	4	Fitting, Straight JIC/ORB	
42	2221065	1	Fitting, Tee JIC/FSJIC/JIC	
46	2220999	1	Fitting, Tee JIC/ORB/JIC	
47	2220500	1	Fitting, 45 JIC/ORB	
53	2220511	1	Fitting, Straight JIC/JIC	
57	2220473	6	Fitting, 90 JIC/ORB	
64	2220998	2	Fitting, Straight JIC/ORB	
65	2220603	7	Fitting, Straight JIC/ORB	
67	0100011	AR	Compound, Locking	
68	0100038	AR	Primer, Locking	
69	1703534	2	Decal - Hose Tags (Not Shown)	
72	2220373	2	Fitting, Straight JIC/ORB	
73	2220947	1	Fitting, Straight JIC/ORB	
74	2221036	1	Fitting, 90 JIC/ORB	
76	2221053	1	Fitting, Tee JIC/ORB/JIC	
77	2752519	1	Hose	
78	2220386	1	Fitting, 90 JIC/FSJIC	
79	2220738	1	Fitting, Tee JIC/ORB/JIC	
80	1001104423	3	Fitting, Straight JIC/ORB	
81	2220472	1	Fitting, 90 JIC/ORB	
83	2220893	1	Fitting, Straight ORB/ORB	
84	2220474	1	Fitting, 90 JIC/ORB	
90	80233041	1	Valve, Check	
93	2220490	2	Fitting, Tee JIC/JIC/JIC	

SECTION 7 - HYDRAULIC

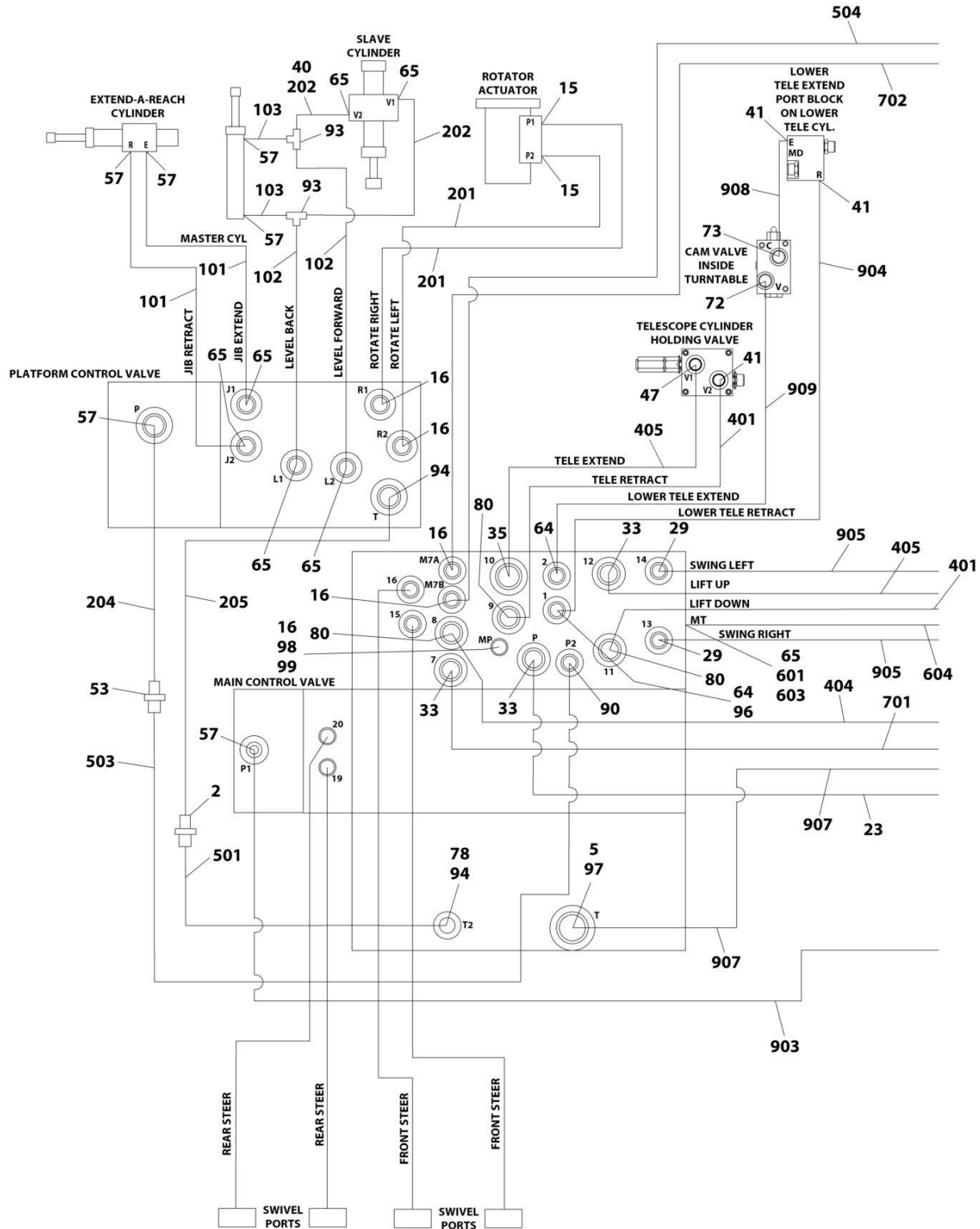
ITEM	PART NUMBER	QTY	DESCRIPTION	REV
94	2220600	2	Fitting, Straight JIC/ORB	
96	2220657	1	Fitting, 45 JIC/FSJIC	
97	2220409	2	Fitting, 45 JIC/FSJIC	
98	2752995	1	Hose	
99	91143177	1	Fitting, Test	
100	1001254955	1	Hose, Kit (Upper)	
101	1001155672	2	Hose	
102	1001155673	2	Hose	
103	1001254948	2	Hose	
200	1001254954	1	Hose, Kit (Upper)	
201	1001155669	2	Hose	
202	1001119602	2	Hose	
204	1001254949	1	Hose	
205	1001254950	1	Hose	
300	1001255599	1	Hose, Kit (Lower)	
301	2752462	1	Hose	
302	2753134	1	Hose	
303	2752497	2	Hose	
400	1001272631	1	Hose, Kit (Lower)	
401	2753055	2	Hose	
402	1001271833	1	Hose	
403	2752991	1	Hose	
404	2753135	1	Hose	
405	2752939	2	Hose	
500	1001212515	1	Hose, Kit (Lower)	
501	1001161036	1	Hose	
502	2752990	1	Hose	
503	1001161030	1	Hose	
504	2752987	1	Hose	
600	2220371	1	Fitting, Straight JIC/ORB	
601	2220516	1	Fitting, Cap FJIC	
602	2220606	1	Fitting, Tee JIC/ORB/JIC	
603	2220635	1	Fitting, Tee JIC/FSJIC/JIC	
604	1001271835	1	Hose	
605	8760268	1	Fitting, 90 JIC/FSJIC	
700	1001274367	1	Hose, Kit (Turntable)	
701	2752506	1	Hose	
702	2752593	1	Hose	
703	2752985	1	Hose	
704	1001271832	1	Hose	
800	1001269809	1	Hose, Kit (Turntable E/S)	
801	2752573	1	Hose	
802	2752723	1	Hose	
803	2752724	1	Hose	
804	2753390	1	Hose	
805	2754329	1	Hose	
806	2754330	1	Hose	
807	1001093549	1	Hose	
808	1001150715	2	Hose	
900	1001269810	1	Hose, Kit (Turntable T/S)	
901	2753132	1	Hose	

SECTION 7 - HYDRAULIC

ITEM	PART NUMBER	QTY	DESCRIPTION	REV
902	2751396	1	Hose	
903	2752453	1	Hose	
904	2752484	1	Hose	
905	2752600	2	Hose	
906	2752635	1	Hose	
907	2752656	1	Hose	
908	2752783	1	Hose	
909	2753133	1	Hose	
910	2754328	1	Hose	

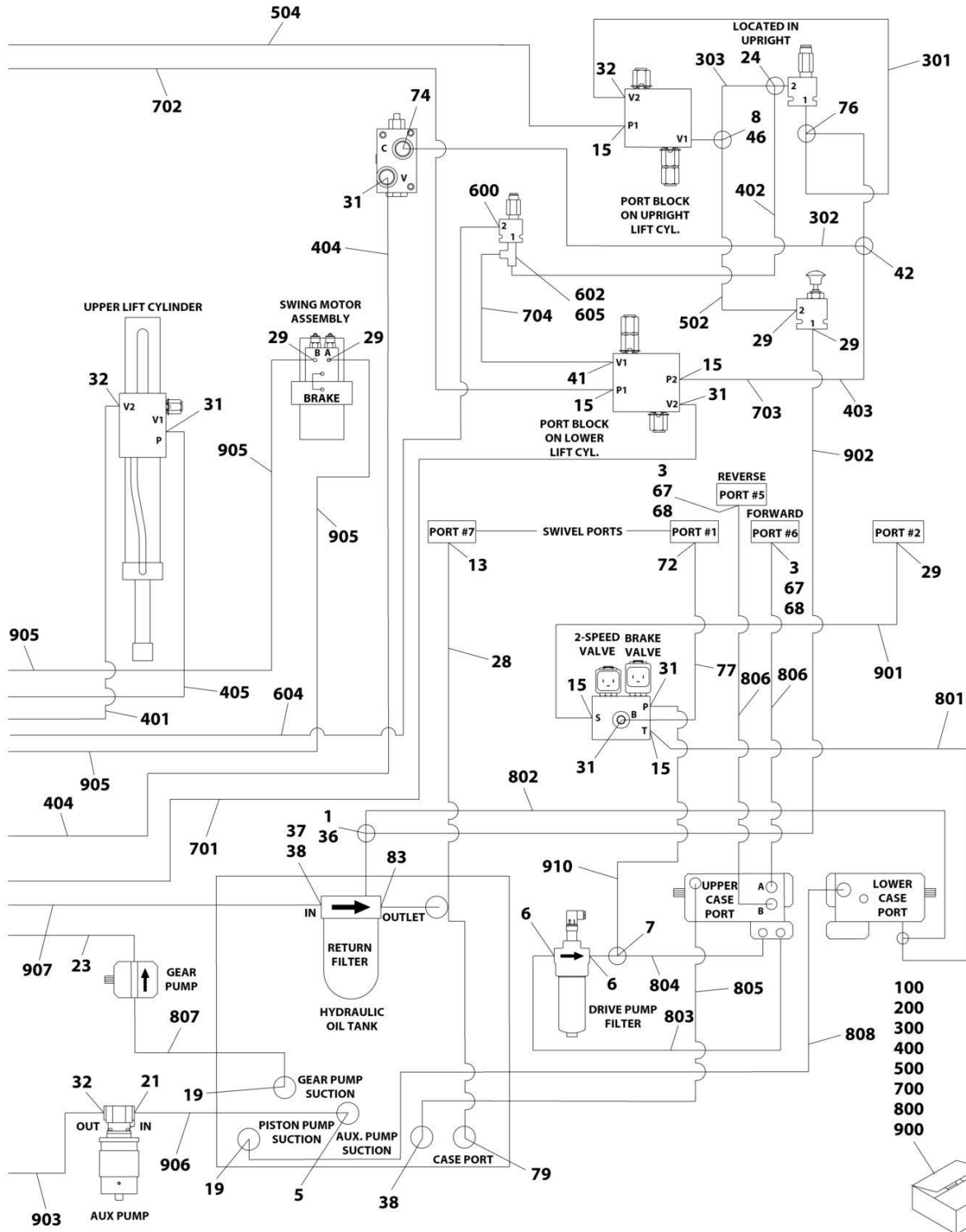
SECTION 7 - HYDRAULIC

FIGURE 7-5. HYDRAULIC DIAGRAM - STANDARD (DEUTZ TD2.9L4 & DEUTZ TD2.2L3 STAGE V ENGINES)



ART_1001253684_10F2

SECTION 7 - HYDRAULIC



ART_1001253684_2OF2

SECTION 7 - HYDRAULIC

FIGURE 7-5. HYDRAULIC DIAGRAM - STANDARD (DEUTZ TD2.9L4 & DEUTZ TD2.2L3 STAGE V ENGINES)

ITEM	PART NUMBER	QTY	DESCRIPTION	REV
	1001253684	Ref	HYDRAULIC DIAGRAM - STANDARD	F
1	2220605	1	Fitting, Tee JIC/FSJIC/JIC	
2	2220512	1	Fitting, Straight JIC/JIC	
3	2220377	2	Fitting, Straight JIC/ORB	
5	2220451	1	Fitting, Straight JIC/ORB	
6	2221042	2	Fitting, 90 JIC/ORB	
7	2220948	1	Fitting, Tee JIC/FSJIC/JIC	
8	2220618	1	Fitting, Straight JIC/FSJIC	
13	2220375	1	Fitting, Straight JIC/ORB	
15	2220466	7	Fitting, 90 JIC/ORB	
16	2220415	4	Fitting, Straight JIC/ORB	
19	2220379	2	Fitting, Straight JIC/ORB	
21	2220567	1	Fitting, 90 JIC/ORB	
23	2752929	1	Hose	
24	2220602	1	Fitting, Tee JIC/ORB/JIC	
28	2753968	1	Hose	
29	2220582	7	Fitting, Straight JIC/ORB	
31	2220596	5	Fitting, 90 JIC/ORB	
32	2220628	3	Fitting, 90 JIC/ORB	
33	2220381	3	Fitting, Straight JIC/ORB	
35	2220374	1	Fitting, Straight JIC/ORB	
36	2220574	1	Fitting, Straight JIC/NPTF	
37	2220921	1	Fitting, Straight FORB/ORB	
38	2220498	2	Fitting, 45 JIC/ORB	
40	1001257430	1	Cover, Hose Wrap	
41	2220372	4	Fitting, Straight JIC/ORB	
42	2221065	1	Fitting, Tee JIC/FSJIC/JIC	
46	2220999	1	Fitting, Tee JIC/ORB/JIC	
47	2220500	1	Fitting, 45 JIC/ORB	
53	2220511	1	Fitting, Straight JIC/JIC	
57	2220473	6	Fitting, 90 JIC/ORB	
64	2220998	2	Fitting, Straight JIC/ORB	
65	2220603	7	Fitting, Straight JIC/ORB	
67	0100011	AR	Compound, Locking	
68	0100038	AR	Primer, Locking	
69	1703534	2	Decal - Hose Tags (Not Shown)	
72	2220373	1	Fitting, Straight JIC/ORB	
73	2220947	1	Fitting, Straight JIC/ORB	
74	2221036	1	Fitting, 90 JIC/ORB	
76	2221053	1	Fitting, Tee JIC/ORB/JIC	
77	2752519	1	Hose	
78	2220386	1	Fitting, 90 JIC/FSJIC	
79	2220578	1	Fitting, 90 JIC/ORB	
80	1001104423	3	Fitting, Straight JIC/ORB	
83	2220893	1	Fitting, Straight ORB/ORB	
90	80233041	1	Valve, Check	
93	2220490	2	Fitting, Tee JIC/JIC/JIC	
94	2220600	2	Fitting, Straight JIC/ORB	
96	2220657	1	Fitting, 45 JIC/FSJIC	

SECTION 7 - HYDRAULIC

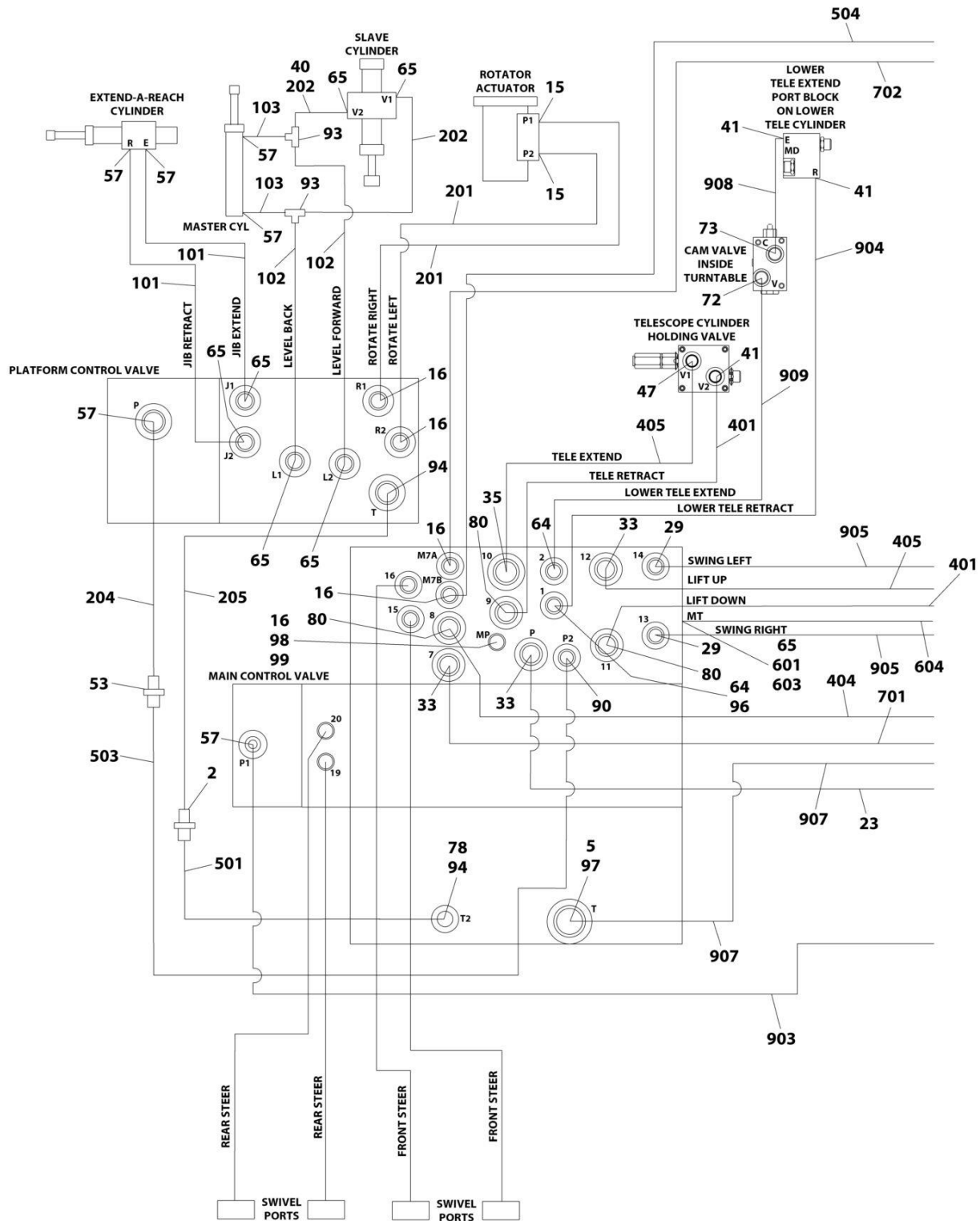
ITEM	PART NUMBER	QTY	DESCRIPTION	REV
97	2220409	1	Fitting, 45 JIC/FSJIC	
98	2752995	1	Hose	
99	91143177	1	Fitting, Test	
100	1001254955	1	Hose, Kit (Upper)	
101	1001155672	2	Hose	
102	1001155673	2	Hose	
103	1001254948	2	Hose	
200	1001254954	1	Hose, Kit (Upper)	
201	1001155669	2	Hose	
202	1001119602	2	Hose	
204	1001254949	1	Hose	
205	1001254950	1	Hose	
300	1001255599	1	Hose, Kit (Lower)	
301	2752462	1	Hose	
302	2753134	1	Hose	
303	2752497	1	Hose	
400	1001272631	1	Hose, Kit (Lower)	
401	2753055	2	Hose	
402	1001271833	1	Hose	
403	2752991	1	Hose	
404	2753135	1	Hose	
405	2752939	2	Hose	
500	1001212515	1	Hose, Kit (Lower)	
501	1001161036	1	Hose	
502	2752990	1	Hose	
503	1001161030	1	Hose	
504	2752987	1	Hose	
600	2220371	1	Fitting, Straight JIC/ORB	
601	2220516	1	Fitting, Cap FJIC	
602	2220606	1	Fitting, Tee JIC/ORB/JIC	
603	2220635	1	Fitting, Tee JIC/FSJIC/JIC	
604	1001271835	1	Hose	
605	8760268	1	Fitting, 90 JIC/FSJIC	
700	1001274367	1	Hose, Kit (Turntable)	
701	2752506	1	Hose	
702	2752593	1	Hose	
703	2752985	1	Hose	
704	1001271832	1	Hose	
800	1001269812	1	Hose, Kit (Turntable E/S)	
801	2753002	1	Hose	
802	2753390	1	Hose	
803	2754329	1	Hose	
804	2754330	1	Hose	
805	1001150714	1	Hose	
806	1001150715	2	Hose	
807	1001150718	1	Hose	
808	1001172535	1	Hose	
900	1001269807	1	Hose, Kit (Turntable T/S)	
901	2751396	1	Hose	
902	2752453	1	Hose	
903	2752478	1	Hose	

SECTION 7 - HYDRAULIC

ITEM	PART NUMBER	QTY	DESCRIPTION	REV
904	2752484	1	Hose	
905	2752600	2	Hose	
906	2752656	1	Hose	
907	2752783	1	Hose	
908	2753132	1	Hose	
909	2753133	1	Hose	
910	1001150717	1	Hose	

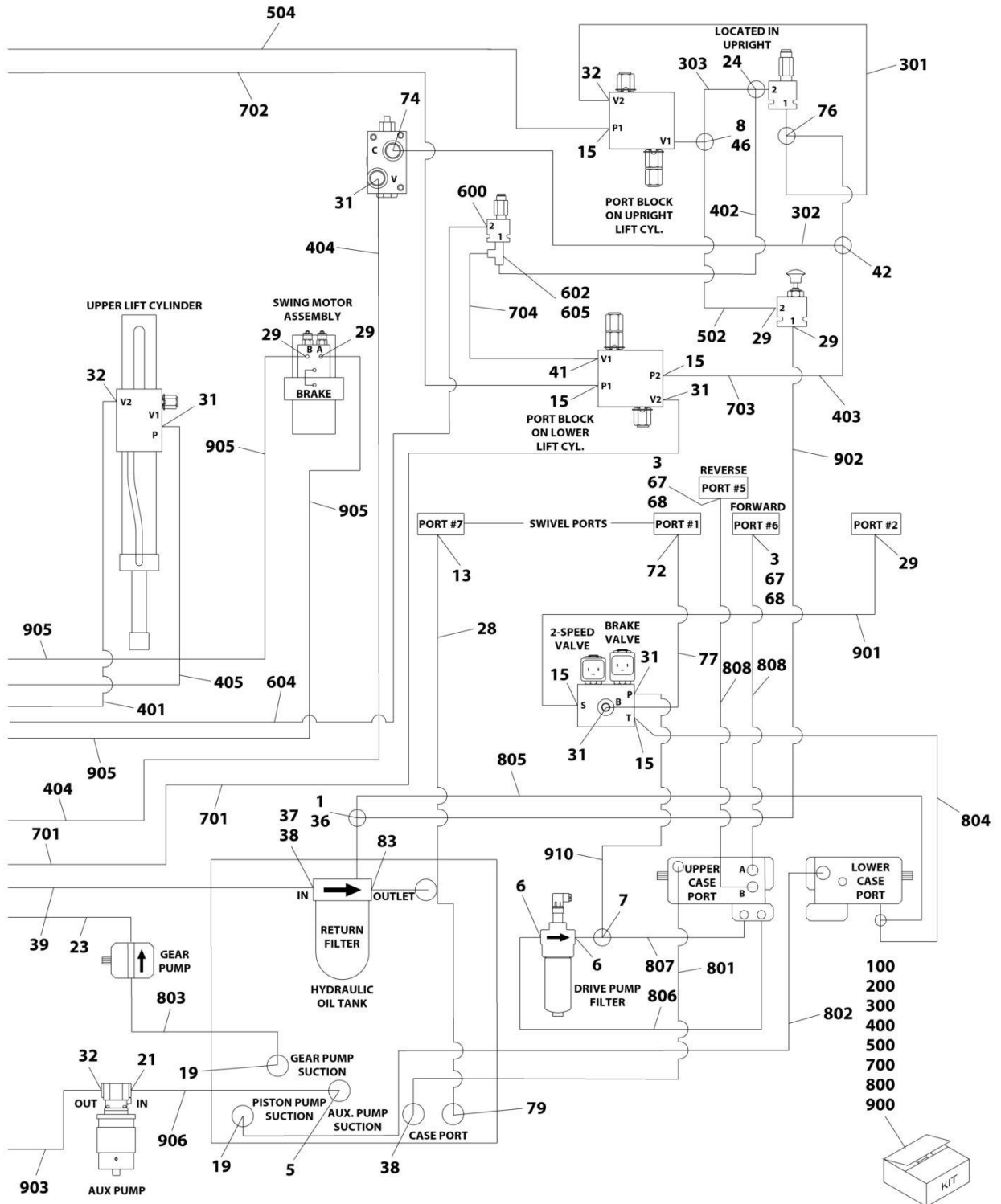
SECTION 7 - HYDRAULIC

FIGURE 7-6. HYDRAULIC DIAGRAM - STANDARD (FORD ENGINES)



ART_1001254623_1OF2

SECTION 7 - HYDRAULIC



ART_1001254623_20F2

SECTION 7 - HYDRAULIC

FIGURE 7-6. HYDRAULIC DIAGRAM - STANDARD (FORD ENGINES)

ITEM	PART NUMBER	QTY	DESCRIPTION	REV
	1001254623	Ref	HYDRAULIC DIAGRAM - STANDARD	E
1	2220605	1	Fitting, Tee JIC/FSJIC/JIC	
2	2220512	1	Fitting, Straight JIC/JIC	
3	2220377	2	Fitting, Straight JIC/ORB	
5	2220451	2	Fitting, Straight JIC/ORB	
6	2221042	2	Fitting, 90 JIC/ORB	
7	2220948	1	Fitting, Tee JIC/FSJIC/JIC	
8	2220618	1	Fitting, Straight JIC/FSJIC	
13	2220375	1	Fitting, Straight JIC/ORB	
15	2220466	7	Fitting, 90 JIC/ORB	
16	2220415	5	Fitting, Straight JIC/ORB	
19	2220379	2	Fitting, Straight JIC/ORB	
21	2220567	1	Fitting, 90 JIC/ORB	
23	2752929	1	Hose	
24	2220602	1	Fitting, Tee JIC/ORB/JIC	
28	2753968	1	Hose	
29	2220582	7	Fitting, Straight JIC/ORB	
31	2220596	5	Fitting, 90 JIC/ORB	
32	2220628	3	Fitting, 90 JIC/ORB	
33	2220381	3	Fitting, Straight JIC/ORB	
35	2220374	1	Fitting, Straight JIC/ORB	
36	2220574	1	Fitting, Straight JIC/NPTF	
37	2220921	1	Fitting, Straight FORB/ORB	
38	2220498	2	Fitting, 45 JIC/ORB	
40	1001257430	1	Cover, Hose Wrap	
41	2220372	4	Fitting, Straight JIC/ORB	
42	2221065	1	Fitting, Tee JIC/FSJIC/JIC	
46	2220999	1	Fitting, Tee JIC/ORB/JIC	
47	2220500	1	Fitting, 45 JIC/ORB	
53	2220511	1	Fitting, Straight JIC/JIC	
57	2220473	6	Fitting, 90 JIC/ORB	
64	2220998	2	Fitting, Straight JIC/ORB	
65	2220603	7	Fitting, Straight JIC/ORB	
67	0100011	AR	Compound, Locking	
68	0100038	AR	Primer, Locking	
69	1703534	2	Decal - Hose Tags (Not Shown)	
72	2220373	2	Fitting, Straight JIC/ORB	
73	2220947	1	Fitting, Straight JIC/ORB	
74	2221036	1	Fitting, 90 JIC/ORB	
76	2221053	1	Fitting, Tee JIC/ORB/JIC	
77	2752519	1	Hose	
78	2220386	1	Fitting, 90 JIC/FSJIC	
79	2220578	1	Fitting, 90 JIC/ORB	
80	1001104423	3	Fitting, Straight JIC/ORB	
83	2220893	1	Fitting, Straight ORB/ORB	
90	80233041	1	Valve, Check	
93	2220490	2	Fitting, Tee JIC/JIC/JIC	
94	2220600	2	Fitting, Straight JIC/ORB	
96	2220657	1	Fitting, 45 JIC/FSJIC	
97	2220409	2	Fitting, 45 JIC/FSJIC	

SECTION 7 - HYDRAULIC

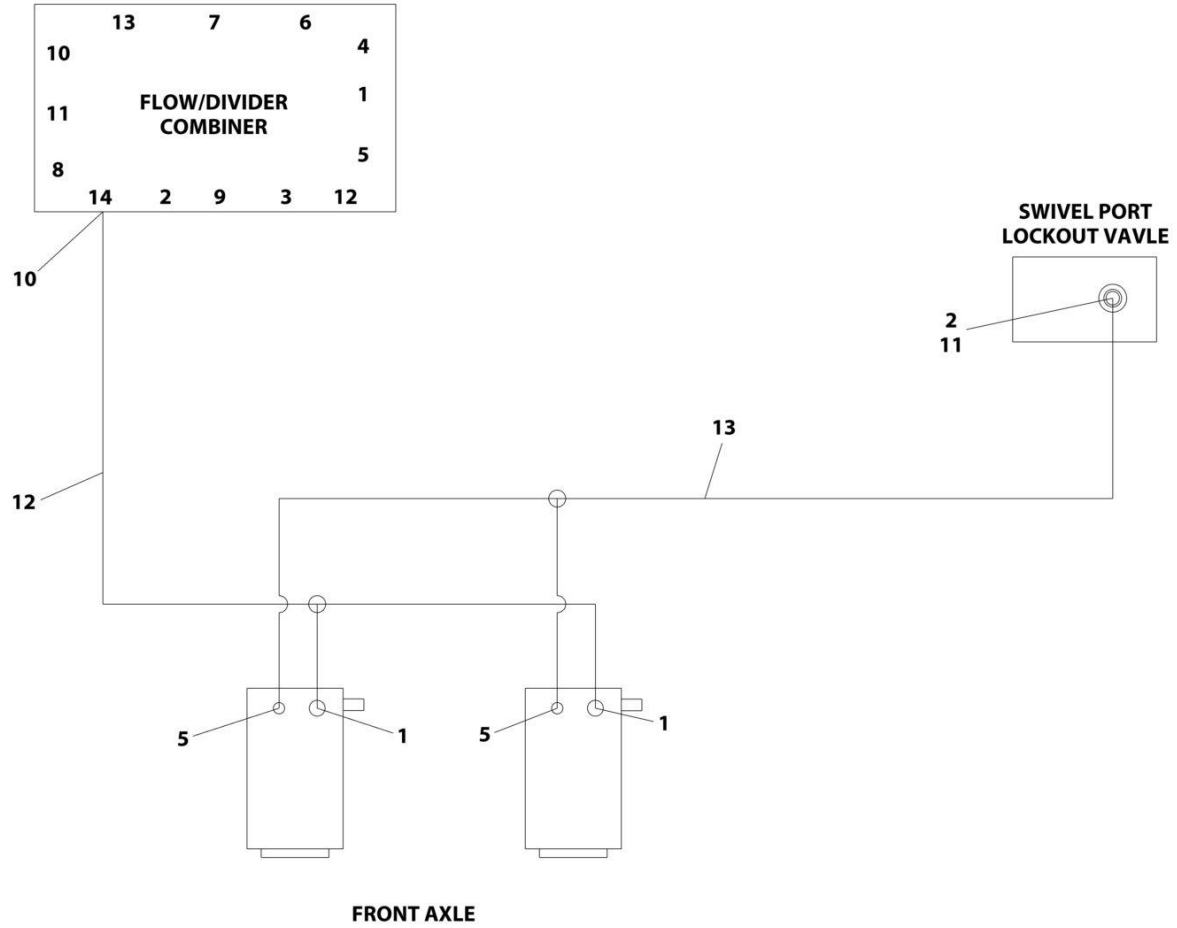
ITEM	PART NUMBER	QTY	DESCRIPTION	REV
98	2752995	1	Hose	
99	91143177	1	Fitting, Test	
100	1001254955	1	Hose, Kit (Upper)	
101	1001155672	2	Hose	
102	1001155673	2	Hose	
103	1001254948	2	Hose	
200	1001254954	1	Hose, Kit (Upper)	
201	1001155669	2	Hose	
202	1001119602	2	Hose	
204	1001254949	1	Hose	
205	1001254950	1	Hose	
300	1001255599	1	Hose, Kit (Lower)	
301	2752462	1	Hose	
302	2753134	1	Hose	
303	2752497	2	Hose	
400	1001272631	1	Hose, Kit (Lower)	
401	2753055	2	Hose	
402	1001271833	1	Hose	
403	2752991	1	Hose	
404	2753135	1	Hose	
405	2752939	2	Hose	
500	1001212515	1	Hose, Kit (Lower)	
501	1001161036	1	Hose	
502	2752990	1	Hose	
503	1001161030	1	Hose	
504	2752987	1	Hose	
600	2220371	1	Fitting, Straight JIC/ORB	
601	2220516	1	Fitting, Cap FJIC	
602	2220606	1	Fitting, Tee JIC/ORB/JIC	
603	2220635	1	Fitting, Tee JIC/FSJIC/JIC	
604	1001271835	1	Hose	
605	8760268	1	Fitting, 90 JIC/ORB	
700	1001274367	1	Hose, Kit (Turntable)	
701	2752506	1	Hose	
702	2752593	1	Hose	
703	2752985	1	Hose	
704	1001271832	1	Hose	
800	1001269806	1	Hose, Kit (Turntable E/S)	
801	2751362	1	Hose	
802	2752723	1	Hose	
803	2752724	1	Hose	
804	2753000	1	Hose	
805	2753390	1	Hose	
806	2754329	1	Hose	
807	2754330	1	Hose	
808	1001150715	2	Hose	
900	1001269807	1	Hose, Kit (Turntable T/S)	
901	2751396	1	Hose	
902	2752453	1	Hose	
903	2752478	1	Hose	
904	2752484	1	Hose	

SECTION 7 - HYDRAULIC

ITEM	PART NUMBER	QTY	DESCRIPTION	REV
905	2752600	2	Hose	
906	2752656	1	Hose	
907	2752783	1	Hose	
908	2753132	1	Hose	
909	2753133	1	Hose	
910	1001150717	1	Hose	

SECTION 7 - HYDRAULIC

FIGURE 7-7. HYDRAULIC DIAGRAM - OSCILLATING AXLE



ART_1001151349

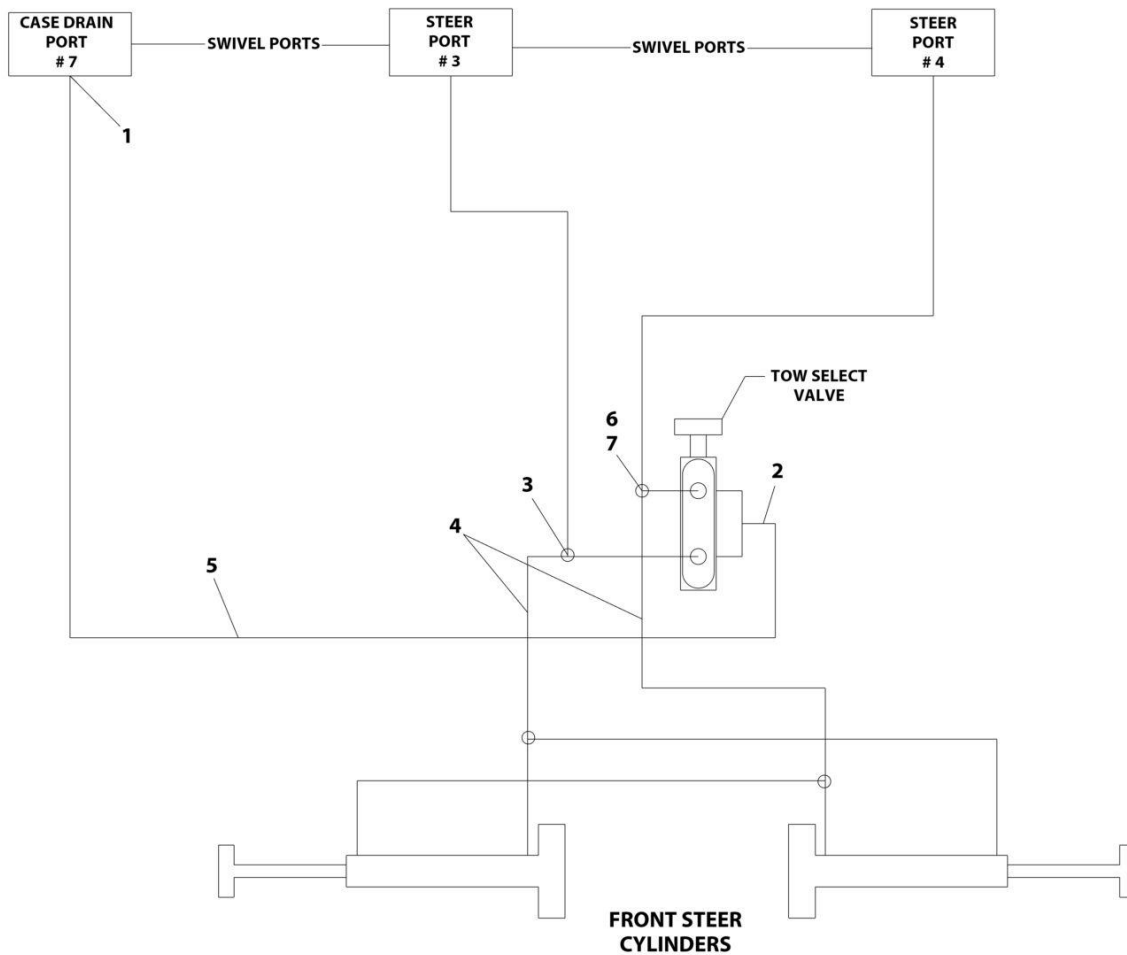
SECTION 7 - HYDRAULIC

FIGURE 7-7. HYDRAULIC DIAGRAM - OSCILLATING AXLE

ITEM	PART NUMBER	QTY	DESCRIPTION	REV
	1001151349	Ref	AXLE LOCKOUT DIAGRAM - OSCILLATING AXLE	C
1	2220371	2	Fitting, Straight JIC/ORB	
2	2220468	1	Fitting, Straight JIC/ORB	
5	2220415	2	Fitting, Straight JIC/ORB	
10	2220473	1	Fitting, 90 JIC/ORB	
11	2220654	1	Fitting, 90 JIC/FSJIC	
12	1001188890	1	Hose	
13	1001188891	1	Hose	

SECTION 7 - HYDRAULIC

FIGURE 7-8. HYDRAULIC DIAGRAM - TOW BAR



ART_2792630

SECTION 7 - HYDRAULIC

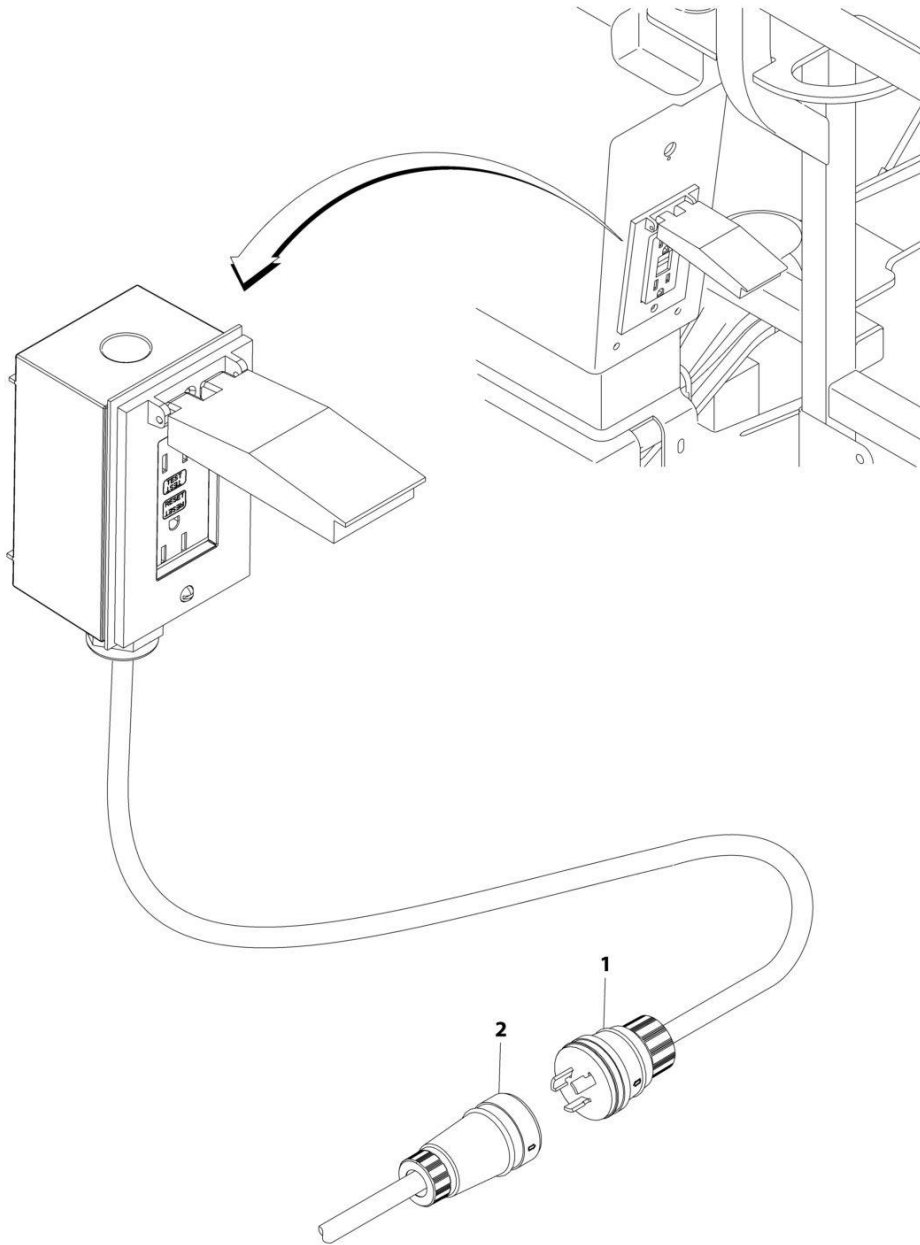
FIGURE 7-8. HYDRAULIC DIAGRAM - TOW BAR

ITEM	PART NUMBER	QTY	DESCRIPTION	REV
	2792630	Ref	TOW BAR DIAGRAM	C
1	2220473	1	Fitting, 90 JIC/ORB	
2	2220628	1	Fitting, 90 JIC/ORB	
3	2221053	1	Fitting, Tee JIC/ORB/JIC	
4	1001113790	2	Hose	
5	1001113818	1	Hose	
6	2220372	1	Fitting, Straight JIC/ORB	
7	2220635	1	Fitting, Tee JIC/FSJIC/JIC	

SECTION 8 - ELECTRICAL

SECTION 8 - ELECTRICAL

**FIGURE 8-1. AC CABLE CONNECTOR INSTALLATION - 110V/220V (MACHINES NO GENERATOR)
(ANSI EXPORT, AUSTRALIAN, CHINA, CE & UK CA SPECS)**



ART_1001213655

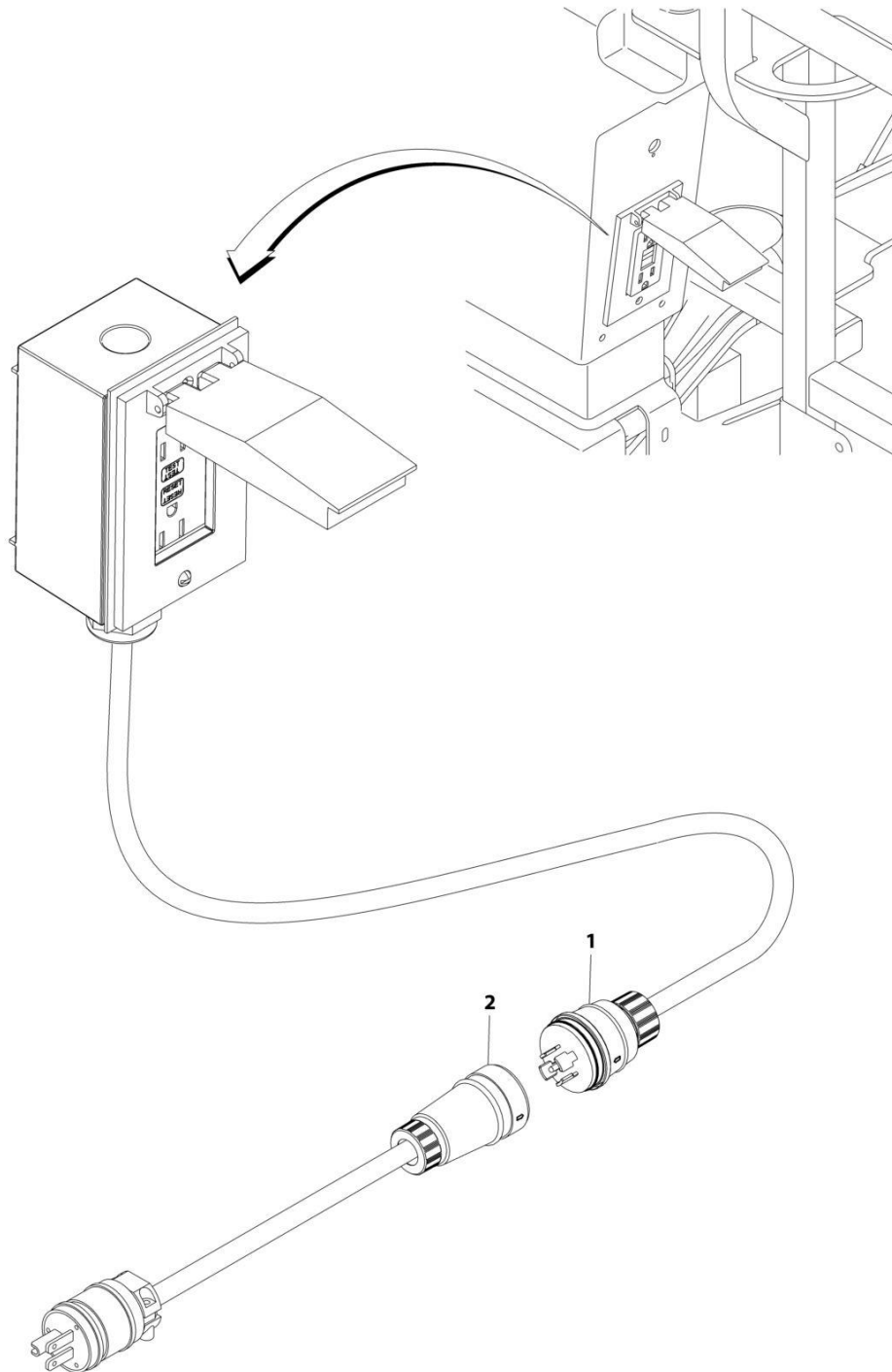
SECTION 8 - ELECTRICAL

**FIGURE 8-1. AC CABLE CONNECTOR INSTALLATION - 110V/220V (MACHINES NO GENERATOR)
(ANSI EXPORT, AUSTRALIAN, CHINA, CE & UK CA SPECS)**

ITEM	PART NUMBER	QTY	DESCRIPTION	REV
	1001213655	Ref	AC CABLE INSTALLATION - 110V/220V	A
1	1001214095	1	Plug, Male	
2	1001214096	1	Plug, Female	

SECTION 8 - ELECTRICAL

FIGURE 8-2. AC CABLE CONNECTOR INSTALLATION – SKYPOWER (MACHINES NO GENERATOR)
(ALL SPECS)



ART_0272433

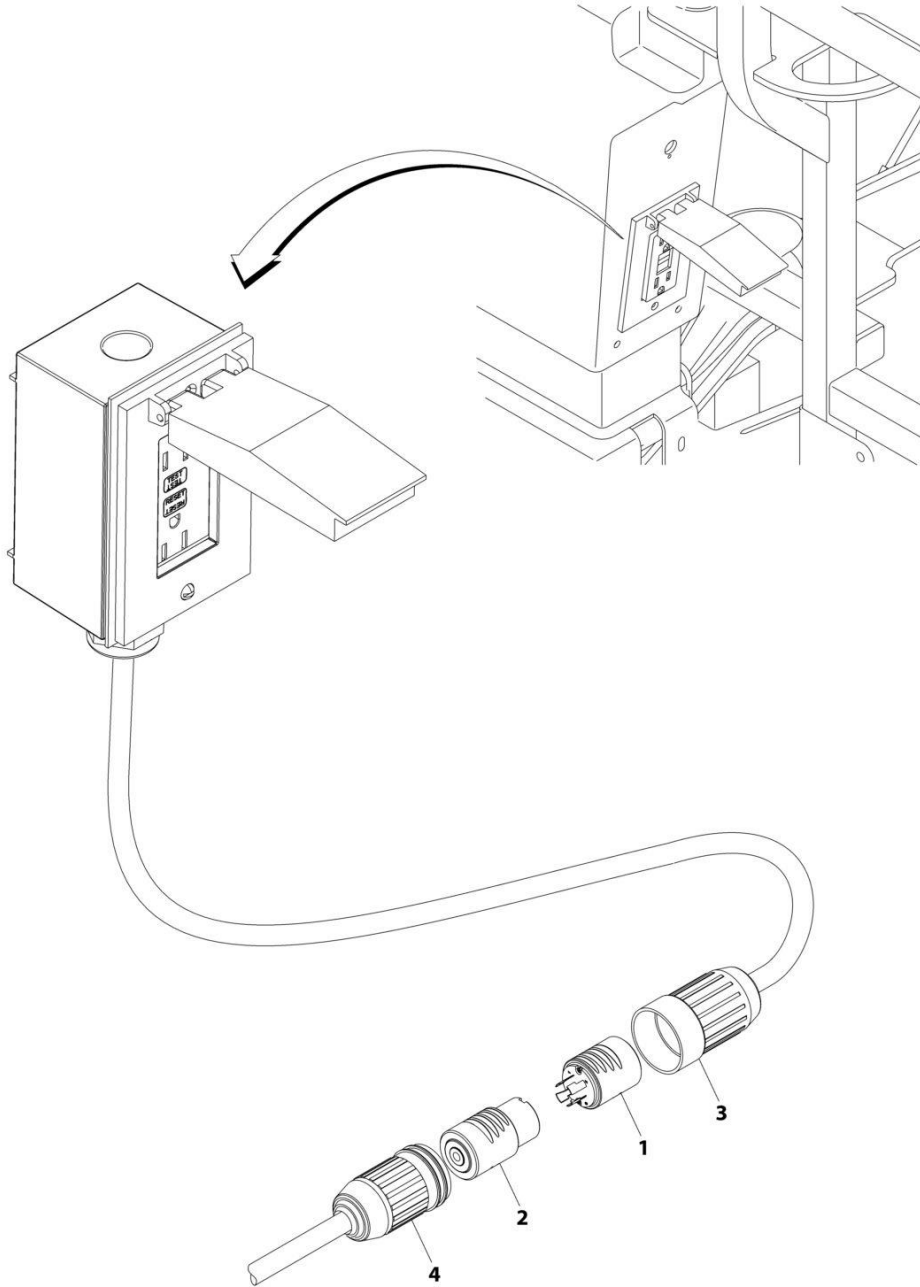
SECTION 8 - ELECTRICAL

**FIGURE 8-2. AC CABLE CONNECTOR INSTALLATION – SKYPOWER (MACHINES NO GENERATOR)
(ALL SPECS)**

ITEM	PART NUMBER	QTY	DESCRIPTION	REV
	0272433	Ref	AC CABLE INSTALLATION - 110V/220V	D
1	1001218622	1	Plug, Male	
2	1001218623	1	Plug, Female	

SECTION 8 - ELECTRICAL

FIGURE 8-3. AC CABLE CONNECTOR INSTALLATION – 4000W GENERATOR (MACHINES NO GENERATOR) (ALL SPECS EXCEPT AUSTRALIAN, CE & UK CA SPECS)



ART_1001160272

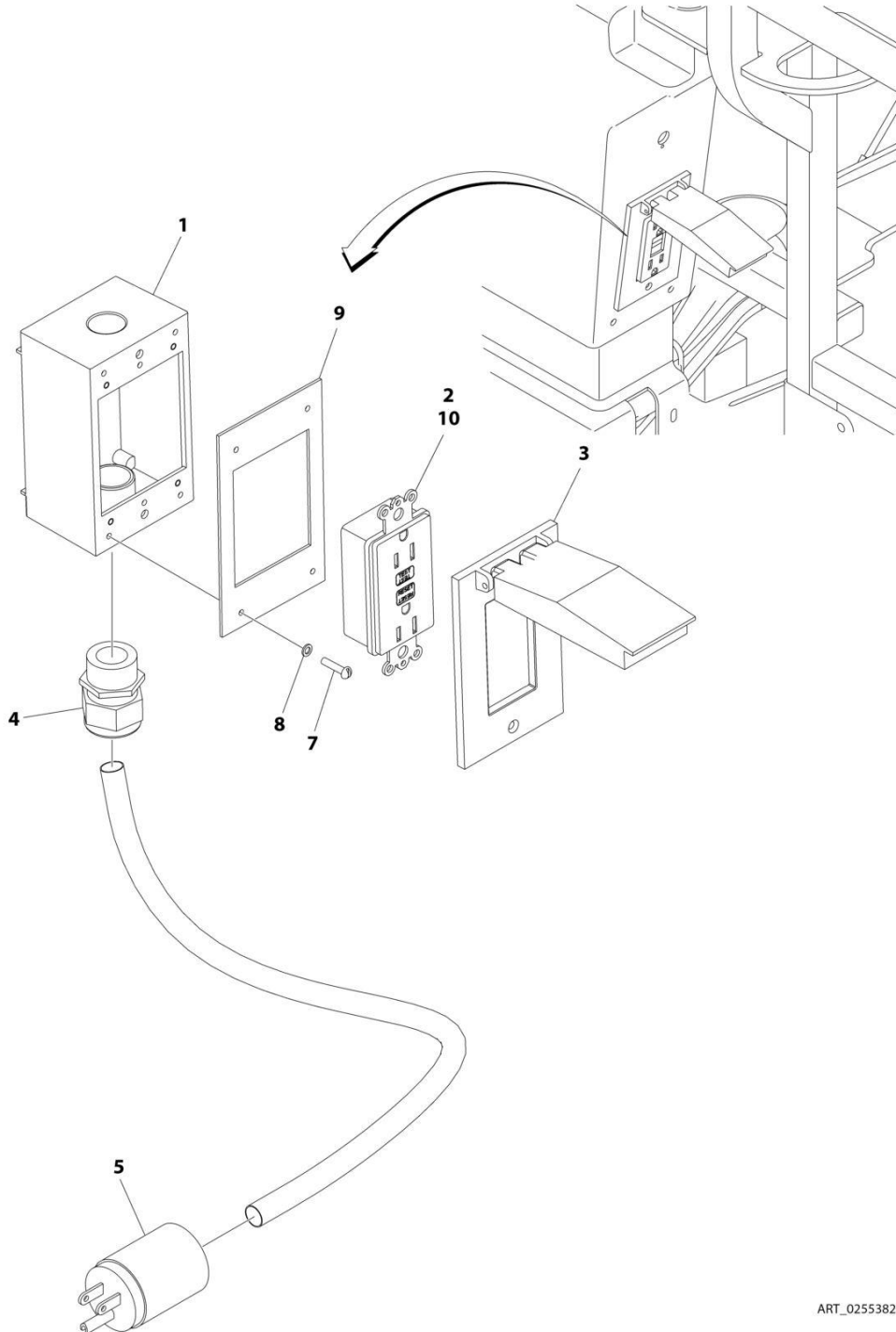
SECTION 8 - ELECTRICAL

FIGURE 8-3. AC CABLE CONNECTOR INSTALLATION – 4000W GENERATOR (MACHINES NO GENERATOR) (ALL SPECS EXCEPT AUSTRALIAN, CE & UK CA SPECS)

ITEM	PART NUMBER	QTY	DESCRIPTION	REV
	1001160272	Ref	AC CABLE CONNECTOR INSTALLATION – 4000W GENERATOR	A
1	4460962	1	Plug, Male	
2	4460963	1	Connector	
3	1671092	1	Cover	
4	1671093	1	Plug	

SECTION 8 - ELECTRICAL

FIGURE 8-4. AC BOX AT PLATFORM INSTALLATION - 110V GFI RECEPTACLE (MACHINES WITH 2500W GENERATOR/NO GENERATOR OPTIONS) (ALL SPECS EXCEPT AUSTRALIAN, CE& UK CA SPECS)



ART_0255382

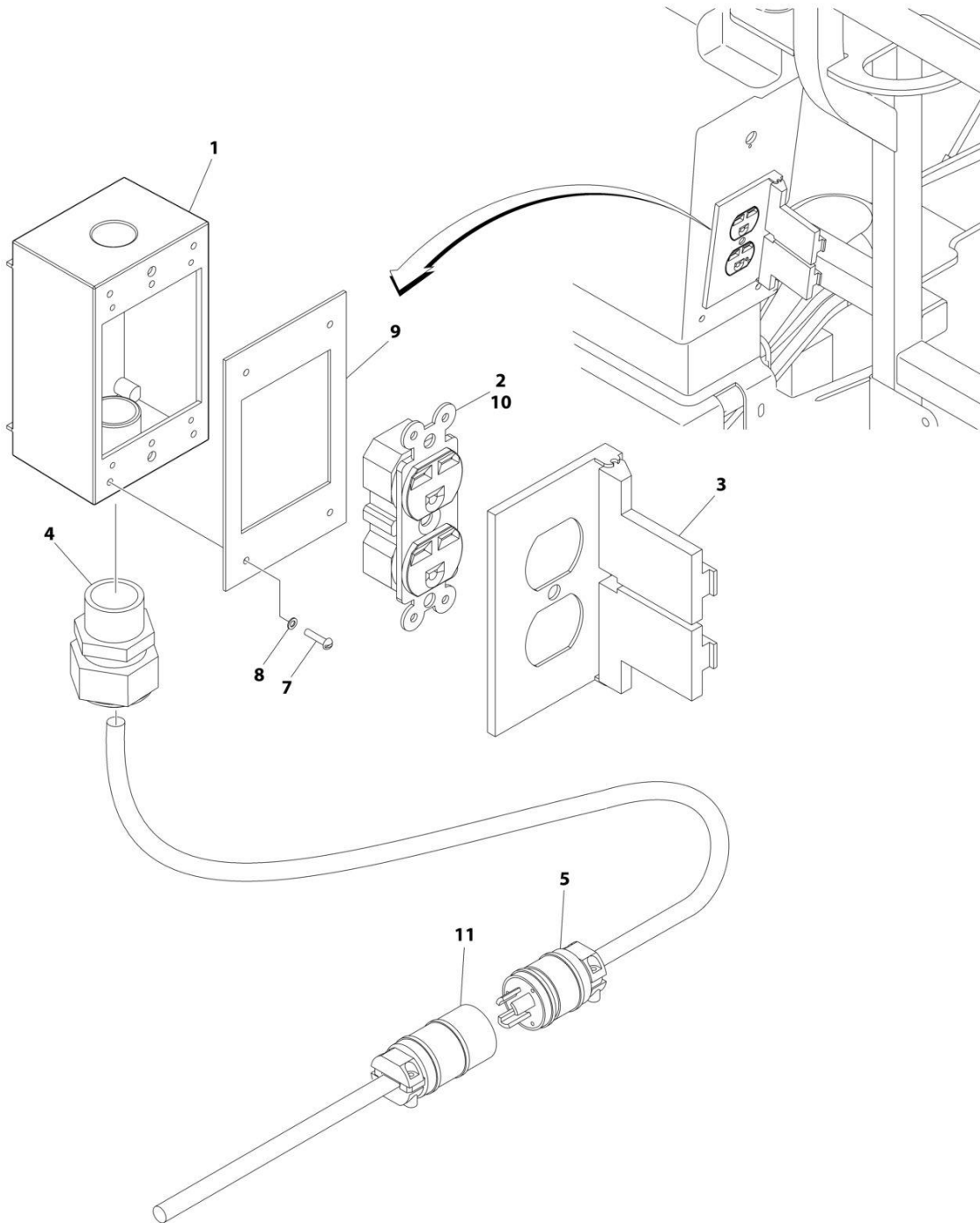
SECTION 8 - ELECTRICAL

FIGURE 8-4. AC BOX AT PLATFORM INSTALLATION - 110V GFI RECEPTACLE (MACHINES WITH 2500W GENERATOR/NO GENERATOR OPTIONS) (ALL SPECS EXCEPT AUSTRALIAN, CE& UK CA SPECS)

ITEM	PART NUMBER	QTY	DESCRIPTION	REV
	0255382	Ref	AC BOX AT PLATFORM INSTALLATION - 110V	C
1	0860038	1	Box, Switch	
2	4460346	1	Receptacle	
3	1001110873	1	Shield, Cover	
4	4460071	1	Connector, Strain Relief	
5	1001227309	1	Plug, Male	
7	3910610	4	Screw #6 x 5/8	
8	4760600	4	Washer #6	
9	3960422	1	Gasket	
10	4460315	1	Terminal, Spade	
18	4460205	1	Plug, Male (Not Shown - Located at turntable base)	

SECTION 8 - ELECTRICAL

FIGURE 8-5. AC BOX AT PLATFORM INSTALLATION - 220V RECEPTACLE (MACHINES WITH 2500W GENERATOR/NO GENERATOR OPTIONS) (ANSI, CSA AND JAPANESE SPECS)



ART_0257176

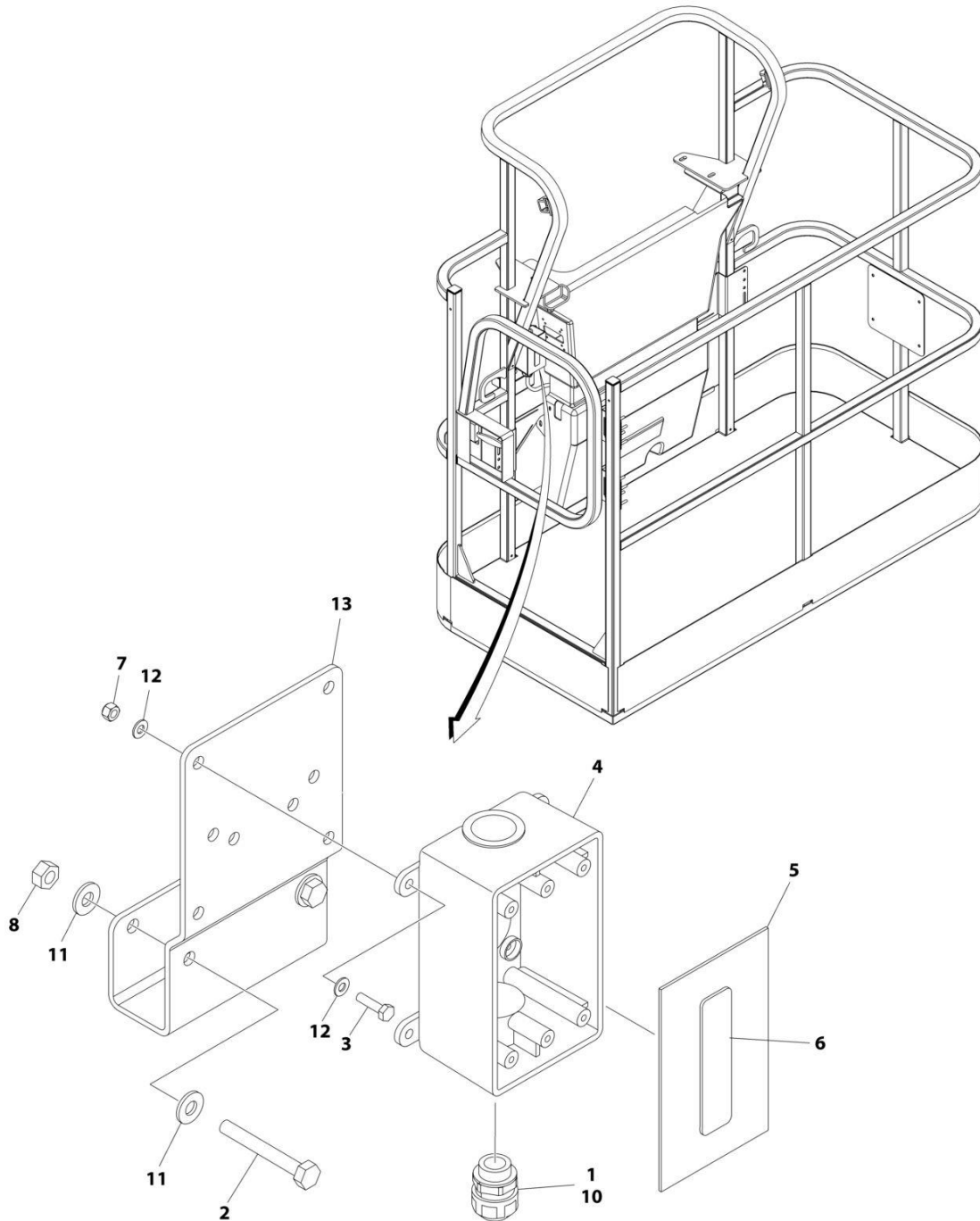
SECTION 8 - ELECTRICAL

FIGURE 8-5. AC BOX AT PLATFORM INSTALLATION - 220V RECEPTACLE (MACHINES WITH 2500W GENERATOR/NO GENERATOR OPTIONS) (ANSI, CSA AND JAPANESE SPECS)

ITEM	PART NUMBER	QTY	DESCRIPTION	REV
	0257176	Ref	AC BOX AT PLATFORM INSTALLATION - 220V	C
1	0860038	1	Box, Switch	
2	4460125	1	Receptacle	
3	4060092	1	Shield, Cover	
4	4460071	1	Connector, Strain Relief	
5	1001227309	1	Plug, Male	
7	3910610	4	Screw #6 x 5/8	
8	4760600	4	Washer #6	
9	3960422	1	Gasket	
10	4460315	1	Terminal, Spade	
11	1001227310	1	Connector, Female	
18	4460233	1	Plug (Not Shown - Located at turntable base)	

SECTION 8 - ELECTRICAL

FIGURE 8-6. AC BOX AT PLATFORM INSTALLATION - BOX WITH COVER (2X4 BOX) (ANSI EXPORT SPECS) (4000W GENERATOR)



ART_1001194365

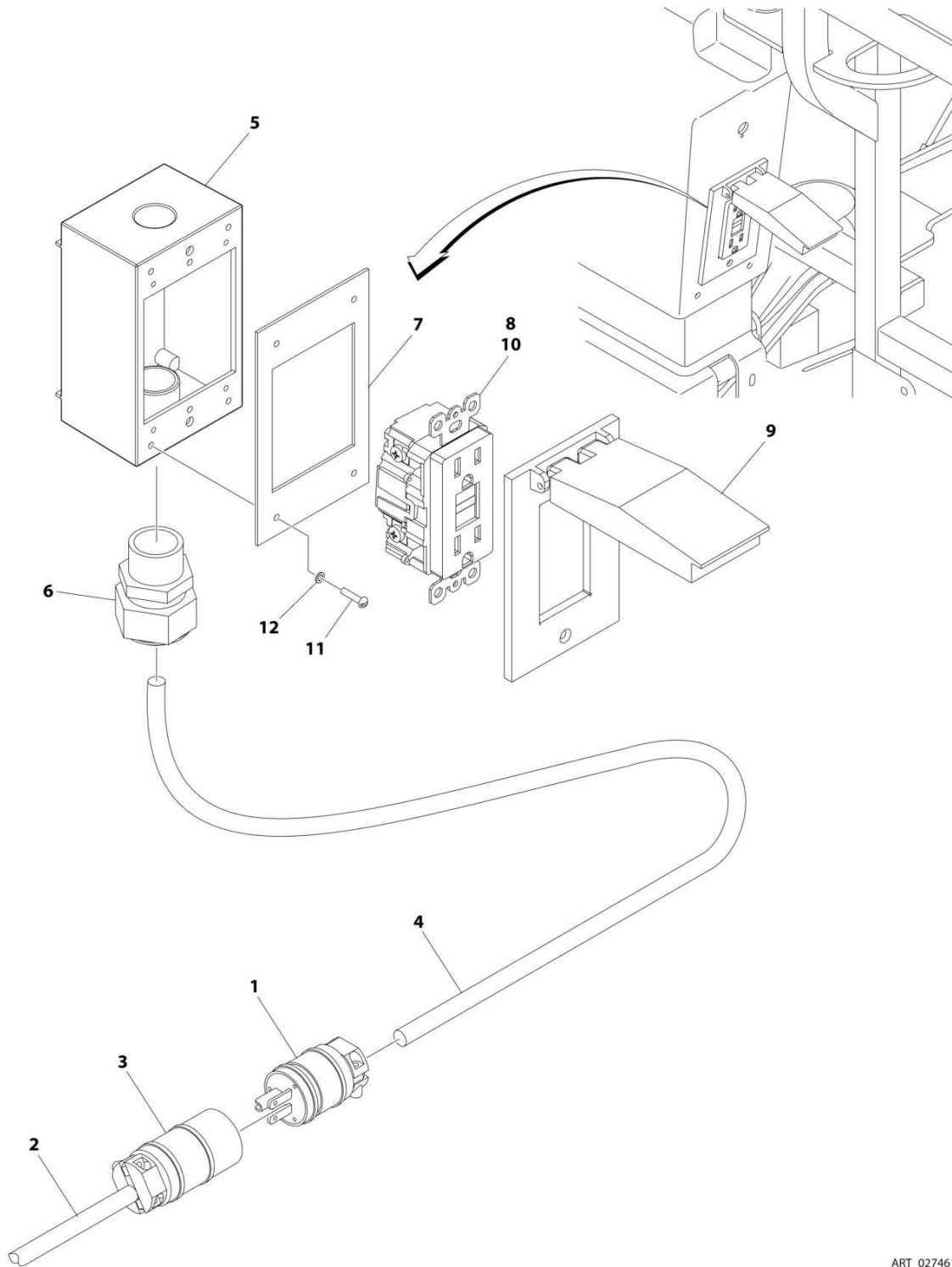
SECTION 8 - ELECTRICAL

FIGURE 8-6. AC BOX AT PLATFORM INSTALLATION - BOX WITH COVER (2X4 BOX) (ANSI EXPORT SPECS) (4000W GENERATOR)

ITEM	PART NUMBER	QTY	DESCRIPTION	REV
	1001194365	Ref	AC BOX AT PLATFORM INSTALLATION - BOX WITH COVER (2X4 BOX)	A
1	0100020	AR	Sealant	
2	0641416	2	Bolt 1/4 x 2	
3	0700408	4	Bolt M4 x 16	
4	0861731	1	Box, Switch	
5	1670603	1	Cover	
6	3251242	1	Decal - 240V/50Hz	
7	3290405	4	Nut M4	
8	3311405	2	Nut 1/4	
9	4460384	3	Terminal (Not Shown)	
10	4460662	1	Connector, Strain Relief	
11	4711400	4	Washer 1/4	
12	4811400	8	Washer M4	
13	1001193018	1	Bracket, AC Receptacle	

SECTION 8 - ELECTRICAL

FIGURE 8-7. AC BOX AT PLATFORM INSTALLATION – DUAL AC 110V GFI (MACHINES WITH 2500W GENERATOR) (ANSI EXPORT AND CHINA SPECS)



ART_0274618

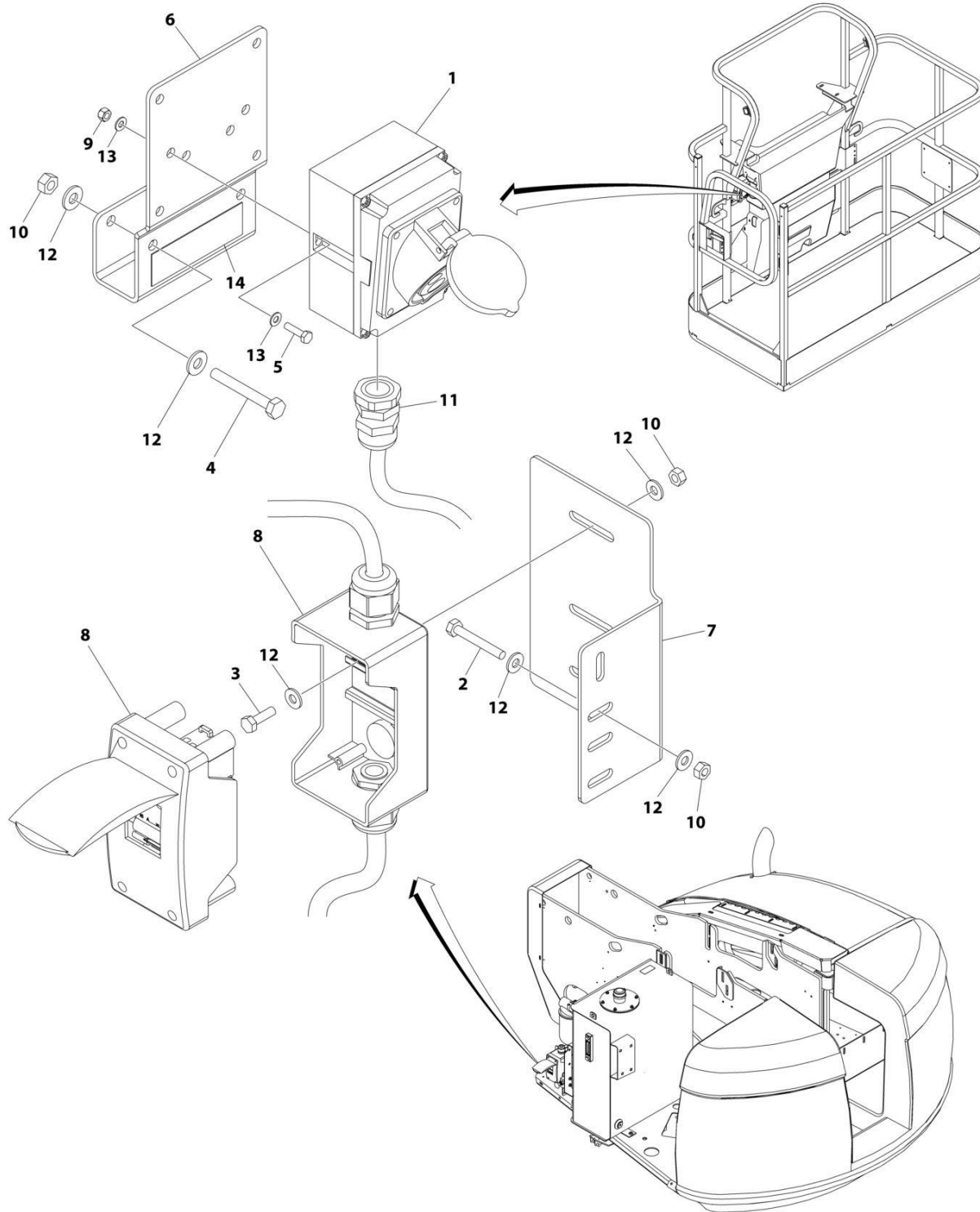
SECTION 8 - ELECTRICAL

FIGURE 8-7. AC BOX AT PLATFORM INSTALLATION – DUAL AC 110V GFI (MACHINES WITH 2500W GENERATOR) (ANSI EXPORT AND CHINA SPECS)

ITEM	PART NUMBER	QTY	DESCRIPTION	REV
	0274618	Ref	AC BOX AT PLATFORM INSTALLATION – DUAL AC 110V GFI	2
1	4460205	4	Plug, Male	
2	4922892	1	Cable, Electrical 12/3 (Tower Boom)	
3	4460134	2	Plug, Female	
4	4922894	1	Cable, Electrical 12/3 (Main Boom)	
5	0860038	1	Box, Switch	
6	4460071	1	Connector, Strain Relief	
7	3960422	1	Gasket	
8	4460346	1	Receptacle	
9	1001110873	1	Shield, Cover	
10	4460315	1	Terminal, Spade	
11	3910606	4	Screw #6 x 3/8	
12	4760600	4	Washer #6	

SECTION 8 - ELECTRICAL

FIGURE 8-8. AC BOX AT PLATFORM INSTALLATION - 110V IEC YELLOW (CE & UK CA SPECS)



ART_0275656

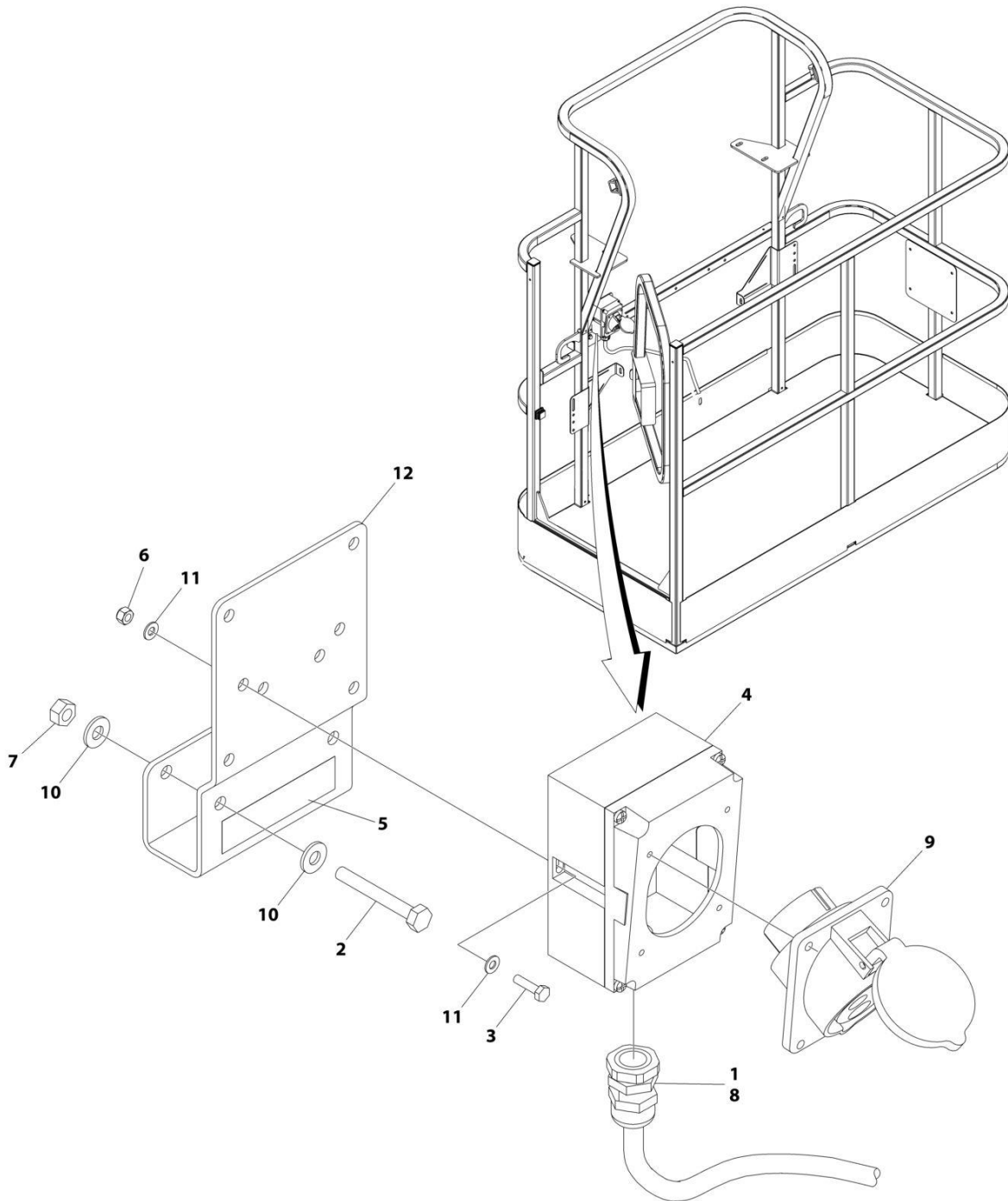
SECTION 8 - ELECTRICAL

FIGURE 8-8. AC BOX AT PLATFORM INSTALLATION - 110V IEC YELLOW (CE & UK CA SPECS)

ITEM	PART NUMBER	QTY	DESCRIPTION	REV
	0275656	Ref	AC BOX AT PLATFORM INSTALLATION - 110V IEC YELLOW	F
1	0275216	1	Receptacle Box Kit (See Separate Breakdown in this Section)	
2	0641415	2	Bolt 1/4 x 1-7/8	
3	0641407	2	Bolt 1/4 x 7/8	
4	0641416	2	Bolt 1/4 x 2	
5	0700408	2	Bolt M4 x 16	
6	1001193018	1	Bracket	
7	1001153636	1	Bracket	
8	1001096070	1	Breaker Box Kit (See Separate Breakdown in this Section)	
9	3290405	2	Nut M4	
10	3311405	6	Nut 1/4	
11	4460968	1	Connector, Strain Relief	
12	4711400	12	Washer 1/4	
13	4811400	4	Washer M4	
14	1705325	2	Decal - 110V	

SECTION 8 - ELECTRICAL

FIGURE 8-9. AC BOX AT PLATFORM INSTALLATION - 110V IEC 60309 YELLOW (CE & UK CA SPECS) (4000W GENERATOR)



ART_1001194203

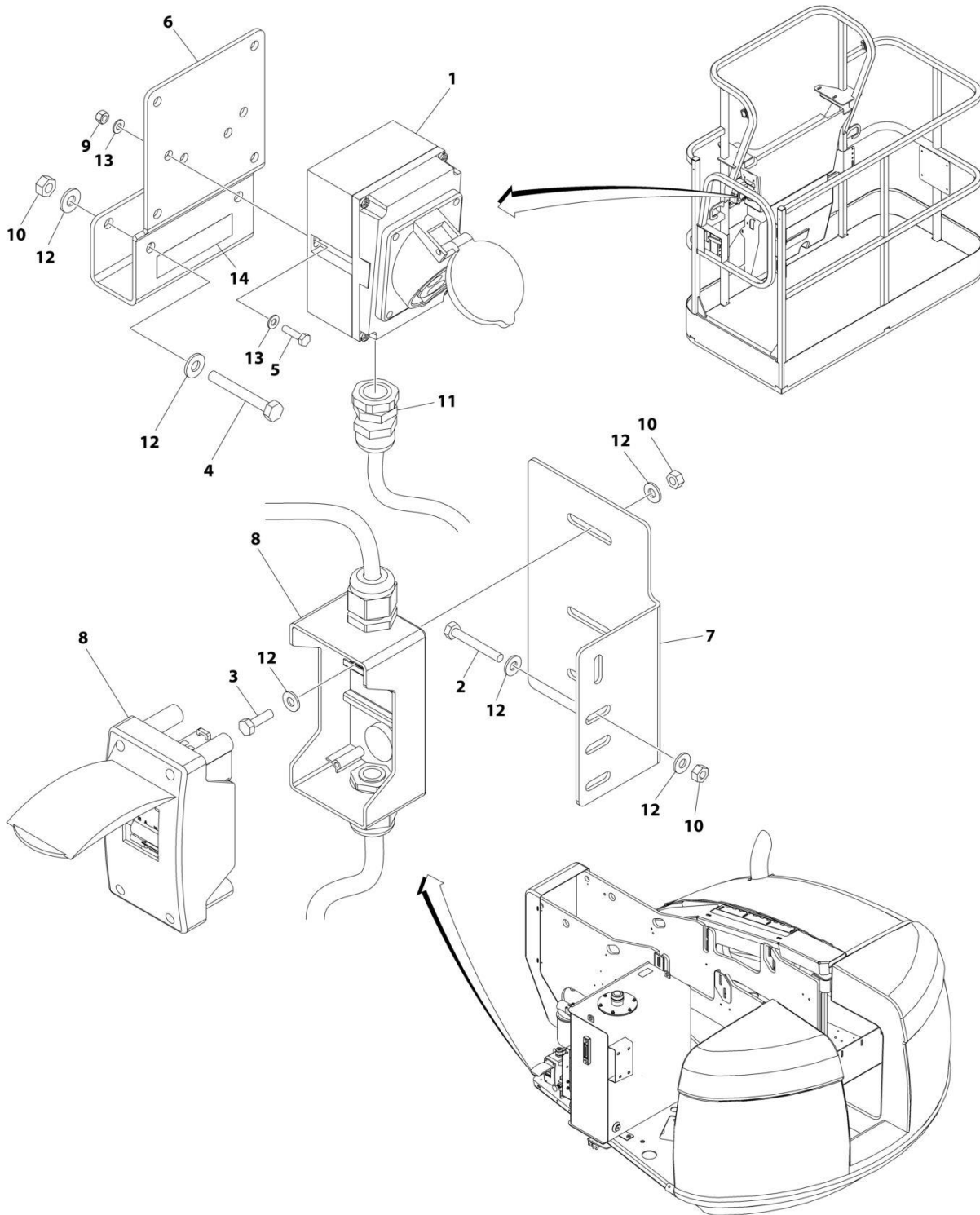
SECTION 8 - ELECTRICAL

FIGURE 8-9. AC BOX AT PLATFORM INSTALLATION - 110V IEC 60309 YELLOW (CE & UK CA SPECS) (4000W GENERATOR)

ITEM	PART NUMBER	QTY	DESCRIPTION	REV
	1001194203	Ref	AC BOX AT PLATFORM INSTALLATION	B
1	0100020	AR	Sealant, Pipe	
2	0641416	2	Bolt 1/4 x 2	
3	0700408	2	Bolt M4 x 16	
4	0861781	1	Box, Switch	
5	1705325	1	Decal - 110V	
6	3290405	2	Nut M4	
7	3311405	2	Nut 1/4	
8	4460968	1	Connector, Strain Relief	
9	4461198	1	Receptacle	
10	4711400	4	Washer 1/4	
11	4811400	4	Washer M4	
12	1001193018	1	Bracket, AC Receptacle	

SECTION 8 - ELECTRICAL

FIGURE 8-10. AC BOX AT PLATFORM INSTALLATION - 220V IEC BLUE (CE& UK CA SPECS)



ART_0275652

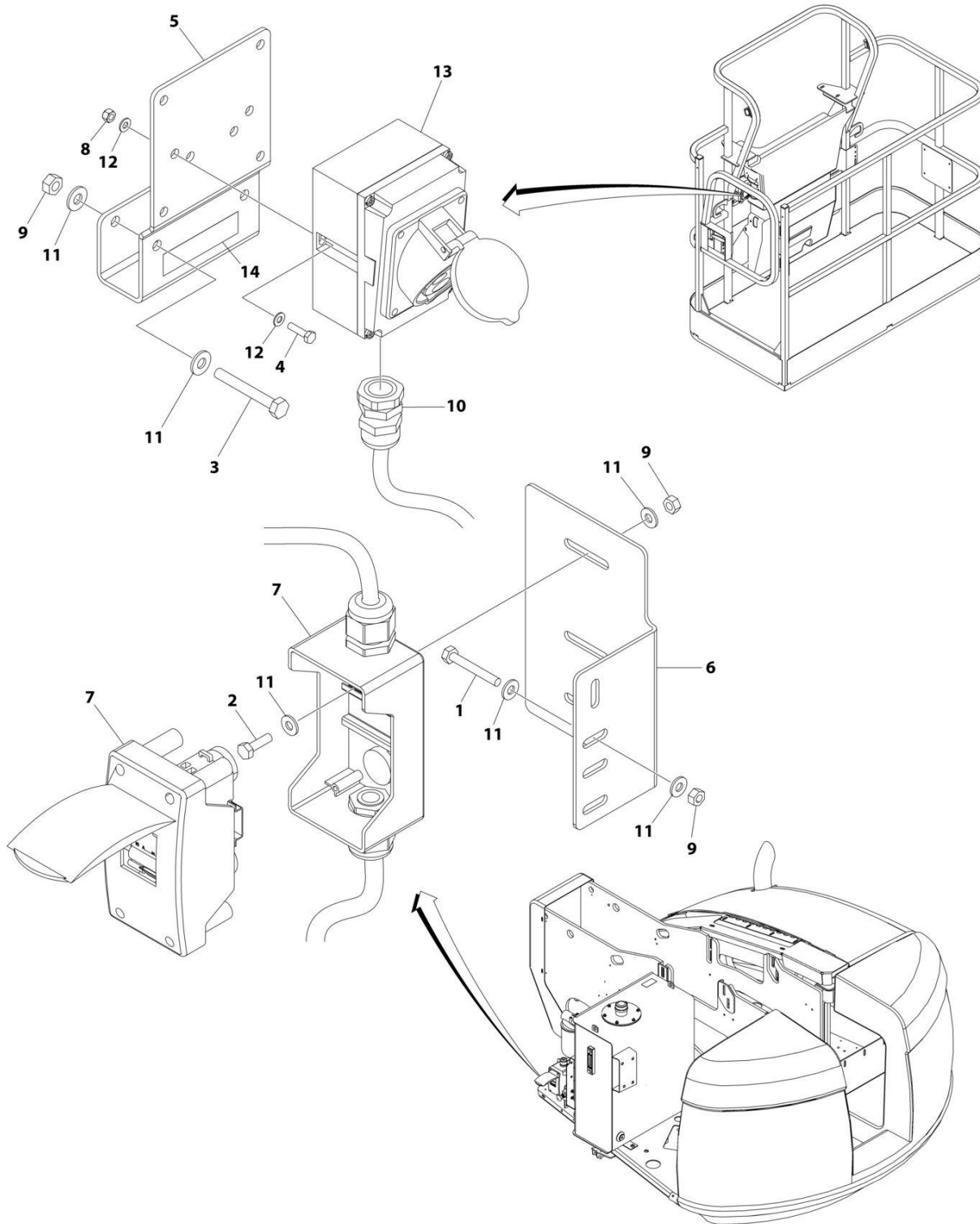
SECTION 8 - ELECTRICAL

FIGURE 8-10. AC BOX AT PLATFORM INSTALLATION - 220V IEC BLUE (CE& UK CA SPECS)

ITEM	PART NUMBER	QTY	DESCRIPTION	REV
	0275652	Ref	AC BOX AT PLATFORM INSTALLATION - 220V IEC BLUE	F
1	0275217	1	Receptacle Box Kit (See Separate Breakdown in this Section)	
2	0641415	2	Bolt 1/4 x 1-7/8	
3	0641407	2	Bolt 1/4 x 7/8	
4	0641416	2	Bolt 1/4 x 2	
5	0700408	2	Bolt M4 x 16	
6	1001193018	1	Bracket	
7	1001153636	1	Bracket	
8	1001096070	1	Breaker Box Kit (See Separate Breakdown in this Section)	
9	3290405	2	Nut M4	
10	3311405	6	Nut 1/4	
11	4460968	1	Connector, Strain Relief	
12	4711400	12	Washer 1/4	
13	4811400	4	Washer M4	
14	3252507	1	Decal - 240V-50/60Hz	

SECTION 8 - ELECTRICAL

FIGURE 8-11. AC BOX AT PLATFORM INSTALLATION - 220V IEC BLUE (CE & UK CA SPECS)
(2500W GENERATOR)



ART_1001100401

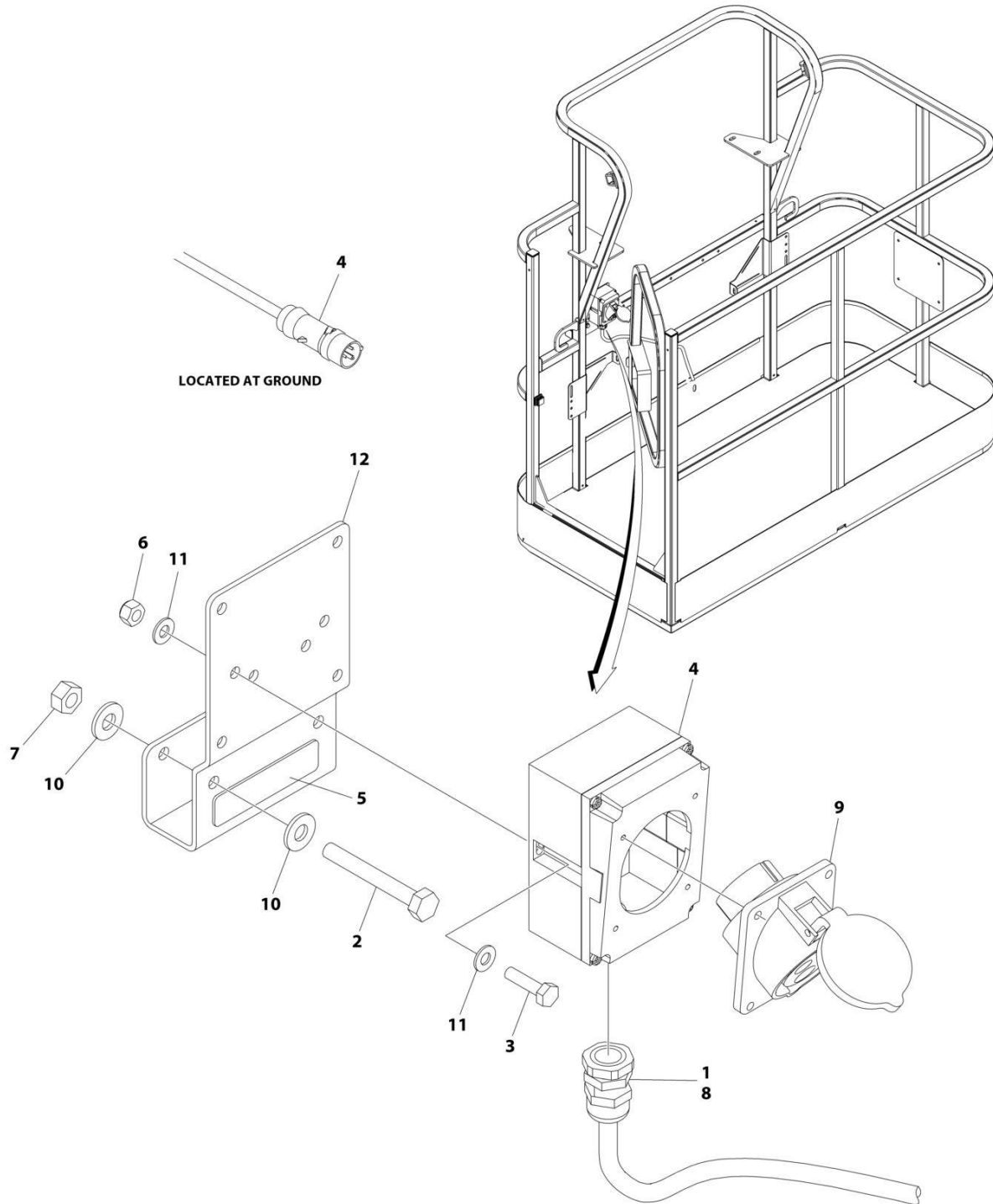
SECTION 8 - ELECTRICAL

**FIGURE 8-11. AC BOX AT PLATFORM INSTALLATION - 220V IEC BLUE (CE & UK CA SPECS)
(2500W GENERATOR)**

ITEM	PART NUMBER	QTY	DESCRIPTION	REV
	1001100401	Ref	AC BOX AT PLATFORM INSTALLATION	F
1	0641415	2	Bolt 1/4 x 1-7/8	
2	0641407	2	Bolt 1/4 x 7/8	
3	0641416	2	Bolt 1/4 x 2	
4	0700408	2	Bolt M4 x 16	
5	1001193018	1	Bracket	
6	1001153636	1	Bracket	
7	1001109554	1	Breaker Box Kit (See Separate Breakdown in this Section)	
8	3290405	2	Nut M4	
9	3311405	6	Nut 1/4	
10	4460662	1	Connector, Strain Relief	
11	4711400	12	Washer 1/4	
12	4811400	8	Washer M4	
13	1001100342	1	Receptacle Box Kit (See Separate Breakdown in this Section)	
14	3252507	1	Decal - 240V-50/60Hz	

SECTION 8 - ELECTRICAL

FIGURE 8-12. AC BOX AT PLATFORM INSTALLATION - 220V IEC 60309 BLUE (CE & UK CA SPECS)
(4000W GENERATOR)



ART_1001194204

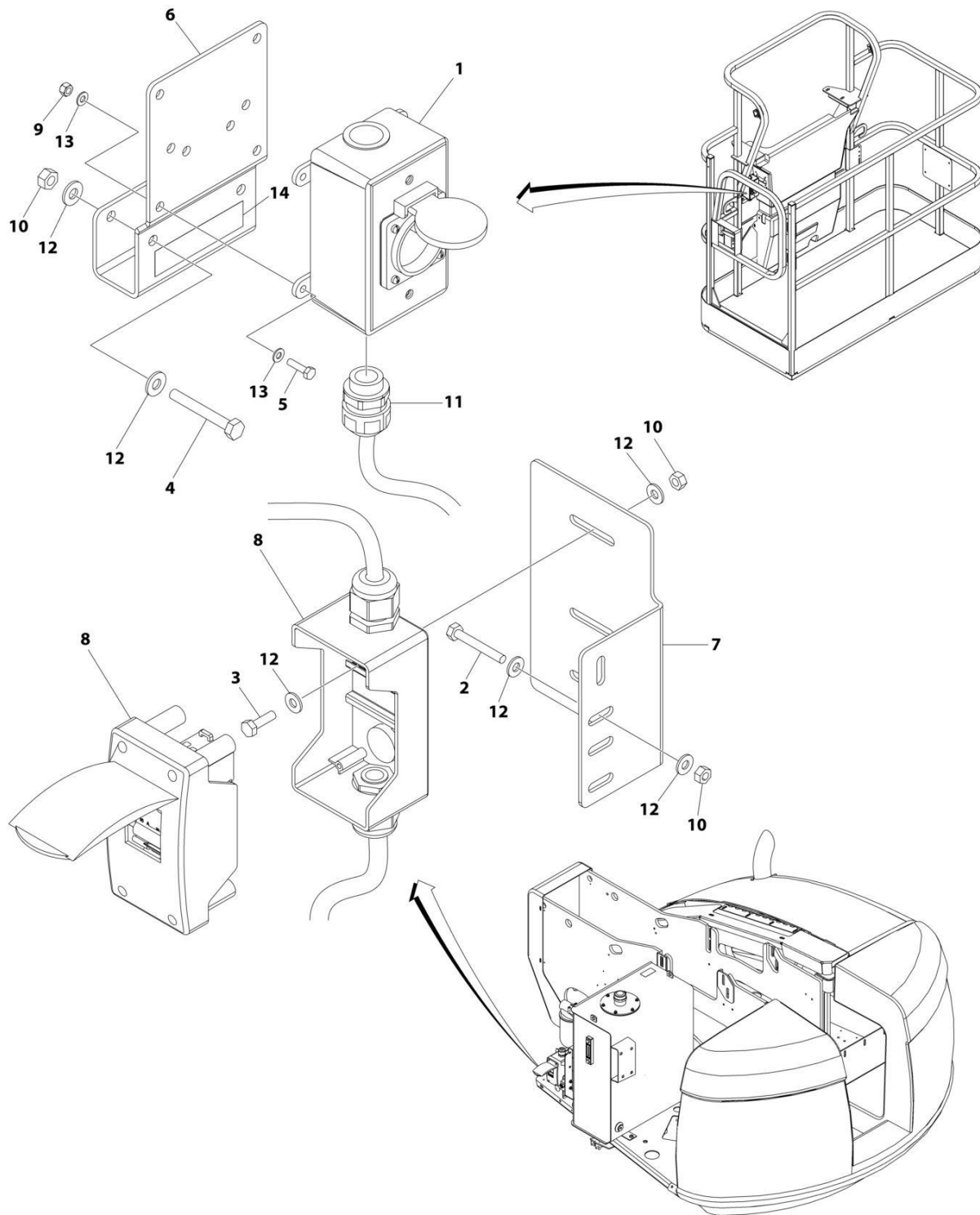
SECTION 8 - ELECTRICAL

**FIGURE 8-12. AC BOX AT PLATFORM INSTALLATION - 220V IEC 60309 BLUE (CE & UK CA SPECS)
(4000W GENERATOR)**

ITEM	PART NUMBER	QTY	DESCRIPTION	REV
	1001194204	Ref	AC BOX AT PLATFORM INSTALLATION	B
1	0100020	AR	Sealant, Pipe	
2	0641416	2	Bolt 1/4 x 2	
3	0700408	2	Bolt M4 x 16	
4	0861781	1	Box, Switch	
5	3251242	1	Decal - 240V/50Hz	
6	3290405	2	Nut M4	
7	3311405	2	Nut 1/4	
8	4460968	1	Connector, Strain Relief	
9	4461201	1	Receptacle	
10	4711400	4	Washer 1/4	
11	4811400	4	Washer M4	
12	1001193018	1	Bracket, AC Receptacle	

SECTION 8 - ELECTRICAL

FIGURE 8-13. AC BOX AT PLATFORM INSTALLATION - 220V CEE7 POST GROUND (CE & UK CA SPECS)



ART_0275653

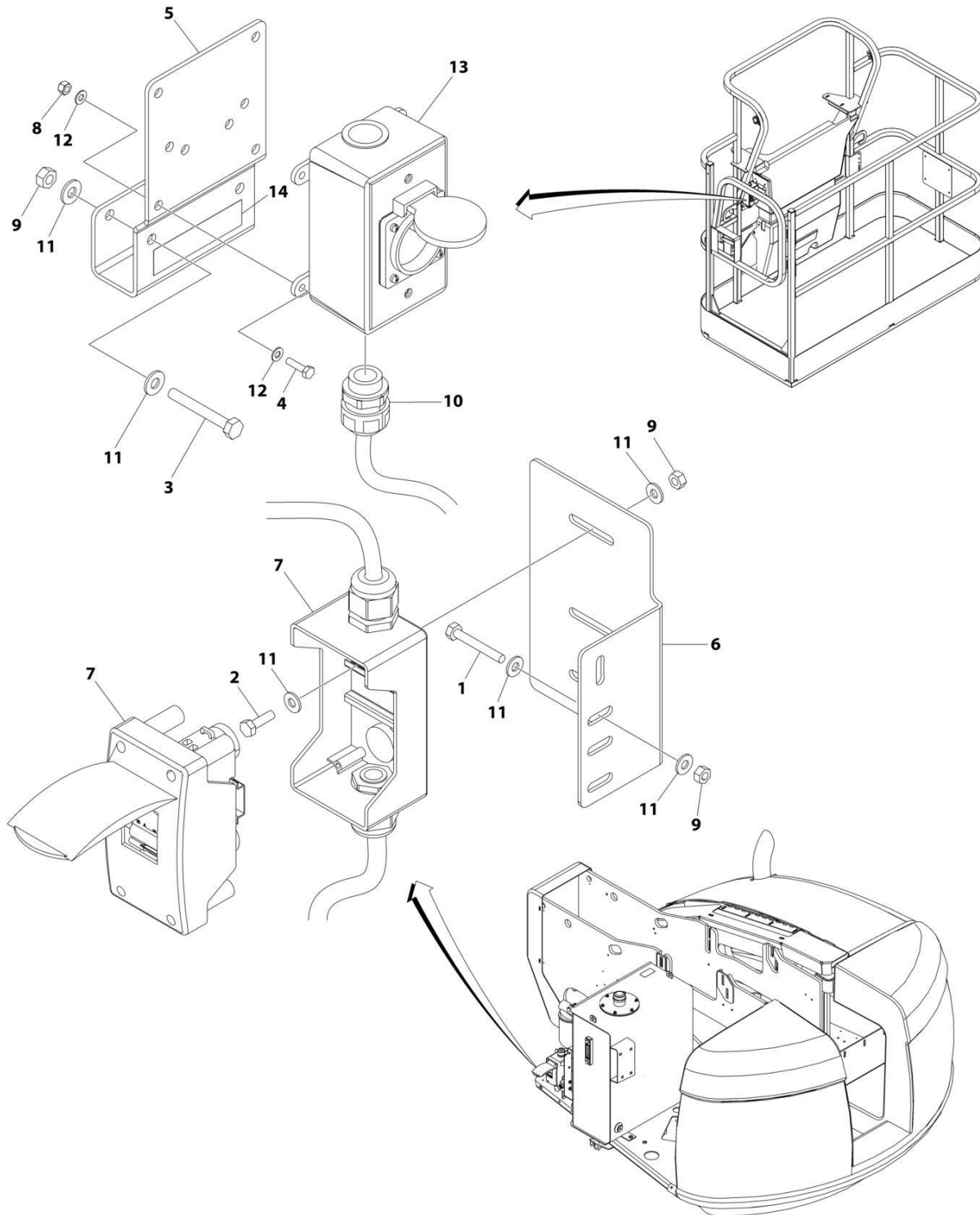
SECTION 8 - ELECTRICAL

FIGURE 8-13. AC BOX AT PLATFORM INSTALLATION - 220V CEE7 POST GROUND (CE & UK CA SPECS)

ITEM	PART NUMBER	QTY	DESCRIPTION	REV
	0275653	Ref	AC BOX AT PLATFORM INSTALLATION	G
1	0275452	1	Receptacle Box Kit - 220V CEE7 Post Ground 21in x 4in (See Separate Breakdown in this Section)	
2	0641415	2	Bolt 1/4 x 1-7/8	
3	0641407	2	Bolt 1/4 x 7/8	
4	0641416	2	Bolt 1/4 x 2	
5	0700408	4	Bolt M4 x 16	
6	1001193018	1	Bracket	
7	1001153636	1	Bracket	
8	1001096070	1	Breaker Box Kit (See Separate Breakdown in this Section)	
9	3290405	4	Nut M4	
10	3311405	6	Nut 1/4	
11	4460662	1	Connector, Strain Relief	
12	4711400	12	Washer 1/4	
13	4811400	8	Washer M4	
14	3252507	1	Decal - 240V-50/60Hz	

SECTION 8 - ELECTRICAL

FIGURE 8-14. AC BOX AT PLATFORM INSTALLATION - 220V CEE7 POST GROUND (CE & UK CA SPECS) (2500W GENERATOR)



ART_1001100397

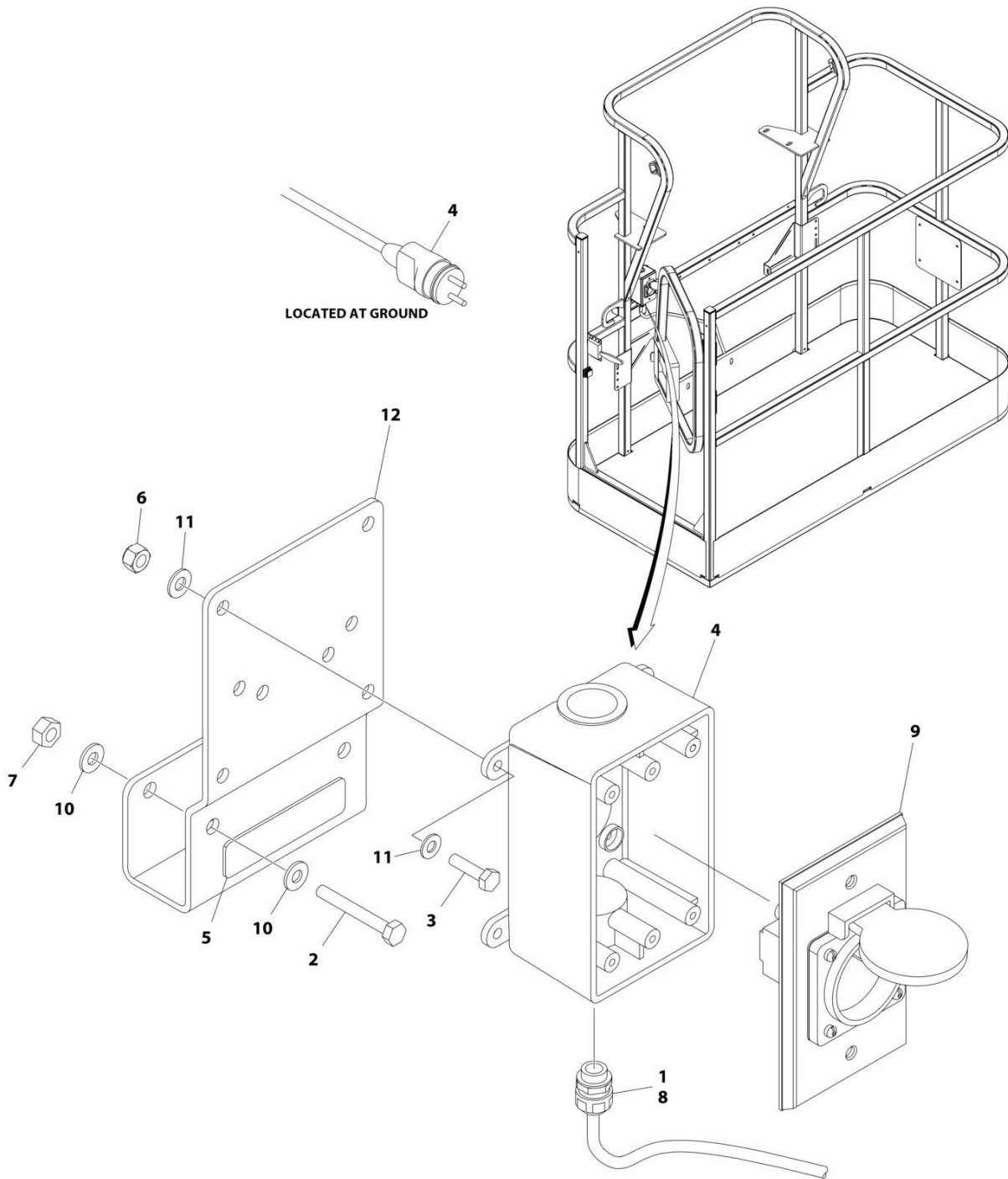
SECTION 8 - ELECTRICAL

FIGURE 8-14. AC BOX AT PLATFORM INSTALLATION - 220V CEE7 POST GROUND (CE & UK CA SPECS) (2500W GENERATOR)

ITEM	PART NUMBER	QTY	DESCRIPTION	REV
	1001100397	Ref	AC BOX AT PLATFORM INSTALLATION	H
1	0641415	2	Bolt 1/4 x 1-7/8	
2	0641407	2	Bolt 1/4 x 7/8	
3	0641416	2	Bolt 1/4 x 2	
4	0700408	4	Bolt M4 x 16	
5	1001193018	1	Bracket	
6	1001153636	1	Bracket	
7	1001109554	1	Breaker Box Kit (See Separate Breakdown in this Section)	
8	3290405	4	Nut M4	
9	3311405	6	Nut 1/4	
10	4460662	1	Connector, Strain Relief	
11	4711400	12	Washer 1/4	
12	4811400	8	Washer M4	
13	1001100345	1	Receptacle Box Kit (See Separate Breakdown in this Section)	
14	3252507	1	Decal - 240V-50/60Hz	

SECTION 8 - ELECTRICAL

FIGURE 8-15. AC BOX AT PLATFORM INSTALLATION - 220V CEE7 POST GROUND (2X4 BOX) (CE & UK CA SPECS) (4000W GENERATOR)



ART_1001194197

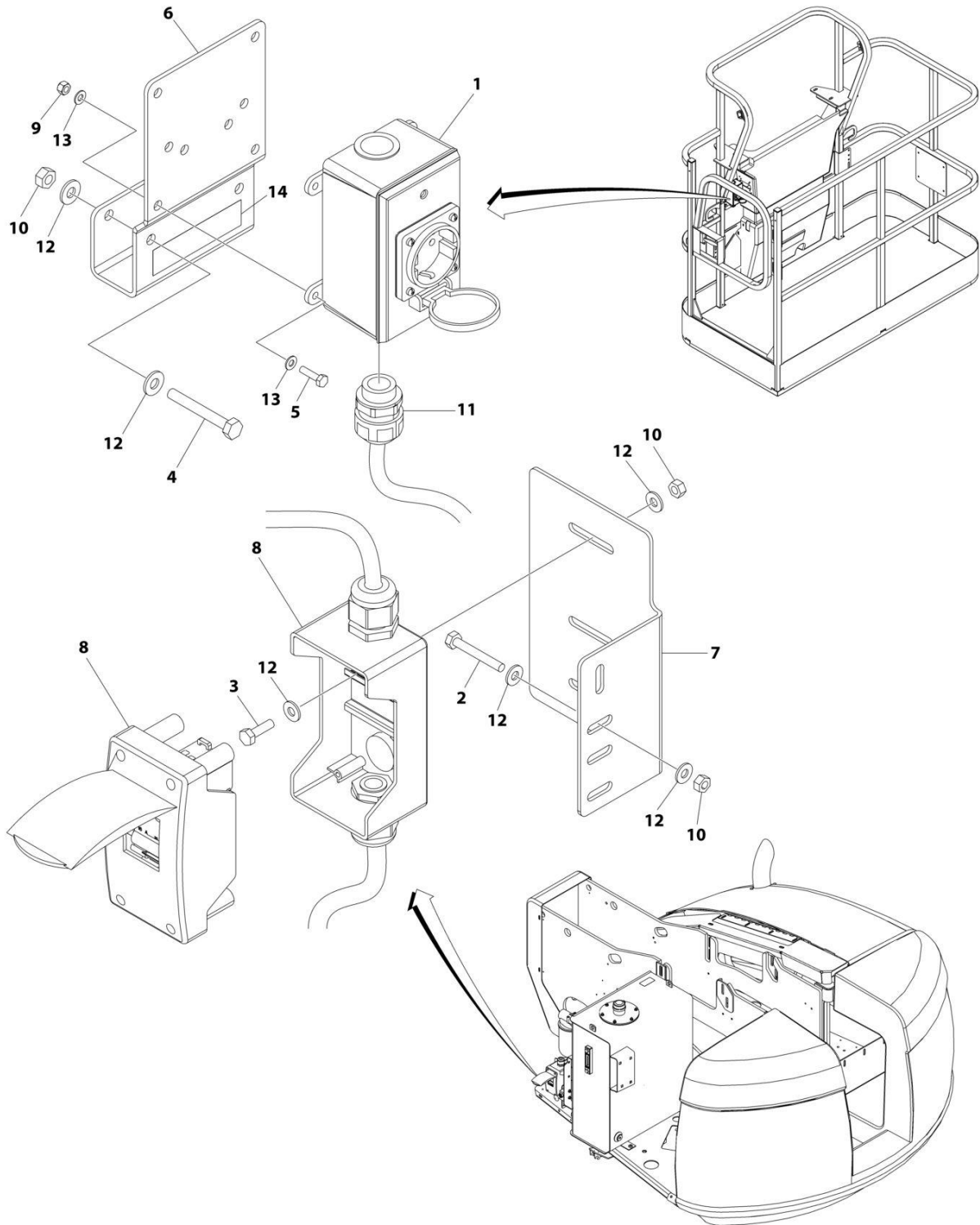
SECTION 8 - ELECTRICAL

FIGURE 8-15. AC BOX AT PLATFORM INSTALLATION - 220V CEE7 POST GROUND (2X4 BOX) (CE & UK CA SPECS) (4000W GENERATOR)

ITEM	PART NUMBER	QTY	DESCRIPTION	REV
	1001194197	Ref	AC BOX AT PLATFORM INSTALLATION	B
1	0100020	AR	Sealant, Pipe	
2	0641416	2	Bolt 1/4 x 2	
3	0700408	4	Bolt M4 x 16	
4	0861731	1	Box, Switch	
5	3251242	1	Decal - 240V/50Hz	
6	3290405	4	Nut M4	
7	3311405	2	Nut 1/4	
8	4460662	1	Connector, Strain Relief	
9	4461244	1	Receptacle	
10	4711400	4	Washer 1/4	
11	4811400	8	Washer M4	
12	1001193018	1	Bracket, AC Receptacle	
13	4460806	2	Terminal, Fork (Not Shown)	
14	1001205958	1	Terminal (Not Shown)	

SECTION 8 - ELECTRICAL

FIGURE 8-16. AC BOX AT PLATFORM INSTALLATION - 220V CEE7 SIDE GROUND (CE & UK CA SPECS)



ART_0275654

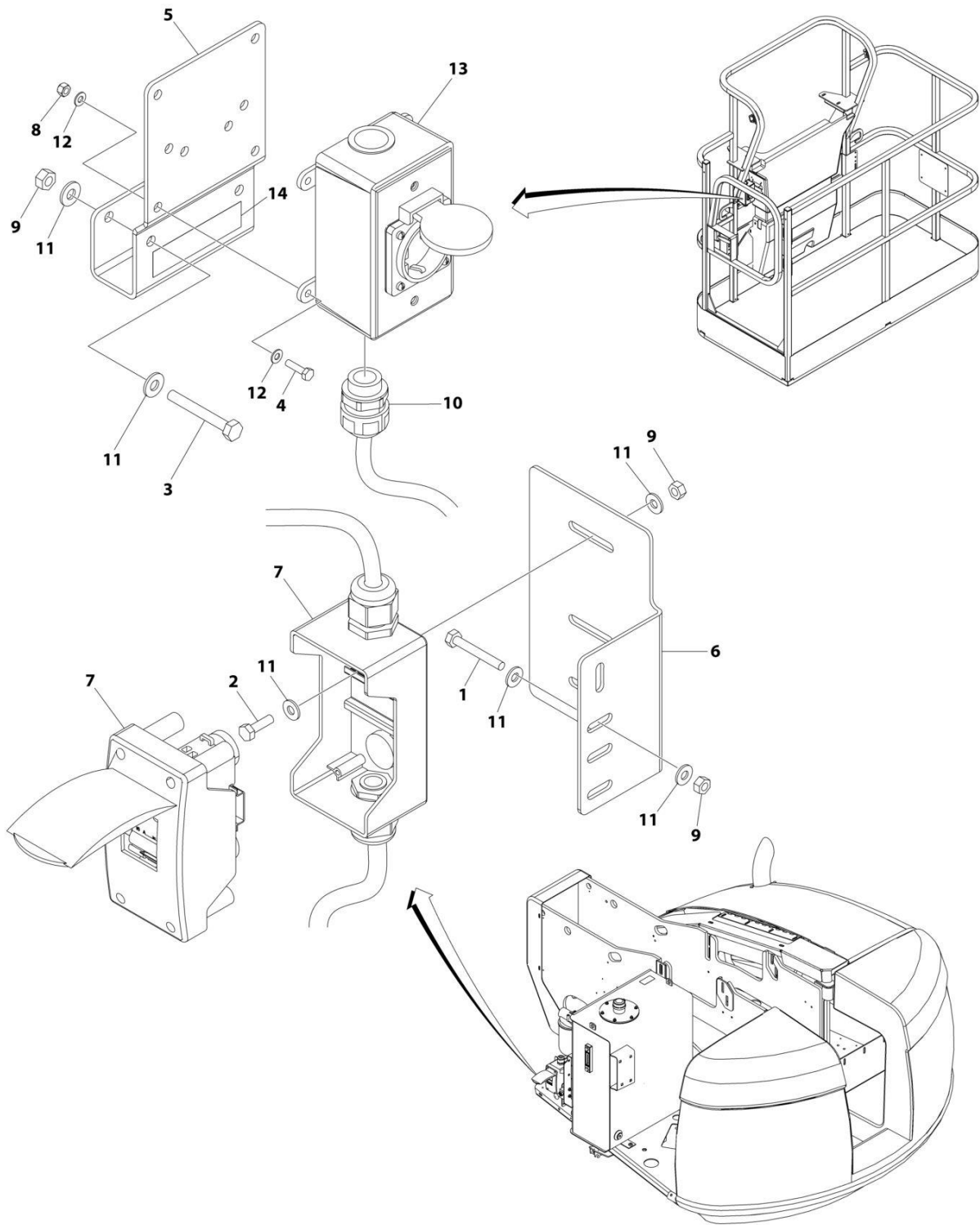
SECTION 8 - ELECTRICAL

FIGURE 8-16. AC BOX AT PLATFORM INSTALLATION - 220V CEE7 SIDE GROUND (CE & UK CA SPECS)

ITEM	PART NUMBER	QTY	DESCRIPTION	REV
	0275654	Ref	AC BOX AT PLATFORM INSTALLATION - 220V CEE7 2X4 BOX SIDE GROUND	G
1	0275453	1	Receptacle Box Kit (See Separate Breakdown in this Section)	
2	0641415	2	Bolt 1/4 x 1-7/8	
3	0641407	2	Bolt 1/4 x 7/8	
4	0641416	2	Bolt 1/4 x 2	
5	0700408	4	Bolt M4 x 16	
6	1001193018	1	Bracket	
7	1001153636	1	Bracket	
8	1001096070	1	Breaker Box Kit (See Separate Breakdown in this Section)	
9	3290405	4	Nut M4	
10	3311405	6	Nut 1/4	
11	4460662	1	Connector, Strain Relief	
12	4711400	12	Washer 1/4	
13	4811400	8	Washer M4	
14	3252507	1	Decal - 240V-50/60Hz	

SECTION 8 - ELECTRICAL

FIGURE 8-17. AC BOX AT PLATFORM INSTALLATION - 220V CEE7 SIDE GROUND (CE & UK CA SPECS) (2500W GENERATOR)



ART_1001100398

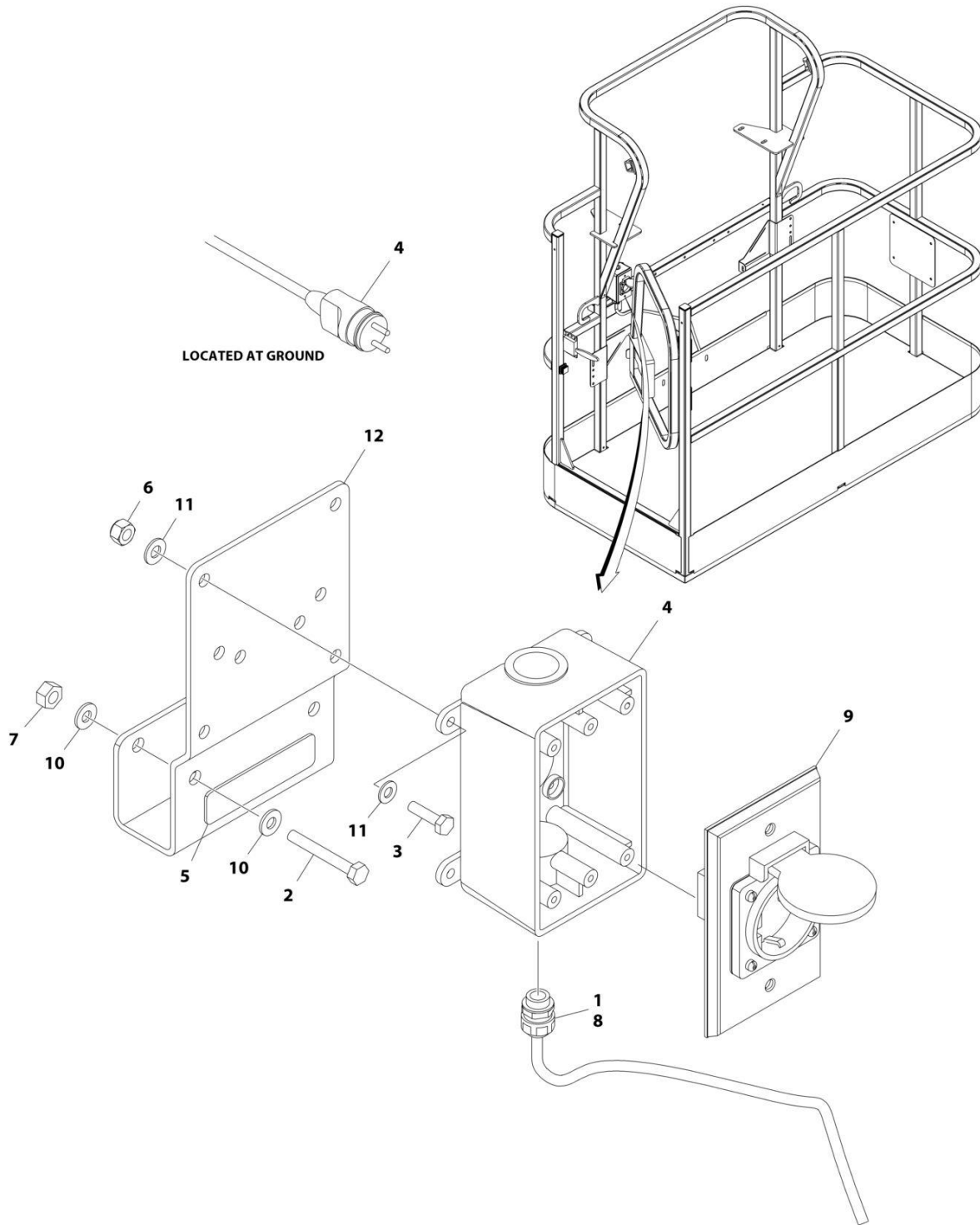
SECTION 8 - ELECTRICAL

FIGURE 8-17. AC BOX AT PLATFORM INSTALLATION - 220V CEE7 SIDE GROUND (CE & UK CA SPECS) (2500W GENERATOR)

ITEM	PART NUMBER	QTY	DESCRIPTION	REV
	1001100398	Ref	AC BOX AT PLATFORM INSTALLATION	H
1	0641415	2	Bolt 1/4 x 1-7/8	
2	0641407	2	Bolt 1/4 x 7/8	
3	0641416	2	Bolt 1/4 x 2	
4	0700408	4	Bolt M4 x 16	
5	1001193018	1	Bracket	
6	1001153636	1	Bracket	
7	1001109554	1	Breaker Box Kit (See Separate Breakdown in this Section)	
8	3290405	4	Nut M4	
9	3311405	6	Nut 1/4	
10	4460662	1	Connector, Strain Relief	
11	4711400	12	Washer 1/4	
12	4811400	8	Washer M4	
13	1001100347	1	Receptacle Box Kit (See Separate Breakdown in this Section)	
14	3252507	1	Decal - 240V-50/60Hz	

SECTION 8 - ELECTRICAL

FIGURE 8-18. AC BOX AT PLATFORM INSTALLATION - 220V CEE7 SIDE GROUND (2X4 BOX) (CE & UK CA SPECS) (4000W GENERATOR)



ART_1001194198

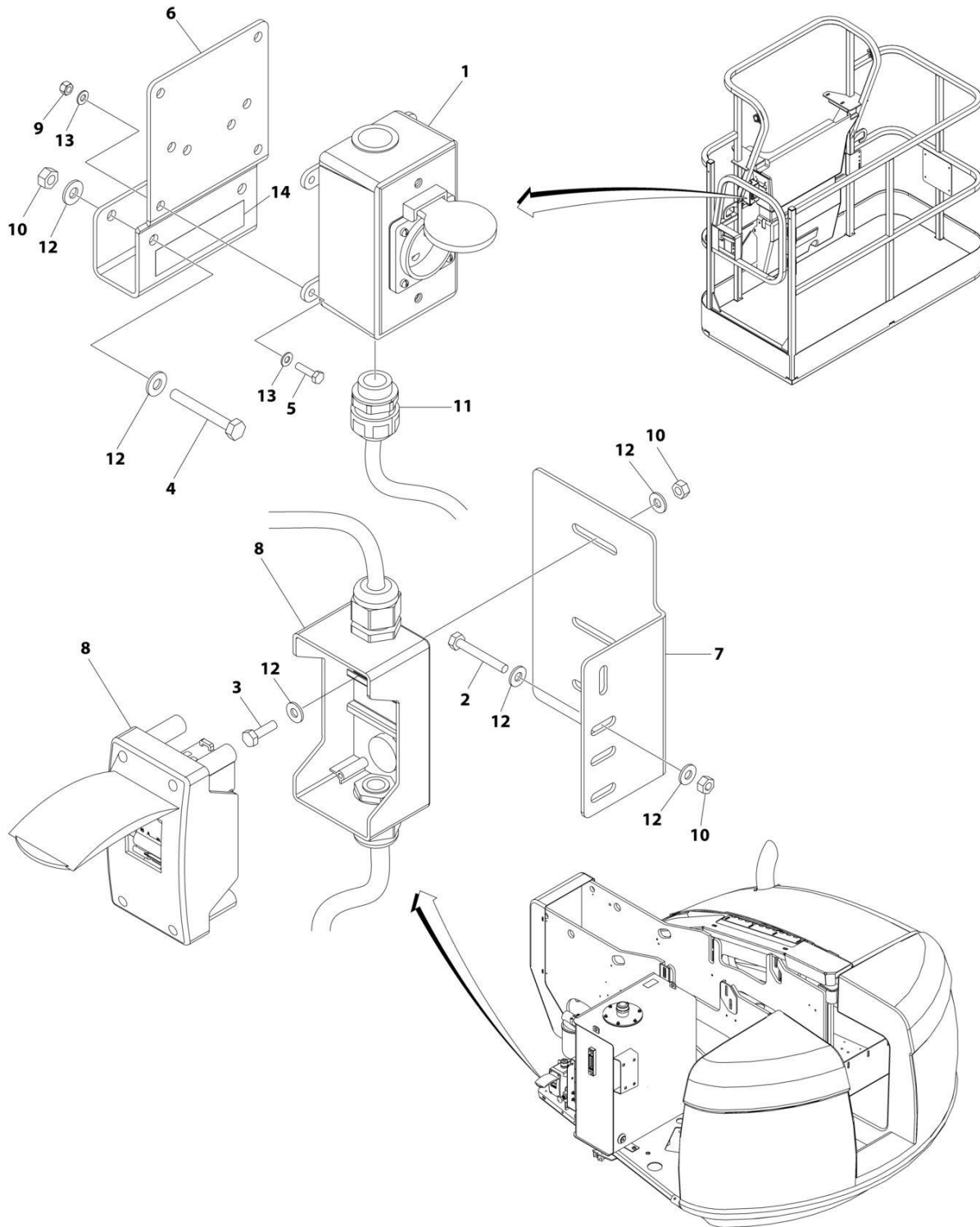
SECTION 8 - ELECTRICAL

FIGURE 8-18. AC BOX AT PLATFORM INSTALLATION - 220V CEE7 SIDE GROUND (2X4 BOX) (CE & UK CA SPECS) (4000W GENERATOR)

ITEM	PART NUMBER	QTY	DESCRIPTION	REV
	1001194198	Ref	AC BOX AT PLATFORM INSTALLATION	B
1	0100020	AR	Sealant, Pipe	
2	0641416	2	Bolt 1/4 x 2	
3	0700408	4	Bolt M4 x 16	
4	0861731	1	Box, Switch	
5	3251242	1	Decal - 240V/50Hz	
6	3290405	4	Nut M4	
7	3311405	2	Nut 1/4	
8	4460662	1	Connector, Strain Relief	
9	4461245	1	Receptacle	
10	4711400	4	Washer 1/4	
11	4811400	8	Washer M4	
12	1001193018	1	Bracket, AC Receptacle	
13	4460806	2	Terminal, Fork (Not Shown)	
14	1001205958	1	Terminal (Not Shown)	

SECTION 8 - ELECTRICAL

FIGURE 8-19. AC BOX AT PLATFORM INSTALLATION - 220V AFSINT 107 (CE & UK CA SPECS)



ART_0275660

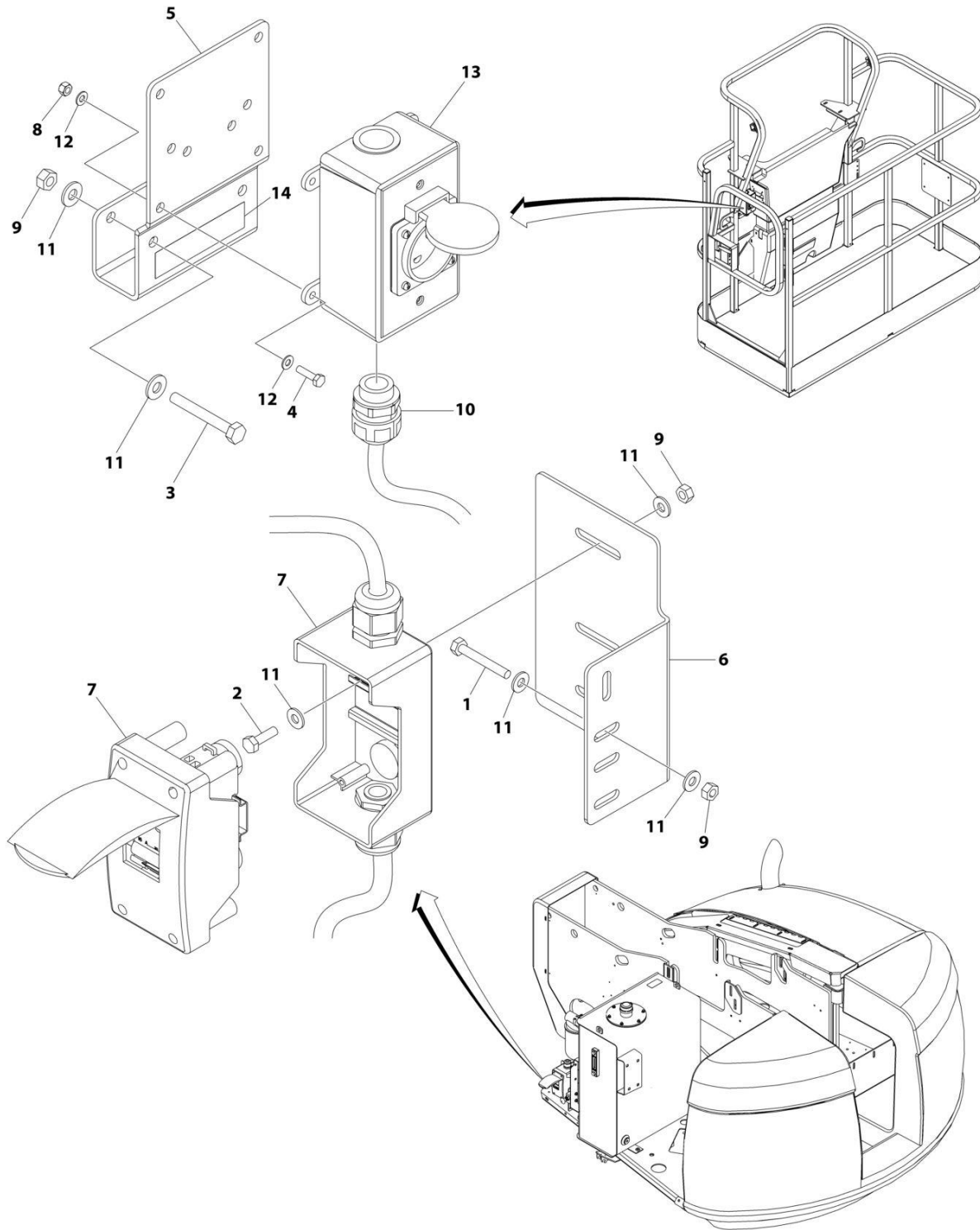
SECTION 8 - ELECTRICAL

FIGURE 8-19. AC BOX AT PLATFORM INSTALLATION - 220V AFSINT 107 (CE & UK CA SPECS)

ITEM	PART NUMBER	QTY	DESCRIPTION	REV
	0275660	Ref	AC BOX AT PLATFORM INSTALLATION - 220V AFSINT 107	G
1	0275454	1	Receptacle Box Kit (See Separate Breakdown in this Section)	
2	0641415	2	Bolt 1/4 x 1-7/8	
3	0641407	2	Bolt 1/4 x 7/8	
4	0641416	2	Bolt 1/4 x 2	
5	0700408	4	Bolt M4 x 16	
6	1001193018	1	Bracket	
7	1001153636	1	Bracket	
8	1001096070	1	Breaker Box Kit (See Separate Breakdown in this Section)	
9	3290405	4	Nut M4	
10	3311405	6	Nut 1/4	
11	4460662	1	Connector, Strain Relief	
12	4711400	12	Washer 1/4	
13	4811400	8	Washer M4	
14	3252507	1	Decal - 240V-50/60Hz	

SECTION 8 - ELECTRICAL

FIGURE 8-20. AC BOX AT PLATFORM INSTALLATION - 220V AFSINT 107 (CE & UK CA SPECS)
(2500W GENERATOR)



ART_1001100399

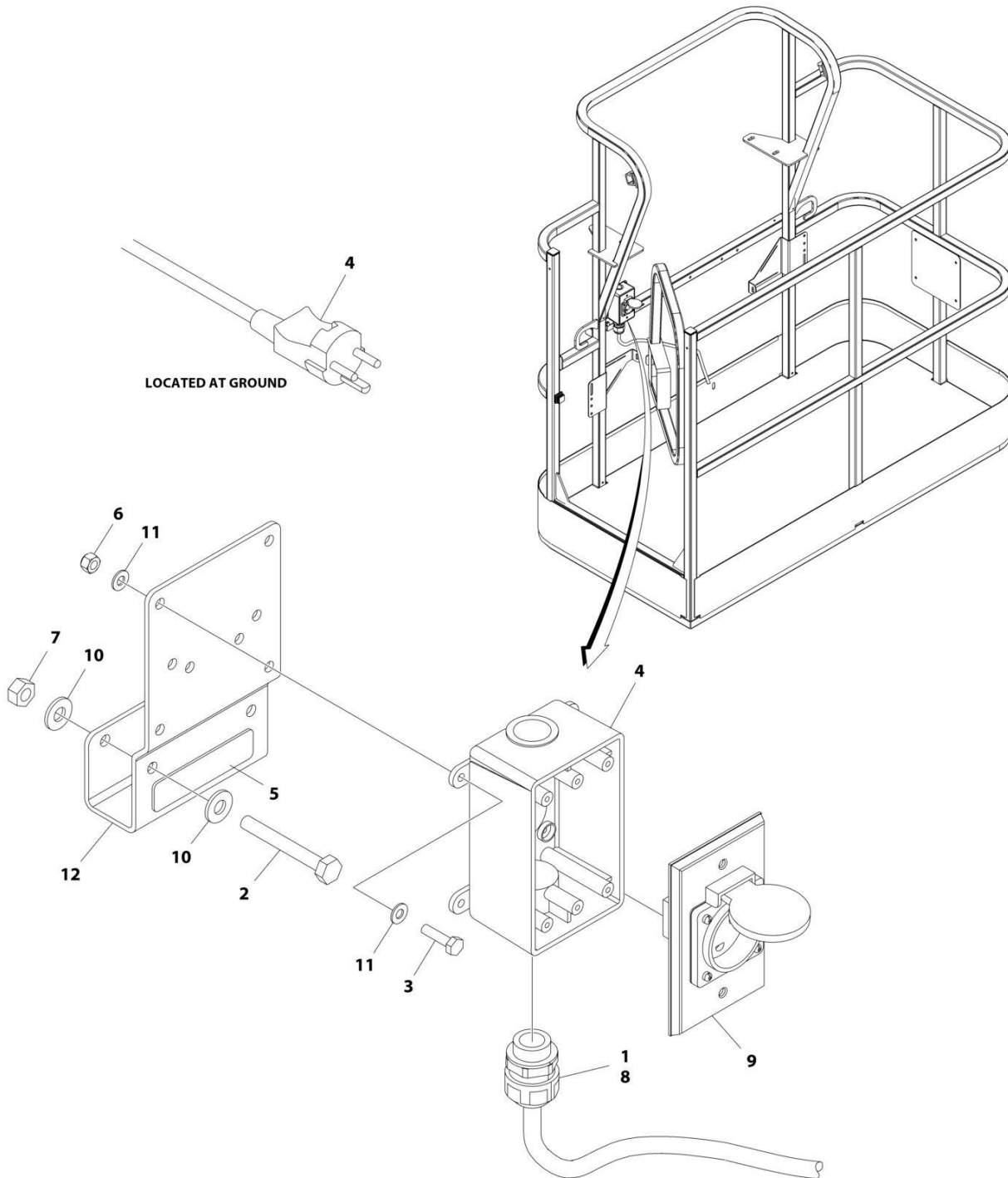
SECTION 8 - ELECTRICAL

**FIGURE 8-20. AC BOX AT PLATFORM INSTALLATION - 220V AFSINT 107 (CE & UK CA SPECS)
(2500W GENERATOR)**

ITEM	PART NUMBER	QTY	DESCRIPTION	REV
	1001100399	Ref	AC BOX AT PLATFORM INSTALLATION	G
1	0641415	2	Bolt 1/4 x 1-7/8	
2	0641407	2	Bolt 1/4 x 7/8	
3	0641416	2	Bolt 1/4 x 2	
4	0700408	4	Bolt M4 x 16	
5	1001193018	1	Bracket	
6	1001153636	1	Bracket	
7	1001109554	1	Breaker Box Kit (See Separate Breakdown in this Section)	
8	3290405	4	Nut M4	
9	3311405	6	Nut 1/4	
10	4460662	1	Connector, Strain Relief	
11	4711400	12	Washer 1/4	
12	4811400	8	Washer M4	
13	1001100346	1	Receptacle Box Kit (See Separate Breakdown in this Section)	
14	3252507	1	Decal - 240V-50/60Hz	

SECTION 8 - ELECTRICAL

FIGURE 8-21. AC BOX AT PLATFORM INSTALLATION - 220V AFSINT 107 KEYED GROUND (2X4 BOX) (CE & UK CA SPECS) (4000W GENERATOR)



ART_1001194200

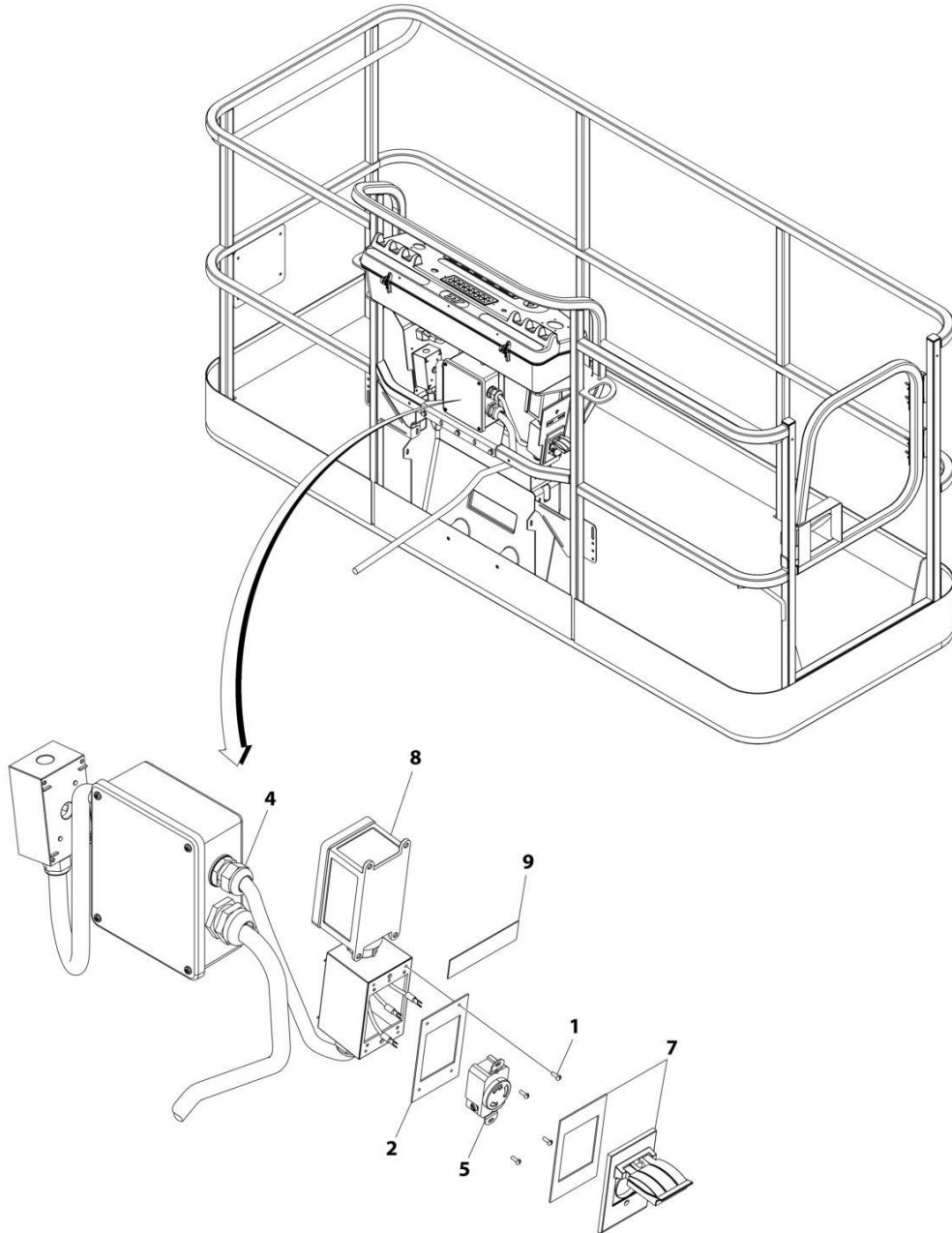
SECTION 8 - ELECTRICAL

FIGURE 8-21. AC BOX AT PLATFORM INSTALLATION - 220V AFSINT 107 KEYED GROUND (2X4 BOX) (CE & UK CA SPECS) (4000W GENERATOR)

ITEM	PART NUMBER	QTY	DESCRIPTION	REV
	1001194200	Ref	AC BOX AT PLATFORM INSTALLATION	B
1	0100020	AR	Sealant, Pipe	
2	0641416	2	Bolt 1/4 x 2	
3	0700408	4	Bolt M4 x 16	
4	0861731	1	Box, Switch	
5	3251242	1	Decal - 240V/50Hz	
6	3290405	4	Nut M4	
7	3311405	2	Nut 1/4	
8	4460662	1	Connector, Strain Relief	
9	4461246	1	Receptacle	
10	4711400	4	Washer 1/4	
11	4811400	8	Washer M4	
12	1001193018	1	Bracket, AC Receptacle	
13	1001205958	1	Terminal (Not Shown)	

SECTION 8 - ELECTRICAL

FIGURE 8-22. AC BOX AT PLATFORM INSTALLATION - 240V GFCI RECEPTACLE (ANSI, ANSI EXPORT, CHINA, CSA AND JAPANESE SPECS WITH 4000W SKYPOWER GENERATOR)



ART_1001171131

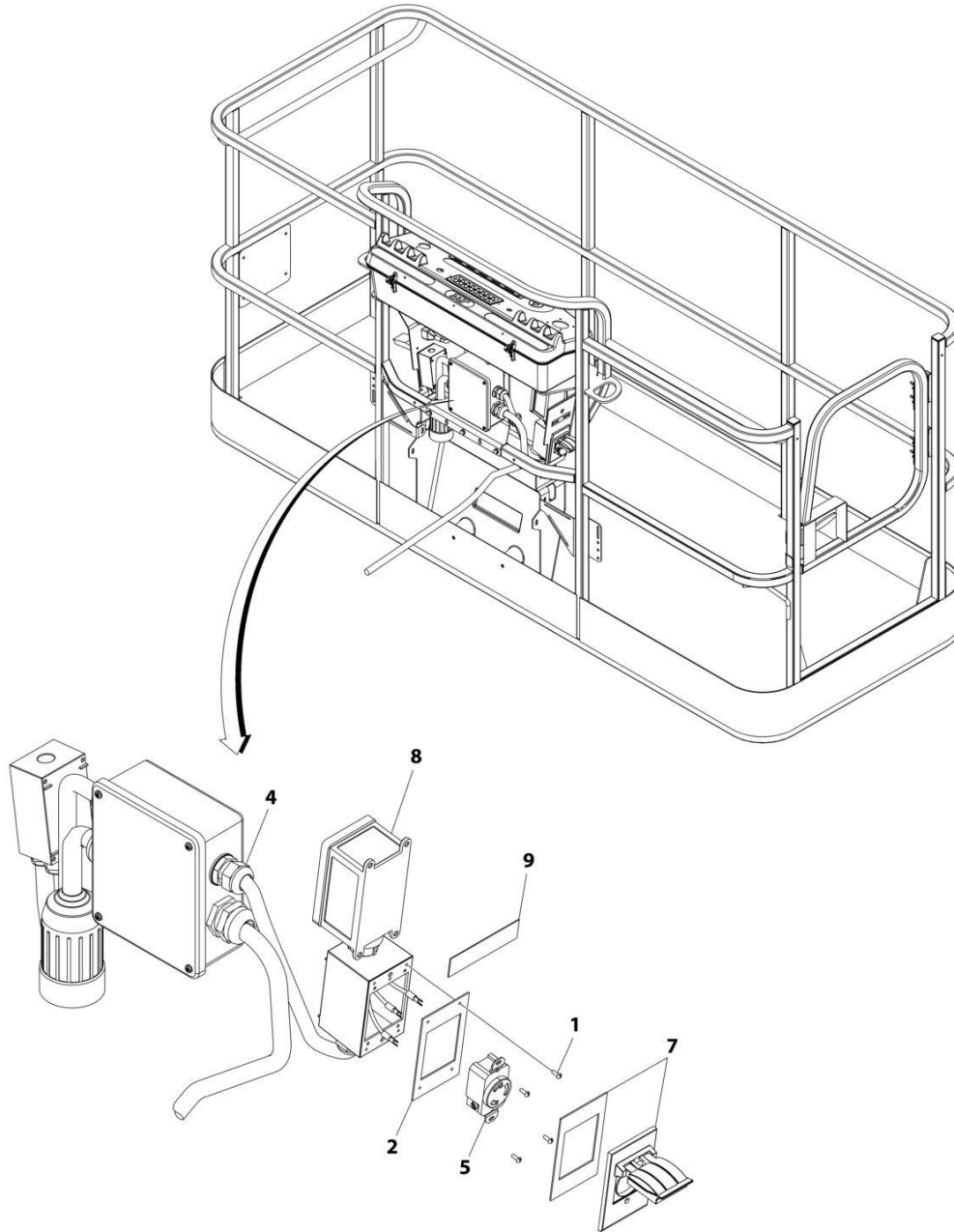
SECTION 8 - ELECTRICAL

FIGURE 8-22. AC BOX AT PLATFORM INSTALLATION - 240V GFCI RECEPTACLE (ANSI, ANSI EXPORT, CHINA, CSA AND JAPANESE SPECS WITH 4000W SKYPOWER GENERATOR)

ITEM	PART NUMBER	QTY	DESCRIPTION	REV
	1001171131	Ref	AC BOX AT PLATFORM INSTALLATION - 240V RECEPTACLE	B
1	3910606	4	Screw 6 x 3/8	
2	3960422	1	Gasket	
3	4240018	AR	Tie-Strap (Not Shown)	
4	4460425	1	Connector, Strain Relief	
5	1001176862	1	Receptacle	
7	1001110872	1	Cover, Receptacle	
8	1001159120	1	Receptacle/Breaker Box Assembly	
8	1001148675	1	Box, Receptacle	
8	1001159118	1	Breaker GFCI 30Amp 240VAC	
8	4460612	1	Connector, Strain Relief	
8	1001159119	1	Connector (Between Boxes)	
9	1705374	1	Decal - 240V/60Hz	

SECTION 8 - ELECTRICAL

FIGURE 8-23. AC BOX AT PLATFORM INSTALLATION - 240V GFCI RECEPTACLE (ANSI AND CSA SPECS WITH 7500W SKYPOWER GENERATOR)



ART_1001159121

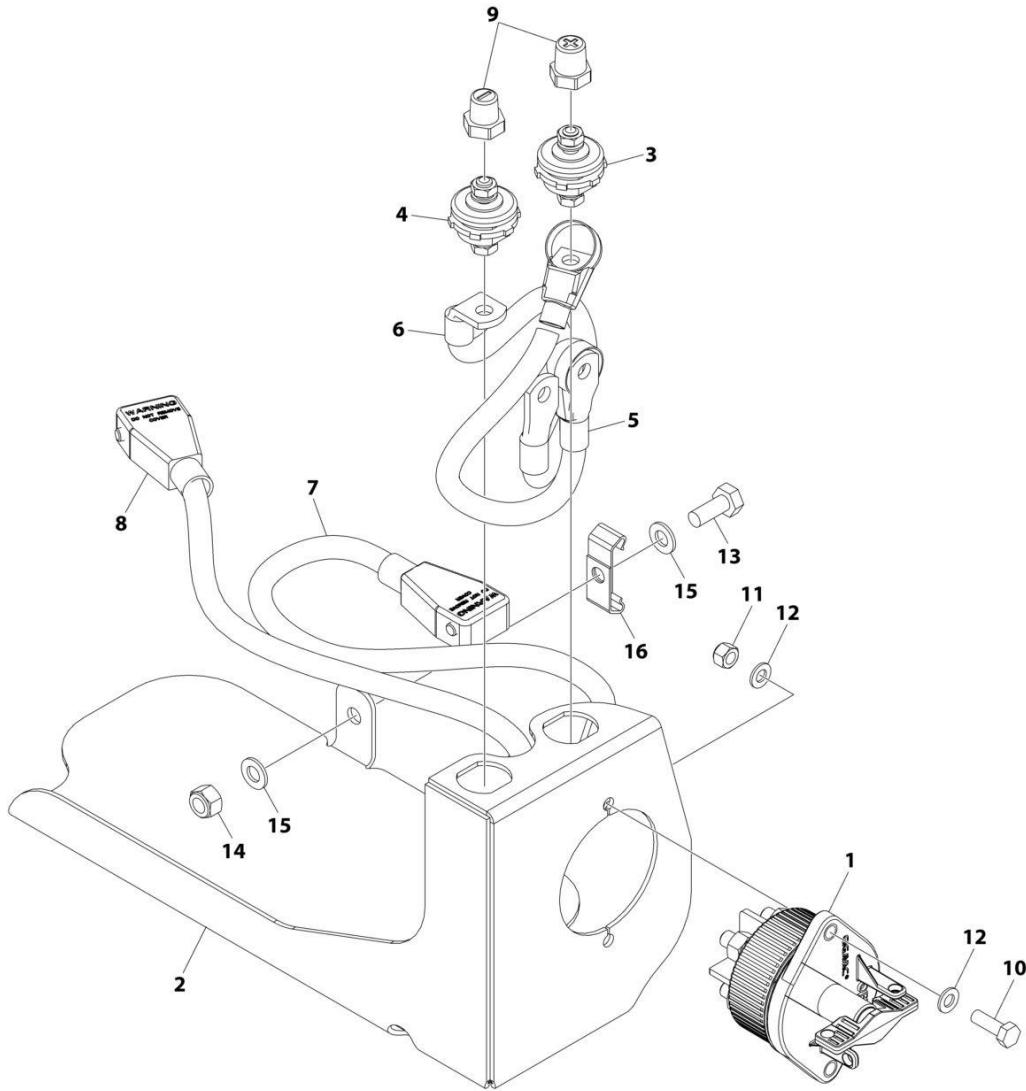
SECTION 8 - ELECTRICAL

FIGURE 8-23. AC BOX AT PLATFORM INSTALLATION - 240V GFCI RECEPTACLE (ANSI AND CSA SPECS WITH 7500W SKYPOWER GENERATOR)

ITEM	PART NUMBER	QTY	DESCRIPTION	REV
	1001159121	Ref	AC BOX AT PLATFORM INSTALLATION - 240V RECEPTACLE	B
1	3910606	4	Screw 6 x 3/8	
2	3960422	1	Gasket	
3	4240018	AR	Tie-Strap (Not Shown)	
4	4460425	1	Connector, Strain Relief	
5	4460958	1	Receptacle	
7	1001110872	1	Cover, Receptacle	
8	1001159120	1	Receptacle/Breaker Box Assembly	
8	1001148675	1	Box, Receptacle	
8	1001159118	1	Breaker Box Assembly	
8	4460612	1	Connector, Strain Relief	
8	1001159119	1	Connector (Between Boxes)	
9	1705374	1	Decal - 240V/60Hz	

SECTION 8 - ELECTRICAL

FIGURE 8-24. BATTERY DISCONNECT SWITCH INSTALLATION – DEUTZ D2011 ENGINES



ART_1001214396

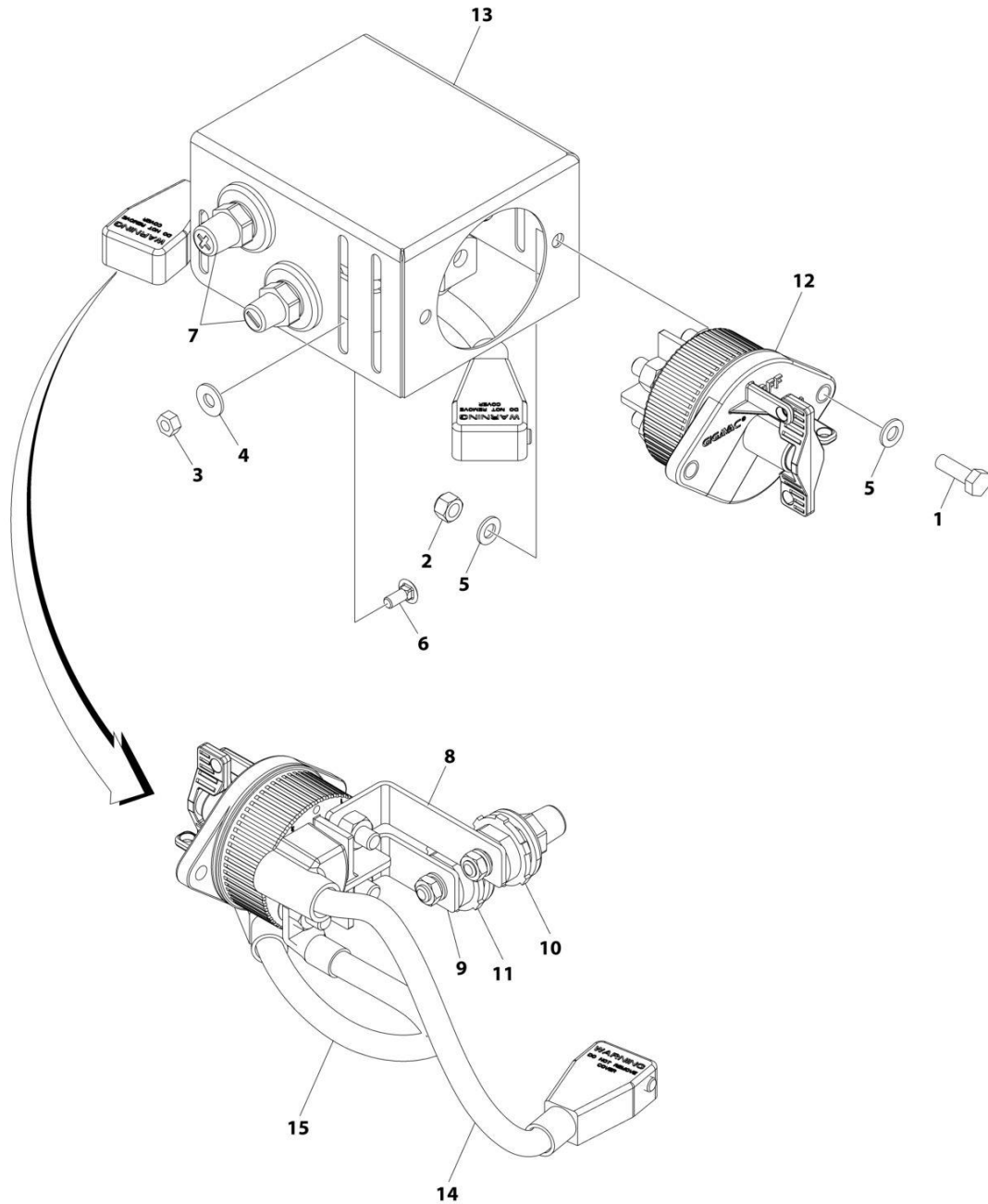
SECTION 8 - ELECTRICAL

FIGURE 8-24. BATTERY DISCONNECT SWITCH INSTALLATION – DEUTZ D2011 ENGINES

ITEM	PART NUMBER	QTY	DESCRIPTION	REV
	1001214396	Ref	BATTERY DISCONNECT SWITCH INSTALLATION	B
1	1001225346	1	Switch	
2	1001226529	1	Mount	
3	1001214570	1	Connector (Red)	
4	1001214571	1	Connector (Black)	
5	1001236375	1	Cable (Positive)	
6	1001236376	1	Cable (Negative)	
7	1001236377	1	Cable (Positive)	
8	1001236378	1	Cable (Negative)	
9	1001206476	1	Connector	
10	0760812	2	Bolt M8 x 25	
11	3290805	2	Nut M8	
12	4811900	4	Washer M8	
13	0761012	1	Bolt M10 x 25	
14	3291005	1	Nut M10	
15	4812000	2	Washer M10	
16	1320223	2	Clamp	

SECTION 8 - ELECTRICAL

FIGURE 8-25. BATTERY DISCONNECT SWITCH INSTALLATION (DEUTZ TD2.9L4, DEUTZ D2.9L4, DEUTZ TD2.2L3 STAGE V AND FORD DF2.5L ENGINES)



ART_1001236304

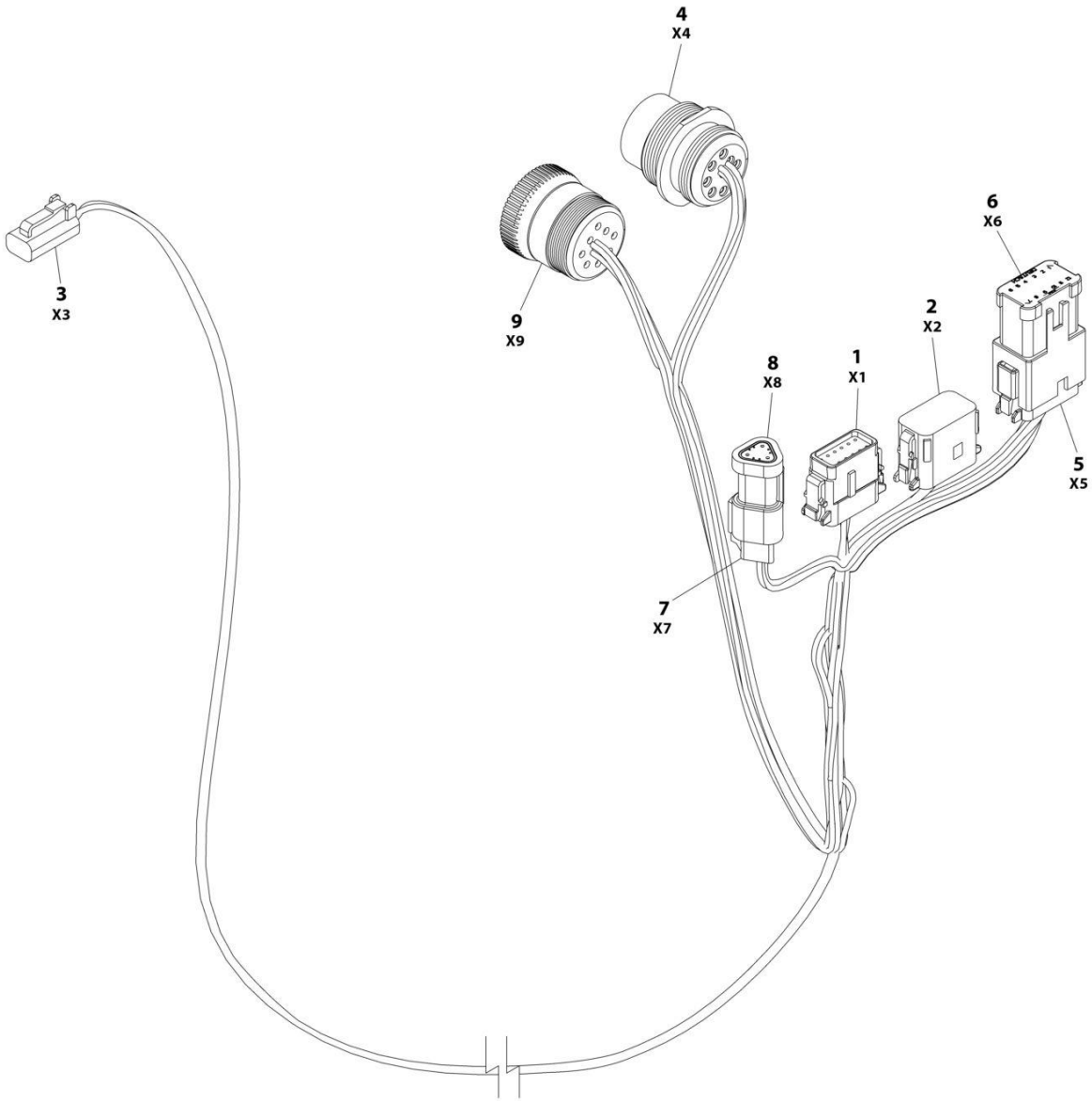
SECTION 8 - ELECTRICAL

FIGURE 8-25. BATTERY DISCONNECT SWITCH INSTALLATION (DEUTZ TD2.9L4, DEUTZ D2.9L4, DEUTZ TD2.2L3 STAGE V AND FORD DF2.5L ENGINES)

ITEM	PART NUMBER	QTY	DESCRIPTION	REV
	1001236304	Ref	BATTERY DISCONNECT SWITCH INSTALLATION	A
1	0760812	2	Bolt M8 x 25	
2	3290805	2	Nut M8	
3	3311405	3	Nut 1/4	
4	4751400	3	Washer 1/4	
5	4811900	4	Washer M8	
6	88411013	3	Bolt 1/4 x 3/4	
7	1001206476	1	Connectors, Post	
8	1001209432	1	Bussbar	
9	1001209474	1	Bussbar	
10	1001214570	1	Connector (Red)	
11	1001214571	1	Connector (Black)	
12	1001225346	1	Switch, Battery	
13	1001226531	1	Mount	
14	1001236504	1	Cable, Battery (+)	
15	1001236505	1	Cable, Battery (-)	

SECTION 8 - ELECTRICAL

FIGURE 8-26. BEACON LIGHT HARNESS (BLUE AND RED BEACON LIGHT)



ART_1001142736

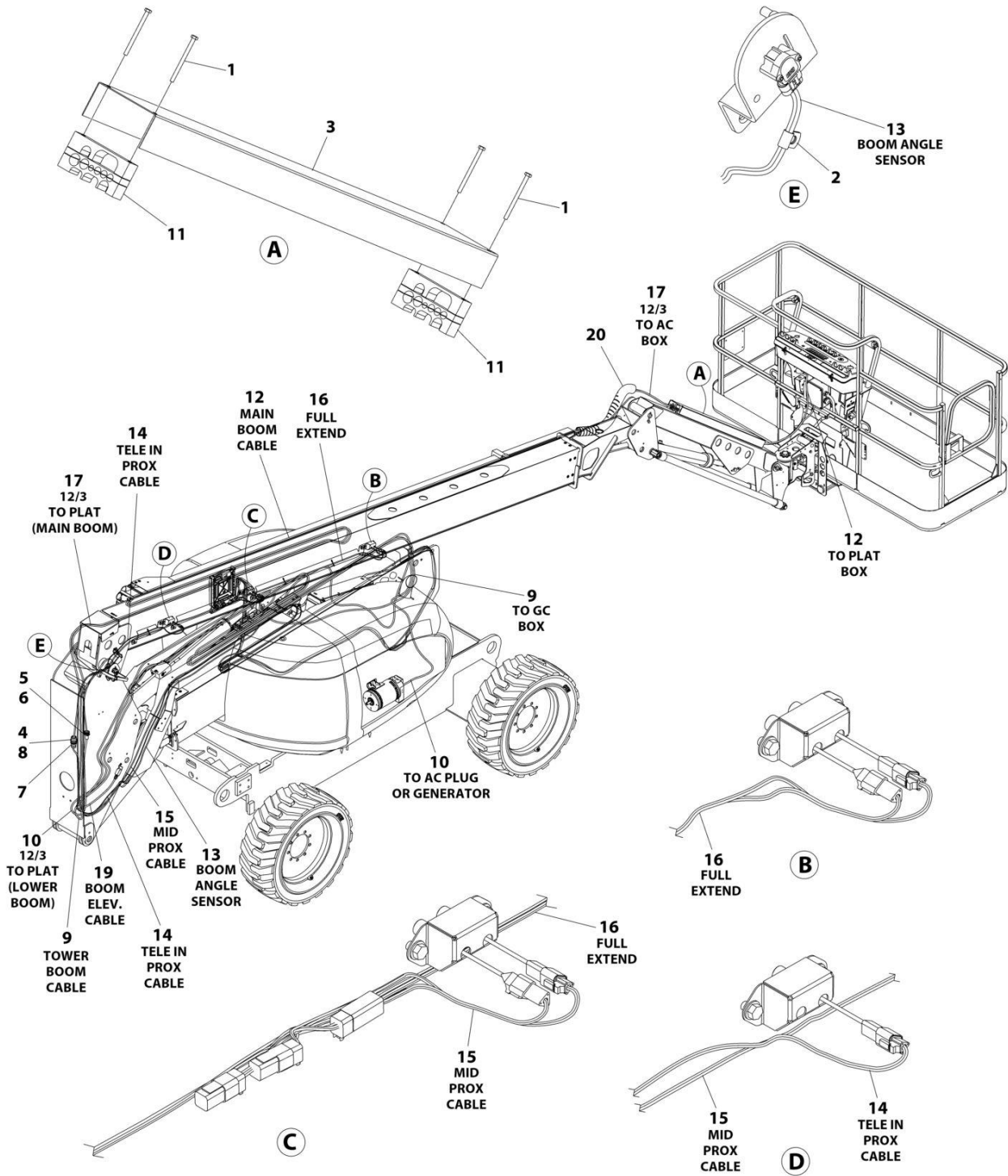
SECTION 8 - ELECTRICAL

FIGURE 8-26. BEACON LIGHT HARNESS (BLUE AND RED BEACON LIGHT)

ITEM	PART NUMBER	QTY	DESCRIPTION	REV
	1001142736	Ref	STROBE LIGHT HARNESS	F
1	1001116808	1	Plug, Male - 12 Position	
1	4460928	3	Socket, Female	
1	4460518	9	Plug, Terminal	
2	1001116774	1	Plug, Male - 12 Position	
2	4460928	3	Socket, Female	
2	4460518	9	Plug, Terminal	
3	4460891	1	Plug, Male - 2 Position	
3	4460465	2	Socket, Female	
4	1001112612	1	Connector - 9 Position	
4	4460464	6	Pin, Male	
4	4460466	3	Plug, Terminal	
5	4460933	1	Plug, Male - 12 Position	
5	4460465	12	Socket, Female	
6	1001119020	1	Bussbar - 12 Position	
7	4461095	1	Plug, Male - 3 Position	
7	4460465	3	Socket, Female	
8	4461070	1	Bussbar - 3 Position	
9	1001112796	1	Connector - 9 Position	
9	4460465	6	Socket, Female	
9	4460466	3	Plug, Terminal	

SECTION 8 - ELECTRICAL

FIGURE 8-27. BOOM CABLES INSTALLATION - WITH 2500W GENERATOR OR NO GENERATOR



ART_1001256026

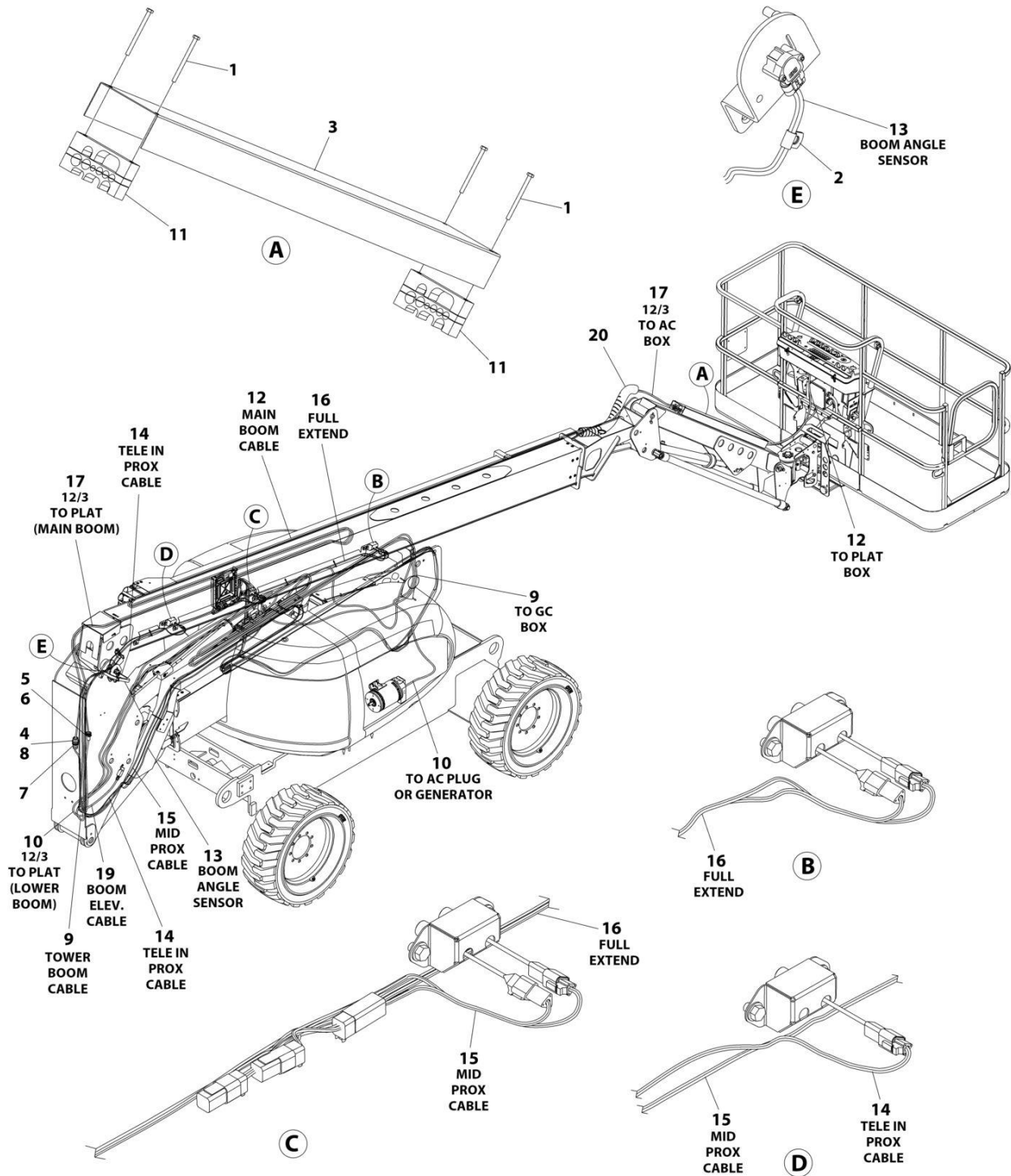
SECTION 8 - ELECTRICAL

FIGURE 8-27. BOOM CABLES INSTALLATION - WITH 2500W GENERATOR OR NO GENERATOR

ITEM	PART NUMBER	QTY	DESCRIPTION	REV
	1001256026	Ref	BOOM CABLES INSTALLATION	D
1	0700624	4	Bolt M6 x 80	
2	1320263	1	Clamp	
3	1671034	1	Cover	
4	2820031	AR	Heat Shrink	
5	4460466	8	Plug, Terminal	
6	4460473	1	Clamp, Cable	
7	4460865	1	Connector - 19 Pin Plug	
8	4460866	1	Connector - 19 Pin Receptacle	
9	4922494	1	Boom Cable - Tower Boom (See Separate Breakdown in this Section)	
10	4922893	1	Cable, Electrical - 12/3 (Tower Boom)	
11	1001165350	2	Block, Clamp	
12	1001254463	1	Boom Cable - Main Boom (See Separate Breakdown in this Section)	
13	1001254465	1	Sensor, Harness - Boom Angle	
13	1001230931	1	Connector - 6 Position	
13	1001116748	6	Terminal	
14	1001254466	1	Sensor, Harness - Tele in Prox	
14	4460539	1	Plug, Male - 3 Position	
14	4460465	3	Socket, Female	
15	1001254467	1	Sensor, Harness - Mid Prox (See Separate Breakdown in this Section)	
16	1001254468	1	Sensor, Harness - Full Extension (See Separate Breakdown in this Section)	
17	1001257325	1	Cable, Electrical - 12/3 (Main Boom)	
18	4240033	1	Tie - Strap (Not Shown)	
19	1061033	1	Cable, Electrical - 18/2	
20	1001181923	1	Hose Shield	

SECTION 8 - ELECTRICAL

FIGURE 8-28. BOOM CABLE INSTALLATION - WITH 4000W/50HZ GENERATOR



ART_1001256026

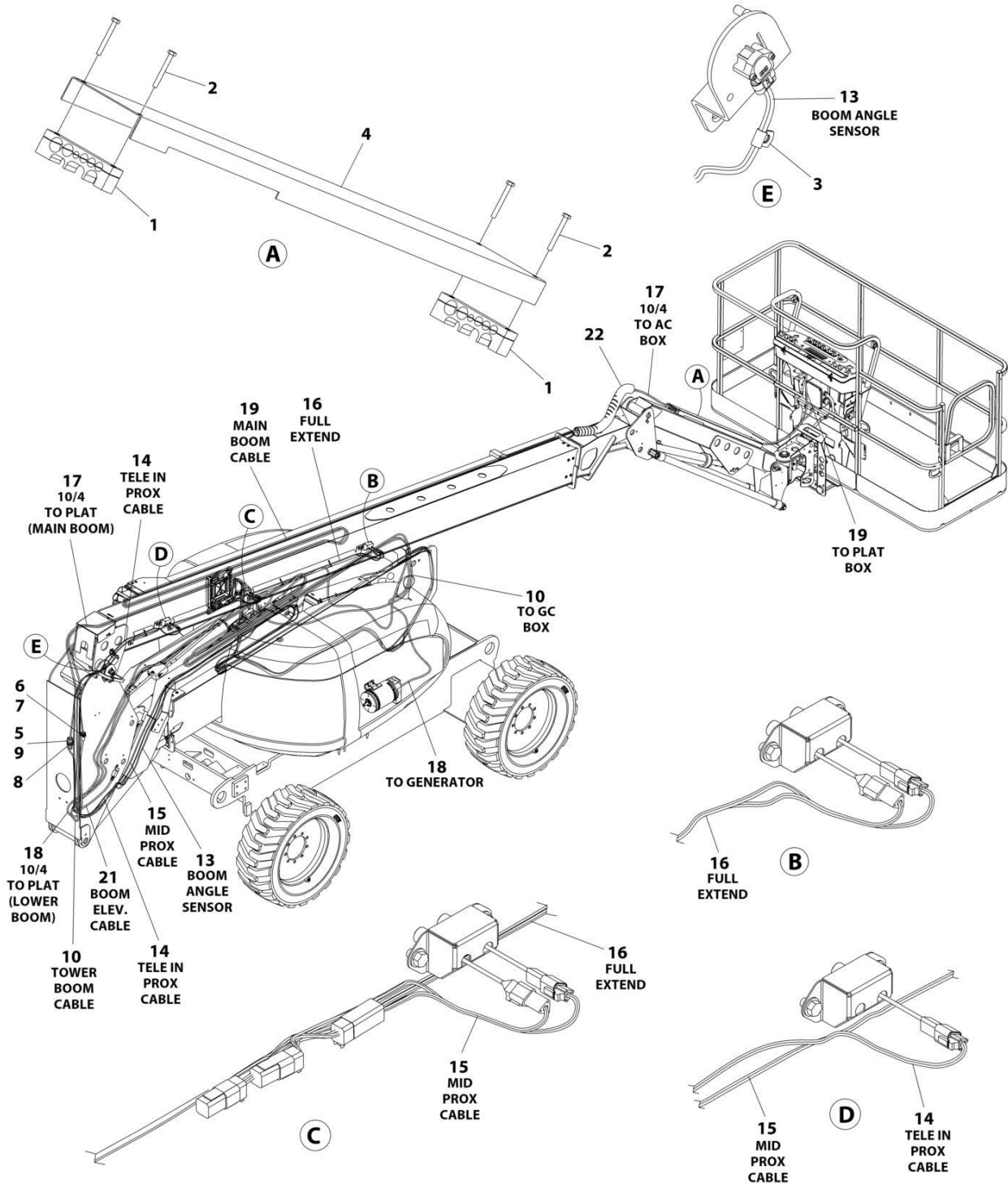
SECTION 8 - ELECTRICAL

FIGURE 8-28. BOOM CABLE INSTALLATION - WITH 4000W/50HZ GENERATOR

ITEM	PART NUMBER	QTY	DESCRIPTION	REV
	1001256026	Ref	BOOM CABLES INSTALLATION	D
1	0700624	4	Bolt M6 x 80	
2	1320263	1	Clamp	
3	1671034	1	Cover	
4	2820031	AR	Heat Shrink	
5	4460466	8	Plug, Terminal	
6	4460473	1	Clamp, Cable	
7	4460865	1	Connector - 19 Pin Plug	
8	4460866	1	Connector - 19 Pin Receptacle	
9	4922494	1	Boom Cable - Tower Boom (See Separate Breakdown in this Section)	
10	4922893	1	Cable, Electrical - 12/3 (Tower Boom)	
11	1001165350	2	Block, Clamp	
12	1001254463	1	Boom Cable - Main Boom (See Separate Breakdown in this Section)	
13	1001254465	1	Sensor, Harness - Boom Angle	
13	1001230931	1	Connector - 6 Position	
13	1001116748	6	Terminal	
14	1001254466	1	Sensor, Harness - Tele in Prox	
14	4460539	1	Plug, Male - 3 Position	
14	4460465	3	Socket, Female	
15	1001254467	1	Sensor, Harness - Mid Prox (See Separate Breakdown in this Section)	
16	1001254468	1	Sensor, Harness - Full Extension (See Separate Breakdown in this Section)	
17	1001257325	1	Cable, Electrical - 12/3 (Main Boom)	
18	4240033	1	Tie - Strap (Not Shown)	
19	1061033	1	Cable, Electrical - 18/2	
20	1001181923	1	Hose Shield	

SECTION 8 - ELECTRICAL

FIGURE 8-29. BOOM CABLES INSTALLATION - WITH 4000W/60HZ GENERATOR



ART_1001256028

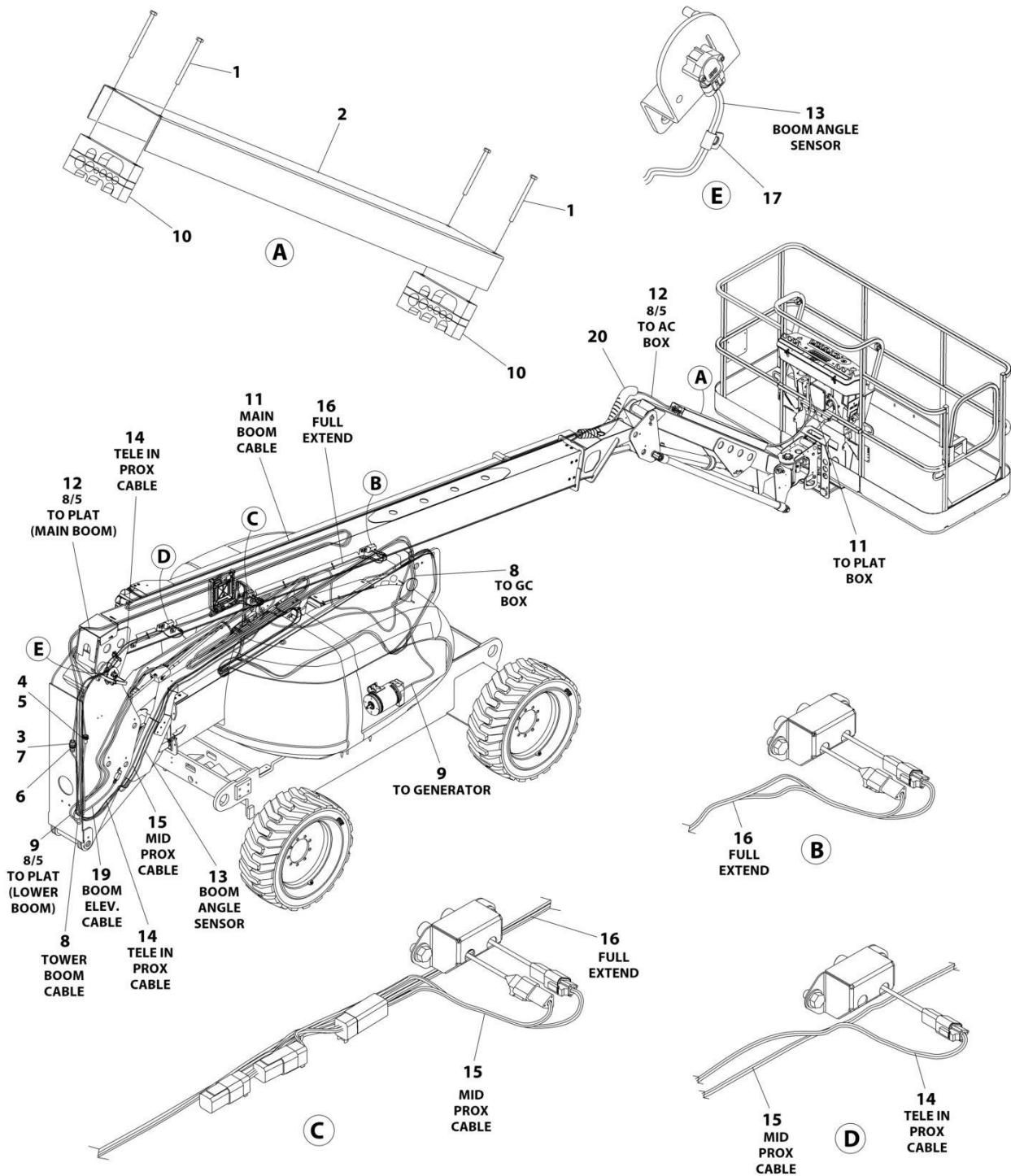
SECTION 8 - ELECTRICAL

FIGURE 8-29. BOOM CABLES INSTALLATION - WITH 4000W/60HZ GENERATOR

ITEM	PART NUMBER	QTY	DESCRIPTION	REV
	1001256028	Ref	BOOM CABLES INSTALLATION	D
1	0561237	2	Block, Clamp	
2	0700618	4	Bolt M6 x 50	
3	1320263	1	Clamp	
4	1670769	1	Cover	
5	2820031	AR	Heat Shrink	
6	4460466	8	Plug, Terminal	
7	4460473	1	Clamp, Cable	
8	4460865	1	Connector - 19 Pin Plug	
9	4460866	1	Connector - 19 Pin Receptacle	
10	4922494	1	Boom Cable - Tower Boom (See Separate Breakdown in this Section)	
13	1001254465	1	Sensor, Harness - Boom Angle	
13	1001230931	1	Connector - 6 Position	
13	1001116748	6	Terminal	
14	1001254466	1	Sensor, Harness - Tele in Prox	
14	4460539	1	Plug, Male - 3 Position	
14	4460465	3	Socket, Female	
15	1001254467	1	Sensor, Harness - Mid Prox (See Separate Breakdown in this Section)	
16	1001254468	1	Sensor, Harness - Full Extension (See Separate Breakdown in this Section)	
17	1001257326	1	Cable, Electrical - 10/4 (Main Boom)	
18	1001156490	1	Cable, Electrical - 10/4 (Tower Boom)	
19	1001254463	1	Boom Cable - Main Boom (See Separate Breakdown in this Section)	
20	4240033	1	Tie - Strap (Not Shown)	
21	1061033	1	Cable, Electrical 18/2	
22	1001181923	1	Hose Shield	

SECTION 8 - ELECTRICAL

FIGURE 8-30. BOOM CABLE INSTALLATION - WITH 7500W GENERATOR



ART_1001250983

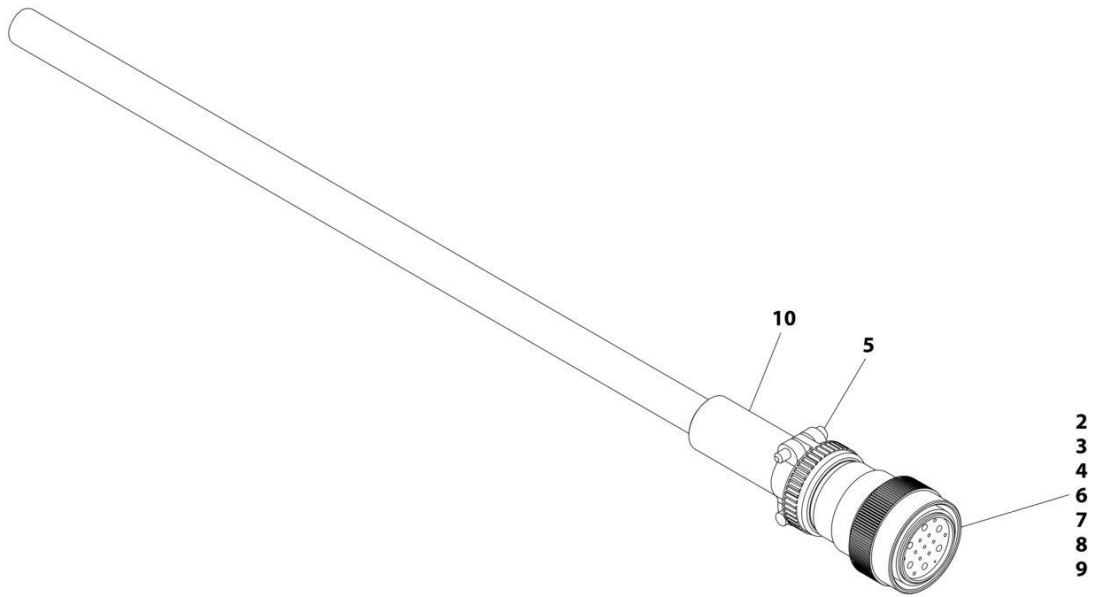
SECTION 8 - ELECTRICAL

FIGURE 8-30. BOOM CABLE INSTALLATION - WITH 7500W GENERATOR

ITEM	PART NUMBER	QTY	DESCRIPTION	REV
	1001250983	Ref	BOOM CABLES INSTALLATION	D
1	0700624	4	Bolt M6 x 80	
2	1671034	1	Cover	
3	2820031	AR	Heat Shrink	
4	4460466	8	Plug, Terminal	
5	4460473	1	Clamp, Cable	
6	4460865	1	Connector - 19 Pin Plug	
7	4460866	1	Connector - 19 Pin Receptacle	
8	4922494	1	Boom Cable - Tower Boom (See Separate Breakdown in this Section)	
9	4922811	1	Cable, Electrical - 8/5 (Tower Boom)	
10	1001165350	2	Block, Clamp	
11	1001254463	1	Boom Cable - Main Boom (See Separate Breakdown in this Section)	
12	1001254464	1	Cable, Electrical - 8/5 (Main Boom)	
13	1001254465	1	Sensor, Harness - Boom Angle	
13	1001230931	1	Connector - 6 Position	
13	1001116748	6	Terminal	
14	1001254466	1	Sensor, Harness - Tele in Prox	
14	4460539	1	Plug, Male - 3 Position	
14	4460465	3	Socket, Female	
15	1001254467	1	Sensor, Harness - Mid Prox (See Separate Breakdown in this Section)	
16	1001254468	1	Sensor, Harness - Full Extension (See Separate Breakdown in this Section)	
17	1320263	1	Clamp	
18	4240033	1	Tie - Strap (Not Shown)	
19	1061033	1	Cable, Electrical 18/2	
20	1001181923	1	Hose Shield	

SECTION 8 - ELECTRICAL

FIGURE 8-31. BOOM CABLE - MAIN BOOM



ART_1001254463

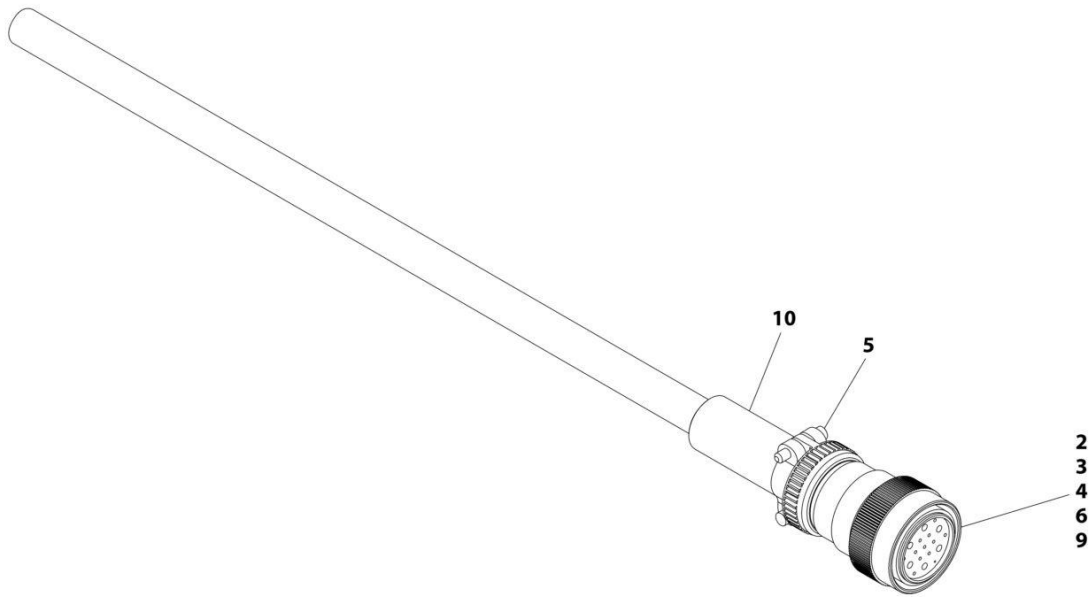
SECTION 8 - ELECTRICAL

FIGURE 8-31. BOOM CABLE - MAIN BOOM

ITEM	PART NUMBER	QTY	DESCRIPTION	REV
	1001254463	Ref	BOOM CABLE - MAIN BOOM	A
2	4460465	11	Socket, Female	
3	4460865	1	Connector - 19 Position	
4	4460509	4	Socket, Female	
5	4460473	1	Clamp	
6	4460466	4	Plug, Terminal	
7	4460464	11	Pin, Male	
8	4460508	4	Pin, Male	
9	2820118	AR	Heatshrink, Clear	
10	1001226400	1	Insulate, Heatshrink	

SECTION 8 - ELECTRICAL

FIGURE 8-32. BOOM CABLE - TOWER BOOM (WITHOUT ARCTIC PACKAGE)



ART_4922494

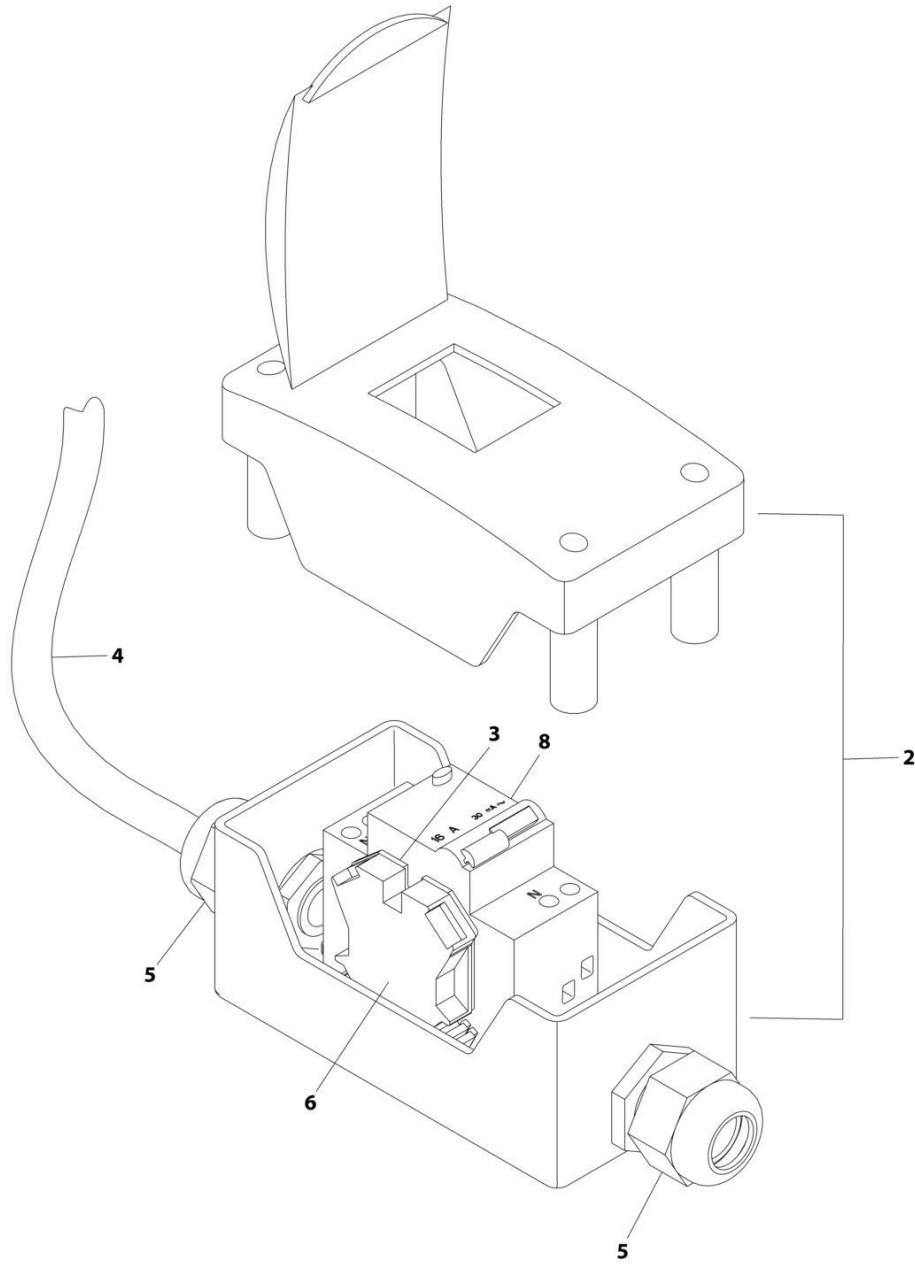
SECTION 8 - ELECTRICAL

FIGURE 8-32. BOOM CABLE - TOWER BOOM (WITHOUT ARCTIC PACKAGE)

ITEM	PART NUMBER	QTY	DESCRIPTION	REV
	4922494	Ref	BOOM CABLE - TOWER BOOM	C
2	4460465	22	Socket, Female	
3	4460865	1	Connector - 19 Position	
4	4460509	8	Socket, Female	
5	4460473	1	Clamp	
6	4460466	4	Plug, Terminal	
9	2820118	AR	Heatshrink, Clear	
10	1001226400	1	Insulate, Heatshrink	

SECTION 8 - ELECTRICAL

FIGURE 8-33. BREAKER BOX KIT - SINGLE DOUBLE POLE BREAKER (WITH 4000W/50HZ GENERATOR)



ART_1001096070

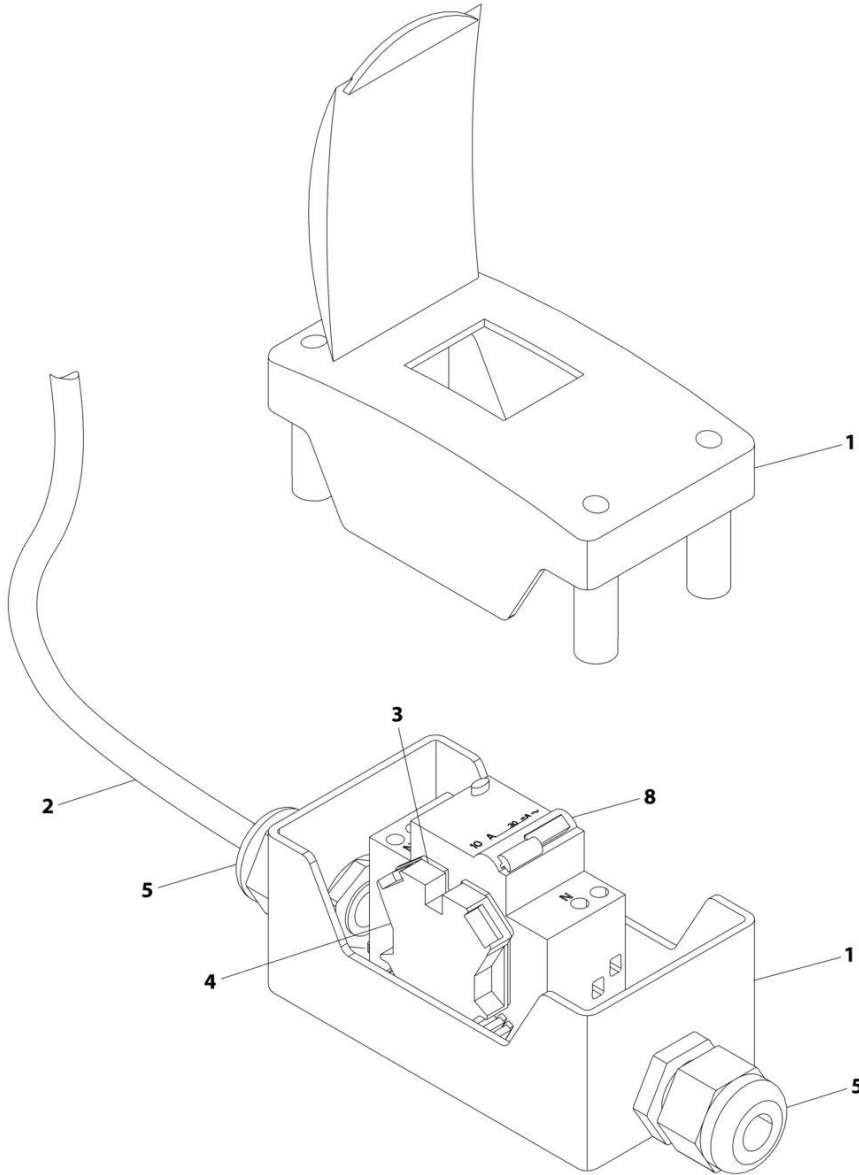
SECTION 8 - ELECTRICAL

FIGURE 8-33. BREAKER BOX KIT - SINGLE DOUBLE POLE BREAKER (WITH 4000W/50HZ GENERATOR)

ITEM	PART NUMBER	QTY	DESCRIPTION	REV
	1001096070	Ref	BREAKER BOX KIT	E
2	0861880	1	Box	
3	4460956	1	Barrier, Terminal Block End	
4	1060908	12 ft/ 3.6m	Cable, 12/3	
5	1001097150	2	Connector, Strain Relief	
6	4460957	1	Block, Terminal	
8	1001181045	1	Breaker, 16Amp	

SECTION 8 - ELECTRICAL

FIGURE 8-34. BREAKER BOX KIT - 30MA/16 AMP (WITH GENERATOR)



ART_1001109554

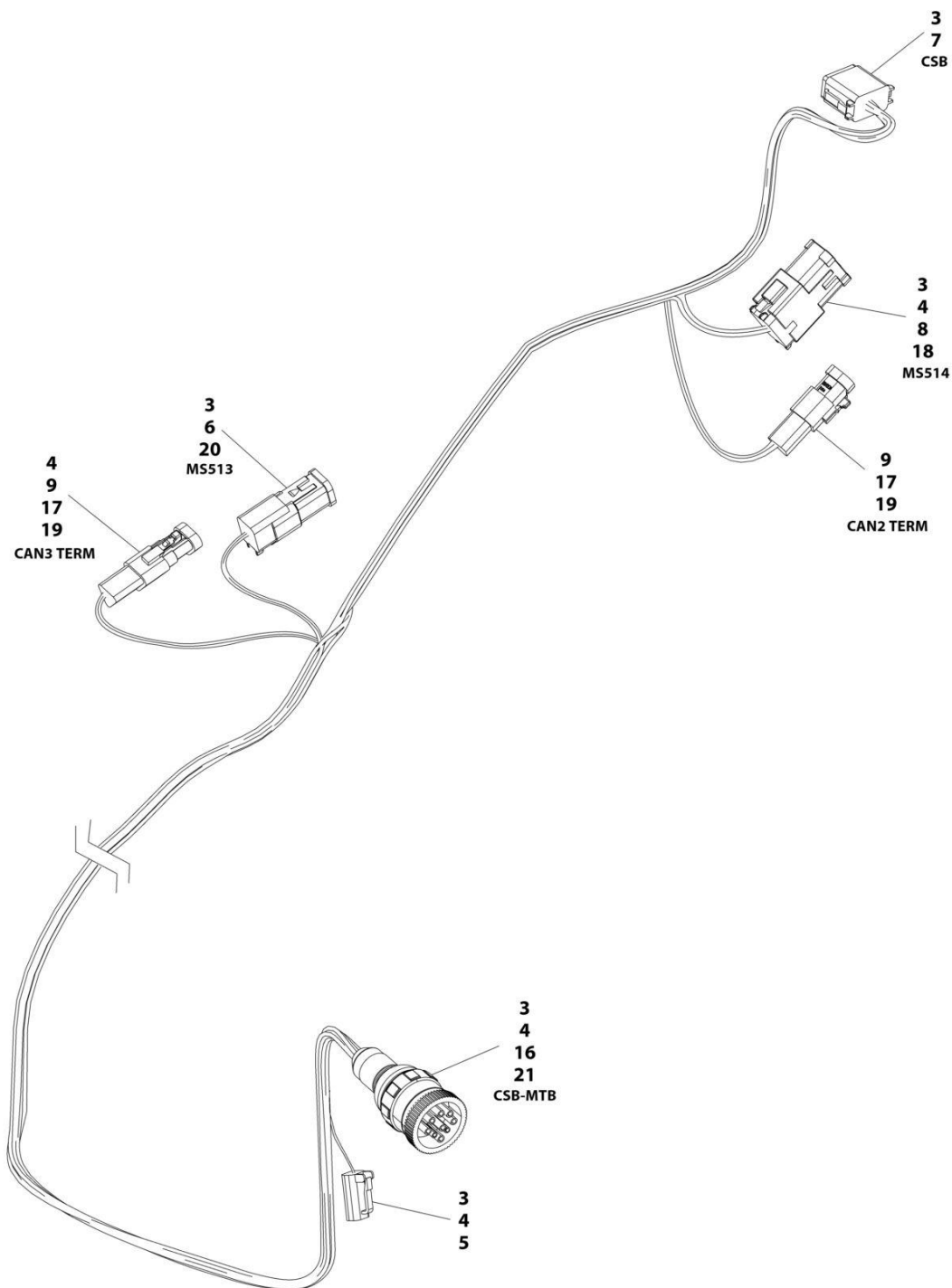
SECTION 8 - ELECTRICAL

FIGURE 8-34. BREAKER BOX KIT - 30MA/16 AMP (WITH GENERATOR)

ITEM	PART NUMBER	QTY	DESCRIPTION	REV
	1001109554	Ref	BREAKER BOX KIT - 30mA/16 AMP	C
1	0861880	1	Box, Breaker	
2	1060908	12 ft /3.6m	Cable, Electrical 12/3	
3	4460956	1	Barrier, Terminal Block End	
4	4460957	1	Block, Terminal	
5	1001097150	2	Connector, Strain Relief	
8	1001181046	1	Breaker, Double 30mA/16Amp	

SECTION 8 - ELECTRICAL

FIGURE 8-35. CSB HARNESS



ART_1001286622

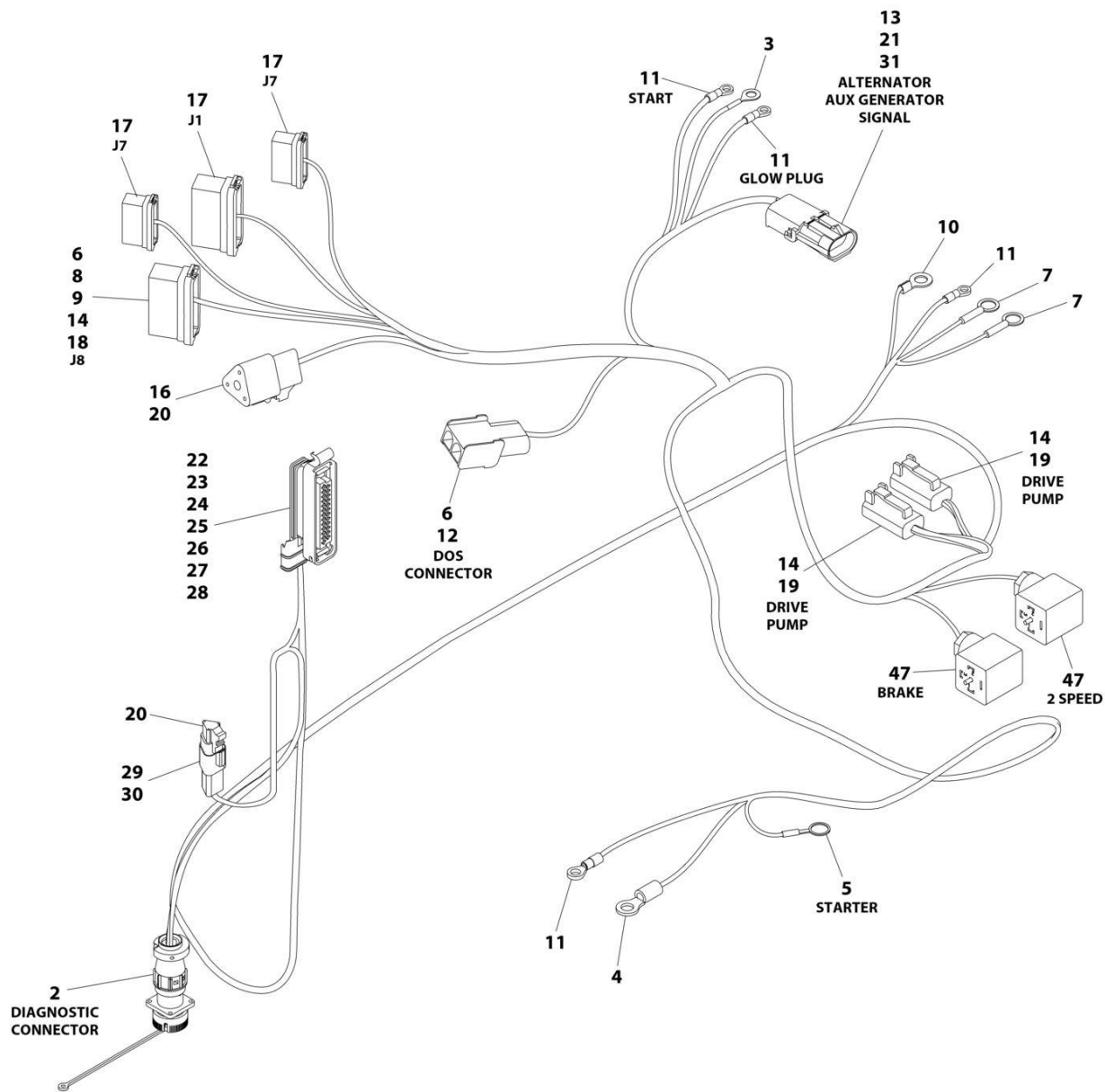
SECTION 8 - ELECTRICAL

FIGURE 8-35. CSB HARNESS

ITEM	PART NUMBER	QTY	DESCRIPTION	REV
	1001286622	Ref	CSB HARNESS	C
3	4460465	32	Socket	
4	4460466	6	Plug, Terminal	
5	4460891	1	Connector	
6	4460894	1	Connector	
7	4460930	1	Connector	
8	4460933	1	Connector	
9	4460943	6	Pin	
16	1001112796	1	Connector	
17	1001116815	2	Connector	
18	1001119020	1	Connector	
19	1001144147	2	Pin	
20	1001226541	1	Connector	
21	4461042	1	Connector	

SECTION 8 - ELECTRICAL

FIGURE 8-36. ENGINE HARNESS ASSEMBLY (DEUTZ D2011 ENGINES)



ART_1001285378

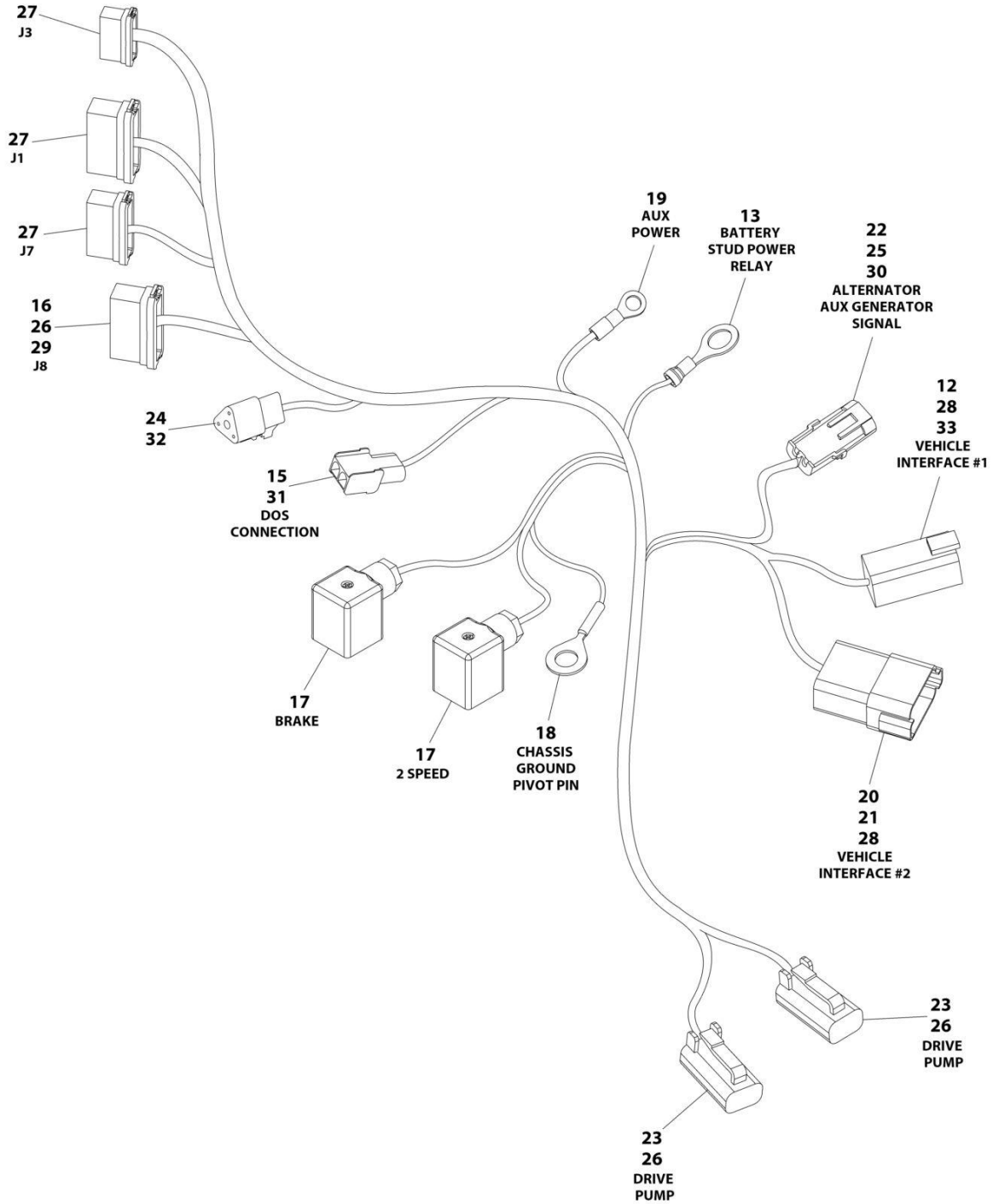
SECTION 8 - ELECTRICAL

FIGURE 8-36. ENGINE HARNESS ASSEMBLY (DEUTZ D2011 ENGINES)

ITEM	PART NUMBER	QTY	DESCRIPTION	REV
	1001285378	Ref	ENGINE HARNESS - DEUTZ D2011 ENGINES	A
2	2902443	1	Receptacle Kit	
2	4461071	8	Socket	
2	4461072	1	Receptacle	
2	4461073	1	Cap, Dust	
2	4461074	1	Shell, Black	
3	4460019	1	Terminal, Ring	
4	4460043	1	Terminal, Ring	
5	4460142	1	Terminal, Ring	
6	4460226	4	Socket	
7	4460256	2	Terminal, Ring	
8	4460259	1	Terminal	
10	4460260	1	Housing, Terminal	
11	4460313	4	Terminal, Ring	
12	4460424	1	Connector	
13	4460458	2	Seal	
14	4460465	6	Socket	
16	4460539	1	Connector	
17	4460871	10	Socket	
18	4460887	1	Terminal	
19	4460891	2	Connector	
20	4460944	6	Socket	
21	4460979	2	Terminal	
22	4461005	5	Terminal	
23	4461006	5	Seal	
24	4461008	18	Plug, Terminal	
25	4461052	1	Connector	
26	4461053	1	Plug	
27	4461054	2	Seal	
28	4461060	2	Terminal	
29	4461070	1	Connector	
30	4461095	1	Terminal	
31	4461157	1	Connector	
47	1001263923	2	Connector	

SECTION 8 - ELECTRICAL

FIGURE 8-37. ENGINE HARNESS ASSEMBLY (DEUTZ TD2.9L4 & DEUTZ DT2.2L3 STAGE V ENGINES)



ART_1001286030

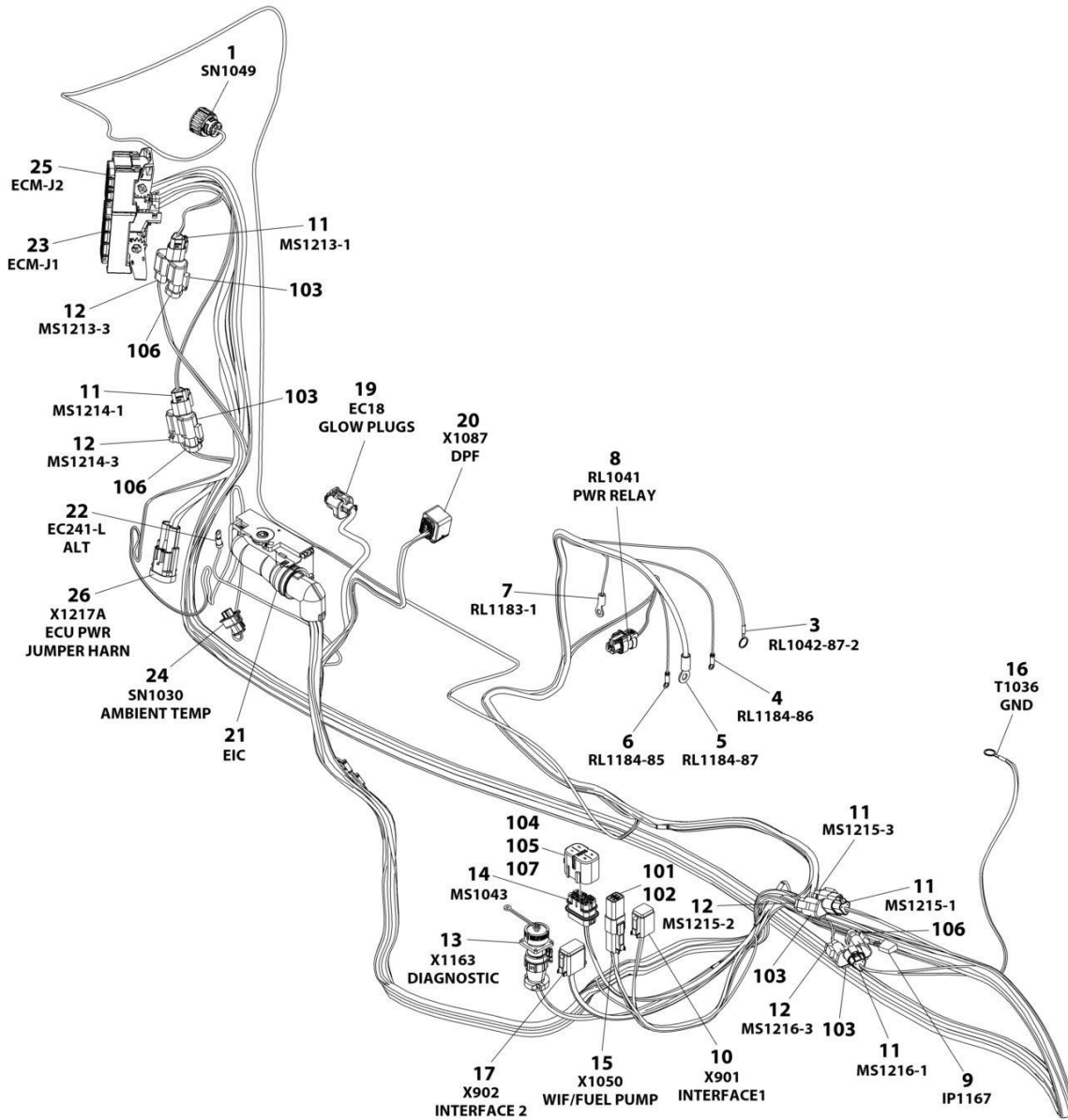
SECTION 8 - ELECTRICAL

FIGURE 8-37. ENGINE HARNESS ASSEMBLY (DEUTZ TD2.9L4 & DEUTZ DT2.2L3 STAGE V ENGINES)

ITEM	PART NUMBER	QTY	DESCRIPTION	REV
	1001286030	Ref	ENGINE HARNESS - DEUTZ TD2.9L4 ENGINES	A
12	4460943	3	Pin	
13	4460738	1	Terminal, Ring	
15	4460424	1	Connector	
16	4460268	1	Socket	
17	1001263923	2	DIN Connector without Diode	
18	4460019	1	Terminal, Ring	
19	4460313	1	Terminal, Ring	
20	4460931	1	Connector	
21	4460466	4	Plug, Terminal	
22	4460979	2	Pin	
23	4460891	2	Connector	
24	4460539	1	Connector	
25	4460458	2	Seal, Terminal	
26	4460465	7	Socket	
27	4460871	11	Socket	
28	4460464	8	Pin	
29	4460887	1	Pin	
30	4461157	1	Connector	
31	4460226	2	Socket	
32	4460944	3	Socket	
33	4460899	1	Connector	

SECTION 8 - ELECTRICAL

FIGURE 8-38. ENGINE HARNESS - DEUTZ TD2.2L3 ENGINES



ART_1001276645_B

SECTION 8 - ELECTRICAL

FIGURE 8-38. ENGINE HARNESS - DEUTZ TD2.2L3 ENGINES

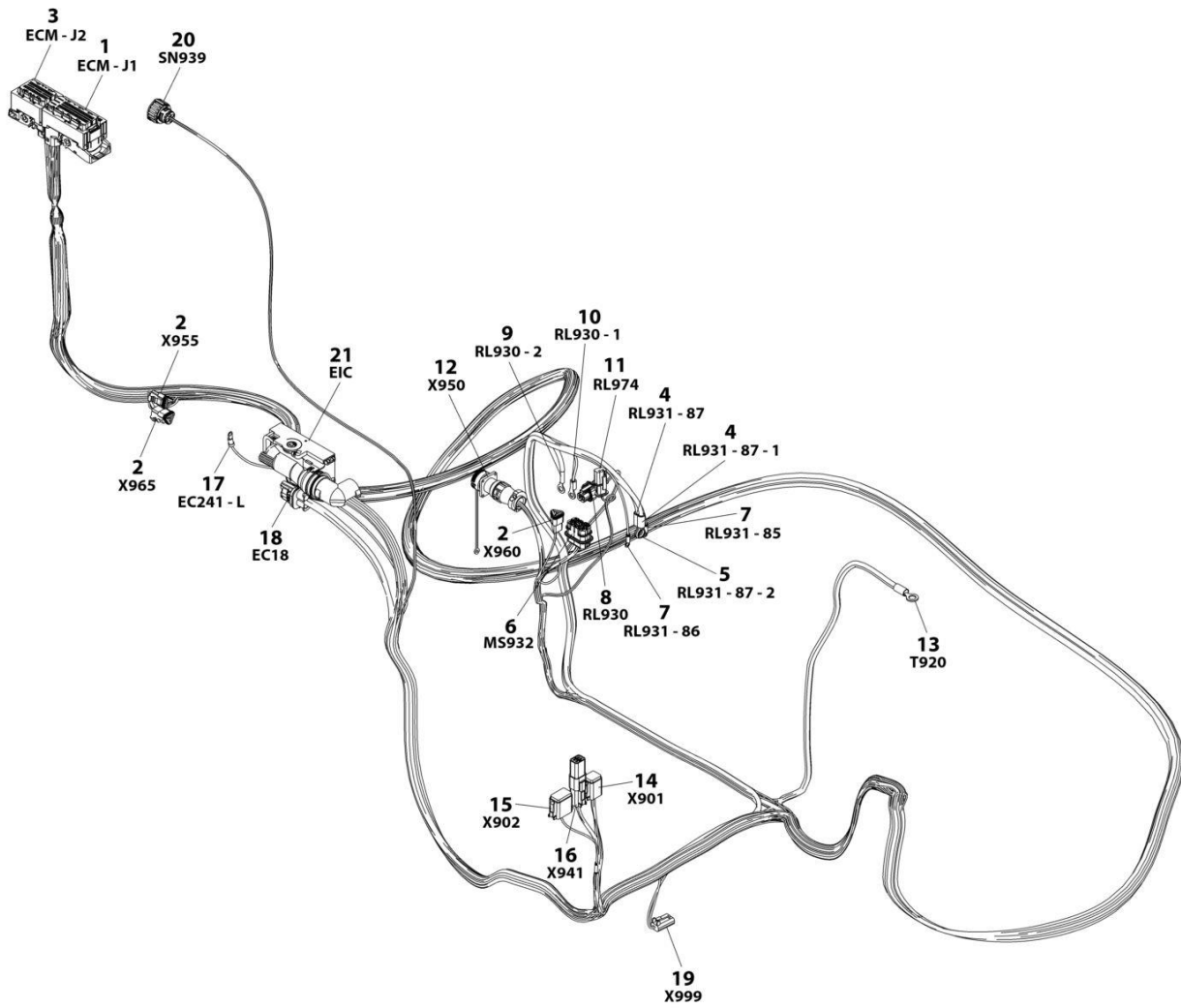
ITEM	PART NUMBER	QTY	DESCRIPTION	REV
	1001276645	Ref	ENGINE HARNESS	B
1	1001133714	1	Connector	
1	1001133715	3	Terminal	
1	1001135651	1	Plug	
1	1001135650	3	Seal	
3	4460703	1	Terminal, Ring	
4	4460247	1	Terminal, Ring	
5	1001117107	1	Terminal, Ring	
6	4460247	1	Terminal, Ring	
7	4460043	1	Terminal, Ring	
8	1001116952	1	Connector	
8	4460465	2	Socket	
9	1001170764	1	Holder, Fuse	
9	1001197719	1	Resistor 0.5 Watt	
10	4460894	1	Connector	
10	4460465	2	Socket	
10	4460944	2	Socket	
10	4460466	2	Plug	
11	1001116812	5	Connector	
11	4460944	10	Socket	
11	4460466	5	Plug, Terminal	
12	4460539	4	Connector	
12	4460944	8	Socket	
12	4460466	4	Plug	
13	2902443	1	Receptacle Kit	
13	4461071	6	Terminal	
14	80484084	1	Connector	
14	1001116728	4	Terminal	
14	1001116727	4	Plug	
14	4460458	4	Plug	
15	4460884	1	Connector	
15	4460465	2	Socket	
15	4460942	1	Socket	
16	4460019	1	Terminal, Ring	
17	4460930	1	Connector	
17	4460465	7	Socket	
17	4460466	1	Plug	
19	1001253873	1	Connector	
19	1001142940	1	Terminal	
19	1001142941	1	Seal	
20	1001239202	1	Connector	
20	1001126363	7	Terminal	
20	1001126391	1	Seal, Terminal	
20	1001126364	7	Seal, Terminal	
21	1001126362	1	Connector	
21	1001126363	37	Terminal	
21	1001126365	2	Terminal	
21	1001126391	9	Plug	
21	4461008	4	Plug	
21	1001126392	10	Terminal	

SECTION 8 - ELECTRICAL

ITEM	PART NUMBER	QTY	DESCRIPTION	REV
21	1001126364	37	Seal, Terminal	
21	1001223459	10	Seal, Terminal	
21	4461054	2	Seal	
22	4460042	1	Terminal, Ring	
23	1001133956	1	Connector	
23	1001126351	3	Terminal	
23	1001182361	6	Terminal	
23	1001252527	4	Terminal	
23	1001230934	25	Terminal	
23	1001230935	55	Plug	
23	1001230936	1	Plug	
23	1001182365	6	Seal, Terminal	
24	1001126487	1	Connector	
24	1001167635	2	Terminal	
24	1001126485	2	Seal	
25	1001133957	1	Connector	
25	1001126351	11	Terminal	
25	1001230934	26	Terminal	
25	1001230935	10	Plug	
25	1001230936	13	Plug	
26	1001289552	1	Connector	
26	1001289553	2	Socket	
26	1001142941	2	Plug	
101	4460466	4	Plug	
102	4460932	1	Connector	
103	4460945	4	Receptacle	
104	8229242	1	Fuse, 5Amp	
105	80983191	1	Fuse, 10Amp	
106	1001116815	3	Connector	
107	1001147264	1	Cap	

SECTION 8 - ELECTRICAL

FIGURE 8-39. ENGINE HARNESS - DEUTZ TD2.9L4 ENGINES



ART_1001143726

SECTION 8 - ELECTRICAL

FIGURE 8-39. ENGINE HARNESS - DEUTZ TD2.9L4 ENGINES

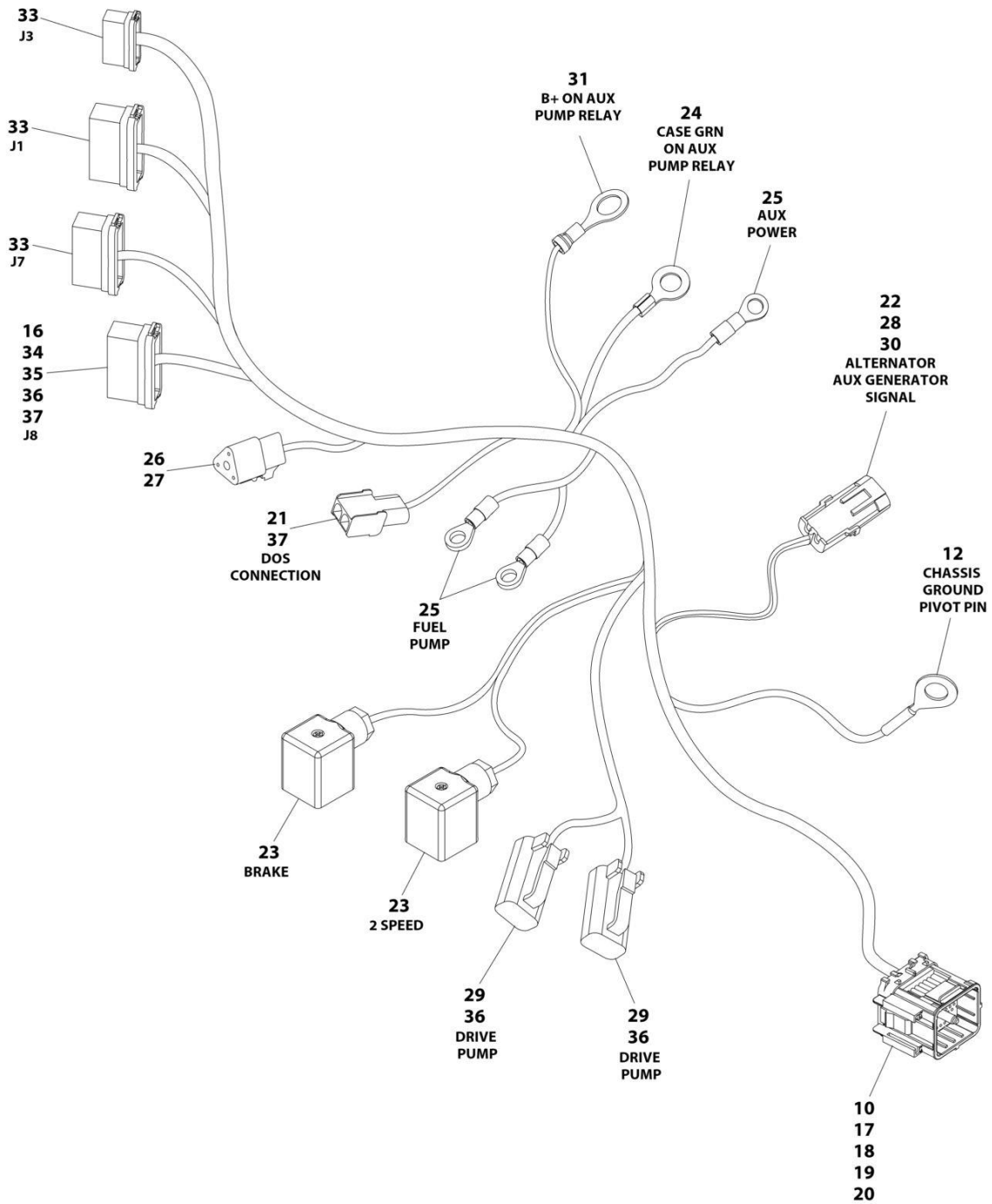
ITEM	PART NUMBER	QTY	DESCRIPTION	REV
	1001143726	Ref	ENGINE HARNESS	L
1	1001133956	1	Connector - 94 Position	
1	1001126351	2	Terminal	
1	1001126352	6	Terminal	
1	1001126384	21	Terminal	
1	1001126357	2	Plug, Terminal	
1	1001126356	63	Plug, Terminal	
2	4461095	3	Plug, Male - 3 Position	
2	4460944	6	Socket, Female	
2	4460466	3	Plug, Terminal	
3	1001133957	1	Connector - 60 Position	
3	1001126351	13	Terminal	
3	1001126384	17	Terminal	
3	1001126357	11	Plug, Terminal	
3	1001126356	19	Plug, Terminal	
4	1001117107	2	Terminal, Ring	
5	4460703	1	Terminal, Ring	
6	80484084	1	Plug, Male - 8 Position	
6	8229242	1	Fuse - 5Amp	
6	80983191	1	Fuse - 10Amp	
6	1001116728	4	Socket, Female	
6	1001116727	4	Plug, Terminal	
6	4460458	4	Seal, Terminal	
6	1001147264	1	Cap	
7	4460247	2	Terminal, Ring	
8	1001116952	1	Plug, Male - 2 Position	
8	4460465	2	Socket, Female	
9	1001117106	1	Terminal, Ring	
10	4460043	1	Terminal, Ring	
11	1001138110	1	Connector - 2 Position	
11	1001138111	2	Terminal	
11	1001138113	2	Seal	
12	2902443	1	Receptacle Kit	
12	4461073	1	Cap, Dust	
12	4461071	6	Terminal	
13	8220115	1	Terminal, Ring	
14	4460894	1	Plug, Male - 6 Position	
14	4460465	3	Socket, Female	
14	4460944	2	Socket, Female	
14	4460466	1	Plug, Terminal	
15	4460930	1	Plug, Male - 8 Position	
15	4460465	1	Socket, Female	
15	4460466	7	Plug, Terminal	
16	1001220379	1	Plug, Male - 4 Position	
16	4460465	2	Socket, Female	
16	4460942	2	Socket, Female	
16	4460932	1	Receptacle, Bussbar - 4 Position	
17	4460042	1	Terminal, Ring	
18	1001142938	1	Plug, Male - 2 Position	
18	1001142940	2	Terminal	

SECTION 8 - ELECTRICAL

ITEM	PART NUMBER	QTY	DESCRIPTION	REV
18	1001142941	2	Seal	
19	4460891	1	Plug, Male - 4 Position	
19	4460465	2	Socket, Female	
19	1001171403	1	Resistor Assembly	
19	4460897	1	Receptacle, Female - 4 Position	
20	1001133714	1	Connector - 4 Position	
20	1001133715	3	Terminal	
20	1001135650	3	Seal, Terminal	
20	1001135651	1	Plug, Terminal	
21	1001126362	1	Connector - 62 Position	
21	1001126363	23	Terminal	
21	1001126392	10	Terminal	
21	1001126365	2	Terminal	
21	1001126391	23	Plug, Terminal	
21	4461008	4	Plug, Terminal	
21	1001256506	2	Seal, Terminal	
21	1001126364	21	Seal, Terminal	
21	1001223459	10	Seal, Terminal	
21	4461008	4	Plug, Terminal	
21	1001151856	1	Elbow	

SECTION 8 - ELECTRICAL

FIGURE 8-40. ENGINE HARNESS ASSEMBLY (FORD DF2.5L ENGINES)



ART_1001286031

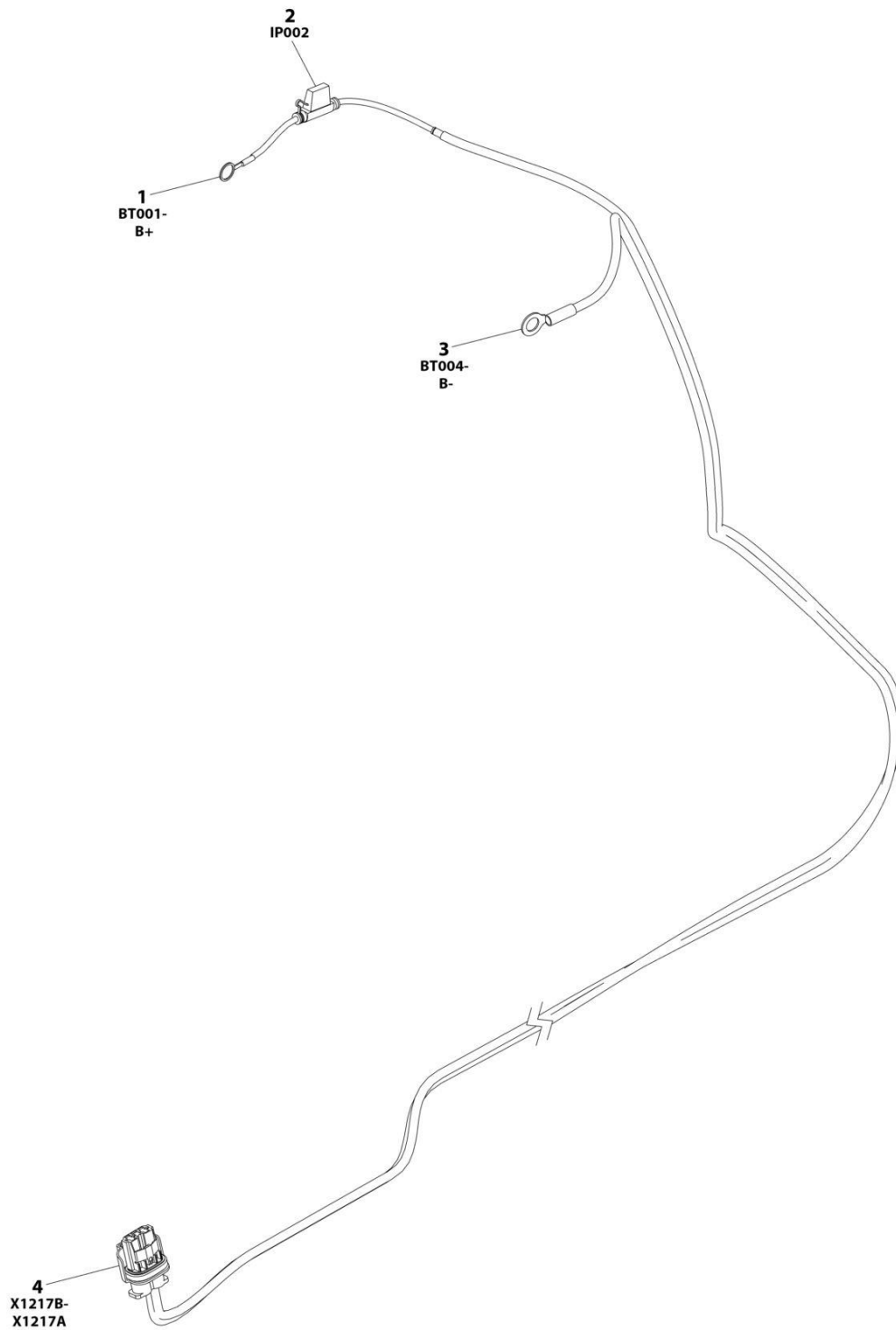
SECTION 8 - ELECTRICAL

FIGURE 8-40. ENGINE HARNESS ASSEMBLY (FORD DF2.5L ENGINES)

ITEM	PART NUMBER	QTY	DESCRIPTION	REV
	1001286031	Ref	ENGINE HARNESS - FORD DF2.5L ENGINES	A
10	1001216213	3	Plug, Terminal	
12	4460019	1	Terminal, Ring	
16	4460259	1	Terminal	
17	1001216212	1	Terminal	
18	1001215534	33	Plug, Terminal	
19	1001215091	5	Terminal	
20	1001215016	1	Connector	
21	4460424	1	Connector	
22	4460979	1	Terminal	
23	1001263923	2	DIN Connector without Diode	
24	4460312	1	Terminal, Ring	
25	4460313	3	Terminal, Ring	
26	4460539	1	Connector	
27	4460944	3	Socket	
28	4461157	1	Connector	
29	4460891	2	Connector	
30	4460458	2	Seal, Terminal	
31	4460738	1	Terminal, Ring	
33	4460871	9	Socket	
34	4460260	1	Housing, Terminal	
35	4460887	1	Pin	
36	4460465	6	Socket	
37	4460226	3	Socket	

SECTION 8 - ELECTRICAL

FIGURE 8-41. ECU POWER JUMPER HARNESS



ART_1001289593

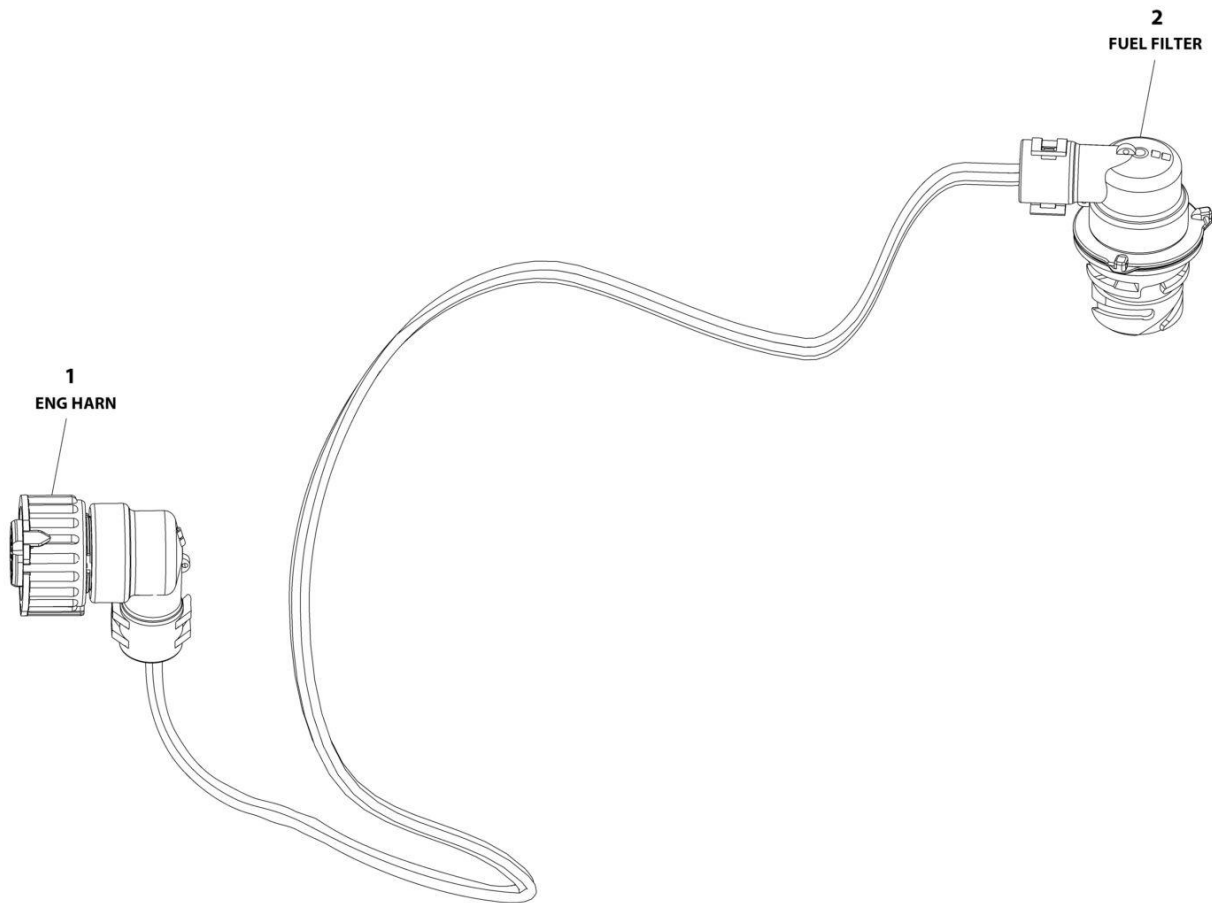
SECTION 8 - ELECTRICAL

FIGURE 8-41. ECU POWER JUMPER HARNESS

ITEM	PART NUMBER	QTY	DESCRIPTION	REV
	1001289593	Ref	ECU POWER JUMPER HARNESS	A
1	4460019	1	Terminal Ring	
2	1001172064	1	Fuse Holder	
2	1001172065	1	Fuse 30Amp	
3	8220164	1	Terminal Ring	
4	1001142938	1	Connector	
4	1001142940	2	Terminal	
4	1001142941	2	Seal	

SECTION 8 - ELECTRICAL

FIGURE 8-42. FUEL HARNESS - DEUTZ TD2.2L3 (STAGE V) ENGINE



ART_1001245913

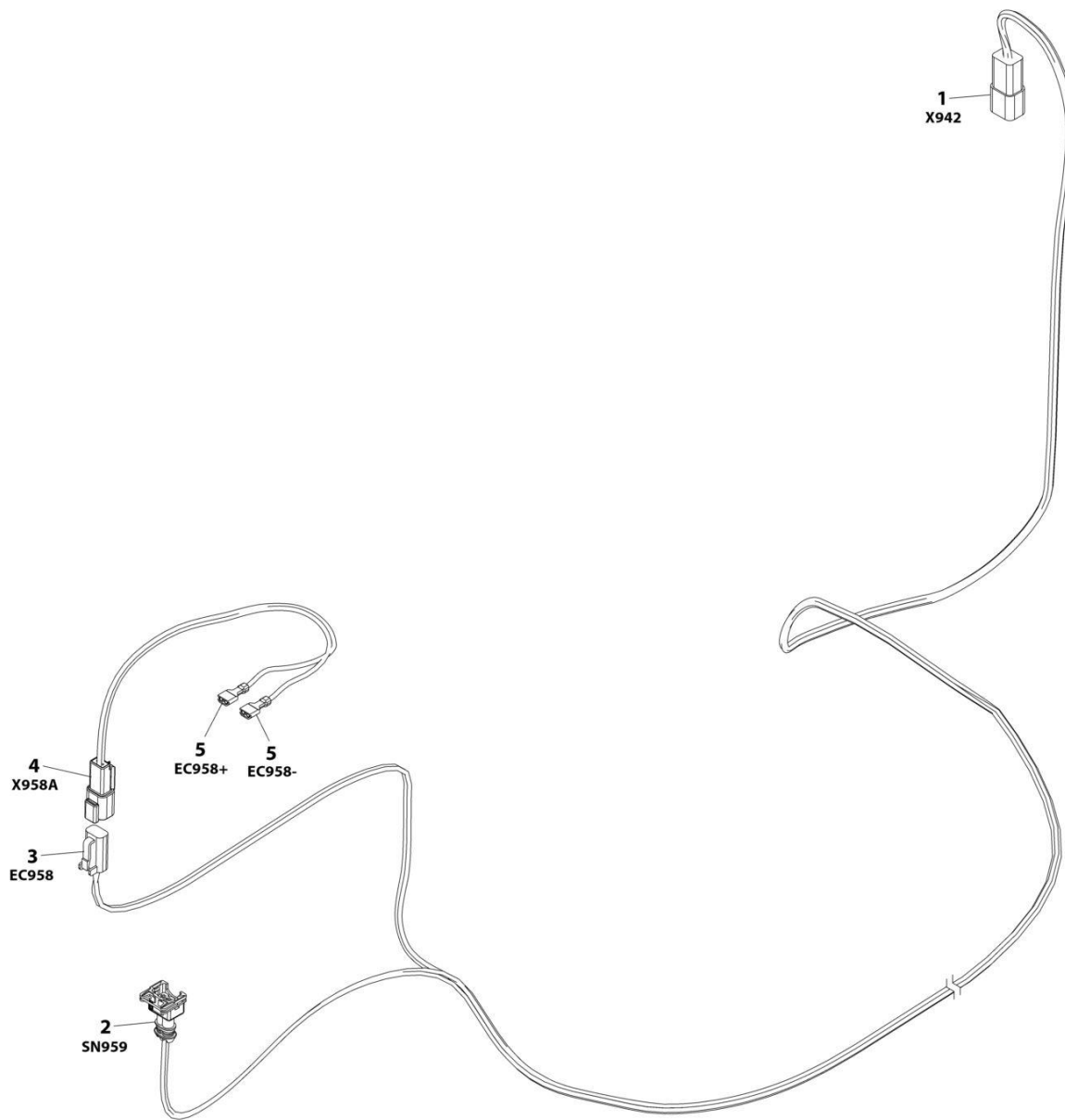
SECTION 8 - ELECTRICAL

FIGURE 8-42. FUEL HARNESS - DEUTZ TD2.2L3 (STAGE V) ENGINE

ITEM	PART NUMBER	QTY	DESCRIPTION	REV
	1001245913	Ref	FUEL HARNESS - DEUTZ (STAGE V) ENGINE	D
1	1001148842	1	Connector - 4 Position	
1	1001148841	4	Pin, Male	
1	1001135650	4	Seal	
2	1001133714	1	Plug, Male - 4 Position	
2	1001133715	4	Socket, Female	
2	1001135650	4	Seal	

SECTION 8 - ELECTRICAL

FIGURE 8-43. FUEL HARNESS - DEUTZ TD2.9L4 ENGINES



ART_1001138491

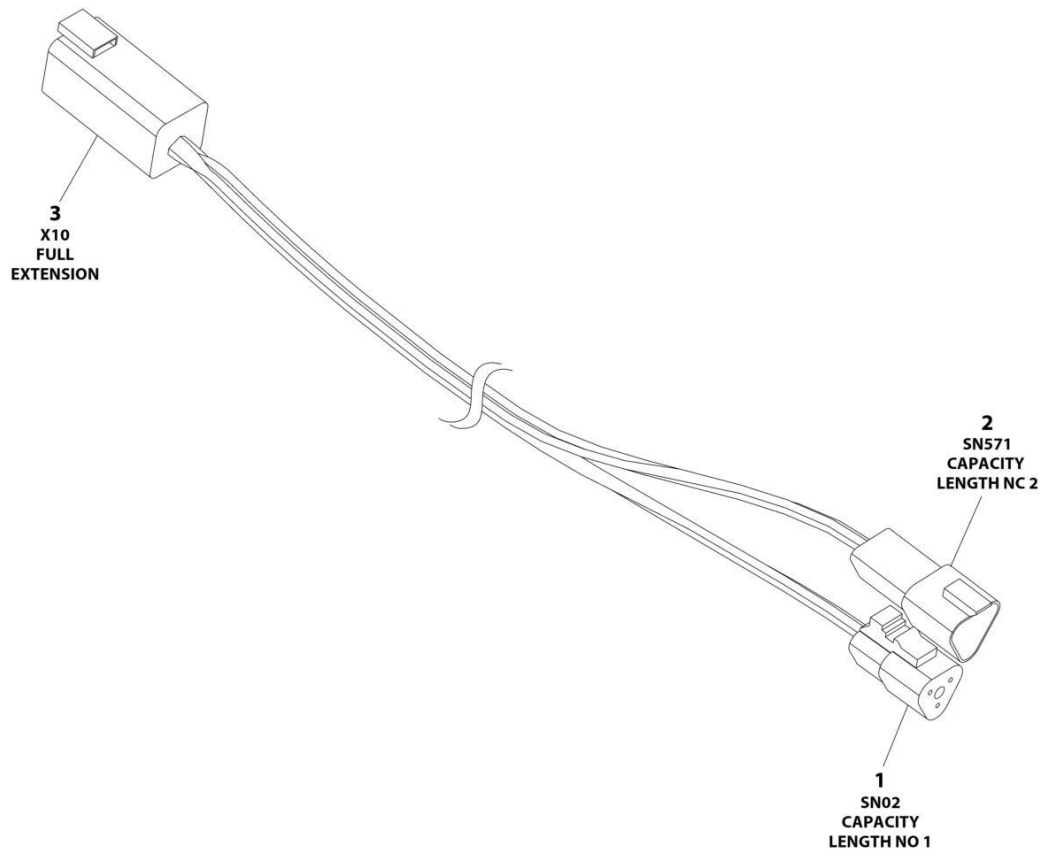
SECTION 8 - ELECTRICAL

FIGURE 8-43. FUEL HARNESS - DEUTZ TD2.9L4 ENGINES

ITEM	PART NUMBER	QTY	DESCRIPTION	REV
	1001138491	Ref	FUEL PUMP HARNESS	D
1	4460932	1	Receptacle, Female - 4 Position	
1	4460941	2	Pin, Male	
1	4460464	2	Pin, Male	
2	1001116983	1	Plug, Male - 2 Position	
2	1001116710	2	Socket, Female	
2	4461054	2	Seal	
3	4460891	1	Plug, Male - 2 Position	
3	4460942	2	Socket, Female	
4	4460897	1	Connector - 2 Position	
4	4460941	2	Pin, Male	
5	8220051	2	Terminal, Ring	

SECTION 8 - ELECTRICAL

FIGURE 8-44. FULL EXTENSION PROXIMITY HARNESS



ART_1001254468

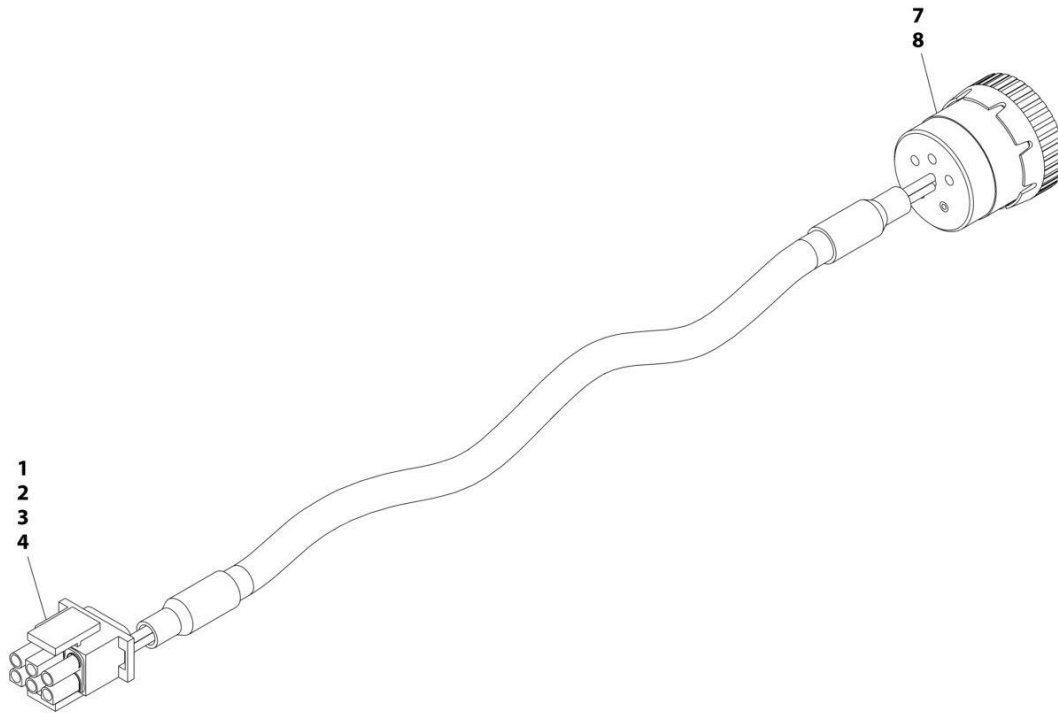
SECTION 8 - ELECTRICAL

FIGURE 8-44. FULL EXTENSION PROXIMITY HARNESS

ITEM	PART NUMBER	QTY	DESCRIPTION	REV
	1001254468	Ref	FULL EXTENTION PROXIMITY HARNESS	A
1	4460539	1	Plug, Male - 3 Position	
1	4460465	3	Socket, Female	
2	4460536	1	Receptacle, Female - 3 Position	
2	4640464	3	Pin, Male	
3	4460899	1	Receptacle, Female - 6 Position	
3	4460464	6	Pin, Male	

SECTION 8 - ELECTRICAL

FIGURE 8-45. GENERATOR TO CONTROL BOX HARNESS - 4000W



ART_1001152532

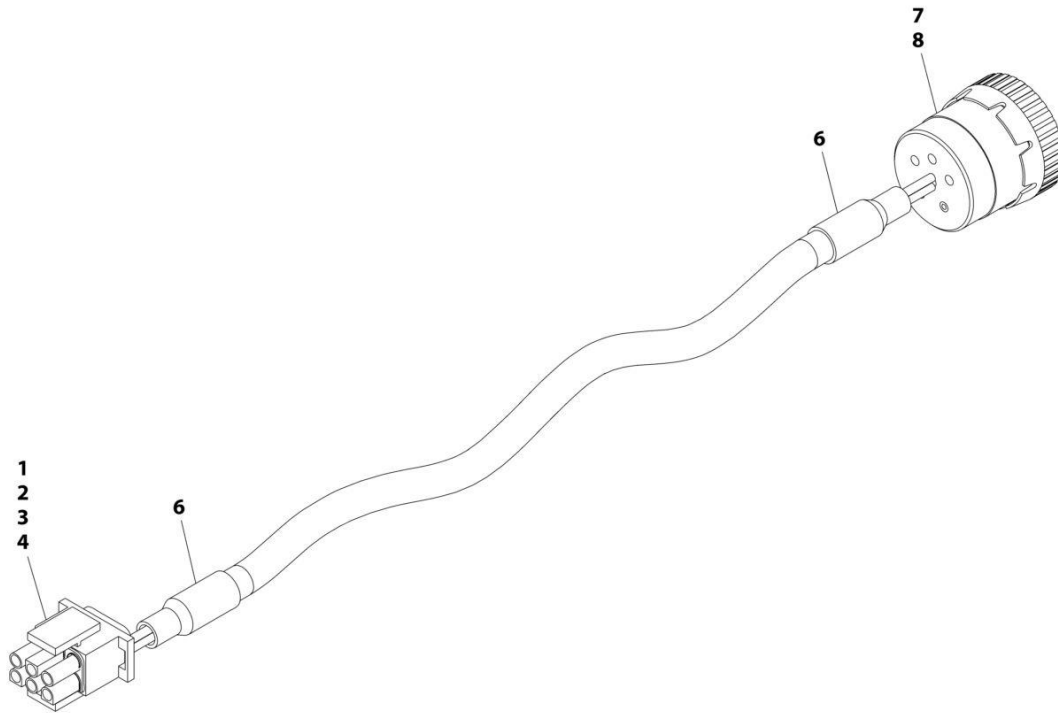
SECTION 8 - ELECTRICAL

FIGURE 8-45. GENERATOR TO CONTROL BOX HARNESS - 4000W

ITEM	PART NUMBER	QTY	DESCRIPTION	REV
	1001152532	Ref	GENERATOR HARNESS	A
1	4460225	1	Connector - 6 Position	
2	4460268	2	Socket, Female	
3	4460807	1	Seal	
4	4460808	1	Seal	
7	4460465	2	Socket, Female	
8	77363233	1	Connector - 6 Position	

SECTION 8 - ELECTRICAL

FIGURE 8-46. GENERATOR TO CONTROL BOX HARNESS - 7500W GENERATOR



ART_4922925

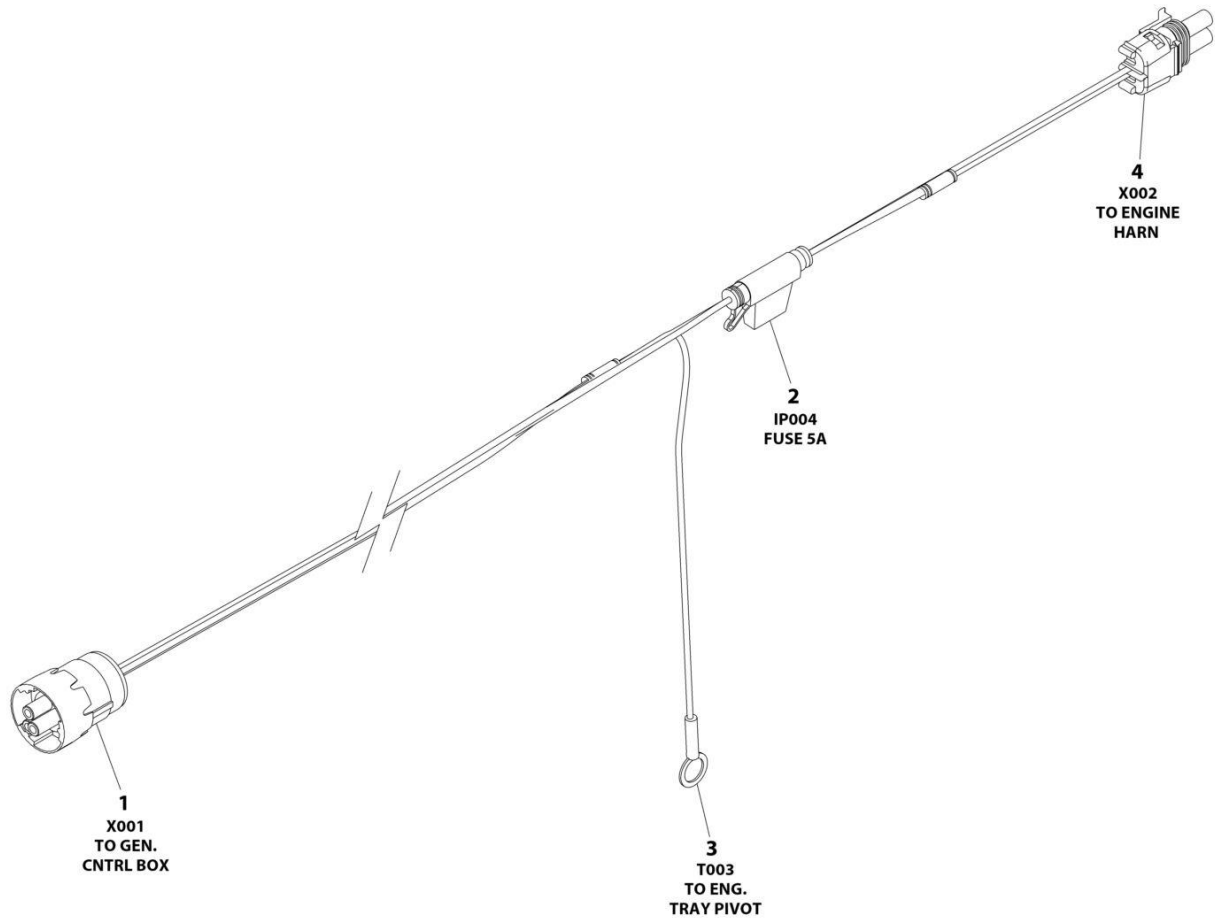
SECTION 8 - ELECTRICAL

FIGURE 8-46. GENERATOR TO CONTROL BOX HARNESS - 7500W GENERATOR

ITEM	PART NUMBER	QTY	DESCRIPTION	REV
	4922925	Ref	GENERATOR TO CONTROL BOX HARNESS (7500W GENERATOR)	C
1	4460225	1	Plug, Male - 2 Position	
2	4460268	6	Socket, Female	
3	4460807	1	Seal	
4	4460808	1	Seal	
6	2820019	AR	Heat Shrink	
7	4460465	6	Socket, Female	
8	77363233	1	Connector - 6 Position	

SECTION 8 - ELECTRICAL

FIGURE 8-47. GENERATOR HARNESS - 7500W GENERATOR (FORD ENGINES)



ART_1001257972

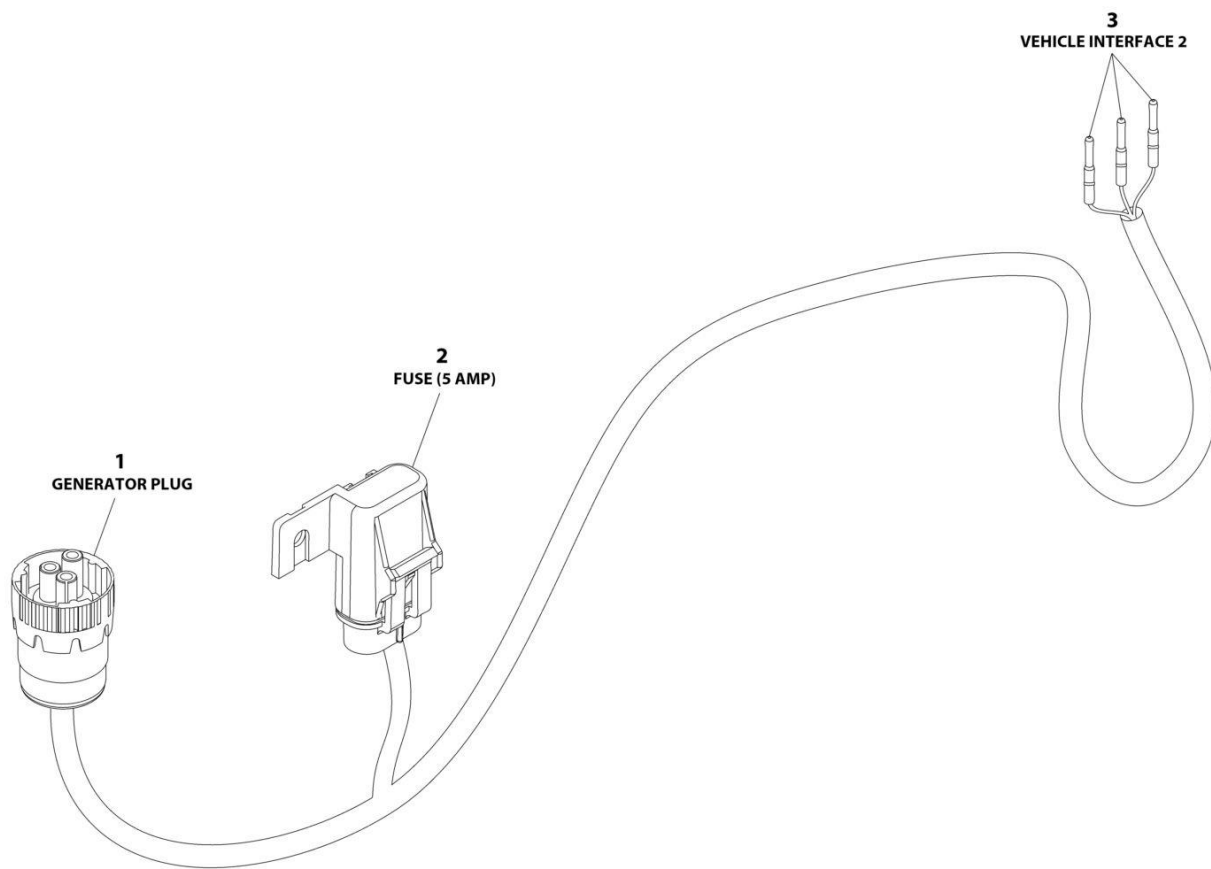
SECTION 8 - ELECTRICAL

FIGURE 8-47. GENERATOR HARNESS - 7500W GENERATOR (FORD ENGINES)

ITEM	PART NUMBER	QTY	DESCRIPTION	REV
	1001257972	Ref	GENERATOR TO ENGINE HARNESS	A
1	4460967	1	Plug, Male - 3 Position	
1	4460465	3	Socket, Female	
2	2400060	1	Fuse-holder (Includes Cover)	
2	2400064	1	Fuse - 5Amp	
3	4460256	1	Terminal, Ring	
4	4460742	1	Plug, Male - 2 Position	
4	4460457	2	Socket, Female	
4	4460458	2	Seal, Terminal	

SECTION 8 - ELECTRICAL

FIGURE 8-48. GENERATOR HARNESS - 7500W GENERATOR (DEUTZ TD2.9L4 ENGINES)



ART_1001119968

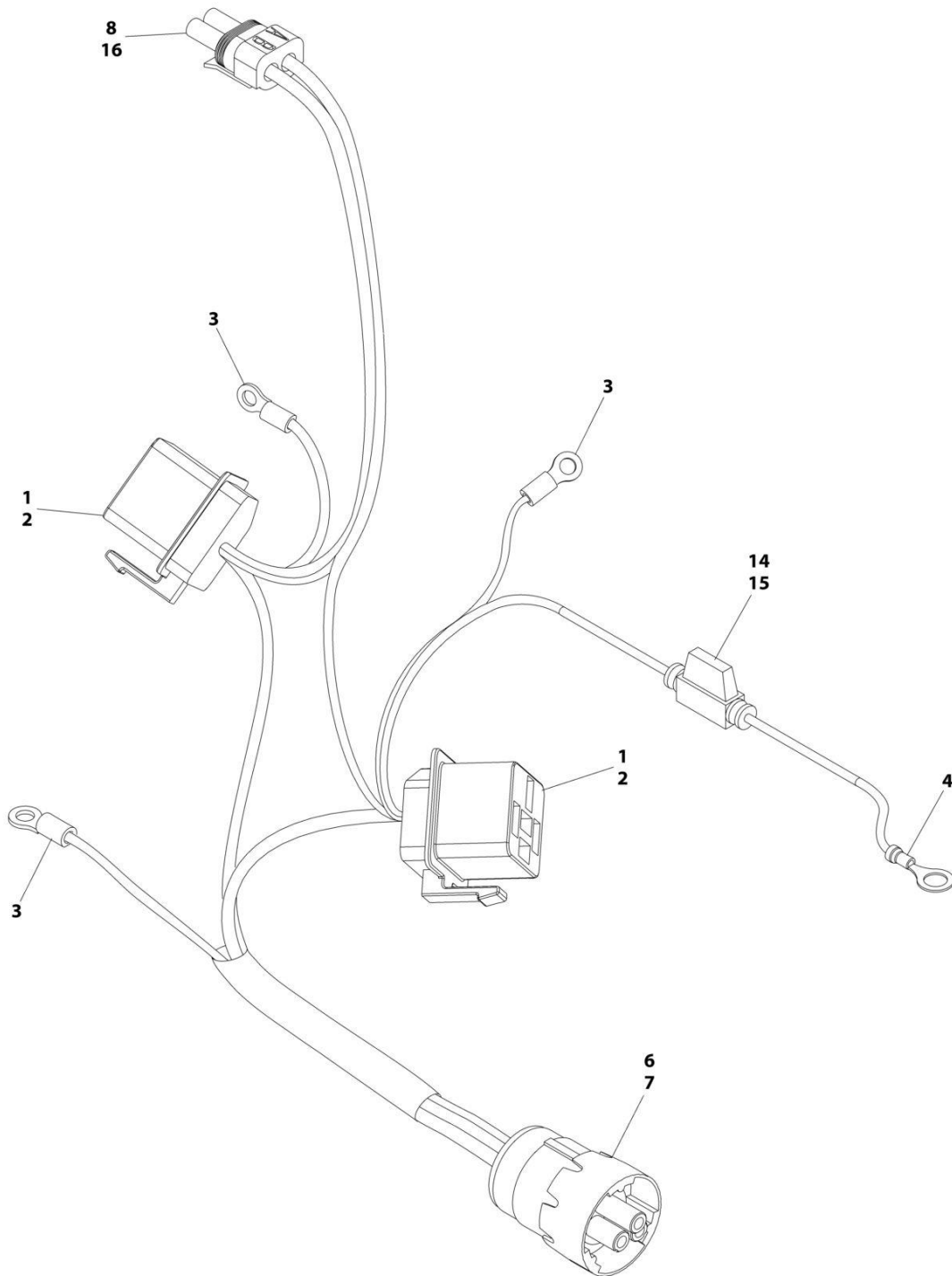
SECTION 8 - ELECTRICAL

FIGURE 8-48. GENERATOR HARNESS - 7500W GENERATOR (DEUTZ TD2.9L4 ENGINES)

ITEM	PART NUMBER	QTY	DESCRIPTION	REV
	1001119968	Ref	GENERATOR HARNESS - 7500W GENERATOR	C
1	4460967	1	Connector - 3 Position	
1	4460465	3	Socket, Female	
2	1001117078	1	Connector, Metri-Pack with 5Amp Fuse	
3	4460465	3	Socket, Female	

SECTION 8 - ELECTRICAL

FIGURE 8-49. GENERATOR TO ENGINE HARNESS - 2500W



ART_1001221208

SECTION 8 - ELECTRICAL

FIGURE 8-49. GENERATOR TO ENGINE HARNESS - 2500W

ITEM	PART NUMBER	QTY	DESCRIPTION	REV
	1001221208	Ref	GENERATOR TO ENGINE HARNESS	A
1	4460374	2	Plug, Sealed Relay	
2	4460375	8	Terminal	
3	4460043	3	Terminal, Ring	
4	4460670	1	Terminal, Ring	
6	4460967	1	Plug, Male - 3 Position	
7	4460465	3	Socket, Female	
8	4460742	1	Plug, Male - 2 Position	
14	2400060	1	Fuseholder (Includes Cover)	
15	2400064	1	Fuse - 5Amp	
16	4460743	2	Socket, Female	

SECTION 8 - ELECTRICAL

FIGURE 8-50. GENERATOR TO ENGINE HARNESS - 4000W



ART_1001153197

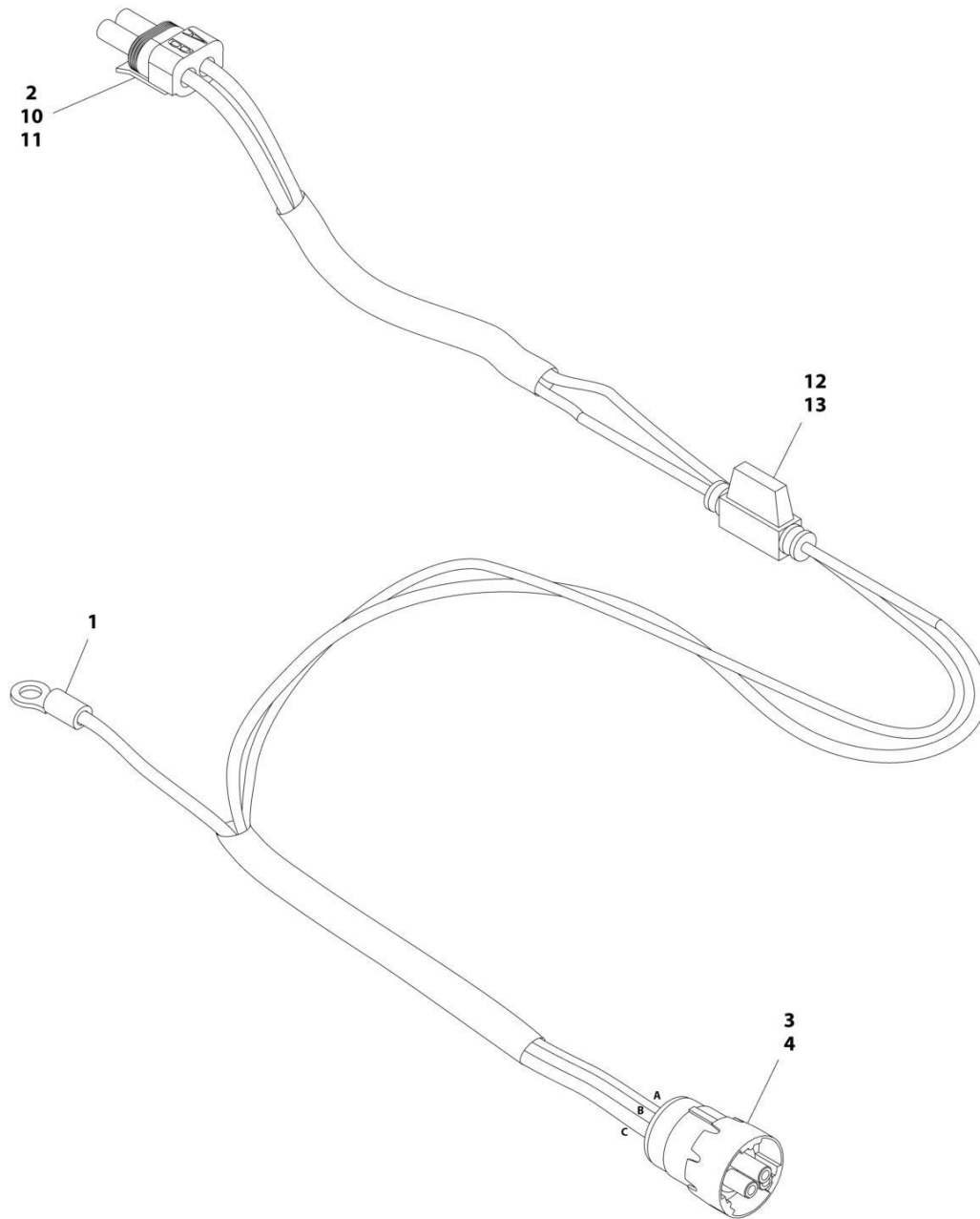
SECTION 8 - ELECTRICAL

FIGURE 8-50. GENERATOR TO ENGINE HARNESS - 4000W

ITEM	PART NUMBER	QTY	DESCRIPTION	REV
	1001153197	Ref	GENERATOR TO ENGINE HARNESS	B
1	4460967	1	Plug, Male - 3 Position	
1	4460465	2	Socket, Female	
2	4460043	1	Terminal, Ring	
3	4460742	1	Plug, Male - 2 Position	
3	4460743	1	Socket, Female	
3	4460458	1	Seal, Terminal	
3	1001116727	1	Plug, Terminal	

SECTION 8 - ELECTRICAL

FIGURE 8-51. GENERATOR TO ENGINE HARNESS - 7500W SKYPOWER GENERATOR (DEUTZ D2011 ONLY)



ART_1001152429

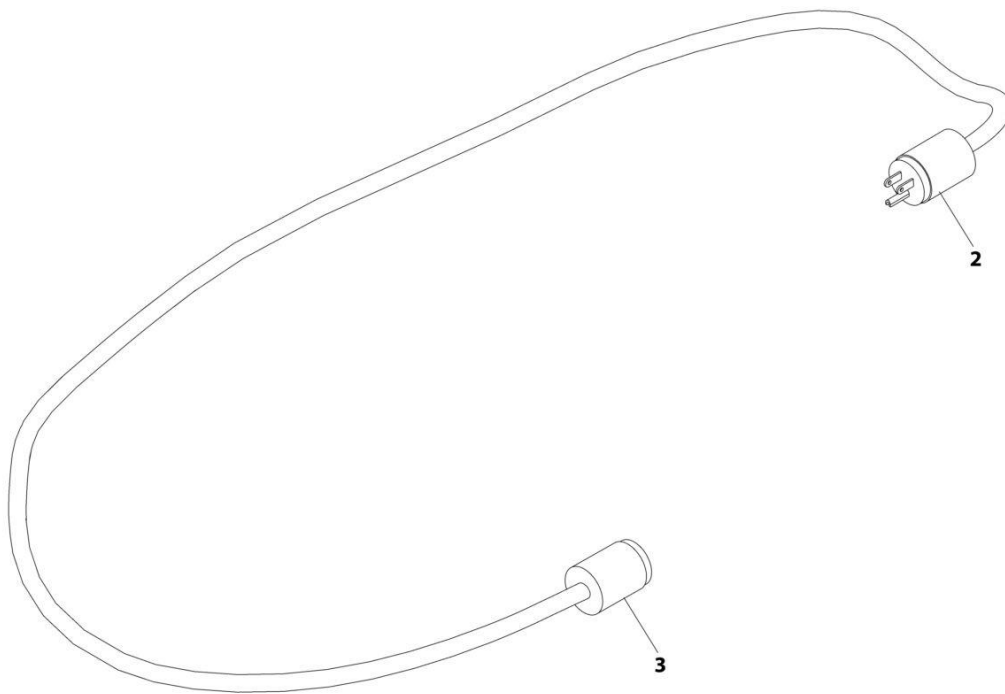
SECTION 8 - ELECTRICAL

FIGURE 8-51. GENERATOR TO ENGINE HARNESS - 7500W SKYPOWER GENERATOR (DEUTZ D2011 ONLY)

ITEM	PART NUMBER	QTY	DESCRIPTION	REV
	1001152429	Ref	GENERATOR TO ENGINE HARNESS	C
1	4460043	1	Terminal, Ring	
2	4460742	1	Plug, Male - 2 Position	
3	4460967	1	Connector - 3 Position	
4	4460465	3	Socket, Female	
10	4460743	2	Terminal, Female	
11	4460458	2	Seal	
12	2400060	1	Fuseholder (Includes Cover)	
13	2400064	1	Fuse - 5Amp	

SECTION 8 - ELECTRICAL

FIGURE 8-52. GENERATOR TO REAR OF BOOM HARNESS - 110V



ART_4921829

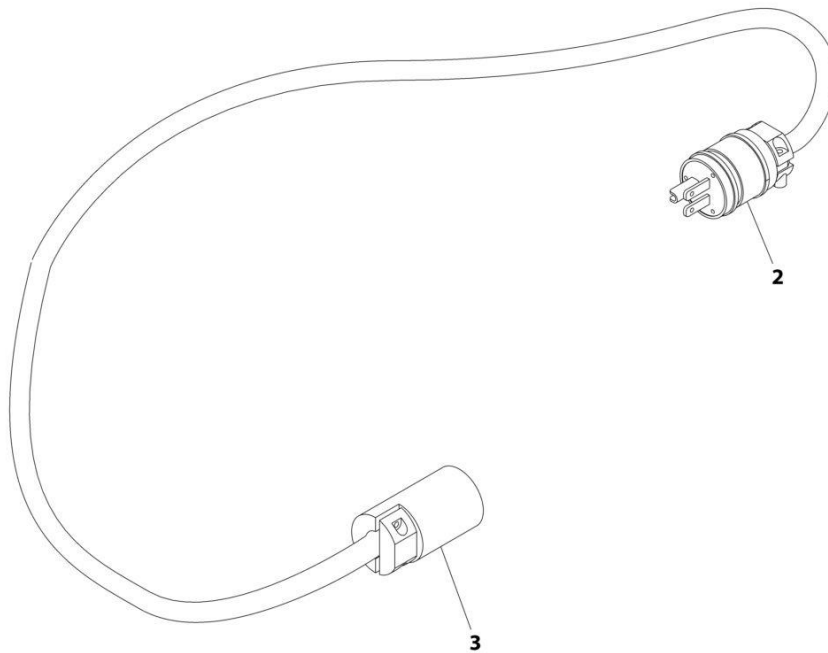
SECTION 8 - ELECTRICAL

FIGURE 8-52. GENERATOR TO REAR OF BOOM HARNESS - 110V

ITEM	PART NUMBER	QTY	DESCRIPTION	REV
	4921829	Ref	GENERATOR TO REAR OF BOOM HARNESS - 110V	Z-A
2	4460205	1	Plug, Male	
3	4460134	1	Connector, Female	

SECTION 8 - ELECTRICAL

FIGURE 8-53. GENERATOR TO REAR OF BOOM HARNESS - 220V



ART_4921954

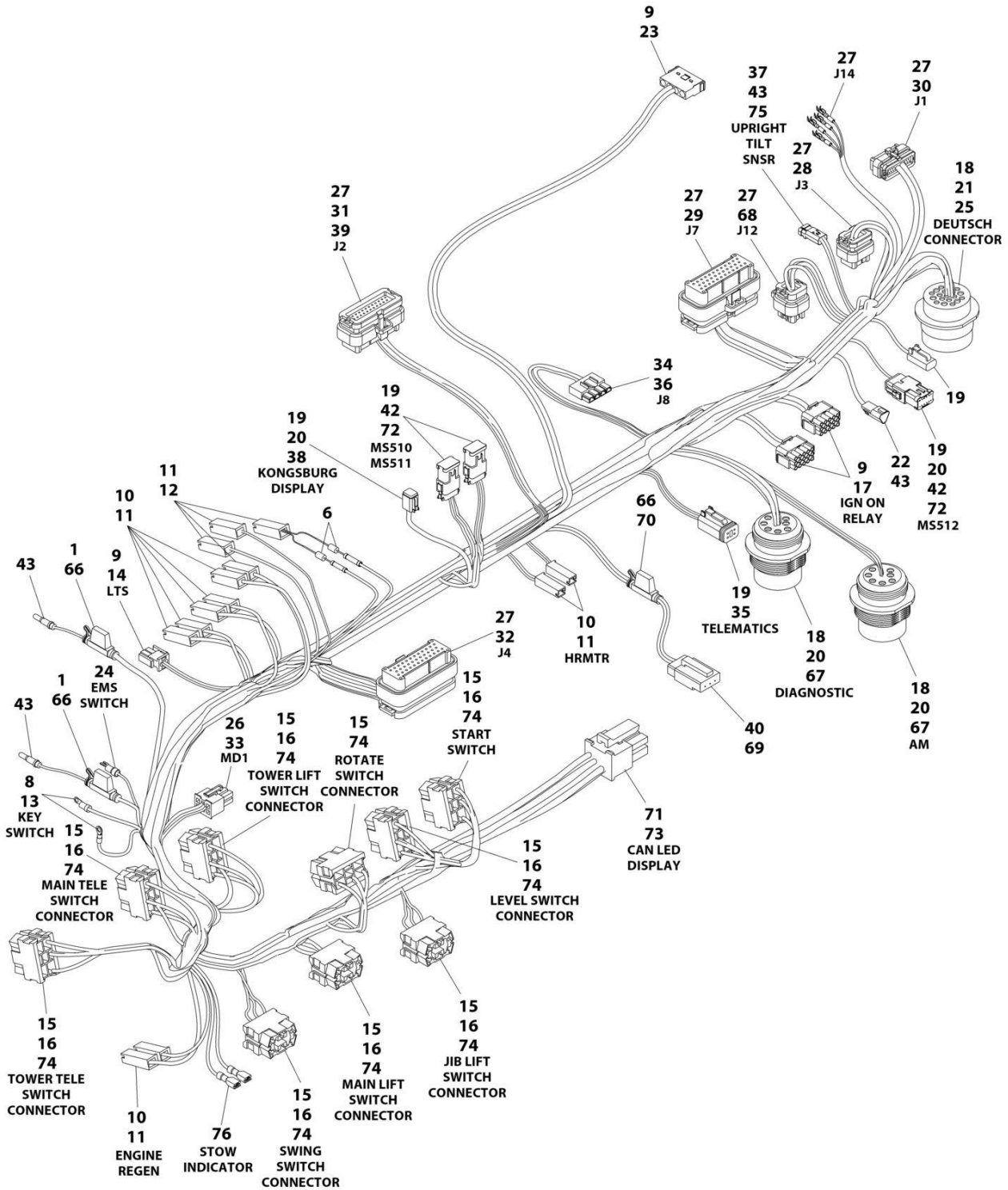
SECTION 8 - ELECTRICAL

FIGURE 8-53. GENERATOR TO REAR OF BOOM HARNESS - 220V

ITEM	PART NUMBER	QTY	DESCRIPTION	REV
	4921954	Ref	GENERATOR TO REAR OF BOOM HARNESS - 220V	2
2	4460233	1	Terminal, Plug	
3	4460701	1	Terminal, Connector	

SECTION 8 - ELECTRICAL

FIGURE 8-54. GROUND CONTROL BOX HARNESS



ART_1001285346

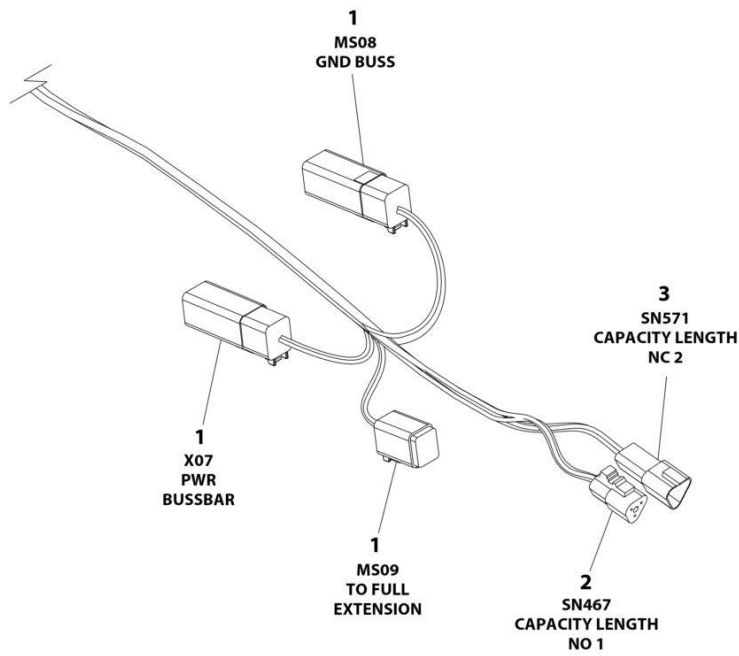
SECTION 8 - ELECTRICAL

FIGURE 8-54. GROUND CONTROL BOX HARNESS

ITEM	PART NUMBER	QTY	DESCRIPTION	REV
	1001285346	Ref	GROUND CONTROL BOX HARNESS	C
1	2400060	2	Fuse Holder	
6	3990010	2	Diode, 6 Amp	
8	4460142	4	Terminal, Ring	
9	4460227	36	Pin	
10	4460259	11	Socket	
11	4460260	15	Housing, Terminal	
12	4460297	4	Socket	
13	4460313	3	Terminal, Ring	
14	4460320	1	Connector	
15	4460418	9	Connector, Switch	
16	4460419	8	Socket	
17	4460434	2	Connector	
18	4460464	27	Terminal	
19	4460465	45	Terminal	
20	4460466	9	Plug, Terminal	
21	4460508	4	Pin	
22	4460536	1	Connector	
23	4460761	1	Connector	
24	4460806	5	Terminal, Fork	
25	4460866	1	Terminal	
26	4460868	1	Connector	
27	4460871	88	Socket	
28	4460872	1	Connector	
29	4460873	1	Connector	
30	4460874	1	Connector	
31	4460875	1	Connector	
32	4460876	1	Connector	
33	4460877	4	Socket	
34	4460878	1	Housing, Terminal	
35	4460884	1	Connector	
36	4460887	3	Socket	
37	1001229530	1	Connector	
38	4460894	1	Plug	
39	4460905	2	Seal	
40	4460911	1	Plug, Terminal	
42	4460933	3	Connector	
43	4460943	8	Terminal	
66	8229242	3	Fuse 5 Amp	
67	1001112612	2	Connector	
67	1001249095	2	Connector	
68	1001113961	1	Plug	
69	1001116694	3	Terminal	
70	1001255901	1	Fuse Holder	
71	1001237668	5	Socket	
72	1001119020	3	Connector	
73	1001237667	1	Connector	
74	1001159186	18	Socket	
75	1001200497	1	Connector	
76	1001201885	2	Terminal	

SECTION 8 - ELECTRICAL

FIGURE 8-55. MID PROXIMITY HARNESS



ART_1001254467

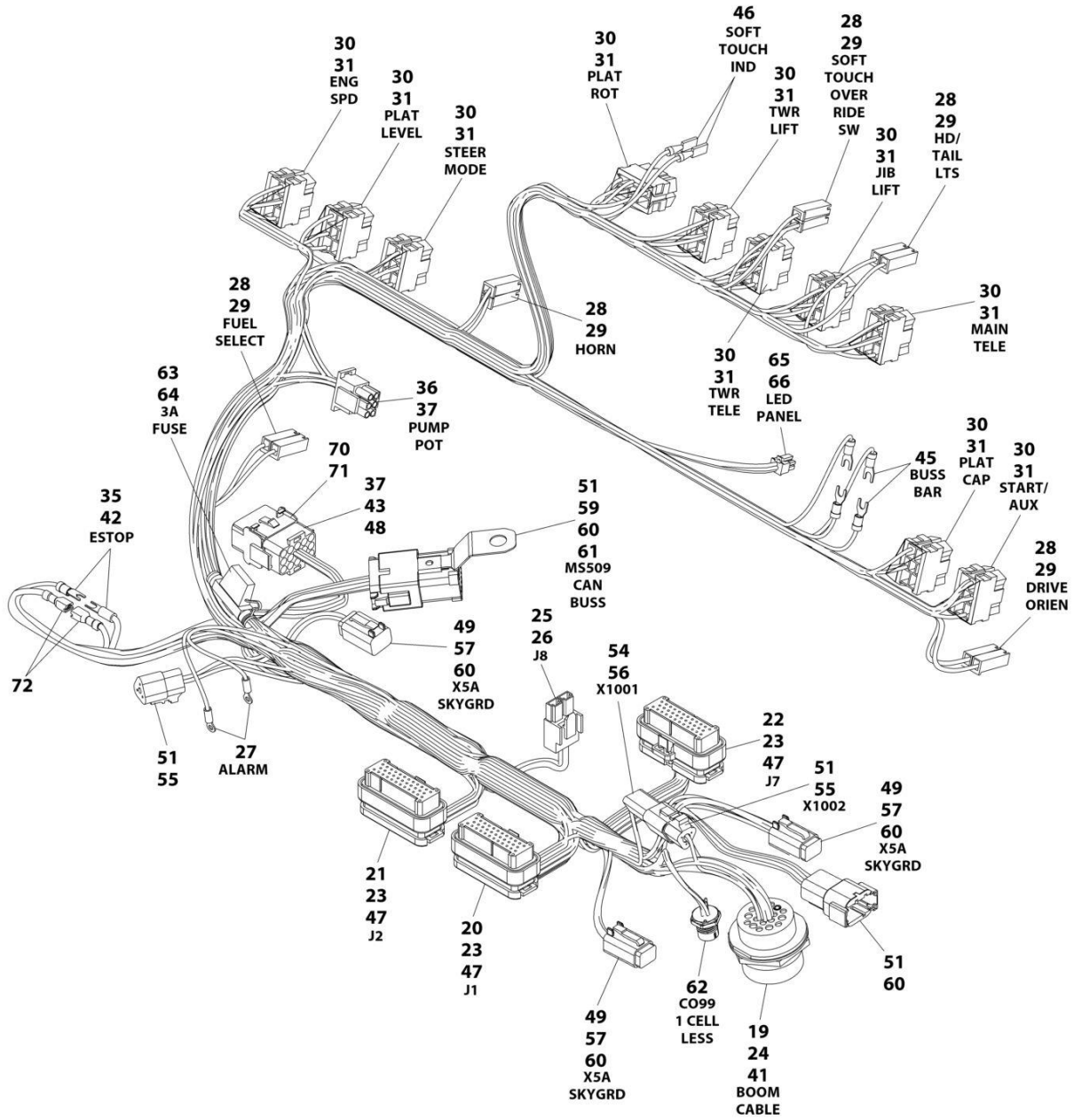
SECTION 8 - ELECTRICAL

FIGURE 8-55. MID PROXIMITY HARNESS

ITEM	PART NUMBER	QTY	DESCRIPTION	REV
	1001254467	Ref	MID PROXIMITY HARNESS	B
1	4460894	3	Plug, Male - 6 Position	
1	4460465	16	Socket, Female	
1	4460466	2	Plug, Terminal	
1	4460892	2	Busbar - 6 Position	
2	4460539	1	Plug, Male - 3 Position	
2	4460465	3	Socket, Female	
3	4460536	1	Receptacle, Female - 3 Position	
3	4640464	3	Pin, Male	

SECTION 8 - ELECTRICAL

FIGURE 8-56. PLATFORM CONSOLE BOX HARNESS



ART_1001266648

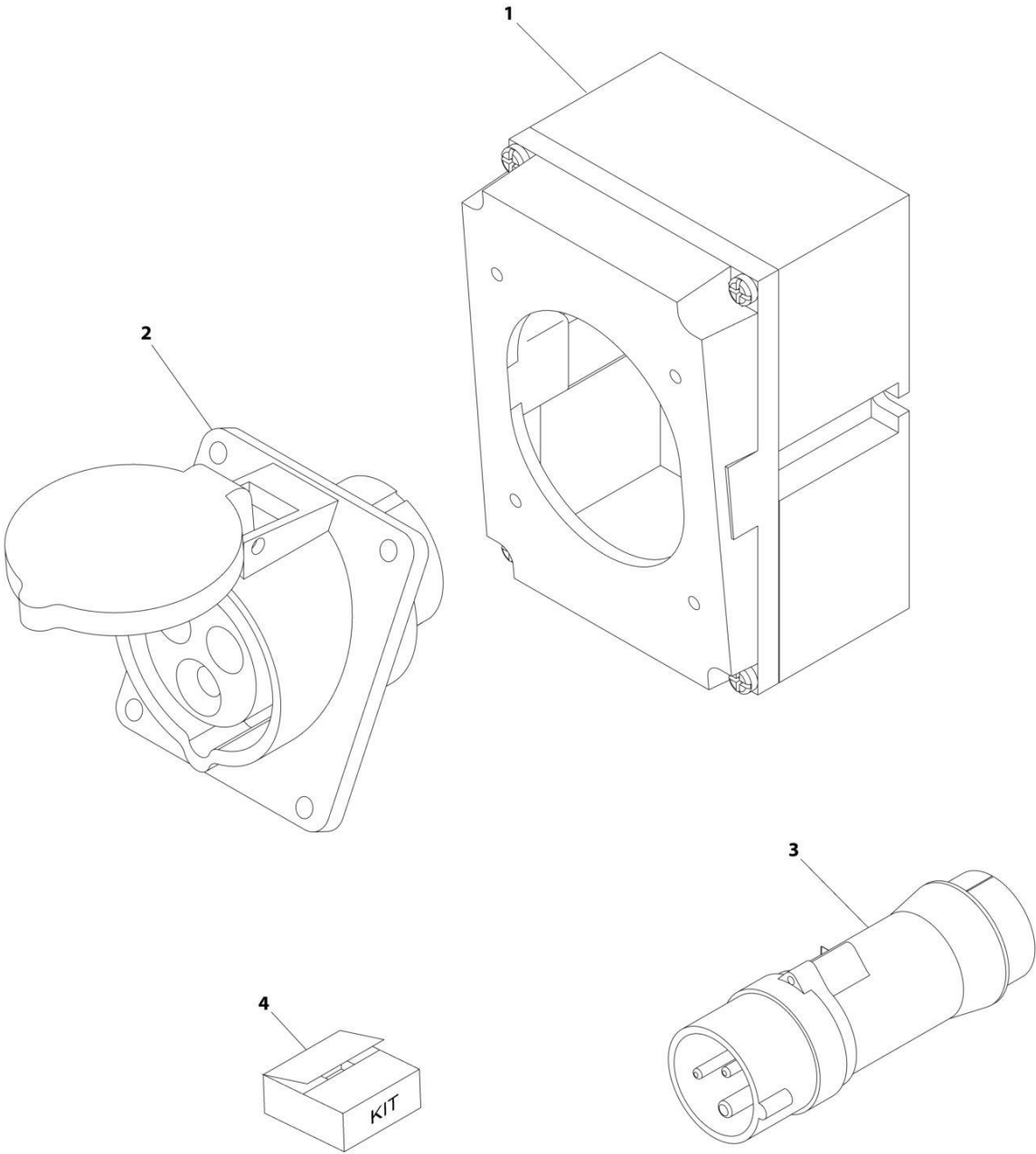
SECTION 8 - ELECTRICAL

FIGURE 8-56. PLATFORM CONSOLE BOX HARNESS

ITEM	PART NUMBER	QTY	DESCRIPTION	REV
	1001266648	Ref	PLATFORM CONSOLE BOX HARNESS	B
19	4460866	1	Connector - 19 Position	
20	4460874	1	Connector - 35 Position	
21	4460875	1	Connector - 35 Position	
22	4460873	1	Connector - 35 Position	
23	4460871	81	Socket, Female	
24	4460464	6	Pin, Male	
25	4460879	1	Plug, Male - 2 Position	
26	4460887	2	Terminal	
27	1001098122	2	Terminal, Ring	
28	4460260	10	Housing, Terminal	
29	4460259	10	Terminal	
30	4460418	9	Connector, Switch	
31	4460419	27	Terminal	
32	4120035	14	Socket, Light (Not Shown)	
33	4460634	14	Socket, Lamp (Single Wire) (Not Shown)	
34	4460635	14	Socket, Lamp (Double Wire) (Not Shown)	
35	4460888	1	Terminal, Fork	
36	4460225	1	Plug, Male - 6 Position	
37	4460227	31	Pin, Male	
41	4460508	3	Pin, Male	
42	4460806	1	Terminal, Fork	
43	4460434	2	Connector - 15 Position	
44	2920129	14	Bulb (Not Shown)	
45	4460183	4	Terminal, Fork	
46	4460016	2	Terminal	
47	4460905	24	Plug, Terminal	
48	4460267	1	Pin, Male	
49	4460465	5	Socket, Female	
51	4460944	11	Socket, Female	
54	4460536	1	Receptacle, Female - 3 Position	
55	4460539	1	Plug, Male - 3 Position	
56	4460943	3	Pin, Male	
57	4460894	2	Plug, Male - 6 Position	
59	4460933	2	Plug, Male - 12 Position	
60	4460466	5	Plug, Terminal	
61	1001119020	1	Connector, Buss Bar - 12 Position	
62	1001213447	1	Connector - 5 Position	
63	2400060	1	Fuseholder Includes Cover	
64	8229249	1	Fuse, 3 Amp	
65	1001237667	1	Plug, Male - 6 Position	
66	1001237668	4	Socket, Female	
70	4460708	2	Connector - 15 Position	
71	4460226	2	Socket, Female	
72	1001201885	2	Terminal	

SECTION 8 - ELECTRICAL

FIGURE 8-57. RECEPTACLE BOX KIT - 110V IEC YELLOW (CE & UK CA SPEC)



ART_0275216

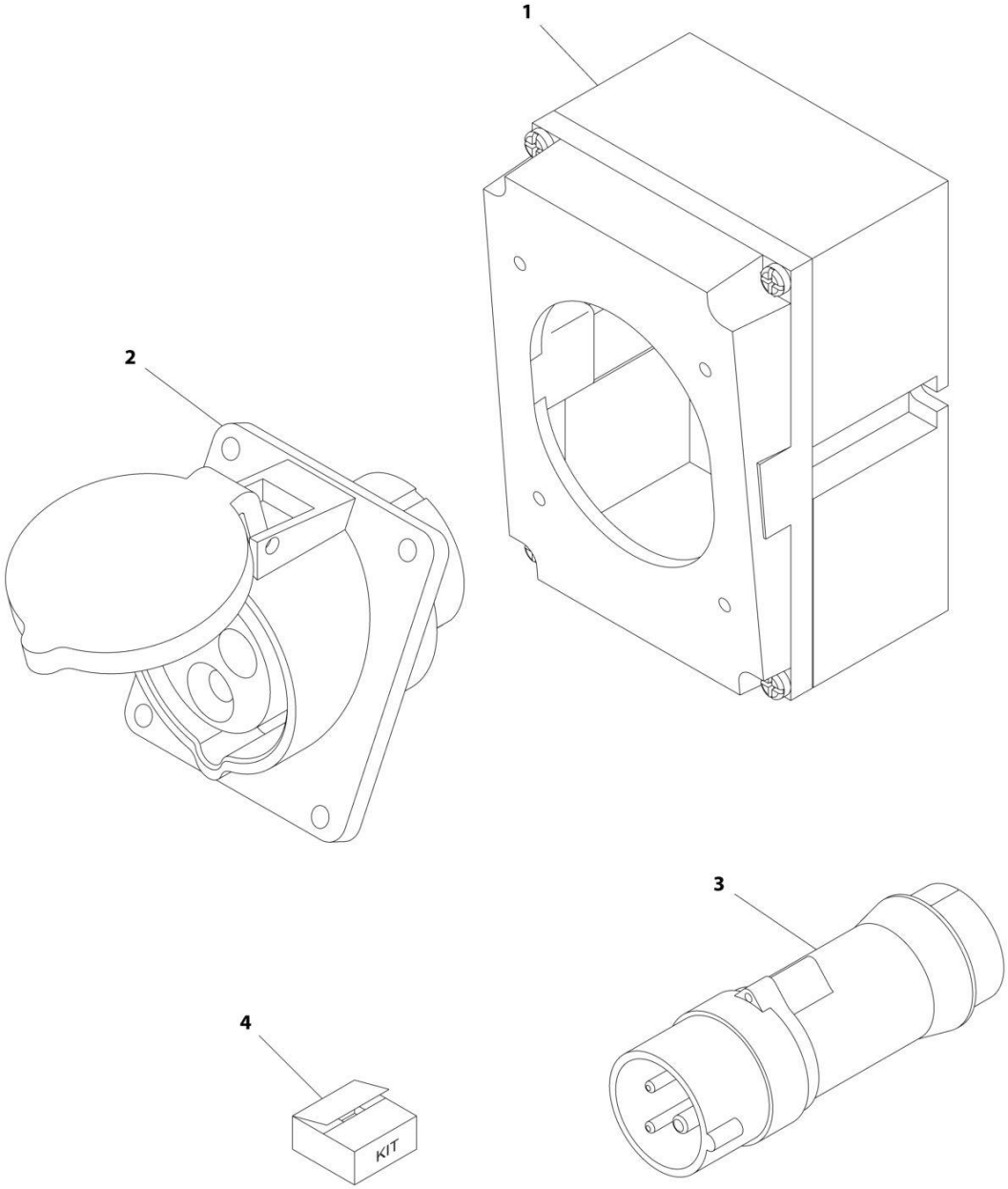
SECTION 8 - ELECTRICAL

FIGURE 8-57. RECEPTACLE BOX KIT - 110V IEC YELLOW (CE & UK CA SPEC)

ITEM	PART NUMBER	QTY	DESCRIPTION	REV
	0275216	Ref	RECEPTACLE BOX KIT - 110V IEC YELLOW	B
1	0861781	1	Box, Switch	
2	4461198	1	Receptacle	
3	4461196	1	Plug, Male	
4	1001100341	1	Plug and Socket Kit (Includes Items 1-3 and Female Plug p/n 4461197)	

SECTION 8 - ELECTRICAL

FIGURE 8-58. RECEPTACLE BOX KIT - 220V IEC BLUE (CE & UK CA SPEC)



ART_0275217

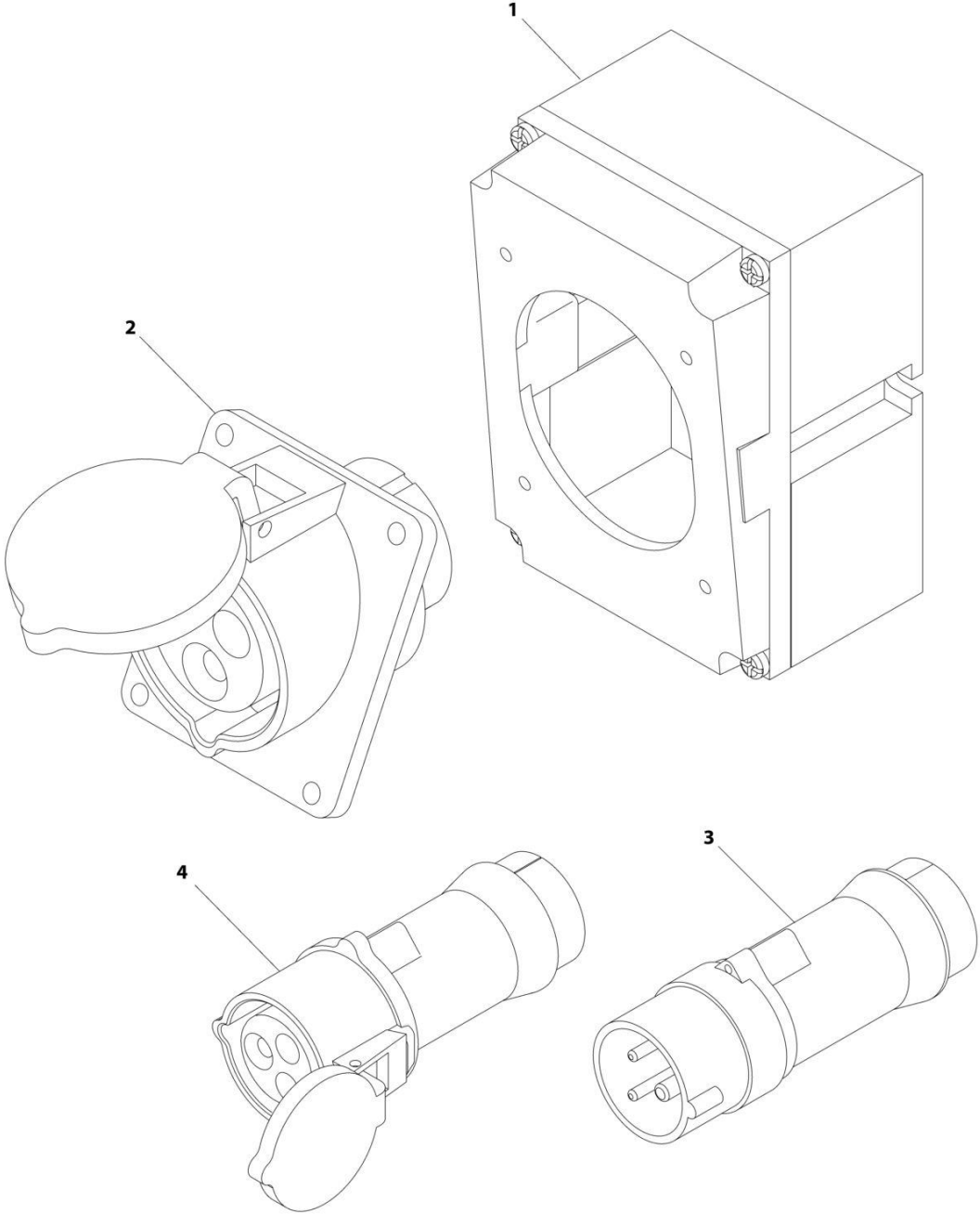
SECTION 8 - ELECTRICAL

FIGURE 8-58. RECEPTACLE BOX KIT - 220V IEC BLUE (CE & UK CA SPEC)

ITEM	PART NUMBER	QTY	DESCRIPTION	REV
	0275217	Ref	RECEPTACLE BOX KIT - 220V IEC BLUE	B
1	0861781	1	Box, Switch	
2	4461201	1	Receptacle	
3	4461199	1	Plug, Male	
4	1001100342	1	Plug and Socket Kit (Includes Items 1-3 and Female Plug p/n 4461200)	

SECTION 8 - ELECTRICAL

FIGURE 8-59. RECEPTACLE BOX KIT - 220V IEC BLUE (CE & UK CA SPECS) (2500W GENERATOR)



ART_1001100342

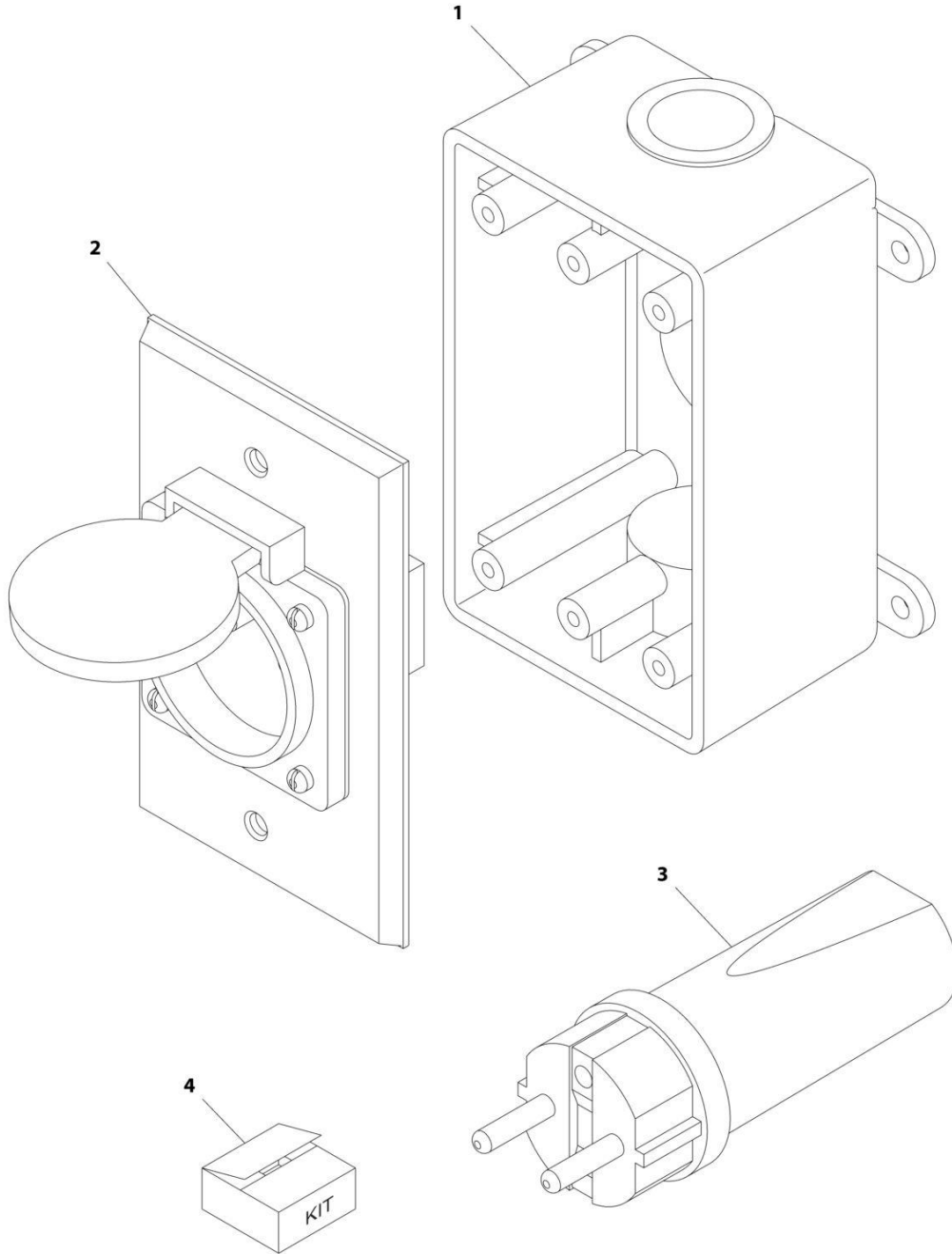
SECTION 8 - ELECTRICAL

FIGURE 8-59. RECEPTACLE BOX KIT - 220V IEC BLUE (CE & UK CA SPECS) (2500W GENERATOR)

ITEM	PART NUMBER	QTY	DESCRIPTION	REV
	1001100342	Ref	RECEPTACLE BOX KIT - 220V IEC BLUE WITH 2500W GENERATOR (CE & UK CA SPECS)	2
1	0861781	1	Box, Switch	
2	4461201	1	Receptacle	
3	4461199	1	Plug, Male	
4	4461200	1	Plug, Female	

SECTION 8 - ELECTRICAL

FIGURE 8-60. RECEPTACLE BOX KIT - 220V CEE7 POST GROUND WITHOUT 2500W GENERATOR (2X4 BOX) (CE & UK CA SPECS)



ART_0275452

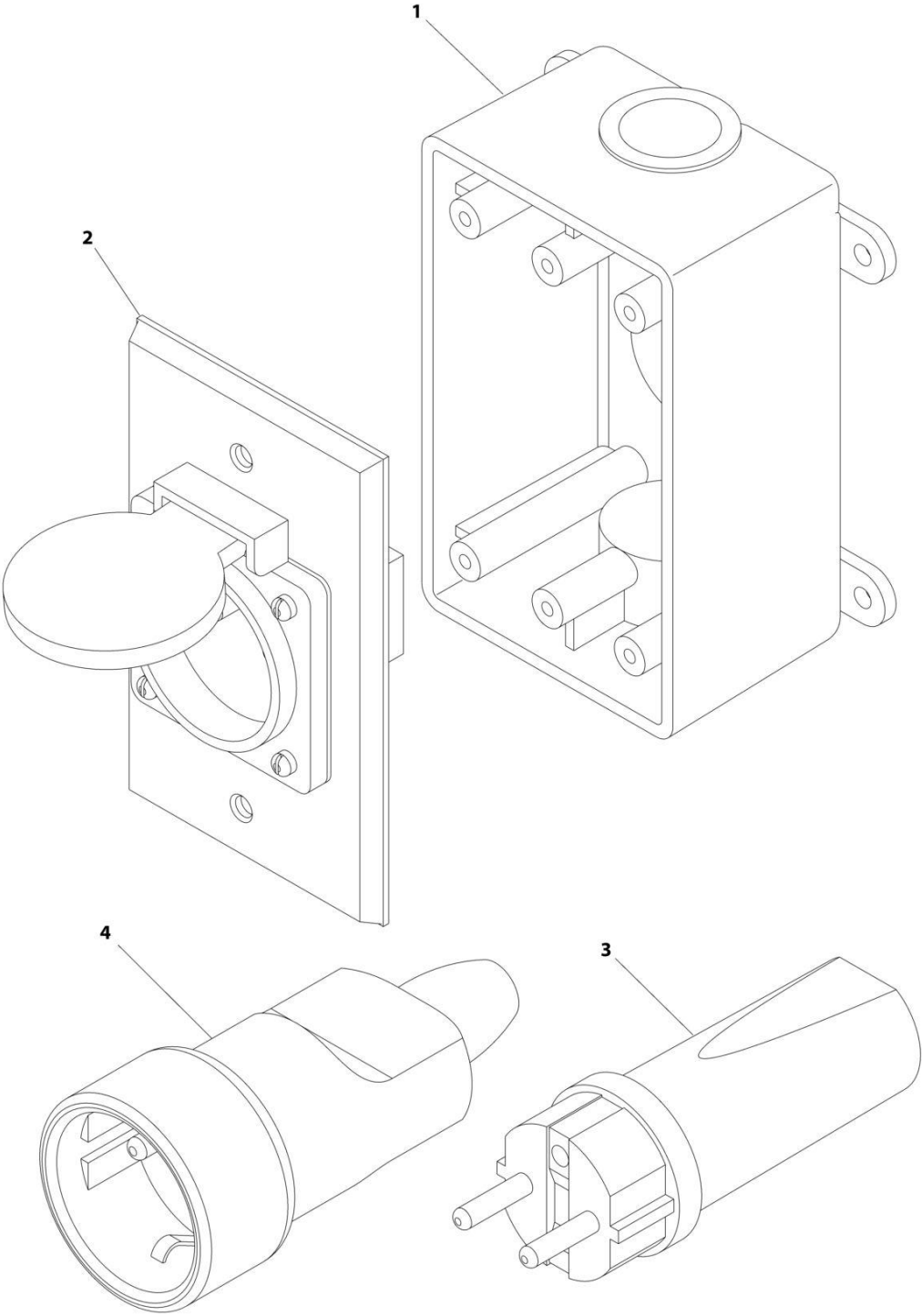
SECTION 8 - ELECTRICAL

FIGURE 8-60. RECEPTACLE BOX KIT - 220V CEE7 POST GROUND WITHOUT 2500W GENERATOR (2X4 BOX) (CE & UK CA SPECS)

ITEM	PART NUMBER	QTY	DESCRIPTION	REV
	0275452	Ref	RECEPTACLE BOX KIT - 220V CEE7 POST GROUND	C
1	0861731	1	Box, Switch	
2	4461244	1	Receptacle	
3	4461205	1	Plug, Male	
4	1001100345	1	Plug and Socket Kit (Includes Items 1-3 and Female Plug p/n 4461206)	

SECTION 8 - ELECTRICAL

**FIGURE 8-61. RECEPTACLE BOX KIT - 220V CEE7 POST GROUND (2X4 BOX) (CE & UK CA SPECS)
(2500W GENERATOR)**



ART_1001100345

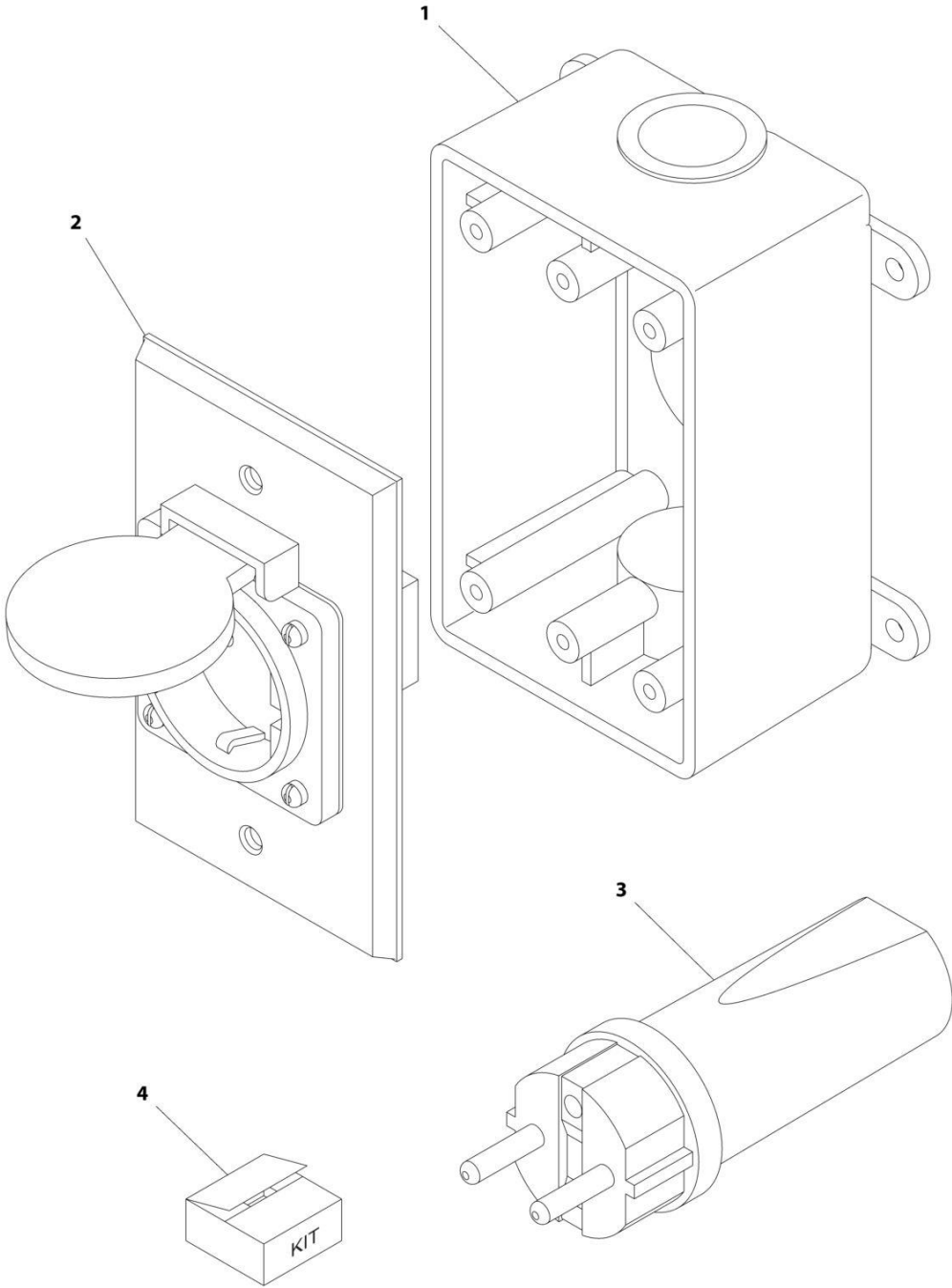
SECTION 8 - ELECTRICAL

**FIGURE 8-61. RECEPTACLE BOX KIT - 220V CEE7 POST GROUND (2X4 BOX) (CE & UK CA SPECS)
(2500W GENERATOR)**

ITEM	PART NUMBER	QTY	DESCRIPTION	REV
	1001100345	Ref	RECEPTACLE BOX KIT - 220V CEE7 POST GROUND	C
1	0861731	1	Box, Switch	
2	4461244	1	Receptacle	
3	4461205	1	Plug, Male	
4	4461203	1	Plug, Female	

SECTION 8 - ELECTRICAL

FIGURE 8-62. RECEPTACLE BOX KIT - 220V CEE7 SIDE GROUND (CE & UK CA SPEC)



ART_0275453

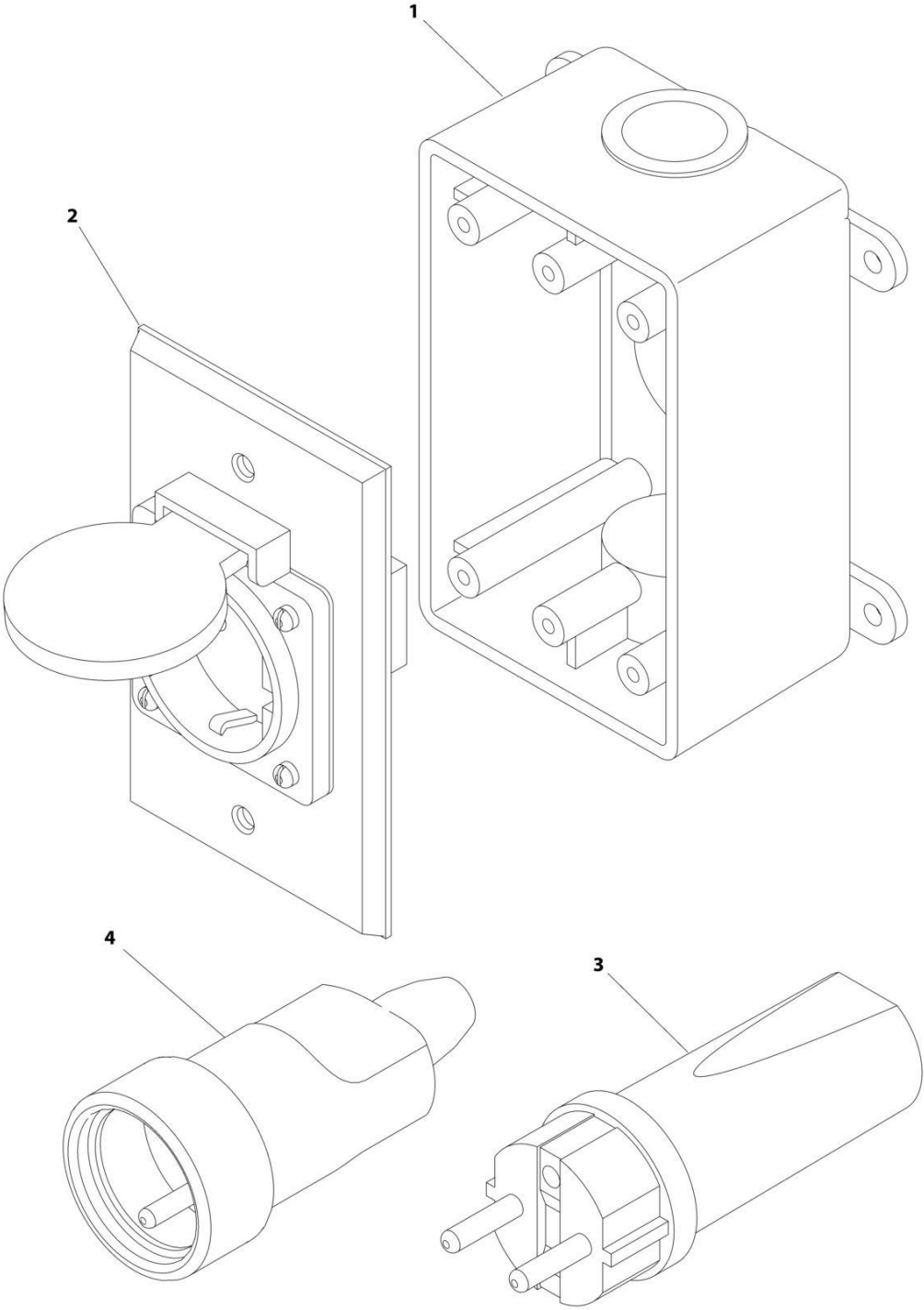
SECTION 8 - ELECTRICAL

FIGURE 8-62. RECEPTACLE BOX KIT - 220V CEE7 SIDE GROUND (CE & UK CA SPEC)

ITEM	PART NUMBER	QTY	DESCRIPTION	REV
	0275453	Ref	RECEPTACLE BOX KIT - 220V CEE7 SIDE GROUND	B
1	0861731	1	Box, Switch	
2	4461245	1	Receptacle	
3	4461205	1	Plug, Male	
4	1001100347	1	Plug and Socket Kit (Includes Items 1-3 and Female Plug p/n 4461206)	

SECTION 8 - ELECTRICAL

**FIGURE 8-63. RECEPTACLE BOX KIT - 220V CEE7 SIDE GROUND (2X4 BOX) (CE & UK CA SPECS)
(2500W GENERATOR)**



ART_1001100347

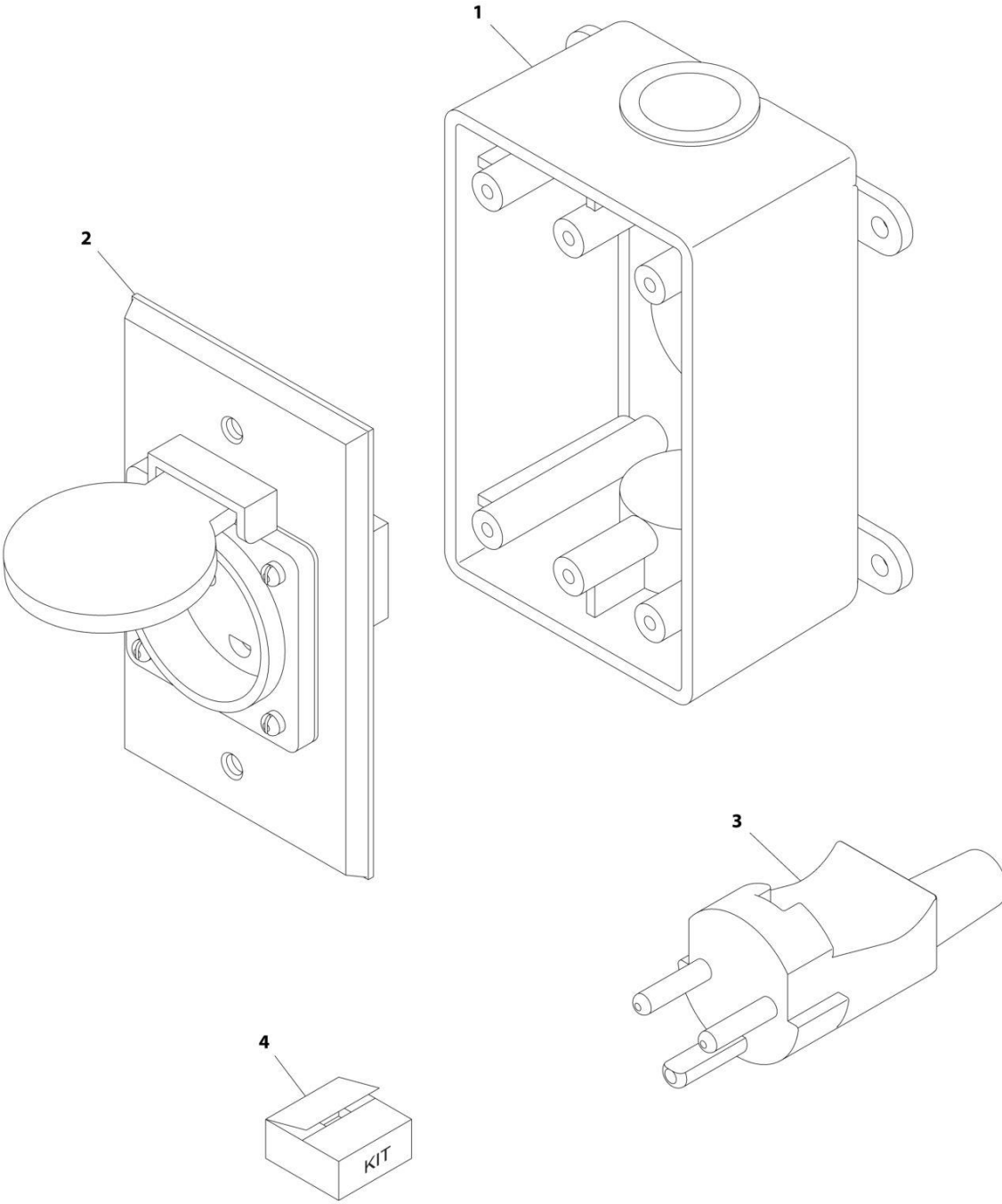
SECTION 8 - ELECTRICAL

**FIGURE 8-63. RECEPTACLE BOX KIT - 220V CEE7 SIDE GROUND (2X4 BOX) (CE & UK CA SPECS)
(2500W GENERATOR)**

ITEM	PART NUMBER	QTY	DESCRIPTION	REV
	1001100347	Ref	RECEPTACLE BOX KIT - 220V CEE7 SIDE GROUND	3
1	0861731	1	Box, Switch	
2	4461245	1	Receptacle	
3	4461205	1	Plug, Male	
4	4461206	1	Plug, Female	

SECTION 8 - ELECTRICAL

FIGURE 8-64. RECEPTACLE BOX KIT - 220V AFSINT 107 (CE & UK CA SPEC)



ART_0275454

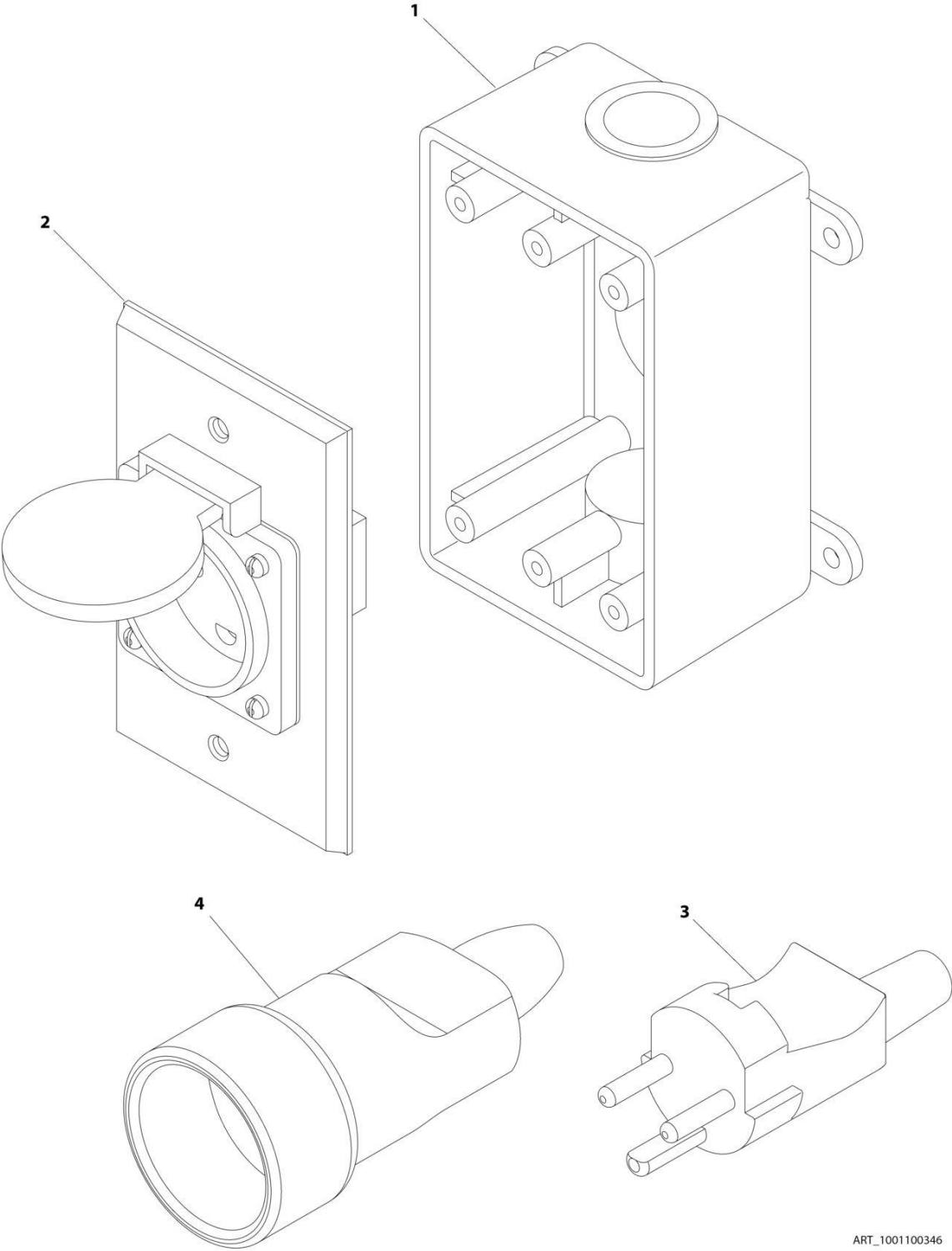
SECTION 8 - ELECTRICAL

FIGURE 8-64. RECEPTACLE BOX KIT - 220V AFSINT 107 (CE & UK CA SPEC)

ITEM	PART NUMBER	QTY	DESCRIPTION	REV
	0275454	Ref	RECEPTACLE BOX KIT - 220V AFSINT 107	B
1	0861731	1	Box, Switch	
2	4461246	1	Receptacle	
3	4461249	1	Plug, Male	
4	1001100346	1	Plug and Socket Kit (Includes Items 1-3 and Female Plug p/n 4461250)	

SECTION 8 - ELECTRICAL

FIGURE 8-65. RECEPTACLE BOX KIT - 220V AFSINT 107 KEYED GROUND (2X4 BOX) (CE & UK CA SPECS) (2500W GENERATOR)



ART_1001100346

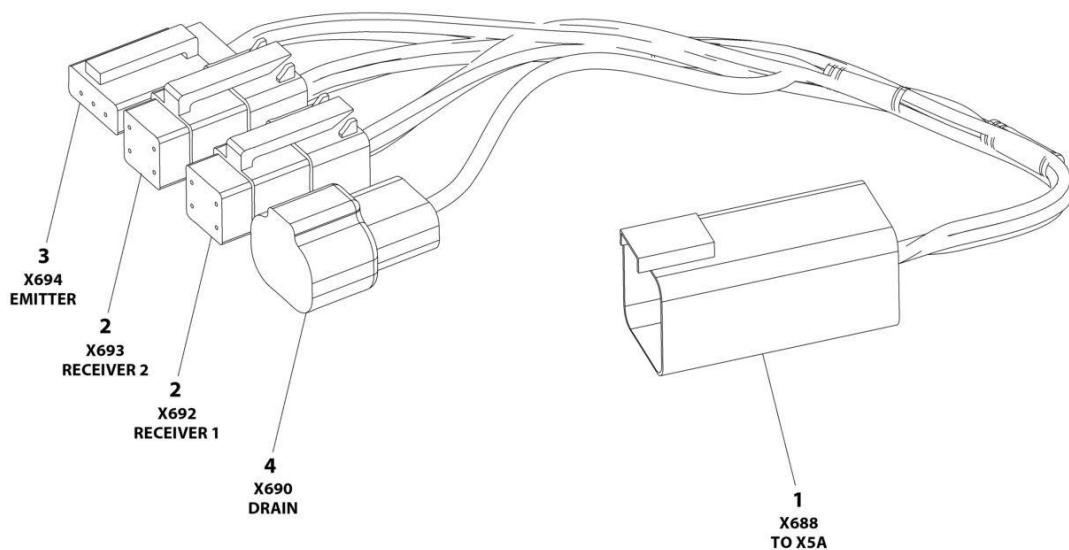
SECTION 8 - ELECTRICAL

FIGURE 8-65. RECEPTACLE BOX KIT - 220V AFSINT 107 KEYED GROUND (2X4 BOX) (CE & UK CA SPECS) (2500W GENERATOR)

ITEM	PART NUMBER	QTY	DESCRIPTION	REV
	1001100346	Ref	RECEPTACLE BOX KIT - 220V AFSINT 107 KEYED GROUND WITH 2500W GENERATOR (2X4 BOX) (CE & UK CA SPECS)	2
1	0861731	1	Box, Switch	
2	4461246	1	Receptacle	
3	4461249	1	Plug, Male	
4	4461250	1	Plug, Female	

SECTION 8 - ELECTRICAL

FIGURE 8-66. SKYEYE INTERMEDIATE HARNESS



ART_1001237865

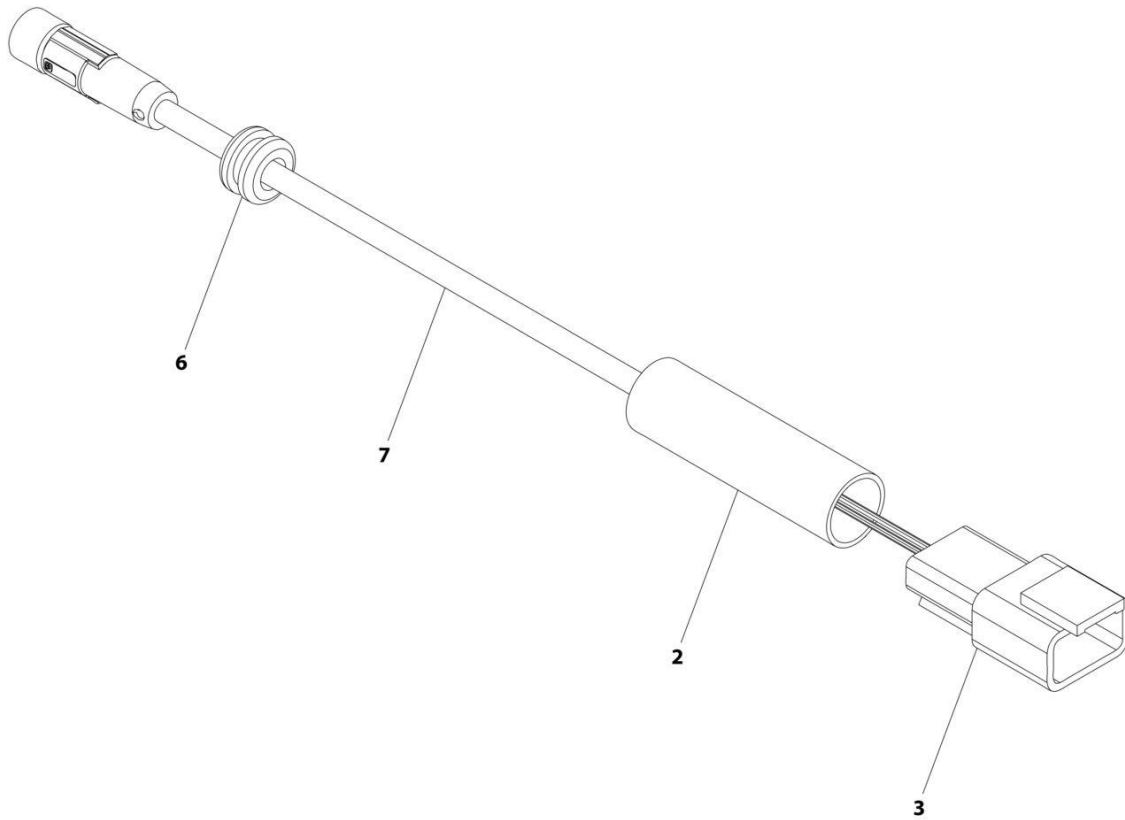
SECTION 8 - ELECTRICAL

FIGURE 8-66. SKYEYE INTERMEDIATE HARNESS

ITEM	PART NUMBER	QTY	DESCRIPTION	REV
	1001237865	Ref	SKYEYE INTERMEDIATE HARNESS	A
1	4460899	1	Connector - 6 Position	
1	4460943	4	Pin, Male	
1	4460466	2	Plug, Terminal	
2	4461077	2	Connector - 4 Position	
2	1001119619	8	Socket, Female	
3	4460911	1	Connector - 3 Position	
3	1001119619	3	Socket, Female	
4	1001187681	1	Connector - 2 Position	
4	4460941	1	Pin, Male	
4	4460466	1	Plug, Terminal	

SECTION 8 - ELECTRICAL

FIGURE 8-67. SKYEYE EMITTER HARNESS



ART_1001237864

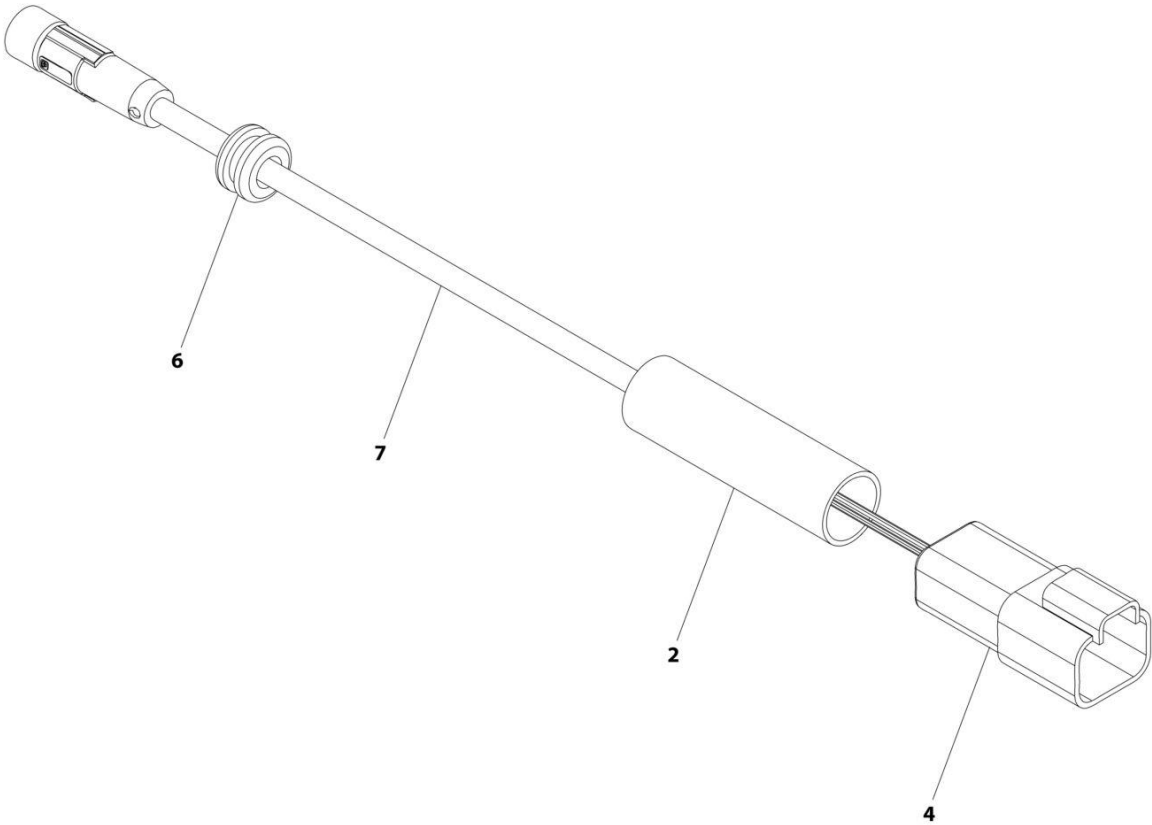
SECTION 8 - ELECTRICAL

FIGURE 8-67. SKYEYE EMITTER HARNESS

ITEM	PART NUMBER	QTY	DESCRIPTION	REV
	1001237864	Ref	SKYEYE EMITTER HARNESS	A
2	2820247	AR	Tubing, Heat Shrink	
3	4460910	1	Connector - 3 Position	
3	1001119620	3	Pin, Male	
6	1001227996	1	Grommet	
7	1001237862	1	Cable, M8 Female Cordset	

SECTION 8 - ELECTRICAL

FIGURE 8-68. SKYEYE RECEIVER HARNESS



ART_1001237863

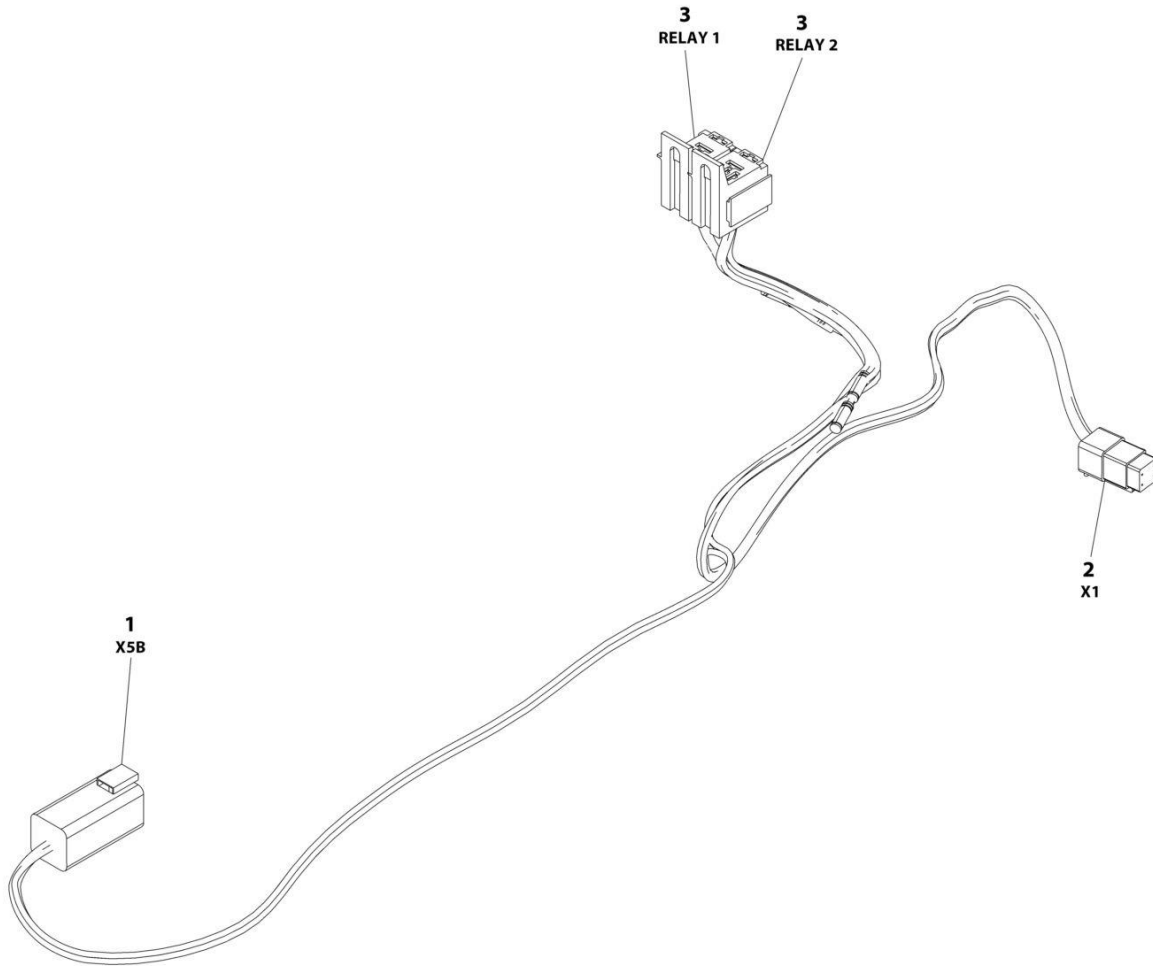
SECTION 8 - ELECTRICAL

FIGURE 8-68. SKYEYE RECEIVER HARNESS

ITEM	PART NUMBER	QTY	DESCRIPTION	REV
	1001237863	Ref	SKYEYE RECEIVER HARNESS	A
2	2820247	AR	Tubing, Heat Shrink	
4	1001097051	1	Connector - 4 Position	
4	1001119620	4	Pin, Male	
6	1001227996	1	Grommet	
7	1001237862	1	Cable, M8 Female Cordset	

SECTION 8 - ELECTRICAL

FIGURE 8-69. SKYLINE HARNESS



ART_1001238418

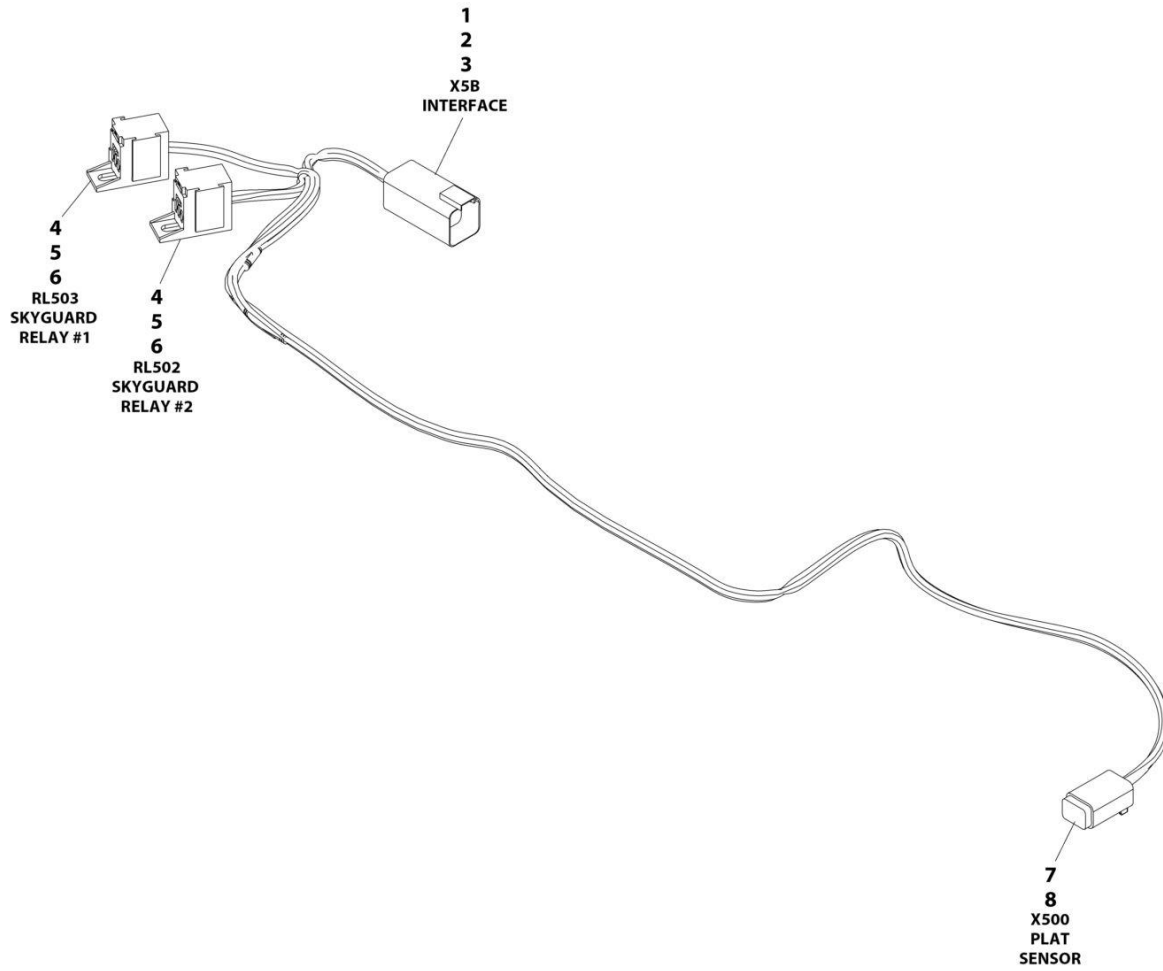
SECTION 8 - ELECTRICAL

FIGURE 8-69. SKYLINE HARNESS

ITEM	PART NUMBER	QTY	DESCRIPTION	REV
	1001238418	Ref	SKYLINE HARNESS	B
1	4460899	1	Connector - 6 Position	
1	4460464	4	Pin, Male	
1	4460466	2	Plug, Terminal	
2	4461077	1	Connector - 4 Position	
2	1001126009	4	Socket, Female	
3	1001186432	2	Plug, Relay	
3	1001118388	5	Terminal	
3	1001118384	3	Terminal	
3	3740086	2	Relay	

SECTION 8 - ELECTRICAL

FIGURE 8-70. SKYGUARD INTERFACE HARNESS



ART_1001225580

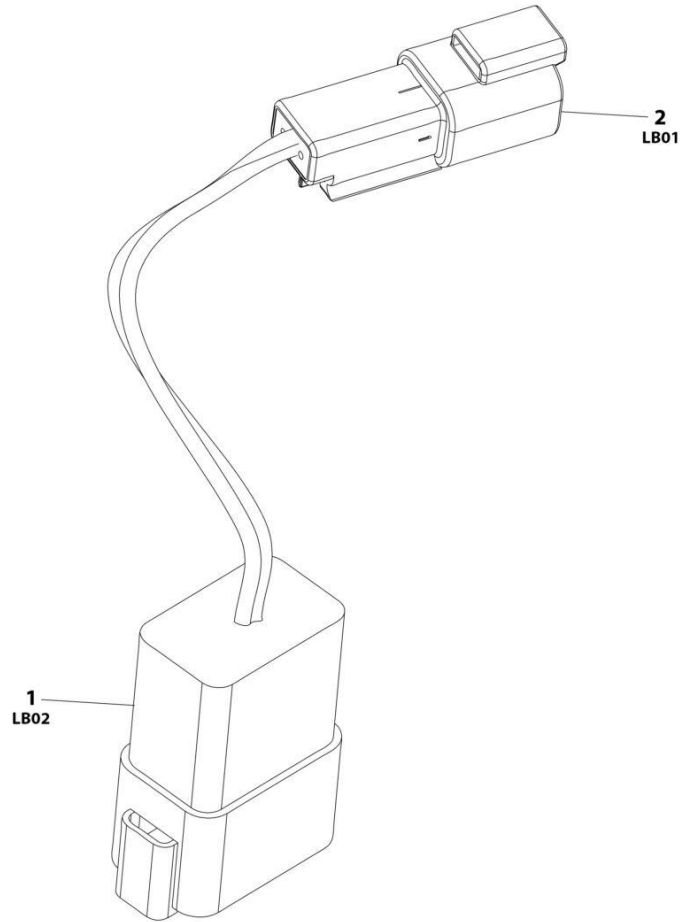
SECTION 8 - ELECTRICAL

FIGURE 8-70. SKYGUARD INTERFACE HARNESS

ITEM	PART NUMBER	QTY	DESCRIPTION	REV
	1001225580	Ref	INTERFACE HARNESS - WITH 1 CELL LSS	D
1	4460899	1	Connector	
2	4460464	4	Terminal	
3	4460466	2	Plug	
4	1001186432	2	Connector	
5	1001116720	4	Terminal	
6	1001118388	4	Terminal	
7	4460884	1	Connector	
8	4460465	4	Terminal	

SECTION 8 - ELECTRICAL

FIGURE 8-71. STROBE LIGHT JUMPER HARNESS



ART_1001283776

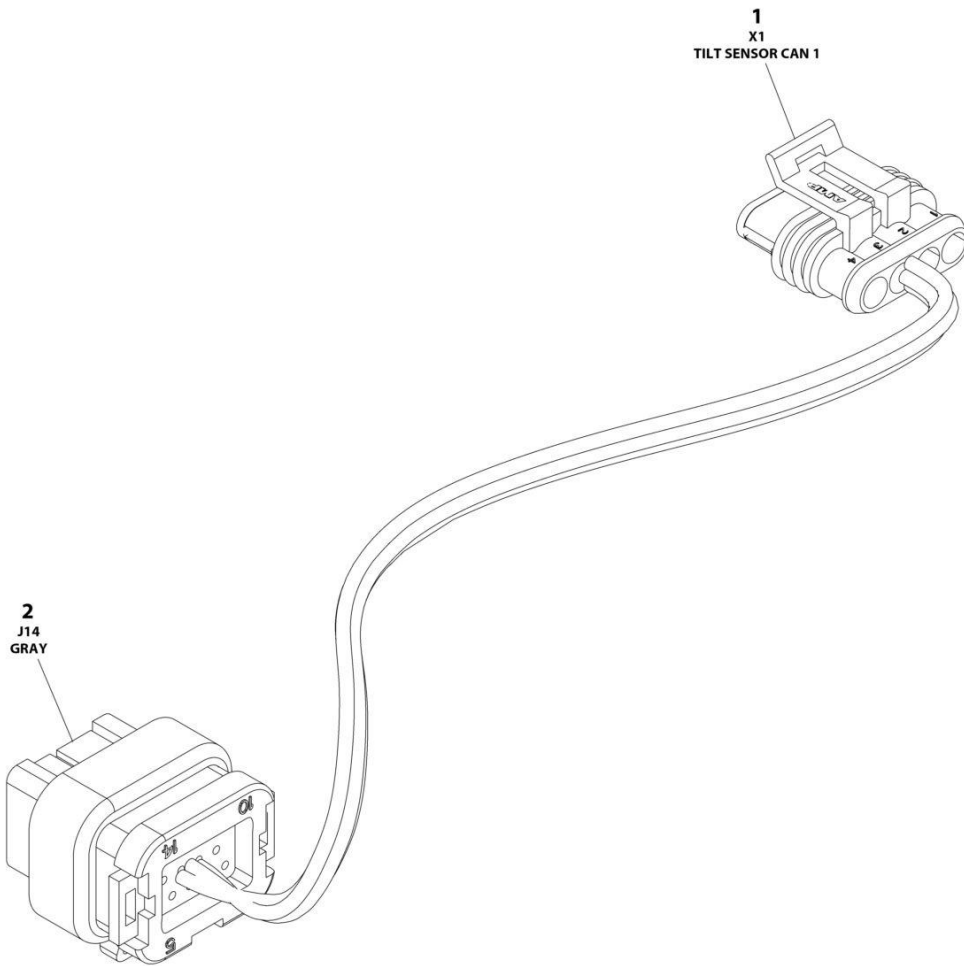
SECTION 8 - ELECTRICAL

FIGURE 8-71. STROBE LIGHT JUMPER HARNESS

ITEM	PART NUMBER	QTY	DESCRIPTION	REV
	1001283776	Ref	STROBE LIGHT HARNESS (AMBER)	A
1	4460931	1	Connector	
1	4460464	2	Pin	
1	4460466	6	Plug	
2	4460897	1	Connector	
2	4460464	2	Pin	

SECTION 8 - ELECTRICAL

FIGURE 8-72. TILT SENSOR HARNESS



ART_1001276143

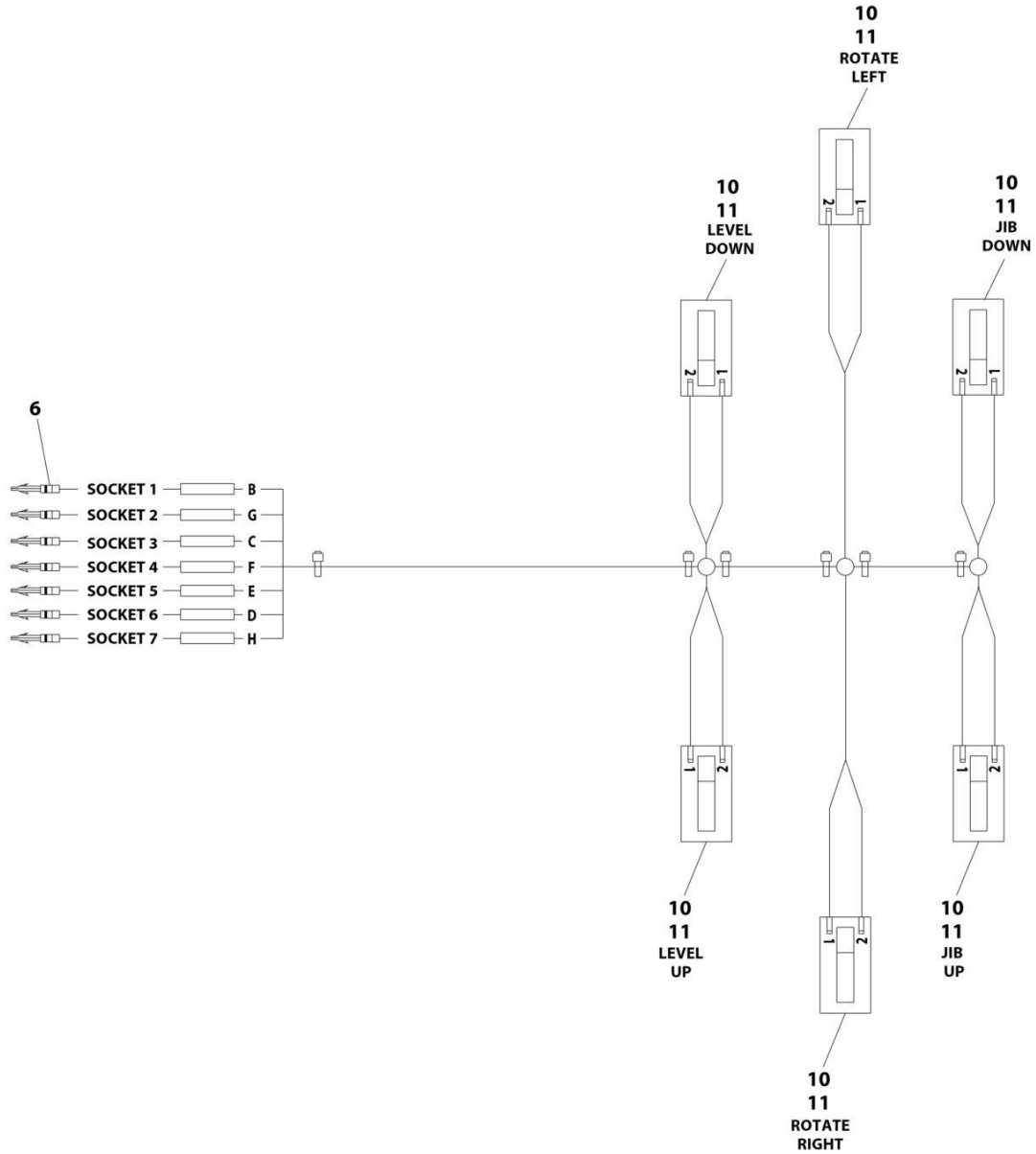
SECTION 8 - ELECTRICAL

FIGURE 8-72. TILT SENSOR HARNESS

ITEM	PART NUMBER	QTY	DESCRIPTION	REV
	1001276143	Ref	TILT SENSOR HARNESS	B
1	1001103012	1	Connector - 4 Position	
1	1001107854	4	Terminal, Male	
1	1001104498	4	Terminal, Seal	
2	1001246859	1	Connector - 14 Position	
2	4460871	4	Socekt, Female	
2	4460905	10	Plug, Terminal	

SECTION 8 - ELECTRICAL

FIGURE 8-73. VALVE HARNESS - BOOM VALVE



ART_1001139135

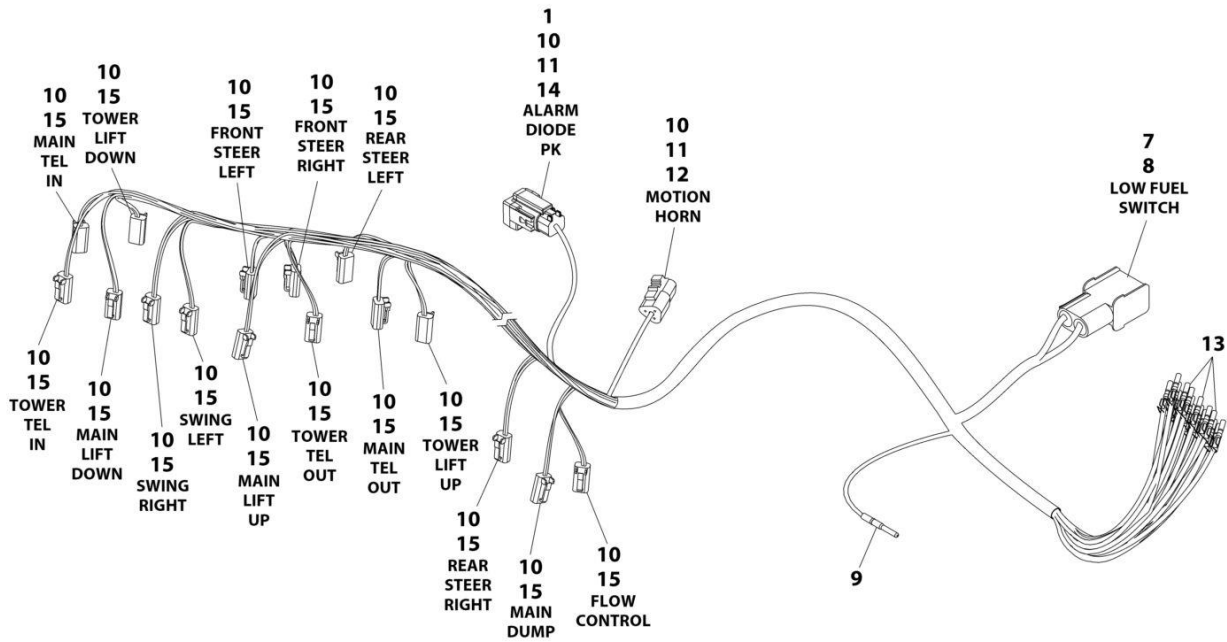
SECTION 8 - ELECTRICAL

FIGURE 8-73. VALVE HARNESS - BOOM VALVE

ITEM	PART NUMBER	QTY	DESCRIPTION	REV
	1001139135	Ref	BOOM VALVE HARNESS	3
6	4460226	7	Terminal, Socket	
10	4460891	6	Deutsch connector	
11	1001116692	12	Socket	

SECTION 8 - ELECTRICAL

FIGURE 8-74. VALVE HARNESS - MAIN CONTROL VALVE



ART_1001284919

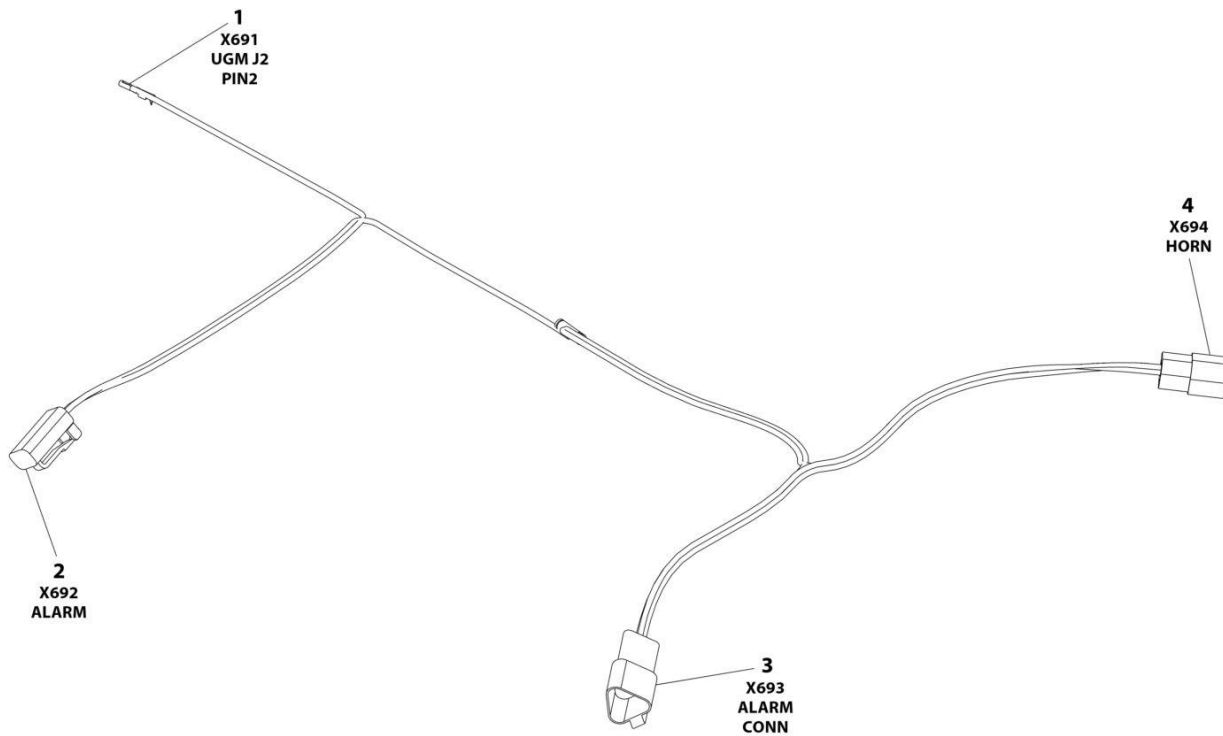
SECTION 8 - ELECTRICAL

FIGURE 8-74. VALVE HARNESS - MAIN CONTROL VALVE

ITEM	PART NUMBER	QTY	DESCRIPTION	REV
	1001284919	Ref	VALVE HARNESS - MAIN VALVE	A
1	1001152266	1	Connector	
7	4460268	2	Socket	
8	4460424	1	Connector	
9	4460464	1	Pin	
10	4460465	37	Socket	
11	4460466	2	Plug, Seal	
12	4460539	1	Connector	
13	4460871	26	Socket	
14	4460884	1	Connector	
15	4460891	16	Connector	

SECTION 8 - ELECTRICAL

FIGURE 8-75. WHITE NOISE ALARM HARNESS



ART_1001231007

SECTION 8 - ELECTRICAL

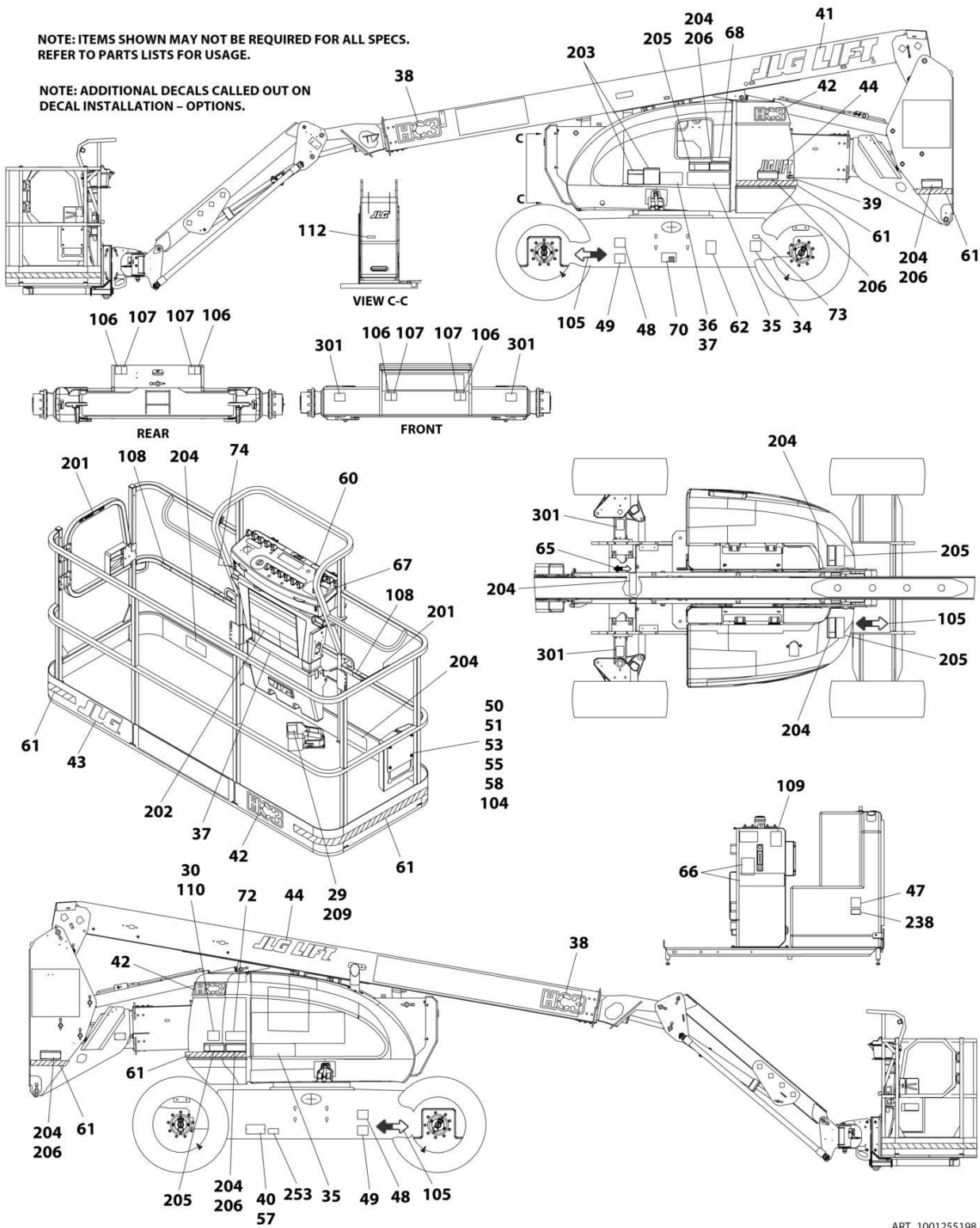
FIGURE 8-75. WHITE NOISE ALARM HARNESS

ITEM	PART NUMBER	QTY	DESCRIPTION	REV
	1001231007	Ref	WHITE NOISE ALARM INSTALLATION	B
1	4460871	1	Terminal	
2	4460891	1	Plug, Male - 2 Position	
2	4460465	2	Socket, Female	
3	4460536	1	Receptacle, Female - 3 Position	
3	4460464	3	Pin, Male	
4	4460539	1	Plug, Male - 3 Position	
4	4460465	3	Socket, Female	

SECTION 9 - DECALS

SECTION 9 - DECALS

FIGURE 9-1. DECAL INSTALLATION - ANSI SPECS



SECTION 9 - DECALS

FIGURE 9-1. DECAL INSTALLATION - ANSI SPECS

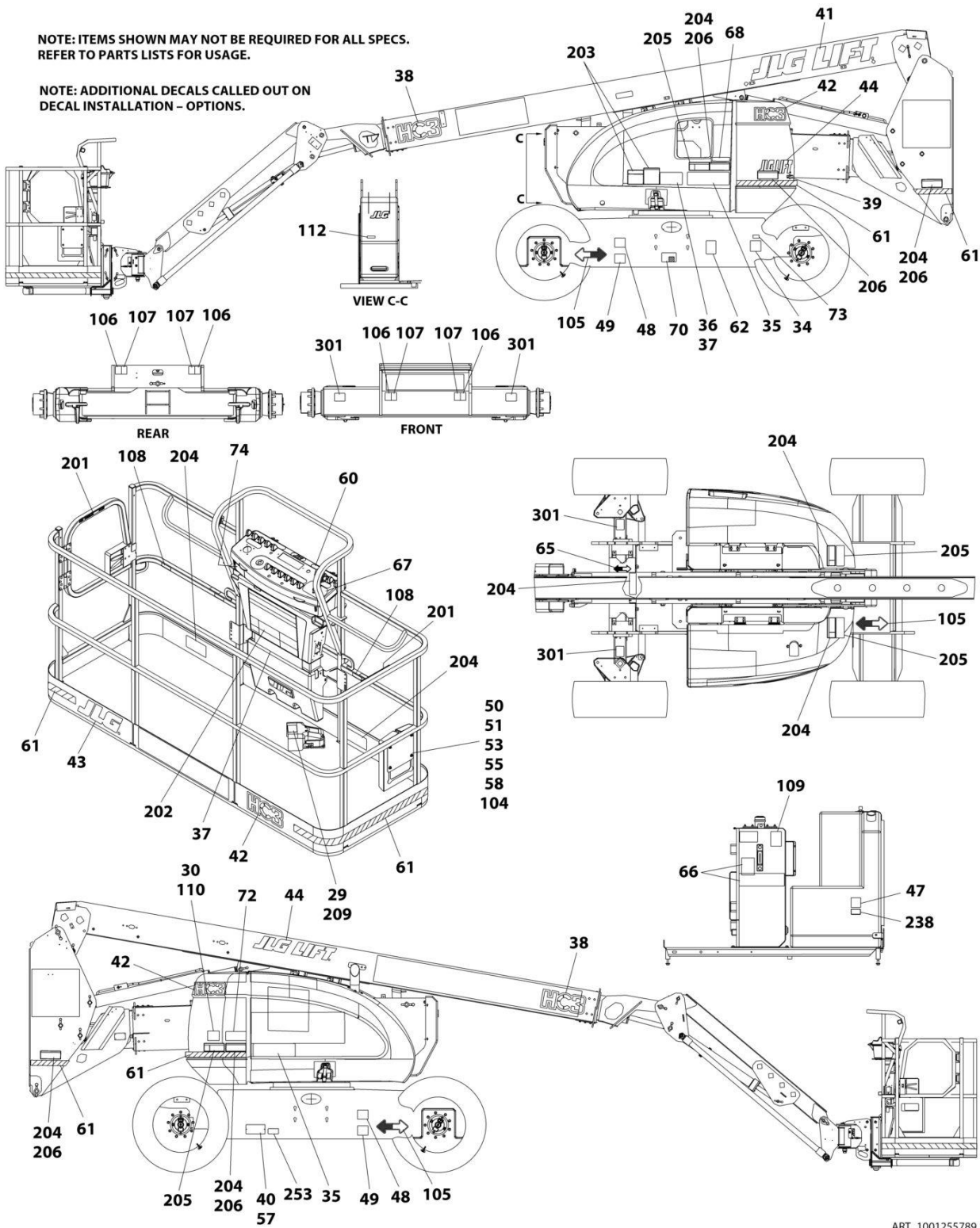
ITEM	PART NUMBER	QTY	DESCRIPTION	REV
	1001255198	Ref	DECAL INSTALLATION	E
	1001255196	Ref	DECAL REFERENCE CHART	C
29	3252347	1	Nameplate - Footswitch	
34	See Note	NSS	Decal - Bar Code (Note: Not Available for Purchase)	
35	1001267311	2	Decal - 600AJ	
36	1001234426	1	Decal - Warning	
37	1001234425	1	Decal - Warning	
39	1704885	1	Decal - Website	
50	0100011	AR	Compound, Locking	
51	0641406	4	Bolt 1/4 x 3/4	
53	0860520	1	Box, Manual Storage	
55	3311405	4	Nut 1/4	
57	3820001	2	Rivet	
58	4751400	8	Washer 1/4	
60	1001184618	1	Decal - Stop	
61	4420051	22 ft/6.7m	Tape, Safety	
62	1001131269	1	Decal - Patent	
65	1703687	1	Decal - Direction Arrow	
66	1702265	1	Decal - Upright Level Over-Ride	
67	1705351	1	Decal - Drive/Steer Instructions	
70	1001223055	1	Decal - Yearly Inspection	
72	1001284696	1	Decal - Lift Diagram	
73	1001223453	1	Decal - ICES	
100	2902303	1	Decal Kit - Master (Includes Items 104-112)	
104	1701509	1	Decal - Manual	
105	1701529	6	Decal - Arrow	
106	1703811	4	Decal - Tie Down/Lift	
107	1703814	6	Decal - Tie Down	
108	1704277	4	Decal - Attach Lanyard Here	
109	1704412	1	Decal - Hydraulic Oil Chart	
112	3251243	1	Nameplate - 120V-60Hz	
200	2902307	1	Decal Kit - Country Spec (Includes Items 201-206)	
201	1702868	2	Decal - No Hands	
202	1703797	1	Decal - Warning/Danger	
203	1705336	1	Decal - Warning Inspection (MTB)	
204	1703804	5	Decal - Warning Crushing	
205	1703805	4	Decal - Danger Electrocution	
206	1703953	4	Decal - Warning Crushing	
300	1001255795	1	Decal Max Tire Load Kit (Includes Item 301)	
301	1001255794	4	Decal - Max Tire Load	

SECTION 9 - DECALS

FIGURE 9-2. DECAL INSTALLATION - AUSTRALIAN SPECS

NOTE: ITEMS SHOWN MAY NOT BE REQUIRED FOR ALL SPECS.
REFER TO PARTS LISTS FOR USAGE.

NOTE: ADDITIONAL DECALS CALLED OUT ON
DECAL INSTALLATION - OPTIONS.



ART_1001255789

SECTION 9 - DECALS

FIGURE 9-2. DECAL INSTALLATION - AUSTRALIAN SPECS

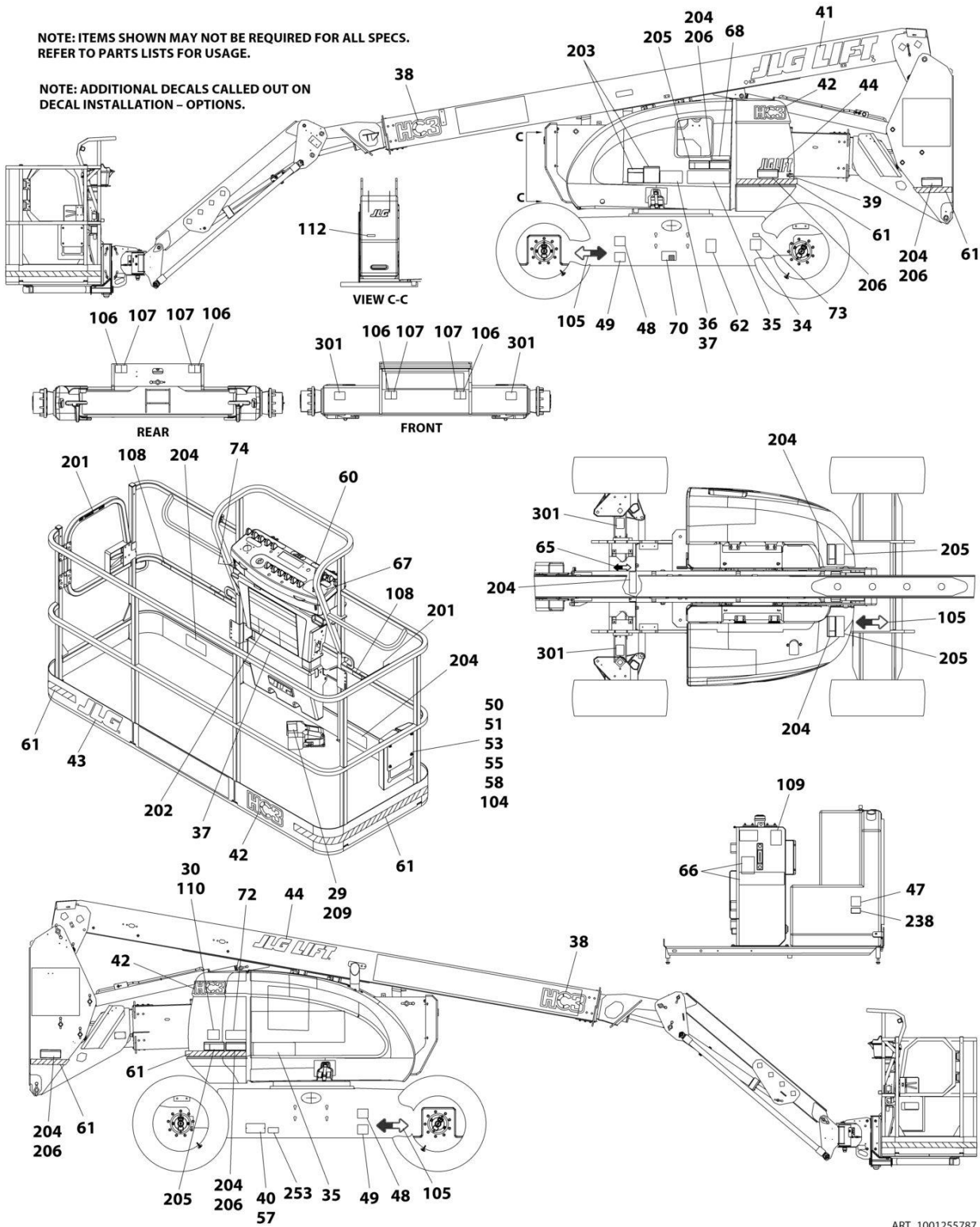
ITEM	PART NUMBER	QTY	DESCRIPTION	REV
	1001255789	Ref	DECAL INSTALLATION	D
	1001255196	Ref	DECAL REFERENCE CHART	C
34	See Note	NSS	Decal - Bar Code (Note: Not Available for Purchase)	
35	1702819	2	Decal - 600AJ	
35	1001267311	1	Decal - 600AJ	
37	1001234439	2	Decal - Warning	
39	1704885	1	Decal - Website	
50	0100011	AR	Compound, Locking	
51	0641406	4	Bolt 1/4 x 3/4	
53	0860520	1	Box, Manual Storage	
55	3311405	4	Nut 1/4	
57	3820001	2	Rivet	
58	4751400	8	Washer 1/4	
60	1001184618	1	Decal - Stop	
61	4420051	22 ft/6.7m	Tape, Safety	
65	1703687	1	Decal - Direction Arrow	
66	1705977	1	Decal - Upright Level Over-Ride	
67	1001112551	1	Decal - Drive/Steer Instructions	
72	1001255926	1	Decal - Lift Diagram	
72	1001284696	1	Decal - Lift Diagram	
100	2902303	1	Decal Kit - Master (Includes Items 104-110)	
104	1701509	1	Decal - Manual	
105	1701529	6	Decal - Arrow	
106	1703811	4	Decal - Tie Down/Lift	
107	1703814	6	Decal - Tie Down	
108	1704277	4	Decal - Attach Lanyard Here	
109	1704412	1	Decal - Hydraulic Oil Chart	
110	1705084	1	Decal - Sound Power	
200	2902329	1	Decal Kit - Country Spec (Includes Items 202-209)	
202	1705921	1	Decal -Warning/Danger	
203	1705822	1	Decal - Warning Inspection (MTB)	
204	1701518	10	Decal -Warning Crushing	
205	1705961	5	Decal - Danger Electrocution	
209	1705828	1	Decal - Footswitch	
300	1001255795	1	Decal Max Tire Load Kit (Includes Item 301)	
301	1001255794	4	Decal - Max Tire Load	

SECTION 9 - DECALS

FIGURE 9-3. DECAL INSTALLATION - BRAZIL SPECS

NOTE: ITEMS SHOWN MAY NOT BE REQUIRED FOR ALL SPECS.
REFER TO PARTS LISTS FOR USAGE.

NOTE: ADDITIONAL DECALS CALLED OUT ON
DECAL INSTALLATION - OPTIONS.



ART_1001255787

SECTION 9 - DECALS

FIGURE 9-3. DECAL INSTALLATION - BRAZIL SPECS

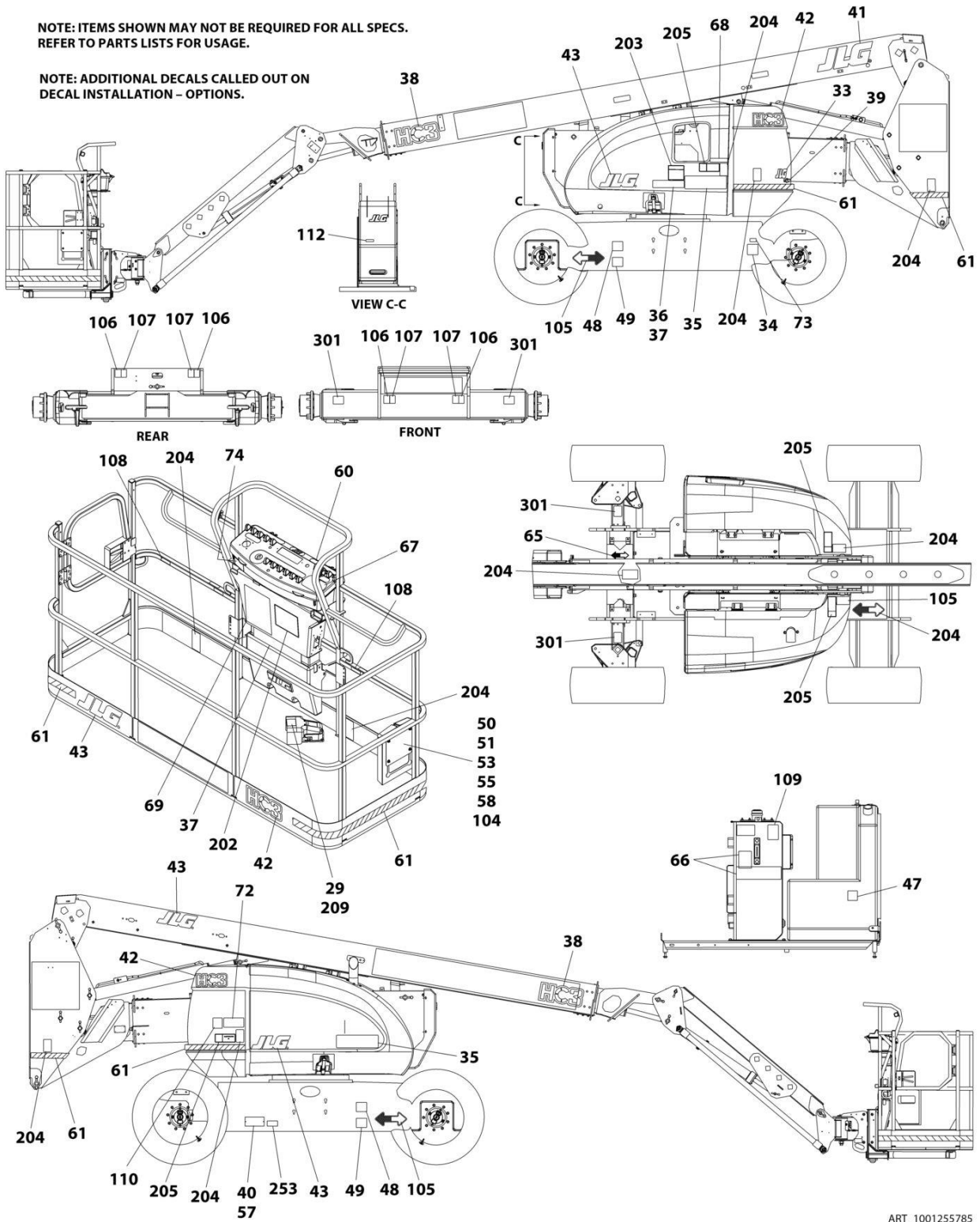
ITEM	PART NUMBER	QTY	DESCRIPTION	REV
	1001255787	Ref	DECAL INSTALLATION	D
	1001255196	Ref	DECAL REFERENCE CHART	C
34	See Note	NSS	Decal - Bar Code (Note: Not Available for Purchase)	
35	1001267311	2	Decal - 600AJ	
36	1001255915	1	Decal - Warning	
37	1001255914	1	Decal - Warning	
39	1704885	1	Decal - Website	
50	0100011	AR	Compound, Locking	
51	0641406	4	Bolt 1/4 x 3/4	
53	0860520	1	Box, Manual Storage	
55	3311405	4	Nut 1/4	
57	3820001	2	Rivet	
58	4751400	8	Washer 1/4	
60	1001184618	1	Decal - Stop	
61	4420051	22 ft/6.7m	Tape, Safety	
65	1703687	1	Decal - Direction Arrow	
66	1703544	1	Decal - Upright Level Over-Ride	
67	1705905	1	Decal - Drive/Steer Instructions	
70	1001224052	1	Decal - Yearly Inspection	
70	1001267885	1	Decal - Yearly Inspection	
72	1001284696	1	Decal - Lift Diagram	
100	2902303	1	Decal Kit - Master (Includes Items 104-109)	
104	1701509	1	Decal - Manual	
105	1701529	6	Decal - Arrow	
106	1703811	4	Decal - Tie Down/Lift	
107	1703814	6	Decal - Tie Down	
108	1704277	4	Decal - Attach Lanyard Here	
109	1704412	1	Decal - Hydraulic Oil Chart	
200	2902312	1	Decal Kit - Country Spec (Includes Items 201-209)	
201	1705967	2	Decal - No Hands	
202	1705895	1	Decal - Warning/Danger	
203	1705896	1	Decal - Warning Inspection (MTB)	
204	1705898	5	Decal - Warning Crushing	
205	1705897	5	Decal - Danger Electrocution	
206	1705903	7	Decal - Warning Crushing	
209	1705902	1	Decal - Footswitch	
300	1001255795	1	Decal Max Tire Load Kit (Includes Item 301)	
301	1001255794	4	Decal- Max Tire Load	

SECTION 9 - DECALS

FIGURE 9-4. DECAL INSTALLATION - CE, RUSSIAN & UK CA SPECS

NOTE: ITEMS SHOWN MAY NOT BE REQUIRED FOR ALL SPECS.
REFER TO PARTS LISTS FOR USAGE.

NOTE: ADDITIONAL DECALS CALLED OUT ON
DECAL INSTALLATION - OPTIONS.



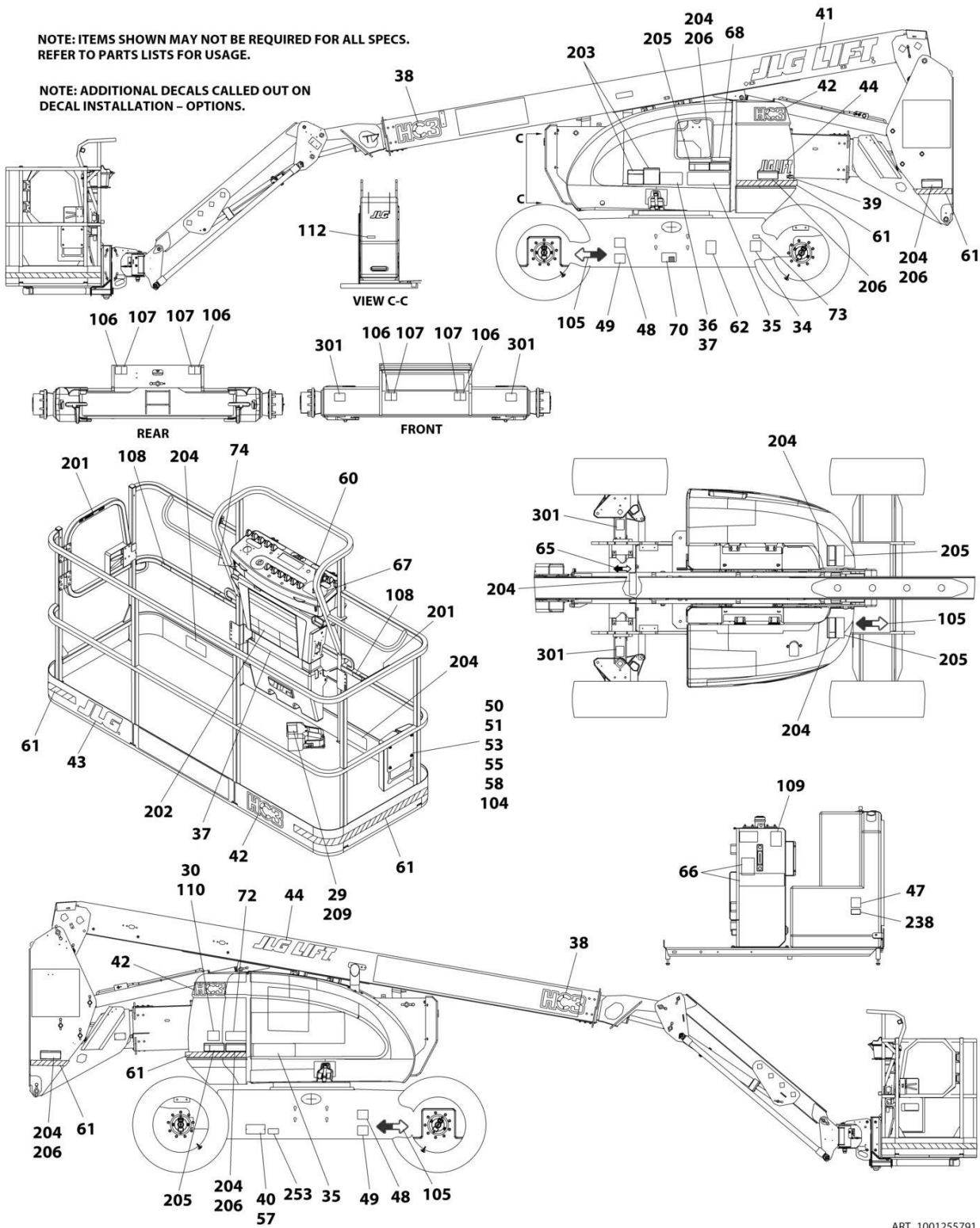
SECTION 9 - DECALS

FIGURE 9-4. DECAL INSTALLATION - CE, RUSSIAN & UK CA SPECS

ITEM	PART NUMBER	QTY	DESCRIPTION	REV
	1001255785	Ref	DECAL INSTALLATION	E
	1001257285	Ref	DECAL REFERENCE CHART	B
34	See Note	NSS	Decal - Bar Code (Note: Not Available for Purchase)	
35	1001267311	2	Decal - 600AJ	
36	1001234439	1	Decal - Capacity	
37	1001234439	1	Decal - Capacity	
50	0100011	AR	Compound, Locking	
51	0641406	4	Bolt 1/4 x 3/4	
53	0860520	1	Box, Manual Storage	
55	3311405	4	Nut 1/4	
57	3820001	2	Rivet	
58	4751400	8	Washer 1/4	
60	1001184618	1	Decal - Stop	
61	4420051	22 ft/6.7m	Decal - Warning Stripe	
65	1703687	1	Decal - Direction Arrow	
66	1705977	1	Decal - Upright Level Over-Ride	
72	1001284696	1	Decal - Lift Diagram	
100	2902303	1	Decal Kit - Master (Includes Items 104-110)	
104	1701509	1	Decal - Manual	
105	1701529	3	Decal - Arrow	
106	1703811	4	Decal - Tie Down/Lift	
107	1703814	4	Decal - Tie Down	
108	1704277	3	Decal - Attach Lanyard Here	
109	1704412	1	Decal - Hydraulic Oil Chart	
200	2902329	1	Decal Kit - Country Spec (Includes Items 202-209)	
202	1705921	1	Decal - Tipping/Electrical Platform	
203	1705822	1	Decal - Electrical/Safety Manual	
204	1701518	10	Decal - Warning Crushing	
205	1705961	4	Decal - Danger Electrocution	
209	1705828	4	Decal - Footswitch	
300	1001255795	1	Decal Max Tire Load Kit (Includes Item 301)	
301	1001255794	4	Decal - Max Tire Load	

SECTION 9 - DECALS

FIGURE 9-5. DECAL INSTALLATION - CHINESE SPECS (SIMPLIFIED)



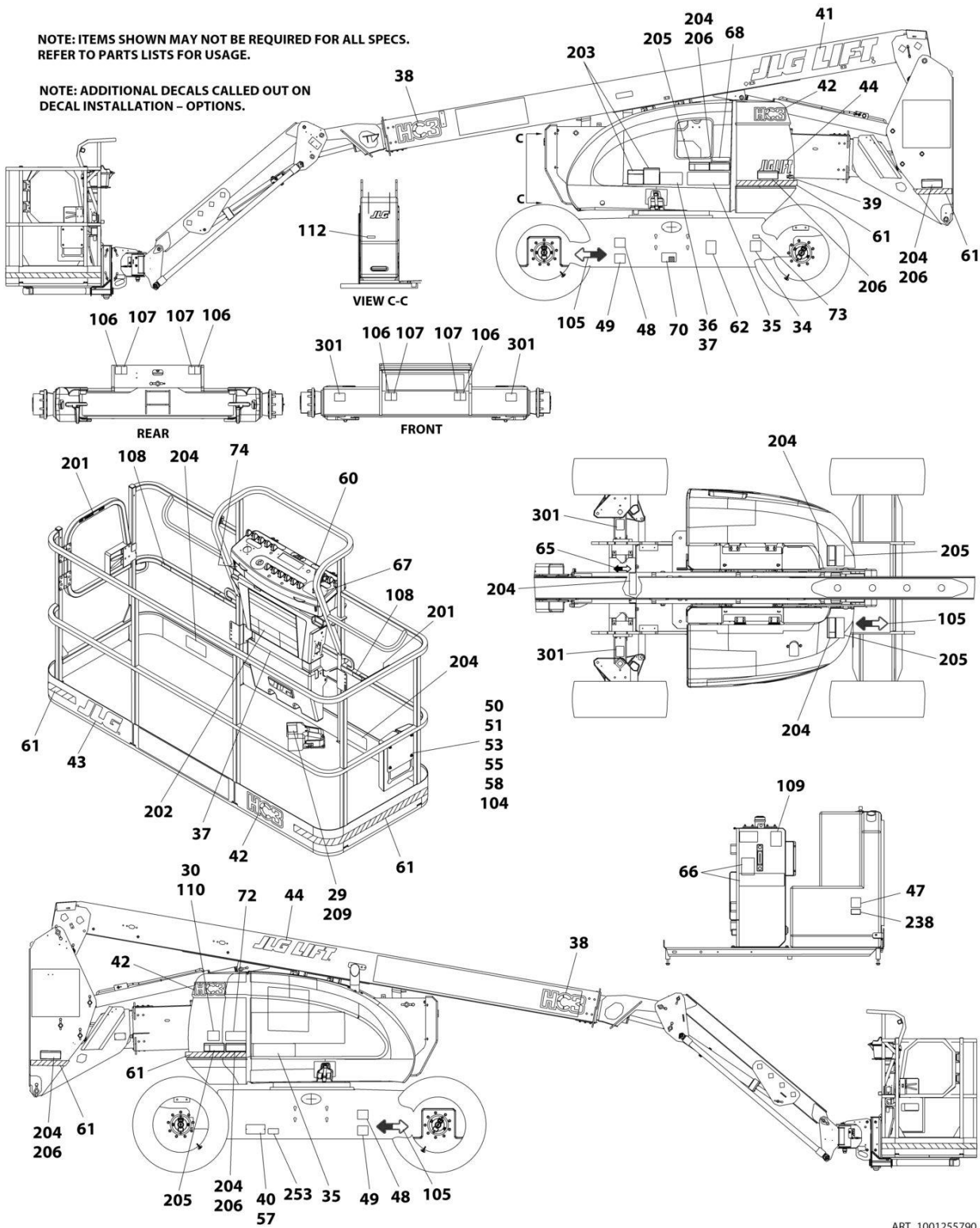
SECTION 9 - DECALS

FIGURE 9-5. DECAL INSTALLATION - CHINESE SPECS (SIMPLIFIED)

ITEM	PART NUMBER	QTY	DESCRIPTION	REV
	1001255791	Ref	DECAL INSTALLATION	D
	1001255196	Ref	DECAL REFERENCE CHART	C
34	See Note	NSS	Decal - Bar Code (Note: Not Available for Purchase)	
35	1001267311	1	Decal - 600AJ	
36	1001235402	1	Decal - Warning	
37	1001235401	1	Decal - Warning	
39	1704885	1	Decal - Website	
50	0100011	AR	Compound, Locking	
51	0641406	4	Bolt 1/4 x 3/4	
53	0860520	1	Box, Manual Storage	
55	3311405	4	Nut 1/4	
57	3820001	2	Rivet	
58	4751400	8	Washer 1/4	
60	1001184618	1	Decal - Stop	
61	4420051	22 ft/6.7m	Tape, Safety	
65	1703687	1	Decal - Direction Arrow	
66	1001116861	1	Decal - Upright Level Over-Ride	
67	1705430	1	Decal - Drive/Steer Instructions	
70	1001224051	1	Decal - Yearly Inspection	
72	1001284696	1	Decal - Lift Diagram	
100	2902303	1	Decal Kit - Master (Includes Items 104-112)	
104	1701509	1	Decal - Manual	
105	1701529	6	Decal - Arrow	
106	1703811	4	Decal - Tie Down/Lift	
107	1703814	6	Decal - Tie Down	
108	1704277	4	Decal - Attach Lanyard Here	
109	1704412	1	Decal - Hydraulic Oil Chart	
112	3251243	1	Nameplate - 120V-60Hz	
200	1001116844	1	Decal Kit - Country Spec (Includes Items 201-209)	
201	1705968	2	Decal - No Hands	
202	1001116847	1	Decal - Warning/Danger	
203	1001116848	2	Decal - Warning Inspection (MTB)	
204	1001116850	6	Decal - Warning Crushing	
205	1703937	5	Decal - Danger Electrocution	
206	1001116845	7	Decal - Warning Crushing	
209	1001116852	1	Decal - Foot Switch	
300	1001255795	1	Decal Max Tire Load Kit (Includes Item 301)	
301	1001255794	4	Decal - Max Tire Load	

SECTION 9 - DECALS

FIGURE 9-6. DECAL INSTALLATION - CHINESE SPECS (TRADITIONAL)



ART_1001255790

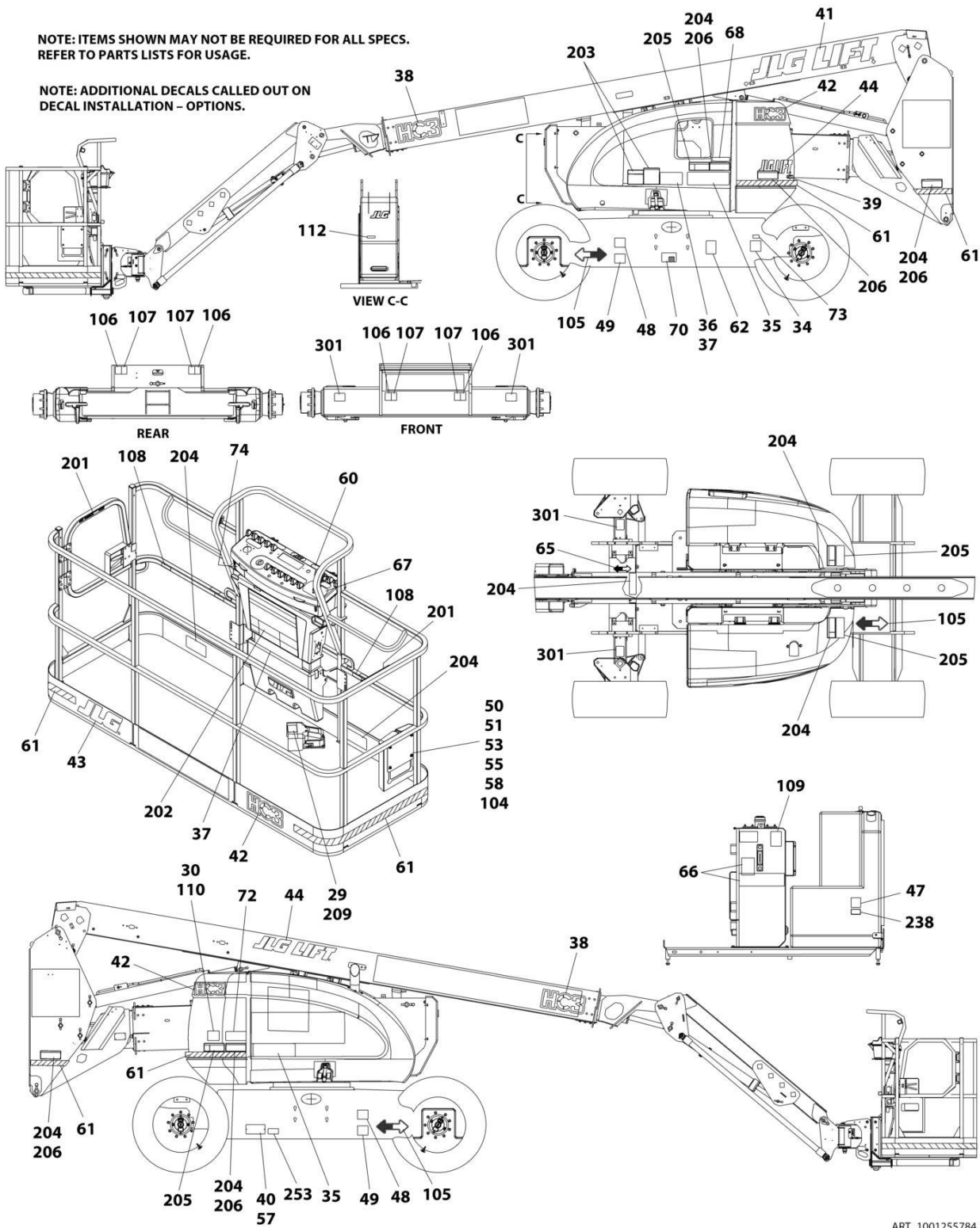
SECTION 9 - DECALS

FIGURE 9-6. DECAL INSTALLATION - CHINESE SPECS (TRADITIONAL)

ITEM	PART NUMBER	QTY	DESCRIPTION	REV
	1001255790	Ref	DECAL INSTALLATION	D
	1001255196	Ref	DECAL REFERENCE CHART	C
34	See Note	NSS	Decal - Bar Code (Note: Not Available for Purchase)	
35	1001267311	1	Decal - 600AJ	
36	1001234436	1	Decal - Warning	
37	1001234435	1	Decal - Warning	
39	1704885	1	Decal - Website	
50	0100011	AR	Compound, Locking	
51	0641406	4	Bolt 1/4 x 3/4	
53	0860520	1	Box, Manual Storage	
55	3311405	4	Nut 1/4	
57	3820001	2	Rivet	
58	4751400	8	Washer 1/4	
60	1001184618	1	Decal - Stop	
61	4420051	22 ft/6.7m	Tape, Safety	
65	1703687	1	Decal - Direction Arrow	
66	1001116862	1	Decal - Upright Level Over-Ride	
67	1001116863	1	Decal - Drive/Steer Instructions	
70	1001224050	1	Decal - Yearly Inspection	
72	1001284696	1	Decal - Lift Diagram	
100	2902303	1	Decal Kit - Master (Includes Items 104-112)	
104	1701509	1	Decal - Manual	
105	1701529	6	Decal - Arrow	
106	1703811	4	Decal - Tie Down/Lift	
107	1703814	6	Decal - Tie Down	
108	1704277	4	Decal - Attach Lanyard Here	
109	1704412	1	Decal - Hydraulic Oil Chart	
112	3251243	1	Nameplate - 120V-60Hz	
200	2902309	1	Decal Kit - Country Spec (Includes Items 201-209)	
201	1001116846	2	Decal - No Hands	
202	1703925	1	Decal - Warning/Danger	
203	1001116849	2	Decal - Warning Inspection (MTB)	
204	1703949	5	Decal - Warning Crushing	
205	1001116851	5	Decal - Danger Electrocution	
206	1703943	7	Decal - Warning Crushing	
209	1703982	1	Decal - Foot Switch	
300	1001255795	1	Decal Max Tire Load Kit (Includes Item 301)	
301	1001255794	4	Decal - Max Tire Load	

SECTION 9 - DECALS

FIGURE 9-7. DECAL INSTALLATION - CSA SPECS



SECTION 9 - DECALS

FIGURE 9-7. DECAL INSTALLATION - CSA SPECS

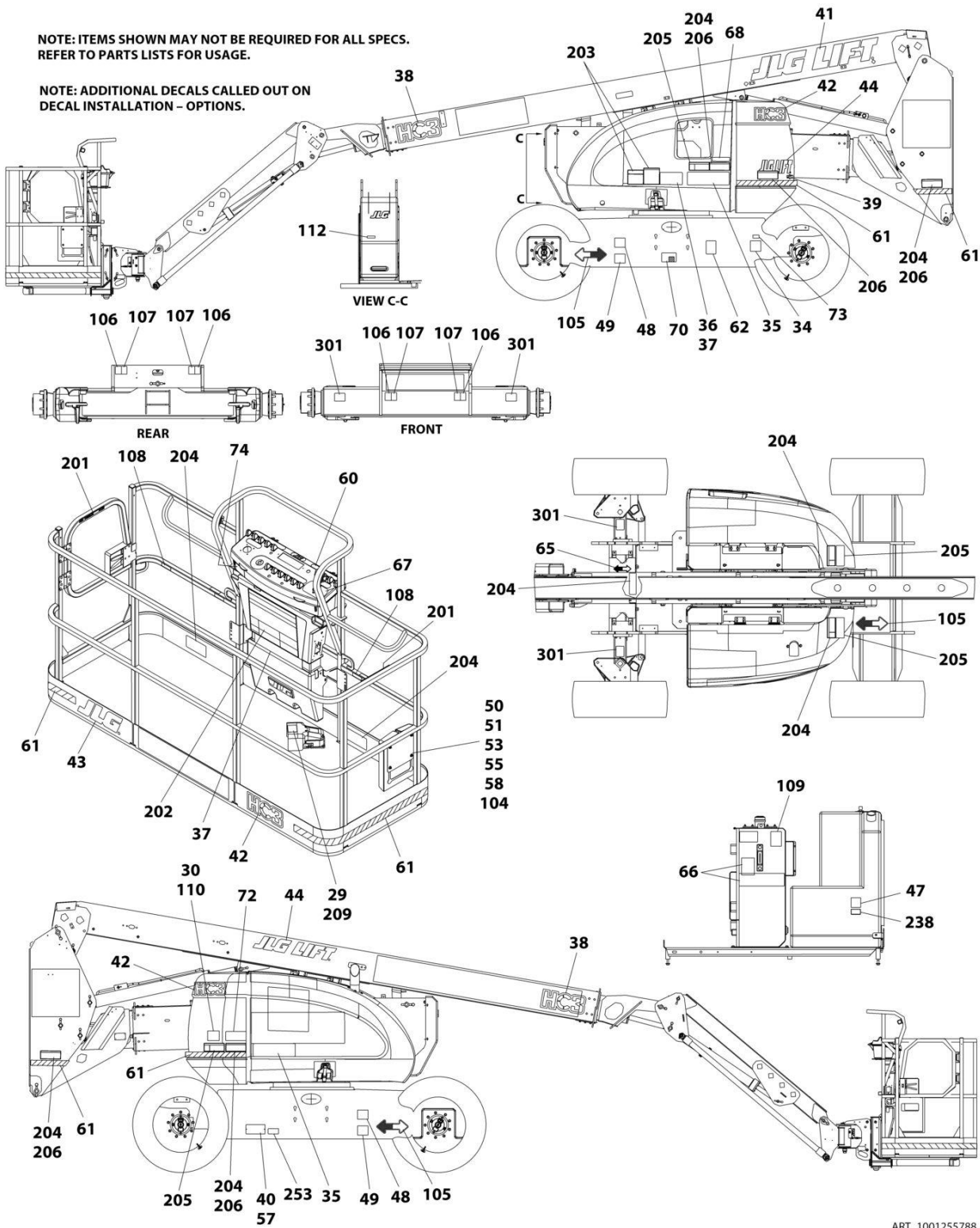
ITEM	PART NUMBER	QTY	DESCRIPTION	REV
	1001255784	Ref	DECAL INSTALLATION	D
	1001255196	Ref	DECAL REFERENCE CHART	C
34	See Note	NSS	Decal - Bar Code (Note: Not Available for Purchase)	
35	1001267311	2	Decal - 600AJ	
36	1001234434	1	Decal - Warning	
37	1001234433	1	Decal - Warning	
39	1704885	1	Decal - Website	
50	0100011	AR	Compound, Locking	
51	0641406	4	Bolt 1/4 x 3/4	
53	0860520	1	Box, Manual Storage	
55	3311405	4	Nut 1/4	
57	3820001	2	Rivet	
58	4751400	8	Washer 1/4	
60	1001184618	1	Decal - Stop.	
61	4420051	22 ft/6.7m	Tape, Safety	
62	1001131269	1	Decal - Patent	
65	1703687	1	Decal - Direction Arrow	
66	1703990	1	Decal - Upright Level Over-Ride	
67	1705429	1	Decal - Drive/Steer Instructions	
70	1001223971	1	Decal - Yearly Inspection	
72	1001284696	1	Decal - Lift Diagram	
73	1001223453	1	Decal - ICES	
100	2902303	1	Decal Kit - Master (Includes Items 104-112)	
104	1701509	1	Decal - Manual	
105	1701529	6	Decal - Arrow	
106	1703811	4	Decal - Tie Down/Lift	
107	1703814	6	Decal - Tie Down	
108	1704277	4	Decal - Attach Lanyard Here	
109	1704412	1	Decal - Hydraulic Oil Chart	
112	3251243	1	Nameplate - 120V-60Hz	
200	2902322	1	Decal Kit - Country Spec (Includes Items 201-209)	
201	1704000	2	Decal - No Hands	
202	1703624	1	Decal - Warning/Danger	
203	1705347	1	Decal - Warning Inspection (MTB)	
204	1703948	5	Decal - Warning Crushing	
205	1703936	5	Decal - Danger Electrocution	
206	1703942	7	Decal - Warning Crushing	
209	1703984	1	Decal - Footswitch	
300	1001255795	1	Decal Max Tire Load Kit (Includes Item 301)	
301	1001255794	4	Decal - Max Tire Load	

SECTION 9 - DECALS

FIGURE 9-8. DECAL INSTALLATION - JAPANESE SPECS

NOTE: ITEMS SHOWN MAY NOT BE REQUIRED FOR ALL SPECS.
REFER TO PARTS LISTS FOR USAGE.

NOTE: ADDITIONAL DECALS CALLED OUT ON
DECAL INSTALLATION - OPTIONS.



ART_1001255788

SECTION 9 - DECALS

FIGURE 9-8. DECAL INSTALLATION - JAPANESE SPECS

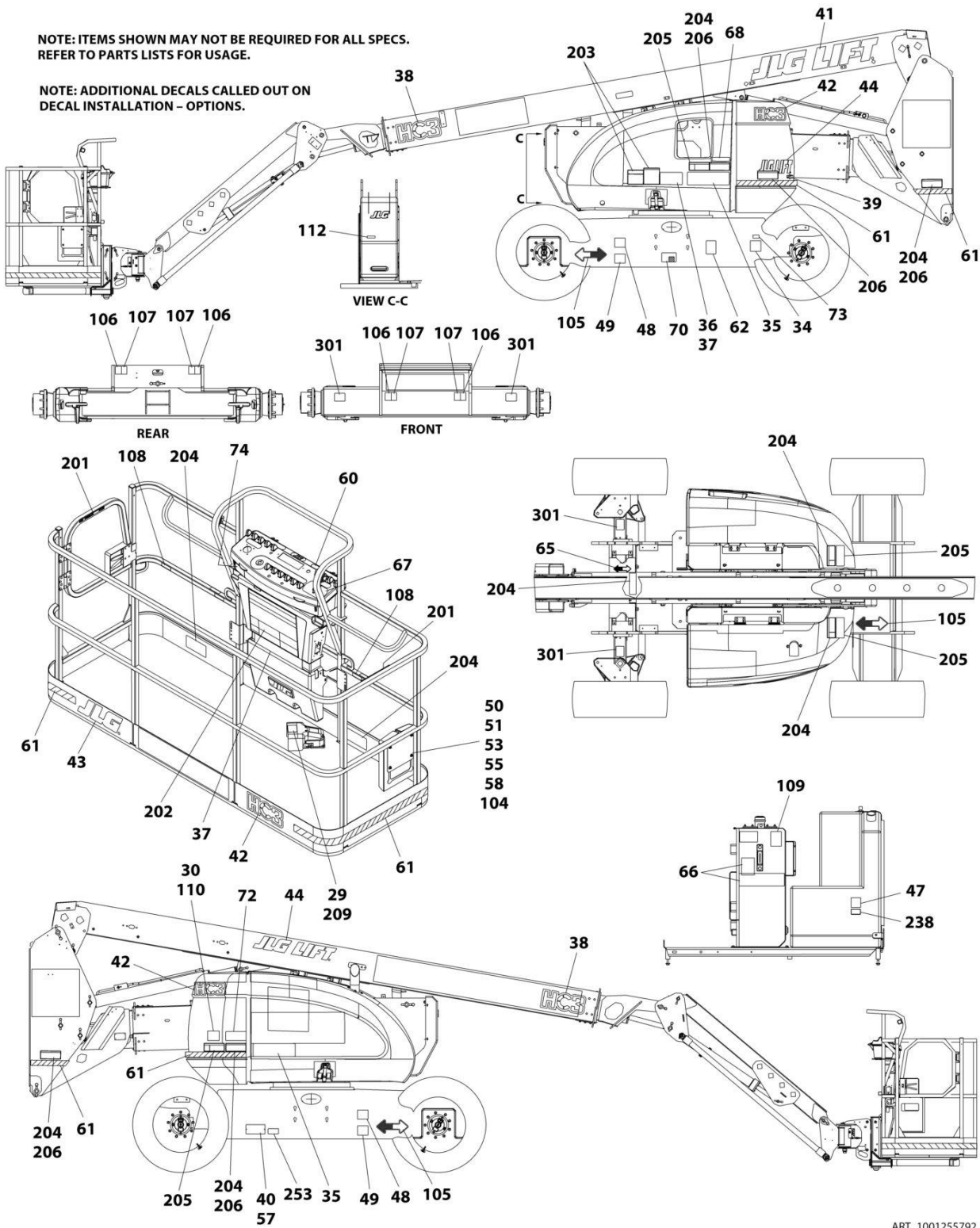
ITEM	PART NUMBER	QTY	DESCRIPTION	REV
	1001255788	Ref	DECAL INSTALLATION	D
	1001255196	Ref	DECAL REFERENCE CHART	C
34	See Note	NSS	Decal - Bar Code (Note: Not Available for Purchase)	
35	1001267311	2	Decal - 600AJ	
35	1001234429	1	Decal - Warning	
36	1001234428	1	Decal - Warning	
39	1704885	1	Decal - Website	
50	0100011	AR	Compound, Locking	
51	0641406	4	Bolt 1/4 x 3/4	
53	0860520	1	Box, Manual Storage	
55	3311405	4	Nut 1/4	
57	3820001	2	Rivet	
58	4751400	8	Washer 1/4	
60	1001184618	1	Decal - Stop	
61	4420051	22 ft/6.7m	Tape, Safety	
65	1703687	1	Decal - Direction Arrow	
66	1702271	1	Decal - Upright Level Over-Ride	
67	1705426	1	Decal - Drive/Steer Instructions	
70	1001224053	1	Decal - Yearly Inspection	
72	1001284696	1	Decal - Lift Diagram	
100	2902303	1	Decal Kit - Master (Includes Items 104-112)	
104	1701509	1	Decal - Manual	
105	1701529	6	Decal - Arrow	
106	1703811	4	Decal - Tie Down/Lift	
107	1703814	6	Decal - Tie Down	
108	1704277	4	Decal - Attach Lanyard Here	
109	1704412	1	Decal - Hydraulic Oil Chart	
112	3251243	1	Nameplate - 120V-60Hz	
200	2902308	1	Decal Kit - Country Spec (Includes Items 202-209)	
202	1703926	1	Decal - Warning/Danger	
203	1705344	1	Decal - Warning Inspection (MTB)	
204	1703950	5	Decal - Warning Crushing	
205	1703938	5	Decal - Danger Electrocution	
206	1703944	7	Decal - Warning Crushing	
209	1703980	1	Decal - Footswitch	
300	1001255795	1	Decal Max Tire Load Kit (Includes Item 301)	
301	1001255794	4	Decal - Max Tire Load	

SECTION 9 - DECALS

FIGURE 9-9. DECAL INSTALLATION - KOREAN SPECS

NOTE: ITEMS SHOWN MAY NOT BE REQUIRED FOR ALL SPECS.
REFER TO PARTS LISTS FOR USAGE.

NOTE: ADDITIONAL DECALS CALLED OUT ON
DECAL INSTALLATION - OPTIONS.



ART_1001255792

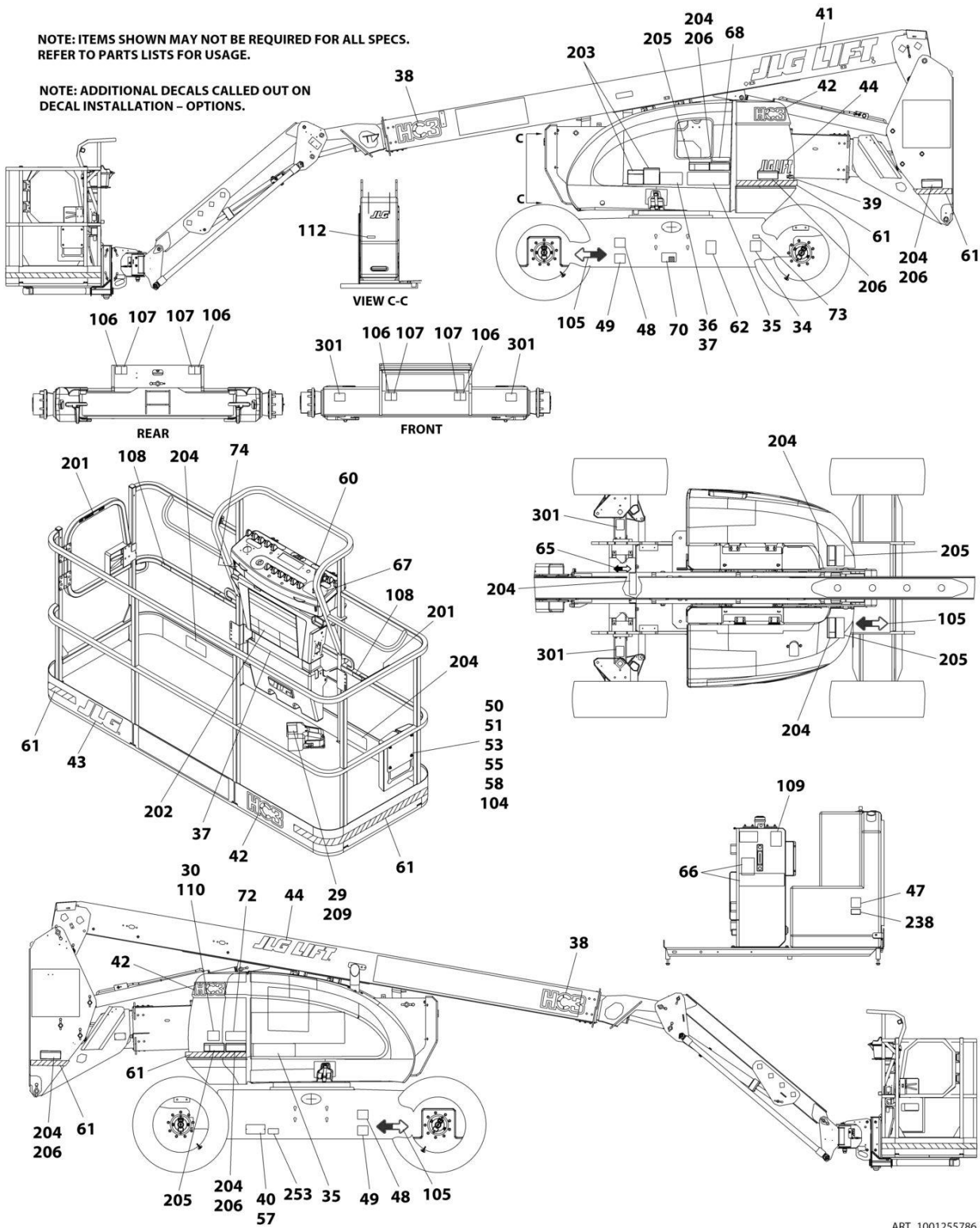
SECTION 9 - DECALS

FIGURE 9-9. DECAL INSTALLATION - KOREAN SPECS

ITEM	PART NUMBER	QTY	DESCRIPTION	REV
	1001255792	Ref	DECAL INSTALLATION	D
	1001255196	Ref	DECAL REFERENCE CHART	C
34	See Note	NSS	Decal - Bar Code (Note: Not Available for Purchase)	
35	1001267311	1	Decal - 600AJ	
36	1001235585	1	Decal - Warning	
37	1001234430	1	Decal - Warning	
39	1704885	1	Decal - Website	
50	0100011	AR	Compound, Locking	
51	0641406	4	Bolt 1/4 x 3/4	
53	0860520	1	Box, Manual Storage	
55	3311405	4	Nut 1/4	
57	3820001	2	Rivet	
58	4751400	8	Washer 1/4	
60	1001184618	1	Decal - Stop	
61	4420051	22 ft/6.7m	Tape, Safety	
65	1703687	1	Decal - Direction Arrow	
66	1703987	1	Decal - Upright Level Over-Ride	
67	1705427	1	Decal - Drive/Steer Instructions	
70	1001224048	1	Decal - Yearly Inspection	
72	1001284696	1	Decal - Lift Diagram	
100	2902303	1	Decal Kit - Master (Includes Items 104-112)	
104	1701509	1	Decal - Manual	
105	1701529	6	Decal - Arrow	
106	1703811	4	Decal - Tie Down/Lift	
107	1703814	6	Decal - Tie Down	
108	1704277	4	Decal - Attach Lanyard Here	
109	1704412	1	Decal - Hydraulic Oil Chart	
112	3251243	1	Nameplate - 120V-60Hz	
200	2902310	1	Decal Kit - Country Spec (Includes Items 201-209)	
201	1705969	2	Decal - No Hands	
202	1703927	1	Decal - Warning/Danger	
203	1705345	1	Decal - Warning Inspection (MTB)	
204	1703951	5	Decal - Warning Crushing	
205	1703939	5	Decal - Danger Electrocution	
206	1703945	7	Decal - Warning Crushing	
209	1703981	1	Decal - Footswitch	
300	1001255795	1	Decal Max Tire Load Kit (Includes Item 301)	
301	1001255794	4	Decal - Max Tire Load	

SECTION 9 - DECALS

FIGURE 9-10. DECAL INSTALLATION - LATIN AMERICAN SPECS



ART_1001255786

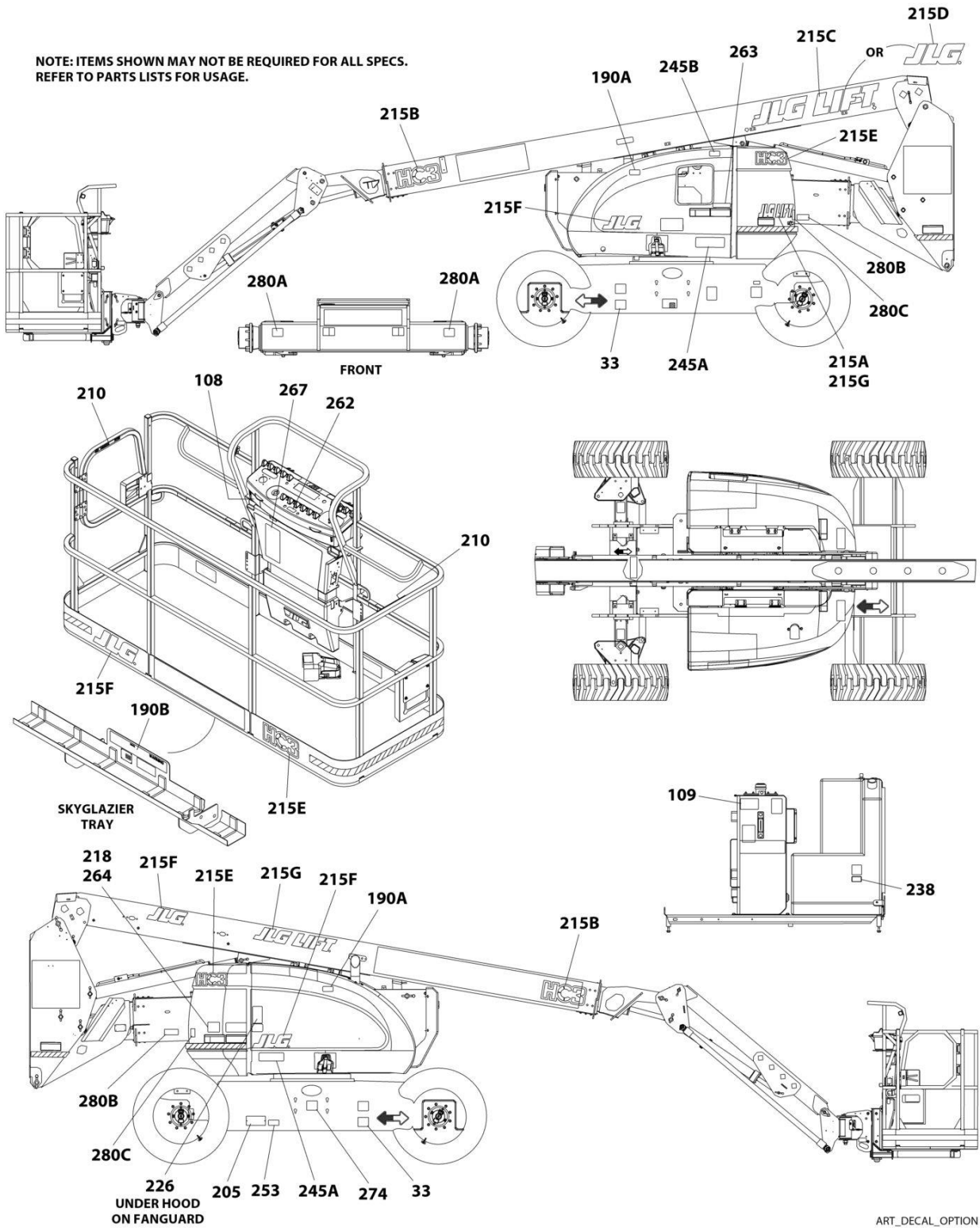
SECTION 9 - DECALS

FIGURE 9-10. DECAL INSTALLATION - LATIN AMERICAN SPECS

ITEM	PART NUMBER	QTY	DESCRIPTION	REV
	1001255786	Ref	DECAL INSTALLATION	D
	1001255196	Ref	DECAL REFERENCE CHART	C
34	See Note	NSS	Decal - Bar Code (Note: Not Available for Purchase)	
35	1001267311	2	Decal - 600AJ	
36	1001234432	1	Decal - Warning	
37	1001234431	1	Decal - Warning	
39	1704885	1	Decal - Website	
50	0100011	AR	Compound, Locking	
51	0641406	4	Bolt 1/4 x 3/4	
53	0860520	1	Box, Manual Storage	
55	3311405	4	Nut 1/4	
57	3820001	2	Rivet	
58	4751400	8	Washer 1/4	
60	1001184618	1	Decal - Stop	
61	4420051	22 ft/6.7m	Tape, Safety	
65	1703687	1	Decal - Direction Arrow	
66	1702617	1	Decal - Upright Level Over-Ride	
67	1705910	1	Decal - Drive/Steer Instructions	
70	1001224049	1	Decal - Yearly Inspection	
72	1001284696	1	Decal - Lift Diagram	
100	2902303	1	Decal Kit - Master (Includes Items 104-112)	
104	1701509	1	Decal - Manual	
105	1701529	6	Decal - Arrow	
106	1703811	4	Decal - Tie Down/Lift	
107	1703814	6	Decal - Tie Down	
108	1704277	4	Decal - Attach Lanyard Here	
109	1704412	1	Decal - Hydraulic Oil Chart	
112	3251243	1	Nameplate - 120V-60Hz	
200	2902311	1	Decal Kit - Country Spec (Includes Items 201-209)	
201	1704001	2	Decal - No Hands	
202	1703923	1	Decal - Warning/Danger	
203	1705917	1	Decal - Warning Inspection (MTB)	
204	1703947	5	Decal - Warning Crushing	
205	1703935	5	Decal - Danger Electrocution	
206	1703941	7	Decal - Warning Crushing	
209	1703983	1	Decal - Footswitch	
300	1001255795	1	Decal Max Tire Load Kit (Includes Item 301)	
301	1001255794	4	Decal - Max Tire Load	

SECTION 9 - DECALS

FIGURE 9-11. DECAL INSTALLATION - OPTIONS



SECTION 9 - DECALS

FIGURE 9-11. DECAL INSTALLATION - OPTIONS

ITEM	PART NUMBER	QTY	DESCRIPTION	REV
	1001255196	Ref	DECAL INSTALLATION - REFERENCE CHART (ALL SPECS EXCEPT CE & UK CA SPECS)	C
	1001257285	Ref	DECAL INSTALLATION - REFERENCE CHART (CE & UK CA SPECS)	B
	1001245251	Ref	DECAL INSTALLATION - OPTIONS	C
33	1700818	1	Decal - Fuel (LP Gas Machines) (English Language) (ANSI and Australian Specs)	
33	1704271	1	Decal - Fuel (LP Gas Machines) (English/French Languages) (CSA Specs)	
33	1702720	1	Decal - Fuel (LP Gas Machines) (English/Spanish Languages) (ANSI Export and China Specs)	
108	1001231801	1	Decal - Warning Proposition 65 (ANSI Specs)	
109	1702788	1	Decal - Biodegradable Hydraulic Fluid (English Language) (ANSI, Australian, CSA, CE & UK CA Specs)	
109	1703479	1	Decal - Biodegradable Hydraulic Fluid (German Language) (CE & UK CA Specs)	
109	1704174	Ref	Decal - Biodegradable (Synthetic) Hydraulic Fluid (English Language)	
109	1704175	Ref	Decal - Biodegradable (Synthetic) Hydraulic Fluid (German Language)	
190		Ref	Decal Installation - SkyGlazier Options:	
190	1001262102	Ref	Decal Installation - SkyGlazier (ANSI/ANSI EXPORT/CSA Specs)	A
190	1001262105	Ref	Decal Installation - SkyGlazier (Australian Specs)	A
190	1001262104	Ref	Decal Installation - SkyGlazier (Brazil Specs) (Portuguese Language)	A
190	1001262103	Ref	Decal Installation - SkyGlazier (Brazil/Latin American Specs) (Spanish Language)	A
190A	1705358	2	Decal - SkyGlazier	
190B		Ref	Decal - SkyGlazier Capacity Options:	
190B	1001259018	2	Decal - SkyGlazier Capacity (ANSI/ANSI Export/CSA Specs)	
190B	1001262117	2	Decal - SkyGlazier Capacity (Australian Specs)	
190B	1001262116	2	Decal - SkyGlazier Capacity (Brazil Specs) (Portuguese Language)	
190B	1001262115	2	Decal - SkyGlazier Capacity (Brazil/Latin American Specs) (Spanish Language)	
190B	1001262239	2	Decal - SkyGlazier Capacity (Danish Language)	
190B	1001262232	2	Decal - SkyGlazier Capacity (French Language)	
190B	1001262233	2	Decal - SkyGlazier Capacity (German Language)	
190B	1001262234	2	Decal - SkyGlazier Capacity (Italian Language)	
190B	1001262237	2	Decal - SkyGlazier Capacity (Portuguese Language)	
190B	1001262238	2	Decal - SkyGlazier Capacity (Swedish Language)	
190B	1001262235	2	Decal - SkyGlazier Capacity (UK English Language)	
205	See Note	1	Nameplate - Manufacturers Serial Number (Note: Not Available for Purchase)	
210	1702868	2	Decal - No Hands (English Language)	
210	1705968	2	Decal - No Hands (English/Chinese Language) (Simplified)	
210	1001116846	2	Decal - No Hands (English/Chinese Language) (Traditional)	
210	1704000	2	Decal - No Hands (English/French Language)	
210	1705969	2	Decal - No Hands (English/Korean Language)	
210	1705967	2	Decal - No Hands (English/Portuguese Language)	
210	1704001	2	Decal - No Hands (English/Spanish Language)	
215	1001255780	Ref	Decal - Logo Installation (All Specs Except CE & UK CA Specs)	B

SECTION 9 - DECALS

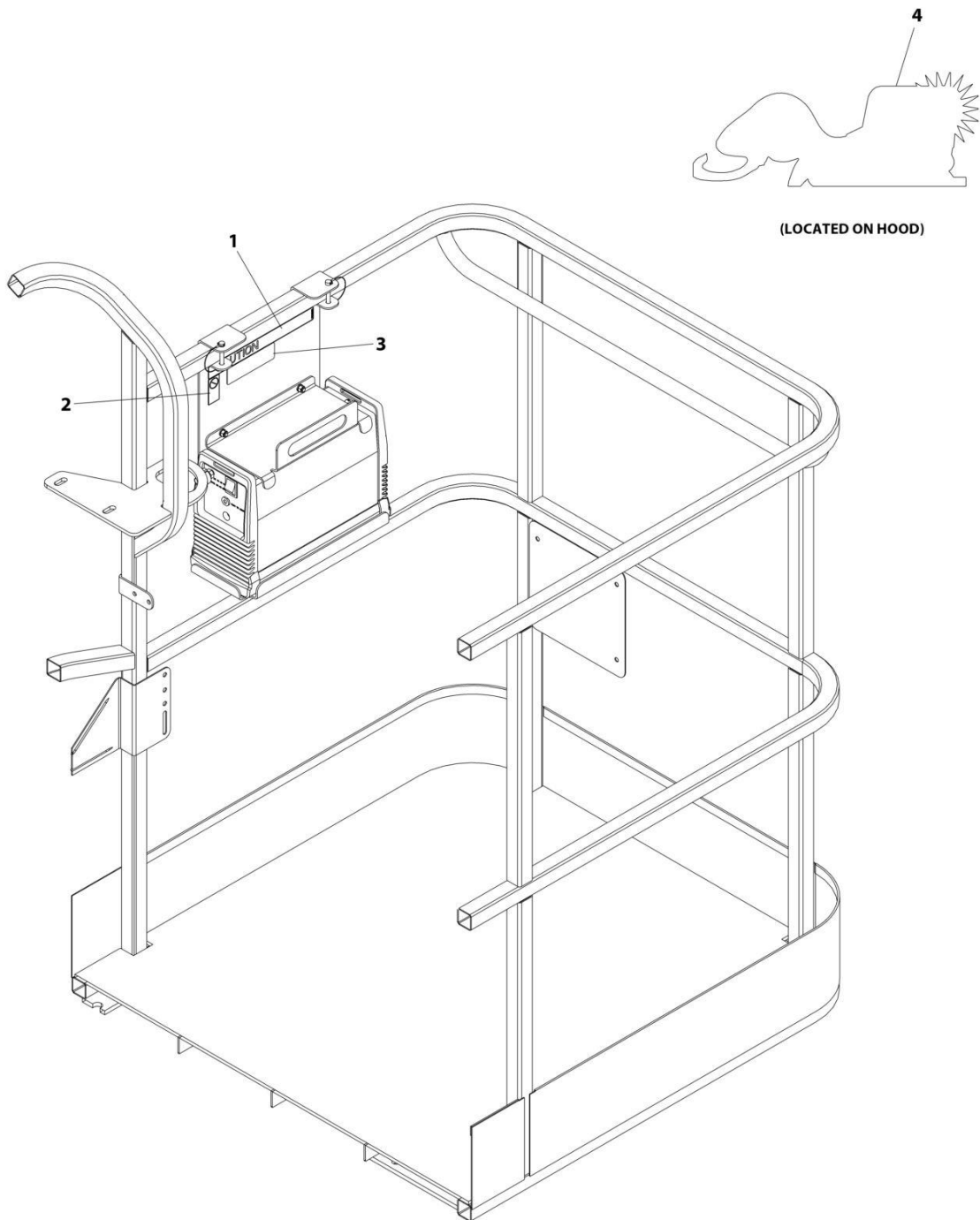
ITEM	PART NUMBER	QTY	DESCRIPTION	REV
215	1001257137	Ref	Decal - Logo Installation (CE, RUSSIAN, & UK CA Specs)	A
215A	1701435	1	Decal - JLG Lift (CE & UK CA Specs)	
215B	1001256906	2	Decal - HC3	
215C	1702861	1	Decal - JLG Lift (All Specs Except CE & UK CA Specs)	
215D	1001159323	1	Decal - JLG (CE & UK CA Specs)	
215E	1001244212	3	Decal - HC3	
215F	1702773	AR	Decal - JLG	
215G	1702860	2	Decal - JLG Lift (All Specs Except CE & UK CA Specs)	
218	3251813	1	Decal - USA (All Specs Except Australian, Japanese, CE & UK CA Specs)	
226	1704972	1	Decal - Warning Explosion/ Fire (English Language) (Diesel Machines) (CSA Specs)	
226	1706098	1	Decal - Warning Explosion/Fire (English Language) (Diesel Machines) (Australian, CE & UK CA Specs)	
226	1706059	1	Decal - Warning Explosion/Fire (English/Portuguese Language) (Diesel Machines) (Brazil Specs)	
226	1706060	1	Decal - Warning Explosion/Fire (English/Chinese Language) (Diesel Machines) (ANSI Export (LRC) & Chinese Specs)	
226	1706064	1	Decal - Warning Explosion/Fire (English Language) (Diesel Machines) (CSA Specs)	
226	1706062	1	Decal - Warning Explosion/Fire (English/Japanese Language) (Diesel Machines) (Japanese Specs)	
226	1706061	1	Decal - Warning Explosion/Fire (English/Korean Language) (Diesel Machines) (Korean Specs)	
226	1706063	1	Decal - Warning Explosion/Fire - (English/Spanish Language) (Diesel Machines) (Latin American Specs)	
238	1001125387	1	Decal - Ultra Low Sulfur Fuel (Diesel Machines) (ANSI, ANSI Export (HRC) & CSA Specs)	
238	1001139654	1	Decal - Ultra Low Sulfur Fuel (Diesel Machines) (Japanese, CE & UK CA Specs)	
245	1001127095	Ref	Decal Installation - ClearSky (Machines with ClearSky Option)	
245A	1001116208	2	Decal - ClearSky	
245B	1001120989	1	Decal - Radio Frequency	
245	1001294756	Ref	ClearSky Smart Fleet Decal Installation	
245A	1001120989	1	Decal - Radio Frequency	
245B	1001294815	1	Decal - ClearSky	
253	1001143852	1	Decal - Emission Compliance (Diesel Machines) (ANSI Export (LRC), Australian, Chinese, CE & UK CA Specs)	
262	1001141300	1	Decal - SkyGuard Override (Machines without Soft Touch Option)	
262	1001141302	1	Decal - SkyGuard Override (Machines with Soft Touch Option)	
263	1001197408	1	Decal - MSSO (CE & UK CA Specs)	
264	1001273784	1	Decal - Sound Power (100dB) (CE & UK CA Specs)	
267	1001200124	1	Decal - Quick Start Guide (Danish Language)	
267	1001200121	1	Decal - Quick Start Guide (Dutch Language)	
267	1001180861	1	Decal - Quick Start Guide (English Language)	
267	1001200120	1	Decal - Quick Start Guide (French Language)	
267	1001200122	1	Decal - Quick Start Guide (German Language)	
267	1001200127	1	Decal - Quick Start Guide (Norwegian Language)	
267	1001200125	1	Decal - Quick Start Guide (Swedish Language)	
267	1001200126	1	Decal - Quick Start Guide (Spanish Language)	
274	1001214030	Ref	Decal - EAC Installation (C.I.S and Russia Specs)	
274	1001173703	1	Decal - EAC	
280	1001220864	Ref	Decal Kit - Boom Transport Position	
280A	1001220512	2	Decal - Lower Boom	

SECTION 9 - DECALS

ITEM	PART NUMBER	QTY	DESCRIPTION	REV
280B	1001220510	2	Decal - Warning Arrow	
280C	1001220511	2	Decal - Warning Stripe	

SECTION 9 - DECALS

FIGURE 9-12. SKYCUTTER DECAL INSTALLATION (ALL SPECS EXCEPT AUSTRALIAN, CE & JAPANESE SPECS)



ART_0272599

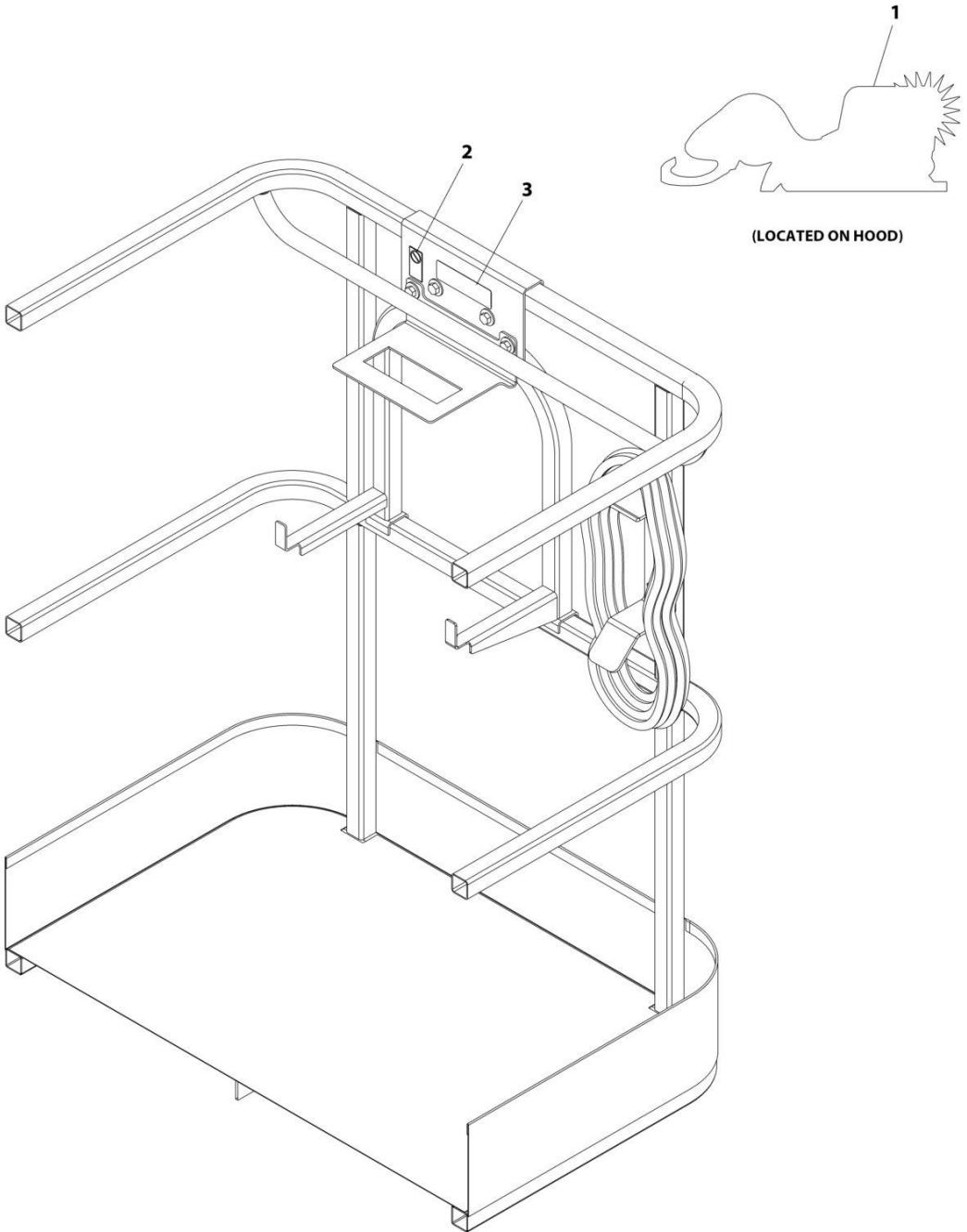
SECTION 9 - DECALS

FIGURE 9-12. SKYCUTTER DECAL INSTALLATION (ALL SPECS EXCEPT AUSTRALIAN, CE & JAPANESE SPECS)

ITEM	PART NUMBER	QTY	DESCRIPTION	REV
	0272599	Ref	SKYCUTTER DECAL INSTALLATION	C
1	1702868	1	Decal - No Hands	
2	1705305	1	Decal - Weld Leads	
3	1001252627	1	Decal - Weight	
4	1705490	2	Decal - SkyCutter	

SECTION 9 - DECALS

FIGURE 9-13. SKYCUTTER DECAL INSTALLATION (JAPANESE SPECS)



ART_0272607_C

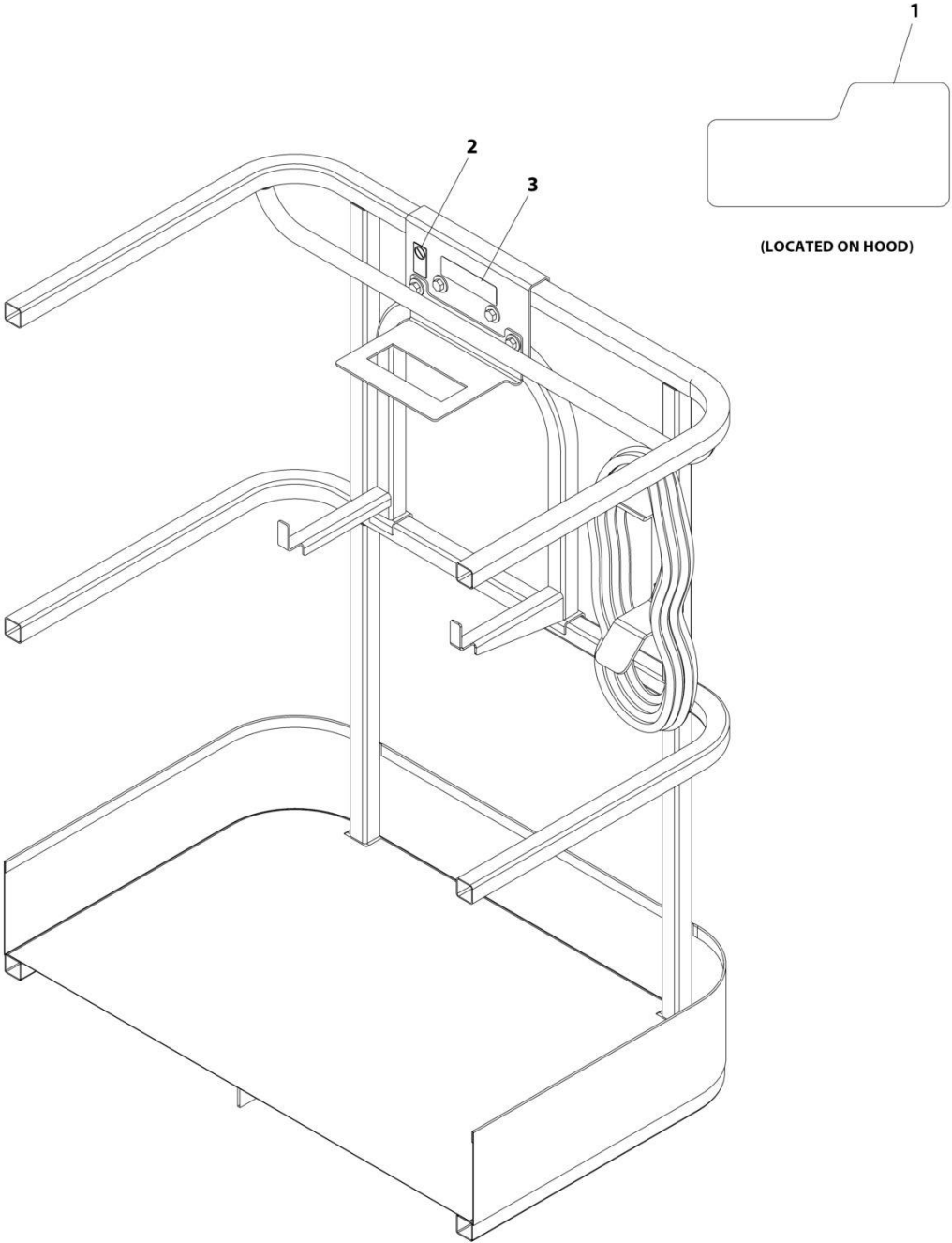
SECTION 9 - DECALS

FIGURE 9-13. SKYCUTTER DECAL INSTALLATION (JAPANESE SPECS)

ITEM	PART NUMBER	QTY	DESCRIPTION	REV
	0272607	1	SKYCUTTER DECAL INSTALLATION	C
1	1705490	2	Decal - SkyCutter	
2	1705305	1	Decal - Weld Lead	
3	1001252627	1	Decal - Weight	

SECTION 9 - DECALS

FIGURE 9-14. SKYWELDER DECAL INSTALLATION - 50HZ



ART_0272588

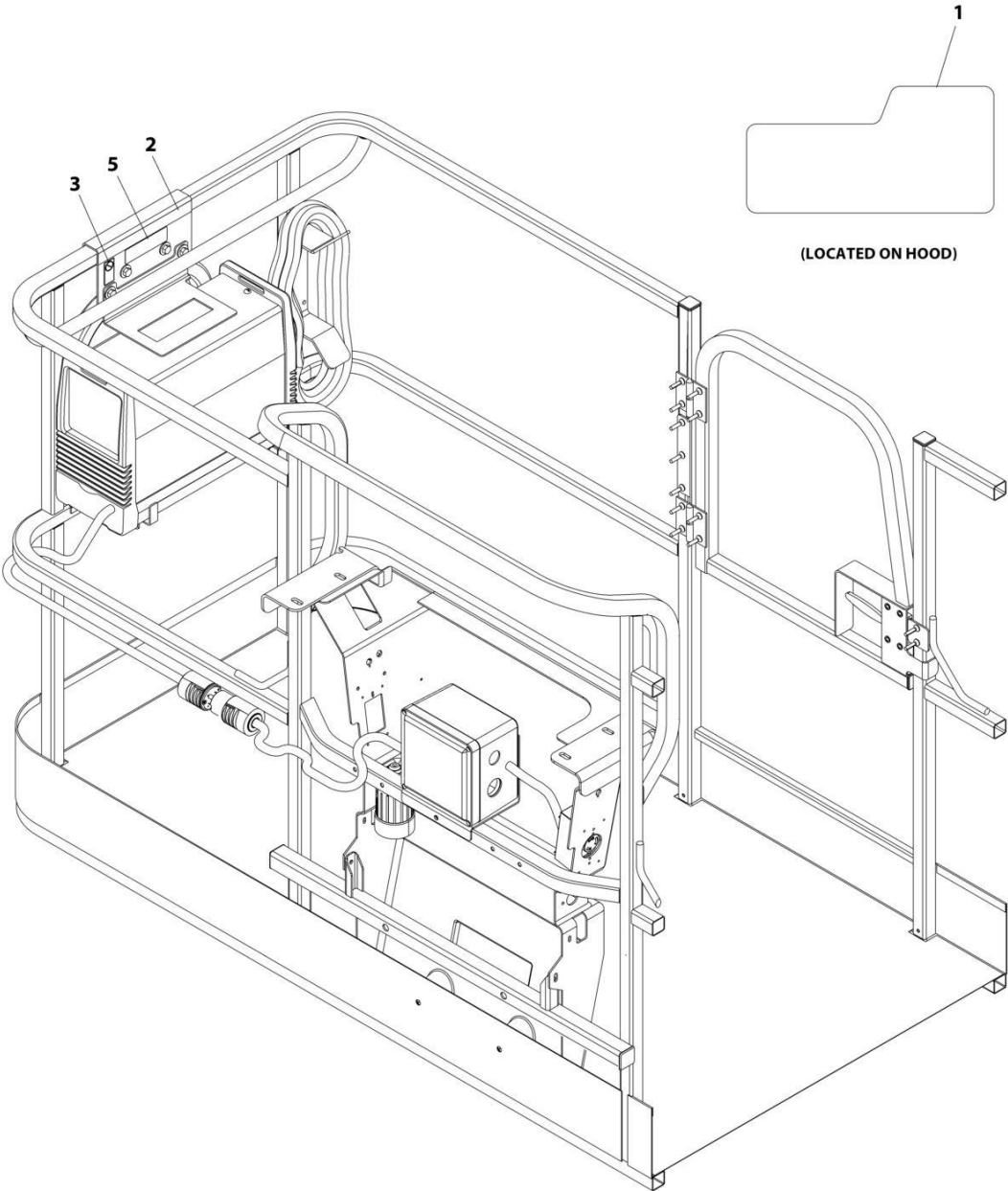
SECTION 9 - DECALS

FIGURE 9-14. SKYWELDER DECAL INSTALLATION - 50HZ

ITEM	PART NUMBER	QTY	DESCRIPTION	REV
	0272588	Ref	SKYWELDER DECAL INSTALLATION - 50Hz	B
1	1705355	2	Decal - SkyWelder	
2	1705305	1	Decal - Weld Lead	
3	1001228988	1	Decal - Weight	

SECTION 9 - DECALS

FIGURE 9-15. SKYWELDER DECAL INSTALLATION - 60HZ



ART_0272448_D

SECTION 9 - DECALS

FIGURE 9-15. SKYWELDER DECAL INSTALLATION - 60HZ

ITEM	PART NUMBER	QTY	DESCRIPTION	REV
	0272448	Ref	SKYWELDER DECAL INSTALLATION - 60Hz	D
1	1705355	2	Decal - SkyWelder	
2	1702868	1	Decal - No Hands	
3	1705305	1	Decal - Weld Lead	
5	1001228988	1	Decal - Weight	

SECTION 10 - RECOMMENDED SERVICE PARTS STOCK

SECTION 10 - RECOMMENDED SERVICE PARTS STOCK

SECTION 10 - RECOMMENDED SERVICE PARTS STOCK

FIGURE 10-1. RECOMMENDED SERVICE PART STOCK

ITEM	PART NUMBER	QTY	DESCRIPTION	REV
	See Note	Ref	Note: The following list will service one machine (built to current production per date on the front cover) with emergency repair parts which can be installed in the field. Parts from the list should be replaced when inventory is depleted to keep service parts stock supplied. For further information, contact your JLG dealer or the JLG Industries Parts Department.	
	4360542	1	Breaker, Circuit (2500W/110V Generator)	
	70000126	1	Breaker, Circuit (2500W/220V Generator)	
	70001431	1	Breaker, Circuit (Plasma Cutter)	
	4360070	1	Breaker, Circuit 15Amp (4000W & 7500W Generators)	
	1001181045	1	Breaker 16Amp (Breaker Box Single)	
	7024485	1	Breaker, Circuit 30Amp (7500W Generator)	
	1001159118	1	Breaker, GFCI 30Amp 240VAC (AC Box 240GFCI)	
	1001181046	1	Breaker 30mA/16Amp (Breaker Box with Generator)	
	7024444	1	Cap, Breather (Helgensen Brand)	
	70004862	1	Cap, Breather (Hydac Brand)	
	7012944	1	Coil (Control Valves)	
	7012943	1	Coil (Control Valves)	
	70004653	1	Coil (Main Valve)	
	70004595	1	Coil (Main Valve)	
	80434249	1	Coil (Main Valve)	
	70004660	1	Coil (Main Valve)	
	70004460	1	Coil (Main Valve)	
	70004463	1	Coil (Main Valve)	
	70002386	1	Coil (Boom Valve)	
	1001275628	1	Controller, Drive/Steer	
	1001275629	1	Controller, Lift/Swing	
	4360407	1	Controller, Potentiometer (Console Box)	
	3990010	2	Diode, 6Amp (Ground Control Harness)	
	2120210	12	Element, Filter Pressure (Control Valves)	
	2120149	12	Element, Filter Return (Control Valves)	
		Ref	Engine - D2011	
	70003783	12	Element, Air Cleaner	
	1001202281	12	Element, Fuel/Water Separator	
	7016328	12	Element, Fuel Filter	
	7016331	12	Element, Oil Filter	
	7027795	1	Module, Engine Control (Note: Please Contact JLG Parts Center to Order)	
	3740067	1	Relay	
		Ref	Engine - TD2.2L3 Stage V	
	70005008	12	Element, Air Cleaner	
	8229242	2	Fuse, 5A	
	80983191	2	Fuse, 10A	
	70023592	2	Fuse, 20A (Switched Output)	
	70023593	2	Fuse, 30A (Battery Output)	
	1001117308	1	Relay	
	1001138228	1	Relay, Power Module	
		Ref	Engine - TD2.9L4 49HP	
	91403102	12	Element, Air Cleaner	
	1001225430	12	Filter, Fuel Primary	

SECTION 10 - RECOMMENDED SERVICE PARTS STOCK

ITEM	PART NUMBER	QTY	DESCRIPTION	REV
	1001225431	12	Filter, Fuel Secondary	
	7016331	12	Filter, Oil	
	8229242	2	Fuse, 5A	
	8093191	2	Fuse, 10A	
	70023592	2	Fuse, 20A (Switched Output)	
	70023593	2	Fuse, 30A (Battery Output)	
	70025210	1	Module, Engine Control (Note: Please Contact JLG Parts Center to Order)	
	1001117308	1	Relay	
	1001138228	1	Relay, Power Module	
		Ref	Engine - TD2.9L4 63HP	
	91403102	12	Element, Air Cleaner	
	70025153	12	Filter, Fuel Primary	
	70025161	12	Filter, Fuel Secondary	
	7016331	12	Filter, Oil	
	8229242	2	Fuse, 5A	
	80983191	2	Fuse, 10A	
	70023592	2	Fuse, 20A (Switched Output)	
	70023593	2	Fuse, 30A (Battery Output)	
	1001117308	1	Relay	
	70005648	1	Relay	
	1001138228	1	Relay, Power Module	
		Ref	Engine - Ford	
	70005008	12	Element, Air Cleaner	
	70006155	12	Filter, Fuel	
	70006213	12	Filter, Oil	
	70006175	2	Fuse, 20A (Starter)	
	70006176	1	Module, ECU (ECU/GCP)	
	3740067	1	Relay	
	70006171	1	Relay (Fuel Pump & Power)	
	70006172	1	Relay (Starter)	
	1001196634	2	Fuse, 2A (Breather Heater)	
	8229249	2	Fuse, 3A (USB Charger & Console Box Harness)	
	2400064	2	Fuse, 5A (2500W & 7500W Generator to Engine Harness)	
	8229242	2	Fuse, 5A (Ground Control Harness)	
	2860030	1	Key, Replacement	
	2940074	1	Latch (Platforms with Gate)	
	1001247468	1	Loadcell (Platform Support)	
	1001142683	1	Module, Control Beacon (Strobe Lights)	
	1001103667	1	Module, Ground Control	
	1001106938	1	Module, Platform	
	3740067	1	Relay (Aux Pump Installation)	
	3740049	1	Relay (Ground Control)	
	3740080	1	Relay (2500W & 7500W Generators)	
	70006553	1	Relay (4000W Generator)	
	1001186431	1	Relay (SkyGuard Bar)	
	1001248962	1	Sensor, Angle (Boom Valves & Limit Switches)	
	1001228225	1	Sensor, Emitter (SkyEye)	
	1001117174	1	Sensor, Footswitch	
	4360436	1	Sensor, Fuel Level	
	4360578	1	Sensor, Limit (Boom Valves & Limit Switches)	
	4360057	1	Sensor Limit (Soft Touch)	

SECTION 10 - RECOMMENDED SERVICE PARTS STOCK

ITEM	PART NUMBER	QTY	DESCRIPTION	REV
	1001172271	1	Sensor, Limit Roller (Boom Valves & Limit Switches with Tower Stow)	
	1001170847	1	Sensor, Proximity (Boom Valves & Limit Switches)	
	1001182570	1	Sensor, Proximity (Boom Valves & Limit Switches)	
	1001232667	1	Sensor, Proximity (SkyLine)	
	4360517	1	Sensor, Proximity (Rotary Coupling)	
	1001228224	1	Sensor, Receiver (SkyEye)	
	1001137673	1	Sensor, SkyGuard Bar	
	1001225346	1	Switch, Battery Disconnect)	
	4360475	1	Switch, Emergency Stop	
	4360469	1	Switch, Key	
	4360274	1	Switch, Pushbutton Gray (Ground Control)	
	4360387	1	Switch, Pushbutton Yellow (Ground Control, Console Box & Soft Touch)	
	70001432	1	Switch, Rocker (Plasma Cutter)	
	1001155045	1	Switch, Toggle (Ground Control & Console Box)	
	4360336	1	Switch, Toggle (Cribbing & Generators)	
	4360331	1	Switch, Toggle (Console & Footswitch, Steer Switch Installation)	
	1001159256	1	Switch, Toggle (Console Box Assembly)	

SECTION 11 - SPECIAL OPTIONS/ACCESSORIES/KITS

SECTION 11 - SPECIAL OPTIONS/ACCESSORIES/KITS

SECTION 11 - SPECIAL OPTIONS/ACCESSORIES/KITS

FIGURE 11-1. SPECIAL OPTIONS/ACCESSORIES/KITS

ITEM	PART NUMBER	QTY	DESCRIPTION	REV
		Ref	Note: This list is to accommodate machines ordered with special equipment. Options may not be applicable to all models. For more specific parts information contact JLG Parts Department.	
	1001204884	Ref	Air Intake Shut-off Valve Installation (Deutz DT2.9L4 - 63HP Engines) (ANSI & CSA Specs)	
	1001247570	Ref	Air Intake Shut-off Valve Installation (Deutz DT2.9L4 - 49HP Engines) (ANSI & CSA Specs)	
	1001253151	Ref	Airline to Platform Installation	
	1001093438	Ref	Airline to Platform Installation (Arctic Package)	
	1001254024	Ref	Bellows Installation - Boom	
	1001251379	Ref	Bellows Installation - Chassis	
	1001253466	Ref	Boom Wiper Installation	
	1001172045	Ref	Cable/Ladder Carrier Installation	
		Ref	ClearSky (Telematics) Add-on Kits (Dealer Installed)	
	1001242409	Ref	ClearSky (Telematics) Access Control Add-on Kit (Dealer Installed) (ANSI, ANSI Export and CSA Specs)	
	1001265378	Ref	ClearSky (Telematics) Add-on Kit (Dealer Installed) (ANSI, ANSI Export and CSA Specs)	
	1001246142	Ref	ClearSky (Telematics) Added-on Kit (Dealer Installed) (Australian Specs)	
	1001243184	Ref	ClearSky (Telematics) Added-on Kit (Dealer Installed) (CE & UK CA Specs)	
	1001276923	Ref	ClearSky (Telematics) Added-on Kit - 3 Wire (Dealer Installed)	
		Ref	ClearSky Telematics Installation (Factory Installed)	
	1001227472	Ref	ClearSky Telematics Installation - Canbus (Factory Installed) (All Specs except Russian & Chinese Specs)	
	1001228946	Ref	ClearSky Telematics Installation - Canbus (Factory Installed) (ANSI Export, CE & UK CA Specs)	
	1001246522	Ref	ClearSky Telematics Installation - Canbus (Factory Installed) (Australian Specs)	
	1001246523	Ref	ClearSky Telematics Installation - Canbus (Factory Installed) (China Specs)	
	1001276610	Ref	ClearSky Telematics Installation - 3-Wire Connection (Factory Installed)	
		Ref	Cold Weather Packages:	
	1001152340	Ref	Cold Weather Package - Deutz D2011 Engines	
	0274883	Ref	Cold Weather Package with Transformer- Deutz D2011 Engines	
	1001151900	Ref	Cold Weather Package - Deutz TD2.9L4 Engines	
	1001256385	Ref	Cold Weather Package - Deutz TD2.2L3 Engines (Stage V)	
	1001217832	Ref	Cold Weather Package - Ford Engines	
	1001276007	Ref	Controller Service Kit - Drive/Steer	
	1001276008	Ref	Controller Service Kit - Lift/Swing	
	1001157013	Ref	Counterweight Installation (Required for Soft Touch Systems)	
	0257195	Ref	Decal - Government Warranty	
		Ref	Decal Kit Options:	
	2902307	Ref	Decal Kit - Country Spec (ANSI and ANSI Export)	
	2902329	Ref	Decal Kit - Country Spec (Australian, CE & UK CA)	
	2902312	Ref	Decal Kit - Country Spec (Brazil)	
	2902322	Ref	Decal Kit - Country Spec (CSA)	
	1001116844	Ref	Decal Kit - Country Spec (Chinese - Simplified)	
	2902309	Ref	Decal Kit - Country Spec (Chinese - Traditional)	

SECTION 11 - SPECIAL OPTIONS/ACCESSORIES/KITS

ITEM	PART NUMBER	QTY	DESCRIPTION	REV
	2902308	Ref	Decal Kit - Country Spec (Japanese)	
	2902310	Ref	Decal Kit - Country Spec (Korean)	
	2902311	Ref	Decal Kit - Country Spec (Latin America)	
	2902303	Ref	Decal Kit - Master	
	1001271643	Ref	Decal Kit – Machine	
	1001271644	Ref	Decal Kit – Platform	
	1001271645	Ref	Decal Kit – Platform Console Box	
	1001233047	Ref	Deutz Breather Heater Kit	
	4932990	Ref	Drive Cutout Kit (Above Elevation Beyond Transport)	
	4932993	Ref	Drive Cutout Kit (Above Elevation Tilt) (All Specs except CSA, CE & UK CA)	
		Ref	Electrical Connector Kits	
	1001290270	Ref	ECM Power Jumper Stage V Kit	
	1001148902	Ref	Amp/Tyco Electrical Connector Kit	
	1001148903	Ref	Deutsch DT Electrical Connector Kit	
	1001148904	Ref	Deutsch HD Electrical Connector Kit	
	1001148905	Ref	Packard Electrical Connector Kit	
	1001148906	Ref	Various Electrical Connectors Kit	
	1001218022	Ref	Engine Block Heater Installations (Ford Engines Only)	
	1001237883	Ref	Fall Arrest (Bolt-on) Add-on Kit (6ft/1.82m Platform (ANSI, ANSI Export, CHINA, CSA & Japanese Specs Only) (Fits Platform p/ns 1001186384 & 1001144024)	
	1001237882	Ref	Fall Arrest (Bolt-on) Add-on Kit (8ft/2.4m Platform (ANSI, ANSI Export, CHINA, CSA & Japanese Specs Only) (Fits Platform p/ns 1001186383 & 1001144023)	
	1001269629	Ref	Fall Arrest (Bolt-On) 30x60" Platform	
	1001269630	Ref	Fall Arrest (Bolt-On) 30x48" Platform	
	1001269631	Ref	Fall Arrest (Bolt-On) 30x72" Platform	
		Ref	Fan Cover/Guard Options:	
	1001182599	Ref	Fan Guard Installation (Deutz D2011 Engines)	
	1001258140	Ref	Fan Guard Installation (Deutz TD2.3L3 Stage V Engines)	
	1001177694	Ref	Fan Guard Installation (Deutz TD2.9L4 Engines)	
	1001093389	Ref	Fan Cover Installation (Ford DF 2.5L Engines)	
		Ref	Filter Kits:	
	1001166960	Ref	Deutz D2011 Engine	
	1001181148	Ref	Deutz TD2.9L4 Engine	
	1001114042	Ref	Ford DF2.5L Engine	
	1001290375	Ref	QUICKFIT OIL DRAIN (FORD ENGINES)	
	1001139099	Ref	Fire Extinguisher Installation	
	1001117294	Ref	Footswitch Shield (Arctic Package)	
	1001265676	Ref	Ford 42 Way Connector Kit	
	1001202749	Ref	Fuel Cap Cover Installation (Black) (All Machines) (Note: Lock p/n 1001102157 Must be purchased separately)	
	1001191395	Ref	Fuel Cap Cover Installation (Green) (Diesel Machines) (Note: Lock p/n 1001102157 Must be purchased separately)	
	1001247338	Ref	Fuel Cap Cover Installation (Red) (Gasoline Machines) (Note: Lock p/n 1001102157 Must be purchased separately)	
		Ref	Hose Kits:	
	1001209629	Ref	Hose Kit - Platform Valve	
	1001239617	Ref	Hose Kit - Power Track Upper	
	2910100	Ref	Hose/Cable Chafe Protection Kit	
	1001094475	Ref	Hourmeter for Generator Installation	
	1001229940	Ref	Hydraulic Tank Locker Installation	

SECTION 11 - SPECIAL OPTIONS/ACCESSORIES/KITS

ITEM	PART NUMBER	QTY	DESCRIPTION	REV
	1001268736	Ref	Jib Link Kit	
		Ref	Light Installations:	
	0274200	Ref	Lights Installation - Chassis Lights	
	1001176296	Ref	Lights Installation - Headlights/Tailights	
	1001120466	Ref	Lights Installation - Platform Worklights	
	1001243597	Ref	Lights Installation - Portable Work Lights	
	1001236951	Ref	Low Temperature Cut-out Switch Installation (Russian Specs)	
	1001120467	Ref	Lights Installation - Platform Flood Lights	
	1001282215	Ref	Platform Worklights Kit	
	1001204296	Ref	Oil Cooler Replacement Kit (Deutz TD2.9L4 Engine Only) (RCP to Ymer Cooler)	
	1001272166	Ref	Pipe Racks Add-on Kit (Dealer Installed)	
	1580013	Ref	Platform Corner Storage Tray	
	1001195304	Ref	Platform Console Cover Installation (Clear Polycarbonate)	
	1001266290	Ref	Platform Console Cover Installation (Steel) (All Specs except Australian & Chinese Specs)	
	1001125230	Ref	Platform Console Cover Installation (Steel) (Chinese Specs)	
	1001125229	Ref	Platform Console Cover Installation (Steel) (Korean Specs)	
	1001270482	Ref	Platform Console Cover Kit (Dealer Installed)	
		Ref	Platform Entry Kit:	
	1001142504	Ref	Kit, Replace Swing Gate with Drop Bar	
	1001142505	Ref	Kit, Replace Drop Bar with Swing Gate	
	1001274833	Ref	Platform Floormat Add-on Kit (30x48 Platform) (Dealer Installed)	
	1001274832	Ref	Platform Floormat Add-on Kit (30x60 Platform) (Dealer Installed)	
	1001274830	Ref	Platform Floormat Add-on Kit (36x72 Platform) (Dealer Installed)	
	1001274829	Ref	Platform Floormat Add-on Kit (36x96 Platform) (Dealer Installed)	
		Ref	Platform Mesh to Top Rail Add-on Kits:	
	1001214552	Ref	30in x 4ft (76cm x 1.22m) with Gate	
	1001214559	Ref	30in x 5ft (76cm x 1.52m) with Gate	
	1001214561	Ref	36in x 6ft (91.5cm x 1.83m) with Gate	
	1001214562	Ref	36in x 8ft (91.5cm x 2.44m) with Gate	
		Ref	Platform Mesh to Top Rail Installations	
	1001272182	Ref	30in x 4ft (76cm x 1.22m)	
	1001271888	Ref	30in x 5ft (76cm x 1.52m)	
	1001271642	Ref	36in x 6ft (91.5cm x 1.83m)	
	1001269187	Ref	36in x 8ft (91.5cm x 2.44m)	
		Ref	Platform Mesh to Mid Rail Add-on Kits:	
	1001214478	Ref	30in x 4ft (76cm x 1.22m) with Gate	
	1001214515	Ref	30in x 5ft (76cm x 1.52m) with Gate	
	1001214540	Ref	36in x 6ft (91.5cm x 1.83m) with Gate	
	1001214548	Ref	36in x 8ft (91.5cm x 2.44m) with Gate	
		Ref	Platform Mesh to Mid Rail Installation	
	1001272274	Ref	30in x 4ft (76cm x 1.22m)	
	1001272178	Ref	30in x 5ft (76cm x 1.52m)	
	1001271760	Ref	36in x 6ft (91.5cm x 1.83m)	
	1001269389	Ref	36in x 8ft (91.5cm x 2.44m)	
		Ref	Platform Mesh to Top Rail (Plastic)	
	1001266807	Ref	30in x 4ft (76cm x 1.22m)	
	1001266801	Ref	30in x 5ft (76cm x 1.52m)	
	1001266489	Ref	36in x 6ft (91.5cm x 1.83m)	
	1001266056	Ref	36in x 8ft (91.5cm x 2.44m)	
		Ref	Platform Mesh to Mid Rail (Plastic)	

SECTION 11 - SPECIAL OPTIONS/ACCESSORIES/KITS

ITEM	PART NUMBER	QTY	DESCRIPTION	REV
	1001266969	Ref	30in x 4ft (76cm x 1.22m)	
	1001266799	Ref	30in x 5ft (76cm x 1.52m)	
	1001266284	Ref	36in x 6ft (91.5cm x 1.83m)	
	1001266098	Ref	36in x 8ft (91.5cm x 2.44m)	
		Ref	Platform, Top Rail Extension	
	0272733	Ref	3ft x 6ft Platforms	
	0272725	Ref	3ft x 8ft Platforms	
	1001209059	Ref	Platform Work Surface Installation	
	1001171018	Ref	RCD Box Installation (Brazil Spec)	
	1001099572	Ref	Security Lock (Programmable) Installation	
	1001190884	Ref	Service Kits and Tools	U
	1001247073	Ref	SkyEye Retrofit Kit	
	1001241547	Ref	SkyEye Housing Kit (LH)	
	1001241548	Ref	SkyEye Housing Kit (RH)	
		Ref	SkyGuard Component Options:	
	1001206477	Ref	SkyGuard Complete Add-on Kit (Blue Beacon)	
	1001210026	Ref	SkyGuard Complete Add-on Kit (Red Beacon)	
	1001249052	Ref	SkyGuard Retrofit Kit	
	1001137672	Ref	SkyGuard Platform Sensor Kit	
	1001250595	Ref	6 Pin SkyGuard Retrofit Kit	
	1001262016	Ref	SkyLine Kit	
	1001289831	Ref	SkySense/Enhanced Detection System (EDS) Level 1 (2 Bar) Installation (Factory Installed)	
	1001289832	Ref	SkySense/Enhanced Detection System (EDS) Level 2 (3 Bar) Installation (Factory Installed)	
	1001289905	Ref	SkySense/Enhanced Detection System (EDS) Level 1 (2-Bar) Add-on Kit (Dealer Installed)	
	1001289906	Ref	SkySense/Enhanced Detection System (EDS) Level 2 (3-Bar) Add-on Kit (Dealer Installed)	
	1001253618	Ref	SkySense Module Box Assembly Kit (Service Kit for P/N 1001246867)	
	1001253619	Ref	SkySense Module Box Assembly Kit (Service Kit for P/N 1001246860)	
	1001282461	Ref	SkySense Padding Installation - For 30 x 48 Platforms equipped with SkySense	
	1001275644	Ref	SkySense Padding Installation - For 30 x 60 Platforms equipped with SkySense	
	1001275642	Ref	SkySense Padding Installation - For 36 x 72 Platforms equipped with SkySense	
	1001269655	Ref	SkySense Padding Installation - For 36 x 96 Platforms equipped with SkySense	
	1001263395	Ref	SkyWelder Kit (Dealer Installed)	
	1001121592	Ref	Soft-Touch Add-on Kit (36x72 Platform) (Dealer Installed)	
	1001121593	Ref	Soft-Touch Add-on Kit (36x96 Platform) (Dealer Installed)	
		Ref	Strobe Light Installations (Amber)	
		Ref	Tools for Service	
	1001249695	Ref	Analyzer and Cable Kit	
	1001249941	Ref	Analyzer and Cable Kit (Battery Powered)	
	1001137005	Ref	Software Cable Kit	
	7002840	Ref	Antirotation Pin Removal Tool	
	8896941	Ref	Wire Stripper	
	7002821	Ref	Wire Crimper (To install wire ends to wires)	
	7002823	Ref	Pin/Socket Extractor - Universal (To Remove Pins/Sockets from Connectors)	

SECTION 11 - SPECIAL OPTIONS/ACCESSORIES/KITS

ITEM	PART NUMBER	QTY	DESCRIPTION	REV
	4460467	Ref	Extractor - 16-18 Gauge (For Removal of Pin/Sockets from Deutsch Connectors)	
	4460510	Ref	Extractor - 12-14 Gauge (For Removal of Pin/Sockets from Deutsch Connectors)	
	7002822	Ref	Screwdriver, Potentiometer (To Adjust Drive Controllers)	
	7016654	Ref	Screwdriver, Magnetic	
	7004275	Ref	Seal Installation Tool - 1in	
	7004276	Ref	Seal Installation Tool - 1 1/2in	
	7002826	Ref	Seal Installation Tool - 2in	
	7016655	Ref	Wire Rope Sheave Gauge	
	7016652	Ref	Huck Bolt Fastener (For Small Huck Bolts Only)	
	2900838	Ref	U.S. Standards Fastener (Hardware) Kit	
	7014676	Ref	U.S. Standards Tool Kit	
	1001274249	Ref	USB Charger Port Add-on Kit (Dealer Installed)	
	1001228577	Ref	Telematics Canbus Gateway (Dealer Installed)	
	1001284510	Ref	Telematics Canbus Gateway Plus (Deal Installed)	
	1001258951	Ref	Tower Stow Indicator Add-on Kit (Dealer Installed)	
	1001238825	Ref	Turntable Bearing Kit	
	1001262959	Ref	Voltage Regulator Re-Location Kit (Used with ClearSky)	
	1001273493	1	ASO Valve Boom Kit	
	1001273494	1	ASO Valve Kit	
	2910167	Ref	Wear Pad Kit	

SECTION 11 - SPECIAL OPTIONS/ACCESSORIES/KITS

PART NUMBER INDEX

SECTION 11 - SPECIAL OPTIONS/ACCESSORIES/KITS

0100009.....469, 473	0255410 77	0641403 ... 383, 387, 409, 419	0641532.....419
010001117, 19, 21, 23, 25, 43, 45, 47, 49, 55, 57, 63, 65, 75, 81, 83, 85, 87, 93, 95, 97, 99, 103, 107, 111, 115, 119, 123, 127, 131, 135, 141, 143, 156, 160, 164, 168, 171, 177, 179, 181, 183, 186, 190, 197, 201, 204, 213, 217, 221, 223, 226, 232, 241, 245, 249, 251, 254, 260, 269, 278, 282, 285, 287, 290, 296, 301, 307, 331, 333, 335, 337, 339, 341, 345, 347, 349, 351, 353, 357, 359, 363, 367, 371, 375, 379, 383, 387, 391, 395, 399, 405, 407, 409, 411, 415, 417, 419, 421, 423, 427, 429, 441, 443, 445, 447, 449, 455, 457, 459, 461, 489, 491, 500, 503, 505, 509, 513, 515, 517, 519, 555, 557, 559, 574, 580, 586, 753, 755, 757, 759, 761, 763, 765, 767, 769, 771	0255880 343 0257176 605 0257195 790 0257573 419 0258945 485 0270528 43, 45, 47, 49 0272254 505 0272418 493 0272427 517 0272433 599 0272435 384, 396, 400 0272448 500, 783 0272521 503 0272588 781 0272589 388, 392 0272599 500, 777 0272607 779 0272725 793 0272733 793 0273353 500 0273542 521 0273706 519 0273824 513 0274200 792 0274618 609 0274883 790 0275216 611, 713 0275217 615, 715 0275452 621, 719 0275453 627, 723 0275454 633, 727 0275652 615 0275653 621 0275654 627 0275656 611 0275660 633 0362910 49 0363012 25 0370026 537 0400075 .63, 65, 177, 179 0440162 411 0440207 75 0440237 411 0480121 349, 351, 357 0480126 367, 387 0480129 363, 384 0561076 405 0561185 407, 409 0561237 653 0561248 407 0630407 ... 204, 226, 232, 254, 260 0630427 427, 429 0630462 ... 513, 515, 517, 519 0630467 421, 423 0630507 ... 156, 160, 164, 168 0630518 ... 139, 483, 495, 500, 503, 505, 509 0630534 543, 545, 547 0630535 557, 559 0630548 99, 103, 107, 111, 115, 119, 123, 127, 131, 135 0630568 469, 474	0641404 99, 103, 107, 111, 115, 119, 123, 127, 131, 135, 197, 213, 217, 241, 245, 351, 363, 367, 375, 379, 395, 491 0641405 ... 156, 160, 164, 168, 469, 473, 491 0641406 63, 65, 141, 143, 145, 147, 164, 168, 197, 204, 213, 217, 221, 223, 226, 232, 241, 245, 249, 251, 254, 260, 278, 282, 363, 367, 371, 379, 384, 387, 463, 465, 467, 753, 755, 757, 759, 761, 763, 765, 767, 769, 771 0641407 99, 103, 107, 111, 115, 119, 123, 127, 131, 135, 145, 156, 160, 181, 183, 186, 190, 285, 287, 375, 395, 611, 615, 617, 621, 623, 627, 629, 633, 635 0641408 ... 164, 168, 226, 232, 254, 260, 429, 465, 467, 571 0641409 177, 179 0641410 ... 186, 190, 376, 379, 396 0641412 ... 213, 217, 241, 245 0641414 55, 57, 469, 473, 489, 513, 515, 517, 519 0641415 55, 57, 368, 371, 379, 611, 615, 617, 621, 623, 627, 629, 633, 635 0641416 55, 57, 278, 282, 421, 423, 607, 611, 613, 615, 617, 619, 621, 623, 625, 627, 629, 631, 633, 635, 637 0641418 ... 441, 443, 447, 449, 455, 457, 459, 461 0641420 445 0641505 41 0641506 99, 103, 107, 111, 115, 119, 123, 127, 131, 135 0641507 179, 421, 423 0641508 ... 226, 232, 254, 260, 349, 351, 353, 357, 359, 427, 429 0641510 ... 186, 190, 226, 232, 254, 260 0641512 186, 190 0641516 . 43, 45, 47, 363, 375, 383, 387, 391, 395, 399, 419, 521, 571 0641520 93, 95, 97 0641524 417	0641604....427, 429, 557 0641606..83, 85, 87, 156, 157, 160, 161, 165, 168, 169, 171, 186, 190, 197, 213, 217, 245, 407, 417, 419, 500, 503, 505, 509 0641607..63, 65, 95, 164, 168, 197, 213, 217, 241, 245, 278, 282, 329, 353, 400, 405, 407 0641608....21, 23, 55, 57, 91, 95, 156, 160, 164, 168, 179, 197, 204, 213, 217, 226, 232, 241, 245, 254, 260, 325, 339, 341, 407, 427, 429 0641609....186, 190, 226, 232, 254, 260, 331, 333, 343, 345 0641610.....95, 157, 161, 165, 168, 177, 179, 186, 190, 204, 211, 269, 329, 349, 351, 357, 407, 465, 467 0641612.....81, 198, 213, 217, 226, 232, 241, 245, 254, 260, 278, 282 0641613.....55 0641614.....83, 85, 87 0641616....364, 367, 375, 395, 407, 409 0641617.....51 0641618.....25, 371, 379, 384, 388, 391, 419 0641620.....417 0641640.....417 0641708....204, 226, 232, 254, 260 0641772....349, 351, 353, 357, 359 0641808....177, 179, 197, 213, 217, 221, 223, 241, 245, 249, 251, 279, 283, 285, 287, 363, 367, 375, 379, 383, 387, 395 0641809.....405 0641810....343, 345, 347, 405, 407 0641811.....81 0641812....181, 183, 201, 221, 223, 249, 251, 353 0641813.....521 0641814.....17, 19 0641818.....87, 333 0641820....186, 190, 331 0641824.....81 0642010....49, 177, 179, 197, 213, 217, 241, 245, 278, 282 0642012....17, 19, 21, 23, 405, 493 0642212.....493

SECTION 11 - SPECIAL OPTIONS/ACCESSORIES/KITS

0651406 55	0760608 41, 290, 296, 399	0940049.... 156, 160, 164, 168	1001099391 55, 57
0651408 57	0760610 ... 204, 290, 296, 301, 359, 399	0940070.... 186, 190, 204, 226, 232, 254, 260, 290, 296	1001099572 793
0681608 ... 228, 234, 256, 262, 415	0760612 ... 100, 104, 108, 112, 116, 120, 124, 128, 132, 136, 278, 282, 290, 296	0940071.....156, 160	1001099835 419
0681620 ... 226, 232, 254, 260, 523, 525, 527, 529, 531	0760615301	0940088.... 156, 160, 164, 168	1001099869 351
0681710 25	0760807301	0940092....513, 515, 517, 519, 521	1001100234 351
0681812 285, 287	0760810 ... 204, 226, 232, 254, 260, 278, 282, 290, 296, 415	0940094....513, 515, 517, 519, 521	1001100321 351, 357
0681814 451, 453	0760812 ... 204, 278, 282, 290, 296, 643, 645	0940102.....493	1001100341 713
0681820 339	0760814 204, 290, 296	0940103.....517	1001100342 617, 715, 717
0681822 ... 226, 232, 254, 260, 341, 451, 453	0760815 ... 278, 282, 290, 296	0940131.....521	1001100345 623, 719, 721
0682018 75	0760817301	0940133.....519	1001100346 635, 727, 729
0682218 69	0761008 ... 213, 217, 242, 246, 279, 283	0940134.....513	1001100347 629, 723, 725
0682424 ... 523, 525, 527, 529, 531	0761010 411, 643	0940177.....515	1001100397 623
0700408 ... 607, 611, 613, 615, 617, 619, 621, 623, 625, 627, 629, 631, 633, 635, 637	0761014 ... 197, 204, 290, 296, 347, 415	0961845....441, 443, 445, 447, 449, 455, 457, 459, 461	1001100398 629
0700610 201	0761015 ... 204, 226, 232, 256, 262, 290, 296, 411	0961893....543, 545, 547	1001100399 635
0700612 204	0761016 204, 290, 296	0961896.....557, 559	1001100401 617
0700614 371, 391	0761018399	0961947.....411, 413	1001100825 285, 287, 327
0700616 197	0761019359	0961949.....541, 551	1001101421 493
0700617 151, 153	0761210 ... 226, 232, 254, 260	0961950..... 17, 19	1001101422 493
0700618 653	0761212 ... 201, 204, 273, 371, 391, 405	0961986.... 186, 190, 204, 226, 232, 254, 260, 290, 296	1001103012 743
0700624 649, 651, 655	0761214 204, 275	0962036.....407, 409	1001103308 99, 103, 107, 111, 115, 119, 123, 127, 131, 135
0700808 186, 190	0761216359, 415	0962051....343, 345, 347	1001103667 787
0700810 290, 296	0771014 97, 290, 296	0962131.....21, 23	1001104423 574, 580, 586
0700812 290, 296, 337	0771212 97, 197, 213, 217, 226, 232, 241, 245, 254, 260	0962155.....411	1001104498 743
0700814 ... 290, 296, 335, 337, 341	0771414 ... 186, 190, 204, 226, 232, 254, 260, 335, 337, 339	0962270.....451, 453	1001106736 99, 103, 107, 111, 115, 119, 123, 127, 131, 135
0700816 301	0771415 ... 341, 364, 368, 384, 388	0962292.....23	1001106938 469, 473, 787
0700818 301	0811606409	0962336....543, 545, 547	1001106974 81
0701012 204	0811607409	0962348.....23	1001107498 81
0701014 93, 301	0811608409	0962356.....21, 23, 555	1001107854 743
0701017 204	0811610409	0962449.....351	1001108256 515
0701020 411	0860038 ... 363, 375, 383, 395, 399, 603, 605, 609	0962520....363, 367, 371, 375, 379, 384, 388, 391, 395, 399	1001109554 617, 623, 629, 635, 663
0701026 307	0860520 ... 753, 755, 757, 759, 761, 763, 765, 767, 769, 771	1001026127.....198	1001110425 197, 213, 217, 241, 245, 376, 379, 391, 396
0710827 301	0861538 384, 395, 399	1001093382..63, 65, 177, 179	10011104498 743
0711014 292, 298	0861572 388, 391	1001093389.....791	1001106736 99, 103, 107, 111, 115, 119, 123, 127, 131, 135
0711020 290, 296	0861731 ... 607, 625, 631, 637, 719, 721, 723, 725, 727, 729	1001093438.....790	1001106938 469, 473, 787
0711215 204	0861781 ... 613, 619, 713, 715, 717	1001093549.....575	1001106974 81
0711216 301	0861880 661, 663	1001094475.....791	1001107498 81
0711223 ... 204, 292, 298, 335, 337	0902219 156, 160	1001096070....367, 371, 379, 611, 615, 621, 627, 633, 661	1001107854 743
0711414 331, 333	0902335 156, 160	1001096398.....97	1001108256 515
0720804 51	0902888 ... 363, 375, 383, 387, 391, 395, 399	1001097051.....735	1001109554 617, 623, 629, 635, 663
0721004 49	0903056 81	1001097150.....661, 663	1001110425 197, 213, 217, 241, 245, 376, 379, 391, 396
0721005 517, 519		1001097242...21, 23, 555	10011104498 743
0721006 ... 156, 160, 164, 168, 211, 269, 349, 351, 353, 357		1001097244.....533	1001108256 515
0731005 . 83, 85, 87, 513, 515		1001098012.....495, 497, 500	1001109554 617, 623, 629, 635, 663
0741605 ... 204, 226, 232, 254, 260		1001098122.....477, 711	1001110425 197, 213, 217, 241, 245, 376, 379, 391, 396
0741606 63, 65, 427, 429		1001098149.....495	10011104498 743
0741607 23, 49, 363, 367, 371, 375, 379, 391, 395, 399		1001098503.....25, 33	1001106938 469, 473, 787
0760605 ... 226, 232, 254, 260, 301		1001098828.....415	1001106974 81
0760606 400		1001099196.....21	1001107498 81
0760607 371, 391		1001099366.....493	1001107854 743
		1001099367.....493	1001108256 515
		1001099387.....21, 23	1001109554 617, 623, 629, 635, 663

SECTION 11 - SPECIAL OPTIONS/ACCESSORIES/KITS

1001115889.....141	1001126351..... 672, 675	1001137876 156, 160, 164, 168	1001140429.....441, 443, 445, 447, 449, 455, 457, 459, 461
1001115915.....141	1001126352..... 675	1001137878 164, 168	1001140449.....564, 568
1001115918.....141	1001126356..... 675	1001137879 164, 168	1001140451.....564
1001115967.....141	1001126357..... 675	1001137880 197, 213, 217, 241, 245	1001140454.....227, 233, 255, 261
1001116208.....774	1001126362..... 671, 676	1001137881 197, 213, 217, 241, 245	1001140455.....564
1001116692.....745	1001126363..... 671, 676	1001137882 197, 213, 217, 241, 245	1001140456.....568
1001116694.....707	1001126364..... 671, 672, 676	1001137885 79	1001140458.....568
1001116695.....429	1001126365..... 671, 676	1001137886 164, 168	1001140564.....206, 228, 234, 255, 261
1001116710.....685	1001126384..... 675	1001137891 345	1001141300.....774
1001116720.....739	1001126391..... 671, 676	1001137892 345, 347	1001141302.....774
1001116727.....671, 675, 699	1001126392..... 671, 676	1001137895 63	1001141304.....205, 227, 233, 255, 261
1001116728.....671, 675	1001126485..... 672	1001137896 79	1001141370.....205
1001116748.....649, 651, 653, 655	1001126487..... 672	1001138110 675	1001141585.....205, 227, 233, 255, 261, 291, 297
1001116774.....647	1001127095..... 774	1001138111 675	1001141693.....186, 190
1001116808.....647	1001128527..... 509	1001138113 675	1001141694.....186, 190
1001116812.....671	1001128556..... 509	1001138170 227, 233, 255, 261	1001141870.....211, 269
1001116815.....665, 672	1001128901..... 291, 297	1001138173 205, 227, 233, 255, 261, 291, 297	1001141995.....205, 227, 233, 255, 261, 291, 297
1001116844.....761, 790	1001129858..... 363	1001138175 205, 227, 233, 255, 261, 291, 297	1001142501.....197, 211, 213, 217, 241, 245, 269
1001116845.....761	1001130041..... 186, 190	1001138228 205, 227, 233, 255, 261, 786, 787	1001142504.....792
1001116846.....763, 773	1001130220..... 41	1001138248 205, 227, 233, 255, 261, 291, 297	1001142505.....792
1001116847.....761	1001131269..... 753, 765	1001138436 409	1001142538.....227, 233, 255, 261
1001116848.....761	1001133714..... 671, 676, 683	1001138491 197, 213, 217, 241, 246, 685	1001142615.....227, 233, 255, 261
1001116849.....763	1001133715..... 671, 676, 683	1001138494 443, 445, 447, 449, 455, 457, 459, 461	1001142623.....255, 261
1001116850.....761	1001133956..... 672, 675	1001138514 443, 445, 447, 449, 459, 461	1001142635.....227, 233, 255, 261
1001116851.....763	1001133957..... 672, 675	1001138557 227, 233, 255, 261	1001142643.....372, 376, 380, 391, 396
1001116852.....761	1001134289..... 411, 413	1001138565 367	1001142645.....380
1001116861.....761	1001134488..... 206, 228, 234, 255, 261, 292, 298	1001138566 363, 367, 371, 375, 379	1001142646.....376, 396
1001116862.....763	1001135138..... 227, 233, 255, 261	1001138671 405	1001142683.....151, 153, 787
1001116863.....763	1001135600..... 25, 27	1001138795 543, 545, 547	1001142689.....255, 261
1001116864.....761	1001135650..... 671, 676, 683	1001138827 206, 228, 234, 255, 261	1001142736.....151, 153, 647
1001116865.....763	1001135651..... 671, 676	1001139099 791	1001142938.....675, 681
1001116866.....763	1001135679..... 227, 233, 255, 261	1001139135 469, 473, 745	1001142940.....671, 675, 681
1001116867.....763	1001136104..... 399	1001139240 227, 233, 255, 261	1001142941.....671, 672, 676, 681
1001116868.....763	1001136590..... 409	1001139357 363, 367	1001143390.....186, 191, 205, 227, 233, 255, 261
1001116869.....763	1001136668..... 25	1001139409 227, 233, 255, 261, 339, 341	1001143726.....227, 233, 256, 262, 675
1001116870.....763	1001136834..... 205, 227, 233, 255, 261	1001139429 227, 233, 255, 261	1001143765.....95
1001116871.....763	1001137005..... 793	1001139654 774	1001143766.....95
1001116872.....763	1001137032..... 405	1001139819 187, 191	1001143797.....205, 227, 233, 255, 261
1001116873.....763	1001137276..... 255, 261	1001139956 363	1001143812.....93, 95
1001116874.....763	1001137364..... 119, 123, 127, 131, 135, 473	1001139957 367	1001143852.....774
1001116875.....763	1001137672..... 793	1001140312 227, 262	1001143907.....205, 227, 233, 256, 261
1001116876.....763	1001137673..... 489, 788	1001140346 375	1001144041.....63, 65
1001116877.....763	1001137845..... 168	1001140347 371, 379	1001144147.....665
1001116878.....763	1001137853..... 164, 168	1001140418 564	1001144409.....205, 228, 233, 256, 262
1001116879.....763	1001137854..... 164, 168	1001140420 568	1001144410.....205, 228, 234, 256, 262, 291, 297
1001116880.....763	1001137860..... 168		
1001116881.....763	1001137863..... 85, 87		
1001116882.....763	1001137865..... 85		
1001116883.....763	1001137866..... 198, 213, 217, 241, 245, 400		
1001116884.....763	1001137868..... 197, 213, 217, 241, 245, 278, 282		
1001116885.....763	1001137873..... 201, 221, 223, 249, 251		
1001116886.....763	1001137874..... 201, 221, 223, 249, 251		
1001116887.....763	1001137875..... 164, 168		
1001116888.....763			
1001116889.....763			
1001116890.....763			
1001116891.....763			
1001116892.....763			
1001116893.....763			
1001116894.....763			
1001116895.....763			
1001116896.....763			
1001116897.....763			
1001116898.....763			
1001116899.....763			
1001116900.....763			
1001116901.....763			
1001116902.....763			
1001116903.....763			
1001116904.....763			
1001116905.....763			
1001116906.....763			
1001116907.....763			
1001116908.....763			
1001116909.....763			
1001116910.....763			
1001116911.....763			
1001116912.....763			
1001116913.....763			
1001116914.....763			
1001116915.....763			
1001116916.....763			
1001116917.....763			
1001116918.....763			
1001116919.....763			
1001116920.....763			
1001116921.....763			
1001116922.....763			
1001116923.....763			
1001116924.....763			
1001116925.....763			
1001116926.....763			
1001116927.....763			
1001116928.....763			
1001116929.....763			
1001116930.....763			
1001116931.....763			
1001116932.....763			
1001116933.....763			
1001116934.....763			
1001116935.....763			
1001116936.....763			
1001116937.....763			
1001116938.....763			
1001116939.....763			
1001116940.....763			
1001116941.....763			
1001116942.....763			
1001116943.....763			
1001116944.....763			
1001116945.....763			
1001116946.....763			
1001116947.....763			
1001116948.....763			
1001116949.....763			
1001116950.....763			
1001116951.....763			
1001116952.....763			
1001116953.....763			
1001116954.....763			
1001116955.....763			
1001116956.....763			
1001116957.....763			
1001116958.....763			
1001116959.....763			
1001116960.....763			
1001116961.....763			
1001116962.....763			
1001116963.....763			
1001116964.....763			
1001116965.....763			
1001116966.....763			
1001116967.....763			
1001116968.....763			
1001116969.....763			
1001116970.....763			
1001116971.....763			
1001116972.....763			
1001116973.....763			
1001116974.....763			
1001116975.....763			
1001116976.....763			
1001116977.....763			
1001116978.....763			
1001116979.....763			
1001116980.....763			
1001116981.....763			
1001116982.....763			
1001116983.....763			
1001116984.....763			
1001116985.....763			
1001116986.....763			
1001116987.....763			
1001116988.....763			
1001116989.....763			
1001116990.....763			
1001116991.....763			
1001116992.....763			
1001116993.....763			
1001116994.....763			
1001116995.....763			
1001116996.....763			
1001116997.....763			
1001116998.....763			
1001116999.....763			
1001117000.....763			

SECTION 11 - SPECIAL OPTIONS/ACCESSORIES/KITS

1001144411 205, 228, 234, 256, 262, 291, 297	1001151070..... 177, 179	127, 131, 135, 469, 473, 788	1001162335 228, 234, 256, 262, 269
1001144412 205, 228, 234, 256, 262	1001151078..... 187, 191	1001155093.....405	1001162828 409
1001144433 489	1001151206..... 187, 191	1001155399.....429	1001163131 493
1001144629 433, 435, 437, 439, 455, 457	1001151251..... 186, 190	1001155574.....21, 23	1001163599 353, 375, 380, 395
1001145047 197, 213, 218, 241, 245	1001151252.....333	1001155669.....575, 581, 587	1001164281 156, 157, 160, 161, 165, 169
1001145154 228, 234, 256, 262	1001151253.....331	1001155672.....575, 581, 587	1001165035 198, 214, 218, 242, 246, 290, 296
1001145227 395	1001151268.... 83, 85, 87, 89	1001155673.....575, 581, 587	1001165350 649, 651, 655
1001145292 79	1001151349.....591	1001155823..... 198, 214, 218, 241, 246	1001165741 169
1001145330 376, 380, 396	1001151358..... 564, 568	1001156107.....205	1001165842 256, 262
1001145405 495, 500	1001151542..... 419	1001156490.....653	1001165849 205, 228, 234
1001145706 95	1001151584..... 41	1001157013.....790	1001166394 157, 161, 165, 169
1001146368 186, 190, 193	1001151586..... 419	1001157520.....384, 388, 392, 396, 400	1001166718 205, 335, 337
1001146588 198, 205	1001151856.....676	1001157521.....384, 388, 392, 396, 400	1001166960 791
1001147264 672, 675	1001151897..... 41	1001157525.....387, 388, 391	1001167041 256, 262
1001148138 353	1001151900..... 790	1001157528.....384, 388, 392, 396, 400	1001167565 415
1001148162 21, 479, 481	1001152066..... 83	1001157592.....383, 384, 396, 400	1001167567 415
1001148163 479	1001152070..... 87	1001157604.....91	1001167596 415
1001148164 23, 481	1001152127..... 409	1001157769.....385, 388, 392	1001167635 672
1001148166 481	1001152172..... 91	1001157770397	1001168018 205, 291, 297, 335, 337
1001148168 17	1001152181..... 69	1001158007.....384, 388, 392, 396, 400	1001168209 539
1001148170 19	1001152234..... 69	1001158008.....384, 388, 392, 396, 400	1001168210 539
1001148171 17	1001152266..... 747	1001158363.....364, 376	1001168402 415
1001148172 19	1001152325..... 171	1001158720.....91	1001169054 205, 228, 234, 256, 262, 291, 297
1001148178 23	1001152340..... 790	1001159118.....639, 641, 786	1001169138 205, 228, 234, 256, 262, 291, 297
1001148652 409	1001152355..... 419	1001159119..... 639, 641	1001169610 157, 161, 325
1001148675 639, 641	1001152428..... 83	1001159120..... 639, 641	1001170035 291, 297
1001148841 683	1001152429..... 385, 388, 392, 701	1001159121641	1001170617 228, 234, 237
1001148842 683	1001152433..... 156	1001159186.....707	1001170764 671
1001148902 791	1001152435..... 160	1001159256.....469, 473, 788	1001170847 427, 429, 788
1001148903 791	1001152457..... 364, 376	1001159323.....774	1001171018 793
1001148904 791	1001152489..... 205, 228, 234, 256, 262	1001160003..... 157, 160, 161	1001171126 375
1001148905 791	1001152491.....564	1001160004.....156	1001171131 639
1001148906 791	1001152499.....568	1001160034.....160	1001171268 379
1001149160 291, 297, 301	1001152525..... 384, 388, 392, 396, 400	1001160074.....143	1001171403 676
1001149639 291, 297	1001152527..... 564, 568	1001160077.....149	1001172045 790
1001149703 331	1001152530..... 364, 376	1001160189.....168	1001172064 681
1001149704 187, 191	1001152532..... 364, 368, 372, 376, 380, 689	1001160190..... 164, 169	1001172065 681
1001149705 187, 191	1001152557..... 156, 160, 164, 168	1001160272.....601	1001172271 429, 788
1001149706 187, 191	1001152619.....571	1001160598..... 157, 161	1001172535 581
1001149793 187, 191	1001152635.....571	1001160961..... 157, 161	1001172760 469, 473
1001149927 75	1001152636.....571	1001160963..... 157, 161, 165, 169	1001172793 198, 214, 218, 242, 246
1001150158 181, 186	1001152637.....571	1001160964..... 157, 165, 169	1001173535 292, 298
1001150179 183, 190	1001152887..... 55, 57, 59	1001161027.....161	1001173703 774
1001150391 75	1001153197..... 364, 368, 372, 699	1001161030.....575, 581, 587	1001174040 415
1001150569 47	1001153259..... 376, 380	1001161036.....575, 581, 587	1001174486 278, 282
1001150570 45	1001153260..... 364, 376	1001161709.....470, 474	1001175632 372
1001150571 43	1001153636..... 367, 372, 380, 611, 615, 617, 621, 623, 627, 629, 633, 635	100116176141	1001176012 249, 254
1001150612 571	1001154405..... 198, 211, 214, 218, 241, 246, 269		1001176013 242, 249
1001150714 581	1001155043 99, 103, 107, 111, 115, 119, 123, 127, 131, 135		1001176014 241
1001150715 575, 581, 587	1001155044 99, 103, 107, 111, 115, 119, 123, 127, 131, 135, 469, 473		1001176015 251, 260
1001150717 582, 588	1001155045 99, 103, 107, 111, 115, 119, 123,		1001176016 246, 251
1001150718 581			1001176017 245
1001150890 333			
1001150915 187, 191			
1001150918 179, 218, 246, 282			
1001150998 186, 190			
1001151010 51			

SECTION 11 - SPECIAL OPTIONS/ACCESSORIES/KITS

1001176225.....228, 234, 256, 262	1001186375..... 443	1001200120..... 774	1001214570.....643, 645
1001176226.....228, 234, 256, 262	1001186377..... 445	1001200121..... 774	1001214571.....643, 645
1001176296.....792	1001186379..... 447	1001200122..... 774	1001214683.....372, 391
1001176329.....291, 297	1001186382..... 449	1001200124..... 774	1001214827.....301
1001176469.....103, 115, 124, 136	1001186383..... 439	1001200125..... 774	1001215016.....679
1001176511.....228, 234, 256, 262	1001186384..... 437	1001200126..... 774	1001215091.....679
1001176666.....95	1001186386..... 435	1001200127..... 774	1001215142.....278, 283
1001176667.....95	1001186387..... 433	1001200491..... 415	1001215228.....469
1001176723.....228, 234, 256, 262	1001186426..... 205, 292, 298	1001200494..... 415	1001215384.....301
1001176862.....639	1001186431..... 489, 787	1001200497..... 707	1001215413.....285, 290
1001176899.....417	1001186432..... 737, 739	1001201351..... 415	1001215534.....679
1001177038.....339	1001186432..... 737, 739	1001201885..... 707, 711	1001215647.....291, 297
1001177043.....339	1001186517..... 489	1001202280..... 329	1001215681.....291, 297
1001177090.....95	1001186542..... 312, 318	1001202281..... 329, 786	1001215899.....291, 297
1001177359.....205, 228, 234, 256, 262	1001187382..... 415	1001202368..... 341	1001215974.....291, 297
1001177399.....341	1001187383..... 415	1001202687..... 415	1001216015.....353
1001177694.....791	1001187674..... 487	1001202749..... 791	1001216065.....301
1001178223.....205, 228, 234, 256, 262	1001187681..... 731	1001203495..... 228, 234, 256, 262	1001216071.....301
1001178789.....81	1001187781..... 290, 296	1001203655..... 451	1001216075.....291, 297
1001178876.....256, 262	1001188467..... 157, 161, 164, 165, 168, 169	1001203656..... 453	1001216086.....291, 297
1001179154.....384, 396, 400	1001188622..... 415	1001204296..... 792	1001216092.....291, 297
1001179156.....97	1001188844..... 415	1001204325..... 206, 228, 234, 256, 262	1001216144.....301
1001179837.....353	100118887499, 103, 107, 111, 116, 119, 124, 127, 131, 136	1001204491..... 256, 262	1001216160.....327
1001180001.....353	1001188884..... 329	1001204715..... 427, 429	1001216204.....291, 297
1001180052.....354	1001188887..... 329	1001204725..... 415	1001216212.....679
1001180287.....353	1001188890..... 591	1001204884..... 790	1001216213.....679
1001180620.....205, 228, 234, 256, 262, 291, 297	1001188891..... 591	1001205051..... 228, 234, 255, 261	1001216300.....307
1001180861.....774	1001188952..... 181, 183, 201, 249, 251, 312	1001205958..... 625, 631, 637	1001216390.....400
1001181045.....661, 786	1001188953..... 285, 287, 318	1001206476..... 643, 645	1001216393.....297
1001181046.....663, 786	1001188954..... 177, 181	1001206477..... 793	1001216531.....292, 298
1001181148.....791	1001188955..... 179, 183	1001206532..... 470, 474	1001216532.....285, 287
1001181243.....354	1001188963..... 177	1001207969..... 421, 423	1001216533.....285, 287
1001181895.....228, 262, 297	1001188964..... 179	1001208994..... 415, 421, 423	1001216534.....285, 287
1001181899.....228, 234, 256, 262	1001188972..... 179, 218, 246, 283	1001209059..... 793	1001216535.....285, 287
1001181923.....649, 651, 653, 655	1001189001..... 415	1001209432..... 645	1001216619.....307
1001182361.....672	1001189002..... 415	1001209474..... 645	1001216630.....415
1001182365.....672	1001189979..... 205, 291, 297	1001209629..... 791	1001216768.....301
1001182570.....427, 429, 788	1001190884..... 793	1001209664..... 489	1001216769.....301
1001182599.....791	1001190985..... 415	1001210026..... 793	1001216910.....291, 297, 301
1001182806.....145	1001191395..... 791	1001210448..... 301, 303	1001216911.....278, 285
1001182906.....325	1001191610..... 291, 297	1001210636..... 533	1001216912.....278
1001182997.....83, 85, 87	1001191620..... 206	1001211588..... 427, 429	1001216919.....291, 297
1001183924.....93, 95, 97	1001193018..... 607, 611, 613, 615, 617, 619, 621, 623, 625, 627, 629, 631, 633, 635, 637	1001211794..... 301	1001216951.....291, 297
1001184618.....470, 474, 753, 755, 757, 759, 761, 763, 765, 767, 769, 771	1001194197..... 625	1001212223..... 395	1001217032.....291, 297
1001184626.....465, 467, 470, 474	1001194198..... 631	1001212515..... 575, 581, 587	1001217046.....291, 297
1001184682.....147	1001194200..... 637	1001213447..... 711	1001217082.....291, 297
1001184881.....37	1001194203..... 613	1001213655..... 597	1001217089.....291, 297
1001185281.....469, 473	1001194204..... 619	1001213810..... 301	1001217090.....291, 297
1001186333.....451	1001194365..... 607	1001213882..... 469, 473	1001217146.....291, 297
1001186334.....453	1001195304..... 792	1001214030..... 774	1001217170.....285, 287
	1001196382..... 337, 399	1001214095..... 597	1001217174.....291, 297
	1001196634..... 271, 787	1001214096..... 597	1001217175.....291, 298
	1001197017..... 513, 515, 517, 519	1001214396..... 643	1001217183.....291, 298
	1001197408..... 774	1001214478..... 792	1001217184.....285, 287
	1001197719..... 671	1001214515..... 792	1001217185.....292, 298
	1001199784..... 329	1001214540..... 792	1001217186.....292, 298
		1001214548..... 792	1001217187.....399
		1001214552..... 792	1001217188.....359
		1001214559..... 792	1001217418.....278, 283
		1001214561..... 792	1001217419.....279, 283
		1001214562..... 792	1001217420.....279, 283
			1001217421.....279, 283
			1001217422.....279, 283

SECTION 11 - SPECIAL OPTIONS/ACCESSORIES/KITS

1001217543 292, 298	1001224486.....292, 298	1001232164.....487	1001238328 405, 411
1001217645 278, 283	1001224489.....292, 298	1001232165.....487	1001238333 411
1001217832 790	1001224927.....571	1001232642.....491	1001238398 411
1001218022 791	1001225346.....643, 645, 788	1001232667.....491, 788	1001238418 491, 737
1001218362 292, 298	1001225430.....237, 786	1001232842.....271	1001238421 415
1001218393 97	1001225431.....237, 787	1001232880.....419	1001238463 529
1001218394 97	1001225510.....292, 298	1001233047.....791	1001238472 491
1001218395 97	1001225580.....489, 739	1001233763.....218, 246, 271	1001238495 489
1001218449 292, 298	1001226400.....657, 659	1001233959.....139, 483	1001238559 491
1001218547 347	1001226529.....643	1001234425.....753	1001238825 794
1001218548 347	1001226531.....645	1001234426.....753	1001239202 671
1001218599 292, 298	1001226541.....665	1001234428.....767	1001239291 65
1001218600 292, 298	1001226872.....441	1001234429.....767	1001239346 147
1001218622 599	1001227309.....603, 605	1001234430.....769	1001239617 791
1001218623 599	1001227310.....605	1001234431.....771	1001241384 145
1001218638 283	1001227472.....790	1001234432.....771	1001241547 793
1001218930 400	1001227633.....487	1001234433.....765	1001241548 793
1001219071 287, 296	1001227634.....487	1001234434.....765	1001241578 177, 179
1001219072 283, 287	1001227666.....292, 298	1001234435.....763	1001241965 491
1001219073 282	1001227667.....292, 298	1001234436.....763	1001242251 151
1001219445 292, 298	1001227769.....301	1001234439.....755, 759	1001242252 153
1001219448 292, 298	1001227772.....301	1001234811 411, 413	1001242409 790
1001219454 206, 292, 298	1001227985.....487	1001235401.....761	1001243184 790
1001219456 206, 292, 298	1001227987.....487	1001235402.....761	1001243597 792
1001219457 97	1001227996.....733, 735	1001235585.....769	1001243895 271
1001219458 97	1001228006.....407, 559	1001235948.....156, 160, 168	1001244212 774
1001219601 100, 104, 108, 112, 116, 120, 124, 128, 132, 136	1001228007.....409, 557	1001235949.....206, 211	1001245251 773
1001219630 360	1001228215.....441	1001236091.....139	1001245761 405, 549
1001219632 359	1001228224.....487, 788	1001236303.....65	1001245913 206, 683
1001220215 327	1001228225.....487, 787	1001236304.....645	1001246122 790
1001220266 198	1001228243.....457	1001236375.....643	1001246552 790
1001220379 675	1001228375.....461	1001236376.....643	1001246590 223, 226
1001220404 307	1001228376.....455	1001236377.....643	1001246593 221, 232
1001220510 775	1001228377.....459	1001236378.....643	1001246813 206
1001220511 775	1001228506.....228, 234	1001236504.....645	1001246859 743
1001220512 774	1001228577.....794	1001236505.....645	1001246934 405, 407
1001220864 774	1001228946.....790	1001236552.....491	1001246935 407
1001221208 697	1001228988.....500, 509, 511, 781, 783	1001236746.....531	1001246936 407
1001221397 327	1001229341.....487	1001236747.....527	1001246951 405
1001221464 285, 287	1001229530.....707	1001236891.....523, 525, 527, 529, 531	1001246952 405
1001221488 278, 282	1001229810.....69, 72	1001236895.....523, 525, 527, 529, 531	1001246974 405
1001221498 400	1001229940.....791	1001237142.....405	1001246978 405
1001221545 301	1001230635.....206, 228, 234, 255, 261	1001237546.....139	1001247029 206
1001221615 292, 298	1001230931.....649, 651, 653, 655	1001237667.....707, 711	1001247073 793
1001221621 97	1001230934.....672	1001237668.....707, 711	1001247105 228, 234
1001222033 292, 298	1001230935.....672	1001237697.....405, 539	1001247178 337
1001222641 301	1001230936.....672	1001237698.....405, 553	1001247338 791
1001223042 291, 297	1001231007.....145, 147, 749	1001237862.....733, 735	1001247358 51
1001223055 753	1001231180.....511	1001237863.....487, 735	1001247359 282, 292, 298
1001223453 753, 765	1001231183.....511	1001237864.....487, 733	1001247468 415, 787
1001223459 672, 676	1001231235.....511	1001237865.....487, 731	1001247564 228, 234
1001223584 292, 298	1001231676.....37	1001237882.....791	1001247570 790
1001223922 291, 297	1001231677.....37	1001237883.....791	1001247676 228, 234
1001223923 291, 297	1001231678.....37	1001237947.....206	1001247714 206
1001223971 765	1001231801.....773	1001237949.....405	1001247716 206
1001224010 291, 297	1001231886.....145	1001238138.....427, 429	1001248105 391
1001224048 769	1001231949.....531	1001238168.....411	1001248140 523, 525, 527, 529, 531
1001224049 771	1001231950.....527, 529	1001238263.....523, 525, 527, 529, 531	1001248141 523, 525, 527, 529, 531
1001224050 763	1001232010.....527, 529, 531	1001238319.....487	1001248248 409
1001224051 761	1001232011.....527, 529, 531	1001238327.....427, 429	1001248261 409
1001224052 757			1001248265 405, 409
1001224053 767			1001248434 206
1001224419 292, 298			1001248477 228, 234

SECTION 11 - SPECIAL OPTIONS/ACCESSORIES/KITS

1001248480.....228, 234	1001254473.....491	1001258005.....525	1001266468.....123
1001248957.....427	1001254499.....173	1001258140.....791	1001266489.....792
1001248958.....427, 429	1001254622.....574	1001258252.....206	1001266648.....470, 474, 711
1001248962.....427, 429, 787	1001254623.....586	1001258377.....165	1001266799.....793
1001249045.....206	1001254662.....55, 421	1001258800.....206	1001266801.....792
1001249052.....793	1001254738.....173	1001258951.....794	1001266807.....792
1001249095.....707	1001254769.....173	1001259018.....773	1001266829.....429
1001249232.....206	1001254948.....575, 581, 587	1001259137.....543	1001266873.....99
1001249234.....206	1001254949.....575, 581, 587	1001259642.....429	1001266874.....104
1001249261.....206	1001254950.....575, 581, 587	1001260070.....429	1001266876.....100, 108, 112
1001249448.....93	1001254954.....575, 581, 587	1001260412.....206, 228, 234, 256, 262	1001266878.....116
1001249449.....93	1001254955.....575, 581, 587	1001260413.....206, 228, 234, 256, 262	1001266897.....107
1001249695.....793	1001255133.....415	1001260654.....198	1001266898.....111
1001249705.....206	1001255196.....753, 755, 757, 761, 763, 765, 767, 769, 771, 773	1001260937.....473	1001266899.....115
1001249771.....197	1001255198.....753	1001261003.....405, 551	1001266900.....103
1001249824.....417	1001255413.....93	1001261045.....206	1001266969.....793
1001249941.....793	1001255418.....337	1001261085.....206	1001267311.....753, 755, 757, 759, 761, 763, 765, 767, 769, 771
1001249942.....255, 261, 265	1001255419.....335	1001261335.....523	1001267716.....405
1001249986.....335	1001255424.....391	1001261338.....523	1001267717.....405
1001250384.....417	1001255425.....371	1001262016.....793	1001267885.....757
1001250387.....417	1001255599.....575, 581, 587	1001262102.....773	1001268736.....792
1001250531.....427, 429	1001255777.....173	1001262103.....773	1001269187.....792
1001250595.....793	1001255780.....773	1001262104.....773	1001269389.....792
1001250607.....206	1001255784.....765	1001262105.....773	1001269629.....791
1001250722.....417	1001255785.....759	1001262115.....773	1001269630.....791
1001250737.....409	1001255786.....771	1001262116.....773	1001269631.....791
1001250900.....417	1001255787.....757	1001262117.....773	1001269655.....793
1001250983.....655	1001255788.....767	1001262232.....773	1001269806.....587
1001251042.....405, 541	1001255789.....755	1001262233.....773	1001269807.....581, 587
1001251131.....206	1001255790.....763	1001262234.....773	1001269809.....575
1001251379.....790	1001255791.....761	1001262235.....773	1001269810.....575
1001251618.....164, 165	1001255792.....769	1001262237.....773	1001269812.....581
1001251619.....164	1001255794.....753, 755, 757, 759, 761, 763, 765, 767, 769, 771	1001262238.....773	1001269814.....564
1001252082.....165	1001255795.....753, 755, 757, 759, 761, 763, 765, 767, 769, 771	1001262239.....773	1001269815.....564
1001252521.....214, 218	1001255901.....707	1001262959.....794	1001269816.....564
1001252527.....672	1001255914.....757	1001263355.....124	1001269817.....568
1001252627.....777, 779	1001255915.....757	1001263356.....120, 128, 132	1001269818.....568
1001252629.....523, 525, 527, 529, 531	1001255926.....755	1001263357.....136	1001269819.....568
1001253100.....164	1001255961.....417	1001263365.....119	1001269861.....206
1001253151.....790	1001256026.....649, 651	1001263366.....127	1001270482.....792
1001253466.....790	1001256028.....653	1001263367.....131	1001270594.....149
1001253618.....793	1001256385.....790	1001263368.....135	1001271534.....55, 57
1001253619.....793	1001256506.....676	1001263395.....793	1001271582.....55, 57
1001253677.....421, 423, 425	1001256879.....198	1001263587.....473	1001271642.....792
1001253680.....57, 423	1001256906.....774	1001263588.....467, 473	1001271643.....791
1001253684.....580	1001257137.....774	1001263612.....427, 429	1001271644.....791
1001253805.....93	1001257271.....523, 525	1001263800.....545, 547	1001271645.....791
1001253806.....93	1001257274.....523, 525	1001263923.....667, 669, 679	1001271760.....792
1001253817.....417	1001257275.....525	1001264239.....467	1001271794.....100, 104, 108, 112, 116, 120, 124, 128, 132, 136
1001253873.....671	1001257285.....759, 773	1001264302.....545	1001271832.....575, 581, 587
1001254024.....790	1001257325.....649, 651	1001264991.....411, 547	1001271833.....575, 581, 587
1001254463.....649, 651, 653, 655, 657	1001257326.....653	1001265163.....533	1001271888.....792
1001254464.....655	1001257430.....574, 580, 586	1001265342.....533	1001272166.....792
1001254465.....649, 651, 653, 655	1001257972.....401, 693	1001265378.....790	1001272178.....792
1001254466.....649, 651, 653, 655		1001265493.....187, 191	1001272182.....792
1001254467.....649, 651, 653, 655, 709		1001265676.....791	1001272274.....792
1001254468.....649, 651, 653, 655, 687		1001266056.....792	1001272546.....39
1001254472.....491		1001266069.....465, 469	
		1001266073.....465	
		1001266098.....793	
		1001266284.....793	
		1001266290.....792	

SECTION 11 - SPECIAL OPTIONS/ACCESSORIES/KITS

1001272547 39	1001284696..... 753, 755, 757, 759, 761, 763, 765, 767, 769, 771	1060637.... 177, 179, 201, 221, 223, 249, 251, 285, 287	1701543 278, 282
1001272631 575, 581, 587	1001284763..... 279	1060903.... 513, 515, 517, 519	1702265 753
1001272681 151	100128491999, 103, 107, 111, 115, 119, 123, 127, 131, 135, 747	1060908..... 661, 663	1702271 767
1001272682 153	1001284960..... 83, 85	1060918..... 477	1702565 469, 473
1001273493 794	1001284961..... 87	1061033.... 649, 651, 653, 655	1702566 469, 473
1001273494 794	1001285346..... 100, 104, 108, 112, 116, 120, 124, 128, 132, 136, 707	1062255..... 204	1702567 469, 473
1001273784 774	1001285349..... 273	10702077.. 384, 388, 392, 396, 400	1702617 771
1001274219 83, 85, 87	1001285378..... 100, 104, 120, 124, 667	10702082.. 384, 388, 392, 396, 400	1702720 773
1001274249 794	1001285636..... 275	10836804.... 99, 103, 107, 111, 115, 119, 124, 127, 131, 135	1702773 ... 451, 453, 774
1001274367 575, 581, 587	1001285801..... 100, 104, 108, 112, 116, 120, 124, 128, 132, 136	1120555..... 493	1702788 773
1001274559 99, 469, 473	1001286030..... 108, 116, 128, 136, 669	1260017..... 77, 79	1702819 755
1001274829 792	1001286031..... 112, 132, 679	1320016..... 186, 190	1702860 774
1001274830 792	1001286622..... 149, 665	1320022 177, 179, 197, 213, 217, 241, 245, 329	1702861 774
1001274832 792	1001287018..... 221, 223, 315	1320061.... 213, 217, 242, 246	1702868 ... 500, 509, 511, 753, 773, 777, 783
1001274833 792	1001287021..... 315, 321	1320110..... 290, 296	1702938 ... 513, 515, 517, 519
1001275149 149	1001287033..... 213	1320127 51	1702941 ... 179, 217, 245, 282
1001275628 469, 473, 786	1001287034..... 214, 221	1320162..... 93, 95, 97	1702942 ... 179, 217, 245, 282
1001275629 469, 473, 786	1001287035..... 217	1320177 495, 500	1702943 ... 179, 217, 245, 282
1001275642 793	1001287036..... 218, 223	1320218..... 51	1702944 ... 179, 217, 245, 282
1001275644 793	1001287467 99, 103, 107, 111, 115, 119, 123, 127, 131, 135	1320220..... 51	1703162 ... 186, 190, 204, 226, 232, 254, 260, 290, 296
1001276007 790	1001287536..... 273, 275	1320223.... 179, 186, 190, 217, 245, 643	1703479 773
1001276008 790	1001287552..... 275	1320243..... 419	1703534 574, 580, 586
1001276143 100, 104, 108, 112, 116, 120, 124, 128, 132, 136, 743	1001288113..... 273, 275	1320263.... 649, 651, 653, 655	1703544 757
1001276610 790	1001288858..... 315	1320289..... 417	1703624 765
1001276645 206, 671	1001289552..... 672	1320302.... 500, 503, 505, 509	1703687 ... 753, 755, 757, 759, 761, 763, 765, 767, 769, 771
1001276664 21, 23	1001289553..... 672	1321283..... 279, 282	1703797 753
1001276923 790	1001289593..... 198, 681	1321716 63, 65, 197, 213, 217, 241, 245	1703804 753
1001277503 429	1001289831..... 793	1380147 343, 345, 347	1703805 753
1001277590 206, 209	1001289832..... 793	1580012..... 463	1703811 ... 753, 755, 757, 759, 761, 763, 765, 767, 769, 771
1001277595 201, 204	1001289905..... 793	1580013..... 792	1703814 ... 753, 755, 757, 759, 761, 763, 765, 767, 769, 771
1001277602 198, 201	1001289906..... 793	1670603..... 607	1703923 771
1001278329 206	1001290252..... 291, 297	1670767 156, 160, 164, 168	1703925 763
1001278845 151	1001290270..... 791	1670769..... 653	1703926 767
1001278850 151, 153	1001290375..... 791	1671034.... 649, 651, 655	1703927 769
1001280403 100, 108, 112, 120, 128, 132	1001291401..... 206	1671092.... 384, 396, 400, 601	1703935 771
1001280600 99, 103, 107, 111, 115, 119, 123, 127, 131, 135	1001294603..... 164	1671093.... 500, 505, 601	1703936 765
1001281192 206	1001294604..... 160	1671314 473	1703937 761
1001281298 273, 275	1001294637..... 156	1684290..... 537	1703938 767
1001281301 273, 275	1001294703..... 168	1684465..... 17, 19, 537	1703939 769
1001281304 273, 275	1001294756..... 774	1700818..... 773	1703941 771
1001281305 273, 275	1001294815..... 774	1701435..... 774	1703942 765
1001281307 273, 275	1001297391..... 104, 116, 124, 136	1701505.... 177, 179, 197, 213, 217, 241, 245	1703943 763
1001281309 273, 275	1001303818..... 292, 298	1701509.... 493, 753, 755, 757, 759, 761, 763, 765, 767, 769, 771	1703944 767
1001281310 273, 275	1001311034..... 491	1701518..... 755, 759	1703945 769
1001281311 273, 275	1060341 ... 513, 515, 517, 519	1701529.... 753, 755, 757, 759, 761, 763, 765, 767, 769, 771	1703947 771
1001281359 273, 275	1060343 384, 396, 400	1701542..... 278, 282	1703948 765
1001281360 273, 275	1060379 511		1703949 763
1001281656 273, 275	1060584 49		1703950 767
1001282106 139, 483	1060626 ... 179, 217, 245, 282		1703951 769
1001282215 792			1703953 753
1001282461 793			1703980 767
1001283776 149, 741			1703981 769
1001284101 273			1703982 763
1001284510 794			
1001284582 483			
1001284583 483			

SECTION 11 - SPECIAL OPTIONS/ACCESSORIES/KITS

1703983.....771	1705969 769, 773	2220490 574, 580, 586	2221197..... 51, 278, 282
1703984.....765	1705977 755, 759	2220498 574, 580, 586	2230046.....91
1703987.....769	1706059 774	2220500 ... 568, 574, 580, 586	2400060.... 271, 533, 693, 697, 701, 707, 711
1703990.....765	1706060 774	2220504 564, 568	2400064.... 693, 697, 701, 787
1704000.....765, 773	1706061 774	2220507 568	2410014..... 451, 453
1704001.....771, 773	1706062 774	2220511 574, 580, 586	2420203.... 349, 353, 359
1704174.....773	1706063 774	2220512 574, 580, 586	2460048..... 383, 387
1704175.....773	1706064 774	2220513 91	2460051..... 359
1704260.....469, 473	1706098 774	2220516 575, 581, 587	2460055..... 349
1704271.....773	1706385 451, 453	2220518 91, 97	2460056..... 357
1704272.....45	1706593 45	2220567 574, 580, 586	2560136..... 469, 473
1704277 753, 755, 757, 759, 761, 763, 765, 767, 769, 771	1706957 47	2220574 574, 580, 586	2580024.... 179, 217, 245, 282
1704412 753, 755, 757, 759, 761, 763, 765, 767, 769, 771	1706960 47	2220578 . 93, 95, 97, 312, 315, 574, 580, 586	2580062..... 190
1704578.....43	2030010 ... 495, 500, 503, 505, 509	2220582 ... 564, 568, 574, 580, 586	2600281.... 433, 435, 437, 439, 455, 457
1704885 753, 755, 757, 761, 763, 765, 767, 769, 771	2060025 186, 190	2220596 ... 564, 568, 574, 580, 586	2680433..... 156, 160
1704972.....774	2080040 ... 433, 435, 437, 439, 455, 457	2220600 575, 580, 586	2680434..... 156, 160
1705014.....451, 453	2120149 55, 57, 786	2220602 574, 580, 586	2720015.... 204, 226, 232, 254, 260
1705084.....755	2120164 55, 57	2220603 574, 580, 586	2720058.... 177, 179, 290, 296, 329
1705090.....43	2120209 55, 57	2220605 574, 580, 586	2720144..... 51
1705305 500, 509, 511, 777, 779, 781, 783	2120210 55, 57, 786	2220606 ... 564, 568, 575, 581, 587	2720160..... 495, 500
1705325.....611, 613	2180348 ... 177, 179, 278, 282, 292, 298, 329	2220618 574, 580, 586	2720340.... 204, 226, 232, 256, 262
1705336.....753	2180387 51	2220623 571	2720398..... 186, 190
1705344.....767	2180388 51	2220628 ... 574, 580, 586, 593	2750532.... 177, 179, 213, 217, 242, 246
1705345.....769	2180389 51	2220635 ... 575, 581, 587, 593	2750949..... 91
1705347.....765	2180418 51, 278, 282	2220646 ... 312, 315, 318, 564, 568	2751362..... 587
1705351.....753	2180467 290, 296	2220654 591	2751396.... 576, 581, 587
1705355 500, 781, 783	2180504 292, 298	2220657 575, 580, 586	2752453.... 576, 581, 587
1705358.....493, 773	2180832 ... 197, 213, 217, 241, 245, 495, 500	2220682 97	2752462.... 575, 581, 587
1705374 364, 375, 639, 641	2200222 83, 85	2220700 93, 95, 97	2752475..... 564, 568
1705375 385, 397, 400, 500, 509	2220237 564, 568	2220711 318	2752478..... 581, 587
1705387 364, 376, 385, 397, 400	2220261 51, 292, 298	2220738 91, 574	2752484.... 576, 582, 587
1705426.....767	2220313 ... 177, 179, 197, 213, 217, 241, 245	2220810 323	2752497.... 575, 581, 587
1705427.....769	2220315 ... 226, 232, 254, 260	2220816 329	2752506.... 575, 581, 587
1705429.....765	2220362 564, 568	2220861 564, 568	2752519.... 574, 580, 586
1705430.....761	2220371 ... 564, 568, 571, 575, 581, 587, 591	2220881 539	2752530..... 93, 95
1705460 384, 388, 392, 397, 400	2220372 ... 571, 574, 580, 586, 593	2220883 ... 425, 539, 541, 543, 545, 549, 559	2752573..... 575
1705461 388, 392	2220373 ... 564, 568, 574, 580, 586	2220885 ... 543, 545, 553, 557	2752592..... 564, 568
1705489 367, 371, 379, 388, 392	2220374 574, 580, 586	2220886 59, 541, 549, 559	2752593.... 575, 581, 587
1705490 500, 777, 779	2220375 ... 564, 568, 574, 580, 586	2220890 537	2752600.... 576, 582, 588
1705820.....45	2220376 323	2220893 574, 580, 586	2752611..... 564, 568
1705822.....755, 759	2220377 ... 312, 315, 318, 564, 568, 574, 580, 586	2220899 574, 580, 586	2752620..... 564, 568
1705828.....755, 759	2220379 574, 580, 586	2220921 574, 580, 586	2752635..... 576
1705895.....757	2220381 574, 580, 586	2220947 ... 312, 315, 318, 574, 580, 586	2752656.... 576, 582, 588
1705896.....757	2220386 574, 580, 586	2220948 574, 580, 586	2752659..... 91
1705897.....757	2220409 575, 581, 586	2220998 574, 580, 586	2752661..... 91
1705898.....757	2220415 ... 564, 568, 574, 580, 586, 591	2220999 574, 580, 586	2752723..... 575, 587
1705902.....757	2220418 51	2221024 51	2752724..... 575, 587
1705903.....757	2220451 . 93, 95, 97, 186, 190, 318, 574, 580, 586	2221026 571	2752783.... 576, 582, 588
1705905.....757	2220466 574, 580, 586	2221034 312, 315	2752910..... 564, 568
1705910.....771	2220468 591	2221036 574, 580, 586	2752928..... 564, 568
1705917.....771	2220472 574	2221042 574, 580, 586	2752929.... 568, 574, 580, 586
1705921 755, 759	2220473 ... 564, 568, 571, 574, 580, 586, 591, 593	2221053 ... 574, 580, 586, 593	2752939.... 575, 581, 587
1705961 755, 759	2220474 564, 568, 574	2221065 574, 580, 586	2752985.... 575, 581, 587
1705967 757, 773		2221176 ... 177, 179, 278, 282	2752987.... 575, 581, 587
1705968.....761, 773			2752990.... 575, 581, 587
			2752991.... 575, 581, 587
			2752995.... 575, 581, 587
			2753000..... 587

SECTION 11 - SPECIAL OPTIONS/ACCESSORIES/KITS

2753002 581	2920029 ... 513, 515, 517, 519	3291001.....97, 197, 290, 296, 415	3311501... 156, 160, 164, 168, 427, 429, 513, 515, 517, 519
2753055 575, 581, 587	2920129 711	3291005....204, 226, 232, 256, 262, 290, 296, 411, 415, 643	3311505.... 25, 156, 160, 164, 168, 179, 186, 190, 226, 232, 254, 260, 383, 387, 391, 395, 399, 419, 421, 423, 521, 571
2753132 575, 582, 588	2940074 ... 433, 435, 437, 439, 455, 457, 787	3291007.....347	3311508 363, 375
2753133 576, 582, 588	2940088 ... 156, 157, 160, 161, 164, 165, 169	3291201....201, 290, 296, 371, 391, 400, 415	331160183, 85, 156, 160, 469, 474, 491
2753134 575, 581, 587	2940188 ... 156, 160, 164, 168	3291202.....97	331160551, 91, 156, 157, 160, 161, 164, 165, 168, 177, 179, 186, 190, 211, 217, 226, 232, 245, 254, 260, 269, 331, 333, 339, 341, 343, 345, 349, 351, 357, 419, 451, 453, 465, 467, 500, 503, 505, 509
2753135 575, 581, 587	3020029 75	3291205.....415	3311608 95
2753354 91	3020037 201	3300106.....25	3311705 ... 349, 351, 353, 357, 359
2753390 575, 581, 587	3200401 ... 186, 190, 226, 232, 254, 260, 331, 333, 339, 341	3300151....441, 443, 445, 447, 449, 455, 457, 459, 461, 500, 503, 505, 509	3311801... 221, 223, 249, 251, 353, 363, 367, 375, 379, 384, 388, 395, 427, 429
2753397 564, 568	3200406 186, 190	3300205.....99, 103, 107, 111, 115, 119, 123, 127, 131, 135	3311805... 156, 160, 164, 168, 177, 179, 186, 190, 285, 287, 331, 333, 521
2753924 564, 568	3220103 325	3300353.....99, 103, 107, 111, 115, 119, 123, 127, 131, 135, 469, 473	3312002 69, 523, 525, 527, 529, 531
2753926 564	3250872 43	3300396....364, 376, 384, 388, 391, 396, 400	3312005 493
2753929 564	3251102 ... 349, 351, 353, 357, 359, 363, 367, 375, 379	3300408.....99, 103, 107, 111, 115, 119, 123, 127, 131, 135, 139	3312205 493
2753968 574, 580, 586	3251242 ... 607, 619, 625, 631, 637	3300430.....489	3312602 149, 151, 153
2754227 564, 568	3251243 ... 349, 359, 364, 376, 384, 397, 400, 753, 761, 763, 765, 767, 769, 771	3300454....364, 368, 375, 379, 384, 388, 395, 571	3321501 ... 156, 160, 164, 168
2754229 564, 568	3251813 774	3310401....226, 232, 254, 260	3322201 81
2754231 564, 568	3252347 753	3310601.....343, 345, 347	3331211 204, 335, 337
2754328 576	3252507 ... 351, 357, 615, 617, 621, 623, 627, 629, 633, 635	3310801.....427, 429	3340608 557
2754329 575, 581, 587	3252764 ... 371, 383, 387, 391, 395, 399	3310805.....51	3340764 417
2754330 575, 581, 587	3271505 417	3311001....211, 269, 384, 388, 391, 396, 400	3340840 417
2754731 568	3271601 95, 226, 232, 254, 260	3311005....156, 157, 160, 161, 164, 165, 168, 169, 349, 351, 353, 357, 359, 364, 376, 384, 388, 391, 396, 399, 495, 500, 503, 505, 509	3340871 407, 409
2792630 593	3271605 ... 204, 417, 523, 525, 527, 529, 531	3311401....141, 513, 515, 517, 519	3340881 407
2820019 691	3271801 ... 226, 232, 254, 260, 339, 341	3311405....55, 57, 63, 65, 99, 103, 107, 111, 115, 119, 123, 127, 131, 135, 145, 147, 156, 160, 164, 168, 177, 179, 181, 183, 186, 190, 197, 204, 213, 217, 221, 223, 226, 232, 241, 245, 249, 251, 254, 260, 278, 282, 285, 287, 363, 367, 371, 375, 379, 384, 387, 395, 421, 423, 465, 467, 491, 607, 611, 613, 615, 617, 619, 621, 623, 625, 627, 629, 631, 633, 635, 637, 645, 753, 755, 757, 759, 761, 763, 765, 767, 769, 771	3340911 25
2820031 ... 349, 351, 353, 357, 359, 363, 367, 371, 375, 379, 384, 388, 391, 395, 399, 649, 651, 653, 655	3271805 81, 451, 453	3311005....156, 157, 160, 161, 164, 165, 168, 169, 349, 351, 353, 357, 359, 364, 376, 384, 388, 391, 396, 399, 495, 500, 503, 505, 509	3340943 417
2820035 271	3272001 ... 523, 525, 527, 529, 531	3311005....156, 157, 160, 161, 164, 165, 168, 169, 349, 351, 353, 357, 359, 364, 376, 384, 388, 391, 396, 399, 495, 500, 503, 505, 509	3340956 493
2820078 171	3290405 ... 149, 151, 153, 278, 282, 533, 607, 611, 613, 615, 617, 619, 621, 623, 625, 627, 629, 631, 633, 635, 637	3311401....141, 513, 515, 517, 519	3340966 23
2820082 171, 173	3290505 278, 282, 351	3311405....55, 57, 63, 65, 99, 103, 107, 111, 115, 119, 123, 127, 131, 135, 145, 147, 156, 160, 164, 168, 177, 179, 181, 183, 186, 190, 197, 204, 213, 217, 221, 223, 226, 232, 241, 245, 249, 251, 254, 260, 278, 282, 285, 287, 363, 367, 371, 375, 379, 384, 387, 395, 421, 423, 465, 467, 491, 607, 611, 613, 615, 617, 619, 621, 623, 625, 627, 629, 631, 633, 635, 637, 645, 753, 755, 757, 759, 761, 763, 765, 767, 769, 771	3340434 465, 467
2820083 171	3290601 ... 197, 201, 204, 290, 296, 301, 359, 371, 391, 399	3311405....55, 57, 63, 65, 99, 103, 107, 111, 115, 119, 123, 127, 131, 135, 145, 147, 156, 160, 164, 168, 177, 179, 181, 183, 186, 190, 197, 204, 213, 217, 221, 223, 226, 232, 241, 245, 249, 251, 254, 260, 278, 282, 285, 287, 363, 367, 371, 375, 379, 384, 387, 395, 421, 423, 465, 467, 491, 607, 611, 613, 615, 617, 619, 621, 623, 625, 627, 629, 631, 633, 635, 637, 645, 753, 755, 757, 759, 761, 763, 765, 767, 769, 771	3420372 49
2820118 657, 659	3290605 ... 100, 104, 108, 112, 116, 120, 124, 128, 132, 136, 204, 278, 282, 290, 296, 495, 500	3311405....55, 57, 63, 65, 99, 103, 107, 111, 115, 119, 123, 127, 131, 135, 145, 147, 156, 160, 164, 168, 177, 179, 181, 183, 186, 190, 197, 204, 213, 217, 221, 223, 226, 232, 241, 245, 249, 251, 254, 260, 278, 282, 285, 287, 363, 367, 371, 375, 379, 384, 387, 395, 421, 423, 465, 467, 491, 607, 611, 613, 615, 617, 619, 621, 623, 625, 627, 629, 631, 633, 635, 637, 645, 753, 755, 757, 759, 761, 763, 765, 767, 769, 771	3420447 49
2820247 733, 735	3290606 ... 443, 445, 447, 449, 459, 461	3311405....55, 57, 63, 65, 99, 103, 107, 111, 115, 119, 123, 127, 131, 135, 145, 147, 156, 160, 164, 168, 177, 179, 181, 183, 186, 190, 197, 204, 213, 217, 221, 223, 226, 232, 241, 245, 249, 251, 254, 260, 278, 282, 285, 287, 363, 367, 371, 375, 379, 384, 387, 395, 421, 423, 465, 467, 491, 607, 611, 613, 615, 617, 619, 621, 623, 625, 627, 629, 631, 633, 635, 637, 645, 753, 755, 757, 759, 761, 763, 765, 767, 769, 771	3421453 495, 500
2840016 345, 347	3290607 ... 151, 153, 290, 296	3311405....55, 57, 63, 65, 99, 103, 107, 111, 115, 119, 123, 127, 131, 135, 145, 147, 156, 160, 164, 168, 177, 179, 181, 183, 186, 190, 197, 204, 213, 217, 221, 223, 226, 232, 241, 245, 249, 251, 254, 260, 278, 282, 285, 287, 363, 367, 371, 375, 379, 384, 387, 395, 421, 423, 465, 467, 491, 607, 611, 613, 615, 617, 619, 621, 623, 625, 627, 629, 631, 633, 635, 637, 645, 753, 755, 757, 759, 761, 763, 765, 767, 769, 771	3421565 49, 77
2840018 343	3290801 ... 278, 282, 290, 296	3311405....55, 57, 63, 65, 99, 103, 107, 111, 115, 119, 123, 127, 131, 135, 145, 147, 156, 160, 164, 168, 177, 179, 181, 183, 186, 190, 197, 204, 213, 217, 221, 223, 226, 232, 241, 245, 249, 251, 254, 260, 278, 282, 285, 287, 363, 367, 371, 375, 379, 384, 387, 395, 421, 423, 465, 467, 491, 607, 611, 613, 615, 617, 619, 621, 623, 625, 627, 629, 631, 633, 635, 637, 645, 753, 755, 757, 759, 761, 763, 765, 767, 769, 771	3422326 21, 23
2860012 349, 357	3290805 ... 204, 290, 296, 335, 337, 643, 645	3311405....55, 57, 63, 65, 99, 103, 107, 111, 115, 119, 123, 127, 131, 135, 145, 147, 156, 160, 164, 168, 177, 179, 181, 183, 186, 190, 197, 204, 213, 217, 221, 223, 226, 232, 241, 245, 249, 251, 254, 260, 278, 282, 285, 287, 363, 367, 371, 375, 379, 384, 387, 395, 421, 423, 465, 467, 491, 607, 611, 613, 615, 617, 619, 621, 623, 625, 627, 629, 631, 633, 635, 637, 645, 753, 755, 757, 759, 761, 763, 765, 767, 769, 771	3422448... 177, 179, 197, 213, 217, 241, 245, 278, 282
2860030 99, 103, 107, 111, 115, 119, 123, 127, 131, 135, 787	3290806 415	3311405....55, 57, 63, 65, 99, 103, 107, 111, 115, 119, 123, 127, 131, 135, 145, 147, 156, 160, 164, 168, 177, 179, 181, 183, 186, 190, 197, 204, 213, 217, 221, 223, 226, 232, 241, 245, 249, 251, 254, 260, 278, 282, 285, 287, 363, 367, 371, 375, 379, 384, 387, 395, 421, 423, 465, 467, 491, 607, 611, 613, 615, 617, 619, 621, 623, 625, 627, 629, 631, 633, 635, 637, 645, 753, 755, 757, 759, 761, 763, 765, 767, 769, 771	3422457 409
2900708 55, 57		3311405....55, 57, 63, 65, 99, 103, 107, 111, 115, 119, 123, 127, 131, 135, 145, 147, 156, 160, 164, 168, 177, 179, 181, 183, 186, 190, 197, 204, 213, 217, 221, 223, 226, 232, 241, 245, 249, 251, 254, 260, 278, 282, 285, 287, 363, 367, 371, 375, 379, 384, 387, 395, 421, 423, 465, 467, 491, 607, 611, 613, 615, 617, 619, 621, 623, 625, 627, 629, 631, 633, 635, 637, 645, 753, 755, 757, 759, 761, 763, 765, 767, 769, 771	3422533... 181, 183, 201, 221, 223, 249, 251, 285, 287
2900756 571		3311405....55, 57, 63, 65, 99, 103, 107, 111, 115, 119, 123, 127, 131, 135, 145, 147, 156, 160, 164, 168, 177, 179, 181, 183, 186, 190, 197, 204, 213, 217, 221, 223, 226, 232, 241, 245, 249, 251, 254, 260, 278, 282, 285, 287, 363, 367, 371, 375, 379, 384, 387, 395, 421, 423, 465, 467, 491, 607, 611, 613, 615, 617, 619, 621, 623, 625, 627, 629, 631, 633, 635, 637, 645, 753, 755, 757, 759, 761, 763, 765, 767, 769, 771	3422567 23
2900770 539, 549, 559		3311405....55, 57, 63, 65, 99, 103, 107, 111, 115, 119, 123, 127, 131, 135, 145, 147, 156, 160, 164, 168, 177, 179, 181, 183, 186, 190, 197, 204, 213, 217, 221, 223, 226, 232, 241, 245, 249, 251, 254, 260, 278, 282, 285, 287, 363, 367, 371, 375, 379, 384, 387, 395, 421, 423, 465, 467, 491, 607, 611, 613, 615, 617, 619, 621, 623, 625, 627, 629, 631, 633, 635, 637, 645, 753, 755, 757, 759, 761, 763, 765, 767, 769, 771	3422575 405, 407
2900792 ... 541, 543, 545, 547, 549, 551, 559		3311405....55, 57, 63, 65, 99, 103, 107, 111, 115, 119, 123, 127, 131, 135, 145, 147, 156, 160, 164, 168, 177, 179, 181, 183, 186, 190, 197, 204, 213, 217, 221, 223, 226, 232, 241, 245, 249, 251, 254, 260, 278, 282, 285, 287, 363, 367, 371, 375, 379, 384, 387, 395, 421, 423, 465, 467, 491, 607, 611, 613, 615, 617, 619, 621, 623, 625, 627, 629, 631, 633, 635, 637, 645, 753, 755, 757, 759, 761, 763, 765, 767, 769, 771	3422813 23
2900838 794		3311405....55, 57, 63, 65, 99, 103, 107, 111, 115, 119, 123, 127, 131, 135, 145, 147, 156, 160, 164, 168, 177, 179, 181, 183, 186, 190, 197, 204, 213, 217, 221, 223, 226, 232, 241, 245, 249, 251, 254, 260, 278, 282, 285, 287, 363, 367, 371, 375, 379, 384, 387, 395, 421, 423, 465, 467, 491, 607, 611, 613, 615, 617, 619, 621, 623, 625, 627, 629, 631, 633, 635, 637, 645, 753, 755, 757, 759, 761, 763, 765, 767, 769, 771	
2901861 557, 559		3311405....55, 57, 63, 65, 99, 103, 107, 111, 115, 119, 123, 127, 131, 135, 145, 147, 156, 160, 164, 168, 177, 179, 181, 183, 186, 190, 197, 204, 213, 217, 221, 223, 226, 232, 241, 245, 249, 251, 254, 260, 278, 282, 285, 287, 363, 367, 371, 375, 379, 384, 387, 395, 421, 423, 465, 467, 491, 607, 611, 613, 615, 617, 619, 621, 623, 625, 627, 629, 631, 633, 635, 637, 645, 753, 755, 757, 759, 761, 763, 765, 767, 769, 771	
2902065 ... 186, 190, 204, 226, 232, 254, 260, 309		3311405....55, 57, 63, 65, 99, 103, 107, 111, 115, 119, 123, 127, 131, 135, 145, 147, 156, 160, 164, 168, 177, 179, 181, 183, 186, 190, 197, 204, 213, 217, 221, 223, 226, 232, 241, 245, 249, 251, 254, 260, 278, 282, 285, 287	

SECTION 11 - SPECIAL OPTIONS/ACCESSORIES/KITS

3422841.....49	3580317 ... 363, 367, 371,	3930820 429	4070864.....407, 409
3422847.....49	375, 379, 384, 388,	3930828 427, 429	4070897.....407, 409
3422848.....23	391, 395, 400	3931016 ... 364, 375, 383,	4070898.....407, 409
3422861.....411	3580318 ... 364, 375, 384,	387, 391, 395, 399	4070929.....407, 409
3422867.....411	395	3931408 429, 489	4070991.....99, 103, 107,
3422900.....21, 23	3580319 ... 367, 371, 379,	3931430 427, 429	111, 115, 119, 123,
3422902.....21, 23	388, 391	3931432 ... 204, 226, 232,	127, 131, 135
3422903.....21, 23	3580320 ... 226, 232, 254,	254, 260	4071007.....409
3423184.....17, 19	260, 364, 367, 384, 388	3931448 557	4071059.....23
3430616.....469, 474	3580324 359	3931512 ... 226, 232, 254,	4071101.....17, 19
3430816.....343, 345, 347	3600242 323	260	4120035.....711
3450306.....419	3600365 ... 55, 63, 65, 67	3931516 557, 559	4130399.....23
3450404.....343, 345, 347	3600395 ... 181, 183, 201,	3931620 ... 181, 183, 201,	4160143....156, 160, 164,
3450606.....419	221, 223, 249, 251,	221, 223, 249, 251,	168
3460334.....493	285, 287, 323	285, 287	4240017.....149
3470003.....469, 474	3620034 91	3931628 ... 226, 232, 254,	4240018....351, 353, 363,
3480288.....537	3641569 513, 515	260	367, 371, 375, 379,
3520026.....473	3740049 99, 103, 107,	3931632 290, 296	383, 387, 391, 395,
3520027.....473	111, 115, 119, 123,	3932030 25	639, 641
3520028....349, 353, 357,	127, 131, 135, 787	3940604 43	4240032....151, 153, 206
359	3740067 63, 65, 186, 190,	3952020 69	4240033....427, 429, 487,
3520031.....99, 103, 107,	278, 282, 786, 787	3960389 ... 156, 160, 181,	489, 491, 649, 651,
111, 115, 119, 123,	3740080 ... 349, 351, 353,	183	653, 655
127, 131, 135	357, 359, 399, 787	3960407 186, 190	4240099....198, 204, 226,
3520054....186, 190, 204,	3740086 737	3960418 ... 156, 160, 164,	232, 254, 260, 271,
228, 234, 256, 262,	3760133 409	168	282, 290, 296, 359,
469, 473	3760170 ...49, 77, 79, 511	3960422 ... 363, 375, 383,	470, 474, 500, 503,
3520071493	3790012 ... 278, 282, 465,	395, 399, 603, 605,	505, 513, 515, 517, 519
3520072....433, 435, 437,	467, 469, 473, 479,	609, 639, 641	4240102.....83, 85
439, 441, 443, 445,	481, 485	3960462 164, 165, 169	4240149.....493
447, 449, 451, 453,	3790152 ... 181, 183, 201,	3960467 156, 160, 164	4280295.....83, 85
455, 457, 459, 461	249, 251, 285, 287	3960468 186, 190	4300157....363, 367, 384,
3520189.....388, 391	3790158 25	3960469 186, 190	388
3520192.....388, 391	3820001 ... 753, 755, 757,	3980007 ... 179, 217, 245,	4360057....513, 515, 517,
3520193.....427, 429	759, 761, 763, 765,	282	519, 787
3520198....433, 435, 437,	767, 769, 771	3990010 707, 786	4360070....364, 376, 384,
439, 441, 443, 445,	3820020 ... 433, 435, 437,	4010608 495, 500	388, 392, 396, 400, 786
447, 449, 455, 457,	439, 455, 457	4010618 ... 443, 445, 447,	4360274....115, 135, 788
459, 461	3841143 21, 23, 177, 179,	449, 459, 461	4360331....465, 467, 479,
3537445.....343, 345	197, 213, 217, 241,	4031505 487	481, 485, 788
3538247557	245, 278, 282, 411, 415	4031509 149, 151, 153	4360336....141, 278, 282,
3538758.....417	3841203 405, 407	4031516 491	349, 351, 353, 357,
3539228.....419	3841258 ... 17, 19, 21, 23,	4031608 351	359, 363, 367, 371,
3539923.....156, 160	405	4031711 290, 296	375, 379, 383, 387,
3539988.....171	3841295 419	4031908 204	391, 395, 399, 788
3570270.....419	3841340 409	4031912 204	4360387....103, 115, 123,
3570277.....419	3841347 419	4031914 ... 226, 232, 254,	135, 469, 473, 513,
3570374.....419	3841709 405	260	515, 517, 519, 788
3572009.....49	3900054 451, 453	4032014 ... 226, 232, 254,	4360407....469, 473, 786
3572010.....49	3900268 99, 103, 107,	260	4360436.....787
3572011.....49	111, 115, 119, 123,	4032015 ... 363, 367, 384,	4360469....99, 103, 107,
3572012.....49	127, 131, 135	387	111, 115, 119, 123,
3573400....500, 503, 505,	3900283 417	4060092 605	127, 131, 135, 788
509	3900293 69	4060802 ... 349, 351, 353,	4360475....99, 103, 107,
3573642....500, 503, 505,	3900316 417	357, 359, 363, 367,	111, 115, 119, 123,
509	3900349 469, 473	371, 375, 379, 383,	127, 131, 135, 788
3574091517, 519	3910408 ... 226, 232, 254,	387, 391, 395, 399	4360476....99, 103, 107,
3575359.....513, 515	260	4060804 41, 55, 57	111, 115, 119, 123,
3575863....364, 367, 384,	3910606 ... 363, 375, 383,	4060805 ... 157, 161, 186,	127, 131, 135
388	395, 399, 609, 639, 641	190, 204, 226, 232,	4360517.....81, 788
3576799.....495, 500	3910608 343, 345, 347	256, 262, 292, 298	4360542....349, 353, 359,
3577121....500, 503, 505,	3910610 603, 605	4060807 25, 55, 57	786
509	3910804 99, 103, 107,	4060808 407	4360578....427, 429, 787
3580134.....351, 357	111, 115, 119, 123,	4060906 141	4400275.....51
3580158....349, 351, 357	127, 131, 135	4060918 55, 57	4400420.....51
3580276.....349, 353	3911016 ... 156, 157, 160,	4070585 349	4420014.....493
3580314.....399	161, 165, 169	4070863 407, 409	

SECTION 11 - SPECIAL OPTIONS/ACCESSORIES/KITS

4420037 ... 500, 503, 505, 509	513, 515, 517, 519, 639, 641	4460662....607, 617, 621, 623, 625, 627, 629, 631, 633, 635, 637	4460945 672
4420038 83, 85, 87	4460426 99, 103, 107, 111, 115, 119, 123, 127, 131, 135, 364, 376, 384, 388, 392, 396, 400	4460670.....697	4460956 661, 663
4420051 . 43, 45, 47, 753, 755, 757, 759, 761, 763, 765, 767, 769, 771	4460428 469, 473	4460701.....705	4460957 661, 663
4420060 351	4460434 707, 711	4460703.....671, 675	4460958 641
4420066 493	4460457 693	4460708.....711	4460962 500, 505, 601
4420068 ... 513, 515, 517, 519, 521	4460458 ... 667, 669, 671, 675, 679, 693, 699, 701	4460722.....271	4460963 ... 384, 396, 400, 601
4460016 711	4460464 ... 145, 147, 151, 153, 315, 477, 533, 647, 657, 669, 685, 687, 707, 711, 737, 739, 741, 747, 749	4460738.....669, 679	4460967 ... 693, 695, 697, 699, 701
4460019 ... 667, 669, 671, 679, 681	4460465 ... 149, 315, 429, 533, 647, 649, 651, 653, 655, 657, 659, 665, 667, 669, 671, 675, 676, 679, 687, 689, 691, 693, 695, 697, 699, 701, 707, 709, 711, 739, 747, 749	4460742....693, 697, 699, 701	4460968 ... 351, 427, 429, 611, 613, 615, 619
4460027 ... 349, 353, 359	4460466 ... 429, 487, 533, 647, 649, 651, 653, 655, 657, 659, 665, 669, 671, 672, 675, 707, 709, 711, 731, 737, 739, 741, 747	4460743....697, 699, 701	4460971 495, 500
4460042 672, 675	4460467 794	4460761.....469, 473, 707	4460979 667, 669, 679
4460043 ... 271, 667, 671, 675, 697, 699, 701	4460470 99, 103, 107, 111, 115, 119, 123, 127, 131, 135, 469, 473	4460806....625, 631, 707, 711	4461005 667
4460049 ... 513, 515, 517, 519	4460471 99, 103, 107, 111, 115, 119, 123, 127, 131, 135, 469, 473	4460807....372, 376, 380, 689, 691	4461006 667
4460071 ... 363, 375, 384, 395, 399, 477, 603, 605, 609	4460477 794	4460808....372, 376, 380, 689, 691	4461008 667, 671, 676
4460125 605	4460478 ... 649, 651, 653, 655, 657, 659	4460865....649, 651, 653, 655, 657, 659	4461042 665
4460134 609, 703	4460479 99, 103, 107, 111, 115, 119, 123, 127, 131, 135, 469, 473	4460866....649, 651, 653, 655, 707, 711	4461052 667
4460142 667, 707	4460480 99, 103, 107, 111, 115, 119, 123, 127, 131, 135, 151, 153	4460868.....707	4461053 667
4460183 711	4460481 99, 103, 107, 111, 115, 119, 123, 127, 131, 135, 151, 153	4460871....667, 669, 679, 707, 711, 743, 747, 749	4461054 667, 672, 685
4460190 349, 353, 359	4460482 99, 103, 107, 111, 115, 119, 123, 127, 131, 135, 151, 153	4460872.....707	4461060 667
4460205 603, 609, 703	4460483 ... 649, 651, 653, 655, 657, 659	4460873.....707, 711	4461070 647, 667
4460224 ... 371, 376, 379, 469, 473	4460488 99, 103, 107, 111, 115, 119, 123, 127, 131, 135, 151, 153	4460874.....707, 711	4461071 667, 671, 675
4460225 ... 689, 691, 711	4460496 99, 103, 107, 111, 115, 119, 123, 127, 131, 135	4460875.....707, 711	4461072 667
4460226 ... 141, 469, 473, 477, 667, 669, 679, 711, 745	4460497 99, 103, 107, 111, 115, 119, 123, 127, 131, 135	4460876.....707	4461073 667, 675
4460227 ... 469, 473, 707, 711	4460508 ... 487, 657, 707, 711	4460877 707	4461074 667
4460233 605, 705	4460509 657, 659	4460878.....707	4461077 731, 737
4460234 ... 149, 469, 473, 513, 515, 517, 519	4460510 794	4460879.....533, 711	4461095 647, 667, 675
4460247 671, 675	4460518 429, 647	4460884....429, 533, 671, 707, 739, 747	4461157 667, 669, 679
4460256 667, 693	4460526 99, 103, 107, 111, 115, 119, 123, 127, 131, 135	4460887....533, 667, 669, 679, 707, 711	4461196 713
4460259 ... 533, 667, 679, 707, 711	4460536 ... 687, 707, 709, 711, 749	4460888.....711	4461198 613, 713
4460260 ... 533, 667, 679, 707, 711	4460539 ... 649, 651, 653, 655, 667, 669, 671, 679, 687, 709, 711, 747, 749	4460891.... 149, 315, 647, 665, 667, 669, 676, 679, 685, 745, 747, 749	4461199 715, 717
4460267 711	4460612 639, 641	4460892.....709	4461200 717
4460268 ... 669, 689, 691, 747	4460634 711	4460894....665, 671, 675, 707, 709, 711	4461201 619, 715, 717
4460294 371, 376, 380	4460635 711	4460897.... 145, 147, 151, 153, 315, 676, 685, 741	4461203 721
4460297 707		4460899....669, 687, 731, 737, 739	4461205 ... 719, 721, 723, 725
4460312 679		4460905....707, 711, 743	4461206 725
4460313 ... 667, 669, 679, 707		4460906.....359	4461244 625, 719, 721
4460315 603, 605, 609		4460910.....429, 733	4461245 631, 723, 725
4460320 707		4460911.....707, 731	4461246 637, 727, 729
4460321 359		4460928.....647	4461249 727, 729
4460346 ... 363, 375, 383, 395, 399, 603, 609		4460930....665, 671, 675	4461250 729
4460374 697		4460931.....669, 741	4520256 39
4460375 697		4460932....533, 672, 675, 685	4520287 35, 37
4460384 607		4460933....647, 665, 707, 711	4520288 35
4460418 707, 711		4460941.....685, 731	4520344 35
4460419 707, 711		4460942....487, 671, 675, 685	4520345 35
4460424 ... 667, 669, 679, 747		4460943....665, 669, 707, 711, 731	4520346 35
4460425 ... 364, 376, 384, 388, 392, 396, 400,		4460944....667, 669, 671, 675, 679, 711	4520672 39
			4530028 ... 500, 503, 505, 507
			4567123 91
			4567241 419
			4568119 87
			4568133 49
			4640113 35, 39
			4640261 43, 45, 47
			4640438 549
			4640464 687, 709
			4640509 ... 541, 543, 545, 547, 549, 551, 559
			4640605 541, 551
			4640647 559
			4640744 323
			4640751 ... 204, 226, 232, 254, 260

SECTION 11 - SPECIAL OPTIONS/ACCESSORIES/KITS

4640858.....537	4740229 17, 19	4761400 141, 463	4892600001.....415
4640862.....557	4740256 21, 23	4761600 63, 65, 465, 467	4921829.....359, 703
4640866.....55, 57	4740274 ... 186, 190, 331, 333	4770600 343, 345, 347	4921954.....705
4640929.....421, 423	4740362 465, 467	4791400 63, 65, 186, 190, 363, 367, 375, 379, 383, 387, 395	4922494.... 649, 651, 653, 655, 659
4640990.....91	4740393 25	4811400 ... 149, 151, 153, 533, 607, 611, 613, 615, 617, 619, 621, 623, 625, 627, 629, 631, 633, 635, 637	4922641.... 349, 351, 354, 357, 364, 367, 371, 376, 385, 388, 392, 397, 401
4640999.....559	4740397 99, 103, 107, 111, 115, 119, 123, 127, 131, 135, 349, 351, 357	4811600 351	4922666.....469, 473
4641022.....87	4740444 99, 103, 107, 111, 115, 119, 123, 127, 131, 135	4811700 ... 100, 104, 108, 112, 116, 120, 124, 128, 132, 136, 151, 153, 197, 201, 204, 290, 296, 301, 359, 371, 391, 399, 443, 445, 447, 449, 459, 461, 495, 500	4922811.....655
4641122.....37	4740463 21, 23	4811702 41, 227, 233, 255, 261, 278, 282, 301	4922892.....609
4641264.....93, 95	4740518 99, 103, 107, 111, 115, 119, 123, 127, 131, 135	4811900 ... 205, 227, 233, 255, 261, 278, 282, 290, 296, 301, 335, 337, 415, 643, 645	4922893.....649, 651
4641284.....564, 568	4750400 ... 227, 233, 254, 260	4811902 ... 205, 227, 233, 256, 262, 290, 296, 301	4922894.....609
4641390.....537	4750800 51	4812000 97, 197, 205, 227, 233, 256, 262, 279, 283, 290, 296, 301, 347, 359, 415, 643	4922925.... 384, 388, 391, 395, 400, 691
4641436.....427, 429	4751000 ... 49, 83, 85, 87, 156, 157, 160, 161, 164, 165, 168, 169, 349, 351, 357, 359, 364, 375, 383, 387, 391, 395, 399, 495, 500, 503, 505, 509	4812002 93, 205, 292, 298, 307	4932379.....186, 190
4711000....156, 161, 211, 269, 353, 384, 388, 392, 396, 400	4751200 409	4812100 97, 197, 201, 205, 213, 217, 227, 233, 241, 245, 255, 261, 273, 275, 301, 415	4932990.....791
4711400....55, 57, 63, 65, 99, 103, 107, 111, 115, 119, 123, 127, 131, 135, 143, 145, 147, 164, 168, 177, 179, 186, 190, 197, 204, 213, 217, 221, 223, 226, 232, 241, 245, 249, 251, 254, 260, 278, 282, 363, 367, 371, 375, 379, 383, 387, 395, 419, 421, 423, 429, 441, 443, 445, 447, 449, 455, 457, 459, 461, 489, 491, 607, 611, 613, 615, 617, 619, 621, 623, 625, 627, 629, 631, 633, 635, 637	4751400 65, 99, 103, 107, 111, 115, 119, 123, 127, 131, 135, 141, 156, 160, 164, 168, 181, 183, 285, 287, 427, 429, 463, 465, 467, 469, 473, 500, 503, 505, 509, 513, 515, 517, 519, 571, 645, 753, 755, 757, 759, 761, 763, 765, 767, 769, 771	4812200 ... 186, 190, 205, 227, 233, 255, 261, 331, 333, 335, 337, 339, 341	4932993.....791
4711500....41, 93, 95, 97, 227, 233, 254, 260, 383, 387, 391, 395, 399, 417, 421, 423, 427, 429, 571	4751500 . 25, 63, 65, 156, 160, 164, 168, 177, 179, 227, 233, 254, 260, 349, 351, 353, 357, 363, 375, 419, 513, 515, 517, 519, 521	4844817 411	4933218.....513, 517
4711600 55, 57, 164, 168, 179, 186, 190, 197, 211, 213, 217, 227, 233, 241, 245, 254, 260, 269, 278, 282, 329, 353, 364, 367, 371, 375, 379, 384, 388, 395, 407, 417, 427, 429, 469, 474, 523, 525, 527, 529, 531	4751600 ... 25, 51, 81, 83, 85, 87, 91, 95, 156, 157, 160, 161, 164, 165, 168, 171, 177, 179, 186, 190, 197, 204, 213, 217, 227, 233, 241, 245, 254, 260, 331, 333, 339, 341, 349, 351, 357, 400, 419, 500, 503, 505, 509	4844958 77	5240800.....341
4711700....329, 353, 359	4751700 ... 204, 227, 233, 254, 260	4845163 343	5241000.....25, 290, 296
4711800....197, 213, 217, 241, 245, 285, 287, 343, 345, 347, 363, 367, 383, 387, 391, 451, 453	4751800 81, 87, 177, 179, 221, 223, 249, 251, 285, 287, 419, 451, 453, 513, 515, 517, 519	4846295 49	5241200.... 205, 290, 296, 335, 337, 359, 371, 391, 400, 415
4712000....493, 523, 525, 527, 529, 531	4752000 ... 177, 179, 197, 213, 217, 241, 245, 278, 282	4846296 49	5250605.....301
4712200.....493	4760600 603, 605, 609	4846627 ... 500, 503, 505, 509	5250810.... 227, 233, 256, 262
4740036.....49		4846673 517, 519	5250812.....205
4740057.....69		4846935 23	5251008.....415
4740076....156, 160, 164, 168		4871700 400	5251016.....415
4740111.....21, 23		4891500 99, 103, 107, 111, 115, 119, 123, 127, 131, 135, 255, 261, 359	5260600.....301
4740155.....23		4891600 ... 156, 157, 160, 161, 164, 165, 168, 169, 181, 183, 201, 221, 223, 227, 233, 249, 251, 255, 261, 285, 287, 343, 345, 415	5260800.....205
4740158.....17, 19		4891800 17, 19, 227, 233, 255, 261, 339, 341, 343, 345, 347, 353, 375, 379, 395, 521	5272010.....292, 298
4740171....156, 160, 164, 168		4892000 75	70000123.....351, 357
			70000124.....357
			70000125.....357
			70000126.....357, 786
			70000127.....357
			70000342.....413
			70000345... 194, 239, 265
			70000619..384, 388, 391, 395, 399
			70000793.....309
			70000851.....194
			70000852.....27
			70000853.....27
			70000854.....27
			70000857.....27
			70000858.....27
			70000861.....27
			70000862.....27
			70000863..383, 387, 396, 399
			70000912.....193
			70000913.....193
			70000914.....193
			70000915.....193
			70000916.....193
			70000917.....193
			70000918.....193
			70000919.....193
			70000934.....55, 57
			70001002.....193
			70001100..383, 387, 395, 400
			70001126.....193

SECTION 11 - SPECIAL OPTIONS/ACCESSORIES/KITS

70001248 81	70002297 . 383, 387, 396, 399	70004058.....194	70004654..... 59
70001384 . 383, 387, 396, 400	7000230 72	70004059.....194	70004655..... 59
70001423 193	70002386 425, 786	70004060.....194	70004656..... 59
70001424 497	70002410 539, 553	70004092.. 363, 367, 371, 375, 379, 396	70004657..... 59
70001425 497	7000246 72	70004094.....396	70004659..... 59
70001427 497	70002460 . 383, 387, 396, 399	70004098...363, 376, 396	70004660 59, 786
70001428 497	7000247 72	70004099..371, 375, 379, 396	70004661 59
70001429 497	7000248 72	70004103.....194	70004662 59
70001430 497	7000253 72	70004151.....425	70004663 59
70001431 497, 786	7000255 72	70004169.. 383, 387, 399, 400	70004664 59
70001432 497, 788	7000257 72	70004171.. 363, 367, 383, 387, 400	70004665 59
70001435 193	70002718 193, 237	70004186...543, 545, 547	70004666 59
70001498 194	70002745 555	70004201.....27	70004667 59
70001696 .. 383, 387, 399	70002752 555	70004202.....27	70004668 59
70001697 413	70002753 555	70004203.....27	70004677 367
70001847 193	70002754 555	70004204.....27	70004678 . 363, 367, 371, 376, 379
70001850 193	70002755 555	70004205.....27	70004679 . 363, 367, 371, 376, 379
70001866 194	70002756 555	70004237.....539, 553	70004680 . 363, 367, 371, 376, 379
70001868 194	70002757 555	70004268.....193	70004681 .. 367, 371, 379
70001870 .. 193, 237, 265	70002758 59	70004269.....193	70004682 . 363, 367, 371, 376, 379
70001871 193	70002759 60	70004270.....194	70004683 .. 367, 371, 379
70001872 194	70002793 541	70004271.....194	70004684 363
70001953 .. 383, 387, 400	70002902 477	70004272.....194	70004685 363, 376
70001966 . 363, 367, 371, 375, 379, 383, 387, 396, 399, 400	70002903 477	70004273.....194	70004686 371, 379
70001973 . 383, 387, 396, 400	70002904 477	70004275.....237	70004687 376
70001974 . 383, 387, 396, 399	70002905 477	70004276.....266	70004862 89, 786
70002001 419	70003003 193	70004277.....266	70005008 . 205, 291, 297, 786, 787
70002002 419	70003019 59	70004279.....265	70005145 553
70002020 29	70003036 193	70004280.....237	70005146 553
70002026 29	70003136 193	70004281.....237	70005171 237, 265
70002027 29	70003408 33	70004282.....238	70005172 237, 265
70002054 29	70003454 81	70004283.....238	70005173 237, 265
70002057 29	70003456 193	70004284.....238	70005174 237
70002059 29	70003457 193	70004353.....29	70005176 238, 265
70002063 33	70003468 193	70004355.....29	70005177 238, 265
70002064 33, 425	70003469 193	70004356.....29	70005180 238
70002066 72	70003470 193	70004361.....29	70005181 238
70002085 72	70003472 193	70004363.....29	70005182 238
70002088 .. 383, 387, 399	70003473 193	70004365.....29	70005183 238
7000213 72	70003475 193	70004367.....29	70005184 238, 266
70002133 27	70003478 193	70004369.....29	70005185 238
70002134 313, 319	70003525 59	70004370.....29	70005186 238
70002146 313, 319	70003628 27	70004371.....29	70005188 238
70002147 313, 319	70003631 . 383, 387, 396, 399	70004447.....29	70005189 238
70002148 313, 319	70003708 . 363, 367, 371, 375, 379, 383, 387, 396, 400	70004459.....59	70005191 239, 266
70002149 313, 319	70003709 . 363, 367, 371, 375, 379, 383, 387, 396, 400	70004460.....59, 786	70005201 59
70002150 313, 319	70003783 .. 186, 190, 786	70004461.....59	70005202 59
70002151 313, 319	70003784 469, 473	70004463.....59, 786	70005203 72
70002153 313, 319	70003932 194	70004504.....239, 266	70005232 60
70002154 313, 319	70003952 . 197, 213, 218, 241, 246	70004505.....265	70005298 29
70002156 313, 319	70004037 72	70004506.....265	70005299 29
70002157 313, 319	70004040 72	70004507.....265	70005300 29
7000217 72	70004041 72	70004508.....265	70005301 29
70002176 27, 312, 318	70004042 72	70004509.....265	70005302 29
70002201 29	70004043 72	70004510.....265	70005303 29
70002209 55, 57	70004044 72	70004513.....237	70005304 29
70002234 194	70004045 72	70004594.....59	70005305 29
7000228 72	70004047 72	70004595.....59, 786	70005306 29
7000229 72	70004052 59	70004596.....59	70005307 29
70002290 383, 387	70004056 194	70004597.....59	70005308 29
70002291 396		70004617.....59	
		70004652.....59	
		70004653.....59, 786	

SECTION 11 - SPECIAL OPTIONS/ACCESSORIES/KITS

70005309.....	29	70006173.....	303	70007160.....	539	70024913.....	238
70005311.....	29	70006174.....	303	70007161.....	539, 553	70024914.....	238
70005312.....	29	70006175.....	303, 787	70007168.....	539	70024915.....	238, 266
70005313.....	29	70006176.....	303, 787	70007169.....	539	70024917.....	239, 266
70005314.....	29	70006177.....	303	70007325.....	266	70024918.....	239
70005315.....	29	70006178.....	303	70007326.....	265	70024920... 237, 239, 266	
70005316.....	29	70006179.....	303	70007331.....	266	70024922.....	266
70005317.....	29	70006180.....	303	70007354.....	265	70024924.....	265
70005318.....	29	70006181.....	303	70007355.....	266	70024925.....	237, 265
70005319.....	29	70006182.....	303	70007438.....	27	70024961.....	237, 265
70005320.....	30	70006183.....	303	70007446.....	425	70025076.....	237
70005321.....	30	70006184.....	303	70007451.....	549	70025082.....	237
70005446.....	239	70006185.....	303	70007452.....	549	70025084.....	193, 238
70005466.....	312, 318	70006186.....	303	70007453.....	549	70025088.....	237
70005467.....	312, 318	70006187.....	303	70007454.....	549	70025091.....	237
70005468.....	312, 318	70006188.....	303	70007455.....	549	70025101.....	237
70005469..	312, 313, 318, 319	70006189.....	303	70007460.....	551	70025109.....	238
70005470.....	313, 319	70006191.....	303	70007461.....	551	70025111.....	238, 265
70005471.....	313, 319	70006194.....	303	70007462.....	551	70025113.....	239
70005472.....	313, 319	70006195.....	303	70007463.....	551	70025115.....	238
70005473.....	313, 319	70006196.....	304	70007464.....	551	70025120.....	239, 266
70005474.....	313, 319	70006197.....	304	70007465.....	551	70025131.....	238
70005475.....	313, 319	70006198.....	304	70007466.....	417	70025133.....	238
70005476.....	313, 319	70006199.....	304	70007467.....	417	70025135.....	237, 265
70005479.....	193	70006200.....	304	70007489.....	266	70025140.....	237, 265
70005527.....	266	70006202.....	304	70007677.....	55, 57	70025142.....	238, 266
70005647.....	266	70006203.....	304	70007827.....	221, 223	70025144.....	237, 265
70005648.....	266, 787	70006205.....	304	70008194.....	541	70025145.....	237, 265
70005920.....	265	70006206.....	304	70008195.....	541	70025146.....	237, 265
70005929.....	266	70006207.....	304	70008196.....	541	70025148.....	238
70005931.....	266	70006208.....	304	70008197.....	541	70025149.....	238
70005941.....	265	70006213.....	304, 787	70008578.....	83, 85	70025150.....	238
70005942.....	265	70006215.....	304	70008579.....	83, 85	70025151.....	237, 266
70006093.....	396	70006217.....	304	70008580.....	87	70025152.....	265
70006094.....	396	70006219.....	304	70008581.....	87	70025153.....	265, 787
70006095.....	396	70006221.....	304	70008582.....	87	70025154.....	237, 265
70006096.....	396	70006225.....	304	70009018.....	278, 283	70025159.....	238
70006097.....	396	70006232.....	304	70009019.....	278, 283	70025160.....	237
70006134.....	301	70006233.....	303	70022564 .	539, 541, 549, 553	70025161.....	266, 787
70006135.....	301	70006235.....	304	70023369 ..	539, 549, 553	70025164.....	238, 265
70006136.....	301	70006236.....	304	70023370.....	547	70025165.....	238
70006144.....	265	70006294.....	266	70023371.....	547	70025166.....	239
70006145.....	303	70006304.....	72	70023379.....	541	70025171.....	237
70006147.....	303	70006482.....	557, 559	70023592 .	205, 227, 233, 255, 261, 786, 787	70025176.....	237
70006150.....	303	70006483.....	557, 559	70023593 .	205, 227, 233, 255, 261, 786, 787	70025177.....	238
70006151.....	303	70006484.....	559	70023859.....	59	70025179.....	238
70006152.....	303	70006552 .	363, 367, 371, 375, 379	70023862.....	59	70025180.....	238
70006153.....	303	70006553 .	363, 367, 371, 375, 379, 787	70023867.....	59	70025181.....	265
70006154.....	303	70006649 ..	543, 545, 547	70024457.....	59	70025182.....	237, 266
70006155.....	303, 787	70006650 ..	543, 545, 547	70024473.....	238	70025183.....	237, 266
70006157.....	303	70006652.....	266	70024494.....	265	70025184.....	237, 266
70006158.....	303	70006653.....	266	70024502.....	237	70025185.....	237
70006159.....	303	70006654.....	557	70024503.....	239	70025189.....	239
70006160.....	303	70006655.....	557	70024504.....	237, 239	70025191.....	238
70006161.....	303	70006734 ..	543, 545, 547	70024507.....	239, 266	70025192.....	239
70006162.....	303	70006735 ..	543, 545, 547	70024509.....	266	70025195.....	237
70006163.....	303	70006736 ..	543, 545, 547	70024512.....	239	70025198.....	237
70006164.....	303	7000695.....	193	70024513.....	237, 265	70025200.....	238, 266
70006165.....	303	70007051.....	549	70024517.....	265	70025201.....	238
70006166.....	303	70007052.....	549	70024904.....	237, 265	70025205.....	265
70006167.....	303	70007108.....	304	70024905.....	237, 265	70025209.....	239
70006168.....	303	70007156.....	553	70024906.....	237, 265	70025210... 238, 266, 787	
70006169.....	303	70007157.....	539, 553	70024910.....	238	70025211.....	239
70006170.....	303	70007158.....	553	70024912.....	238, 266	70025212.....	266
70006171.....	303, 787	70007159.....	539			70025213.....	239
70006172.....	303, 787					70025214.....	239
						70025215.....	238

SECTION 11 - SPECIAL OPTIONS/ACCESSORIES/KITS

70025216 238	7007441 313, 319	7016331..... 193, 237, 265, 786, 787	7021222 313, 319
70025217 239	7007442 312, 318	7016374..... 343, 345, 347	7021223 313, 319
70025218 239	7007443 312, 318	7016652..... 794	7021232 313, 319
70025219 239	7007444 313, 319	7016654..... 794	7021233 312, 318
70025220 239	7007446 27, 312, 318	7016655..... 794	7021249 27
70025221 238, 239	7007448 312, 318	7017023..... 72	7021256 ... 312, 313, 318, 319
70025222 239	7007450 313, 319	7017028..... 72	7021275 27
70025223 239	7007453 313, 319	7017070..... 72	7021375 59
70025224 239	7007457 312, 318	7017072..... 72	7021625 33
70025225 239	7007459 312, 318	7017080..... 72	7021639 571
70025226 238	7007463 312, 318	7017085..... 72	7021653 425
70025228 238	7007464 312, 318	7017142..... 413	7022162 303
70025231 238, 265	7007465 312, 318	7017159..... 413	7022311 27
70025233 238	7007476 313, 319	7017162..... 413	7022314 27
70025235 237, 266	7007477 313, 319	7017163..... 413	7022321 27
70025236 239	7007484 313, 319	7017164..... 413	7022368 27
70025237 239	7007485 313, 319	7017172..... 413	7022371 27
70025238 239	7007487 313, 319	7017192..... 413	7022397 33
70025239 237, 265	7007488 313, 319	7017195..... 413	7022399 33
70025240 237	7007489 323	7017402..... 425	7023911 425
70025241 239	7007633 72	7017452..... 425	7023917 33
70025242 239, 266	7010103 323	7017496..... 55, 57, 537	7023933 33
70025660 239	7010104 323	7018942..... 59	7023935 33
70025779 238	7010105 323	7019680..... 349, 353, 359	7023936 33
70025781 238	7010116 312, 318	7020020..... 55, 57	7023979 313, 319
70025788 266	7010117 313, 319	7020021..... 55, 57	7024100 72
70025877 239	7010119 313, 319	7020108... 349, 351, 353, 357, 359	7024404 81
70026210 266	7010121 312, 318	7020109... 349, 351, 353, 357, 359	7024439 89
7002821 793	70104570 239	7020110... 349, 351, 353, 357, 359	7024440 89
7002822 794	7010492 72	7020111... 349, 351, 353, 357, 359	7024441 89
7002823 793	7010543 55, 57	7020175..... 99, 103, 107, 111, 115, 119, 123, 127, 131, 135	7024443 89
7002826 794	7011043 67	7020176..... 99, 103, 107, 111, 115, 119, 123, 127, 131, 135	7024444 89, 786
7002840 793	7011044 67	7020190... 349, 351, 353, 357, 359	7024445 89
70028538 266	7011048 67	7020192..... 357	7024446 89
70028540 266	7011062 67	7020403..... 193	7024462 507
70029433 266	7011063 67	7020404..... 237	7024463 507
70029451 265	7011064 67	7020408..... 193	7024467 507
70029468 541	7011065 67	7020431..... 193	7024469 507
70029517 266	7011066 67	7020460..... 193	7024470 507
70029520 266	70124530 239	7020465..... 193, 237, 265	7024471 497, 507
70029797 266	70124538 239	7020468..... 193	7024472 507
70031095 265	7012513 ... 349, 351, 353, 357, 359	7020471..... 194	7024473 507
7004248 67	7012514 ... 349, 351, 353, 357, 359	7020479 194	7024474 507
7004275 794	7012518 55, 57	7020487 193	7024475 507
7004276 794	7012558 ... 349, 353, 359	7020492..... 238	7024478 507
7004290 67	7012773 59	7021200..... 312, 318	7024485 ... 383, 387, 399, 786
70050795 549	7012914 425	7021201..... 313, 319	7024488 ... 384, 388, 391, 395, 399
70052522 541	7012918 425	7021202..... 312, 318	7024489 ... 384, 388, 391, 395, 399
7007207 312, 318	7012941 55, 57	7021203..... 313, 319	7024530 497
7007208 312, 318	7012943 55, 57, 786	7021206..... 313, 319	7024531 497
7007412 313, 319	7012944 55, 57, 786	7021207..... 312, 318	7024532 497
7007413 312, 318	7012953 ... 421, 423, 425	7021210..... 312, 318	7024533 497
7007415 312, 318	7012959 55, 57	7021212..... 312, 318	7024534 497
7007417 312, 318	7012965 425	7021214..... 312, 318	7024535 497
7007418 312, 318	7012967 425	7021219..... 313, 319	7024536 497
7007419 27, 312, 318	7012970 421, 423	7021220..... 313, 319	7024537 497
7007420 27, 312, 313, 318, 319	7012987 323	7021221..... 313, 319	7024579 ... 193, 237, 265
7007422 313, 319	7012988 323		7024598 ... 343, 345, 347
7007423 312, 318	7012989 425		7024704 72
7007425 312, 318	7012995 55, 57		7024762 72
7007430 313, 319	7012998 425		7024763 72
7007431 313, 319	7014676 794		7024784 72
7007434 313, 319	7016322 ... 343, 345, 347		7024851 313, 319
7007435 312, 318	7016328 193, 786		
7007438 312, 318			
7007439 27, 312, 318			

SECTION 11 - SPECIAL OPTIONS/ACCESSORIES/KITS

7024867.....27	7027236..... 193	80983191 . 672, 675, 786, 787	8406201.....63, 197, 205, 213, 217, 227, 233, 241, 245, 255, 261, 292, 298
7024868.....27	7027276..... 194	8220051 685	8406302.....97
7024874.....312, 318	7027404..... 304	8220115 675	8410001.....291, 297
7024875.....312, 318	7027740..... 27	8220164 681	8410009.....292, 298
7024877.....313, 319	7027773..... 507	8229242 ... 672, 675, 707, 786, 787	8410011....205, 228, 234, 255, 261, 291, 297
7024881.....571	7027774..... 507	8229249 533, 711, 787	8410013....205, 227, 233, 255, 261
7024892.....33	7027775..... 507	8270147 ... 197, 213, 218, 241, 245, 278, 283	85941017..... 177, 179
7026188....383, 387, 399	7027776..... 507	8305401 290, 296	85941018.....278, 282
7026197.....81	7027777..... 507	8307109 290, 296	8760268....575, 581, 587
7026199....349, 353, 359	7027778..... 507	8310129 493	88261024.....421, 423
7026503.....81	7027779..... 507	8310548 290, 296	88411013.....65, 645
7026504.....81	7027780..... 507	8405006 ... 197, 211, 213, 217, 241, 245, 269, 290, 296	88521205..... 63, 65, 177, 179
7026505.....81	7027790..... 194	8405007 ... 205, 227, 233, 255, 261	88521214..523, 525, 527, 529, 531
7026506.....81	7027791..... 194	8405009 ... 205, 227, 233, 255, 261, 290, 296	8896941.....793
7026507.....81	7027792..... 194	8405102 290, 296	91143177...575, 581, 587
7026509.....81	7027795..... 193, 786	8405104 ... 205, 227, 233, 255, 261, 291, 297	91164079.....425
7026597....383, 387, 396, 399	7027796..... 194	8405203 291, 297	91203039.....415
7026626....383, 387, 396, 399	7027799... 383, 387, 396, 399	8405204 ... 205, 227, 233, 255, 261	91401281.....63, 177, 179
7026631.....193	7027887 ... 349, 351, 353, 357, 359	8406101 278, 282	91403102..227, 233, 255, 261, 786, 787
7027072.... 197, 213, 218, 241, 245, 278, 283	77143013... 99, 103, 107, 111, 115, 119, 123, 127, 131, 135	8406109 291, 297	91403244...205, 255, 261
7027073.... 197, 213, 218, 241, 245, 278, 283	77363233 689, 691	8406110 ... 205, 227, 233, 255, 261	
7027074.... 197, 213, 218, 241, 246	80233041 .. 574, 580, 586		
7027075.... 197, 213, 218, 241, 246, 278, 283	80434249 59, 786		
7027076.... 198, 214, 218, 241, 246	80484084 671, 675		
	8093191 787		
	80934561 81		



**Corporate Office
JLG Industries, Inc.
1 JLG Drive
McConnellsburg, PA 17233-9533 USA
☎ (717) 485-5161 (Corporate)
☎ (877) 554-5438 (Customer Support)
📠 (717) 485-6417**

**Visit our website for JLG Worldwide Locations.
www.jlg.com**



OSHKOSH™