



Illustrated Parts Manual

***Model
H800AJ***

**PVC
2301**

**P/N
31221333
July 10, 2023 - Rev B**

ANSI

CE



**UK
CA**

AS/NZS



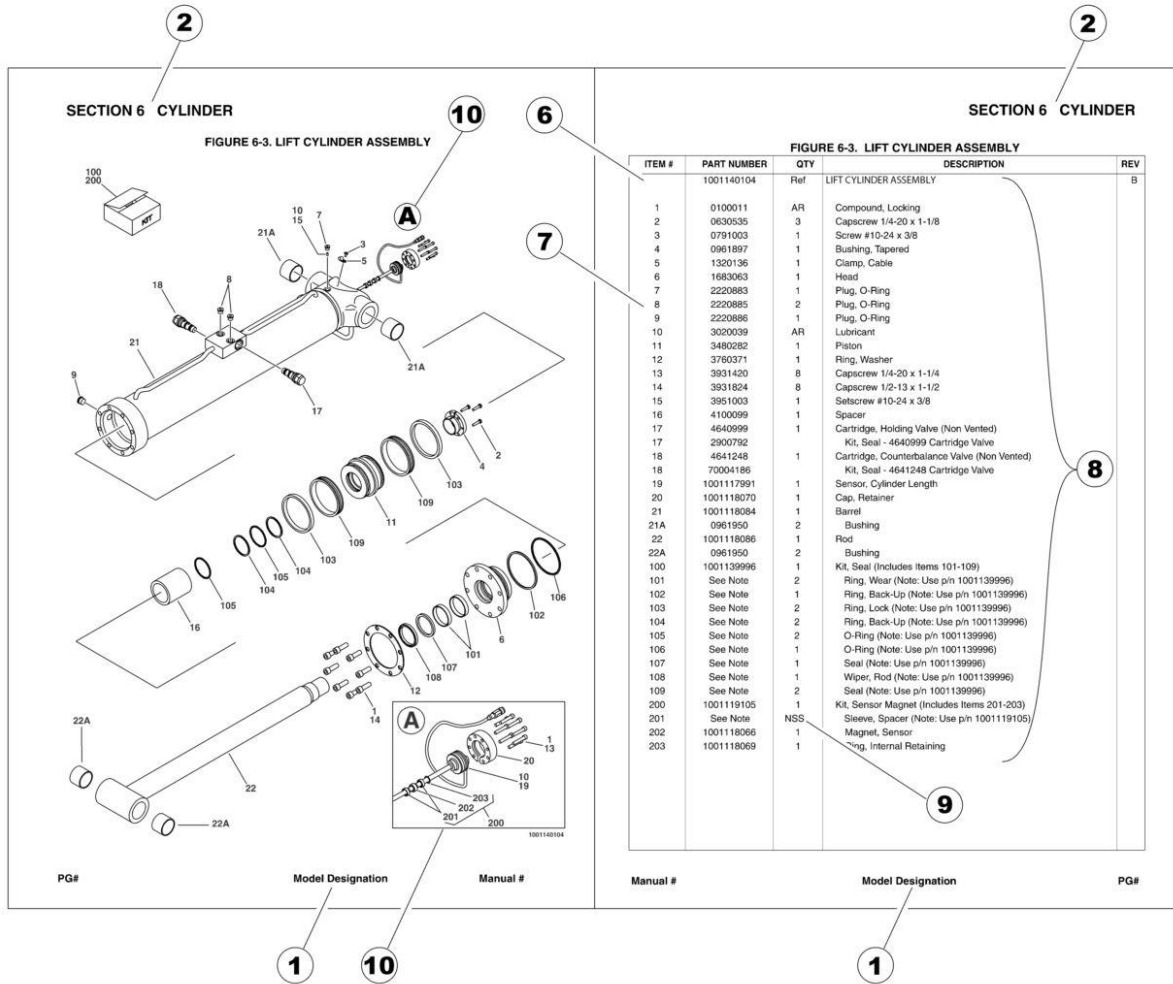
An Oshkosh Corporation Company

REVISION LOG

January 9, 2023 - A - Original Issue Of Manual (Edited to B/M 1001247762 Rev K)

July 10, 2023 - B - Revised Manual (Edited to B/M 1001247762 Rev L)

GENERAL INFORMATION



1) MACHINE IDENTIFICATION

Machines are identified by model and in some cases a combination of models, serial number (SN) or regional standard (i.e ANSI, CE, CSA). Components may also be identified by SN or manufacturer. Common components that may be identified by these characteristics are engines and hydraulic components.

2) PARTS MANUAL ORGANIZATION

Product information in this manual is organized under section titles. Frame, Cylinder, Hydraulic and Electrical are a few examples. Each section is organized by figure and page number. The information within the Figure is then organized by item number, part number, description and corresponding illustration (s).

3) TABLE OF CONTENTS (NOT SHOWN)

A table of contents is found toward the beginning of the manual. Figure number, description and page number are provided for quick reference to the page containing the related information.

4) RECOMMENDED SPARE PARTS (NOT SHOWN)

The Recommended Spare Parts List, located near the end of the manual, reference most frequently used maintenance parts.

5) PART NUMBER INDEX (NOT SHOWN)

A numerical index listing all part numbers and the corresponding page number(s) appears at the back of the manual.

GENERAL INFORMATION

6) NON-SERVICED PARTS

In some instances, it is necessary to display non-serviced parts, assemblies or installations. In the case of assemblies and installations there will be a Ref in the Qty. column. In case of parts that are not available for service within assemblies or components, there will be a NSS (Not Sold Separately) or NLA (No Longer Available) listed in the Qty. column of the manual.

7) PARTS LIST ITEM NUMBERS

Numbers shown in the item# column correspond to numbers used in the associated illustration (s). Item numbers which are missing from the sequence in the parts list are not used on that page.

8) INDENTED PARTS DESCRIPTION

An indented part description is included in the item under which it is indented.

9) ABBREVIATION AND SYMBOLS

AC.....	Alternating Current	L.....	Liter
ADE.....	Advanced Design Electronics	LB(LBS).....	Pounds
AG.....	Agricultural	LCD.....	Liquid Crystal Display
ANSI.....	American National Standards Institute	LED.....	Light Emitting Diodes
AR.....	As Required	LH.....	Left Hand
ASSY.....	Assembly	LRC.....	Low Rated Countries
AUS.....	Australia	LSS.....	Load Sensing System
AUX.....	Auxiliary	M(m).....	Metric/Meter
AWG.....	American Wire Gauge	MM(mm).....	Milimeter
B/M.....	Bill of Material	mA.....	Miliamps
CAC.....	Charge Air Cooler	NLA.....	No Longer Available
CE.....	European Conformity	NPT.....	National Pipe Threads
CCW.....	Counter Clockwise	NSS.....	Not Sold Separately
CM.....	Centimeter	OD.....	Outside Diameter
CW.....	Clockwise	ORB.....	O-Ring Boss
CSA.....	Canadian Standards Association	ORFS.....	O-Ring Face Seal
CYL.....	Cylinder	OZ (oz).....	Ounces
DIA.....	Diameter	PG.....	Page
DC.....	Direct Current	PN.....	Part Number
DEF.....	Diesel Exhaust Fluid	QT(qt.).....	Quarts
EMS.....	Emergency Stop	QTY.....	Quantity
ENG.....	Engine	REF.....	Reference
FT(ft).....	Feet	REV.....	Revision Level
GA(Ga).....	Gauge	RH.....	Right Hand
HRC.....	High Rated Countries	SAE.....	Society of Automotive Engineers
HVAC.....	Heating, Ventilating, and Air Conditioning	SN.....	Serial Number
HYD.....	Hydraulic	SPEC(S).....	Specifications
Hz.....	Hertz	T/T.....	Turntable
ID.....	Inside Diameter	UGM.....	Universal Ground Module
IN.....	inches	V.....	Volts
ISO.....	International Organization for Standards	W.....	Watts
JIC.....	Joint Industry Council	#.....	Number
KG.....	Kilogram		

10) ILLUSTRATION REFERENCE LETTERS

When necessary, illustrations may contain reference letters that are intended to track information (i. e. hoses, harnesses) from one point to another or to track visual enlargement of components to show details that may be located in another area on the illustration.

Note: Due to continuous product improvements, JLG Industries, Inc. reserves the right to make specification changes without prior notification. Contact JLG Industries, Inc. for updated information.

TABLE OF CONTENTS

SECTION 1 - FRAME.....	11
FIGURE 1-1. AXLE INSTALLATION - WITHOUT TOW PACKAGE.....	12
FIGURE 1-2. AXLE INSTALLATION - WITH TOW PACKAGE.....	14
FIGURE 1-3. STEER INSTALLATION - WITHOUT TOW PACKAGE.....	16
FIGURE 1-4. STEER INSTALLATION - WITH TOW PACKAGE.....	18
FIGURE 1-5. WHEEL DRIVE AND FRAME VALVES INSTALLATION.....	20
FIGURE 1-6. DRIVE HUB/BRAKE ASSEMBLY.....	22
FIGURE 1-7. DRIVE MOTOR ASSEMBLY.....	24
FIGURE 1-8. TIRE & WHEEL INSTALLATION - 15-625 NHS FOAM-FILLED.....	26
FIGURE 1-9. TIRE AND WHEEL INSTALLATION - 18-625 NHS FOAM-FILLED.....	28
FIGURE 1-10. TIRE AND WHEEL INSTALLATION - 18-625 NHS FOAM-FILLED NON-MARKING.....	30
FIGURE 1-11. FRAME SHIELDS INSTALLATION.....	32
FIGURE 1-12. TOW PACKAGE INSTALLATION (OPTIONAL) (ANSI, SPECS).....	34
FIGURE 1-13. TOW BAR ASSEMBLY.....	36
SECTION 2 - TURNTABLE.....	39
FIGURE 2-1. VALVES INSTALLATION.....	40
FIGURE 2-2. MAIN VALVE ASSEMBLY.....	42
FIGURE 2-3. BRAKE/2 SPEED VALVE ASSEMBLY.....	46
FIGURE 2-4. SWING DRIVE INSTALLATION.....	48
FIGURE 2-5. SWING MOTOR/HUB ASSEMBLY.....	50
FIGURE 2-6. TURNTABLE BEARING AND LUBE INSTALLATION.....	54
FIGURE 2-7. TURNTABLE LOCK INSTALLATION.....	56
FIGURE 2-8. ROTARY COUPLING INSTALLATION.....	58
FIGURE 2-9. TANKS INSTALLATION.....	60
FIGURE 2-10. HYDRAULIC TANK ASSEMBLY.....	62
FIGURE 2-11. FUEL TANK ASSEMBLY.....	64
FIGURE 2-12. OIL COOLER INSTALLATION.....	66
FIGURE 2-13. BATTERY BOXES INSTALLATION.....	68
FIGURE 2-14. BATTERY CHARGERS INSTALLATION (FACTORY SUPPLIED 220V PLUG).....	72
FIGURE 2-15. BATTERY CHARGERS INSTALLATION (CUSTOMER SUPPLIED PLUG).....	74
FIGURE 2-16. ELECTRICAL SYSTEM INSTALLATION.....	76
FIGURE 2-17. IMG CONTROL BOX ASSEMBLY.....	78
FIGURE 2-18. ELECTRICAL ASSEMBLY - 12V FUSE BOX.....	82
FIGURE 2-19. GROUND CONTROL BOX ASSEMBLY.....	84
FIGURE 2-20. LIGHT PANEL INSTALLATION - GROUND CONTROL.....	86
FIGURE 2-21. GROUND CONTROL PANEL DECAL INSTALLATION (WITHOUT MSSO & WITHOUT TOWER STOW).....	88
FIGURE 2-22. GROUND CONTROL PANEL DECAL INSTALLATION (WITHOUT MSSO & WITH TOWER STOW).....	90
FIGURE 2-23. GROUND CONTROL PANEL DECAL INSTALLATION (WITH MSSO & WITHOUT TOWER STOW).....	92
FIGURE 2-24. GROUND CONTROL PANEL DECAL INSTALLATION (WITH MSSO & WITH TOWER STOW).....	94
FIGURE 2-25. ALARM INSTALLATION.....	96
FIGURE 2-26. WHITE NOISE ALARM INSTALLATION - ADJUSTABLE AMBIENT.....	98
FIGURE 2-27. WHITE NOISE MOTION ALARM INSTALLATION - AMBIENT.....	100
FIGURE 2-28. STROBE LIGHT INSTALLATION - AMBER.....	102
FIGURE 2-29. STROBE LIGHT INSTALLATION - BLUE.....	104
FIGURE 2-30. STROBE LIGHT INSTALLATION - RED (OPTIONAL).....	106
FIGURE 2-31. HEAT SHIELD AND ACCESS PANELS INSTALLATION.....	108
FIGURE 2-32. HOODS INSTALLATION.....	110
FIGURE 2-33. HOOD ASSEMBLY - TANK SIDE.....	114
FIGURE 2-34. HOOD ASSEMBLY - ENGINE SIDE.....	116
SECTION 3 - ENGINE.....	119
FIGURE 3-1. ENGINE INSTALLATION.....	120
FIGURE 3-2. ENGINE AND PUMPS SUB-ASSEMBLY.....	124
FIGURE 3-3. ENGINE AND TRAY ASSEMBLY.....	126
FIGURE 3-4. ENGINE AND GENERATOR ASSEMBLY.....	130
FIGURE 3-5. ENGINE AND CLUTCH ASSEMBLY.....	132
FIGURE 3-6. ENGINE FAN MOUNTING ASSEMBLY.....	134
FIGURE 3-7. KUBOTA ENGINE COMPONENTS.....	136
FIGURE 3-8. GENERATOR ASSEMBLY.....	140
FIGURE 3-9. VARIABLE PUMP ASSEMBLY.....	142
FIGURE 3-10. HYDROSTATIC PUMP ASSEMBLY.....	146
FIGURE 3-11. FUEL/WATER SEPARATOR ASSEMBLY.....	148

TABLE OF CONTENTS

FIGURE 3-12. ENGINE HOOD BAFFLES INSTALLATION	150
FIGURE 3-13. TRAY JACK INSTALLATION.....	152
FIGURE 3-14. 4000W GENERATOR INSTALLATION - 220V/50HZ (OPTIONAL).....	154
FIGURE 3-15. 7500W SKYPOWER GENERATOR INSTALLATION - 220V/50HZ (OPTIONAL)	158
FIGURE 3-16. 7500W SKYPOWER GENERATOR INSTALLATION - 110V/60HZ (OPTIONAL)	162
SECTION 4 - BOOM.....	165
FIGURE 4-1. BOOM AND CYLINDER INSTALLATION	166
FIGURE 4-2. MAIN BOOM ASSEMBLY.....	168
FIGURE 4-3. TOWER BOOM ASSEMBLY	170
FIGURE 4-4. JIB ASSEMBLY	172
FIGURE 4-5. ROTATOR ASSEMBLY	174
FIGURE 4-6. POWER TRACK INSTALLATION - MAIN BOOM	176
FIGURE 4-7. POWER TRACK INSTALLATION - TOWER BOOM.....	178
FIGURE 4-8. BOOM VALVES INSTALLATION	180
FIGURE 4-9. BOOM VALVE ASSEMBLY	182
FIGURE 4-10. BOOM VALVE AND LIMIT SWITCHES INSTALLATION (WITHOUT TOWER STOW)	184
FIGURE 4-11. BOOM VALVE AND LIMIT SWITCHES INSTALLATION (WITH TOWER STOW)	186
FIGURE 4-12. TILT SENSOR INSTALLATION	188
FIGURE 4-13. TRANSPORT POSITION SWITCH INSTALLATION (CE & UK CA SPECS)	190
FIGURE 4-14. PLATFORM SUPPORT INSTALLATION.....	192
SECTION 5 - PLATFORM.....	195
FIGURE 5-1. PLATFORM ASSEMBLY - 30IN X 4FT (76CM X 1.22M) WITH SWING GATE	196
FIGURE 5-2. PLATFORM ASSEMBLY - 30IN X 4FT (76CM X 1.22M) WITH DROP BAR	198
FIGURE 5-3. PLATFORM ASSEMBLY - 30IN X 6FT (76CM X 1.83M) WITH SWING GATE	200
FIGURE 5-4. PLATFORM ASSEMBLY - 30IN X 6FT (76CM X 1.83M) WITH DROP BAR	202
FIGURE 5-5. PLATFORM ASSEMBLY - 36IN X 6FT (91.5CM X 1.83M) WITH SWING GATE	204
FIGURE 5-6. PLATFORM ASSEMBLY - 36IN X 6FT (91.5CM X 1.83M) WITH DROP BAR	206
FIGURE 5-7. PLATFORM ASSEMBLY - 36IN X 6FT (91.5CM X 1.83M) WITH FALL ARREST (ANSI, ANSI EXPORT, CHINA & CSA SPECS)	208
FIGURE 5-8. PLATFORM ASSEMBLY - 36IN X 8FT (91.5CM X 2.44M) WITH SWING GATE	210
FIGURE 5-9. PLATFORM ASSEMBLY - 36IN X 8FT (91.5CM X 2.44M) WITH DROP BAR	212
FIGURE 5-10. PLATFORM ASSEMBLY - 36IN X 8FT (91.5CM X 2.44M) WITH FALL ARREST	214
FIGURE 5-11. TRAY ASSEMBLY	216
FIGURE 5-12. PLATFORM CONSOLE AND FOOTSWITCH INSTALLATION (WITHOUT TOWER STOW)	218
FIGURE 5-13. PLATFORM CONSOLE AND FOOTSWITCH INSTALLATION (WITH TOWER STOW)	220
FIGURE 5-14. PLATFORM CONSOLE BOX ASSEMBLY (WITHOUT TOWER STOW).....	222
FIGURE 5-15. PLATFORM CONSOLE BOX ASSEMBLY (WITH TOWER STOW)	226
FIGURE 5-16. LIGHT PANEL INSTALLATION	230
FIGURE 5-17. JIB SWITCH INSTALLATION	232
FIGURE 5-18. FOOTSWITCH ASSEMBLY	234
FIGURE 5-19. SOFT TOUCH INSTALLATION - 6FT (1.83M) PLATFORM (OPTIONAL)	236
FIGURE 5-20. SOFT TOUCH INSTALLATION - 6FT (1.83M) FALL ARREST PLATFORM (OPTIONAL)	238
FIGURE 5-21. SOFT TOUCH INSTALLATION - 8FT (2.4M) PLATFORM (OPTIONAL)	240
FIGURE 5-22. SOFT TOUCH INSTALLATION - 8FT (2.4M) FALL ARREST PLATFORM (OPTIONAL)	242
FIGURE 5-23. SKYEYE INSTALLATION	244
FIGURE 5-24. SKYGUARD BAR INSTALLATION	246
FIGURE 5-25. SKYLINE INSTALLATION	248
FIGURE 5-26. SKYGLAZIER INSTALLATION (ANSI, ANSI EXPORT, AUSTRALIAN & CSA SPECS)	250
FIGURE 5-27. SKYWELDER INSTALLATION (50HZ)	252
FIGURE 5-28. SKYWELDER INSTALLATION (60HZ)	254
FIGURE 5-29. SKYWELDER PREP PACKAGE (60HZ)	256
FIGURE 5-30. WELDER ASSEMBLY	258
FIGURE 5-31. FALL ARREST INSTALLATION (BOLT-ON) 30IN X 4FT (76CM X 1.22M) PLATFORM	260
FIGURE 5-32. FALL ARREST INSTALLATION (BOLT-ON) 36IN X 6FT (91.2CM X 1.82M) PLATFORM	262
FIGURE 5-33. FALL ARREST INSTALLATION (BOLT-ON) 30IN X 6FT (76CM X 1.83M) PLATFORM	264
FIGURE 5-34. FALL ARREST INSTALLATION (BOLT-ON) 36IN X 8FT (91.5CM X 2.4M) PLATFORM	266
SECTION 6 - CYLINDER	269
FIGURE 6-1. AXLE LOCKOUT CYLINDER ASSMBLY	270
FIGURE 6-2. LEVEL (SLAVE) CYLINDER ASSEMBLY - JIB.....	272
FIGURE 6-3. LEVEL (SLAVE) CYLINDER ASSEMBLY - UPRIGHT	274
FIGURE 6-4. LIFT CYLINDER ASSEMBLY - JIB	276

TABLE OF CONTENTS

FIGURE 6-5. LIFT CYLINDER ASSEMBLY - MAIN BOOM	278
FIGURE 6-6. LIFT CYLINDER ASSEMBLY - TOWER BOOM.....	280
FIGURE 6-7. MASTER CYLINDER ASSEMBLY	282
FIGURE 6-8. STEER CYLINDER ASSEMBLY	284
FIGURE 6-9. TELESCOPE CYLINDER ASSEMBLY - MAIN BOOM.....	286
FIGURE 6-10. TELESCOPE CYLINDER ASSEMBLY - TOWER BOOM.....	288
SECTION 7 - HYDRAULIC	291
FIGURE 7-1. AXLE LOCKOUT HYDRAULIC DIAGRAM.....	292
FIGURE 7-2. DRIVE HYDRAULIC DIAGRAM	294
FIGURE 7-3. STANDARD HYDRAULIC DIAGRAM.....	300
FIGURE 7-4. TOW HYDRAULIC DIAGRAM.....	304
SECTION 8 - ELECTRICAL.....	307
FIGURE 8-1. AC BOX AT PLATFORM INSTALLATION - 110V GFI RECEPTACLE (ALL SPECS EXCEPT AUSTRALIAN, CE & UK CA SPECS).....	308
FIGURE 8-2. AC BOX AT PLATFORM INSTALLATION - 110V IEC YELLOW (CE & UK CA SPECS) (MACHINES WITHOUT 4000W GENERATOR)	310
FIGURE 8-3. AC BOX AT PLATFORM INSTALLATION - 110V IEC YELLOW (CE & UK CA SPECS) (MACHINES WITH 4000W GENERATOR)	312
FIGURE 8-4. AC BOX AT PLATFORM INST ALLATION - 220V (ANSI, CSA & JAPANESE SPECS)	314
FIGURE 8-5. AC BOX AT PLATFORM INSTALLATION - 220V IEC BLUE (CE & UK CA SPECS) (MACHINES WITHOUT 4000W GENERATOR)	316
FIGURE 8-6. AC BOX AT PLATFORM INSTALLATION - 220V IEC BLUE (CE & UK CA SPECS) (MACHINES WITH 4000W GENERATOR)	318
FIGURE 8-7. AC BOX AT PLATFORM INSTALLATION - 220V CEE7 2X4 POST GROUND (CE & UK CA SPECS) (MACHINES WITHOUT 4000W GENERATOR).....	320
FIGURE 8-8. AC BOX AT PLATFORM INSTALLATION - 220V CEE7 2X4 POST GROUND (CE & UK CA SPECS) (MACHINES WITH 4000W GENERATOR).....	322
FIGURE 8-9. AC BOX AT PLATFORM INSTALLATION - 220V CEE7 2X4 SIDE GROUND (CE & UK CA SPECS) (MACHINES WITHOUT 4000W GENERATOR).....	324
FIGURE 8-10. AC BOX AT PLATFORM INSTALLATION - 220V CEE7 2X4 SIDE GROUND (CE & UK CA SPECS) (MACHINES WITH 4000W GENERATOR).....	326
FIGURE 8-11. AC BOX AT PLATFORM INSTALLATION - 220V AFSINT 107 (CE & UK CA SPECS) (MACHINES WITHOUT 4000W GENERATOR)	328
FIGURE 8-12. AC BOX AT PLATFORM INSTALLATION - 220V AFSINT 107 (CE & UK CA SPECS) (MACHINES WITH 4000W GENERATOR)	330
FIGURE 8-13. AC BOX AT PLATFORM INSTALLATION - BOX WITH COVER (ANSI EXPORT, AUSTRALIAN, CHINA & JAPANESE SPECS).....	332
FIGURE 8-14. AC BOX AT PLATFORM INSTALLATION - 240V RECEPTACLE (WITH 4000W GENERATOR) (ALL SPECS EXCEPT ANSI & CSA SPECS)	334
FIGURE 8-15. AC BOX AT PLATFORM INSTALLATION - 240V RECEPTACLE (WITH 7500W SKYPOWER GENERATOR) (ANSI & CSA SPECS)	336
FIGURE 8-16. AC BOX AT PLATFORM MID-BOOM PLUG INSTALLATION (WITHOUT 7500W SKYPOWER GENERATOR) (ALL SPECS EXCEPT ANSI & CSA SPECS).....	338
FIGURE 8-17. AC BOX AT PLATFORM MID-BOOM PLUG INSTALLATION (WITH 7500W SKYPOWER GENERATOR)	340
FIGURE 8-18. AC BREAKER BOX INSTALLATION - WITH 2 BREAKERS (CE & UK CA SPECS WITH 4000W GENERATOR)	342
FIGURE 8-19. AC BREAKER BOX INSTALLATION - WITH 2 BREAKERS (BRAZIL SPECS).....	344
FIGURE 8-20. AC BREAKER BOX INSTALLATION - WITH 3 BREAKERS (CE & UK CA SPECS WITH 4000W GENERATOR)	346
FIGURE 8-21. BATTERY CABLES INSTALLATION.....	348
FIGURE 8-22. BATTERY STACK HARNESS (LH)	350
FIGURE 8-23. BATTERY STACK HARNESS (RH).....	352
FIGURE 8-24. BOOM VALVE HARNESS.....	354
FIGURE 8-25. BOOM CABLES INST ALLATION (MACHINES WITHOUT GENERATOR)	356
FIGURE 8-26. BOOM CABLES INST ALLATION (AUSTRALIAN SPECS WITH 4000W GENERATOR)	358
FIGURE 8-27. BOOM CABLES INST ALLATION (CE & UK CA SPECS WITH 4000W GENERATOR).....	360
FIGURE 8-28. BOOM CABLES INST ALLATION (ALL SPECS EXCEPT CE & UK CA SPECS WITH 7500W GENERATOR)	362
FIGURE 8-29. BOOM CABLE - MAIN BOOM.....	364
FIGURE 8-30. BOOM CABLE - TOWER BOOM	366
FIGURE 8-31. BREAKER BOX KIT - WITH 2 BREAKERS (CE & UK CA SPECS WITHOUT 4000W GENERATOR & BRAZIL SPECS)	368
FIGURE 8-32. BREAKER BOX KIT - WITH 2 BREAKERS (CE & UK CA SPECS WITH 4000W GENERATOR)	370
FIGURE 8-33. BREAKER BOX KIT - WITH 3 BREAKERS (CE & UK CA SPECS WITH 4000W GENERATOR)	372

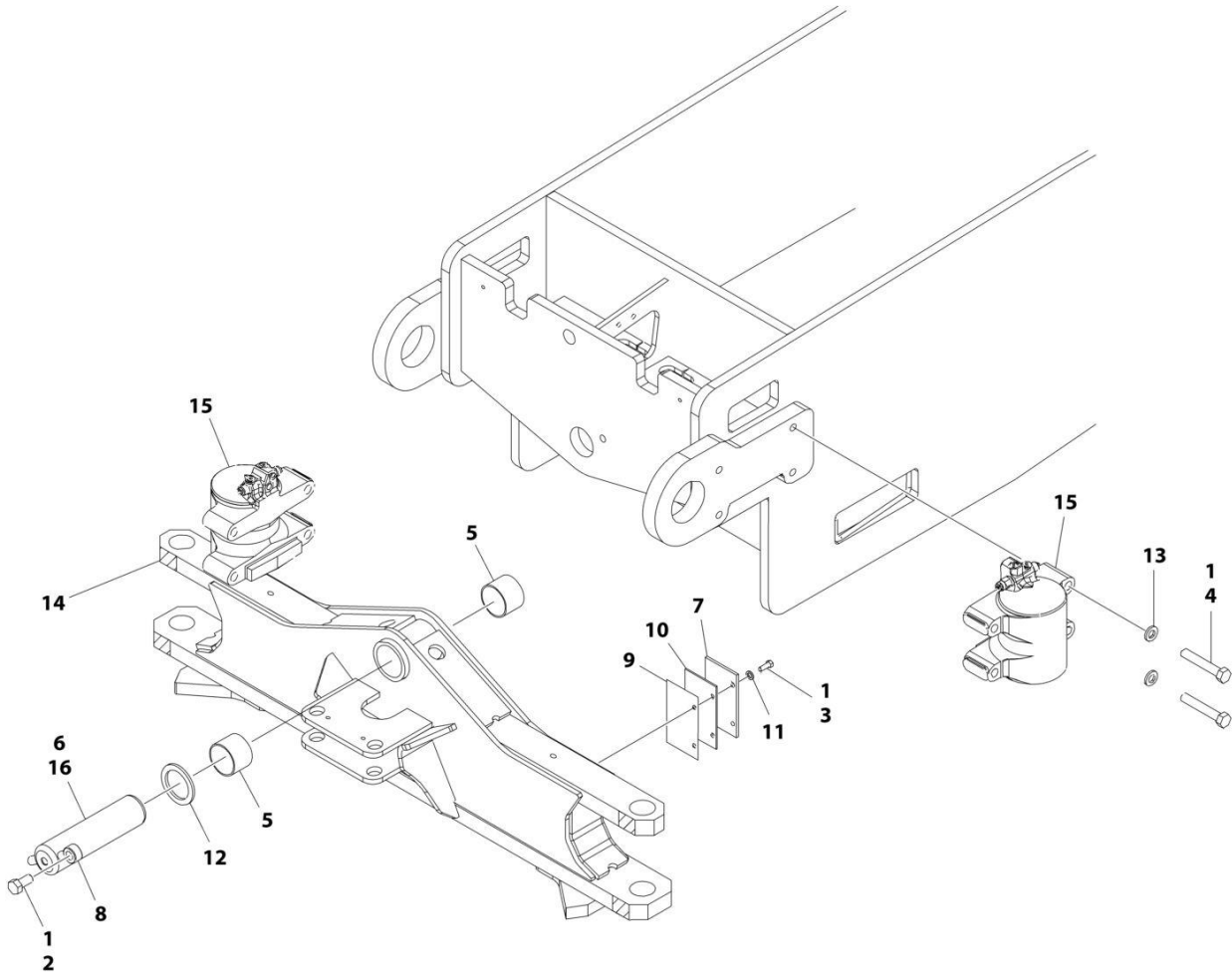
TABLE OF CONTENTS

FIGURE 8-34. CLEARSKY INSTALLATION - 3 WIRE GT1030	374
FIGURE 8-35. CLEARSKY INSTALLATION - CANBUS (ANSI SPECS)	376
FIGURE 8-36. CLEARSKY INSTALLATION - CANBUS (AUSTRALIAN SPECS)	378
FIGURE 8-37. CLEARSKY INSTALLATION - CANBUS (CE SPECS)	380
FIGURE 8-38. CLEARSKY INSTALLATION - CANBUS (CHINA SPECS)	382
FIGURE 8-39. CLEARSKY TELEMATCIS HARNESS (3-WIRE)	384
FIGURE 8-40. CLEARSKY TELEMATCIS HARNESS (CANBUS)	386
FIGURE 8-41. CHARGER HARNESS	388
FIGURE 8-42. CONTROL HARNESS	390
FIGURE 8-43. ELECTRICAL SYSTEM INSTALLATION	392
FIGURE 8-44. ENGINE HARNESS - KUBOTA.....	394
FIGURE 8-45. ENGINE TRAY HARNESS	396
FIGURE 8-46. GENERATOR HARNESS - 4000W	398
FIGURE 8-47. GENERATOR HARNESS - 7500W SKYPOWER	400
FIGURE 8-48. GENERATOR HARNESS - 4000W AND 7500W SKYPOWER	402
FIGURE 8-49. GROUND CONTROL BOX HARNESS	404
FIGURE 8-50. H-BRIDGE/CLUTCH HARNESS	406
FIGURE 8-51. HYBRID 84V HARNESS.....	408
FIGURE 8-52. HOURMETER JUMPER HARNESS	410
FIGURE 8-53. MAIN VALVE HARNESS	412
FIGURE 8-54. PLATFORM CONSOLE BOX HARNESS	414
FIGURE 8-55. RECEPTACLE BOX KIT - 110V IEC YELLOW (CE & UK CA SPEC)	418
FIGURE 8-56. RECEPTACLE BOX KIT - 220V IEC BLUE (CE & UK CA SPEC)	420
FIGURE 8-57. RECEPTACLE BOX KIT - 220V CEE7 POST GROUND 2X4 BOX (CE & UK CA SPEC)	422
FIGURE 8-58. RECEPTACLE BOX KIT - 220V CEE7 SIDE GROUND (CE & UK CA SPEC)	424
FIGURE 8-59. RECEPTACLE BOX KIT - 220V AFSINT 107 (CE & UK CA SPEC)	426
FIGURE 8-60. RESOLVER/CONVERTER/INVERTER HARNESS	428
FIGURE 8-61. SKYEYE INTERMEDIATE HARNESS	430
FIGURE 8-62. SKYEYE RECEIVER HARNESS	432
FIGURE 8-63. SKYEYE EMITTER HARNESS	434
FIGURE 8-64. SKYGUARD INTERFACE HARNESS	436
FIGURE 8-65. SKYLINE HARNESS	438
FIGURE 8-66. STROBE LIGHT CONTROL HARNESS (BLUE & RED LIGHTS)	440
FIGURE 8-67. TURNTABLE HARNESS	442
FIGURE 8-68. TURNTABLE/FUSE PANEL HARNESS	444
FIGURE 8-69. USB RECEPTACLE INSTALLATION	446
FIGURE 8-70. WHITE NOISE ALARM HARNESS	448
SECTION 9 - DECALS	451
FIGURE 9-1. DECAL INSTALLATION - ANSI SPECS (ENGLISH LANGUAGE)	452
FIGURE 9-2. DECAL INSTALLATION - AUSTRALIAN SPECS (ENGLISH LANGUAGE)	454
FIGURE 9-3. DECAL INSTALLATION - BRAZIL SPECS (ENGLISH/PORTUGUESE LANGUAGES)	456
FIGURE 9-4. DECAL INSTALLATION - CE & UK CA SPECS (ENGLISH LANGUAGE).....	458
FIGURE 9-5. DECAL INSTALLATION - CHINA SPECS (ENGLISH/CHINESE LANGUAGES)	460
FIGURE 9-6. DECAL INSTALLATION - CSA SPECS (ENGLISH/FRENCH LANGUAGES)	462
FIGURE 9-7. DECAL INSTALLATION - JAPANESE SPECS (ENGLISH/JAPANESE LANGUAGES)	464
FIGURE 9-8. DECAL INSTALLATION - KOREAN SPECS (ENGLISH/KOREAN LANGUAGES).....	466
FIGURE 9-9. DECAL INSTALLATION - LATIN AMERICAN SPECS (ENGLISH/SPANISH LANGUAGES)	468
FIGURE 9-10. DECALS INSTALLATION - OPTIONS	470
FIGURE 9-11. DECAL INSTALLATION - SKYWELDER - 50HZ	472
FIGURE 9-12. DECAL INSTALLATION - SKYWELDER - 60HZ	474
SECTION 10 - RECOMMENDED SERVICE PARTS STOCK	477
FIGURE 10-1. RECOMMENDED SERVICE PARTS STOCK.....	478
SECTION 11 - SPECIAL OPTIONS/ACCESSORIES/KITS	481
FIGURE 11-1. SPECIAL OPTIONS/ACCESSORIES/KITS	482
PART NUMBER INDEX.....	485

SECTION 1 - FRAME

SECTION 1 - FRAME

FIGURE 1-1. AXLE INSTALLATION - WITHOUT TOW PACKAGE



ART_1001154584

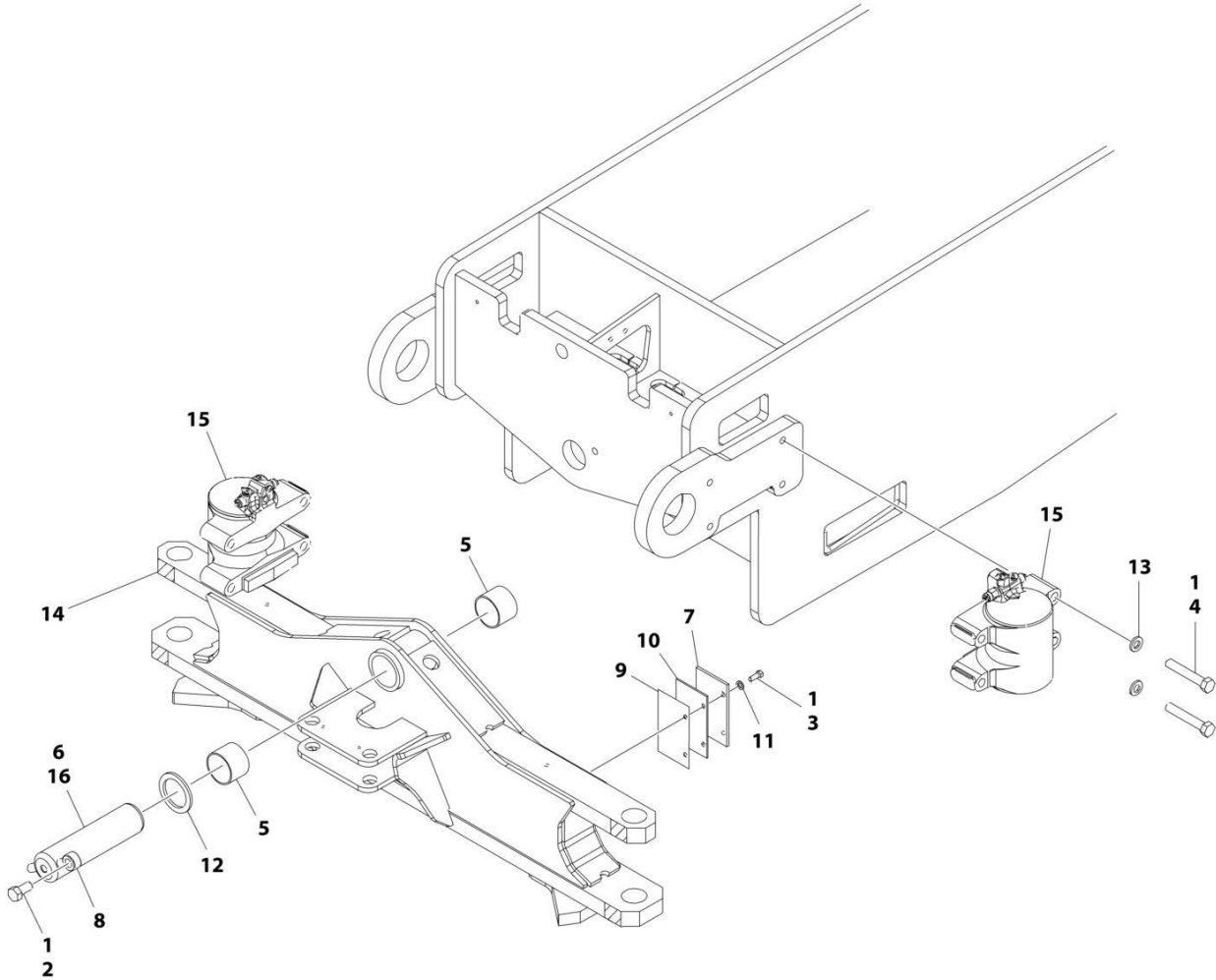
SECTION 1 - FRAME

FIGURE 1-1. AXLE INSTALLATION - WITHOUT TOW PACKAGE

ITEM	PART NUMBER	QTY	DESCRIPTION	REV
	1001154584	Ref	AXLE INSTALLATION	D
1	0100011	AR	Compound, Locking	
2	0642212	1	Bolt 3/4 x 1-1/2	
3	0681608	4	Bolt 3/8 x 1 Grade 8	
4	0682236	8	Bolt 3/4 x 4-1/2 Grade 8	
5	0962102	2	Bushing	
6	3020039	AR	Lubricant	
7	3538047	2	Shim .25	
8	3841287	1	Keeper, Pin	
9	4070878	AR	Shim 16 Gauge	
10	4070879	AR	Shim 11 Gauge	
11	4711600	4	Washer 3/8	
12	4740472	1	Washer	
13	4892200	8	Washer 3/4	
14	1001152719	1	Axle	
15	1001204560	2	Axle Lockout Cylinder Assembly (See Separate Breakdown in CYLINDER SECTION)	
16	1001156710	1	Pin	

SECTION 1 - FRAME

FIGURE 1-2. AXLE INSTALLATION - WITH TOW PACKAGE



ART_1001155194

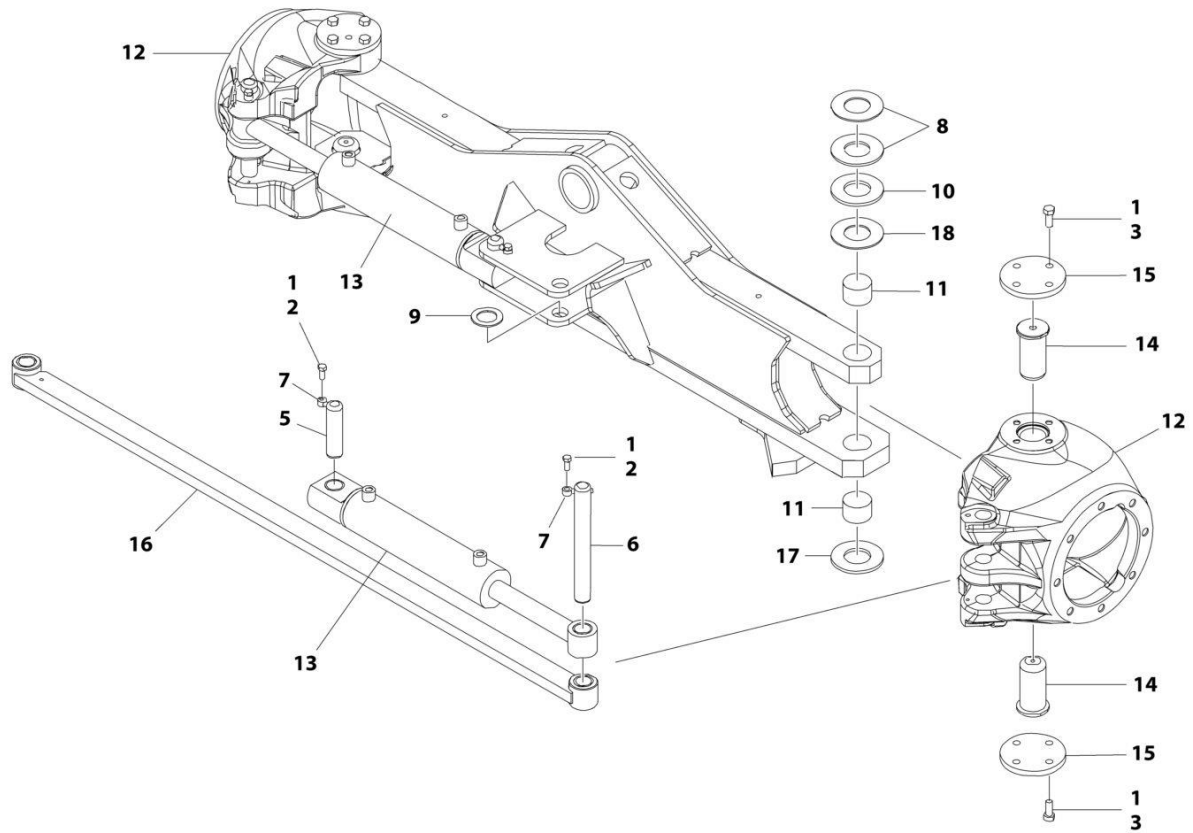
SECTION 1 - FRAME

FIGURE 1-2. AXLE INSTALLATION - WITH TOW PACKAGE

ITEM	PART NUMBER	QTY	DESCRIPTION	REV
	1001155194	Ref	AXLE INSTALLATION	D
1	0100011	AR	Compound, Locking	
2	0642212	1	Bolt 3/4 x 1-1/2	
3	0681608	4	Bolt 3/8 x 1 Grade 8	
4	0682236	8	Bolt 3/4 x 4-1/2 Grade 8	
5	0962102	2	Bushing	
6	3020039	AR	Lubricant	
7	3538047	2	Shim .25	
8	3841287	1	Keeper, Pin	
9	4070878	AR	Shim 16 Gauge	
10	4070879	AR	Shim 11 Gauge	
11	4711600	4	Washer 3/8	
12	4740472	1	Washer	
13	4892200	8	Washer 3/4	
14	1001154875	1	Axle	
15	1001204560	2	Axle Lockout Cylinder Assembly (See Separate Breakdown in CYLINDER SECTION)	
16	1001156710	1	Pin	

SECTION 1 - FRAME

FIGURE 1-3. STEER INSTALLATION - WITHOUT TOW PACKAGE



ART_1001151034

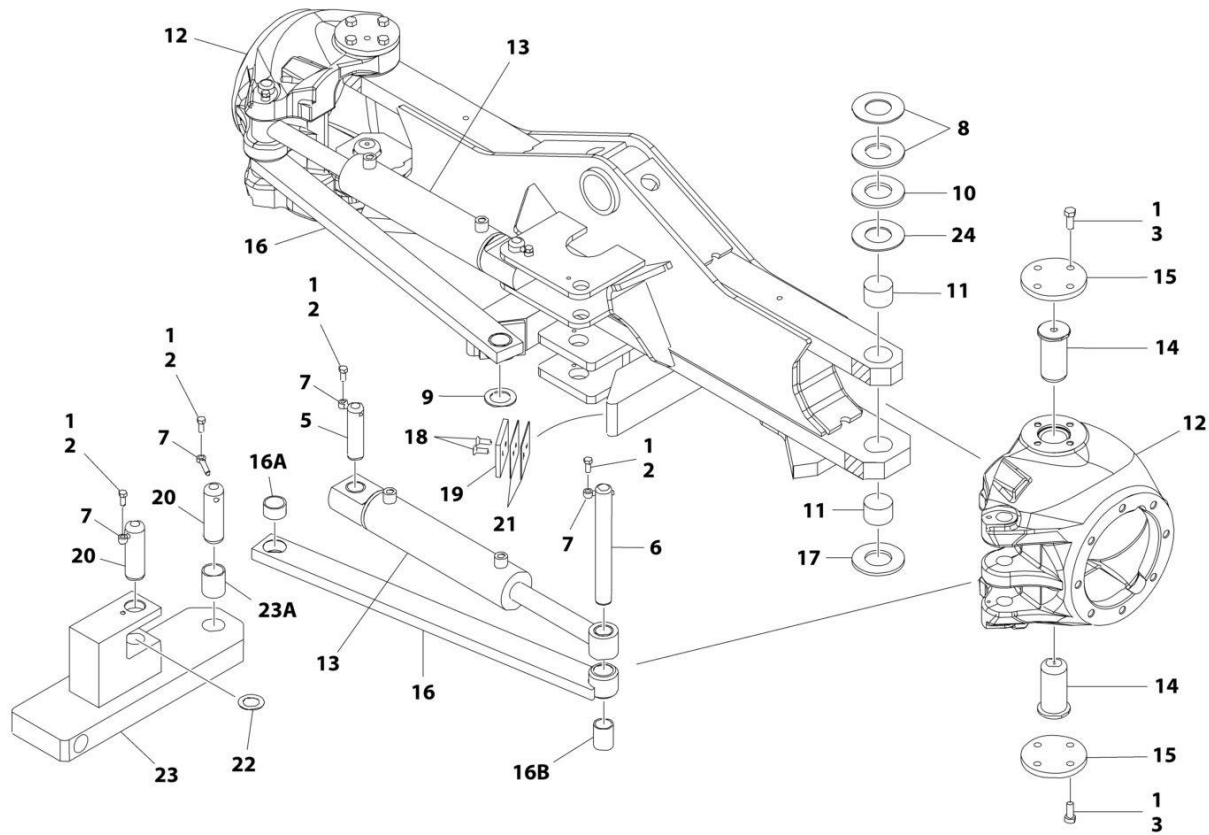
SECTION 1 - FRAME

FIGURE 1-3. STEER INSTALLATION - WITHOUT TOW PACKAGE

ITEM	PART NUMBER	QTY	DESCRIPTION	REV
	1001151034	Ref	STEER INSTALLATION	H
1	0100011	AR	Compound, Locking	
2	0641607	4	Bolt 3/8 x 7/8	
3	0641810	16	Bolt 1/2 x 1-1/4	
5	3422417	2	Pin	
6	3422790	2	Pin	
7	3841520	4	Keeper, Pin	
8	4740256	AR	Washer, Thrust	
9	4740473	2	Washer	
10	1001103810	AR	Washer, Thrust	
11	1001165657	4	Bearing	
12	1001150372	2	Spindle	
13	1001150539	2	Steer Cylinder Assembly (See Separate Breakdown in CYLINDER SECTION)	
14	1001161355	4	Kingpin	
15	1001150937	4	Plate	
16	1001151980	1	Tie-Rod	
17	1001161399	2	Washer, Thrust	
18	4740463	AR	Washer, Thrust	

SECTION 1 - FRAME

FIGURE 1-4. STEER INSTALLATION - WITH TOW PACKAGE



ART_1001155192

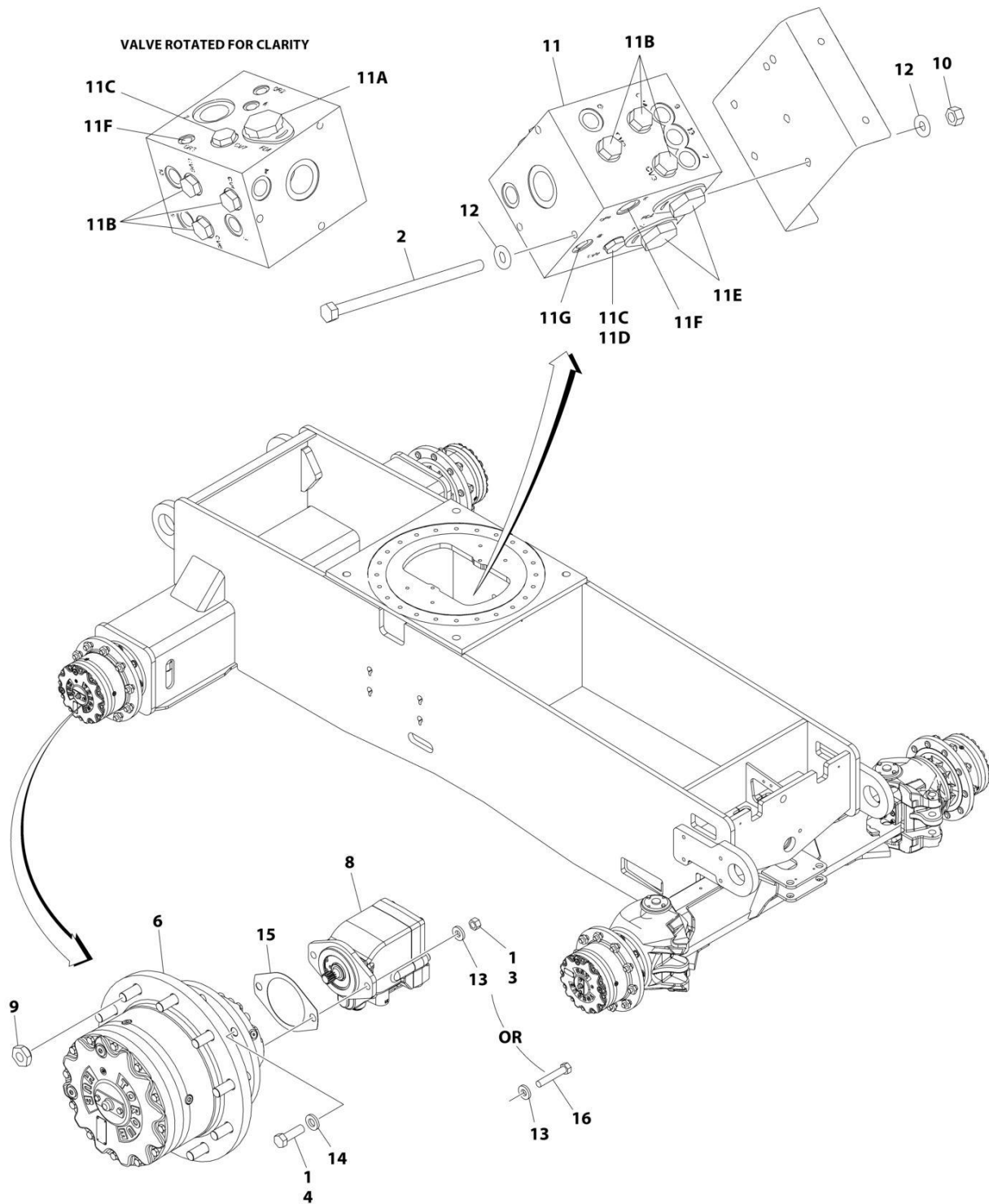
SECTION 1 - FRAME

FIGURE 1-4. STEER INSTALLATION - WITH TOW PACKAGE

ITEM	PART NUMBER	QTY	DESCRIPTION	REV
	1001155192	Ref	STEER INSTALLATION	G
1	0100011	AR	Compound, Locking	
2	0641607	6	Bolt 3/8 x 7/8	
3	0641810	16	Bolt 1/2 x 1-1/4	
5	3422417	2	Pin	
6	3422790	2	Pin	
7	3841520	6	Keeper, Pin	
8	4740256	AR	Washer, Thrust	
9	4740473	2	Washer	
10	1001103810	AR	Washer, Thrust	
11	1001165657	4	Bearing	
12	1001150372	2	Spindle	
13	1001150539	2	Steer Cylinder Assembly (See Separate Breakdown in CYLINDER SECTION)	
14	1001161355	4	Kingpin	
15	1001150937	4	Plate	
16	1001154931	2	Tie-Rod	
16A	0962181	1	Bushing	
16B	0962152	1	Bushing	
17	1001161399	2	Washer, Thrust	
18	0741609	4	Screw 3/8 x 1-1/8	
19	3340966	2	Pad, Stop	
20	3422848	2	Pin, Hitch	
21	4071059	AR	Shim 16 Gauge	
22	4740155	3	Washer, Thrust	
23	1001155035	1	Link	
23A	0962348	1	Bushing	
24	4740463	AR	Washer, Thrust	

SECTION 1 - FRAME

FIGURE 1-5. WHEEL DRIVE AND FRAME VALVES INSTALLATION



ART_1001157016

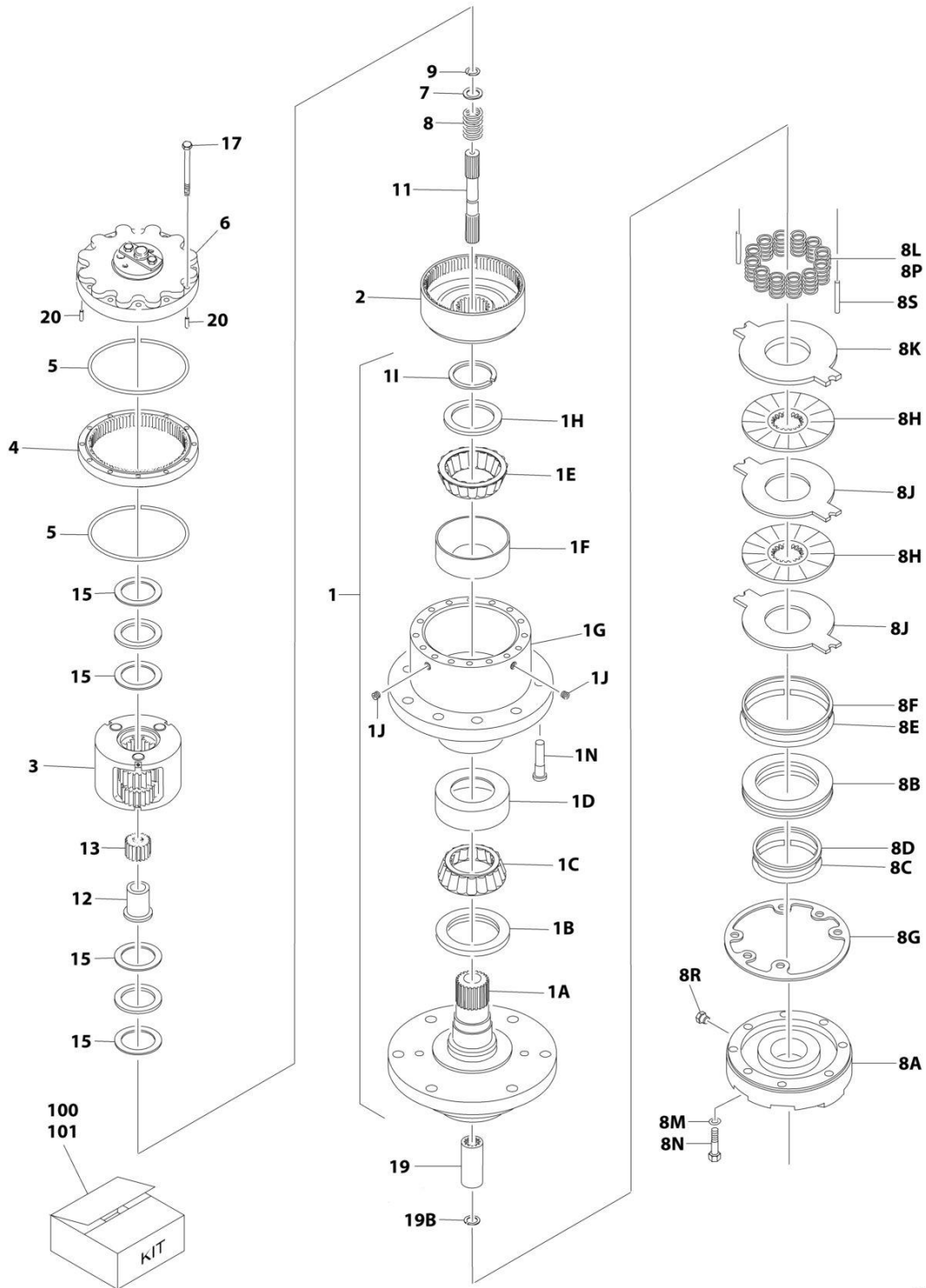
SECTION 1 - FRAME

FIGURE 1-5. WHEEL DRIVE AND FRAME VALVES INSTALLATION

ITEM	PART NUMBER	QTY	DESCRIPTION	REV
	1001157016	Ref	WHEEL DRIVE AND FRAME VALVES INSTALLATION	E
1	0100011	AR	Compound, Locking	
2	0641560	3	Bolt 5/16 x 7-1/2	
3	3311801	8	Nut 1/2	
4	0682016	32	Bolt 5/8 x 2 Grade 8	
5	2300016	AR	Fluid, Hydraulic (Not Shown)	
6	1001219219	4	Drive Hub Assembly (See Separate Breakdown in this Section)	
8	3160348	4	Drive Motor Assembly (See Separate Breakdown in this Section)	
9	3300007	40	Nut, Wheel	
10	3311505	3	Nut 5/16	
11	4641303	1	Flow Divider Valve Assembly	C
11A	7023933	1	Cartridge, Flow Divider	
11A	7021625	1	Seal Kit - 7023933 Cartridge	
11B	7022397	6	Cartridge, Check	
11B	7022399	6	Seal Kit - 7022397 Cartridge	
11C	7021639	2	Cartridge, Check Valves	
11C	2900756	2	Seal Kit - 7021639 Cartridge	
11D	7024881	1	Piston, Pilot	
11E	7023917	2	Cartridge, Flow Divider	
11E	7021625	2	Seal Kit - 7023917 Cartridge	
11F	70003935	2	Orifice	
11G	70003936	1	Orifice	
12	4711500	6	Washer 5/16	
13	4891800	8	Washer 1/2	
14	4892000	32	Washer 5/8	
15	3960526	2	Gasket	
16	0681822	4	Bolt 1/2 x 2-3/4	

SECTION 1 - FRAME

FIGURE 1-6. DRIVE HUB/BRAKE ASSEMBLY



ART_1001219219

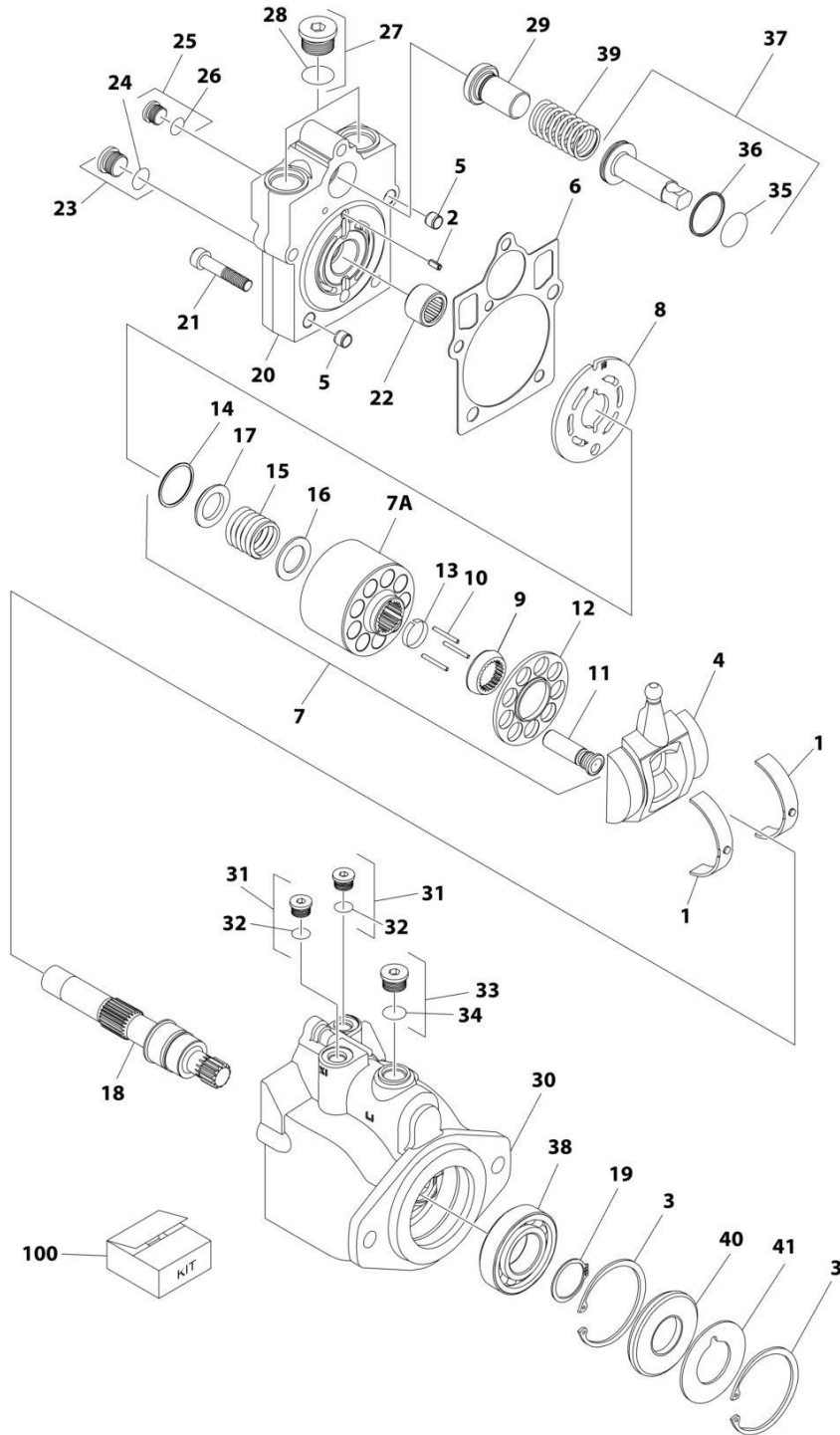
SECTION 1 - FRAME

FIGURE 1-6. DRIVE HUB/BRAKE ASSEMBLY

ITEM	PART NUMBER	QTY	DESCRIPTION	REV
	1001219219	Ref	DRIVE HUB/BRAKE ASSEMBLY	C
1	See Note	NSS	Spindle/Housing Assembly (Note: Not Available - Purchase Individual Components)	
1A	70006677	1	Spindle	
1B	70006678	1	Seal	
1C	1001091460	1	Cone, Bearing	
1D	1001091460	1	Cup, Bearing	
1E	1001091461	1	Cone, Bearing	
1F	1001091461	1	Cup, Bearing	
1G	See Note	NSS	Housing (Note: Not Available - Not Available for Purchase)	
1H	7000239	1	Thrustwasher	
1I	7000240	1	Ring, Retaining	
1J	7001928	1	Plug, Pipe	
1N	See Note	NSS	Stud, Wheel (Note: Not Available - Not Available for Purchase)	
2	7024782	1	Gear, Ring	
3	70006673	1	Carrier Assembly	
4	7024151	1	Gear, Internal	
5	7000224	2	O-Ring	
6	70006674	NSS	Cover Assembly (Note: Not Available - Not Available for Purchase)	
7	70006691	1	Thrustwasher	
8	7000283	1	Spring	
8A	7024191	1	Housing, Piston	
8B	70006684	1	Piston	
8C	See Note	NSS	O-Ring (Note: Use Item 101)	
8D	See Note	NSS	Ring, Back-up (Note: Use Item 101)	
8E	See Note	NSS	O-Ring (Note: Use Item 101)	
8F	See Note	NSS	Ring, Back-up (Note: Use Item 101)	
8G	See Note	NSS	Gasket (Note: Use Items 100 & 101)	
8H	See Note	NSS	Brake, Stator (Note: Use Item 100)	
8J	See Note	NSS	Brake, Rotor (Note: Use Item 100)	
8K	See Note	NSS	Plate, Pressure (Note: Use Item 100)	
8L	80344004	10	Spring	
8M	70006685	6	Capscrew	
8N	70006690	6	Lockwasher	
8P	70006680	2	Spring	
8R	7017082	2	Plug	
8S	7024190	2	Pin, Dowel	
9	7000284	1	Ring, Retaining	
11	70006675	1	Shaft, Input	
12	7024154	1	Spacer, Input	
13	7024149	1	Gear, Sun	
15	70006692	2	Thrustwasher	
17	7000289	12	Bolt 3/8 x 2-1/2in (Grade 8)	
19	70006676	1	Coupling	
19B	7017028	1	Ring, Retaining	
20	7017047	2	Pin, Dowel	
100	70006832	1	Friction Disc Kit (Includes Items 8G, 8H, 8J & 8K)	
101	70006833	1	Seal Kit (Includes Items - 8C-8G)	

SECTION 1 - FRAME

FIGURE 1-7. DRIVE MOTOR ASSEMBLY



ART_3160348

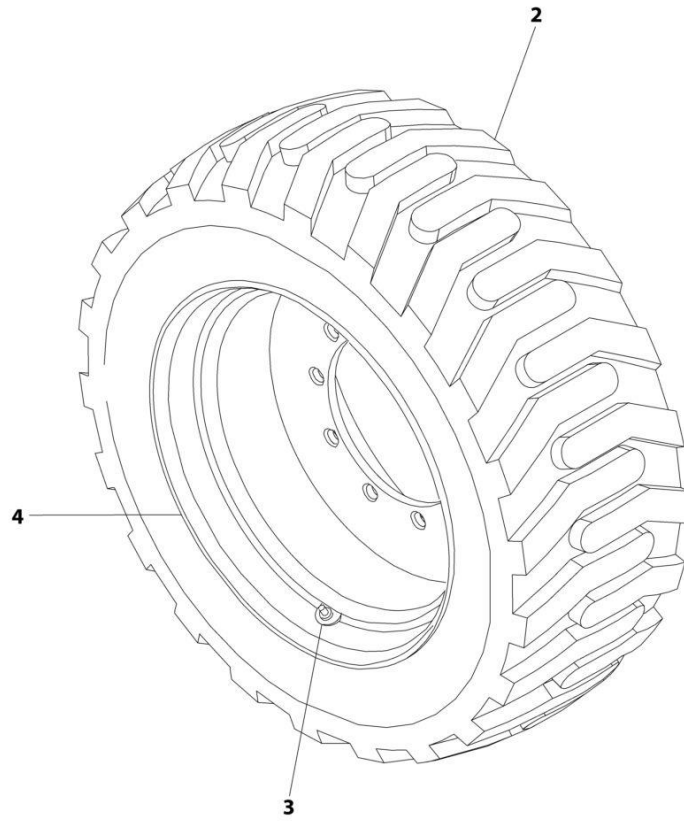
SECTION 1 - FRAME

FIGURE 1-7. DRIVE MOTOR ASSEMBLY

ITEM	PART NUMBER	QTY	DESCRIPTION	REV
	3160348	Ref	DRIVE MOTOR ASSEMBLY	D
1	7022302	2	Bearing, Journal	
2	7007446	1	Pin	
3	7007438	2	Ring, Retaining	
4	7022305	1	Swash Plate	
5	See Note	2	Pin (Note: Not Available for Purchase)	
6	See Note	NSS	Gasket (Note: Use Item 100)	
7	7023907	1	Cylinder Block Kit (Includes Items 7A & 9-17)	
7A	See Note	NSS	Block, Cylinder (Note: Use Item 7)	
8	7023908	1	Plate, Valve	
9	7021277	1	Guide, Slipper Retainer	
10	7021275	3	Pin, Slipper Hold Down	
11	See Note	NSS	Piston Assembly (Note: Use Item 7)	
12	7022310	1	Retainer, Slipper	
13	7021276	1	Retainer, Hold Down Pin	
14	7022311	1	Ring, Retaining	
15	7022312	1	Spring	
16	7024868	1	Washer	
17	7022314	1	Retainer, Spring	
18	7023910	1	Shaft	
19	7007439	1	Ring, Retaining	
20	70000797	1	Cap, End - Axial	
21	7022368	5	Screw	
22	7021249	1	Bearing, Needle	
23	2220886	1	Plug (Includes Item 24)	
24	See Note	1	O-Ring (Note: Use Item 23 or 100)	
25	2220883	1	Plug (Includes Item 26)	
26	See Note	NSS	O-Ring (Note: Use Item 25 or 100)	
27	2220888	2	Plug (Includes Item 28)	
28	See Note	NSS	O-Ring (Note: Use Item 27 or 100)	
29	7022372	1	Seat, Spring	
30	See Note	NSS	Housing (Note: Not Available - Purchase Complete Assembly)	
31	2220883	2	Plug (Includes Item 32)	
32	See Note	NSS	O-Ring (Note: Use Item 31 or 100)	
33	2220886	1	Plug (Includes Item 34)	
34	See Note	NSS	O-Ring (Note: Use Item 33 or 100)	
35	See Note	NSS	O-Ring (Note: Use Item 100)	
36	See Note	NSS	Ring, Seal (Note: Use Item 100)	
37	7024854	1	Piston, Servo (Includes Items 35 & 36)	
38	7007437	1	Bearing	
39	7022326	1	Spring	
40	See Note	1	Seal, Lip (Note: Use Item 100)	
41	7022371	1	Washer, Support	
		Ref	KIT OPTIONS:	
100	7022328	1	Seal Kit (Includes Items 6, 24, 26, 28, 32, 34, 35, 36 & 40)	

SECTION 1 - FRAME

FIGURE 1-8. TIRE & WHEEL INSTALLATION - 15-625 NHS FOAM-FILLED



ART_0270886

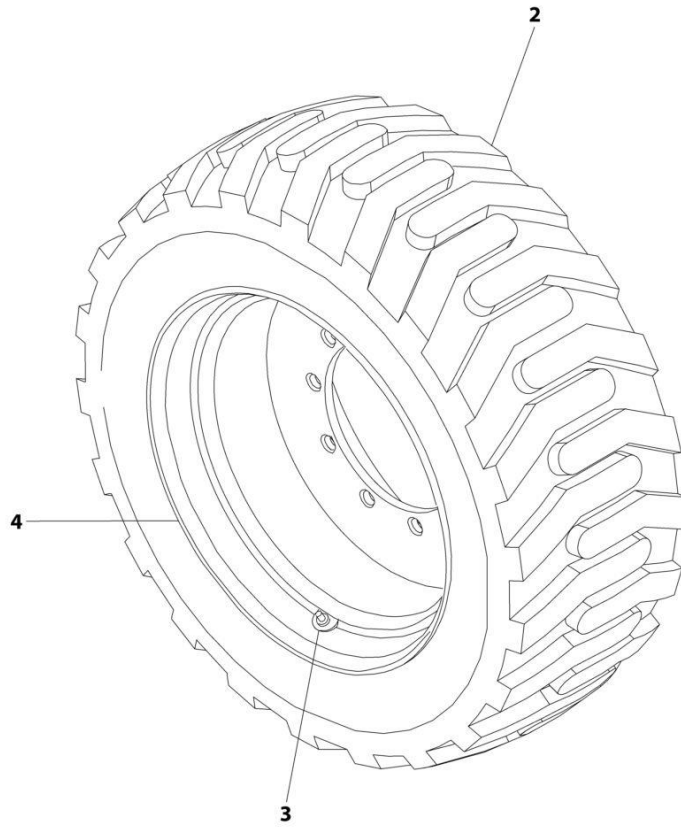
SECTION 1 - FRAME

FIGURE 1-8. TIRE & WHEEL INSTALLATION - 15-625 NHS FOAM-FILLED

ITEM	PART NUMBER	QTY	DESCRIPTION	REV
	0270886	Ref	TIRE AND WHEEL INSTALLATION	D
	0271085	2	Tire and Wheel Assembly - 15-625 NHS Foam-Filled LH Side	I
	0271086	2	Tire and Wheel Assembly - 15-625 NHS Foam-Filled RH Side	I
		Ref	Note: Assemblies may require ballast/foam filling to manufacturer's specifications prior to installing on a machine. Refer to Operation and Safety or Service and Maintenance Manuals.	
		Ref	Purchase individual tire and/or rim only if able to foam fill tire and wheel assembly, otherwise, purchase complete assembly.	
2	4520252	1	Tire 15-625	
3	4641122	1	Valve, Air	
4	4860224	1	Rim, Wheel - 13 x 24.5 Rim	

SECTION 1 - FRAME

FIGURE 1-9. TIRE AND WHEEL INSTALLATION - 18-625 NHS FOAM-FILLED



ART_0270888

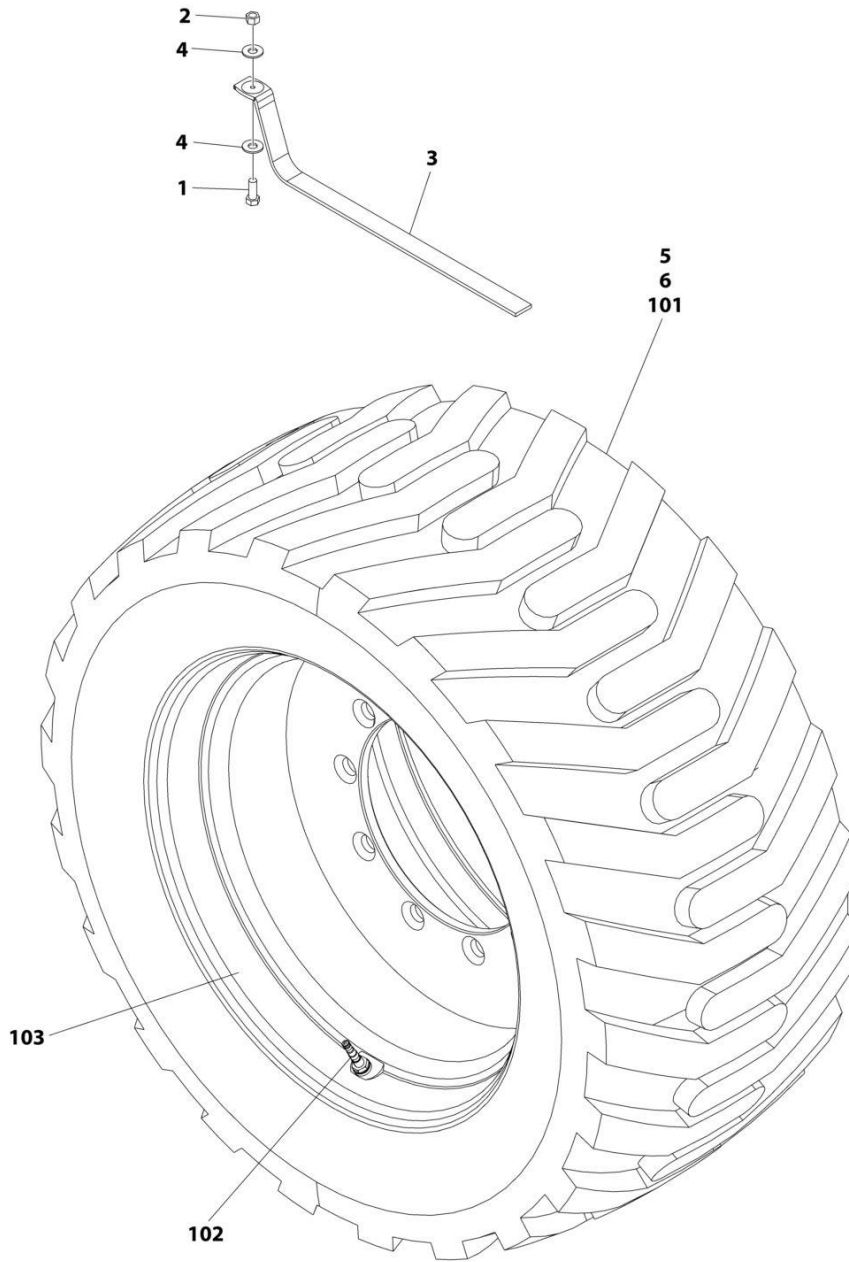
SECTION 1 - FRAME

FIGURE 1-9. TIRE AND WHEEL INSTALLATION - 18-625 NHS FOAM-FILLED

ITEM	PART NUMBER	QTY	DESCRIPTION	REV
	0270888	Ref	TIRE AND WHEEL INSTALLATION	C
	0271090	2	Tire and Wheel Assembly - 18-625 NHS Foam-Filled LH Side	G
	0271091	2	Tire and Wheel Assembly - 18-625 NHS Foam-Filled RH Side	G
		Ref	Note: Assemblies may require ballast/foam filling to manufacturer's specifications prior to installing on a machine. Refer to Operation and Safety or Service and Maintenance Manuals.	
		Ref	Purchase individual tire and/or rim only if able to foam fill tire and wheel assembly, otherwise, purchase complete assembly.	
2	4520253	1	Tire 18-625	
3	4641122	1	Valve, Air	
4	4860225	1	Rim, Wheel - 15 x 24.5 Rim	

SECTION 1 - FRAME

FIGURE 1-10. TIRE AND WHEEL INSTALLATION - 18-625 NHS FOAM-FILLED NON-MARKING



ART_1001236435

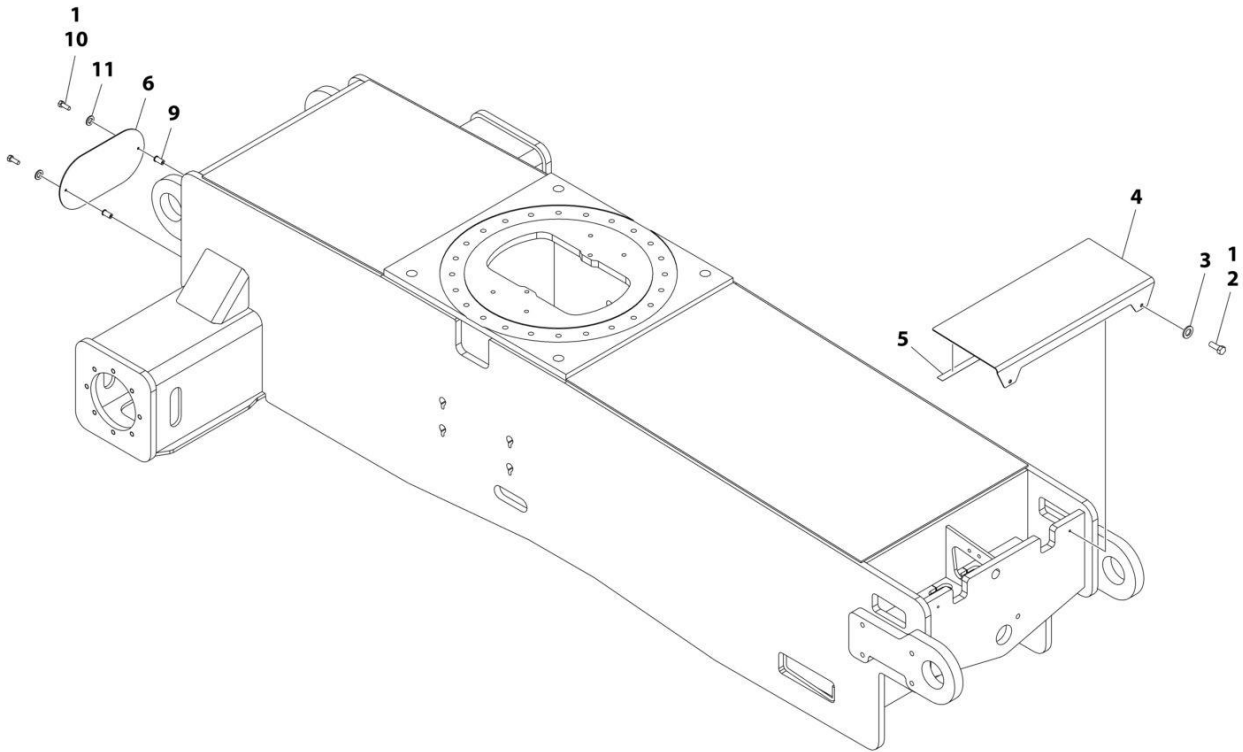
SECTION 1 - FRAME

FIGURE 1-10. TIRE AND WHEEL INSTALLATION - 18-625 NHS FOAM-FILLED NON-MARKING

ITEM	PART NUMBER	QTY	DESCRIPTION	REV
	1001236435	Ref	TIRE AND WHEEL INSTALLATION	A
1	0641608	1	Bolt 3/8 x 1	
2	3311605	1	Nut 3/8	
3	4240084	1	Strap, Anti-Static	
4	4751600	2	Washer 3/8	
5	1001169755	2	Tire and Wheel Assembly - 18-625 NHS Foam-Filled Non-Marking LH Side	D
6	1001169756	2	Tire and Wheel Assembly - 18-625 NHS Foam-Filled Non-Marking RH Side	D
		Ref	Note: Assemblies may require ballast/foam filling to manufacturer's specifications prior to installing on a machine. Refer to Operation and Safety or Service and Maintenance Manuals.	
		Ref	Purchase individual tire and/or rim only if able to foam fill tire and wheel assembly, otherwise, purchase complete assembly.	
101	1001169754	1	Tire 18-625 Non-Marking	
102	4641122	1	Valve, Air	
103	4860225	1	Rim, Wheel - 15 x 24.5 Rim	

SECTION 1 - FRAME

FIGURE 1-11. FRAME SHIELDS INSTALLATION



ART_1001158203

SECTION 1 - FRAME

FIGURE 1-11. FRAME SHIELDS INSTALLATION

ITEM	PART NUMBER	QTY	DESCRIPTION	REV
	1001158203	Ref	FRAME SHIELDS INSTALLATION	D
1	0100011	AR	Compound, Locking	
2	0641606	2	Bolt 3/8 x 3/4	
3	4751600	2	Washer 3/8	
4	1001158187	1	Cover	
5	4280296	27 in/ 68cm	Trim	
6	1001158188	1	Cover	
9	8580420	2	Nut, Well	
10	0641410	2	Bolt 1/4 x 1-1/4	
11	4751400	2	Washer 1/4	

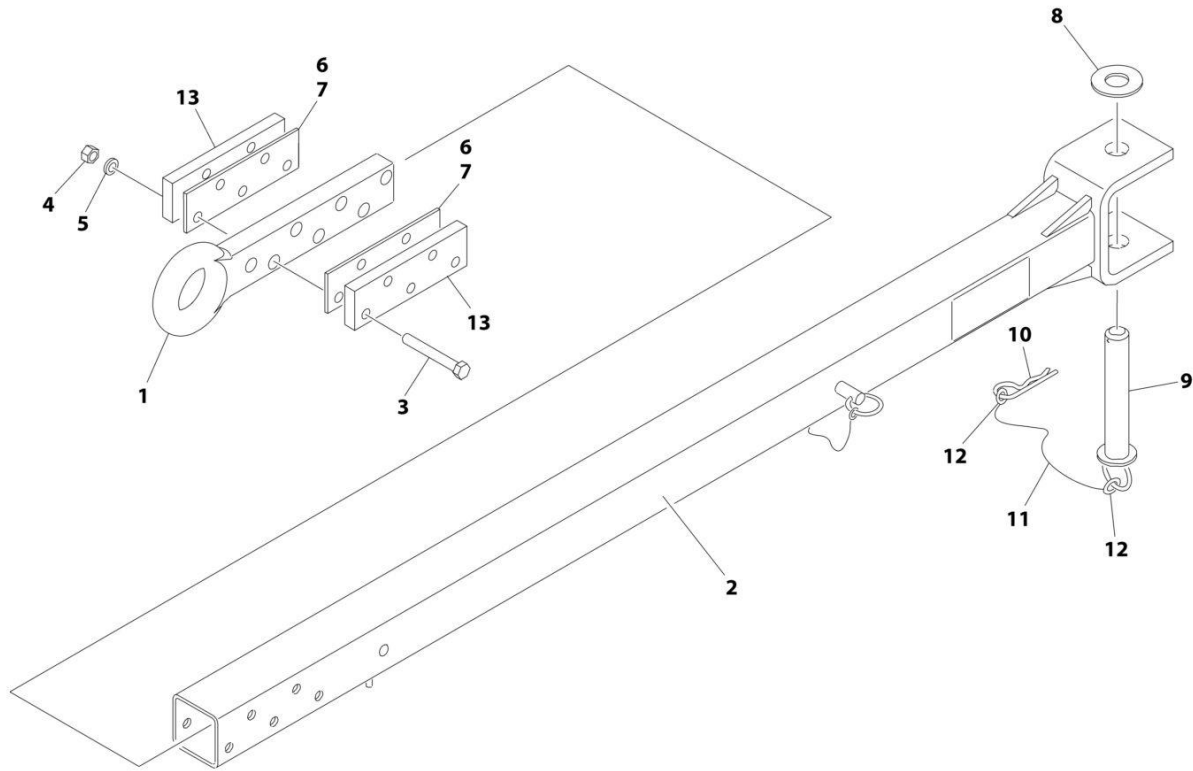
SECTION 1 - FRAME

FIGURE 1-12. TOW PACKAGE INSTALLATION (OPTIONAL) (ANSI, SPECS)

ITEM	PART NUMBER	QTY	DESCRIPTION	REV
	1001158258	Ref	TOW PACKAGE INSTALLATION	B
1	0100011	AR	Compound, Locking	
2	0232121	1	Tow Bar Assembly (See Separate Breakdown in this Section)	
3	0641508	2	Bolt 5/16 x 1	
4	1260017	2 ft/0.3m	Chain	
5	1704578	2	Decal - Crushing	
6	1705090	1	Decal - Towing Instructions	
7	3250872	1	Nameplate - Steer/Tow Valve	
8	3311401	2	Nut 1/4	
9	3420292	2	Pin	
10	3820001	4	Rivet, Pop	
11	4420051	2 ft/0.3m	Tape	
12	4640261	1	Valve, Float Position	
13	4751500	4	Washer 5/16	
14	4751400	2	Washer 1/4	
15	1001158522	2	Bracket	
17	1001160780	1	Rod, Extension	

SECTION 1 - FRAME

FIGURE 1-13. TOW BAR ASSEMBLY



ART_232121

SECTION 1 - FRAME

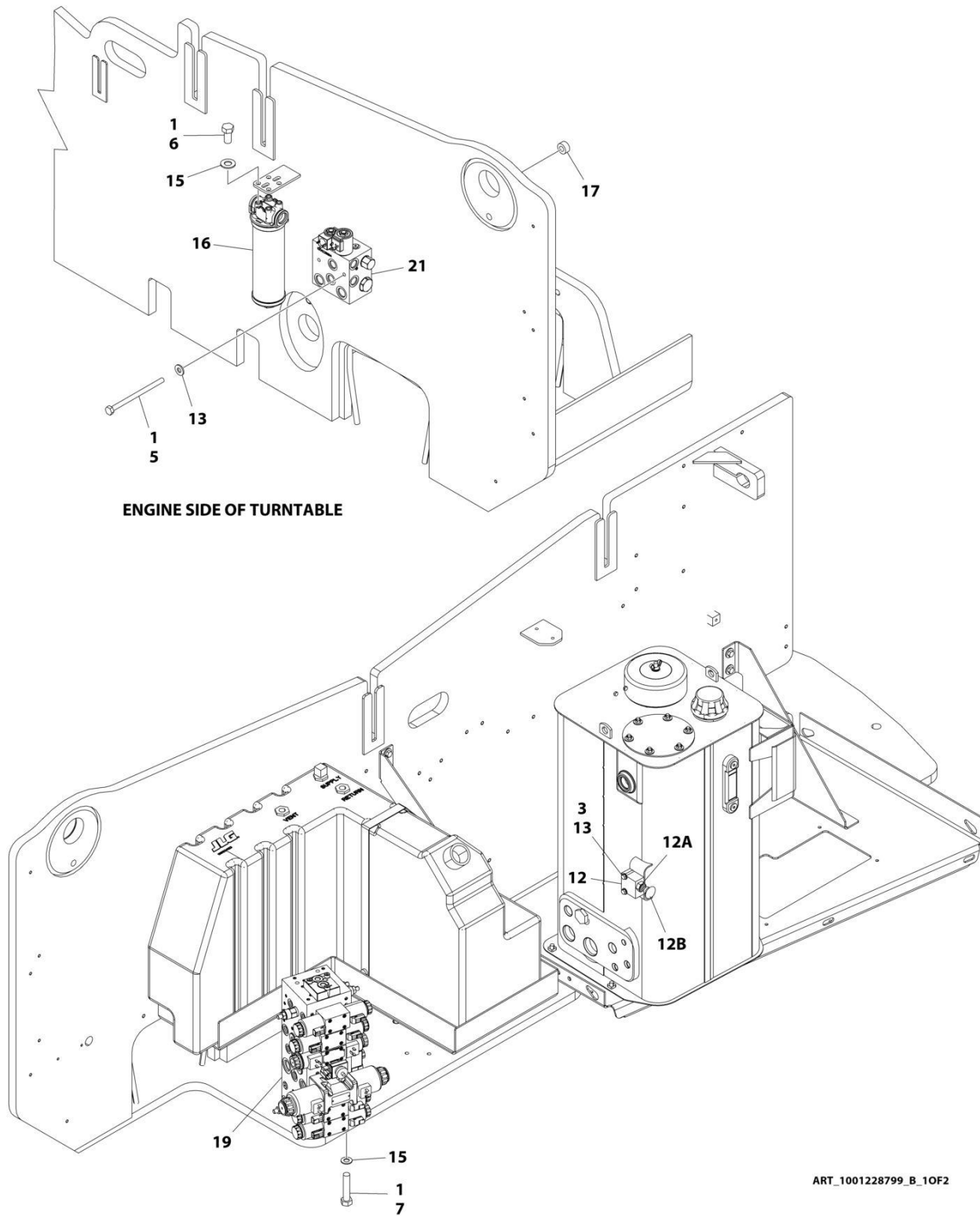
FIGURE 1-13. TOW BAR ASSEMBLY

ITEM	PART NUMBER	QTY	DESCRIPTION	REV
	0232121	Ref	TOW BAR ASSEMBLY	7-G
1	0360406	1	Bar, Draw	
2	4843777	1	Bar, Tow	
3	0642038	5	Bolt 5/8 x 4-3/4	
4	3312001	5	Nut 5/8	
5	4762000	5	Washer 5/8	
6	4070450	AR	Shim	
7	4070561	AR	Shim	
8	4740036	1	Washer 1-1/2	
9	3420447	1	Pin	
10	3420372	1	Pin	
11	1260135	1	Chain	
12	3760170	2	Ring	
13	4070560	2	Shim	

SECTION 2 - TURNTABLE

SECTION 2 - TURNTABLE

FIGURE 2-1. VALVES INSTALLATION



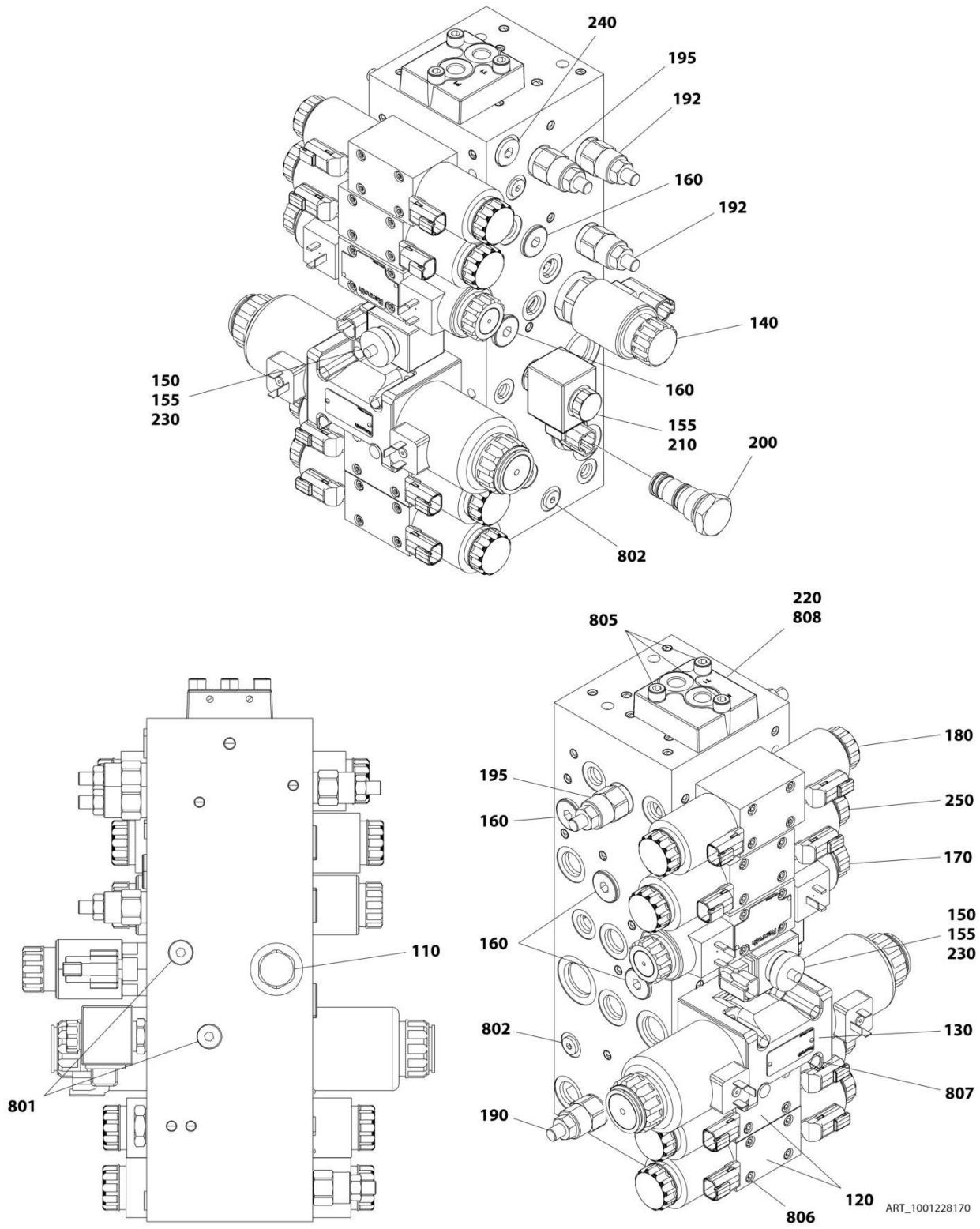
SECTION 2 - TURNTABLE

FIGURE 2-1. VALVES INSTALLATION

ITEM	PART NUMBER	QTY	DESCRIPTION	REV
	1001228799	Ref	VALVES INSTALLATION	B
1	0100011	AR	Compound, Locking	
3	0641414	2	Bolt 1/4 x 1-3/4	
5	0641432	2	Bolt 1/4 x 4	
6	0641606	4	Bolt 3/8 x 3/4	
7	0641614	3	Bolt 3/8 x 1-3/4	
12	4640866	1	Level Valve Assembly	
12A	7017466	1	Cartridge	
12A	2900708	1	Seal Kit	
12B	7012959	1	Knob	
13	4711400	8	Washer 1/4	
15	4711600	9	Washer 3/8	
16	1001108617	1	Pressure Filter Assembly	
16	70002231	1	Element, Filter	
17	1001110425	2	Spacer	
19	1001228170	1	Main Valve Assembly (See Separate Breakdown in this Section)	
21	1001226814	1	Brake/2 Speed Valve Assembly (See Separate Breakdown in this Section)	

SECTION 2 - TURNTABLE

FIGURE 2-2. MAIN VALVE ASSEMBLY



SECTION 2 - TURNTABLE

FIGURE 2-2. MAIN VALVE ASSEMBLY

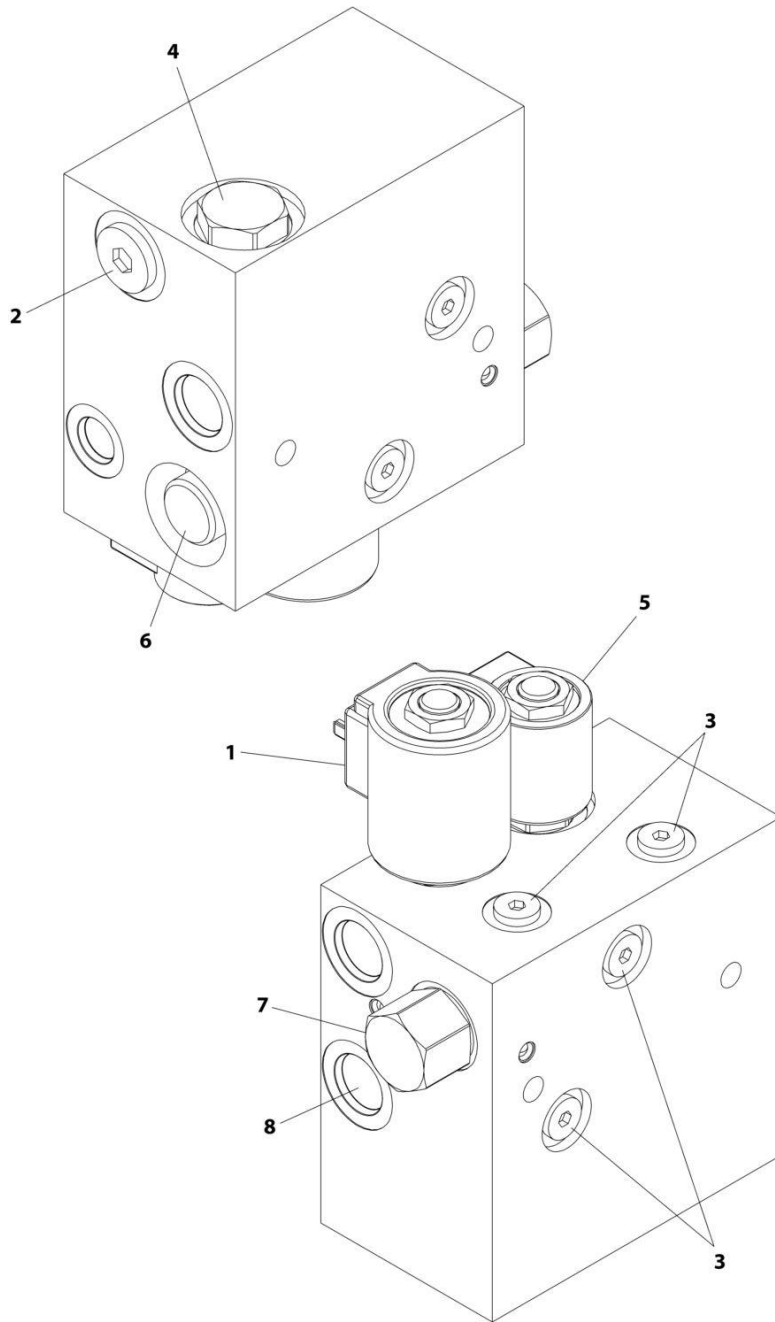
ITEM	PART NUMBER	QTY	DESCRIPTION	REV
	1001228170	Ref	MAIN VALVE ASSEMBLY	C
110	70005194	1	Valve, Check Cartridge	
110	70004584	1	Seal Kit - 70005194 Valve	
120	70004459	2	Valve Assembly (Tower Tele and Tower Lift)	
120	7012773	2	Seal Kit - 70004459 Valve	
120	70004460	4	Coil	
120	7021375	4	Nut, Coil	
120	70004461	4	O-Ring, Pole Tube	
130	70006955	1	Valve Assembly (Upper Tele)	
130	70006957	1	Seal Kit - 70006955 Valve	
130	70006956	2	Coil	
140	70004657	1	Valve, Cartridge (Flow Control)	
140	70004594	1	Seal Kit - 70004657 Valve	
140	70004595	1	Coil	
140	70004596	1	O-Ring, Pole Tube	
140	70004597	1	Nut, Coil	
150	70004598	1	Valve, Cartridge Less Coil (Steer Dump)	
150	70004055	1	Seal Kit - 70004598 Valve	
155	70004653	2	Coil	
155	70004051	2	Nut, Coil	
160	70023859	5	Valve, Shuffle Cartridge	
160	70023860	5	Seal Kit - 70023859 Valve	
170	7018992	1	Valve Assembly (Upper Lift)	
170	7024021	1	Seal Kit - 7018992 Valve	
170	7018991	2	Coil	
170	7021375	2	Nut, Coil	
170	70004461	2	O-Ring, Pole Tube	
180	70005195	1	Valve Assembly (Front Steer)	
180	7012773	1	Seal Kit - 70005195 Valve	
180	70004463	2	Coil	
180	7021375	2	Nut, Coil	
180	70004461	2	O-Ring, Pole Tube	
190	70003019	1	Valve, Relief Catridge (was PN 70006959)	
190	See Note	NSS	Seal Kit - Valve (Note: Not Available for Purchase)	
192	70003019	1	Valve, Relief Catridge (was PN 70006960)	
192	See Note	NSS	Seal Kit - Valve (Note: Not Available for Purchase)	
195	70003019	1	Valve, Relief Catridge (was PN 70006958)	
195	See Note	NSS	Seal Kit - Valve (Note: Not Available for Purchase)	
200	70004665	1	Valve, Check - Catridge	
200	70023862	1	Seal Kit - 70004665 Valve	
210	70004457	1	Valve, Cartridge Less Coil (Main Dump)	
210	70004050	1	Seal Kit - 70004665 Valve	
210	70004653	1	Coil	
220	70004667	1	Cover	
230	70005196	1	Orifice .118	
240	70005197	1	Plug (2WS)	
240	70004052	1	Seal Kit - 70005197 Plug	
250	70005198	1	Valve Assembly (Swing)	
250	70006961	1	Seal Kit - 70005198 Valve	
250	70004463	2	Coil	

SECTION 2 - TURNTABLE

ITEM	PART NUMBER	QTY	DESCRIPTION	REV
250	7021375	2	Nut, Coil	
250	70004461	2	O-Ring, Pole Tube	
801	70005199	2	Plug	
802	70005200	4	Plug	
805	70005201	3	Capscrew	
806	7018942	20	Capscrew	
807	7018951	4	Capscrew	
808	70005202	2	O-Ring	

SECTION 2 - TURNTABLE

FIGURE 2-3. BRAKE/2 SPEED VALVE ASSEMBLY



ART_1001226814

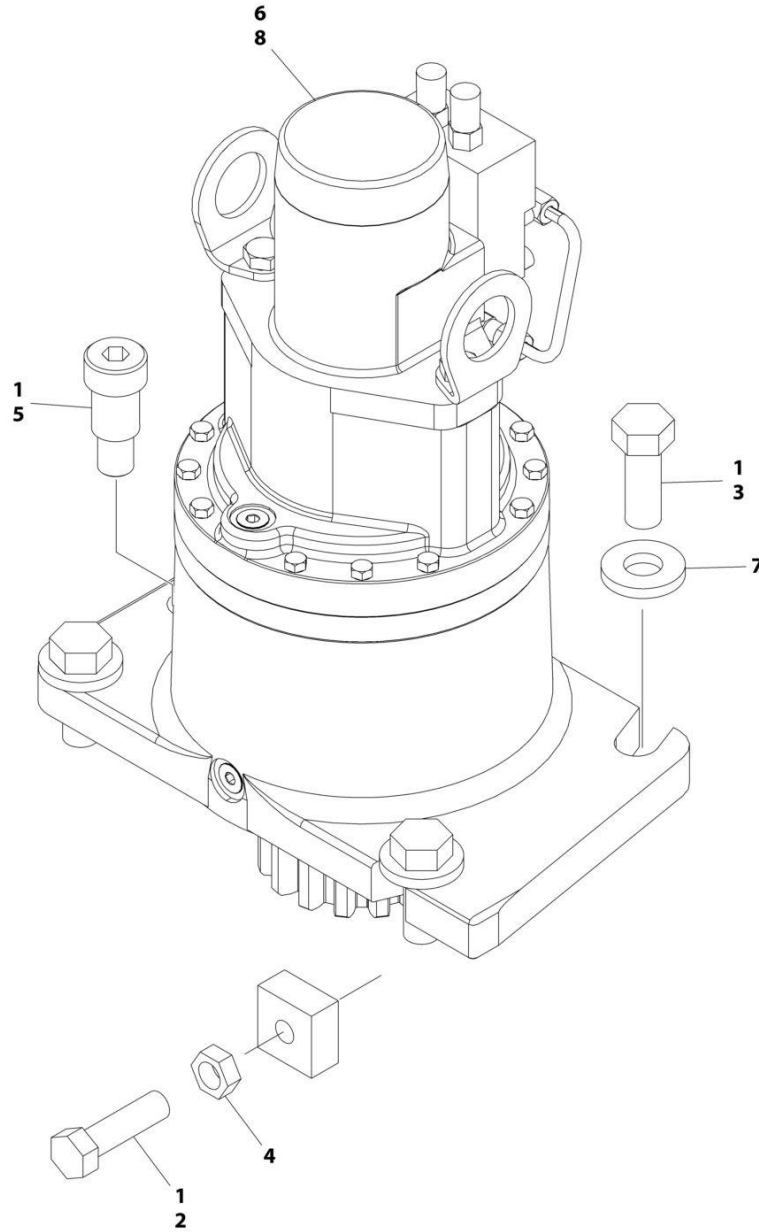
SECTION 2 - TURNTABLE

FIGURE 2-3. BRAKE/2 SPEED VALVE ASSEMBLY

ITEM	PART NUMBER	QTY	DESCRIPTION	REV
	1001226814	Ref	BRAKE/2 SPEED VALVE ASSEMBLY	E
1	7012995	1	Valve, Cartridge	
1	7012518	1	Seal Kit - 7012995 Valve	
1	7012943	1	Nut, Coil	
2	2220886	1	Plug, O-Ring	
3	2220883	1	Plug, O-Ring	
4	4641192	1	Valve, Cartridge	
4	7017496	1	Seal Kit - 4641192 Valve	
5	7012941	1	Valve, Cartridge	
5	7010543	1	Seal Kit - 7012941 Valve	
5	7012944	1	Nut, Coil	
6	7012989	1	Valve, Cartridge	
6	7012953	1	Seal Kit - 7012989 Valve	
7	7012928	1	Valve, Cartridge	
7	70003649	1	Seal Kit - 7012928 Valve	
8	70003975	1	Plug, Orifice	

SECTION 2 - TURNTABLE

FIGURE 2-4. SWING DRIVE INSTALLATION



ART_1001156136_B

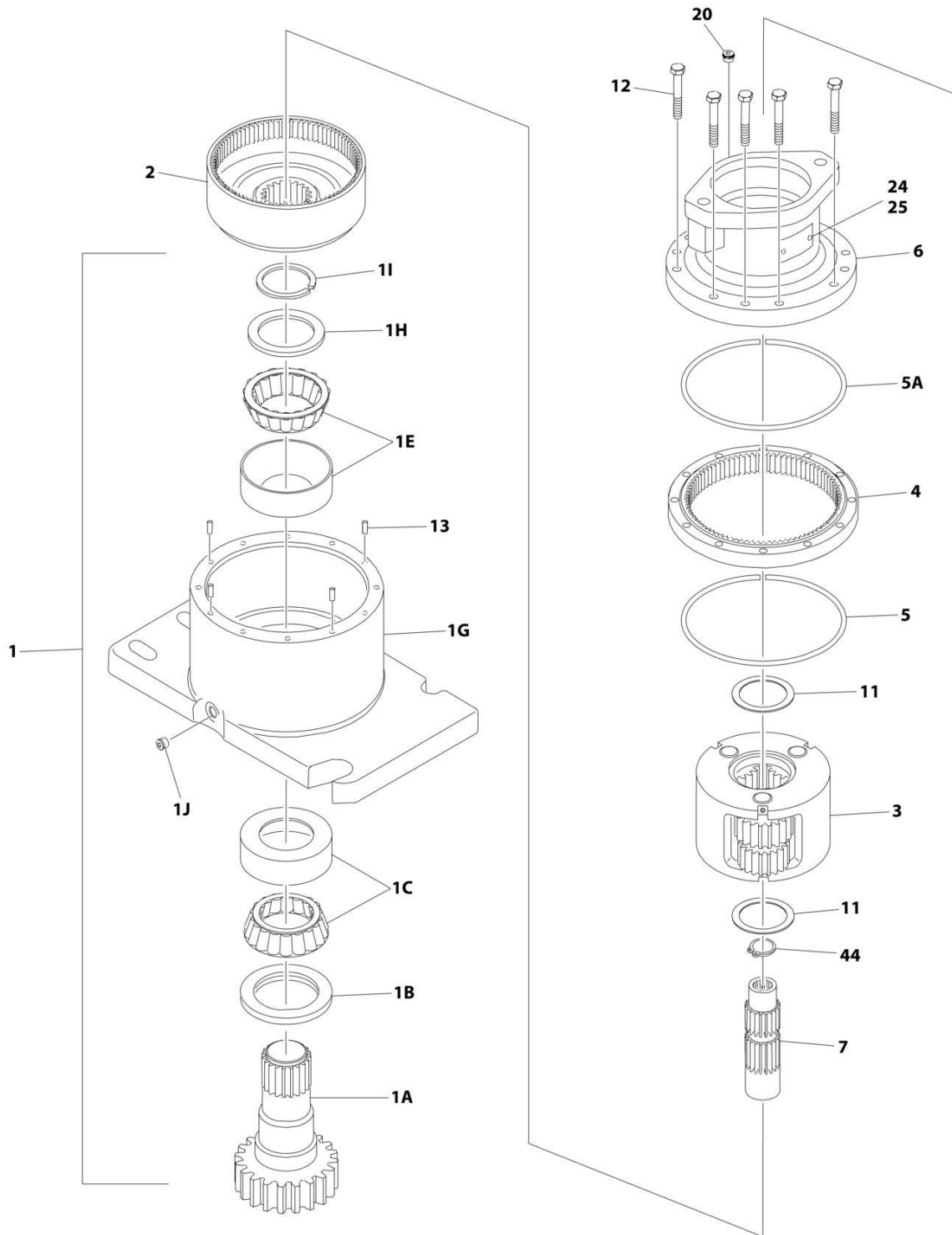
SECTION 2 - TURNTABLE

FIGURE 2-4. SWING DRIVE INSTALLATION

ITEM	PART NUMBER	QTY	DESCRIPTION	REV
	1001156136	Ref	SWING DRIVE INSTALLATION	B
1	0100019	AR	Compound, Locking	
2	3952020	1	Setscrew 5/8 x 2-1/2	
3	0682216	4	Bolt 3/4 x 2 Grade 8	
4	3312002	1	Nut 5/8	
5	3900293	1	Screw 1 x 1-1/4	
6	1001125492	1	Shim	
7	4740057	4	Washer	
8	1001229810	1	Swing Motor/Hub Assembly (See Separate Breakdown in this Section)	

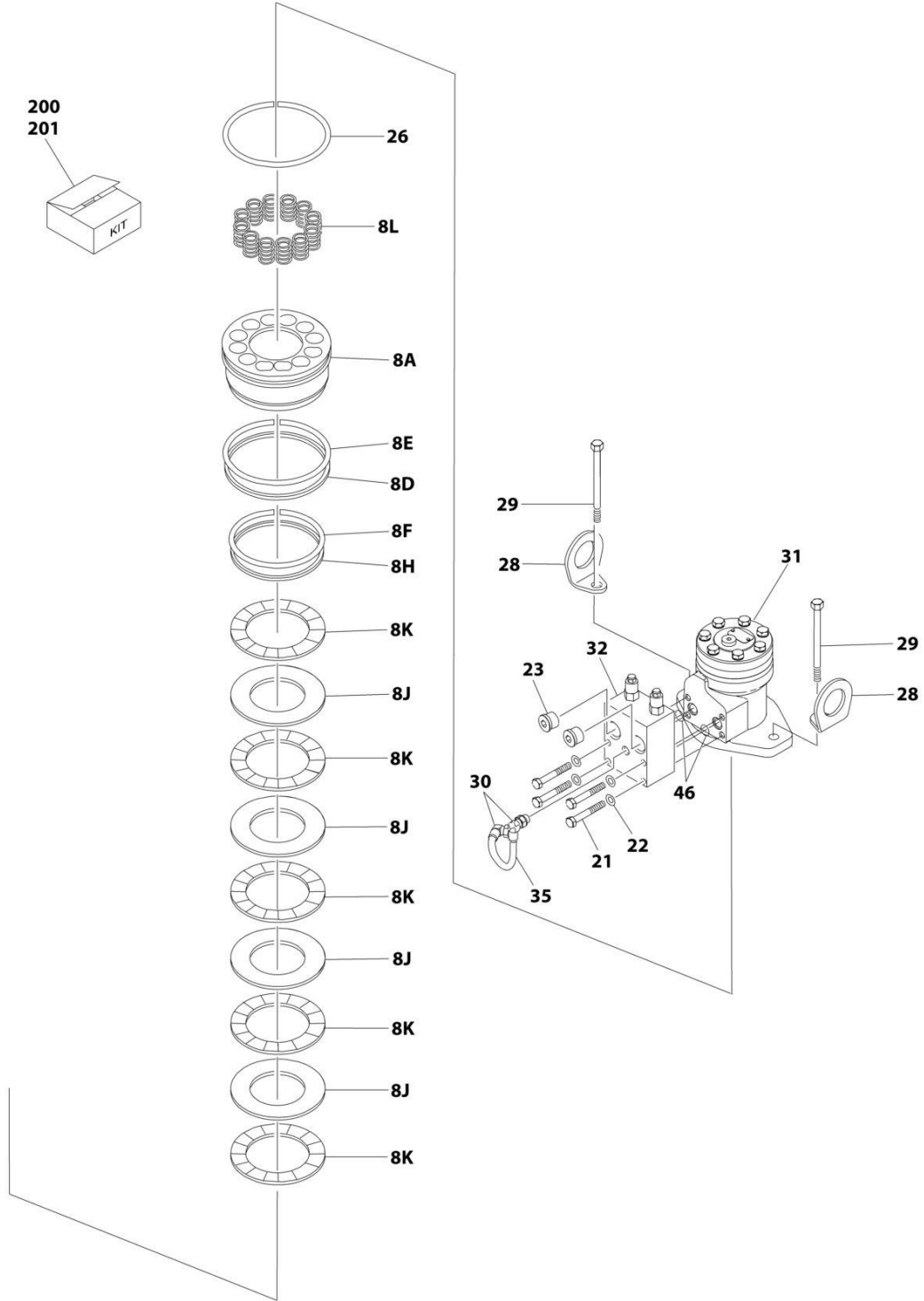
SECTION 2 - TURNTABLE

FIGURE 2-5. SWING MOTOR/HUB ASSEMBLY



ART_1001229810_10F2

SECTION 2 - TURNTABLE



ART_1001229810_20F2

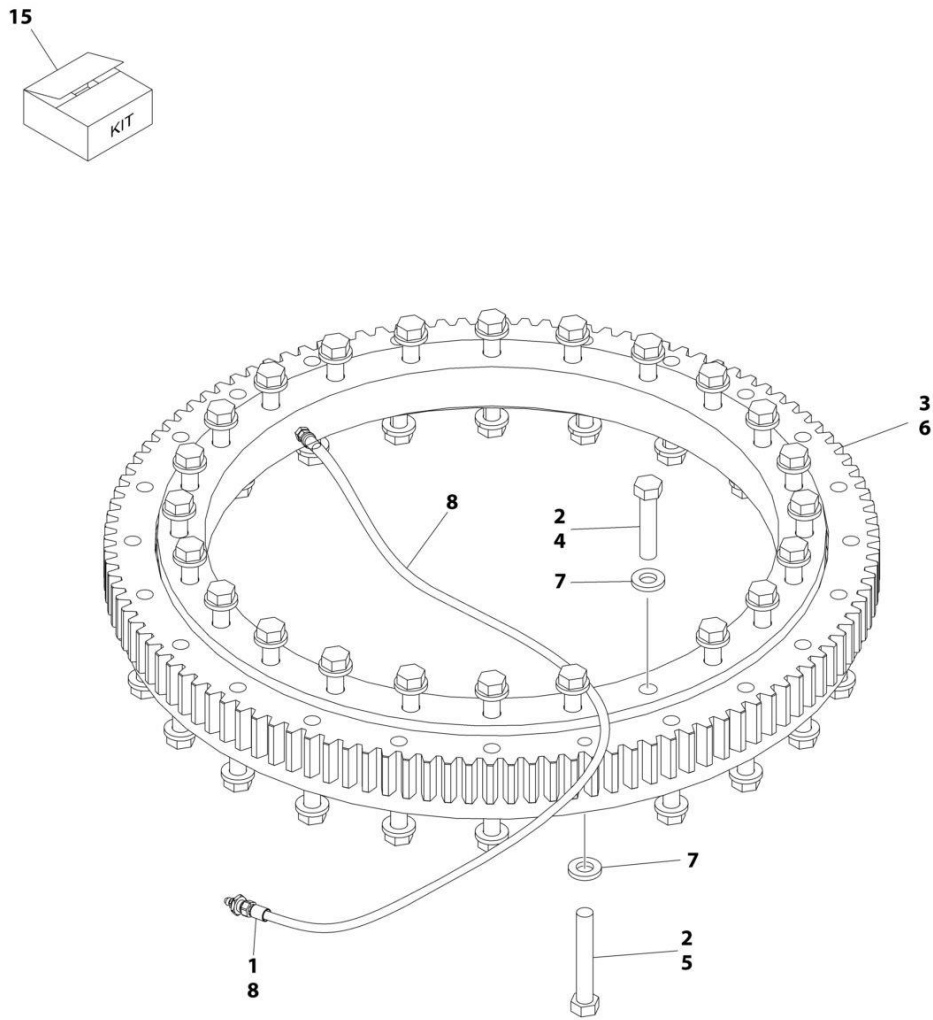
SECTION 2 - TURNTABLE

FIGURE 2-5. SWING MOTOR/HUB ASSEMBLY

ITEM	PART NUMBER	QTY	DESCRIPTION	REV
	1001229810	Ref	SWING MOTOR/HUB ASSEMBLY	C
1	See Note	1	Housing/Shaft Assembly (Note: Not Available - Purchase Individual Components)	
1A	7010492	1	Shaft, Output	
1B	7000228	1	Seal, Lip	
1C	7000255	1	Bearing Kit (Includes Cup and Cone)	
1E	7000257	1	Bearing Kit (Includes Cup and Cone)	
1G	7024762	1	Housing	
1H	7007633	1	Washer, Thrust	
1I	7000229	1	Ring, Retaining	
1J	7017072	1	Plug, Pipe	
2	7000246	1	Gear, Internal	
3	7000247	1	Carrier Assembly	
4	7000248	1	Gear, Ring	
5	7000230	1	O-Ring	
5A	7017070	1	O-Ring	
6	1001229810	NSS	Housing, Brake (Note: Not Available - Purchase Complete Assembly)	
7	70005203	1	Gear, Sun	
8A	70004037	1	Piston	
8D	70004041	1	O-Ring	
8E	70004044	1	Ring, Back-up	
8F	70004042	1	O-Ring	
8H	70004043	1	Ring, Back-up	
8J	70002085	4	Disc, Rotor	
8K	70002085	5	Disc, Stator	
8L	70002066	14	Spring	
11	7000253	2	Washer, Thrust	
12	7000217	12	Bolt 3/8 x 2-1/4 Grade 8	
13	7017080	4	Pin, Dowel	
20	7017072	1	Plug, Pipe	
21	7024704	4	Bolt 5/16 x 2 Grade 8	
22	70004045	4	Washer	
23	7017023	2	Plug, Pipe	
24	See Note	NSS	Plate, ID (Note: Not Available for Purchase)	
25	See Note	NSS	Rivet (Note: Not Available for Purchase)	
26	7024763	1	O-Ring	
28	See Note	NSS	Lug, Lifting (Note: Not Available for Purchase)	
29	70004040	2	Bolt 1/2 x 1 (Grade 8)	
30	7017085	2	Elbow	
31	70006304	1	Motor Assembly	
32	7024784	1	Valve Assembly - Complete (No Serviceable Parts)	
35	70004047	1	Tube	
44	7017028	1	Ring, Internal Retaining	
45	7000213	2	O-Ring	
		Ref	KIT OPTIONS:	
200	7024100	1	Seal Kit - Swing Hub (Includes Items 1B, 1I, 5, 5A & 11)	
201	70002085	1	Disc Kit - Swing Brake (Includes Items 8J & 8K)	

SECTION 2 - TURNTABLE

FIGURE 2-6. TURNTABLE BEARING AND LUBE INSTALLATION



ART_1001157049

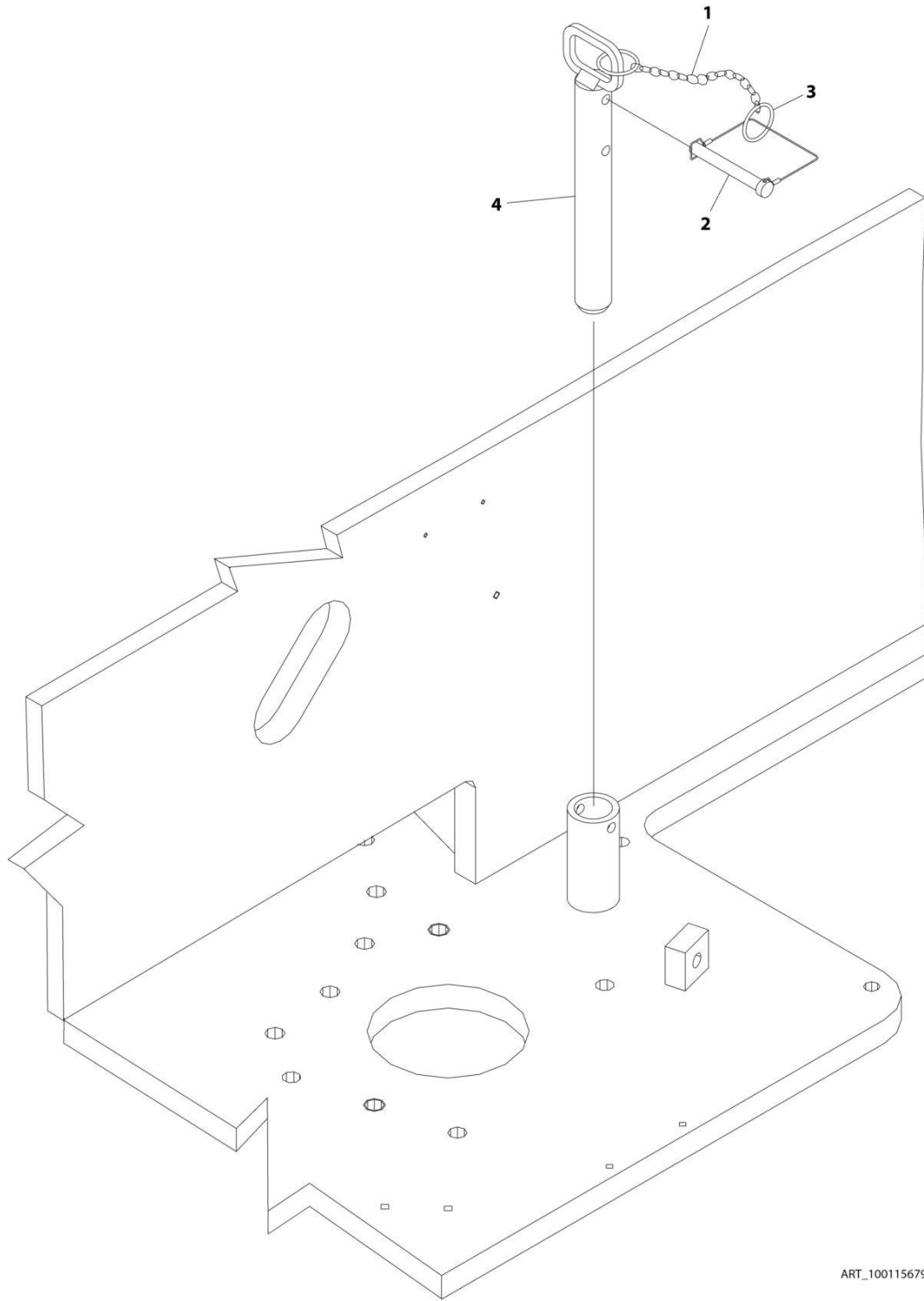
SECTION 2 - TURNTABLE

FIGURE 2-6. TURNTABLE BEARING AND LUBE INSTALLATION

ITEM	PART NUMBER	QTY	DESCRIPTION	REV
	1001157049	Ref	TURNTABLE BEARING AND LUBE INSTALLATION	B
1	0100011	AR	Compound, Locking	
2	0100019	AR	Compound, Locking	
3	0440244	1	Bearing, Turntable	
4	0682023	24	Bolt 5/8 x 2-7/8 Grade 8	
5	0682032	24	Bolt 5/8 x 4 Grade 8	
6	3020029	AR	Lubricant	
7	4892000	48	Washer 5/8	
8	1001157058	1	Hose	
15	2915094	1	Turntable Bearing Kit	

SECTION 2 - TURNTABLE

FIGURE 2-7. TURNTABLE LOCK INSTALLATION



ART_1001156798

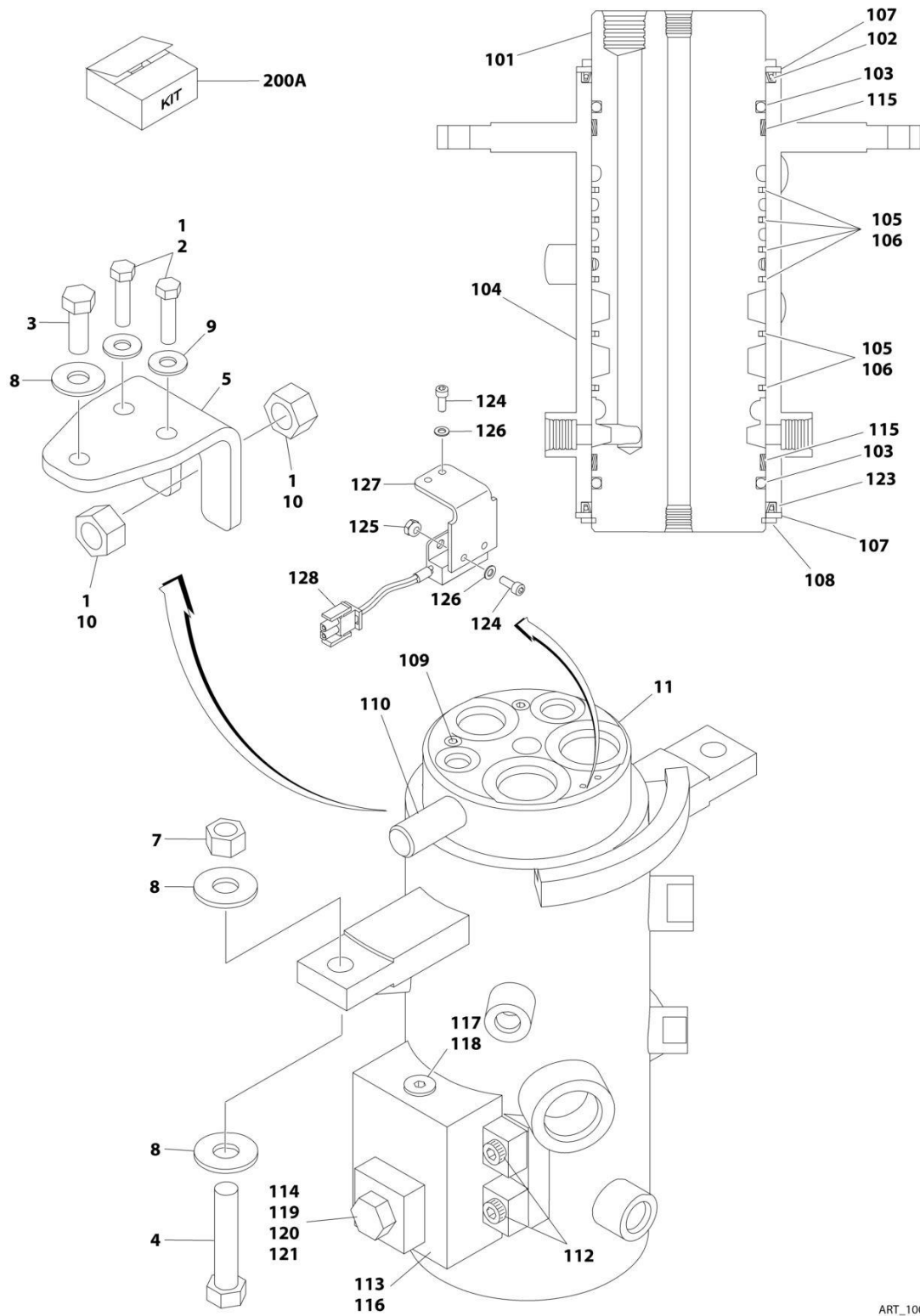
SECTION 2 - TURNTABLE

FIGURE 2-7. TURNTABLE LOCK INSTALLATION

ITEM	PART NUMBER	QTY	DESCRIPTION	REV
	1001156798	Ref	TURNTABLE LOCK INSTALLATION	A
1	1260017	9 in/23cm	Chain	
2	3421565	1	Pin, Snap	
3	3760170	2	Ring, Quick Release	
4	4844958	1	Pin	

SECTION 2 - TURNTABLE

FIGURE 2-8. ROTARY COUPLING INSTALLATION



ART_1001107529

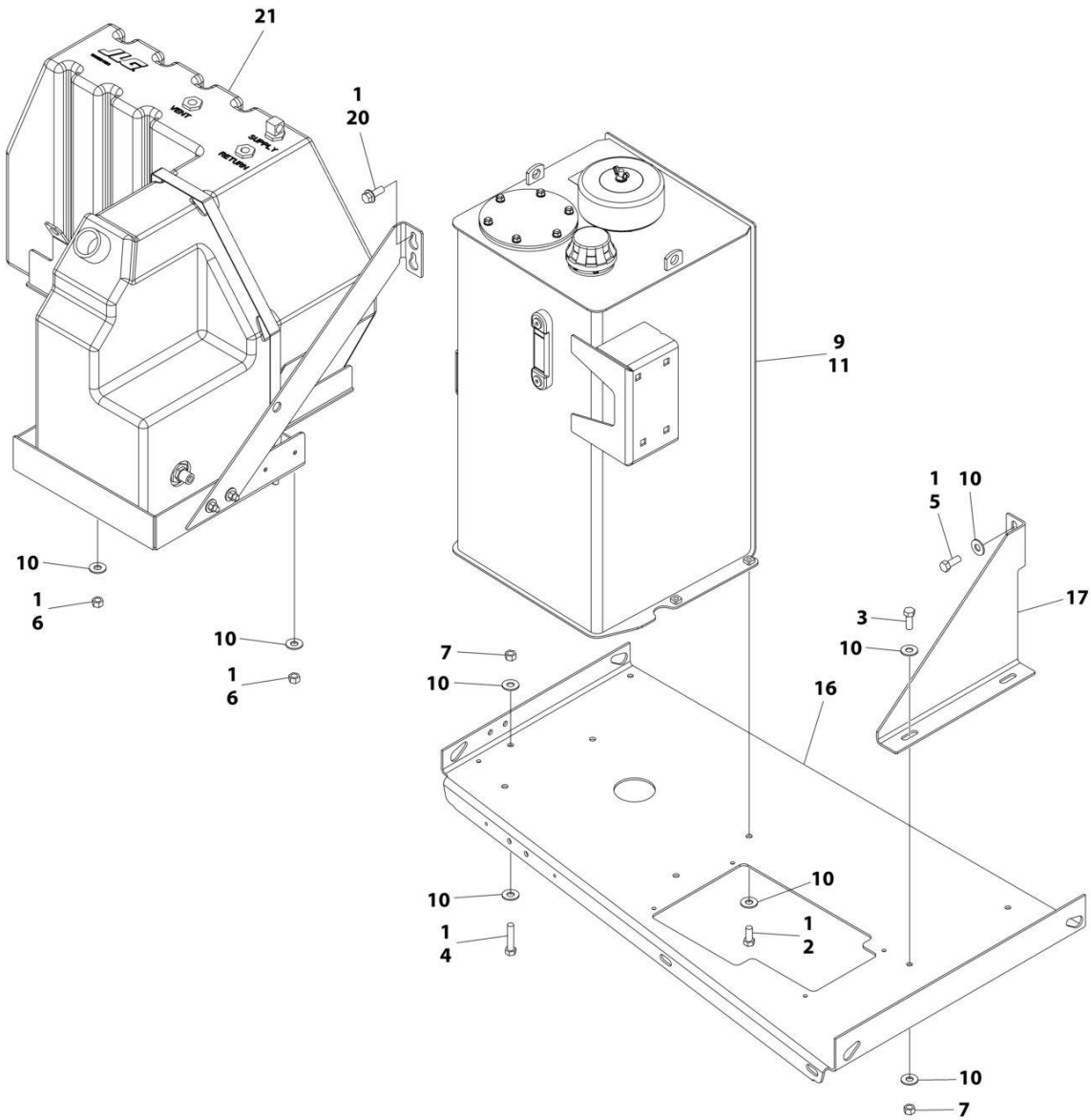
SECTION 2 - TURNTABLE

FIGURE 2-8. ROTARY COUPLING INSTALLATION

ITEM	PART NUMBER	QTY	DESCRIPTION	REV
	1001107529	Ref	ROTARY COUPLING INSTALLATION	B
1	0100011	AR	Compound, Locking	
2	0641611	2	Bolt 3/8 x 1-3/8	
3	0641812	1	Bolt 1/2 x 1-1/2	
4	0641820	2	Bolt 1/2 x 2-1/2	
5	0903242	1	Bracket	
7	3271805	2	Nut 1/2	
8	4751800	5	Washer 1/2	
9	4891600	2	Washer 3/8	
10	3322201	2	Nut 3/4	
11	1001106974	1	Coupling, Rotary Assembly (See Items 101-128 for Breakdown)	
	1001106974	Ref	ROTARY COUPLING ASSEMBLY	B
101	See Note	NSS	Body (Note: Not Available - Purchase Complete Assembly)	
102	See Note	NSS	Seal (Note: Use Item 200A)	
103	See Note	NSS	O-Ring (Note: Use Item 200A)	
104	See Note	NSS	Housing (Note: Not Available - Purchase Complete Assembly)	
105	See Note	NSS	Seal, Cap (Note: Use Item 200A)	
106	See Note	NSS	O-Ring (Note: Use Item 200A)	
107	7026503	2	Ring	
108	7026504	1	Ring, Retaining	
109	80934561	AR	Plug	
110	See Note	NSS	Lug, Torque (Note: Not Available for Purchase)	
112	7026197	4	Bolt 5/16 x 1-1/4	
113	See Note	NSS	O-Ring (Note: Use Item 200A)	
114	See Note	NSS	O-Ring (Note: Use Item 200A)	
115	See Note	NSS	Bearing (Note: Use Item 200A)	
116	7024404	1	Block Valve Assembly	
117	7026505	1	Plug	
118	7026506	1	Valve, Check	
119	7026507	1	Plug	
120	See Note	NSS	Plunger, Valve (Note: Use p/n 7024404)	
121	7026509	1	Spring, Compression	
123	See Note	NSS	Seal (Note: Use Item 200A)	
124	See Note	NSS	Capscrew #10 x 1/2 (Note: Not Available for Purchase)	
125	See Note	NSS	Nut #10 (Note: Not Available for Purchase)	
126	See Note	NSS	Flatwasher #10 (Note: Not Available for Purchase)	
127	70003454	1	Bracket, Switch Mounting	
128	4360517	1	Switch, Proximity	
200A	70001248	1	Seal Kit (Includes Items 102, 103, 105, 106, 113, 114, 115 & 123)	

SECTION 2 - TURNTABLE

FIGURE 2-9. TANKS INSTALLATION



ART_1001223977

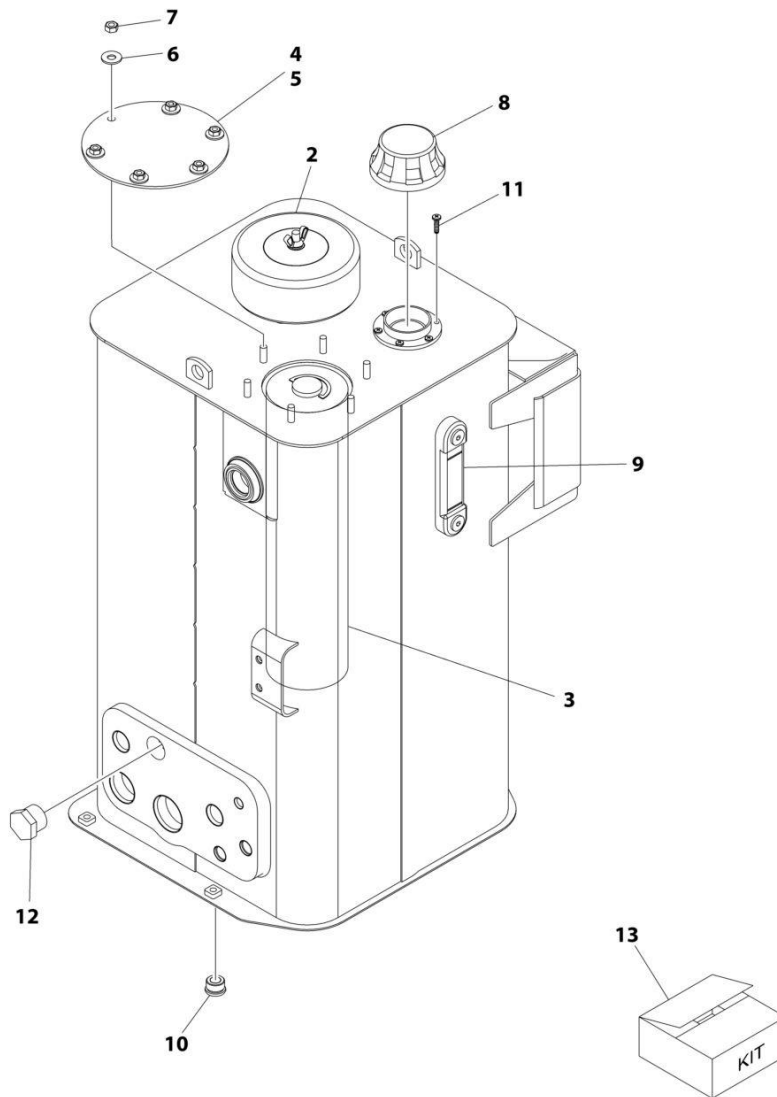
SECTION 2 - TURNTABLE

FIGURE 2-9. TANKS INSTALLATION

ITEM	PART NUMBER	QTY	DESCRIPTION	REV
	1001223977	Ref	TANKS INSTALLATION	C
1	0100011	AR	Compound, Locking	
2	0641607	4	Bolt 3/8 x 7/8	
3	0641608	2	Bolt 3/8 x 1	
4	0641614	2	Bolt 3/8 x 1-3/4	
5	0681608	2	Bolt 3/8 x 1	
6	3311601	2	Nut 3/8	
7	3311605	4	Nut 3/8	
9	4420038	26 in/ 0.66m	Tape	
10	4751600	16	Washer 3/8	
11	1001178057	1	Hydraulic Tank Assembly (See Separate Breakdown in this Section)	
16	1001227338	1	Tray	
17	1001227383	1	Bracket	
20	0811608	2	Screw 3/8 x 1	
21	1001233641	1	Fuel Tank Assembly (See Separate Breakdown in this Section)	

SECTION 2 - TURNTABLE

FIGURE 2-10. HYDRAULIC TANK ASSEMBLY



ART_1001178057

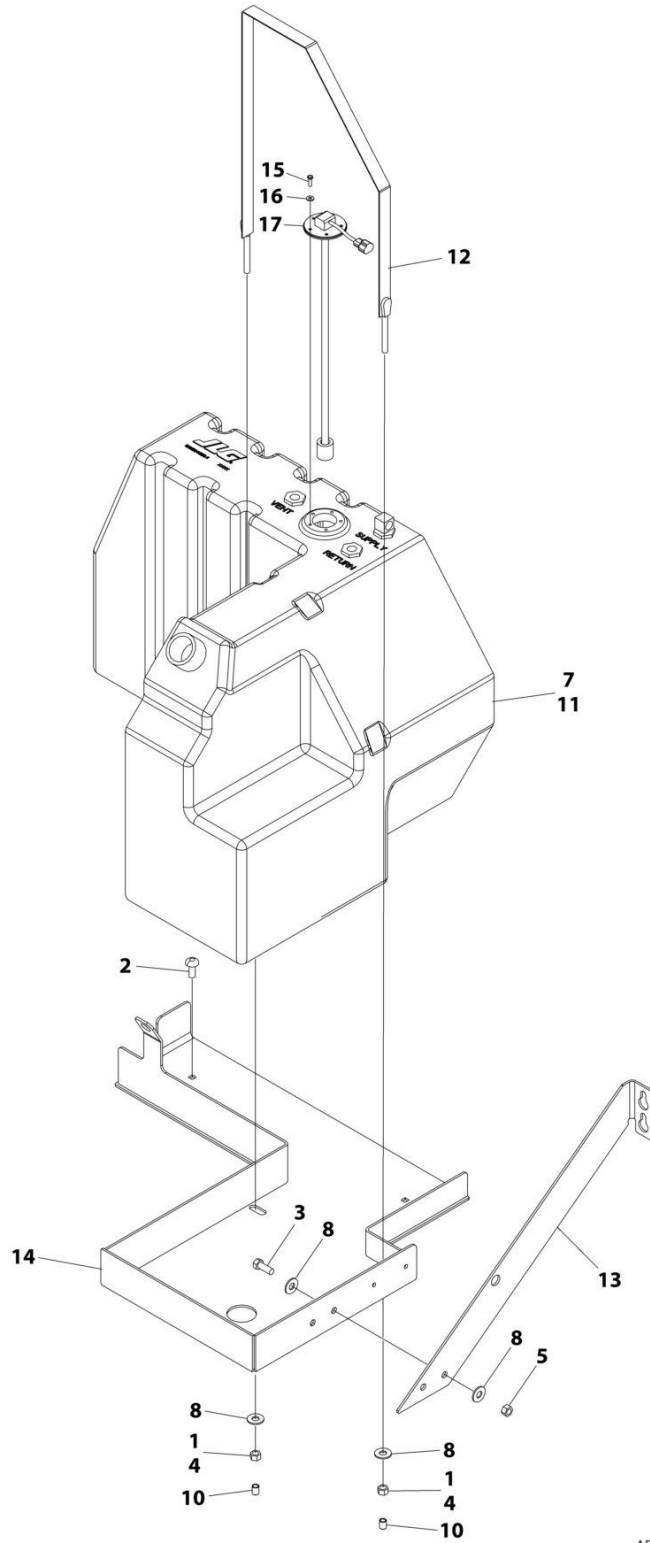
SECTION 2 - TURNTABLE

FIGURE 2-10. HYDRAULIC TANK ASSEMBLY

ITEM	PART NUMBER	QTY	DESCRIPTION	REV
	1001178057	Ref	HYDRAULIC TANK ASSEMBLY	D
2	70005708	1	Breather Assembly (Includes Breather, Element and Wingnut)	
2	See Note	NSS	Element, Breather (Note: Use p/n 70005708 or Item 13)	
3	See Note	NSS	Element, Hydraulic (Note: Use Item 13)	
4	70002839	1	Gasket	
5	See Note	NSS	Cover (Note: Not Available for Purchase)	
6	83304173	6	Washer 5/16	
7	70004199	6	Nut 5/16	
8	70002838	1	Cap, Fill	
9	7024441	1	Gauge, Level	
10	70002112	1	Plug	
11	70004795	6	Screw #10 x 3/4	
12	See Note	NSS	Plug (Note: Not Available - Purchase Locally)	
13	70002814	1	Hydraulic Tank Service Kit (Includes Items 2-4)	

SECTION 2 - TURNTABLE

FIGURE 2-11. FUEL TANK ASSEMBLY



ART_1001233641_B

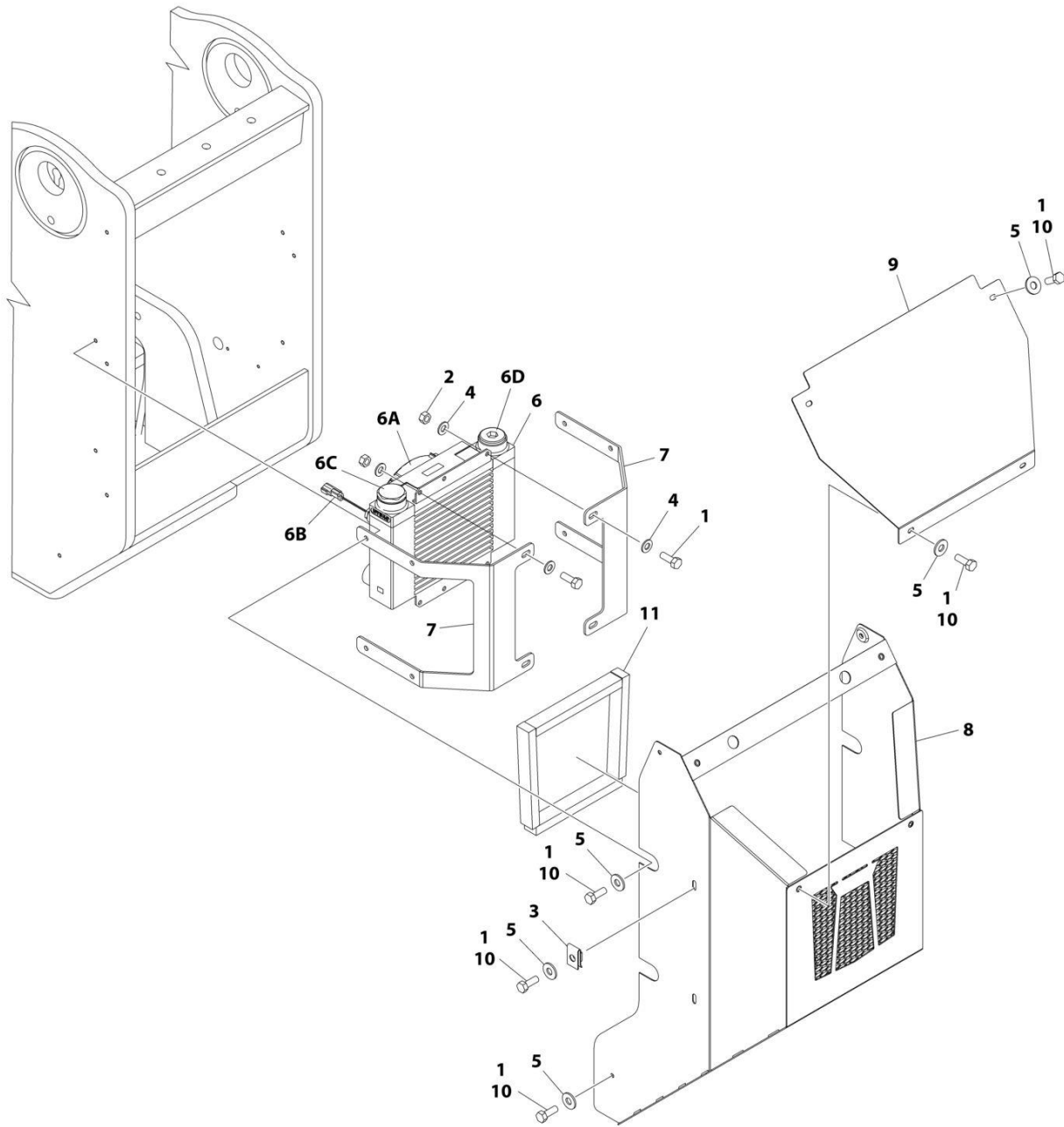
SECTION 2 - TURNTABLE

FIGURE 2-11. FUEL TANK ASSEMBLY

ITEM	PART NUMBER	QTY	DESCRIPTION	REV
	1001233641	Ref	FUEL TANK ASSEMBLY	B
1	0100011	AR	Compound, Locking	
2	0630446	2	Bolt 3/8 x 1	
3	0641608	2	Bolt 3/8 x 1	
4	3311601	2	Nut 3/8	
5	3311605	2	Nut 3/8	
7	4420038	37 in/ 0.94m	Tape	
8	4751600	6	Washer 3/8	
9	1001182997	AR	Adhesive (Not Shown)	
10	1001218572	2	Cap	
11	1001284959	1	Tank, Fuel	
11	See Note	NSS	Cap (Note: Not Available at time of Printing)	
11	See Note	NSS	Tube, Pick-up (Note: Not Available at time of Printing)	
12	1001224384	1	Strap	
13	1001233635	1	Bracket	
14	1001233640	1	Tray	
15	0731005	5	Bolt #10 x 5/8	
16	4751000	5	Washer #10	
17	1001285015	1	Gauge, Fuel Level With Connector	
17	4460897	1	Terminal	
17	1001274218	1	Gauge, Fuel Level	
17	1001287769	1	Gasket	

SECTION 2 - TURNTABLE

FIGURE 2-12. OIL COOLER INSTALLATION



ART_1001223981

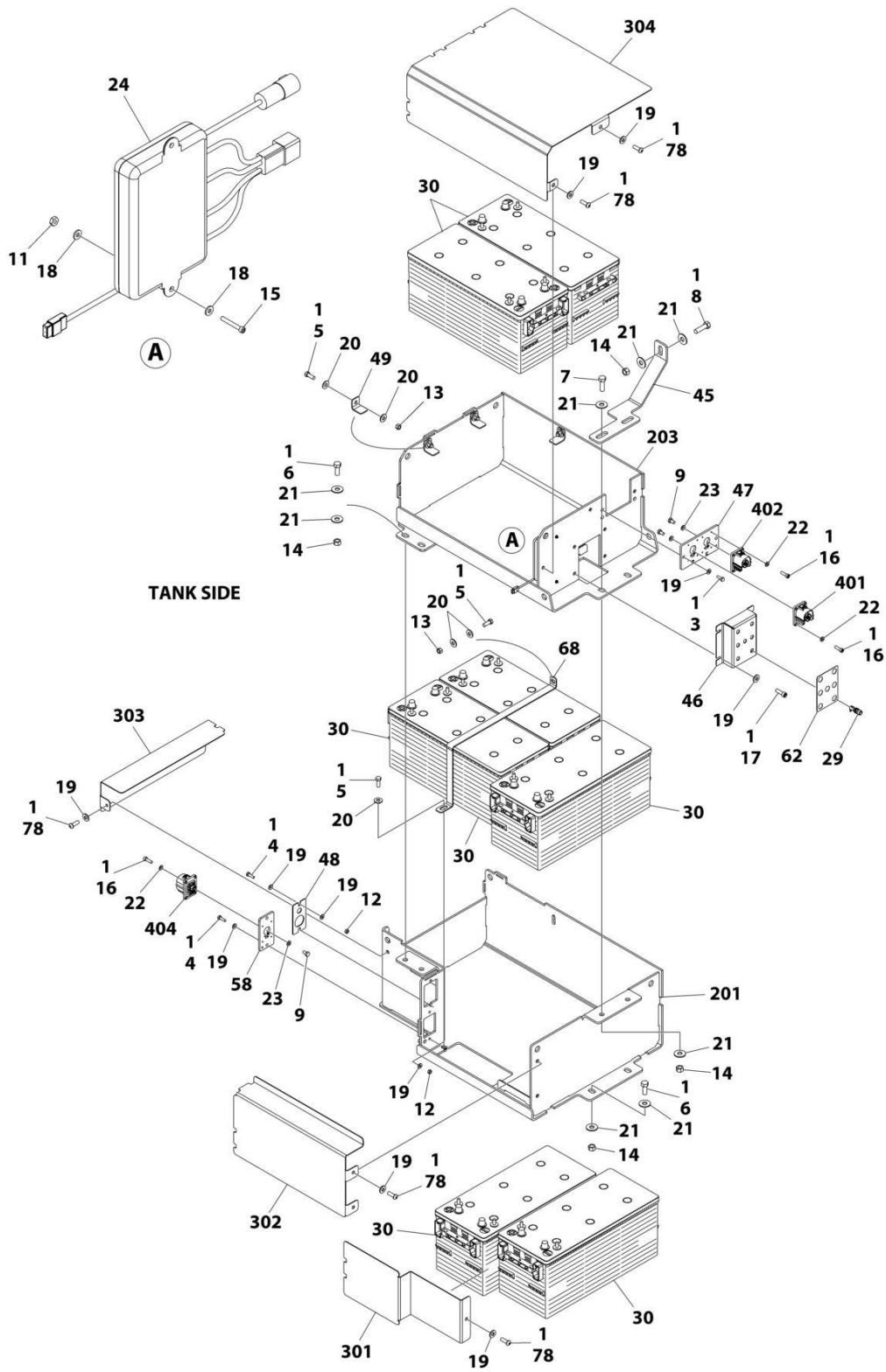
SECTION 2 - TURNTABLE

FIGURE 2-12. OIL COOLER INSTALLATION

ITEM	PART NUMBER	QTY	DESCRIPTION	REV
	1001223981	Ref	COOLER INSTALLATION	C
1	0641507	20	Bolt 5/16 x 7/8	
2	3271505	4	Nut 5/16	
3	3300364	1	Nut, Tinnerman 5/16	
4	4711500	8	Washer 5/16	
5	4751500	16	Washer 5/16	
6	1001225804	1	Cooler Assembly	
6A	70006577	1	Fan/Motor Assembly	
6A	4460994	1	Plug, Male - 2 Position (Fan/Motor)	
6A	4460993	2	Terminal (Fan/Motor)	
6B	70006576	1	Thermostat	
6B	4460891	1	Plug, Male - 2 Position (Thermostat)	
6B	4460465	2	Socket, Female (Thermostat)	
6C	70006578	1	Valve, By-Pass	
6D	70006579	1	Plug	
7	1001227198	2	Bracket	
8	1001227869	1	Cover, Vented	
9	1001227870	1	Cover	
10	0100011	AR	Compound, Locking	
11	1001233249	4	Seal	

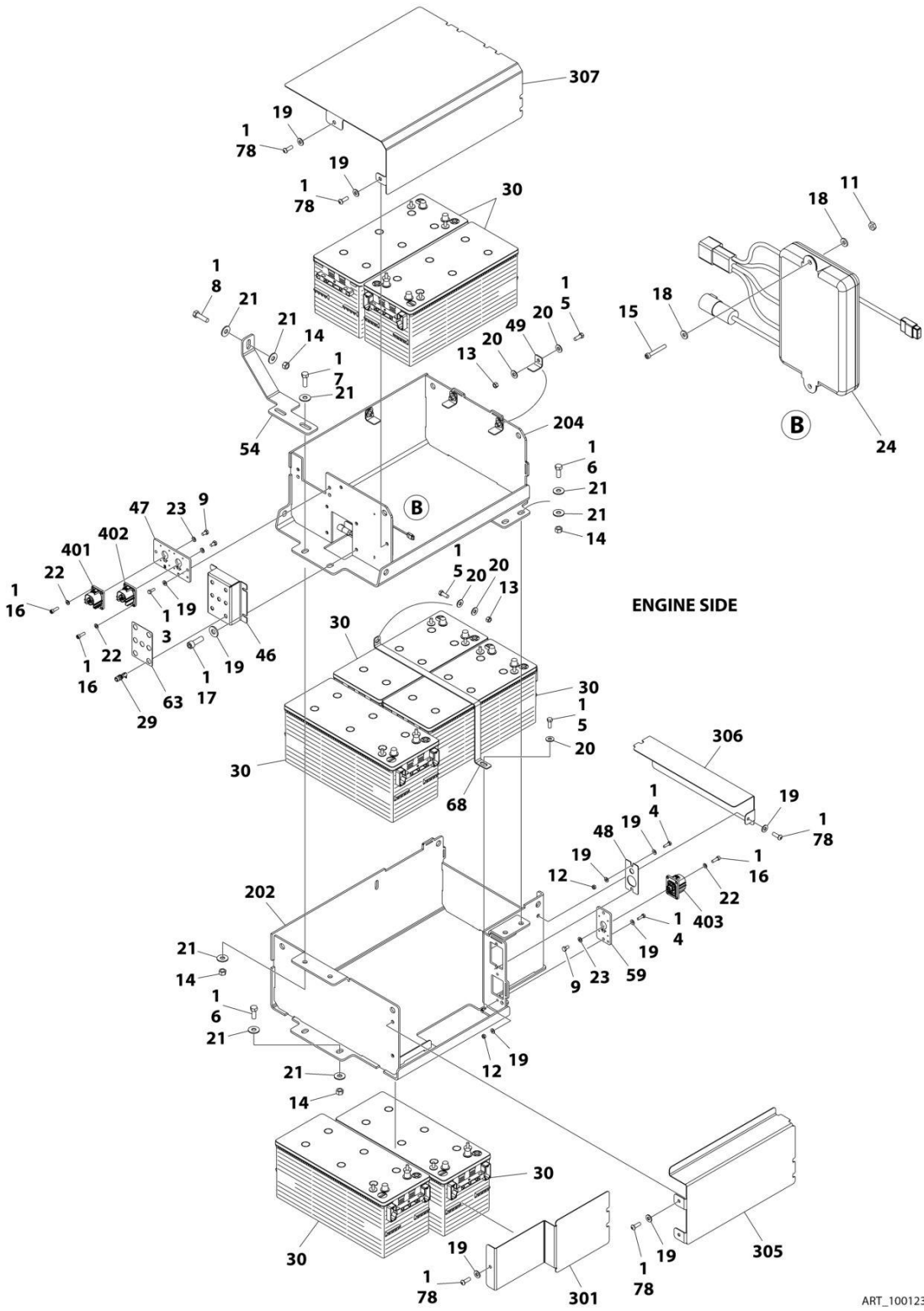
SECTION 2 - TURNTABLE

FIGURE 2-13. BATTERY BOXES INSTALLATION



ART_1001231700_1OF3

SECTION 2 - TURNTABLE



ART_1001231700_20F3

SECTION 2 - TURNTABLE

FIGURE 2-13. BATTERY BOXES INSTALLATION

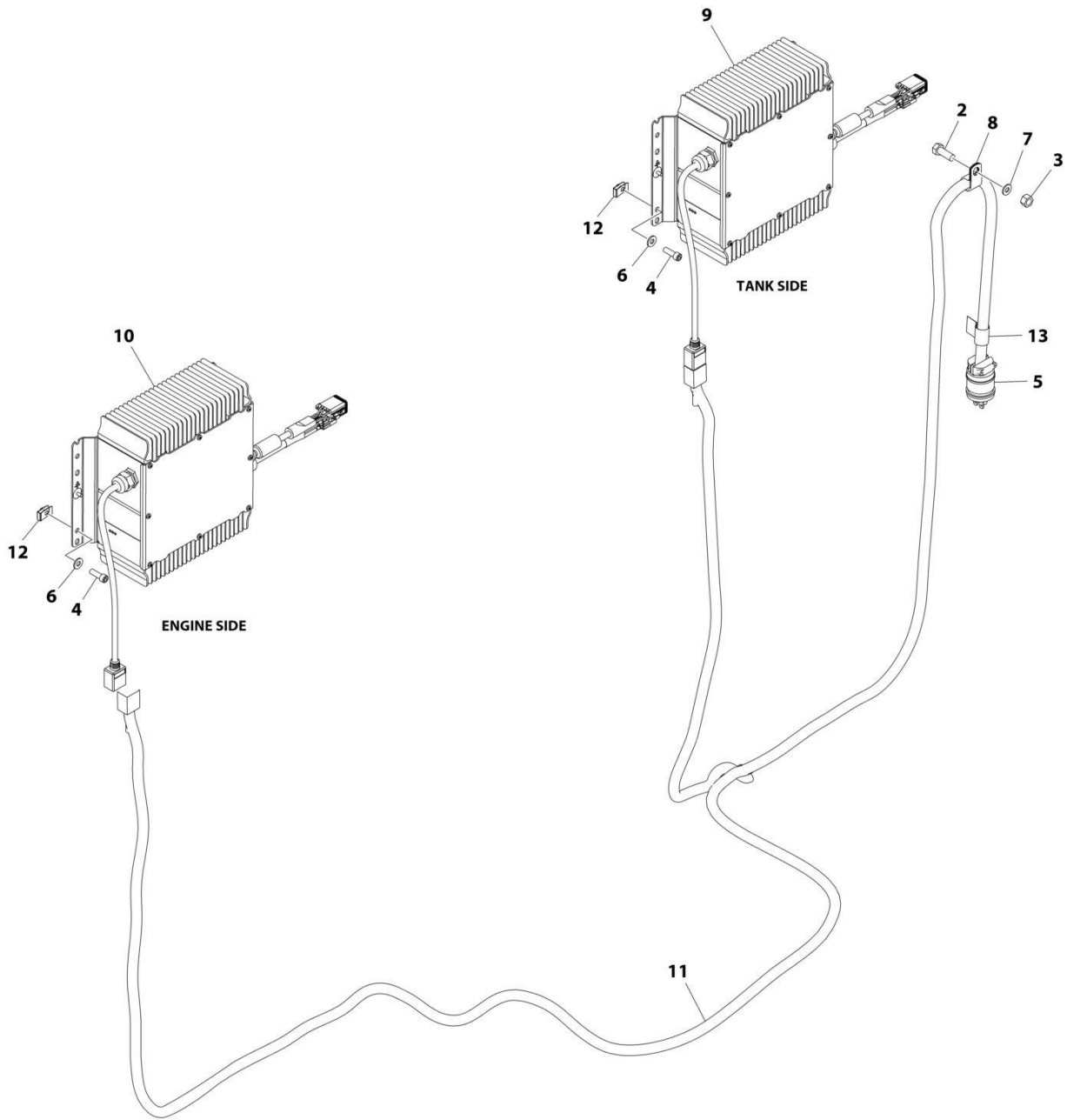
ITEM	PART NUMBER	QTY	DESCRIPTION	REV
	1001231700	Ref	BATTERY BOXES INSTALLATION	G
1	0100011	AR	Compound, Locking	
3	0641406	4	Bolt 1/4 x 3/4	
4	0641407	8	Bolt 1/4 x 7/8	
5	0641608	16	Bolt 3/8 x 1	
6	0641810	12	Bolt 1/2 x 1-1/4	
7	0641812	4	Bolt 1/2 x 1-1/2	
8	0641814	2	Bolt 1/2 x 1-3/4	
9	0760807	6	Bolt M8 x 14	
11	3310605	4	Nut #6	
12	3311401	8	Nut 1/4	
13	3311601	14	Nut 3/8	
14	3311801	18	Nut 1/2	
15	3930616	4	Capscrew #6 x 1	
16	3931010	24	Capscrew #10 x 5/8	
17	3931412	8	Capscrew 1/4 x 3/4	
18	4710600	8	Washer #6	
19	4711400	40	Washer 1/4	
20	4751600	30	Washer 3/8	
21	4751800	36	Washer 1/2	
22	4811600	24	Washer M5	
23	4811900	6	Washer M8	
24	1001222358	2	Regulator	
29	1001226935	14	Fuseholder	
30	1001231249	14	Battery	
45	1001231596	1	Plate	
46	1001231597	2	Mount	
47	1001231598	2	Mount	
48	1001231599	2	Cover	
49	1001231600	12	Plate	
54	1001231655	1	Plate	
58	1001231839	1	Mount	
59	1001231840	1	Mount	
62	1001230711	1	Decal - Tank Battery Stack Fuses	
63	1001230712	1	Decal - Engine Battery Stack Fuses	
68	1001233737	2	Plate	
73	4240099	2	Tie-Strap (Not Shown)	
78	0641405	12	Bolt 1/4 x 5/8	
200	1001233443	1	Battery Box Kit (Not Shown)	
201	1001231569	1	Box, Battery	
202	1001231570	1	Box, Battery	
203	1001231581	1	Box, Battery (Tank Side)	
204	1001231582	1	Box, Battery (Engine Side)	
300	1001233444	1	Battery Covers Kit (Not Shown)	
301	1001231601	2	Cover, Battery Box	
302	1001231606	1	Cover, Battery Box	
303	1001231607	1	Cover, Battery Box	
304	1001231608	1	Cover, Battery Box	
305	1001231656	1	Cover, Battery Box	
306	1001231657	1	Cover, Battery Box	

SECTION 2 - TURNTABLE

ITEM	PART NUMBER	QTY	DESCRIPTION	REV
307	1001231658	1	Cover, Battery Box	
400	1001233446	1	Connector Kit (Not Shown)	
401	1001223195	2	Connector	
402	1001223196	2	Connector	
403	1001223198	1	Connector	
404	1001223200	1	Connector	

SECTION 2 - TURNTABLE

FIGURE 2-14. BATTERY CHARGERS INSTALLATION (FACTORY SUPPLIED 220V PLUG)



ART_1001223124

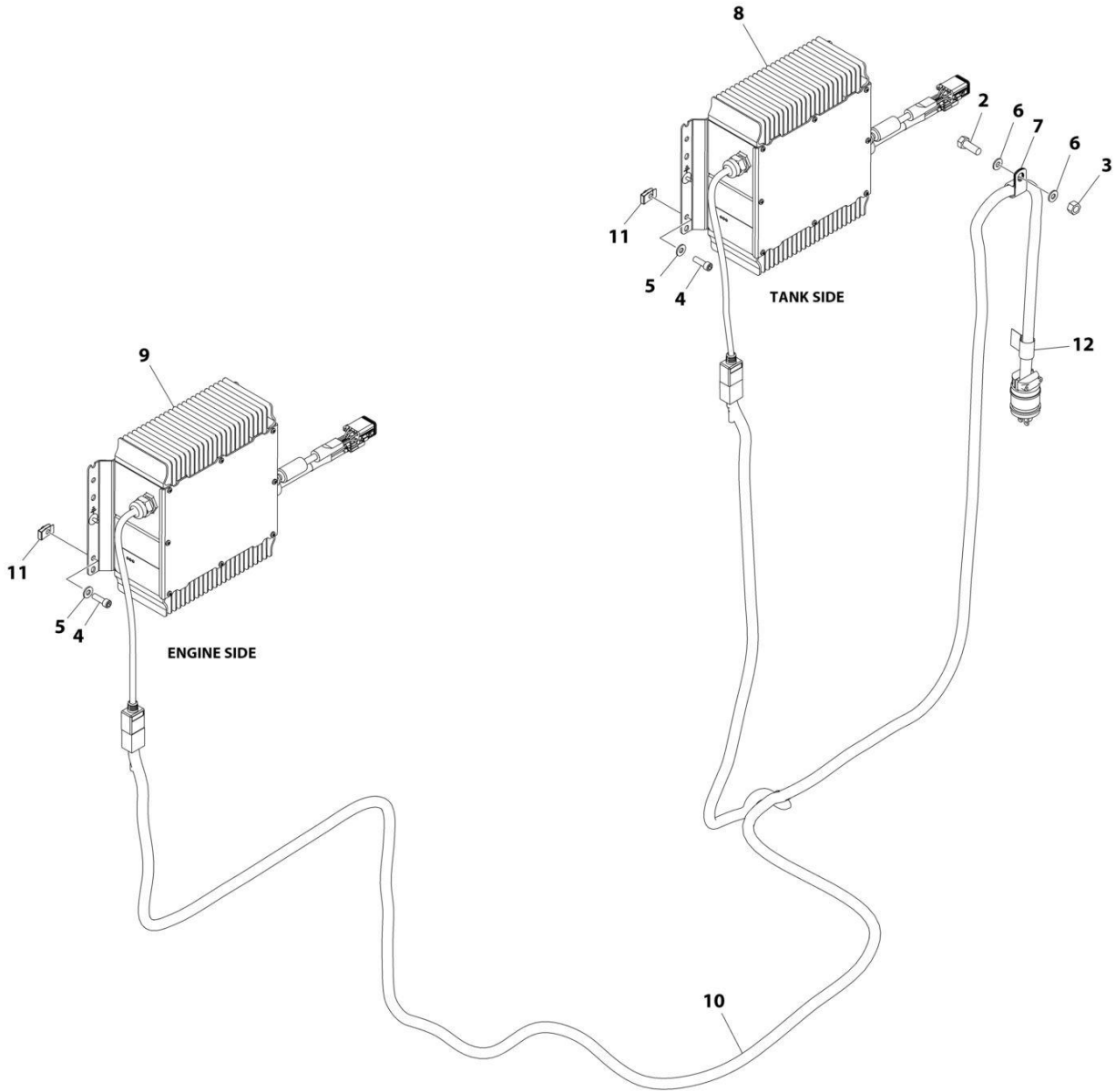
SECTION 2 - TURNTABLE

FIGURE 2-14. BATTERY CHARGERS INSTALLATION (FACTORY SUPPLIED 220V PLUG)

ITEM	PART NUMBER	QTY	DESCRIPTION	REV
	1001223124	Ref	BATTERY CHARGERS INSTALLATION	F
2	0641608	1	Bolt 3/8 x 1	
3	3311605	1	Nut 3/8	
4	3931412	8	Capscrew 1/4 x 3/4	
5	4460233	1	Plug	
6	4711400	8	Washer 1/4	
7	4711600	2	Washer 3/8	
8	1320061	1	Clamp	
9	1001222359	1	Charger, Battery (Primary)	
10	1001222360	1	Charger, Battery (Secondary)	
11	1001226031	1	Cable, AC	
12	3300454	8	Nut, Tinnerman 1/4	
13	1001238309	1	Decal - 240V Heater Cord	

SECTION 2 - TURNTABLE

FIGURE 2-15. BATTERY CHARGERS INSTALLATION (CUSTOMER SUPPLIED PLUG)



ART_1001227901_F

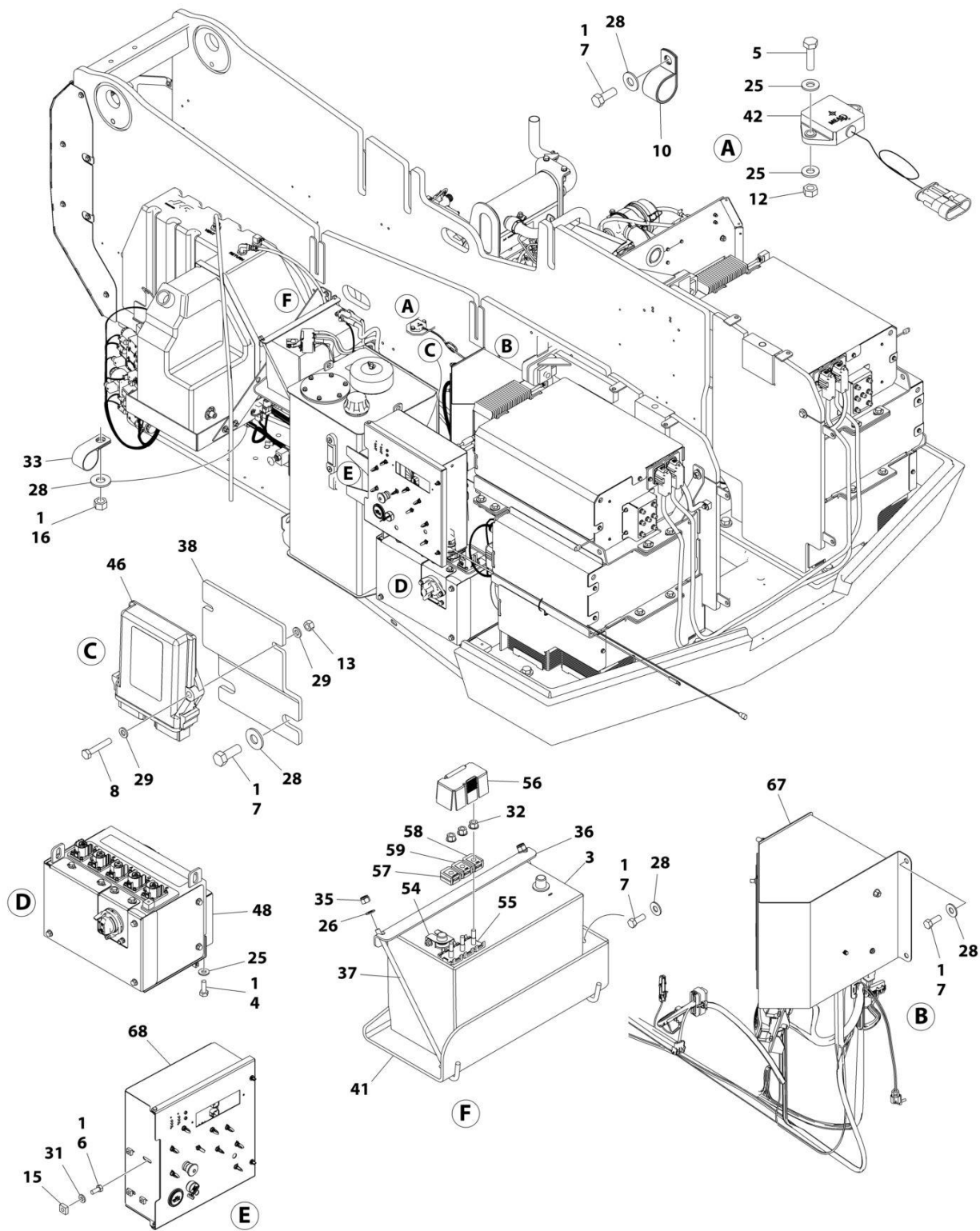
SECTION 2 - TURNTABLE

FIGURE 2-15. BATTERY CHARGERS INSTALLATION (CUSTOMER SUPPLIED PLUG)

ITEM	PART NUMBER	QTY	DESCRIPTION	REV
	1001227901	Ref	BATTERY CHARGERS INSTALLATION	F
2	0641608	1	Bolt 3/8 x 1	
3	3311605	1	Nut 3/8	
4	3931412	8	Capscrew 1/4 x 3/4	
5	4711400	8	Washer 1/4	
6	4711600	2	Washer 3/8	
7	1320061	1	Clamp	
8	1001222359	1	Charger, Battery (Primary)	
9	1001222360	1	Charger, Battery (Secondary)	
10	1001264430	1	Cable, AC	
11	3300454	8	Nut 1/4	
12	1001238309	1	Decal - 240V Heater Cord	

SECTION 2 - TURNTABLE

FIGURE 2-16. ELECTRICAL SYSTEM INSTALLATION



ART_1001249003_D_10F2

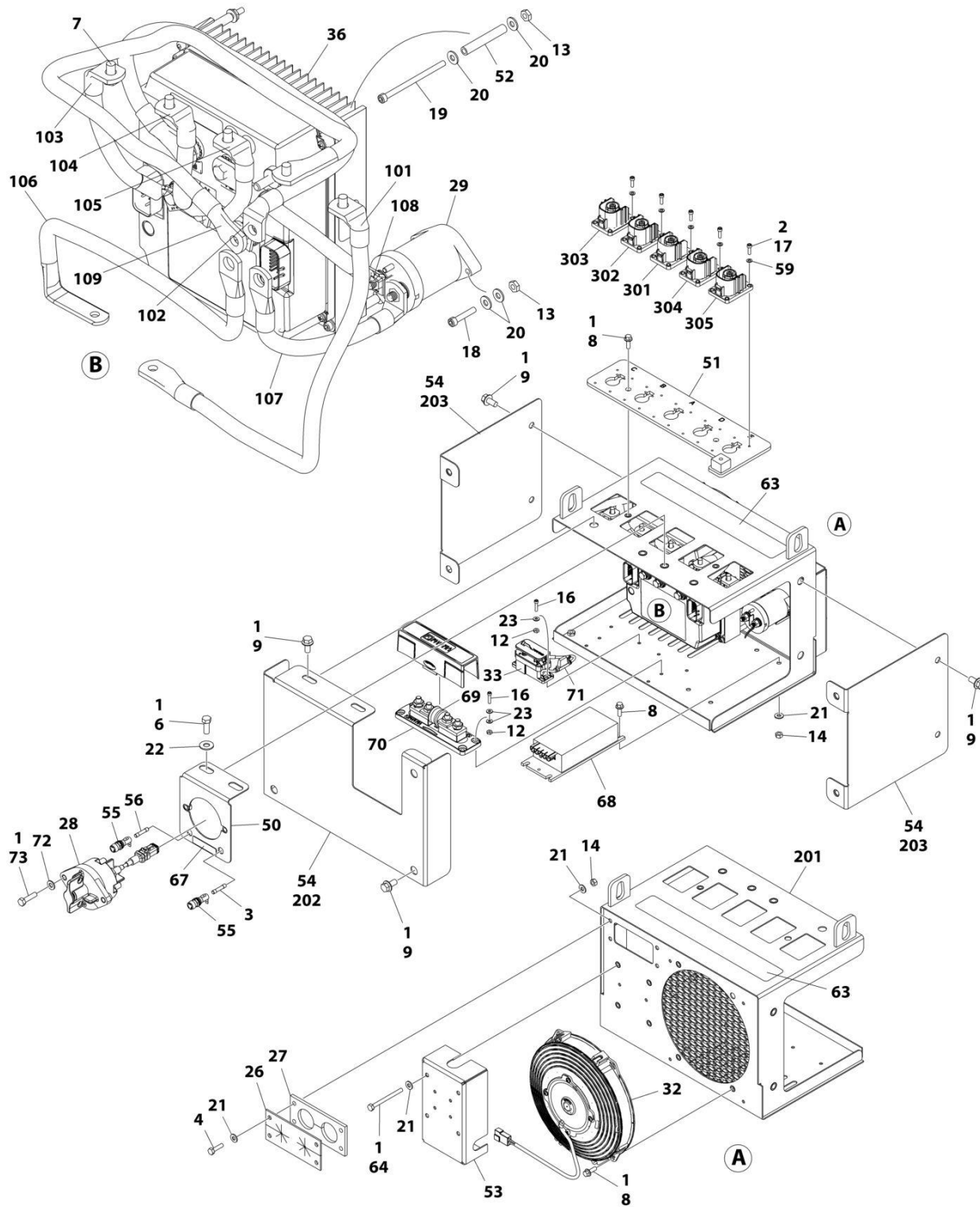
SECTION 2 - TURNTABLE

FIGURE 2-16. ELECTRICAL SYSTEM INSTALLATION

ITEM	PART NUMBER	QTY	DESCRIPTION	REV
	1001249003	Ref	ELECTRICAL COMPONENTS INSTALLATION	D
1	0100011	AR	Compound, Locking	
3	0400075	1	Battery	
4	0641406	4	Bolt 1/4 x 3/4	
5	0641408	2	Bolt 1/4 x 1	
6	0641506	4	Bolt 5/16 x 3/4	
7	0681608	10	Bolt 3/8 x 1	
8	0700615	2	Bolt M6 x 35	
10	1320060	1	Clamp	
12	3271405	2	Nut 1/4	
13	3290607	2	Nut M6	
15	3300205	4	Nut, Retainer	
16	3311601	2	Nut 3/8	
17	4061032	1	Shield (Not Shown - Located over Hydraulic Pump)	
20	4240099	2	Tie-Strap (Not Shown)	
25	4711400	8	Washer 1/4	
26	4711500	2	Washer 5/16	
28	4751600	12	Washer 3/8	
29	4811700	4	Washer M6	
31	4891500	4	Washer 5/16	
32	5260818	3	Nut M8	
33	8406201	2	Clip	
35	88521205	2	Nut 5/16	
36	91401281	1	Bracket	
37	1001093382	2	J-Bolt	
38	1001142722	1	Bracket	
41	1001162497	1	Tray, Battery	
42	1001219601	1	Sensor, Tilt	
46	1001223583	1	Module, HEC Control (Note: Recalibration Required when Replaced)	
48	1001226120	1	IMG Control Box Assembly (See Separate Breakdown in this Section)	
54	1001226929	1	Terminal	
55	1001226930	1	Stud Assembly	
56	1001226931	1	Boot, Red	
57	1001226932	1	Fuse 40Amp	
58	1001226933	1	Fuse 80Amp	
59	1001226934	1	Shunt	
67	1001249004	1	Fuse Box Assembly (See Separate Breakdown in this Section)	
68	1001249005	1	Ground Control Box Assembly (See Separate Breakdown in this Section)	
69	1001296426	1	Harness, Hourmeter Jumper (Not Shown) (See Separate Breakdown in ELECTRICAL Section)	

SECTION 2 - TURNTABLE

FIGURE 2-17. IMG CONTROL BOX ASSEMBLY



ART_1001226120

SECTION 2 - TURNTABLE

FIGURE 2-17. IMG CONTROL BOX ASSEMBLY

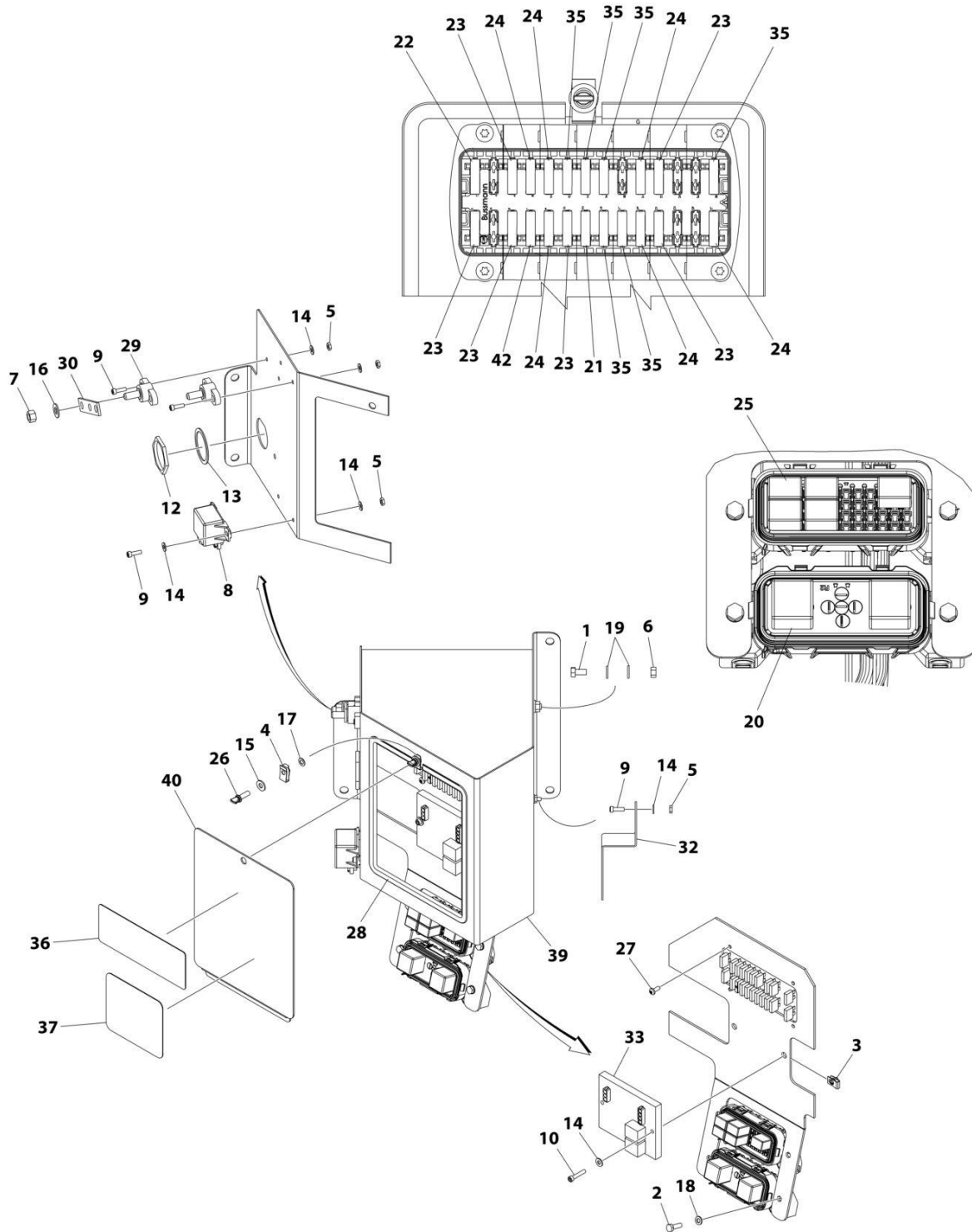
ITEM	PART NUMBER	QTY	DESCRIPTION	REV
	1001226120	Ref	IMG CONTROL BOX ASSEMBLY	J
1	0100011	AR	Compound, Locking	
2	0100035	AR	Compound, Locking	
3	1001234314	1	Fuse 10Amp	
4	0641408	4	Bolt 1/4 x 1	
6	0641608	2	Bolt 3/8 x 1	
7	0760807	5	Bolt M8 x 14	
8	0811406	10	Screw 1/4 x 3/4	
9	0811606	9	Screw 3/8 x 3/4	
12	3310805	8	Nut #8	
13	3311005	6	Nut #10	
14	3311405	8	Nut 1/4	
16	3930812	8	Capscrew #8 x 3/4	
17	3931010	20	Capscrew #10 x 5/8	
18	3931016	2	Capscrew #10 x 1	
19	3931048	4	Capscrew #10 x 3	
20	4711000	12	Washer #10	
21	4711400	16	Washer 1/4	
22	4751600	2	Washer 3/8	
23	4750800	12	Washer #8	
26	1001168243	1	Shield	
27	1001168244	1	Shield	
28	1001236759	1	Switch, STDP Interlock	
29	1001222340	1	Relay, Main Contactor	
32	1001222363	1	Fan, Cooling	
33	1001222365	2	Relay	
36	1001222879	1	Controller, IMG (Note: Recalibration Required when Replaced)	
50	1001236967	1	Plate, IMG Disconnect Switch	
51	1001226146	1	Mount, IMG Connector	
52	1001226190	4	Sleeve	
53	1001226492	1	Cover Assembly	
53	1001224943	1	Converter	
53	1001226489	1	Cover	
54	1001113047	95 in/ 2.4m	Seal	
55	1001226935	2	Holder, Fuse	
56	1001228440	1	Fuse 15Amp	
59	4811600	20	Washer M5	
63	1001227763	1	Decal - Header Label IMG Box	
64	0641424	4	Bolt 1/4 x 3	
67	1001230714	1	Decal - IMG Fuse	
68	1001233188	1	Converter	
69	1001233198	1	Fuse 200Amp - 400Amp	
70	1001233203	1	Holder, Fuse	
71	1001234488	2	Electrical Assembly - Flyback Diode	
72	4711500	2	Washer 5/16	
73	0641510	2	Bolt 5/16 x 1-1/4	
100	1001233442	1	IMG Box Cable Kit	B
101	1001222375	1	Cable - Battery to Fuse	
102	1001222378	1	Cable - Negative to IMG	

SECTION 2 - TURNTABLE

ITEM	PART NUMBER	QTY	DESCRIPTION	REV
103	1001223916	1	Cable - IMG (U) to Box	
104	1001223917	1	Cable - IMG (V) to Box	
105	1001223918	1	Cable - IMG (W) to Box	
106	1001223951	1	Cable - Fuse to Rotary Disc	
107	1001223952	1	Cable - Rotary Disc to Main Controller	
108	1001223953	1	Cable - Main Controller to IMG	
109	1001230507	1	Cable (Negative to Bulkhead)	
200	1001233445	1	IMG Box Plate Kit	B
201	1001226121	1	Box	
202	1001226124	1	Cover, Front	
203	1001230154	2	Panel	
300	1001233447	1	IMG Cable Connector Kit	A
301	1001222915	1	Connector	
302	1001223195	1	Connector	
303	1001223196	1	Connector	
304	1001223198	1	Connector	
305	1001223200	1	Connector	

SECTION 2 - TURNTABLE

FIGURE 2-18. ELECTRICAL ASSEMBLY - 12V FUSE BOX



ART_1001249004

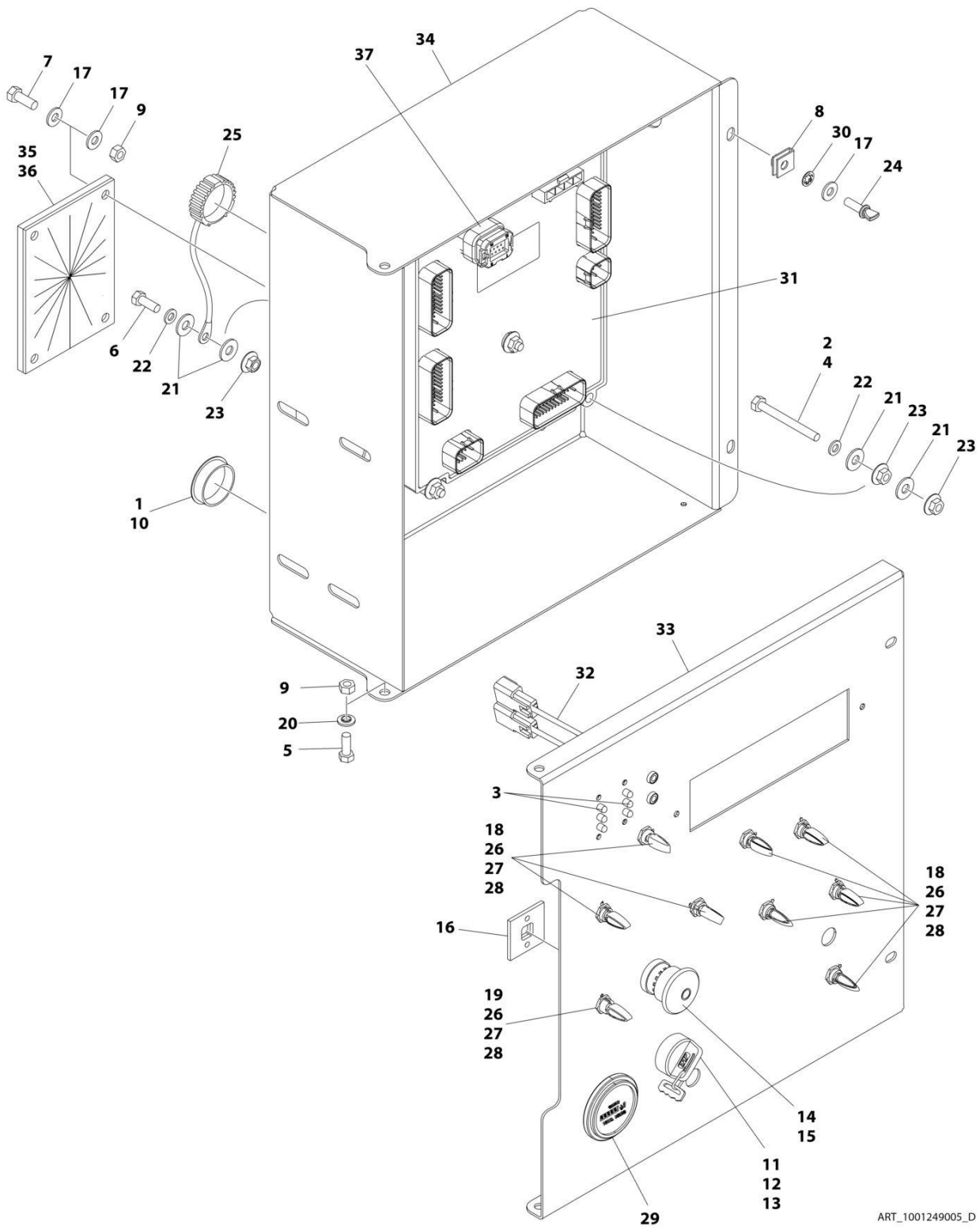
SECTION 2 - TURNTABLE

FIGURE 2-18. ELECTRICAL ASSEMBLY - 12V FUSE BOX

ITEM	PART NUMBER	QTY	DESCRIPTION	REV
	1001249004	Ref	ELECTRICAL ASSEMBLY - 12V FUSE BOX	B
1	0641505	1	Bolt 5/16 x 5/8	
2	0760610	4	Bolt M6 x 20	
3	3300365	2	Nut, Retainer	
4	3300454	1	Nut, Tinnerman 1/4	
5	3311005	7	Nut #10	
6	3311505	1	Nut 5/16	
7	3311605	1	Nut 3/8	
8	3740112	1	Relay	
9	3931010	7	Capscrew #10 x 5/8	
10	3931016	2	Capscrew #10 x 1	
11	4240099	1	Tie-Strap (Not Shown)	
12	4460470	1	Nut	
13	4460471	1	Washer	
14	4711000	11	Washer #10	
15	4711400	1	Washer 1/4	
16	4711600	1	Washer 3/8	
17	4771200	1	Washer #12	
18	4811700	4	Washer M6	
19	4891500	2	Washer 5/16	
20	8225117	2	Relay	
21	8229234	1	Fuse - 10 Amp	
22	8229236	1	Fuse - 30 Amp	
23	8229237	6	Fuse - 15 Amp	
24	8229261	6	Fuse - 5 Amp	
25	1001095704	5	Relay	
26	1001103308	1	Screw 1/4 x 3/4	
27	1001108134	4	Screw #10 x 1/2	
28	1001113047	2.7 ft/ 0.82m	Trim	
29	1001120750	2	Stud	
30	1001128241	1	Bussbar	
31	1001146588	2	Tie-Strap (Not Shown)	
32	1001159162	1	Bracket	
33	1001223581	1	Control, H-Bridge	
34	1001226404	1	Harness - H-Bridge/Clutch (Not Shown) (See Separate Breakdown in ELECTRICAL SECTION)	
35	1001227788	6	Fuse - 2 Amp	
36	1001229790	1	Decal - Fuse Box	
37	1001229791	1	Decal - Relays	
38	1001230522	1	Turntable-Fuse Panel Harness (Not Shown) (See Separate Breakdown in ELECTRICAL SECTION)	
39	1001232495	1	Box, Fuse	
40	1001232499	1	Cover	
41	1001245030	1	Engine Harness (Not Shown) (See Separate Breakdown in ELECTRICAL SECTION)	
42	1001247362	1	Fuse - 40 Amp	

SECTION 2 - TURNTABLE

FIGURE 2-19. GROUND CONTROL BOX ASSEMBLY



ART_1001249005_D

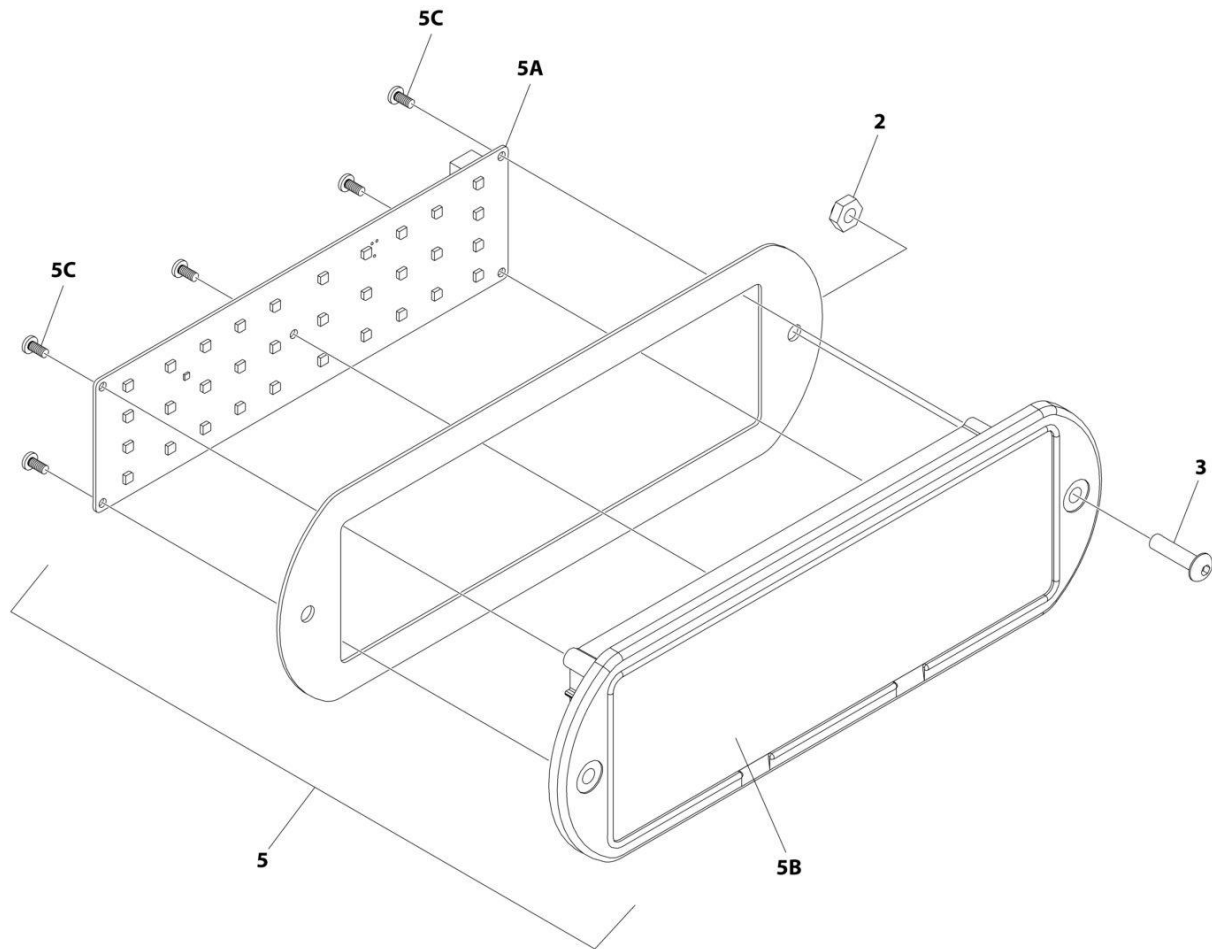
SECTION 2 - TURNTABLE

FIGURE 2-19. GROUND CONTROL BOX ASSEMBLY

ITEM	PART NUMBER	QTY	DESCRIPTION	REV
	1001249005	Ref	GROUND CONTROL BOX ASSEMBLY	D
1	0100009	AR	Sealant	
2	0100011	AR	Compound, Locking	
3	0610131	2	LED P/C Board	
4	0630548	5	Bolt 2-1/2	
5	0641405	2	Bolt 1/4 x 5/8	
6	0641407	1	Bolt 1/4 x 7/8	
7	0641408	4	Bolt 1/4 x 1	
8	3300353	2	Nut, Tinnerman	
9	3311405	6	Nut 1/4	
10	3520035	1	Plug	
11	3910804	6	Screw #8 x 1/4	
12	4070991	1	Shim .125	
13	4360469	1	Switch, Key	
13	2860030	1 Set	Key, Replacement	
14	1001274559	1	Switch, Emergency Stop	
15	4360476	1	Switch, Contact Block	
16	4460488	6	Mount, Tie-Strap	
17	4711400	10	Washer 1/4	
18	4740397	8	Washer	
19	4740444	1	Washer	
20	4740518	2	Washer	
21	4751400	12	Washer 1/4	
22	4761400	6	Washer 1/4	
23	77143013	11	Nut 1/4	
24	1001103308	2	Screw 1/4 x 3/4	
25	1001106736	1	Cap, Dust	
26	1001155043	9	Washer	
27	1001155044	9	Nut 15/32	
28	1001155045	9	Switch, Toggle	
29	10836804	1	Gauge, Display	
30	1001188874	2	Nut	
31	1001284800	1	Module, Ground Control (Note: Recalibration Required when Replaced)	
32	1001225120	2	Lamp	
33	1001297393	1	Lid	
34	1001225969	1	Box	
35	1001229017	1	Shield, Cable	
36	1001229018	1	Trim, Shield	
37	1001246859	1	Connector, 14 Position Gray	

SECTION 2 - TURNTABLE

FIGURE 2-20. LIGHT PANEL INSTALLATION - GROUND CONTROL



ART_1001245177_C_1OF2

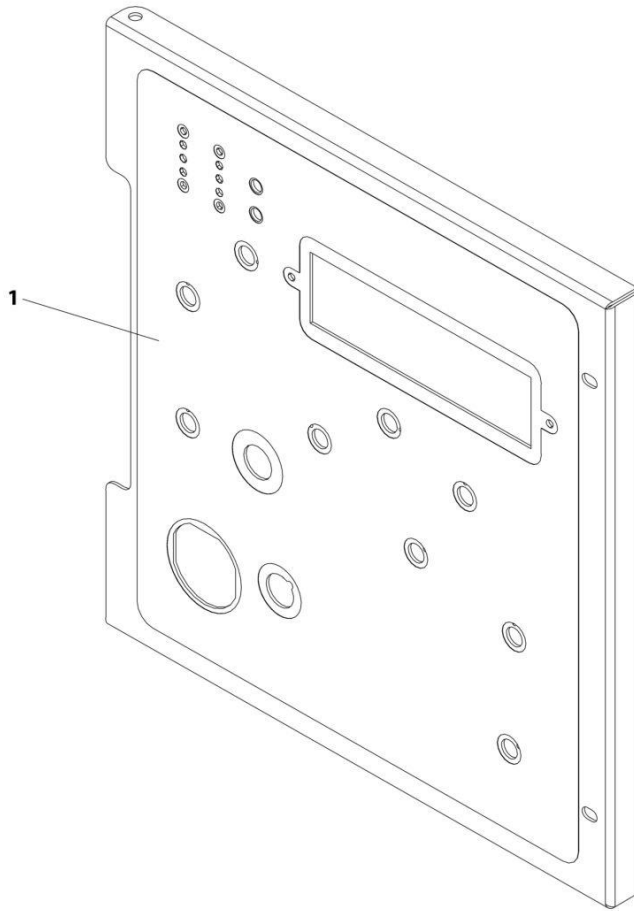
SECTION 2 - TURNTABLE

FIGURE 2-20. LIGHT PANEL INSTALLATION - GROUND CONTROL

ITEM	PART NUMBER	QTY	DESCRIPTION	REV
	1001245177	Ref	LIGHT PANEL INSTALLATION - GROUND CONTROL	C
2	3300408	2	Nut, Nylon Insert	
3	0630518	2	Screw #10 x 3/4	
5	1001281718	1	Light Panel Assembly	A
5A	1001238732	1	Panel, LED Light	
5B	1001281706	1	Lens, I-Con	
5C		Ref	Screw	

SECTION 2 - TURNTABLE

FIGURE 2-21. GROUND CONTROL PANEL DECAL INSTALLATION (WITHOUT MSSO & WITHOUT TOWER STOW)



ART_1001249014

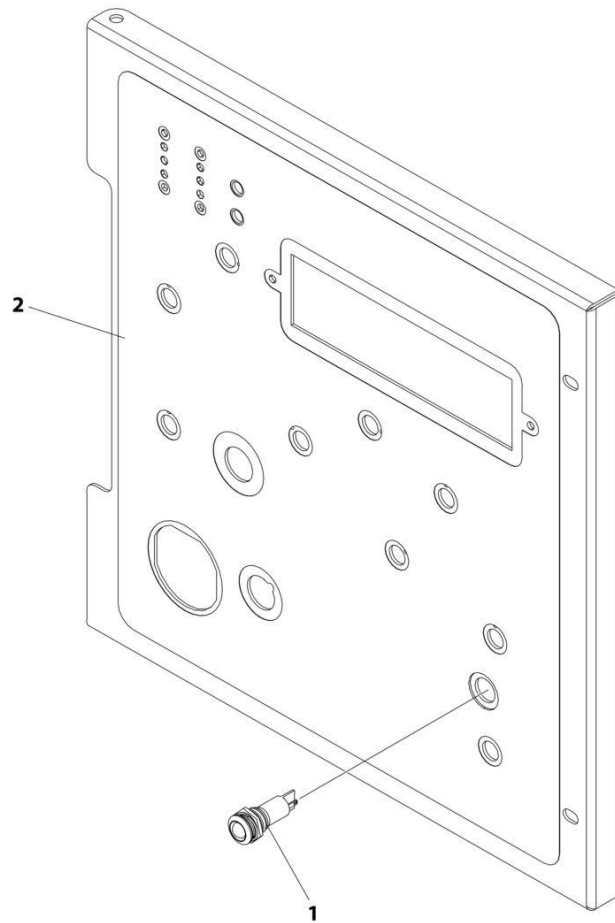
SECTION 2 - TURNTABLE

FIGURE 2-21. GROUND CONTROL PANEL DECAL INSTALLATION (WITHOUT MSSO & WITHOUT TOWER STOW)

ITEM	PART NUMBER	QTY	DESCRIPTION	REV
	1001249014	Ref	GROUND CONTROL PANEL DECAL INSTALLATION (WITHOUT MSSO)	A
1	1001249018	1	Decal - Ground Control Box	

SECTION 2 - TURNTABLE

FIGURE 2-22. GROUND CONTROL PANEL DECAL INSTALLATION (WITHOUT MSSO & WITH TOWER STOW)



ART_1001264701

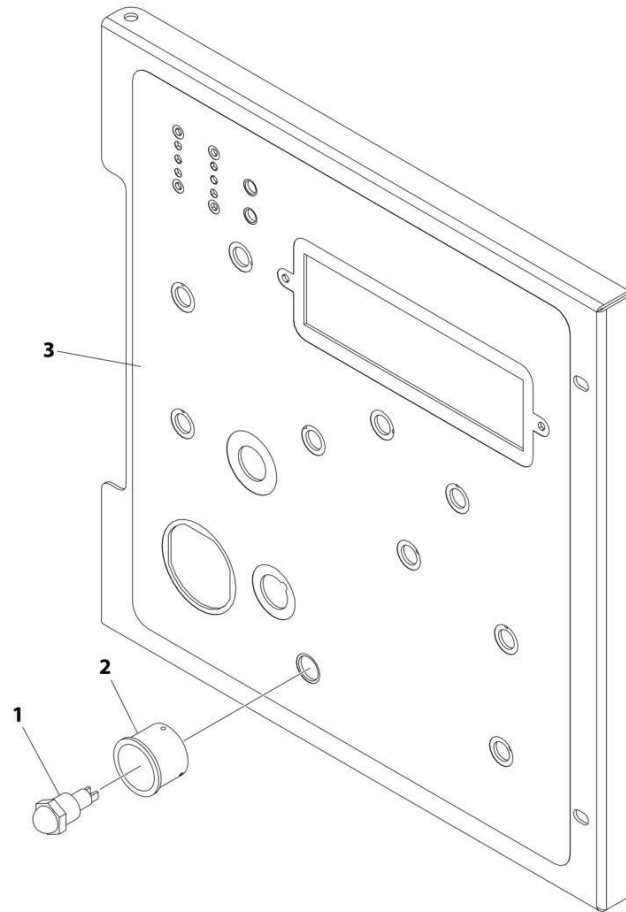
SECTION 2 - TURNTABLE

FIGURE 2-22. GROUND CONTROL PANEL DECAL INSTALLATION (WITHOUT MSSO & WITH TOWER STOW)

ITEM	PART NUMBER	QTY	DESCRIPTION	REV
	1001264701	Ref	GROUND CONTROL PANEL DECAL INSTALLATION (WITHOUT MSSO & WITH TOWER STOW)	A
1	1001137364	1	Lamp, LED Indicator Green	
2	1001264698	1	Decal - Ground Control Box	

SECTION 2 - TURNTABLE

FIGURE 2-23. GROUND CONTROL PANEL DECAL INSTALLATION (WITH MSSO & WITHOUT TOWER STOW)



ART_1001249015

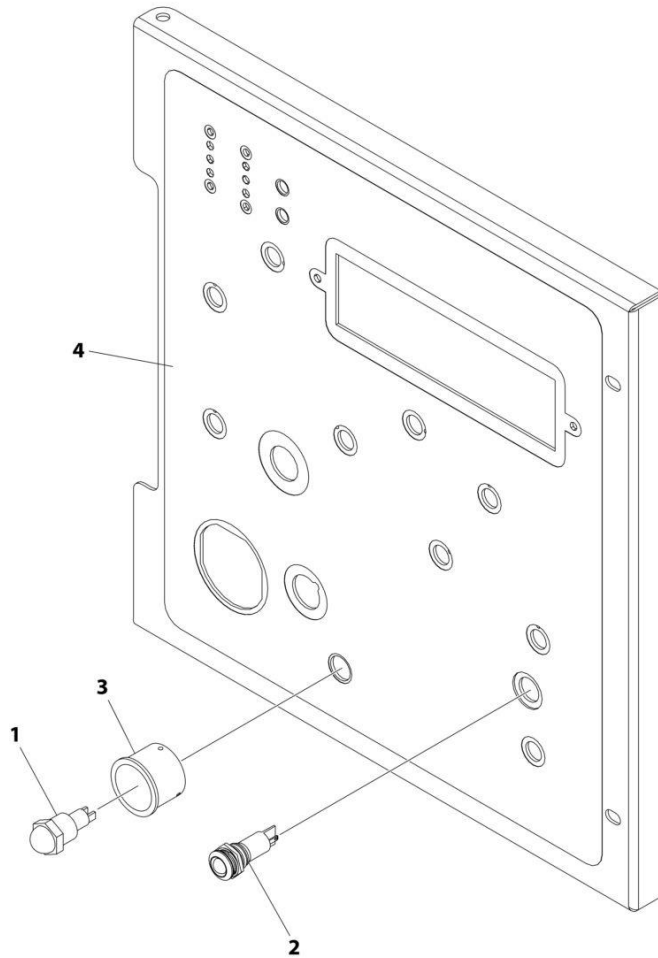
SECTION 2 - TURNTABLE

FIGURE 2-23. GROUND CONTROL PANEL DECAL INSTALLATION (WITH MSSO & WITHOUT TOWER STOW)

ITEM	PART NUMBER	QTY	DESCRIPTION	REV
	1001249015	Ref	GROUND CONTROL PANEL DECAL INSTALLATION (WITH MSSO)	A
1	4360387	1	Switch, Push Button	
2	1001176469	1	Shroud, Switch	
3	1001249019	1	Decal - Ground Control Box	

SECTION 2 - TURNTABLE

FIGURE 2-24. GROUND CONTROL PANEL DECAL INSTALLATION (WITH MSSO & WITH TOWER STOW)



ART_1001264807

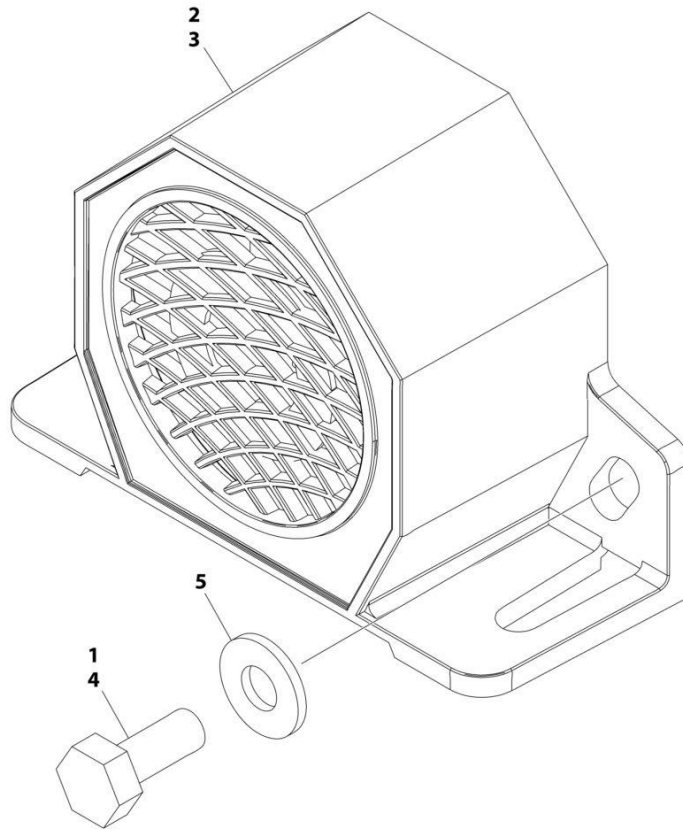
SECTION 2 - TURNTABLE

FIGURE 2-24. GROUND CONTROL PANEL DECAL INSTALLATION (WITH MSSO & WITH TOWER STOW)

ITEM	PART NUMBER	QTY	DESCRIPTION	REV
	1001264807	Ref	GROUND CONTROL PANEL DECAL INSTALLATION (WITH MSSO & WITH TOWER STOW)	A
1	4360387	1	Switch, Push Button	
2	1001137364	1	Lamp, LED Indicator Green	
3	1001176469	1	Shroud, Switch	
4	1001264804	1	Decal - Ground Control Box	

SECTION 2 - TURNTABLE

FIGURE 2-25. ALARM INSTALLATION



ART_1001158364

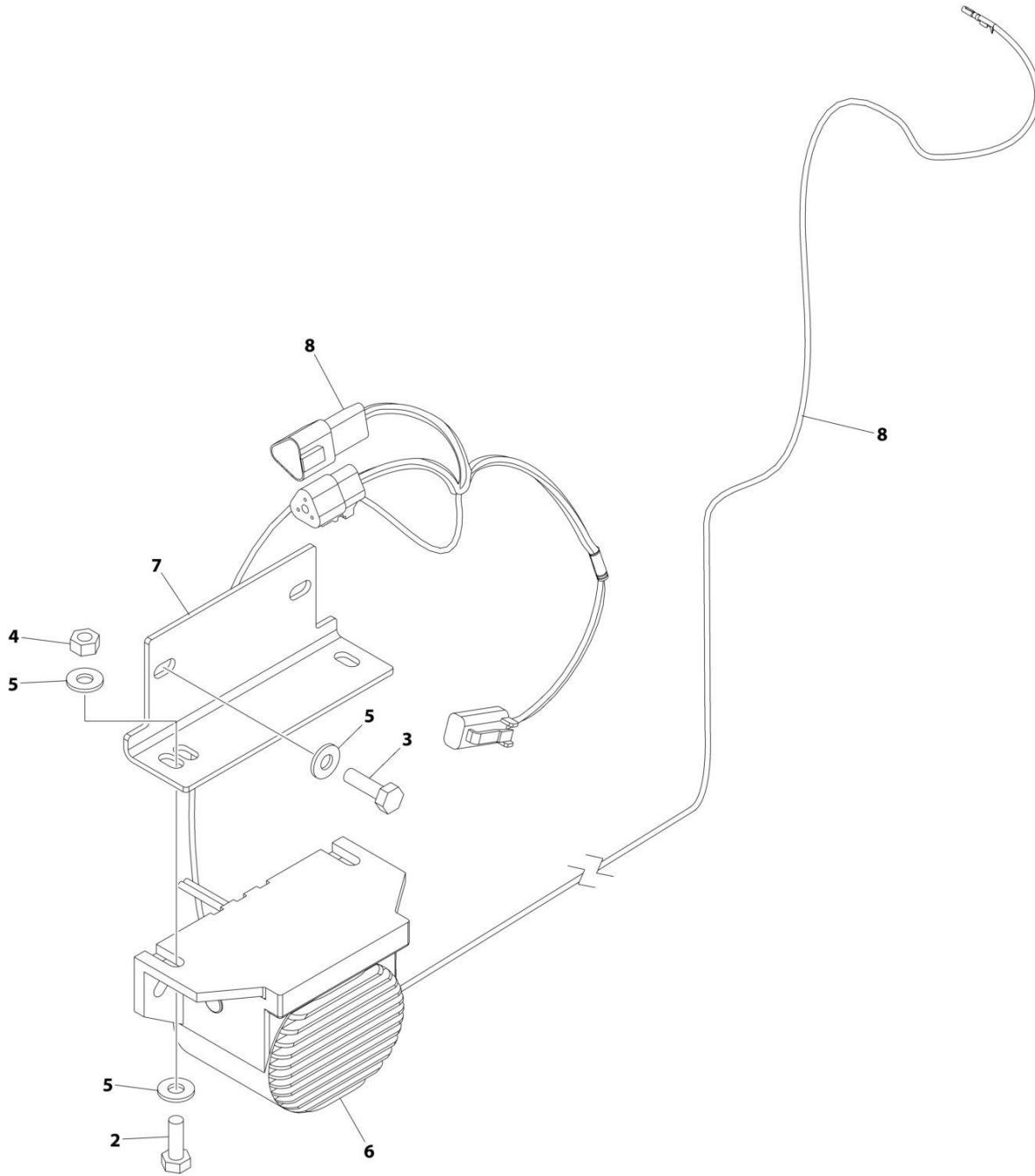
SECTION 2 - TURNTABLE

FIGURE 2-25. ALARM INSTALLATION

ITEM	PART NUMBER	QTY	DESCRIPTION	REV
	1001158364	Ref	ALARM INSTALLATION	A
1	0100011	AR	Compound, Locking	
2	0100048	AR	Grease, Dielectric	
3	0140044	1	Alarm	
4	0641405	2	Bolt 1/4 x 5/8	
5	4711400	2	Washer 1/4	

SECTION 2 - TURNTABLE

FIGURE 2-26. WHITE NOISE ALARM INSTALLATION - ADJUSTABLE AMBIENT



ART_1001241385

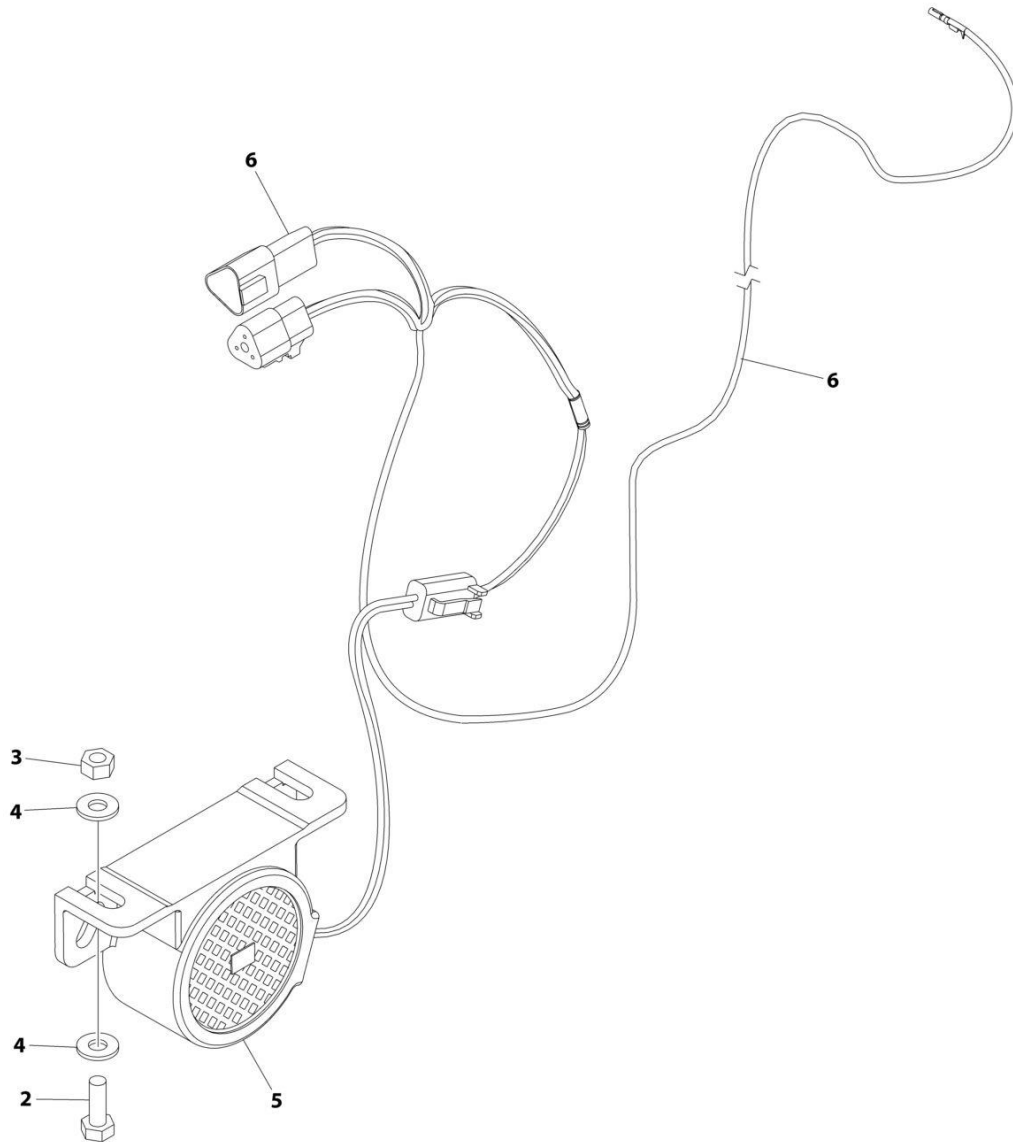
SECTION 2 - TURNTABLE

FIGURE 2-26. WHITE NOISE ALARM INSTALLATION - ADJUSTABLE AMBIENT

ITEM	PART NUMBER	QTY	DESCRIPTION	REV
	1001241385	Ref	WHITE NOISE ALARM INSTALLATION	A
1	0100048	AR	Compound, Silicone (Not Shown)	
2	0641406	2	Bolt 1/4 x 3/4	
3	0641407	2	Bolt 1/4 x 7/8	
4	3311405	2	Nut 1/4	
5	4711400	6	Washer 1/4	
6	1001182806	1	Alarm	
7	1001231886	1	Plate	
8	1001243682	1	White Noise Motion Alarm Harness (See Separate Breakdown in this Section)	

SECTION 2 - TURNTABLE

FIGURE 2-27. WHITE NOISE MOTION ALARM INSTALLATION - AMBIENT



ART_1001239347

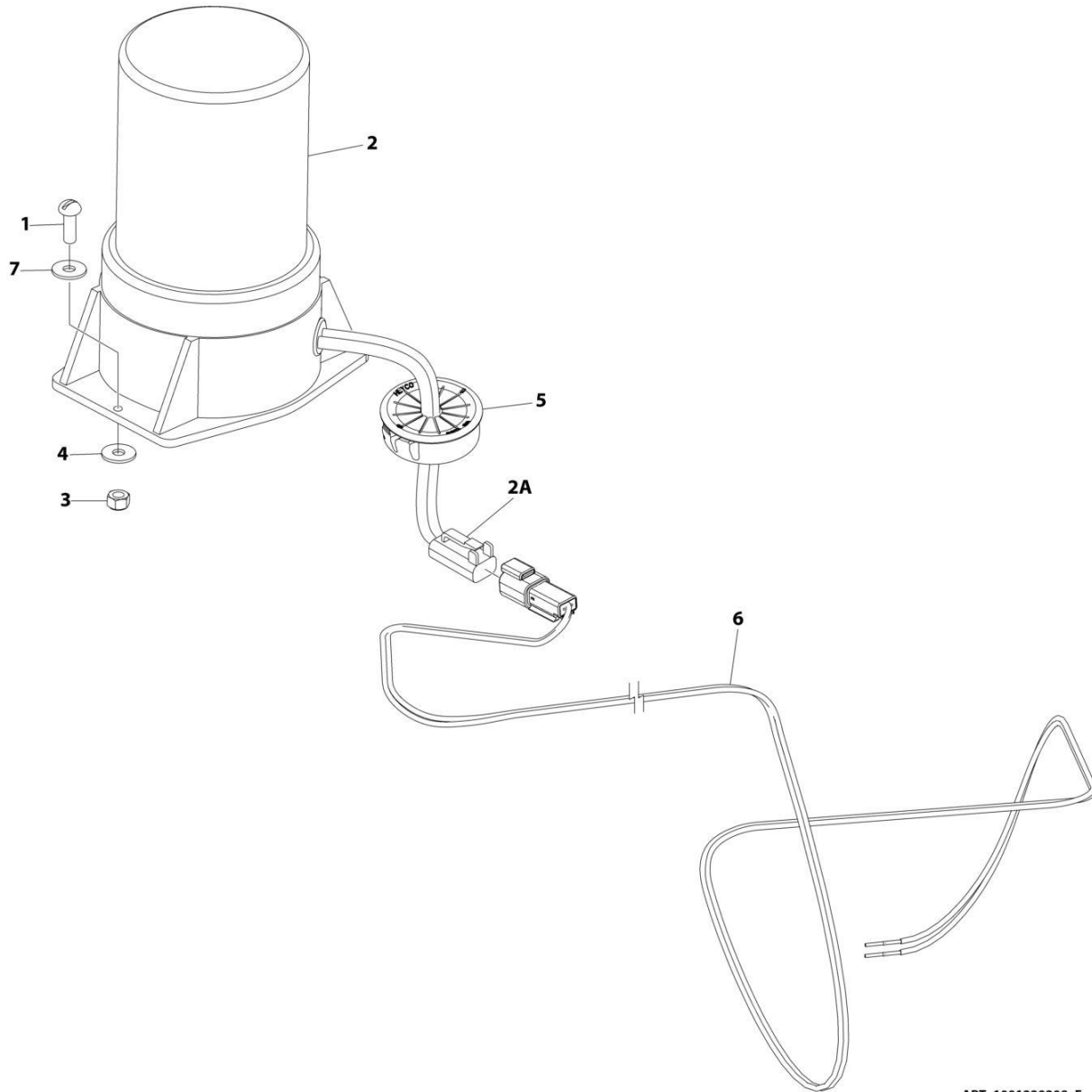
SECTION 2 - TURNTABLE

FIGURE 2-27. WHITE NOISE MOTION ALARM INSTALLATION - AMBIENT

ITEM	PART NUMBER	QTY	DESCRIPTION	REV
	1001239347	Ref	WHITE NOISE MOTION ALARM INSTALLATION	A
1	0100048	AR	Compound, Silicone (Not Shown)	
2	0641406	2	Bolt 1/4 x 3/4	
3	3311405	2	Nut 1/4	
4	4711400	4	Washer 1/4	
5	1001184682	1	Alarm	
6	1001243682	1	White Noise Motion Alarm Harness (See Separate Breakdown in this Section)	

SECTION 2 - TURNTABLE

FIGURE 2-28. STROBE LIGHT INSTALLATION - AMBER



ART_1001229208_E

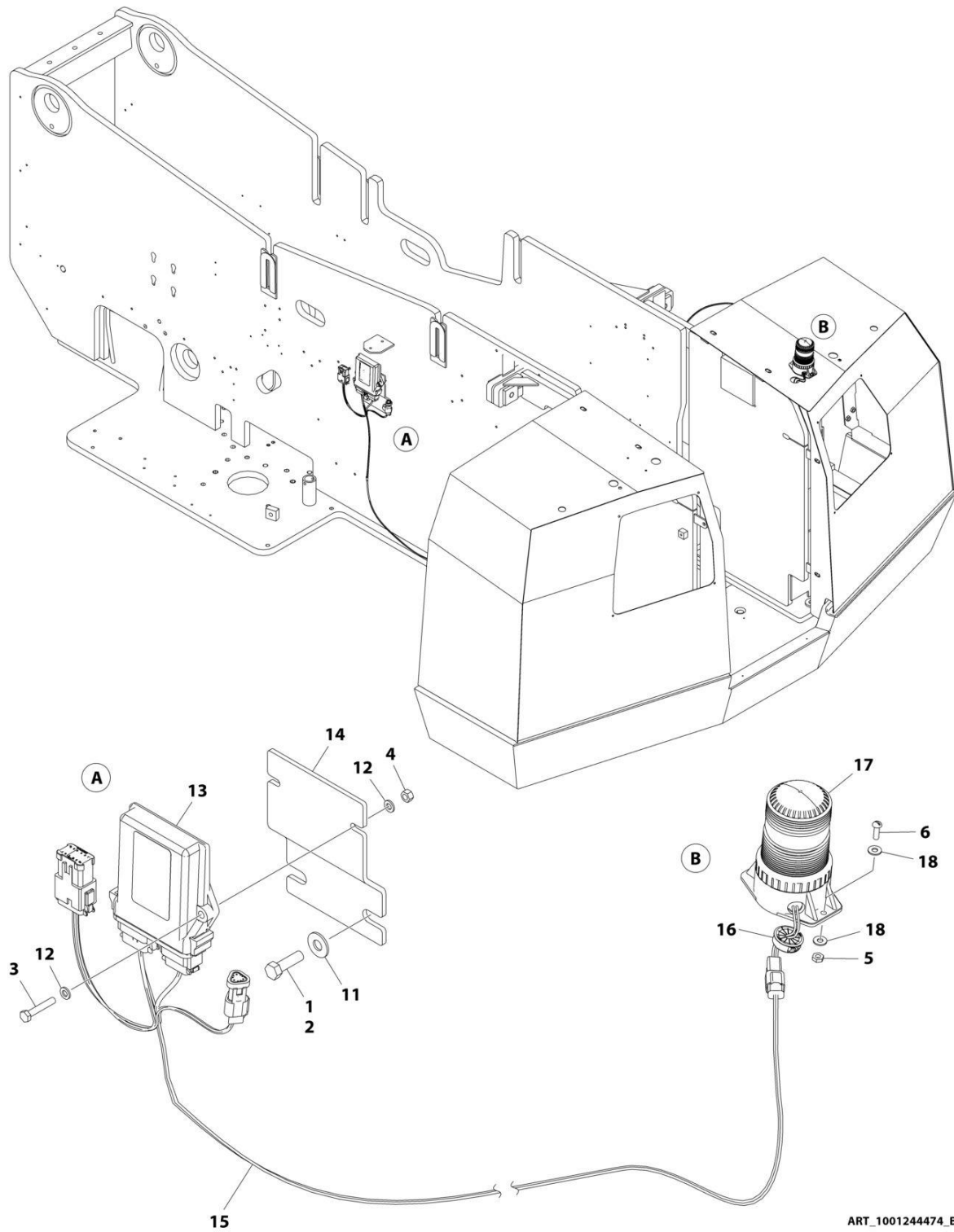
SECTION 2 - TURNTABLE

FIGURE 2-28. STROBE LIGHT INSTALLATION - AMBER

ITEM	PART NUMBER	QTY	DESCRIPTION	REV
	1001229208	Ref	STROBE LIGHT INSTLLATION	E
1	4031509	2	Capscrew M4 x 25	
2	1001270594	1	Lamp, Strobe Beacon	
2A	4460891	1	Plug, Male - 2 Position	
2A	4460465	2	Socket, Female	
3	3290405	2	Nut, Lock M4	
5	1001169085	1	Grommet	
6	1001231263	1	Cable, Strobe	
6	4460897	1	Receptacle, Female	
6	4460464	2	Pin, Male	
6	4460226	2	Socket, Female	
7	4811400	2	Washer M4	

SECTION 2 - TURNTABLE

FIGURE 2-29. STROBE LIGHT INSTALLATION - BLUE



ART_1001244474_B

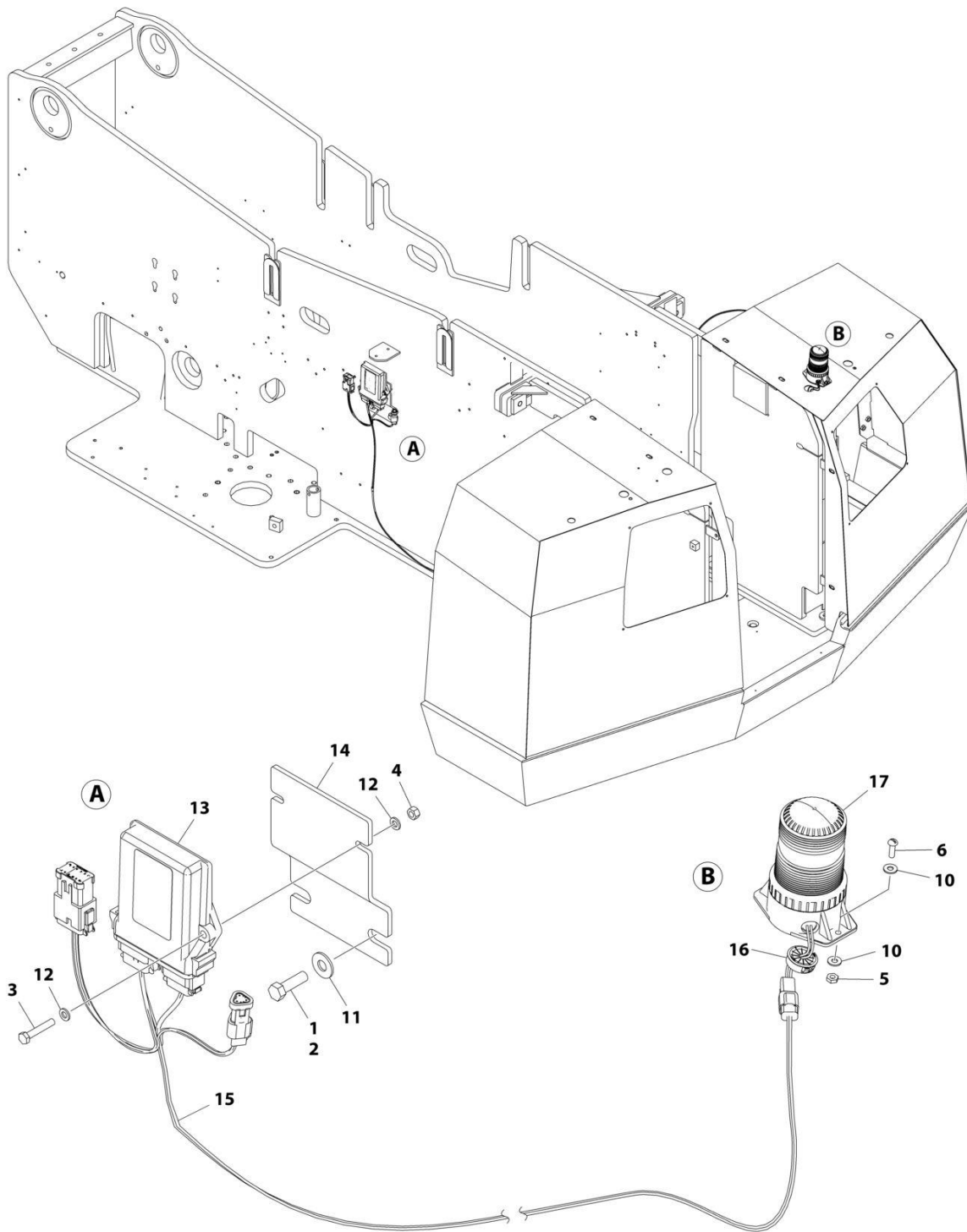
SECTION 2 - TURNTABLE

FIGURE 2-29. STROBE LIGHT INSTALLATION - BLUE

ITEM	PART NUMBER	QTY	DESCRIPTION	REV
	1001244474	Ref	STROBE LIGHT INSTALLATION	B
1	0100011	AR	Compound, Locking	
2	0641610	2	Bolt 3/8 x 1-1/4	
3	0700615	2	Bolt M6 x 35	
4	3290607	2	Nut, Lock M6	
5	3290405	2	Nut, Lock M4	
6	4031509	2	Capscrew M4 x 25	
7	4240032	AR	Tie-Strap (Not Shown)	
8	4240033	AR	Tie-Strap (Not Shown)	
9	4460488	AR	Mount, Tie-Strap (Not Shown)	
11	4751600	2	Washer 3/8	
12	4811700	4	Washer M6	
13	1001142683	1	Module, Beacon Light	
14	1001142722	1	Bracket	
15	1001142736	1	Beacon Control Harness (See Separate Breakdown in ELECTRICAL Section)	
16	1001169085	1	Grommet	
17	1001272681	1	Light, Strobe (Blue)	
17	4460891	1	Connector	
17	4460465	2	Socket	
18	4811400	2	Washer M4	

SECTION 2 - TURNTABLE

FIGURE 2-30. STROBE LIGHT INSTALLATION - RED (OPTIONAL)



ART_1001244475

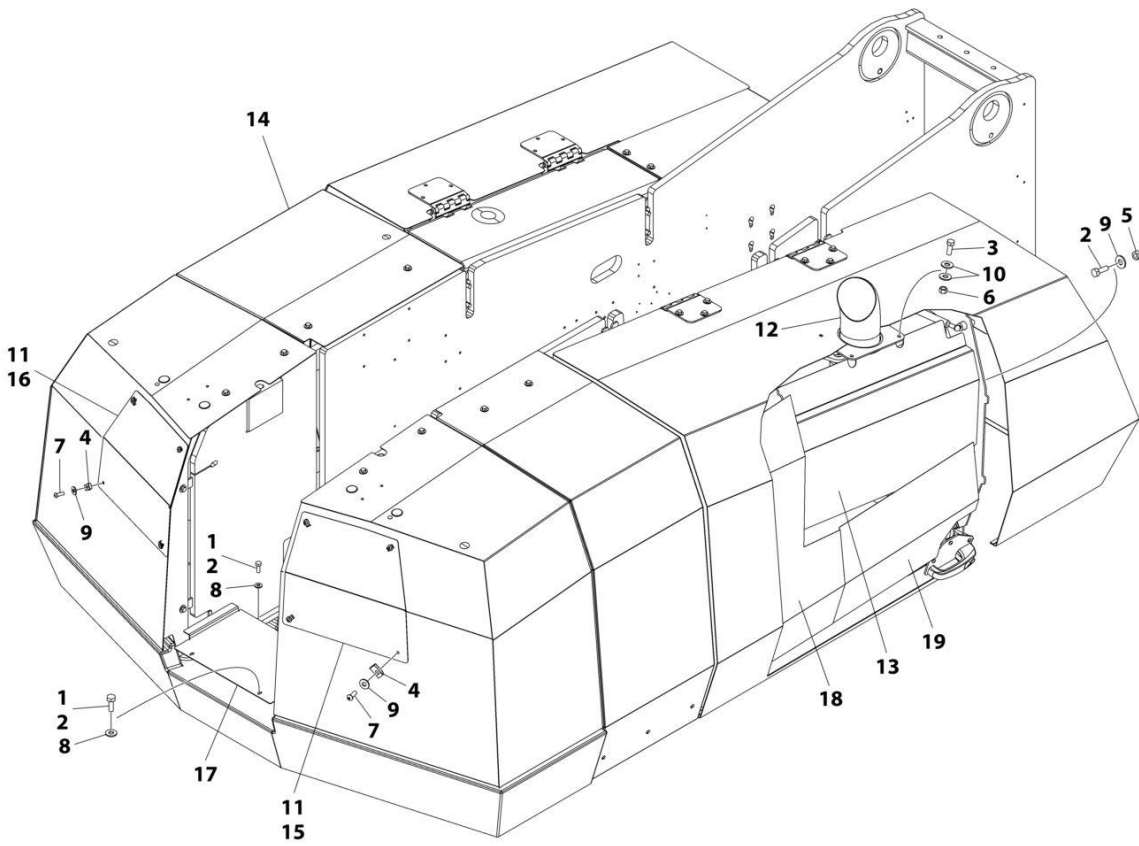
SECTION 2 - TURNTABLE

FIGURE 2-30. STROBE LIGHT INSTALLATION - RED (OPTIONAL)

ITEM	PART NUMBER	QTY	DESCRIPTION	REV
	1001244475	Ref	STROBE LIGHT INSTALLATION	A
1	0100011	AR	Compound, Locking	
2	0641610	2	Bolt 3/8 x 1-1/4	
3	0700615	2	Bolt M6 x 35	
4	3290607	2	Nut M6	
5	3311005	2	Nut #10	
6	3911010	2	Screw #10 x 5/8	
7	4240032	AR	Tie-Strap (Not Shown)	
8	4240033	AR	Tie-Strap (Not Shown)	
9	4460488	AR	Mount, Tie-Strap (Not Shown)	
10	4751000	4	Washer #10	
11	4751600	2	Washer 3/8	
12	4811700	4	Washer M6	
13	1001142683	1	Module, Beacon Light	
14	1001142722	1	Bracket	
15	1001142736	1	Beacon Control Harness (See Separate Breakdown in ELECTRICAL SECTION)	
16	1001169085	1	Grommet	
17	1001207004	1	Light, Strobe (Red)	

SECTION 2 - TURNTABLE

FIGURE 2-31. HEAT SHIELD AND ACCESS PANELS INSTALLATION



ART_1001227307

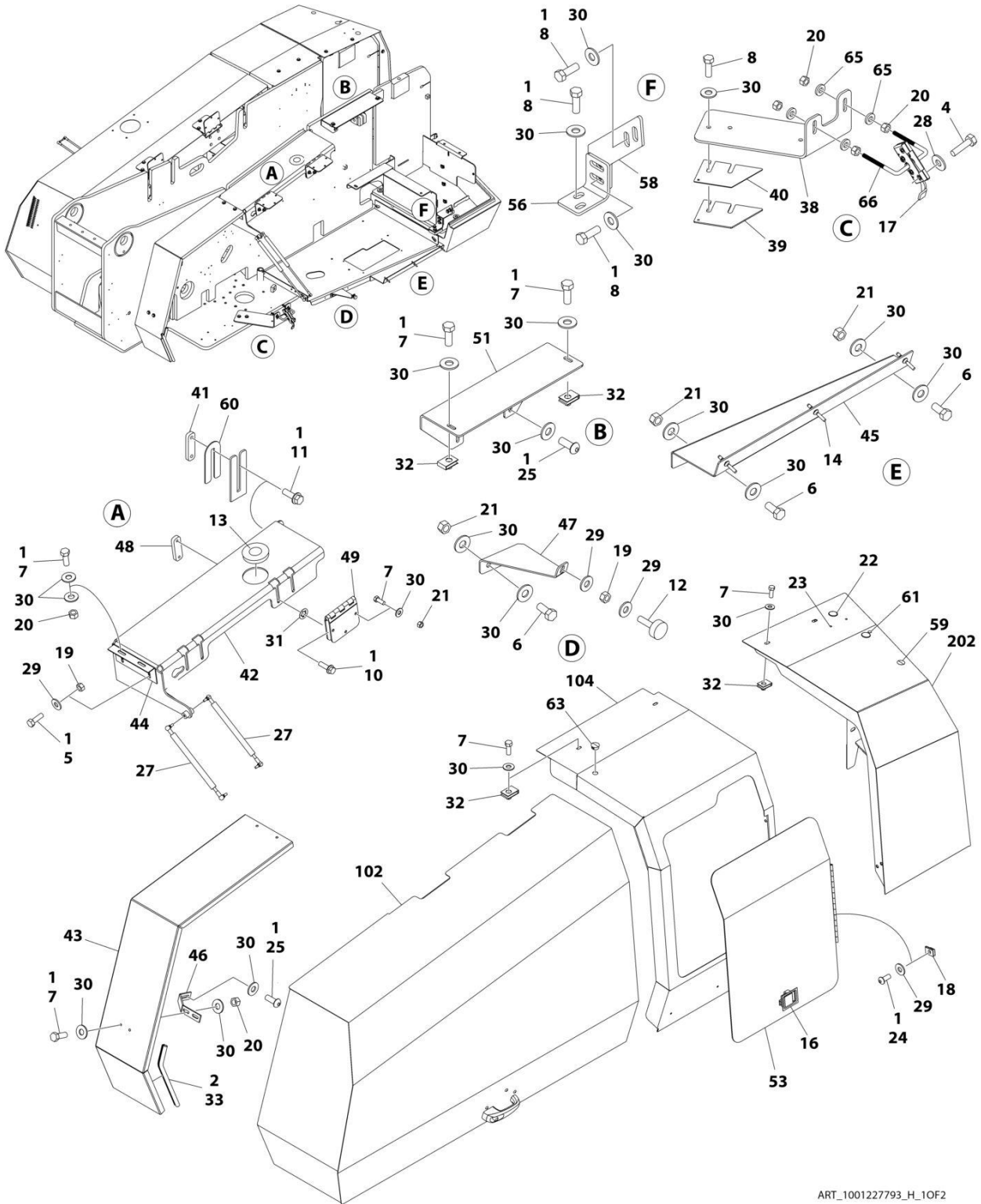
SECTION 2 - TURNTABLE

FIGURE 2-31. HEAT SHIELD AND ACCESS PANELS INSTALLATION

ITEM	PART NUMBER	QTY	DESCRIPTION	REV
	1001227307	Ref	HEAT SHIELD AND ACCESS PANELS INSTALLATION	E
1	0100011	AR	Compound, Locking	
2	0641406	7	Bolt 1/4 x 3/4	
3	0641608	4	Bolt 3/8 x 1	
4	3300454	8	Nut, Tinnerman 1/4	
5	3311405	3	Nut 1/4	
6	3311605	4	Nut 3/8	
7	3900258	8	Screw 1/4 x 3/4	
8	4711400	4	Washer 1/4	
9	4751400	11	Washer 1/4	
10	4751600	8	Washer 3/8	
11	1001113047	11 ft/ 3.3m	Seal	
12	1001144527	1	Pipe, Exhaust	
13	1001163101	1	Heat Shield	
14	1001227793	1	Hood Installation (See Separate Breakdown in this Section)	
15	1001228113	1	Panel, Access	
16	1001228475	1	Panel, Access	
17	1001229098	1	Cover	
18	1001235839	1	Insulate	
19	1001236370	1	Insulate	

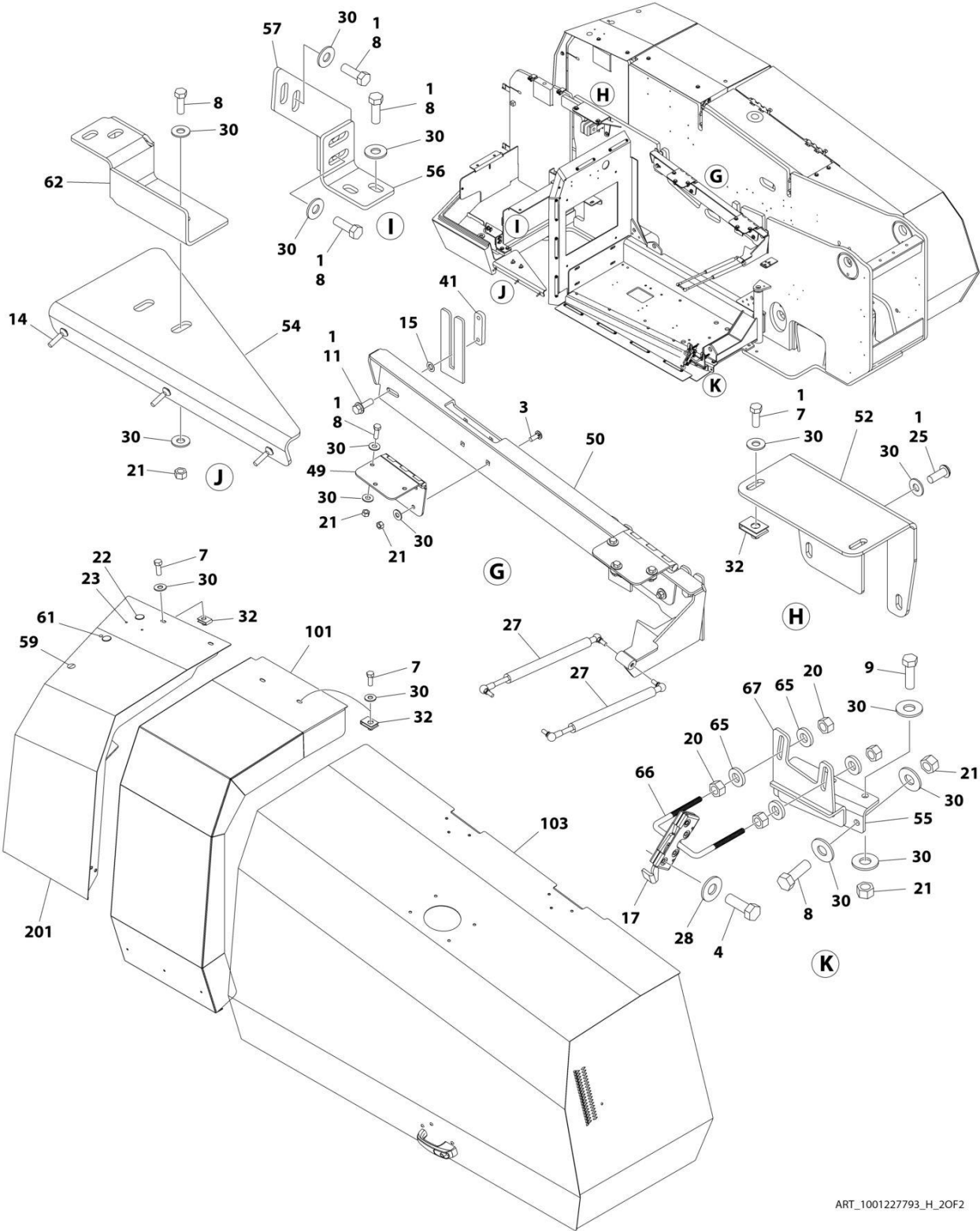
SECTION 2 - TURNTABLE

FIGURE 2-32. HOODS INSTALLATION



ART_1001227793_H_10F2

SECTION 2 - TURNTABLE



ART_1001227793_H_20F2

SECTION 2 - TURNTABLE

FIGURE 2-32. HOODS INSTALLATION

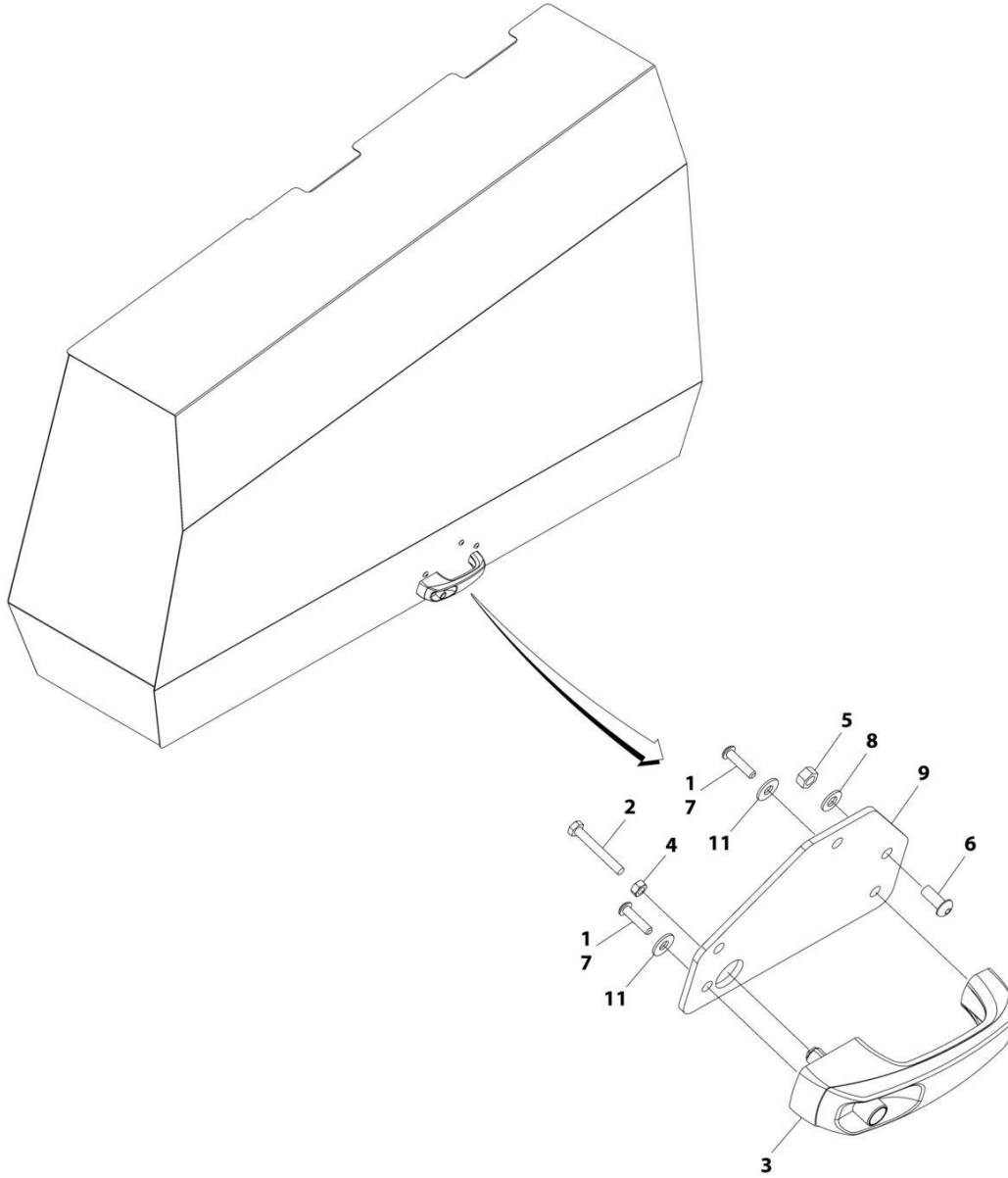
ITEM	PART NUMBER	QTY	DESCRIPTION	REV
	1001227793	Ref	HOODS INSTALLATION	H
1	0100011	AR	Compound, Locking	
2	0100081	AR	Adhesive	
3	0630485	8	Bolt	
4	0641408	8	Bolt 1/4 x 1	
5	0641508	2	Bolt 5/16 x 1	
6	0641607	4	Bolt 3/8 x 7/8	
7	0641608	22	Bolt 3/8 x 1	
8	0641609	26	Bolt 3/8 x 1-1/8	
9	0641610	2	Bolt 3/8 x 1-1/4	
10	0811610	8	Screw 3/8 x 1-1/4	
11	0811812	8	Screw 1/2 x 1-1/2	
12	0940049	1	Stopper	
13	1120601	1	Plug	
14	2080040	6	Fastener	
15	2080072	4	Fastener	
16	2940045	1	Latch	
17	2940173	2	Latch	
18	3300364	3	Nut, Tinnerman 5/16	
19	3311501	4	Nut 5/16	
20	3311601	8	Nut 3/8	
21	3311605	30	Nut 3/8	
22	3520032	4	Plug	
23	3520173	4	Plug	
24	3900210	3	Screw 5/16 x 3/4	
25	3900316	7	Screw 3/8 x 1	
27	4160194	4	Spring, Gas	
28	4751400	8	Washer 1/4	
29	4751500	7	Washer 5/16	
30	4751600	85	Washer 3/8	
31	8310070	8	Pushnut 3/8	
32	88662523	12	Nut, Tinnerman	
33	1001110166	4.9 ft/ 1.5m	Seal	
34	1001113047	6.4 ft/ 2m	Seal	
38	1001250293	1	Bracket	
39	1001121122	AR	Shim 3mm	
40	1001121123	AR	Shim 1.5mm	
41	1001150260	4	Plate	
42	1001155895	1	Mount	
43	1001155899	1	Spacer	
44	1001157612	1	Bracket	
45	1001230008	1	Bracket	
46	1001230014	1	Bracket	
47	1001161089	1	Bracket	
48	1001186251	1	Plate	
49	1001186254	1	Hinge	
50	1001196768	1	Mount	
51	1001226452	1	Bracket	
52	1001226453	1	Bracket	

SECTION 2 - TURNTABLE

ITEM	PART NUMBER	QTY	DESCRIPTION	REV
53	1001227731	1	Door	
54	1001227735	1	Bracket	
55	1001227798	1	Mount	
56	1001228359	2	Bracket	
57	1001228403	1	Bracket	
58	1001228517	1	Bracket	
59	1001131130	2	Plug	
60	1001230010	AR	Shim	
61	1001226421	2	Plug	
62	1001235518	1	Bracket	
63	3520030	1	Plug	
64	4060805	9 in/ 0.23m	Flex-Trim	
65	4891600	8	Washer 3/8	
66	1001243414	2	U-Bolt 3/8	
67	1001250292	1	Bracket	
100	1001227794	Ref	Hood Kit	
101	1001117219	1	Hood, Engine Side (Fixed)	
102	1001157209	1	Hood Assembly - Tank Side (See Separate Breakdown in this Section)	
103	1001232084	1	Hood Assembly - Engine Side (Note: Heat Shield must be Installed Before Being put back into Service) (See Separate Breakdown in this Section)	
104	1001227734	1	Hood, Tank Side (Fixed)	
200	1001229556	Ref	Battery Cover Kit	
201	1001228882	1	Cover, Engine Side (Rear)	
202	1001228945	1	Cover, Tank Side (Rear)	

SECTION 2 - TURNTABLE

FIGURE 2-33. HOOD ASSEMBLY - TANK SIDE



ART_1001157209

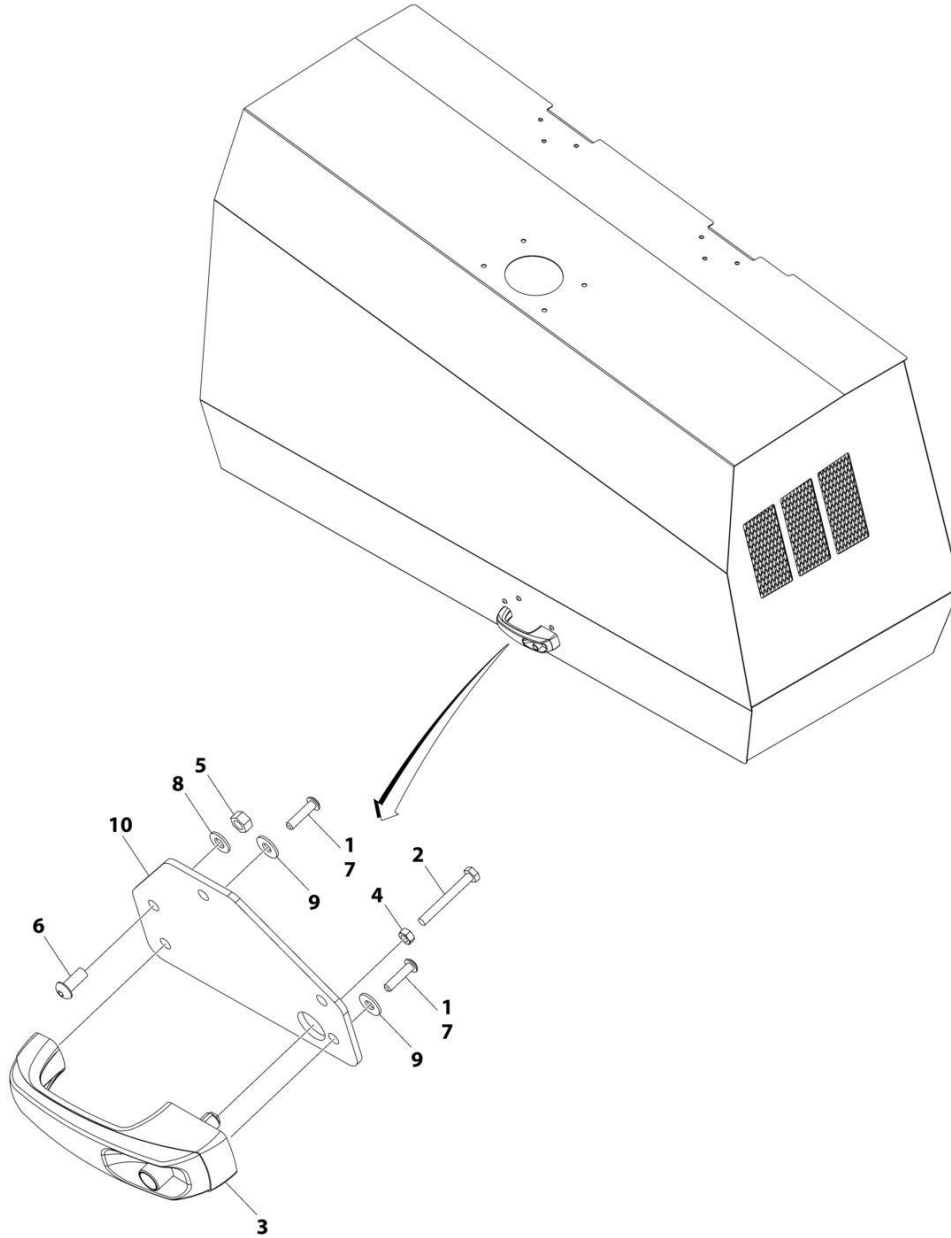
SECTION 2 - TURNTABLE

FIGURE 2-33. HOOD ASSEMBLY - TANK SIDE

ITEM	PART NUMBER	QTY	DESCRIPTION	REV
	1001157209	Ref	HOOD ASSEMBLY	B
1	0100011	AR	Compound, Locking	
2	0700617	1	Bolt M6 x 45	
3	2560187	1	Handle, Push Button	
4	3290601	1	Nut M6	
5	3311505	3	Nut 5/16	
6	3900210	3	Screw 5/16 x 3/4	
7	3900363	2	Screw M6 x 25	
8	4711500	3	Washer 5/16	
9	1001116290	1	Plate, Latch Mounting	
11	4751400	2	Washer 1/4	

SECTION 2 - TURNTABLE

FIGURE 2-34. HOOD ASSEMBLY - ENGINE SIDE



ART_1001232084

SECTION 2 - TURNTABLE

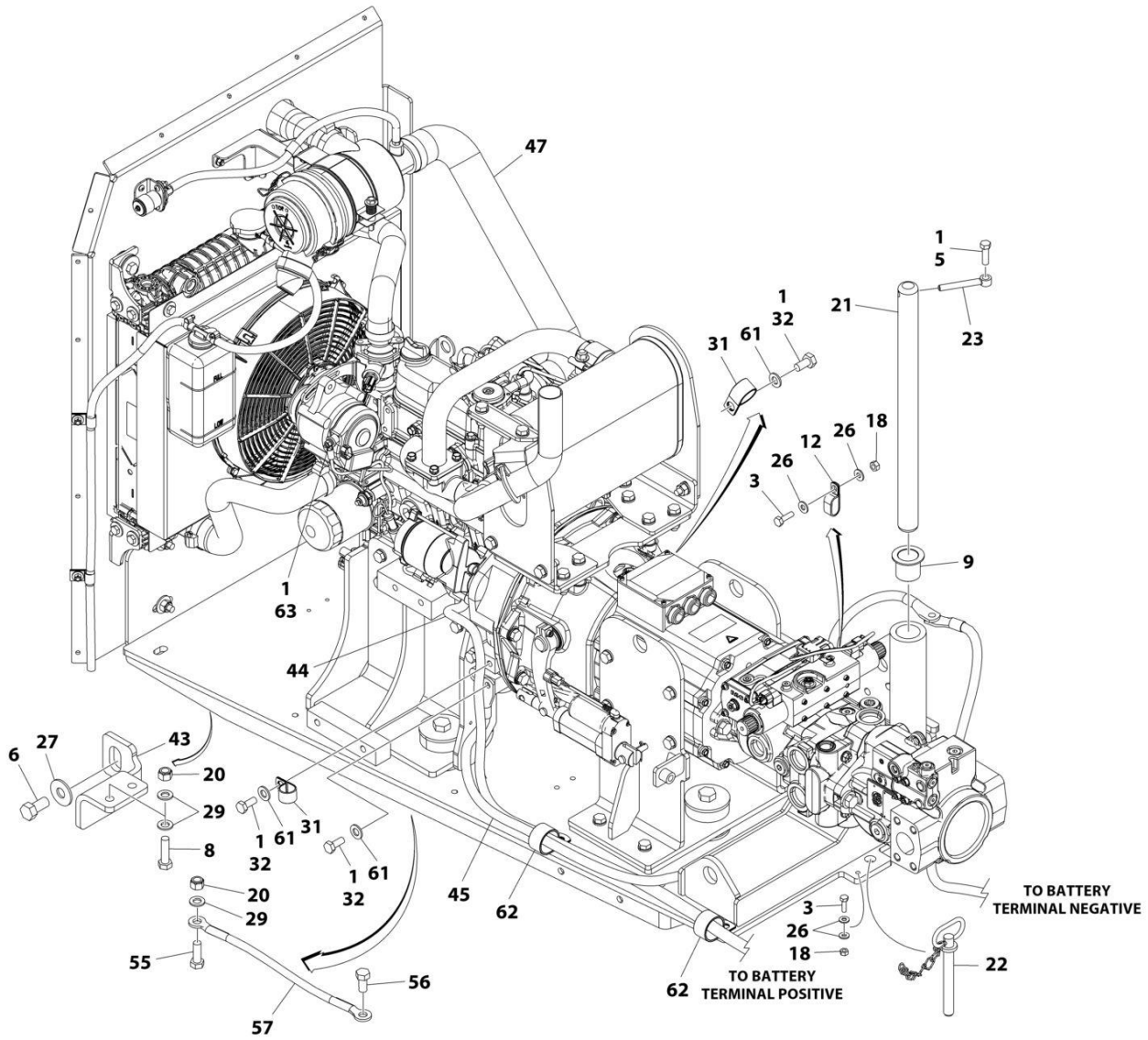
FIGURE 2-34. HOOD ASSEMBLY - ENGINE SIDE

ITEM	PART NUMBER	QTY	DESCRIPTION	REV
	1001232084	Ref	HOOD ASSEMBLY	B
1	0100011	AR	Compound, Locking	
2	0700618	1	Bolt M6 x 50	
3	2560187	1	Handle, Push Button	
4	3290601	1	Nut M6	
5	3311505	3	Nut 5/16	
6	3900210	3	Screw 5/16 x 3/4	
7	3900363	2	Screw M6 x 25	
8	4711500	3	Washer 5/16	
9	4751400	2	Washer 1/4	
10	1001116290	1	Plate, Latch Mounting	

SECTION 3 - ENGINE

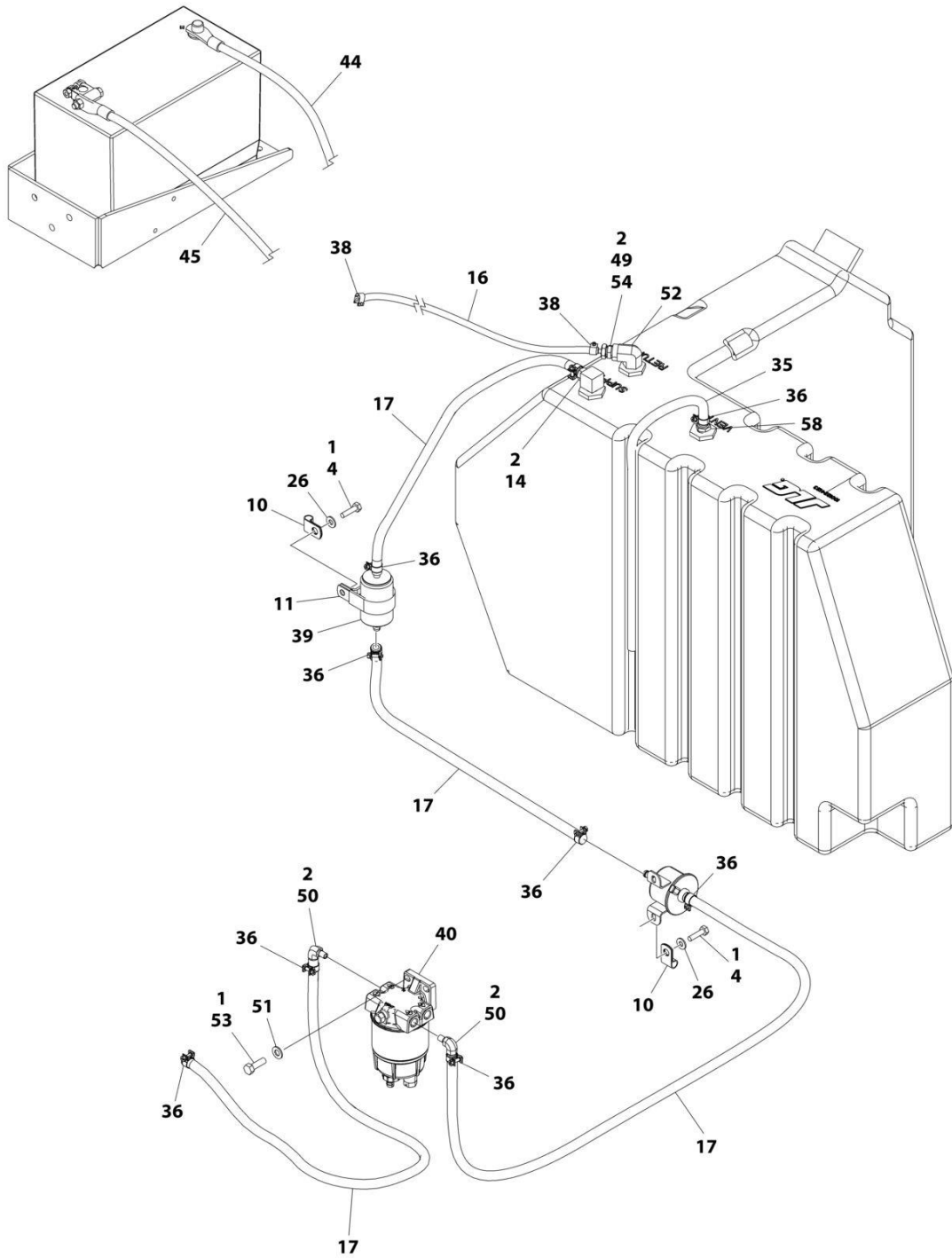
SECTION 3 - ENGINE

FIGURE 3-1. ENGINE INSTALLATION



ART_1001226669_1_10F2

SECTION 3 - ENGINE



ART_1001226669_I_2OF2

SECTION 3 - ENGINE

FIGURE 3-1. ENGINE INSTALLATION

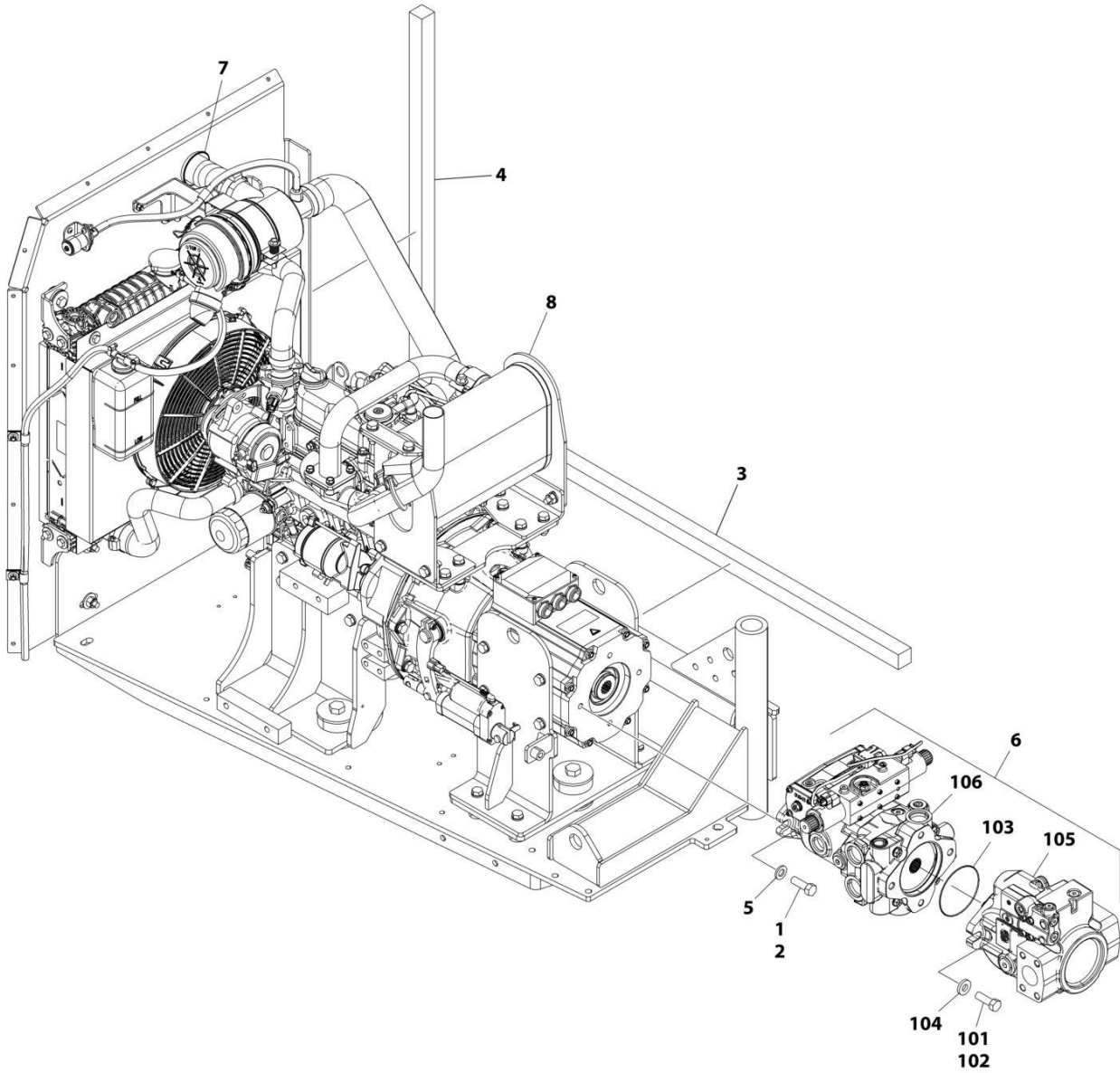
ITEM	PART NUMBER	QTY	DESCRIPTION	REV
	1001226669	Ref	ENGINE INSTALLATION	I
1	0100011	AR	Compound, Locking	
2	0100020	AR	Sealant	
3	0641407	2	Bolt 1/4 x 7/8	
4	0641408	3	Bolt 1/4 x 1	
5	0641610	1	Bolt 3/8 x 1-1/4	
6	0642016	1	Bolt 5/8 x 2	
8	0701217	2	Bolt M12 x 45	
9	0961986	2	Bearing	
10	1320263	2	Clamp	
11	1320265	1	Clamp	
12	1321385	1	Clamp	
14	2180348	1	Fitting, NPT/Barbed	
16	2720271	13 ft/ 3.97m	Hose	
17	2720058	12.5 ft/ 3.8m	Hose	
18	3271405	2	Nut 1/4	
20	3291205	3	Nut M12	
21	3422446	1	Pin	
22	3422533	1	Pin	
23	3841143	1	Keeper, Pin	
25	4240099	3	Tie-Strap (Not Shown)	
26	4711400	7	Washer 1/4	
27	4752000	1	Washer 5/8	
29	4812100	5	Washer M12	
31	80683013	2	Clamp	
32	1001118746	3	Bolt M10 x 25	
35	1001165035	50 in/ 127cm	Hose	
36	1001174486	9	Clamp	
38	1001185585	2	Clamp	
39	1001190545	1	Filter, Fuel	
40	1001190609	1	Fuel/Water Separator Assembly (See Separate Breakdown in this Section)	
42	1001230605	1	Engine Harness (Not Shown) (See Separate Breakdown in ELECTRICAL SECTION)	
43	1001236341	1	Plate	
44	1001225731	1	Cable, Battery (Positive)	
45	1001225733	1	Cable, Battery (Negative)	
46	1001225985	1	Cable, Alternator (Not Shown)	
47	1001237933	1	Engine and Pumps Sub-Assembly (See Separate Breakdown in this Section)	
49	2220250	1	Fitting NPT/NPT	
50	2221046	2	Fitting, 90	
51	4711500	2	Washer 5/16	
52	8540205	1	Fitting, 90 FNPTF/NPTF	
53	0641508	2	Bolt 5/16 x 1	
54	2180666	1	Fitting, NPT/Barbed	
55	0761215	1	Bolt M12 x 35	
56	0641808	1	Bolt 1/2 x 1	

SECTION 3 - ENGINE

ITEM	PART NUMBER	QTY	DESCRIPTION	REV
57	1060637	1	Lanyard	
58	2180876	1	Fitting, NPT/Barbed	
59	1001232528	1	Seal (Not Shown)	
61	4812000	3	Washer M10	
62	85841150	2	Clamp	
63	3290601	1	Nut M6	
100	1001237291	1	Battery Cable Kit (Includes Items 44 & 45) (Not Shown)	

SECTION 3 - ENGINE

FIGURE 3-2. ENGINE AND PUMPS SUB-ASSEMBLY



ART_1001237933

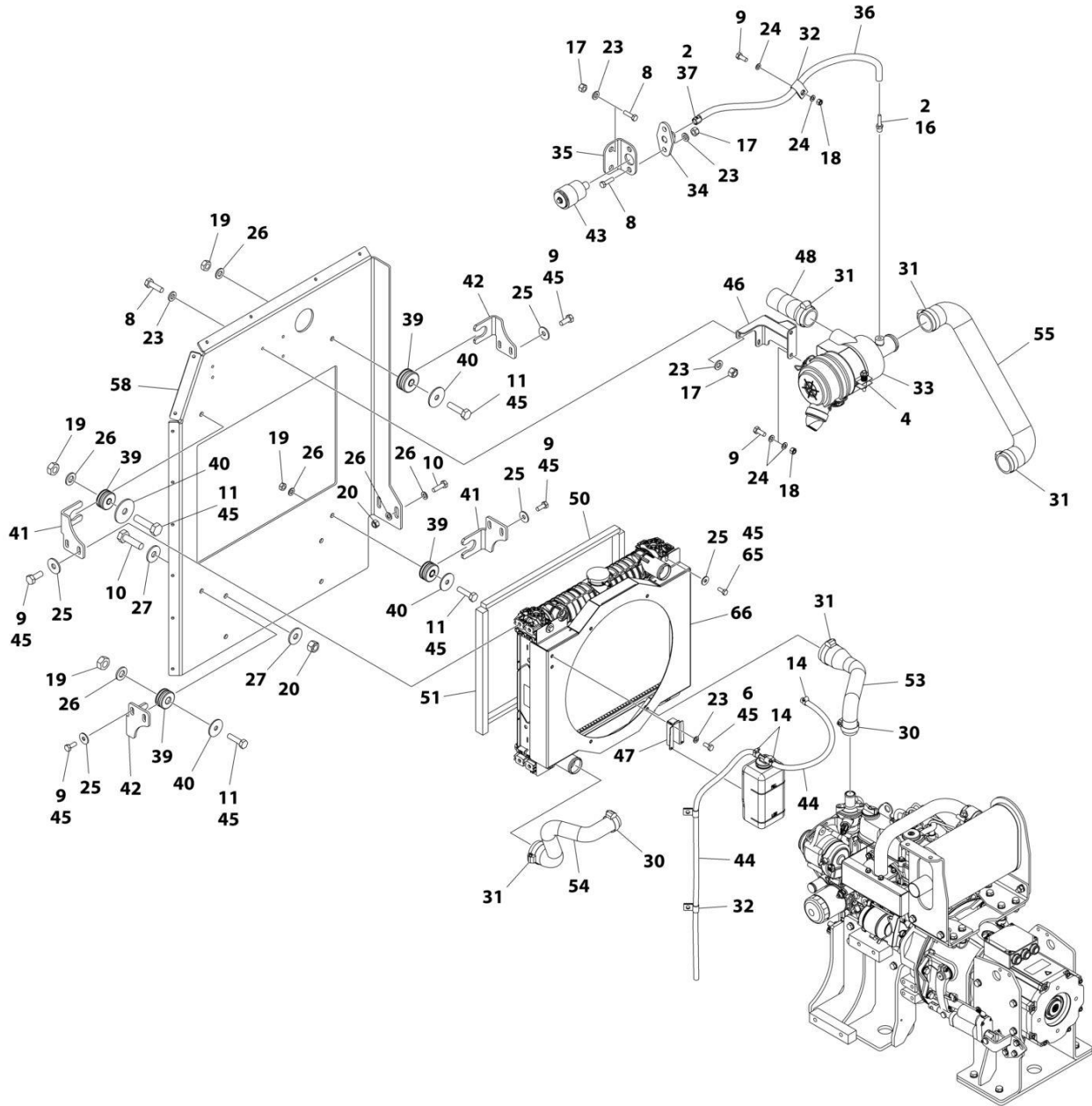
SECTION 3 - ENGINE

FIGURE 3-2. ENGINE AND PUMPS SUB-ASSEMBLY

ITEM	PART NUMBER	QTY	DESCRIPTION	REV
	1001237933	Ref	ENGINE AND PUMPS SUB-ASSEMBLY	A
1	0100011	AR	Compound, Locking	
2	0641812	2	Bolt 1/2 x 1-1/2	
3	3960468	1	Seal	
4	3960469	1	Seal	
5	5241200	2	Washer M12	
6	1001226551	1	Pump Sub-Assembly (Includes Items 101-106)	
7	1001232529	1	Seal	
8	1001237932	1	Engine Assembly (See Separate Breakdown in this Section)	
101	0100011	AR	Compound, Locking	
102	0641812	2	Bolt 1/2 x 1-1/2	
103	3790044	1	O-Ring	
104	4891800	2	Washer 1/2	
105	1001094595	1	Variable Pump Assembly (See Separate Breakdown in this Section)	
106	1001225745	1	Hydrostatic Pump Assembly (See Separate Breakdown in this Section)	

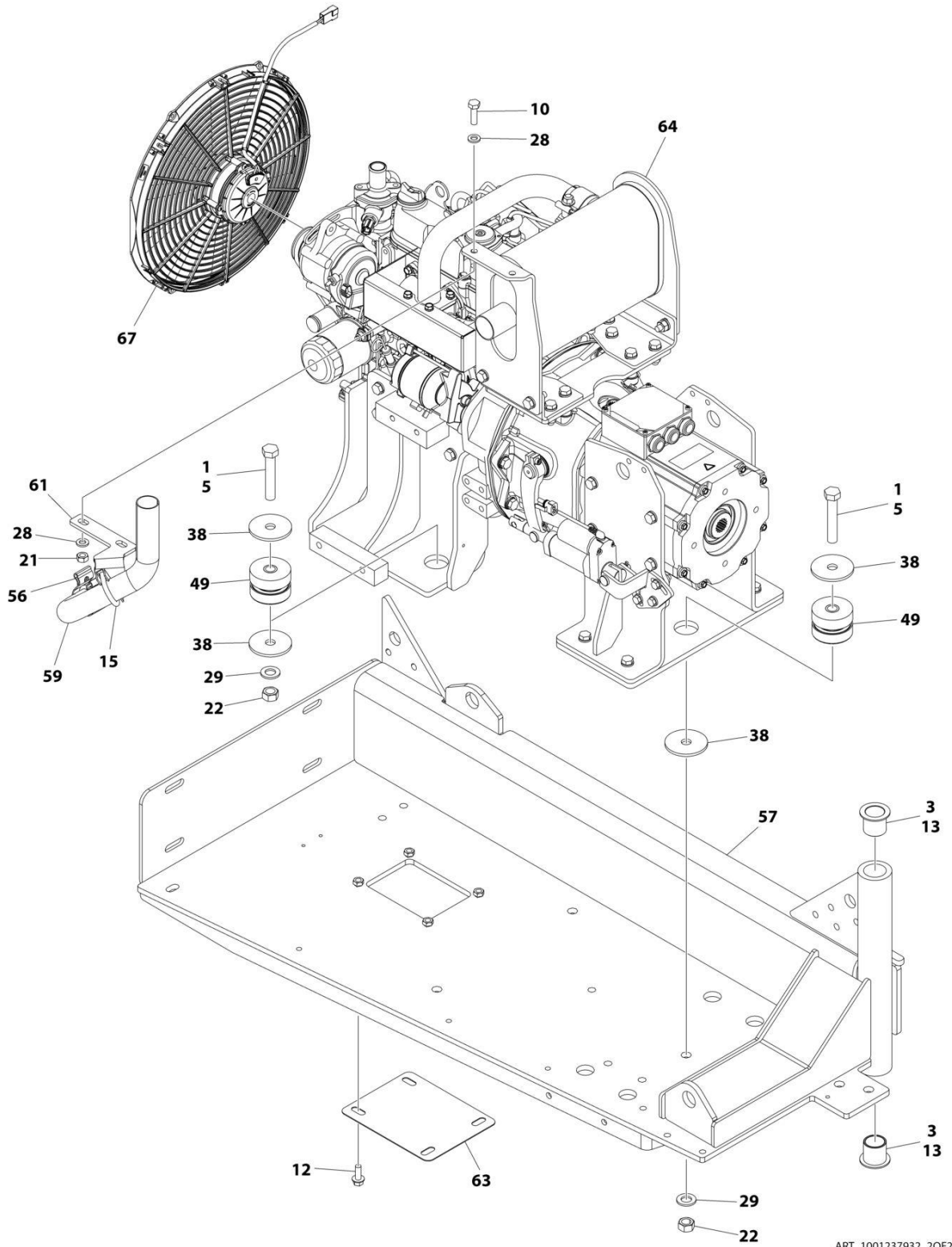
SECTION 3 - ENGINE

FIGURE 3-3. ENGINE AND TRAY ASSEMBLY



ART_1001237932_1OF2

SECTION 3 - ENGINE



ART_1001237932_2OF2

SECTION 3 - ENGINE

FIGURE 3-3. ENGINE AND TRAY ASSEMBLY

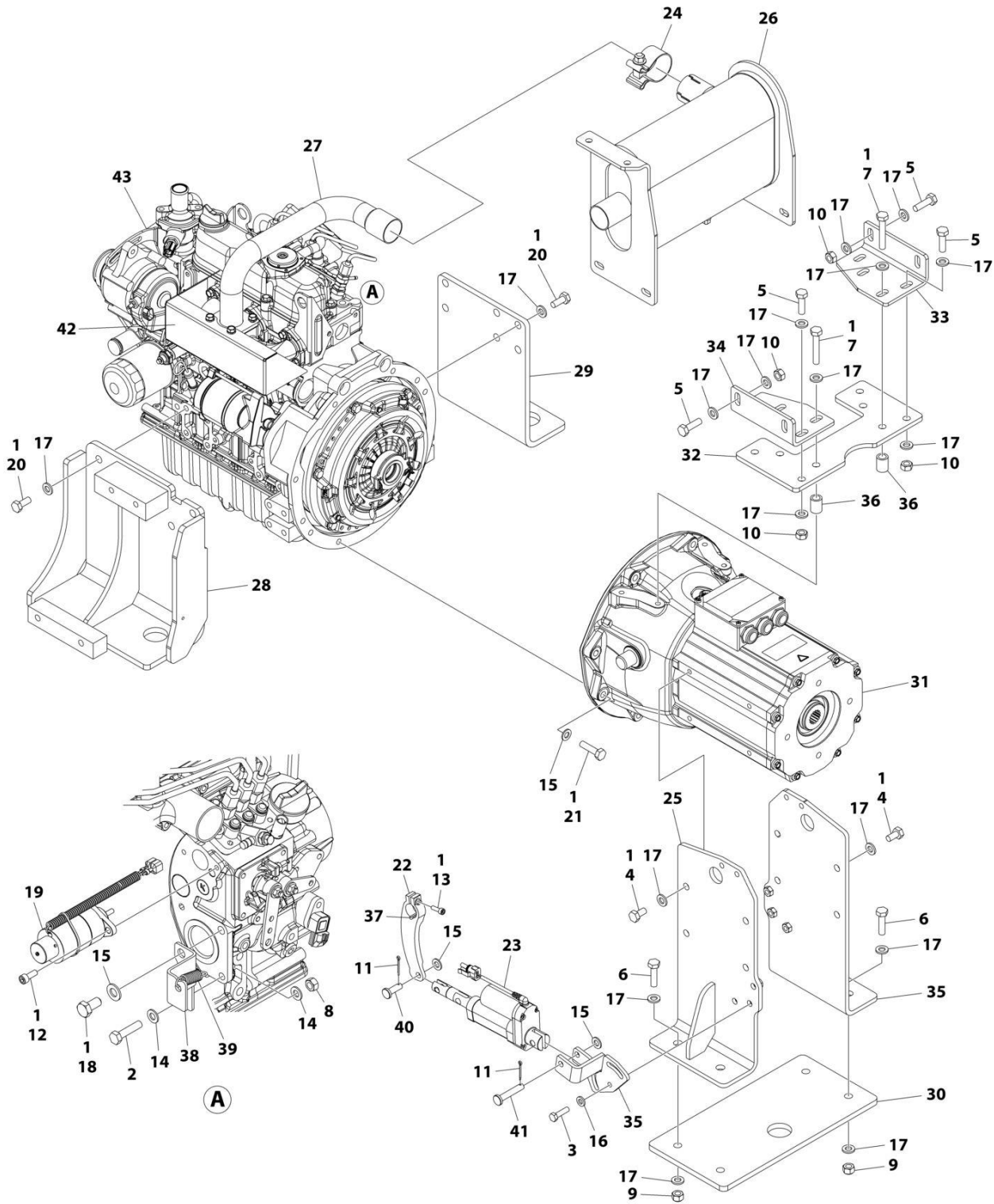
ITEM	PART NUMBER	QTY	DESCRIPTION	REV
	1001237932	Ref	ENGINE AND TRAY ASSEMBLY	B
1	0100011	AR	Compound, Locking	
2	0100020	AR	Sealant	
3	0100062	AR	Adhesive	
4	0340045	1	Band	
5	0711626	3	Bolt M16 x 90 Grade 10.9	
6	0760607	2	Bolt M6 x 14	
8	0760610	7	Bolt M6 x 20	
9	0760810	10	Bolt M8 x 20	
10	0761015	8	Bolt M10 x 35	
11	0761016	4	Bolt M10 x 40	
12	0811608	4	Screw 3/8 x 1	
13	0961986	2	Bearing	
14	1320022	3	Clamp	
15	1320274	1	Clamp	
16	2220315	1	Fitting, Straight Barbed	
17	3290605	7	Nut M6	
18	3290805	2	Nut M8	
19	3291001	4	Nut M10	
20	3291005	6	Nut M10	
21	3291007	2	Nut M10	
22	3331611	3	Nut M16	
23	4811700	12	Washer M6	
24	4811900	4	Washer M8	
25	4811902	12	Washer M8	
26	4812000	8	Washer M10	
27	4812002	8	Washer M10	
28	5241000	4	Washer M10	
29	5241600	3	Washer M16	
30	8405102	2	Clamp	
31	8405104	5	Clamp	
32	8406110	3	Clip	
33	1001118280	1	Air Filter Assembly	
33	7015004	1	Element, Air Filter	
34	1001138173	1	Support	
35	1001138175	1	Bracket	
36	1001138248	18 in/ 44cm	Tube	
37	1001141995	1	Fitting, NPT/Barbed	
38	1001146219	6	Washer	
39	1001169054	4	Isolator	
40	1001169138	4	Pad	
41	1001169967	2	Bracket	
42	1001170035	2	Bracket	
43	1001170981	1	Indicator, Air Intake Restriction	
44	1001172533	50 in/ 1.3m	Hose	
45	1001180620	AR	Adhesive	
46	1001182980	1	Bracket	
47	1001182982	1	Mount	

SECTION 3 - ENGINE

ITEM	PART NUMBER	QTY	DESCRIPTION	REV
48	1001182983	1	Tube	
49	1001190164	3	Mount, Motor	
50	1001217183	2	Seal	
51	1001217185	2	Seal	
53	1001222882	1	Tube, Coolant Inlet	
54	1001222883	1	Tube, Coolant Outlet	
55	1001222884	1	Tube	
56	1001223302	1	Clamp	
57	1001223405	1	Tray	
58	1001223787	1	Plate, Radiator	
59	1001223987	1	Pipe, Exhaust	
61	1001229561	1	Support	
63	1001232375	1	Panel	
64	1001237931	1	Engine and Generator Assembly (See Separate Breakdown in this Section)	
65	0760808	4	Bolt M8 x 16	
66	1001214690	1	Radiator	
67	1001247415	1	Fan Mounting Assembly (See Separate Breakdown in this Section)	

SECTION 3 - ENGINE

FIGURE 3-4. ENGINE AND GENERATOR ASSEMBLY



ART_1001237931

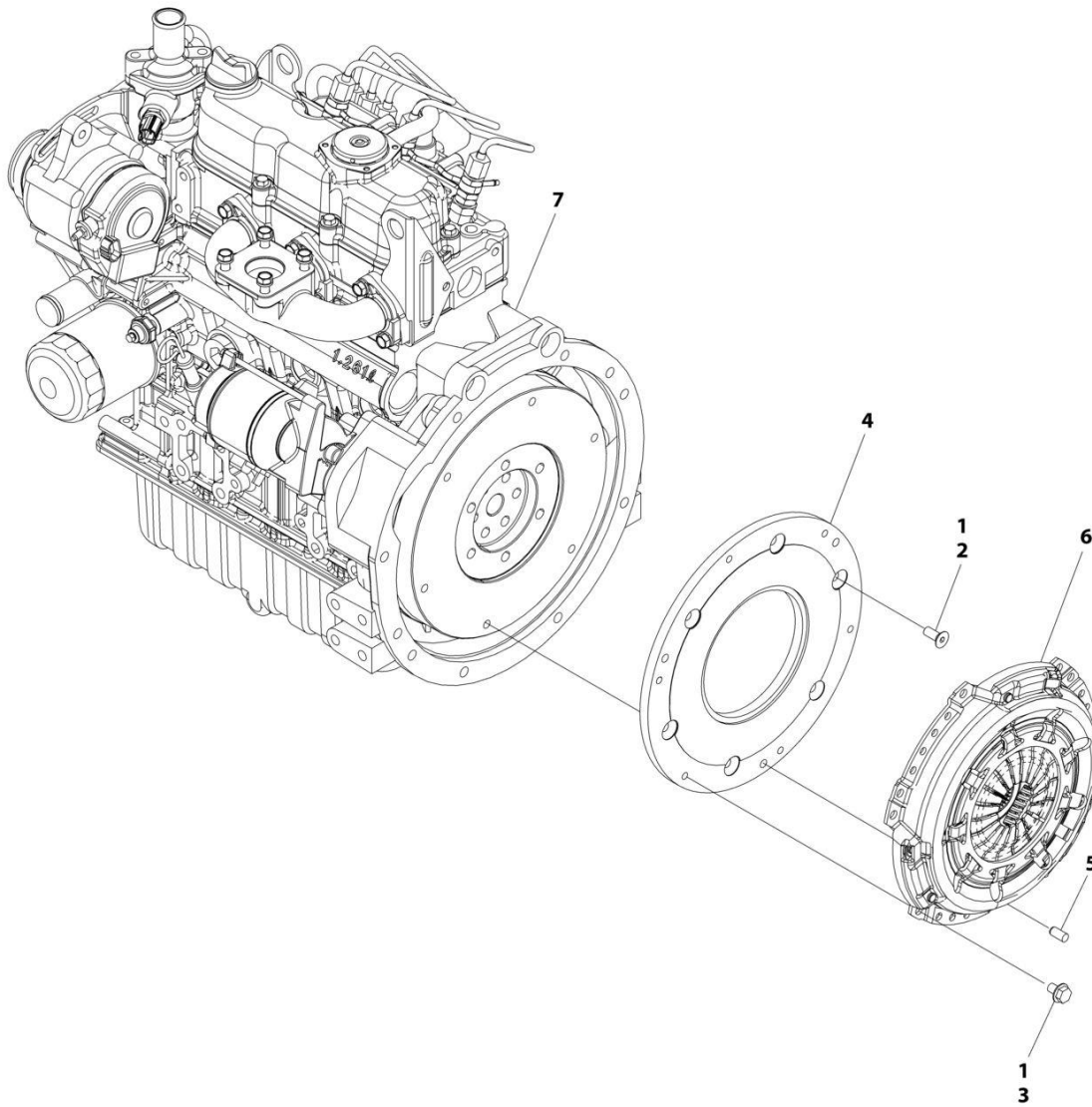
SECTION 3 - ENGINE

FIGURE 3-4. ENGINE AND GENERATOR ASSEMBLY

ITEM	PART NUMBER	QTY	DESCRIPTION	REV
	1001237931	Ref	ENGINE AND GENERATOR ASSEMBLY	A
1	0100011	AR	Compound, Locking	
2	0700815	1	Bolt M8 x 35	
3	0760814	3	Bolt M8 x 30	
4	0761010	8	Bolt M10 x 20	
5	0761015	8	Bolt M10 x 35	
6	0761016	4	Bolt M10 x 40	
7	0761020	4	Bolt M10 x 60	
8	3290807	1	Nut M8	
9	3291005	4	Nut M10 x 1.5	
10	3291007	8	Nut M10	
11	3450304	2	Pin, Cotter 3/32 x 1	
12	4031707	2	Bolt M6 x 16	
13	4031708	1	Capscrew M6 x 20	
14	4811900	2	Washer M8	
15	4812000	11	Washer M10	
16	5240800	3	Washer M8	
17	5241000	48	Washer M10	
18	8303511	1	Bolt M10 x 20	
19	1001118579	1	Actuator	
20	1001118746	12	Bolt M10 x 25	
21	1001186919	8	Bolt M10 x 40	
22	1001222784	1	Lever	
23	1001223088	1	Actuator	
24	1001223302	1	Clamp	
25	1001223721	2	Support	
26	1001223744	1	Muffler	
27	1001223842	1	Pipe, Exhaust	
28	1001223997	1	Mount, Engine	
29	1001224000	1	Mount, Engine	
30	1001224009	1	Plate	
31	1001224585	1	Generator Assembly (See Separate Breakdown in this Section)	
32	1001225093	1	Plate	
33	1001225094	1	Plate	
34	1001225095	1	Plate	
35	1001225104	1	Mount	
36	1001225429	4	Spacer	
37	1001228723	1	Key	
38	1001231323	1	Plate	
39	1001232181	1	Spring	
40	1001235452	1	Pin	
41	1001235453	1	Pin	
42	1001236206	1	Shield	
43	1001237919	1	Engine and Clutch Assembly (See Separate Breakdown in this Section)	

SECTION 3 - ENGINE

FIGURE 3-5. ENGINE AND CLUTCH ASSEMBLY



ART_1001237919

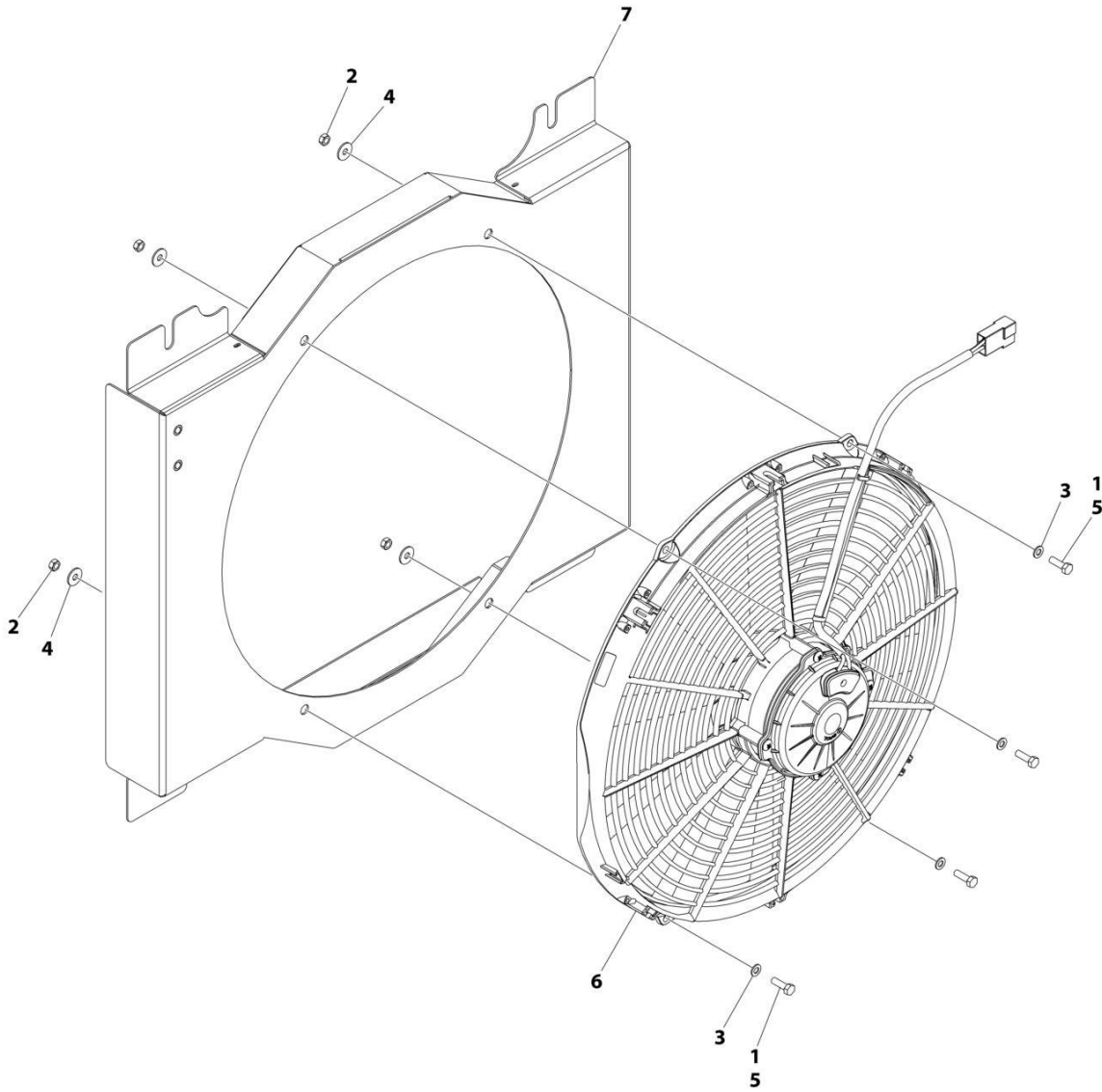
SECTION 3 - ENGINE

FIGURE 3-5. ENGINE AND CLUTCH ASSEMBLY

ITEM	PART NUMBER	QTY	DESCRIPTION	REV
	1001237919	Ref	ENGINE AND CLUTCH ASSEMBLY	A
1	0100011	AR	Compound, Locking	
2	3900382	6	Screw	
3	5250806	6	Bolt M8 x 12	
4	1001222783	1	Adapter	
5	1001223061	3	Pin	
6	1001223148	1	Clutch	
7	1001237918	1	Kubota Engine Components (See Separate Breakdown in this Section)	

SECTION 3 - ENGINE

FIGURE 3-6. ENGINE FAN MOUNTING ASSEMBLY



ART_1001247415

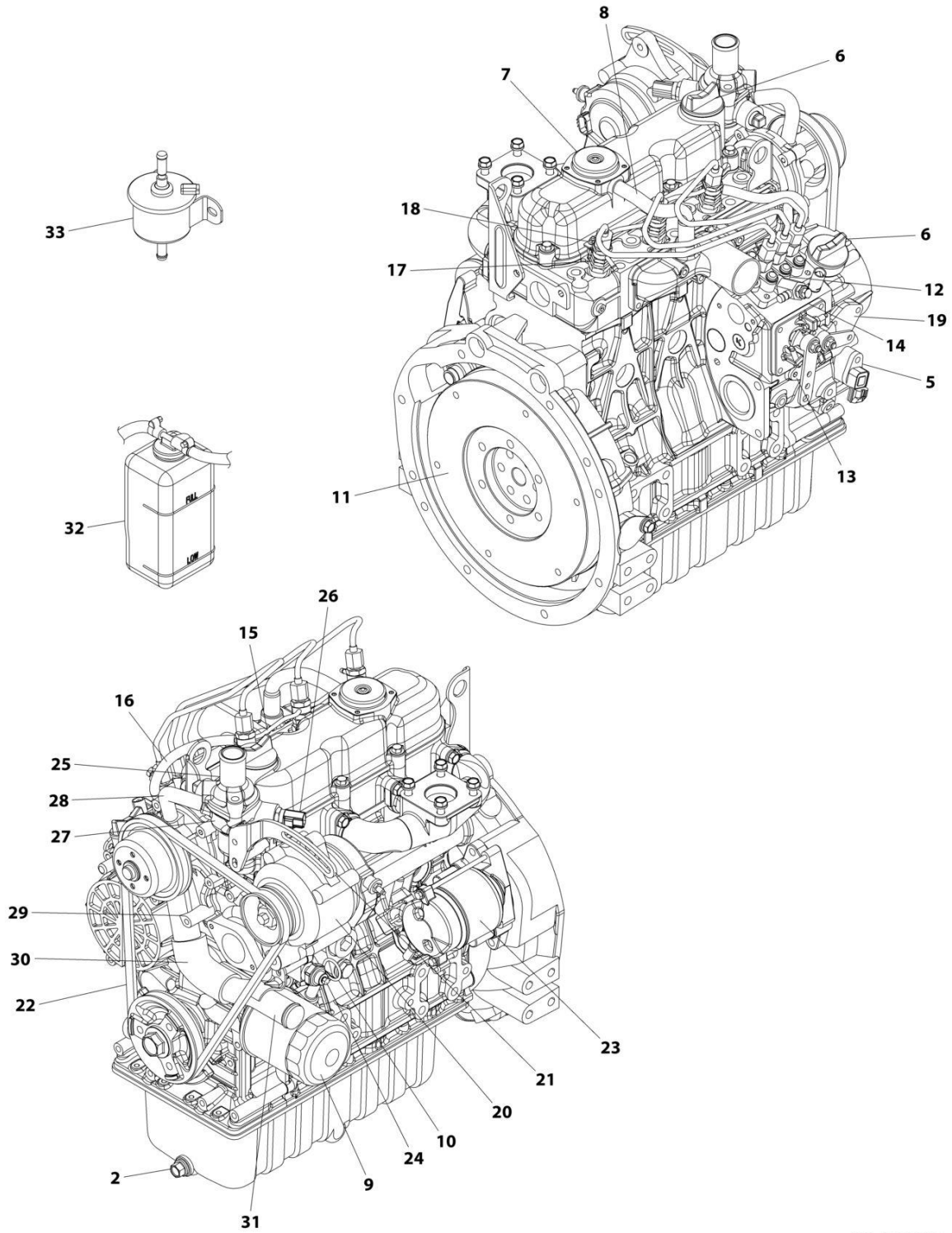
SECTION 3 - ENGINE

FIGURE 3-6. ENGINE FAN MOUNTING ASSEMBLY

ITEM	PART NUMBER	QTY	DESCRIPTION	REV
	1001247415	Ref	ENGINE FAN MOUNTING ASSEMBLY	A
1	0760508	4	Bolt M5 x 16	
2	3290501	4	Nut M5	
3	4811600	4	Washer M5	
4	4811602	4	Washer M5	
5	1001180620	AR	Compound, Locking	
6	1001222465	1	Fan	
7	1001225072	1	Shroud	

SECTION 3 - ENGINE

FIGURE 3-7. KUBOTA ENGINE COMPONENTS



ART_1001237918

SECTION 3 - ENGINE

FIGURE 3-7. KUBOTA ENGINE COMPONENTS

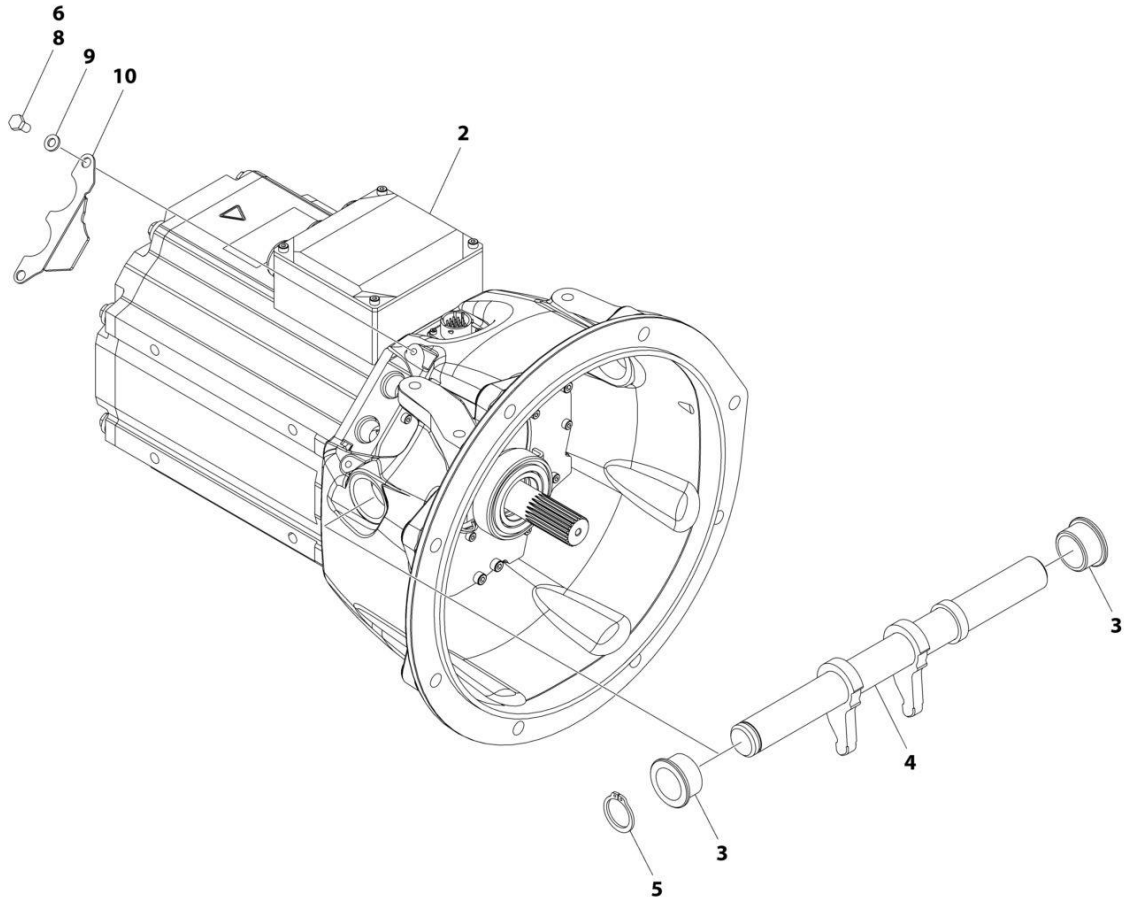
ITEM	PART NUMBER	QTY	DESCRIPTION	REV
	1001237918	Ref	KUBOTA ENGINE COMPONENTS	B
1	7023154	1	Plug, Drain (Not Shown - Located on bottom of Oil Pan)	
1	70002315	1	Seal	
2	70004525	1	Plug, Drain	
2	70004526	1	Seal	
3	70005220	1	Gasket, Head (Not Shown)	
3	70005221	1	Gasket, Valve Cover (Not Shown)	
3	7023149	1	Gasket, Intake Manifold (Not Shown)	
3	7023148	1	Gasket, Exhaust Manifold (Not Shown)	
3	7023124	1	Gasket, Muffler (Not Shown)	
3	70005226	1	Gasket, Upper Kit (Not Shown)	
3	70005227	1	Gasket, Lower Kit (Not Shown)	
4	7023157	1	Seal, Oil (Not Shown - Crankshaft Seal)	
5	70007505	1	Sensor	
6	70002318	2	Cap, Filler	
6	70004311	2	O-Ring	
7	70003060	1	Valve, Breather	
7	70003061	1	Cover, Beather	
7	7017934	4	Screw	
8	70002316	1	Pipe, Water Return	
8	70002317	1	Tube, Breather	
8	70004530	1	Clamp	
8	70004531	1	Clamp	
9	70004395	1	Filter, Oil	
9	7017913	1	Washer	
9	7017914	1	Pipe, Joint	
10	70006667	1	Dipstick	
11	70005224	1	Gear, Rim	
12	7023164	1	Pump, Injector	
12	70002319	1	Shim (0.175mm)	
12	70002320	1	Shim (0.200mm)	
12	70002321	1	Shim (0.250mm)	
12	70002322	1	Shim (0.300mm)	
12	70002323	1	Shim (0.350mm)	
12	70004842	2	Stud	
13	7023165	1	Gasket	
14	70004397	1	Gasket	
15	70004536	1	Over Flow Pipe Assembly (To injectors)	
16	70004539	1	Over Flow Pipe Assembly (To Injector Pump)	
16	70004537	1	Seal	
16	70004538	1	Seal	
17	70004399	3	Injector	
17	70004540	3	Nut	
17	7023167	3	Seal	
17	7023168	3	Seal, Heat	
18	70004398	3	Plug, Glow	
18	70004544	1	Cord, Glow Plug	
19	70004400	1	Gasket, Fuel Pump	
20	70006661	1	Alternator	
21	70006664	1	Adjustment Arm	

SECTION 3 - ENGINE

ITEM	PART NUMBER	QTY	DESCRIPTION	REV
22	70006665	1	Belt	
23	7023144	1	Starter	
24	7017901	1	Oil Pressure Switch	
25	7023170	1	Thermostat	
25	70002326	1	Gasket	
26	70003064	1	Sensor, Water Temperature	
26	70003063	1	Seal	
27	7023145	1	Gasket, Thermostat Housing	
28	7017958	1	Pipe, Water Return	
29	70002327	1	Pump, Water	
29	70002328	1	Gasket	
30	7017963	1	Pipe, Water	
31	70002330	1	Pipe, Water	
32	7023126	1	Tank, Reserve	
33	70005228	1	Pump, Fuel	

SECTION 3 - ENGINE

FIGURE 3-8. GENERATOR ASSEMBLY



ART_1001224585

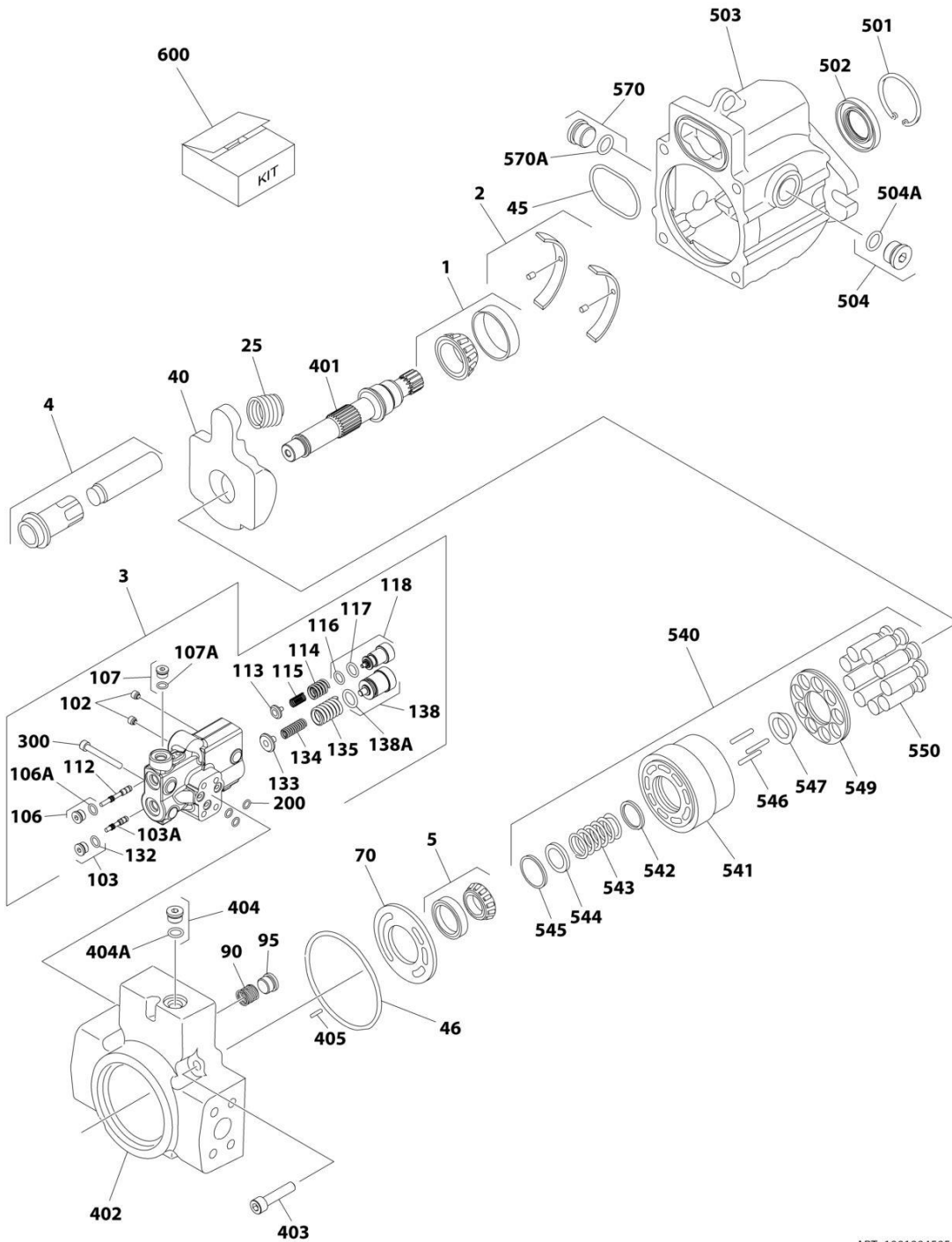
SECTION 3 - ENGINE

FIGURE 3-8. GENERATOR ASSEMBLY

ITEM	PART NUMBER	QTY	DESCRIPTION	REV
	1001224585	Ref	GENERATOR ASSEMBLY	C
2	1001221813	1	Generator Components (Note: No Serviceable Components)	
3	1001222731	2	Bearing	
4	1001222797	1	Release Shaft Assembly	
5	1001223059	1	Ring, Snap	
6	0100011	AR	Compound, Locking	
8	0760606	2	Bolt M6 x 12	
9	4811700	2	Washer M6	
10	1001227909	1	Cover	

SECTION 3 - ENGINE

FIGURE 3-9. VARIABLE PUMP ASSEMBLY



ART_1001094595

SECTION 3 - ENGINE

FIGURE 3-9. VARIABLE PUMP ASSEMBLY

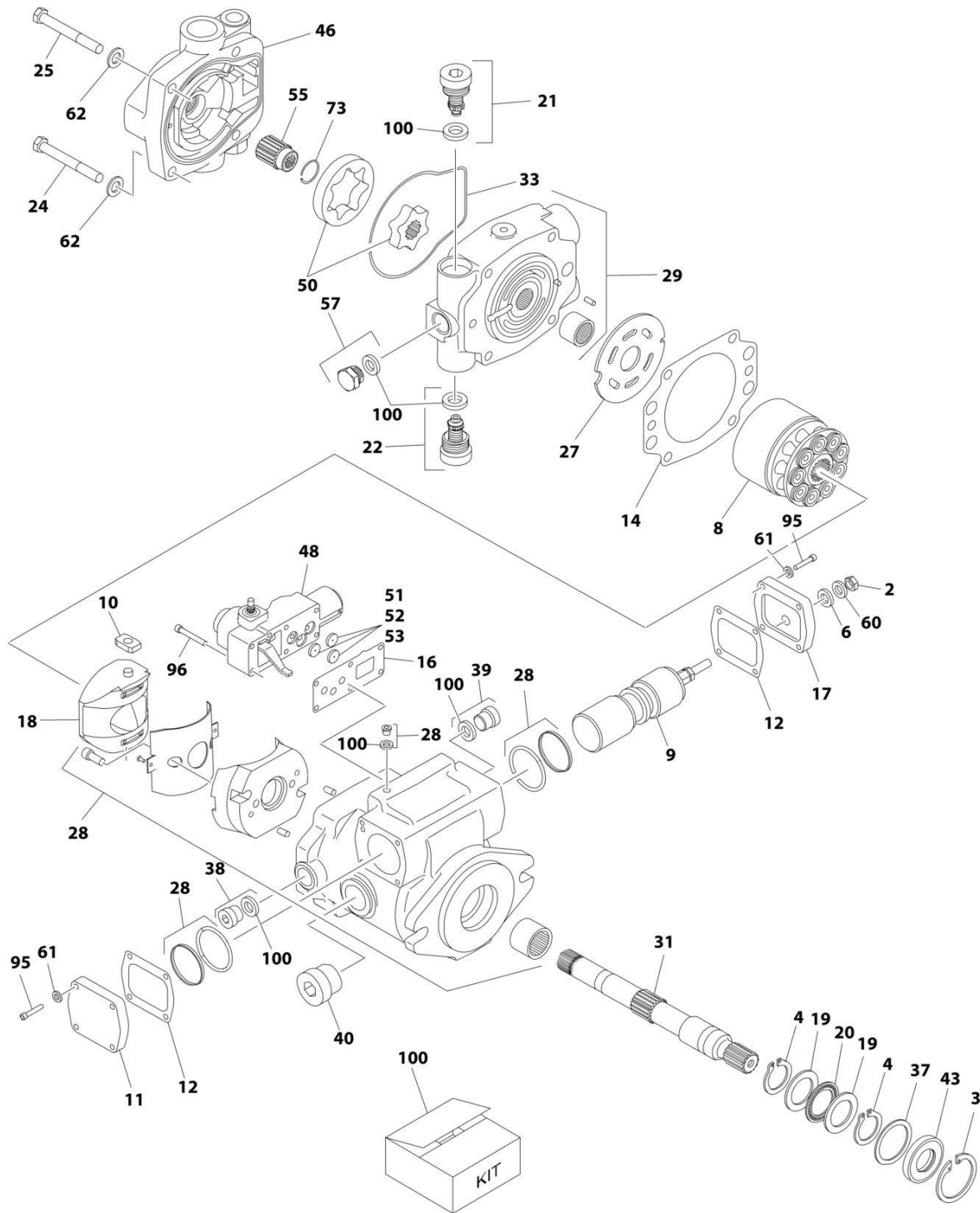
ITEM	PART NUMBER	QTY	DESCRIPTION	REV
	1001094595	Ref	VARIABLE PUMP ASSEMBLY	A
1	7023947	1	Bearing, Front (Includes Cup and Cone)	
2	7023948	1	Bearings, Swash Plate (Includes Both Sides and Pins)	
3	7023956	1	Control Valve Assembly (Includes Items 102-300)	
4	7023949	1	Servo Piston Assembly	
5	7023950	1	Bearing, Rear (Includes Cup and Cone)	
25	7023951	1	Spring	
40	7023952	1	Swash Plate	
45	See Note	NSS	O-Ring (Note: Use Item 600)	
46	See Note	NSS	O-Ring (Note: Use Item 600)	
70	70001954	1	Plate, Valve	
90	70001955	1	Spring, Check Valve	
95	70001956	1	Poppet, Check Valve	
102	See Note	NSS	Setscrew (Note: Use Item 3)	
103	See Note	NSS	Plug (Note: Use Item 3)	
103A	See Note	NSS	O-Ring (Note: Use Item 600)	
106	See Note	NSS	Plug (Note: Use Item 3)	
106A	See Note	NSS	O-Ring (Note: Use Item 600)	
107	See Note	NSS	Plug (Note: Use Item 3)	
107A	See Note	NSS	O-Ring (Note: Use Item 600)	
112	See Note	NSS	Spool, Control (Note: Use Item 3)	
113	See Note	NSS	Guide, Spring (Note: Use Item 3)	
114	See Note	NSS	Spring (Note: Use Item 3)	
115	See Note	NSS	Spring (Note: Use Item 3)	
116	See Note	NSS	O-Ring (Note: Use Item 600)	
117	See Note	NSS	Ring, Back-up (Note: Use Item 600)	
118	See Note	NSS	Plug, Adjusting (Note: Use Item 3)	
132	See Note	NSS	Spool, Control (Note: Use Item 3)	
133	See Note	NSS	Guide, Spring (Note: Use Item 3)	
134	See Note	NSS	Spring (Note: Use Item 3)	
135	See Note	NSS	Spring (Note: Use Item 3)	
138	See Note	NSS	Plug, PC Adjusting (Note: Use Item 3)	
138A	See Note	NSS	O-Ring (Note: Use Item 600)	
200	See Note	NSS	Ring, Seal (Note: Use Item 600)	
300	7023957	4	Screw	
401	7023958	1	Shaft	
402	70001957	1	Cap, End	
403	7023960	4	Screw	
404	7022318	1	Plug	
404A	See Note	NSS	O-Ring (Note: Use Item 600)	
405	7023961	1	Pin	
501	7023962	1	Ring, Retaining	
502	See Note	NSS	Seal, Lip (Note: Use Item 600)	
503	See Note	NSS	Housing (Note: Not Available - Purchase Assembly)	
504	7023964	1	Plug	
504A	7007415	1	O-Ring	
540	7023965	1	Cylinder Block Assembly	
541	See Note	NSS	Block, Cylinder (Note: Use Item 540)	
542	7024868	1	Washer	
543	7024867	1	Spring	

SECTION 3 - ENGINE

ITEM	PART NUMBER	QTY	DESCRIPTION	REV
544	7022314	1	Retainer, Spring	
545	7022311	1	Ring, Retaining	
546	7021275	3	Pin, Slipper	
547	7024864	1	Guide, Slipper	
549	7024866	1	Retainer, Slipper	
550	7023966	9	Piston Assembly	
570	7023964	1	Plug	
570A	7007415	1	O-Ring	
600	7023967	1	Seal Kit - Complete (Includes Items 45, 46, 103A, 106A, 107A, 118, 138A, 200, 444A & 502)	

SECTION 3 - ENGINE

FIGURE 3-10. HYDROSTATIC PUMP ASSEMBLY



ART_1001225745

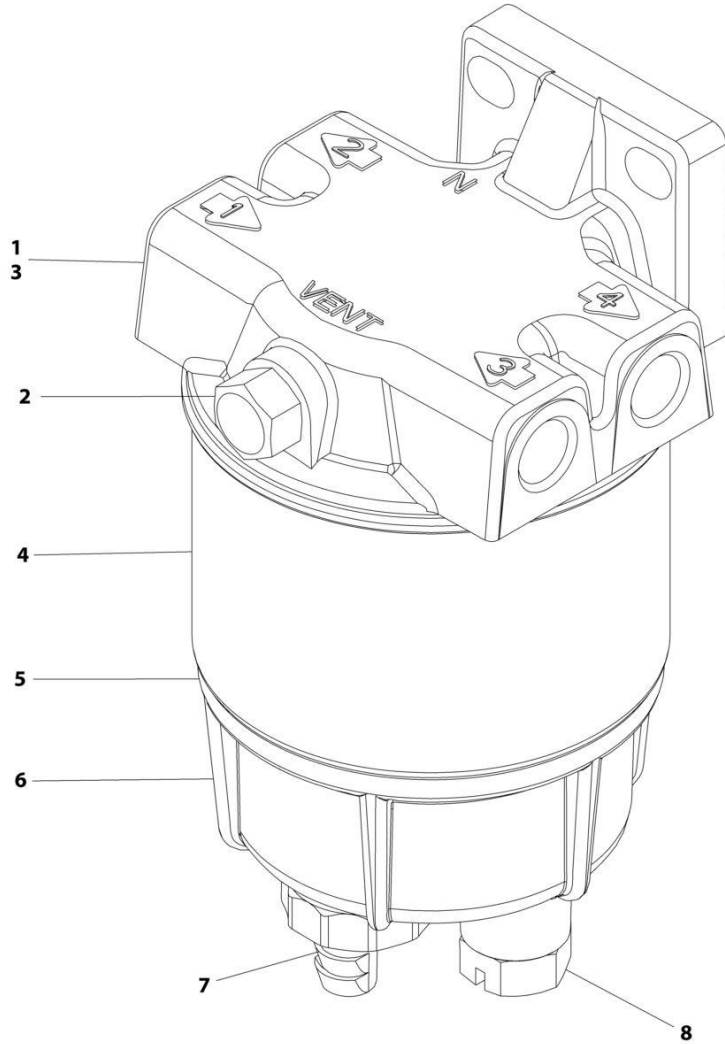
SECTION 3 - ENGINE

FIGURE 3-10. HYDROSTATIC PUMP ASSEMBLY

ITEM	PART NUMBER	QTY	DESCRIPTION	REV
	1001225745	Ref	HYDROSTATIC PUMP ASSEMBLY	A
2	70004329	1	Nut	
3	See Note	NSS	Ring, Retaining (Note: Use Item 100)	
4	See Note	NSS	Ring, Retaining (Note: Use Item 100)	
6	See Note	NSS	Washer, Seal (Note: Use Item 100)	
8	70004331	1	Cylinder Block Assembly	
9	70004332	1	Servo Piston Assembly	
10	70004333	1	Follower, Servo Piston	
11	70005458	1	Cover	
12	See Note	NSS	Gasket, Cover (Note: Use Item 100)	
14	See Note	NSS	Gasket, Housing (Note: Use Item 100)	
16	See Note	NSS	Gasket, Control Housing (Note: Use Item 100)	
17	70005459	1	Cover	
18	70004336	1	Camplate Assembly	
19	7004907	2	Race, Thrust	
20	7004908	1	Bearing, Thrust	
21	70004337	1	Relief Valve Assembly	
22	70004337	1	Relief Valve Assembly	
24	70004338	2	Capscrew	
25	70004338	2	Capscrew	
27	70004340	1	Plate, Valve	
28	See Note	NSS	Housing (Note: Not Available - Purchase Assembly)	
29	70005460	1	End Cover Assembly	
31	70004342	1	Shaft, Drive	
33	See Note	NSS	O-Ring (Note: Use Item 100)	
37	7004906	1	Washer	
38	70005461	1	Plug	
39	70005461	1	Plug	
40	70005462	1	Plug	
43	See Note	NSS	Seal, Shaft (Note: Use Item 100)	
46	70004343	1	Adapter, Charge Pump	
48	70004344	1	Servo Control Assembly	
50	70004345	1	Gerotor	
51	70004346	1	Orifice	
52	70004346	1	Orifice	
53	70004346	1	Orifice	
55	70004347	1	Coupler	
57	70005463	1	Plug	
60	70004348	1	Washer	
61	70004349	8	Washer	
62	70004350	4	Washer	
73	70004351	1	Ring, Retaining	
95	70005464	8	Capscrew	
96	70005465	6	Capscrew	
100	70004352	1	Seal Kit - Pump (Includes Items 3, 4, 6, 12, 14, 16, 33 & 43 and Valve and Plug O-Rings and Seals)	

SECTION 3 - ENGINE

FIGURE 3-11. FUEL/WATER SEPARATOR ASSEMBLY



ART_1001190609

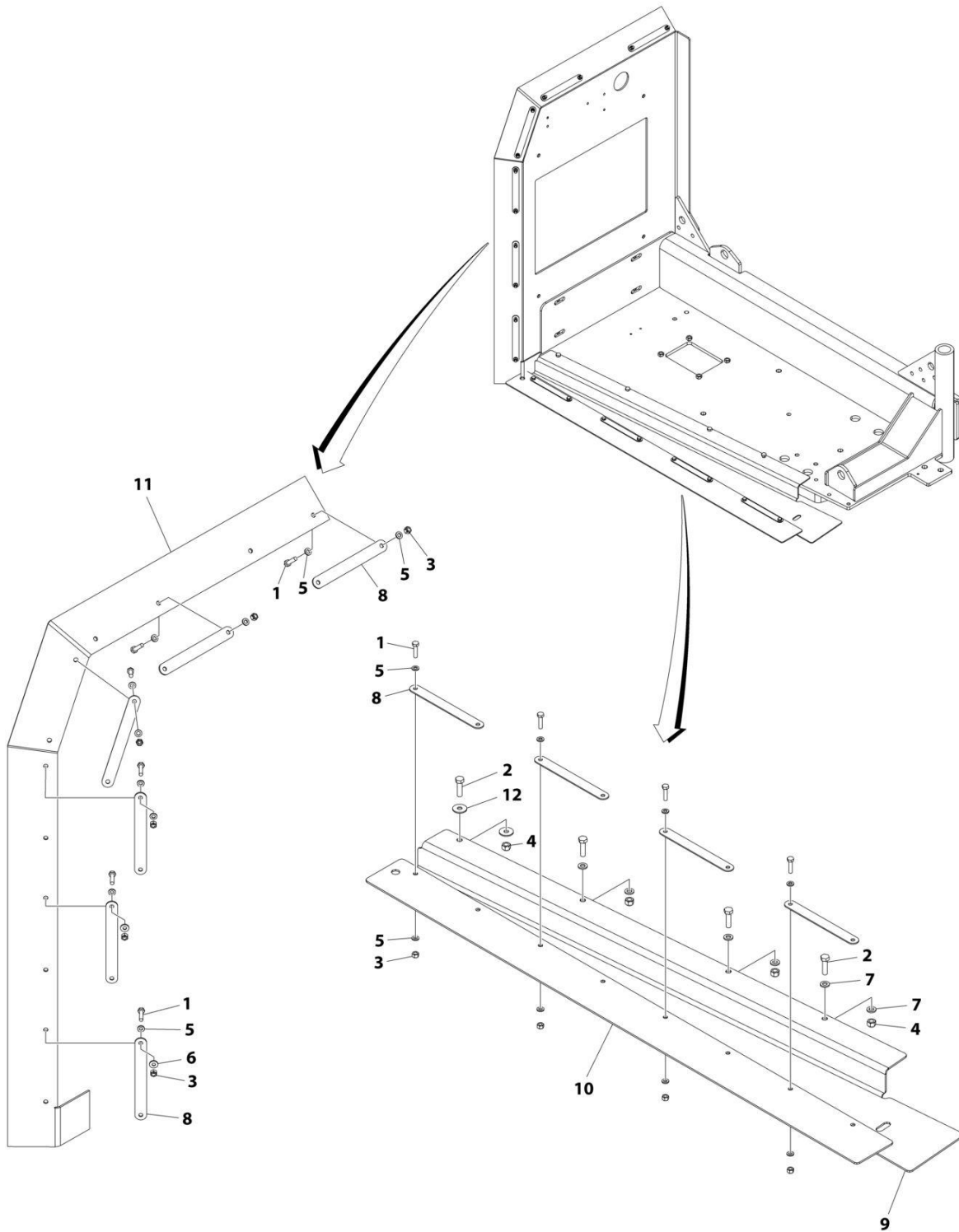
SECTION 3 - ENGINE

FIGURE 3-11. FUEL/WATER SEPARATOR ASSEMBLY

ITEM	PART NUMBER	QTY	DESCRIPTION	REV
	1001190609	Ref	FUEL/WATER SEPARATOR ASSEMBLY - DIESEL ENGINES	B
1	70005293	1	Head, Mounting	
2	70005294	1	Plug	
3	70005295	1	Gasket, Head	
4	70005296	1	Element	
5	70005297	1	O-Ring	
6	70002901	1	Bowl	
7	70004070	1	Drain, Self Venting	
8	70004069	1	Plug	

SECTION 3 - ENGINE

FIGURE 3-12. ENGINE HOOD Baffles INSTALLATION



ART_1001227743

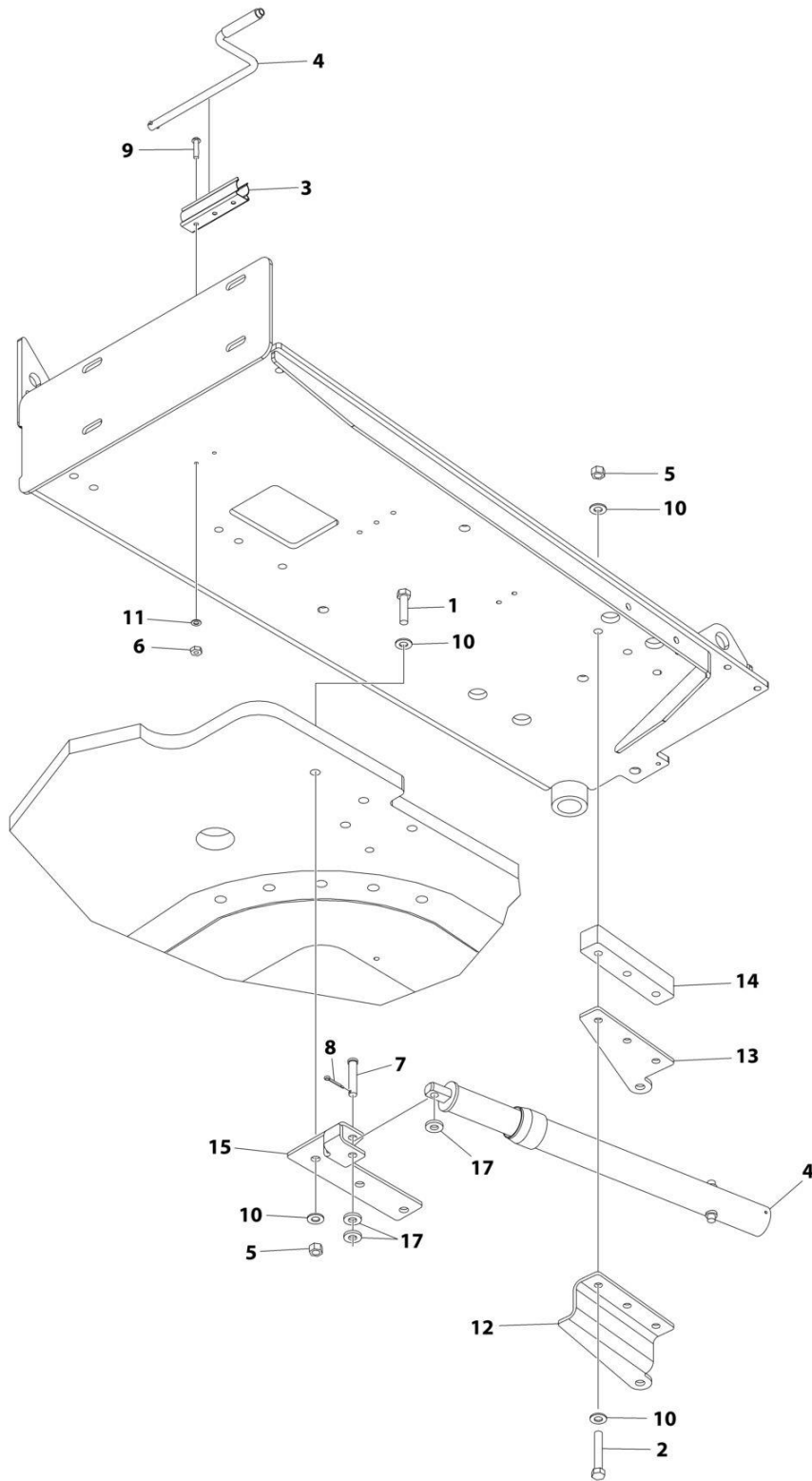
SECTION 3 - ENGINE

FIGURE 3-12. ENGINE HOOD BAFFLES INSTALLATION

ITEM	PART NUMBER	QTY	DESCRIPTION	REV
	1001227743	Ref	ENGINE HOOD BAFFLES INSTALLATION	C
1	0760612	20	Bolt M6 x 25	
2	0760814	4	Bolt M8 x 30	
3	3290605	20	Nut M6	
4	3290805	4	Nut M8	
5	4811700	38	Washer M6	
6	4811702	2	Washer M6	
7	4811900	6	Washer M8	
8	1001167164	10	Support	
9	1001227740	1	Plate	
10	1001227741	1	Seal	
11	1001227742	1	Seal	
12	4811902	2	Washer M8	

SECTION 3 - ENGINE

FIGURE 3-13. TRAY JACK INSTALLATION



ART_1001229066_D

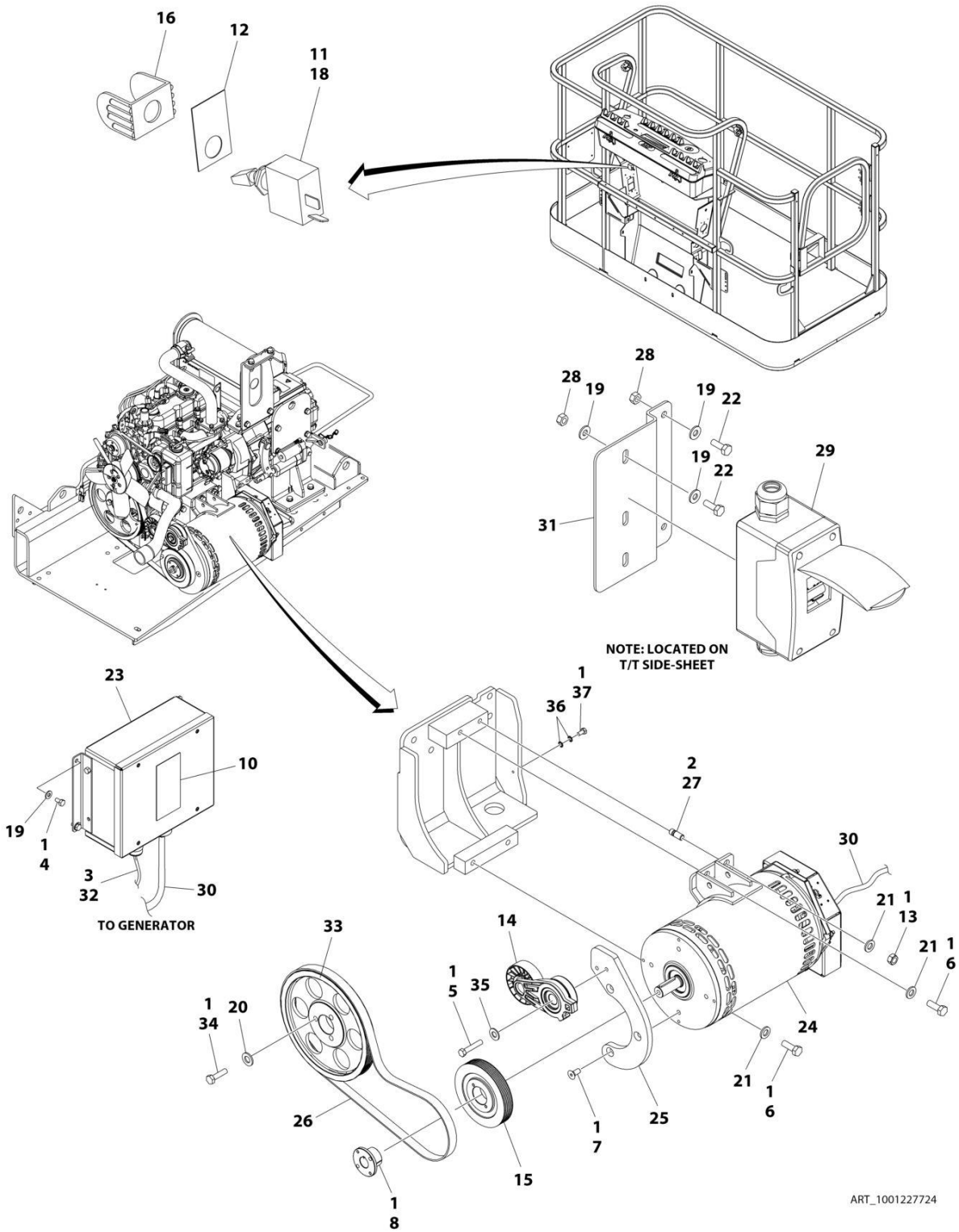
SECTION 3 - ENGINE

FIGURE 3-13. TRAY JACK INSTALLATION

ITEM	PART NUMBER	QTY	DESCRIPTION	REV
	1001229066	Ref	TRAY JACK INSTALLATION	D
1	0641816	3	Bolt 1/2 x 2	
2	0641824	3	Bolt 1/2 x 3	
3	1380147	1	Clip	
4	2840018	1	Jack and Handle Assembly	
4	7024599	1	Handle	
5	3271805	6	Nut 1/2 Grade 8	
6	3310601	2	Nut #6	
7	3430820	1	Pin	
8	3450404	1	Pin, Cotter 1/8 x 1	
9	3910610	2	Screw #6 x 5/8	
10	4711800	11	Washer 1/2	
11	4770600	2	Washer #6	
12	1001175073	1	Support	
13	1001175074	1	Support	
14	1001243869	1	Shim	
15	1001229067	1	Bracket	
17	4891800	3	Washer 1/2	

SECTION 3 - ENGINE

FIGURE 3-14. 4000W GENERATOR INSTALLATION - 220V/50HZ (OPTIONAL)



ART_1001227724

SECTION 3 - ENGINE

FIGURE 3-14. 4000W GENERATOR INSTALLATION - 220V/50HZ (OPTIONAL)

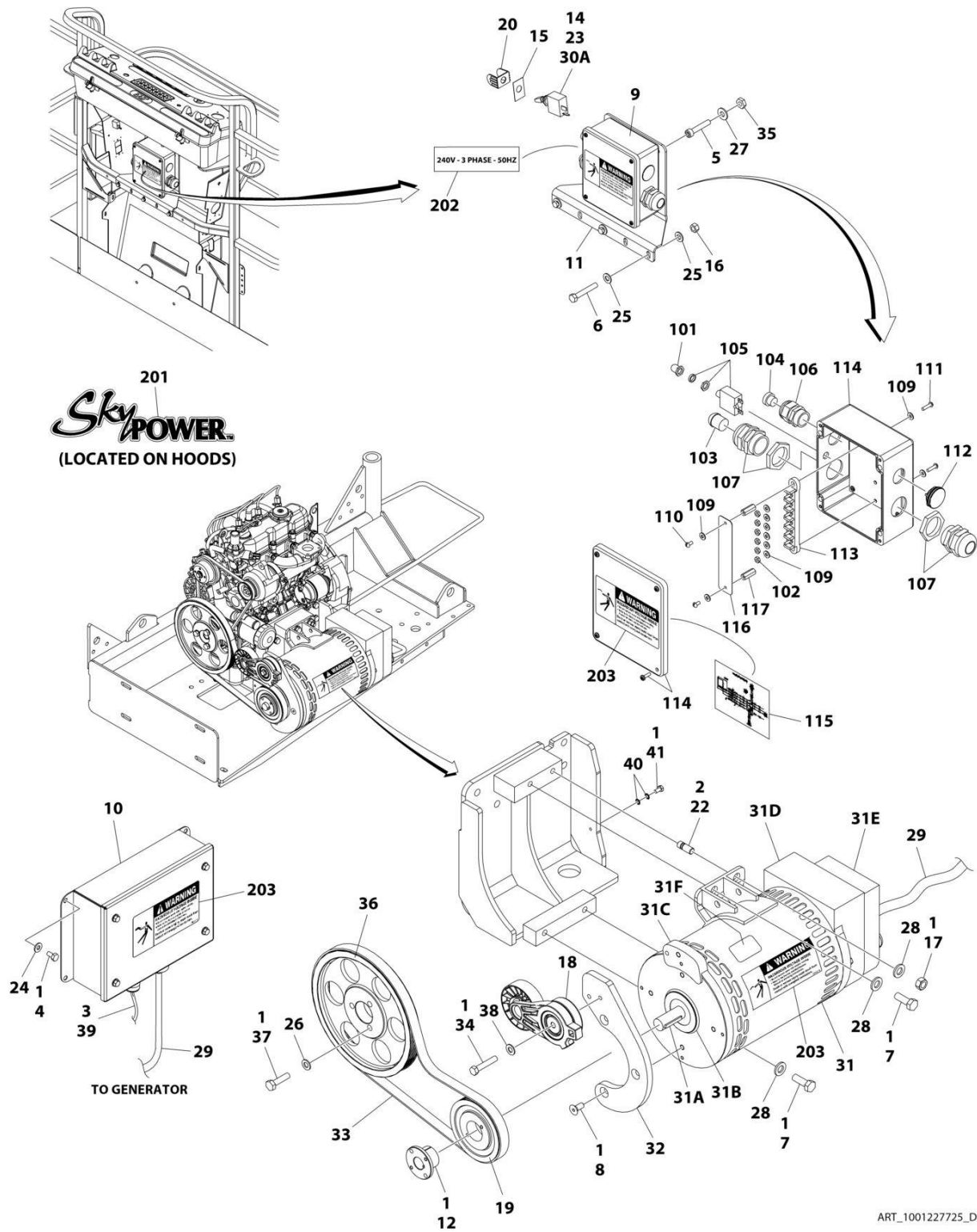
ITEM	PART NUMBER	QTY	DESCRIPTION	REV
	1001227724	Ref	4000W GENERATOR INSTALLATION	E
1	0100011	AR	Compound, Locking	
2	0100019	AR	Compound, Locking	
3	0100048	AR	Grease, Dielectric	
4	0641404	4	Bolt 1/4 x 1/2	
5	0641616	1	Bolt 3/8 x 2	
6	0761215	3	Bolt M12 x 35	
7	0741607	3	Screw 3/8 x 7/8	
8	0962520	1	Bushing, Split	
10	1705489	2	Decal - Hazardous Voltage	
11	2820031	AR	Heatshrink	
12	3251102	1	Nameplate - Generator	
13	3291201	1	Nut M12	
14	3580317	1	Tensioner, Belt	
15	1001244352	1	Pully	
16	4060802	1	Guard, Switch	
17	4240018	1	Tie-Strap (Not Shown)	
18	4360336	1	Switch, Toggle	
19	4711400	4	Washer 1/4	
20	4812000	3	Washer M10	
21	5241200	4	Washer M12	
22	0641406	4	Bolt 1/4 x 3/4	
23	1001138566	1	Box, Control	
24	1001206119	1	Generator Assembly	
24	70003709	1	Ring, Retaining (External)	
24	70003708	1	Ring, Retaining (Internal)	
24	70001966	1	Bearing	
24	70004092	1	Endbell (Shaft End)	
24	70004171	1	Key	
24	70004676	1	Rotor	
24	70005624	1	Stator	
24	70004678	1	Endbell (Rear)	
24	70004679	1	Cover, Endbell (Rear)	
24	70004680	1	Enclosure, Wiring	
24	70004681	1	Cover, Enclosure	
24	70004682	1	Switch, Reset (Located on Enclosure Cover)	
24	70004098	1	Connector, Strain Relief (Located on Enclosure Cover)	
24	70004683	1	Bushing, Connector (Use p/n 70004098)	
24	70001973	1	Decal - Warning Pinch Point	
25	1001244926	1	Plate, Tensioner	
26	1001248171	1	V-Belt	
27	1001196382	1	Stud	
28	3311405	4	Nut 1/4	
29	1001165368	1	Breaker Box Kit (See Separate Breakdown in ELECTRICAL SECTION)	
30	1001152532	1	Generator Harness (Generator Control Box to Generator) (See Separate Breakdown in ELECTRICAL SECTION)	
31	1001229080	1	Bracket	
32	1001231225	1	Harness, Generator Enable (Generator Control Box to Engine Harness) (See Separate Breakdown in ELECTRICAL SECTION)	

SECTION 3 - ENGINE

ITEM	PART NUMBER	QTY	DESCRIPTION	REV
32	4460967	1	Plug, Male - 2 Position	
32	4460465	1	Socket, Female	
33	1001183726	1	Pulley	
34	1001186919	3	Bolt M10 x 40	
35	4711600	1	Washer 3/8	
36	4871700	2	Washer M6	
37	0760606	1	Bolt M6 x 12	

SECTION 3 - ENGINE

FIGURE 3-15. 7500W SKYPOWER GENERATOR INSTALLATION - 220V/50HZ (OPTIONAL)



ART_1001227725_D

SECTION 3 - ENGINE

FIGURE 3-15. 7500W SKYPOWER GENERATOR INSTALLATION - 220V/50HZ (OPTIONAL)

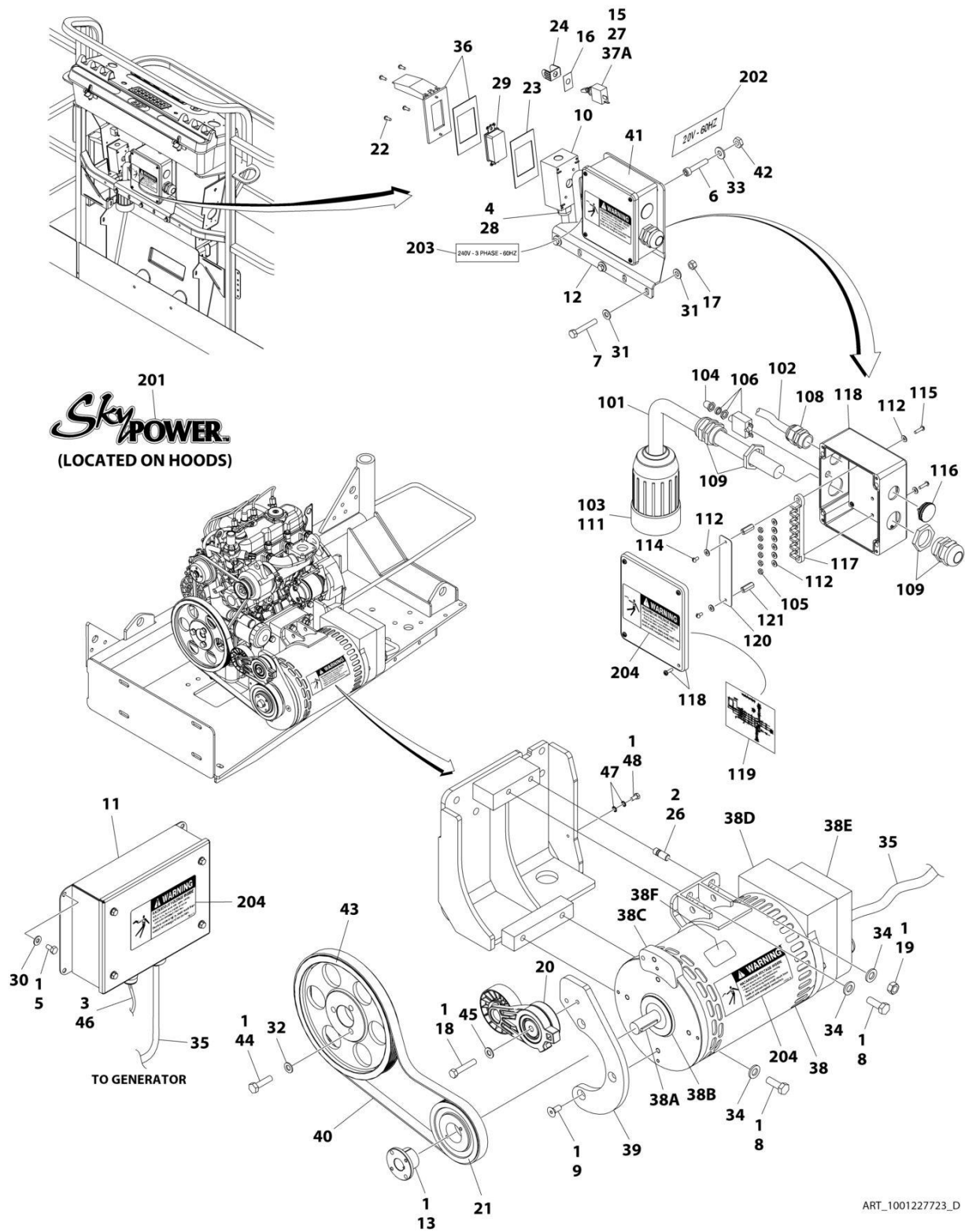
ITEM	PART NUMBER	QTY	DESCRIPTION	REV
	1001227725	Ref	7500W SKYPOWER GENERATOR INSTALLATION	D
1	0100011	AR	Compound, Locking	
2	0100019	AR	Compound, Locking	
3	0100048	AR	Grease, Dielectric	
4	0641404	4	Bolt 1/4 x 1/2	
5	3931016	4	Capscrew #10 x 1	
6	0641516	3	Bolt 5/16 x 2	
7	0761215	3	Bolt M12 x 35	
8	0741607	3	Screw 3/8 x 7/8	
9	1001157525	1	Junction Box Assembly (See Items 101-117 for Breakdown)	
10	0861572	1	Box, Control	
10	7024488	1	Card, Circuit - Generator Power (Not Shown)	
10	See Note	1	Fuse (Note: Not Available - Purchase Locally)	
10	7024489	1	Card, Circuit - Control (Not Shown)	
10		Ref	Note: When replacing card, rocker switch on card must be set for required application.	
10	70000619	1	Circuit Card Harness	
10	77363232	1	Connector - 6 Position	
10	See Note	NSS	Connector - 3 Position (Note: Not Available for Purchase)	
11	0902888	1	Bracket	
12	0962520	1	Bushing	
14	2820031	AR	Heatshrink	
15	3252764	1	Nameplate - AC & Weld	
16	3311505	3	Nut 5/16	
17	3291201	1	Nut M12	
18	3580317	1	Tensioner, Belt	
19	3580319	1	Pulley	
20	4060802	1	Guard, Switch	
21	4240018	1	Tie-Strap (Not Shown)	
22	1001196382	1	Stud	
23	4360336	1	Switch, Toggle	
24	4711400	4	Washer 1/4	
25	4711500	6	Washer 5/16	
26	4812000	3	Washer M10	
27	4751000	4	Washer #10	
28	5241200	4	Washer M12	
29	4922925	1	Generator Harness (See Separate Breakdown in ELECTRICAL Section)	
30	1001231260	1	Generator Wiring Diagram (Not Shown)	
30A	4922641	1	Switch Harness	
31	1001155348	1	Generator Assembly	
31	70001100	1	Rotor (Includes p/n 70001384 & 70000863) (Not Shown)	
31	70001384	1	Bearing, Shaft (Rear) (Not Shown)	
31	70000863	1	Fan, Generator (Not Shown)	
31	70004093	1	Stator (Not Shown)	
31	70002297	2	Stud 1/4 x 12-7/8 (Not Shown)	
31	70003631	1	Brushholder Assembly (Not Shown)	
31A	70004099	1	Key	
31B	70001966	1	Bearing, Ball Radial (Located in Belt Tensioner Endbell)	
31B	70003709	1	Ring, Retaining (Small)	

SECTION 3 - ENGINE

ITEM	PART NUMBER	QTY	DESCRIPTION	REV
31B	70003708	1	Ring, Retaining (Large)	
31C	70004092	1	Endbell, Belt Tensioner	
31D	70004094	1	Endbell, Brush Block	
31E	70004096	1	Shroud Assembly	
31E	7027799	1	Block, Connector - 6 Position (Not Shown)	
31E	70002460	6	Nut, Brass (Attaches p/n 7027799 to Cover) (Not Shown)	
31E	7024485	1	Breaker, Circuit 30Amp (Not Shown)	
31E	70001696	1	Boot, Breaker (Not Shown)	
31E	7026597	1	Connector with Leads (Not Shown)	
31E	7026626	1	Connector with Pins (Not Shown)	
31E	70004098	1	Clamp, Cable (Not Shown)	
31E	70004095	1	Plate, End Panel (Not Shown)	
31E	70004097	1	Insulator, End Panel (Not Shown)	
31E	70001974	1	Decal - Terminal Connections (Not Shown)	
31F	70001973	1	Decal - Warning Moving Parts	
32	1001227526	1	Plate, Tensioner	
33	1001235296	1	V-Belt	
34	0641616	1	Bolt 3/8 x 2	
35	3311005	4	Nut #10	
36	1001183726	1	Pulley	
37	1001186919	3	Bolt M10 x 40	
38	4711600	1	Washer 3/8	
39	1001231225	1	Harness, Generator Enable (See Separate Breakdown in ELECTRICAL Section)	
40	4871700	2	Washer M6	
41	0760606	1	Bolt M6 x 12	
	1001157525	Ref	JUNCTION BOX ASSEMBLY	B
101	3300396	1	Cover, Fuse	
102	3311001	6	Nut #10	
103	3520189	1	Plug (50Hz Spec Only)	
104	3520192	1	Plug	
105	4360070	1	Circuit Breaker - 15Amp	
106	4460425	1	Strain Relief, Terminal	
107	4460426	2	Connector, Strain Relief	
109	4711000	11	Washer #10	
110	10702077	2	Screw #10 x 3/8	
111	10702082	2	Screw #10 x 3/4	
112	1001152525	1	Plug	
113	1001157520	1	Block, Terminal	
114	1001157521	1	Box, Junction	
115	1001157528	1	Decal - Wiring Schematic	
116	1001158007	1	Cover, PVC	
117	1001158008	2	Stand-Off	
	0272589	Ref	DECAL INSTALLATION	A
201	1705460	2	Decal - SkyPower	
202	1705461	1	Decal - 240V - 3 Phase	
203	1705489	3	Decal - Hazardous Voltage	

SECTION 3 - ENGINE

FIGURE 3-16. 7500W SKYPOWER GENERATOR INSTALLATION - 110V/60HZ (OPTIONAL)



SECTION 3 - ENGINE

FIGURE 3-16. 7500W SKYPOWER GENERATOR INSTALLATION - 110V/60HZ (OPTIONAL)

ITEM	PART NUMBER	QTY	DESCRIPTION	REV
	1001227723	Ref	7500W SKYPOWER GENERATOR INSTALLATION	D
1	0100011	AR	Compound, Locking	
2	0100019	AR	Compound, Locking	
3	0100048	AR	Grease, Dielectric	
4	0100079	AR	Sealant	
5	0641404	4	Bolt 1/4 x 1/2	
6	3931016	4	Capscrew #10 x 1	
7	0641516	3	Bolt 5/16 x 2	
8	0761215	3	Bolt M12 x 35	
9	0741607	3	Screw 3/8 x 7/8	
10	0860038	1	Box, Switch	
11	0861538	1	Control Box Assembly	
11	7024488	1	Card, Circuit - Generator Power	
11	See Note	NSS	Fuse (Note: Not Available - Purchase Locally)	
11	7024489	1	Card, Circuit - Control	
11	70000619	1	Harness, Control Box (Internal)	
12	0902888	1	Bracket	
13	0962520	1	Bushing	
15	2820031	AR	Heatshrink	
16	3252764	1	Nameplate - AC & Weld	
17	3311505	3	Nut 5/16	
18	0641616	1	Bolt 3/8 x 2	
19	3291201	1	Nut M12	
20	3580317	1	Pulley	
21	3580318	1	Pulley	
22	3910606	4	Screw #6 x 3/8	
23	3960422	1	Gasket	
24	4060802	1	Guard, Switch	
25	4240018	1	Tie-Strap (Not Shown)	
26	1001196382	1	Stud	
27	4360336	1	Switch, Toggle	
28	4460071	1	Connector, Strain Relief	
29	4460346	1	Receptacle	
30	4711400	4	Washer 1/4	
31	4711500	6	Washer 5/16	
32	4812000	3	Washer M10	
33	4751000	4	Washer #10	
34	5241200	4	Washer M12	
35	4922925	1	Generator Harness (See Separate Breakdown in ELECTRICAL Section)	
36	1001110873	1	Cover	
37	1001231260	1	Generator Wiring Diagram (Not Shown)	
37A	4922641	1	Switch Harness	
38	1001155348	1	Generator Assembly	
38	70004093	1	Stator (Not Shown)	
38	70002297	2	Stud 1/4 x 12-7/8 (Not Shown)	
38	70003631	1	Brushholder Assembly (Not Shown)	
38A	70004099	1	Key	
38B	70001966	1	Bearing, Ball Radial (Located in Belt Tensioner Endbell)	
38B	70003709	1	Ring, Retaining (Small)	

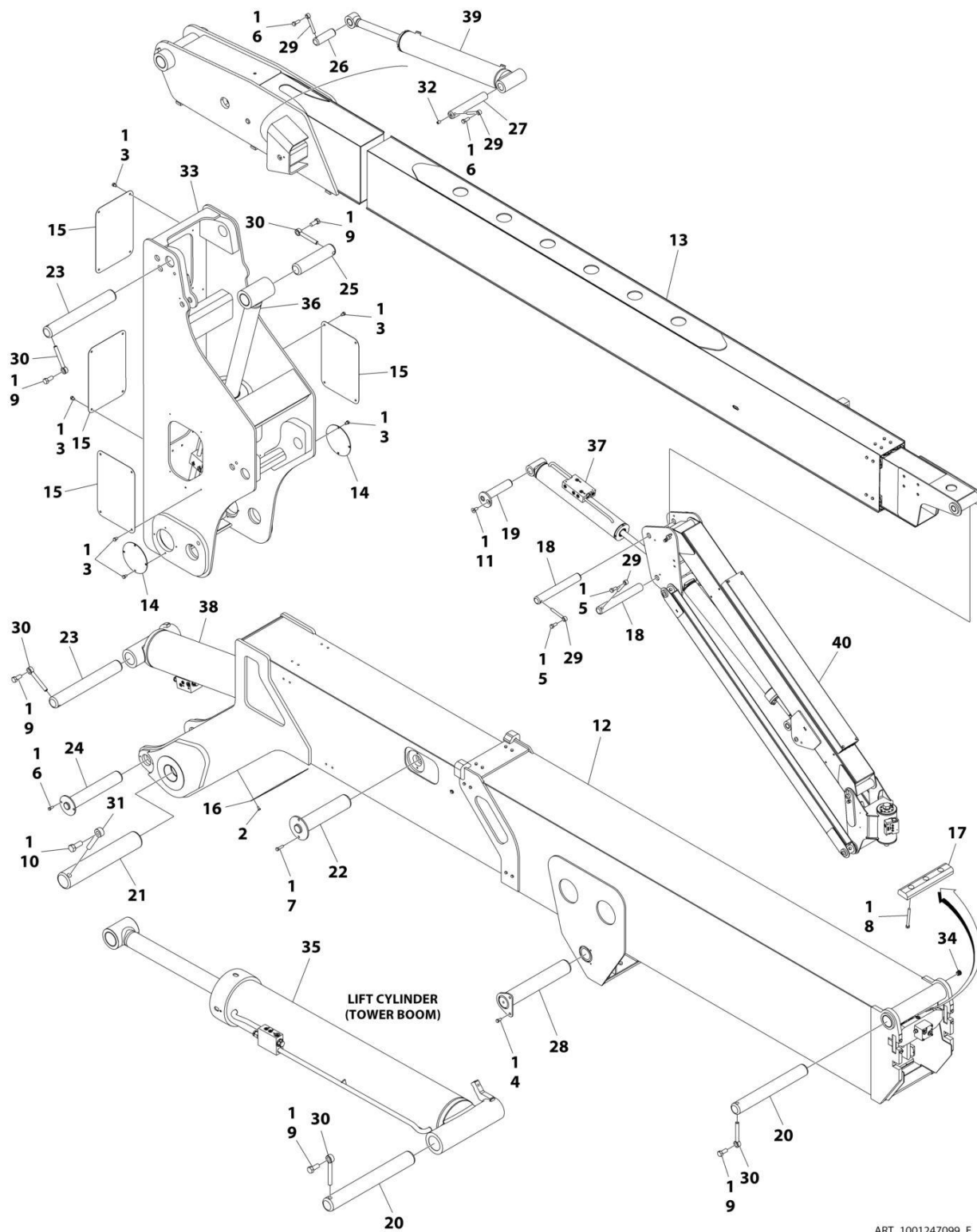
SECTION 3 - ENGINE

ITEM	PART NUMBER	QTY	DESCRIPTION	REV
38B	70003708	1	Ring, Retaining (Large)	
38C	70004092	1	Endbell, Belt Tensioner	
38D	70004094	1	Endbell, Brush Block	
38E	70004096	1	Shroud Assembly	
38E	7027799	1	Block, Connector - 6 Position (Not Shown)	
38E	70002460	6	Nut Brass (Attaches p/n 7027799 to Cover) (Not Shown)	
38E	7024485	1	Breaker, Circuit 30Amp (Not Shown)	
38E	70001696	1	Boot, Breaker (Not Shown)	
38E	7026597	1	Connector with Leads (Not Shown)	
38E	7026626	1	Connector with Pins (Not Shown)	
38E	70004098	1	Clamp, Cable (Not Shown)	
38E	70004095	1	Plate, End Panel (Not Shown)	
38E	70004097	1	Insulator, End Panel (Not Shown)	
38E	70001974	1	Decal - Terminal Connections (Not Shown)	
38F	70001973	1	Decal - Warning Moving Parts	
39	1001227526	1	Plate, Tensioner	
40	1001235519	1	V-Belt	
41	1001157592	1	Junction Box Assembly (See Items 101-121 for Breakdown)	
42	3311005	4	Nut #10	
43	1001183726	1	Pulley	
44	1001186919	3	Bolt M10 x 40	
45	4711600	1	Washer 3/8	
46	1001231225	1	Harness, Generator Enable (See Separate Breakdown in ELECTRICAL Section)	
47	4871700	2	Washer M6	
48	0760606	1	Bolt M6 x 12	
	1001157592	Ref	JUNCTION BOX ASSEMBLY	C
101	1060343	1.5 ft/ 0.5m	Cable, Electrical 10/4	
102	1001179154	2.5 ft/ 0.8m	Cable, Electrical 12/3	
103	1671092	1	Cover	
104	3300396	1	Cover, Fuse	
105	3311001	6	Nut #10	
106	4360070	1	Circuit Breaker - 15Amp	
108	4460425	1	Strain Relief, Terminal	
109	4460426	2	Connector, Strain Relief	
111	4460963	1	Connector	
112	4711000	10	Washer #10	
114	10702077	2	Screw #10 x 3/8	
115	10702082	2	Screw #10 x 3/4	
116	1001152525	1	Plug	
117	1001157520	1	Block, Terminal	
118	1001157521	1	Box, Junction	
119	1001157528	1	Decal - Wiring Schematic	
120	1001158007	1	Cover, PVC	
121	1001158008	2	Stand-Off	
	0272435	Ref	DECAL INSTALLATION	D
201	1705460	2	Decal - SkyPower	
202	3251243	1	Decal - 120V/60Hz	
203	1705375	1	Decal - 240V/3Phase	
204	1705387	3	Decal - Hazardous Voltage	

SECTION 4 - BOOM

SECTION 4 - BOOM

FIGURE 4-1. BOOM AND CYLINDER INSTALLATION



ART_1001247099_E

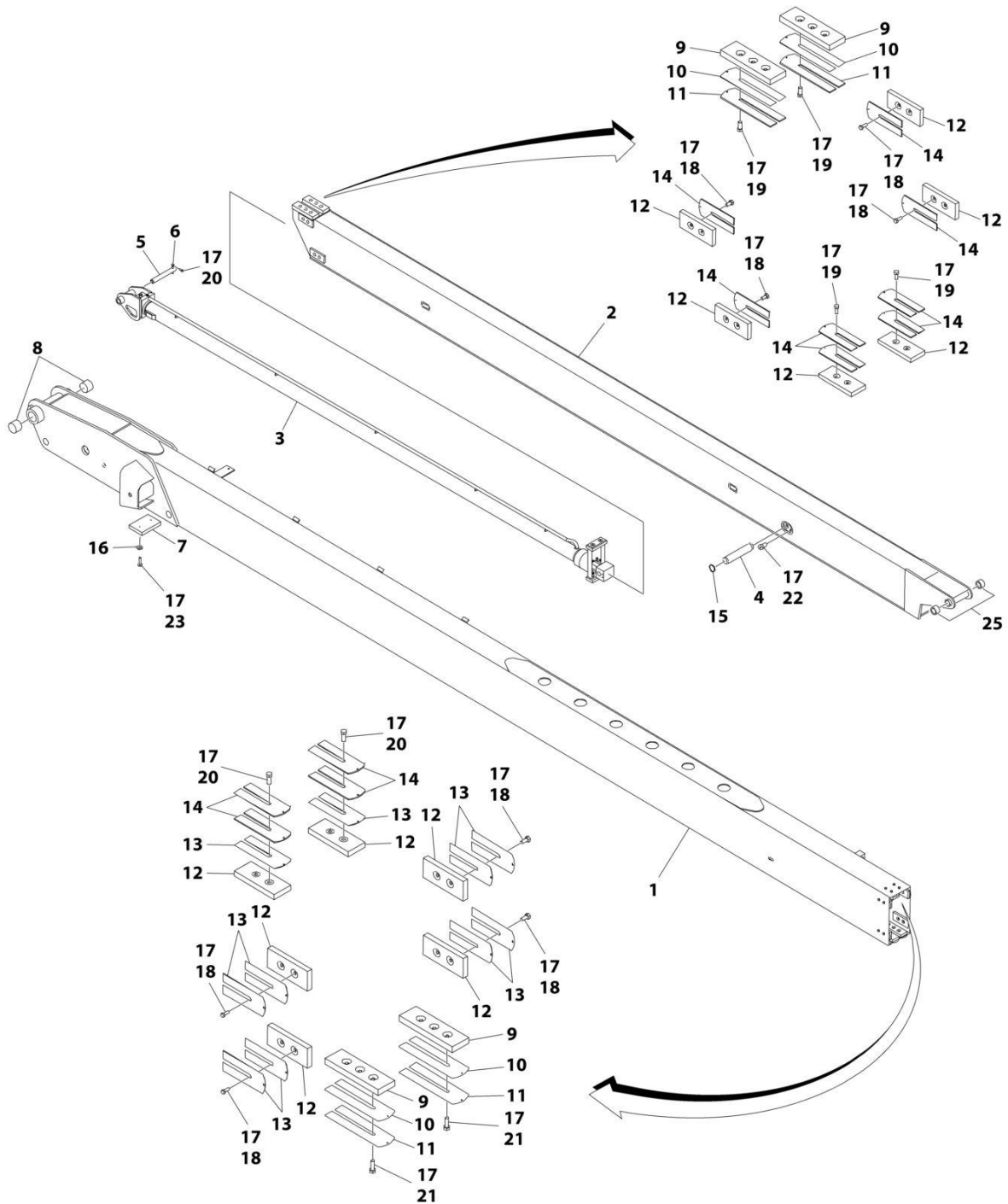
SECTION 4 - BOOM

FIGURE 4-1. BOOM AND CYLINDER INSTALLATION

ITEM	PART NUMBER	QTY	DESCRIPTION	REV
	1001247099	Ref	BOOM INSTALLATION	E
1	0100011	AR	Compound, Locking	
2	0641404	4	Bolt 1/4 x 1/2	
3	0641604	24	Bolt 3/8 x 1/2	
4	0641606	2	Bolt 3/8 x 3/4	
5	0641607	2	Bolt 3/8 x 7/8	
6	0641608	4	Bolt 3/8 x 1	
7	0641611	2	Bolt 3/8 x 1-3/8	
8	0641840	3	Bolt 1/2 x 5	
9	0642214	5	Bolt 3/4 x 1-3/4	
10	0642620	1	Bolt 1 x 2-1/2	
11	0741607	1	Screw 3/8 x 7/8	
12	0801132	1	Boom Assembly - Tower (See Separate Breakdown in this Section)	
13	0801136	1	Boom Assembly - Main (See Separate Breakdown in this Section)	
14	1120510	2	Cover, Upright	
15	1670844	4	Cover, Upright	
16	1670850	1	Cover, Tower Fly	
17	3340835	1	Pad Rest	
18	3422561	2	Pin	
19	3422583	1	Pin	
20	3422681	2	Pin	
21	3422683	1	Pin	
22	3422684	1	Pin	
23	3422685	2	Pin	
24	3422686	1	Pin	
25	3422687	1	Pin	
26	3422688	1	Pin	
27	3422689	1	Pin	
28	3422729	1	Pin	
29	3841143	4	Keeper, Pin	
30	3841287	5	Keeper, Pin	
31	3841356	1	Keeper, Pin	
32	3900239	1	Set Screw	
33	4845593	1	Upright	
34	1001213705	1	Cap	
35	1001251009	1	Lift Cylinder Assembly - Tower Boom (See Separate Breakdown in CYLINDER Section)	
36	1001251010	1	Lift Cylinder Assembly - Main Boom (See Separate Breakdown in CYLINDER Section)	
37	1001251030	1	Level Cylinder Assembly - Platform Slave (See Separate Breakdown in CYLINDER Section)	
38	1001251041	1	Level Cylinder Assembly - Upright (See Separate Breakdown in CYLINDER Section)	
39	1001251050	1	Master Cylinder Assembly (See Separate Breakdown in CYLINDER Section)	
40	1001247147	1	Jib Assembly (See Separate Breakdown in this Section)	

SECTION 4 - BOOM

FIGURE 4-2. MAIN BOOM ASSEMBLY



ART_0801136

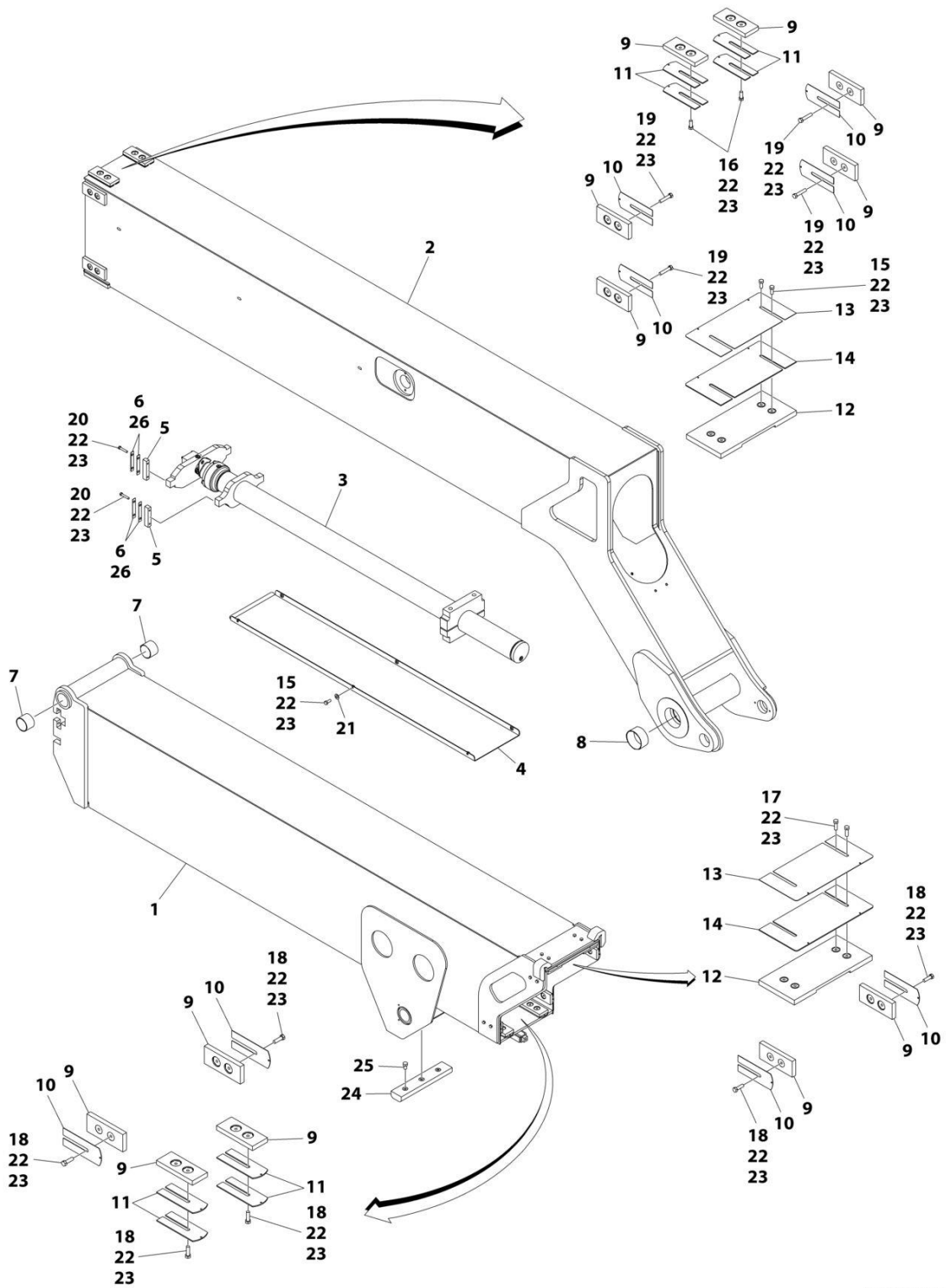
SECTION 4 - BOOM

FIGURE 4-2. MAIN BOOM ASSEMBLY

ITEM	PART NUMBER	QTY	DESCRIPTION	REV
	0801136	Ref	MAIN BOOM ASSEMBLY	N
1	0801591	1	Base, Boom	
2	0801573	1	Fly, Boom	
3	1001228087	1	Telescope Cylinder Assembly (See Separate Breakdown in CYLINDER SECTION)	
4	3422457	1	Pin	
5	3422690	1	Pin	
6	3841143	1	Keeper, Pin	
7	0561295	1	Block, Boom Rest	
8	0962102	2	Bushing	
9	3340871	4	Pad, Wear	
10	4070863	4	Shim 1/8	
11	4070864	4	Shim .05	
12	1001148652	12	Pad, Wear	
13	4070897	10	Shim .05	
14	4070898	12	Shim 1/8	
15	3760133	2	Ring, Retaining	
16	4711600	2	Washer 3/8	
17	0100011	AR	Compound, Locking	
18	0641606	16	Bolt 3/8 x 3/4	
19	0641607	10	Bolt 3/8 x 7/8	
20	0641608	5	Bolt 3/8 x 1	
21	0641609	6	Bolt 3/8 x 1-1/8	
22	3900259	4	Bolt, Shoulder	
23	0641612	2	Bolt 3/8 x 1-1/2	
25	0961951	2	Bushing	

SECTION 4 - BOOM

FIGURE 4-3. TOWER BOOM ASSEMBLY



ART_0801132_I

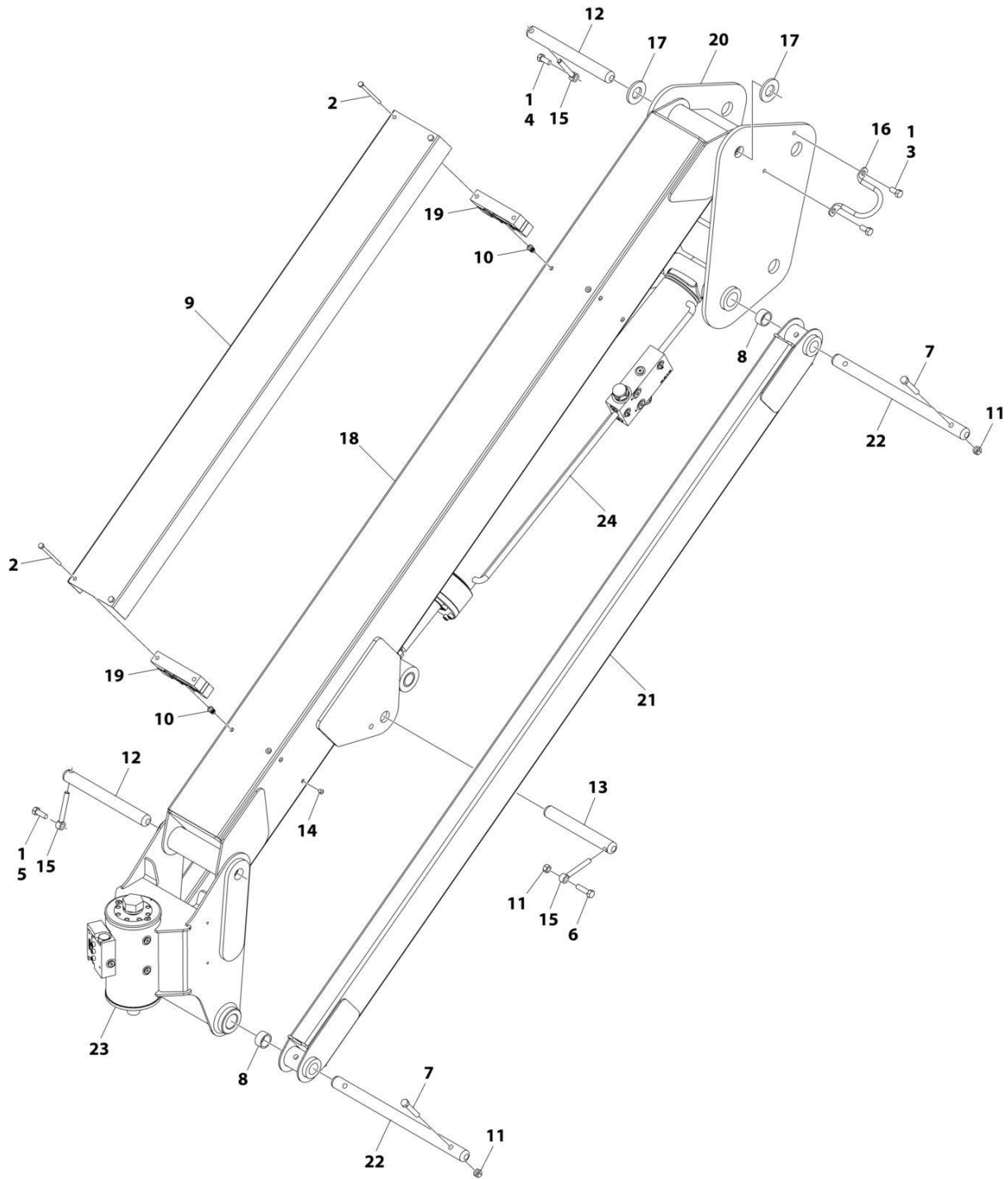
SECTION 4 - BOOM

FIGURE 4-3. TOWER BOOM ASSEMBLY

ITEM	PART NUMBER	QTY	DESCRIPTION	REV
	0801132	Ref	TOWER BOOM ASSEMBLY	I
1	0801594	1	Base, Boom	
2	0801496	1	Fly, Boom	
3	1001251086	1	Tower Telescope Cylinder Assembly (See Separate Breakdown in CYLINDER Section)	
4	4340706	1	Support	
5	0561185	4	Block, Attach	
6	4070929	4	Shim 1/16	
7	0962102	2	Bushing	
8	0962122	2	Bushing	
9	3340881	12	Pad, Wear	
10	4070897	8	Shim .05	
11	4070898	8	Shim .12	
12	3340828	2	Pad, Wear	
13	4070967	2	Shim .05	
14	4070968	2	Shim .12	
15	0641607	10	Bolt 3/8 x 7/8	
16	0641608	4	Bolt 3/8 x 1	
17	0641609	4	Bolt 3/8 x 1-1/8	
18	0641610	12	Bolt 3/8 x 1-1/4	
19	0641615	8	Bolt 3/8 x 1-7/8	
20	0641616	8	Bolt 3/8 x 2	
21	4711600	6	Washer 3/8	
22	0100011	AR	Compound, Locking	
23	0100038	AR	Primer, Locking	
24	3340835	1	Pad, Boom Rest	
25	0641806	3	Bolt 1/2 x 3/4	
26	4071007	4	Shim 20Ga	

SECTION 4 - BOOM

FIGURE 4-4. JIB ASSEMBLY



ART_1001247147_C

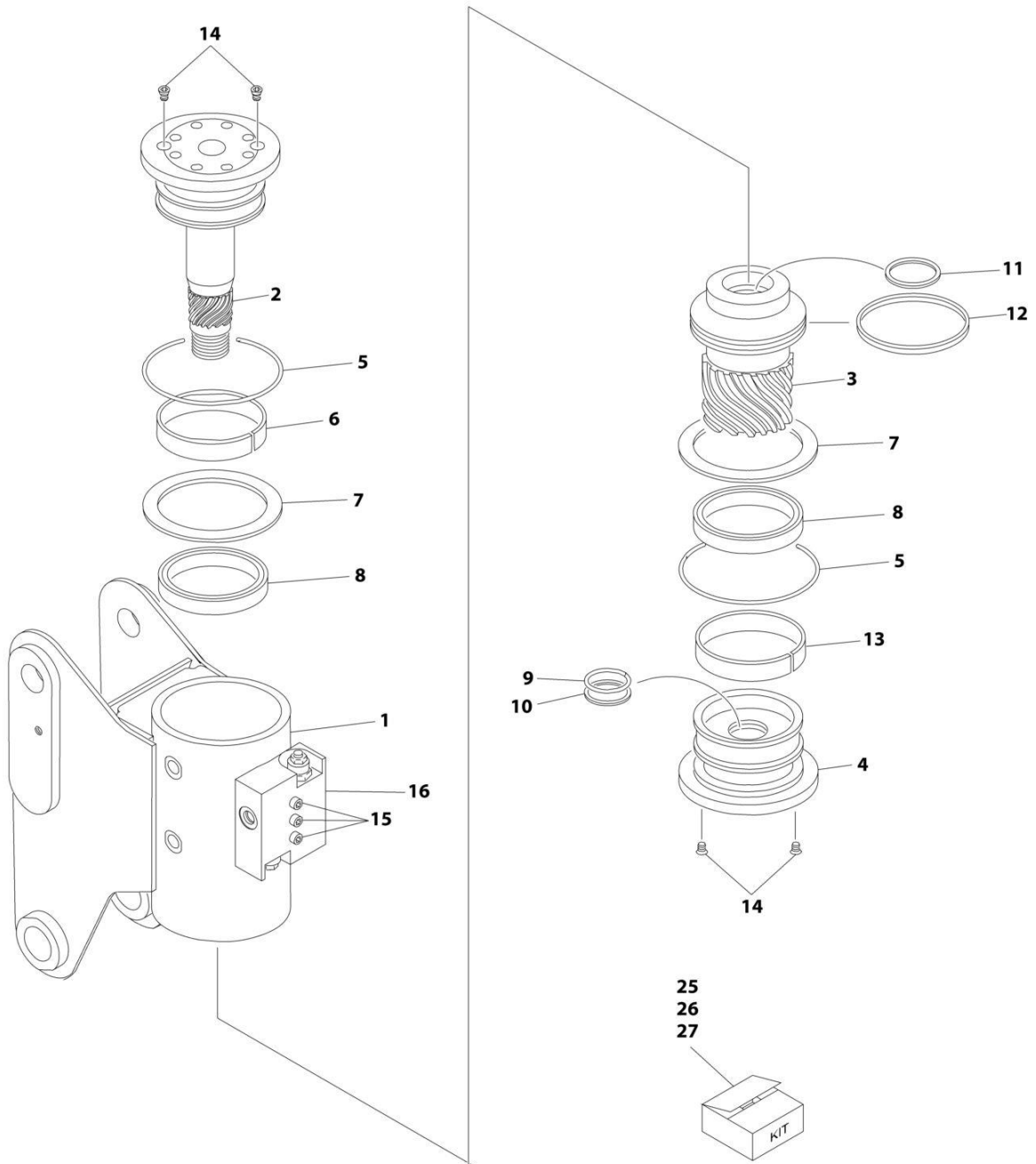
SECTION 4 - BOOM

FIGURE 4-4. JIB ASSEMBLY

ITEM	PART NUMBER	QTY	DESCRIPTION	REV
	1001247147	Ref	JIB ASSEMBLY	C
1	0100011	AR	Compound, Locking	
2	0700626	4	Bolt M6 x 90	
3	0641606	2	Bolt 3/8 x 3/4	
4	0641607	1	Bolt 3/8 x 7/8	
5	0641608	1	Bolt 3/8 x 1	
6	0641611	1	Bolt 3/8 x 1-3/8	
7	0641618	4	Bolt 3/8 x 2-1/4	
8	0961947	6	Bearing	
9	1671034	1	Cover	
10	1001176636	4	Fastner M6	
11	3311605	5	Nut 3/8	
12	3422860	2	Pin	
13	3422867	1	Pin	
14	3520034	8	Plug	
15	3841143	3	Keeper, Pin	
16	3841340	1	Loop, Hose	
17	4740439	2	Washer	
18	4844816	1	Tube (Top)	
19	1001165350	2	Block, Clamp	
20	1001170548	1	Pivot	
21	4844817	2	Link	
22	3422861	2	Pin	
23	1001217780	1	Rotator Assembly (See Separate Breakdown in this Section)	
24	1001248012	1	Lift Cylinder Assembly - Jib (See Separate Breakdown in CYLINDER Section)	

SECTION 4 - BOOM

FIGURE 4-5. ROTATOR ASSEMBLY



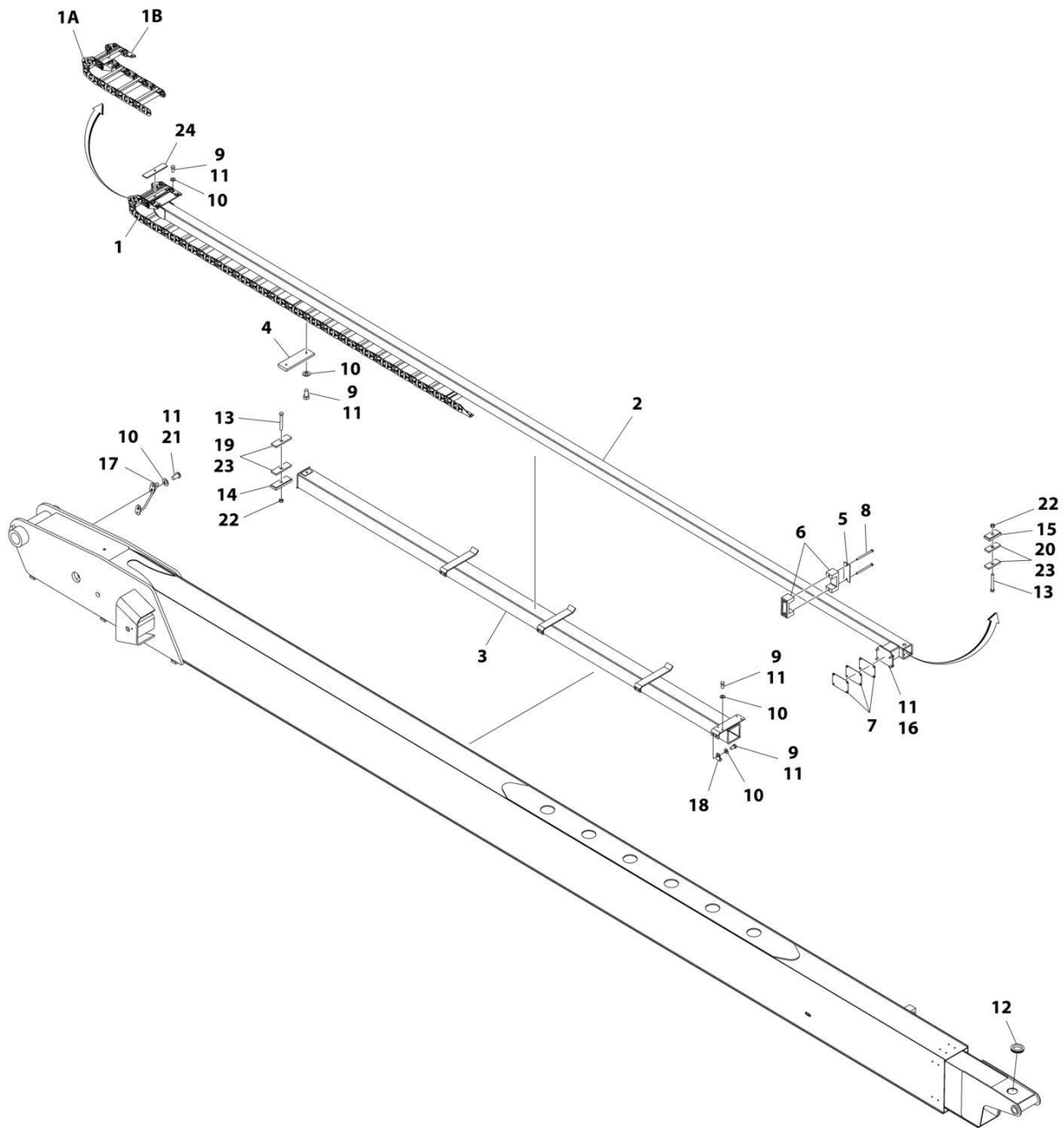
ART_1001217780

FIGURE 4-5. ROTATOR ASSEMBLY

ITEM	PART NUMBER	QTY	DESCRIPTION	REV
	1001217780	Ref	ROTATOR ASSEMBLY	A
1	See Note	NSS	Housing/Ring Gear Assembly (Note: Not Available - Purchase Complete Assembly)	
2	7017162	1	Shaft	
2	7017195	2	Bushing, Shaft	
3	7017163	1	Piston/Sleeve Assembly	
4	7017164	1	Cap, End	
5	See Note	NSS	O-Ring (Note: Use Item 25)	
6	See Note	NSS	Bearing, Shaft (Note: Use Item 26)	
7	See Note	NSS	Washer, Thrust (Note: Use Item 26)	
8	See Note	NSS	Packing, Bearing (Note: Use Item 25)	
9	See Note	NSS	Seal, Cap (Note: Use Item 25)	
10	See Note	NSS	Ring, Back-up Cap (Note: Use Item 25)	
11	See Note	NSS	Seal, Rod (Note: Use Item 25)	
12	See Note	NSS	Seal, Piston (Note: Use Item 25)	
13	See Note	NSS	Bearing, Cap (Note: Use Item 26)	
14	70001697	6	Capscrew 1/4 x 3/8 Grade 8	
15	See Note	3	Bolt 1/4 x 1-1/2 Grade 8 (Note: Not Available - Purchase Locally)	
16	7017172	1	Valve Assembly	
16	7017192	2	Cartridge, Valve	
16	See Note	NSS	Seal Kit - 7017192 Valve (Note: Not Available - Purchase Cartridge)	
16	See Note	NSS	Cartridge, Valve (Not Shown - Located on Side of Block) (Note: Not Available - Purchase Complete Valve)	
16	See Note	NSS	Seal Kit - Valve Located on Side of Block (Note: Not Available - Purchase Cartridge)	
25	70000342	1	Seal Kit (Includes Items 5, 8-12 & 27)	
26	7017159	1	Bearing Kit (Includes Items 6, 7 & 13)	
27	7017142	1	Hardware Kit (Includes Dowel Pins, Plugs and Item 14)	

SECTION 4 - BOOM

FIGURE 4-6. POWER TRACK INSTALLATION - MAIN BOOM



ART_0258077

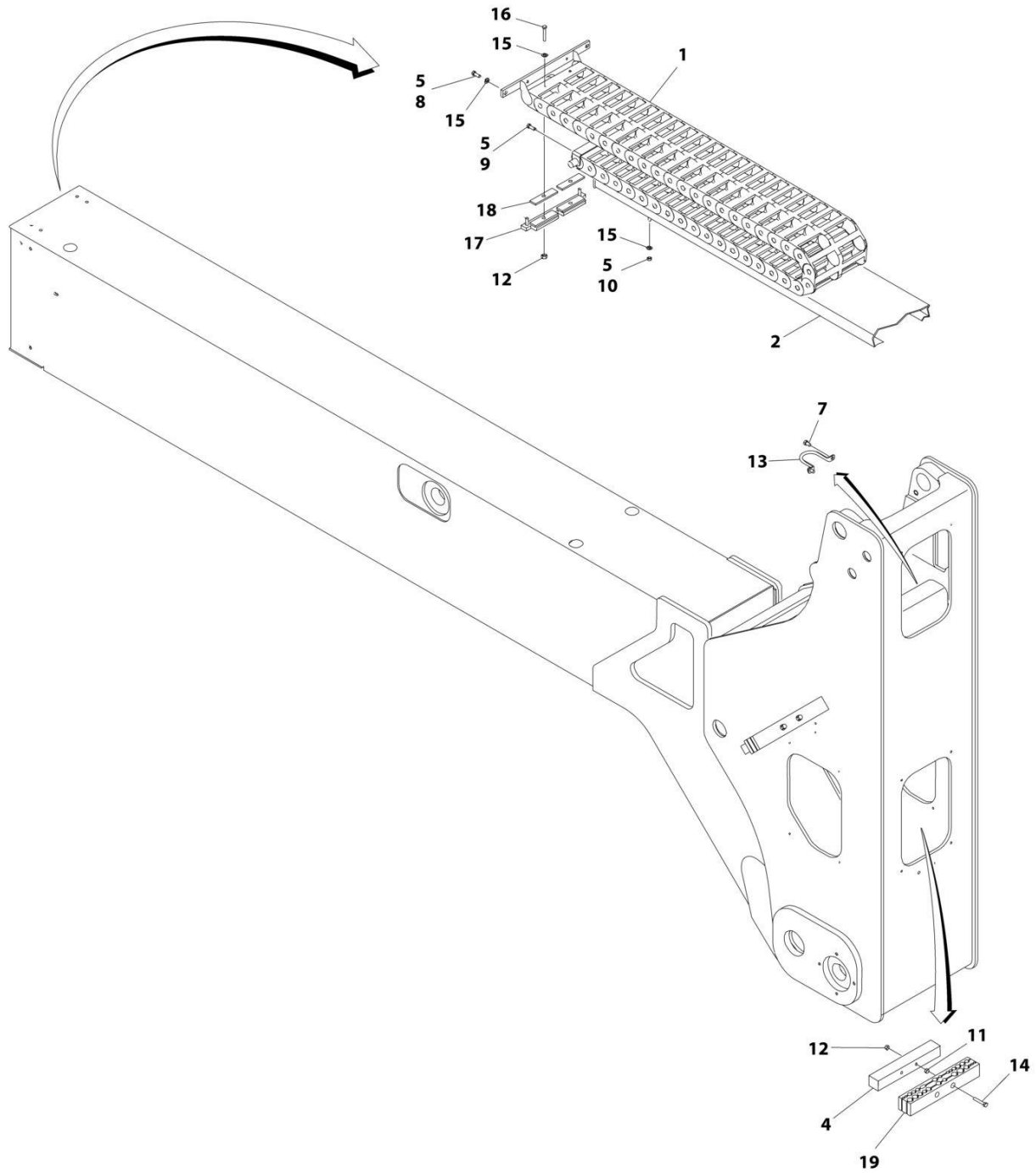
SECTION 4 - BOOM

FIGURE 4-6. POWER TRACK INSTALLATION - MAIN BOOM

ITEM	PART NUMBER	QTY	DESCRIPTION	REV
	0258077	Ref	POWER TRACK INSTALLATION	K
1	1001099837	1	Track, Power	
1A	70002013	AR	Carrier Repair Section (Includes 1 Pin Assembly for each end)	
1B	70002014	1	Mounting Foot Kit (Includes Both Pair of Feet)	
2	1001170527	1	Tube, Push	
3	4845730	1	Support	
4	3340840	1	Pad	
5	1001136400	1	Plate. Backing	
6	3340764	2	Pad	
7	4070969	3	Shim 16 Gauge	
8	0641640	2	Bolt 3/8 x 5	
9	0641606	18	Bolt 3/8 x 3/4	
10	4711600	20	Washer 3/8	
11	0100011	AR	Compound, Locking	
12	4060805	8 in/ 20cm	Flex-Trim	
13	0641624	2	Bolt 3/8 x 3	
14	1320289	1	Clamp	
15	1320288	1	Clamp	
16	0641607	4	Bolt 3/8 x 7/8	
17	3841406	1	Loop, Hose	
18	91203039	1	Pad	
19	3340943	2	Pad, Rubber	
20	3340941	2	Pad	
21	3900283	2	Screw 3/8 x 3/4	
22	3311605	2	Nut 3/8	
23	0100081	AR	Adhesive	
24	4071052	2	Shim 1/4	

SECTION 4 - BOOM

FIGURE 4-7. POWER TRACK INSTALLATION - TOWER BOOM



ART_1001261274

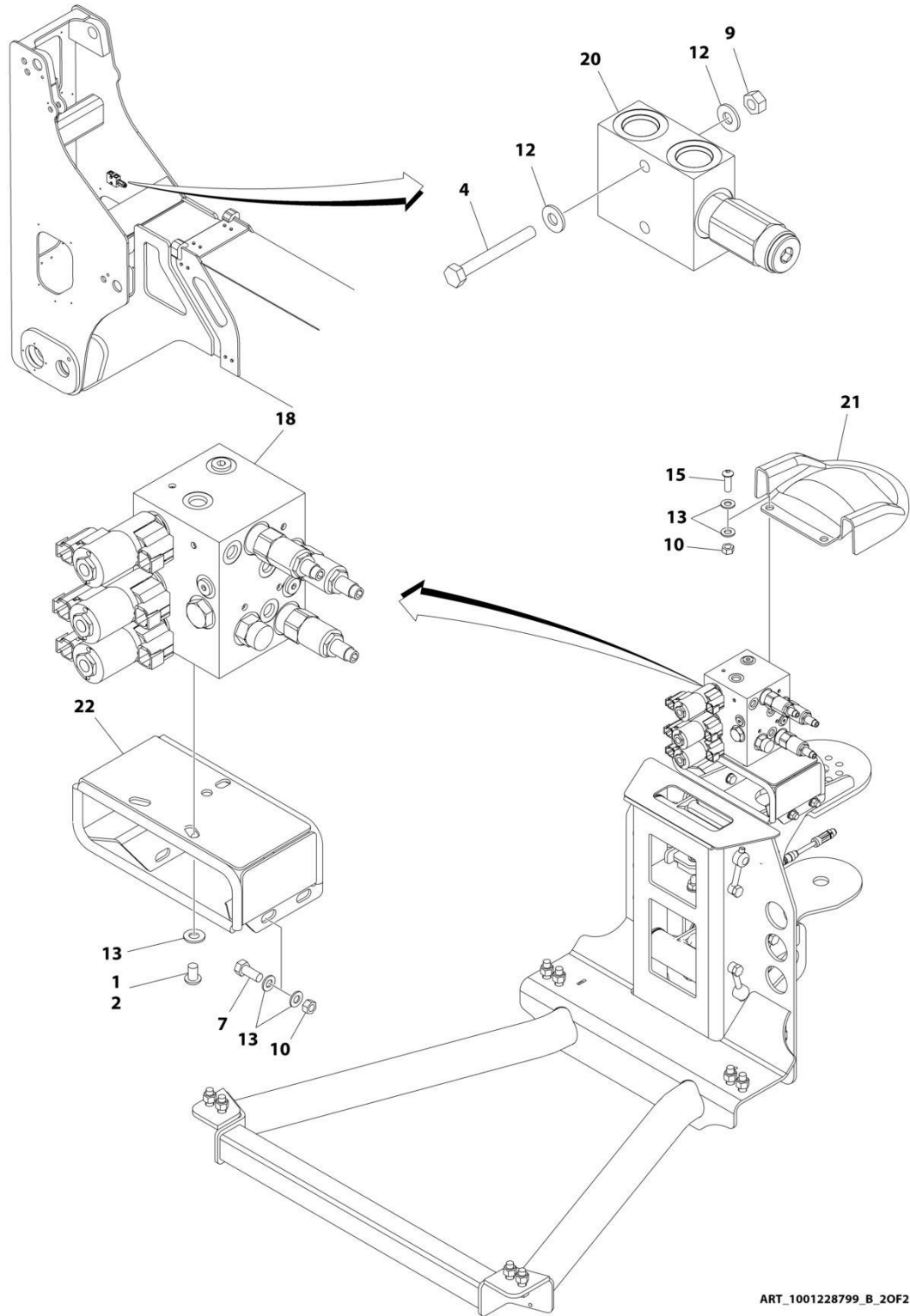
SECTION 4 - BOOM

FIGURE 4-7. POWER TRACK INSTALLATION - TOWER BOOM

ITEM	PART NUMBER	QTY	DESCRIPTION	REV
	1001261274	Ref	POWER TRACK INSTALLATION	B
1	1180346	1	Track, Power	
1	7020064	1	Bracket, End (Moving)	
1	7020065	1	Bracket, End (Fixed)	
1	7020066	1	Section, Repair	
1	7020067	1	Link, Repair	
2	4845680	1	Tube, Hose	
4	1320250	2	Bar	
5	0100011	AR	Compound, Locking	
7	0641605	2	Bolt 3/8 x 5/8	
8	0641606	2	Bolt 3/8 x 3/4	
9	0641622	2	Bolt 3/8 x 2-3/4	
10	3311601	4	Nut 3/8	
11	3311602	4	Nut 3/8	
12	3311605	6	Nut 3/8	
13	3841340	1	Rod, Hose Loop	
14	3900262	4	Bolt 3/8 x 4-3/4	
15	4711600	8	Washer 3/8	
16	0641624	2	Bolt 3/8 x 3	
17	0259420	1	Clamp	
18	3340859	2	Pad	
19	1001261272	2	Clamp, Block	

SECTION 4 - BOOM

FIGURE 4-8. BOOM VALVES INSTALLATION



ART_1001228799_B_20F2

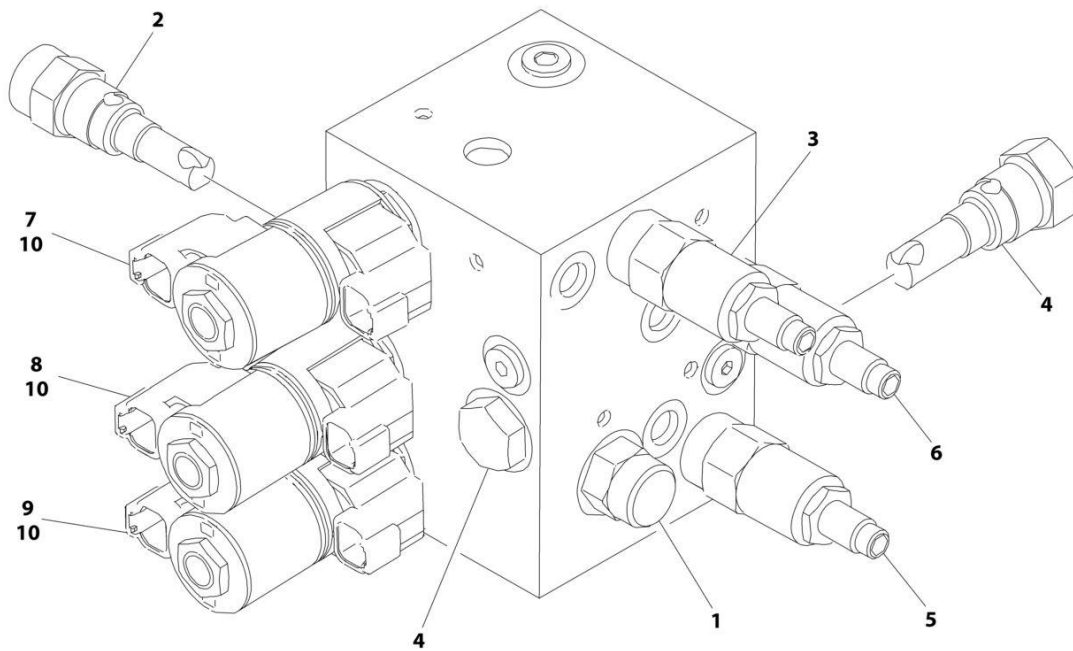
SECTION 4 - BOOM

FIGURE 4-8. BOOM VALVES INSTALLATION

ITEM	PART NUMBER	QTY	DESCRIPTION	REV
	1001228799	Ref	BOOM VALVES INSTALLATION	B
1	0100011	AR	Compound, Locking	
2	0630467	3	Screw 5/16 x 1/2	
4	0641418	2	Bolt 1/4 x 2-1/4	
7	0641607	4	Bolt 3/8 x 7/8	
9	3311405	2	Nut 1/4	
10	3311505	6	Nut 5/16	
12	4711400	8	Washer 1/4	
13	4711500	15	Washer 5/16	
15	88261024	2	Capscrew 5/16 x 1	
18	1001152565	1	Boom Valve Assembly (See Separate Breakdown in this Section)	
20	1001200054	1	Valve Assembly (Relief)	
20	7012970	1	Cartridge, Valve	
20	7012953	1	Seal Kit - 7012970 Valve	
21	1001207969	1	Cover	
22	1001208994	1	Mount	

SECTION 4 - BOOM

FIGURE 4-9. BOOM VALVE ASSEMBLY



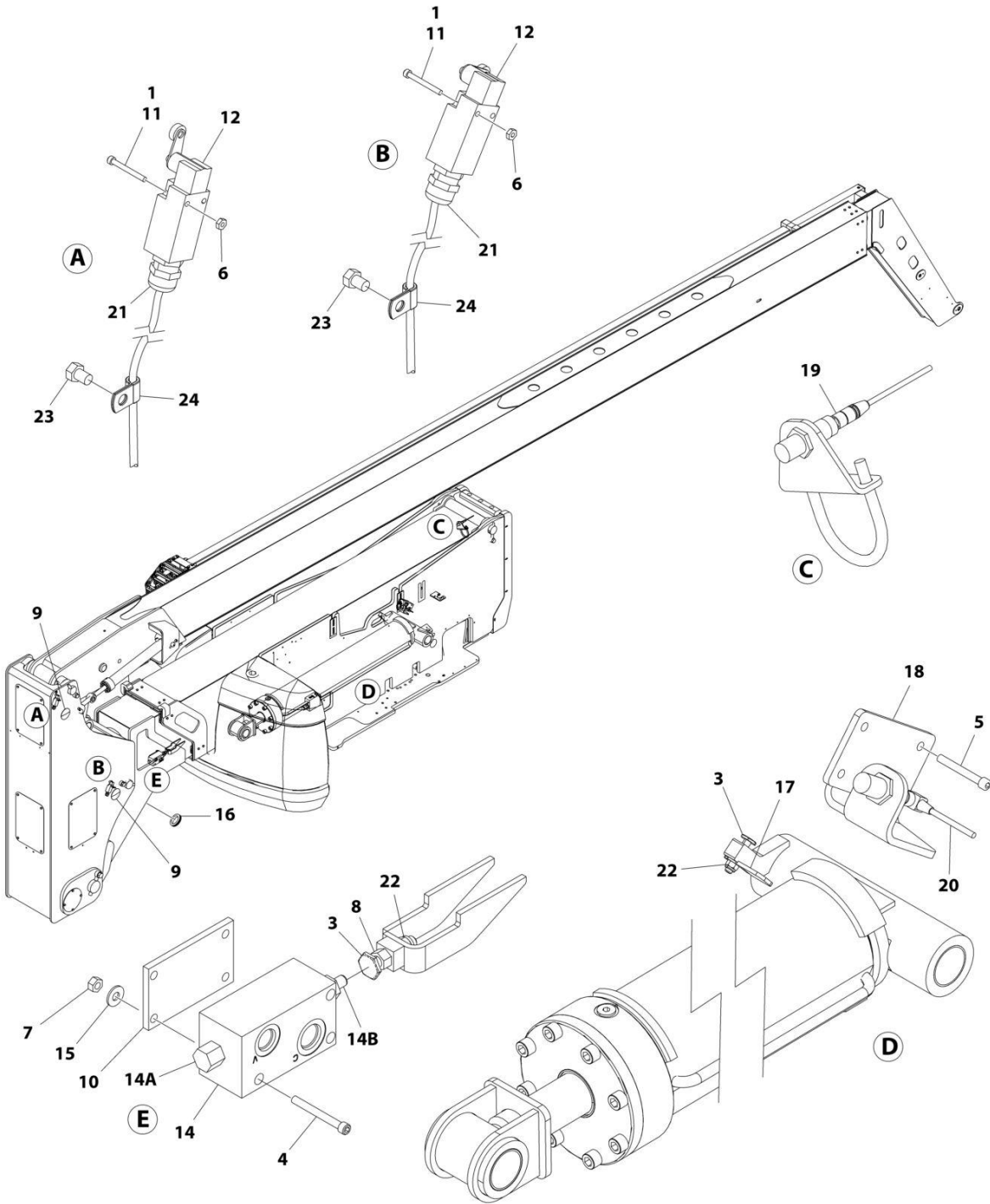
ART_1001152565

FIGURE 4-9. BOOM VALVE ASSEMBLY

ITEM	PART NUMBER	QTY	DESCRIPTION	REV
	1001152565	Ref	BOOM VALVE ASSEMBLY	C
1	7012989	1	Valve, Flow	
1	7012953	1	Seal Kit - 7012989 Valve	
2	7012965	1	Valve, Flow	
2	7012953	1	Seal Kit - 7012965 Valve	
3	70003790	1	Valve, Relief	
3	7021653	1	Seal Kit - 70003790 Valve	
4	7012914	2	Valve, Cartridge	
4	7012918	2	Seal Kit - 7012914 Valve	
5	7023911	1	Valve, Relief	
5	7012967	1	Seal Kit - 7023911 Valve	
6	7023912	1	Valve, Relief	
6	7012967	1	Seal Kit - 7023912 Valve	
7	7017452	1	Valve, Solenoid (Jib)	
7	7017402	2	Seal Kit - 7017452 Valve	
8	7017452	1	Valve, Solenoid (Platform Level)	
8	7017402	1	Seal Kit - 7017452 Valve	
9	7017452	1	Valve, Solenoid (Rotator)	
9	7017402	2	Seal Kit - 7017452 Valve	
10	70002386	6	Coil	
11	70002064	2	Plug, Orifice (Not Shown)	
12	7017406	2	Plug (Not Shown)	

SECTION 4 - BOOM

FIGURE 4-10. BOOM VALVE AND LIMIT SWITCHES INSTALLATION (WITHOUT TOWER STOW)



ART_0258217

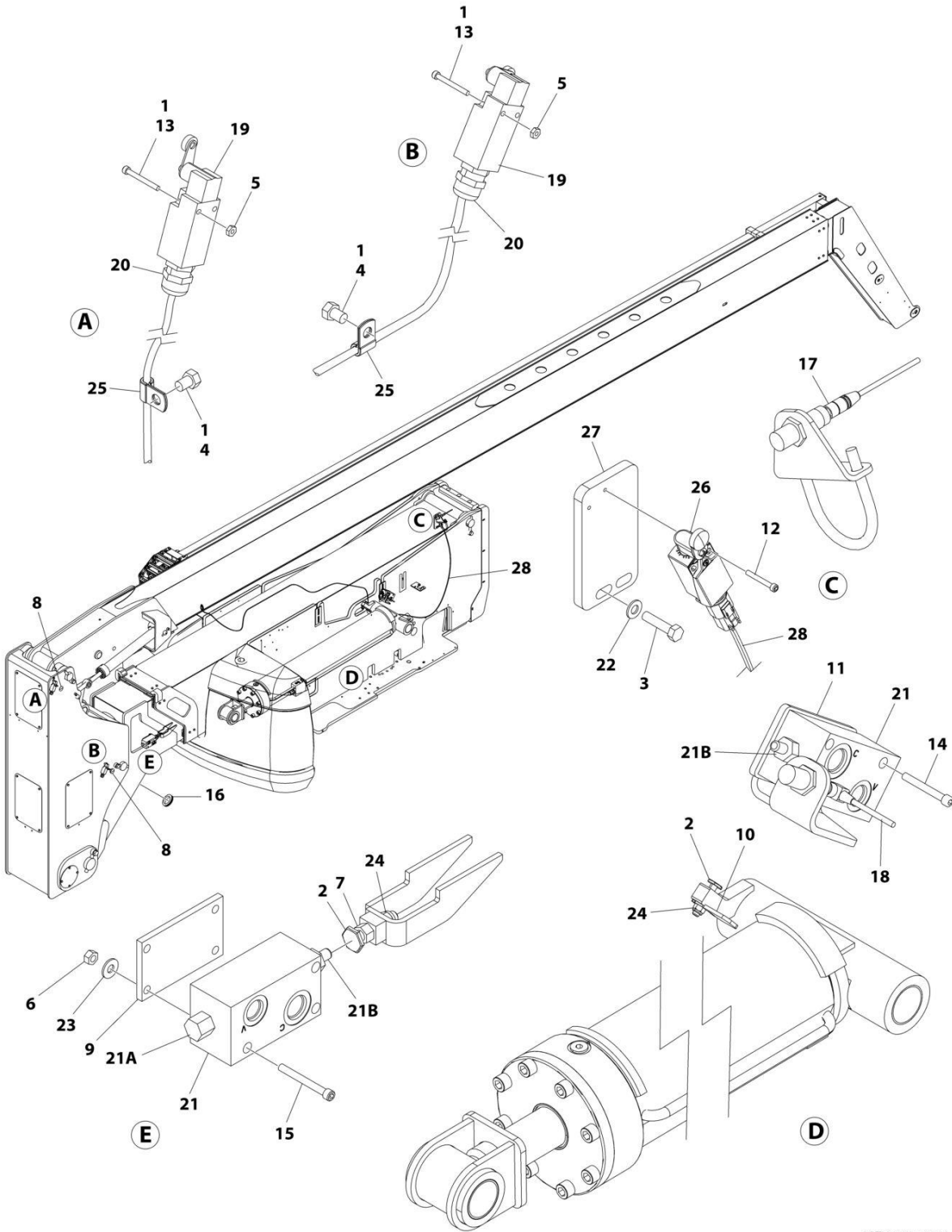
SECTION 4 - BOOM

FIGURE 4-10. BOOM VALVE AND LIMIT SWITCHES INSTALLATION (WITHOUT TOWER STOW)

ITEM	PART NUMBER	QTY	DESCRIPTION	REV
	0258217	Ref	BOOM VALVE AND LIMIT SWITCHES INSTALLATION	S
1	0100011	AR	Compound, Locking	
3	0630427	2	Bolt	
4	3931436	3	Capscrew 1/4 x 2-1/4	
5	3931464	3	Capscrew 1/4 x 4	
5	3931432	3	Capscrew 1/4 x 2	
6	3310801	4	Nut #8	
7	3311405	AR	Nut 1/4	
8	3311801	1	Nut 1/2	
9	3520035	2	Plug	
10	3570928	2	Plate, Spacer	
11	3930824	2	Capscrew #8 x 1-1/2	
12	4360578	2	Switch, Limit	
14	4641435	2	Valve, Switch	
14A	7011342	2	Valve, Check (1 Per Assembly)	
14A	7011333	2	Seal Kit - Check Valve (1 Per Assembly)	
14B	See Note	NSS	Valve, Plunger (1 Per Assembly) (Note: Not Available - Purchase Complete Valve Assembly)	
14B	See Note	NSS	Seal Kit (1 Per Assembly) (Note: Not Available for Purchase)	
15	4751400	AR	Washer 1/4	
16	4060805	7 in/25cm	Trim	
17	3572606	1	Plate, Switch Target	
18	3572607	1	Plate, Switch Mount	
19	4360498	1	Switch, Proximity	
20	4360499	1	Switch, Proximity	
21	4460968	2	Connector, Strain Relief	
22	88521008	2	Nut 1/2	
23	0641604	2	Bolt 3/8 x 1/2	
24	91203039	2	Clamp	

SECTION 4 - BOOM

FIGURE 4-11. BOOM VALVE AND LIMIT SWITCHES INSTALLATION (WITH TOWER STOW)



ART_1001266164

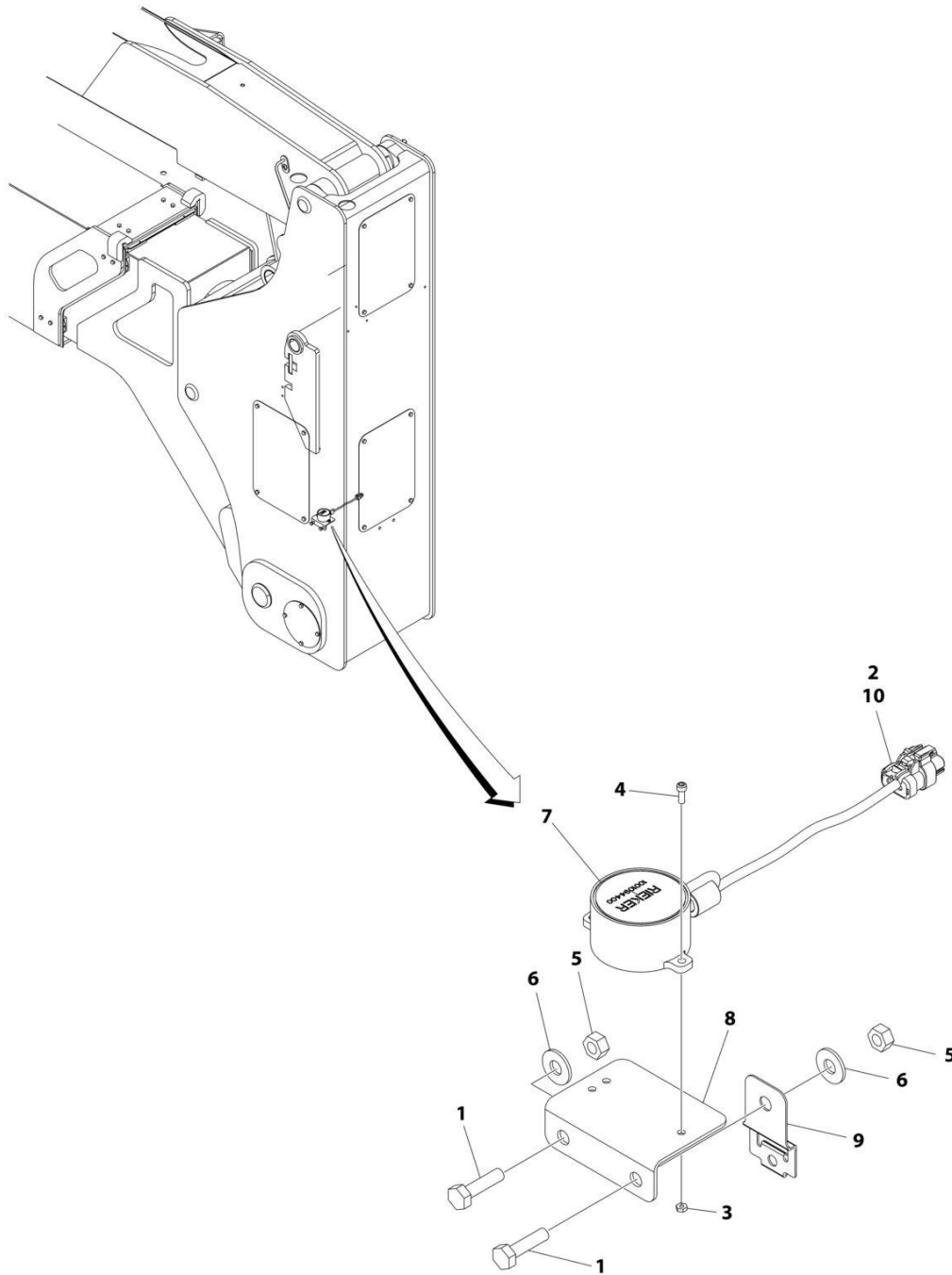
SECTION 4 - BOOM

FIGURE 4-11. BOOM VALVE AND LIMIT SWITCHES INSTALLATION (WITH TOWER STOW)

ITEM	PART NUMBER	QTY	DESCRIPTION	REV
	1001266164	Ref	BOOM VALVE AND LIMIT SWITCHES INSTALLATION	A
1	0100011	AR	Compound, Locking	
2	0630427	2	Bolt	
3	0641511	2	Bolt 5/16 x 1-3/8	
4	0641604	2	Bolt 3/8 x 1/2	
5	3310801	4	Nut #8	
6	3311405	3	Nut 1/4	
7	3311801	1	Nut 1/2	
8	3520035	2	Plug	
9	3570928	1	Plate, Spacer	
10	3572606	1	Plate, Switch Target	
11	3572607	1	Plate, Switch Mount	
12	3930820	2	Capscrew #8 x 1-1/4	
13	3930824	4	Capscrew #8 x 1-1/2	
14	3931432	3	Capscrew 1/4 x 2	
15	3931436	3	Capscrew 1/4 x 2-1/4	
16	4060805	6 in/1.9 m	Trim	
17	4360498	1	Switch, Proximity	
18	4360499	2	Switch, Proximity	
19	4360578	2	Switch, Limit	
20	4460968	2	Connector, Strain Relief	
21	4641435	2	Valve, Switch	
21A	7011342	2	Valve, Check (1 Per Assembly)	
21A	7011333	2	Seal Kit - Check Valve (1 Per Assembly)	
21B	See Note	NSS	Valve, Plunger (1 Per Assembly) (Note: Not Available - Purchase Complete Valve Assembly)	
21B	See Note	NSS	Seal Kit (1 Per Assembly) (Note: Not Available for Purchase)	
22	4711500	2	Washer 5/16	
23	4751400	3	Washer 1/4	
24	88521008	2	Nut 1/2	
25	91203039	2	Clamp	
26	1001172271	1	Switch, Roller Limit	
27	1001260475	1	Bracket, Limit Switch	
28	1001266829	1	Harness Tower Stow	
28	4460884	1	Plug, Male - 4 Position	
28	4460465	2	Socket, Female	
28	4460910	1	Connector	
28	1001116695	2	Terminal	

SECTION 4 - BOOM

FIGURE 4-12. TILT SENSOR INSTALLATION



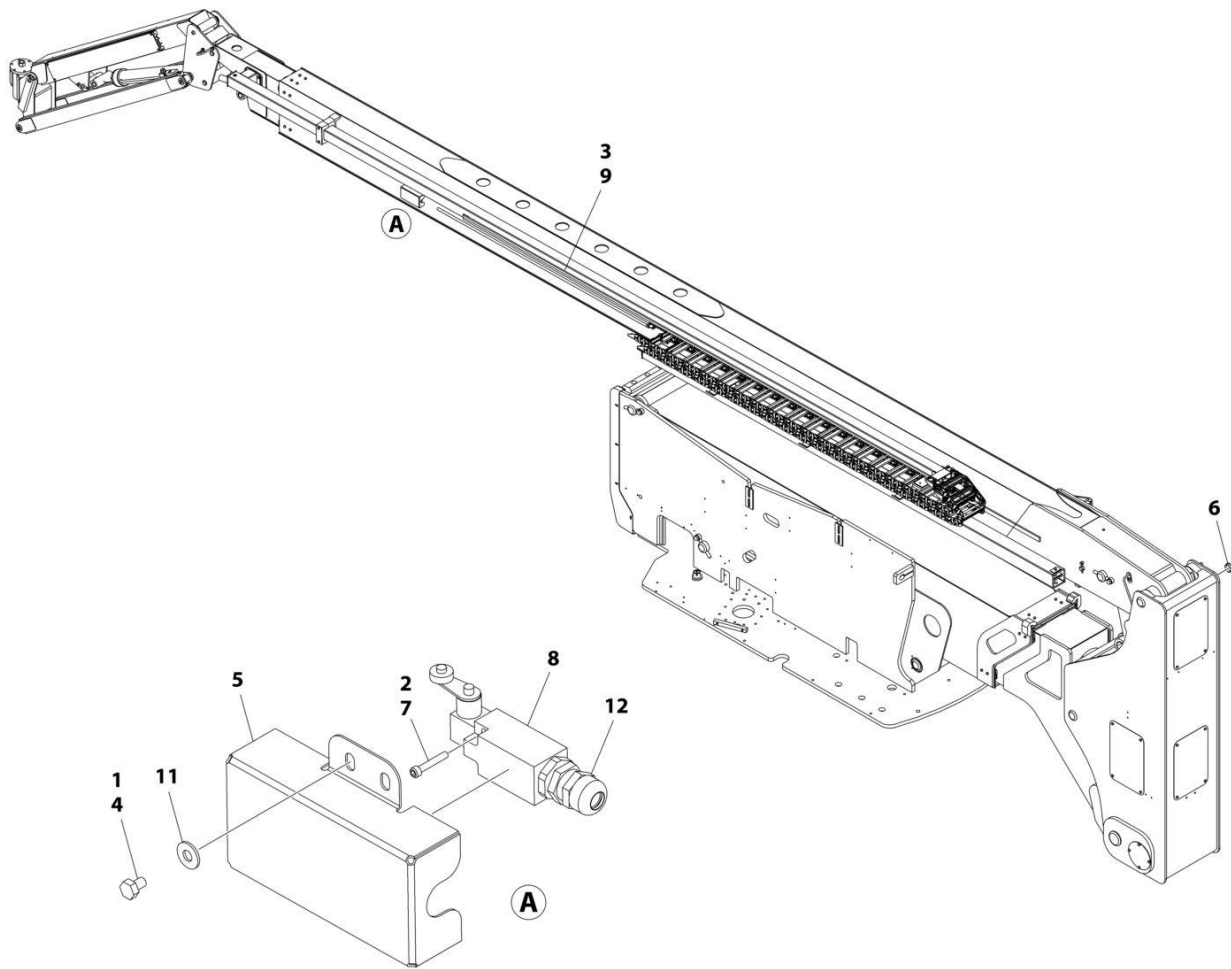
ART_0275733

FIGURE 4-12. TILT SENSOR INSTALLATION

ITEM	PART NUMBER	QTY	DESCRIPTION	REV
	0275733	Ref	TILT SENSOR INSTALLATION	B
1	0641408	2	Bolt 1/4 x 1	
2	0100048	AR	Grease, Dielectric	
3	3310605	3	Nut #6	
4	3930606	3	Screw #6 x 3/4	
5	3311405	2	Nut 1/4	
6	4751400	2	Washer 1/4	
7	1001094400	1	Sensor, Dual Axis	
8	1001096736	1	Bracket, Tilt Sensor	
9	1001153749	1	Clip	
10	1001200497	1	Connector - 3 Position	

SECTION 4 - BOOM

FIGURE 4-13. TRANSPORT POSITION SWITCH INSTALLATION (CE & UK CA SPECS)



ART_0258567

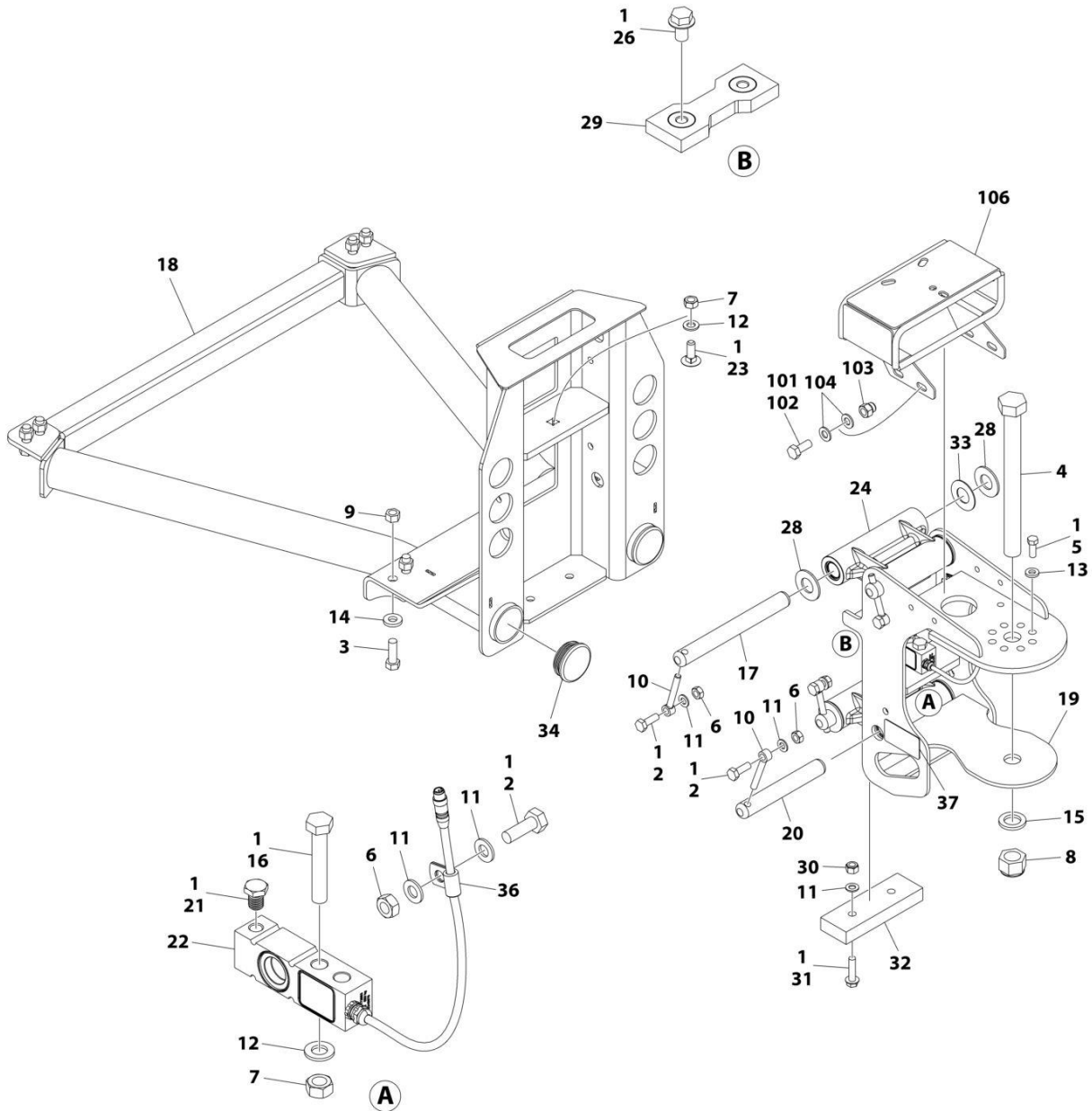
SECTION 4 - BOOM

FIGURE 4-13. TRANSPORT POSITION SWITCH INSTALLATION (CE & UK CA SPECS)

ITEM	PART NUMBER	QTY	DESCRIPTION	REV
	0258567	Ref	TRANSPORT POSITION SWITCH INSTALLATION	F
1	0100011	AR	Compound, Locking	
2	0100035	AR	Compound, Locking	
3	1001106481	1	Bar, Fiberglass	
4	0641403	4	Bolt 1/4 x 3/8	
5	3380535	1	Cover, Switch	
6	3520035	1	Plug, Cap	
7	3930816	2	Capscrew #8 x 1	
8	4360578	1	Switch, Limit	
9	4420060	AR	Tape	
11	4751400	4	Washer 1/4	
12	4460968	1	Connector, Strain Relief	

SECTION 4 - BOOM

FIGURE 4-14. PLATFORM SUPPORT INSTALLATION



ART_1001167596

SECTION 4 - BOOM

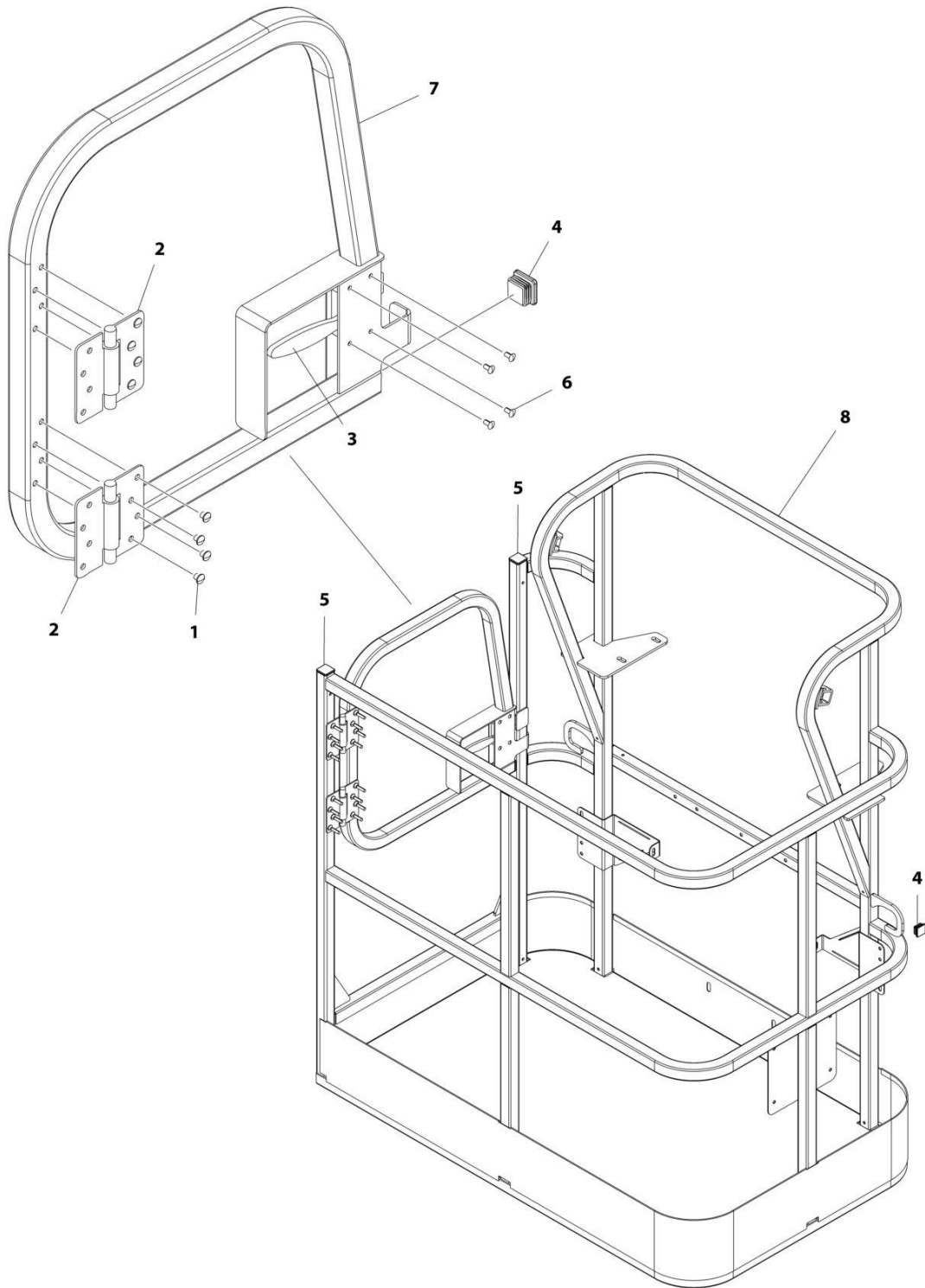
FIGURE 4-14. PLATFORM SUPPORT INSTALLATION

ITEM	PART NUMBER	QTY	DESCRIPTION	REV
	1001167596	Ref	PLATFORM SUPPORT INSTALLATION	N
1	0100011	AR	Compound, Locking	
2	0761014	5	Bolt M10 x 30	
3	0761216	8	Bolt M12 x 40	
4	1001255133	1	Bolt 1 x 11	
5	0681608	8	Bolt 3/8 x 1	
6	3291001	5	Nut M10	
7	3291201	3	Nut M12	
8	1001174040	1	Nut 1	
9	3291205	8	Nut M12	
10	3841143	4	Keeper, Pin	
11	4812000	8	Washer M10	
12	4812100	3	Washer M12	
13	4891600	8	Washer 3/8	
14	5241200	8	Washer M12	
15	4892600001	1	Washer 1	
16	1001098828	2	Bolt M12 x 70 Grade 10.9	
17	1001167565	2	Pin	
18	1001200494	1	Support, Platform	
19	1001167567	1	Support, Rotator	
20	1001168402	2	Pin	
21	1001188622	1	Screw	
22	1001247468	1	Gauge, Load Sensing	
23	1001188844	1	Bolt M12 x 35	
24	1001201351	2	Link	
26	5251008	2	Bolt M10 x 16	
28	1001189002	8	Bearing	
29	1001190985	1	Pad, Wear	
30	3291005	2	Nut M10	
31	5251016	2	Bolt M10 x 40	
32	1001200491	1	Pad, Wear	
33	1001189001	4	Bearing	
34	1001204725	2	Plug	
36	91203039	1	Clamp	
37	1001216630	2	Decal - Tie Down/No Lift	
38	1001238421	Ref	Kit, Platform Leveling (Not Shown)	
	1001202687	Ref	VALVE MOUNT INSTALLATION	B
101	0100011	AR	Compound, Locking	
102	0760810	4	Bolt M8 x 20	
103	3290806	4	Nut M8	
104	4811900	8	Washer M8	
106	1001208994	1	Mount, Valve	

SECTION 5 - PLATFORM

SECTION 5 - PLATFORM

FIGURE 5-1. PLATFORM ASSEMBLY - 30IN X 4FT (76CM X 1.22M) WITH SWING GATE



ART_1001186387

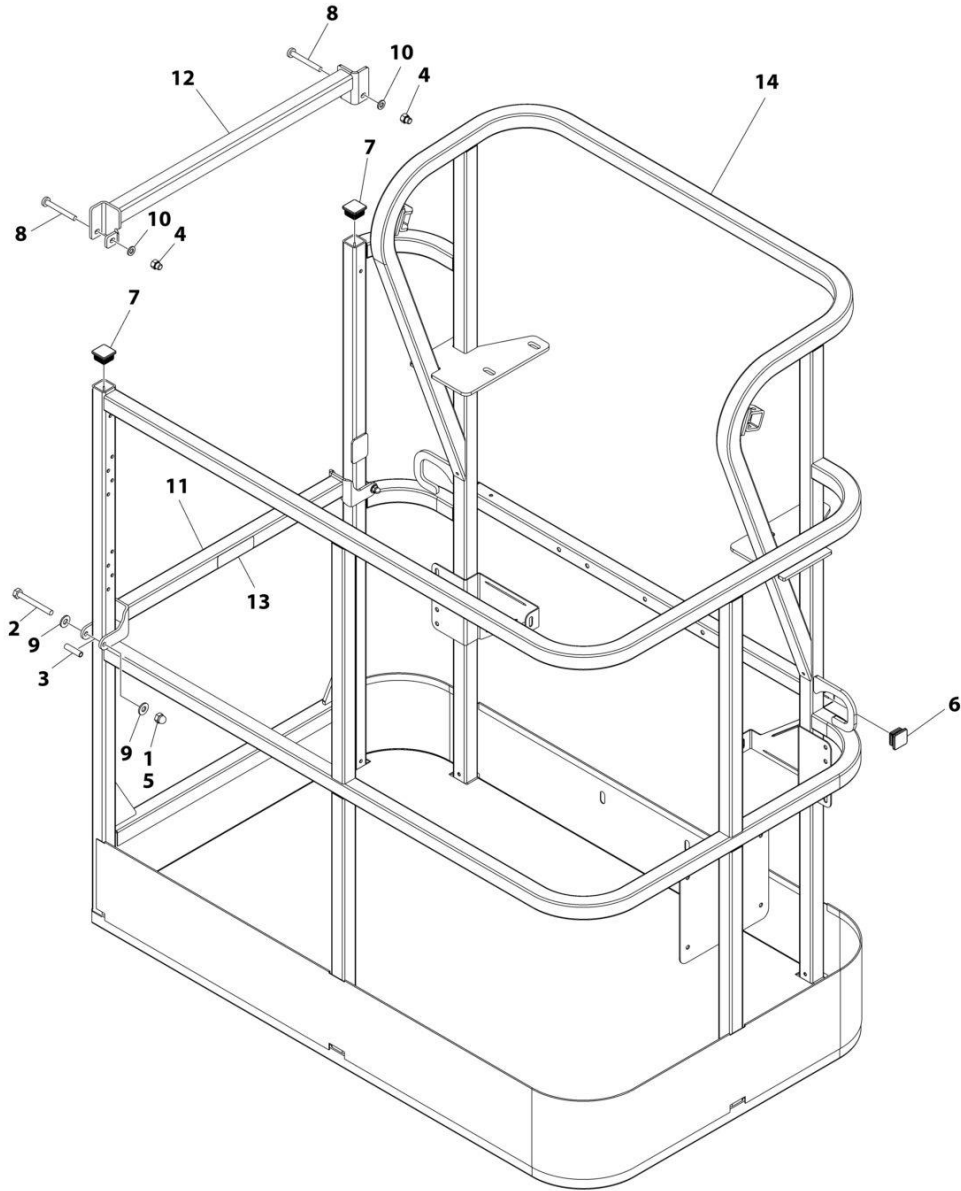
SECTION 5 - PLATFORM

FIGURE 5-1. PLATFORM ASSEMBLY - 30IN X 4FT (76CM X 1.22M) WITH SWING GATE

ITEM	PART NUMBER	QTY	DESCRIPTION	REV
	1001186387	Ref	PLATFORM ASSEMBLY	C
		Ref	Note: Platform and Mesh must be ordered separately for Platforms with Mesh. See SPECIAL OPTIONS SECTION for Mesh Installations.	
		Ref	Note: Replacement Decals Must be Ordered Separately - See DECALS SECTION.	
1	2080040	16	Fastener, Huck	
2	2600281	2	Hinge, Self-Closing	
3	2940074	1	Latch	
4	3520072	3	Plug	
5	3520198	2	Plug	
6	3820020	4	Rivet	
7	1001144629	1	Gate	
8	See Note	1	Platform (Note: Not Available - Purchase Platform Assembly)	

SECTION 5 - PLATFORM

FIGURE 5-2. PLATFORM ASSEMBLY - 30IN X 4FT (76CM X 1.22M) WITH DROP BAR



ART_1001186375

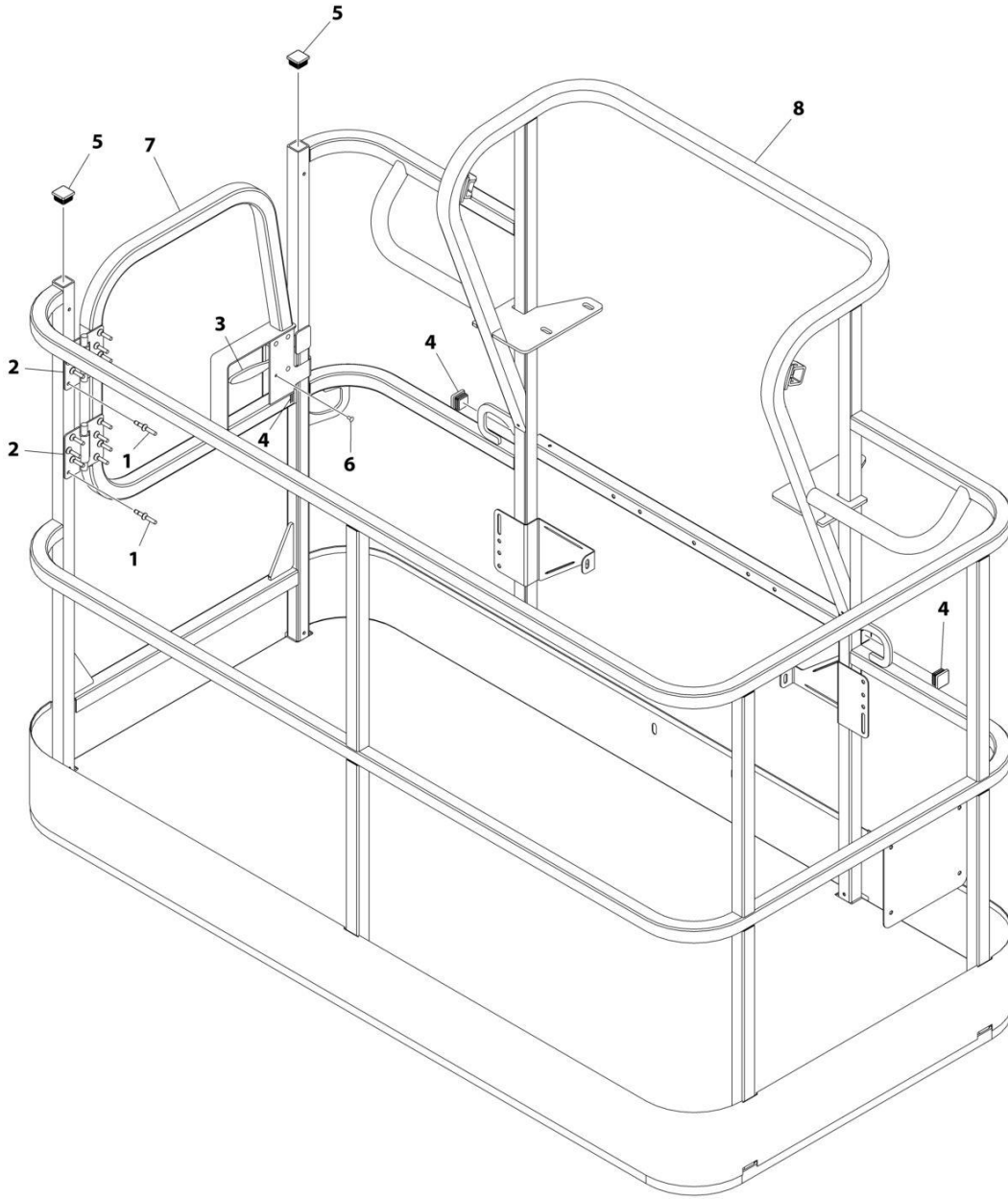
SECTION 5 - PLATFORM

FIGURE 5-2. PLATFORM ASSEMBLY - 30IN X 4FT (76CM X 1.22M) WITH DROP BAR

ITEM	PART NUMBER	QTY	DESCRIPTION	REV
	1001186375	Ref	PLATFORM ASSEMBLY	B
		Ref	Note: Platform and Mesh must be ordered separately for Platforms with Mesh. See SPECIAL OPTIONS SECTION for Mesh Installations.	
		Ref	Note: Replacement Decals Must be Ordered Separately - See DECALS SECTION.	
1	0100011	AR	Compound, Locking	
2	0641418	2	Bolt 1/4 x 2-1/4	
3	0961845	2	Bushing	
4	3290606	2	Nut M6	
5	3300151	2	Nut 1/4	
6	3520072	2	Plug	
7	3520198	2	Plug	
8	4010618	2	Screw M6 x 50	
9	4711400	4	Washer 1/4	
10	4811700	2	Washer M6	
11	1001138494	1	Bar, Drop	
12	1001138514	1	Rail - Top	
13	1001140429	1	Decal - Drop Bar	
14	See Note	1	Platform (Note: Not Available - Purchase Platform Assembly)	

SECTION 5 - PLATFORM

FIGURE 5-3. PLATFORM ASSEMBLY - 30IN X 6FT (76CM X 1.83M) WITH SWING GATE



ART_1001186385

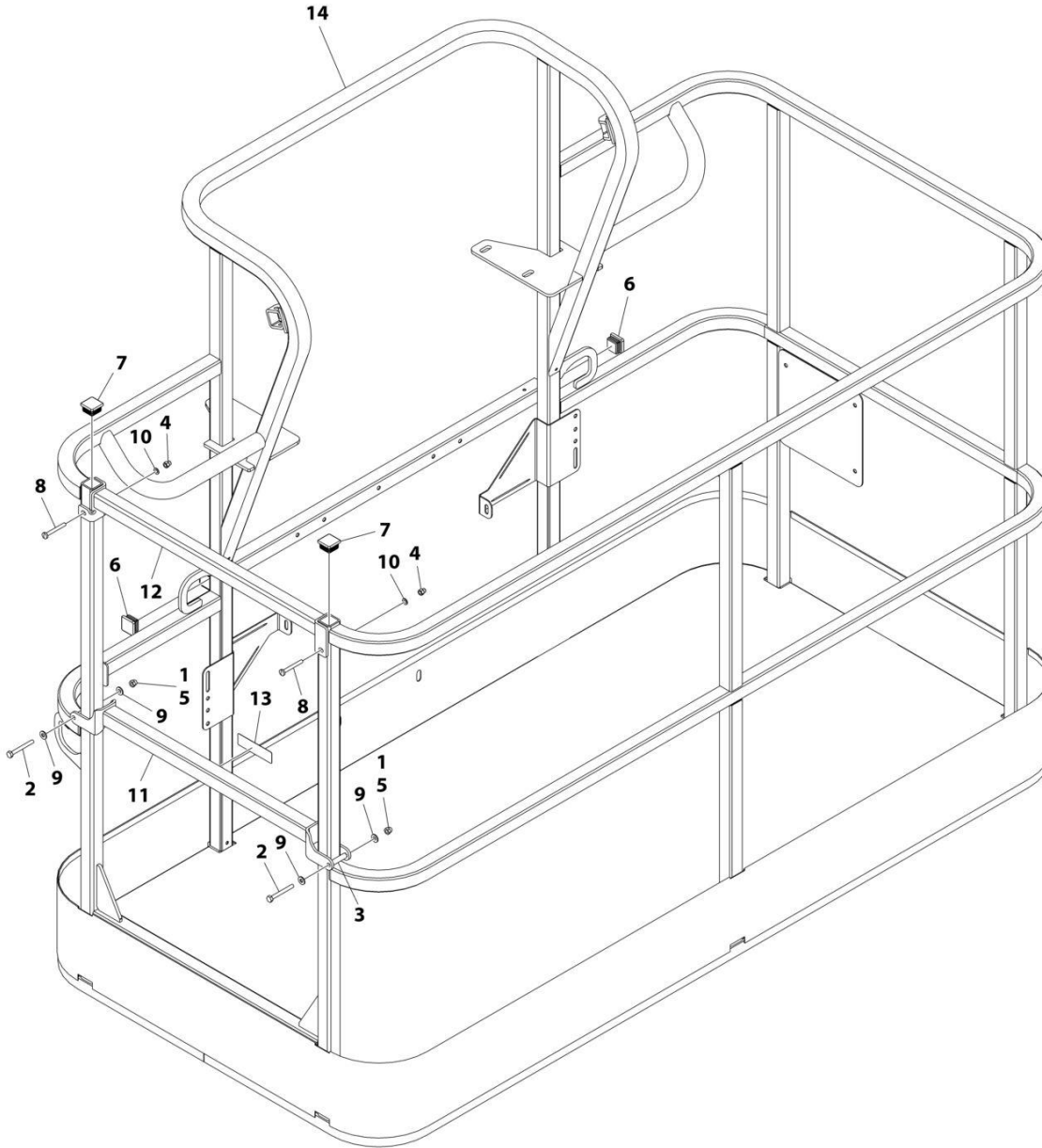
SECTION 5 - PLATFORM

FIGURE 5-3. PLATFORM ASSEMBLY - 30IN X 6FT (76CM X 1.83M) WITH SWING GATE

ITEM	PART NUMBER	QTY	DESCRIPTION	REV
	1001186385	Ref	PLATFORM ASSEMBLY	D
		Ref	Note: Platform and Mesh must be ordered separately for Platforms with Mesh. See SPECIAL OPTIONS SECTION for Mesh Installations.	
		Ref	Note: Replacement Decals Must be Ordered Separately - See DECALS SECTION.	
1	2080040	16	Fastener, Huck	
2	2600281	2	Hinge	
3	2940074	1	Latch	
4	3520072	3	Plug	
5	3520198	2	Plug	
6	3820020	4	Rivet	
7	1001144629	1	Gate	
8	See Note	NSS	Platform (Note: Not Available - Purchase Platform Assembly)	

SECTION 5 - PLATFORM

FIGURE 5-4. PLATFORM ASSEMBLY - 30IN X 6FT (76CM X 1.83M) WITH DROP BAR



ART_1001186378

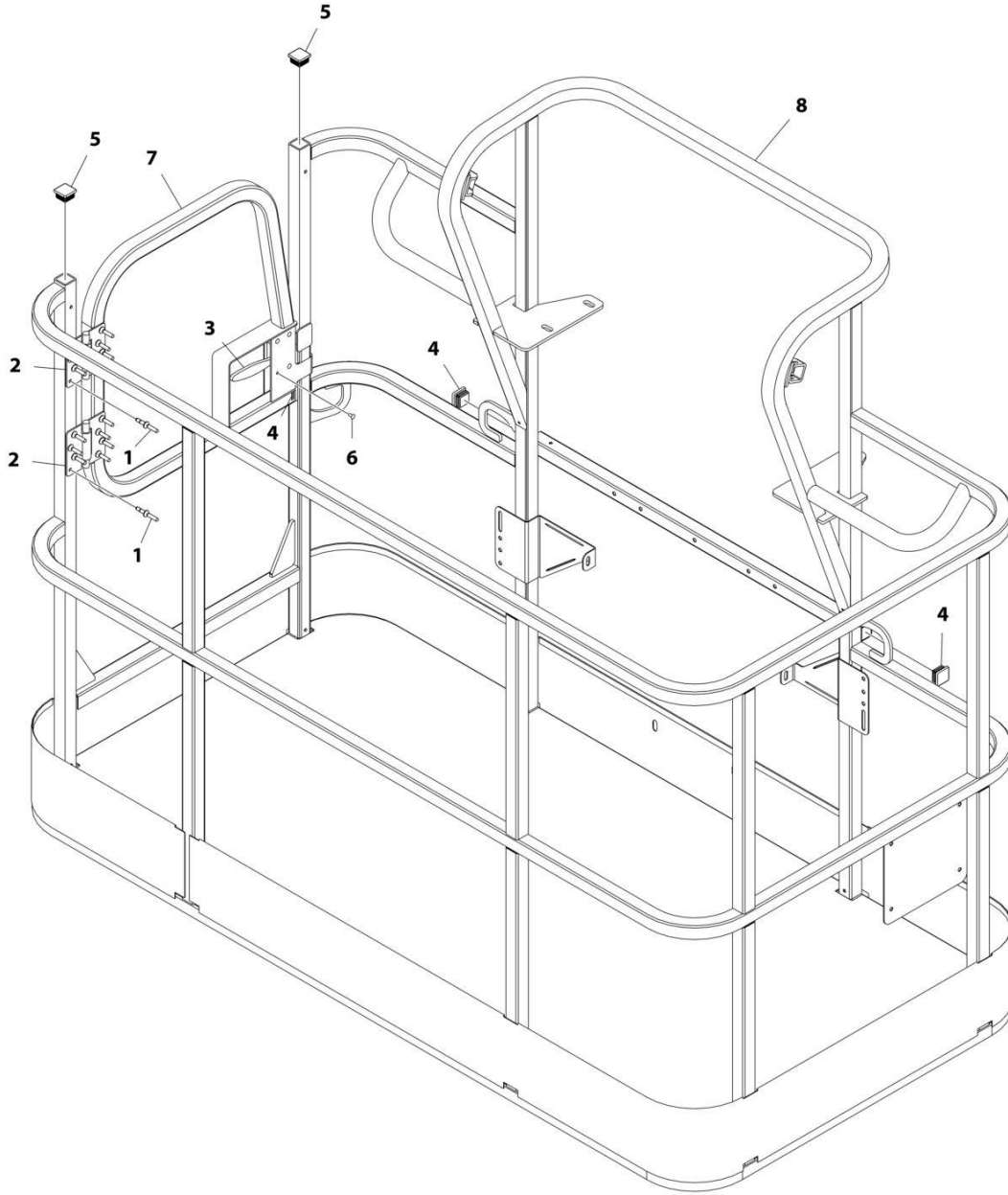
SECTION 5 - PLATFORM

FIGURE 5-4. PLATFORM ASSEMBLY - 30IN X 6FT (76CM X 1.83M) WITH DROP BAR

ITEM	PART NUMBER	QTY	DESCRIPTION	REV
	1001186378	Ref	PLATFORM ASSEMBLY	C
		Ref	Note: Platform and Mesh must be ordered separately for Platforms with Mesh. See SPECIAL OPTIONS SECTION for Mesh Installations.	
		Ref	Note: Replacement Decals Must be Ordered Separately - See DECALS SECTION.	
1	0100011	AR	Compound, Locking	
2	0641418	2	Bolt 1/4 x 2-1/4	
3	0961845	2	Bushing	
4	3290606	2	Nut M6	
5	3300151	2	Nut 1/4	
6	3520072	2	Plug	
7	3520198	2	Plug	
8	4010618	2	Screw M6 x 50	
9	4711400	4	Washer 1/4	
10	4811700	2	Washer M6	
11	1001138494	1	Bar, Drop	
12	1001138514	1	Rail (Top)	
13	1001140429	1	Decal - Drop Bar	
14	See Note	NSS	Platform (Note: Not Available - Purchase Platform Assembly)	

SECTION 5 - PLATFORM

FIGURE 5-5. PLATFORM ASSEMBLY - 36IN X 6FT (91.5CM X 1.83M) WITH SWING GATE



ART_1001186384

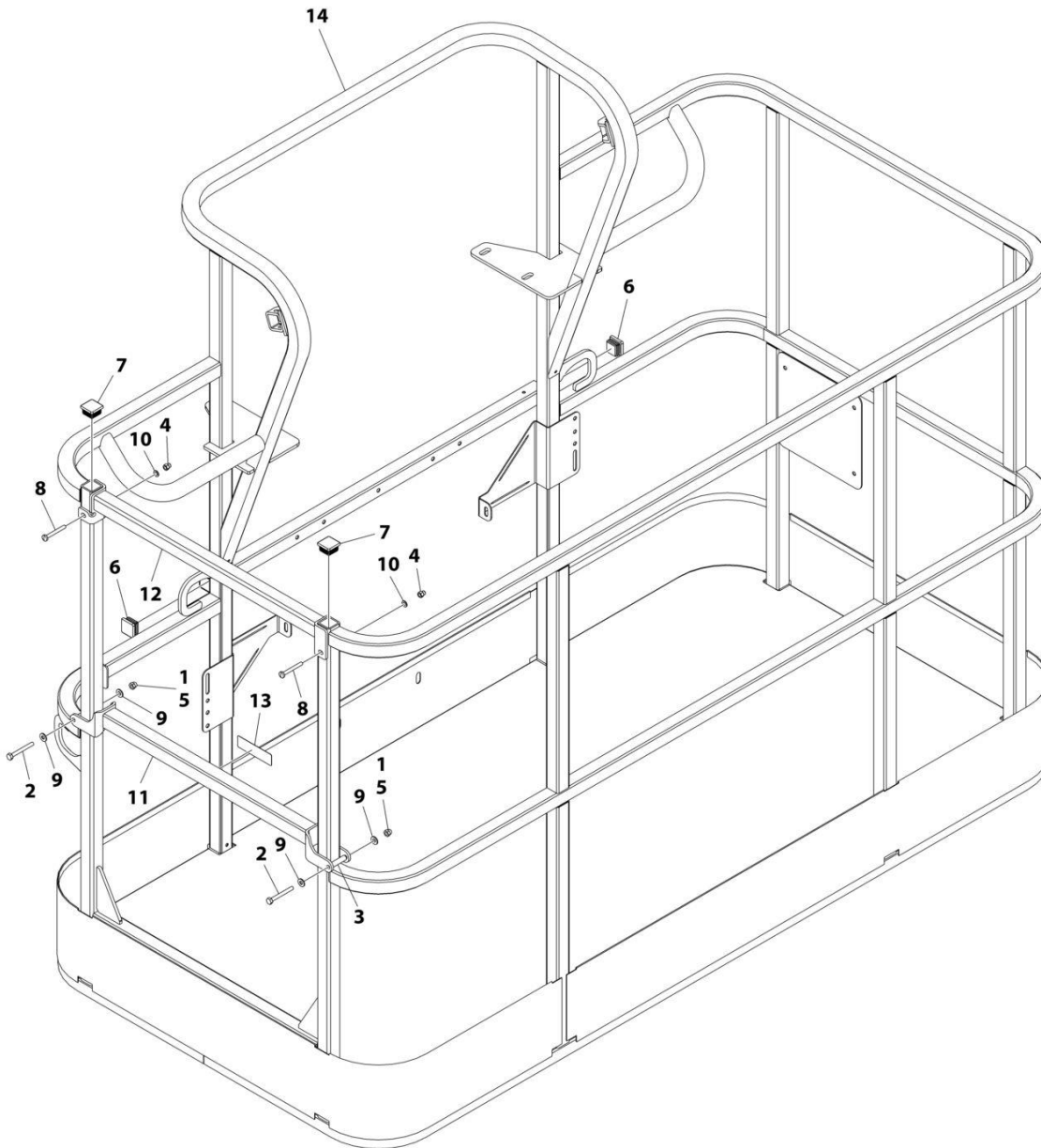
SECTION 5 - PLATFORM

FIGURE 5-5. PLATFORM ASSEMBLY - 36IN X 6FT (91.5CM X 1.83M) WITH SWING GATE

ITEM	PART NUMBER	QTY	DESCRIPTION	REV
	1001186384	Ref	PLATFORM ASSEMBLY - 36IN X 6FT (91.5CM X 1.83M) WITH SWING GATE	C
	See Note	Ref	Note: Platform and Mesh must be ordered separately for Platforms with Mesh. See SPECIAL OPTIONS SECTION for Mesh Installations.	
	See Note	Ref	Note: Replacement Decals Must be Ordered Separately - See DECALS SECTION.	
1	2080040	16	Fastener, Huck	
2	2600281	2	Hinge	
3	2940074	1	Latch	
4	3520072	3	Plug	
5	3520198	2	Plug	
6	3820020	4	Rivet	
7	1001144629	1	Gate	
8	See Note	NSS	Platform (Note: Not Available - Purchase Platform Assembly)	

SECTION 5 - PLATFORM

FIGURE 5-6. PLATFORM ASSEMBLY - 36IN X 6FT (91.5CM X 1.83M) WITH DROP BAR



ART_1001186379

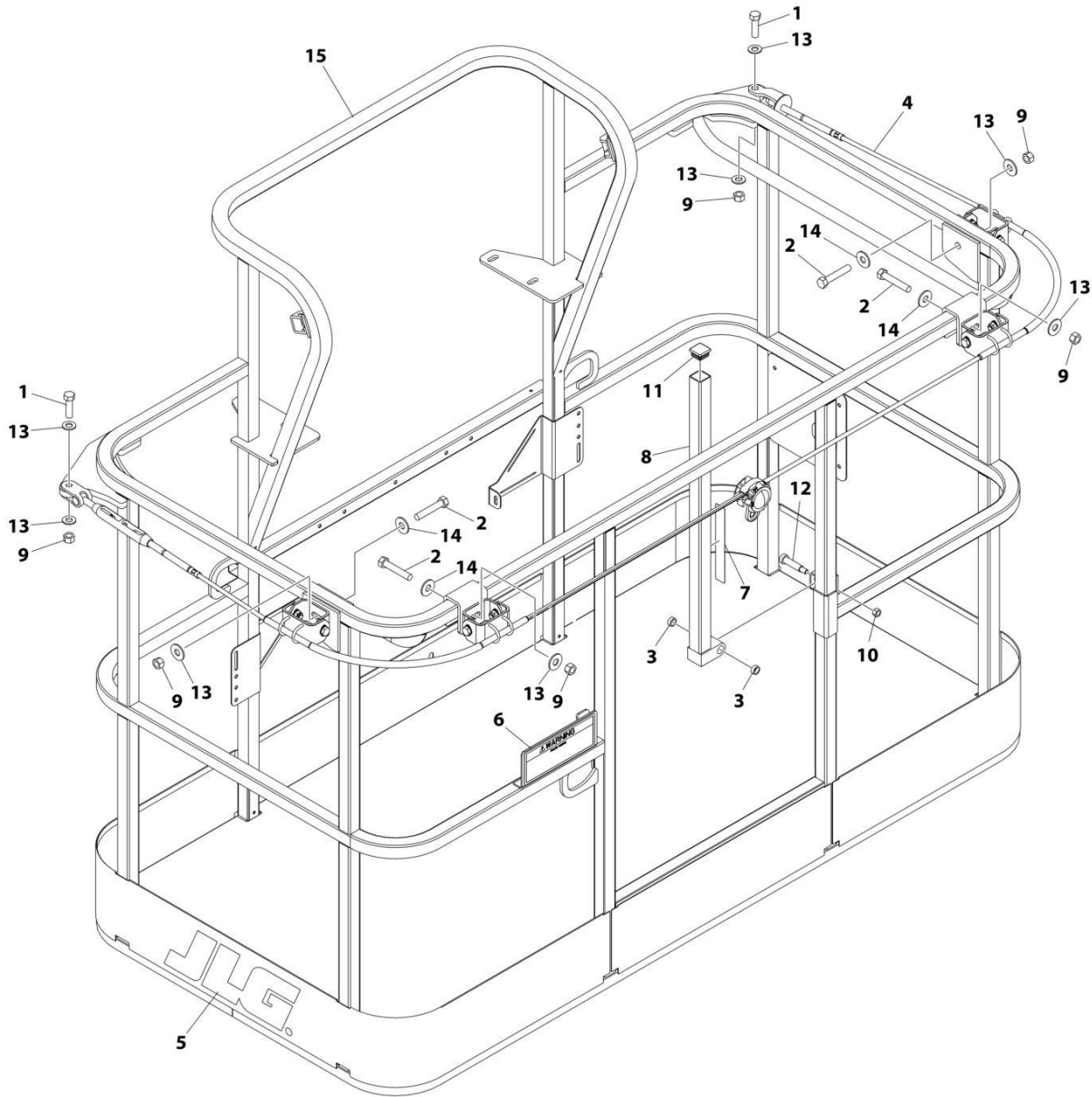
SECTION 5 - PLATFORM

FIGURE 5-6. PLATFORM ASSEMBLY - 36IN X 6FT (91.5CM X 1.83M) WITH DROP BAR

ITEM	PART NUMBER	QTY	DESCRIPTION	REV
	1001186379	Ref	PLATFORM ASSEMBLY - 36IN X 6FT (91.5CM X 1.83M) WITH DROP BAR	B
		Ref	Note: Platform and Mesh must be ordered separately for Platforms with Mesh. See SPECIAL OPTIONS SECTION for Mesh Installations.	
		Ref	Note: Replacement Decals Must be Ordered Separately - See DECALS SECTION.	
1	0100011	AR	Compound, Locking	
2	0641418	2	Bolt 1/4 x 2-1/4	
3	0961845	2	Bushing	
4	3290606	2	Nut M6	
5	3300151	2	Nut 1/4	
6	3520072	2	Plug	
7	3520198	2	Plug	
8	4010618	2	Screw M6 x 50	
9	4711400	4	Washer 1/4	
10	4811700	2	Washer M6	
11	1001138494	1	Bar, Drop	
12	1001138514	1	Rail (Top)	
13	1001140429	1	Decal - Drop Bar	
14	See Note	NSS	Platform (Note: Not Available - Purchase Platform Assembly)	

SECTION 5 - PLATFORM

FIGURE 5-7. PLATFORM ASSEMBLY - 36IN X 6FT (91.5CM X 1.83M) WITH FALL ARREST (ANSI, ANSI EXPORT, CHINA & CSA SPECS)



ART_1001186333

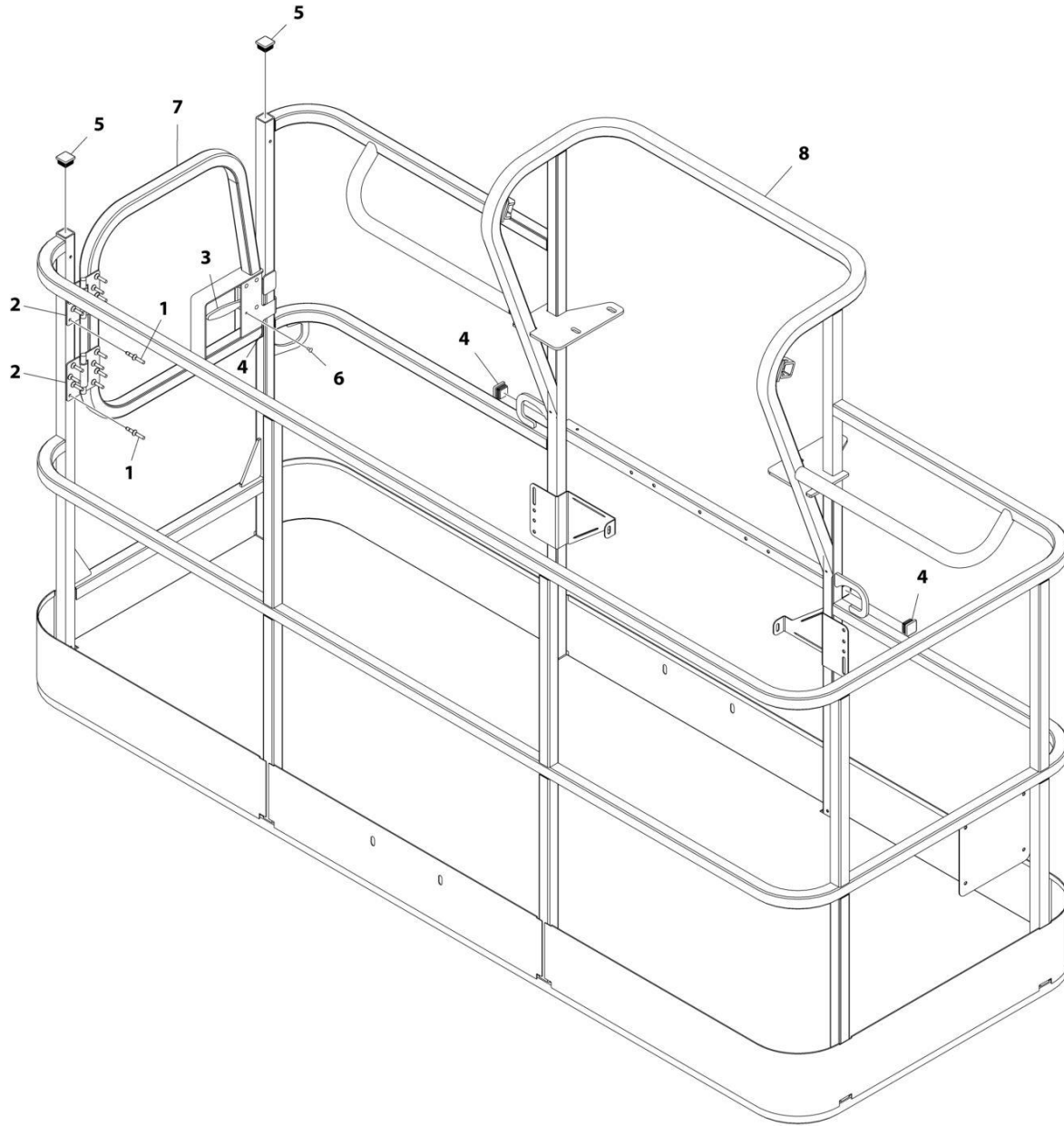
SECTION 5 - PLATFORM

FIGURE 5-7. PLATFORM ASSEMBLY - 36IN X 6FT (91.5CM X 1.83M) WITH FALL ARREST (ANSI, ANSI EXPORT, CHINA & CSA SPECS)

ITEM	PART NUMBER	QTY	DESCRIPTION	REV
	1001186333	Ref	PLATFORM ASSEMBLY	C
		Ref	Note: Replacement Decals Must be Ordered Separately - See DECALS SECTION.	
1	0681814	2	Bolt 1/2 x 1-3/4 Grade 8	
2	0681822	4	Bolt 1/2 x 2-3/4 Grade 8	
3	0962270	2	Bearing	
4	1001203655	1	Cable	
5	1702773	1	Decal - JLG	
6	1705014	1	Decal - Safety	
7	1706385	1	Decal - Drop Bar	
8	2410014	1	Bar, Drop	
9	3271805	6	Nut 1/2 Grade 8	
10	3311605	1	Nut 3/8	
11	3520072	1	Plug	
12	3900054	1	Bolt 1/2 x 1-3/4	
13	4711800	8	Washer 1/2	
14	4751800	4	Washer 1/2	
15	See Note	NSS	Platform (Note: Not Available - Purchase Platform Assembly)	

SECTION 5 - PLATFORM

FIGURE 5-8. PLATFORM ASSEMBLY - 36IN X 8FT (91.5CM X 2.44M) WITH SWING GATE



ART_1001186383

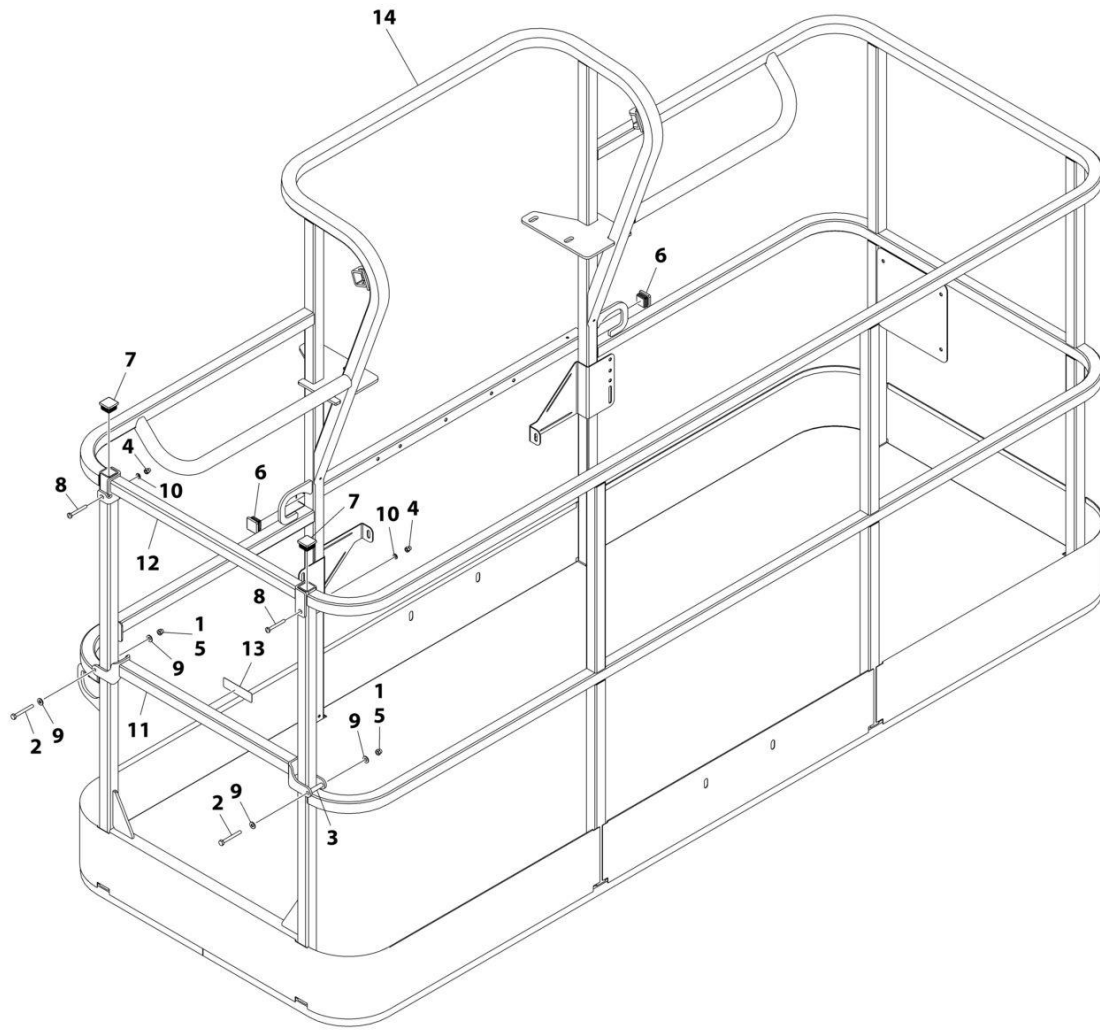
SECTION 5 - PLATFORM

FIGURE 5-8. PLATFORM ASSEMBLY - 36IN X 8FT (91.5CM X 2.44M) WITH SWING GATE

ITEM	PART NUMBER	QTY	DESCRIPTION	REV
	1001186383	Ref	PLATFORM ASSEMBLY - 36IN X 8FT (91.5CM X 2.44M) WITH SWING GATE	D
		Ref	Note: Platform and Mesh must be ordered separately for Platforms with Mesh. See SPECIAL OPTIONS SECTION for Mesh Installations.	
		Ref	Note: Replacement Decals Must be Ordered Separately - See DECALS SECTION.	
1	2080040	16	Fastener, Huck	
2	2600281	2	Hinge	
3	2940074	1	Latch	
4	3520072	3	Plug	
5	3520198	2	Plug	
6	3820020	4	Rivet	
7	1001144629	1	Gate	
8	See Note	NSS	Platform (Note: Not Available - Purchase Platform Assembly)	

SECTION 5 - PLATFORM

FIGURE 5-9. PLATFORM ASSEMBLY - 36IN X 8FT (91.5CM X 2.44M) WITH DROP BAR



ART_1001186382

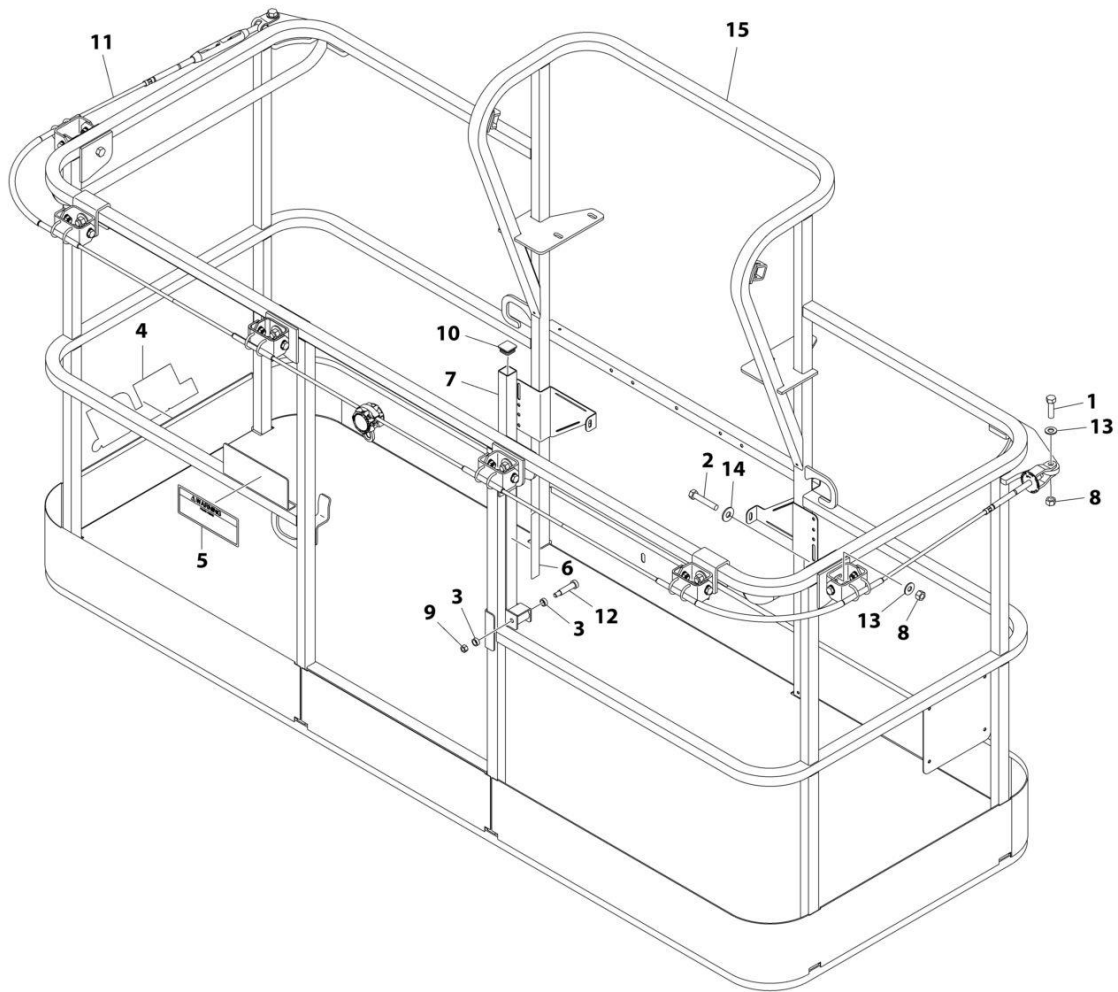
SECTION 5 - PLATFORM

FIGURE 5-9. PLATFORM ASSEMBLY - 36IN X 8FT (91.5CM X 2.44M) WITH DROP BAR

ITEM	PART NUMBER	QTY	DESCRIPTION	REV
	1001186382	Ref	PLATFORM ASSEMBLY - 36IN X 8FT (91.5CM X 2.44M) WITH DROP BAR	C
		Ref	Note: Platform and Mesh must be ordered separately for Platforms with Mesh. See SPECIAL OPTIONS SECTION for Mesh Installations.	
		Ref	Note: Replacement Decals Must be Ordered Separately - See DECALS SECTION.	
1	0100011	AR	Compound, Locking	
2	0641418	2	Bolt 1/4 x 2-1/4	
3	0961845	2	Bushing	
4	3290606	2	Nut M6	
5	3300151	2	Nut 1/4	
6	3520072	2	Plug	
7	3520198	2	Plug	
8	4010618	2	Screw M6 x 50	
9	4711400	4	Washer 1/4	
10	4811700	2	Washer M6	
11	1001138494	1	Bar, Drop	
12	1001138514	1	Rail (Top)	
13	1001140429	1	Decal - Drop Bar	
14	See Note	NSS	Platform (Note: Not Available - Purchase Platform Assembly)	

SECTION 5 - PLATFORM

FIGURE 5-10. PLATFORM ASSEMBLY - 36IN X 8FT (91.5CM X 2.44M) WITH FALL ARREST



ART_1001186334

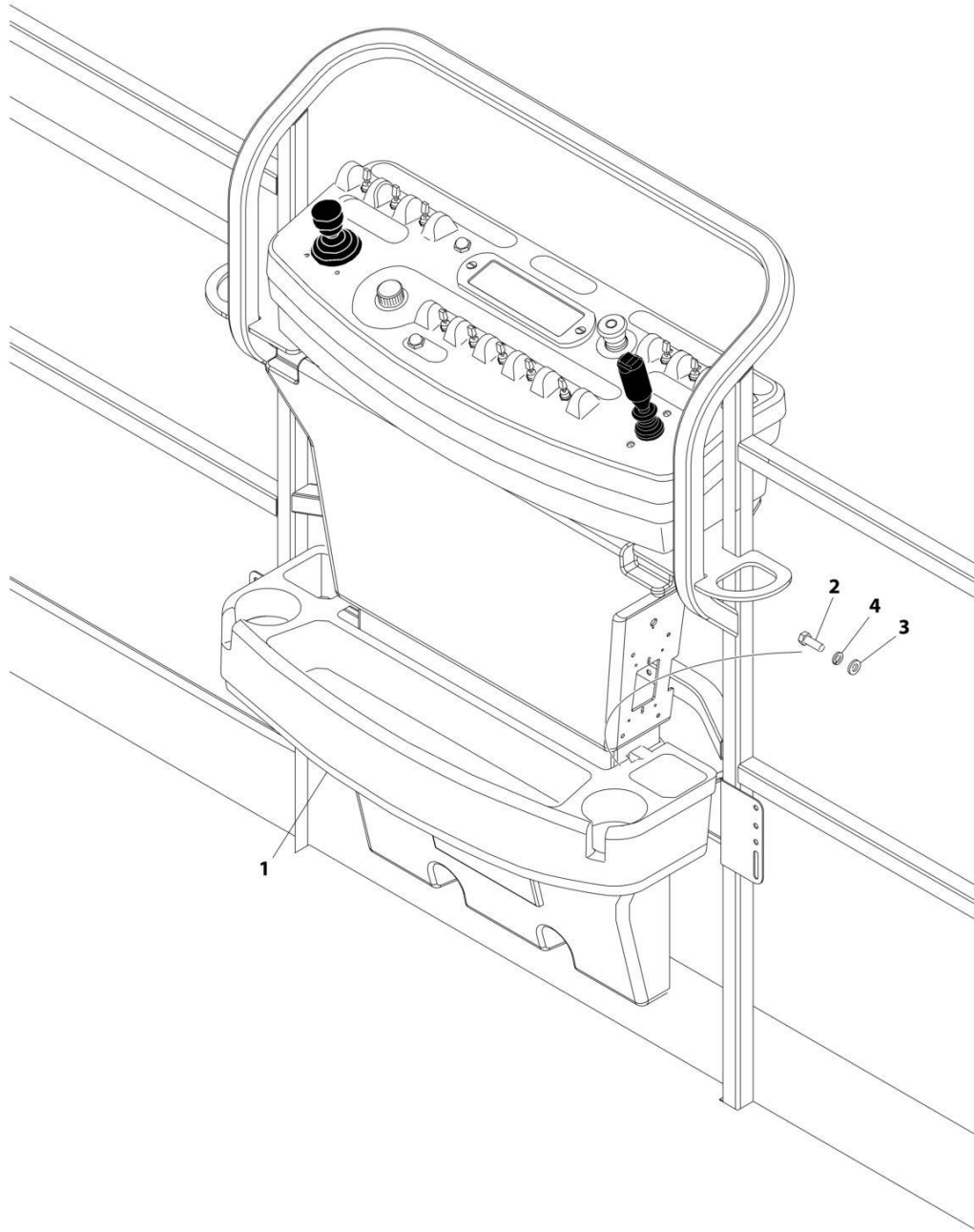
SECTION 5 - PLATFORM

FIGURE 5-10. PLATFORM ASSEMBLY - 36IN X 8FT (91.5CM X 2.44M) WITH FALL ARREST

ITEM	PART NUMBER	QTY	DESCRIPTION	REV
	1001186334	Ref	PLATFORM ASSEMBLY	D
		Ref	Note: Replacement Decals Must be Ordered Separately - See DECALS SECTION.	
1	0681814	2	Bolt 1/2 x 1-3/4 Grade 8	
2	0681822	6	Bolt 1/2 x 2-3/4 Grade 8	
3	0962270	2	Bearing	
4	1702773	1	Decal - JLG	
5	1705014	1	Decal - Safety	
6	1706385	1	Decal - Drop Bar	
7	2410014	1	Bar, Drop	
8	3271805	8	Nut 1/2 Grade 8	
9	3311605	1	Nut 3/8	
10	3520072	1	Plug	
11	1001203656	1	Cable	
12	3900054	1	Bolt 1/2 x 1-3/4	
13	4711800	2	Washer 1/2	
14	4751800	6	Washer 1/2	
15	See Note	NSS	Platform (Note: Purchase Platform Assembly)	

SECTION 5 - PLATFORM

FIGURE 5-11. TRAY ASSEMBLY



ART_1580012

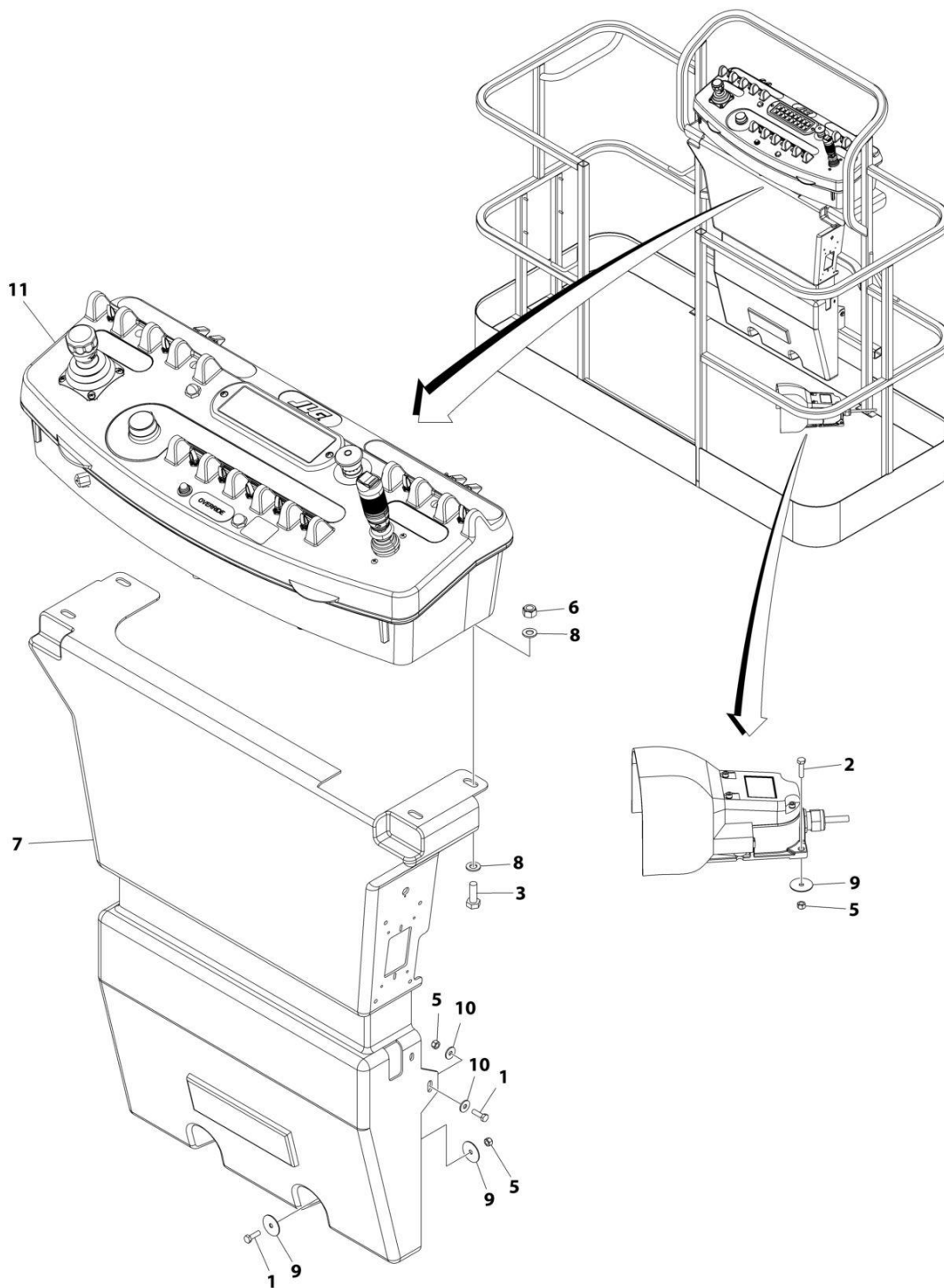
SECTION 5 - PLATFORM

FIGURE 5-11. TRAY ASSEMBLY

ITEM	PART NUMBER	QTY	DESCRIPTION	REV
	1580012	Ref	TRAY ASSEMBLY	C
1	See Note	NSS	Tray, Storage (Center) (Note: Purchase p/n 1580012)	
2	0641406	2	Bolt 1/4 x 3/4	
3	4751400	2	Washer 1/4	
4	4761400	2	Washer 1/4	

SECTION 5 - PLATFORM

FIGURE 5-12. PLATFORM CONSOLE AND FOOTSWITCH INSTALLATION (WITHOUT TOWER STOW)



ART_1001266074_B

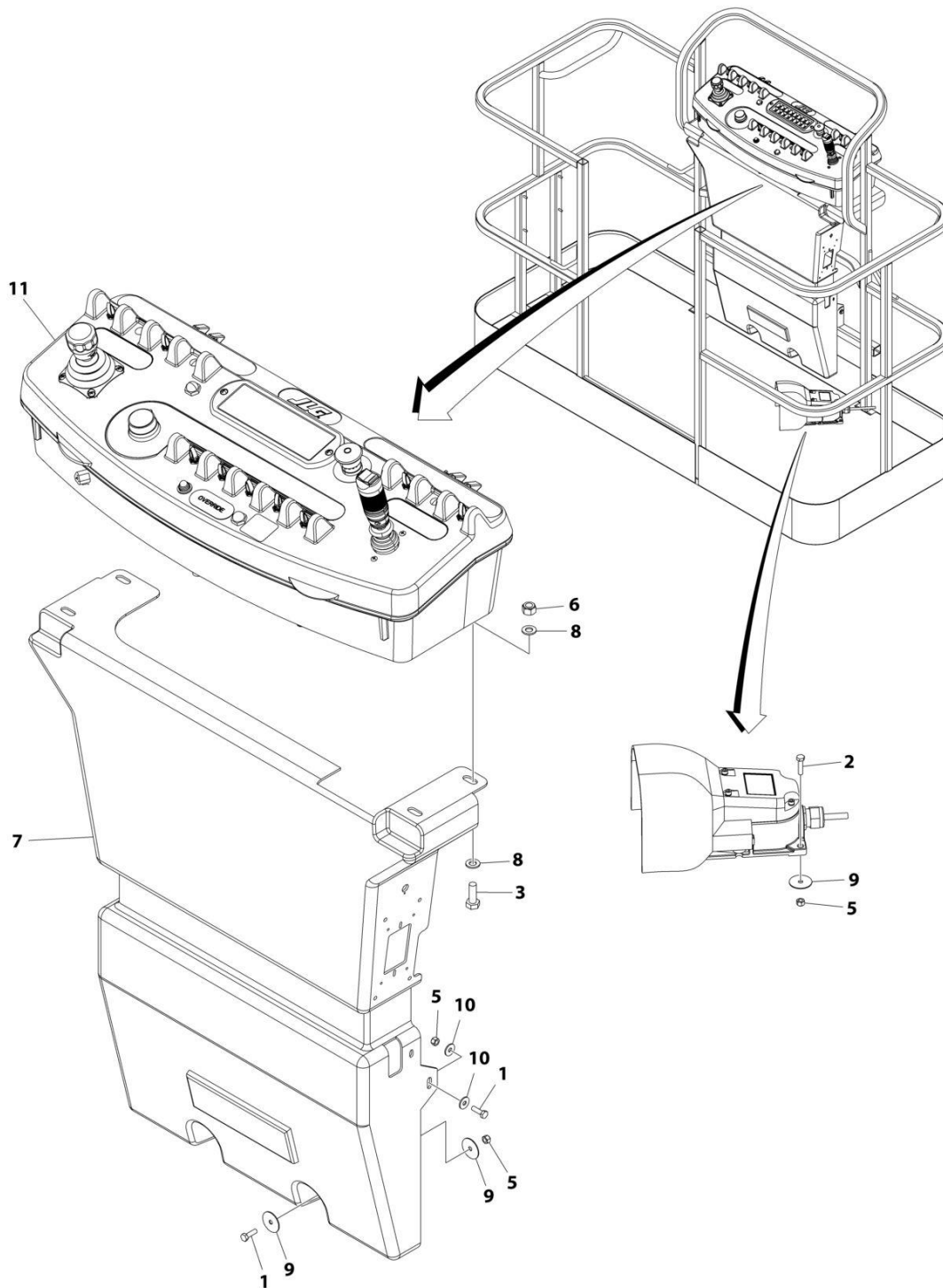
SECTION 5 - PLATFORM

FIGURE 5-12. PLATFORM CONSOLE AND FOOTSWITCH INSTALLATION (WITHOUT TOWER STOW)

ITEM	PART NUMBER	QTY	DESCRIPTION	REV
	1001266074	Ref	PLATFORM CONSOLE AND FOOTSWITCH INSTALLATION	B
1	0641406	4	Bolt 1/4 x 3/4	
2	0641408	3	Bolt 1/4 x 1	
3	0641610	4	Bolt 3/8 x 1-1/4	
5	3311405	7	Nut 1/4	
6	3311605	4	Nut 3/8	
7	3380434	1	Panel	
8	4711600	8	Washer 3/8	
9	4740362	7	Washer	
10	4751400	4	Washer 1/4	
11	1001266070	1	Platform Console Assembly (See Separate Breakdown in this Section)	

SECTION 5 - PLATFORM

FIGURE 5-13. PLATFORM CONSOLE AND FOOTSWITCH INSTALLATION (WITH TOWER STOW)



ART_1001264706_B

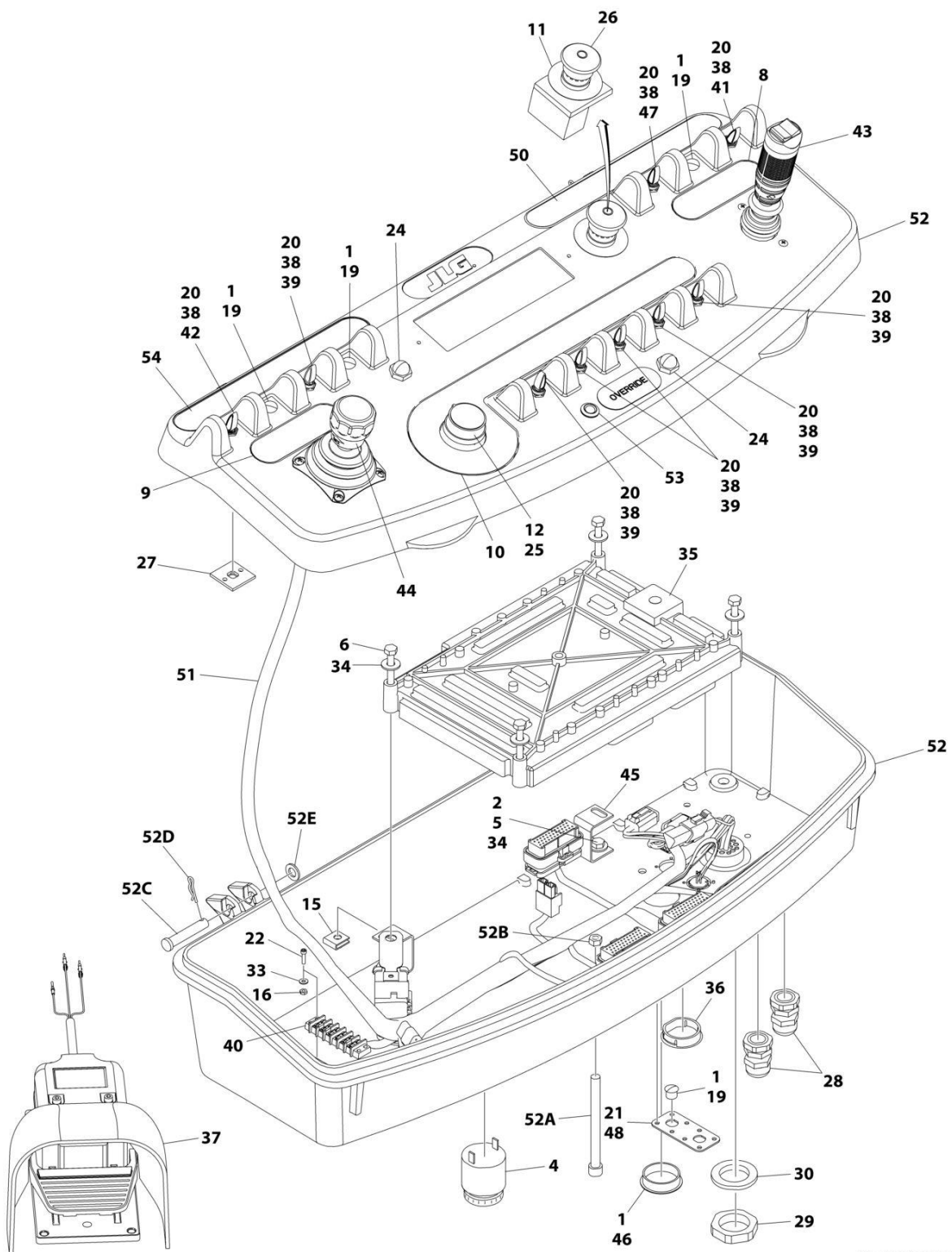
SECTION 5 - PLATFORM

FIGURE 5-13. PLATFORM CONSOLE AND FOOTSWITCH INSTALLATION (WITH TOWER STOW)

ITEM	PART NUMBER	QTY	DESCRIPTION	REV
	1001264706	Ref	PLATFORM CONSOLE AND FOOTSWITCH INSTALLATION	B
1	0641406	4	Bolt 1/4 x 3/4	
2	0641408	3	Bolt 1/4 x 1	
3	0641610	4	Bolt 3/8 x 1-1/4	
5	3311405	7	Nut 1/4	
6	3311605	4	Nut 3/8	
7	3380434	1	Panel	
8	4711600	8	Washer 3/8	
9	4740362	7	Washer	
10	4751400	4	Washer 1/4	
11	1001264705	1	Platform Console Assembly (See Separate Breakdown in this Section)	

SECTION 5 - PLATFORM

FIGURE 5-14. PLATFORM CONSOLE BOX ASSEMBLY (WITHOUT TOWER STOW)



ART_1001266070_C

SECTION 5 - PLATFORM

FIGURE 5-14. PLATFORM CONSOLE BOX ASSEMBLY (WITHOUT TOWER STOW)

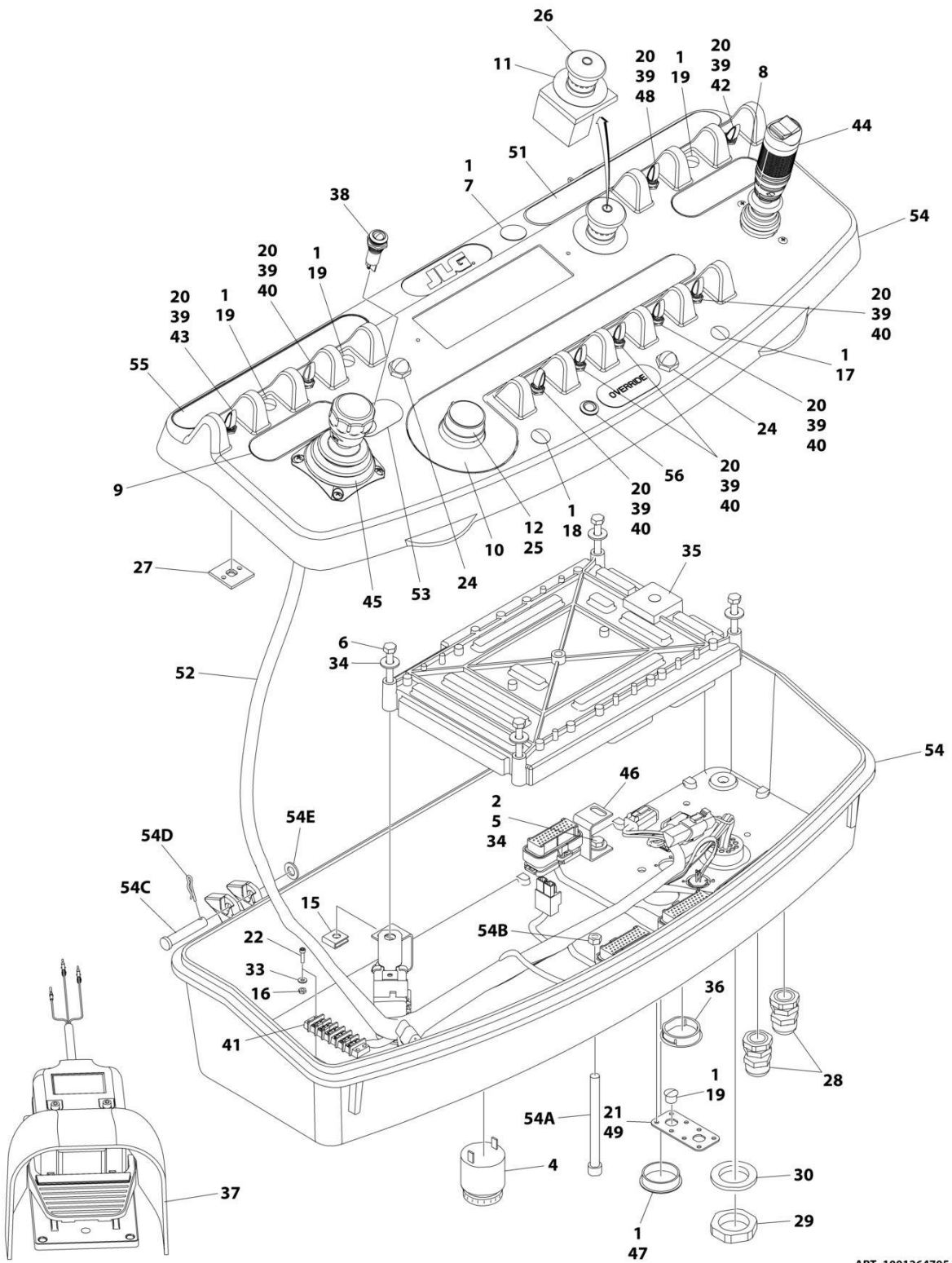
ITEM	PART NUMBER	QTY	DESCRIPTION	REV
	1001266070	Ref	CONSOLE BOX ASSEMBLY	C
1	0100009	AR	Sealant	
2	0100035	AR	Compound, Locking	
4	0140011	1	Alarm	
5	0641405	4	Bolt 1/4 x 5/8	
6	0641414	4	Bolt 1/4 x 1-3/4	
8	1702565	1	Decal - Drive and Steer	
9	1702566	1	Decal - Lift and Swing	
10	1702567	1	Decal - Function Speed	
11	1704260	1	Decal - Emergency Stop	
12	2560136	1	Handle, Knob	
15	3300353	4	Nut, Tinnerman	
16	3311005	2	Nut #10	
19	3520054	4	Plug	
20	3790012	9	O-Ring	
21	3900349	8	Capscrew M2.5 x 8	
22	3931016	2	Capscrew #10 x 1	
23	4240099	AR	Tie-Strap (Not Shown)	
24	4360387	2	Switch, Push Button	
25	4360407	1	Controller, Speed	
25	4460224	1	Receptacle, Female - 6 Position	
25	4460226	1	Socket, Female	
25	See Note	NLA	Gasket "Top Hat" (Included with Switch) (Note: Not Available for Purchase)	
25	70003784	1	Seal	
26	1001274559	1	Switch, Emergency Stop	
26	7020175	1	Cap, Red	
26	7020176	1	Block, Contact	
27	4460234	6	Mount, Tie-Strap	
28	4460428	2	Connector, Strain Relief	
29	4460470	1	Nut, Terminal	
30	4460471	1	Washer, Terminal	
33	4751000	2	Washer #10	
34	4751400	8	Washer 1/4	
35	1001106938	1	Module, Platform (Note: Re-calibration Required when Replaced)	
36	1001110434	1	Plug	
37	1001117174	1	Footswitch Assembly (See Separate Breakdown in this Section)	
38	1001155044	9	Nut 15/32	
39	1001155045	6	Switch, Toggle	
40	1001157292	1	Bussbar	
41	1001159256	1	Switch, Toggle	
42	1001161709	1	Switch, Toggle	
43	1001275628	1	Controller Assembly - Drive and Steer	
44	1001275629	1	Controller Assembly - Lift and Swing	
45	1001172760	4	Bracket	
46	1001185281	1	Plug	
47	1001211363	1	Switch, Toggle	
48	1001213882	1	Mount	
50	1001222709	1	Decal - Stop	
51	1001245026	1	Platform Console Harness (See Separate Breakdown in	

SECTION 5 - PLATFORM

ITEM	PART NUMBER	QTY	DESCRIPTION	REV
52	1001215228	1	ELECTRICAL Section) Console Box Assembly	
52A	0630568	1	Capscrew 3/8 x 4-1/2	
52B	3311601	1	Nut 3/8	
52C	3430616	2	Pin	
52D	3470003	2	Hairpin	
52E	4711600	2	Washer 3/8	
53	1001206532	1	Lamp, LED Indicator Yellow	
54	1001184626	1	Decal, Horn	

SECTION 5 - PLATFORM

FIGURE 5-15. PLATFORM CONSOLE BOX ASSEMBLY (WITH TOWER STOW)



ART_1001264705_C

SECTION 5 - PLATFORM

FIGURE 5-15. PLATFORM CONSOLE BOX ASSEMBLY (WITH TOWER STOW)

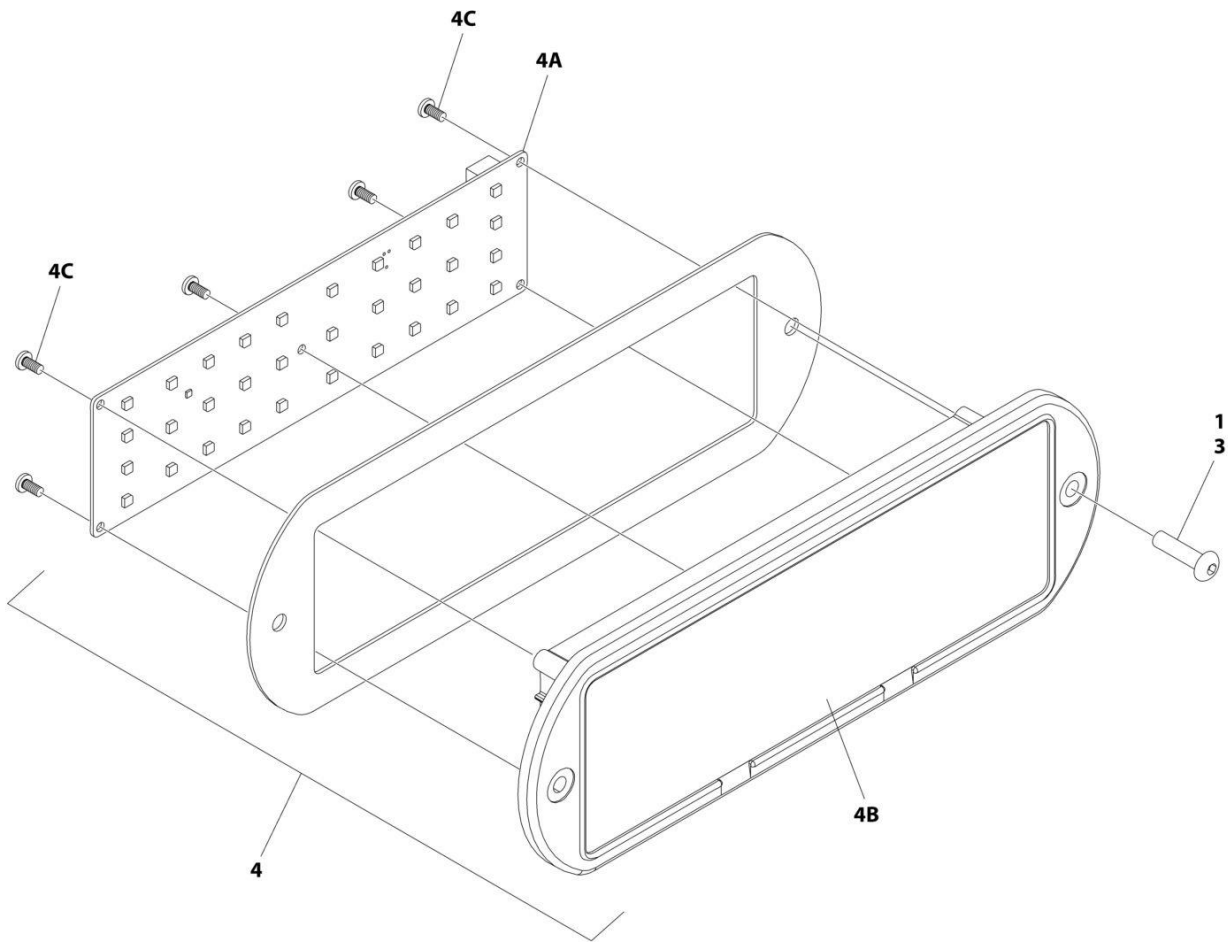
ITEM	PART NUMBER	QTY	DESCRIPTION	REV
	1001264705	Ref	CONSOLE BOX ASSEMBLY	C
1	0100009	AR	Sealant	
2	0100035	AR	Compound, Locking	
4	0140011	1	Alarm	
5	0641405	4	Bolt 1/4 x 5/8	
6	0641414	4	Bolt 1/4 x 1-3/4	
7	1671314	1	Cover, Box	
8	1702565	1	Decal - Drive and Steer	
9	1702566	1	Decal - Lift and Swing	
10	1702567	1	Decal - Function Speed	
11	1704260	1	Decal - Emergency Stop	
12	2560136	1	Handle, Knob	
15	3300353	4	Nut, Tinnerman	
16	3311005	2	Nut #10	
17	3520026	1	Plug, Hole	
18	3520027	1	Plug, Hole	
19	3520054	4	Plug	
20	3790012	9	O-Ring	
21	3900349	8	Capscrew M2.5 x 8	
22	3931016	2	Capscrew #10 x 1	
23	4240099	AR	Tie Strap (Not Shown)	
24	4360387	2	Switch, Push Button	
25	4360407	1	Controller, Speed	
25	4460224	1	Receptacle, Female - 6 Position	
25	4460226	1	Socket, Female	
25	See Note	NLA	Gasket "Top Hat" (Included with Switch) (Note: Not Available for Purchase)	
25	70003784	1	Seal	
26	1001274559	1	Switch, Emergency Stop	
26	7020175	1	Cap, Red	
26	7020176	1	Block, Contact	
27	4460234	6	Mount, Tie-Strap	
28	4460428	2	Connector, Strain Relief	
29	4460470	1	Nut, Terminal	
30	4460471	1	Washer, Terminal	
33	4751000	2	Washer #10	
34	4751400	8	Washer 1/4	
35	1001106938	1	Module, Platform (Note: Re-calibration Required when Replaced)	
36	1001110434	1	Plug	
37	1001117174	1	Footswitch Assembly (See Separate Breakdown in this Section)	
38	1001137364	1	Lamp, LED indicator Green	
39	1001155044	9	Nut 15/32	
40	1001155045	6	Switch, Toggle	
41	1001157292	1	Bussbar	
42	1001159256	1	Switch, Toggle	
43	1001161709	1	Switch, Toggle	
44	1001275628	1	Controller Assembly - Drive and Steer	
45	1001275629	1	Controller Assembly - Lift and Swing	
46	1001172760	4	Bracket	
47	1001185281	1	Plug	

SECTION 5 - PLATFORM

ITEM	PART NUMBER	QTY	DESCRIPTION	REV
48	1001211363	1	Switch, Toggle	
49	1001213882	1	Mount	
51	1001222709	1	Decal - Stop	
52	1001245026	1	Platform Console Harness (See Separate Breakdown in ELECTRICAL Section)	
53	1001260937	1	Decal - Tower Stow	
54	1001263587	1	Console Box Assembly	
54A	0630568	1	Capscrew 3/8 x 4-1/2	
54B	3311601	1	Nut 3/8	
54C	3430616	2	Pin	
54D	3470003	2	Hairpin	
54E	4711600	2	Washer 3/8	
55	1001184626	1	Decal - Horn	
56	1001206532	1	Lamp, LED Indicator Yellow	

SECTION 5 - PLATFORM

FIGURE 5-16. LIGHT PANEL INSTALLATION



ART_1001245177_C_20F2

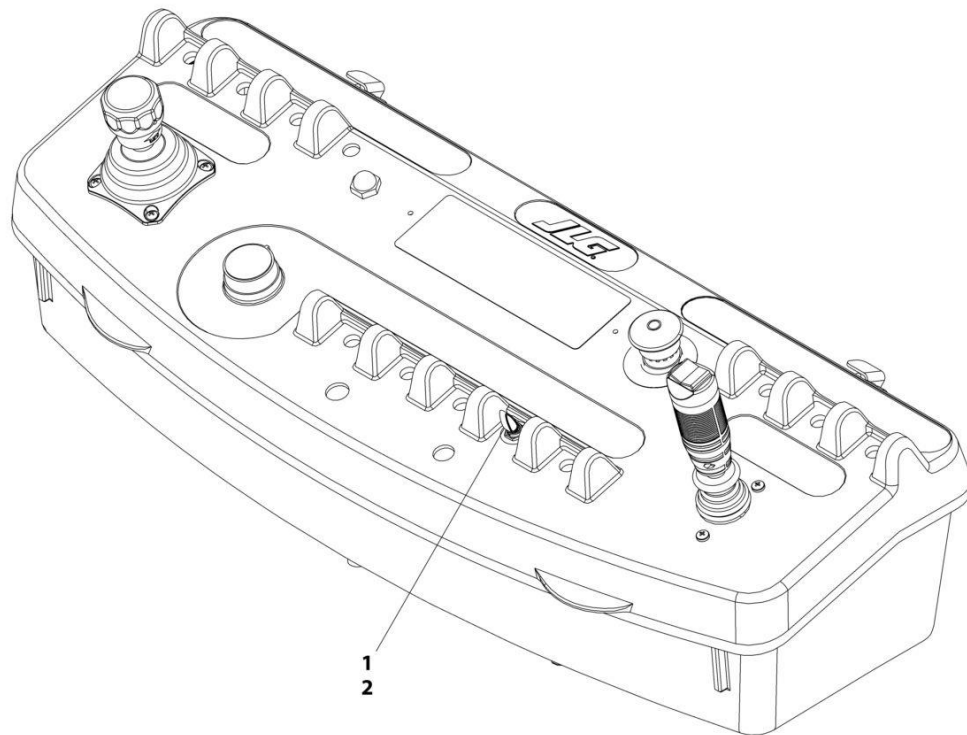
SECTION 5 - PLATFORM

FIGURE 5-16. LIGHT PANEL INSTALLATION

ITEM	PART NUMBER	QTY	DESCRIPTION	REV
	1001245177	Ref	LIGHT PANEL INSTALLATION - PLATFORM CONSOLE	C
1	0100035	AR	Compound, Locking	
3	0630518	2	Screw #10 x 3/4	
4	1001281717	1	Light Panel Assembly	A
4A	1001238732	1	Panel, LED Light	
4B	1001281705	1	Lens, I-Con	
4C		Ref	Screw	

SECTION 5 - PLATFORM

FIGURE 5-17. JIB SWITCH INSTALLATION



ART_0271340

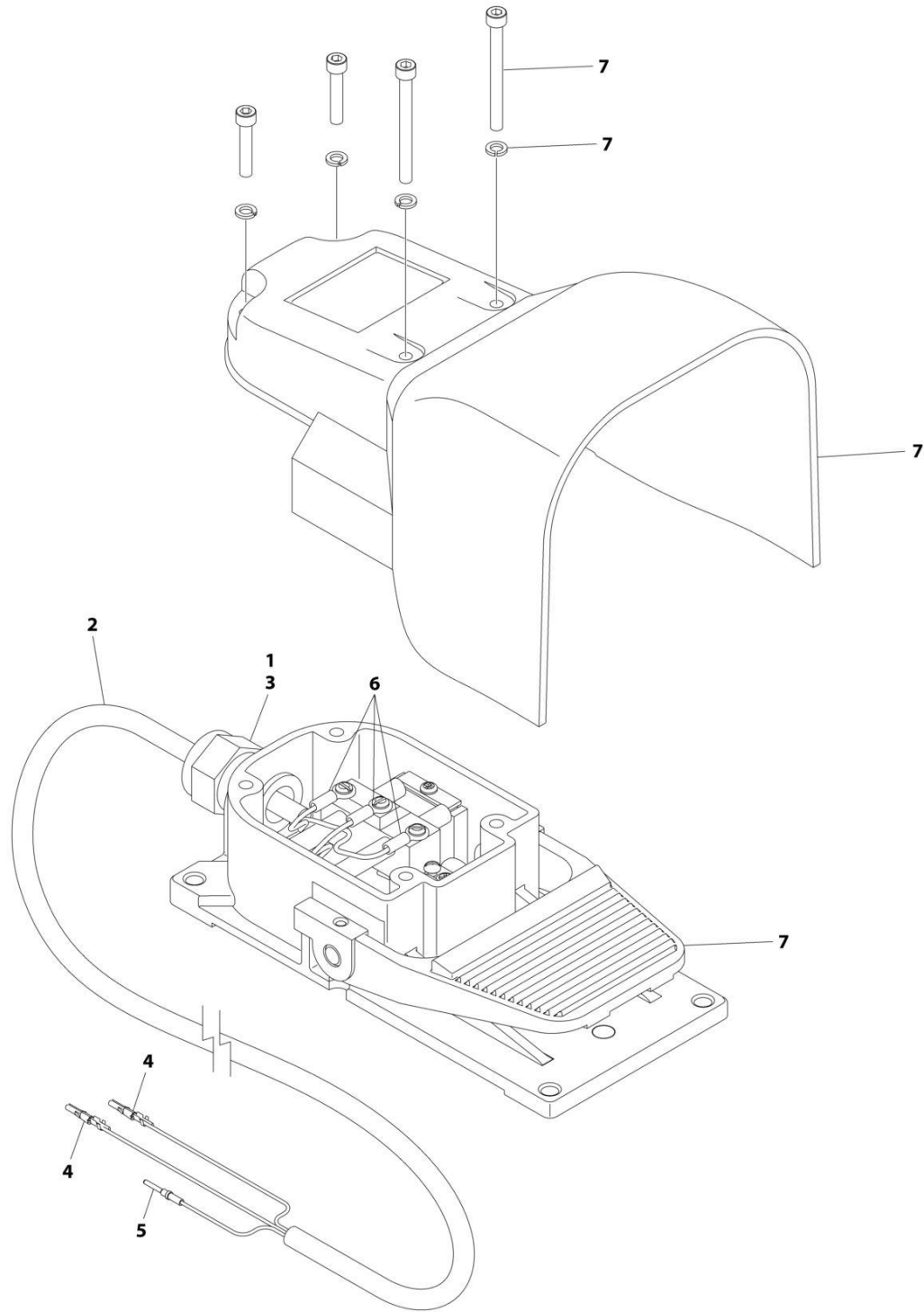
SECTION 5 - PLATFORM

FIGURE 5-17. JIB SWITCH INSTALLATION

ITEM	PART NUMBER	QTY	DESCRIPTION	REV
	0271340	Ref	JIB SWITCH INSTALLATION	1/A
1	4360328	1	Switch, Toggle	
2	3790012	1	O-Ring	

SECTION 5 - PLATFORM

FIGURE 5-18. FOOTSWITCH ASSEMBLY



ART_1001117174

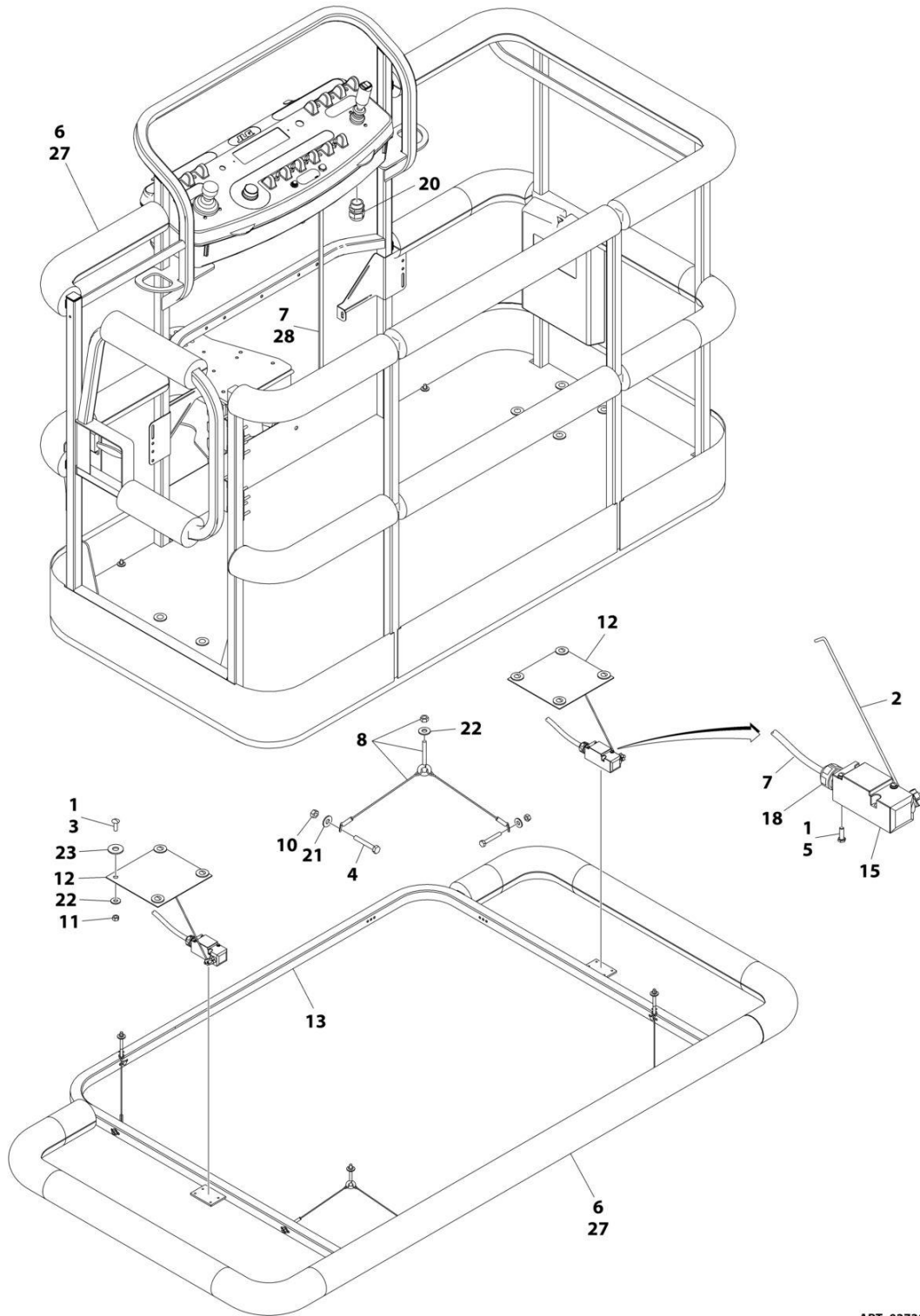
SECTION 5 - PLATFORM

FIGURE 5-18. FOOTSWITCH ASSEMBLY

ITEM	PART NUMBER	QTY	DESCRIPTION	REV
	1001117174	Ref	FOOTSWITCH ASSEMBLY	B
1	0100020	AR	Sealant	
2	1060918	7.5 ft/ 2.3m	Cable, Electrical - 18/3	
3	4460071	1	Connector, Strain Relief	
4	4460226	2	Socket, Female	
5	4460464	1	Pin, Male	
6	1001098122	3	Terminal	
7	1001117172	1	Footswitch	
7	70002902	1	Switch, 20Amp	
7	70002903	1	Gasket	
7	70002905	1	Cover	
7	70002904	1	Kit, Replacement Bolt	

SECTION 5 - PLATFORM

FIGURE 5-19. SOFT TOUCH INSTALLATION - 6FT (1.83M) PLATFORM (OPTIONAL)



ART_0273824_E

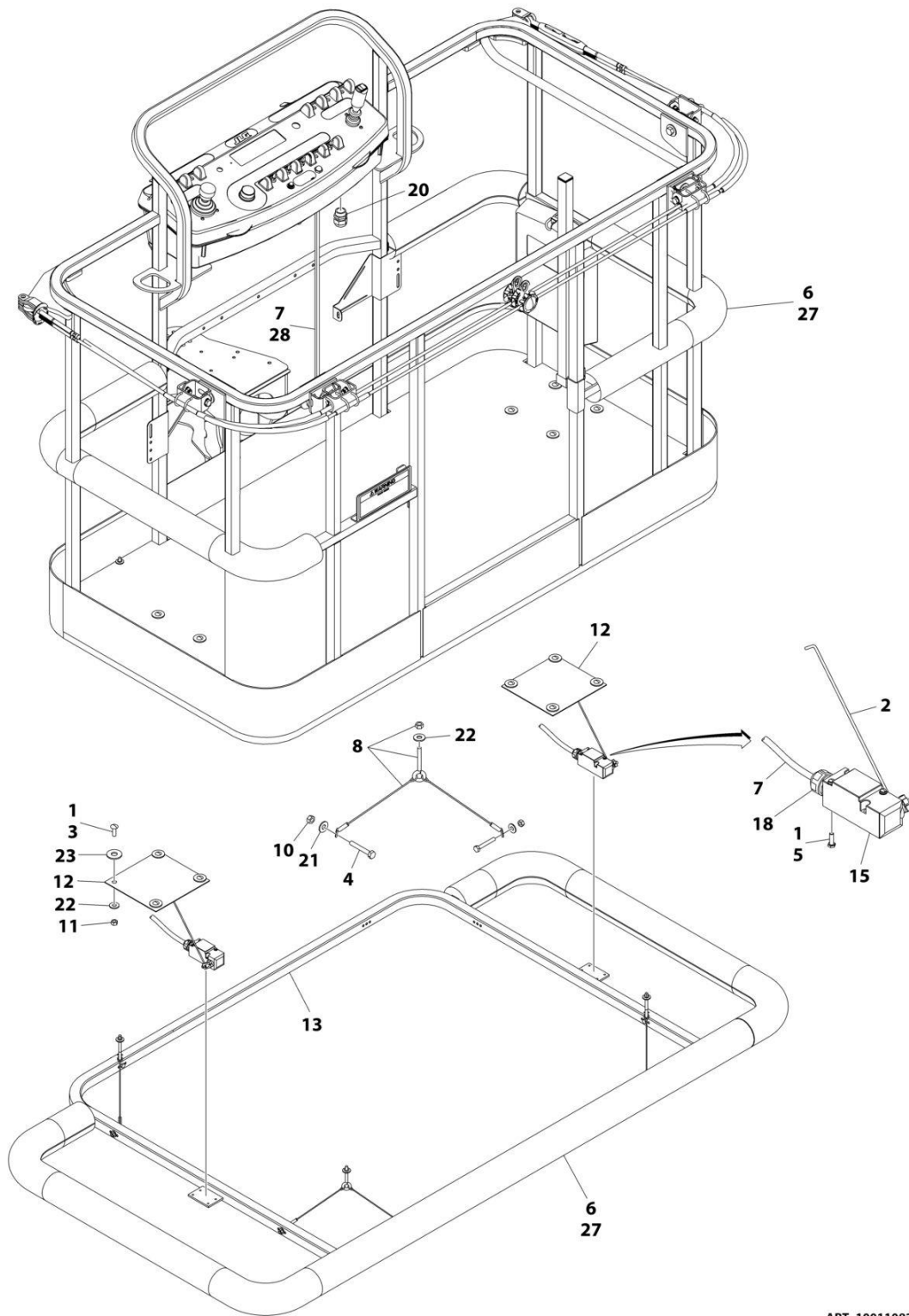
SECTION 5 - PLATFORM

FIGURE 5-19. SOFT TOUCH INSTALLATION - 6FT (1.83M) PLATFORM (OPTIONAL)

ITEM	PART NUMBER	QTY	DESCRIPTION	REV
	0273824	Ref	SOFT TOUCH SYSTEM INSTALLATION	E
1	0100011	AR	Compound, Locking	
2	0200048	2	Arm, Switch	
3	0630462	8	Bolt	
4	0641414	8	Bolt 1/4 x 1-3/4	
5	0731005	4	Bolt #10 x 5/8	
6	0940134	1	Bumper Kit (Includes Corners and Enough Straight Material for One Platform)	
6	0940092	AR	Bumper (Corner)	
6	0940094	AR	Bumper (12ft Length)	
7	1060341	23 ft/7m	Cable, Soft Touch - 16/2	
8	1060903	4	Wire Rope and Eyebolt Assembly	
10	3311401	8	Nut 1/4	
11	3311501	8	Nut 5/16	
12	3575359	2	Plate, Switch Strike	
13	3641569	1	Rail, Soft Touch	
14	4240099	7	Tie-Strap (Not Shown)	
15	4360057	2	Switch, Limit	
18	4460049	2	Connector, Strain Relief	
19	4460234	7	Tie-Strap (Not Shown)	
20	4460425	1	Connector, Strain Relief	
21	4751400	8	Washer 1/4	
22	4751500	12	Washer 5/16	
23	4751800	8	Washer 1/2	
27	1001197017	AR	Tie-Strap	
28	4460226	4	Socket	

SECTION 5 - PLATFORM

FIGURE 5-20. SOFT TOUCH INSTALLATION - 6FT (1.83M) FALL ARREST PLATFORM (OPTIONAL)



ART_1001108256_D

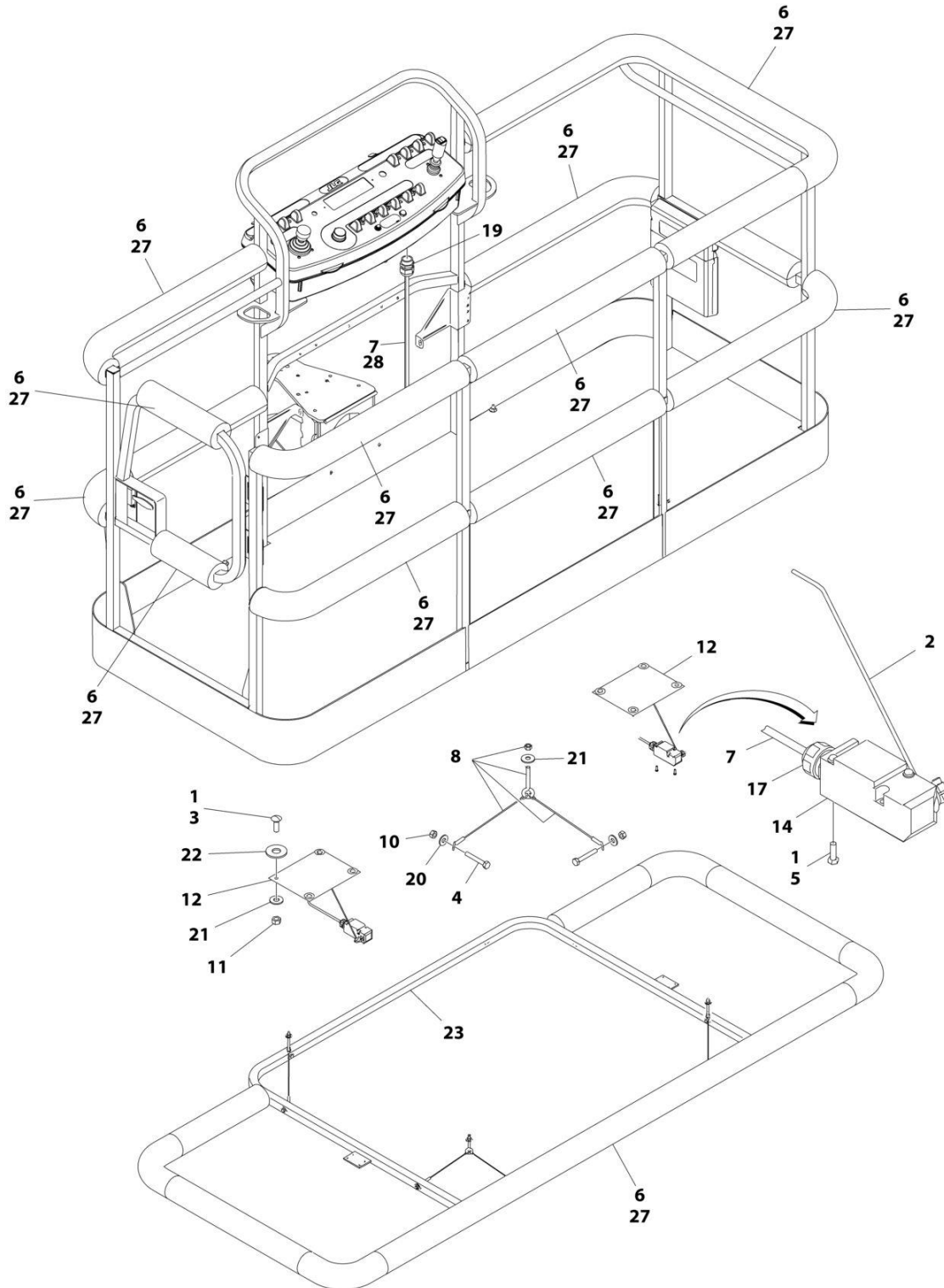
SECTION 5 - PLATFORM

FIGURE 5-20. SOFT TOUCH INSTALLATION - 6FT (1.83M) FALL ARREST PLATFORM (OPTIONAL)

ITEM	PART NUMBER	QTY	DESCRIPTION	REV
	1001108256	Ref	SOFT TOUCH INSTALLATION	D
1	0100011	AR	Compound, Locking	
2	0200048	2	Arm, Switch	
3	0630462	8	Bolt	
4	0641414	8	Bolt 1/4 x 1-3/4	
5	0731005	4	Bolt #10 x 5/8	
6	0940177	1	Bumper Kit (Includes Corners and Enough Straight Material for One Platform)	
6	0940092	8	Bumper (Corner)	
6	0940094	AR	Bumper (12ft Length)	
7	1060341	23 ft/7m	Cable, Soft Touch - 16/2	
8	1060903	4	Wire Rope and Eyebolt Assembly	
10	3311401	8	Nut 1/4	
11	3311501	8	Nut 5/16	
12	3575359	2	Plate, Switch Strike	
13	3641569	1	Rail, Soft Touch	
14	4240099	7	Tie-Strap (Not Shown)	
15	4360057	2	Switch, Limit	
18	4460049	2	Connector, Strain Relief	
19	4460234	7	Tie-Strap (Not Shown)	
20	4460425	1	Connector, Strain Relief	
21	4751400	8	Washer 1/4	
22	4751500	9	Washer 5/16	
23	4751800	8	Washer 1/2	
27	1001197017	AR	Strap, Cable Tie (Yellow)	
28	4460226	4	Socket	

SECTION 5 - PLATFORM

FIGURE 5-21. SOFT TOUCH INSTALLATION - 8FT (2.4M) PLATFORM (OPTIONAL)



ART_0272427_H

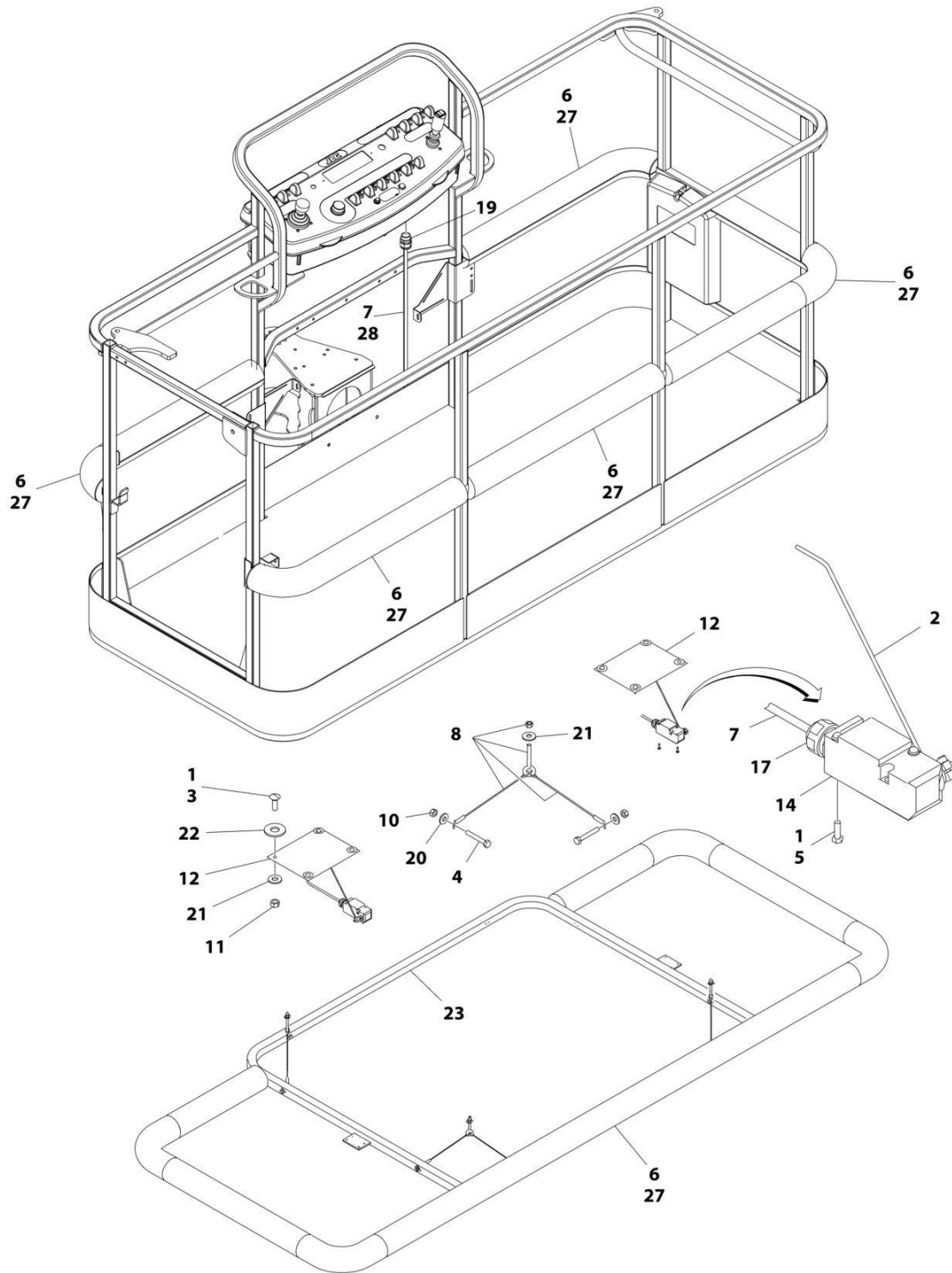
SECTION 5 - PLATFORM

FIGURE 5-21. SOFT TOUCH INSTALLATION - 8FT (2.4M) PLATFORM (OPTIONAL)

ITEM	PART NUMBER	QTY	DESCRIPTION	REV
	0272427	Ref	SOFT TOUCH INSTALLATION - 36IN X 8FT (91.5CM X 2.44M) PLATFORM	H
1	0100011	AR	Compound, Locking	
2	0200048	2	Arm, Switch	
3	0630462	8	Bolt	
4	0641414	8	Bolt 1/4 x 1-3/4	
5	0721005	4	Bolt #10 x 5/8	
6	0940103	1	Bumper Kit (Includes Corners and Enough Straight Material for One Platform)	
6	0940092	12	Bumper (Corner)	
6	0940094	AR	Bumper (12ft Length)	
7	1060341	23 ft/7m	Cable, Soft Touch - 16/2	
8	1060903	4	Wire Rope and Eyebolt Assembly	
10	3311401	8	Nut 1/4	
11	3311501	8	Nut 5/16	
12	3574091	2	Plate, Switch Strike	
13	4240099	7	Tie-Strap (Not Shown)	
14	4360057	2	Switch, Limit	
17	4460049	2	Connector, Strain Relief	
18	4460234	7	Tie-Strap (Not Shown)	
19	4460425	1	Connector, Strain Relief	
20	4751400	8	Washer 1/4	
21	4751500	12	Washer 5/16	
22	4751800	8	Washer 1/2	
23	4846673	1	Rail, Soft Touch	
27	1001197017	AR	Tie-Strap	
28	4460226	1	Socket	

SECTION 5 - PLATFORM

FIGURE 5-22. SOFT TOUCH INSTALLATION - 8FT (2.4M) FALL ARREST PLATFORM (OPTIONAL)



ART_0273706_E

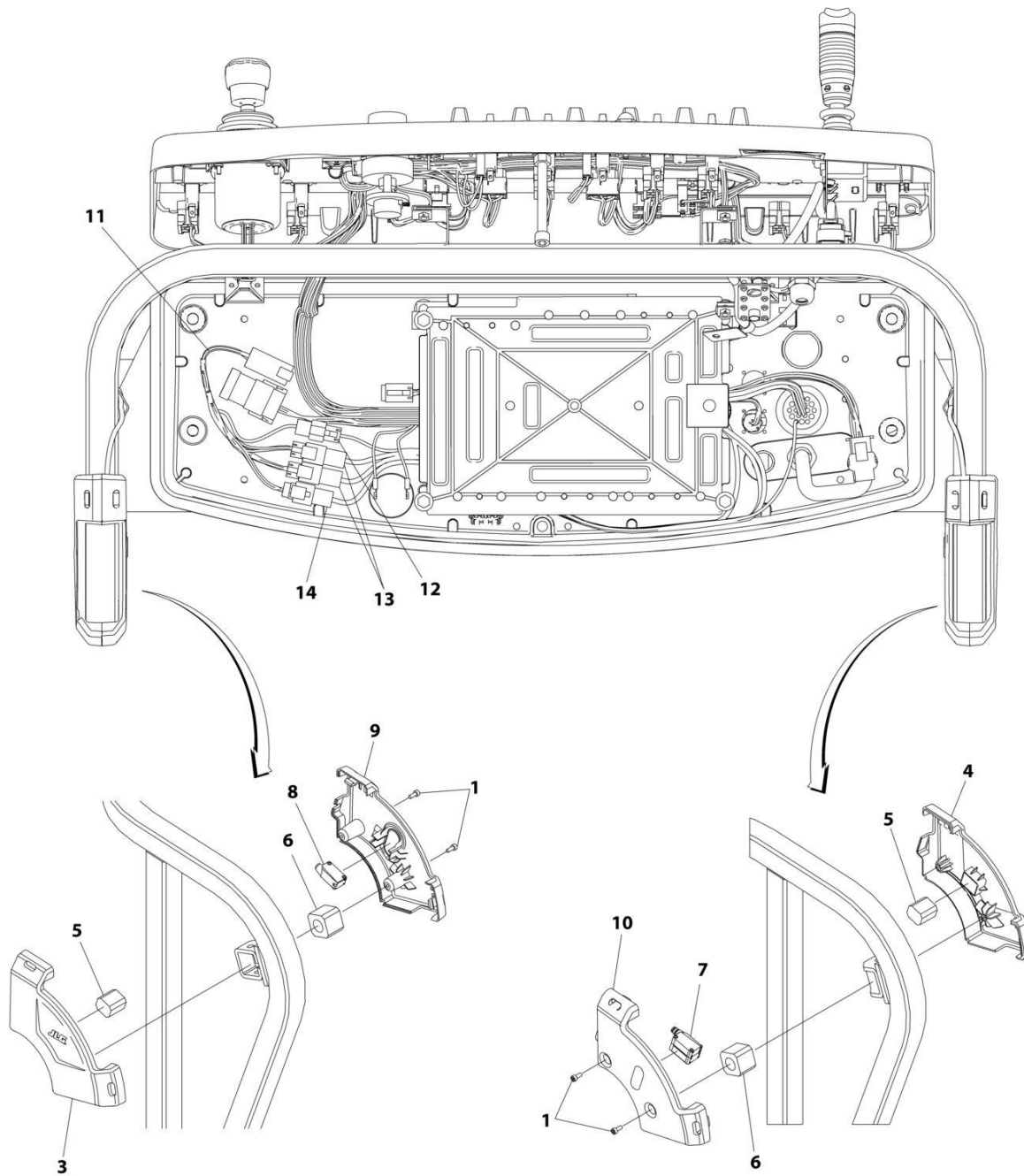
SECTION 5 - PLATFORM

FIGURE 5-22. SOFT TOUCH INSTALLATION - 8FT (2.4M) FALL ARREST PLATFORM (OPTIONAL)

ITEM	PART NUMBER	QTY	DESCRIPTION	REV
	0273706	Ref	SOFT TOUCH INSTALLATION	E
1	0100011	AR	Compound, Locking	
2	0200048	2	Arm, Switch	
3	0630462	8	Bolt	
4	0641414	8	Bolt 1/4 x 1-3/4	
5	0721005	4	Bolt #10 x 5/8	
6	0940133	1	Bumper Kit (Includes Corners and Enough Straight Material for One Platform)	
6	0940092	8	Bumper (Corner)	
6	0940094	AR	Bumper (12ft Length)	
7	1060341	23 ft/7m	Cable, Soft Touch - 16/2	
8	1060903	4	Wire Rope and Eyebolt Assembly	
10	3311401	8	Nut 1/4	
11	3311501	8	Nut 5/16	
12	3574091	2	Plate, Switch Strike	
13	4240099	7	Tie-Strap (Not Shown)	
14	4360057	2	Switch, Limit	
17	4460049	2	Connector, Strain Relief	
18	4460234	7	Tie-Strap (Not Shown)	
19	4460425	1	Connector, Strain Relief	
20	4751400	8	Washer 1/4	
21	4751500	12	Washer 5/16	
22	4751800	8	Washer 1/2	
23	4846673	1	Rail, Soft Touch	
27	1001197017	AR	Tie-Strap	
28	4460226	4	Socket	

SECTION 5 - PLATFORM

FIGURE 5-23. SKYEYE INSTALLATION



ART_1001229341

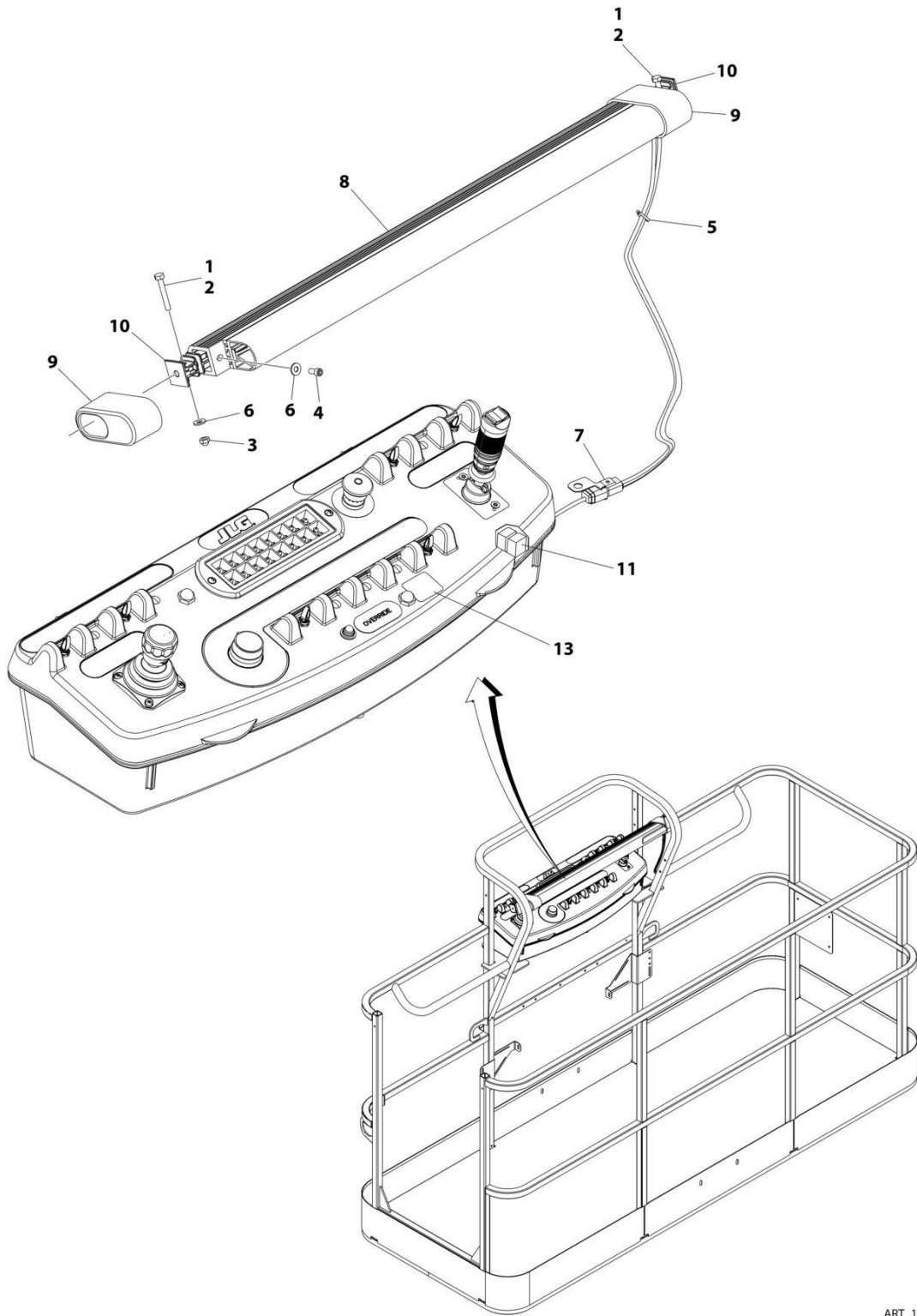
SECTION 5 - PLATFORM

FIGURE 5-23. SKYEYE INSTALLATION

ITEM	PART NUMBER	QTY	DESCRIPTION	REV
	1001229341	Ref	SKYEYE INSTALLATION	B
1	4031505	4	Bolt M4 x 10	
2	4240033	AR	Tie-Strap (Not Shown)	
3	1001227633	1	Housing, LH Outer	
4	1001227634	1	Housing, RH Outer	
5	1001227985	2	Shim	
6	1001227987	2	Shim	
7	1001228224	2	Sensor, Receiver	
8	1001228225	1	Sensor, Emitter	
9	1001232164	1	Housing, LH Inner	
10	1001232165	1	Housing, RH Inner	
11	1001237865	1	Harness, Skyeye Intermediate (See Separate Breakdown in ELECTRICAL Section)	
12	1001238319	NLA	Harness, Skyeye Drain Jumper	
12	1001187674	1	Plug, Male - 2 Position	
12	4460942	1	Terminal	
12	4460466	1	Plug, Terminal	
12	4460508	1	Pin, Male	
13	1001237863	2	Harness, Skyeye Receiver (See Separate Breakdown in ELECTRICAL Section)	
14	1001237864	1	Harness, Skyeye Emitter (See Separate Breakdown in ELECTRICAL Section)	

SECTION 5 - PLATFORM

FIGURE 5-24. SKYGUARD BAR INSTALLATION



ART_1001238495

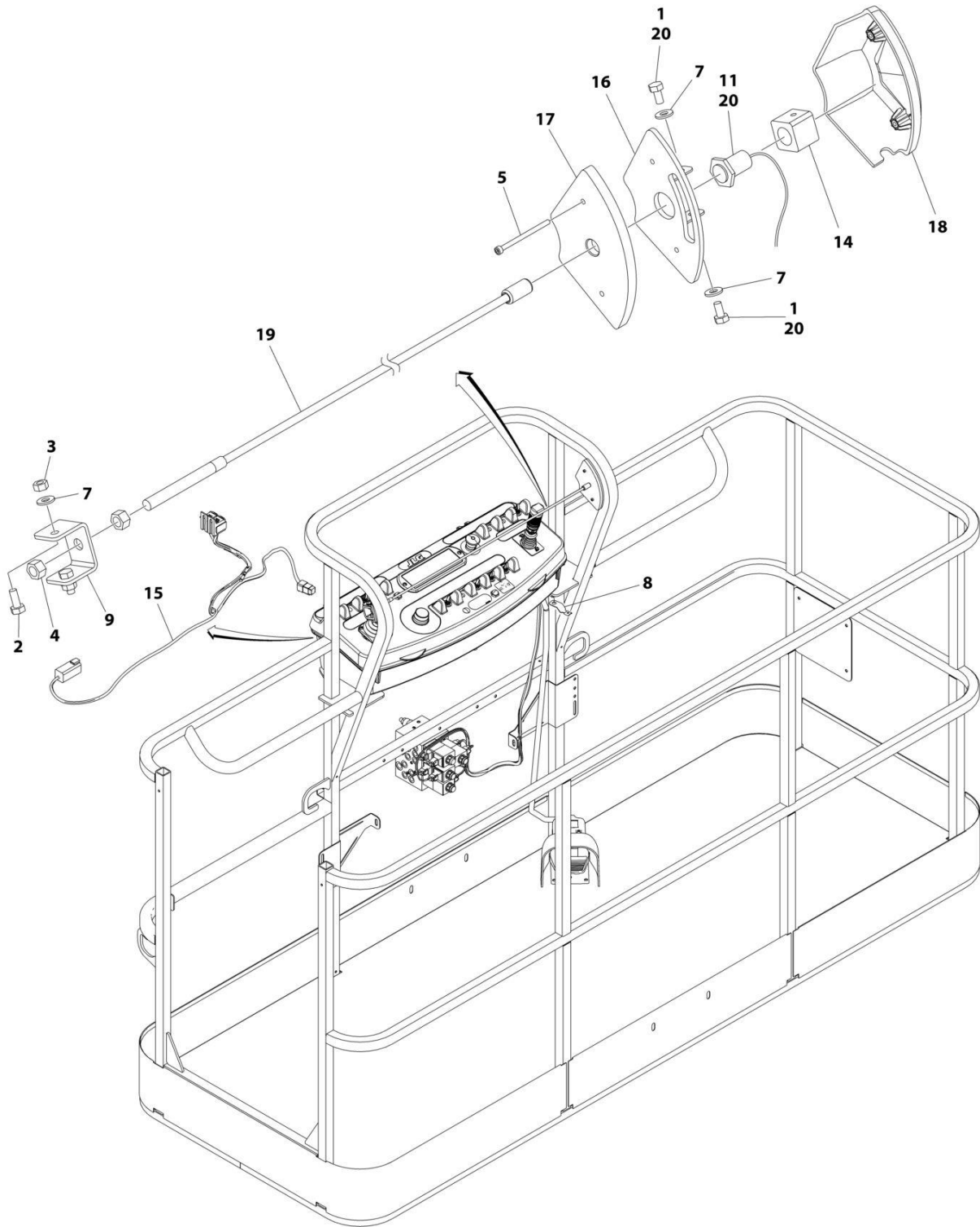
SECTION 5 - PLATFORM

FIGURE 5-24. SKYGUARD BAR INSTALLATION

ITEM	PART NUMBER	QTY	DESCRIPTION	REV
	1001238495	Ref	SKYGUARD BAR INSTALLATION	A
1	0100011	AR	Compound, Locking	
2	0641414	2	Bolt 1/4 x 1-3/4	
3	3300430	2	Nut 1/4	
4	3931408	2	Capscrew 1/4 x 1/2	
5	4240033	8	Tie-Strap	
6	4711400	6	Washer 1/4	
7	1001120328	1	Mount	
8	1001137673	1	SkyGuard Switch Assembly	
9	1001186517	2	Cover, Platform Sensor	
10	1001209664	2	Support, Block	
11	1001186431	2	Relay	
12	1001225580	1	Interface Harness Assembly (Not Shown - Located Inside Console Box) (See Separate Breakdown in ELECTRICAL Section)	
13	1001144433	1	Decal - No Weight SkyGuard	

SECTION 5 - PLATFORM

FIGURE 5-25. SKYLINE INSTALLATION



ART_1001238559_D

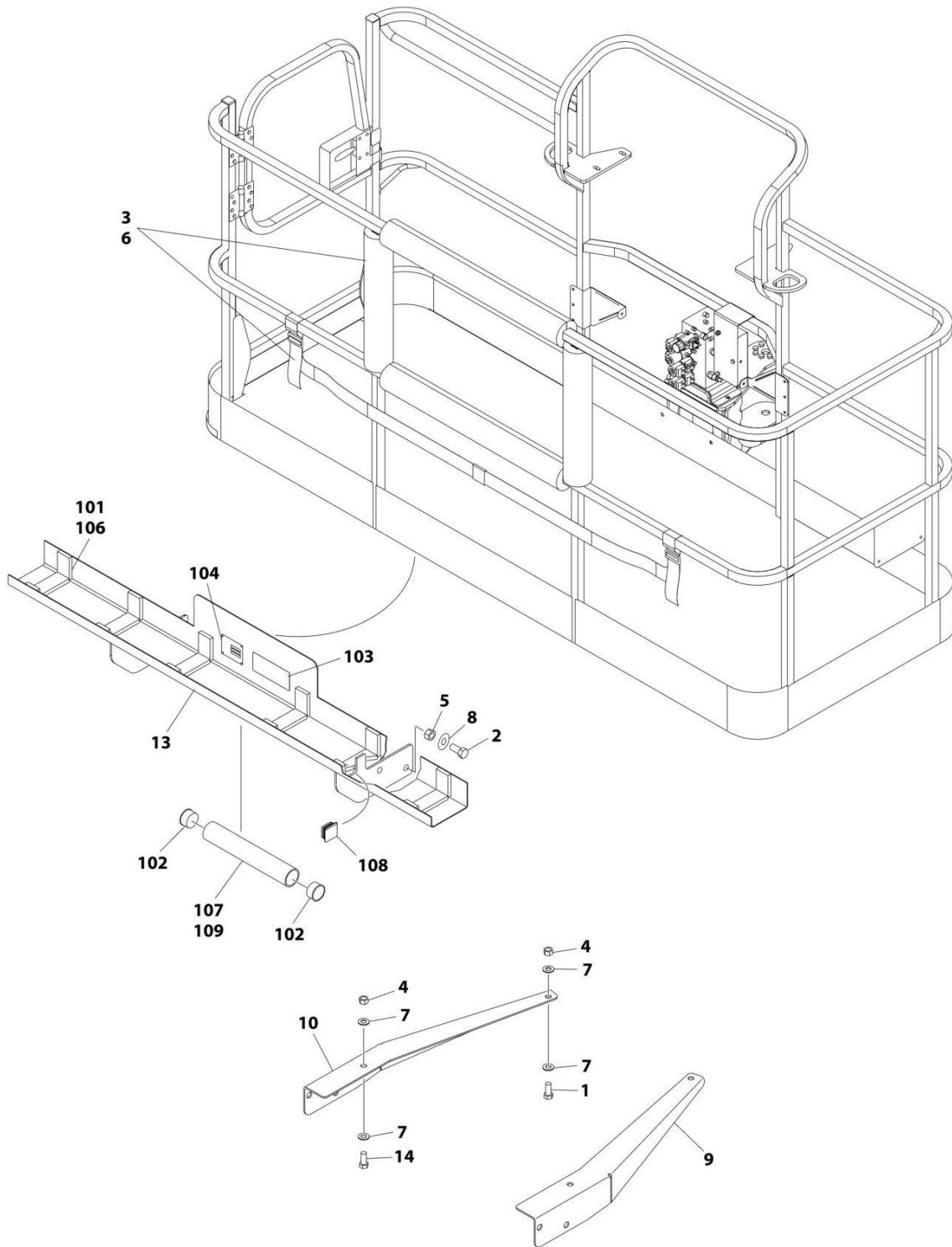
SECTION 5 - PLATFORM

FIGURE 5-25. SKYLINE INSTALLATION

ITEM	PART NUMBER	QTY	DESCRIPTION	REV
	1001238559	Ref	SKYLINE INSTALLATION	D
1	0641404	2	Bolt 1/4 x 1/2	
2	0641405	2	Bolt 1/4 x 5/8	
3	3311405	2	Nut 1/4	
4	3311601	2	Nut 3/8	
5	4031516	2	Capscrew M4 x 60	
6	4240033	AR	Tie-Strap (Not Shown)	
7	4711400	4	Washer 1/4	
8	1001120328	1	Mount	
9	1001232642	1	Bracket	
11	1001232667	1	Sensor, Proximity	
14	1001236552	1	Block	
15	1001238418	1	Harness, Skyline (See Separate Breakdown in ELECTRICAL Section)	
16	1001238472	1	Mount	
17	1001254473	1	Housing, LH	
18	1001241965	1	Housing, RH	
19	1001254472	1	Rod	
20	0100011	AR	Compound, Locking	

SECTION 5 - PLATFORM

FIGURE 5-26. SKYGLAZIER INSTALLATION (ANSI, ANSI EXPORT, AUSTRALIAN & CSA SPECS)



ART_1001172578

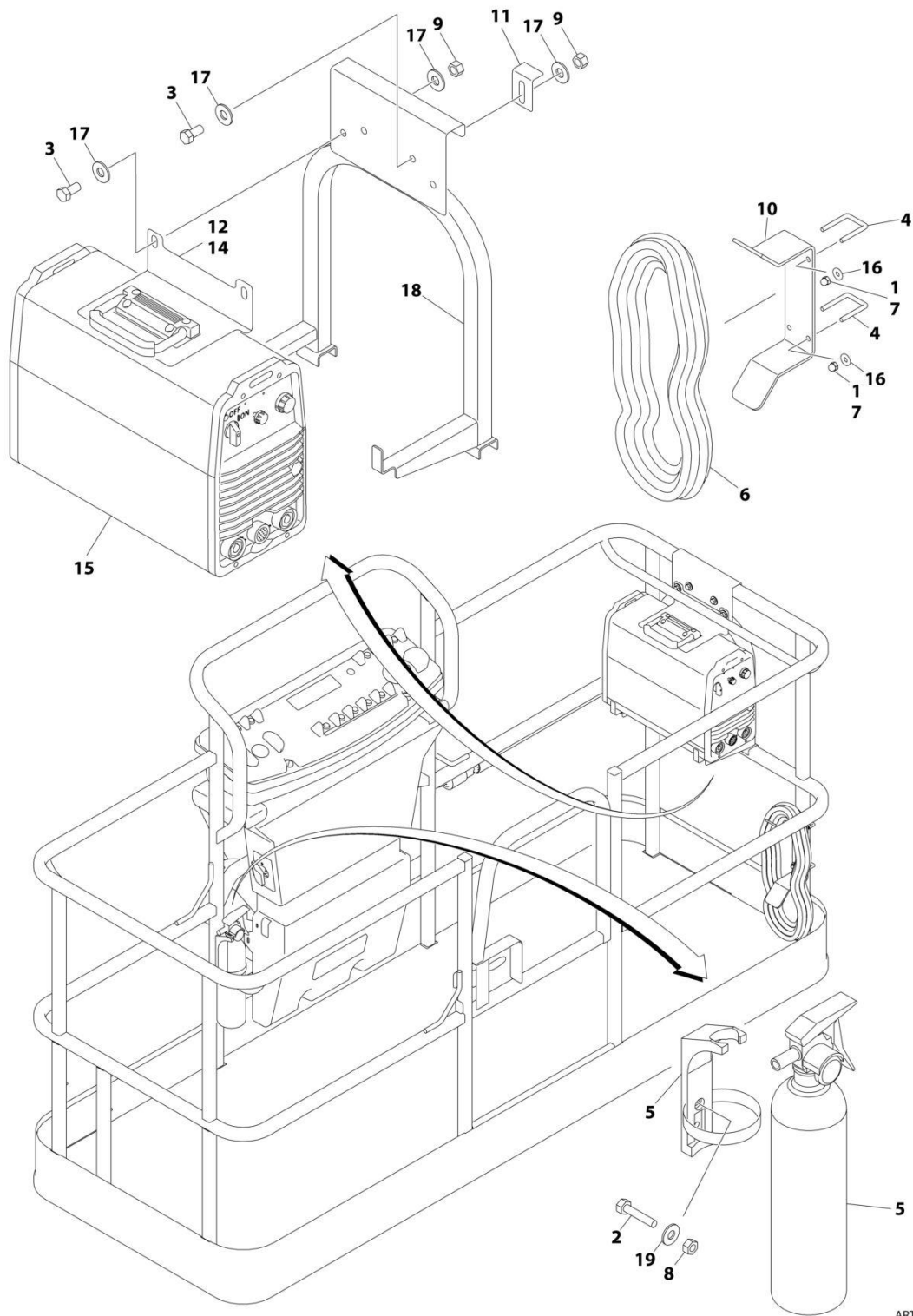
SECTION 5 - PLATFORM

FIGURE 5-26. SKYGLAZIER INSTALLATION (ANSI, ANSI EXPORT, AUSTRALIAN & CSA SPECS)

ITEM	PART NUMBER	QTY	DESCRIPTION	REV
	1001172578	Ref	SKYGLAZIER INSTALLATION	C
1	0642012	2	Bolt 5/8 x 1-1/2	
2	0642212	4	Bolt 3/4 x 1-1/2	
3	2902212	1	Bumpers and Strap Kit	
3	0940102	1	Bumper Only	
3	4240149	1	Strap Only	
4	3312005	1	Nut 5/8	
5	3312205	4	Nut 3/4	
6	4420014	AR	Tape	
7	4712000	6	Washer 5/8	
8	4712200	8	Washer 3/4	
9	1001099366	1	Support	
10	1001099367	1	Support	
13	1001172577	1	Tray Assembly (See Items 101-111 for Breakdown)	
14	8310129	2	Bolt 3/4 x 2-1/2	
	1001172577	Ref	TRAY ASSEMBLY	C
101	0100081	AR	Adhesive	
102	1120555	2	Cap, Tube	
103	1701509	1	Decal - Manual	
104	See Note	NSS	Nameplate - Serial Number (Note: Not Available for Purchase)	
106	3340956	1	Pad Kit	
107	3460334	1	Tube	
108	3520071	2	Plug	
109	4420066	AR	Tape, Double Sided	

SECTION 5 - PLATFORM

FIGURE 5-27. SKYWELDER INSTALLATION (50HZ)



ART_0272521_F

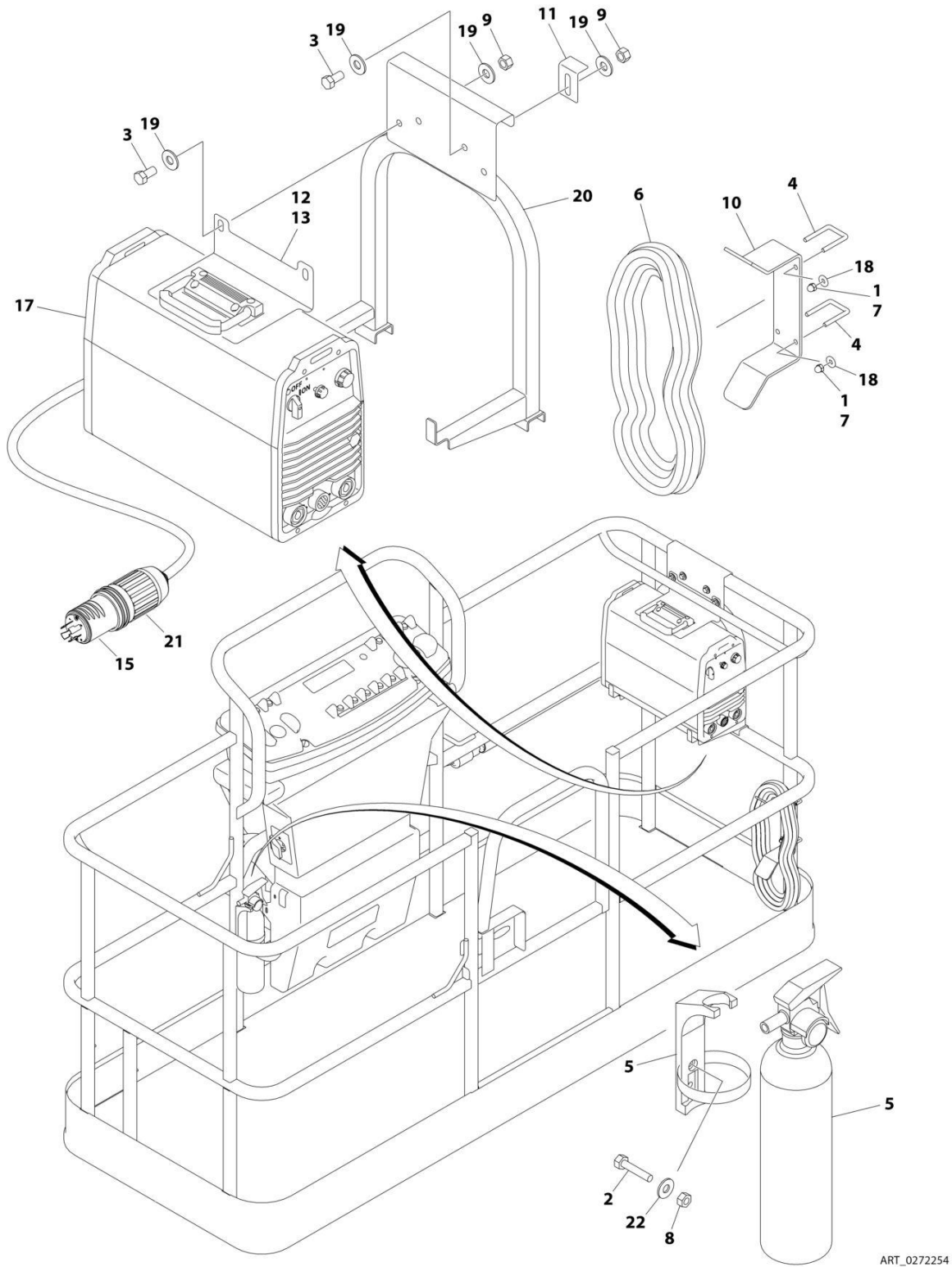
SECTION 5 - PLATFORM

FIGURE 5-27. SKYWELDER INSTALLATION (50HZ)

ITEM	PART NUMBER	QTY	DESCRIPTION	REV
	0272521	Ref	SKYWELDER INSTALLATION	F
1	0100011	AR	Compound, Locking	
2	0630518	2	Screw #10 x 3/4	
3	0641606	4	Bolt 3/8 x 3/4	
4	1320302	2	U-Clamp	
5	2030010	1	Extinguisher, Fire	
6	2902217	1	Weld Leads Kit	
7	3300151	4	Nut 1/4	
8	3311005	2	Nut #10	
9	3311605	4	Nut 3/8	
10	3573400	1	Bracket	
11	3577121	2	Angle	
12	3573642	1	Plate	
13	4240099	AR	Tie-Strap (Not Shown)	
14	4420037	AR	Tape	
15	4530028	1	Welder Assembly (See Separate Breakdown in this Section)	
16	4751400	4	Washer 1/4	
17	4751600	8	Washer 3/8	
18	4846627	1	Support	
19	4751000	2	Washer #10	

SECTION 5 - PLATFORM

FIGURE 5-28. SKYWELDER INSTALLATION (60HZ)



ART_0272254

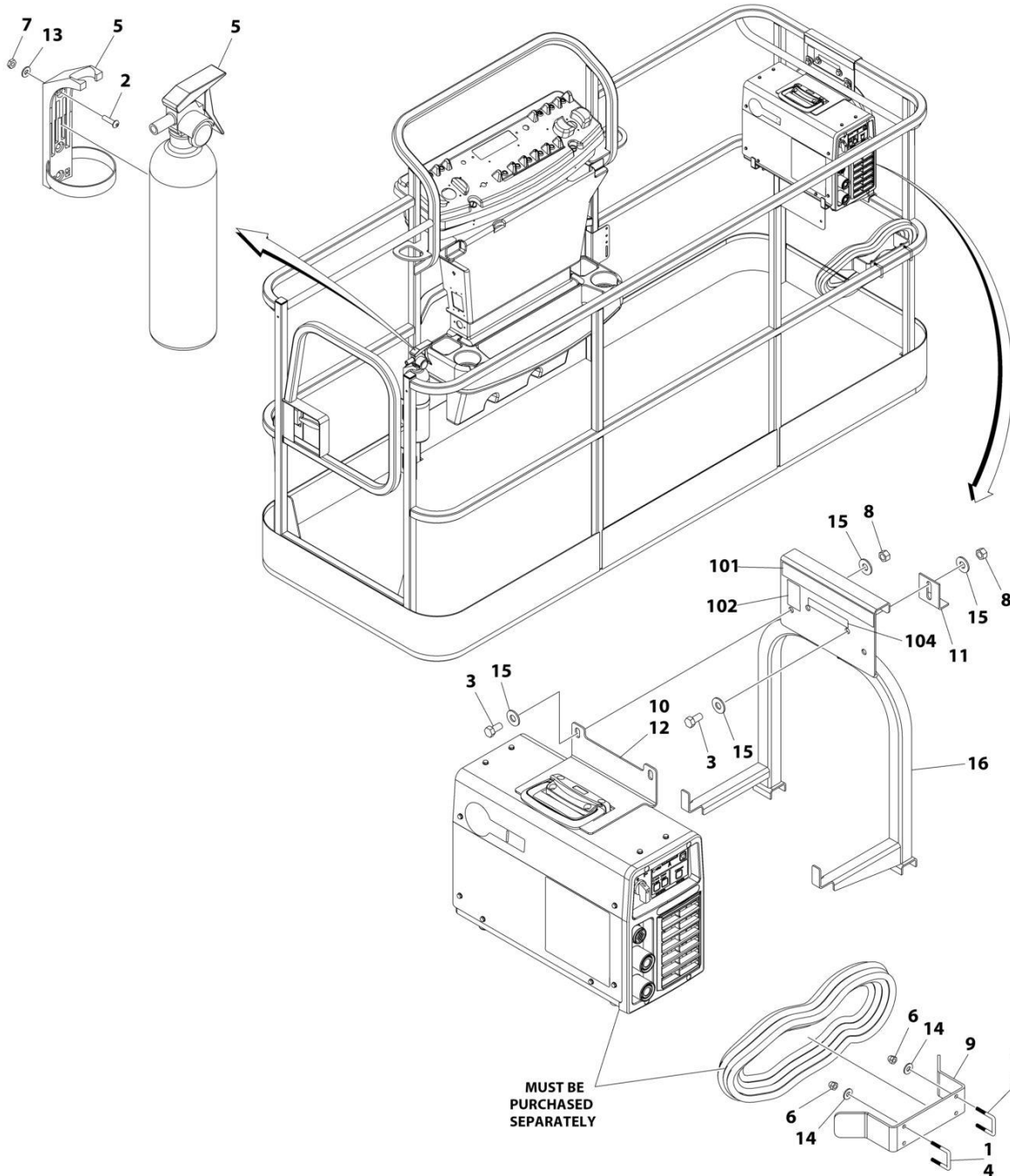
SECTION 5 - PLATFORM

FIGURE 5-28. SKYWELDER INSTALLATION (60HZ)

ITEM	PART NUMBER	QTY	DESCRIPTION	REV
	0272254	Ref	SKYWELDER INSTALLATION	1
1	0100011	AR	Compound, Locking	
2	0630518	2	Screw #10 x 3/4	
3	0641606	4	Bolt 3/8 x 3/4	
4	1320302	2	U-Clamp	
5	2030010	1	Extinguisher, Fire	
6	2902217	1	Weld Leads Kit	
7	3300151	4	Nut 1/4	
8	3311005	2	Nut #10	
9	3311605	4	Nut 3/8	
10	3573400	1	Bracket	
11	3577121	2	Angle	
12	3573642	1	Plate	
13	4420037	AR	Tape	
14	4240099	AR	Tie-Strap (Not Shown)	
15	4460962	1	Plug, Male Twistlock	
17	4530028	1	Welder Assembly (See Separate Breakdown in this Section)	
18	4751400	4	Washer 1/4	
19	4751600	8	Washer 3/8	
20	4846627	1	Support	
21	1671093	1	Cover, Plug	
22	4751000	2	Washer #10	

SECTION 5 - PLATFORM

FIGURE 5-29. SKYWELDER PREP PACKAGE (60HZ)



ART_1001128527_C

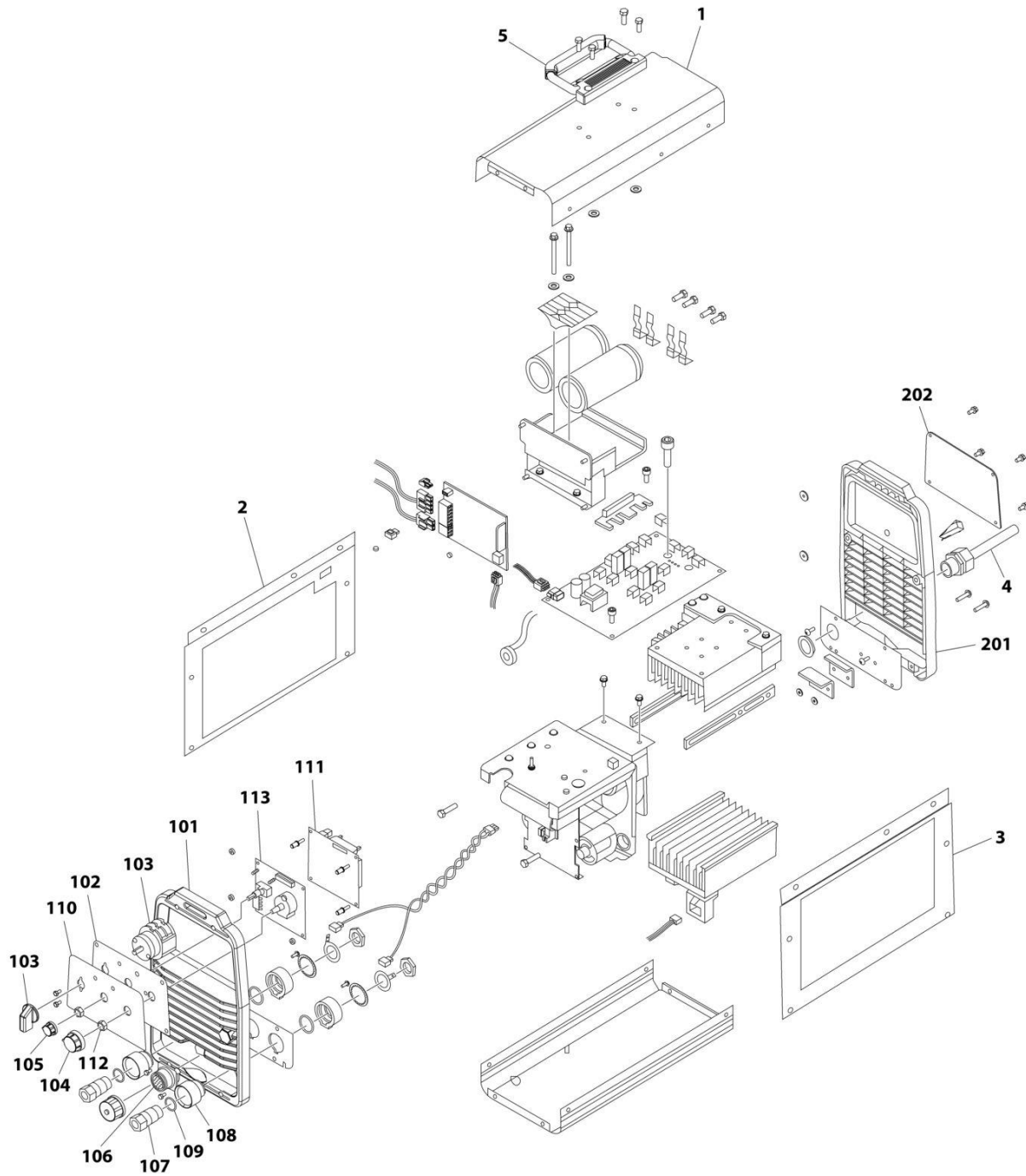
SECTION 5 - PLATFORM

FIGURE 5-29. SKYWELDER PREP PACKAGE (60HZ)

ITEM	PART NUMBER	QTY	DESCRIPTION	REV
	1001128527	Ref	SKYWELDER PREP PACKAGE	C
1	0100011	AR	Compound, Locking	
2	0630518	2	Screw #10 x 3/4	
3	0641606	4	Bolt 3/8 x 3/4	
4	1320302	2	U-Clamp	
5	2030010	1	Extinguisher, Fire	
6	3300151	4	Nut 1/4	
7	3311005	2	Nut #10	
8	3311605	4	Nut 3/8	
9	3573400	1	Bracket	
10	1001269573	1	Plate	
11	3577121	2	Angle	
12	4420037	AR	Tape	
13	4751000	2	Washer #10	
14	4751400	4	Washer 1/4	
15	4751600	8	Washer 3/8	
16	1001269322	1	Support	
	1001128556	Ref	SKYWELDER DECAL INSTALLATION	D
101	1702868	1	Decal - No Hands	
102	1705305	1	Decal - Weld Lead	
104	1001228988	1	Decal - Weight	

SECTION 5 - PLATFORM

FIGURE 5-30. WELDER ASSEMBLY



ART_4530028

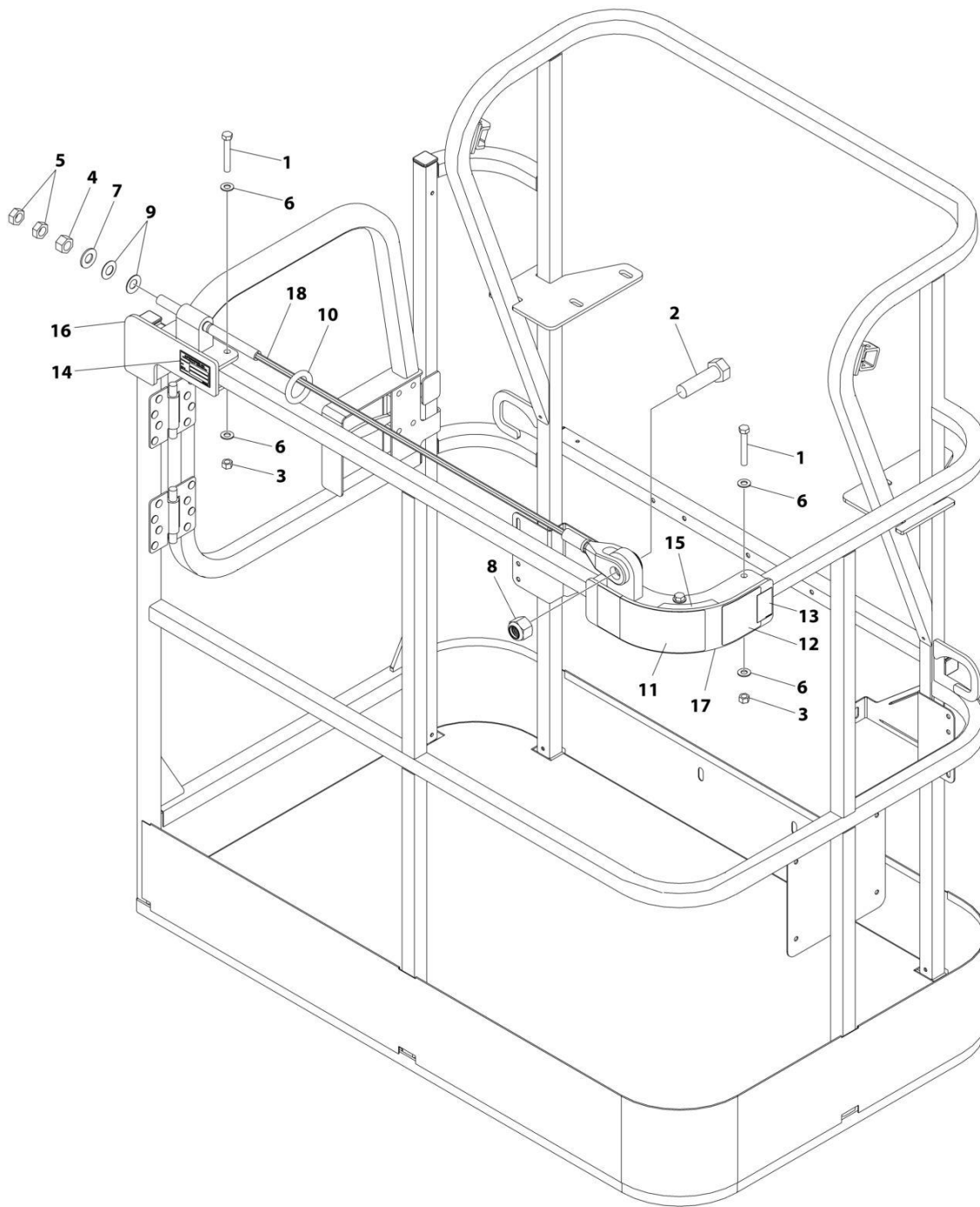
SECTION 5 - PLATFORM

FIGURE 5-30. WELDER ASSEMBLY

ITEM	PART NUMBER	QTY	DESCRIPTION	REV
	4530028	Ref	WELDER ASSEMBLY	B
		Ref	Note: For Other Components, contact your Miller Welder Dealer.	
1	7027773	1	Cover, Top	
1	7027774	1	Decal - Static Precautionary Warning	
2	See Note	NSS	Panel, LH Side (Note: Part of Item 1. Purchase Item 1)	
3	See Note	NSS	Panel, RH Side (Note: Part of Item 1. Purchase Item 1)	
4	7024467	1	Cable, Power	
4	7027775	1	Decal - Electrical Shock Warning (Not Shown)	
5	7027776	1	Handle, Carrying	
101	7024462	1	Panel, Front	
102	7024463	1	Panel, Console	
103	7024469	1	Switch with Lead	
104	7024470	1	Knob	
105	7024471	1	Knob	
106	7024472	1	Receptacle with Leads and Plugs	
107	7024473	2	Receptacle, Twistlock Female	
108	7024474	2	Insulator	
109	7024475	2	O-Ring	
110	7027777	1	Nameplate	
111	7027779	1	Circuit Card Assembly (Process Control)	
112	7024478	2	Nut	
113	7027778	1	Circuit Card Assembly (Operator Interface)	
201	7024462	1	Panel, Rear	
202	7027780	1	Panel, Cover	

SECTION 5 - PLATFORM

FIGURE 5-31. FALL ARREST INSTALLATION (BOLT-ON) 30IN X 4FT (76CM X 1.22M) PLATFORM



ART_1001261338

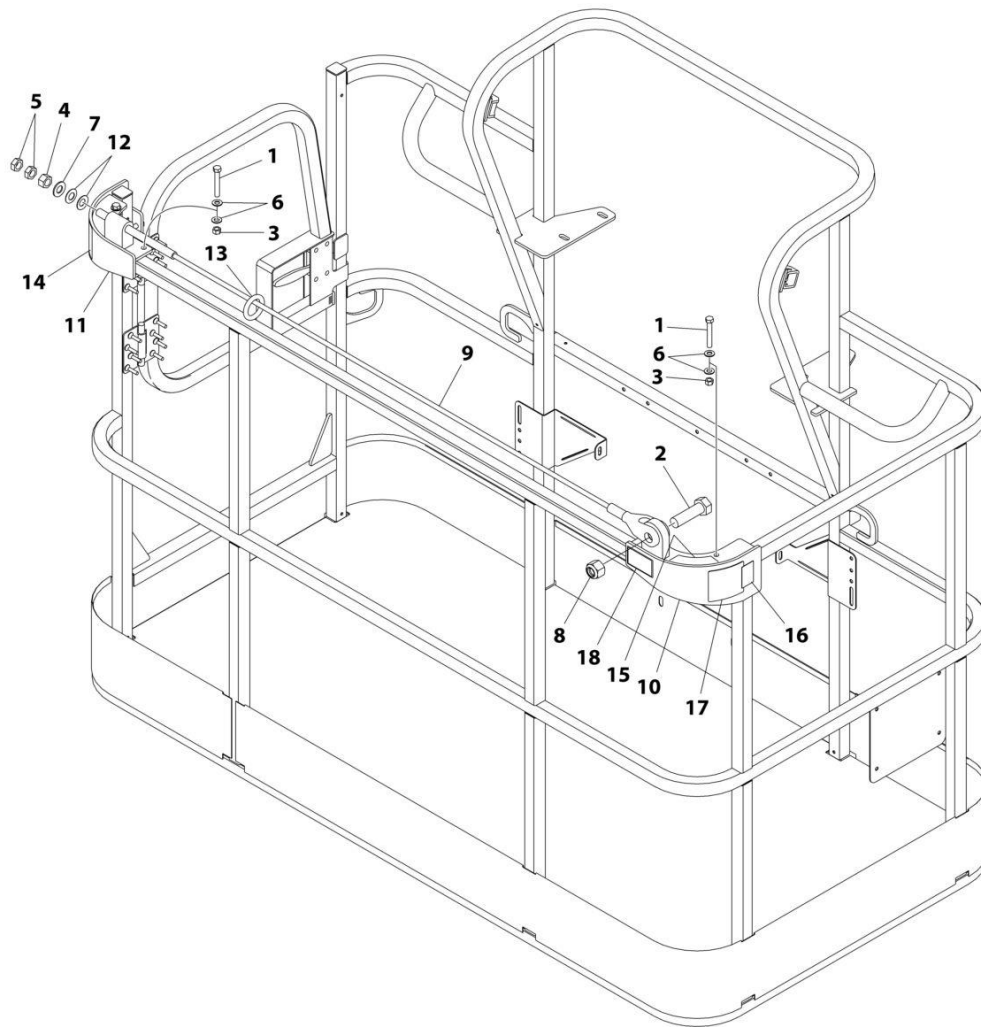
SECTION 5 - PLATFORM

FIGURE 5-31. FALL ARREST INSTALLATION (BOLT-ON) 30IN X 4FT (76CM X 1.22M) PLATFORM

ITEM	PART NUMBER	QTY	DESCRIPTION	REV
	1001261338	Ref	FALL ARREST INSTALLATION	A
1	0681620	6	Bolt 3/8 x 2-1/2	
2	0682424	1	Bolt 7/8 x 3	
3	3271605	6	Nut 3/8	
4	3272001	1	Nut 5/8	
5	3312002	2	Nut 5/8	
6	4711600	12	Washer 3/8	
7	4712000	1	Washer 5/8	
8	88521214	1	Nut 7/8	
9	1001236891	2	Washer	
10	1001236895	1	Ring	
11	1001238263	1	Decal - Warning Falling Hazard	
12	1001248140	1	Decal - Bolt Fall Arrest Re-Cert	
13	1001248141	1	Decal - Incription	
14	See Note	NSS	Nameplate - Manufacturers Serial Number (Note: Not Available for Purchase)	
15	1001252629	1	Decal - Weight	
16	1001257271	1	Bracket (RH)	
17	1001257274	1	Bracket (LH)	
18	1001261335	1	Rope	

SECTION 5 - PLATFORM

FIGURE 5-32. FALL ARREST INSTALLATION (BOLT-ON) 36IN X 6FT (91.2CM X 1.82M) PLATFORM



ART_1001236747

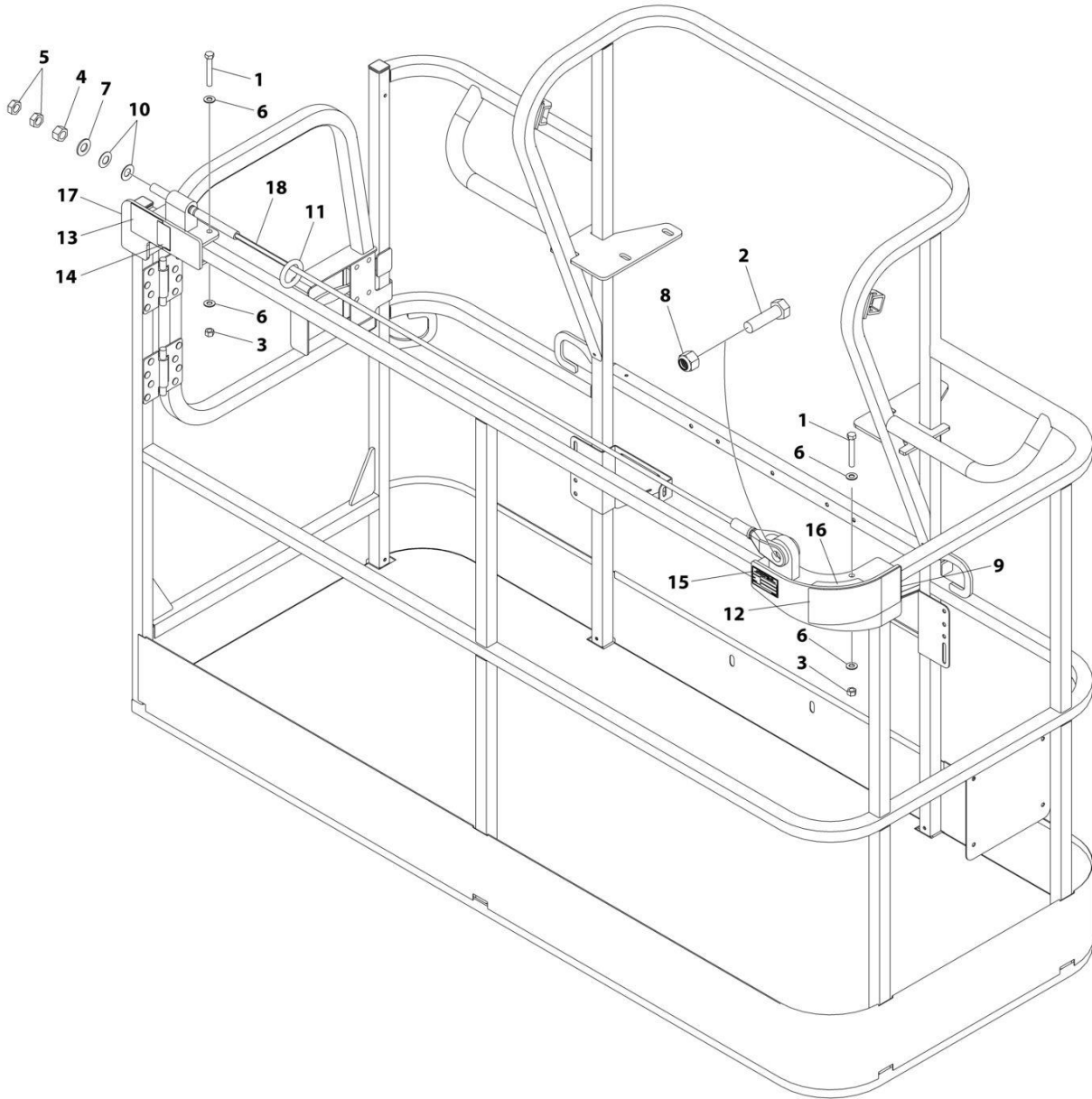
SECTION 5 - PLATFORM

FIGURE 5-32. FALL ARREST INSTALLATION (BOLT-ON) 36IN X 6FT (91.2CM X 1.82M) PLATFORM

ITEM	PART NUMBER	QTY	DESCRIPTION	REV
	1001236747	Ref	FALL ARREST INSTALLATION (BOLT - ON) 6FT/1.82M PLATFORM	C
1	0681620	6	Bolt 3/8 x 2-1/2	
2	0682424	1	Bolt 7/8 x 3	
3	3271605	6	Nut 3/8	
4	3272001	1	Nut 5/8	
5	3312002	2	Nut 5/8	
6	4711600	12	Washer 3/8	
7	4712000	1	Washer 5/8	
8	88521214	1	Nut 7/8	
9	1001231950	1	Rope	
10	1001232010	1	Bracket (RH)	
11	1001232011	1	Bracket (LH)	
12	1001236891	2	Washer	
13	1001236895	1	Ring	
14	1001238263	1	Decal - Warning Falling Hazard	
15	1001252629	1	Decal - Weight	
16	1001248140	1	Decal - Bolt Fall Arrest Re-Cert	
17	1001248141	1	Decal - Inscription	

SECTION 5 - PLATFORM

FIGURE 5-33. FALL ARREST INSTALLATION (BOLT-ON) 30IN X 6FT (76CM X 1.83M) PLATFORM



ART_1001261339

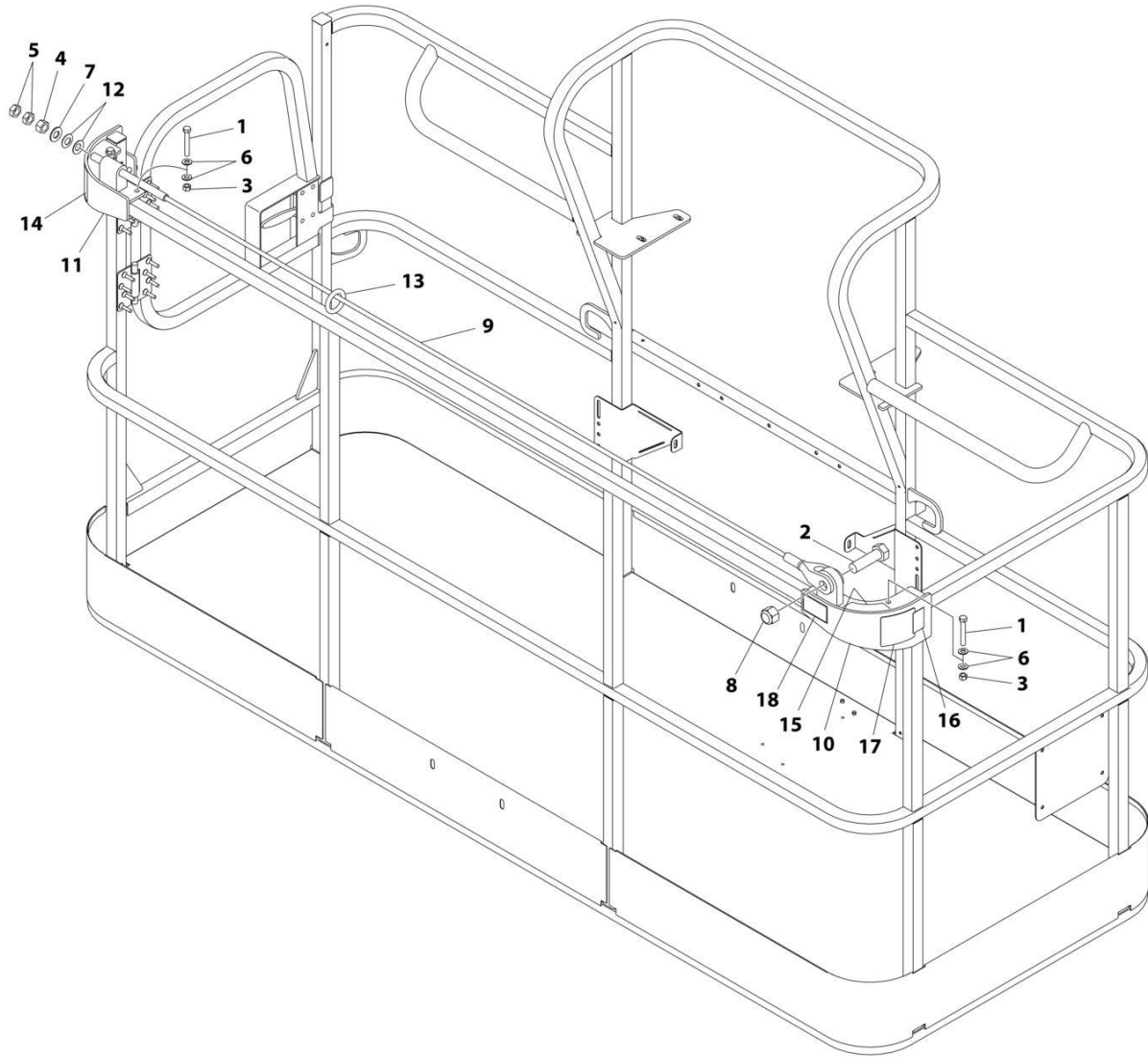
SECTION 5 - PLATFORM

FIGURE 5-33. FALL ARREST INSTALLATION (BOLT-ON) 30IN X 6FT (76CM X 1.83M) PLATFORM

ITEM	PART NUMBER	QTY	DESCRIPTION	REV
	1001261339	Ref	FALL ARREST INSTALLATION (BOLT-ON) 30IN X 6FT (76CM X 1.83M) PLATFORM	A
1	0681620	6	Bolt 3/8 x 2-1/2	
2	0682424	1	Bolt 7/8 x 3	
3	3271605	6	Nut 3/8	
4	3272001	1	Nut 5/8	
5	3312002	2	Nut 5/8	
6	4711600	12	Washer 3/8	
7	4712000	1	Washer 5/8	
8	88521214	1	Nut 7/8	
9	1001232010	1	Bracket	
10	1001236891	2	Washer	
11	1001236895	1	Ring	
12	1001238263	1	Decal - Warning Falling Hazard	
13	1001248140	1	Decal - Bolt Fall Arrest Re-Cert	
14	1001248141	1	Decal - Incription	
15	See Note	NSS	Nameplate - Manufacturers Serial Number (Note: Not Available for Purchase)	
16	1001252629	1	Decal - Weight	
17	1001257271	1	Bracket	
18	1001261336	1	Rope	

SECTION 5 - PLATFORM

FIGURE 5-34. FALL ARREST INSTALLATION (BOLT-ON) 36IN X 8FT (91.5CM X 2.4M) PLATFORM



ART_1001236746

SECTION 5 - PLATFORM

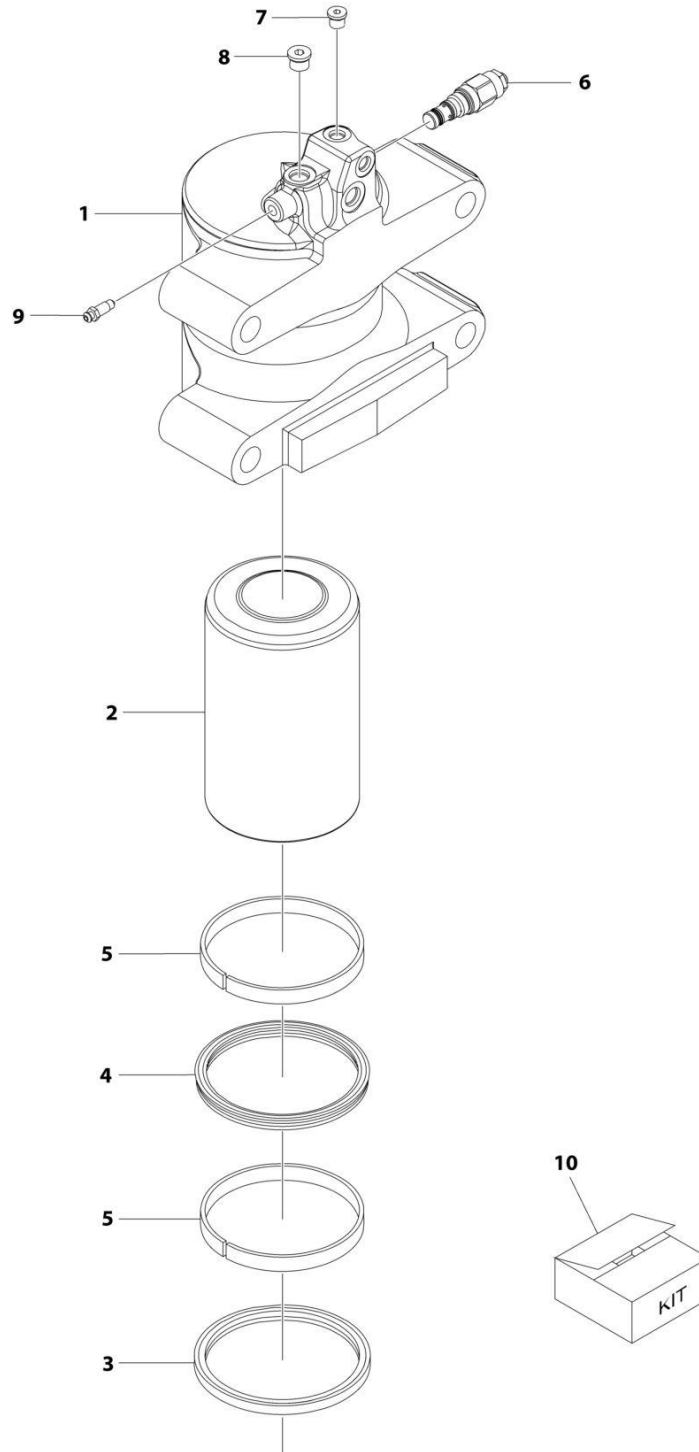
FIGURE 5-34. FALL ARREST INSTALLATION (BOLT-ON) 36IN X 8FT (91.5CM X 2.4M) PLATFORM

ITEM	PART NUMBER	QTY	DESCRIPTION	REV
	1001236746	Ref	FALL ARREST INSTALLATION (BOLT - ON) 8FT/2.4M PLATFORM	C
1	0681620	6	Bolt 3/8 x 2-1/2	
2	0682424	1	Bolt 7/8 x 3	
3	3271605	6	Nut 3/8	
4	3272001	1	Nut 5/8	
5	3312002	2	Nut 5/8	
6	4711600	12	Washer 3/8	
7	4712000	1	Washer 5/8	
8	88521214	1	Nut 7/8	
9	1001231949	1	Rope	
10	1001232010	1	Bracket (RH)	
11	1001232011	1	Bracket (LH)	
12	1001236891	2	Washer	
13	1001236895	1	Ring	
14	1001238263	1	Decal - Warning Falling Hazard	
15	1001252629	1	Decal - Weight 23LBS/10.4KG	
16	1001248140	1	Decal - Bolt Fall Arrest Re-Cert	
17	1001248141	1	Decal - Inscription	

SECTION 6 - CYLINDER

SECTION 6 - CYLINDER

FIGURE 6-1. AXLE LOCKOUT CYLINDER ASSMBLY



ART_1001204560

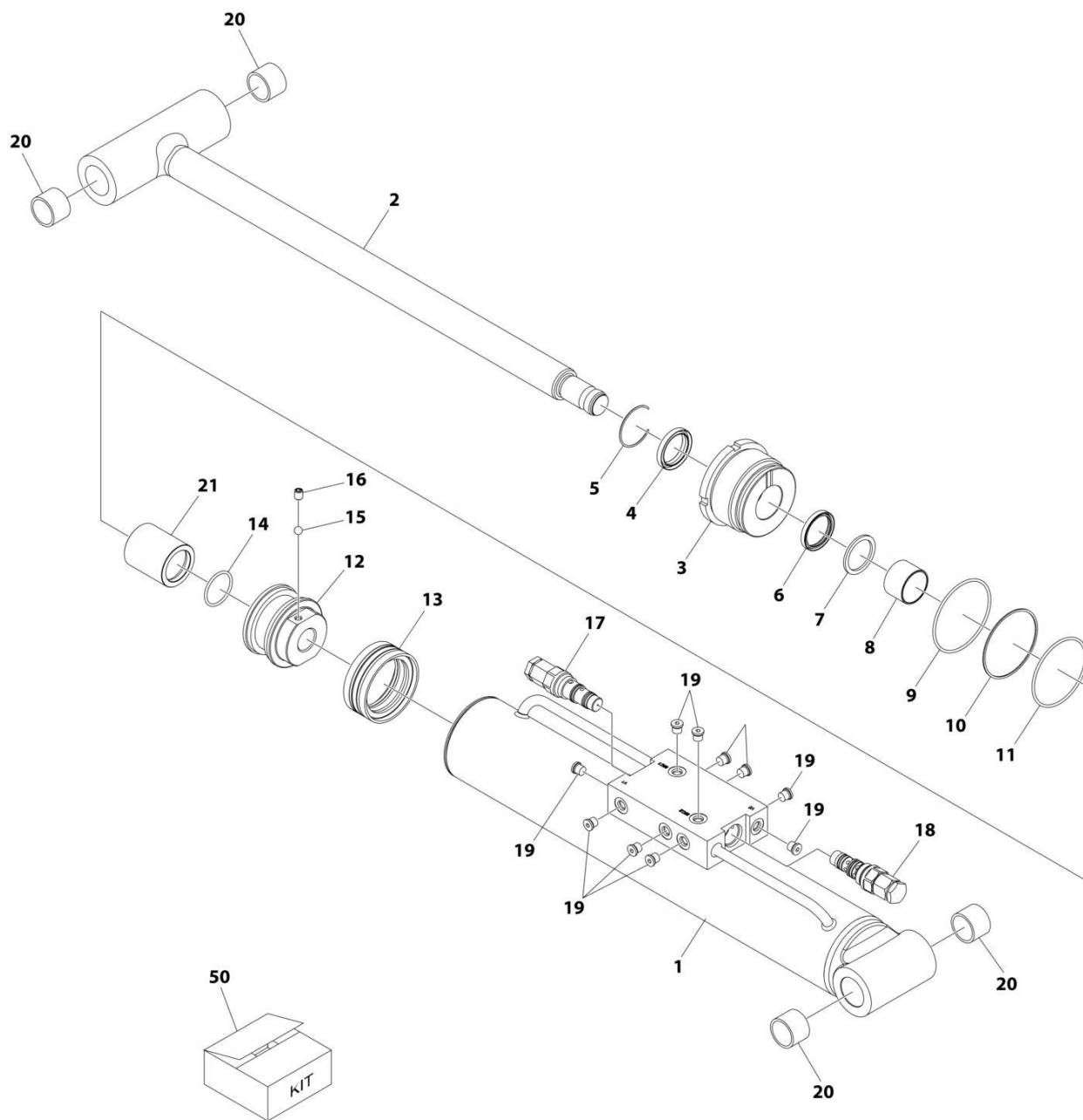
SECTION 6 - CYLINDER

FIGURE 6-1. AXLE LOCKOUT CYLINDER ASSMBLY

ITEM	PART NUMBER	QTY	DESCRIPTION	REV
	1001204560	Ref	AXLE LOCKOUT CYLINDER ASSEMBLY	D
1	1001154126	1	Barrel	
2	1001154687	1	Rod	
3	See Note	NSS	Wiper (Note: Use Item 10)	
4	See Note	NSS	Seal, Rod (Note: Use Item 10)	
5	See Note	NSS	Ring, Wear (Note: Use Item 10)	
6	1001117372	1	Cartridge, Valve (Counterbalance)	
6	70002842	1	Seal Kit - 1001117372 Valve (1 Per Assembly)	
7	2220883	1	Plug, O-Ring	
8	2220885	1	Plug, O-Ring	
9	4640858	1	Valve, Bleeder	
10	1001098167	1	Seal Kit (Includes Items 3-5)	

SECTION 6 - CYLINDER

FIGURE 6-2. LEVEL (SLAVE) CYLINDER ASSEMBLY - JIB



ART_1001251030

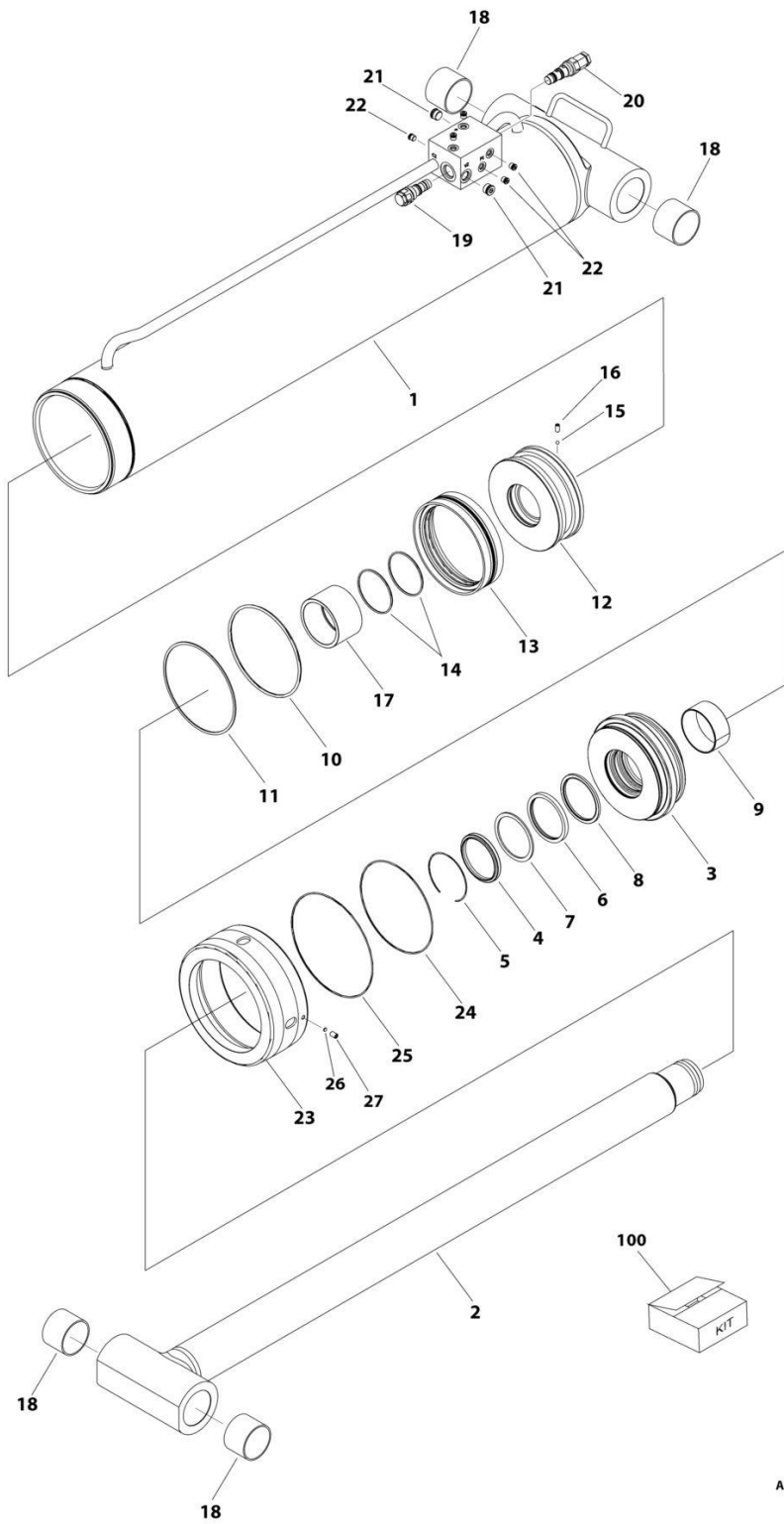
SECTION 6 - CYLINDER

FIGURE 6-2. LEVEL (SLAVE) CYLINDER ASSEMBLY - JIB

ITEM	PART NUMBER	QTY	DESCRIPTION	REV
	1001251030	Ref	LEVEL (SLAVE) CYLINDER ASSEMBLY	B
		Ref	Note: Cylinder May Have Been Replaced with Service Replacement. Identify PN Stamped Cylinder Before Ordering Parts.	
1	See Note	NSS	Barrel (Note: Use PN 1001251030)	
2	70007966	1	Rod	
3	70007967	1	Head	
4	See Note	NSS	Wiper (Note: Use Item 50)	
5	70002373	1	Ring, Retaining	
6	See Note	NSS	Seal, Rod (Note: Use Item 50)	
7	See Note	NSS	Ring, Back-up (Note: Use Item 50)	
8	70005143	1	Bearing	
9	See Note	NSS	O-Ring (Note: Use Item 50)	
10	See Note	NSS	Ring, Back-up (Note: Use Item 50)	
11	See Note	NSS	O-Ring (Note: Use Item 50)	
12	70005144	1	Piston	
13	See Note	NSS	Seal, Piston (Note: Use Item 50)	
14	See Note	NSS	O-Ring (Note: Use Item 50)	
15	70022564	1	Ball, Steel	
16	70006596	1	Setscrew M8 x 12	
17	4640932	1	Cartridge, Valve - Counterbalance	
17	7011112	1	Seal Kit - 4640932 Valve	
18	4640605	1	Cartridge, Valve - Counterbalance	
18	2900792	1	Seal Kit - 4640605 Valve	
19	70023370	10	Plug 7/16	
20	0961951	4	Bearing	
21	70007968	1	Spacer	
50	70007969	1	Seal Kit - 1001251030 Cylinder (Includes Items 4, 6, 7, 9-11, 13 & 14)	

SECTION 6 - CYLINDER

FIGURE 6-3. LEVEL (SLAVE) CYLINDER ASSEMBLY - UPRIGHT



ART_1001251041

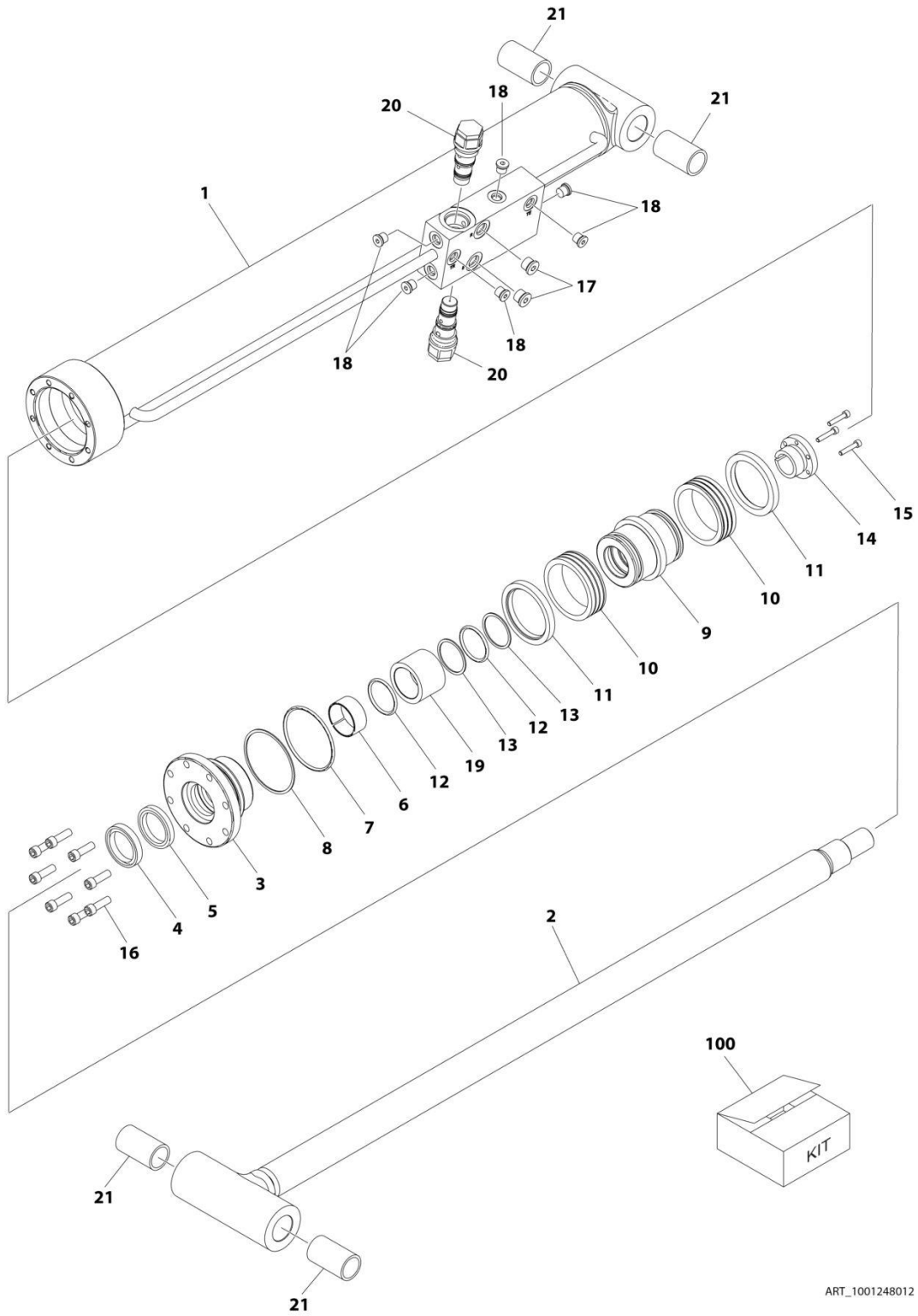
SECTION 6 - CYLINDER

FIGURE 6-3. LEVEL (SLAVE) CYLINDER ASSEMBLY - UPRIGHT

ITEM	PART NUMBER	QTY	DESCRIPTION	REV
	1001251041	Ref	LIFT CYLINDER ASSEMBLY	C
		Ref	Note: Original Cylinder may have been replaced with Service Replacement. Identify PN Stamped on Cylinder Before Ordering Parts.	
1	See Note	NSS	Barrel (Note: Not Available for Purchase)	
2	70007427	1	Rod	
3	70007422	1	Head	
4	See Note	NSS	Wiper (Note: Use Item 100)	
5	70023380	1	Ring, Retaining	
6	See Note	NSS	Seal (Note: Use Item 100)	
7	See Note	NSS	Ring, Back-up (Note: Use Item 100)	
8	See Note	NSS	Ring, Buffer (Note: Use Item 100)	
9	70007423	1	Ring, Wear	
10	See Note	NSS	O-Ring (Note: Use Item 100)	
11	See Note	NSS	Ring, Back-up (Note: Use Item 100)	
12	70007428	1	Piston	
13	See Note	NSS	Seal (Note: Use Item 100)	
14	See Note	NSS	O-Ring (Note: Use Item 100)	
15	70022564	1	Steel Ball	
16	70007246	1	Screw, Set	
17	70007429	1	Spacer	
18	0962102	4	Bushing	
19	4640509	1	Cartridge, Valve	
19	2900792	1	Seal Kit - 4640509 Valve	
20	4640605	1	Cartridge, Valve	
20	2900792	1	Seal Kit - 4640605 Valve	
21	2220886	2	Plug, O-Ring	
22	2220883	5	Plug, O-Ring	
23	70007278	1	Cap	
24	See Note	1	O-Ring (Note: Use Item 100)	
25	See Note	NSS	O-Ring (Note: Use Item 100)	
26	70007282	1	Insert, Locking	
27	70026287	1	Screw, Set	
100	70007430	1	Seal Kit (Includes Items 4, 6-8, 10, 11, 13, 14, 24 & 25)	

SECTION 6 - CYLINDER

FIGURE 6-4. LIFT CYLINDER ASSEMBLY - JIB



ART_1001248012

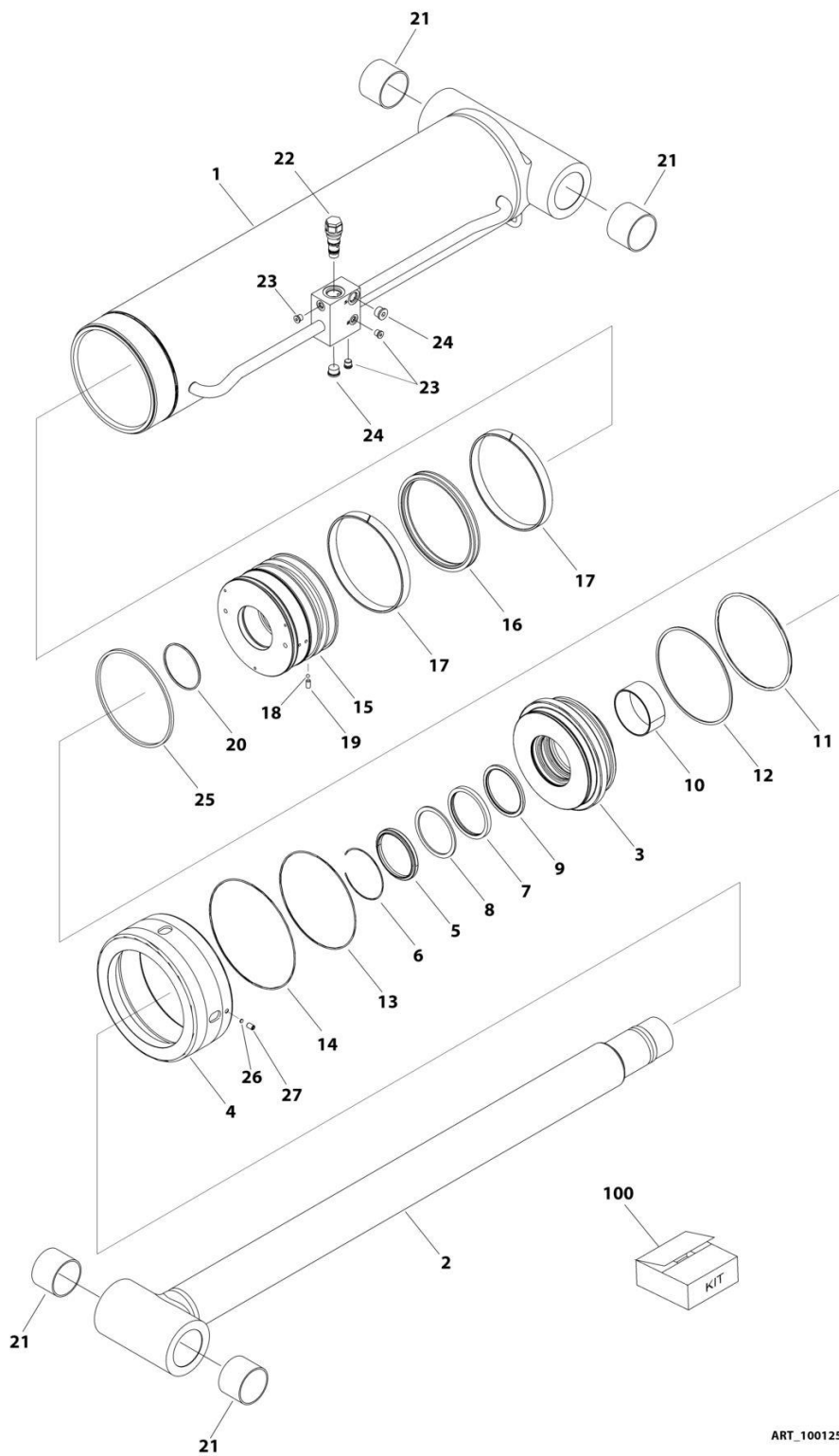
SECTION 6 - CYLINDER

FIGURE 6-4. LIFT CYLINDER ASSEMBLY - JIB

ITEM	PART NUMBER	QTY	DESCRIPTION	REV
	1001248012	Ref	LIFT CYLINDER ASSEMBLY - JIB	C
		Ref	Note: Original Cylinder May Have Been Replaced with Service Replacement. Identify PN Stamped on Cylinder Before Ordering Parts.	
1	See Note	NSS	Barrel (Note: Not Available for Purchase)	
2	70006734	1	Rod	
3	70006649	1	Head	
4	See Note	NSS	Wiper (Note: Use Item 100)	
5	See Note	NSS	Seal, Rod (Note: Use Item 100)	
6	See Note	NSS	Ring, Wear (Note: Use Item 100)	
7	See Note	NSS	O-Ring (Note: Use Item 100)	
8	See Note	NSS	Ring, Back-up (Note: Use Item 100)	
9	70006650	1	Piston	
10	See Note	NSS	Seal (Note: Use Item 100)	
11	See Note	NSS	Ring, Lock (Note: Use Item 100)	
12	See Note	NSS	O-Ring (Note: Use Item 100)	
13	See Note	NSS	Ring, Back-up (Note: Use Item 100)	
14	0961893	1	Bushing, Tapered	
15	0630534	3	Capscrew, Socket Head #10 x 1	
16	70006735	8	Capscrew 5/16	
17	2220885	2	Plug, O-Ring	
18	2220883	6	Plug, O-Ring	
19	70006736	1	Spacer	
20	4640509	2	Cartridge, Valve	
20	2900792	2	Seal Kit - 4640509 Valve	
21	0962336	4	Bushing	
100	1001138795	1	Seal Kit (Includes Items 4-8 & 10-13)	

SECTION 6 - CYLINDER

FIGURE 6-5. LIFT CYLINDER ASSEMBLY - MAIN BOOM



ART_1001251010

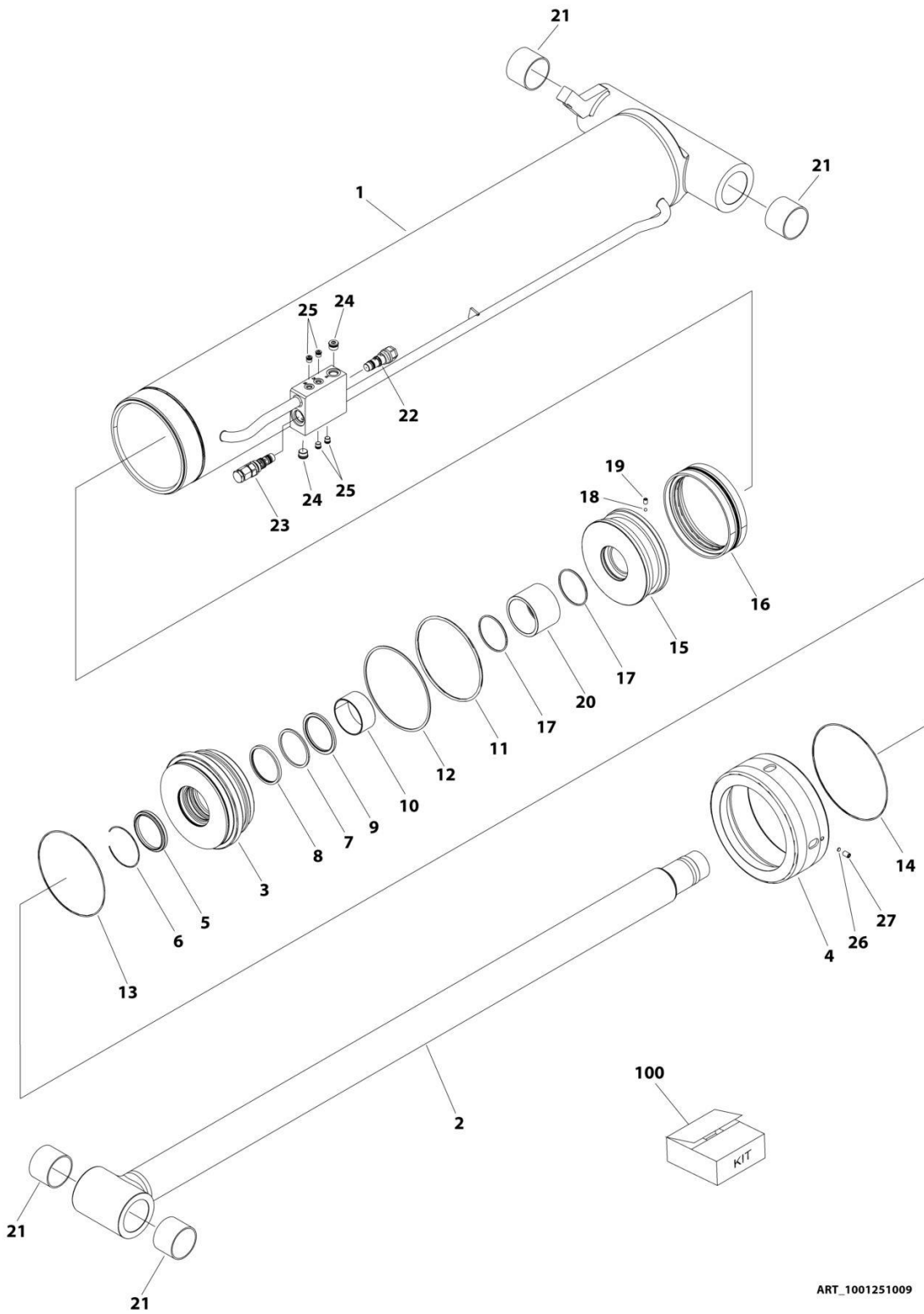
SECTION 6 - CYLINDER

FIGURE 6-5. LIFT CYLINDER ASSEMBLY - MAIN BOOM

ITEM	PART NUMBER	QTY	DESCRIPTION	REV
	1001251010	Ref	LIFT CYLINDER ASSEMBLY	C
		Ref	Note: Original Cylinder may have been replaced with Service Replacement. Identify PN Stamped on Cylinder Before Ordering Parts.	
1	See Note	NSS	Barrel (Note: Not Available for Purchase)	
2	70007421	1	Rod	
3	70007422	1	Head	
4	70007278	1	Cap	
5	See Note	NSS	Wiper (Note: Use Item 100)	
6	70023380	1	Ring, Retaining	
7	See Note	NSS	Seal (Note: Use Item 100)	
8	See Note	NSS	Ring, Back-up (Note: Use Item 100)	
9	See Note	NSS	Ring, Buffer (Note: Use Item 100)	
10	70007423	1	Ring, Wear	
11	See Note	NSS	O-Ring (Note: Use Item 100)	
12	See Note	NSS	Ring, Back-up (Note: Use Item 100)	
13	See Note	NSS	O-Ring (Note: Use Item 100)	
14	See Note	NSS	O-Ring (Note: Use Item 100)	
15	70007424	1	Piston	
16	See Note	NSS	Seal (Note: Use Item 100)	
17	See Note	NSS	Ring, Wear (Note: Use Item 100)	
18	70022564	1	Steel Ball	
19	70007246	1	Screw, Set	
20	See Note	1	O-Ring (Note: Use Item 100)	
21	0962102	4	Bushing	
22	4640509	1	Cartridge, Valve	
22	2900792	1	Seal Kit - 4640509 Valve	
23	2220883	3	Plug, O-Ring	
24	2220886	2	Plug, O-Ring	
25	70007425	1	Ring, Piston	
26	70007282	1	Insert, Locking	
27	70026287	1	Screw, Set	
100	70007426	1	Seal Kit (Includes Items 5, 7-9, 11-14, 16, 17 & 20)	

SECTION 6 - CYLINDER

FIGURE 6-6. LIFT CYLINDER ASSEMBLY - TOWER BOOM



ART_1001251009

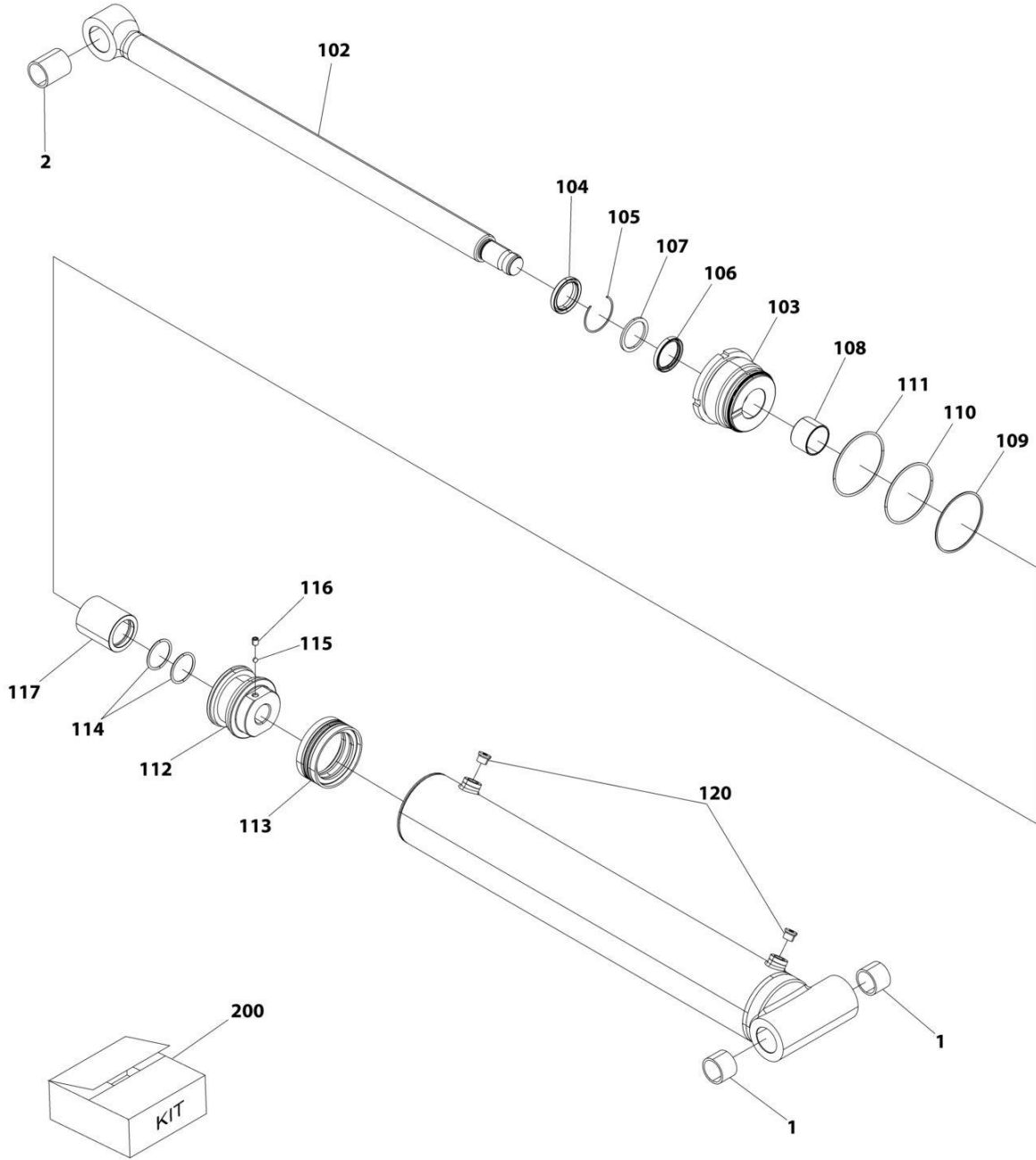
SECTION 6 - CYLINDER

FIGURE 6-6. LIFT CYLINDER ASSEMBLY - TOWER BOOM

ITEM	PART NUMBER	QTY	DESCRIPTION	REV
	1001251009	Ref	LIFT CYLINDER ASSEMBLY	C
		Ref	Note: Original Cylinder may have been replaced with Service Replacement. Identify PN Stamped on Cylinder Before Ordering Parts.	
1	See Note	NSS	Barrel (Note: Not Available for Purchase)	
2	70007419	1	Rod	
3	70007277	1	Head	
4	70007278	1	Cap	
5	See Note	NSS	Wiper (Note: Use Item 100)	
6	70027750	1	Ring, Retaining	
7	See Note	NSS	Seal (Note: Use Item 100)	
8	See Note	NSS	Ring, Back-up (Note: Use Item 100)	
9	See Note	NSS	Ring, Buffer (Note: Use Item 100)	
10	70007279	1	Ring, Wear	
11	See Note	NSS	O-Ring (Note: Use Item 100)	
12	See Note	NSS	Ring, Back-up (Note: Use Item 100)	
13	See Note	NSS	O-Ring (Note: Use Item 100)	
14	See Note	NSS	O-Ring (Note: Use Item 100)	
15	70007280	1	Piston	
16	See Note	NSS	Seal (Note: Use Item 100)	
17	See Note	NSS	O-Ring (Note: Use Item 100)	
18	70022564	1	Steel Ball	
19	70029468	1	Screw, Set	
20	70007420	1	Spacer	
21	0962102	4	Bushing	
22	4640509	1	Cartridge, Valve	
22	2900792	1	Seal Kit - 4640509 Valve	
23	4640605	1	Cartridge, Valve	
23	2900792	1	Seal Kit - 4640605 Valve	
24	2220886	1	Plug, O-Ring	
25	2220883	4	Plug, O-Ring	
26	70007282	1	Insert, Locking	
27	70026287	1	Screw, Set	
100	70007283	1	Seal Kit (Includes Items 5, 7-9, 11-14, 16 & 17)	

SECTION 6 - CYLINDER

FIGURE 6-7. MASTER CYLINDER ASSEMBLY



ART_1001251050

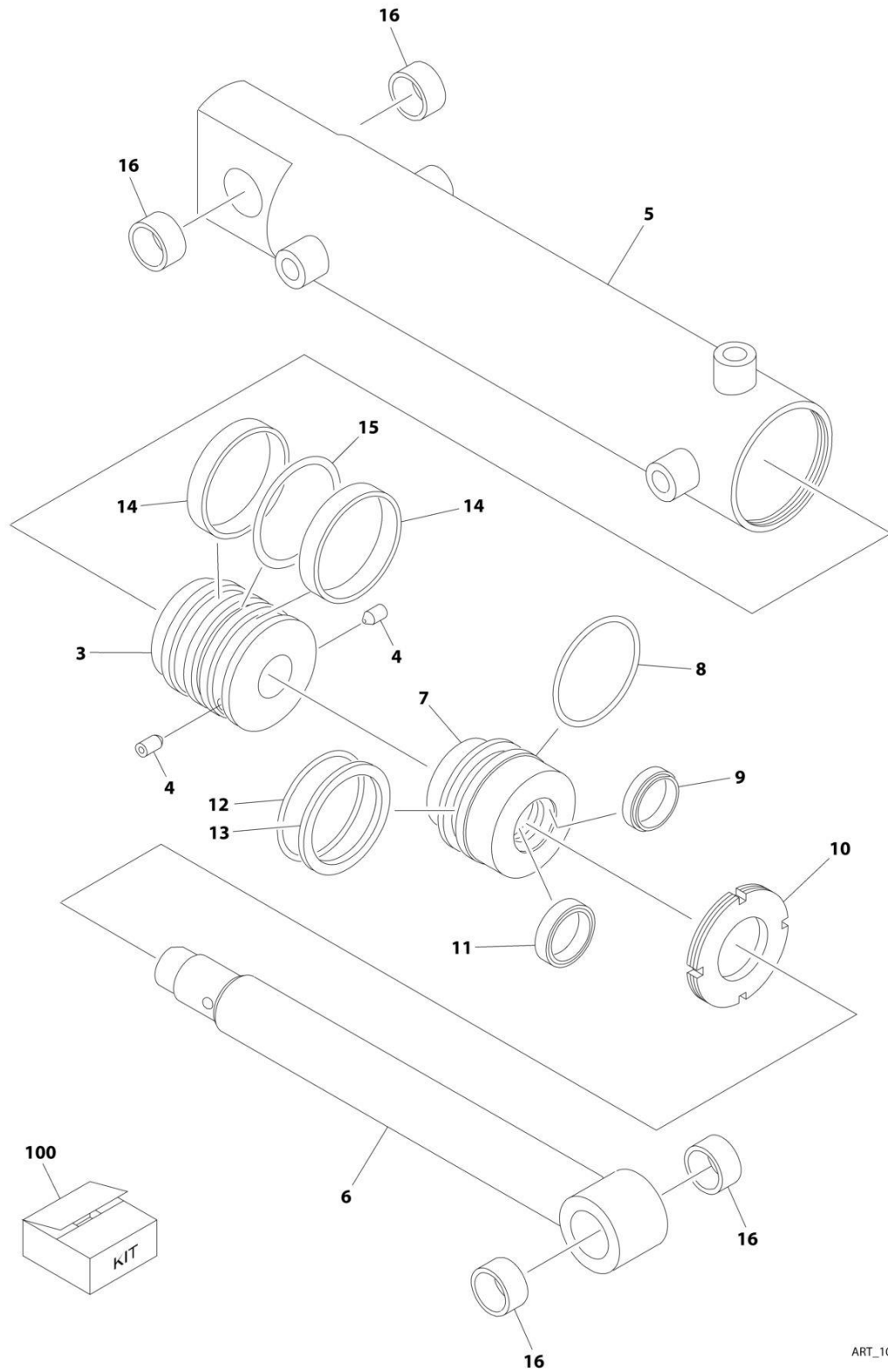
SECTION 6 - CYLINDER

FIGURE 6-7. MASTER CYLINDER ASSEMBLY

ITEM	PART NUMBER	QTY	DESCRIPTION	REV
	1001251050	Ref	MASTER CYLINDER ASSEMBLY	B
		Ref	Note: Cylinder May Have Been Replaced with Service Replacement. Identify PN Stamped Cylinder Before Ordering Parts.	
1	0961951	2	Bushing	
2	0962155	1	Bushing	
102	70007992	1	Rod	
103	70007967	1	Head	
104	See Note	NSS	Wiper (Note: Use Item 200)	
105	70002373	1	Ring, Retaining	
106	See Note	NSS	Seal (Note: Use Item 200)	
107	See Note	NSS	Ring (Note: Use Item 200)	
108	70005143	1	Bearing	
109	See Note	NSS	O-Ring (Note: Use Item 200)	
110	See Note	NSS	Ring (Note: Use Item 200)	
111	See Note	NSS	O-Ring (Note: Use Item 200)	
112	70005144	1	Piston	
113	See Note	NSS	Seal (Note: Use Item 200)	
114	See Note	NSS	O-Ring (Note: Use Item 200)	
115	70022564	1	Ball, Steel	
116	70006596	1	Setscrew M8 x 1-1/4	
117	70007968	1	Spacer	
120	2220885	2	Plug	
200	70007969	1	Seal Kit (Includes 104, 106, 107, 109-111, 113 & 114)	

SECTION 6 - CYLINDER

FIGURE 6-8. STEER CYLINDER ASSEMBLY



ART_1001150539

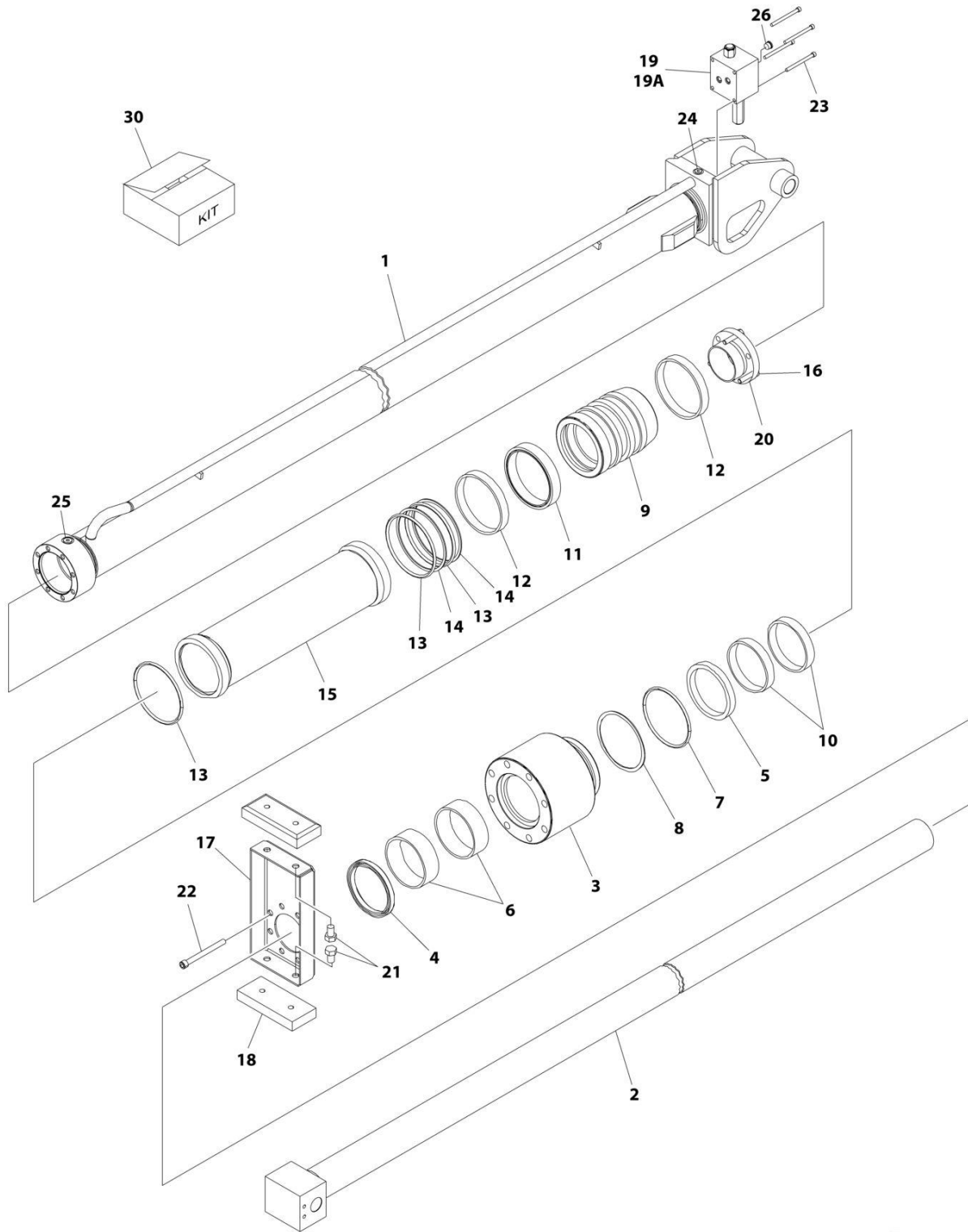
SECTION 6 - CYLINDER

FIGURE 6-8. STEER CYLINDER ASSEMBLY

ITEM	PART NUMBER	QTY	DESCRIPTION	REV
	1001150539	Ref	STEER CYLINDER ASSEMBLY	F
		Ref	Note: Original Cylinder may have been replaced with Service Replacement. Identify PN Stamped on Cylinder Before Ordering Parts.	
3	70002744	1	Piston	
4	70002745	2	Setscrew M6 x 10	
5	70004381	1	Barrel	
6	70004382	1	Rod	
7	70002748	1	Head	
8	See Note	NSS	Ring (Note: Use Item 100)	
9	See Note	NSS	Wiper (Note: Use Item 100)	
10	70002749	1	Nut, Spanner	
11	See Note	NSS	Seal (Note: Use Item 100)	
12	See Note	NSS	O-Ring (Note: Use Item 100)	
13	See Note	NSS	Ring, Back-up (Note: Use Item 100)	
14	See Note	NSS	Ring, Wear (Note: Use Item 100)	
15	See Note	NSS	Seal (Note: Use Item 100)	
16	0962152	4	Bushings	
100	70002751	1	Seal Kit (Includes Items 8, 9 & 11-15)	

SECTION 6 - CYLINDER

FIGURE 6-9. TELESCOPE CYLINDER ASSEMBLY - MAIN BOOM



ART_1001228087

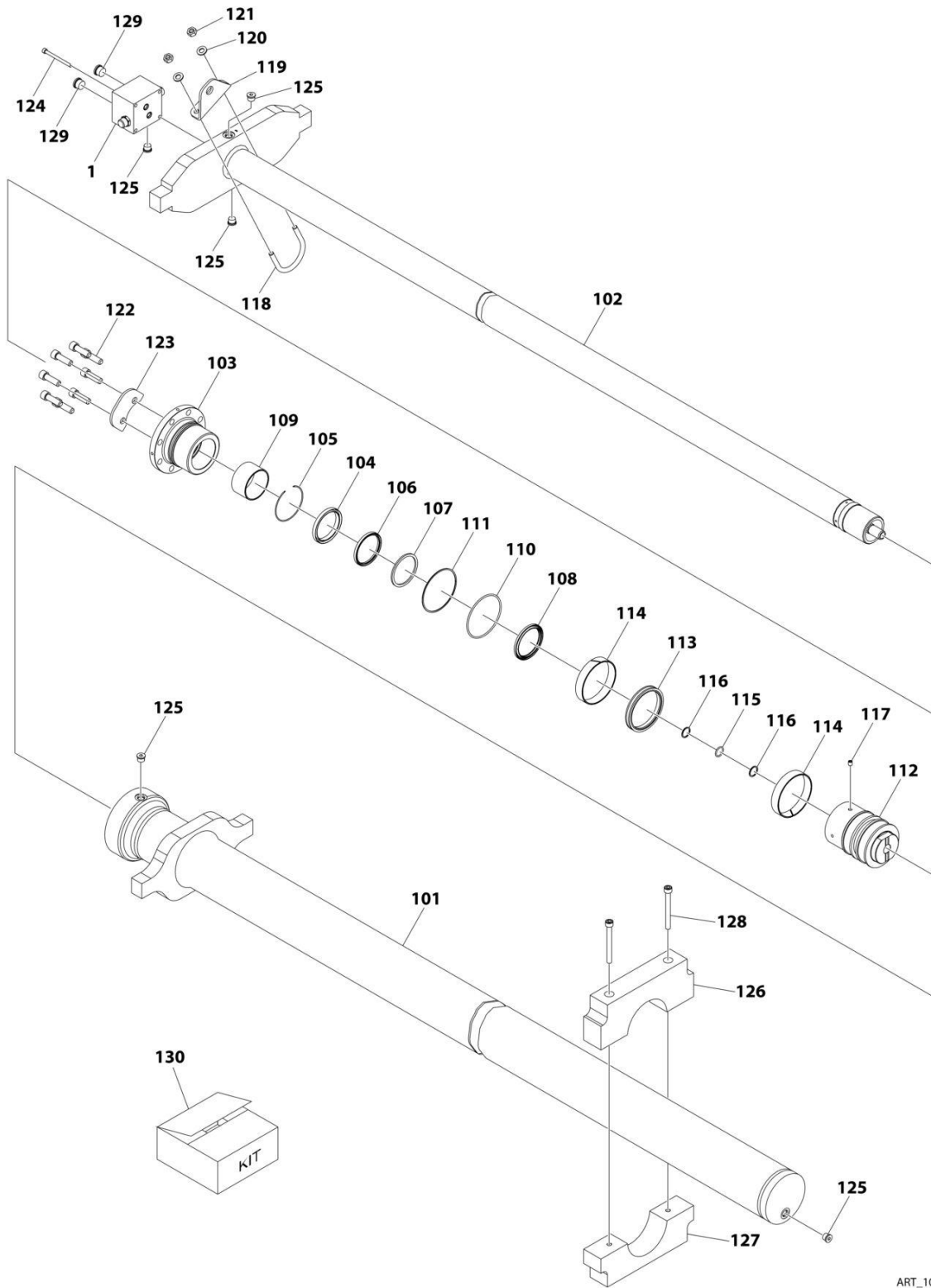
SECTION 6 - CYLINDER

FIGURE 6-9. TELESCOPE CYLINDER ASSEMBLY - MAIN BOOM

ITEM	PART NUMBER	QTY	DESCRIPTION	REV
	1001228087	Ref	TELESCOPE CYLINDER ASSEMBLY	F
		Ref	Note: Original Cylinder may have been replaced with Service Replacement. Identify PN Stamped on Cylinder Before Ordering Parts.	
1	See Note	NSS	Barrel (Note: Not Available for Purchase)	
2	70006669	1	Rod	
3	70006670	1	Head	
4	See Note	NSS	Wiper (Note: Use Item 30)	
5	See Note	NSS	Seal, Rod (Note: Use Item 30)	
6	See Note	NSS	Ring, Wear (Note: Use Item 30)	
7	See Note	NSS	O-Ring (Note: Use Item 30)	
8	See Note	NSS	Ring, Back-up (Note: Use Item 30)	
9	70006671	1	Piston	
10	See Note	NSS	Ring, Wear (Note: Use Item 30)	
11	See Note	NSS	Seal, Piston (Note: Use Item 30)	
12	See Note	NSS	Ring, Wear (Note: Use Item 30)	
13	See Note	NSS	O-Ring (Note: Use Item 30)	
14	See Note	NSS	Ring, Back-up (Note: Use Item 30)	
15	70006672	1	Spacer	
16	0961897	1	Bushing, Tapered	
17	3570775	1	Plate	
18	3340838	2	Pad, Wear	
19	4641033	1	Valve Assembly (No serviceable parts - sold as assembly only)	
19A	7024508	2	O-Ring (Between Valve and Cylinder Barrel)	
20	0630535	3	Bolt 1/4 x 1-1/8	
21	0641806	4	Bolt 1/2 x 3/4	
22	3931664	8	Capscrew 3/8 x 4	
23	3931448	4	Capscrew 1/4 x 3	
24	2220883	1	Plug, O-Ring	
25	2220885	AR	Plug, O-Ring	
26	2220886	1	Plug, O-Ring	
30	1001149391	1	Seal Kit (Includes Items 4-8 & 10-14)	

SECTION 6 - CYLINDER

FIGURE 6-10. TELESCOPE CYLINDER ASSEMBLY - TOWER BOOM



ART_1001251086

SECTION 6 - CYLINDER

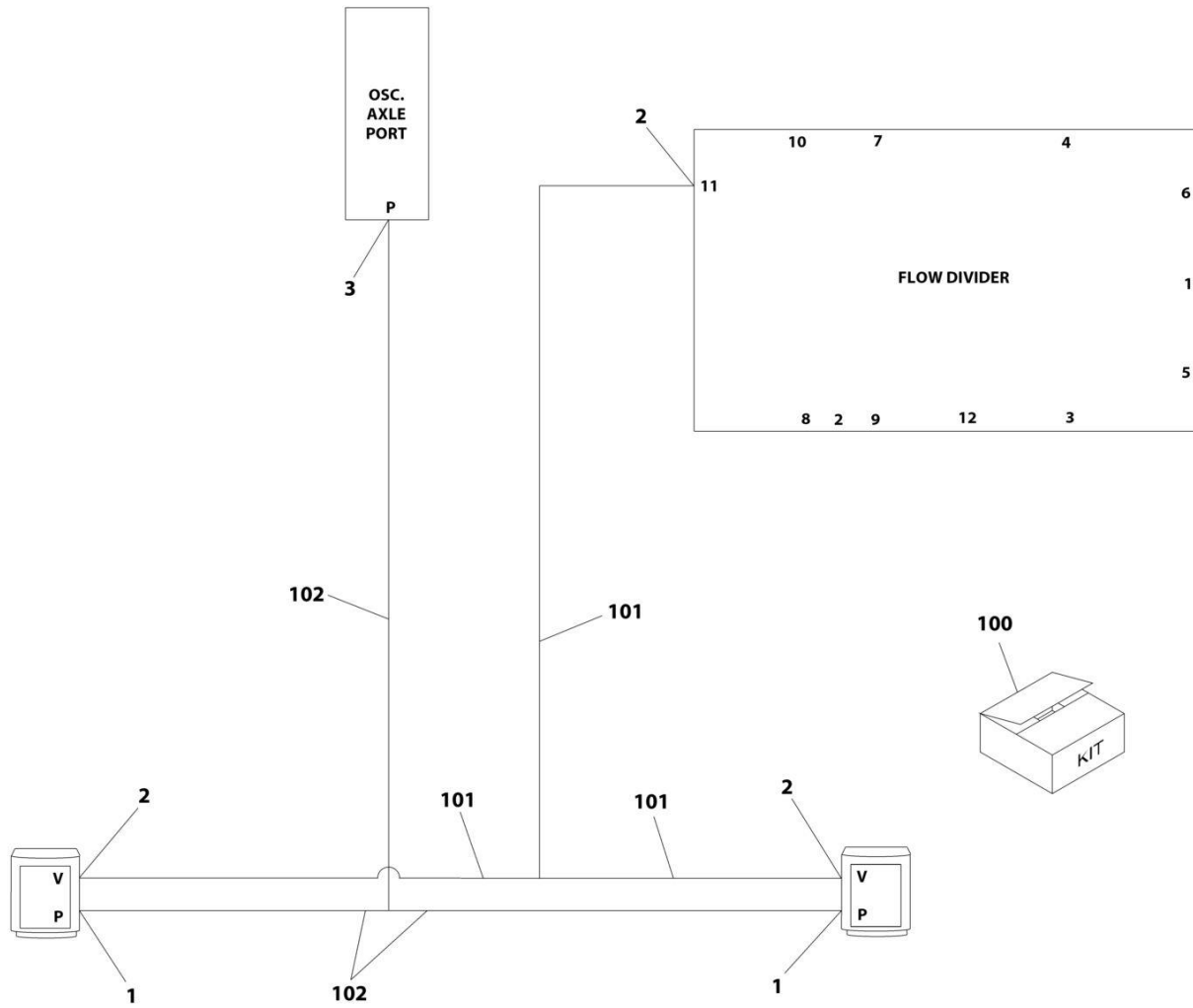
FIGURE 6-10. TELESCOPE CYLINDER ASSEMBLY - TOWER BOOM

ITEM	PART NUMBER	QTY	DESCRIPTION	REV
	1001251086	Ref	TELESCOPE CYLINDER ASSEMBLY - TOWER BOOM	A
		Ref	Note: Original Cylinder May Have Been Replaced with Service Replacement. Identify PN Stamped on Cylinder Before Ordering Parts.	
1	4641032	1	Valve Assembly (No serviceable parts - sold as assembly only)	
1	7002388	1	Seal Kit	
101	See Note	NSS	Tube (Note: Not Available for Purchase)	
102	70008199	1	Rod	
103	70008200	1	Head	
104	See Note	NSS	Wiper, Dust (Note: Use Item 130)	
105	70050795	1	Ring, Retaining	
106	See Note	NSS	Seal, Rod (Note: Use Item 130)	
107	See Note	NSS	Ring, Backup (Note: Use Item 130)	
108	See Note	NSS	Ring, Buffer (Note: Use Item 130)	
109	70008201	1	Bushing	
110	See Note	NSS	O-Ring (Note: Use Item 130)	
111	See Note	NSS	Ring, Backup (Note: Use Item 130)	
112	70008202	1	Piston	
113	See Note	NSS	Seal, Piston (Note: Use Item 130)	
114	See Note	NSS	Ring, Wear (Note: Use Item 130)	
115	See Note	NSS	O-Ring (Note: Use Item 130)	
116	See Note	1	Ring, Backup (Note: Use Item 130)	
117	70005839	1	Setscrew	
118	70008203	1	U-Bolt M10 x 1.5	
119	70008204	1	Plate	
120	70006344	2	Washer M10	
121	70005594	2	Nut M12	
122	70008205	8	Bolt M12 x 40	
123	70008206	1	Plate	
124	70007981	4	Bolt M6 x 75	
125	2220885	5	Plug 9/16	
126	70008207	1	Pad	
127	70008208	1	Pad	
128	70008209	2	Bolt M10 x 95	
129	2220886	1	Plug 3/4	
130	70008210	1	Seal Kit (Includes Items 104, 106-108, 110-111 & 113-116)	

SECTION 7 - HYDRAULIC

SECTION 7 - HYDRAULIC

FIGURE 7-1. AXLE LOCKOUT HYDRAULIC DIAGRAM



ART_1001157400

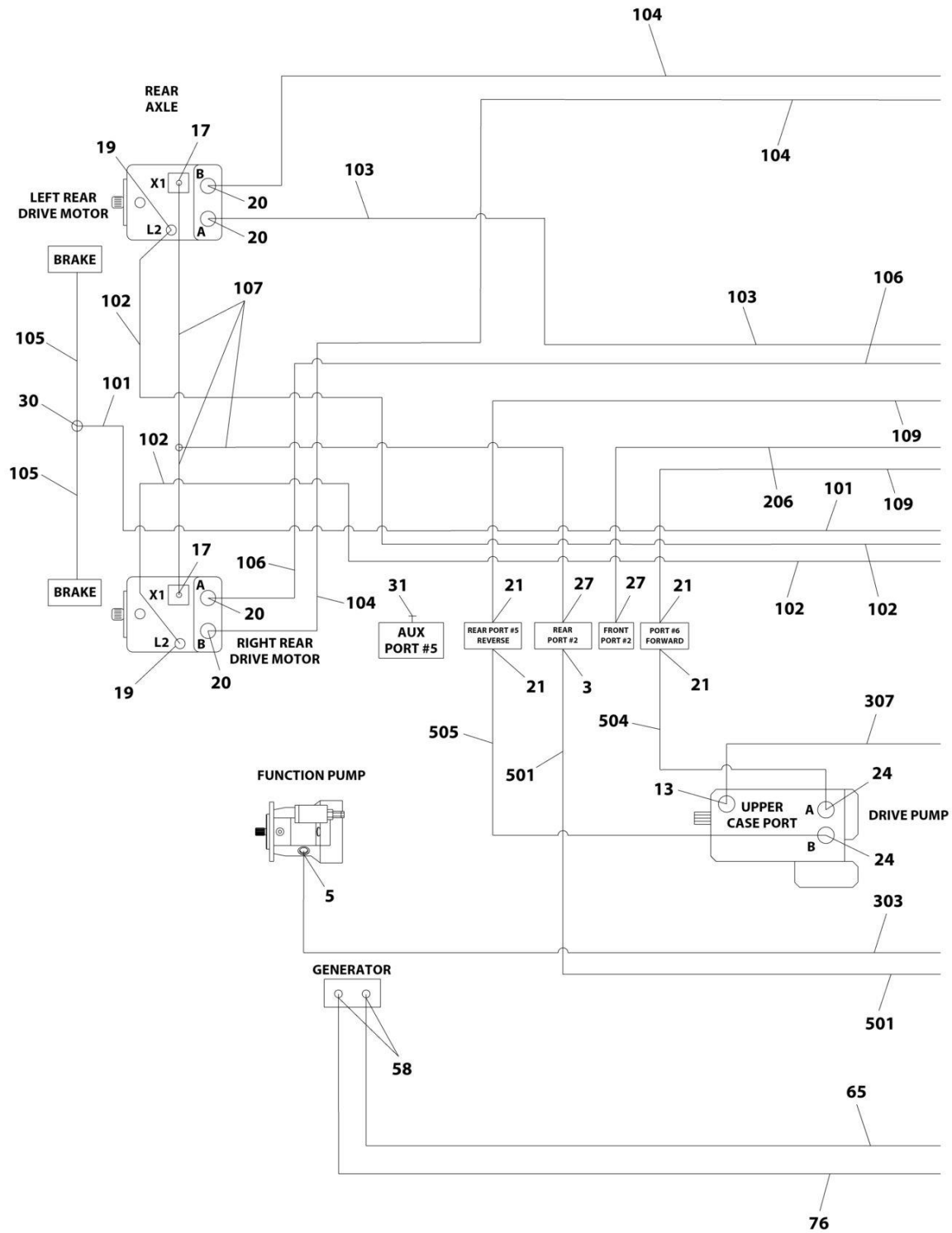
SECTION 7 - HYDRAULIC

FIGURE 7-1. AXLE LOCKOUT HYDRAULIC DIAGRAM

ITEM	PART NUMBER	QTY	DESCRIPTION	REV
	1001157400	Ref	AXLE LOCKOUT HYDRAULIC DIAGRAM	G
1	2110404	2	Fitting, Straight ORFS/ORB	
2	2110606	3	Fitting, Straight ORFS/ORB	
3	2110408	1	Fitting, Straight ORFS/ORB	
100	1001270068	1	Hose Lockout Kit	
101	1001198336	1	Hose with Crimped Tee	
102	1001198339	1	Hose with Crimped Tee	

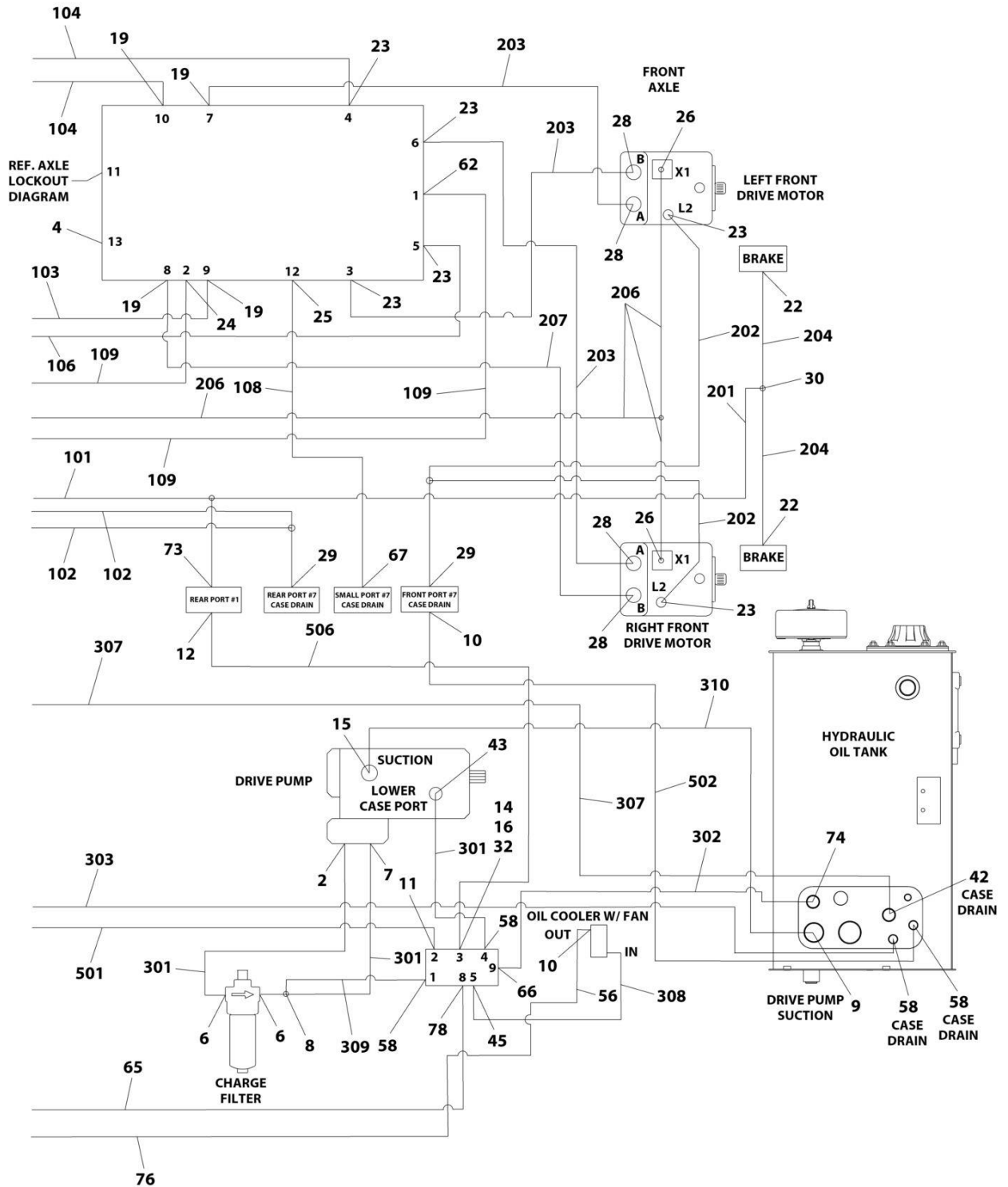
SECTION 7 - HYDRAULIC

FIGURE 7-2. DRIVE HYDRAULIC DIAGRAM



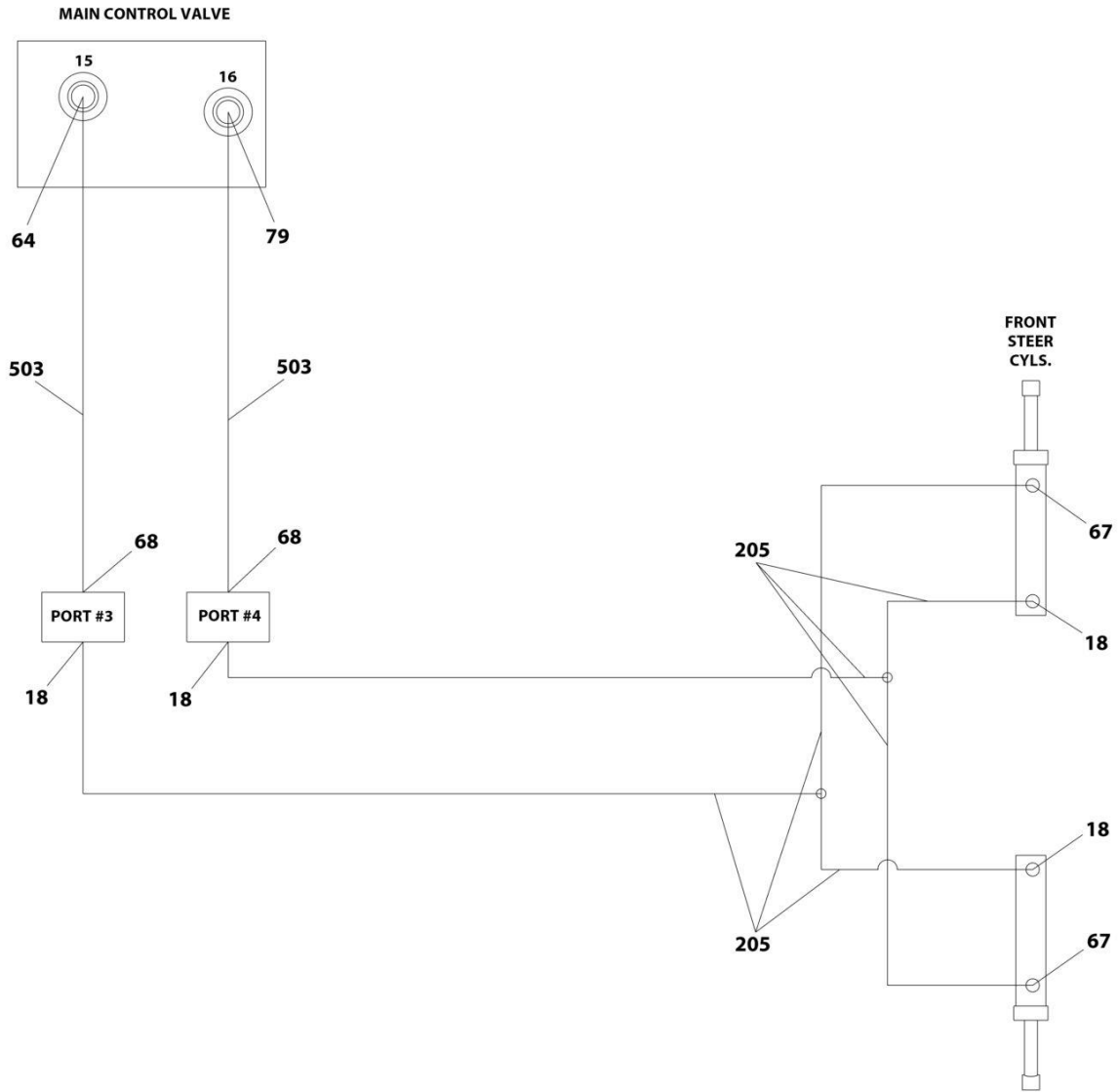
ART_1001227910_G_10F3

SECTION 7 - HYDRAULIC



ART_1001227910_G_20F3

SECTION 7 - HYDRAULIC



ART_1001227910_G_30F3

SECTION 7 - HYDRAULIC

FIGURE 7-2. DRIVE HYDRAULIC DIAGRAM

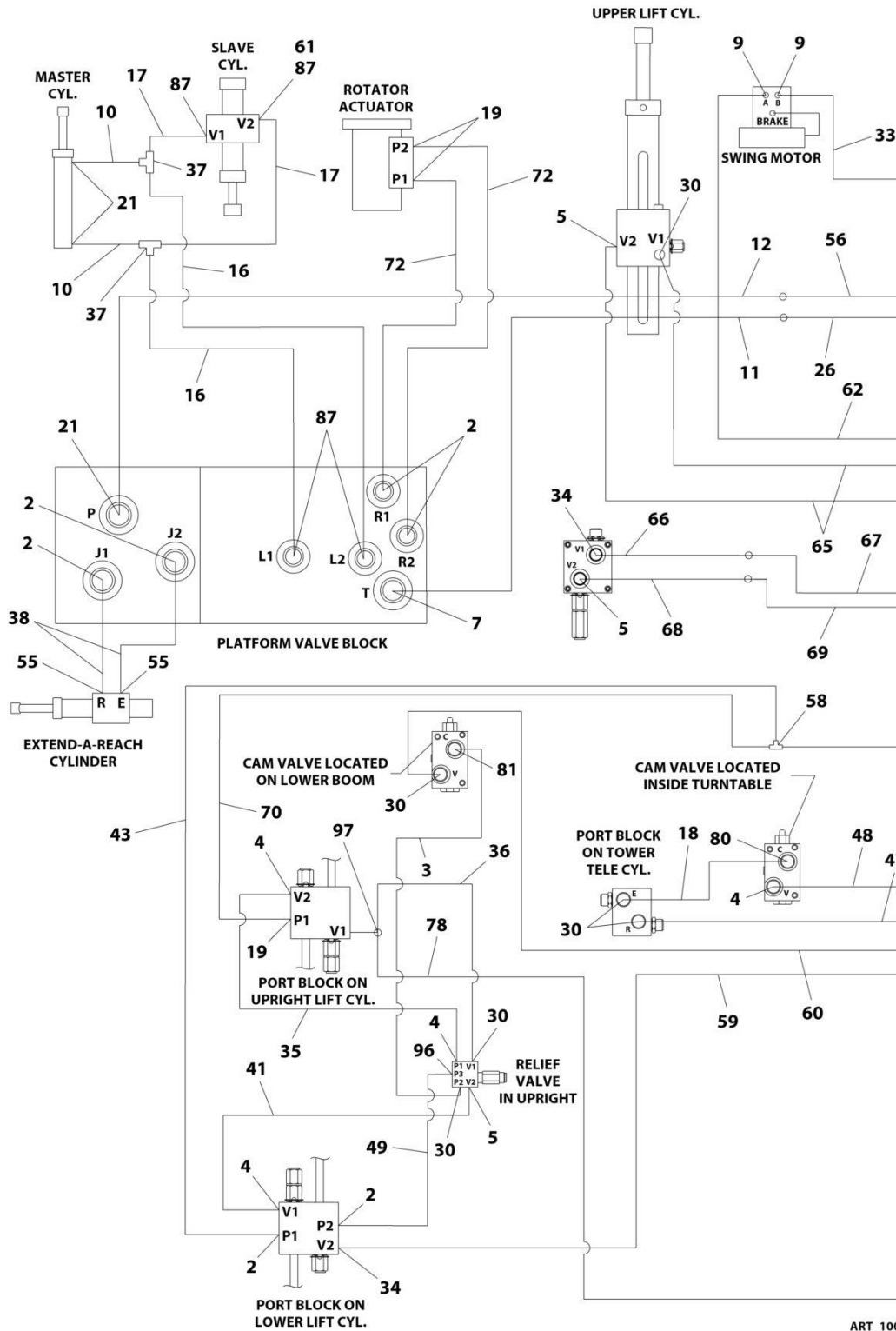
ITEM	PART NUMBER	QTY	DESCRIPTION	REV
	1001227910	Ref	DRIVE HYDRAULIC DIAGRAM	G
2	2220800	1	Fitting, Straight ORB/FL	
3	2220582	1	Fitting, Straight ORB/FL	
4	2220238	1	Fitting, Plug ORB	
5	2220671	1	Fitting, 90 JIC/ORB	
6	2220366	2	Fitting, 90 ORB	
7	2220374	1	Fitting, Straight JIC/ORB	
8	2220385	1	Fitting, Tee JIC	
9	2220380	1	Fitting, Straight ORB/FL	
10	2220375	3	Fitting, Straight ORB/FL	
11	2221040	1	Fitting, 45 JIC/ORB	
12	2220468	1	Fitting, Straight ORB/FL	
13	2220578	1	Fitting, 90 JIC/ORB	
14	1001228696	1	Fitting, Straight FORB/ORB	
15	8770050	1	Fitting, 90 JIC/ORB	
16	4641284	1	Valve, Check	
17	2110406	2	Fitting, Straight ORFS/ORB	
18	2110606	4	Fitting, Straight ORFS/ORB	
19	2110808	6	Fitting, Straight ORFS/ORB	
20	2110812	8	Fitting, Straight ORFS/ORB	
21	2111616	4	Fitting, Straight ORFS/ORB	
22	2110404	4	Fitting, Straight ORFS/ORB	
23	2130808	6	Fitting, 90 ORFS/ORB	
24	2131616	3	Fitting, 90 ORFS/ORB	
25	2130604	1	Fitting, 90 ORFS/ORB	
26	2130406	2	Fitting, 90 ORFS/ORB	
27	2150406	2	Fitting, 45 ORFS/ORB	
29	2170408	2	Fitting, Tee ORFS/ORFS/ORB	
30	2170504	2	Fitting, Tee ORFS	
31	2220237	1	Fitting, Plug ORB	
32	2220654	1	Fitting, 90 JIC/FSJIC	
42	2220451	1	Fitting, Straight JIC/ORB	
43	2221077	1	Fitting, 45	
45	2220500	1	Fitting, 45 JIC/ORB	
56	1001228678	1	Hose	
58	2220373	6	Fitting, Straight JIC/ORB	
62	2151616	1	Fitting, 45 ORFS/ORB	
64	2220371	1	Fitting, Straight JIC/ORB	
65	1001228679	1	Hose	
66	2221050	1	Fitting, 45 JIC/ORB	
67	2130606	3	Fitting, 90 ORFS/ORB	
68	2220473	2	Fitting, 90 ORB/FL	
73	1001198338	1	Fitting, Tee ORFS/ORB	
74	2220865	1	Fitting, Straight JIC/ORB	
76	2220683	1	Fitting, 45 JIC/FSJIC	
78	2220499	1	Fitting, 45 JIC/ORB	
79	2220998	1	Fitting, Straight JIC/ORB	
100	1001270080	1	Hose Rear Kit	
101	2753622	1	Hose	
102	2753686	1	Hose	

SECTION 7 - HYDRAULIC

ITEM	PART NUMBER	QTY	DESCRIPTION	REV
103	2753970	1	Hose	
104	2753971	1	Hose	
105	2754337	1	Hose	
106	2754338	1	Hose	
107	1001198340	1	Hose	
108	2753626	1	Hose	
109	2753634	1	Hose	
200	1001270081	1	Hose Front Kit	
201	2753542	1	Hose	
202	2753628	1	Hose	
203	2753970	1	Hose	
204	2754512	1	Hose	
205	1001198333	1	Hose	
206	1001198341	1	Hose	
207	1001233573	1	Hose	
300	1001270082	1	Hose Turntable Kit	
301	2752494	1	Hose	
302	2752765	1	Hose	
303	2752938	1	Hose	
307	1001188135	1	Hose	
308	1001196297	1	Hose	
309	2752493	1	Hose	
310	2752754	1	Hose	
500	1001270091	1	Hose Turntable Kit	
501	2751399	1	Hose	
502	2751500	1	Hose	
503	2752489	1	Hose	
504	1001156332	1	Hose	
505	1001156333	1	Hose	
506	2752997	1	Hose	

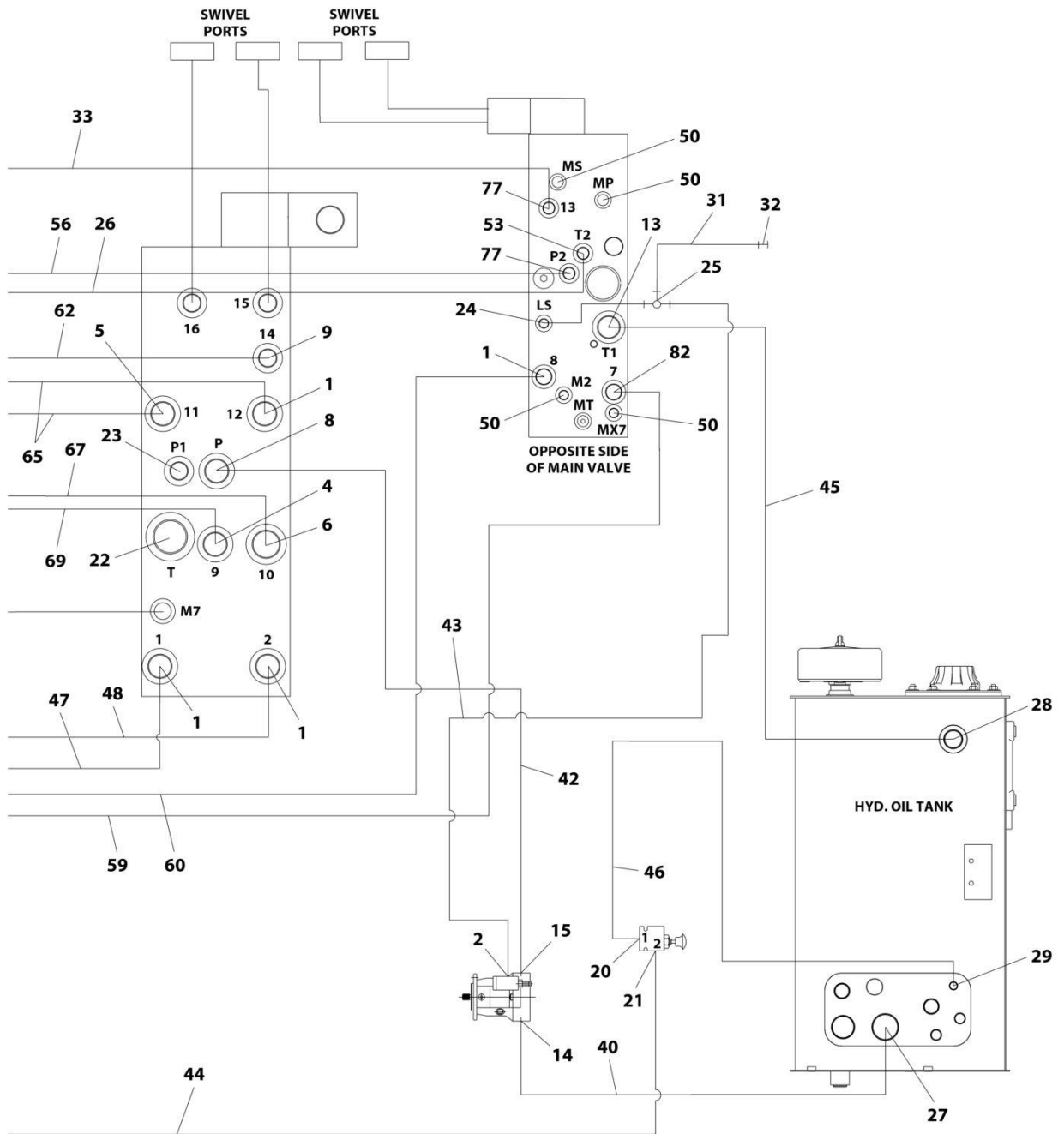
SECTION 7 - HYDRAULIC

FIGURE 7-3. STANDARD HYDRAULIC DIAGRAM



ART_1001227892_E_10F2

SECTION 7 - HYDRAULIC



ART_1001227892_E_20F2

SECTION 7 - HYDRAULIC

FIGURE 7-3. STANDARD HYDRAULIC DIAGRAM

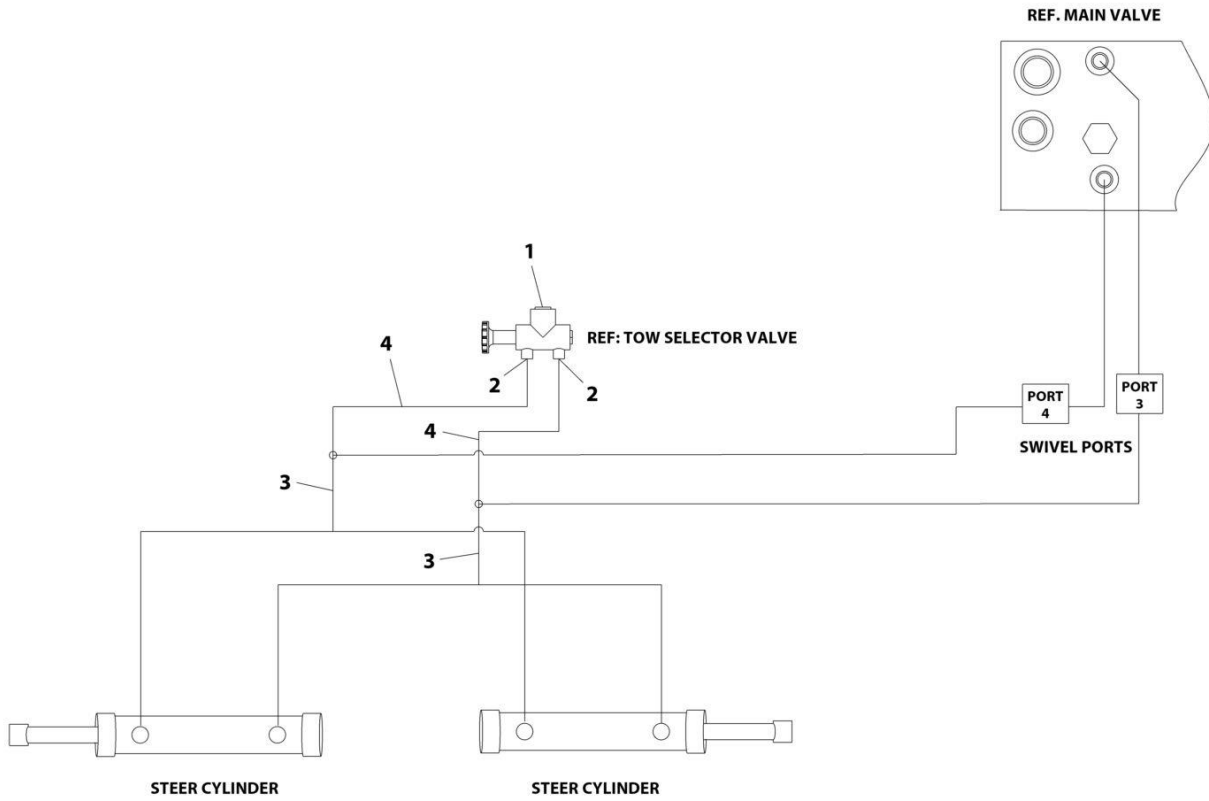
ITEM	PART NUMBER	QTY	DESCRIPTION	REV
	1001227892	Ref	STANDARD HYDRAULIC DIAGRAM	E
1	2220381	AR	Fitting, Straight ORB/JIC	
2	2220415	AR	Fitting, Straight ORB/JIC	
3	2753199	1	Hose	
4	2220373	AR	Fitting, Straight ORB/JIC	
5	2220500	3	Fitting, 45 ORB/JIC	
6	88662037	1	Adapter, Straight/JIC	
7	2220600	1	Adapter, Straight/JIC	
8	2220593	1	Fitting, Straight ORB/JIC	
9	2220371	3	Fitting, Straight ORB/JIC	
10	2753126	2	Hose	
11	1001179546	1	Hose	
12	1001179545	1	Hose	
13	1001179329	1	Hose	
14	2220737	1	Split Flange	
15	2220478	1	Split Flange	
16	1001155673	2	Hose	
17	1001119602	2	Hose	
18	2753200	1	Hose	
19	2220466	2	Fitting, 90 ORB/JIC	
20	2220582	1	Fitting, Straight ORB/JIC	
21	2220473	4	Fitting, 90 ORB/JIC	
22	2220240	1	Fitting, Plug ORB	
23	2220237	1	Fitting, Plug ORB	
24	2220923	1	Fitting, Straight ORB/JIC	
25	2220605	1	Fitting, Tee JIC/FSJIC/JIC	
26	1001182162	1	Hose	
27	2220765	1	Fitting, Straight ORB/FL	
28	2220377	1	Fitting, Straight JIC/ORB	
29	2220582	1	Fitting, Straight JIC/ORB	
30	2220596	6	Fitting, 90 ORB/FL	
31	2752995	1	Hose	
32	91143177	1	Fitting, Test	
33	2752461	1	Hose	
34	2220852	2	Fitting, Straight ORB/FL	
35	2753197	1	Hose	
36	2753196	1	Hose	
37	2220490	2	Fitting, Tee FL/FL	
38	2753442	2	Hose	
40	1001179079	1	Hose	
41	2753195	1	Hose	
42	2753231	1	Hose	
43	2753010	2	Hose	
44	2752468	1	Hose	
45	2752723	1	Hose	
46	2753274	1	Hose	
47	2753192	1	Hose	
48	2752494	1	Hose	
49	2753008	1	Hose	
50	2221086	4	Fitting, Test	

SECTION 7 - HYDRAULIC

ITEM	PART NUMBER	QTY	DESCRIPTION	REV
53	1001136881	1	Fitting, 45 ORB/FG	
55	2220472	2	Fitting, 90 ORB/FL	
56	2753123	1	Hose	
58	2221034	1	Fitting, Tee FL/FL/ORB	
59	2752768	1	Hose	
60	2752930	1	Hose	
61	4567139	1	Tube	
62	2752484	1	Hose	
65	2753189	2	Hose	
66	2752767	1	Hose	
67	2752766	1	Hose	
68	2753190	1	Hose	
69	2753191	1	Hose	
70	2752978	1	Hose	
72	1001159707	2	Hose	
77	2220501	2	Fitting, 45 ORB/FL	
78	4567757	1	Tube	
79	4100062	4	Protection, Hose (Not Shown - Located at Tower Boom Power Track)	
80	2220947	1	Fitting, O-Ring FL	
81	2221036	1	Fitting, 90 ORB/FL	
82	2220950	1	Fitting, 45 ORB/FL	
87	2220603	4	Fitting, Straight ORB/FL	
96	2220468	1	Fitting, Straight JIC/ORB	
97	1001215289	1	Fitting, Tee JIC/ORB/JIC	

SECTION 7 - HYDRAULIC

FIGURE 7-4. TOW HYDRAULIC DIAGRAM



ART_1001157401

SECTION 7 - HYDRAULIC

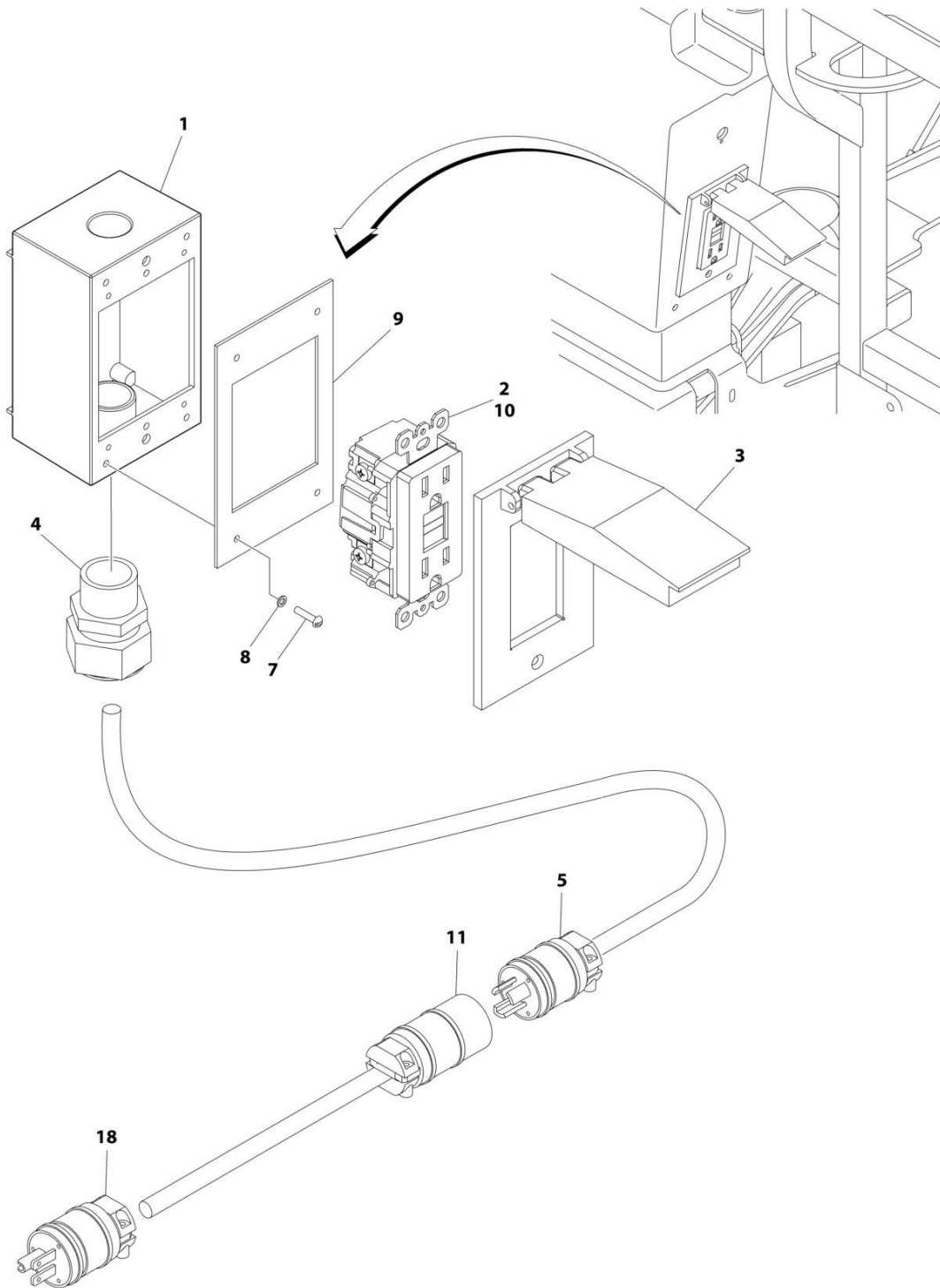
FIGURE 7-4. TOW HYDRAULIC DIAGRAM

ITEM	PART NUMBER	QTY	DESCRIPTION	REV
	1001157401	Ref	TOW HYDRAULIC DIAGRAM	B
1	2220238	1	Fitting, Plug ORB	
2	2110608	2	Fitting, Straight ORFS/ORB	
3	2170706	2	Fitting, Tee ORFS/ORFS/ORFS	
4	2753879	2	Hose	

SECTION 8 - ELECTRICAL

SECTION 8 - ELECTRICAL

FIGURE 8-1. AC BOX AT PLATFORM INSTALLATION - 110V GFI RECEPTACLE (ALL SPECS EXCEPT AUSTRALIAN, CE & UK CA SPECS)



ART_0272259

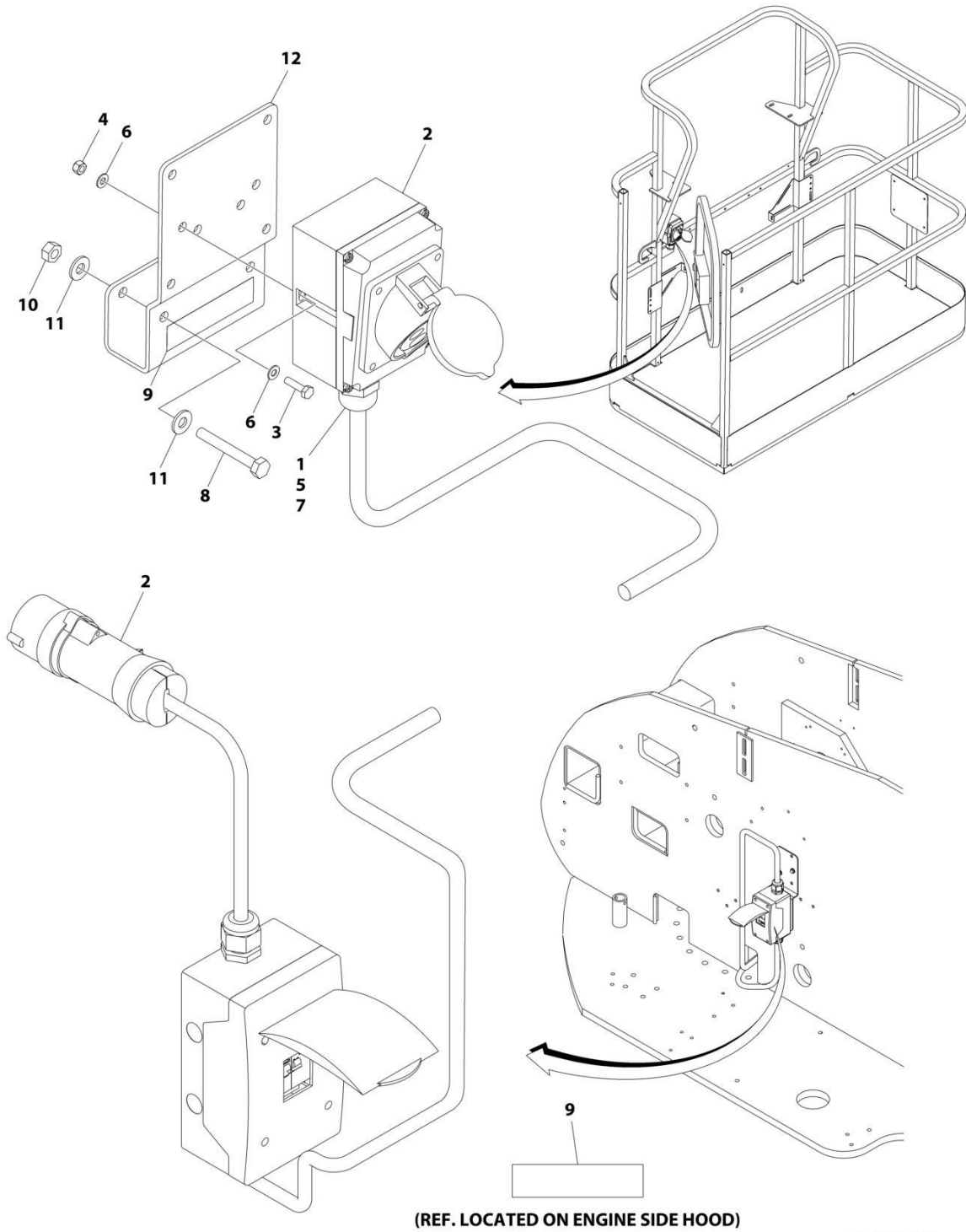
SECTION 8 - ELECTRICAL

FIGURE 8-1. AC BOX AT PLATFORM INSTALLATION - 110V GFI RECEPTACLE (ALL SPECS EXCEPT AUSTRALIAN, CE & UK CA SPECS)

ITEM	PART NUMBER	QTY	DESCRIPTION	REV
	0272259	Ref	AC BOX AT PLATFORM INSTALLATION - 110V GFI RECEPTACLE	C
1	0860038	1	Box, Switch	
2	4460346	1	Receptacle	
3	1001110873	1	Shield, Cover	
4	4460051	1	Connector, Strain Relief	
5	1001213584	1	Plug, Male	
7	3910610	4	Screw #6 x 5/8	
8	4760600	4	Washer #6	
9	3960422	1	Gasket	
10	4460315	3	Terminal, Spade	
11	1001213585	1	Receptacle, Female	
18	4460205	1	Plug, Male	

SECTION 8 - ELECTRICAL

**FIGURE 8-2. AC BOX AT PLATFORM INSTALLATION - 110V IEC YELLOW (CE & UK CA SPECS)
(MACHINES WITHOUT 4000W GENERATOR)**



ART_1001091969

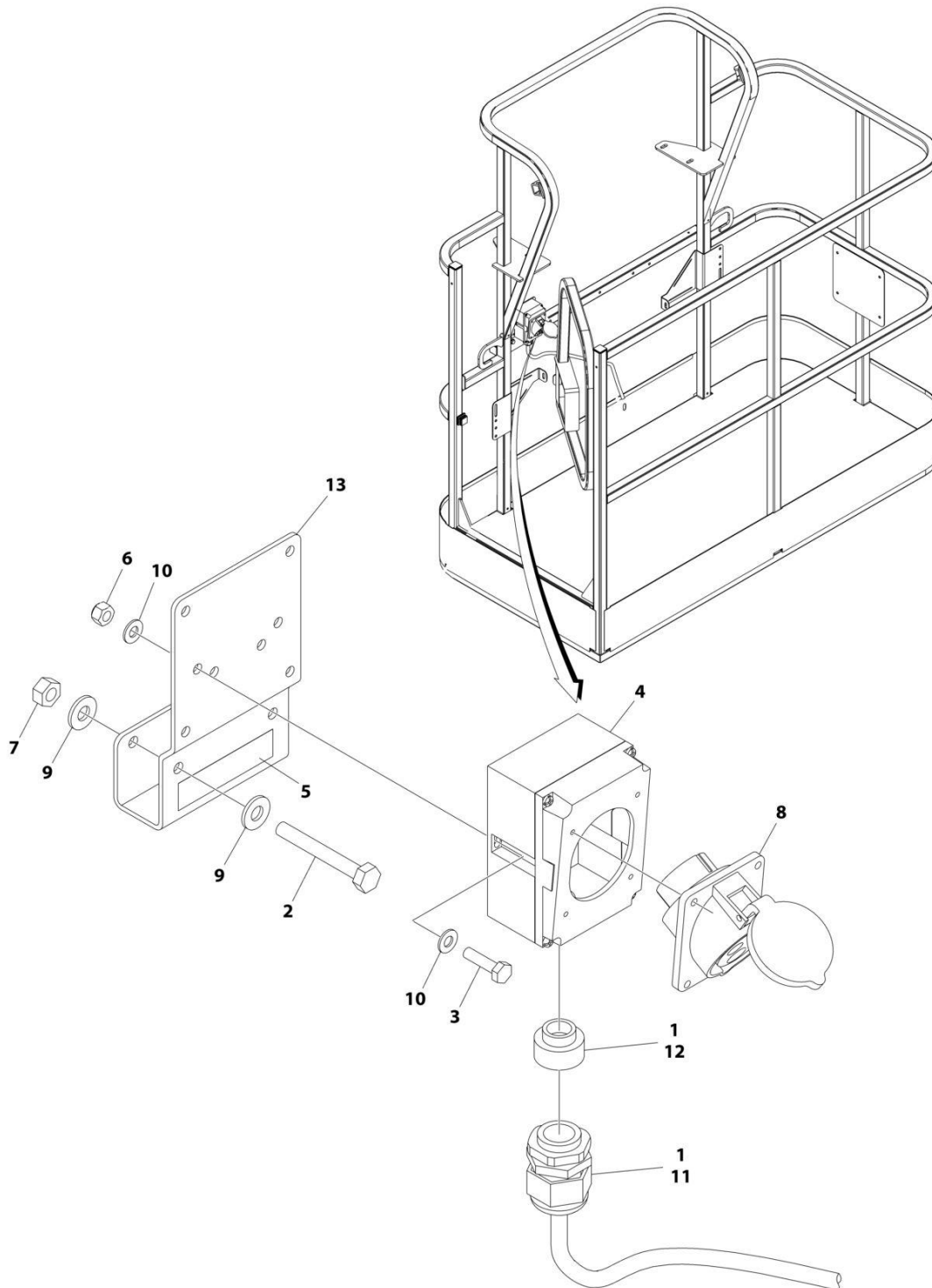
SECTION 8 - ELECTRICAL

**FIGURE 8-2. AC BOX AT PLATFORM INSTALLATION - 110V IEC YELLOW (CE & UK CA SPECS)
(MACHINES WITHOUT 4000W GENERATOR)**

ITEM	PART NUMBER	QTY	DESCRIPTION	REV
	1001091969	Ref	AC BOX AT PLATFORM INSTALLATION - 110V IEC YELLOW	D
1	0100020	AR	Sealant, Pipe	
2	0275216	1	Receptacle Box Kit (See Separate Breakdown in this Section)	
3	0700408	2	Bolt M4 x 16	
4	3290405	2	Nut M4	
5	1001101196	1	Adapter	
6	4811400	4	Washer M4	
7	1001101191	1	Connector, Strain Relief	
8	0641416	2	Bolt 1/4 x 2	
9	1705325	2	Decal - 110V	
10	3311405	2	Nut 1/4	
11	4711400	4	Washer 1/4	
12	1001193018	1	Bracket	

SECTION 8 - ELECTRICAL

**FIGURE 8-3. AC BOX AT PLATFORM INSTALLATION - 110V IEC YELLOW (CE & UK CA SPECS)
(MACHINES WITH 4000W GENERATOR)**



ART_1001206253

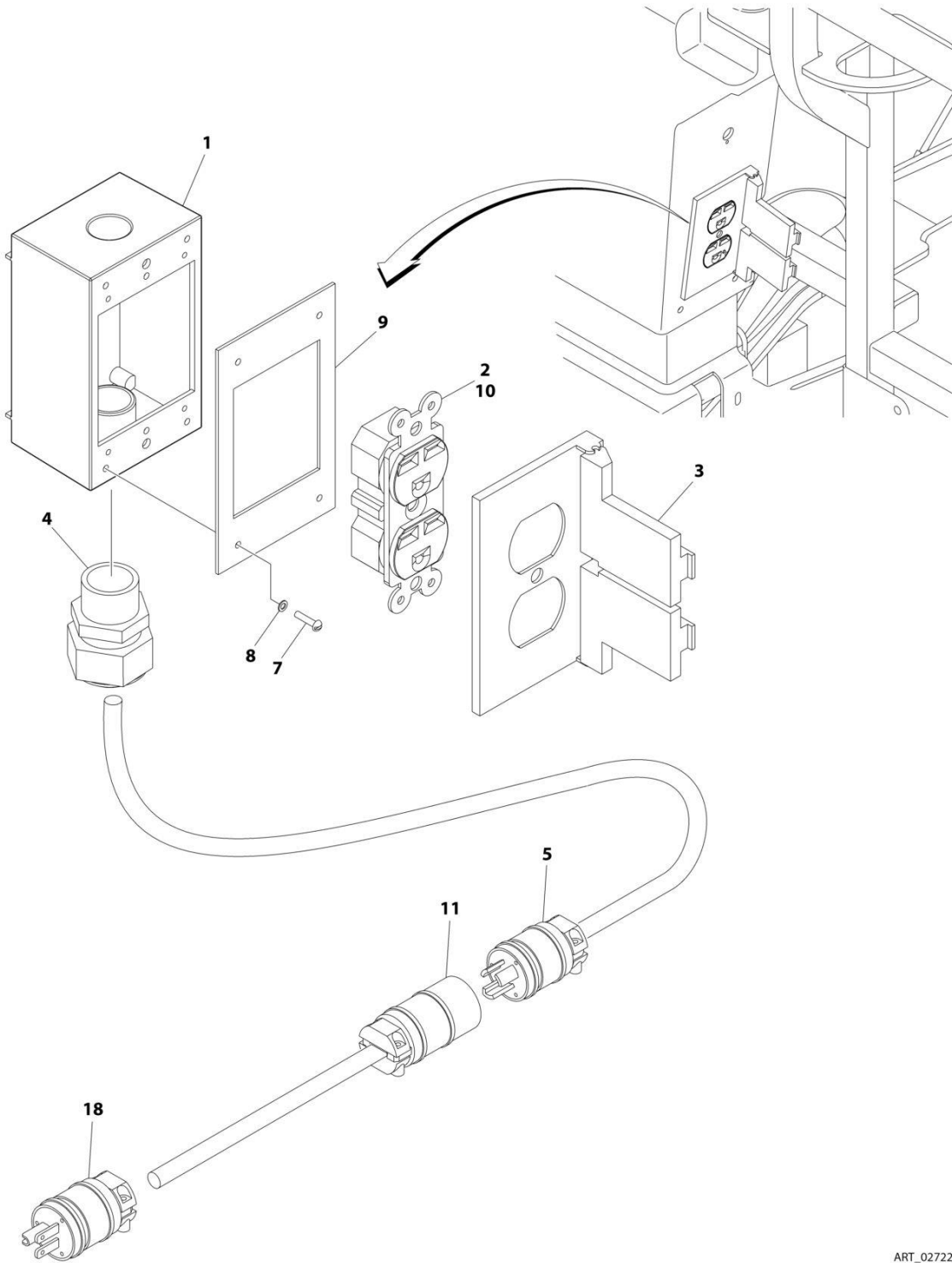
SECTION 8 - ELECTRICAL

**FIGURE 8-3. AC BOX AT PLATFORM INSTALLATION - 110V IEC YELLOW (CE & UK CA SPECS)
(MACHINES WITH 4000W GENERATOR)**

ITEM	PART NUMBER	QTY	DESCRIPTION	REV
	1001206253	Ref	AC BOX AT PLATFORM INSTALLATION - 110V IEC 60309 YELLOW WITHOUT 4000W GENERATOR	A
1	0100020	AR	Sealant, Pipe	
2	0641416	2	Bolt 1/4 x 2	
3	0700408	2	Bolt M4 x 16	
4	0861781	1	Box, Switch	
5	1705325	1	Decal - 110V	
6	3290405	2	Nut M4	
7	3311405	2	Nut 1/4	
8	4461198	1	Receptacle	
9	4711400	4	Washer 1/4	
10	4811400	4	Washer M4	
11	1001101191	1	Connector, Strain Relief	
12	1001101196	1	Adapter	
13	1001193018	1	Bracket, AC Receptacle	

SECTION 8 - ELECTRICAL

FIGURE 8-4. AC BOX AT PLATFORM INSTALLATION - 220V (ANSI, CSA & JAPANESE SPECS)



ART_0272260

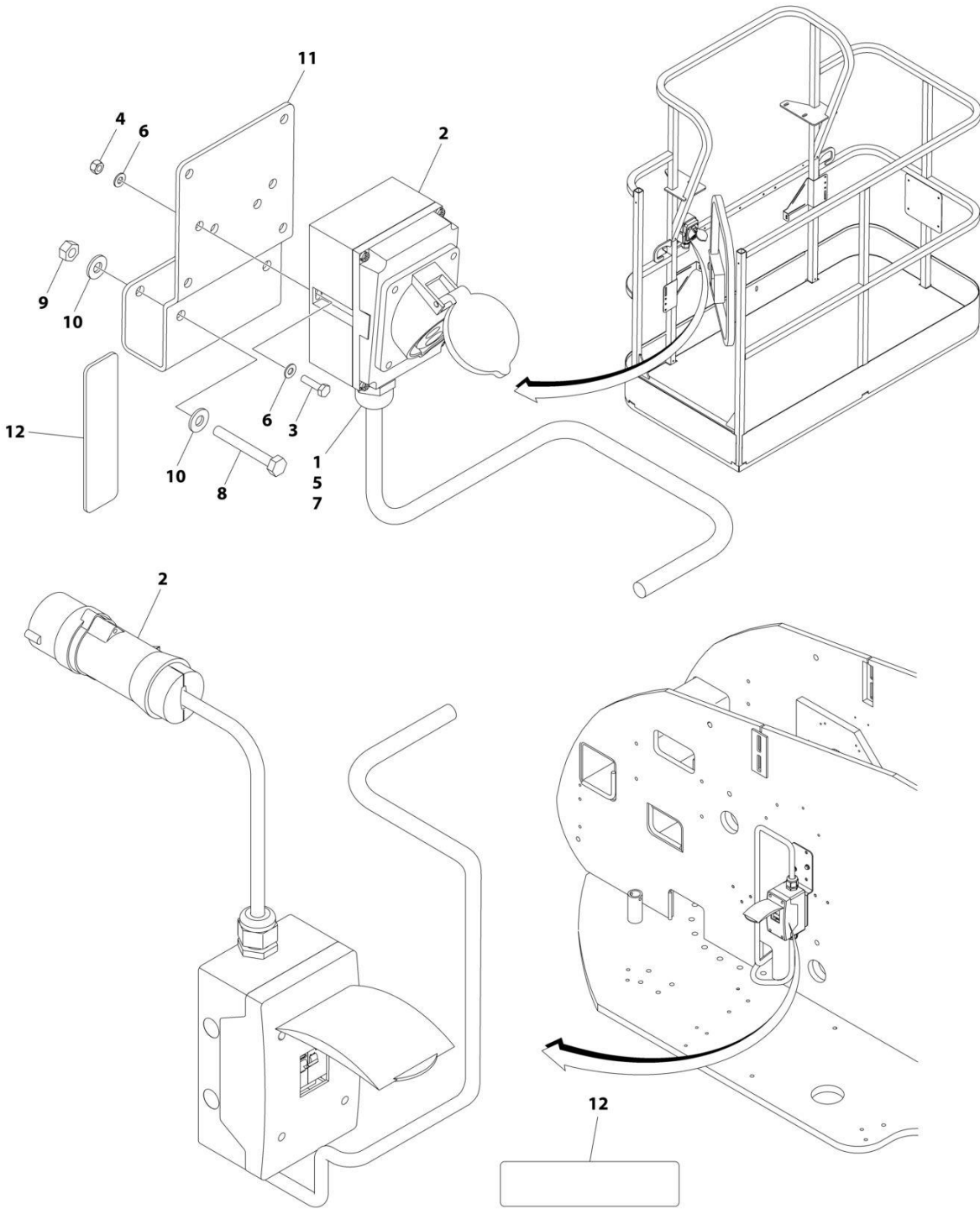
SECTION 8 - ELECTRICAL

FIGURE 8-4. AC BOX AT PLATFORM INSTALLATION - 220V (ANSI, CSA & JAPANESE SPECS)

ITEM	PART NUMBER	QTY	DESCRIPTION	REV
	0272260	Ref	AC BOX AT PLATFORM INSTALLATION - 220V	C
1	0860038	1	Box, Switch	
2	4460125	1	Receptacle	
3	4060092	1	Shield	
4	4460051	1	Connector, Strain Relief	
5	1001213584	2	Plug, Male	
7	3910610	4	Screw #6 x 5/8	
8	4760600	4	Washer #6	
9	3960422	1	Gasket	
10	4460315	1	Terminal, Spade	
11	1001213585	1	Receptacle, Female	
18	4460233	1	Plug, Male	

SECTION 8 - ELECTRICAL

**FIGURE 8-5. AC BOX AT PLATFORM INSTALLATION - 220V IEC BLUE (CE & UK CA SPECS)
(MACHINES WITHOUT 4000W GENERATOR)**



(REF. LOCATED ON ENGINE SIDE HOOD)

ART_1001091970

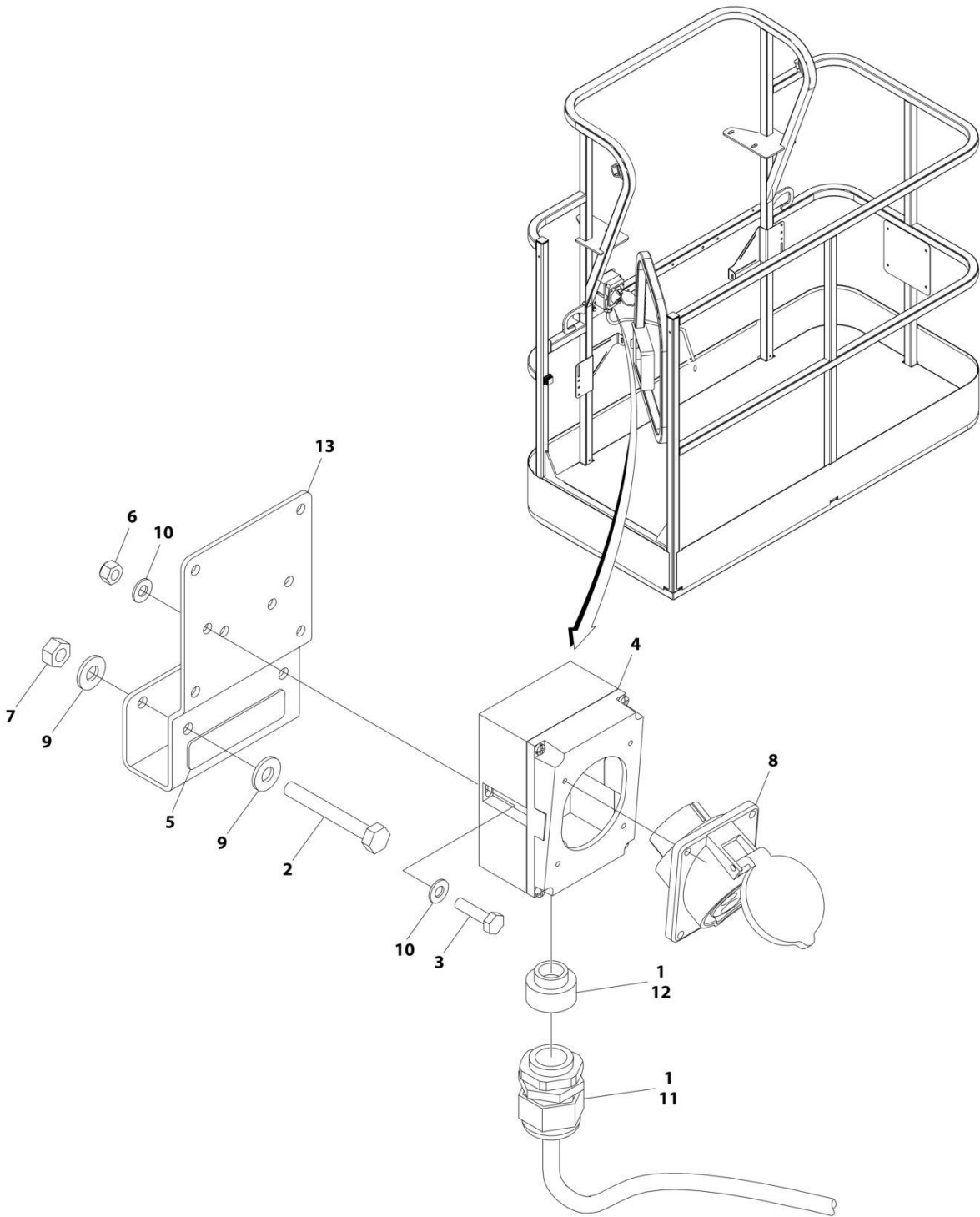
SECTION 8 - ELECTRICAL

**FIGURE 8-5. AC BOX AT PLATFORM INSTALLATION - 220V IEC BLUE (CE & UK CA SPECS)
(MACHINES WITHOUT 4000W GENERATOR)**

ITEM	PART NUMBER	QTY	DESCRIPTION	REV
	1001091970	Ref	AC BOX AT PLATFORM INSTALLATION - 220V IEC BLUE	D
1	0100020	AR	Sealant, Pipe	
2	0275217	1	Receptacle Box Kit (See Separate Breakdown in this Section)	
3	0700408	2	Bolt M4 x 16	
4	3290405	2	Nut M4	
5	1001101196	1	Adapter	
6	4811400	4	Washer M4	
7	1001101191	1	Connector, Strain Relief	
8	0641416	2	Bolt 1/4 x 2	
9	3311405	2	Nut 1/4	
10	4711400	4	Washer 1/4	
11	1001193018	1	Bracket	
12	3251242	2	Decal - 240V/50Hz	

SECTION 8 - ELECTRICAL

**FIGURE 8-6. AC BOX AT PLATFORM INSTALLATION - 220V IEC BLUE (CE & UK CA SPECS)
(MACHINES WITH 4000W GENERATOR)**



ART_1001206254

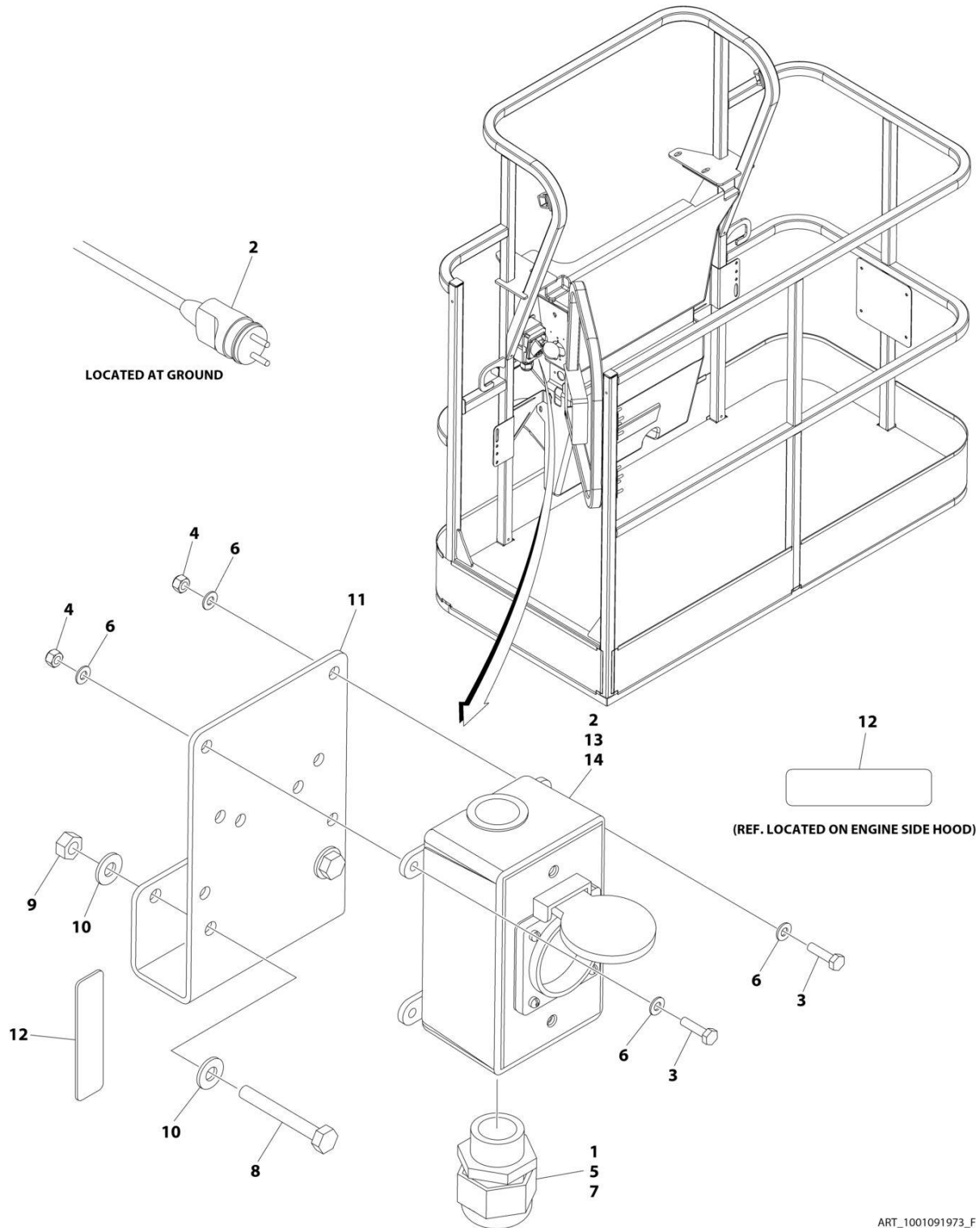
SECTION 8 - ELECTRICAL

**FIGURE 8-6. AC BOX AT PLATFORM INSTALLATION - 220V IEC BLUE (CE & UK CA SPECS)
(MACHINES WITH 4000W GENERATOR)**

ITEM	PART NUMBER	QTY	DESCRIPTION	REV
	1001206254	Ref	AC BOX AT PLATFORM INSTALLATION - 220V IEC BLUE	A
1	0100020	AR	Sealant, Pipe	
2	0641416	2	Bolt 1/4 x 2	
3	0700408	2	Bolt M4 x 16	
4	0861781	1	Box, Switch	
5	3251242	1	Decal - 240V/50Hz	
6	3290405	2	Nut M4	
7	3311405	2	Nut 1/4	
8	4461201	1	Receptacle	
9	4711400	4	Washer 1/4	
10	4811400	4	Washer M4	
11	1001101191	1	Connector, Strain Relief	
12	1001101196	1	Adapter	
13	1001193018	1	Bracket, AC Receptacle	

SECTION 8 - ELECTRICAL

FIGURE 8-7. AC BOX AT PLATFORM INSTALLATION - 220V CEE7 2X4 POST GROUND (CE & UK CA SPECS) (MACHINES WITHOUT 4000W GENERATOR)



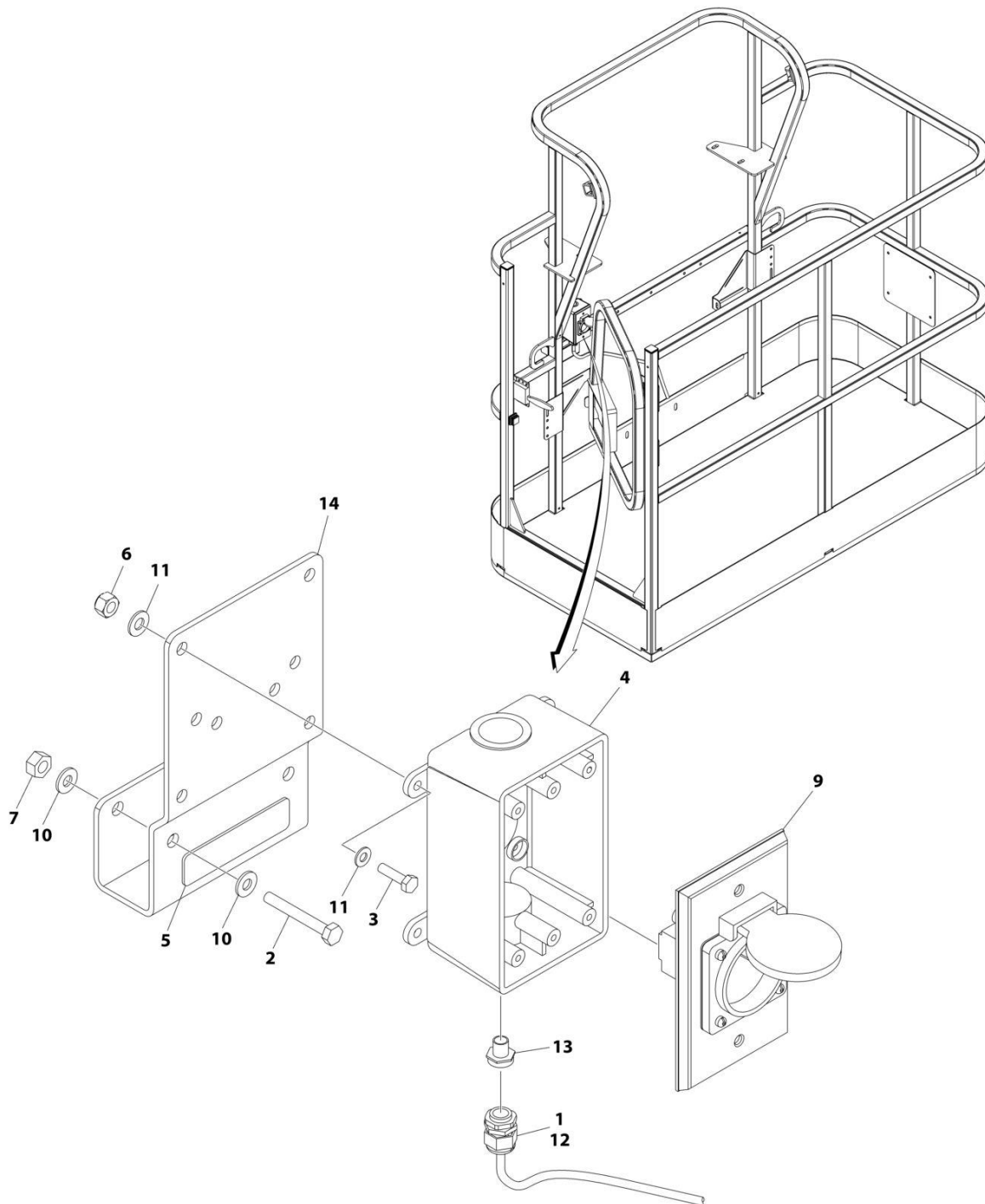
SECTION 8 - ELECTRICAL

FIGURE 8-7. AC BOX AT PLATFORM INSTALLATION - 220V CEE7 2X4 POST GROUND (CE & UK CA SPECS) (MACHINES WITHOUT 4000W GENERATOR)

ITEM	PART NUMBER	QTY	DESCRIPTION	REV
	1001091973	Ref	AC BOX AT PLATFORM INSTALLATION - 220V CEE7 2X4 BOX POST GROUND	F
1	0100020	AR	Sealant, Pipe	
2	0275452	1	Receptacle Box Kit (See Separate Breakdown in this Section)	
3	0700408	4	Bolt M4 x 16	
4	3290405	4	Nut M4	
5	1001101197	1	Adapter	
6	4811400	8	Washer M4	
7	1001101191	1	Connector, Strain Relief	
8	0641416	2	Bolt 1/4 x 2	
9	3311405	2	Nut 1/4	
10	4711400	4	Washer 1/4	
11	1001193018	1	Bracket	
12	3251242	2	Decal - 240V/50Hz	
13	4460806	2	Terminal, Fork (Not Shown)	
14	1001205958	1	Terminal (Not Shown)	

SECTION 8 - ELECTRICAL

FIGURE 8-8. AC BOX AT PLATFORM INSTALLATION - 220V CEE7 2X4 POST GROUND (CE & UK CA SPECS) (MACHINES WITH 4000W GENERATOR)



ART_1001206250

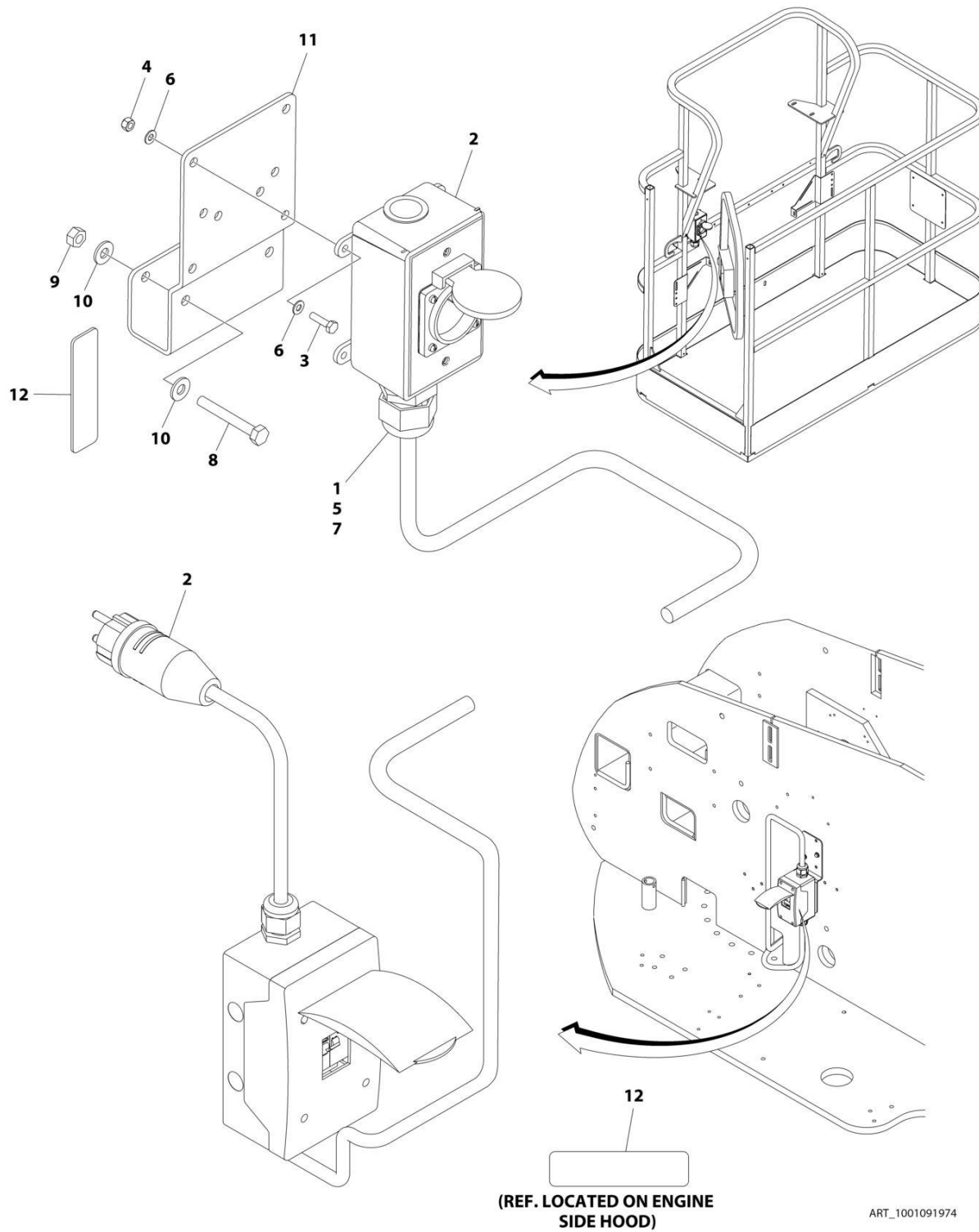
SECTION 8 - ELECTRICAL

FIGURE 8-8. AC BOX AT PLATFORM INSTALLATION - 220V CEE7 2X4 POST GROUND (CE & UK CA SPECS) (MACHINES WITH 4000W GENERATOR)

ITEM	PART NUMBER	QTY	DESCRIPTION	REV
	1001206250	Ref	AC BOX AT PLATFORM INSTALLATION - 220V CEE7 2X4 BOX POST GROUND	A
1	0100020	AR	Sealant, Pipe	
2	0641416	2	Bolt 1/4 x 2	
3	0700408	4	Bolt M4 x 16	
4	0861731	1	Box, Switch	
5	3251242	1	Decal - 240V/50Hz	
6	3290405	4	Nut M4	
7	3311405	2	Nut 1/4	
8	4460806	2	Terminal, Fork (Not Shown)	
9	4461244	1	Receptacle	
10	4711400	4	Washer 1/4	
11	4811400	8	Washer M4	
12	1001101191	1	Connector, Strain Relief	
13	1001101197	1	Adapter	
14	1001193018	1	Bracket, AC Receptacle	
15	1001205958	1	Terminal (Not Shown)	

SECTION 8 - ELECTRICAL

FIGURE 8-9. AC BOX AT PLATFORM INSTALLATION - 220V CEE7 2X4 SIDE GROUND (CE & UK CA SPECS) (MACHINES WITHOUT 4000W GENERATOR)



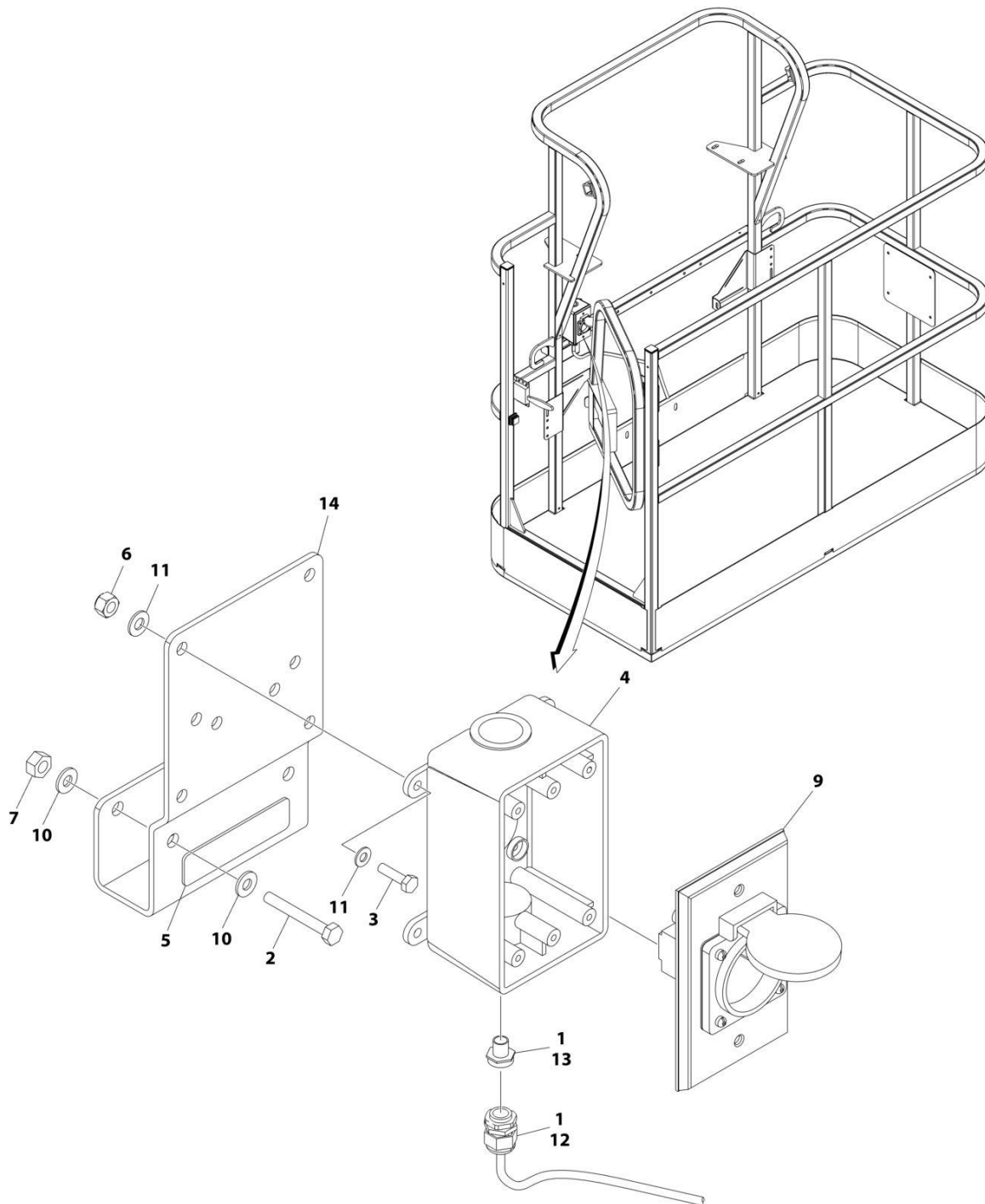
SECTION 8 - ELECTRICAL

FIGURE 8-9. AC BOX AT PLATFORM INSTALLATION - 220V CEE7 2X4 SIDE GROUND (CE & UK CA SPECS) (MACHINES WITHOUT 4000W GENERATOR)

ITEM	PART NUMBER	QTY	DESCRIPTION	REV
	1001091974	Ref	AC BOX AT PLATFORM INSTALLATION - 220V CEE7 2X4 BOX SIDE GROUND	F
1	0100020	AR	Sealant, Pipe	
2	0275453	1	Receptacle Box Kit (See Separate Breakdown in this Section)	
3	0700408	4	Bolt M4 x 16	
4	3290405	4	Nut M4	
5	1001101197	1	Adapter	
6	4811400	8	Washer M4	
7	1001101191	1	Connector, Strain Relief	
8	0641416	2	Bolt 1/4 x 2	
9	3311405	2	Nut 1/4	
10	4711400	4	Washer 1/4	
11	1001193018	1	Bracket	
12	3251242	2	Decal - 240V/50Hz	
13	4460806	2	Terminal, Fork (Not Shown)	
14	1001205958	1	Terminal (Not Shown)	

SECTION 8 - ELECTRICAL

FIGURE 8-10. AC BOX AT PLATFORM INSTALLATION - 220V CEE7 2X4 SIDE GROUND (CE & UK CA SPECS) (MACHINES WITH 4000W GENERATOR)



ART_1001206251

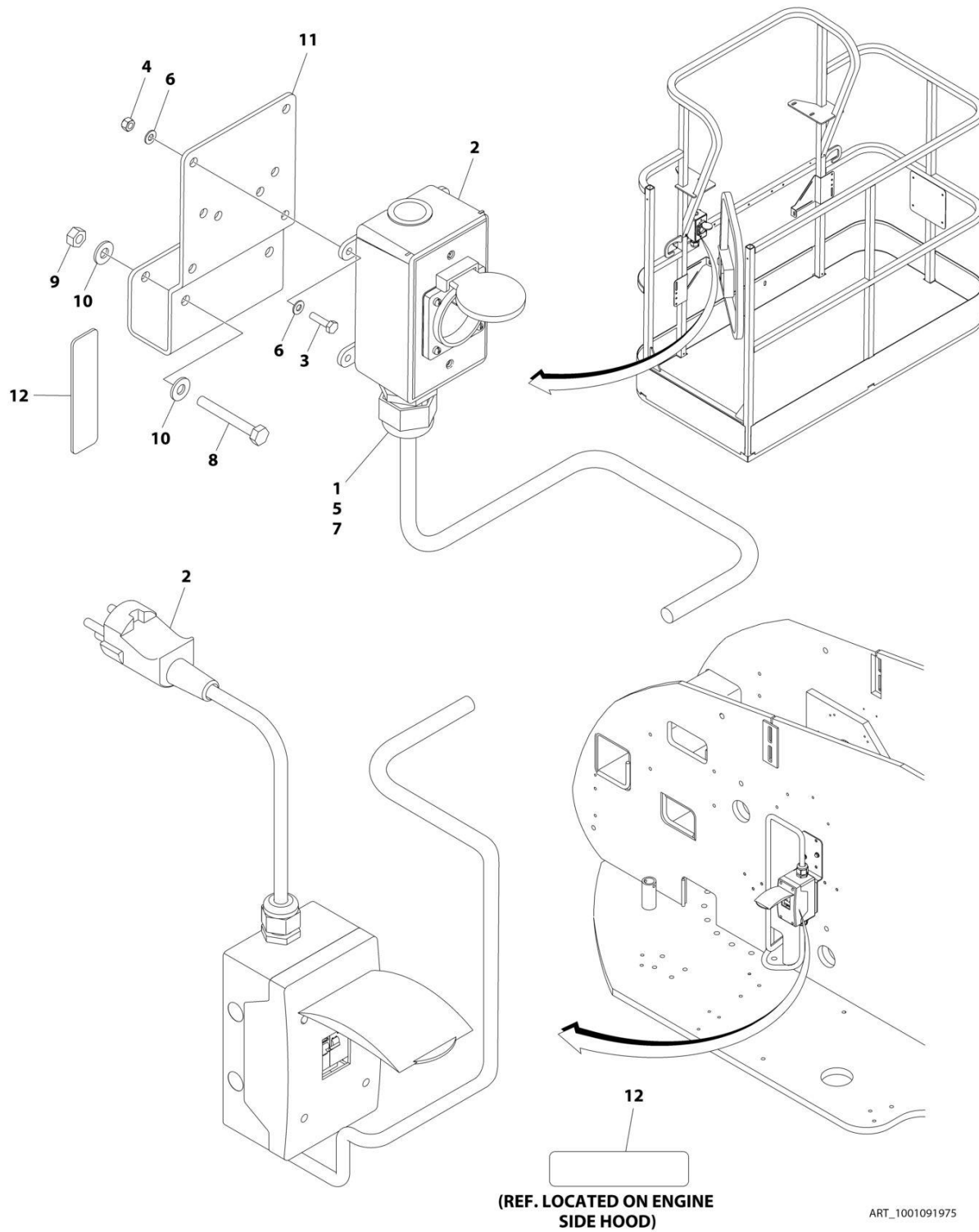
SECTION 8 - ELECTRICAL

FIGURE 8-10. AC BOX AT PLATFORM INSTALLATION - 220V CEE7 2X4 SIDE GROUND (CE & UK CA SPECS) (MACHINES WITH 4000W GENERATOR)

ITEM	PART NUMBER	QTY	DESCRIPTION	REV
	1001206251	Ref	AC BOX AT PLATFORM INSTALLATION - 220V CEE7 2X4 BOX SIDE GROUND	A
1	0100020	AR	Sealant, Pipe	
2	0641416	2	Bolt 1/4 x 2	
3	0700408	4	Bolt M4 x 16	
4	0861731	1	Box, Switch	
5	3251242	1	Decal - 240V/50Hz	
6	3290405	4	Nut M4	
7	3311405	2	Nut 1/4	
8	4460806	2	Terminal, Fork (Not Shown)	
9	4461245	1	Receptacle	
10	4711400	4	Washer 1/4	
11	4811400	8	Washer M4	
12	1001101191	1	Connector, Strain Relief	
13	1001101197	1	Adapter	
14	1001193018	1	Bracket, AC Receptacle	
15	1001205958	1	Terminal (Not Shown)	

SECTION 8 - ELECTRICAL

**FIGURE 8-11. AC BOX AT PLATFORM INSTALLATION - 220V AFSINT 107 (CE & UK CA SPECS)
(MACHINES WITHOUT 4000W GENERATOR)**



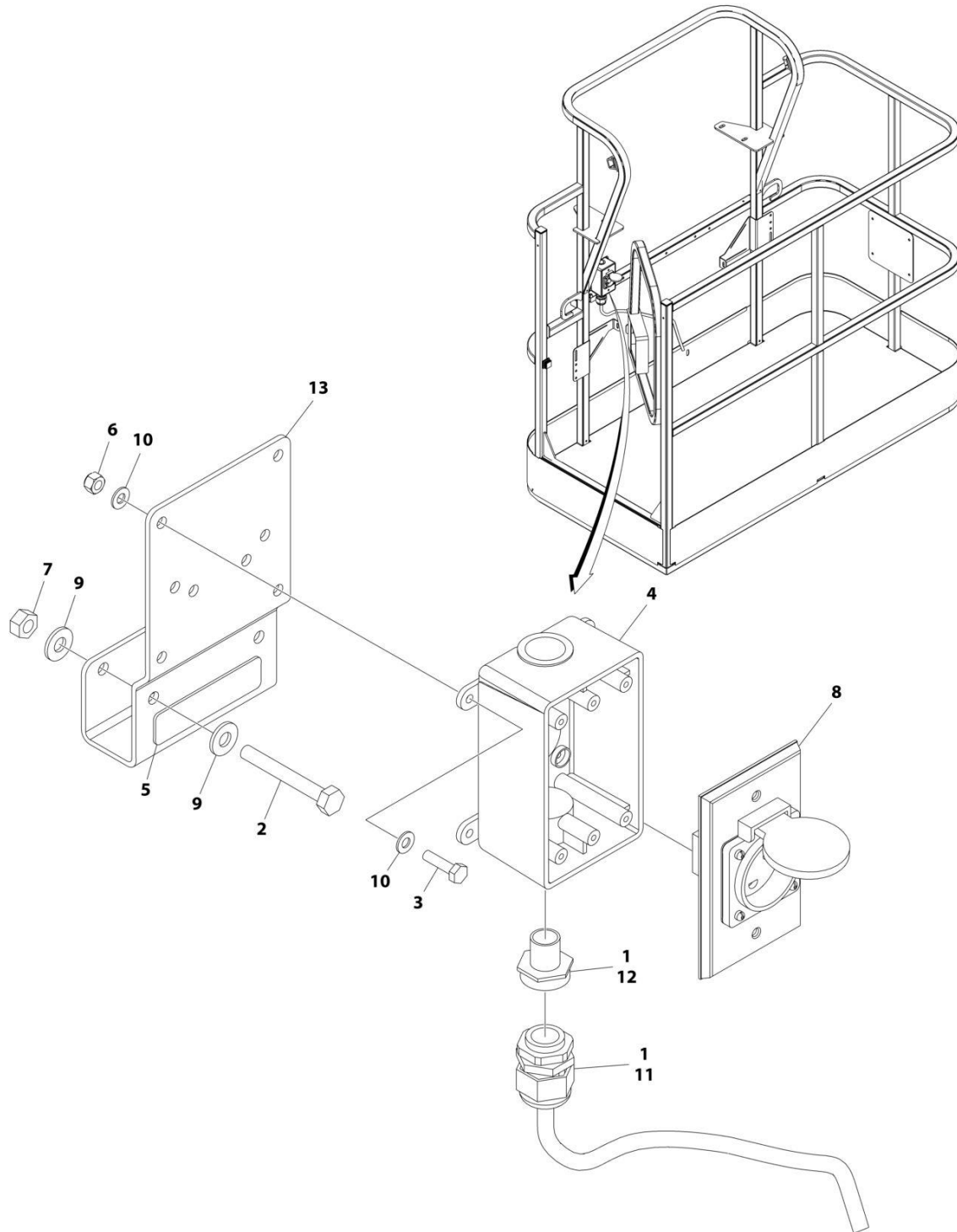
SECTION 8 - ELECTRICAL

**FIGURE 8-11. AC BOX AT PLATFORM INSTALLATION - 220V AFSINT 107 (CE & UK CA SPECS)
(MACHINES WITHOUT 4000W GENERATOR)**

ITEM	PART NUMBER	QTY	DESCRIPTION	REV
	1001091975	Ref	AC BOX AT PLATFORM INSTALLATION - 220V AFSINT 107 2X4 BOX KEYED GROUND	F
1	0100020	AR	Sealant, Pipe	
2	0275454	1	Receptacle Box Kit (See Separate Breakdown in this Section)	
3	0700408	4	Bolt M4 x 16	
4	3290405	4	Nut M4	
5	1001101197	1	Adapter	
6	4811400	8	Washer M4	
7	1001101191	1	Connector, Strain Relief	
8	0641416	2	Bolt 1/4 x 2	
9	3311405	2	Nut 1/4	
10	4711400	4	Washer 1/4	
11	1001193018	1	Bracket	
12	3251242	2	Decal - 240V/50Hz	
13	1001205958	3	Terminal (Not Shown)	

SECTION 8 - ELECTRICAL

FIGURE 8-12. AC BOX AT PLATFORM INSTALLATION - 220V AFSINT 107 (CE & UK CA SPECS)
(MACHINES WITH 4000W GENERATOR)



ART_1001206252

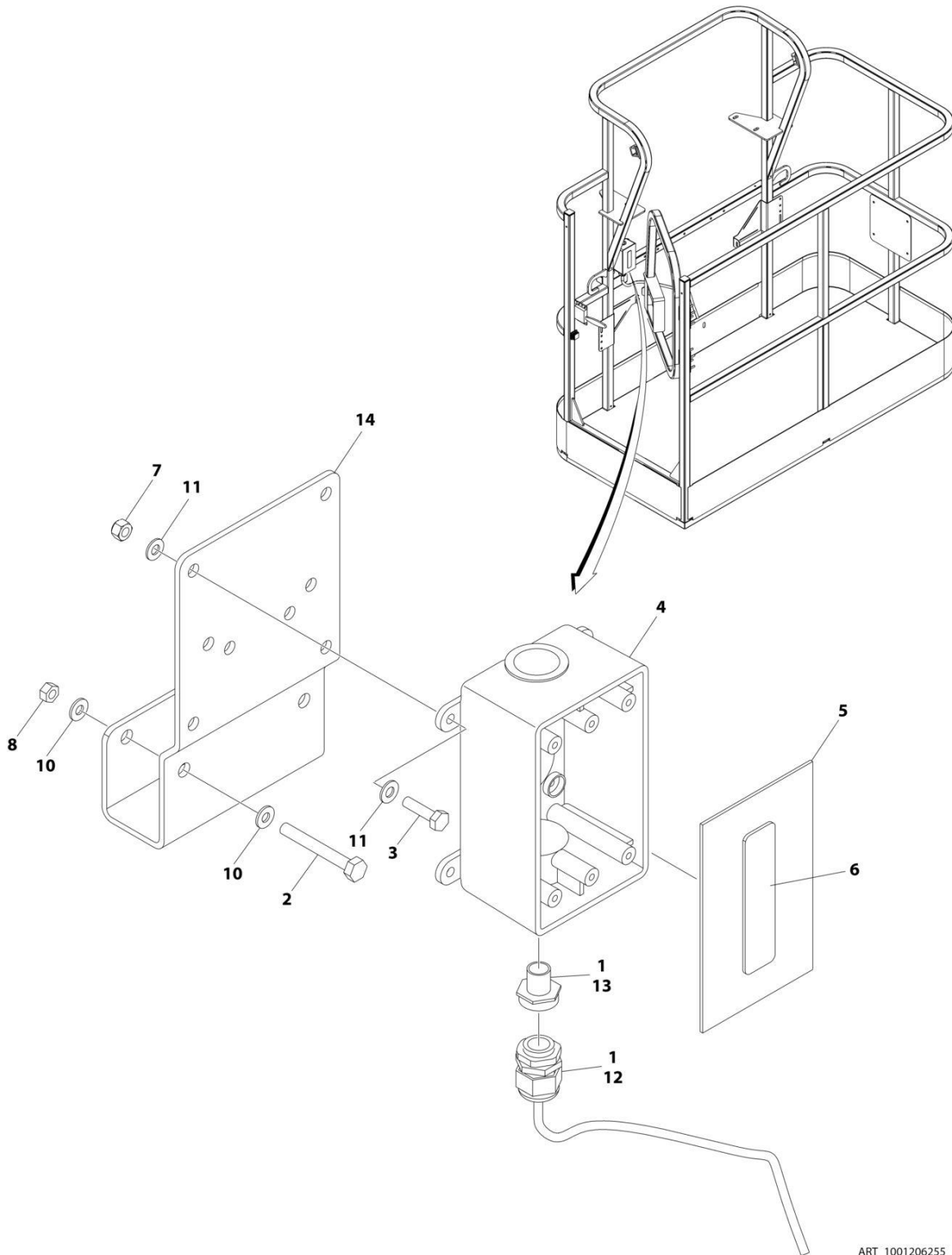
SECTION 8 - ELECTRICAL

**FIGURE 8-12. AC BOX AT PLATFORM INSTALLATION - 220V AFSINT 107 (CE & UK CA SPECS)
(MACHINES WITH 4000W GENERATOR)**

ITEM	PART NUMBER	QTY	DESCRIPTION	REV
	1001206252	Ref	AC BOX AT PLATFORM INSTALLATION - 220V AFSINT 107 2x4 BOX KEYED GROUND	A
1	0100020	AR	Sealant, Pipe	
2	0641416	2	Bolt 1/4 x 2	
3	0700408	4	Bolt M4 x 16	
4	0861731	1	Box, Switch	
5	3251242	1	Decal - 240V/50Hz	
6	3290405	4	Nut M4	
7	3311405	2	Nut 1/4	
8	4461246	1	Receptacle	
9	4711400	4	Washer 1/4	
10	4811400	8	Washer M4	
11	1001101191	1	Connector, Strain Relief	
12	1001101197	1	Adapter	
13	1001193018	1	Bracket, AC Receptacle	
14	1001205958	3	Terminal (Not Shown)	

SECTION 8 - ELECTRICAL

FIGURE 8-13. AC BOX AT PLATFORM INSTALLATION - BOX WITH COVER (ANSI EXPORT, AUSTRALIAN, CHINA & JAPANESE SPECS)



ART_1001206255

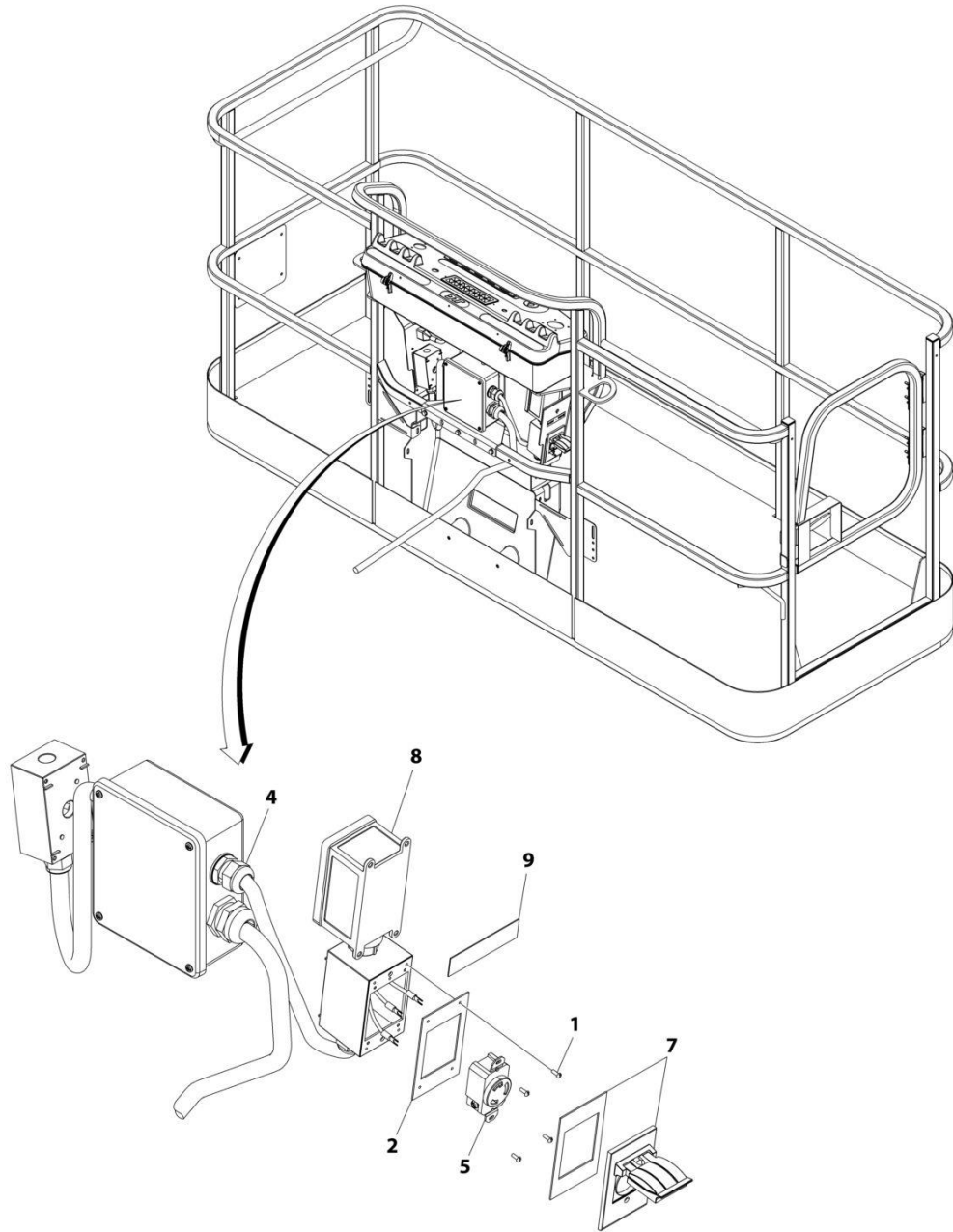
SECTION 8 - ELECTRICAL

FIGURE 8-13. AC BOX AT PLATFORM INSTALLATION - BOX WITH COVER (ANSI EXPORT, AUSTRALIAN, CHINA & JAPANESE SPECS)

ITEM	PART NUMBER	QTY	DESCRIPTION	REV
	1001206255	Ref	AC BOX AT PLATFORM INSTALLATION - BOX WITH COVER (2X4 BOX) WITH 4000W GENERATOR	A
1	0100020	AR	Sealant, Pipe	
2	0641416	2	Bolt 1/4 x 2	
3	0700408	4	Bolt M4 x 16	
4	0861731	1	Box, Switch	
5	1670603	1	Cover	
6	3251242	1	Decal - 240V-50Hz	
7	3290405	4	Nut M4	
8	3311405	2	Nut 1/4	
10	4711400	4	Washer 1/4	
11	4811400	8	Washer M4	
12	1001101191	1	Connector, Strain Relief	
13	1001101197	1	Adapter	
14	1001193018	1	Bracket, AC Receptacle	

SECTION 8 - ELECTRICAL

FIGURE 8-14. AC BOX AT PLATFORM INSTALLATION - 240V RECEPTACLE (WITH 4000W GENERATOR) (ALL SPECS EXCEPT ANSI & CSA SPECS)



ART_1001171131

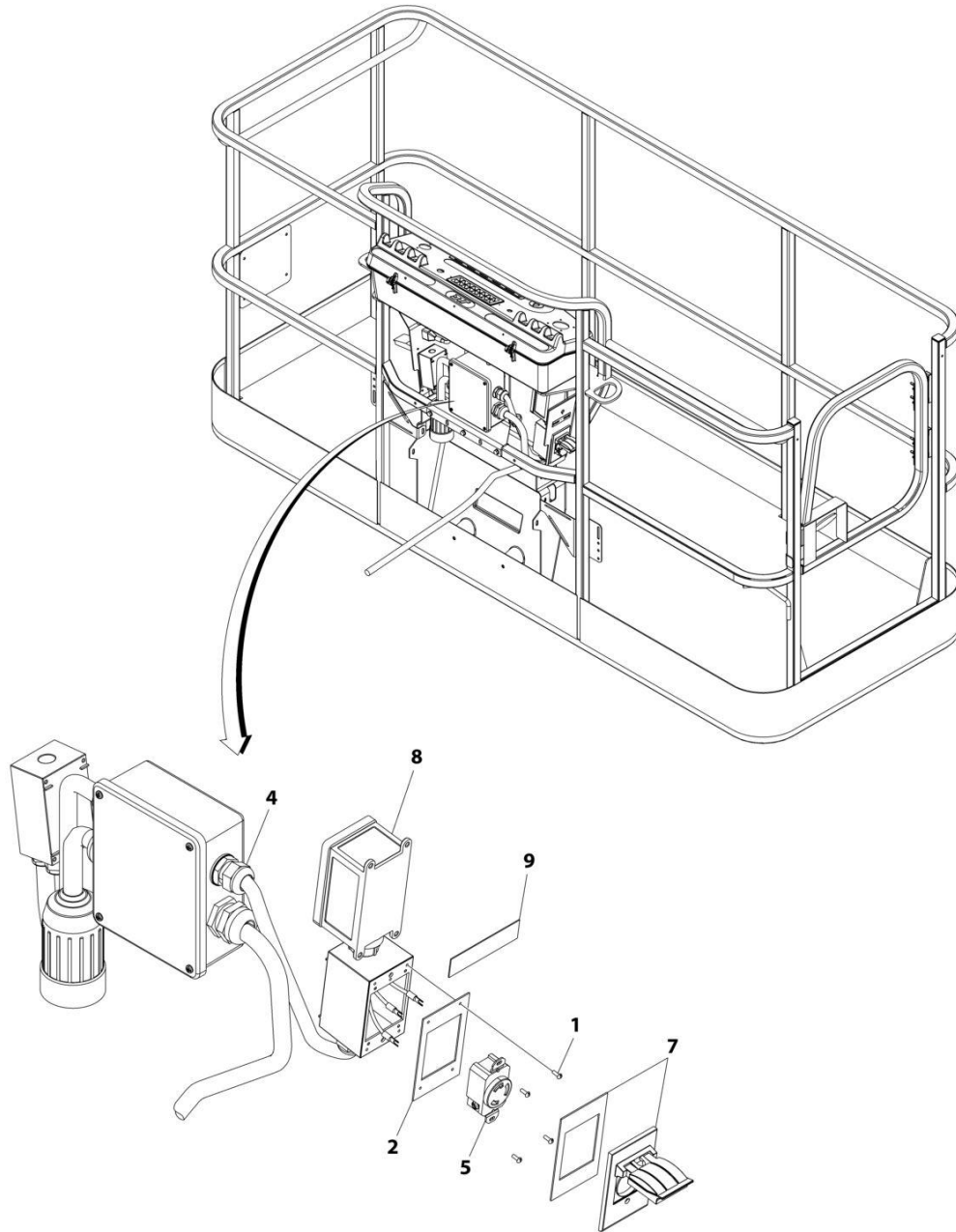
SECTION 8 - ELECTRICAL

FIGURE 8-14. AC BOX AT PLATFORM INSTALLATION - 240V RECEPTACLE (WITH 4000W GENERATOR) (ALL SPECS EXCEPT ANSI & CSA SPECS)

ITEM	PART NUMBER	QTY	DESCRIPTION	REV
	1001171131	Ref	AC BOX AT PLATFORM INSTALLATION - 240V RECEPTACLE	B
1	3910606	4	Screw 6 x 3/8	
2	3960422	1	Gasket	
3	4240018	AR	Tie-Strap (Not Shown)	
4	4460425	1	Connector, Strain Relief	
5	1001176862	1	Receptacle	
7	1001110872	1	Cover, Receptacle	
8	1001159120	1	Receptacle/Breaker Box Assembly	
8	1001148675	1	Box, Receptacle	
8	1001159118	1	Breaker GFCI 30Amp 240VAC	
8	4460612	1	Connector, Strain Relief	
8	1001159119	1	Connector (Between Boxes)	
9	1705374	1	Decal - 240V/60Hz	

SECTION 8 - ELECTRICAL

FIGURE 8-15. AC BOX AT PLATFORM INSTALLATION - 240V RECEPTACLE (WITH 7500W SKYPOWER GENERATOR) (ANSI & CSA SPECS)



ART_1001159121

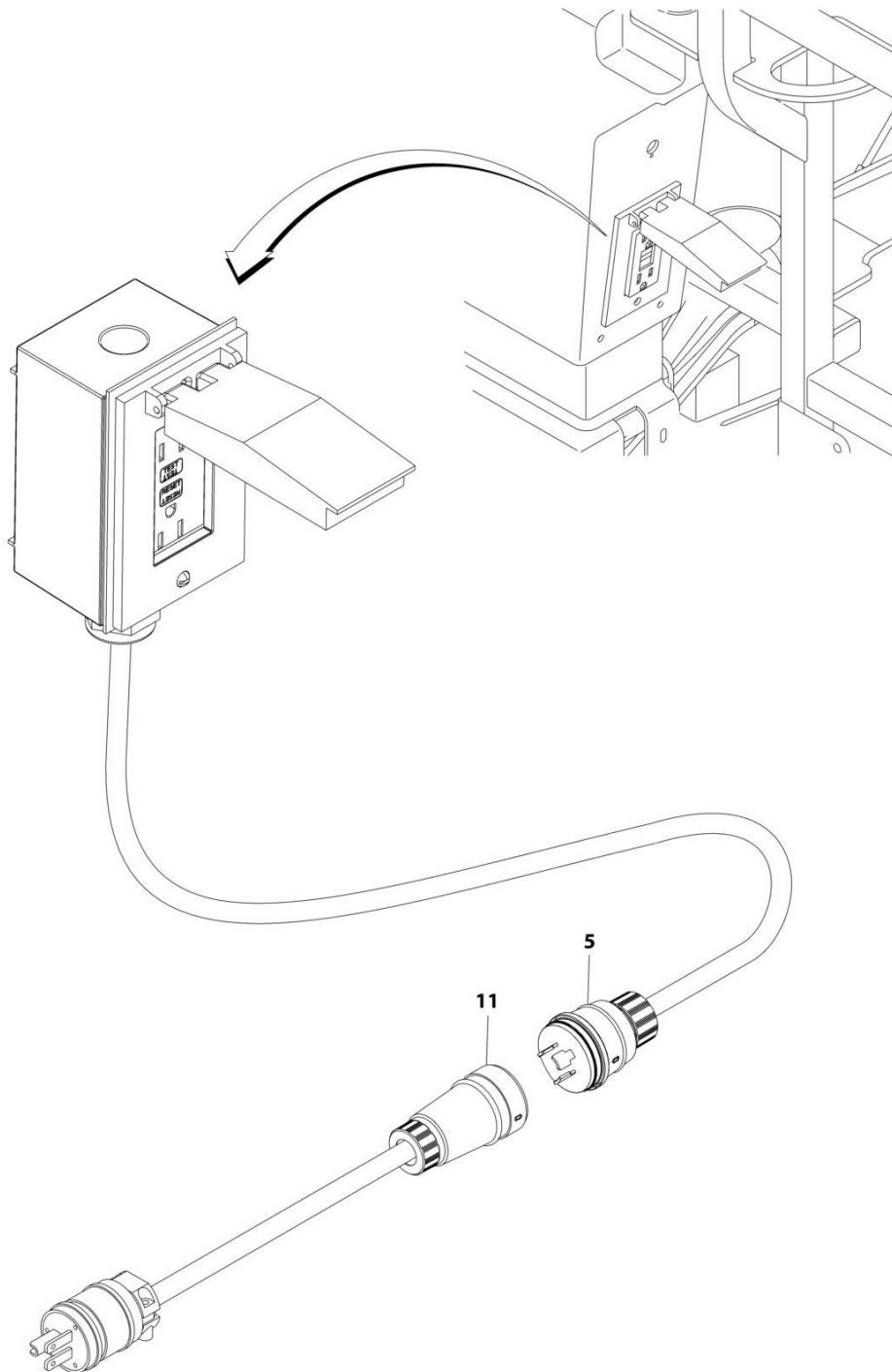
SECTION 8 - ELECTRICAL

FIGURE 8-15. AC BOX AT PLATFORM INSTALLATION - 240V RECEPTACLE (WITH 7500W SKYPOWER GENERATOR) (ANSI & CSA SPECS)

ITEM	PART NUMBER	QTY	DESCRIPTION	REV
	1001159121	Ref	AC BOX AT PLATFORM INSTALLATION - 240V RECEPTACLE	B
1	3910606	4	Screw 6 x 3/8	
2	3960422	1	Gasket	
3	4240018	AR	Tie-Strap (Not Shown)	
4	4460425	1	Connector, Strain Relief	
5	4460958	1	Receptacle	
7	1001110872	1	Cover, Receptacle	
8	1001159120	1	Receptacle/Breaker Box Assembly	
8	1001148675	1	Box, Receptacle	
8	1001159118	1	Breaker Box Assembly	
8	4460612	1	Connector, Strain Relief	
8	1001159119	1	Connector (Between Boxes)	
9	1705374	1	Decal - 240V/60Hz	

SECTION 8 - ELECTRICAL

FIGURE 8-16. AC BOX AT PLATFORM MID-BOOM PLUG INSTALLATION (WITHOUT 7500W SKYPOWER GENERATOR) (ALL SPECS EXCEPT ANSI & CSA SPECS)



ART_0256202

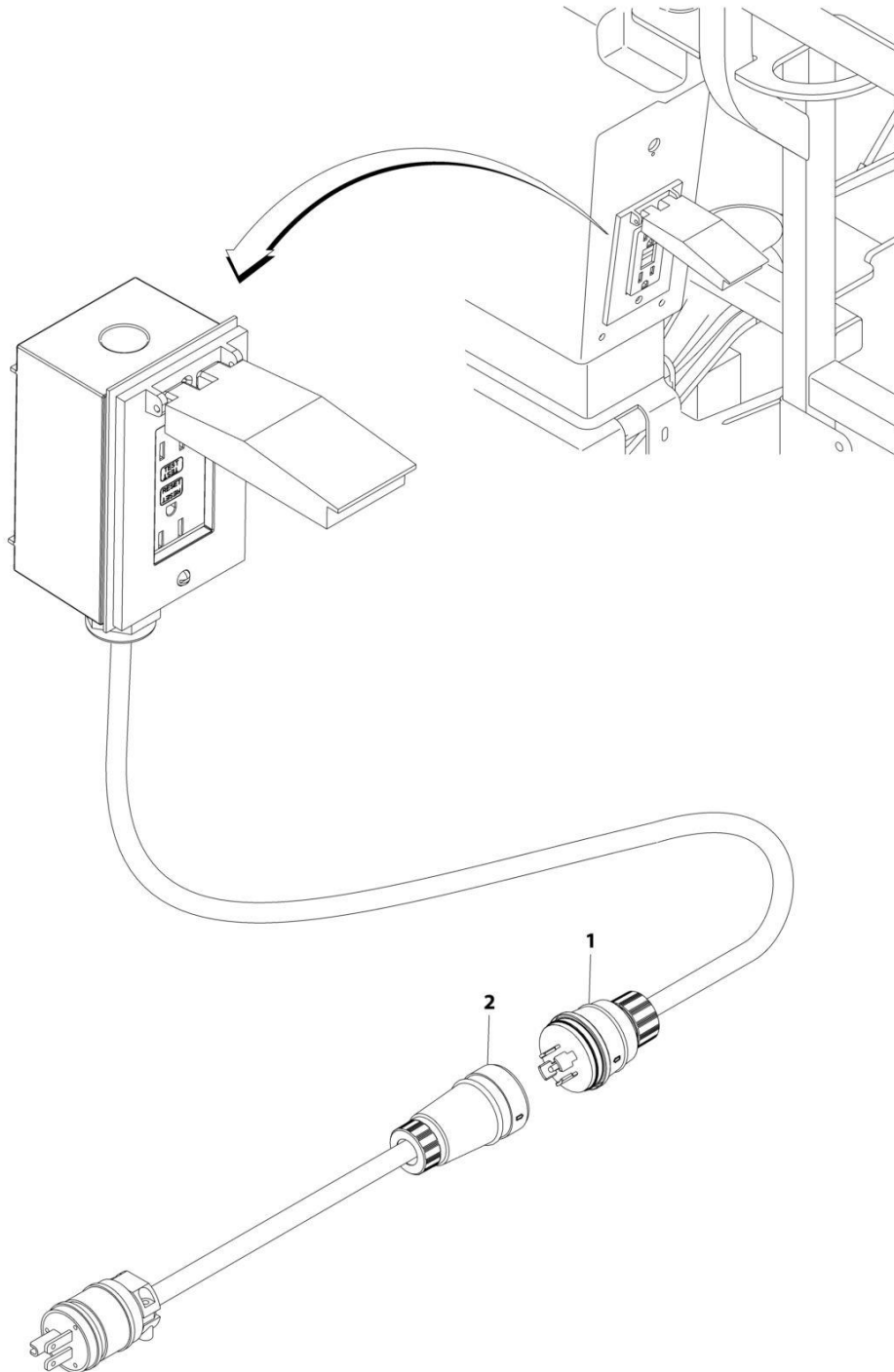
SECTION 8 - ELECTRICAL

FIGURE 8-16. AC BOX AT PLATFORM MID-BOOM PLUG INSTALLATION (WITHOUT 7500W SKYPOWER GENERATOR) (ALL SPECS EXCEPT ANSI & CSA SPECS)

ITEM	PART NUMBER	QTY	DESCRIPTION	REV
	0256202	Ref	AC BOX AT PLATFORM MID-BOOM PLUG INSTALLATION	D
5	1001213584	1	Plug	
11	1001213585	1	Receptacle	

SECTION 8 - ELECTRICAL

FIGURE 8-17. AC BOX AT PLATFORM MID-BOOM PLUG INSTALLATION (WITH 7500W SKYPOWER GENERATOR)



ART_0272433

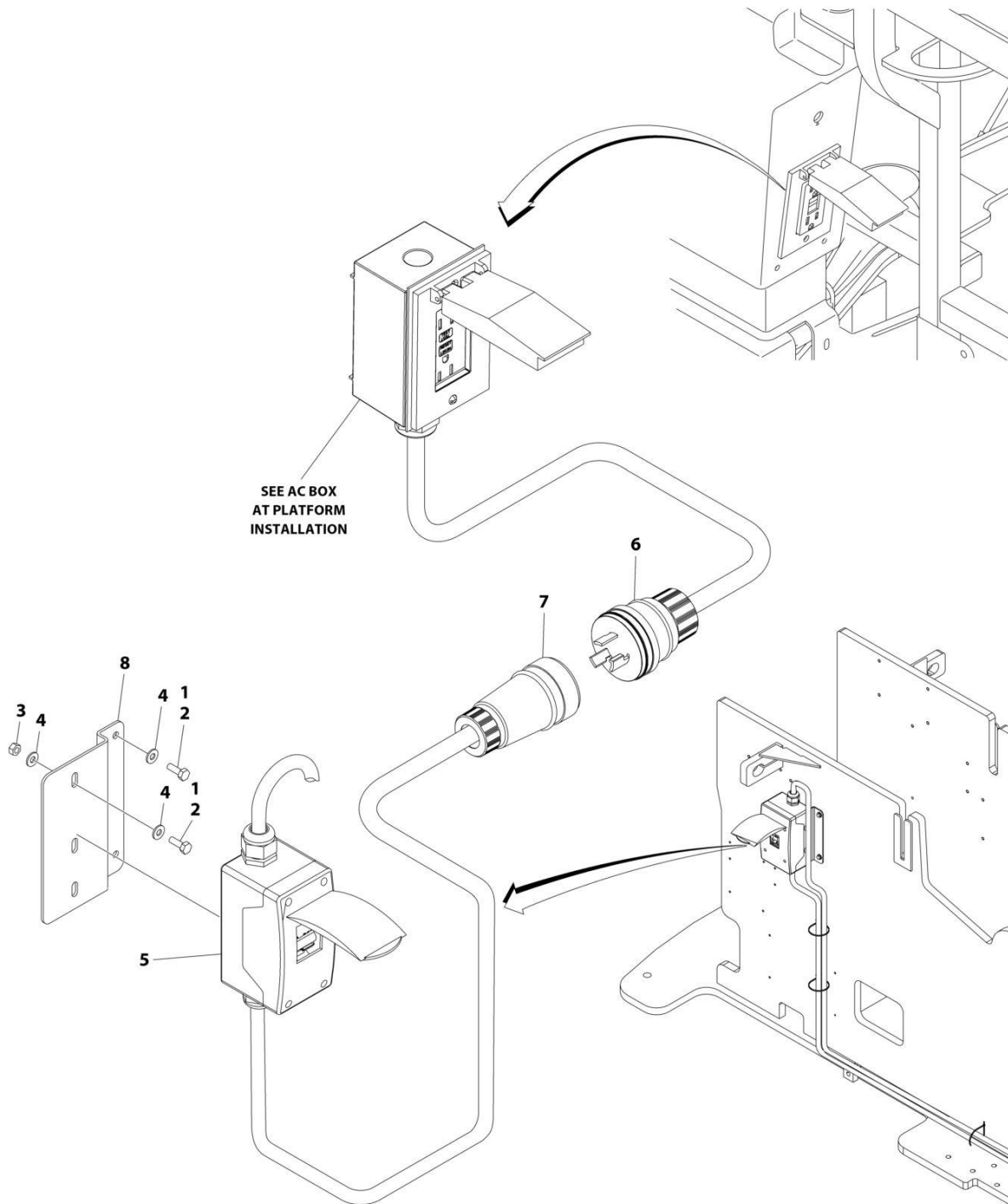
SECTION 8 - ELECTRICAL

FIGURE 8-17. AC BOX AT PLATFORM MID-BOOM PLUG INSTALLATION (WITH 7500W SKYPOWER GENERATOR)

ITEM	PART NUMBER	QTY	DESCRIPTION	REV
	0272433	Ref	AC CABLE INSTALLATION - 110V/220V	D
1	1001218622	1	Plug, Male	
2	1001218623	1	Plug, Female	

SECTION 8 - ELECTRICAL

FIGURE 8-18. AC BREAKER BOX INSTALLATION - WITH 2 BREAKERS (CE & UK CA SPECS WITH 4000W GENERATOR)



ART_1001236962

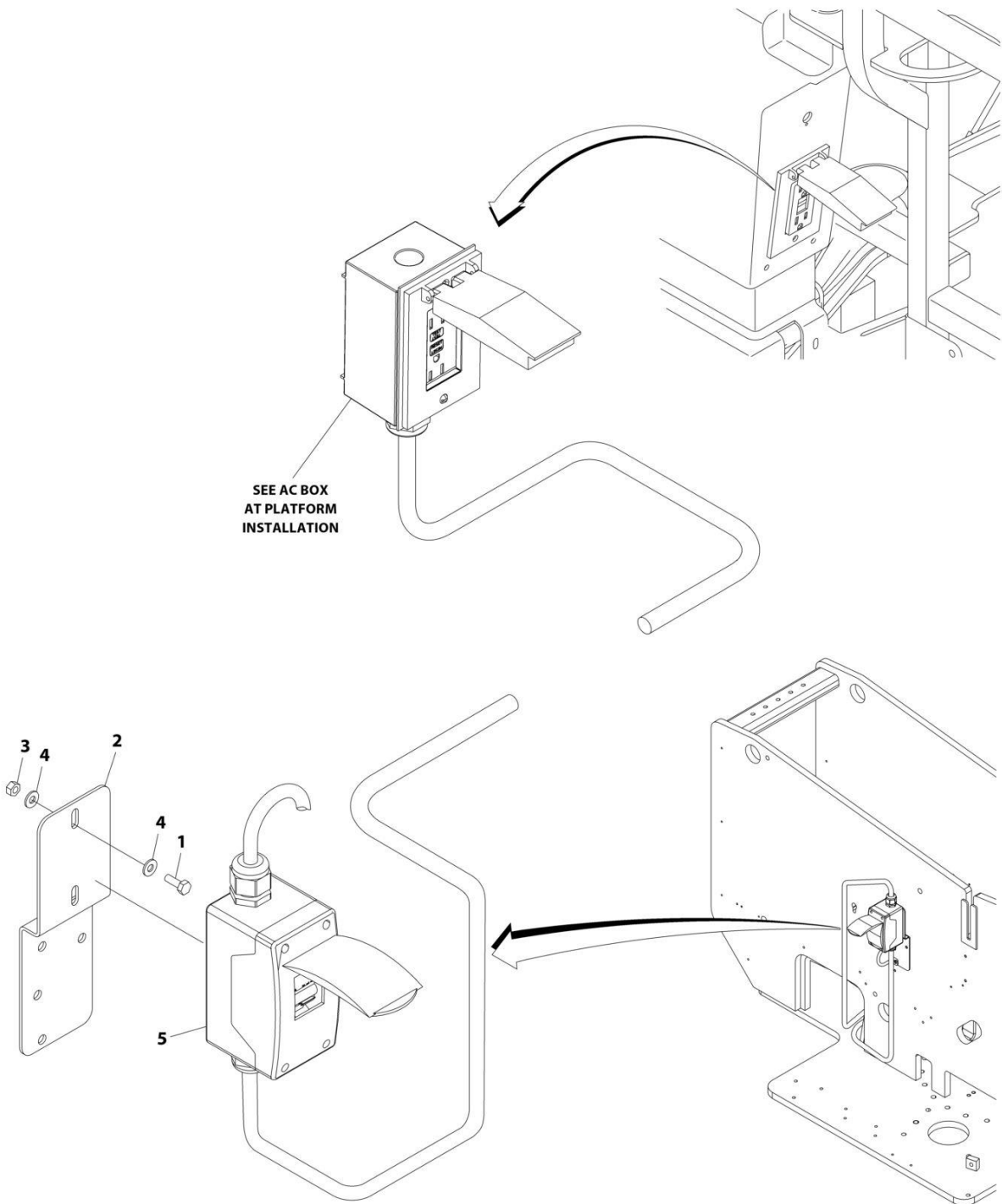
SECTION 8 - ELECTRICAL

FIGURE 8-18. AC BREAKER BOX INSTALLATION - WITH 2 BREAKERS (CE & UK CA SPECS WITH 4000W GENERATOR)

ITEM	PART NUMBER	QTY	DESCRIPTION	REV
	1001236962	Ref	AC BREAKER BOX INSTALLATION	A
1	0100011	AR	Compound, Locking	
2	0641406	4	Bolt 1/4 x 3/4	
3	3311405	2	Nut 1/4	
4	4711400	6	Washer 1/4	
5	1001165368	1	Breaker Box Kit - With 2 Breakers (See Separate Breakdown in this Section)	
6	1001213584	1	Plug, Male	
7	1001213585	1	Receptacle, Female	
8	1001229080	1	Bracket	
9	4240099	AR	Tie-Strap (Not Shown)	

SECTION 8 - ELECTRICAL

FIGURE 8-19. AC BREAKER BOX INSTALLATION - WITH 2 BREAKERS (BRAZIL SPECS)



ART_1001171016

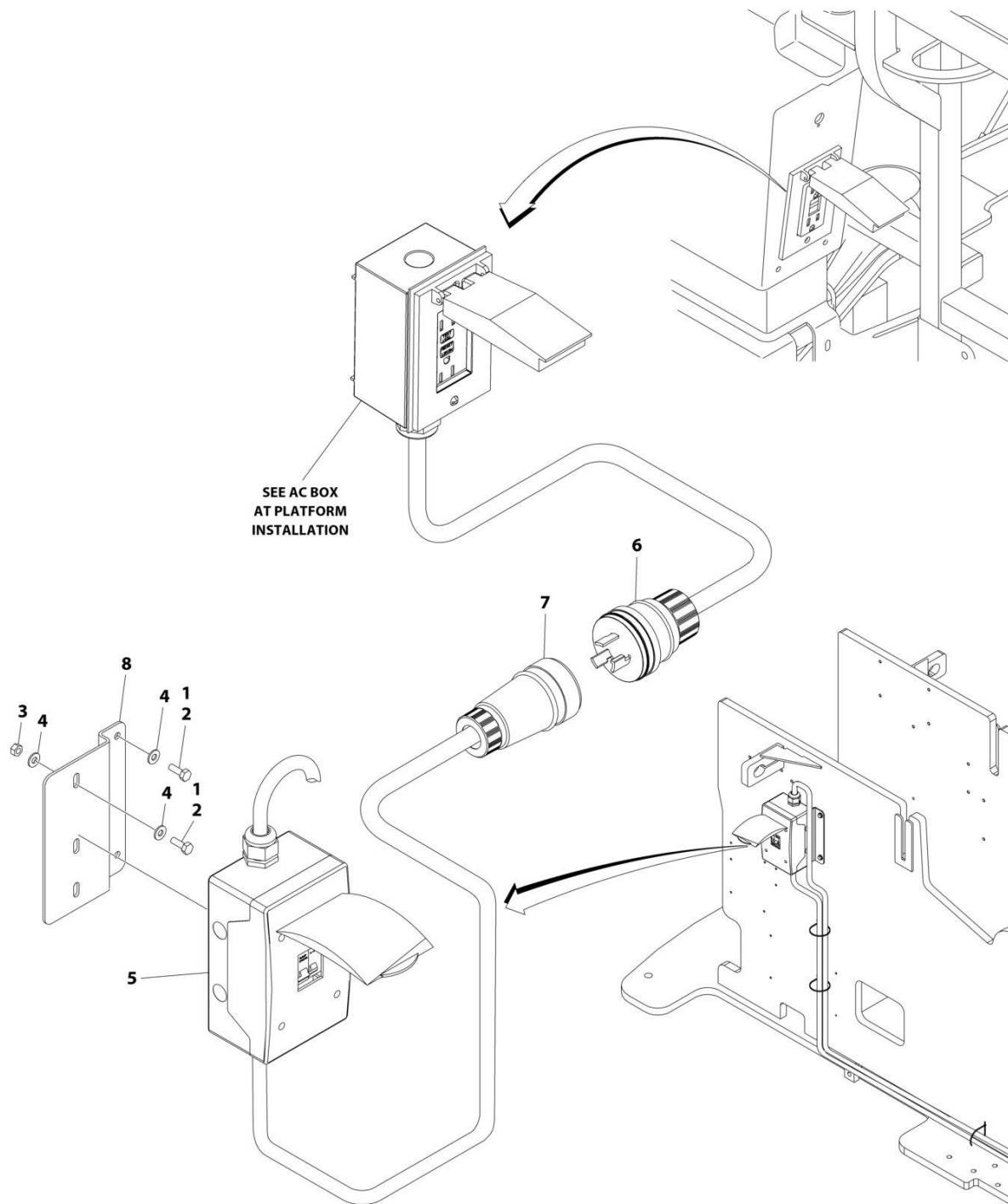
SECTION 8 - ELECTRICAL

FIGURE 8-19. AC BREAKER BOX INSTALLATION - WITH 2 BREAKERS (BRAZIL SPECS)

ITEM	PART NUMBER	QTY	DESCRIPTION	REV
	1001171016	Ref	AC BREAKER BOX INSTALLATION	A
1	0641406	2	Bolt 1/4 x 3/4	
2	0903697	1	Bracket	
3	3311405	2	Nut 1/4	
4	4711400	4	Washer 1/4	
5	1001109654	1	Breaker Box Kit - With 2 Breakers (See Separate Breakdown in this Section)	

SECTION 8 - ELECTRICAL

FIGURE 8-20. AC BREAKER BOX INSTALLATION - WITH 3 BREAKERS (CE & UK CA SPECS WITH 4000W GENERATOR)



ART_1001234588

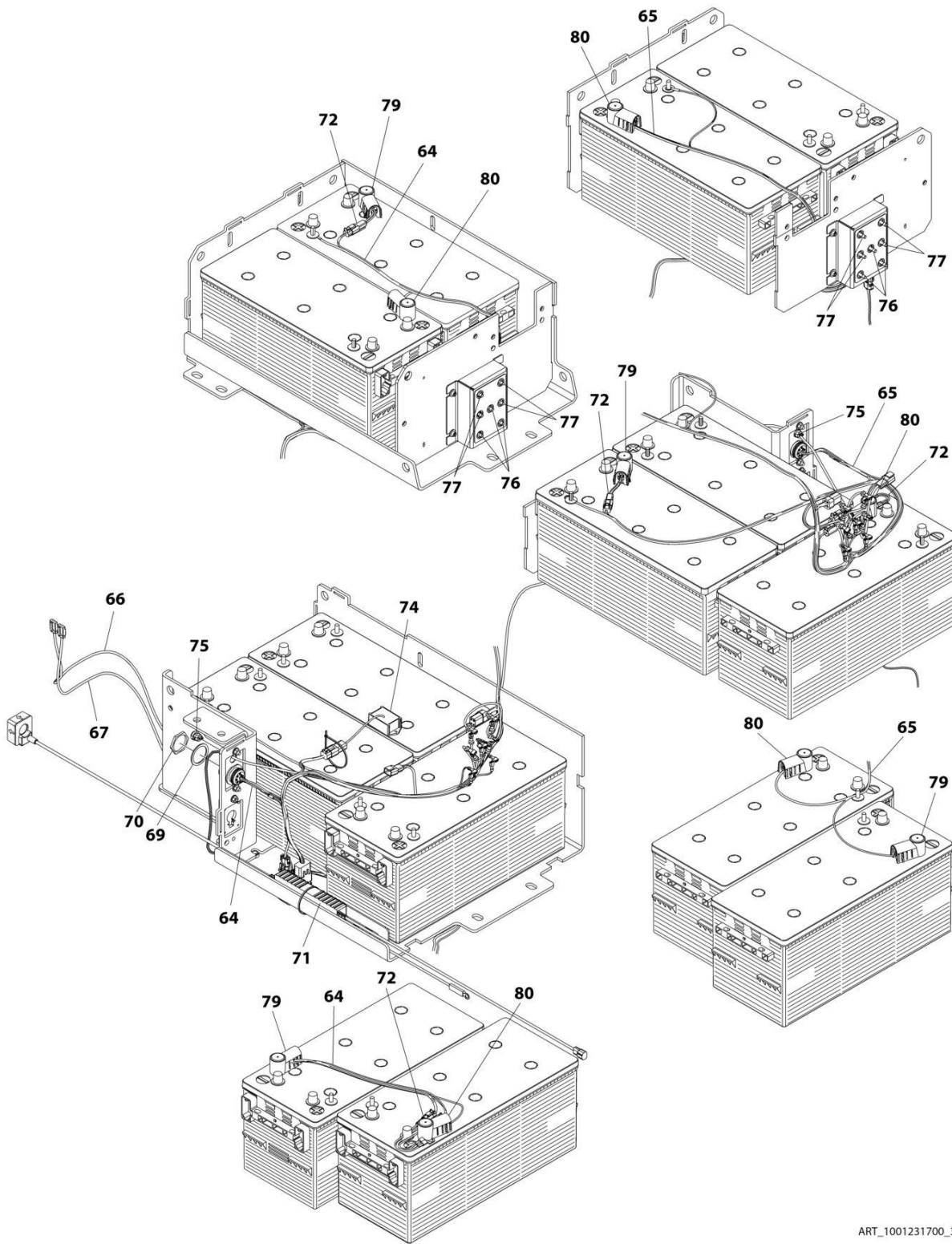
SECTION 8 - ELECTRICAL

FIGURE 8-20. AC BREAKER BOX INSTALLATION - WITH 3 BREAKERS (CE & UK CA SPECS WITH 4000W GENERATOR)

ITEM	PART NUMBER	QTY	DESCRIPTION	REV
	1001234588	Ref	AC BREAKER BOX INSTALLATION	A
1	0100011	AR	Compound, Locking	
2	0641406	4	Bolt 1/4 x 3/4	
3	3311405	2	Nut 1/4	
4	4711400	6	Washer 1/4	
5	1001205690	1	Breaker Box Kit - With 3 Breakers (See Separate Breakdown in this Section)	
6	1001213584	1	Plug, Male	
7	1001213585	1	Receptacle, Female	
8	1001229080	1	Bracket	
9	4240099	AR	Tie-Strap (Not Shown)	

SECTION 8 - ELECTRICAL

FIGURE 8-21. BATTERY CABLES INSTALLATION



ART_1001231700_30F3

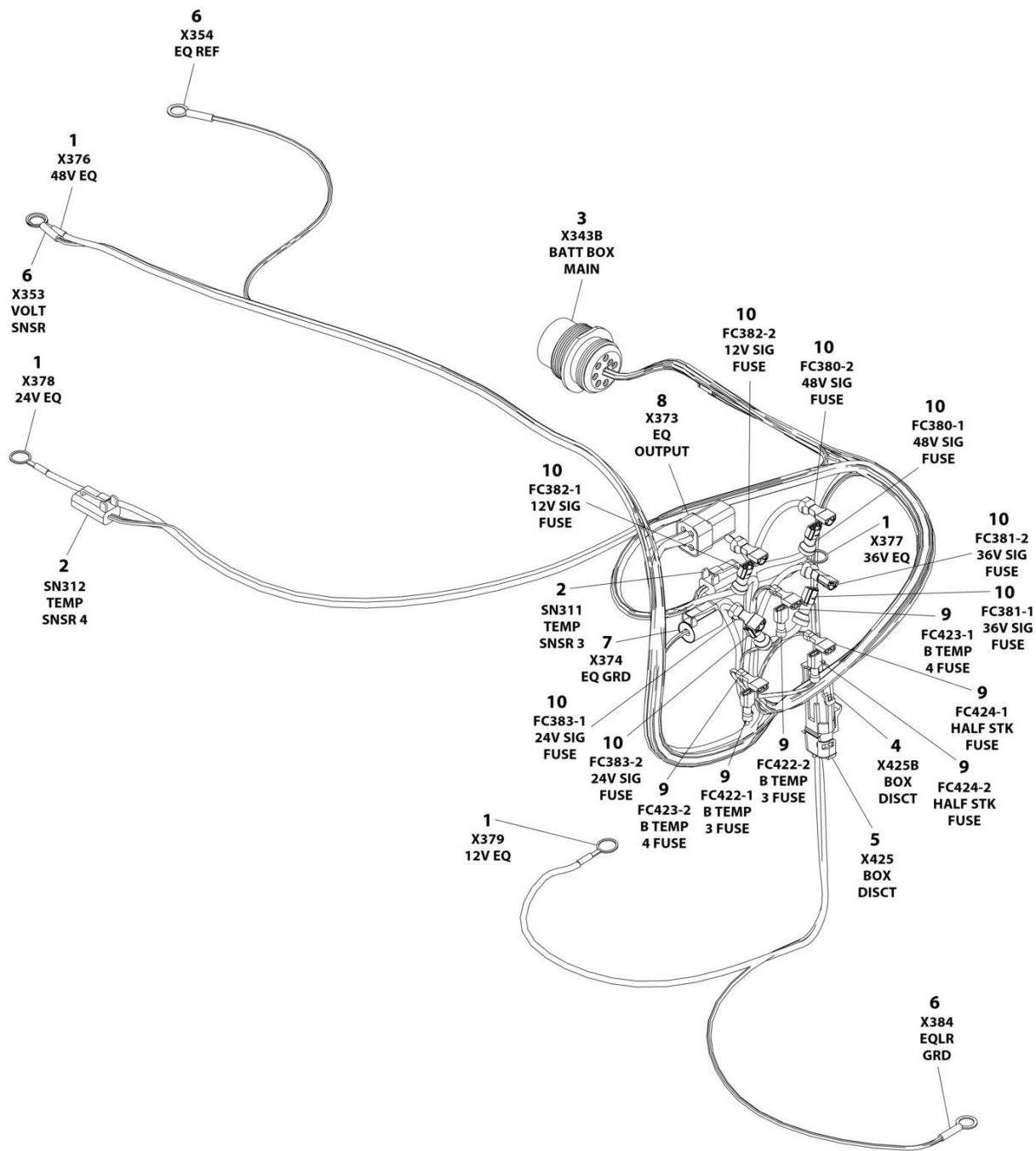
SECTION 8 - ELECTRICAL

FIGURE 8-21. BATTERY CABLES INSTALLATION

ITEM	PART NUMBER	QTY	DESCRIPTION	REV
	1001231700	Ref	BATTERY CABLES INSTALLATION	G
64	1001231685	1	Battery Stack Harness (RH) (See Separate Breakdown in this Section)	
65	1001231686	1	Battery Stack Harness (LH) (See Separate Breakdown in this Section)	
66	1001232840	1	Cable Equalizer LED (LH)	
66	4460910	1	Receptacle, Female - 3 Position	
66	1001126011	3	Terminal	
66	4460911	1	Plug, Male - 3 Position	
66	1001126008	3	Terminal	
67	1001232841	1	Cable Equalizer LED (RH)	
67	4460910	1	Receptacle, Female - 3 Position	
67	1001126011	3	Terminal	
67	4460911	1	Plug, Male - 3 Position	
67	1001126008	3	Terminal	
69	4460496	2	Washer	
70	4460497	2	Nut	
71	1001222336	1	Control, SOC Monitor	
72	1001225131	5	Temperature Sensor Harness	
74	1001227080	1	Terminator, Electrical	
75	1001233825	2	Connector, Strain Relief	
76	2400080	6	Fuse - 1 Amp	
77	1001234313	8	Fuse - 7.5 Amp	
79	1001225557	4	Boot (Black)	
80	1001225558	5	Boot (Red)	
81	4240032	AR	Tie-Strap (Not Shown)	
100	1001233440	1	Battery Connect Cable Kit (Not Shown)	
101	1001222379	1	Cable, Battery Jumper (+)	
102	1001222380	1	Cable, Battery Jumper (-)	
500	1001233448	2	Battery Box Cable Kit (Not Shown)	
501	1001231425	2	Cable, Battery Jumper (+) (1 Per Kit)	
502	1001231426	2	Cable, Battery Jumper (-) (1 Per Kit)	
503	1001231481	2	Cable, Battery Bulkhead (+) (1 Per Kit)	
504	1001231482	2	Cable, Battery Bulkhead (-) (1 Per Kit)	
505	1001231514	2	Cable, Battery Jumper (+) (1 Per Kit)	
506	1001231515	2	Cable, Battery Jumper (-) (1 Per Kit)	
507	1001231519	2	Cable, 84V Short (1 Per Kit)	
508	1001231520	2	Cable, 84V MID (1 Per Kit)	
509	1001231521	2	Cable, 84V Long (1 Per Kit)	
510	1001231522	2	Cable, 84V Bulkhead (1 Per Kit)	

SECTION 8 - ELECTRICAL

FIGURE 8-22. BATTERY STACK HARNESS (LH)



ART_1001231686

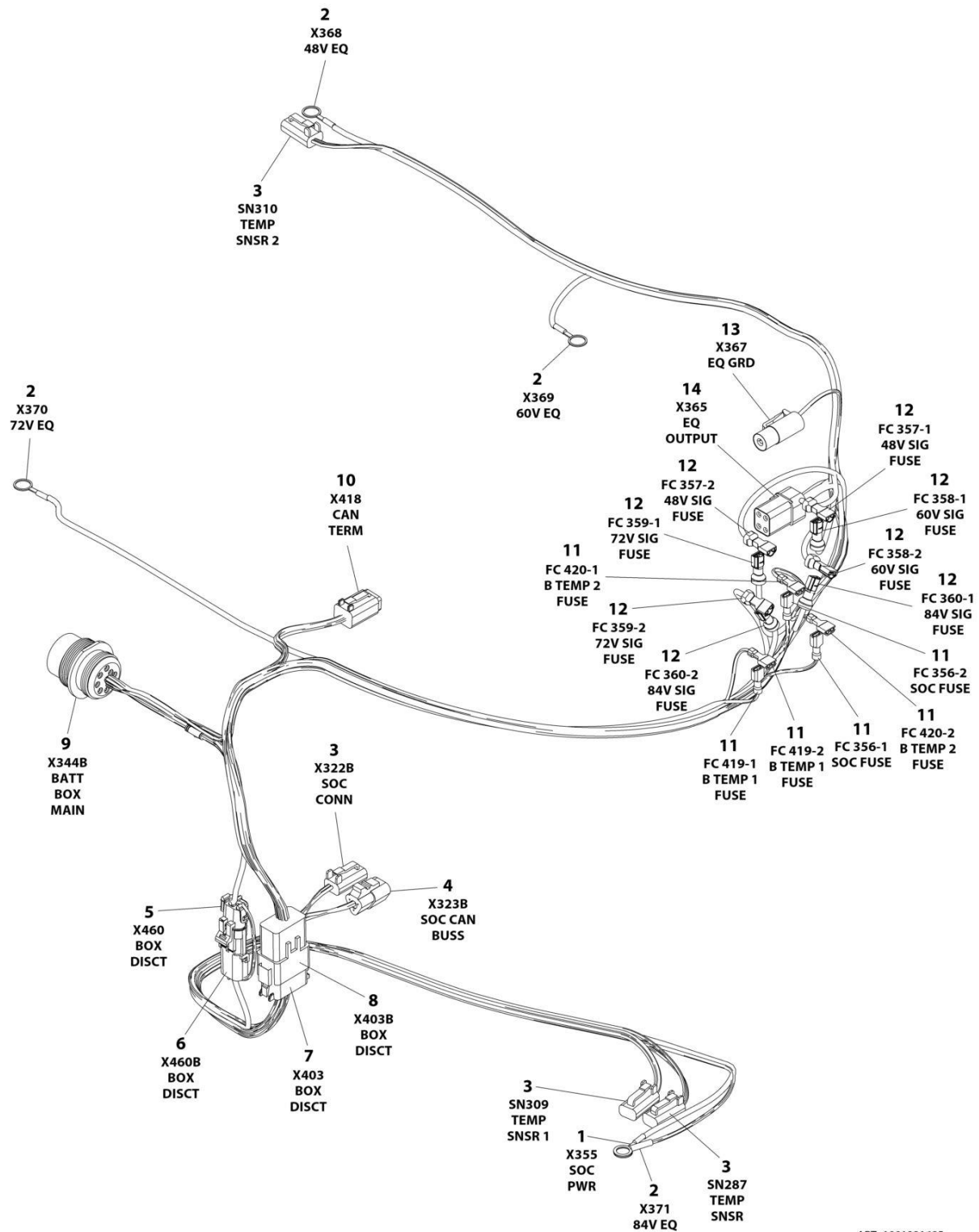
SECTION 8 - ELECTRICAL

FIGURE 8-22. BATTERY STACK HARNESS (LH)

ITEM	PART NUMBER	QTY	DESCRIPTION	REV
	1001231686	Ref	BATTERY STACK HARNESS	B
1	4460019	4	Terminal, Ring	
2	4460891	2	Plug, Male - 2 Position	
2	4460465	4	Socket, Female	
3	1001112612	1	Connector - 9 Position	
3	4460464	5	Pin, Male	
3	4460466	4	Plug, Terminal	
4	4461157	1	Receptacle, Female - 2 Position	
4	4460850	2	Terminal	
5	4460742	1	Plug, Male - 2 Position	
5	4460790	2	Terminal	
6	4460256	3	Terminal, Ring	
7	4461261	1	Plug, Male - 1 Position	
7	4460509	1	Socket, Female	
8	1001116810	1	Plug, Male - 4 Position	
8	4460509	8	Socket, Female	
9	8220051	6	Terminal	
10	8220043	8	Terminal	

SECTION 8 - ELECTRICAL

FIGURE 8-23. BATTERY STACK HARNESS (RH)



ART_1001231685

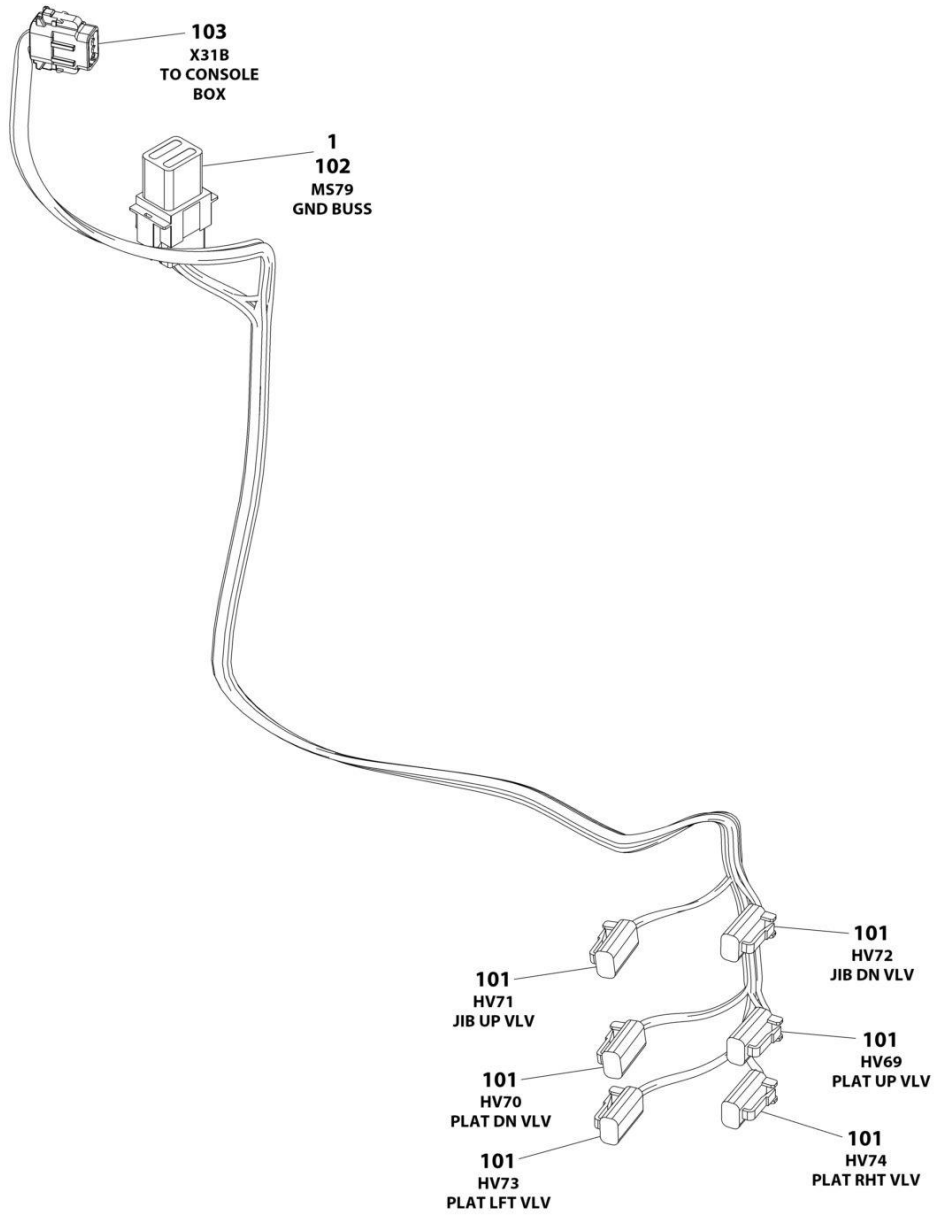
SECTION 8 - ELECTRICAL

FIGURE 8-23. BATTERY STACK HARNESS (RH)

ITEM	PART NUMBER	QTY	DESCRIPTION	REV
	1001231685	Ref	BATTERY STACK HARNESS	A
1	4460256	3	Terminal, Ring	
2	4460019	4	Terminal, Ring	
3	4460891	2	Plug, Male - 2 Position	
3	4460465	4	Socket, Female	
4	4460539	1	Plug, Male - 3 Position	
4	4460465	3	Socket, Female	
5	4461157	1	Receptacle, Female - 2 Position	
5	4460850	2	Terminal	
6	4460742	1	Plug, Male - 2 Position	
6	4460790	2	Terminal	
7	4460836	1	Plug, Male - 12 Position	
7	4460465	9	Socket, Female	
7	4460466	3	Plug, Terminal	
8	4460950	1	Receptacle, Female - 12 Position	
8	4460464	9	Pin, Male	
8	4460466	3	Plug, Terminal	
9	1001112612	1	Connector - 9 Position	
9	4460464	5	Pin, Male	
10	4460884	1	Plug, Male - 4 Position	
10	4460465	4	Socket, Female	
11	8220051	6	Terminal	
12	8220043	8	Terminal	
13	4461261	1	Plug, Male - 1 Position	
13	4460509	1	Socket, Female	
14	1001116810	1	Plug, Male - 4 Position	
14	4460509	8	Socket, Female	

SECTION 8 - ELECTRICAL

FIGURE 8-24. BOOM VALVE HARNESS



ART_1001222047

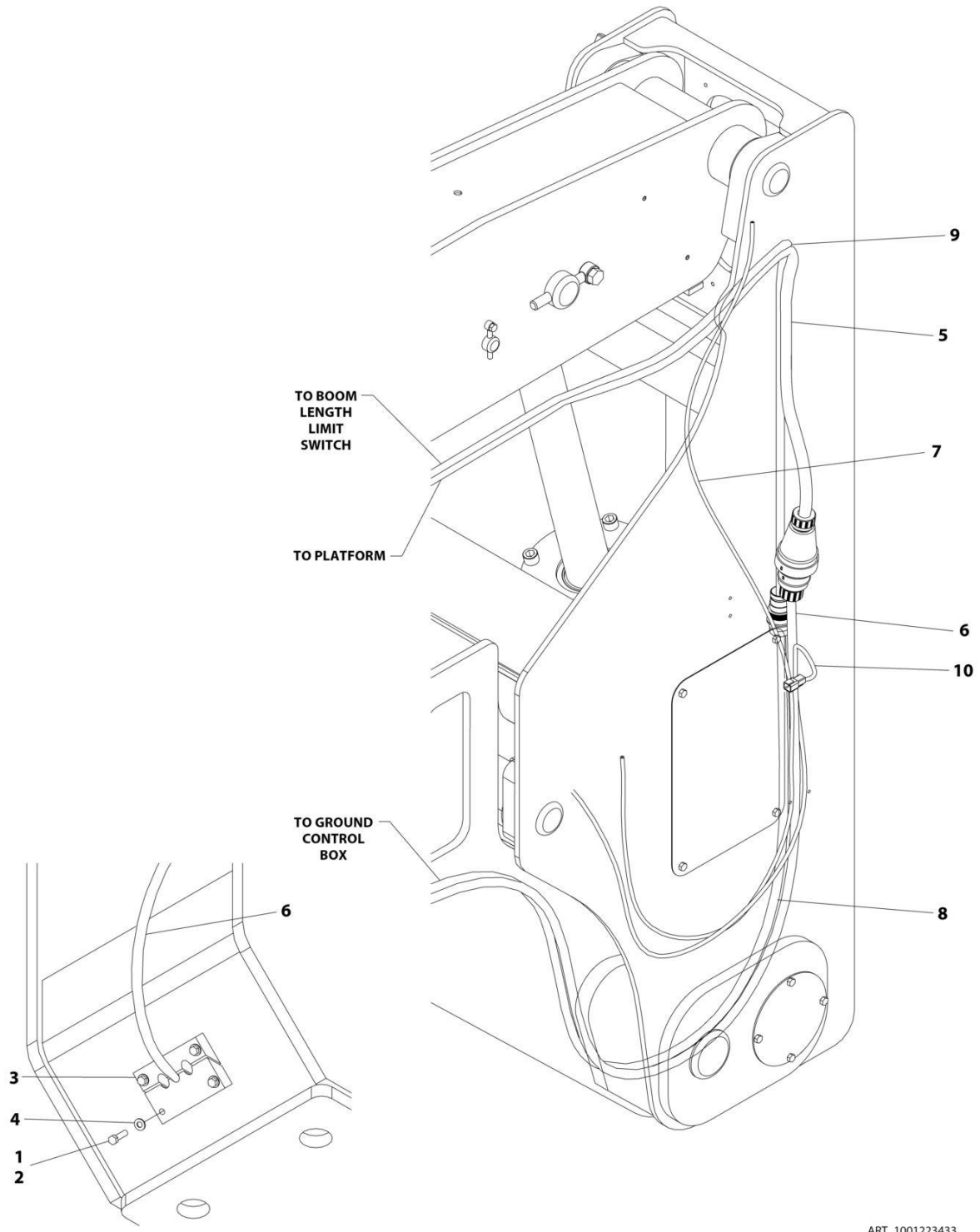
SECTION 8 - ELECTRICAL

FIGURE 8-24. BOOM VALVE HARNESS

ITEM	PART NUMBER	QTY	DESCRIPTION	REV
	1001222047	Ref	BOOM VALVE HARNESS	B
1	4460852	1	Connector, Buss - 8 Position	
101	4460891	6	Plug, Male - 2 Position	
101	4460465	12	Socket, Female	
102	4460851	1	Plug, Male - 8 Position	
102	4460465	8	Socket, Female	
103	1001190577	1	Plug, Male - 8 Position	
103	1001126008	7	Socket, Female	
103	4460518	1	Plug, Terminal	

SECTION 8 - ELECTRICAL

FIGURE 8-25. BOOM CABLES INSTALLATION (MACHINES WITHOUT GENERATOR)



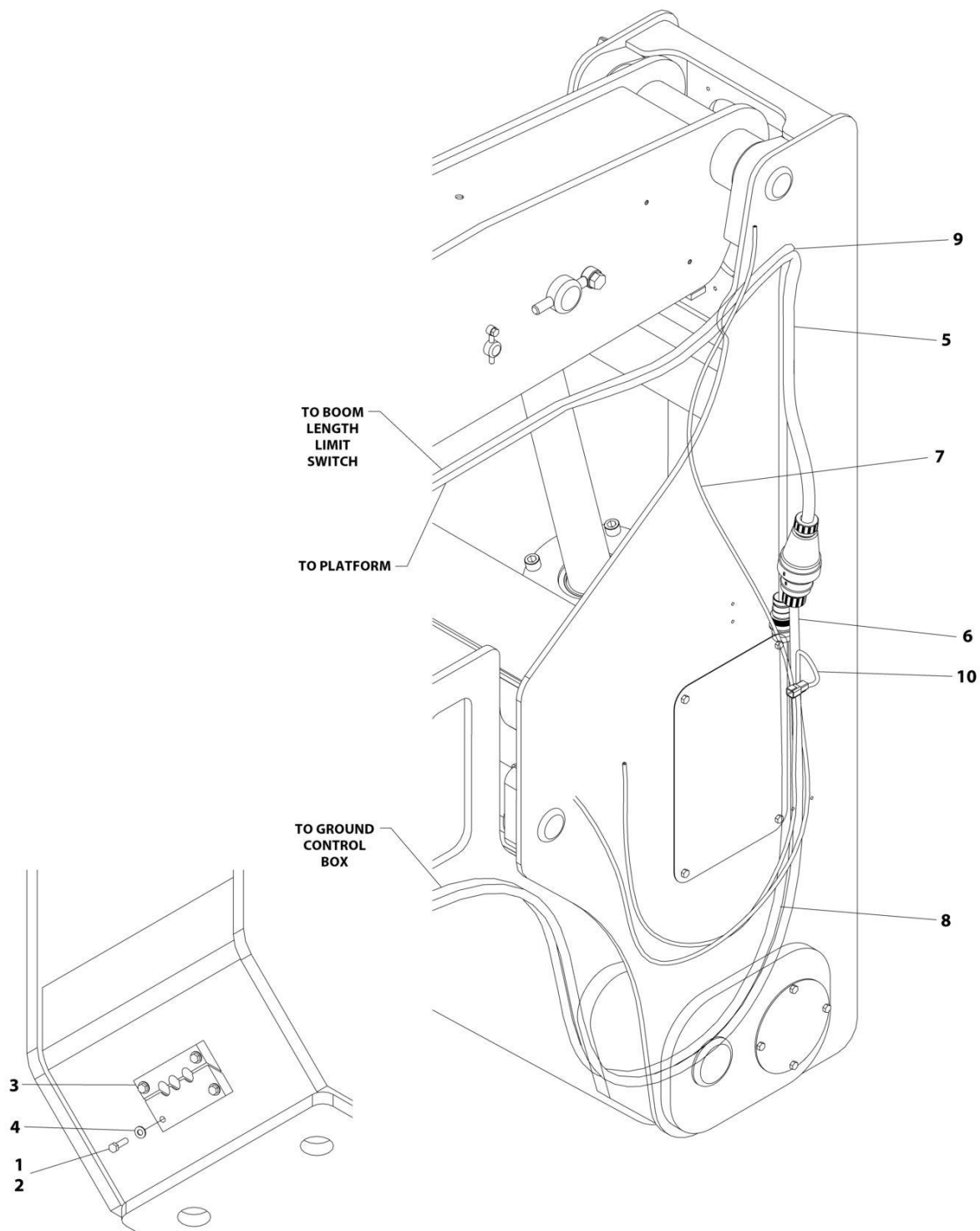
SECTION 8 - ELECTRICAL

FIGURE 8-25. BOOM CABLES INSTALLATION (MACHINES WITHOUT GENERATOR)

ITEM	PART NUMBER	QTY	DESCRIPTION	REV
	1001223433	Ref	BOOM CABLES INSTALLATION	D
1	0100011	AR	Compound, Locking	
2	0641612	4	Bolt 3/8 x 1-1/2	
3	1320256	1	Clamp, Block	
4	4711600	4	Washer 3/8	
5	4922216	1	AC Cable, 10/3 (Main Boom)	
6	4922217	1	AC Cable, 10/3 (Tower Boom)	
7	4922578	2	Cable, Main Boom Elevation Limit Switch	
8	1001222055	1	Boom Cable - Tower Boom (See Separate Breakdown in this Section)	
9	1001227356	1	Boom Cable - Main Boom (See Separate Breakdown in this Section)	
10	1001227359	1	Tilt Sensor Harness	
10	1001097051	1	Connector - 4 Position	
10	1001097082	3	Terminal	

SECTION 8 - ELECTRICAL

FIGURE 8-26. BOOM CABLES INSTALLATION (AUSTRALIAN SPECS WITH 4000W GENERATOR)



ART_1001227853

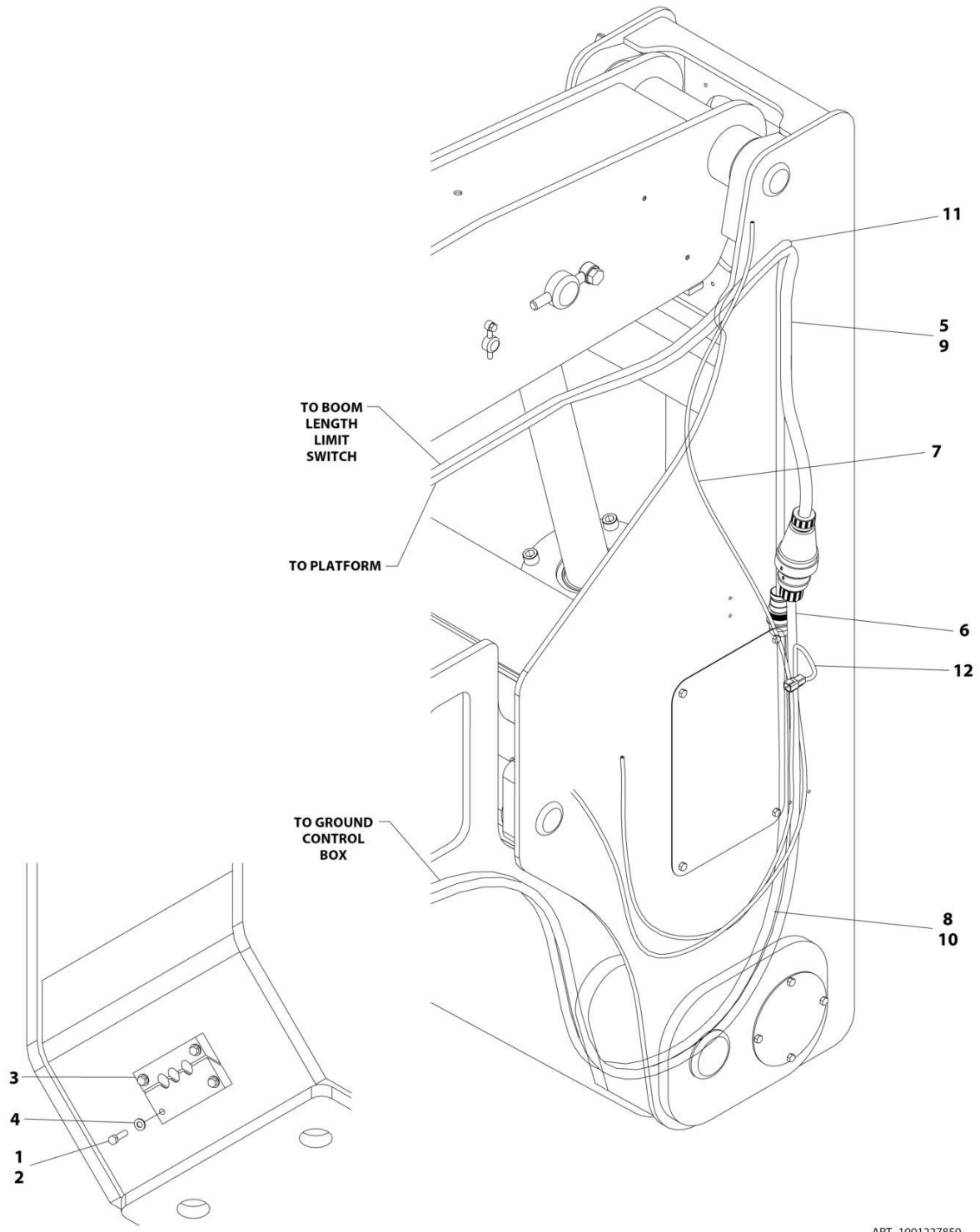
SECTION 8 - ELECTRICAL

FIGURE 8-26. BOOM CABLES INSTALLATION (AUSTRALIAN SPECS WITH 4000W GENERATOR)

ITEM	PART NUMBER	QTY	DESCRIPTION	REV
	1001227853	Ref	BOOM CABLES INSTALLATION	D
1	0100011	AR	Compound, Locking	
2	0641612	4	Bolt 3/8 x 1-1/2	
3	1320256	1	Clamp, Block	
4	4711600	4	Washer 3/8	
5	4922219	1	AC Cable - 10/3 (Main Boom)	
6	4922220	1	AC Cable - 10/3 (Tower Boom)	
7	4922578	2	Cable, Main Boom Elevation Limit Switch	
8	1001222055	1	Boom Cable - Tower Boom (See Separate Breakdown in this Section)	
9	1001227356	1	Boom Cable - Main Boom (See Separate Breakdown in this Section)	
10	1001227359	1	Tilt Sensor Harness	
10	1001097051	1	Connector - 4 Position	
10	1001097082	3	Terminal	
11	4240099	AR	Tie-Strap (Not Shown)	

SECTION 8 - ELECTRICAL

FIGURE 8-27. BOOM CABLES INSTALLATION (CE & UK CA SPECS WITH 4000W GENERATOR)



ART_1001227850

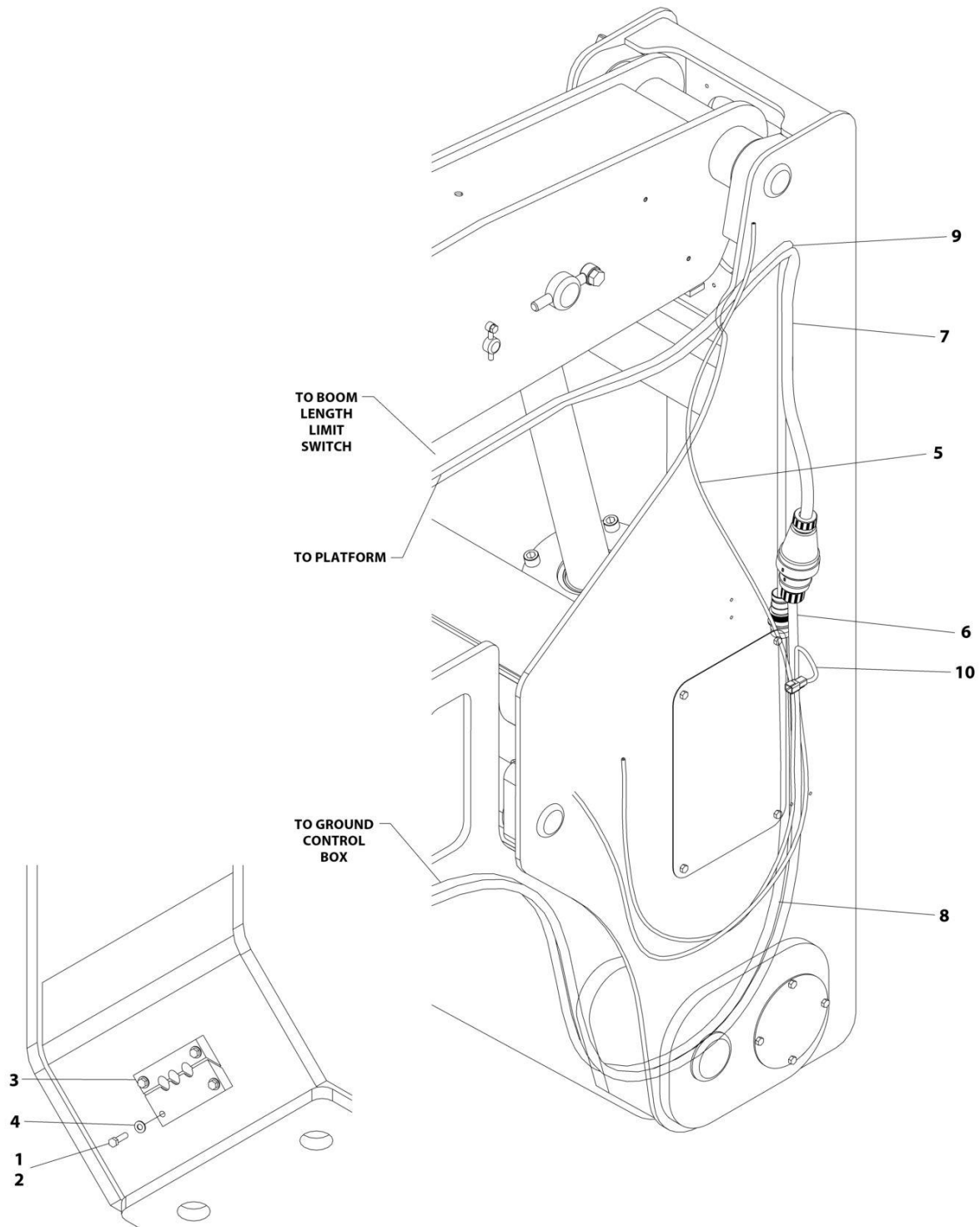
SECTION 8 - ELECTRICAL

FIGURE 8-27. BOOM CABLES INSTALLATION (CE & UK CA SPECS WITH 4000W GENERATOR)

ITEM	PART NUMBER	QTY	DESCRIPTION	REV
	1001227850	Ref	BOOM CABLES INSTALLATION	D
1	0100011	AR	Compound, Locking	
2	0641612	4	Bolt 3/8 x 1-1/2	
3	1320256	1	Clamp, Block	
4	4711600	4	Washer 3/8	
5	4922219	1	AC Cable - 10/3 (Main Boom)	
6	4922220	1	AC Cable - 10/3 (Tower Boom)	
7	4922578	2	Cable, Main Boom Elevation Limit Switch	
8	4922579	1	Boom Length Harness (Tower Boom)	
8	4460891	1	Plug, Male - 2 Position	
8	4460465	2	Socket, Female	
9	4922580	1	Boom Length Harness (Main Boom)	
9	4460897	1	Receptacle, Female	
9	4460464	2	Pin, Male	
10	1001222055	1	Boom Cable - Tower Boom (See Separate Breakdown in this Section)	
11	1001227356	1	Boom Cable - Main Boom (See Separate Breakdown in this Section)	
12	1001227359	1	Tilt Sensor Harness	
12	1001097051	1	Connector - 4 Position	
12	1001097082	3	Terminal	
13	4240099	AR	Tie-Strap (Not Shown)	

SECTION 8 - ELECTRICAL

FIGURE 8-28. BOOM CABLES INSTALLATION (ALL SPECS EXCEPT CE & UK CA SPECS WITH 7500W GENERATOR)



ART_1001227851

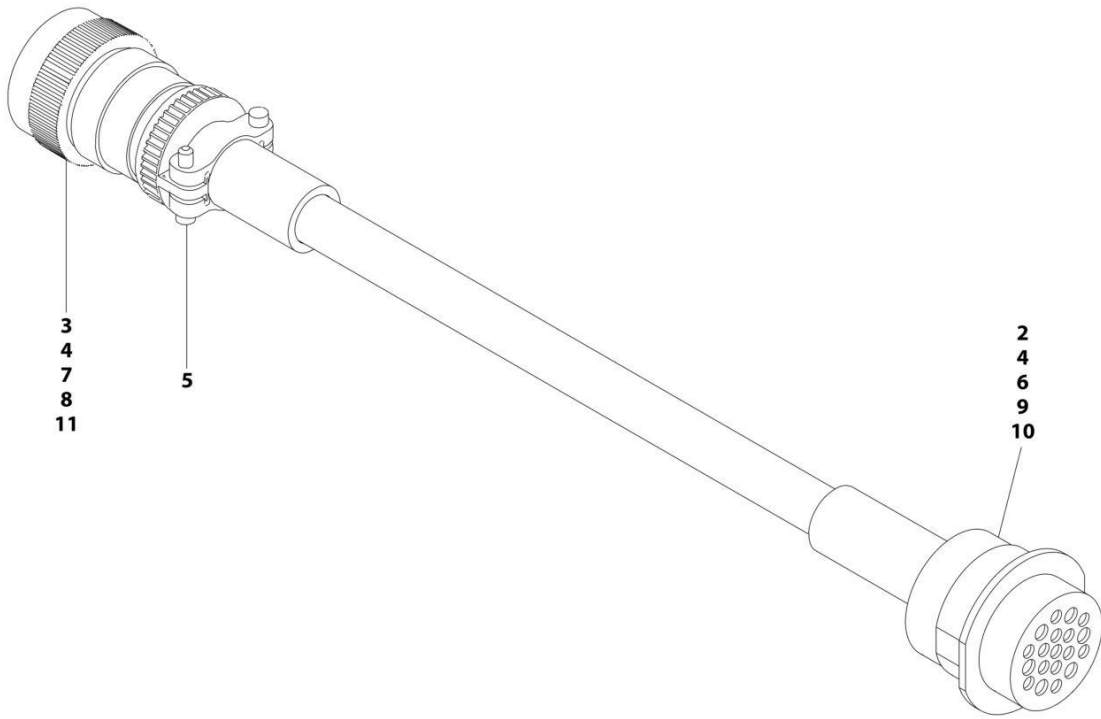
SECTION 8 - ELECTRICAL

FIGURE 8-28. BOOM CABLES INSTALLATION (ALL SPECS EXCEPT CE & UK CA SPECS WITH 7500W GENERATOR)

ITEM	PART NUMBER	QTY	DESCRIPTION	REV
	1001227851	Ref	BOOM CABLES INSTALLATION	D
1	0100011	AR	Compound, Locking	
2	0641612	4	Bolt 3/8 x 1-1/2	
3	1320256	1	Clamp, Block	
4	4711600	4	Washer 3/8	
5	4922578	2	Cable, Main Boom Elevation Limit Switch	
6	1001125125	1	AC Cable 8/5 (Tower Boom)	
7	1001125126	1	AC Cable 8/5 (Main Boom)	
8	1001222055	1	Boom Cable - Tower Boom (See Separate Breakdown in this Section)	
9	1001227356	1	Boom Cable - Main Boom (See Separate Breakdown in this Section)	
10	1001227359	1	Tilt Sensor Harness	
10	1001097051	1	Connector - 4 Position	
10	1001097082	3	Terminal	
13	4240099	AR	Tie-Strap (Not Shown)	

SECTION 8 - ELECTRICAL

FIGURE 8-29. BOOM CABLE - MAIN BOOM



AI

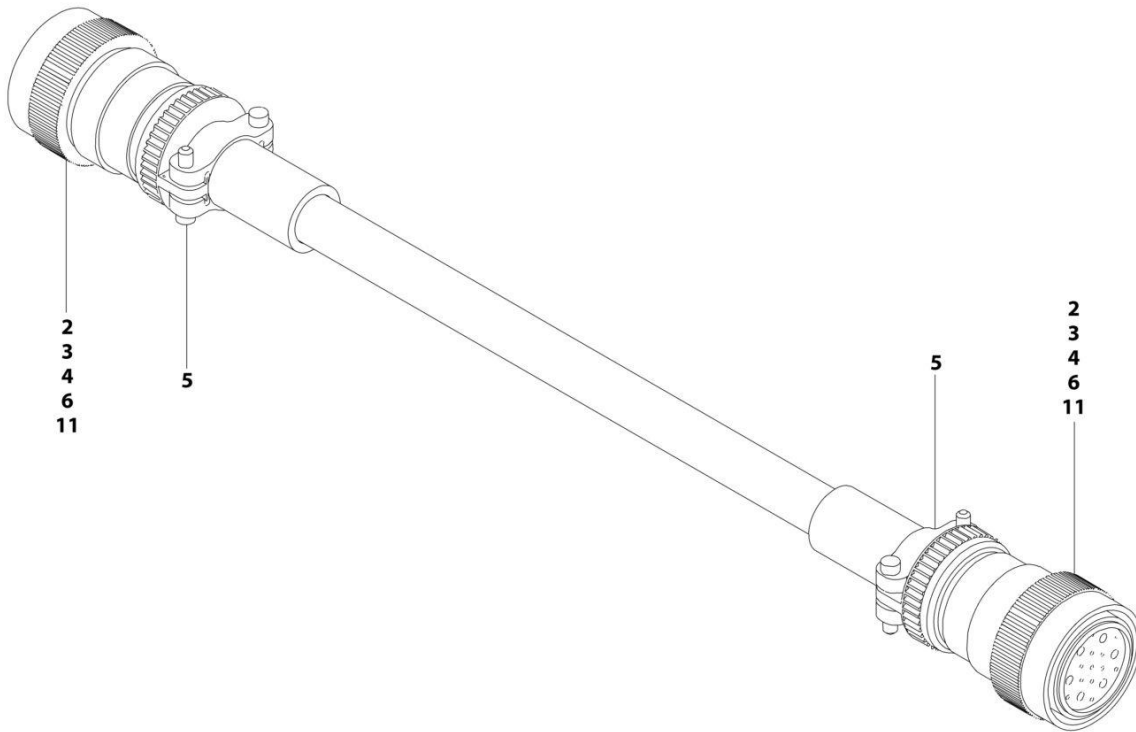
SECTION 8 - ELECTRICAL

FIGURE 8-29. BOOM CABLE - MAIN BOOM

ITEM	PART NUMBER	QTY	DESCRIPTION	REV
	1001227356	Ref	BOOM CABLE - MAIN BOOM	A
2	4460464	8	Pin, Male	
3	4460465	8	Socket, Female	
4	4460466	10	Plug, Terminal	
5	4460473	1	Clamp	
6	4460508	4	Pin, Male	
7	4460509	4	Socket, Female	
8	4460865	1	Connector - 19 Position	
9	4460866	1	Connector - 19 Position	
10	4460943	2	Pin, Male	
11	4460944	2	Socket, Female	

SECTION 8 - ELECTRICAL

FIGURE 8-30. BOOM CABLE - TOWER BOOM



ART_1001222055

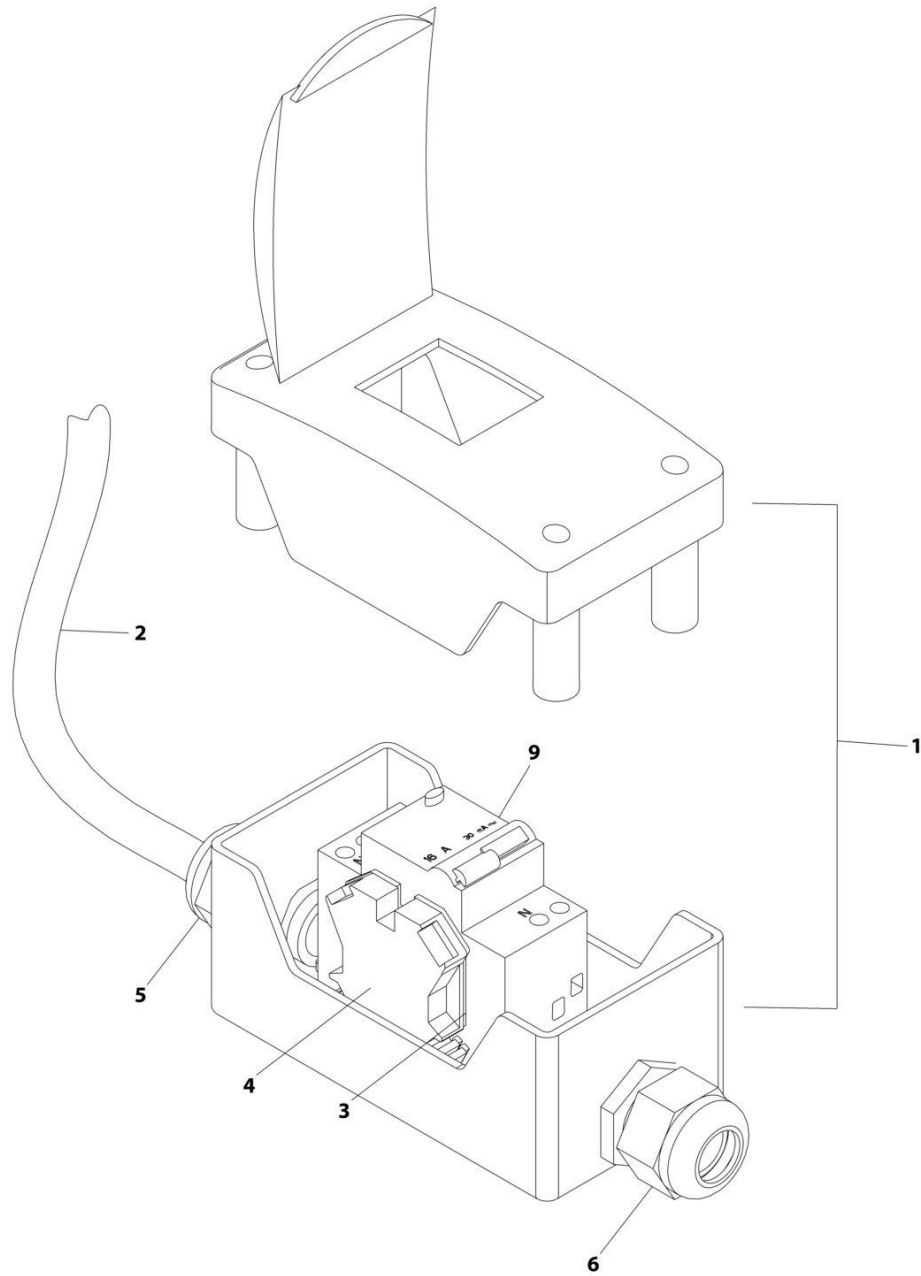
SECTION 8 - ELECTRICAL

FIGURE 8-30. BOOM CABLE - TOWER BOOM

ITEM	PART NUMBER	QTY	DESCRIPTION	REV
	1001222055	Ref	BOOM CABLE - TOWER BOOM	C
2	4460465	10	Socket, Female	
3	4460865	2	Connector - 19 Position	
4	4460509	8	Socket, Female	
5	4460473	2	Clamp	
6	4460466	10	Plug, Terminal	
11	4460944	10	Socket, Female	

SECTION 8 - ELECTRICAL

FIGURE 8-31. BREAKER BOX KIT - WITH 2 BREAKERS (CE & UK CA SPECS WITHOUT 4000W GENERATOR & BRAZIL SPECS)



ART_1001109654

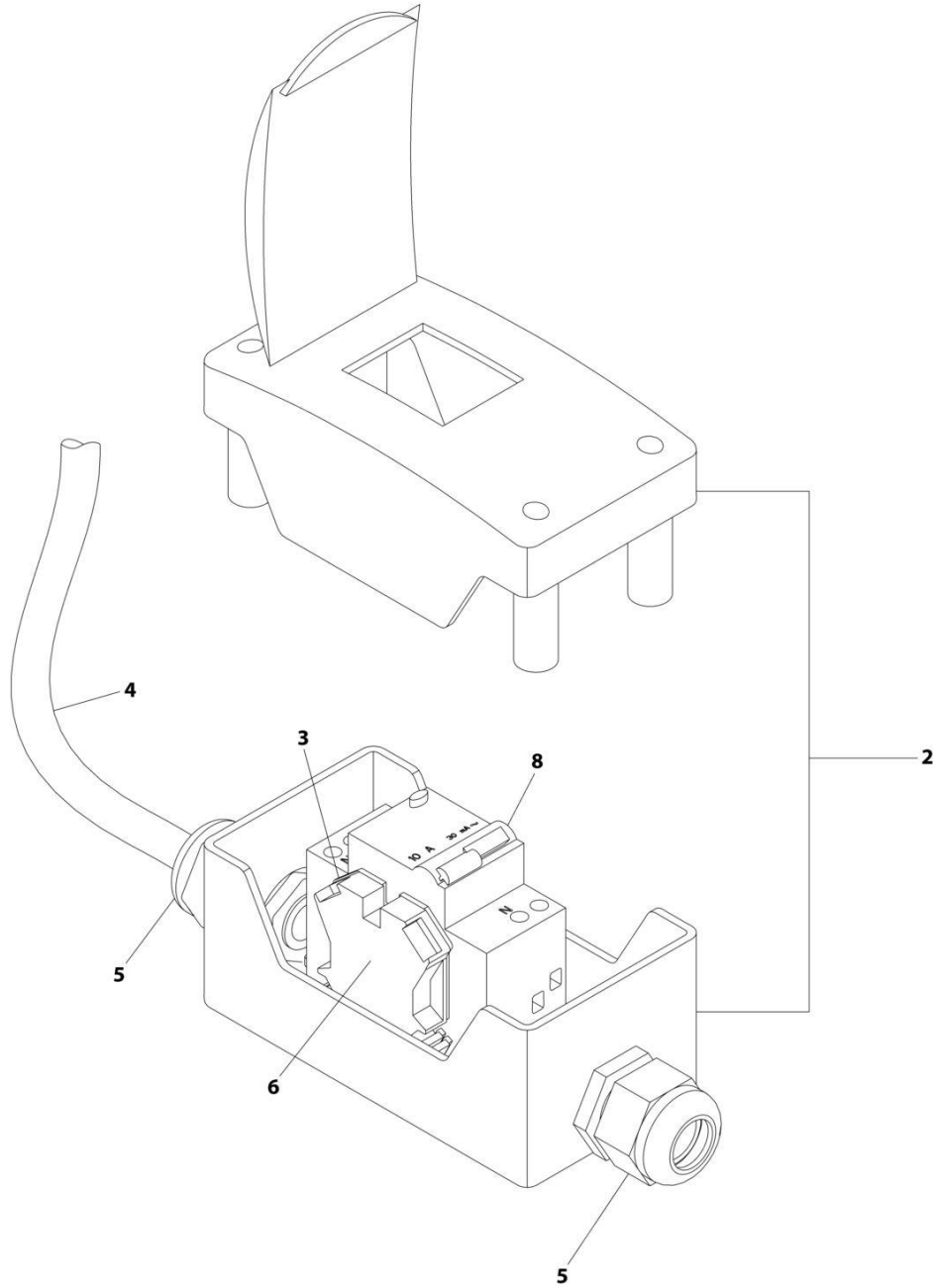
SECTION 8 - ELECTRICAL

FIGURE 8-31. BREAKER BOX KIT - WITH 2 BREAKERS (CE & UK CA SPECS WITHOUT 4000W GENERATOR & BRAZIL SPECS)

ITEM	PART NUMBER	QTY	DESCRIPTION	REV
	1001109654	Ref	BREAKER BOX KIT	B
1	0861880	1	Box, Breaker	
2	1060908	12 ft/ 3.6m	Cable 12/3	
3	4460956	1	Barrier, Terminal Block End	
4	4460957	1	Block, Terminal	
5	1001097150	1	Connector, Strain Relief	
6	1001101191	1	Connector, Strain Relief	
9	1001181045	1	Breaker - 30mA/16Amp	

SECTION 8 - ELECTRICAL

FIGURE 8-32. BREAKER BOX KIT - WITH 2 BREAKERS (CE & UK CA SPECS WITH 4000W GENERATOR)



ART_1001165368

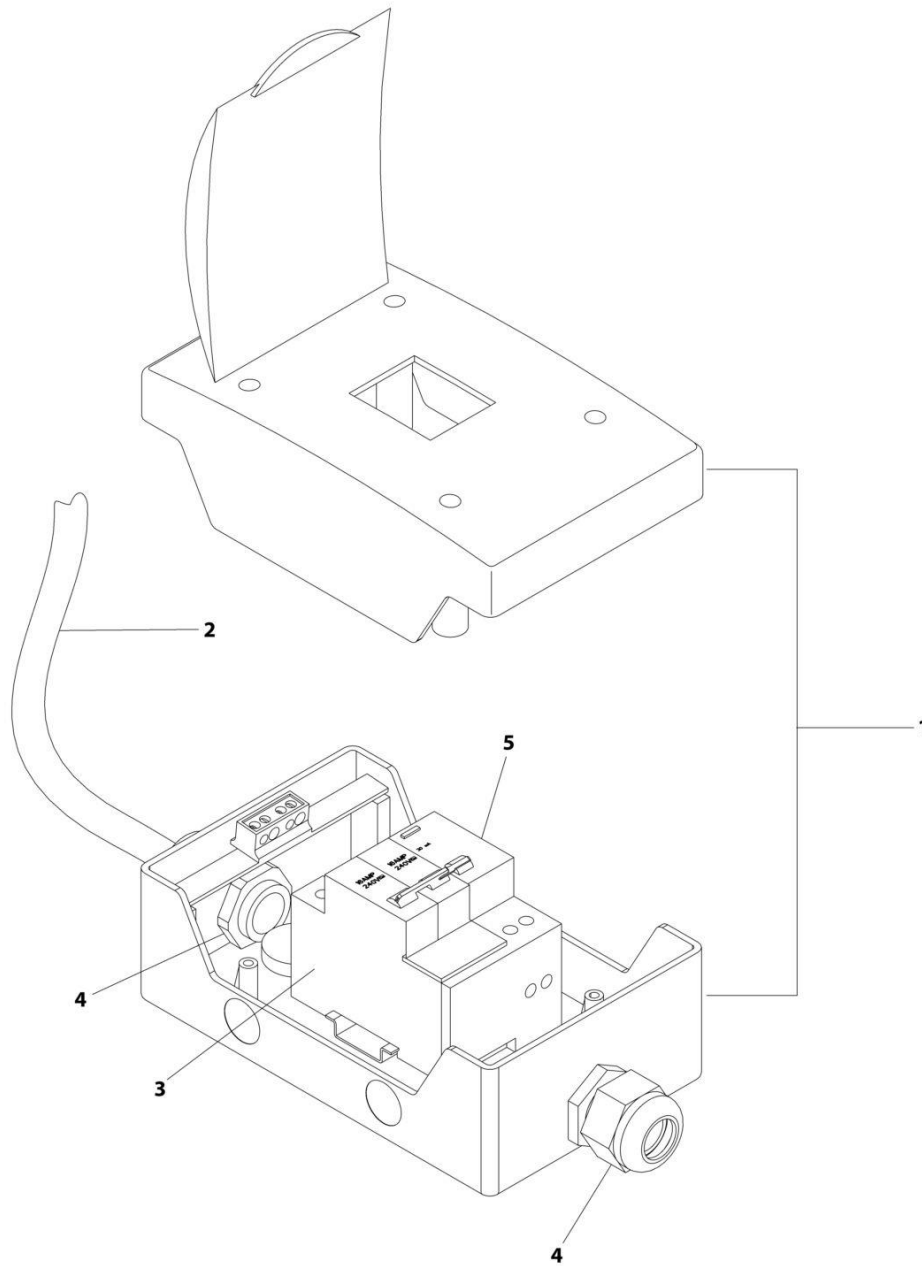
SECTION 8 - ELECTRICAL

FIGURE 8-32. BREAKER BOX KIT - WITH 2 BREAKERS (CE & UK CA SPECS WITH 4000W GENERATOR)

ITEM	PART NUMBER	QTY	DESCRIPTION	REV
	1001165368	Ref	BREAKER BOX KIT	B
2	0861880	1	Box, Circuit Breaker	
3	4460956	1	Barrier, Terminal Block End	
4	1060545	12 ft/ 3.6m	Cable, Electrical 10/3	
5	1001101191	2	Connector, Strain Relief	
6	4460957	1	Block, Terminal	
8	1001181045	1	Breaker 30mA/16Amp	

SECTION 8 - ELECTRICAL

FIGURE 8-33. BREAKER BOX KIT - WITH 3 BREAKERS (CE & UK CA SPECS WITH 4000W GENERATOR)



ART_1001205690

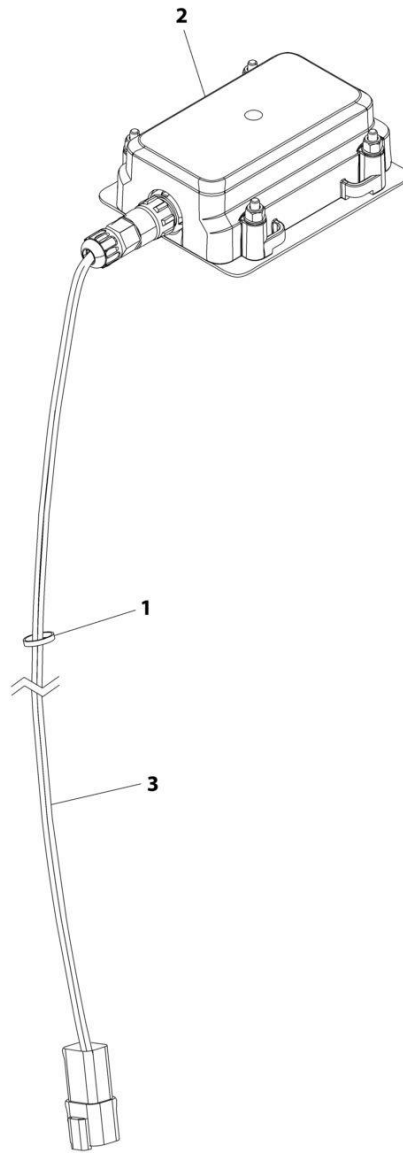
SECTION 8 - ELECTRICAL

FIGURE 8-33. BREAKER BOX KIT - WITH 3 BREAKERS (CE & UK CA SPECS WITH 4000W GENERATOR)

ITEM	PART NUMBER	QTY	DESCRIPTION	REV
	1001205690	Ref	BREAKER BOX KIT	B
1	1001152483	1	Box, Breaker	
2	1060545	12 ft / 3.6m	Cable, Electrical 10/3	
3	1001189172	1	Breaker 16Amp Double	
4	1001101191	2	Connector, Strain Relief	
5	1001189171	1	Breaker 30mA	

SECTION 8 - ELECTRICAL

FIGURE 8-34. CLEARSKY INSTALLATION - 3 WIRE GT1030



ART_1001276610

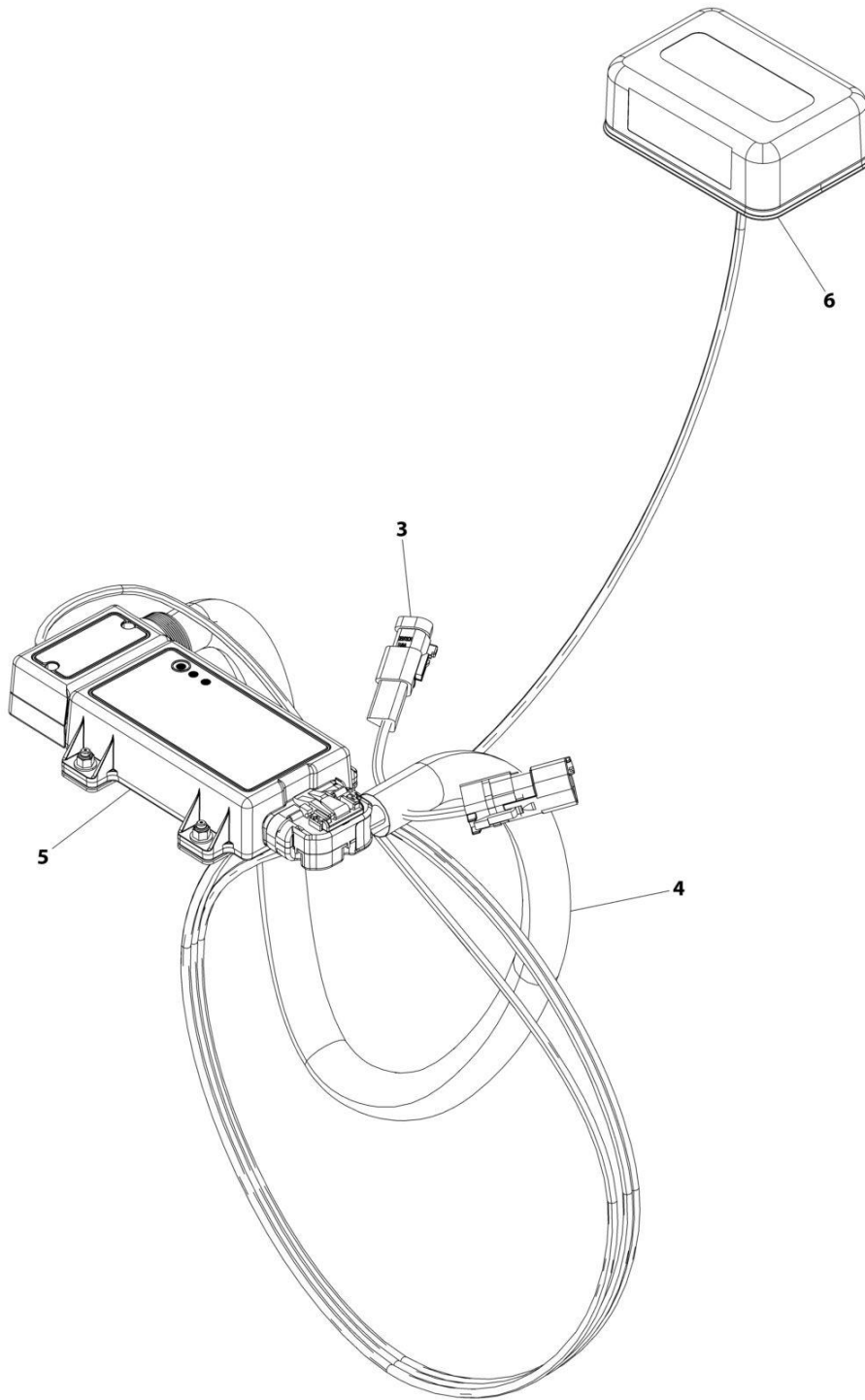
SECTION 8 - ELECTRICAL

FIGURE 8-34. CLEARSKY INSTALLATION - 3 WIRE GT1030

ITEM	PART NUMBER	QTY	DESCRIPTION	REV
	1001276610	Ref	CLEARSKY INSTALLATION 3-WIRE CONNECTION	A
1	4240032	AR	Tie-Strap	
2	1001272659	1	Telematics Control Module Assembly (Note: Re-calibration Required when Replaced)	
3	1001273012	1	ClearSky Harness (See Separate Breakdown in this Section)	

SECTION 8 - ELECTRICAL

FIGURE 8-35. CLEARSKY INSTALLATION - CANBUS (ANSI SPECS)



ART_1001227448

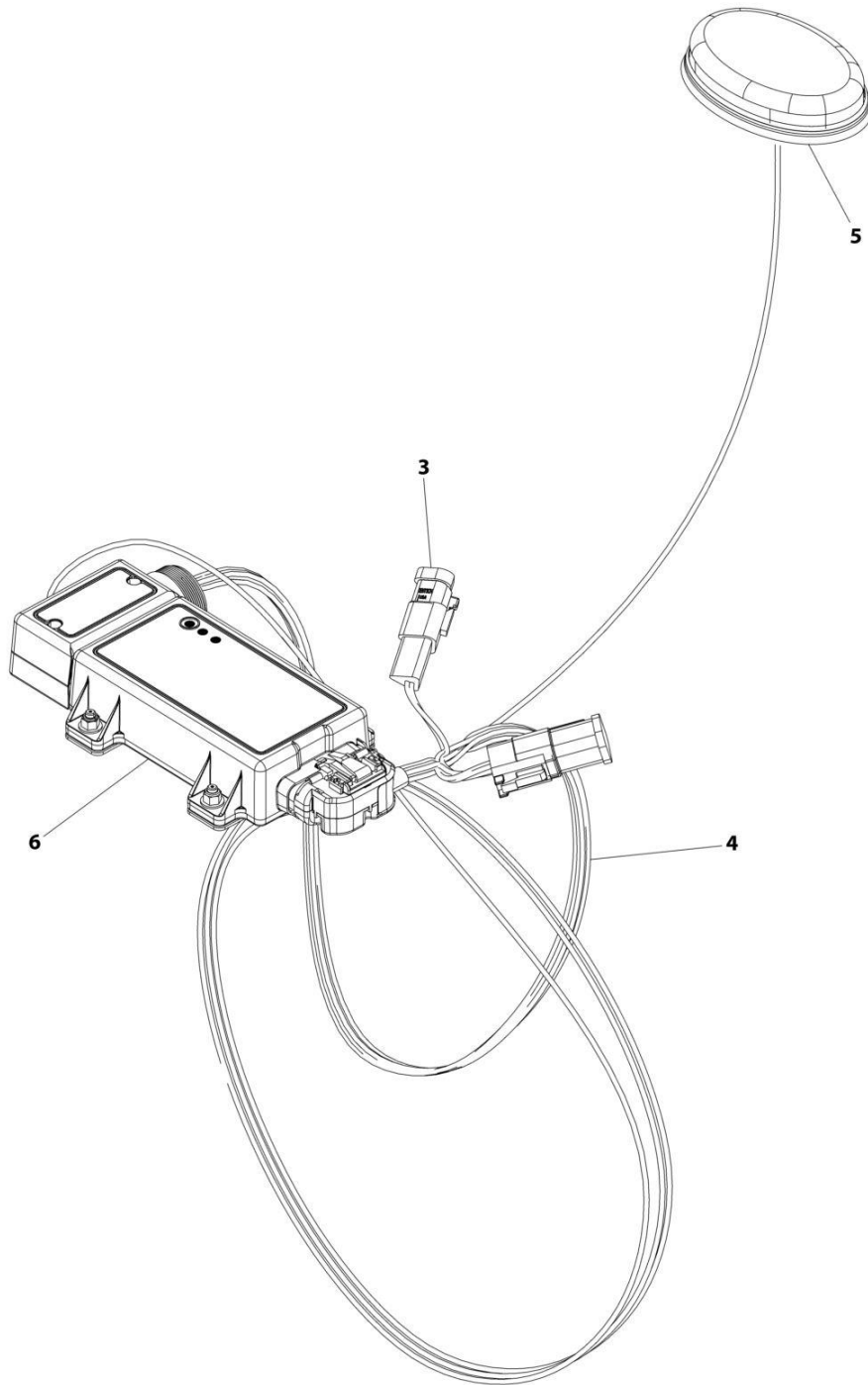
SECTION 8 - ELECTRICAL

FIGURE 8-35. CLEARSKY INSTALLATION - CANBUS (ANSI SPECS)

ITEM	PART NUMBER	QTY	DESCRIPTION	REV
	1001227448	REF	CLEARSKY INSTALLATION - CANBUS	B
1	4240032	AR	Tie-Strap (Not Shown)	
2	4460234	AR	Mount, Cable -Tie (Not Shown)	
3	1001116815	1	Plug, Connector	
4	1001226739	1	ClearSky Telematics Harness (See Separate Breakdown in this Section)	
5	1001262322	1	Module, ClearSky	
6	1001262326	1	Antenna	

SECTION 8 - ELECTRICAL

FIGURE 8-36. CLEARSKY INSTALLATION - CANBUS (AUSTRALIAN SPECS)



ART_1001246473

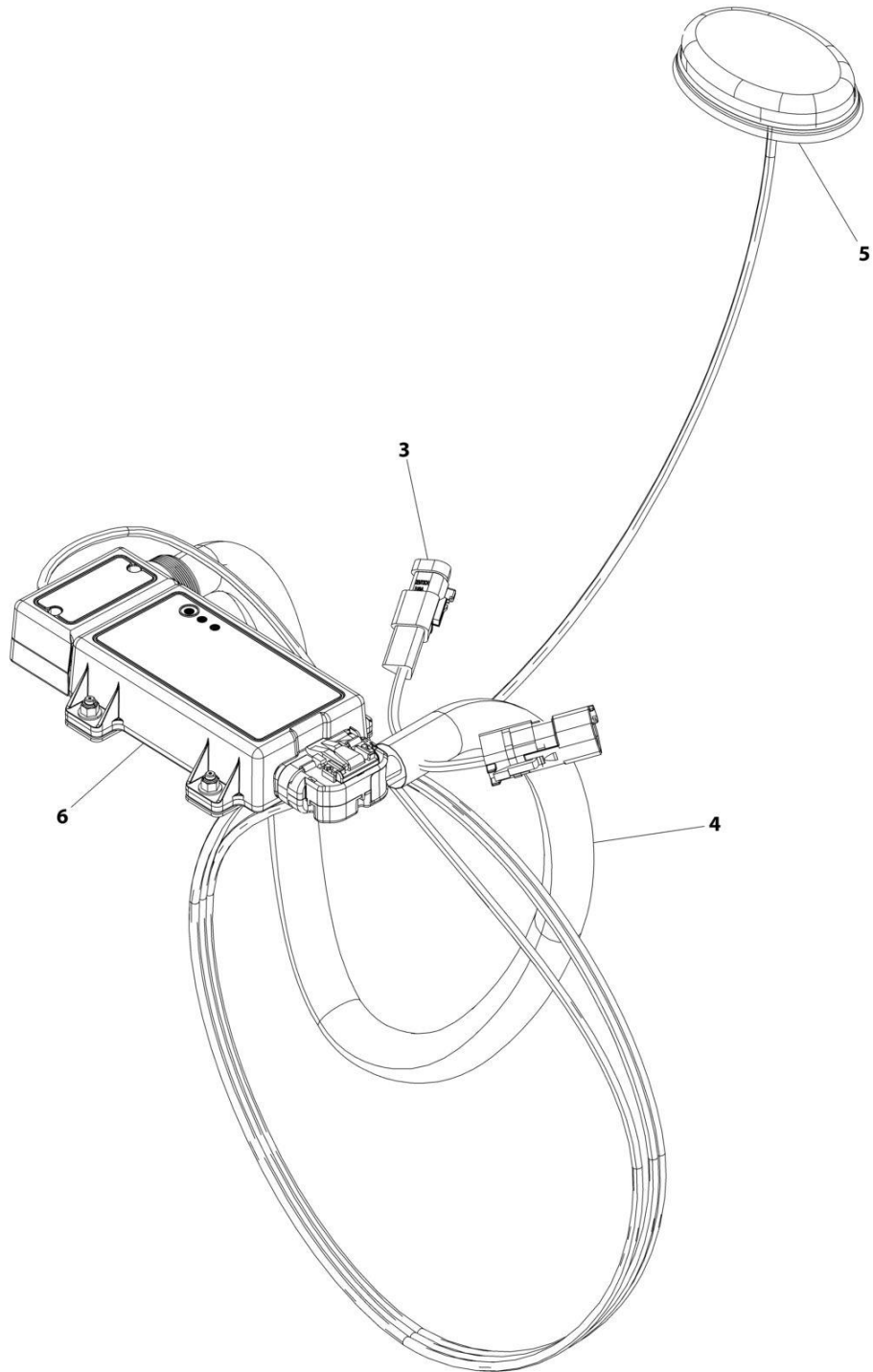
SECTION 8 - ELECTRICAL

FIGURE 8-36. CLEARSKY INSTALLATION - CANBUS (AUSTRALIAN SPECS)

ITEM	PART NUMBER	QTY	DESCRIPTION	REV
	1001246473	REF	CLEARSKY INSTALLATION - CANBUS	A
1	4240032	AR	Tie-Strap (Not Shown)	
2	4460234	AR	Mount, Cable -Tie (Not Shown)	
3	1001116815	1	Plug, Connector	
4	1001226739	1	ClearSky Telematics Harness (See Separate Breakdown in this Section)	
5	1001226799	1	Antenna	
6	1001246144	1	Module, ClearSky	

SECTION 8 - ELECTRICAL

FIGURE 8-37. CLEARSKY INSTALLATION - CANBUS (CE SPECS)



ART_1001228949

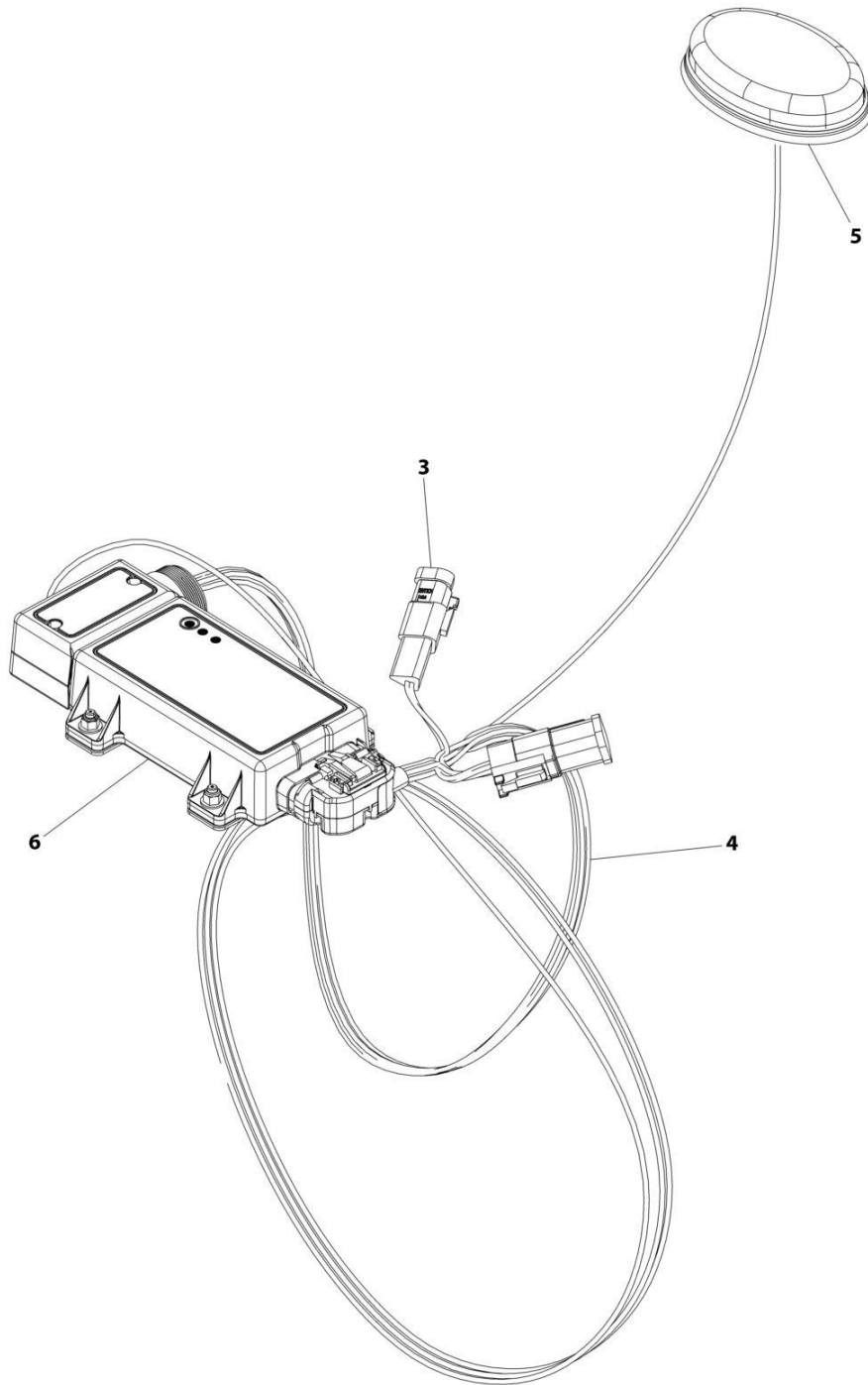
SECTION 8 - ELECTRICAL

FIGURE 8-37. CLEARSKY INSTALLATION - CANBUS (CE SPECS)

ITEM	PART NUMBER	QTY	DESCRIPTION	REV
	1001228949	REF	CLEARSKY INSTALLATION - CANBUS	A
1	4240032	AR	Tie-Strap (Not Shown)	
2	4460234	AR	Mount, Cable -Tie (Not Shown)	
3	1001116815	1	Plug, Connector	
4	1001226739	1	ClearSky Telematics Harness (See Separate Breakdown in this Section)	
5	1001226799	1	Antenna	
6	1001228954	1	Module, ClearSky	

SECTION 8 - ELECTRICAL

FIGURE 8-38. CLEARSKY INSTALLATION - CANBUS (CHINA SPECS)



ART_1001246474

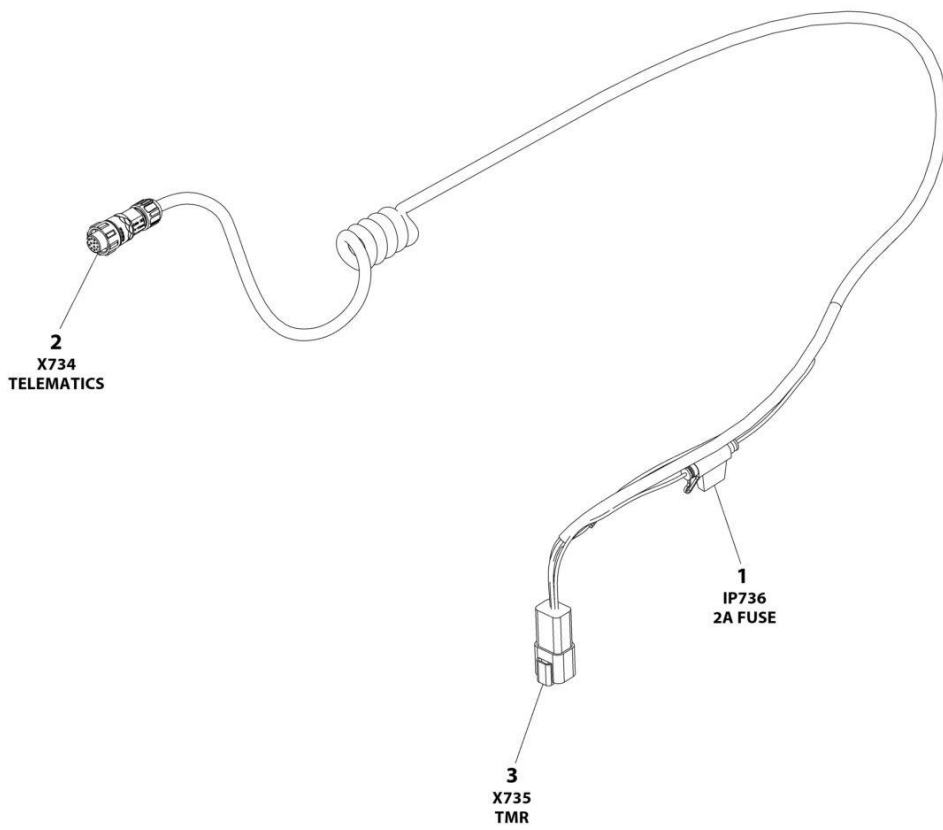
SECTION 8 - ELECTRICAL

FIGURE 8-38. CLEARSKY INSTALLATION - CANBUS (CHINA SPECS)

ITEM	PART NUMBER	QTY	DESCRIPTION	REV
	1001246474	Ref	CLEARSKY INSTALLATION - CANBUS	A
1	4240032	AR	Tie-Strap (Not Shown)	
2	4460234	AR	Mount, Cable -Tie (Not Shown)	
3	1001116815	1	Plug, Connector	
4	1001226739	1	ClearSky Telematics Harness (See Separate Breakdown in this Section)	
5	1001226799	1	Antenna	
6	1001246145	1	Module, ClearSky	

SECTION 8 - ELECTRICAL

FIGURE 8-39. CLEARSKY TELEMATCIS HARNESS (3-WIRE)



ART_1001273012

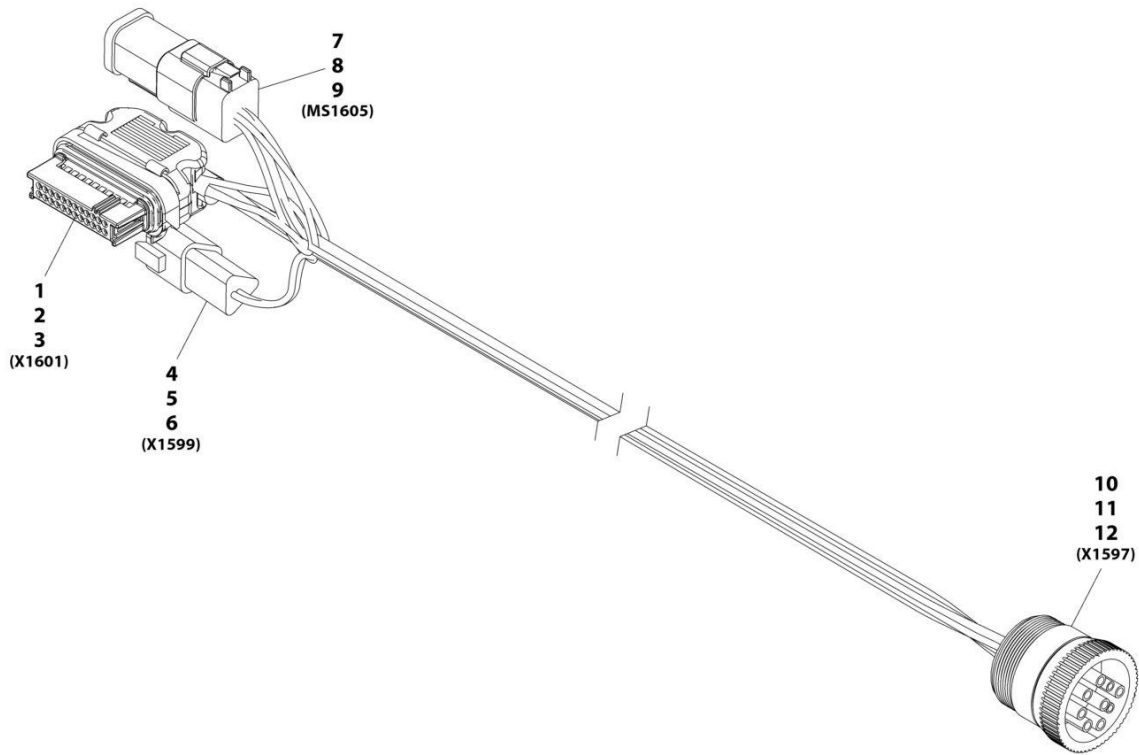
SECTION 8 - ELECTRICAL

FIGURE 8-39. CLEARSKY TELEMATCIS HARNESS (3-WIRE)

ITEM	PART NUMBER	QTY	DESCRIPTION	REV
	1001273012	Ref	CLEARSKY TELEMATICS HARNESS - GT1030	D
1	1001255901	1	Fuseholder	
1	1001196634	1	Fuse - 2Amp	
2	1001272997	1	Connector - 12 Position	
2		Ref	Terminal	
3	4460932	1	Receptacle, Female - 4 Position	
3	4460464	4	Pin, Male	

SECTION 8 - ELECTRICAL

FIGURE 8-40. CLEARSKY TELEMATICS HARNESS (CANBUS)



ART_1001226739-A

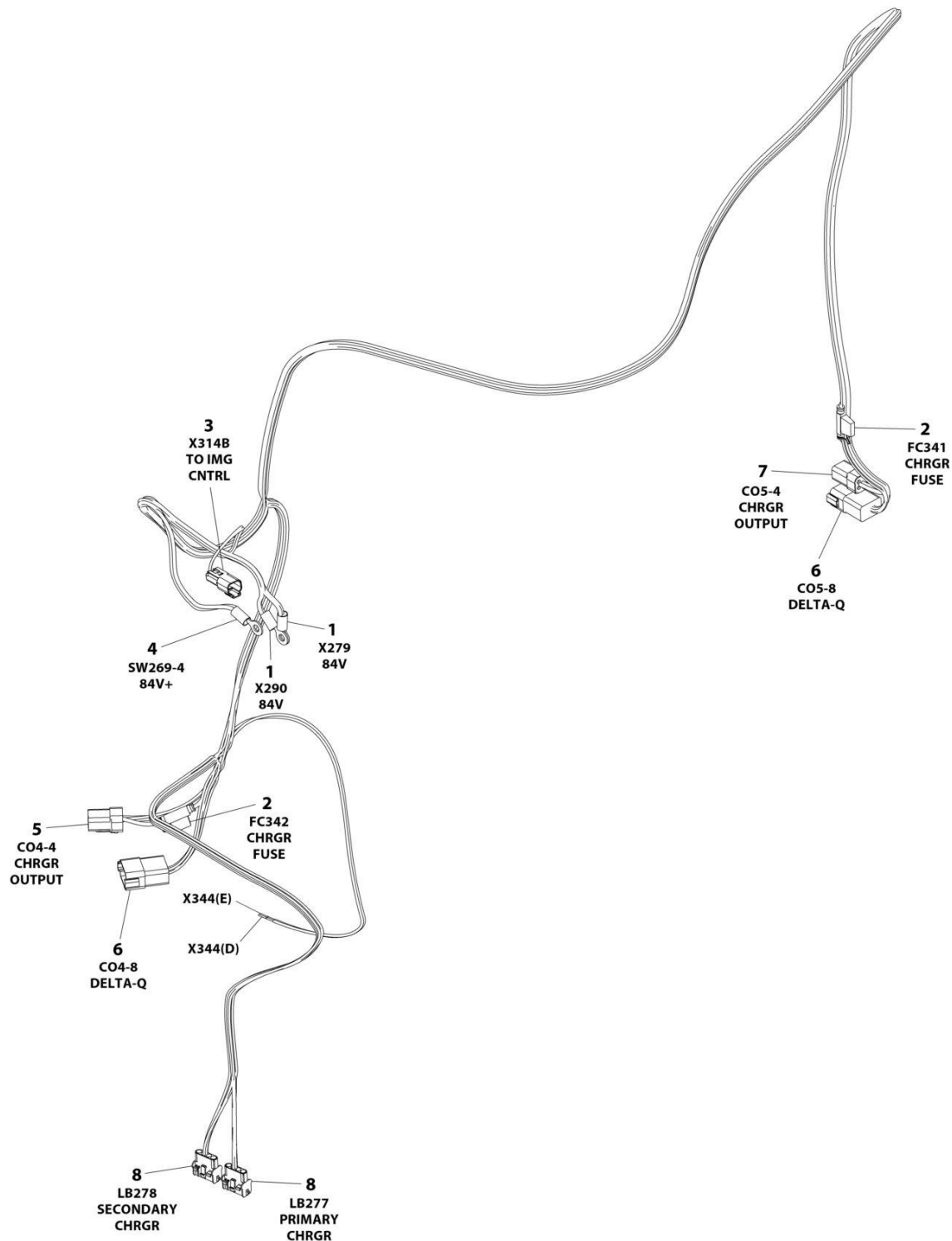
SECTION 8 - ELECTRICAL

FIGURE 8-40. CLEARSKY TELEMATCIS HARNESS (CANBUS)

ITEM	PART NUMBER	QTY	DESCRIPTION	REV
	1001226739	Ref	Clearsky Harness	A
1	1001226636	1	Connector	
2	1001116731	16	Plug, Terminal	
3	1001226637	8	Terminal	
4	1001144147	1	Connector	
5	4460464	2	Terminal	
6	4460466	1	Plug, Terminal	
7	4460894	1	Connector	
8	4460465	6	Terminal	
9	1001226541	1	Connector- 6 Pin Bussbar	
10	1001112796	1	Connector	
11	4460465	8	Terminal	
12	4460466	1	Plug, Terminal	

SECTION 8 - ELECTRICAL

FIGURE 8-41. CHARGER HARNESS



ART_1001222052

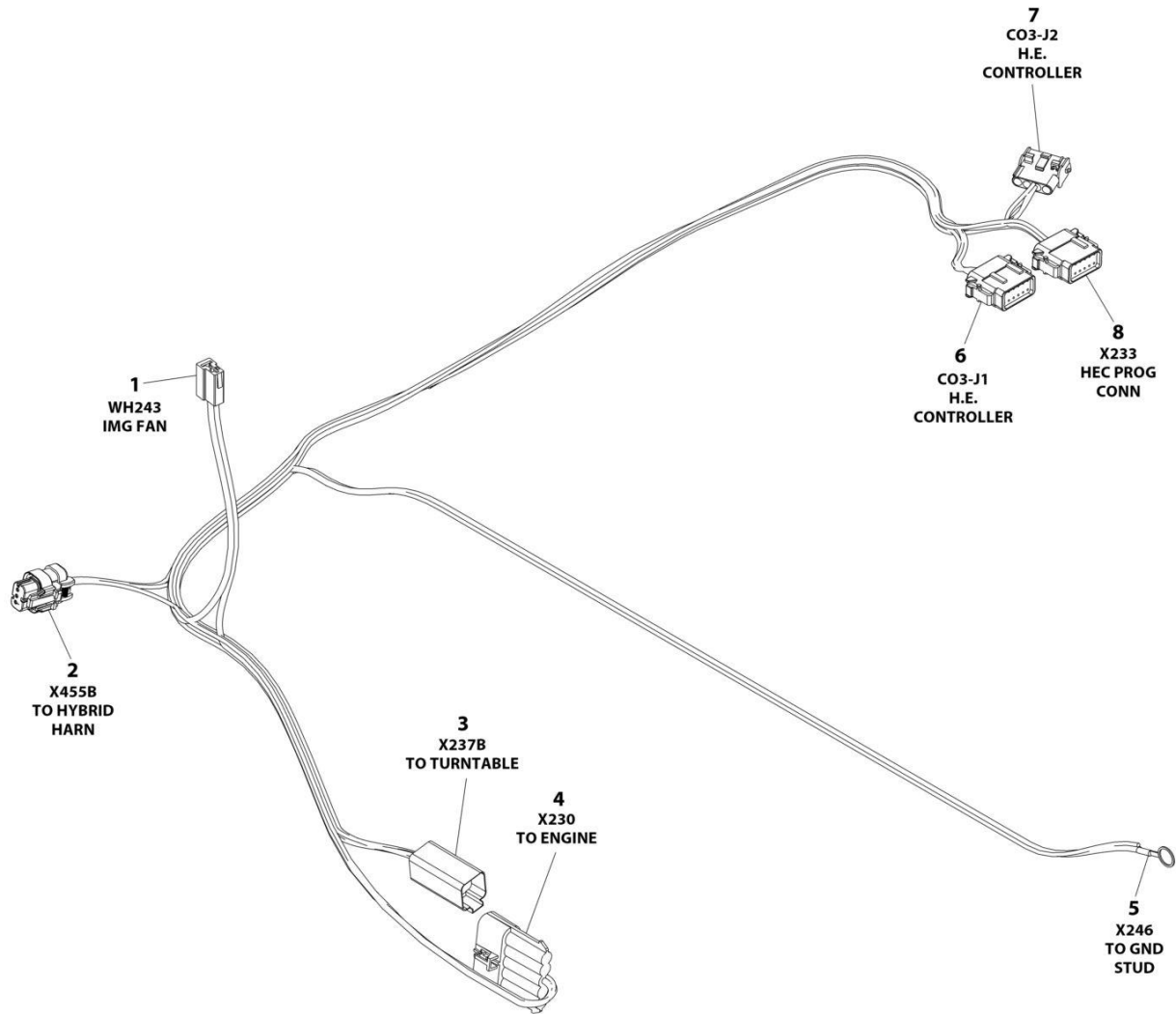
SECTION 8 - ELECTRICAL

FIGURE 8-41. CHARGER HARNESS

ITEM	PART NUMBER	QTY	DESCRIPTION	REV
	1001222052	Ref	CHARGER HARNESS	D
1	8220045	2	Terminal, Ring	
2	2400081	2	Fuseholder with Cover	
2	See Note	2	Fuse - 15 Amp (Note: Purchase Locally)	
3	4460897	1	Receptacle, Female - 2 Position	
3	4460464	2	Pin, Male	
4	1001130900	1	Terminal, Ring	
5	1001225476	1	Connector - 4 Position	
5	1001225591	4	Terminal	
6	4460931	2	Receptacle, Female - 8 Position	
6	4460464	17	Pin, Male	
6	4460466	2	Plug, Terminal	
7	1001225477	1	Connector - 4 Position	
7	1001225591	2	Terminal	
8	4460761	2	Receptacle, Female - 4 Position	
8	4460226	8	Socket, Female	

SECTION 8 - ELECTRICAL

FIGURE 8-42. CONTROL HARNESS



ART_1001228985

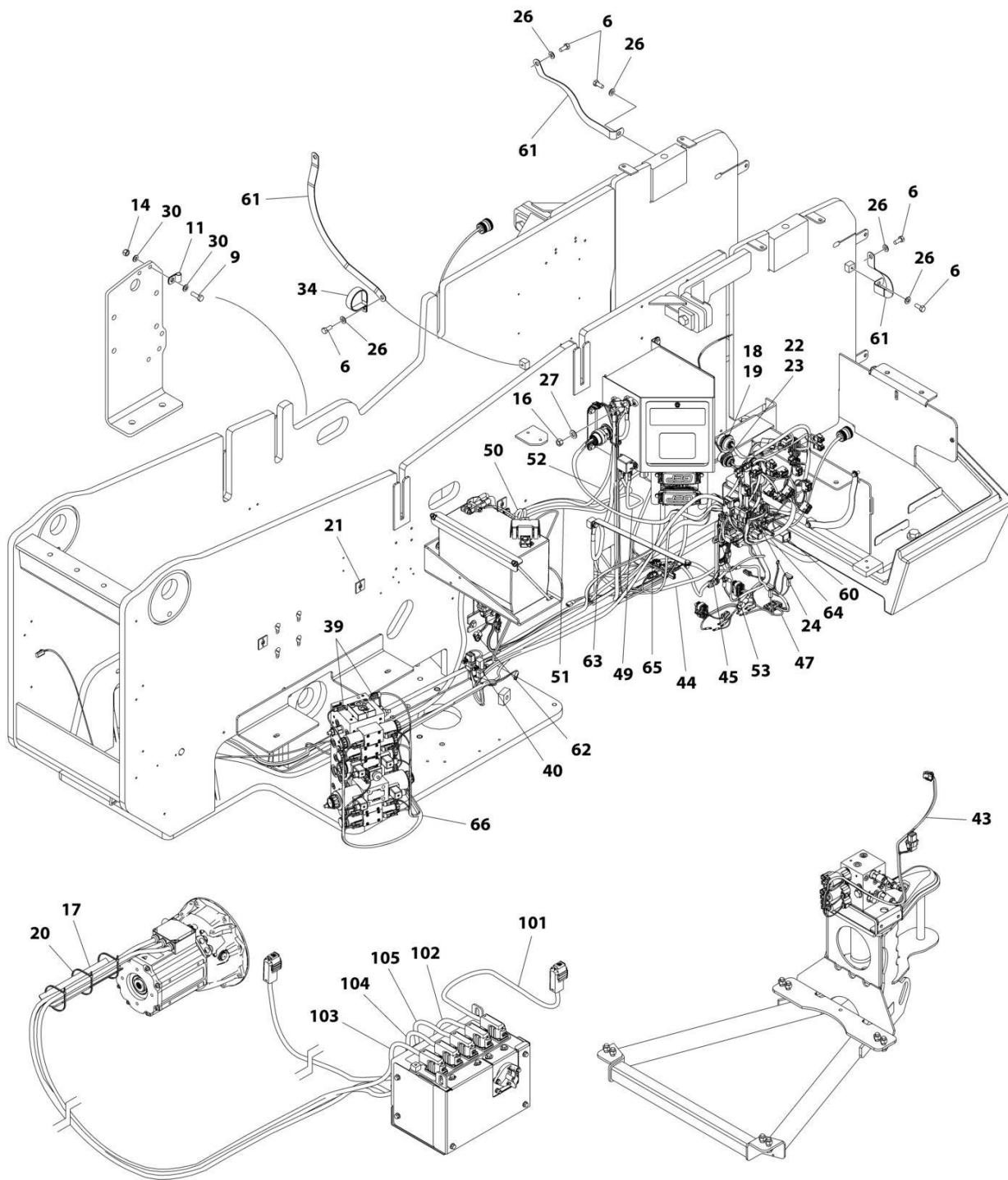
SECTION 8 - ELECTRICAL

FIGURE 8-42. CONTROL HARNESS

ITEM	PART NUMBER	QTY	DESCRIPTION	REV
	1001228985	Ref	CONTROL HARNESS	D
1	4460994	1	Housing, Terminal	
1	1001116723	2	Terminal	
2	1001200497	1	Plug, Male - 3 Position	
2	4460465	3	Socket, Female	
3	4460899	1	Receptacle, Female - 6 Position	
3	4460943	2	Pin, Male	
3	4460464	3	Pin, Male	
3	4460466	1	Plug, Terminal	
4	1001121727	1	Plug, Male - 5 Position	
4	1001116745	2	Socket, Female	
4	8220162	1	Socket, Female	
4	4460508	2	Seal	
4	80963067	1	Seal	
4	1001116727	2	Plug, Terminal	
5	8220019	1	Terminal, Ring	
6	1001116808	1	Plug, Male - 12 Position	
6	1001116694	5	Socket, Female	
6	4460518	7	Plug, Terminal	
7	1001116774	1	Plug, Male - 12 Position	
7	1001119619	2	Socket, Female	
7	1001116694	2	Socket, Female	
7	4460518	8	Plug, Terminal	
8	4460761	1	Receptacle, Female - 4 Position	
8	4460226	4	Socket, Female	

SECTION 8 - ELECTRICAL

FIGURE 8-43. ELECTRICAL SYSTEM INSTALLATION



ART_1001249003_D_2OF2

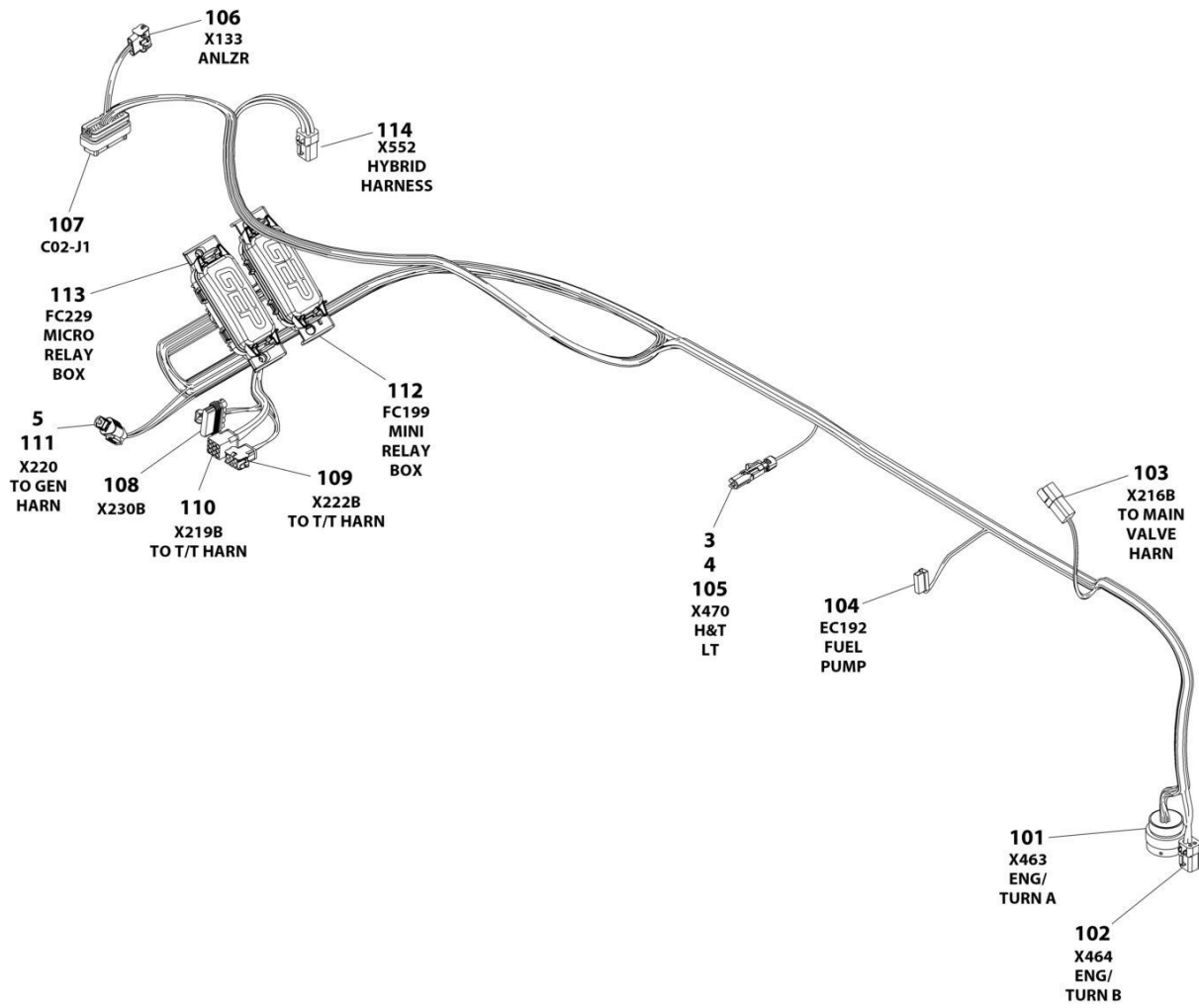
SECTION 8 - ELECTRICAL

FIGURE 8-43. ELECTRICAL SYSTEM INSTALLATION

ITEM	PART NUMBER	QTY	DESCRIPTION	REV
	1001249003	Ref	ELECTRICAL COMPONENTS INSTALLATION	D
2	0100048	AR	Grease, Dielectric (Not Shown)	
6	0641506	10	Bolt 5/16 x 3/4	
9	0760812	1	Bolt M8 x 25	
11	1320263	1	Clamp	
14	3290805	1	Nut M8	
16	3311601	1	Nut 3/8	
18	4460470	1	Nut	
19	4460471	1	Washer	
20	4240099	4	Tie-Strap	
21	4460488	3	Terminal, Mount	
22	4460496	1	Washer	
23	4460497	1	Nut	
24	4460708	2	Connector - 15 Position	
26	4711500	10	Washer 5/16	
27	4711600	1	Washer	
30	4811900	2	Washer M8	
34	8410001	1	Clamp	
39	1001144295	2	Cap	
40	1001146588	2	Tie-Strap (Not Shown)	
43	1001222047	1	Boom Valve Harness (See Separate Breakdown in this Section)	
44	1001222052	1	Charger Harness (See Separate Breakdown in this Section)	
45	1001222369	1	Resolver/Converter/Inverter Harness (See Separate Breakdown in this Section)	
47	1001225994	1	Hybrid 84V Harness (See Separate Breakdown in this Section)	
49	1001226267	1	Cable, Ignition Relay to Fusebox	
50	1001226268	1	Cable, Battery to Ignition Relay	
51	1001226269	1	Cable, B+ to Fuse	
52	1001226270	1	Cable, Negative to Stud	
53	1001226522	1	Cable, Resolver/Converter to Ignition Control	
60	1001227080	1	Electrical Assembly, Terminator (Connect to Item 72)	
61	1001227925	5	Cable, Ground Strap	
62	1001228985	1	Controller Harness (See Separate Breakdown in this Section)	
63	1001233420	1	Cable, Chassis Ground	
64	1001245027	1	Ground Control Harness (See Separate Breakdown in this Section)	
65	1001245028	1	Turntable Harness (See Separate Breakdown in this Section)	
66	1001282826	1	Main Valve Harness (See Separate Breakdown in this Section)	
100	1001233441	1	Cable, Battery to Ignition Kit (Not Shown)	
101	1001222370	1	Cable, System B+	
102	1001222371	1	Cable, System B- Ignition	
103	1001222372	1	Cable, 3 Phase Motor (U)	
104	1001223949	1	Cable, 3 Phase Motor (V)	
105	1001223950	1	Cable, 3 Phase Motor (W)	

SECTION 8 - ELECTRICAL

FIGURE 8-44. ENGINE HARNESS - KUBOTA



ART_1001245030

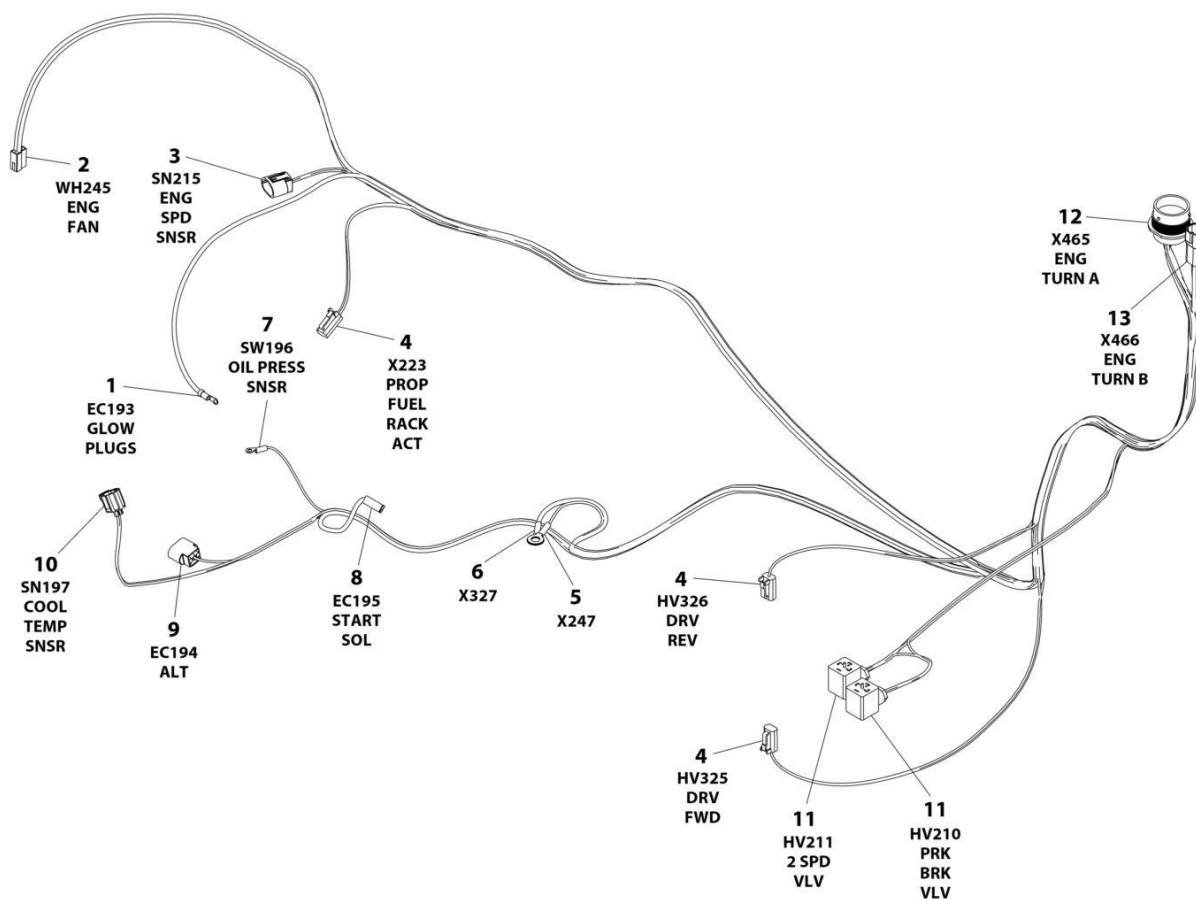
SECTION 8 - ELECTRICAL

FIGURE 8-44. ENGINE HARNESS - KUBOTA

ITEM	PART NUMBER	QTY	DESCRIPTION	REV
	1001245030	Ref	ENGINE HARNESS - KUBOTA	B
3	80963056	1	Connector - 1 Position	
4	1001116727	1	Plug	
5	1001144296	1	Cap	
101	1001147923	1	Connector - 24 Position	
101	4460465	17	Socket - Female	
101	4460466	7	Plug, Terminal	
102	1001200497	1	Plug, Male - 4 Position	
102	1001150611	3	Socket, Female	
102	4460466	1	Plug, Terminal	
103	4460932	1	Receptacle, Female - 4 Position	
103	4460464	4	Pin, Male	
104	1001118744	1	Housing, Terminal	
104	1001118745	2	Terminal	
105	80963055	1	Plug, Male - 1 Position	
105	4460457	1	Terminal	
105	4460458	1	Seal	
106	4460761	1	Receptacle, Female - 4 Position	
106	4460226	4	Socket - Female	
107	4460874	1	Connector - 35 Position	
107	4460871	25	Socket, Female	
107	4460905	10	Plug, Terminal	
108	1001121726	1	Receptacle, Female - 5 Position	
108	4460746	2	Terminal	
108	8220125	2	Terminal	
108	4460458	2	Seal	
108	80963067	2	Seal	
108	4460748	2	Plug, Terminal	
109	4460224	1	Receptacle, Female - 6 Position	
109	4460267	4	Pin, Male	
110	4460266	1	Receptacle, Female - 9 Position	
110	4460705	7	Pin, Male	
111	4460539	1	Plug, Male - 3 Position	
111	4460465	3	Socket, Female	
112	1001223460	1	Holder, Relay	
112	1001233761	5	Terminal	
112	8220099	3	Terminal	
112	1001234288	5	Seal	
112	1001234289	3	Seal	
112	1001234287	6	Plug, Terminal	
113	1001185964	1	Holder, Relay	
113	4460746	13	Terminal	
113	8220125	5	Terminal	
113	1001116747	1	Terminal	
113	4460458	13	Seal	
113	80963067	6	Seal	
113	4460789	1	Seal	
114	4460884	1	Plug, Male - 4 Position	
114	4460465	3	Socket, Female	
114	4460466	1	Plug, Terminal	

SECTION 8 - ELECTRICAL

FIGURE 8-45. ENGINE TRAY HARNESS



ART_1001230605

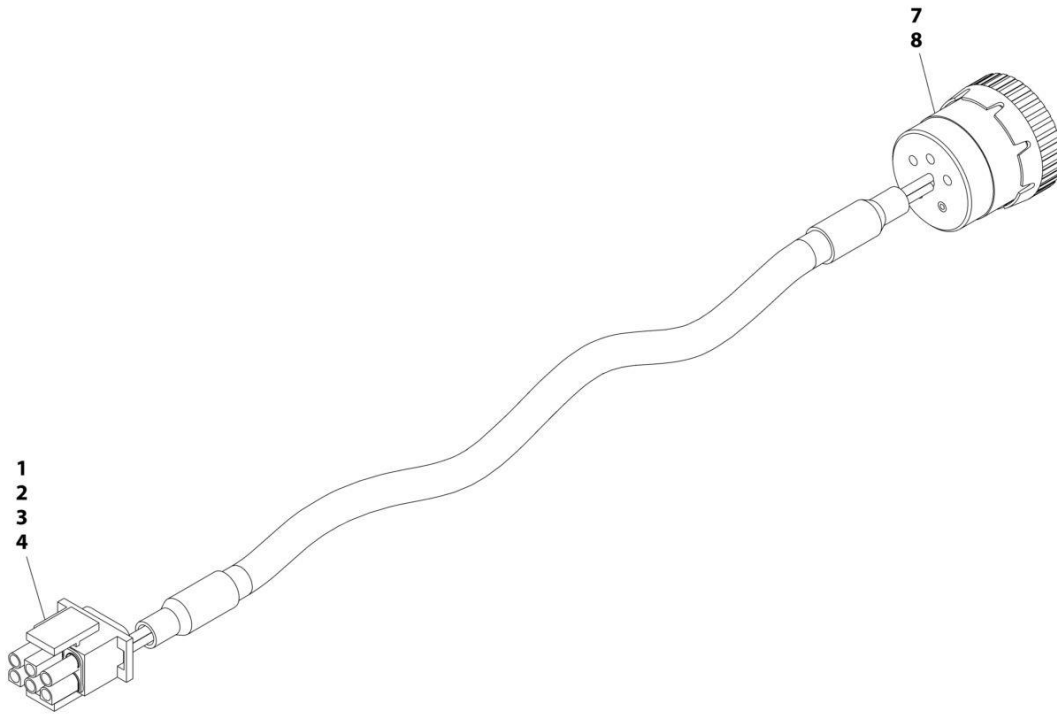
SECTION 8 - ELECTRICAL

FIGURE 8-45. ENGINE TRAY HARNESS

ITEM	PART NUMBER	QTY	DESCRIPTION	REV
	1001230605	Ref	ENGINE TRAY HARNESS	D
1	4460142	1	Terminal, Ring	
2	4460994	1	Housing, Terminal	
2	1001236489	2	Terminal	
3	1001223431	1	Connector - 3 Position	
3	1001223794	3	Socket, Female	
3	1001223797	3	Seal	
4	4460891	3	Plug, Male - 2 Position	
4	4460465	6	Socket, Female	
5	4460019	1	Terminal, Ring	
6	4460256	1	Terminal, Ring	
7	8220007	1	Terminal, Ring	
8	1001116995	1	Housing, Terminal	
8	1001236490	1	Terminal	
9	1001125748	1	Receptacle, Female - 3 Position	
9	1001129773	2	Pin, Male	
9	1001125773	1	Pin, Male	
9	1001129772	1	Seal	
10	1001118657	1	Plug, Male - 2 Position	
10	1001188387	2	Terminal	
10	1001118659	2	Seal	
11	4460880	2	Connector, DIN	
12	1001148106	1	Connector - 23 Position	
12	4460464	16	Pin, Male	
12	4460466	7	Plug, Terminal	
13	1001116811	1	Receptacle, Female - 4 Position	
13	1001150610	3	Pin, Male	
13	4460508	1	Pin, Male	

SECTION 8 - ELECTRICAL

FIGURE 8-46. GENERATOR HARNESS - 4000W



ART_1001152532

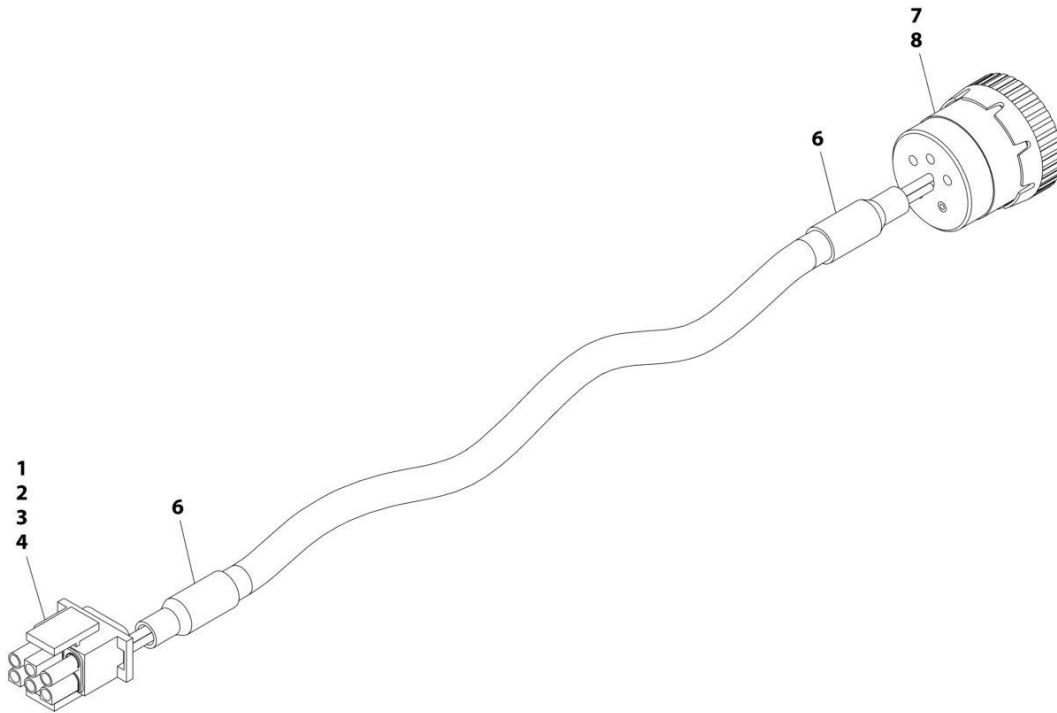
SECTION 8 - ELECTRICAL

FIGURE 8-46. GENERATOR HARNESS - 4000W

ITEM	PART NUMBER	QTY	DESCRIPTION	REV
	1001152532	Ref	GENERATOR HARNESS	A
1	4460225	1	Connector - 6 Position	
2	4460268	2	Socket, Female	
3	4460807	1	Seal	
4	4460808	1	Seal	
7	4460465	2	Socket, Female	
8	77363233	1	Connector - 6 Position	

SECTION 8 - ELECTRICAL

FIGURE 8-47. GENERATOR HARNESS - 7500W SKYPOWER



ART_4922925

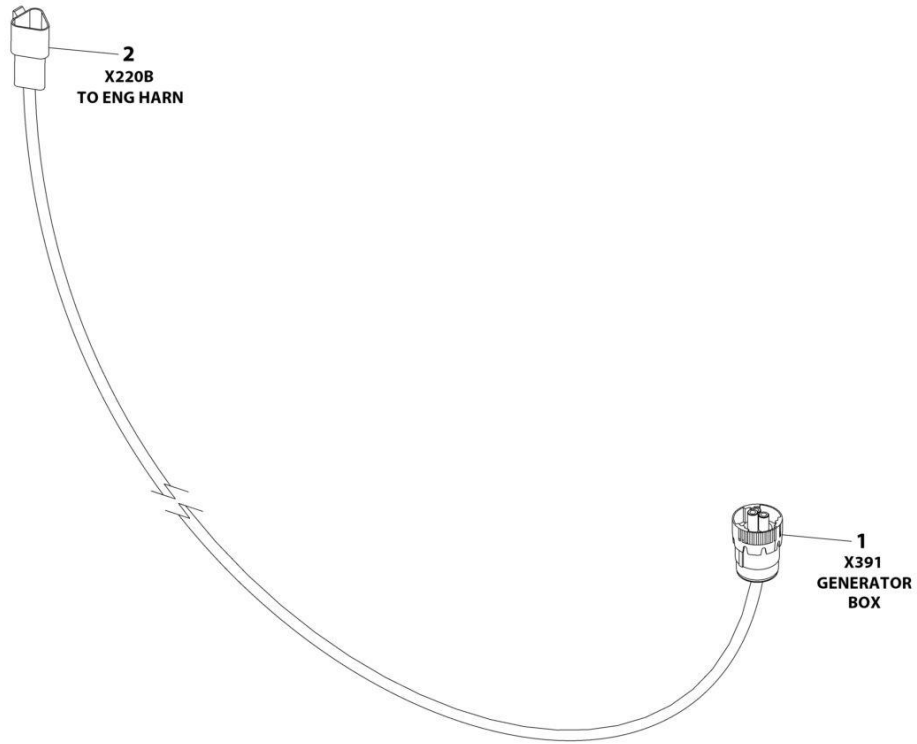
SECTION 8 - ELECTRICAL

FIGURE 8-47. GENERATOR HARNESS - 7500W SKYPOWER

ITEM	PART NUMBER	QTY	DESCRIPTION	REV
	4922925	Ref	GENERATOR TO CONTROL BOX HARNESS (7500W GENERATOR)	C
1	4460225	1	Plug, Male - 2 Position	
2	4460268	6	Socket, Female	
3	4460807	1	Seal	
4	4460808	1	Seal	
6	2820019	AR	Heat Shrink	
7	4460465	6	Socket, Female	
8	77363233	1	Connector - 6 Position	

SECTION 8 - ELECTRICAL

FIGURE 8-48. GENERATOR HARNESS - 4000W AND 7500W SKYPOWER



ART_1001231225

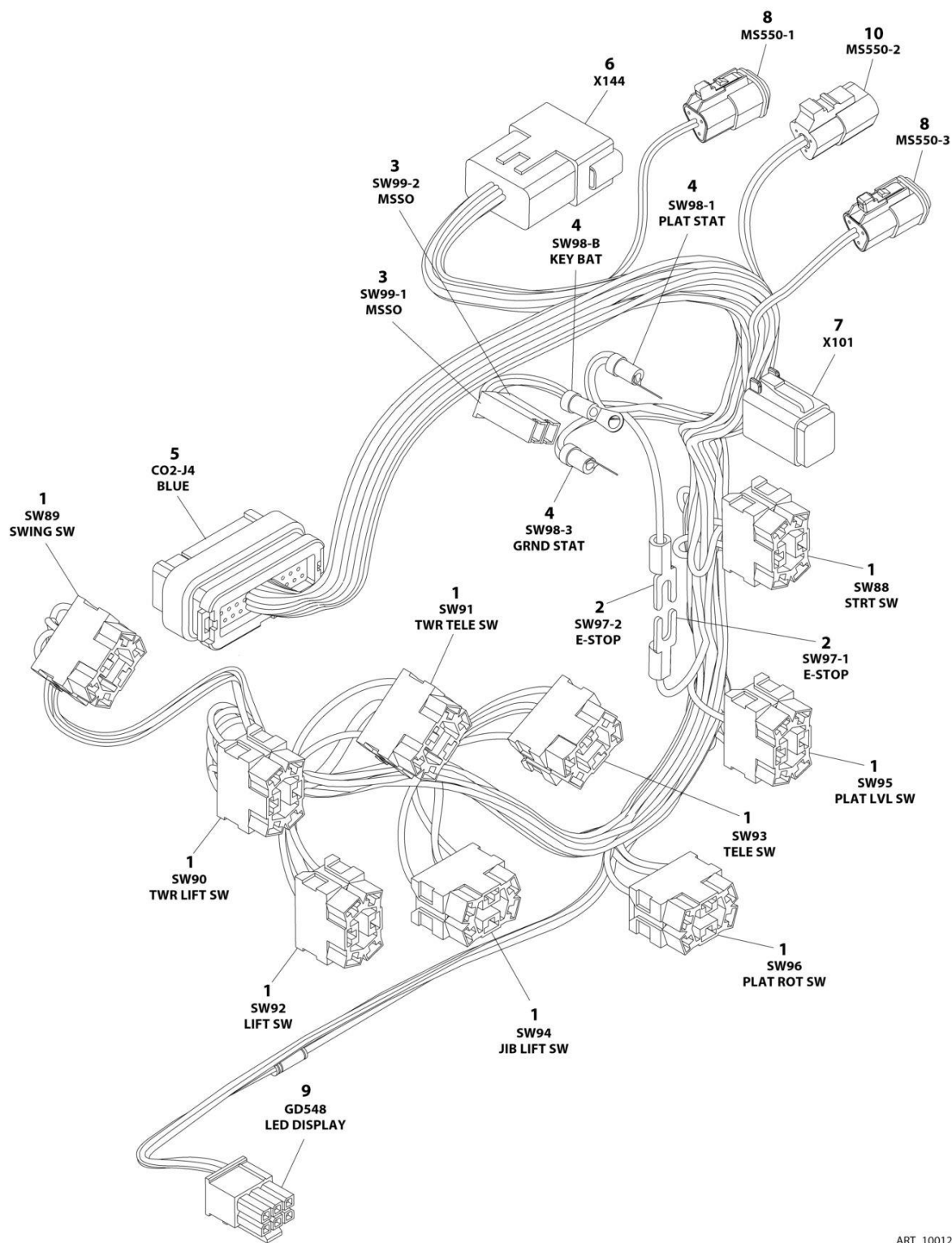
SECTION 8 - ELECTRICAL

FIGURE 8-48. GENERATOR HARNESS - 4000W AND 7500W SKYPOWER

ITEM	PART NUMBER	QTY	DESCRIPTION	REV
	1001231225	Ref	GENERATOR ENABLE HARNESS	A
1	4460967	1	Plug, Male - 3 Position	
1	4460465	3	Socket, Female	
2	4460536	1	Receptacle, Female - 3 Position	
2	4460464	3	Pin, Male	

SECTION 8 - ELECTRICAL

FIGURE 8-49. GROUND CONTROL BOX HARNESS



ART_1001245027

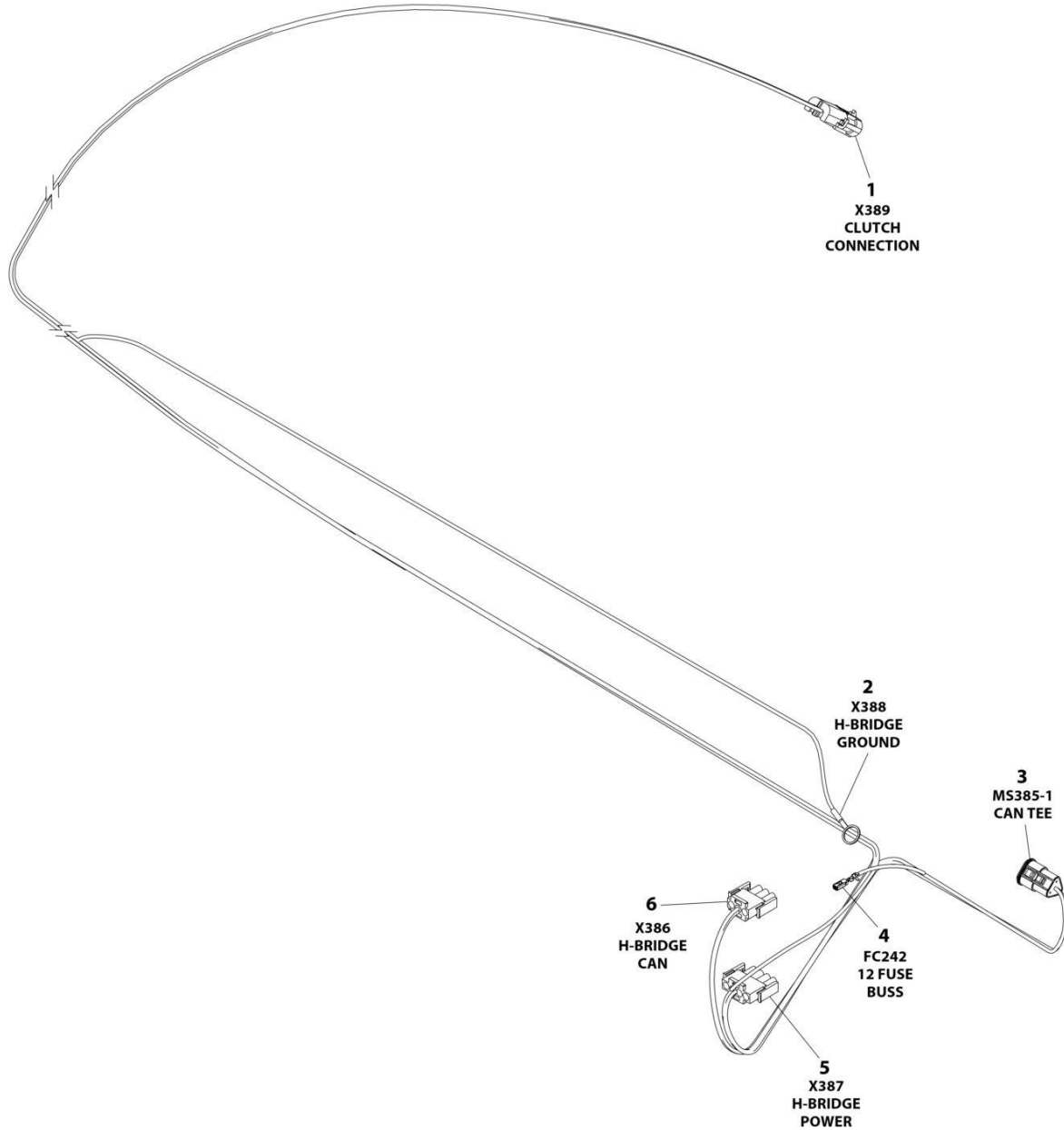
SECTION 8 - ELECTRICAL

FIGURE 8-49. GROUND CONTROL BOX HARNESS

ITEM	PART NUMBER	QTY	DESCRIPTION	REV
	1001245027	Ref	GROUND CONTROL HARNESS	B
1	4460418	9	Connector, Switch	
1	1001159186	19	Terminal	
1	4460419	16	Terminal	
2	4460144	2	Terminal, Ring	
3	4460260	2	Housing, Terminal	
3	4460259	2	Terminal	
4	4460042	3	Terminal, Ring	
5	4460876	1	Connector - 35 Position	
5	4460871	21	Socket, Female	
5	4460905	14	Plug, Terminal	
6	4460970	1	Receptacle, Female - 12 Position	
6	4460464	8	Pin, Male	
6	4460943	2	Pin, Male	
6	4460466	2	Plug, Terminal	
7	4460894	1	Plug, Male - 6 Position	
7	4460465	4	Socket, Female	
7	4460466	2	Plug, Terminal	
8	1001116812	2	Plug, Male - 3 Position	
8	4460944	4	Socket, Female	
8	4460466	2	Plug, Terminal	
9	1001237667	1	Connector - 6 Position	
9	1001237668	5	Terminal	
10	4460539	1	Plug, Male - 3 Position	
10	4460944	2	Socket Female	
10	4460466	1	Plug, Terminal	

SECTION 8 - ELECTRICAL

FIGURE 8-50. H-BRIDGE/CLUTCH HARNESS



ART_1001226404

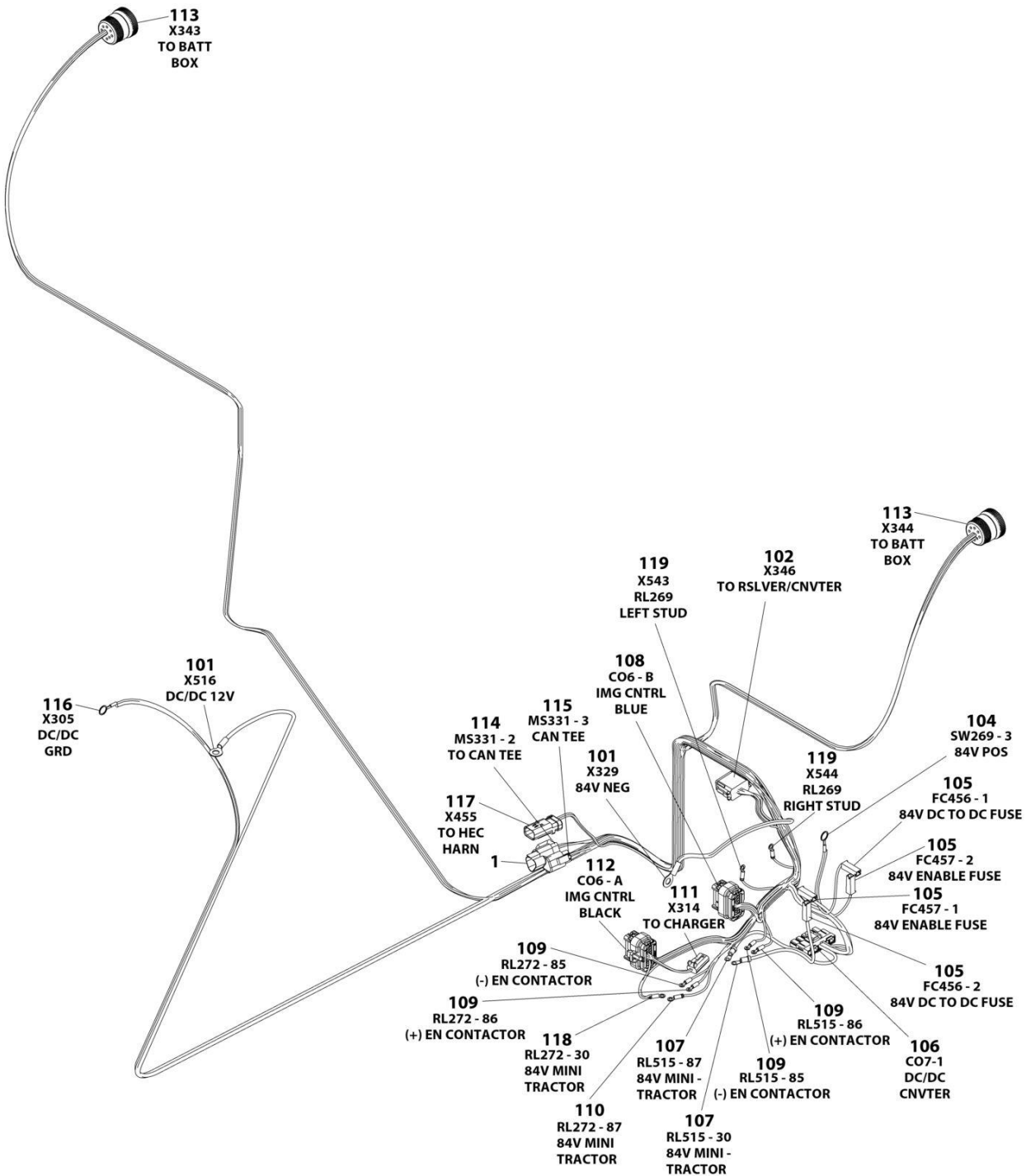
SECTION 8 - ELECTRICAL

FIGURE 8-50. H-BRIDGE/CLUTCH HARNESS

ITEM	PART NUMBER	QTY	DESCRIPTION	REV
	1001226404	Ref	H-BRIDGE/CLUTCH HARNESS	C
1	4461157	1	Receptacle, Female - 2 Position	
1	4460979	2	Socket, Female	
2	4460722	1	Terminal, Ring	
3	1001116812	1	Plug, Male - 3 Position	
3	4460944	2	Socket, Female	
3	4460466	1	Plug, Terminal	
4	1001189750	1	Terminal	
5	1001119031	1	Plug, Male - 4 Position	
5	4460268	4	Socket, Female	
6	4460326	1	Plug, Male - 3 Position	
6	4460268	3	Socket, Female	

SECTION 8 - ELECTRICAL

FIGURE 8-51. HYBRID 84V HARNESS



ART_1001225994_F

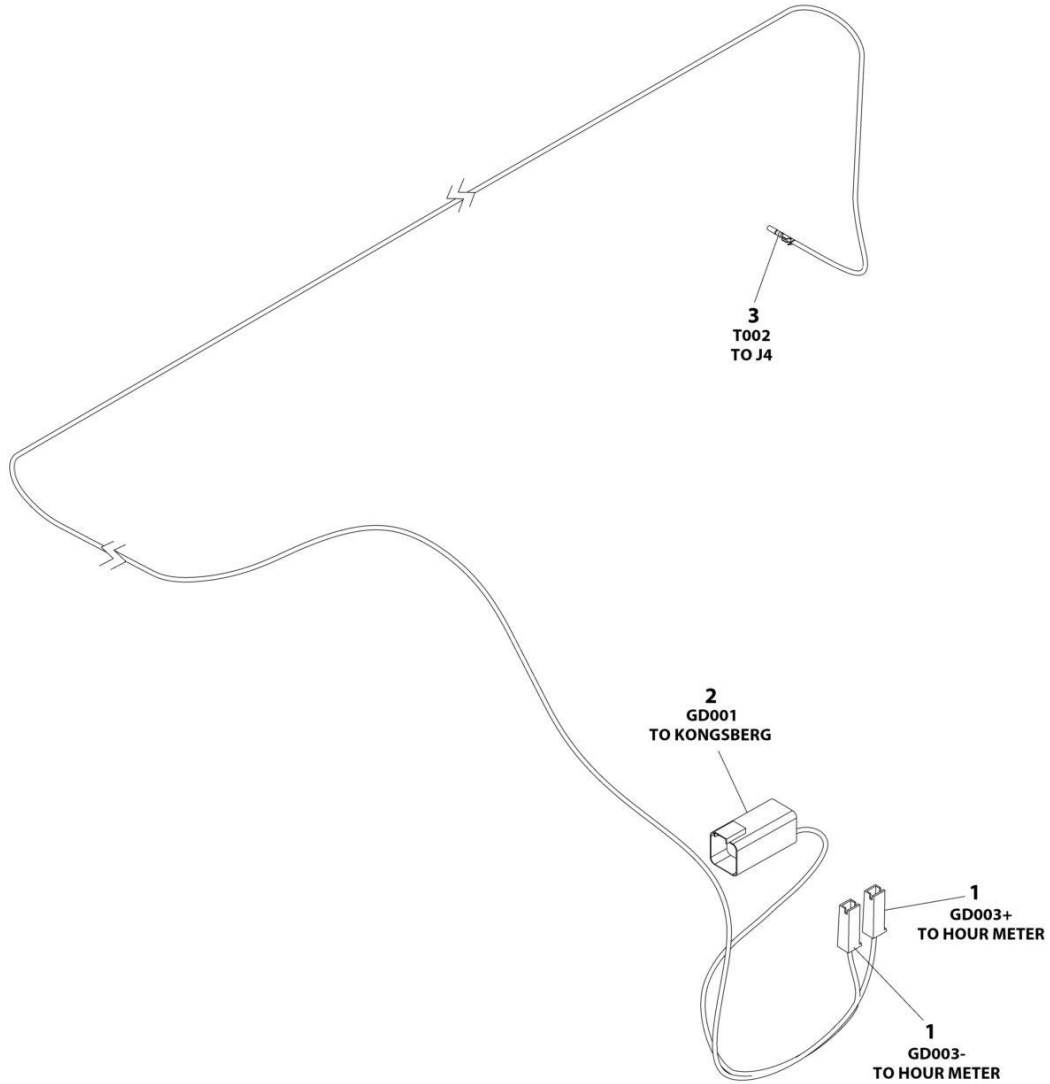
SECTION 8 - ELECTRICAL

FIGURE 8-51. HYBRID 84V HARNESS

ITEM	PART NUMBER	QTY	DESCRIPTION	REV
	1001225994	Ref	HYBRID 84V HARNESS	F
1	4460945	1	Receptacle, 3 Way	
101	8220045	2	Terminal, Ring	
102	4460836	1	Plug, Male - 12 Position	
102	4460465	9	Socket, Female	
102	4460466	3	Plug, Terminal	
104	8220029	1	Terminal, Ring	
105	4460260	4	Housing, Terminal	
105	4460259	4	Terminal	
106	1001117012	1	Receptacle, Female - 5 Position	
106	4460887	4	Terminal	
106	4461271	1	Plug, Terminal	
107	4460142	2	Terminal, Ring	
108	1001096138	1	Connector - 23 Position	
108	4460871	10	Socket, Female	
108	4460905	13	Plug, Terminal	
109	1001098122	4	Terminal, Ring	
110	4460247	1	Terminal, Ring	
111	4460891	1	Plug, Male - 2 Position	
111	4460465	2	Socket, Female	
112	1001116994	1	Connector - 23 Position	
112	4460871	12	Socket, Female	
112	4460905	11	Plug, Terminal	
113	1001112796	2	Connector - 9 Position	
113	4460465	13	Socket, Female	
113	4460466	4	Plug, Terminal	
114	4460539	1	Plug, Male - 3 Position	
114	4460944	2	Socket, Female	
114	4460466	1	Plug, Terminal	
115	1001116812	1	Plug, Male - 3 Position	
115	4460944	2	Socket, Female	
115	4460465	1	Socket, Female	
116	8220164	1	Terminal, Ring	
117	1001229530	1	Receptacle, Female - 3 Position	
117	4460464	2	Pin, Male	
117	4460466	1	Plug, Terminal	
118	4460042	1	Terminal, Ring	
119	4460427	2	Terminal, Ring	

SECTION 8 - ELECTRICAL

FIGURE 8-52. HOURMETER JUMPER HARNESS



ART_1001296426

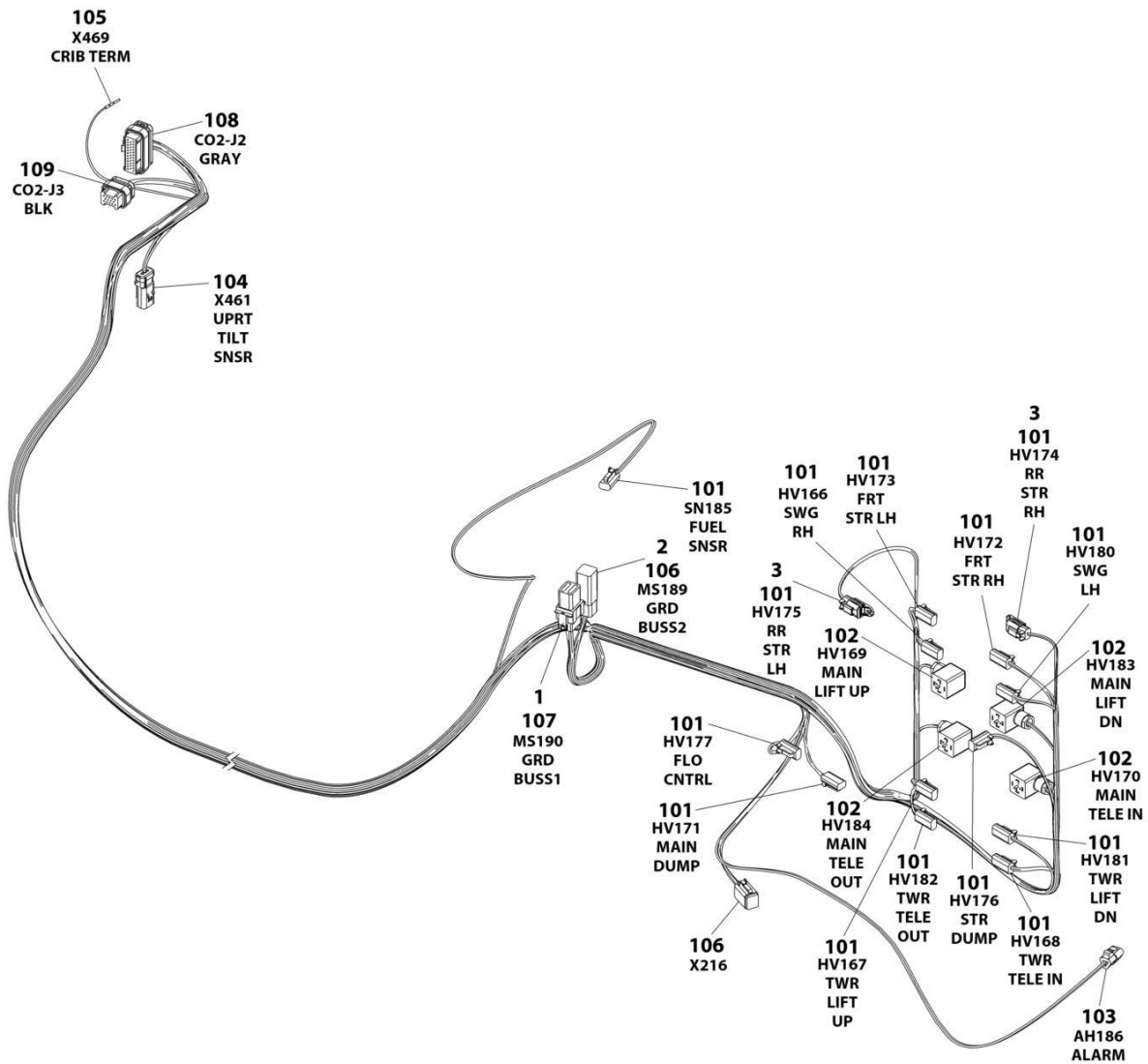
SECTION 8 - ELECTRICAL

FIGURE 8-52. HOURMETER JUMPER HARNESS

ITEM	PART NUMBER	QTY	DESCRIPTION	REV
	1001296426	Ref	HOUR METER JUMPER HARNESS	A
1	4460260	2	Connector	
2	4460899	1	Connector	
3	4460871	1	Socket	

SECTION 8 - ELECTRICAL

FIGURE 8-53. MAIN VALVE HARNESS



ART_1001282826

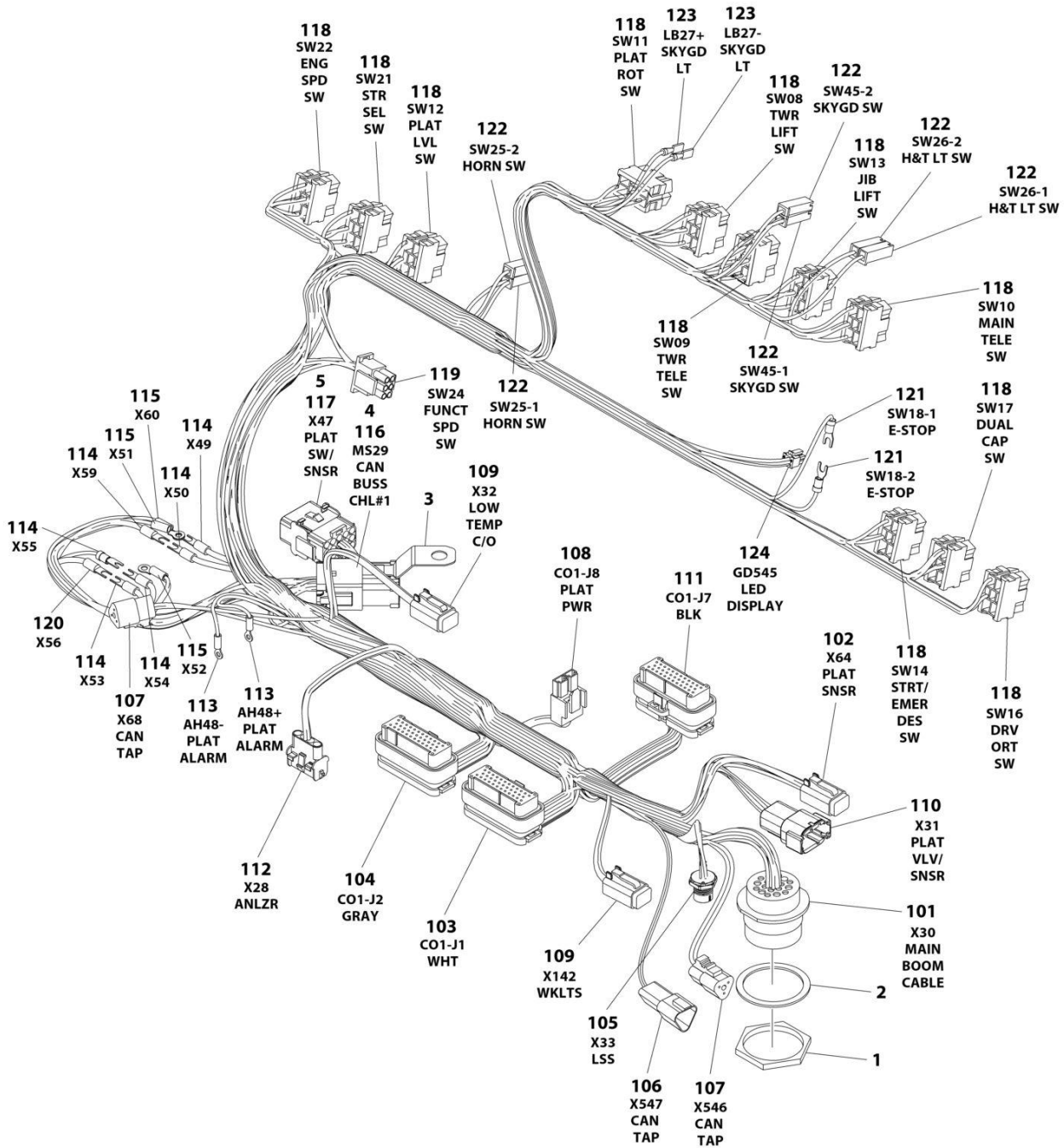
SECTION 8 - ELECTRICAL

FIGURE 8-53. MAIN VALVE HARNESS

ITEM	PART NUMBER	QTY	DESCRIPTION	REV
	1001282826	Ref	MAIN VALVE HARNESS	A
1	4460852	1	Connector - 8 Position	
2	4460892	1	Bussbar - 6 Position	
3	1001144295	2	Cap	
101	4460891	14	Plug, Male - 2 Position	
101	4460465	28	Socket, Female	
102	4460880	4	Connector, DIN	
103	4460539	1	Plug, Male - 3 Position	
103	4460465	2	Socket, Female	
103	4460466	1	Plug, Terminal	
104	1001229530	1	Receptacle, Female - 3 Position	
104	4460943	3	Pin, Male	
105	4460227	1	Pin, Male	
106	4460894	2	Plug, Male - 6 Position	
106	4460465	10	Socket, Female	
106	4460466	2	Plug, Terminal	
107	4460851	1	Plug, Male - 8 Position	
107	4460465	8	Socket, Female	
108	4460875	1	Connector - 35 Position	
108	4460871	24	Socket, Female	
108	4460905	11	Plug, Terminal	
109	4460872	1	Connector - 14 Position	
109	4460871	10	Socket, Female	
109	4460905	4	Plug, Terminal	

SECTION 8 - ELECTRICAL

FIGURE 8-54. PLATFORM CONSOLE BOX HARNESS



ART_1001245026_E

SECTION 8 - ELECTRICAL

FIGURE 8-54. PLATFORM CONSOLE BOX HARNESS

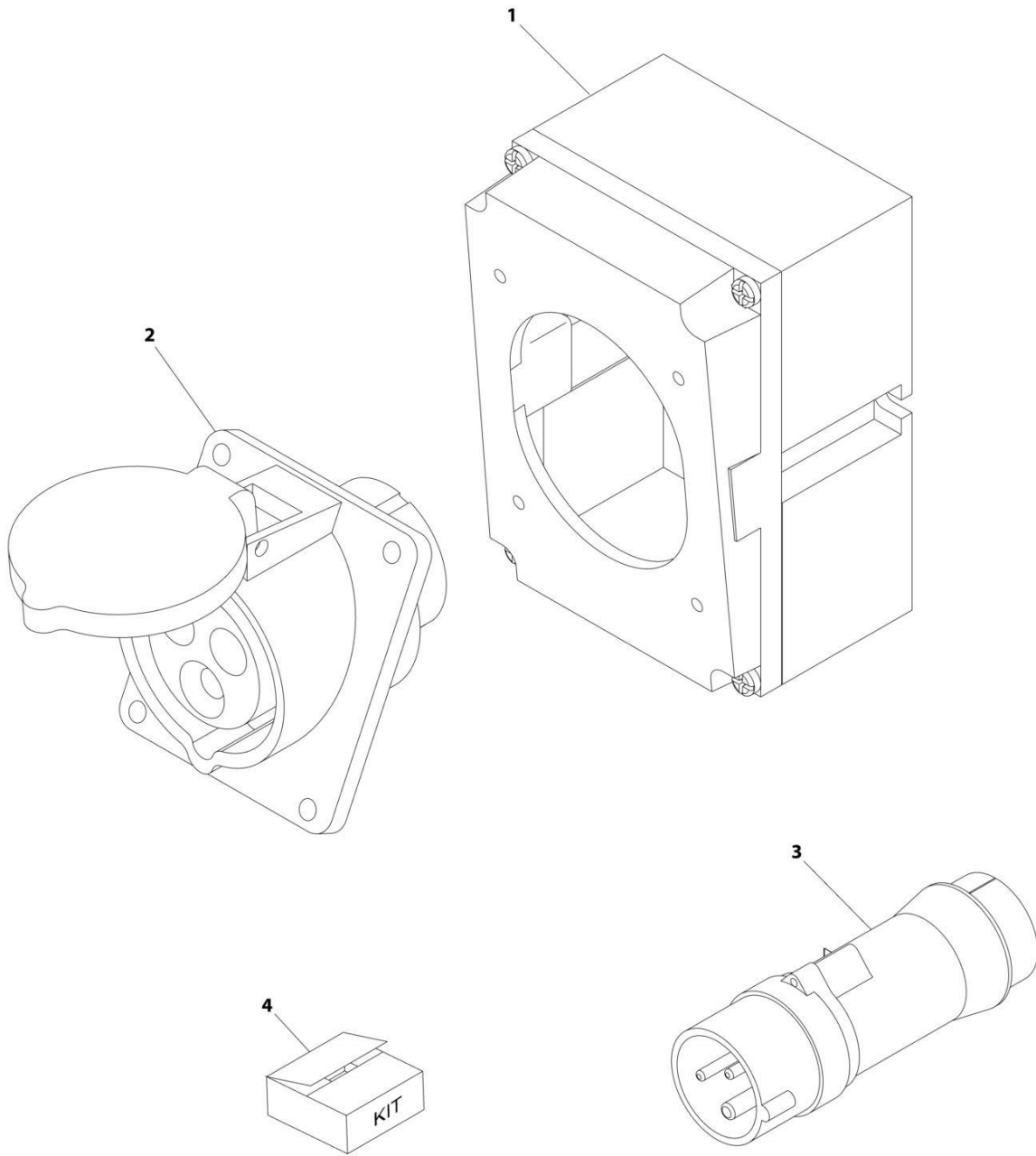
ITEM	PART NUMBER	QTY	DESCRIPTION	REV
	1001245026	Ref	PLATFORM CONSOLE BOX HARNESS	E
1	4460470	1	Nut	
2	4460471	1	Washer	
3	1001120328	1	Mount, Connector	
4	1001125677	1	Busbar - 12 Position	
5	4460708	1	Terminal	
101	4460866	1	Connector - 19 Position	
101	4460943	2	Pin, Male	
101	4460464	3	Pin, Male	
101	4460508	4	Pin, Male	
101	4460466	10	Plug, Terminal	
102	4460894	1	Plug, Male - 6 Position	
102	4460465	4	Socket, Female	
102	4460466	2	Plug, Terminal	
103	4460874	1	Connector - 35 Position	
103	4460871	30	Socket, Female	
103	4460905	5	Plug, Terminal	
104	4460875	1	Connector - 35 Position	
104	4460871	9	Socket, Female	
104	4460905	26	Plug, Terminal	
105	1001213447	1	Receptacle, Female - 5 Position	
106	4460536	1	Receptacle, Female - 3 Position	
106	4460943	2	Pin, Male	
106	4460466	1	Plug, Terminal	
107	4460539	2	Plug, Male - 3 Position	
107	4460944	4	Socket, Female	
107	4460466	2	Plug, Terminal	
108	4460879	1	Receptacle, Female - 2 Position	
108	4460887	2	Terminal	
109	4460884	2	Plug, Male - 4 Position	
109	4460465	8	Socket, Female	
110	1001190578	1	Receptacle, Female - 8 Position	
110	1001126011	7	Terminal	
110	4460518	1	Plug, Terminal	
111	4460873	1	Connector - 35 Position	
111	4460871	22	Socket, Female	
111	4460905	13	Plug, Terminal	
112	4460761	1	Receptacle, Female - 4 Position	
112	4460227	4	Pin, Male	
113	1001098122	2	Terminal, Ring	
114	4460315	6	Terminal, Fork	
115	8220007	3	Terminal, Ring	
116	4460933	1	Plug, Male - 12 Position	
116	4460944	12	Socket, Female	
116	4460466	2	Plug, Terminal	
117	4460343	1	Plug, Male - 15 Position	
117	4460227	7	Pin, Male	
117	4460267	2	Pin, Male	
118	4460418	11	Connector, Switch	
118	4460419	22	Terminal	

SECTION 8 - ELECTRICAL

ITEM	PART NUMBER	QTY	DESCRIPTION	REV
118	1001159186	21	Terminal	
119	4460225	1	Plug, Male - 6 Position	
119	4460227	4	Pin, Male	
119	4460267	2	Pin, Male	
120	4460314	1	Terminal, Fork	
121	4460183	2	Terminal, Fork	
122	4460260	6	Housing, Terminal	
122	4460259	6	Terminal	
123	4460016	2	Terminal	
124	1001237667	1	Connector - 6 Position	
125	1001237668	4	Terminal	
126	1001201885	2	Terminal	

SECTION 8 - ELECTRICAL

FIGURE 8-55. RECEPTACLE BOX KIT - 110V IEC YELLOW (CE & UK CA SPEC)



ART_0275216

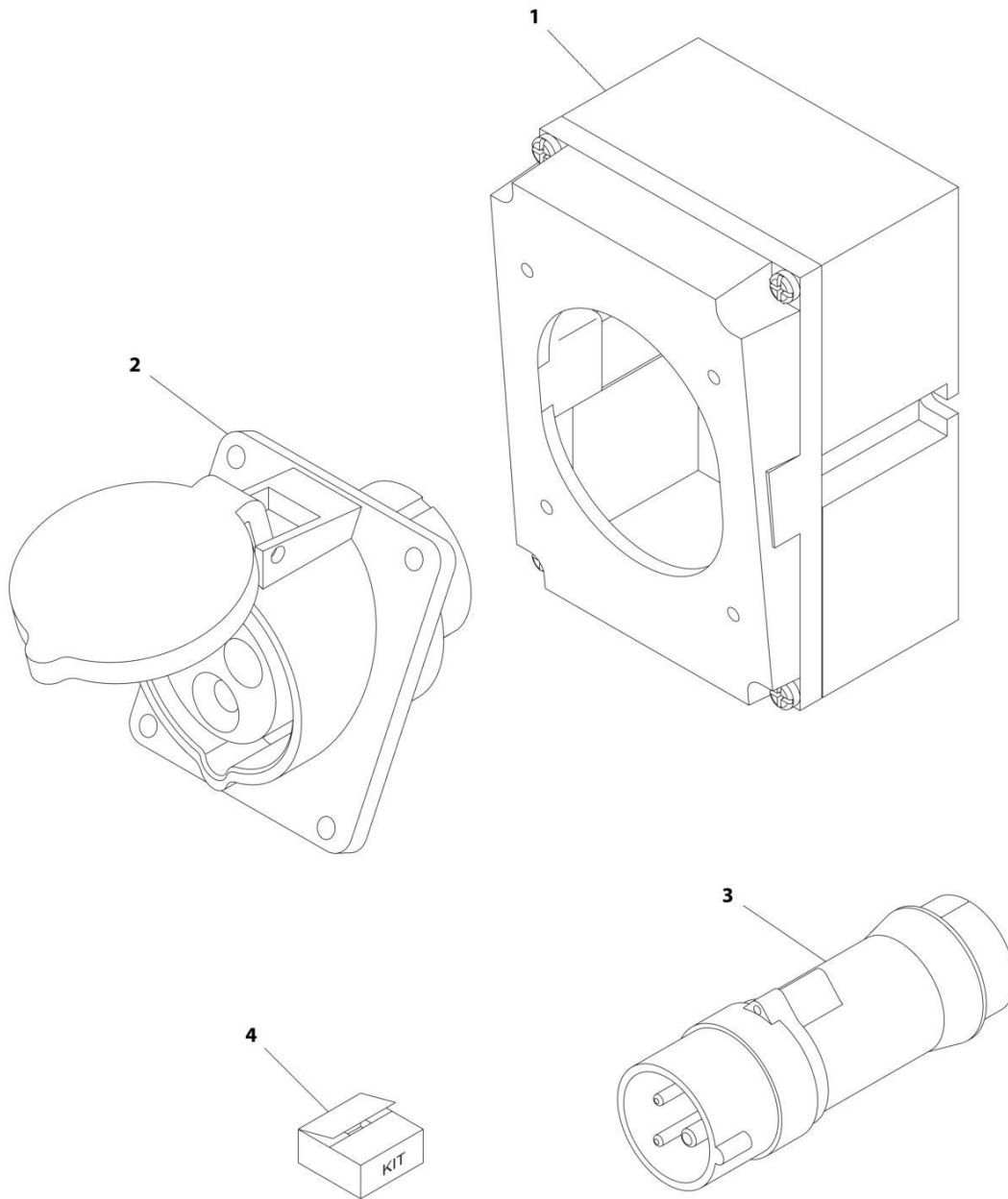
SECTION 8 - ELECTRICAL

FIGURE 8-55. RECEPTACLE BOX KIT - 110V IEC YELLOW (CE & UK CA SPEC)

ITEM	PART NUMBER	QTY	DESCRIPTION	REV
	0275216	Ref	RECEPTACLE BOX KIT - 110V IEC YELLOW	B
1	0861781	1	Box, Switch	
2	4461198	1	Receptacle	
3	4461196	1	Plug, Male	
4	1001100341	1	Plug and Socket Kit (Includes Items 1-3 and Female Plug p/n 4461197)	

SECTION 8 - ELECTRICAL

FIGURE 8-56. RECEPTACLE BOX KIT - 220V IEC BLUE (CE & UK CA SPEC)



ART_0275217

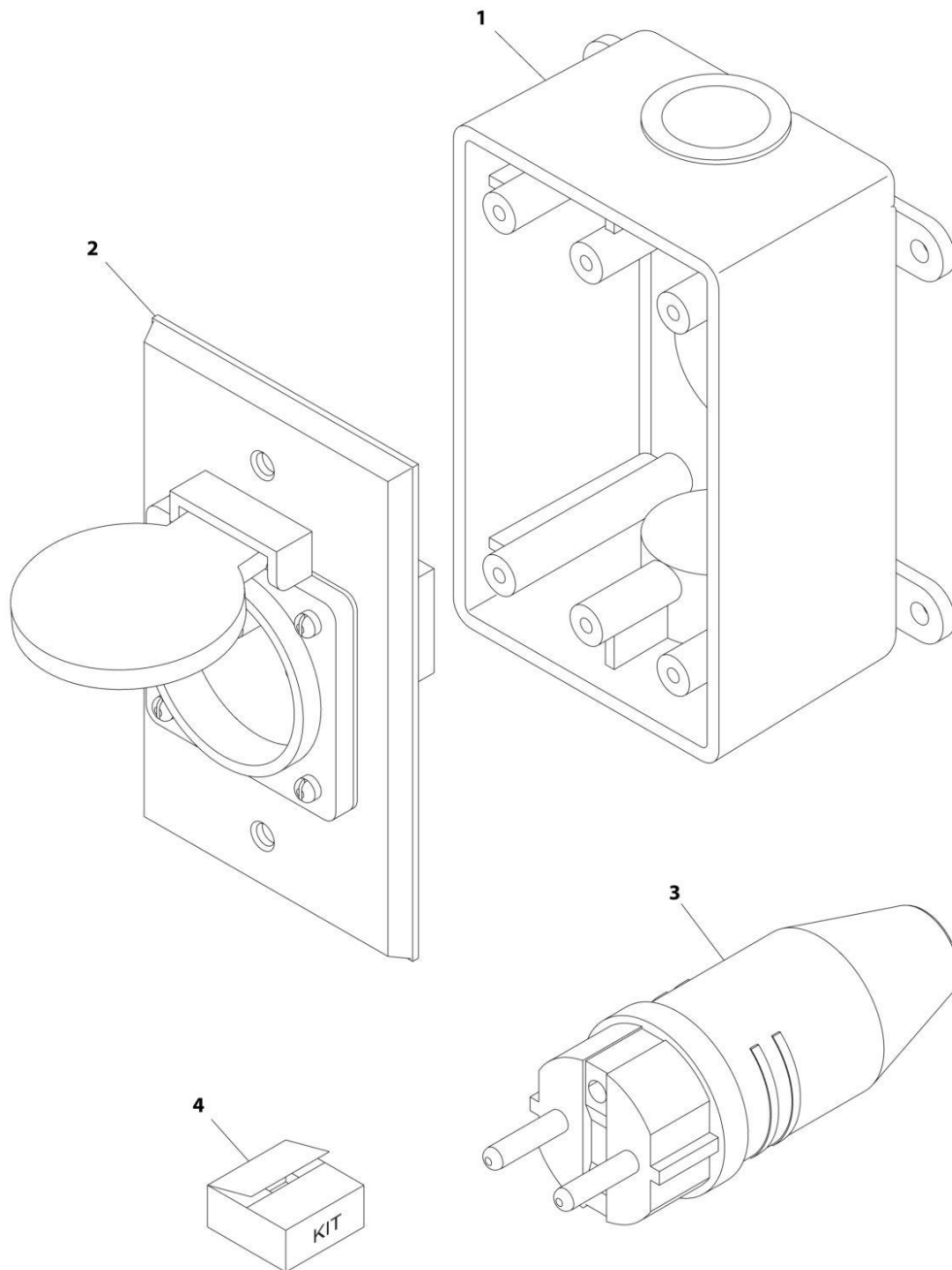
SECTION 8 - ELECTRICAL

FIGURE 8-56. RECEPTACLE BOX KIT - 220V IEC BLUE (CE & UK CA SPEC)

ITEM	PART NUMBER	QTY	DESCRIPTION	REV
	0275217	Ref	RECEPTACLE BOX KIT - 220V IEC BLUE	B
1	0861781	1	Box, Switch	
2	4461201	1	Receptacle	
3	4461199	1	Plug, Male	
4	1001100342	1	Plug and Socket Kit (Includes Items 1-3 and Female Plug p/n 4461200)	

SECTION 8 - ELECTRICAL

FIGURE 8-57. RECEPTACLE BOX KIT - 220V CEE7 POST GROUND 2X4 BOX (CE & UK CA SPEC)



ART_0275452-C

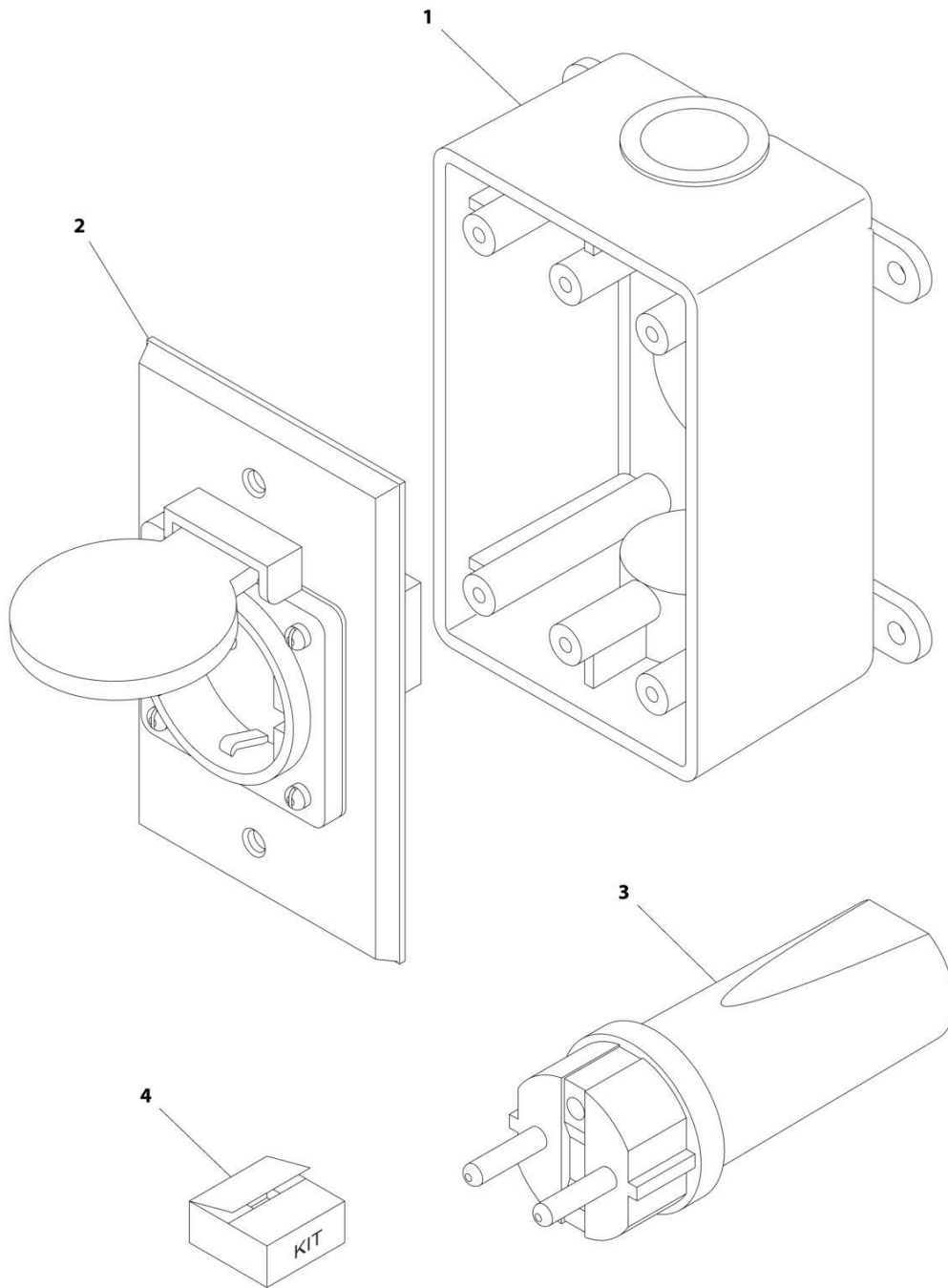
SECTION 8 - ELECTRICAL

FIGURE 8-57. RECEPTACLE BOX KIT - 220V CEE7 POST GROUND 2X4 BOX (CE & UK CA SPEC)

ITEM	PART NUMBER	QTY	DESCRIPTION	REV
	0275452	Ref	RECEPTACLE BOX KIT - 220V CEE7 POST GROUND 2IN X 4IN BOX	C
1	0861731	1	Box, Switch	
2	4461244	1	Receptacle	
3	4461205	1	Plug, Male	
4	1001100345	1	Plug and Socket Kit (Includes Items 1-3 and Female Plug p/n 4461203)	

SECTION 8 - ELECTRICAL

FIGURE 8-58. RECEPTACLE BOX KIT - 220V CEE7 SIDE GROUND (CE & UK CA SPEC)



ART_0275453

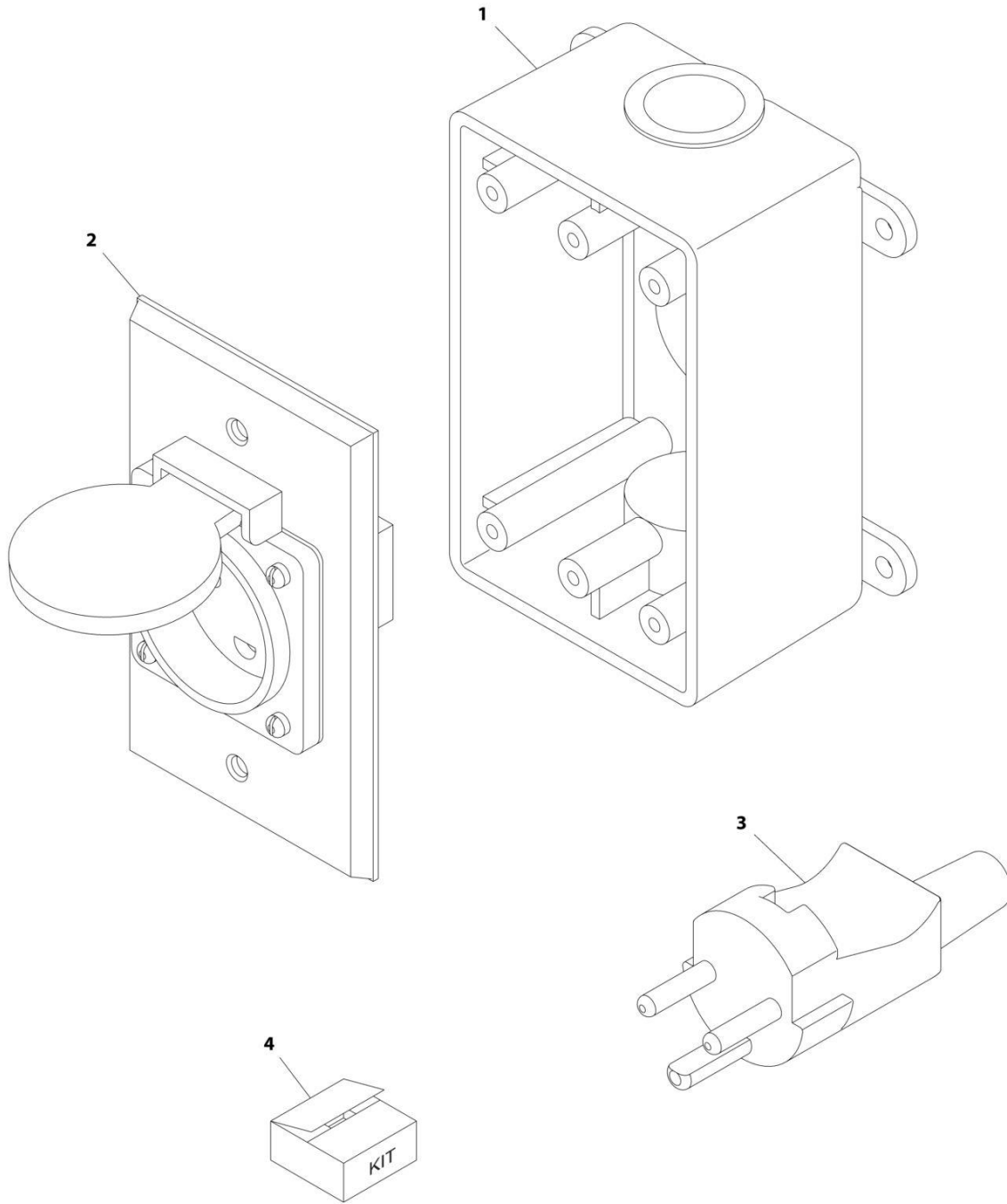
SECTION 8 - ELECTRICAL

FIGURE 8-58. RECEPTACLE BOX KIT - 220V CEE7 SIDE GROUND (CE & UK CA SPEC)

ITEM	PART NUMBER	QTY	DESCRIPTION	REV
	0275453	Ref	RECEPTACLE BOX KIT - 220V CEE7 SIDE GROUND	B
1	0861731	1	Box, Switch	
2	4461245	1	Receptacle	
3	4461205	1	Plug, Male	
4	1001100347	1	Plug and Socket Kit (Includes Items 1-3 and Female Plug p/n 4461206)	

SECTION 8 - ELECTRICAL

FIGURE 8-59. RECEPTACLE BOX KIT - 220V AFSINT 107 (CE & UK CA SPEC)



ART_0275454

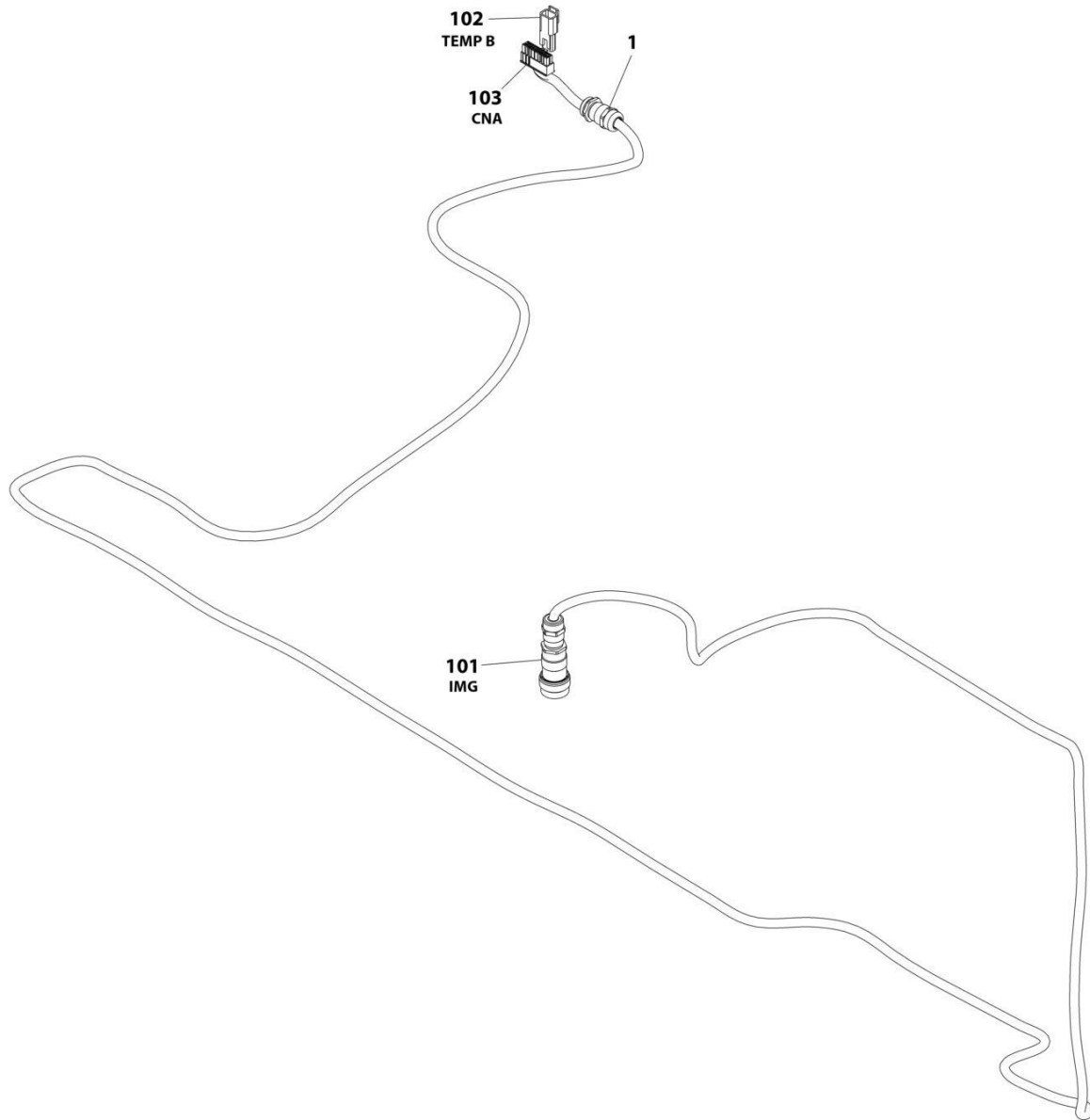
SECTION 8 - ELECTRICAL

FIGURE 8-59. RECEPTACLE BOX KIT - 220V AFSINT 107 (CE & UK CA SPEC)

ITEM	PART NUMBER	QTY	DESCRIPTION	REV
	0275454	Ref	RECEPTACLE BOX KIT - 220V AFSINT 107	B
1	0861731	1	Box, Switch	
2	4461246	1	Receptacle	
3	4461249	1	Plug, Male	
4	1001100346	1	Plug and Socket Kit (Includes Items 1-3 and Female Plug p/n 4461250)	

SECTION 8 - ELECTRICAL

FIGURE 8-60. RESOLVER/CONVERTER/INVERTER HARNESS



ART_1001222369

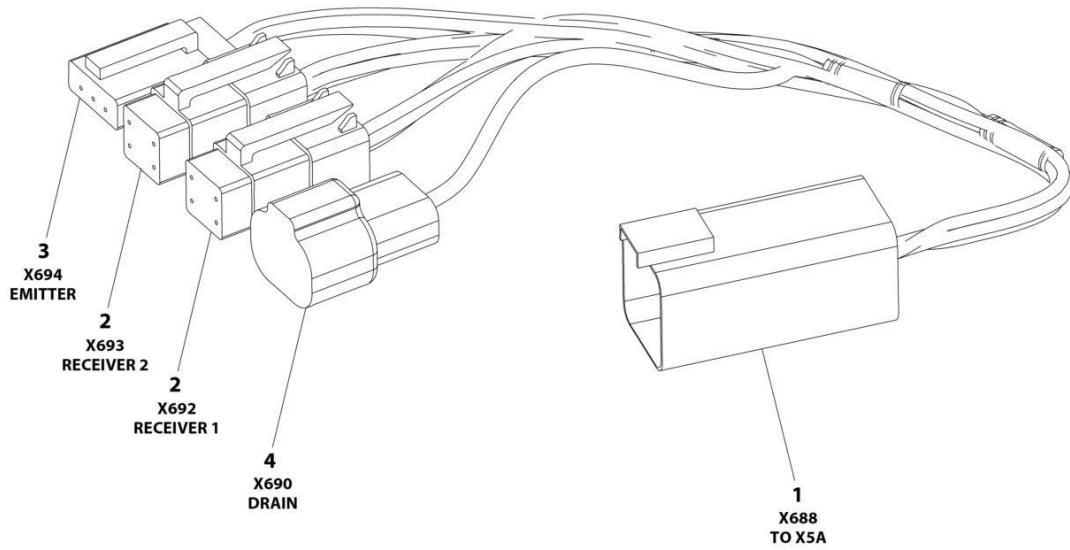
SECTION 8 - ELECTRICAL

FIGURE 8-60. RESOLVER/CONVERTER/INVERTER HARNESS

ITEM	PART NUMBER	QTY	DESCRIPTION	REV
	1001222369	Ref	RESOLVER/CONVERTER/INVERTER HARNESS	B
1	1001226468	1	Connector, Strain Relief	
101	1001226506	1	Connector - 19 Position	
102	1001153612	1	Receptacle, Female - 2 Position	
102	1001126010	2	Terminal	
103	1001225362	1	Connector - 16 Position	
103	4460877	6	Socket, Female	
103	1001228628	10	Plug, Terminal	
103	1001228629	1	Seal	

SECTION 8 - ELECTRICAL

FIGURE 8-61. SKYEYE INTERMEDIATE HARNESS



ART_1001237865

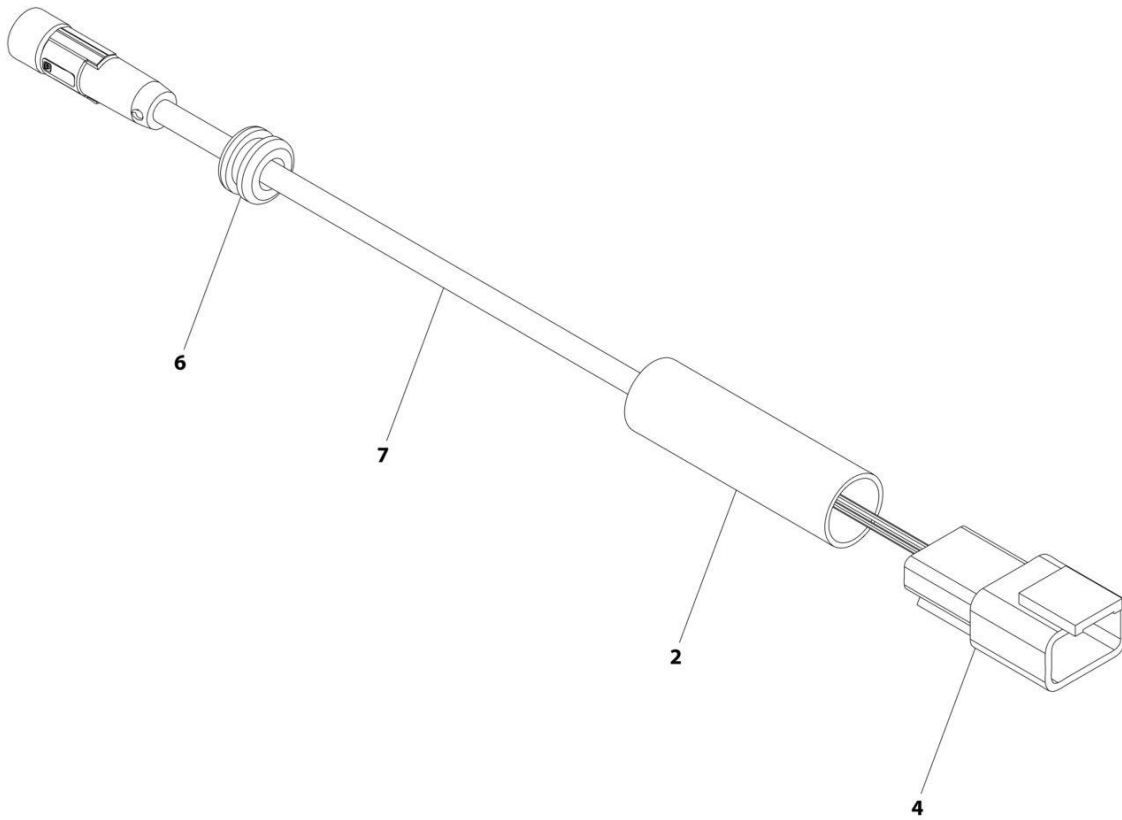
SECTION 8 - ELECTRICAL

FIGURE 8-61. SKYEYE INTERMEDIATE HARNESS

ITEM	PART NUMBER	QTY	DESCRIPTION	REV
	1001237865	Ref	SKYEYE INTERMEDIATE HARNESS	A
1	4460899	1	Connector - 6 Position	
1	4460943	4	Pin, Male	
1	4460466	2	Plug, Terminal	
2	4461077	2	Connector - 4 Position	
2	1001119619	8	Socket, Female	
3	4460911	1	Connector - 3 Position	
3	1001119619	3	Socket, Female	
4	1001187681	1	Connector - 2 Position	
4	4460941	1	Pin, Male	
4	4460466	1	Plug, Terminal	

SECTION 8 - ELECTRICAL

FIGURE 8-62. SKYEYE RECEIVER HARNESS



ART_1001237863_B

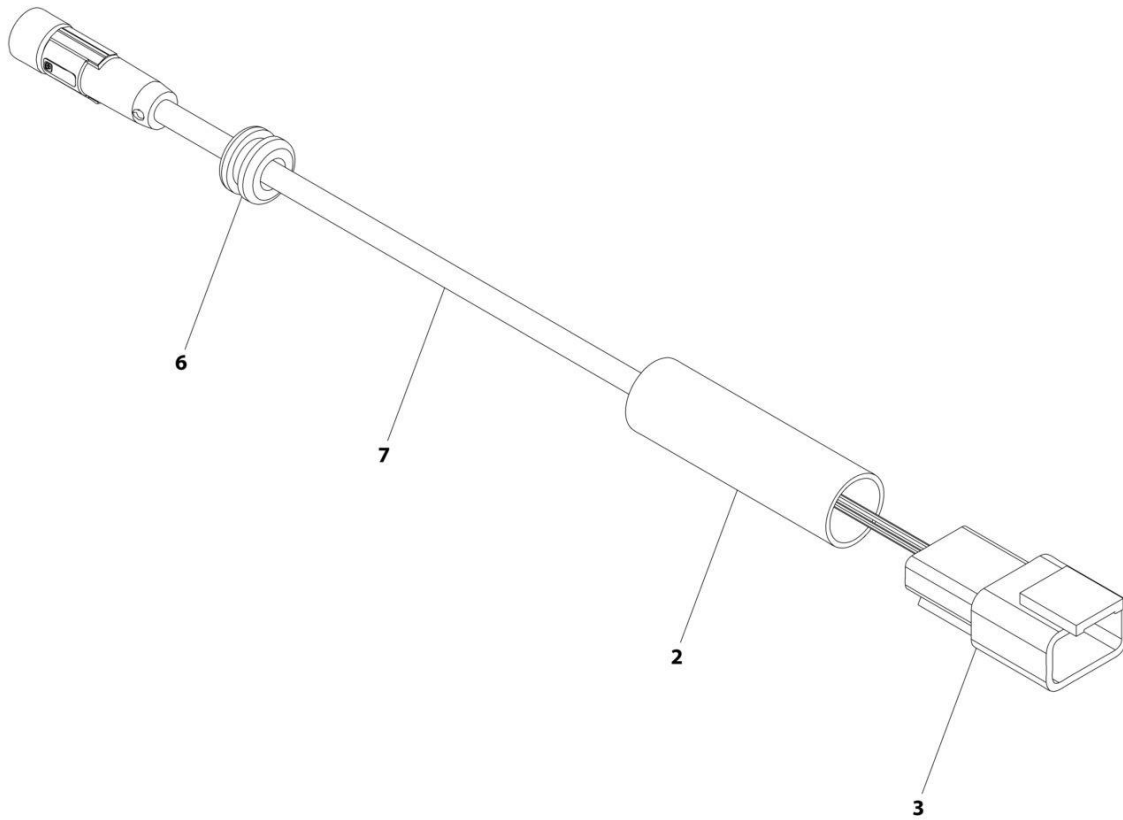
SECTION 8 - ELECTRICAL

FIGURE 8-62. SKYEYE RECEIVER HARNESS

ITEM	PART NUMBER	QTY	DESCRIPTION	REV
	1001237863	Ref	SKYEYE RECEIVER HARNESS	B
2	2820247	AR	Tubing, Heat Shrink	
4	1001097051	1	Connector - 4 Position	
4	1001119620	4	Pin, Male	
6	1001227996	1	Grommet	
7	1001258495	1	Cable, M8 Female Cordset	

SECTION 8 - ELECTRICAL

FIGURE 8-63. SKYEYE EMITTER HARNESS



ART_1001237864_B

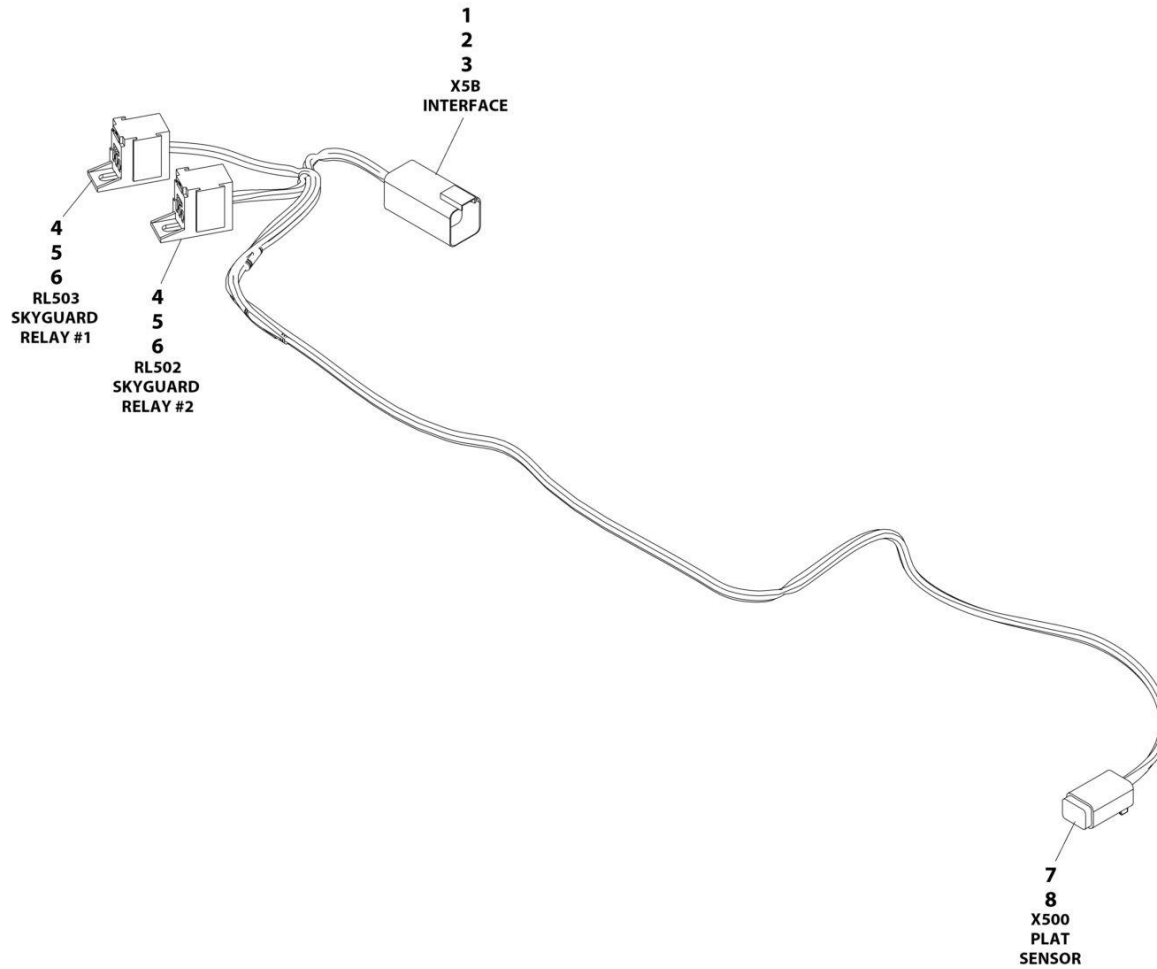
SECTION 8 - ELECTRICAL

FIGURE 8-63. SKYEYE EMITTER HARNESS

ITEM	PART NUMBER	QTY	DESCRIPTION	REV
	1001237864	Ref	SKYEYE EMITTER HARNESS	B
2	2820247	AR	Tubing, Heat Shrink	
3	4460910	1	Connector - 3 Position	
3	1001119620	3	Pin, Male	
6	1001227996	1	Grommet	
7	1001258495	1	Cable, M8 Female Cordset	

SECTION 8 - ELECTRICAL

FIGURE 8-64. SKYGUARD INTERFACE HARNESS



ART_1001225580

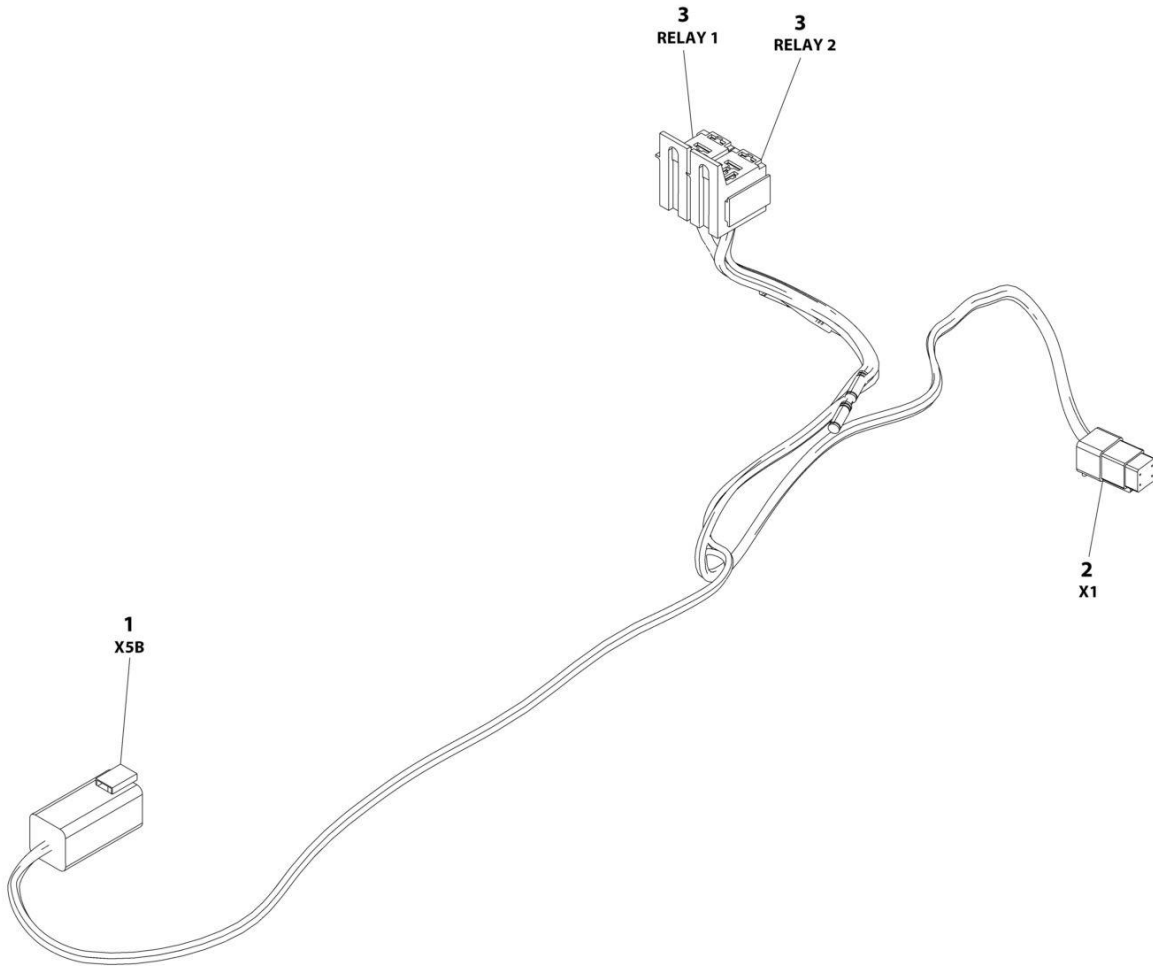
SECTION 8 - ELECTRICAL

FIGURE 8-64. SKYGUARD INTERFACE HARNESS

ITEM	PART NUMBER	QTY	DESCRIPTION	REV
	1001225580	Ref	INTERFACE HARNESS - WITH 1 CELL LSS	D
1	4460899	1	Connector	
2	4460464	4	Terminal	
3	4460466	2	Plug	
4	1001186432	2	Connector	
5	1001116720	4	Terminal	
6	1001118388	4	Terminal	
7	4460884	1	Connector	
8	4460465	4	Terminal	

SECTION 8 - ELECTRICAL

FIGURE 8-65. SKYLINE HARNESS



ART_1001238418

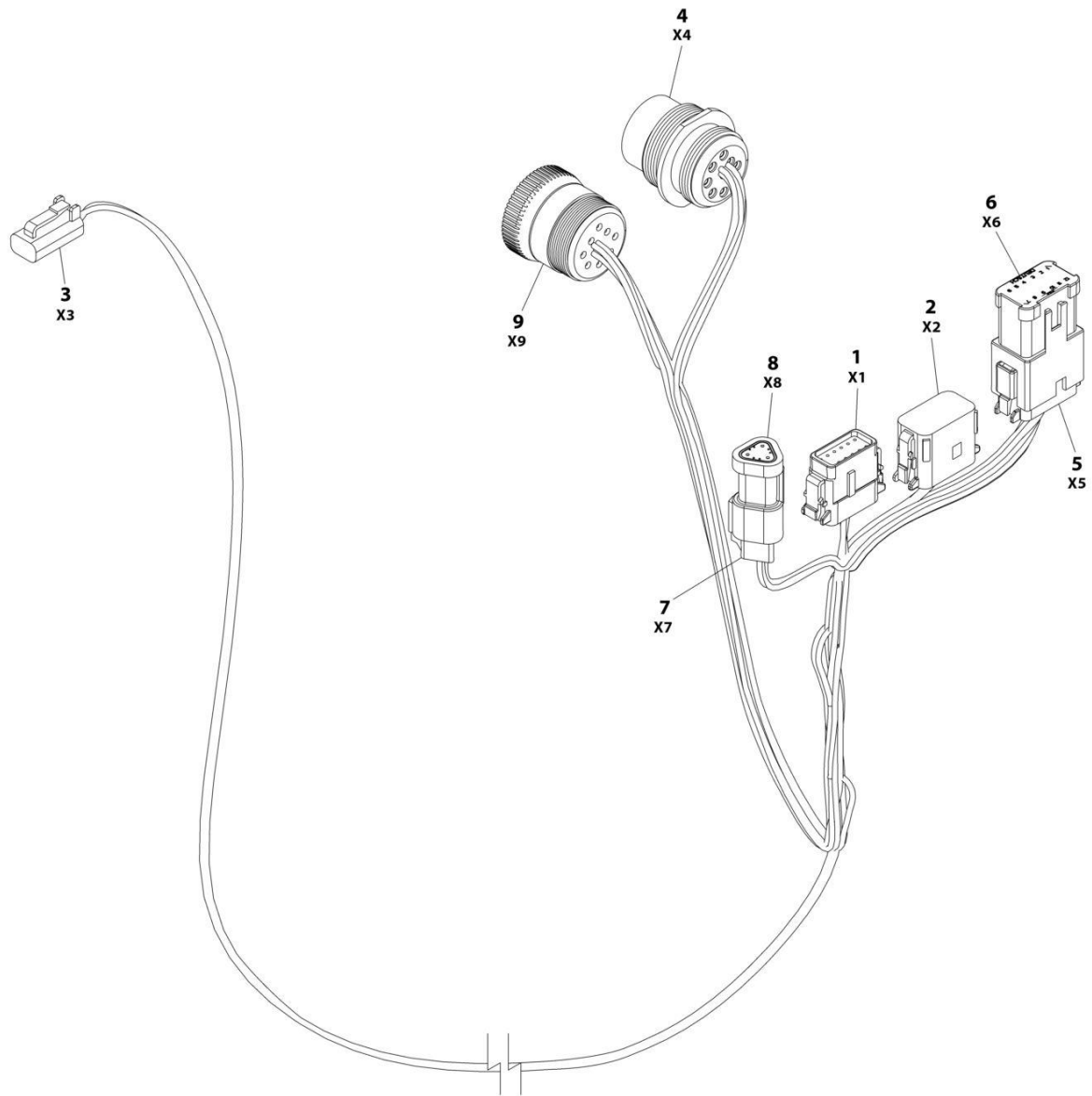
SECTION 8 - ELECTRICAL

FIGURE 8-65. SKYLINE HARNESS

ITEM	PART NUMBER	QTY	DESCRIPTION	REV
	1001238418	Ref	SKYLINE HARNESS	B
1	4460899	1	Connector - 6 Position	
1	4460464	4	Pin, Male	
1	4460466	2	Plug, Terminal	
2	4461077	1	Connector - 4 Position	
2	1001126009	4	Socket, Female	
3	1001186432	2	Plug, Relay	
3	1001118388	5	Terminal	
3	1001118384	3	Terminal	
3	3740086	2	Relay	

SECTION 8 - ELECTRICAL

FIGURE 8-66. STROBE LIGHT CONTROL HARNESS (BLUE & RED LIGHTS)



ART_1001142736

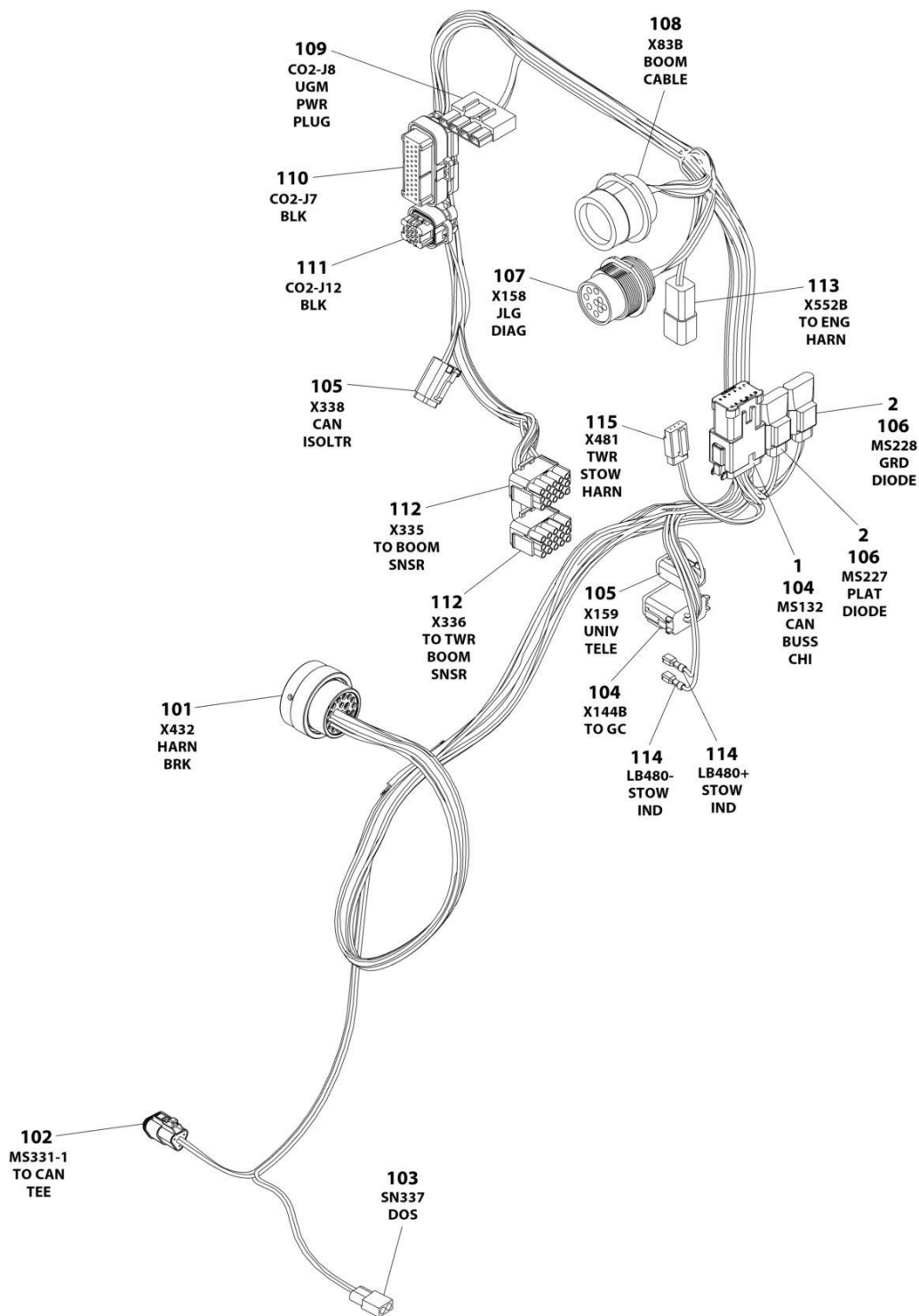
SECTION 8 - ELECTRICAL

FIGURE 8-66. STROBE LIGHT CONTROL HARNESS (BLUE & RED LIGHTS)

ITEM	PART NUMBER	QTY	DESCRIPTION	REV
	1001142736	Ref	STROBE LIGHT HARNESS	F
1	1001116808	1	Plug, Male - 12 Position	
1	4460928	3	Socket, Female	
1	4460518	9	Plug, Terminal	
2	1001116774	1	Plug, Male - 12 Position	
2	4460928	3	Socket, Female	
2	4460518	9	Plug, Terminal	
3	4460891	1	Plug, Male - 2 Position	
3	4460465	2	Socket, Female	
4	1001112612	1	Connector - 9 Position	
4	4460464	6	Pin, Male	
4	4460466	3	Plug, Terminal	
5	4460933	1	Plug, Male - 12 Position	
5	4460465	12	Socket, Female	
6	1001119020	1	Bussbar - 12 Position	
7	4461095	1	Plug, Male - 3 Position	
7	4460465	3	Socket, Female	
8	4461070	1	Bussbar - 3 Position	
9	1001112796	1	Connector - 9 Position	
9	4460465	6	Socket, Female	
9	4460466	3	Plug, Terminal	

SECTION 8 - ELECTRICAL

FIGURE 8-67. TURNTABLE HARNESS



ART_1001245028

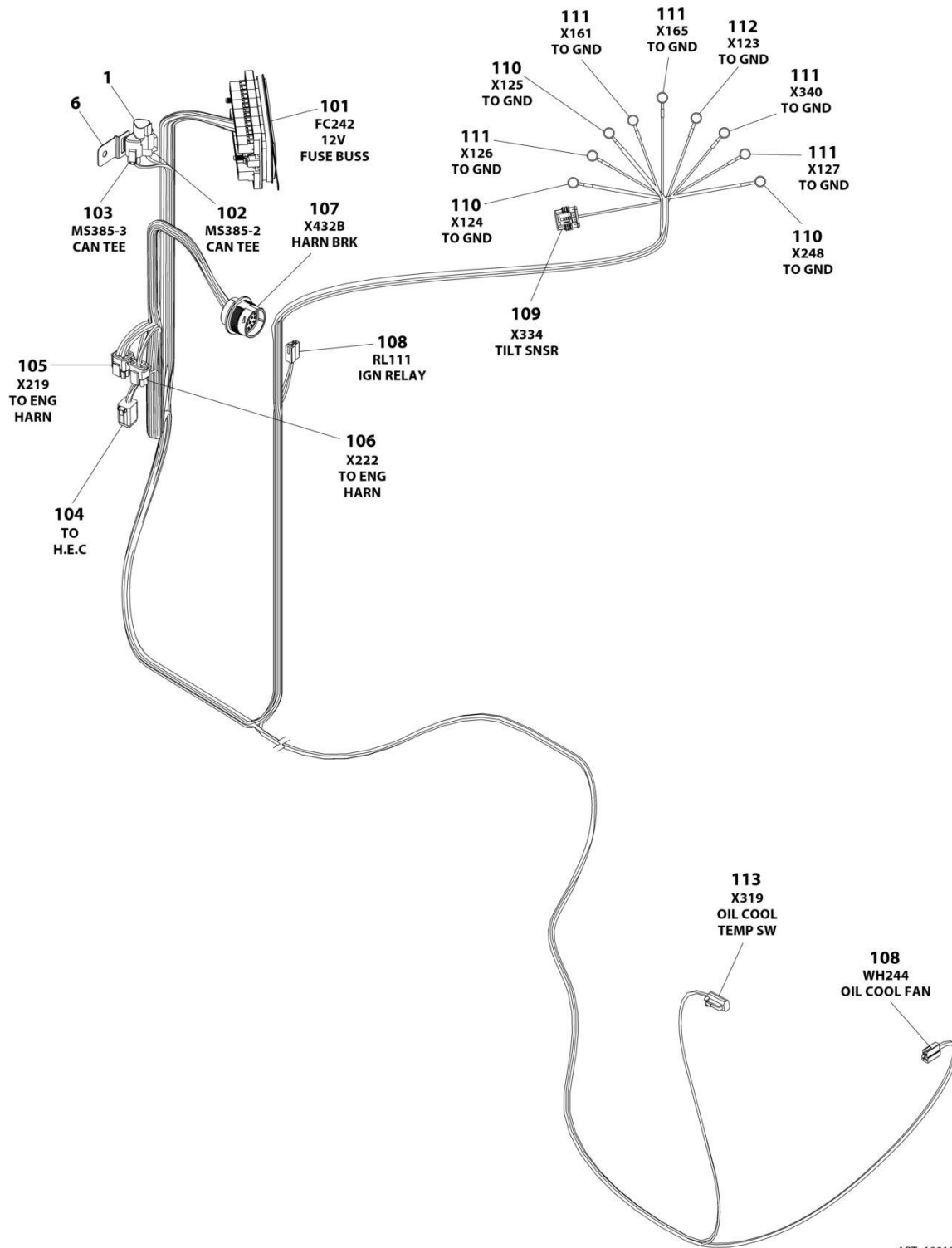
SECTION 8 - ELECTRICAL

FIGURE 8-67. TURNTABLE HARNESS

ITEM	PART NUMBER	QTY	DESCRIPTION	REV
	1001245028	Ref	TURNTABLE HARNESS	B
1	1001125677	1	Bussbar - 12 Position	
2	1001116816	2	Connector - 2 Position	
101	1001229233	1	Connector - 21 Position	
101	4460465	14	Socket, Female	
101	4460509	3	Socket, Female	
101	1001150611	1	Socket, Female	
101	4460466	3	Plug, Terminal	
102	1001116812	1	Plug, Male - 3 Position	
102	4460944	2	Socket, Female	
102	4460465	1	Socket, Female	
103	4460424	1	Plug, Male - 2 Position	
103	4460226	2	Socket, Female	
104	4460933	2	Plug, Male - 12 Position	
104	4460944	14	Socket, Female	
104	4460465	8	Socket, Female	
104	4460466	2	Plug, Terminal	
105	4460884	2	Plug, Male - 4 Position	
105	4460465	4	Socket, Female	
105	4460944	4	Socket, Female	
106	4460891	2	Plug, Male - 2 Position	
106	4460465	4	Socket, Female	
107	1001112612	1	Connector - 9 Position	
107	4460464	3	Pin, Male	
107	4460943	2	Pin, Male	
107	4460466	4	Plug, Terminal	
108	4460866	1	Connector - 19 Position	
108	4460464	5	Pin, Male	
108	4460943	2	Pin, Male	
108	4460508	4	Pin, Male	
108	4460466	8	Plug, Terminal	
109	4460878	1	Receptacle, Female - 4 Position	
109	4460887	2	Terminal	
110	4460873	1	Connector - 35 Position	
110	4460871	25	Socket, Female	
110	4460905	10	Plug, Terminal	
111	1001113961	1	Plug, Male - 8 Position	
111	4460871	4	Socket, Female	
111	4460905	4	Plug, Terminal	
112	4460434	2	Plug, Male - 15 Position	
112	4460227	24	Pin, Male	
112	4460267	2	Pin, Male	
113	4460932	1	Receptacle, Female - 4 Position	
113	4460464	3	Pin, Male	
113	4460466	1	Plug, Terminal	
114	1001201885	2	Terminal	
115	4460911	1	Plug, Male - 3 Position	
115	1001116694	2	Socket, Female	
115	4460518	1	Plug, Terminal	

SECTION 8 - ELECTRICAL

FIGURE 8-68. TURNTABLE/FUSE PANEL HARNESS



ART_1001230522

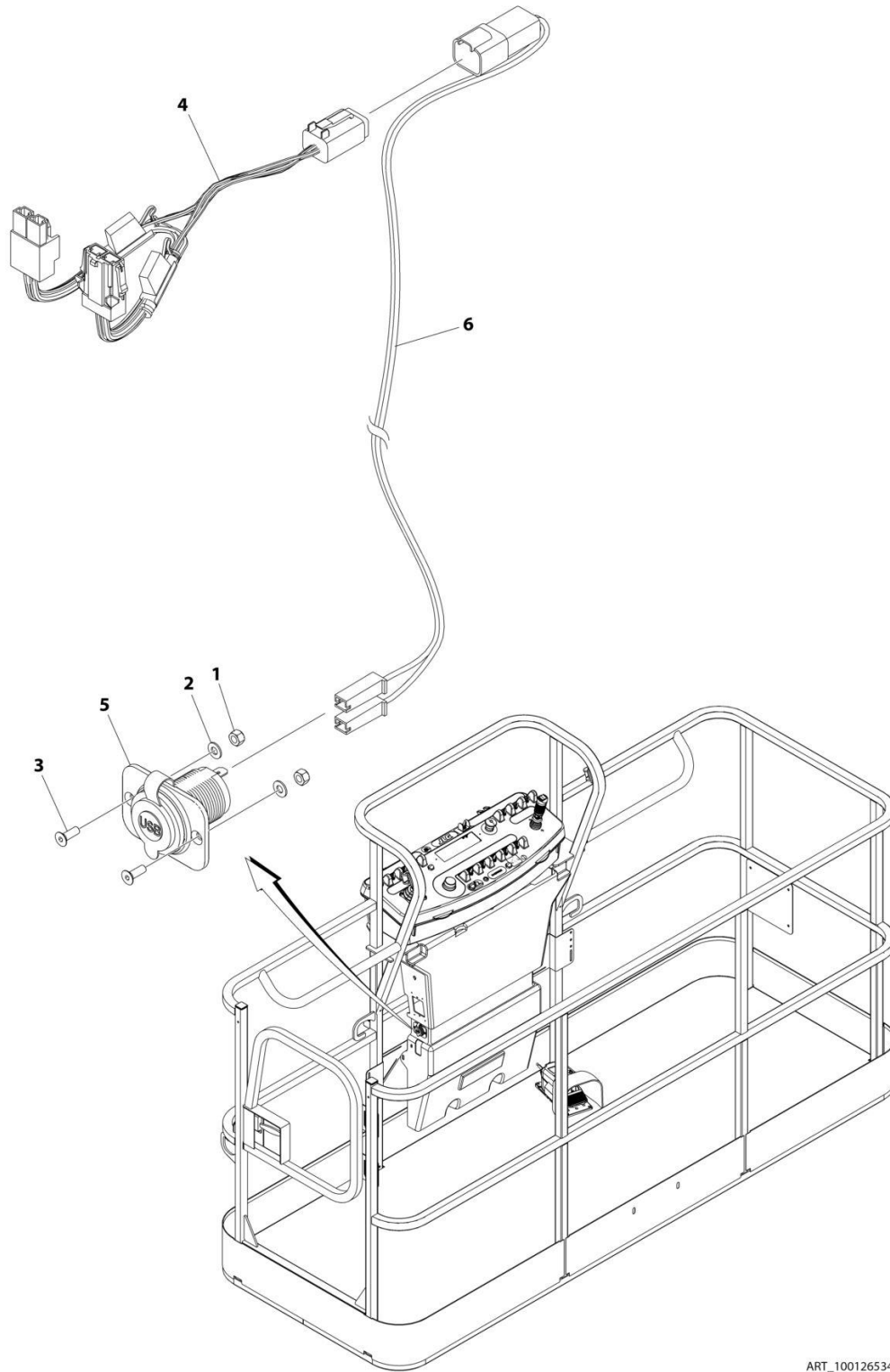
SECTION 8 - ELECTRICAL

FIGURE 8-68. TURNTABLE/FUSE PANEL HARNESS

ITEM	PART NUMBER	QTY	DESCRIPTION	REV
	1001230522	Ref	TURNTABLE/FUSE PANEL HARNESS	C
1	4460945	1	Receptacle, 3 Way	
6	1001153749	1	Mount, Connector	
101	1001225219	1	Connector - 28 Position	
101	1001189572	9	Terminal	
101	1001189571	3	Terminal	
101	1001189570	10	Terminal	
102	4460539	1	Plug, Male - 3 Position	
102	4460944	2	Socket, Female	
102	4460466	1	Plug, Terminal	
103	1001116812	1	Plug, Male - 3 Position	
103	4460944	2	Socket, Female	
103	4460466	1	Plug, Terminal	
104	4460894	1	Plug, Male - 6 Position	
104	4460465	5	Socket, Female	
104	4460466	1	Plug, Terminal	
105	4460265	1	Plug, Male - 9 Position	
105	4460906	8	Socket, Female	
106	4460225	1	Plug, Male - 6 Position	
106	4460268	4	Socket, Female	
107	1001229232	1	Connector - 21 Position	
107	4460464	14	Pin, Male	
107	4460508	4	Pin, Male	
107	4460466	3	Plug, Terminal	
108	4460994	2	Housing, Terminal	
108	1001116720	2	Terminal	
108	1001116716	2	Terminal	
109	1001103012	1	Plug, Male - 4 Position	
109	1001107854	4	Terminal	
109	1001104498	4	Seal	
110	4460019	3	Terminal, Ring	
111	4460722	5	Terminal, Ring	
112	1001225219	1	Terminal, Ring	
113	4460891	1	Plug, Male - 2 Position	
113	4460465	2	Socket, Female	

SECTION 8 - ELECTRICAL

FIGURE 8-69. USB RECEPTACLE INSTALLATION



ART_1001265342

SECTION 8 - ELECTRICAL

FIGURE 8-69. USB RECEPTACLE INSTALLATION

ITEM	PART NUMBER	QTY	DESCRIPTION	REV
	1001265342	Ref	USB CHARGER INSTALLATION	A
1	3290405	2	Nut M4	
2	4811400	2	Washer M4	
3	1001097244	2	Screw M4 x 12	
4	1001120484	1	Harness, Work Lights	
4	4460879	1	Plug, Male - 2 Position	
4	4460887	2	Terminal	
4	2400060	2	Fuseholder Includes Cover	
4	8229249	2	Fuse, 3 Amp	
4	4460884	1	Connector - 4 Position	
4	4460465	4	Socket, Female	
4	1001120471	1	Connector - 2 Position	
4	1001120477	2	Terminal	
5	1001210636	1	Receptacle, USB	
6	1001265163	1	Harness, USB	A
6	4460260	2	Cover, Terminal	
6	4460259	2	Terminal	
6	4460932	1	Receptacle, Bussbar - 4 Position	
6	4460464	2	Pin, Male	
6	4460466	2	Plug, Terminal	

SECTION 8 - ELECTRICAL

FIGURE 8-70. WHITE NOISE ALARM HARNESS



ART_1001243682

SECTION 8 - ELECTRICAL

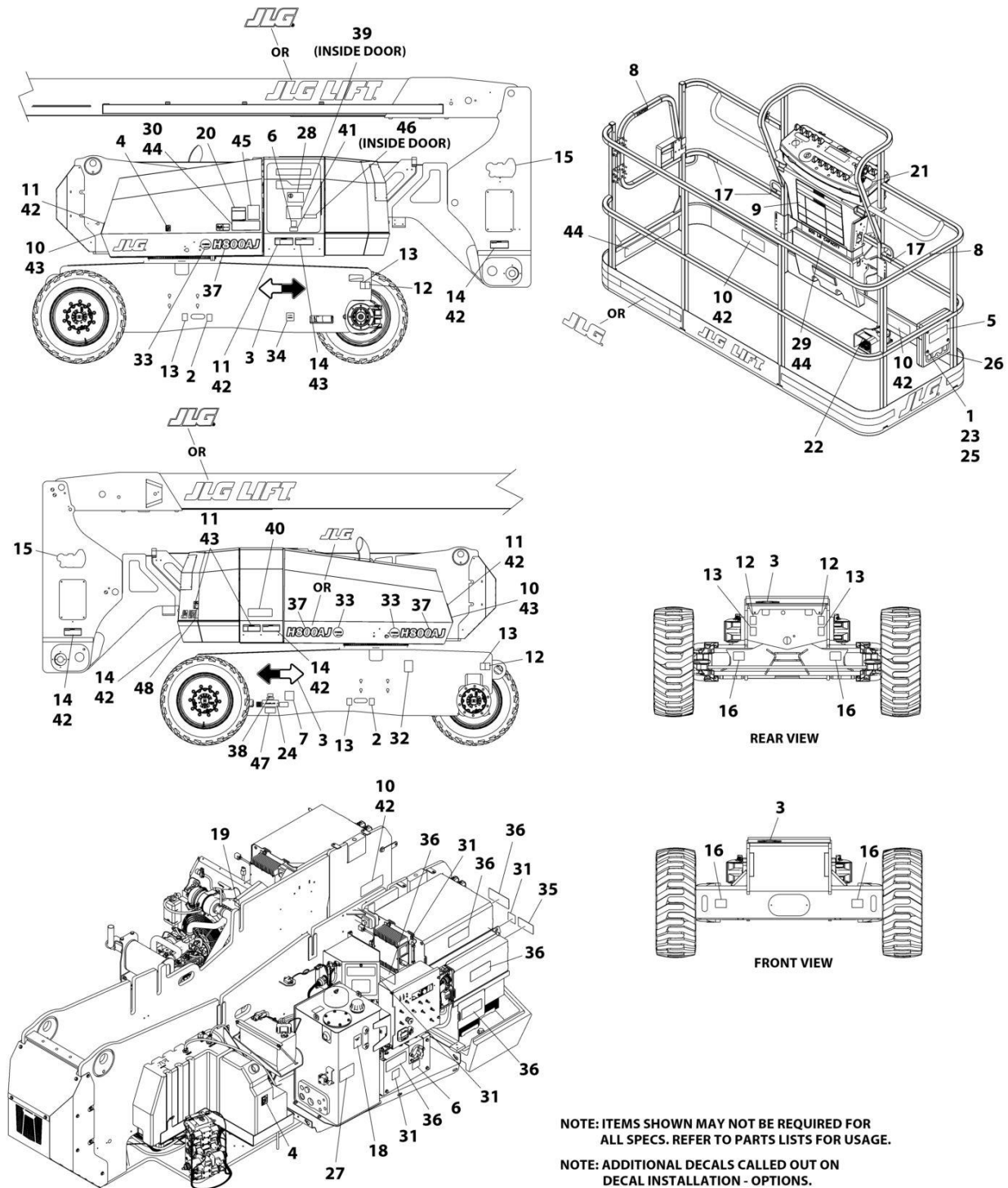
FIGURE 8-70. WHITE NOISE ALARM HARNESS

ITEM	PART NUMBER	QTY	DESCRIPTION	REV
	1001243682	Ref	WHITE NOISE ALARM HARNESS	A
1	4460891	1	Plug, Male - 2 Position	
1	4460465	2	Socket, Female	
2	4460871	1	Terminal	
3	4460539	1	Plug, Male- 3 Position	
3	4460465	3	Socket, Female	
4	4460536	1	Receptacle, Female- 3 Position	
4	4460464	3	Pin, Male	

SECTION 9 - DECALS

SECTION 9 - DECALS

FIGURE 9-1. DECAL INSTALLATION - ANSI SPECS (ENGLISH LANGUAGE)



NOTE: ITEMS SHOWN MAY NOT BE REQUIRED FOR ALL SPECS. REFER TO PARTS LISTS FOR USAGE.
 NOTE: ADDITIONAL DECALS CALLED OUT ON DECAL INSTALLATION - OPTIONS.

ART_1001249006

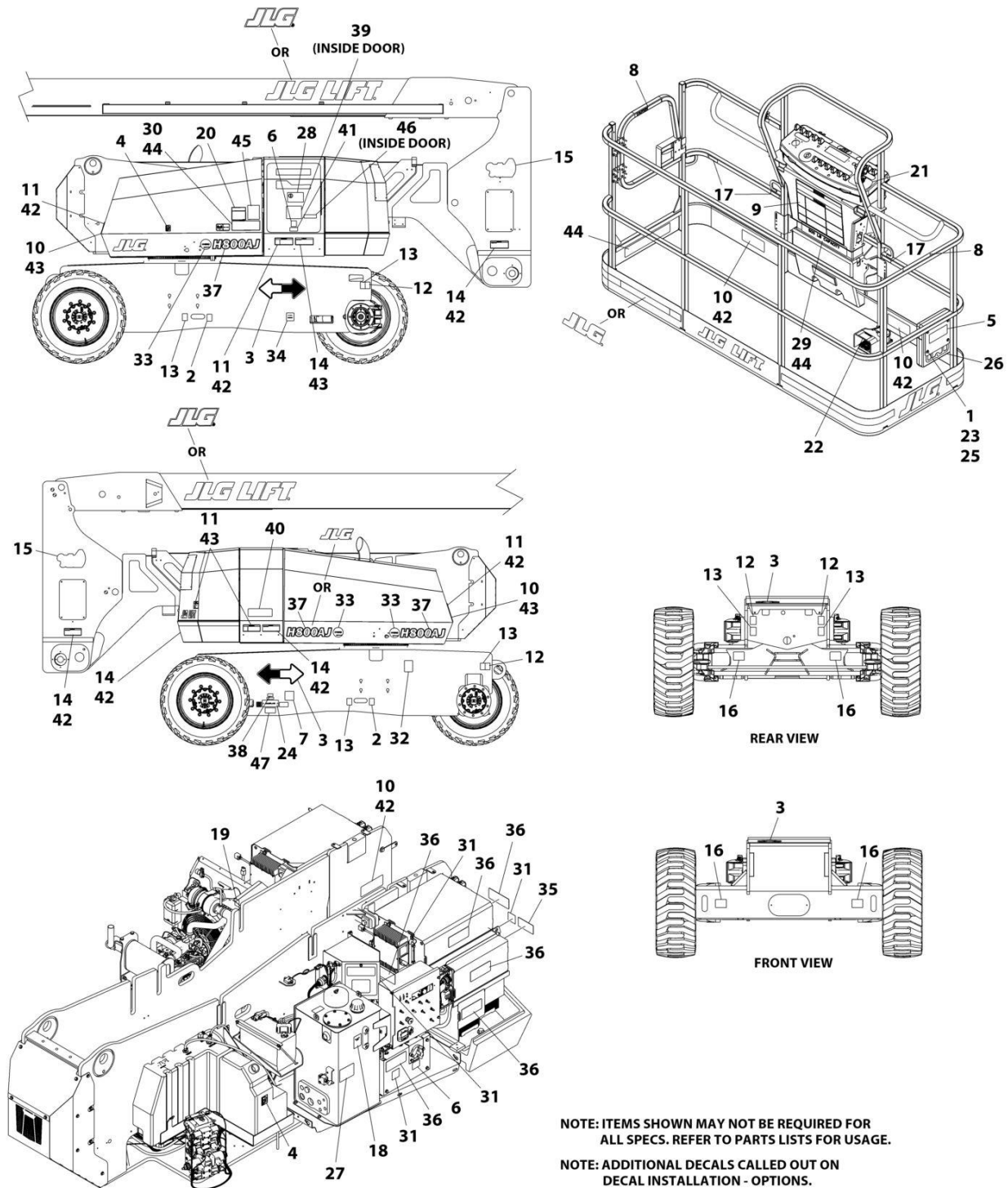
SECTION 9 - DECALS

FIGURE 9-1. DECAL INSTALLATION - ANSI SPECS (ENGLISH LANGUAGE)

ITEM	PART NUMBER	QTY	DESCRIPTION	REV
	1001249006	Ref	DECAL INSTALLATION - ANSI	D
	1001249013	Ref	DECAL INSTALLATION - REFERENCE CHART	C
1	0641406	4	Bolt 1/4 x 3/4	
2	1701499	2	Decal - No Tie Down/Lift	
3	1701501	4	Decal - Arrow	
4	1701505	2	Decal - Diesel Fuel	
5	1701509	1	Decal - Manual	
6	1702155	2	Decal - Battery Disconnect	
7	See Note	NSS	Decal - Bar Code (Note: Not Available for Purchase)	
8	1702868	2	Decal - No Hands	
9	1703797	1	Decal - Danger/Warning	
10	1703804	6	Decal - Warning/Crushing	
11	1703805	5	Decal - Electrocution	
12	1703811	4	Decal - Lifting Lug	
13	1703814	6	Decal - Tie Down	
14	1703953	5	Decal - Warning/Crushing	
15	1703959	2	Decal - Quik Stik	
16	1703960	4	Decal - Maximum Tire Load	
17	1704277	3	Decal - Lanyard Attach	
18	1704412	1	Decal - Hydraulic Oil	
19	1704972	1	Decal - Glow Plugs	
20	1705336	1	Decal - Danger/Warning	
21	1705351	1	Decal - Drive/Steer Instructions	
22	3252347	1	Nameplate - Footswitch	
23	3311405	4	Nut 1/4	
24	3820001	2	Rivet	
25	4751400	8	Washer 1/4	
26	91403230	1	Box, Manual Storage	
27	1001096141	1	Decal - Upright Level Override	
28	1001117307	1	Decal - Emergency Stop	
29	1001253920	1	Decal - Warning Single Cap	
30	1001253921	1	Decal - Warning Single Cap	
31	1001125483	6	Decal - Pressure Wash	
32	1001131269	1	Decal - Patent	
33	1001174449	2	Decal - Hybrid	
34	1001223055	1	Decal - Yearly Inspection	
35	1001223554	2	Decal - Warning Tip Over Hazard	
36	1001223556	9	Decal - Electric Shock Hazard	
37	1001267328	2	Decal - H800AJ	
38	1001228370	1	Decal - ICES	
39	1001228411	1	Decal - LED Indicator	
40	1001284688	1	Decal - Lifting Diagram	
41	1001233785	1	Decal - Charger Plug	

SECTION 9 - DECALS

FIGURE 9-2. DECAL INSTALLATION - AUSTRALIAN SPECS (ENGLISH LANGUAGE)



NOTE: ITEMS SHOWN MAY NOT BE REQUIRED FOR ALL SPECS. REFER TO PARTS LISTS FOR USAGE.
 NOTE: ADDITIONAL DECALS CALLED OUT ON DECAL INSTALLATION - OPTIONS.

ART_1001249548_D

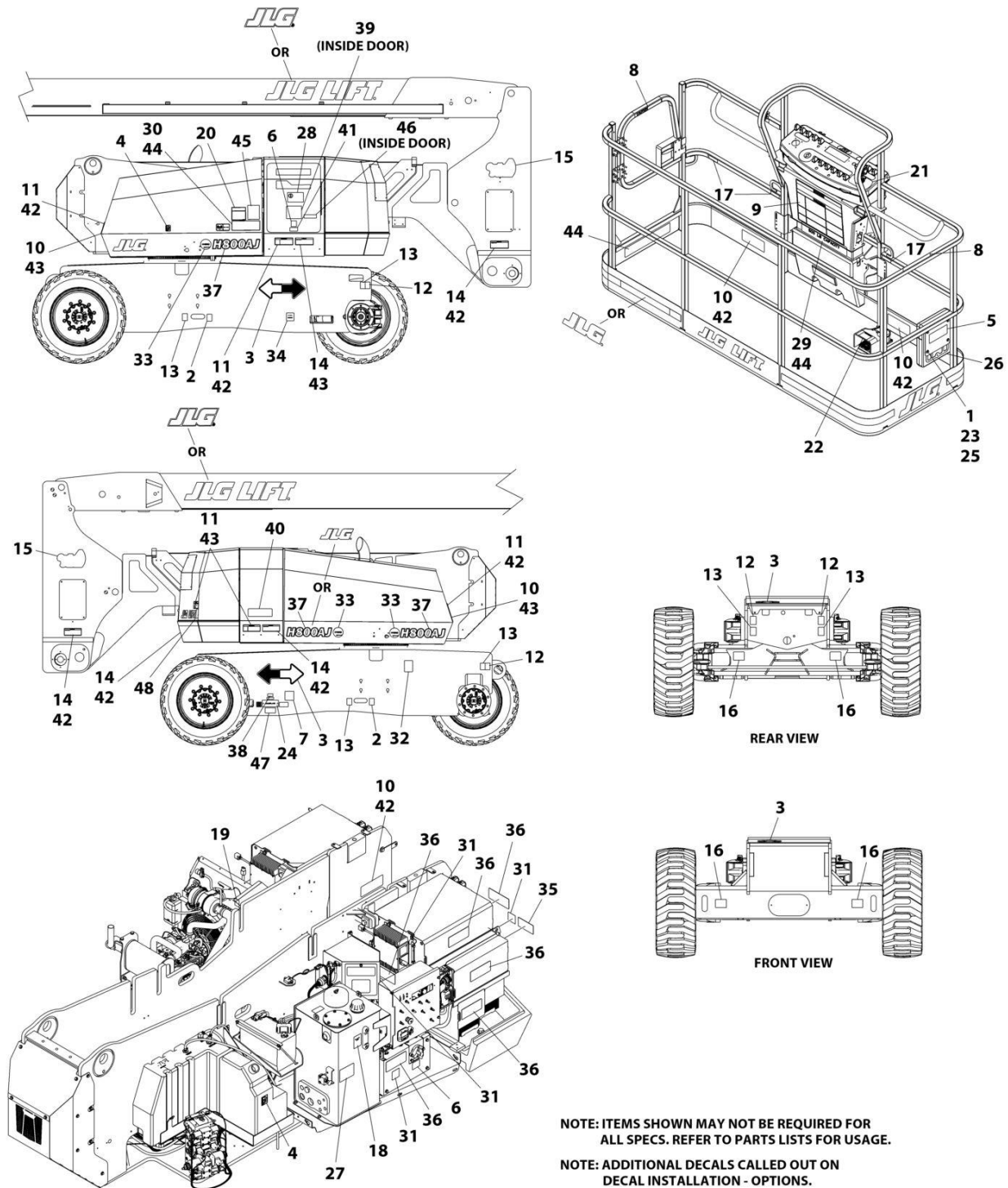
SECTION 9 - DECALS

FIGURE 9-2. DECAL INSTALLATION - AUSTRALIAN SPECS (ENGLISH LANGUAGE)

ITEM	PART NUMBER	QTY	DESCRIPTION	REV
	1001249548	Ref	DECAL INSTALLATION - AUSTRALIAN	D
	1001249013	Ref	DECAL INSTALLATION - REFERENCE CHART	D
1	0641406	4	Bolt 1/4 x 3/4	
2	1701499	2	Decal - No Tie Down/Lift	
3	1701501	4	Decal - Arrow	
4	1701505	2	Decal - Diesel Fuel	
5	1701509	1	Decal - Manual	
6	1702155	2	Decal - Battery Disconnect	
7	See Note	NSS	Decal - Bar Code (Note: Not Available for Purchase)	
9	1705921	1	Decal - Tipping/Electrocution	
12	1703811	4	Decal - Lifting Lug	
13	1703814	6	Decal - Tie Down	
15	1703959	2	Decal - Quik Stik	
16	1703960	4	Decal - Maximum Tire Load	
17	1704277	3	Decal - Lanyard Attach	
18	1704412	1	Decal - Hydraulic Oil	
19	1706098	1	Decal - Warning Ether Start	
20	1705822	1	Decal - Electrical/Safety Manual	
22	1705828	1	Nameplate - Footswitch	
23	3311405	4	Nut 1/4	
24	3820001	2	Rivet	
25	4751400	8	Washer 1/4	
26	91403230	1	Box, Manual Storage	
27	1705977	1	Decal - Upright Level Override	
28	1001117307	1	Decal - Emergency Stop	
31	1001125483	6	Decal - Pressure Wash	
33	1001174449	2	Decal - Hybrid	
35	1001223560	2	Decal - Tip Over Hazard	
36	1001223561	9	Decal - Shock Hazard	
37	1001267328	2	Decal - H800AJ	
39	1001228411	1	Decal - LED Indicator	
40	1001284688	1	Decal - Lifting Diagram	
41	1001233785	1	Decal - Charger Plug	
42	1701518	11	Decal - Crushing	
43	1705961	5	Decal - Electrocution	
44	1705978	3	Decal - 230KG Capacity	
45	1001112551	1	Decal - Emergency Controls	
47	1001232893	1	Decal - Wheel Assembly Mass	

SECTION 9 - DECALS

FIGURE 9-3. DECAL INSTALLATION - BRAZIL SPECS (ENGLISH/PORTUGUESE LANGUAGES)



NOTE: ITEMS SHOWN MAY NOT BE REQUIRED FOR ALL SPECS. REFER TO PARTS LISTS FOR USAGE.

NOTE: ADDITIONAL DECALS CALLED OUT ON DECAL INSTALLATION - OPTIONS.

ART_1001249012

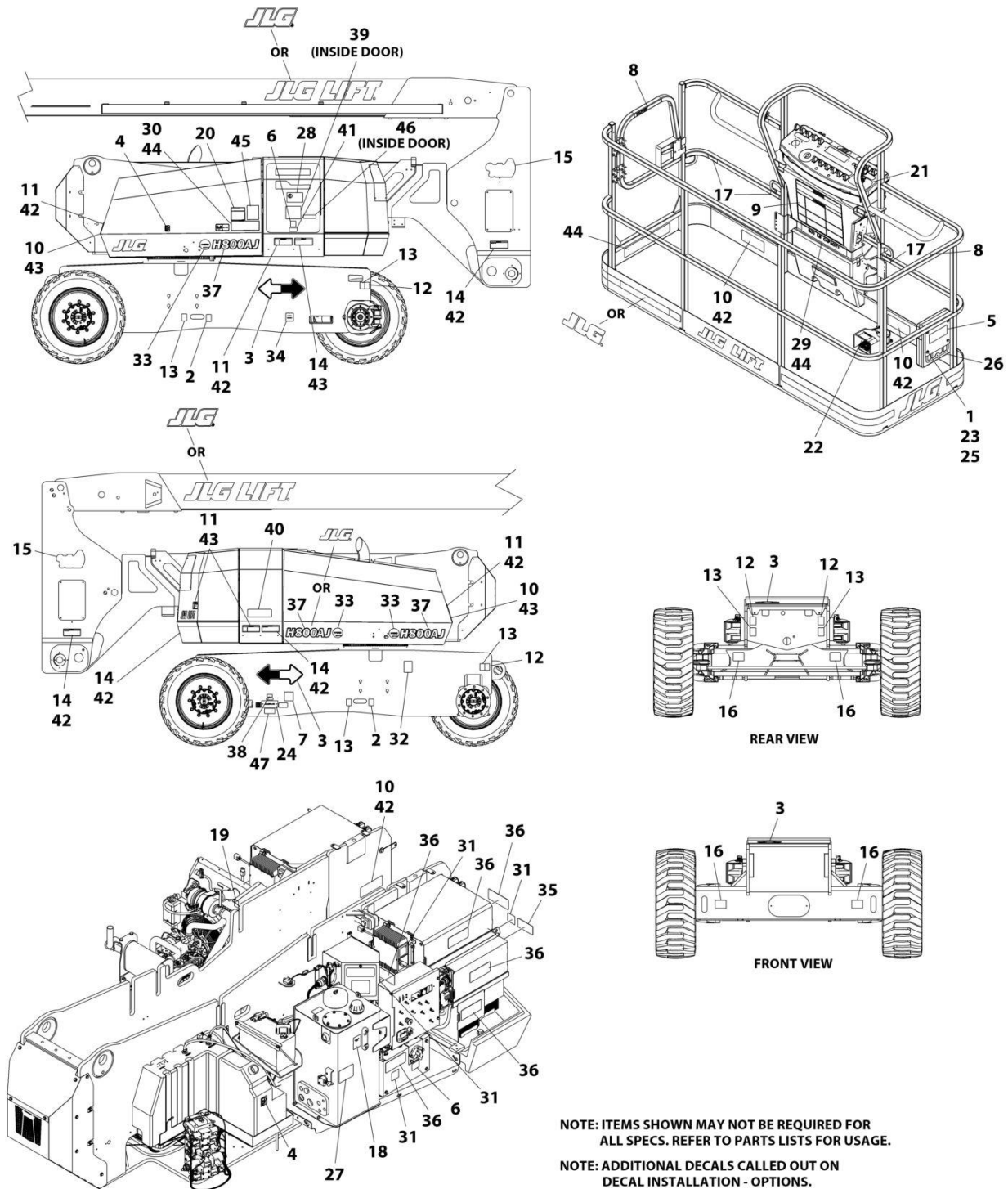
SECTION 9 - DECALS

FIGURE 9-3. DECAL INSTALLATION - BRAZIL SPECS (ENGLISH/PORTUGUESE LANGUAGES)

ITEM	PART NUMBER	QTY	DESCRIPTION	REV
	1001249012	Ref	DECAL INSTALLATION - BRAZIL	E
	1001249013	Ref	DECAL INSTALLATION - REFERENCE CHART	C
1	0641406	4	Bolt 1/4 X 3/4	
2	1701499	2	Decal - No Tie Down/Lift	
3	1701501	4	Decal - Arrow	
4	1701505	2	Decal - Diesel Fuel	
5	1701509	1	Decal - Manual	
6	1702155	2	Decal - Battery Disconnect	
7	See Note	NSS	Decal - Bar Code (Note: Not Available For Purchase)	
8	1705967	2	Decal - No Hands	
9	1705895	1	Decal - Danger/Warning	
10	1705898	6	Decal - Crushing	
11	1705897	5	Decal - Danger Electrocution	
12	1703811	4	Decal - Lifting Lug	
13	1703814	6	Decal - Tie Down	
14	1705903	5	Decal - Warning/Crushing	
15	1703959	2	Decal - Quik Stik	
16	1703960	4	Decal - Maximum Tire Load	
17	1704277	3	Decal - Lanyard Attach	
18	1704412	1	Decal - Hydraulic Oil	
19	1706059	1	Decal - Warning Explosion	
20	1705896	1	Decal - Warning Inspection	
21	1705905	1	Decal - Drive/Steer Instructions	
22	1705902	1	Decal - Footswitch	
23	3311405	4	Nut 1/4	
24	3820001	2	Rivet	
25	4751400	8	Washer 1/4	
26	91403230	1	Box, Manual Storage	
27	1705977	1	Decal - Upright Level Override	
28	1001117307	1	Decal - Emergency Stop	
29	1001253936	1	Decal - Warning Single Cap	
30	1001253937	1	Decal - Warning Single Cap	
31	1001125483	6	Decal - Pressure Wash	
33	1001174449	2	Decal - Hybrid	
34	1001224052	1	Decal - Yearly Inspection	
34	1001267885	1	Decal - Yearly Inspection	
35	1001233066	2	Decal - Tipping Hazard	
36	1001233011	9	Decal - Electrical Shock Hazard	
37	1001267328	2	Decal - H800AJ	
39	1001228411	1	Decal - LED Indicator	
40	1001284688	1	Decal - Lifting Diagram	
41	1001233785	1	Decal - Charger Plug	

SECTION 9 - DECALS

FIGURE 9-4. DECAL INSTALLATION - CE & UK CA SPECS (ENGLISH LANGUAGE)



ART_1001249549_D

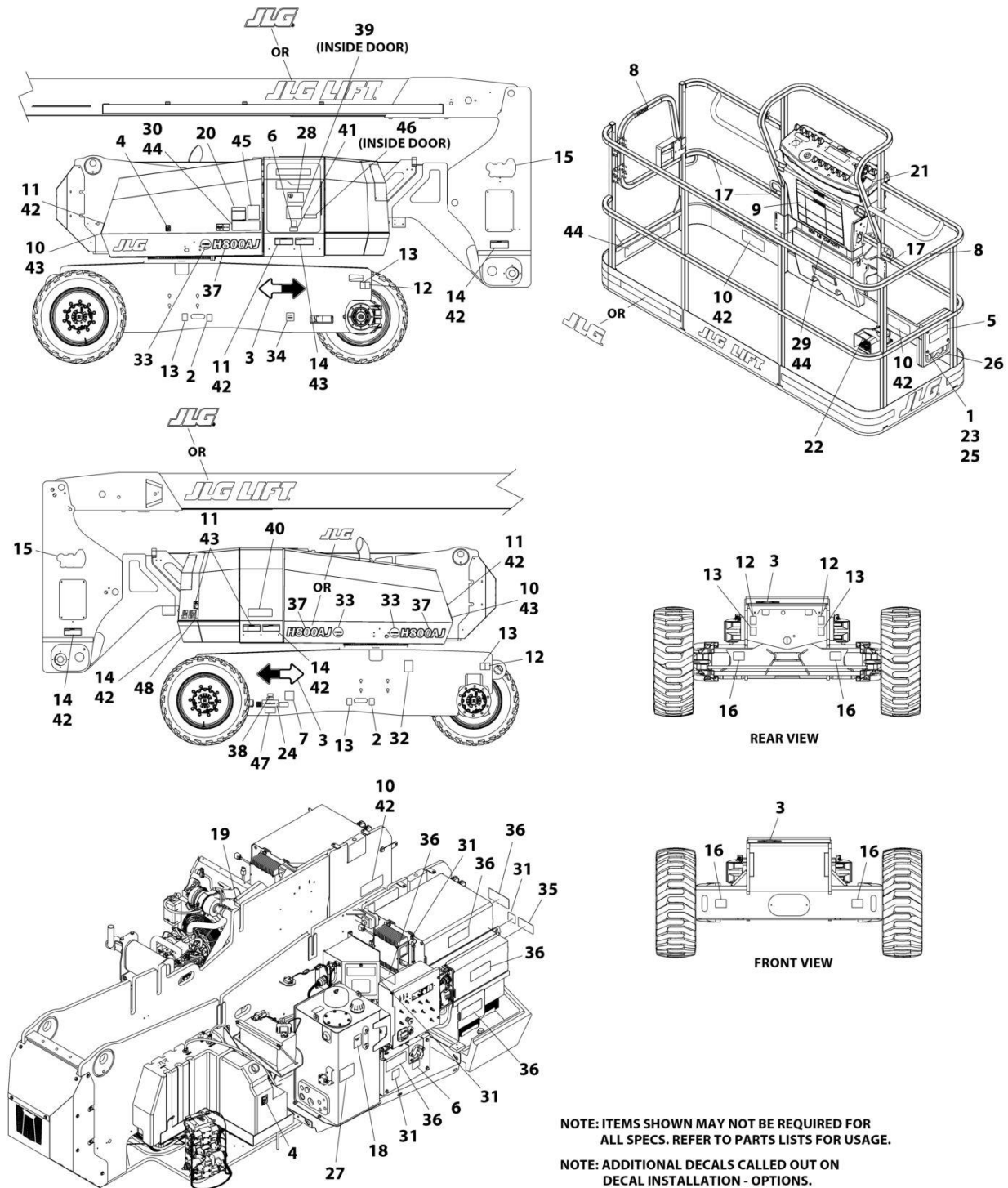
SECTION 9 - DECALS

FIGURE 9-4. DECAL INSTALLATION - CE & UK CA SPECS (ENGLISH LANGUAGE)

ITEM	PART NUMBER	QTY	DESCRIPTION	REV
	1001249549	Ref	DECAL INSTALLATION - CE & UK CA	D
	1001249013	Ref	DECAL INSTALLATION - REFERENCE CHART	D
1	0641406	4	Bolt 1/4 x 3/4	
2	1701499	2	Decal - No Tie Down/Lift	
3	1701501	4	Decal - Arrow	
4	1701505	2	Decal - Diesel Fuel	
5	1701509	1	Decal - Manual	
6	1702155	2	Decal - Battery Disconnect	
7	See Note	NSS	Decal - Bar Code (Note: Not Available for Purchase)	
9	1705921	1	Decal - Tipping/Electrocution	
12	1703811	4	Decal - Lifting Lug	
13	1703814	6	Decal - Tie Down	
15	1703959	2	Decal - Quik Stik	
16	1703960	4	Decal - Maximum Tire Load	
17	1704277	3	Decal - Lanyard Attach	
18	1704412	1	Decal - Hydraulic Oil	
19	1706098	1	Decal - Warning Ether Start	
20	1705822	1	Decal - Electrical/Safety Manual	
22	1705828	1	Nameplate - Footswitch	
23	3311405	4	Nut 1/4	
24	3820001	2	Rivet	
25	4751400	8	Washer 1/4	
26	91403230	1	Box, Manual Storage	
27	1705977	1	Decal - Upright Level Override	
28	1001117307	1	Decal - Emergency Stop	
31	1001125483	6	Decal - Pressure Wash	
33	1001174449	2	Decal - Hybrid	
35	1001223560	2	Decal - Tip Over Hazard	
36	1001223561	9	Decal - Shock Hazard	
37	1001267328	2	Decal - H800AJ	
39	1001228411	1	Decal - LED Indicator	
40	1001284688	1	Decal - Lifting Diagram	
41	1001233785	1	Decal - Charger Plug	
42	1701518	11	Decal - Crushing	
43	1705961	5	Decal - Electrocution	
44	1705978	2	Decal - 230KG Capacity	
46	1001189882	1	Decal - MSSO Operation	

SECTION 9 - DECALS

FIGURE 9-5. DECAL INSTALLATION - CHINA SPECS (ENGLISH/CHINESE LANGUAGES)



ART_1001249010

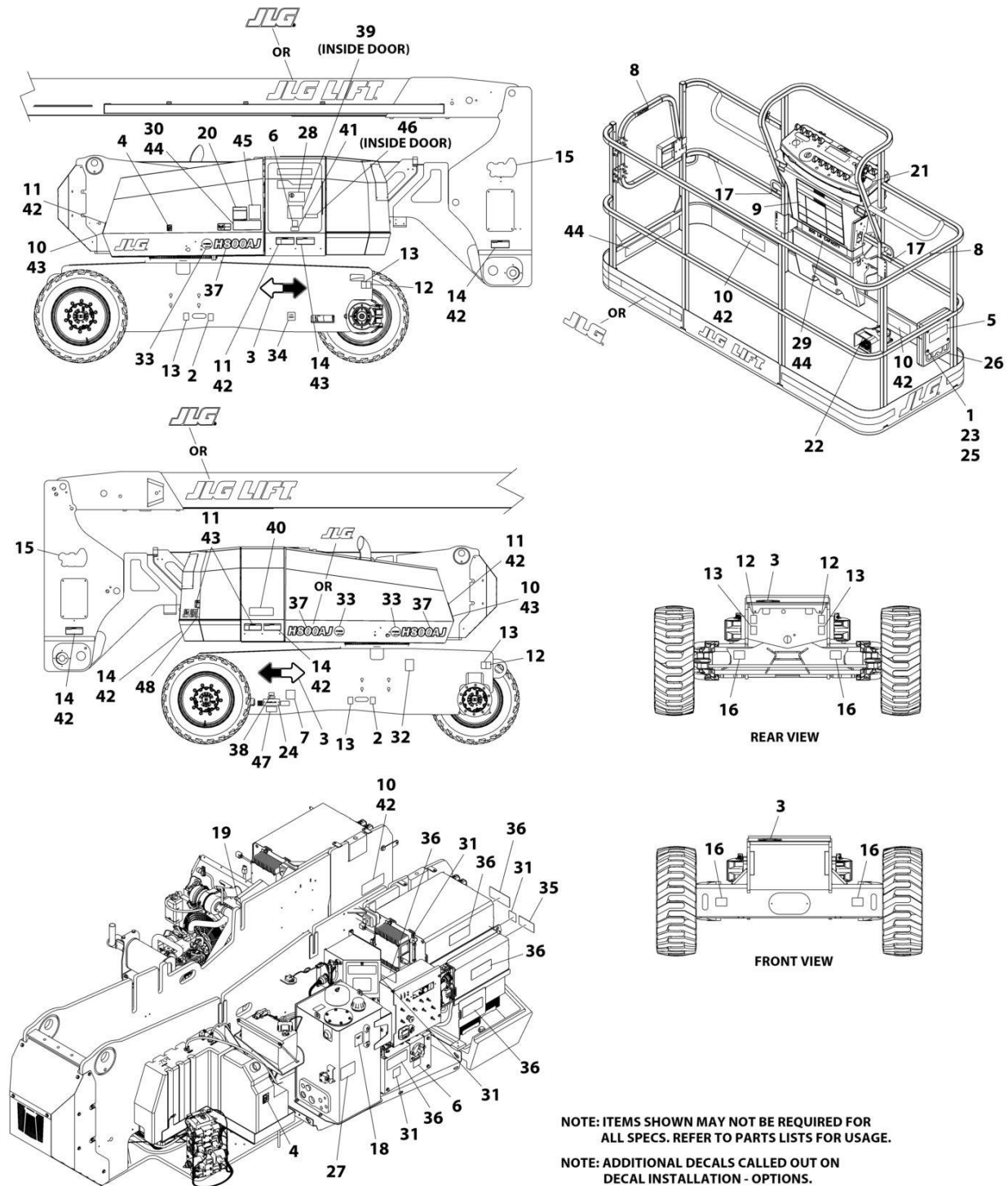
SECTION 9 - DECALS

FIGURE 9-5. DECAL INSTALLATION - CHINA SPECS (ENGLISH/CHINESE LANGUAGES)

ITEM	PART NUMBER	QTY	DESCRIPTION	REV
	1001249010	Ref	DECAL INSTALLATION - CHINA SPECS	D
	1001249013	Ref	DECAL INSTALLATION - REFERENCE CHART	C
1	0641406	4	Bolt 1/4 X 3/4	
2	1701499	2	Decal - No Tie Down/Lift	
3	1701501	4	Decal - Arrow	
4	1701505	2	Decal - Diesel Fuel	
5	1701509	1	Decal - Manual	
6	1702155	2	Decal - Battery Disconnect	
7	See Note	NSS	Decal - Bar Code (Note: Not Available for Purchase)	
8	1001116846	2	Decal - Caution No Hands	
9	1703925	1	Decal - Warning/Danger	
10	1703949	6	Decal - Crushing	
11	1001116851	5	Decal - Electrocution	
12	1703811	4	Decal - Lifting Lug	
13	1703814	6	Decal - Tie Down	
14	1703943	5	Decal - Warning/Crushing	
15	1703959	2	Decal - Quik Stik	
16	1703960	4	Decal - Maximum Tire Load	
17	1704277	3	Decal - Lanyard Attach	
18	1704412	1	Decal - Hydraulic Oil	
19	1706060	1	Decal - Warning Fire Hazard	
20	1001116849	1	Decal - Warning Inspection	
21	1705430	1	Decal - Drive Steer Instructions	
22	1703982	1	Decal - Footswitch	
23	3311405	4	Nut 1/4	
24	3820001	2	Rivet	
25	4751400	8	Washer 1/4	
26	91403230	1	Box, Manual Storage	
27	1705977	1	Decal - Upright Level Override	
28	1001117307	1	Decal - Emergency Stop	
29	1001253926	1	Decal - Warning Single Cap	
30	1001253927	1	Decal - Warning Single Cap	
31	1001125483	6	Decal - Pressure Wash	
33	1001174449	2	Decal - Hybrid	
34	1001224050	1	Decal - Yearly Inspection	
35	1001233065	2	Decal - Tipping Hazard	
36	1001233010	9	Decal - Electrical Shock Hazard	
37	1001267328	2	Decal - H800AJ	
39	1001228411	1	Decal - LED Indicator	
40	1001284688	1	Decal - Lifting Diagram	
41	1001233785	1	Decal - Charger Plug	

SECTION 9 - DECALS

FIGURE 9-6. DECAL INSTALLATION - CSA SPECS (ENGLISH/FRENCH LANGUAGES)



NOTE: ITEMS SHOWN MAY NOT BE REQUIRED FOR ALL SPECS. REFER TO PARTS LISTS FOR USAGE.

NOTE: ADDITIONAL DECALS CALLED OUT ON DECAL INSTALLATION - OPTIONS.

ART_1001249009

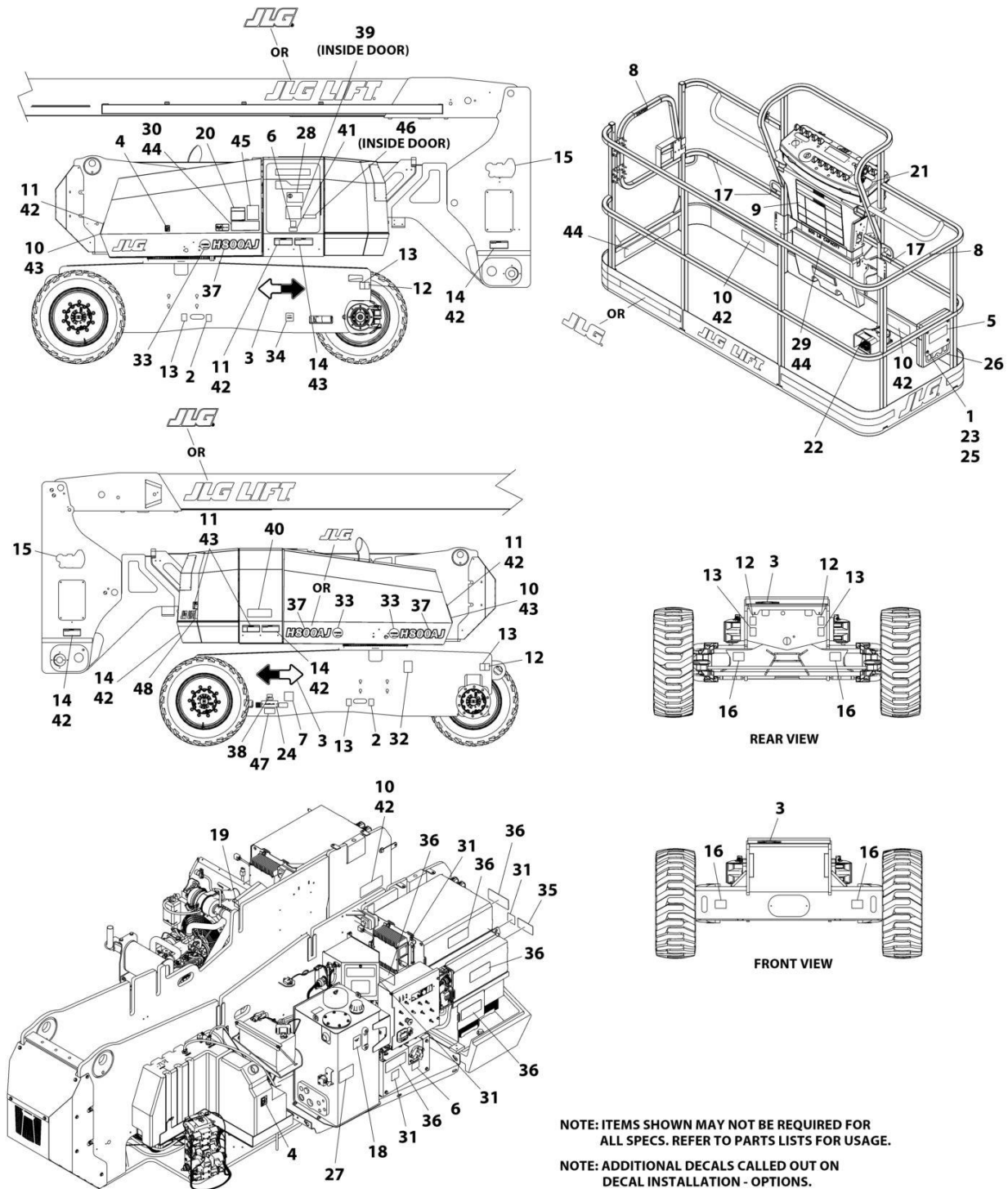
SECTION 9 - DECALS

FIGURE 9-6. DECAL INSTALLATION - CSA SPECS (ENGLISH/FRENCH LANGUAGES)

ITEM	PART NUMBER	QTY	DESCRIPTION	REV
	1001249009	Ref	DECAL INSTALLATION - CSA	D
	1001249013	Ref	DECAL INSTALLATION - REFERENCE CHART	C
1	0641406	4	Bolt, 1/4 x 3/4	
2	1701499	2	Decal - No Tie Down/Lift	
3	1701501	4	Decal - Arrow	
4	1701505	2	Decal - Diesel Fuel	
5	1701509	1	Decal - Manual	
6	1702155	2	Decal - Battery Disconnect	
7	See Note	NSS	Decal - Bar Code (Note: Not Available for Purchase)	
8	1704000	2	Decal - No Hands	
9	1703924	1	Decal - Warning/Danger	
10	1703948	6	Decal - Warning/Crushing	
11	1703936	5	Decal - Electrocution	
12	1703811	4	Decal - Lifting Lug	
13	1703814	6	Decal - Tie Down	
14	1703942	5	Decal - Crushing	
15	1703959	2	Decal - Quik Stik	
16	1703960	4	Decal - Maximum Tire Load	
17	1704277	3	Decal - Lanyard Attach	
18	1704412	1	Decal - Hydraulic Oil	
19	1706064	1	Decal - Warning Fire Hazard	
20	1705347	1	Decal - Warning Inspection	
21	1705429	1	Decal - Drive/Steer Instructions	
22	1703984	1	Decal - Footswitch	
23	3311405	4	Nut 1/4	
24	3820001	2	Rivet	
25	4751400	8	Washer 1/4	
26	91403230	1	Box, Manual Storage	
27	1705977	1	Decal - Upright Level Override	
28	1001117307	1	Decal - Emergency Stop	
29	1001253922	1	Decal - Warning Single Cap	
30	1001253923	1	Decal - Warning Single Cap	
31	1001125483	6	Decal - Pressure Wash	
32	1001131269	1	Decal - Patent	
33	1001174449	2	Decal - Hybrid	
34	1001223971	1	Decal - Yearly Inspection	
35	1001233063	2	Decal - Tipping Hazard	
36	1001233008	9	Decal - Electrical Shock Hazard	
37	1001267328	2	Decal - H800AJ	
38	1001228370	1	Decal - ICES	
39	1001228411	1	Decal - LED Indicator	
40	1001284688	1	Decal - Lifting Diagram	
41	1001233785	1	Decal - Charger Plug	

SECTION 9 - DECALS

FIGURE 9-7. DECAL INSTALLATION - JAPANESE SPECS (ENGLISH/JAPANESE LANGUAGES)



NOTE: ITEMS SHOWN MAY NOT BE REQUIRED FOR ALL SPECS. REFER TO PARTS LISTS FOR USAGE.
 NOTE: ADDITIONAL DECALS CALLED OUT ON DECAL INSTALLATION - OPTIONS.

ART_1001249007

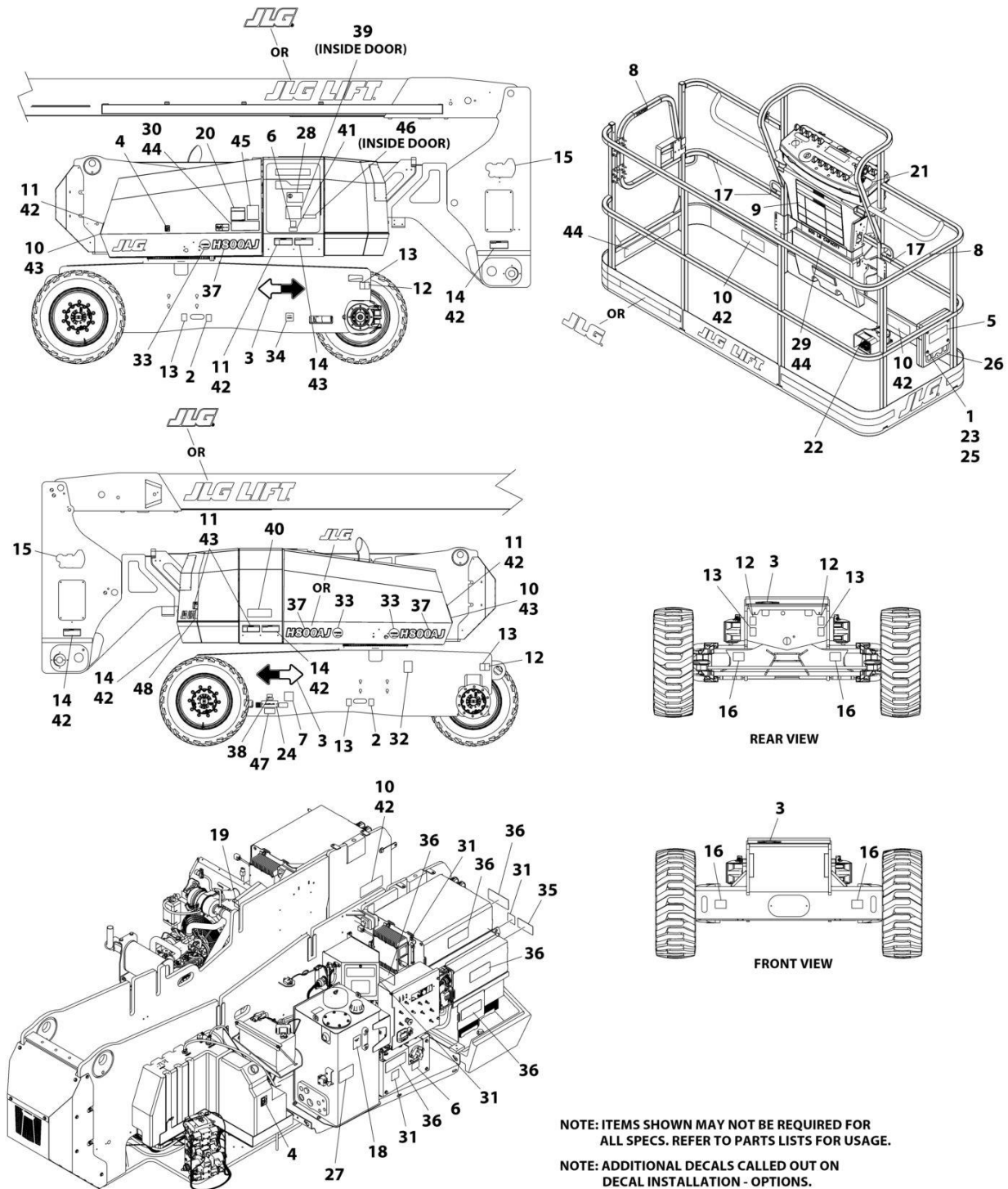
SECTION 9 - DECALS

FIGURE 9-7. DECAL INSTALLATION - JAPANESE SPECS (ENGLISH/JAPANESE LANGUAGES)

ITEM	PART NUMBER	QTY	DESCRIPTION	REV
	1001249007	Ref	DECAL INSTALLATION - JAPANESE	D
	1001249013	Ref	DECAL INSTALLATION - REFERENCE CHART	C
1	0641406	4	Bolt 1/4 x 3/4	
2	1701499	2	Decal - No Tie Down/Left	
3	1701501	4	Decal - Arrow	
4	1701505	2	Decal - Diesel Fuel	
5	1701509	1	Decal - Manual	
6	1702155	2	Decal - Battery Disconnect	
7	See Note	NSS	Decal - Bar Code (Note: Not Available for Purchase)	
9	1703926	1	Decal - Danger/Warning	
10	1703950	6	Decal - Crushing	
11	1703938	5	Decal - Electrocution	
12	1703811	4	Decal - Lifting Lug	
13	1703814	6	Decal - Tie Down	
14	1703944	5	Decal - Warning/Crushing	
15	1703959	2	Decal - Quik Stik	
16	1703960	4	Decal - Maximum Tire Load	
17	1704277	3	Decal - Lanyard Attach	
18	1704412	1	Decal - Hydraulic Oil	
19	1706062	1	Decal - Warning Explosion/Fire	
20	1705344	1	Decal - Warning Inspection	
21	1705426	1	Decal - Drive/Steer Instructions	
22	1703980	1	Decal - Footswitch	
23	3311405	4	Nut 1/4	
24	3820001	2	Rivet	
25	4751400	8	Washer 1/4	
26	91403230	1	Box, Manual Storage	
27	1705977	1	Decal - Upright Level Override	
28	1001117307	1	Decal - Emergency Stop	
29	1001253932	1	Decal - Warning Single Cap	
30	1001253933	1	Decal - Warning Single Cap	
31	1001125483	6	Decal - Pressure Wash	
33	1001174449	2	Decal - Hybrid	
34	1001224053	1	Decal - Yearly Inspection	
35	1001233068	2	Decal - Tipping Hazard	
36	1001233013	9	Decal - Electrical Shock Hazard	
37	1001267328	2	Decal - H800AJ	
39	1001228411	1	Decal - LED Indicator	
40	1001284688	1	Decal - Lifting Diagram	
41	1001233785	1	Decal - Charger Plug	

SECTION 9 - DECALS

FIGURE 9-8. DECAL INSTALLATION - KOREAN SPECS (ENGLISH/KOREAN LANGUAGES)



NOTE: ITEMS SHOWN MAY NOT BE REQUIRED FOR ALL SPECS. REFER TO PARTS LISTS FOR USAGE.
 NOTE: ADDITIONAL DECALS CALLED OUT ON DECAL INSTALLATION - OPTIONS.

ART_1001249008

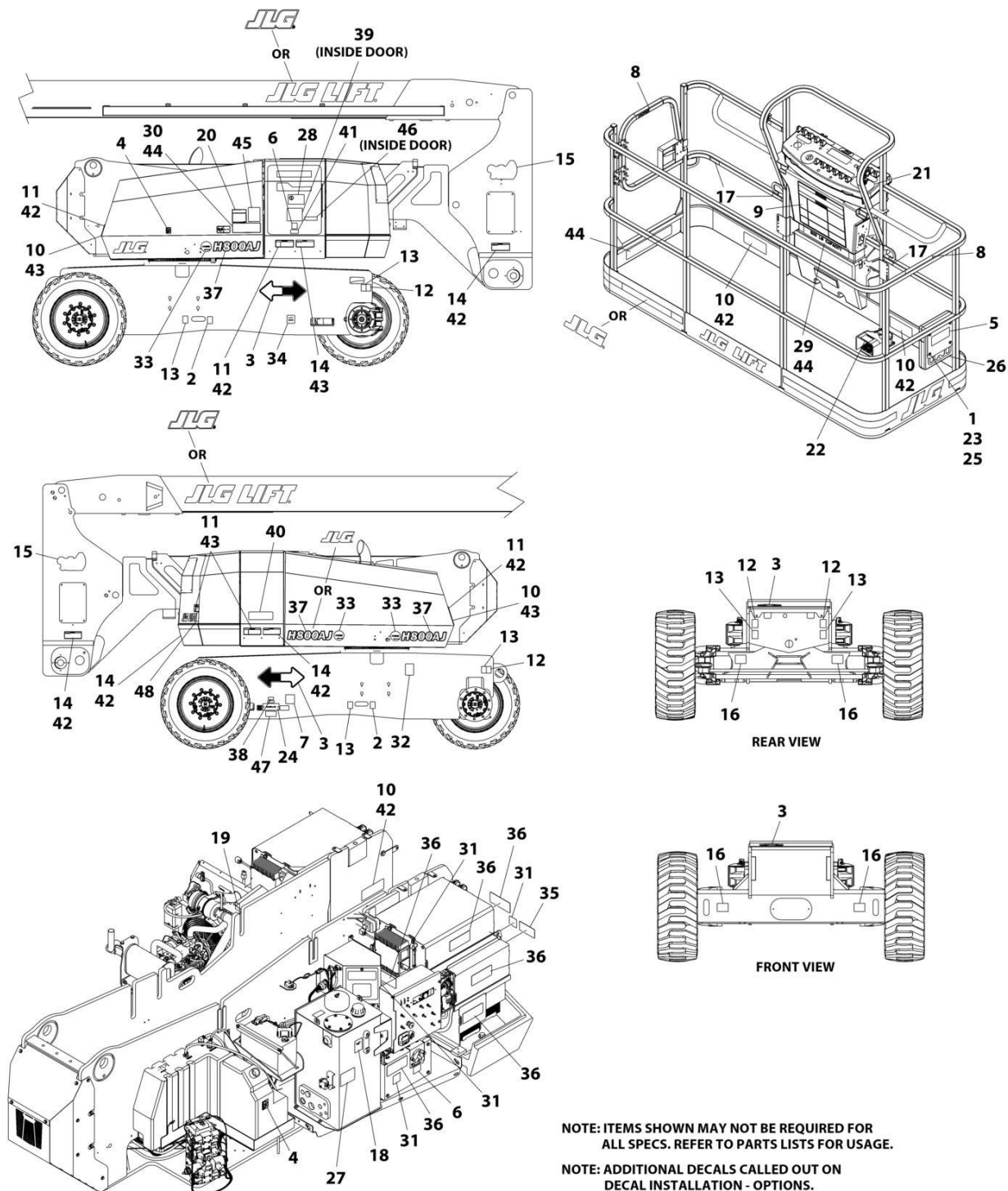
SECTION 9 - DECALS

FIGURE 9-8. DECAL INSTALLATION - KOREAN SPECS (ENGLISH/KOREAN LANGUAGES)

ITEM	PART NUMBER	QTY	DESCRIPTION	REV
	1001249008	Ref	DECAL INSTALLATION - KOREAN	D
	1001249013	Ref	DECAL INSTALLATION - REFERENCE CHART	C
1	0641406	4	Bolt 1/4 x 3/4	
2	1701499	2	Decal - No Tie Down/Lift	
3	1701501	4	Decal - Arrow	
4	1701505	2	Decal - Diesel Fuel	
5	1701509	1	Decal - Manual	
6	1702155	2	Decal - Battery Disconnect	
7	See Note	NSS	Decal - Bar Code (Note: Not Available for Purchase)	
8	1705969	2	Decal - No Hands	
9	1703797	1	Decal - Danger/Warning	
10	1703951	6	Decal - Warning/Crushing	
11	1703939	5	Decal - Electrocution	
12	1703811	4	Decal - Lifting Lug	
13	1703814	6	Decal - Tie Down	
14	1703945	5	Decal - Warning/Crushing	
15	1703959	2	Decal - Quik Stik	
16	1703960	4	Decal - Maximum Tire Load	
17	1704277	3	Decal - Lanyard Attach	
18	1704412	1	Decal - Hydraulic Oil	
19	1706061	1	Decal - Glow Plugs	
20	1705345	1	Decal - Danger/Warning	
21	1705427	1	Decal - Drive/Steer Instructions	
22	1703981	1	Nameplate - Footswitch	
23	3311405	4	Nut 1/4	
24	3820001	2	Rivet	
25	4751400	8	Washer 1/4	
26	91403230	1	Box, Manual Storage	
27	1705977	1	Decal - Upright Level Override	
28	1001117307	1	Decal - Emergency Stop	
29	1001253924	1	Decal - Warning Single Cap	
30	1001253925	1	Decal - Warning Single Cap	
31	1001125483	6	Decal - Pressure Wash	
33	1001174449	2	Decal - Hybrid	
34	1001224048	1	Decal - Yearly Inspection	
35	1001233064	2	Decal - Warning Tip Over Hazard	
36	1001233009	9	Decal - Electric Shock Hazard	
37	1001267328	2	Decal - H800AJ	
39	1001228411	1	Decal - LED Indicator	
40	1001284688	1	Decal - Lifting Diagram	
41	1001233785	1	Decal - Charger Plug	

SECTION 9 - DECALS

FIGURE 9-9. DECAL INSTALLATION - LATIN AMERICAN SPECS (ENGLISH/SPANISH LANGUAGES)



ART_1001249011

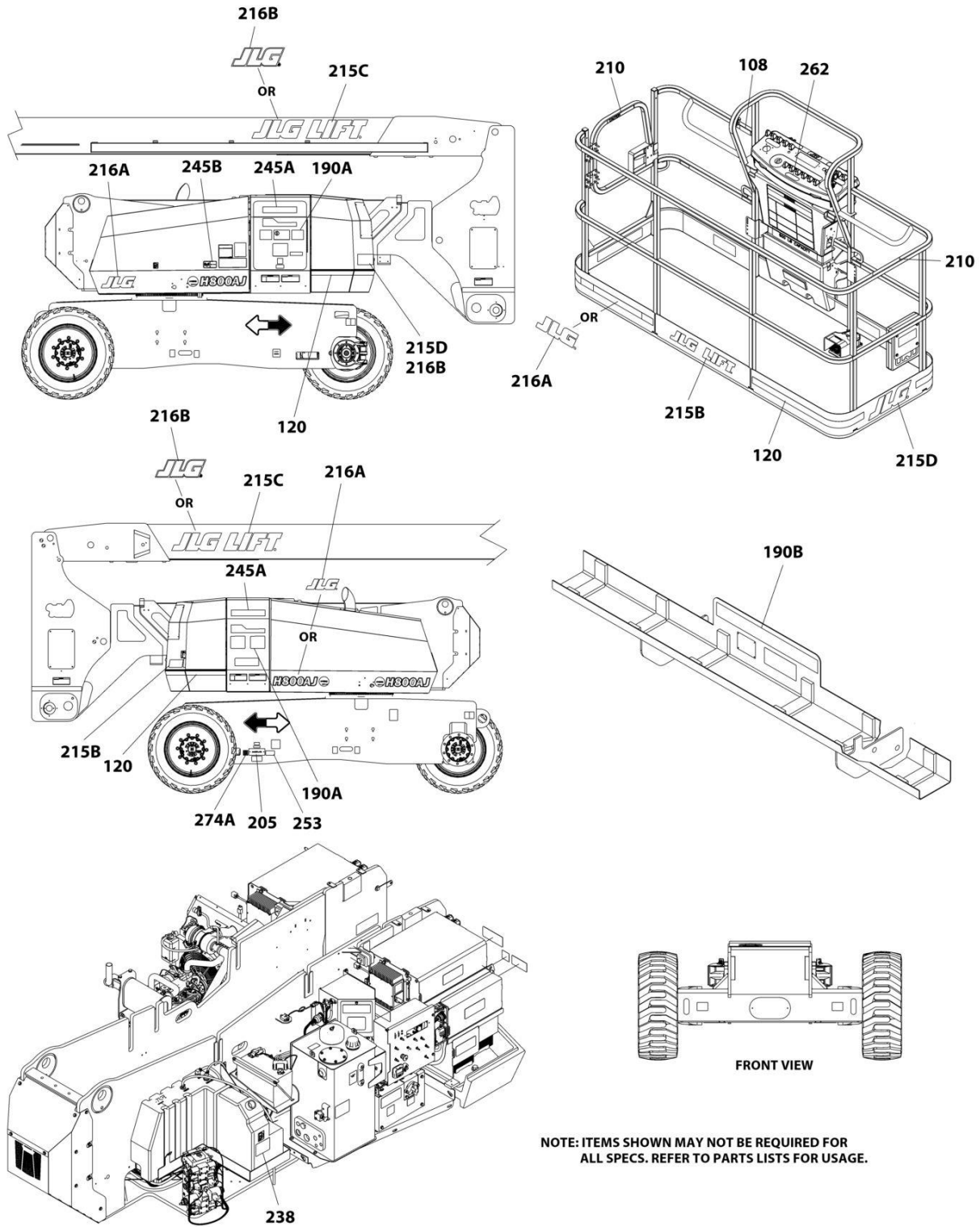
SECTION 9 - DECALS

FIGURE 9-9. DECAL INSTALLATION - LATIN AMERICAN SPECS (ENGLISH/SPANISH LANGUAGES)

ITEM	PART NUMBER	QTY	DESCRIPTION	REV
	1001249011	Ref	DECAL INSTALLATION - LATIN AMERICAN	D
	1001249013	Ref	DECAL INSTALLATION - REFERENCE CHART	C
1	0641406	4	Bolt 1/4 x 3/4	
2	1701499	2	Decal - No Tie Down/Lift	
3	1701501	4	Decal - Arrow	
4	1701505	2	Decal - Diesel Fuel	
5	1701509	1	Decal - Manual	
6	1702155	2	Decal - Battery Disconnect	
7	See Note	NSS	Decal - Bar Code (Note: Not Available for Purchase)	
8	1704001	2	Decal - No Hands	
9	1703923	1	Decal - Warning/Danger	
10	1703947	6	Decal - Warning/Crushing	
11	1703935	5	Decal - Electrocution	
12	1703811	4	Decal - Lifting Lug	
13	1703814	6	Decal - Tie Down	
14	1703941	5	Decal - Warning/Crushing	
15	1703959	2	Decal - Quik Stik	
16	1703960	4	Decal - Maximum Tire Load	
17	1704277	3	Decal - Lanyard Attach	
18	1704412	1	Decal - Hydraulic Oil	
19	1706063	1	Decal - Warning Fire Hazard	
20	1705917	1	Decal - Warning Inspection	
21	1705910	1	Decal - Drive/Steer Instructions	
22	1703983	1	Decal - Footswitch	
23	3311405	4	Nut 1/4	
24	3820001	2	Rivet	
25	4751400	8	Washer 1/4	
26	91403230	1	Box, Manual Storage	
27	1705977	1	Decal - Upright Level Override	
28	1001117307	1	Decal - Emergency Stop	
29	1001253930	1	Decal - Warning Single Cap	
30	1001253931	1	Decal - Warning Single Cap	
31	1001125483	6	Decal - Pressure Wash	
33	1001174449	2	Decal - Hybrid	
34	1001224049	1	Decal - Yearly Inspection	
35	1001233067	2	Decal - Tipping Hazard	
36	1001233012	9	Decal - Electrical Shock Hazard	
37	1001267328	2	Decal - H800AJ	
39	1001228411	1	Decal - LED Indicator	
40	1001284688	1	Decal - Lifting Diagram	
41	1001233785	1	Decal - Charger Plug	

SECTION 9 - DECALS

FIGURE 9-10. DECALS INSTALLATION - OPTIONS



ART_DECAL_OPTIONS

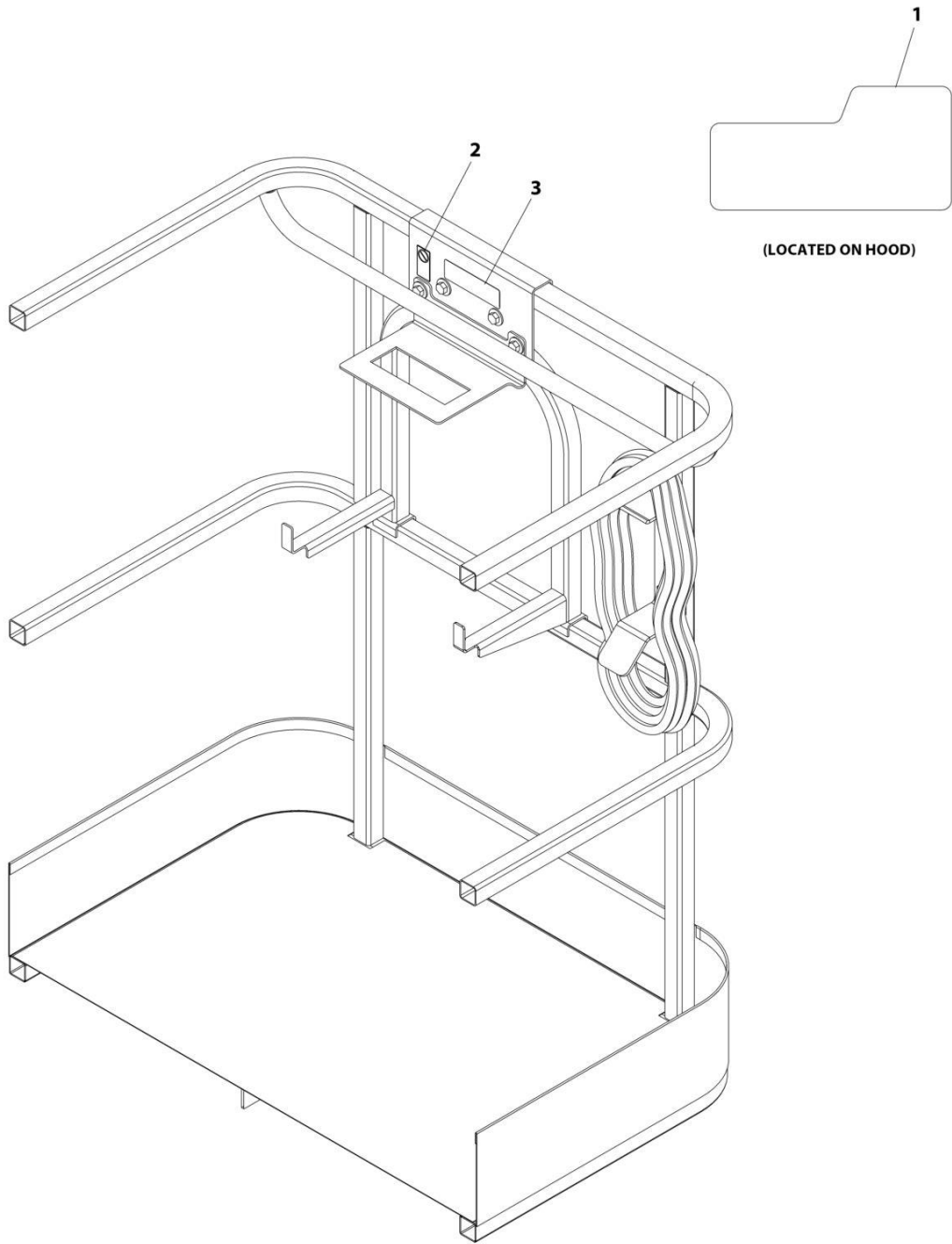
SECTION 9 - DECALS

FIGURE 9-10. DECALS INSTALLATION - OPTIONS

ITEM	PART NUMBER	QTY	DESCRIPTION	REV
	1001249013	Ref	DECAL INSTALLATION - REFERENCE CHART	A
	1001247762	Ref	DECAL INSTALLATION - OPTIONS	C
108	1001231801	1	Decal - Proposition 65 (ANSI Specs Only)	
120	4420051	23 ft /7m	Decal - Warning Stripes	
190	1001172570	Ref	Decal - Installation - SkyGlazier (English Language) (Not Shown)	C
190	1001172620	Ref	SkyGlazier Decal Installation (Australian Specs)	C
190	1001234945	Ref	SkyGlazier Decal Installation (Brazil Specs)	A
190	1001234944	Ref	SkyGlazier Decal Installation (Latin American Specs)	A
190A	1705358	2	Decal - SkyGalzier	
190B	1001199035	2	Decal - SkyGalzier Capacity (English Language)	
190B	1001199036	2	Decal - SkyGlazier Capacity (Australian Specs)	
190B	1001234947	2	Decal - SkyGlazier Capacity (Brazil Specs)	
190B	1001234946	2	Decal - SkyGlazier Capacity (Latin American Specs)	
205	See Note	NSS	Nameplate - Manufacturers Serial Number (Note: Not Available for Purchase)	
210		Ref	Decal - No Hands Options	
210	1702868	2	Decal - No Hands (ANSI/ANSI Export Specs) (English Language)	
210	1705967	2	Decal - No Hands (Brazil Specs) (Portuguese & Spanish Languages)	
210	1705968	2	Decal - No Hands (China Specs) (English & Chinese Languages)	
210	1704000	2	Decal - No Hands (CSA Specs) (English & French Languages)	
210	1705969	2	Decal - No Hands (Korean Specs) (English & Korean Languages)	
210	1704001	2	Decal - No Hands (Latin American Specs) (English & Spanish Languages)	
215	1001232986	Ref	Decal Installation - JLG Logo (All Specs Except CE & UK CA Specs) (Not Shown)	B
215A	1702773	1	Decal - JLG	
215B	1702774	2	Decal - JLG Lift	
215C	1702861	2	Decal - JLG Lift	
215D	1001159323	1	Decal - JLG	
216	1001235097	Ref	Decal Installation - JLG Logo (CE & UK CA Specs Only) (Not Shown)	A
216A	1702773	3	Decal - JLG	
216B	1001159323	3	Decal - JLG (CE & UK CA Specs Only)	
238	1001125387	1	Decal - Ultra Low Sulfur Fuel (ANSI & CSA Specs)	
238	1001139654	1	Decal - Ultra Low Sulfur Fuel (CE & UK CA Specs)	
245	1001127094	Ref	ClearSky Decals Installation	
245A	1001116208	2	Decal - ClearSky	
245B	1001120989	1	Decal - Radio Frequency	
253	1001143852	1	Decal - Emission Compliance (ANSI Export, Australian and China Specs)	
262	1001141300	1	Decal - SkyGuard Override (Without Soft-Touch)	
262	1001141302	1	Decal - SkyGuard Override (With Soft-Touch)	
264	1001237844	1	Decal - Sound Power Level	
274	1001214030	1	Decal - EAC Installation (CIS and Russia Specs)	
274A	1001173703	1	Decal - EAC	

SECTION 9 - DECALS

FIGURE 9-11. DECAL INSTALLATION - SKYWELDER - 50HZ



ART_0272588

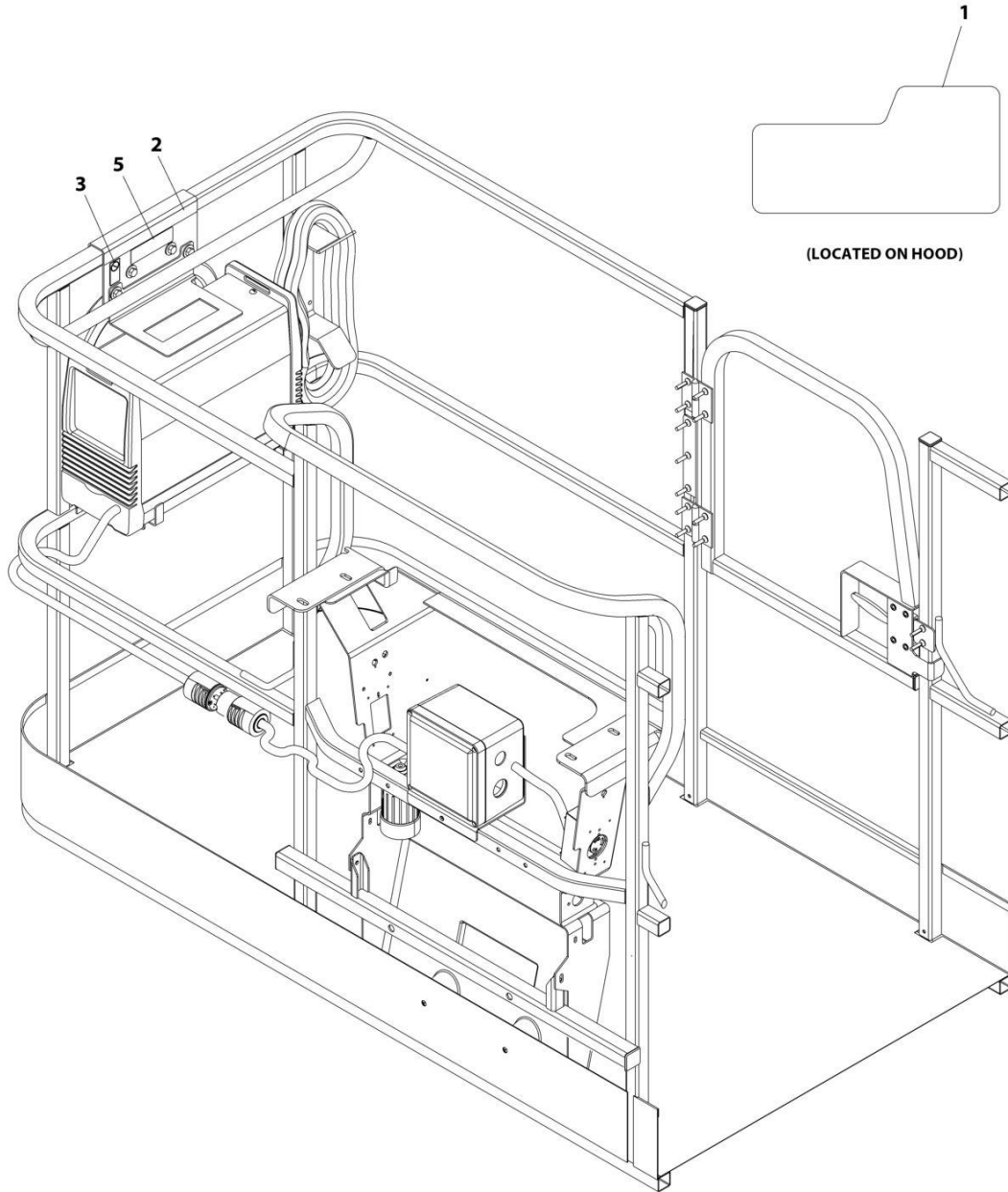
SECTION 9 - DECALS

FIGURE 9-11. DECAL INSTALLATION - SKYWELDER - 50HZ

ITEM	PART NUMBER	QTY	DESCRIPTION	REV
	0272588	Ref	SKYWELDER DECAL INSTALLATION - 50Hz	B
1	1705355	2	Decal - SkyWelder	
2	1705305	1	Decal - Weld Lead	
3	1001228988	1	Decal - Weight	

SECTION 9 - DECALS

FIGURE 9-12. DECAL INSTALLATION - SKYWELDER - 60HZ



ART_0272448_D

SECTION 9 - DECALS

FIGURE 9-12. DECAL INSTALLATION - SKYWELDER - 60HZ

ITEM	PART NUMBER	QTY	DESCRIPTION	REV
	0272448	Ref	SKYWELDER DECAL INSTALLATION - 60Hz	D
1	1705355	2	Decal - SkyWelder	
2	1702868	1	Decal - No Hands	
3	1705305	1	Decal - Weld Lead	
5	1001228988	1	Decal - Weight	

SECTION 10 - RECOMMENDED SERVICE PARTS STOCK

SECTION 10 - RECOMMENDED SERVICE PARTS STOCK

SECTION 10 - RECOMMENDED SERVICE PARTS STOCK

FIGURE 10-1. RECOMMENDED SERVICE PARTS STOCK

ITEM	PART NUMBER	QTY	DESCRIPTION	REV
		Ref	Note: The following list will service one machine (built to current production per date on the front cover) with emergency repair parts which can be installed in the field. Parts from the list should be replaced when inventory is depleted to keep service parts stock supplied. For further information, contact your JLG dealer or the JLG Industries Parts Department.	
	4360070	1	Breaker, 15Amp (7500W Generator)	
	1001189172	1	Breaker, 16Amp Double (Breaker Box with 3 Breakers)	
	7024485	1	Breaker, 30Amp (7500W Generator)	
	1001181045	1	Breaker, 30mA/16Amp (Breaker Box with 2 Breakers)	
	1001189171	1	Breaker, 30mA (Breaker Box with 3 Breakers)	
	1001159118	1	Breaker, GFCI 30Amp (AC Box 240V)	
	70004460	1	Coil (Main Valve)	
	70006956	1	Coil (Main Valve)	
	70004595	1	Coil (Main Valve)	
	70004653	1	Coil (Main Valve)	
	7018991	1	Coil (Main Valve)	
	70004463	1	Coil (Main Valve)	
	70002386	1	Coil (Boom Valve)	
	1001223581	1	Control, H-Bridge (Electrical Assembly)	
	1001222879	1	Control, IMG	
	1001222336	1	Control, SOC Monitor	
	1001166538	1	Controller, Drive/Steer	
	1001166539	1	Controller, Lift/Swing	
	4360407	1	Controller, Potentiometer	
	1001234488	2	Diode, Flyback (IMG Control Box)	
	70005296	12	Element (Fuel/Water Separator)	
	7015004	12	Element, Air Filter	
	70002231	12	Element, Pressure Filter	
	1001190545	12	Filter, Fuel	
	70004395	1	Filter, Oil (Kubota)	
	2400080	2	Fuse, 1A (Battery Cables Installation)	
	1001227788	2	Fuse, 2A (Electrical Assembly 12v Fuse Box)	
	8229249	2	Fuse, 3A (USB Charger)	
	8229261	2	Fuse, 5A (Electrical Assembly 12v Fuse Box)	
	1001234313	2	Fuse, 7.5A (Battery Cables Installation)	
	1001234314	2	Fuse, 10A (IMG Control Box)	
	8229234	2	Fuse, 10A (Electrical Assembly 12v Fuse Box)	
	1001228440	2	Fuse, 15A (IMG Control Box)	
	8229237	2	Fuse, 15A (Electrical Assembly 12v Fuse Box)	
	8229236	2	Fuse, 30A (Electrical Assembly 12v Fuse Box)	
	1001247362	2	Fuse, 40A (Electrical Assembly 12v Fuse Box)	
	1001226932	2	Fuse, 40A (Electrical System Installation)	
	1001226933	2	Fuse, 80A (Electrical System Installation)	
	1001233198	2	Fuse, 200A/400A (IMG Control Box)	
	1001226934	2	Fuse, SHUNT (Electrical System Installation)	
	2860030	1	Key, Replacement	
	2940074	1	Latch (Machines with Gate)	
	1001247468	1	Loadcell (Platform Support)	

SECTION 10 - RECOMMENDED SERVICE PARTS STOCK

ITEM	PART NUMBER	QTY	DESCRIPTION	REV
	1001142683	1	Module, Beacon Light (Red & Blue Beacons)	
	1001223583	1	Module, HEC Control (Electrical Installation)	
	1001284800	1	Module, Ground Control	
	1001106938	1	Module, Platform Control	
	3740086	1	Relay, 20Amp (SkyLine Harness)	
	1001095704	1	Relay, 35Amp (Electrical Assembly)	
	1001186431	1	Relay, 35Amp (SkyGuard Bar Installation)	
	8225117	1	Relay, 40Amp (Electrical Assembly)	
	1001222365	1	Relay, 50Amp (IMG Control Box)	
	3740112	1	Relay, 75Amp (Electrical Assembly)	
	1001222340	1	Relay, 500Amp Main Contactor (IMG Control Box)	
	1001094400	1	Sensor, Dual Axis (Tilt Sensor Installation)	
	1001228225	1	Sensor, Emitter (SkyEye)	
	4360436	1	Sensor, Fuel Level (Fuel Tank)	
	4360578	1	Sensor, Limit (Boom Valve & Limit Switch Installation & Transport Switch Installation)	
	1001172271	1	Sensor, Limit (Boom Valve & Limit Switch Installation with Tower Stow)	
	4360057	1	Sensor, Limit (Soft Touch)	
	1001232667	1	Sensor, Proximity (SkyLine)	
	4360498	1	Sensor, Proximity (Boom Valve & Limit Switch Installation)	
	4360499	1	Sensor, Proximity (Boom Valve & Limit Switch Installation)	
	4360517	1	Sensor, Proximity (Rotary Coupling)	
	1001228224	1	Sensor, Receiver (SkyEye)	
	1001137673	1	Sensor, SkyGuard Bar	
	1001225131	1	Sensor, Temperature (Battery Cables Installation)	
	1001219601	1	Sensor, Tilt (Electrical System Installation)	
	4360475	1	Switch, Emergency Stop	
	1001117174	1	Switch, Foot	
	4360469	1	Switch, Key	
	4360387	1	Switch, Pushbutton Yellow (Ground Control, Console Box & Soft Touch)	
	1001236759	1	Switch, STDP Interlock (IMG Control Box)	
	1001155045	1	Switch, Toggle (Ground Control & Console Box)	
	4360336	1	Switch, Toggle (With Generator)	
	1001211363	1	Switch, Toggle (Console Box)	
	1001159256	1	Switch, Toggle (Console Box)	
	1001161709	1	Switch, Toggle (Console Box)	
	4360328	1	Switch, Toggle (Jib Switch)	

SECTION 11 - SPECIAL OPTIONS/ACCESSORIES/KITS

SECTION 11 - SPECIAL OPTIONS/ACCESSORIES/KITS

SECTION 11 - SPECIAL OPTIONS/ACCESSORIES/KITS

FIGURE 11-1. SPECIAL OPTIONS/ACCESSORIES/KITS

ITEM	PART NUMBER	QTY	DESCRIPTION	REV
	Note	Ref	Note: This list is to accommodate machines ordered with special equipment. Options may not be applicable to all models. For more specific parts information contact JLG Parts Department.	
		Ref	SPECIAL OPTIONS/ACCESSORIES/KITS	
	0258805	Ref	Airline to Platform Installation - 1/2in	
	1001092092	Ref	Airline to Platform Installation - 1/2in (With Arctic Package)	
	1001205028	Ref	Arctic Package Kit - With SkyPower (Dealer Installed)	
	1001205029	Ref	Arctic Package Kit - Without SkyPower (Dealer Installed)	
	0258737	Ref	Bellows Installation - Boom	
	1001158259	Ref	Bellows Installation - Chassis	
	2910887	Ref	Boom Wear Pad Kit	
	0258654	Ref	Boom Wipers Installation	
	1001172045	Ref	Cable/Ladder Carrier Installation (800AJ Only)	
		Ref	ClearSky Telematics Add-on Kits (Dealer Installed)	
	1001230187	Ref	ClearSky Telematics Add-on Kits - Canbus Connection (ANSI & CSA Specs)	
	1001234099	Ref	ClearSky Telematics Add-on Kits - Canbus Connection (CE & UK CA Specs)	
	1001246142	Ref	ClearSky Telematics Add-on Kit (Australian Specs)	
	1001276923	Ref	ClearSky Telematics Add-on Kit (Contact JLG for Approved Countries)	
	1001230504	Ref	ClearSky Telematics Add-on Kits - 3 Wire Connection (ANSI & CSA Specs)	
	1001234102	Ref	ClearSky Telematics Installation - 3 Wire Connection (CE & UK CA Specs)	
	1001242192	Ref	ClearSky Access Control Add-on Kit	
	1001243183	Ref	ClearSky Telematics Access Control Add-on Kit - Canbus (ANSI & CSA Specs)	
	1001243184	Ref	ClearSky Telematics Access Control Add-on Kit - Canbus (ANSI Export, CE & UK CA Specs)	
	1001238307	Ref	Charging Kit – 120V (Dual Plug)	
	1001235269	Ref	Clutch Actuator Installation Kit	
	1001227904	Ref	Cold Weather Package Installation - 120V (All Specs except Australian, China, CE & UK CA Specs)	
	1001232214	Ref	Cold Weather Package Installation - 240V (CE & UK CA Specs Only)	
	1001270482	Ref	Console Cover Kit	
	1001115918	Ref	Cribbing Installation	
		Ref	Decal Kit Options:	
	1001220864	Ref	Boom Transport Decal Kit	
	1001108721	Ref	Platform Decal Kit (ANSI Specs)	
	2902396	Ref	Drive/Steer Cutout Kit	
		Ref	Electrical Connector Kits	
	1001148902	Ref	Electrical Connector Kit - Amp	
	1001148903	Ref	Electrical Connector Kit - Deutsch DT	
	1001148904	Ref	Electrical Connector Kit - Deutsch HD	
	1001148905	Ref	Electrical Connector Kit - Packard	
	1001148906	Ref	Electrical Connector Kit - Various	
	1001108962	Ref	Exhaust Rain Cap Installation (Australian Specs)	
	1001139099	Ref	Fire Extinguisher Installation (20lb)	
	1001274833	Ref	Floor Mat Add-on Kit (30x48 Platform) (Dealer Installed)	

SECTION 11 - SPECIAL OPTIONS/ACCESSORIES/KITS

ITEM	PART NUMBER	QTY	DESCRIPTION	REV
	1001274831	Ref	Floor Mat Add-on Kit (30x72 Platform) (Dealer Installed)	
	1001274830	Ref	Floor Mat Add-on Kit (36x72 Platform) (Dealer Installed)	
	1001274829	Ref	Floor Mat Add-on Kit (36x96 Platform) (Dealer Installed)	
	1001117294	Ref	Footswitch Shield (Note: Move Decal to Shield)	
	1001202749	Ref	Fuel Cap Cover Installation (Black) (Note: Lock p/n 1001102157 must be Purchased Separately)	
	1001191395	Ref	Fuel Cap Cover Installation (Green) (Diesel Machines) (Note: Lock p/n 1001102157 must be Purchased Separately)	
	1001094475	Ref	Generator Hourmeter Installation	
	1001227816	Ref	Headlights and Taillights Installation	
	1001268736	Ref	Jib Link Kit	
	1001148971	Ref	Lanyard (Bolt-On) Kit Installation	
	1001272166	Ref	Pipe Rack Kit	
	1001195304	Ref	Platform Console Cover Installation (Factory Installed)	
	1001266290	Ref	Platform Console Cover Installation (Factory Installed)	
	1580013	Ref	Platform Corner Tray Installation	
	1001142504	Ref	Platform Entry Kit - Drop Bar (To Replace Swing Gate with Drop Bar)	
	1001142505	Ref	Platform Entry Kit - Swing Gate (To Replace Drop Bar with Swing Gate)	
	1001269630	Ref	Platform Fall Arrest Add-on Kit – 30Inx4Ft Platforms	
	1001269631	Ref	Platform Fall Arrest Add-on Kit – 30Inx6Ft Platforms	
	1001237883	Ref	Platform Fall Arrest Add-on Kit – 36Inx6Ft Platforms	
	1001237882	Ref	Platform Fall Arrest Add-on Kit – 36Inx8Ft Platforms	
	1001120467	Ref	Platform Floodlights Installation	
		Ref	Platform Mesh to Top Rail Installations: (ANSI/ANSI Export, China and CSA Specs)	
	1001272182	Ref	2.5ft x 4ft Platforms - Steel	
	1001266807	Ref	2.5ft x 4ft Platforms - Plastic	
	1001271642	Ref	3ft x 6ft Platforms - Steel	
	1001266489	Ref	3ft x 6ft Platforms - Plastic	
	1001269187	Ref	3ft x 8ft Platforms - Steel	
	1001266056	Ref	3ft x 8ft Platforms - Plastic	
		Ref	Platform Mesh to Mid Rail Add-On Kits: (ANSI Specs)	
	1001281461	Ref	30in x 4ft (76cm x 1.22m) with Gate	
	1001281459	Ref	30in x 6ft (76cm x 1.83m) with Gate	
	1001281458	Ref	36in x 6ft (91.5cm x 1.83m) with Gate	
	1001281457	Ref	36in x 8ft (91.5cm x 2.44m) with Gate	
		Ref	Platform Mesh to Top Rail Add-On Kits: (ANSI, ANSI Export, CSA and China)	
	1001281456	Ref	30in x 4ft (76cm x 1.22m) with Gate	
	1001281453	Ref	36in x 6ft (91.5cm x 1.83m) with Gate	
	1001281452	Ref	36in x 8ft (91.5cm x 2.44m) with Gate	
	1001250035	Ref	Platform Sensor Retrofit Kit	
	0272733	Ref	Platform, Top Rail Extension Installation - 3ft x 6ft Platforms	
	0272725	Ref	Platform, Top Rail Extension Installation - 3ft x 8ft Platforms	
	1001282215	Ref	Platform Work Lights	
	1001120466	Ref	Platform Work Lights Installation	
	1001209059	Ref	Platform Work Surface Installation	
	1001235160	Ref	Service Kits/Tools	M
	1001247073	Ref	SkyEye Retrofit Kit	
	1001241547	Ref	SkyEye Housing Repair Kit (LH)	
	1001241548	Ref	SkyEye Housing Repair Kit (RH)	

SECTION 11 - SPECIAL OPTIONS/ACCESSORIES/KITS

ITEM	PART NUMBER	QTY	DESCRIPTION	REV
	1001205492	Ref	SkyGlazier Tray Kit (ANSI Specs)	
	1001197016	Ref	SkyGuard Platform Sensor Kit	
	1001250595	Ref	SkyGuard 6-Pin Retrofit Installation Kit	
	1001249052	Ref	SkyGuard Retrofit Kit (Dealer Installed)	
	1001262016	Ref	SkyLine Add-on Kit (Dealer Installed)	
	1001282461	Ref	SkySense Padding Installation - For 30 x 48 Platforms equipped with SkySense	
	1001275643	Ref	SkySense Padding Installation - For 30 x 72 Platforms equipped with SkySense	
	1001275642	Ref	SkySense Padding Installation - For 36 x 72 Platforms equipped with SkySense	
	1001269655	Ref	SkySense Padding Installation - For 36 x 96 Platforms equipped with SkySense	
	1001157013	Ref	Soft-Touch Counterweight Installation	
		Ref	Tools for Service	
	1600244	Ref	Analyzer, Machine System	
	1001249695	Ref	Analyzer, Machine System with Cable	
	1001249941	Ref	Analyzer, Machine System with Cable (Battery Powered)	
	1001137005	Ref	Software Cable Kit	
	7002840	Ref	Antirotation Pin Removal Tool	
	1001227898	Ref	Clutch Shaft Alignment Tool (Production)	
	1001234306	Ref	Clutch Shaft Alignment Tool (Service)	
	8896941	Ref	Wire Stripper	
	7002821	Ref	Wire Crimper (To install wire ends to wires)	
	7002823	Ref	Pin/Socket Extractor - Universal (To Remove Pins/Sockets from Connectors)	
	4460467	Ref	Extractor - 16-18 Gauge (For Removal of Pin/Sockets from Deutsch Connectors)	
	4460510	Ref	Extractor - 12-14 Gauge (For Removal of Pin/Sockets from Deutsch Connectors)	
	7002822	Ref	Screwdriver, Potentiometer (To Adjust Drive Controllers)	
	7016654	Ref	Screwdriver, Magnetic	
	7004275	Ref	Seal Installation Tool - 1in	
	7004276	Ref	Seal Installation Tool - 1-1/2in	
	7002826	Ref	Seal Installation Tool - 2in	
	7016652	Ref	Huck Bolt Fastener (For Small Huck Bolts Only)	
	70005663	Ref	Tool, Port Plate for Pump p/n 1001142522	
	1001263579	Ref	Tower Stow Indicator Add-on Kit (Dealer Installed)	
	1001286022	Ref	Tower Stow Replacement Limit Switch	
	2915094	Ref	Turntable Bearing	
	1001277841	Ref	UGM2 Retrofit	
	1001262959	Ref	Voltage Regulator Relocation Add-on Kit (ClearSky) (Dealer Installed)	
	0258827	Ref	Weld Lead	
	0256196	Ref	Wheel Covers Installation	
	1001273156	Ref	White Noise Alarm	
	1001277415	Ref	White Noise Alarm - Ambient	

SECTION 11 - SPECIAL OPTIONS/ACCESSORIES/KITS

PART NUMBER INDEX

SECTION 11 - SPECIAL OPTIONS/ACCESSORIES/KITS

0100009.....85, 223, 227	0275216311, 419	0641608.....31, 61, 65, 70,	076080770, 79
0100011.....13, 15, 17, 19,	0275217317, 421	73, 75, 79, 109, 112,	0760808129
21, 33, 35, 41, 55, 59,	0275452321, 423	167, 169, 171, 173	0760810128, 193
61, 65, 67, 70, 77, 79,	0275453325, 425	0641609.....112, 169, 171	0760812393
85, 97, 105, 107, 109,	0275454329, 427	0641610.....105, 107, 112,	0760814131, 151
112, 115, 117, 122,	0275733189	122, 171, 219, 221	0761010131
125, 128, 131, 133,	0340045128	0641611.....59, 167, 173	0761014193
141, 155, 159, 163,	036040637	0641612.....169, 357, 359,	0761015128, 131
167, 169, 171, 173,	040007577	361, 363	0761016128, 131
177, 179, 181, 185,	044024455	0641614.....41, 61	0761020131
187, 191, 193, 199,	0561185171	0641615.....171	0761215 122, 155, 159,
203, 207, 213, 237,	0561295169	0641616.....155, 160, 163,	163
239, 241, 243, 247,	061013185	171	0761216193
249, 253, 255, 257,	0630427185, 187	0641618.....173	0801132167, 171
343, 347, 357, 359,	063044665	0641622.....179	0801136167, 169
361, 363	0630462 237, 239, 241,	0641624.....177, 179	0801496171
0100019 49, 55, 155, 159,	243	0641640.....177	0801573169
163	0630467181	0641806.....171, 287	0801591169
0100020.....122, 128, 235,	0630485112	0641808.....122	0801594171
311, 313, 317, 319,	0630518 87, 231, 253,	0641810.....17, 19, 70	081140679
321, 323, 325, 327,	255, 257	0641812.....59, 70, 125	081160679
329, 331, 333	0630534277	0641814.....70	081160861, 128
0100035.....79, 191, 223,	0630535287	0641816.....153	0811610112
227, 231	063054885	0641820.....59	0811812112
0100038.....171	0630568224, 228	0641824.....153	0860038 163, 309, 315
0100048 97, 99, 101, 155,	0641403191	0641840.....167	0861538163
159, 163, 189, 393	0641404 155, 159, 163,	0642012.....251	0861572159
0100062.....128	167, 249	0642016.....122	0861731 323, 327, 331,
0100079.....163	0641405 .. 70, 85, 97, 223,	0642038.....37	333, 423, 425, 427
0100081.....112, 177, 251	227, 249	0642212.....13, 15, 251	0861781 313, 319, 419,
0140011.....223, 227	0641406 .. 70, 77, 99, 101,	0642214.....167	421
0140044.....97	109, 155, 217, 219,	0642620.....167	0861880369, 371
0200048.....237, 239, 241,	221, 343, 345, 347,	0681608.....13, 15, 61, 77,	0902888159, 163
243	453, 455, 457, 459,	193	090324259
0232121.....35, 37	461, 463, 465, 467, 469	0681620.....261, 263, 265,	0903697345
0256196.....484	0641407 ... 70, 85, 99, 122	267	0940049112
0256202.....339	0641408 .. 77, 79, 85, 112,	0681814.....209, 215	0940092 237, 239, 241,
0258077.....177	122, 189, 219, 221	0681822.....21, 209, 215	243
0258217.....185	064141033	0682016.....21	0940094 237, 239, 241,
0258567.....191	0641414 41, 223, 227,	0682023.....55	243
0258654.....482	237, 239, 241, 243, 247	0682032.....55	0940102251
0258737.....482	0641416 311, 313, 317,	0682216.....49	0940103241
0258805.....482	319, 321, 323, 325,	0682236.....13, 15	0940133243
0258827.....484	327, 329, 331, 333	0682424.....261, 263, 265,	0940134237
0259420.....179	0641418 181, 199, 203,	267	0940177239
0270886.....27	207, 213	0700408.....311, 313, 317,	0961845 199, 203, 207,
0270888.....29	064142479	319, 321, 323, 325,	213
0271085.....27	064143241	327, 329, 331, 333	0961893277
0271086.....27	064150583	0700615.....77, 105, 107	0961897287
0271090.....29	064150677, 393	0700617.....115	0961947173
0271091.....29	064150767	0700618.....117	0961951 169, 273, 283
0271340.....233	0641508 35, 112, 122	0700626.....173	0961986122, 128
0272254.....255	064151079	0700815.....131	0962102 13, 15, 169, 171,
0272259.....309	0641511187	0701217.....122	275, 279, 281
0272260.....315	0641516159, 163	0711626.....128	0962122171
0272427.....241	064156021	0721005.....241, 243	096215219, 285
0272433.....341	0641604 167, 185, 187	0731005.....65, 237, 239	0962155283
0272435.....164	0641605179	0741607.....155, 159, 163,	096218119
0272448.....475	0641606 33, 41, 167, 169,	167	0962270209, 215
0272521.....253	173, 177, 179, 253,	0741609.....19	0962336277
0272588.....473	255, 257	0760508.....135	096234819
0272589.....160	0641607 .. 17, 19, 61, 112,	0760606.....141, 156, 160,	0962520 155, 159, 163
0272725.....483	167, 169, 171, 173,	164	100109146023
0272733.....483	177, 181	0760607.....128	100109146123
0273706.....243		0760610.....83, 128	1001091969311
0273824.....237		0760612.....151	1001091970317

SECTION 11 - SPECIAL OPTIONS/ACCESSORIES/KITS

1001091973321	1001113961 443	1001125483453, 455, 457, 459, 461, 463, 465, 467, 469	1001148971483
1001091974325	1001115918482		1001149391287
1001091975329	1001116208471		1001150260112
1001092092482	1001116290115, 117	1001125492 49	100115037217, 19
100109338277	1001116694391, 443	1001125677 415, 443	1001150539... 17, 19, 285
1001094400 189, 479	1001116695187	1001125748 397	1001150610397
1001094475483	1001116716445	1001125773 397	1001150611395, 443
1001094595 125, 143	1001116720437, 445	1001126008349, 355	100115093717, 19
1001095704 83, 479	1001116723 391	1001126009439	100115103417
1001096138409	1001116727391, 395	1001126010429	100115198017
1001096141453	1001116731387	1001126011349, 415	1001152483373
1001096736189	1001116745391	1001127094 471	1001152525160, 164
1001097051 357, 359, 361, 363, 433	1001116747395	1001128241 83	1001152532155, 399
1001097082 357, 359, 361, 363	1001116774391, 441	1001128527 257	1001152565181, 183
1001097150369	1001116808391, 441	1001128556 257	1001152719 13
1001097244447	1001116810351, 353	1001129772 397	1001153612429
1001098122 235, 409, 415	1001116811397	1001129773 397	1001153749189, 445
1001098167271	1001116812405, 407, 409, 443, 445	1001130900389	1001154126271
1001098828193	1001116815377, 379, 381, 383	1001131130 113	1001154584 13
1001099366251	1001116816443	1001131269453, 463	1001154687271
1001099367251	1001116846461	1001136400 177	1001154875 15
1001099837177	1001116849461	1001136881303	1001154931 19
1001100341419	1001116851461	1001137005484	100115503519
1001100342421	1001116994409	100113736491, 95, 227	100115504385
1001100345423	1001116995397	1001137673247, 479	1001155044 .85, 223, 227
1001100346427	1001117012409	1001138173 128	1001155045 85, 223, 227, 479
1001100347425	1001117172235	1001138175 128	100115519219
1001101191 311, 313, 317, 319, 321, 323, 325, 327, 329, 331, 333, 369, 371, 373	1001117174223, 227, 235, 479	1001138248 128	1001155194 15
1001101196 311, 313, 317, 319	1001117219113	1001138494 199, 203, 207, 213	1001155348159, 163
1001101197 321, 323, 325, 327, 329, 331, 333	1001117294483	1001138514 199, 203, 207, 213	1001155673302
1001103012445	1001117307453, 455, 457, 459, 461, 463, 465, 467, 469	1001138566 155	1001155895112
1001103308 83, 85	1001117372271	1001138795277	1001155899112
1001103810 17, 19	1001118280128	1001139099482	100115613649
1001104498445	1001118384439	1001139654471	1001156332298
1001106481191	1001118388437, 439	1001140429 199, 203, 207, 213	1001156333298
100110673685	1001118579131	1001141300471	100115671013, 15
1001106938 223, 227, 479	1001118657397	1001141302471	100115679857
100110697459	1001118659397	1001141995 128	1001157013484
100110752959	1001118744395	1001142504483	100115701621
1001107854445	1001118745395	1001142505483	100115704955
100110813483	1001118746122, 131	1001142683 105, 107, 479	100115705855
1001108256239	1001119020441	1001142722 .77, 105, 107	1001157209113, 115
100110861741	1001119031407	1001142736 105, 107, 441	1001157292223, 227
1001108721482	1001119602302	1001143852471	1001157400293
1001108962482	1001119619391, 431	1001144147387	1001157401305
1001109654 345, 369	1001119620433, 435	1001144295393, 413	1001157520160, 164
1001110166112	1001120328247, 249, 415	1001144296395	1001157521160, 164
100111042541	1001120466483	1001144433247	1001157525159, 160
1001110434 223, 227	1001120467483	1001144527 109	1001157528160, 164
1001110872 335, 337	1001120471447	1001144629 197, 201, 205, 211	1001157592164
1001110873 163, 309	1001120477447	1001146219 128	1001157612112
1001112551455	1001120484447	1001146588 83, 393	1001158007160, 164
1001112612 351, 353, 441, 443	1001120750 83	1001147923395	1001158008160, 164
1001112796 387, 409, 441	1001120989471	1001148106397	100115818733
1001113047 ..79, 83, 109, 112	1001121122112	1001148652 169	100115818833
	1001121123112	1001148675335, 337	100115820333
	1001121726395	1001148902482	100115825835
	1001121727391	1001148903482	1001158259482
	1001125125363	1001148904482	100115836497
	1001125126363	1001148905482	100115852235
	1001125387471	1001148906482	1001159118335, 337, 478
			1001159119335, 337
			1001159120335, 337
			1001159121337
			100115916283

SECTION 11 - SPECIAL OPTIONS/ACCESSORIES/KITS

1001159186405, 416	1001181045.....369, 371, 478	1001198333298	1001222055.....357, 359, 361, 363, 367
1001159256223, 227, 479	1001182162.....302	1001198336293	1001222336.....349, 478
1001159323471	1001182806.....99	1001198338297	1001222340.....79, 479
1001159707303	1001182980.....128	1001198339293	1001222358.....70
100116078035	1001182982.....128	1001198340298	1001222359.....73, 75
1001161089112	1001182983.....129	1001198341298	1001222360.....73, 75
100116135517, 19	1001182997.....65	1001199035471	1001222363.....79
100116139917, 19	1001183726.....156, 160, 164	1001199036471	1001222365.....79, 479
1001161709223, 227, 479	1001184626.....224, 228	1001200054181	1001222369.....393, 429
100116249777	1001184682.....101	1001200491193	1001222370.....393
1001163101109	1001185281.....223, 227	1001200494193	1001222371.....393
1001165035122	1001185585.....122	1001200497189, 391, 395	1001222372.....393
1001165350173	1001185964.....395	1001201351193	1001222375.....79
1001165368155, 343, 371	1001186251.....112	1001201885416, 443	1001222378.....79
100116565717, 19	1001186254.....112	1001202687193	1001222379.....349
1001166538478	1001186333.....209	1001202749483	1001222380.....349
1001166539478	1001186334.....215	1001203655209	1001222465.....135
1001167164151	1001186375.....199	1001203656215	1001222709.....223, 228
1001167565193	1001186378.....203	100120456013, 15, 271	1001222731.....141
1001167567193	1001186379.....207	1001204725193	1001222783.....133
1001167596193	1001186382.....213	1001205028482	1001222784.....131
100116824379	1001186383.....211	1001205029482	1001222797.....141
100116824479	1001186384.....205	1001205492484	1001222879.....79, 478
1001168402193	1001186385.....201	1001205690347, 373	1001222882.....129
1001169054128	1001186387.....197	1001205958321, 323, 325, 327, 329, 331	1001222883.....129
1001169085103, 105, 107	1001186431.....247, 479	1001206119155	1001222884.....129
1001169138128	1001186432.....437, 439	1001206250323	1001222915.....80
100116975431	1001186517.....247	1001206251327	1001223055.....453
100116975531	1001186919.....131, 156, 160, 164	1001206252331	1001223059.....141
100116975631	1001187674.....245	1001206253313	1001223061.....133
1001169967128	1001187681.....431	1001206254319	1001223088.....131
1001170035128	1001187688.....431	1001206255333	1001223124.....73
1001170527177	1001188135.....298	1001206532224, 228	1001223148.....133
1001170548173	1001188387.....397	1001207004107	1001223195.....71, 80
1001170981128	1001188622.....193	1001207969181	1001223196.....71, 80
1001171016345	1001188844.....193	1001208994181, 193	1001223198.....71, 80
1001171131335	1001188874.....85	1001209059483	1001223200.....71, 80
1001172045482	1001189001.....193	1001209664247	1001223302.....129, 131
1001172271187, 479	1001189002.....193	1001210636447	1001223405.....129
1001172533128	1001189171.....373, 478	1001211363223, 228, 479	1001223431.....397
1001172570471	1001189172.....373, 478	1001213447415	1001223433.....357
1001172577251	1001189570.....445	1001213584309, 315, 339, 343, 347	1001223460.....395
1001172578251	1001189572.....445	1001213585309, 315, 339, 343, 347	1001223554.....453
1001172620471	1001189750.....407	1001213705167	1001223556.....453
1001172760223, 227	1001189882.....459	1001213882223, 228	1001223560.....455, 459
1001173703471	1001190164.....129	1001214030471	1001223561.....455, 459
1001174040193	1001190545.....122, 478	1001214690129	1001223581.....83, 478
1001174449453, 455, 457, 459, 461, 463, 465, 467, 469	1001190577.....355	1001215228224	1001223583.....77, 479
1001174486122	1001190578.....415	1001215289303	1001223721.....131
1001175073153	1001190609.....122, 149	1001216630193	1001223744.....131
1001175074153	1001190985.....193	1001217183129	1001223787.....129
100117646993, 95	1001191395.....483	1001217185129	1001223794.....397
1001176636173	1001193018.....311, 313, 317, 319, 321, 323, 325, 327, 329, 331, 333	1001217780173, 175	1001223797.....397
1001176636173	1001195304.....483	100121857265	1001223842.....131
1001176862335	1001196297.....298	1001218622341	1001223916.....80
100117805761, 63	1001196382.....155, 159, 163	1001218623341	1001223917.....80
1001179079302	1001196634.....385	100121921921, 23	1001223918.....80
1001179154164	1001196768.....112	100121960177, 479	1001223949.....393
1001179329302	1001197016.....484	1001220864482	1001223950.....393
1001179545302	1001197017.....237, 239, 241, 243	1001221813141	1001223951.....80
1001179546302		1001222047355, 393	1001223952.....80
1001180620128, 135		1001222052389, 393	1001223953.....80
			1001223971.....463
			1001223977.....61
			1001223981.....67
			1001223987.....129

SECTION 11 - SPECIAL OPTIONS/ACCESSORIES/KITS

1001223997131	100122693377, 478	100122879941, 181	100123165670
1001224000131	100122693477, 478	1001228882113	100123165770
1001224009131	100122693570, 79	1001228945113	100123165871
1001224048467	1001227080349, 393	1001228949381	1001231685349, 353
1001224049469	100122719867	1001228954381	1001231686349, 351
1001224050461	1001227307109	1001228985391, 393	100123170070, 349
1001224052457	100122733861	1001228988257, 473, 475	1001231801471
1001224053465	1001227356357, 359, 361, 363, 365	100122901785	100123183970
100122438465	1001227359357, 359, 361, 363	100122901885	100123184070
1001224585131, 141	100122738361	1001229066153	100123188699
100122494379	1001227448377	1001229067153	1001231949267
1001225072135	1001227526160, 164	1001229080155, 343, 347	1001231950263
1001225093131	1001227633245	1001229098109	1001232010263, 265, 267
1001225094131	1001227634245	1001229208103	1001232011263, 267
1001225095131	1001227723163	1001229232445	1001232084113, 117
1001225104131	1001227724155	1001229233443	1001232164245
100122512085	1001227725159	1001229341245	1001232165245
1001225131349, 479	1001227731113	1001229530409, 413	1001232181131
1001225219445	1001227734113	1001229556113	1001232214482
1001225362429	1001227735113	1001229561129	1001232375129
1001225429131	1001227740151	100122979083	100123249583
1001225476389	1001227741151	100122979183	100123249983
1001225477389	1001227742151	100122981049, 52	1001232528123
1001225557349	1001227743151	1001230008112	1001232529125
1001225558349	100122776379	1001230010113	1001232642249
1001225580247, 437	100122778883, 478	1001230014112	1001232667249, 479
1001225591389	1001227793109, 112	100123015480	1001232840349
1001225731122	1001227794113	1001230187482	1001232841349
1001225733122	1001227798113	1001230504482	1001232893455
1001225745125, 147	1001227816483	100123050780	1001232986471
100122580467	1001227850361	100123052283, 445	1001233008463
100122596985	1001227851363	1001230605122, 397	1001233009467
1001225985122	1001227853359	100123071170	1001233010461
1001225994393, 409	100122786967	100123071270	1001233011457
100122603173	100122787067	100123071479	1001233012469
100122612077, 79	1001227892302	100123071579	1001233013465
100122612180	1001227898484	1001231225155, 160, 164, 403	1001233063463
100122612480	100122790175	100123124970	1001233064467
100122614679	1001227904482	1001231260159, 163	1001233065461
100122619079	1001227909141	1001231263103	1001233066457
1001226267393	1001227910297	1001231323131	1001233067469
1001226268393	1001227925393	1001231425349	1001233068465
1001226269393	1001227985245	1001231426349	100123318879
1001226270393	1001227987245	1001231481349	100123319879, 478
100122640483, 407	1001227996433, 435	1001231482349	100123320379
1001226421113	1001228087169, 287	1001231514349	100123324967
1001226452112	1001228113109	1001231515349	1001233420393
1001226453112	100122817041, 43	1001231519349	1001233440349
1001226468429	1001228224245, 479	1001231520349	1001233441393
1001226468429	1001228225245, 479	1001231521349	100123344279
100122648979	1001228359113	1001231522349	100123344370
100122649279	1001228370453, 463	100123156970	100123344470
1001226506429	1001228403113	100123157070	100123344580
1001226506429	1001228411453, 455, 457, 459, 461, 463, 465, 467, 469	100123158170	100123344671
1001226522393	100122844079, 478	100123158270	100123344780
1001226541387	1001228475109	100123159670	1001233448349
1001226551125	1001228517113	100123159770	1001233573298
1001226636387	1001228628429	100123159870	100123363565
1001226637387	1001228629429	100123159970	100123364061, 65
1001226669122	1001228678297	100123160070	100123373770
1001226739377, 379, 381, 383, 387	1001228679297	100123160170	1001233761395
1001226799379, 381, 383	1001228696297	100123160670	1001233785453, 455, 457, 459, 461, 463, 465, 467, 469
100122681441, 47	1001228723131	100123160770	1001233825349
100122692977		100123160870	
100122693077		100123165570	
100122693177			
100122693277, 478			

SECTION 11 - SPECIAL OPTIONS/ACCESSORIES/KITS

1001234099 482	1001241548 483	1001251050 167, 283	1001270068 293
1001234102 482	1001241965 249	1001251086 171, 289	1001270080 297
1001234287 395	1001242192 482	1001252629 261, 263, 265, 267	1001270081 298
1001234288 395	1001243183 482	1001253920 453	1001270082 298
1001234289 395	1001243184 482	1001253921 453	1001270091 298
1001234306 484	1001243414 113	1001253922 463	1001270482 482
1001234313 349, 478	1001243682 99, 101, 449	1001253923 463	1001270594 103
1001234314 79, 478	1001243869 153	1001253924 467	1001271642 483
1001234488 79, 478	1001244352 155	1001253925 467	1001272166 483
1001234588 347	1001244474 105	1001253926 461	1001272182 483
1001234944 471	1001244475 107	1001253927 461	1001272659 375
1001234945 471	1001244926 155	1001253930 469	1001272681 105
1001234946 471	1001245026 223, 228, 415	1001253931 469	1001272997 385
1001234947 471	1001245027 393, 405	1001253932 465	1001273012 375, 385
1001235097 471	1001245028 393, 443	1001253933 465	1001273156 484
1001235160 483	1001245030 83, 395	1001253936 457	1001274218 65
1001235269 482	1001245177 87, 231	1001253937 457	1001274559 85, 223, 227
1001235296 160	1001246142 482	1001254472 249	1001274829 483
1001235452 131	1001246144 379	1001254473 249	1001274830 483
1001235453 131	1001246145 383	1001255133 193	1001274831 483
1001235518 113	1001246473 379	1001255901 385	1001274833 482
1001235519 164	1001246474 383	1001257271 261, 265	1001275628 223, 227
1001235839 109	1001246859 85	1001257274 261	1001275629 223, 227
1001236206 131	1001247073 483	1001258495 433, 435	1001275642 484
1001236341 122	1001247099 167	1001260475 187	1001275643 484
1001236370 109	1001247147 167, 173	1001260937 228	1001276610 375
1001236435 31	1001247362 83, 478	1001261272 179	1001276923 482
1001236489 397	1001247415 129, 135	1001261274 179	1001277415 484
1001236490 397	1001247468 193, 478	1001261335 261	1001277841 484
1001236552 249	1001247762 471	1001261336 265	1001281452 483
1001236746 267	1001248012 173, 277	1001261338 261	1001281453 483
1001236747 263	1001248140 261, 263, 265, 267	1001261339 265	1001281456 483
1001236759 79, 479	1001248141 261, 263, 265, 267	1001262016 484	1001281457 483
1001236891 261, 263, 265, 267	1001248171 155	1001262322 377	1001281458 483
1001236895 261, 263, 265, 267	1001249003 77, 393	1001262326 377	1001281459 483
1001236962 343	1001249004 77, 83	1001262959 484	1001281461 483
1001236967 79	1001249005 77, 85	1001263579 484	1001281705 231
1001237291 123	1001249006 453	1001263587 228	1001281717 231
1001237667 405, 416	1001249007 465	1001264430 75	1001281718 87
1001237668 405, 416	1001249008 467	1001264698 91	1001282215 483
1001237844 471	1001249009 463	1001264701 91	1001282461 484
1001237863 245, 433	1001249010 461	1001264705 221, 227	1001282826 393, 413
1001237864 245, 435	1001249011 469	1001264706 221	1001284688 453, 455, 457, 459, 461, 463, 465, 467, 469
1001237865 245, 431	1001249012 457	1001264804 95	1001284800 85, 479
1001237882 483	1001249013 453, 455, 457, 459, 461, 463, 465, 467, 469, 471	1001264807 95	1001284959 65
1001237883 483	1001249014 89	1001265163 447	1001285015 65
1001237918 133, 137	1001249015 93	1001265342 447	1001286022 484
1001237919 131, 133	1001249018 89	1001266056 483	1001287769 65
1001237931 129, 131	1001249019 93	1001266070 219, 223	1001288215 483
1001237932 125, 128	1001249052 484	1001266074 219	1001282461 484
1001237933 122, 125	1001249548 455	1001266164 187	1001282826 393, 413
1001238263 261, 263, 265, 267	1001249549 459	1001266290 483	1001284688 453, 455, 457, 459, 461, 463, 465, 467, 469
1001238307 482	1001249695 484	1001266489 483	1001284800 85, 479
1001238309 73, 75	1001249941 484	1001266807 483	1001284959 65
1001238319 245	1001250035 483	1001266829 187	1001285015 65
1001238418 249, 439	1001250292 113	1001267328 453, 455, 457, 459, 461, 463, 465, 467, 469	1001286022 484
1001238421 193	1001250293 112	1001267885 457	1001287769 65
1001238472 249	1001250595 484	1001268736 483	1001296426 77, 411
1001238495 247	1001251009 167, 281	1001269187 483	1001297393 85
1001238559 249	1001251010 167, 279	1001269322 257	1060341 237, 239, 241, 243
1001238732 87, 231	1001251030 167, 273	1001269573 257	1060343 164
1001239347 101	1001251041 167, 275	1001269630 483	1060545 371, 373
1001241385 99		1001269631 483	1060637 123
1001241547 483		1001269655 484	1060903 237, 239, 241, 243
			1060908 369
			1060918 235
			10702077 160, 164
			10702082 160, 164
			10836804 85
			1120510 167
			1120555 251

SECTION 11 - SPECIAL OPTIONS/ACCESSORIES/KITS

1120601	112	1703938	465	1705921	455, 459	2220582	297, 302
1180346	179	1703939	467	1705961	455, 459	2220593	302
1260017	35, 57	1703941	469	1705967	457, 471	2220596	302
1260135	37	1703942	463	1705968	471	2220600	302
1320022	128	1703943	461	1705969	467, 471	2220603	303
1320060	77	1703944	465	1705977	455, 457, 459, 461, 463, 465, 467, 469	2220605	302
1320061	73, 75	1703945	467	1705978	455, 459	2220654	297
1320250	179	1703947	469	1706059	457	2220671	297
1320256	357, 359, 361, 363	1703948	463	1706060	461	2220683	297
1320263	122, 393	1703949	461	1706061	467	2220737	302
1320265	122	1703950	465	1706062	465	2220765	302
1320274	128	1703951	467	1706063	469	2220800	297
1320288	177	1703953	453	1706064	463	2220852	302
1320289	177	1703959	453, 455, 457, 459, 461, 463, 465, 467, 469	1706098	455, 459	2220865	297
1320302	253, 255, 257	1703960	453, 455, 457, 459, 461, 463, 465, 467, 469	1706385	209, 215	2220883 25, 47, 271, 275, 277, 279, 281, 287	
1321385	122	1703980	465	2030010	253, 255, 257	2220885 271, 277, 283, 287, 289	
1380147	153	1703981	467	2080040	112, 197, 201, 205, 211	2220886 25, 47, 275, 279, 281, 287, 289	
1580012	217	1703982	461	2080072	112	2220888	25
1580013	483	1703983	469	2110404	293, 297	2220923	302
1600244	484	1703984	463	2110406	297	2220947	303
1670603	333	1704000	463, 471	2110408	293	2220950	303
1670844	167	1704001	469, 471	2110606	293, 297	2220998	297
1670850	167	1704260	223, 227	2110608	305	2221034	303
1671034	173	1704277	453, 455, 457, 459, 461, 463, 465, 467, 469	2110808	297	2221036	303
1671092	164	1704412	453, 455, 457, 459, 461, 463, 465, 467, 469	2110812	297	2221040	297
1671093	255	1704578	35	2111616	297	2221046	122
1671314	227	1704972	453	2130406	297	2221050	297
1701499	453, 455, 457, 459, 461, 463, 465, 467, 469	1705014	209, 215	2130604	297	2221077	297
1701501	453, 455, 457, 459, 461, 463, 465, 467, 469	1705090	35	2130606	297	2221086	302
1701505	453, 455, 457, 459, 461, 463, 465, 467, 469	1705305	257, 473, 475	2130808	297	2300016	21
1701509	251, 453, 455, 457, 459, 461, 463, 465, 467, 469	1705325	311, 313	2131616	297	2400060	447
1701518	455, 459	1705336	453	2150406	297	2400080	349, 478
1702155	453, 455, 457, 459, 461, 463, 465, 467, 469	1705344	465	2151616	297	2400081	389
1702565	223, 227	1705345	467	2170408	297	2410014	209, 215
1702566	223, 227	1705347	463	2170504	297	2560136	223, 227
1702567	223, 227	1705351	453	2170706	305	2560187	115, 117
1702773	209, 215, 471	1705355	473, 475	2180348	122	2600281 197, 201, 205, 211	
1702774	471	1705358	471	2180666	122	2720058	122
1702861	471	1705374	335, 337	2180876	123	2720271	122
1702868	257, 453, 471, 475	1705375	164	2220237	297, 302	2751399	298
1703797	453, 467	1705387	164	2220238	297, 305	2751500	298
1703804	453	1705426	465	2220240	302	2752461	302
1703805	453	1705427	467	2220250	122	2752468	302
1703811	453, 455, 457, 459, 461, 463, 465, 467, 469	1705429	463	2220315	128	2752484	303
1703814	453, 455, 457, 459, 461, 463, 465, 467, 469	1705430	461	2220366	297	2752489	298
1703923	469	1705460	160, 164	2220371	297, 302	2752493	298
1703924	463	1705461	160	2220373	297, 302	2752494	298, 302
1703925	461	1705489	155, 160	2220374	297	2752723	302
1703926	465	1705822	455, 459	2220375	297	2752754	298
1703935	469	1705828	455, 459	2220377	302	2752765	298
1703936	463	1705895	457	2220380	297	2752766	303
		1705896	457	2220381	302	2752767	303
		1705897	457	2220385	297	2752768	303
		1705898	457	2220415	302	2752930	303
		1705902	457	2220451	297	2752938	298
		1705903	457	2220466	302	2752978	303
		1705905	457	2220468	297, 303	2752995	302
		1705910	469	2220472	303	2752997	298
		1705917	469	2220473	297, 302	2753008	302
				2220478	302	2753010	302
				2220490	302	2753123	303
				2220499	297	2753126	302
				2220500	297, 302	2753189	303
				2220501	303		
				2220578	297		

SECTION 11 - SPECIAL OPTIONS/ACCESSORIES/KITS

2753190..... 303	3290606 199, 203, 207, 213	3340859..... 179	3580317 155, 159, 163
2753191..... 303	3290607 77, 105, 107	3340871..... 169	3580318 163
2753192..... 302	3290805 128, 151, 393	3340881..... 171	3580319 159
2753195..... 302	3290806 193	3340941..... 177	3641569 237, 239
2753196..... 302	3290807 131	3340943..... 177	3740086 439, 479
2753197..... 302	3291001 128, 193	3340956..... 251	3740112 83, 479
2753199..... 302	3291005 128, 131, 193	3340966..... 19	3760133 169
2753200..... 302	3291007 128, 131	3380434..... 219, 221	3760170 37, 57
2753231..... 302	3291201 155, 159, 163, 193	3380535..... 191	3790012 223, 227, 233
2753274..... 302	3291205 122, 193	3420292..... 35	3790044 125
2753442..... 302	3300007 21	3420372..... 37	3820001 35, 453, 455, 457, 459, 461, 463, 465, 467, 469
2753542..... 298	3300151 199, 203, 207, 213, 253, 255, 257	3420447..... 37	3820020 197, 201, 205, 211
2753622..... 297	3300205 77	3421565..... 57	3841143 122, 167, 169, 173, 193
2753626..... 298	3300353 85, 223, 227	3422417..... 17, 19	3841287 13, 15, 167
2753628..... 298	3300364 67, 112	3422446..... 122	3841340 173, 179
2753634..... 298	3300365 83	3422457..... 169	3841356 167
2753686..... 297	3300396 160, 164	3422533..... 122	3841406 177
2753879..... 305	3300408 87	3422561..... 167	3841520 17, 19
2753970..... 298	3300430 247	3422583..... 167	3900054 209, 215
2753971..... 298	3300454 ... 73, 75, 83, 109	3422681..... 167	3900210 112, 115, 117
2754337..... 298	3310601 153	3422683..... 167	3900239 167
2754338..... 298	3310605 70, 189	3422687..... 167	3900258 109
2754512..... 298	3310801 185, 187	3422688..... 167	3900259 169
2820019..... 401	3310805 79	3422689..... 167	3900262 179
2820031 155, 159, 163	3311001 160, 164	3422690..... 169	3900283 177
2820247 433, 435	3311005 79, 83, 107, 160, 164, 223, 227, 253, 255, 257	3422729..... 167	3900293 49
2840018..... 153	3311401 35, 70, 237, 239, 241, 243	3422790..... 17, 19	3900316 112
2860030..... 85, 478	3311405 .. 79, 85, 99, 101, 109, 155, 181, 185, 187, 189, 219, 221, 249, 311, 313, 317, 319, 321, 323, 325, 327, 329, 331, 333, 343, 345, 347, 453, 455, 457, 459, 461, 463, 465, 467, 469	3422848..... 19	3900349 223, 227
2900708..... 41	3311501 112, 237, 239, 241, 243	3422860..... 173	3900363 115, 117
2900756..... 21	3311505 21, 83, 115, 117, 159, 163, 181	3422861..... 173	3900382 133
2900792..... 273, 275, 277, 279, 281	3311601 61, 65, 70, 77, 112, 179, 224, 228, 249, 393	3422867..... 173	3910606 163, 335, 337
2902212..... 251	3311602 179	3430616..... 224, 228	3910610 153, 309, 315
2902217..... 253, 255	3311605 31, 61, 65, 73, 75, 83, 109, 112, 173, 177, 179, 209, 215, 219, 221, 253, 255, 257	3430820..... 153	3910804 85
2902396..... 482	3311801 .21, 70, 185, 187	3450304..... 131	3911010 107
2910887..... 482	3312001 37	3450404..... 153	3930606 189
2915094..... 55, 484	3312002 49, 261, 263, 265, 267	3460334..... 251	3930616 70
2940045..... 112	3312005 251	3470003..... 224, 228	3930812 79
2940074..... 197, 201, 205, 211, 478	3312205 251	3520026..... 227	3930816 191
2940173..... 112	3322201 59	3520027..... 227	3930820 187
3020029..... 55	3331611 128	3520030..... 113	3930824 185, 187
3020039..... 13, 15	3340764 177	3520032..... 112	3931010 70, 79, 83
3160348..... 21, 25	3340828 171	3520034..... 173	3931016 79, 83, 159, 163, 223, 227
3250872..... 35	3340835 167, 171	3520035..... 85, 185, 187, 191	3931048 79
3251102..... 155	3340838 287	3520054..... 223, 227	3931408 247
3251242..... 317, 319, 321, 323, 325, 327, 329, 331, 333	3340840 177	3520071 251	3931412 70, 73, 75
3251243..... 164		3520072..... 197, 199, 201, 203, 205, 207, 209, 211, 213, 215	3931432 185, 187
3252347..... 453		3520173..... 112	3931436 185, 187
3252764..... 159, 163		3520189..... 160	3931448 287
3271405..... 77, 122		3520192..... 160	3931464 185
3271505..... 67		3520198..... 197, 199, 201, 203, 205, 207, 211, 213	3931664 287
3271605..... 261, 263, 265, 267		3538047..... 13, 15	3952020 49
3271805..... 59, 153, 209, 215		3570775..... 287	3960422 163, 309, 315, 335, 337
3272001..... 261, 263, 265, 267		3570928..... 185, 187	3960468 125
3290405..... 103, 105, 311, 313, 317, 319, 321, 323, 325, 327, 329, 331, 333, 447		3572606..... 185, 187	3960469 125
3290501..... 135		3572607..... 185, 187	3960526 21
3290601..... 115, 117, 123		3573400..... 253, 255, 257	4010618 199, 203, 207, 213
3290605..... 128, 151		3573642..... 253, 255	4031505 245
		3574091..... 241, 243	4031509 103, 105
		3575359..... 237, 239	4031516 249
		3577121..... 253, 255, 257	4031707 131

SECTION 11 - SPECIAL OPTIONS/ACCESSORIES/KITS

4031708131	4460042405, 409	431, 437, 439, 441,	4460899 391, 411, 431,
4060092315	4460049 237, 239, 241,	443, 445, 447	437, 439
4060802 155, 159, 163	243	4460467 484	4460905 395, 405, 409,
4060805 113, 177, 185,	4460051309, 315	446047083, 223, 227,	413, 415, 443
187	4460071163, 235	393, 415	4460906 445
406103277	4460125 315	446047183, 223, 227,	4460910 187, 349, 435
407045037	4460142397, 409	393, 415	4460911 349, 431, 443
407056037	4460144 405	4460473 365, 367	4460928 441
407056137	4460183 416	446048885, 105, 107,	4460931 389
4070863169	4460205 309	393	4460932 385, 395, 443,
4070864169	4460224 223, 227, 395	4460496 349, 393	447
4070878 13, 15	4460225 399, 401, 416,	4460497 349, 393	4460933 415, 441, 443
4070879 13, 15	445	4460508245, 365, 391,	4460941 431
4070897 169, 171	4460226 103, 223, 227,	397, 415, 443, 445	4460942 245
4070898 169, 171	235, 237, 239, 241,	4460509351, 353, 365,	4460943 365, 391, 405,
4070929171	243, 389, 391, 395, 443	367, 443	413, 415, 431, 443
4070967171	4460227 413, 415, 416,	4460510 484	4460944 365, 367, 405,
4070968171	443	4460518355, 391, 415,	407, 409, 415, 443, 445
4070969177	446023373, 315	441, 443	4460945 409, 445
407099185	4460234 223, 227, 237,	4460536403, 415, 449	4460950 353
4071007171	239, 241, 243, 377,	4460539353, 395, 405,	4460956 369, 371
4071052177	379, 381, 383	409, 413, 415, 445, 449	4460957 369, 371
407105919	4460247 409	4460612 335, 337	4460958 337
4100062303	4460256 351, 353, 397	4460705 395	4460962 255
4160194112	4460259 405, 409, 416,	4460708 393, 415	4460963 164
4240018 155, 159, 163,	447	4460722 407, 445	4460967 156, 403
335, 337	4460260 405, 409, 411,	4460742 351, 353	4460968 185, 187, 191
4240032 105, 107, 349,	416, 447	4460746 395	4460970 405
375, 377, 379, 381, 383	4460265 445	4460748 395	4460979 407
4240033 105, 107, 245,	4460266 395	4460761389, 391, 395,	4460993 67
247, 249	4460267 395, 415, 416,	415	4460994 67, 391, 397,
424008431	443	4460789 395	445
4240099 ..70, 77, 83, 122,	4460268 399, 401, 407,	4460790 351, 353	4461070 441
223, 227, 237, 239,	445	4460806321, 323, 325,	4461077 431, 439
241, 243, 253, 255,	4460314 416	327	4461095 441
343, 347, 359, 361,	4460315 309, 315, 415	4460807 399, 401	4461157 351, 353, 407
363, 393	4460326 407	4460808 399, 401	4461196 419
4240149251	4460343 415	4460836 353, 409	4461198 313, 419
428029633	4460346 163, 309	4460850 351, 353	4461199 421
4340706171	4460418405, 415	4460851 355, 413	4461201 319, 421
4360057 237, 239, 241,	4460419405, 415	4460852 355, 413	4461205 423, 425
243, 479	4460424 443	4460865 365, 367	4461244 323, 423
4360070 160, 164, 478	4460425 160, 164, 237,	4460866365, 415, 443	4461245 327, 425
4360328 233, 479	239, 241, 243, 335, 337	4460871395, 405, 409,	4461246 331, 427
4360336 155, 159, 163,	4460426160, 164	411, 413, 415, 443, 449	4461249 427
479	4460427 409	4460872 413	4461261 351, 353
4360387 93, 95, 223, 227,	4460428 223, 227	4460873 415, 443	4461271 409
479	4460434 443	4460874 395, 415	4520252 27
4360407 223, 227, 478	4460457 395	4460875 413, 415	4520253 29
4360436479	4460458 395	4460876 405	4530028 253, 255, 259
4360469 85, 479	4460464 103, 235, 351,	4460877 429	4567139 303
4360475479	353, 361, 365, 385,	4460878 443	4567757 303
436047685	387, 389, 391, 395,	4460879 415, 447	4640261 35
4360498 185, 187, 479	397, 403, 405, 409,	4460880 397, 413	4640509 275, 277, 279,
4360499 185, 187, 479	415, 437, 439, 441,	4460884187, 353, 395,	281
4360517 59, 479	443, 445, 447, 449	415, 437, 443, 447	4640605 273, 275, 281
4360578 185, 187, 191,	4460465 67, 103, 105,	4460887409, 415, 443,	4640858 271
479	156, 187, 351, 353,	447	4640866 41
4420014251	355, 361, 365, 367,	446089167, 103, 105,	4640932 273
4420037 253, 255, 257	387, 391, 395, 397,	351, 353, 355, 361,	4641032 289
4420038 61, 65	399, 401, 403, 405,	397, 409, 413, 441,	4641033 287
4420051 35, 471	409, 413, 415, 437,	443, 445, 449	4641122 27, 29, 31
4420060191	441, 443, 445, 447, 449	4460892 413	4641192 47
4420066251	4460466 245, 351, 353,	4460894387, 405, 413,	4641284 297
4460016416	365, 367, 387, 389,	415, 445	4641303 21
4460019 351, 353, 397,	391, 395, 397, 405,	446089765, 103, 361,	4641435 185, 187
445	407, 409, 413, 415,	389	4710600 70

SECTION 11 - SPECIAL OPTIONS/ACCESSORIES/KITS

4711000.79, 83, 160, 164	4811700 77, 83, 105, 107, 128, 141, 151, 199, 203, 207, 213	70002066..... 52	70004037..... 52
4711400.....41, 70, 73, 75, 77, 79, 83, 85, 97, 99, 101, 109, 122, 155, 159, 163, 181, 199, 203, 207, 213, 247, 249, 311, 313, 317, 319, 321, 323, 325, 327, 329, 331, 333, 343, 345, 347	4811702 151	70002085..... 52	70004040..... 52
4711500.....21, 67, 77, 79, 115, 117, 122, 159, 163, 181, 187, 393	4811900 70, 128, 131, 151, 193, 393	70002112..... 63	70004041..... 52
4711600.....13, 15, 41, 73, 75, 83, 156, 160, 164, 169, 171, 177, 179, 219, 221, 224, 228, 261, 263, 265, 267, 357, 359, 361, 363, 393	4811902128, 151	7000213..... 52	70004042..... 52
4711800.....153, 209, 215	4812000 ... 123, 128, 131, 155, 159, 163, 193	7000217..... 52	70004043..... 52
4712000.....251, 261, 263, 265, 267	4812002 128	70002231..... 41, 478	70004044..... 52
4712200..... 251	4812100122, 193	7000224..... 23	70004045..... 52
4740036..... 37	4843777 37	7000228..... 52	70004047..... 52
4740057..... 49	4844816 173	7000229..... 52	70004050..... 43
4740155..... 19	4844817 173	70002297..... 159, 163	70004051..... 43
4740256..... 17, 19	4844958 57	7000230..... 52	70004052..... 43
4740362..... 219, 221	4845593 167	70002315..... 137	70004055..... 43
4740397..... 85	4845680 179	70002316..... 137	70004069..... 149
4740439..... 173	4845730 177	70002317..... 137	70004070..... 149
4740444..... 85	4846627253, 255	70002318..... 137	70004092... 155, 160, 164
4740463..... 17, 19	4846673241, 243	70002319..... 137	70004093..... 159, 163
4740472..... 13, 15	4860224 27	70002320..... 137	70004094..... 160, 164
4740473..... 17, 19	486022529, 31	70002321..... 137	70004095..... 160, 164
4740518..... 85	4871700 156, 160, 164	70002322..... 137	70004096..... 160, 164
4750800..... 79	489150077, 83	70002323..... 137	70004097..... 160, 164
4751000.....65, 107, 159, 163, 223, 227, 253, 255, 257	4891600 59, 113, 193	70002326..... 138	70004098... 155, 160, 164
4751400...33, 35, 85, 109, 112, 115, 117, 185, 187, 189, 191, 217, 219, 221, 223, 227, 237, 239, 241, 243, 253, 255, 257, 453, 455, 457, 459, 461, 463, 465, 467, 469	4891800 21, 125, 153	70002327..... 138	70004099..... 159, 163
4751500 35, 67, 112, 237, 239, 241, 243	489200021, 55	70002328..... 138	70004171..... 155
4751600.....31, 33, 61, 65, 70, 77, 79, 105, 107, 109, 112, 253, 255, 257	489220013, 15	70002330..... 138	70004199..... 63
4751800 59, 70, 209, 215, 237, 239, 241, 243	4892600001..... 193	70002373..... 273, 283	70004311..... 137
4752000..... 122	4922216 357	70002386..... 183, 478	70004329..... 147
4760600..... 309, 315	4922217 357	7000239..... 23	70004331..... 147
4761400..... 85, 217	4922219359, 361	7000240..... 23	70004332..... 147
4762000..... 37	4922220359, 361	7000246..... 52	70004333..... 147
4770600..... 153	4922578 ... 357, 359, 361, 363	70002460..... 160, 164	70004336..... 147
4771200..... 83	4922579 361	7000247..... 52	70004337..... 147
4811400.....103, 105, 311, 313, 317, 319, 321, 323, 325, 327, 329, 331, 333, 447	4922580 361	7000248..... 52	70004338..... 147
4811600.....70, 79, 135	4922641159, 163	7000253..... 52	70004340..... 147
4811602..... 135	4922925 159, 163, 401	7000255..... 52	70004342..... 147
	5240800 131	7000257..... 52	70004343..... 147
	5241000128, 131	70002744..... 285	70004344..... 147
	5241200 ... 125, 155, 159, 163, 193	70002745..... 285	70004345..... 147
	5241600 128	70002748..... 285	70004346..... 147
	5250806 133	70002749..... 285	70004347..... 147
	5251008 193	70002751..... 285	70004348..... 147
	5251016 193	70002814..... 63	70004349..... 147
	5260818 77	7000283..... 23	70004350..... 147
	70000342 175	70002838..... 63	70004351..... 147
	70000619159, 163	70002839..... 63	70004352..... 147
	70000797 25	7000284..... 23	70004381..... 285
	70000863 159	70002842..... 271	70004382..... 285
	70001100 159	7000289..... 23	70004395..... 137, 478
	70001248 59	70002901..... 149	70004397..... 137
	70001384 159	70002902..... 235	70004398..... 137
	70001696160, 164	70002903..... 235	70004399..... 137
	70001697 175	70002904..... 235	70004400..... 137
	70001954 143	70002905..... 235	70004457..... 43
	70001955 143	70003019..... 43	70004459..... 43
	70001956 143	70003060..... 137	70004460..... 43, 478
	70001957 143	70003061..... 137	70004461..... 43, 44
	70001966 ... 155, 159, 163	70003063..... 138	70004463..... 43, 478
	70001973 ... 155, 160, 164	70003064..... 138	70004525..... 137
	70001974160, 164	70003454..... 59	70004526..... 137
	70002013 177	70003631..... 159, 163	70004530..... 137
	70002014 177	70003649..... 47	70004531..... 137
	70002064 183	70003708....155, 160, 164	70004536..... 137
		70003709....155, 159, 163	70004537..... 137
		70003784..... 223, 227	70004538..... 137
		70003790..... 183	70004539..... 137
		70003935..... 21	70004540..... 137
		70003936..... 21	70004544..... 137
		70003975..... 47	70004584..... 43

SECTION 11 - SPECIAL OPTIONS/ACCESSORIES/KITS

70004594	43	70006669	287	70023380	275, 279	7017466	41
70004595	43, 478	70006670	287	70023859	43	7017496	47
70004596	43	70006671	287	70023860	43	7017901	138
70004597	43	70006672	287	70023862	43	7017913	137
70004598	43	70006673	23	7002388	289	7017914	137
70004653	43, 478	70006674	23	70026287 ...	275, 279, 281	7017934	137
70004657	43	70006675	23	70027750	281	7017958	138
70004665	43	70006676	23	7002821	484	7017963	138
70004667	43	70006677	23	7002822	484	7018942	44
70004676	155	70006678	23	7002823	484	7018951	44
70004678	155	70006680	23	7002826	484	7018991	43, 478
70004679	155	70006684	23	7002840	484	7018992	43
70004680	155	70006685	23	70029468	281	7020064	179
70004681	155	70006690	23	7004275	484	7020065	179
70004682	155	70006691	23	7004276	484	7020066	179
70004683	155	70006692	23	7004906	147	7020067	179
70004795	63	70006734	277	7004907	147	7020175	223, 227
70004842	137	70006735	277	7004908	147	7020176	223, 227
70005143	273, 283	70006736	277	70050795	289	7021249	25
70005144	273, 283	70006832	23	7007415	143, 144	7021275	25, 144
70005194	43	70006833	23	7007437	25	7021276	25
70005195	43	70006955	43	7007438	25	7021277	25
70005196	43	70006956	43, 478	7007439	25	7021375	43, 44
70005197	43	70006957	43	7007446	25	7021625	21
70005198	43	70006961	43	7007633	52	7021639	21
70005199	44	70007246	275, 279	7010492	52	7021653	183
70005200	44	70007277	281	7010543	47	7022302	25
70005201	44	70007278 ...	275, 279, 281	7011112	273	7022305	25
70005202	44	70007279	281	7011333	185, 187	7022310	25
70005203	52	70007280	281	7011342	185, 187	7022311	25, 144
70005220	137	70007282 ...	275, 279, 281	7012518	47	7022312	25
70005221	137	70007283	281	7012773	43	7022314	25, 144
70005224	137	70007419	281	7012914	183	7022318	143
70005226	137	70007420	281	7012918	183	7022326	25
70005227	137	70007421	279	7012928	47	7022328	25
70005228	138	70007422	275, 279	7012941	47	7022368	25
70005293	149	70007423	275, 279	7012943	47	7022371	25
70005294	149	70007424	279	7012944	47	7022372	25
70005295	149	70007425	279	7012953	47, 181, 183	7022397	21
70005296	149, 478	70007426	279	7012959	41	7022399	21
70005297	149	70007427	275	7012965	183	7023124	137
70005458	147	70007428	275	7012967	183	7023126	138
70005459	147	70007429	275	7012970	181	7023144	138
70005460	147	70007430	275	7012989	47, 183	7023145	138
70005461	147	70007505	137	7012995	47	7023148	137
70005462	147	70007966	273	7015004	128, 478	7023149	137
70005463	147	70007967	273, 283	7016652	484	7023154	137
70005464	147	70007968	273, 283	7016654	484	7023157	137
70005465	147	70007969	273, 283	7017023	52	7023164	137
70005594	289	70007981	289	7017028	23, 52	7023165	137
70005624	155	70007992	283	7017047	23	7023167	137
70005663	484	70008199	289	7017070	52	7023168	137
70005708	63	70008200	289	7017072	52	7023170	138
70005839	289	70008201	289	7017080	52	7023907	25
70006304	52	70008202	289	7017082	23	7023908	25
70006344	289	70008203	289	7017085	52	7023910	25
70006576	67	70008204	289	7017142	175	7023911	183
70006577	67	70008205	289	7017159	175	7023912	183
70006578	67	70008206	289	7017162	175	7023917	21
70006579	67	70008207	289	7017163	175	7023933	21
70006596	273, 283	70008208	289	7017164	175	7023947	143
70006649	277	70008209	289	7017172	175	7023948	143
70006650	277	70008210	289	7017192	175	7023949	143
70006661	137	7001928	23	7017195	175	7023950	143
70006664	137	70022564 ..	273, 275, 279, 281, 283	7017402	183	7023951	143
70006665	138	70023370	273	7017406	183	7023952	143
70006667	137			7017452	183	7023956	143

SECTION 11 - SPECIAL OPTIONS/ACCESSORIES/KITS

7023957.....	143	7024485	160, 164, 478	7027777.....	259	8229261	83, 478
7023958.....	143	7024488	159, 163	7027778.....	259	8303511	131
7023960.....	143	7024489	159, 163	7027779.....	259	8310070	112
7023961.....	143	7024508	287	7027780.....	259	8310129	251
7023962.....	143	7024599	153	7027799.....	160, 164	83304173	63
7023964.....	143, 144	7024704	52	77143013.....	85	8405102	128
7023965.....	143	7024762	52	77363232.....	159	8405104	128
7023966.....	144	7024763	52	77363233.....	399, 401	8406110	128
7023967.....	144	7024782	23	80344004.....	23	8406201	77
7024021.....	43	7024784	52	80683013.....	122	8410001	393
7024100.....	52	7024854	25	80934561.....	59	8540205	122
7024149.....	23	7024864	144	80963055.....	395	8580420	33
7024151.....	23	7024866	144	80963056.....	395	85841150	123
7024154.....	23	7024867	143	80963067.....	391, 395	8770050	297
7024190.....	23	7024868	25, 143	8220007.....	397, 415	88261024	181
7024191.....	23	7024881	21	8220019.....	391	88521008	185, 187
7024404.....	59	7026197	59	8220029.....	409	88521205	77
7024441.....	63	7026503	59	8220043.....	351, 353	88521214 ..	261, 263, 265, 267
7024462.....	259	7026504	59	8220045.....	389, 409	88662037	302
7024463.....	259	7026505	59	8220051.....	351, 353	88662523	112
7024467.....	259	7026506	59	8220099.....	395	8896941	484
7024469.....	259	7026507	59	8220125.....	395	91143177	302
7024470.....	259	7026509	59	8220162.....	391	91203039 ..	177, 185, 187, 193
7024471.....	259	7026597	160, 164	8220164.....	409	91401281	77
7024472.....	259	7026626	160, 164	8225117.....	83, 479	91403230 ..	453, 455, 457, 459, 461, 463, 465, 467, 469
7024473.....	259	7027773	259	8229234.....	83, 478		
7024474.....	259	7027774	259	8229236.....	83, 478		
7024475.....	259	7027775	259	8229237.....	83, 478		
7024478.....	259	7027776	259	8229249.....	447, 478		



**Corporate Office
JLG Industries, Inc.
1 JLG Drive
McConnellsburg, PA 17233-9533 USA
☎ (717) 485-5161 (Corporate)
☎ (877) 554-5438 (Customer Support)
📠 (717) 485-6417**

**Visit our website for JLG Worldwide Locations.
www.jlg.com**



OSHKOSH™