



Illustrated Parts Manual

Models 1230ES

PVC
2002
2008

P/N
31215829

February 13, 2023 - Rev C

ANSI

CE



AS/NZS



An Oshkosh Corporation Company

REVISION LOG

NOTES:

NOTE: Country of Manufacture - The 1230ES Scissor Lifts are manufactured by JLG Industries in the following countries: USA, France and Mexico. Refer to the Serial Number Tag to identify the country of manufacture. Machines manufactured in the USA will have a serial number prefix of 02 (i.e. 02XXXXXXXX) or 013 (i.e. 013XXXXXXXX), machines manufactured in France will have a prefix of A2 (i.e. A2XXXXXXXX) and machines manufactured in Mexico will have a prefix of M13 (i.e. M13XXXXXXXX).

NOTE: Production in France starts August 2006 & ends February 2010 with SN A200009897. Production in Mexico starts March 2016 with SN M130000235. Production in USA switched from SN 02 prefix to SN 13 prefix in July 2015.

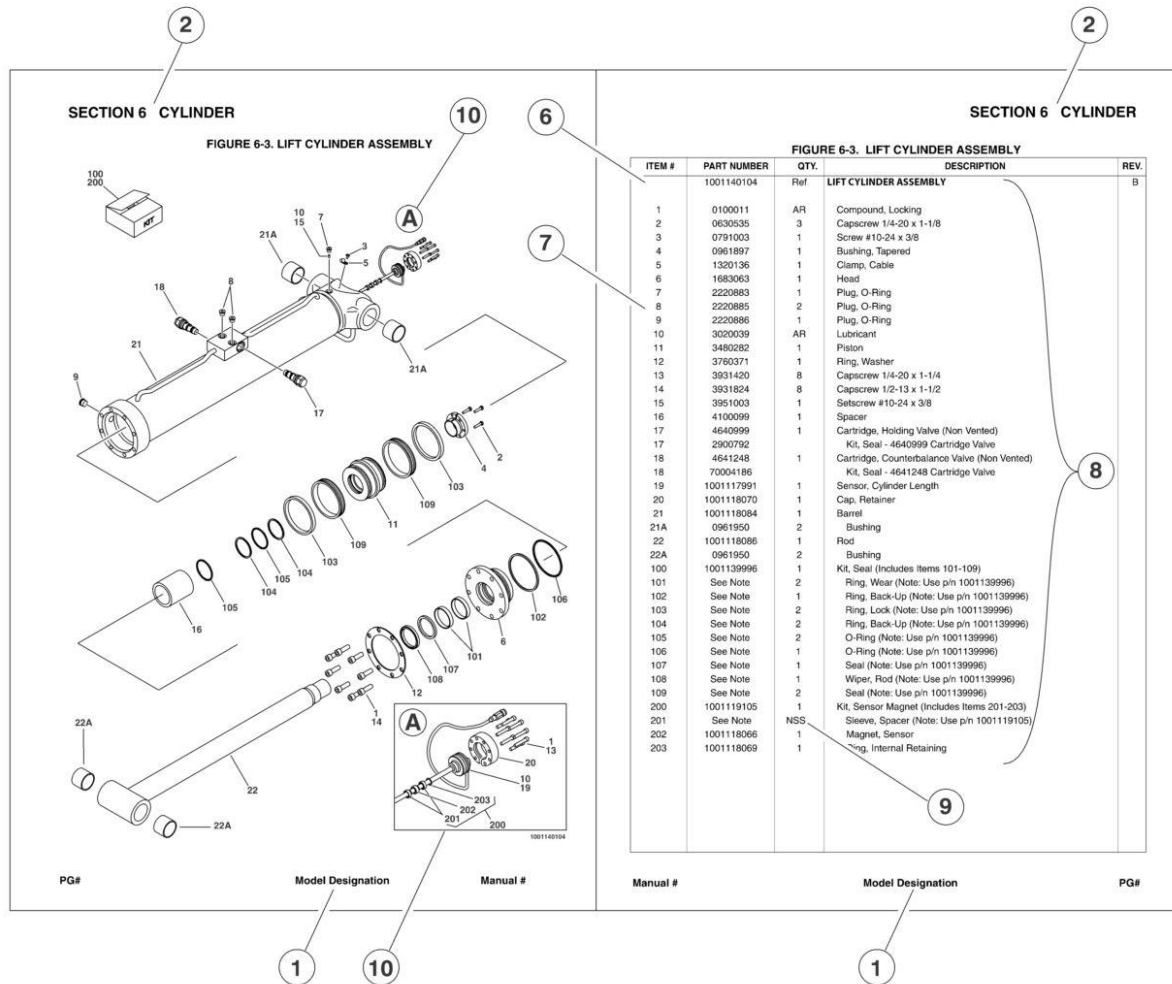
REVISION LOG:

November 1, 2019 - A - Original Issue of Manual

September 21, 2020 - B - Revised Manual (Edited to B/M 1001250314 Revision A)

February 13, 2023 - C - Revised Manual (Edited to B/M 1001250314 Revision A)

GENERAL INFORMATION



1) MACHINE IDENTIFICATION

Machines are identified by model and in some cases a combination of models, serial number (SN) or regional standard (i.e. ANSI, CE, CSA). Components may also be identified by SN or manufacturer. Common components that may be identified by these characteristics are engines and hydraulic components.

2) PARTS MANUAL ORGANIZATION

Product information in this manual is organized under section titles. Frame, Cylinder, Hydraulic and Electrical are a few examples. Each section is organized by figure and page number. The information within the Figure is then organized by item number, part number, description and corresponding illustration (s).

3) TABLE OF CONTENTS

A table of contents is found toward the beginning of the manual. Figure number, description and page number are provided for quick reference to the page containing the related information.

4) RECOMMENDED SPARE PARTS

The Recommended Spare Parts, located near the end of the manual, reference most frequently used maintenance parts.

5) PART NUMBER INDEX

A numerical index listing all part numbers and the corresponding page number(s) appears at the back of the manual.

GENERAL INFORMATION

6) NON-SERVICED PARTS

In some instances, it is necessary to display non-serviced parts, assemblies or installations. In the case of assemblies and installations there will be a Ref in the Qty column. In case of parts that are not available for service within assemblies or components, there will be a NSS (Not Sold Separately) or NLA (No Longer Available) listed in the Qty. column of the manual.

7) PARTS LIST ITEM NUMBERS

Numbers shown in the item# column correspond to numbers used in the associated illustration (s). Item numbers which missing from the sequence in the parts list are not used on that page

8) INDENTED PARTS DESCRIPTION

An indented part description is included in the item under which it is indented.

9) ABBREVIATION AND SYMBOLS

AC.....	.. Alternating Current	LCD.....	Liquid Crystal Display
ADE.....	Advanced Design Electronics	LED.....	Light Emitting Diodes
ANSI.....	American National Standards Institute	LH.....	Left Hand
AR.....	..AsRequired	LSS.....	..Load SensingSystem
ASSY.....	Assembly	M(m).....	Metric/Meter
AUX.....	Auxiliary	MM (mm).....	Milimeter
AWG.....	..American WireGauge	mA.....	Miliamps
B/M.....	Bill of Material	NLA.....	No Longer Available
CE.....	..European Conformity	NPT.....	National PipeThreads
CCW.....	..Counter Clockwise	NSS.....	..Not Sold Separately
cm.....	Centimeter	OD.....	..Outside Diameter
CW.....	..Clockwise	ORB.....	O-Ring Boss
CSA.....	..Canadian StandardAssociation	ORFS.....	O-Ring Face Seal
CYL.....	Cylinder	OZ (oz).....	..Ounces
DIA.....	Diameter	PG.....	..Page
DC.....	Direct Current	P/N.....	..Part Number
EMS.....	Emergency Stop	qt.....	..Quarts
ENG.....	Engine	QTY.....	..Quantity
FT (ft).....	Feet	REF.....	..Reference
GA (Ga).....	Gauge	REV.....	..Revision Level
HYD.....	Hydraulic	RH.....	..Right Hand
Hz.....	Hertz	SAE.....	Society of Automotive Engineers
ID.....	Inside Diameter	SN.....	..Serial Number
in.....	inches	SPEC(S).....	..Specifications
ISO.....	International Organization for Standards	T/T.....	..Turntable
JIC.....	Joint Industry Council	UGM.....	..Universal Ground Module
KG.....	Kilogram	V.....	..Volts
L.....	Liter	W.....	..Watts
LB.....	Pounds	#.....	..Number

10) ILLUSTRATION REFERENCE LETTERS

When necessary, illustrations may contain reference letters that are intended to track information (i. e. hoses, harnesses) from one point to another or to track visual enlargement of components to show details that may be located in another area on the illustration.

Note: Due to continuous product improvements, JLG Industries, Inc. reserves the right to make specification changes without prior notification. Contact JLG Industries, Inc. for updated information.

TABLE OF CONTENTS

SECTION 1 - FRAME.....	11
FIGURE 1-1. STEERING.....	12
FIGURE 1-2. DRIVE INSTALLATION - SOLIDEAL TIRES	14
FIGURE 1-3. DRIVE INSTALLATION - EXMILE TIRES.....	16
FIGURE 1-4. HUB ASSEMBLY	18
FIGURE 1-5. WHEEL DRIVE ASSEMBLY	20
FIGURE 1-6. BEACON LIGHT INSTALLATION.....	24
FIGURE 1-7. POTHOLE PROTECTION (ALL SPECS EXCEPT AUSTRALIAN).....	26
FIGURE 1-8. POTHOLE PROTECTION (AUSTRALIAN SPECS).....	28
FIGURE 1-9. FRAME COVERS INSTALLATION (ALL SPECS EXCEPT AUSTRALIAN)	30
FIGURE 1-10. FRAME COVERS INSTALLATION (AUSTRALIAN SPECS).....	32
FIGURE 1-11. BATTERY INSTALLATION - GC TYPE BATTERIES	34
FIGURE 1-12. BATTERY INSTALLATION - AGM TYPE BATTERIES.....	36
SECTION 2 - GROUND COMPONENTS.....	39
FIGURE 2-1. ELECTRICAL COMPONENTS INSTALLATION.....	40
FIGURE 2-2. BATTERY CHARGER INSTALLATION (ALL SPECS)	42
FIGURE 2-3. BATTERY CHARGER INSTALLATION (ANSI AND CSA SPECS)	44
FIGURE 2-4. GROUND CONTROL BOX ASSEMBLY.....	46
FIGURE 2-5. PROGRAMMABLE SECURITY LOCK.....	48
FIGURE 2-6. CHARGER CORD PLUG - 220V CEE7 POST GROUND (CE SPECS).....	50
FIGURE 2-7. CHARGER CORD PLUG - 220V CEE7 SIDE GROUND (ANSI EXPORT, CE, AND KOREA SPECS)	52
FIGURE 2-8. CHARGER CORD PLUG - 220V AFSINT 107 KEYED GROUND (CE SPECS)	54
FIGURE 2-9. CHARGER CORD PLUG INSTALLATION - 110V IEC YELLOW (CE SPECS).....	56
FIGURE 2-10. CHARGER CORD PLUG INSTALLATION - 220V IEC BLUE (CE SPECS).....	58
SECTION 3 - MAST	61
FIGURE 3-1. MAST INSTALLATION (ANSI, ANSI EXPORT, AND CSA SPECS).....	62
FIGURE 3-2. MAST SUB-ASSEMBLY (ANSI, ANSI EXPORT, AND CSA SPECS).....	64
FIGURE 3-3. MAST INSTALLATION (ANSI EXPORT, JAPANESE, AND KOREA SPECS)	66
FIGURE 3-4. MAST SUB-ASSEMBLY (ANSI EXPORT, JAPANESE, AND KOREA SPECS).....	68
FIGURE 3-5. MAST INSTALLATION (CE SPECS).....	70
FIGURE 3-6. MAST INSTALLATION (AUSTRALIAN SPECS).....	72
FIGURE 3-7. MAST SUB-ASSEMBLY (CE SPECS).....	74
FIGURE 3-8. MAST ASSEMBLY.....	76
FIGURE 3-9. POWER TRACK ASSEMBLY	78
SECTION 4 - PLATFORM.....	81
FIGURE 4-1. KICK PLATE INSTALLATION.....	82
FIGURE 4-2. PLATFORM CONTROL BOX INSTALLATION	84
FIGURE 4-3. DRIVE/STEER CONTROLLER.....	86
FIGURE 4-4. PLATFORM CONTROL BOX COVER INSTALLATION	88
FIGURE 4-5. FOOTSWITCH INSTALLATION	90
FIGURE 4-6. PLATFORM INSTALLATION (ANSI, ANSI EXPORT, AND CSA SPECS)	92
FIGURE 4-7. PLATFORM PANEL & MANUAL BOX INSTALLATION (ANSI, ANSI EXPORT, AND CSA SPECS).....	94

TABLE OF CONTENTS

FIGURE 4-8. PLATFORM INSTALLATION (ANSI EXPORT, JAPANESE, AND KOREA SPECS)	96
FIGURE 4-9. PLATFORM F/S PANEL & MANUAL BOX INSTALLATION (ANSI EXPORT, JAPANESE, AND KOREA SPECS)	98
FIGURE 4-10. PLATFORM INSTALLATION (CE SPECS)	100
FIGURE 4-11. PLATFORM INSTALLATION (AUSTRALIAN SPECS).....	102
FIGURE 4-12. PLATFORM WITHOUT PANEL OR MANUAL BOX INSTALLATION (CE SPECS)	104
SECTION 5 - CYLINDER.....	107
FIGURE 5-1. LIFT CYLINDER ASSEMBLY	108
FIGURE 5-2. STEER CYLINDER ASSEMBLY	110
SECTION 6 - HYDRAULIC	113
FIGURE 6-1. HYDRAULIC INSTALLATION (CONCENTRIC)	114
FIGURE 6-2. HYDRAULIC INSTALLATION (REXROTH).....	116
FIGURE 6-3. HYDRAULIC ASSEMBLY (CONCENTRIC)	118
FIGURE 6-4. HYDRAULIC ASSEMBLY (REXROTH).....	120
SECTION 7 - ELECTRICAL.....	123
FIGURE 7-1. AC PLUG & SOCKET INSTALLATION - 220V CEE7 POST GROUND (CE SPECS)	124
FIGURE 7-2. AC PLUG & SOCKET INSTALLATION - 220V CEE7 SIDE GROUND (CE SPECS).....	126
FIGURE 7-3. AC PLUG & SOCKET INSTALLATION - 220V CEE7 KEYED GROUND (CE SPECS)	128
FIGURE 7-4. AC PLUG & SOCKET INSTALLATION - 220V IEC YELLOW (CE SPECS).....	130
FIGURE 7-5. AC PLUG & SOCKET INSTALLATION - 220V IEC BLUE (CE SPECS)	132
FIGURE 7-6. AC PLUG & SOCKET INSTALLATION - 220V CEE7 POST GROUND (CE SPECS)	134
FIGURE 7-7. AC PLUG & SOCKET INSTALLATION - 220V CEE7 SIDE GROUND (CE SPECS).....	136
FIGURE 7-8. ACCESSORY CHARGER POWER INSTALLATION - 110V (CE SPECS)	138
FIGURE 7-9. ACCESSORY CHARGER POWER INSTALLATION - 220V CUSTOMER SUPPLIED PLUG (ANSI EXPORT, CE, AUSTRALIAN, AND KOREA SPECS)	140
FIGURE 7-10. BATTERY CABLES	142
FIGURE 7-11. BREAKER BOX KIT WITH 1 DOUBLE BREAKER	144
FIGURE 7-12. BREAKER BOX KIT WITH 3 BREAKERS.....	146
FIGURE 7-13. CHASSIS HARNESS.....	148
FIGURE 7-14. DRIVE CABLE	150
FIGURE 7-15. GROUND CONTROL BOX HARNESS	152
FIGURE 7-16. INVERTER INSTALLATION (ANSI AND CSA SPECS)	154
FIGURE 7-17. PLATFORM CONTROL BOX HARNESS.....	156
FIGURE 7-18. PLATFORM CONTROL CABLE	158
FIGURE 7-19. RECEPTACLE BOX KIT - 220V AFSINT 107 KEYED GROUND	160
FIGURE 7-20. RECEPTACLE BOX KIT - 110V GFI	162
FIGURE 7-21. RECEPTACLE BOX KIT - 220V IEC BLUE	164
FIGURE 7-22. RECEPTACLE BOX KIT - 110V IEC YELLOW	166
FIGURE 7-23. RECEPTACLE BOX KIT - 220V CEE7 POST GROUND	168
FIGURE 7-24. RECEPTACLE BOX KIT - 220V CEE7 POST GROUND 70MM X 70MM BOX	170
FIGURE 7-25. RECEPTACLE BOX KIT - 220V CEE7 SIDE GROUND.....	172
FIGURE 7-26. RECEPTACLE BOX KIT - 220V CEE7 SIDE GROUND 70MM X 70MM BOX.....	174
SECTION 8 - DECALS	177
FIGURE 8-1. COMMON DECALS INSTALLATION (ALL SPECS EXCEPT AUSTRALIAN).....	178

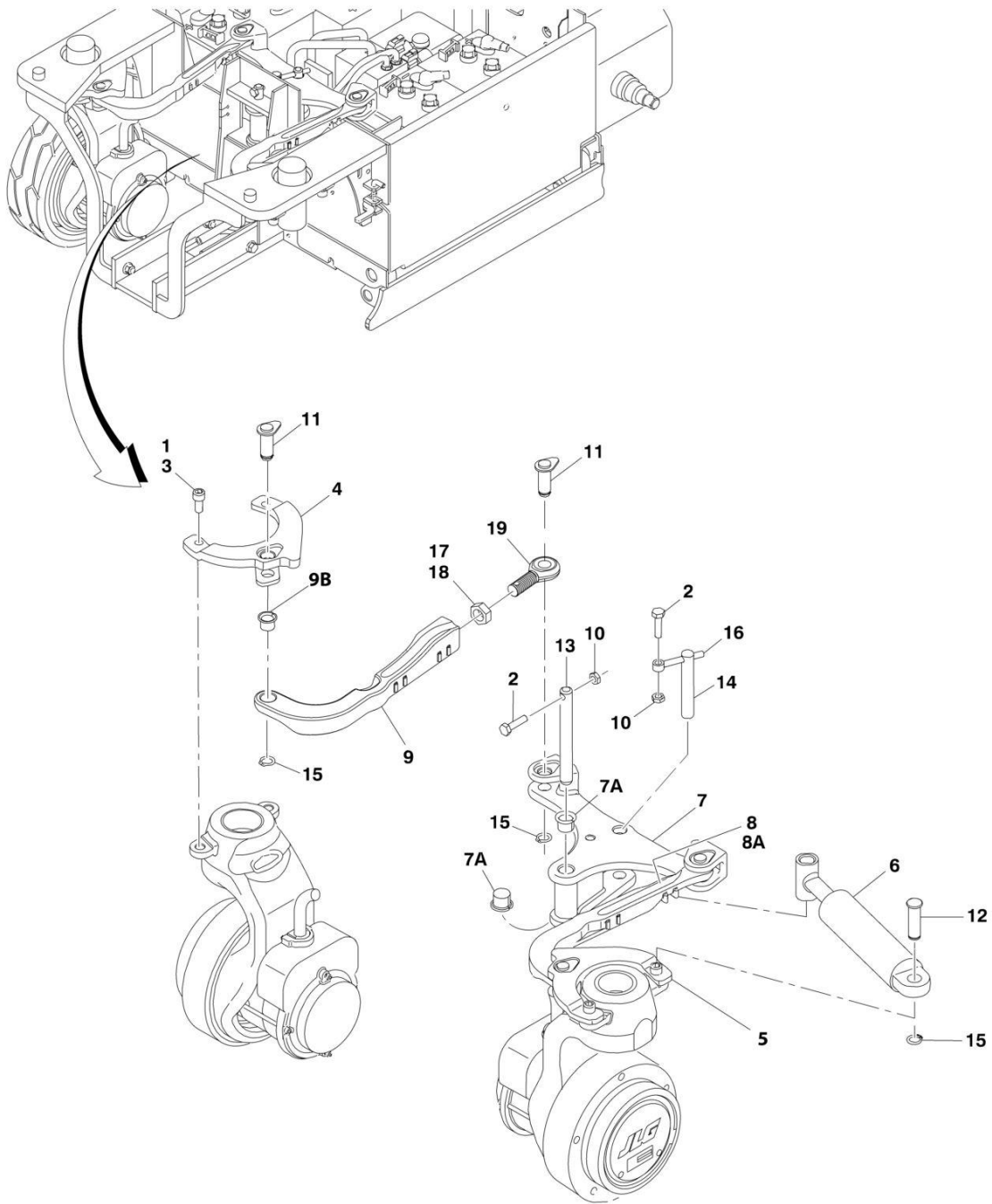
TABLE OF CONTENTS

FIGURE 8-2. COMMON DECALS INSTALLATION (AUSTRALIAN SPECS).....	180
FIGURE 8-3. DECALS INSTALLATION - ANSI AND ANSI EXPORT SPECS (ENGLISH LANGUAGE)	182
FIGURE 8-4. DECALS INSTALLATION - CSA SPECS (ENGLISH/FRENCH LANGUAGE).....	184
FIGURE 8-5. DECALS INSTALLATION - CE SPECS (ALL LANGUAGES)	186
FIGURE 8-6. DECALS INSTALLATION - JAPANESE SPECS (JAPANESE LANGUAGE)	188
FIGURE 8-7. DECALS INSTALLATION - LATIN AMERICA SPECS (ENGLISH/SPANISH LANGUAGE)	190
FIGURE 8-8. DECALS INSTALLATION - BRAZIL SPECS (PORTUGUESE/SPANISH LANGUAGE).....	192
FIGURE 8-9. DECALS INSTALLATION - CHINA SPECS (ENGLISH/CHINESE LANGUAGE)	194
FIGURE 8-10. DECALS INSTALLATION - KOREA SPECS (ENGLISH/KOREAN LANGUAGE)	196
FIGURE 8-11. DECALS INSTALLATION - AUSTRALIAN SPECS (ALL LANGUAGE)	198
SECTION 9 - RECOMMENDED SERVICE PARTS STOCK	201
FIGURE 9-1. RECOMMENDED SERVICE PARTS STOCK	202
SECTION 10 - SPECIAL OPTIONS.....	203
FIGURE 10-1. SPECIAL OPTIONS.....	204
PART NUMBER INDEX	205

SECTION 1 - FRAME

SECTION 1 - FRAME

FIGURE 1-1. STEERING



ART_0274549

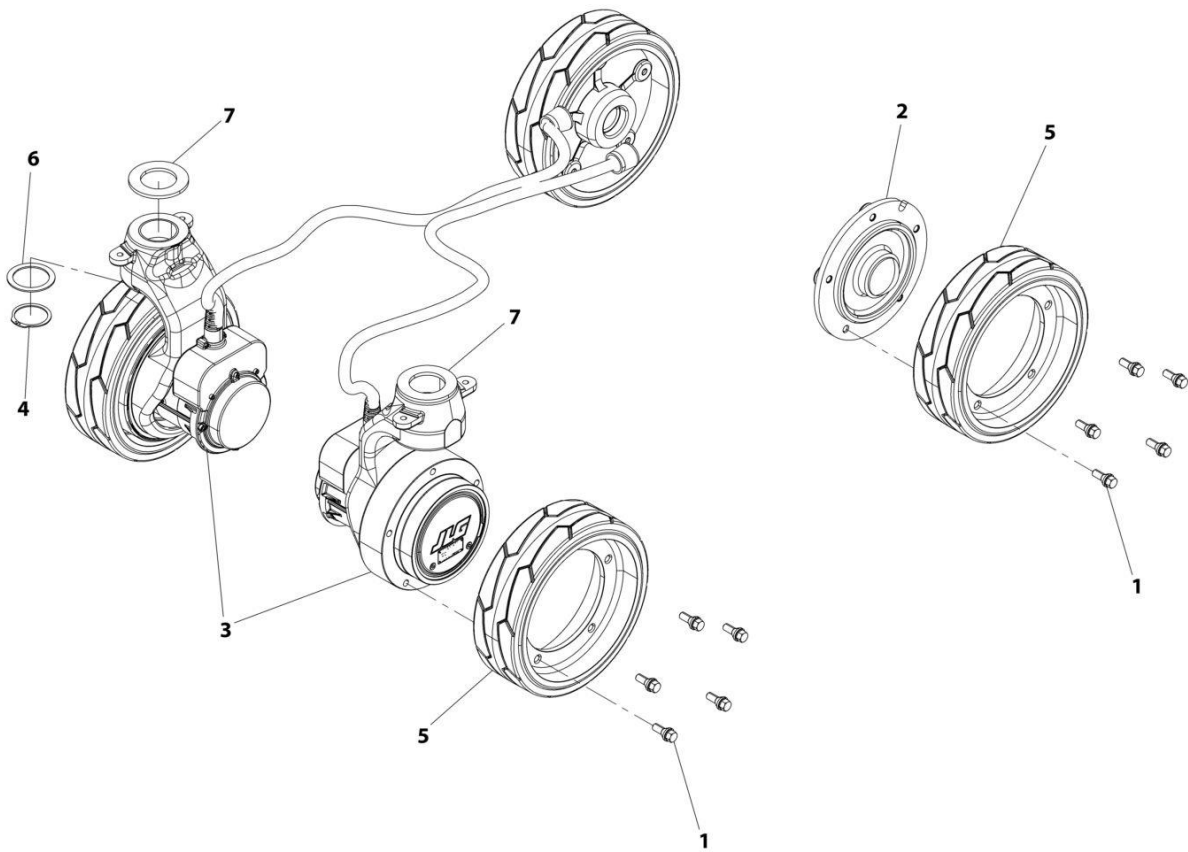
SECTION 1 - FRAME

FIGURE 1-1. STEERING

ITEM	PART NUMBER	QTY	DESCRIPTION	REV
	0274549	Ref	STEERING AND DRIVE INSTALLATION	F
1	0100019	AR	Compound, Locking	
2	0761016	2	Bolt M10 x 40mm	
3	0630606	4	Capscrew M12 x 25mm	
4	0903594	1	Bracket, Steering Knuckle (Right)	
5	0903595	1	Bracket, Steering Knuckle (Left)	
6	1684458	1	Steer Cylinder Assembly (See CYLINDER SECTION for Breakdown)	
7	3010164	1	Link, Steering	
7A	0440263	2	Bushing, Flange	
8	3010165	1	Arm, Steering (Left)	
8A	0440263	2	Bushing, Flange	
9	1001175238	1	Arm, Steering (Right)	
9B	0440263	1	Bushing, Flange	
10	3291005	2	Locknut M10	
11	3423303	4	Pin, Linkage	
12	3423230	1	Pin, Clevis	
13	3423235	1	Pin, Clevis	
14	3423236	1	Pin, Clevis	
15	3760348	5	Ring, Retaining	
16	3841143	1	Keeper	
17	0100011	AR	Compound Locking	
18	3322202	1	Nut	
19	3841517	1	Rod, End Bearing	

SECTION 1 - FRAME

FIGURE 1-2. DRIVE INSTALLATION - SOLIDEAL TIRES



ART_100118433

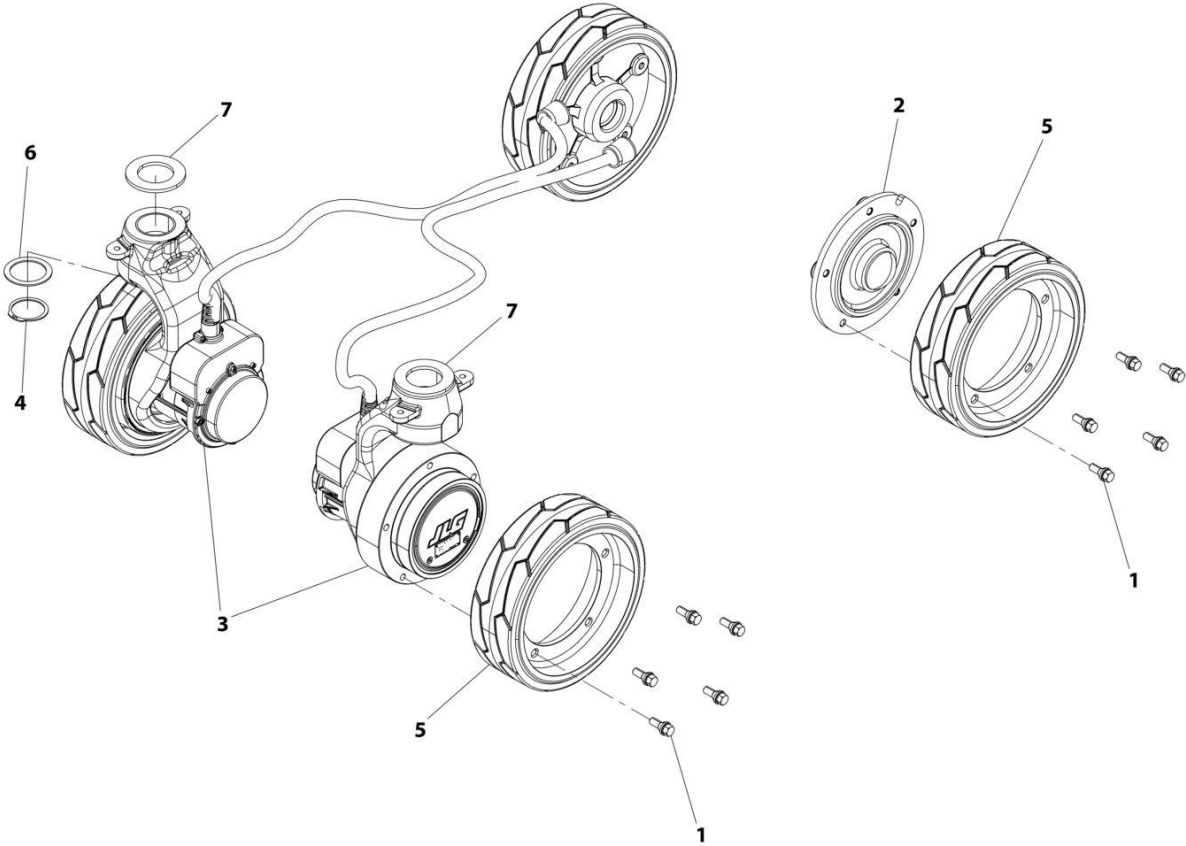
SECTION 1 - FRAME

FIGURE 1-2. DRIVE INSTALLATION - SOLIDEAL TIRES

ITEM	PART NUMBER	QTY	DESCRIPTION	REV
	1001118433	Ref	DRIVE INSTALLATION	C
1	0630580	20	Bolt, Wheel	
2	2780266	2	Hub Assembly (See Separate Breakdown in this Section)	
3	1001118359	2	Wheel Drive Assembly (See Separate Breakdown in this Section)	
4	3760463	2	Ring, Retaining	
5	1001114467	4	Tire and Wheel Assembly (Solideal Tires) (Use Kit p/n 2915012)	
		Ref	Kit p/n 2915012 Includes Qty 1 Tire and Wheel and Qty 5 Wheel Bolts.	
6	4740523	2	Washer	
7	4740524	2	Washer	
8	4240018	2	Tie-Strap (Not Shown)	
9	1321682	2	Clamp, Worm (Not Shown - Used on Drive Motor Cable)	

SECTION 1 - FRAME

FIGURE 1-3. DRIVE INSTALLATION - EXMILE TIRES



ART_1001220665

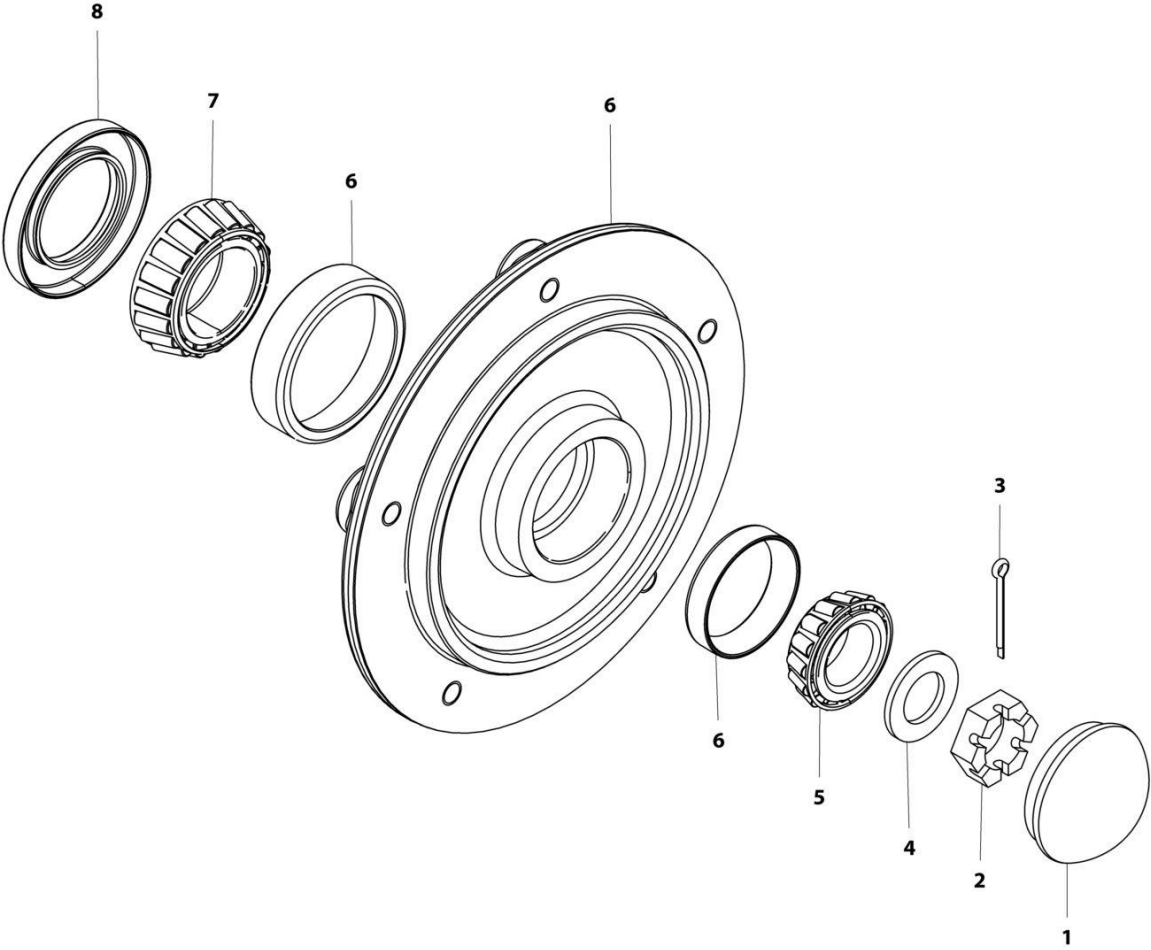
SECTION 1 - FRAME

FIGURE 1-3. DRIVE INSTALLATION - EXMILE TIRES

ITEM	PART NUMBER	QTY	DESCRIPTION	REV
	1001220665	Ref	DRIVE INSTALLATION	A
1	0630580	20	Bolt, Wheel	
2	2780266	2	Hub Assembly (See Separate Breakdown in this Section)	
3	1001118359	2	Wheel Drive Assembly (See Separate Breakdown in this Section)	
4	3760463	2	Ring, Retaining	
5	1001219582	4	Tire and Wheel Assembly (Exmile Tires)	
		Ref	Note: Must replace Tire and Wheel Assemblies in pairs per axle.	
6	4740523	2	Washer	
7	4740524	2	Washer	
8	4240018	2	Tie-Strap (Not Shown)	
9	1321682	2	Clamp, Worm (Not Shown - Used on Drive Motor Cable)	

SECTION 1 - FRAME

FIGURE 1-4. HUB ASSEMBLY



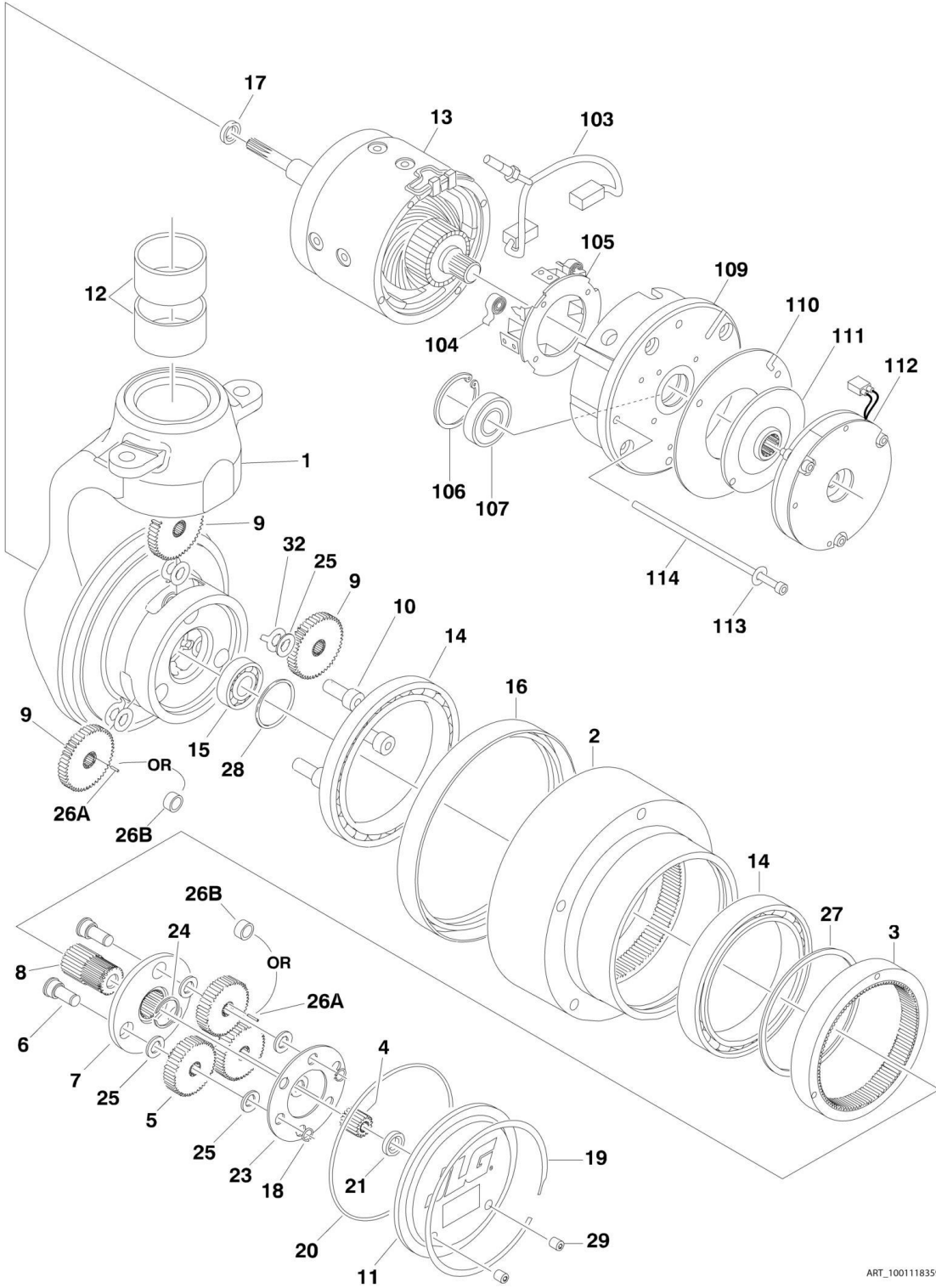
ART_2780266

FIGURE 1-4. HUB ASSEMBLY

ITEM	PART NUMBER	QTY	DESCRIPTION	REV
	2780266	Ref	HUB ASSEMBLY - REAR	E
1	1001102354	1	Cap, Dust (was p/n 7012524)	
2	3300423	1	Nut, Slotted (was p/n 7010641)	
3	3450406	1	Pin, Cotter 2 x 3/16 (was p/n 7010642)	
4	4740468	1	Washer (was p/n 7019697)	
5	1001102351	1	Bearing, Cone - Outer (was p/n 7026185)	
6	See Note	NSS	Hub (Note: Purchase Complete Assembly p/n 2780266)	
7	1001102353	1	Bearing, Cone - Inner (was p/n 7026183)	
8	1001102349	1	Seal (was p/n 7026184)	

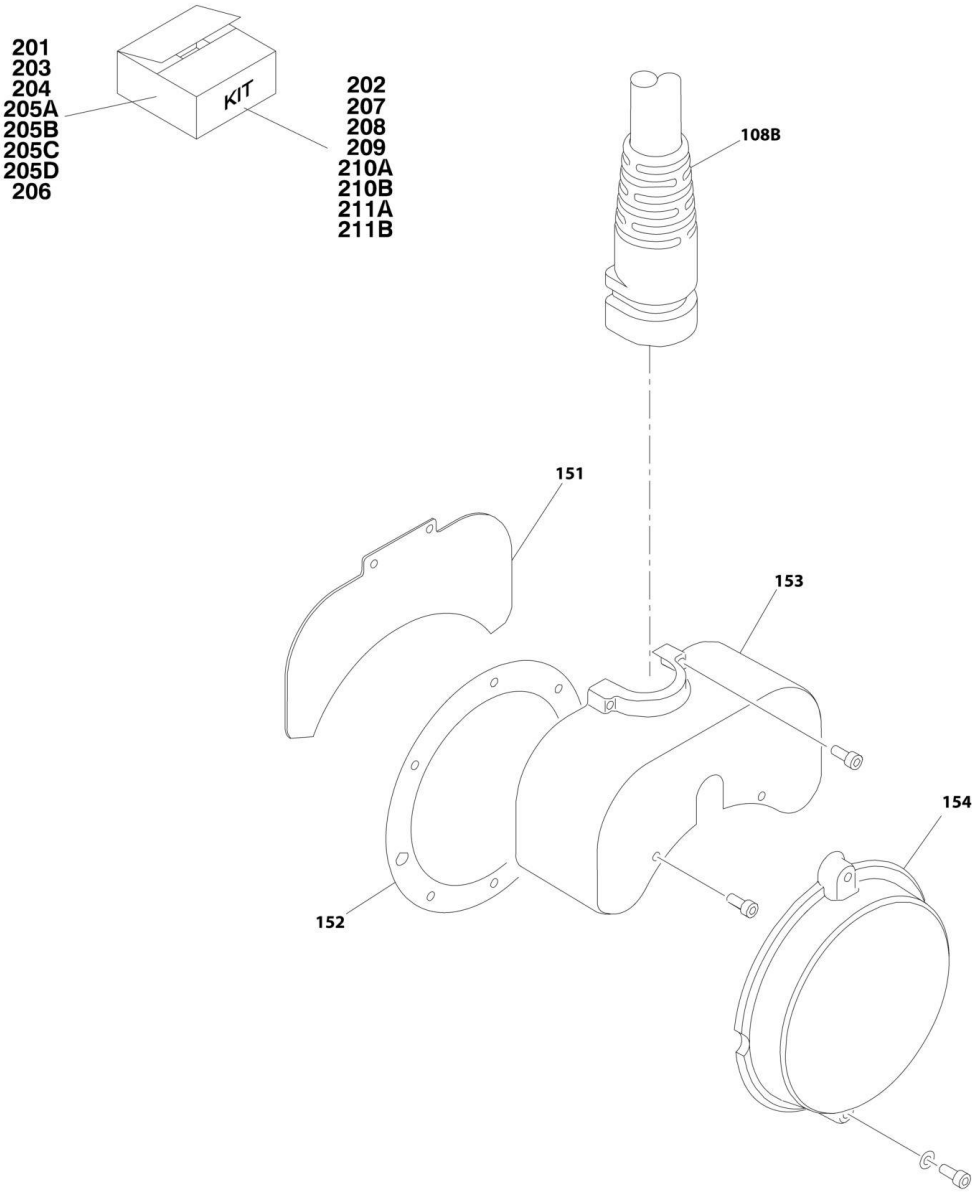
SECTION 1 - FRAME

FIGURE 1-5. WHEEL DRIVE ASSEMBLY



ART_1001118359_10F2

SECTION 1 - FRAME



ART_1001118359_20F2

SECTION 1 - FRAME

FIGURE 1-5. WHEEL DRIVE ASSEMBLY

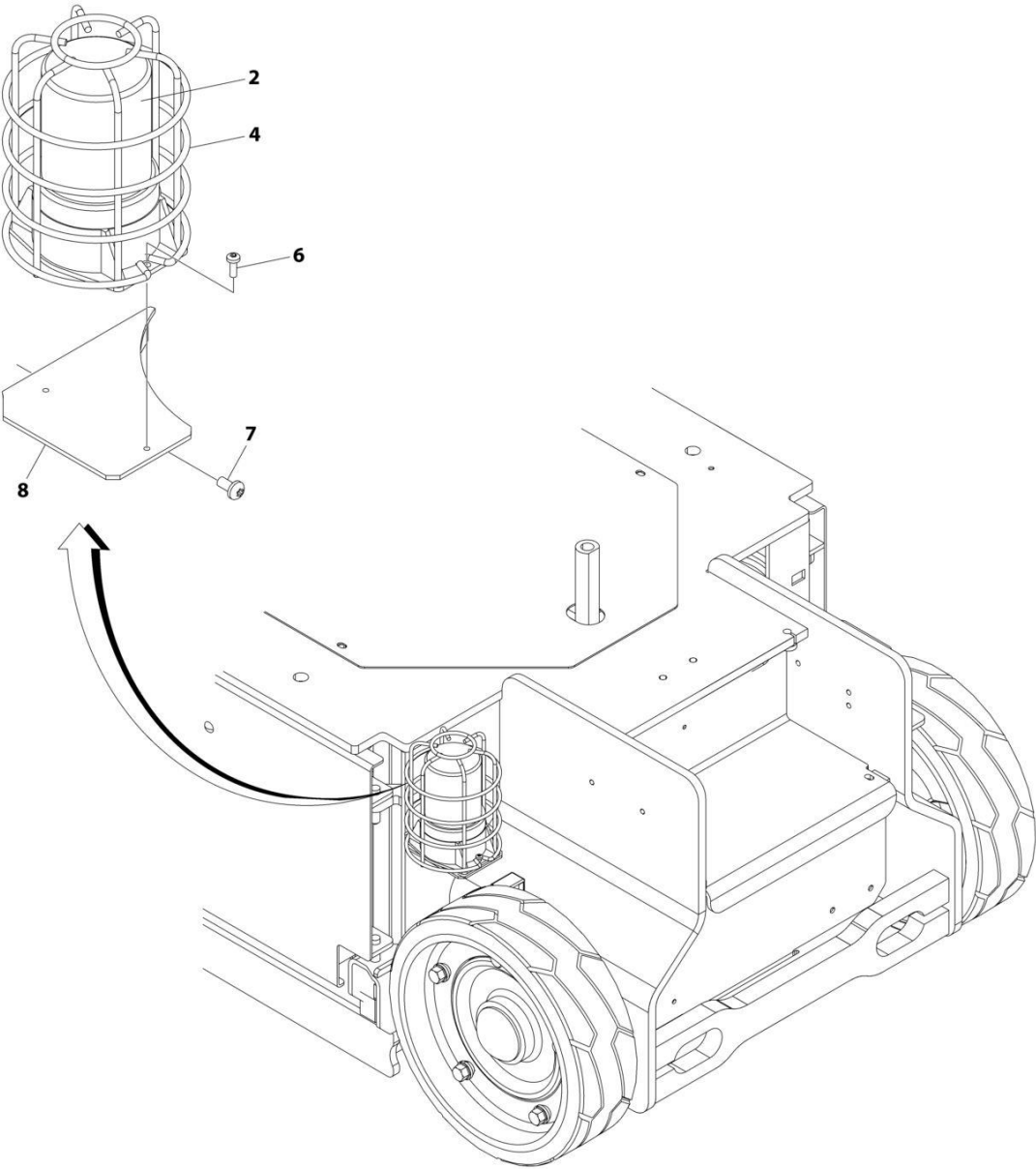
ITEM	PART NUMBER	QTY	DESCRIPTION	REV
	1001118359	Ref	WHEEL DRIVE ASSEMBLY	C
		Ref	HUB ASSEMBLY	
1	See Note	NSS	Spindle (Note: Not Available - Purchase Complete Assembly)	
2	See Note	NSS	Hub (Note: Use Item 206)	
3	See Note	NSS	Ring, Input (Note: Use Item 204)	
4	See Note	NSS	Gear, Input Sun (Note: Use Item 203)	
5	See Note	NSS	Gear, Input Planet (Note: Use Item 203)	
6	See Note	NSS	Pin, Planet Gear (Note: Use Item 203)	
7	See Note	NSS	Carrier (Note: Use Item 203)	
8	See Note	NSS	Gear, Output Sun (Note: Use Item 203)	
9	See Note	NSS	Gear, Output Planet (Note: Use Item 207)	
10	See Note	NSS	Pin, Output Planet (Note: Use Item 207)	
11	See Note	NSS	Cover (Note: Use Item 201)	
12	7024757	1	Bushing Kit, Kingpin (Includes 2 Bushings)	
13	See Note	NSS	Motor, Electric (Note: Use Item 205A, 205B or 205C)	
14	See Note	NSS	Bearing, Main (Note: Use Item 202, 204, 206 or 207)	
15	See Note	NSS	Bearing, Shaft (Note: Use Item 207)	
16	70001739	1	Seal, Lip	
17	7024786	1	Seal, Lip	
18	See Note	NSS	Ring, Retaining (Note: Use Item 203)	
19	See Note	NSS	Ring, Retaining (Note: Use Item 201)	
20	70000191	1	O-Ring	
21	See Note	NSS	Thrustwasher (Note: Use Item 201)	
23	See Note	NSS	Plate, Thrust (Note: Use Item 203)	
24	See Note	NSS	Ring, Retaining (Note: Use Item 203)	
25	See Note	NSS	Thrustwasher (Note: Use Item 203 or 207)	
26	See Note	NSS	Bearing/Bushing (Note: Use Item 203 or 207):	
26A	See Note	66	Bearing, Needle	
26B	See Note	6	Bushing	
27	See Note	NSS	Ring, Retaining (Note: Use Item 204, 206 or 207)	
28	See Note	NSS	Ring, Retaining (Note: Use Item 207)	
29	See Note	NSS	Plug (Note: Use Item 201)	
32	See Note	NSS	Washer, Tanged (Note: Use Item 207)	
		Ref	BRAKE AND MOTOR COMPONENTS	
103	See Note	NSS	Brush and Terminal Assembly (Note: Use Item 208)	
104	70000790	2	Spring, Brush	
105	70000791	1	Box, Brush	
106	See Note	NSS	Ring, Retaining (Note: Use Item 208)	
107	See Note	NSS	Bearing (Note: Use Item 208)	
108B	1001118363	1	Drive Cable (See Separate Breakdown in ELECTRICAL Section)	
109	70000792	1	Commutator	
110	See Note	NSS	Disc, Reaction (Note: Use Item 209)	
111	7024785	1	Disc, Friction	
112	See Note	NSS	Brake Assembly (Note: Use Item 209)	
113	See Note	NSS	Flatwasher (Note: Use Item 210)	
114	See Note	NSS	Bolt (Note: Use Item 210)	
		Ref	Brake Cover	
151	See Note	NSS	Plate, Cover (Note: Use Item 211B)	
152	70001949	1	Gasket, Cover	

SECTION 1 - FRAME

ITEM	PART NUMBER	QTY	DESCRIPTION	REV
153	70006426	1	Cover, Top (Note: Use Item 211B)	
154	See Note	NSS	Cover, End (Note: Use Item 211B)	
		Ref	KIT OPTIONS	
201	7024747	1	Cover Kit (Includes Items 11, 19, 20, 21 & 29)	
202	7024748	1	Main Seal Kit (Includes Qty 1 of Items 14, 16 & 20)	
203	7024749	1	Input Carrier Kit (Includes Items 4-8, 18, 20 & 23-26)	
204	7024758	1	Input Ring Kit (Includes Items 3, 20, 27 & Qty 1 of Item 14)	
205		Ref	Motor Kit Options (Includes Items 13, 17, 103-114 & 151-154):	
205C	70002308	1	Wheel Drive Assembly 1001118359	
206	7024756	1	Hub Kit (Includes Items 2, 16, 20, 27 & Qty 1 of Item 14)	
207	7024750	1	Output Planet Kit (Includes Items 9, 10, 15, 20, 25-28, 32 & Qty 1 of Item 14)	
208	7024771	1	Motor Brush and Bearing Kit (Includes Items 103, 106 & 107)	
209	7024772	1	Brake Kit (Includes Items 110, 111 & 112)	
210	7024773	1	Motor Hardware Kit (Includes Items 113, 114 & 126)	
211B	70001265	1	Brake Cover (Includes Items 151-154)	

SECTION 1 - FRAME

FIGURE 1-6. BEACON LIGHT INSTALLATION



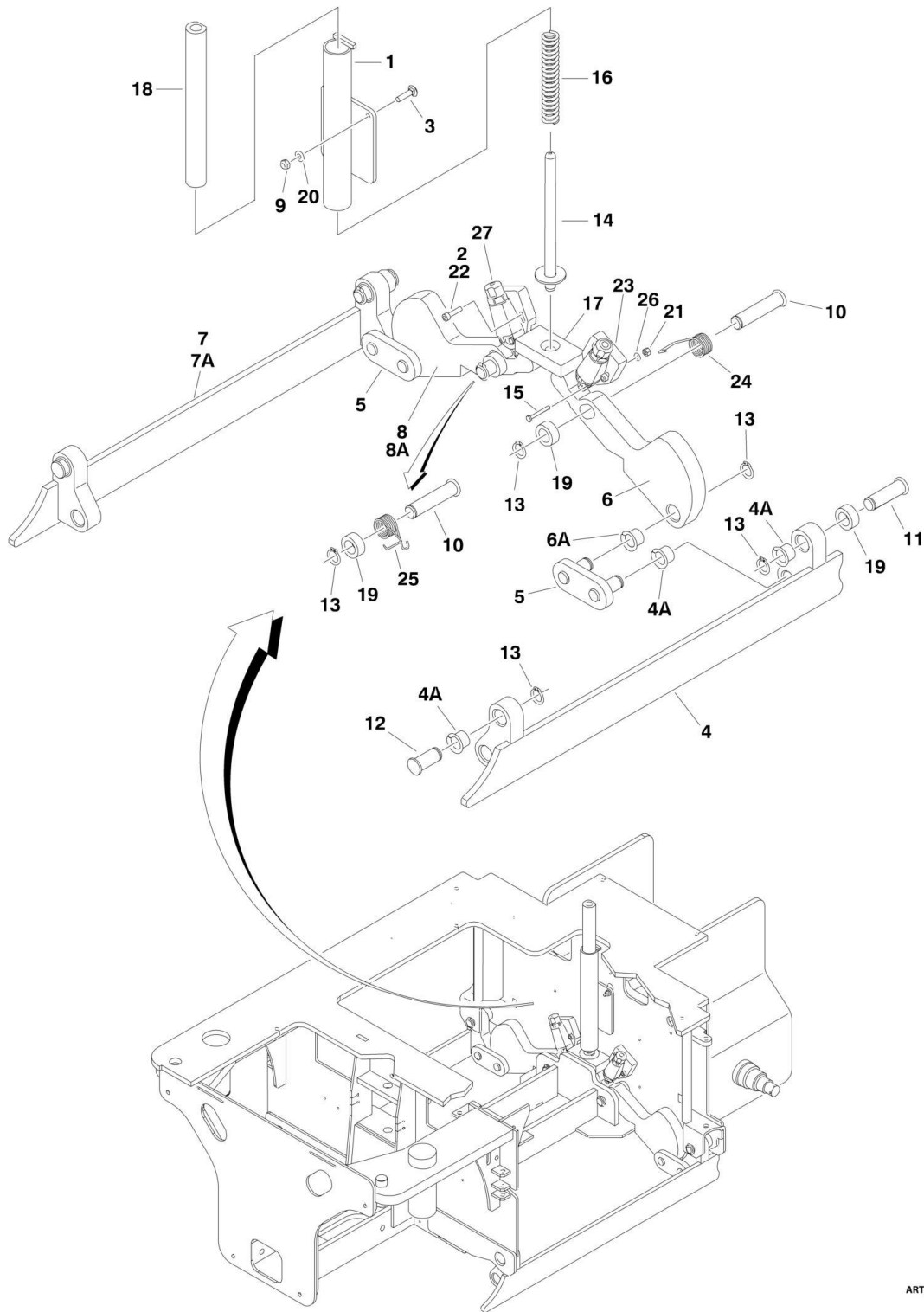
ART_0274558

FIGURE 1-6. BEACON LIGHT INSTALLATION

ITEM	PART NUMBER	QTY	DESCRIPTION	REV
	0274558	Ref	BEACON LIGHT INSTALLATION	E
2	2920161	1	Light, Beacon	
2	7016319	1	Bulb, Replacement	
2	7016372	1	Lens, Replacement	
2	4460891	1	Connector	
2	4460465	2	Socket	
4	4060865	1	Guard, Strobe	
6	4191406	2	Screw M4 x 12	
7	4191706	2	Screw M6 x 12	
8	4341144	1	Mount, Beacon	

SECTION 1 - FRAME

FIGURE 1-7. POTHOLE PROTECTION (ALL SPECS EXCEPT AUSTRALIAN)



ART_0274564

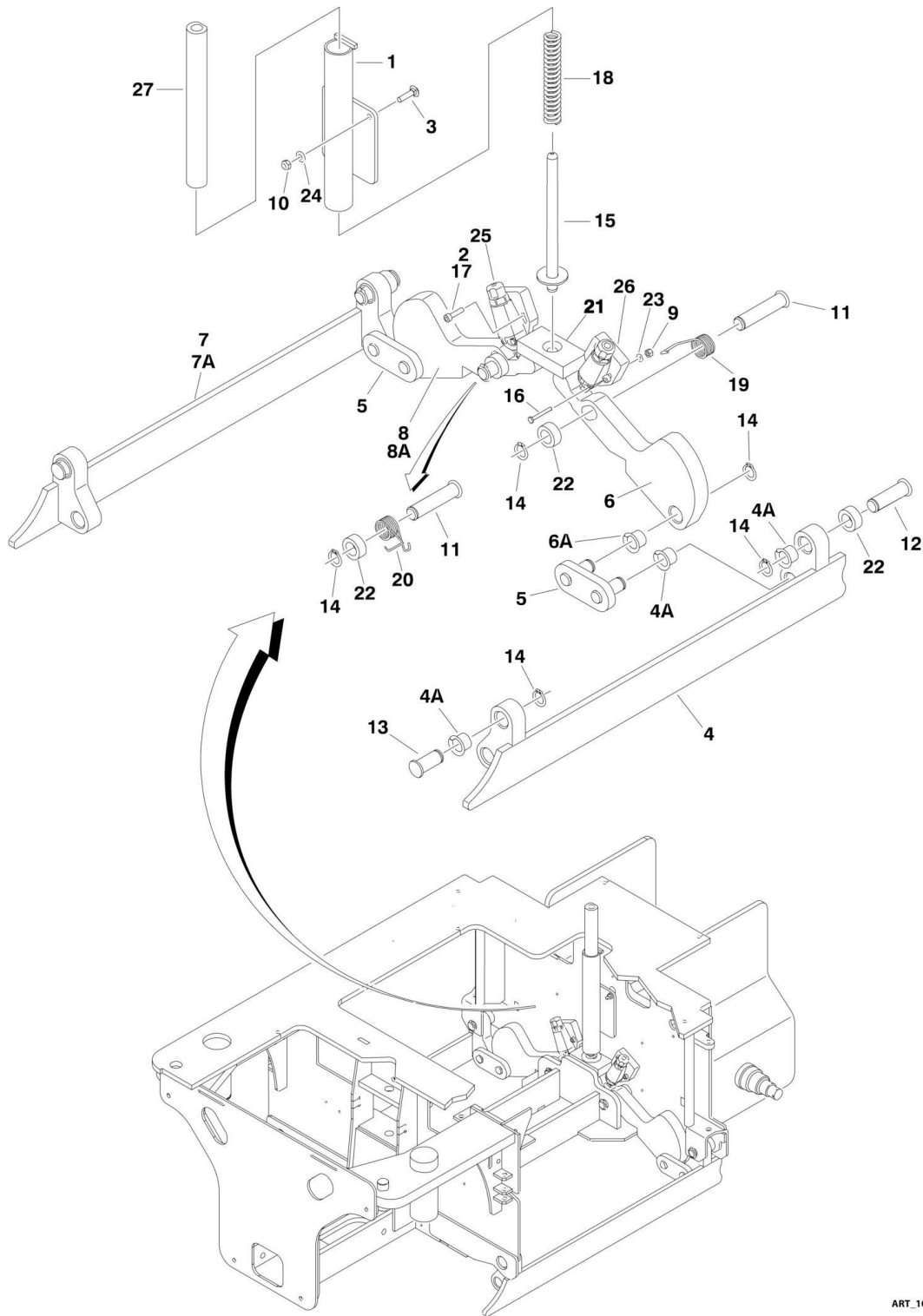
SECTION 1 - FRAME

FIGURE 1-7. POTHOLE PROTECTION (ALL SPECS EXCEPT AUSTRALIAN)

ITEM	PART NUMBER	QTY	DESCRIPTION	REV
	0274564	Ref	POTHOLE PROTECTION INSTALLATION	I
1	0060084	1	Actuator	
2	0100035	AR	Compound, Locking	
3	0630587	2	Bolt, Carriage M6 x 25mm	
4	3010145	1	Bar, Pothole (Left)	
4A	0440263	2	Bushing, Flange	
5	3010146	2	Link	
6	3010147	2	Link, Actuator (Left)	
6A	0440263	1	Bushing, Flange	
7	3010152	1	Bar, Pothole (Right)	
7A	0440263	2	Bushing, Flange	
8	3010153	2	Link, Actuator (Right)	
8A	0440263	1	Bushing, Flange	
9	3290605	2	Locknut M6	
10	3423189	2	Pin	
11	3423230	2	Pin	
12	3423231	2	Pin	
13	3760348	10	Ring, Retaining	
14	3841703	1	Rod, Actuator	
15	4010415	4	Screw M4 x 35mm	
16	4160160	1	Spring	
17	4220258	1	Pad, Actuator	
18	4569225	1	Tube, Actuator	
19	4569238	4	Spacer	
20	4811700	2	Flatwasher M6	
21	3290405	4	Locknut M4	
22	4031707	4	Capscrew M6 x 16mm	
23	1001110511	2	Bracket	
24	4160222	1	Spring (Right)	
25	4160223	1	Spring (Left)	
26	4811400	AR	Flatwasher M4	
27	1001109088	2	Switch, Limit	

SECTION 1 - FRAME

FIGURE 1-8. POTHOLE PROTECTION (AUSTRALIAN SPECS)



ART_1001224019

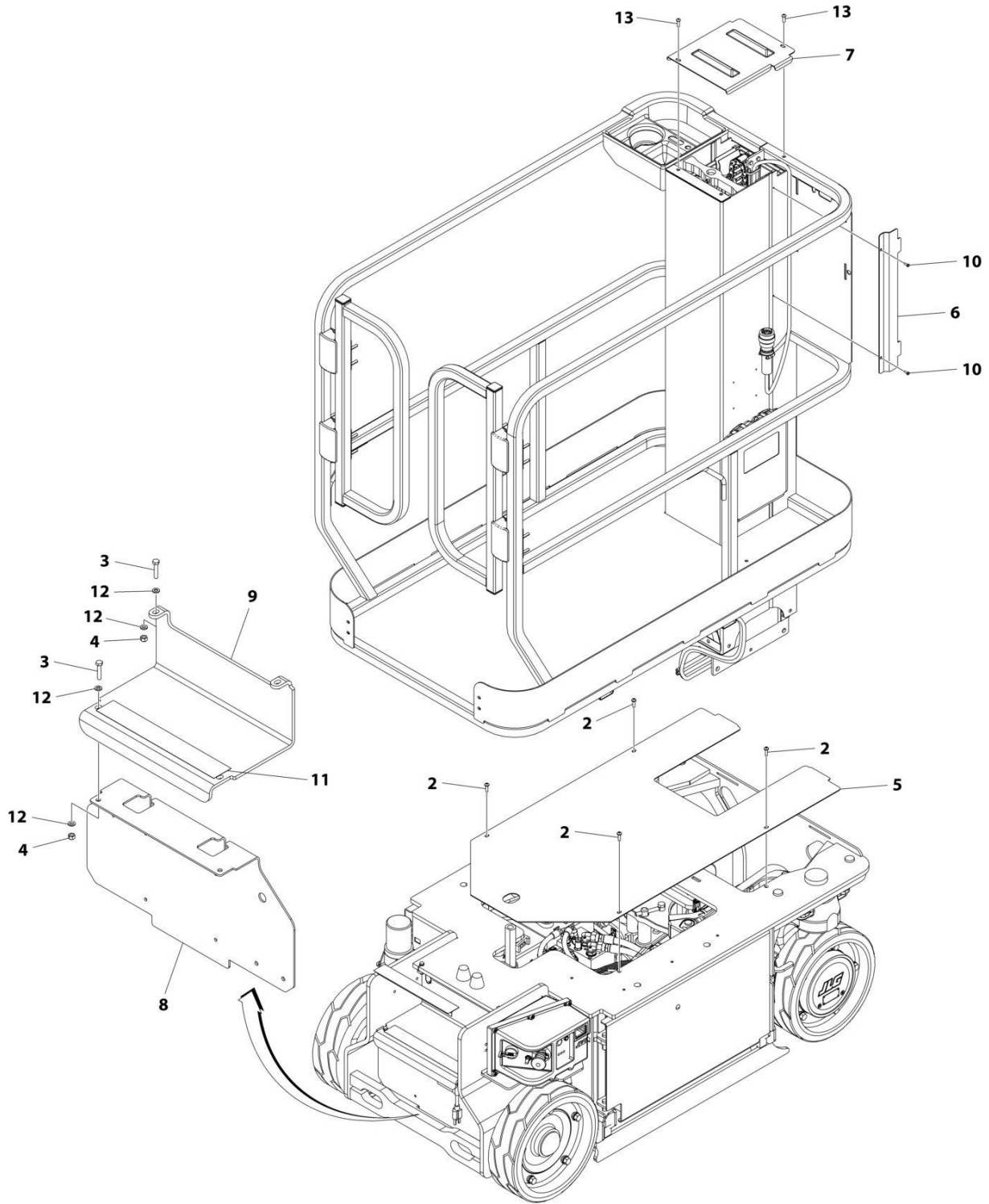
SECTION 1 - FRAME

FIGURE 1-8. POTHOLE PROTECTION (AUSTRALIAN SPECS)

ITEM	PART NUMBER	QTY	DESCRIPTION	REV
	1001224019	Ref	POTHOLE PROTECTION INSTALLATIONS	A
1	0060084	1	Actuator	
2	0100035	AR	Compound, Locking	
3	0630587	2	Bolt, Carriage M6 x 25mm	
4	3010145	1	Bar, Pothole (Left)	
4A	0440263	2	Bushing, Flange	
5	3010146	2	Link	
6	3010147	2	Link, Actuator (Left)	
6A	0440263	1	Bushing, Flange	
7	3010152	1	Bar, Pothole (Right)	
7A	0440263	2	Bushing, Flange	
8	3010153	2	Link, Actuator (Right)	
8A	0440263	1	Bushing, Flange	
9	3290405	4	Locknut M4	
10	3290605	2	Locknut M6	
11	3423189	2	Pin	
12	3423230	2	Pin	
13	3423231	2	Pin	
14	3760348	10	Ring, Retaining	
15	3841703	1	Rod, Actuator	
16	4010415	4	Screw M4 x 35mm	
17	4031707	4	Capscrew M6 x 16mm	
16	4160160	1	Spring	
19	4160222	1	Spring (Right)	
25	4160223	1	Spring (Left)	
21	4220258	1	Pad, Actuator	
22	4569238	4	Spacer	
23	4811400	AR	Flatwasher M4	
24	4811700	2	Flatwasher M6	
25	1001109088	2	Switch, Limit	
26	1001110511	2	Bracket	
27	1001200607	1	Tube, Actuator	

SECTION 1 - FRAME

FIGURE 1-9. FRAME COVERS INSTALLATION (ALL SPECS EXCEPT AUSTRALIAN)



ART_0274560

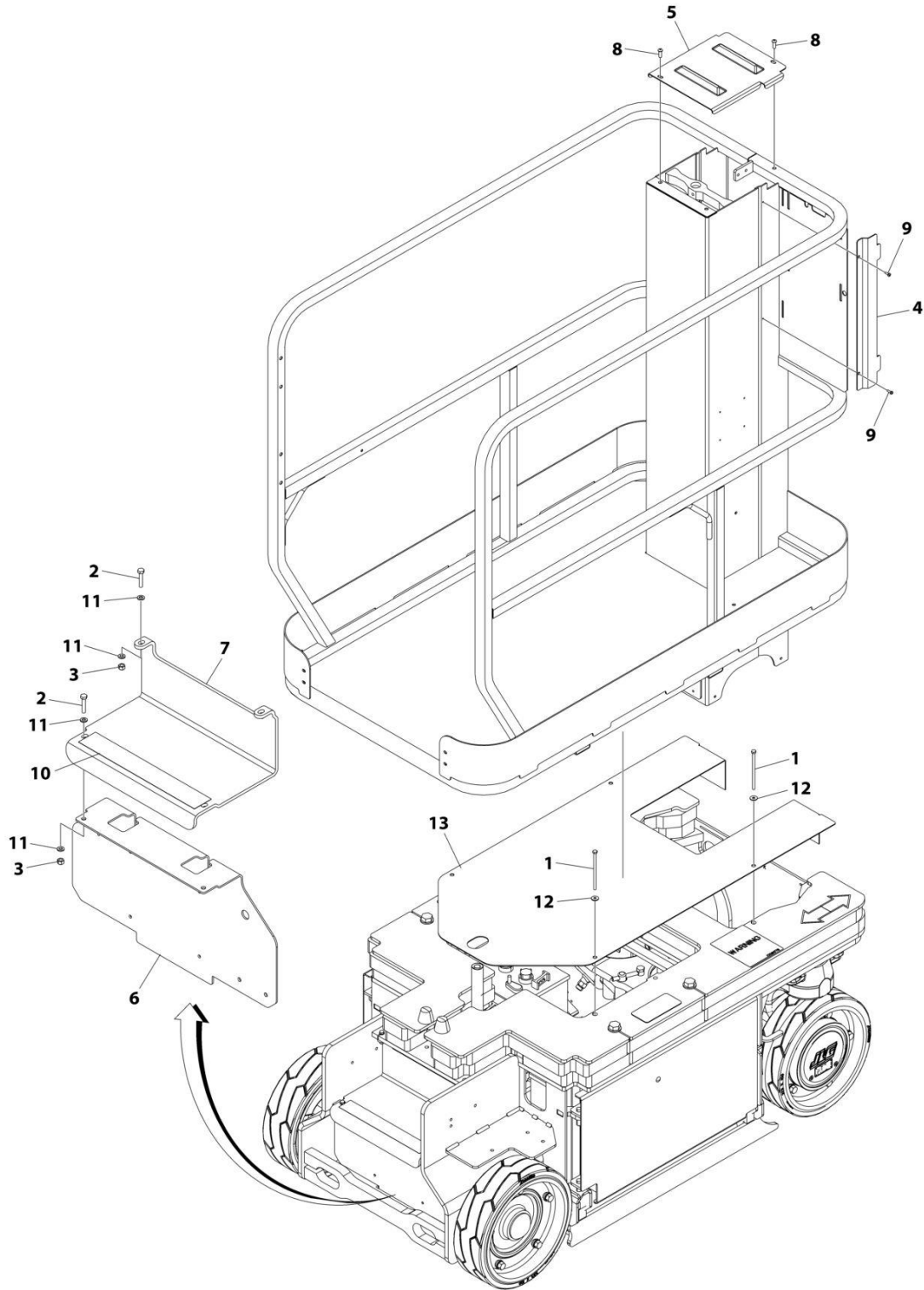
SECTION 1 - FRAME

FIGURE 1-9. FRAME COVERS INSTALLATION (ALL SPECS EXCEPT AUSTRALIAN)

ITEM	PART NUMBER	QTY	DESCRIPTION	REV
	0274560	Ref	FRAME COVERS INSTALLATION	I
2	4191708	4	Bolt M6 x 20	
3	0760614	4	Bolt M6 x 30	
4	3290605	4	Nut M6	
5	3380604	1	Panel, Top Cover	
6	3380605	1	Panel, Mast Cover	
7	3380612	1	Panel, Mast Cover	
8	3380619	1	Cover, Charger	
9	3575919	1	Plate, Step	
10	4191406	2	Bolt M4 x 12	
11	4420070	1	Tape, Anti-Skid	
12	4811700	8	Washer M6	
13	3900258	2	Screw 1/4 x 3/4	

SECTION 1 - FRAME

FIGURE 1-10. FRAME COVERS INSTALLATION (AUSTRALIAN SPECS)



ART_1001224016

SECTION 1 - FRAME

FIGURE 1-10. FRAME COVERS INSTALLATION (AUSTRALIAN SPECS)

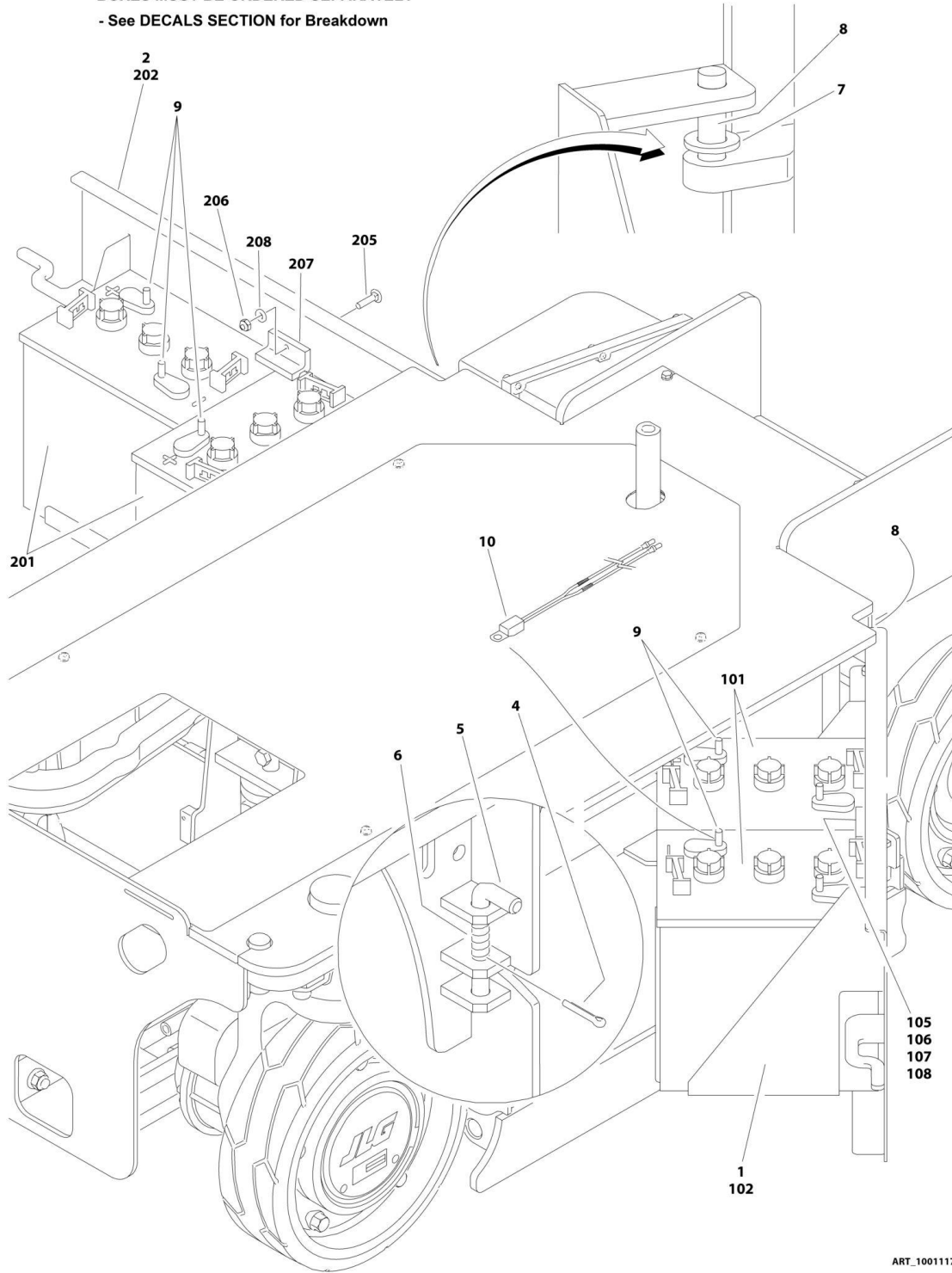
ITEM	PART NUMBER	QTY	DESCRIPTION	REV
	1001224016	Ref	FRAME COVERS INSTALLATION	A
1	0700628	4	Screw M6 x 110	
2	0760614	4	Screw M6 x 30	
3	3290605	4	Nut M6	
4	3380605	1	Panel, Mast Cover	
5	3380612	1	Panel, Mast Cover	
6	3380619	1	Panel, Charger Cover	
7	3575919	1	Plate, Rear Step	
8	3900258	2	Screw 1/4 x 3/4	
9	4191406	2	Screw M4 x 12	
10	4420070	1	Tape, Anti-Skid	
11	4811700	8	Washer M6	
12	4811702	4	Washer M6	
13	1001199304	1	Panel, Frame Cover	

SECTION 1 - FRAME

FIGURE 1-11. BATTERY INSTALLATION - GC TYPE BATTERIES

NOTE: REPLACEMENT DECALS ON FRONT OF BATTERY BOXES MUST BE ORDERED SEPARATELY

- See DECALS SECTION for Breakdown



ART_1001117838

SECTION 1 - FRAME

FIGURE 1-11. BATTERY INSTALLATION - GC TYPE BATTERIES

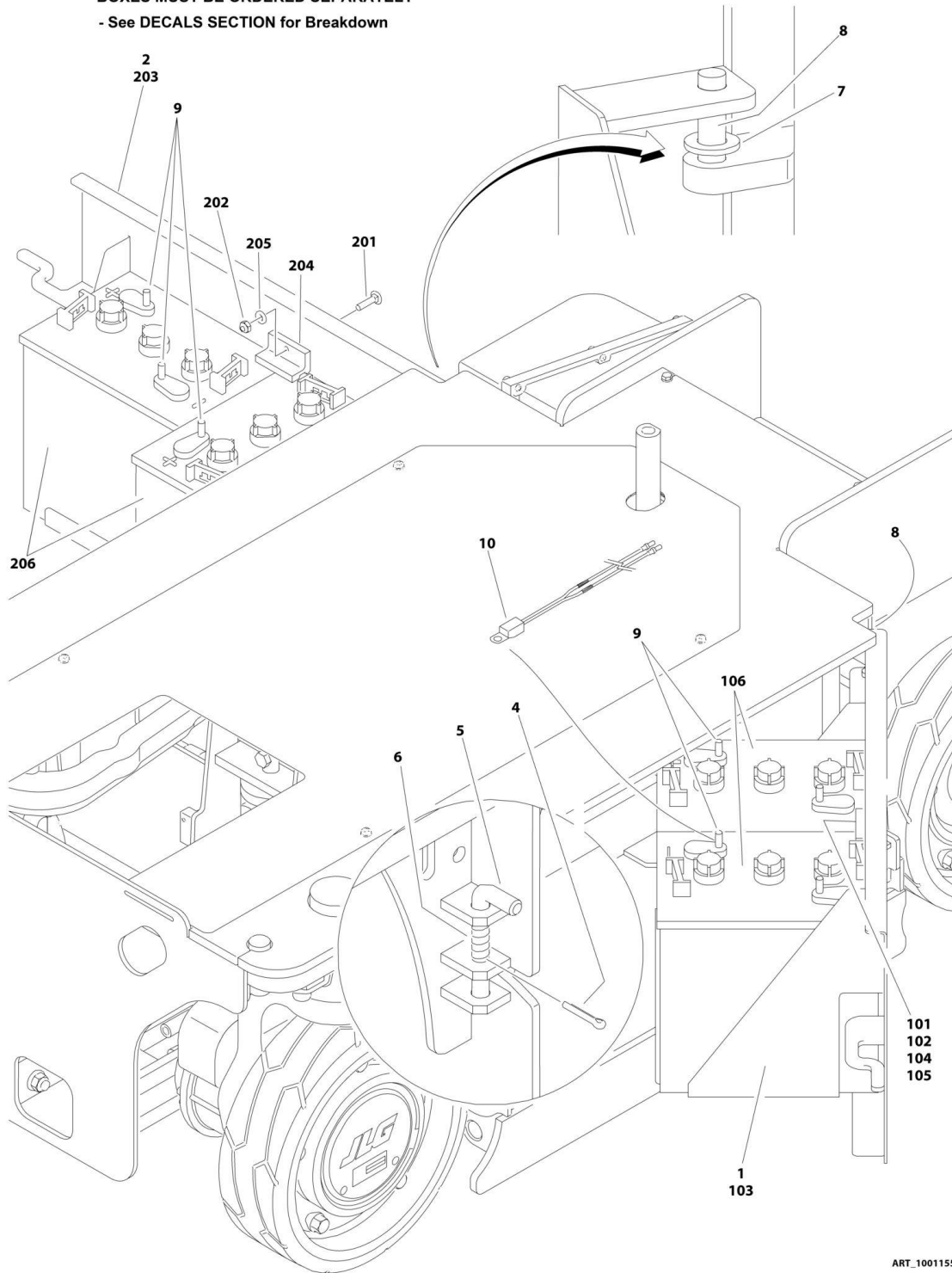
ITEM	PART NUMBER	QTY	DESCRIPTION	REV
	1001117838	Ref	BATTERIES AND COVERS INSTALLATION	C
1	0861747	1	Box for GC Type Batteries (See Items 101-108 for Breakdown)	
2	0861748	1	Box for GC Type Batteries (See Items 201-208 for Breakdown)	
3	1001117837	1	Battery Cable Kit (Not Shown - See ELECTRICAL SECTION for Breakdown):	
4	3391408	2	Pin, Split	
5	3423243	2	Pin, Door Latch	
6	4160214	2	Spring, Door Latch	
7	4812100	AR	Washer 12mm	
8	3020039	AR	Lubricant	
9	0100048	AR	Grease, Dielectric	
10	1001112113	1	Temperature Sensor	B
10	1001102771	1	Sensor	
10	4460465	2	Terminal	
		Ref	BATTERY BOX ASSEMBLY (LEFT)	D
101	0400215	2	GC Type Battery	
102	3380599	1	Tray (Left)	
105	0630587	1	Bolt M6 x 25mm	
106	3290605	1	Nut M6	
107	4220286	1	Block	
108	4811700	1	Washer M6	
		Ref	BATTERY BOX ASSEMBLY (RIGHT)	D
201	0400215	2	GC Type Battery	
202	3380600	1	Tray (Right)	
205	0630587	1	Bolt M6 x 25mm	
206	3290605	1	Nut M6	
207	4220286	1	Block	
208	4811700	1	Washer M6	

SECTION 1 - FRAME

FIGURE 1-12. BATTERY INSTALLATION - AGM TYPE BATTERIES

NOTE: REPLACEMENT DECALS ON FRONT OF BATTERY BOXES MUST BE ORDERED SEPARATELY

- See DECALS SECTION for Breakdown



ART_1001155025

SECTION 1 - FRAME

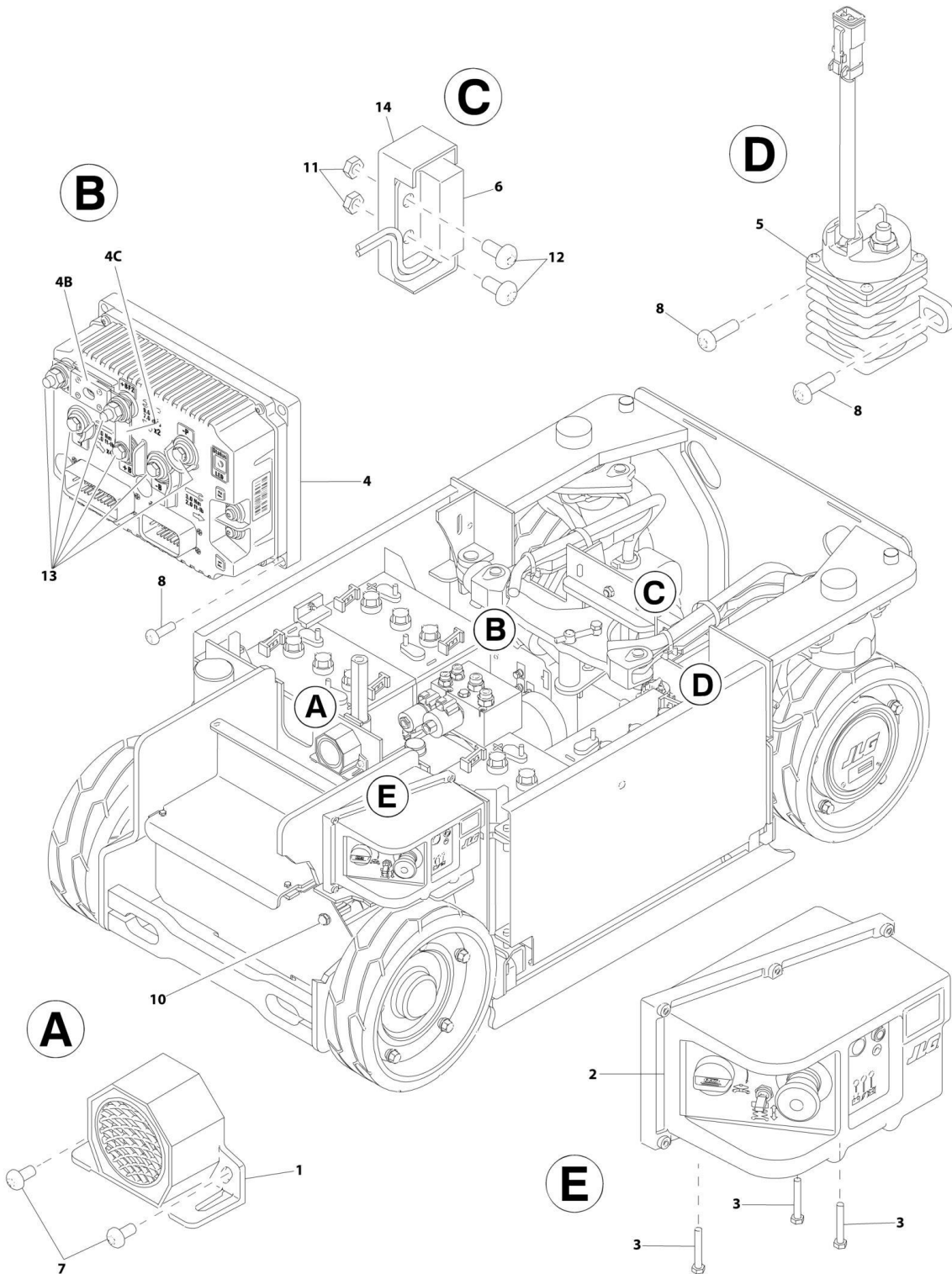
FIGURE 1-12. BATTERY INSTALLATION - AGM TYPE BATTERIES

ITEM	PART NUMBER	QTY	DESCRIPTION	REV
	1001155025	Ref	BATTERIES AND COVERS INSTALLATION	A
1	1001155029	1	Box for AGM Type Batteries (See Items 101-108 for Breakdown)	
2	1001155030	1	Box for AGM Type Batteries (See Items 201-208 for Breakdown)	
3	1001117837	1	Battery Cable Kit (Not Shown - See ELECTRICAL SECTION for Breakdown):	
4	3391408	2	Pin, Split	
5	3423243	2	Pin, Door Latch	
6	4160214	2	Spring, Door Latch	
7	4812100	AR	Washer 12mm	
8	3020039	AR	Lubricant	
9	0100048	AR	Grease, Dielectric	
10	1001112113	1	Temperature Sensor	B
10	1001102771	1	Sensor	
10	4460465	2	Terminal	
		Ref	BATTERY BOX ASSEMBLY (LEFT)	A
101	0630587	1	Bolt M6 x 25mm	
102	3290605	1	Nut M6	
103	3380599	1	Tray (Left)	
104	4220286	1	Block	
105	4811700	1	Washer M6	
106	1001112112	2	AGM Type Battery	
		Ref	BATTERY BOX ASSEMBLY (RIGHT)	A
201	0630587	1	Bolt M6 x 25mm	
202	3290605	1	Nut M6	
203	3380600	1	Tray (Right)	
204	4220286	1	Block	
205	4811700	1	Washer M6	
206	1001112112	2	AGM Type Battery	

SECTION 2 - GROUND COMPONENTS

SECTION 2 - GROUND COMPONENTS

FIGURE 2-1. ELECTRICAL COMPONENTS INSTALLATION



ART_1001166824

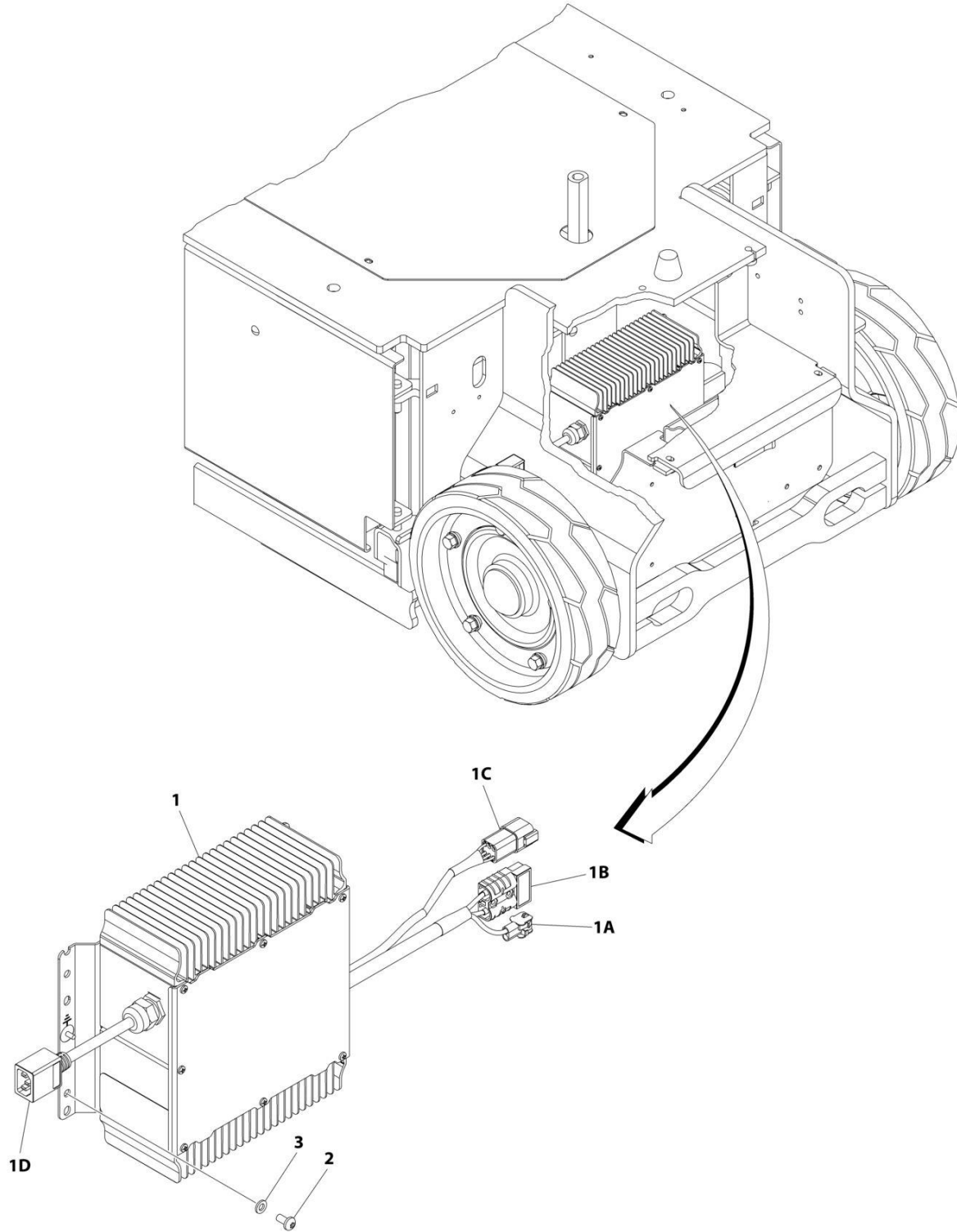
SECTION 2 - GROUND COMPONENTS

FIGURE 2-1. ELECTRICAL COMPONENTS INSTALLATION

ITEM	PART NUMBER	QTY	DESCRIPTION	REV
	1001166824	Ref	ELECTRICAL COMPONENTS INSTALLATION	E
1	0140043	1	Alarm	
2	1001166194	1	Ground Control Box Assembly (See Separate Breakdown in this Section)	
3	0700615	3	Bolt M6 x 35	
4	1001092456	1	Module, Drive	
4B	70002683	1	Fuse	
4C	70002682	1	Bussbar	
5	3740150	1	Relay	
6	4000010	1	Sensor, Proximity	
7	4191706	2	Screw M6 x 12	
8	4191708	6	Screw M6 x 20	
8	4191709	6	Screw M6 x 25	
9	1001116640	1	Harness, Chassis (Not Shown, See ELECTRICAL Section for Breakdown)	
10	4360387	1	Switch, Push Button	
11	3290605	1	Nut M6	
12	3900392	1	Screw M6 x 30	
13	0100048	1	Grease, Dielectric	
14	4220307	1	Block, Spacer	
15	4240153	1	Strap, Clinch (Not Shown)	

SECTION 2 - GROUND COMPONENTS

FIGURE 2-2. BATTERY CHARGER INSTALLATION (ALL SPECS)



ART_0274562

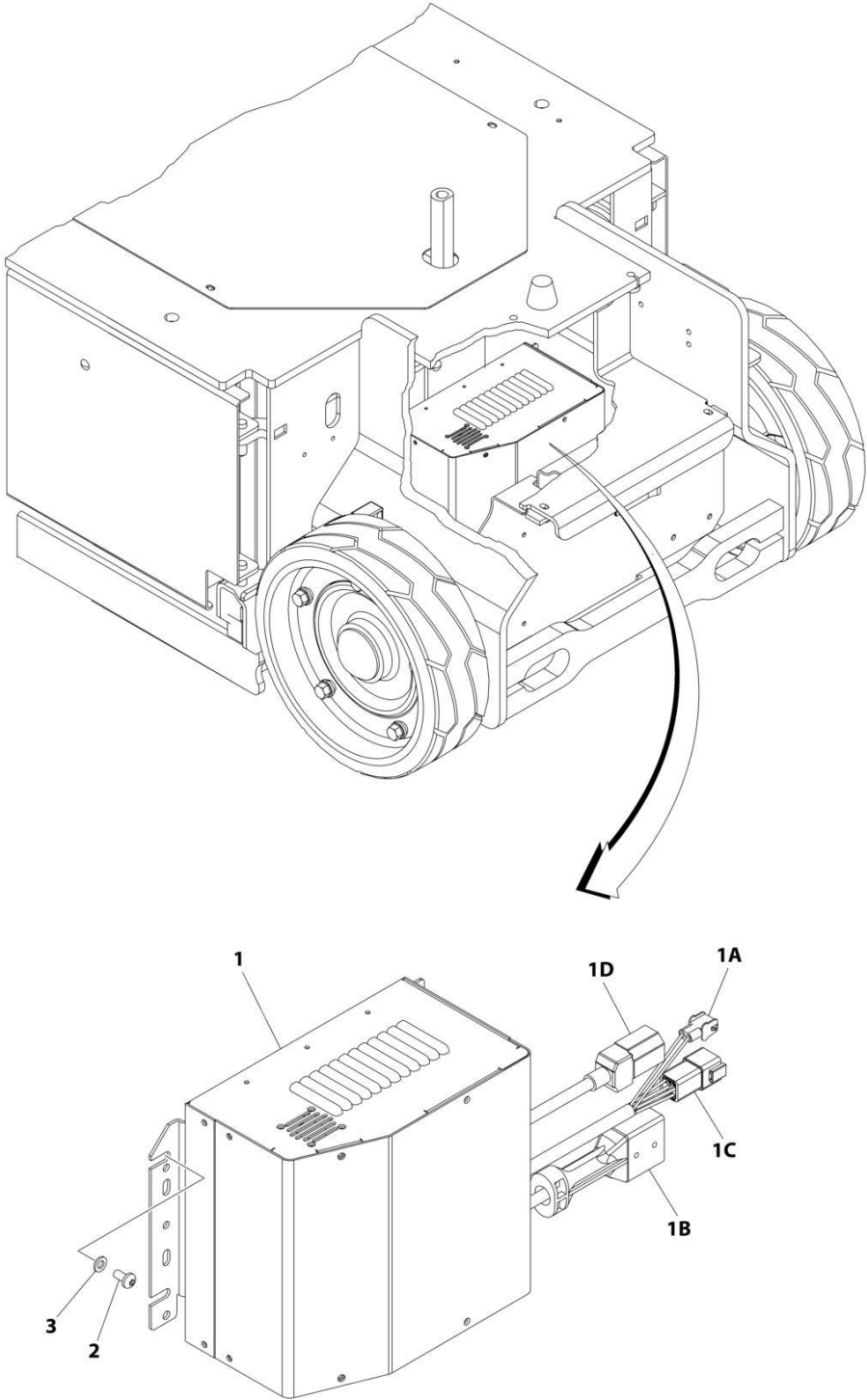
SECTION 2 - GROUND COMPONENTS

FIGURE 2-2. BATTERY CHARGER INSTALLATION (ALL SPECS)

ITEM	PART NUMBER	QTY	DESCRIPTION	REV
	0274562	Ref	BATTERY CHARGER INSTALLATION	F
1	1001112111	1	Battery Charger	K
1A	4460424	1	Connector	
1A	4460267	2	Pin	
1B	4460648	1	Connector, Anderson	
1C	4460899	1	Connector, 6 Position	
1C	4460464	4	Pin	
1C	4460466	2	Seal	
1D	See Note	1	Receptacle, Female (Note: Not Available for Purchase)	
2	4191706	4	Screw M6 x 12	
3	4811700	4	Washer M6	
4	1001103743	1	Decal - Charger (Not Shown)	

SECTION 2 - GROUND COMPONENTS

FIGURE 2-3. BATTERY CHARGER INSTALLATION (ANSI AND CSA SPECS)



ART_1001229471

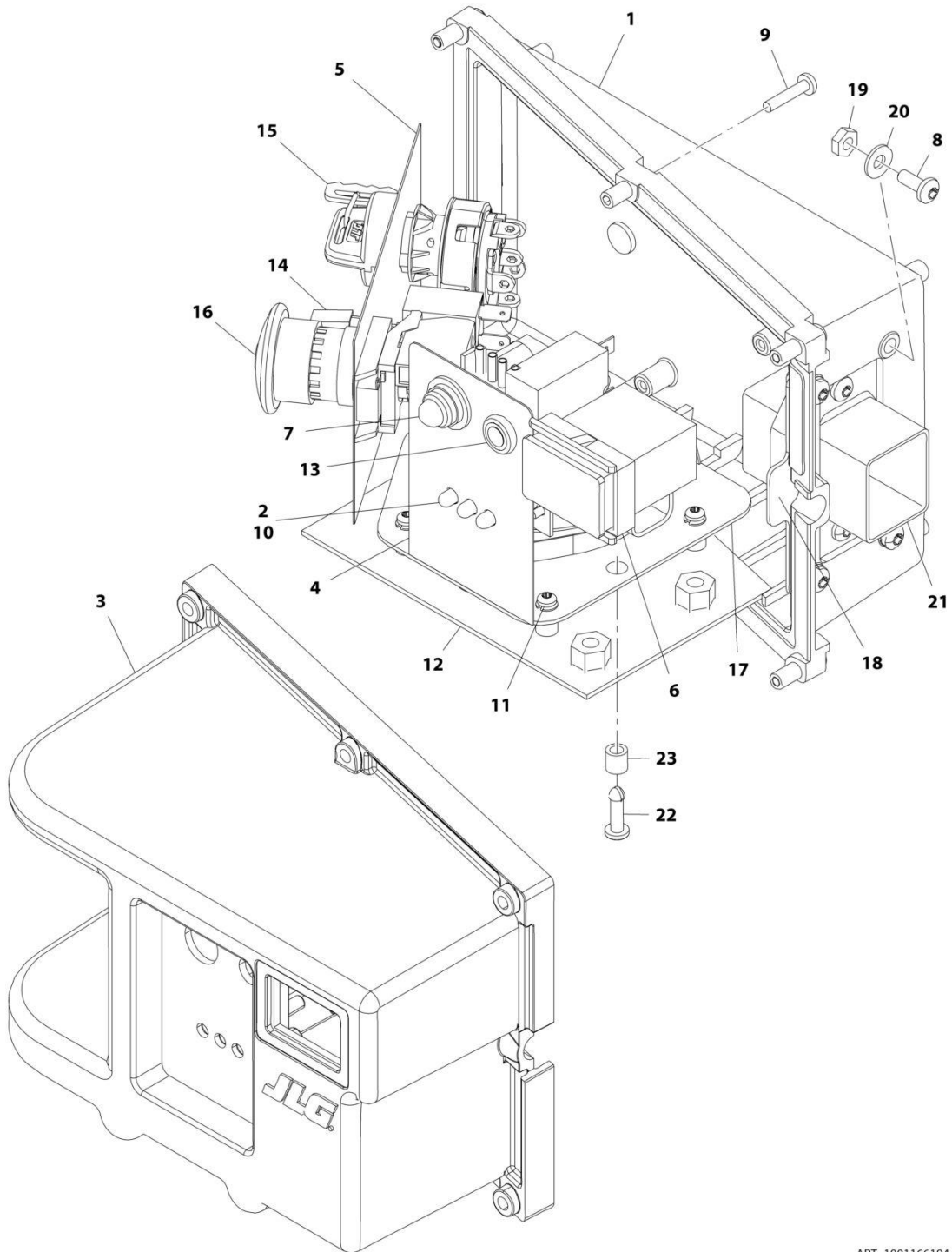
SECTION 2 - GROUND COMPONENTS

FIGURE 2-3. BATTERY CHARGER INSTALLATION (ANSI AND CSA SPECS)

ITEM	PART NUMBER	QTY	DESCRIPTION	REV
	1001229471	Ref	BATTERY CHARGER INSTALLATION	A
1	1001177842	1	Battery Charger	A
1A	4460424	1	Connector	
1A	4460267	2	Pin	
1B	4460648	1	Connector, Anderson	
1C	4460899	1	Connector, 6 Position	
1C	4460464	4	Pin	
1C	4460466	2	Seal	
1D	See Note	1	Receptacle, Female (Note: Not Available for Purchase)	
2	4191706	4	Screw M6 x 12	
3	4811700	4	Washer M6	
4	1001103743	1	Decal - Charger (Not Shown)	

SECTION 2 - GROUND COMPONENTS

FIGURE 2-4. GROUND CONTROL BOX ASSEMBLY



ART_1001166194

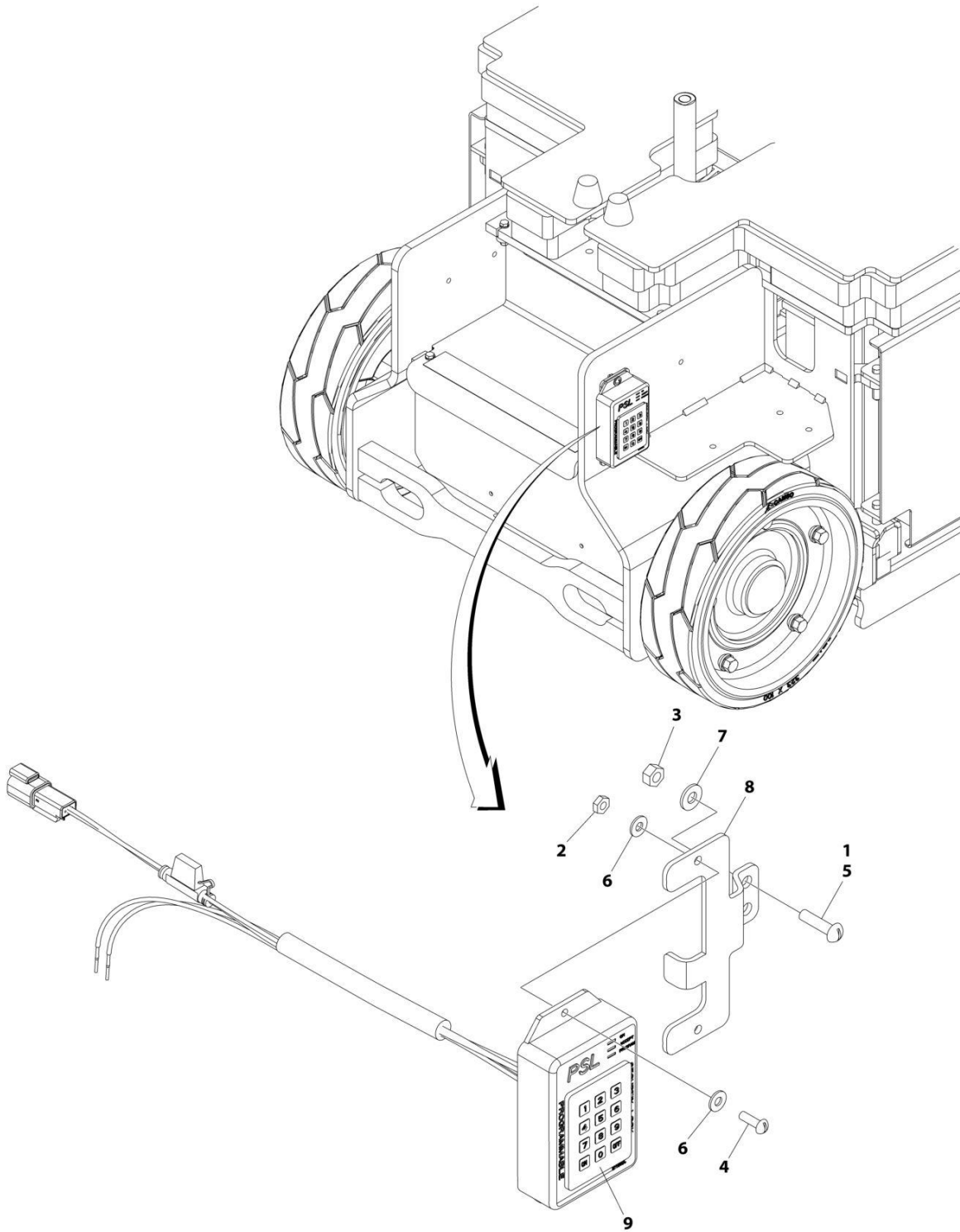
SECTION 2 - GROUND COMPONENTS

FIGURE 2-4. GROUND CONTROL BOX ASSEMBLY

ITEM	PART NUMBER	QTY	DESCRIPTION	REV
	1001166194	Ref	GROUND CONTROL BOX ASSEMBLY - NO LSS	I
1	0380025	1	Base, Box	
2	0610161	1	PC Board, Charger LED	
2	4460321	1	Plug, Male - 4 Position	
2	4460268	3	Socket, Female	
3	1671105	1	Cover	
4	1705696	1	Decal	
5	1705698	1	Decal	
6	2420172	1	Hourmeter	
7	3520193	1	Plug	
8	3900336	6	Screw	
9	3900338	6	Screw	
10	3900339	2	Screw	
11	1001180090	4	Screw M3.5 x 20	
12	1001165315	1	Support	
13	4360069	1	Breaker, Circuit 10Amp	
14	4360328	1	Switch, Toggle	
15	4360469	1	Switch, Key	
15	2860030	1	Key, Replacement	
16	4360475	1	Switch, Emergency Stop	
16	7020175	1	Cap	
16	7020176	1	Block, Contact	
17	1001166255	1	Sensor, Tilt (Includes Sensor, Mounting Plate and Hardware)	
17	3931412	3	Screw 1/4 x 3/4	
17	1001163095	1	Sensor	
17	1001165316	1	Mount, Sensor	
17	1001166776	4	Mount, Standoff	
18	1001114937	1	Mount, Harness	
19	3321005	4	Nut #10	
20	4751000	4	Washer #10	
21	1001208641	1	Harness, Ground Control Box (See ELECTRICAL SECTION for Breakdown)	
22	1001165284	1	Fastener	
23	1001165286	1	Spacer	

SECTION 2 - GROUND COMPONENTS

FIGURE 2-5. PROGRAMMABLE SECURITY LOCK



ART_1001206688

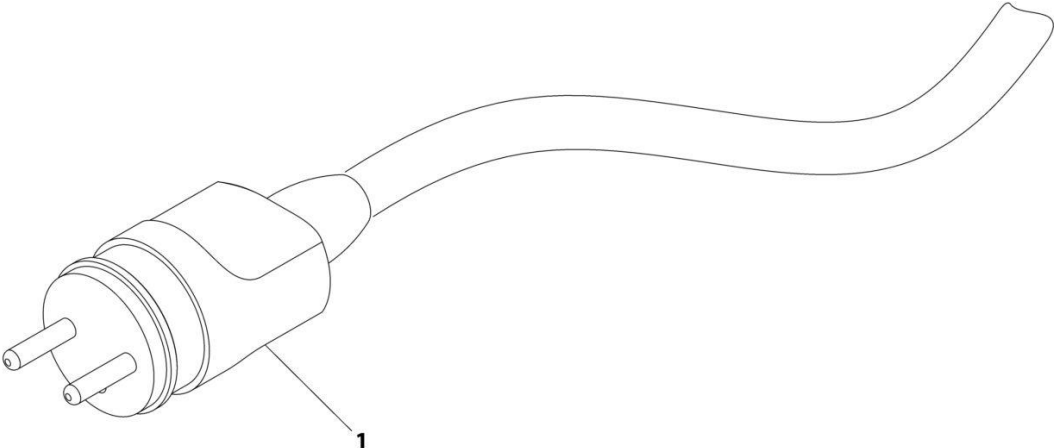
SECTION 2 - GROUND COMPONENTS

FIGURE 2-5. PROGRAMMABLE SECURITY LOCK

ITEM	PART NUMBER	QTY	DESCRIPTION	REV
	1001206688	Ref	PROGRAMMABLE SECURITY LOCK	A
1	0100011	AR	Compound, Locking	
2	3311005	2	Nut M10	
3	3311405	2	Nut 1/4	
4	3911010	2	Bolt M10 x 5/8	
5	3911416	2	Bolt 1/4 x 1	
6	4711000	4	Washer M10	
7	4711400	2	Washer 1/4	
8	1001206687	1	Bracket, Mounting	
9	1001209674	1	Programmable Security Lock	

SECTION 2 - GROUND COMPONENTS

FIGURE 2-6. CHARGER CORD PLUG - 220V CEE7 POST GROUND (CE SPECS)



ART_0275663

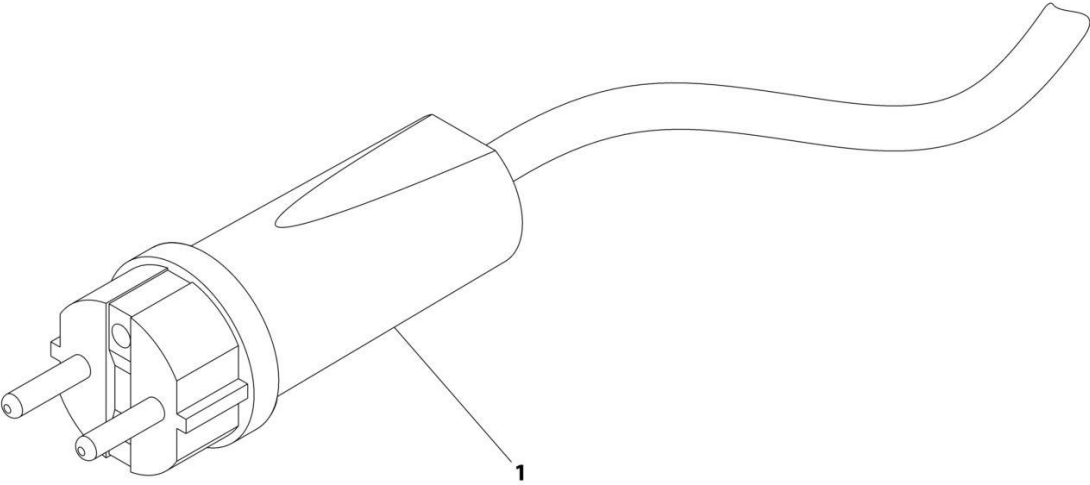
SECTION 2 - GROUND COMPONENTS

FIGURE 2-6. CHARGER CORD PLUG - 220V CEE7 POST GROUND (CE SPECS)

ITEM	PART NUMBER	QTY	DESCRIPTION	REV
	0275663	Ref	CHARGER CORD PLUG INSTALLATION - 220V CEE7 POST GROUND	C
1	4461205	1	Plug	

SECTION 2 - GROUND COMPONENTS

FIGURE 2-7. CHARGER CORD PLUG - 220V CEE7 SIDE GROUND (ANSI EXPORT, CE, AND KOREA SPECS)



ART_0275664

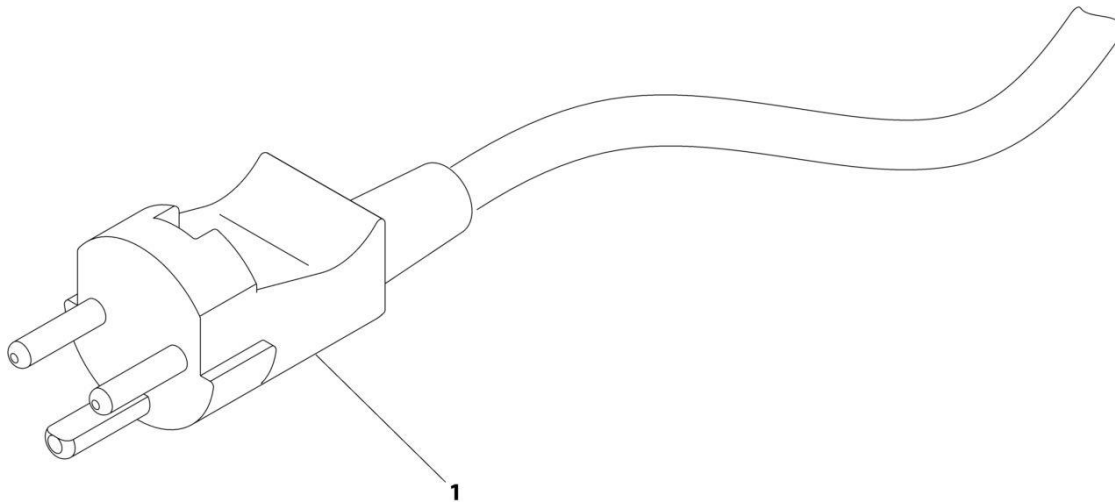
SECTION 2 - GROUND COMPONENTS

FIGURE 2-7. CHARGER CORD PLUG - 220V CEE7 SIDE GROUND (ANSI EXPORT, CE, AND KOREA SPECS)

ITEM	PART NUMBER	QTY	DESCRIPTION	REV
	0275664	Ref	CHARGER CORD PLUG INSTALLATION - 220V CEE7 SIDE GROUND	A
1	4461205	1	Plug	

SECTION 2 - GROUND COMPONENTS

FIGURE 2-8. CHARGER CORD PLUG - 220V AFSINT 107 KEYED GROUND (CE SPECS)



ART_0275665

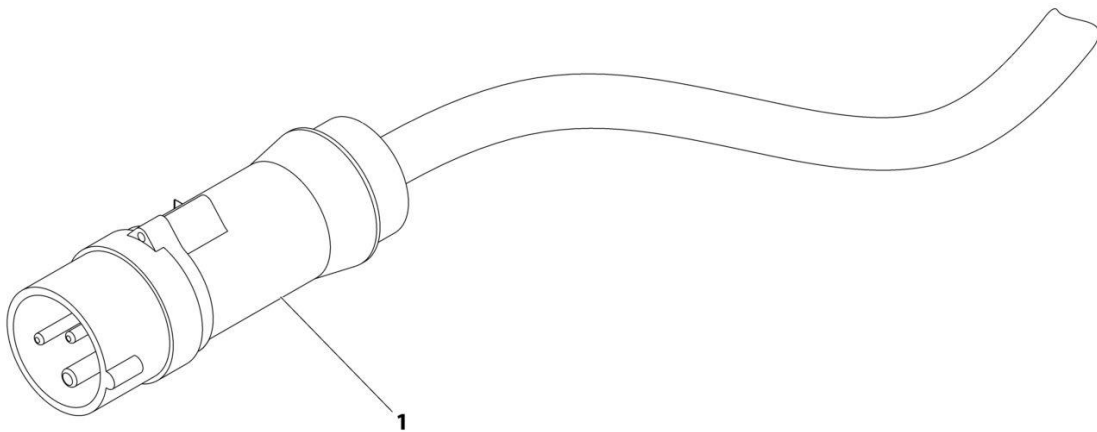
SECTION 2 - GROUND COMPONENTS

FIGURE 2-8. CHARGER CORD PLUG - 220V AFSINT 107 KEYED GROUND (CE SPECS)

ITEM	PART NUMBER	QTY	DESCRIPTION	REV
	0275665	Ref	CHARGER CORD PLUG INSTALLATION - 220V AFSINT 107 KEYED GROUND	B
1	4461249	1	Plug	

SECTION 2 - GROUND COMPONENTS

FIGURE 2-9. CHARGER CORD PLUG INSTALLATION - 110V IEC YELLOW (CE SPECS)



ART_0275666

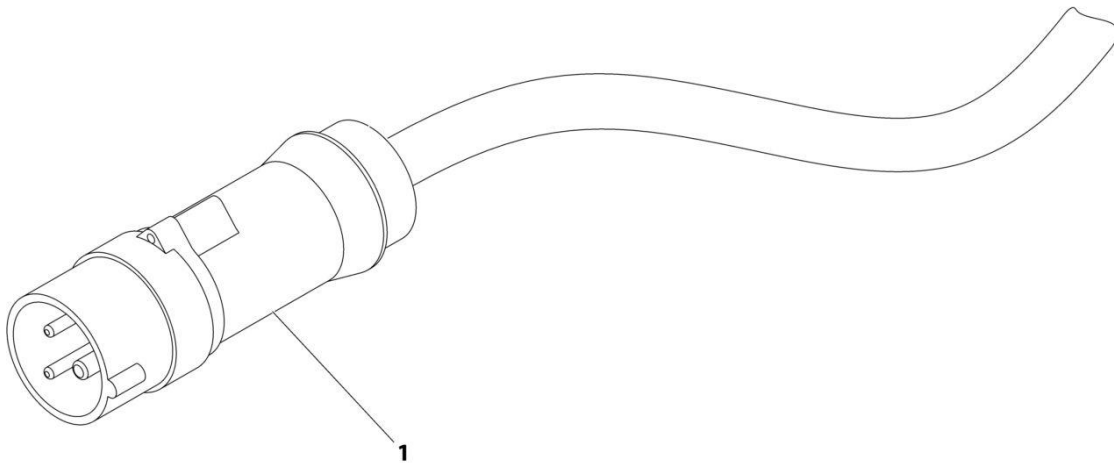
SECTION 2 - GROUND COMPONENTS

FIGURE 2-9. CHARGER CORD PLUG INSTALLATION - 110V IEC YELLOW (CE SPECS)

ITEM	PART NUMBER	QTY	DESCRIPTION	REV
	0275666	Ref	CHARGER CORD PLUG INSTALLATION - 110V IEC YELLOW	B
1	4461196	1	PLUG Plug	

SECTION 2 - GROUND COMPONENTS

FIGURE 2-10. CHARGER CORD PLUG INSTALLATION - 220V IEC BLUE (CE SPECS)



ART_0275667

SECTION 2 - GROUND COMPONENTS

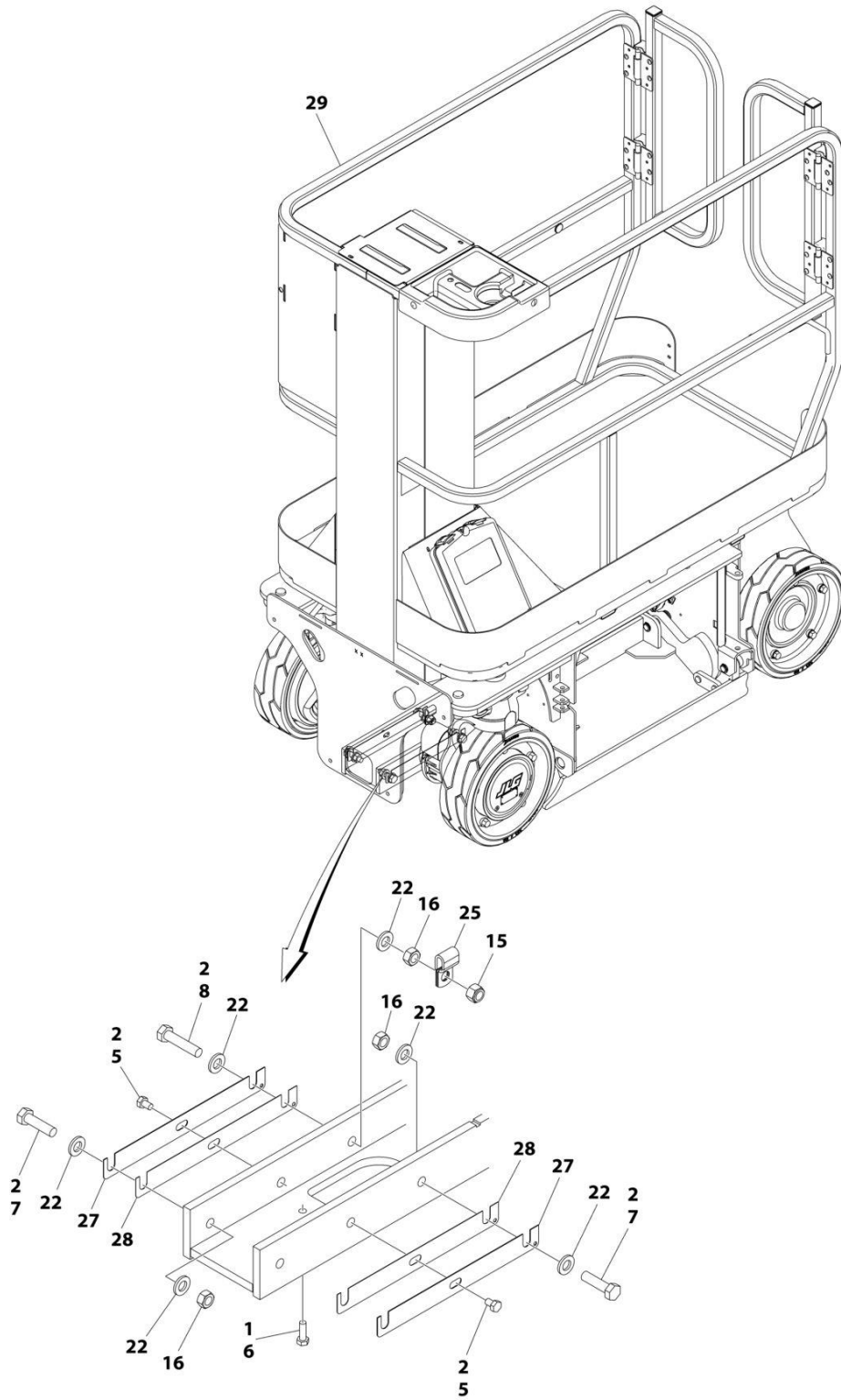
FIGURE 2-10. CHARGER CORD PLUG INSTALLATION - 220V IEC BLUE (CE SPECS)

ITEM	PART NUMBER	QTY	DESCRIPTION	REV
1	0275667 4461199	Ref 1	CHARGER CORD PLUG INSTALLATION - 220V IEC BLUE PLUG Plug	B

SECTION 3 - MAST

SECTION 3 - MAST

FIGURE 3-1. MAST INSTALLATION (ANSI, ANSI EXPORT, AND CSA SPECS)



ART_1001254195_10F2

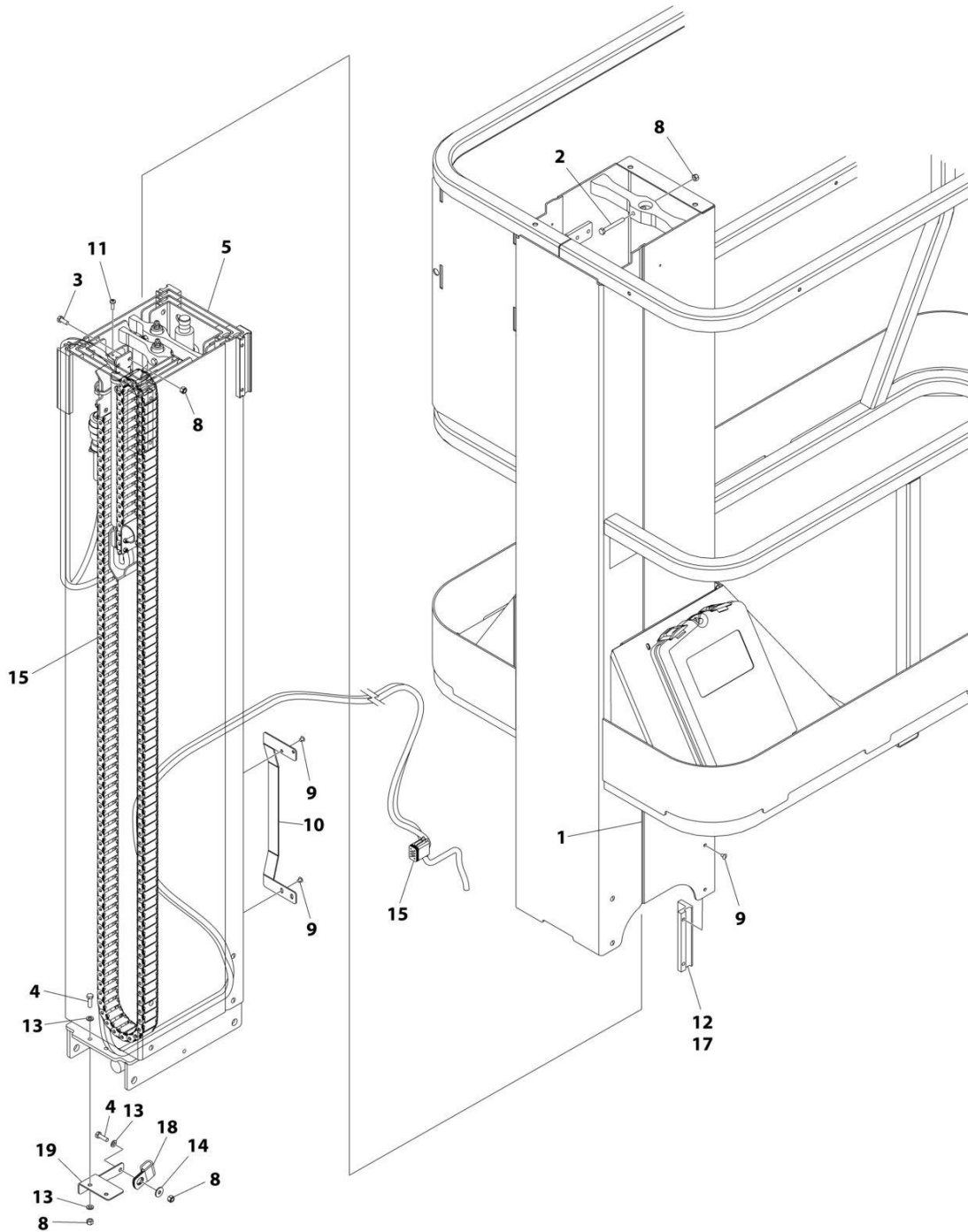
SECTION 3 - MAST

FIGURE 3-1. MAST INSTALLATION (ANSI, ANSI EXPORT, AND CSA SPECS)

ITEM	PART NUMBER	QTY	DESCRIPTION	REV
	1001254195	Ref	MAST INSTALLATION	B
1	0100011	AR	Compound, Locking	
2	0100019	AR	Compound, Locking	
3	0100048	AR	Grease, Dielectric (Not Shown)	
5	0760806	AR	Screw M8 x 12	
6	0760812	2	Screw M8 x 25	
7	0771217	3	Bolt M12 x 45	
8	0771219	1	Bolt M12 x 55	
15	3291205	1	Nut M12	
16	3331211	4	Nut M12	
22	5241200	8	Washer M12	
25	1001102858	1	Clamp	
27	1001193274	AR	Shim	
28	1001193275	AR	Shim	
29	1001254198	Ref	Mast Sub-Assembly (See Separate Breakdown in this Section)	

SECTION 3 - MAST

FIGURE 3-2. MAST SUB-ASSEMBLY (ANSI, ANSI EXPORT, AND CSA SPECS)



ART_1001254198_10F2

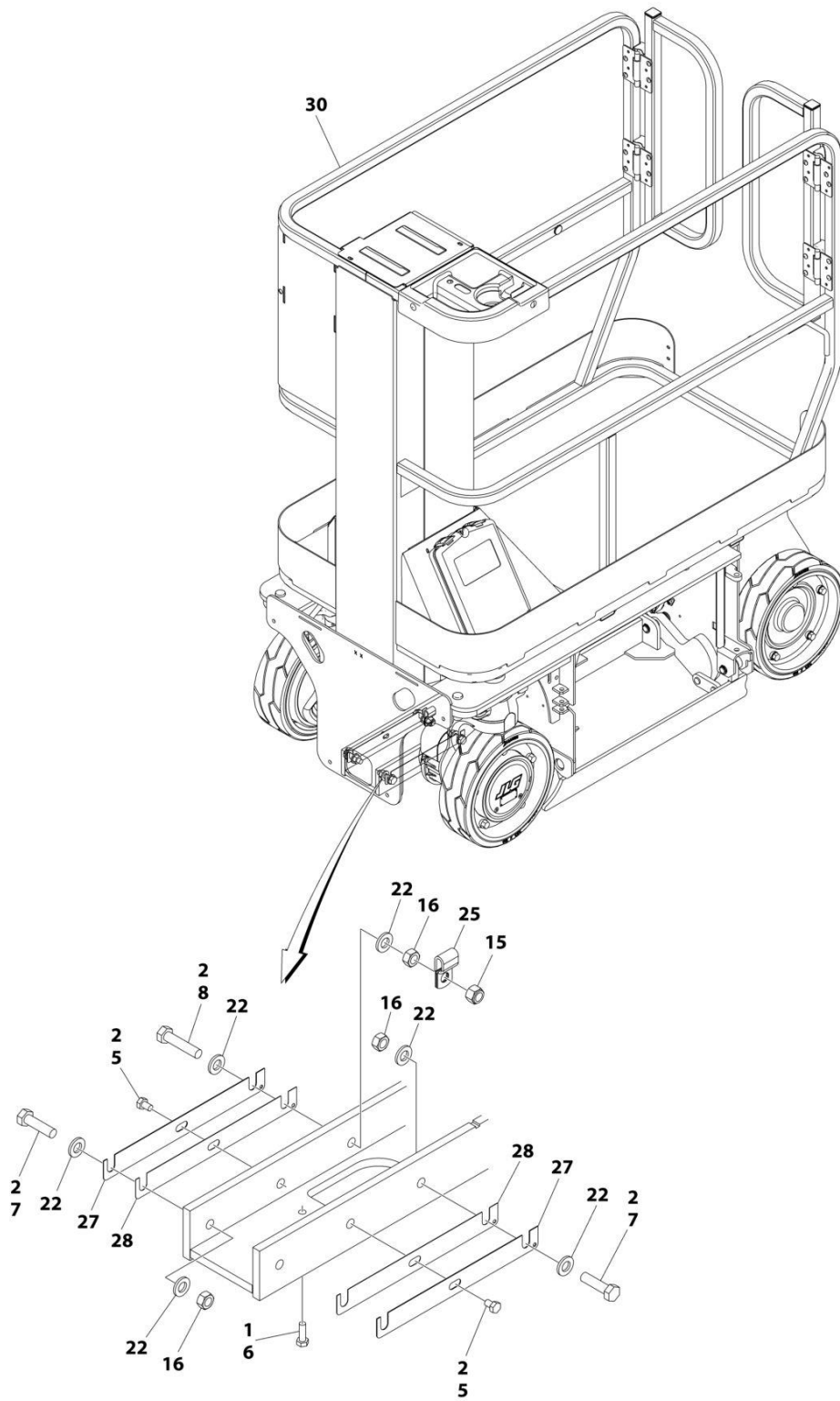
SECTION 3 - MAST

FIGURE 3-2. MAST SUB-ASSEMBLY (ANSI, ANSI EXPORT, AND CSA SPECS)

ITEM	PART NUMBER	QTY	DESCRIPTION	REV
	1001254198	Ref	MAST SUB-ASSEMBLY	B
1	0100040	AR	Adhesive	
2	0700618	1	Bolt M6 x 50	
3	0760608	2	Bolt M6 x 16	
4	0760610	3	Bolt M6 x 20	
5	0801530	1	Mast Assembly (See Separate Breakdown in this Section)	
8	3290605	6	Nut M6	
9	3820019	30	Rivet	
10	4160220	1	Spring, Mast	
11	4191406	2	Screw M4 x 12	
12	4700042	AR	Pad, Slide	
13	4811700	8	Washer M6	
14	4811702	1	Washer M6	
15	1001239932	1	Cable, Platform Control (See Separate Breakdown in ELECTRICAL Section)	
17	1001092165	AR	Pad, Slide	
18	1001102858	1	Clamp	
19	1001156211	1	Bracket, Cable Support	

SECTION 3 - MAST

FIGURE 3-3. MAST INSTALLATION (ANSI EXPORT, JAPANESE, AND KOREA SPECS)



ART_1001254341_10F2

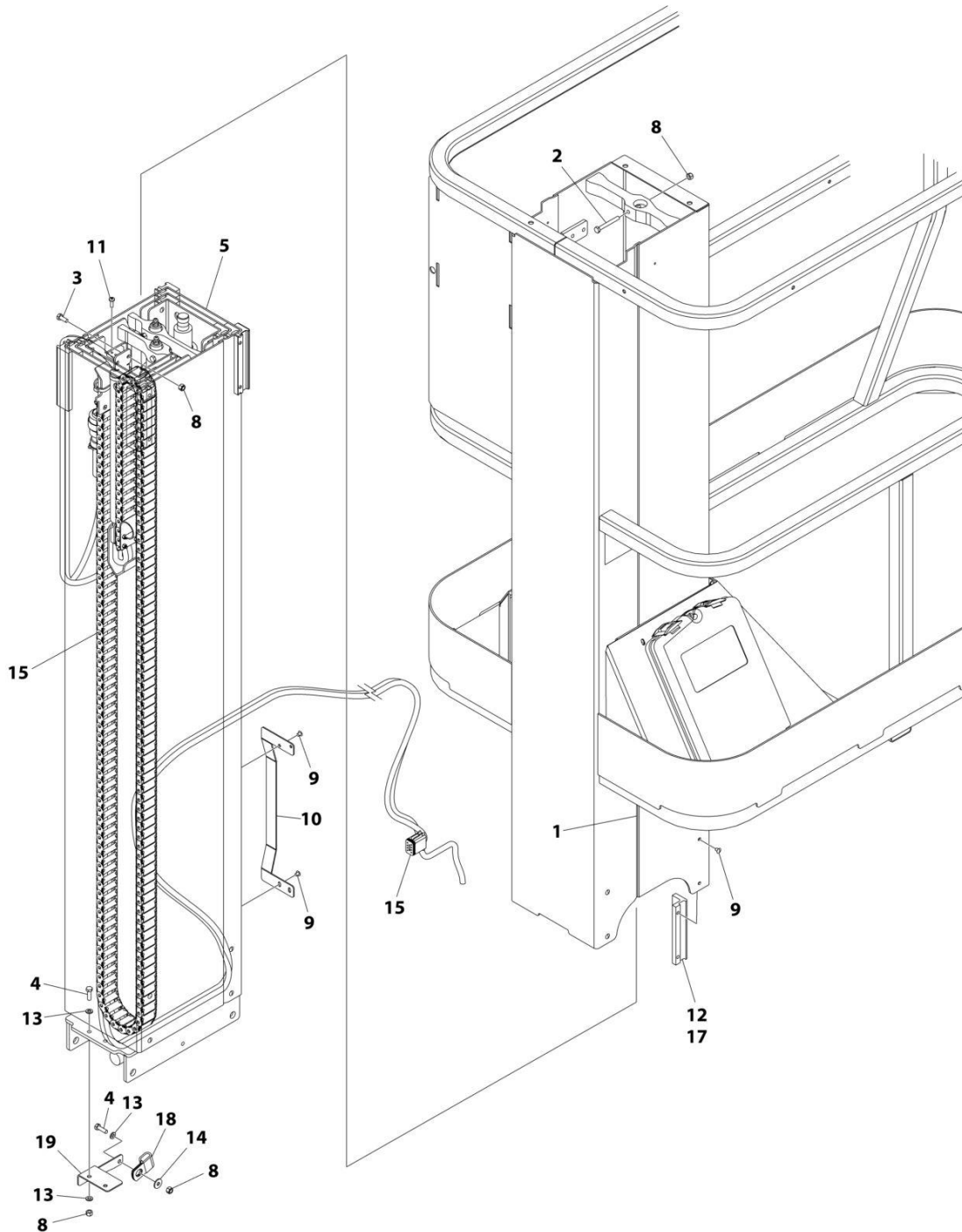
SECTION 3 - MAST

FIGURE 3-3. MAST INSTALLATION (ANSI EXPORT, JAPANESE, AND KOREA SPECS)

ITEM	PART NUMBER	QTY	DESCRIPTION	REV
	1001254341	Ref	MAST INSTALLATION	B
1	0100011	AR	Compound, Locking	
2	0100019	AR	Compound, Locking	
3	0100048	AR	Grease, Dielectric (Not Shown)	
5	0760806	AR	Screw M8 x 12	
6	0760812	2	Screw M8 x 25	
7	0771217	3	Bolt M12 x 45	
8	0771219	1	Bolt M12 x 55	
15	3291205	1	Nut M12	
16	3331211	4	Nut M12	
22	5241200	8	Washer M12	
25	1001102858	1	Clamp	
27	1001193274	AR	Shim	
28	1001193275	AR	Shim	
30	1001254342	Ref	Mast Sub-Assembly (See Separate Breakdown in this Section)	

SECTION 3 - MAST

FIGURE 3-4. MAST SUB-ASSEMBLY (ANSI EXPORT, JAPANESE, AND KOREA SPECS)



ART_1001254342_10F2

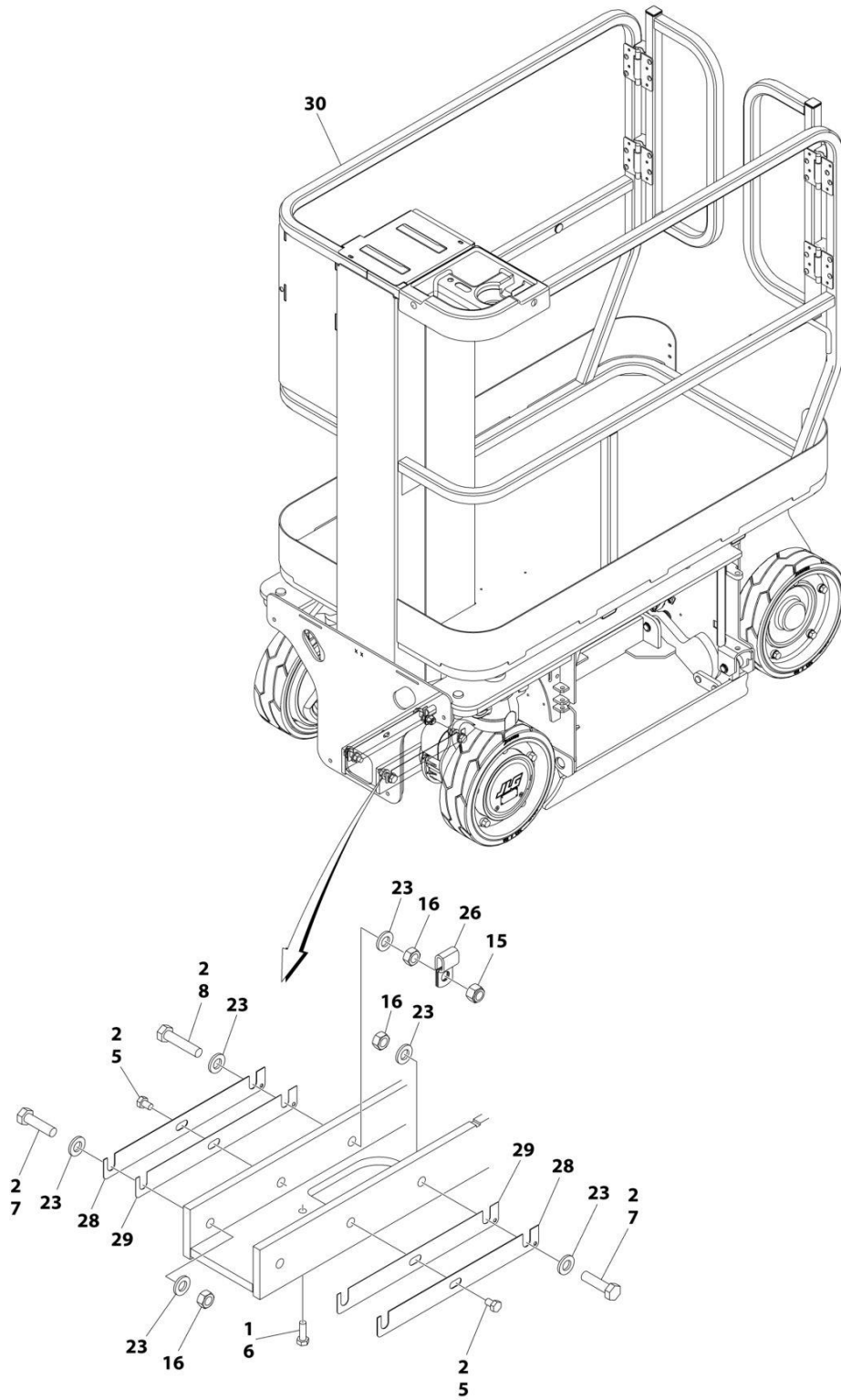
SECTION 3 - MAST

FIGURE 3-4. MAST SUB-ASSEMBLY (ANSI EXPORT, JAPANESE, AND KOREA SPECS)

ITEM	PART NUMBER	QTY	DESCRIPTION	REV
	1001254342	Ref	MAST SUB-ASSEMBLY	B
1	0100040	AR	Sealant	
2	0700618	1	Bolt M6 x 50	
3	0760608	2	Bolt M6 x 16	
4	0760610	3	Bolt M6 x 20	
5	0801530	1	Mast Assembly (See Separate Breakdown in this Section)	
8	3290605	6	Nut M6	
9	3820019	30	Rivet	
10	4160220	1	Spring, Mast	
11	4191406	2	Screw M4 x 12	
12	4700042	AR	Slide Pad	
13	4811700	8	Washer M6	
14	4811702	1	Washer M6	
15	1001239932	1	Cable, Platform Control (See Separate Breakdown in ELECTRICAL Section)	
17	1001092165	AR	Pad, Slide	
18	1001102858	1	Clamp	
19	1001156211	1	Bracket, Cable Support	

SECTION 3 - MAST

FIGURE 3-5. MAST INSTALLATION (CE SPECS)



ART_1001254196_10F2

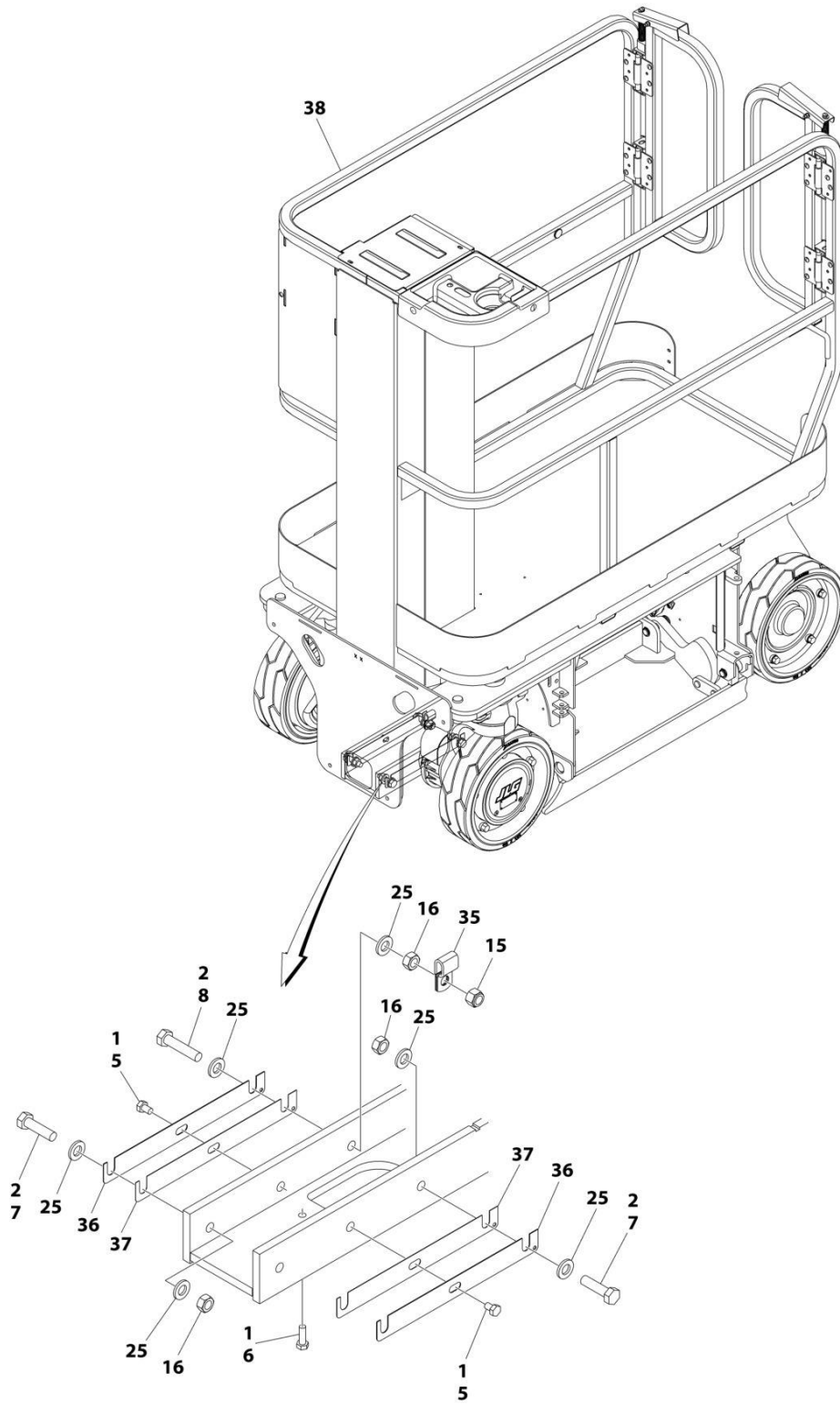
SECTION 3 - MAST

FIGURE 3-5. MAST INSTALLATION (CE SPECS)

ITEM	PART NUMBER	QTY	DESCRIPTION	REV
	1001254196	Ref	MAST INSTALLATION	B
1	0100011	AR	Compound, Locking	
2	0100019	AR	Compound, Locking	
3	0100048	AR	Grease, Dielectric (Not Shown)	
5	0760806	AR	Screw M8 x 12	
6	0760812	2	Screw M8 x 25	
7	0771217	3	Bolt M12 x 45	
8	0771219	1	Bolt M12 x 55	
15	3291205	1	Nut M12	
16	3331211	4	Nut M12	
23	5241200	8	Washer M12	
26	1001102858	1	Clamp	
28	1001193274	AR	Shim	
29	1001193275	AR	Shim	
30	1001254348	Ref	Mast Sub-Assembly (See Separate Breakdown in this Section)	

SECTION 3 - MAST

FIGURE 3-6. MAST INSTALLATION (AUSTRALIAN SPECS)



ART_1001254197_10F2

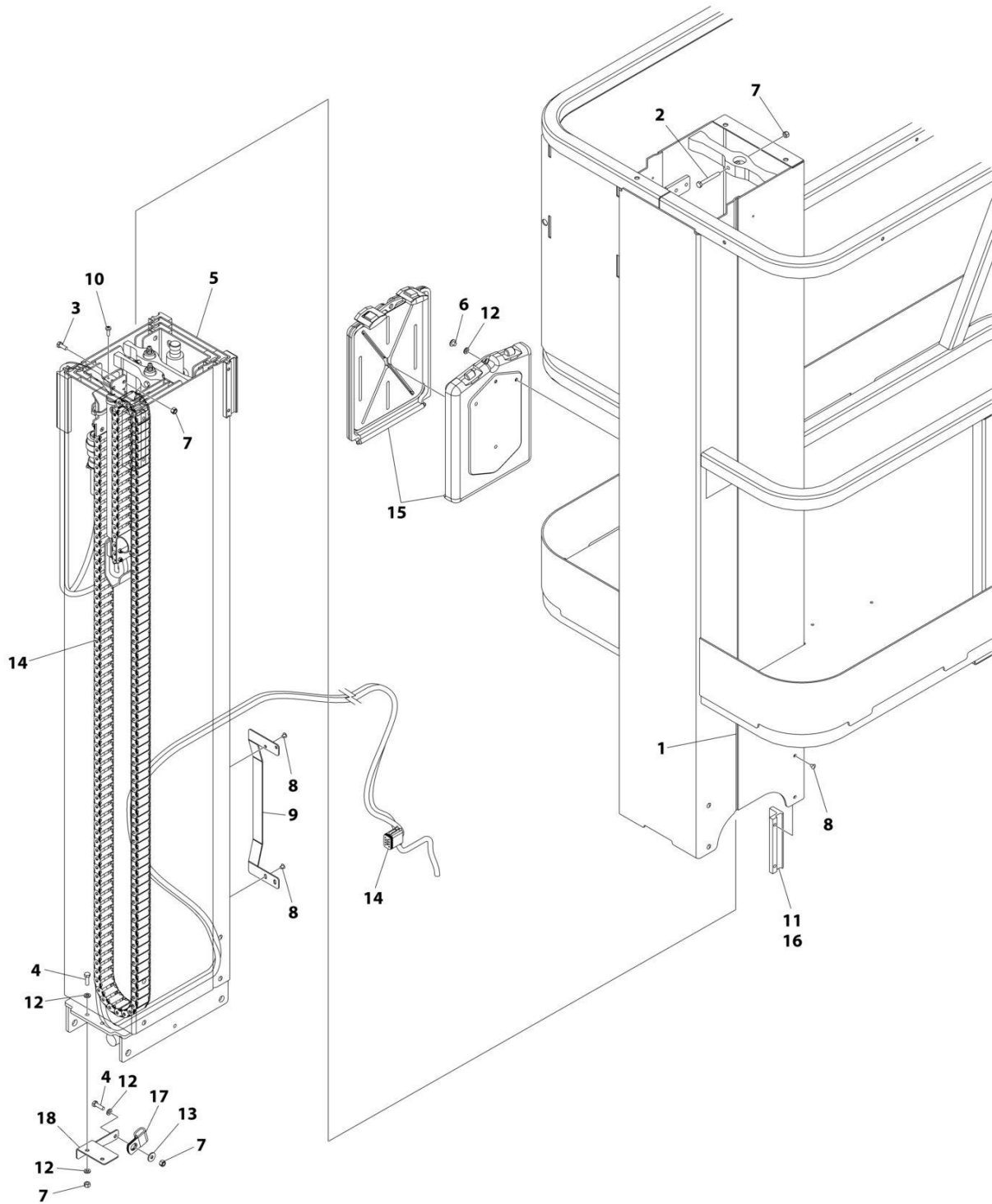
SECTION 3 - MAST

FIGURE 3-6. MAST INSTALLATION (AUSTRALIAN SPECS)

ITEM	PART NUMBER	QTY	DESCRIPTION	REV
	1001254197	Ref	MAST INSTALLATION	B
1	0100011	AR	Compound, Locking	
2	0100019	AR	Compound, Locking	
3	0100048	AR	Grease, Dielectric (Not Shown)	
5	0760806	AR	Screw M8 x 12	
6	0760812	2	Screw M8 x 25	
7	0771217	3	Bolt M12 x 45	
8	0771219	1	Bolt M12 x 55	
15	3291205	1	Nut M12	
16	3331211	4	Nut M12	
25	5241200	8	Washer M12	
35	1001102858	1	Clamp	
36	1001193274	AR	Shim	
37	1001193275	AR	Shim	
38	1001254348	Ref	Mast Sub-Assembly (See Separate Breakdown in this Section)	

SECTION 3 - MAST

FIGURE 3-7. MAST SUB-ASSEMBLY (CE SPECS)



ART_1001254348_10F2

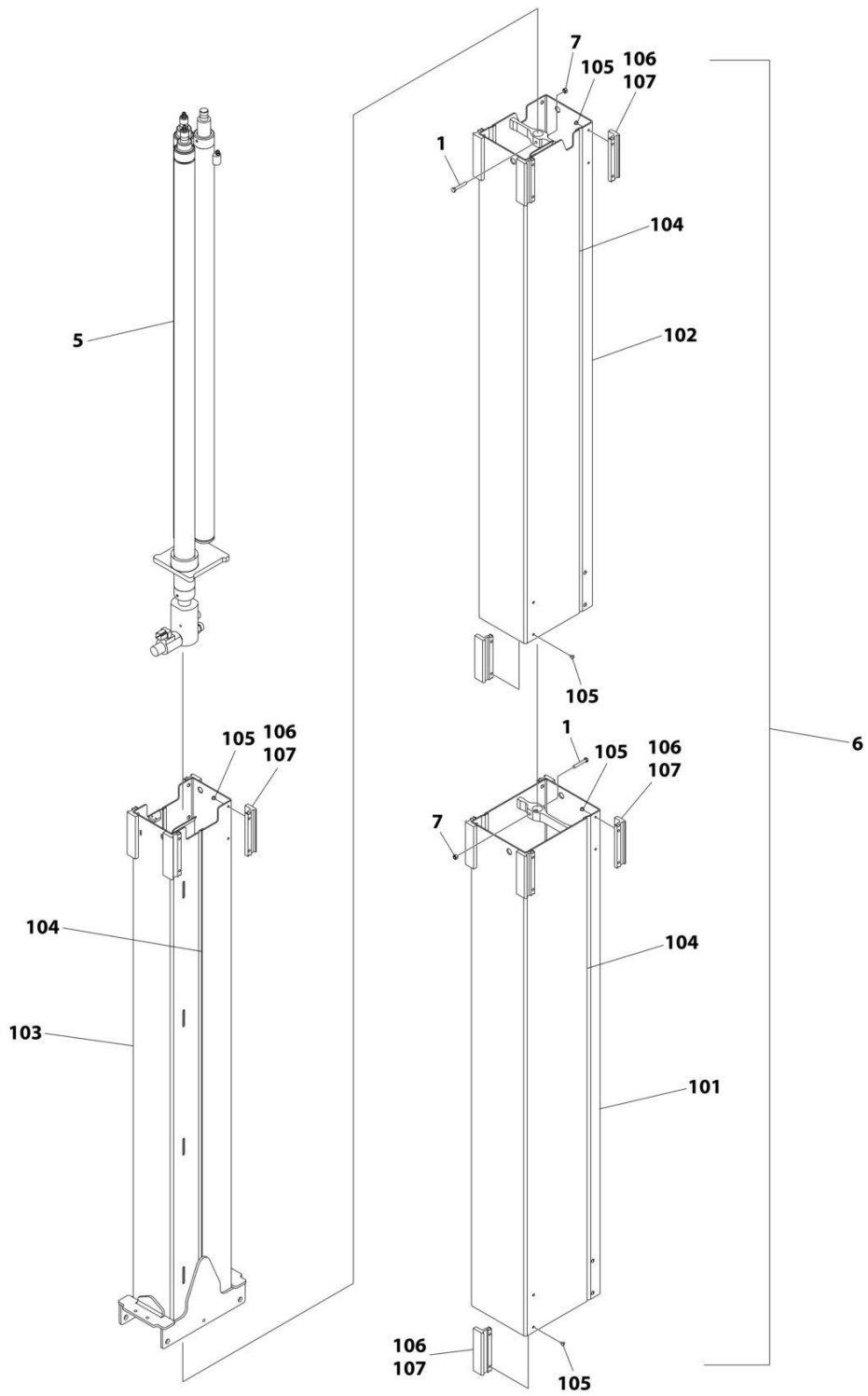
SECTION 3 - MAST

FIGURE 3-7. MAST SUB-ASSEMBLY (CE SPECS)

ITEM	PART NUMBER	QTY	DESCRIPTION	REV
	1001254348	Ref	MAST SUB-ASSEMBLY	B
1	0100040	AR	Adhesive	
2	0700618	1	Bolt M6 x 50	
3	0760608	2	Bolt M6 x 16	
4	0760610	3	Bolt M6 x 20	
5	0801530	1	Mast Assembly (See Separate Breakdown in this Section)	
6	2080040	3	Fastener	
7	3290605	6	Nut M6	
8	3820019	12	Rivet	
9	4160220	1	Spring, Mast	
10	4191406	2	Screw M4 x 12	
11	4700042	AR	Slide Pad	
12	4811700	8	Washer M6	
13	4811702	1	Washer M6	
14	1001239932	1	Cable, Platform Control (See Separate Breakdown in ELECTRICAL Section)	
15	8990147	1	Manual Holder	
16	1001092165	AR	Pad, Slide	
17	1001102858	1	Clamp	
18	1001156211	1	Bracket, Cable Support	

SECTION 3 - MAST

FIGURE 3-8. MAST ASSEMBLY



ART_0801530

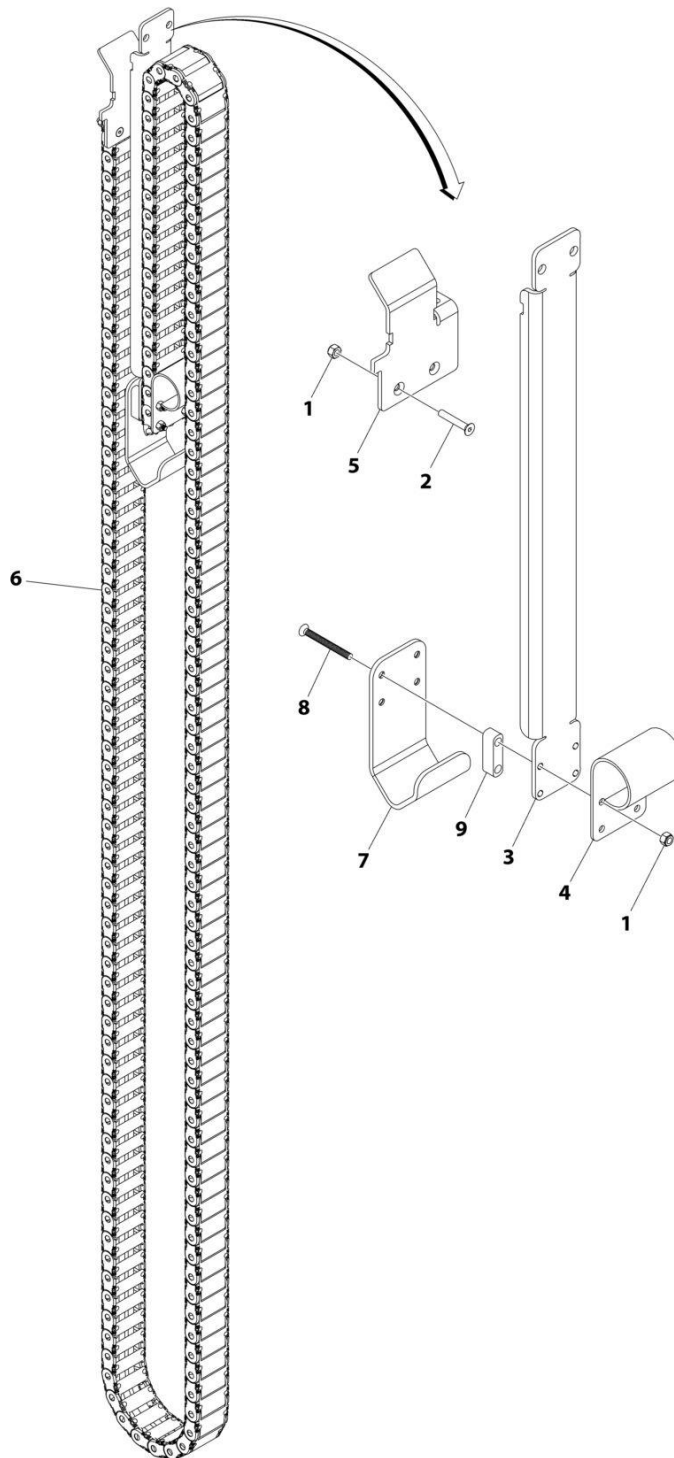
SECTION 3 - MAST

FIGURE 3-8. MAST ASSEMBLY

ITEM	PART NUMBER	QTY	DESCRIPTION	REV
	0801530	Ref	MAST ASSEMBLY	N
1	0700616	2	Bolt M6 x 40	
5	1684469	1	Cylinder Assembly (See Separate Breakdown in CYLINDER Section)	
6	2902439	1	Mast Kit (includes items 101-107)	
7	3290605	2	Nut M6	
		Ref	MAST KIT	Q
101	0801532	1	Boom, Outer Mid Mast	
102	0801533	1	Boom, Inner Mid Mast	
103	1001266761	1	Boom, Inner Mast	
104	0100040	1	Adhesive	
105	3820019	AR	Rivet	
106	4700042	AR	Slide Pad	
107	1001092165	AR	Slide Pad	

SECTION 3 - MAST

FIGURE 3-9. POWER TRACK ASSEMBLY



ART_1001239934

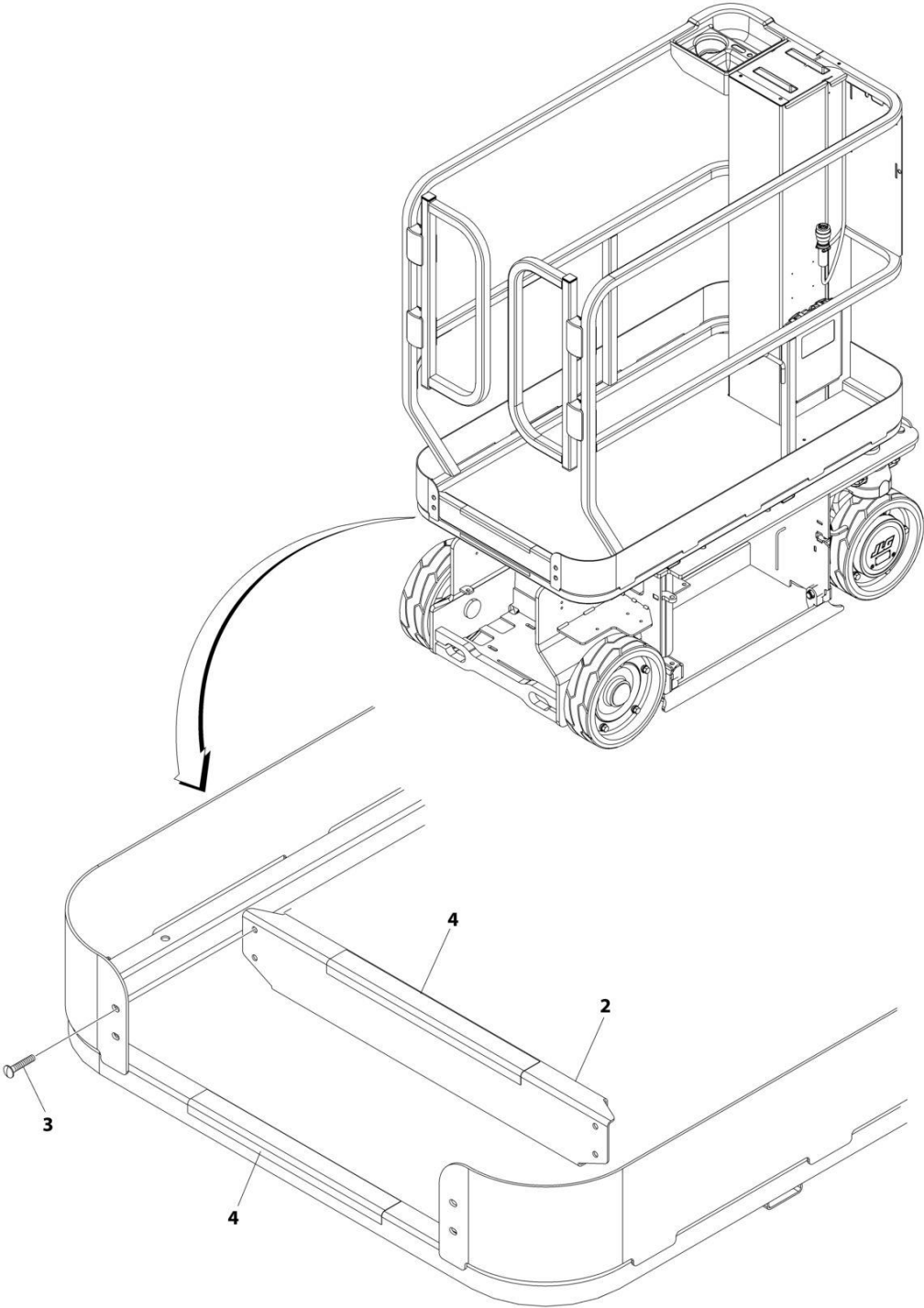
FIGURE 3-9. POWER TRACK ASSEMBLY

ITEM	PART NUMBER	QTY	DESCRIPTION	REV
	1001239934	Ref	POWER TRACK ASSEMBLY	A
1	3290405	6	Nut M4	
2	1001100176	2	Bolt M4 x 25	
3	1001239935	1	Channel, Push Tube	
4	1001239936	1	Stop, Track Upper	
5	1001239937	1	Bracket, Track Fixed	
6	1001239938	1	Power Track	
7	1001239939	1	Bracket, Track Moving End	
8	1001241343	4	Bolt M4 x 40	
9	1001241426	2	Stop, Cable Clamp	

SECTION 4 - PLATFORM

SECTION 4 - PLATFORM

FIGURE 4-1. KICK PLATE INSTALLATION



ART_0274553

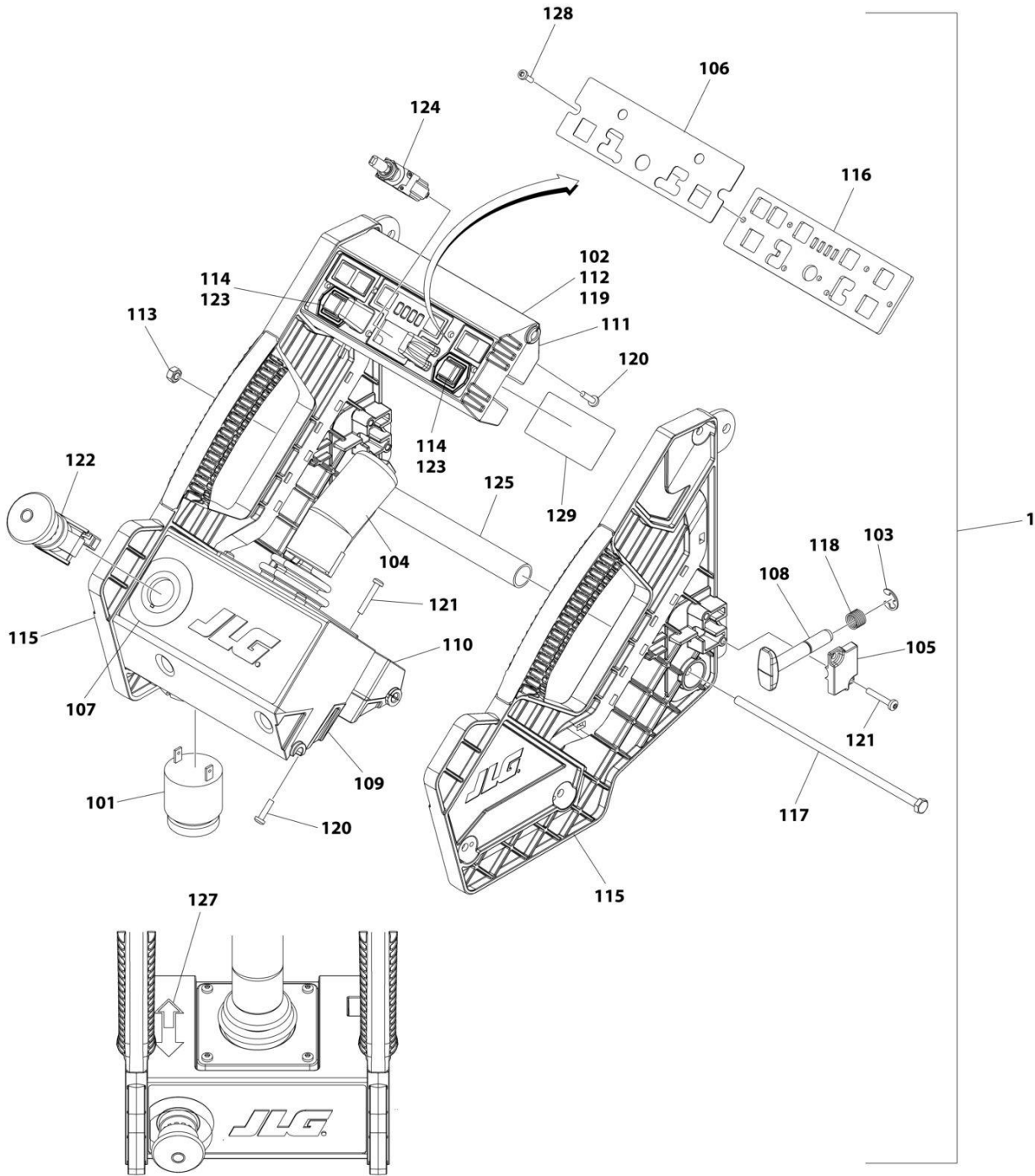
SECTION 4 - PLATFORM

FIGURE 4-1. KICK PLATE INSTALLATION

ITEM	PART NUMBER	QTY	DESCRIPTION	REV
	0274553	Ref	KICK PLATE INSTALLATION	D
2	3576089	1	Kick Plate	
3	2080040	4	Fastener	
4	4420070	1	Tape, Anti-Skid	

SECTION 4 - PLATFORM

FIGURE 4-2. PLATFORM CONTROL BOX INSTALLATION



ART_0274554

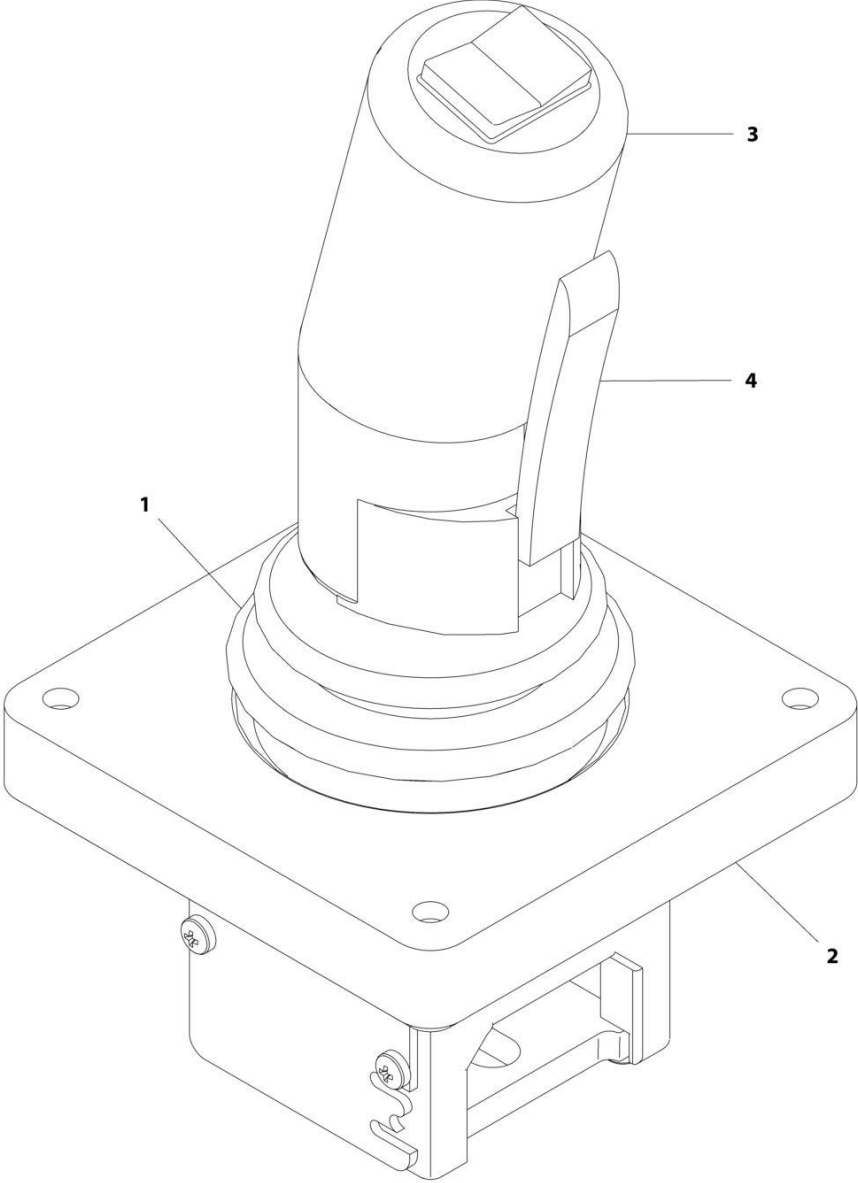
SECTION 4 - PLATFORM

FIGURE 4-2. PLATFORM CONTROL BOX INSTALLATION

ITEM	PART NUMBER	QTY	DESCRIPTION	REV
	0274554	Ref	PLATFORM CONTROL BOX INSTALLATION	C
1	1001091153	Ref	Platform Control Box Assembly	L
101	0140011	1	Alarm	
102	1600439	1	Platform Box Control Module	
103	1380156	1	E-Clip	
104	1600402	1	Controller, Drive/Steer (See Separate Breakdown in this Section)	
105	1671098	1	Latch	
106	1001091272	1	Decal - Icon	
107	1705676	1	Decal - Emergency Stop Ring	
108	2560179	1	Handle, Latch	
109	1001091277	1	Housing, Joystick	
110	1001091278	1	Mount, Joystick	
111	1001091279	1	Housing, Module Mounting (Lower)	
112	1001091280	1	Housing, Module Mounting (Upper)	
113	3300473	4	Nut M6	
114	3340968	2	Button	
115	3380475	2	Panel, Side	
116	1001091283	1	Plate, Decal	
117	3900333	4	Screw M6 x 190	
118	4160203	1	Spring, Compression	
119	4191306	5	Screw M3-1/2 x 12	
120	4191407	8	Screw M4 x 16	
121	4191409	6	Screw M4 x 25	
122	4360475	1	Switch, Emergency Stop	
122	7020175	1	Cap	
122	7020176	1	Block, Contact	
123	4360538	2	Switch, Membrane	
124	4360539	1	Switch, Toggle	
125	4568738	1	Tube, Spacer	
126	4922870	1	Harness, Platform Control Box (Not Shown - See Separate Breakdown in ELECTRICAL Section)	
127	1703819	1	Decal - Directional Arrow	
128	1001091396	6	Screw M3-1/2 x 12	
129	1001231728	1	Decal - Control Module	

SECTION 4 - PLATFORM

FIGURE 4-3. DRIVE/STEER CONTROLLER



ART_1600402

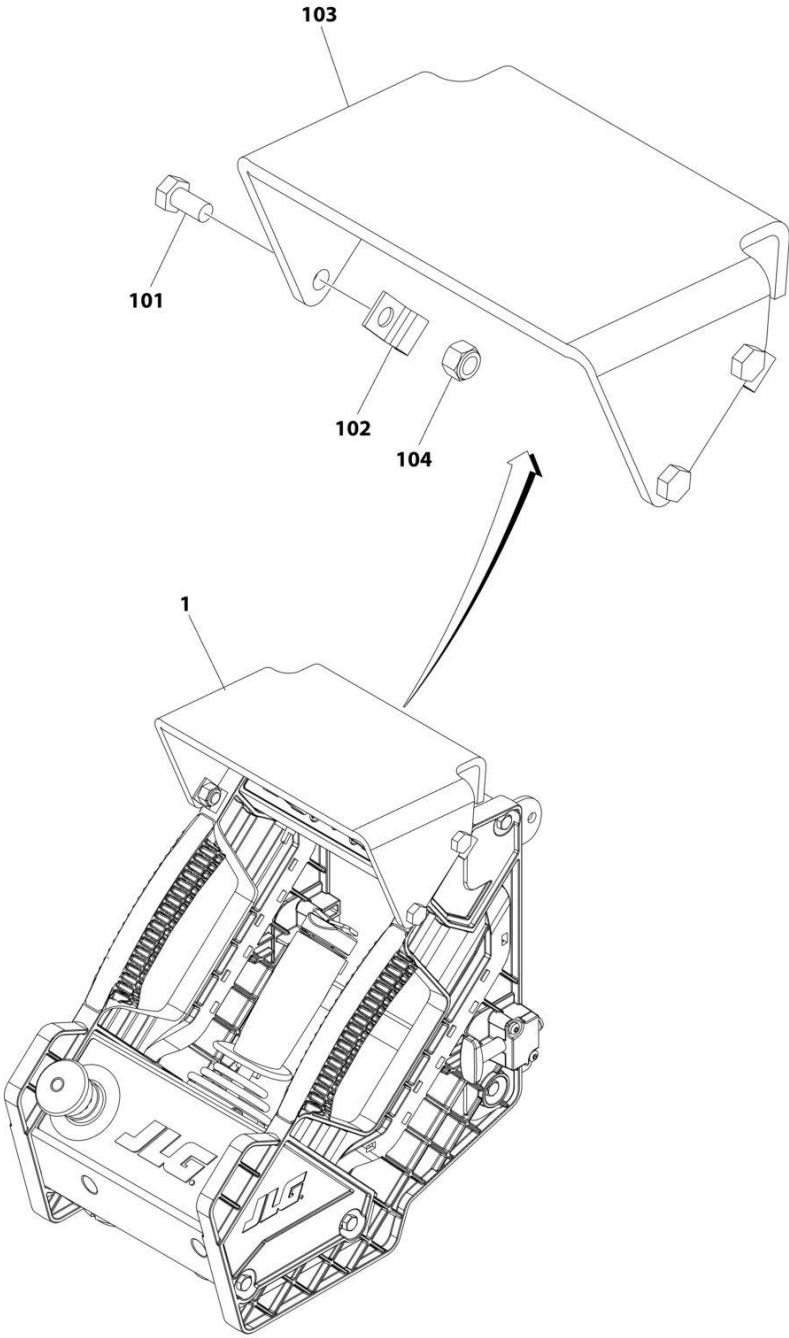
SECTION 4 - PLATFORM

FIGURE 4-3. DRIVE/STEER CONTROLLER

ITEM	PART NUMBER	QTY	DESCRIPTION	REV
	1600402	Ref	DRIVE/STEER CONTROLLER ASSEMBLY	A
1	70001250	1	Boot, Panel	
2	70001252	1	Gasket, Mounting	
2	70001251	1	Bezel, Mounting	
3	70003650	1	Handle Repair Kit (Includes handle gasket, item#4 push button and item #4 lever installed in front handle half, back handle half, top actuator, boot and hardware.)	
3	70000084	1	Cap, Rubber	
3	70000082	1	Microswitch	
3	7027766	1	Ring, Retaining	
3	7027365	1	Actuator, Handle	
3	70001253	1	Gasket, Handle	
3	70000683	4	Washer, Neoprene	
3	70000685	2	Spacer, Plastic	
3	70000686	2	Screw (Top)	
3	70000684	2	Screw (Bottom)	
4	7027367	1	Switch, Push Button	
4	7027765	1	Lever, Enable	

SECTION 4 - PLATFORM

FIGURE 4-4. PLATFORM CONTROL BOX COVER INSTALLATION



ART_1001118216

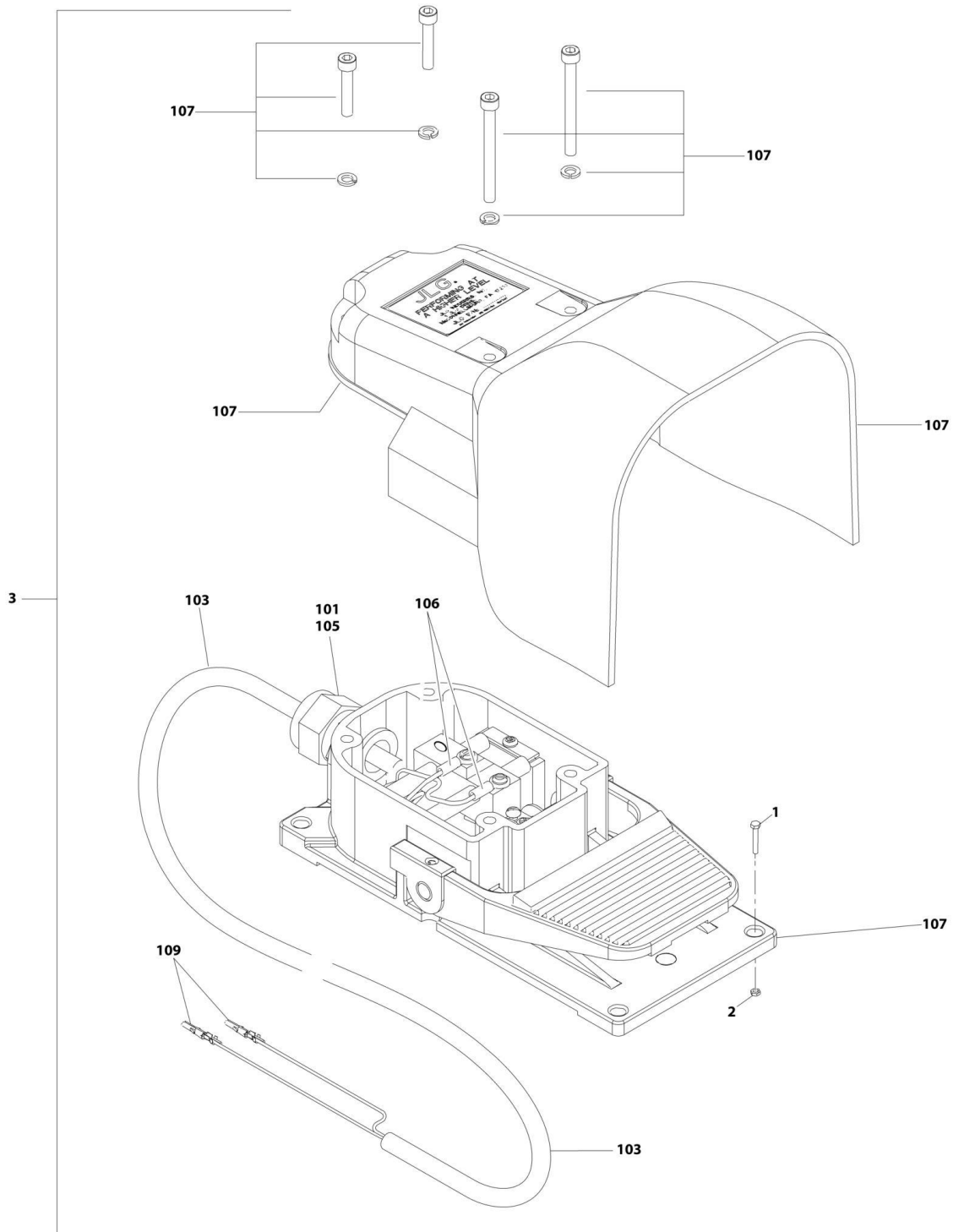
SECTION 4 - PLATFORM

FIGURE 4-4. PLATFORM CONTROL BOX COVER INSTALLATION

ITEM	PART NUMBER	QTY	DESCRIPTION	REV
	1001118216	Ref	PLATFORM CONTROL BOX COVER INSTALLATION	C
1	1001118215	Ref	Platform Control Box Cover Assembly	B
101	0760808	4	Bolt M8 x 16	
102	1380159	4	Clip, Cover Mounting	
103	1001116154	1	Cover, Platform Box	
104	3290805	4	Nut M8	

SECTION 4 - PLATFORM

FIGURE 4-5. FOOTSWITCH INSTALLATION



ART_100116647

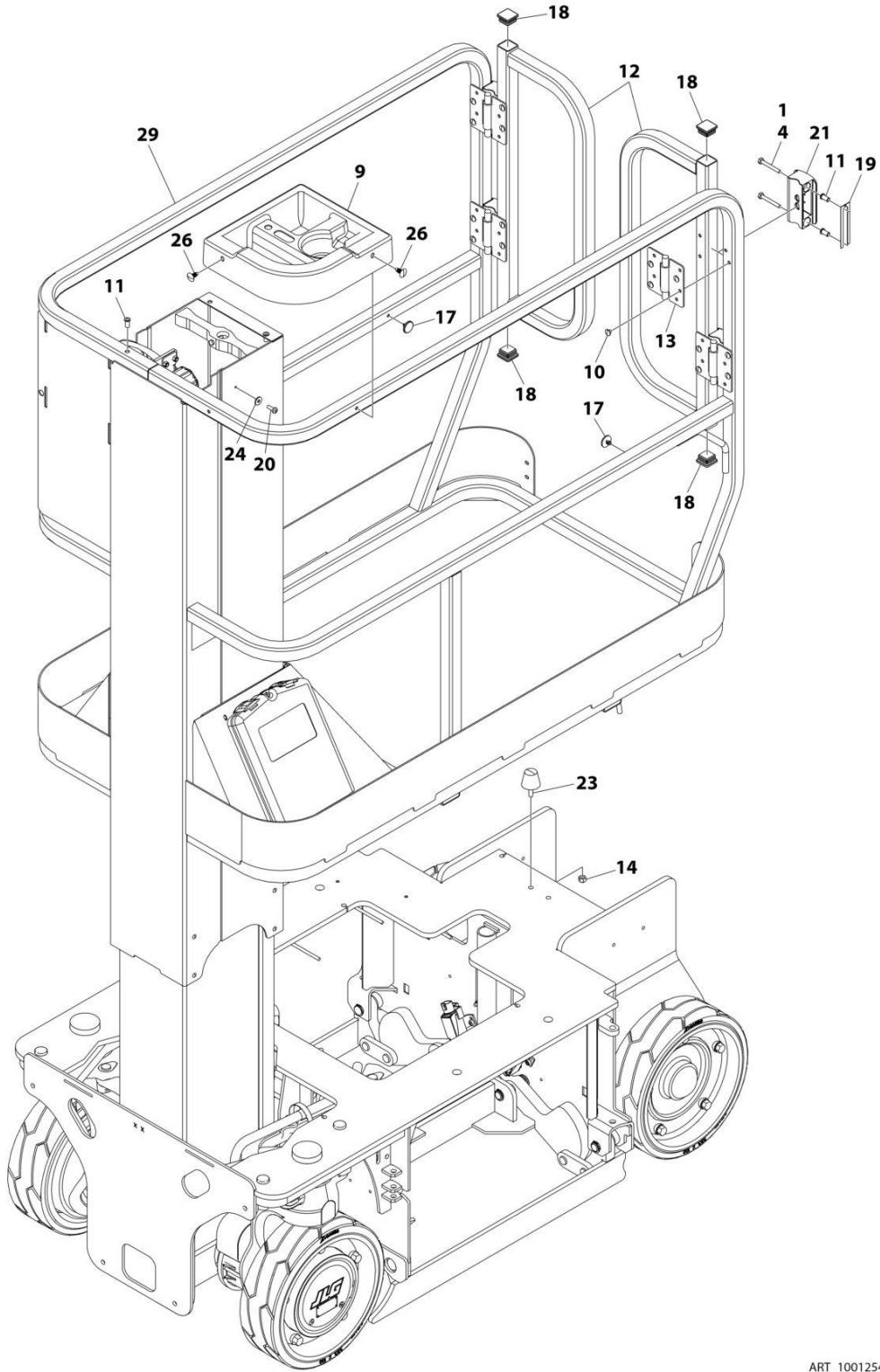
SECTION 4 - PLATFORM

FIGURE 4-5. FOOTSWITCH INSTALLATION

ITEM	PART NUMBER	QTY	DESCRIPTION	REV
	1001116647	Ref	FOOTSWITCH INSTALLATION	C
1	0760610	2	Bolt M6 x 20mm	
2	3290605	2	Nut M6	
3	1001236161	1	FOOTSWITCH ASSEMBLY	B
101	0100020	AR	Sealant	
102	1060918	7.5 ft /2.3m	Cable, Electrical - 18/3	
105	1001133248	1	Connector, Strain Relief	
106	1001098122	2	Terminal, Ring	
107	1001117172	1	Footswitch	
107	70002902	1	Switch, 20A	
107	70002903	1	Gasket	
107	70002904	1	Kit, Replacement Bolt	
107	70002905	1	Cover	
109	4460465	2	Socket	

SECTION 4 - PLATFORM

FIGURE 4-6. PLATFORM INSTALLATION (ANSI, ANSI EXPORT, AND CSA SPECS)



ART_1001254195_20F2

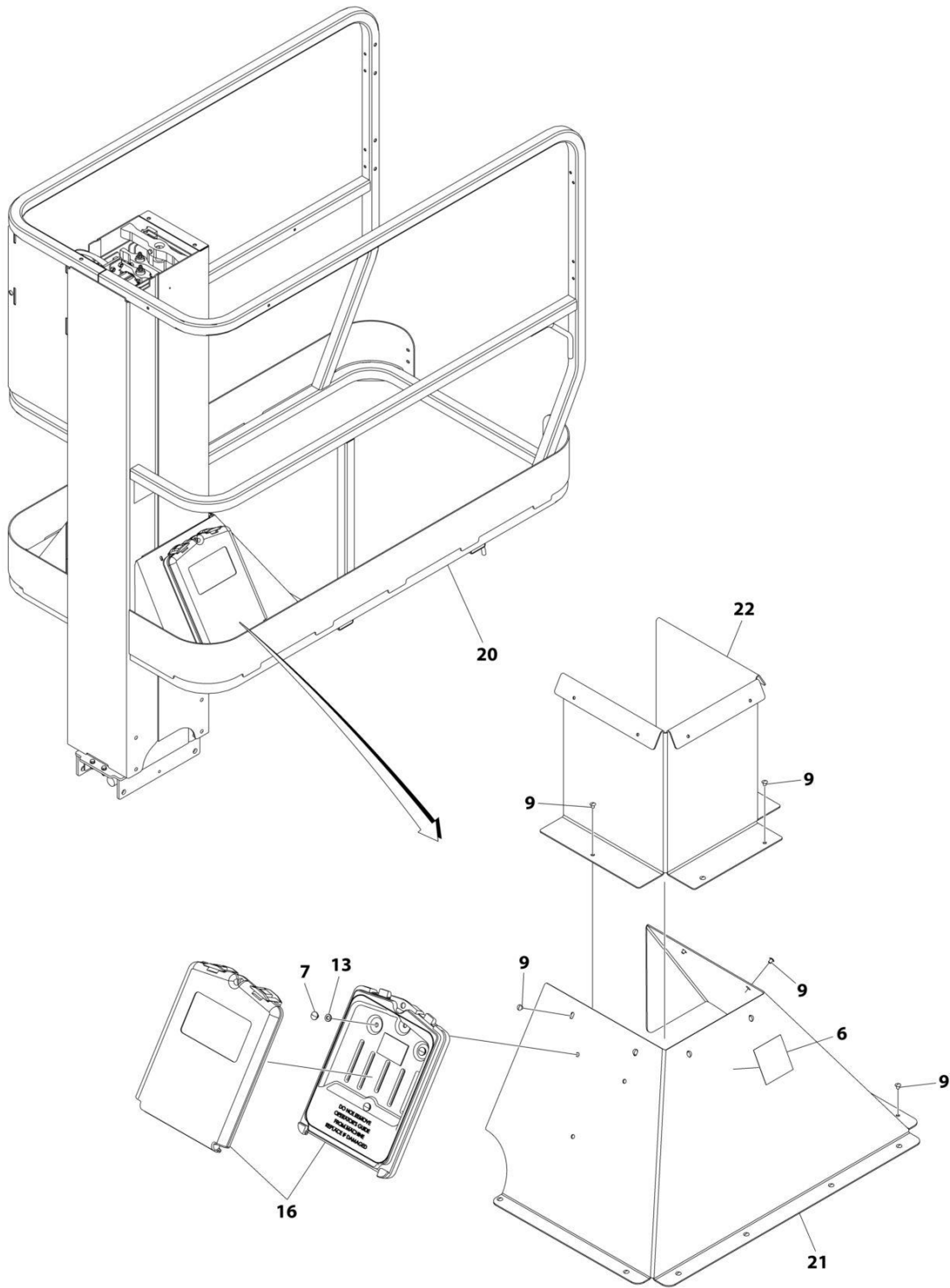
SECTION 4 - PLATFORM

FIGURE 4-6. PLATFORM INSTALLATION (ANSI, ANSI EXPORT, AND CSA SPECS)

ITEM	PART NUMBER	QTY	DESCRIPTION	REV
	1001254195	Ref	PLATFORM INSTALLATION	B
1	0100011	AR	Compound, Locking	
4	0641416	8	Screw 1/4 x 2	
9	1580050	1	Tray	
10	2080040	16	Fastener	
11	2080043	10	Rivnut 1/4 x 5/8	
12	2410021	2	Gate, Saloon	
13	2600281	4	Hinge, Self Closing	
14	3290805	2	Nut M8	
17	3340962	2	Pad, Arm Rest	
18	3520072	4	Plug	
19	4071095	AR	Shim	
20	4191406	1	Screw M4 x 12	
21	4220309	4	Stop, Swing Gate	
23	1001008575	2	Bumper	
24	1001091102	1	Washer M4	
26	1001109786	2	Fastener, Firtree	
29	1001254198	Ref	Platform Panel & Manual Box Installation (See Separate Breakdown in this Section)	

SECTION 4 - PLATFORM

FIGURE 4-7. PLATFORM PANEL & MANUAL BOX INSTALLATION (ANSI, ANSI EXPORT, AND CSA SPECS)



ART_1001254198_20F2

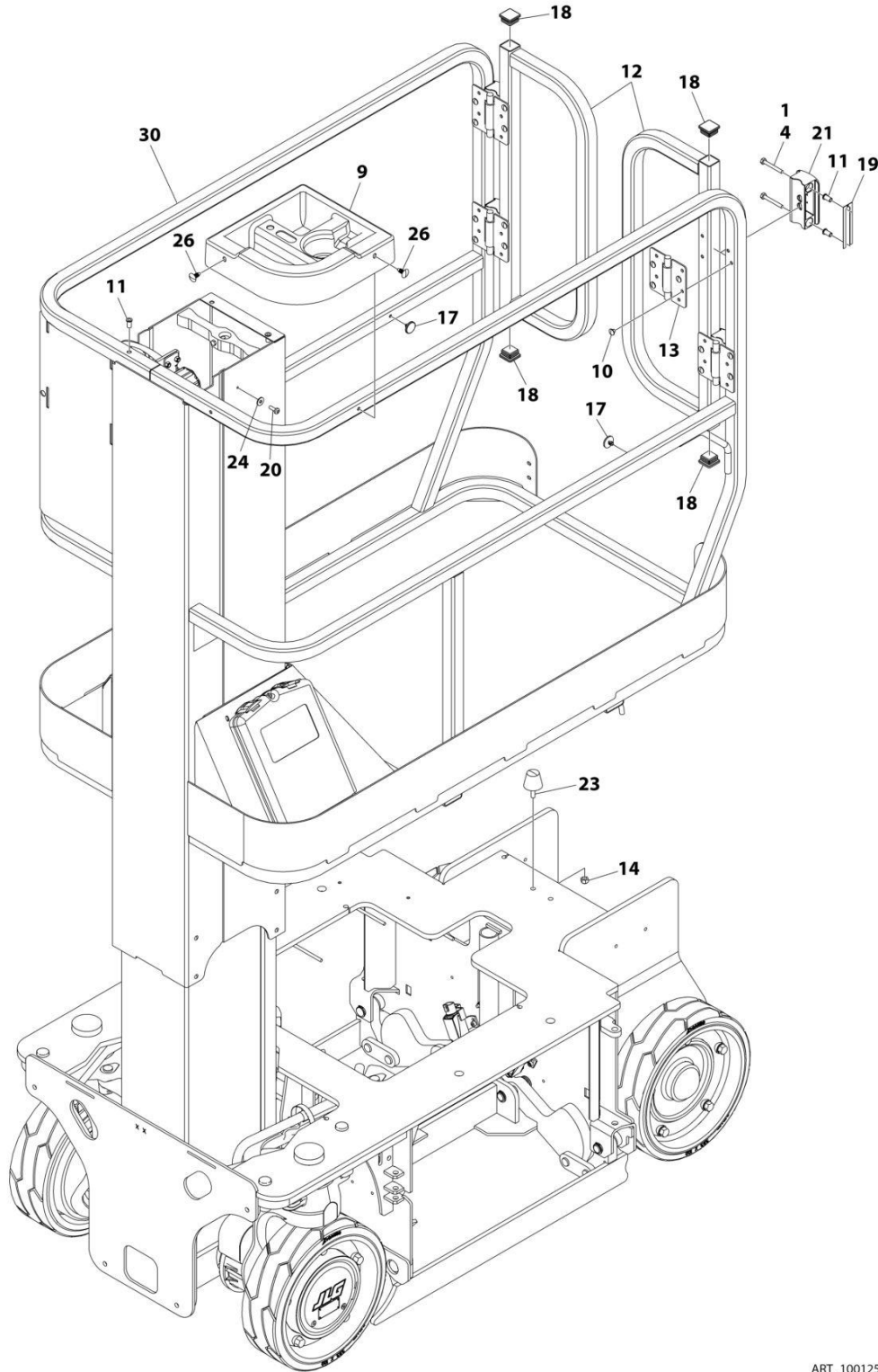
SECTION 4 - PLATFORM

FIGURE 4-7. PLATFORM PANEL & MANUAL BOX INSTALLATION (ANSI, ANSI EXPORT, AND CSA SPECS)

ITEM	PART NUMBER	QTY	DESCRIPTION	REV
	1001254198	Ref	PLATFORM PANEL AND MANUAL BOX INSTALLATION	B
6	1701691	1	Decal	
7	2080040	3	Fastener	
9	3820019	30	Rivet	
13	4811700	8	Washer M6	
16	8990147	1	Manual Holder	
20	1001259119	1	Platform	
21	1001254378	1	Panel	
22	1001254381	1	Brace	

SECTION 4 - PLATFORM

FIGURE 4-8. PLATFORM INSTALLATION (ANSI EXPORT, JAPANESE, AND KOREA SPECS)



ART_1001254341_20F2

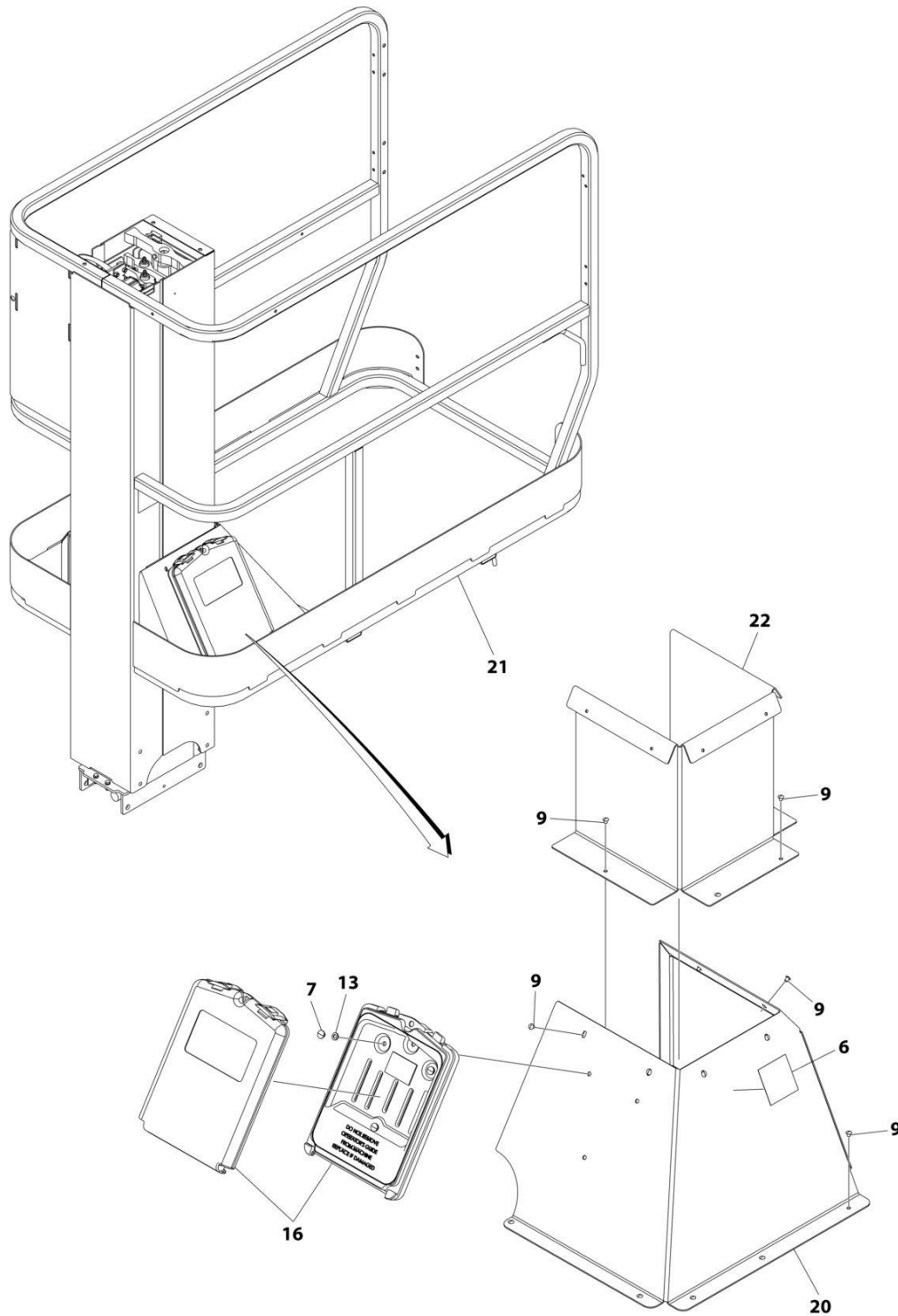
SECTION 4 - PLATFORM

FIGURE 4-8. PLATFORM INSTALLATION (ANSI EXPORT, JAPANESE, AND KOREA SPECS)

ITEM	PART NUMBER	QTY	DESCRIPTION	REV
	1001254341	Ref	PLATFORM INSTALLATION	B
1	0100011	AR	Compound, Locking	
4	0641416	8	Screw 1/4 x 2	
9	1580050	1	Tray	
10	2080040	16	Fastener	
11	2080043	10	Rivnut 1/4 x 5/8	
12	2410021	2	Gate, Saloon	
13	2600281	4	Hinge, Self Closing	
14	3290805	2	Nut M8	
17	3340962	2	Pad, Arm Rest	
18	3520072	4	Plug	
19	4071095	AR	Shim	
20	4191406	1	Screw M4 x 12	
21	4220309	4	Stop, Swing Gate	
23	1001008575	2	Bumper	
24	1001091102	1	Washer M4	
26	1001109786	2	Fastener, Firtree	
30	1001254342	Ref	Platform F/S Panel & Manual Box Installation (See Separate Breakdown in this Section)	

SECTION 4 - PLATFORM

FIGURE 4-9. PLATFORM F/S PANEL & MANUAL BOX INSTALLATION (ANSI EXPORT, JAPANESE, AND KOREA SPECS)



ART_1001254342_20F2

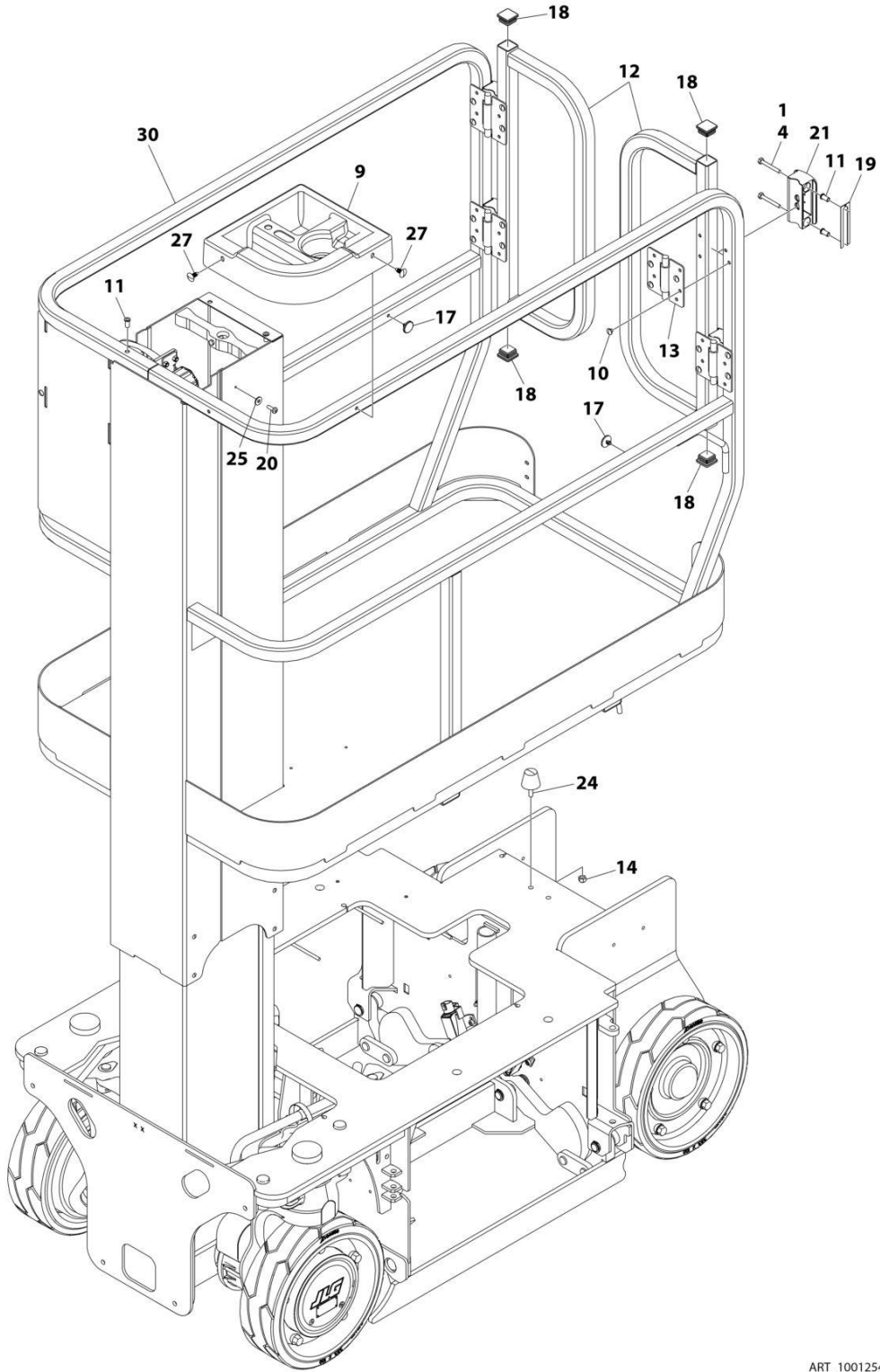
SECTION 4 - PLATFORM

FIGURE 4-9. PLATFORM F/S PANEL & MANUAL BOX INSTALLATION (ANSI EXPORT, JAPANESE, AND KOREA SPECS)

ITEM	PART NUMBER	QTY	DESCRIPTION	REV
	1001254342	Ref	PLATFORM F/S PANEL AND MANUAL BOX INSTALLATION	B
6	1701691	1	Decal	
7	2080040	3	Fastener	
9	3820019	30	Rivet	
13	4811700	8	Washer M6	
16	8990147	1	Manual Holder	
20	1001254349	1	Panel	
21	1001259119	1	Platform	
22	1001254381	1	Brace	

SECTION 4 - PLATFORM

FIGURE 4-10. PLATFORM INSTALLATION (CE SPECS)



ART_1001254196_20F2

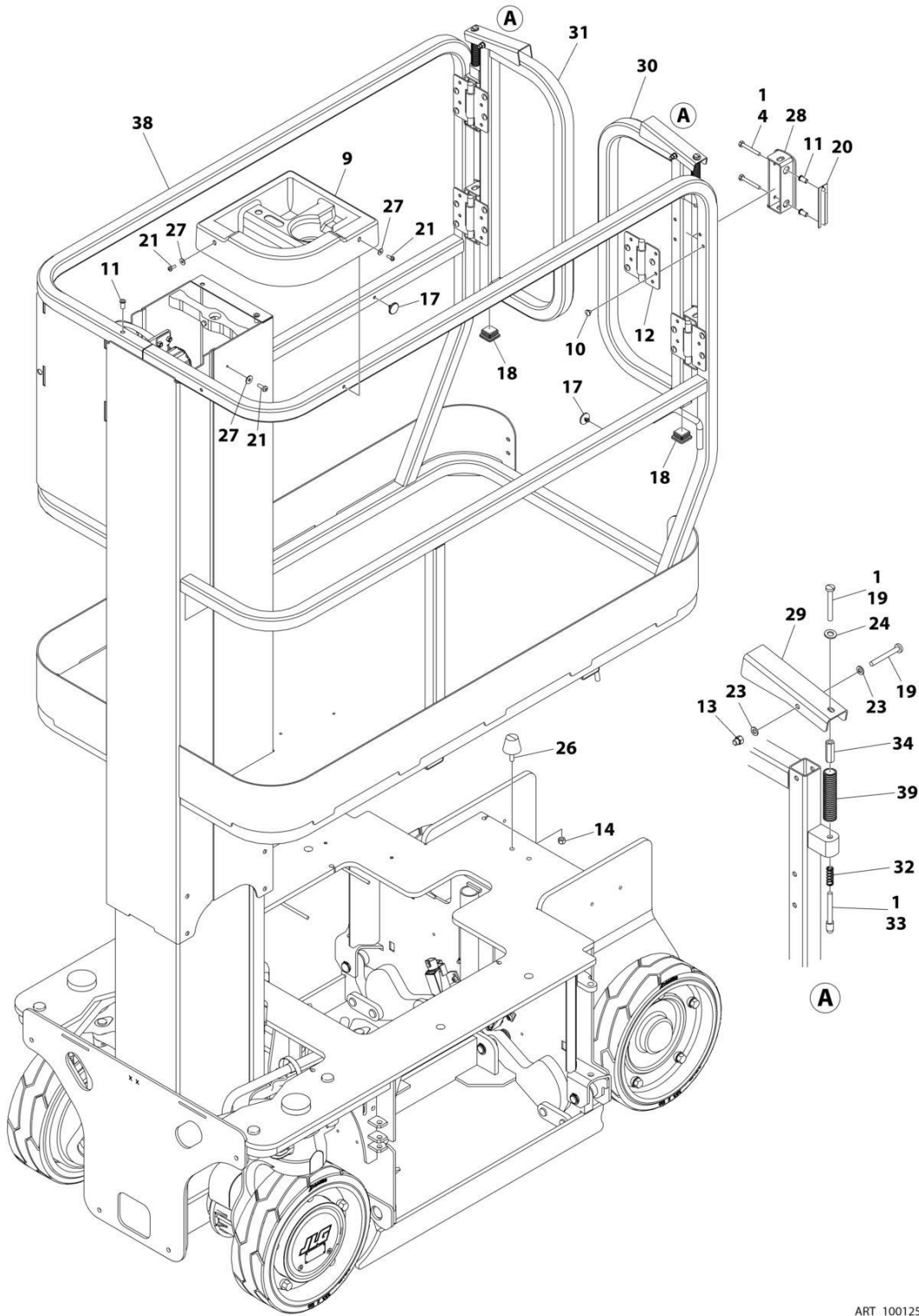
SECTION 4 - PLATFORM

FIGURE 4-10. PLATFORM INSTALLATION (CE SPECS)

ITEM	PART NUMBER	QTY	DESCRIPTION	REV
	1001254196	Ref	PLATFORM INSTALLATION	B
1	0100011	AR	Compound, Locking	
4	0641416	8	Screw 1/4 x 2	
9	1580050	1	Tray	
10	2080040	16	Fastener	
11	2080043	10	Rivnut 1/4 x 5/8	
12	2410021	2	Gate, Saloon	
13	2600281	4	Hinge, Self Closing	
14	3290805	2	Nut M8	
17	3340962	2	Pad, Arm Rest	
18	3520072	4	Plug	
19	4071095	AR	Shim	
20	4191406	1	Screw M4 x 12	
21	4220309	4	Stop, Swing Gate	
24	1001008575	2	Bumper	
25	1001091102	1	Washer M4	
27	1001109786	2	Fastener, Firtree	
30	1001254348	Ref	Platform Without Panel Or Manual Box Installation (See Separate Breakdown in this Section)	

SECTION 4 - PLATFORM

FIGURE 4-11. PLATFORM INSTALLATION (AUSTRALIAN SPECS)



ART_1001254197_20F2

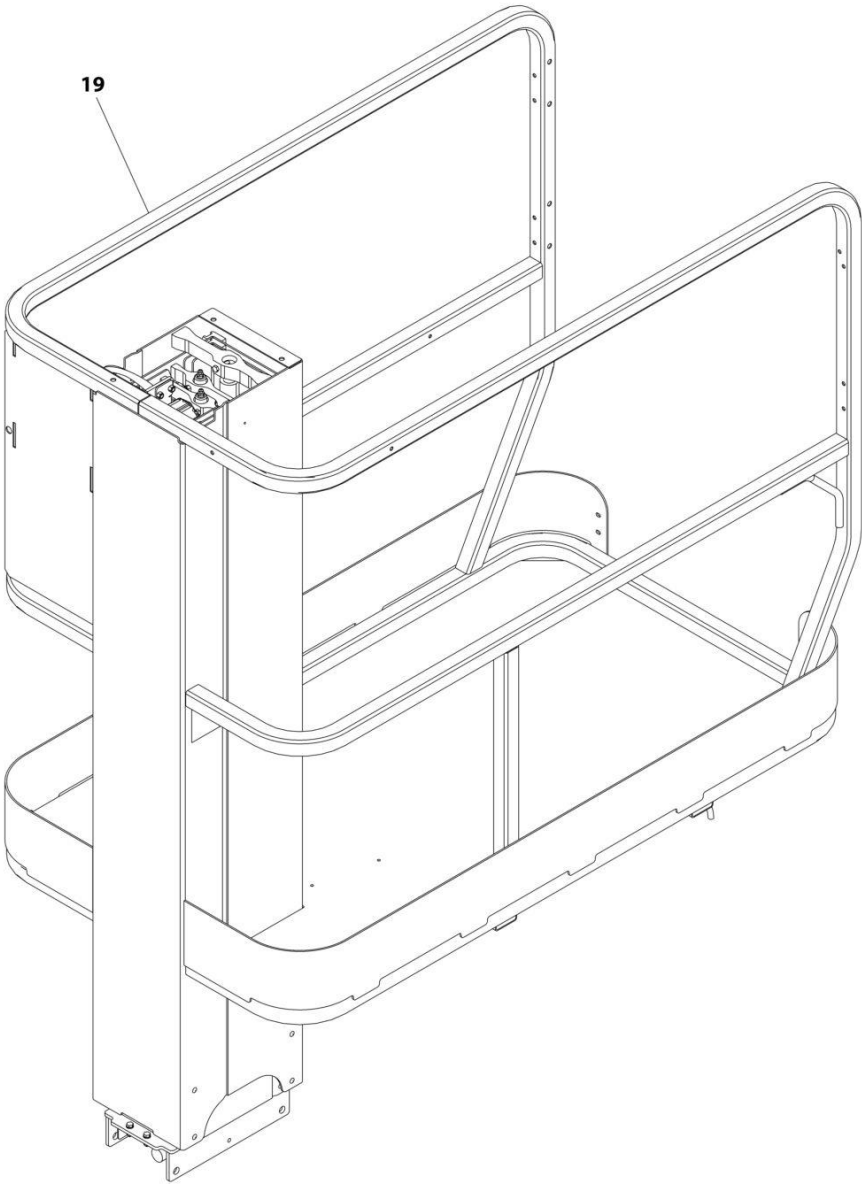
SECTION 4 - PLATFORM

FIGURE 4-11. PLATFORM INSTALLATION (AUSTRALIAN SPECS)

ITEM	PART NUMBER	QTY	DESCRIPTION	REV
	1001254197	Ref	PLATFORM INSTALLATION	B
1	0100011	AR	Compound, Locking	
4	0641416	8	Screw 1/4 x 2	
9	1580050	1	Tray	
10	2080040	16	Fastener	
11	2080043	10	Rivnut 1/4 x 5/8	
12	2600281	4	Hinge, Self Closing	
13	3290606	2	Nut M6	
14	3290805	2	Nut M8	
17	3340962	2	Pad, Arm Rest	
18	3520072	2	Plug	
19	4010618	4	Screw M6 x 50	
20	4071095	AR	Shim	
21	4191406	3	Screw M4 x 12	
23	4811700	4	Washer M6	
24	4811900	2	Washer M8	
26	1001008575	2	Bumper	
27	1001091102	3	Washer M4	
28	1001100141	4	Stop, Swing Gate	
29	1001100142	2	Handle, Gate Latch	
30	1001100630	1	Gate, LH Saloon	
31	1001100631	1	Gate, RH Saloon	
32	1001100634	2	Spring, Gate Latch	
33	1001100918	2	Pin, Plunger	
34	1001100947	2	Turnbuckle M6 x 30	
38	1001254348	Ref	Platform Without Panel Or Manual Box Installation (See Separate Breakdown in this Section)	
39	280013	15 m	Conduit	

SECTION 4 - PLATFORM

FIGURE 4-12. PLATFORM WITHOUT PANEL OR MANUAL BOX INSTALLATION (CE SPECS)



ART_1001254348_20F2

SECTION 4 - PLATFORM

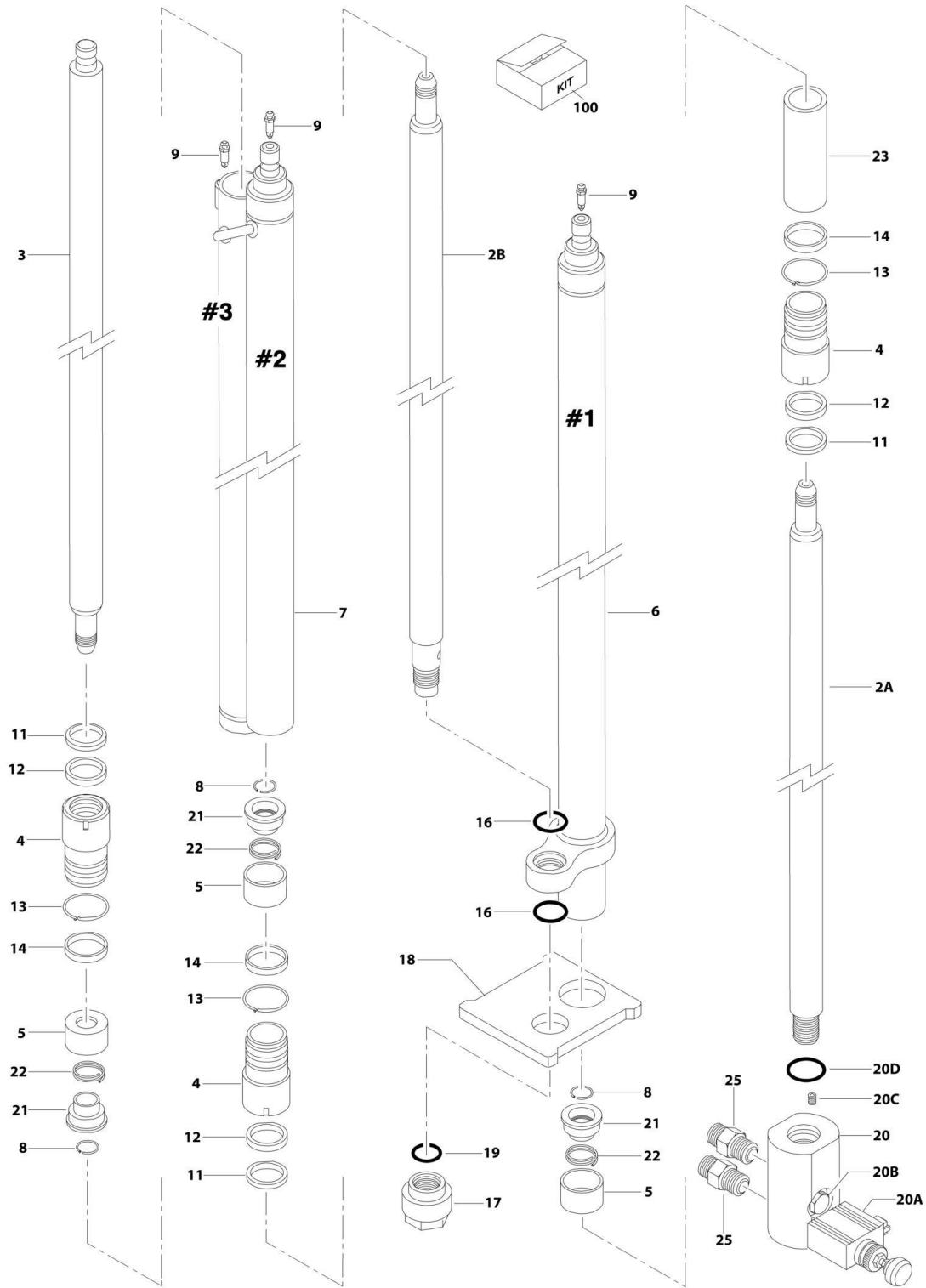
FIGURE 4-12. PLATFORM WITHOUT PANEL OR MANUAL BOX INSTALLATION (CE SPECS)

ITEM	PART NUMBER	QTY	DESCRIPTION	REV
19	1001254348 1001259119	Ref 1	PLATFORM WITHOUT PANEL OR MANUAL BOX INSTALLATION Platform	B

SECTION 5 - CYLINDER

SECTION 5 - CYLINDER

FIGURE 5-1. LIFT CYLINDER ASSEMBLY



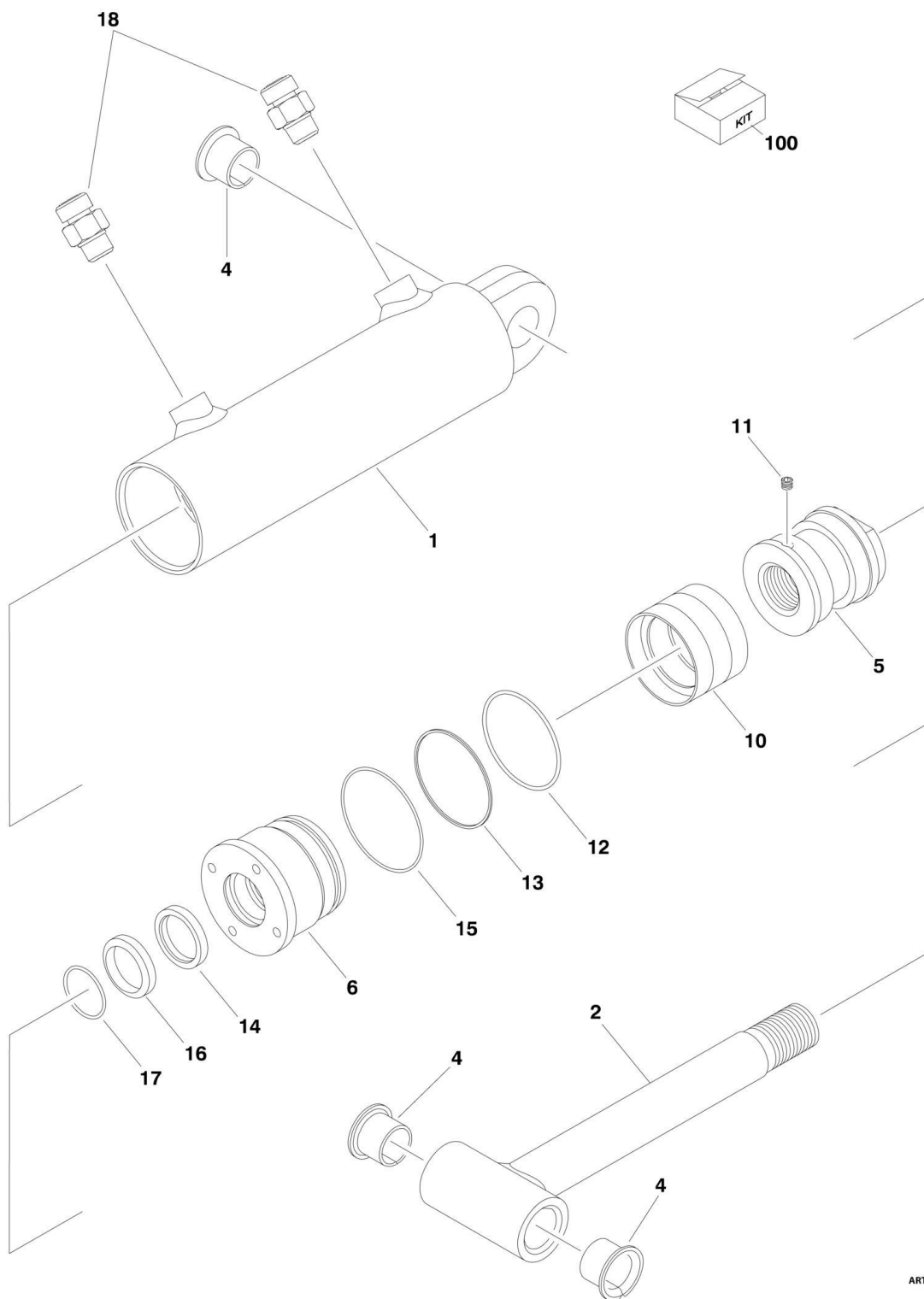
SECTION 5 - CYLINDER

FIGURE 5-1. LIFT CYLINDER ASSEMBLY

ITEM	PART NUMBER	QTY	DESCRIPTION	REV
	1684469	Ref	LIFT CYLINDER ASSEMBLY	H
		Ref	Note: Original Cylinder May Have Been Replaced with Service Replacement. Identify PN Stamped on Cylinder Before Ordering Parts.	
2		Ref	Rod Options:	
2A	70000732	1	Rod (Cylinder #1)	
2B	70000733	1	Rod (Cylinder #2)	
3	70000734	1	Rod (Cylinder #3)	
4	70000721	3	Head (Cylinders #1/#2/#3)	
5	70000722	3	Piston - Outer (Cylinders #1/#2/#3)	
6	See Note	NSS	Barrel (Cylinder #1) (Note: Purchase Complete Assembly)	
7	See Note	NSS	Barrel (Cylinders #2/#3) (Note: Purchase Complete Assembly)	
8	70000723	3	Ring, Retaining (Cylinders #1/#2/#3)	
9	4640858	3	Bleeder (Cylinders #1/#2/#3)	
11	See Note	NSS	Wiper (Cylinders #1/#2/#3) (Note: Use Item 100)	
12	See Note	NSS	Seal (Cylinders #1/#2/#3) (Note: Use Item 100)	
13	70000725	3	Ring, Retaining (Cylinders #1/#2/#3)	
14	See Note	NSS	Seal (Cylinders #1/#2/#3) (Note: Use Item 100)	
16	See Note	NSS	O-Ring (Cylinder #2 Guide) (Note: Use Item 100)	
17	70000726	1	Cap (Cylinder #2)	
18	70000727	1	Guide (Cylinder #2)	
19	See Note	NSS	O-Ring (Cylinder #2 Cap) (Note: Use Item 100)	
20	70000728	1	Valve Assembly	
20A	70000737	1	Cartridge, Solenoid	
20A	See Note	NSS	Seal Kit - 70000737 Valve (Note: Use p/n 70000737)	
20A	See Note	NSS	Coil, (Note: Use p/n 70000737)	
20A	70002720	1	Knob Kit (Includes Knob, Coil Nut, Spacer, Retaining Nut and Qty 2 Coil O-Rings)	
20B	70001254	1	Cartridge, Check	
20B	See Note	NSS	Seal Kit - 70001254 Valve (Note: Use p/n 70001254)	
20C	See Note	NSS	Orifice (Note: Use p/n 70001254)	
20D	See Note	NSS	O-Ring (Note: Use p/n 70001254)	
21	70000729	3	Piston - Inner (Cylinders #1/#2/#3)	
22	70000730	3	Spring (Cylinders #1/#2/#3)	
23	70000731	1	Spacer (Cylinder #1)	
25	2144609	2	Fitting, Straight	
100	70000735	1	Seal Kit - 1684469 Cylinder (Includes Items 11, 12, 14, 16 & 19)	

SECTION 5 - CYLINDER

FIGURE 5-2. STEER CYLINDER ASSEMBLY



ART_1684458

SECTION 5 - CYLINDER

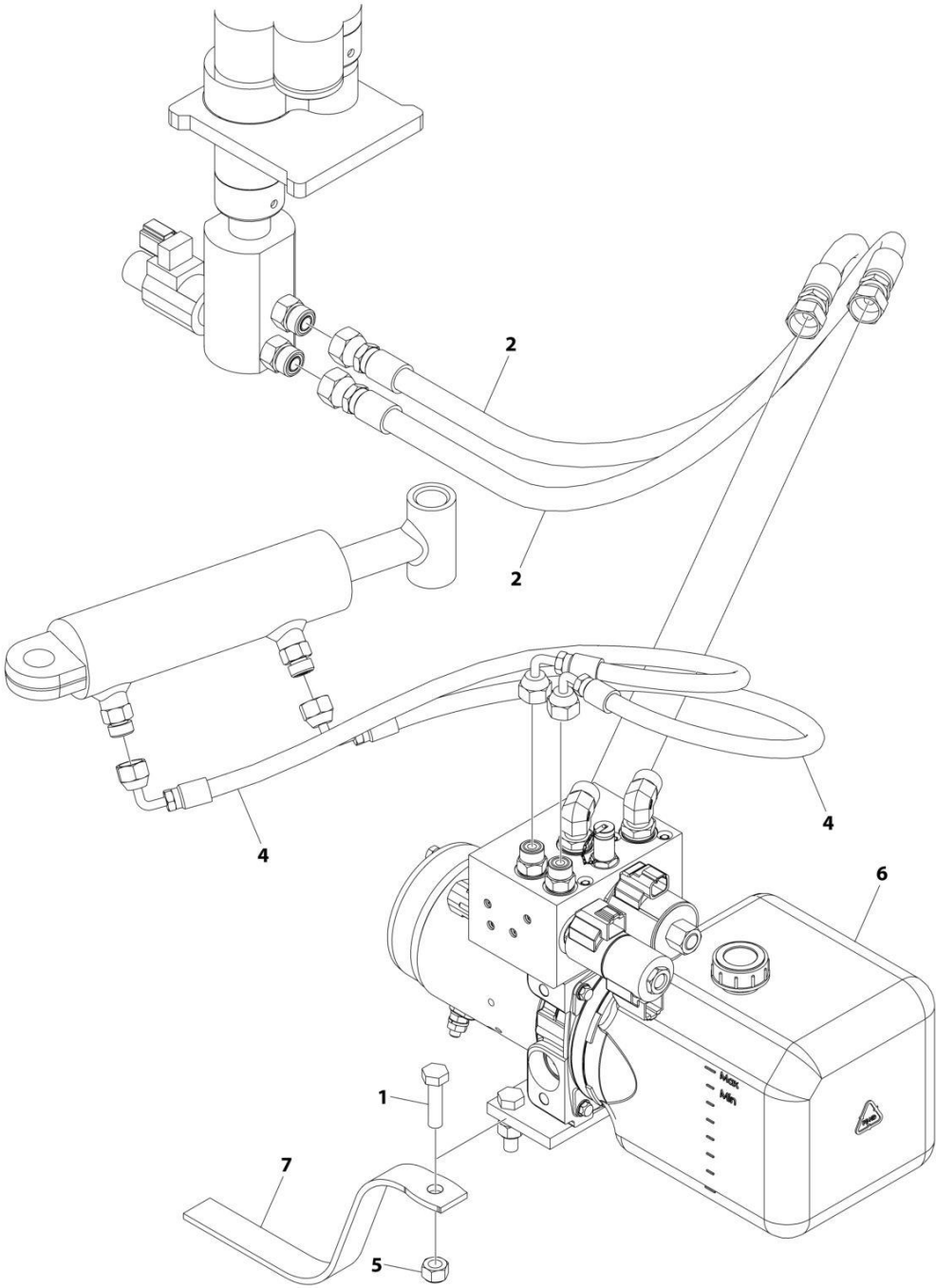
FIGURE 5-2. STEER CYLINDER ASSEMBLY

ITEM	PART NUMBER	QTY	DESCRIPTION	REV
	1684458	Ref	STEER CYLINDER ASSEMBLY	H
		Ref	Note: Original Cylinder May Have Been Replaced with Service Replacement. Identify PN Stamped on Cylinder Before Ordering Parts.	
1	70000742	1	Barrel	
2	70000741	1	Rod	
4	0440263	3	Bushing	
5	70000738	1	Piston	
6	70000739	1	Head	
10	See Note	NSS	Seal (Note: Use Item 100)	
11	See Note	NSS	Setscrew (Note: Not Available - Purchase Locally)	
12	See Note	NSS	Seal (Note: Use Item 100)	
13	See Note	NSS	Ring, Back-up (Note: Use Item 100)	
14	See Note	NSS	Seal (Note: Use Item 100)	
15	See Note	NSS	O-Ring (Note: Use Item 100)	
16	See Note	NSS	Seal (Note: Use Item 100)	
17	See Note	NSS	O-Ring (Note: Use Item 100)	
18	2144605	2	Fitting, Straight	
100	70000743	1	Seal Kit - 1684458 Cylinder (Includes Items 10 & 12-17)	

SECTION 6 - HYDRAULIC

SECTION 6 - HYDRAULIC

FIGURE 6-1. HYDRAULIC INSTALLATION (CONCENTRIC)



ART_0274581

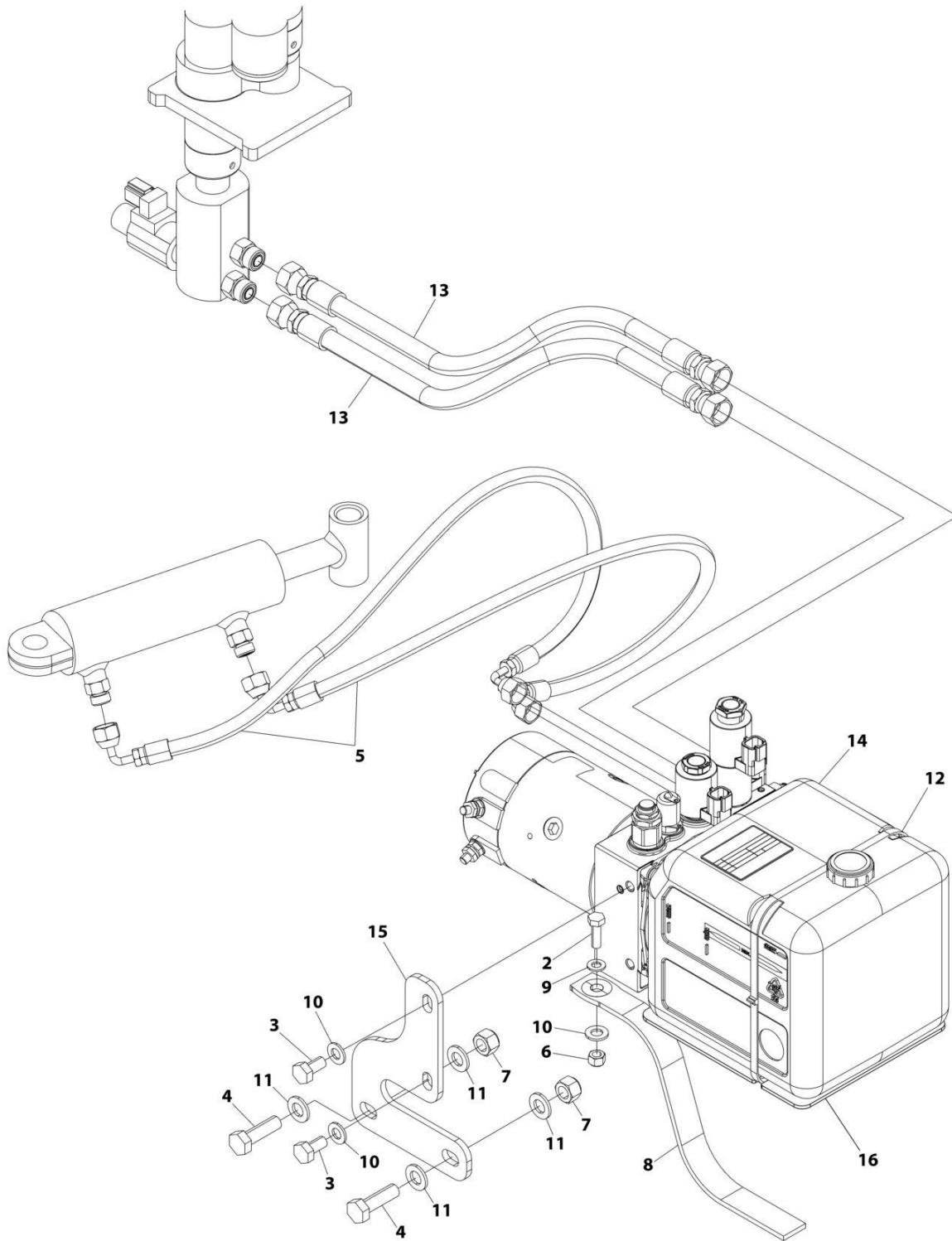
SECTION 6 - HYDRAULIC

FIGURE 6-1. HYDRAULIC INSTALLATION (CONCENTRIC)

ITEM	PART NUMBER	QTY	DESCRIPTION	REV
	0274581	Ref	HYDRAULIC INSTALLATION	H
1	0761016	2	Bolt M10 x 40	
2	1001101833	2	Hose (Lift)	
4	2755003	2	Hose (Steer)	
5	3291005	2	Nut M10	
6	1001231992	1	Pump/Motor/Tank Assembly (See Separate Breakdown in GROUND COMPONENTS Section)	
7	4240147	1	Anti-Static Strap	

SECTION 6 - HYDRAULIC

FIGURE 6-2. HYDRAULIC INSTALLATION (REXROTH)



ART_1001285943

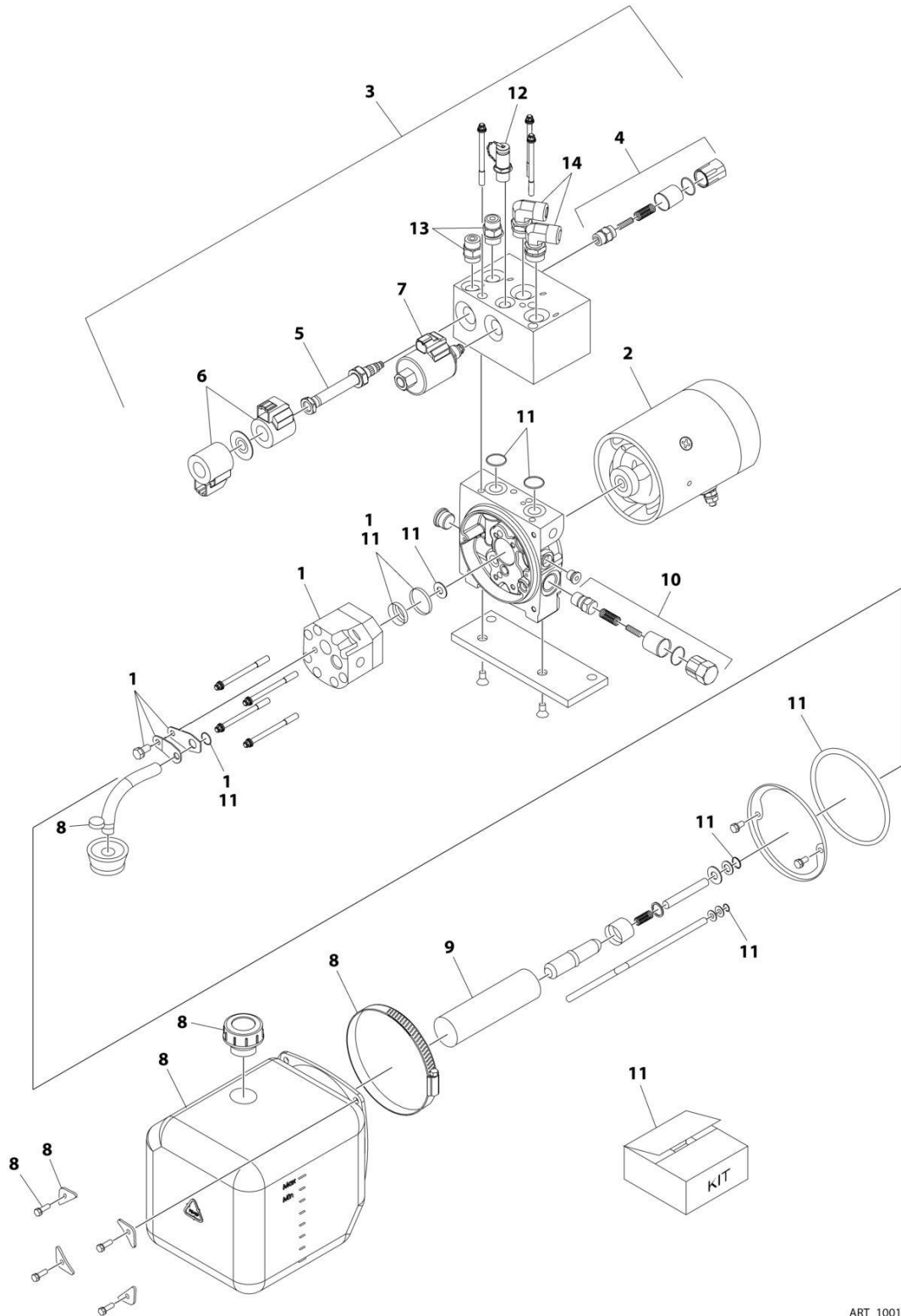
SECTION 6 - HYDRAULIC

FIGURE 6-2. HYDRAULIC INSTALLATION (REXROTH)

ITEM	PART NUMBER	QTY	DESCRIPTION	REV
	1001285943	Ref	HYDRAULIC INSTALLATION	A
1	0100011	AR	Compound, Locking	
2	0700812	1	Bolt M8 x 25	
3	0761010	2	Bolt M10 x 20	
4	0761216	2	Bolt M12 x 40	
5	2755003	2	Hose Assembly, Steering	
6	3290805	1	Bolt M8 x 1.25	
7	3291205	2	Bolt M12 x 1.75	
8	4240147	1	Strap, Anti-Static	
9	4811900	AR	Washer M8	
10	4812000	AR	Washer M10	
11	4812100	AR	Washer M12	
12	8584003	AR	Tie Strap	
13	1001101833	2	Hose Assembly, Lift	
14	1001285942	1	Tank Assembly - Pump/Motor (See Separate Section for Breakdown)	
15	1001286093	1	Bracket, Pump Support	
16	1001287772	1	Plate, Bottom Celeron	

SECTION 6 - HYDRAULIC

FIGURE 6-3. HYDRAULIC ASSEMBLY (CONCENTRIC)



ART_1001231992

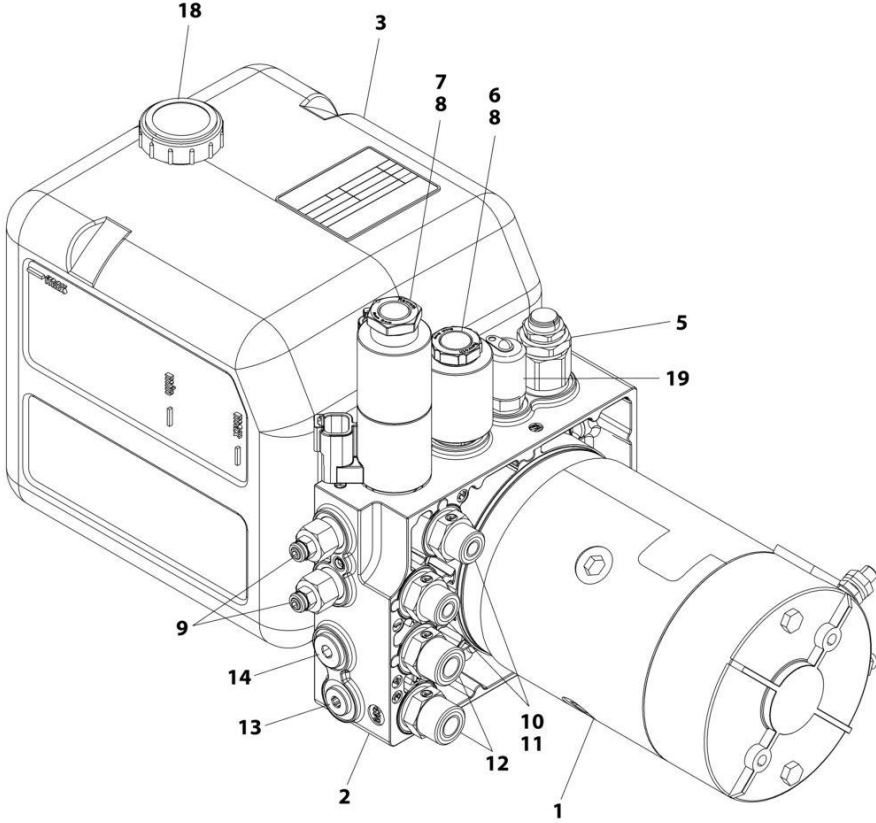
SECTION 6 - HYDRAULIC

FIGURE 6-3. HYDRAULIC ASSEMBLY (CONCENTRIC)

ITEM	PART NUMBER	QTY	DESCRIPTION	REV
	1001231992	Ref	PUMP/MOTOR/TANK ASSEMBLY	A
	Note		Note: PNs without call-out #s are only available by purchasing complete assembly)	
1	70007188	1	Pump Service Kit	
2	70007140	1	Motor, Replacement	
3	70005977	1	Manifold Assembly (includes items 4,5,6,7,12,13, and 14)	
4	70005978	1	Relief Valve Kit	
5	70005979	1	Cartridge, Solenoid	
6	70005980	1	Coil	
7	70005981	1	Cartridge, Solenoid	
8	70005982	1	Tank Assembly Kit	
9	70005983	1	Filter	
10	70005984	1	Relief Valve Kit	
11	70005985	1	Seal Kit (Includes Adapter/Tank O-Ring, Adapter/Manifold O-Rings, Pick-up/Return Tube O-Rings, & Pump Shaft Seals)	
11	7011025	1	O-Ring, Adapter/Tank	
12	2221086	1	Fitting, Pressure Check	
13	2144605	1	Fitting, Straight	
14	1001101362	1	Fitting, 90	

SECTION 6 - HYDRAULIC

FIGURE 6-4. HYDRAULIC ASSEMBLY (REXROTH)



ART_1001285942

SECTION 6 - HYDRAULIC

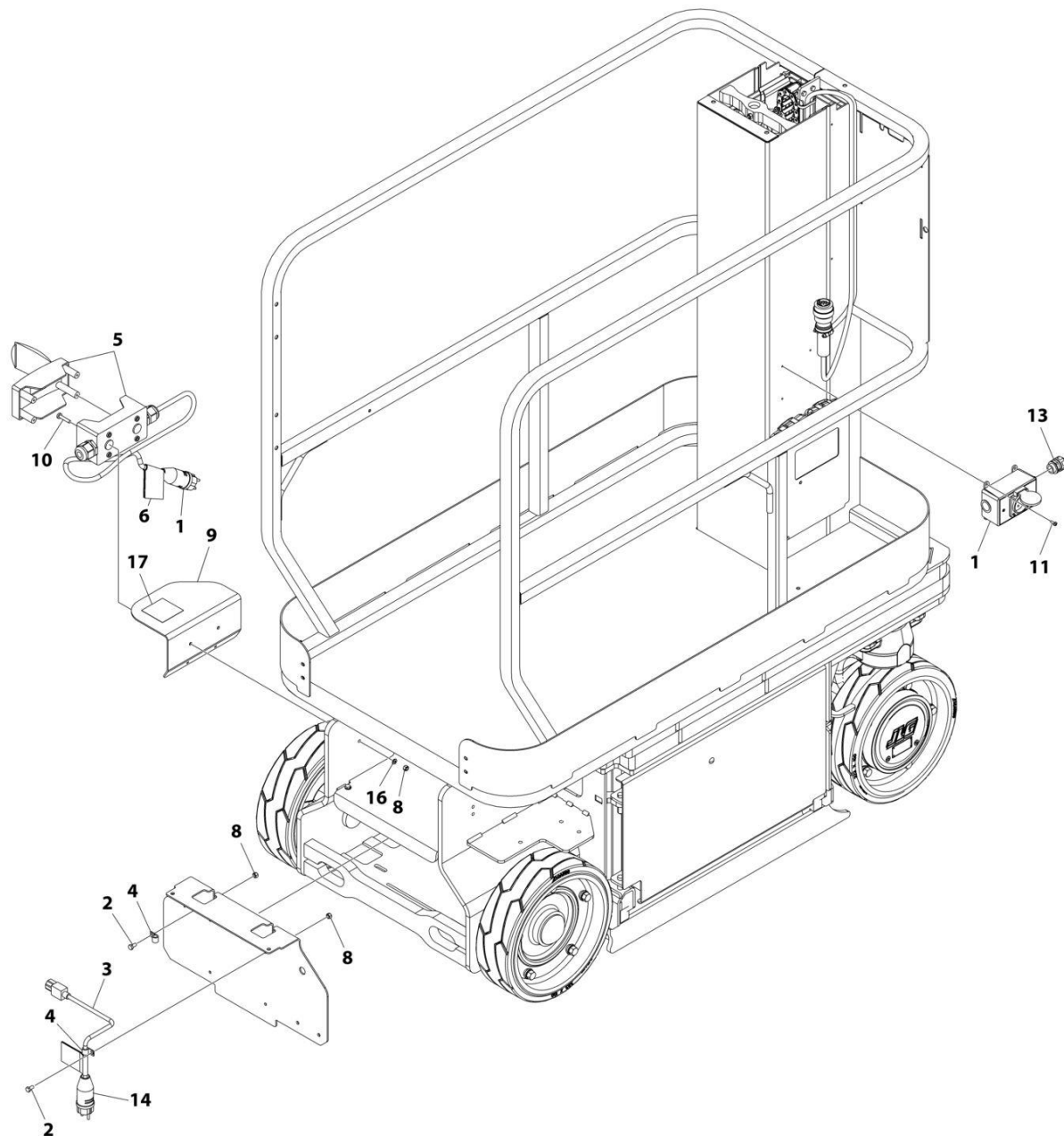
FIGURE 6-4. HYDRAULIC ASSEMBLY (REXROTH)

ITEM	PART NUMBER	QTY	DESCRIPTION	REV
	1001285942	Ref	PUMP/MOTOR/TANK ASSEMBLY	B
1	70007123	1	Motor, Replacement	
2	See Note	NSS	Manifold (Note: Use PN 1001285942)	
3	70006339	1	Tank	
4	70007613	1	Filter (Not Shown)	
5	70007614	1	Cartridge, Valve	
6	70007588	1	Cartridge, Solenoid Valve	
7	70030944	1	Cartridge, Solenoid Valve	
8	70008100	3	Coil	
9	70008101	2	Cartridge, Valve	
10	70005634	2	Screen, 400 Micron	
11	70008102	2	Fitting, Straight BSPP/ORFS	
12	70008103	2	Fitting, Straight BSPP/ORFS	
13	2220883	1	Plug 7/16	
14	70008104	1	Plug 1/4	
15	70003734	1	Filter, Return 20 Micron (Not Shown)	
16	70008105	1	Pump (Includes Screws M8 x 80) (Not Shown)	
17	See Note	NSS	Nameplate (Note: Not Available for Purchase) (Not Shown)	
18	70003700	1	Cap, Fill	
19	70008106	1	Fitting, Test	

SECTION 7 - ELECTRICAL

SECTION 7 - ELECTRICAL

FIGURE 7-1. AC PLUG & SOCKET INSTALLATION - 220V CEE7 POST GROUND (CE SPECS)



ART_0275769

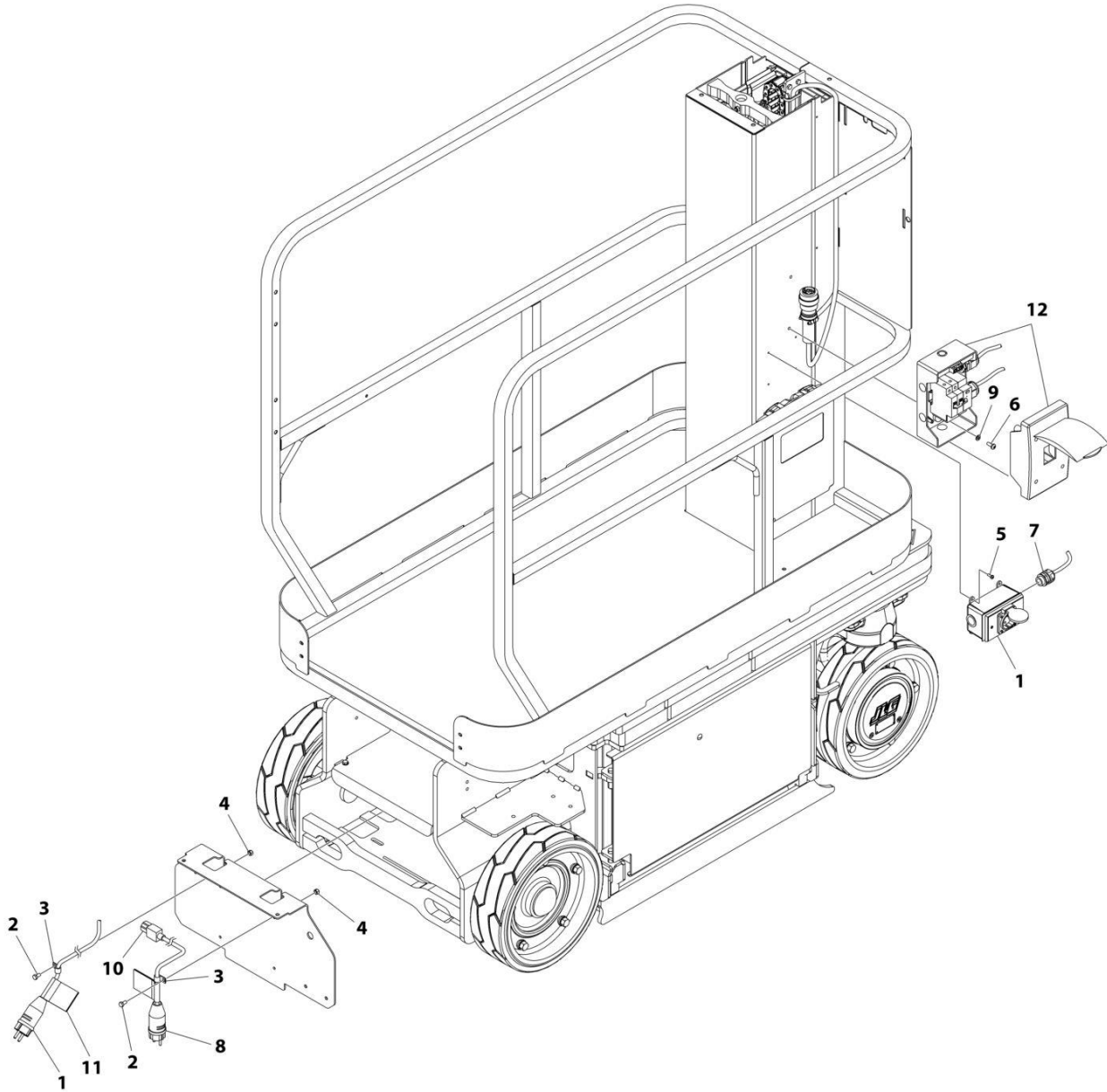
SECTION 7 - ELECTRICAL

FIGURE 7-1. AC PLUG & SOCKET INSTALLATION - 220V CEE7 POST GROUND (CE SPECS)

ITEM	PART NUMBER	QTY	DESCRIPTION	REV
	0275769	Ref	AC PLUG & SOCKET INSTALLATION - 220V CEE7 POST GROUND	F
1	0275452	1	Plug and Receptacle Box Assembly (See Separate Breakdown in this Section)	
2	0760606	2	Bolt M6 x 12	
3	1001103258	1	Cable, Charger Input	
4	1321293	2	Clamp, Cable	
5	2902559	1	Breaker Box Assembly (See Separate Breakdown in this Section)	
6	1001103742	1	Decal, AC Label	
8	3290605	4	Nut M6	
9	3380766	1	Shield, Breaker Box	
10	4010614	2	Screw M6 x 30	
11	4191406	2	Screw M4 x 12	
12	4240033	AR	Tie-Strap (Not Shown)	
13	4460662	1	Connector, Strain Relief	
14	4461205	1	Plug	
16	4811700	2	Washer M6	
17	1701691	1	Decal - No Step	

SECTION 7 - ELECTRICAL

FIGURE 7-2. AC PLUG & SOCKET INSTALLATION - 220V CEE7 SIDE GROUND (CE SPECS)



ART_1001153734

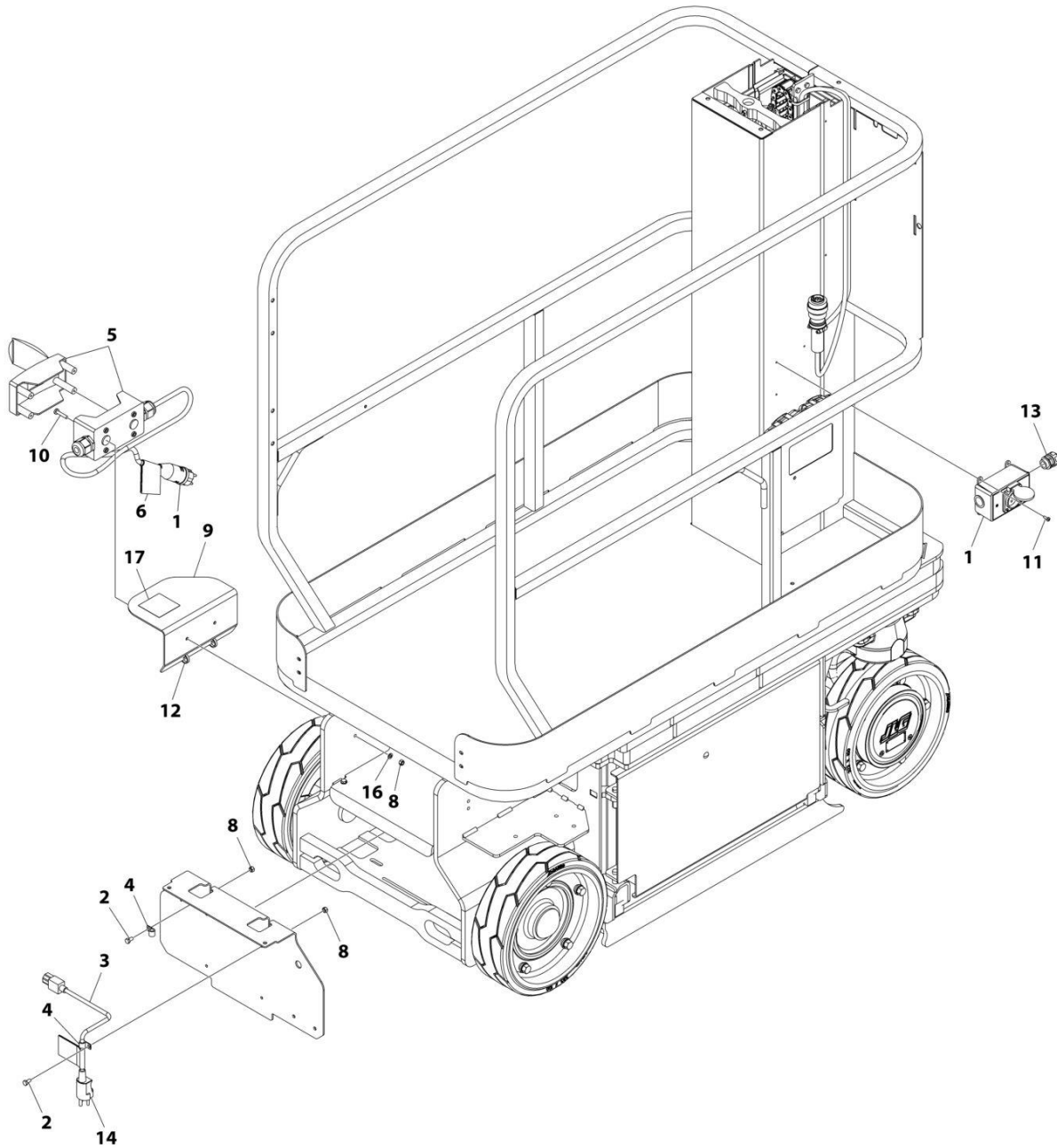
SECTION 7 - ELECTRICAL

FIGURE 7-2. AC PLUG & SOCKET INSTALLATION - 220V CEE7 SIDE GROUND (CE SPECS)

ITEM	PART NUMBER	QTY	DESCRIPTION	REV
	1001153734	Ref	AC PLUG & SOCKET INSTALLATION - 220V CEE7 SIDE GROUND	B
1	0275453	1	Plug and Receptacle Box Assembly (See Separate Breakdown in this Section)	
2	0760606	2	Bolt M6 x 12	
3	1321293	2	Clamp, Cable	
4	3290605	2	Nut M6	
5	4191406	2	Screw M4 x 12	
6	4191707	2	Screw M6 x 16	
7	4460662	1	Connector, Strain Relief	
8	4461205	1	Plug	
9	4811700	2	Washer M6	
10	1001103258	1	Cable, Charger Input	
11	1001103742	1	Decal - AC Label	
12	1001152487	1	Breaker Box Assembly (See Separate Breakdown in this Section)	

SECTION 7 - ELECTRICAL

FIGURE 7-3. AC PLUG & SOCKET INSTALLATION - 220V CEE7 KEYED GROUND (CE SPECS)



ART_0275771

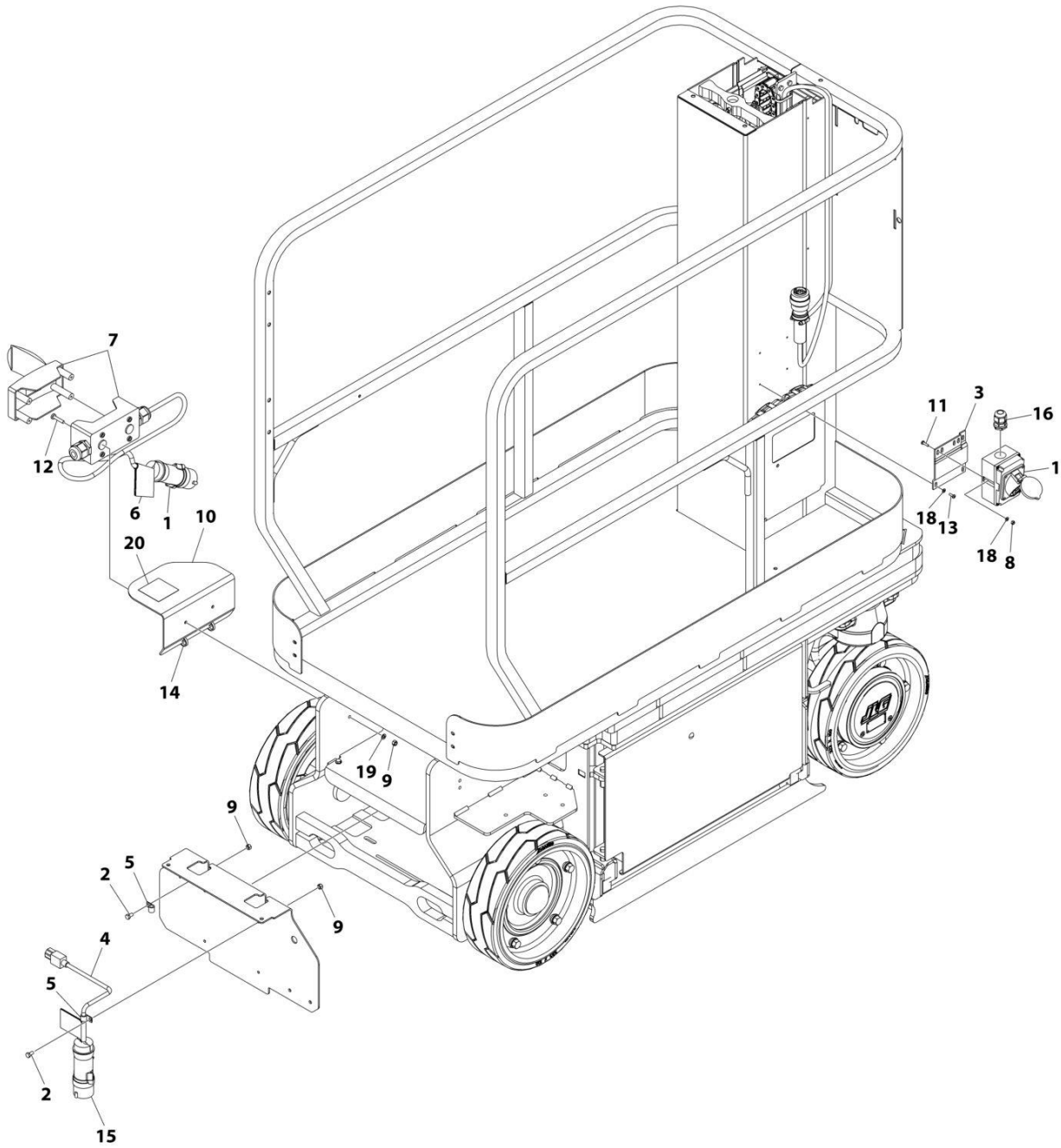
SECTION 7 - ELECTRICAL

FIGURE 7-3. AC PLUG & SOCKET INSTALLATION - 220V CEE7 KEYED GROUND (CE SPECS)

ITEM	PART NUMBER	QTY	DESCRIPTION	REV
	0275771	Ref	AC PLUG & SOCKET INSTALLATION - 220V CEE7 KEYED GROUND	E
1	0275454	1	Plug and Receptacle Box Assembly (See Separate Breakdown in this Section)	
2	0760606	2	Bolt M6 x 12	
3	1001103258	1	Cable, Charger Input	
4	1321293	2	Clamp, Cable	
5	2902559	1	Breaker Box Assembly (See Separate Breakdown in this Section)	
6	1001103742	1	Decal - AC Label	
8	3290605	4	Nut M6	
9	3380766	1	Shield, Breaker Box	
10	4010614	2	Screw M6 x 30	
11	4191406	2	Screw M4 x 12	
12	4240033	AR	Tie-Strap (Not Shown)	
13	4460662	1	Connector, Strain Relief	
14	4461249	1	Plug	
16	4811700	2	Washer M6	
17	1701691	1	Decal - No Step	

SECTION 7 - ELECTRICAL

FIGURE 7-4. AC PLUG & SOCKET INSTALLATION - 220V IEC YELLOW (CE SPECS)



ART_0275772

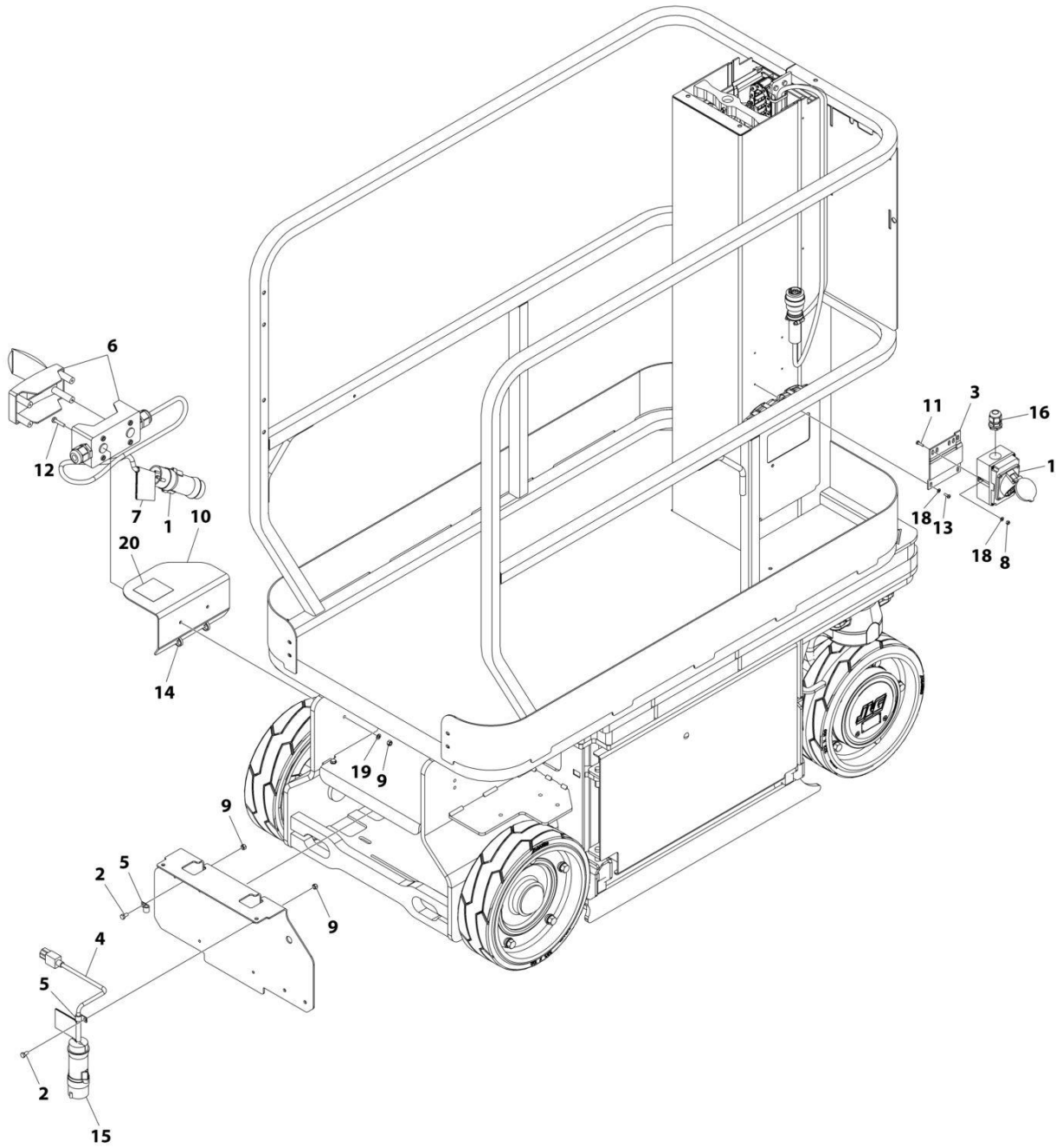
SECTION 7 - ELECTRICAL

FIGURE 7-4. AC PLUG & SOCKET INSTALLATION - 220V IEC YELLOW (CE SPECS)

ITEM	PART NUMBER	QTY	DESCRIPTION	REV
	0275772	Ref	AC PLUG & SOCKET INSTALLATION - 220V IEC YELLOW	F
1	0275216	1	Plug and Receptacle Box Assembly (See Separate Breakdown in this Section)	
2	0760606	2	Bolt M6 x 12	
3	0903651	1	Bracket, AC Box	
4	1001103258	1	Cable, Charger Input	
5	1321293	2	Clamp, Cable	
6	1001103742	1	Decal - AC Label	
7	2902559	1	Breaker Box Assembly (See Separate Breakdown in this Section)	
8	3290405	2	Nut M4	
9	3290605	4	Nut M6	
10	3380766	1	Shield, Breaker Box	
11	4010408	2	Bolt M4 x 16	
12	4010614	2	Screw M6 x 30	
13	4191406	3	Screw M4 x 12	
14	4240033	AR	Tie-Strap (Not Shown)	
15	4461196	1	Plug	
16	4460633	1	Connector, Strain Relief	
18	4811400	7	Washer M4	
19	4811700	2	Washer M6	
20	1701691	1	Decal - No Step	

SECTION 7 - ELECTRICAL

FIGURE 7-5. AC PLUG & SOCKET INSTALLATION - 220V IEC BLUE (CE SPECS)



ART_0275773

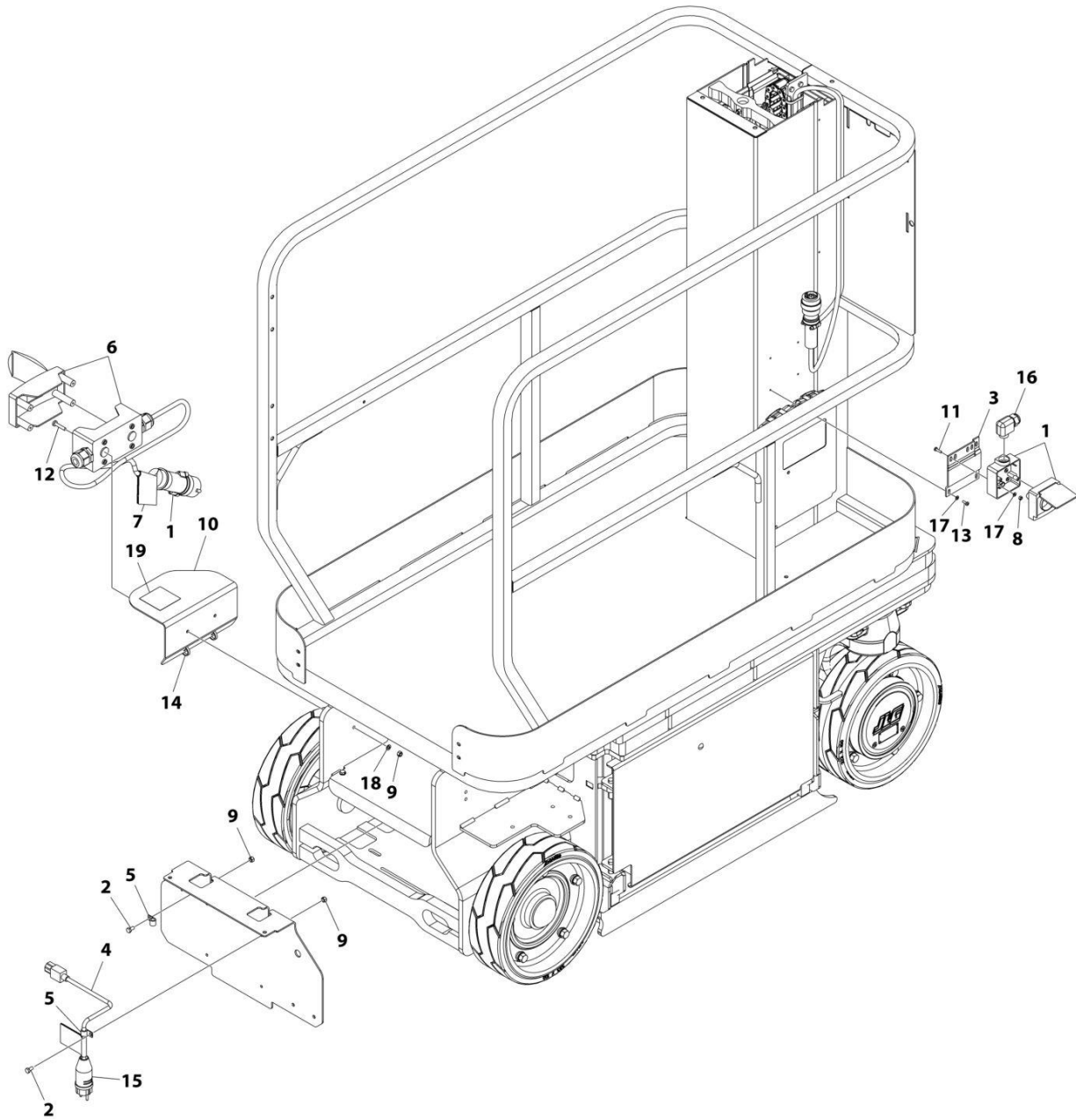
SECTION 7 - ELECTRICAL

FIGURE 7-5. AC PLUG & SOCKET INSTALLATION - 220V IEC BLUE (CE SPECS)

ITEM	PART NUMBER	QTY	DESCRIPTION	REV
	0275773	Ref	AC PLUG & SOCKET INSTALLATION - 220V IEC BLUE	F
1	0275217	1	Plug and Receptacle Box Assembly (See Separate Breakdown in this Section)	
2	0760606	2	Bolt M6 x 12	
3	0903651	1	Bracket, AC Box	
4	1001103258	1	Cable, Charger Input	
5	1321293	2	Clamp, Cable	
6	2902559	1	Breaker Box Assembly (See Separate Breakdown in this Section)	
7	1001103742	1	Decal - AC Label	
8	3290405	2	Nut M4	
9	3290605	4	Nut M6	
10	3380766	1	Shield, Breaker Box	
11	4010408	2	Bolt M4 x 16	
12	4010614	2	Screw M6 x 30	
13	4191406	3	Screw M4 x 12	
14	4240033	AR	Tie-Strap (Not Shown)	
15	4461199	1	Plug	
16	4460633	1	Connector, Strain Relief	
18	4811400	7	Washer M4	
19	4811700	2	Washer M6	
20	1701691	1	Decal - No Step	

SECTION 7 - ELECTRICAL

FIGURE 7-6. AC PLUG & SOCKET INSTALLATION - 220V CEE7 POST GROUND (CE SPECS)



ART_0275774

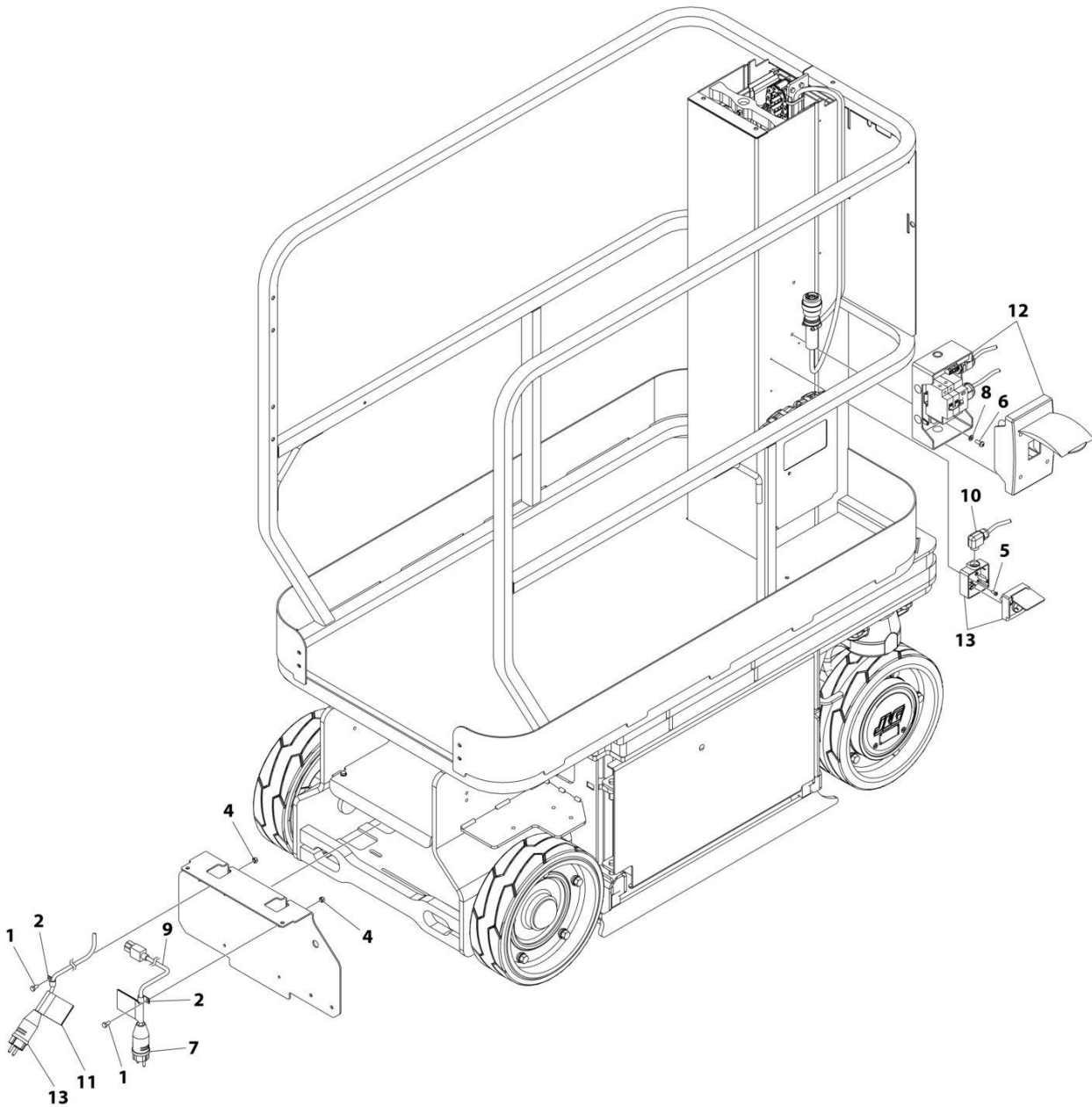
SECTION 7 - ELECTRICAL

FIGURE 7-6. AC PLUG & SOCKET INSTALLATION - 220V CEE7 POST GROUND (CE SPECS)

ITEM	PART NUMBER	QTY	DESCRIPTION	REV
	0275774	Ref	AC PLUG & SOCKET INSTALLATION - 220V CEE7 POST GROUND	H
1	0275218	1	Plug and Receptacle Box Assembly (See Separate Breakdown in this Section)	
2	0760606	2	Bolt M6 x 12	
3	0903651	1	Bracket, AC Box	
4	1001103258	1	Cable, Charger Input	
5	1321293	2	Clamp, Cable	
6	2902559	1	Breaker Box Assembly (See Separate Breakdown in this Section)	
7	1001103742	1	Decal - AC Label	
8	3290405	2	Nut M4	
9	3290605	4	Nut M6	
10	3380766	1	Shield, Breaker Box	
11	4010408	2	Bolt M4 x 16	
12	4010614	2	Screw M6 x 30	
13	4191406	3	Screw M4 x 12	
14	4240033	AR	Tie-Strap (Not Shown)	
15	4461205	1	Plug	
16	1001103471	1	Connector, Strain Relief	
17	4811400	7	Washer M4	
18	4811700	2	Washer M6	
19	1701691	1	Decal - No Step	

SECTION 7 - ELECTRICAL

FIGURE 7-7. AC PLUG & SOCKET INSTALLATION - 220V CEE7 SIDE GROUND (CE SPECS)



ART_1001153735

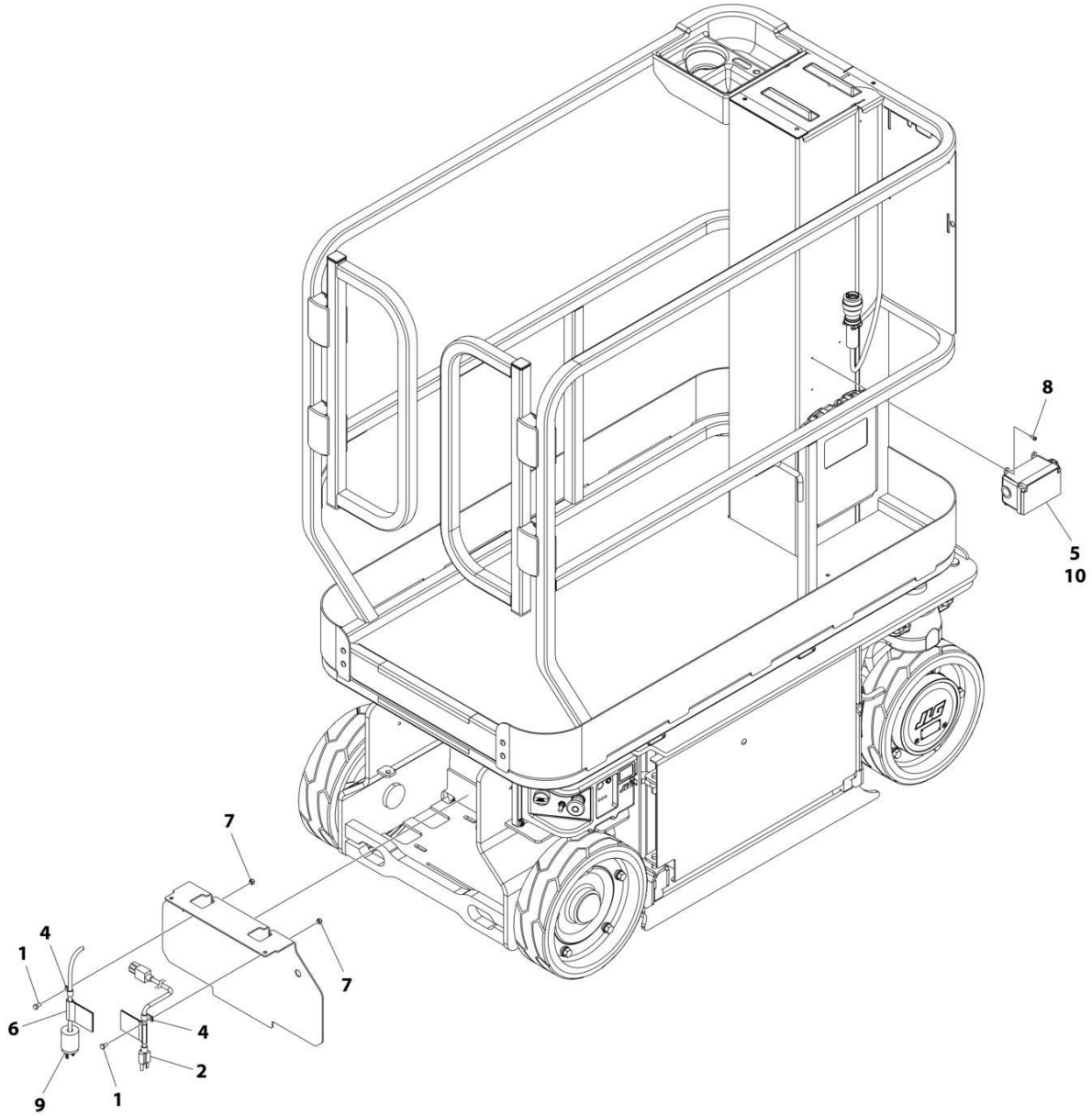
SECTION 7 - ELECTRICAL

FIGURE 7-7. AC PLUG & SOCKET INSTALLATION - 220V CEE7 SIDE GROUND (CE SPECS)

ITEM	PART NUMBER	QTY	DESCRIPTION	REV
	1001153735	Ref	AC PLUG & SOCKET INSTALLATION - 220V CEE7 SIDE GROUND	A
1	0760606	2	Bolt M6 x 12	
2	1321293	2	Clamp, Cable	
4	3290605	2	Nut M6	
5	4191406	2	Screw M4 x 12	
6	4191707	2	Screw M6 x 16	
7	4461205	1	Plug	
8	4811700	2	Washer M6	
9	1001103258	1	Cable, Charger Input	
10	1001103471	1	Connector, Strain Relief	
11	1001103742	1	Decal - AC Label	
12	1001152487	1	Breaker Box Assembly (See Separate Breakdown in this Section)	
13	0275219	1	Plug and Receptacle Box Assembly (See Separate Breakdown in this Section)	

SECTION 7 - ELECTRICAL

FIGURE 7-8. ACCESSORY CHARGER POWER INSTALLATION - 110V (CE SPECS)



ART_0274556

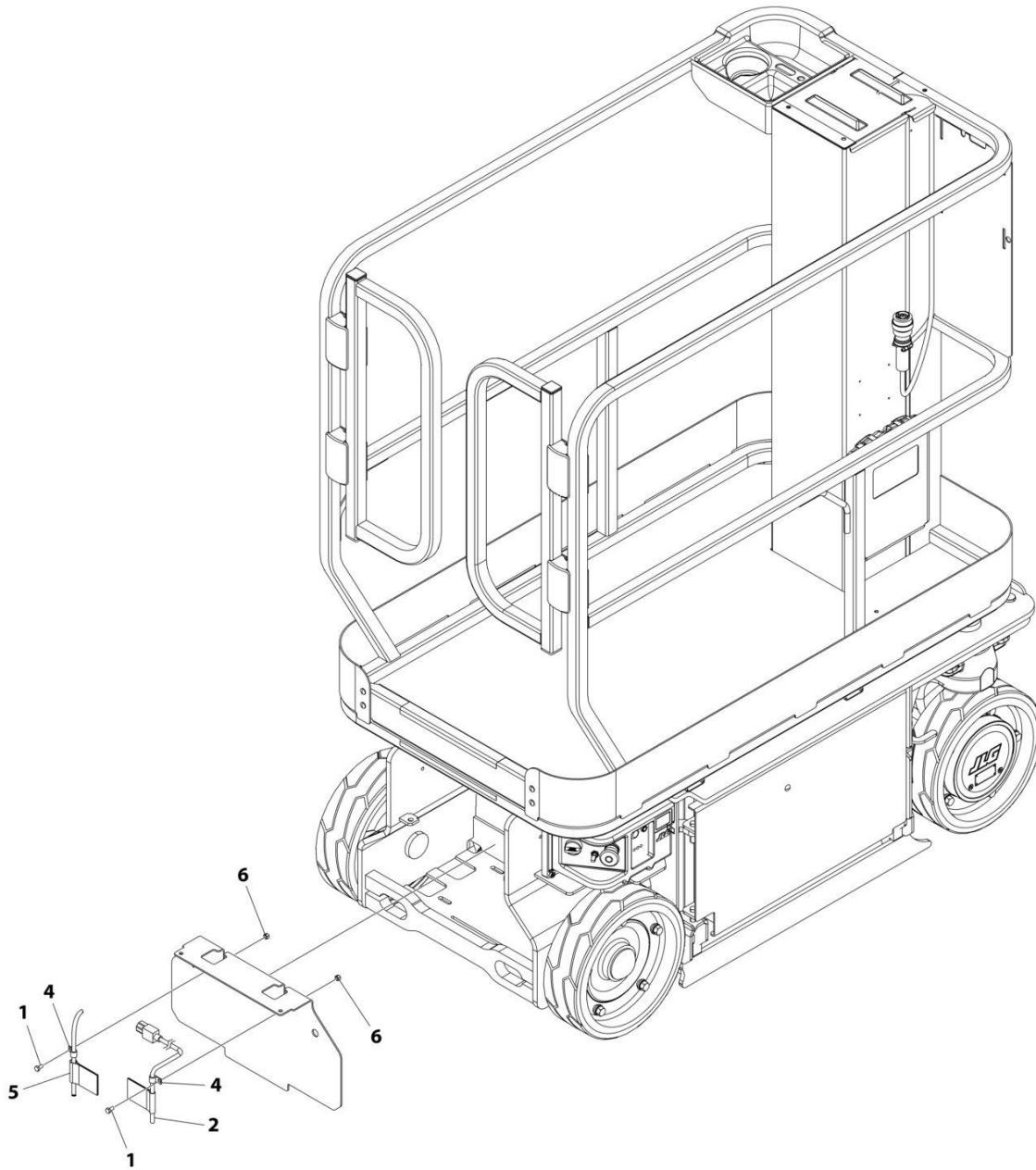
SECTION 7 - ELECTRICAL

FIGURE 7-8. ACCESSORY CHARGER POWER INSTALLATION - 110V (CE SPECS)

ITEM	PART NUMBER	QTY	DESCRIPTION	REV
	0274556	Ref	ACCESSORY CHARGER POWER INSTALLATION - 110V	F
1	0760606	2	Bolt M6 x 12	
2	1001103257	1	Cable, Charger Input	
4	1321293	2	Clamp, Cable	
5	2902431	1	Plug and Receptacle Box Assembly (See Separate Breakdown in this Section)	
6	1001103742	1	Decal - AC Label	
7	3290605	2	Nut M6	
8	4191406	2	Bolt M4 x 12	
9	4460138	1	Plug	
10	4460314	1	Plug	

SECTION 7 - ELECTRICAL

FIGURE 7-9. ACCESSORY CHARGER POWER INSTALLATION - 220V CUSTOMER SUPPLIED PLUG
(ANSI EXPORT, CE, AUSTRALIAN, AND KOREA SPECS)



ART_0274802

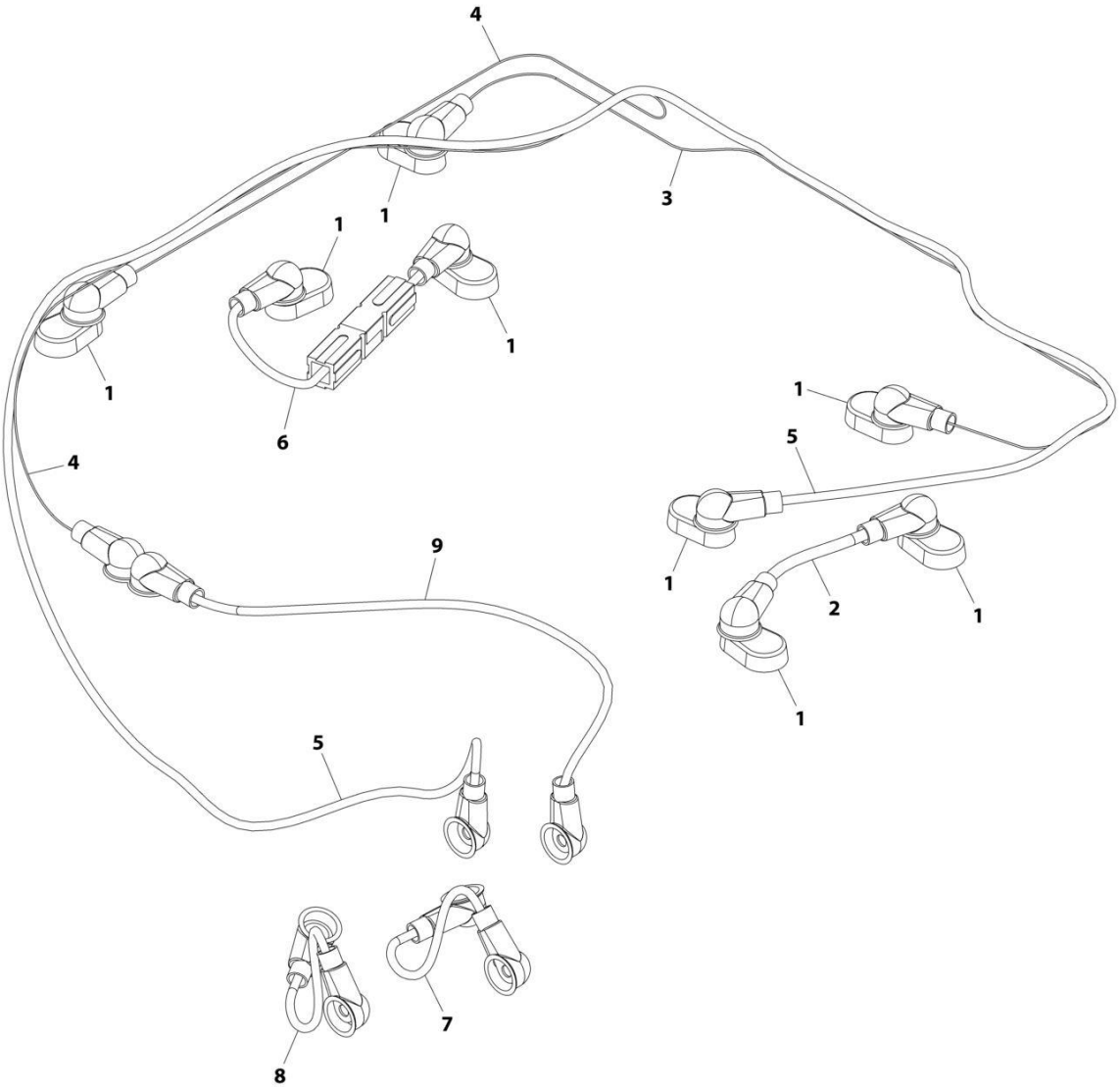
SECTION 7 - ELECTRICAL

**FIGURE 7-9. ACCESSORY CHARGER POWER INSTALLATION - 220V CUSTOMER SUPPLIED PLUG
(ANSI EXPORT, CE, AUSTRALIAN, AND KOREA SPECS)**

ITEM	PART NUMBER	QTY	DESCRIPTION	REV
	0274802	Ref	ACCESSORY CHARGER POWER INSTALLATION - 220V CUSTOMER SUPPLIED PLUG	E
1	0760606	2	Bolt M6 x 12	
2	1001103258	1	Cable, Charger Input	
4	1321293	2	Clamp, Cable	
5	1001103742	1	Decal - AC Label	
6	3290605	4	Nut M6	

SECTION 7 - ELECTRICAL

FIGURE 7-10. BATTERY CABLES



ART_1001117837

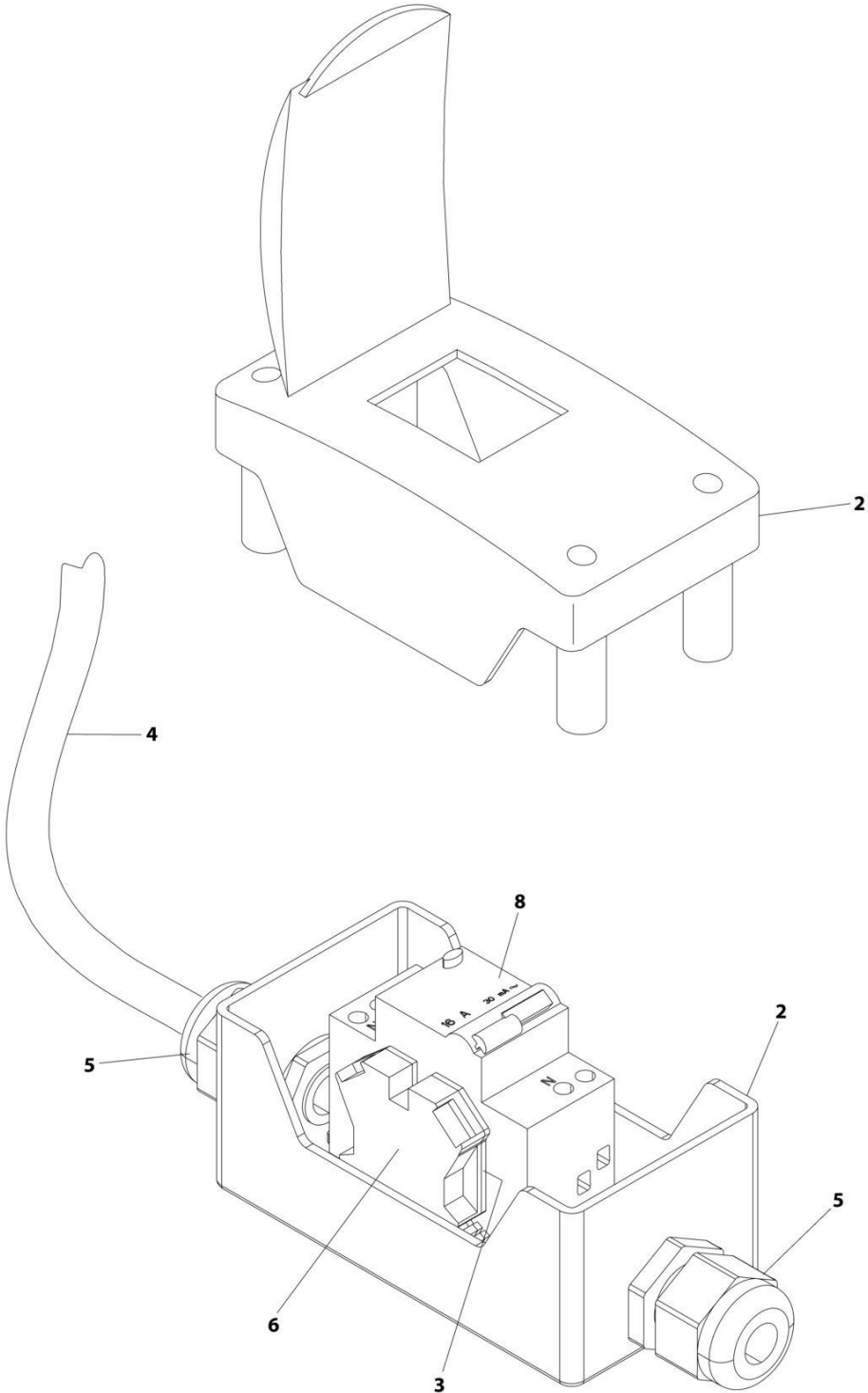
SECTION 7 - ELECTRICAL

FIGURE 7-10. BATTERY CABLES

ITEM	PART NUMBER	QTY	DESCRIPTION	REV
	1001117837	Ref	BATTERY CABLE	D
1	0840060	8	Boot, Battery Terminal	
2	1060998	1	Cable, Battery (Battery Positive to Battery Negative)	
3	4923325	1	Cable, Battery (LH Side Batteries to RH Side Batteries)	
4	4923326	1	Cable, Battery (Contactor to RH Side Batteries)	
5	1001117840	1	Cable, Battery (Drive Module B- to LH Side Batteries)	
6	4923328	1	Cable, Battery with Disconnect (Battery Positive to Battery Negative)	
7	1001117841	1	Cable, Battery (Drive Module +BF2 to Pump Motor +)	
8	1001117842	1	Cable, Battery (Drive Module P- to Pump Motor -)	
9	1001117843	1	Cable, Battery (Drive Module B+ to Contactor)	

SECTION 7 - ELECTRICAL

FIGURE 7-11. BREAKER BOX KIT WITH 1 DOUBLE BREAKER



ART_2902559

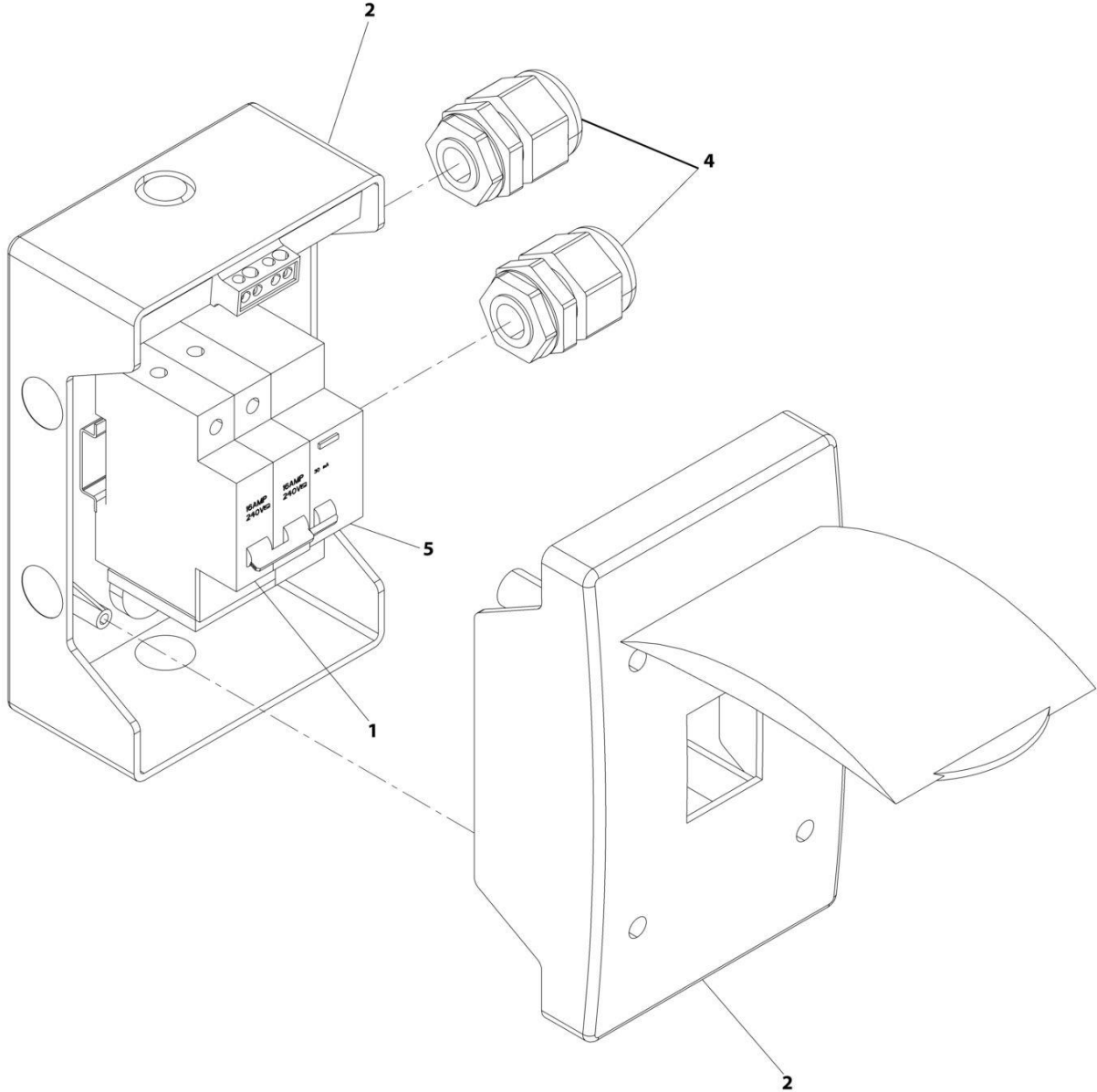
SECTION 7 - ELECTRICAL

FIGURE 7-11. BREAKER BOX KIT WITH 1 DOUBLE BREAKER

ITEM	PART NUMBER	QTY	DESCRIPTION	REV
	2902559	Ref	BREAKER BOX ASSEMBLY	F
2	0861880	1	Box	
3	4460956	1	Barrier, Terminal	
4	1060908	4.5 ft /1.4m	Cable, 12/3	
5	1001097150	2	Connector, Strain Relief	
6	4460957	1	Block, Terminal	
8	1001181045	1	Breaker, Double 30mA/16A	

SECTION 7 - ELECTRICAL

FIGURE 7-12. BREAKER BOX KIT WITH 3 BREAKERS



ART_1001152487

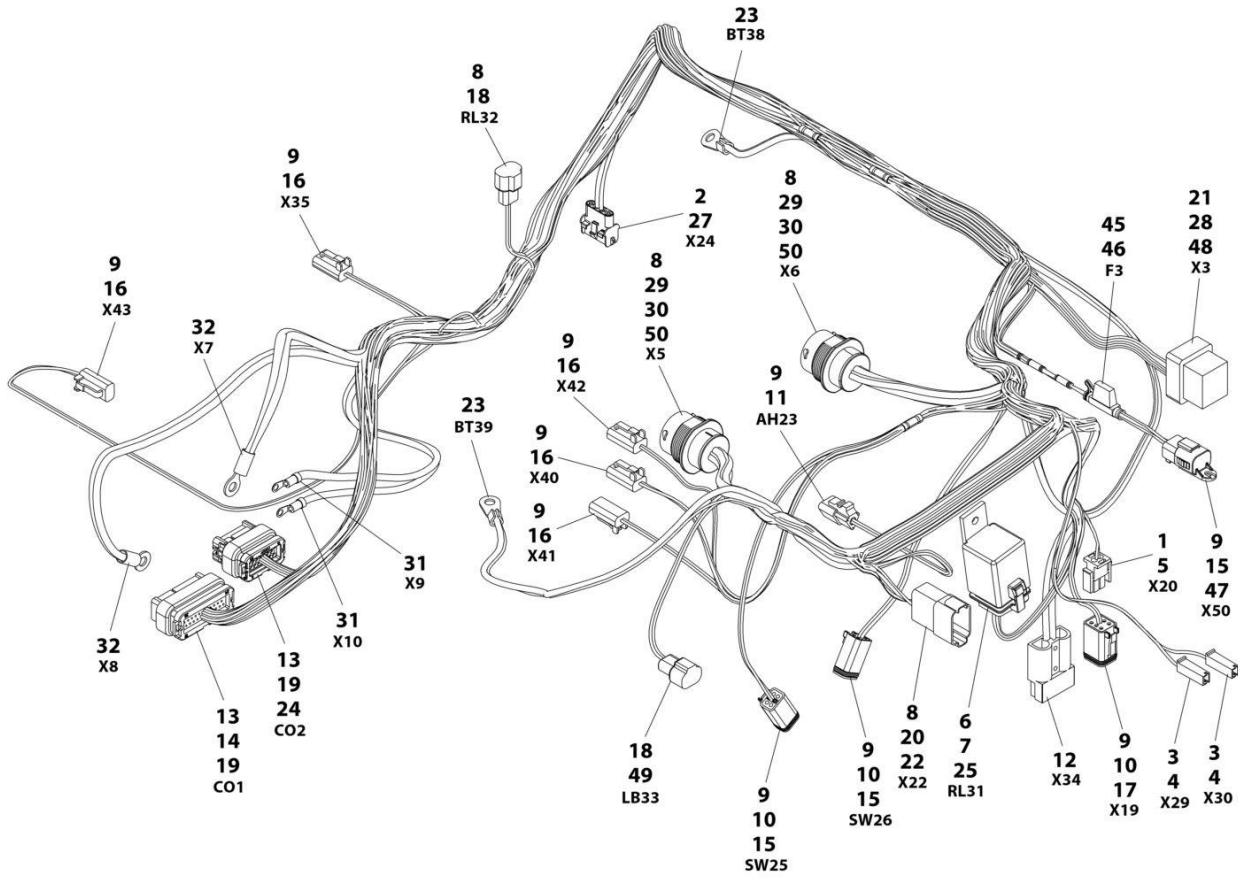
SECTION 7 - ELECTRICAL

FIGURE 7-12. BREAKER BOX KIT WITH 3 BREAKERS

ITEM	PART NUMBER	QTY	DESCRIPTION	REV
	1001152487	Ref	BREAKER BOX ASSEMBLY	E
1	1001189172	1	Breaker, Double 16AMP	
2	1001152483	1	Box	
3	1060908	1	Cable (Not Shown)	
4	1001097150	2	Connector, Strain Relief	
5	1001189171	1	Breaker, 30mAmp	

SECTION 7 - ELECTRICAL

FIGURE 7-13. CHASSIS HARNESS



ART_1001116640

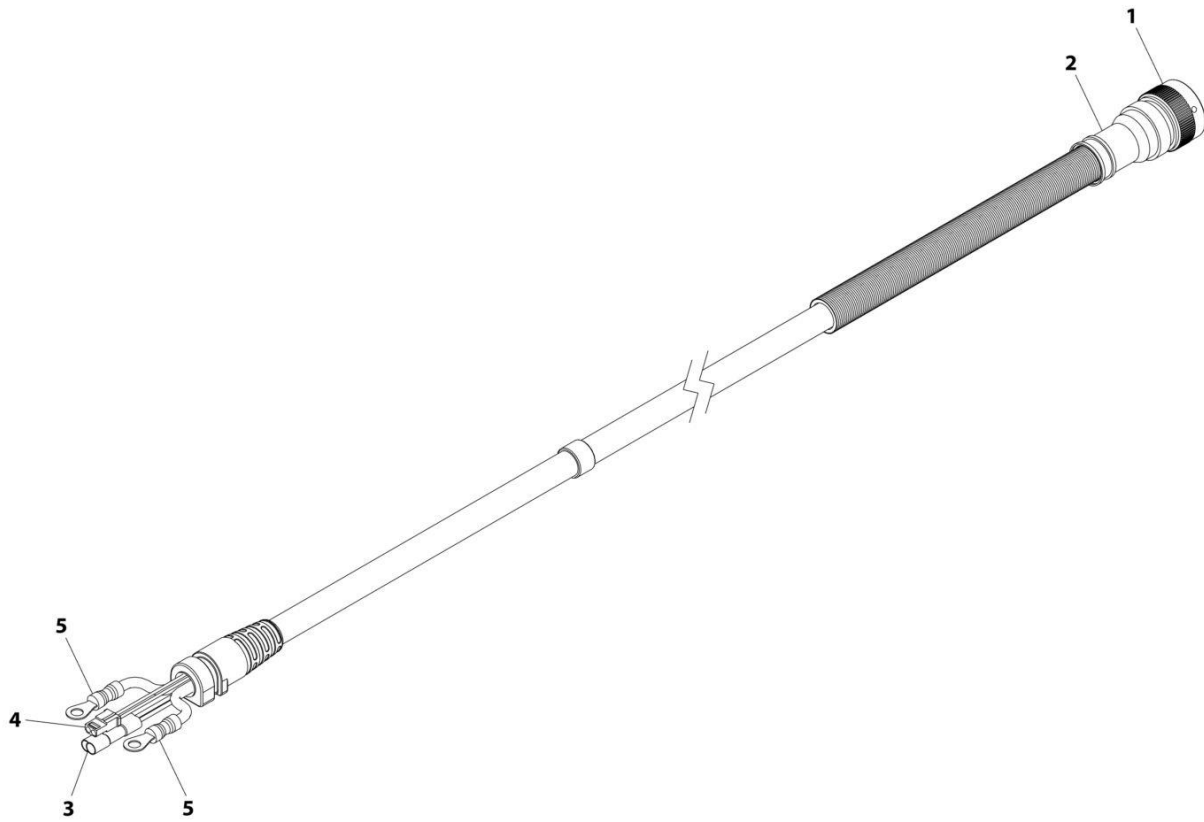
SECTION 7 - ELECTRICAL

FIGURE 7-13. CHASSIS HARNESS

ITEM	PART NUMBER	QTY	DESCRIPTION	REV
	1001116640	Ref	CHASSIS HARNESS	I
1	4460268	2	Socket	
2	4460227	4	Pin	
3	4460259	2	Socket	
4	4460260	2	Connector	
5	4460320	1	Connector	
6	4460374	1	Plug	
7	4460375	4	Socket	
8	4460464	11	Pin	
9	4460465	27	Socket	
10	4460466	6	Seal	
11	4460539	1	Connector	
12	4460648	1	Connector, Anderson	
13	4460871	37	Socket	
14	4460873	1	Connector	
15	4460884	3	Connector	
16	4460891	5	Connector	
17	4460894	1	Connector	
18	4460897	2	Connector	
19	4460905	4	Seal	
20	4460931	1	Connector	
21	4460942	2	Socket	
22	4460943	3	Pin	
23	4460986	2	Terminal, Ring	
24	1001096138	1	Connector	
25	1001097347	4	Relay, 24V	
27	4460761	1	Connector	
28	1001115076	1	Connector	
29	91013191	4	Pin	
30	1001118322	2	Connector	
31	4460142	2	Terminal, Ring	
32	8220114	2	Terminal, Ring	
45	2400060	1	Fuse Holder	
46	8229242	1	Fuse, 5AMP	
47	1001192401	1	Dust Cap	
48	1001116692	14	Socket	
49	1001116693	2	Pin	
50	1001157891	4	Socket	

SECTION 7 - ELECTRICAL

FIGURE 7-14. DRIVE CABLE



ART_1001118363

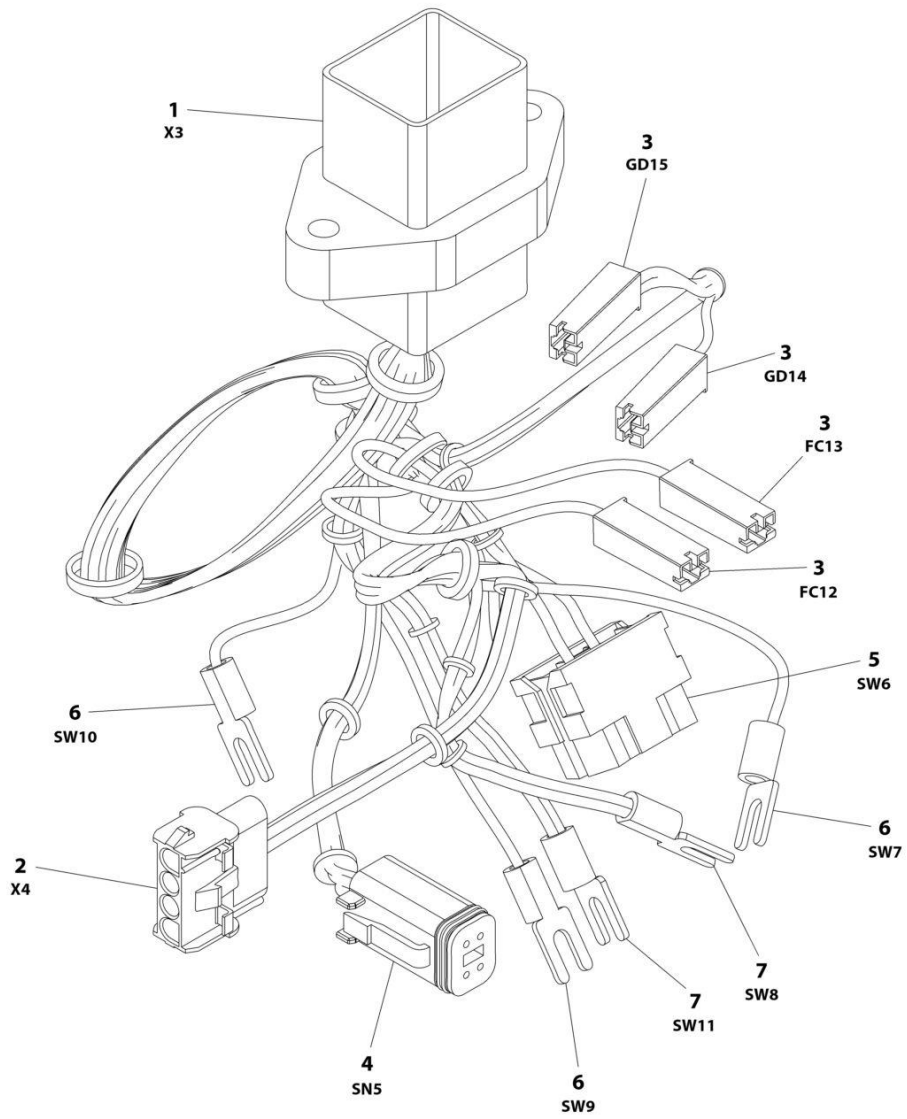
SECTION 7 - ELECTRICAL

FIGURE 7-14. DRIVE CABLE

ITEM	PART NUMBER	QTY	DESCRIPTION	REV
	1001118363	Ref	DRIVE CABLE	C
1	1001118323	1	Connector	
1	4460465	2	Socket (20-16 AWG)	
1	91013192	2	Socket (6 AWG)	
1	4460942	2	Socket (16-14 AWG)	
2	1001101024	1	Backshell	
3	1001099670	2	Splice	
4		Ref	Connector (No Part Number Available)	
4		Ref	Socket (No Part Number Available)	
5		Ref	Terminal, Ring (No Part Number Available)	

SECTION 7 - ELECTRICAL

FIGURE 7-15. GROUND CONTROL BOX HARNESS



ART_1001208641

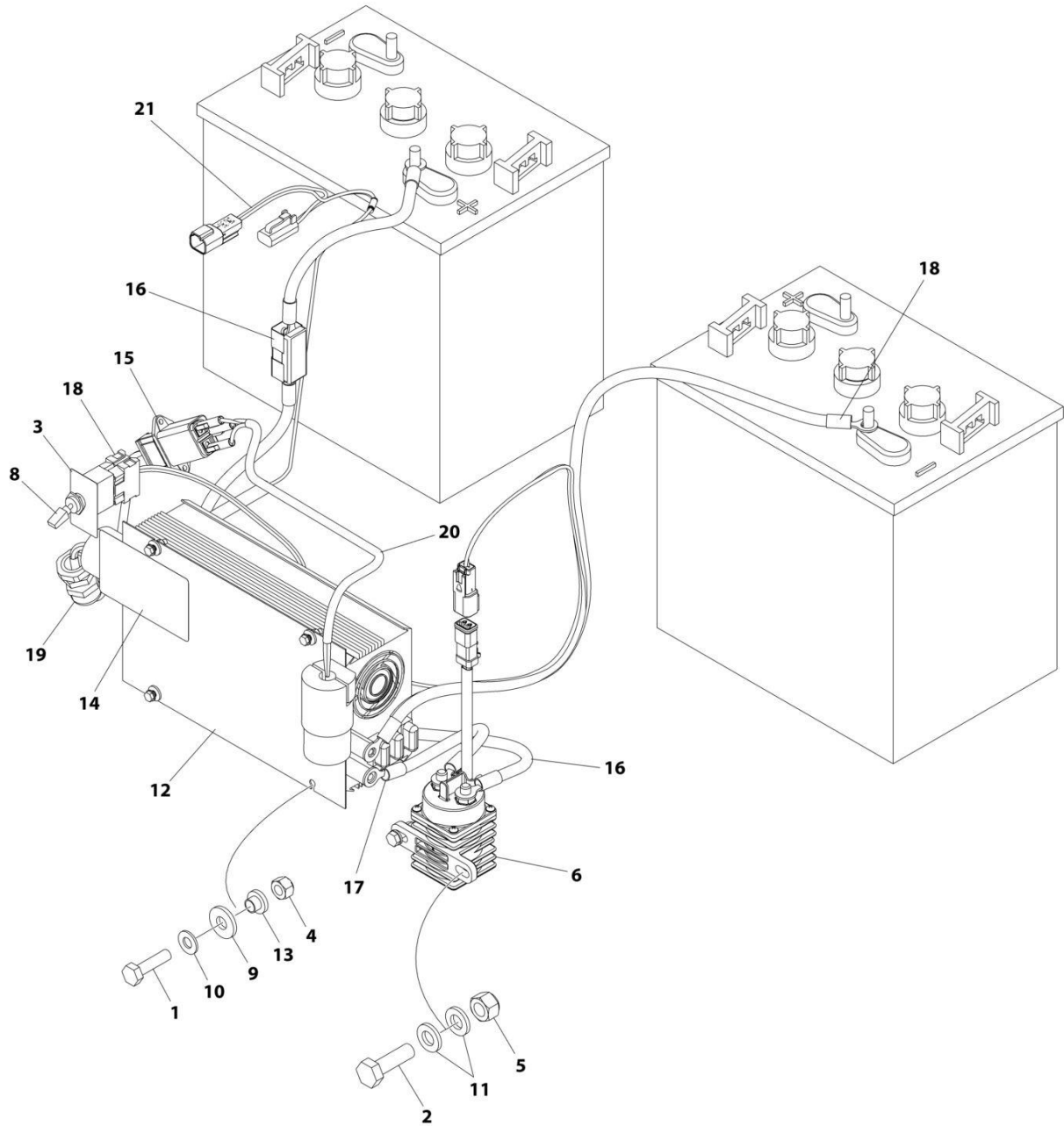
SECTION 7 - ELECTRICAL

FIGURE 7-15. GROUND CONTROL BOX HARNESS

ITEM	PART NUMBER	QTY	DESCRIPTION	REV
	1001208641	Ref	GROUND CONTROL BOX HARNESS - NO LSS	A
1	1001115077	1	Connector - 18 Position	
1	4460464	13	Pin, Male	
1	4460943	2	Pin, Male	
1	4460466	3	Seal	
2	1001119032	1	Connector - 4 Position	
2	4460268	4	Socket, Female	
3	4460260	4	Housing, Terminal	
3	4460259	4	Terminal	
4	4460884	1	Connector - 4 Position	
4	4460918	4	Socket, Female	
5	4460418	1	Connector - 6 Position	
5	1001159186	3	Terminal	
6	4460183	3	Terminal, Fork	
7	4460115	2	Terminal, Fork	

SECTION 7 - ELECTRICAL

FIGURE 7-16. INVERTER INSTALLATION (ANSI AND CSA SPECS)



ART_1001231386

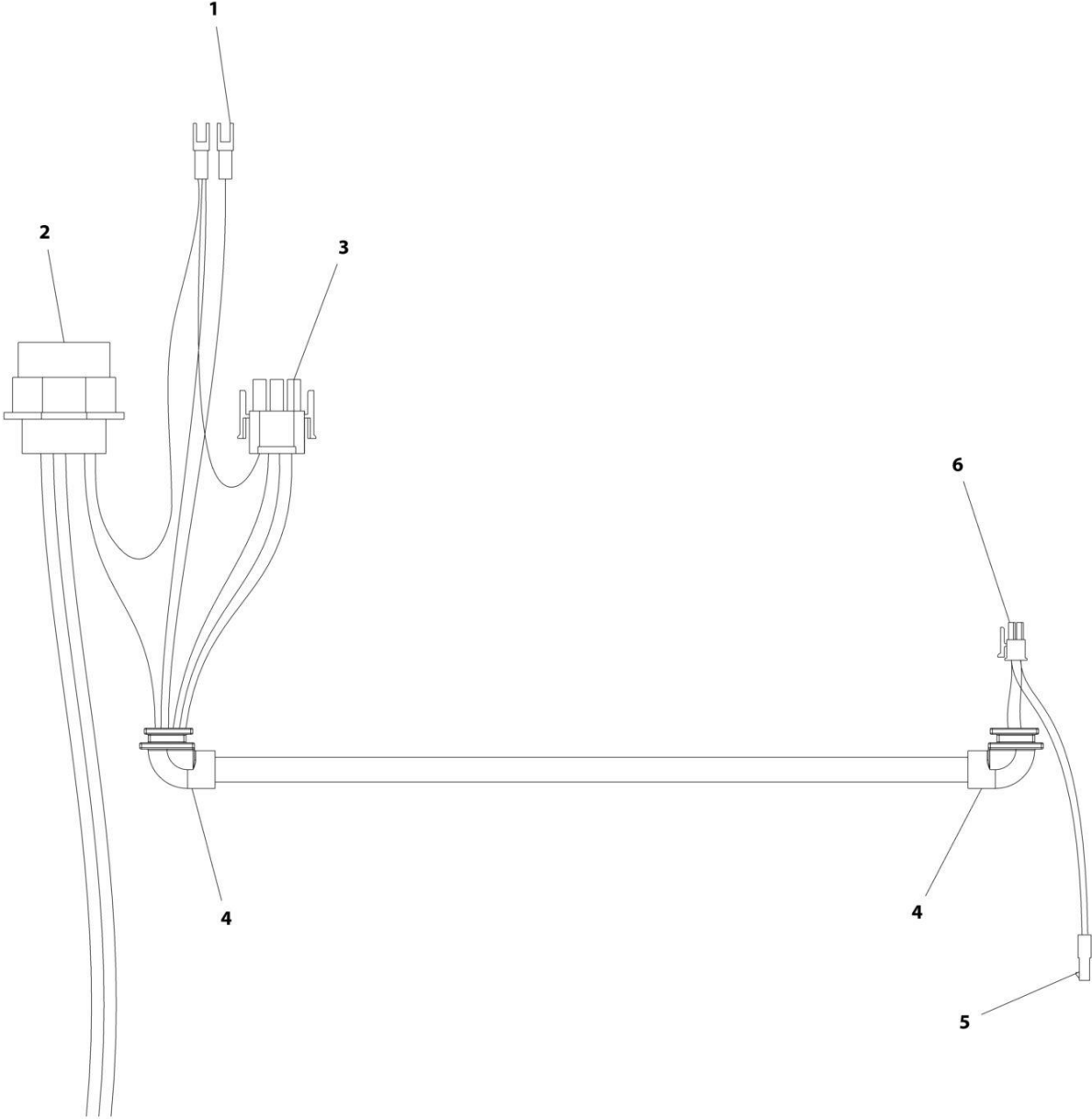
SECTION 7 - ELECTRICAL

FIGURE 7-16. INVERTER INSTALLATION (ANSI AND CSA SPECS)

ITEM	PART NUMBER	QTY	DESCRIPTION	REV
	1001231386	Ref	INVERTER INSTALLATION (ANSI AND CSA SPECS)	A
1	0760408	4	Bolt M4 x 16	
2	0760610	2	Bolt M6 x 20	
3	1706750	1	Decal - On/Off Inverter	
4	3290405	4	Nut M4	
5	3290605	2	Nut M6	
6	3740150	1	Relay	
7	4240017	AR	Tie-Strap (Not Shown)	
8	4360336	1	Switch, Toggle	
9	4740120	4	Washer	
10	4811400	4	Washer M4	
11	4811700	4	Washer M6	
12	1001136757	1	Inverter	
13	1001142174	4	Washer 1/8	
14	1001143009	1	Decal - Inverter	
15	1001157547	1	Filter, AC	
16	1001138967	1	Cable - Battery + to Relay	
17	1001145762	1	Cable - Inverter + to Relay	
18	1001145763	1	Inverter Harness	
19	1001145881	1	AC Extension Harness	
20	1001157645	1	AC Extension Harness	
21	1001158712	1	Switch/Relay Power Harness	

SECTION 7 - ELECTRICAL

FIGURE 7-17. PLATFORM CONTROL BOX HARNESS



ART_4922870

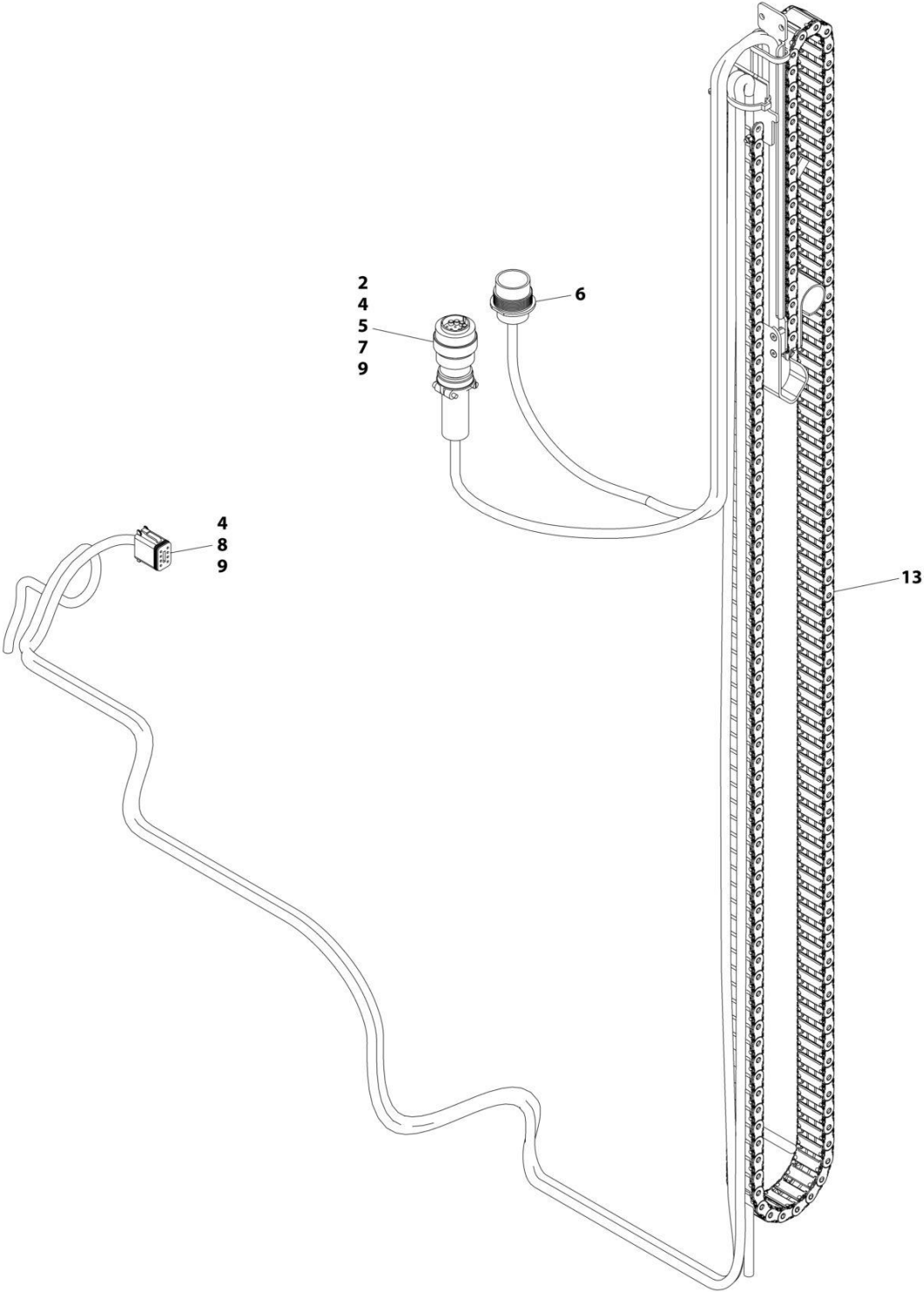
SECTION 7 - ELECTRICAL

FIGURE 7-17. PLATFORM CONTROL BOX HARNESS

ITEM	PART NUMBER	QTY	DESCRIPTION	REV
1	4922870	Ref	PLATFORM BOX HARNESS	D
2	4461016	1	Connector - 14 Position	
2	4460464	6	Pin, Male	
2	4460466	8	Plug, Sealing	
2	4460496	1	Lockwasher	
2	4460497	1	Nut, Panel	
3	4460265	1	Plug, Male - 9 Position	
3	4460267	8	Pin, Male	
4	2540042	2	Grommet 90	
5	See Note	NSS	Receptacle, Female - Position (Note: Not Available for Purchase)	
6	4461057	1	Plug, Male - 16 Position	

SECTION 7 - ELECTRICAL

FIGURE 7-18. PLATFORM CONTROL CABLE



ART_1001239932

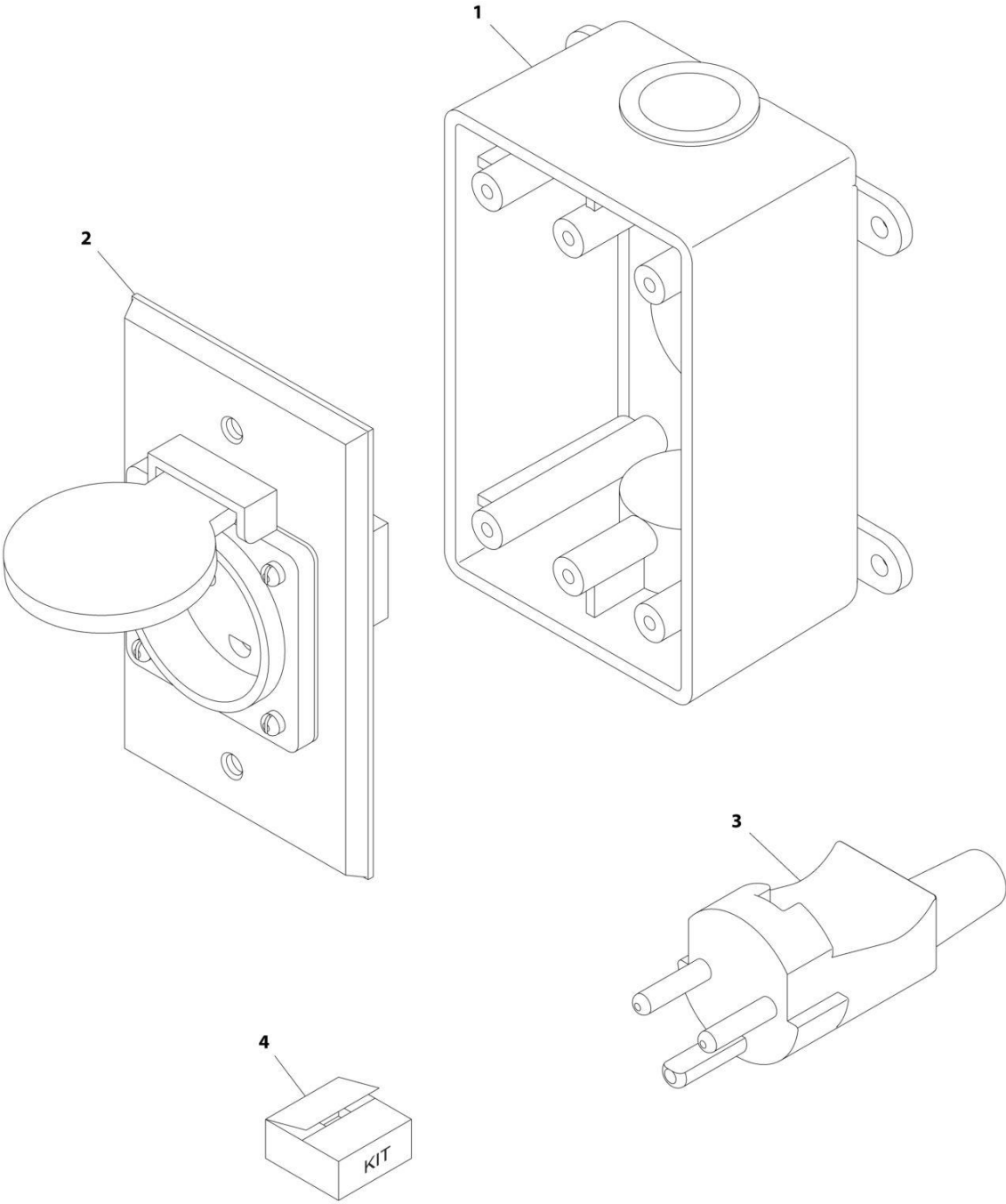
SECTION 7 - ELECTRICAL

FIGURE 7-18. PLATFORM CONTROL CABLE

ITEM	PART NUMBER	QTY	DESCRIPTION	REV
	1001239932	Ref	PLATFORM CONTROL CABLE	A
2	3730119	1	Resistor	
4	4460465	5	Socket	
5	4460466	6	Seal	
6	4460493	1	Dust Cap	
7	4460754	1	Connector	
8	4460930	1	Plug	
9	4460944	6	Socket	
13	1001239934	1	Power Track Assembly (See Separate Breakdown in MAST Section)	

SECTION 7 - ELECTRICAL

FIGURE 7-19. RECEPTACLE BOX KIT - 220V AFSINT 107 KEYED GROUND



ART_0275454

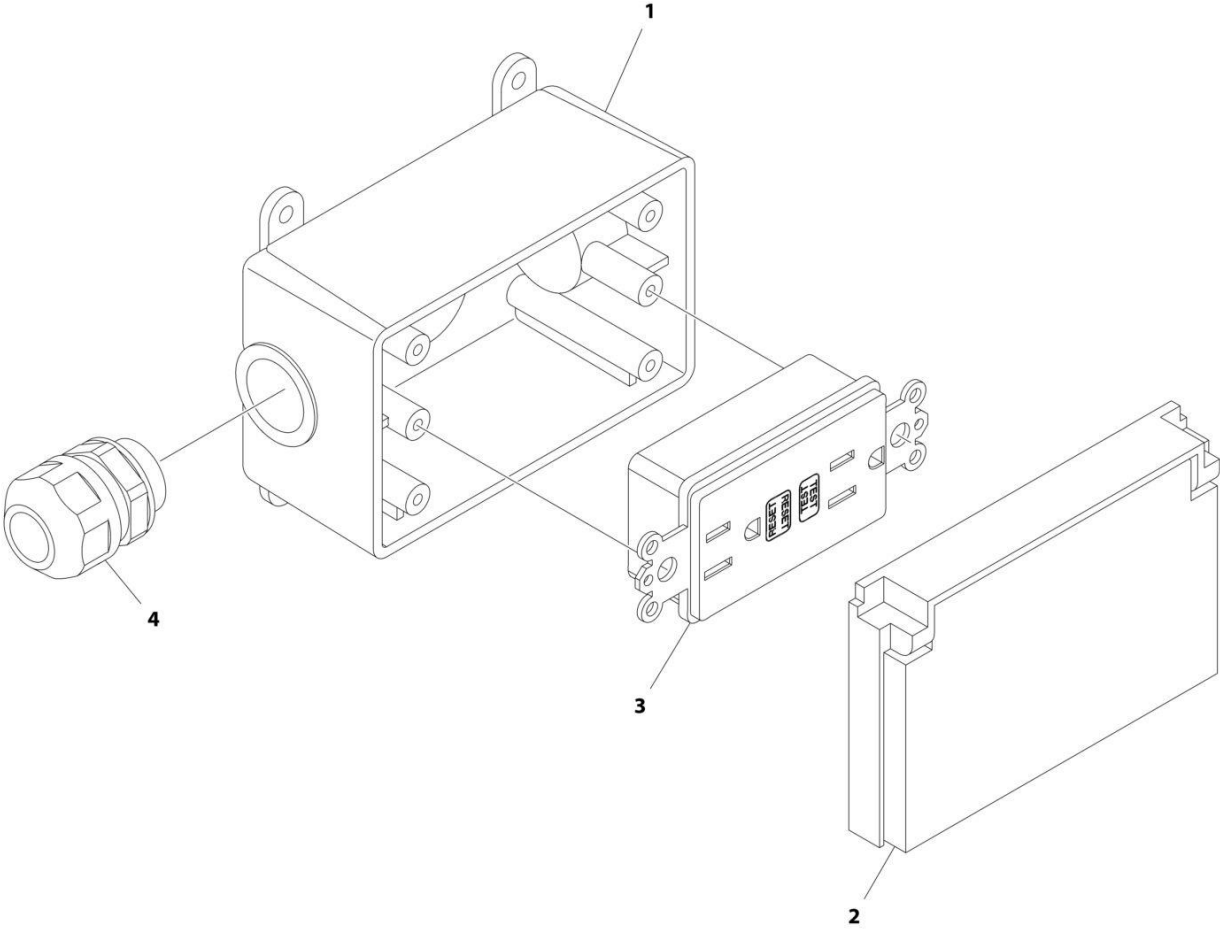
SECTION 7 - ELECTRICAL

FIGURE 7-19. RECEPTACLE BOX KIT - 220V AFSINT 107 KEYED GROUND

ITEM	PART NUMBER	QTY	DESCRIPTION	REV
	0275454	Ref	RECEPTACLE BOX KIT - 220V AFSINT 107	B
1	0861731	1	Box, Switch	
2	4461246	1	Receptacle	
3	4461249	1	Plug, Male	
4	1001100346	1	Plug and Socket Kit (Includes Items 1-3 and Female Plug p/n 4461250)	

SECTION 7 - ELECTRICAL

FIGURE 7-20. RECEPTACLE BOX KIT - 110V GFI



ART_2902431

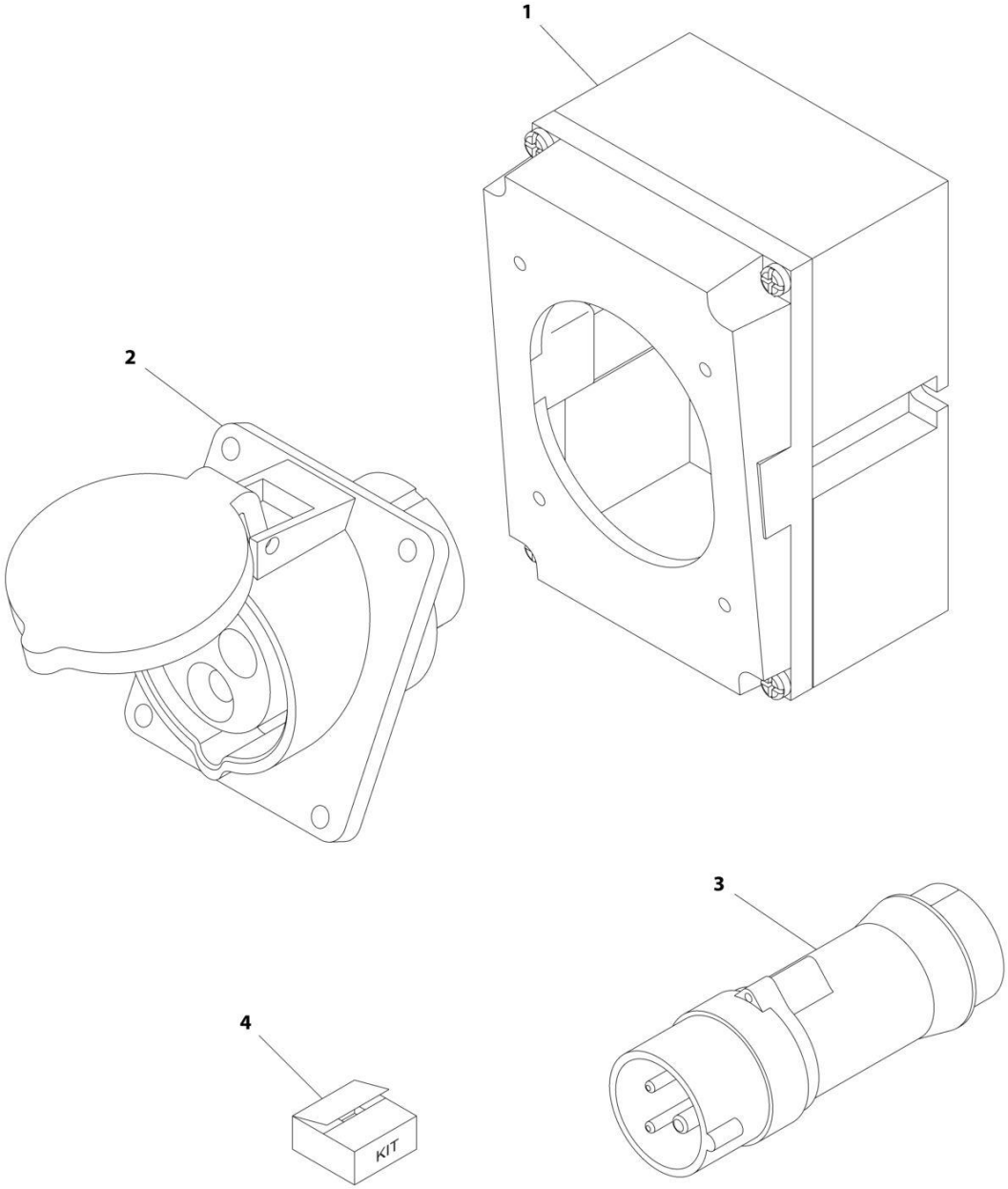
SECTION 7 - ELECTRICAL

FIGURE 7-20. RECEPTACLE BOX KIT - 110V GFI

ITEM	PART NUMBER	QTY	DESCRIPTION	REV
	2902431	Ref	RECEPTACLE BOX KIT - 110V GFI	D
1	0861731	1	Box, Receptacle	
2	1671207	1	Cover, Receptacle	
3	4460346	1	Receptacle	
4	4460662	1	Connector, Strain Relief	

SECTION 7 - ELECTRICAL

FIGURE 7-21. RECEPTACLE BOX KIT - 220V IEC BLUE



ART_0275217

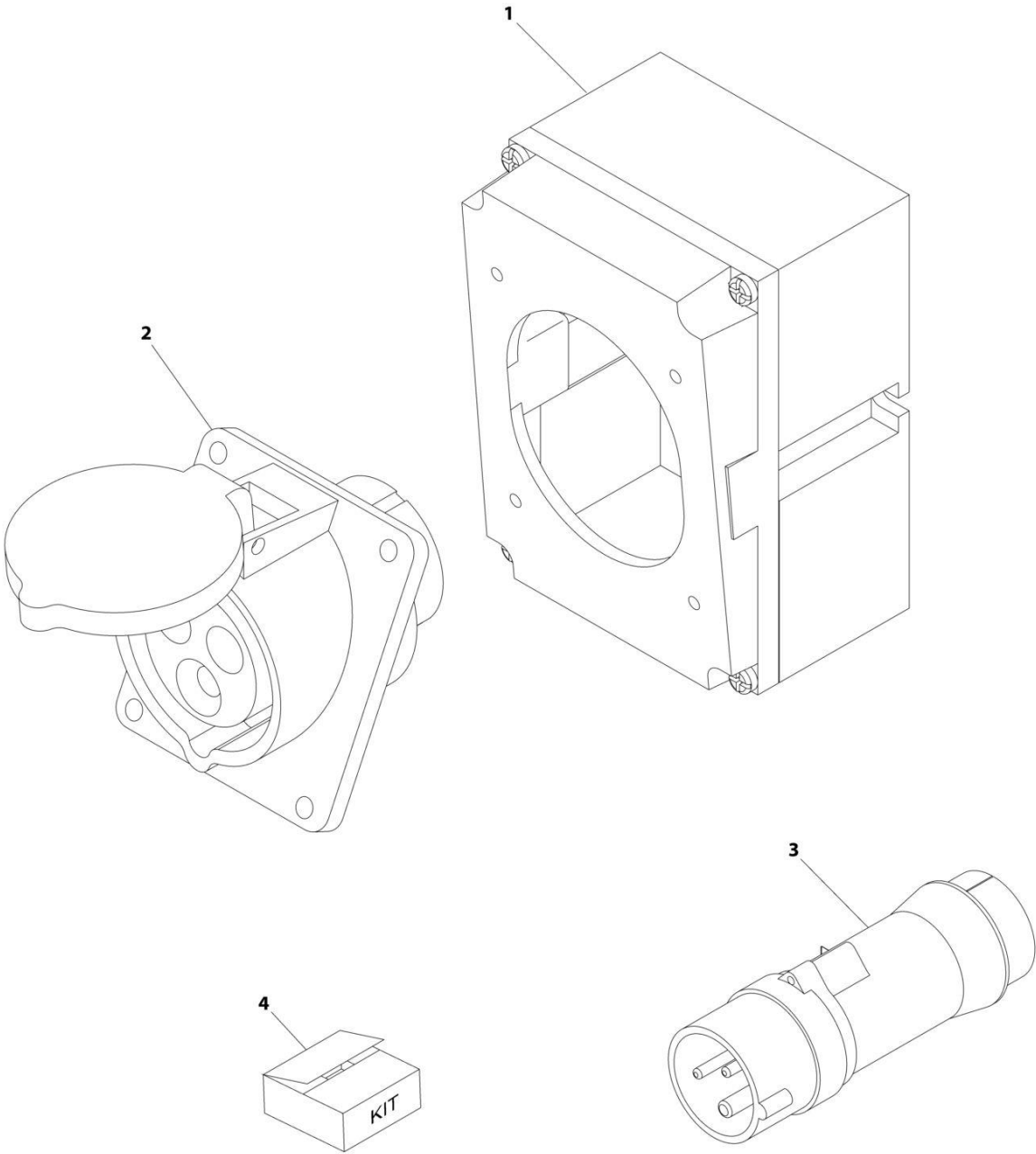
SECTION 7 - ELECTRICAL

FIGURE 7-21. RECEPTACLE BOX KIT - 220V IEC BLUE

ITEM	PART NUMBER	QTY	DESCRIPTION	REV
	0275217	Ref	RECEPTACLE BOX KIT - 220V IEC BLUE	B
1	0861781	1	Box, Switch	
2	4461201	1	Receptacle	
3	4461199	1	Plug, Male	
4	1001100342	1	Plug and Socket Kit (Includes Items 1-3 and Female Plug p/n 4461200)	

SECTION 7 - ELECTRICAL

FIGURE 7-22. RECEPTACLE BOX KIT - 110V IEC YELLOW



ART_0275216

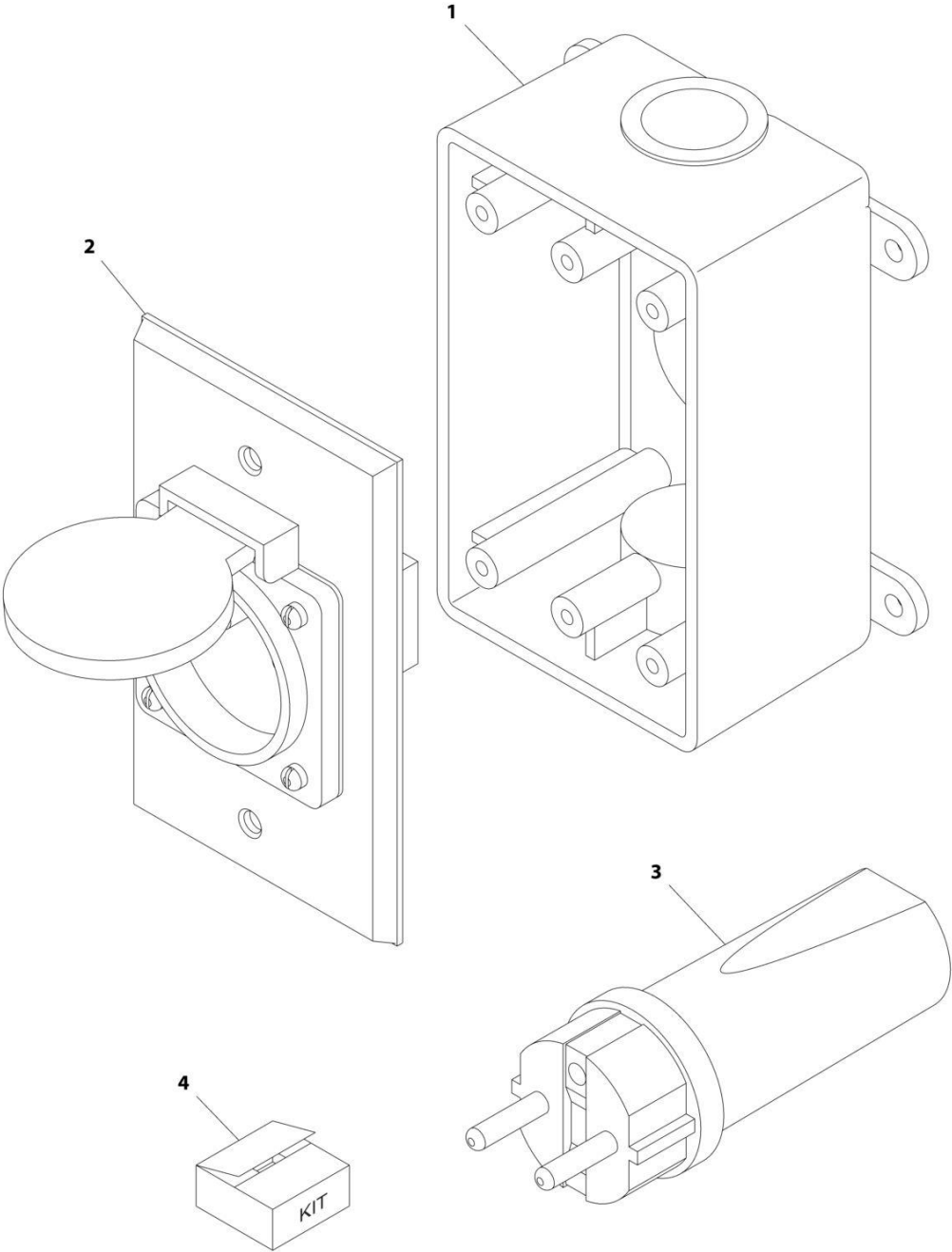
SECTION 7 - ELECTRICAL

FIGURE 7-22. RECEPTACLE BOX KIT - 110V IEC YELLOW

ITEM	PART NUMBER	QTY	DESCRIPTION	REV
	0275216	Ref	RECEPTACLE BOX KIT - 110V IEC YELLOW	B
1	0861781	1	Box, Switch	
2	4461198	1	Receptacle	
3	4461196	1	Plug, Male	
4	1001100341	1	Plug and Socket Kit (Includes Items 1-3 and Female Plug p/n 4461197)	

SECTION 7 - ELECTRICAL

FIGURE 7-23. RECEPTACLE BOX KIT - 220V CEE7 POST GROUND



ART_0275452

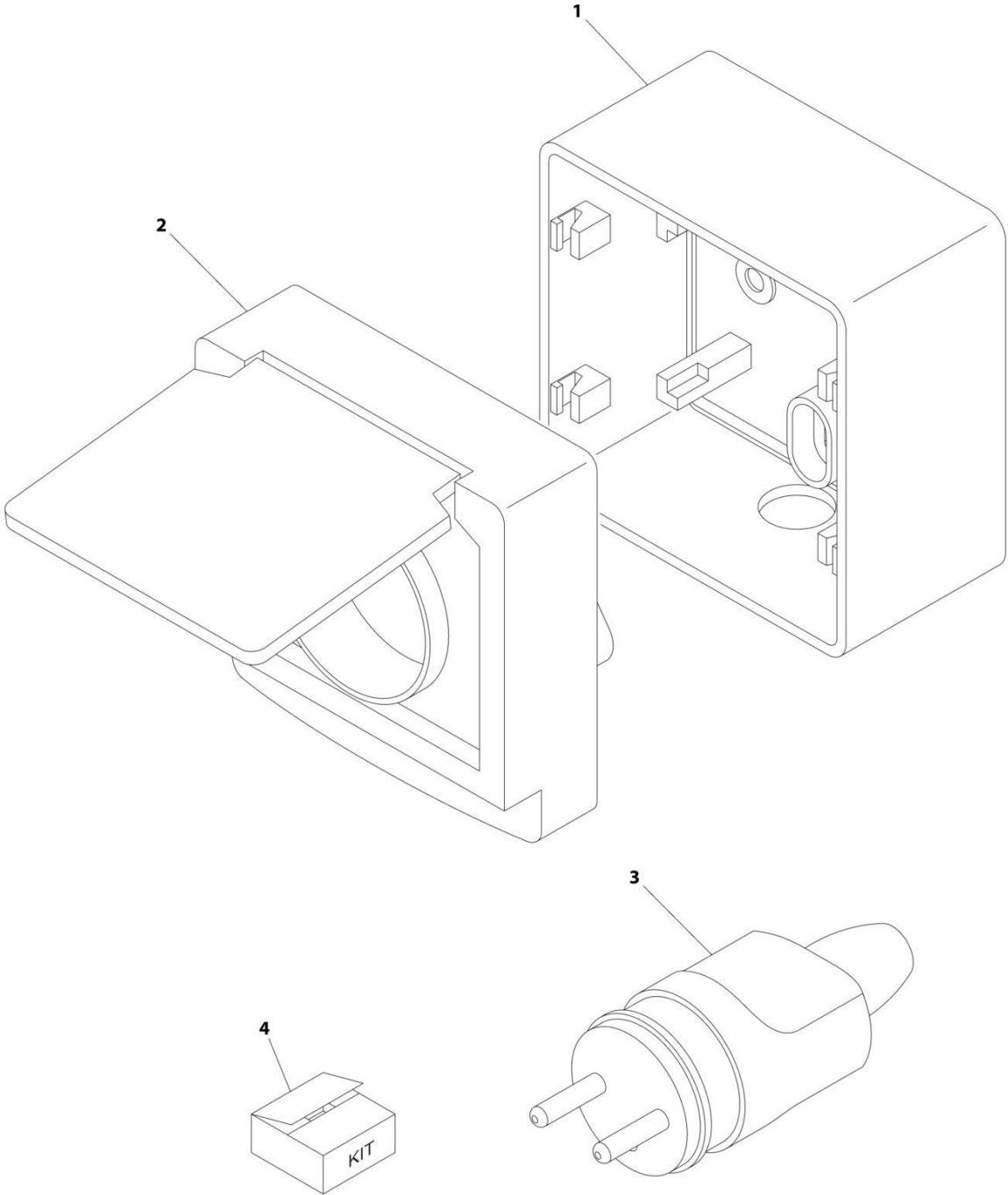
SECTION 7 - ELECTRICAL

FIGURE 7-23. RECEPTACLE BOX KIT - 220V CEE7 POST GROUND

ITEM	PART NUMBER	QTY	DESCRIPTION	REV
	0275452	Ref	RECEPTACLE BOX KIT - 220V CEE7 POST GROUND	C
1	0861731	1	Box, Switch	
2	4461244	1	Receptacle	
3	4461205	1	Plug, Male	
4	1001100345	1	Plug and Socket Kit (Includes Items 1-3 and Female Plug p/n 4461206)	

SECTION 7 - ELECTRICAL

FIGURE 7-24. RECEPTACLE BOX KIT - 220V CEE7 POST GROUND 70MM X 70MM BOX



ART_0275218

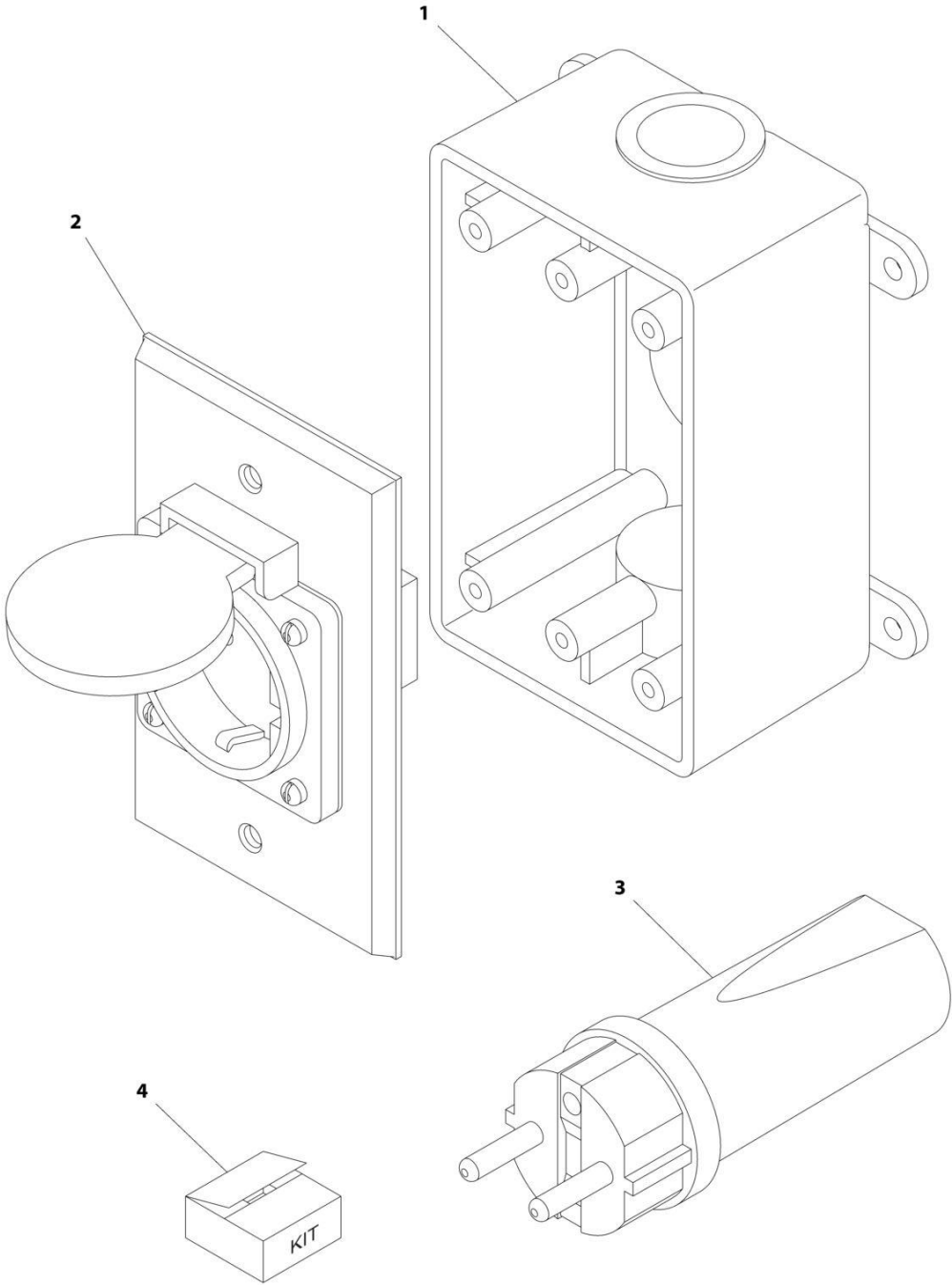
SECTION 7 - ELECTRICAL

FIGURE 7-24. RECEPTACLE BOX KIT - 220V CEE7 POST GROUND 70MM X 70MM BOX

ITEM	PART NUMBER	QTY	DESCRIPTION	REV
	0275218	Ref	RECEPTACLE BOX KIT - 220V CEE7 POST GROUND 70X70 BOX	C
1	1001141967	1	Box, Switch	
2	1001141968	1	Receptacle	
3	4461205	1	Plug, Male	
4	1001141971	1	Plug and Socket Kit (Includes Items 1-3 and Female Plug p/n 4461206)	

SECTION 7 - ELECTRICAL

FIGURE 7-25. RECEPTACLE BOX KIT - 220V CEE7 SIDE GROUND



ART_0275453

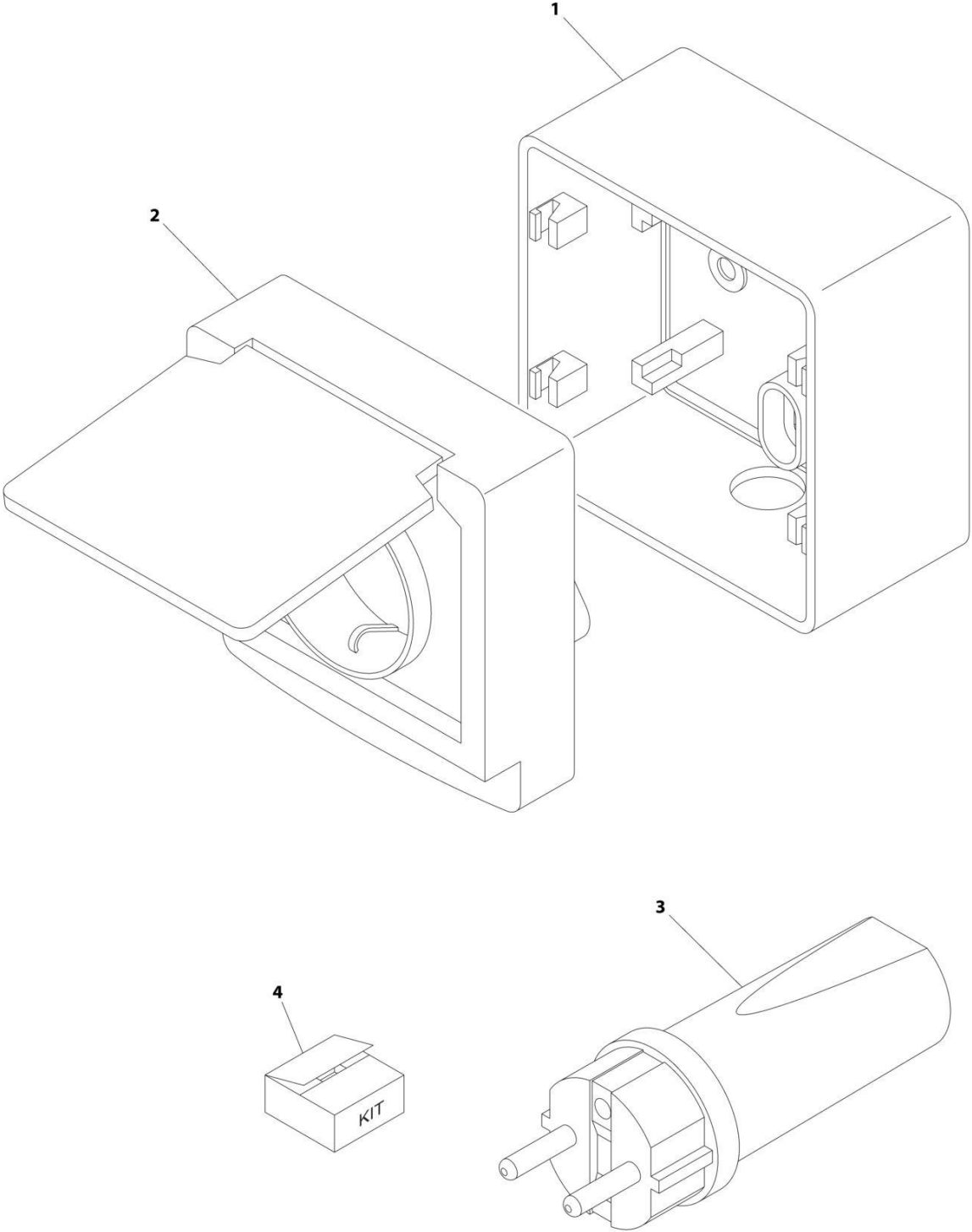
SECTION 7 - ELECTRICAL

FIGURE 7-25. RECEPTACLE BOX KIT - 220V CEE7 SIDE GROUND

ITEM	PART NUMBER	QTY	DESCRIPTION	REV
	0275453	Ref	RECEPTACLE BOX KIT - 220V CEE7 SIDE GROUND	B
1	0861731	1	Box, Switch	
2	4461245	1	Receptacle	
3	4461205	1	Plug, Male	
4	1001100347	1	Plug and Socket Kit (Includes Items 1-3 and Female Plug p/n 4461206)	

SECTION 7 - ELECTRICAL

FIGURE 7-26. RECEPTACLE BOX KIT - 220V CEE7 SIDE GROUND 70MM X 70MM BOX



ART_0275219

SECTION 7 - ELECTRICAL

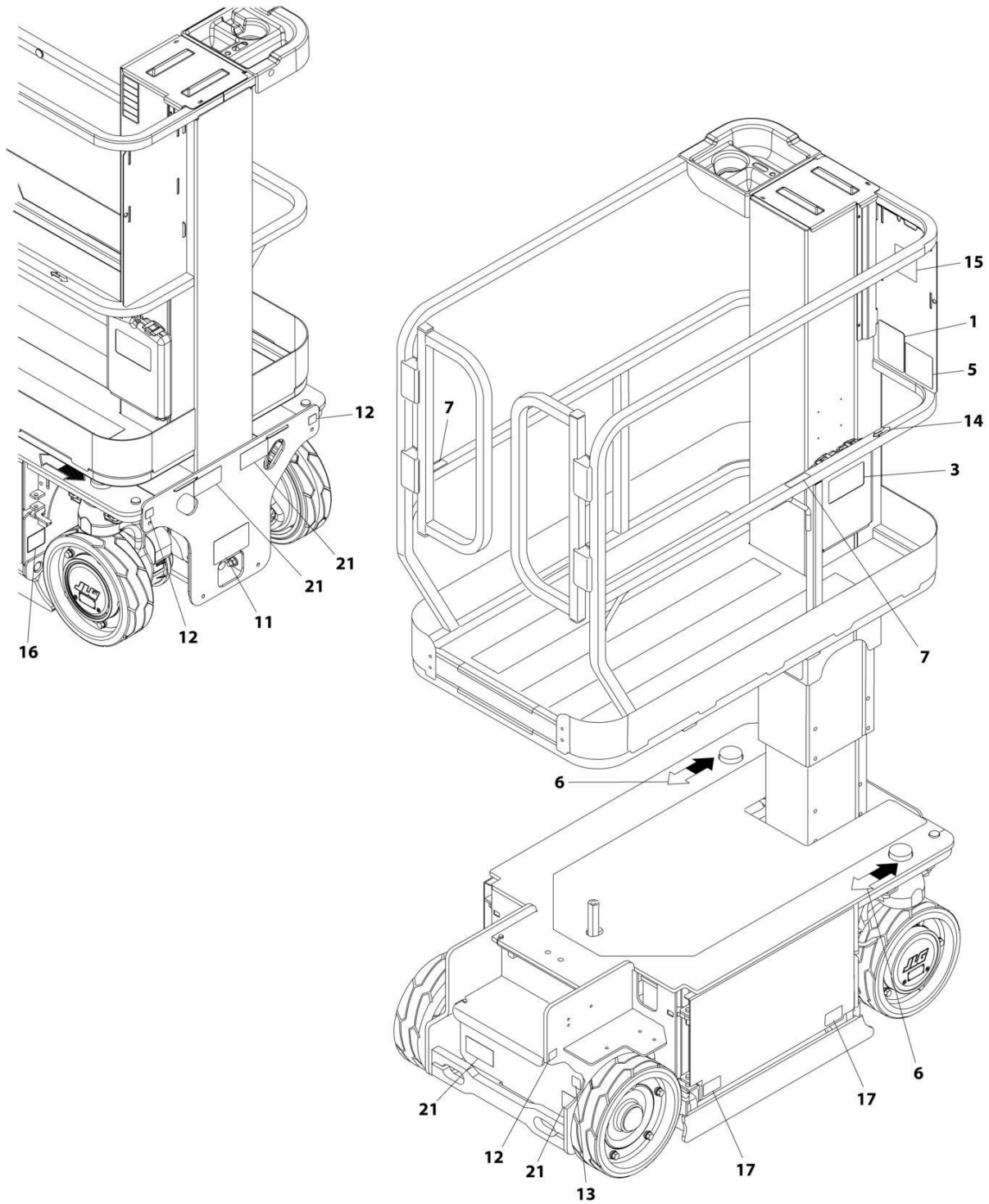
FIGURE 7-26. RECEPTACLE BOX KIT - 220V CEE7 SIDE GROUND 70MM X 70MM BOX

ITEM	PART NUMBER	QTY	DESCRIPTION	REV
	0275219	Ref	RECEPTACLE BOX KIT - 220V CEE7 SIDE GROUND 70MM X 70MM BOX	B
1	1001141967	1	Box, Switch	
2	1001141969	1	Receptacle	
3	4461205	1	Plug, Male	
4	1001141970	1	Plug and Socket Kit (Includes Items 1-3 and Female Plug p/n 4461206)	

SECTION 8 - DECALS

SECTION 8 - DECALS

FIGURE 8-1. COMMON DECALS INSTALLATION (ALL SPECS EXCEPT AUSTRALIAN)



ART_0274914

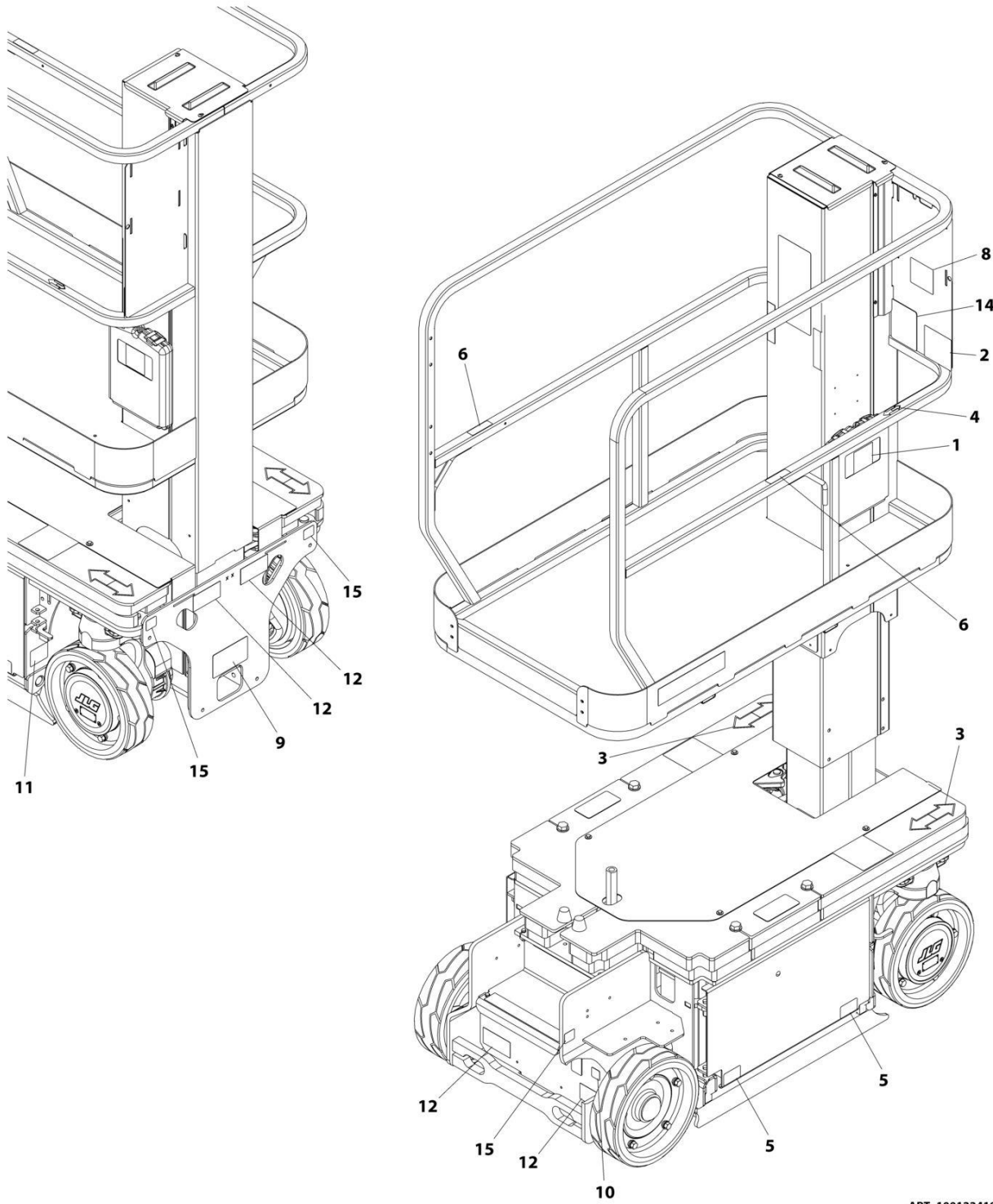
SECTION 8 - DECALS

FIGURE 8-1. COMMON DECALS INSTALLATION (ALL SPECS EXCEPT AUSTRALIAN)

ITEM	PART NUMBER	QTY	DESCRIPTION	REV
	0274914	Ref	COMMON DECALS INSTALLATION	L
1	1001131270	1	Decal - Patent	
3	1701640	1	Decal - Manual	
5	See Note	NSS	Decal - Barcode (Note: Not Available for Purchase)	
6	1703687	2	Decal - Directional Arrow	
7	1704277	2	Decal - Lanyard Attach	
11	1706670	1	Decal - Manual Descent	
12	1706671	4	Decal - Wheel Load	
13	1706679	1	Decal - Brake Release	
14	1703819	1	Decal - Directional Arrow	
15	1705692	1	Decal - Control Box Location	
16	1706740	1	Decal - Battery Disconnect	
17	1704016	4	Decal - Forklift	
18	1704412	1	Decal - Hydraulic Oil (Not Shown - Located on Top of Hydraulic Tank)	
20	1001092907	1	Decal - Quick Start (Not Shown - Located on top of Platform Console Box)	
21	4110226	4	Decal - Lift Point/Tie Down	

SECTION 8 - DECALS

FIGURE 8-2. COMMON DECALS INSTALLATION (AUSTRALIAN SPECS)



ART_1001224191

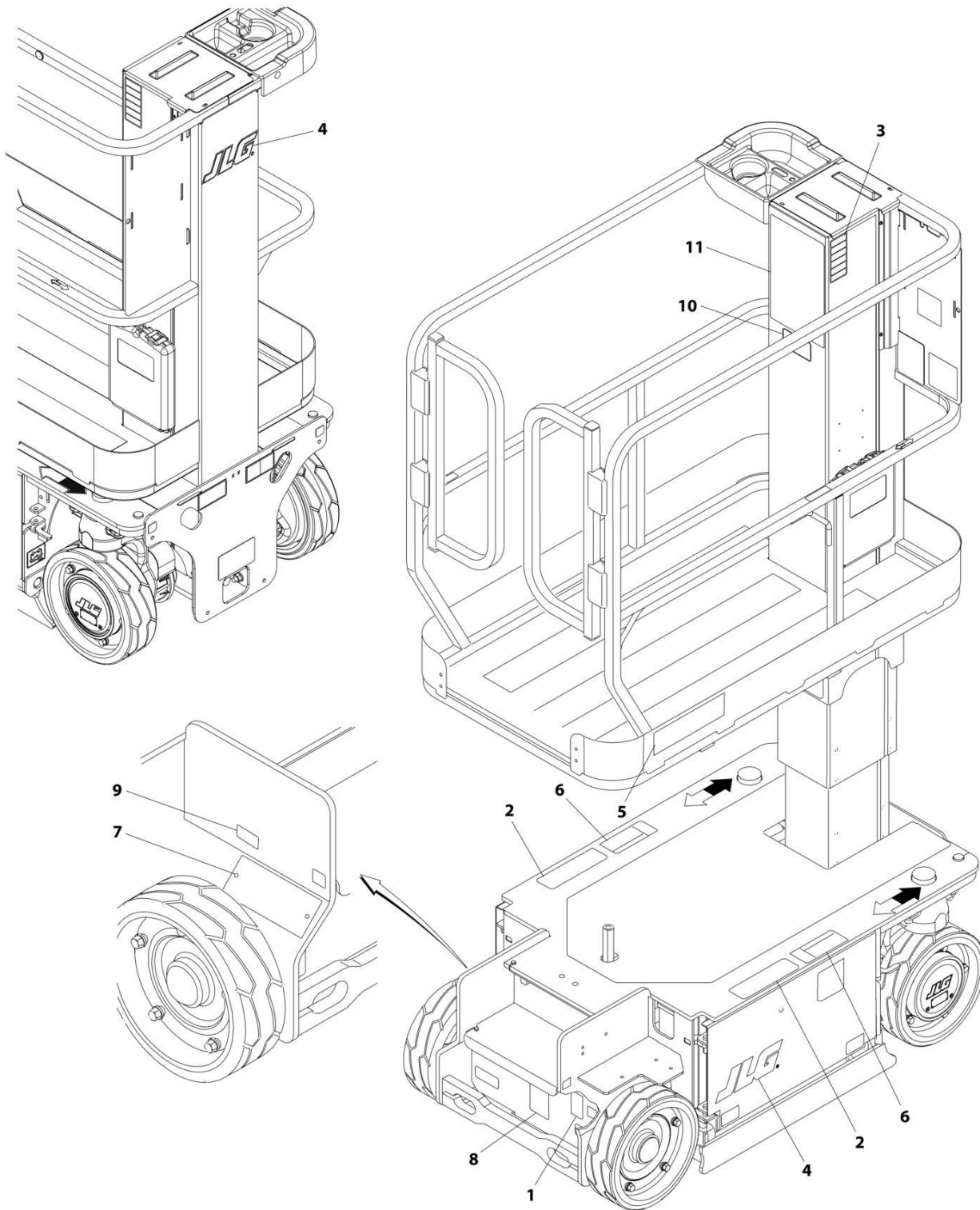
SECTION 8 - DECALS

FIGURE 8-2. COMMON DECALS INSTALLATION (AUSTRALIAN SPECS)

ITEM	PART NUMBER	QTY	DESCRIPTION	REV
	1001224191	Ref	COMMON DECALS INSTALLATION	A
1	1701640	1	Decal - Manual	
2	See Note	NSS	Decal - Barcode (Note: Not Available for Purchase)	
3	1703687	2	Decal - Directional Arrow	
4	1703819	1	Decal - Directional Arrow	
5	1704016	4	Decal - Forklift	
6	1704277	2	Decal - Lanyard Attach	
7	1704412	1	Decal - Hydraulic Oil (Not Shown - Located on Top of Hydraulic Tank)	
8	1705692	1	Decal - Control Box Location	
9	1706670	1	Decal - Manual Descent	
10	1706679	1	Decal - Brake Release	
11	1706740	1	Decal - Battery Disconnect	
12	4110226	4	Decal - Lift Point/Tie Down	
13	1001092907	1	Decal - Quick Start (Not Shown - Located on top of Platform Console Box)	
14	1001131270	1	Decal - Patent	
15	1001220156	4	Decal - Wheel Load	

SECTION 8 - DECALS

FIGURE 8-3. DECALS INSTALLATION - ANSI AND ANSI EXPORT SPECS (ENGLISH LANGUAGE)



ART_1001254199

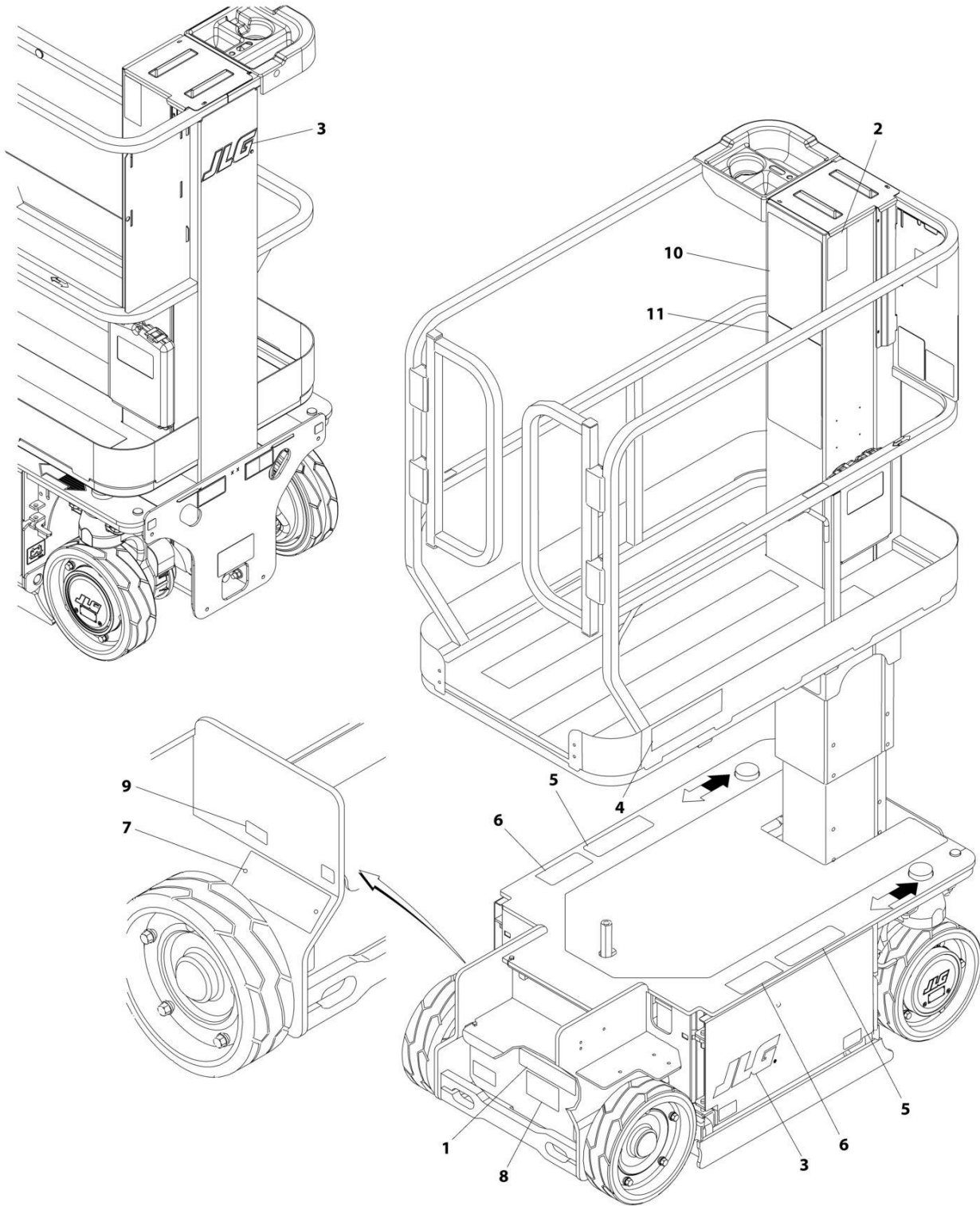
SECTION 8 - DECALS

FIGURE 8-3. DECALS INSTALLATION - ANSI AND ANSI EXPORT SPECS (ENGLISH LANGUAGE)

ITEM	PART NUMBER	QTY	DESCRIPTION	REV
	1001254199	Ref	DECALS INSTALLATION	A
1	1703785	1	Decal - Warning Fire Hazard	
2	1703786	2	Decal - Crushing Hazard	
3	1705686	1	Decal - Legend	
4	1705781	3	Decal - JLG Logo	
5	1706667	2	Decal - 1230ES Designation	
6	1706832	2	Decal - Danger Electrocution	
7	2080057	2	Fastener	
8	1001223055	1	Decal - Yearly Inspection	
9	1001228370	1	Decal - ICES (CAN)	
10	1001231801	1	Decal - Warning Prop 65	
11	1001254206	1	Decal - Instructions/Warnings	

SECTION 8 - DECALS

FIGURE 8-4. DECALS INSTALLATION - CSA SPECS (ENGLISH/FRENCH LANGUAGE)



ART_1001254200

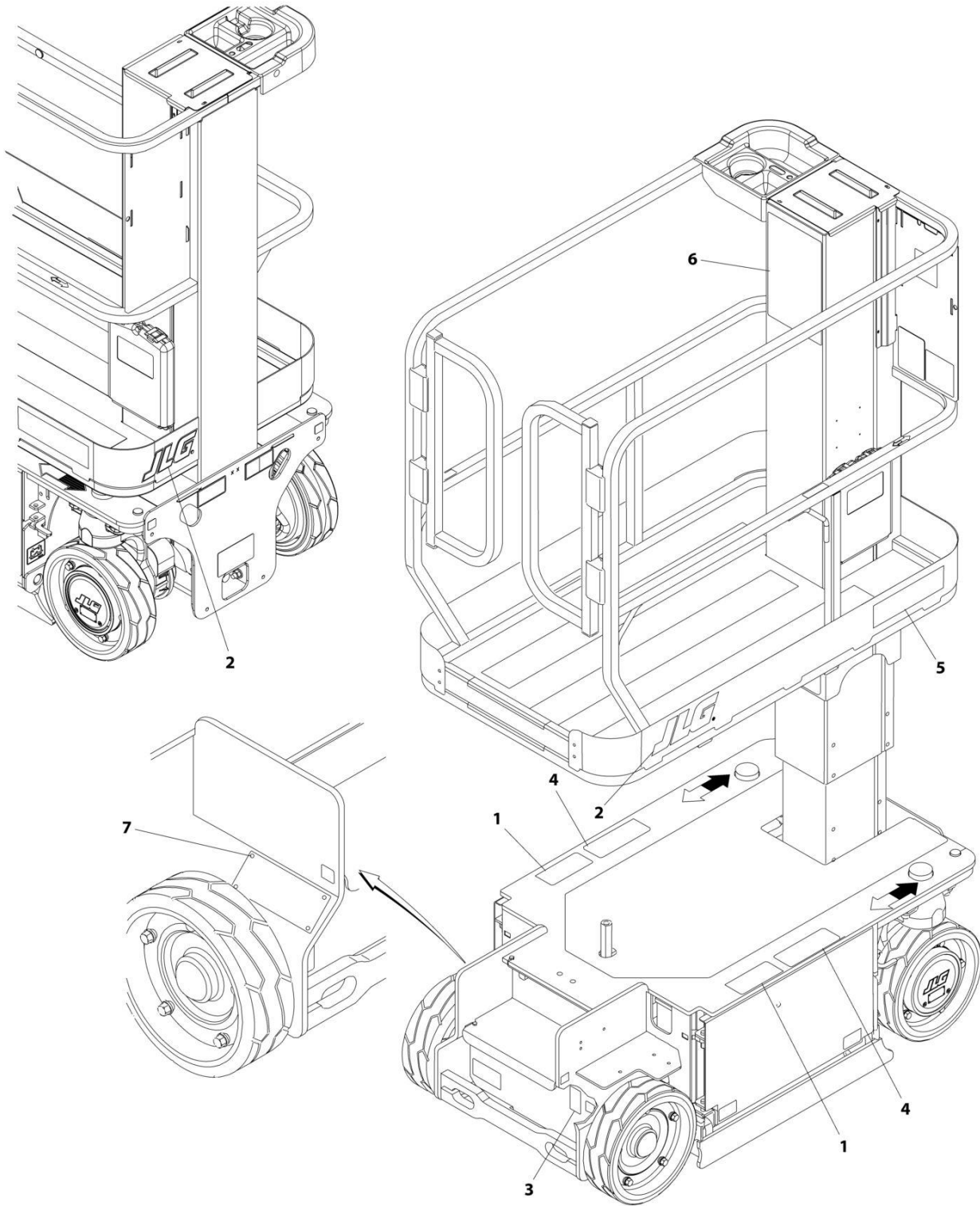
SECTION 8 - DECALS

FIGURE 8-4. DECALS INSTALLATION - CSA SPECS (ENGLISH/FRENCH LANGUAGE)

ITEM	PART NUMBER	QTY	DESCRIPTION	REV
	1001254200	Ref	DECALS INSTALLATION	A
1	1704340	1	Decal - Warning Battery Vent	
2	1705723	1	Decal - Legend (CAN)	
3	1705781	3	Decal - JLG Logo	
4	1706667	2	Decal - 1230ES Designation	
5	1707141	2	Decal - Danger Electrocution (ENG/FRE)	
6	1707145	2	Decal - Crushing Hazard (ENG/FRE)	
7	2080057	2	Fastener	
8	1001223971	1	Decal - Yearly Inspection (ENG/ CSA FRE)	
9	1001228370	1	Decal - ICES (CAN)	
10	1001254206	1	Decal - Instructions/Warnings (ENG)	
11	1001254207	1	Decal - 1230ES Warning (FRE)	

SECTION 8 - DECALS

FIGURE 8-5. DECALS INSTALLATION - CE SPECS (ALL LANGUAGES)



ART_1001254318

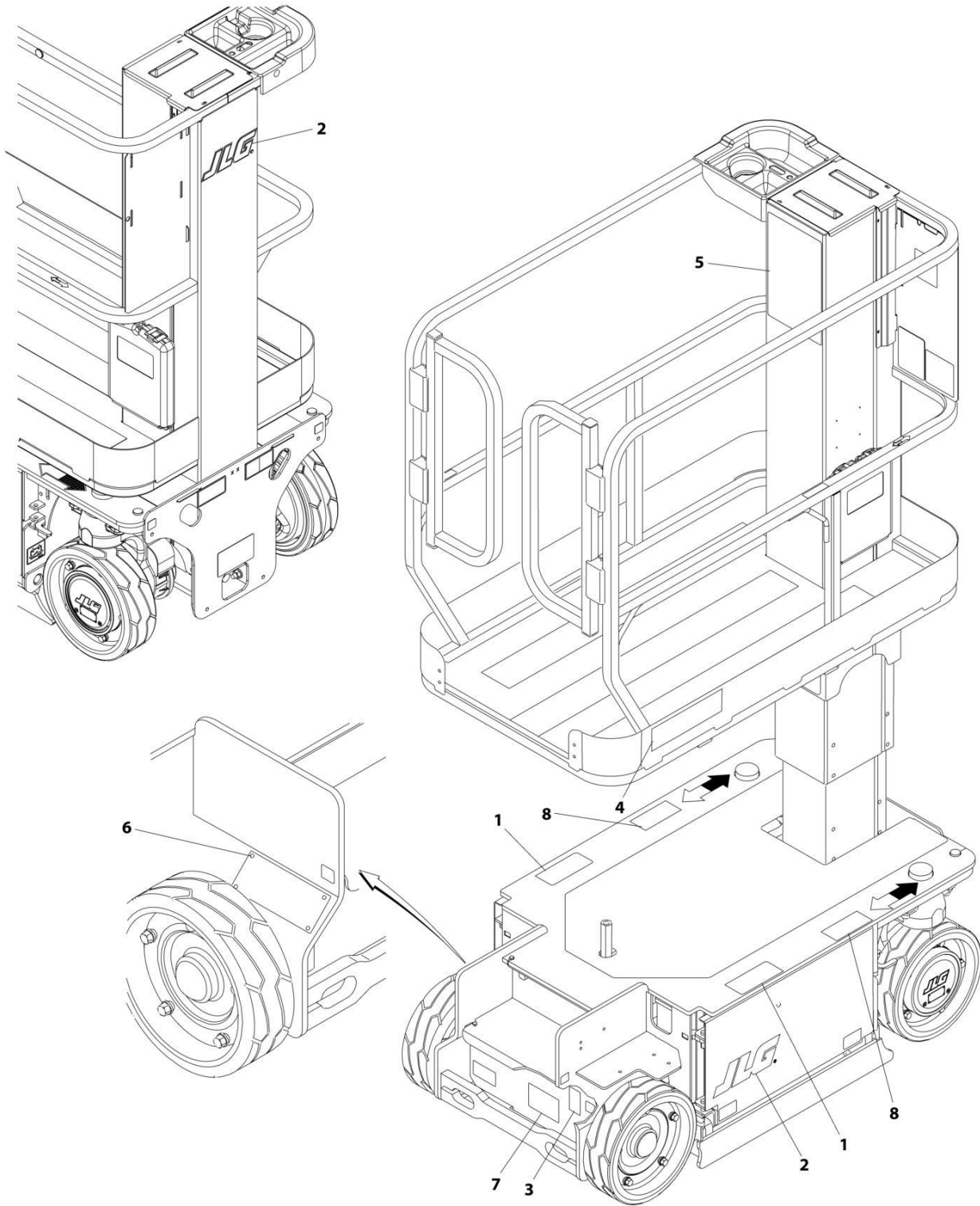
SECTION 8 - DECALS

FIGURE 8-5. DECALS INSTALLATION - CE SPECS (ALL LANGUAGES)

ITEM	PART NUMBER	QTY	DESCRIPTION	REV
	1001254318	Ref	DECALS INSTALLATION	A
1	1705099	2	Decal - Crushing Hazard	
2	1705781	3	Decal - JLG Logo	
3	1705803	1	Decal - Warning Fire Hazard	
4	1706078	2	Decal - Warning	
5	1706667	2	Decal - 1230ES Designation	
6	1706686	1	Decal - 1230ES Warning	
7	2080057	4	Fastener	

SECTION 8 - DECALS

FIGURE 8-6. DECALS INSTALLATION - JAPANESE SPECS (JAPANESE LANGUAGE)



ART_1001254202

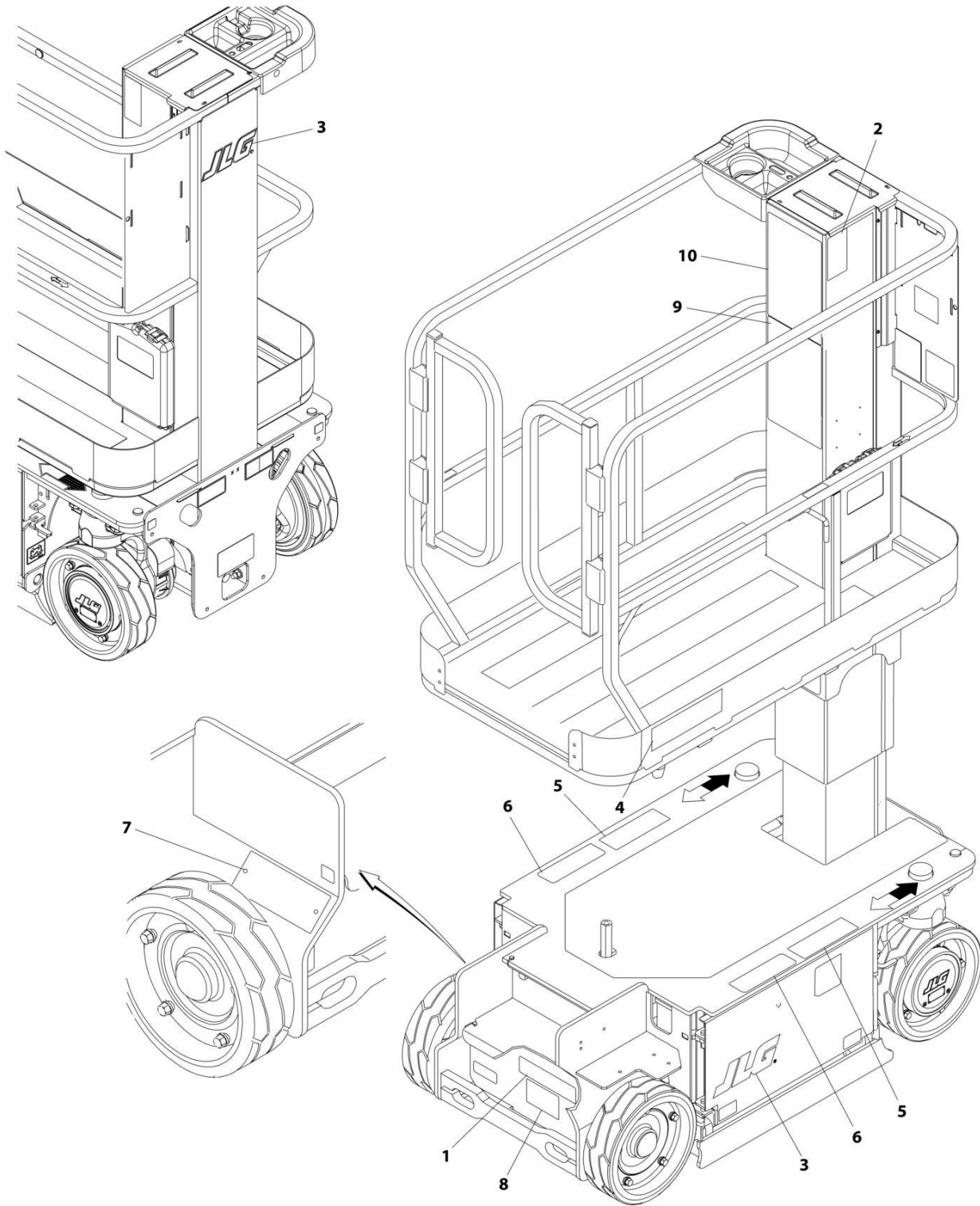
SECTION 8 - DECALS

FIGURE 8-6. DECALS INSTALLATION - JAPANESE SPECS (JAPANESE LANGUAGE)

ITEM	PART NUMBER	QTY	DESCRIPTION	REV
	1001254202	Ref	DECALS INSTALLATION	A
1	1705099	2	Decal - Crushing Hazard	
2	1705781	3	Decal - JLG Logo	
3	1705803	1	Decal - Warning Fire Hazard	
4	1706667	2	Decal - 1230ES Designation	
5	1706686	1	Decal - 1230ES Warning	
6	2080057	4	Fastener	
7	1001224053	1	Decal - Yearly Inspection (ENG/JPN)	
8	1706078	2	Decal - Warning	

SECTION 8 - DECALS

FIGURE 8-7. DECALS INSTALLATION - LATIN AMERICA SPECS (ENGLISH/SPANISH LANGUAGE)



ART_1001254201

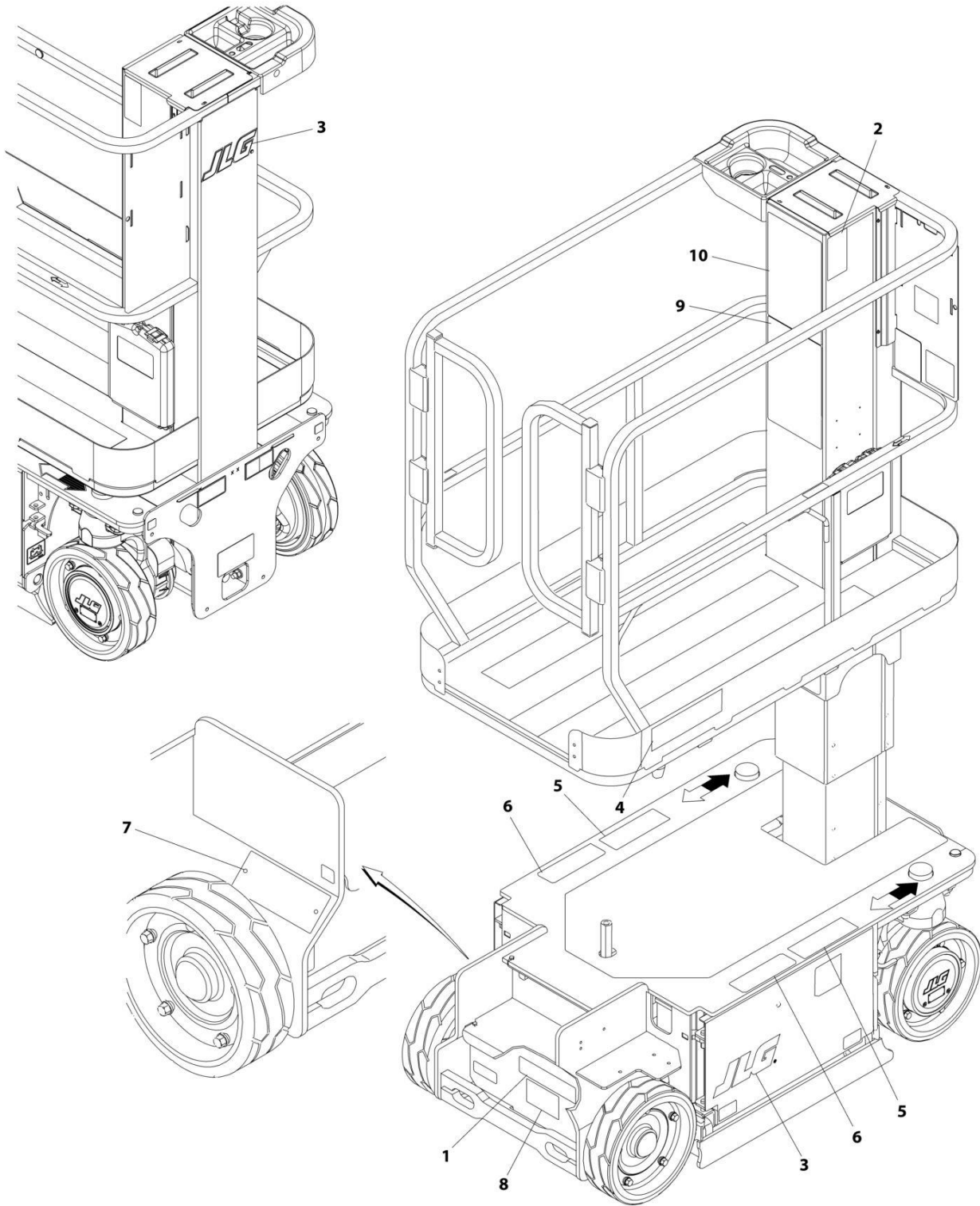
SECTION 8 - DECALS

FIGURE 8-7. DECALS INSTALLATION - LATIN AMERICA SPECS (ENGLISH/SPANISH LANGUAGE)

ITEM	PART NUMBER	QTY	DESCRIPTION	REV
	1001254201	Ref	DECALS INSTALLATION	A
1	1704339	1	Decal - Warning Battery Vent	
2	1705720	1	Decal - Legend (ENG/SPA)	
3	1705781	3	Decal - JLG Logo	
4	1706667	2	Decal - 1230ES Designation	
5	1707140	2	Decal - Danger Electrocution (ENG/SPA)	
6	1707143	2	Decal - Crushing Hazard (ENG/SPA)	
7	2080057	2	Fastener	
8	1001224049	1	Decal - Yearly Inspection (ENG/SPA)	
9	1001254206	1	Decal - Instructions/Warnings (ENG)	
10	1001254208	1	Decal - Instructions/Warnings (SPA)	

SECTION 8 - DECALS

FIGURE 8-8. DECALS INSTALLATION - BRAZIL SPECS (PORTUGUESE/SPANISH LANGUAGE)



ART_1001254203

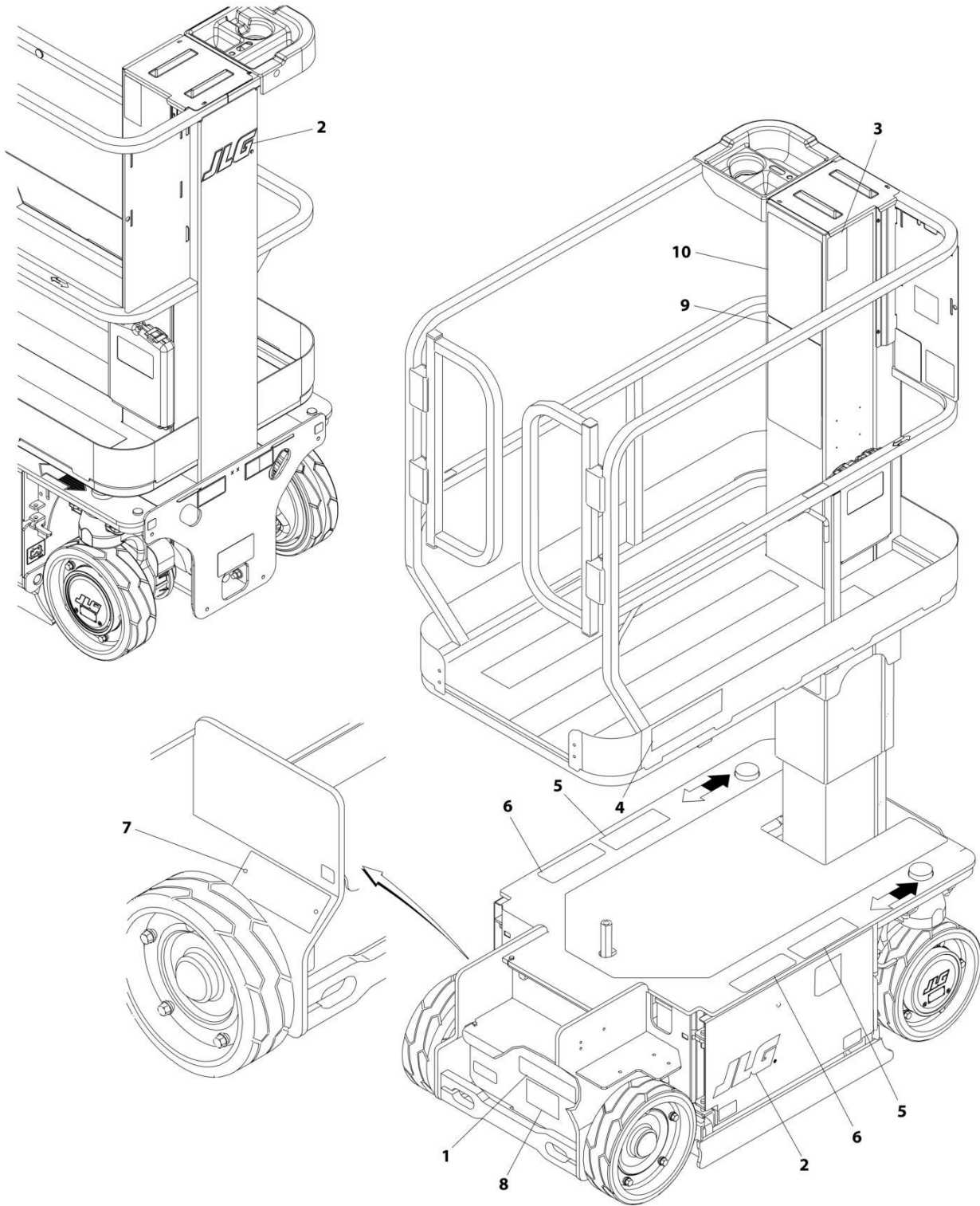
SECTION 8 - DECALS

FIGURE 8-8. DECALS INSTALLATION - BRAZIL SPECS (PORTUGUESE/SPANISH LANGUAGE)

ITEM	PART NUMBER	QTY	DESCRIPTION	REV
	1001254203	Ref	DECALS INSTALLATION	A
1	1704341	1	Decal - Warning Battery Vent	
2	1705726	1	Decal - Legend (POR/SPA)	
3	1705781	3	Decal - JLG Logo	
4	1706667	2	Decal - 1230ES Designation	
5	1707139	2	Decal - Danger Electrocution (POR/SPA)	
6	1707144	2	Decal - Crushing Hazard (POR/SPA)	
7	2080057	2	Fastener	
8	1001224052	1	Decal - Yearly Inspection (POR/SPA)	
9	1001254208	1	Decal - Instructions/Warnings (SPA)	
10	1001254209	1	Decal - Instructions/Warnings (POR)	

SECTION 8 - DECALS

FIGURE 8-9. DECALS INSTALLATION - CHINA SPECS (ENGLISH/CHINESE LANGUAGE)



ART_1001254204

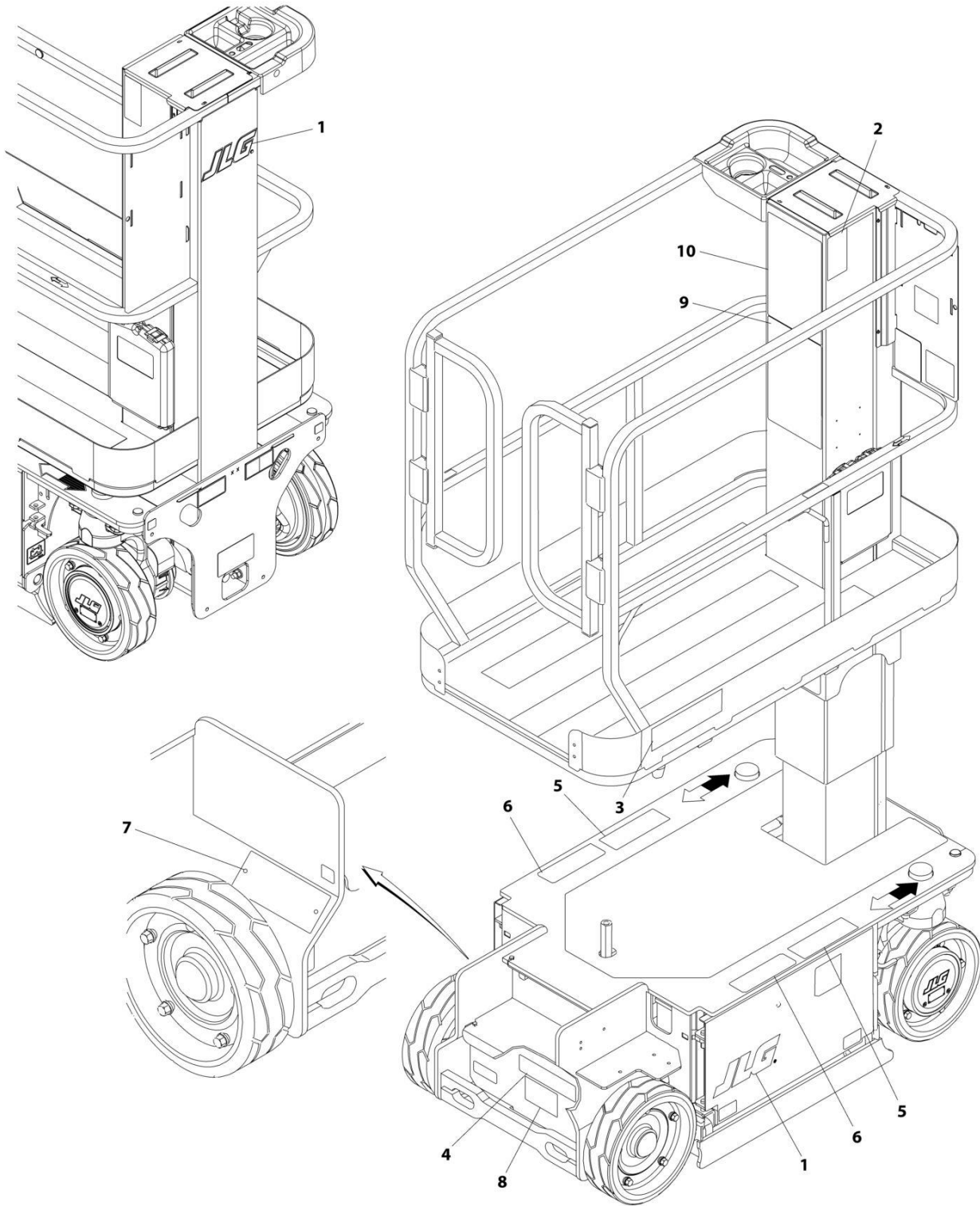
SECTION 8 - DECALS

FIGURE 8-9. DECALS INSTALLATION - CHINA SPECS (ENGLISH/CHINESE LANGUAGE)

ITEM	PART NUMBER	QTY	DESCRIPTION	REV
	1001254204	Ref	DECALS INSTALLATION	A
1	1704344	1	Decal - Warning Battery Vent (ENG/CHI)	
2	1705781	3	Decal - JLG Logo	
3	1705946	1	Decal - Legend (CHI)	
4	1706667	2	Decal - 1230ES Designation	
5	1707142	2	Decal - Danger Electrocution (ENG/CHI)	
6	1707146	2	Decal - Crushing Hazard (ENG/CHI)	
7	2080057	2	Fastener	
8	1001224050	1	Decal - Yearly Inspection (ENG/CHI)	
9	1001254206	1	Decal - Instructions/Warnings (ENG)	
10	1001254210	1	Decal - Instructions/Warnings (CHI)	

SECTION 8 - DECALS

FIGURE 8-10. DECALS INSTALLATION - KOREA SPECS (ENGLISH/KOREAN LANGUAGE)



ART_1001254205

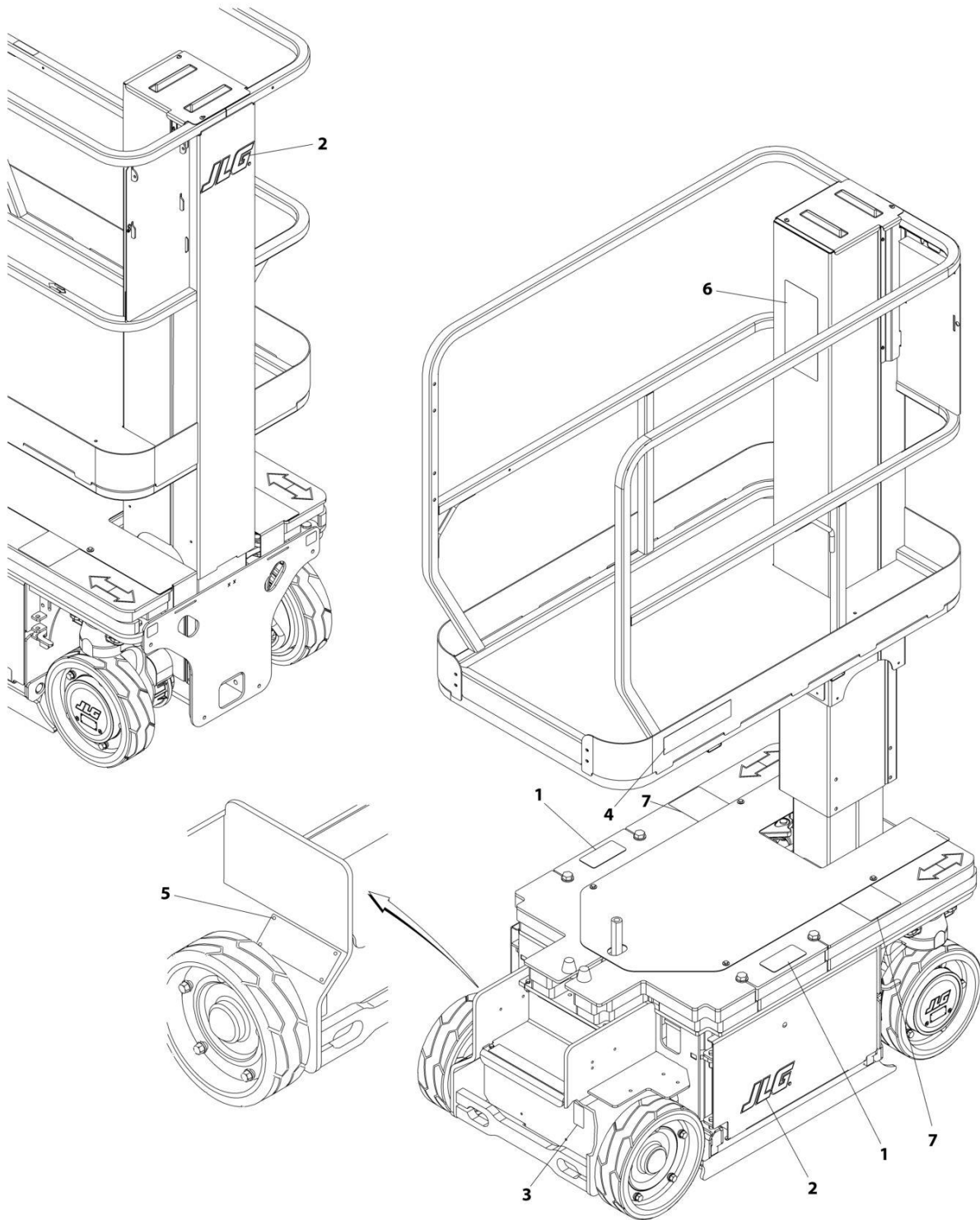
SECTION 8 - DECALS

FIGURE 8-10. DECALS INSTALLATION - KOREA SPECS (ENGLISH/KOREAN LANGUAGE)

ITEM	PART NUMBER	QTY	DESCRIPTION	REV
	1001254205	Ref	DECALS INSTALLATION	A
1	1705781	3	Decal - JLG Logo	
2	1706057	1	Decal - Legend (ENG/KOR)	
3	1706667	2	Decal - 1230ES Designation	
4	1707022	1	Decal - Warning Battery Vent (ENG/KOR)	
5	1707157	2	Decal - Danger Electrocution (ENG/KOR)	
6	1707158	2	Decal - Crushing Hazard (ENG/KOR)	
7	2080057	2	Fastener	
8	1001224048	1	Decal - Yearly Inspection (ENG/KOR)	
9	1001254206	1	Decal - Instructions/Warnings (ENG)	
10	1001254211	1	Decal - Instructions/Warnings (KOR)	

SECTION 8 - DECALS

FIGURE 8-11. DECALS INSTALLATION - AUSTRALIAN SPECS (ALL LANGUAGE)



ART_1001254319

SECTION 8 - DECALS

FIGURE 8-11. DECALS INSTALLATION - AUSTRALIAN SPECS (ALL LANGUAGE)

ITEM	PART NUMBER	QTY	DESCRIPTION	REV
	1001254319	Ref	DECALS INSTALLATION	A
1	1705099	2	Decal - Crushing Hazard	
2	1705781	3	Decal - JLG Logo	
3	1705803	1	Decal - Warning Fire Hazard	
4	1706667	2	Decal - 1230ES Designation	
5	2080057	4	Fastener	
6	1001216596	1	Decal - Capacity	
7	1706078	2	Decal - Warning	

SECTION 9 - RECOMMENDED SERVICE PARTS STOCK

SECTION 9 - RECOMMENDED SERVICE PARTS STOCK

SECTION 9 - RECOMMENDED SERVICE PARTS STOCK

FIGURE 9-1. RECOMMENDED SERVICE PARTS STOCK

ITEM	PART NUMBER	QTY	DESCRIPTION	REV
		Ref	Note: The following list will service one machine (built to current production per date on the front cover) with emergency repair parts which can be installed in the field. Parts from the list should be replaced when inventory is depleted to keep service parts stock supplied. For further information, contact your JLG dealer or the JLG Industries Parts Department.	
		Ref	STANDARD PARTS	
	4360069	1	Breaker, Circuit 10Amp	
	70000737	1	Cartridge, Solenoid	
	70005981	1	Cartridge, Solenoid	
	70005980	1	Coil	
	70005983	1	Filter	
	70002683	2	Fuse	
	8229242	2	Fuse, 5AMP	
	2860030	1	Key, Replacement	
	3740150	1	Relay	
	1001097347	1	Relay, 24V	
	4360538	1	Strip, Switch and Membrane	
	4360539	1	Strip, Toggle	
	4360475	1	Switch, Emergency Stop	
	4360469	1	Switch, Key	
	4360387	1	Switch, Push Button	
	7027367	1	Switch, Push Button	
	4360328	1	Switch, Toggle	
	4360336	1	Switch, Toggle	
		Ref	VARIABLE PARTS	
	7027365	1	Actuator, Handle	
	1001117172	1	Footswitch	
	1001092456	1	Module, Drive	
	1600439	1	Platform Box Control Module	
	1001102771	1	Sensor	
	1001163095	1	Sensor	
	4000010	1	Sensor, Proximity	

SECTION 10 - SPECIAL OPTIONS

SECTION 10 - SPECIAL OPTIONS

FIGURE 10-1. SPECIAL OPTIONS

ITEM	PART NUMBER	QTY	DESCRIPTION	REV
	Note	Ref	Note: This list is to accommodate machines ordered with special equipment. Options may not be applicable to all models. For more specific parts information contact JLG Parts Department.	
		Ref	MISCELLANEOUS SPECIAL OPTIONS	
	1001183458	Ref	Alarm - Ambient Adjusting	
	1001185053	Ref	Alarm - White Noise	
	0274791	Ref	Anti-Vandalism Kit	
	1001252535	Ref	Cable - Platform Extension	
	1001229107	Ref	ClearSky Telematics - 3-Wire Connection (ANSI and CSA Specs)	
	1001233237	Ref	ClearSky Telematics - 3-Wire Connection (ANSI Export, CE, and Korea Specs)	
	1001229711	Ref	Decal - ClearSky (ANSI and CSA Specs)	
	1001214030	Ref	Decal - EAC (Russian/CIS Specs)	
	1001257319	Ref	Drive Motor Kit	

PART NUMBER INDEX

SECTION 10 - SPECIAL OPTIONS

0060084.....27, 29	0761016 13, 115	1001103742 125, 127,	1001166194..... 41, 47
010001113, 49, 63, 67,	0761216 117	129, 131, 133, 135,	1001166255.....47
71, 73, 93, 97, 101,	0771217 63, 67, 71, 73	137, 139, 141	1001166776.....47
103, 117	0771219 63, 67, 71, 73	1001103743 43, 45	1001166824.....41
0100019.... 13, 63, 67, 71,	0801530 65, 69, 75, 77	1001109088 27, 29	1001175238..... 13
73	0801532 77	1001109786 .. 93, 97, 101	1001177842.....45
0100020.....91	0801533 77	1001110511 27, 29	1001180090.....47
0100035.....27, 29	0840060 143	1001112111 43	1001181045..... 145
0100040.....65, 69, 75, 77	0861731 ... 161, 163, 169,	1001112112 37	1001183458.....204
0100048....35, 37, 41, 63,	173	1001112113 35, 37	1001185053.....204
67, 71, 73	0861747 35	1001114467 15	1001189171.....147
0140011.....85	0861748 35	1001114937 47	1001189172.....147
0140043.....41	0861781 165, 167	1001115076 149	1001192401.....149
0274549.....13	0861880 145	1001115077 153	1001193274.... 63, 67, 71,
0274553.....83	0903594 13	1001116154 89	73
0274554.....85	0903595 13	1001116640 41, 149	1001193275.... 63, 67, 71,
0274556.....139	0903651 131, 133, 135	1001116647 91	73
0274558.....25	1001008575 . 93, 97, 101,	1001116692 149	1001199304..... 33
0274560.....31	103	1001116693 149	1001200607.....29
0274562.....43	1001091102 . 93, 97, 101,	1001117172 91, 202	1001206687.....49
0274564.....27	103	1001117837 .. 35, 37, 143	1001206688.....49
0274581.....115	1001091153 85	1001117838 35	1001208641..... 47, 153
0274791.....204	1001091272 85	1001117840 143	1001209674.....49
0274802.....141	1001091277 85	1001117841 143	1001214030.....204
0274914.....179	1001091278 85	1001117842 143	1001216596.....199
0275216..... 131, 167	1001091279 85	1001117843 143	1001219582..... 17
0275217..... 133, 165	1001091280 85	1001118215 89	1001220156.....181
0275218..... 135, 171	1001091283 85	1001118216 89	1001220665..... 17
0275219..... 137, 175	1001091396 85	1001118322 149	1001223055.....183
0275452..... 125, 169	1001092165 ... 65, 69, 75,	1001118323 151	1001223971.....185
0275453..... 127, 173	77	1001118359 15, 17, 22	1001224016.....33
0275454..... 129, 161	1001092456 41, 202	1001118363 22, 151	1001224019.....29
0275663.....51	1001092907 179, 181	1001118433 15	1001224048.....197
0275664.....53	1001096138 149	1001119032 153	1001224049.....191
0275665.....55	1001097150 145, 147	1001131270 179, 181	1001224050.....195
0275666.....57	1001097347 149, 202	1001133248 91	1001224052.....193
0275667.....59	1001098122 91	1001136757 155	1001224053.....189
0275769..... 125	1001099670 151	1001138967 155	1001224191.....181
0275771..... 129	1001100141 103	1001141967 171, 175	1001228370..... 183, 185
0275772..... 131	1001100142 103	1001141968 171	1001229107.....204
0275773..... 133	1001100176 79	1001141969 175	1001229471..... 45
0275774..... 135	1001100341 167	1001141970 175	1001229711.....204
0380025..... 47	1001100342 165	1001141971 171	1001231386.....155
0400215..... 35	1001100345 169	1001142174 155	1001231728..... 85
0440263... 13, 27, 29, 111	1001100346 161	1001143009 155	1001231801.....183
0610161.....47	1001100347 173	1001145762 155	1001231992..... 115, 119
0630580..... 15, 17	1001100630 103	1001145763 155	1001233237.....204
063058727, 29, 35, 37	1001100631 103	1001145881 155	1001236161..... 91
0630606..... 13	1001100634 103	1001152483 147	1001239932.... 65, 69, 75,
0641416.93, 97, 101, 103	1001100918 103	1001152487 127, 137,	159
0700615.....41	1001100947 103	147	1001239934..... 79, 159
0700616.....77	1001101024 151	1001153734 127	1001239935..... 79
0700618..... 65, 69, 75	1001101362 119	1001153735 137	1001239936..... 79
0700628..... 33	1001101833 115, 117	1001155025 37	1001239937..... 79
0700812..... 117	1001102349 19	1001155029 37	1001239938..... 79
0760408..... 155	1001102351 19	1001155030 37	1001239939..... 79
0760606.... 125, 127, 129,	1001102353 19	1001156211 65, 69, 75	1001241343..... 79
131, 133, 135, 137,	1001102354 19	1001157547 155	1001241426..... 79
139, 141	1001102771 .. 35, 37, 202	1001157645 155	1001252535.....204
0760608.....65, 69, 75	1001102858 ... 63, 65, 67,	1001157891 149	1001254195..... 63, 93
0760610....65, 69, 75, 91,	69, 71, 73, 75	1001158712 155	1001254196..... 71, 101
155	1001103257 139	1001159186 153	1001254197..... 73, 103
0760614.....31, 33	1001103258 125, 127,	1001163095 47, 202	1001254198.... 63, 65, 93,
0760806....63, 67, 71, 73	129, 131, 133, 135,	1001165284 47	95
0760808.....89	137, 141	1001165286 47	1001254199.....183
0760812....63, 67, 71, 73	1001103471 135, 137	1001165315 47	1001254200.....185
0761010..... 117		1001165316 47	1001254201.....191

SECTION 10 - SPECIAL OPTIONS

1001254202	189	1705726	193	131, 133, 135, 137,	4160160	27, 29
1001254203	193	1705781 ...	183, 185, 187,	139, 141, 155	4160203	85
1001254204	195	189, 191, 193, 195,		3290606.....	4160214	35, 37
1001254205	197	197, 199		3290805..	4160220	65, 69, 75
1001254206	183, 185,	1705803	187, 189, 199	103, 117	4160222	27, 29
191, 195, 197		1705946	195	3291005.....	4160223	27, 29
1001254207	185	1706057	197	3291205....	4191306	85
1001254208	191, 193	1706078	187, 189, 199	63, 67, 71, 73,	4191406... 25, 31, 33, 65,	
1001254209	193	1706667 ...	183, 185, 187,	117	69, 75, 93, 97, 101,	
1001254210	195	189, 191, 193, 195,		3300423.....	103, 125, 127, 129,	
1001254211	197	197, 199		3311005.....	131, 133, 135, 137, 139	
1001254318	187	1706670	179, 181	3311405.....	4191407	85
1001254319	199	1706671	179	3321005.....	4191409	85
1001254341	67, 97	1706679	179, 181	3322202.....	4191706.... 25, 41, 43, 45	
1001254342 ...	67, 69, 97,	1706686	187, 189	3331211....	4191707	127, 137
99		1706740	179, 181	3340962.93, 97, 101, 103	4191708	31, 41
1001254348 ...	71, 73, 75,	1706750	155	3340968.....	4191709	41
101, 103, 105		1706832	183	3380475.....	4220258	27, 29
1001254349	99	1707022	197	3380599.....	4220286	35, 37
1001254378	95	1707139	193	3380600.....	4220307	41
1001254381	95, 99	1707140	191	3380604.....	4220309	93, 97, 101
1001257319	204	1707141	185	3380605.....	4240017	155
1001259119 ..	95, 99, 105	1707142	195	3380612.....	4240018	15, 17
1001266761	77	1707143	191	3380619.....	4240033... 125, 129, 131,	
1001285942	117, 121	1707144	193	3380766....	133, 135	
1001285943	117	1707145	185	133, 135	4240147	115, 117
1001286093	117	1707146	195	3391408.....	4240153	41
1001287772	117	1707157	197	3423189.....	4341144	25
1060908	145, 147	1707158	197	3423230.....	4360069	47, 202
1060918	91	2080040 ...	75, 83, 93, 95,	3423231.....	4360328	47, 202
1060998	143	97, 99, 101, 103		3423235.....	4360336	155, 202
1321293 ...	125, 127, 129,	2080043 93, 97, 101, 103		3423236.....	4360387	41, 202
131, 133, 135, 137,		2080057 ...	183, 185, 187,	3423243.....	4360469	47, 202
139, 141		189, 191, 193, 195,		3423303.....	4360475	47, 85, 202
1321682	15, 17	197, 199		3450406.....	4360538	85, 202
1380156	85	2144605	111, 119	3520072.93, 97, 101, 103	4360539	85, 202
1380159	89	2144609	109	3520193.....	4420070	31, 33, 83
1580050 93, 97, 101, 103		2220883	121	3575919.....	4460115	153
1600402	85, 87	2221086	119	3576089.....	4460138	139
1600439	85, 202	2400060	149	3730119.....	4460142	149
1671098	85	2410021	93, 97, 101	3740150.....	4460183	153
1671105	47	2420172	47	3760348.....	4460227	149
1671207	163	2540042	157	3760463.....	4460259	149, 153
1684458	13, 111	2560179	85	3820019....	4460260	149, 153
1684469	77, 109	2600281 93, 97, 101, 103		95, 99	4460265	157
1701640	179, 181	2755003	115, 117	3841143.....	4460267	43, 45, 157
1701691 95, 99, 125, 129,		2780266	15, 17, 19	3841517.....	4460268	47, 149, 153
131, 133, 135		280013	103	3841703.....	4460314	139
1703687	179, 181	2860030	47, 202	3900258.....	4460320	149
1703785	183	2902431	139, 163	3900333.....	4460321	47
1703786	183	2902439	77	3900336.....	4460346	163
1703819	85, 179, 181	2902559 ...	125, 129, 131,	3900338.....	4460374	149
1704016	179, 181	133, 135, 145		3900339.....	4460375	149
1704277	179, 181	2920161	25	3900392.....	4460418	153
1704339	191	3010145	27, 29	3911010.....	4460424	43, 45
1704340	185	3010146	27, 29	3911416.....	4460464 43, 45, 149, 153,	
1704341	193	3010147	27, 29	3931412.....	157	
1704344	195	3010152	27, 29	4000010.....	4460465 ... 25, 35, 37, 91,	
1704412	179, 181	3010153	27, 29	4010408....	149, 151, 159	
1705099	187, 189, 199	3010164	13	4010415.....	4460466 43, 45, 149, 153,	
1705676	85	3010165	13	4010614....	157, 159	
1705686	183	3020039	35, 37	133, 135	4460493	159
1705692	179, 181	3290405 .	27, 29, 79, 131,	4010618.....	4460496	157
1705696	47	133, 135, 155		4031707.....	4460497	157
1705698	47	3290605 ...	27, 29, 31, 33,	4060865.....	4460539	149
1705720	191	35, 37, 41, 65, 69, 75,		4071095.93, 97, 101, 103	4460633	131, 133
1705723	185	77, 91, 125, 127, 129,		4110226.....	4460648	43, 45, 149

SECTION 10 - SPECIAL OPTIONS

4460662.....125, 127, 129, 163	4740120..... 155	70000735..... 109	70007123.....121
4460754..... 159	4740468..... 19	70000737..... 109, 202	70007140.....119
4460761..... 149	4740523..... 15, 17	70000738..... 111	70007188.....119
4460871..... 149	4740524..... 15, 17	70000739..... 111	70007588.....121
4460873..... 149	4751000..... 47	70000741..... 111	70007613.....121
4460884..... 149, 153	481140027, 29, 131, 133, 135, 155	70000742..... 111	70007614.....121
4460891.....25, 149	4811700... 27, 29, 31, 33, 35, 37, 43, 45, 65, 69, 75, 95, 99, 103, 125, 127, 129, 131, 133, 135, 137, 155	70000743..... 111	70008100.....121
4460894..... 149		70000790..... 22	70008101.....121
4460897..... 149		70000791..... 22	70008102.....121
4460899.....43, 45		70000792..... 22	70008103.....121
4460905..... 149		70001250..... 87	70008104.....121
4460918..... 153	4811702... 33, 65, 69, 75	70001251..... 87	70008105.....121
4460930..... 159	4811900..... 103, 117	70001252..... 87	70008106.....121
4460931..... 149	4812000..... 117	70001253..... 87	70030944.....121
4460942..... 149, 151	4812100..... 35, 37, 117	70001254..... 109	7011025.....119
4460943..... 149, 153	4922870..... 85, 157	70001265..... 23	7016319.....25
4460944..... 159	4923325..... 143	70001739..... 22	7016372.....25
4460956..... 145	4923326..... 143	70001949..... 22	7020175.....47, 85
4460957..... 145	4923328..... 143	70002308..... 23	7020176.....47, 85
4460986..... 149	5241200... 63, 67, 71, 73	70002682..... 41	7024747.....23
4461016..... 157	70000082..... 87	70002683..... 41, 202	7024748.....23
4461057..... 157	70000084..... 87	70002720..... 109	7024749.....23
4461196.....57, 131, 167	70000191..... 22	70002902..... 91	7024750.....23
4461198..... 167	70000683..... 87	70002903..... 91	7024756.....23
4461199.....59, 133, 165	70000684..... 87	70002904..... 91	7024757.....22
4461201..... 165	70000685..... 87	70002905..... 91	7024758.....23
446120551, 53, 125, 127, 135, 137, 169, 171, 173, 175	70000686..... 87	70003650..... 87	7024771.....23
4461244..... 169	70000721..... 109	70003700..... 121	7024772.....23
4461245..... 173	70000722..... 109	70003734..... 121	7024773.....23
4461246..... 161	70000723..... 109	70005634..... 121	7024785.....22
4461249.....55, 129, 161	70000725..... 109	70005977..... 119	7024786.....22
4568738..... 85	70000726..... 109	70005978..... 119	7027365.....87, 202
4569225.....27	70000727..... 109	70005979..... 119	7027367.....87, 202
4569238.....27, 29	70000728..... 109	70005980..... 119, 202	7027765.....87
4640858..... 109	70000729..... 109	70005981..... 119, 202	7027766.....87
4700042.....65, 69, 75, 77	70000730..... 109	70005982..... 119	8220114..... 149
4711000..... 49	70000731..... 109	70005983..... 119, 202	8229242..... 149, 202
4711400..... 49	70000732..... 109	70005984..... 119	8584003.....117
	70000733..... 109	70005985..... 119	8990147.....75, 95, 99
	70000734..... 109	70006339..... 121	91013191..... 149
		70006426..... 23	91013192..... 151



**Corporate Office
JLG Industries, Inc.
1 JLG Drive
McConnellsburg, PA 17233-9533 USA
☎ (717) 485-5161 (Corporate)
☎ (877) 554-5438 (Customer Support)
📠 (717) 485-6417**

**Visit our website for JLG Worldwide Locations.
www.jlg.com**



OSHKOSH™