



Illustrated Parts Manual

Models
20MSP
20MVL

PVC
2102

P/N
31217431

February 28, 2021 - Rev A

ANSI

CE



AS/NZS

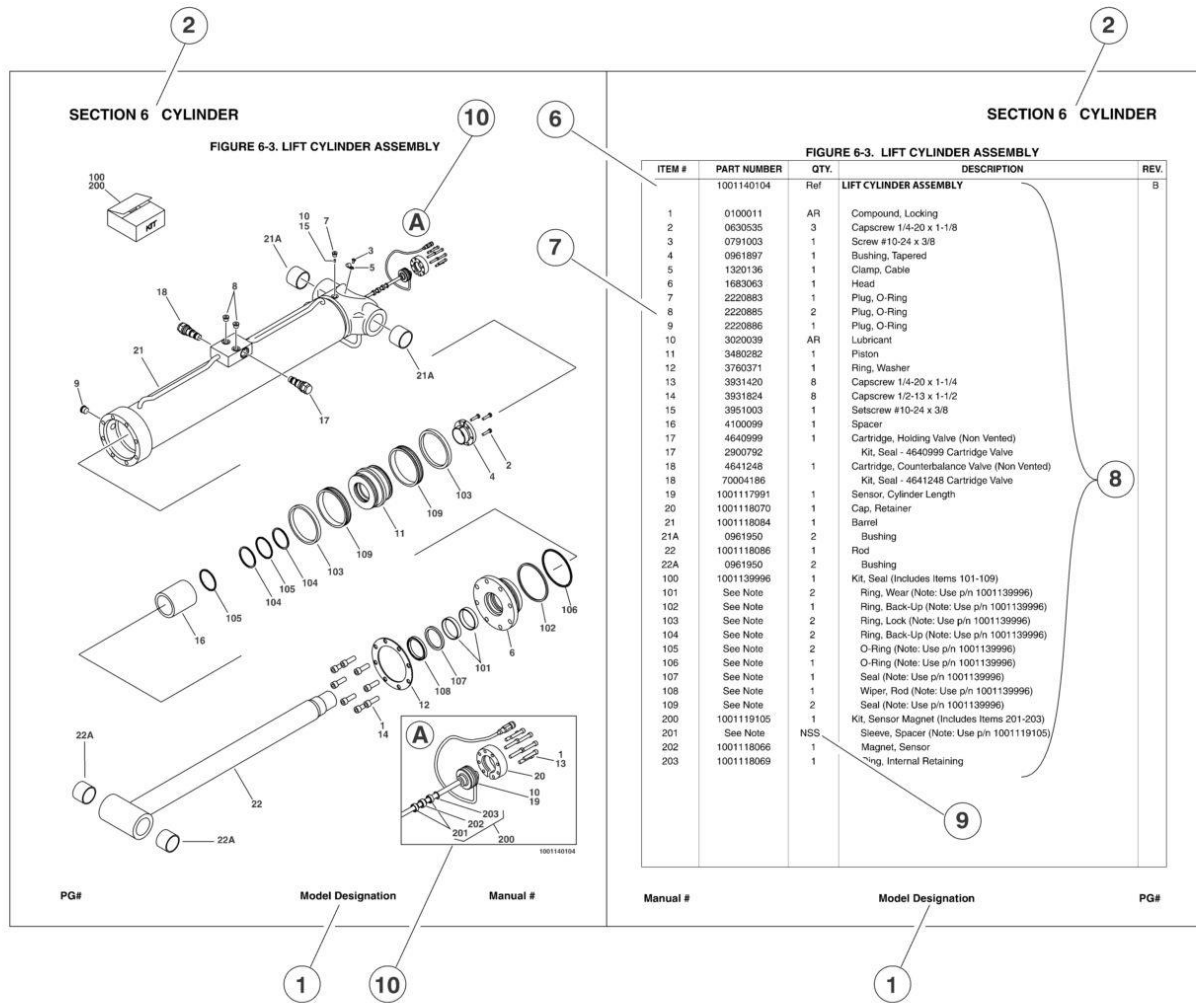


An Oshkosh Corporation Company

REVISION LOG

February 28, 2021 - A - Original Issue of Manual (Edited to B/M 1001250317 E)

GENERAL INFORMATION



1) MACHINE IDENTIFICATION

Machines are identified by model and in some cases a combination of models, serial number (SN) or regional standard (i.e. ANSI, CE, CSA). Components may also be identified by SN or manufacturer. Common components that may be identified by these characteristics are engines and hydraulic components.

2) PARTS MANUAL ORGANIZATION

Product information in this manual is organized under section titles. Frame, Cylinder, Hydraulic and Electrical are a few examples. Each section is organized by figure and page number. The information within the figure is then organized by item number, part number, description and corresponding illustration(s).

3) TABLE OF CONTENTS

A table of contents is found toward the beginning of the manual. Figure number, description and page number are provided for quick reference to the page containing the related information.

4) RECOMMENDED SPARE PARTS

The Recommended Spare Parts, located near the end of the manual, reference most frequently used maintenance parts.

5) PART NUMBER INDEX

A numerical index listing all part numbers and the corresponding page number(s) appears at the back of the manual.

GENERAL INFORMATION

6) NON-SERVICED PARTS

In some instances, it is necessary to display non-serviced parts, assemblies or installations. In the case of assemblies and installations there will be a Ref in the Qty column. In case of parts that are not available for service within assemblies and components, there will be a NSS (Not Sold Separately) or NLA (No Longer Available) listed in the Qty. column of the manual.

7) PARTS LIST ITEM NUMBERS

Numbers shown in the item# column correspond to numbers used in the associated illustration (s). Item numbers which are missing from the sequence in the parts list are not used on that page

8) INDENTED PARTS DESCRIPTION

An indented part description is included in the item under which it is indented.

9) ABBREVIATION AND SYMBOLS

AC.....	.. Alternating Current	LCD.....	Liquid Crystal Display
ADE.....	Advanced Design Electronics	LED.....	Light Emitting Diodes
ANSI.....	American National Standards Institute	LH.....	Left Hand
AR.....	..As Required	LSS.....	..Load Sensing System
ASSY.....	Assembly	M(m).....	Metric/Meter
AUX.....	Auxiliary	MM (mm).....	Milimeter
AWG.....	..American Wire Gauge	mA.....	Miliamps
B/M.....	..Bill of Material	NLA.....	No Longer Available
CE.....	..European Conformity	NPT.....	National Pipe Threads
CCW.....	..Counter Clockwise	NSS.....	Not Sold Separately
cm.....	Centimeter	OD.....	..Outside Diameter
CW.....	..Clockwise	ORB.....	O-Ring Boss
CSA.....	..Canadian Standard Association	ORFS.....	O-Ring Face Seal
CYL.....	Cylinder	OZ (oz).....	..Ounces
DIA.....	Diameter	PG.....	..Page
DC.....	Direct Current	P/N.....	..Part Number
EMS.....	Emergency Stop	qt.....	..Quarts
ENG.....	Engine	QTY.....	..Quantity
FT (ft).....	Feet	REF.....	..Reference
GA (Ga).....	Gauge	REV.....	..Revision Level
HYD.....	Hydraulic	RH.....	..Right Hand
Hz.....	Hertz	SAE.....	Society of Automotive Engineers
ID.....	Inside Diameter	SN.....	..Serial Number
in.....	inches	SPEC(S).....	..Specifications
ISO.....	International Organization for Standards	T/T.....	..Turntable
JIC.....	Joint Industry Council	UGM.....	..Universal Ground Module
KG.....	..Kilogram	V.....	..Volts
L.....	..Liter	W.....	..Watts
LB.....	..Pounds	#.....	..Number

10) ILLUSTRATION REFERENCE LETTERS

When necessary, illustrations may contain reference letters that are intended to track information (i. e. hoses, harness) from one point to another or to track visual enlargement of components to show details that may be located in another area on the illustration.

Note: Due to continuous product improvements, JLG Industries, Inc. reserves the right to make specification changes without prior notification. Contact JLG Industries, Inc. for updated information.

TABLE OF CONTENTS

SECTION 1 - FRAME.....	9
FIGURE 1-1. BASE ASSEMBLY	10
FIGURE 1-2. DRIVE ASSEMBLY	12
FIGURE 1-3. BEACON LIGHT INSTALLATION	14
FIGURE 1-4. BUMPER INSTALLATION (BASE ONLY)	16
FIGURE 1-5. BUMPER INSTALLATION (BASE AND PLATFORM)	18
FIGURE 1-6. POT HOLE PROTECTION INSTALLATION	20
FIGURE 1-7. COVERS INSTALLATION (TWO 12V BATTERIES)	22
FIGURE 1-8. COVERS INSTALLATION (FOUR 6V BATTERIES)	24
FIGURE 1-9. MAST AND BATTERY BOX INSTALL (WITH 2 12V BATTERIES)	26
FIGURE 1-10. MAST AND BATTERY BOX INSTALL (WITH 4 6V BATTERIES)	28
SECTION 2 - CONTROLS	31
FIGURE 2-1. ELECTRICAL COMPONENTS INSTALLATION (2 12V BATTERIES)	32
FIGURE 2-2. ELECTRICAL COMPONENTS INSTALLATION (4 6V BATTERIES)	34
FIGURE 2-3. BATTERY CHARGER INSTALLATION	36
FIGURE 2-4. CHARGER PLUG - 110V (ANSI, ANSI EXPORT, CSA AND JAPANESE SPECS)	38
FIGURE 2-5. CHARGER PLUG - 220V IEC BLUE GROUND (CE SPECS)	40
FIGURE 2-6. CHARGER PLUG - 220V POST GROUND (CE SPECS)	42
FIGURE 2-7. CHARGER PLUG - 220V SIDE GROUND (CE SPECS).....	44
FIGURE 2-8. CHARGER PLUG - 220V KEYED GROUND (CE SPECS).....	46
FIGURE 2-9. CHARGER PLUG - 220V (CE AND AUSTRALIAN SPECS)	48
FIGURE 2-10. CHARGER PLUG - CUSTOMER SUPPLIED PLUG (ALL SPECS EXCEPT CSA)	50
FIGURE 2-11. CONTROLS & CABLES INSTALLATION (ALL SPECS EXCEPT AUSTRALIAN)	52
FIGURE 2-12. CONTROLS & CABLES INSTALLATION (AUSTRALIAN SPECS)	54
FIGURE 2-13. PLATFORM CONTROL BOX ASSEMBLY (ALL SPECS EXCEPT AUSTRALIAN)	56
FIGURE 2-14. PLATFORM CONTROL BOX ASSEMBLY (AUSTRALIAN SPECS)	58
FIGURE 2-15. GROUND CONTROLS INSTALLATION (ANSI, ANSI EXPORT, CSA, AND CE SPECS)	60
FIGURE 2-16. GROUND CONTROLS INSTALLATION (JAPANESE AND CHINA SPECS)	62
FIGURE 2-17. GROUND CONTROLS INSTALLATION (AUSTRALIAN SPECS)	64
FIGURE 2-18. HORN	66
FIGURE 2-19. SECURITY LOCK INSTALLATION	68
SECTION 3 - MAST	71
FIGURE 3-1. MAST ASSEMBLY	72
FIGURE 3-2. MAST PROTECTION INSTALLATION	76
FIGURE 3-3. LSS INSTALLATION (BOLT-ON PLATFORM)	78
FIGURE 3-4. LSS INSTALLATION (QUICK CHANGE PLATFORM)	80
SECTION 4 - PLATFORM	83
FIGURE 4-1. QUICK-CHANGE PLATFORM INSTALLATION - 22IN X 25IN (56CM X 63.5CM) (ANSI AND CSA SPECS).....	84
FIGURE 4-2. PLATFORM INSTALLATION - 22IN X 25IN (56CM X 63.5CM) (CE SPECS)	86
FIGURE 4-3. PLATFORM ASSEMBLY - 22IN X 25IN (56CM X 63.5CM)	88
FIGURE 4-4. QUICK-CHANGE PLATFORM INSTALLATION - 28IN X 26IN (71CM X 66CM) (ANSI, ANSI EXPORT, CSA, JAPANESE, AND CHINA SPECS)	90
FIGURE 4-5. QUICK-CHANGE PLATFORM INSTALLATION - 26IN X 49IN (66CM X 124CM) (AUSTRALIAN SPECS)	92
FIGURE 4-6. PLATFORM INSTALLATION - 26IN X 49IN (66CM X 124CM) (CE AND AUSTRALIAN SPECS)	94
FIGURE 4-7. PLATFORM ASSEMBLY - 26IN X 49IN (66CM X 124CM)	96
FIGURE 4-8. QUICK-CHANGE PLATFORM ASSEMBLY - 26IN X 49IN (66CM X 124CM) (ANSI, ANSI EXPORT, CSA, JAPANESE, AND CHINA SPECS)	98
FIGURE 4-9. PLATFORM INSTALLATION - 27IN X 23IN (67CM X 58CM) (ANSI SPECS).....	102
FIGURE 4-10. PLATFORM INSTALLATION - 27IN X 23IN (67CM X 58CM) (ANSI, ANSI EXPORT, CSA, AND CE SPECS)	104
FIGURE 4-11. PLATFORM INSTALLATION - 27IN X 23IN (67CM X 58CM) (AUSTRALIAN SPECS)	106
FIGURE 4-12. PLATFORM INSTALLATION - 28IN X 48IN (71CM X 122CM) WITH FOLDING SIDERAILS (ALL SPECS)	108
FIGURE 4-13. PLATFORM INSTALLATION - 28IN X 48IN (71CM X 122CM) WITH FIXED SIDERAILS (ALL SPECS)	112
FIGURE 4-14. PLATFORM BUMPER INSTALLATION	116
FIGURE 4-15. TOOL TRAY	118
SECTION 5 - CYLINDER	121
FIGURE 5-1. LIFT CYLINDER ASSEMBLY	122

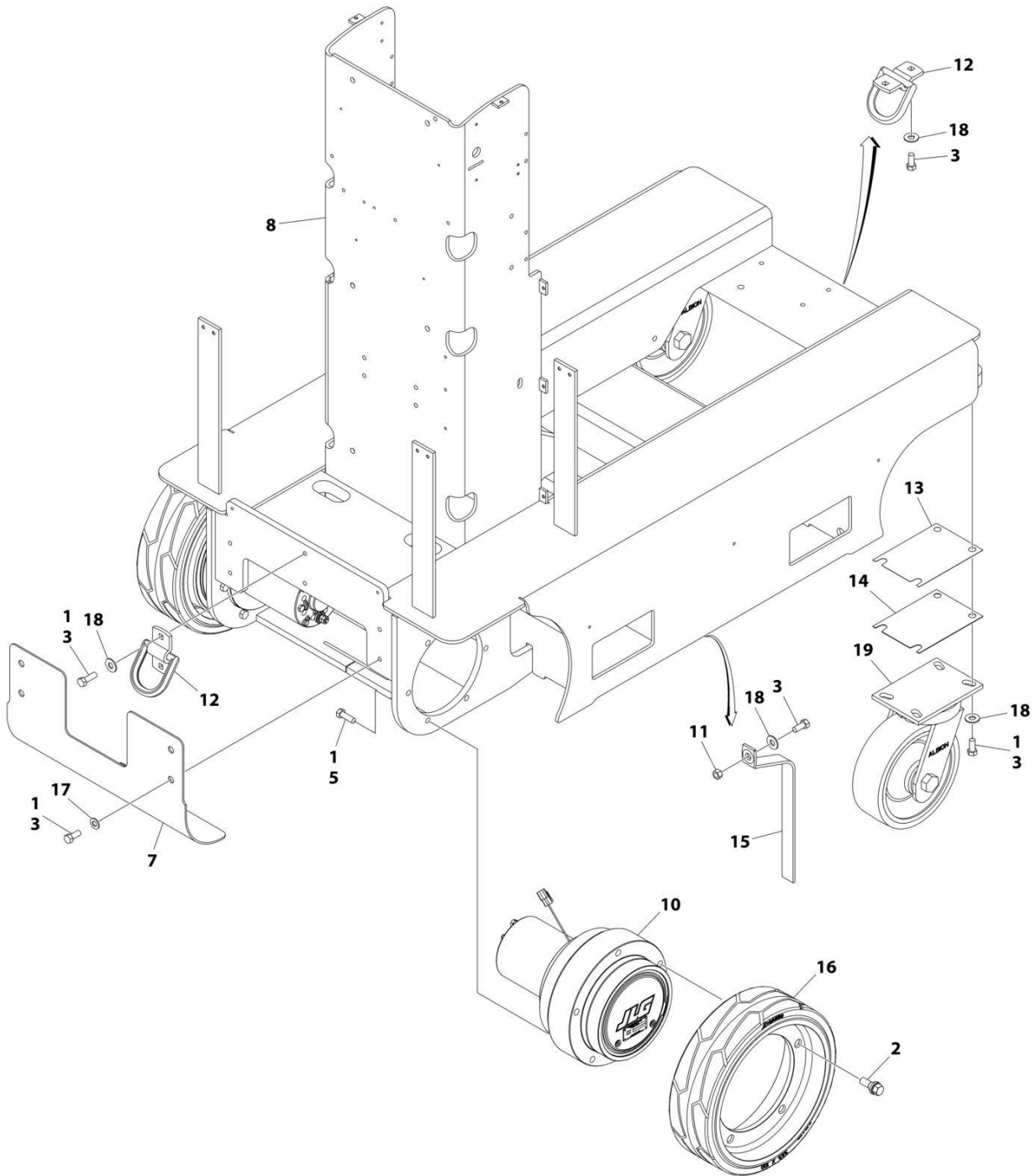
TABLE OF CONTENTS

SECTION 6 - HYDRAULIC	125
FIGURE 6-1. HYDRAULICS INSTALLATION	126
FIGURE 6-2. PUMP AND MOTOR ASSEMBLY	128
SECTION 7 - ELECTRICAL	131
FIGURE 7-1. AC BOX AT PLATFORM INSTALLATION - 110V GFI (ANSI, ANSI EXPORT, CSA, AND JAPANESE SPECS)	132
FIGURE 7-2. AC BOX AT PLATFORM INSTALLATION - 200V CEE7 KEYED GROUND (CE SPECS)	134
FIGURE 7-3. AC BOX AT PLATFORM INSTALLATION - 220V CEE7 POST GROUND (CE SPECS)	136
FIGURE 7-4. AC BOX AT PLATFORM INSTALLATION - 220V CEE7 SIDE GROUND (CE SPECS)	138
FIGURE 7-5. AC BOX AT PLATFORM INSTALLATION - 220V DOM PLUG/RECEPTACLE (ANSI AND CSA SPECS)	140
FIGURE 7-6. AC BOX AT PLATFORM INSTALLATION - 220V IEC BLUE (CE SPECS)	142
FIGURE 7-7. AC BOX AT PLATFORM INSTALLATION - CUSTOMER SUPPLIED PLUG (ALL SPECS)	144
FIGURE 7-8. ACCESSORY POWER WIRING	146
FIGURE 7-9. BREAKER BOX KIT WITH 1 DOUBLE BREAKER	148
FIGURE 7-10. BREAKER BOX KIT WITH 3 BREAKERS	150
FIGURE 7-11. CLEARSKY INSTALLATION (ANSI AND CSA SPECS)	152
FIGURE 7-12. CLEARSKY INSTALLATION (CE SPECS)	154
FIGURE 7-13. JUNCTION BOX HARNESS	156
FIGURE 7-14. LSS CONTROLS HARNESS	158
FIGURE 7-15. MAIN HARNESS	160
FIGURE 7-16. PLATFORM CONTROLS HARNESS	162
FIGURE 7-17. RECEPTACLE BOX KIT - 110V GFI	164
FIGURE 7-18. RECEPTACLE BOX KIT - 220V AFSINT 107 KEYED GROUND (CE SPECS)	166
FIGURE 7-19. RECEPTACLE BOX KIT - 220V CEE7 POST GROUND (CE SPECS)	168
FIGURE 7-20. RECEPTACLE BOX KIT - 220V CEE7 SIDE GROUND (CE SPECS)	170
FIGURE 7-21. RECEPTACLE BOX KIT - 220V IEC BLUE (CE SPECS)	172
FIGURE 7-22. CEARSKY TELEMATICS HARNESS	174
SECTION 8 - DECALS	177
FIGURE 8-1. COMMON DECALS INSTALLATION - 20MVL	178
FIGURE 8-2. COMMON DECALS INSTALLATION - 20MSP	180
FIGURE 8-3. DECALS INSTALLATION - ANSI, ANSI EXPORT, AND CSA SPECS (ENGLISH LANGUAGE)	182
FIGURE 8-4. DECALS INSTALLATION - CSA SPECS (FRENCH LANGUAGE)	184
FIGURE 8-5. DECALS INSTALLATION - CSA SPECS (FRENCH/ENGLISH LANGUAGES)	186
FIGURE 8-6. DECALS INSTALLATION CE, AUSTRALIAN, AND JAPANESE SPECS (ALL LANGUAGES)	188
FIGURE 8-7. DECALS INSTALLATION - LATIN AMERICA SPECS (SPANISH LANGUAGE)	190
FIGURE 8-8. DECALS INSTALLATION - BRAZIL SPECS (PORTUGUESE LANGUAGE)	192
FIGURE 8-9. DECALS INSTALLATION - CHINA SPECS (CHINESE LANGUAGE)	194
FIGURE 8-10. DECAL OPTIONS	196
SECTION 9 - RECOMMENDED SERVICE PARTS STOCK	199
FIGURE 9-1. RECOMMENDED SERVICE PARTS STOCK	200
SECTION 10 - SPECIAL OPTIONS/ACCESSORIES/KITS	201
FIGURE 10-1. SPECIAL OPTIONS/ACCESSORIES/KITS	202
PART NUMBER INDEX	203

SECTION 1 - FRAME

SECTION 1 - FRAME

FIGURE 1-1. BASE ASSEMBLY



ART_0274866

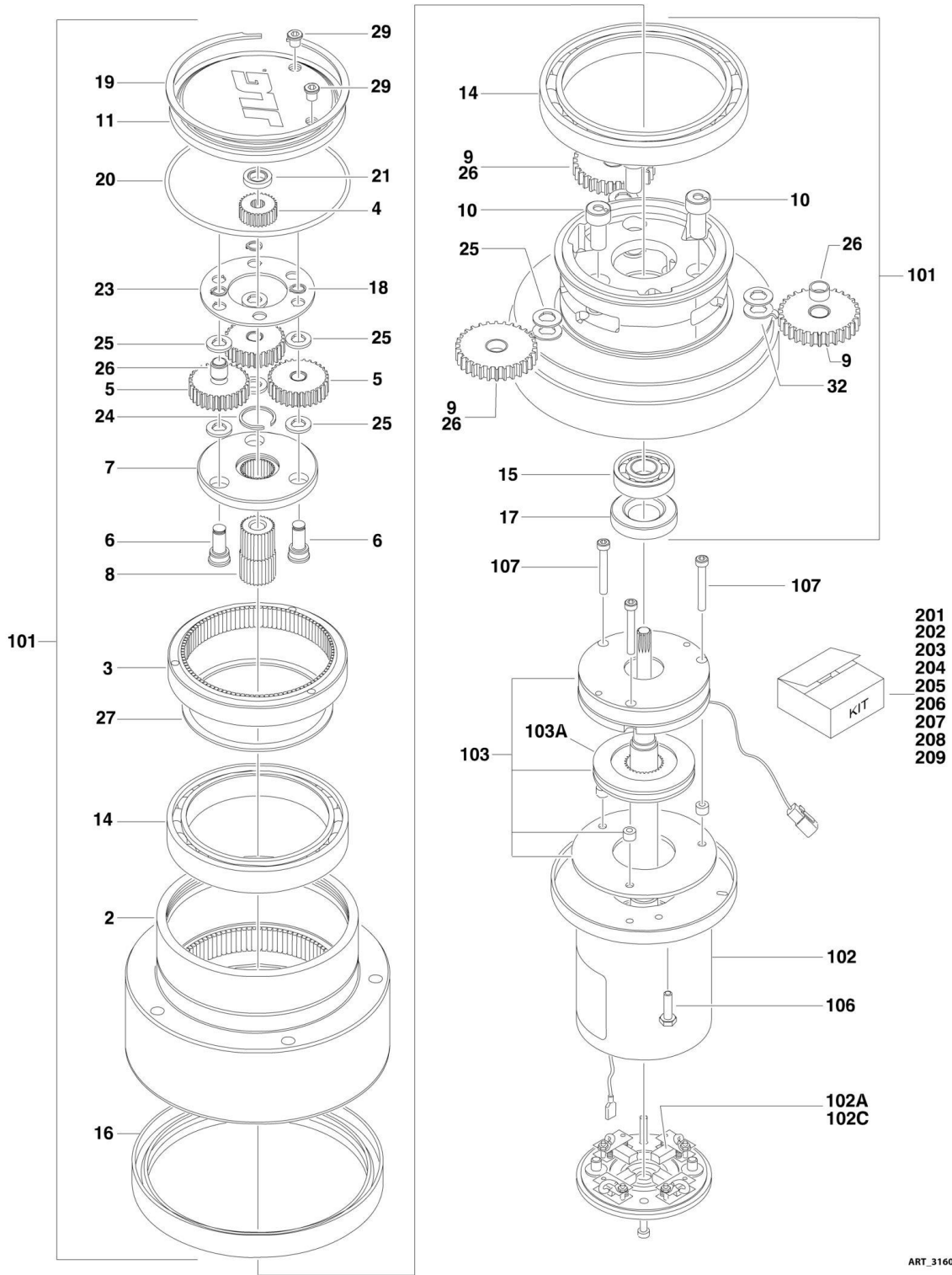
SECTION 1 - FRAME

FIGURE 1-1. BASE ASSEMBLY

ITEM	PART NUMBER	QTY	DESCRIPTION	REV
	0274866	Ref	BASE ASSEMBLY	K
1	0100011	AR	Compound, Locking	
2	0630580	10	Bolt, Wheel	
3	0641607	17	Bolt 3/8 x 7/8	
5	0641609	12	Bolt 3/8 x 1-1/8	
7	1671257	1	Cover, Rear	
8	2360754	1	Frame Weldment	
10	3160323	2	Drive Motor Assembly (See Separate Breakdown in this Section)	
11	3311605	1	Nut 3/8	
12	3760365	2	Ring, Tie Down	
13	4071077	AR	Shims - .015	
14	4071078	AR	Shims - .036	
15	4240147	1	Strap, Static	
16	1001114467	2	Tire and Wheel Assembly	
17	4711600	4	Washer 3/8	
18	4751600	13	Washer 3/8	
19	1001097982	2	Wheel and Caster Assembly with Standard Tires	

SECTION 1 - FRAME

FIGURE 1-2. DRIVE ASSEMBLY



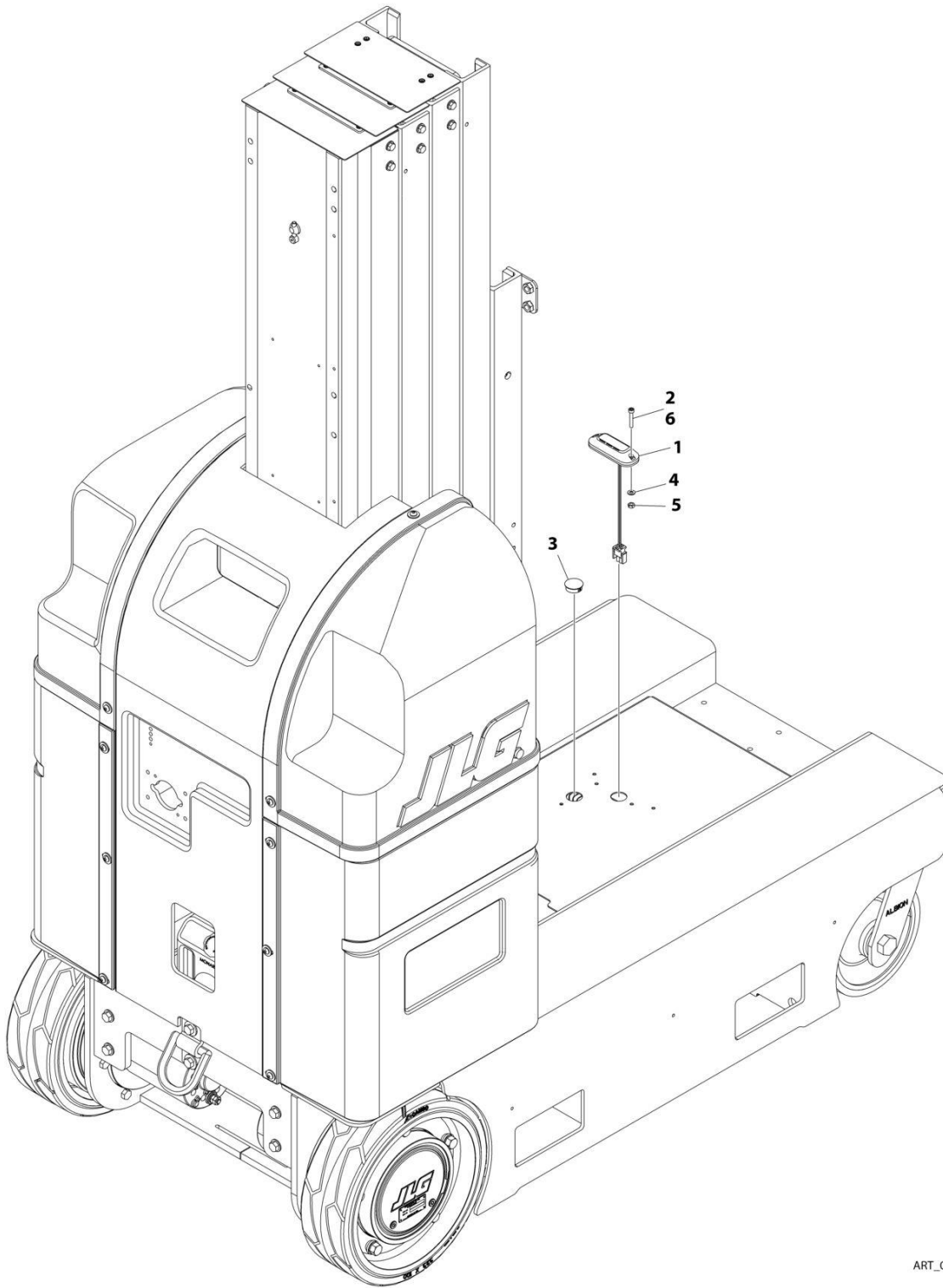
ART_3160323

FIGURE 1-2. DRIVE ASSEMBLY

ITEM	PART NUMBER	QTY	DESCRIPTION	REV
	3160323	Ref	DRIVE ASSEMBLY	B
		Ref	SPINDLE/HUB ASSEMBLY	
1	See Note	NSS	Spindle (See 3160323)	
2	7024756	1	Hub	
3	7024758	1	Ring, Input	
4	See Note	NSS	Gear, Input Sun (Note: Use Item 203)	
5	See Note	NSS	Gear, Input Planet (Note: Use Item 203)	
6	See Note	NSS	Pin, Input Planet (Note: Use Item 203)	
7	See Note	NSS	Carrier (Note: Use Item 203)	
8	See Note	NSS	Gear, Output Sun (Note: Use Item 203)	
9	See Note	NSS	Gear, Output Planet (Note: Use Item 207)	
10	See Note	NSS	Pin, Output Planet (Note: Use Item 207)	
11	See Note	NSS	Cover (Note: Use Item 201)	
14	See Note	NSS	Bearing (Note: Use Items 202, 204, 206 & 207)	
15	See Note	NSS	Bearing (Note: Use Item 207)	
16	See Note	NSS	Seal, Lip (Note: Use Items 202 & 206)	
17	70000215	1	Seal, Lip	
18	See Note	NSS	Ring, Retaining (Note: Use Item 203)	
19	See Note	NSS	Ring, Retaining (Note: Use Item 201)	
20	70000191	1	O-Ring	
21	See Note	NSS	Thrustwasher (Note: Use Item 201)	
23	See Note	NSS	Plate, Thrust (Note: Use Item 203)	
24	See Note	NSS	Ring, Retaining (Note: Use Item 203)	
25	See Note	6	Thrustwasher (Note: Use Items 203 & 207)	
26	See Note	6	Bushing, Planet (Note: Use Items 203 & 207)	
27	See Note	1	Ring, Retaining (Note: Use Items 204 & 206)	
29	See Note	NSS	Plug (Note: Use Item 201)	
32	See Note	NSS	Thrustwasher, Tanged (Note: Use Item 207)	
101	See Note	1	Hub/Spindle Assembly (Includes Items 1-32) (Note: Purchase Individual Pieces)	
102	See Note	NSS	Electric Motor Assembly (Note: Use Item 205)	
102A	See Note	NSS	Brush (Note: Use Item 208)	
102B	See Note	NSS	Indicator, Wear (Not Shown) (Note: Use Item 208)	
102C	See Note	NSS	Spring, Brush (Note: Use Item 208)	
102D	See Note	NSS	Bearing (Not Shown) (Note: Use Item 208)	
103	See Note	NSS	Brake Assembly (Note: Use Item 209)	
103A	70000935	1	Disc, Brake	
106	See Note	NSS	Bolt (Note: Use Item 205)	
107	See Note	NSS	Bolt (Note: Use Item 209)	
		Ref	KIT OPTIONS:	
201	7024747	1	Cover Kit (Includes Items 11, 19-21 & 29)	
202	7024748	1	Main Seal Kit (Includes Items 14, 16 & 20)	
203	70000210	1	Input Carrier Kit (Includes Items 4-8, 18, 20 & 23-26)	
204	7024758	1	Input Ring Kit (Includes Items 3, 14, 20 & 27)	
205	70000211	1	Motor Kit (Includes Items 17, 102 & 106)	
206	7024756	1	Hub Kit (Includes Items 2, 14, 16, 20 & 27)	
207	70000212	1	Output Planet Kit (Includes Items 9, 10, 14, 15, 20, 25, 26 & 32)	
208	70000213	1	Brush and Bearing Kit (Includes Items 102A-102D)	
209	70000214	1	Brake Kit (Includes Items 103 & 107)	

SECTION 1 - FRAME

FIGURE 1-3. BEACON LIGHT INSTALLATION



ART_0271946

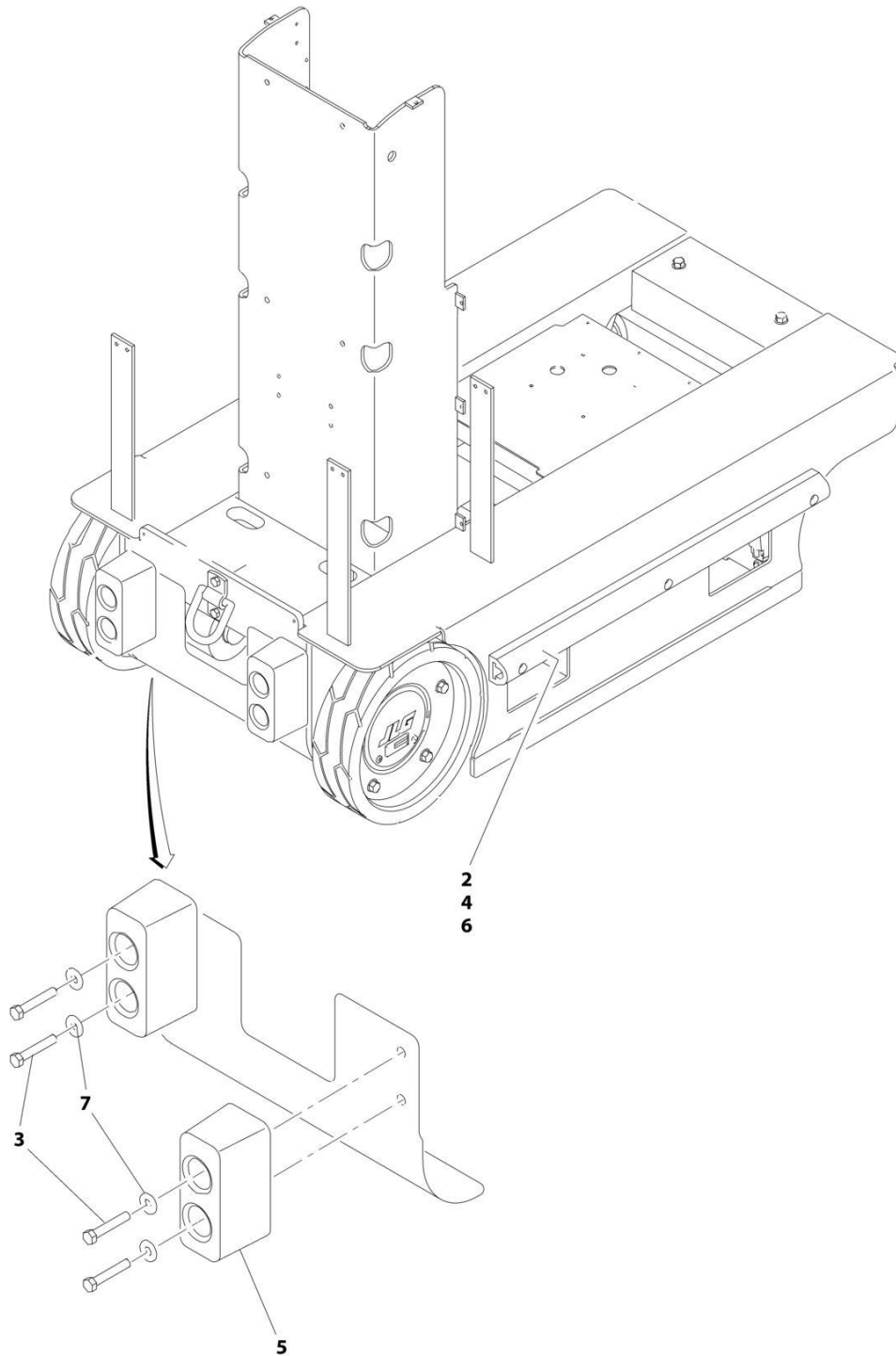
SECTION 1 - FRAME

FIGURE 1-3. BEACON LIGHT INSTALLATION

ITEM	PART NUMBER	QTY	DESCRIPTION	REV
	0271946	Ref	BEACON LIGHT INSTALLATION	F
1	1001258016	1	Lamp	
1	1001187862	NLA	Lamp (usePN1001258016)	
2	4031509	2	Screw M4 x 25	
2	4010412	NLA	Screw M4 x 24 (use PN4031509)	
3	3520033	1	Plug	
4	4811400	2	Washer	
5	3290401	2	Nut M4	
6	0100011	AR	Compound, Locking	

SECTION 1 - FRAME

FIGURE 1-4. BUMPER INSTALLATION (BASE ONLY)



ART_1001102559

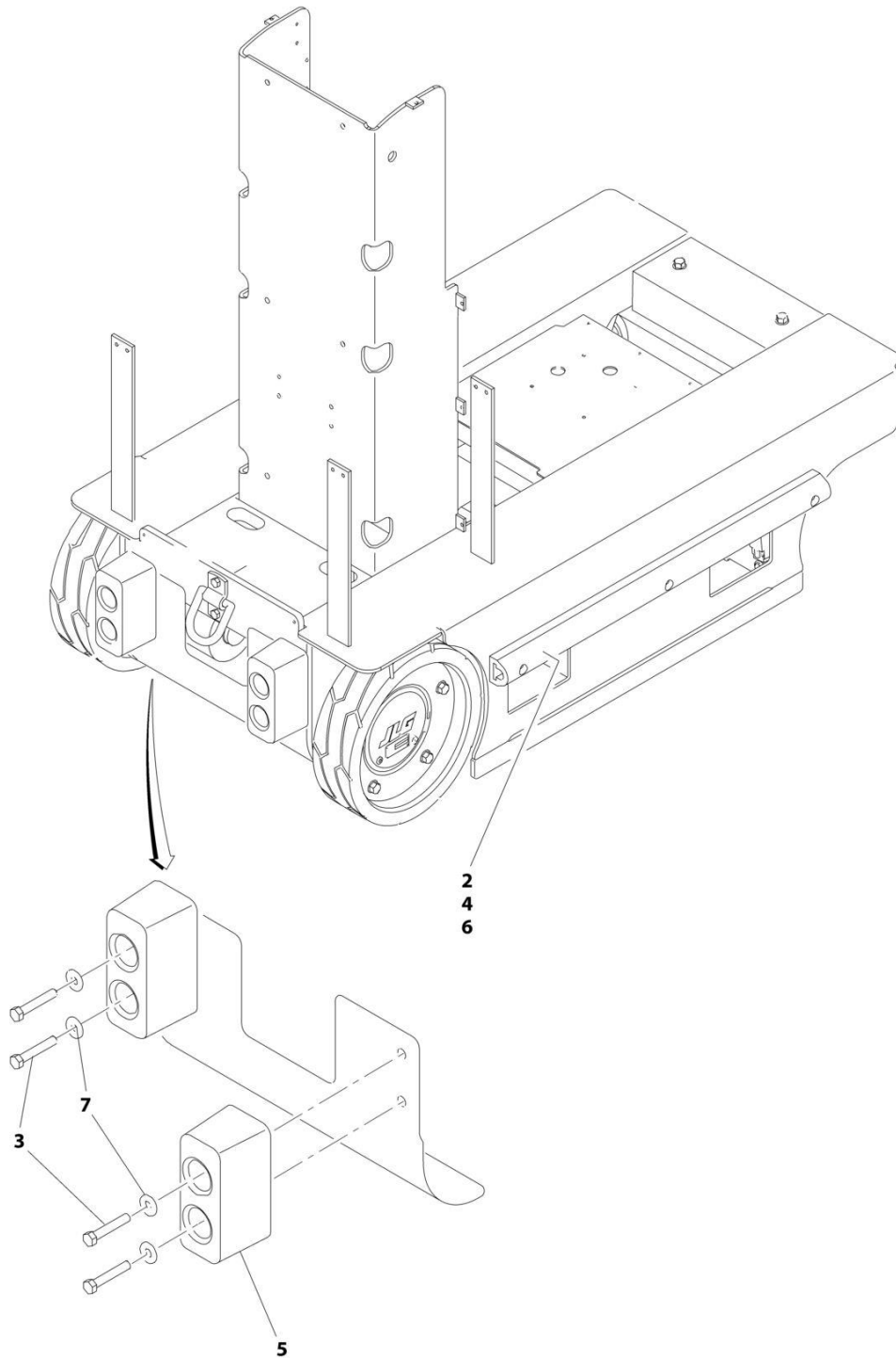
SECTION 1 - FRAME

FIGURE 1-4. BUMPER INSTALLATION (BASE ONLY)

ITEM	PART NUMBER	QTY	DESCRIPTION	REV
	1001102559	Ref	BUMPERS INSTALLATION	A
1	0100011	AR	Compound, Locking	
2	0641407	6	Bolt 1/4 x 7/8	
3	0641618	4	Bolt 3/8 x 2-1/4	
4	0940105	2	Bumper, Side Base	
5	0940108	2	Bumper, Base	
6	4711400	6	Washer 1/4	
7	4751600	4	Washer 3/8	

SECTION 1 - FRAME

FIGURE 1-5. BUMPER INSTALLATION (BASE AND PLATFORM)



ART_0275366

SECTION 1 - FRAME

FIGURE 1-5. BUMPER INSTALLATION (BASE AND PLATFORM)

ITEM	PART NUMBER	QTY	DESCRIPTION	REV
	0275366	Ref	BUMPERS INSTALLATION	A
1	0100011	AR	Compound, Locking	
2	0641407	6	Bolt 1/4 x 7/8	
3	0641618	4	Bolt 3/8 x 2-1/4	
4	0940105	2	Bumper, Side Base	
5	0940108	2	Bumper, Base	
6	4711400	6	Washer 1/4	
7	4751600	4	Washer 3/8	

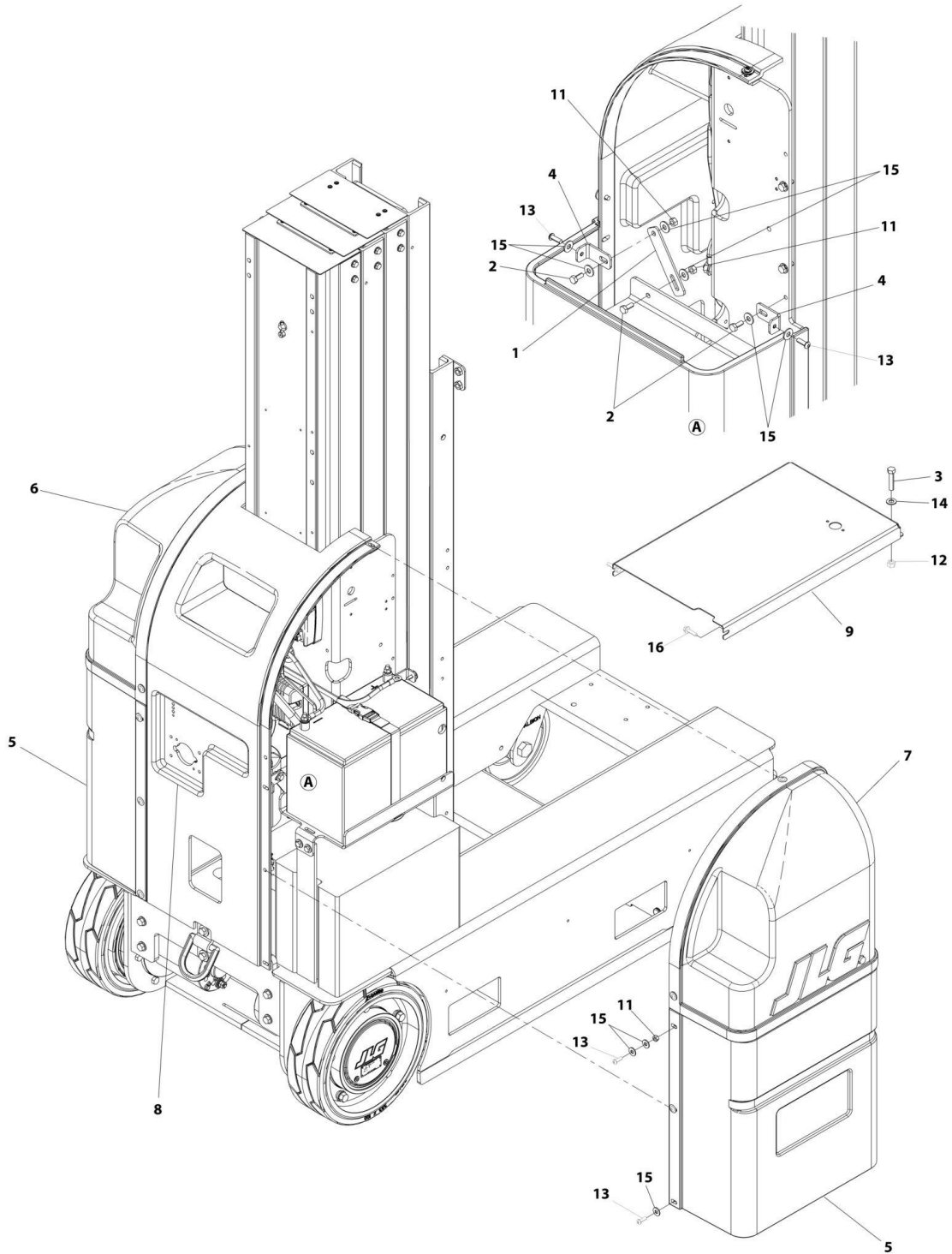
SECTION 1 - FRAME

FIGURE 1-6. POTHOLE PROTECTION INSTALLATION

ITEM	PART NUMBER	QTY	DESCRIPTION	REV
	0275003	Ref	POTHOLE PROTECTION INSTALLATION	G
1	0060089	1	Actuator Weldment	
3	0641406	2	Bolt 1/4 x 3/4	
4	3010146	2	Link	
5	3010147	1	Cam (Left)	
5	0440263	1	Bearing, Flange	
6	3010153	1	Cam (Right)	
6	0440263	1	Bearing, Flange	
7	3010155	1	Bar, Pothole (Right)	
7	0440263	3	Bearing, Flange	
8	3010156	1	Bar, Pothole (Left)	
8	0440263	3	Bearing, Flange	
9	3311405	2	Nut 1/4	
10	3423189	2	Pin, Pivot	
11	3423231	4	Pin, Pivot	
12	3760348	10	Ring, Retaining	
13	3841724	1	Rod, Actuator	
15	4160160	1	Spring, Compression	
16	4220285	1	Pad, Actuator	
17	4569336	1	Tube, Actuator Sleeve	
18	4569238	2	Tube, Spacer	
19	4160222	1	Spring, Red (Right)	
20	4160223	1	Spring, Yellow (Left)	
22	1001110511	2	Plate, Switch Mount	
23	3931412	4	Bolt 1/4 x 3/4	
24	0100011	AR	Compound, Locking	
25	3311401	4	Nut 1/4	

SECTION 1 - FRAME

FIGURE 1-7. COVERS INSTALLATION (TWO 12V BATTERIES)



ART_0274891

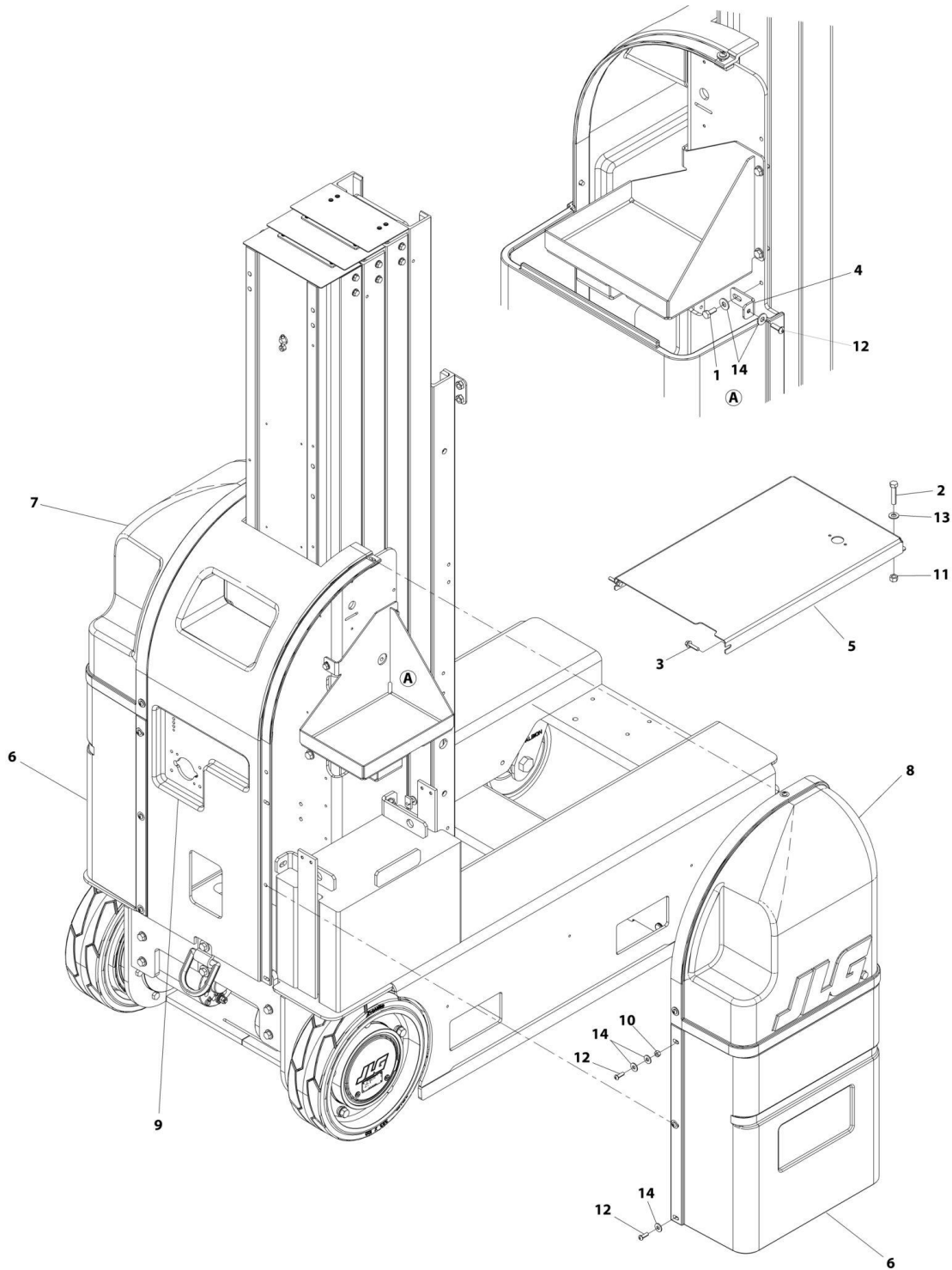
SECTION 1 - FRAME

FIGURE 1-7. COVERS INSTALLATION (TWO 12V BATTERIES)

ITEM	PART NUMBER	QTY	DESCRIPTION	REV
	0274891	Ref	COVERS INSTALLATION (Two 12V Batteries)	C
1	0120006	2	Hood Adjuster	
2	0641405	6	Bolt, 1/4 x 5/8	
3	0641614	2	Bolt, 3/8 x 3/4	
4	0902836	4	Bracket, Hood Support	
5	1671283	2	Cover, Counterweight	
6	1671289	1	Cover, Left	
7	1671290	1	Cover, Right	
8	1671291	1	Cover, Ground Station	
9	1671256	1	Cover, Frame	
11	3311405	4	Nut, 1/4	
12	3311605	2	Nut, 3/8	
13	3900258	18	Bolt, 1/4 x 3/4	
14	4711600	2	Washer, 3/8	
15	4751400	26	Washer, 1/4	
16	0811408	2	Screw, 1/4 x 1	

SECTION 1 - FRAME

FIGURE 1-8. COVERS INSTALLATION (FOUR 6V BATTERIES)



ART_1001093808

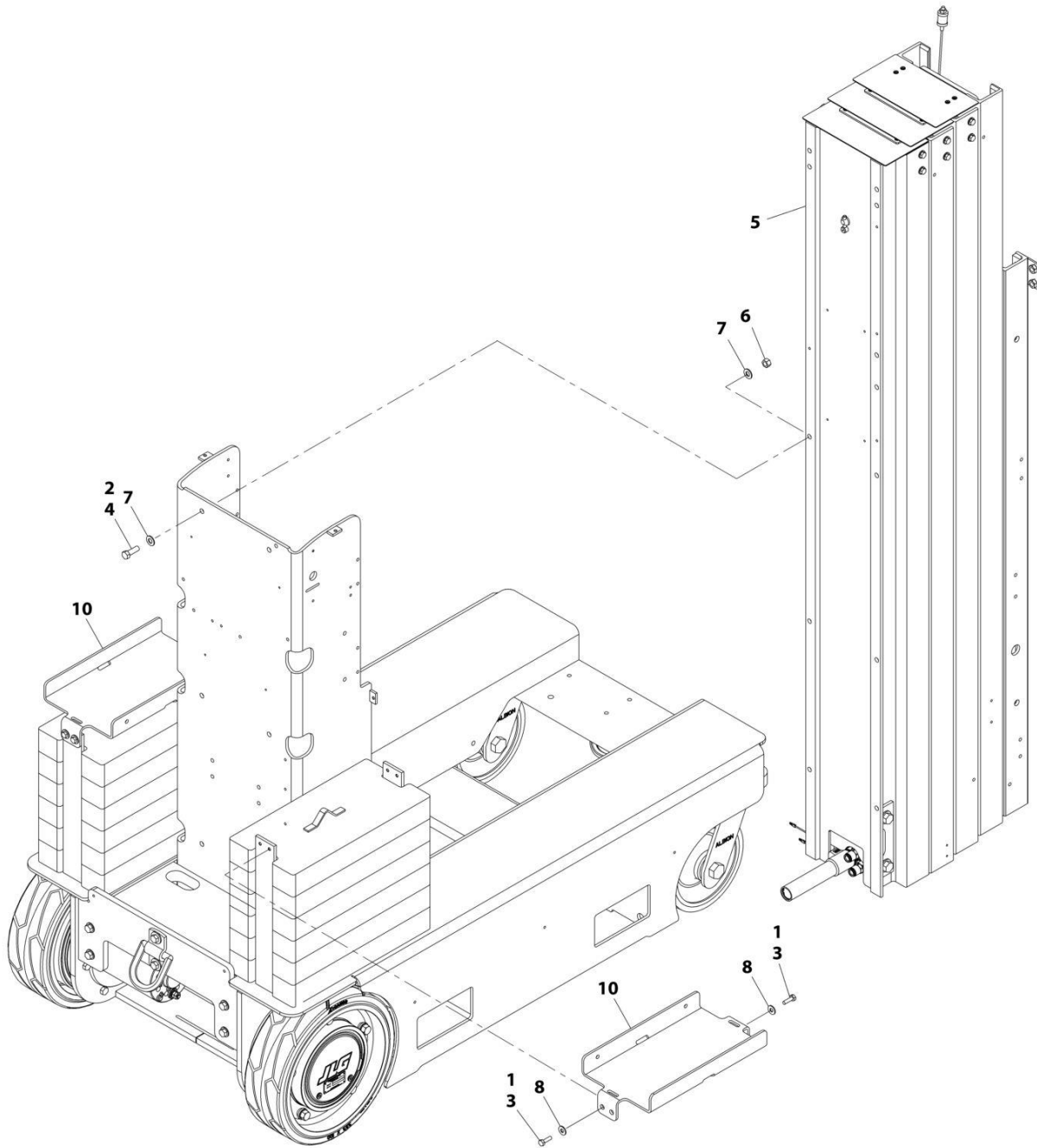
SECTION 1 - FRAME

FIGURE 1-8. COVERS INSTALLATION (FOUR 6V BATTERIES)

ITEM	PART NUMBER	QTY	DESCRIPTION	REV
	1001093808	Ref	COVERS INSTALLATION (Four 6V AGM Batteries)	C
1	0641405	2	Bolt, 1/4 x 5/8	
2	0641614	2	Bolt, 3/8 x 3/4	
3	0811408	2	Screw, 1/4 x 1	
4	0902836	2	Bracket, Hood Support	
5	1001100149	1	Cover, Frame	
6	1671283	2	Cover, Counterweight	
7	1671289	1	Cover, Left	
7	1671290	1	Cover, Right	
9	1671291	1	Cover, Ground Station	
10	3311405	2	Nut, 1/4	
11	3311605	2	Nut, 3/8	
12	3900258	16	Bolt, 1/4 x 3/4	
13	4711600	2	Washer, 3/8	
14	4751400	20	Washer, 1/4	

SECTION 1 - FRAME

FIGURE 1-9. MAST AND BATTERY BOX INSTALL (WITH 2 12V BATTERIES)



ART_0274869

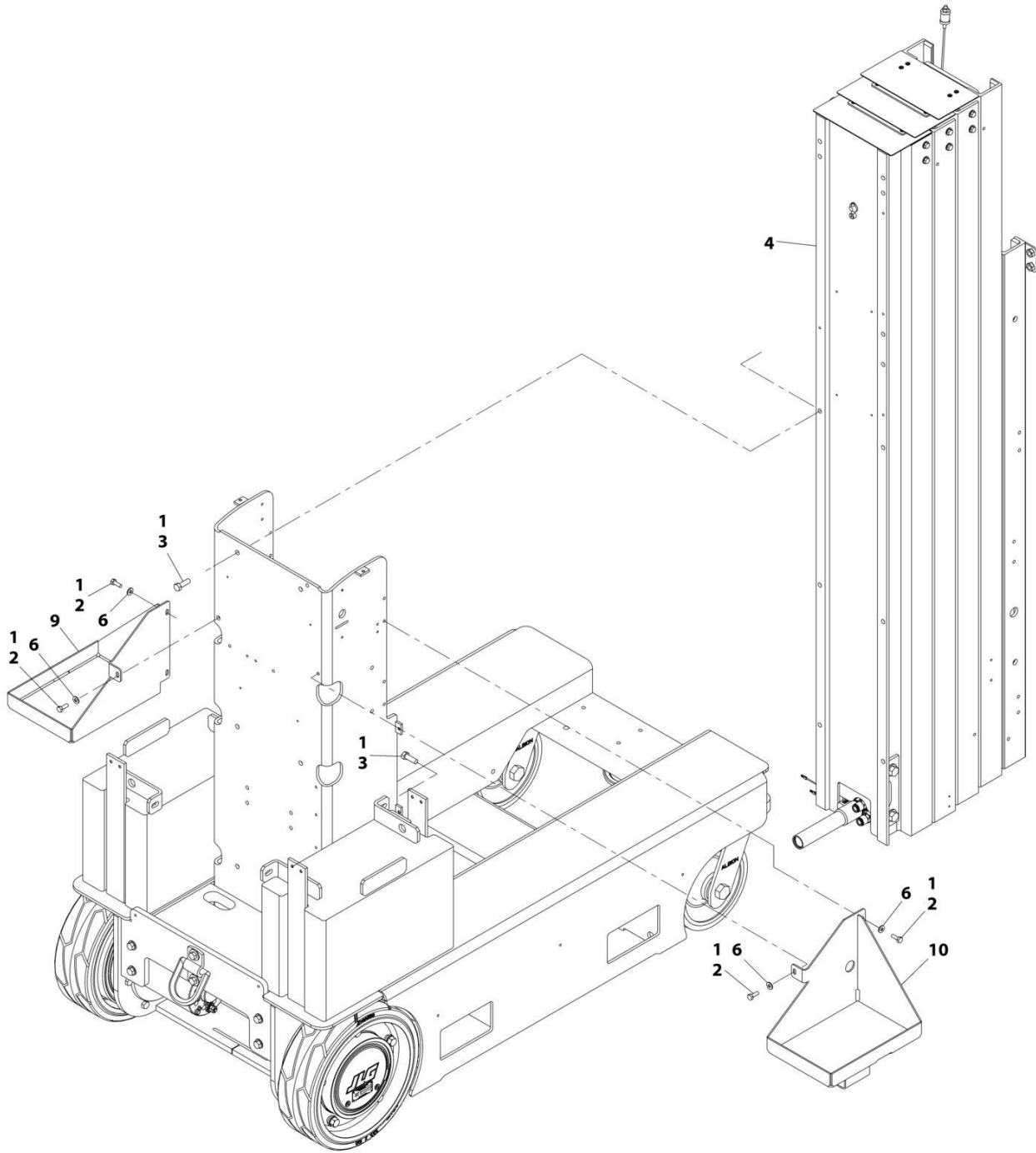
SECTION 1 - FRAME

FIGURE 1-9. MAST AND BATTERY BOX INSTALL (WITH 2 12V BATTERIES)

ITEM	PART NUMBER	QTY	DESCRIPTION	REV
	0274869	Ref	MAST AND BATTERY BOX INSTALLATION (Two 12V Batteries)	C
1	0100011	AR	Compound, Locking	
2	0100019	AR	Compound, Locking	
3	0641407	8	Bolt 1/4 x 7/8	
4	0641609	6	Bolt 3/8 x 1-1/8	
5	0801543	1	Mast Assembly 20MVL/20MSP (See Separate Breakdown in MAST Section)	
6	3311601	6	Nut 3/8	
7	4711600	12	Washer 3/8	
8	4751400	8	Washer 1/4	
10	1001093858	2	Battery Tray	

SECTION 1 - FRAME

FIGURE 1-10. MAST AND BATTERY BOX INSTALL (WITH 4 6V BATTERIES)



ART_1001093801

SECTION 1 - FRAME

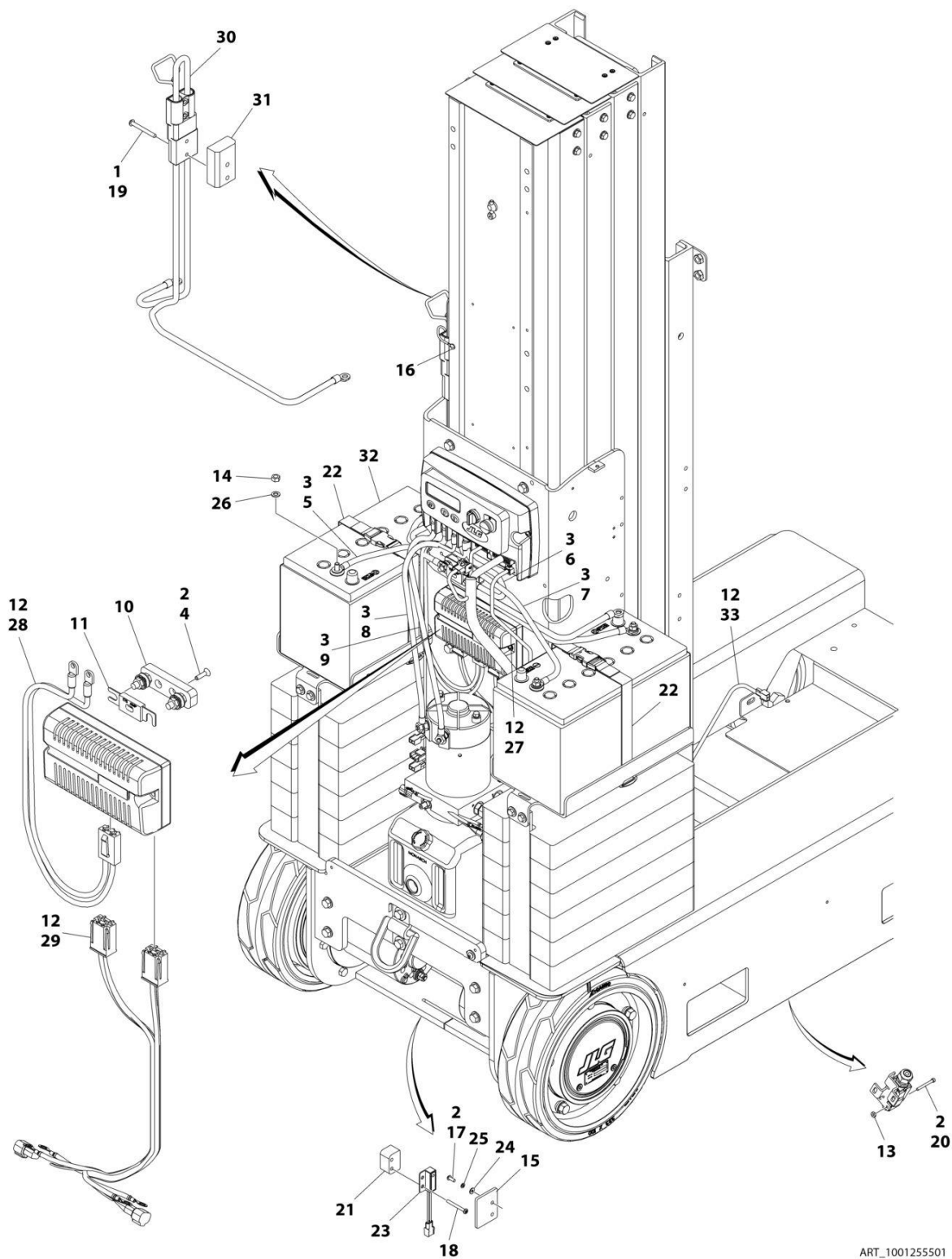
FIGURE 1-10. MAST AND BATTERY BOX INSTALL (WITH 4 6V BATTERIES)

ITEM	PART NUMBER	QTY	DESCRIPTION	REV
	1001093801	Ref	MAST AND BATTERY BOX INSTALLATION (Four 6V AGM Batteries)	B
1	0100011	AR	Compound, Locking	
2	0641406	6	Bolt 1/4 x 3/4	
3	0641609	8	Bolt 3/8 x 1-1/8	
4	0801543	1	Mast Assembly 20MVL/20MSP (See Separate Breakdown in MAST Section)	
5	3311601	8	Nut 3/8	
6	4711400	6	Washer 1/4	
7	4711600	14	Washer 3/8	
9	1001091672	1	Box, Battery (Left)	
10	1001091676	1	Box, Battery (Right)	

SECTION 2 - CONTROLS

SECTION 2 - CONTROLS

FIGURE 2-1. ELECTRICAL COMPONENTS INSTALLATION (2 12V BATTERIES)



ART_1001255501

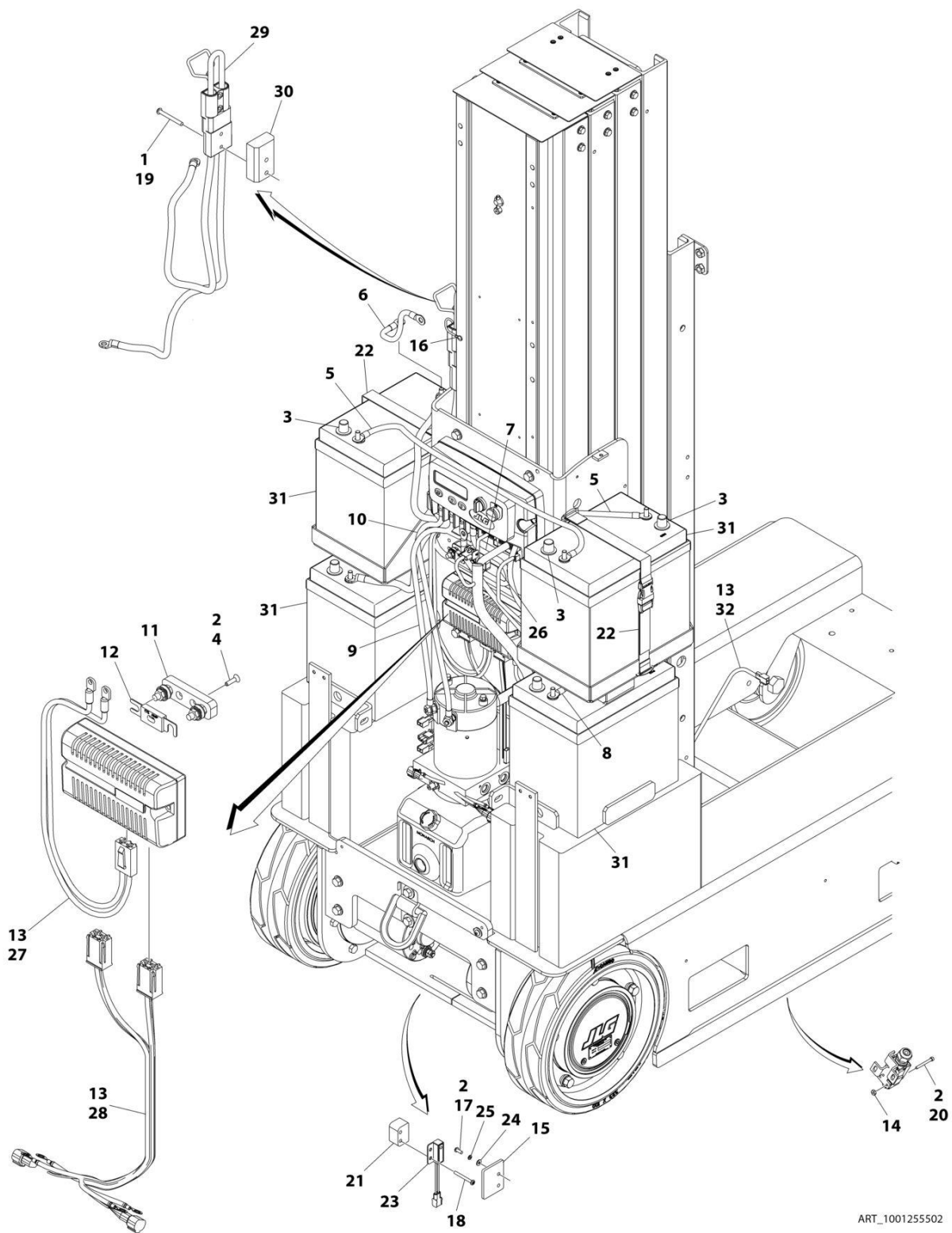
SECTION 2 - CONTROLS

FIGURE 2-1. ELECTRICAL COMPONENTS INSTALLATION (2 12V BATTERIES)

ITEM	PART NUMBER	QTY	DESCRIPTION	REV
	1001255501	Ref	ELECTRICAL COMPONENTS INSTALLATION	A
1	0100011	AR	Compound, Locking	
2	0100035	AR	Compound, Locking	
3	0100051	AR	Grease, Terminal	
4	0741006	2	Screw, Countersunk #10 x 3/4	
5	1060940	1	Cable, Battery (B+ to Fuse)	
6	1060941	1	Cable, Battery (Fuse to Ground Control +)	
7	1060942	1	Cable, Battery (B- to Ground Control -)	
8	1060943	1	Cable, Electrical (Ground Control + to Pump +)	
9	1060944	1	Cable, Electrical (Ground Control - to Pump -)	
10	2400044	1	Block, Fuse Mounting	
11	2400069	1	Fuse	
12	3020038	AR	Grease, Contact CG60	
13	3310801	4	Nut #8	
14	3311501	4	Nut 5/16	
15	3572511	1	Plate, Proximity Switch Mounting	
16	3820020	1	Rivet	
17	3900205	2	Screw #10 x 5/8	
18	3900325	2	Screw #10 x 1-1/4	
19	3911436	2	Screw 1/4 x 2-1/4	
20	3930824	4	Capscrew #8 x 1-1/2	
21	4071058	1	Shim	
22	4240177	2	Strap, Battery	
23	4360514	1	Switch, Proximity	
24	4750800	2	Washer #8	
25	4761000	2	Lockwasher #10	
26	4761500	4	Lockwasher 5/16in	
27	4922560	1	Harness, Ground Control to Traction Module	
28	4922671	1	Harness, Traction Module Power	
29	4923383	1	Harness, Drive Motor/Brake	
29	4460738	4	Eyelet, 5/16	
29	4460897	2	Connector - 2 Position	
29	4461108	2	Connector - 4 Position	
29	4460464	4	Pin, Male	
30	1001107805	1	Battery Cable Disconnect Assembly	
30	4460778	2	Connector, Anderson	
30	1060380	1	Lanyard	
30	1001113987	1	Handle	
31	1001107829	1	Block, Spacer	
32	1001178278	2	Battery	
33	1001255334	1	Harness, Main (See Separate Breakdown in ELECTRICAL Section)	

SECTION 2 - CONTROLS

FIGURE 2-2. ELECTRICAL COMPONENTS INSTALLATION (4 6V BATTERIES)



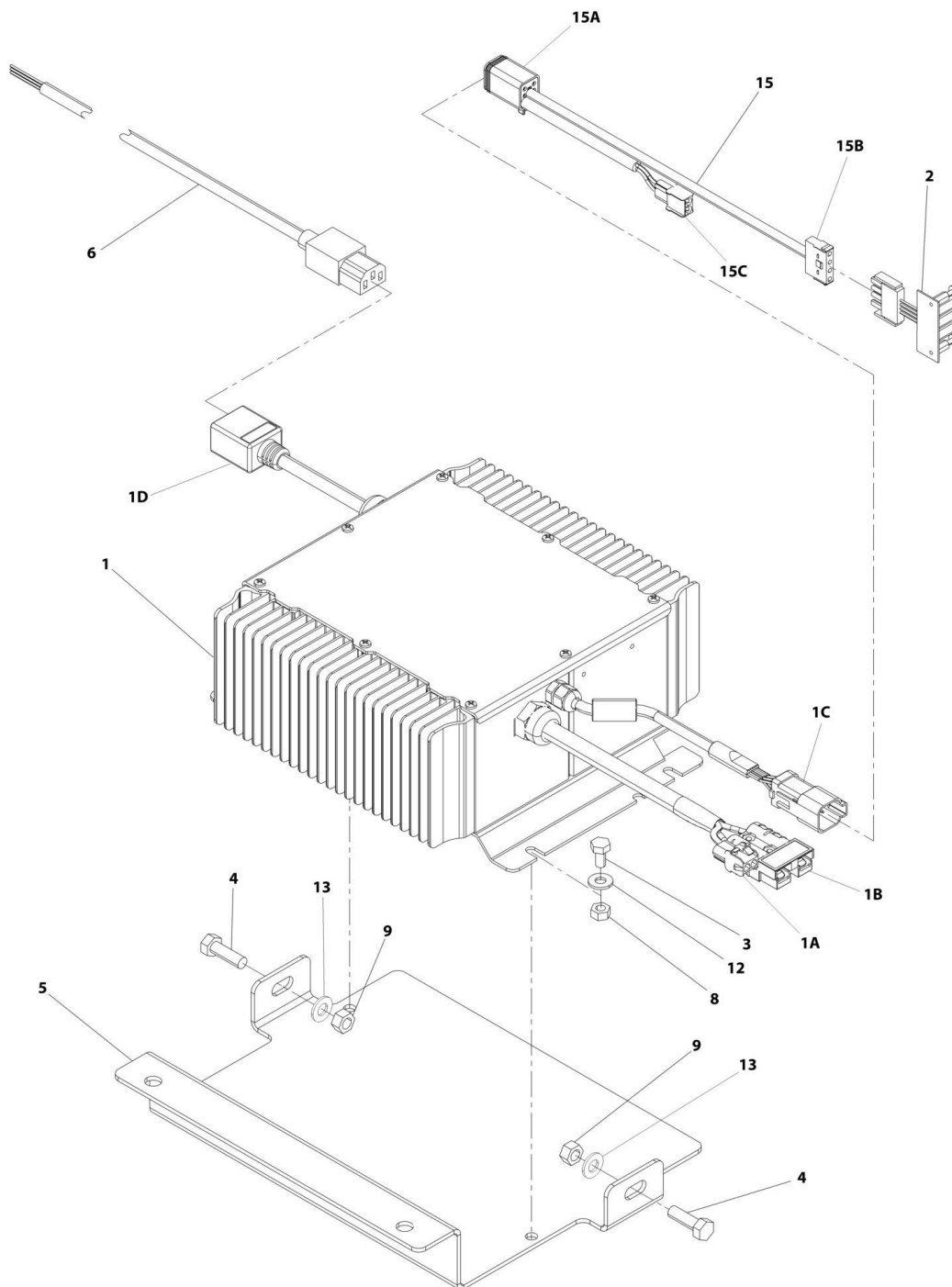
SECTION 2 - CONTROLS

FIGURE 2-2. ELECTRICAL COMPONENTS INSTALLATION (4 6V BATTERIES)

ITEM	PART NUMBER	QTY	DESCRIPTION	REV
	1001255502	Ref	ELECTRICAL COMPONENTS INSTALLATION	A
1	0100011	AR	Compound, Locking	
2	0100035	AR	Compound, Locking	
3	0100051	AR	Grease	
4	0741006	2	Screw #10 x 3/4	
5	1060939	2	Cable, Battery (B+ to B-) Options	
6	1060940	1	Cable, Battery (B+ to Fuse)	
7	1060941	1	Cable, Battery (Fuse to Ground Control +)	
8	1060942	1	Cable, Battery (B- to Ground Control -)	
9	1060943	1	Cable, Electrical (Ground Control + to Pump +)	
10	1060944	1	Cable, Electrical (Ground Control - to Pump -)	
11	2400044	1	Block, Fuse Mounting	
12	2400069	1	Fuse	
13	3020038	AR	Grease, Contact CG60	
14	3310801	4	Nut #8	
15	3572511	1	Plate, Proximity Switch Mounting	
16	3820020	1	Rivet	
17	3900205	2	Screw #10 x 5/8	
18	3900325	2	Screw #10 x 1-1/4	
19	3911436	2	Screw 1/4 x 2-1/4	
20	3930824	4	Capscrew #8 x 1-1/2	
21	4071058	1	Shim	
22	4240177	2	Strap, Battery	
23	4360514	1	Switch, Proximity	
24	4750800	2	Washer #8	
25	4761000	2	Washer #10	
26	4922560	1	Harness, Ground Control to Traction Module	
27	4922671	1	Harness, Traction Module Power	
28	4923383	1	Harness, Drive Motor/Brake	
28	4460738	4	Eyelet, 5/16	
28	4460897	2	Connector - 2 Position	
28	4461108	2	Connector - 4 Position	
28	4460464	4	Pin, Male	
29	1001107805	1	Battery Cable Disconnect Assembly	
29	4460778	2	Connector, Anderson	
29	1060380	1	Lanyard	
29	1001113987	1	Handle	
30	1001107829	1	Block, Spacer	
31	1001112112	4	Battery	
32	1001255334	1	Harness, Main (See Separate Breakdown in ELECTRICAL Section)	

SECTION 2 - CONTROLS

FIGURE 2-3. BATTERY CHARGER INSTALLATION



ART_0274876

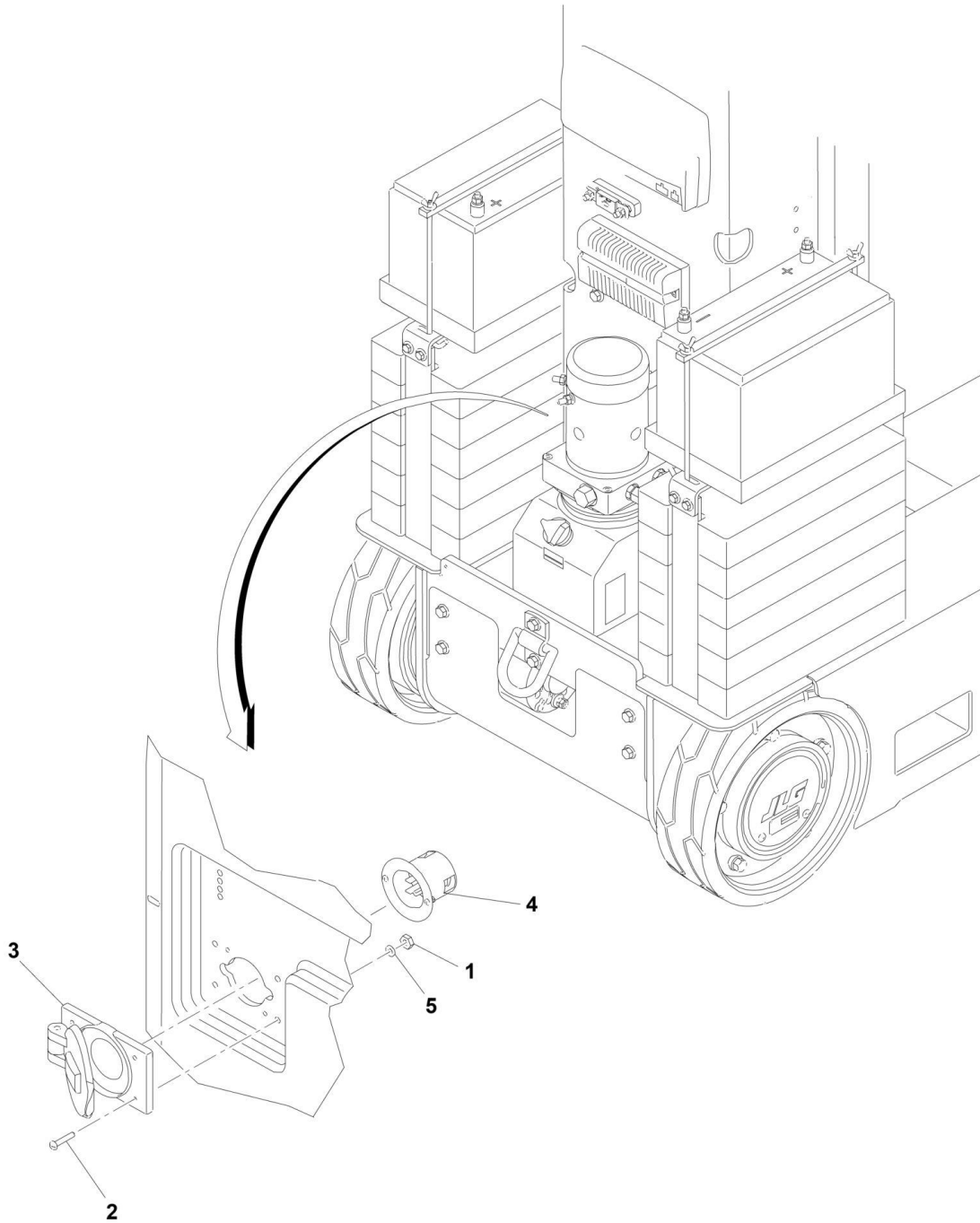
SECTION 2 - CONTROLS

FIGURE 2-3. BATTERY CHARGER INSTALLATION

ITEM	PART NUMBER	QTY	DESCRIPTION	REV
	0274876	Ref	BATTERY CHARGER INSTALLATION	E
1	1001136381	1	Battery Charger	E
1A	4460424	1	Connector, Male - 2 Position	
1A	4460267	2	Pin, Male	
1B	4460648	1	Connector, Anderson	
1C	4460899	1	Connector - 6 Position	
1C	4460464	4	Pin, Male	
1C	4460466	2	Seal	
1D	See Note		Receptacle, Female (Note: Not Available for Purchase)	
2	0610131	1	Battery Charger LED	
2	4460321	1	Connector	
2	4460227	4	Pin	
3	0641404	2	Bolt, 1/4 x 1/2	
4	0641508	2	Bolt, 5/16 x 1	
5	0903374	1	Bracket, Charger Mount	
6	See Note		Cable, AC Cord (Note: Not Available for Purchase)	
8	3311405	2	Nut, 1/4	
9	3311505	2	Nut, 5/16	
12	4711400	2	Washer, 1/4	
13	4711500	2	Washer, 5/16	
15	1001103423	1	Harness, LED & Temperature Sensor	B
15A	4460894	1	Connector - 6 Position	
15A	4460465	4	Socket, Female	
15B	1001119032	1	Connector - 4 Position	
15B	4460226	4	Socket, Female	
15C	4460424	1	Connector - 2 Position	
15C	4460267	2	Socket, Female	

SECTION 2 - CONTROLS

FIGURE 2-4. CHARGER PLUG - 110V (ANSI, ANSI EXPORT, CSA AND JAPANESE SPECS)



ART_1001096871

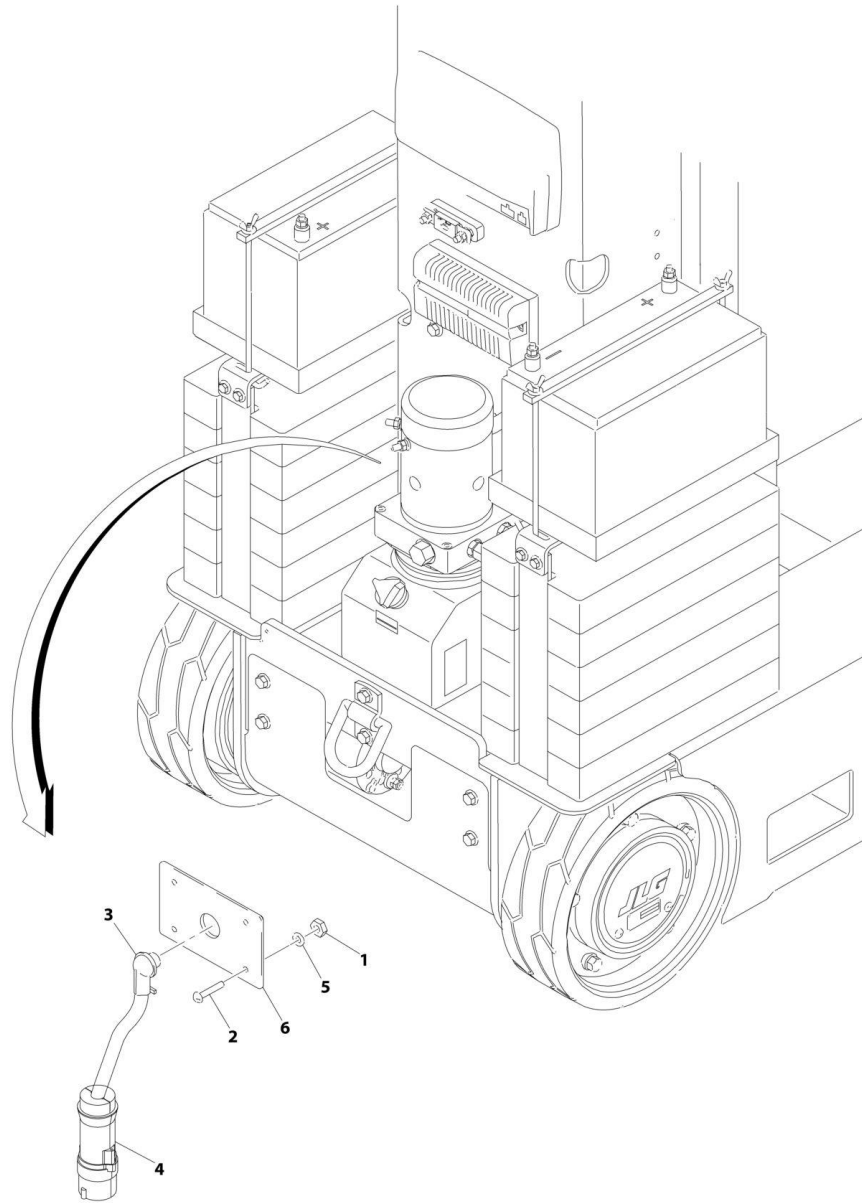
SECTION 2 - CONTROLS

FIGURE 2-4. CHARGER PLUG - 110V (ANSI, ANSI EXPORT, CSA AND JAPANESE SPECS)

ITEM	PART NUMBER	QTY	DESCRIPTION	REV
	1001096871	Ref	CHARGER PLUG - 110V	B
1	3311001	4	Nut, #10	
2	3911016	4	Bolt, #10 x 1	
3	4460802	1	Terminal Cover, Waterproof	
4	4460803	1	Terminal	
5	4761000	4	Washer, #10	

SECTION 2 - CONTROLS

FIGURE 2-5. CHARGER PLUG - 220V IEC BLUE GROUND (CE SPECS)



ART_1001096876

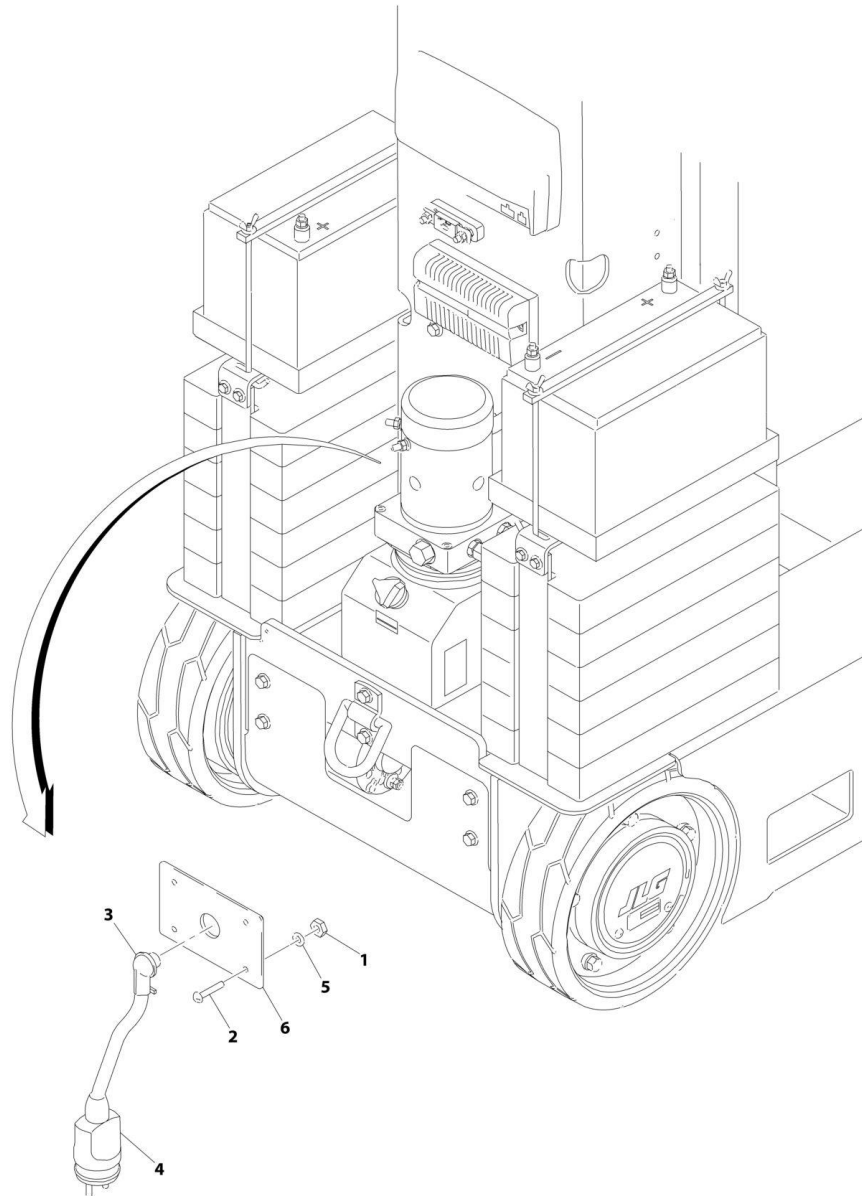
SECTION 2 - CONTROLS

FIGURE 2-5. CHARGER PLUG - 220V IEC BLUE GROUND (CE SPECS)

ITEM	PART NUMBER	QTY	DESCRIPTION	REV
	1001096876	Ref	CHARGER PLUG - 220V IEC BLUE GROUND	B
1	3311001	4	Nut, #10	
2	3911016	4	Bolt, #10 x 1	
3	4460566	1	Terminal	
4	4461199	1	Terminal Plug	
5	4761000	4	Washer, #10	
6	1001097426	1	Cover Plate	

SECTION 2 - CONTROLS

FIGURE 2-6. CHARGER PLUG - 220V POST GROUND (CE SPECS)



ART_1001096872

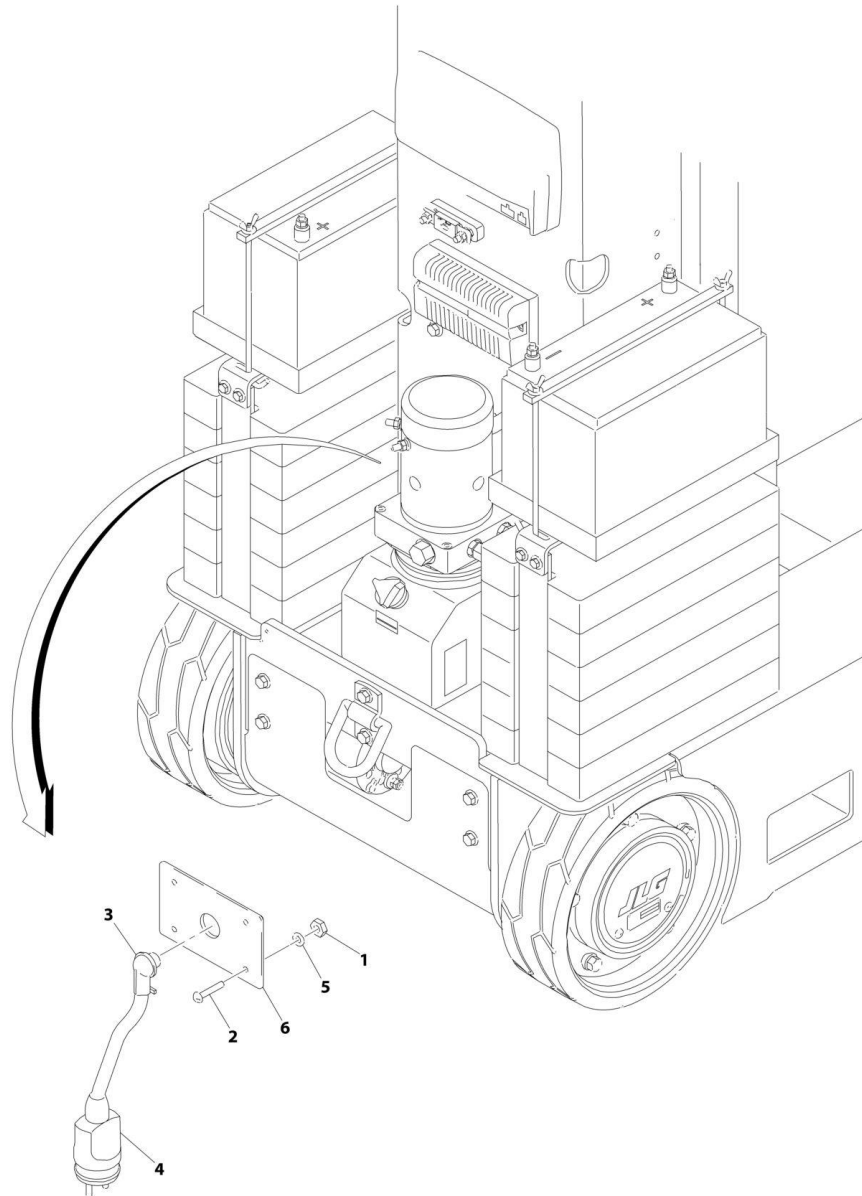
SECTION 2 - CONTROLS

FIGURE 2-6. CHARGER PLUG - 220V POST GROUND (CE SPECS)

ITEM	PART NUMBER	QTY	DESCRIPTION	REV
	1001096872	Ref	CHARGER PLUG - 220V POST GROUND	C
1	3311001	4	Nut, #10	
2	3911016	4	Bolt, #10 x 1	
3	4460566	1	Terminal	
4	4461205	1	Terminal Plug	
5	4761000	4	Washer, #10	
6	1001097426	1	Cover Plate	

SECTION 2 - CONTROLS

FIGURE 2-7. CHARGER PLUG - 220V SIDE GROUND (CE SPECS)



ART_1001096873

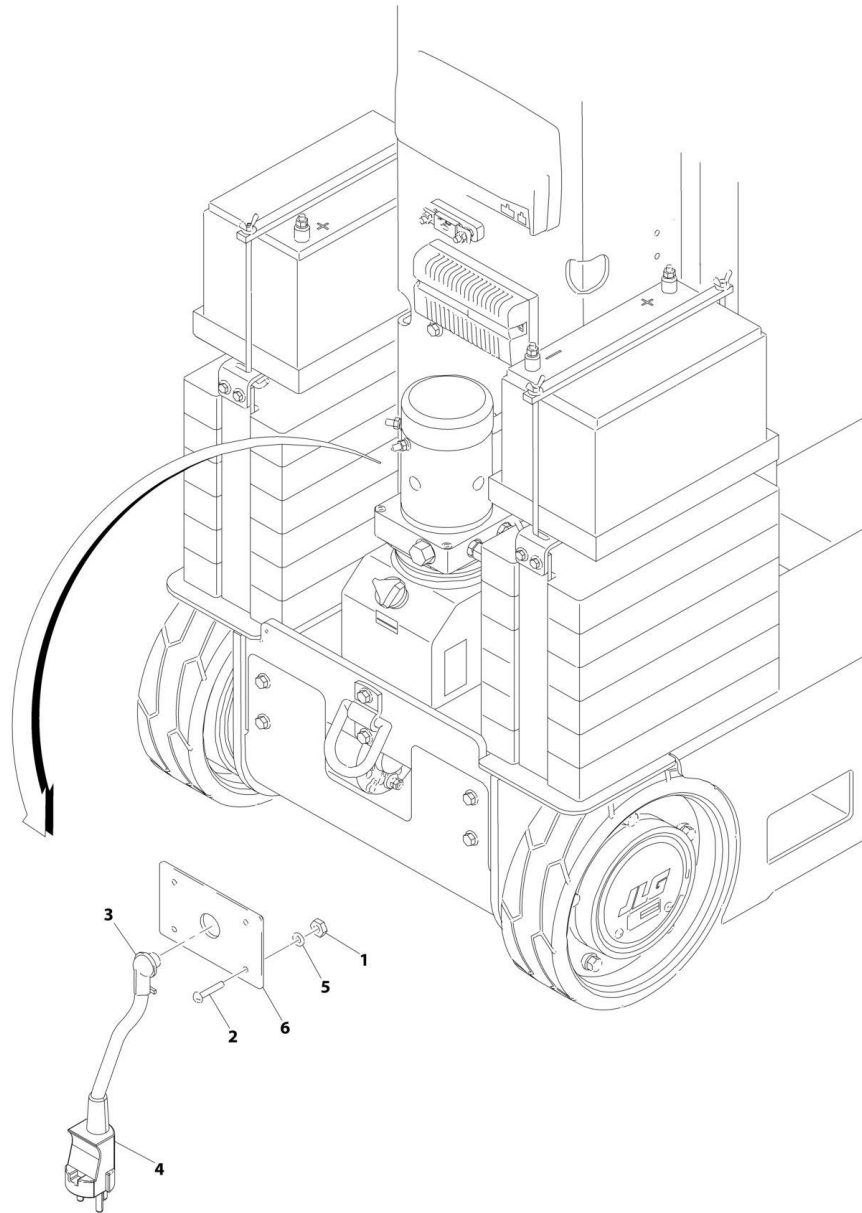
SECTION 2 - CONTROLS

FIGURE 2-7. CHARGER PLUG - 220V SIDE GROUND (CE SPECS)

ITEM	PART NUMBER	QTY	DESCRIPTION	REV
	1001096873	Ref	CHARGER PLUG - 220V SIDE GROUND	B
1	3311001	4	Nut, #10	
2	3911016	4	Bolt, #10 x 1	
3	4460566	1	Terminal	
4	4461205	1	Terminal Plug	
5	4761000	4	Washer, #10	
6	1001097426	1	Cover Plate	

SECTION 2 - CONTROLS

FIGURE 2-8. CHARGER PLUG - 220V KEYED GROUND (CE SPECS)



ART_1001096874

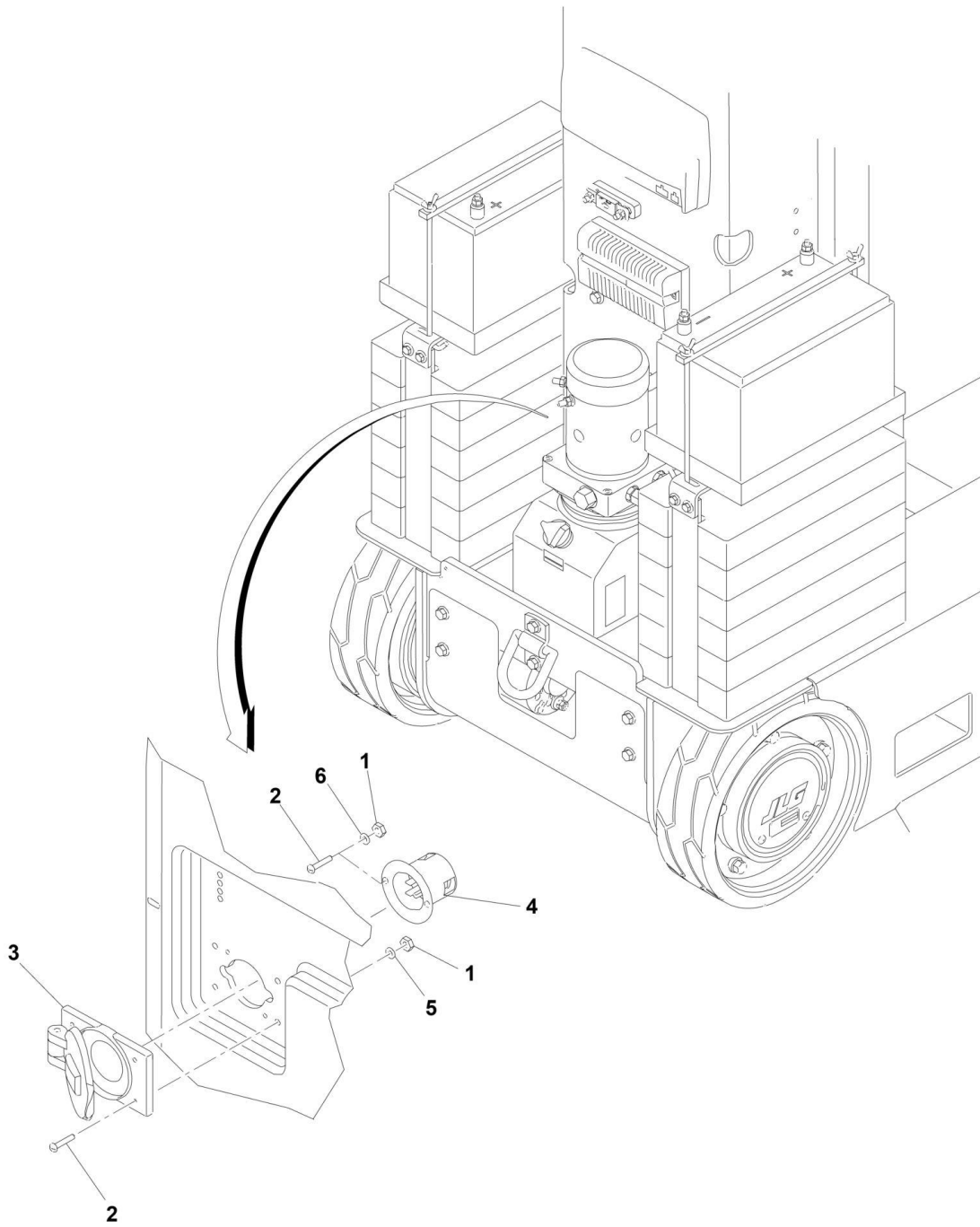
SECTION 2 - CONTROLS

FIGURE 2-8. CHARGER PLUG - 220V KEYED GROUND (CE SPECS)

ITEM	PART NUMBER	QTY	DESCRIPTION	REV
	1001096874	Ref	CHARGER PLUG - 220V KEYED GROUND	B
1	3311001	4	Nut, #10	
2	3911016	4	Bolt, #10 x 1	
3	4460566	1	Terminal	
4	4461249	1	Terminal Plug	
5	4761000	4	Washer, #10	
6	1001097426	1	Cover Plate	

SECTION 2 - CONTROLS

FIGURE 2-9. CHARGER PLUG - 220V (CE AND AUSTRALIAN SPECS)



ART_1001096898

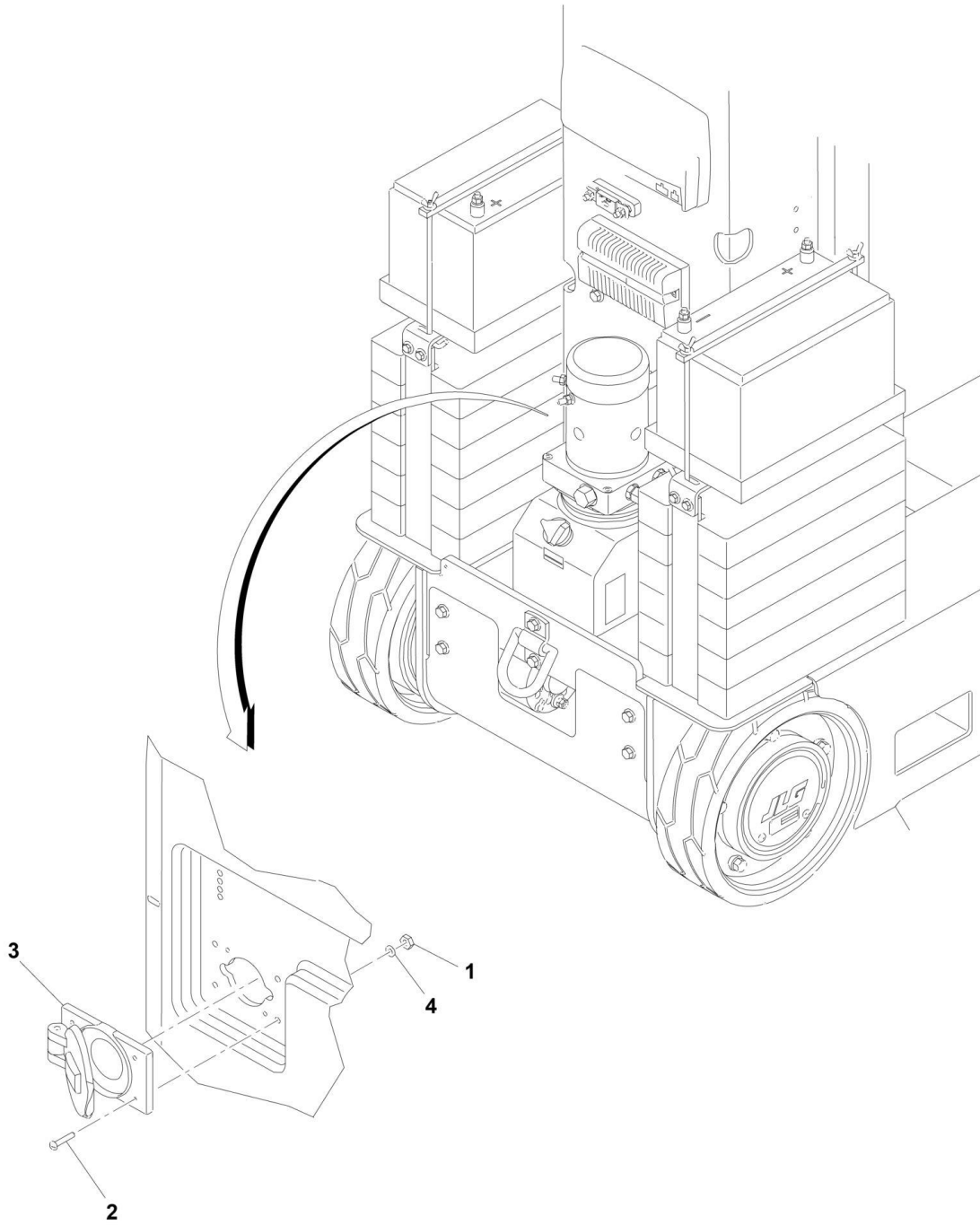
SECTION 2 - CONTROLS

FIGURE 2-9. CHARGER PLUG - 220V (CE AND AUSTRALIAN SPECS)

ITEM	PART NUMBER	QTY	DESCRIPTION	REV
	1001096898	Ref	CHARGER PLUG - 220V	C
1	3311001	6	Nut, #10	
2	3911016	6	Bolt, #10 x 1	
3	4460802	1	Terminal Cover, Waterproof	
4	4460940	1	Terminal	
5	4751000	2	Washer, #10	
6	4761000	6	Washer, #10	

SECTION 2 - CONTROLS

FIGURE 2-10. CHARGER PLUG - CUSTOMER SUPPLIED PLUG (ALL SPECS EXCEPT CSA)



ART_1001096899

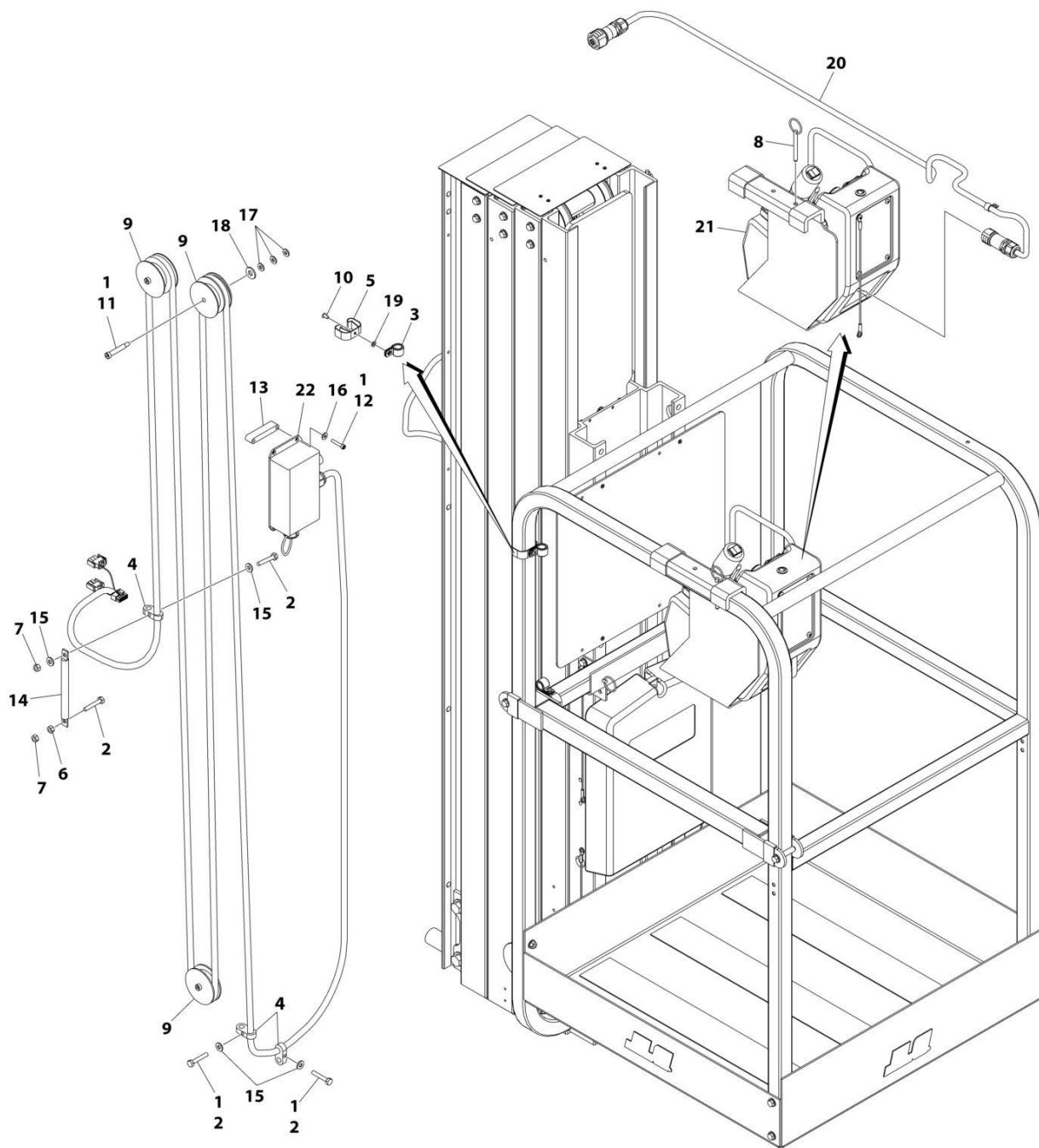
SECTION 2 - CONTROLS

FIGURE 2-10. CHARGER PLUG - CUSTOMER SUPPLIED PLUG (ALL SPECS EXCEPT CSA)

ITEM	PART NUMBER	QTY	DESCRIPTION	REV
	1001096899	Ref	CHARGER PLUG, CUSTOMER SUPPLIED PLUG	B
1	3311001	4	Nut, #10	
2	3911016	4	Bolt, #10 x 1	
3	4460802	1	Terminal Cover, Waterproof	
4	4761000	1	Washer, #10	

SECTION 2 - CONTROLS

FIGURE 2-11. CONTROLS & CABLES INSTALLATION (ALL SPECS EXCEPT AUSTRALIAN)



ART_1001255332

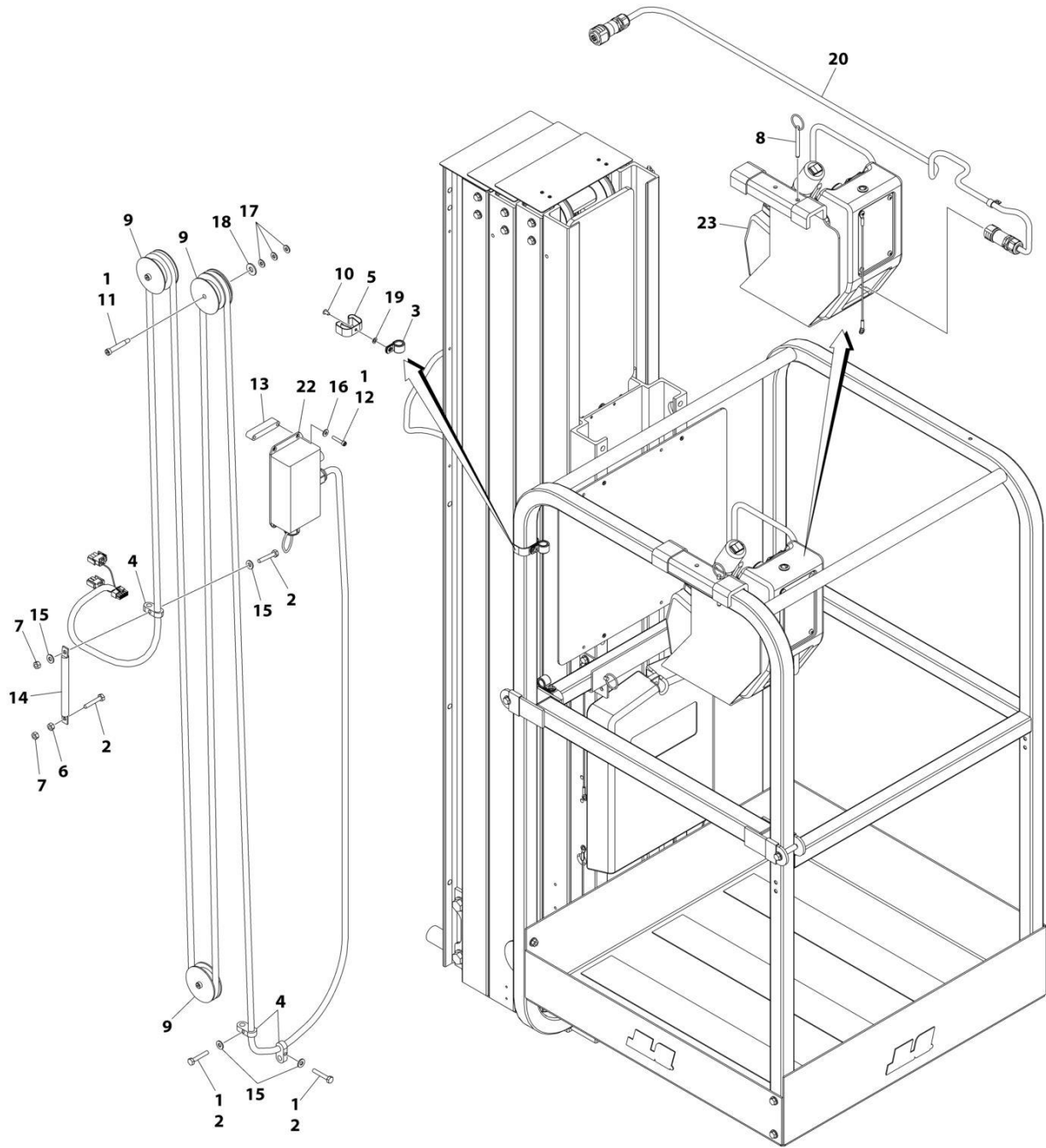
SECTION 2 - CONTROLS

FIGURE 2-11. CONTROLS & CABLES INSTALLATION (ALL SPECS EXCEPT AUSTRALIAN)

ITEM	PART NUMBER	QTY	DESCRIPTION	REV
	1001255332	Ref	CONTROLS & CABLES INSTALLATION	A
1	0100011	AR	Compound, Locking	
2	0641412	4	Bolt 1/4 x 1-1/2	
3	1320041	2	Clamp, Loop	
4	1320149	3	Clamp, Hose	
5	1380132	2	Clip, Gripper	
6	3311401	1	Nut 1/4	
7	3311405	2	Locknut 1/4	
8	3422657	1	Pin, Quick Release	
9	3580344	3	Pulley, Sheave	
10	3820020	2	Rivet, Pop	
11	3900373	3	Screw, Shoulder	
12	3931016	4	Screw #10	
13	4071032	2	Shim	
14	4160130	1	Spring, Extension	
15	4711400	4	Washer 1/4	
16	4751000	4	Washer #10	
17	4751200	9	Washer #12	
18	4751500	3	Washer 5/16	
19	4811600	2	Washer M5	
20	1001254615	1	Harness, Platform (See Separate Breakdown in ELECTRICAL Section)	
21	1001254987	1	Platform Control Box Assembly (See Separate Breakdown in this Section)	
22	1001255331	1	Harness, Junction Box (See Separate Breakdown in ELECTRICAL Section)	

SECTION 2 - CONTROLS

FIGURE 2-12. CONTROLS & CABLES INSTALLATION (AUSTRALIAN SPECS)



ART_1001255333

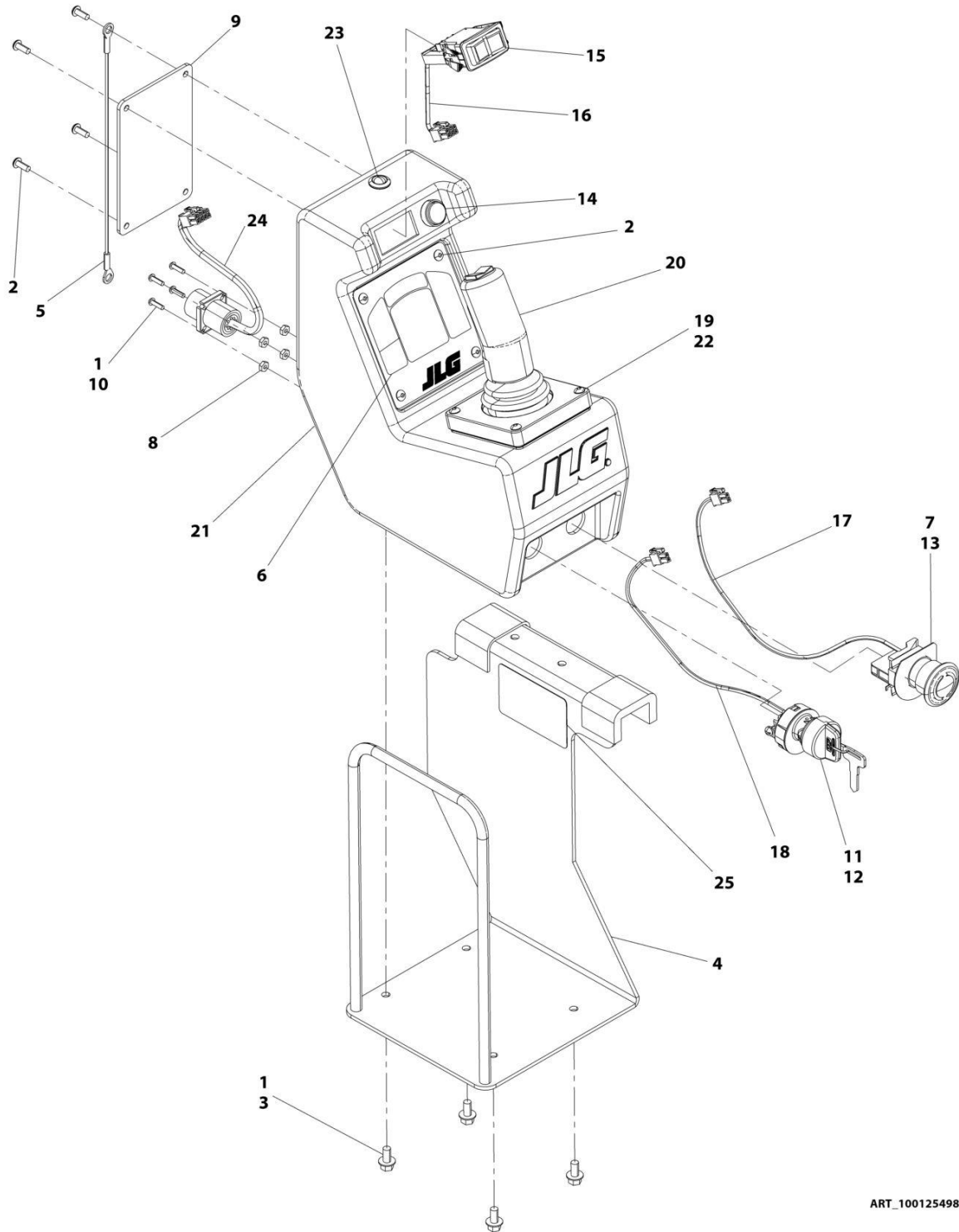
SECTION 2 - CONTROLS

FIGURE 2-12. CONTROLS & CABLES INSTALLATION (AUSTRALIAN SPECS)

ITEM	PART NUMBER	QTY	DESCRIPTION	REV
	1001255333	Ref	CABLES & CONTROLS INSTALLATION	A
1	0100011	AR	Compound, Locking	
2	0641412	4	Bolt 1/4 x 1-1/2	
3	1320041	2	Clamp, Loop	
4	1320149	3	Clamp, Hose	
5	1380132	2	Clip, Gripper	
6	3311401	1	Nut 1/4	
7	3311405	2	Locknut 1/4	
8	3422657	1	Pin, Quick Release	
9	3580344	3	Pulley, Sheave	
10	3820020	2	Rivet, Pop	
11	3900373	3	Screw, Shoulder	
12	3931016	4	Screw #10	
13	4071032	2	Shim	
14	4160130	1	Spring, Extension	
15	4711400	4	Washer 1/4	
16	4751000	4	Washer #10	
17	4751200	9	Washer #12	
18	4751500	3	Washer 5/16	
19	4811600	2	Washer M5	
20	1001254615	1	Harness, Platform (See Separate Breakdown in ELECTRICAL Section)	
22	1001255331	1	Harness, Junction Box (See Separate Breakdown in ELECTRICAL Section)	
23	1001254988	1	Platform Control Box Assembly (See Separate Breakdown in this Section)	

SECTION 2 - CONTROLS

FIGURE 2-13. PLATFORM CONTROL BOX ASSEMBLY (ALL SPECS EXCEPT AUSTRALIAN)



ART_1001254987

SECTION 2 - CONTROLS

FIGURE 2-13. PLATFORM CONTROL BOX ASSEMBLY (ALL SPECS EXCEPT AUSTRALIAN)

ITEM	PART NUMBER	QTY	DESCRIPTION	REV
	1001254987	Ref	PLATFORM CONTROL BOX ASSEMBLY	A
1	0100011	AR	Compound, Locking	
2	0630464	8	Screw, #10 x 1/2	
3	0791404	4	Screw, 1/4 x 1/2	
4	0903205	1	Bracket	
5	1060380	1	Cable, Lanyard	
6	1600378	1	Module, Platform Controller	
7	1706007	1	Decal, E-Stop	
8	3310601	4	Nut, #6	
9	3380540	1	Panel, Control Box	
10	3910608	4	Bolt #6 x 1/2	
11	3910804	2	Screw #8 x 1/4	
12	4360467	1	Switch, Key	
12	7020174	1	Key	
13	4360562	1	Switch, E-Stop	
14	4360567	1	Switch, Horn	
15	4360581	1	Switch, Drive-Lift Rocker	
16	4923106	1	Harness, Drive-Lift Selector	
16	4460259	3	Terminal	
16	4460260	3	Terminal	
16	250200	1	Connector	
16	4461023	3	Socket	
17	4923107	1	Harness, E-Stop	
17	4460183	2	Terminal	
17	See Note	NSS	Connector (See 4923107)	
17	4461023	2	Socket	
18	4923108	1	Harness, Key	
18	4460183	2	Terminal	
18	See Note	NSS	Connector (See 4923108)	
18	4461023	2	Socket	
19	3311005	4	Nut, #10	
20	1001098192	1	Controller, Joystick	
21	1001254989	1	Box, Platform Control	
22	3900189	4	Bolt, #10 x 1	
23	1001254544	1	Lamp, LED Indicator	
24	1001254614	1	Harness, Box Power	
24	1001151629	1	Connector	
24	4461023	5	Socket	
24	70001798	1	Connector	
24	70001799	7	Pin	
25	1001255676	1	Decal, LSS Warning	

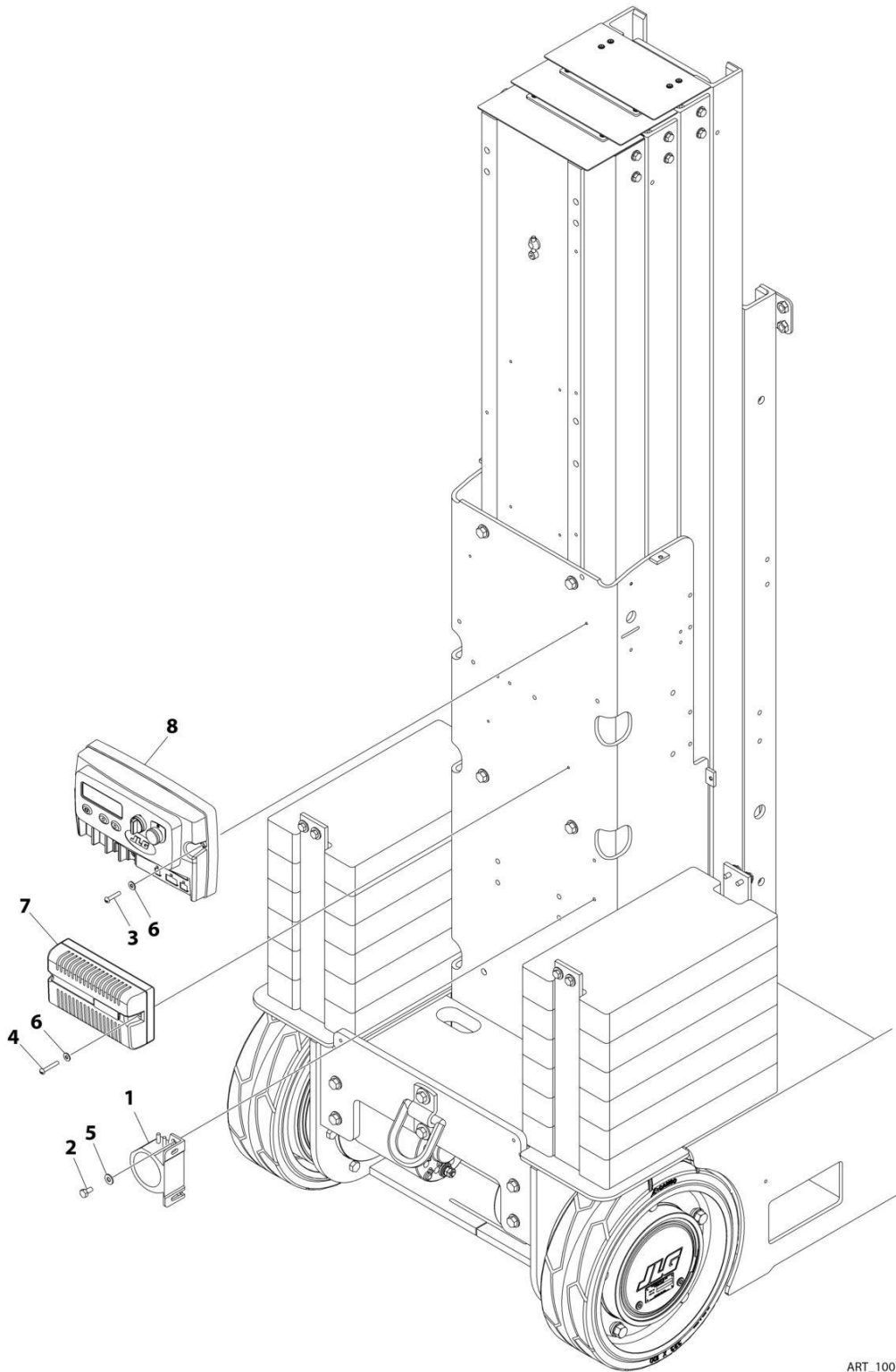
SECTION 2 - CONTROLS

FIGURE 2-14. PLATFORM CONTROL BOX ASSEMBLY (AUSTRALIAN SPECS)

ITEM	PART NUMBER	QTY	DESCRIPTION	REV
	1001254988	Ref	PLATFORM CONTROL BOX ASSEMBLY	A
1	0100011	AR	Compound, Locking	
2	0630464	8	Screw, #10 x 1/2	
3	0791404	4	Screw, 1/4 x 1/2	
4	0903205	1	Bracket	
5	1060380	1	Cable, Lanyard	
6	1600378	1	Module, Platform Controller	
7	1706007	1	Decal, E-Stop	
8	3310601	4	Nut, #6	
9	3380540	1	Panel, Control Box	
10	3910608	4	Bolt #6 x 1/2	
11	1001254544	1	Lamp, LED Indicator	
12	1001254614	1	Harness, Box Power	
12	1001151629	1	Connector	
12	4461023	5	Socket	
12	70001798	1	Connector	
12	70001799	7	Pin	
13	4360562	1	Switch, E-Stop	
14	4360567	1	Switch, Horn	
15	4360581	1	Switch, Drive-Lift Rocker	
16	4923106	1	Harness, Drive-Lift Selector	
16	4460259	3	Terminal	
16	4460260	3	Terminal	
16	250200	1	Connector	
16	4461023	3	Socket	
17	4923107	1	Harness, E-Stop	
17	4460183	2	Terminal	
17	See Note	NSS	Connector (See 4923107)	
17	4461023	2	Socket	
18	1001137026	1	Harness, Key Bypass	
18	See Note	NSS	Connector (See 1001137026)	
18	See Note	NSS	Socket (See 1001137026)	
19	1001254989	1	Box, Platform Control	
20	1001098192	1	Controller, Joystick	
21	1001255676	1	Decal, LSS Warning	
22	3311005	4	Nut, #10	
23	3900189	4	Bolt, #10 x 1	
24	1001137484	1	Plug	

SECTION 2 - CONTROLS

FIGURE 2-15. GROUND CONTROLS INSTALLATION (ANSI, ANSI EXPORT, CSA, AND CE SPECS)



ART_1001254739

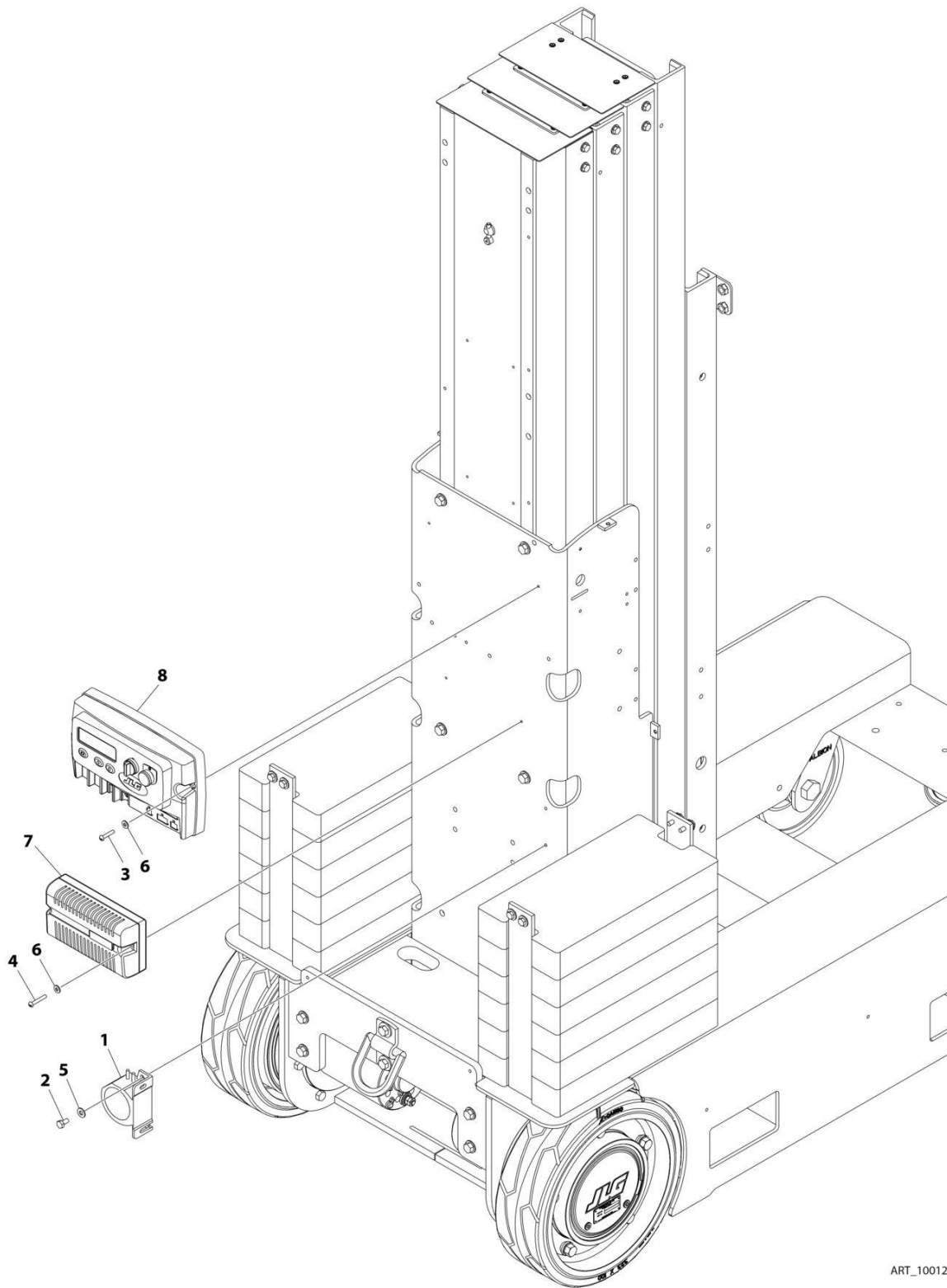
SECTION 2 - CONTROLS

FIGURE 2-15. GROUND CONTROLS INSTALLATION (ANSI, ANSI EXPORT, CSA, AND CE SPECS)

ITEM	PART NUMBER	QTY	DESCRIPTION	REV
	1001254739	Ref	GROUND CONTROLS INSTALLATION	A
1	0140033	1	Alarm	
2	0641404	2	Bolt 1/4 x 1/2	
3	3911016	2	Screw #10	
4	3911020	2	Screw #10	
5	4711400	2	Washer 1/4	
6	4751000	4	Washer #10	
7	1001231450	1	Module, Traction	
8	1001254654	1	Module, Ground	

SECTION 2 - CONTROLS

FIGURE 2-16. GROUND CONTROLS INSTALLATION (JAPANESE AND CHINA SPECS)



ART_1001254740

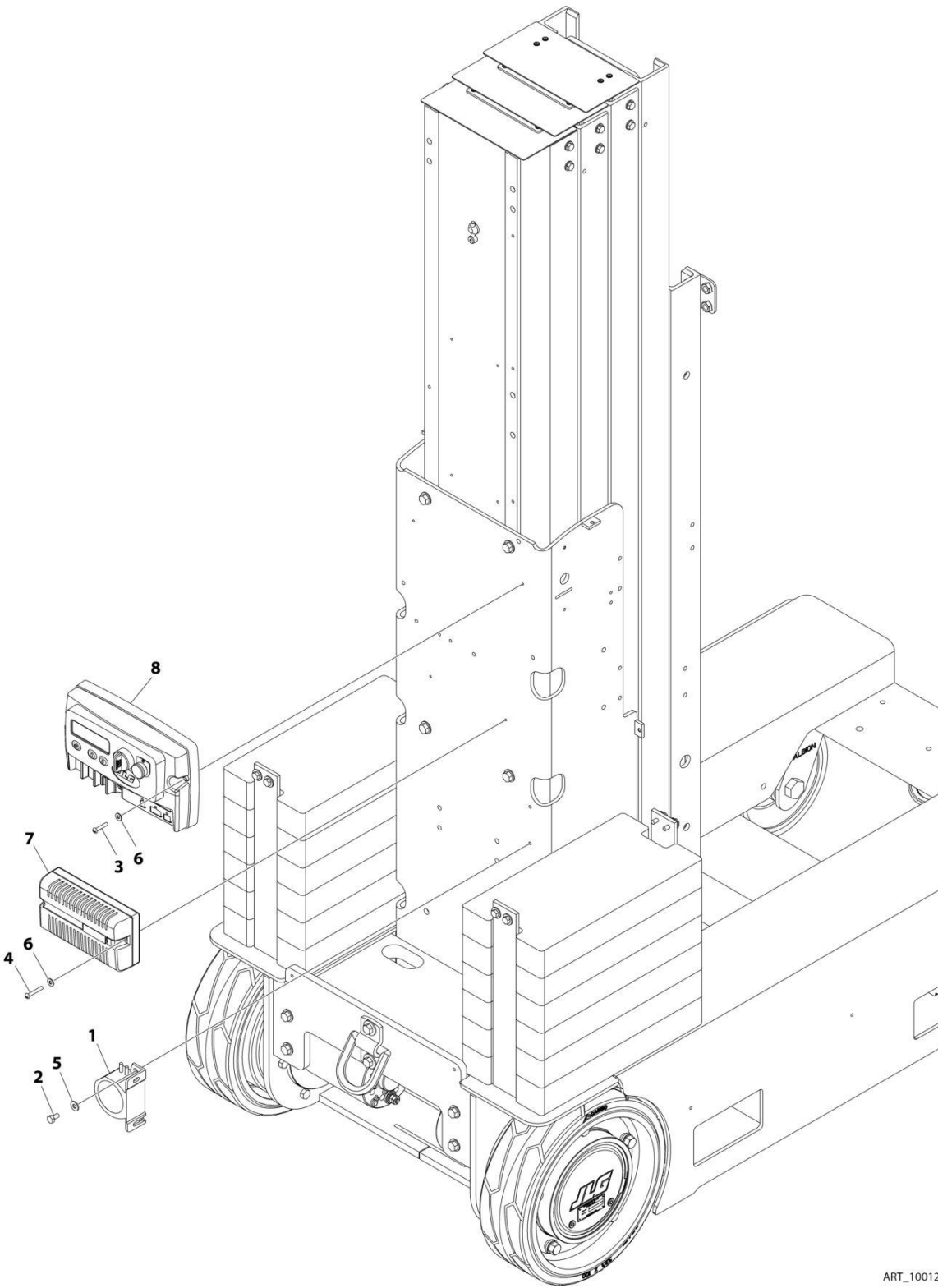
SECTION 2 - CONTROLS

FIGURE 2-16. GROUND CONTROLS INSTALLATION (JAPANESE AND CHINA SPECS)

ITEM	PART NUMBER	QTY	DESCRIPTION	REV
	1001254740	Ref	GROUND CONTROLS INSTALLATION	A
1	0140033	1	Alarm	
2	0641404	2	Bolt 1/4 x 1/2	
3	3911016	2	Screw #10	
4	3911020	2	Screw #10	
5	4711400	2	Washer 1/4	
6	4751000	4	Washer #10	
7	1001231450	1	Module, Traction	
8	1001254655	1	Module, Ground	

SECTION 2 - CONTROLS

FIGURE 2-17. GROUND CONTROLS INSTALLATION (AUSTRALIAN SPECS)



ART_1001254741

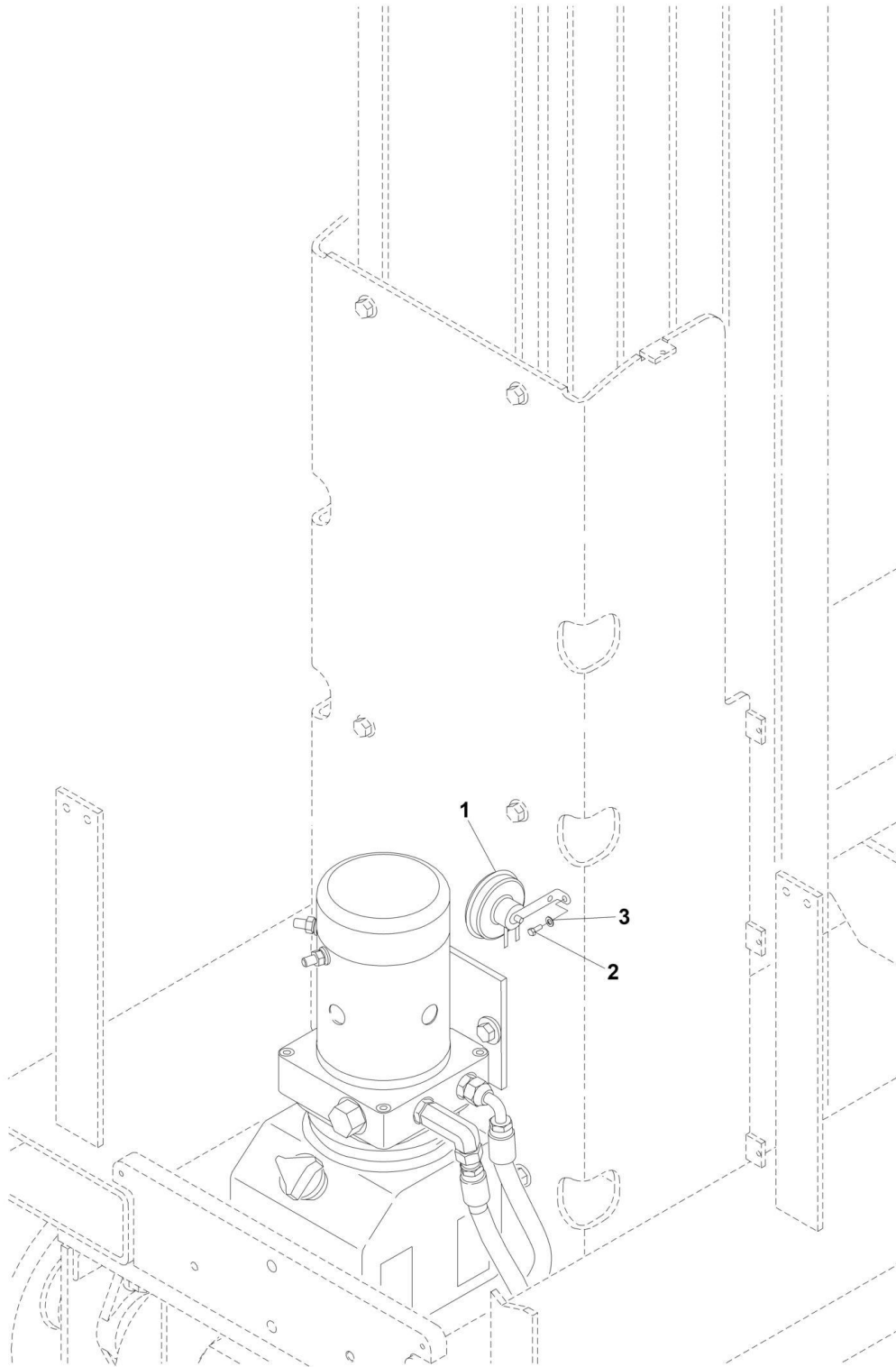
SECTION 2 - CONTROLS

FIGURE 2-17. GROUND CONTROLS INSTALLATION (AUSTRALIAN SPECS)

ITEM	PART NUMBER	QTY	DESCRIPTION	REV
	1001254741	Ref	GROUND CONTROLS INSTALLATION	A
1	0140033	1	Alarm	
2	0641404	2	Bolt 1/4 x 1/2	
3	3911016	2	Screw #10	
4	3911020	2	Screw #10	
5	4711400	2	Washer 1/4	
6	4751000	4	Washer #10	
7	1001231450	1	Module, Traction	
8	1001254656	1	Module, Ground	

SECTION 2 - CONTROLS

FIGURE 2-18. HORN



ART_0271982

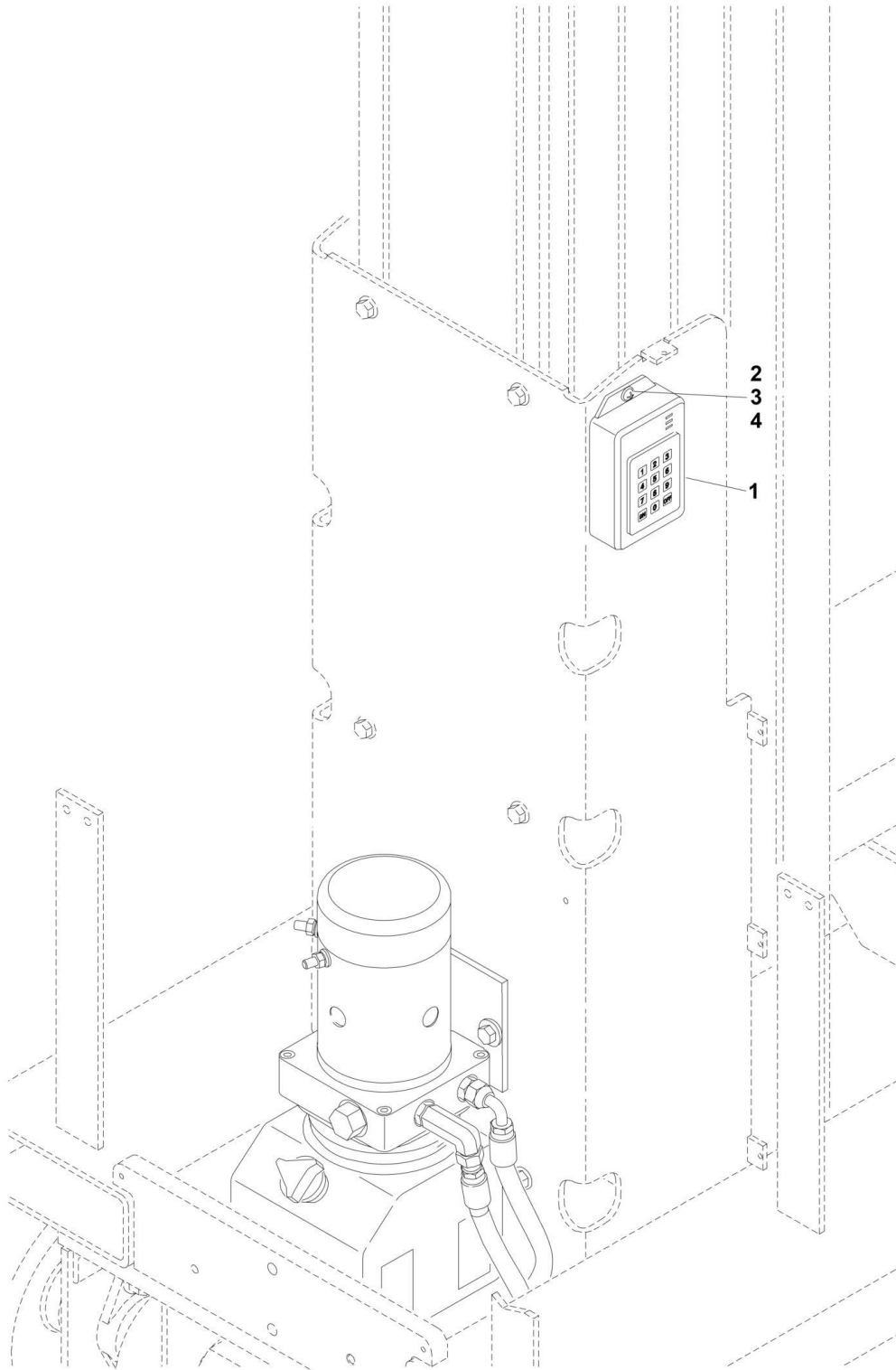
SECTION 2 - CONTROLS

FIGURE 2-18. HORN

ITEM	PART NUMBER	QTY	DESCRIPTION	REV
	0271982	Ref	HORN INSTALLATION	B
1	0140022	1	Horn	
2	0641404	1	Bolt 1/4 x 1/2	
3	4711400	1	Washer 1/4	

SECTION 2 - CONTROLS

FIGURE 2-19. SECURITY LOCK INSTALLATION



ART_0272329

SECTION 2 - CONTROLS

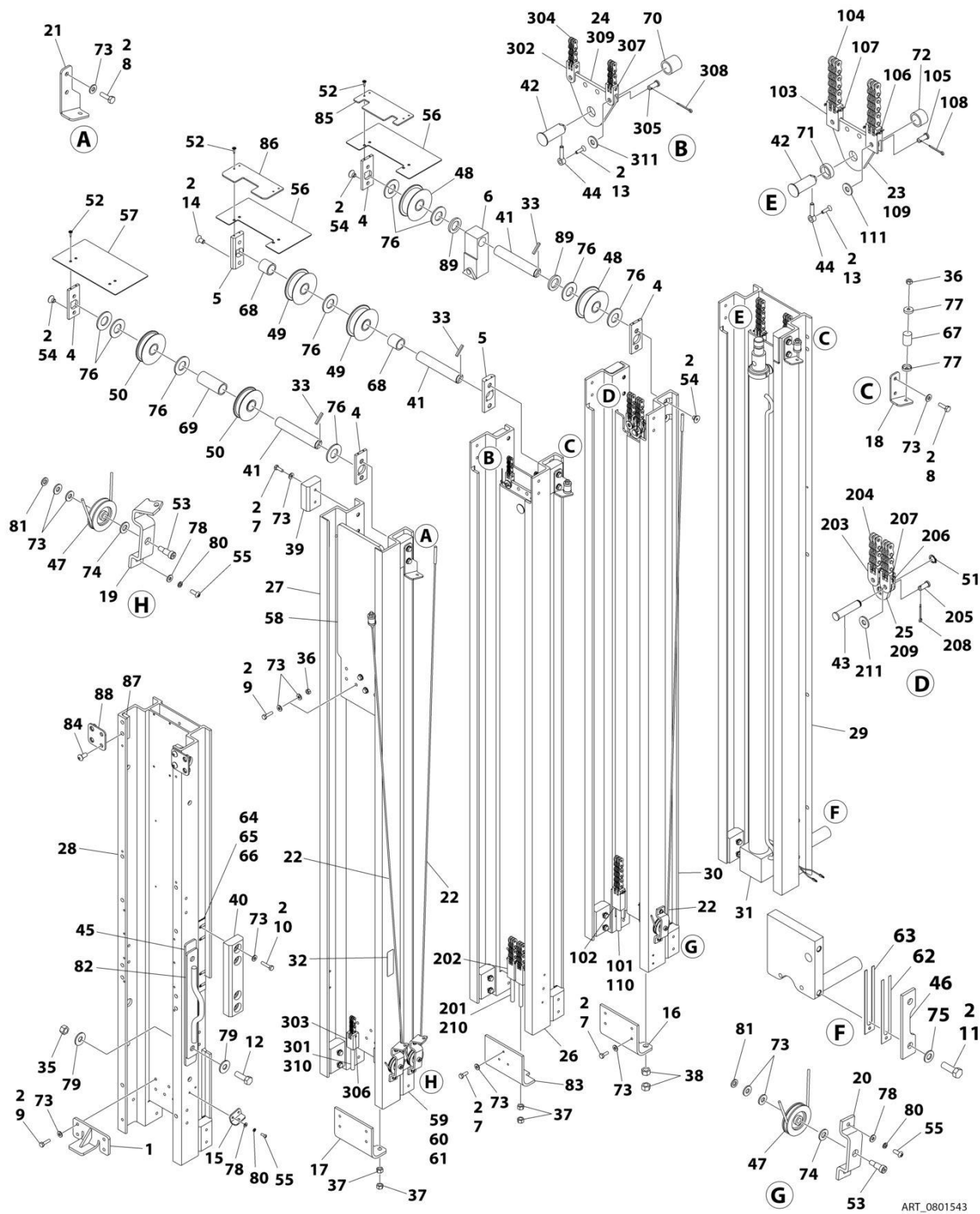
FIGURE 2-19. SECURITY LOCK INSTALLATION

ITEM	PART NUMBER	QTY	DESCRIPTION	REV
	0272329	Ref	SECURITY LOCK INSTALLATION	B
1	2940141	1	Programmable Lock	
2	3311055	2	Nut	
3	3911010	2	Bolt, #10 x 5/8	
4	4751000	4	Washer	

SECTION 3 - MAST

SECTION 3 - MAST

FIGURE 3-1. MAST ASSEMBLY



ART_0801543

SECTION 3 - MAST

FIGURE 3-1. MAST ASSEMBLY

ITEM	PART NUMBER	QTY	DESCRIPTION	REV
	0801543	Ref	MAST ASSEMBLY	F
1	0060087	1	Actuator, Pothole Protection	
2	0100011	AR	Compound, Locking	
3	0274941	1	Mast Kit (Not Shown)	
4	0362735	4	Bar, Sheave Pin Support	
5	0362736	2	Bar, Sheave Pin Support	
6	0561341	1	Block, Chain Anchor	
7	0641406	29	Bolt 1/4 x 3/4	
8	0641407	6	Bolt 1/4 x 7/8	
9	0641408	7	Bolt 1/4 x 1	
10	0641410	8	Bolt 1/4 x 1-1/4	
11	0641812	4	Bolt 1/2 x 1-1/2	
12	0681812	2	Standard Mast	
13	0741006	2	Screw #10 x 3/4	
14	0741606	4	Screw 3/8 x 3/4	
15	0902047	1	Bracket, Sequence Cable	
16	0902422	1	Bracket, Bottom Chain Attach	
17	0902424	1	Bracket, Bottom Chain Attach	
18	0902431	2	Bracket, Sequence Cable	
19	0902445	2	Bracket, Sequence Cable	
20	0902698	1	Bracket, Sequence Cable	
21	0902775	1	Bracket, Sequence Cable	
22	1060920	3	Cable, Sequence	
23	1260368	1	Chain Assembly - #544 (See Items 101-111 for Breakdown)	
24	1260370	1	Chain Assembly - #444 (See Items 301-311 for Breakdown)	
25	1260371	1	Chain Assembly - #534 (See Items 201-211 for Breakdown)	
26	1271488	1	Channel, Mast #3	
27	1271489	1	Channel, Mast #4	
28	1271493	1	Channel, Mast Header	
29	1271620	1	Channel, Mast #1	
30	1271621	1	Channel, Mast #2	
31	1001225206	1	Lift Cylinder Assembly (See Separate Breakdown in CYLINDER Section)	
32	1704277	1	Decal - Lanyard Attach	
33	2880310	3	Key	
34	3020041	AR	Lubricant (Not Shown)	
35	3271805	2	Nut 1/2	
36	3311401	6	Nut 1/4	
37	3311601	8	Nut 3/8	
38	3311801	4	Nut 1/2	
39	3340845	14	Pad, Slide Guide	
40	1001235146	2	Pad, Slide Guide	
41	3422717	3	Pin, Sheave	
42	3422750	2	Pin, Chain Equalizer	
43	3422752	1	Pin, Chain Equalizer	
44	3422757	2	Pin, Keeper	
45	3539814	1	Standard Mast	
46	3570893	2	Plate, Cylinder Mounting	
47	3580269	3	Sheave, Sequence Cable	
48	3580286	2	Sheave Assembly	

SECTION 3 - MAST

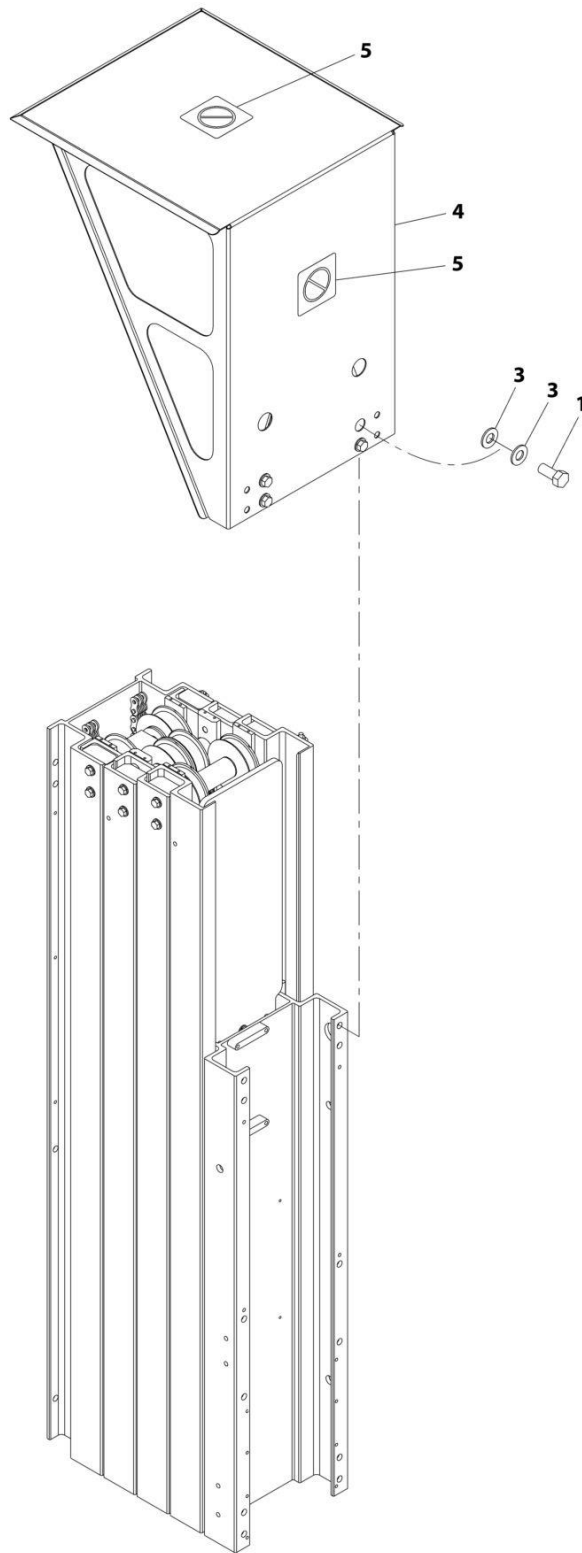
ITEM	PART NUMBER	QTY	DESCRIPTION	REV
48	0440246	2	Bearing (1 Per Assembly)	
49	3580291	2	Sheave Assembly	
49	0440248	2	Bearing (1 Per Assembly)	
50	3580293	2	Sheave Assembly	
50	0440249	1	Bearing (1 Per Assembly)	
51	3760383	1	Ring, Retaining	
52	1001229433	12	Rivet	
53	3900187	3	Screw, Shoulder	
54	3900192	8	Screw 3/8 x 1/2	
55	3900205	8	Bolt #10 x 5/8	
56	4060960	2	Shield, Mast Cover	
57	4060961	1	Shield, Mast Cover	
58	4061034	1	Shield	
59	4070860	14	Shim, Slide Pad .075	
60	4070861	14	Shim, Slide Pad .036	
61	4070862	28	Shim, Slide Pad .015	
62	4070970	4	Shim, Cylinder Mount	
63	4070971	2	Shim, Cylinder Mount	
64	4070988	2	Shim, Slide Pad .075	
65	4070989	2	Shim, Slide Pad .036	
66	4070990	2	Shim, Slide Pad 0.15	
67	4160124	3	Spring	
68	4567489	2	Tube, Spacer	
69	4567492	1	Tube, Spacer	
70	4567749	1	Tube, Spacer	
71	4567750	1	Tube, Spacer	
72	4567751	1	Tube, Spacer	
73	4711400	59	Washer 1/4	
74	4711500	3	Washer 5/16	
75	4711800	4	Washer 1/2	
76	4740007	9	Thrustwasher	
77	4740414	6	Washer, Cup	
78	4750800	8	Washer #8	
79	4751800	4	Standard Mast	
80	4761000	8	Washer #10	
81	4761400	3	Washer 1/4	
82	4845345	1	Standard Mast	
83	0902423	1	Bracket, Chain Attach	
84	3900283	4	Bolt 3/8 x 3/4	
85	1001229525	1	Shield	
86	1001229526	1	Shield	
87	1001233007	2	Bar	
88	1001233160	2	Plate	
89	4892600	2	Washer	
	1260368	Ref	CHAIN ASSEMBLY - #544	C
101	0100019	AR	Compound, Locking	
102	0561308	2	Block, Chain Anchor	
103	0561336	2	Block, Chain Anchor	
104	1260336	AR	Chain	
105	3422338	2	Pin, Equalizer	
106	3422720	4	Pin, Chain Anchor	

SECTION 3 - MAST

ITEM	PART NUMBER	QTY	DESCRIPTION	REV
107	3450202	8	Pin, Cotter	
108	3450304	2	Pin, Cotter	
109	3571101	1	Plate, Chain Adjustment	
110	4300129	2	Stud	
111	4751500	2	Washer 5/16	
	1260371	Ref	CHAIN ASSEMBLY - #534	B
201	0100019	AR	Compound, Locking	
202	0561309	2	Block, Chain Anchor	
203	0561337	2	Block, Chain Anchor	
204	1260335	AR	Chain	
205	3422338	2	Pin, Equalizer	
206	3422722	4	Pin, Chain Anchor	
207	3450202	4	Pin, Cotter	
208	3450304	2	Pin, Cotter	
209	3571103	1	Plate, Chain Adjustment	
210	4300111	2	Stud	
211	4751500	2	Washer 5/16	
	1260370	Ref	CHAIN ASSEMBLY - #444	C
301	0100019	AR	Compound, Locking	
302	0561149	2	Block, Chain Anchor	
303	0561408	2	Block, Chain Anchor	
304	1260298	AR	Chain	
305	3422338	2	Pin, Equalizer	
306	3422346	2	Pin, Grooved	
307	3422355	2	Pin	
308	3450304	2	Pin, Cotter	
309	3571101	1	Plate, Chain Adjustment	
310	4300111	2	Stud	
311	4751500	2	Washer 5/16	

SECTION 3 - MAST

FIGURE 3-2. MAST PROTECTION INSTALLATION



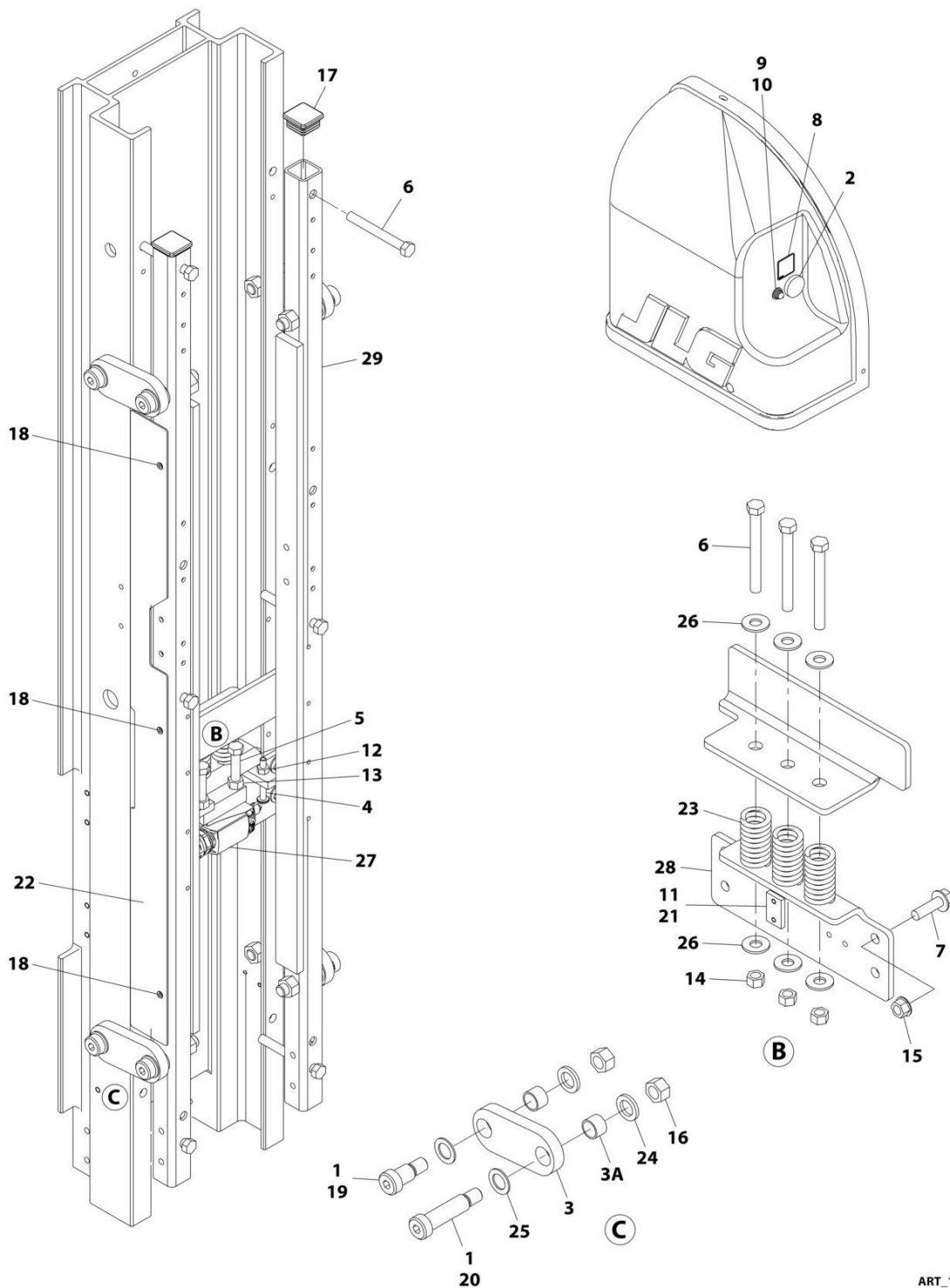
ART_1001228804

FIGURE 3-2. MAST PROTECTION INSTALLATION

ITEM	PART NUMBER	QTY	DESCRIPTION	REV
	1001228804	Ref	MAST PROTECTION INSTALLATION	B
1	3900283	4	Bolt 3/8 x 3/4	
3	4711600	4	Washer	
4	1001228806	1	Cover	
5	1001228817	2	Decal - No Weight	

SECTION 3 - MAST

FIGURE 3-3. LSS INSTALLATION (BOLT-ON PLATFORM)



ART_1001230530

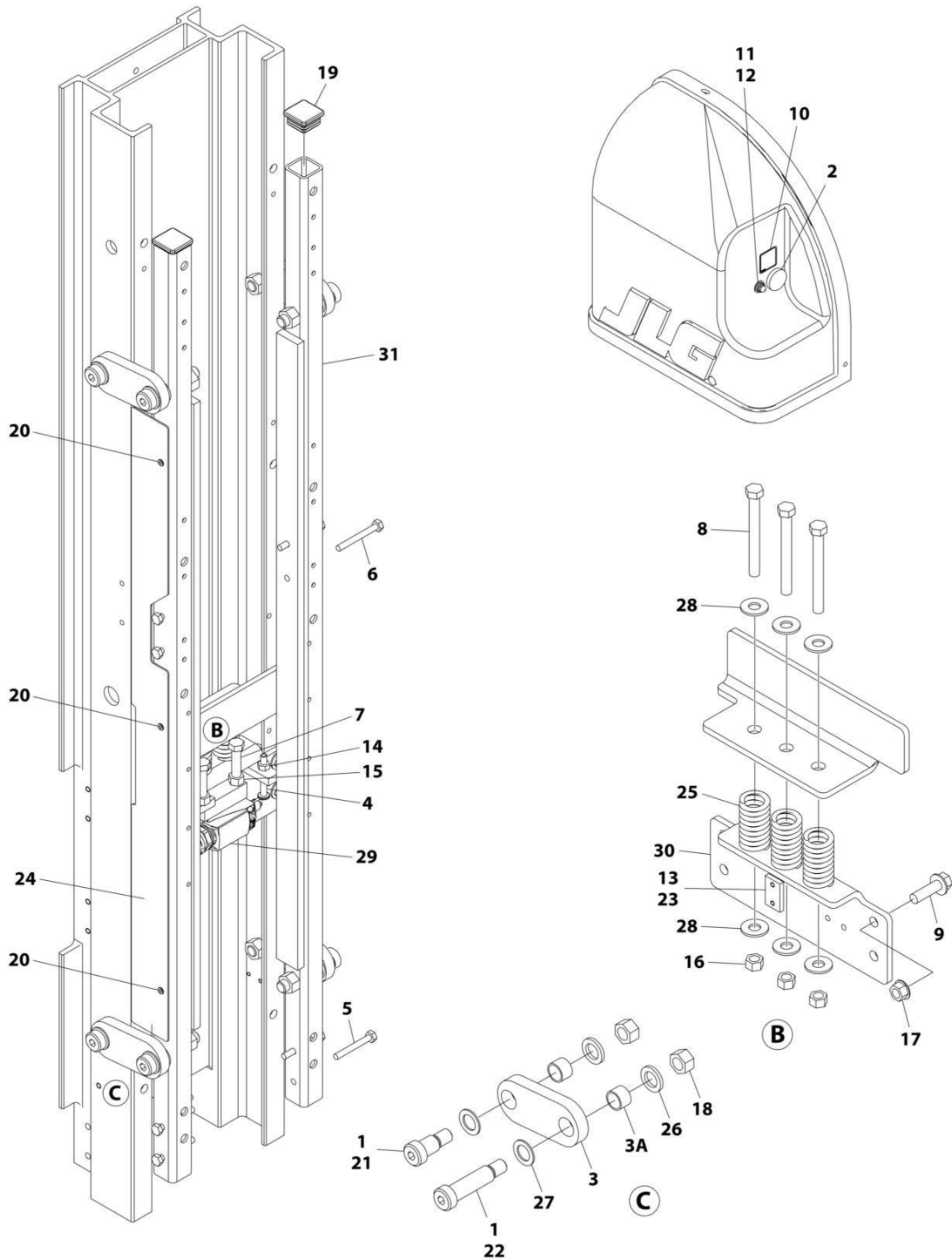
SECTION 3 - MAST

FIGURE 3-3. LSS INSTALLATION (BOLT-ON PLATFORM)

ITEM	PART NUMBER	QTY	DESCRIPTION	REV
	1001230530	Ref	LSS INSTALLATION (BOLT-ON PLATFORM)	C
1	0100019	AR	Compound, Locking	
2	0140011	1	Alarm	
3	0273144	4	Arm Assembly	
3A	0440268	8	Bushing (2 Per Arm)	
4	1001255483	1	Bolt	
5	0641622	2	Bolt 3/8 x 2-3/4	
6	0641628	9	Bolt 3/8 x 3-1/2	
7	0791610	4	Screw 3/8 x 1-1/4	
8	1705756	1	Decal - LSS Warning	
9	2920026	1	Lamp, Indicator	
10	2920094	1	Bulb	
11	3300475	1	Nut	
12	3311401	2	Nut 1/4	
13	3311601	2	Nut 3/8	
14	3311605	3	Nut 3/8	
15	3311608	4	Nut 3/8	
16	3311801	8	Nut 1/2	
17	3520072	2	Plug	
18	3820032	6	Rivet	
19	3900346	4	Bolt 3/8 x 3/4	
20	3900347	4	Bolt 3/8 x 2	
21	3911024	2	Screw #10 x 1-1/2	
22	4061060	2	Shield	
23	4160205	3	Spring	
24	4740529	8	Washer	
25	4740530	8	Washer	
26	4751600	6	Washer 3/8	
27	4922924	1	Load Sensing Harness Assembly (See Seperate Breakdown in ELECTRICAL Section)	
28	1001230476	1	Support	
29	1001230477	1	Sensor, Load	

SECTION 3 - MAST

FIGURE 3-4. LSS INSTALLATION (QUICK CHANGE PLATFORM)



ART_1001230531

SECTION 3 - MAST

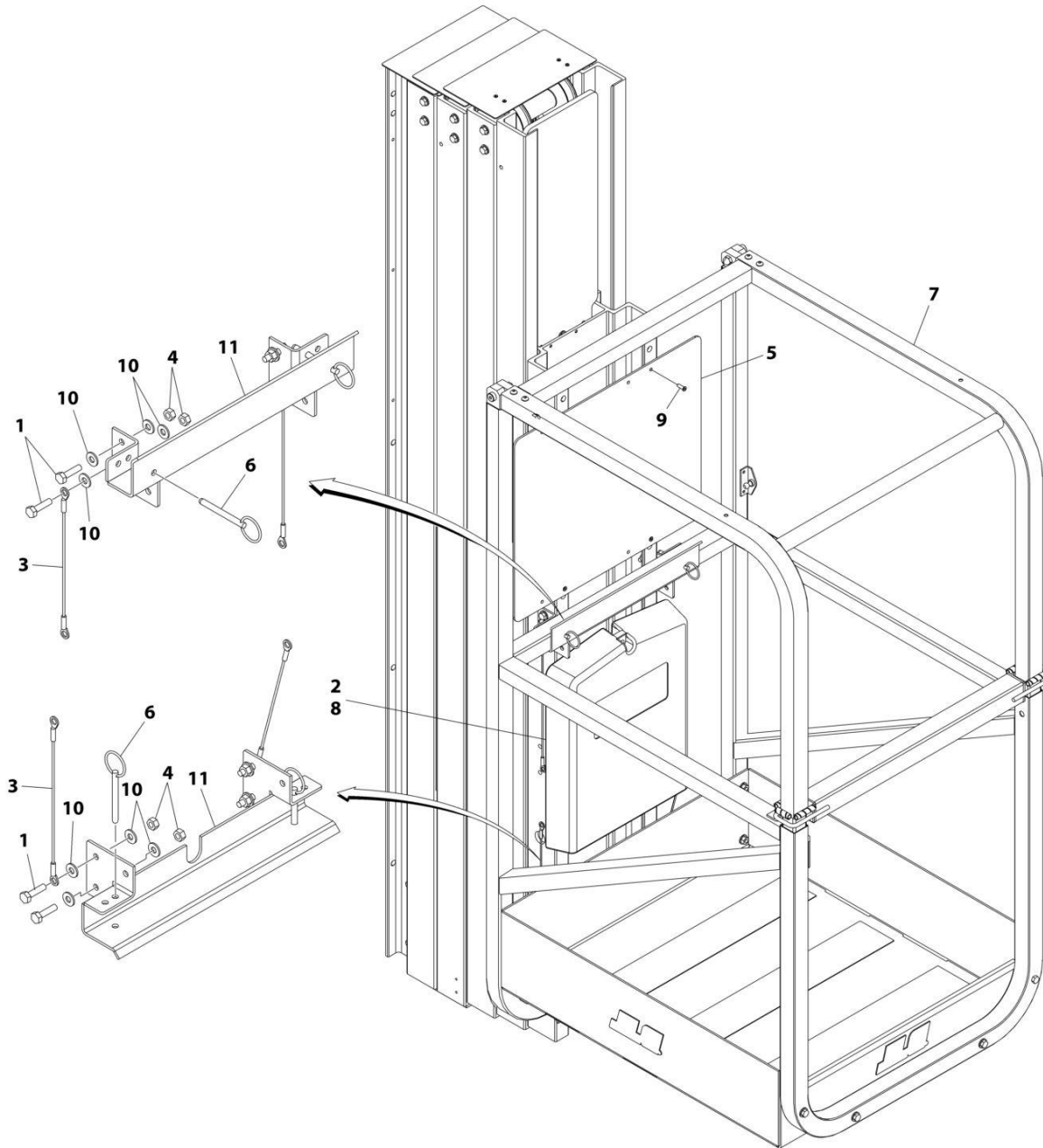
FIGURE 3-4. LSS INSTALLATION (QUICK CHANGE PLATFORM)

ITEM	PART NUMBER	QTY	DESCRIPTION	REV
	1001230531	Ref	LSS INSTALLATION (Quick Change Platform)	C
1	0100019	AR	Compound, Locking	
2	0140011	1	Alarm	
3	0273144	4	Arm Assembly	
3A	0440268	8	Bushing (2 Per Arm)	
4	1001255483	2	Bolt	
5	0641416	4	Bolt 1/4 x 2	
6	0641418	4	Bolt 1/4 x 2-1/4	
7	0641622	2	Bolt 3/8 x 2-3/4	
8	0641628	3	Bolt 3/8 x 3-1/2	
9	0791610	4	Screw 3/8 x 1-1/4	
10	1705756	1	Decal - LSS Warning	
11	2920026	1	Lamp, Indicator	
12	2920094	1	Bulb	
13	3300475	1	Nut	
14	3311401	2	Nut 1/4	
15	3311601	2	Nut 3/8	
16	3311605	3	Nut 3/8	
17	3311608	4	Nut 3/8	
18	3311801	8	Nut 1/2	
19	3520072	2	Plug	
20	3820032	6	Rivet	
21	3900346	4	Bolt 3/8 x 3/4	
22	3900347	4	Bolt 3/8 x 2	
23	3911024	2	Screw #10 x 1-1/2	
24	4061060	2	Shield	
23	4160205	3	Spring	
26	4740529	8	Washer	
27	4740530	8	Washer	
28	4751600	6	Washer 3/8	
29	4922924	1	Load Sensing Harness Assembly (See Separate Breakdown in ELECTRICAL Section)	
30	1001230476	1	Support	
31	1001230477	1	Sensor, Load	

SECTION 4 - PLATFORM

SECTION 4 - PLATFORM

FIGURE 4-1. QUICK-CHANGE PLATFORM INSTALLATION - 22IN X 25IN (56CM X 63.5CM) (ANSI AND CSA SPECS)



ART_0274342

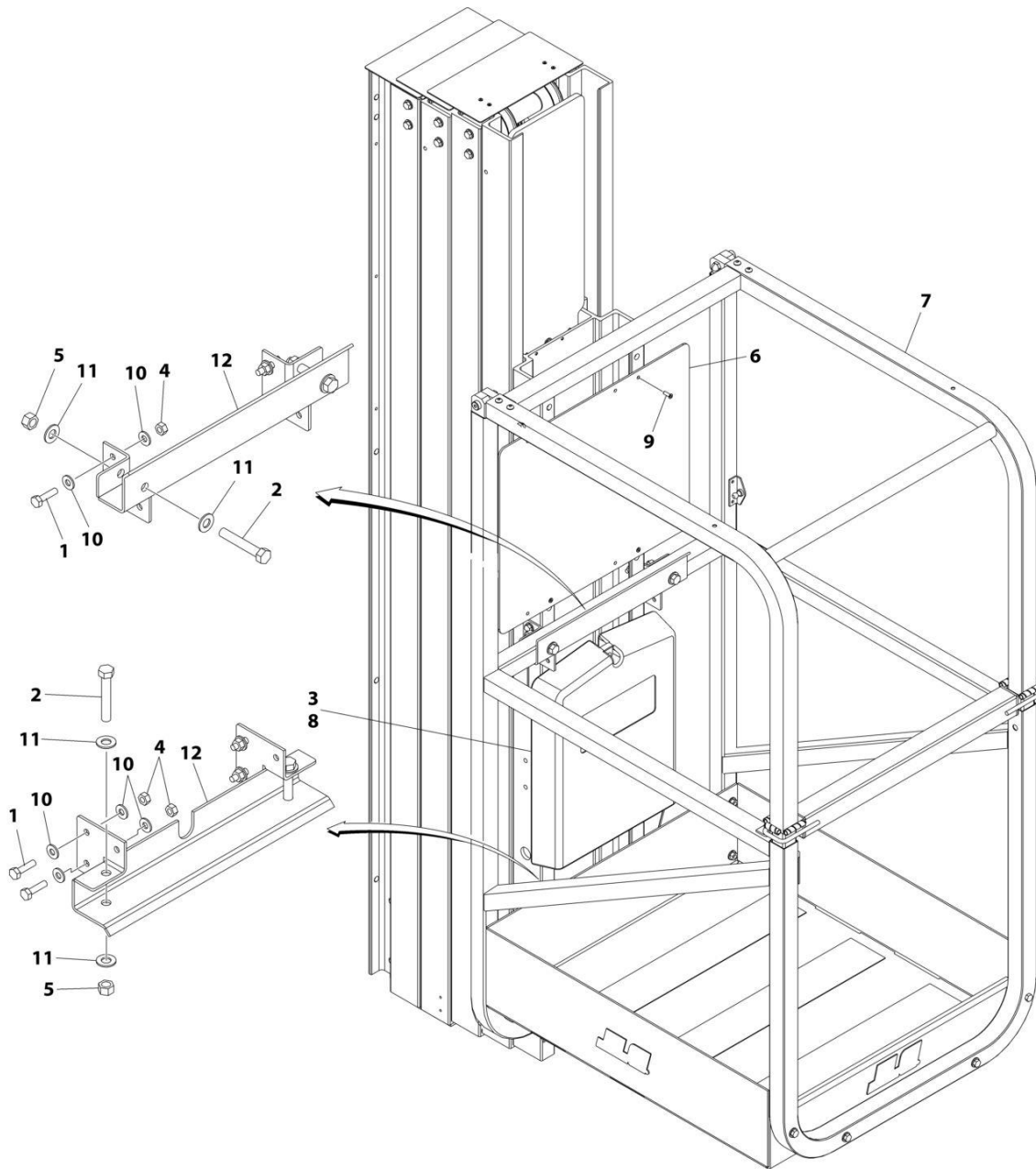
SECTION 4 - PLATFORM

FIGURE 4-1. QUICK-CHANGE PLATFORM INSTALLATION - 22IN X 25IN (56CM X 63.5CM) (ANSI AND CSA SPECS)

ITEM	PART NUMBER	QTY	DESCRIPTION	REV
	0274342	Ref	PLATFORM ASSEMBLY	B
1	0641408	8	Bolt 1/4 x 1	
1	0641416	4	Bolt 1/4 x 2	
1	0641418	4	Bolt 1/4 x 2-1/4	
2	0860520	1	Box, Manual Storage	
3	1060380	4	Cable, Lanyard	
4	3311405	8	Nut 1/4	
5	3380466	1	Panel, Control	
6	3422657	4	Pin, Quick Release	
7	3510873	1	Platform Assembly (See Separate Breakdown in this Section)	
8	3820024	4	Rivet	
9	3820032	4	Rivet	
10	4711400	16	Washer 1/4	
11	4846021	2	Platform Mount Bracket	

SECTION 4 - PLATFORM

FIGURE 4-2. PLATFORM INSTALLATION - 22IN X 25IN (56CM X 63.5CM) (CE SPECS)



ART_1001196953

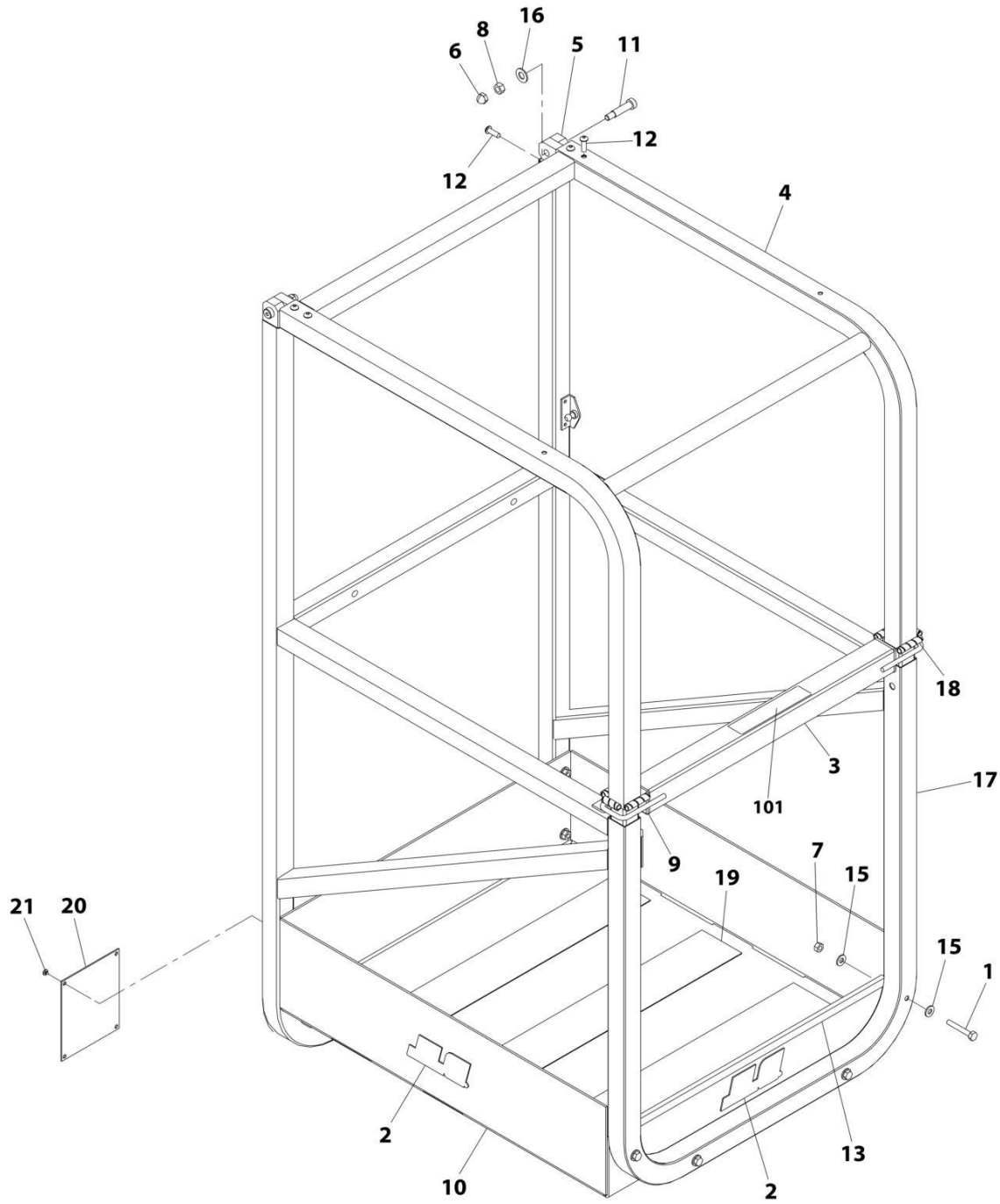
SECTION 4 - PLATFORM

FIGURE 4-2. PLATFORM INSTALLATION - 22IN X 25IN (56CM X 63.5CM) (CE SPECS)

ITEM	PART NUMBER	QTY	DESCRIPTION	REV
	1001196953	Ref	PLATFORM ASSEMBLY	B
1	0641408	8	Bolt 1/4 x 1	
1	0641416	4	Bolt 1/4 x 2	
1	0641418	4	Bolt 1/4 x 2-1/4	
2	0641618	4	Bolt 1/2 x 2	
3	0860520	1	Box, Manual Storage	
4	3311405	8	Nut 1/4	
5	3311605	4	Nut 3/8	
6	3380466	1	Panel, Control	
7	3510873	1	Platform Assembly (See Separate Breakdown in this Section)	
8	3820024	4	Rivet	
9	3820032	4	Rivet	
10	4711400	16	Washer 1/4	
11	4711600	8	Washer 3/8	
12	1001196955	2	Platform Mount Bracket	

SECTION 4 - PLATFORM

FIGURE 4-3. PLATFORM ASSEMBLY - 22IN X 25IN (56CM X 63.5CM)



ART_3510873

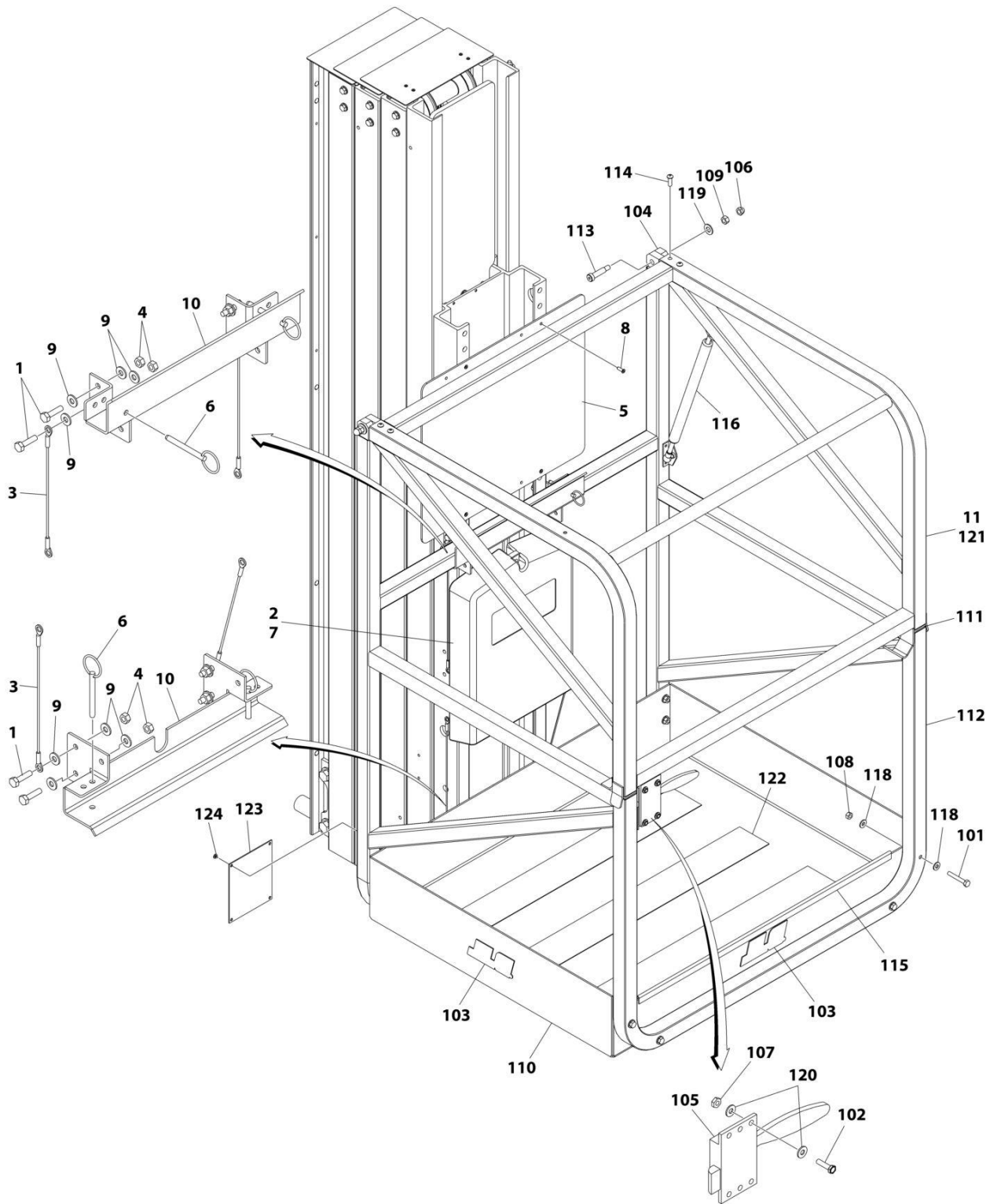
SECTION 4 - PLATFORM

FIGURE 4-3. PLATFORM ASSEMBLY - 22IN X 25IN (56CM X 63.5CM)

ITEM	PART NUMBER	QTY	DESCRIPTION	REV
	3510873	Ref	PLATFORM ASSEMBLY	D
1	0641414	8	Bolt 1/4 x 1-3/4	
2	1703681	3	Decal - JLG	
3	2410016	1	Gate, Slide Bar	
4	2410018	1	Gate, Slide Bar	
5	2600225	4	Hinge, Gate	
6	3300356	2	Nut 5/16	
7	3311405	8	Nut 1/4	
8	3311505	2	Nut 5/16	
9	3520169	2	Cap, Plug	
10	1001267922	1	Plate, Platform Pan	
11	3900032	2	Bolt, Shoulder	
12	3900258	8	Screw 1/4 x 3/4	
13	4060803	AR	Shield, Flex Trim	
15	4711400	16	Washer 1/4	
16	4711600	2	Washer 3/8	
17	4845809	1	Platform Rail Weldment	
18	1560019	AR	Conduit, Spiral Loom	
19	1001099638	3	Tape, Non Skid	
20	1001255570	1	Plate	
21	3820012	4	Rivet	
	0274607	Ref	DECAL - DROPBAR INSTALLATION (ANSI, CSA, CE, and Australian Specs)	A
101	1706493	1	Decal - Dropbar	

SECTION 4 - PLATFORM

FIGURE 4-4. QUICK-CHANGE PLATFORM INSTALLATION - 28IN X 26IN (71CM X 66CM) (ANSI, ANSI EXPORT, CSA, JAPANESE, AND CHINA SPECS)



ART_0271267

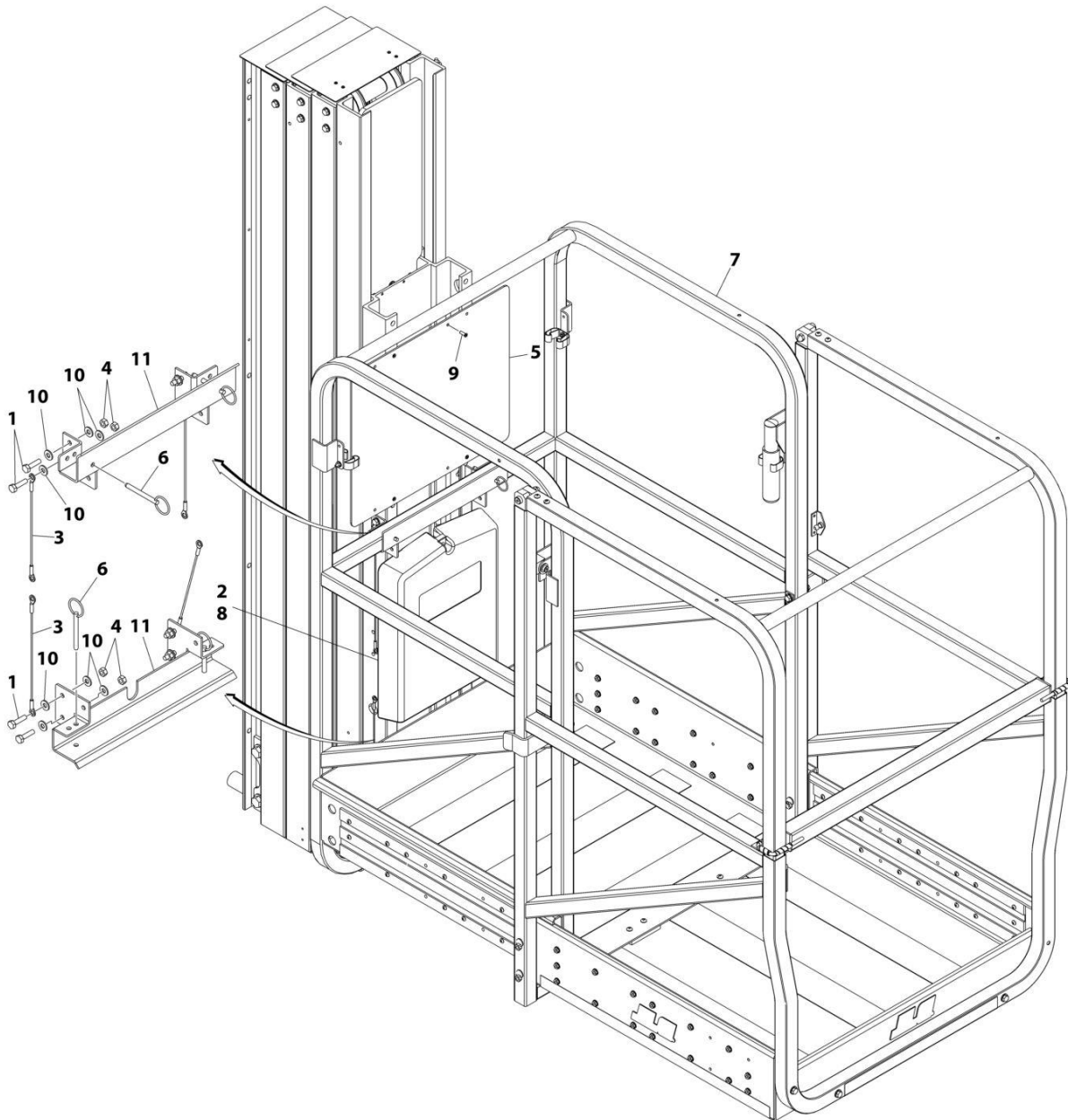
SECTION 4 - PLATFORM

FIGURE 4-4. QUICK-CHANGE PLATFORM INSTALLATION - 28IN X 26IN (71CM X 66CM) (ANSI, ANSI EXPORT, CSA, JAPANESE, AND CHINA SPECS)

ITEM	PART NUMBER	QTY	DESCRIPTION	REV
	0271267	Ref	PLATFORM ASSEMBLY	D
1	0641408	8	Bolt 1/4 x 1	
1	0641416	4	Bolt 1/4 x 2	
1	0641418	4	Bolt 1/4 x 2-1/4	
2	0860520	1	Box, Manual Storage	
3	1060380	4	Cable, Lanyard	
4	3311405	8	Nut 1/4	
5	3380466	1	Panel, Control	
6	3422657	4	Pin, Quick Release	
7	3820024	4	Rivet	
8	3820032	4	Rivet	
9	4711400	16	Washer 1/4	
10	4846021	2	Platform Mount Bracket	
11	3510905	1	Platform Assembly	E
101	0641414	8	Bolt 1/4 x 1-3/4	
102	0721006	4	Bolt #10 x 3/4	
103	1703681	3	Decal - JLG	
104	2600225	4	Hinge, Gate	
105	2940074	1	Latch	
106	3300356	2	Nut 5/16	
107	3311005	4	Nut #10	
108	3311405	8	Nut 1/4	
109	3311505	2	Nut 5/16	
110	1001267742	1	Plate, Platform Pan	
110	3510904	1	Plate, Platform Pan	
111	3520072	4	Cap, Plug	
112	3641663	1	Platform Rail Weldment	
113	3900032	2	Bolt 3/8 x 1-1/4	
114	3900258	8	Screw 1/4 x 3/4	
115	4060803	AR	Shield, Flex Trim	
116	4160165	1	Shock, Barrel	
118	4711400	16	Washer 1/4	
119	4711600	2	Washer 3/8	
120	4751000	8	Washer #10	
121	4845813	1	Platform Gate Weldment	
122	1001099638	3	Tape, Non Skid	
123	1001255570	1	Plate	
124	3820012	4	Rivet	

SECTION 4 - PLATFORM

FIGURE 4-5. QUICK-CHANGE PLATFORM INSTALLATION - 26IN X 49IN (66CM X 124CM)
(AUSTRALIAN SPECS)



ART_0274343

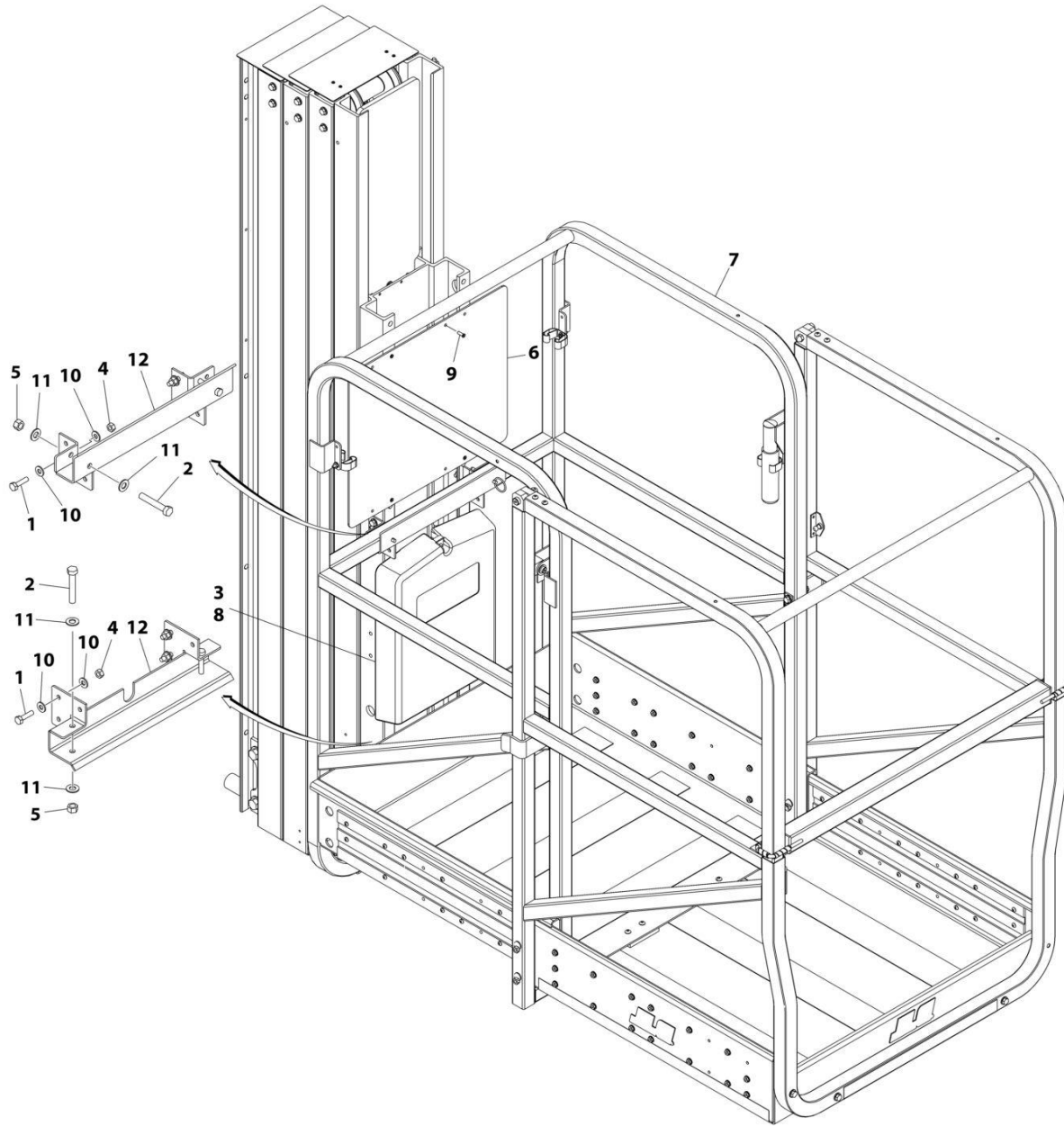
SECTION 4 - PLATFORM

**FIGURE 4-5. QUICK-CHANGE PLATFORM INSTALLATION - 26IN X 49IN (66CM X 124CM)
(AUSTRALIAN SPECS)**

ITEM	PART NUMBER	QTY	DESCRIPTION	REV
	0274343	Ref	PLATFORM ASSEMBLY	B
1	0641408	8	Bolt 1/4 x 1	
1	0641416	4	Bolt 1/4 x 2	
1	0641418	4	Bolt 1/4 x 2-1/4	
2	0860520	1	Box, Manual Storage	
3	1060380	4	Cable, Lanyard	
4	3311405	8	Nut 1/4	
5	3380466	1	Panel, Control	
6	3422657	4	Pin, Quick Release	
7	3510874	1	Platform Assembly (See Separate Breakdown in this Section)	
8	3820024	4	Rivet	
9	3820032	4	Rivet	
10	4711400	16	Washer 1/4	
11	4846021	2	Platform Mount Bracket	

SECTION 4 - PLATFORM

FIGURE 4-6. PLATFORM INSTALLATION - 26IN X 49IN (66CM X 124CM) (CE AND AUSTRALIAN SPECS)



ART_1001196954

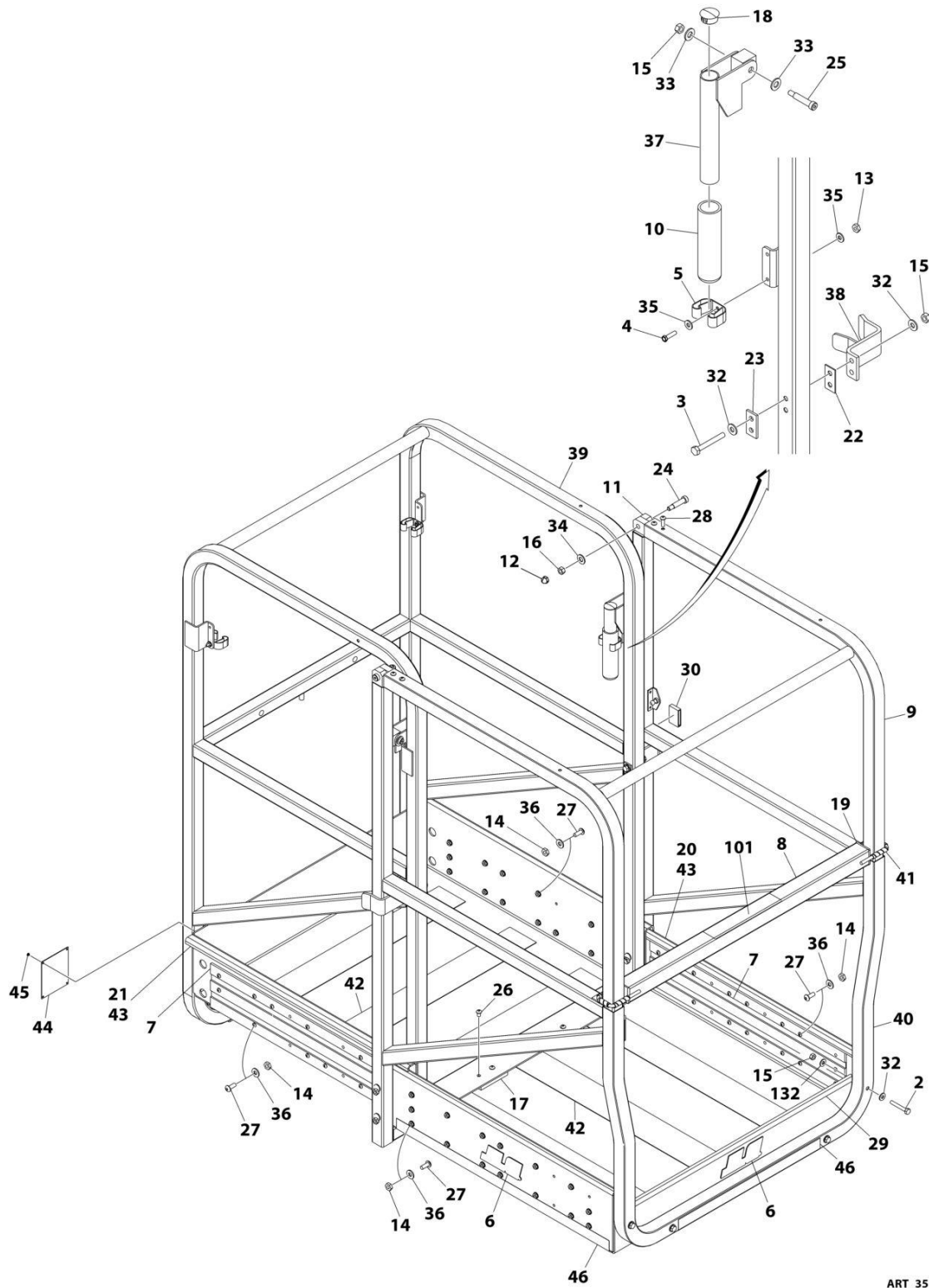
SECTION 4 - PLATFORM

FIGURE 4-6. PLATFORM INSTALLATION - 26IN X 49IN (66CM X 124CM) (CE AND AUSTRALIAN SPECS)

ITEM	PART NUMBER	QTY	DESCRIPTION	REV
	1001196954	Ref	PLATFORM ASSEMBLY	B
1	0641408	8	Bolt 1/4 x 1	
1	0641416	4	Bolt 1/4 x 2	
1	0641418	4	Bolt 1/4 x 2-1/4	
2	0641618	4	Bolt 3/8 x 2-1/4	
3	0860520	1	Box, Manual Storage	
4	3311405	8	Nut, 1/4	
5	3311605	4	Nut, 3/8	
6	3380466	1	Panel, Control	
7	3510874	1	Platform Assembly (See Separate Breakdown in this Section)	
8	3820024	4	Rivet	
9	3820032	4	Rivet	
10	4711400	16	Washer 1/4	
11	4711600	8	Washer 3/8	
12	1001196955	2	Platform Mount Weldment	

SECTION 4 - PLATFORM

FIGURE 4-7. PLATFORM ASSEMBLY - 26IN X 49IN (66CM X 124CM)



ART_3510874

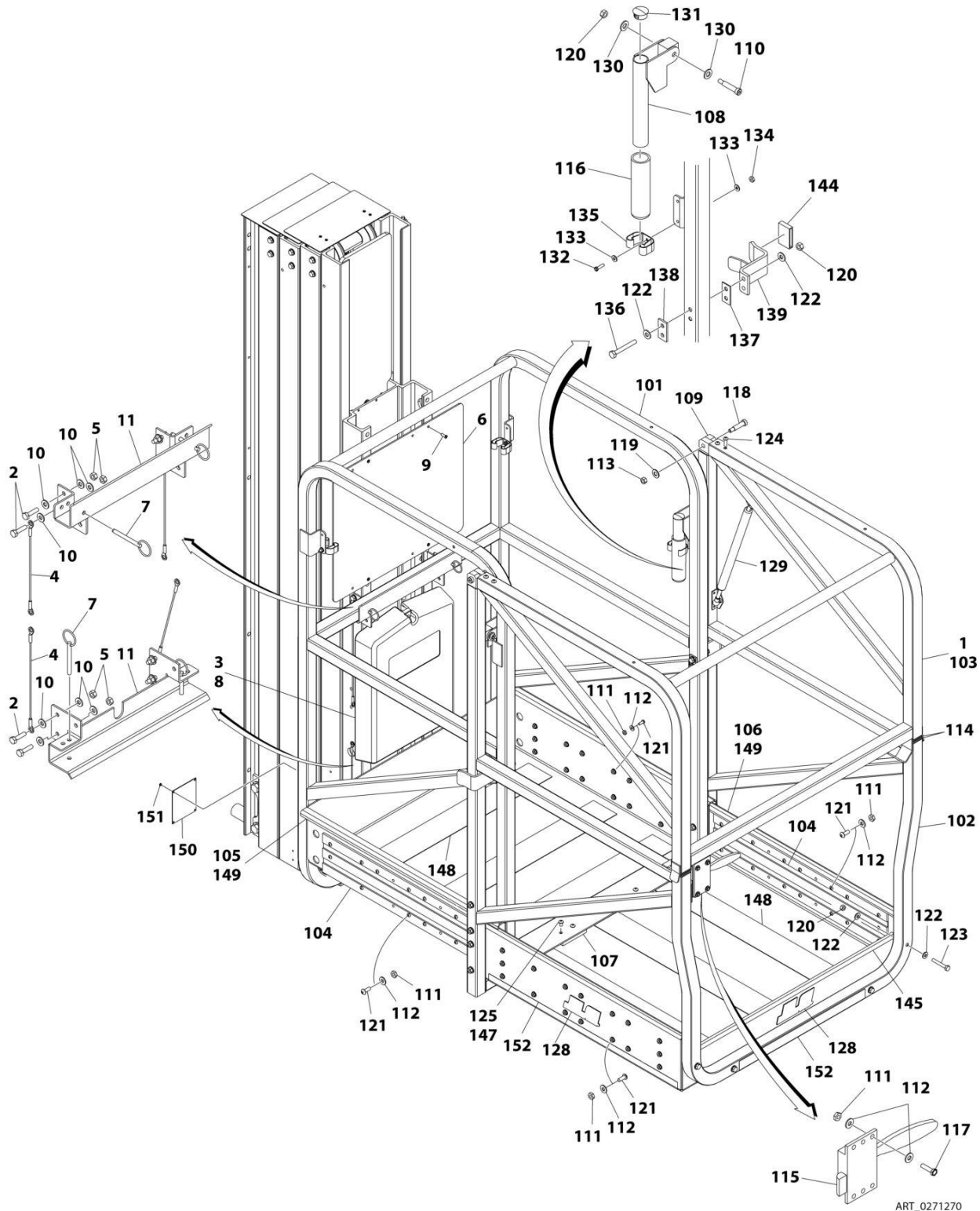
SECTION 4 - PLATFORM

FIGURE 4-7. PLATFORM ASSEMBLY - 26IN X 49IN (66CM X 124CM)

ITEM	PART NUMBER	QTY	DESCRIPTION	REV
	3510874	Ref	PLATFORM ASSEMBLY	F
1	0100011	AR	Compound, Locking	
2	0641414	16	Bolt 1/4 x 1-3/4	
3	0641416	4	Bolt 1/4 x 2	
4	0720805	4	Bolt #8 x 5/8	
5	1380132	4	Clip, Gripper	
6	1703681	3	Decal - JLG	
7	2020005	1	Glides, Extension	
8	2410017	1	Gate, Slide Bar	
9	2410019	1	Gate, Slide Bar	
10	2560088	2	Grip, Handle	
11	2600225	4	Hinge, Gate	
12	3300356	2	Nut 5/16	
13	3310805	4	Nut #8	
14	3311005	64	Nut #10	
15	3311405	22	Nut 1/4	
16	3311505	2	Nut 5/16	
17	3340829	2	Pad, Slide	
18	3520030	2	Plug, Hole	
19	3520169	2	Cap, Plug	
20	3570274	1	Plate, Platform Pan (Extension)	
21	1001268194	1	Plate, Platform Pan (Stationary)	
22	3570653	AR	Plate, Shim	
23	3570654	2	Plate, Backing	
24	3900032	2	Bolt, Shoulder	
25	3900200	2	Bolt, Shoulder 5/16 x 1-1/4	
26	3900251	4	Screw 1/4 x 3/8	
27	3900252	64	Screw #10	
28	3900258	8	Screw 1/4 x 3/4	
29	4060803	AR	Shield, Flex Trim	
30	4280296	AR	Strip, Wear	
32	4711400	40	Washer 1/4	
33	4711500	4	Washer 5/16	
34	4711600	2	Washer 3/8	
35	4750800	8	Washer #8	
36	4751000	64	Washer #10	
37	4845614	2	Handle	
38	4845657	2	Stop, Weldment	
39	4845810	1	Platform Rail Weldment	
40	4845811	1	Platform Extension Weldment	
41	1560019	AR	Conduit, Spiral Loom	
42	1001099638	6 in	Tape, Non-Skid	
43	1001176186	1	Platform Pan Kit (Includes Items 20 & 21)	
44	1001255570	1	Plate	
45	3820012	4	Rivet	
46	4420051	AR	Tape, Safety	
	0274607	Ref	DECAL - DROPBAR INSTALLATION (ANSI, CSA, CE, and Australian Specs)	A
101	1706493	1	Decal - Dropbar	

SECTION 4 - PLATFORM

FIGURE 4-8. QUICK-CHANGE PLATFORM ASSEMBLY - 26IN X 49IN (66CM X 124CM) (ANSI, ANSI EXPORT, CSA, JAPANESE, AND CHINA SPECS)



ART_0271270

SECTION 4 - PLATFORM

FIGURE 4-8. QUICK-CHANGE PLATFORM ASSEMBLY - 26IN X 49IN (66CM X 124CM) (ANSI, ANSI EXPORT, CSA, JAPANESE, AND CHINA SPECS)

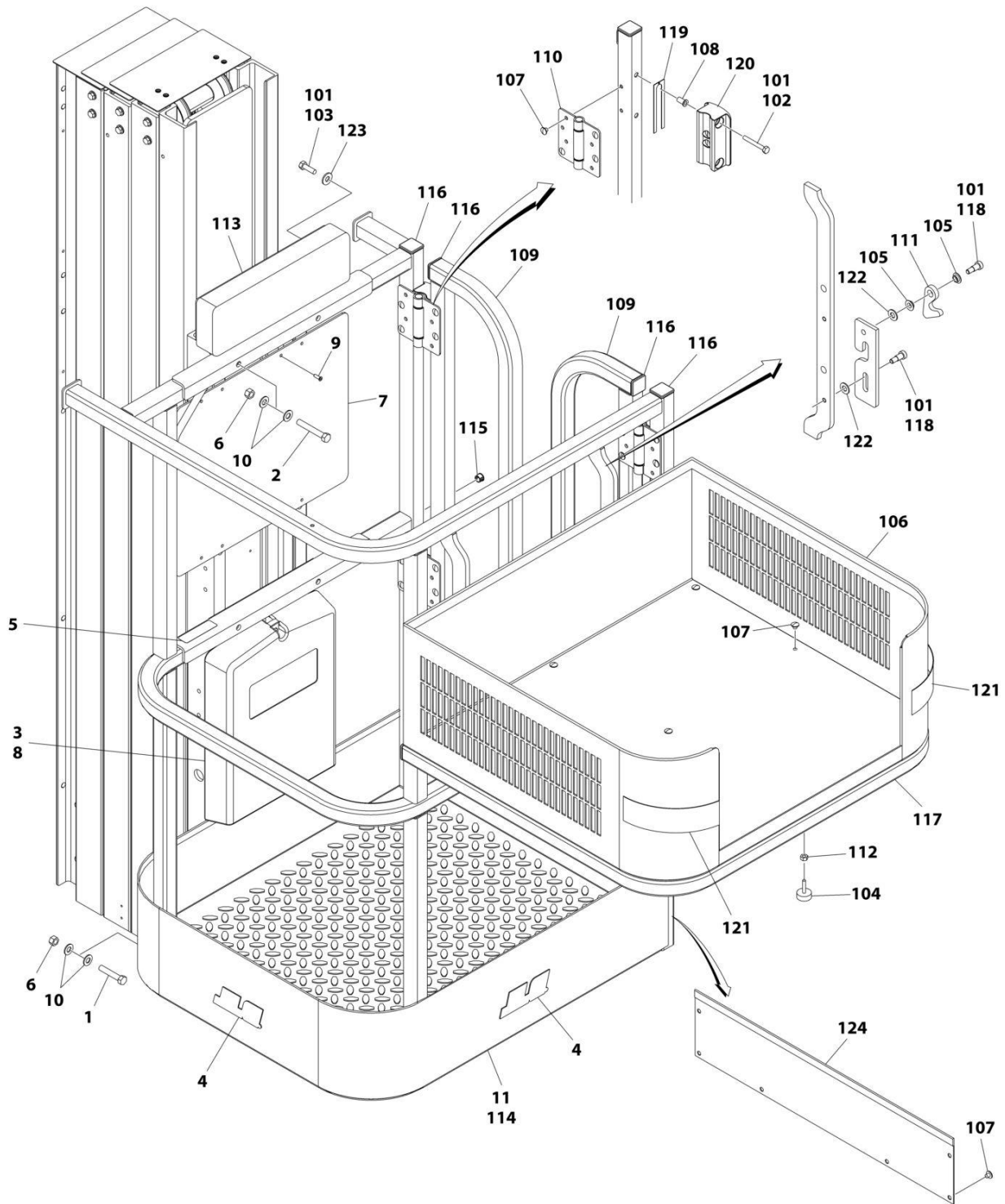
ITEM	PART NUMBER	QTY	DESCRIPTION	REV
	0271270	Ref	PLATFORM ASSEMBLY	C
1	0258586	1	Platform Assembly (See Items 101-145 for Breakdown)	
2	0641408	8	Bolt 1/4 x 1	
2	0641416	4	Bolt 1/4 x 2	
2	0641418	4	Bolt 1/4 x 2-1/4	
3	0860520	1	Box, Manual Storage	
4	1060380	4	Cable, Lanyard	
5	3311405	8	Nut 1/4	
6	3380466	1	Panel, Control	
7	3422657	4	Pin, Quick Release	
8	3820024	4	Rivet, Pop	
9	3820032	4	Rivet	
10	4711400	16	Washer 1/4	
11	4846021	2	Platform Mount Weldment	
	0258586	Ref	PLATFORM ASSEMBLY	N
101	4845810	1	Platform Rail Weldment	
102	4845811	1	Platform Extension Weldment	
103	4845812	1	Weldment, Gate	
104	2020005	1	Glides, Extension	
105	1001268194	1	Pan, Floor (Stationary)	
106	3570274	1	Pan, Floor (Extension)	
107	3340829	2	Pad, Slide	
108	4845614	2	Handle	
109	2600225	4	Hinge, Gate	
110	3900200	2	Bolt, Shoulder	
111	3311005	68	Nut #10	
112	4751000	72	Washer #10	
113	3311505	2	Nut 5/16	
114	3520072	4	Cap-Plug	
115	2940074	1	Latch	
116	2560088	2	Grip, Handle	
117	0721006	4	Bolt #10 x 3/4	
118	3900032	2	Bolt, Shoulder	
119	4711600	2	Washer 3/8	
120	3311405	22	Nut 1/4	
121	3900252	64	Screw 1/4	
122	4711400	40	Washer 1/4	
123	0641414	16	Bolt 1/4 x 1-3/4	
124	3900258	8	Screw 1/4 x 3/4	
125	0100011	AR	Compound, Locking	
128	1703681	3	Decal - JLG	
129	4160165	1	Spring, Gas Shock	
130	4711500	4	Washer 5/16	
131	3520030	2	Plug, Hole	
132	0720805	4	Screw #8 x 5/8	
133	4750800	8	Washer #8	
134	3310805	4	Nut #8	
135	1380132	4	Clip, Gripper	
136	0641416	4	Bolt 1/4 x 2	

SECTION 4 - PLATFORM

ITEM	PART NUMBER	QTY	DESCRIPTION	REV
137	3570653	AR	Plate, Shim	
138	3570654	2	Plate, Backing	
139	4845657	2	Stop	
144	4280296	AR	Strip, Wear	
145	4060803	AR	Shield, Flex-Trim	
147	3900251	4	Screw 1/4 x 3/8	
148	1001099638	6 in	Tape, Non Skid	
149	1001176186	1	Platform Pan Kit (Includes Items 105 & 106)	
150	1001255570	1	Plate	
151	3820012	4	Rivet	
152	4420051	AR	Tape	

SECTION 4 - PLATFORM

FIGURE 4-9. PLATFORM INSTALLATION - 27IN X 23IN (67CM X 58CM) (ANSI SPECS)



ART_1001255576

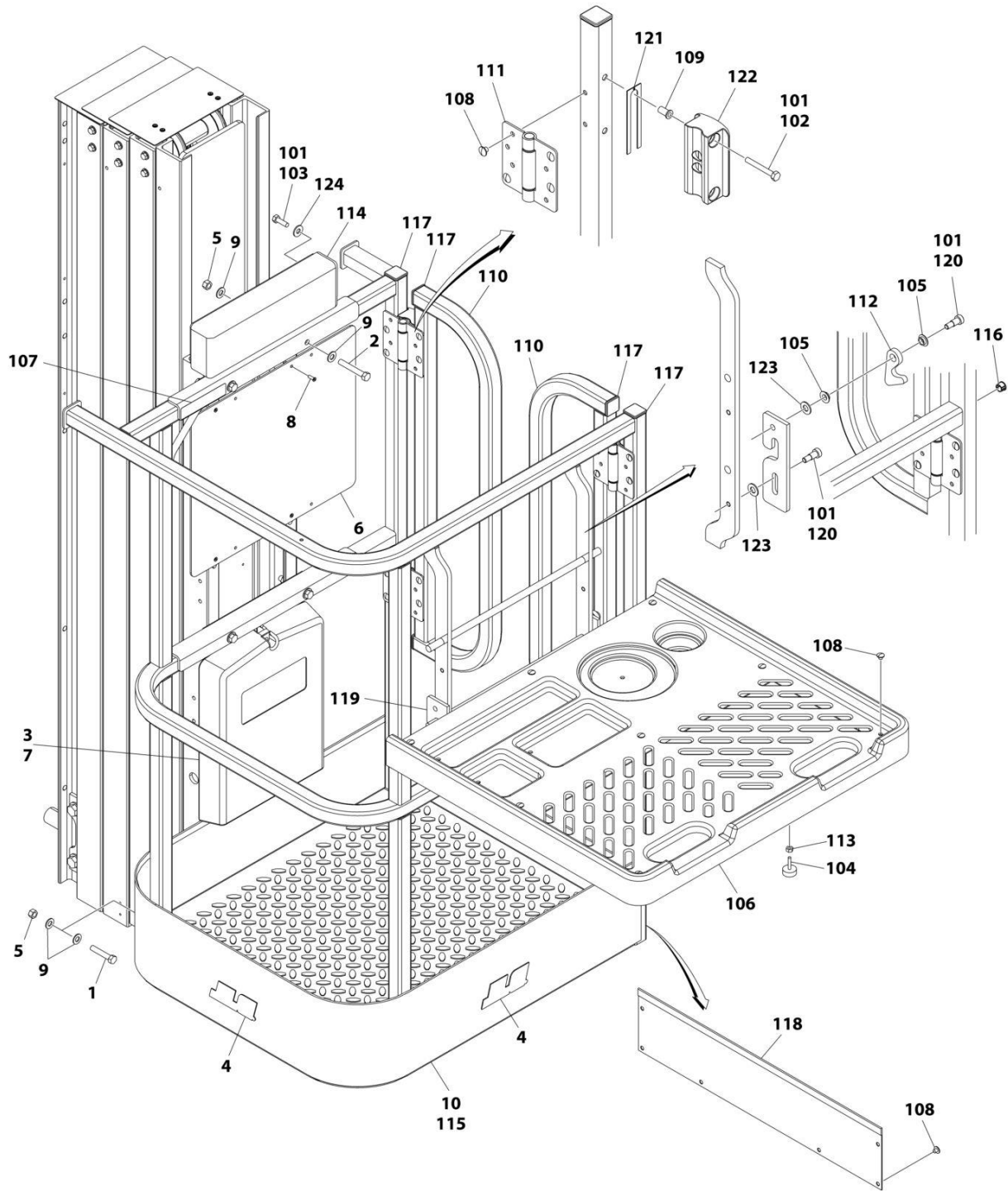
SECTION 4 - PLATFORM

FIGURE 4-9. PLATFORM INSTALLATION - 27IN X 23IN (67CM X 58CM) (ANSI SPECS)

ITEM	PART NUMBER	QTY	DESCRIPTION	REV
	1001255576	Ref	PLATFORM WITH MATERIAL TRAY	B
1	0641616	2	Bolt 3/8 x 2	
1	0641628	2	Bolt 3/8 x 3-1/2	
2	0641620	4	Bolt 3/8 x 2-1/2	
2	0641628	4	Bolt 3/8 x 3-1/2	
3	0860520	1	Box, Manual Storage	
4	1703681	2	Decal - JLG	
5	1704277	1	Decal - Lanyard Attach	
6	3311605	6	Nut 3/8 - 16	
7	3380466	1	Panel, Control	
8	3820024	4	Rivet	
9	3820032	4	Rivet	
10	4711600	12	Washer 3/8	
11	1001255577	1	Platform Assembly	A
101	0100011	AR	Compound, Locking	
102	0641416	8	Bolt 1/4 x 2	
103	0641508	2	Bolt 5/16 x 1	
104	0940083	1	Bumper	
105	0961892	2	Bushing, Flanged	
106	1580019	1	Container, Material Tray	
107	2080040	32	Blind Fastener	
108	2080043	8	Rivnut	
109	2410024	2	Door	
110	2600294	4	Hinge, Self Closing	
111	2700098	1	Hook, Load	
112	3311401	1	Nut 1/4	
113	3340977	1	Pad, Upholstered	
114	3510897	1	Platform	
115	3520028	2	Plug, Hole	
116	3520072	8	Plug, Cap	
117	3641542	1	Tray Support	
118	3900190	3	Screw, Shoulder 3/8 x 1/2	
119	4071095	AR	Shim	
120	4220309	4	Stop	
121	4420051	AR	Tape, Safety	
122	4711600	3	Washer 3/8	
123	4751500	2	Washer 5/16	
124	3574608	1	Plate, Kick Rail	

SECTION 4 - PLATFORM

FIGURE 4-10. PLATFORM INSTALLATION - 27IN X 23IN (67CM X 58CM) (ANSI, ANSI EXPORT, CSA, AND CE SPECS)



ART_1001101479

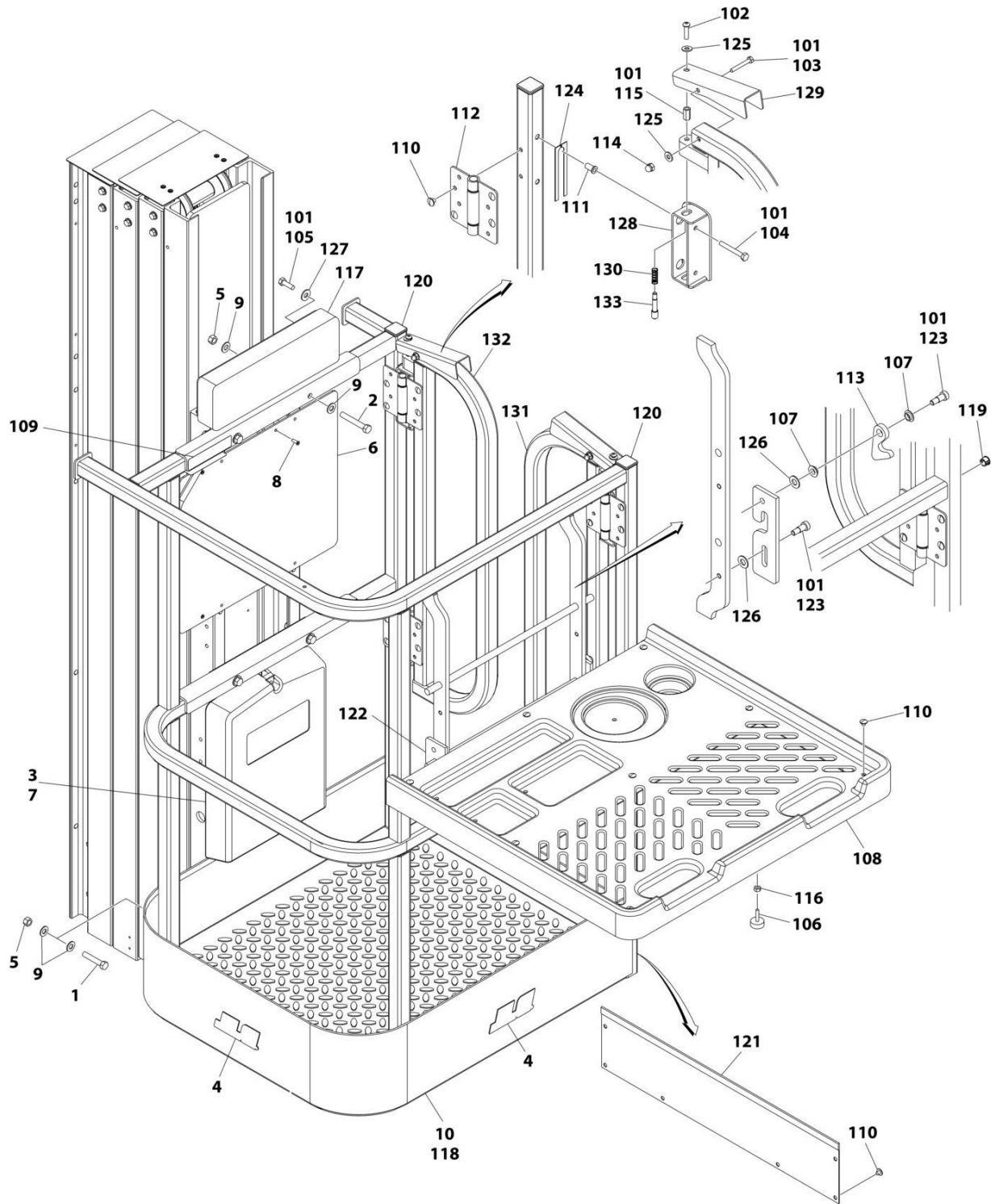
SECTION 4 - PLATFORM

FIGURE 4-10. PLATFORM INSTALLATION - 27IN X 23IN (67CM X 58CM) (ANSI, ANSI EXPORT, CSA, AND CE SPECS)

ITEM	PART NUMBER	QTY	DESCRIPTION	REV
	1001101479	Ref	PLATFORM ASSEMBLY	C
1	0641618	2	Bolt 3/8 x 2-1/4	
1	0641628	2	Bolt 3/8 x 3-1/2	
2	0641622	4	Bolt, 3/8 x 2-3/4	
2	0641628	4	Bolt 3/8 x 3-1/2	
3	0860520	1	Box, Manual Storage	
4	1703681	2	Decal - JLG	
5	3311605	6	Nut 3/8	
6	3380466	1	Panel, Control	
7	3820024	4	Rivet	
8	3820032	4	Rivet	
9	4711600	12	Washer 3/8	
10	1001101478	1	Platform Assembly	A
101	0100011	AR	Compound, Locking	
102	0641416	8	Bolt 1/4 x 2	
103	0641508	2	Bolt 5/16 x 1	
104	0940083	1	Bumper	
105	0961892	2	Bushing, Flanged	
106	1580051	1	Container, Material Tray	
107	1705624	1	Decal - Lanyard Attach	
108	2080040	31	Fastener, Huck	
109	2080043	8	Nut 1/4 x 5/8	
110	2410024	2	Door	
111	2600294	4	Hinge, Self Closing	
112	2700098	1	Hook, Load	
113	3311401	1	Nut 1/4	
114	3340977	1	Pad, Upholstered	
115	3510897	1	Platform	
116	3520028	2	Plug, Hole	
117	3520072	8	Plug, Cap	
118	3574608	1	Plate, Kick Rail	
119	3641542	1	Tray Support	
120	3900190	3	Screw, Shoulder	
121	4071095	AR	Shim, Platform Gate	
122	4220309	4	Top and Bottom Stop/Hinge	
123	4711600	3	Washer 3/8	
124	4751500	2	Washer 5/16	

SECTION 4 - PLATFORM

FIGURE 4-11. PLATFORM INSTALLATION - 27IN X 23IN (67CM X 58CM) (AUSTRALIAN SPECS)



ART_1001100778

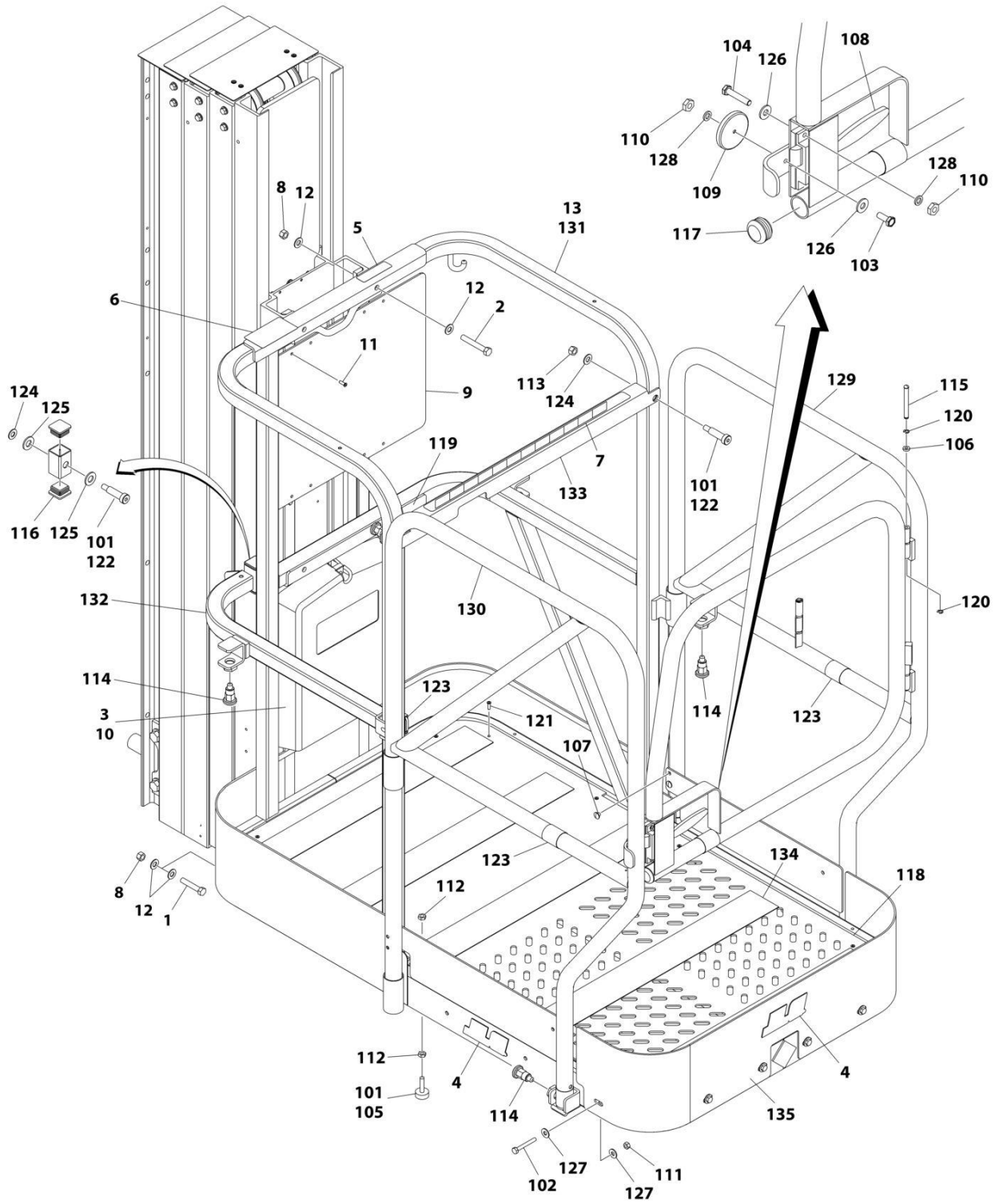
SECTION 4 - PLATFORM

FIGURE 4-11. PLATFORM INSTALLATION - 27IN X 23IN (67CM X 58CM) (AUSTRALIAN SPECS)

ITEM	PART NUMBER	QTY	DESCRIPTION	REV
	1001100778	Ref	PLATFORM ASSEMBLY	B
1	0641616	2	Bolt 3/8 x 2	
1	0641628	2	Bolt 3/8 x 3-1/2	
2	0641620	4	Bolt 3/8 x 2-1/2	
2	0641628	4	Bolt 3/8 x 3-1/2	
3	0860520	1	Box, Manual Storage	
4	1703681	2	Decal - JLG	
5	3311605	6	Nut 3/8	
6	3380466	1	Panel, Control	
7	3820024	4	Rivet	
8	3820032	4	Rivet	
9	4711600	12	Washer 3/8	
10	1001100779	1	Platform Assembly	A
101	0100011	AR	Compound, Locking	
102	0630457	2	Screw 1/4 x 1	
103	0641415	2	Bolt 1/4 x 1-7/8	
104	0641416	8	Bolt 1/4 x 2	
105	0641508	2	Bolt, 5/16 x 1	
106	0940083	1	Bumper	
107	0961892	2	Bushing, Flanged	
108	1580051	1	Container, Material Tray	
109	1705624	1	Decal - Lanyard Attach	
110	2080040	31	Fastener, Huck	
111	2080043	8	Nut 1/4 x 5/8	
112	2600294	4	Hinge, Self Closing	
113	2700098	1	Hook, Load	
114	3300151	2	Nut 1/2	
115	3300381	2	Nut, Coupling	
116	3311401	1	Nut 1/4	
117	3340977	1	Pad, Upholstered	
118	3510897	1	Platform	
119	3520028	2	Plug, Hole	
120	3520072	4	Plug, Cap	
121	3574608	1	Plate, Kick Rail	
122	3641542	1	Tray Support	
123	3900190	3	Screw, Shoulder	
124	4071095	AR	Shim, Platform Gate	
125	4711400	4	Washer 1/4	
126	4711600	3	Washer 3/8	
127	4751500	2	Washer 5/16	
128	1001100141	4	Top and Bottom Stop/Hinge	
129	1001100142	2	Handle, Gate Latch	
130	1001100634	2	Spring, Gate Latch	
131	1001100780	1	Australian Spec - Right Side	
132	1001100816	1	Australian Spec - Left Side	
133	1001101529	2	Pin, Plunger	

SECTION 4 - PLATFORM

FIGURE 4-12. PLATFORM INSTALLATION - 28IN X 48IN (71CM X 122CM) WITH FOLDING SIDERAILS (ALL SPECS)



ART_1001255590

SECTION 4 - PLATFORM

**FIGURE 4-12. PLATFORM INSTALLATION - 28IN X 48IN (71CM X 122CM) WITH FOLDING SIDERAILS
(ALL SPECS)**

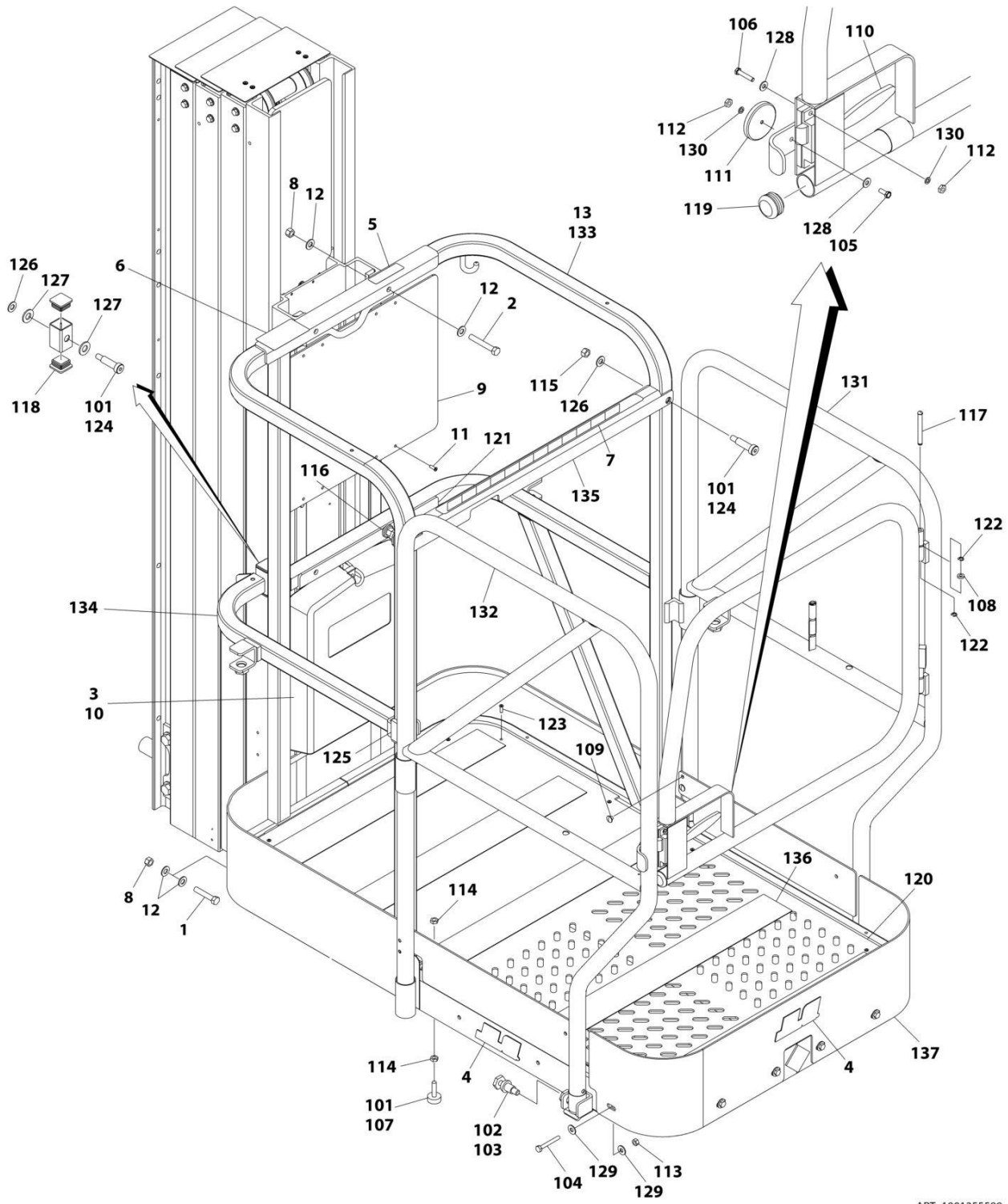
ITEM	PART NUMBER	QTY	DESCRIPTION	REV
	1001255590	Ref	PLATFORM WITH FOLDING SIDERAILS	B
1	0641616	2	Bolt 3/8 x 2	
1	0641628	2	Bolt 3/8 x 3-1/2	
2	0641620	4	Bolt 3/8 x 2-1/2	
2	0641628	4	Bolt 3/8 x 3-1/2	
3	0860520	1	Box, Manual Storage	
4	1703681	3	Decal - JLG	
5	1704277	1	Decal - Lanyard Graphic	
6	1704366	1	Decal - Fall Hazard	
7	1704469	1	Decal - Close Gate	
8	3311605	6	Locknut 3/8	
9	3380466	1	Panel, Control	
10	3820024	4	Rivet	
11	3820032	4	Rivet	
12	4711600	12	Washer 3/8	
13	1001255588	1	Platform Assembly (See Items 101-135 for Breakdown)	A
101	0100011	AR	Compound, Locking	
102	0641416	6	Bolt 1/4 x 2	
103	0721004	1	Bolt #10 x 1/2	
104	0721008	4	Screw #10 x 1	
105	0940049	2	Stopper, Hood	
106	0962337	2	Bushing, Hinge	
107	2080040	4	Fastener	
108	2940074	1	Latch	
109	3080005	1	Magnet, Gate Hold	
110	3311001	5	Nut, #10	
111	3311401	6	Nut 1/4	
112	3311502	4	Nut, Jam 5/16	
113	3311605	1	Locknut 3/8	
114	3422744	6	Pin, Plunger	
115	3422866	2	Pin, Hinge	
116	3520072	2	Plug	
117	3520176	1	Plug	
118	3571552	1	Plate, Platform Pan	
119	3573353	1	Plate, Midrail Support	
120	3760448	2	Ring, Snap	
121	3820032	12	Rivet	
122	3900270	7	Bolt, Shoulder 1/2 x 1/2	
123	4280296	AR	Strip, Wear	
124	4711600	2	Washer 3/8	
125	4711800	2	Washer 1/2	
126	4751000	5	Washer #10	
127	4751400	12	Washer 1/4	
128	4761000	5	Lockwasher #10	
129	4846324	1	Gate and Left Side Rail	
130	4846325	1	Rail, Right Side	
131	4846521	1	Platform	
132	4846522	1	Gate	
133	4846536	1	Rail, Top	

SECTION 4 - PLATFORM

ITEM	PART NUMBER	QTY	DESCRIPTION	REV
134	1001099638	5	Tape, Non Skid	
135	1001255586	1	Plate, Front Toe Guard	

SECTION 4 - PLATFORM

FIGURE 4-13. PLATFORM INSTALLATION - 28IN X 48IN (71CM X 122CM) WITH FIXED SIDERAILS (ALL SPECS)



ART_1001255589

SECTION 4 - PLATFORM

**FIGURE 4-13. PLATFORM INSTALLATION - 28IN X 48IN (71CM X 122CM) WITH FIXED SIDERAILS
(ALL SPECS)**

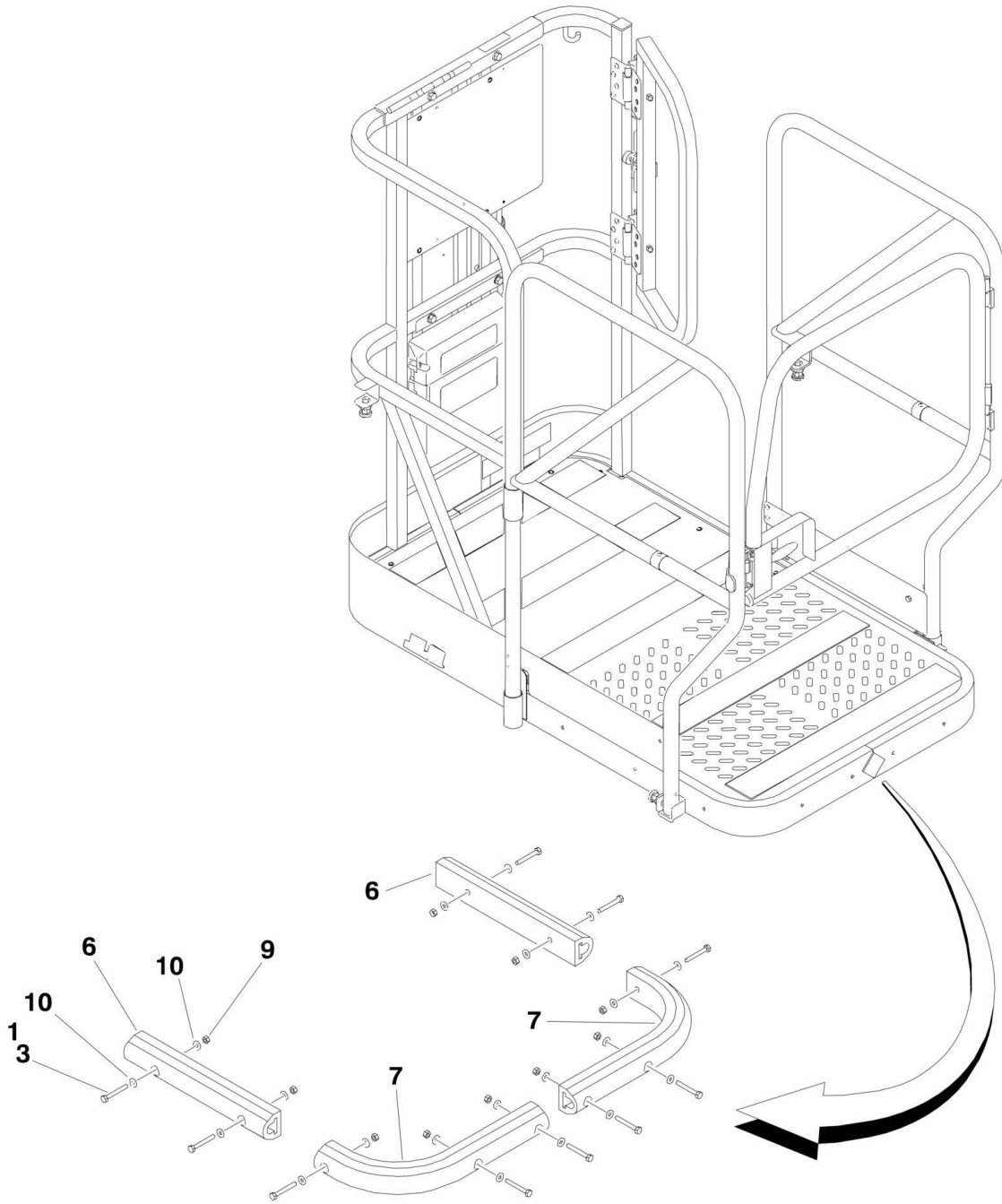
ITEM	PART NUMBER	QTY	DESCRIPTION	REV
	1001255589	Ref	PLATFORM WITH FIXED SIDERAILS	B
1	0641616	2	Bolt 3/8 x 2	
1	0641628	2	Bolt 3/8 x 3-1/2	
2	0641620	4	Bolt 3/8 x 2-1/2	
2	0641628	4	Bolt 3/8 x 3-1/2	
3	0860520	1	Box, Manual Storage	
4	1703681	3	Decal - JLG	
5	1704277	1	Decal - Lanyard Graphic	
6	1704366	1	Decal - Fall Hazard	
7	1704469	1	Decal - Close Gate	
8	3311605	6	Locknut 3/8	
9	3380466	1	Panel, Control	
10	3820024	4	Rivet	
11	3820032	4	Rivet	
12	4711600	12	Washer 3/8	
13	1001255587	1	Platform Assembly	A
101	0100011	AR	Compound, Locking	
102	0100019	AR	Compound, Locking	
103	0630572	2	Bolt 5/8	
104	0641416	6	Bolt 1/4 x 2	
105	0721004	1	Bolt #10 x 1/2	
106	0721008	4	Screw #10 x 1	
107	0940049	2	Stopper, Hood	
108	0962337	2	Bushing, Hinge	
109	2080040	4	Fastener	
110	2940074	1	Latch	
111	3080005	1	Magnet, Gate Hold	
112	3311001	5	Nut, #10	
113	3311401	6	Nut 1/4	
114	3311502	4	Nut, Jam 5/16	
115	3311605	1	Locknut 3/8	
116	3422744	1	Pin, Plunger	
117	3422866	2	Pin, Hinge	
118	3520072	2	Plug	
119	3520176	1	Plug	
120	3571552	1	Plate, Platform Pan	
121	3573353	1	Plate, Midrail Support	
122	3760448	2	Ring, Snap	
123	3820032	12	Rivet	
124	3900270	2	Bolt, Shoulder 1/2 x 1/2	
125	4280296	AR	Strip, Wear	
126	4711600	2	Washer 3/8	
127	4711800	2	Washer 1/2	
128	4751000	5	Washer #10	
129	4751400	12	Washer 1/4	
130	4761000	5	Lockwasher #10	
131	4846324	1	Gate and Left Side Rail	
132	4846325	1	Rail, Right Side	
133	4846521	1	Platform	

SECTION 4 - PLATFORM

ITEM	PART NUMBER	QTY	DESCRIPTION	REV
134	4846522	1	Gate	
135	4846536	1	Rail, Top	
136	1001099638	5	Tape, Non Skid	
137	1001255586	1	Plate, Front Toe Guard	

SECTION 4 - PLATFORM

FIGURE 4-14. PLATFORM BUMPER INSTALLATION



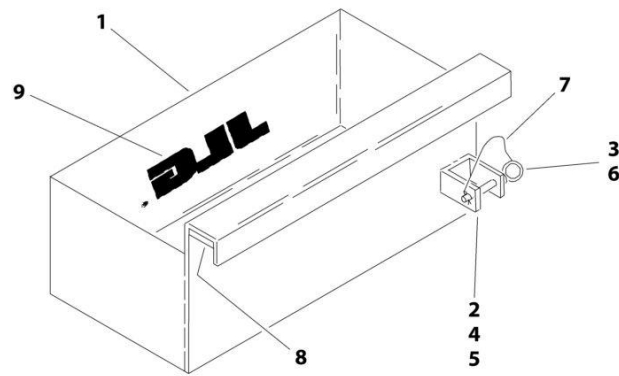
SECTION 4 - PLATFORM

FIGURE 4-14. PLATFORM BUMPER INSTALLATION

ITEM	PART NUMBER	QTY	DESCRIPTION	REV
	0275366	Ref	PLATFORM BUMPERS INSTALLATION	A
1	0100011	AR	Compound, Locking	
3	0641416	10	Bolt, 1/4 x 2	
6	0940106	2	Bumper, Platform Side	
7	0940107	2	Bumper, Platform Front	
9	3311401	10	Nut 1/4	
10	4711400	20	Flatwasher 1/4in Narrow	

SECTION 4 - PLATFORM

FIGURE 4-15. TOOL TRAY



ART_0255036

SECTION 4 - PLATFORM

FIGURE 4-15. TOOL TRAY

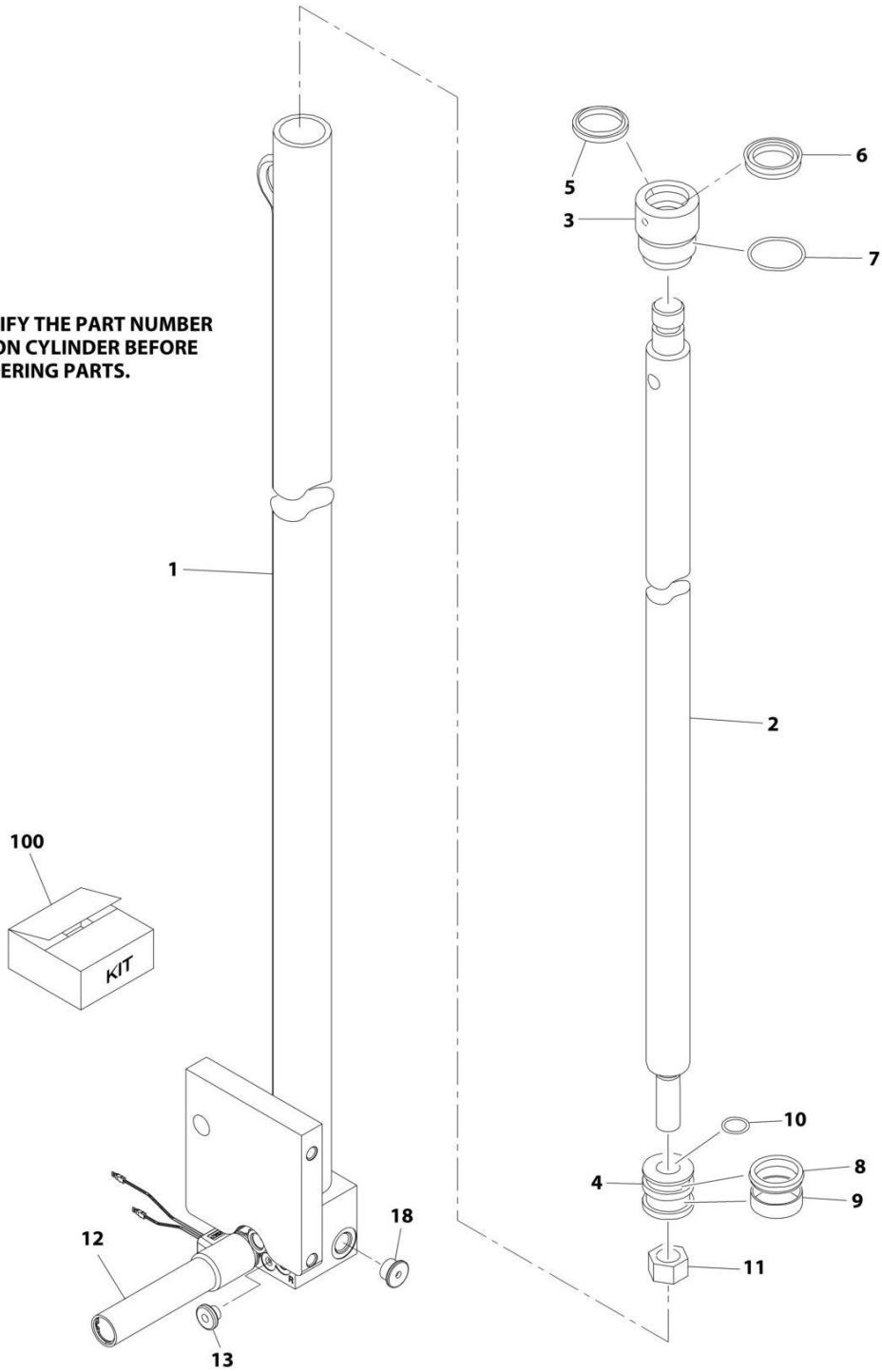
ITEM	PART NUMBER	QTY	DESCRIPTION	REV
	0255036	Ref	TOOL TRAY ASSEMBLY	-
1	0860947	1	Tool Box	
2	0902079	1	Bracket, Mounting	
3	3421453	1	Pin, Snap	
4	3900204	2	Bolt #10 x 1/2	
5	3300391	2	Wingnut #10	
6	3760170	1	Snap-Pin	
7	1060380	1	Cable, Lanyard	
8	4280296	4 ft/1.2m	Strip, Wear	
9	1702365	1	Decal - JLG	

SECTION 5 - CYLINDER

SECTION 5 - CYLINDER

FIGURE 5-1. LIFT CYLINDER ASSEMBLY

**NOTE: IDENTIFY THE PART NUMBER
STAMPED ON CYLINDER BEFORE
ORDERING PARTS.**



ART_1001225206

SECTION 5 - CYLINDER

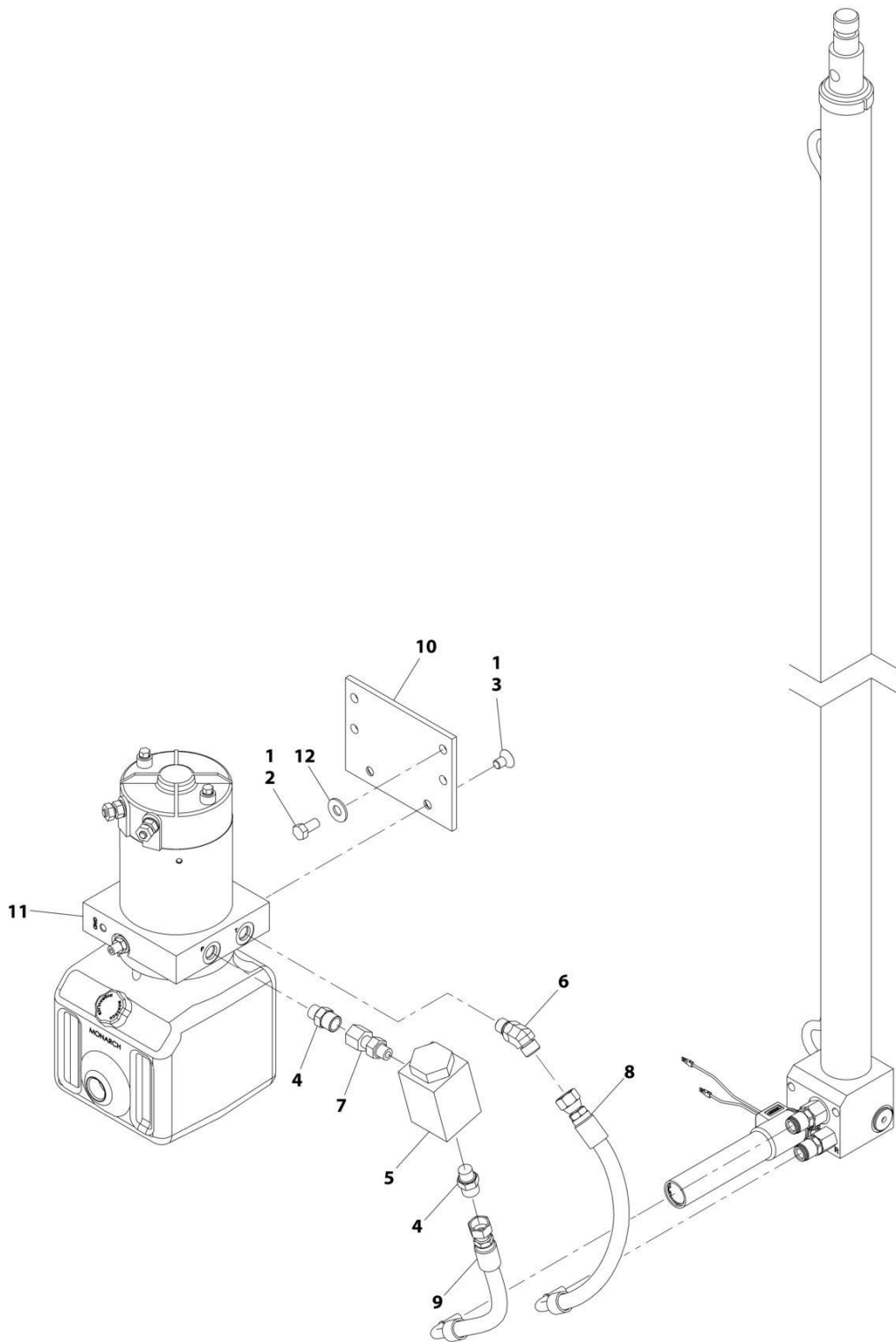
FIGURE 5-1. LIFT CYLINDER ASSEMBLY

ITEM	PART NUMBER	QTY	DESCRIPTION	REV
	1001225206	Ref	LIFT CYLINDER ASSEMBLY	B
1	70000216	1	Barrel Assembly	
2	70000217	1	Rod	
3	7023394	1	Head	
4	7023392	1	Piston	
5	See Note	NSS	Wiper (Note: Use Item 100)	
6	See Note	NSS	Seal, Rod (Note: Use Item 100)	
7	See Note	NSS	O-Ring (Note: Use Item 100)	
8	See Note	NSS	Seal, Piston (Note: Use Item 100)	
9	See Note	NSS	Ring, Wear (Note: Use Item 100)	
10	See Note	NSS	O-Ring (Note: Use Item 100)	
11	7023391	1	Locknut	
12	70006450	1	Valve, Proportional	
12	70006453	1	Cartridge	
12	70006452	1	Coil	
12	70006451	1	Manual Override	
13	70000218	1	Valve, Check	
18	7024407	1	Valve, Flow Control	
100	7023395	1	Seal Kit (Includes Items 5-10)	

SECTION 6 - HYDRAULIC

SECTION 6 - HYDRAULIC

FIGURE 6-1. HYDRAULICS INSTALLATION



ART_0274873

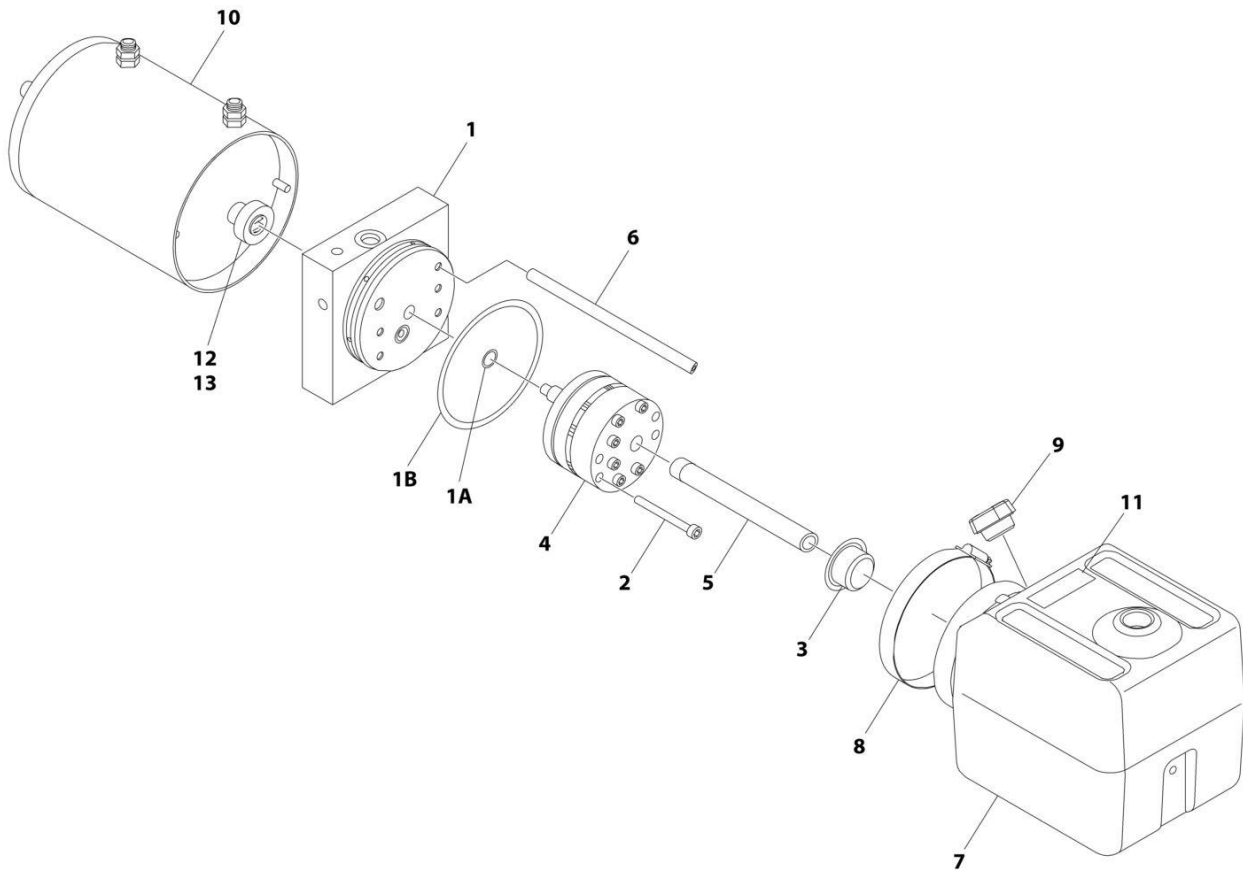
SECTION 6 - HYDRAULIC

FIGURE 6-1. HYDRAULICS INSTALLATION

ITEM	PART NUMBER	QTY	DESCRIPTION	REV
	0274873	Ref	HYDRAULICS INSTALLATION	B
1	0100011	AR	Compound, Locking	
2	0641606	4	Capscrew 3/8 x 3/4	
3	0741605	2	Screw 3/8 x 5/8	
4	2110606	2	Fitting, Adapter	
5	2120183	1	Filter, In-Line	
6	2150606	1	Fitting, 45 Elbow	
7	2221123	1	Fitting, Straight	
8	2754652	1	Hose	
9	2754653	1	Hose	
10	3571734	1	Plate, Mounting	
11	3600463	1	Pump/Motor Assembly (See Separate Breakdown This Section)	
12	4751600	4	Washer 3/8	

SECTION 6 - HYDRAULIC

FIGURE 6-2. PUMP AND MOTOR ASSEMBLY



ART_3600463

SECTION 6 - HYDRAULIC

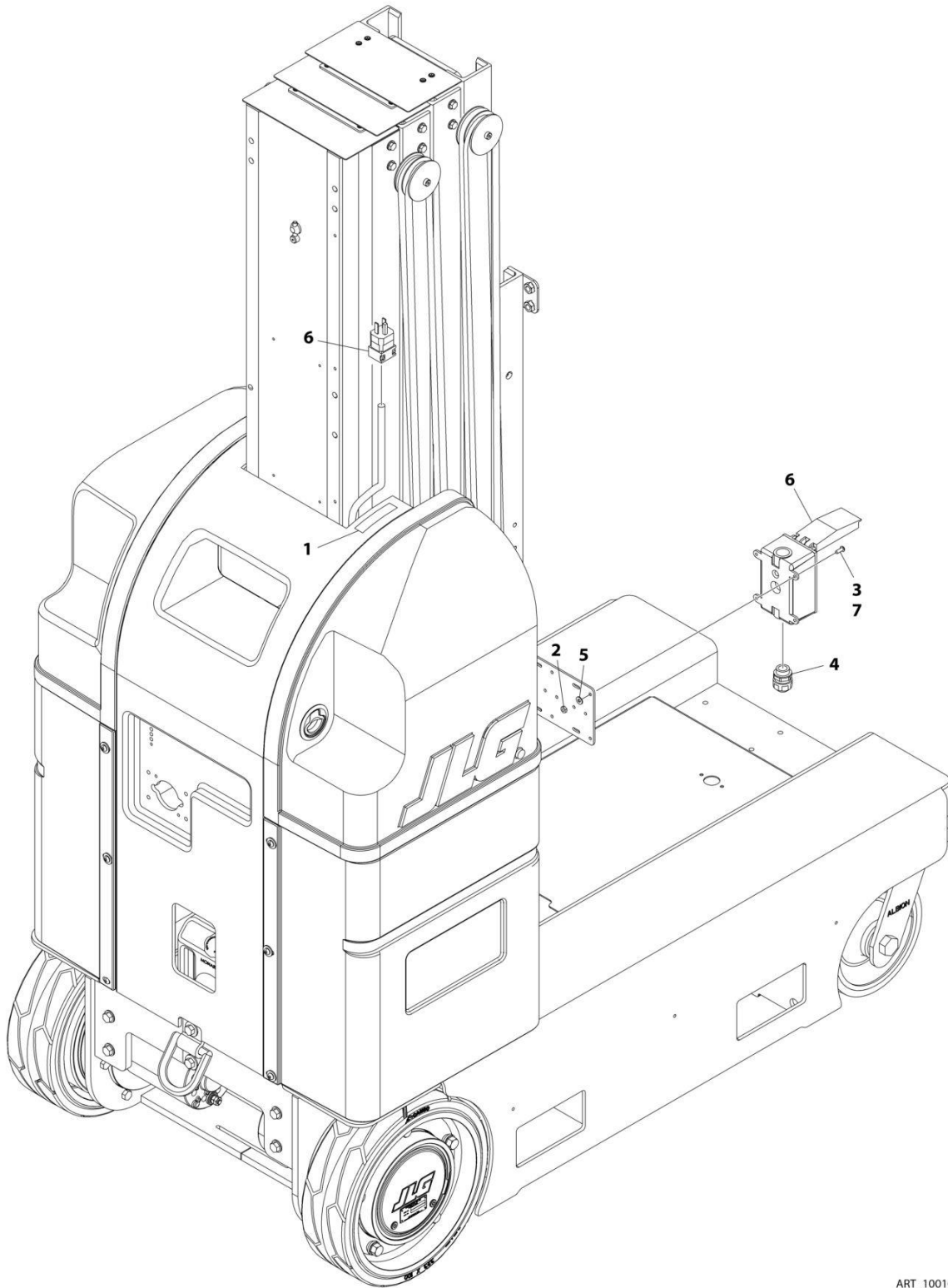
FIGURE 6-2. PUMP AND MOTOR ASSEMBLY

ITEM	PART NUMBER	QTY	DESCRIPTION	REV
	3600463	Ref	PUMP/MOTOR ASSEMBLY	C
		Ref	Note: Service Replacement for p/n 3600326.	
1	70001019	1	Base Assembly	
1A	70003612	1	O-Ring	
1B	70003613	1	O-Ring	
2	70001020	1	Capscrew 1/4 x 2-3/4	
3	7026165	1	Filter	
4	70001021	4	Pump	
5	70001022	1	Tube, Suction	
6	70001023	1	Tube, Return	
7	70001024	1	Reservoir	
8	7026335	1	Clamp	
9	70001025	1	Plug, Breather	
10	70001026	1	Motor	
10	70001028	4	Brushes	
11	70001027	1	Decal - Fill Line	
12	7026330	1	Seal, Shaft	
13	70002215	1	Bearing	

SECTION 7 - ELECTRICAL

SECTION 7 - ELECTRICAL

FIGURE 7-1. AC BOX AT PLATFORM INSTALLATION - 110V GFI (ANSI, ANSI EXPORT, CSA, AND JAPANESE SPECS)



ART_1001096118

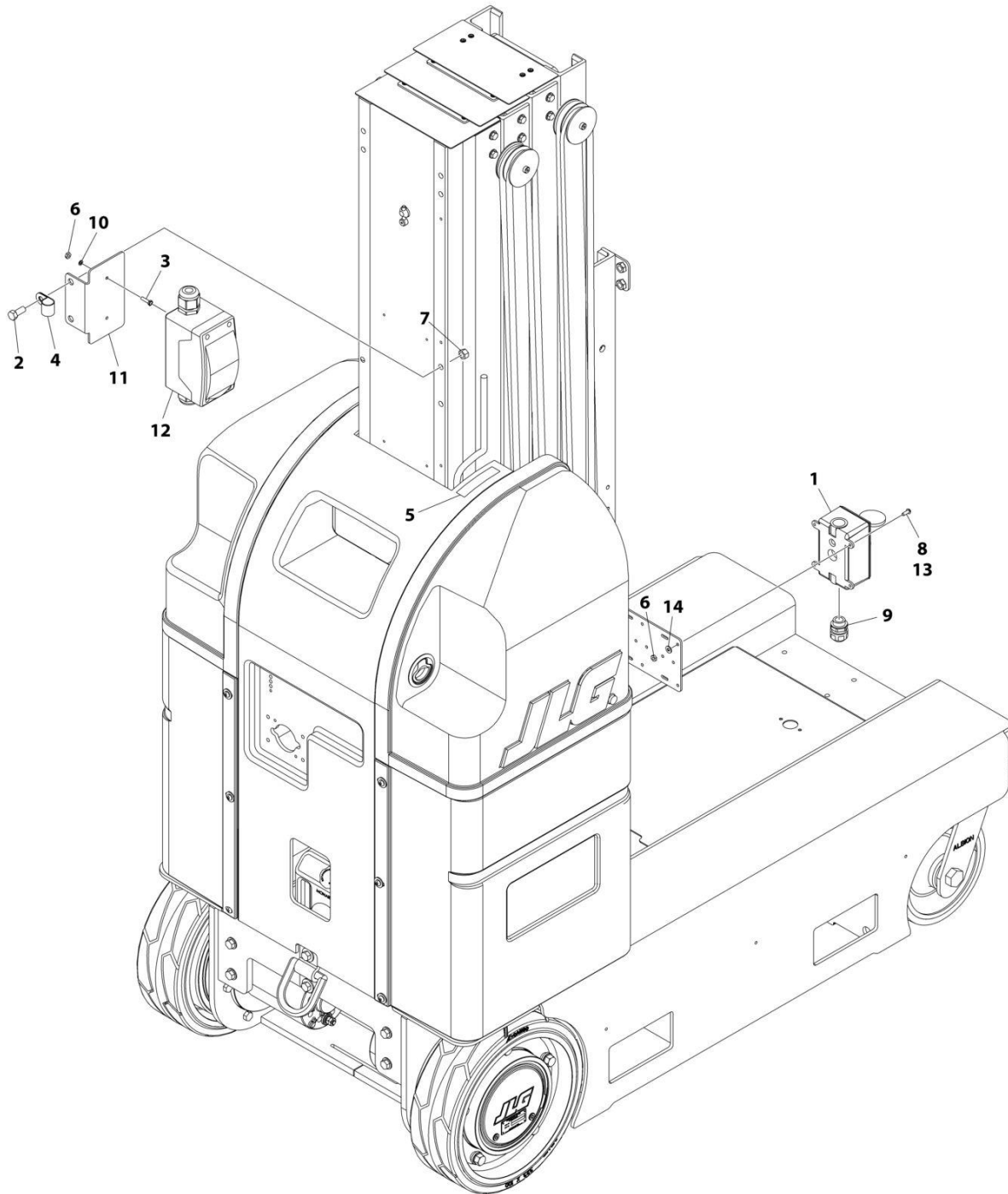
SECTION 7 - ELECTRICAL

FIGURE 7-1. AC BOX AT PLATFORM INSTALLATION - 110V GFI (ANSI, ANSI EXPORT, CSA, AND JAPANESE SPECS)

ITEM	PART NUMBER	QTY	DESCRIPTION	REV
	1001096118	Ref	AC BOX AT PLATFORM INSTALLATION - 110V GFI	D
1	3252761	1	Decal, 120V	
2	3311001	4	Nut #10	
3	3900205	4	Screw #10 x 5/8	
4	4460662	1	Connector, Strain Relief	
5	4711000	4	Washer #10	
6	1001096767	1	Plug and Receptacle Box Assembly (110V) (See Separate Breakdown in this Section)	
7	0100011	AR	Compound, Locking	

SECTION 7 - ELECTRICAL

FIGURE 7-2. AC BOX AT PLATFORM INSTALLATION - 200V CEE7 KEYED GROUND (CE SPECS)



ART_1001096122

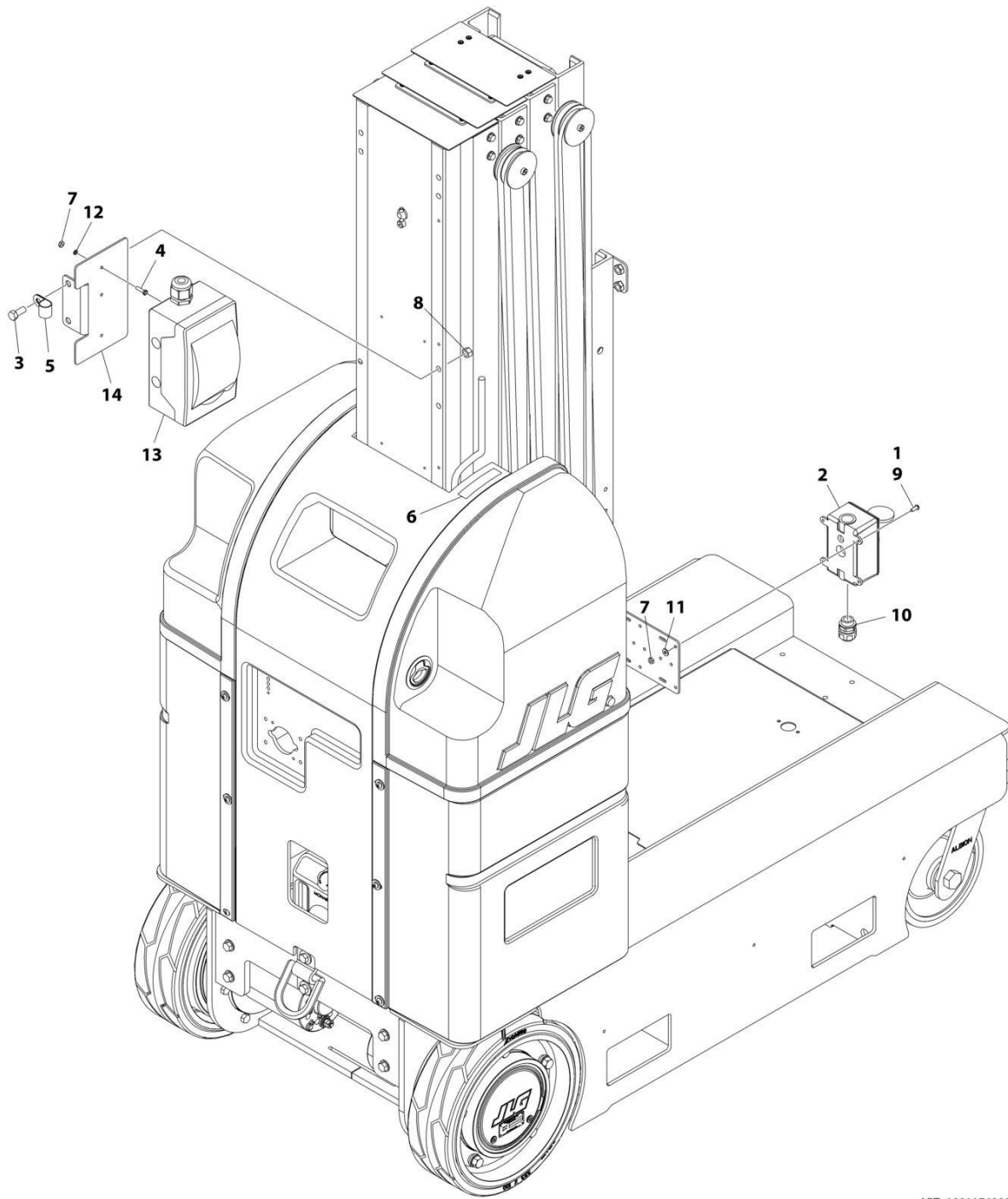
SECTION 7 - ELECTRICAL

FIGURE 7-2. AC BOX AT PLATFORM INSTALLATION - 200V CEE7 KEYED GROUND (CE SPECS)

ITEM	PART NUMBER	QTY	DESCRIPTION	REV
	1001096122	Ref	AC BOX AT PLATFORM INSTALLATION - 200V CEE7 KEYED GROUND	C
1	0275454	1	Plug and Receptacle Box Assembly (See Separate Breakdown in this Section)	
2	0641607	2	Bolt 3/8 x 7/8	
3	0721006	2	Bolt #10 x 3/4	
4	1320318	1	Clamp, Hose	
5	3252760	1	Decal, 240V	
6	3311001	6	Nut #10	
7	3311605	2	Locknut, 3/8	
8	3900205	4	Bolt #10 x 5/8	
9	4460662	1	Connector, Strain Relief	
10	4761000	2	Lockwasher #10	
11	1001096421	1	Plate, Circuit Breaker Mounting	
12	1001096612	1	Breaker Box Assembly (See Separate Breakdown in this Section)	
13	0100011	AR	Compound, Locking	
14	4711000	4	Washer #10	

SECTION 7 - ELECTRICAL

FIGURE 7-3. AC BOX AT PLATFORM INSTALLATION - 220V CEE7 POST GROUND (CE SPECS)



ART_1001176200

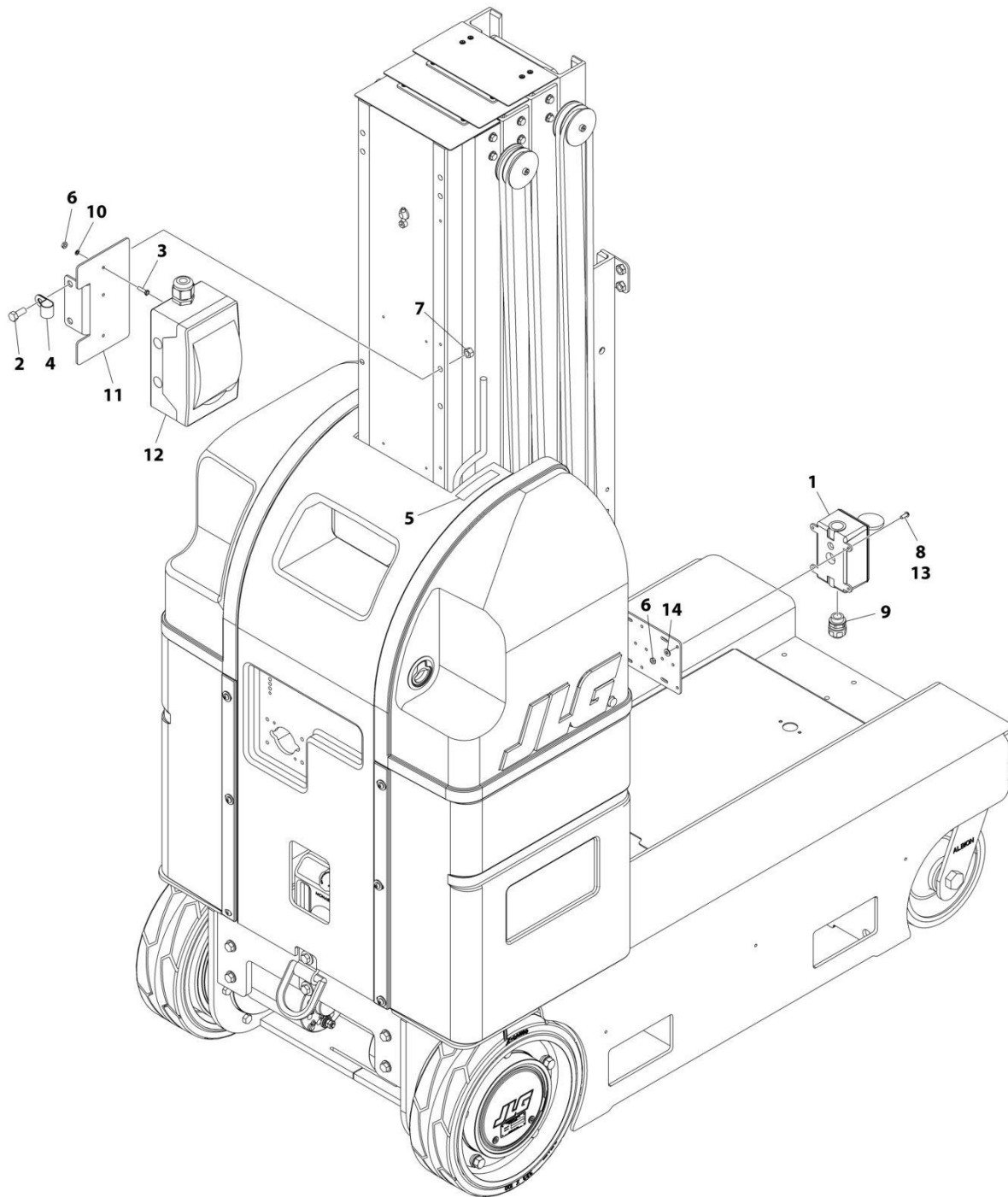
SECTION 7 - ELECTRICAL

FIGURE 7-3. AC BOX AT PLATFORM INSTALLATION - 220V CEE7 POST GROUND (CE SPECS)

ITEM	PART NUMBER	QTY	DESCRIPTION	REV
	1001176200	Ref	AC BOX AT PLATFORM INSTALLATION - 220V CEE7 POST GROUND	B
1	0100011	AR	Compound, Locking	
2	0275452	1	Plug and Receptacle Box Assembly (See Separate Breakdown in this Section)	
3	0641607	2	Bolt 3/8 x 7/8	
4	0721006	2	Bolt #10 x 3/4	
5	1320318	1	Clamp, Hose	
6	3252760	1	Decal, 240V	
7	3311001	6	Nut #10	
8	3311605	2	Locknut, 3/8	
9	3900205	4	Bolt #10 x 5/8in	
10	4460662	4	Connector, Strain Relief	
11	4711000	4	Washer #10	
12	4761000	2	Lockwasher #10	
13	1001152484	1	Breaker Box Assembly (See Separate Breakdown in this Section)	
14	1001162610	1	Plate	

SECTION 7 - ELECTRICAL

FIGURE 7-4. AC BOX AT PLATFORM INSTALLATION - 220V CEE7 SIDE GROUND (CE SPECS)



ART_1001162455

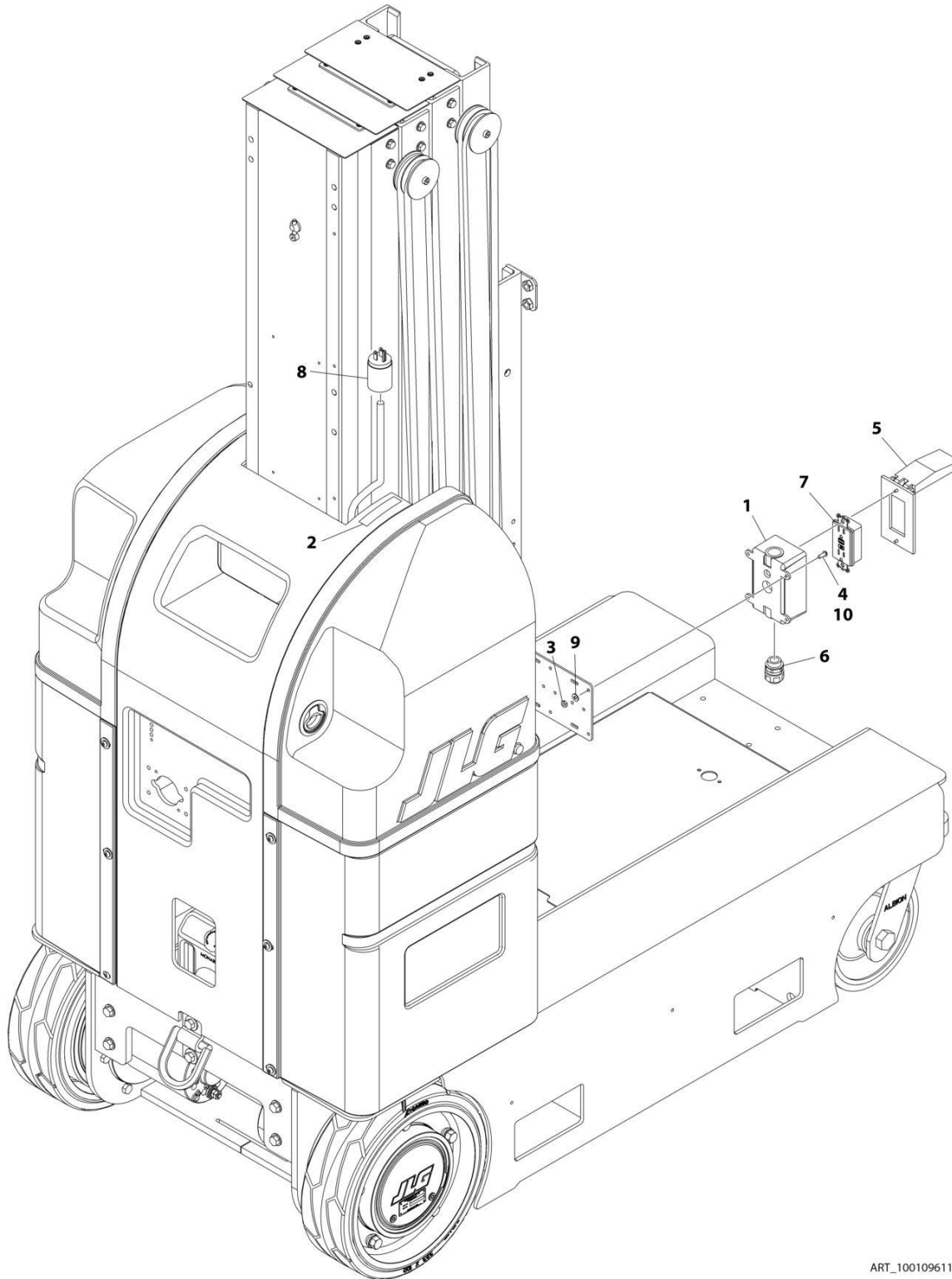
SECTION 7 - ELECTRICAL

FIGURE 7-4. AC BOX AT PLATFORM INSTALLATION - 220V CEE7 SIDE GROUND (CE SPECS)

ITEM	PART NUMBER	QTY	DESCRIPTION	REV
	1001162455	Ref	AC BOX AT PLATFORM INSTALLATION - 220V CEE7 SIDE GROUND	B
1	0275453	1	Plug and Receptacle Box Assembly (See Separate Breakdown in this Section)	
2	0641607	2	Bolt 3/8 x 7/8	
3	0721006	2	Bolt #10 x 3/4	
4	1320318	1	Clamp, Hose	
5	3252760	1	Decal, 240V	
6	3311001	6	Nut #10	
7	3311605	2	Locknut, 3/8	
8	3900205	4	Bolt #10 x 5/8	
9	4460662	1	Connector, Strain Relief	
10	4761000	2	Lockwasher #10	
11	1001162610	1	Plate	
12	1001152484	1	Breaker Box Assembly (See Separate Breakdown in this Section)	
13	0100011	AR	Compound, Locking	
14	4711000	4	Washer #10	

SECTION 7 - ELECTRICAL

FIGURE 7-5. AC BOX AT PLATFORM INSTALLATION - 220V DOM PLUG/RECEPTACLE (ANSI AND CSA SPECS)



ART_1001096119

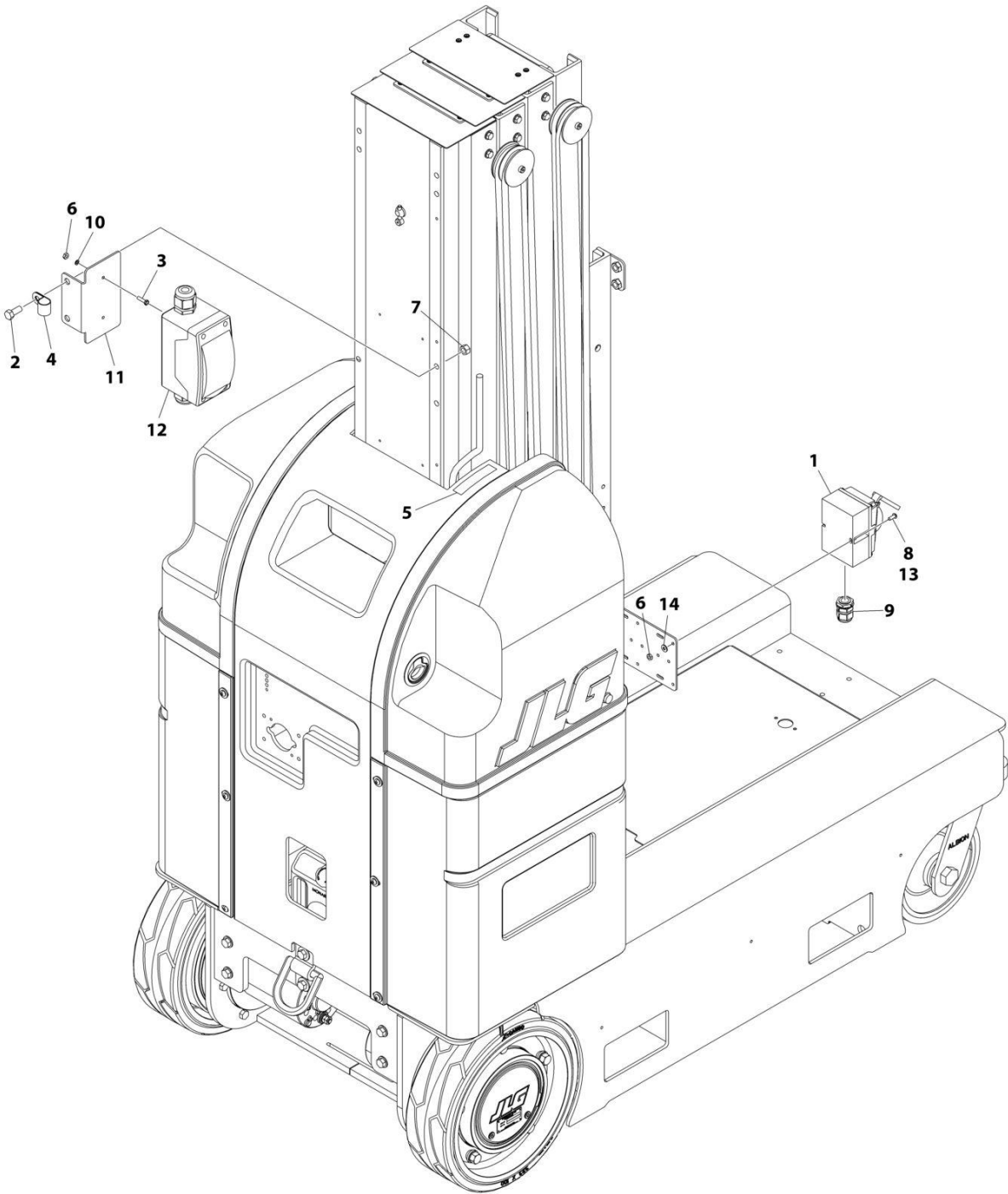
SECTION 7 - ELECTRICAL

FIGURE 7-5. AC BOX AT PLATFORM INSTALLATION - 220V DOM PLUG/RECEPTACLE (ANSI AND CSA SPECS)

ITEM	PART NUMBER	QTY	DESCRIPTION	REV
	1001096119	Ref	AC BOX AT PLATFORM INSTALLATION - 220V PLUG/RECEPTACLE	D
1	0861731	1	Box, Receptacle	
2	3252760	1	Decal, 240V	
3	3311001	4	Nut #10	
4	3900205	4	Screw #10 x 5/8	
5	1001110873	1	Cover, Receptacle	
6	4460662	1	Connector, Strain Relief	
7	4460125	1	Receptacle Assembly	
8	4460205	1	Plug, Male	
9	4711000	4	Washer #10	
10	0100011	AR	Compound, Locking	

SECTION 7 - ELECTRICAL

FIGURE 7-6. AC BOX AT PLATFORM INSTALLATION - 220V IEC BLUE (CE SPECS)



ART_1001096124

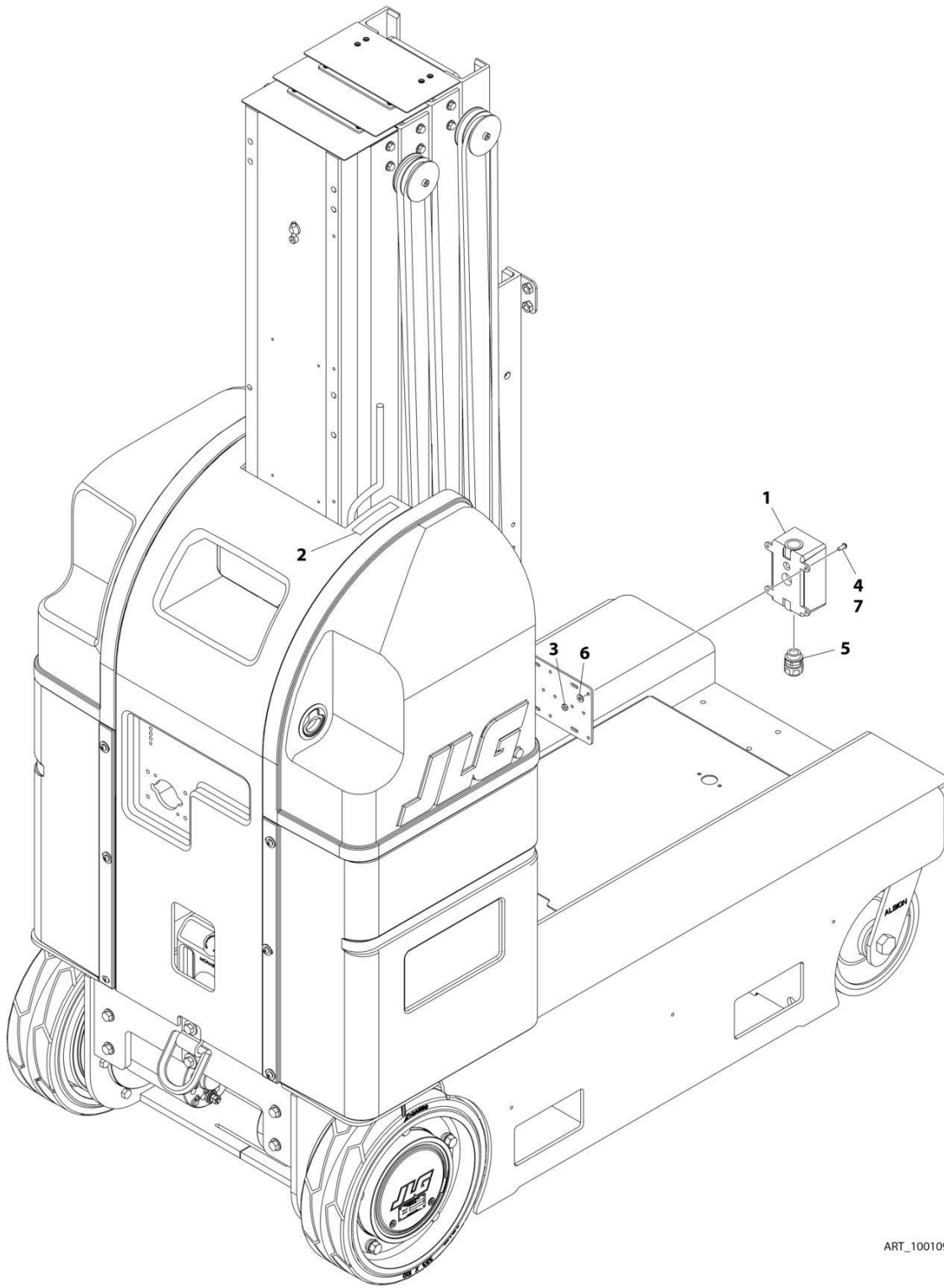
SECTION 7 - ELECTRICAL

FIGURE 7-6. AC BOX AT PLATFORM INSTALLATION - 220V IEC BLUE (CE SPECS)

ITEM	PART NUMBER	QTY	DESCRIPTION	REV
	1001096124	Ref	AC BOX AT PLATFORM INSTALLATION - 220V IEC BLUE	B
1	0275217	1	Plug and Receptacle Box Assembly (See Separate Breakdown in this Section)	
2	0641607	2	Bolt 3/8 x 7/8	
3	0721006	2	Bolt #10 x 3/4	
4	1320318	1	Clamp, Hose	
5	3252760	1	Decal, 220V/240V	
6	3311001	4	Nut #10	
7	3311605	2	Nut, 3/8	
8	3900205	2	Bolt #10 x 5/8	
9	4460633	1	Connector	
10	4761000	2	Washer #10	
11	1001096421	1	Plate, Circuit Breaker Mounting	
12	1001096612	1	Breaker Box Assembly (See Separate Breakdown in this Section)	
13	0100011	AR	Compound, Locking	
14	4711000	2	Washer #10	

SECTION 7 - ELECTRICAL

FIGURE 7-7. AC BOX AT PLATFORM INSTALLATION - CUSTOMER SUPPLIED PLUG (ALL SPECS)



ART_1001096125

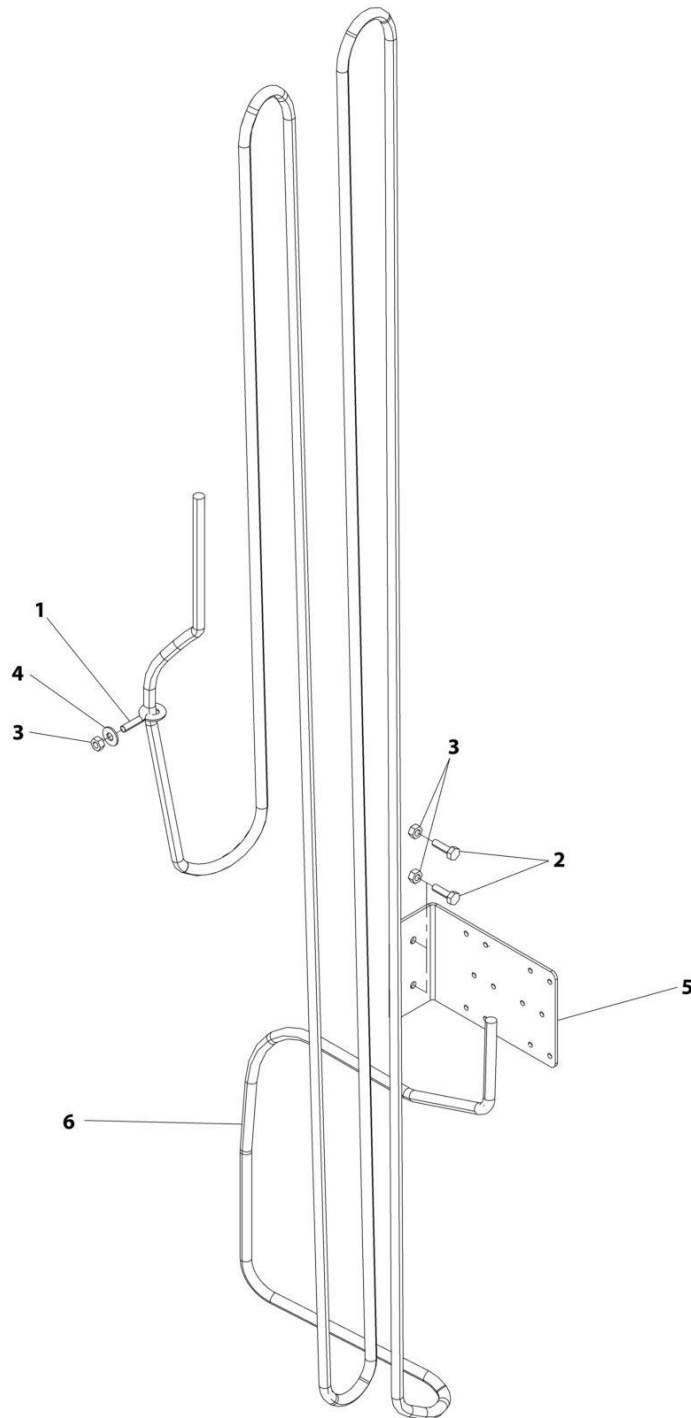
SECTION 7 - ELECTRICAL

FIGURE 7-7. AC BOX AT PLATFORM INSTALLATION - CUSTOMER SUPPLIED PLUG (ALL SPECS)

ITEM	PART NUMBER	QTY	DESCRIPTION	REV
	1001096125	Ref	AC BOX AT PLATFORM INSTALLATION - CUSTOMER SUPPLIED PLUG	C
1	0861731	1	Box, Receptacle	
2	3252760	1	Decal, 220V/240V	
3	3311001	4	Nut #10	
4	3900205	4	Screw #10 x 5/8	
5	4460662	1	Connector	
6	4711000	4	Washer #10	
7	0100011	AR	Compound, Locking	

SECTION 7 - ELECTRICAL

FIGURE 7-8. ACCESSORY POWER WIRING



ART_1001096117

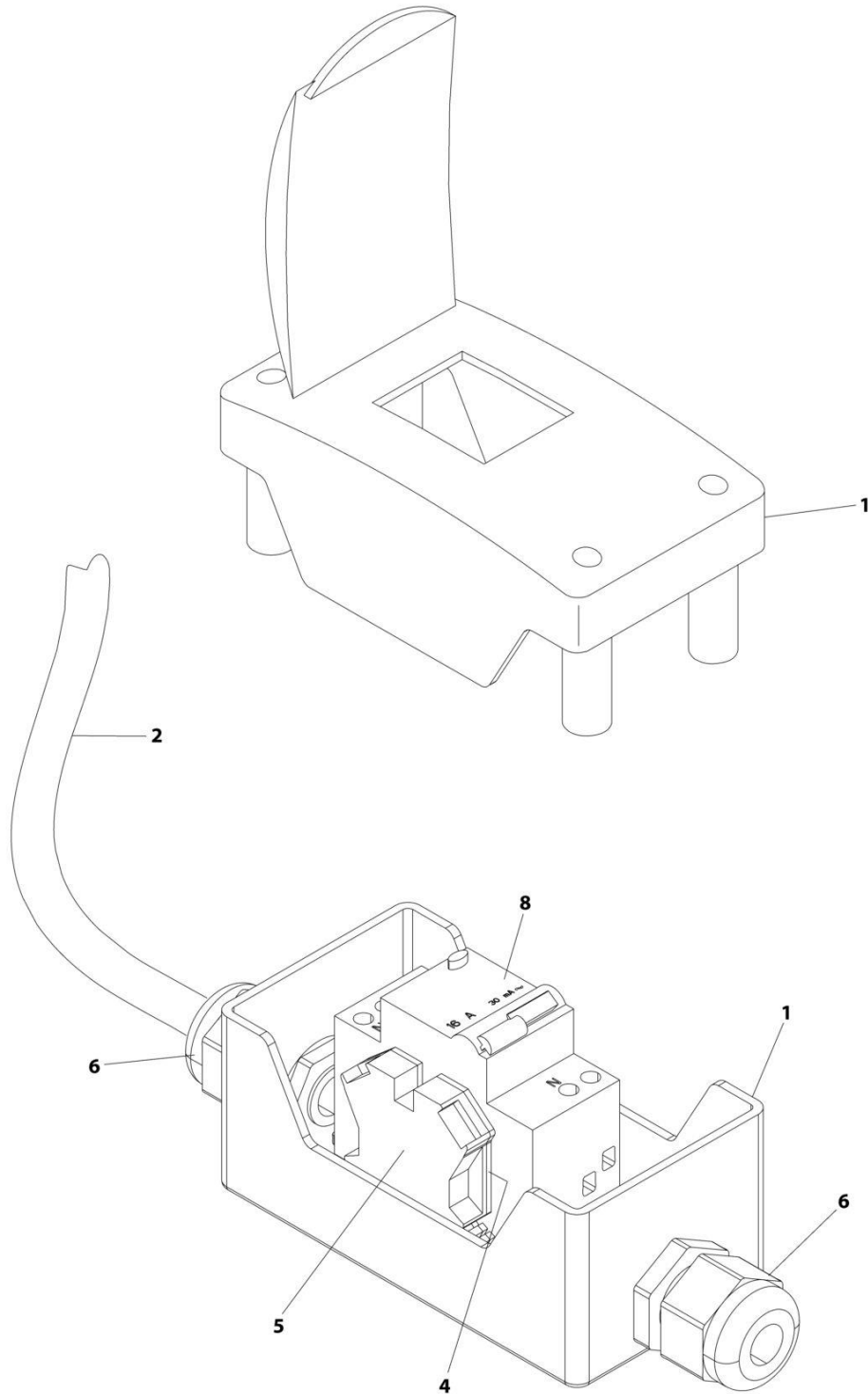
SECTION 7 - ELECTRICAL

FIGURE 7-8. ACCESSORY POWER WIRING

ITEM	PART NUMBER	QTY	DESCRIPTION	REV
	1001096117	Ref	ACCESSORY POWER WIRING	B
1	0630440	1	Eyebolt	
2	0641407	2	Bolt, 1/4 x 7/8	
3	3311405	3	Nut, 1/4	
4	4751400	1	Washer, 1/4	
5	1001096054	1	Plate, AC Box	
6	1001096449	1	Cable, Accessory Outlet	

SECTION 7 - ELECTRICAL

FIGURE 7-9. BREAKER BOX KIT WITH 1 DOUBLE BREAKER



ART_1001096612

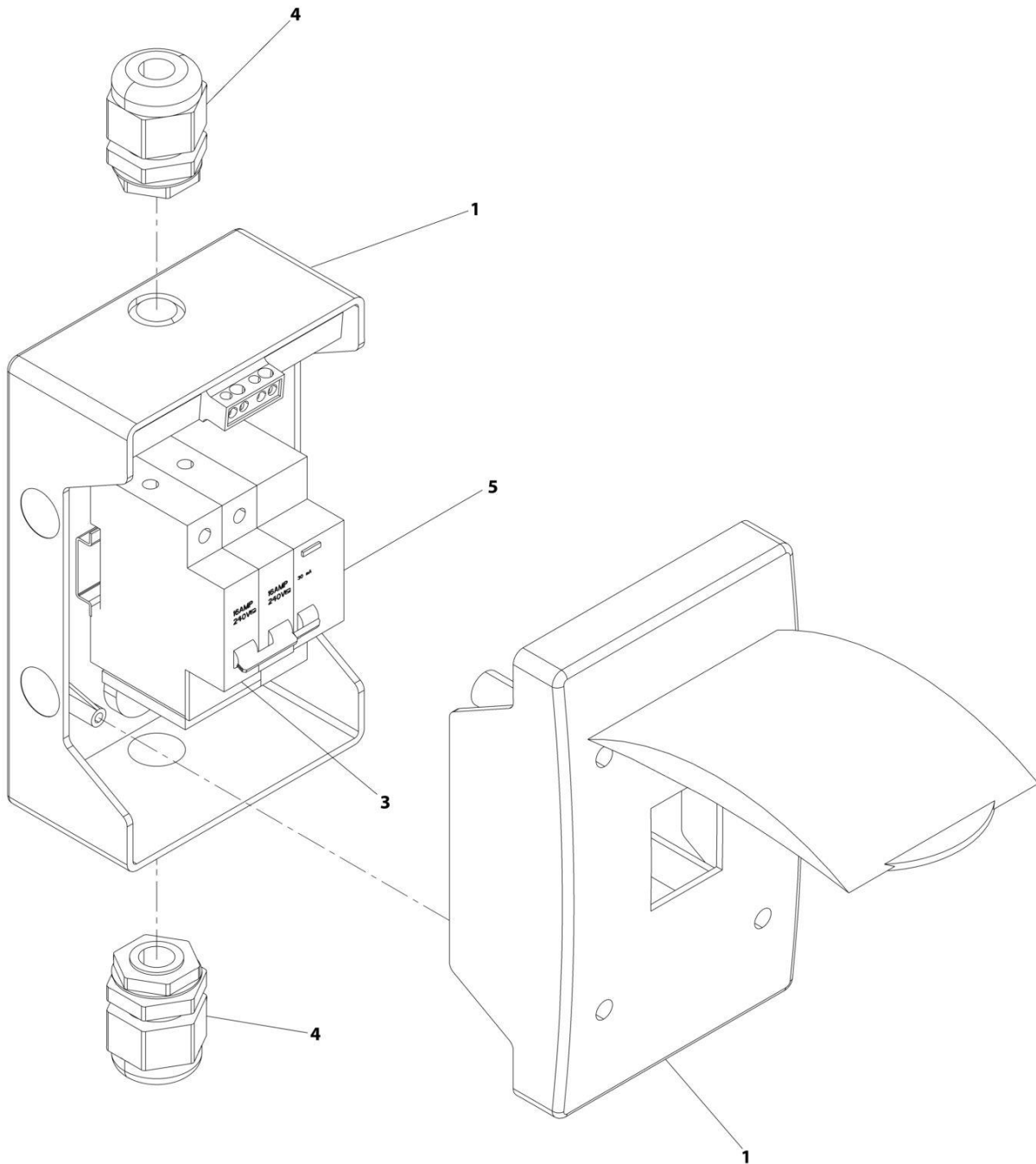
SECTION 7 - ELECTRICAL

FIGURE 7-9. BREAKER BOX KIT WITH 1 DOUBLE BREAKER

ITEM	PART NUMBER	QTY	DESCRIPTION	REV
	1001096612	Ref	BREAKER BOX ASSEMBLY	C
1	0861880	1	Box	
2	1060908	4.5 ft /1.4m	Cable, 12/3	
4	4460956	1	Barrier, Terminal	
5	4460957	1	Block, Terminal	
6	1001097150	2	Connector, Strain Relief	
8	1001181045	1	Breaker, Double 30mAmp/16Amp	

SECTION 7 - ELECTRICAL

FIGURE 7-10. BREAKER BOX KIT WITH 3 BREAKERS



ART_1001152484

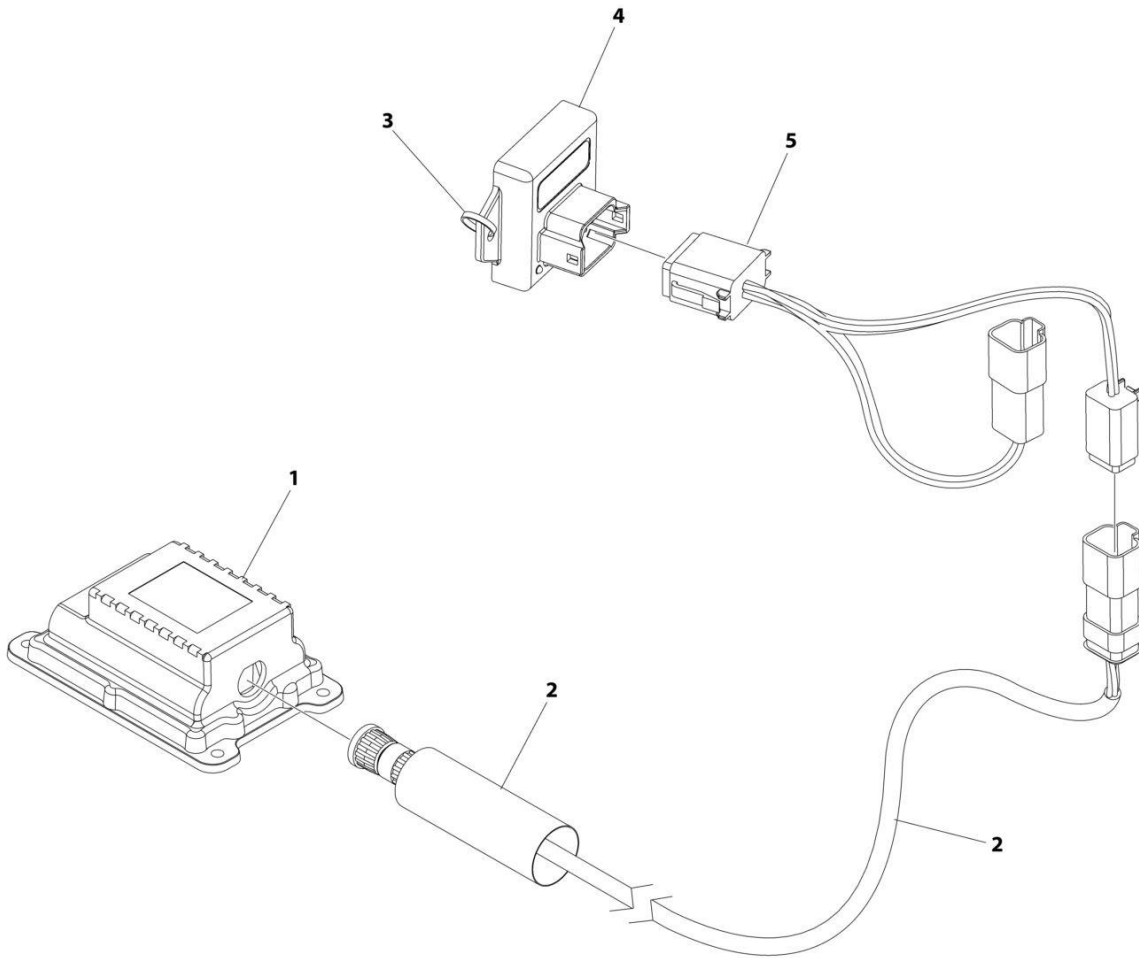
SECTION 7 - ELECTRICAL

FIGURE 7-10. BREAKER BOX KIT WITH 3 BREAKERS

ITEM	PART NUMBER	QTY	DESCRIPTION	REV
	1001152484	Ref	BREAKER BOX ASSEMBLY	B
1	1001152483	1	Box	
2	1060908	1	Cable (Not Shown)	
3	1001189172	1	Breaker, Double 16AMP	
4	1001097150	2	Connector, Strain Relief	
5	1001189171	1	Breaker, 30mAmp	

SECTION 7 - ELECTRICAL

FIGURE 7-11. CLEARSKY INSTALLATION (ANSI AND CSA SPECS)



ART_1001229107

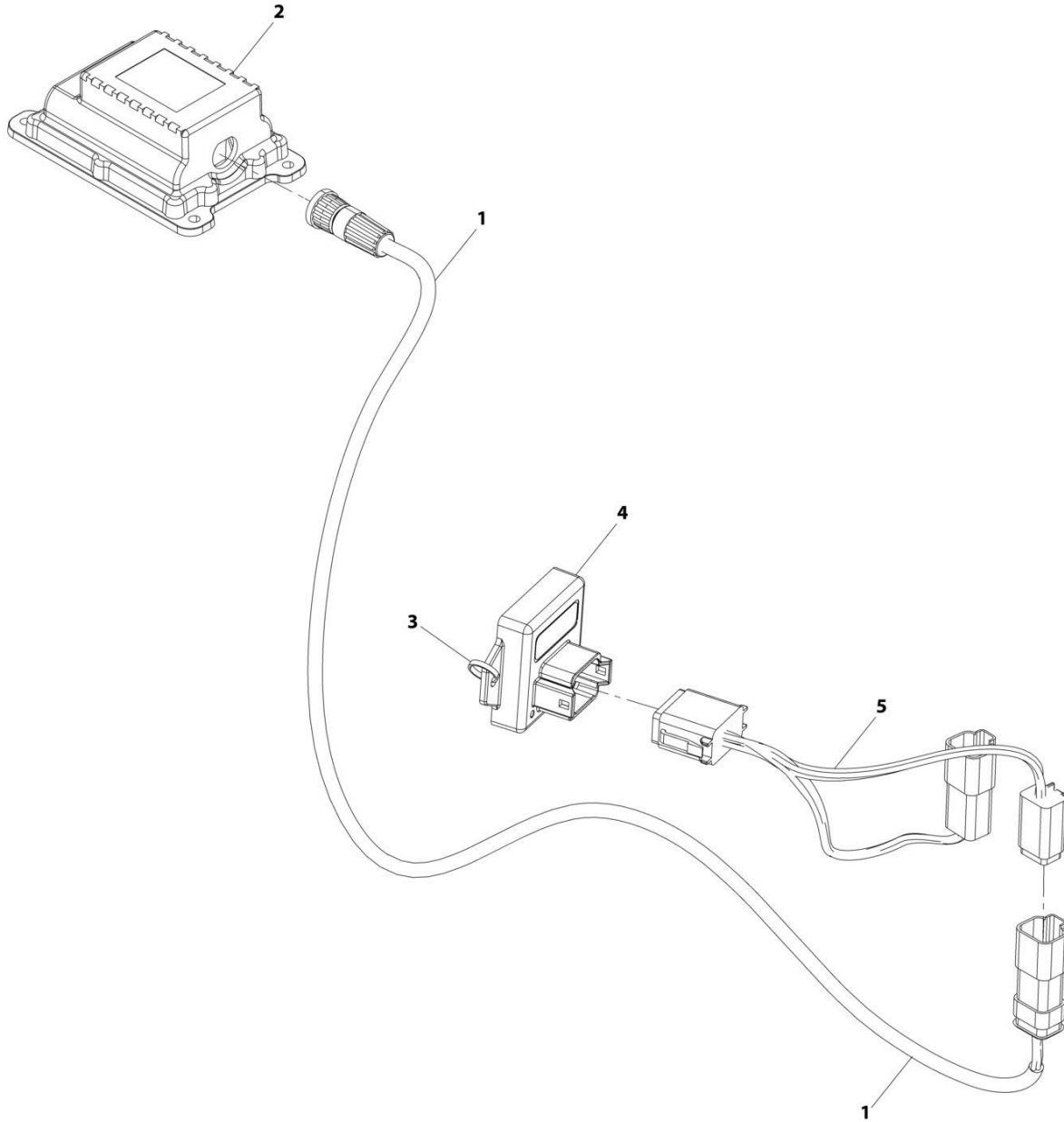
SECTION 7 - ELECTRICAL

FIGURE 7-11. CLEARSKY INSTALLATION (ANSI AND CSA SPECS)

ITEM	PART NUMBER	QTY	DESCRIPTION	REV
	1001229107	Ref	CLEARSKY INSTALLATION 3-WIRE	D
1	1001226328	1	Module, 3W TCU	
2	1001227066	1	Telematics ClearSky Harness (See Separate Breakdown in this Section)	
3	4240032	AR	Tie-Strap	
4	1001262960	1	Voltage Regulator	
5	1001262963	1	Harness, Xirgo Jumper	

SECTION 7 - ELECTRICAL

FIGURE 7-12. CLEARSKY INSTALLATION (CE SPECS)



ART_1001233237

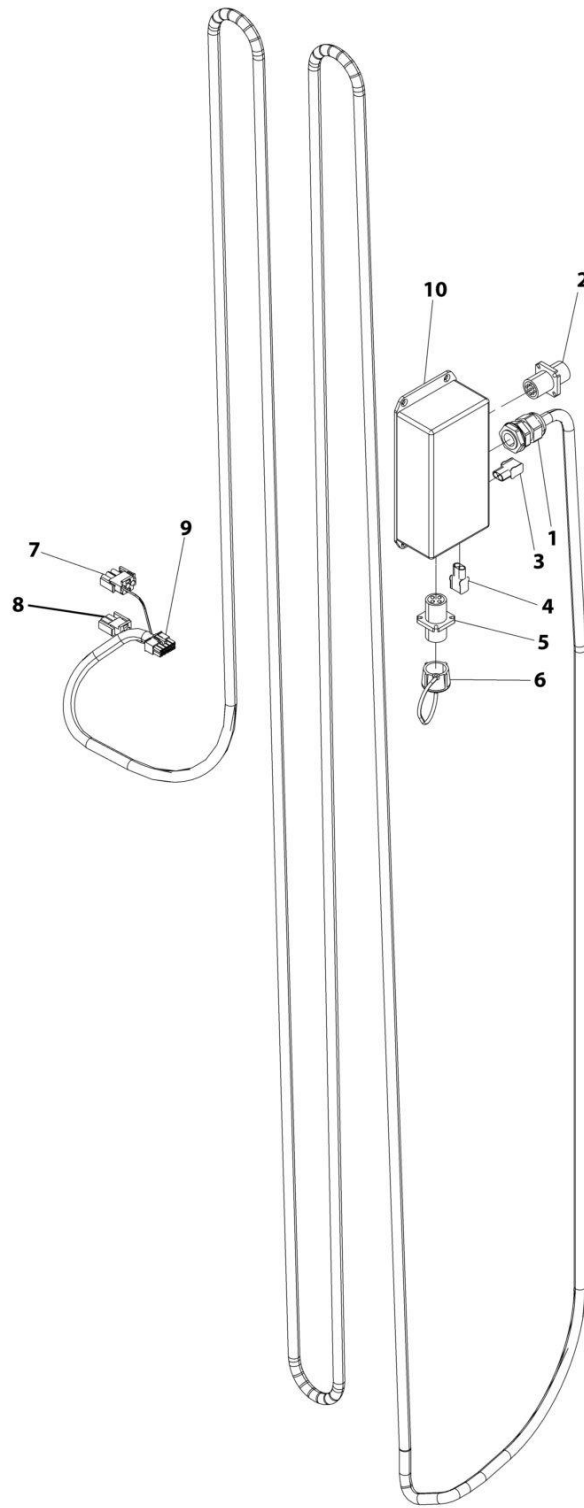
SECTION 7 - ELECTRICAL

FIGURE 7-12. CLEARSKY INSTALLATION (CE SPECS)

ITEM	PART NUMBER	QTY	DESCRIPTION	REV
	1001233237	Ref	Clearsky Installation 3-Wire (CE)	D
1	1001227066	1	Telematics Harness (See Separate Breakdown in this Section)	
2	1001233236	1	Module, 3W TCU	
3	4240032	AR	Tie Strap	
4	1001262960	1	Voltage Regulator	
5	1001262963	1	Harness, Xirgo Jumper	

SECTION 7 - ELECTRICAL

FIGURE 7-13. JUNCTION BOX HARNESS



ART_1001255331

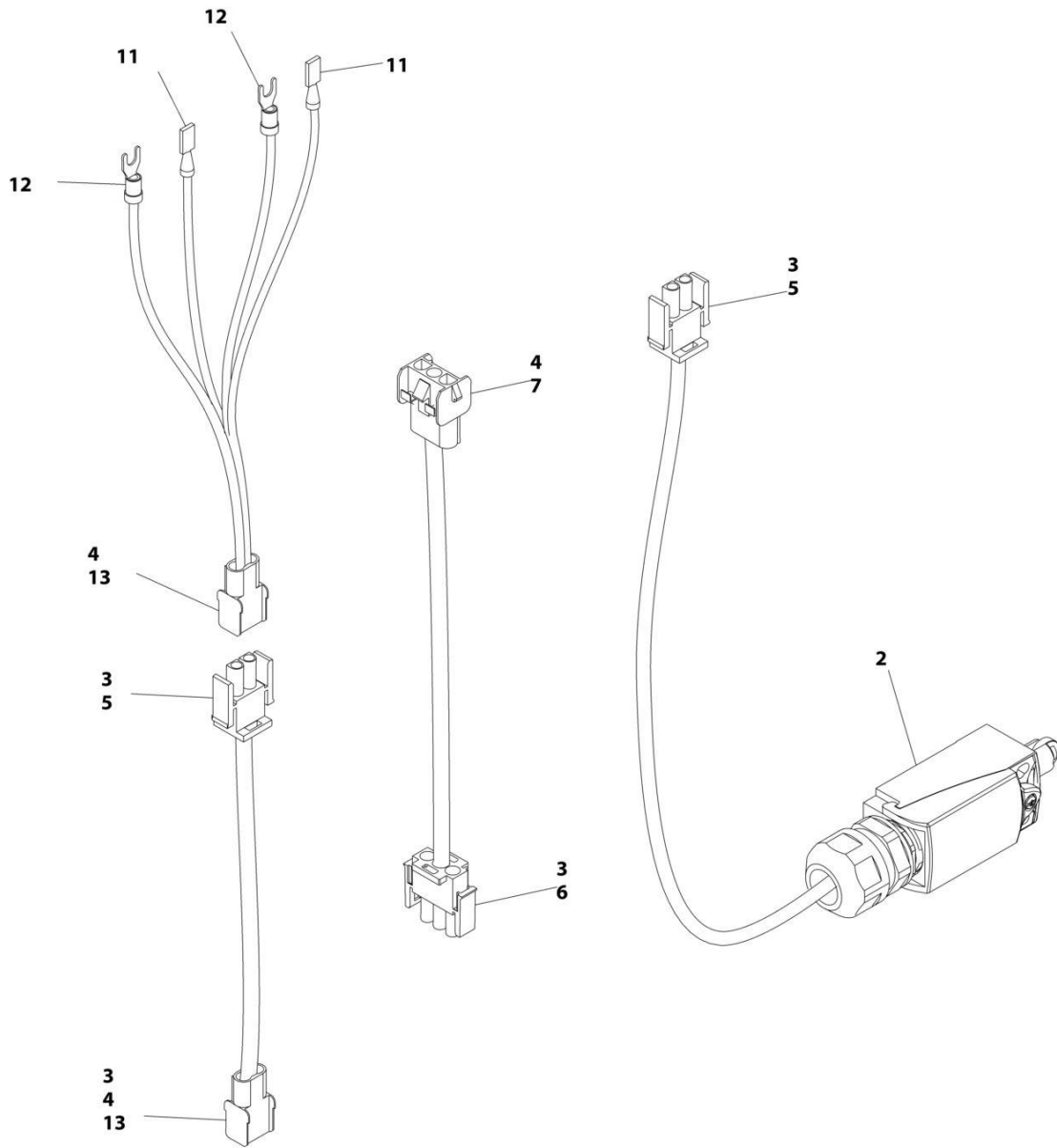
SECTION 7 - ELECTRICAL

FIGURE 7-13. JUNCTION BOX HARNESS

ITEM	PART NUMBER	QTY	DESCRIPTION	REV
	1001255331	Ref	JUNCTION BOX HARNESS	A
1	4460633	1	Connector	
2	7023498	1	Connector	
3	4460424	1	Connector	
3	4460267	2	Pin	
4	4460424	1	Connector	
4	4460226	2	Pin	
5	7024302	1	Connector	
6	See Note	NSS	Dust Cap (See 1001255331)	
7	4460326	1	Connector	
7	4460226	3	Socket	
8	4460320	1	Connector	
8	4460226	2	Socket	
9	7024300	1	Connector	
9	4461023	10	Socket	
10	See Note	NSS	Junction Box (See 1001255331)	

SECTION 7 - ELECTRICAL

FIGURE 7-14. LSS CONTROLS HARNESS



ART_4922924

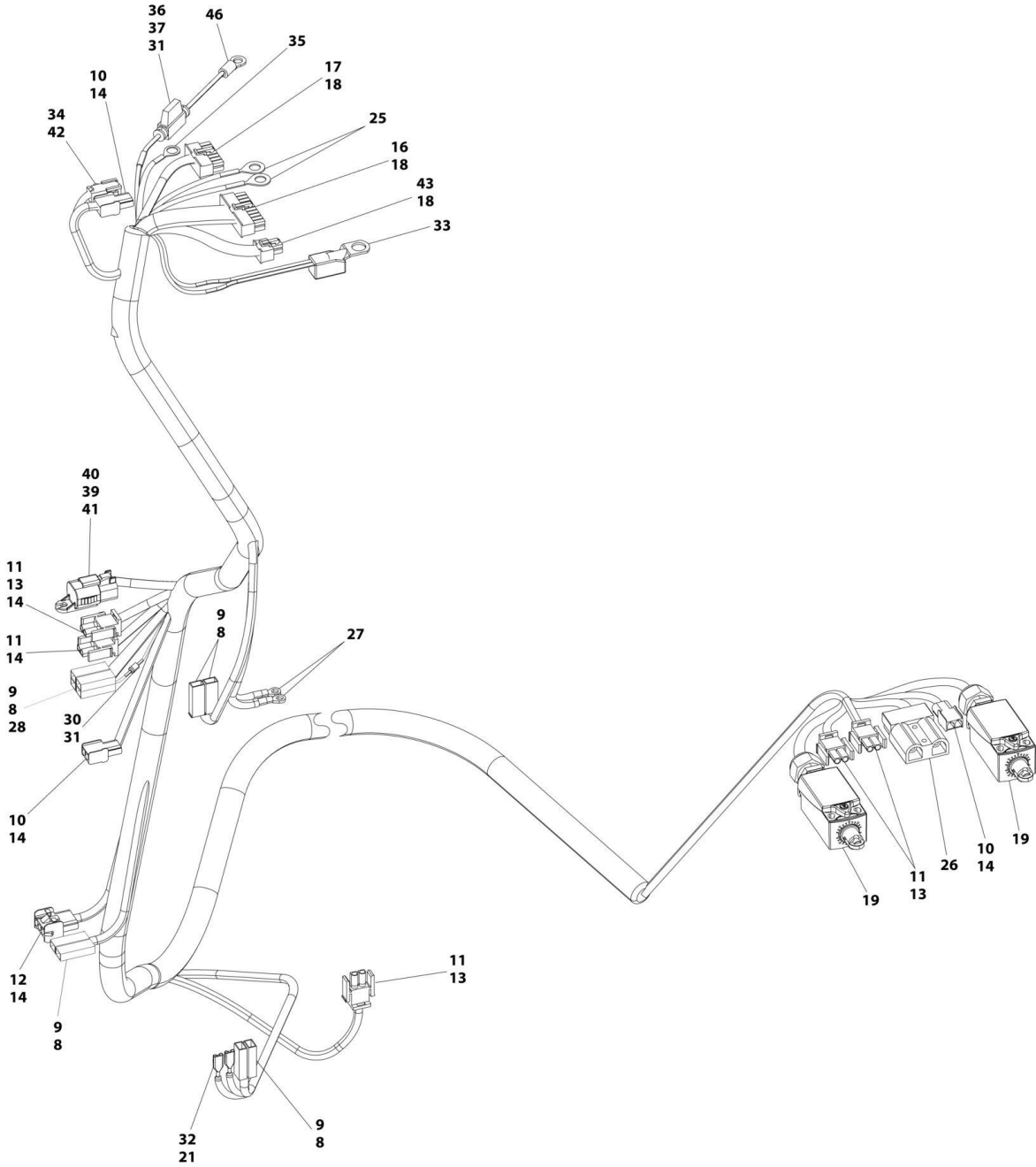
SECTION 7 - ELECTRICAL

FIGURE 7-14. LSS CONTROLS HARNESS

ITEM	PART NUMBER	QTY	DESCRIPTION	REV
	4922924	Ref	LOAD SENSING HARNESS ASSEMBLY	D
2	4360546	1	Switch, Limit	
5	4460320	2	Connector - 2 Position	
3	4460226	8	Socket, Female	
6	4460326	1	Connector - 3 Position	
3	4460226	8	Socket, Female	
7	4460445	1	Connector - 3 Position	
4	4460267	6	Pin, Male	
11	4460016	2	Terminal	
12	4460183	2	Terminal	
13	4460424	2	Connector - 2 Position	
3	4460226	8	Socket, Female	
4	4460267	6	Pin, Male	

SECTION 7 - ELECTRICAL

FIGURE 7-15. MAIN HARNESS



ART_1001255334

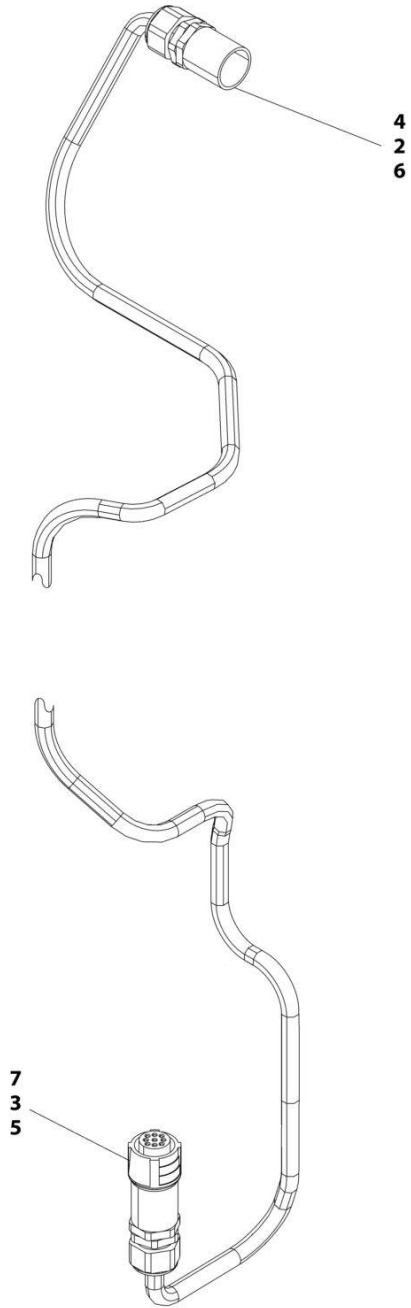
SECTION 7 - ELECTRICAL

FIGURE 7-15. MAIN HARNESS

ITEM	PART NUMBER	QTY	DESCRIPTION	REV
	1001255334	Ref	MAIN HARNESS	C
8	4460259	10	Terminal	
9	4460260	10	Connector	
10	4460424	3	Connector	
11	4460320	5	Connector	
12	4460445	1	Connector	
13	4460268	6	Terminal	
14	4460294	12	Terminal	
16	4460919	1	Connector	
17	4460920	1	Connector	
18	4460672	33	Terminal	
19	4360702	2	Switch, Limit	
21	4460661	2	Terminal	
25	4460019	2	Terminal, Eyelet	
26	4460648	1	Connector	
27	4460313	2	Terminal, Eyelet	
28	3740069	1	Relay	
30	3990010	2	Diode	
31	4460035	31	Terminal	
32	4460667	2	Sleeve	
33	1001102771	1	Sensor, Temperature	
34	1001197889	1	Connector	
35	4460702	1	Terminal, Eyelet	
36	2400060	1	Fuse Holder	
37	8229242	1	Fuse, 5AMP	
39	4460465	4	Terminal	
40	4460884	1	Connector	
41	1001192401	1	Dust Cap	
42	1001118156	3	Terminal	
43	250199	1	Connector	
46	4460043	1	Terminal, Eyelet	

SECTION 7 - ELECTRICAL

FIGURE 7-16. PLATFORM CONTROLS HARNESS



ART_1001254615

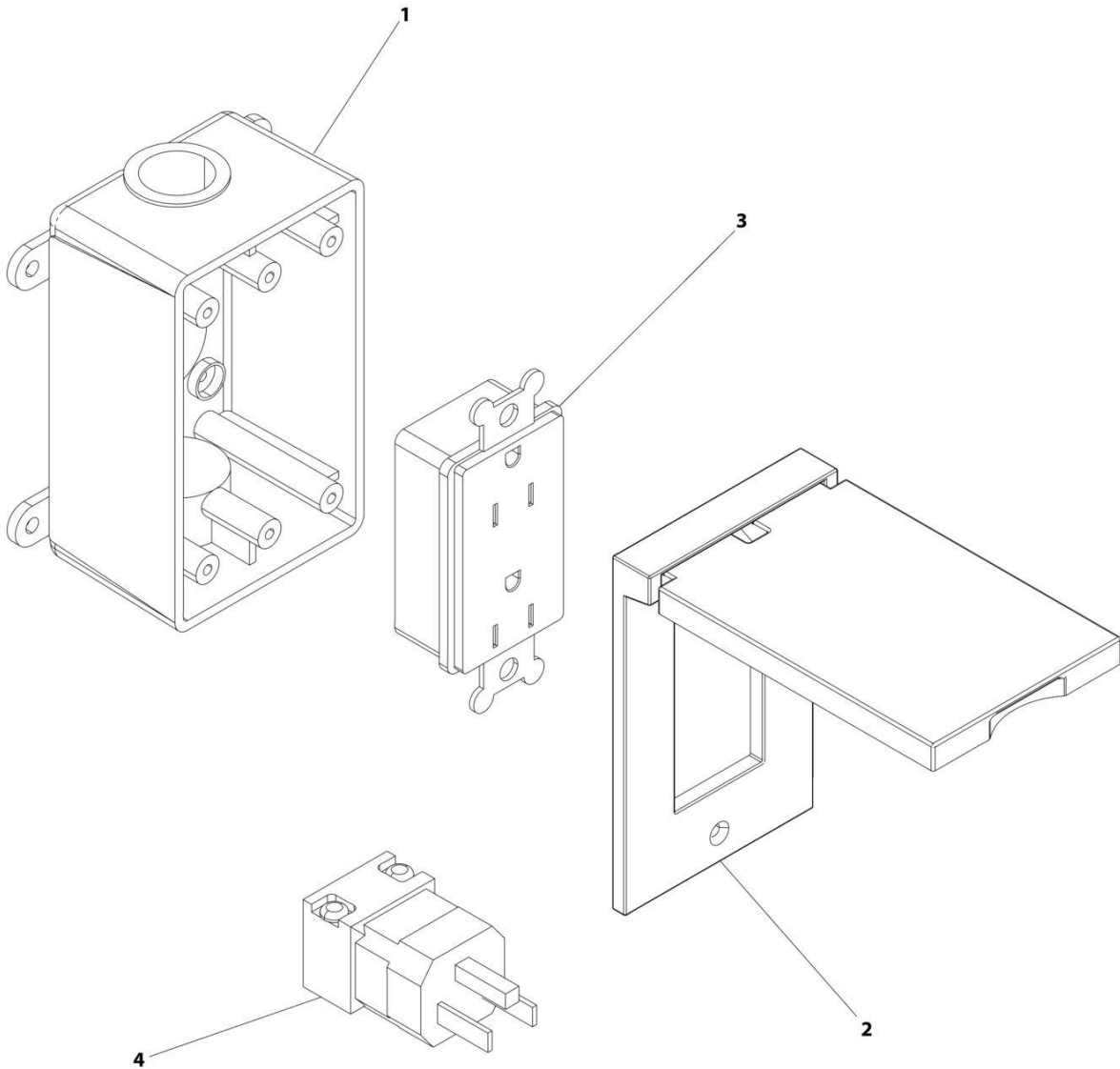
SECTION 7 - ELECTRICAL

FIGURE 7-16. PLATFORM CONTROLS HARNESS

ITEM	PART NUMBER	QTY	DESCRIPTION	REV
	1001254615	Ref	PLATFORM CONTROLS HARNESS	B
6	1001212660	1	Connector	
2	1001212654	8	Terminal	
4	1001212656	1	Connector Shell	
7	1001212661	1	Connector	
3	1001212655	8	Terminal	
5	1001212657	1	Connector Shell	

SECTION 7 - ELECTRICAL

FIGURE 7-17. RECEPTACLE BOX KIT - 110V GFI



ART_1001096767

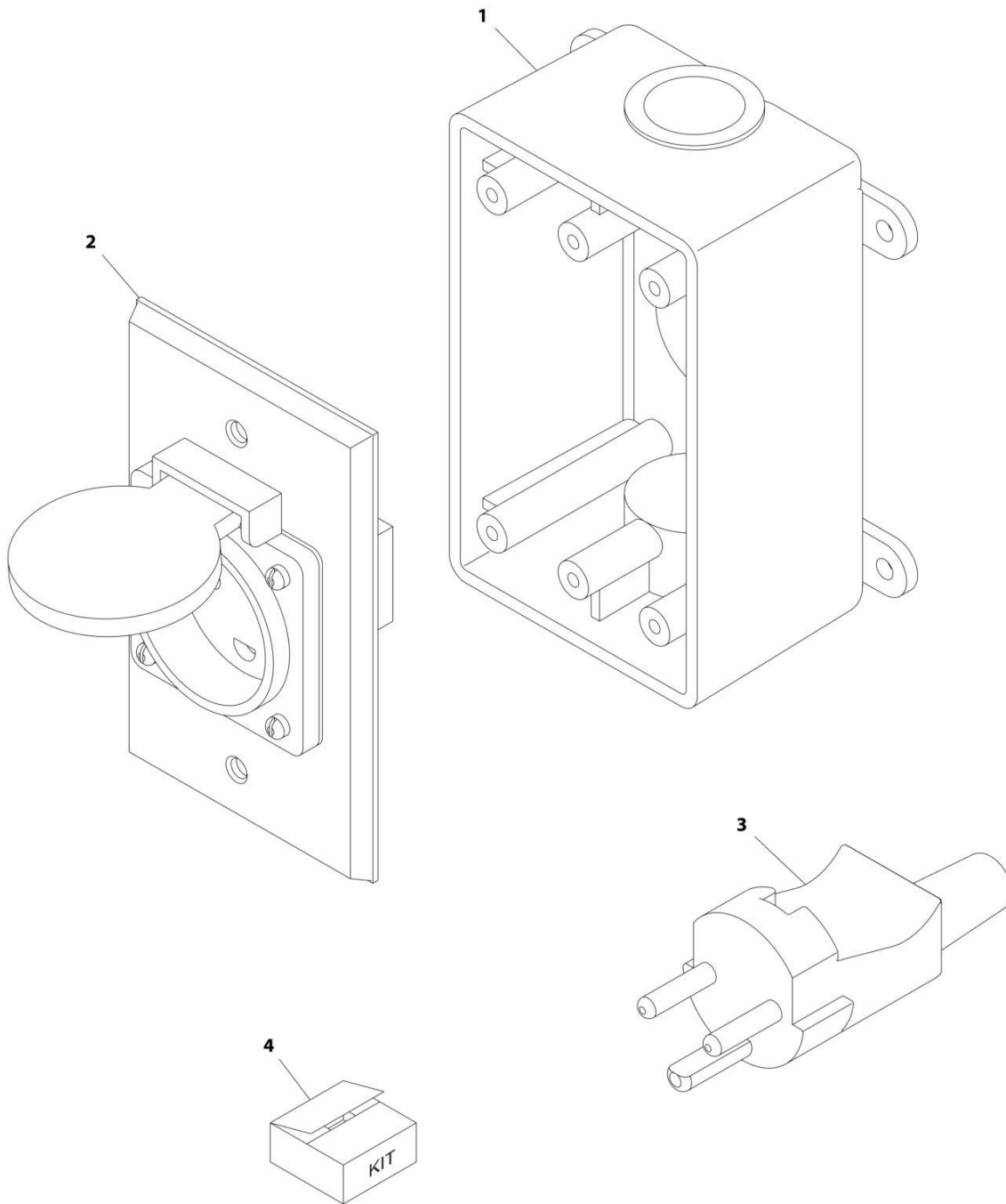
SECTION 7 - ELECTRICAL

FIGURE 7-17. RECEPTACLE BOX KIT - 110V GFI

ITEM	PART NUMBER	QTY	DESCRIPTION	REV
	1001096767	Ref	RECEPTACLE BOX KIT - 110V GFI	B
1	0861731	1	Box, Receptacle	
2	1001110873	1	Cover, Receptacle	
3	4460346	1	Receptacle	
4	4460549	1	Plug	

SECTION 7 - ELECTRICAL

FIGURE 7-18. RECEPTACLE BOX KIT - 220V AFSINT 107 KEYED GROUND (CE SPECS)



ART_0275454

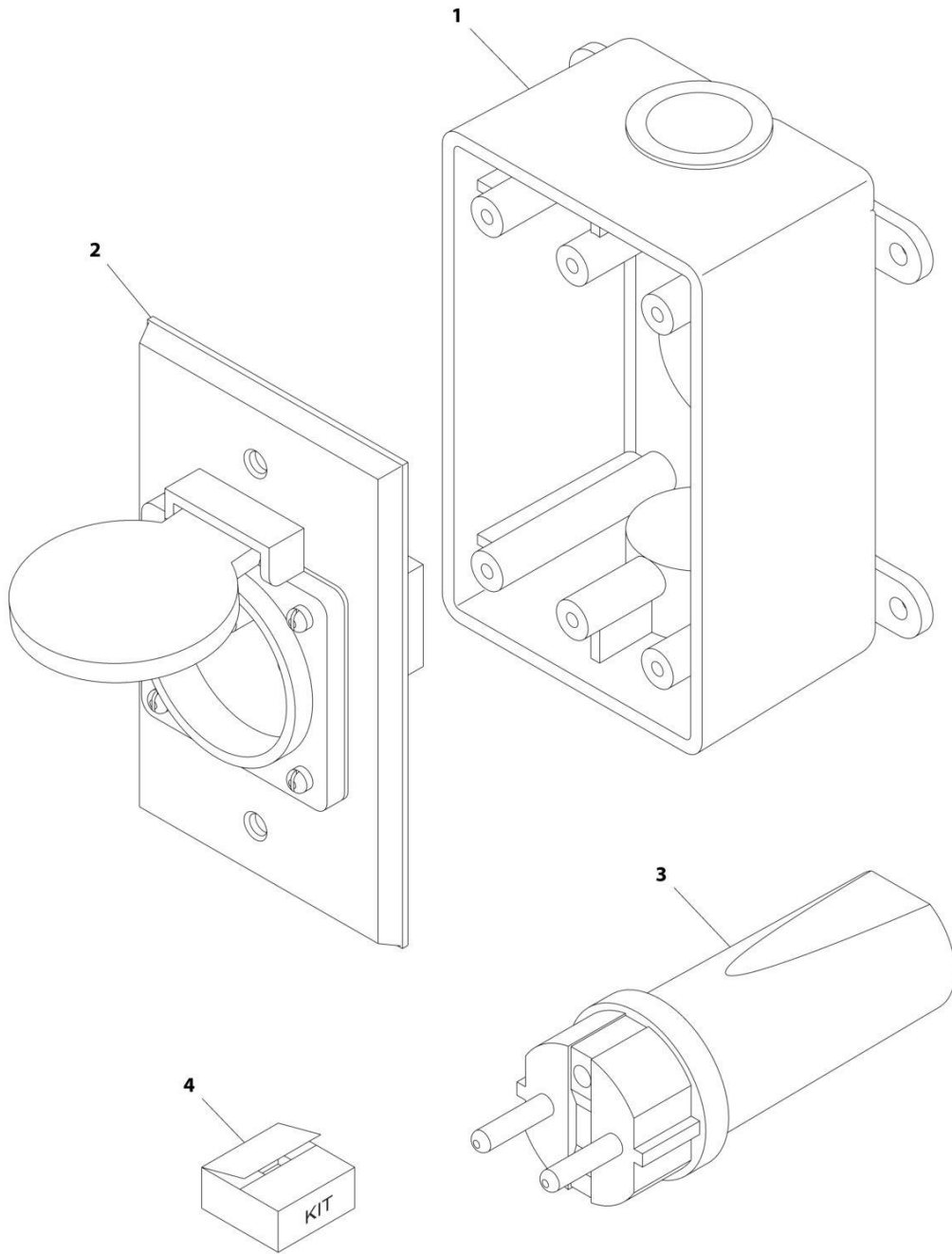
SECTION 7 - ELECTRICAL

FIGURE 7-18. RECEPTACLE BOX KIT - 220V AFSINT 107 KEYED GROUND (CE SPECS)

ITEM	PART NUMBER	QTY	DESCRIPTION	REV
	0275454	Ref	RECEPTACLE BOX KIT - 220V AFSINT 107	B
1	0861731	1	Box, Switch	
2	4461246	1	Receptacle	
3	4461249	1	Plug, Male	
4	1001100346	1	Plug and Socket Kit (Includes Items 1-3 and Female Plug p/n 4461250)	

SECTION 7 - ELECTRICAL

FIGURE 7-19. RECEPTACLE BOX KIT - 220V CEE7 POST GROUND (CE SPECS)



ART_0275452

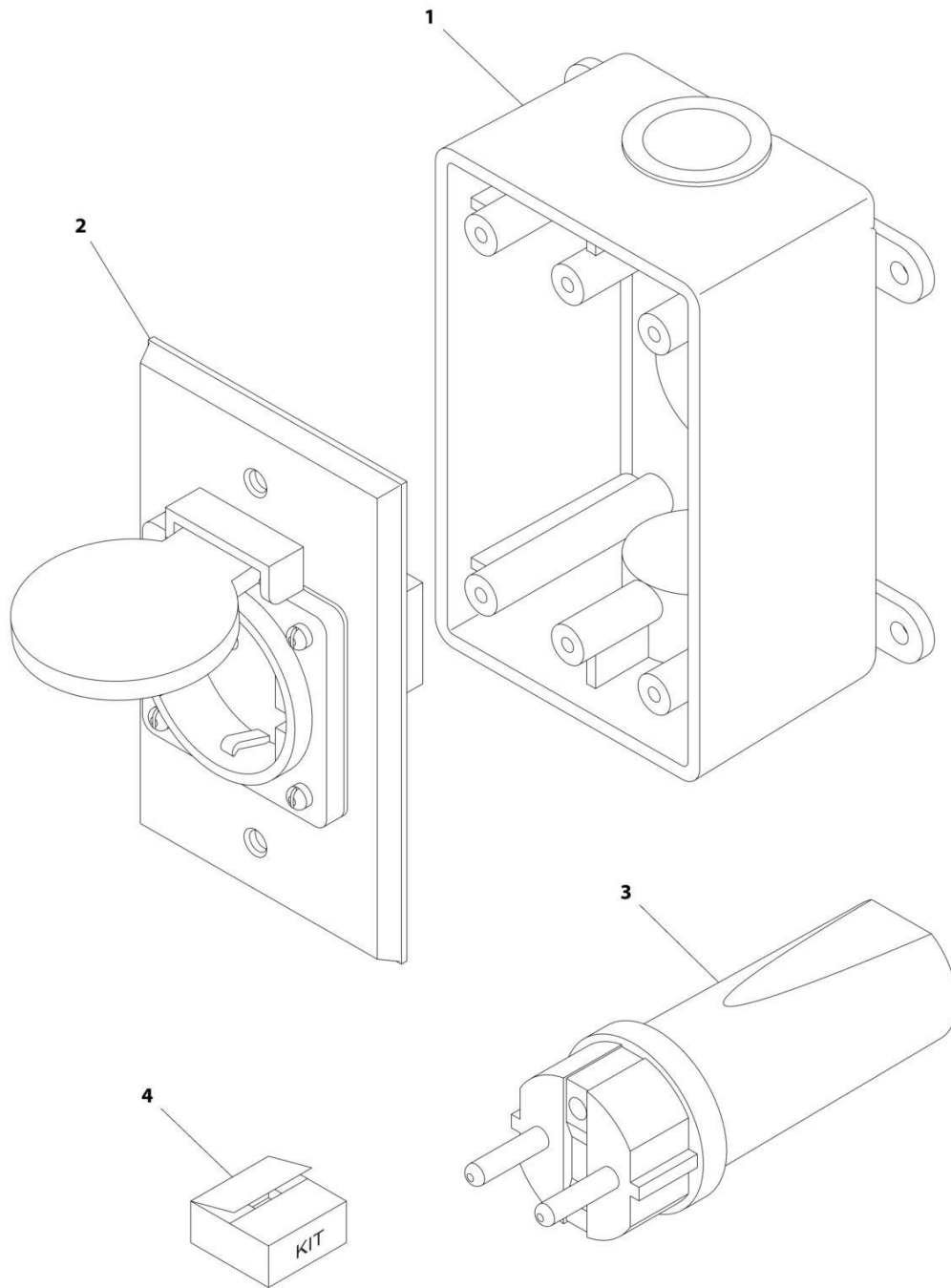
SECTION 7 - ELECTRICAL

FIGURE 7-19. RECEPTACLE BOX KIT - 220V CEE7 POST GROUND (CE SPECS)

ITEM	PART NUMBER	QTY	DESCRIPTION	REV
	0275452	Ref	RECEPTACLE BOX KIT - 220V CEE7 POST GROUND	C
1	0861731	1	Box, Switch	
2	4461244	1	Receptacle	
3	4461205	1	Plug, Male	
4	1001100345	1	Plug and Socket Kit (Includes Items 1-3 and Female Plug p/n 4461206)	

SECTION 7 - ELECTRICAL

FIGURE 7-20. RECEPTACLE BOX KIT - 220V CEE7 SIDE GROUND (CE SPECS)



ART_0275453

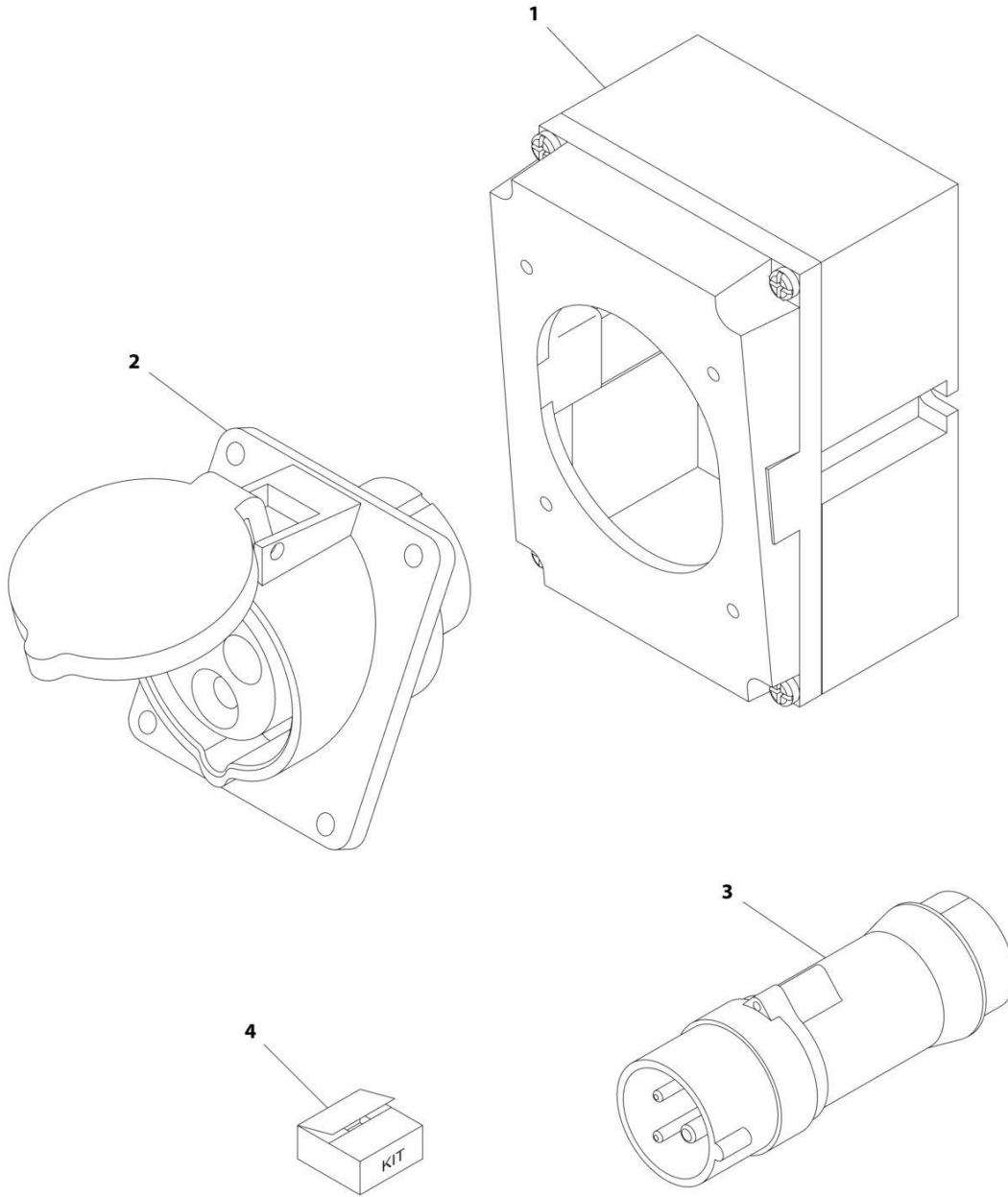
SECTION 7 - ELECTRICAL

FIGURE 7-20. RECEPTACLE BOX KIT - 220V CEE7 SIDE GROUND (CE SPECS)

ITEM	PART NUMBER	QTY	DESCRIPTION	REV
	0275453	Ref	RECEPTACLE BOX KIT - 220V CEE7 SIDE GROUND	B
1	0861731	1	Box, Switch	
2	4461245	1	Receptacle	
3	4461205	1	Plug, Male	
4	1001100347	1	Plug and Socket Kit (Includes Items 1-3 and Female Plug p/n 4461206)	

SECTION 7 - ELECTRICAL

FIGURE 7-21. RECEPTACLE BOX KIT - 220V IEC BLUE (CE SPECS)



ART_0275217

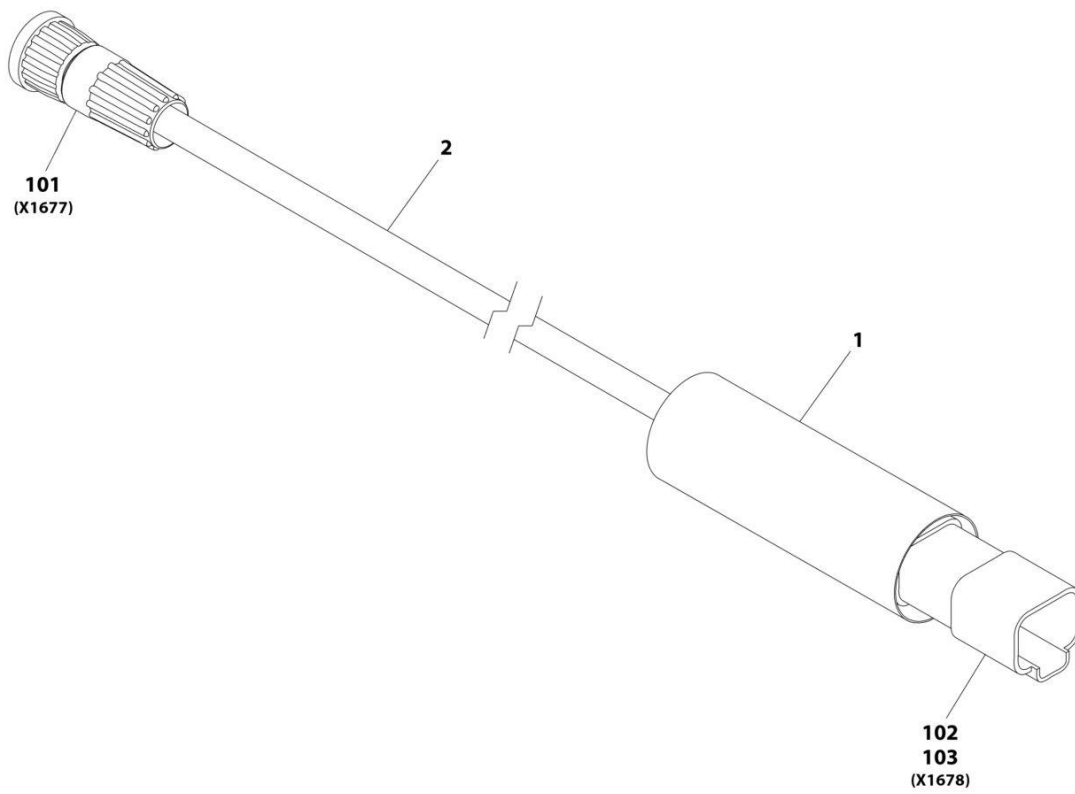
SECTION 7 - ELECTRICAL

FIGURE 7-21. RECEPTACLE BOX KIT - 220V IEC BLUE (CE SPECS)

ITEM	PART NUMBER	QTY	DESCRIPTION	REV
	0275217	Ref	RECEPTACLE BOX KIT - 220V IEC BLUE	B
1	0861781	1	Box, Switch	
2	4461201	1	Receptacle	
3	4461199	1	Plug, Male	
4	1001100342	1	Plug and Socket Kit (Includes Items 1-3 and Female Plug p/n 4461200)	

SECTION 7 - ELECTRICAL

FIGURE 7-22. CEARSKY TELEMATICS HARNESS



ART_1001227066-A

SECTION 7 - ELECTRICAL

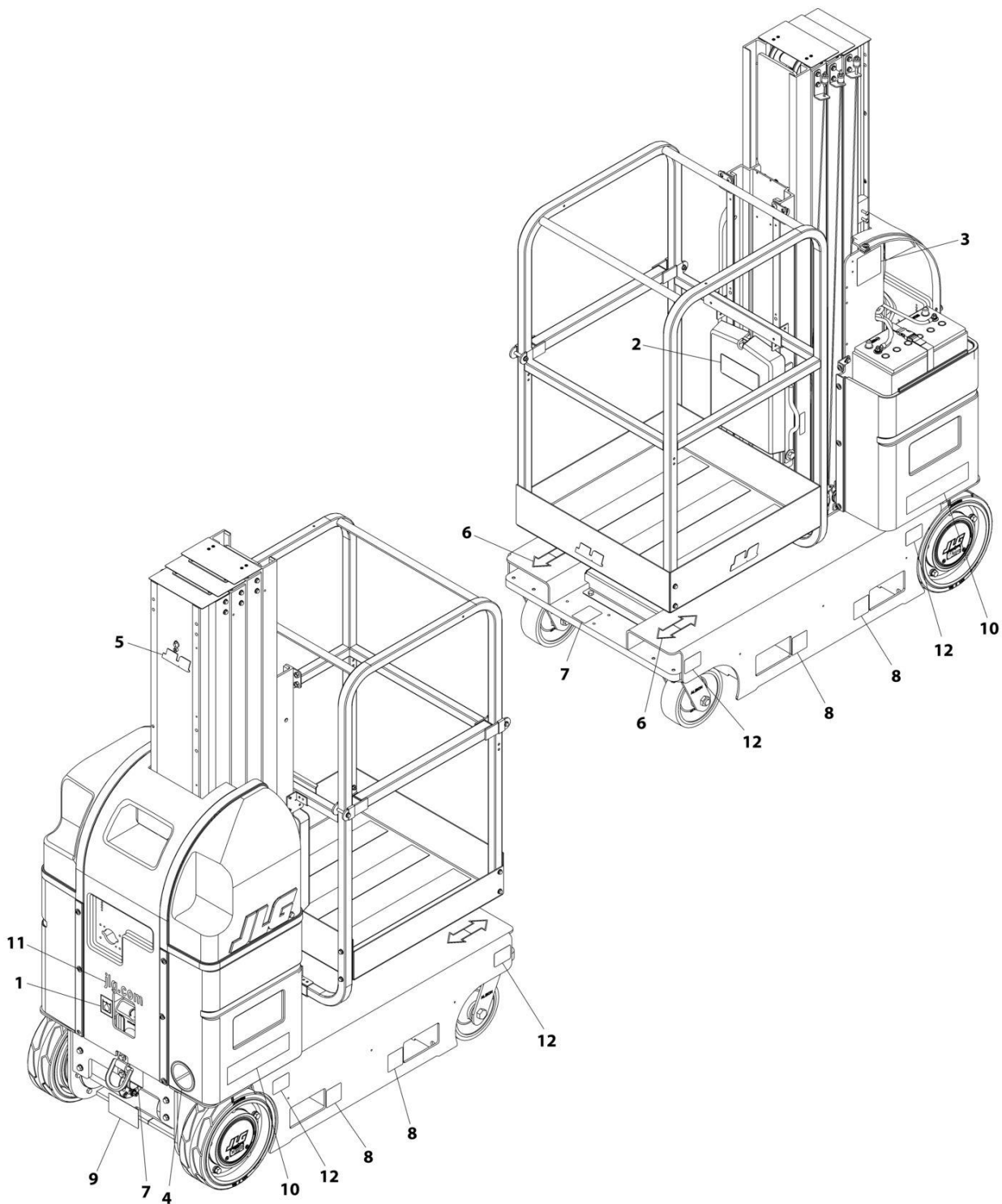
FIGURE 7-22. CEARSKY TELEMATICS HARNESS

ITEM	PART NUMBER	QTY	DESCRIPTION	REV
	1001227066	Ref	CLEARSKY TELEMATICS HARNESS	A
1	1001226400	0.33 ft	Insulate, Heat Shrink	
2	1001227068	3.3 ft	Cable	
101	1001227266	1	Connector	
102	1001129407	1	Connector	
103	4460464	4	Terminal	

SECTION 8 - DECALS

SECTION 8 - DECALS

FIGURE 8-1. COMMON DECALS INSTALLATION - 20MVL



ART_1001258496

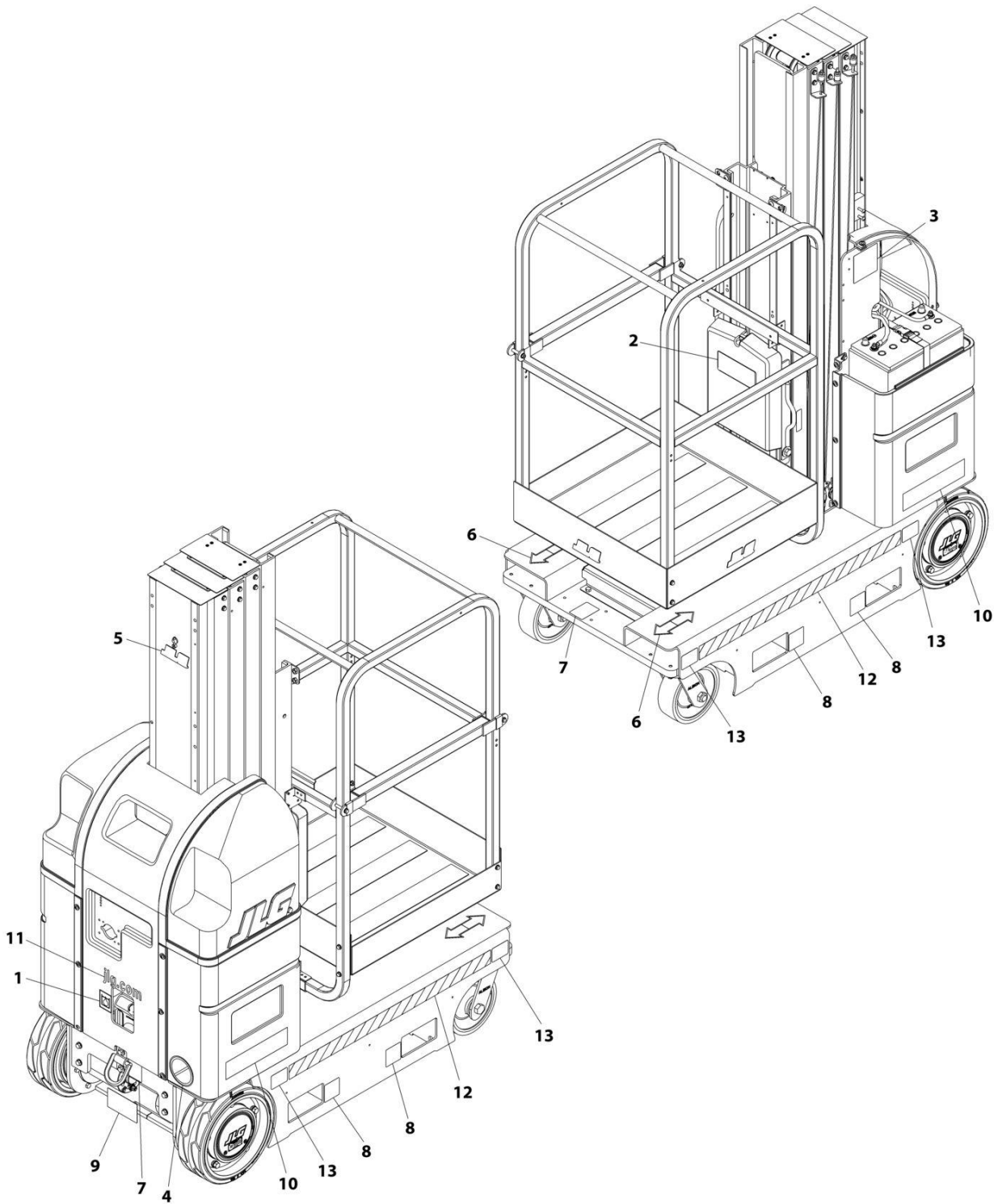
SECTION 8 - DECALS

FIGURE 8-1. COMMON DECALS INSTALLATION - 20MVL

ITEM	PART NUMBER	QTY	DESCRIPTION	REV
	1001258496	Ref	DECALS INSTALLATION	A
1	1701504	1	Decal - Hydraulic Oil	
2	1701509	1	Decal - Manual	
3	See Note	NSS	Decal - Bar Code (Note: Not Sold Separately)	
4	1703072	1	Decal - No Forklift	
5	1703681	1	Decal - JLG	
6	1703687	2	Decal - Arrow	
7	1703814	2	Decal - Tie Down	
8	1703817	4	Decal - Fork Lift	
9	1705016	1	Decal - Manual Descent	
10	1706746	2	Decal - Model Designation 20MVL	
11	1706764	1	Decal - Website	
12	1001258494	4	Decal - Wheel Load	

SECTION 8 - DECALS

FIGURE 8-2. COMMON DECALS INSTALLATION - 20MSP



ART_1001258497

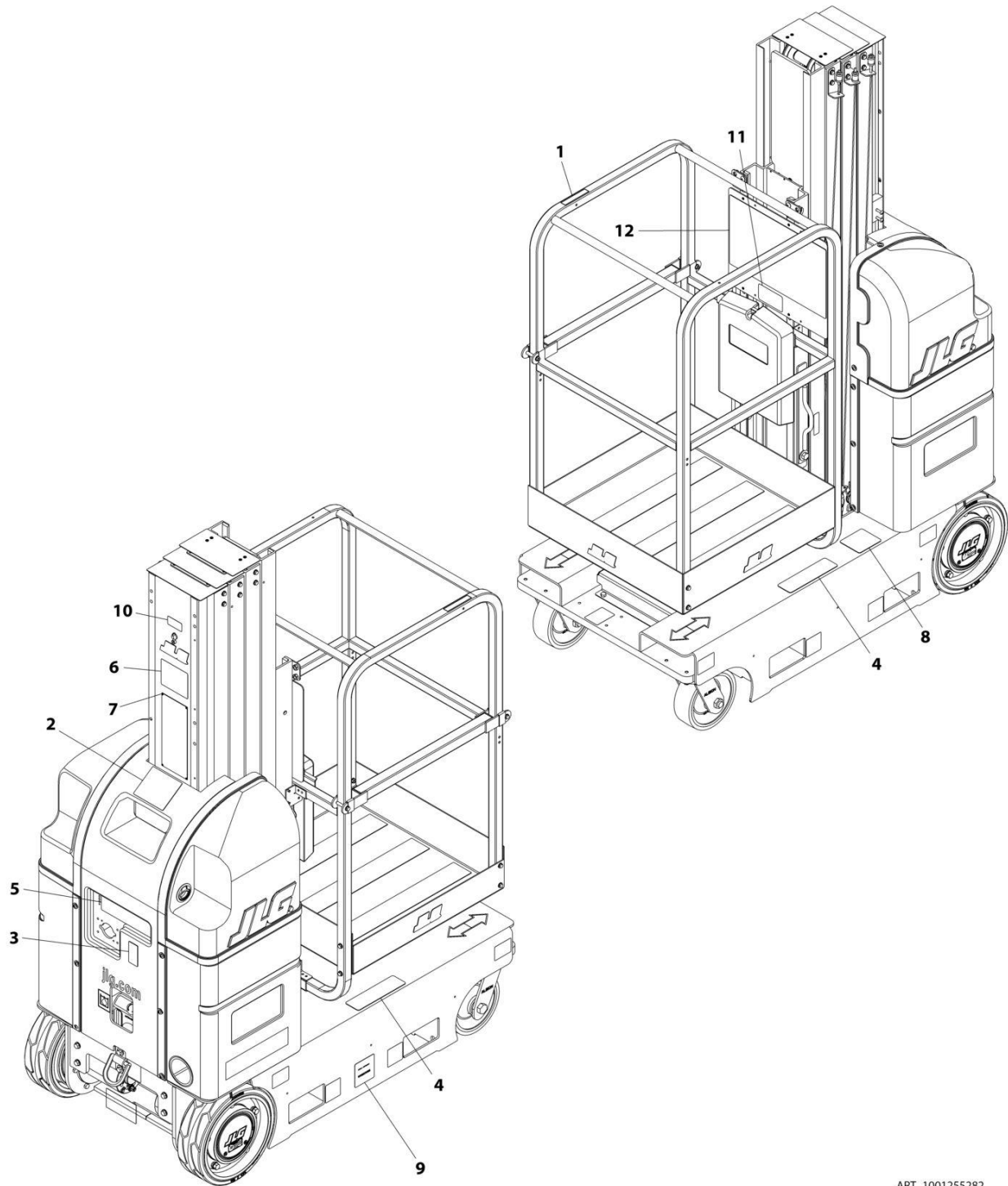
SECTION 8 - DECALS

FIGURE 8-2. COMMON DECALS INSTALLATION - 20MSP

ITEM	PART NUMBER	QTY	DESCRIPTION	REV
	1001258497	Ref	DECALS INSTALLATION	A
1	1701504	1	Decal - Hydraulic Oil	
2	1701509	1	Decal - Manual	
3	Se Note	NSS	Decal - Bar Code (Note: Not Sold Separately)	
4	1703072	1	Decal - No Forklist	
5	1703681	1	Decal - JLG	
6	1703687	2	Decal - Arrow	
7	1703814	2	Decal - Tie Down	
8	1703817	4	Decal - Fork Lift	
9	1705016	1	Decal - Manual Descent	
10	1706747	2	Decal - Model Designation 20MSP	
11	1706764	1	Decal - Website	
12	4420051	AR	Tape, Safety MSP	
13	1001258494	4	Decal - Wheel Load	

SECTION 8 - DECALS

FIGURE 8-3. DECALS INSTALLATION - ANSI, ANSI EXPORT, AND CSA SPECS (ENGLISH LANGUAGE)



ART_1001255282

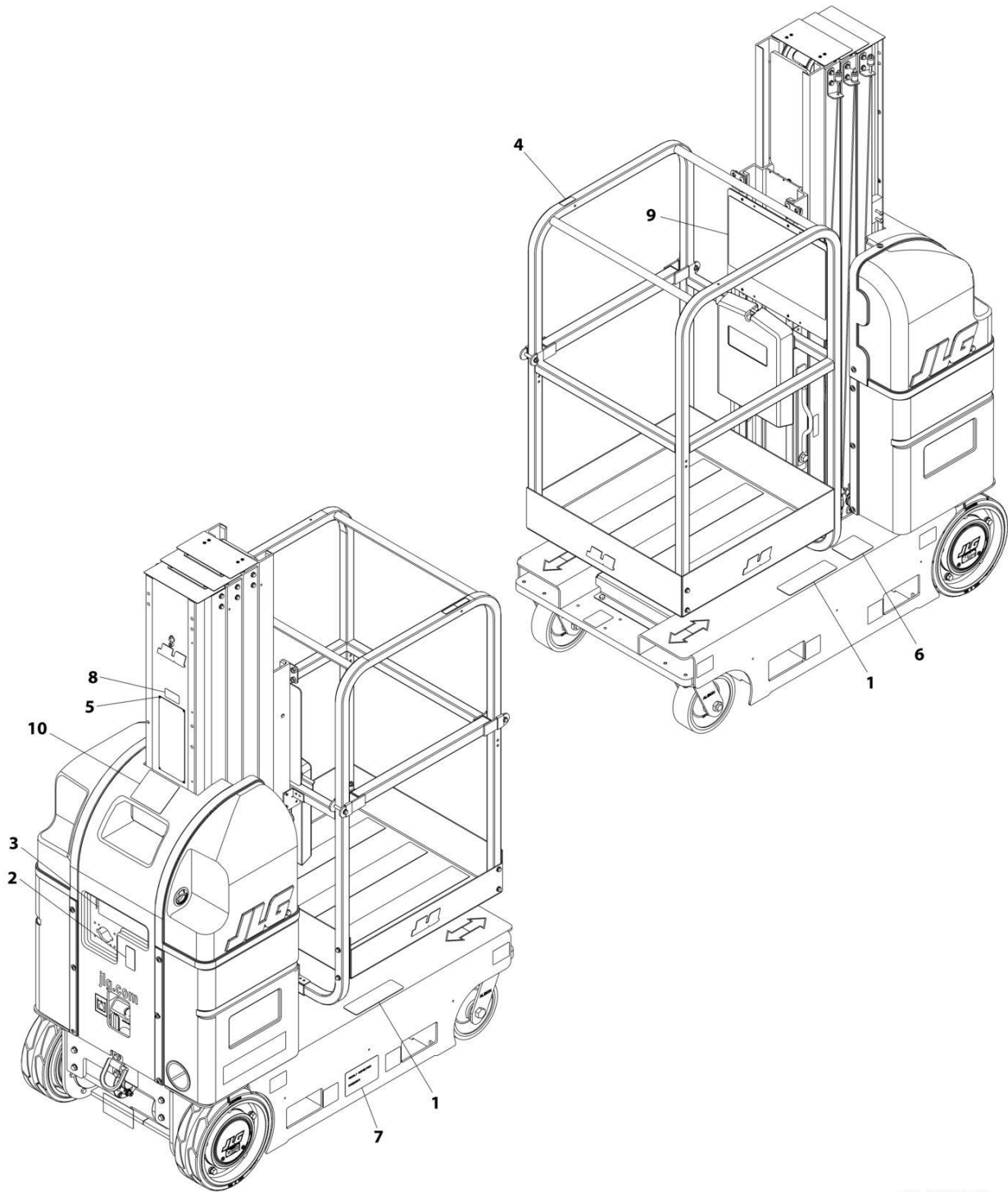
SECTION 8 - DECALS

FIGURE 8-3. DECALS INSTALLATION - ANSI, ANSI EXPORT, AND CSA SPECS (ENGLISH LANGUAGE)

ITEM	PART NUMBER	QTY	DESCRIPTION	REV
	1001255282	Ref	DECALS INSTALLATION	B
1	1703684	1	Decal - Control Box Location	
2	1703781	1	Decal - Electrical Hazard	
3	1703785	1	Decal - Warning Fire Hazard	
4	1703786	2	Decal - Crushing Hazard	
5	1705834	1	Decal - Battery Charging Instructions	
6	3251813	1	Decal - USA	
7	3820001	4	Rivet	
8	1001131273	1	Decal - Patent	
9	1001223055	1	Decal - Yearly Inspection	
10	1001228370	1	Decal - ICES	
11	1001231801	1	Decal - Prop 65 Warning (ANSI and CSA Specs Only)	
12	1001255289	1	Decal - Warning Instruction	

SECTION 8 - DECALS

FIGURE 8-4. DECALS INSTALLATION - CSA SPECS (FRENCH LANGUAGE)



ART_1001255283

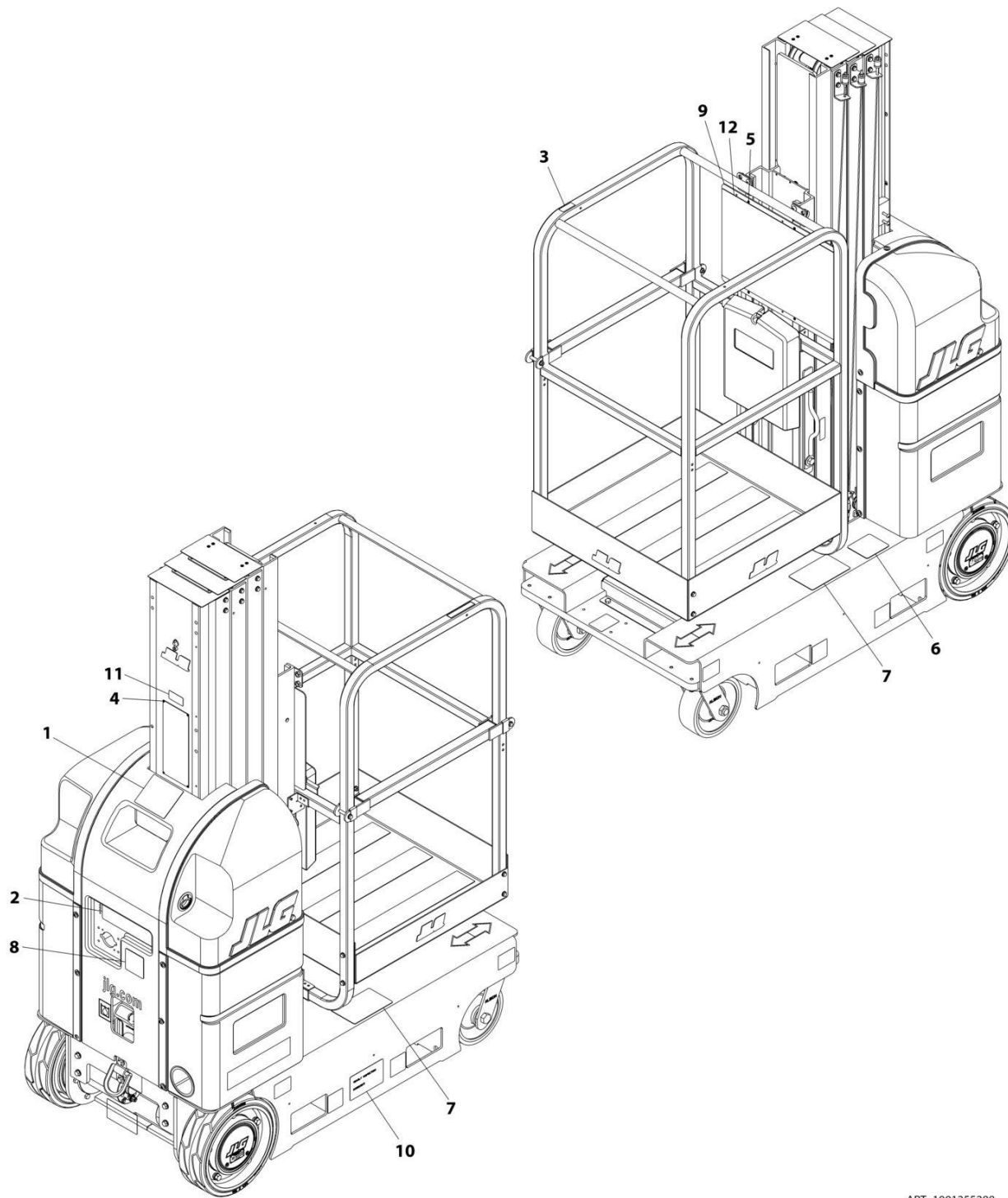
SECTION 8 - DECALS

FIGURE 8-4. DECALS INSTALLATION - CSA SPECS (FRENCH LANGUAGE)

ITEM	PART NUMBER	QTY	DESCRIPTION	REV
	1001255283	Ref	DECALS INSTALLATION	B
1	1704039	2	Decal - Crushing Hazard	
2	1704797	1	Decal - Warning Fire Hazard	
3	1705958	1	Decal - Battery Charging Instructions	
4	1705959	1	Decal - Control Box Location	
5	3820001	4	Rivet	
6	1001131273	1	Decal - Patent	
7	1001223971	1	Decal - Yearly Inspection	
8	1001228370	1	Decal - ICES	
9	1001255290	1	Decal - Warning Instruction	
10	1704795	1	Decal - Electrical Hazard	

SECTION 8 - DECALS

FIGURE 8-5. DECALS INSTALLATION - CSA SPECS (FRENCH/ENGLISH LANGUAGES)



ART_1001255288

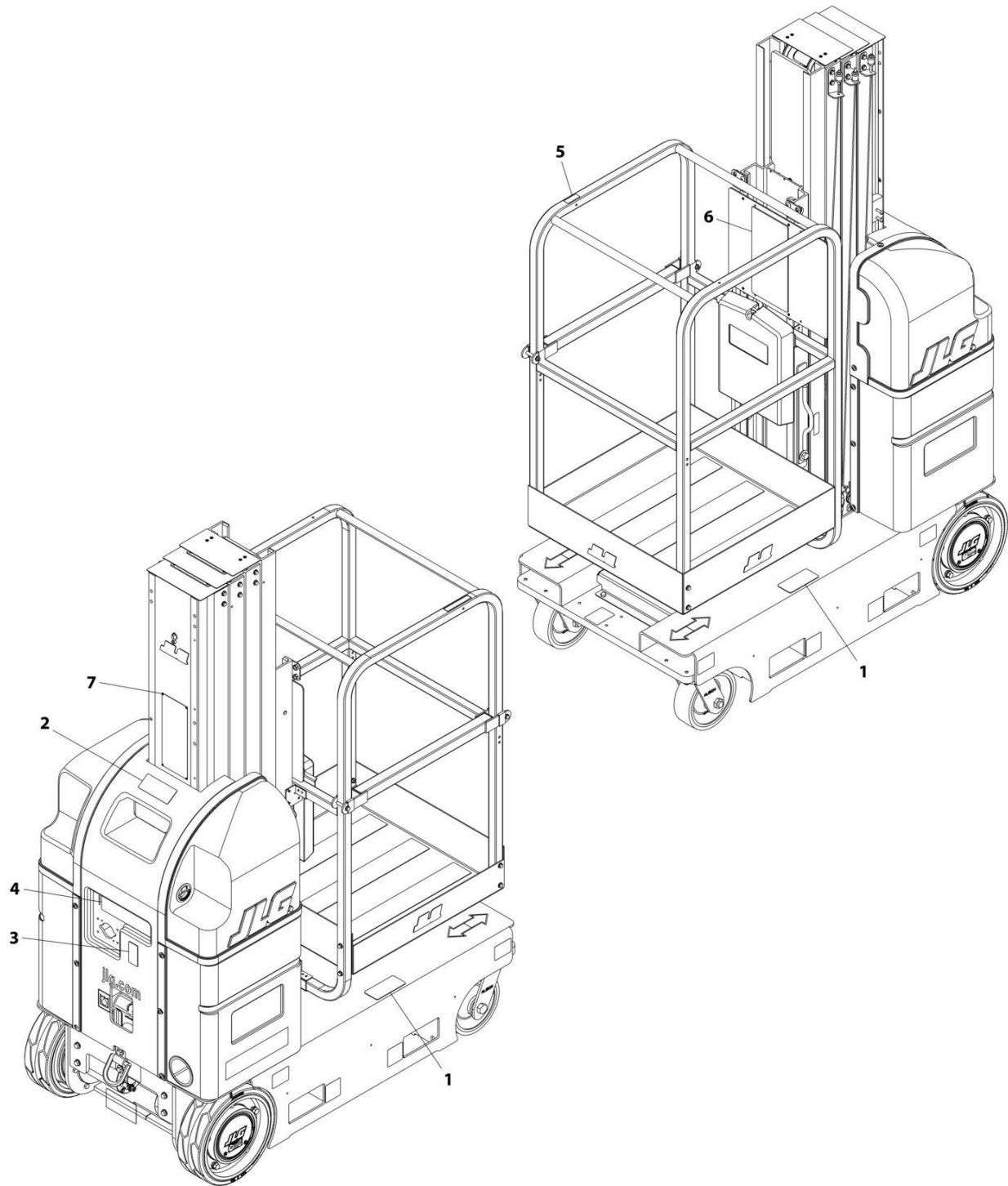
SECTION 8 - DECALS

FIGURE 8-5. DECALS INSTALLATION - CSA SPECS (FRENCH/ENGLISH LANGUAGES)

ITEM	PART NUMBER	QTY	DESCRIPTION	REV
	1001255288	Ref	DECALS INSTALLATION	B
1	1704795	1	Decal - Electrical Hazard	
2	1705958	1	Decal - Battery Charging Instructions	
3	1705959	1	Decal - Control Box Location	
4	3820031	4	Rivet	
5	3820032	4	Rivet	
6	1001131273	1	Decal - Patent Vertical	
7	1001162896	2	Decal - Crushing Hazard	
8	1001162897	1	Decal - Warning Fire Hazard	
9	1001163678	1	Panel, Decal	
10	1001223971	1	Decal - Yearly Inspection	
11	1001228370	1	Decal - ICES	
12	1001255293	1	Decal - Warning Instruction	

SECTION 8 - DECALS

FIGURE 8-6. DECALS INSTALLATION CE, AUSTRALIAN, AND JAPANESE SPECS (ALL LANGUAGES)



ART_1001255284

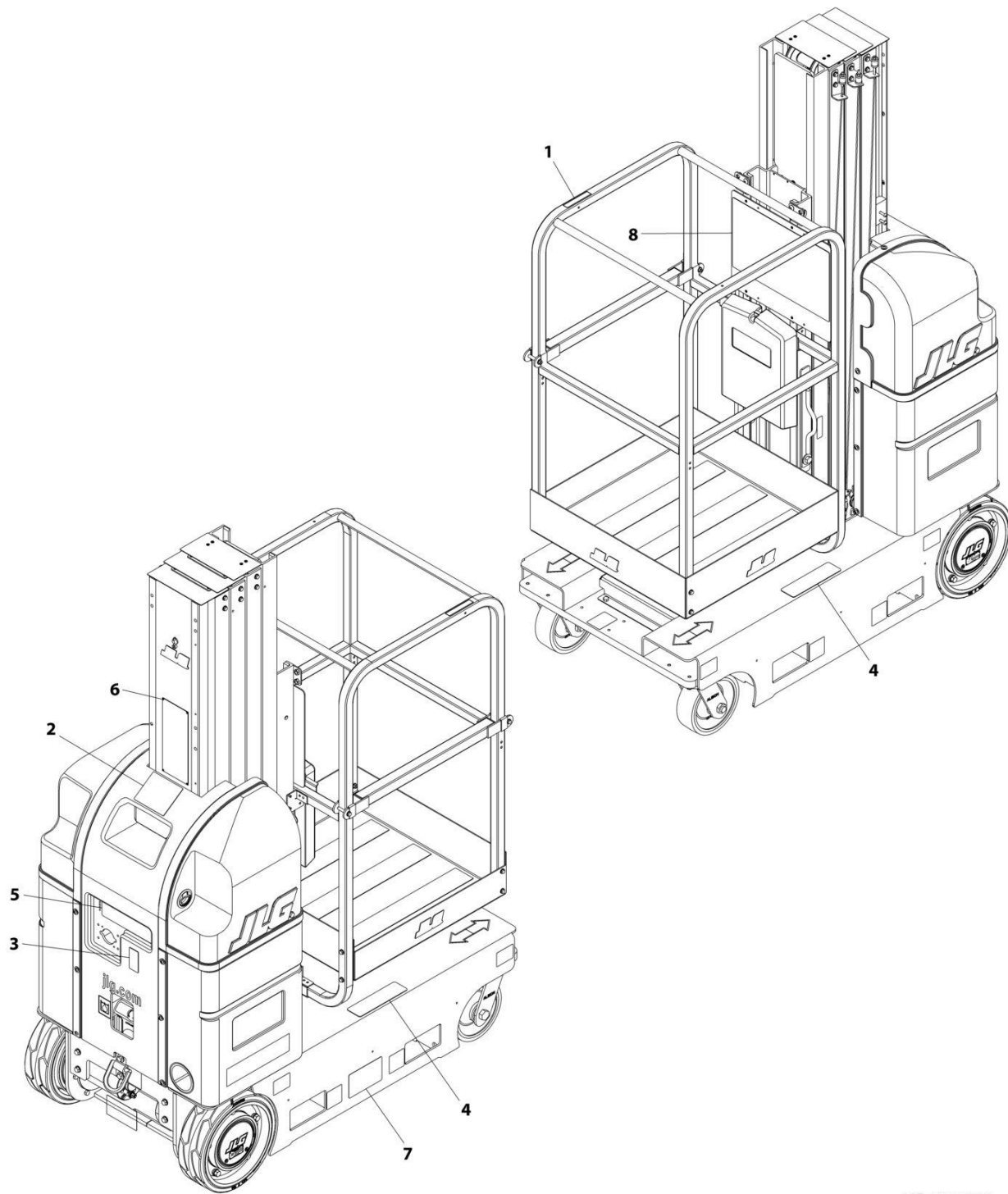
SECTION 8 - DECALS

FIGURE 8-6. DECALS INSTALLATION CE, AUSTRALIAN, AND JAPANESE SPECS (ALL LANGUAGES)

ITEM	PART NUMBER	QTY	DESCRIPTION	REV
	1001255284	Ref	DECALS INSTALLATION	B
1	1705099	2	Decal - Crushing Hazard	
2	1705802	1	Decal - Electrical Hazard	
3	1705803	1	Decal - Warning Fire Hazard	
4	1705958	1	Decal - Battery Charging Instructions	
5	1705959	1	Decal - Control Box Location	
6	1705960	1	Decal - Warning	
7	3820031	4	Rivet	

SECTION 8 - DECALS

FIGURE 8-7. DECALS INSTALLATION - LATIN AMERICA SPECS (SPANISH LANGUAGE)



ART_1001255285

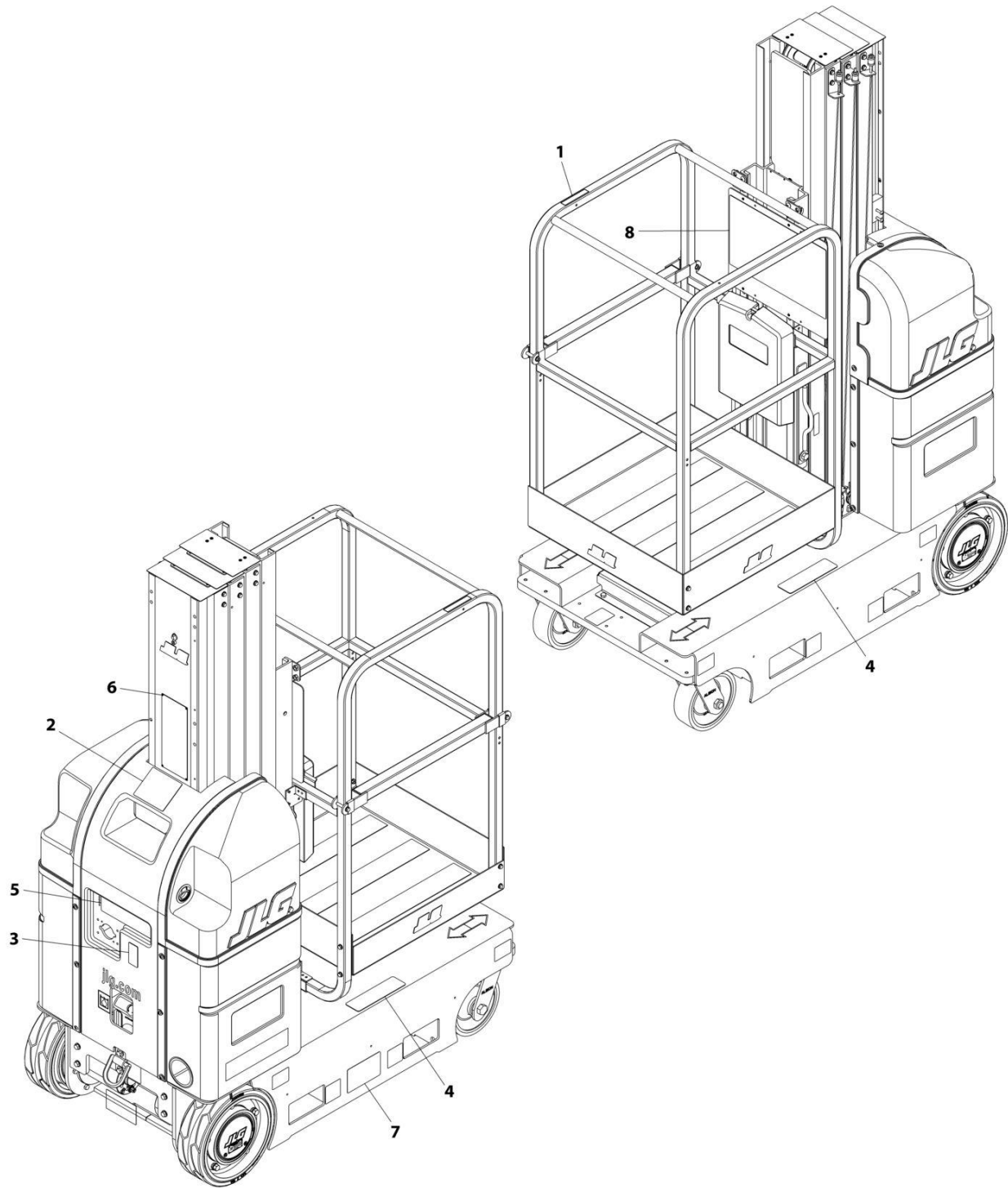
SECTION 8 - DECALS

FIGURE 8-7. DECALS INSTALLATION - LATIN AMERICA SPECS (SPANISH LANGUAGE)

ITEM	PART NUMBER	QTY	DESCRIPTION	REV
	1001255285	Ref	DECALS INSTALLATION	B
1	1703685	1	Decal - Control Box Location	
2	1704029	1	Decal - Electrical Hazard	
3	1704031	1	Decal - Warning Fire Hazard	
4	1704032	2	Decal - Crushing Hazard	
5	1705958	1	Decal - Battery Charging Instructions	
6	3820031	4	Rivet	
7	1001224049	1	Decal - Yearly Inspection	
8	1001255291	1	Decal - Yearly Inspection	

SECTION 8 - DECALS

FIGURE 8-8. DECALS INSTALLATION - BRAZIL SPECS (PORTUGUESE LANGUAGE)



ART_1001255286

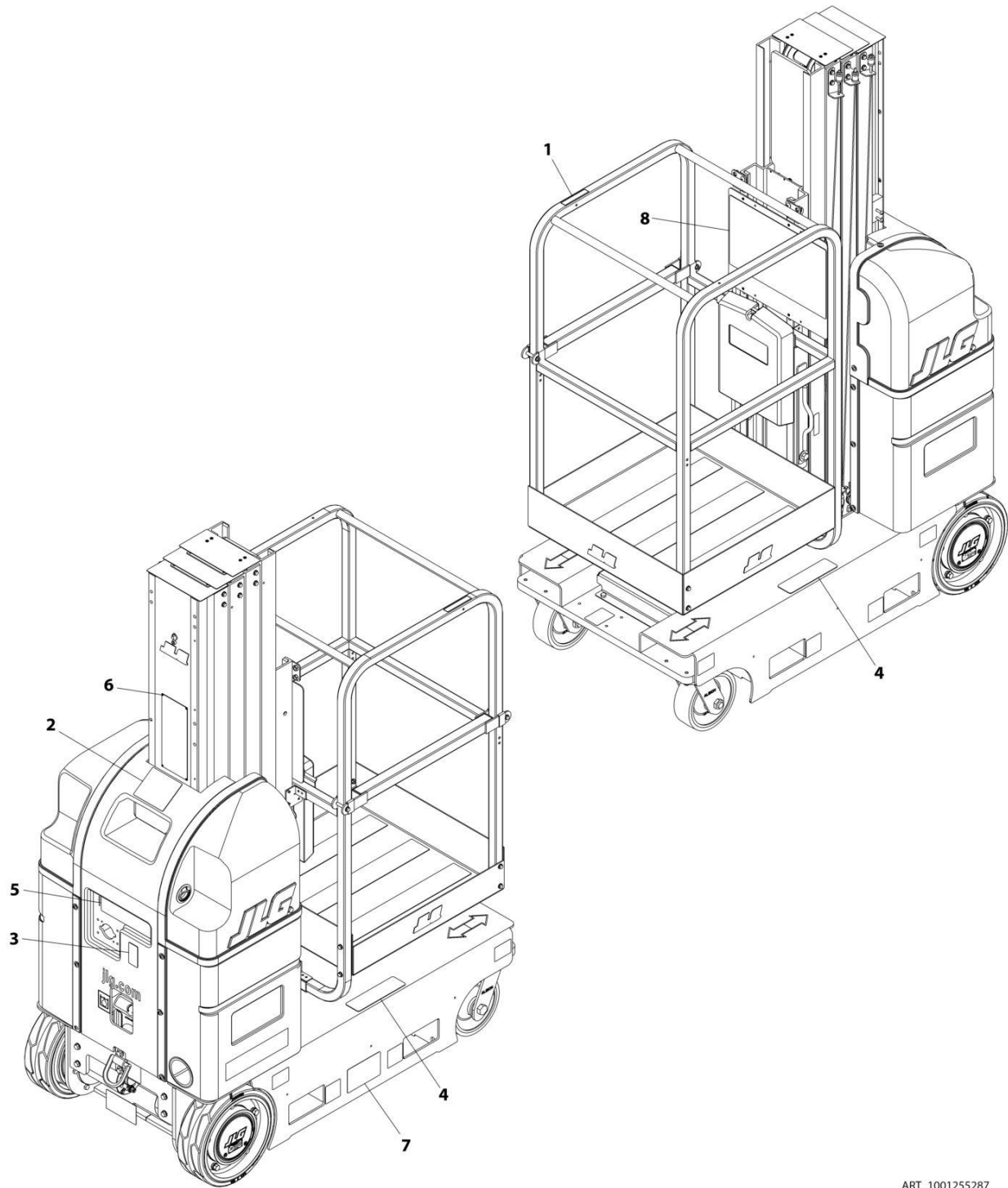
SECTION 8 - DECALS

FIGURE 8-8. DECALS INSTALLATION - BRAZIL SPECS (PORTUGUESE LANGUAGE)

ITEM	PART NUMBER	QTY	DESCRIPTION	REV
	1001255286	Ref	DECALS INSTALLATION	B
1	1703686	1	Decal - Control Box Location	
2	1704021	1	Decal - Electrical Hazard	
3	1704023	1	Decal - Warning Fire Hazard	
4	1704024	2	Decal - Crushing Hazard	
5	1705860	1	Decal - Battery Charging Instructions	
6	3820031	4	Rivet	
7	1001224052	1	Decal - Yearly Inspection	
8	1001255292	1	Decal - Warning Instruction	

SECTION 8 - DECALS

FIGURE 8-9. DECALS INSTALLATION - CHINA SPECS (CHINESE LANGUAGE)



ART_1001255287

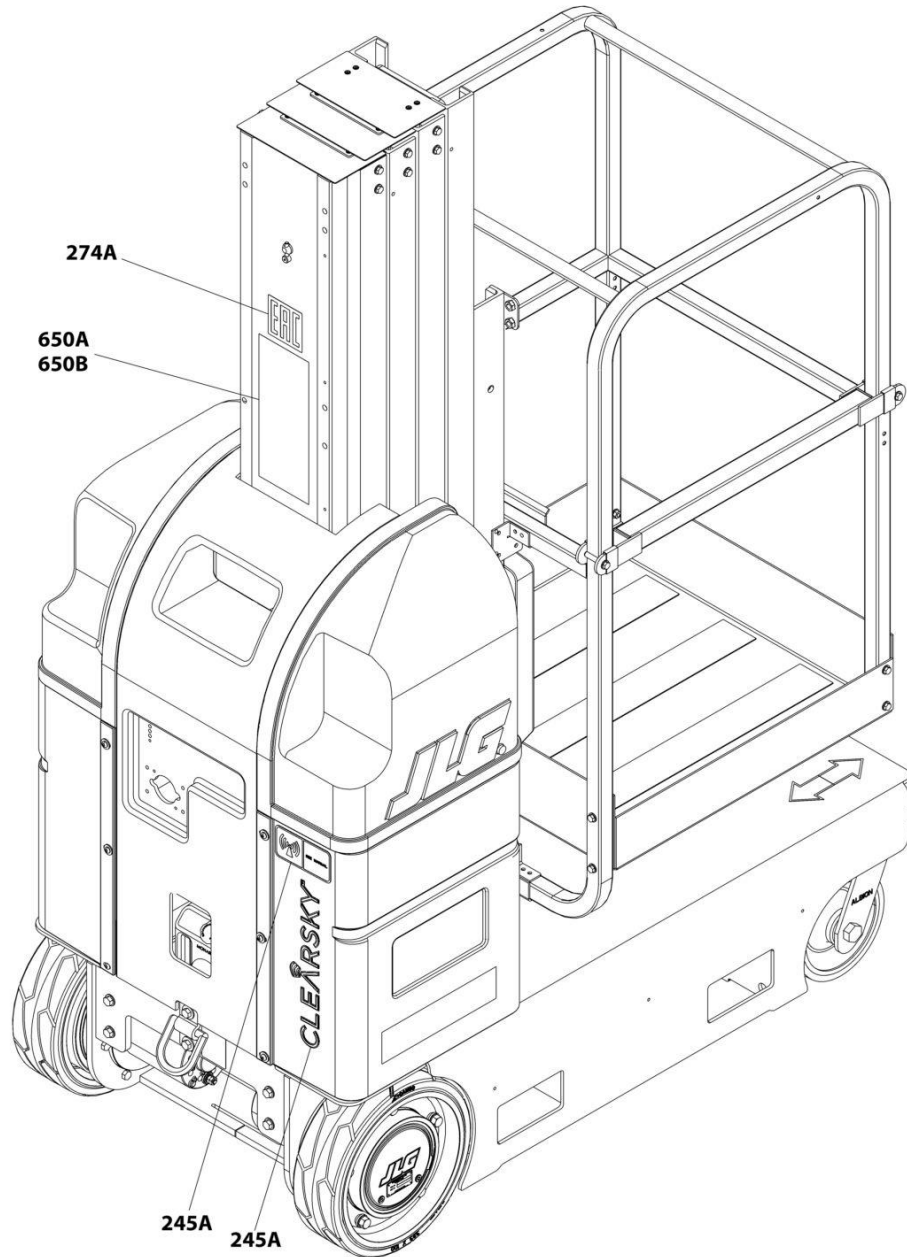
SECTION 8 - DECALS

FIGURE 8-9. DECALS INSTALLATION - CHINA SPECS (CHINESE LANGUAGE)

ITEM	PART NUMBER	QTY	DESCRIPTION	REV
	1001255287	Ref	DECALS INSTALLATION	B
1	1703751	1	Decal - Control Box Location	
2	1704077	1	Decal - Electrical Hazard	
3	1704079	1	Decal - Warning Fire Hazard	
4	1704081	2	Decal - Crushing Hazard	
5	1705862	1	Decal - Battery Charging Instructions	
6	3820031	4	Rivet	
7	1001224051	1	Decal - Yearly Inspection	
8	1001255294	1	Decal - Warning Instruction	

SECTION 8 - DECALS

FIGURE 8-10. DECAL OPTIONS



ART_31215826_DECAL_OPTIONS

SECTION 8 - DECALS

FIGURE 8-10. DECAL OPTIONS

ITEM	PART NUMBER	QTY	DESCRIPTION	REV
		Ref	DECAL OPTIONS	
	1001229712	Ref	CLEARSKY DECALS INSTALLATION (ANSI, CSA, and CE Specs)	A
245A	1001116208	1	Decal - ClearSky	
245A	1001120989	1	Decal - Radio Frequency	
	1001214031	Ref	EAC DECAL INSTALLATION	A
274A	1001173703	1	Decal - EAC (Russian/CIS Specs)	
650A	See Note	NSS	Manufacturer Name Plate (ANSI) (Note: Not Sold Separately)	
650B	See Note	NSS	Manufacturer Name Plate (CE) (Note: Not Sold Separately)	

SECTION 9 - RECOMMENDED SERVICE PARTS STOCK

SECTION 9 - RECOMMENDED SERVICE PARTS STOCK

SECTION 9 - RECOMMENDED SERVICE PARTS STOCK

FIGURE 9-1. RECOMMENDED SERVICE PARTS STOCK

ITEM	PART NUMBER	QTY	DESCRIPTION	REV
		Ref	Note: The following list will service one machine (built to current production per date on the front cover) with emergency repair parts which can be installed in the field. Parts from the list should be replaced when inventory is depleted to keep service parts stock supplied. For further information, contact your JLG dealer or the JLG Industries Parts Department.	
		Ref	STANDARD PARTS	
	70006452	1	Coil	
	3990010	2	Diode	
	7026165	1	Filter	
	2120183	1	Filter, In-Line	
	2400069	2	Fuse	
	8229242	2	Fuse, 5AMP	
	3740069	1	Relay	
	4360581	1	Switch, Drive-Lift Rocker	
	4360562	1	Switch, E-Stop	
	4360567	1	Switch, Horn	
	4360546	1	Switch, Limit	
	4360702	1	Swicth, Limit	
	4360514	1	Switch, Proximity	
		Ref	VARIABLE PARTS	
	1001189171	1	Breaker, 30mAmp (220V Post and Side Ground AC Boxes)	
	1001189172	1	Breaker, Double 16AMP	
	1001181045	1	Breaker, Double 30mAmp/16Amp (220V Keyed and IEC Blue Ground AC Boxes)	
	1001098192	1	Controller	
	1001100142	1	Handle, Gate Latch (1001100778 Platform Assembly)	
	1001100634	1	Spring, Gate Latch (1001100778 Platform Assembly)	
	2940074	1	Latch (0271267, 0271270, 1001255589 & 1001255590 Platform Assemblies)	
	1001226328	1	Module, 3W TCU (ClearSky, ANSI)	
	1001233236	1	Module, 3W TCU (ClearSky, CE)	
	1001254654	1	Module, Ground (ANSI, ANSI Export, CSA, and CE Specs)	
	1001254656	1	Module, Ground (Australian Specs)	
	1001254655	1	Module, Ground (Japanese and China Specs)	
	1600378	1	Module, Platfrom Controller	
	1001231450	1	Module, Traction	
	1001230477	1	Sensor, Load	
	1001102771	1	Sensor, Temperature	
	4360467	1	Switch, Key (All Specs Except Australian)	
	7020174	1	Key (All Specs Except Australian)	

SECTION 10 - SPECIAL OPTIONS/ACCESSORIES/KITS

SECTION 10 - SPECIAL OPTIONS/ACCESSORIES/KITS

SECTION 10 - SPECIAL OPTIONS/ACCESSORIES/KITS

FIGURE 10-1. SPECIAL OPTIONS/ACCESSORIES/KITS

ITEM	PART NUMBER	QTY	DESCRIPTION	REV
		Ref	Note: This list is to accomodate machines ordered with special equipment. Options may not be applicable to all models. For more specific parts information contact JLG Parts Department.	
		Ref	SPECIAL OPTIONS/ACCESSORIES/KITS INSTALLATIONS	
	0271297	Ref	Crane Hook	
		Ref	Container, Shipping Skid Options:	
	1580035	Ref	34 X 58.5 Platform	
	1580037	Ref	34 X 74 Platform	
	1001182796	Ref	35 X 60 Platform, Drive Off	
		Ref	Decal Options:	
	1001177688	Ref	Decal - No Brand	
	2890321	Ref	Kickplate Kit	

SECTION 10 - SPECIAL OPTIONS/ACCESSORIES/KITS

PART NUMBER INDEX

SECTION 10 - SPECIAL OPTIONS/ACCESSORIES/KITS

0060087..... 73	0641407 17, 19, 27, 73, 147	0940106..... 117	1001131273.....183, 185, 187
0060089..... 21	0641408 73, 85, 87, 91, 93, 95, 99	0940107..... 117	1001136381..... 37
0100011.....11, 15, 17, 19, 21, 27, 29, 33, 35, 53, 55, 57, 59, 73, 97, 99, 103, 105, 107, 109, 113, 117, 127, 133, 135, 137, 139, 141, 143, 145	0641410 73	0940108..... 17, 19	1001137026..... 59
0100019.....27, 74, 75, 79, 81, 113	0641412 53, 55	0961892..... 103, 105, 107	1001137484..... 59
0100035..... 33, 35	0641414 89, 91, 97, 99	0962337 109, 113	1001151629..... 57, 59
0100051..... 33, 35	0641415 107	1001091672 29	1001152483..... 151
0120006..... 23	0641416 81, 85, 87, 91, 93, 95, 97, 99, 103, 105, 107, 109, 113, 117	1001091676 29	1001152484..... 137, 139, 151
0140011..... 79, 81	0641418 81, 85, 87, 91, 93, 95, 99	1001093801 29	1001162455..... 139
0140022..... 67	0641508 37, 103, 105, 107	1001093808 25	1001162610..... 137, 139
0140033..... 61, 63, 65	0641606 127	1001093858 27	1001162896..... 187
0255036..... 119	0641607 11, 135, 137, 139, 143	1001096054 147	1001162897..... 187
0258586..... 99	0641609 11, 27, 29	1001096117 147	1001163678..... 187
0271267..... 91	0641614 23, 25	1001096118 133	1001173703..... 197
0271270..... 99	0641616 103, 107, 109, 113	1001096119 141	1001176186..... 97, 100
0271297..... 202	0641618 17, 19, 87, 95, 105	1001096122 135	1001176200..... 137
0271946..... 15	0641620 103, 107, 109, 113	1001096124 143	1001177688..... 202
0271982..... 67	0641622 79, 81, 105	1001096125 145	1001178278..... 33
0272329..... 69	0641628 79, 81, 103, 105, 107, 109, 113	1001096421 135, 143	1001181045..... 149, 200
0273144..... 79, 81	0641629 11, 27, 29	1001096449 147	1001182796..... 202
0274342..... 85	0641614 23, 25	1001096612 135, 143, 149	1001187862..... 15
0274343..... 93	0641616 103, 107, 109, 113	1001096767 133, 165	1001189171..... 151, 200
0274607..... 89, 97	0641628 79, 81, 103, 105, 107, 109, 113	1001096871 39	1001189172..... 151, 200
0274866..... 11	0641812 73	1001096872 43	1001192401..... 161
0274869..... 27	0681812 73	1001096873 45	1001196953..... 87
0274873..... 127	0720805 97, 99	1001096874 47	1001196954..... 95
0274876..... 37	0721004 109, 113	1001096876 41	1001196955..... 87, 95
0274891..... 23	0721006 91, 99, 135, 137, 139, 143	1001096876 41	1001197889..... 161
0274941..... 73	0721008 109, 113	1001096898 49	1001212654..... 163
0275003..... 21	0741006 33, 35, 73	1001096899 51	1001212655..... 163
0275217..... 143, 173	0741006 127	1001097150 149, 151	1001212656..... 163
0275366..... 19, 117	0741605 127	1001097426 41, 43, 45, 47	1001212657..... 163
0275452..... 137, 169	0741606 73	1001097982 11	1001212660..... 163
0275453..... 139, 171	0791404 57, 59	1001098192 ... 57, 59, 200	1001212661..... 163
0275454..... 135, 167	0791610 79, 81	1001099638 89, 91, 97, 100, 110, 114	1001214031..... 197
0362735..... 73	0801543 27, 29, 73	1001100141 107	1001223055..... 183
0362736..... 73	0811408 23, 25	1001100142 107, 200	1001223971..... 185, 187
0440246..... 74	0860520 85, 87, 91, 93, 95, 99, 103, 105, 107, 109, 113	1001100149 25	1001224049..... 191
0440248..... 74	0860947 119	1001100342 173	1001224051..... 195
0440249..... 74	0861731 141, 145, 165, 167, 169, 171	1001100345 169	1001224052..... 193
0440263..... 21	0861781 173	1001100346 167	1001225206..... 73, 123
0440268..... 79, 81	0861880 149	1001100347 171	1001226328..... 153, 200
0561149..... 75	0902047 73	1001100634 107, 200	1001226400..... 175
0561308..... 74	0902079 119	1001100778 107	1001227066..... 153, 155, 175
0561309..... 75	0902422 73	1001100779 107	1001227068..... 175
0561336..... 74	0902423 74	1001100780 107	1001227266..... 175
0561337..... 75	0902424 73	1001100816 107	1001228370..... 183, 185, 187
0561341..... 73	0902431 73	1001101478 105	1001228804..... 77
0561408..... 75	0902445 73	1001101479 105	1001228806..... 77
0610131..... 37	0902698 73	1001101529 107	1001228817..... 77
0630440..... 147	0902775 73	1001102559 17	1001229107..... 153
0630457..... 107	0902836 23, 25	1001102771 161, 200	1001229433..... 74
0630464..... 57, 59	0903205 57, 59	1001103423 37	1001229525..... 74
0630572..... 113	0903374 37	1001107805 33, 35	1001229526..... 74
0630580..... 11	0940049 109, 113	1001107829 33, 35	1001229712..... 197
0641404..... 37, 61, 63, 65, 67	0940083 103, 105, 107	1001110511 21	1001230476..... 79, 81
0641405..... 23, 25	0940105 17, 19	1001110873 141, 165	1001230477 ... 79, 81, 200
0641406..... 21, 29, 73		1001112112 35	1001230530..... 79
		1001113987 33, 35	1001230531..... 81
		1001114467 11	1001231450.... 61, 63, 65, 200
		1001116208 197	1001231801..... 183
		1001118156 161	1001233007..... 74
		1001119032 37	
		1001120989 197	
		1001129407 175	

SECTION 10 - SPECIAL OPTIONS/ACCESSORIES/KITS

100123316074	1260336 74	1705862..... 195	133, 135, 137, 139,
1001233236 155, 200	126036873, 74	1705958.....185, 187, 189,	141, 143, 145
1001233237 155	126037073, 75	191	3311005 57, 59, 91, 97,
100123514673	126037173, 75	1705959.....185, 187, 189	99
1001254544 57, 59	1271488 73	1705960..... 189	331105569
1001254614 57, 59	1271489 73	1706007..... 57, 59	3311401 21, 53, 55, 73,
1001254615 ... 53, 55, 163	1271493 73	1706493.....89, 97	79, 81, 103, 105, 107,
1001254654 61, 200	1271620 73	1706746..... 179	109, 113, 117
1001254655 63, 200	1271621 73	1706747..... 181	3311405 21, 23, 25, 37,
1001254656 65, 200	132004153, 55	1706764.....179, 181	53, 55, 85, 87, 89, 91,
100125473961	132014953, 55	2020005..... 97, 99	93, 95, 97, 99, 147
100125474063	1320318 135, 137, 139,	2080040.....103, 105, 107,	331150133
100125474165	143	109, 113	3311502109, 113
1001254987 53, 57	1380132 53, 55, 97, 99	2080043.....103, 105, 107	3311505 37, 89, 91, 97,
1001254988 55, 59	156001989, 97	2110606..... 127	99
1001254989 57, 59	1580019 103	2120183..... 127, 200	3311601 27, 29, 73, 79,
1001255282 183	1580035202	2150606..... 127	81
1001255283185	1580037202	2221123..... 127	3311605 11, 23, 25, 79,
1001255284189	1580051105, 107	2360754..... 11	81, 87, 95, 103, 105,
1001255285191	1600378 57, 59, 200	2400044.....33, 35	107, 109, 113, 135,
1001255286193	167125623	2400060..... 161	137, 139, 143
1001255287195	1671257 11	2400069.....33, 35, 200	331160879, 81
1001255288187	167128323, 25	2410016..... 89	3311801 73, 79, 81
1001255289183	167128923, 25	2410017..... 97	334082997, 99
1001255290185	167129023, 25	2410018..... 89	334084573
1001255291191	167129123, 25	2410019..... 97	3340977 103, 105, 107
1001255292193	1701504179, 181	2410024..... 103, 105	3380466 85, 87, 91, 93,
1001255293187	1701509179, 181	250199..... 161	95, 99, 103, 105, 107,
1001255294195	1702365119	250200.....57, 59	109, 113
1001255331 ... 53, 55, 157	1703072179, 181	2560088..... 97, 99	338054057, 59
100125533253	1703681 89, 91, 97, 99,	2600225.....89, 91, 97, 99	3421453 119
100125533355	103, 105, 107, 109,	2600294.....103, 105, 107	342233874, 75
1001255334 ... 33, 35, 161	113, 179, 181	2700098.....103, 105, 107	3422346 75
1001255483 79, 81	1703684 183	2754652..... 127	3422355 75
1001255501 33	1703685 191	2754653..... 127	3422657 53, 55, 85, 91,
1001255502 35	1703686 193	2880310..... 73	93, 99
1001255570 89, 91, 97,	1703687179, 181	2890321..... 202	3422717 73
100	1703751 195	2920026..... 79, 81	3422720 74
1001255576103	1703781 183	2920094.....79, 81	3422722 75
1001255577103	1703785 183	2940074 91, 99, 109, 113,	3422744109, 113
1001255586 110, 114	1703786 183	200	3422750 73
1001255587113	1703814 179, 181	2940141 69	3422752 73
1001255588109	1703817179, 181	3010146..... 21	3422757 73
1001255589113	1704021193	3010147..... 21	3422866109, 113
1001255590109	1704023193	3010153..... 21	342318921
1001255676 57, 59	1704024193	3010155..... 21	342323121
100125801615	1704029191	3010156..... 21	3450202 75
1001258494 179, 181	1704031191	3020038.....33, 35	3450304 75
1001258496179	1704032191	3020041..... 73	3510873 85, 87, 89
1001258497181	1704039185	3080005..... 109, 113	3510874 93, 95, 97
1001262960 153, 155	1704077195	3160323..... 11, 13	3510897 103, 105, 107
1001262963 153, 155	1704079195	3251813..... 183	351090491
100126774291	1704081195	3252760....135, 137, 139,	351090591
100126792289	1704277 73, 103, 109,	141, 143, 145	3520028 103, 105, 107
1001268194 97, 99	113	3252761..... 133	352003097, 99
1060380 33, 35, 57, 59,	1704366109, 113	3271805..... 73	3520033 15
85, 91, 93, 99, 119	1704469109, 113	3290401..... 15	3520072 79, 81, 91, 99,
1060908 149, 151	1704795185, 187	3300151..... 107	103, 105, 107, 109, 113
106092073	1704797185	3300356.....89, 91, 97	352016989, 97
106093935	1705016179, 181	3300381..... 107	3520176109, 113
1060940 33, 35	1705099189	3300391..... 119	353981473
1060941 33, 35	1705624105, 107	3300475..... 79, 81	357027497, 99
1060942 33, 35	170575679, 81	3310601..... 57, 59	357065397, 100
1060943 33, 35	1705802189	3310801.....33, 35	357065497, 100
1060944 33, 35	1705803189	3310805.....97, 99	357089373
126029875	1705834183	3311001....39, 41, 43, 45,	3571101 75
126033575	1705860193	47, 49, 51, 109, 113,	3571103 75

SECTION 10 - SPECIAL OPTIONS/ACCESSORIES/KITS

3571552.....	109, 113	4060961	74	4460566.....	41, 43, 45, 47	4761000	33, 35, 39, 41,
3571734.....	127	4061034	74	4460633.....	143, 157	43, 45, 47, 49, 51, 74,	109, 113, 135, 137,
3572511.....	33, 35	4061060	79, 81	4460648.....	37, 161	139, 143	
3573353.....	109, 113	4070860	74	4460661.....	161	4761400	74
3574608.....	103, 105, 107	4070861	74	4460662.....	133, 135, 137,	4761500	33
3580269.....	73	4070862	74	139, 141, 145		4811400	15
3580286.....	73	4070970	74	4460667.....	161	4811600	53, 55
3580291.....	74	4070971	74	4460672.....	161	4845345	74
3580293.....	74	4070988	74	4460702.....	161	4845614	97, 99
3580344.....	53, 55	4070989	74	4460738.....	33, 35	4845657	97, 100
3600463.....	127, 129	4070990	74	4460778.....	33, 35	4845809	89
3641542.....	103, 105, 107	4071032	53, 55	4460802.....	39, 49, 51	4845810	97, 99
3641663.....	91	4071058	33, 35	4460803.....	39	4845811	97, 99
3740069.....	161, 200	4071077	11	4460884.....	161	4845812	99
3760170.....	119	4071078	11	4460894.....	37	4845813	91
3760348.....	21	4071095	103, 105, 107	4460897.....	33, 35	4846021	85, 91, 93, 99
3760365.....	11	4160124	74	4460899.....	37	4846324	109, 113
3760383.....	74	4160130	53, 55	4460919.....	161	4846325	109, 113
3760448.....	109, 113	4160160	21	4460920.....	161	4846521	109, 113
3820001.....	183, 185	4160165	91, 99	4460940.....	49	4846522	109, 114
3820012.....	89, 91, 97, 100	4160205	79, 81	4460956.....	149	4846536	109, 114
3820020.....	33, 35, 53, 55	4160222	21	4460957.....	149	4892600	74
3820024.....	85, 87, 91, 93,	4160223	21	4461023.....	57, 59, 157	4922560	33, 35
95, 99, 103, 105, 107,		4220285	21	4461108.....	33, 35	4922671	33, 35
109, 113		4220309	103, 105	4461199.....	41, 173	4922924	79, 81, 159
3820031.....	187, 189, 191,	4240032	153, 155	4461201.....	173	4923106	57, 59
193, 195		4240147	11	4461205.43, 45, 169, 171		4923107	57, 59
3820032.....	79, 81, 85, 87,	4240177	33, 35	4461244.....	169	4923108	57
91, 93, 95, 99, 103,		4280296	97, 100, 109,	4461245.....	171	4923383	33, 35
105, 107, 109, 113, 187		113, 119		4461246.....	167	70000191	13
3841724.....	21	4300111	75	4461249.....	47, 167	70000210	13
3900032.....	89, 91, 97, 99	4300129	75	4567489.....	74	70000211	13
3900187.....	74	4360467	57, 200	4567492.....	74	70000212	13
3900189.....	57, 59	4360514	33, 35, 200	4567749.....	74	70000213	13
3900190.....	103, 105, 107	4360546	159, 200	4567750.....	74	70000214	13
3900192.....	74	4360562	57, 59, 200	4567751.....	74	70000215	13
3900200.....	97, 99	4360567	57, 59, 200	4569238.....	21	70000216	123
3900204.....	119	4360581	57, 59, 200	4569336.....	21	70000217	123
3900205....	33, 35, 74, 133,	4360702	161, 200	4711000.....	133, 135, 137,	70000218	123
135, 137, 139, 141,		4420051	97, 100, 103,	139, 141, 143, 145		70000935	13
143, 145		181		4711400.....	17, 19, 29, 37,	70001019	129
3900251.....	97, 100	4460016	159	53, 55, 61, 63, 65, 67,		70001020	129
3900252.....	97, 99	4460019	161	74, 85, 87, 89, 91, 93,		70001021	129
3900258.....	23, 25, 89, 91,	4460035	161	95, 97, 99, 107, 117		70001022	129
97, 99		4460043	161	4711500.....	37, 74, 97, 99	70001023	129
3900270.....	109, 113	4460125	141	4711600.....	11, 23, 25, 27,	70001024	129
3900283.....	74, 77	4460183	57, 59, 159	29, 77, 87, 89, 91, 95,		70001025	129
3900325.....	33, 35	4460205	141	97, 99, 103, 105, 107,		70001026	129
3900346.....	79, 81	4460226	37, 157, 159	109, 113		70001027	129
3900347.....	79, 81	4460227	37	4711800.....	74, 109, 113	70001028	129
3900373.....	53, 55	4460259	57, 59, 161	4740007.....	74	70001798	57, 59
3910608.....	57, 59	4460260	57, 59, 161	4740414.....	74	70001799	57, 59
3910804.....	57	4460267	37, 157, 159	4740529.....	79, 81	70002215	129
3911010.....	69	4460268	161	4740530.....	79, 81	70003612	129
3911016.....	39, 41, 43, 45,	4460294	161	4750800.....	33, 35, 74, 97,	70003613	129
47, 49, 51, 61, 63, 65		4460313	161	99		70006450	123
3911020.....	61, 63, 65	4460320	157, 159, 161	4751000.....	49, 53, 55, 61,	70006451	123
3911024.....	79, 81	4460321	37	63, 65, 69, 91, 97, 99,		70006452	123, 200
3911436.....	33, 35	4460326	157, 159	109, 113		70006453	123
3930824.....	33, 35	4460346	165	4751200.....	53, 55	7020174	57, 200
3931016.....	53, 55	4460424	37, 157, 159,	4751400....	23, 25, 27, 109,	7023391	123
3931412.....	21	161		113, 147		7023392	123
3990010.....	161, 200	4460445	159, 161	4751500....	53, 55, 75, 103,	7023394	123
4010412.....	15	4460464 ...	33, 35, 37, 175	105, 107		7023395	123
4031509.....	15	4460465	37, 161	4751600.....	11, 17, 19, 79,	7023498	157
4060803....	89, 91, 97, 100	4460466	37	81, 127		7024300	157
4060960.....	74	4460549	165	4751800.....	74		

SECTION 10 - SPECIAL OPTIONS/ACCESSORIES/KITS

7024302	157	7024748	13	7026165.....	129, 200	8229242	161, 200
7024407	123	7024756	13	7026330.....	129		
7024747	13	7024758	13	7026335.....	129		



An Oshkosh Corporation Company

Corporate Office
JLG Industries, Inc.
1 JLG Drive
McConnellsburg, PA 17233-9533 USA
☎ (717) 485-5161 (Corporate)
☎ (877) 554-5438 (Customer Support)
📠 (717) 485-6417

Visit our website for JLG Worldwide Locations.
www.jlg.com