



---

# Illustrated Parts Manual

## *Models 1230ES*

PVC  
2108

P/N  
31219112

February 13, 2023 - Rev C

**ANSI**

**CE**



**UK  
CA**

**AS/NZS**



An Oshkosh Corporation Company



## REVISION LOG

### NOTES:

NOTE: Country of Manufacture - The 1230ES Scissor Lifts are manufactured by JLG Industries in the following countries: USA, France and Mexico. Refer to the Serial Number Tag to identify the country of manufacture. Machines manufactured in the USA will have a serial number prefix of 02 (i.e. 02XXXXXXXX) or 013 (i.e. 013XXXXXXXX), machines manufactured in France will have a prefix of A2 (i.e. A2XXXXXXXX) and machines manufactured in Mexico will have a prefix of M13 (i.e. M13XXXXXXXX).

NOTE: Production in France starts August 2006 & ends February 2010 with SN A200009897. Production in Mexico starts March 2016 with SN M130000235. Production in USA switched from SN 02 prefix to SN 13 prefix in July 2015.

### REVISION LOG:

August 1, 2021 - A - Original Issue of Manual (Edited to B/M 1001250314 D)

August 1, 2022 - B - Revised Manual (Edited to B/M 1001250314 E)

February 13, 2023 - C - Revised Manual (Edited to B/M 1001250314 E)

# GENERAL INFORMATION



## 1) MACHINE IDENTIFICATION

Machines are identified by model and in some cases a combination of models, serial number (SN) or regional standard (i.e ANSI, CE, CSA). Components may also be identified by SN or manufacturer. Common components that may be identified by these characteristics are engines and hydraulic components.

## 2) PARTS MANUAL ORGANIZATION

Product information in this manual is organized under section titles. Frame, Cylinder, Hydraulic and Electrical are a few examples. Each section is organized by figure and page number. The information within the Figure is then organized by item number, part number, description and corresponding illustration (s).

## 3) TABLE OF CONTENTS (NOT SHOWN)

A table of contents is found toward the beginning of the manual. Figure number, description and page number are provided for quick reference to the page containing the related information.

## 4) RECOMMENDED SPARE PARTS (NOT SHOWN)

The Recommended Spare Parts List, located near the end of the manual, reference most frequently used maintenance parts.

## 5) PART NUMBER INDEX (NOT SHOWN)

A numerical index listing all part numbers and the corresponding page number(s) appears at the back of the manual.



## GENERAL INFORMATION

### 6) NON-SERVICED PARTS

In some instances, it is necessary to display non-serviced parts, assemblies or installations. In the case of assemblies and installations there will be a Ref in the Qty. column. In case of parts that are not available for service within assemblies or components, there will be a NSS (Not Sold Separately) or NLA (No Longer Available) listed in the Qty. column of the manual.

### 7) PARTS LIST ITEM NUMBERS

Numbers shown in the item# column correspond to numbers used in the associated illustration (s). Item numbers which are missing from the sequence in the parts list are not used on that page.

### 8) INDENTED PARTS DESCRIPTION

An indented part description is included in the item under which it is indented.

### 9) ABBREVIATION AND SYMBOLS

AC.....	Alternating Current	L.....	Liter
ADE.....	Advanced Design Electronics	LB(LBS).....	Pounds
AG.....	Agricultural	LCD.....	Liquid Crystal Display
ANSI.....	American National Standards Institute	LED.....	Light Emitting Diodes
AR.....	As Required	LH.....	Left Hand
ASSY.....	Assembly	LRC.....	Low Rated Countries
AUS.....	Australia	LSS.....	Load Sensing System
AUX.....	Auxiliary	M(m).....	Metric/Meter
AWG.....	American Wire Gauge	MM(mm).....	Milimeter
B/M.....	Bill of Material	mA.....	Miliamps
CAC.....	Charge Air Cooler	NLA.....	No Longer Available
CE.....	European Conformity	NPT.....	National Pipe Threads
CCW.....	Counter Clockwise	NSS.....	Not Sold Separately
CM.....	Centimeter	OD.....	Outside Diameter
CW.....	Clockwise	ORB.....	O-Ring Boss
CSA.....	Canadian Standards Association	ORFS.....	O-Ring Face Seal
CYL.....	Cylinder	OZ (oz).....	Ounces
DIA.....	Diameter	PG.....	Page
DC.....	Direct Current	PN.....	Part Number
DEF.....	Diesel Exhaust Fluid	QT(qt.).....	Quarts
EMS.....	Emergency Stop	QTY.....	Quantity
ENG.....	Engine	REF.....	Reference
FT(ft).....	Feet	REV.....	Revision Level
GA(Ga).....	Gauge	RH.....	Right Hand
HRC.....	High Rated Countries	SAE.....	Society of Automotive Engineers
HVAC.....	Heating, Ventilating, and Air Conditioning	SN.....	Serial Number
HYD.....	Hydraulic	SPEC(S).....	Specifications
Hz.....	Hertz	T/T.....	Turntable
ID.....	Inside Diameter	UGM.....	Universal Ground Module
IN.....	inches	V.....	Volts
ISO.....	International Organization for Standards	W.....	Watts
JIC.....	Joint Industry Council	#.....	Number
KG.....	Kilogram		

### 10) ILLUSTRATION REFERENCE LETTERS

When necessary, illustrations may contain reference letters that are intended to track information (i. e. hoses, harnesses) from one point to another or to track visual enlargement of components to show details that may be located in another area on the illustration.

*Note: Due to continuous product improvements, JLG Industries, Inc. reserves the right to make specification changes without prior notification. Contact JLG Industries, Inc. for updated information.*



# TABLE OF CONTENTS

SECTION 1 - FRAME.....	11
FIGURE 1-1. STEERING.....	12
FIGURE 1-2. DRIVE INSTALLATION - SOLIDEAL TIRES .....	14
FIGURE 1-3. DRIVE INSTALLATION - EXMILE TIRES.....	16
FIGURE 1-4. HUB ASSEMBLY .....	18
FIGURE 1-5. WHEEL DRIVE ASSEMBLY .....	20
FIGURE 1-6. BEACON LIGHT INSTALLATION.....	24
FIGURE 1-7. BATTERY INSTALLATION - GC TYPE BATTERIES .....	26
FIGURE 1-8. BATTERY INSTALLATION - AGM TYPE BATTERIES.....	28
FIGURE 1-9. FRAME COVERS INSTALLATION (ALL SPECS EXCEPT AUSTRALIAN) .....	30
FIGURE 1-10. FRAME COVERS INSTALLATION (AUSTRALIAN SPECS).....	32
FIGURE 1-11. POTHOLE PROTECTION (ALL SPECS EXCEPT AUSTRALIAN).....	34
FIGURE 1-12. POTHOLE PROTECTION (AUSTRALIAN SPECS).....	36
SECTION 2 - GROUND COMPONENTS.....	39
FIGURE 2-1. ELECTRICAL COMPONENTS INSTALLATION.....	40
FIGURE 2-2. GROUND CONTROL BOX ASSEMBLY.....	42
FIGURE 2-3. BATTERY CHARGER INSTALLATION (ALL SPECS) .....	44
FIGURE 2-4. BATTERY CHARGER INSTALLATION (ANSI AND CSA SPECS) .....	46
FIGURE 2-5. CHARGER CORD PLUG - 220V CEE7 POST GROUND (CE & UK CA SPECS).....	48
FIGURE 2-6. CHARGER CORD PLUG - 220V CEE7 SIDE GROUND (ANSI EXPORT, CE, KOREA & UK CA SPECS).....	50
FIGURE 2-7. CHARGER CORD PLUG - 220V AFSINT 107 KEYED GROUND (CE & UK CA SPECS).....	52
FIGURE 2-8. CHARGER CORD PLUG INSTALLATION - 110V IEC YELLOW (CE & UK CA SPECS) .....	54
FIGURE 2-9. CHARGER CORD PLUG INSTALLATION - 220V IEC BLUE (CE & UK CA SPECS).....	56
FIGURE 2-10. PROGRAMMABLE SECURITY LOCK.....	58
SECTION 3 - MAST .....	61
FIGURE 3-1. MAST INSTALLATION (ANSI, ANSI EXPORT, AND CSA SPECS).....	62
FIGURE 3-2. MAST SUB-ASSEMBLY (ANSI, ANSI EXPORT, AND CSA SPECS).....	64
FIGURE 3-3. MAST INSTALLATION (ANSI EXPORT, JAPANESE, AND KOREA SPECS) .....	66
FIGURE 3-4. MAST SUB-ASSEMBLY (ANSI EXPORT, JAPANESE, AND KOREA SPECS).....	68
FIGURE 3-5. MAST INSTALLATION (CE & UK CA SPECS).....	70
FIGURE 3-6. MAST INSTALLATION (AUSTRALIAN SPECS).....	72
FIGURE 3-7. MAST SUB-ASSEMBLY (CE & UK CA SPECS) .....	74
FIGURE 3-8. MAST ASSEMBLY.....	76
FIGURE 3-9. POWER TRACK ASSEMBLY .....	78
SECTION 4 - PLATFORM.....	81
FIGURE 4-1. PLATFORM INSTALLATION (ANSI, ANSI EXPORT, AND CSA SPECS) .....	82
FIGURE 4-2. PLATFORM PANEL & MANUAL BOX INSTALLATION (ANSI, ANSI EXPORT, AND CSA SPECS).....	84
FIGURE 4-3. PLATFORM INSTALLATION (ANSI EXPORT, JAPANESE, AND KOREA SPECS).....	86
FIGURE 4-4. PLATFORM F/S PANEL & MANUAL BOX INSTALLATION (ANSI EXPORT, JAPANESE, AND KOREA SPECS) .....	88
FIGURE 4-5. PLATFORM INSTALLATION (CE & UK CA SPECS) .....	90
FIGURE 4-6. PLATFORM INSTALLATION (AUSTRALIAN SPECS) .....	92
FIGURE 4-7. PLATFORM WITHOUT PANEL OR MANUAL BOX INSTALLATION (CE & UK CA SPECS) .....	94

# TABLE OF CONTENTS

FIGURE 4-8. PLATFORM CONTROL BOX INSTALLATION.....	96
FIGURE 4-9. PLATFORM CONTROL BOX INSTALLATION - WITH EXTENSION CABLE .....	98
FIGURE 4-10. DRIVE/STEER CONTROLLER .....	100
FIGURE 4-11. FOOTSWITCH INSTALLATION .....	102
FIGURE 4-12. KICK PLATE INSTALLATION .....	104
FIGURE 4-13. PLATFORM CONTROL BOX COVER INSTALLATION .....	106
SECTION 5 - CYLINDER.....	109
FIGURE 5-1. LIFT CYLINDER ASSEMBLY .....	110
FIGURE 5-2. STEER CYLINDER ASSEMBLY .....	112
SECTION 6 - HYDRAULIC .....	115
FIGURE 6-1. HYDRAULIC INSTALLATION (CONCENTRIC) .....	116
FIGURE 6-2. HYDRAULIC INSTALLATION (REXROTH).....	118
FIGURE 6-3. HYDRAULIC ASSEMBLY (CONCENTRIC) .....	120
FIGURE 6-4. HYDRAULIC ASSEMBLY (REXROTH).....	122
SECTION 7 - ELECTRICAL.....	125
FIGURE 7-1. AC PLUG & SOCKET INSTALLATION - 220V CEE7 POST GROUND (CE & UK CA SPECS) .....	126
FIGURE 7-2. AC PLUG & SOCKET INSTALLATION - 220V CEE7 SIDE GROUND (CE & UK CA SPECS).....	128
FIGURE 7-3. AC PLUG & SOCKET INSTALLATION - 220V CEE7 KEYED GROUND (CE & UK CA SPECS).....	130
FIGURE 7-4. AC PLUG & SOCKET INSTALLATION - 220V IEC YELLOW (CE & UK CA SPECS) .....	132
FIGURE 7-5. AC PLUG & SOCKET INSTALLATION - 220V IEC BLUE (CE & UK CA SPECS).....	134
FIGURE 7-6. AC PLUG & SOCKET INSTALLATION - 220V CEE7 POST GROUND (CE & UK CA SPECS) .....	136
FIGURE 7-7. AC PLUG & SOCKET INSTALLATION - 220V CEE7 SIDE GROUND (CE & UK CA SPECS).....	138
FIGURE 7-8. ACCESSORY CHARGER POWER INSTALLATION - 110V (CE & UK CA SPECS) .....	140
FIGURE 7-9. ACCESSORY CHARGER POWER INSTALLATION - 220V CUSTOMER SUPPLIED PLUG (ANSI EXPORT, AUSTRALIAN, CE, KOREA & UK CA SPECS).....	142
FIGURE 7-10. BATTERY CABLES .....	144
FIGURE 7-11. BREAKER BOX KIT WITH 1 DOUBLE BREAKER .....	146
FIGURE 7-12. BREAKER BOX KIT WITH 3 BREAKERS.....	148
FIGURE 7-13. CHASSIS HARNESS.....	150
FIGURE 7-14. DRIVE CABLE .....	152
FIGURE 7-15. GROUND CONTROL BOX HARNESS .....	154
FIGURE 7-16. INVERTER INSTALLATION (ANSI AND CSA SPECS) .....	156
FIGURE 7-17. PLATFORM CONTROL BOX HARNESS .....	158
FIGURE 7-18. PLATFORM CONTROL CABLE .....	160
FIGURE 7-19. RECEPTACLE BOX KIT - 220V AFSINT 107 KEYED GROUND .....	162
FIGURE 7-20. RECEPTACLE BOX KIT - 110V GFI .....	164
FIGURE 7-21. RECEPTACLE BOX KIT - 220V IEC BLUE .....	166
FIGURE 7-22. RECEPTACLE BOX KIT - 110V IEC YELLOW .....	168
FIGURE 7-23. RECEPTACLE BOX KIT - 220V CEE7 POST GROUND .....	170
FIGURE 7-24. RECEPTACLE BOX KIT - 220V CEE7 POST GROUND 70MM X 70MM BOX .....	172
FIGURE 7-25. RECEPTACLE BOX KIT - 220V CEE7 SIDE GROUND.....	174
FIGURE 7-26. RECEPTACLE BOX KIT - 220V CEE7 SIDE GROUND 70MM X 70MM BOX.....	176
SECTION 8 - DECALS .....	179

# TABLE OF CONTENTS

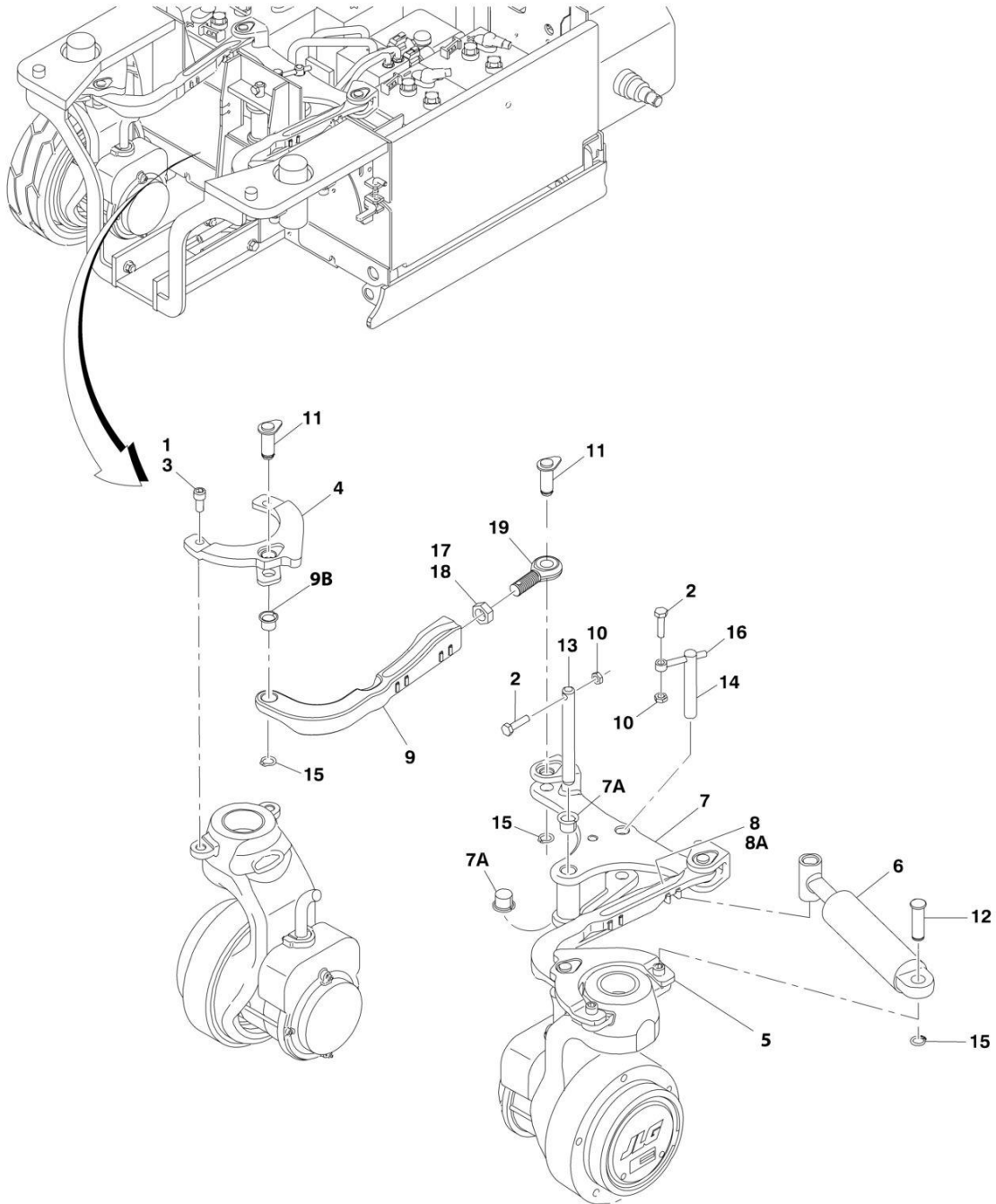
FIGURE 8-1. COMMON DECALS INSTALLATION (ALL SPECS EXCEPT AUSTRALIAN) .....	180
FIGURE 8-2. COMMON DECALS INSTALLATION (AUSTRALIAN SPECS).....	182
FIGURE 8-3. DECALS INSTALLATION - ANSI AND ANSI EXPORT SPECS (ENGLISH LANGUAGE) .....	184
FIGURE 8-4. DECALS INSTALLATION - CSA SPECS (ENGLISH/FRENCH LANGUAGE).....	186
FIGURE 8-5. DECALS INSTALLATION - CE & UK CA SPECS (ALL LANGUAGES).....	188
FIGURE 8-6. DECALS INSTALLATION - JAPANESE SPECS (JAPANESE LANGUAGE) .....	190
FIGURE 8-7. DECALS INSTALLATION - LATIN AMERICA SPECS (ENGLISH/SPANISH LANGUAGE) .....	192
FIGURE 8-8. DECALS INSTALLATION - BRAZIL SPECS (PORTUGUESE/SPANISH LANGUAGE).....	194
FIGURE 8-9. DECALS INSTALLATION - CHINA SPECS (ENGLISH/CHINESE LANGUAGE) .....	196
FIGURE 8-10. DECALS INSTALLATION - KOREA SPECS (ENGLISH/KOREAN LANGUAGE) .....	198
FIGURE 8-11. DECALS INSTALLATION - AUSTRALIAN SPECS (ALL LANGUAGE) .....	200
SECTION 9 - RECOMMENDED SERVICE PARTS STOCK .....	203
FIGURE 9-1. RECOMMENDED SERVICE PARTS STOCK .....	204
SECTION 10 - SPECIAL OPTIONS/ACCESSORIES/KITS .....	205
FIGURE 10-1. SPECIAL OPTIONS/ACCESSORIES/KITS .....	206
PART NUMBER INDEX .....	207



**SECTION 1 - FRAME**

# SECTION 1 - FRAME

## FIGURE 1-1. STEERING



ART\_0274549



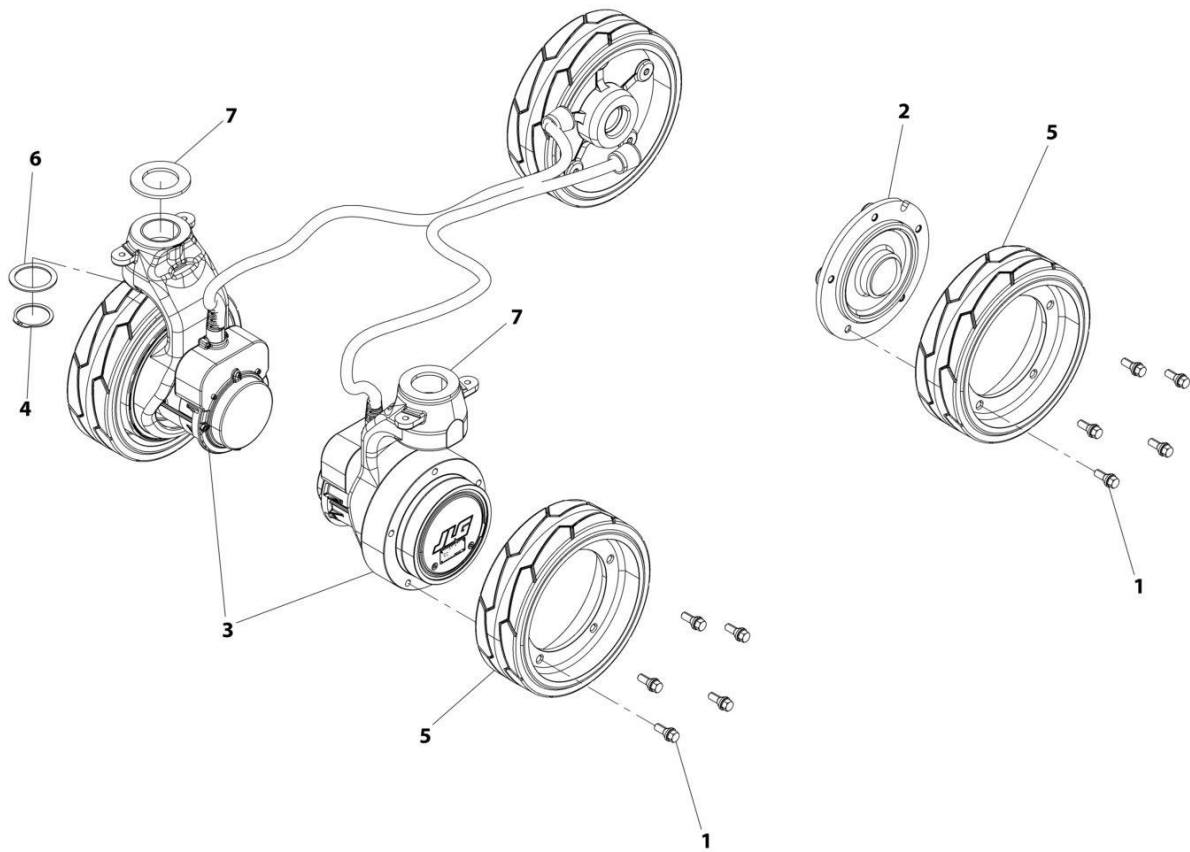
# SECTION 1 - FRAME

## FIGURE 1-1. STEERING

ITEM	PART NUMBER	QTY	DESCRIPTION	REV
	0274549	Ref	<b>STEERING AND DRIVE INSTALLATION</b>	F
1	0100019	AR	Compound, Locking	
2	0761016	2	Bolt M10 x 40mm	
3	0630606	4	Capscrew M12 x 25mm	
4	0903594	1	Bracket, Steering Knuckle (Right)	
5	0903595	1	Bracket, Steering Knuckle (Left)	
6	1684458	1	Steer Cylinder Assembly (See CYLINDER SECTION for Breakdown)	
7	3010164	1	Link, Steering	
7A	0440263	2	Bushing, Flange	
8	3010165	1	Arm, Steering (Left)	
8A	0440263	2	Bushing, Flange	
9	1001175238	1	Arm, Steering (Right)	
9B	0440263	1	Bushing, Flange	
10	3291005	2	Locknut M10	
11	3423303	4	Pin, Linkage	
12	3423230	1	Pin, Clevis	
13	3423235	1	Pin, Clevis	
14	3423236	1	Pin, Clevis	
15	3760348	5	Ring, Retaining	
16	3841143	1	Keeper	
17	0100011	AR	Compound Locking	
18	3322202	1	Nut	
19	3841517	1	Rod, End Bearing	

# SECTION 1 - FRAME

## FIGURE 1-2. DRIVE INSTALLATION - SOLIDEAL TIRES



ART\_100118433

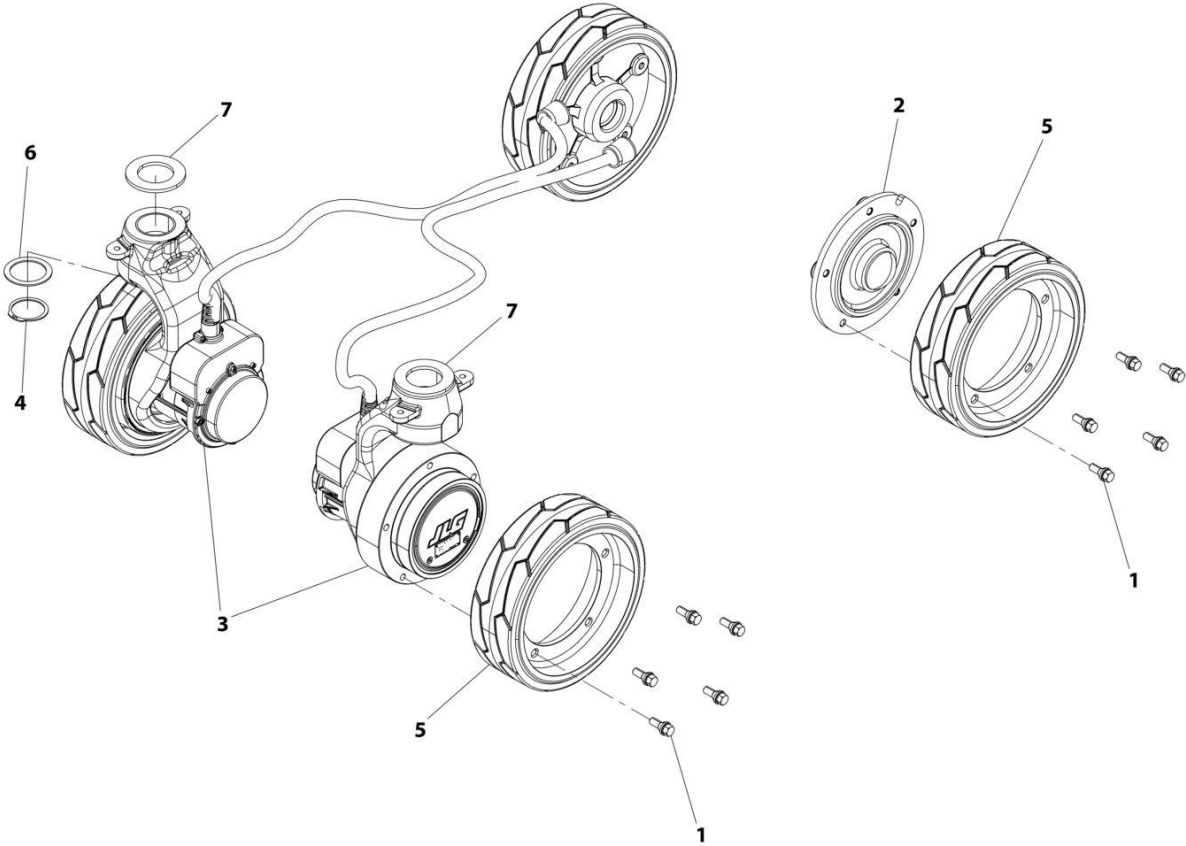
## SECTION 1 - FRAME

**FIGURE 1-2. DRIVE INSTALLATION - SOLIDEAL TIRES**

ITEM	PART NUMBER	QTY	DESCRIPTION	REV
	1001118433	Ref	DRIVE INSTALLATION	C
1	0630580	20	Bolt, Wheel	
2	2780266	2	Hub Assembly (See Separate Breakdown in this Section)	
3	1001118359	2	Wheel Drive Assembly (See Separate Breakdown in this Section)	
4	3760463	2	Ring, Retaining	
5	1001114467	4	Tire and Wheel Assembly (Solideal Tires) (Use Kit p/n 2915012)	
		Ref	Kit p/n 2915012 Includes Qty 1 Tire and Wheel and Qty 5 Wheel Bolts.	
6	4740523	2	Washer	
7	4740524	2	Washer	
8	4240018	2	Tie-Strap (Not Shown)	
9	1321682	2	Clamp, Worm (Not Shown - Used on Drive Motor Cable)	

**SECTION 1 - FRAME**

**FIGURE 1-3. DRIVE INSTALLATION - EXMILE TIRES**



ART\_1001220665

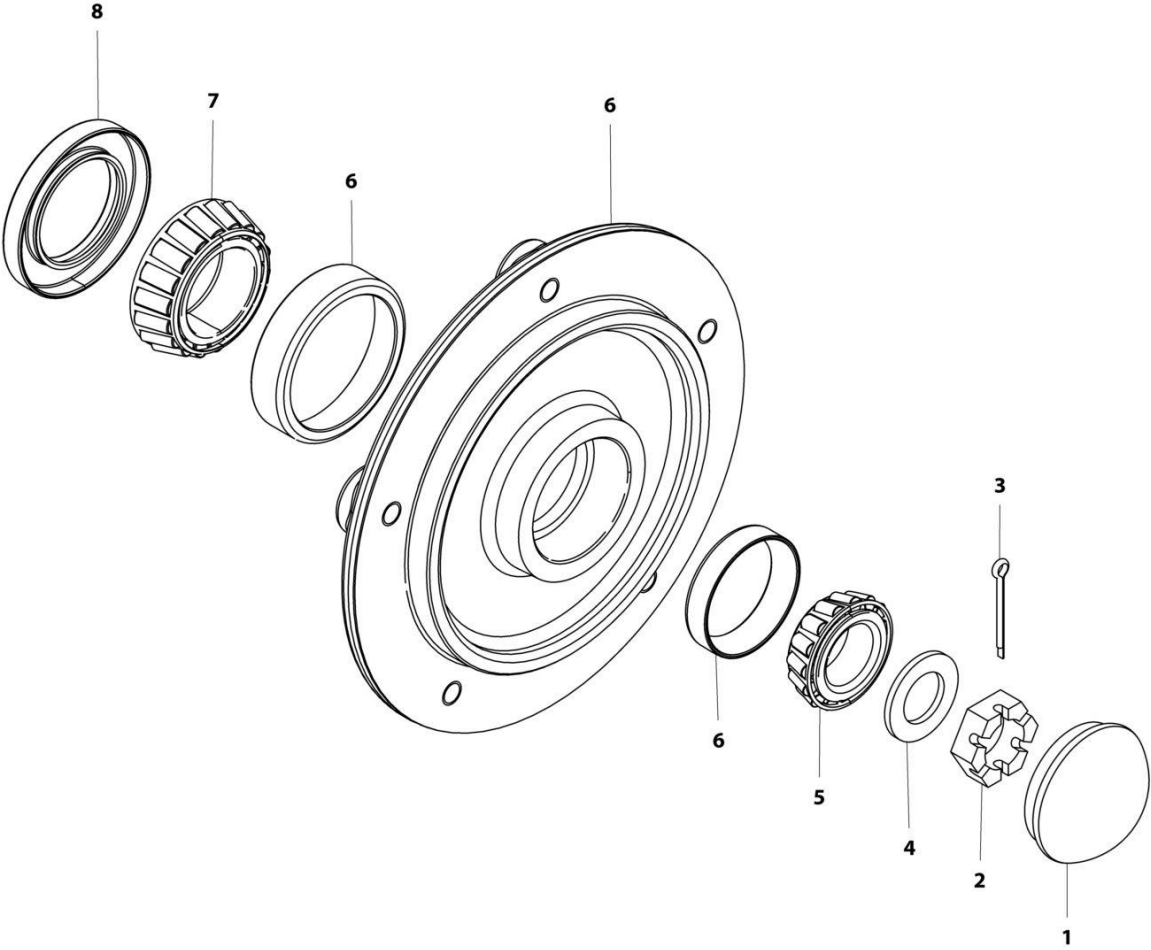
## SECTION 1 - FRAME

**FIGURE 1-3. DRIVE INSTALLATION - EXMILE TIRES**

ITEM	PART NUMBER	QTY	DESCRIPTION	REV
	1001220665	Ref	DRIVE INSTALLATION	A
1	0630580	20	Bolt, Wheel	
2	2780266	2	Hub Assembly (See Separate Breakdown in this Section)	
3	1001118359	2	Wheel Drive Assembly (See Separate Breakdown in this Section)	
4	3760463	2	Ring, Retaining	
5	1001219582	4	Tire and Wheel Assembly (Exmile Tires)	
		Ref	<b>Note: Must replace Tire and Wheel Assemblies in pairs per axle.</b>	
6	4740523	2	Washer	
7	4740524	2	Washer	
8	4240018	2	Tie-Strap (Not Shown)	
9	1321682	2	Clamp, Worm (Not Shown - Used on Drive Motor Cable)	

**SECTION 1 - FRAME**

**FIGURE 1-4. HUB ASSEMBLY**



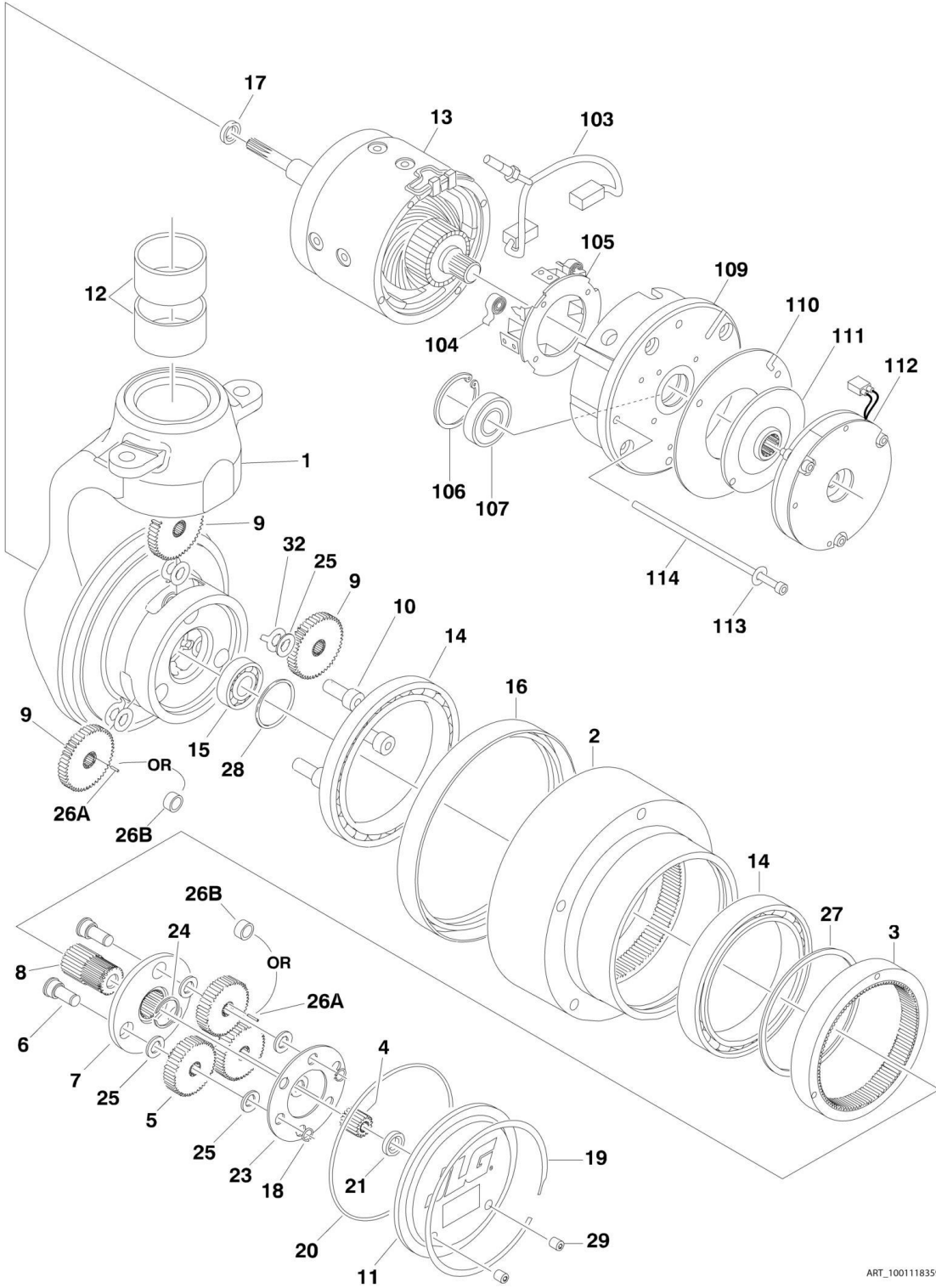
ART\_2780266

**FIGURE 1-4. HUB ASSEMBLY**

<b>ITEM</b>	<b>PART NUMBER</b>	<b>QTY</b>	<b>DESCRIPTION</b>	<b>REV</b>
	2780266	Ref	HUB ASSEMBLY - REAR	E
1	1001102354	1	Cap, Dust (was p/n 7012524)	
2	3300423	1	Nut, Slotted (was p/n 7010641)	
3	3450406	1	Pin, Cotter 2 x 3/16 (was p/n 7010642)	
4	4740468	1	Washer (was p/n 7019697)	
5	1001102351	1	Bearing, Cone - Outer (was p/n 7026185)	
6	See Note	NSS	Hub (Note: Purchase Complete Assembly p/n 2780266)	
7	1001102353	1	Bearing, Cone - Inner (was p/n 7026183)	
8	1001102349	1	Seal (was p/n 7026184)	

# SECTION 1 - FRAME

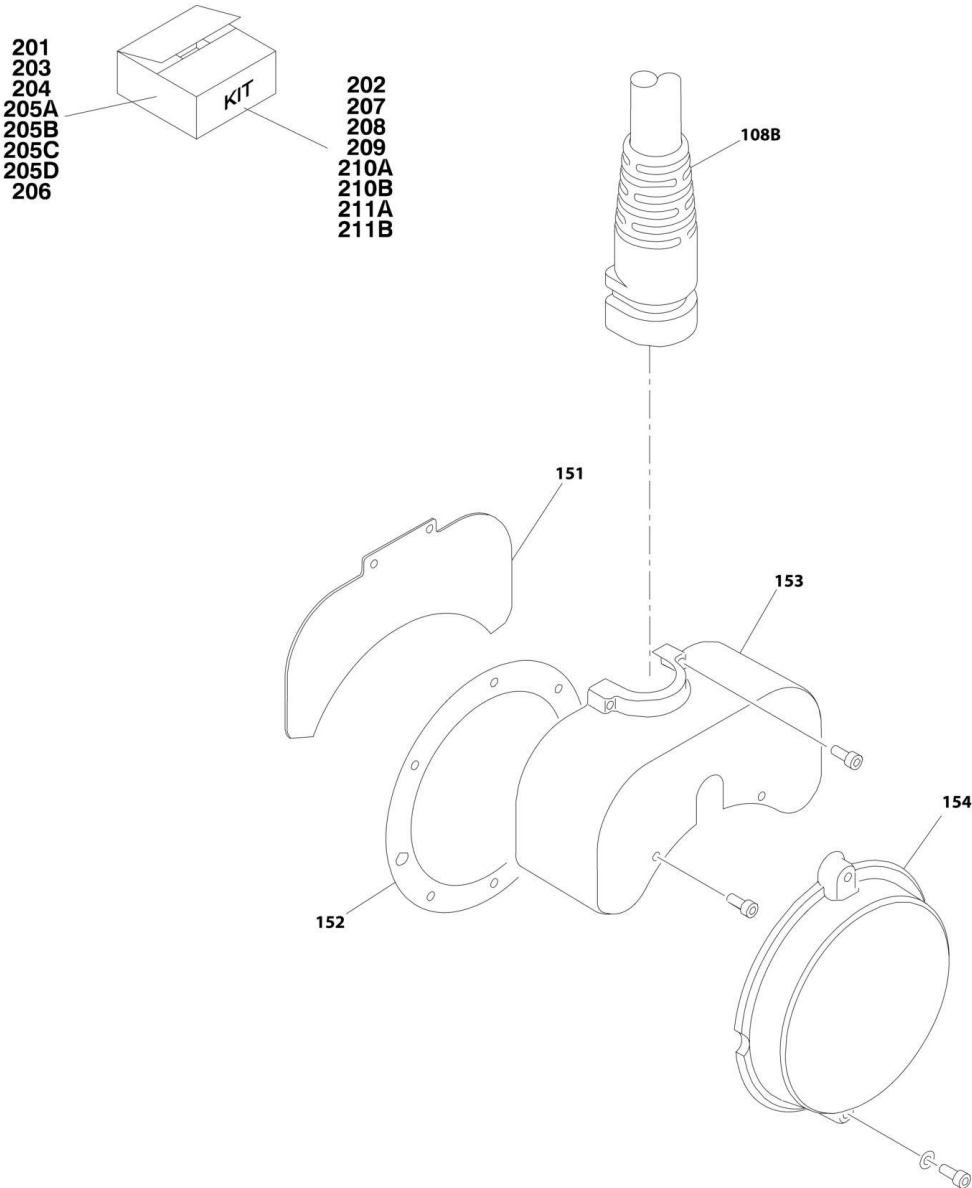
## FIGURE 1-5. WHEEL DRIVE ASSEMBLY



ART\_1001118359\_10F2



**SECTION 1 - FRAME**



ART\_1001118359\_20F2

# SECTION 1 - FRAME

## FIGURE 1-5. WHEEL DRIVE ASSEMBLY

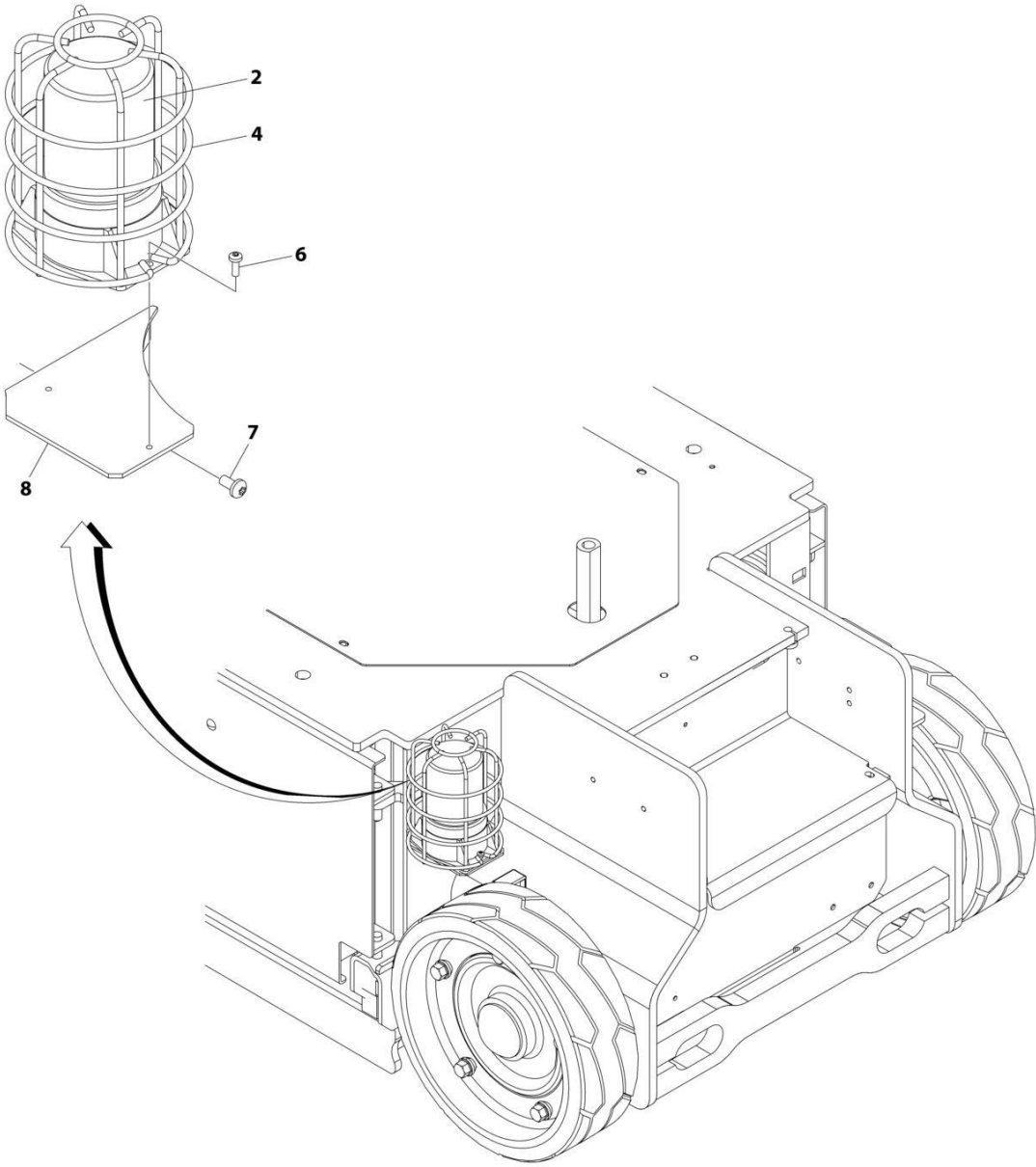
ITEM	PART NUMBER	QTY	DESCRIPTION	REV
	1001118359	Ref	WHEEL DRIVE ASSEMBLY	C
		Ref	HUB ASSEMBLY	
1	See Note	NSS	Spindle (Note: Not Available - Purchase Complete Assembly)	
2	See Note	NSS	Hub (Note: Use Item 206)	
3	See Note	NSS	Ring, Input (Note: Use Item 204)	
4	See Note	NSS	Gear, Input Sun (Note: Use Item 203)	
5	See Note	NSS	Gear, Input Planet (Note: Use Item 203)	
6	See Note	NSS	Pin, Planet Gear (Note: Use Item 203)	
7	See Note	NSS	Carrier (Note: Use Item 203)	
8	See Note	NSS	Gear, Output Sun (Note: Use Item 203)	
9	See Note	NSS	Gear, Output Planet (Note: Use Item 207)	
10	See Note	NSS	Pin, Output Planet (Note: Use Item 207)	
11	See Note	NSS	Cover (Note: Use Item 201)	
12	7024757	1	Bushing Kit, Kingpin (Includes 2 Bushings)	
13	See Note	NSS	Motor, Electric (Note: Use Item 205A, 205B or 205C)	
14	See Note	NSS	Bearing, Main (Note: Use Item 202, 204, 206 or 207)	
15	See Note	NSS	Bearing, Shaft (Note: Use Item 207)	
16	70001739	1	Seal, Lip	
17	7024786	1	Seal, Lip	
18	See Note	NSS	Ring, Retaining (Note: Use Item 203)	
19	See Note	NSS	Ring, Retaining (Note: Use Item 201)	
20	70000191	1	O-Ring	
21	See Note	NSS	Thrustwasher (Note: Use Item 201)	
23	See Note	NSS	Plate, Thrust (Note: Use Item 203)	
24	See Note	NSS	Ring, Retaining (Note: Use Item 203)	
25	See Note	NSS	Thrustwasher (Note: Use Item 203 or 207)	
26	See Note	NSS	Bearing/Bushing (Note: Use Item 203 or 207):	
26A	See Note	66	Bearing, Needle	
26B	See Note	6	Bushing	
27	See Note	NSS	Ring, Retaining (Note: Use Item 204, 206 or 207)	
28	See Note	NSS	Ring, Retaining (Note: Use Item 207)	
29	See Note	NSS	Plug (Note: Use Item 201)	
32	See Note	NSS	Washer, Tanged (Note: Use Item 207)	
		Ref	BRAKE AND MOTOR COMPONENTS	
103	See Note	NSS	Brush and Terminal Assembly (Note: Use Item 208)	
104	70000790	2	Spring, Brush	
105	70000791	1	Box, Brush	
106	See Note	NSS	Ring, Retaining (Note: Use Item 208)	
107	See Note	NSS	Bearing (Note: Use Item 208)	
108B	1001118363	1	Drive Cable (See Separate Breakdown in ELECTRICAL Section)	
109	70000792	1	Commutator	
110	See Note	NSS	Disc, Reaction (Note: Use Item 209)	
111	7024785	1	Disc, Friction	
112	See Note	NSS	Brake Assembly (Note: Use Item 209)	
113	See Note	NSS	Flatwasher (Note: Use Item 210)	
114	See Note	NSS	Bolt (Note: Use Item 210)	
		Ref	<b>Brake Cover</b>	
151	See Note	NSS	Plate, Cover (Note: Use Item 211B)	
152	70001949	1	Gasket, Cover	

## SECTION 1 - FRAME

ITEM	PART NUMBER	QTY	DESCRIPTION	REV
153	70006426	1	Cover, Top (Note: Use Item 211B)	
154	See Note	NSS	Cover, End (Note: Use Item 211B)	
		Ref	KIT OPTIONS	
201	7024747	1	Cover Kit (Includes Items 11, 19, 20, 21 & 29)	
202	7024748	1	Main Seal Kit (Includes Qty 1 of Items 14, 16 & 20)	
203	7024749	1	Input Carrier Kit (Includes Items 4-8, 18, 20 & 23-26)	
204	7024758	1	Input Ring Kit (Includes Items 3, 20, 27 & Qty 1 of Item 14)	
205		Ref	Motor Kit Options (Includes Items 13, 17, 103-114 & 151-154):	
205C	70002308	1	Wheel Drive Assembly 1001118359	
206	7024756	1	Hub Kit (Includes Items 2, 16, 20, 27 & Qty 1 of Item 14)	
207	7024750	1	Output Planet Kit (Includes Items 9, 10, 15, 20, 25-28, 32 & Qty 1 of Item 14)	
208	7024771	1	Motor Brush and Bearing Kit (Includes Items 103, 106 & 107)	
209	7024772	1	Brake Kit (Includes Items 110, 111 & 112)	
210	7024773	1	Motor Hardware Kit (Includes Items 113, 114 & 126)	
211B	70001265	1	Brake Cover (Includes Items 151-154)	

**SECTION 1 - FRAME**

**FIGURE 1-6. BEACON LIGHT INSTALLATION**



ART\_0274558

**FIGURE 1-6. BEACON LIGHT INSTALLATION**

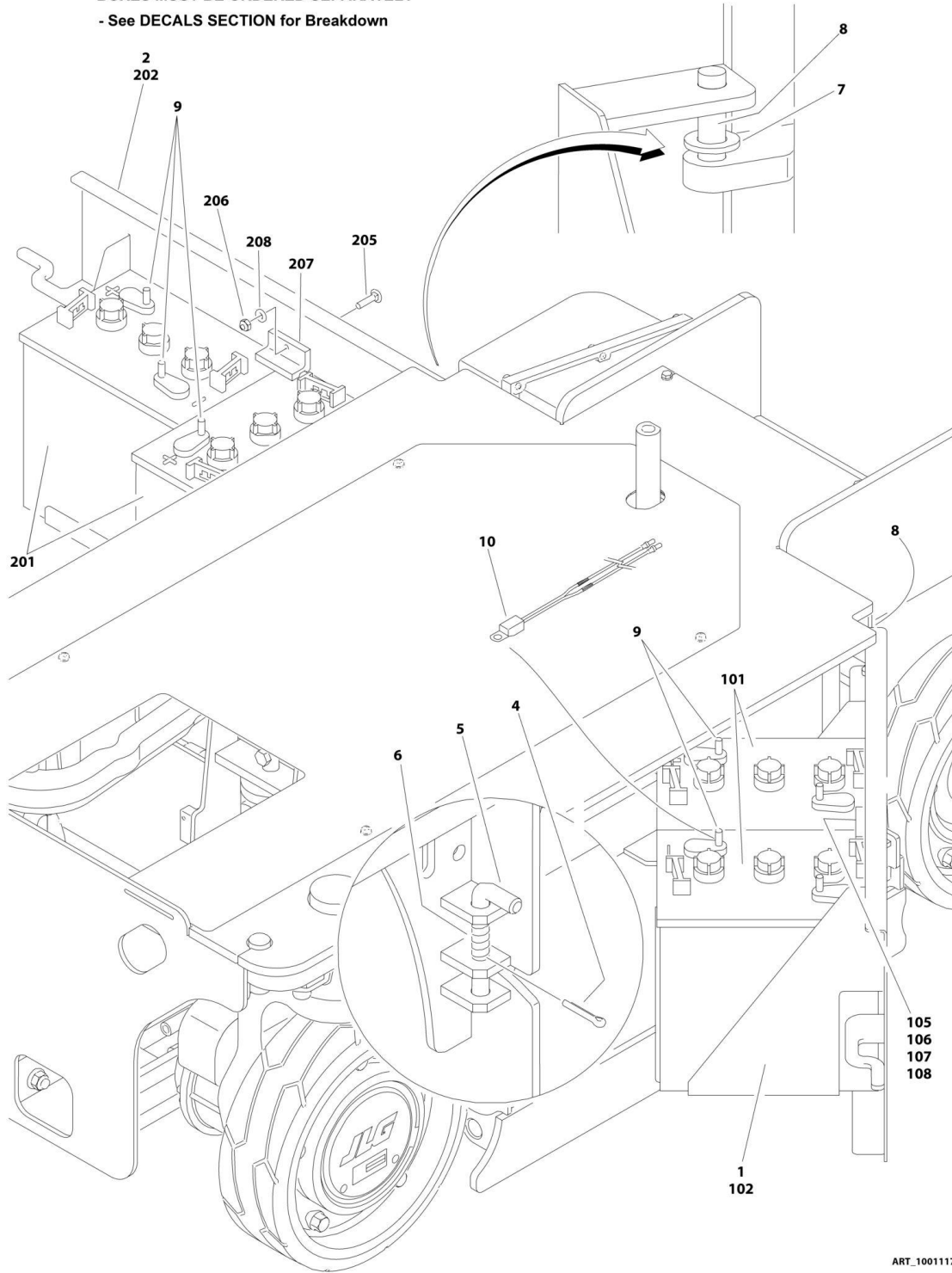
<b>ITEM</b>	<b>PART NUMBER</b>	<b>QTY</b>	<b>DESCRIPTION</b>	<b>REV</b>
	0274558	Ref	BEACON LIGHT INSTALLATION	E
2	2920161	1	Light, Beacon	
2	7016319	1	Bulb, Replacement	
2	7016372	1	Lens, Replacement	
2	4460891	1	Connector	
2	4460465	2	Socket	
4	4060865	1	Guard, Strobe	
6	4191406	2	Screw M4 x 12	
7	4191706	2	Screw M6 x 12	
8	4341144	1	Mount, Beacon	

# SECTION 1 - FRAME

## FIGURE 1-7. BATTERY INSTALLATION - GC TYPE BATTERIES

NOTE: REPLACEMENT DECALS ON FRONT OF BATTERY BOXES MUST BE ORDERED SEPARATELY

- See DECALS SECTION for Breakdown



ART\_1001117838

# SECTION 1 - FRAME

## FIGURE 1-7. BATTERY INSTALLATION - GC TYPE BATTERIES

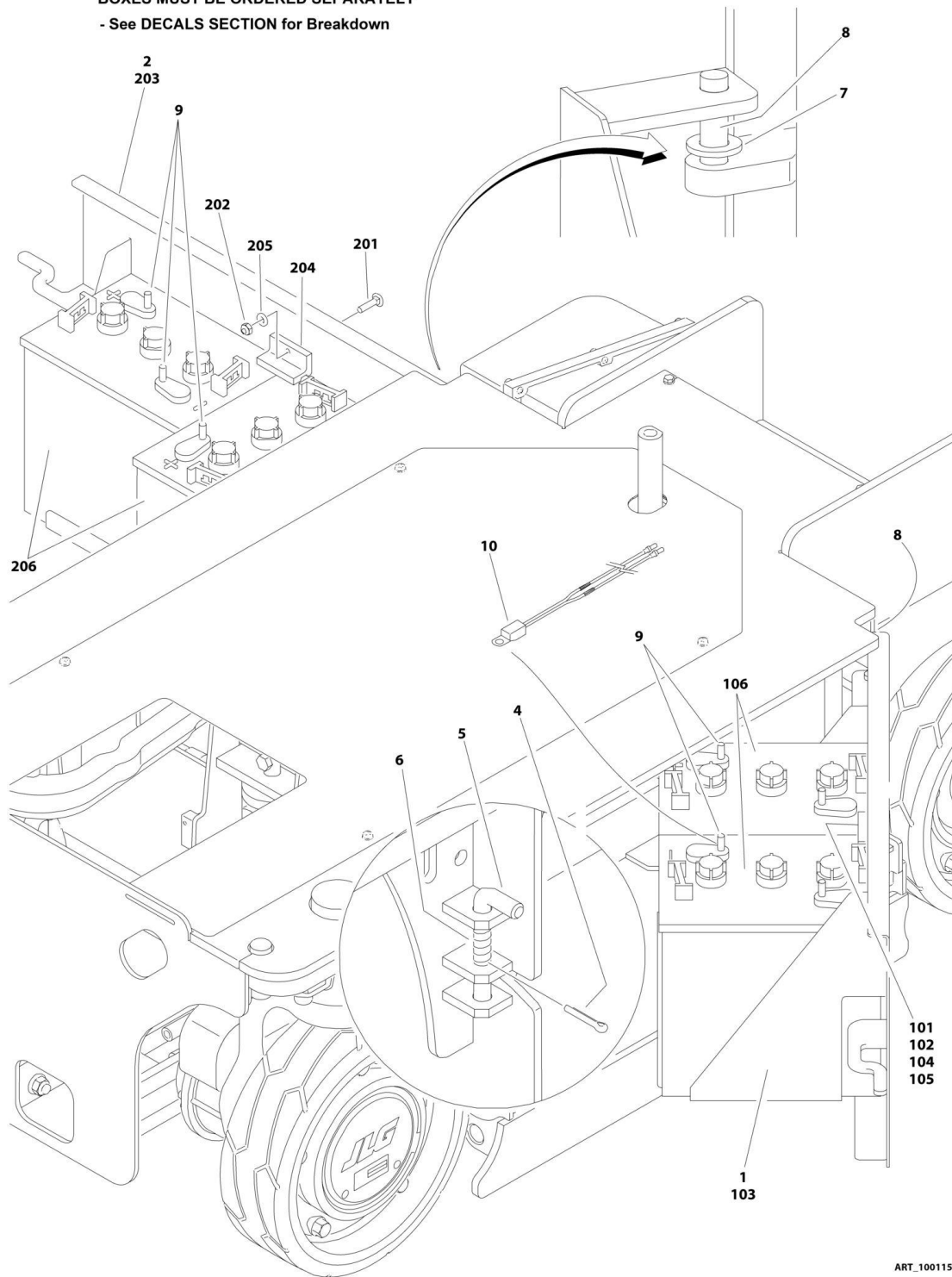
ITEM	PART NUMBER	QTY	DESCRIPTION	REV
	1001117838	Ref	BATTERIES AND COVERS INSTALLATION	C
1	0861747	1	Box for GC Type Batteries (See Items 101-108 for Breakdown)	
2	0861748	1	Box for GC Type Batteries (See Items 201-208 for Breakdown)	
3	1001117837	1	Battery Cable Kit (Not Shown - See ELECTRICAL SECTION for Breakdown):	
4	3391408	2	Pin, Split	
5	3423243	2	Pin, Door Latch	
6	4160214	2	Spring, Door Latch	
7	4812100	AR	Washer 12mm	
8	3020039	AR	Lubricant	
9	0100048	AR	Grease, Dielectric	
10	1001112113	1	Temperature Sensor	B
10	1001102771	1	Sensor	
10	4460465	2	Terminal	
		Ref	<b>BATTERY BOX ASSEMBLY (LEFT)</b>	D
101	0400215	2	GC Type Battery	
102	3380599	1	Tray (Left)	
105	0630587	1	Bolt M6 x 25mm	
106	3290605	1	Nut M6	
107	4220286	1	Block	
108	4811700	1	Washer M6	
		Ref	<b>BATTERY BOX ASSEMBLY (RIGHT)</b>	D
201	0400215	2	GC Type Battery	
202	3380600	1	Tray (Right)	
205	0630587	1	Bolt M6 x 25mm	
206	3290605	1	Nut M6	
207	4220286	1	Block	
208	4811700	1	Washer M6	

# SECTION 1 - FRAME

## FIGURE 1-8. BATTERY INSTALLATION - AGM TYPE BATTERIES

NOTE: REPLACEMENT DECALS ON FRONT OF BATTERY BOXES MUST BE ORDERED SEPARATELY

- See DECALS SECTION for Breakdown



ART\_1001155025



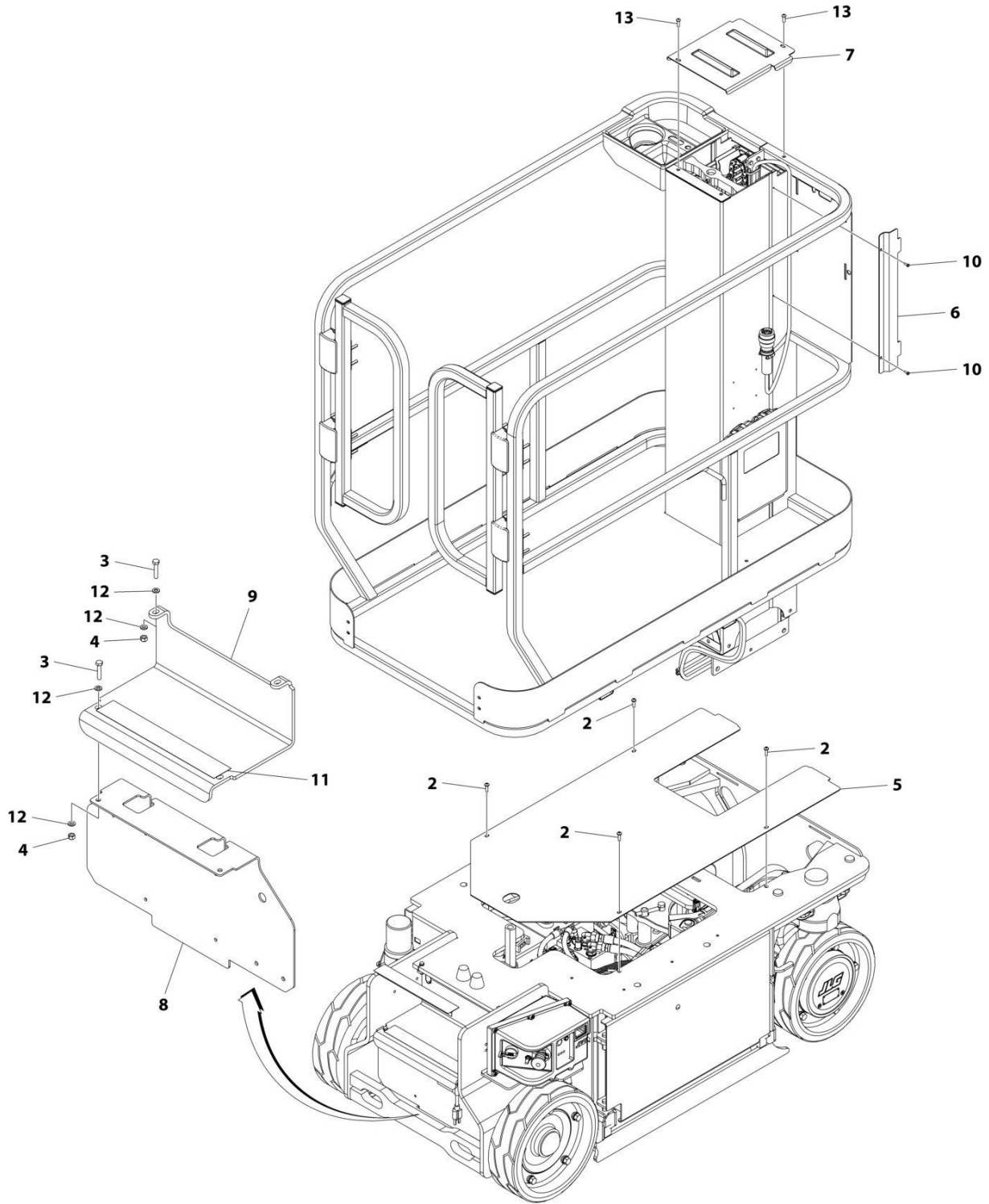
## SECTION 1 - FRAME

**FIGURE 1-8. BATTERY INSTALLATION - AGM TYPE BATTERIES**

ITEM	PART NUMBER	QTY	DESCRIPTION	REV
	1001155025	Ref	BATTERIES AND COVERS INSTALLATION	A
1	1001155029	1	Box for AGM Type Batteries (See Items 101-108 for Breakdown)	
2	1001155030	1	Box for AGM Type Batteries (See Items 201-208 for Breakdown)	
3	1001117837	1	Battery Cable Kit (Not Shown - See ELECTRICAL SECTION for Breakdown):	
4	3391408	2	Pin, Split	
5	3423243	2	Pin, Door Latch	
6	4160214	2	Spring, Door Latch	
7	4812100	AR	Washer 12mm	
8	3020039	AR	Lubricant	
9	0100048	AR	Grease, Dielectric	
10	1001112113	1	Temperature Sensor	B
10	1001102771	1	Sensor	
10	4460465	2	Terminal	
		Ref	<b>BATTERY BOX ASSEMBLY (LEFT)</b>	A
101	0630587	1	Bolt M6 x 25mm	
102	3290605	1	Nut M6	
103	3380599	1	Tray (Left)	
104	4220286	1	Block	
105	4811700	1	Washer M6	
106	1001112112	2	AGM Type Battery	
		Ref	<b>BATTERY BOX ASSEMBLY (RIGHT)</b>	A
201	0630587	1	Bolt M6 x 25mm	
202	3290605	1	Nut M6	
203	3380600	1	Tray (Right)	
204	4220286	1	Block	
205	4811700	1	Washer M6	
206	1001112112	2	AGM Type Battery	

# SECTION 1 - FRAME

FIGURE 1-9. FRAME COVERS INSTALLATION (ALL SPECS EXCEPT AUSTRALIAN)



ART\_0274560

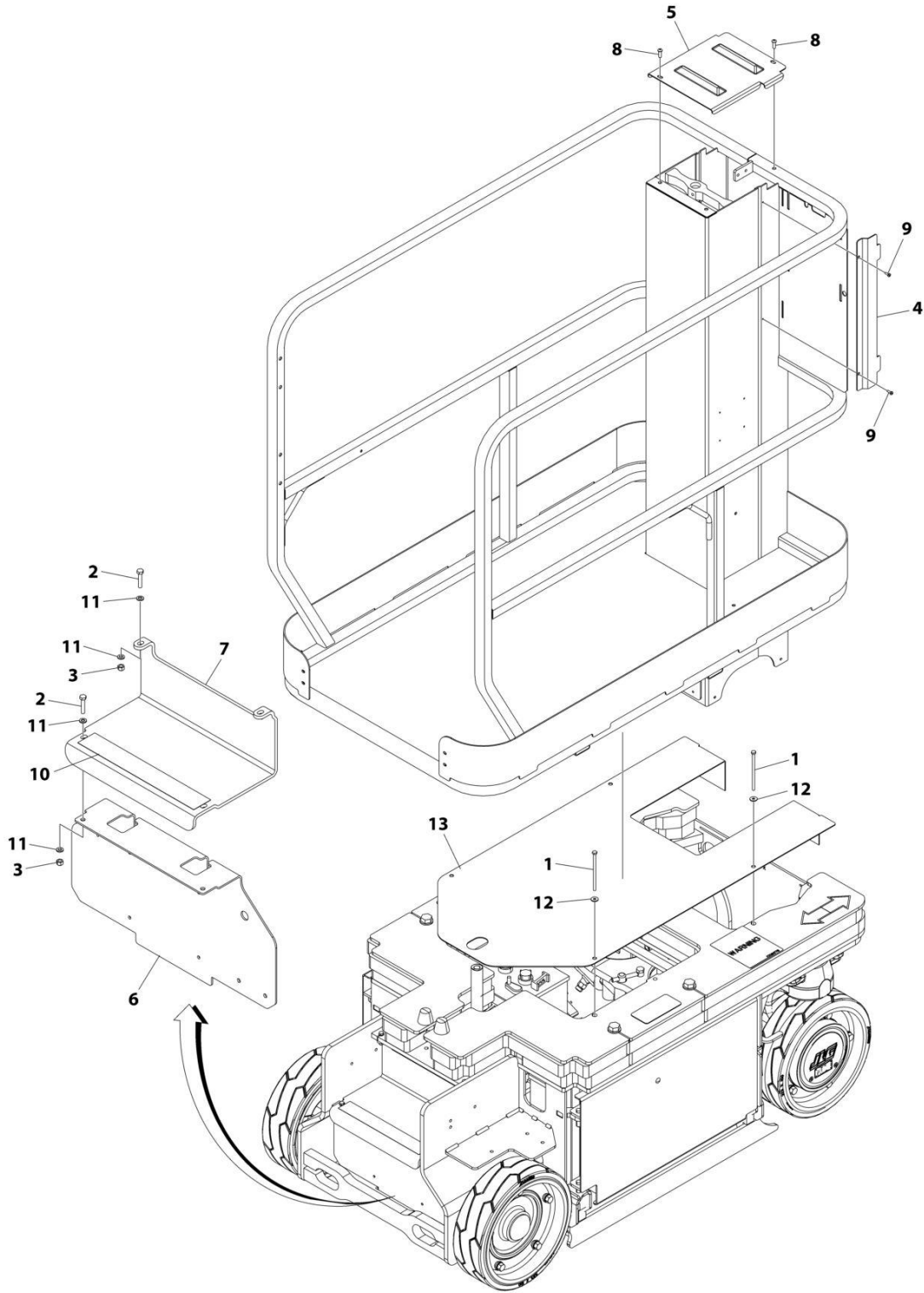
## SECTION 1 - FRAME

**FIGURE 1-9. FRAME COVERS INSTALLATION (ALL SPECS EXCEPT AUSTRALIAN)**

ITEM	PART NUMBER	QTY	DESCRIPTION	REV
	0274560	Ref	FRAME COVERS INSTALLATION	I
2	4191708	4	Bolt M6 x 20	
3	0760614	4	Bolt M6 x 30	
4	3290605	4	Nut M6	
5	3380604	1	Panel, Top Cover	
6	3380605	1	Panel, Mast Cover	
7	3380612	1	Panel, Mast Cover	
8	3380619	1	Cover, Charger	
9	3575919	1	Plate, Step	
10	4191406	2	Bolt M4 x 12	
11	4420070	1	Tape, Anti-Skid	
12	4811700	8	Washer M6	
13	3900258	2	Screw 1/4 x 3/4	

# SECTION 1 - FRAME

## FIGURE 1-10. FRAME COVERS INSTALLATION (AUSTRALIAN SPECS)



ART\_1001224016

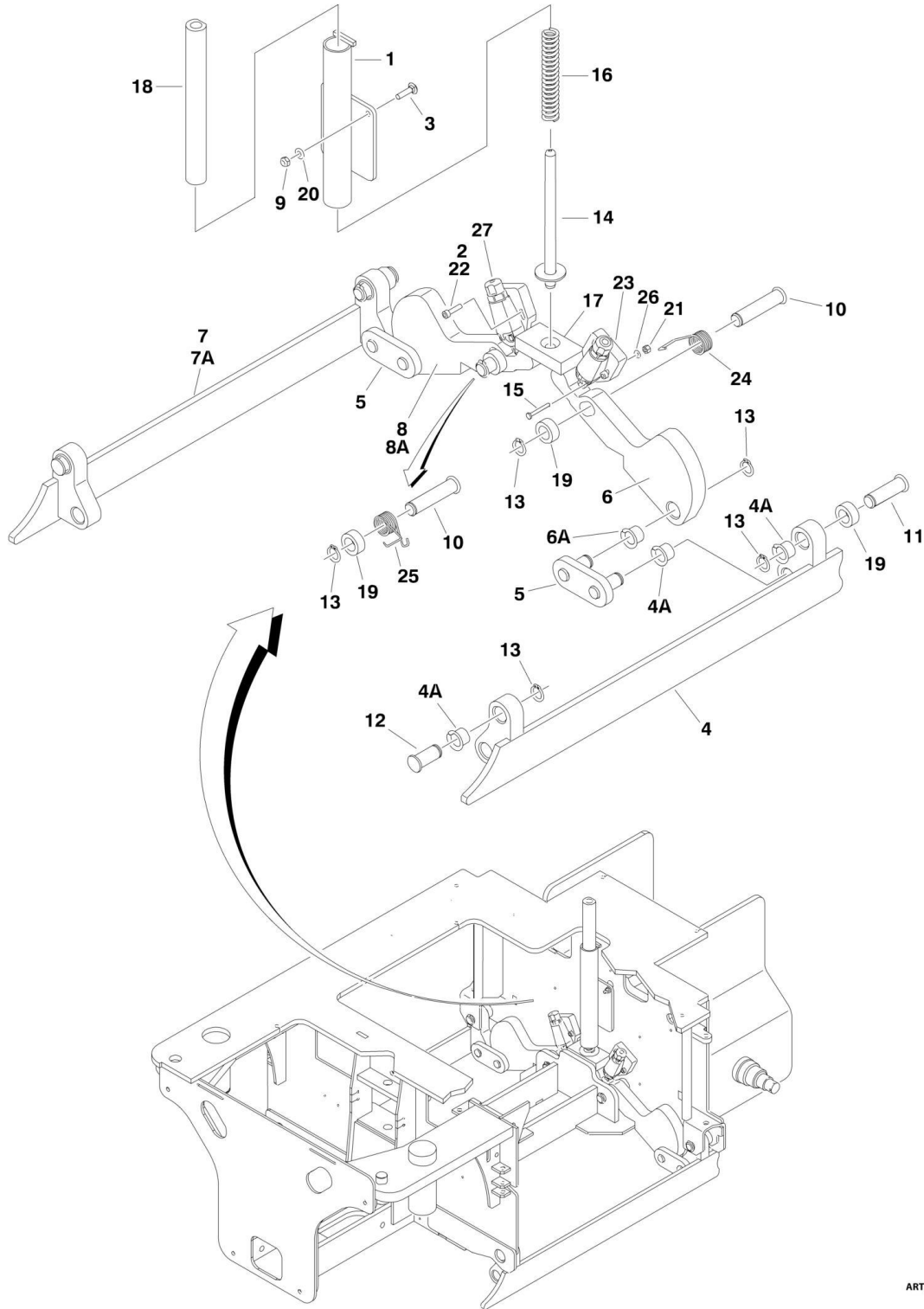
## SECTION 1 - FRAME

**FIGURE 1-10. FRAME COVERS INSTALLATION (AUSTRALIAN SPECS)**

ITEM	PART NUMBER	QTY	DESCRIPTION	REV
	1001224016	Ref	FRAME COVERS INSTALLATION	A
1	0700628	4	Screw M6 x 110	
2	0760614	4	Screw M6 x 30	
3	3290605	4	Nut M6	
4	3380605	1	Panel, Mast Cover	
5	3380612	1	Panel, Mast Cover	
6	3380619	1	Panel, Charger Cover	
7	3575919	1	Plate, Rear Step	
8	3900258	2	Screw 1/4 x 3/4	
9	4191406	2	Screw M4 x 12	
10	4420070	1	Tape, Anti-Skid	
11	4811700	8	Washer M6	
12	4811702	4	Washer M6	
13	1001199304	1	Panel, Frame Cover	

# SECTION 1 - FRAME

FIGURE 1-11. POTHOLE PROTECTION (ALL SPECS EXCEPT AUSTRALIAN)



ART\_0274564

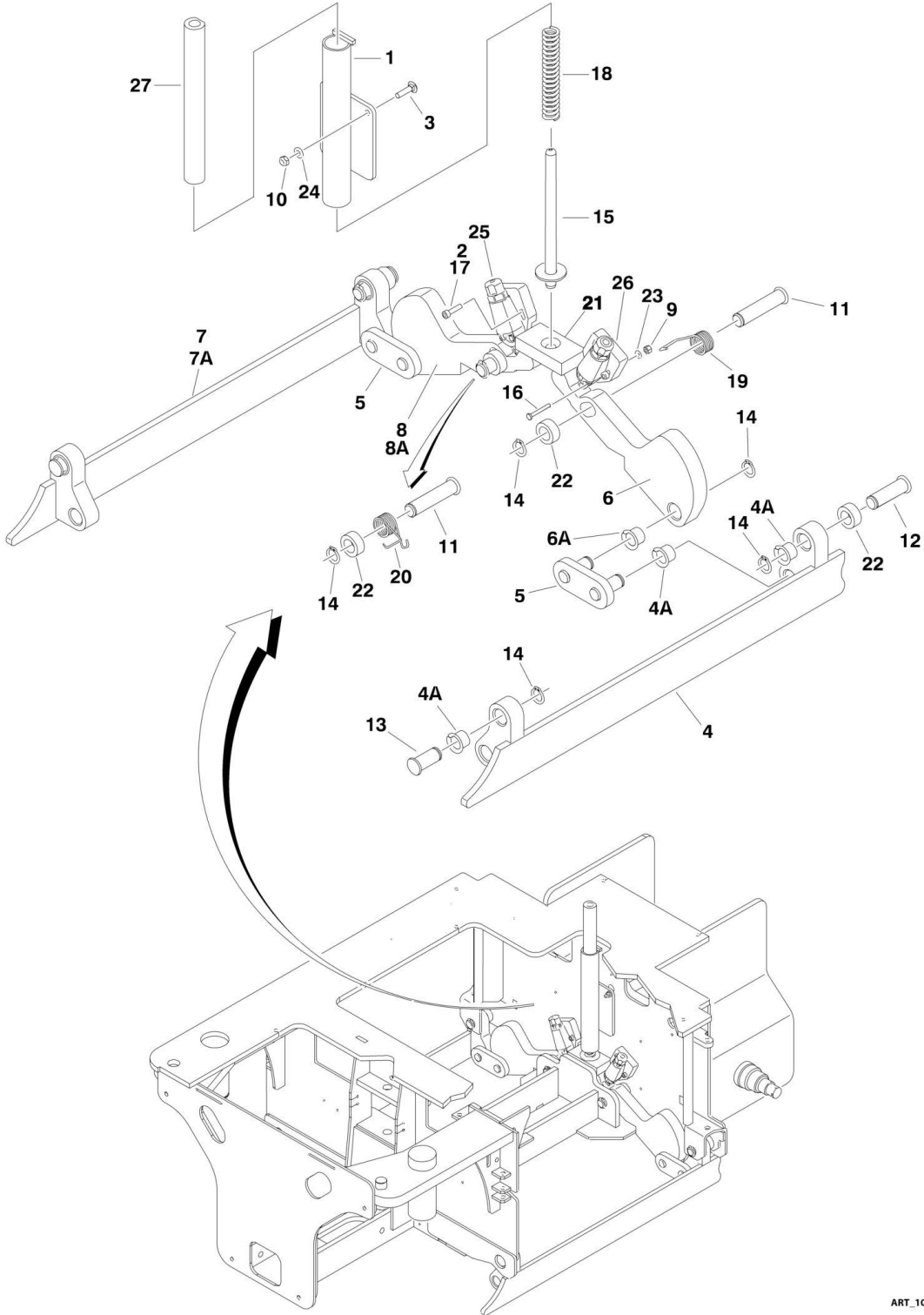
## SECTION 1 - FRAME

**FIGURE 1-11. POTHOLE PROTECTION (ALL SPECS EXCEPT AUSTRALIAN)**

ITEM	PART NUMBER	QTY	DESCRIPTION	REV
	0274564	Ref	POTHOLE PROTECTION INSTALLATION	I
1	0060084	1	Actuator	
2	0100035	AR	Compound, Locking	
3	0630587	2	Bolt, Carriage M6 x 25mm	
4	3010145	1	Bar, Pothole (Left)	
4A	0440263	2	Bushing, Flange	
5	3010146	2	Link	
6	3010147	2	Link, Actuator (Left)	
6A	0440263	1	Bushing, Flange	
7	3010152	1	Bar, Pothole (Right)	
7A	0440263	2	Bushing, Flange	
8	3010153	2	Link, Actuator (Right)	
8A	0440263	1	Bushing, Flange	
9	3290605	2	Locknut M6	
10	3423189	2	Pin	
11	3423230	2	Pin	
12	3423231	2	Pin	
13	3760348	10	Ring, Retaining	
14	3841703	1	Rod, Actuator	
15	4010415	4	Screw M4 x 35mm	
16	4160160	1	Spring	
17	4220258	1	Pad, Actuator	
18	4569225	1	Tube, Actuator	
19	4569238	4	Spacer	
20	4811700	2	Flatwasher M6	
21	3290405	4	Locknut M4	
22	4031707	4	Capscrew M6 x 16mm	
23	1001110511	2	Bracket	
24	4160222	1	Spring (Right)	
25	4160223	1	Spring (Left)	
26	4811400	AR	Flatwasher M4	
27	1001109088	2	Switch, Limit	

**SECTION 1 - FRAME**

**FIGURE 1-12. POTHOLE PROTECTION (AUSTRALIAN SPECS)**





## SECTION 1 - FRAME

**FIGURE 1-12. POTHOLE PROTECTION (AUSTRALIAN SPECS)**

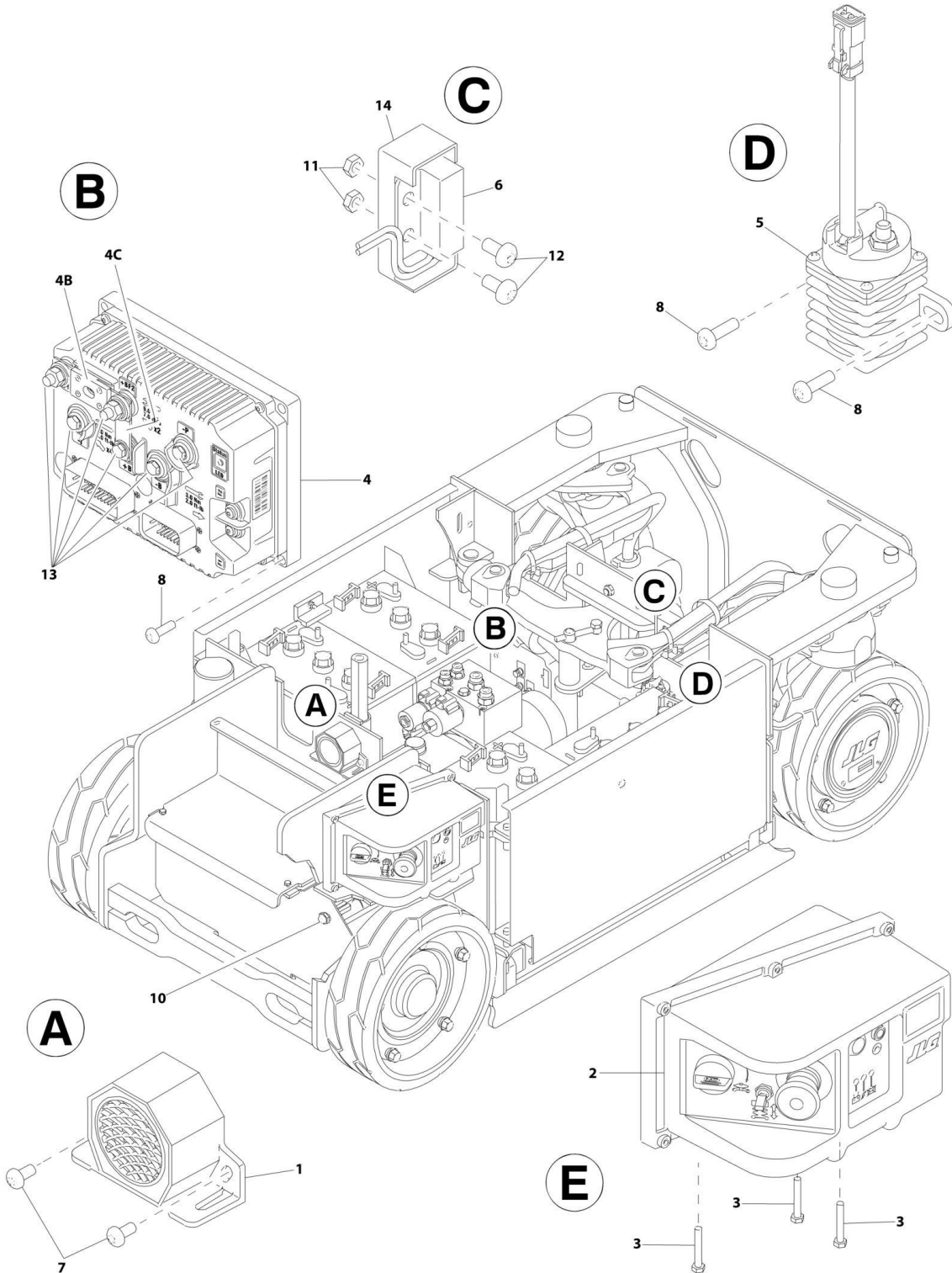
ITEM	PART NUMBER	QTY	DESCRIPTION	REV
	1001224019	Ref	POTHOLE PROTECTION INSTALLATIONS	A
1	0060084	1	Actuator	
2	0100035	AR	Compound, Locking	
3	0630587	2	Bolt, Carriage M6 x 25mm	
4	3010145	1	Bar, Pothole (Left)	
4A	0440263	2	Bushing, Flange	
5	3010146	2	Link	
6	3010147	2	Link, Actuator (Left)	
6A	0440263	1	Bushing, Flange	
7	3010152	1	Bar, Pothole (Right)	
7A	0440263	2	Bushing, Flange	
8	3010153	2	Link, Actuator (Right)	
8A	0440263	1	Bushing, Flange	
9	3290405	4	Locknut M4	
10	3290605	2	Locknut M6	
11	3423189	2	Pin	
12	3423230	2	Pin	
13	3423231	2	Pin	
14	3760348	10	Ring, Retaining	
15	3841703	1	Rod, Actuator	
16	4010415	4	Screw M4 x 35mm	
17	4031707	4	Capscrew M6 x 16mm	
16	4160160	1	Spring	
19	4160222	1	Spring (Right)	
25	4160223	1	Spring (Left)	
21	4220258	1	Pad, Actuator	
22	4569238	4	Spacer	
23	4811400	AR	Flatwasher M4	
24	4811700	2	Flatwasher M6	
25	1001109088	2	Switch, Limit	
26	1001110511	2	Bracket	
27	1001200607	1	Tube, Actuator	



**SECTION 2 - GROUND COMPONENTS**

# SECTION 2 - GROUND COMPONENTS

## FIGURE 2-1. ELECTRICAL COMPONENTS INSTALLATION



ART\_1001166824

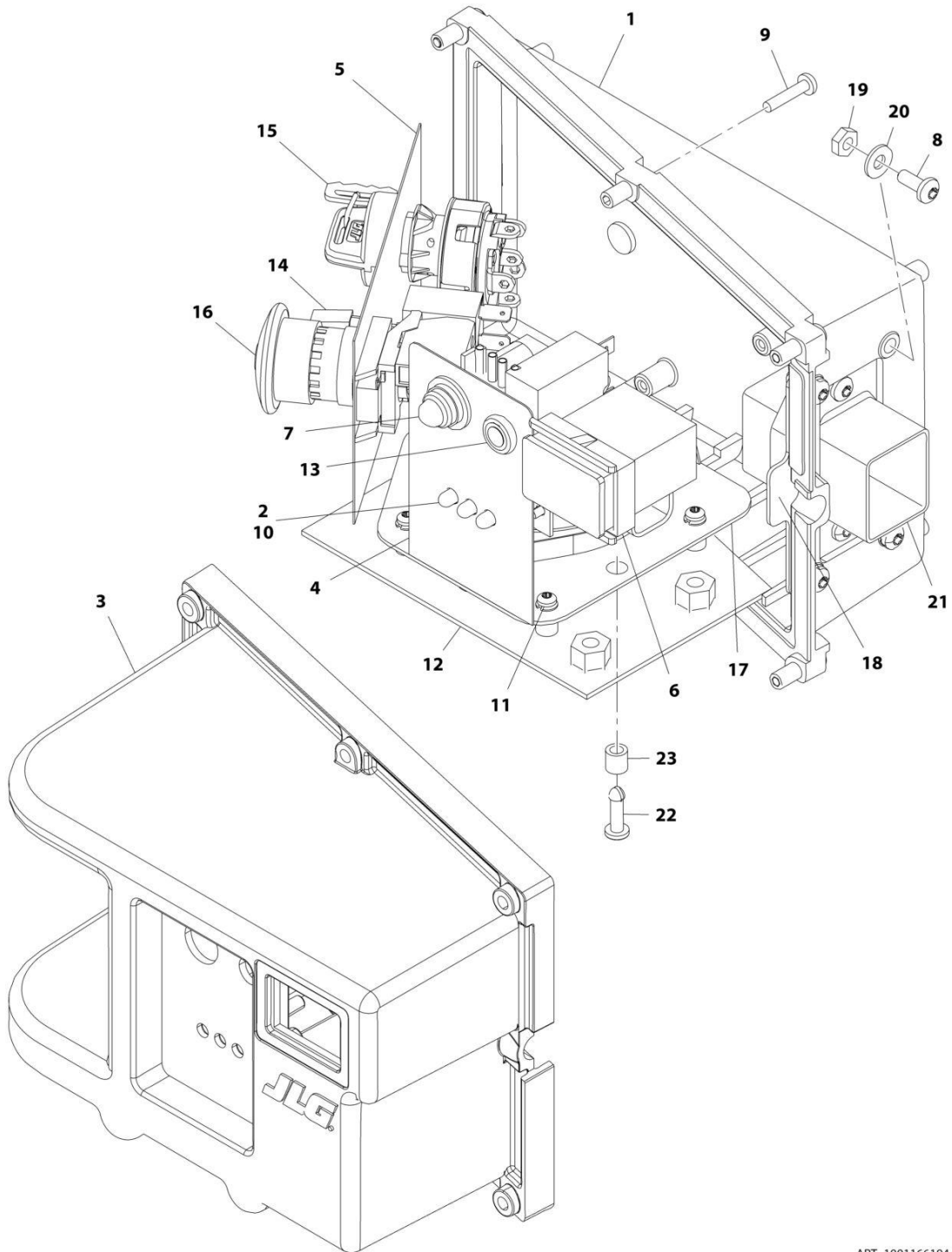
## SECTION 2 - GROUND COMPONENTS

**FIGURE 2-1. ELECTRICAL COMPONENTS INSTALLATION**

ITEM	PART NUMBER	QTY	DESCRIPTION	REV
	1001166824	Ref	ELECTRICAL COMPONENTS INSTALLATION	E
1	0140043	1	Alarm	
2	1001166194	1	Ground Control Box Assembly (See Separate Breakdown in this Section)	
3	0700615	3	Bolt M6 x 35	
4	1001092456	1	Module, Drive	
4B	70002683	1	Fuse	
4C	70002682	1	Bussbar	
5	3740150	1	Relay	
6	4000010	1	Sensor, Proximity	
7	4191706	2	Screw M6 x 12	
8	4191708	6	Screw M6 x 20	
8	4191709	6	Screw M6 x 25	
9	1001116640	1	Harness, Chassis (Not Shown, See ELECTRICAL Section for Breakdown)	
10	4360387	1	Switch, Push Button	
11	3290605	1	Nut M6	
12	3900392	1	Screw M6 x 30	
13	0100048	1	Grease, Dielectric	
14	4220307	1	Block, Spacer	
15	4240153	1	Strap, Clinch (Not Shown)	

# SECTION 2 - GROUND COMPONENTS

## FIGURE 2-2. GROUND CONTROL BOX ASSEMBLY



ART\_1001166194

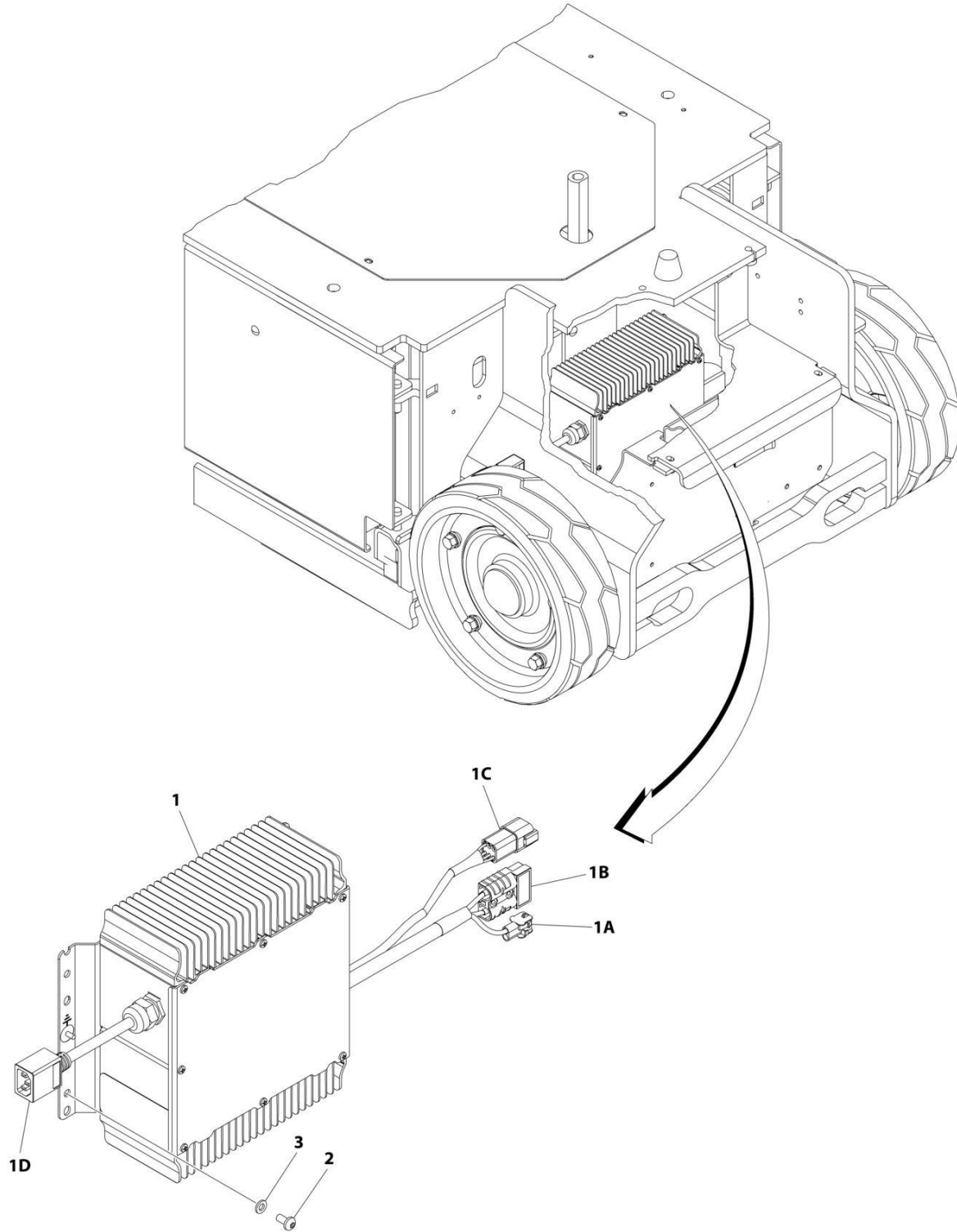
## SECTION 2 - GROUND COMPONENTS

**FIGURE 2-2. GROUND CONTROL BOX ASSEMBLY**

ITEM	PART NUMBER	QTY	DESCRIPTION	REV
	1001166194	Ref	GROUND CONTROL BOX ASSEMBLY - NO LSS	I
1	0380025	1	Base, Box	
2	0610161	1	PC Board, Charger LED	
2	4460321	1	Plug, Male - 4 Position	
2	4460268	3	Socket, Female	
3	1671105	1	Cover	
4	1705696	1	Decal	
5	1705698	1	Decal	
6	2420172	1	Hourmeter	
7	3520193	1	Plug	
8	3900336	6	Screw	
9	3900338	6	Screw	
10	3900339	2	Screw	
11	1001180090	4	Screw M3.5 x 20	
12	1001165315	1	Support	
13	4360069	1	Breaker, Circuit 10Amp	
14	4360328	1	Switch, Toggle	
15	4360469	1	Switch, Key	
15	2860030	1	Key, Replacement	
16	4360475	1	Switch, Emergency Stop	
16	7020175	1	Cap	
16	7020176	1	Block, Contact	
17	1001166255	1	Sensor, Tilt (Includes Sensor, Mounting Plate and Hardware)	
17	3931412	3	Screw 1/4 x 3/4	
17	1001163095	1	Sensor	
17	1001165316	1	Mount, Sensor	
17	1001166776	4	Mount, Standoff	
18	1001114937	1	Mount, Harness	
19	3321005	4	Nut #10	
20	4751000	4	Washer #10	
21	1001208641	1	Harness, Ground Control Box (See ELECTRICAL SECTION for Breakdown)	
22	1001165284	1	Fastener	
23	1001165286	1	Spacer	

## SECTION 2 - GROUND COMPONENTS

FIGURE 2-3. BATTERY CHARGER INSTALLATION (ALL SPECS)



ART\_0274562



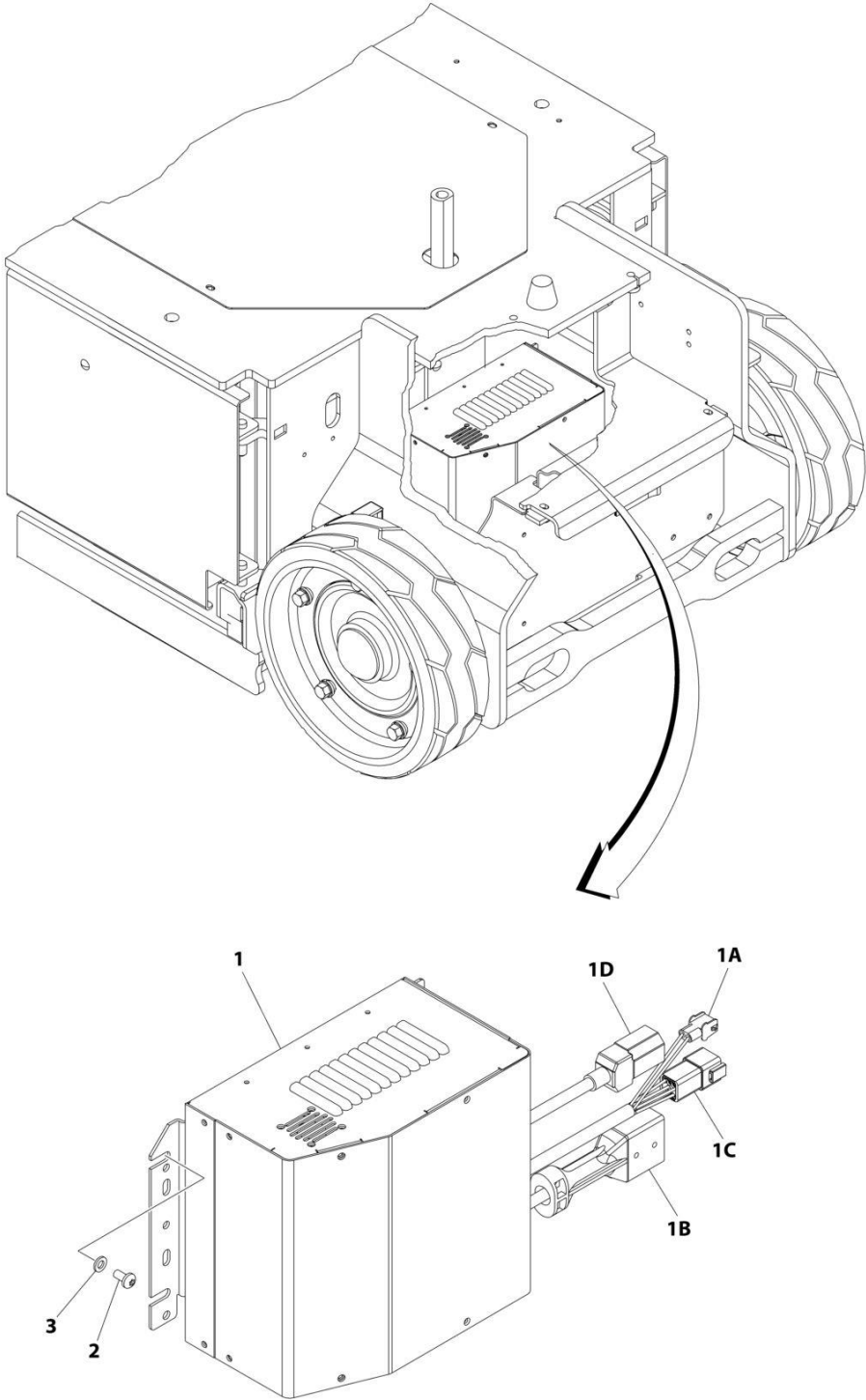
## SECTION 2 - GROUND COMPONENTS

**FIGURE 2-3. BATTERY CHARGER INSTALLATION (ALL SPECS)**

ITEM	PART NUMBER	QTY	DESCRIPTION	REV
	0274562	Ref	BATTERY CHARGER INSTALLATION	F
1	1001112111	1	Battery Charger	K
1A	4460424	1	Connector	
1A	4460267	2	Pin	
1B	4460648	1	Connector, Anderson	
1C	4460899	1	Connector, 6 Position	
1C	4460464	4	Pin	
1C	4460466	2	Seal	
1D	See Note	1	Receptacle, Female (Note: Not Available for Purchase)	
2	4191706	4	Screw M6 x 12	
3	4811700	4	Washer M6	
4	1001103743	1	Decal - Charger (Not Shown)	

# SECTION 2 - GROUND COMPONENTS

## FIGURE 2-4. BATTERY CHARGER INSTALLATION (ANSI AND CSA SPECS)



ART\_1001229471

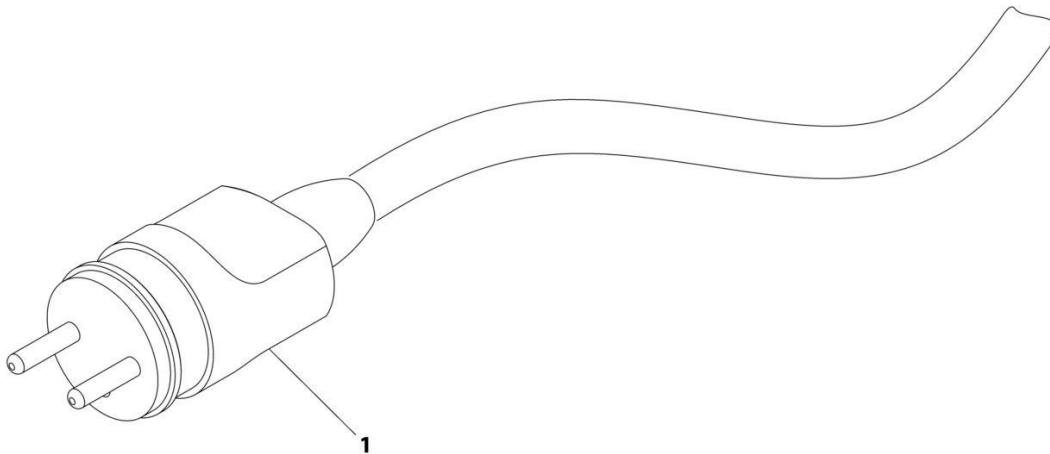
## SECTION 2 - GROUND COMPONENTS

**FIGURE 2-4. BATTERY CHARGER INSTALLATION (ANSI AND CSA SPECS)**

ITEM	PART NUMBER	QTY	DESCRIPTION	REV
	1001229471	Ref	BATTERY CHARGER INSTALLATION	A
1	1001177842	1	Battery Charger	A
1A	4460424	1	Connector	
1A	4460267	2	Pin	
1B	4460648	1	Connector, Anderson	
1C	4460899	1	Connector, 6 Position	
1C	4460464	4	Pin	
1C	4460466	2	Seal	
1D	See Note	1	Receptacle, Female (Note: Not Available for Purchase)	
2	4191706	4	Screw M6 x 12	
3	4811700	4	Washer M6	
4	1001103743	1	Decal - Charger (Not Shown)	

## SECTION 2 - GROUND COMPONENTS

FIGURE 2-5. CHARGER CORD PLUG - 220V CEE7 POST GROUND (CE & UK CA SPECS)



ART\_0275663

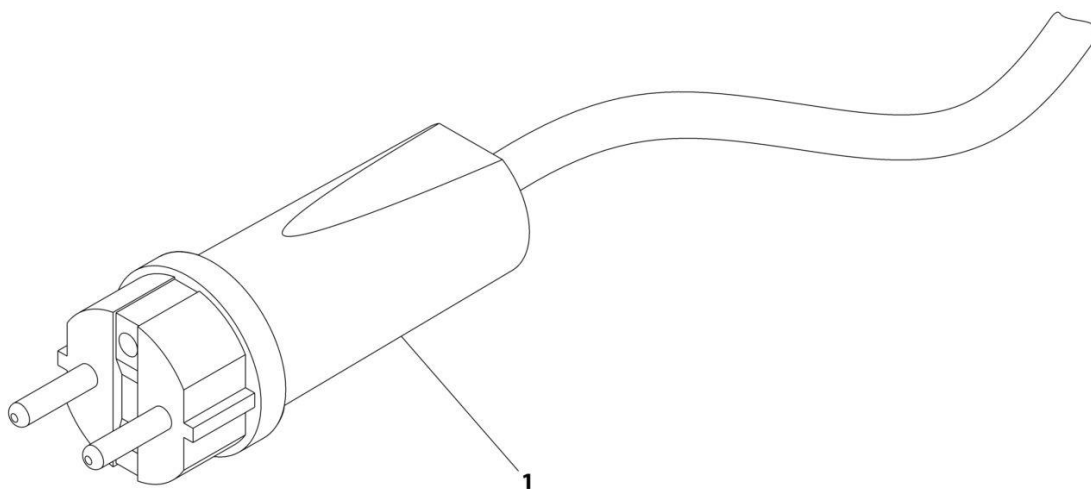
## SECTION 2 - GROUND COMPONENTS

**FIGURE 2-5. CHARGER CORD PLUG - 220V CEE7 POST GROUND (CE & UK CA SPECS)**

ITEM	PART NUMBER	QTY	DESCRIPTION	REV
	0275663	Ref	CHARGER CORD PLUG INSTALLATION - 220V CEE7 POST GROUND	C
1	4461205	1	Plug	

## SECTION 2 - GROUND COMPONENTS

FIGURE 2-6. CHARGER CORD PLUG - 220V CEE7 SIDE GROUND (ANSI EXPORT, CE, KOREA & UK CA SPECS)



ART\_0275664

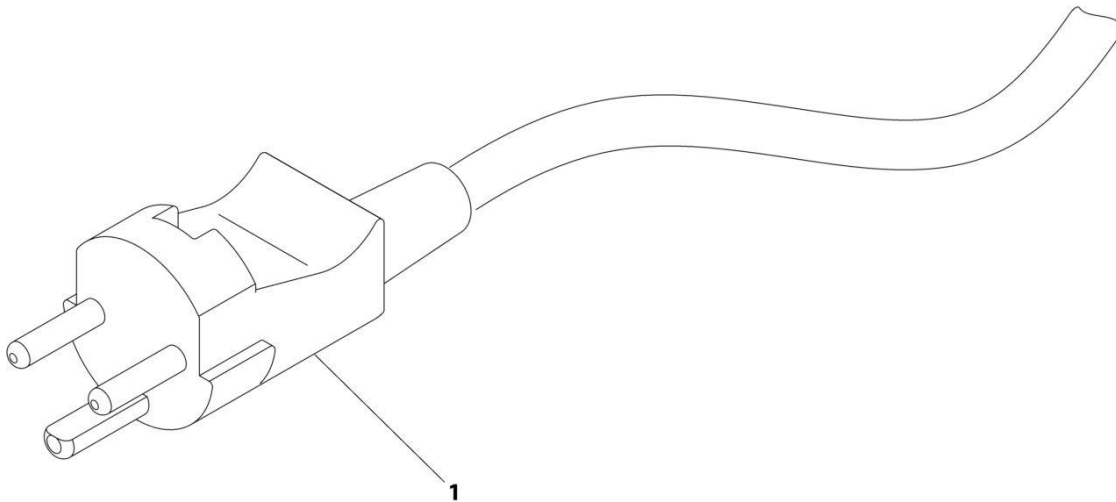
## SECTION 2 - GROUND COMPONENTS

**FIGURE 2-6. CHARGER CORD PLUG - 220V CEE7 SIDE GROUND (ANSI EXPORT, CE, KOREA & UK CA SPECS)**

ITEM	PART NUMBER	QTY	DESCRIPTION	REV
	0275664	Ref	CHARGER CORD PLUG INSTALLATION - 220V CEE7 SIDE GROUND	A
1	4461205	1	Plug	

## SECTION 2 - GROUND COMPONENTS

FIGURE 2-7. CHARGER CORD PLUG - 220V AFSINT 107 KEYED GROUND (CE & UK CA SPECS)



ART\_0275665



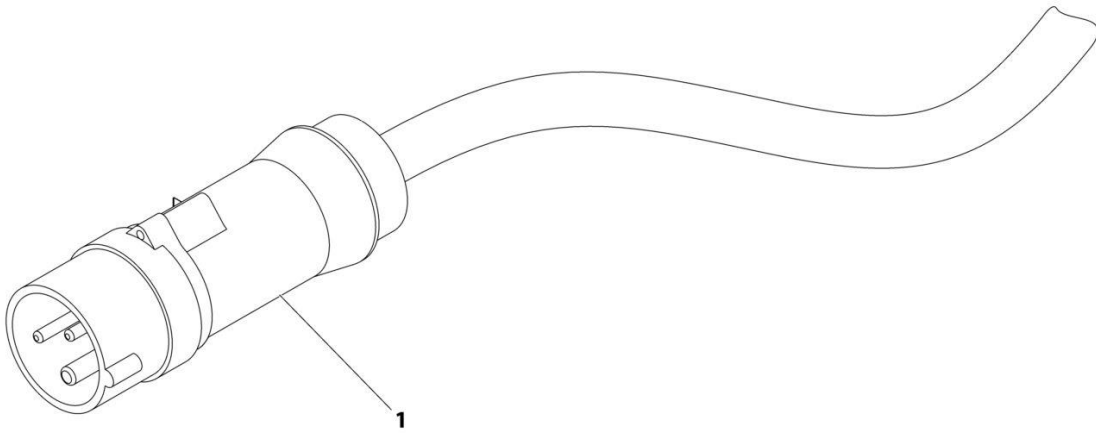
## SECTION 2 - GROUND COMPONENTS

**FIGURE 2-7. CHARGER CORD PLUG - 220V AFSINT 107 KEYED GROUND (CE & UK CA SPECS)**

ITEM	PART NUMBER	QTY	DESCRIPTION	REV
	0275665	Ref	CHARGER CORD PLUG INSTALLATION - 220V AFSINT 107 KEYED GROUND	B
1	4461249	1	Plug	

## SECTION 2 - GROUND COMPONENTS

FIGURE 2-8. CHARGER CORD PLUG INSTALLATION - 110V IEC YELLOW (CE & UK CA SPECS)



ART\_0275666

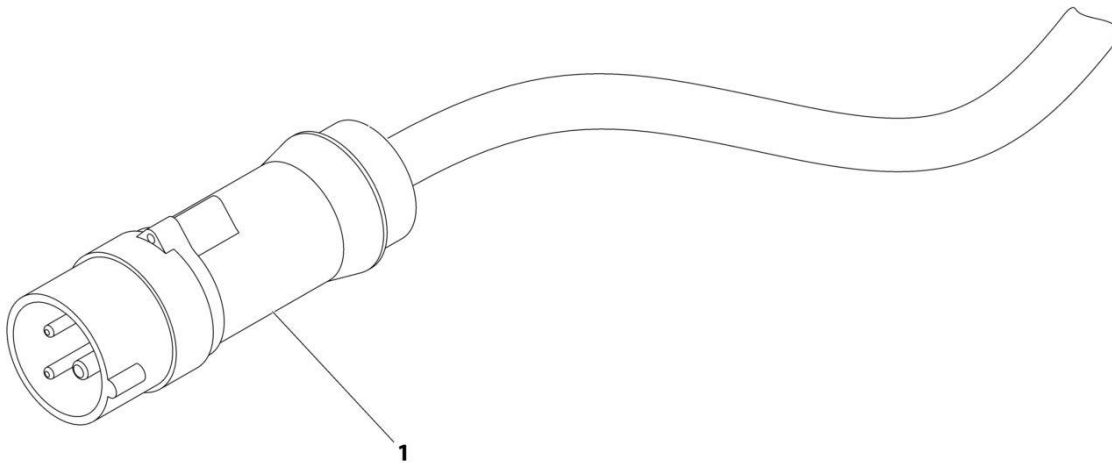
## SECTION 2 - GROUND COMPONENTS

**FIGURE 2-8. CHARGER CORD PLUG INSTALLATION - 110V IEC YELLOW (CE & UK CA SPECS)**

ITEM	PART NUMBER	QTY	DESCRIPTION	REV
	0275666	Ref	CHARGER CORD PLUG INSTALLATION - 110V IEC YELLOW	B
1	4461196	1	PLUG Plug	

## SECTION 2 - GROUND COMPONENTS

FIGURE 2-9. CHARGER CORD PLUG INSTALLATION - 220V IEC BLUE (CE & UK CA SPECS)



ART\_0275667

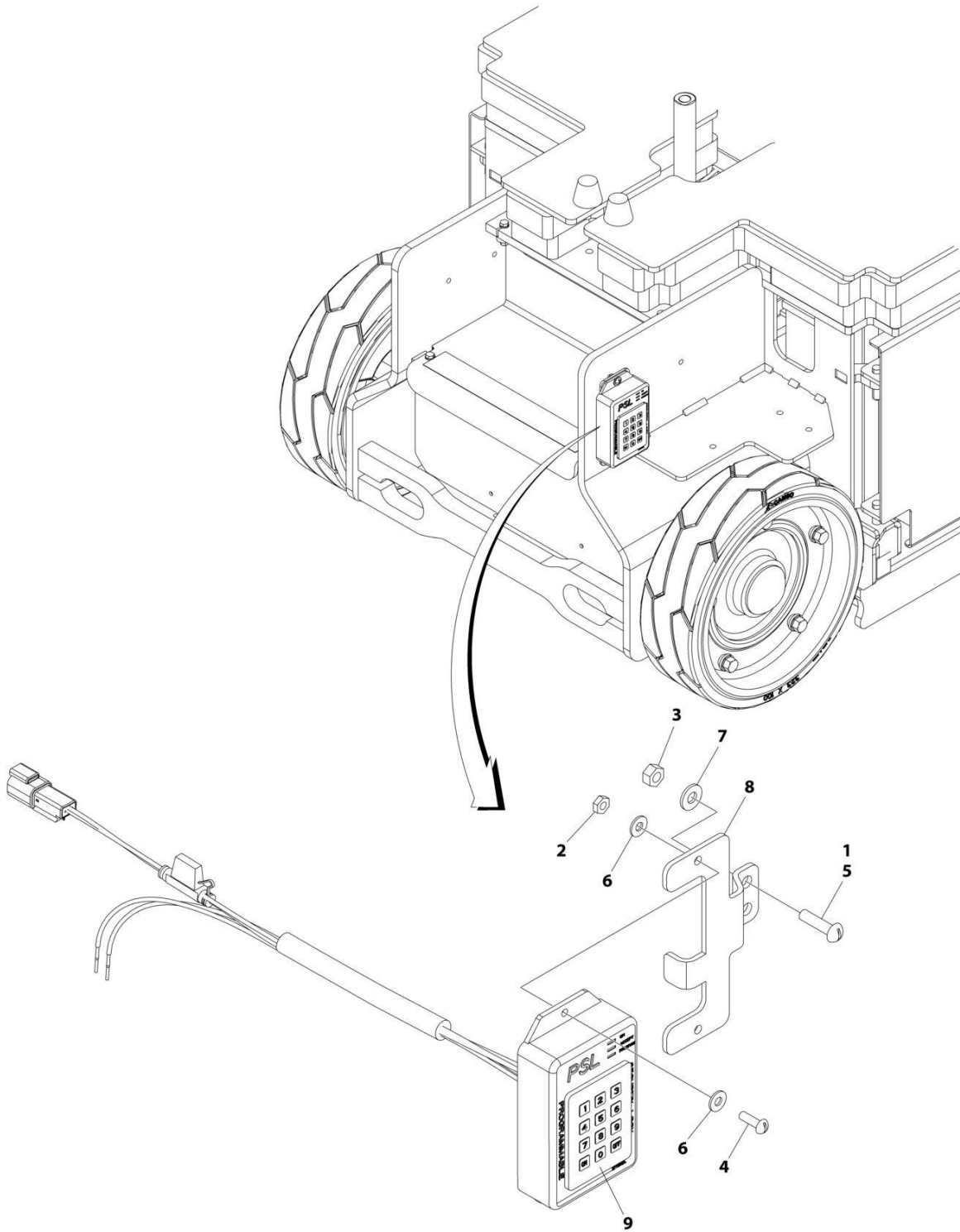
## SECTION 2 - GROUND COMPONENTS

**FIGURE 2-9. CHARGER CORD PLUG INSTALLATION - 220V IEC BLUE (CE & UK CA SPECS)**

ITEM	PART NUMBER	QTY	DESCRIPTION	REV
1	0275667 4461199	Ref 1	CHARGER CORD PLUG INSTALLATION - 220V IEC BLUE PLUG Plug	B

## SECTION 2 - GROUND COMPONENTS

FIGURE 2-10. PROGRAMMABLE SECURITY LOCK



ART\_1001206688

## SECTION 2 - GROUND COMPONENTS

**FIGURE 2-10. PROGRAMMABLE SECURITY LOCK**

ITEM	PART NUMBER	QTY	DESCRIPTION	REV
	1001206688	Ref	PROGRAMMABLE SECURITY LOCK	A
1	0100011	AR	Compound, Locking	
2	3311005	2	Nut M10	
3	3311405	2	Nut 1/4	
4	3911010	2	Bolt M10 x 5/8	
5	3911416	2	Bolt 1/4 x 1	
6	4711000	4	Washer M10	
7	4711400	2	Washer 1/4	
8	1001206687	1	Bracket, Mounting	
9	1001209674	1	Programmable Security Lock	

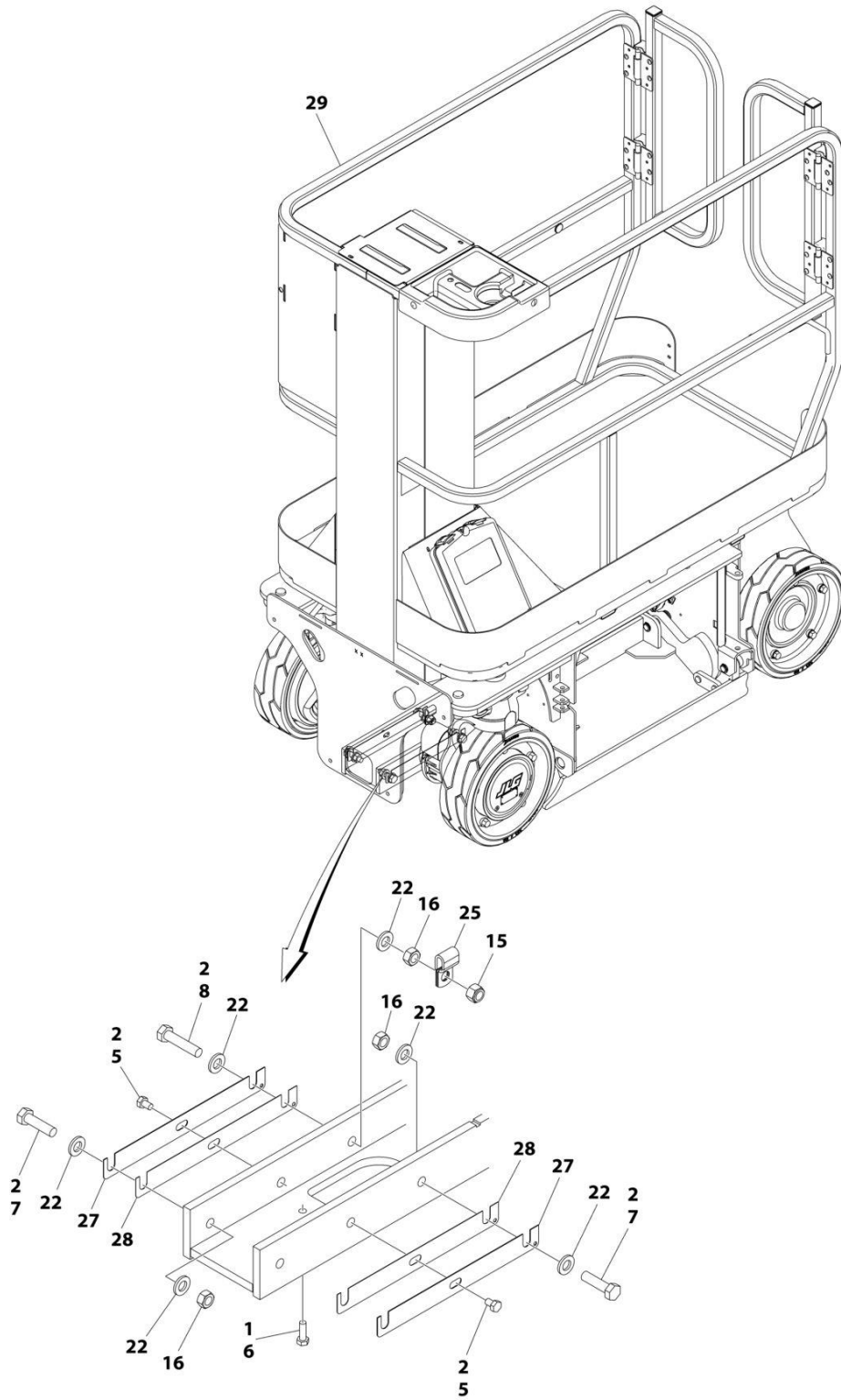




**SECTION 3 - MAST**

# SECTION 3 - MAST

FIGURE 3-1. MAST INSTALLATION (ANSI, ANSI EXPORT, AND CSA SPECS)



ART\_1001254195\_10F2

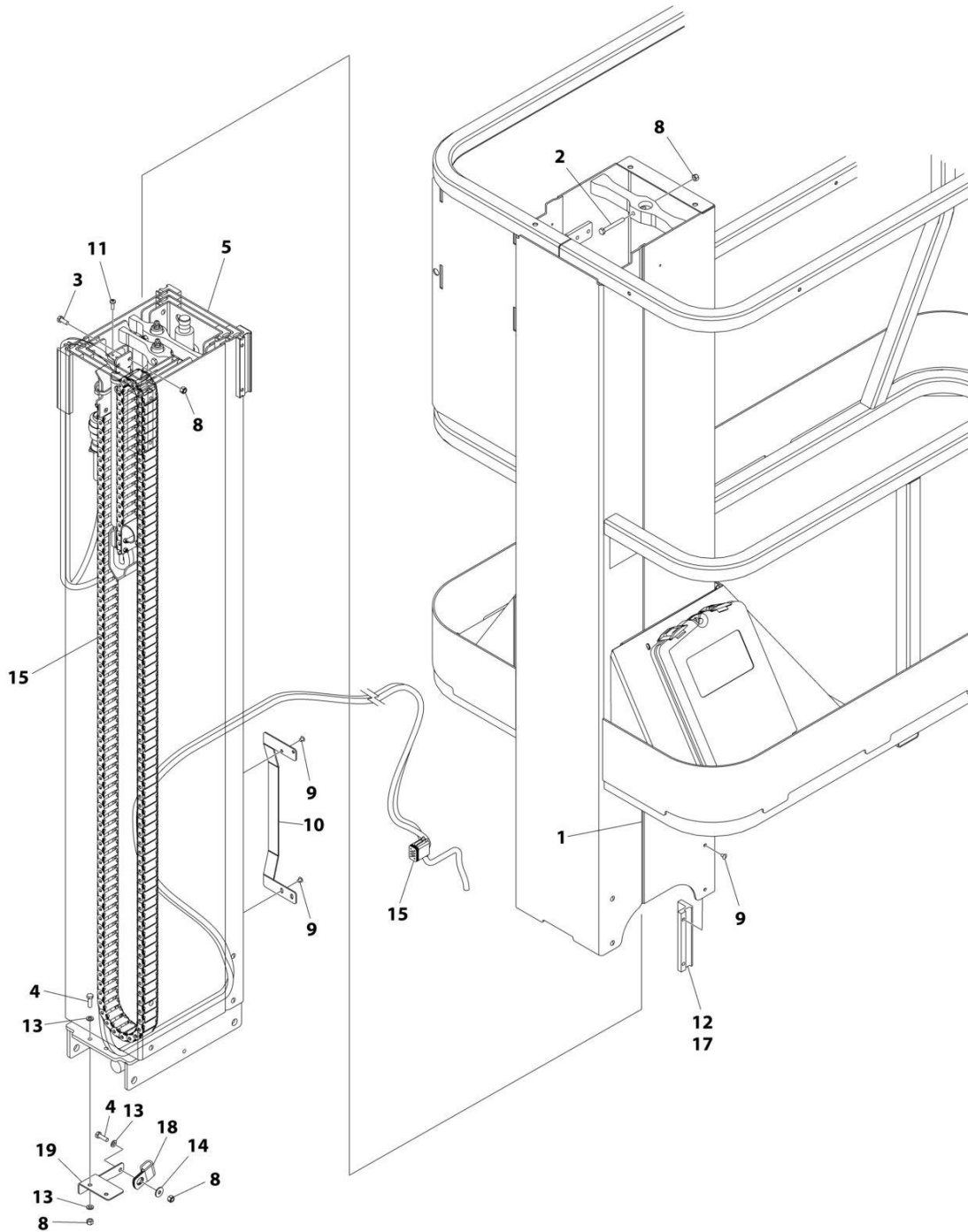
## SECTION 3 - MAST

**FIGURE 3-1. MAST INSTALLATION (ANSI, ANSI EXPORT, AND CSA SPECS)**

ITEM	PART NUMBER	QTY	DESCRIPTION	REV
	1001254195	Ref	MAST INSTALLATION	B
1	0100011	AR	Compound, Locking	
2	0100019	AR	Compound, Locking	
3	0100048	AR	Grease, Dielectric (Not Shown)	
5	0760806	AR	Screw M8 x 12	
6	0760812	2	Screw M8 x 25	
7	0771217	3	Bolt M12 x 45	
8	0771219	1	Bolt M12 x 55	
15	3291205	1	Nut M12	
16	3331211	4	Nut M12	
22	5241200	8	Washer M12	
25	1001102858	1	Clamp	
27	1001193274	AR	Shim	
28	1001193275	AR	Shim	
29	1001254198	Ref	Mast Sub-Assembly (See Separate Breakdown in this Section)	

# SECTION 3 - MAST

## FIGURE 3-2. MAST SUB-ASSEMBLY (ANSI, ANSI EXPORT, AND CSA SPECS)



ART\_1001254198\_C\_10F2

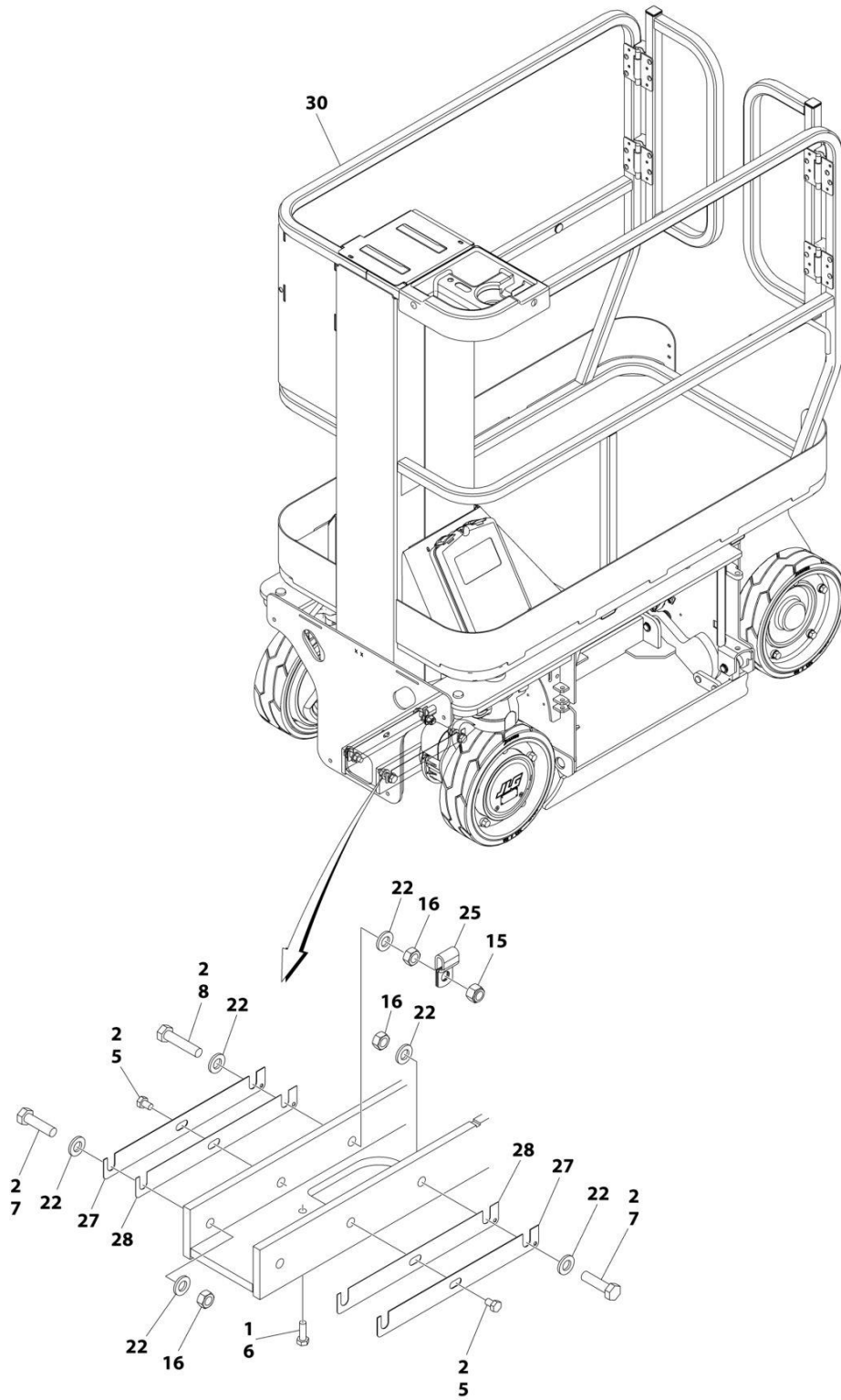
## SECTION 3 - MAST

**FIGURE 3-2. MAST SUB-ASSEMBLY (ANSI, ANSI EXPORT, AND CSA SPECS)**

ITEM	PART NUMBER	QTY	DESCRIPTION	REV
	1001254198	Ref	MAST SUB-ASSEMBLY	C
1	0100040	AR	Adhesive	
2	0700618	1	Bolt M6 x 50	
3	0760608	2	Bolt M6 x 16	
4	0760610	3	Bolt M6 x 20	
5	0801530	1	Mast Assembly (See Separate Breakdown in this Section)	
8	3290605	6	Nut M6	
9	3820019	30	Rivet	
10	4160220	1	Spring, Mast	
11	4191406	2	Screw M4 x 12	
12	4700042	AR	Pad, Slide	
13	4811700	8	Washer M6	
14	4811702	1	Washer M6	
15	1001239932	1	Cable, Platform Control (See Separate Breakdown in ELECTRICAL Section)	
17	1001092165	AR	Pad, Slide	
18	1001102858	1	Clamp	
19	1001156211	1	Bracket, Cable Support	

# SECTION 3 - MAST

FIGURE 3-3. MAST INSTALLATION (ANSI EXPORT, JAPANESE, AND KOREA SPECS)



ART\_1001254341\_10F2

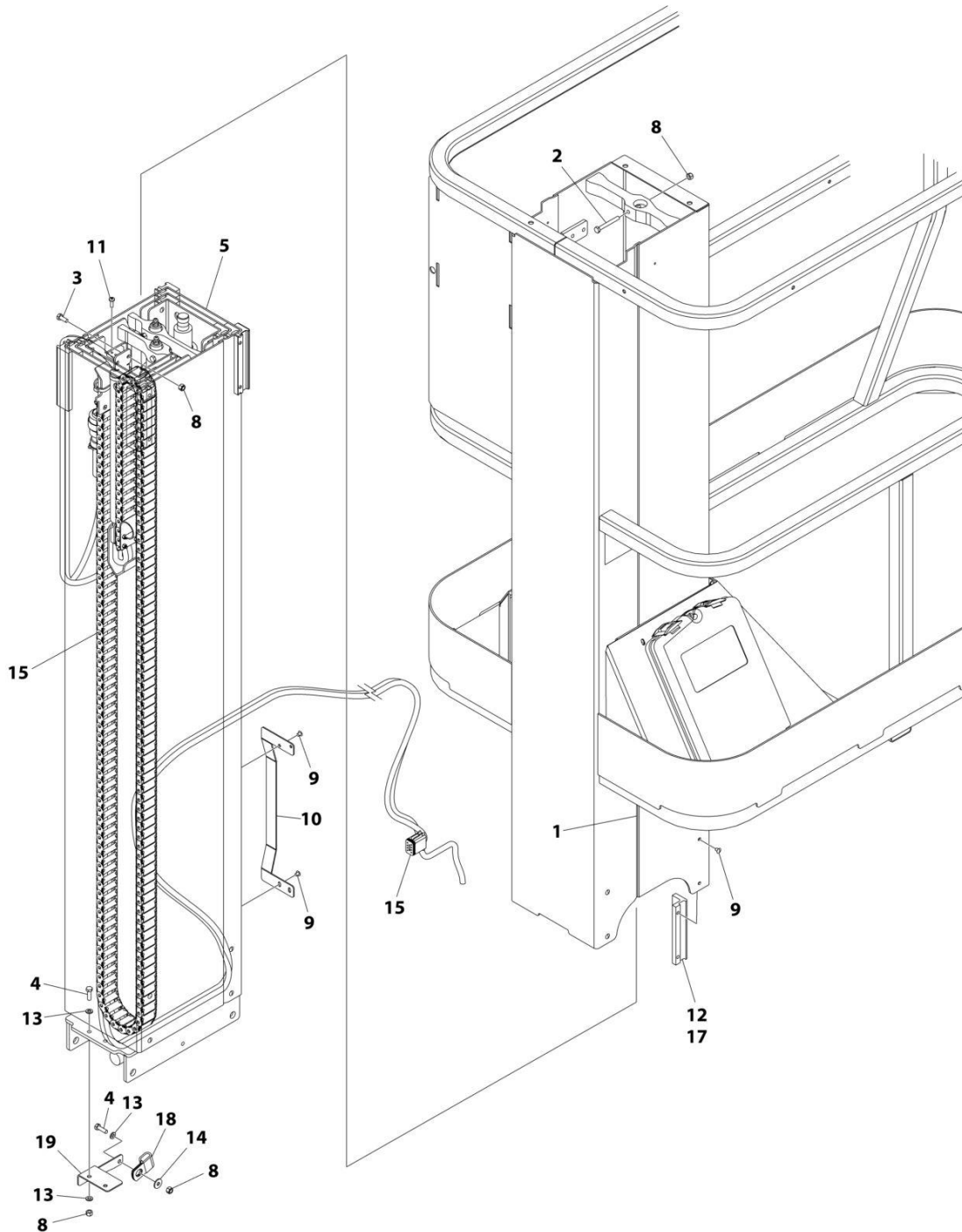
## SECTION 3 - MAST

**FIGURE 3-3. MAST INSTALLATION (ANSI EXPORT, JAPANESE, AND KOREA SPECS)**

ITEM	PART NUMBER	QTY	DESCRIPTION	REV
	1001254341	Ref	MAST INSTALLATION	B
1	0100011	AR	Compound, Locking	
2	0100019	AR	Compound, Locking	
3	0100048	AR	Grease, Dielectric (Not Shown)	
5	0760806	AR	Screw M8 x 12	
6	0760812	2	Screw M8 x 25	
7	0771217	3	Bolt M12 x 45	
8	0771219	1	Bolt M12 x 55	
15	3291205	1	Nut M12	
16	3331211	4	Nut M12	
22	5241200	8	Washer M12	
25	1001102858	1	Clamp	
27	1001193274	AR	Shim	
28	1001193275	AR	Shim	
30	1001254342	Ref	Mast Sub-Assembly (See Separate Breakdown in this Section)	

# SECTION 3 - MAST

## FIGURE 3-4. MAST SUB-ASSEMBLY (ANSI EXPORT, JAPANESE, AND KOREA SPECS)



ART\_1001254342\_C\_10F2



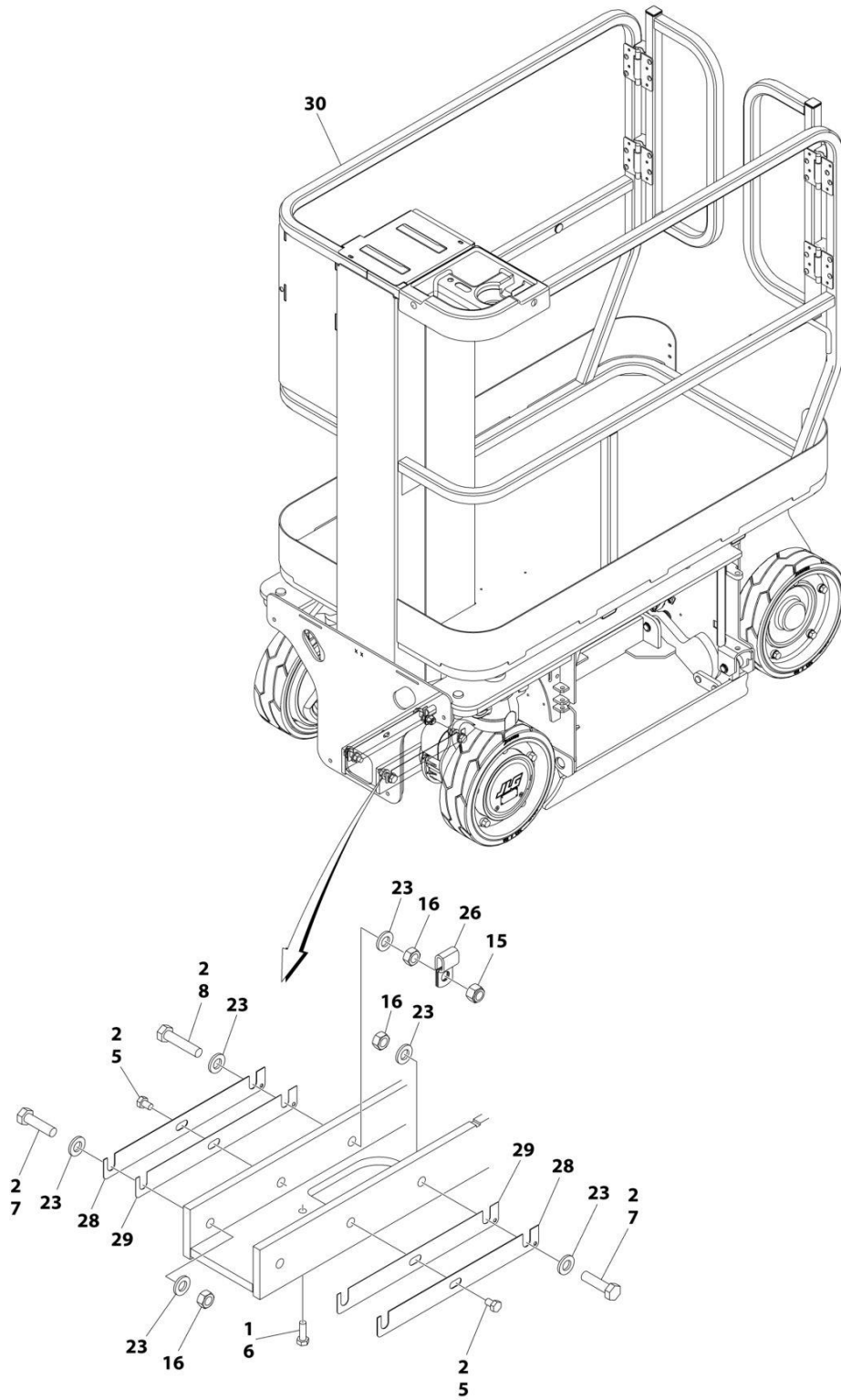
## SECTION 3 - MAST

**FIGURE 3-4. MAST SUB-ASSEMBLY (ANSI EXPORT, JAPANESE, AND KOREA SPECS)**

ITEM	PART NUMBER	QTY	DESCRIPTION	REV
	1001254342	Ref	MAST SUB-ASSEMBLY	C
1	0100040	AR	Sealant	
2	0700618	1	Bolt M6 x 50	
3	0760608	2	Bolt M6 x 16	
4	0760610	3	Bolt M6 x 20	
5	0801530	1	Mast Assembly (See Separate Breakdown in this Section)	
8	3290605	6	Nut M6	
9	3820019	30	Rivet	
10	4160220	1	Spring, Mast	
11	4191406	2	Screw M4 x 12	
12	4700042	AR	Slide Pad	
13	4811700	8	Washer M6	
14	4811702	1	Washer M6	
15	1001239932	1	Cable, Platform Control (See Separate Breakdown in ELECTRICAL Section)	
17	1001092165	AR	Pad, Slide	
18	1001102858	1	Clamp	
19	1001156211	1	Bracket, Cable Support	

# SECTION 3 - MAST

## FIGURE 3-5. MAST INSTALLATION (CE & UK CA SPECS)



ART\_1001254196\_10F2

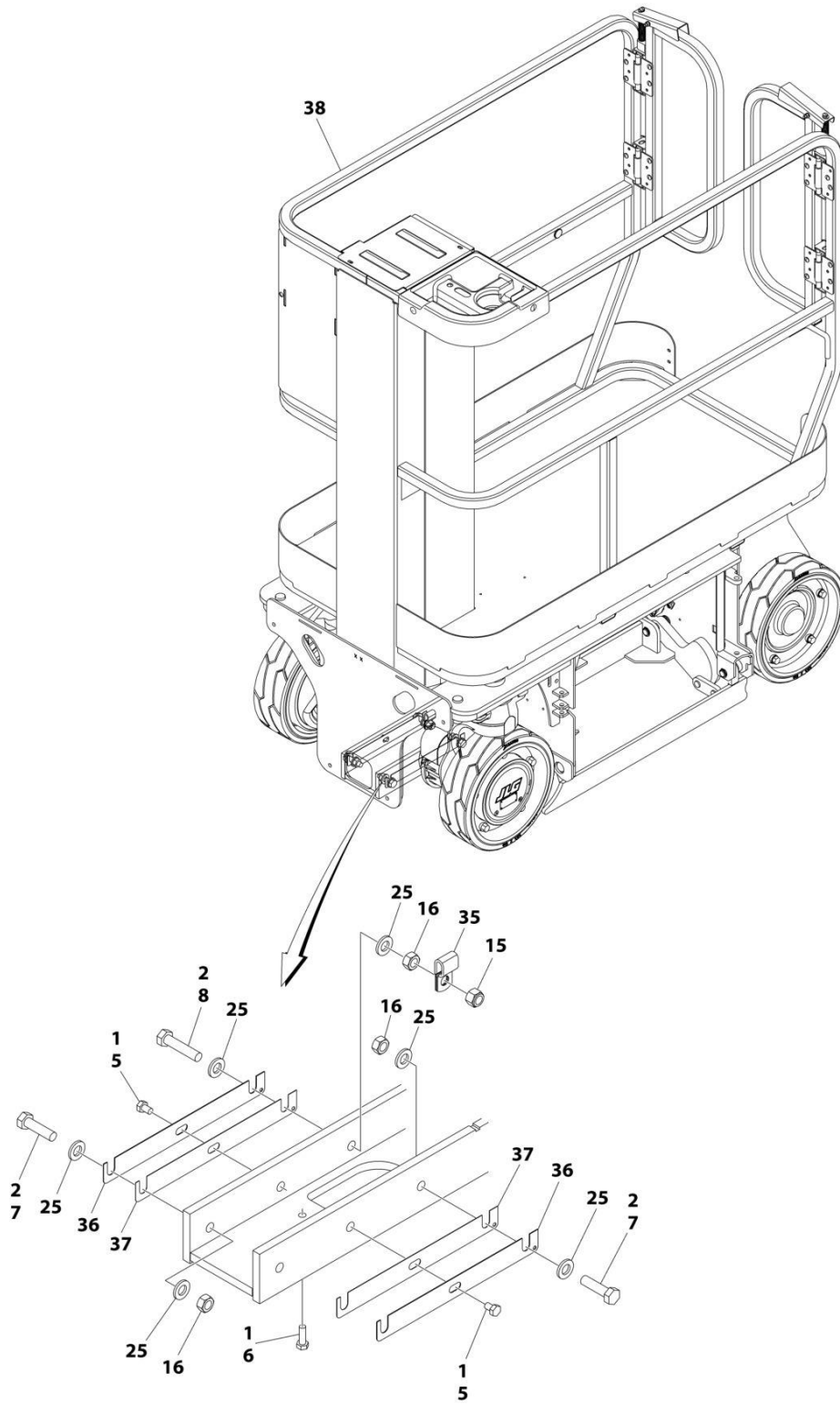
## SECTION 3 - MAST

**FIGURE 3-5. MAST INSTALLATION (CE & UK CA SPECS)**

ITEM	PART NUMBER	QTY	DESCRIPTION	REV
	1001254196	Ref	MAST INSTALLATION	B
1	0100011	AR	Compound, Locking	
2	0100019	AR	Compound, Locking	
3	0100048	AR	Grease, Dielectric (Not Shown)	
5	0760806	AR	Screw M8 x 12	
6	0760812	2	Screw M8 x 25	
7	0771217	3	Bolt M12 x 45	
8	0771219	1	Bolt M12 x 55	
15	3291205	1	Nut M12	
16	3331211	4	Nut M12	
23	5241200	8	Washer M12	
26	1001102858	1	Clamp	
28	1001193274	AR	Shim	
29	1001193275	AR	Shim	
30	1001254348	Ref	Mast Sub-Assembly (See Separate Breakdown in this Section)	

# SECTION 3 - MAST

## FIGURE 3-6. MAST INSTALLATION (AUSTRALIAN SPECS)



ART\_1001254197\_10F2

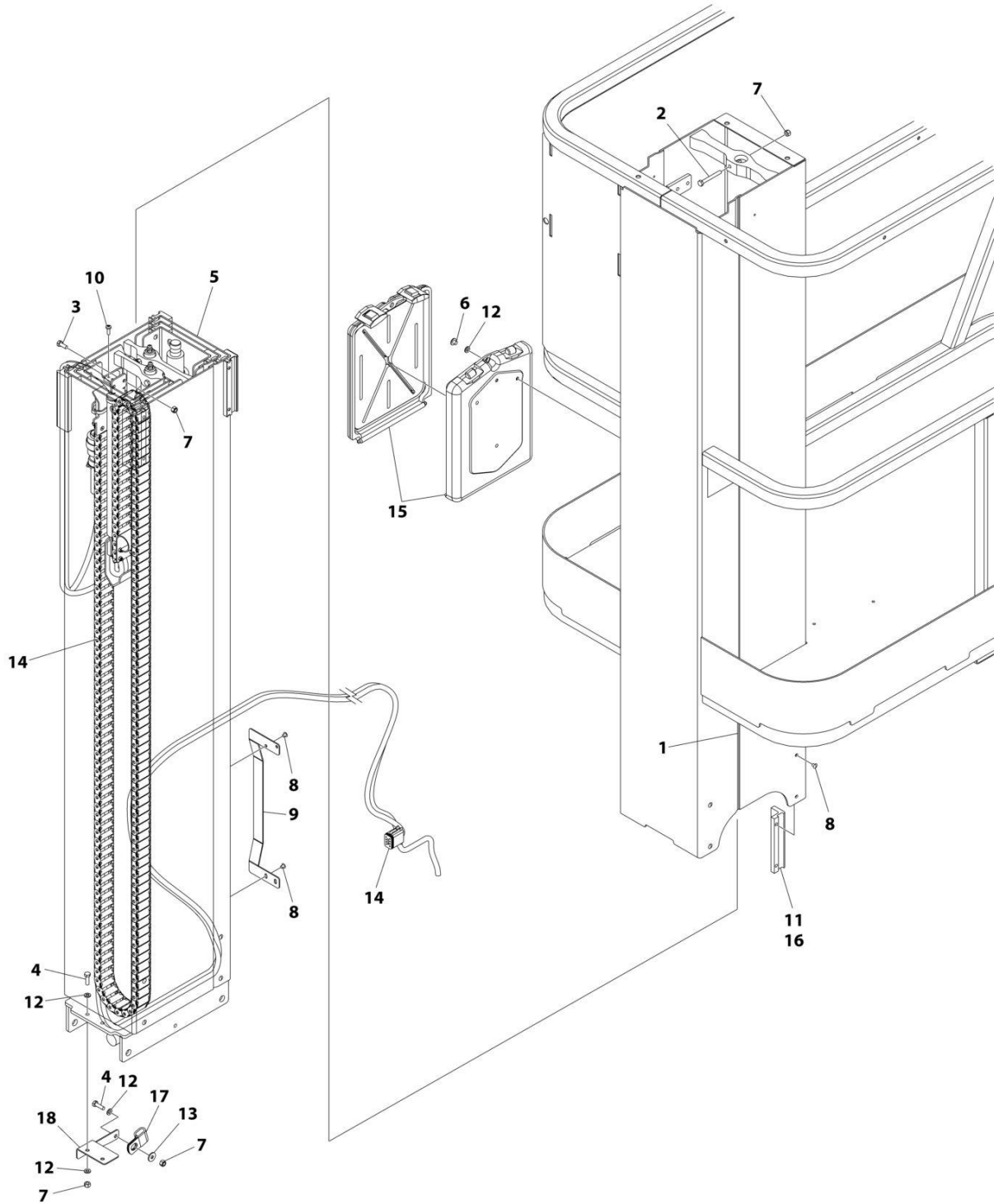
## SECTION 3 - MAST

**FIGURE 3-6. MAST INSTALLATION (AUSTRALIAN SPECS)**

ITEM	PART NUMBER	QTY	DESCRIPTION	REV
	1001254197	Ref	MAST INSTALLATION	B
1	0100011	AR	Compound, Locking	
2	0100019	AR	Compound, Locking	
3	0100048	AR	Grease, Dielectric (Not Shown)	
5	0760806	AR	Screw M8 x 12	
6	0760812	2	Screw M8 x 25	
7	0771217	3	Bolt M12 x 45	
8	0771219	1	Bolt M12 x 55	
15	3291205	1	Nut M12	
16	3331211	4	Nut M12	
25	5241200	8	Washer M12	
35	1001102858	1	Clamp	
36	1001193274	AR	Shim	
37	1001193275	AR	Shim	
38	1001254348	Ref	Mast Sub-Assembly (See Separate Breakdown in this Section)	

# SECTION 3 - MAST

## FIGURE 3-7. MAST SUB-ASSEMBLY (CE & UK CA SPECS)



ART\_1001254348\_10F2

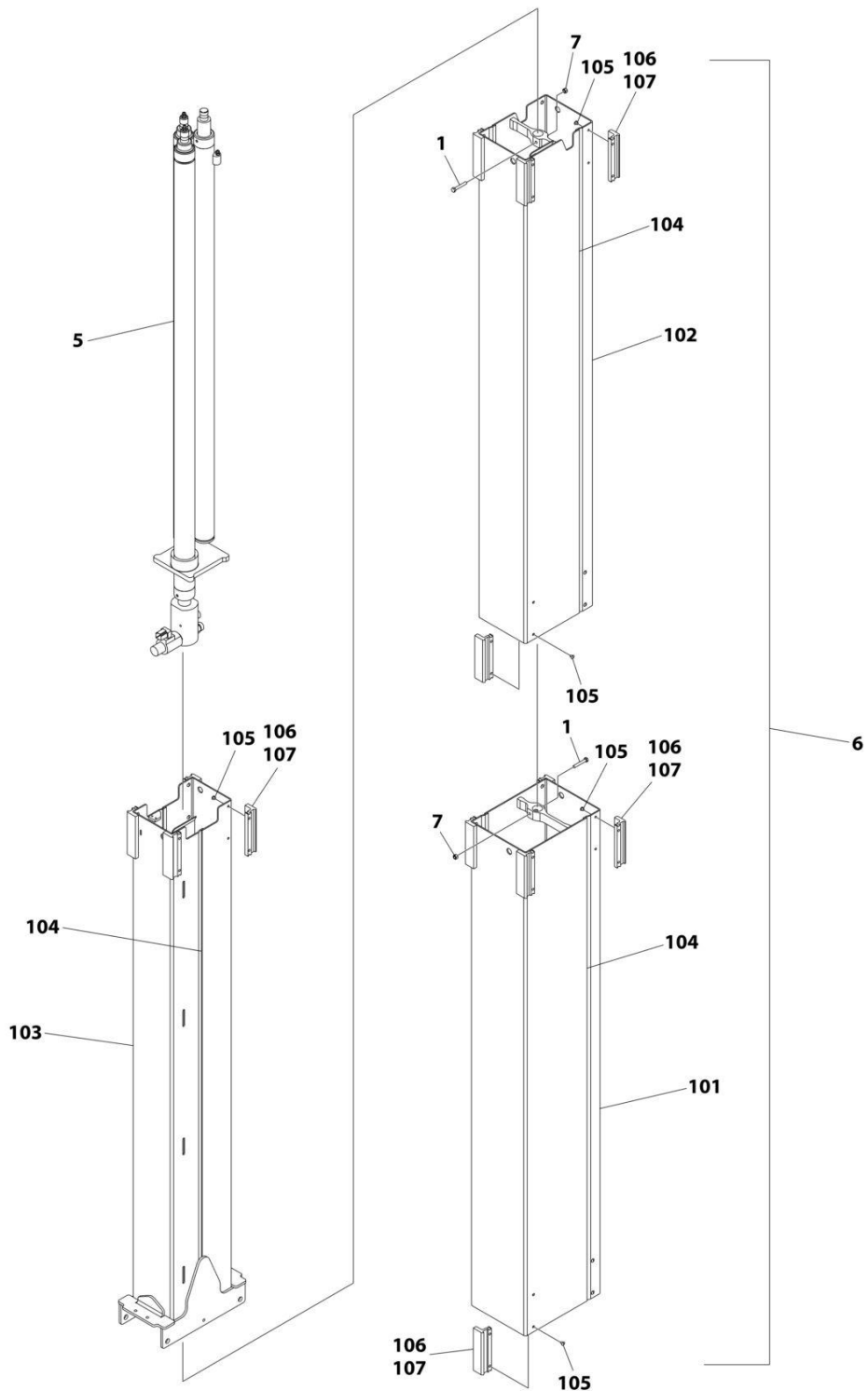
## SECTION 3 - MAST

**FIGURE 3-7. MAST SUB-ASSEMBLY (CE & UK CA SPECS)**

ITEM	PART NUMBER	QTY	DESCRIPTION	REV
	1001254348	Ref	MAST SUB-ASSEMBLY	B
1	0100040	AR	Adhesive	
2	0700618	1	Bolt M6 x 50	
3	0760608	2	Bolt M6 x 16	
4	0760610	3	Bolt M6 x 20	
5	0801530	1	Mast Assembly (See Separate Breakdown in this Section)	
6	2080040	3	Fastener	
7	3290605	6	Nut M6	
8	3820019	12	Rivet	
9	4160220	1	Spring, Mast	
10	4191406	2	Screw M4 x 12	
11	4700042	AR	Slide Pad	
12	4811700	8	Washer M6	
13	4811702	1	Washer M6	
14	1001239932	1	Cable, Platform Control (See Separate Breakdown in ELECTRICAL Section)	
15	8990147	1	Manual Holder	
16	1001092165	AR	Pad, Slide	
17	1001102858	1	Clamp	
18	1001156211	1	Bracket, Cable Support	

# SECTION 3 - MAST

## FIGURE 3-8. MAST ASSEMBLY



ART\_0801530



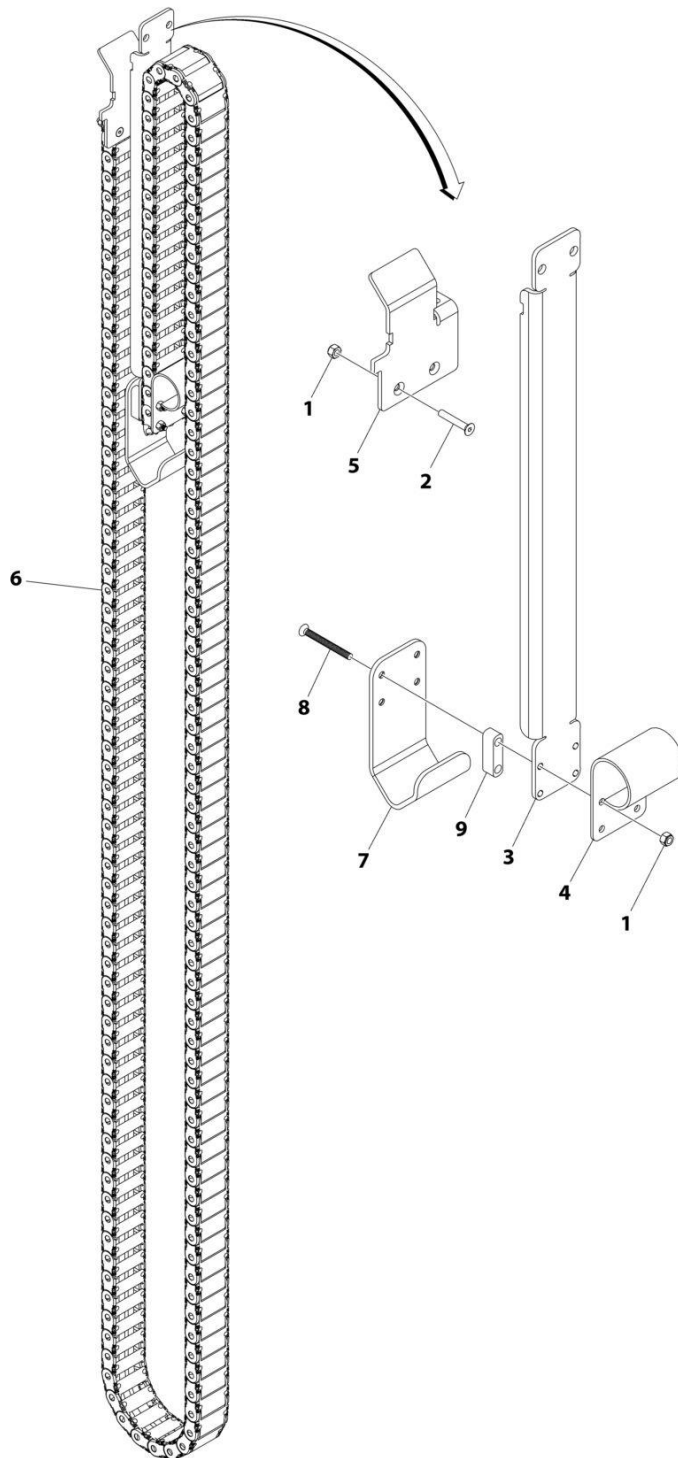
## SECTION 3 - MAST

### FIGURE 3-8. MAST ASSEMBLY

ITEM	PART NUMBER	QTY	DESCRIPTION	REV
	0801530	Ref	MAST ASSEMBLY	N
1	0700616	2	Bolt M6 x 40	
5	1684469	1	Cylinder Assembly (See Separate Breakdown in CYLINDER Section)	
6	2902439	1	Mast Kit (includes items 101-107)	
7	3290605	2	Nut M6	
		Ref	MAST KIT	Q
101	0801532	1	Boom, Outer Mid Mast	
102	0801533	1	Boom, Inner Mid Mast	
103	1001266761	1	Boom, Inner Mast	
104	0100040	1	Adhesive	
105	3820019	AR	Rivet	
106	4700042	AR	Slide Pad	
107	1001092165	AR	Slide Pad	

# SECTION 3 - MAST

## FIGURE 3-9. POWER TRACK ASSEMBLY



ART\_1001239934

FIGURE 3-9. POWER TRACK ASSEMBLY

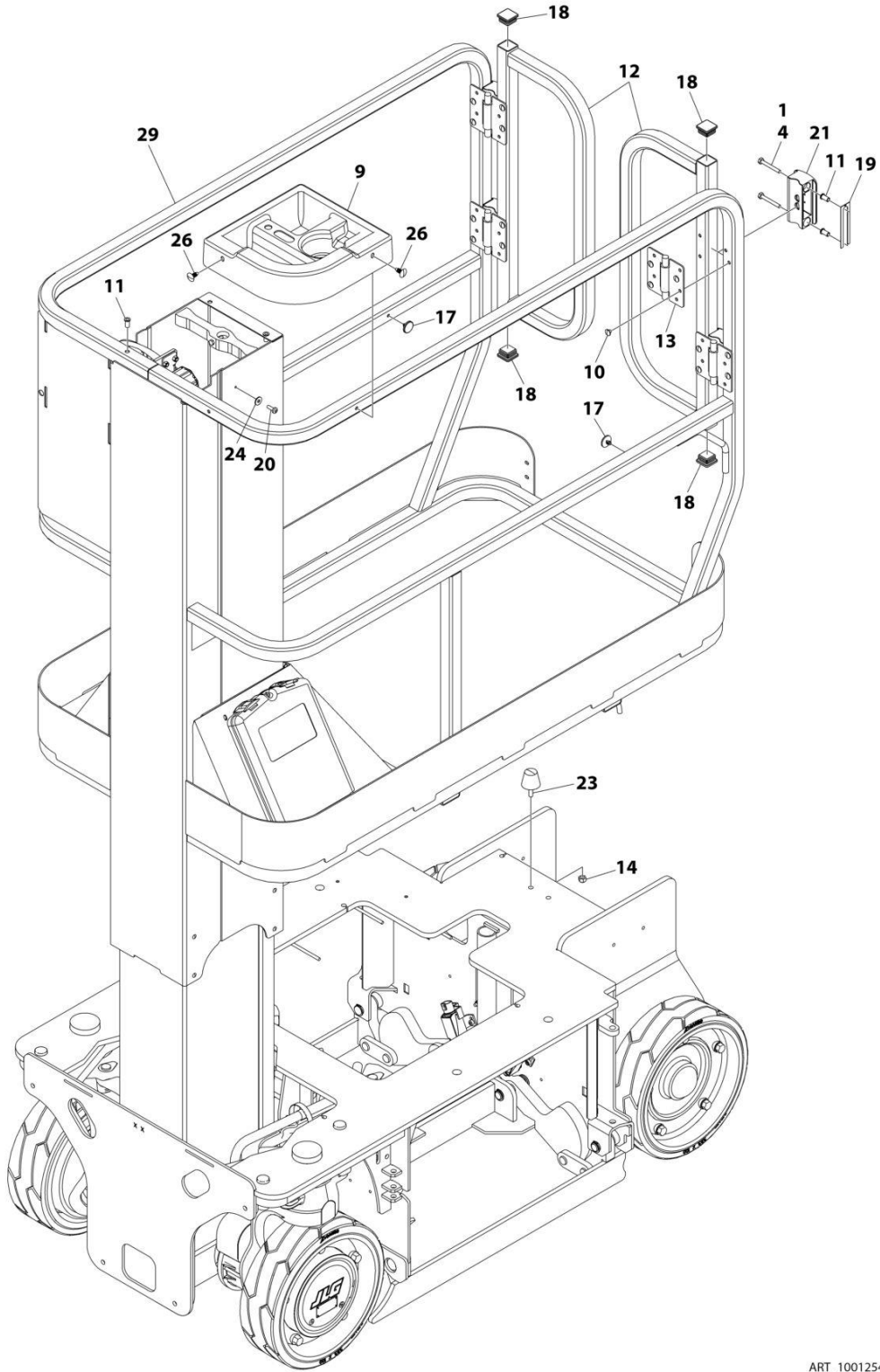
ITEM	PART NUMBER	QTY	DESCRIPTION	REV
	1001239934	Ref	POWER TRACK ASSEMBLY	A
1	3290405	6	Nut M4	
2	1001100176	2	Bolt M4 x 25	
3	1001239935	1	Channel, Push Tube	
4	1001239936	1	Stop, Track Upper	
5	1001239937	1	Bracket, Track Fixed	
6	1001239938	1	Power Track	
7	1001239939	1	Bracket, Track Moving End	
8	1001241343	4	Bolt M4 x 40	
9	1001241426	2	Stop, Cable Clamp	



**SECTION 4 - PLATFORM**

# SECTION 4 - PLATFORM

## FIGURE 4-1. PLATFORM INSTALLATION (ANSI, ANSI EXPORT, AND CSA SPECS)



ART\_1001254195\_20F2

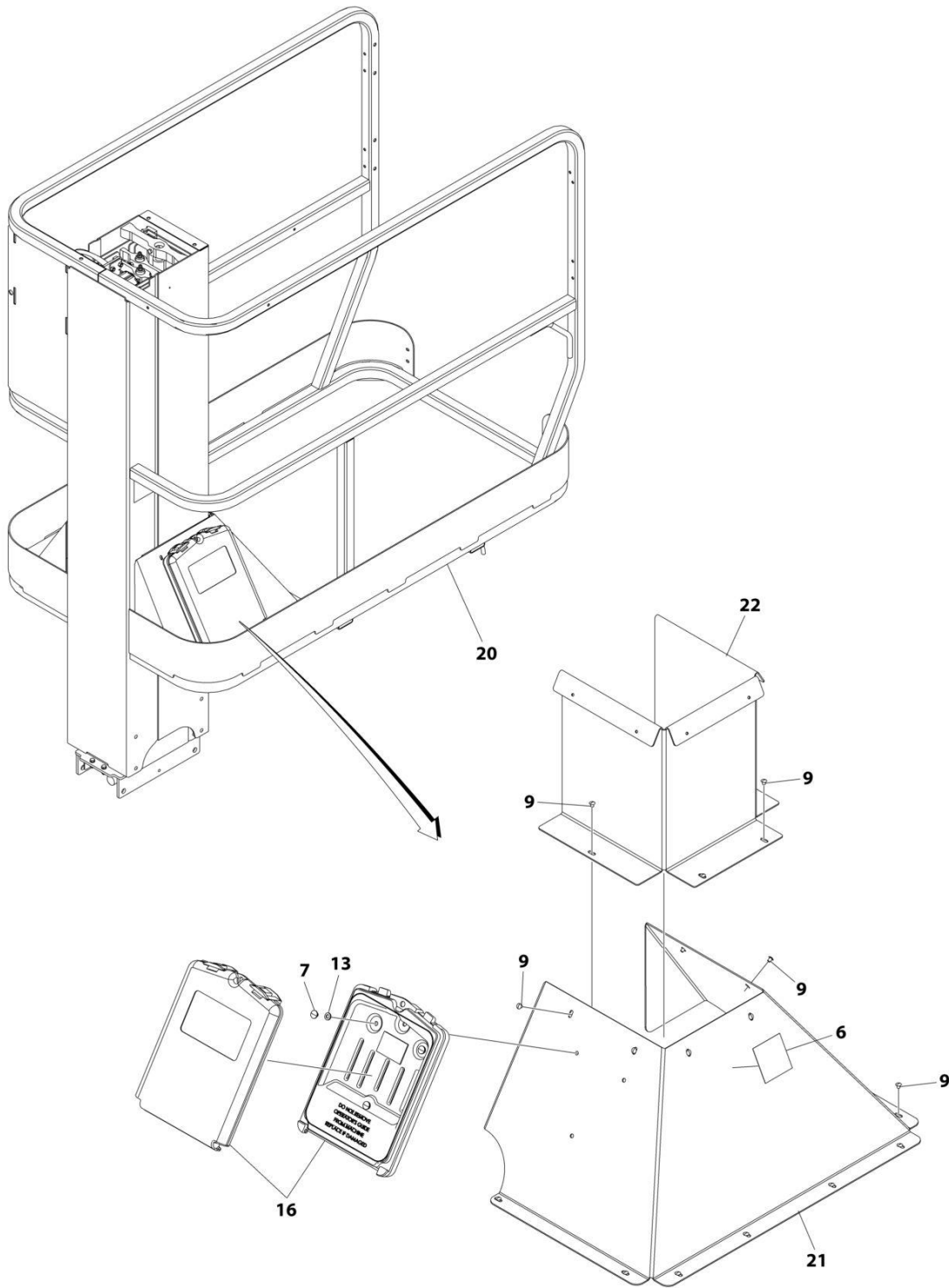
## SECTION 4 - PLATFORM

**FIGURE 4-1. PLATFORM INSTALLATION (ANSI, ANSI EXPORT, AND CSA SPECS)**

ITEM	PART NUMBER	QTY	DESCRIPTION	REV
	1001254195	Ref	PLATFORM INSTALLATION	B
1	0100011	AR	Compound, Locking	
4	0641416	8	Screw 1/4 x 2	
9	1580050	1	Tray	
10	2080040	16	Fastener	
11	2080043	10	Rivnut 1/4 x 5/8	
12	2410021	2	Gate, Saloon	
13	2600281	4	Hinge, Self Closing	
14	3290805	2	Nut M8	
17	3340962	2	Pad, Arm Rest	
18	3520072	4	Plug	
19	4071095	AR	Shim	
20	4191406	1	Screw M4 x 12	
21	4220309	4	Stop, Swing Gate	
23	1001008575	2	Bumper	
24	1001091102	1	Washer M4	
26	1001109786	2	Fastener, Firtree	
29	1001254198	Ref	Platform Panel & Manual Box Installation (See Separate Breakdown in this Section)	

# SECTION 4 - PLATFORM

FIGURE 4-2. PLATFORM PANEL & MANUAL BOX INSTALLATION (ANSI, ANSI EXPORT, AND CSA SPECS)



ART\_1001254198\_C\_20F2



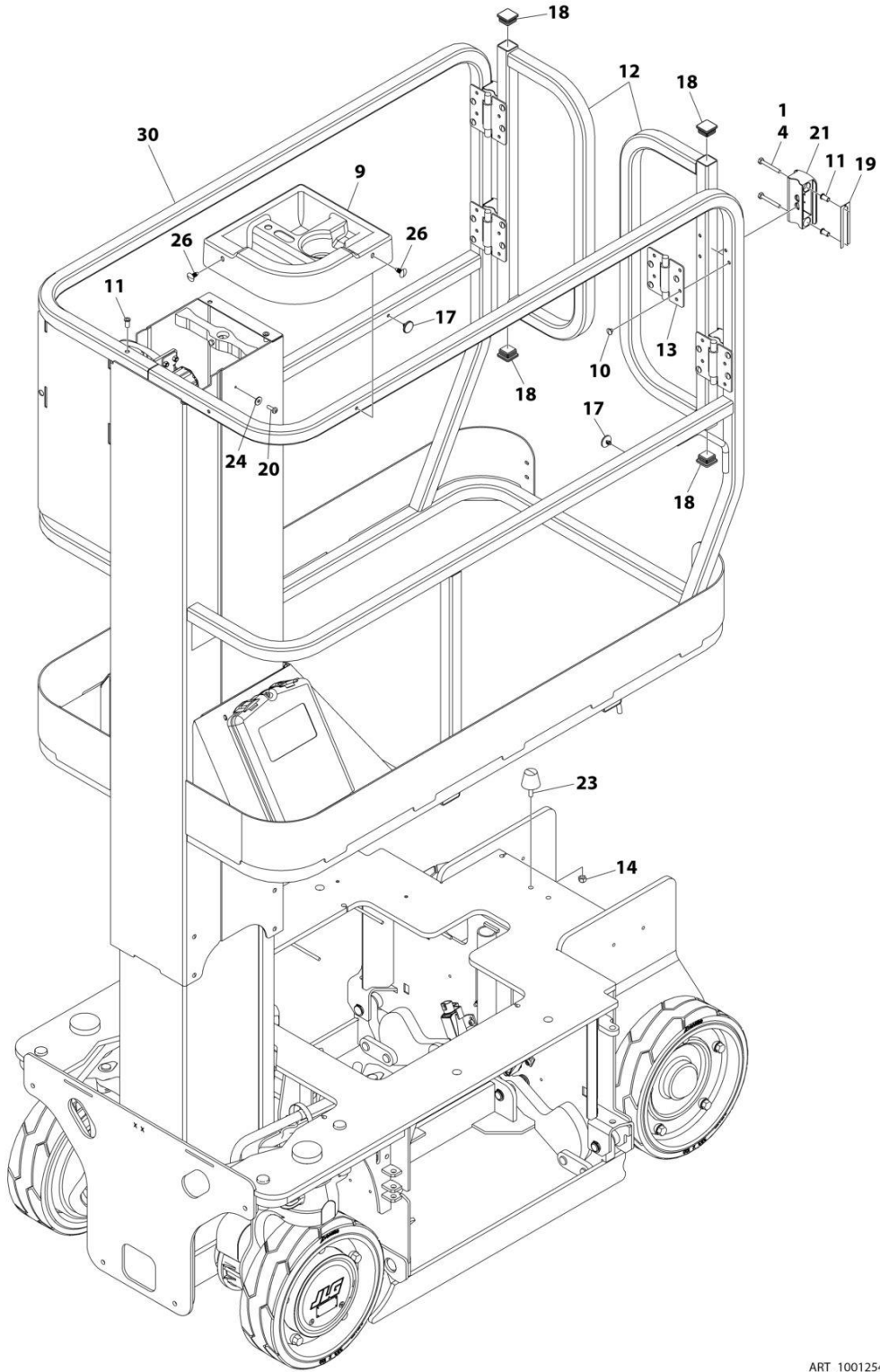
## SECTION 4 - PLATFORM

**FIGURE 4-2. PLATFORM PANEL & MANUAL BOX INSTALLATION (ANSI, ANSI EXPORT, AND CSA SPECS)**

ITEM	PART NUMBER	QTY	DESCRIPTION	REV
	1001254198	Ref	PLATFORM PANEL AND MANUAL BOX INSTALLATION	C
6	1701691	1	Decal	
7	2080040	3	Fastener	
9	3820019	30	Rivet	
13	4811700	8	Washer M6	
16	8990147	1	Manual Holder	
20	1001259119	1	Platform	
21	1001272280	1	Panel	
22	1001272894	1	Brace	

# SECTION 4 - PLATFORM

FIGURE 4-3. PLATFORM INSTALLATION (ANSI EXPORT, JAPANESE, AND KOREA SPECS)



ART\_1001254341\_2OF2

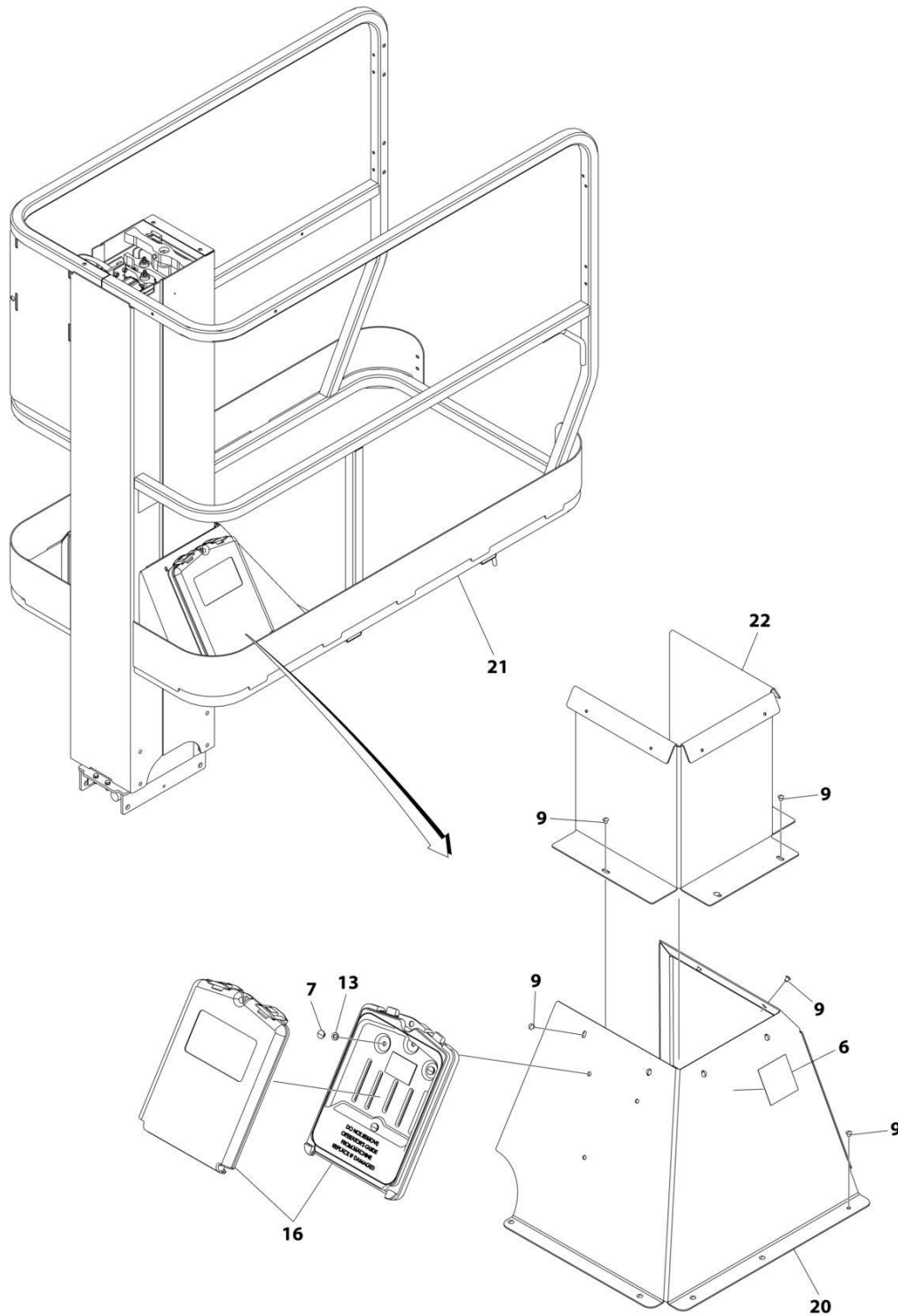
## SECTION 4 - PLATFORM

**FIGURE 4-3. PLATFORM INSTALLATION (ANSI EXPORT, JAPANESE, AND KOREA SPECS)**

ITEM	PART NUMBER	QTY	DESCRIPTION	REV
	1001254341	Ref	PLATFORM INSTALLATION	B
1	0100011	AR	Compound, Locking	
4	0641416	8	Screw 1/4 x 2	
9	1580050	1	Tray	
10	2080040	16	Fastener	
11	2080043	10	Rivnut 1/4 x 5/8	
12	2410021	2	Gate, Saloon	
13	2600281	4	Hinge, Self Closing	
14	3290805	2	Nut M8	
17	3340962	2	Pad, Arm Rest	
18	3520072	4	Plug	
19	4071095	AR	Shim	
20	4191406	1	Screw M4 x 12	
21	4220309	4	Stop, Swing Gate	
23	1001008575	2	Bumper	
24	1001091102	1	Washer M4	
26	1001109786	2	Fastener, Firtree	
30	1001254342	Ref	Platform F/S Panel & Manual Box Installation (See Separate Breakdown in this Section)	

# SECTION 4 - PLATFORM

FIGURE 4-4. PLATFORM F/S PANEL & MANUAL BOX INSTALLATION (ANSI EXPORT, JAPANESE, AND KOREA SPECS)



ART\_1001254342\_C\_20F2

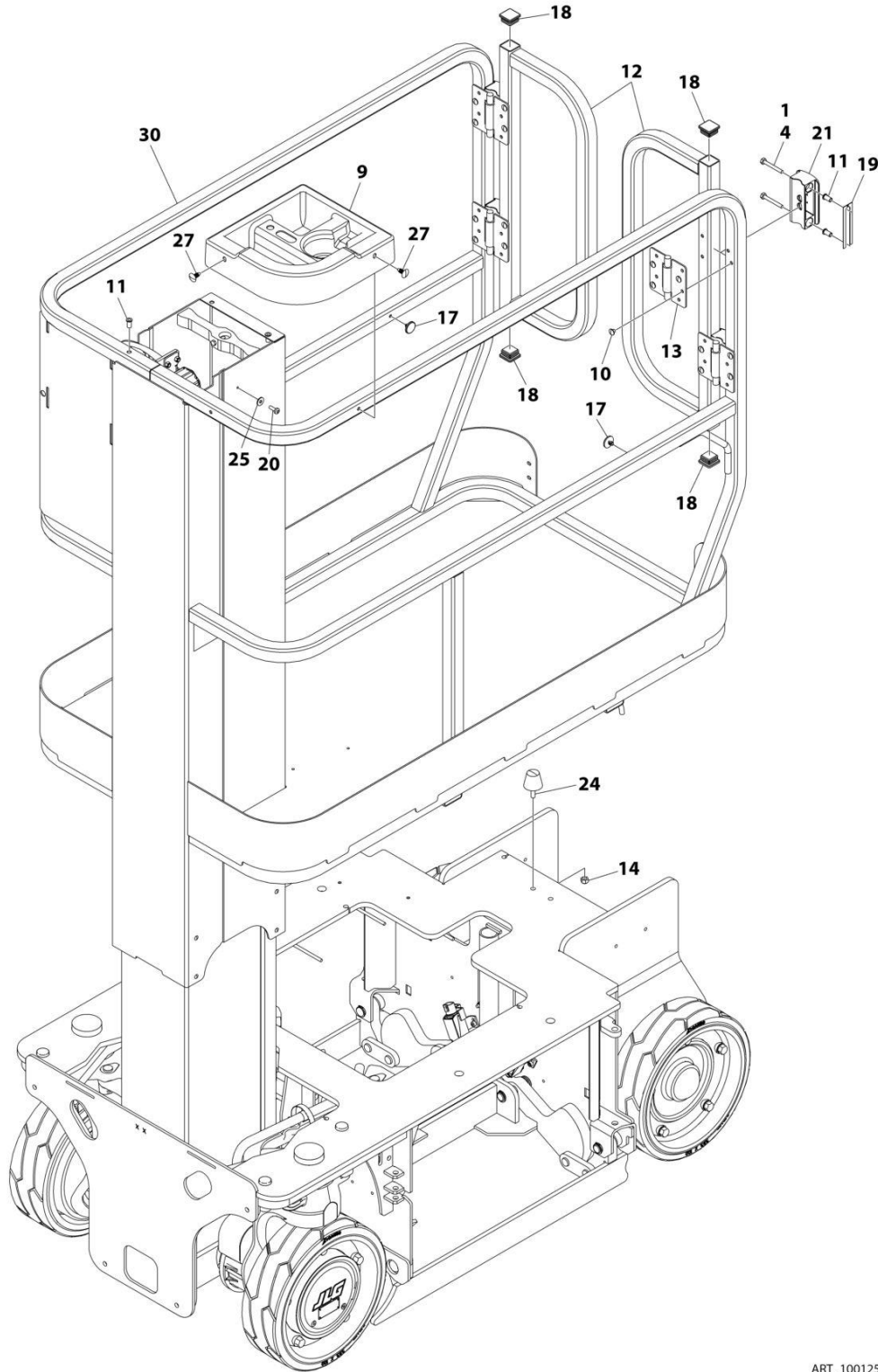
## SECTION 4 - PLATFORM

**FIGURE 4-4. PLATFORM F/S PANEL & MANUAL BOX INSTALLATION (ANSI EXPORT, JAPANESE, AND KOREA SPECS)**

ITEM	PART NUMBER	QTY	DESCRIPTION	REV
	1001254342	Ref	PLATFORM F/S PANEL AND MANUAL BOX INSTALLATION	C
6	1701691	1	Decal	
7	2080040	3	Fastener	
9	3820019	30	Rivet	
13	4811700	8	Washer M6	
16	8990147	1	Manual Holder	
20	1001254349	1	Panel	
21	1001259119	1	Platform	
22	1001272894	1	Brace	

# SECTION 4 - PLATFORM

## FIGURE 4-5. PLATFORM INSTALLATION (CE & UK CA SPECS)



ART\_1001254196\_20F2

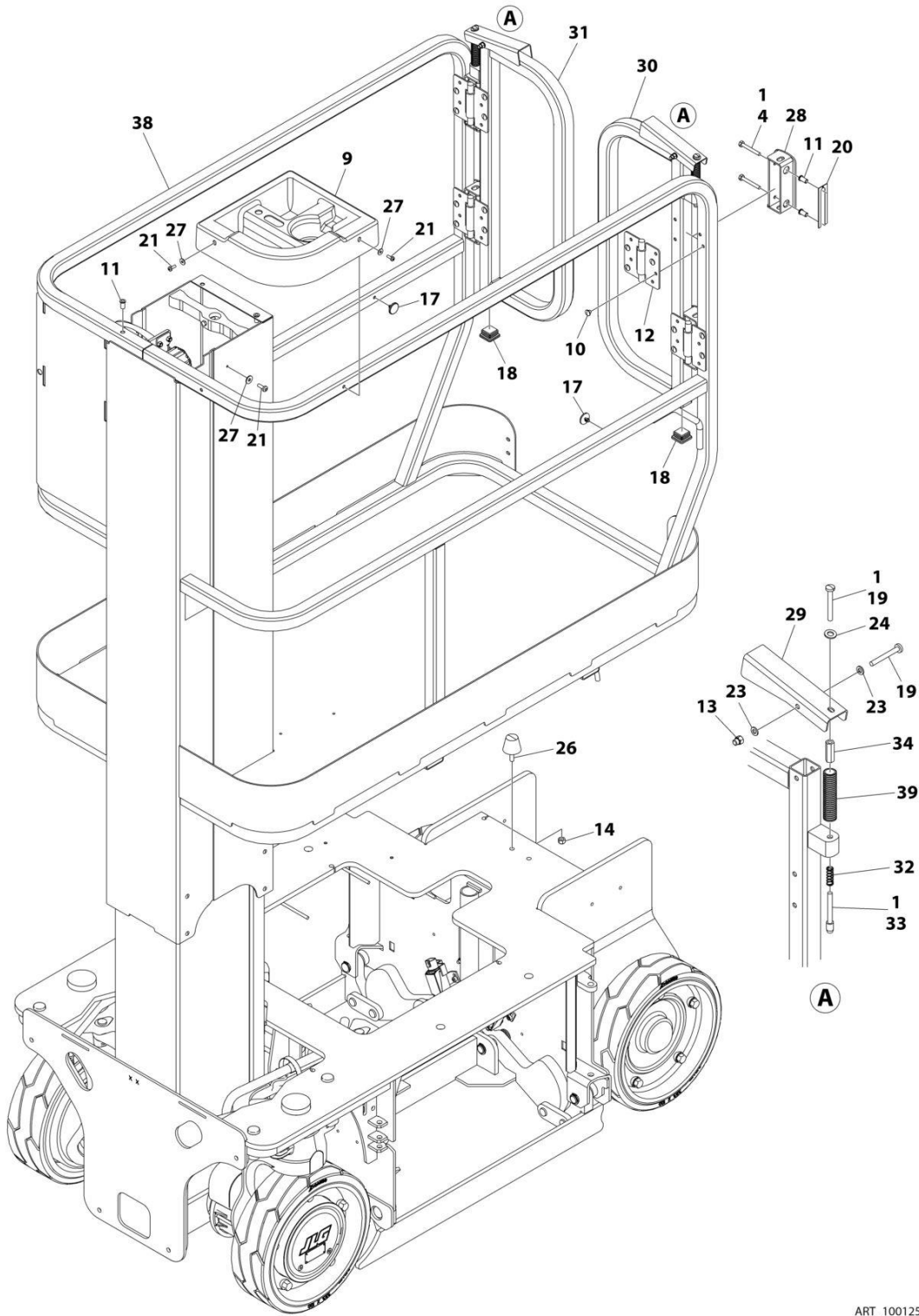
## SECTION 4 - PLATFORM

**FIGURE 4-5. PLATFORM INSTALLATION (CE & UK CA SPECS)**

ITEM	PART NUMBER	QTY	DESCRIPTION	REV
	1001254196	Ref	PLATFORM INSTALLATION	B
1	0100011	AR	Compound, Locking	
4	0641416	8	Screw 1/4 x 2	
9	1580050	1	Tray	
10	2080040	16	Fastener	
11	2080043	10	Rivnut 1/4 x 5/8	
12	2410021	2	Gate, Saloon	
13	2600281	4	Hinge, Self Closing	
14	3290805	2	Nut M8	
17	3340962	2	Pad, Arm Rest	
18	3520072	4	Plug	
19	4071095	AR	Shim	
20	4191406	1	Screw M4 x 12	
21	4220309	4	Stop, Swing Gate	
24	1001008575	2	Bumper	
25	1001091102	1	Washer M4	
27	1001109786	2	Fastener, Firtree	
30	1001254348	Ref	Platform Without Panel Or Manual Box Installation (See Separate Breakdown in this Section)	

# SECTION 4 - PLATFORM

## FIGURE 4-6. PLATFORM INSTALLATION (AUSTRALIAN SPECS)



ART\_1001254197\_20F2



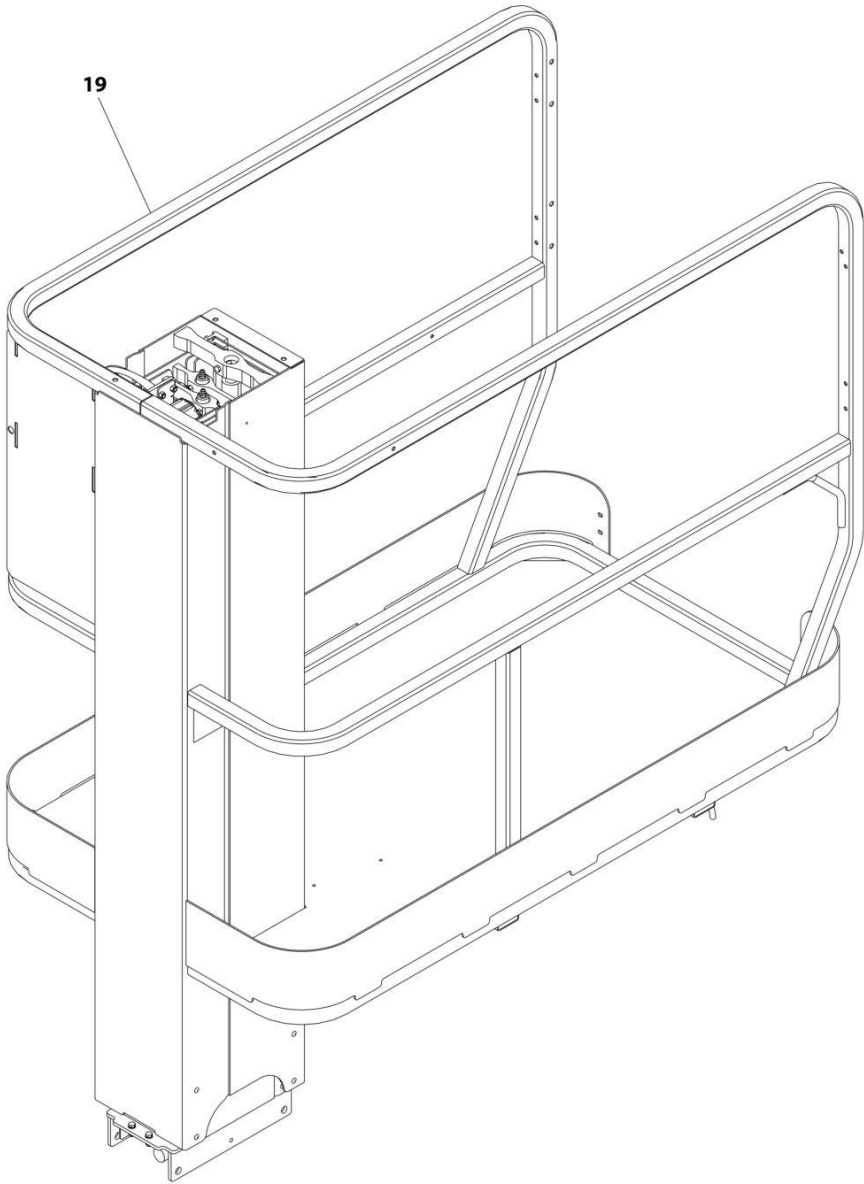
## SECTION 4 - PLATFORM

**FIGURE 4-6. PLATFORM INSTALLATION (AUSTRALIAN SPECS)**

ITEM	PART NUMBER	QTY	DESCRIPTION	REV
	1001254197	Ref	PLATFORM INSTALLATION	B
1	0100011	AR	Compound, Locking	
4	0641416	8	Screw 1/4 x 2	
9	1580050	1	Tray	
10	2080040	16	Fastener	
11	2080043	10	Rivnut 1/4 x 5/8	
12	2600281	4	Hinge, Self Closing	
13	3290606	2	Nut M6	
14	3290805	2	Nut M8	
17	3340962	2	Pad, Arm Rest	
18	3520072	2	Plug	
19	4010618	4	Screw M6 x 50	
20	4071095	AR	Shim	
21	4191406	3	Screw M4 x 12	
23	4811700	4	Washer M6	
24	4811900	2	Washer M8	
26	1001008575	2	Bumper	
27	1001091102	3	Washer M4	
28	1001100141	4	Stop, Swing Gate	
29	1001100142	2	Handle, Gate Latch	
30	1001100630	1	Gate, LH Saloon	
31	1001100631	1	Gate, RH Saloon	
32	1001100634	2	Spring, Gate Latch	
33	1001100918	2	Pin, Plunger	
34	1001100947	2	Turnbuckle M6 x 30	
38	1001254348	Ref	Platform Without Panel Or Manual Box Installation (See Separate Breakdown in this Section)	
39	280013	15 m	Conduit	

**SECTION 4 - PLATFORM**

**FIGURE 4-7. PLATFORM WITHOUT PANEL OR MANUAL BOX INSTALLATION (CE & UK CA SPECS)**



ART\_1001254348\_2OF2

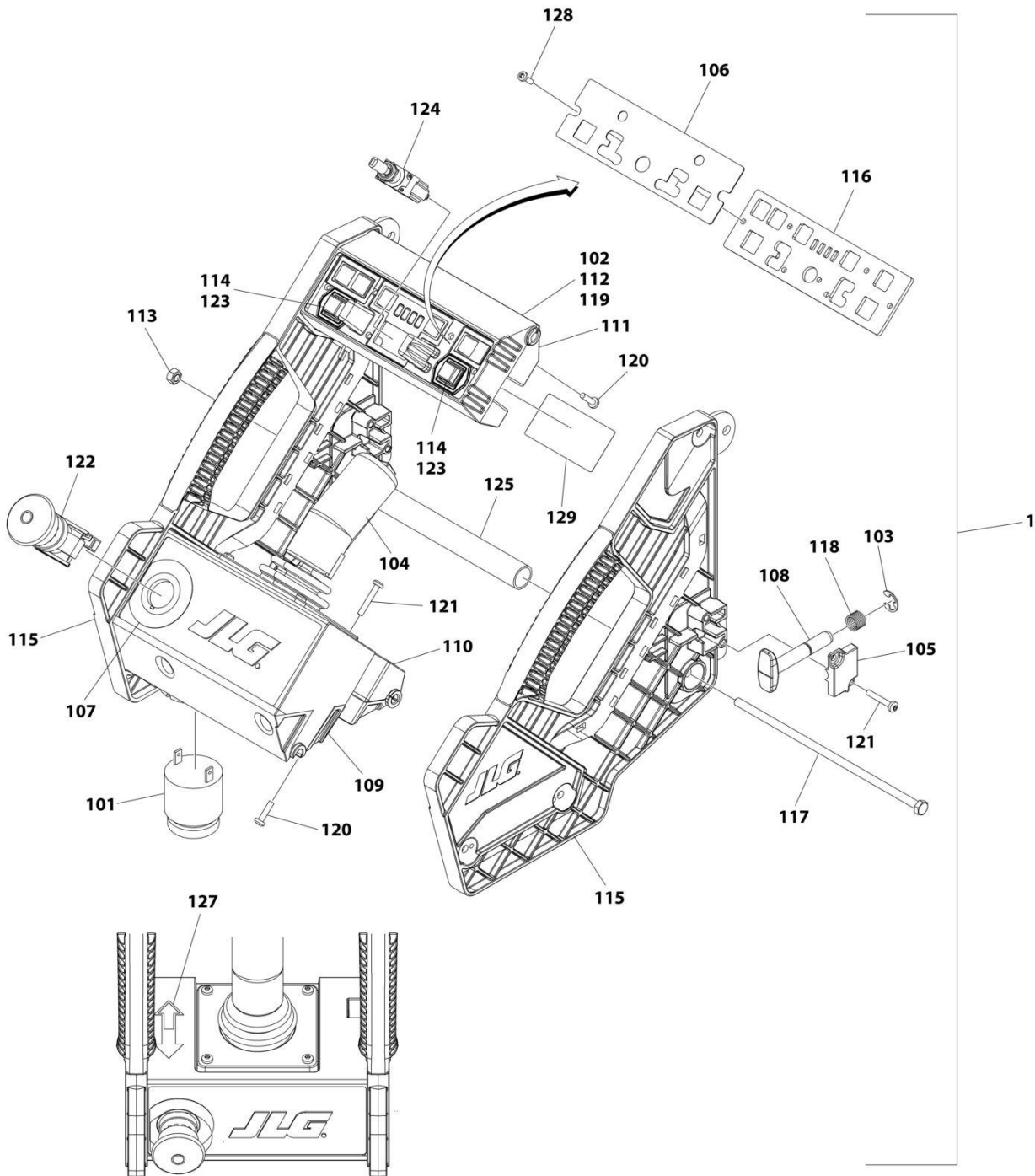
## SECTION 4 - PLATFORM

**FIGURE 4-7. PLATFORM WITHOUT PANEL OR MANUAL BOX INSTALLATION (CE & UK CA SPECS)**

ITEM	PART NUMBER	QTY	DESCRIPTION	REV
19	1001254348 1001259119	Ref 1	PLATFORM WITHOUT PANEL OR MANUAL BOX INSTALLATION Platform	B

# SECTION 4 - PLATFORM

## FIGURE 4-8. PLATFORM CONTROL BOX INSTALLATION



ART\_0274554

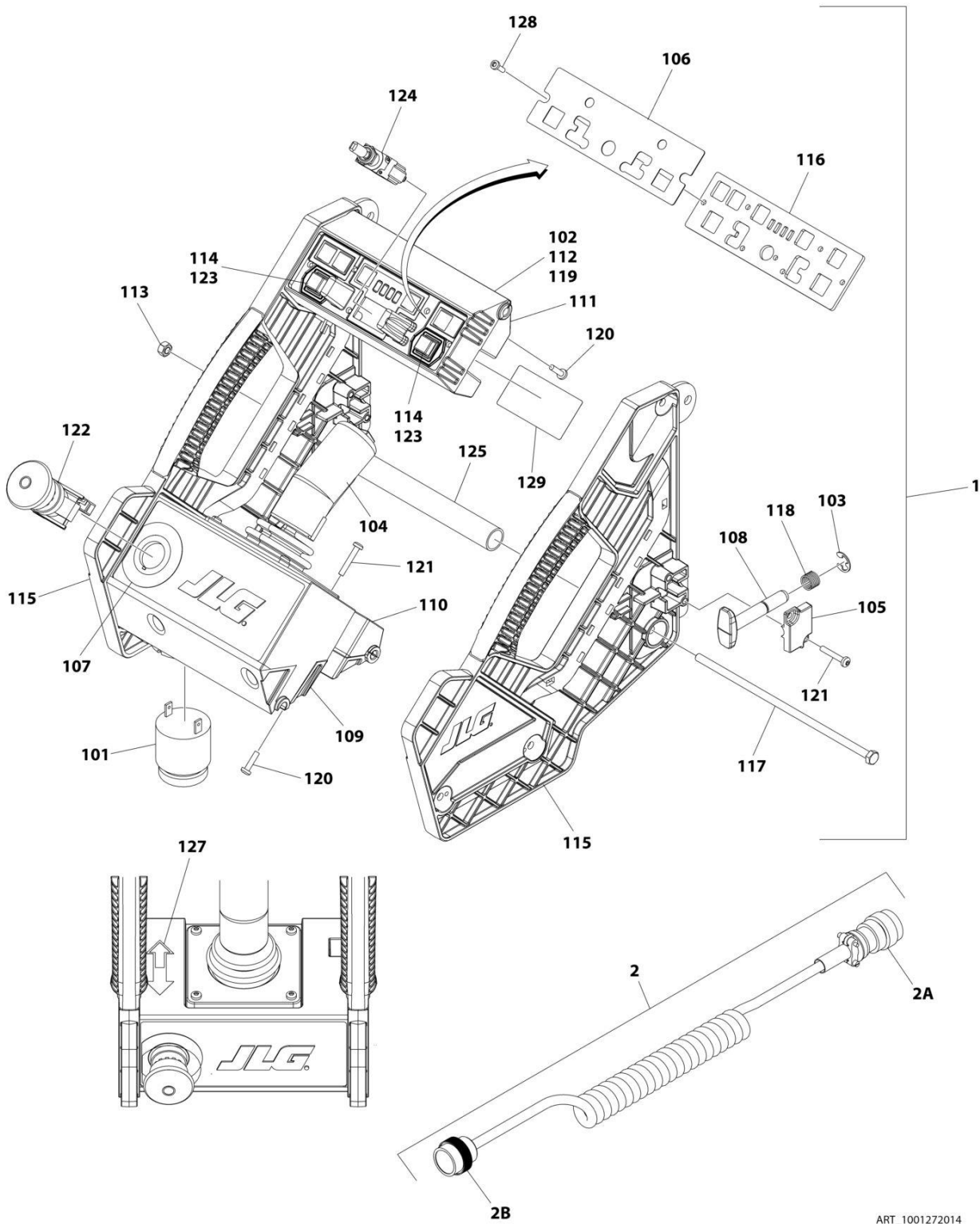
## SECTION 4 - PLATFORM

**FIGURE 4-8. PLATFORM CONTROL BOX INSTALLATION**

ITEM	PART NUMBER	QTY	DESCRIPTION	REV
	0274554	Ref	PLATFORM CONTROL BOX INSTALLATION	C
1	1001091153	Ref	Platform Control Box Assembly	L
101	0140011	1	Alarm	
102	1600439	1	Platform Box Control Module	
103	1380156	1	E-Clip	
104	1600402	1	Controller, Drive/Steer (See Separate Breakdown in this Section)	
105	1671098	1	Latch	
106	1001091272	1	Decal - Icon	
107	1705676	1	Decal - Emergency Stop Ring	
108	2560179	1	Handle, Latch	
109	1001091277	1	Housing, Joystick	
110	1001091278	1	Mount, Joystick	
111	1001091279	1	Housing, Module Mounting (Lower)	
112	1001091280	1	Housing, Module Mounting (Upper)	
113	3300473	4	Nut M6	
114	3340968	2	Button	
115	3380475	2	Panel, Side	
116	1001091283	1	Plate, Decal	
117	3900333	4	Screw M6 x 190	
118	4160203	1	Spring, Compression	
119	4191306	5	Screw M3-1/2 x 12	
120	4191407	8	Screw M4 x 16	
121	4191409	6	Screw M4 x 25	
122	4360475	1	Switch, Emergency Stop	
122	7020175	1	Cap	
122	7020176	1	Block, Contact	
123	4360538	2	Switch, Membrane	
124	4360539	1	Switch, Toggle	
125	4568738	1	Tube, Spacer	
126	4922870	1	Harness, Platform Control Box (Not Shown - See Separate Breakdown in ELECTRICAL Section)	
127	1703819	1	Decal - Directional Arrow	
128	1001091396	6	Screw M3-1/2 x 12	
129	1001231728	1	Decal - Control Module	

# SECTION 4 - PLATFORM

## FIGURE 4-9. PLATFORM CONTROL BOX INSTALLATION - WITH EXTENSION CABLE



ART\_1001272014

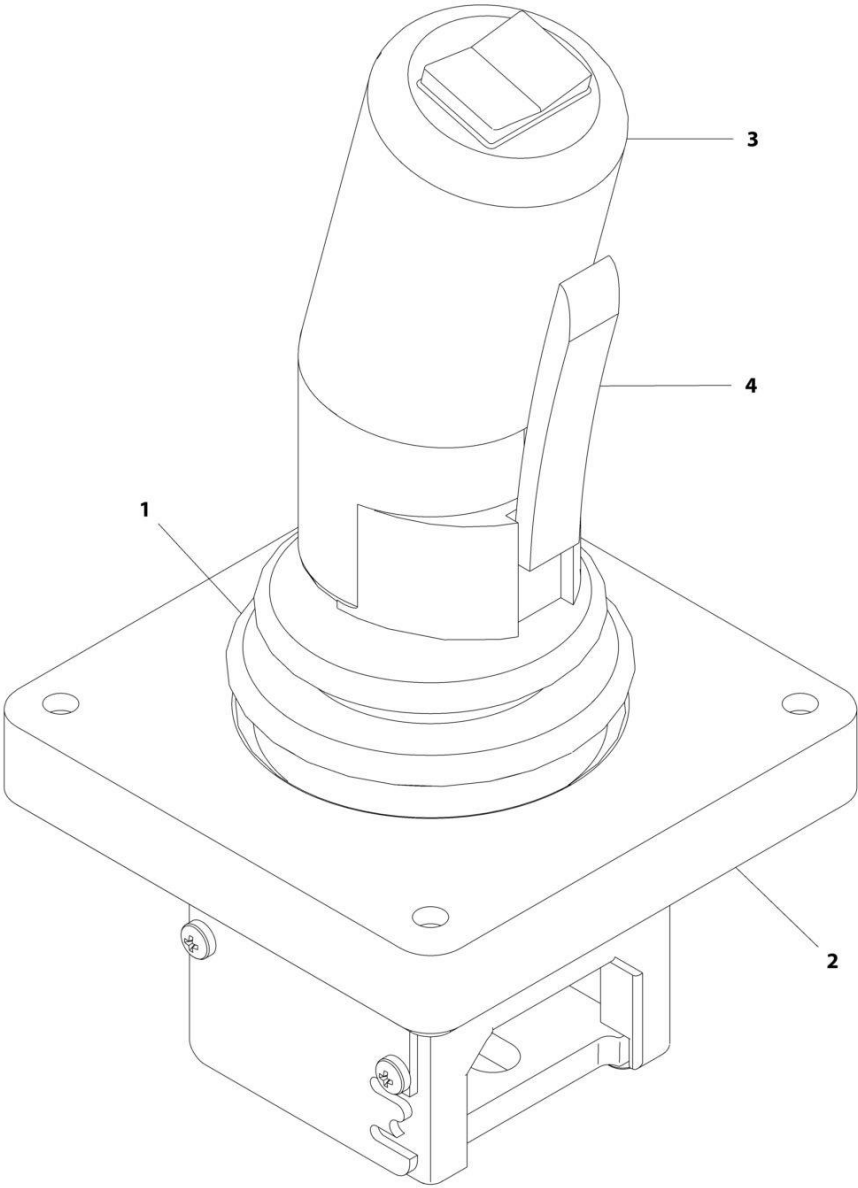
## SECTION 4 - PLATFORM

**FIGURE 4-9. PLATFORM CONTROL BOX INSTALLATION - WITH EXTENSION CABLE**

ITEM	PART NUMBER	QTY	DESCRIPTION	REV
	1001272014	Ref	PLATFORM CONTROL BOX INSTALLATION	A
1	1001091153	Ref	Platform Control Box Assembly (Includes Items 101-129)	
2	1001252535	1	Cable, Platform Extension	B
2A	4460754	1	Connector	
2A	4460464	8	Pin	
2A	4460466	6	Plug	
2B	4461016	1	Connector	
2B	4460465	8	Socket	
2B	4460466	6	Plug	
	1001091153	Ref	PLATFORM CONTROL BOX ASSEMBLY	L
101	0140011	1	Alarm	
102	1600439	1	Platform Box Control Module	
103	1380156	1	E-Clip	
104	1600402	1	Controller, Drive/Steer (See Separate Breakdown in this Section)	
105	1671098	1	Latch	
106	1001091272	1	Decal - Icon	
107	1705676	1	Decal - Emergency Stop Ring	
108	2560179	1	Handle, Latch	
109	1001091277	1	Housing, Joystick	
110	1001091278	1	Mount, Joystick	
111	1001091279	1	Housing, Module Mounting (Lower)	
112	1001091280	1	Housing, Module Mounting (Upper)	
113	3300473	4	Nut M6	
114	3340968	2	Button	
115	3380475	2	Panel, Side	
116	1001091283	1	Plate, Decal	
117	3900333	4	Screw M6 x 190	
118	4160203	1	Spring, Compression	
119	4191306	5	Screw M3-1/2 x 12	
120	4191407	8	Screw M4 x 16	
121	4191409	6	Screw M4 x 25	
122	4360475	1	Switch, Emergency Stop	
122	7020175	1	Cap	
122	7020176	1	Block, Contact	
123	4360538	2	Switch, Membrane	
124	4360539	1	Switch, Toggle	
125	4568738	1	Tube, Spacer	
126	4922870	1	Harness, Platform Control Box (Not Shown - See Separate Breakdown in ELECTRICAL Section)	
127	1703819	1	Decal - Directional Arrow	
128	1001091396	6	Screw M3-1/2 x 12	
129	1001231728	1	Decal - Control Module	

**SECTION 4 - PLATFORM**

**FIGURE 4-10. DRIVE/STEER CONTROLLER**



ART\_1600402



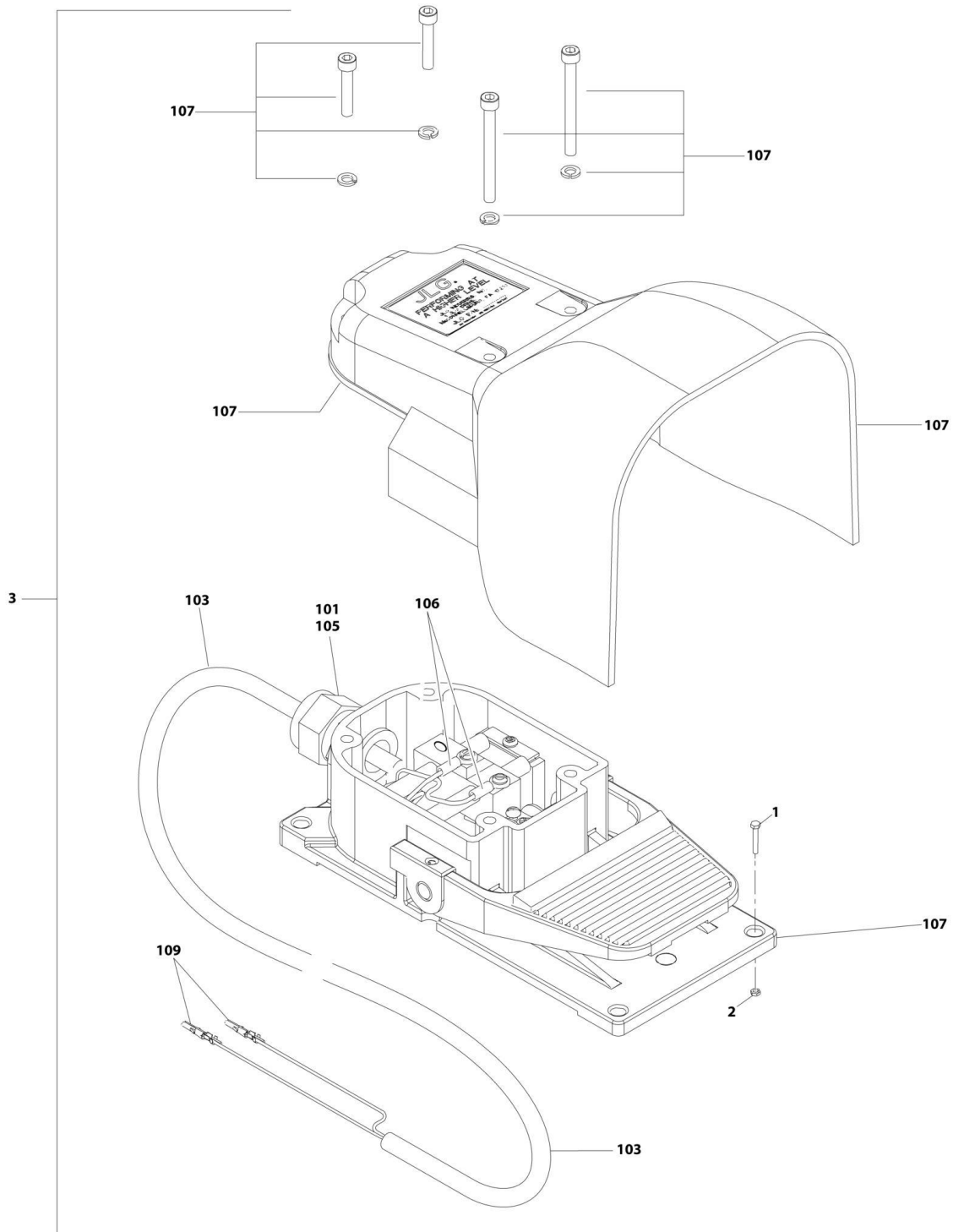
## SECTION 4 - PLATFORM

**FIGURE 4-10. DRIVE/STEER CONTROLLER**

ITEM	PART NUMBER	QTY	DESCRIPTION	REV
	1600402	Ref	DRIVE/STEER CONTROLLER ASSEMBLY	A
1	70001250	1	Boot, Panel	
2	70001252	1	Gasket, Mounting	
2	70001251	1	Bezel, Mounting	
3	70003650	1	Handle Repair Kit (Includes handle gasket, item#4 push button and item #4 lever installed in front handle half, back handle half, top actuator, boot and hardware.)	
3	70000084	1	Cap, Rubber	
3	70000082	1	Microswitch	
3	7027766	1	Ring, Retaining	
3	7027365	1	Actuator, Handle	
3	70001253	1	Gasket, Handle	
3	70000683	4	Washer, Neoprene	
3	70000685	2	Spacer, Plastic	
3	70000686	2	Screw (Top)	
3	70000684	2	Screw (Bottom)	
4	7027367	1	Switch, Push Button	
4	7027765	1	Lever, Enable	

# SECTION 4 - PLATFORM

## FIGURE 4-11. FOOTSWITCH INSTALLATION



ART\_100116647

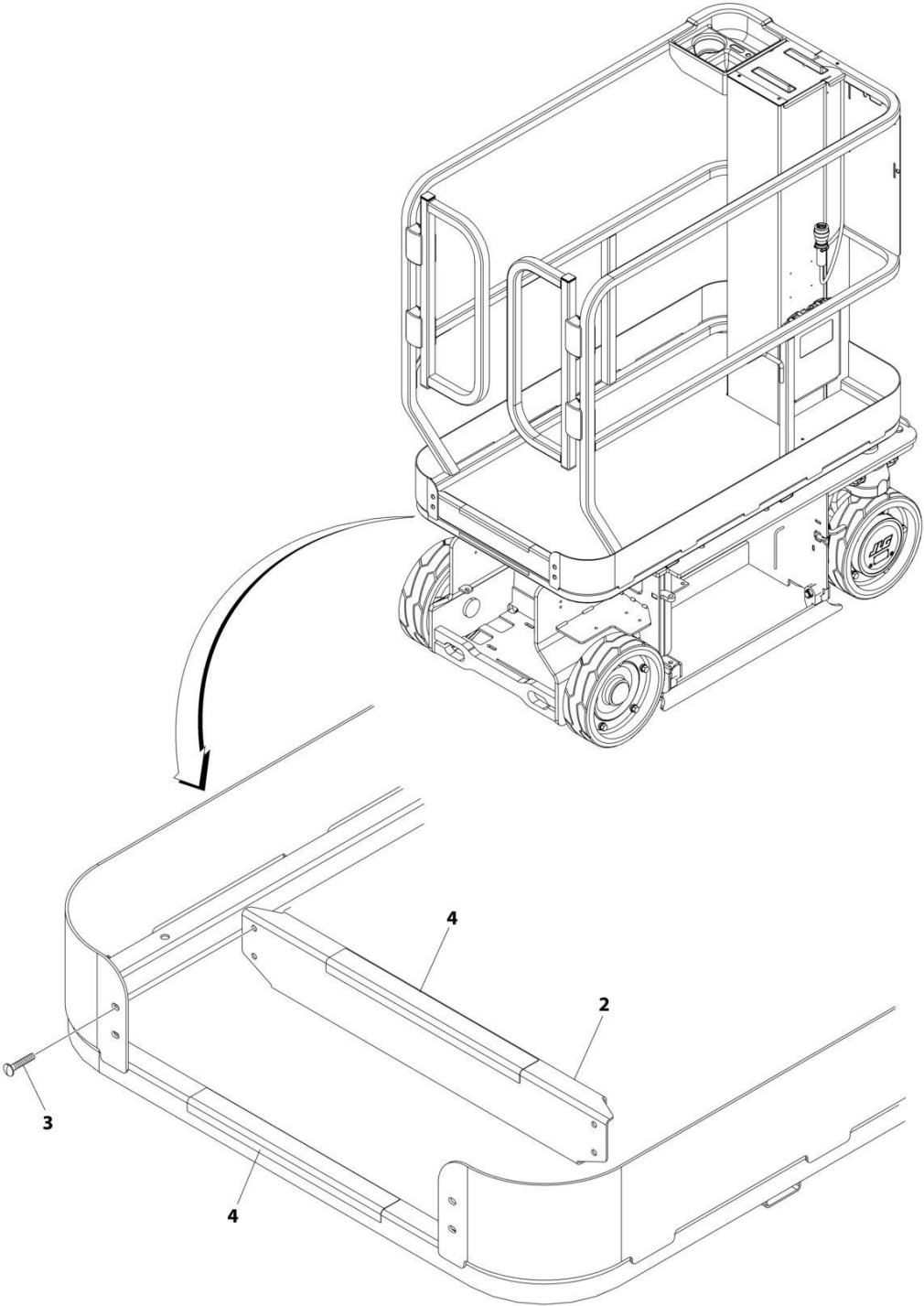
## SECTION 4 - PLATFORM

### FIGURE 4-11. FOOTSWITCH INSTALLATION

ITEM	PART NUMBER	QTY	DESCRIPTION	REV
	1001116647	Ref	FOOTSWITCH INSTALLATION	C
1	0760610	2	Bolt M6 x 20mm	
2	3290605	2	Nut M6	
3	1001236161	1	FOOTSWITCH ASSEMBLY	B
101	0100020	AR	Sealant	
102	1060918	7.5 ft /2.3m	Cable, Electrical - 18/3	
105	1001133248	1	Connector, Strain Relief	
106	1001098122	2	Terminal, Ring	
107	1001117172	1	Footswitch	
107	70002902	1	Switch, 20A	
107	70002903	1	Gasket	
107	70002904	1	Kit, Replacement Bolt	
107	70002905	1	Cover	
109	4460465	2	Socket	

**SECTION 4 - PLATFORM**

**FIGURE 4-12. KICK PLATE INSTALLATION**



ART\_0274553

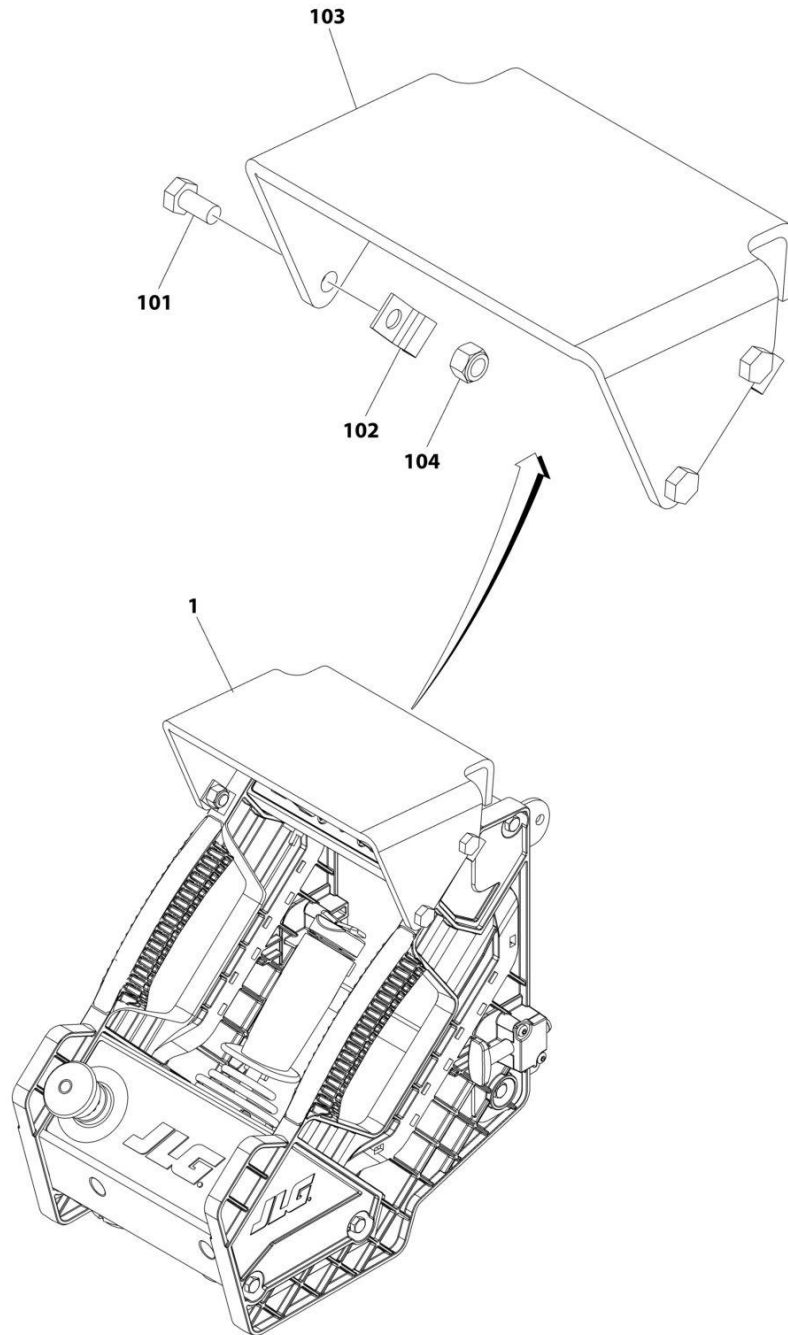
## SECTION 4 - PLATFORM

**FIGURE 4-12. KICK PLATE INSTALLATION**

ITEM	PART NUMBER	QTY	DESCRIPTION	REV
	0274553	Ref	KICK PLATE INSTALLATION	D
2	3576089	1	Kick Plate	
3	2080040	4	Fastener	
4	4420070	1	Tape, Anti-Skid	

# SECTION 4 - PLATFORM

## FIGURE 4-13. PLATFORM CONTROL BOX COVER INSTALLATION



ART\_100118216

## SECTION 4 - PLATFORM

**FIGURE 4-13. PLATFORM CONTROL BOX COVER INSTALLATION**

ITEM	PART NUMBER	QTY	DESCRIPTION	REV
	1001118216	Ref	PLATFORM CONTROL BOX COVER INSTALLATION	C
1	1001118215	Ref	Platform Control Box Cover Assembly	B
101	0760808	4	Bolt M8 x 16	
102	1380159	4	Clip, Cover Mounting	
103	1001116154	1	Cover, Platform Box	
104	3290805	4	Nut M8	

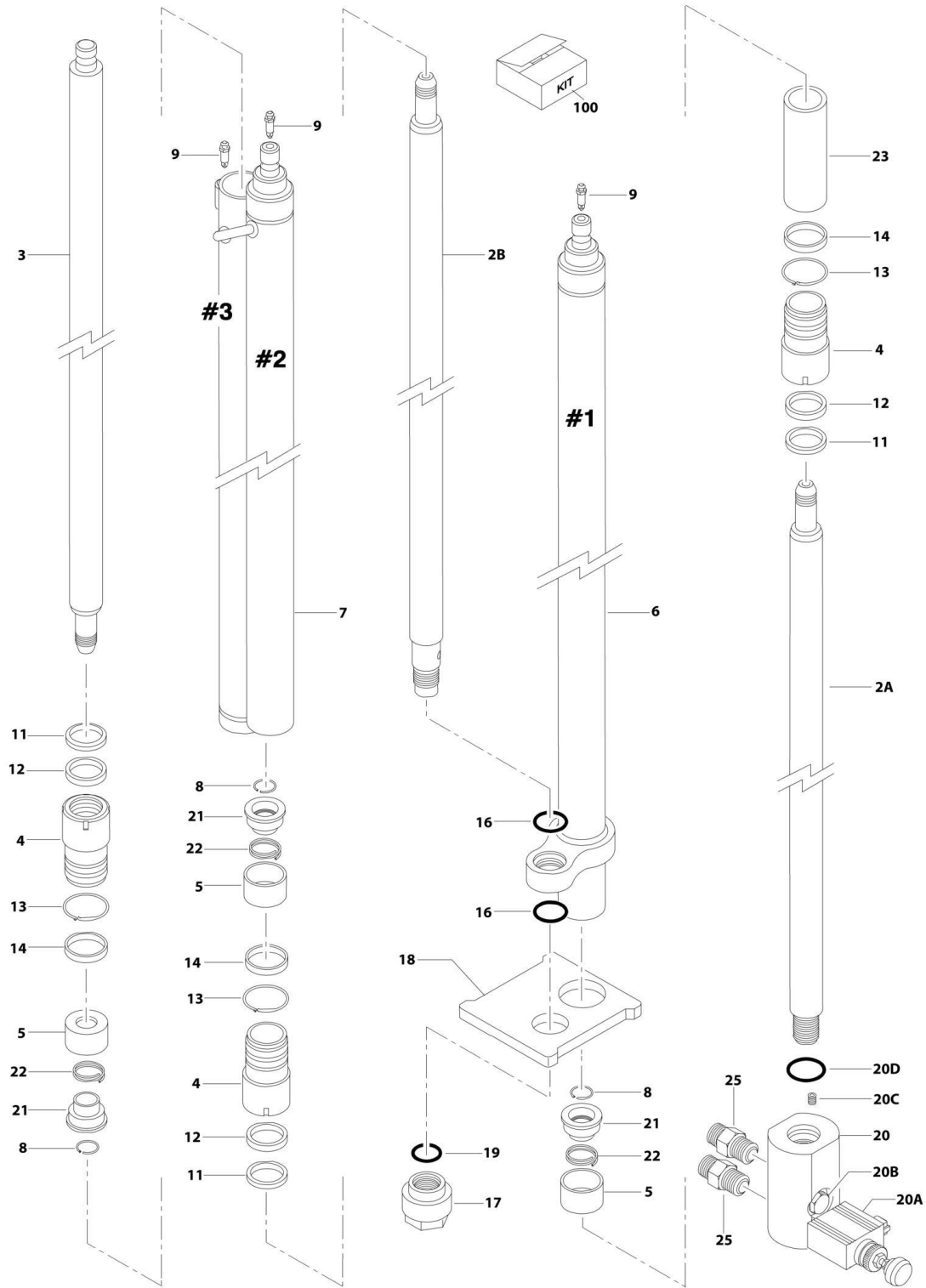




**SECTION 5 - CYLINDER**

# SECTION 5 - CYLINDER

## FIGURE 5-1. LIFT CYLINDER ASSEMBLY



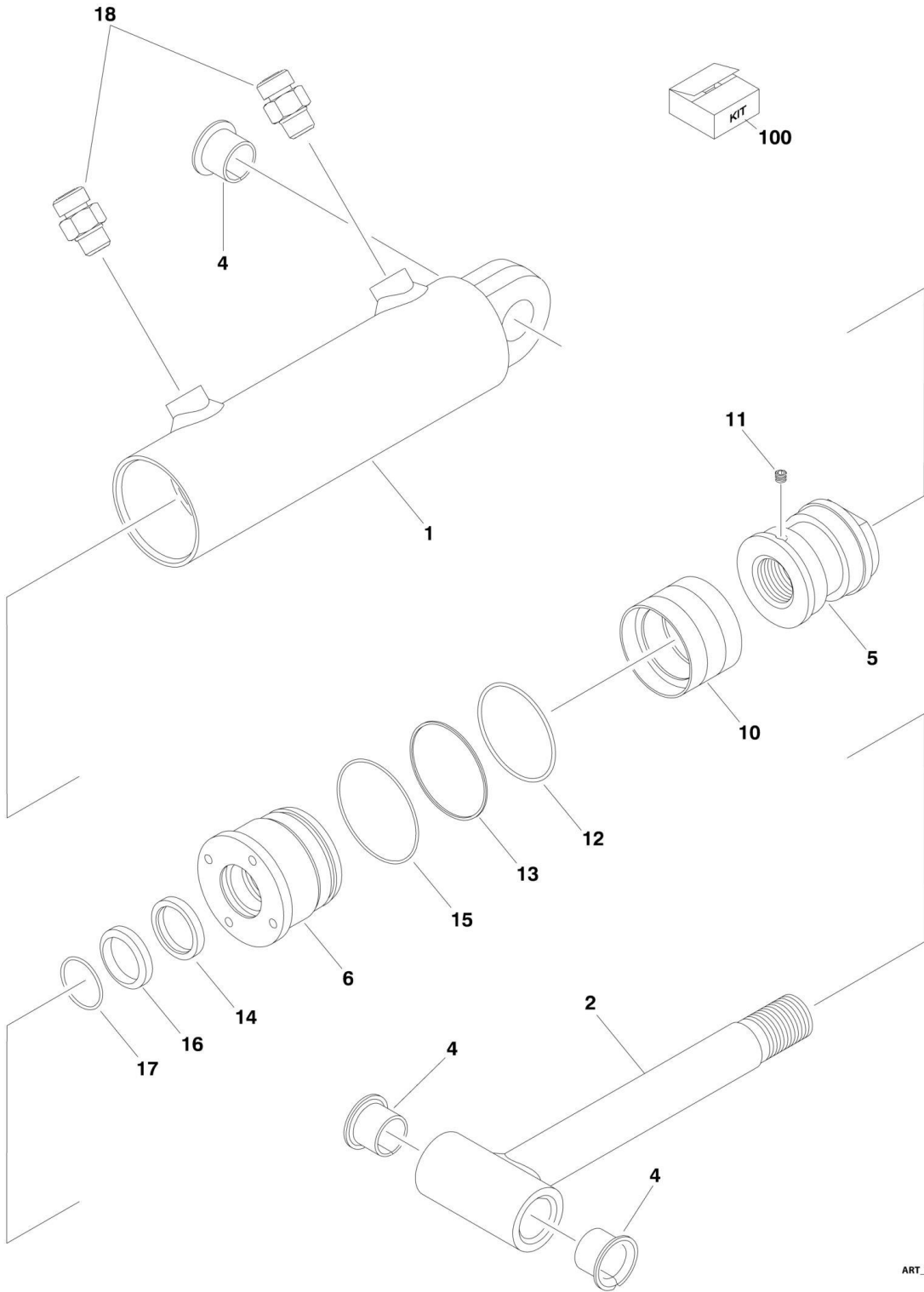
## SECTION 5 - CYLINDER

### FIGURE 5-1. LIFT CYLINDER ASSEMBLY

ITEM	PART NUMBER	QTY	DESCRIPTION	REV
	1684469	Ref	<b>LIFT CYLINDER ASSEMBLY</b>	H
		Ref	Note: Original Cylinder May Have Been Replaced with Service Replacement. Identify PN Stamped on Cylinder Before Ordering Parts.	
2		Ref	Rod Options:	
2A	70000732	1	Rod (Cylinder #1)	
2B	70000733	1	Rod (Cylinder #2)	
3	70000734	1	Rod (Cylinder #3)	
4	70000721	3	Head (Cylinders #1/#2/#3)	
5	70000722	3	Piston - Outer (Cylinders #1/#2/#3)	
6	See Note	NSS	Barrel (Cylinder #1) (Note: Purchase Complete Assembly)	
7	See Note	NSS	Barrel (Cylinders #2/#3) (Note: Purchase Complete Assembly)	
8	70000723	3	Ring, Retaining (Cylinders #1/#2/#3)	
9	4640858	3	Bleeder (Cylinders #1/#2/#3)	
11	See Note	NSS	Wiper (Cylinders #1/#2/#3) (Note: Use Item 100)	
12	See Note	NSS	Seal (Cylinders #1/#2/#3) (Note: Use Item 100)	
13	70000725	3	Ring, Retaining (Cylinders #1/#2/#3)	
14	See Note	NSS	Seal (Cylinders #1/#2/#3) (Note: Use Item 100)	
16	See Note	NSS	O-Ring (Cylinder #2 Guide) (Note: Use Item 100)	
17	70000726	1	Cap (Cylinder #2)	
18	70000727	1	Guide (Cylinder #2)	
19	See Note	NSS	O-Ring (Cylinder #2 Cap) (Note: Use Item 100)	
20	70000728	1	Valve Assembly	
20A	70000737	1	Cartridge, Solenoid	
20A	See Note	NSS	Seal Kit - 70000737 Valve (Note: Use p/n 70000737)	
20A	See Note	NSS	Coil, (Note: Use p/n 70000737)	
20A	70002720	1	Knob Kit (Includes Knob, Coil Nut, Spacer, Retaining Nut and Qty 2 Coil O-Rings)	
20B	70001254	1	Cartridge, Check	
20B	See Note	NSS	Seal Kit - 70001254 Valve (Note: Use p/n 70001254)	
20C	See Note	NSS	Orifice (Note: Use p/n 70001254)	
20D	See Note	NSS	O-Ring (Note: Use p/n 70001254)	
21	70000729	3	Piston - Inner (Cylinders #1/#2/#3)	
22	70000730	3	Spring (Cylinders #1/#2/#3)	
23	70000731	1	Spacer (Cylinder #1)	
25	2144609	2	Fitting, Straight	
100	70000735	1	Seal Kit - 1684469 Cylinder (Includes Items 11, 12, 14, 16 & 19)	

# SECTION 5 - CYLINDER

## FIGURE 5-2. STEER CYLINDER ASSEMBLY



ART\_1684458

## SECTION 5 - CYLINDER

**FIGURE 5-2. STEER CYLINDER ASSEMBLY**

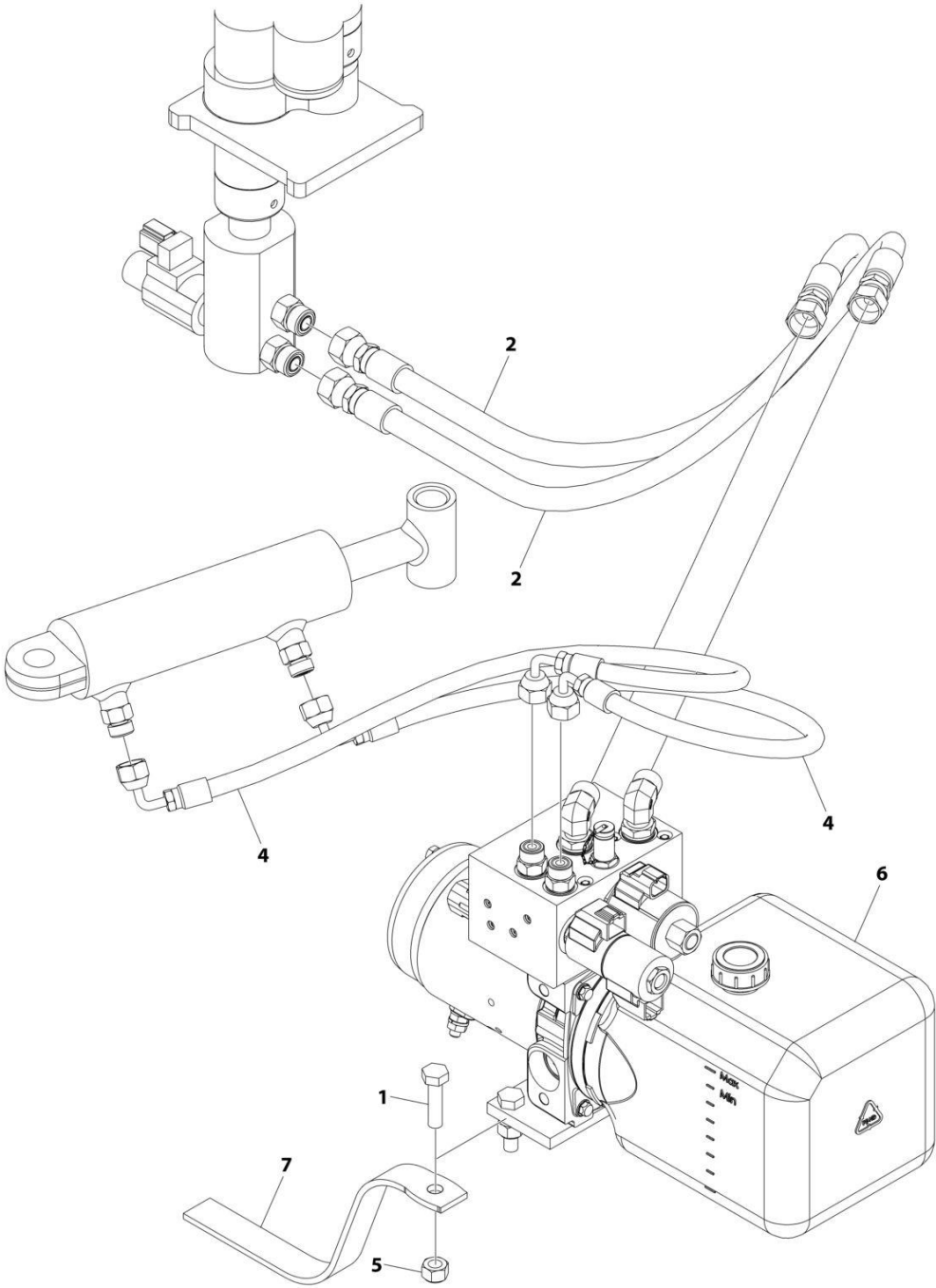
ITEM	PART NUMBER	QTY	DESCRIPTION	REV
	1684458	Ref	STEER CYLINDER ASSEMBLY	H
		Ref	Note: Original Cylinder May Have Been Replaced with Service Replacement. Identify PN Stamped on Cylinder Before Ordering Parts.	
1	70000742	1	Barrel	
2	70000741	1	Rod	
4	0440263	3	Bushing	
5	70000738	1	Piston	
6	70000739	1	Head	
10	See Note	NSS	Seal (Note: Use Item 100)	
11	See Note	NSS	Setscrew (Note: Not Available - Purchase Locally)	
12	See Note	NSS	Seal (Note: Use Item 100)	
13	See Note	NSS	Ring, Back-up (Note: Use Item 100)	
14	See Note	NSS	Seal (Note: Use Item 100)	
15	See Note	NSS	O-Ring (Note: Use Item 100)	
16	See Note	NSS	Seal (Note: Use Item 100)	
17	See Note	NSS	O-Ring (Note: Use Item 100)	
18	2144605	2	Fitting, Straight	
100	70000743	1	Seal Kit - 1684458 Cylinder (Includes Items 10 & 12-17)	



**SECTION 6 - HYDRAULIC**

**SECTION 6 - HYDRAULIC**

**FIGURE 6-1. HYDRAULIC INSTALLATION (CONCENTRIC)**



ART\_0274581



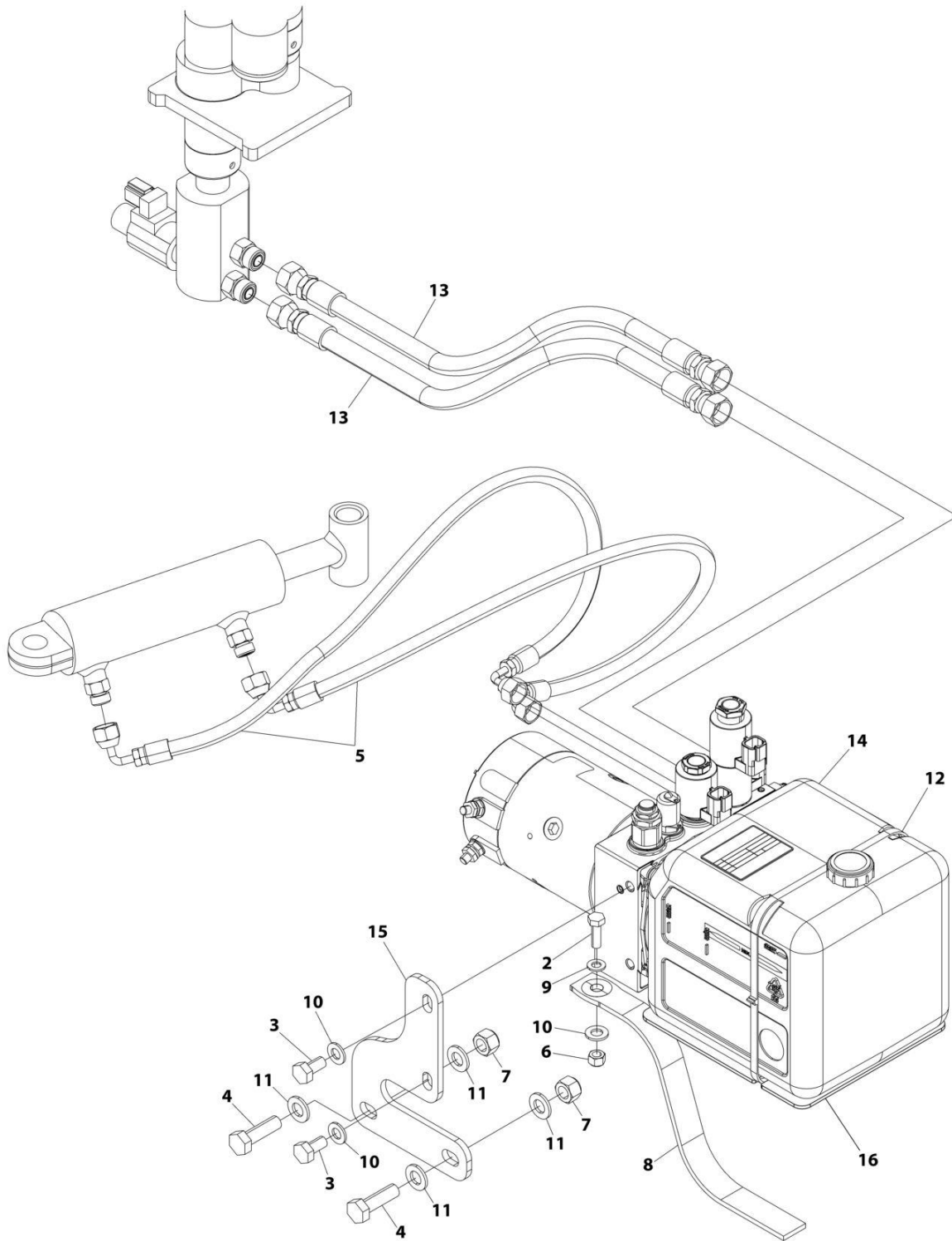
## SECTION 6 - HYDRAULIC

**FIGURE 6-1. HYDRAULIC INSTALLATION (CONCENTRIC)**

ITEM	PART NUMBER	QTY	DESCRIPTION	REV
	0274581	Ref	HYDRAULIC INSTALLATION	H
1	0761016	2	Bolt M10 x 40	
2	1001101833	2	Hose (Lift)	
4	2755003	2	Hose (Steer)	
5	3291005	2	Nut M10	
6	1001231992	1	Pump/Motor/Tank Assembly (See Separate Breakdown in GROUND COMPONENTS Section)	
7	4240147	1	Anti-Static Strap	

# SECTION 6 - HYDRAULIC

## FIGURE 6-2. HYDRAULIC INSTALLATION (REXROTH)



ART\_1001285943

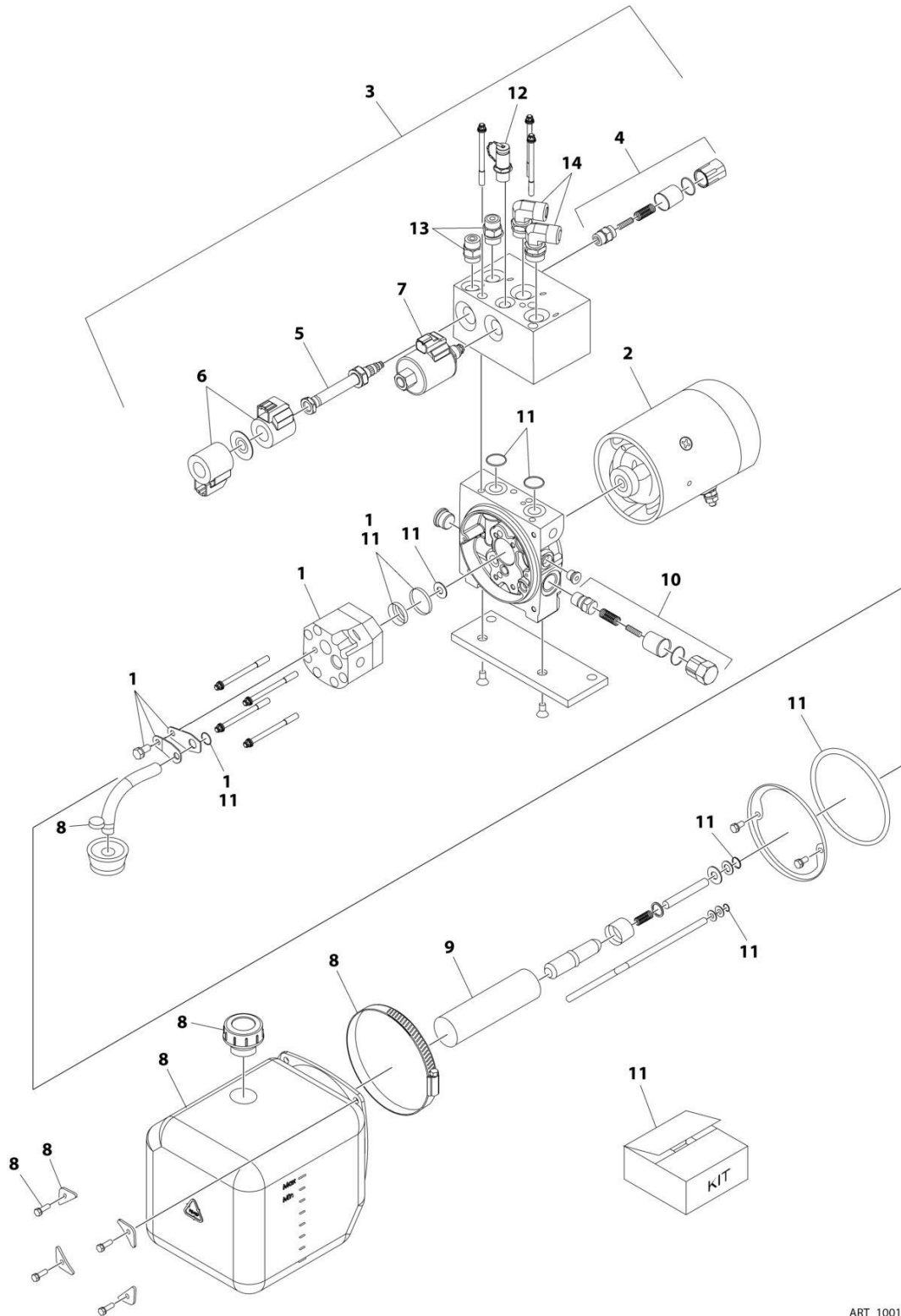
## SECTION 6 - HYDRAULIC

**FIGURE 6-2. HYDRAULIC INSTALLATION (REXROTH)**

ITEM	PART NUMBER	QTY	DESCRIPTION	REV
	1001285943	Ref	HYDRAULIC INSTALLATION	A
1	0100011	AR	Compound, Locking	
2	0700812	1	Bolt M8 x 25	
3	0761010	2	Bolt M10 x 20	
4	0761216	2	Bolt M12 x 40	
5	2755003	2	Hose Assembly, Steering	
6	3290805	1	Bolt M8 x 1.25	
7	3291205	2	Bolt M12 x 1.75	
8	4240147	1	Strap, Anti-Static	
9	4811900	AR	Washer M8	
10	4812000	AR	Washer M10	
11	4812100	AR	Washer M12	
12	8584003	AR	Tie Strap	
13	1001101833	2	Hose Assembly, Lift	
14	1001285942	1	Tank Assembly - Pump/Motor (See Separate Section for Breakdown)	
15	1001286093	1	Bracket, Pump Support	
16	1001287772	1	Plate, Bottom Celeron	

# SECTION 6 - HYDRAULIC

## FIGURE 6-3. HYDRAULIC ASSEMBLY (CONCENTRIC)



ART\_1001231992

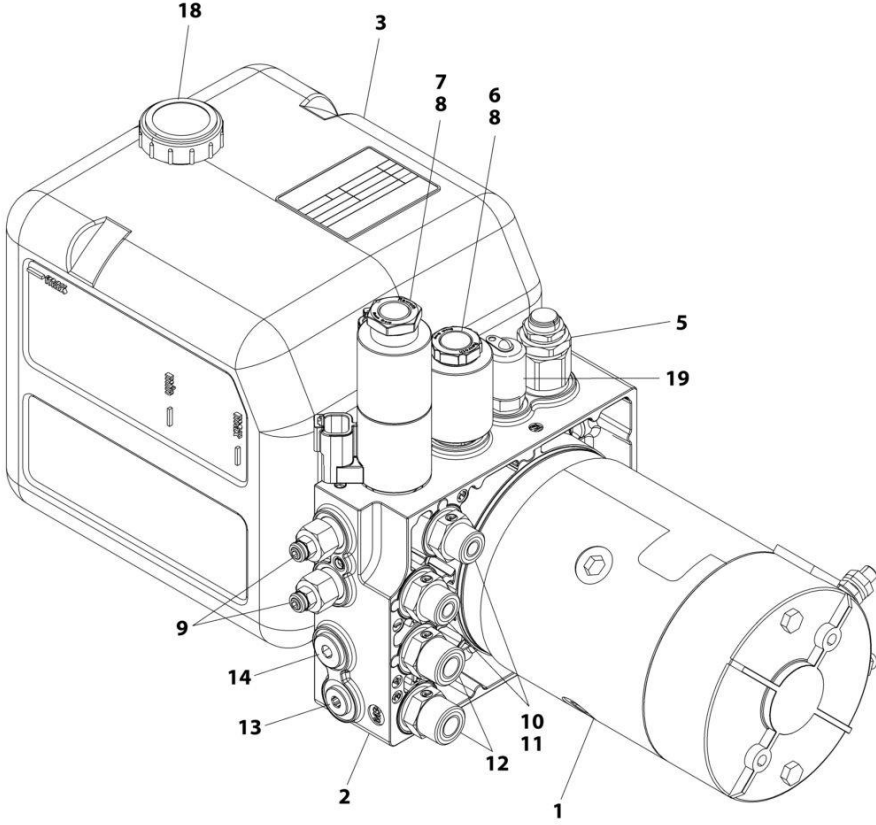
## SECTION 6 - HYDRAULIC

**FIGURE 6-3. HYDRAULIC ASSEMBLY (CONCENTRIC)**

ITEM	PART NUMBER	QTY	DESCRIPTION	REV
	1001231992	Ref	PUMP/MOTOR/TANK ASSEMBLY	A
	Note		Note: PNs without call-out #s are only available by purchasing complete assembly)	
1	70007188	1	Pump Service Kit	
2	70007140	1	Motor, Replacement	
3	70005977	1	Manifold Assembly (includes items 4,5,6,7,12,13, and 14)	
4	70005978	1	Relief Valve Kit	
5	70005979	1	Cartridge, Solenoid	
6	70005980	1	Coil	
7	70005981	1	Cartridge, Solenoid	
8	70005982	1	Tank Assembly Kit	
9	70005983	1	Filter	
10	70005984	1	Relief Valve Kit	
11	70005985	1	Seal Kit (Includes Adapter/Tank O-Ring, Adapter/Manifold O-Rings, Pick-up/Return Tube O-Rings, & Pump Shaft Seals)	
11	7011025	1	O-Ring, Adapter/Tank	
12	2221086	1	Fitting, Pressure Check	
13	2144605	1	Fitting, Straight	
14	1001101362	1	Fitting, 90	

**SECTION 6 - HYDRAULIC**

**FIGURE 6-4. HYDRAULIC ASSEMBLY (REXROTH)**



ART\_1001285942

## SECTION 6 - HYDRAULIC

**FIGURE 6-4. HYDRAULIC ASSEMBLY (REXROTH)**

ITEM	PART NUMBER	QTY	DESCRIPTION	REV
	1001285942	Ref	PUMP/MOTOR/TANK ASSEMBLY	B
1	70007123	1	Motor, Replacement	
2	See Note	NSS	Manifold (Note: Use PN 1001285942)	
3	70006339	1	Tank	
4	70007613	1	Filter (Not Shown)	
5	70007614	1	Cartridge, Valve	
6	70007588	1	Cartridge, Solenoid Valve	
7	70030944	1	Cartridge, Solenoid Valve	
8	70008100	3	Coil	
9	70008101	2	Cartridge, Valve	
10	70005634	2	Screen, 400 Micron	
11	70008102	2	Fitting, Straight BSPP/ORFS	
12	70008103	2	Fitting, Straight BSPP/ORFS	
13	2220883	1	Plug 7/16	
14	70008104	1	Plug 1/4	
15	70003734	1	Filter, Return 20 Micron (Not Shown)	
16	70008105	1	Pump (Includes Screws M8 x 80) (Not Shown)	
17	See Note	NSS	Nameplate (Note: Not Available for Purchase) (Not Shown)	
18	70003700	1	Cap, Fill	
19	70008106	1	Fitting, Test	

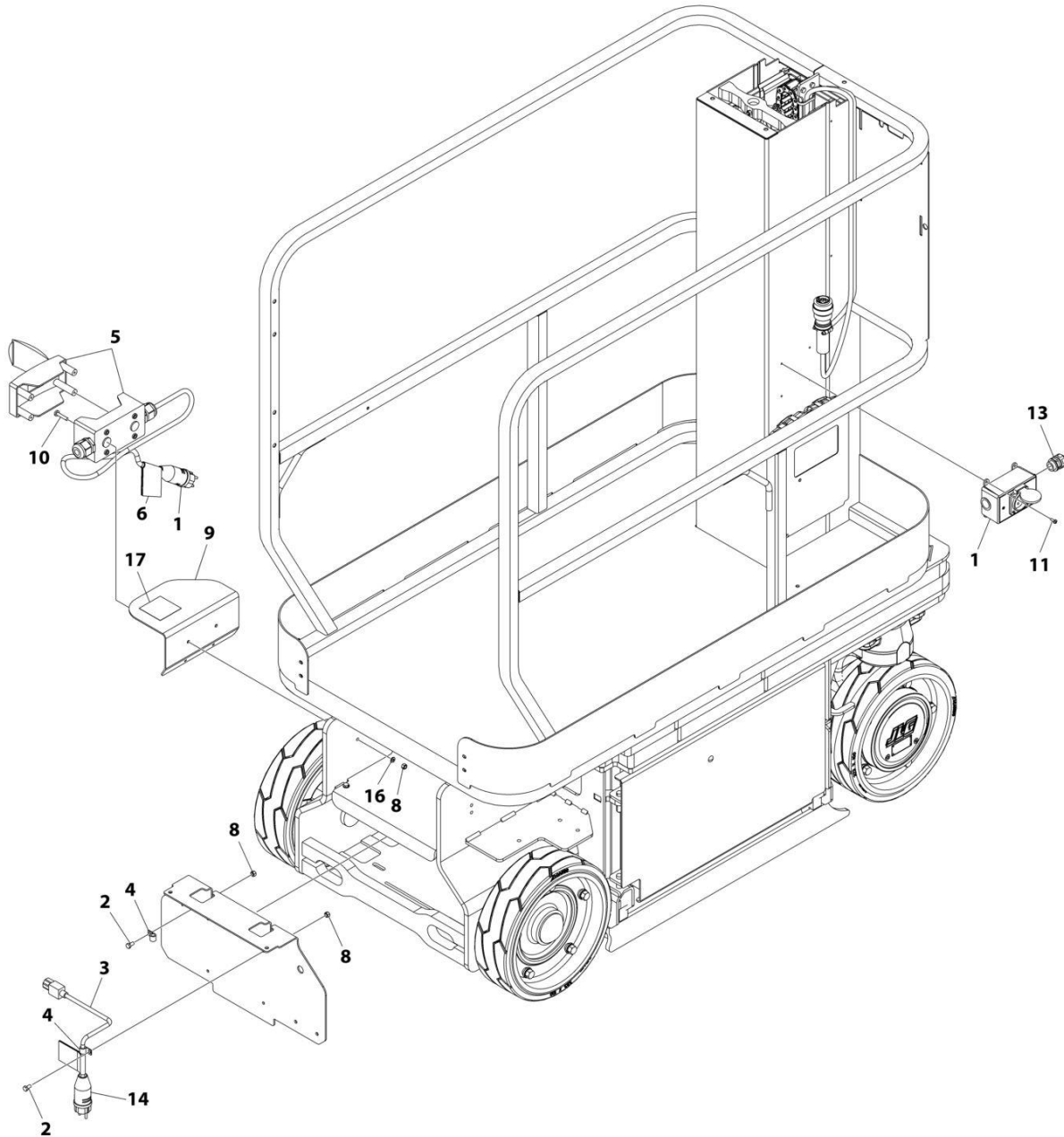




**SECTION 7 - ELECTRICAL**

# SECTION 7 - ELECTRICAL

## FIGURE 7-1. AC PLUG & SOCKET INSTALLATION - 220V CEE7 POST GROUND (CE & UK CA SPECS)



ART\_0275769

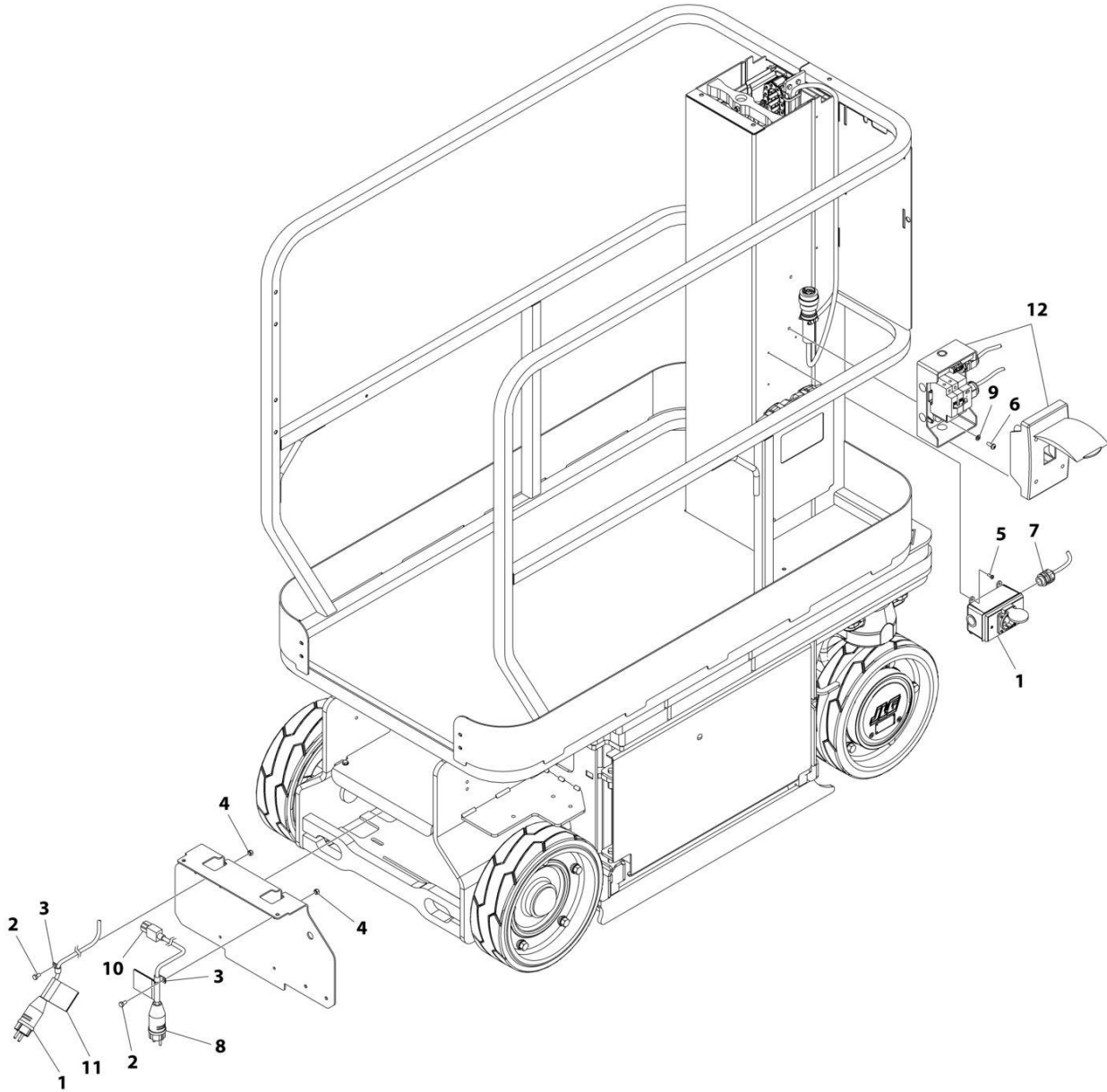
## SECTION 7 - ELECTRICAL

**FIGURE 7-1. AC PLUG & SOCKET INSTALLATION - 220V CEE7 POST GROUND (CE & UK CA SPECS)**

ITEM	PART NUMBER	QTY	DESCRIPTION	REV
	0275769	Ref	AC PLUG & SOCKET INSTALLATION - 220V CEE7 POST GROUND	F
1	0275452	1	Plug and Receptacle Box Assembly (See Separate Breakdown in this Section)	
2	0760606	2	Bolt M6 x 12	
3	1001103258	1	Cable, Charger Input	
4	1321293	2	Clamp, Cable	
5	2902559	1	Breaker Box Assembly (See Separate Breakdown in this Section)	
6	1001103742	1	Decal, AC Label	
8	3290605	4	Nut M6	
9	3380766	1	Shield, Breaker Box	
10	4010614	2	Screw M6 x 30	
11	4191406	2	Screw M4 x 12	
12	4240033	AR	Tie-Strap (Not Shown)	
13	4460662	1	Connector, Strain Relief	
14	4461205	1	Plug	
16	4811700	2	Washer M6	
17	1701691	1	Decal - No Step	

# SECTION 7 - ELECTRICAL

## FIGURE 7-2. AC PLUG & SOCKET INSTALLATION - 220V CEE7 SIDE GROUND (CE & UK CA SPECS)



ART\_1001153734

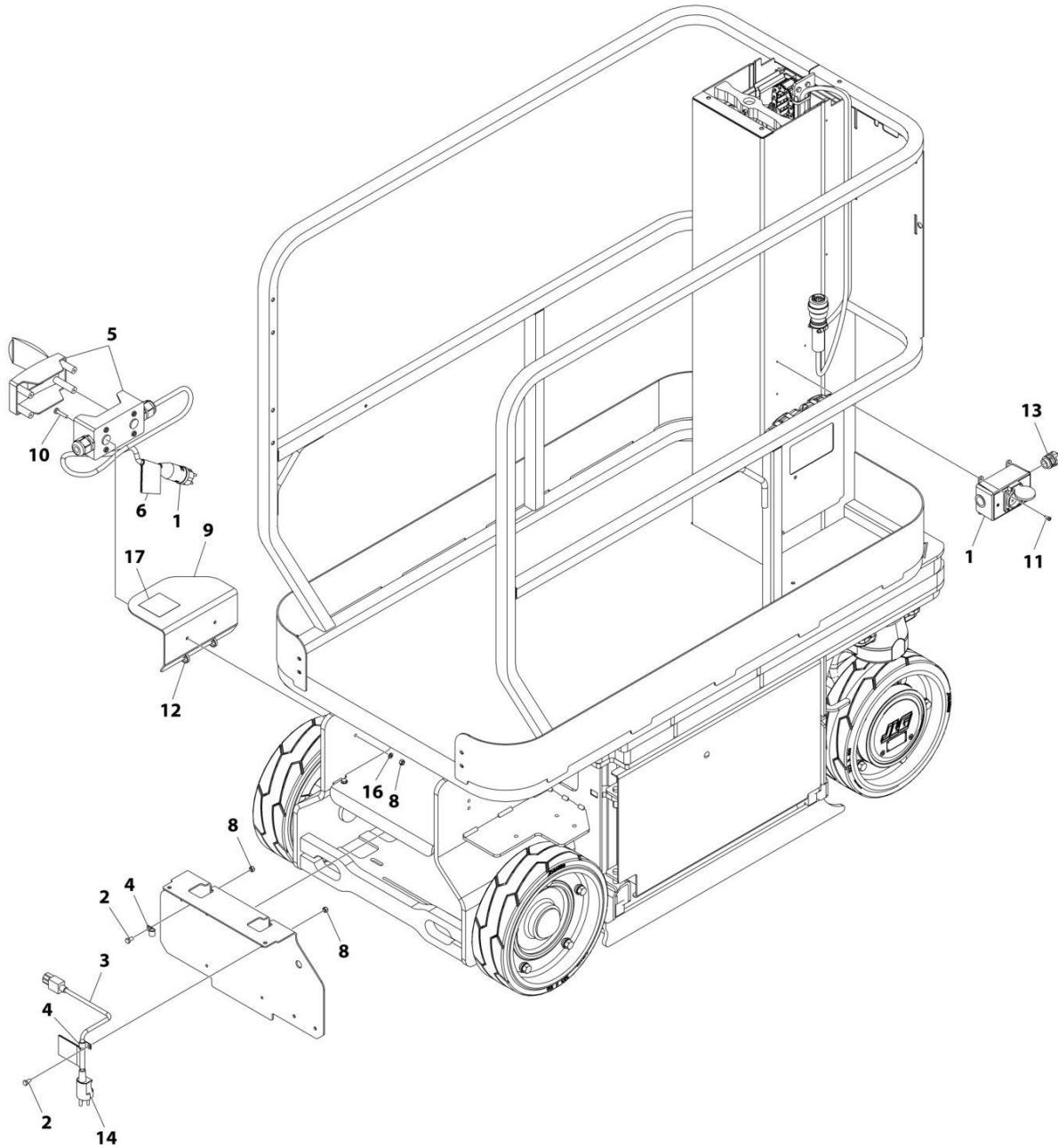
## SECTION 7 - ELECTRICAL

**FIGURE 7-2. AC PLUG & SOCKET INSTALLATION - 220V CEE7 SIDE GROUND (CE & UK CA SPECS)**

ITEM	PART NUMBER	QTY	DESCRIPTION	REV
	1001153734	Ref	AC PLUG & SOCKET INSTALLATION - 220V CEE7 SIDE GROUND	B
1	0275453	1	Plug and Receptacle Box Assembly (See Separate Breakdown in this Section)	
2	0760606	2	Bolt M6 x 12	
3	1321293	2	Clamp, Cable	
4	3290605	2	Nut M6	
5	4191406	2	Screw M4 x 12	
6	4191707	2	Screw M6 x 16	
7	4460662	1	Connector, Strain Relief	
8	4461205	1	Plug	
9	4811700	2	Washer M6	
10	1001103258	1	Cable, Charger Input	
11	1001103742	1	Decal - AC Label	
12	1001152487	1	Breaker Box Assembly (See Separate Breakdown in this Section)	

# SECTION 7 - ELECTRICAL

FIGURE 7-3. AC PLUG & SOCKET INSTALLATION - 220V CEE7 KEYED GROUND (CE & UK CA SPECS)



ART\_0275771

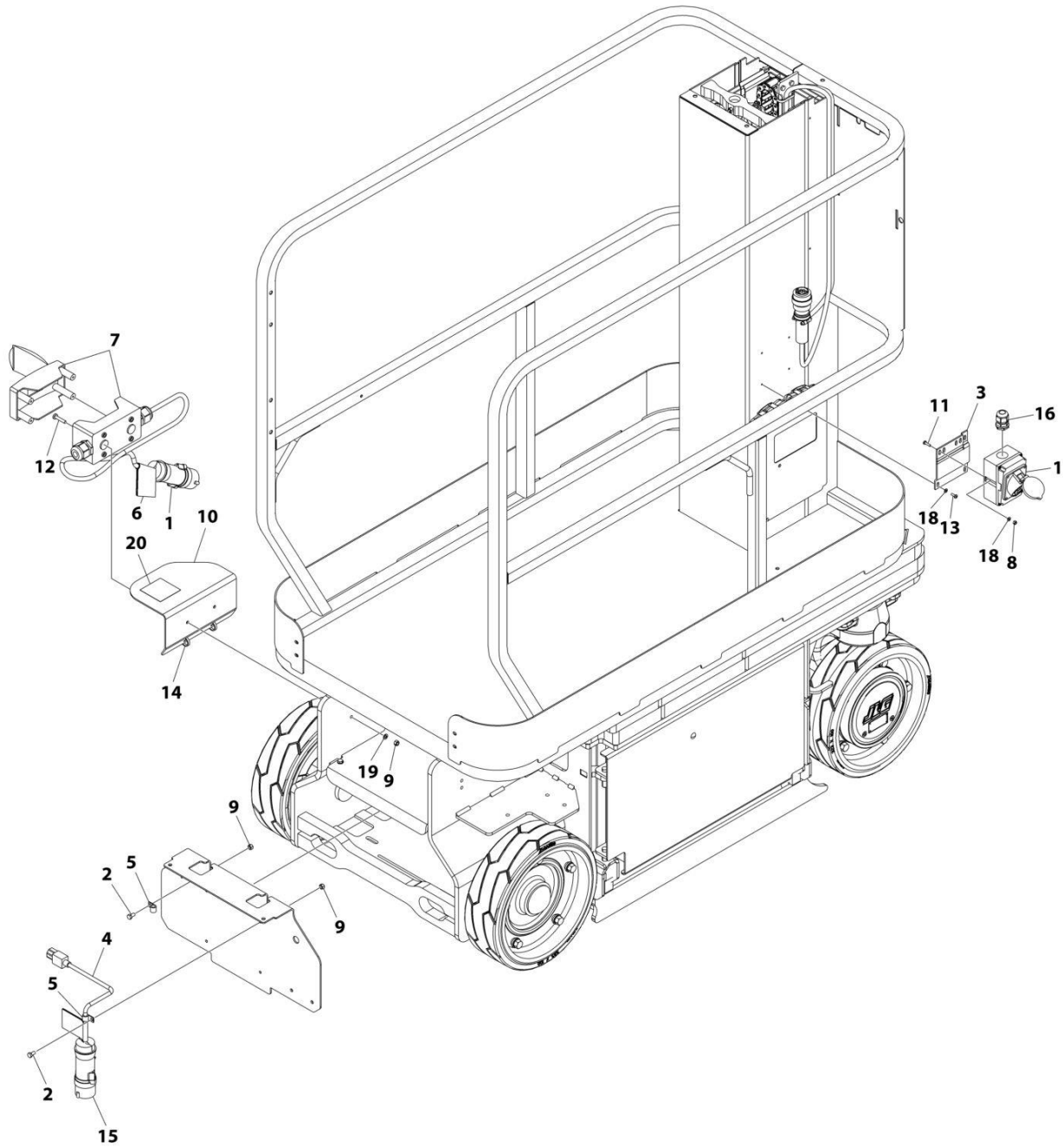
## SECTION 7 - ELECTRICAL

**FIGURE 7-3. AC PLUG & SOCKET INSTALLATION - 220V CEE7 KEYED GROUND (CE & UK CA SPECS)**

ITEM	PART NUMBER	QTY	DESCRIPTION	REV
	0275771	Ref	AC PLUG & SOCKET INSTALLATION - 220V CEE7 KEYED GROUND	E
1	0275454	1	Plug and Receptacle Box Assembly (See Separate Breakdown in this Section)	
2	0760606	2	Bolt M6 x 12	
3	1001103258	1	Cable, Charger Input	
4	1321293	2	Clamp, Cable	
5	2902559	1	Breaker Box Assembly (See Separate Breakdown in this Section)	
6	1001103742	1	Decal - AC Label	
8	3290605	4	Nut M6	
9	3380766	1	Shield, Breaker Box	
10	4010614	2	Screw M6 x 30	
11	4191406	2	Screw M4 x 12	
12	4240033	AR	Tie-Strap (Not Shown)	
13	4460662	1	Connector, Strain Relief	
14	4461249	1	Plug	
16	4811700	2	Washer M6	
17	1701691	1	Decal - No Step	

# SECTION 7 - ELECTRICAL

## FIGURE 7-4. AC PLUG & SOCKET INSTALLATION - 220V IEC YELLOW (CE & UK CA SPECS)



ART\_0275772



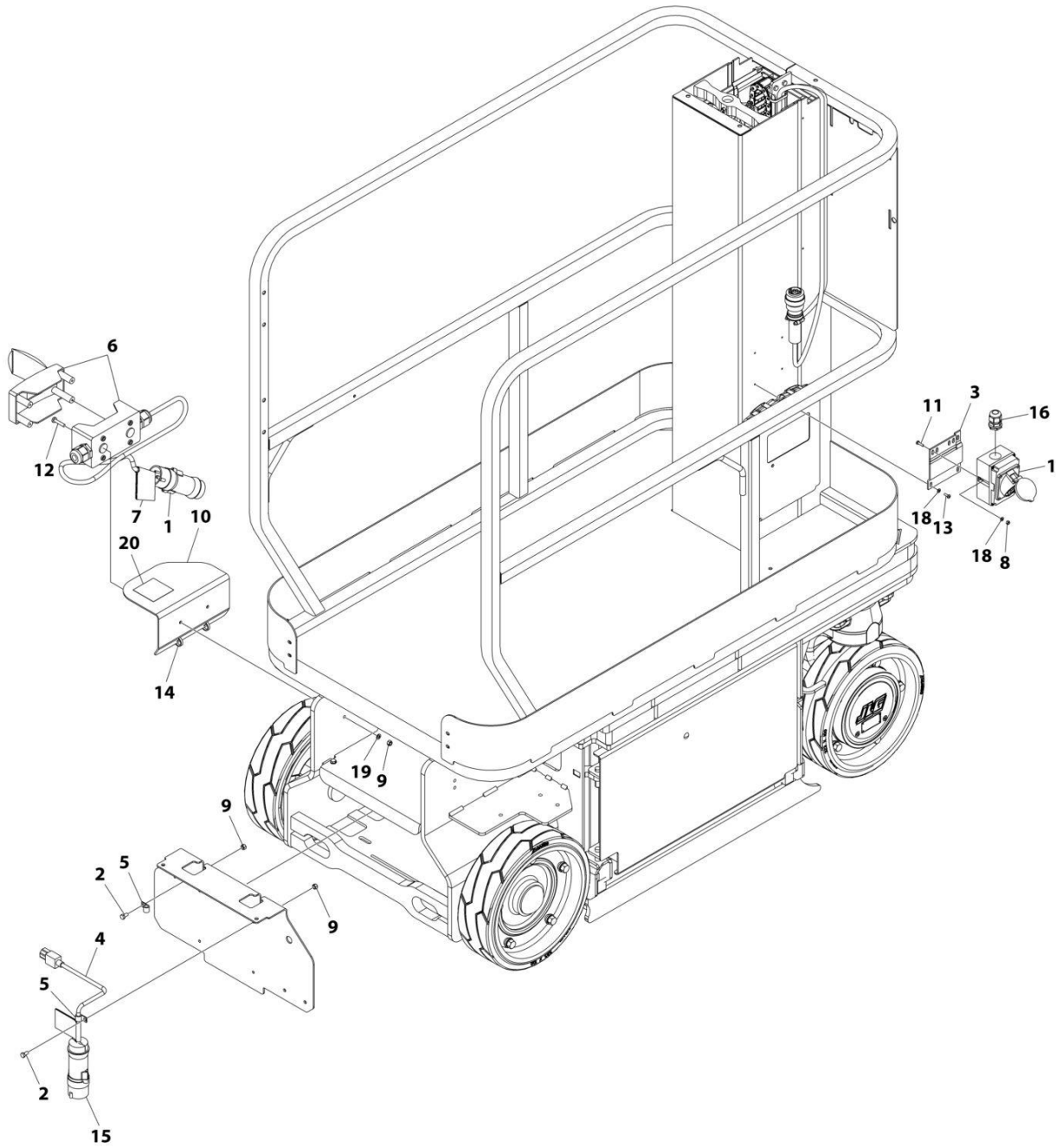
## SECTION 7 - ELECTRICAL

**FIGURE 7-4. AC PLUG & SOCKET INSTALLATION - 220V IEC YELLOW (CE & UK CA SPECS)**

ITEM	PART NUMBER	QTY	DESCRIPTION	REV
	0275772	Ref	AC PLUG & SOCKET INSTALLATION - 220V IEC YELLOW	F
1	0275216	1	Plug and Receptacle Box Assembly (See Separate Breakdown in this Section)	
2	0760606	2	Bolt M6 x 12	
3	0903651	1	Bracket, AC Box	
4	1001103258	1	Cable, Charger Input	
5	1321293	2	Clamp, Cable	
6	1001103742	1	Decal - AC Label	
7	2902559	1	Breaker Box Assembly (See Separate Breakdown in this Section)	
8	3290405	2	Nut M4	
9	3290605	4	Nut M6	
10	3380766	1	Shield, Breaker Box	
11	4010408	2	Bolt M4 x 16	
12	4010614	2	Screw M6 x 30	
13	4191406	3	Screw M4 x 12	
14	4240033	AR	Tie-Strap (Not Shown)	
15	4461196	1	Plug	
16	4460633	1	Connector, Strain Relief	
18	4811400	7	Washer M4	
19	4811700	2	Washer M6	
20	1701691	1	Decal - No Step	

# SECTION 7 - ELECTRICAL

FIGURE 7-5. AC PLUG & SOCKET INSTALLATION - 220V IEC BLUE (CE & UK CA SPECS)



ART\_0275773

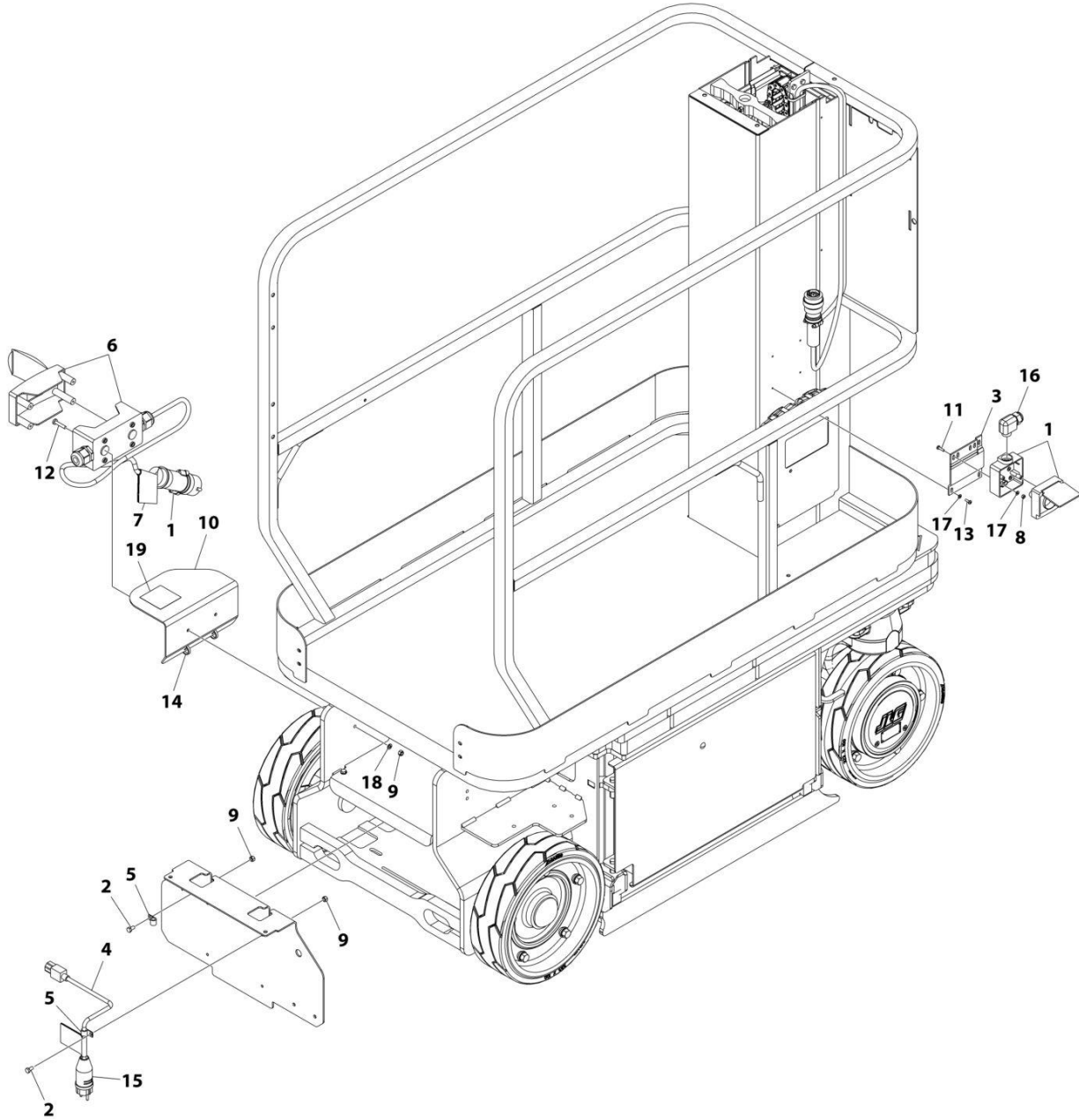
## SECTION 7 - ELECTRICAL

**FIGURE 7-5. AC PLUG & SOCKET INSTALLATION - 220V IEC BLUE (CE & UK CA SPECS)**

ITEM	PART NUMBER	QTY	DESCRIPTION	REV
	0275773	Ref	AC PLUG & SOCKET INSTALLATION - 220V IEC BLUE	F
1	0275217	1	Plug and Receptacle Box Assembly (See Separate Breakdown in this Section)	
2	0760606	2	Bolt M6 x 12	
3	0903651	1	Bracket, AC Box	
4	1001103258	1	Cable, Charger Input	
5	1321293	2	Clamp, Cable	
6	2902559	1	Breaker Box Assembly (See Separate Breakdown in this Section)	
7	1001103742	1	Decal - AC Label	
8	3290405	2	Nut M4	
9	3290605	4	Nut M6	
10	3380766	1	Shield, Breaker Box	
11	4010408	2	Bolt M4 x 16	
12	4010614	2	Screw M6 x 30	
13	4191406	3	Screw M4 x 12	
14	4240033	AR	Tie-Strap (Not Shown)	
15	4461199	1	Plug	
16	4460633	1	Connector, Strain Relief	
18	4811400	7	Washer M4	
19	4811700	2	Washer M6	
20	1701691	1	Decal - No Step	

# SECTION 7 - ELECTRICAL

FIGURE 7-6. AC PLUG & SOCKET INSTALLATION - 220V CEE7 POST GROUND (CE & UK CA SPECS)



ART\_0275774

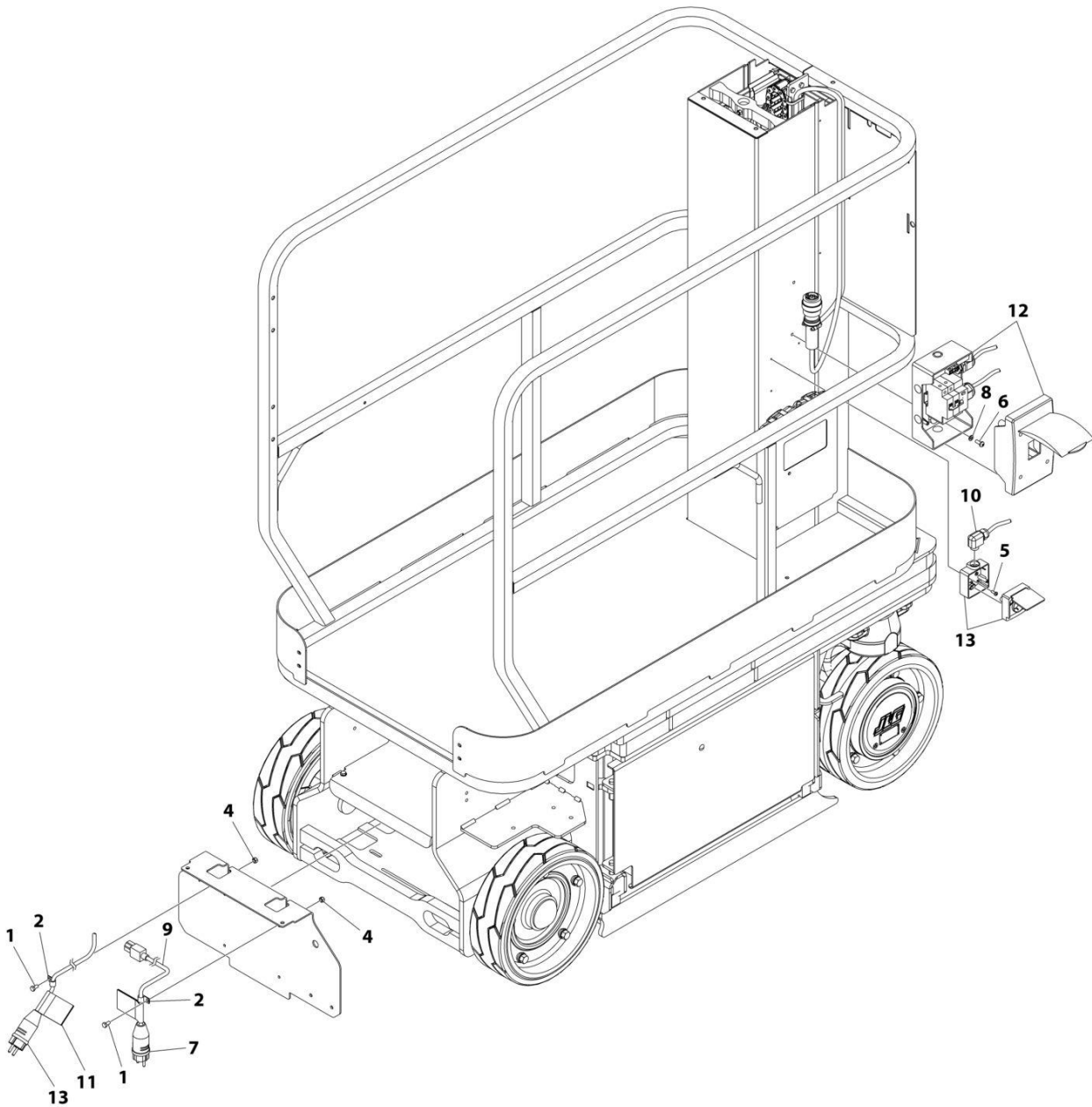
## SECTION 7 - ELECTRICAL

**FIGURE 7-6. AC PLUG & SOCKET INSTALLATION - 220V CEE7 POST GROUND (CE & UK CA SPECS)**

ITEM	PART NUMBER	QTY	DESCRIPTION	REV
	0275774	Ref	AC PLUG & SOCKET INSTALLATION - 220V CEE7 POST GROUND	H
1	0275218	1	Plug and Receptacle Box Assembly (See Separate Breakdown in this Section)	
2	0760606	2	Bolt M6 x 12	
3	0903651	1	Bracket, AC Box	
4	1001103258	1	Cable, Charger Input	
5	1321293	2	Clamp, Cable	
6	2902559	1	Breaker Box Assembly (See Separate Breakdown in this Section)	
7	1001103742	1	Decal - AC Label	
8	3290405	2	Nut M4	
9	3290605	4	Nut M6	
10	3380766	1	Shield, Breaker Box	
11	4010408	2	Bolt M4 x 16	
12	4010614	2	Screw M6 x 30	
13	4191406	3	Screw M4 x 12	
14	4240033	AR	Tie-Strap (Not Shown)	
15	4461205	1	Plug	
16	1001103471	1	Connector, Strain Relief	
17	4811400	7	Washer M4	
18	4811700	2	Washer M6	
19	1701691	1	Decal - No Step	

# SECTION 7 - ELECTRICAL

## FIGURE 7-7. AC PLUG & SOCKET INSTALLATION - 220V CEE7 SIDE GROUND (CE & UK CA SPECS)



ART\_1001153735

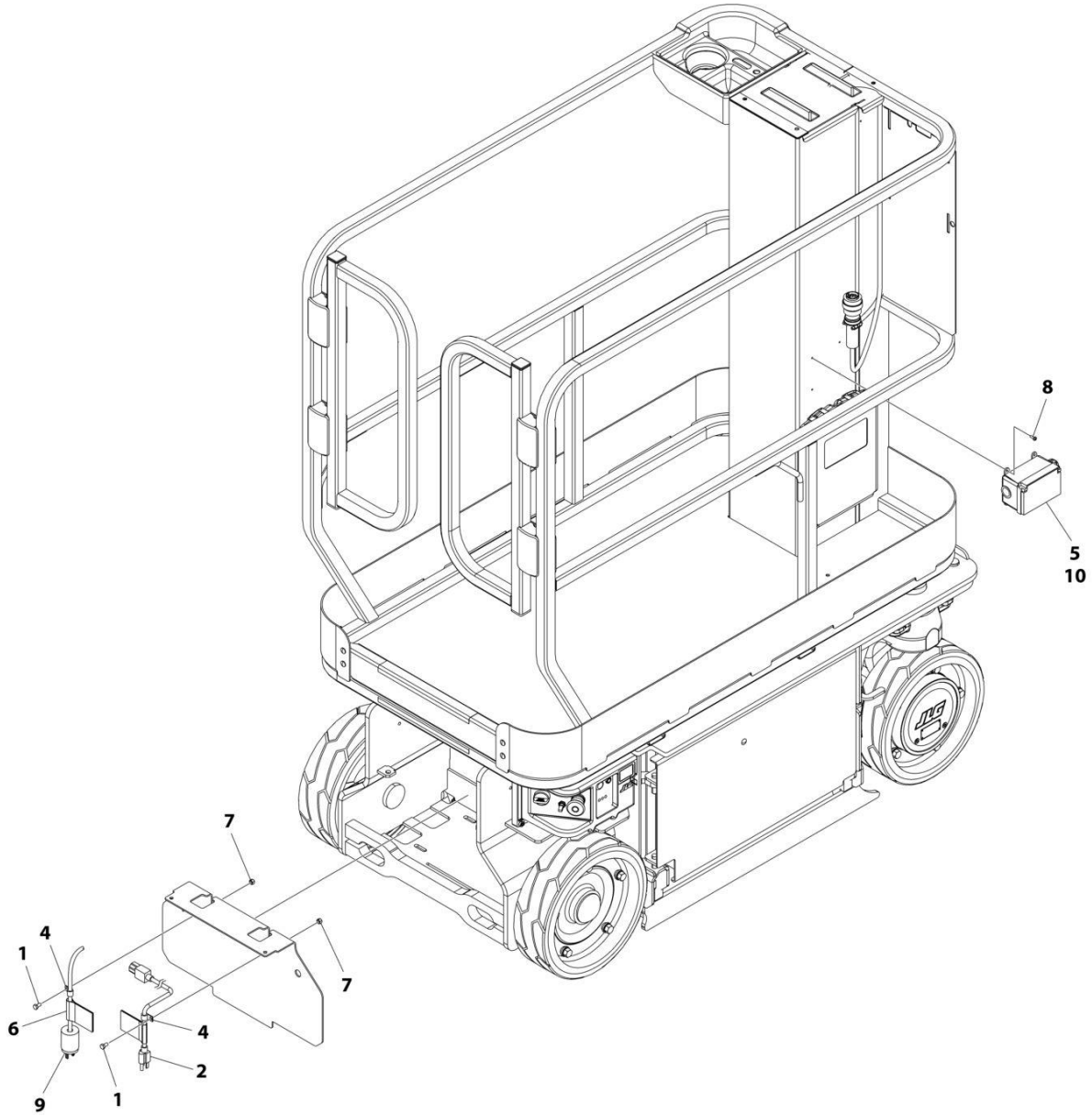
## SECTION 7 - ELECTRICAL

**FIGURE 7-7. AC PLUG & SOCKET INSTALLATION - 220V CEE7 SIDE GROUND (CE & UK CA SPECS)**

ITEM	PART NUMBER	QTY	DESCRIPTION	REV
	1001153735	Ref	AC PLUG & SOCKET INSTALLATION - 220V CEE7 SIDE GROUND	A
1	0760606	2	Bolt M6 x 12	
2	1321293	2	Clamp, Cable	
4	3290605	2	Nut M6	
5	4191406	2	Screw M4 x 12	
6	4191707	2	Screw M6 x 16	
7	4461205	1	Plug	
8	4811700	2	Washer M6	
9	1001103258	1	Cable, Charger Input	
10	1001103471	1	Connector, Strain Relief	
11	1001103742	1	Decal - AC Label	
12	1001152487	1	Breaker Box Assembly (See Separate Breakdown in this Section)	
13	0275219	1	Plug and Receptacle Box Assembly (See Separate Breakdown in this Section)	

# SECTION 7 - ELECTRICAL

## FIGURE 7-8. ACCESSORY CHARGER POWER INSTALLATION - 110V (CE & UK CA SPECS)



ART\_0274556



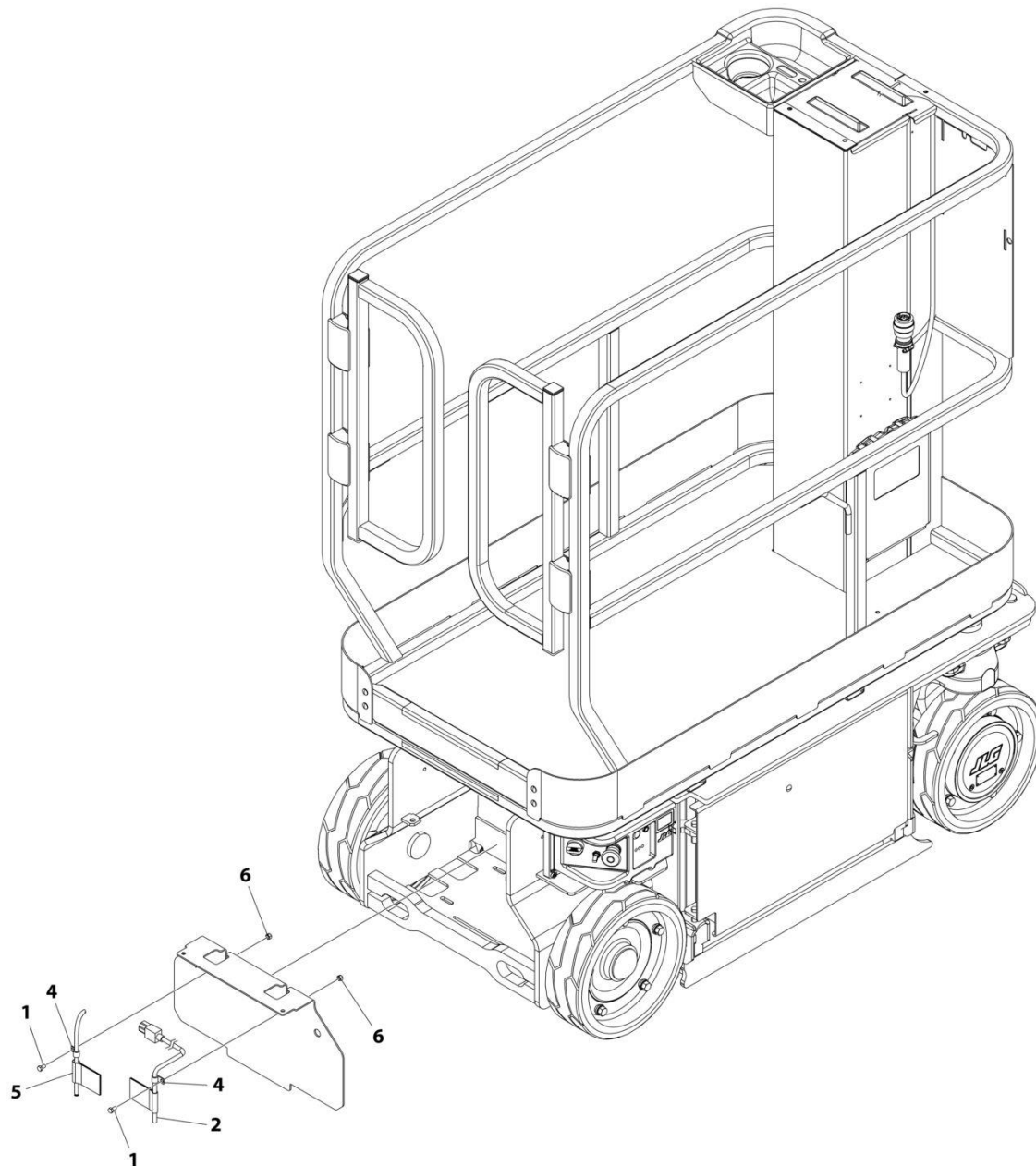
## SECTION 7 - ELECTRICAL

**FIGURE 7-8. ACCESSORY CHARGER POWER INSTALLATION - 110V (CE & UK CA SPECS)**

ITEM	PART NUMBER	QTY	DESCRIPTION	REV
	0274556	Ref	ACCESSORY CHARGER POWER INSTALLATION - 110V	F
1	0760606	2	Bolt M6 x 12	
2	1001103257	1	Cable, Charger Input	
4	1321293	2	Clamp, Cable	
5	2902431	1	Plug and Receptacle Box Assembly (See Separate Breakdown in this Section)	
6	1001103742	1	Decal - AC Label	
7	3290605	2	Nut M6	
8	4191406	2	Bolt M4 x 12	
9	4460138	1	Plug	
10	4460314	1	Plug	

## SECTION 7 - ELECTRICAL

FIGURE 7-9. ACCESSORY CHARGER POWER INSTALLATION - 220V CUSTOMER SUPPLIED PLUG  
(ANSI EXPORT, AUSTRALIAN, CE, KOREA & UK CA SPECS)



ART\_0274802

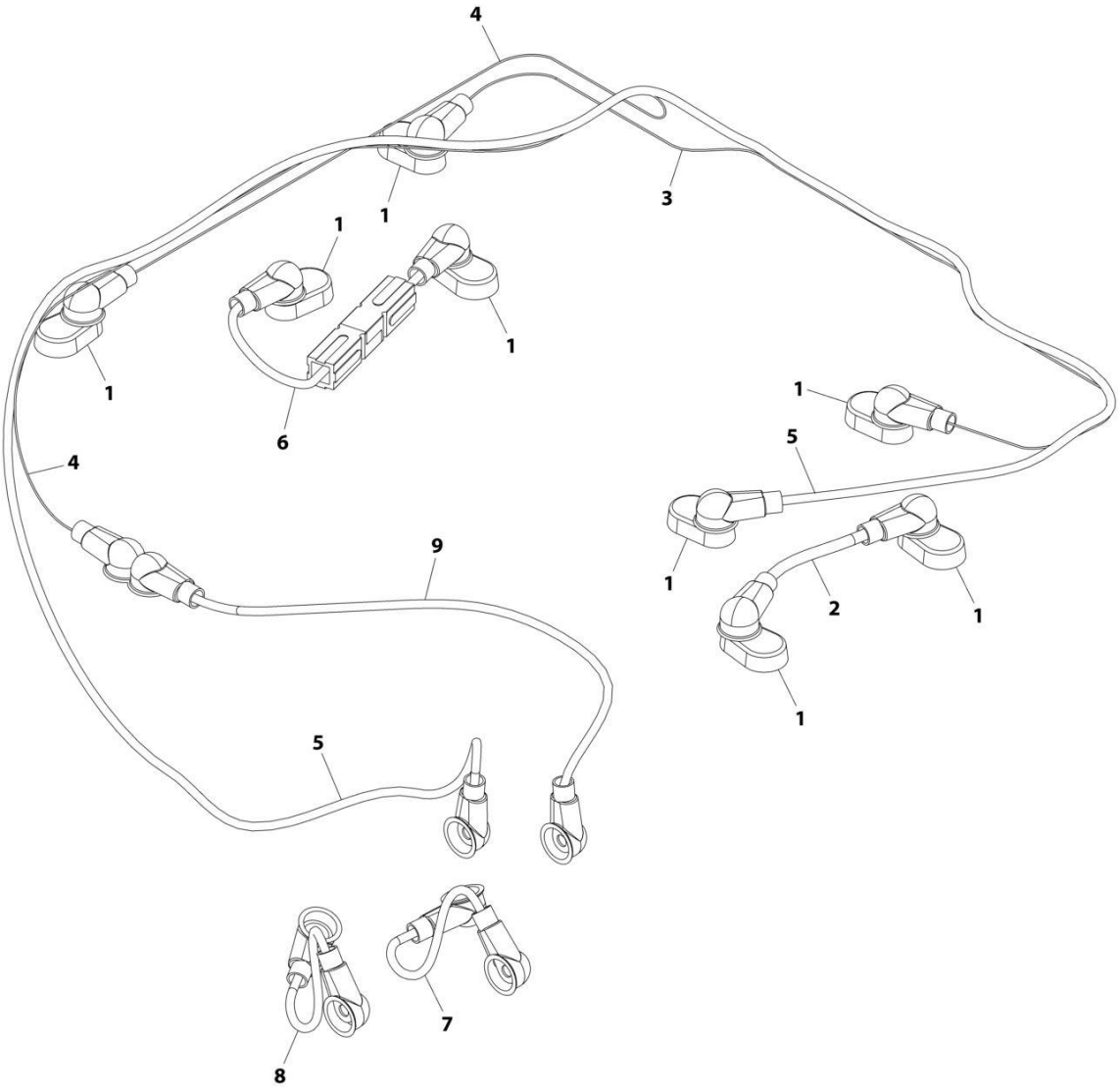
## SECTION 7 - ELECTRICAL

**FIGURE 7-9. ACCESSORY CHARGER POWER INSTALLATION - 220V CUSTOMER SUPPLIED PLUG  
(ANSI EXPORT, AUSTRALIAN, CE, KOREA & UK CA SPECS)**

ITEM	PART NUMBER	QTY	DESCRIPTION	REV
	0274802	Ref	ACCESSORY CHARGER POWER INSTALLATION - 220V CUSTOMER SUPPLIED PLUG	E
1	0760606	2	Bolt M6 x 12	
2	1001103258	1	Cable, Charger Input	
4	1321293	2	Clamp, Cable	
5	1001103742	1	Decal - AC Label	
6	3290605	4	Nut M6	

**SECTION 7 - ELECTRICAL**

**FIGURE 7-10. BATTERY CABLES**



ART\_1001117837

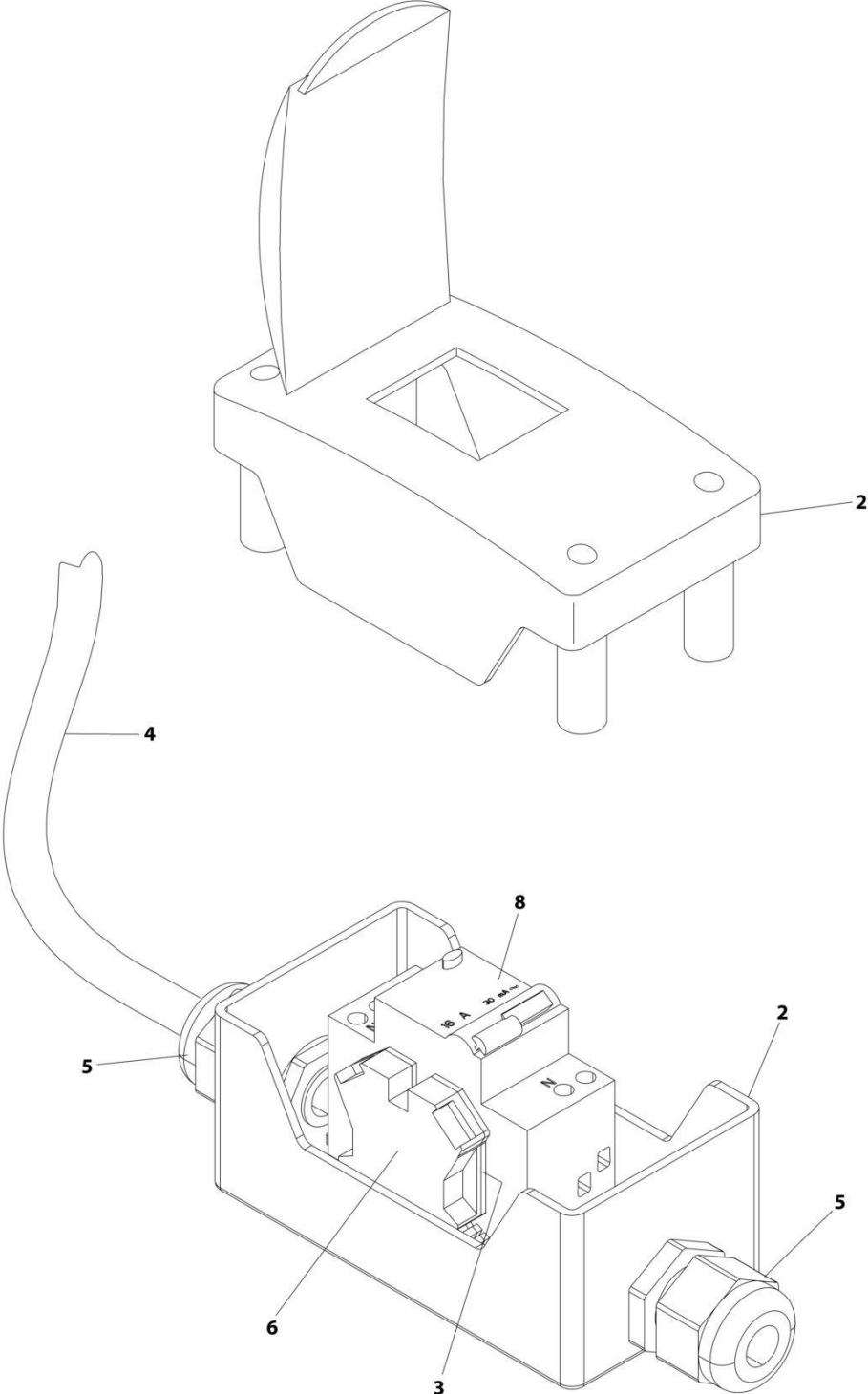
## SECTION 7 - ELECTRICAL

### FIGURE 7-10. BATTERY CABLES

ITEM	PART NUMBER	QTY	DESCRIPTION	REV
	1001117837	Ref	BATTERY CABLE	D
1	0840060	8	Boot, Battery Terminal	
2	1060998	1	Cable, Battery (Battery Positive to Battery Negative)	
3	4923325	1	Cable, Battery (LH Side Batteries to RH Side Batteries)	
4	4923326	1	Cable, Battery (Contactor to RH Side Batteries)	
5	1001117840	1	Cable, Battery (Drive Module B- to LH Side Batteries)	
6	4923328	1	Cable, Battery with Disconnect (Battery Positive to Battery Negative)	
7	1001117841	1	Cable, Battery (Drive Module +BF2 to Pump Motor +)	
8	1001117842	1	Cable, Battery (Drive Module P- to Pump Motor -)	
9	1001117843	1	Cable, Battery (Drive Module B+ to Contactor)	

**SECTION 7 - ELECTRICAL**

**FIGURE 7-11. BREAKER BOX KIT WITH 1 DOUBLE BREAKER**



ART\_2902559

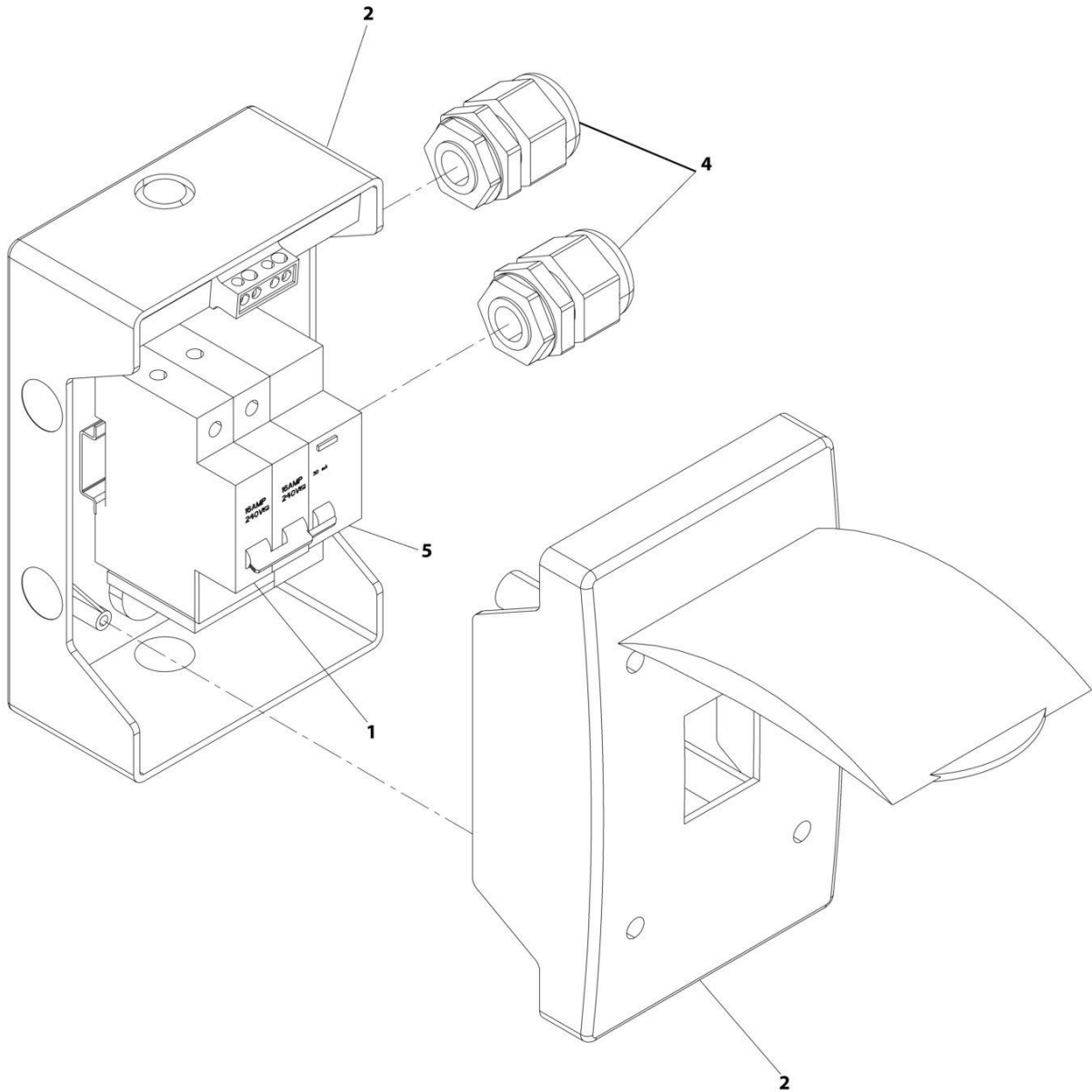
## SECTION 7 - ELECTRICAL

### FIGURE 7-11. BREAKER BOX KIT WITH 1 DOUBLE BREAKER

ITEM	PART NUMBER	QTY	DESCRIPTION	REV
	2902559	Ref	BREAKER BOX ASSEMBLY	F
2	0861880	1	Box	
3	4460956	1	Barrier, Terminal	
4	1060908	4.5 ft /1.4m	Cable, 12/3	
5	1001097150	2	Connector, Strain Relief	
6	4460957	1	Block, Terminal	
8	1001181045	1	Breaker, Double 30mAmp/16Amp	

# SECTION 7 - ELECTRICAL

## FIGURE 7-12. BREAKER BOX KIT WITH 3 BREAKERS



ART\_1001152487



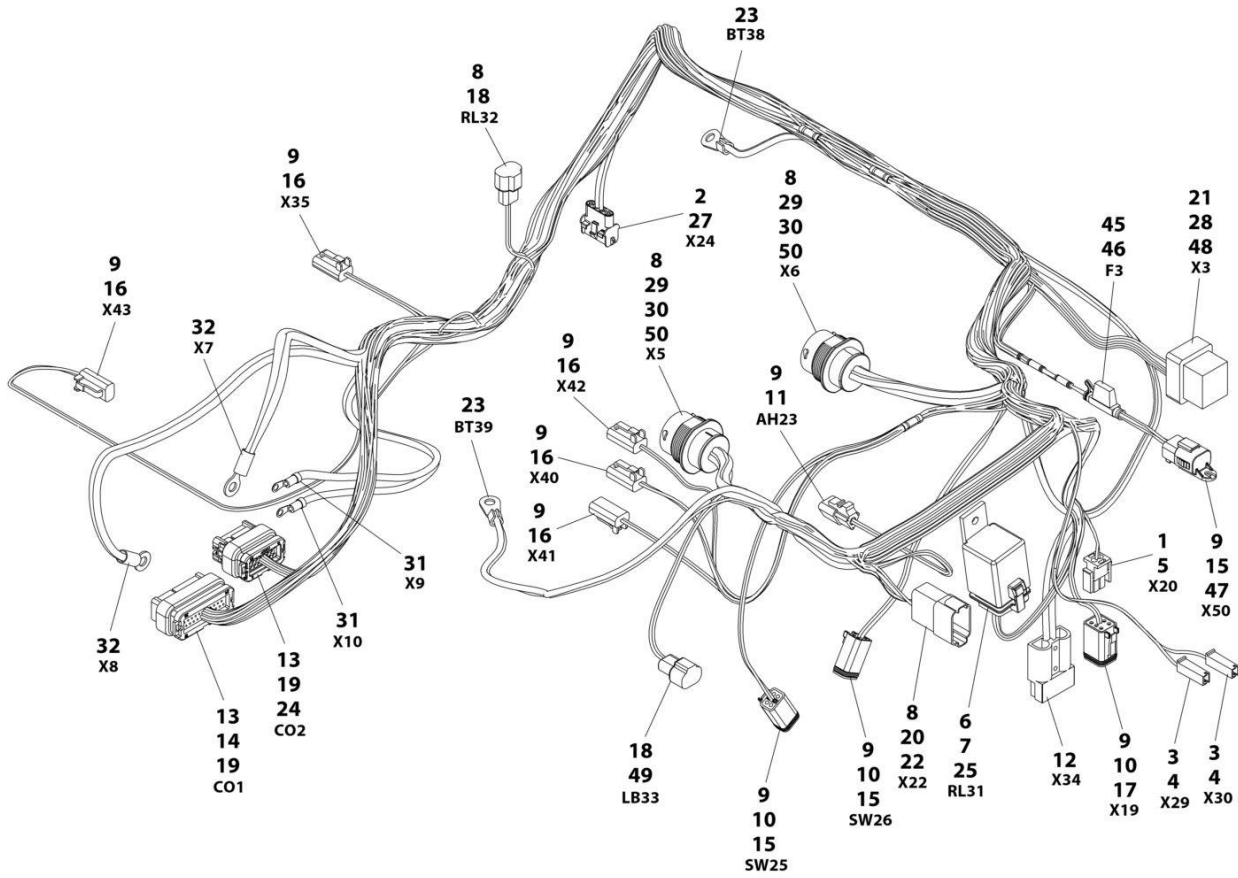
## SECTION 7 - ELECTRICAL

**FIGURE 7-12. BREAKER BOX KIT WITH 3 BREAKERS**

ITEM	PART NUMBER	QTY	DESCRIPTION	REV
	1001152487	Ref	BREAKER BOX ASSEMBLY	E
1	1001189172	1	Breaker, Double 16AMP	
2	1001152483	1	Box	
3	1060908	1	Cable (Not Shown)	
4	1001097150	2	Connector, Strain Relief	
5	1001189171	1	Breaker, 30mAmp	

# SECTION 7 - ELECTRICAL

## FIGURE 7-13. CHASSIS HARNESS



ART\_1001116640

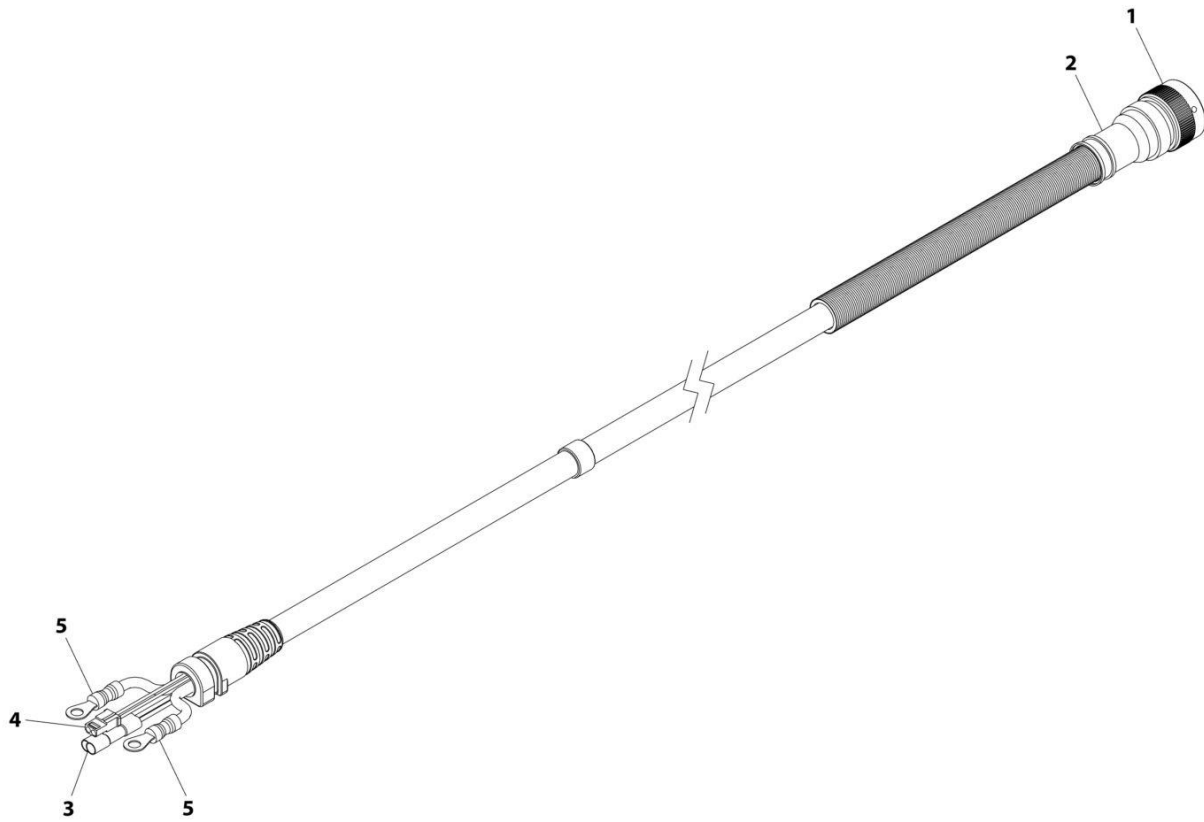
## SECTION 7 - ELECTRICAL

### FIGURE 7-13. CHASSIS HARNESS

ITEM	PART NUMBER	QTY	DESCRIPTION	REV
	1001116640	Ref	CHASSIS HARNESS	I
1	4460268	2	Socket	
2	4460227	4	Pin	
3	4460259	2	Socket	
4	4460260	2	Connector	
5	4460320	1	Connector	
6	4460374	1	Plug	
7	4460375	4	Socket	
8	4460464	11	Pin	
9	4460465	27	Socket	
10	4460466	6	Seal	
11	4460539	1	Connector	
12	4460648	1	Connector, Anderson	
13	4460871	37	Socket	
14	4460873	1	Connector	
15	4460884	3	Connector	
16	4460891	5	Connector	
17	4460894	1	Connector	
18	4460897	2	Connector	
19	4460905	4	Seal	
20	4460931	1	Connector	
21	4460942	2	Socket	
22	4460943	3	Pin	
23	4460986	2	Terminal, Ring	
24	1001096138	1	Connector	
25	1001097347	4	Relay, 24V	
27	4460761	1	Connector	
28	1001115076	1	Connector	
29	91013191	4	Pin	
30	1001118322	2	Connector	
31	4460142	2	Terminal, Ring	
32	8220114	2	Terminal, Ring	
45	2400060	1	Fuse Holder	
46	8229242	1	Fuse, 5AMP	
47	1001192401	1	Dust Cap	
48	1001116692	14	Socket	
49	1001116693	2	Pin	
50	1001157891	4	Socket	

# SECTION 7 - ELECTRICAL

## FIGURE 7-14. DRIVE CABLE



ART\_1001118363

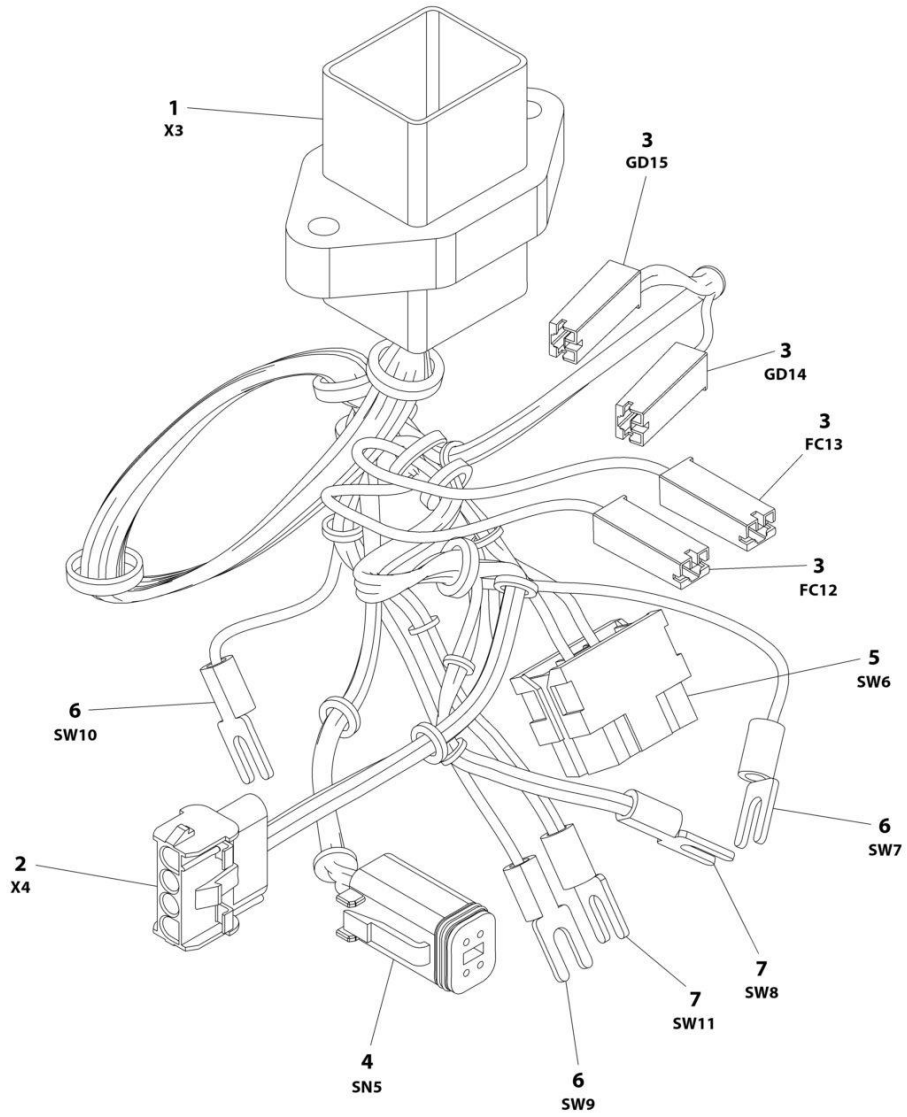
## SECTION 7 - ELECTRICAL

### FIGURE 7-14. DRIVE CABLE

ITEM	PART NUMBER	QTY	DESCRIPTION	REV
	1001118363	Ref	DRIVE CABLE	C
1	1001118323	1	Connector	
1	4460465	2	Socket (20-16 AWG)	
1	91013192	2	Socket (6 AWG)	
1	4460942	2	Socket (16-14 AWG)	
2	1001101024	1	Backshell	
3	1001099670	2	Splice	
4		Ref	Connector (No Part Number Available)	
4		Ref	Socket (No Part Number Available)	
5		Ref	Terminal, Ring (No Part Number Available)	

# SECTION 7 - ELECTRICAL

## FIGURE 7-15. GROUND CONTROL BOX HARNESS



ART\_1001208641

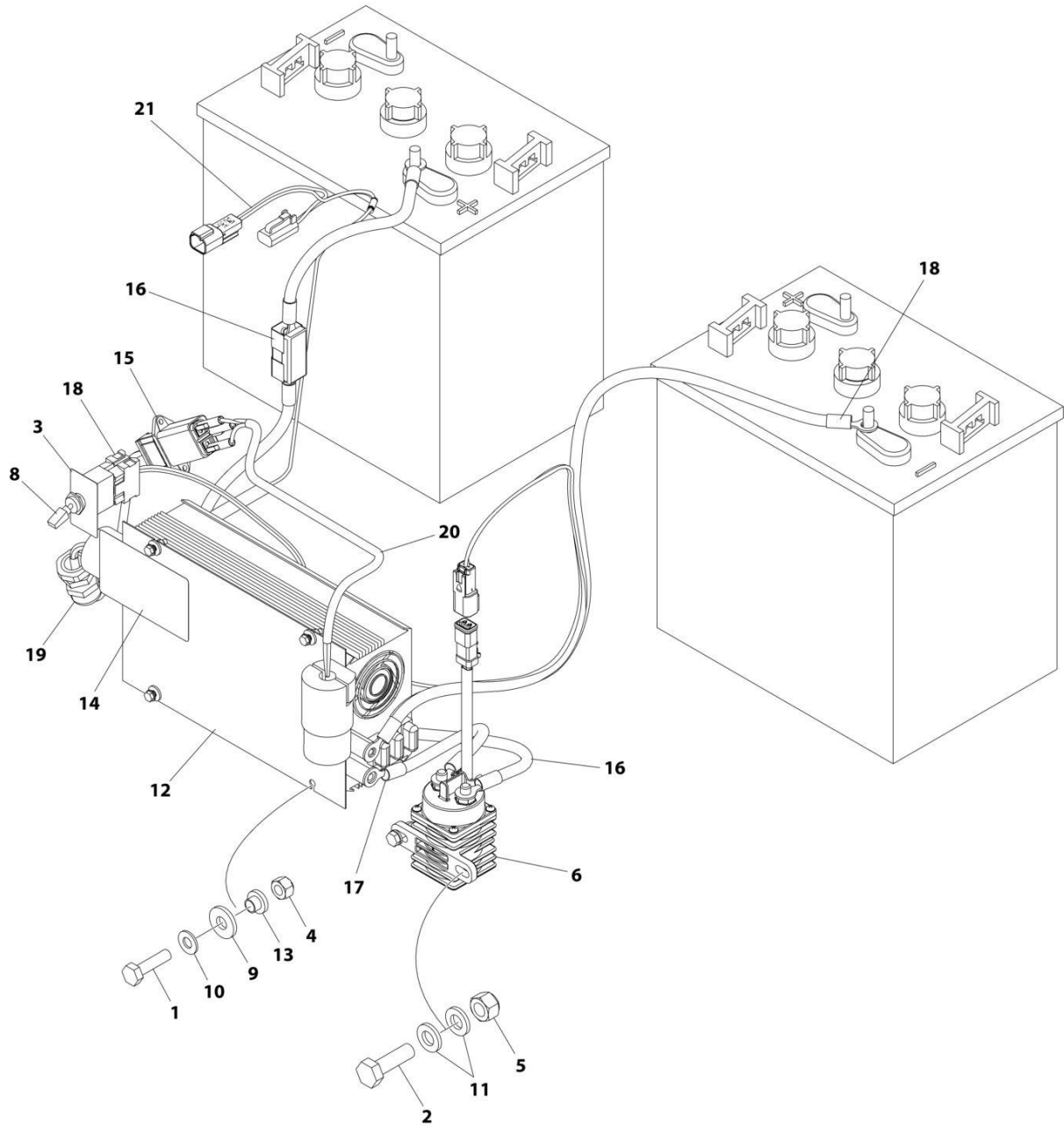
## SECTION 7 - ELECTRICAL

### FIGURE 7-15. GROUND CONTROL BOX HARNESS

ITEM	PART NUMBER	QTY	DESCRIPTION	REV
	1001208641	Ref	GROUND CONTROL BOX HARNESS - NO LSS	A
1	1001115077	1	Connector - 18 Position	
1	4460464	13	Pin, Male	
1	4460943	2	Pin, Male	
1	4460466	3	Seal	
2	1001119032	1	Connector - 4 Position	
2	4460268	4	Socket, Female	
3	4460260	4	Housing, Terminal	
3	4460259	4	Terminal	
4	4460884	1	Connector - 4 Position	
4	4460918	4	Socket, Female	
5	4460418	1	Connector - 6 Position	
5	1001159186	3	Terminal	
6	4460183	3	Terminal, Fork	
7	4460115	2	Terminal, Fork	

# SECTION 7 - ELECTRICAL

## FIGURE 7-16. INVERTER INSTALLATION (ANSI AND CSA SPECS)



ART\_1001231386



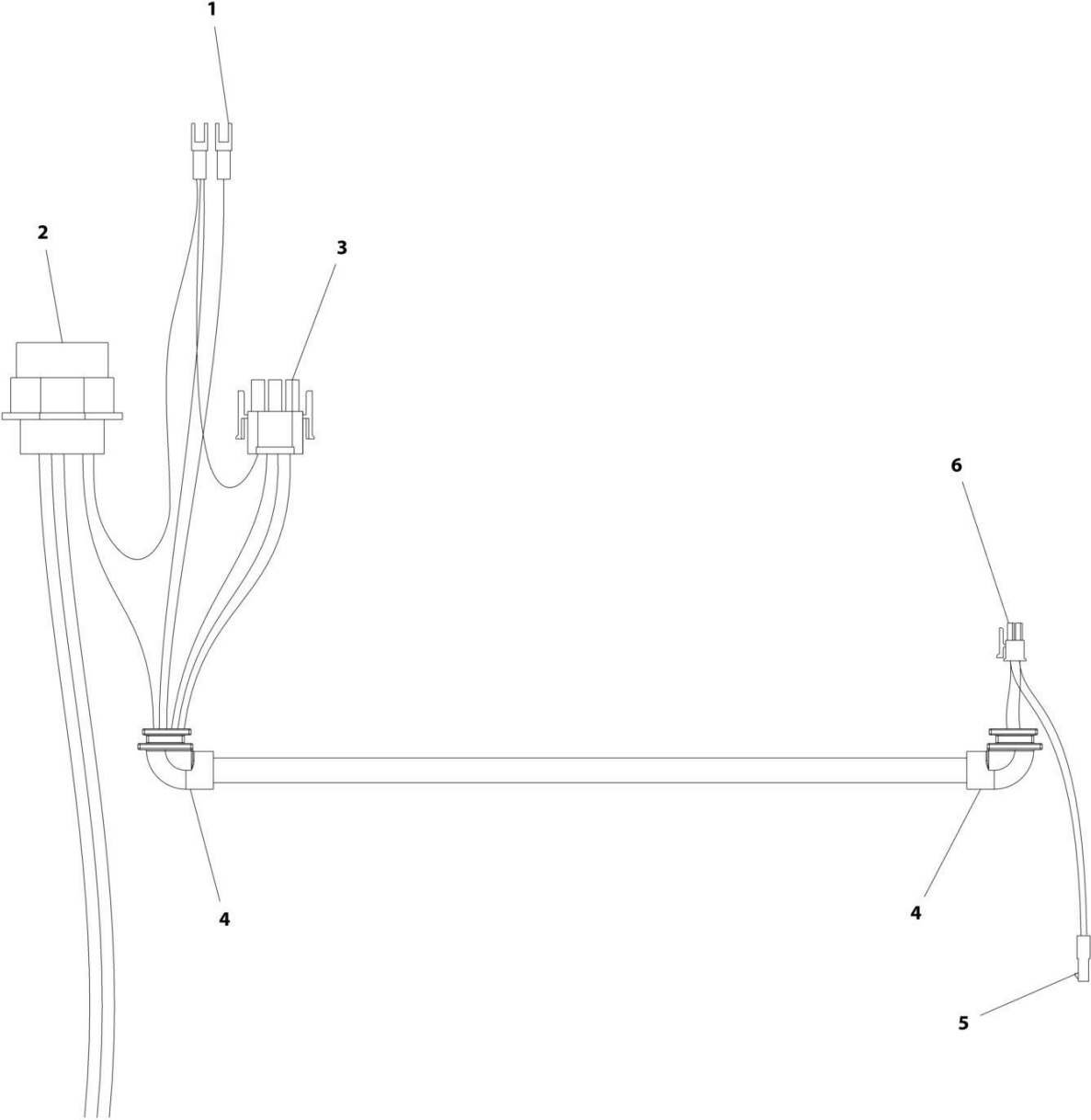
## SECTION 7 - ELECTRICAL

**FIGURE 7-16. INVERTER INSTALLATION (ANSI AND CSA SPECS)**

ITEM	PART NUMBER	QTY	DESCRIPTION	REV
	1001231386	Ref	<b>INVERTER INSTALLATION (ANSI AND CSA SPECS)</b>	A
1	0760408	4	Bolt M4 x 16	
2	0760610	2	Bolt M6 x 20	
3	1706750	1	Decal - On/Off Inverter	
4	3290405	4	Nut M4	
5	3290605	2	Nut M6	
6	3740150	1	Relay	
7	4240017	AR	Tie-Strap (Not Shown)	
8	4360336	1	Switch, Toggle	
9	4740120	4	Washer	
10	4811400	4	Washer M4	
11	4811700	4	Washer M6	
12	1001136757	1	Inverter	
13	1001142174	4	Washer 1/8	
14	1001143009	1	Decal - Inverter	
15	1001157547	1	Filter, AC	
16	1001138967	1	Cable - Battery + to Relay	
17	1001145762	1	Cable - Inverter + to Relay	
18	1001145763	1	Inverter Harness	
19	1001145881	1	AC Extension Harness	
20	1001157645	1	AC Extension Harness	
21	1001158712	1	Switch/Relay Power Harness	

**SECTION 7 - ELECTRICAL**

**FIGURE 7-17. PLATFORM CONTROL BOX HARNESS**



ART\_4922870

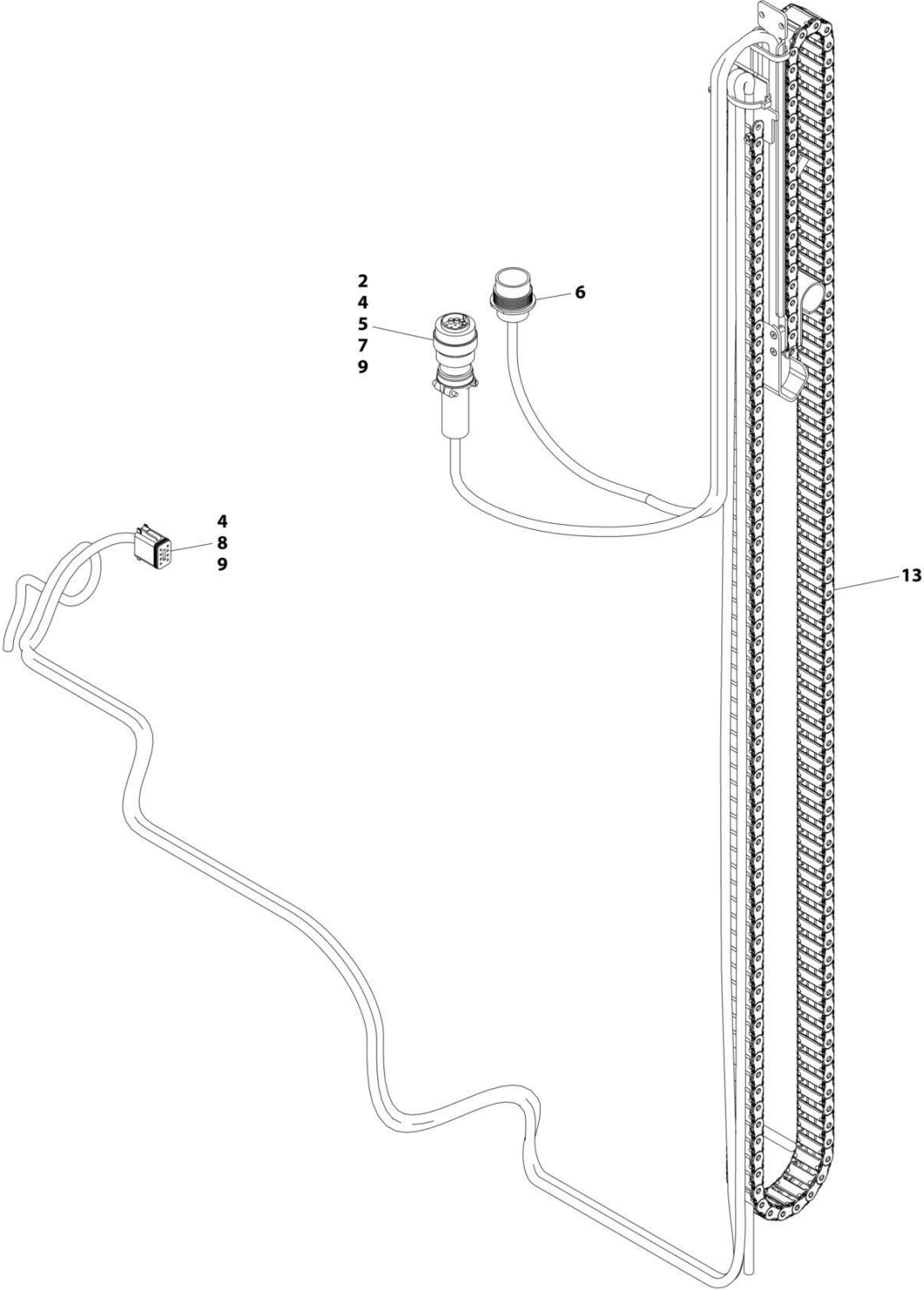
## SECTION 7 - ELECTRICAL

### FIGURE 7-17. PLATFORM CONTROL BOX HARNESS

ITEM	PART NUMBER	QTY	DESCRIPTION	REV
1	4922870	Ref	PLATFORM BOX HARNESS	D
2	4461016	1	Connector - 14 Position	
2	4460464	6	Pin, Male	
2	4460466	8	Plug, Sealing	
2	4460496	1	Lockwasher	
2	4460497	1	Nut, Panel	
3	4460265	1	Plug, Male - 9 Position	
3	4460267	8	Pin, Male	
4	2540042	2	Grommet 90	
5	See Note	NSS	Receptacle, Female - Position (Note: Not Available for Purchase)	
6	4461057	1	Plug, Male - 16 Position	

**SECTION 7 - ELECTRICAL**

**FIGURE 7-18. PLATFORM CONTROL CABLE**



ART\_1001239932

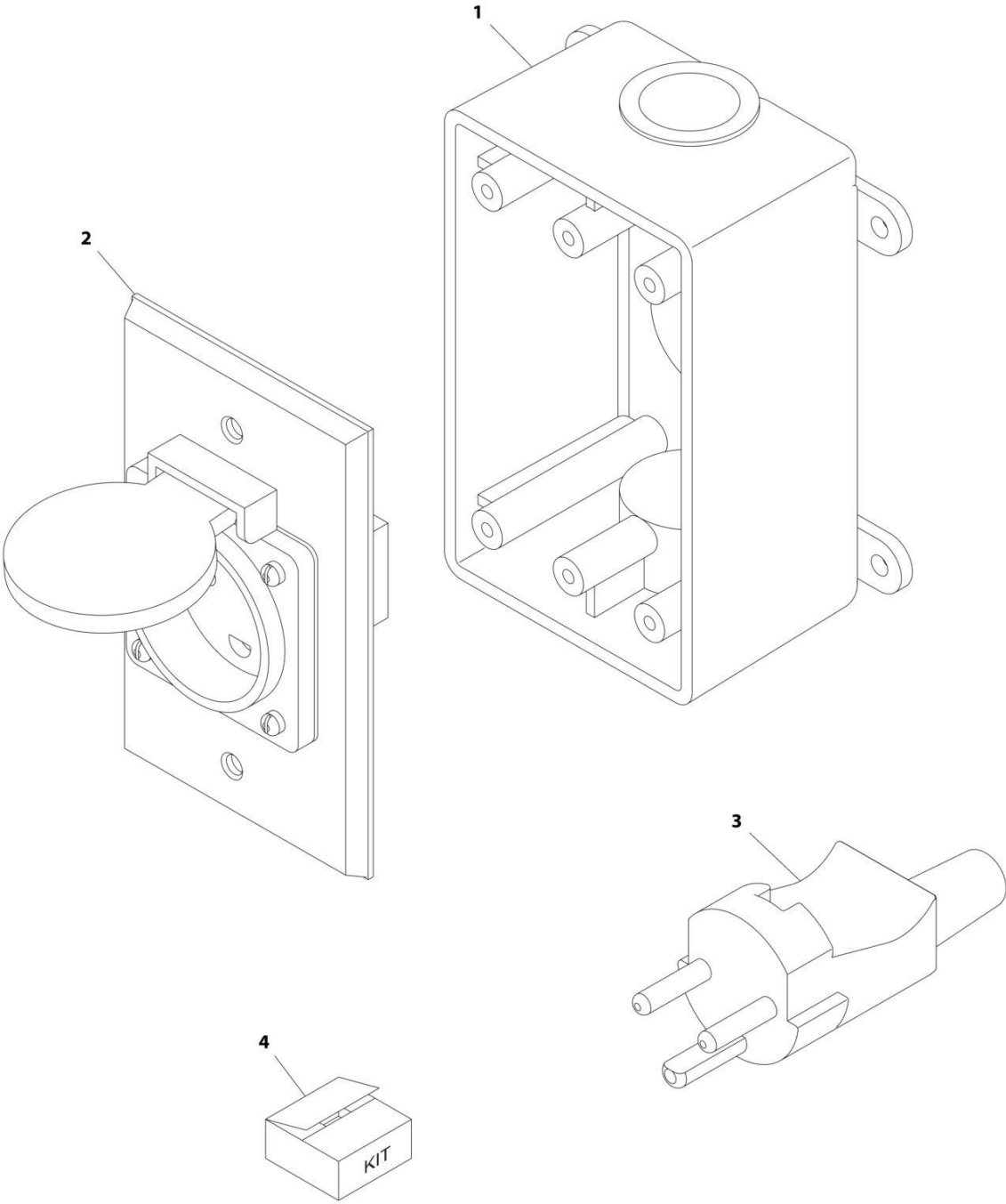
## SECTION 7 - ELECTRICAL

### FIGURE 7-18. PLATFORM CONTROL CABLE

ITEM	PART NUMBER	QTY	DESCRIPTION	REV
	1001239932	Ref	PLATFORM CONTROL CABLE	A
2	3730119	1	Resistor	
4	4460465	5	Socket	
5	4460466	6	Seal	
6	4460493	1	Dust Cap	
7	4460754	1	Connector	
8	4460930	1	Plug	
9	4460944	6	Socket	
13	1001239934	1	Power Track Assembly (See Separate Breakdown in MAST Section)	

**SECTION 7 - ELECTRICAL**

**FIGURE 7-19. RECEPTACLE BOX KIT - 220V AFSINT 107 KEYED GROUND**



ART\_0275454

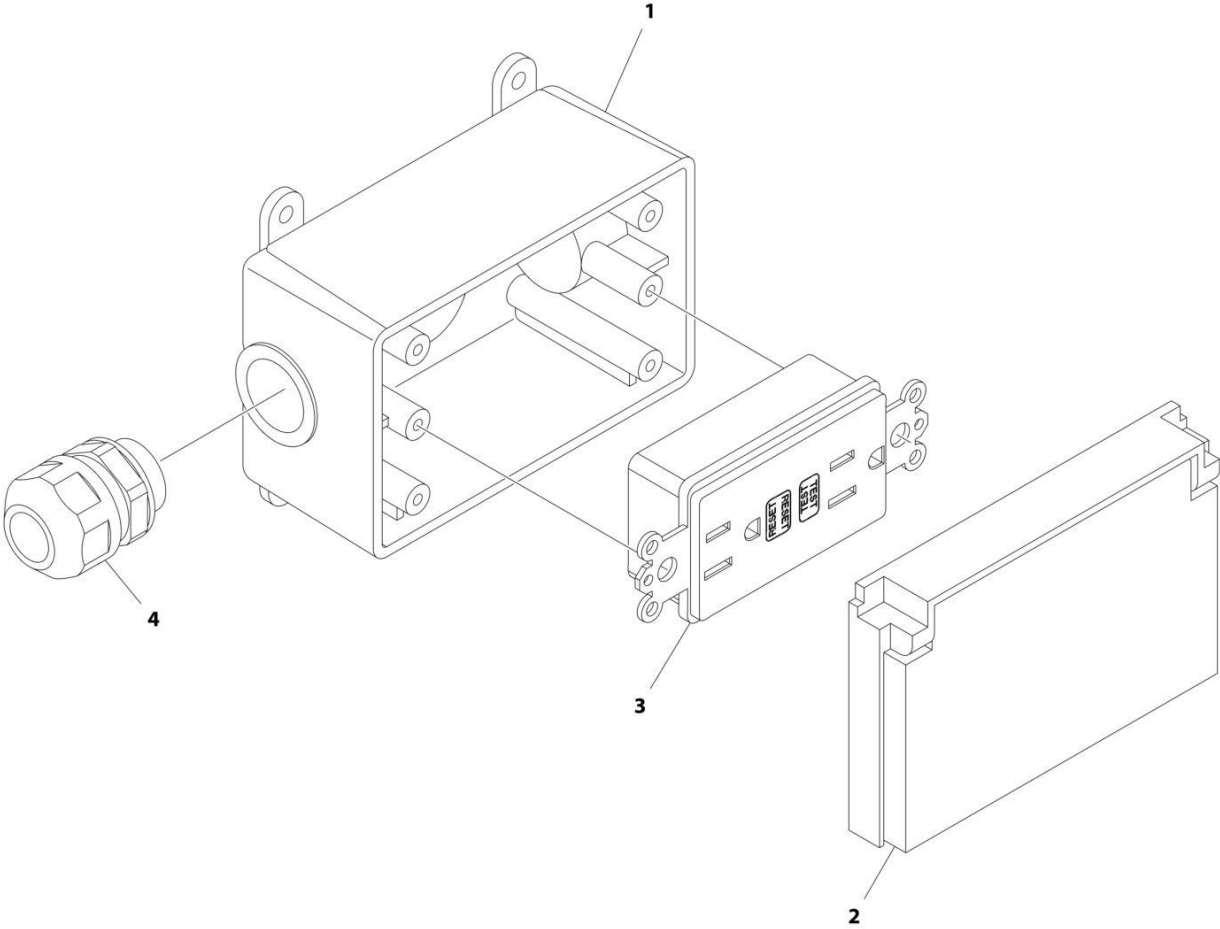
## SECTION 7 - ELECTRICAL

**FIGURE 7-19. RECEPTACLE BOX KIT - 220V AFSINT 107 KEYED GROUND**

ITEM	PART NUMBER	QTY	DESCRIPTION	REV
	0275454	Ref	RECEPTACLE BOX KIT - 220V AFSINT 107	B
1	0861731	1	Box, Switch	
2	4461246	1	Receptacle	
3	4461249	1	Plug, Male	
4	1001100346	1	Plug and Socket Kit (Includes Items 1-3 and Female Plug p/n 4461250)	

**SECTION 7 - ELECTRICAL**

**FIGURE 7-20. RECEPTACLE BOX KIT - 110V GFI**



ART\_2902431



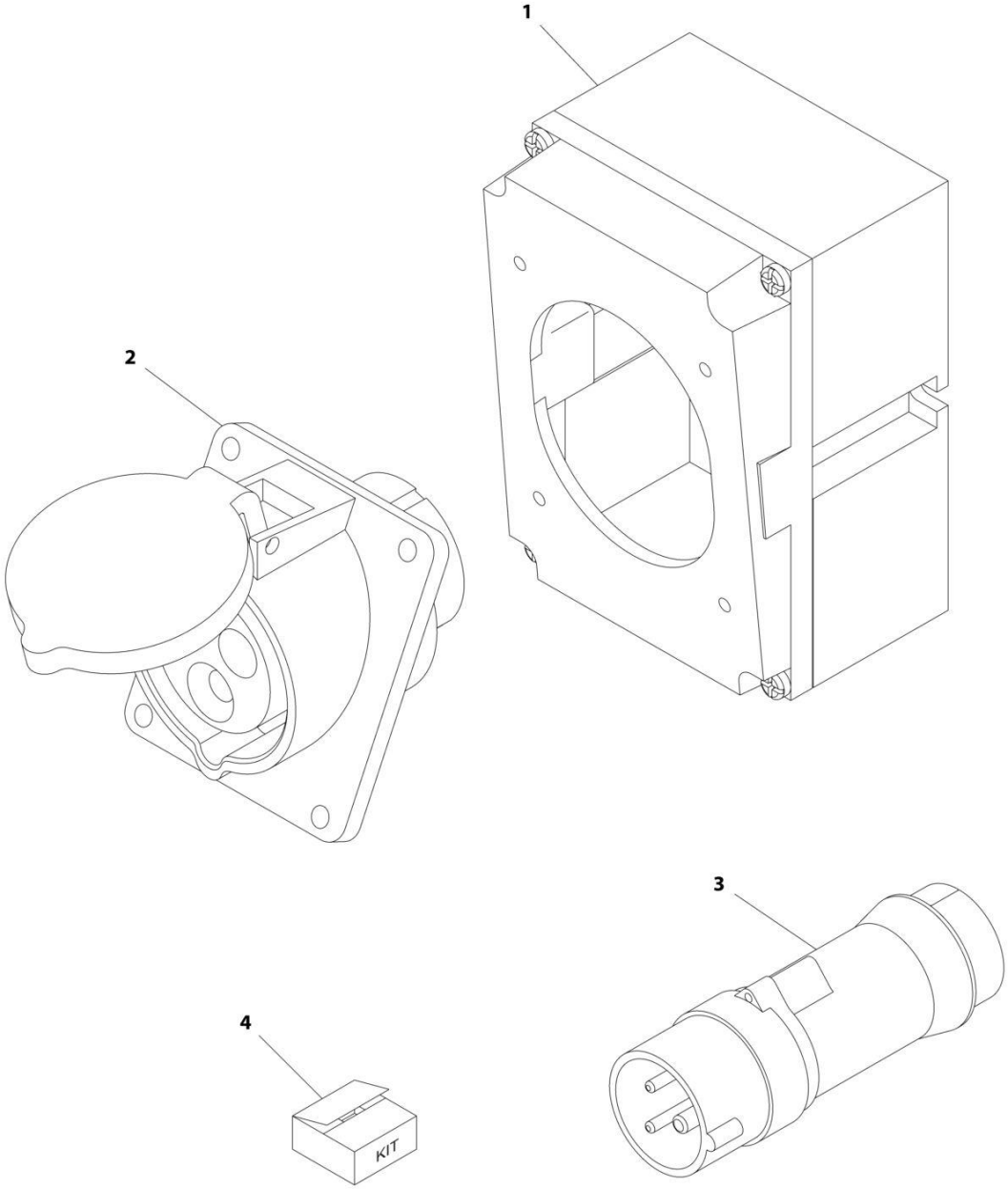
## SECTION 7 - ELECTRICAL

### FIGURE 7-20. RECEPTACLE BOX KIT - 110V GFI

ITEM	PART NUMBER	QTY	DESCRIPTION	REV
	2902431	Ref	RECEPTACLE BOX KIT - 110V GFI	D
1	0861731	1	Box, Receptacle	
2	1671207	1	Cover, Receptacle	
3	4460346	1	Receptacle	
4	4460662	1	Connector, Strain Relief	

**SECTION 7 - ELECTRICAL**

**FIGURE 7-21. RECEPTACLE BOX KIT - 220V IEC BLUE**



ART\_0275217

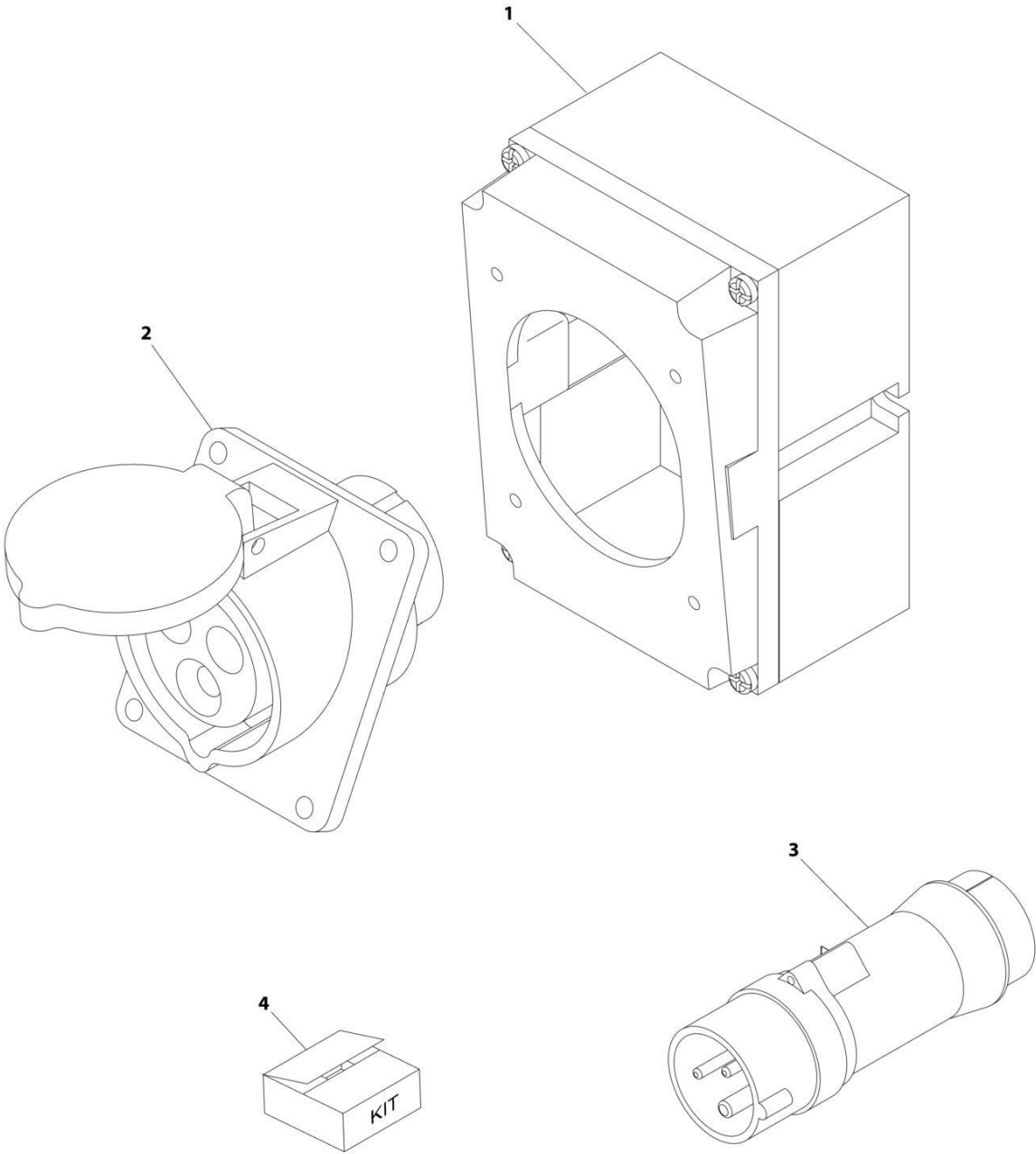
## SECTION 7 - ELECTRICAL

### FIGURE 7-21. RECEPTACLE BOX KIT - 220V IEC BLUE

ITEM	PART NUMBER	QTY	DESCRIPTION	REV
	0275217	Ref	RECEPTACLE BOX KIT - 220V IEC BLUE	B
1	0861781	1	Box, Switch	
2	4461201	1	Receptacle	
3	4461199	1	Plug, Male	
4	1001100342	1	Plug and Socket Kit (Includes Items 1-3 and Female Plug p/n 4461200)	

**SECTION 7 - ELECTRICAL**

**FIGURE 7-22. RECEPTACLE BOX KIT - 110V IEC YELLOW**



ART\_0275216

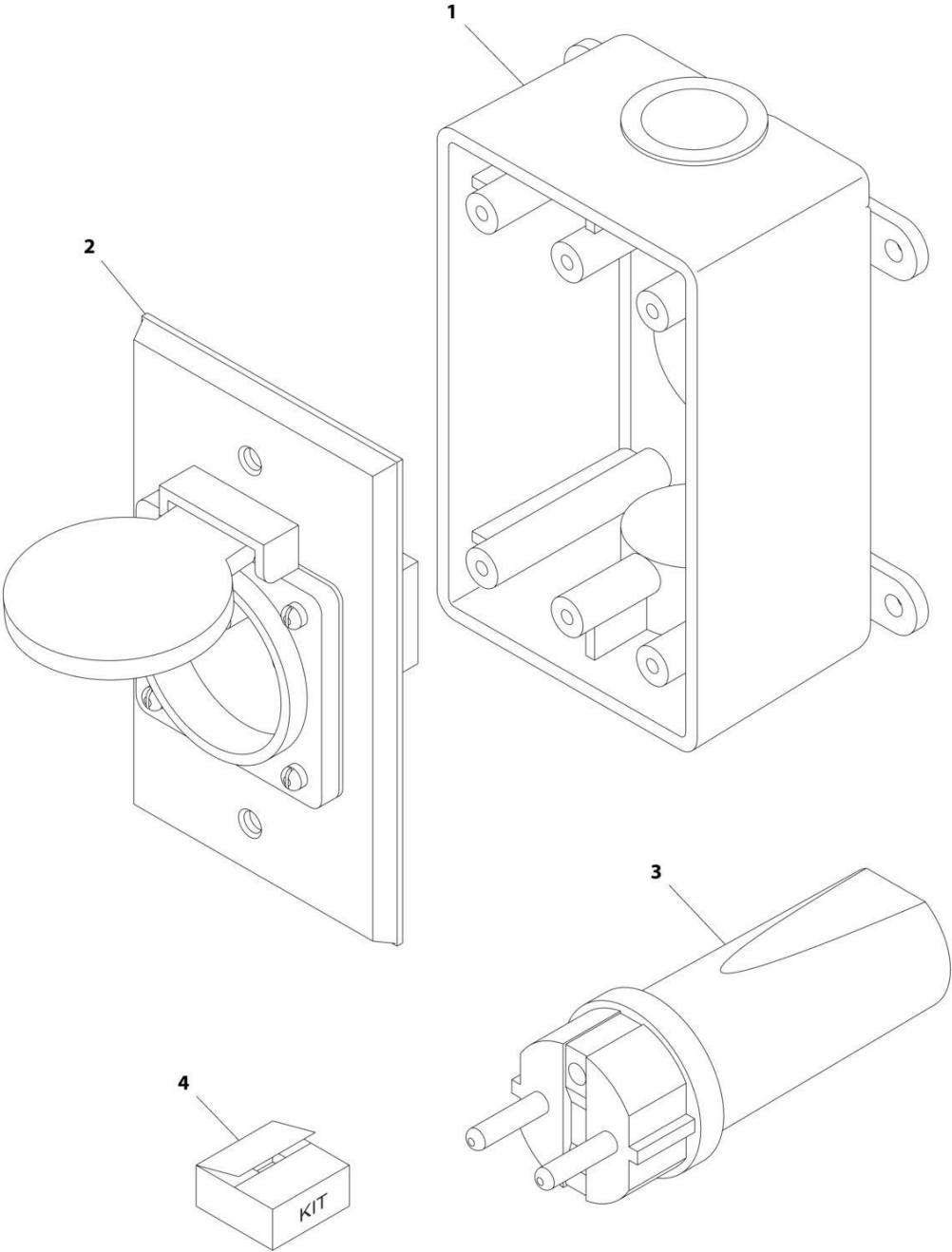
## SECTION 7 - ELECTRICAL

### FIGURE 7-22. RECEPTACLE BOX KIT - 110V IEC YELLOW

ITEM	PART NUMBER	QTY	DESCRIPTION	REV
	0275216	Ref	RECEPTACLE BOX KIT - 110V IEC YELLOW	B
1	0861781	1	Box, Switch	
2	4461198	1	Receptacle	
3	4461196	1	Plug, Male	
4	1001100341	1	Plug and Socket Kit (Includes Items 1-3 and Female Plug p/n 4461197)	

**SECTION 7 - ELECTRICAL**

**FIGURE 7-23. RECEPTACLE BOX KIT - 220V CEE7 POST GROUND**



ART\_0275452

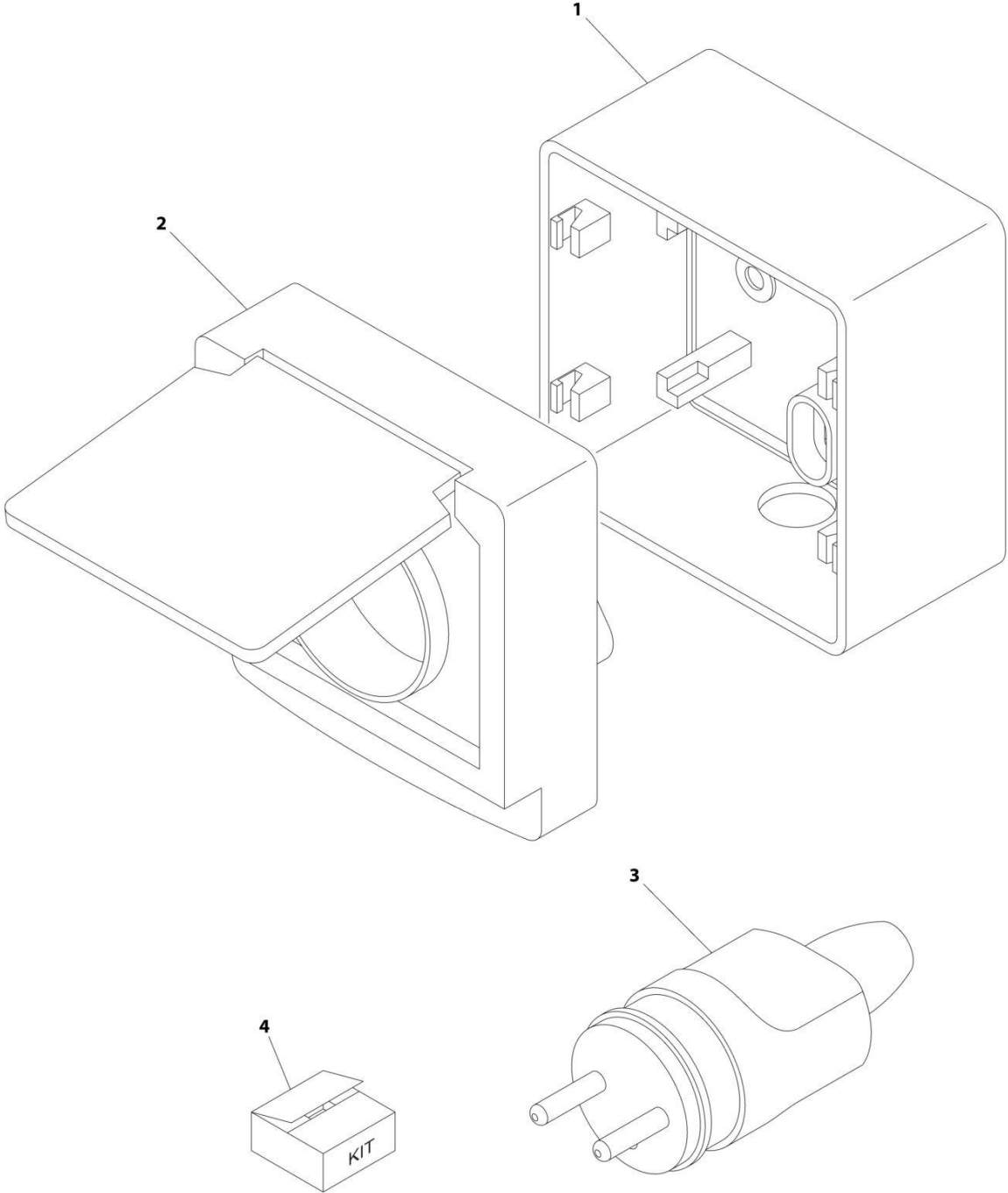
## SECTION 7 - ELECTRICAL

### FIGURE 7-23. RECEPTACLE BOX KIT - 220V CEE7 POST GROUND

ITEM	PART NUMBER	QTY	DESCRIPTION	REV
	0275452	Ref	RECEPTACLE BOX KIT - 220V CEE7 POST GROUND	C
1	0861731	1	Box, Switch	
2	4461244	1	Receptacle	
3	4461205	1	Plug, Male	
4	1001100345	1	Plug and Socket Kit (Includes Items 1-3 and Female Plug p/n 4461206)	

**SECTION 7 - ELECTRICAL**

**FIGURE 7-24. RECEPTACLE BOX KIT - 220V CEE7 POST GROUND 70MM X 70MM BOX**



ART\_0275218



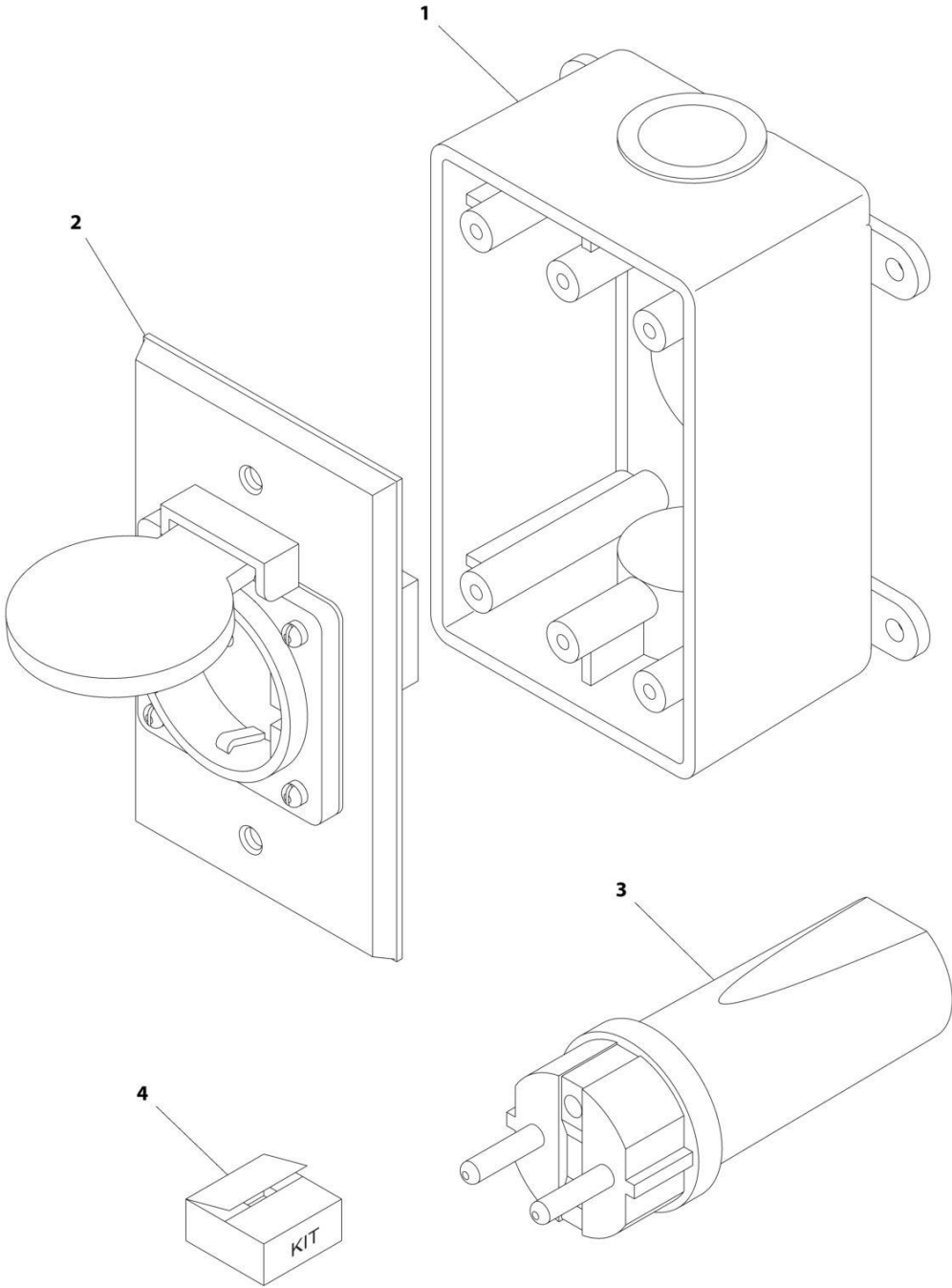
## SECTION 7 - ELECTRICAL

**FIGURE 7-24. RECEPTACLE BOX KIT - 220V CEE7 POST GROUND 70MM X 70MM BOX**

ITEM	PART NUMBER	QTY	DESCRIPTION	REV
	0275218	Ref	RECEPTACLE BOX KIT - 220V CEE7 POST GROUND 70X70 BOX	C
1	1001141967	1	Box, Switch	
2	1001141968	1	Receptacle	
3	4461205	1	Plug, Male	
4	1001141971	1	Plug and Socket Kit (Includes Items 1-3 and Female Plug p/n 4461206)	

**SECTION 7 - ELECTRICAL**

**FIGURE 7-25. RECEPTACLE BOX KIT - 220V CEE7 SIDE GROUND**



ART\_0275453

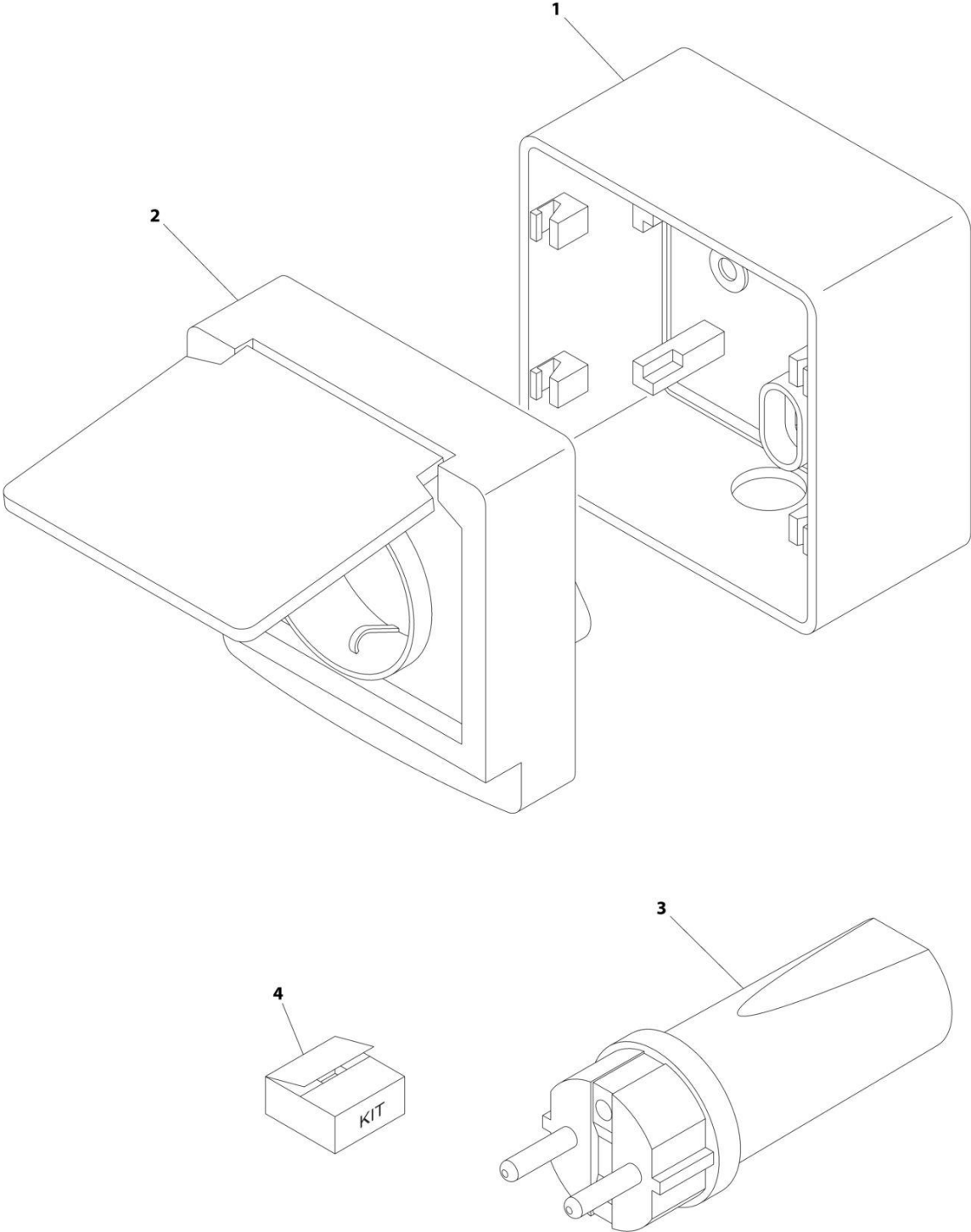
## SECTION 7 - ELECTRICAL

**FIGURE 7-25. RECEPTACLE BOX KIT - 220V CEE7 SIDE GROUND**

ITEM	PART NUMBER	QTY	DESCRIPTION	REV
	0275453	Ref	RECEPTACLE BOX KIT - 220V CEE7 SIDE GROUND	B
1	0861731	1	Box, Switch	
2	4461245	1	Receptacle	
3	4461205	1	Plug, Male	
4	1001100347	1	Plug and Socket Kit (Includes Items 1-3 and Female Plug p/n 4461206)	

**SECTION 7 - ELECTRICAL**

**FIGURE 7-26. RECEPTACLE BOX KIT - 220V CEE7 SIDE GROUND 70MM X 70MM BOX**



ART\_0275219

## SECTION 7 - ELECTRICAL

**FIGURE 7-26. RECEPTACLE BOX KIT - 220V CEE7 SIDE GROUND 70MM X 70MM BOX**

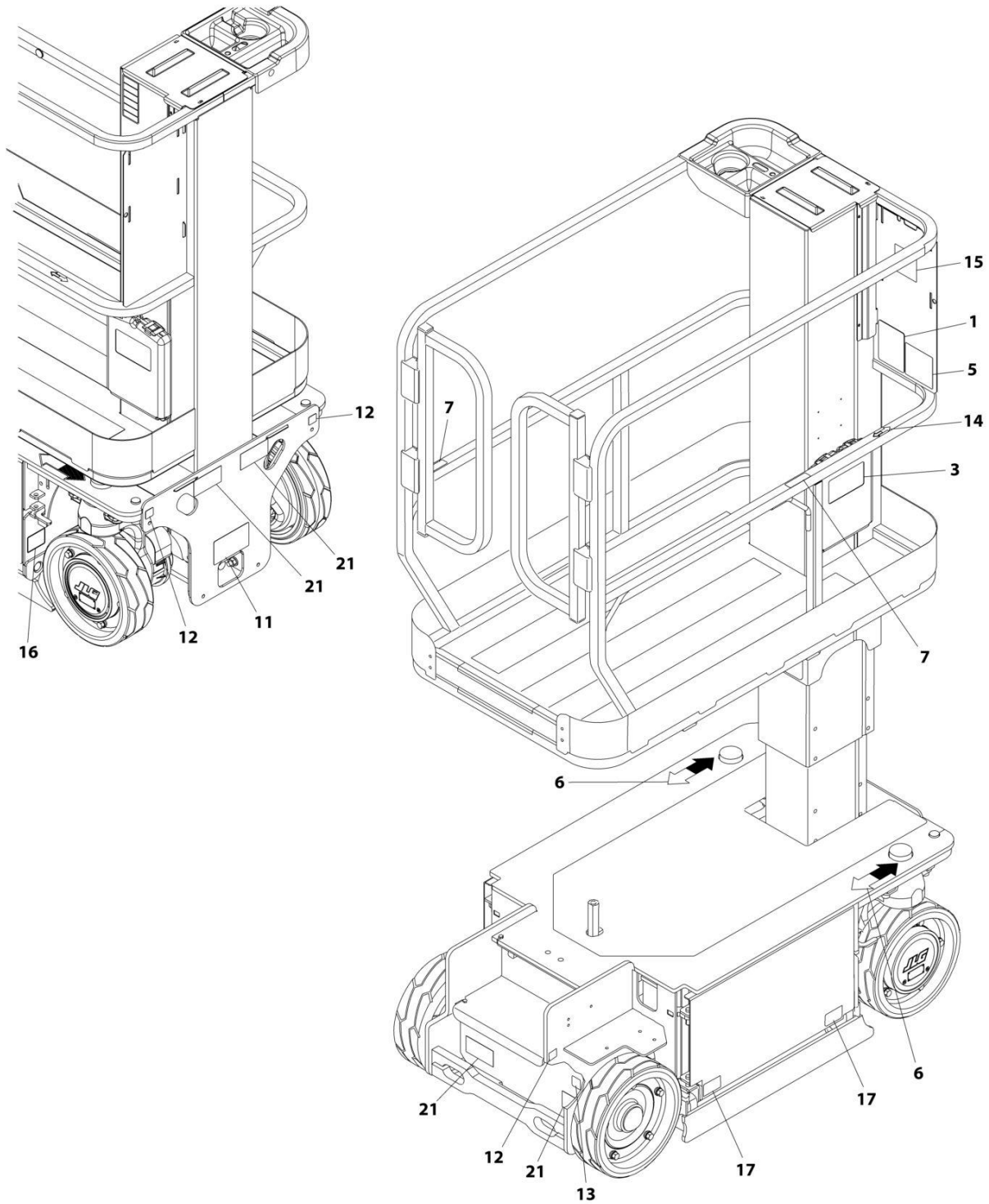
ITEM	PART NUMBER	QTY	DESCRIPTION	REV
	0275219	Ref	RECEPTACLE BOX KIT - 220V CEE7 SIDE GROUND 70MM X 70MM BOX	B
1	1001141967	1	Box, Switch	
2	1001141969	1	Receptacle	
3	4461205	1	Plug, Male	
4	1001141970	1	Plug and Socket Kit (Includes Items 1-3 and Female Plug p/n 4461206)	



**SECTION 8 - DECALS**

# SECTION 8 - DECALS

FIGURE 8-1. COMMON DECALS INSTALLATION (ALL SPECS EXCEPT AUSTRALIAN)



ART\_0274914



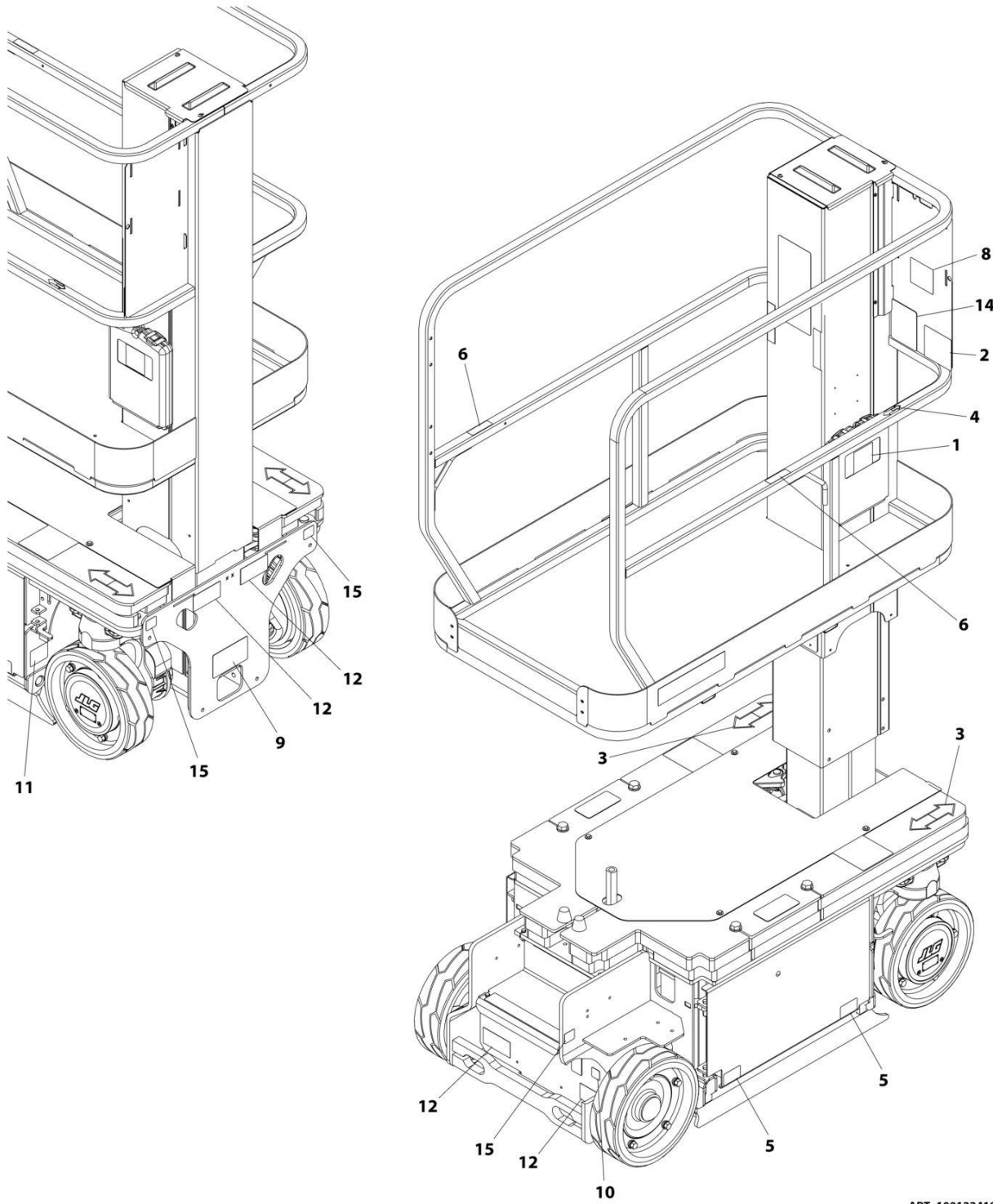
## SECTION 8 - DECALS

**FIGURE 8-1. COMMON DECALS INSTALLATION (ALL SPECS EXCEPT AUSTRALIAN)**

ITEM	PART NUMBER	QTY	DESCRIPTION	REV
	0274914	Ref	COMMON DECALS INSTALLATION	L
1	1001131270	1	Decal - Patent	
3	1701640	1	Decal - Manual	
5	See Note	NSS	Decal - Barcode (Note: Not Available for Purchase)	
6	1703687	2	Decal - Directional Arrow	
7	1704277	2	Decal - Lanyard Attach	
11	1706670	1	Decal - Manual Descent	
12	1706671	4	Decal - Wheel Load	
13	1706679	1	Decal - Brake Release	
14	1703819	1	Decal - Directional Arrow	
15	1705692	1	Decal - Control Box Location	
16	1706740	1	Decal - Battery Disconnect	
17	1704016	4	Decal - Forklift	
18	1704412	1	Decal - Hydraulic Oil (Not Shown - Located on Top of Hydraulic Tank)	
20	1001092907	1	Decal - Quick Start (Not Shown - Located on top of Platform Console Box)	
21	4110226	4	Decal - Lift Point/Tie Down	

# SECTION 8 - DECALS

## FIGURE 8-2. COMMON DECALS INSTALLATION (AUSTRALIAN SPECS)



ART\_1001224191

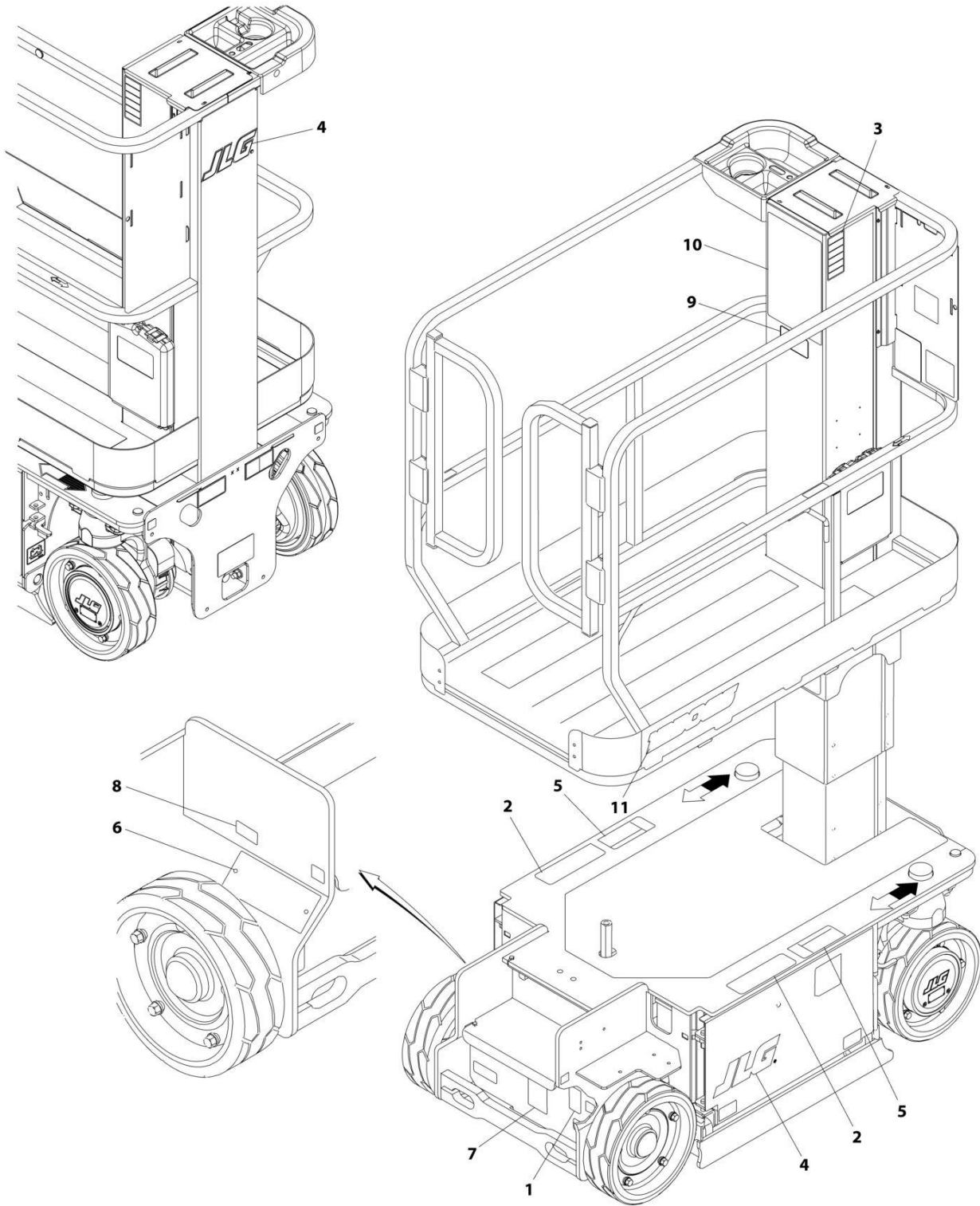
## SECTION 8 - DECALS

**FIGURE 8-2. COMMON DECALS INSTALLATION (AUSTRALIAN SPECS)**

ITEM	PART NUMBER	QTY	DESCRIPTION	REV
	1001224191	Ref	COMMON DECALS INSTALLATION	A
1	1701640	1	Decal - Manual	
2	See Note	NSS	Decal - Barcode (Note: Not Available for Purchase)	
3	1703687	2	Decal - Directional Arrow	
4	1703819	1	Decal - Directional Arrow	
5	1704016	4	Decal - Forklift	
6	1704277	2	Decal - Lanyard Attach	
7	1704412	1	Decal - Hydraulic Oil (Not Shown - Located on Top of Hydraulic Tank)	
8	1705692	1	Decal - Control Box Location	
9	1706670	1	Decal - Manual Descent	
10	1706679	1	Decal - Brake Release	
11	1706740	1	Decal - Battery Disconnect	
12	4110226	4	Decal - Lift Point/Tie Down	
13	1001092907	1	Decal - Quick Start (Not Shown - Located on top of Platform Console Box)	
14	1001131270	1	Decal - Patent	
15	1001220156	4	Decal - Wheel Load	

# SECTION 8 - DECALS

## FIGURE 8-3. DECALS INSTALLATION - ANSI AND ANSI EXPORT SPECS (ENGLISH LANGUAGE)



ART\_1001273233

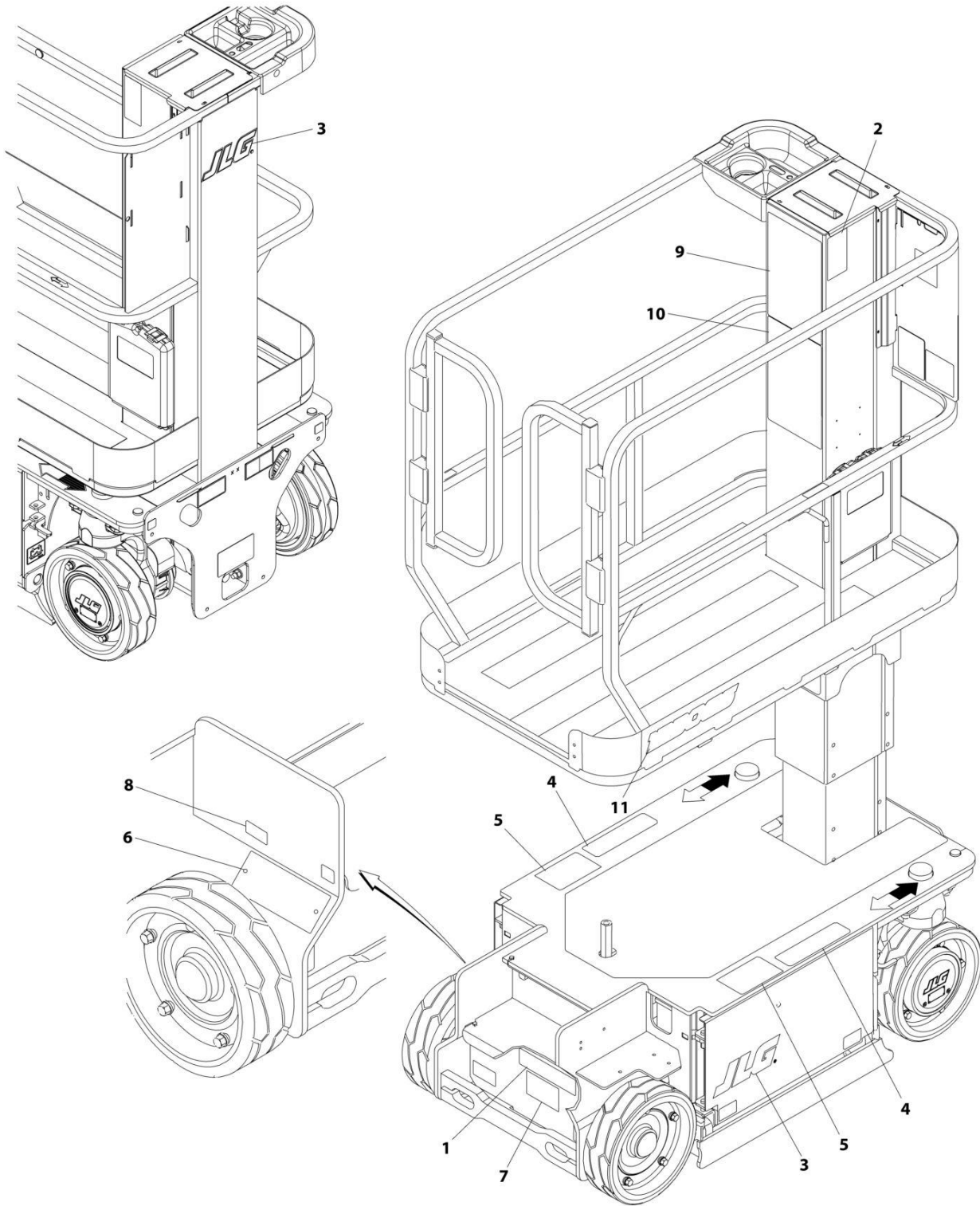
## SECTION 8 - DECALS

**FIGURE 8-3. DECALS INSTALLATION - ANSI AND ANSI EXPORT SPECS (ENGLISH LANGUAGE)**

ITEM	PART NUMBER	QTY	DESCRIPTION	REV
	1001273233	Ref	DECALS INSTALLATION	A
1	1703785	1	Decal - Warning Fire Hazard	
2	1703786	2	Decal - Crushing Hazard	
3	1705686	1	Decal - Legend	
4	1705781	3	Decal - JLG Logo	
5	1706832	2	Decal - Danger Electrocution	
6	2080057	2	Fastener	
7	1001223055	1	Decal - Yearly Inspection	
8	1001228370	1	Decal - ICES (CAN)	
9	1001231801	1	Decal - Warning Prop 65	
10	1001254206	1	Decal - Instructions/Warnings	
11	1001271759	2	Decal - 1230ES Designation	

# SECTION 8 - DECALS

## FIGURE 8-4. DECALS INSTALLATION - CSA SPECS (ENGLISH/FRENCH LANGUAGE)



ART\_1001273234

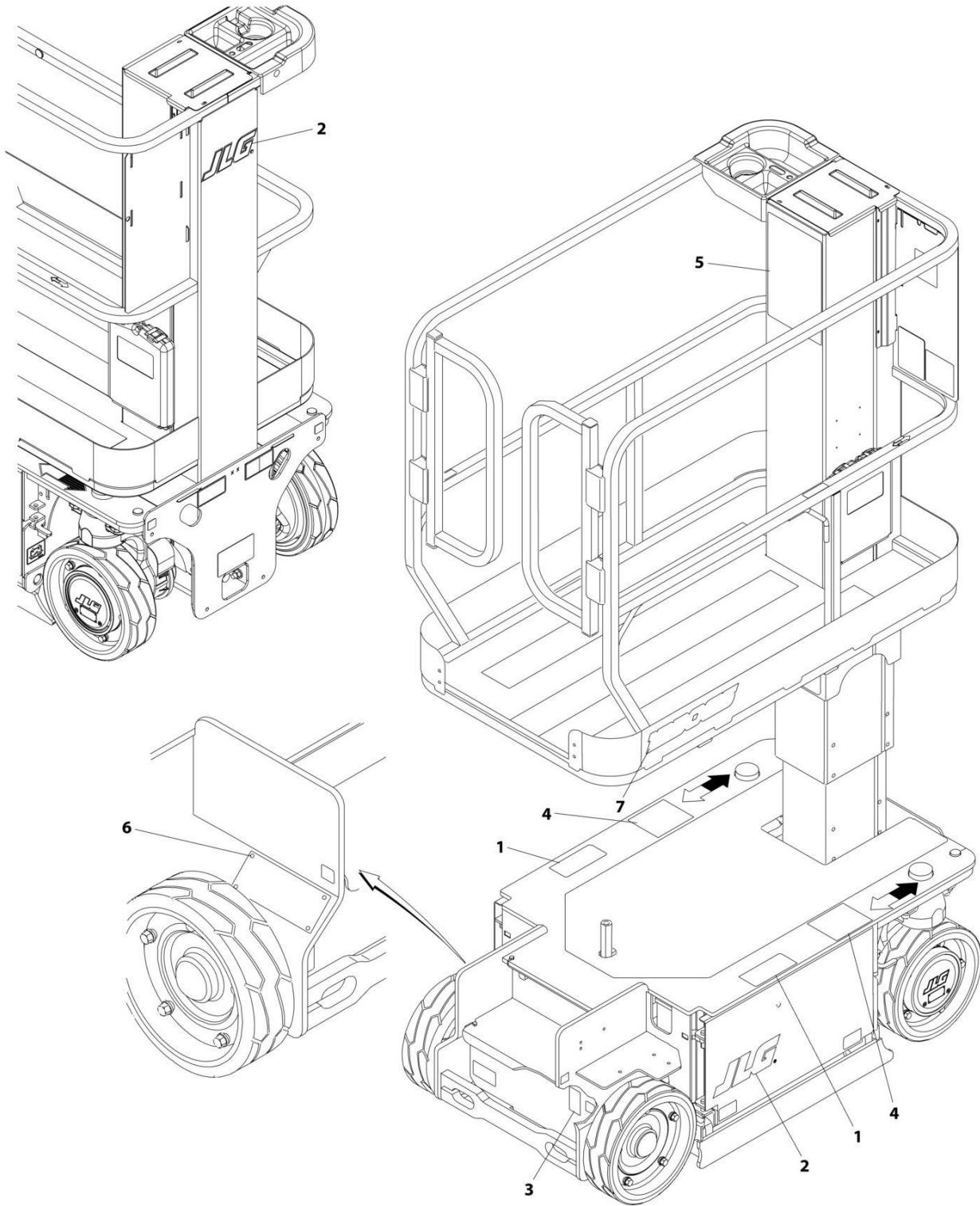
## SECTION 8 - DECALS

**FIGURE 8-4. DECALS INSTALLATION - CSA SPECS (ENGLISH/FRENCH LANGUAGE)**

ITEM	PART NUMBER	QTY	DESCRIPTION	REV
	1001273234	Ref	DECALS INSTALLATION	A
1	1704340	1	Decal - Warning Battery Vent	
2	1705723	1	Decal - Legend (CAN)	
3	1705781	3	Decal - JLG Logo	
4	1707141	2	Decal - Danger Electrocution (ENG/FRE)	
5	1707145	2	Decal - Crushing Hazard (ENG/FRE)	
6	2080057	2	Fastener	
7	1001223971	1	Decal - Yearly Inspection (ENG/ CSA FRE)	
8	1001228370	1	Decal - ICES (CAN)	
9	1001254206	1	Decal - Instructions/Warnings (ENG)	
10	1001254207	1	Decal - 1230ES Warning (FRE)	
11	1001271759	2	Decal - 1230ES Designation	

# SECTION 8 - DECALS

## FIGURE 8-5. DECALS INSTALLATION - CE & UK CA SPECS (ALL LANGUAGES)



ART\_1001273235



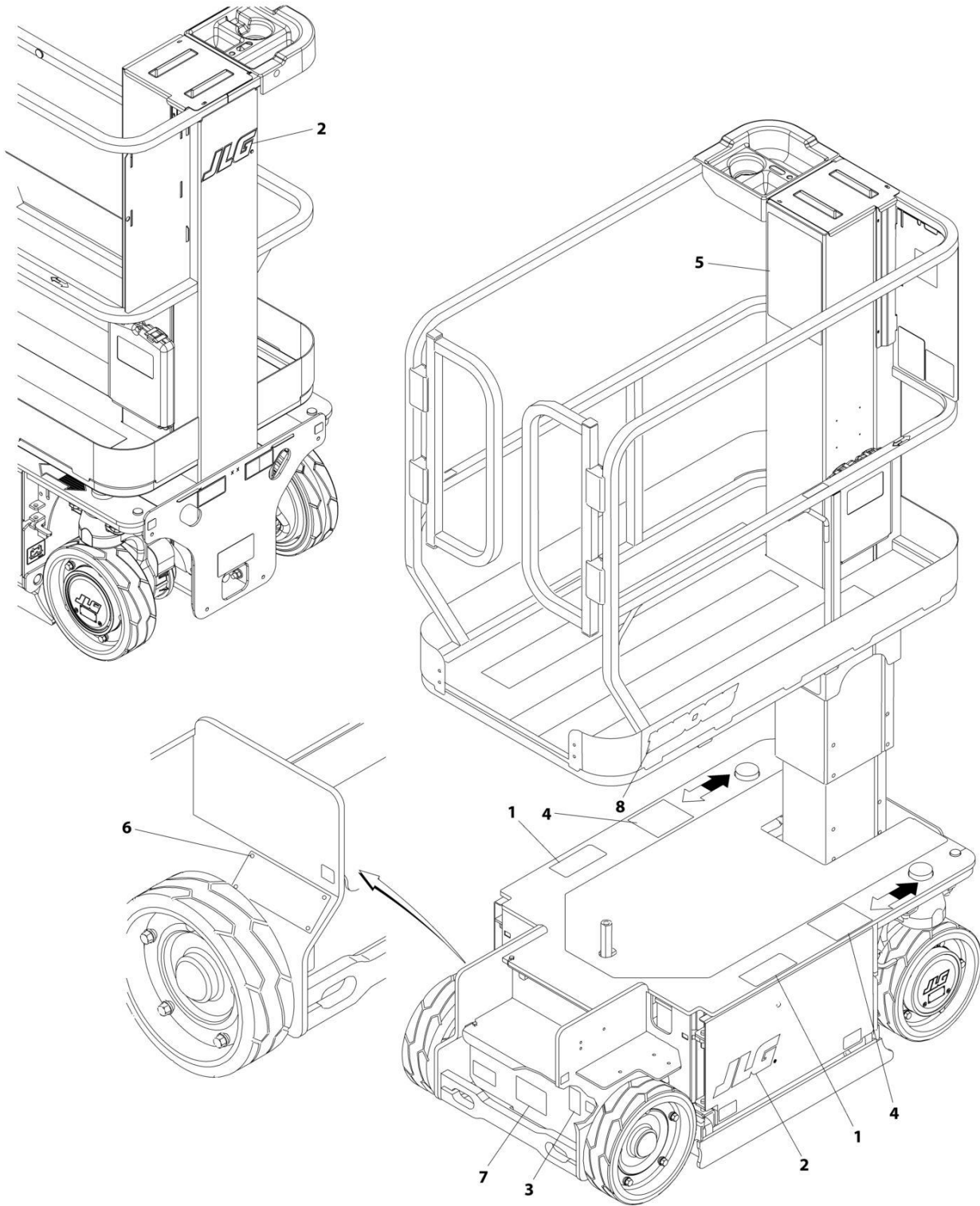
## SECTION 8 - DECALS

**FIGURE 8-5. DECALS INSTALLATION - CE & UK CA SPECS (ALL LANGUAGES)**

ITEM	PART NUMBER	QTY	DESCRIPTION	REV
	1001273235	Ref	DECALS INSTALLATION	A
1	1705099	2	Decal - Crushing Hazard	
2	1705781	3	Decal - JLG Logo	
3	1705803	1	Decal - Warning Fire Hazard	
4	1706078	2	Decal - Warning	
5	1706686	1	Decal - 1230ES Warning	
6	2080057	4	Fastener	
7	1001271759	2	Decal - 1230ES Designation	

# SECTION 8 - DECALS

## FIGURE 8-6. DECALS INSTALLATION - JAPANESE SPECS (JAPANESE LANGUAGE)



ART\_1001273236

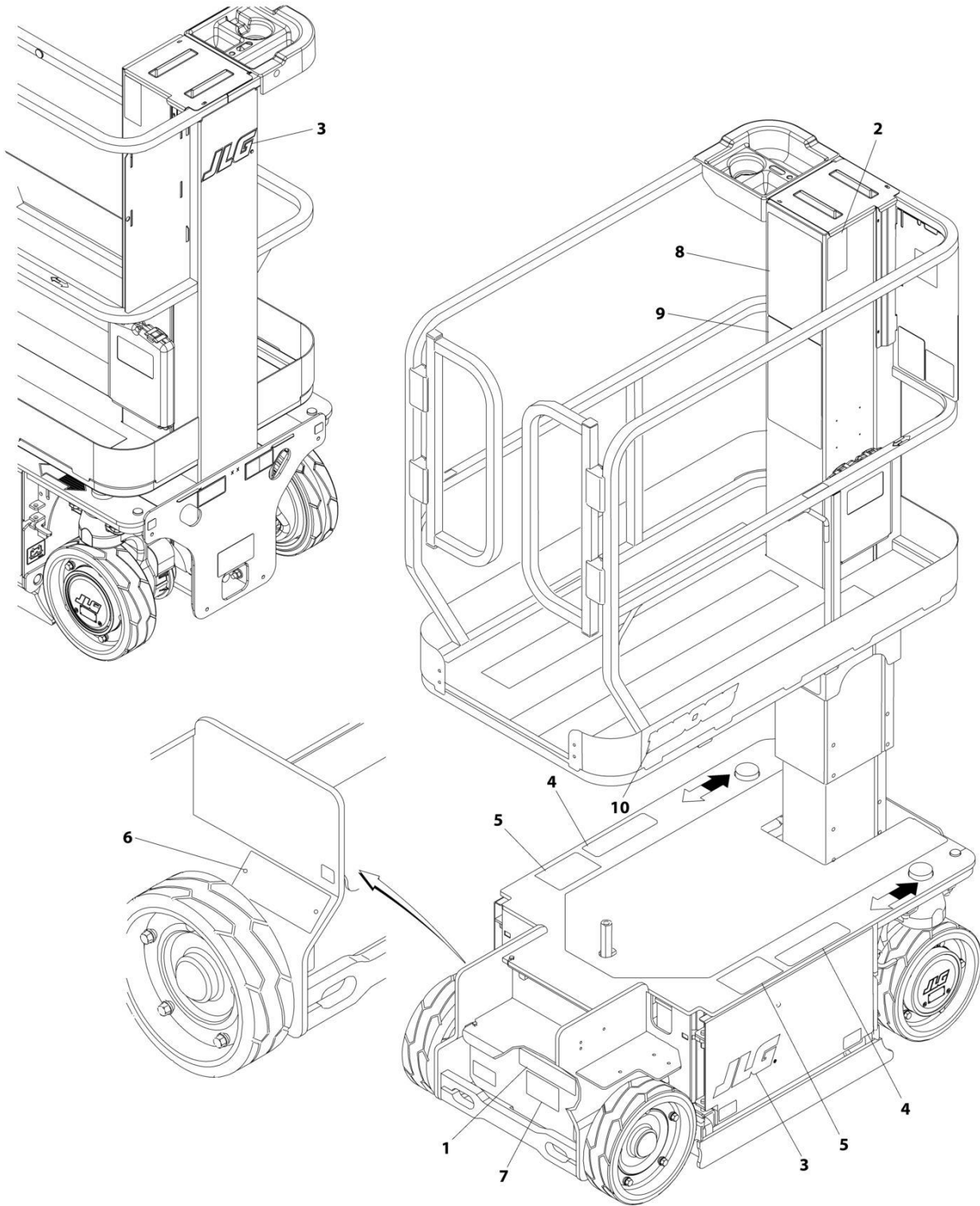
## SECTION 8 - DECALS

**FIGURE 8-6. DECALS INSTALLATION - JAPANESE SPECS (JAPANESE LANGUAGE)**

ITEM	PART NUMBER	QTY	DESCRIPTION	REV
	1001273236	Ref	DECALS INSTALLATION	A
1	1705099	2	Decal - Crushing Hazard	
2	1705781	3	Decal - JLG Logo	
3	1705803	1	Decal - Warning Fire Hazard	
4	1706078	2	Decal - Warning	
5	1706686	1	Decal - 1230ES Warning	
6	2080057	4	Fastener	
7	1001224053	1	Decal - Yearly Inspection (ENG/JPN)	
8	1001271759	2	Decal - 1230ES Designation	

# SECTION 8 - DECALS

## FIGURE 8-7. DECALS INSTALLATION - LATIN AMERICA SPECS (ENGLISH/SPANISH LANGUAGE)



ART\_1001273237

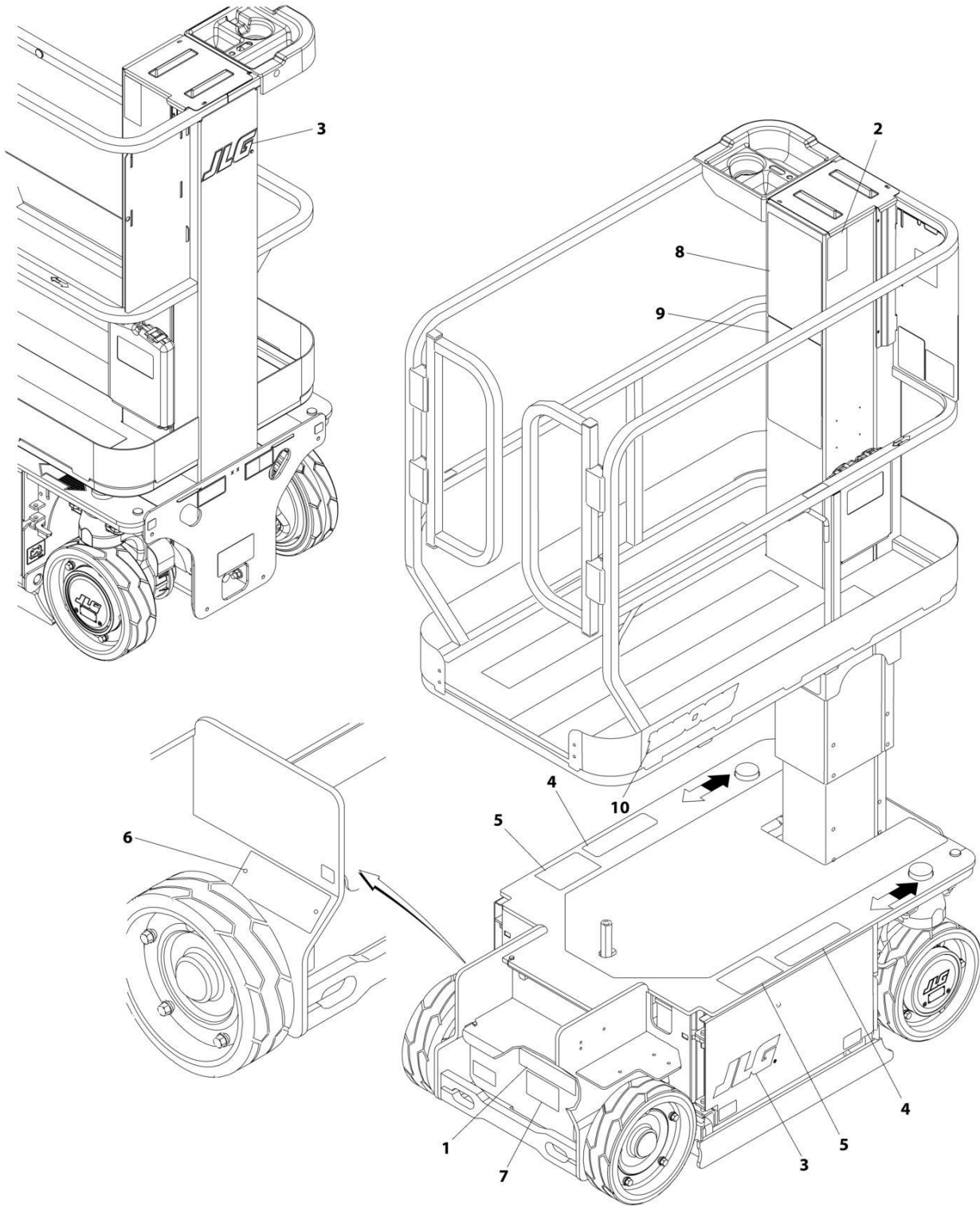
## SECTION 8 - DECALS

**FIGURE 8-7. DECALS INSTALLATION - LATIN AMERICA SPECS (ENGLISH/SPANISH LANGUAGE)**

ITEM	PART NUMBER	QTY	DESCRIPTION	REV
	1001273237	Ref	DECALS INSTALLATION	A
1	1704339	1	Decal - Warning Battery Vent	
2	1705720	1	Decal - Legend (ENG/SPA)	
3	1705781	3	Decal - JLG Logo	
4	1707140	2	Decal - Danger Electrocution (ENG/SPA)	
5	1707143	2	Decal - Crushing Hazard (ENG/SPA)	
6	2080057	2	Fastener	
7	1001224049	1	Decal - Yearly Inspection (ENG/SPA)	
8	1001254206	1	Decal - Instructions/Warnings (ENG)	
9	1001254208	1	Decal - Instructions/Warnings (SPA)	
10	1001271759	2	Decal - 1230ES Designation	

# SECTION 8 - DECALS

FIGURE 8-8. DECALS INSTALLATION - BRAZIL SPECS (PORTUGUESE/SPANISH LANGUAGE)



ART\_1001273238

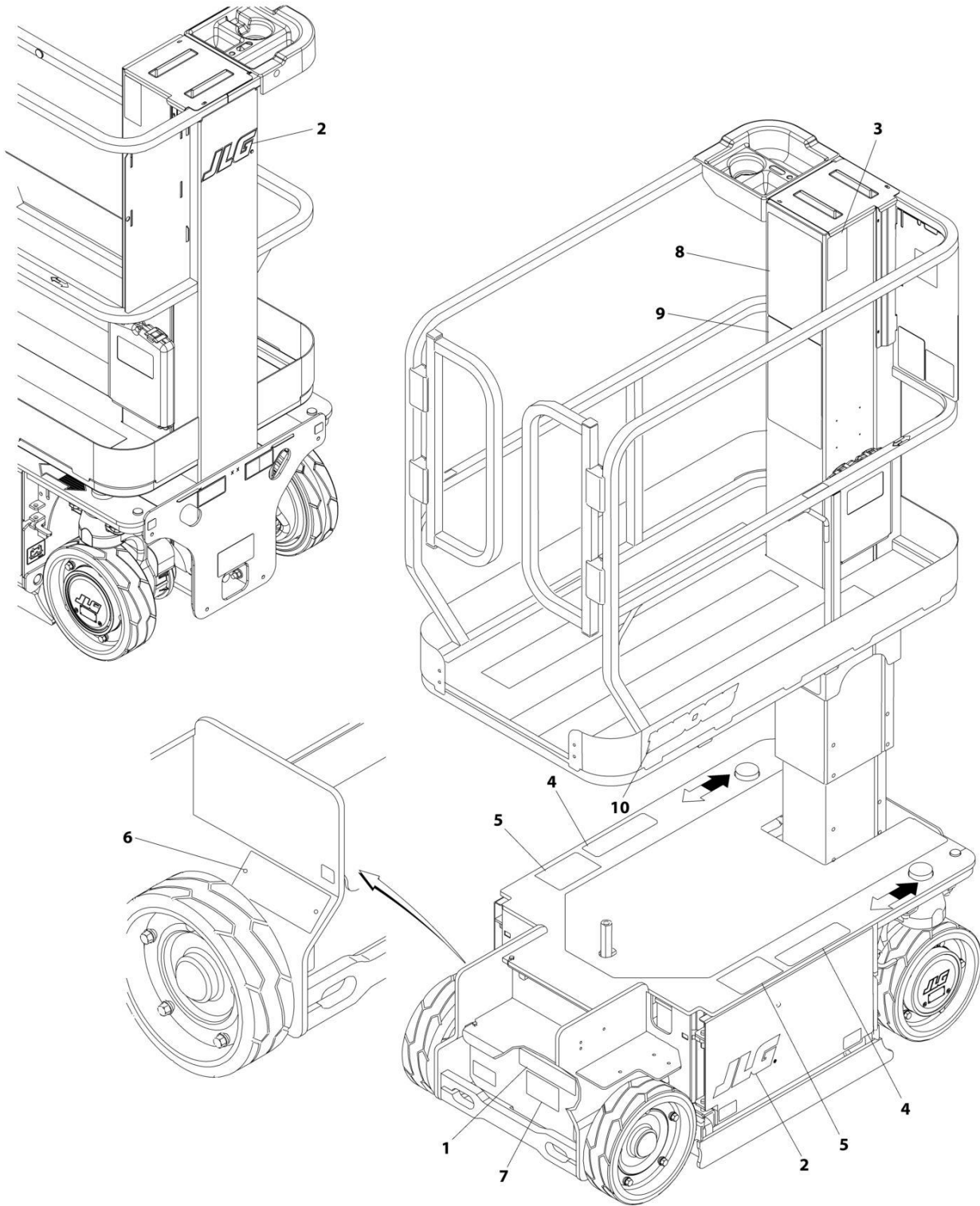
## SECTION 8 - DECALS

**FIGURE 8-8. DECALS INSTALLATION - BRAZIL SPECS (PORTUGUESE/SPANISH LANGUAGE)**

ITEM	PART NUMBER	QTY	DESCRIPTION	REV
	1001273238	Ref	DECALS INSTALLATION	A
1	1704341	1	Decal - Warning Battery Vent	
2	1705726	1	Decal - Legend (POR/SPA)	
3	1705781	3	Decal - JLG Logo	
4	1707139	2	Decal - Danger Electrocution (POR/SPA)	
5	1707144	2	Decal - Crushing Hazard (POR/SPA)	
6	2080057	2	Fastener	
7	1001224052	1	Decal - Yearly Inspection (POR/SPA)	
8	1001254206	1	Decal - Instructions/Warnings (ENG)	
9	1001254209	1	Decal - Instructions/Warnings (POR)	
10	1001271759	2	Decal - 1230ES Designation	

# SECTION 8 - DECALS

## FIGURE 8-9. DECALS INSTALLATION - CHINA SPECS (ENGLISH/CHINESE LANGUAGE)



ART\_1001273239



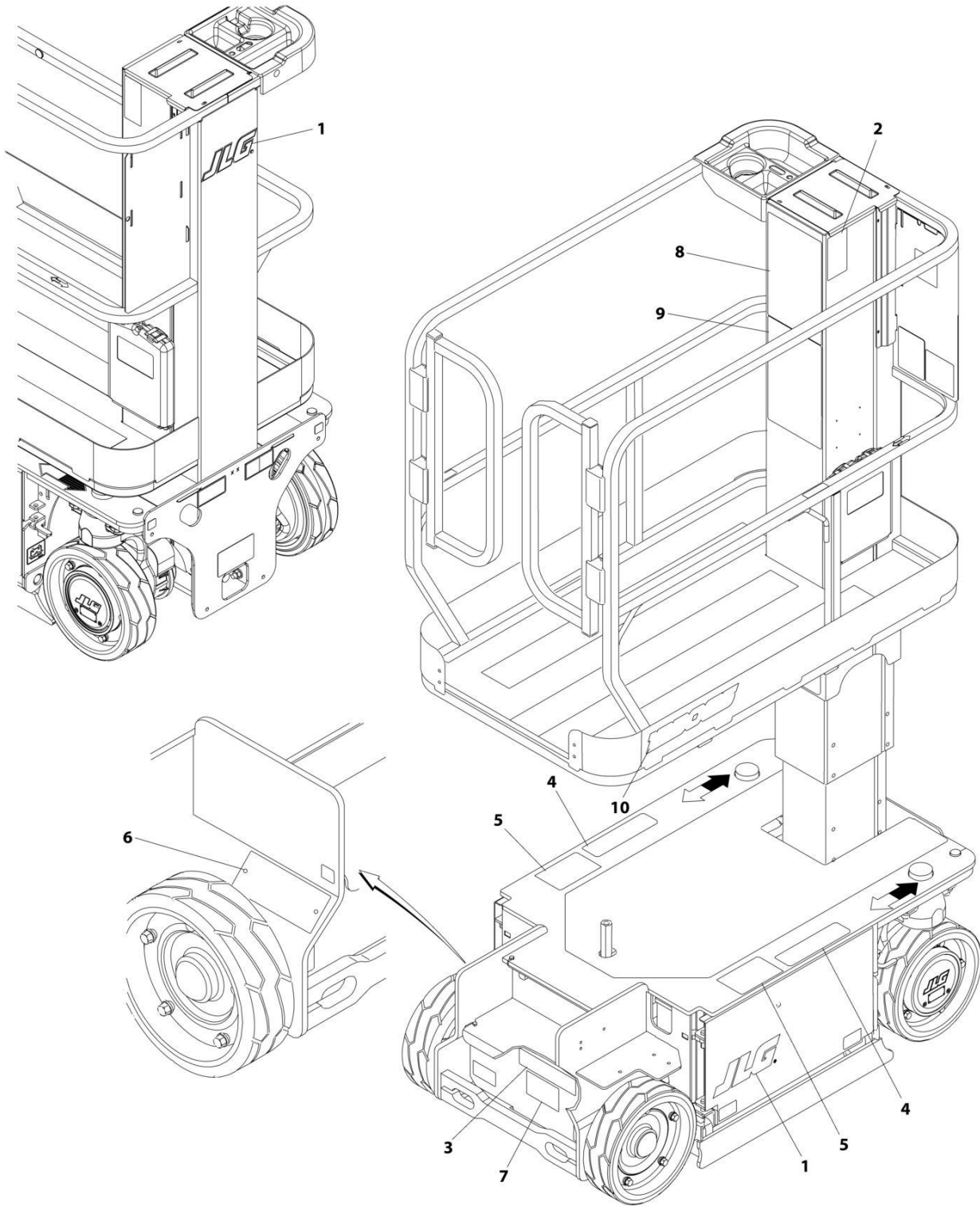
## SECTION 8 - DECALS

**FIGURE 8-9. DECALS INSTALLATION - CHINA SPECS (ENGLISH/CHINESE LANGUAGE)**

ITEM	PART NUMBER	QTY	DESCRIPTION	REV
	1001273239	Ref	DECALS INSTALLATION	A
1	1704344	1	Decal - Warning Battery Vent (ENG/CHI)	
2	1705781	3	Decal - JLG Logo	
3	1705946	1	Decal - Legend (CHI)	
4	1707142	2	Decal - Danger Electrocution (ENG/CHI)	
5	1707146	2	Decal - Crushing Hazard (ENG/CHI)	
6	2080057	2	Fastener	
7	1001224050	1	Decal - Yearly Inspection (ENG/CHI)	
8	1001254206	1	Decal - Instructions/Warnings (ENG)	
9	1001254210	1	Decal - Instructions/Warnings (CHI)	
10	1001271759	2	Decal - 1230ES Designation	

# SECTION 8 - DECALS

FIGURE 8-10. DECALS INSTALLATION - KOREA SPECS (ENGLISH/KOREAN LANGUAGE)



ART\_1001273240

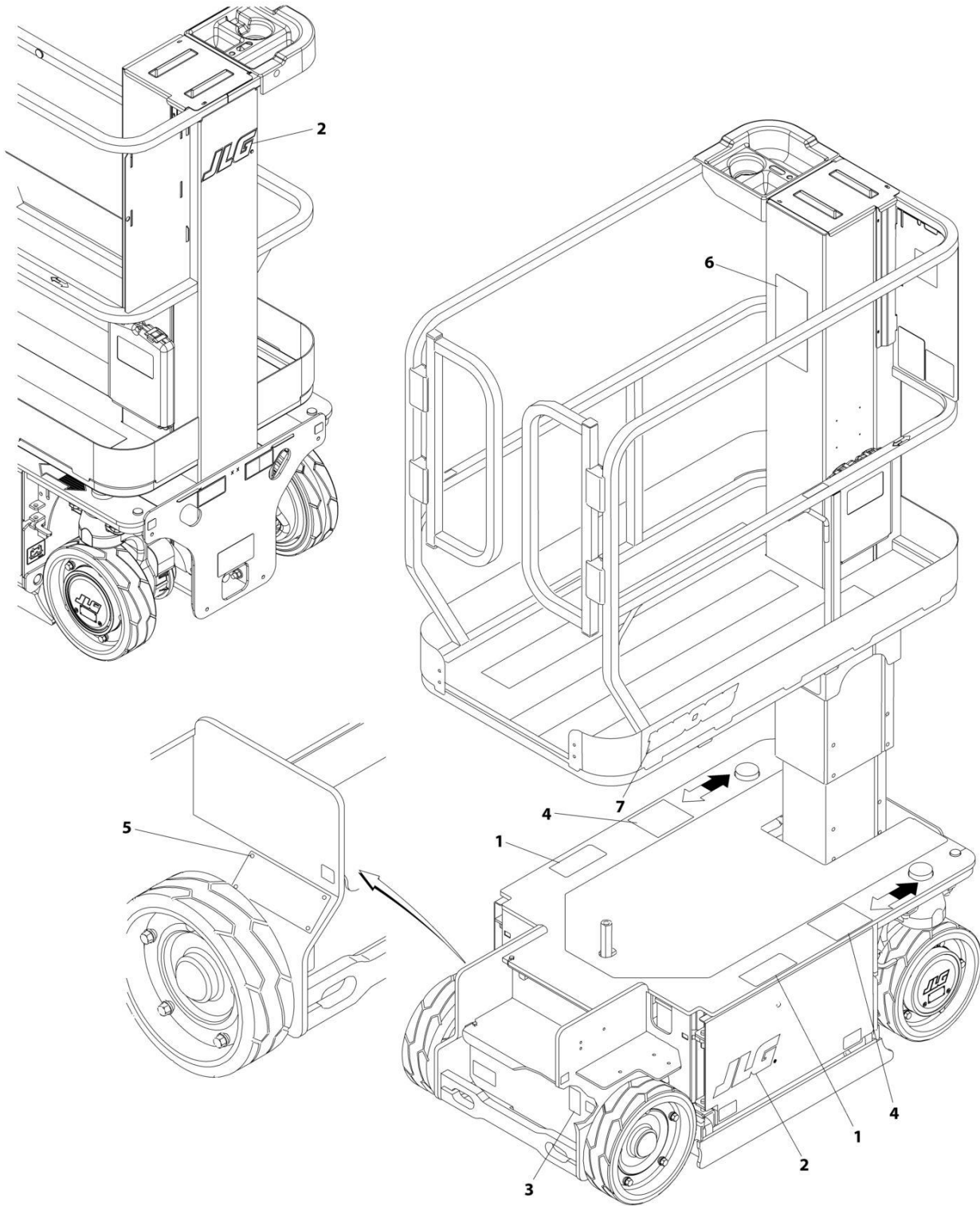
## SECTION 8 - DECALS

**FIGURE 8-10. DECALS INSTALLATION - KOREA SPECS (ENGLISH/KOREAN LANGUAGE)**

ITEM	PART NUMBER	QTY	DESCRIPTION	REV
	1001273240	Ref	DECALS INSTALLATION	A
1	1705781	3	Decal - JLG Logo	
2	1706057	1	Decal - Legend (ENG/KOR)	
3	1707022	1	Decal - Warning Battery Vent (ENG/KOR)	
4	1707157	2	Decal - Danger Electrocutation (ENG/KOR)	
5	1707158	2	Decal - Crushing Hazard (ENG/KOR)	
6	2080057	2	Fastener	
7	1001224048	1	Decal - Yearly Inspection (ENG/KOR)	
8	1001254206	1	Decal - Instructions/Warnings (ENG)	
9	1001254211	1	Decal - Instructions/Warnings (KOR)	
10	1001271759	2	Decal - 1230ES Designation	

# SECTION 8 - DECALS

## FIGURE 8-11. DECALS INSTALLATION - AUSTRALIAN SPECS (ALL LANGUAGE)



ART\_1001273241

## SECTION 8 - DECALS

**FIGURE 8-11. DECALS INSTALLATION - AUSTRALIAN SPECS (ALL LANGUAGE)**

ITEM	PART NUMBER	QTY	DESCRIPTION	REV
	1001273241	Ref	DECALS INSTALLATION	A
1	1705099	2	Decal - Crushing Hazard	
2	1705781	3	Decal - JLG Logo	
3	1705803	1	Decal - Warning Fire Hazard	
4	1706078	2	Decal - Warning	
5	2080057	4	Fastener	
6	1001216596	1	Decal - Capacity	
7	1001271759	2	Decal - 1230ES Designation	



## **SECTION 9 - RECOMMENDED SERVICE PARTS STOCK**

## **SECTION 9 - RECOMMENDED SERVICE PARTS STOCK**

## SECTION 9 - RECOMMENDED SERVICE PARTS STOCK

FIGURE 9-1. RECOMMENDED SERVICE PARTS STOCK

ITEM	PART NUMBER	QTY	DESCRIPTION	REV
		Ref	Note: The following list will service one machine (built to current production per date on the front cover) with emergency repair parts which can be installed in the field. Parts from the list should be replaced when inventory is depleted to keep service parts stock supplied. For further information, contact your JLG dealer or the JLG Industries Parts Department.	
	4360069	1	Breaker, Circuit 10Amp	
	1001189172	1	Breaker, Double 16AMP (Breaker Box Kit With 3 Breakers)	
	1001189171	1	Breaker, 30mAmp (Breaker Box Kit With 3 Breakers)	
	1001181045	1	Breaker, Double 30mAmp/16Amp (Breaker Box Kit With 1 Double Breaker)	
	3340968	1	Button, Membrane (Platform Control Box)	
	70005980	1	Coil (Pump/Motor/Tank Assembly)	
	1600402	1	Controller, Drive/Steer	
	70005983	12	Filter (Pump/Motor/Tank Assembly)	
	70002683	2	Fuse (Electrical Components Installation)	
	8229242	2	Fuse, 5AMP (Chassis Harness)	
	2860030	1	Key, Replacement	
	1001092456	1	Module, Drive	
	1600439	1	Module, Platform Control	
	3740150	1	Relay (Electrical Components Installation)	
	1001097347	1	Relay, 24V (Chassis Harness)	
	1001109088	1	Sensor, Limit (Pothole Protection)	
	4000010	1	Sensor, Proximity (Electrical Components Installation)	
	1001102771	1	Sensor, Temperature (Battery Installation)	
	1001112113	1	Sensor, Temperature (Battery Installation)	
	1001163095	1	Sensor, Tilt (Ground Control Box Assembly)	
	4360475	1	Switch, Emergency Stop	
	1001117172	1	Switch, Foot	
	4360469	1	Switch, Key	
	4360538	1	Switch, Membrane (Platform Control Box)	
	4360387	1	Switch, Push Button	
	4360336	1	Switch, Toggle	
	4360328	1	Switch, Toggle	
	4360539	1	Switch, Toggle	



**SECTION 10 - SPECIAL OPTIONS/ACCESSORIES/KITS**

**SECTION 10 - SPECIAL OPTIONS/ACCESSORIES/KITS**

## SECTION 10 - SPECIAL OPTIONS/ACCESSORIES/KITS

FIGURE 10-1. SPECIAL OPTIONS/ACCESSORIES/KITS

ITEM	PART NUMBER	QTY	DESCRIPTION	REV
	Note	Ref	Note: This list is to accommodate machines ordered with special equipment. Options may not be applicable to all models. For more specific parts information contact JLG Parts Department.	
	1001183458	Ref	Alarm - Ambient Adjusting	
	1001185053	Ref	Alarm - White Noise	
	0274791	Ref	Anti-Vandalism Kit	
	1001252535	Ref	Cable - Platform Extension	
	1001268674	Ref	Charger/Inverter 1230ES Kit	
	DO_NOT_USE- 1001276923	Ref	ClearSky GT1030 Kit	
	1001229107	Ref	ClearSky Telematics - 3-Wire Connection (ANSI and CSA Specs) <b>(Prior to SN M130010904)</b>	
	1001233237	Ref	ClearSky Telematics - 3-Wire Connection (ANSI Export, CE, Korea & UK CA Specs) <b>(Prior to SN M130010904)</b>	
	1001276919	Ref	ClearSky Telematics - 3-Wire Connection (All Specs) <b>(SN M130010904 to Present)</b>	
	1001229711	Ref	Decal - ClearSky (ANSI and CSA Specs)	
	1001214030	Ref	Decal - EAC (Russian/CIS Specs)	
	2890321	Ref	Kickplate Kit	
	1001254347	Ref	Service Kits	
	1001262959	Ref	Voltage Regulator ClearSky Locate Kit	E

## **SECTION 10 - SPECIAL OPTIONS/ACCESSORIES/KITS**

### **PART NUMBER INDEX**

## SECTION 10 - SPECIAL OPTIONS/ACCESSORIES/KITS

0060084.....35, 37	0761016 ..... 13, 117	1001103742 ..... 127, 129,	1001166194..... 41, 43
0100011....13, 59, 63, 67,	0761216 ..... 119	131, 133, 135, 137,	1001166255.....43
71, 73, 83, 87, 91, 93,	0771217 .... 63, 67, 71, 73	139, 141, 143	1001166776.....43
119	0771219 .... 63, 67, 71, 73	1001103743 ..... 45, 47	1001166824..... 41
0100019....13, 63, 67, 71,	0801530 .... 65, 69, 75, 77	1001109088 .. 35, 37, 204	1001175238..... 13
73	0801532 ..... 77	1001109786 .... 83, 87, 91	1001177842.....47
0100020.....103	0801533 ..... 77	1001110511 ..... 35, 37	1001180090.....43
0100035.....35, 37	0840060 ..... 145	1001112111 ..... 45	1001181045..... 147, 204
0100040.....65, 69, 75, 77	0861731 ... 163, 165, 171,	1001112112 ..... 29	1001183458.....206
0100048....27, 29, 41, 63,	175	1001112113 .. 27, 29, 204	1001185053.....206
67, 71, 73	0861747 ..... 27	1001114467 ..... 15	1001189171..... 149, 204
0140011 .....97, 99	0861748 ..... 27	1001114937 ..... 43	1001189172..... 149, 204
0140043.....41	0861781 ..... 167, 169	1001115076 ..... 151	1001192401.....151
0274549.....13	0861880 ..... 147	1001115077 ..... 155	1001193274.... 63, 67, 71,
0274553.....105	0903594 ..... 13	1001116154 ..... 107	73
0274554.....97	0903595 ..... 13	1001116640 ..... 41, 151	1001193275.... 63, 67, 71,
0274556.....141	0903651 .... 133, 135, 137	1001116647 ..... 103	73
0274558.....25	1001008575 ... 83, 87, 91,	1001116692 ..... 151	1001199304..... 33
0274560.....31	93	1001116693 ..... 151	1001200607..... 37
0274562.....45	1001091102 ... 83, 87, 91,	1001117172 ..... 103, 204	1001206687.....59
0274564.....35	93	1001117837 .. 27, 29, 145	1001206688.....59
0274581.....117	1001091153 ..... 97, 99	1001117838 ..... 27	1001208641..... 43, 155
0274791.....206	1001091272 ..... 97, 99	1001117840 ..... 145	1001209674.....59
0274802.....143	1001091277 ..... 97, 99	1001117841 ..... 145	1001214030.....206
0274914.....181	1001091278 ..... 97, 99	1001117842 ..... 145	1001216596.....201
0275216..... 133, 169	1001091279 ..... 97, 99	1001117843 ..... 145	1001219582..... 17
0275217..... 135, 167	1001091280 ..... 97, 99	1001118215 ..... 107	1001220156.....183
0275218..... 137, 173	1001091283 ..... 97, 99	1001118216 ..... 107	1001220665..... 17
0275219..... 139, 177	1001091396 ..... 97, 99	1001118322 ..... 151	1001223055.....185
0275452..... 127, 171	1001092165 ... 65, 69, 75,	1001118323 ..... 153	1001223971.....187
0275453..... 129, 175	77	1001118359 .... 15, 17, 22	1001224016.....33
0275454..... 131, 163	1001092456 ..... 41, 204	1001118363 ..... 22, 153	1001224019.....37
0275663.....49	1001092907 ..... 181, 183	1001118433 ..... 15	1001224048.....199
0275664.....51	1001096138 ..... 151	1001119032 ..... 155	1001224049.....193
0275665.....53	1001097150 ..... 147, 149	1001131270 ..... 181, 183	1001224050.....197
0275666.....55	1001097347 ..... 151, 204	1001133248 ..... 103	1001224052.....195
0275667.....57	1001098122 ..... 103	1001136757 ..... 157	1001224053.....191
0275769.....127	1001099670 ..... 153	1001138967 ..... 157	1001224191.....183
0275771.....131	1001100141 ..... 93	1001141967 ..... 173, 177	1001228370..... 185, 187
0275772.....133	1001100142 ..... 93	1001141968 ..... 173	1001229107.....206
0275773.....135	1001100176 ..... 79	1001141969 ..... 177	1001229471..... 47
0275774.....137	1001100341 ..... 169	1001141970 ..... 177	1001229711.....206
0380025.....43	1001100342 ..... 167	1001141971 ..... 173	1001231386..... 157
0400215.....27	1001100345 ..... 171	1001142174 ..... 157	1001231728..... 97, 99
0440263...13, 35, 37, 113	1001100346 ..... 163	1001143009 ..... 157	1001231801.....185
0610161.....43	1001100347 ..... 175	1001145762 ..... 157	1001231992..... 117, 121
0630580..... 15, 17	1001100630 ..... 93	1001145763 ..... 157	1001233237.....206
0630587 ....27, 29, 35, 37	1001100631 ..... 93	1001145881 ..... 157	1001236161.....103
0630606.....13	1001100634 ..... 93	1001152483 ..... 149	1001239932.... 65, 69, 75,
0641416....83, 87, 91, 93	1001100918 ..... 93	1001152487 ..... 129, 139,	161
0700615.....41	1001100947 ..... 93	149	1001239934..... 79, 161
0700616.....77	1001101024 ..... 153	1001153734 ..... 129	1001239935..... 79
0700618.....65, 69, 75	1001101362 ..... 121	1001153735 ..... 139	1001239936..... 79
0700628.....33	1001101833 ..... 117, 119	1001155025 ..... 29	1001239937..... 79
0700812.....119	1001102349 ..... 19	1001155029 ..... 29	1001239938..... 79
0760408.....157	1001102351 ..... 19	1001155030 ..... 29	1001239939..... 79
0760606....127, 129, 131,	1001102353 ..... 19	1001156211 .... 65, 69, 75	1001241343..... 79
133, 135, 137, 139,	1001102354 ..... 19	1001157547 ..... 157	1001241426..... 79
141, 143	1001102771 .. 27, 29, 204	1001157645 ..... 157	1001252535..... 99, 206
0760608.....65, 69, 75	1001102858 ... 63, 65, 67,	1001157891 ..... 151	1001254195..... 63, 83
0760610..65, 69, 75, 103,	69, 71, 73, 75	1001158712 ..... 157	1001254196..... 71, 91
157	1001103257 ..... 141	1001159186 ..... 155	1001254197..... 73, 93
0760614.....31, 33	1001103258 .... 127, 129,	1001163095 ..... 43, 204	1001254198.... 63, 65, 83,
0760806....63, 67, 71, 73	131, 133, 135, 137,	1001165284 ..... 43	85
0760808.....107	139, 143	1001165286 ..... 43	1001254206..... 185, 187,
0760812....63, 67, 71, 73	1001103471 ..... 137, 139	1001165315 ..... 43	193, 195, 197, 199
0761010.....119		1001165316 ..... 43	1001254207.....187

## SECTION 10 - SPECIAL OPTIONS/ACCESSORIES/KITS

1001254208 ..... 193	1705676 ..... 97, 99	3290405...35, 37, 79, 133,	4010618 ..... 93
1001254209 ..... 195	1705686 ..... 185	135, 137, 157	4031707 ..... 35, 37
1001254210 ..... 197	1705692 ..... 181, 183	3290605....27, 29, 31, 33,	4060865 ..... 25
1001254211 ..... 199	1705696 ..... 43	35, 37, 41, 65, 69, 75,	4071095 .... 83, 87, 91, 93
1001254341 ..... 67, 87	1705698 ..... 43	77, 103, 127, 129, 131,	4110226 ..... 181, 183
1001254342 ... 67, 69, 87,	1705720 ..... 193	133, 135, 137, 139,	4160160 ..... 35, 37
89	1705723 ..... 187	141, 143, 157	4160203 ..... 97, 99
1001254347 ..... 206	1705726 ..... 195	3290606.....93	4160214 ..... 27, 29
1001254348 ... 71, 73, 75,	1705781 ... 185, 187, 189,	3290805....83, 87, 91, 93,	4160220 ..... 65, 69, 75
91, 93, 95	191, 193, 195, 197,	107, 119	4160222 ..... 35, 37
1001254349 ..... 89	199, 201	3291005.....13, 117	4160223 ..... 35, 37
1001259119 .... 85, 89, 95	1705803 .... 189, 191, 201	3291205....63, 67, 71, 73,	4191306 ..... 97, 99
1001262959 ..... 206	1705946 ..... 197	119	4191406 ... 25, 31, 33, 65,
1001266761 ..... 77	1706057 ..... 199	3300423.....19	69, 75, 83, 87, 91, 93,
1001268674 ..... 206	1706078 .... 189, 191, 201	3300473.....97, 99	127, 129, 131, 133,
1001271759 .... 185, 187,	1706670 ..... 181, 183	3311005.....59	135, 137, 139, 141
189, 191, 193, 195,	1706671 ..... 181	3311405.....59	4191407 ..... 97, 99
197, 199, 201	1706679 ..... 181, 183	3321005.....43	4191409 ..... 97, 99
1001272014 ..... 99	1706686 ..... 189, 191	3322202.....13	4191706 .... 25, 41, 45, 47
1001272280 ..... 85	1706740 ..... 181, 183	3331211 .... 63, 67, 71, 73	4191707 ..... 129, 139
1001272894 ..... 85, 89	1706750 ..... 157	3340962 .... 83, 87, 91, 93	4191708 ..... 31, 41
1001273233 ..... 185	1706832 ..... 185	3340968 ..... 97, 99, 204	4191709 ..... 41
1001273234 ..... 187	1707022 ..... 199	3380475 ..... 97, 99	4220258 ..... 35, 37
1001273235 ..... 189	1707139 ..... 195	3380599 ..... 27, 29	4220286 ..... 27, 29
1001273236 ..... 191	1707140 ..... 193	3380600 ..... 27, 29	4220307 ..... 41
1001273237 ..... 193	1707141 ..... 187	3380604 ..... 31	4220309 ..... 83, 87, 91
1001273238 ..... 195	1707142 ..... 197	3380605 ..... 31, 33	4240017 ..... 157
1001273239 ..... 197	1707143 ..... 193	3380612 ..... 31, 33	4240018 ..... 15, 17
1001273240 ..... 199	1707144 ..... 195	3380619 ..... 31, 33	4240033... 127, 131, 133,
1001273241 ..... 201	1707145 ..... 187	3380766....127, 131, 133,	135, 137
1001276919 ..... 206	1707146 ..... 197	135, 137	4240147 ..... 117, 119
1001285942 ..... 119, 123	1707157 ..... 199	3391408 ..... 27, 29	4240153 ..... 41
1001285943 ..... 119	1707158 ..... 199	3423189 ..... 35, 37	4341144 ..... 25
1001286093 ..... 119	2080040 ... 75, 83, 85, 87,	3423230 ..... 13, 35, 37	4360069 ..... 43, 204
1001287772 ..... 119	89, 91, 93, 105	3423231 ..... 35, 37	4360328 ..... 43, 204
1060908 ..... 147, 149	2080043 .... 83, 87, 91, 93	3423235 ..... 13	4360336 ..... 157, 204
1060918 ..... 103	2080057 ... 185, 187, 189,	3423236 ..... 13	4360387 ..... 41, 204
1060998 ..... 145	191, 193, 195, 197,	3423243 ..... 27, 29	4360469 ..... 43, 204
1321293 ... 127, 129, 131,	199, 201	3423303 ..... 13	4360475 ... 43, 97, 99, 204
133, 135, 137, 139,	2144605 ..... 113, 121	3450406 ..... 19	4360538 ..... 97, 99, 204
141, 143	2144609 ..... 111	3520072 .... 83, 87, 91, 93	4360539 ..... 97, 99, 204
1321682 ..... 15, 17	2220883 ..... 123	3520193 ..... 43	4420070 ..... 31, 33, 105
1380156 ..... 97, 99	2221086 ..... 121	3575919 ..... 31, 33	4460115 ..... 155
1380159 ..... 107	2400060 ..... 151	3576089 ..... 105	4460138 ..... 141
1580050 .... 83, 87, 91, 93	2410021 ..... 83, 87, 91	3730119 ..... 161	4460142 ..... 151
1600402 97, 99, 101, 204	2420172 ..... 43	3740150 .... 41, 157, 204	4460183 ..... 155
1600439 ..... 97, 99, 204	2540042 ..... 159	3760348 ..... 13, 35, 37	4460227 ..... 151
1671098 ..... 97, 99	2560179 ..... 97, 99	3760463 ..... 15, 17	4460259 ..... 151, 155
1671105 ..... 43	2600281 ... 83, 87, 91, 93	3820019 .... 65, 69, 75, 77,	4460260 ..... 151, 155
1671207 ..... 165	2755003 ..... 117, 119	85, 89	4460265 ..... 159
1684458 ..... 13, 113	2780266 ..... 15, 17, 19	3841143 ..... 13	4460267 ..... 45, 47, 159
1684469 ..... 77, 111	280013 ..... 93	3841517 ..... 13	4460268 ..... 43, 151, 155
1701640 ..... 181, 183	2860030 ..... 43, 204	3841703 ..... 35, 37	4460314 ..... 141
1701691 85, 89, 127, 131,	2890321 ..... 206	3900258 ..... 31, 33	4460320 ..... 151
133, 135, 137	2902431 ..... 141, 165	3900333 ..... 97, 99	4460321 ..... 43
1703687 ..... 181, 183	2902439 ..... 77	3900336 ..... 43	4460346 ..... 165
1703785 ..... 185	2902559 ... 127, 131, 133,	3900338 ..... 43	4460374 ..... 151
1703786 ..... 185	135, 137, 147	3900339 ..... 43	4460375 ..... 151
1703819 97, 99, 181, 183	2920161 ..... 25	3900392 ..... 41	4460418 ..... 155
1704016 ..... 181, 183	3010145 ..... 35, 37	3911010 ..... 59	4460424 ..... 45, 47
1704277 ..... 181, 183	3010146 ..... 35, 37	3911416 ..... 59	4460464. 45, 47, 99, 151,
1704339 ..... 193	3010147 ..... 35, 37	3931412 ..... 43	155, 159
1704340 ..... 187	3010152 ..... 35, 37	4000010 ..... 41, 204	4460465 ... 25, 27, 29, 99,
1704341 ..... 195	3010153 ..... 35, 37	4010408 .... 133, 135, 137	103, 151, 153, 161
1704344 ..... 197	3010164 ..... 13	4010415 ..... 35, 37	4460466. 45, 47, 99, 151,
1704412 ..... 181, 183	3010165 ..... 13	4010614 .... 127, 131, 133,	155, 159, 161
1705099 .... 189, 191, 201	3020039 ..... 27, 29	135, 137	4460493 ..... 161

## SECTION 10 - SPECIAL OPTIONS/ACCESSORIES/KITS

4460496.....	159	4700042 ....	65, 69, 75, 77	70000734 .....	111	70007140.....	121
4460497.....	159	4711000 .....	59	70000735 .....	111	70007188.....	121
4460539.....	151	4711400 .....	59	70000737 .....	111	70007588.....	123
4460633.....	133, 135	4740120 .....	157	70000738 .....	113	70007613.....	123
4460648.....	45, 47, 151	4740468 .....	19	70000739 .....	113	70007614.....	123
4460662....	127, 129, 131, 165	4740523 .....	15, 17	70000741 .....	113	70008100.....	123
4460754.....	99, 161	4740524 .....	15, 17	70000742 .....	113	70008101.....	123
4460761.....	151	4751000 .....	43	70000743 .....	113	70008102.....	123
4460871.....	151	481140035, 37, 133, 135, 137, 157		70000790 .....	22	70008103.....	123
4460873.....	151	4811700 ...	27, 29, 31, 33, 35, 37, 45, 47, 65, 69, 75, 85, 89, 93, 127, 129, 131, 133, 135, 137, 139, 157	70000791 .....	22	70008104.....	123
4460884.....	151, 155	4811702 ....	33, 65, 69, 75	70000792 .....	22	70008105.....	123
4460891.....	25, 151	4811900 .....	93, 119	70001250 .....	101	70008106.....	123
4460894.....	151	4812000 .....	119	70001251 .....	101	70030944.....	123
4460897.....	151	4812100 .....	27, 29, 119	70001252 .....	101	7011025.....	121
4460899.....	45, 47	4922870 .....	97, 99, 159	70001253 .....	101	7016319.....	25
4460905.....	151	4923325 .....	145	70001254 .....	111	7016372.....	25
4460918.....	155	4923326 .....	145	70001265 .....	23	7020175.....	43, 97, 99
4460930.....	161	4923328 .....	145	70001739 .....	22	7020176.....	43, 97, 99
4460931.....	151	5241200 ....	63, 67, 71, 73	70001949 .....	22	7024747.....	23
4460942.....	151, 153	70000082 .....	101	70002308 .....	23	7024748.....	23
4460943.....	151, 155	70000084 .....	101	70002682 .....	41	7024749.....	23
4460944.....	161	70000191 .....	22	70002683 .....	41, 204	7024750.....	23
4460956.....	147	70000683 .....	101	70002720 .....	111	7024756.....	23
4460957.....	147	70000684 .....	101	70002902 .....	103	7024757.....	22
4460986.....	151	70000685 .....	101	70002903 .....	103	7024758.....	23
4461016.....	99, 159	70000686 .....	101	70002904 .....	103	7024771.....	23
4461057.....	159	70000721 .....	111	70002905 .....	103	7024772.....	23
4461196.....	55, 133, 169	70000722 .....	111	70003650 .....	101	7024773.....	23
4461198.....	169	70000723 .....	111	70003700 .....	123	7024785.....	22
4461199.....	57, 135, 167	70000725 .....	111	70003734 .....	123	7024786.....	22
4461201.....	167	70000726 .....	111	70005634 .....	123	7027365.....	101
4461205 49, 51, 127, 129, 137, 139, 171, 173, 175, 177		70000727 .....	111	70005977 .....	121	7027367.....	101
4461244.....	171	70000728 .....	111	70005978 .....	121	7027765.....	101
4461245.....	175	70000729 .....	111	70005979 .....	121	7027766.....	101
4461246.....	163	70000730 .....	111	70005980 .....	121, 204	8220114.....	151
4461249.....	53, 131, 163	70000731 .....	111	70005981 .....	121	8229242.....	151, 204
4568738.....	97, 99	70000732 .....	111	70005982 .....	121	8584003.....	119
4569225.....	35	70000733 .....	111	70005983 .....	121, 204	8990147.....	75, 85, 89
4569238.....	35, 37			70005984 .....	121	91013191.....	151
4640858.....	111			70005985 .....	121	91013192.....	153
				70006339 .....	123	DO_NOT_USE-	
				70006426 .....	23	1001276923 .....	206
				70007123 .....	123		





**Corporate Office  
JLG Industries, Inc.  
1 JLG Drive  
McConnellsburg, PA 17233-9533 USA  
☎ (717) 485-5161 (Corporate)  
☎ (877) 554-5438 (Customer Support)  
📠 (717) 485-6417**

**Visit our website for JLG Worldwide Locations.  
[www.jlg.com](http://www.jlg.com)**



**OSHKOSH™**