



Illustrated Parts Manual

**Model
34HA**

**P/N
3120804**

June 27, 2011



REVISION LOG

November 1, 1990 - Original Issue Of Manual

May 31, 1999 - Revised (Manual edited to 0010401 Revision 30)

October 9, 2000 - Revised (Manual edited to 0010401 Revision 32)

February 2, 2004 - Revised (Manual edited to 0010401 Revision 33)

December 12, 2007 - Revised

June 27, 2011 - Revised (Revision 1)

TABLE OF CONTENTS

SECTION 1 - FRAME.....	9
FIGURE 1-1. FRAME, STEERING AND DRIVE COMPONENTS, ASSEMBLIES AND INSTALLATIONS - FIXED AND OSCILLATING AXLES (STANDARD 2WD - DOUBLE ACTING STEER CYLINDER)	10
FIGURE 1-2. FRAME, STEERING AND DRIVE COMPONENTS, ASSEMBLIES AND INSTALLATIONS - FIXED AND OSCILLATING AXLES (OPTIONAL 2WD - SINGLE ACTING STEER CYLINDER)	14
FIGURE 1-3. FRAME, STEERING AND DRIVE COMPONENTS, ASSEMBLIES AND INSTALLATIONS - FIXED AND OSCILLATING AXLES (4WD).....	20
FIGURE 1-4. DRIVE HUB ASSEMBLY	24
FIGURE 1-5. DRIVE HUB/BRAKE ASSEMBLY (4WD FRONT) (PRIOR TO DECEMBER 1991).....	28
FIGURE 1-6. DRIVE HUB/BRAKE ASSEMBLY (4WD FRONT) (DECEMBER 1991 TO PRESENT)	30
FIGURE 1-7. DRIVE BRAKE ASSEMBLY (PRIOR TO DECEMBER 1991).....	34
FIGURE 1-8. DRIVE BRAKE ASSEMBLY (DECEMBER 1991 TO SN 33475)	36
FIGURE 1-9. DRIVE BRAKE ASSEMBLY (SN 33476 through 56992)	38
FIGURE 1-10. DRIVE MOTOR ASSEMBLY (GAS AND DIESEL)	40
FIGURE 1-11. DRIVE MOTOR ASSEMBLY (ELECTRIC)	42
FIGURE 1-12. VALVE INSTALLATION (FRAME MOUNTED)	46
FIGURE 1-13. TOW PACKAGE INSTALLATION	48
SECTION 2 - TURNTABLE	51
FIGURE 2-1. CONTROL VALVES INSTALLATIONS.....	52
FIGURE 2-2. CONTROL VALVE ASSEMBLY - 3 & 4 SECTION RACINE BANG - BANG	56
FIGURE 2-3. CONTROL VALVE ASSEMBLY - 3 SECTION RACINE BANG - BANG.....	60
FIGURE 2-4. VALVE ASSEMBLY - SINGLE STACK RACINE	62
FIGURE 2-5. MODULAR CONTROL VALVE ASSEMBLY.....	64
FIGURE 2-6. SWING DRIVE AND BEARING INSTALLATION.....	66
FIGURE 2-7. SWING BRAKE ASSEMBLY (MACHINES BUILT THROUGH 1992)	70
FIGURE 2-8. SWING MOTOR ASSEMBLY (MACHINES BUILT PRIOR TO 1993).....	72
FIGURE 2-9. SWING MOTOR ASSEMBLY (MACHINES BUILT 1993 TO PRESENT)	74
FIGURE 2-10. ROTARY OIL COUPLING INSTALLATION	76
FIGURE 2-11. FORD VSG-411 GAS ENGINE INSTALLATION (PRIOR TO JUNE 1995).....	78
FIGURE 2-12. FORD VSG-413 GAS ENGINE INSTALLATION (JUNE 1995 TO PRESENT)	84
FIGURE 2-13. DUAL FUEL INSTALLATION - FORD.....	90
FIGURE 2-14. GENERATOR INSTALLATION - 110V (FORD).....	92
FIGURE 2-15. DEUTZ F2L-1011 DIESEL ENGINE INSTALLATION	94
FIGURE 2-16. GENERATOR INSTALLATION - 110V (DEUTZ)	100
FIGURE 2-17. ELECTRIC MOTOR, BATTERIES AND CHARGER INSTALLATIONS	104
FIGURE 2-18. BATTERY CHARGER ASSEMBLY	108
FIGURE 2-19. CONTACTOR BOX ASSEMBLY	110
FIGURE 2-20. PUMP ASSEMBLY - SUNSTRAND (GAS AND DIESEL MACHINES)	112
FIGURE 2-21. PUMP ASSEMBLY - SINGLE SECTION (GAS AND DIESEL MACHINES) (PRIOR TO AUGUST 1992).....	116
FIGURE 2-22. PUMP ASSEMBLY - SINGLE SECTION (GAS AND DIESEL MACHINES) (AUGUST 1992 TO PRESENT)	118
FIGURE 2-23. PUMP ASSEMBLY - 3 SECTION (ELECTRIC MACHINES)	120
FIGURE 2-24. TANK INSTALLATION	122
FIGURE 2-25. GROUND CONTROL BOX ASSEMBLY.....	126
FIGURE 2-26. HOODS, LIGHTS AND ALARMS INSTALLATION	130

TABLE OF CONTENTS

SECTION 3 - BOOM.....	133
FIGURE 3-1. TURNTABLE, BOOM AND HORIZONTAL LIMIT SWITCH INSTALLATIONS.....	134
FIGURE 3-2. BOOM ASSEMBLIES.....	136
SECTION 4 - PLATFORM.....	139
FIGURE 4-1. STANDARD PLATFORM, CONTROLS AND SUPPORT INSTALLATIONS.....	140
FIGURE 4-2. LOW MOUNT PLATFORM, CONTROLS AND SUPPORT INSTALLATIONS.....	144
FIGURE 4-3. ROTATOR MOTOR ASSEMBLY (WORM GEAR DRIVE).....	148
FIGURE 4-4. ROTATOR MOTOR ASSEMBLY (HYDRAULIC PISTON).....	150
FIGURE 4-5. PLATFORM CONSOLE BOX ASSEMBLY.....	152
FIGURE 4-6. PLATFORM CONSOLE BOX ASSEMBLY (PROPORTIONAL CONTROLS).....	156
FIGURE 4-7. OPTIONAL COMMON PLATFORM MOUNTED COMPONENTS.....	160
SECTION 5 - CYLINDER.....	163
FIGURE 5-1. AXLE LOCKOUT CYLINDER ASSEMBLY.....	164
FIGURE 5-2. PLATFORM LEVEL CYLINDER ASSEMBLY.....	166
FIGURE 5-3. LIFT (BOOM) CYLINDER ASSEMBLY.....	168
FIGURE 5-4. ARTICULATE CYLINDER ASSEMBLY.....	170
FIGURE 5-5. STEER CYLINDER ASSEMBLY - 2WD - DOUBLE ROD.....	172
FIGURE 5-6. STEER CYLINDER ASSEMBLY - 2WD - SINGLE ROD.....	174
FIGURE 5-7. STEER CYLINDER ASSEMBLY - 4WD.....	176
FIGURE 5-8. TELESCOPE CYLINDER ASSEMBLY.....	178
FIGURE 5-9. CYLINDER BELLOWS INSTALLATIONS.....	180
SECTION 6 - HYDRAULIC.....	183
FIGURE 6-1. HYDRAULIC DIAGRAM - AXLE LOCKOUT.....	184
FIGURE 6-2. HYDRAULIC DIAGRAM - DRIVE (2WD).....	188
FIGURE 6-3. HYDRAULIC DIAGRAM - DRIVE (4WD).....	192
FIGURE 6-4. HYDRAULIC DIAGRAM - DRIVE (ELECTRIC).....	196
FIGURE 6-5. HYDRAULIC DIAGRAM - ROTATOR (HYDRAULIC PISTON).....	198
FIGURE 6-6. HYDRAULIC DIAGRAM - ROTATOR (WORM GEAR).....	200
FIGURE 6-7. HYDRAULIC DIAGRAM - STANDARD (FORD - DEUTZ).....	202
FIGURE 6-8. HYDRAULIC DIAGRAM - STANDARD (ELECTRIC).....	206
FIGURE 6-9. HYDRAULIC DIAGRAM - STEER.....	210
FIGURE 6-10. HYDRAULIC DIAGRAM - TOW.....	212
FIGURE 6-11. HYDRAULIC DIAGRAM - LIFT UP RELIEF (FORD AND DEUTZ).....	214
FIGURE 6-12. HYDRAULIC DIAGRAM LIST.....	216
SECTION 7 - ELECTRICAL.....	219
FIGURE 7-1. ELECTRICAL DIAGRAM LIST.....	220
FIGURE 7-2. ELECTRICAL DIAGRAM - PLATFORM (FORD AND DEUTZ).....	224
FIGURE 7-3. ELECTRICAL DIAGRAM - PLATFORM (DEUTZ - PROPORTIONAL CONTROLS).....	226
FIGURE 7-4. ELECTRICAL DIAGRAM - PLATFORM (ELECTRIC).....	228
FIGURE 7-5. ELECTRICAL DIAGRAM - GROUND CONTROL (DEUTZ).....	230
FIGURE 7-6. ELECTRICAL DIAGRAM - GROUND CONTROL (DEUTZ - PROPORTIONAL CONTROLS).....	232
FIGURE 7-7. ELECTRICAL DIAGRAM - GROUND CONTROL (FORD).....	234

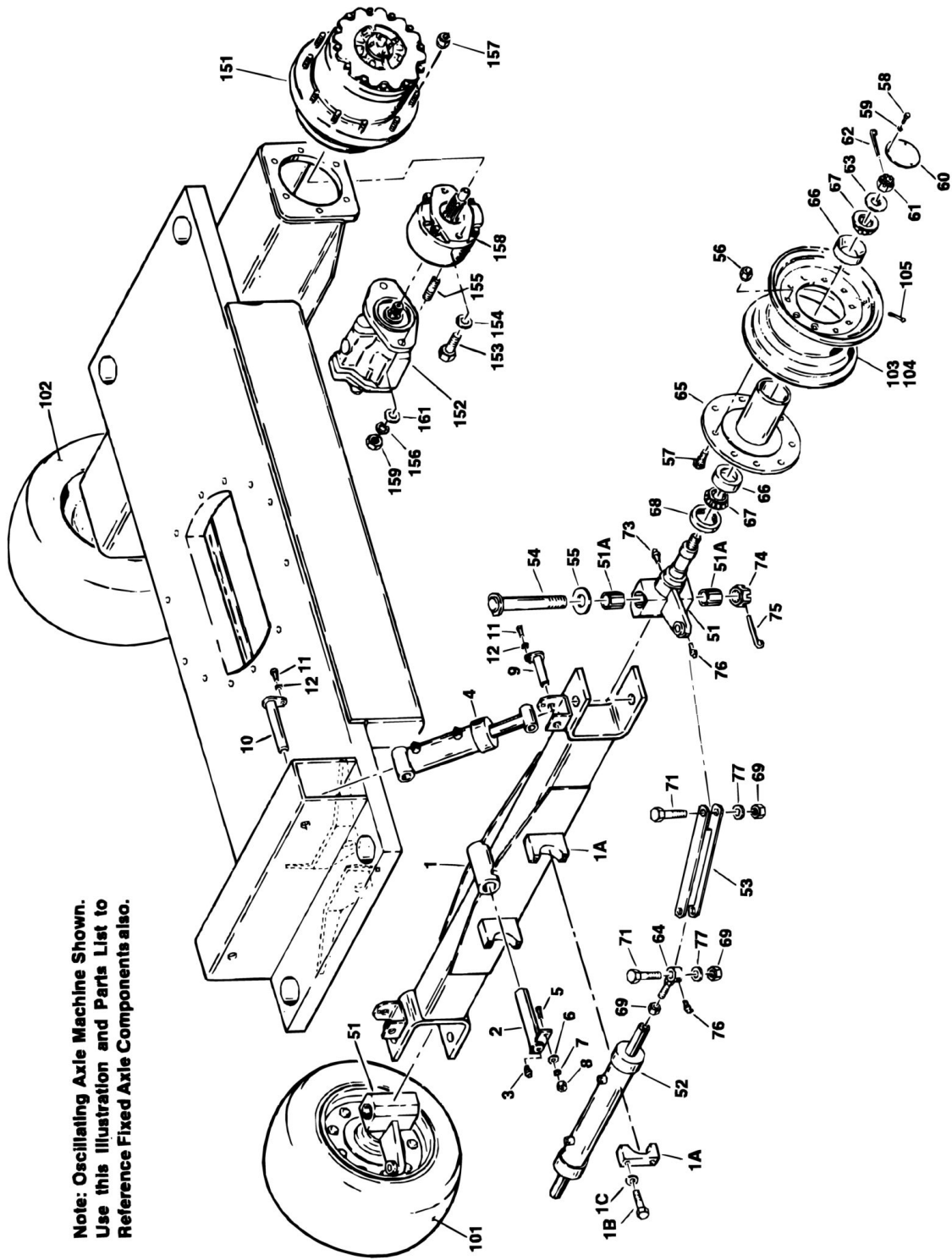
TABLE OF CONTENTS

FIGURE 7-8. ELECTRICAL DIAGRAM - GROUND CONTROL (ELECTRIC).....	236
SECTION 8 - DECALS.....	239
FIGURE 8-1. DECALS INSTALLATION - STANDARD (PRIOR TO JULY 1991).....	240
FIGURE 8-2. DECALS INSTALLATION - STANDARD (JULY 1991 TO PRESENT).....	244
SECTION 9 - RECOMMENDED SERVICE PARTS STOCK	249
FIGURE 9-1. MODEL 34HA STANDARD PARTS.....	250
FIGURE 9-2. MODEL 34HA VARIABLE PARTS.....	254
SECTION 10 - SPECIAL OPTIONS.....	257
FIGURE 10-1. SPECIAL OPTIONS.....	258
PART NUMBER INDEX	259

SECTION 1 - FRAME

SECTION 1 - FRAME

FIGURE 1-1. FRAME, STEERING AND DRIVE COMPONENTS, ASSEMBLIES AND INSTALLATIONS - FIXED AND OSCILLATING AXLES (STANDARD 2WD - DOUBLE ACTING STEER CYLINDER)



Note: Oscillating Axle Machine Shown. Use this illustration and Parts List to Reference Fixed Axle Components also.

SECTION 1 - FRAME

**FIGURE 1-1. FRAME, STEERING AND DRIVE COMPONENTS, ASSEMBLIES AND INSTALLATIONS -
FIXED AND OSCILLATING AXLES (STANDARD 2WD - DOUBLE ACTING STEER CYLINDER)**

ITEM	PART NUMBER	QTY	DESCRIPTION	REV
		Ref	FRAME WELDMENT OPTIONS:	
	2360274	1	Frame Weldment (Oscillating)	
	2360262	1	Frame Weldment (Fixed)	
	0251327	Ref	OSCILLATING AXLE INSTALLATION (WITH EQUIPPED)	A
1	4842982	1	Axle Weldment	
1A	0238390	2	Mount, Steer Cylinder Assembly (Welded on part)	
1B	0641822	4	Bolt 1/2in-13NC x 2 3/4in	
1C	4761800	4	Flatwasher 1/2in	
2	4842621	1	Pin, Weldment	
3	2160002	1	Fitting, Grease	
4	1682406	2	Lockout Cylinder Assembly (See CYLINDER SECTION for Breakdown)	
5	4300034	1	Stud (Weld on Part)	
6	4751600	1	Flatwasher 3/8in	
7	4761600	1	Lockwasher 3/8in	
8	3311601	1	Nut 3/8in-16NC	
9	4842794	2	Pin (Bottom)	
10	4842622	2	Pin (Top)	
11	0641406	4	Bolt 1/4in-20NC x 3/4in	
12	4761400	4	Lockwasher 1/4in	
	0238395	Ref	STEER AND SPINDLE INSTALLATION (STANDARD)	7
51	4130197	2	Spindle	
51A	0960839	4	Bushing, Bronze	
52		Ref	Steer Cylinder Assembly Options: (See CYLINDER SECTION for Breakdown)	
52	1681814	1	Steer Cylinder Assembly (Prior to SN 31941)	
52	1683511	1	Steer Cylinder Assembly (SN 31941 to Present)	
53	4842860	2	Rod, Tie	
54	3421340	2	Pin, King	
55	0440162	2	Washer, Thrust	
56	3300012	18	Lugnut 1/2in-20NF	
57	0630137	18	Bolt, Wheel 1/2in-20NF x 1 7/8in (Prior to July 1991)	
58	0721004	6	Screw #10-24NC x 1/2in	
59	4761000	6	Lockwasher #10	
60	1120019	2	Cap, Hub	
61	3322603	2	Nut, Slotted 1in-12NF	
62	3450608	2	Pin, Cotter 3/16in x 2in	
63	4740001	2	Washer, Hardened	
64	4842624	2	End, Tie Rod	
65	2780153	2	Hub	
66	0440112	4	Cup, Bearing	
67	0440113	4	Cone, Bearing	
68	3960373	2	Seal, Oil	
69	3312205	6	Nut 3/4in-10NC	
71	0642224	4	Bolt 3/4in-10NC x 3in	
73	2160002	2	Fitting, Grease	
74	3323003	2	Nut, Slotted 1 1/4in-12NF	
75	3450609	2	Pin, Cotter 3/16in x 2 1/4in	
76	2160001	4	Fitting, Grease	

SECTION 1 - FRAME

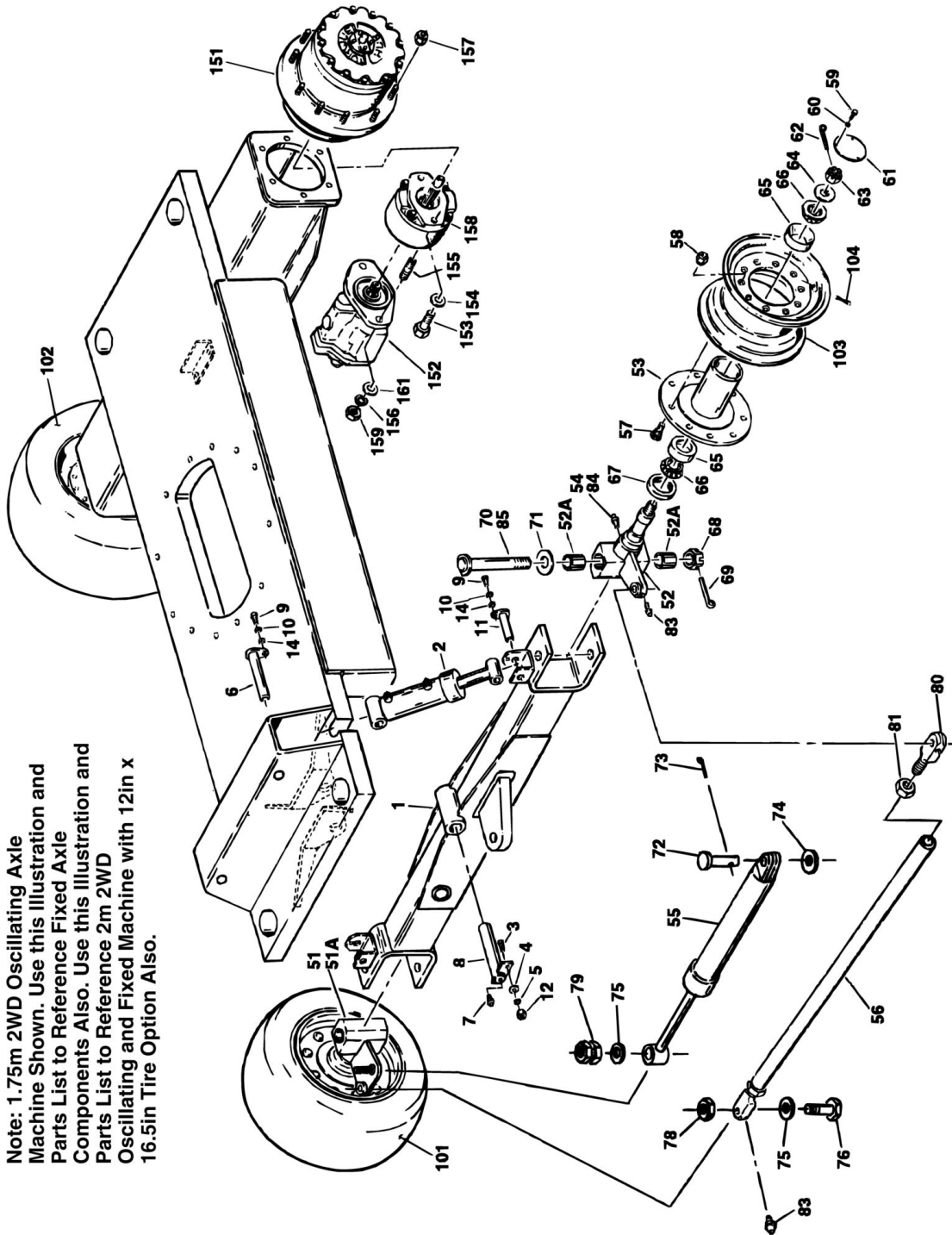
ITEM	PART NUMBER	QTY	DESCRIPTION	REV
77	4740156	2	Washer, Thrust	
		Ref	TIRE AND WHEEL INSTALLATIONS	
	0253133	Ref	8.75in x 16.5in Foam-Filled	-
	0252941	Ref	9.50in x 16.5in Foam-Filled	-
101	0253131	2	Tire and Wheel Assembly - Foam-Filled - 8.75in-16.5in (Front)	
101	4520199	2	Tire - 8.75in-16.5in (Galaxy)	
101	0239806	2	Tire and Wheel Assembly - Foam-Filled - 9.5in-16.5in (Front)	
101	4520111	2	Tire - 9.5in-16.5in (General GLT Traction II)	
102	0253131	2	Tire and Wheel Assembly - Foam-Filled - 8.75in-16.5in (Rear)	
102	4520199	2	Tire - 8.75in-16.5in (Galaxy)	
102	0239805	2	Tire and Wheel Assembly - Foam-Filled - 9.5in-16.5in (Rear)	
102	4520110	2	Tire - 9.5in-16.5in (General Jumbo GLT)	
		Ref	Note: Assemblies may require ballast/foam filling to manufacturer's specifications prior to installing on a machine. Refer to Operation and Safety or Service and Maintenance Manuals. Purchase individual tire and/or rim only if able to foam fill tire and wheel assembly, otherwise, purchase complete assembly.	
103	4842994	4	Rim (9.5in-16.5in)	
104	4842561	4	Rim (8.75in-16.5in)	
105	4640392	4	Valve	
		Ref	WHEEL DRIVE INSTALLATIONS	
		Ref	Gas and Diesel Options:	
	0250148	Ref	Gas and Diesel (Prior to SN 56992)	6
	0270215	Ref	Gas and Diesel (SN 56992 to Present)	1
	0251139	Ref	Electric	5
151		Ref	Torque Hub Assembly Options: (See DRIVE HUB ASSEMBLY for Breakdown)	
151	2780169	2	Gas and Diesel	
151	2780168	2	Electric	
152		Ref	DRIVE MOTOR ASSEMBLY OPTIONS:	
152	3160158	2	Gas and Diesel (See DRIVE MOTOR ASSEMBLY (GAS AND DIESEL) for Breakdown)	
152	1001096415	2	Electric (See DRIVE MOTOR ASSEMBLY (ELECTRIC) for Breakdown) (was p/n 3160118)	
153		Ref	Hardware Options:	
153	0642014	12	Hardware Bolt 5/8in-11NC x 1 3/4in (Prior to March 1993)	
153	0642016	12	Hardware Bolt 5/8in-11NC x 2in (March 1993 to Present)	
154	4762000	12	Flatwasher 5/8in	
155		Ref	Hardware Options:	
155	4320008	4	Hardware Stud 1/2in-13NC x 6 1/2in (Prior to December 1991)	
155	4300092	4	Hardware Stud 1/2in-13NC x 5 1/2in (December 1991 to SN 56991)	
155	4300097	4	Hardware Stud 1/2in-13NC x 5 1/2 (SN 56992 to Present)	
156	4761800	4	Lockwasher 1/2in	
157	3300012	18	Nut, Lug 1/2in-20NC	
158		Ref	Drive Brake Assembly Options:	
158	0920072	2	Drive Brake Assembly (Prior to December 1991) (See DRIVE BRAKE ASSEMBLY for Breakdown)	
158	0920084	2	Drive Brake Assembly (December 1991 to SN 33475) (See DRIVE BRAKE ASSEMBLY for Breakdown)	
158	0920110	2	Drive Brake Assembly (See DRIVE BRAKE ASSEMBLY for Breakdown) (SN 33476 through 56991)	

SECTION 1 - FRAME

ITEM	PART NUMBER	QTY	DESCRIPTION	REV
158	0920119	2	Drive Brake Assembly (was p/n 0920117) (SN 56992 to Present)	
158	7018612	AR	Repair Kit - 0920117 & 0920119 Brakes (Includes Case Seal, Piston Inner and Outer O-Rings and Back-up Rings, Stator Disc, Rotor Disc, Return Plate, Springs, Oil Seal, Bearing, 2 Retaining Rings and 2 Mounting Face Gaskets) (1 Per Assembly)	
158	7000731	AR	Gasket, Mounting Face (Note: No Other Parts Available)	
159	3311801	4	Nut 1/2in-13NC	
160	0100011	AR	Loctite #242 (Not Shown)	
161	4751800	4	Flatwasher 1/2in	
162	0100019	AR	Loctite #271 (Not Shown)	

SECTION 1 - FRAME

FIGURE 1-2. FRAME, STEERING AND DRIVE COMPONENTS, ASSEMBLIES AND INSTALLATIONS - FIXED AND OSCILLATING AXLES (OPTIONAL 2WD - SINGLE ACTING STEER CYLINDER)



Note: 1.75m 2WD Oscillating Axle Machine Shown. Use this Illustration and Parts List to Reference Fixed Axle Components Also. Use this Illustration and Parts List to Reference 2m 2WD Oscillating and Fixed Machine with 12in x 16.5in Tire Option Also.

SECTION 1 - FRAME

FIGURE 1-2. FRAME, STEERING AND DRIVE COMPONENTS, ASSEMBLIES AND INSTALLATIONS - FIXED AND OSCILLATING AXLES (OPTIONAL 2WD - SINGLE ACTING STEER CYLINDER)

ITEM	PART NUMBER	QTY	DESCRIPTION	REV
		Ref	FRAME WELDMENT OPTIONS:	
	2360283	1	Frame Weldment (1.75m With Oscillating Axle and Standard Platform)	
	2360288	1	Frame Weldment (1.75m With Fixed Axle and Standard Platform)	
	2360321	1	Frame Weldment (1.75m With Oscillating Axle and Low Mount Platform)	
	2360322	1	Frame Weldment (1.75m With Fixed Axle and Low Mount Platform)	
	2360330	1	Frame Weldment (2m With 12 x 16.5 Tire Option and Oscillating Axle)	
	0251475	1	Frame Weldment (2m With 12 x 16.5 Tire Option and Fixed Axle)	
		Ref	AXLE INSTALLATION OPTIONS:	
	0251326	Ref	Oscillating Axle - 1.75m MACHINES (Optional - When Equipped)	-
	0251486	Ref	Oscillating Axle - 2m MACHINES (Optional - When Equipped)	B
	0251487	Ref	Fixed Axle - 2m MACHINES (12in x 16.5in Tires)	A
1		Ref	Axle Options:	
1	4843094	1	1.75m Machines	
1	4843728	1	2m Machines	
2	1682406	2	Lockout Cylinder Assembly - Oscillating Axle Only (See CYLINDER SECTION for Breakdown)	
3		Ref	Hardware Options:	
3	4300034	1	Stud (Welded on Part) (1.75m Machines Only)	
3	0641610	1	Bolt 3/8in-16NC x 1 1/4in (2m Machines Only)	
4		Ref	Hardware Options:	
4	4751600	1	Flatwasher 3/8in (1.75m Machines Only)	
4	4740185	1	Flatwasher 3/8in (Hardened) (2m Machines Only)	
5	4761600	1	Lockwasher 3/8in	
6		Ref	Top Weldment, Pin Options:	
6	4842622	2	1.75m Machines	
6	4842794	2	2m Machines	
7	2160002	1	Fitting, Grease	
8	4842621	1	Weldment, Pin	
9	0641406	4	Bolt 1/4in-20NC x 3/4in (Oscillating Axle Only)	
10	4761400	4	Lockwasher 1/4in (Oscillating Axle Only)	
11		Ref	Bottom Weldment, Pin Options: (Oscillating Axle Only)	
11	4842794	2	1.75m Machines	
11	4843286	2	2m Machines	
12	3311601	1	Nut 3/8in-16NC (1.75m Machines Only)	
14	4751400	4	Flatwasher 1/4in (Oscillating Axle Only)	
		Ref	STEERING AND SPINDLE INSTALLATION OPTIONS:	
	0239197	Ref	1.75m MACHINES	E
	0251248	Ref	2m MACHINES	E
51		Ref	Spindle (Right Side) Options:	
51	4130207	1	1.75m Machines	
51	4130160	1	2m Machines	
51A		Ref	Bushing, Bronze (2 Per Spindle) Options:	
51A	0960839	4	1.75m Machines	
51A	0960523	4	2m Machines	
52		Ref	Spindle (Left Side) Options:	

SECTION 1 - FRAME

ITEM	PART NUMBER	QTY	DESCRIPTION	REV
52	4130210	1	1.75m Machines	
52	4130161	1	2m Machines	
52A		Ref	Bushing, Bronze (2 Per Spindle) Options:	
52A	0960839	4	1.75m Machines	
52A	0960523	4	2m Machines	
53		Ref	Hub, Front Wheel Options:	
53	2780153	2	1.75m Machines	
53	2780091	2	2m Machines	
54	2160002	AR	Fitting, Grease	
55	1682020	1	Steer Cylinder Assembly (See CYLINDER SECTION for Breakdown)	
56		Ref	Tie-Rod Options:	
56	3840962	1	1.75m Machines	
56	3841086	1	2m Machines	
57	0630137	18	Tie-Rod Bolt, Wheel 1/2in-20NF x 1 7/8in (Prior to August 1991)	
58	3300012	18	Nut, Lug 1/2in-20NF	
59		Ref	Screw Options:	
59	0721004	6	Screw #10-24NC x 1/2in (Prior to November 1991)	
59	0721003	6	Screw #10-24NC x 3/8in (November 1991 to Present)	
60	4761000	6	Lockwasher #10	
61		Ref	Cap, Hub Options:	
61	1120019	2	1.75m Machines	
61	1120032	2	2m Machines	
62		Ref	Pin, Cotter Options:	
62	3450608	2	Pin, Cotter 3/16in-2in - 5ft-9in Machines	
62	3450810	2	Pin, Cotter 1/4in-2 1/2in - 2m Machines	
63		Ref	Nut, Slotted Options:	
63	3322603	2	Nut, Slotted 1in-12NF (5ft-9in Machines)	
63	3300208	2	Nut, Slotted 1 1/2in-12NF (2m Machines)	
64		Ref	Washer, Hardened Options:	
64	4740001	2	1.75m Machines	
64	4740016	2	2m Machines	
65		Ref	Cup, Bearing Options:	
65	0440112	4	1.75m Machines	
65	0440018	4	2m Machines	
66		Ref	Cone, Bearing Options:	
66	0440113	4	1.75m Machines	
66	0440019	4	2m Machines	
67		Ref	Seal, Hub Options:	
67	3960373	2	1.75m Machines	
67	3960098	2	2m Machines	
68		Ref	Nut, Slotted Options:	
68	3323003	2	Nut, Slotted 1 1/4in-12NF (1.75m Machines)	
68	3313403	2	Nut, Slotted 1 1/2in-6NF (2m Machines)	
69		Ref	Pin, Cotter Options:	
69	3450609	2	Pin, Cotter 3/16in-2 1/4in (5ft-9in Machines)	
69	3451012	2	Pin, Cotter 5/16in-3in (2m Machines) (Prior to June 1994)	
69	3451010	2	Pin, Cotter 5/16in-2 1/2in (2m Machines) (June 1994 to Present)	
70		Ref	Pin, King Options:	
70	3421340	2	1.75m Machines	
70	3421243	2	Pin, King 2m Machines (Prior to SN 27273)	

SECTION 1 - FRAME

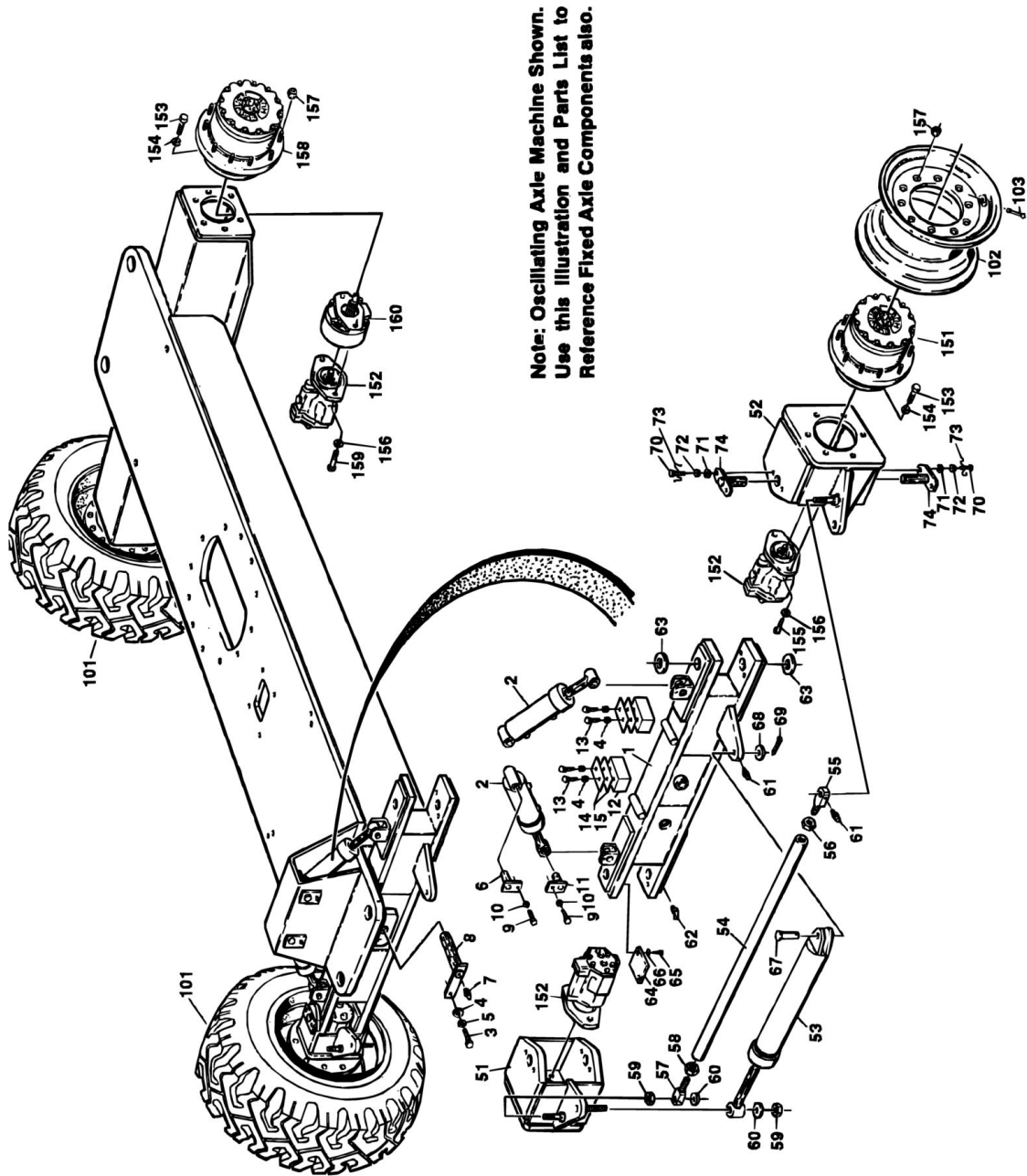
ITEM	PART NUMBER	QTY	DESCRIPTION	REV
70	3422261	2	Pin, King 2m Machines (SN 27273 to Present)	
71		Ref	Washer, Thrust Options:	
71	0440162	2	1.75m Machines	
71	0440183	2	2m Machines	
72	3431622	1	Pin, Clevis	
73		Ref	Pin, Cotter	
73	3450606	1	Pin, Cotter (Prior to September 1991)	
73	3450608	1	Pin, Cotter (September 1991 to Present)	
74	4712600	1	Flatwasher 1in (Narrow)	
75	0440091	3	Washer, Thrust	
76		Ref	Bolt Options:	
76	0642628	2	Bolt 1in-8NC x 3 1/2in (5ft-9in Machines)	
76	0630425	2	Bolt 1in-8NC x 3 3/4in (2m Machines)	
77		Ref	End, Tie-Rod (Right Side) Options:	
77	0560805	1	1.75m Machines	
77	0560605	1	2m Machines	
78	3312602	2	Nut, Jam 1in-8NC	
79	3300175	1	Locknut 1in-14NC	
80		Ref	End, Tie-Rod (Left Side) Options:	
80	0560804	1	1.75m Machines	
80	0560714	1	2m Machines	
81	3300229	1	Nut, Jam 1 1/4in-12NF (Left Hand Threads)	
82	3323002	1	Nut, Jam 1 1/4in-12NF (Right Hand Threads)	
83	2160003	3	Fitting, Grease 45	
84	4640812	2	Valve, Relief (2m Machines Only)	
85	3780183	4	O-Ring (2m Machines Only)	
		Ref	TIRE AND WHEEL INSTALLATIONS	
	0251370	Ref	6.5in x 16in Solid Tires	-
	0253133	Ref	8.75in x 16.5 Foam-Filled Tires	-
	0252941	Ref	9.5in x 16.5 Foam-Filled Tires	-
101	0253131	2	Tire and Wheel Assembly - Foam-Filled - 8.75in-16.75in (Front) (1.75m Machines)	
101	4520199	2	Tire - 8.75in-16.5in (Galaxy)	
101	4520131	2	Tire and Wheel Assembly - Solid - 6.5in-16in (Front) (5ft-9in Machines)	
101	0239806	2	Tire and Wheel Assembly - Foam-Filled - 9.5in-16.5in (Front)	
101	4520111	2	Tire - 9.5in-16.5in (General GLT Traction II)	
		Ref	Note: Foam-filled tire and wheel assemblies are serviced as assemblies only.	
102	0253131	2	Tire and Wheel Assembly - Foam-Filled - 8.75in-16.75in (Rear) (1.75m Machines)	
102	4520199	2	Tire - 8.75in-16.5in (Galaxy)	
102	4520131	2	Tire and Wheel Assembly - Solid - 6.5in-16in (Rear) (1.75m Machines)	
102	0239805	2	Tire and Wheel Assembly - Foam-Filled - 9.5in-16.5in (Rear)	
102	4520110	2	Tire - 9.5in-16.5in (General Jumbo GLT)	
		Ref	Note: Foam-filled tire and wheel assemblies are serviced as assemblies only.	
103		Ref	Rim Options:	
103	4842561	4	8.75in-16.5in	
103	4842994	4	9.5in-16.5in	
104		Ref	Valve Options:	
104	4640392	4	8.75in-16.5in	

SECTION 1 - FRAME

ITEM	PART NUMBER	QTY	DESCRIPTION	REV
104	4640504	4	9.5in-16.5in	
		Ref	WHEEL DRIVE INSTALLATIONS	
		Ref	Gas and Diesel Options:	
	0250148	Ref	Gas and Diesel (Prior to SN 56992)	6
	0270215	Ref	Gas and Diesel (SN 56992 to Present)	1
	0251139	Ref	Electric	5
151		Ref	Torque Hub Assembly Options: (See DRIVE HUB ASSEMBLY for Breakdown)	
151	2780169	2	Gas and Diesel	
151	2780168	2	Electric	
152		Ref	DRIVE MOTOR ASSEMBLY OPTIONS:	
152	3160158	2	Gas and Diesel (See DRIVE MOTOR ASSEMBLY (GAS AND DIESEL) for Breakdown)	
152	1001096415	2	Electric (See DRIVE MOTOR ASSEMBLY (ELECTRIC) for Breakdown) (was p/n 3160118)	
153		Ref	Hardware Options:	
153	0642014	12	Bolt 5/8in-11NC x 1 3/4in (Prior to March 1993)	
153	0642016	12	Bolt 5/8in-11NC x 2in (March 1993 to Present)	
154	4762000	12	Flatwasher 5/8in	
155		Ref	Hardware Options:	
155	4320008	4	Hardware Stud 1/2in-13NC x 6 1/2in (Prior to December 1991)	
155	4300092	4	Hardware Stud 1/2in-13NC x 5 1/2in (December 1991 to SN 56991)	
155	4300097	4	Hardware Stud 1/2in-13NC x 5 1/2 (SN 56992 to Present)	
156	4761800	4	Lockwasher 1/2in	
157	3300012	18	Nut, Lug 1/2in-20NC	
158		Ref	DRIVE BRAKE ASSEMBLY OPTIONS:	
158	0920072	2	Drive Brake Assembly (Prior to December 1991) (See DRIVE BRAKE ASSEMBLY for Breakdown)	
158	0920084	2	Drive Brake Assembly (December 1991 to SN 33475) (See DRIVE BRAKE ASSEMBLY for Breakdown)	
158	0920110	2	Drive Brake Assembly (See DRIVE BRAKE ASSEMBLY for Breakdown) (SN 33476 through 56991)	
158	0920119	2	Drive Brake Assembly (was p/n 0920117) (SN 56992 to Present)	
158	7018612	AR	Repair Kit - 0920117 & 0920119 Brakes (Includes Case Seal, Piston Inner and Outer O-Rings and Back-up Rings, Stator Disc, Rotor Disc, Return Plate, Springs, Oil Seal, Bearing, 2 Retaining Rings and 2 Mounting Face Gaskets) (1 Per Assembly)	
158	7000731	AR	Gasket, Mounting Face	
		Ref	Note: No Other Parts Available.	
159	3311801	4	Nut 1/2in-13NC	
160	0100011	AR	Loctite #242 (Not Shown)	
161	4751800	4	Flatwasher 1/2in	
162	0100019	AR	Loctite #271 (Not Shown)	

SECTION 1 - FRAME

FIGURE 1-3. FRAME, STEERING AND DRIVE COMPONENTS, ASSEMBLIES AND INSTALLATIONS - FIXED AND OSCILLATING AXLES (4WD)



SECTION 1 - FRAME

**FIGURE 1-3. FRAME, STEERING AND DRIVE COMPONENTS, ASSEMBLIES AND INSTALLATIONS -
FIXED AND OSCILLATING AXLES (4WD)**

ITEM	PART NUMBER	QTY	DESCRIPTION	REV
		Ref	FRAME WELDMENT OPTIONS:	
	0251273	1	Frame Weldment (4WD Fixed Axle)	
	2360330	1	Frame Weldment (4WD Oscillating Axle)	
	0254832	Ref	FIXED AXLE INSTALLATION	-
	0251328	Ref	OSCILLATING AXLE INSTALLATION (OPTIONAL)	A
1	4843732	1	Weldment, Axle	
2	1682406	2	Lockout Cylinder Assembly (Oscillating Axle Only) (See CYLINDER SECTION for Breakdown)	
3	0641610	1	Bolt 3/8in-16NC x 1 1/4in	
4	4751600	AR	Flatwasher 3/8in	
5	4761600	1	Lockwasher 3/8in	
6	3422794	1	Pin (Bottom) (Oscillating Axle Only)	
7	2160002	1	Fitting, Grease	
8	4842621	1	Pin	
9	0641406	1	Bolt 1/4in-20NC x 3/4in (Oscillating Axle Only)	
10	4761400	1	Lockwasher 1/4in (Oscillating Axle Only)	
11	4843286	1	Pin (Top) (Oscillating Axle Only)	
12	0560913	2	Block (Fixed Axle Only)	
13	0641618	4	Bolt 3/8in-16NC x 2 1/4in (Fixed Axle Only)	
14	4070224	AR	Shim (Fixed Axle Only)	
15	4070225	AR	Shim (Fixed Axle Only)	
16	0100019	AR	Loctite #271 (Fixed Axle) (Not Shown)	
	0251271	Ref	STEERING AND SPINDLE INSTALLATION	D
51	4130221	1	Spindle (Right Side)	
52	4130222	1	Spindle (Left Side)	
53	1681555	1	Steer Cylinder Assembly (See CYLINDER SECTION for Breakdown)	
54	3841087	1	Tie-Rod	
55	0560714	1	Block, Tie-Rod (Left Side)	
56	3300229	1	Nut, Jam 1 1/4in-12NF (Left Hand Threads)	
57	0560605	1	Block, Tie-Rod (Right Side)	
58	3323002	1	Nut, Jam 1 1/4in-12NF (Right Hand Threads)	
59	3300175	3	Nut, Special	
60	0440091	3	Washer, Thrust	
61	2160002	3	Fitting, Grease	
62	2160003	4	Fitting, Grease - 45	
63	0440161	4	Bearing, Thrust	
64		Ref	Plate, Cover Options:	
64	3530244	4	Plate, Cover (Prior to July 1992)	
64	3536411	4	Plate, Cover (July 1992 to Present)	
65		Ref	Hardware Options:	
65	0641404	AR	Bolt 1/4in-20NC x 1/2in (Prior to July 1992)	
65	2080024	AR	Fastener (July 1992 to April 1994)	
65	4300106	16	Grooved Stud (April 1994 to Present)	
66	4761400	2	Lockwasher 1/4in (Prior to July 1992)	
67	3431622	1	Pin, Clevis	
68		Ref	Flatwasher 1in Options:	
68	4740230	1	Flatwasher 1in (Prior to August 1994)	
68	4713000	1	Flatwasher 1in (August 1994 to Present)	

SECTION 1 - FRAME

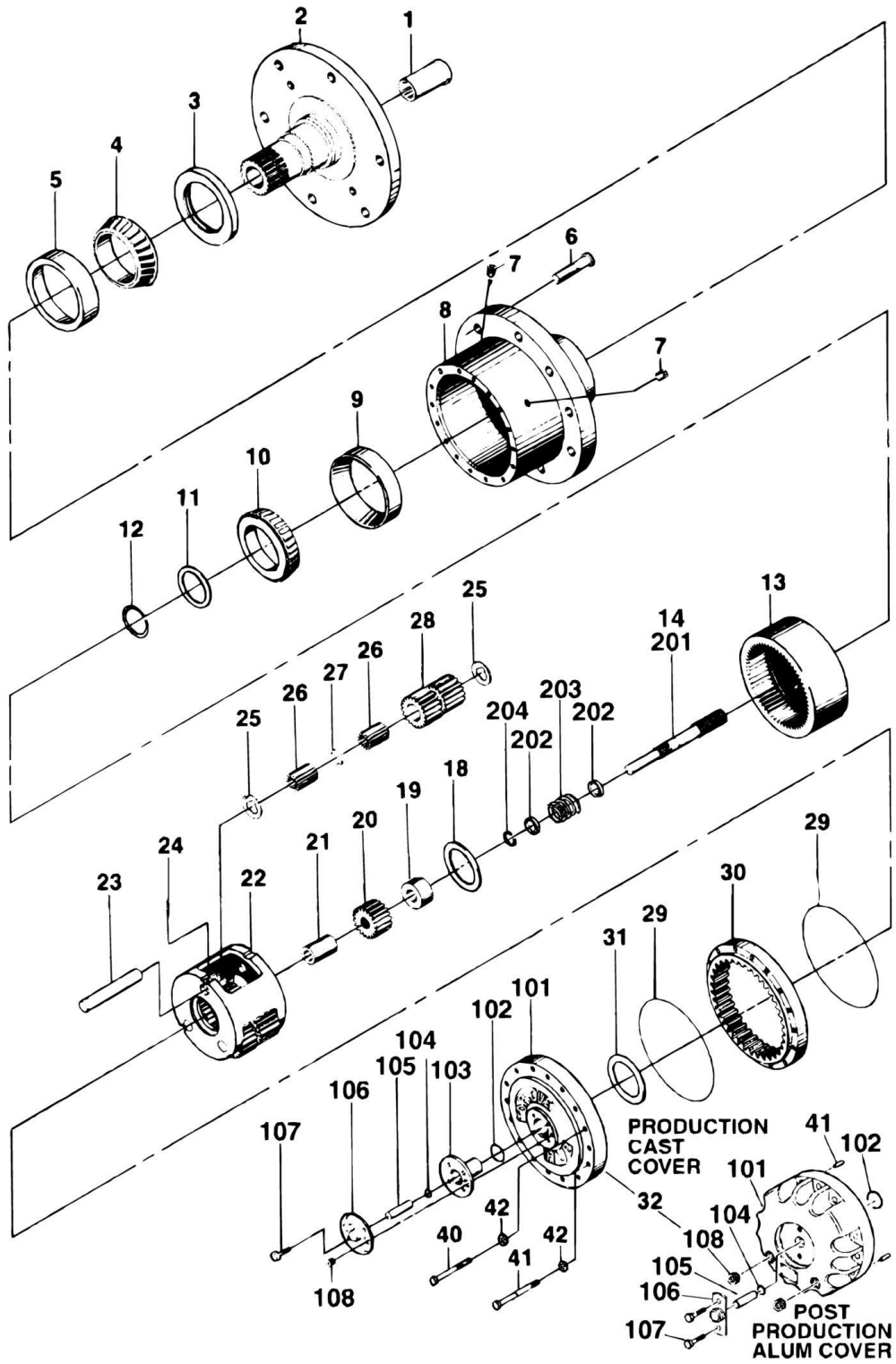
ITEM	PART NUMBER	QTY	DESCRIPTION	REV
69	3450606	1	Pin, Cotter	
70	0641608	8	Bolt 3/8in-16NC x 1in	
71	4761600	8	Lockwasher 3/8in	
72	1380124	8	Clip, Retainer (Not Shown)	
73	4920096	AR	Wire, Safety	
74	3421190	4	Pin, King	
		Ref	TIRE AND WHEEL INSTALLATIONS	
	0251261	Ref	12in x 16.5in NHX Pneumatic Tires	-
	0253132	Ref	8.75in x 16.5in Pneumatic Tires	-
	0254451	Ref	12in x 16.2in NHS Lug Foam-Filled Tires	-
101		Ref	Tire and Wheel Assembly Options:	
101	0251260	2	12in x 16.5in NHS Pneumatic (Left Side)	
101	4520129	1	Tire 12in x 16.5in NHS	
101	0251259	2	12in x 16.5in NHS Pneumatic (Right Side)	
101	4520129	1	Tire 12in x 16.5in NHS	
101	0253130	4	8.75in x 16.5in Pneumatic	
101	4520199	1	Tire 8.75in x 16.5in	
101	0254449	2	12in x 16.5in NHS Lug Foam-Filled (Right Side)	
101	0254450	2	12in x 16.5in NHS Lug Foam-Filled (Left Side)	
		Ref	Note: Foam-filled tire and wheel assemblies are serviced as assemblies only.	
102		Ref	Rim Options:	
102	4860126	1	12in x 16.5in	
102	4842561	1	8.75in x 16.5in	
103		Ref	Valve, Air Options:	
103	4640113	1	12in x 16.5in	
103	4640392	1	8.75in x 16.5in	
		Ref	WHEEL DRIVE INSTALLATIONS	
	0250093	Ref	Wheel Drive Installations (Prior to SN 56992)	9
	0270122	Ref	Wheel Drive Installations (SN 56992 to Present)	1
151		Ref	Drive Hub/Brake Assembly - Front Options:	
151	2780172	2	Drive Hub/Brake Assembly - Front (Prior to December 1991) (See DRIVE HUB/BRAKE ASSEMBLY (4WD FRONT) for Breakdown)	
151	2780191	2	Drive Hub/Brake Assembly - Front (December 1991 to Present) (See DRIVE HUB/BRAKE ASSEMBLY (4WD FRONT) for Breakdown)	
152	3160158	4	Drive Motor Assembly - Front (See DRIVE MOTOR ASSEMBLY (GAS AND DIESEL) for Breakdown)	
153		Ref	Bolt Options:	
153	0642014	24	Bolt 5/8in-11NC x 1 3/4in (Prior to September 1991)	
153	0642016	24	Bolt 5/8in-11NC x 2in (September 1991 to Present)	
154	4762000	24	Flatwasher 5/8in	
155	0641810	4	Bolt 1/2in-13NC x 1 1/4in	
156	4761800	8	Lockwasher 1/2in	
157	3300012	36	Nut, Wheel	
158	2780167	2	Drive Hub Assembly - Rear (See DRIVE HUB ASSEMBLY for Breakdown)	
159		Ref	Bolt Options:	
159	0641848	4	Bolt 1/2in-13NC x 6in (Prior to December 1991)	
159	0641844	4	Bolt 1/2in-13NC x 5 1/2in (December 1991 to SN 56991)	
159	0641840	4	Bolt 1/2in-13NC x 5 (SN 56992 to Present)	
160		Ref	DRIVE BRAKE ASSEMBLY OPTIONS:	

SECTION 1 - FRAME

ITEM	PART NUMBER	QTY	DESCRIPTION	REV
160	0920072	2	Drive Brake Assembly (Prior to December 1991) (See DRIVE BRAKE ASSEMBLY for Breakdown)	
160	0920084	2	Drive Brake Assembly (December 1991 to SN 33475) (See DRIVE BRAKE ASSEMBLY for Breakdown)	
160	0920110	2	Drive Brake Assembly (See DRIVE BRAKE ASSEMBLY for Breakdown) (SN 33476 through 56991)	
160	0920119	2	Drive Brake Assembly (was p/n 0920117) (SN 56992 to Present)	
160	7018612	AR	Repair Kit - 0920117 & 0920119 Brakes (Includes Case Seal, Piston Inner and Outer O-Rings and Back-up Rings, Stator Disc, Rotor Disc, Return Plate, Springs, Oil Seal, Bearing, 2 Retaining Rings and 2 Mounting Face Gaskets) (1 Per Assembly)	
160	7000731	AR	Gasket, Mounting Face (Note: No Other Parts Available)	

SECTION 1 - FRAME

FIGURE 1-4. DRIVE HUB ASSEMBLY



SECTION 1 - FRAME

FIGURE 1-4. DRIVE HUB ASSEMBLY

ITEM	PART NUMBER	QTY	DESCRIPTION	REV
		Ref	DRIVE HUB ASSEMBLIES	
	2780169	Ref	2WD Gas and Diesel	-
	2780168	Ref	2WD Electric	-
	2780167	Ref	4WD (Rear)	-
1	7000206	1	Coupling	
1		Ref	HUB - SPINDLE SUB-ASSEMBLY	
2	7001997	1	Spindle	
3	7001998	1	Seal	
4	Kit	1	Cone, Bearing	
5	Kit	1	Cup, Bearing	
6	7007697	9	Bolt, Wheel	
7	7000242	2	Plug, Pipe	
8	7007601	1	Hub	
9	7000257	1	Cup, Bearing	
10	7000258	1	Cone, Bearing	
11	7000232	1	Spacer	
12	7000229	1	Ring, Retaining	
13	7000246	1	Gear, Internal	
14		Ref	Input Shaft Assembly Options: (See Items 201-204 for Breakdown)	
18	7000253	1	Washer, Thrust	
19		Ref	Spacer Options:	
19	7000252	1	Drive Hub Assemblies - 2780169 & 2780168	
19	7007653	1	Drive Hub Assembly - 2780167	
20		Ref	Gear, Input Options:	
20	7000251	1	Drive Hub Assembly - 2780169	
20	7000201	1	Drive Hub Assembly - 2780168	
20	7007652	1	Drive Hub Assembly - 2780167	
21	7007654	1	Spacer (Drive Hub Assembly - 2780167 Only)	
21		Ref	Carrier Assembly Options:	
21	7000247	1	Drive Hub Assemblies - 2780169 & 2780167	
21	7000202	1	Drive Hub Assembly - 2780168	
22	7001931	1	Carrier	
23	7001911	3	Shaft	
24	7001913	3	Pin, Roll	
25	7001985	6	Washer, Thrust	
26	7001909	96	Roller, Needle	
27	7000263	3	Spacer	
28		Ref	Gear, Cluster Options:	
28	7001912	3	Drive Hub Assemblies - 2780169 & 2780167	
28	7007643	3	Drive Hub Assembly - 2780168	
29	7000230	2	O-Ring	
30		Ref	Gear, Ring Options:	
30	7000248	1	Drive Hub Assemblies - 2780169 & 2780167	
30	7000203	1	Drive Hub Assembly - 2780168	
31	7000253	1	Washer, Thrust	
32		Ref	Cover Assembly (Includes Items 101-108)	
40		Ref	Bolt Options:	
40	7000217	12	Production Cast Cover	
40	7017067	12	Post Production Aluminum Cover	

SECTION 1 - FRAME

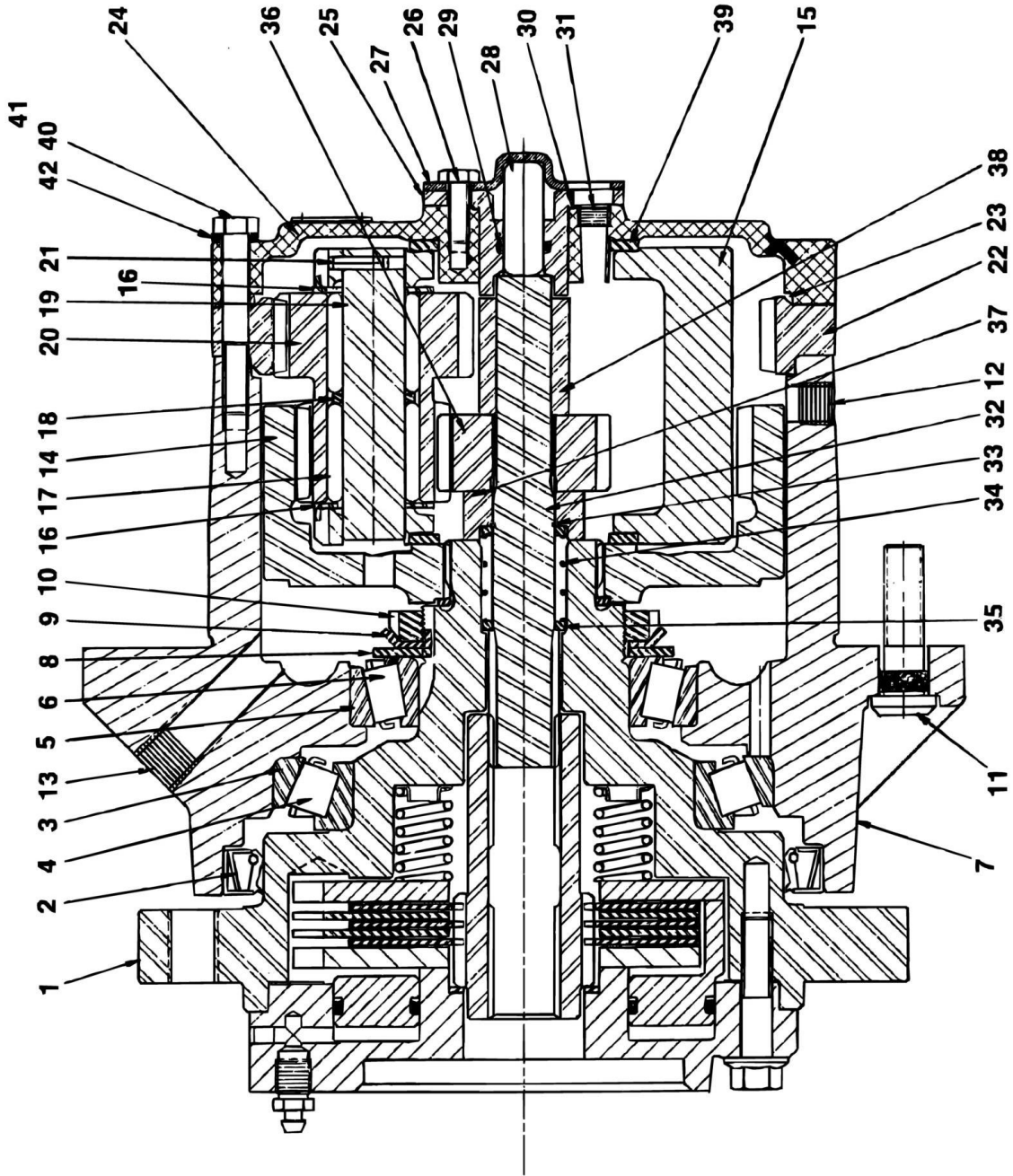
ITEM	PART NUMBER	QTY	DESCRIPTION	REV
41		Ref	Hardware Options:	
41	7000214	4	Bolt, Shoulder (Production Cast Cover)	
41	7017080	4	Dowel Pin (Post Production Aluminum Cover)	
42	7007603	16	Flatwasher	
	7010429	1	Bearing Kit (Includes Items 4 & 5)	
		Ref	COVER ASSEMBLY	
	See Kit Options	Ref	Production Cast Cover	
	See Kit Options	Ref	Post Production Aluminum Cover	
101		Ref	Cover Options:	
101	See Kit Options	1	Production Cast Cover (Was p/n 7000226)	
101	7017091	1	Post Production Aluminum Cover	
102		Ref	O-Ring Options:	
102	Kit	1	Production Cast Cover	
102	7017070	1	Post Production Aluminum Cover	
103		Ref	Cap, Cover	
103	Kit	1	Production Cast Cover	
103	Not Required	0	Post Production Aluminum Cover	
104		Ref	O-Ring Options:	
104	Kit	1	Production Cast Cover	
104	7017095	1	Post Production Aluminum Cover	
105		Ref	Rod, Disconnect Options:	
105	Kit	1	Production Cast Cover	
105	7017092	1	Post Production Aluminum Cover	
106		Ref	Cap, Disconnect	
106	Kit	1	Production Cast Cover	
106	7017093	1	Post Production Aluminum Cover	
107		Ref	Bolt Options:	
107	7000216	4	Production Cast Cover	
107	7000216	2	Post Production Aluminum Cover	
108		Ref	Plug, Pipe Options:	
108	7000243	1	Production Cast Cover	
108	7017094	2	Post Production Aluminum Cover	
		Ref	INPUT SHAFT ASSEMBLY	
	7000250	Ref	2WD	
	7007650	Ref	4WD	
201		Ref	Shaft Options:	
201	7000260	1	2WD	
201	7007651	1	4WD	
202	7000263	2	Spacer	
203	7000262	1	Spring	
204	7000261	1	Ring, Retaining	
		Ref	Kit Options:	
	7010429	1	Bearing Kit (Includes Items 4 & 5)	
	2900034	1	Seal Kit (Includes Items 3, 11, 12 & 29)	
		Ref	Cover Kit Options:	
	No Longer Available	NLA	Production Cast Cover (Was p/n 7001989)	
	7017099	NLA	Aluminum Replacement for Production Cast Cover (Includes 29, 31 (Spacer), 40, 41 (Dowel Pins), 101, 102 & 104-108) (Use p/n 70001111)	
	7017090	NLA	Post Production Aluminum Cover (Includes 29, 101 & 104-107) (Use p/n 70001111)	

SECTION 1 - FRAME

ITEM	PART NUMBER	QTY	DESCRIPTION	REV
	70001111	1	Replacement Cover Kit	

SECTION 1 - FRAME

FIGURE 1-5. DRIVE HUB/BRAKE ASSEMBLY (4WD FRONT) (PRIOR TO DECEMBER 1991)



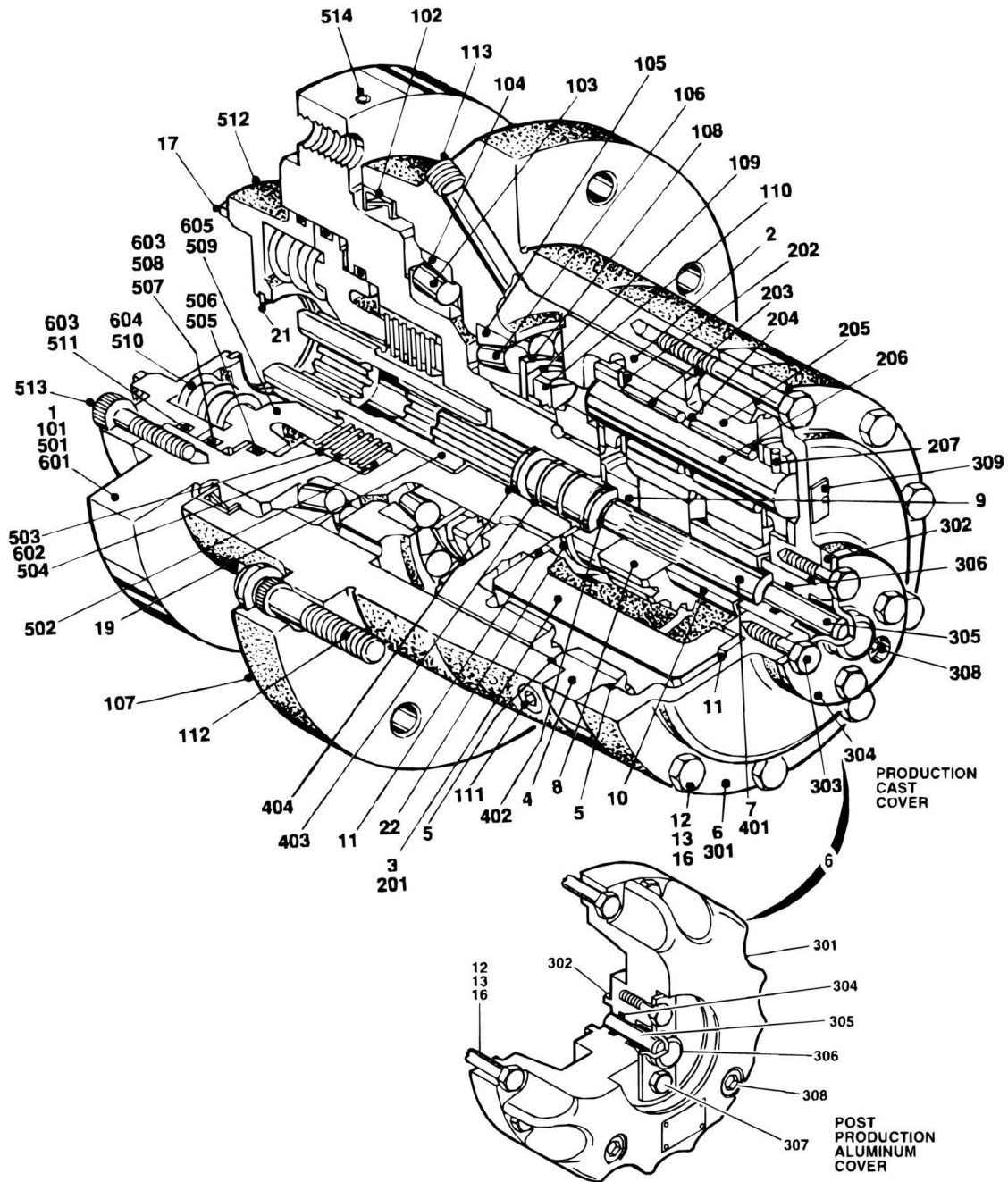
SECTION 1 - FRAME

FIGURE 1-5. DRIVE HUB/BRAKE ASSEMBLY (4WD FRONT) (PRIOR TO DECEMBER 1991)

ITEM	PART NUMBER	QTY	DESCRIPTION	REV
	2780172	Ref	DRIVE HUB/BRAKE ASSEMBLY (4WD FRONT)	-
		Ref	Hub - Spindle Sub-Assembly	
1	7010400	1	Spindle and Brake Assembly	
2	Kit	1	Seal	
3	7007683	1	Cup, Bearing	
4	7007684	1	Cone, Bearing	
5	7007685	1	Cup, Bearing	
6	7007686	1	Cone, Bearing	
7	7007687	1	Hub	
8	7007688	1	Washer, Tongued	
9	7007689	1	Lockwasher	
10	7007690	1	Locknut	
11	7000241	9	Stud	
12	7000242	2	Plug, Pipe	
13	7007617	2	Plug, Magnetic	
14	7007691	1	Gear, Internal	
14		Ref	Carrier Assembly	
15	7001931	1	Carrier	
16	7001985	6	Washer, Thrust	
17	7001909	96	Roller, Needle	
18	7000263	3	Spacer	
19	7001911	3	Shaft, Planet	
20	7001912	3	Gear, Cluster	
21	7001913	3	Pin, Roll	
22	7000248	1	Gear, Ring	
23	Kit	2	O-Ring	
23	7001989	1	Cover Assembly	
24	7000226	1	Cover	
25	7000227	1	Cap, Cover	
26	7000220	4	Bolt	
27	7000211	1	Cap, Disconnect	
28	7000212	1	Rod, Disconnect	
29	Kit	1	O-Ring	
30	Kit	1	O-Ring	
31	7000243	1	Plug, Pipe	
	7007650	1	Input Shaft Assembly Options:	
32	7007651	1	Shaft, Input	
33	7000261	1	Ring, Retaining	
34	7000262	1	Spring	
35	7000263	2	Spacer	
36	7007652	1	Gear, Input	
37	7007653	1	Spacer, Thrust	
38	7007654	1	Spacer, Thrust	
39	7000253	2	Washer, Thrust	
40	7000217	12	Bolt	
41	7000214	4	Bolt, Shoulder	
42	7007603	16	Flatwasher	
	Kit	1	Gasket (Not Shown)	
	2900754	1	Seal Kit (Includes Items 2, 23, 29, 30 and Gasket)	

SECTION 1 - FRAME

FIGURE 1-6. DRIVE HUB/BRAKE ASSEMBLY (4WD FRONT) (DECEMBER 1991 TO PRESENT)



SECTION 1 - FRAME

FIGURE 1-6. DRIVE HUB/BRAKE ASSEMBLY (4WD FRONT) (DECEMBER 1991 TO PRESENT)

ITEM	PART NUMBER	QTY	DESCRIPTION	REV
	2780191	Ref	DRIVE HUB/BRAKE ASSEMBLY (4WD FRONT)	-
1		Ref	Hub/spindle/Brake Assembly (See Items 101-113 for Breakdown)	
2	7007691	1	Gear, Internal	
3	7000247	1	Carrier Assembly (See Items 201-207 for Breakdown)	
4	7000248	1	Gear, Internal	
5	Kit	2	O-Ring	
6	7001989	1	Cover Assembly (See Items 301-309 for Breakdown)	
7	7007650	1	Input Shaft Assembly (See Items 401-404 for Breakdown)	
8	7007652	1	Gear, Input	
9	7007653	1	Spacer, Input	
10	7007654	1	Spacer, Input	
11	7000253	2	Washer, Thrust	
11	7017096	1	Spacer (Post Production Aluminum Cover Only)	
12		Ref	Bolt Options:	
12	7000217	12	Production Cast Cover	
12	7017067	12	Post Production Aluminum Cover	
13		Ref	Hardware Options:	
13	7000214	4	Bolt Used on Production Cast Cover	
13	7017067	4	Dowel Pin Used on Post Production Aluminum Cover	
16	7007603	16	Flatwasher	
17	7007692	1	Gasket	
19	7010470	1	Coupling	
21	7010459	1	Ring, Retaining	
22	7001922	1	Washer, Thrust	
		Ref	HUB/SPINDLE/BRAKE SUB-ASSEMBLY	
101	7010469	1	Brake Assembly - 4WD Machines with I.D. Plate (Item 309) Stamped June 1992 or Earlier (See Items 501-514 for Breakdown)	
102	Kit	1	Seal, Lip	
103	7007683	1	Cup, Bearing	
104	7007684	1	Cone, Bearing	
105	7007685	1	Cup, Bearing	
106	7007686	1	Cone, Bearing	
107	7007687	1	Housing	
108	7007688	1	Washer, Tongued	
109	7007689	1	Lockwasher	
110	7007690	1	Locknut	
111	7000242	2	Plug, Pipe	
112	7000241	9	Stud	
113	7007617	2	Plug, Magnetic	
	7000247	Ref	CARRIER ASSEMBLY	
201	7001931	1	Carrier	
202	7001985	6	Washer, Thrust	
203	7001909	96	Roller, Needle	
204	7000263	3	Spacer	
205	7001911	3	Shaft, Planet	
206	7001912	3	Gear, Cluster	
207	7001913	3	Pin, Roll	
		Ref	COVER ASSEMBLY	
	See Kit Options	Ref	Production Cast Cover	

SECTION 1 - FRAME

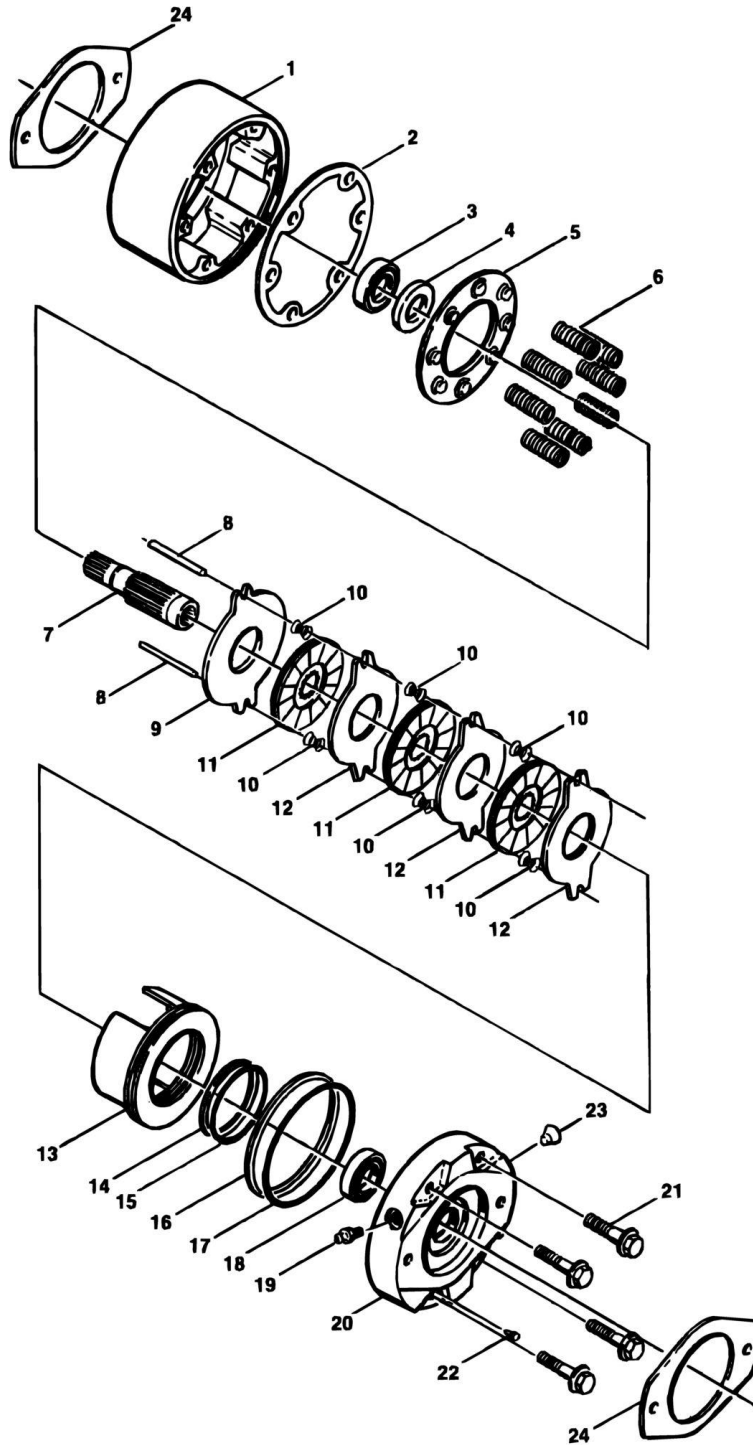
ITEM	PART NUMBER	QTY	DESCRIPTION	REV
	See Kit Options	Ref	Post Production Aluminum Cover	
301		Ref	Cover Options:	
301	See Kit Options	1	Production Cast Cover (Was p/n 7000226)	
301	7017091	1	Post Production Aluminum Cover	
302		Ref	O-Ring Options:	
302	Kit	1	Production Cast Cover	
302	7017070	1	Post Production Aluminum Cover	
303		Ref	Cap, Cover	
303	Kit	1	Production Cast Cover	
303	Not Required	0	Post Production Aluminum Cover	
304		Ref	O-Ring Options:	
304	Kit	1	Production Cast Cover	
304	7017095	1	Post Production Aluminum Cover	
305		Ref	Rod, Disconnect Options:	
305	7000212	1	Production Cast Cover	
305	7017092	1	Post Production Aluminum Cover	
306		Ref	Cap, Disconnect Options:	
306	7000211	1	Production Cast Cover	
306	7017093	1	Post Production Aluminum Cover	
307		Ref	Bolt Options:	
307	7000220	4	Production Cast Cover	
307	7000216	2	Post Production Aluminum Cover	
308		Ref	Plug, Pipe Options:	
308	7000243	1	Production Cast Cover	
308	7017094	2	Post Production Aluminum Cover	
		Ref	Cover Kit Options:	
	No Longer Available	NLA	Production Cast Cover (Was p/n 7001989)	
	7017099	1	Aluminum Replacement for Production Cast Cover (Includes 5, 11 (Spacer), 12, 13 (Dowel Pins), 301, 302 & 304-308)	
	7017090	1	Post Production Aluminum Cover (Includes 5, 301 & 304-307)	
	7007650	Ref	INPUT SHAFT ASSEMBLY	
401	7007651	1	Shaft, Input	
402	7000261	1	Ring, Retaining	
403	7000262	1	Spring	
404	7000263	2	Spacer	
	7010469	Ref	BRAKE ASSEMBLY - 4WD MACHINES WITH I.D. PLATE (ITEM 309) STAMPED JUNE 1992 OR EARLIER	
501	7014100	1	Spindle	
502	7014101	1	Spacer	
503	7014102	7	Disc, Stationary	
504	7014103	6	Disc, Rotating	
505	Kit	1	Ring, Back-up	
506	Kit	1	O-Ring	
507	Kit	1	Ring, Back-up	
508	Kit	1	O-Ring	
509	7014108	1	Piston	
510	7014109	6	Spring	
510	7014110	2	Spring	
511	Kit	1	O-Ring	
512	7014112	1	Cover	
513	Not Available	8	Bolt, Socket Head 3/8in-16NC x 1 1/4in	

SECTION 1 - FRAME

ITEM	PART NUMBER	QTY	DESCRIPTION	REV
514	7014113	1	Expander	
	2900816	1	Brake O-Ring Kit (Includes Items 505-508 & 511)	
	7010473	Ref	BRAKE ASSEMBLY - 4WD MACHINES WITH I.D. PLATE (ITEM 309) STAMPED JULY 1992 OR LATER	
601	7014126	1	Spindle	
602	7010475	1	Brake Lining Kit	
603	7010476	1	Brake O-Ring Kit	
604	7010477	1	Brake Spring Repair Kit	
605	7010478	1	Brake Piston Repair Kit	
	2900754	1	Seal Kit (Includes Items 5,17,102,306 & 307)	

SECTION 1 - FRAME

FIGURE 1-7. DRIVE BRAKE ASSEMBLY (PRIOR TO DECEMBER 1991)



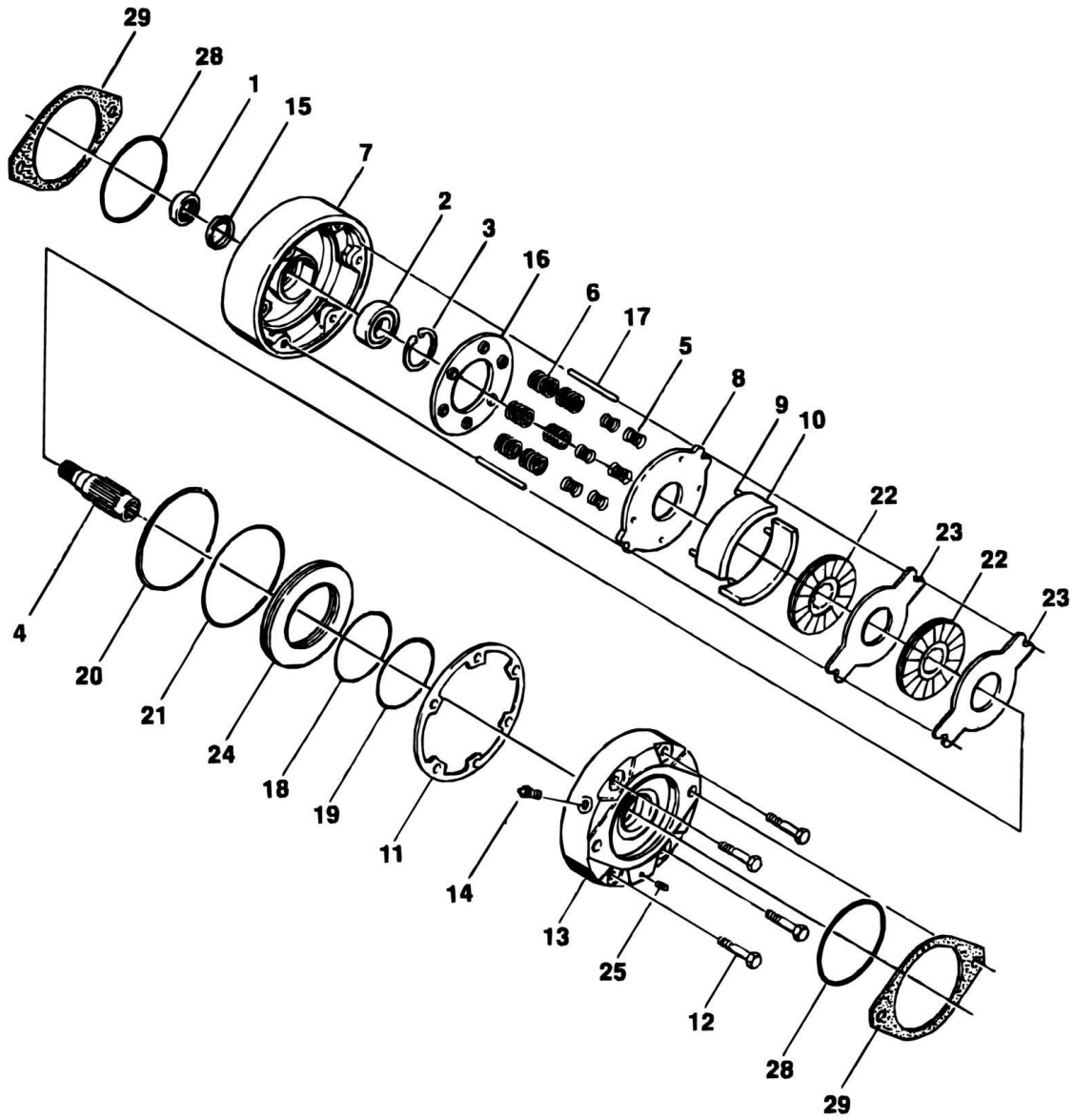
SECTION 1 - FRAME

FIGURE 1-7. DRIVE BRAKE ASSEMBLY (PRIOR TO DECEMBER 1991)

ITEM	PART NUMBER	QTY	DESCRIPTION	REV
	0920072	Ref	DRIVE BRAKE ASSEMBLY	D
1	7003047	1	Housing	
2	Kit	1	Gasket	
3	7003049	1	Bearing, Ball	
4	Kit	1	Seal	
5	7003051	1	Retainer, Spring	
6	7003052	12	Spring, Compression	
7	7003070	1	Shaft, Splined	
8	7000717	2	Pin, Torque	
9	7003454	1	Disc, Primary	
10	7003006	6	Spring, Separator	
11	7003055	3	Disc, Rotating	
12	7003056	3	Disc, Stationary	
13	7003057	1	Piston	
14	Kit	1	Ring, Back-up	
15	Kit	1	O-Ring	
16	Kit	1	Ring, Back-up	
17	Kit	1	O-Ring	
18	7000760	1	Bearing	
19	7000796	1	Screw, Bleeder	
20	7003071	1	Plate, Power	
21	7003007	4	Screw	
22	7003059	1	Valve, Pressure	
23	7000728	1	Plug, Protective	
24	Kit	2	Gasket	
	2900662	1	Kit, Seal (Includes Items 2, 4, 14, 15, 16, 17 & 24)	

SECTION 1 - FRAME

FIGURE 1-8. DRIVE BRAKE ASSEMBLY (DECEMBER 1991 TO SN 33475)



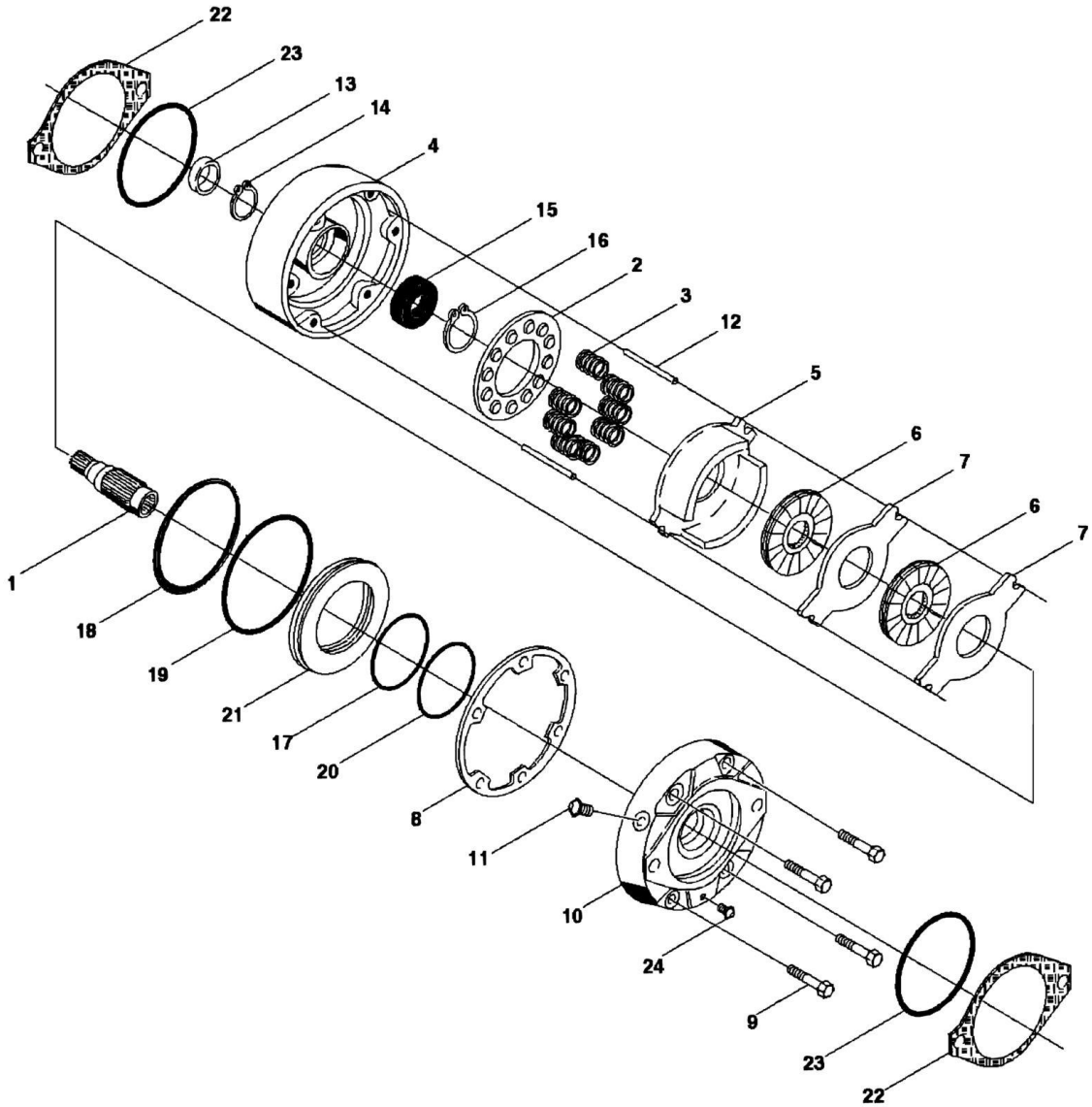
SECTION 1 - FRAME

FIGURE 1-8. DRIVE BRAKE ASSEMBLY (DECEMBER 1991 TO SN 33475)

ITEM	PART NUMBER	QTY	DESCRIPTION	REV
	0920084	Ref	DRIVE BRAKE ASSEMBLY OPTIONS:	A
1	Kit	1	Seal, Oil	
2	Kit	1	Bearing	
3	7007977	1	Ring, Retaining	
4	7011712	1	Shaft	
5	7007979	6	Spring (Inner)	
6	7007980	6	Spring (Inner)	
7	7011713	1	Housing	
8	Kit	1	Plate, Return	
8	7011715	2	Separator Assembly	
9	7011714	4	Pin	
10	7007983	2	Separator	
11	Kit	1	Seal, Case	
12	7007985	4	Bolt, Washer Head	
13	7007986	1	Cover	
14	7007914	1	Screw, Bleeder	
15	7011716	1	Ring, Retainer	
16	7011717	1	Guide, Spring	
17	7007987	2	Pin, Dowel	
18	Kit	1	Ring, Back-up	
19	Kit	1	O-Ring	
20	Kit	1	Ring, Back-up	
21	Kit	1	O-Ring	
22	Kit	2	Rotor	
23	Kit	2	Stator	
24	7007923	1	Piston	
25	7007924	1	Plug, Pipe	
28	Kit	2	O-Ring	
29	7007933	2	Gasket	
	2900766	1	Kit, Seal (Includes Items 1, 11, 18, 19, 20, 21, 28 & 29)	
	2900767	1	Kit, Lining (Includes Items 8, 11, 22, 23, 28 & 29)	
	2900768	1	Kit, Bearing (Includes Items 1, 2, 11, 28 & 29)	

SECTION 1 - FRAME

FIGURE 1-9. DRIVE BRAKE ASSEMBLY (SN 33476 through 56992)



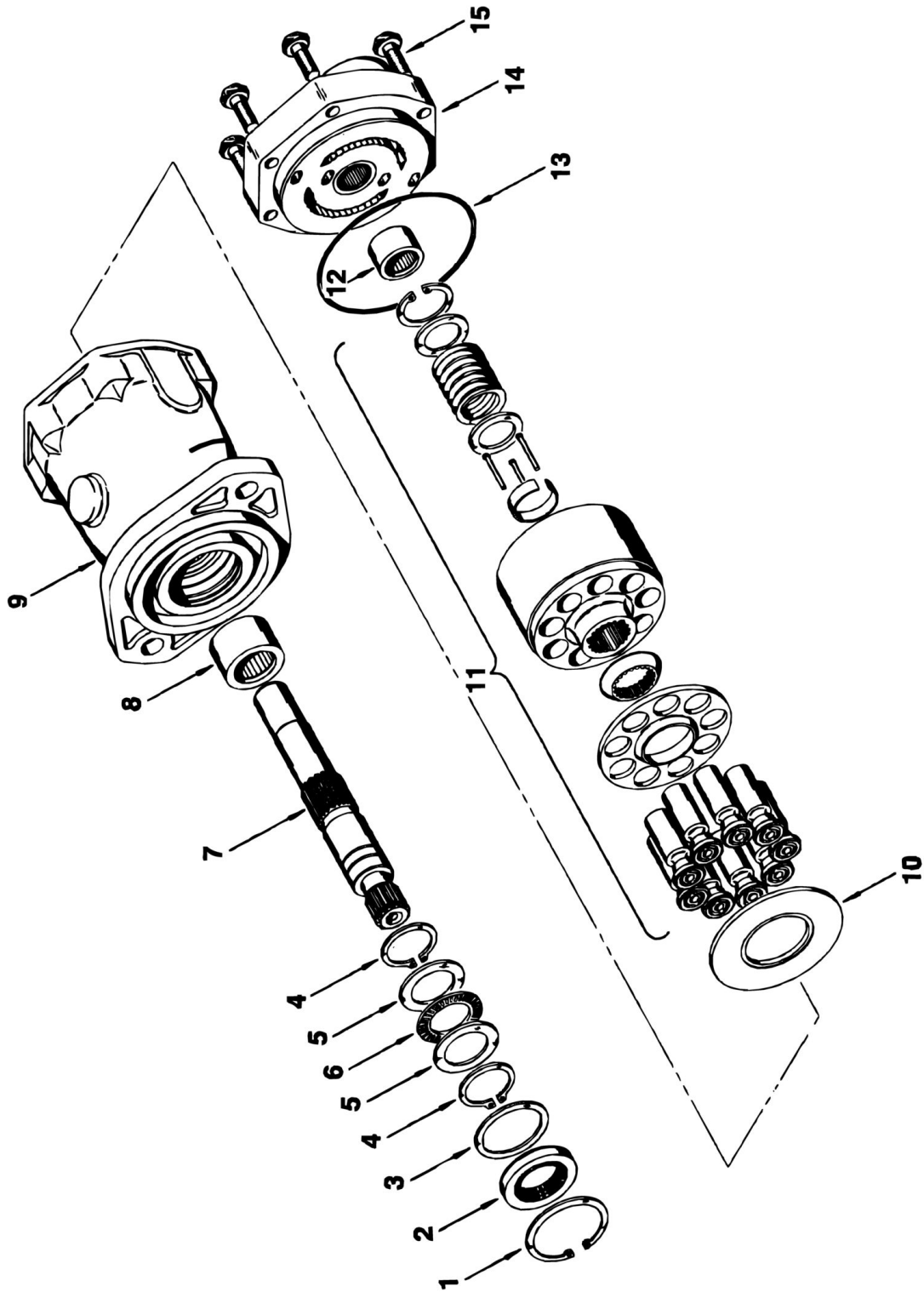
SECTION 1 - FRAME

FIGURE 1-9. DRIVE BRAKE ASSEMBLY (SN 33476 through 56992)

ITEM	PART NUMBER	QTY	DESCRIPTION	REV
	0920110	Ref	DRIVE BRAKE ASSEMBLY	-
1	7011720	1	Shaft	
2	7018606	1	Guide, Spring	
3	7007970	6	Spring (Red)	
3	7018602	3	Spring (Blue)	
4	7018605	1	Housing	
5	Kit	1	Plate, Return	
6	Kit	2	Rotor	
7	Kit	2	Stator	
8	Kit	1	Seal, Case	
9	7018607	4	Bolt, Washer Head	
10	7007986	1	Cover	
11	7018609	1	Plug, Pipe	
12	7007987	2	Pin, Dowel	
13	Kit	1	Seal, Oil	
14	7011716	1	Ring, Retaining	
15	Kit	1	Bearing	
16	7007977	1	Ring, Retaining	
17	Kit	1	Ring, Back-up	
18	Kit	1	Ring, Back-up	
19	Kit	1	O-Ring	
20	Kit	1	O-Ring	
21	7018603	1	Piston	
22	7007933	2	Gasket	
23	Kit	2	O-Ring	
24	7007924	1	Plug, Pipe	
	2900766	1	Kit, Seal (Includes Items 8, 13, 17, 18, 19, 20 & 22)	
	7018608	1	Kit, Lining (Includes Items 5, 6, 7, 8 & 22)	
	2900768	1	Kit, Bearing (Includes Items 8, 13, 14, 15, 16 & 22)	

SECTION 1 - FRAME

FIGURE 1-10. DRIVE MOTOR ASSEMBLY (GAS AND DIESEL)



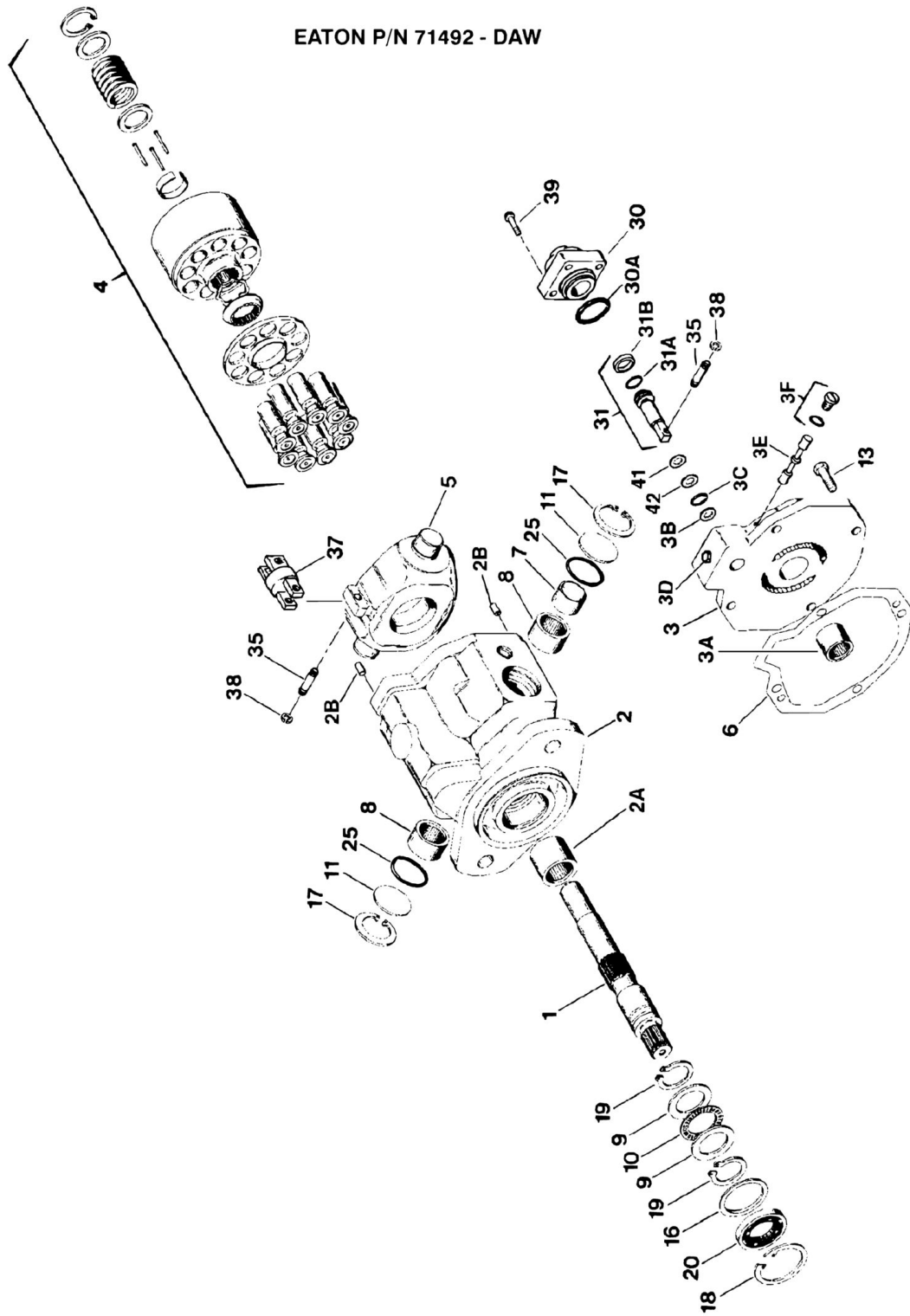
SECTION 1 - FRAME

FIGURE 1-10. DRIVE MOTOR ASSEMBLY (GAS AND DIESEL)

ITEM	PART NUMBER	QTY	DESCRIPTION	REV
	3160158	Ref	DRIVE MOTOR ASSEMBLY	-
1	Kit	1	Ring, Retaining	
2	Kit	1	Seal, Shaft	
3	7004906	1	Washer	
4	Kit	2	Ring, Retaining	
5	7004907	2	Race, Thrust	
6	7004908	1	Bearing	
7	7004874	1	Shaft, Drive	
8	7004910	1	Bearing	
9	7007875	1	Housing Assembly (Includes Item 8)	
10	7007876	1	Camplate	
11	7007880	1	Rotating Kit Assembly	
12	7004917	1	Bearing	
13	Kit	1	O-Ring	
14	7007878	1	Backplate Assembly (Includes Item 12)	
15	7007879	6	Bolt	
	2900714	1	Repair Kit (Includes Items 1, 2, 4 & 13)	

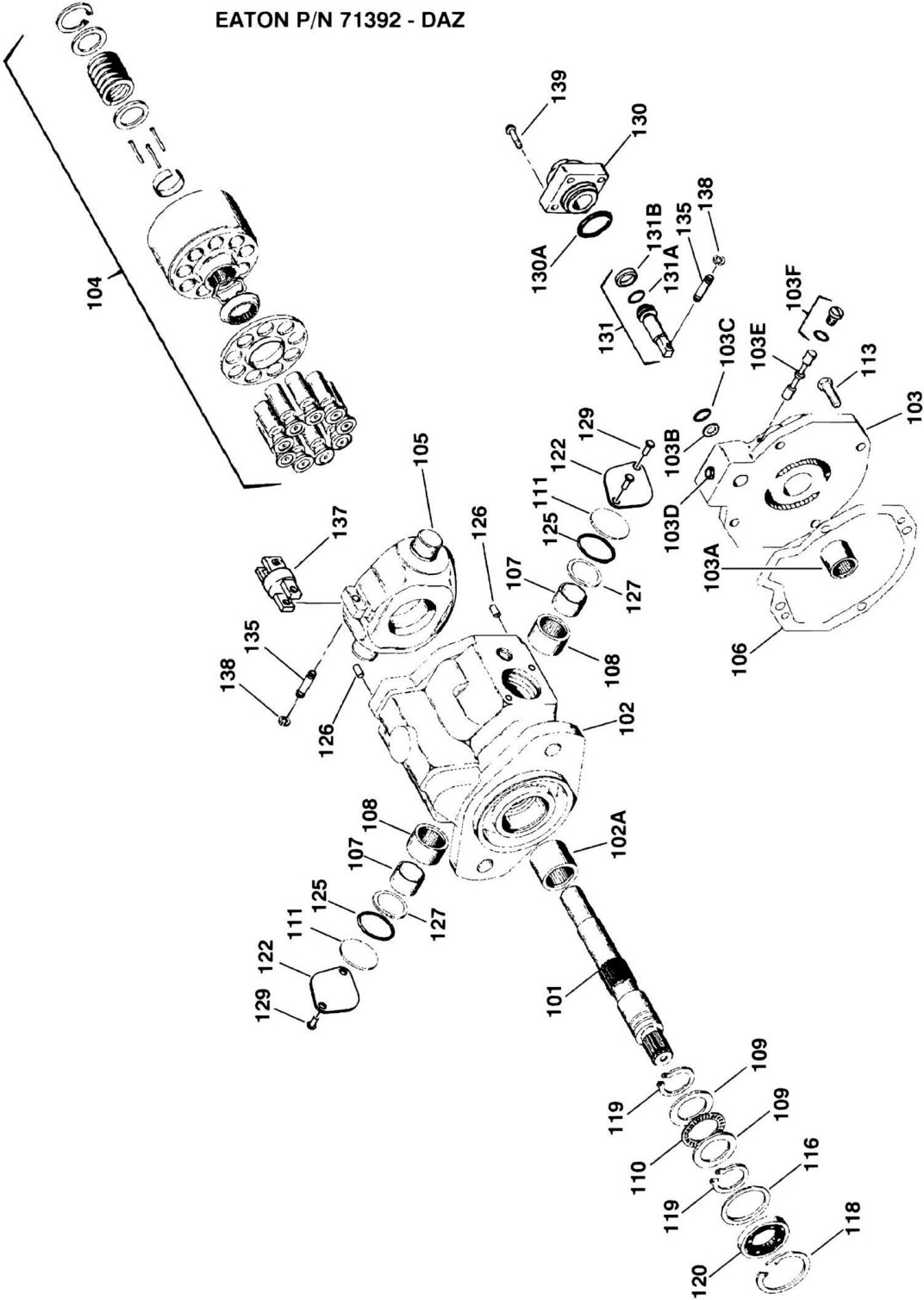
SECTION 1 - FRAME

FIGURE 1-11. DRIVE MOTOR ASSEMBLY (ELECTRIC)



SECTION 1 - FRAME

EATON P/N 71392 - DAZ



SECTION 1 - FRAME

FIGURE 1-11. DRIVE MOTOR ASSEMBLY (ELECTRIC)

ITEM	PART NUMBER	QTY	DESCRIPTION	REV
		Ref	Note: Drive Motor p/n 3160118 is no longer available. Replace complete drive motor with Service Replacement Drive Motor p/n 1001096415	
		Ref	Note: Visually identify the drive motor by Eaton part number before ordering replacement parts.	
	3160118	Ref	DRIVE MOTOR ASSEMBLY (EATON P/N 71492 - DAW)	A
1	7004912	1	Shaft, Drive	
2	7004959	1	Housing, Assembly	
2A	7004960	2	Pin, Roll	
2B	7004910	1	Bearing	
3	7004941	1	Back-Plate Assembly	
3A	7004917	1	Bearing, Needle	
3B	Kit	1	Washer	
3C	Kit	1	O-Ring	
3D	7004942	1	Plug	
3E	7004946	1	Spool, Shuttle	
3F	7004944	2	Plug, Assembly	
3F	Kit	2	O-Ring	
4	7004916	1	Rotating Kit Assembly (Sold as an Assembly Only)	
5	7007517	1	Camplate	
6	Kit	1	Gasket, Housing	
7	7004911	1	Race, Inner	
8	7004914	2	Bearing	
9	7004907	2	Race, Thrust	
10	7004908	1	Bearing, Thrust	
11	7004913	2	Cover, Trunnion	
13	7004933	4	Bolt	
16	7004906	1	Washer	
17	7004935	2	Ring, Retaining - 1 5/8in	
18	7004904	1	Ring, Retaining - 2in	
19	7004909	2	Ring, Retaining - 1 1/8in	
20	Kit	1	Seal, Shaft	
25	Kit	2	O-Ring	
30	7004939	1	Control Piston Housing Assembly	
30A	Kit	1	O-Ring	
31	7004948	1	Control Piston Assembly	
31A	Kit	1	O-Ring	
31B	Kit	1	Ring, Slippery	
35	7004929	2	Pin, Connector	
37	7004928	1	Connector, Camplate	
38	7004937	4	Ring, Retaining - 5/16in	
39	7004938	4	Bolt, Socket 1/4in-28NF x 7/8in	
41	4100028	1	Spacer, Piston (.105in)	
42	4100029	1	Spacer, Piston (.110in)	
	2900449	1	Seal Kit - Complete (Includes Items Indicated by "Kit" in P/N column)	
	1001096415	Ref	DRIVE MOTOR ASSEMBLY (EATON P/N 71392 - DAZ)	A
101	7004912	1	Shaft, Splined	
102	Not Available	1	Housing	
102A	Not Available	1	Bearing	

SECTION 1 - FRAME

ITEM	PART NUMBER	QTY	DESCRIPTION	REV
103	70002533	1	Back Plate Assembly	
103A	Not Available	1	Bearing	
103B	4100027	1	Spacer, Piston	
103C	4100028	1	Spacer, Piston	
103D	Not Available	1	Plug	
103E	Not Available	1	Spool, Shuttle	
103F	Not Available	2	Plug	
104	7004916	1	Rotating Kit Assembly (Sold as an Assembly Only)	
105	70002534	1	Camplate	
106	Kit	1	Gasket	
107	7004911	2	Race, Inner	
108	7004914	2	Bearing, Needle	
109	7004907	2	Race, Thrust	
110	7004908	1	Bearing, Thrust	
111	70002535	2	Cover, Trunnion	
113	7020323	4	Bolt	
116	7004906	1	Washer	
118	Kit	1	Ring, Retaining	
119	Kit	2	Ring, Retaining	
120	Kit	1	Seal, Shaft	
122	70002536	2	Cover	
124	70002537	1	Plate, Valve (Not Shown - Located Between Items 102 & 103)	
125	Kit	2	O-Ring	
126	70002538	2	Rollpin	
127	70002539	2	Washer	
129	70002540	4	Screw, Pan Head	
130	7004939	1	Housing, Control Piston	
130A	Kit	1	O-Ring	
131	70002541	1	Piston Control	
131A	Kit	1	O-Ring	
131B	Kit	1	Ring, Slipper	
135	7004929	2	Pin, Connector	
137	7004928	2	Plate, Connector	
138	Kit	2	Ring, Retaining	
139	7004938	4	Bolt	
140	7020347	1	Seal Kit - Complete (Includes items 103B, 103C, 106, 118, 119, 120, 125, 130A, 131A, 131B & 138)	

SECTION 1 - FRAME

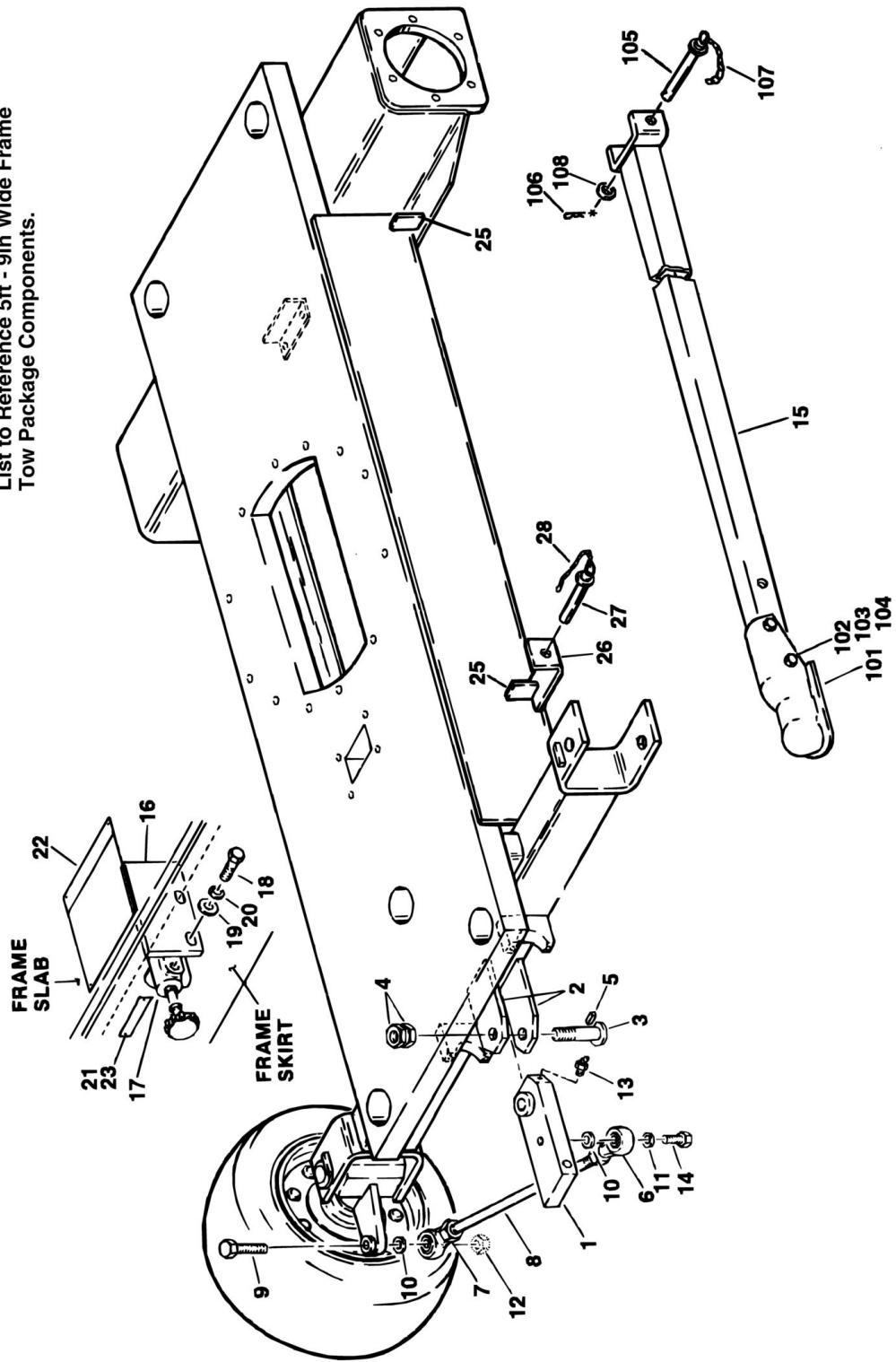
FIGURE 1-12. VALVE INSTALLATION (FRAME MOUNTED)

ITEM	PART NUMBER	QTY	DESCRIPTION	REV
		Ref	WHEEL DRIVE VALVE INSTALLATIONS	
	0250144	Ref	2WD Gas and Diesel	B
	0251141	Ref	2WD Electric	
	0250109	Ref	4WD	C
1		Ref	Valve Options:	
1	4640629	1	Valve, Positive Traction (2WD Gas and Diesel)	
1	4640260	1	Valve, Flow Divider (4WD)	
2		Ref	Bolt Options:	
2	0641528	2	Bolt 5/16in-18NC x 3 1/2in (2WD)	
2	0641522	2	Bolt 5/16in-18NC x 2 3/4in (4WD)	
3	4751500	4	Flatwasher 5/16in Narrow	
4	4761500	2	Lockwasher 5/16in	
5	3311501	2	Nut 5/16in-18NC	
6	4640443	1	Valve, Flow Divider (4WD Only)	
7	0641528	2	Bolt 5/16in-18NC x 3 1/2in	
8	4751500	4	Flatwasher 5/16in	
9	4761500	4	Lockwasher 5/16in	
10	3311501	2	Nut 5/16in-18NC	
11	4640260	1	Valve, Flow Divider (2WD Electric and 4WD)	
12	0641522	2	Bolt 5/16in-18NC x 2 3/4in (4WD Only)	
13	4751500	4	Flatwasher 5/16in (4WD Only)	
14	4761500	2	Lockwasher 5/16in (4WD Only)	
15	3311501	2	Nut 5/16in-18NC (4WD Only)	
16	2220435	1	Fitting (2WD Electric Only)	
16	2220594	1	Fitting (2WD Electric Only)	
17	4640529	1	Valve, Counterbalance (2WD Electric Only)	
18	0641620	2	Bolt 3/8in-16NC x 2 1/2in (2WD Electric Only)	
19	4751600	4	Flatwasher 3/8in (2WD Electric Only)	
20	4761600	2	Lockwasher 3/8in (2WD Electric Only)	
21	3311601	2	Nut 3/8in-16NC (2WD Electric Only)	
	0251310	Ref	OSCILLATING LOCKOUT VALVE INSTALLATION (MACHINES WITH OSCILLATING AXLE OPTION)	D
101	4640668	1	Lockout Valve Assembly	
102	4843742	1	Weldment, Valve Mounting	
103	0641620	2	Bolt 3/8in-16NC x 2 1/2in	
104	4751600	4	Flatwasher 3/8in	
105	4761600	2	Lockwasher 3/8in	
106	3311601	2	Nut 3/8in-16NC	
107	3931016	4	Screw Round Head #10-24NC x 1in	
108	4751000	8	Flatwasher #10	
109	4761000	4	Lockwasher #10	
110	3311001	4	Nut #10-24NC	
111	1100041	1	Cam (Weld to Turntable) (Prior to January 1991)	
112	4220139	1	Stop (Prior to January 1991)	
113	3534778	1	Spacer	

SECTION 1 - FRAME

FIGURE 1-13. TOW PACKAGE INSTALLATION

Note: Standard Frame Tow Package Shown. Use this Illustration and Parts List to Reference 5ft - 9in Wide Frame Tow Package Components.



SECTION 1 - FRAME

FIGURE 1-13. TOW PACKAGE INSTALLATION

ITEM	PART NUMBER	QTY	DESCRIPTION	REV
		Ref	TOW PACKAGE INSTALLATIONS	
	0238882	Ref	Tow Package (Standard) With Double Acting Steer Cylinder	E
	0239948	Ref	Tow Package (5ft-9in Frame) With Single Acting Steer Cylinder	C
	0253908	Ref	Tow Package (2WD With 12x16.5 Tires)	A
	0254094	Ref	Tow Package (4WD Machines)	A
1	2620029	1	Hitch, Tow	
1	2620038	1	Hitch, Tow (4WD Machines)	
2	3040379	2	Lug, Tow Hitch (Welded on Part) (Standard Only)	
3		Ref	Pin, Threaded Options:	
3	3421246	1	Standard	
3	3421151	1	5ft-9in Frame/2WD With 12x16.5 Tires	
4	3323002	AR	Nut, Jam 1 1/4in-12NF	
5	2880410	1	Key (Welded on Part)	
6	1360122	2	Clevis, Ball Joint	
6	1660144	2	Coupling, Tie Rod (4WD Machines)	
7	3322202	2	Nut, Jam 3/4in-16NF	
8		Ref	Rod, Tie Options:	
8	3840914	1	Standard	
8	3841005	1	5ft-9in Frame/2WD With 12x16.5 Tires	
8	3841223	1	4WD Machines	
9		Ref	Bolt Options:	
9	0642234	1	Bolt 3/4in-10NC - Standard	
9	0630424	1	Bolt, Special - 5ft-9in Frame	
9	0630466	1	Bolt, Special - 2WD With 12x16.5 Tires	
9	0642636	1	Bolt 1in-8NC x 4 1/2in - 4WD Machines	
10	4740032	2	Flatwasher, Special	
10	4562346	3	Spacer, Tube (4WD Machines)	
11	4762200	1	Lockwasher 3/4in	
12	3312202	1	Nut, Jam 3/4in-10NF (5ft-9in Frame/2WD With 12x16.5 Tires)	
12	3312605	1	Locknut 1in-8NC (4WD Machines)	
13	2160003	1	Fitting, Grease	
13	2160001	1	Fitting, Grease (4WD Machines)	
14	0642216	1	Bolt 3/4in-10NC x 2in (5ft-9in Frame/2WD With 12x16.5 Tires)	
15	0360016	1	Bar, Tow	
16	0900479	1	Bracket (Welded on Part)	
17	4640261	1	Valve, Select	
18	0641507	2	Bolt 5/16in-18NC x 7/8in	
19	4751500	2	Flatwasher 5/16in	
20	4761500	2	Lockwasher 5/16in	
21	3250872	1	Nameplate - Tow Select	
22		Ref	Nameplate - Tow Instructions Options:	
22	3250840	1	Nameplate - Tow Instructions (Prior to March 1994)	
22	1702305	1	Nameplate - Tow Instructions (March 1994 to Present)	
23	3820001	4	Rivet	
25	0361651	2	Bar	
26	3532649	1	Plate	
27	3430292	1	Pin, Quick Release	
28	1260017	1	Chain	
		Ref	TOW BAR ASSEMBLY	I

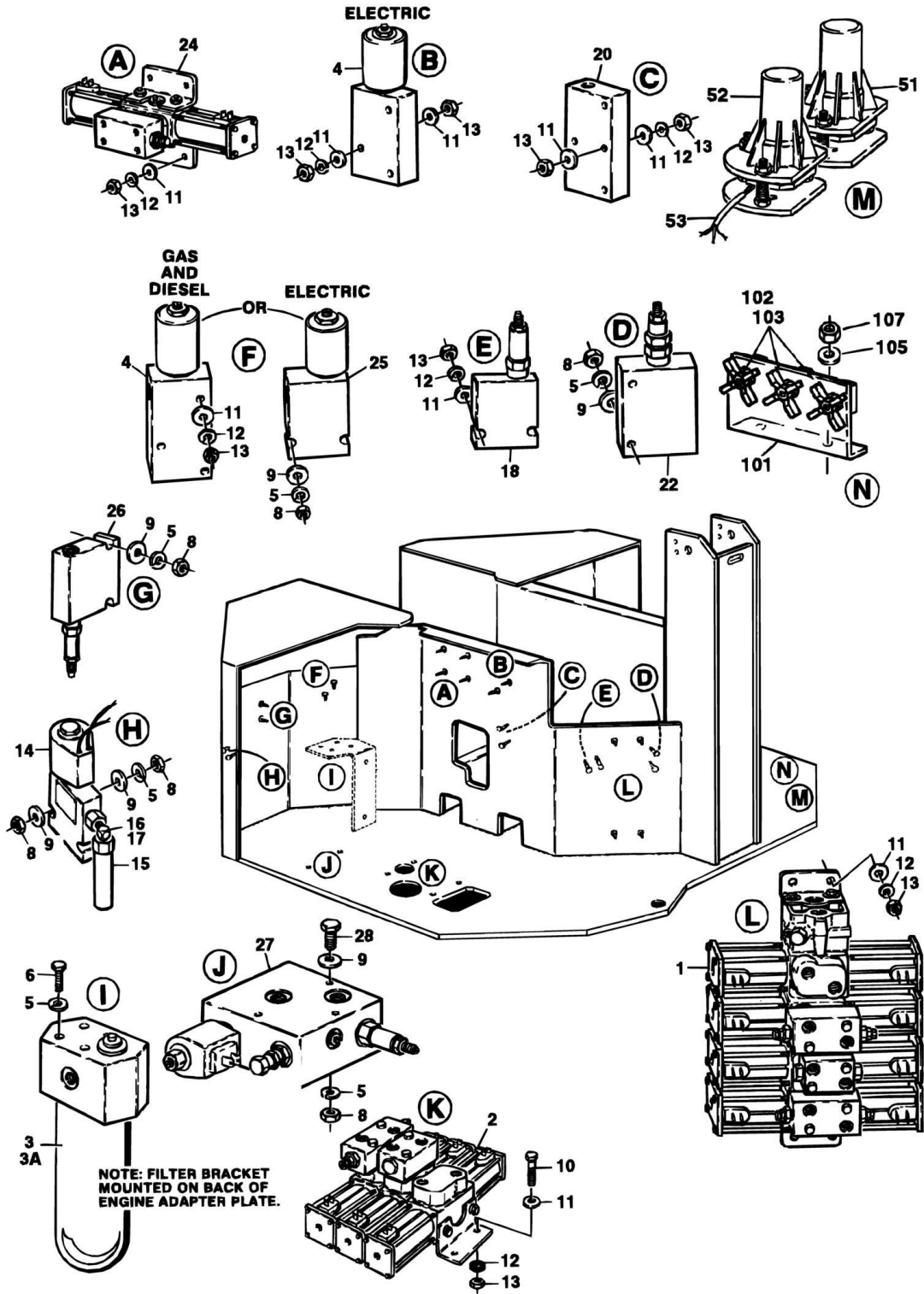
SECTION 1 - FRAME

ITEM	PART NUMBER	QTY	DESCRIPTION	REV
101	1660009	1	Coupling, Hitch	
102	0642036	2	Bolt 5/8in-11NC x 4 1/2in	
103	3312001	2	Nut 5/8in-11NC	
104	4762000	2	Lockwasher 5/8in	
105	3420352	1	Pin, Towing	
106	3420158	1	Pin, Hair	
107	1260135	1	Chain	
108	4752600	1	Flatwasher 1in	

SECTION 2 - TURNTABLE

SECTION 2 - TURNTABLE

FIGURE 2-1. CONTROL VALVES INSTALLATIONS



SECTION 2 - TURNTABLE

FIGURE 2-1. CONTROL VALVES INSTALLATIONS

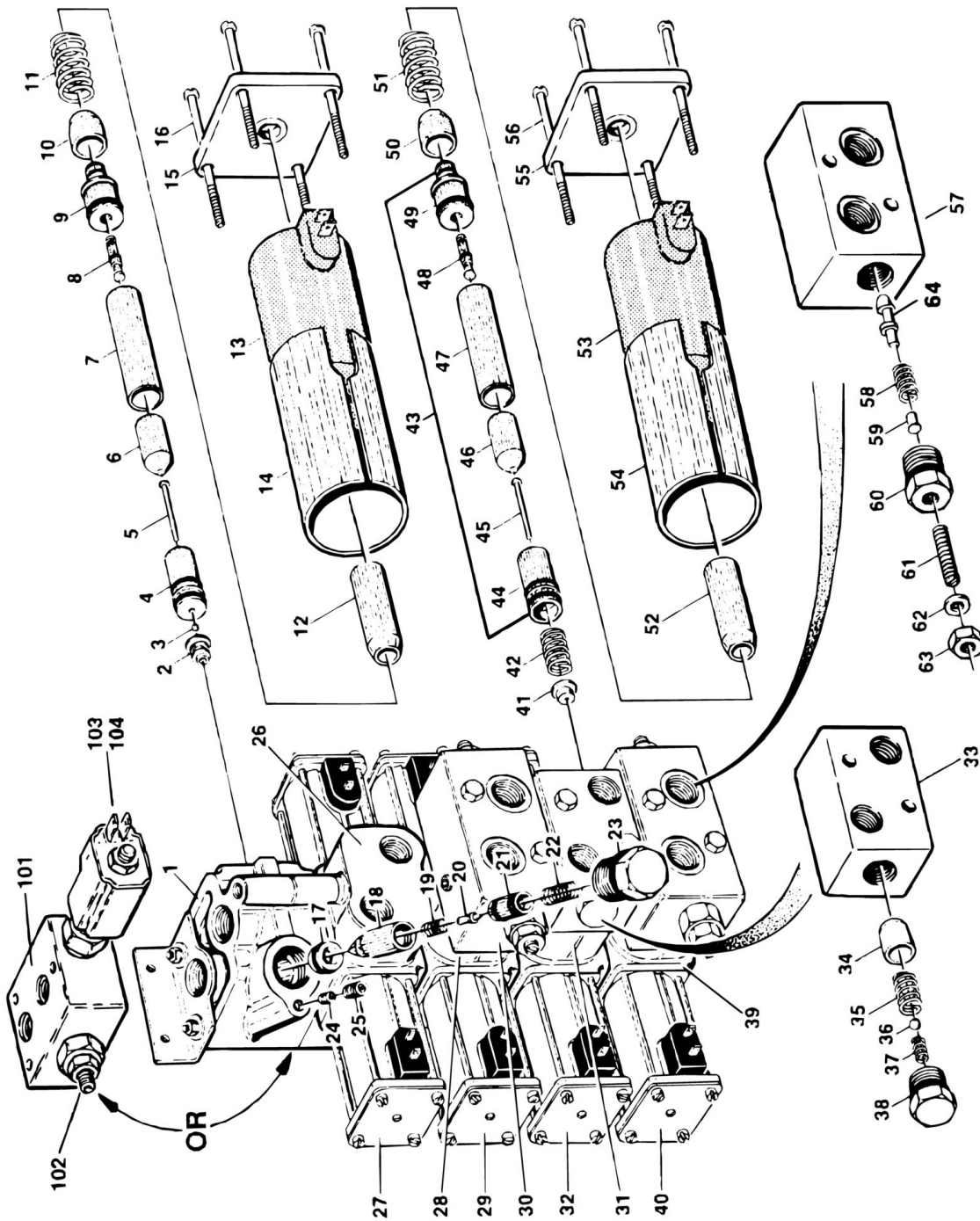
ITEM	PART NUMBER	QTY	DESCRIPTION	REV
		Ref	CONTROL VALVES INSTALLATIONS	
	0250459	Ref	Ford With Rotator (Prior to May 1992)	E
	0253178	Ref	Ford With Rotator (May 1992 to Present)	A
	0250460	Ref	Ford Without Rotator (Prior to May 1992)	C
	0253179	Ref	Ford Without Rotator (May 1992 to Present)	-
	0250615	Ref	Deutz With Rotator (Prior to May 1992)	D
	0253180	Ref	Deutz With Rotator (May 1992 to Present)	A
	0250616	Ref	Deutz Without Rotator (Prior to May 1992)	B
	0253181	Ref	Deutz Without Rotator (May 1992 to Present)	-
	0251016	Ref	Electric With Rotator (Prior to May 1992)	D
	0253182	Ref	Electric With Rotator (May 1992 to Present)	A
	0251017	Ref	Electric Without Rotator (Prior to May 1992)	A
	0253183	Ref	Electric Without Rotator (May 1992 to Present)	-
1		Ref	Control Valve Assembly Options: (See CONTROL VALVE ASSEMBLY - 3 & 4 SECTION RACINE BANGBANG for Breakdown)	
1	4640645	1	4 Section Racine Bang-Bang (With Rotator) (Prior to October 1994)	
1	4640909	1	4 Section Racine Bang-Bang (With Rotator) (October 1994 to Present)	
1	4640646	1	3 Section Racine Bang-Bang (Without Rotator)	
2	4640601	1	Control Valve Assembly - 3 Section Racine Bang-Bang (See CONTROL VALVE ASSEMBLY - 3 SECTION RACINE BANGBANG for Breakdown)	
3	2120122	1	Filter, Pressure (Ford and Deutz Only)	
3A	2120125	1	Element	
4	4640123	1	Valve, Solenoid (Prior to May 1992)	
4	7000558	1	Coil - 12VDC (FPS Version)	
4	7004368	1	Coil - 12VDC (Hydroforce Version)	
4	4640758	1	Valve, Solenoid (May 1992 to Present)	
4	7012906	1	Coil - 12VDC (Hydroforce Version)	
4	7012907	1	Seal Kit	
5	4761400	8	Lockwasher 1/4in	
6	0641406	2	Bolt 1/4in-20NC x 3/4in	
7	4300042	6	Stud (Welded on Part) (Not Shown)	
8	3311405	10	Locknut 1/4in-20NC	
9	4751400	10	Flatwasher 1/4in	
10	0641514	4	Bolt 5/16in-18NC x 1 3/4in	
11	4751500	20	Flatwasher 5/16in	
12	4761500	12	Lockwasher 5/16in	
13	3311501	16	Nut 5/16in-18NC	
14	4640543	1	Valve, Dump	
14	7004368	1	Coil - 12VDC (Hydroforce Version)	
14	7009745	1	Coil - 12VDC (Modular Controls Version)	
15		Ref	Valve, Flow Control Options:	
15	4640627	1	Valve, Flow Control (Prior to May 1992)	
15	4640623	1	Valve, Flow Control (May 1992 to Present)	
16		Ref	Fitting Options:	
16	2220444	1	With Rotator	
16	2220444	1	Without Rotator	
16	2180029	1	With and Without Rotator (Prior to April 1992)	

SECTION 2 - TURNTABLE

ITEM	PART NUMBER	QTY	DESCRIPTION	REV
16	2220446	1	With and Without Rotator (April 1992 to May 1992)	
16	2220651	1	With and Without Rotator (May 1992 to Present)	
17		Ref	Fitting Options:	
17	2220820	1	With and Without Rotator (Prior to April 1992)	
17	2220673	1	With and Without Rotator (April 1992 to May 1992)	
17	2220373	1	With and Without Rotator (May 1992 to Present)	
18	4640522	1	Valve, Pressure Reducing (Prior to May 1992)	
18	4640523	1	Cartridge	
19	4300038	4	Stud (Welded on Part) (Not Shown)	
20	4640150	1	Valve, Pilot Check	
21	4300033	4	Stud (Welded on Part) (Not Shown)	
22	4640521	1	Valve, Control	
22	7004281	1	Cartridge	
22	7004282	1	Seal Kit	
24	4640570	1	Valve Assembly - Racine Single Stack (Electric Only) (See VALVE ASSEMBLY - SINGLE STACK RACINE for Breakdown)	
25	4640513	1	Valve, Dump Solenoid (Electric Only)	
25	7003640	1	Coil - 12VDC (Modular Controls Version)	
25	7000645	1	Coil - 12VDC (Hydroforce Version)	
25	2900503	1	Seal, Kit (Modular Controls Version)	
25	2900756	1	Seal, Kit (Hydroforce Version)	
26	4640533	1	Valve, Sequence (Electric Only)	
27	4640598	1	Valve, Modular Control (Electric Only) (See MODULAR CONTROL VALVE ASSEMBLY for Breakdown)	
28	0641428	2	Bolt 1/4in-20NC x 3 1/2in (Electric Only)	
		Ref	TILT INDICATOR INSTALLATIONS	
	0251332	Ref	Gas and Diesel	C
	0251565	Ref	Electric	A
51	4360280	1	Sensor, Level - 3, (All Machines)	
52	4360171	1	Sensor, Level - 5, (Electric Machines Only)	
53	2820022	AR	Tubing, Vinyl	
		Ref	MANUAL DESCENT INSTALLATIONS	
	0251369	Ref	Gas and Diesel	B
	0252278	Ref	Electric	-
101	0901790	1	Bracket (Gas and Diesel Only)	
102	4640005	3	Valve	
103	2900062	3	Kit, Mounting	
104	4300034	2	Stud (Welded on part) (Not Shown) (Gas and Diesel Only)	
105	4750016	2	Flatwasher 3/8in (Gas and Diesel Only)	
107	3311605	2	Locknut 3/8in-16NC (Gas and Diesel Only)	
110	4752200	6	Flatwasher (Not Shown) (Electric Only)	

SECTION 2 - TURNTABLE

FIGURE 2-2. CONTROL VALVE ASSEMBLY - 3 & 4 SECTION RACINE BANG - BANG



SECTION 2 - TURNTABLE

FIGURE 2-2. CONTROL VALVE ASSEMBLY - 3 & 4 SECTION RACINE BANG - BANG

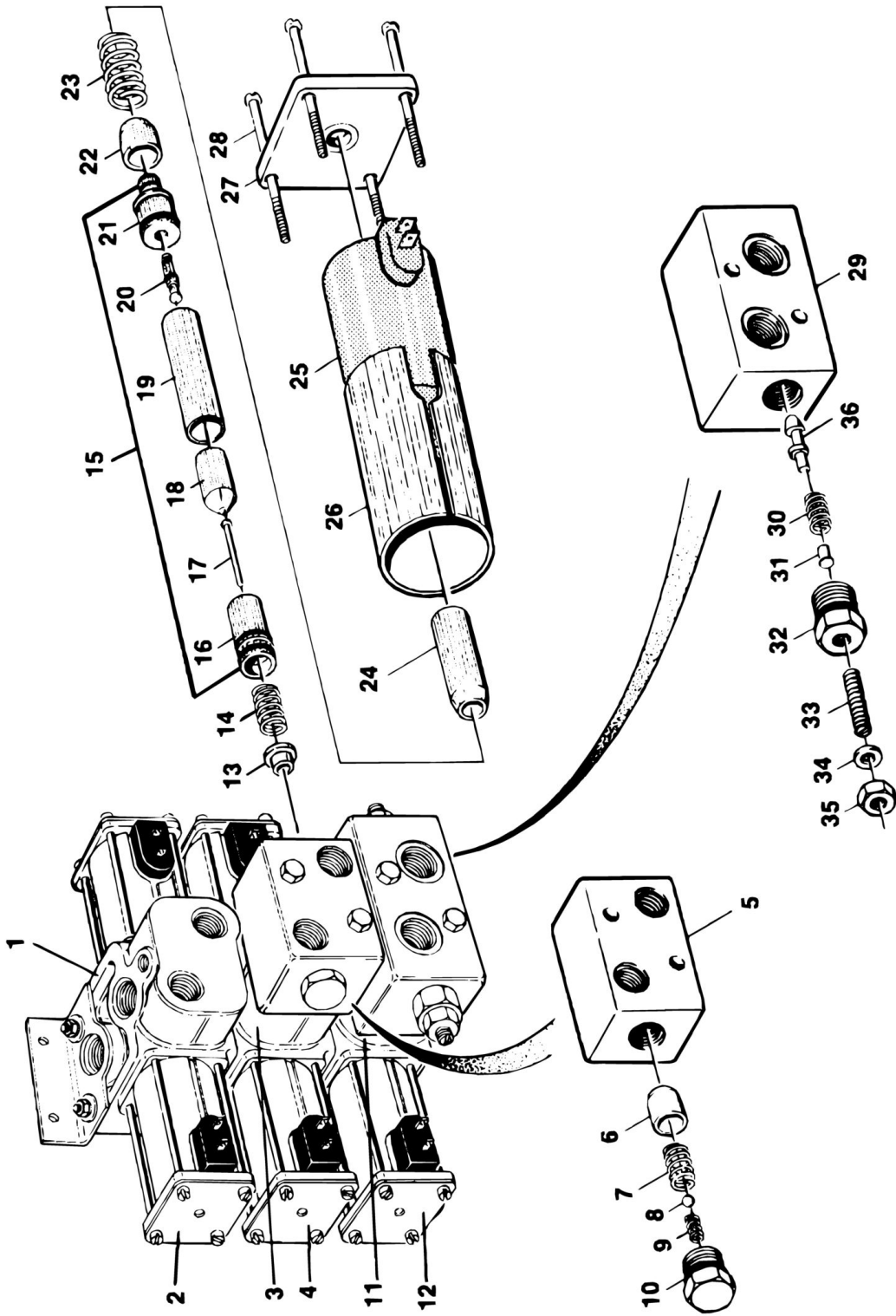
ITEM	PART NUMBER	QTY	DESCRIPTION	REV
		Ref	CONTROL VALVE ASSEMBLIES	
	4640645	Ref	4 Section (Prior to October 1994)	-
	4640909	Ref	4 Section (October 1994 to Present)	-
	4640646	Ref	3 Section	-
1	7002304	1	Dump Section - Complete (All Except 4640909)	
1		Ref	Solenoid Assembly	
2	7004823	1	Seat	
2	Kit	1	O-Ring	
3	7002229	1	Ball	
3		Ref	Guide Tube Assembly	
4	7004822	1	Cone, Female	
4	Kit	1	O-Ring	
5	7002346	1	Pin, Push	
6	7004839	1	Plunger	
7	7004838	1	Tube, Guide	
8	7004841	1	Pin, Push	
8	Kit	1	O-Ring	
9	7002340	1	Guide, External Push Pln	
9	Kit	1	O-Ring	
10	7004834	1	Sleeve, Inner Flux	
11	7002334	1	Spring	
12	7004835	1	Sleeve, Outer Flux	
13	7000417	1	Coil	
14	7004836	1	Case, Solenoid	
15	7002338	1	Plate, End	
15A	7002327	1	Nameplate	
16	7004837	4	Screw	
17	7002322	1	Seat	
17	Kit	1	O-Ring	
17		Ref	Main Relief (Poppet) Valve	
18	7002321	1	Case, Poppet	
19	7002338	1	Spring	
20	7002294	1	Poppet	
21	7002320	1	Seat, Adjustable	
21	Kit	1	O-Ring	
22	7002329	1	Spring	
23	7002323	1	Plug	
23	Kit	1	O-Ring	
24	7002326	1	Orifice	
25	7002324	1	Plug	
26	7002317	1	Rotator Section - Complete (4 Section Only)	
27	7004859	2	Solenoid Assembly (Refer To Items 41-56 For Serviced Parts)	
28	7002315	1	Steer Section - Complete	
29	7004859	2	Solenoid Assembly (Refer To Items 41-56 For Serviced Parts)	
30	7000468	1	Crossover Relief Valve Assembly (Due to various suppliers, internal components are no longer field serviceable)	
31	7002316	1	Level Section - Complete	
32	7004859	2	Solenoid Assembly (Refer To Items 41-56 For Serviced Parts)	
33	7002262	1	Dual Pilot Check Valve Assembly (Due to various suppliers, internal components are no longer field serviceable)	

SECTION 2 - TURNTABLE

ITEM	PART NUMBER	QTY	DESCRIPTION	REV
34	7002359	2	Poppet	
35	7002356	2	Spring	
36	7002225	2	Ball	
37	7002358	2	Spring	
38	7002357	2	Plug	
38	Kit	1	O-Ring	
39	7003855	1	Telescope Section - Complete	
40	7004859	2	Solenoid Assembly	
41	7003825	1	Washer	
42	7002348	1	Spring	
43	7002305	1	Guide Tube Assembly	
44	7002345	1	Cone, Female	
44	Kit	1	O-Ring	
44	Kit	1	O-Ring	
45	7002346	1	Pin, Push	
46	7002344	1	Plunger	
47	7000470	1	Tube, Guide	
48	7002341	1	Pin, Actuator	
48	Kit	1	Ring, Quad	
49	7002340	1	Guide, External Push Pln	
49	Kit	1	O-Ring	
50	7002333	1	Sleeve, Inner Flux	
51	7002334	1	Spring	
52	7002336	1	Sleeve, Outer Flux	
53	7000418	1	Coil	
54	7002335	1	Case, Solenoid	
55	7002338	1	Plate, End	
55A	7002327	1	Nameplate	
56	7002339	4	Screw	
57	7000468	1	Crossover Relief Valve Assembly (Due to various suppliers, internal components are no longer field serviceable)	
58	7002355	2	Spring	
59	7000116	2	Rivet	
60	7002350	2	Plug	
60	Kit	1	O-Ring	
61	7000113	2	Screw, Adjusting	
62	Kit	2	Seal, Thread	
63	7000114	2	Nut	
64	7002353	2	Piston	
101	7002447	Ref	DUMP SECTION - COMPLETE (4640909)	
102	7002448	1	Cartridge	
102	7002449	1	Seal Kit - 7002448 Cartridge	
103	7002450	1	Coil	
104	7002451	1	Cartridge without Coil	
104	7011118	1	Seal Kit 7002451	
	7000414	4	Seal Kit - Working Section	
	7000413	1	Seal Kit - Dump Section	
	7000439	2	Seal Kit - Relief Valve Block (Telescope and Steer)	
	7000440	1	Seal Kit - Relief Valve Block (Level)	

SECTION 2 - TURNTABLE

FIGURE 2-3. CONTROL VALVE ASSEMBLY - 3 SECTION RACINE BANG - BANG



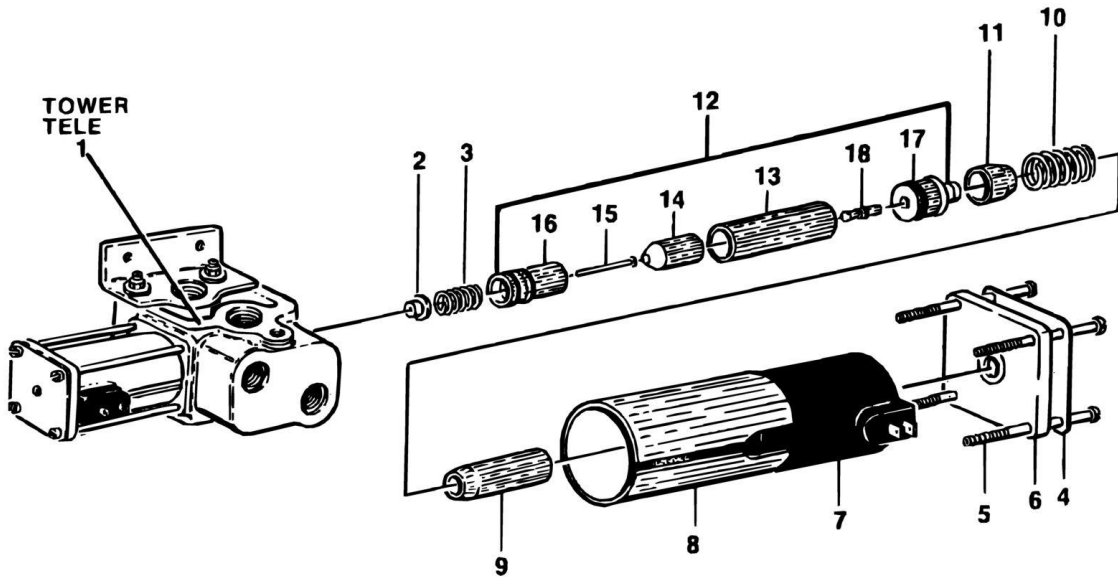
SECTION 2 - TURNTABLE

FIGURE 2-3. CONTROL VALVE ASSEMBLY - 3 SECTION RACINE BANG - BANG

ITEM	PART NUMBER	QTY	DESCRIPTION	REV
	4640601	Ref	CONTROL VALVE ASSEMBLY	
1	7002317	1	Working Section - Complete	
2	7004859	2	Solenoid Assembly (Refer to Items 13-28 for Serviced Parts)	
3	7003841	1	Working Section - Complete	
4	7004859	2	Solenoid Assembly (Refer to Items 13-28 for Serviced Parts)	
5	7002262	NLA	Dual Pilot Check Valve Assembly (Due to various suppliers, internal components are no longer field serviceable)	
6	7002359	2	Poppet	
7	7002356	2	Spring	
8	7002225	2	Ball	
9	7002358	2	Spring	
10	7002357	2	Plug	
10	Kit	2	O-Ring	
11	7003855	1	Working Section - Complete	
12	7004859	2	Solenoid Assembly (Refer to Items 13-28 for Serviced Parts)	
13	7003825	1	Washer	
14	7002348	1	Spring	
15	7002305	1	Guide Tube Assembly	
16	7002345	1	Cone, Female	
16	Kit	1	O-Ring	
16	Kit	1	O-Ring	
17	7002346	1	Pin, Push	
18	7002344	1	Plunger	
19	7000470	1	Tube, Guide	
20	7002341	1	Pin, Actuator	
20	Kit	1	Ring, Quad	
21	7002340	1	Guide, External Push Pln	
21	Kit	1	O-Ring	
22	7002333	1	Sleeve, Inner Flux	
23	7002334	1	Spring	
24	7002336	1	Sleeve, Outer Flux	
25	7000418	1	Coil	
26	7002335	1	Case, Solenoid	
27	7002338	1	Plate, End	
28	7002339	4	Screw	
29	7000468	NLA	Crossover Relief Valve Assembly (Due to various suppliers, internal components are no longer field serviceable)	
30	7002355	2	Spring	
31	7000116	2	Rivet	
32	7002350	2	Plug	
32	Kit	2	O-Ring	
33	7000113	2	Screw, Adjusting	
34	Kit	2	Seal, Thread	
35	7000114	2	Nut	
36	7002353	4	Piston	
	7000414	3	Seal, Kit - Working Sections	
	7000439	1	Seal, Kit - Relief Valve Block (7002262 Relief Valve)	
	7000440	1	Seal, Kit - Relief Valve Block (7000468 Relief Valve)	

SECTION 2 - TURNTABLE

FIGURE 2-4. VALVE ASSEMBLY - SINGLE STACK RACINE



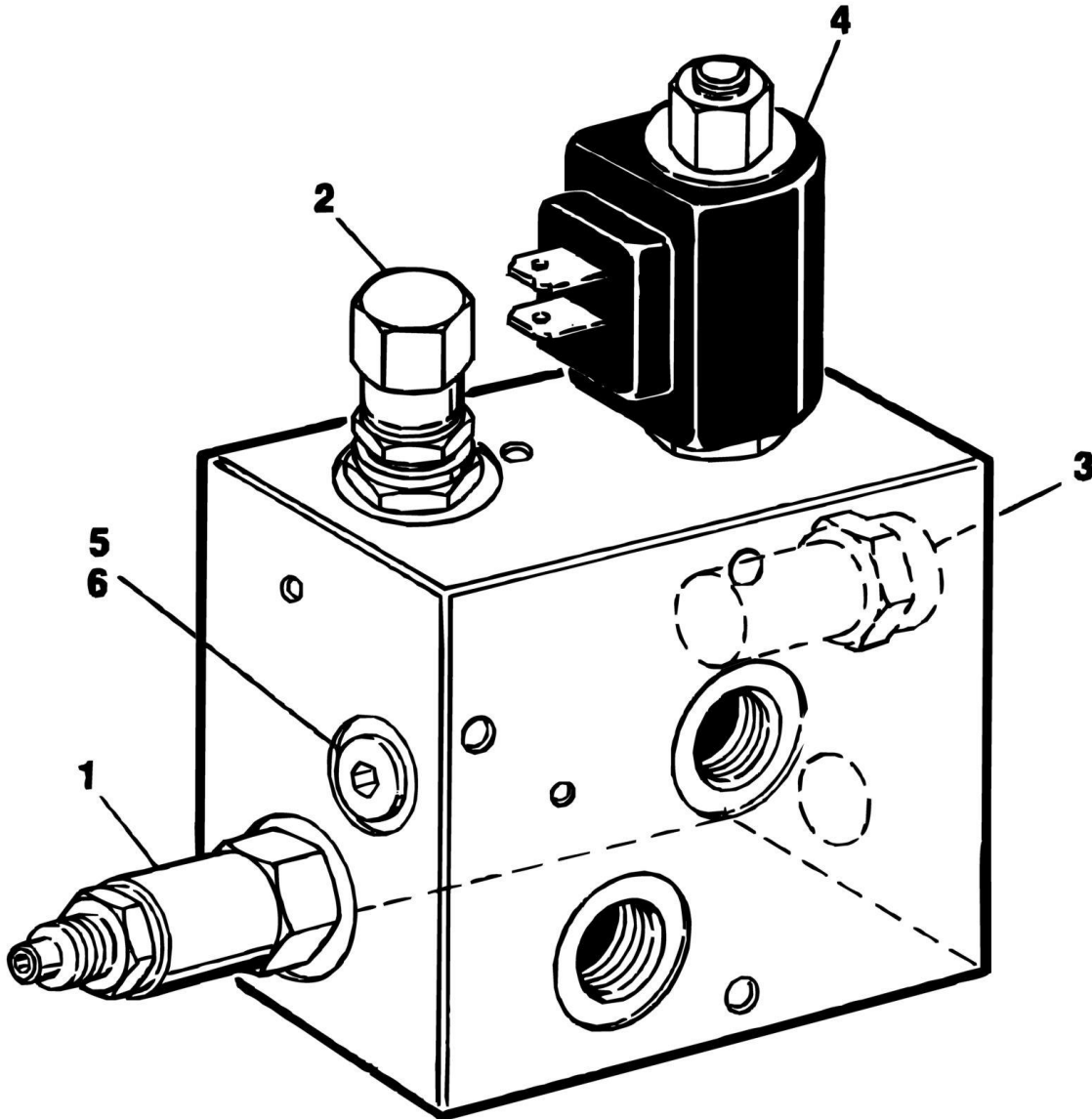
SECTION 2 - TURNTABLE

FIGURE 2-4. VALVE ASSEMBLY - SINGLE STACK RACINE

ITEM	PART NUMBER	QTY	DESCRIPTION	REV
	4640570	Ref	VALVE ASSEMBLY	
1	7004894	1	Drive Section - Complete	
2	7003825	2	Seat, Washer	
3	7002348	2	Spring	
4	7003828	2	Nameplate	
4	7004896	2	Solenoid Assembly	
5	7002339	4	Screw	
6	7002338	1	Plate, End	
7	7000418	1	Coil	
8	7002335	1	Case, Solenoid	
9	7002336	1	Sleeve, Outer Flux	
10	7002334	1	Spring	
11	7002333	1	Sleeve, Inner Flux	
12	7004821	1	Guide Tube Assembly	
13	7000470	1	Tube, Guide	
14	7002344	1	Plunger	
15	7002346	1	Pin, Push	
16	7003830	1	Cone Assembly	
16	7002345	1	Cone	
16	Kit	1	O-Ring 1 1/16in O.D.	
16	Kit	1	O-Ring 3/4in O.D.	
17	7003831	1	Pin and Guide Assembly	
17	7002340	1	Guide	
17	Kit	1	O-Ring 11/16in O.D.	
18	7003829	1	Pin Assembly	
18	Kit	1	Seal, Pin	
	7002347	1	O-Ring 3/4in O.D. (Use Between Sections - Not Shown)	
	7000448	1	O-Ring 1 1/16in O.D. (Use Between Sections - Not Shown)	
	7000437	4	Seal Kit - Valve Section	

SECTION 2 - TURNTABLE

FIGURE 2-5. MODULAR CONTROL VALVE ASSEMBLY



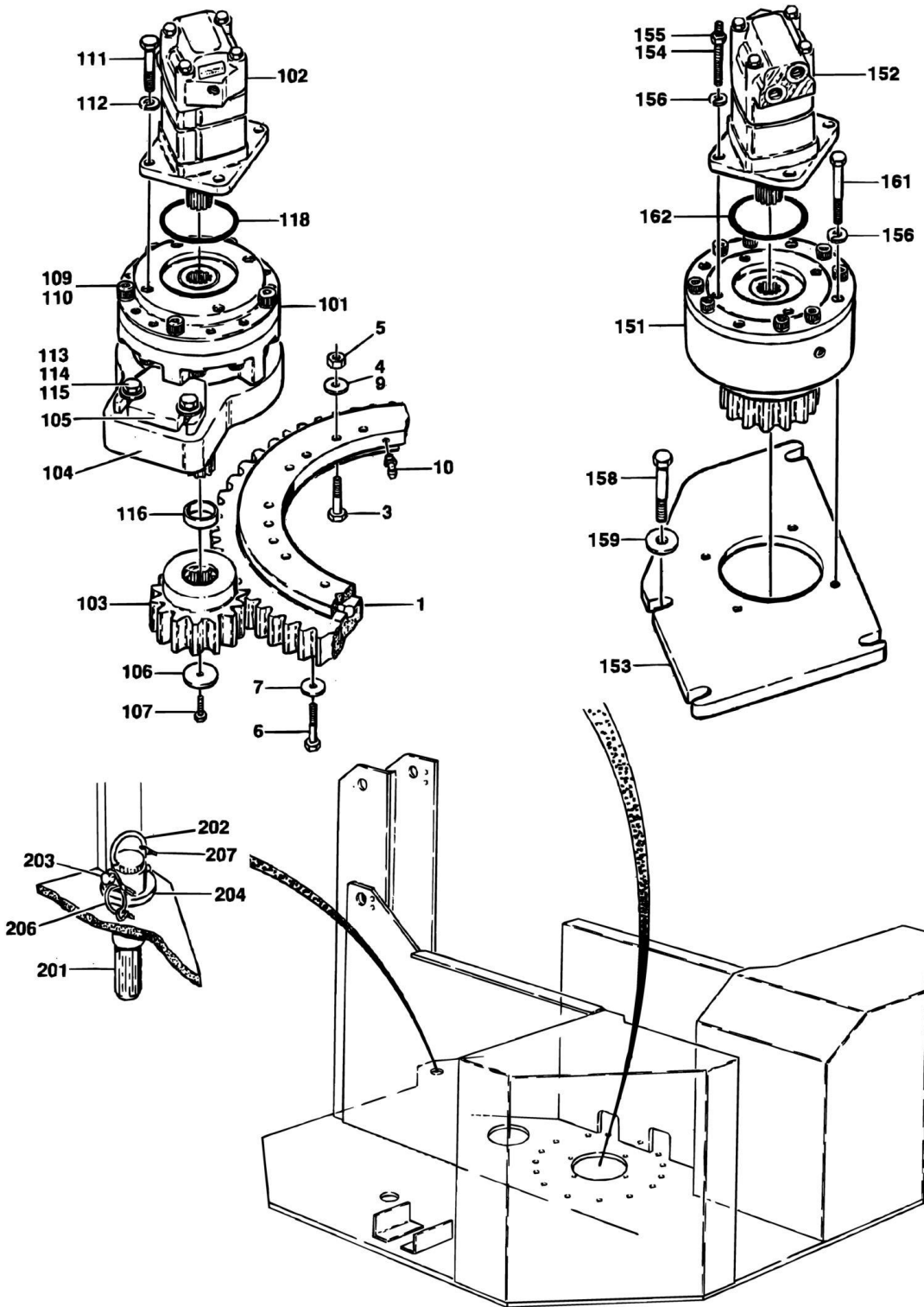
SECTION 2 - TURNTABLE

FIGURE 2-5. MODULAR CONTROL VALVE ASSEMBLY

ITEM	PART NUMBER	QTY	DESCRIPTION	REV
	4640598	Ref	VALVE ASSEMBLY	A
1	7010511	1	Cartridge, Differ Pressure Sensing	
2	7010512	1	Cartridge, Relief	
3	7010513	1	Cartridge, Modulating Orifice Spool	
4	7010514	1	Cartridge, Electric/Hydraulic Relief	
4	7009742	1	Coil - 12VDC	
4	7010516	1	Nut	
5	7010515	1	Orifice	
6	7004232	1	Plug	
	2900735	1	Seal Kit (Item 1)	
	2900503	2	Seal Kit (Items 2 & 4)	
	2900696	1	Seal Kit (Item 3)	

SECTION 2 - TURNTABLE

FIGURE 2-6. SWING DRIVE AND BEARING INSTALLATION



SECTION 2 - TURNTABLE

FIGURE 2-6. SWING DRIVE AND BEARING INSTALLATION

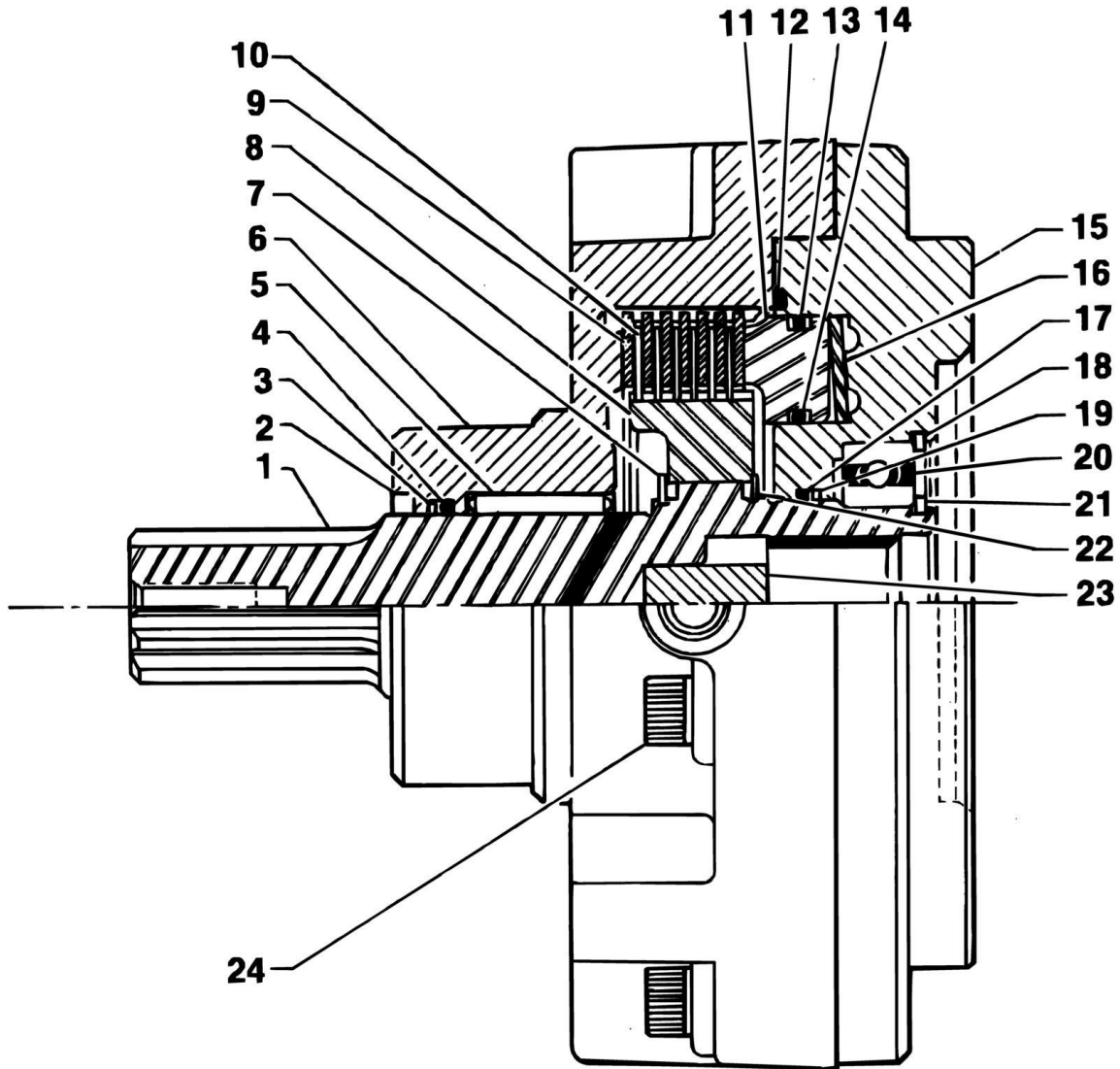
ITEM	PART NUMBER	QTY	DESCRIPTION	REV
	0238511	Ref	TURNTABLE BEARING INSTALLATION	
1	0440067	1	Bearing, Turntable	
3	0682020	15	Bolt 5/8in-11NC x 2 1/2in (Grade 8)	
4	4740004	12	Washer, Hardened	
5	3300183	15	Nut 5/8in-11NC (Grade 8)	
6	0681820	12	Bolt 1/2in-13NC x 2 1/2in (Grade 8)	
7	4740003	12	Washer, Hardened	
9	4740048	3	Washer, Special	
10	2160001	1	Fitting, Grease (Prior to March 1993)	
	0100019	AR	Loctite #271 (Not Shown)	
	0100004	AR	Devcon (Not Required on Machines with Milled Frame and Turntable)	
	0238523	Ref	SWING DRIVE INSTALLATION - MACHINES BUILT THROUGH 1992	E
101	0920074	1	Swing Brake Assembly (See SWING BRAKE ASSEMBLY for Breakdown)	
102	3160147	1	Swing Motor Assembly (See SWING MOTOR ASSEMBLY for Breakdown)	
103	2440056	1	Pinion	
104	0080148	1	Adapter	
105	0560793	1	Block, Clamp	
106	4740018	1	Washer	
107	0641608	1	Bolt 3/8in-16NC x 1in	
109	3931856	4	Bolt 1/2in-13NC x 3 1/2in	
110	4740189	4	Lockwasher 1/2in	
111	0641810	4	Bolt 1/2in-13NC x 1 1/4in	
112	4761800	4	Lockwasher 1/2in	
113	0641610	2	Bolt 3/8in-16NC x 1 1/4in	
114	4761600	2	Lockwasher 3/8in	
115	4751600	2	Flatwasher 3/8in	
116	4563923	1	Spacer	
118	3790045	1	O-Ring	
	0100011	AR	Loctite #242 (Not Shown)	
	0100020	AR	Sealant, Pipe (Not Shown)	
	0252578	Ref	SWING DRIVE INSTALLATION - MACHINES BUILT 1993 TO MAY 1994	D
151	0920089	1	Swing Brake Assembly	
151	7012570	1	Seal Kit - 0920089 Brake (Includes Seals, O-Rings, Back-up Rings and Retaining Ring)	
151	7012571	1	Rebuilt Kit - 0920089 Brake (Includes 7012570 Seal Kit, Inner and Outer Discs and Pressure Plate)	
152	3160183	1	Swing Motor Assembly (See SWING MOTOR ASSEMBLY for Breakdown)	
153	3535607	1	Plate, Mounting	
154	4300107	4	Stud 1/2in-13NC x 2in	
155	3311801	4	Nut 1/2in-13NC x 2in	
156	4761800	8	Lockwasher 1/2in	
158	0642014	4	Bolt 5/8in-11NC x 1 3/4in	
159	4740004	4	Washer, Hardened	
161	0641830	4	Bolt 1/2in-13NC x 3 3/4in	
162	3790155	1	O-Ring	

SECTION 2 - TURNTABLE

ITEM	PART NUMBER	QTY	DESCRIPTION	REV
	0100019	AR	Loctite #271 (Not Shown)	
	0100021	AR	Primer (Not Shown)	
	0255010	Ref	SWING DRIVE INSTALLATION - MACHINES BUILT MAY 1994 TO PRESENT	-
151	0920095	1	Swing Brake Assembly	
151	7012651	1	Seal Kit - 0920095 Brake (Includes Seals, O-Rings, Back-up Rings and Retaining Ring)	
151	7012650	1	Rebuilt Kit - 0920095 Brake (Includes 7012651 Seal Kit, Inner and Outer Discs and Pressure Plate)	
152	3160183	1	Swing Motor Assembly (See SWING MOTOR ASSEMBLY for Breakdown)	
153	3535607	1	Plate, Mounting	
154	3311801	4	Nut 1/2in-13NC x 2in	
156	4740252	8	Washer, Hardened	
158	0642014	4	Bolt 5/8in-11NC x 1 3/4in	
159	4740004	4	Washer, Hardened	
161	0641834	4	Bolt 1/2in-13NC x 4 1/4in	
162	3790155	1	O-Ring	
	0100019	AR	Loctite #271 (Not Shown)	
	0238164	Ref	TURNTABLE LOCK INSTALLATION	B
201	3421452	1	Pin, Lock	
202	3760215	1	D-Ring	
203	3421453	1	Snap-Pin	
204	4842998	1	Bushing (Welded on Part)	
206	3760170	1	Ring, Quick Release	
207	1260017	1	Chain	

SECTION 2 - TURNTABLE

FIGURE 2-7. SWING BRAKE ASSEMBLY (MACHINES BUILT THROUGH 1992)



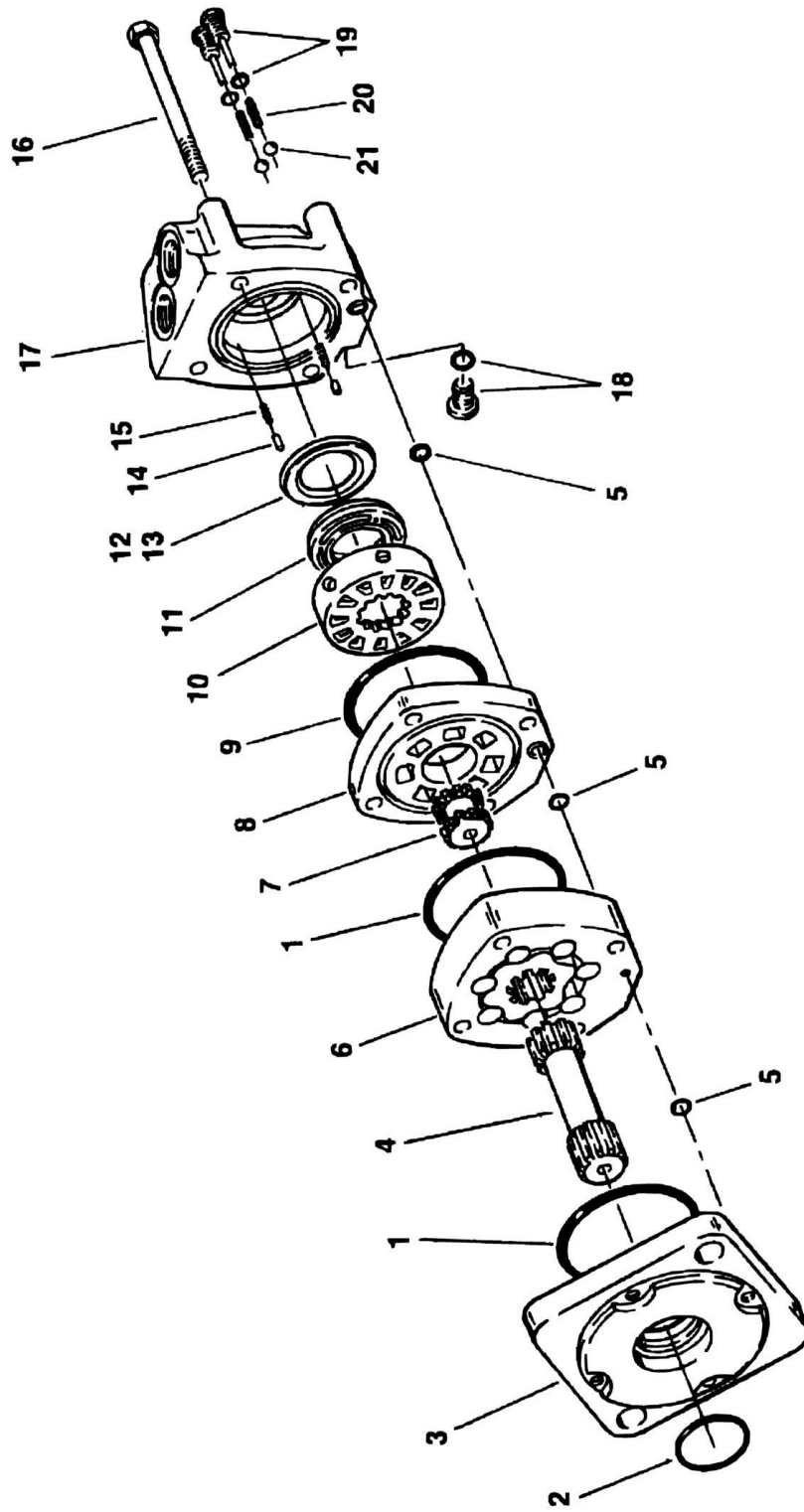
SECTION 2 - TURNTABLE

FIGURE 2-7. SWING BRAKE ASSEMBLY (MACHINES BUILT THROUGH 1992)

ITEM	PART NUMBER	QTY	DESCRIPTION	REV
	0920074	Ref	SWING BRAKE ASSEMBLY	B
1	7007960	1	Shaft	
2	Kit	1	Seal, Oil	
3	Kit	1	Ring, Back-up	
4	Kit	1	Ring, Quad	
5	7007956	1	Bearing, Needle	
6	7007955	1	Plate, Cover	
7	7007954	1	Ring, Retaining	
8	7007953	1	Spline, Outer	
9	7007952	7	Stator	
10	7007951	6	Rotor	
11	7007950	1	Piston	
12	Kit	1	O-Ring	
13	Kit	1	O-Ring	
14	Kit	1	O-Ring	
15	7007946	1	Plate, Pressure	
16	7007945	1	Spring, Belleville	
17	Kit	1	Ring, Quad	
18	7007943	1	Ring, Retaining	
19	Kit	1	Ring, Back-up	
20	7007941	1	Bearing	
21	7007940	1	Ring, Retaining	
22	7007939	1	Ring, Retaining	
23	7007938	1	Pin, Dowel	
24	7007937	8	Bolt	
	2900724	1	Seal Kit (Includes Items 2, 3, 4, 12, 13, 14, 17 & 19)	

SECTION 2 - TURNTABLE

FIGURE 2-8. SWING MOTOR ASSEMBLY (MACHINES BUILT PRIOR TO 1993)



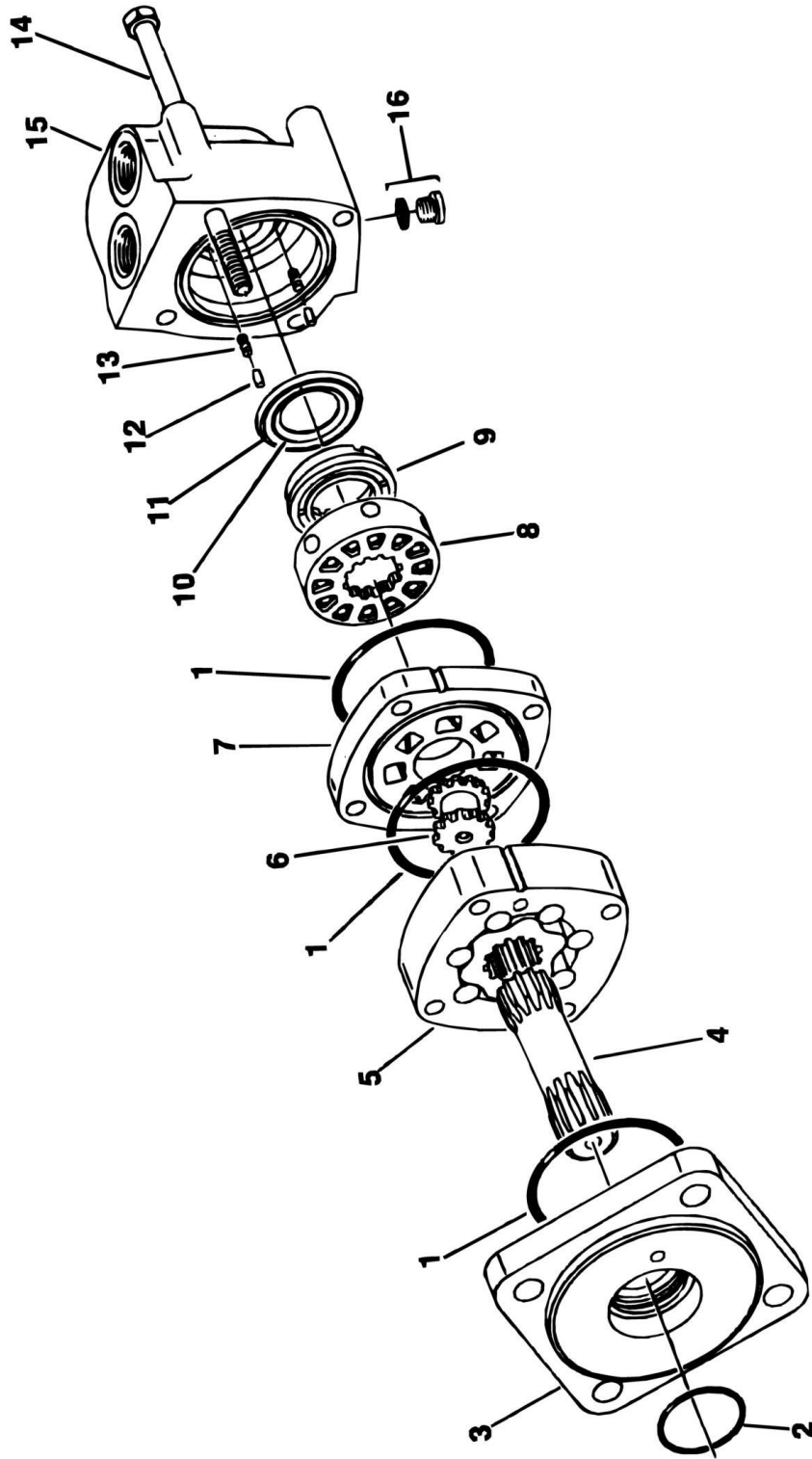
SECTION 2 - TURNTABLE

FIGURE 2-8. SWING MOTOR ASSEMBLY (MACHINES BUILT PRIOR TO 1993)

ITEM	PART NUMBER	QTY	DESCRIPTION	REV
	3160147	Ref	SWING MOTOR ASSEMBLY	
1	Kit	2	Seal	
2	7009901	1	Seal	
3	7009902	1	Flange, Mounting	
4	7009903	1	Drive	
5	Kit	3	O-Ring	
6	7009904	1	Geroler	
7	7009905	1	Drive, Valve	
8	7009906	1	Plate, Valve	
9	Kit	1	Seal	
10	7009908	1	Valve	
11	7009909	1	Ring, Balance	
12	Kit	1	Seal, Face-Inner	
13	Kit	1	Seal, Face-Outer	
14	7009912	2	Pin	
15	7009913	2	Spring	
16	7009914	4	Bolt	
17	7009915	1	Housing	
18	7002157	1	Plug Assembly	
18	Kit	1	O-Ring	
19	7002159	2	Check Plug Assembly	
19	Kit	2	O-Ring	
20	7000192	2	Spring	
21	7000191	2	Ball, Steel	
	2900686	1	Seal Kit (Includes all seals except Item 2)	

SECTION 2 - TURNTABLE

FIGURE 2-9. SWING MOTOR ASSEMBLY (MACHINES BUILT 1993 TO PRESENT)



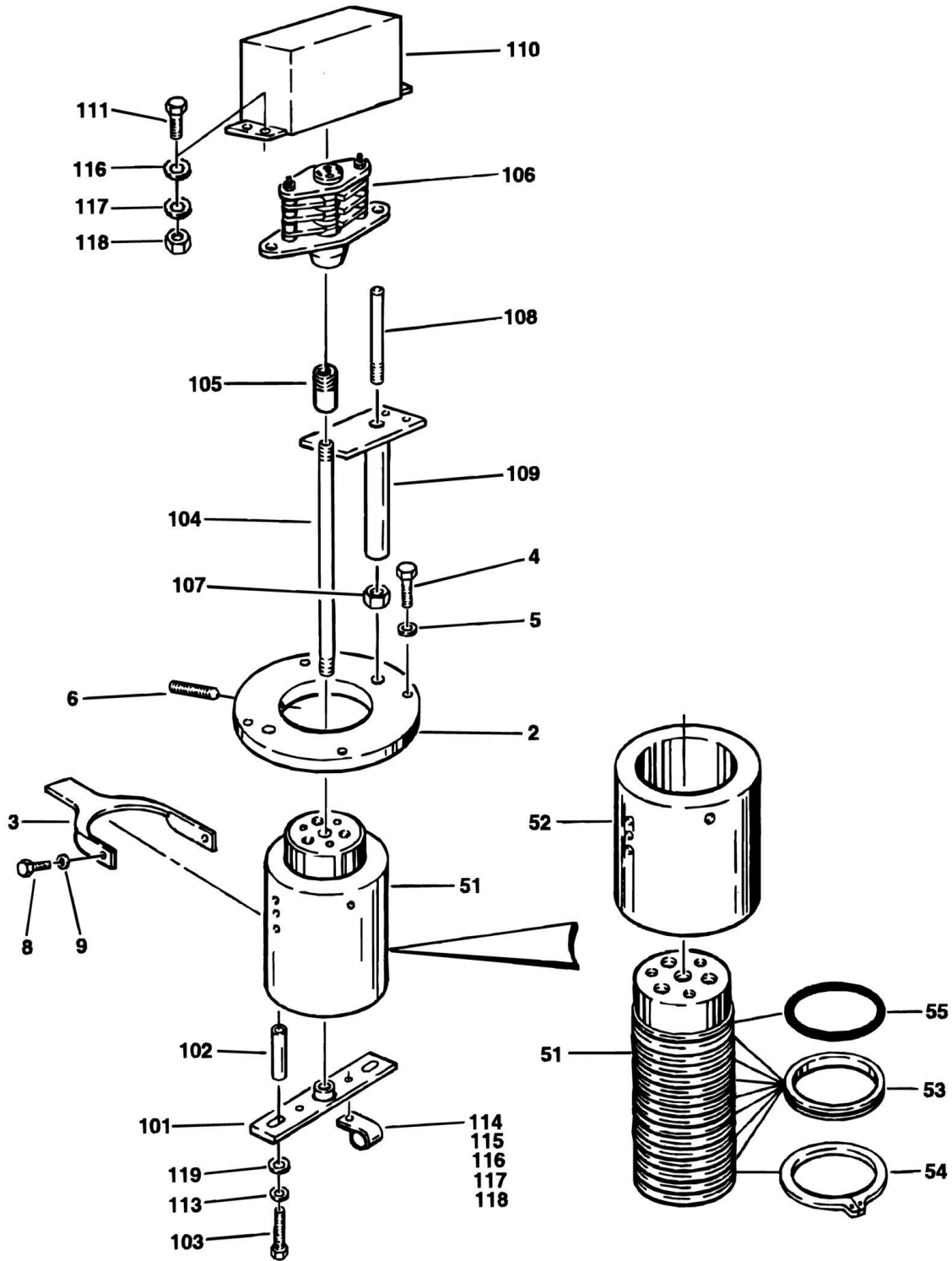
SECTION 2 - TURNTABLE

FIGURE 2-9. SWING MOTOR ASSEMBLY (MACHINES BUILT 1993 TO PRESENT)

ITEM	PART NUMBER	QTY	DESCRIPTION	REV
	3160183	Ref	SWING MOTOR ASSEMBLY	
1	Kit	3	Seal	
2	Kit	1	O-Ring	
3	7009984	1	Flange, Mounting	
4	7009988	1	Drive	
5	7009989	1	Geroler	
6	7009905	1	Drive, Valve	
7	7009983	1	Plate, Valve	
8	7009927	1	Valve	
9	7009909	1	Ring, Balance	
10	Kit	1	Seal, Face-Inner	
11	Kit	1	Seal, Face-Outer	
12	7009912	2	Pin	
13	7009913	2	Spring	
14	7009990	4	Bolt	
15	7009930	1	Housing, Valve	
16	7002157	1	Plug Assembly	
16	Kit	1	O-Ring	
	7009987	1	Seal Kit (Includes Items 1,2,10,11 & 19 O-Ring)	

SECTION 2 - TURNTABLE

FIGURE 2-10. ROTARY OIL COUPLING INSTALLATION



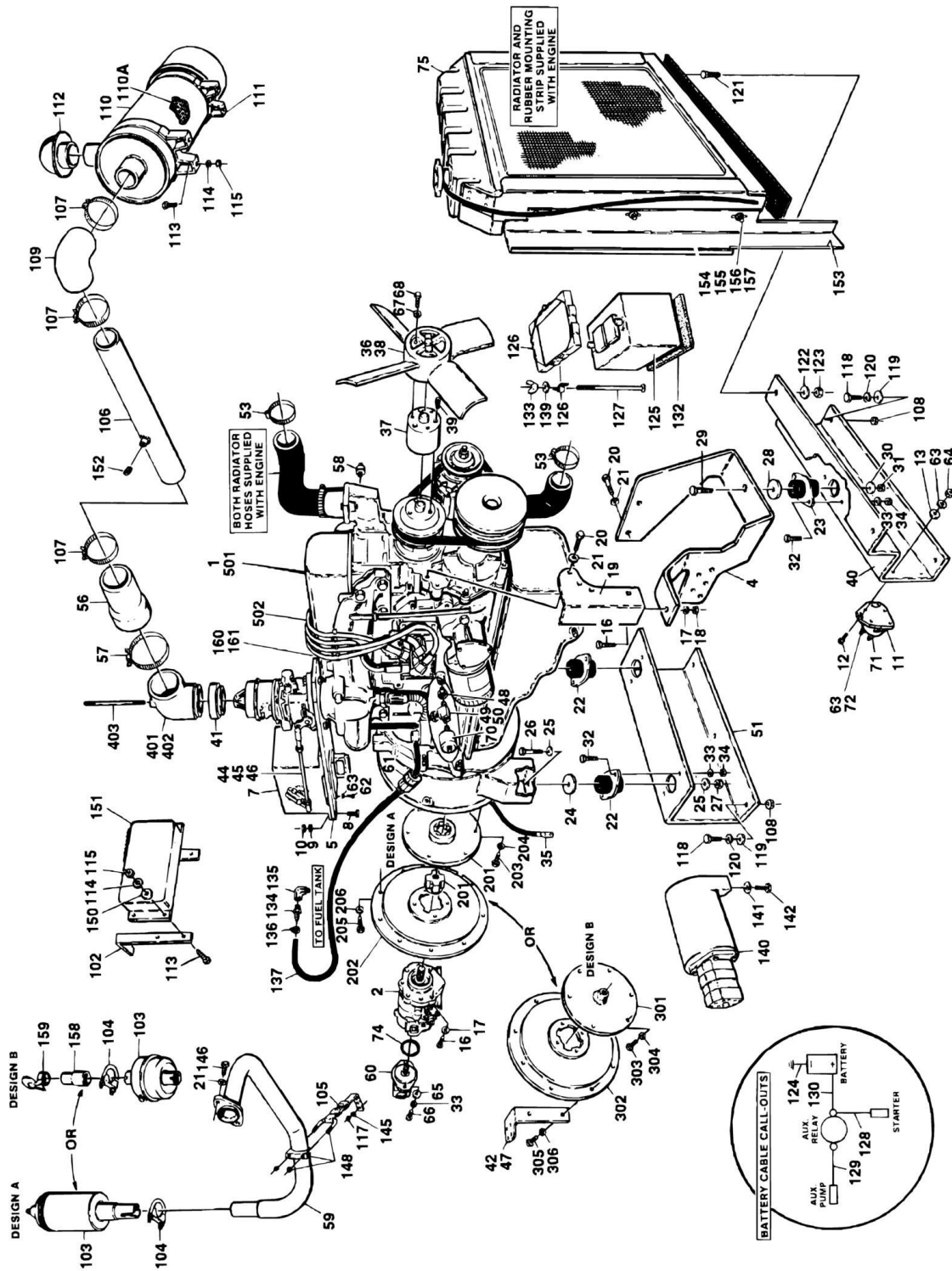
SECTION 2 - TURNTABLE

FIGURE 2-10. ROTARY OIL COUPLING INSTALLATION

ITEM	PART NUMBER	QTY	DESCRIPTION	REV
	0238615	Ref	ROTARY OIL COUPLING ASSEMBLY	A
2	1440154	1	Collar	
3	3530403	1	Plate, Retaining	
4	0641512	4	Bolt 5/16in-18NC x 1 1/2in	
5	4761500	4	Lockwasher 5/16in	
6	3951820	2	Setscrew 1/2in-13NC x 7/8in	
7	0100011	AR	Loctite #242 (Not Shown)	
8	0641807	2	Bolt 1/2in-13NC x 7/8in	
9	4761800	2	Lockwasher 1/2in	
10	0100003	AR	Loctite (Not Shown)	
	1660160	Ref	COUPLING ASSEMBLY	A
51	0620058	1	Body, Swivel	
52	2760091	1	Housing, Swivel	
53	Kit	7	T-Seal	
54	3760004	1	Ring, Retaining	
55	Kit	1	O-Ring	
	2901146	1	Seal Kit (Includes Items 53 & 55)	
	0251561	Ref	COLLECTOR RING ASSEMBLY	B
101	4843822	1	Bracket Weldment	
102	0960224	2	Bushing	
103	0641418	2	Bolt 1/4in-20NC x 2 1/4in	
104	2180763	1	Fitting, Pipe Nipple	
105	0961531	1	Bushing, Collector Ring	
106	3760053	1	Collector Ring Assembly	
107	3311801	2	Nut 1/2in-13NC	
108	3420290	2	Pin, Drive	
109	0231047	2	Guide, Drive	
110	1670594	1	Cover	
111	0721004	4	Screw, Round Head #10-24NC x 1/2in	
113	4761400	2	Lockwasher 1/4in	
114	1320040	1	Clamp	
115	3911012	1	Screw, Round Head #10-24NC x 3/4in	
116	4751000	6	Flatwasher #10	
117	4761000	5	Lockwasher #10	
118	3311001	5	Nut #10-24NC	
119	4751400	2	Flatwasher 1/4in	

SECTION 2 - TURNTABLE

FIGURE 2-11. FORD VSG-411 GAS ENGINE INSTALLATION (PRIOR TO JUNE 1995)



SECTION 2 - TURNTABLE

FIGURE 2-11. FORD VSG-411 GAS ENGINE INSTALLATION (PRIOR TO JUNE 1995)

ITEM	PART NUMBER	QTY	DESCRIPTION	REV
		Ref	FORD VSG-411 GAS ENGINE ASSEMBLIES	
	0250503	Ref	Standard	L
	0250626	Ref	Dual Fuel	G
1		Ref	Engine - Ford VSG-411 Options:	
1	2000109	1	Engine - Ford VSG-411 (Prior to January 1992)	
1	2000117	1	Engine - Ford VSG-411 (January 1992 to August 1994)	
1	2000129	1	Engine - Ford VSG-411 (August 1994 to Present)	
2	3600164	1	Pump Assembly - Sunstrand (See PUMP ASSEMBLY - SUNSTRAND (GAS AND DIESEL MACHINES) for Breakdown)	
4		Ref	Bracket, Engine Front (Top)	
4	0901715	1	Bracket, Engine Front (Top) (Prior to June 1991)	
4	4843497	1	Bracket, Engine Front (Top) (June 1991 to Present)	
5	3533445	1	Plate, Mounting - Actuator	
7	2500005	1	Governor, Precision	
8	0641410	4	Bolt 1/4in-20NC x 1 1/4in	
9	4761400	4	Lockwasher 1/4in	
10	3311401	4	Nut 1/4in-20NC	
11	3740067	1	Relay	
12	3911012	2	Screw, Machine #10-24NC x 3/4in	
13	4751000	2	Flatwasher #10	
15	3281505	2	Nut 5/16in-24NF	
16	0641812	3	Bolt 1/2in-13NC x 1 1/2in	
17	4761800	3	Lockwasher 1/2in	
18	3311801	1	Nut 1/2in-13NC	
19		Ref	Bracket, Engine Front (Left Side) Options:	
19	0901717	1	Bracket, Engine Front (Left Side) (Prior to March 1991)	
19	3533291	1	Bracket, Engine Front (Left Side) (March 1991 to Present)	
20	0701014	5	Bolt, Metric 10mm x 30mm	
21	4832000	7	Lockwasher 10mm	
22	3200202	2	Mount, Engine (Rear)	
23	3200201	1	Mount, Engine (Front)	
24	4740273	2	Flatwasher, Snubbing	
25	4751700	4	Flatwasher 7/16in	
26	0641728	2	Bolt 7/16in-14NC x 3 1/2in	
27	3311705	2	Locknut 7/16in-14NC	
28	4740274	1	Flatwasher	
29	0641826	1	Bolt 1/2in-13NC x 3 1/4in	
30	4751800	1	Flatwasher 1/2in	
31	3311805	1	Locknut 1/2in-13NC	
32	0641608	6	Bolt 3/8in-16NC x 1in	
33	4761600	10	Lockwasher 3/8in	
34	3311601	6	Nut 3/8in-16NC	
35	1060221	1	Cable, Battery (Engine to Ground)	
36	2060016	1	Fan	
37	0080168	1	Adapter, Fan (Prior to September 1991)	
38	4240096	1	Strap, Fan	
39	4031713	3	Bolt, Metric 6mm x 45mm	
40	0901635	1	Bracket, Engine Front (Bottom)	
41	0080182	1	Adapter, Carburetor (Standard)	
41	0080092	1	Adapter, Carburetor (Dual Fuel)	

SECTION 2 - TURNTABLE

ITEM	PART NUMBER	QTY	DESCRIPTION	REV
41	2900397	1	Carburetor (Without Built-in Choke)	
41	7000892	1	Carburetor (With Built-in Choke)	
41	7019933	1	Rebuild Kit - Carburetor (was p/n 7000878)	
42	0901714	1	Bracket, Mounting - Valve (Prior to May 1991)	
44	3841049	1	Rod, Throttle	
45	3321402	2	Nut, Jam 1/4in-28NF	
46	1660157	2	Ball Joint	
47	0901664	1	Bracket, Filter Mounting	
48	2220273	1	Fitting, Reduce	
49	2180360	1	Fitting, Tee	
50	2420131	1	Sender, Pressure (Oil)	
51	0901634	1	Bracket, Engine Rear (Bottom)	
53	1320014	4	Clamp	
56	2720341	1	Hose, Air	
57	1320058	1	Clamp	
58	2420130	1	Sender, Temperature (Water)	
59	4564623	1	Tube, Exhaust	
60	3600172	1	Pump Assembly - John Barnes (See PUMP ASSEMBLY - SINGLE SECTION (GAS AND DIESEL MACHINES) (PRIOR TO AUGUST 1992) for Breakdown) (Prior to August 1992)	
60	3600199	1	Pump Assembly - John Barnes (See PUMP ASSEMBLY - SINGLE SECTION (GAS AND DIESEL MACHINES) (AUGUST 1992 TO PRESENT) for Breakdown) (August 1992 to Present)	
61	2120112	1	Filter, Fuel	
62	3911014	2	Screw, Machine #10-24NC x 7/8in	
63	4761000	5	Lockwasher #10	
64	3311001	2	Nut #10-24NC	
65	4740185	2	Flatwasher, Hardened	
66	0641610	2	Bolt 3/8in-16NC x 1 1/4in	
67	4831900	3	Lockwasher, Metric 8mm	
68	0700814	3	Bolt, Metric 8mm x 30MM	
69	0100011	AR	Loctite #242 (Not Shown)	
70	4360037	1	Switch, Pressure (Oil)	
71	3300220	2	Nut, Special	
72	3321001	1	Nut #10-32NF	
74	3790152	1	O-Ring	
75	3620027	1	Radiator (January 1992 to Present)	
		Ref	FORD VSG-411 GAS ENGINE INSTALLATIONS	
	0250504	Ref	Standard	E
	0250627	Ref	Dual Fuel	D
102	0901419	2	Bracket, Mounting	
103	3220076	1	Muffler (Standard) (Design B)	
103	3220067	1	Muffler (Dual Fuel) (Design A)	
104	1320020	2	Clamp	
105	0901387	1	Hanger, Exhaust	
106	4563558	1	Tube, Intake	
107	1320031	3	Clamp	
108	3311801	5	Nut 1/2in-13NC	
109	0080039	1	Elbow	
110	1340020	1	Air Cleaner Assembly	
110A	7004214	1	Element	
111	0340002	2	Band, Mounting	

SECTION 2 - TURNTABLE

ITEM	PART NUMBER	QTY	DESCRIPTION	REV
112	1120161	1	Cap, Air Cleaner	
113	0641406	12	Bolt 1/4in-20NC x 3/4in	
114	4761400	12	Lockwasher 1/4in	
115	3311401	12	Nut 1/4in-20NC	
116	4761500	2	Lockwasher 5/16in	
117	3311501	2	Nut 5/16in-18NC	
118	0641812	5	Bolt 1/2in-13NC x 1 1/2in	
119	4761800	5	Lockwasher 1/2in	
120	4761600	5	Lockwasher 3/8in	
121	0630403	2	Bolt, Carriage 7/16in-14NC x 1 1/2in	
122	4751700	2	Flatwasher 7/16in	
123	3311705	2	Locknut 7/16in-14NC	
124	1060046	1	Cable, Battery (Negative Terminal to Ground)	
125		Ref	Battery Options:	
125	0400003	1	Wet - Battery	
125	7016175	1	Dry - Battery	
126	0400002	1	Hold-Down, Battery	
127	0236768	2	Rod, Hold-down	
128	1060129	1	Cable, Battery (Aux Relay to Starter)	
129	1060133	1	Cable, Battery (Aux Relay to Aux Pump)	
130	1060031	1	Cable, Battery (Positive Terminal to Aux Relay)	
132	3980003	1	Masonite	
133	3300029	2	Wing-Nut 3/8in-16NC	
134		Ref	Fitting Options:	
134	2180348	1	Fitting, Straight Barded (Standard) (Prior to May 1991)	
134	2220273	1	Fitting, Reduce (Standard) (May 1991 to Present)	
134	2180348	1	Fitting, Straight Barded (Dual Fuel)	
135		Ref	Fitting Options:	
135	2200462	1	Fitting, 90, (Standard) (Prior to May 1991)	
135	2220805	1	Fitting, 90, (Standard) (May 1991 to Present)	
135	2200462	1	Fitting, 90, (Dual Fuel) (Prior to March 1991)	
136	1320022	2	Clamp	
137	2720058	AR	Hose (Fuel Supply)	
138	4300038	2	Stud (Welded on Part)	
139	4751600	2	Flatwasher 3/8in	
140		Ref	Auxiliary Pump Assembly Options:	
140	3600050	1	Standard (Prior to September 1992)	
140	3600208	1	Standard (September 1992 to Present)	
140	3600050	1	Dual Fuel	
141	4761600	2	Lockwasher 3/8in	
142	0641612	2	Bolt 3/8in-16NC x 1 1/2in	
145	4761500	2	Lockwasher 5/16in	
148	1320026	1	Clamp	
149	4300032	4	Stud (Welded on Part)	
150	4751400	8	Flatwasher 1/4in	
151	1600117	1	Box, Control - Precision Governor	
152	2200053	1	Plug, Pipe	
153	4060733	1	Shield	
154	3911008	3	Screw, Machine #10-24NC x 1/2in	
155	4761000	3	Lockwasher #10	
156	3311001	3	Nut #10-24NC	

SECTION 2 - TURNTABLE

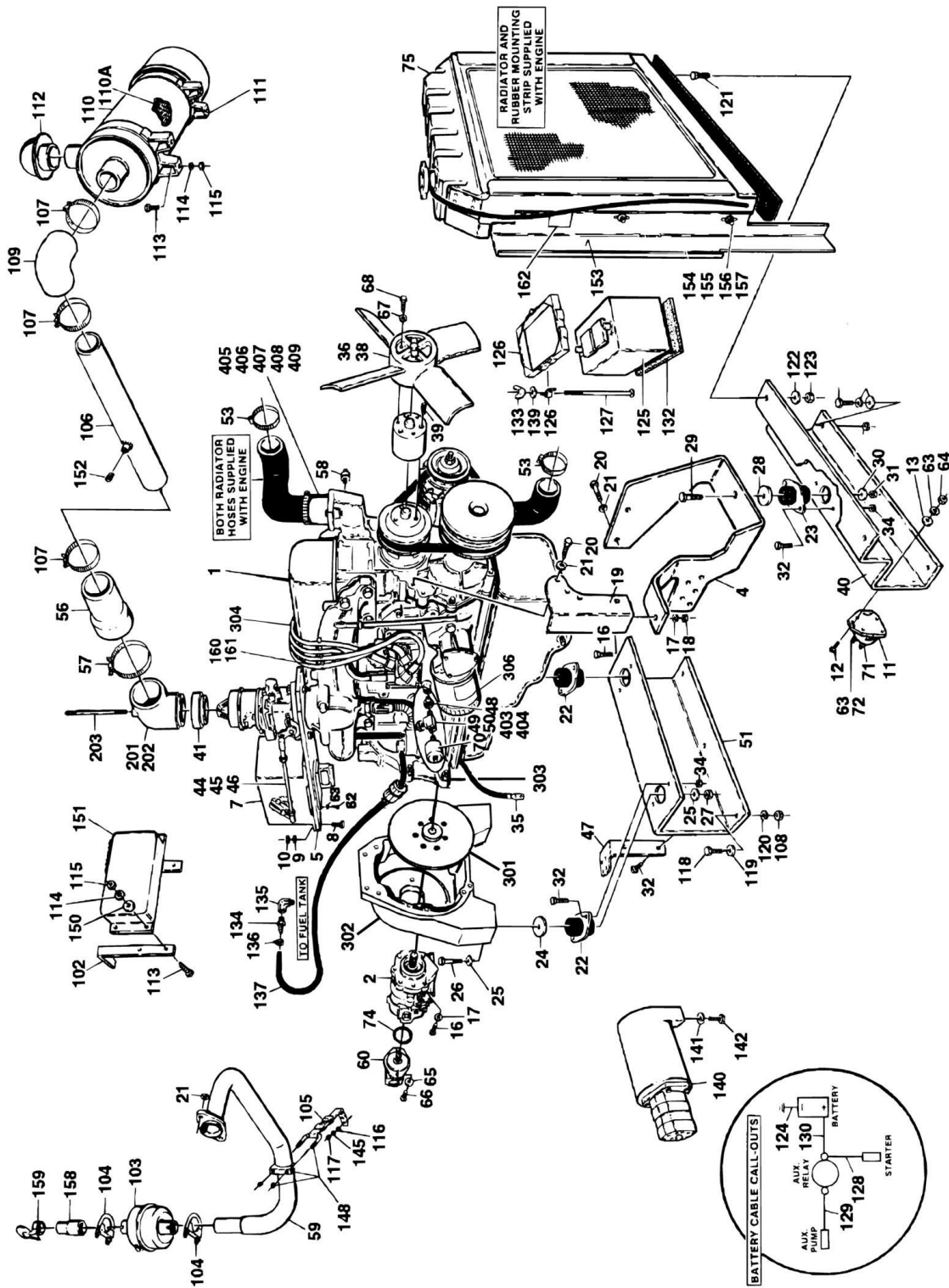
ITEM	PART NUMBER	QTY	DESCRIPTION	REV
157	4751000	3	Flatwasher #10	
158	4564711	1	Tube, Adapter (Standard) (Design B)	
159	1120218	1	Cap, Rain (Standard) (Design B)	
160	2720042	0.6 m	Hose, Heater (December 1991 to Present)	
161	1320032	2	Clamp (December 1991 to Present)	
	0250324	Ref	PUMP COUPLING INSTALLATION (PRIOR TO JANUARY 1992)	
201	1660169	1	Coupling (Love Joy) (Design A)	
201	1660172	1	Hub, Coupling (Love Joy) (Design A)	
201	1660173	1	Disc, Coupling (Love Joy) (Design A)	
202	0080163	1	Adapter, Pump	
203	0641510	6	Bolt 5/16in-18NC x 1 1/4in	
204	4761500	6	Lockwasher 5/16in	
205	0641610	8	Bolt 3/8in-16NC x 1 1/4in	
206	4761600	8	Lockwasher 3/8in	
		Ref	PUMP COUPLING INSTALLATION OPTIONS:	
	0250598	Ref	Pump Coupling Installation (Prior to January 1992)	
	0252808	Ref	Pump Coupling Installation (January 1992 to Present)	
301		Ref	Coupling (Hayes) (Design B) Options:	
301	1660184	1	Coupling (Hayes) (Design B) (Prior to January 1992)	
301	1660207	1	Coupling (Hayes) (Design B) (January 1992 to Present)	
302	0080163	1	Adapter, Pump	
303		Ref	Bolt Options:	
303	0641507	6	Bolt 5/16in-18NC x 7/8in Prior to January 1992	
303	0700808	6	Bolt 16mm January 1992 to Present	
304		Ref	Lockwasher Options:	
304	4761500	6	Lockwasher (Prior to January 1992)	
304	4831900	6	Lockwasher (January 1992 to Present)	
305	0641610	8	Bolt 3/8in-16NC x 1 1/4in	
306	4761600	8	Lockwasher 3/8in	
307	3020021	AR	Grease (Not Shown)	
	0250806	Ref	AIR HORN INSTALLATION	B
401	0080175	1	Adapter, Air Horn	
402	3960388	1	Gasket	
403	4300056	1	Stud, Carburetor	
		Ref	ENGINE COMPONENTS	
501	7012653	1	Alternator (Prestolite)	
501	7012564	1	Harness, Engine (With Prestolite Alternator) (was p/n 7016385)	
501	7023670	1	Module, Ignition (was p/n 7019665)	
501	7019666	1	Pump, Fuel	
501	7019668	1	Starter	
501	7019933	1	Carburetor Repair Kit	
501	7019939	1	Filter, Fuel	
501	7019941	1	Hose, Radiator (Upper)	
501	7019943	1	Hose, Radiator (Lower)	
501	7019949	1	Filter, Oil	
501	7019951	1	Pump, Water	
501	3960423	1	Gasket, Thermostat	
502	7019989	AR	Spark Plug Wire Set	
502	7019955	1	Wire - Spark Plug #1	
502	7019956	1	Wire - Spark Plug #2	
502	7019957	1	Wire - Spark Plug #3	

SECTION 2 - TURNTABLE

ITEM	PART NUMBER	QTY	DESCRIPTION	REV
502	7019958	1	Wire - Spark Plug #4	
	0255476	Ref	COLD WEATHER INSTALLATION (OPTIONAL)	
601	2580026	1	Heater - Not Shown (Located in Engine Block)	
603	2580001	1	Pad, Heater - Not Shown (Located on Battery)	

SECTION 2 - TURNTABLE

FIGURE 2-12. FORD VSG-413 GAS ENGINE INSTALLATION (JUNE 1995 TO PRESENT)



SECTION 2 - TURNTABLE

FIGURE 2-12. FORD VSG-413 GAS ENGINE INSTALLATION (JUNE 1995 TO PRESENT)

ITEM	PART NUMBER	QTY	DESCRIPTION	REV
	0257657	Ref	FORD VSG-413 GAS ENGINE ASSEMBLY	2
1	2000152	1	Engine - Ford VSG-413	
2	3600260	1	Pump Assembly (See PUMP ASSEMBLY - SUNSTRAND (GAS AND DIESEL MACHINES) for Breakdown)	
4	4843497	1	Bracket, Engine Front	
5	3533445	1	Plate, Mounting - Actuator	
7	2500005	1	Governor, Precision	
8	0641410	4	Bolt 1/4in-20NC x 1 1/4in	
9	4761400	4	Lockwasher 1/4in	
10	3311401	4	Nut 1/4in-20NC	
11	3740067	1	Relay	
12	3911012	2	Screw, Machine #10-24NC x 3/4in	
13	4751000	2	Flatwasher #10	
15	3281505	2	Locknut 5/16in-24NF	
16	0641812	3	Bolt 1/2in-13NC x 1 1/2in	
17	4761800	3	Lockwasher 1/2in	
18	3311801	1	Nut 1/2in-13NC	
19	3533291	1	Bracket, Engine Front (Top)	
20	0701014	5	Bolt 10mm x 30mm	
21	4832000	7	Lockwasher 10mm	
22	3200202	2	Mount, Engine (Rear)	
23	3200201	1	Mount, Engine (Front)	
24	4740273	2	Flatwasher, Special	
25	4751700	4	Flatwasher 7/16in	
26	0641728	2	Bolt 7/16in-14NC x 3 1/2in	
27	3311705	2	Locknut 7/16in-14NC	
28	4740274	1	Flatwasher, Special	
29	0641826	1	Bolt 1/2in-13NC x 3 1/4in	
30	4751800	1	Flatwasher 1/2in	
31	3311805	1	Locknut 1/2in-13NC	
32	0641608	8	Bolt 3/8in-16NC x 1in	
34	3311605	8	Locknut 3/8in-16NC	
35	1060221	1	Cable, Battery (Engine to Ground)	
36	2060030	1	Fan (Was PN 2060016)	
38	4240096	1	Strap, Fan Only (Prior to SN 55435)	
39	4031713	3	Bolt 6mm x 45mm Only (Prior to SN 55435)	
40	0901635	1	Bracket, Engine Front (Bottom)	
41	0080182	1	Adapter, Carburetor	
44	3841049	1	Rod, Throttle	
45	3321402	2	Nut, Jam 1/4in-28NF	
46	1660157	2	Ball Joint	
47	0902184	1	Bracket, Filter Mount	
48	2220273	1	Fitting, Reduce	
49	2180360	1	Fitting, Tee	
50	2420131	1	Sender, Pressure (Oil)	
51	0901634	1	Bracket, Engine Rear (Bottom)	
53	1320014	4	Clamp	
56	2720341	1	Hose, Air	
57	1320058	1	Clamp	
58	2420130	1	Sender, Temperature (Water)	

SECTION 2 - TURNTABLE

ITEM	PART NUMBER	QTY	DESCRIPTION	REV
59	4564623	1	Tube, Intake	
60	3600199	1	Pump Assembly - John Barnes (See PUMP ASSEMBLY - SINGLE SECTION (GAS AND DIESEL MACHINES) for Breakdown)	
62	3911014	2	Screw, Machine #10-24NC x 7/8in	
63	4761000	5	Lockwasher #10	
64	3311001	2	Nut #10-24NC	
65	4740185	2	Washer, Special	
66	0641610	2	Bolt 3/8in-16NC x 1 1/4in	
67	4831900	3	Lockwasher, Metric 8mm Only (Prior to SN 55435)	
68	0700814	3	Bolt, Metric 8mm x 30mm Only (Prior to SN 55435)	
69	0100011	AR	Loctite #242 (Not Shown)	
70	4360037	1	Switch, Pressure (Oil)	
71	3300220	2	Nut, Special	
72	3321001	1	Nut #10-32NF	
74	3790152	1	O-Ring	
75	3620027	1	Radiator	
76	4460663	1	Housing, Terminal	
77	4460660	1	Housing, Terminal	
	0257658	Ref	FORD VSG-413 GAS ENGINE INSTALLATION	2
102	0901419	2	Bracket, Mounting	
103	3220076	1	Muffler	
104	1320020	2	Clamp	
105	0901387	1	Bracket, Exhaust Hanger	
106	4843558	1	Weldment, Air Intake	
107	1320031	3	Clamp	
108	3311801	5	Nut 1/2in-13NC	
109	0080039	1	Elbow	
110	1340020	1	Air Cleaner Assembly	
110A	7004214	1	Element	
111	0340002	2	Band, Mounting	
112	1120161	1	Cap, Air Cleaner	
113	0641406	8	Bolt 1/4in-20NC x 3/4in	
114	4761400	12	Lockwasher 1/4in	
115	3311401	12	Nut 1/4in-20NC	
116	4751500	2	Flatwasher 5/16in	
117	3311501	2	Nut 5/16in-18NC	
118	0641812	5	Bolt 1/2in-13NC x 1 1/2in	
119	4751800	5	Flatwasher 1/2in	
120	4761800	5	Lockwasher 1/2in	
121	0630403	2	Bolt, Carriage 7/16in-14NC x 1 1/2in	
122	4751700	2	Flatwasher 7/16in	
123	3311705	2	Locknut 7/16in-14NC	
124	1060046	1	Cable, Battery (Negative Terminal to Ground)	
125		Ref	Battery Options:	
125	0400075	1	Wet - Battery	
125	7016180	1	Dry - Battery	
126	0361810	1	Hold-Down, Battery	
127	0236768	2	Rod, Hold-down	
128	1060129	1	Cable, Battery (Aux Relay to Starter)	
129	1060133	1	Cable, Battery (Aux Relay to Aux Pump)	
130	1060031	1	Cable, Battery (Positive Terminal to Aux Relay)	
132	3980007	1	Masonite	

SECTION 2 - TURNTABLE

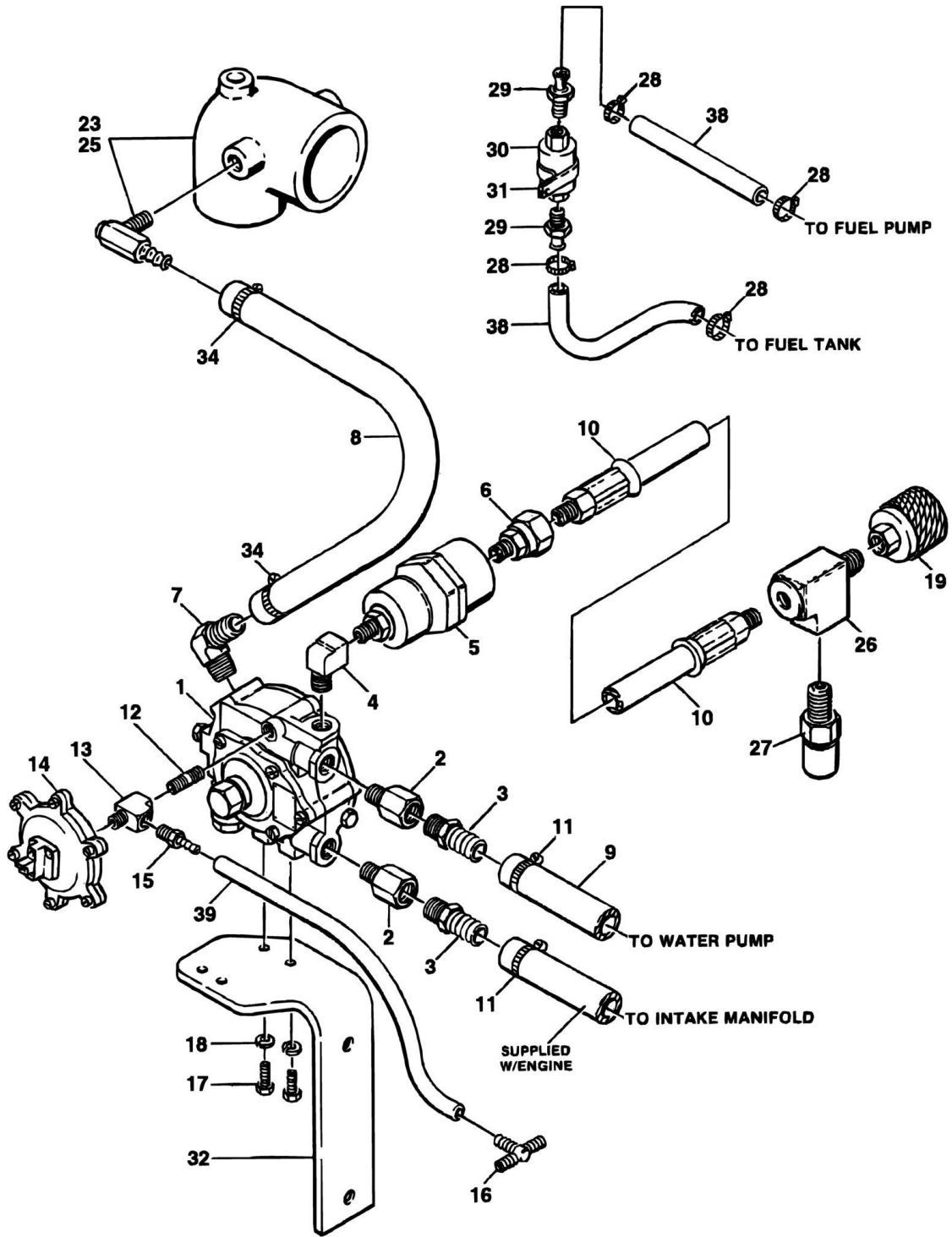
ITEM	PART NUMBER	QTY	DESCRIPTION	REV
133	3300029	2	Wing-Nut 3/8in-16NC	
134	2220273	1	Bushing, Reducer	
135	2220805	1	Fitting	
136	1320022	2	Clamp	
137	2720058	2.7 m	Hose (Fuel Supply)	
138	4300038	2	Stud (Welded on Part)	
139	4751600	2	Flatwasher 3/8in	
140	3600208	1	Auxiliary Pump Assembly	
141	4761600	2	Lockwasher 3/8in	
142	0641612	2	Bolt 3/8in-16NC x 1 1/2in	
145	4761500	2	Lockwasher 5/16in	
148	1320026	1	Clamp	
149	4300032	4	Stud (Welded on Part)	
150	4751400	8	Flatwasher 1/4in	
151	1600117	1	Box, Control - Precision Governor	
152	2200233	1	Plug, Pipe	
153	4060733	1	Shield	
154	3911008	3	Screw, Machine #10-24NC x 1 1/2in	
155	4761000	3	Lockwasher #10	
156	3321001	3	Nut #10-32NF	
157	4751000	3	Lockwasher #10	
158	4564711	1	Tube, Adapter	
159	1120218	1	Cap, Rain	
160	2720042	1	Hose, Heater	
161	1320032	2	Clamp	
162	1703162	1	Decal - Fan Blade	
	0250806	Ref	AIR HORN INSTALLATION	B
201	0080175	1	Adapter, Air Horn	
202	3960388	1	Gasket	
203	4300056	1	Stud, Carburetor	
		Ref	FORD ENGINE COMPONENTS	-
301	7020117	1	Coupling	
302	7010118	1	Housing	
303	7020121	1	Starter Plate	
304	7019989	AR	Spark Plug Wire Set Options:	
304	7019955	AR	Wire - Spark Plug # 1 (Wire set prior to December 1998)	
304	7019956	AR	Wire - Spark Plug # 2	
304	7019957	AR	Wire - Spark Plug # 3	
304	7019958	AR	Wire - Spark Plug # 4	
304	7022176	AR	Spark Plug Wire Set Options:	
304	7022101	AR	Wire - Spark Plug # 2 (Wire set December 1998 to Present)	
304	7022102	AR	Wire - Spark Plug # 3	
304	7022103	AR	Wire - Spark Plug # 1	
304	7022104	AR	Wire - Spark Plug # 4	
305	7019998	1	Coil Assembly (Not Shown) (December 1998 to Present)	
306	7022173	1	Oil Filter	
307	7022174	1	Fuel Filter (Not Shown)	
308	7022175	4	Spark Plugs (Not Shown)	
	0252625	Ref	ENGINE DISTRESS INSTALLATION (OPTIONAL)	5
403	2180360	1	Fitting, Tee	
404	4360182	1	Switch, Oil Pressure	

SECTION 2 - TURNTABLE

ITEM	PART NUMBER	QTY	DESCRIPTION	REV
405	0080200	1	Adapter	
406	3960423	1	Gasket	
407	0700819	2	Screw	
408	4831900	2	Lockwasher	
409	4360157	1	Switch, Water Temperature	
	0255476	Ref	COLD WEATHER INSTALLATION (OPTIONAL)	-
501	2580026	1	Heater - Not Shown (Located in Engine Block)	
503	2580001	1	Pad, Heater - Not Shown (Located on Battery)	
	0250815	Ref	ENGINE HEATER INSTALLATION (OPTIONAL)	A
601	2580026	1	Heater, Engine Coolant - Not Shown (Located in Engine Head)	
602	0701020	2	Bolt 10mm x 60mm (Not Shown)	
603	4564328	2	Spacer, Tube (Not Shown)	

SECTION 2 - TURNTABLE

FIGURE 2-13. DUAL FUEL INSTALLATION - FORD



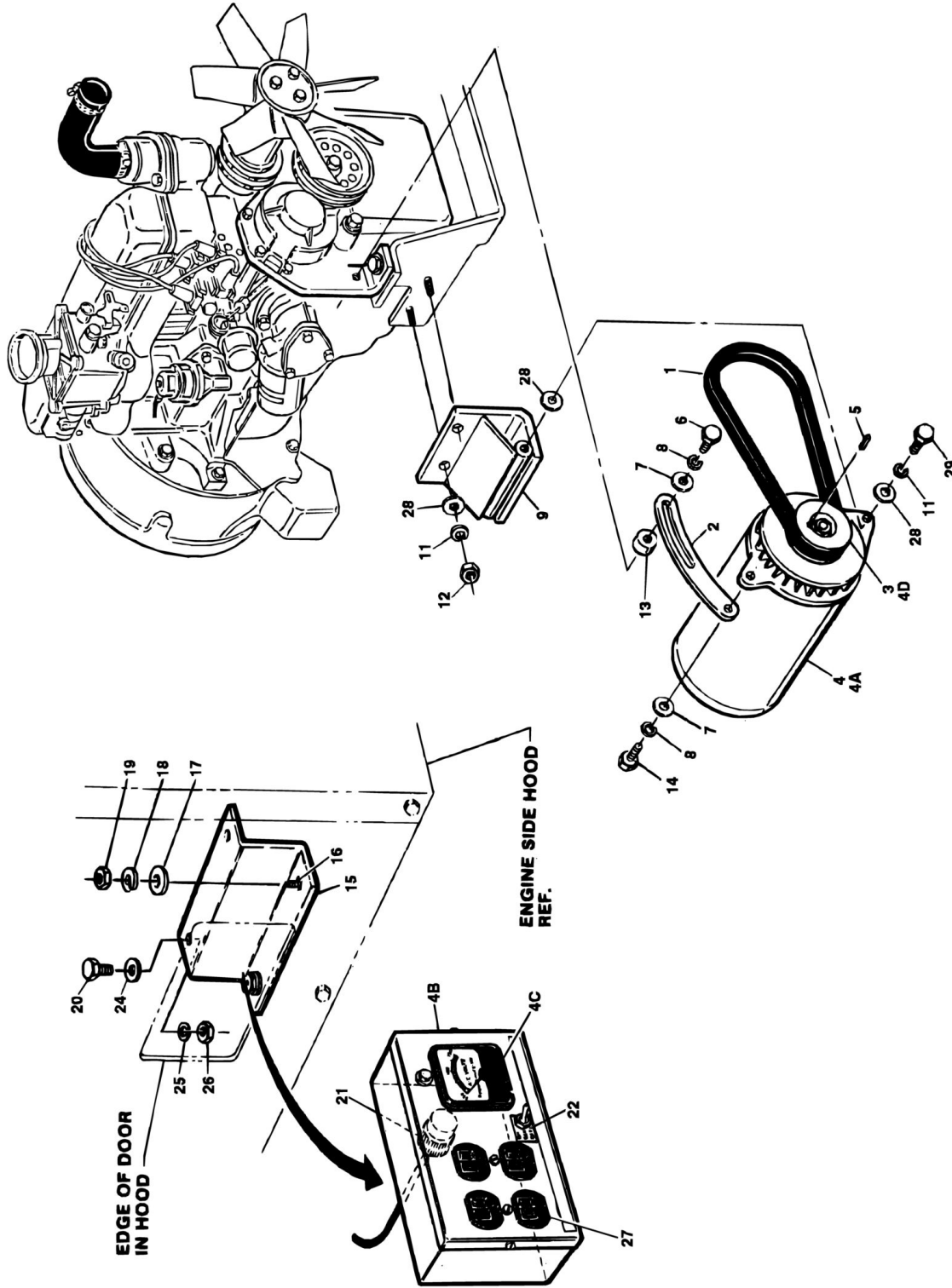
SECTION 2 - TURNTABLE

FIGURE 2-13. DUAL FUEL INSTALLATION - FORD

ITEM	PART NUMBER	QTY	DESCRIPTION	REV
	0250772	Ref	DUAL FUEL INSTALLATION	H
	0251417	Ref	LP GAS ONLY INSTALLATION	C
1	3720011	1	Regulator	
2	2220364	2	Fitting, Adapter	
3	2180535	2	Fitting, Barbed	
4	2220648	1	Fitting, 90	
5	2120077	1	Filterlock	
6	2220003	1	Fitting, Swivel	
7	2220675	1	Fitting, 90, Barbed	
8	2720112	0.6 m	Hose	
9	2720042	0.8 m	Hose	
10	2720170	1	Hose	
11	1320032	4	Clamp	
12	2180104	1	Fitting, Nipple	
13	2180360	1	Fitting, Tee	
14	4360188	1	Switch, Vacuum	
15	2180536	1	Fitting, Barbed	
16	2180623	1	Fitting, Tee	
17	0641405	2	Bolt 1/4in-20NC x 5/8in	
18	4761400	2	Lockwasher 1/4in	
19	2180387	1	Fitting, Tank	
20	0100020	AR	Loctite (Not Shown)	
23	3840979	1	Rod, Adapter	
24	3960388	1	Gasket (Prior to March 1992)	
25	0080167	1	Adapter	
26	2220290	1	Fitting, Tee	
27	2180389	1	Fitting, Pressure Relief	
28	1320022	4	Clamp	
29		Ref	Fitting, Barbed Options:	
29	2180348	2	Fitting, Barbed (Prior to January 1991)	
29	2180249	2	Fitting, Barbed (January 1991 to March 1994)	
29	2220315	2	Fitting, Barbed (March 1994 to Present)	
30	4640391	1	Valve, Gas Lock	
31		Ref	Clamp, Mounting Options:	
31	1320060	1	Clamp, Mounting (Prior to March 1994)	
31	1320095	1	Clamp, Mounting (March 1994 to Present)	
33	2901184	1	Cover, Blanking Kit (LP Gas Only) (Not Shown)	
34	1320017	2	Clamp (September 1991 to Present)	
38	2720058	1.83 m	Hose	
39		Ref	Hose (Supplied With Engine)	

SECTION 2 - TURNTABLE

FIGURE 2-14. GENERATOR INSTALLATION - 110V (FORD)



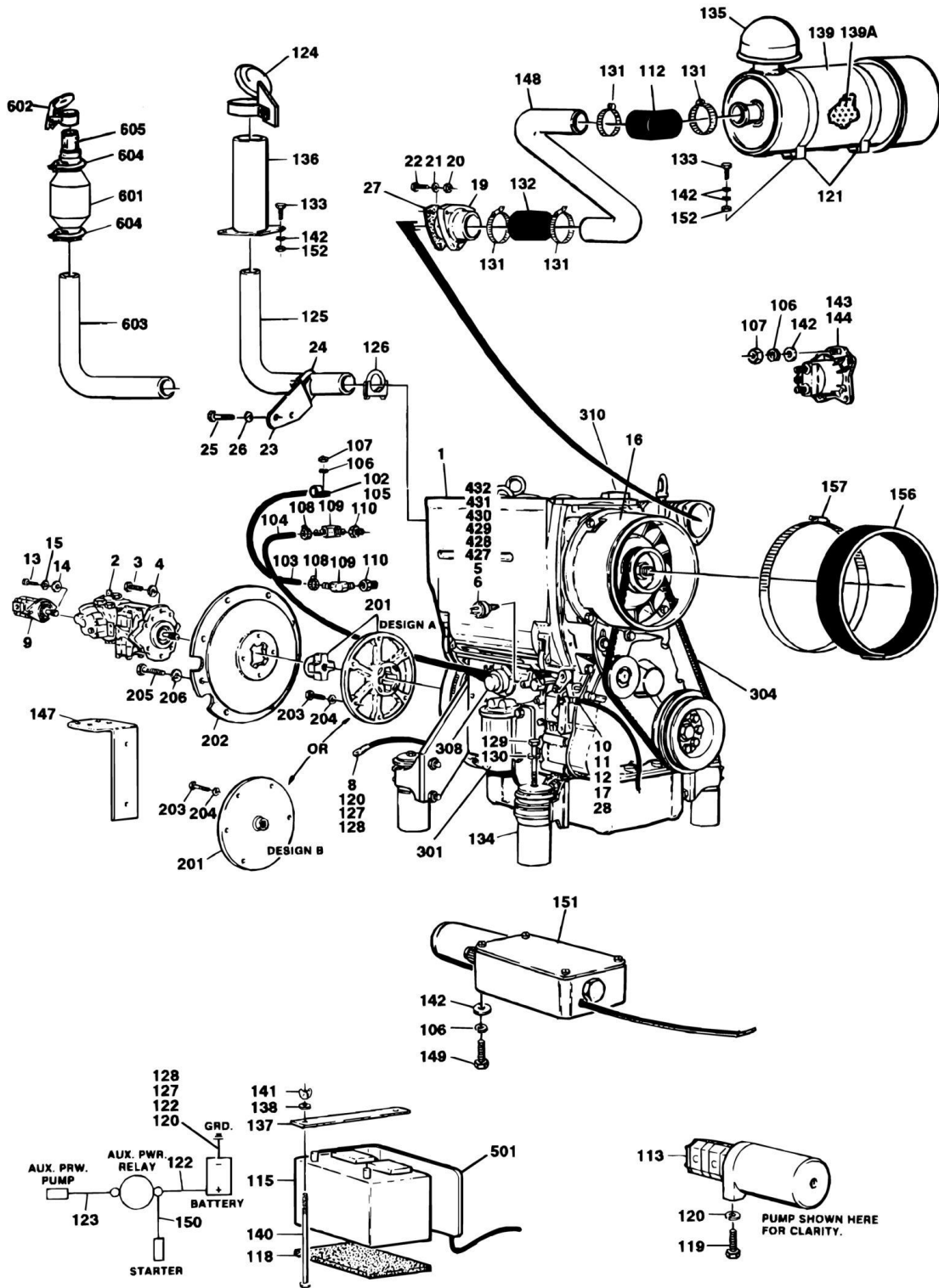
SECTION 2 - TURNTABLE

FIGURE 2-14. GENERATOR INSTALLATION - 110V (FORD)

ITEM	PART NUMBER	QTY	DESCRIPTION	REV
	0250668	Ref	GENERATOR INSTALLATION	G
1	0480057	1	V-Belt	
2	4340569	1	Support	
3	3580134	1	Pulley (Attaching Hardware Supplied with Generator) (Prior to June 1995)	
4	2460011	1	Generator and Control Box Assembly	
4A	7012558	1	Generator	
4A	7026199	1	Armature with Slip Rings	
4A	7012513	4	Cap, Brush Holder	
4A	7020108	4	Brush	
4A	7020109	4	Holder, Brush	
4A	7012514	1	Fan	
4A	7020110	1	Bell, Front	
4A	7020111	1	Bell Rear	
4A	7020190	2	Bearing	
4B	7003657	1	Box, Control	
		Ref	Note: Replacement 110V Control Box comes with 2 std Receptacles p/n 4460190. Optional Industrial Twist Lock Receptacles p/n 4460027 must be ordered separately.	
4B	4360542	1	Breaker, Circuit (was p/n 7020194)	
4B	2920162	1	Lamp	
4B	7020191	1	Switch, Toggle	
4B	3520028	1	Plug, Hole	
4C	2420203	1	Voltmeter (was p/n 7010699)	
4D	3580134	1	Pulley	
5	7027887	1	Key, Woodruff	
6	0641511	1	Bolt 5/16in-18NC x 1 3/8in	
7	4751500	2	Flatwasher 5/16in	
8	4761500	2	Lockwasher 5/16in	
9		Ref	Bracket, Mounting Options:	
9	0901774	1	Bracket, Mounting (Prior to May 1991)	
9	0901650	1	Bracket, Mounting (May 1991 to Present)	
11	4761600	4	Lockwasher 3/8in	
12	3311601	2	Nut 3/8in-16NC	
13	0961247	1	Bushing	
14	0641507	1	Bolt 5/16in-18NC x 7/8in	
15	0901633	1	Bracket, Mounting - Box	
16	4300068	2	Stud (Welded on Part)	
17	4751400	4	Flatwasher 1/4in	
18	4761400	4	Lockwasher 1/4in	
19	3311401	4	Nut 1/4in-20NC	
20	0721006	2	Screw, Machine #10-24NC x 3/4in	
21	4460023	1	Connector	
22	3251476	1	Decal - Generator	
24	4751000	2	Flatwasher #10	
25	4761000	2	Lockwasher #10	
26	3311001	2	Nut #10-24NC	
27	4460027	1	Connector	
28	4751600	3	Flatwasher 3/8in (July 1991 to Present)	
29	0681610	2	Bolt 3/8in-16NC x 1 1/4in (Grade 8) (June 1992 to Present)	

SECTION 2 - TURNTABLE

FIGURE 2-15. DEUTZ F2L-1011 DIESEL ENGINE INSTALLATION



SECTION 2 - TURNTABLE

FIGURE 2-15. DEUTZ F2L-1011 DIESEL ENGINE INSTALLATION

ITEM	PART NUMBER	QTY	DESCRIPTION	REV
	0250574	Ref	DEUTZ F2L-1011 DIESEL ENGINE ASSEMBLY	11
1		Ref	Engine, Deutz F2L-1011 Options:	
1	2000106	1	Engine, Deutz F2L-1011 (Prior to August 1995)	
1	2000137	1	Engine, Deutz F2L-1011 (August 1995 to Present)	
2		Ref	Pump Assembly Options: (See PUMP ASSEMBLY - SUNSTRAND (GAS AND DIESEL MACHINES) for Breakdown)	
2	3600164	1	Pump Assembly (Prior to SN 27991)	
2	3600260	1	Pump Assembly (SN 27991 to Present)	
3	0641812	2	Bolt 1/2in =13NC x 1 1/2in	
4	4761800	2	Lockwasher 1/2in	
5	2180730	1	Fitting	
6	2420110	1	Sender, Oil Pressure	
8	1060045	1	Cable, Battery	
9		Ref	Pump Assembly - John Barnes Options:	
9	3600172	1	Prior to August 1992 (See PUMP ASSEMBLY - SINGLE SECTION (GAS AND DIESEL MACHINES) for Breakdown)	
9	3600199	1	August 1992 to Present (See PUMP ASSEMBLY - SINGLE SECTION (GAS AND DIESEL MACHINES) for Breakdown)	
10		Ref	Adapter, Throttle Options:	
10	0080172	1	Adapter, Throttle (Prior to August 1995)	
10	4460302	1	Adapter, Throttle (August 1995 to Present)	
11		Ref	Pin, Cotter Options:	
11	3450202	1	Pin, Cotter (Prior to January 1993)	
11	3450203	1	Pin, Cotter (January 1993 to Present)	
12		Ref	Bracket, Throttle Options:	
12	3951003	1	Bracket, Throttle (Prior to August 1995)	
12	0902244	1	Bracket, Throttle (August 1995 to Present)	
13	0641610	2	Bolt 3/8in-16NC x 1 1/4in	
14	4740185	2	Washer, Hardened	
15	4761600	2	Lockwasher 3/8in	
16	4843549	1	Weldment, Air Intake Adapter	
17	0700605	2	Bolt, Metric 6mm x 10mm (August 1995 to Present)	
19	0080177	1	Weldment, Adapter	
20	3311501	3	Nut 5/16in-18NC	
21	4761500	3	Lockwasher 5/16in	
22	0641512	3	Bolt 5/16in-18NC x 1 1/2in	
23	0901705	1	Bracket, Muffler	
24	1320176	1	Clamp	
25	0701010	2	Bolt, Metric 10mm x 20mm	
26	4832000	2	Lockwasher, Metric 10mm	
27	3960407	1	Gasket	
28	4711400	1	Washer (January 1993 to Present)	
29	3790152	1	O-Ring (January 1993 to Present)	
	0250575	Ref	DEUTZ F2L-1011 DIESEL ENGINE INSTALLATION	10
102	1320041	2	Clamp	
103	2720271	10 ft	Hose, Fuel 3/16in	
104		Ref	Hose, Fuel Options:	
104	2720075	3.5 m	Hose, Fuel 1/4in (Prior to January 1993)	
104	2720058	3.7 m	Hose, Fuel 1/4in (January 1993 to Present)	
105	4300032	1	Stud	

SECTION 2 - TURNTABLE

ITEM	PART NUMBER	QTY	DESCRIPTION	REV
106	4761400	11	Lockwasher 1/4in	
107	3311401	9	Nut 1/4in-20NC	
108	1320022	3	Clamp	
109	2220805	1	Fitting, 90	
110	2220273	1	Bushing, Reducer	
111	4420001	AR	Dope, Ribbon (Not Shown)	
112	0080039	1	Adapter, Elbow	
113		Ref	Pump, Auxiliary Options:	
113	3600050	1	Pump, Auxiliary (Prior to September 1992)	
113	3600208	1	Pump, Auxiliary (September 1992 to Present)	
115		Ref	Battery Options:	
115	0400075	2	Wet - Battery	
115	7016180	2	Dry - Battery	
117	3960389	79 cm	Seal, Rubber Grip (Not Shown)	
118	3980007	1	Seat, Battery	
119		Ref	Bolt Options:	
119	0641613	2	Bolt 3/8in-16NC x 1 5/8in (Prior to January 1993)	
119	0641612	2	Bolt 3/8in-16NC x 1 1/2in (January 1993 to Present)	
120	4761600	8	Lockwasher 3/8in	
121	0340002	2	Band, Air Cleaner	
122	1060172	2	Cable, Battery	
123	1060030	1	Cable, Battery	
124	1120405	1	Cap, Rain (May 1993 to Present)	
125	4564557	1	Tube, Exhaust	
126	1320019	1	Clamp	
127	4300034	2	Stud	
128	3311601	4	Nut 3/8in-16NC	
129	0641856	4	Bolt 1/2in-13NC x 7in	
130	4761800	4	Lockwasher 1/2in	
131	1320016	4	Clamp	
132	2720351	3 in	Hose	
133	0641406	12	Bolt 1/4in-20NC x 3/4in	
134	0080178	4	Adapter, Engine Mount	
135	1120161	1	Cap, Air Intake	
136	4843372	1	Weldment, Extension	
137	0361810	1	Battery Hold-Down	
138	4751600	6	Flatwasher 3/8in	
139	1340020	1	Air Cleaner	
139A	7004214	1	Element	
140	0236768	2	Rod, Tie Down	
141	3300029	2	Wingnut 3/8in	
142	4751400	20	Flatwasher 1/4in	
143	4300031	2	Stud	
144	3740067	2	Relay	
145	1320059	2	Clamp	
147	0901664	1	Bracket, Hydraulic Filter	
148	4564575	1	Tube, Air Intake	
149	0641412	2	Bolt 1/4in-20NC x 1 1/4in	
150	1060093	1	Cable, Battery	
151	0060023	1	Actuator, Throttle	
152	3311405	8	Locknut 1/4in-20NC (January 1993 to Present)	

SECTION 2 - TURNTABLE

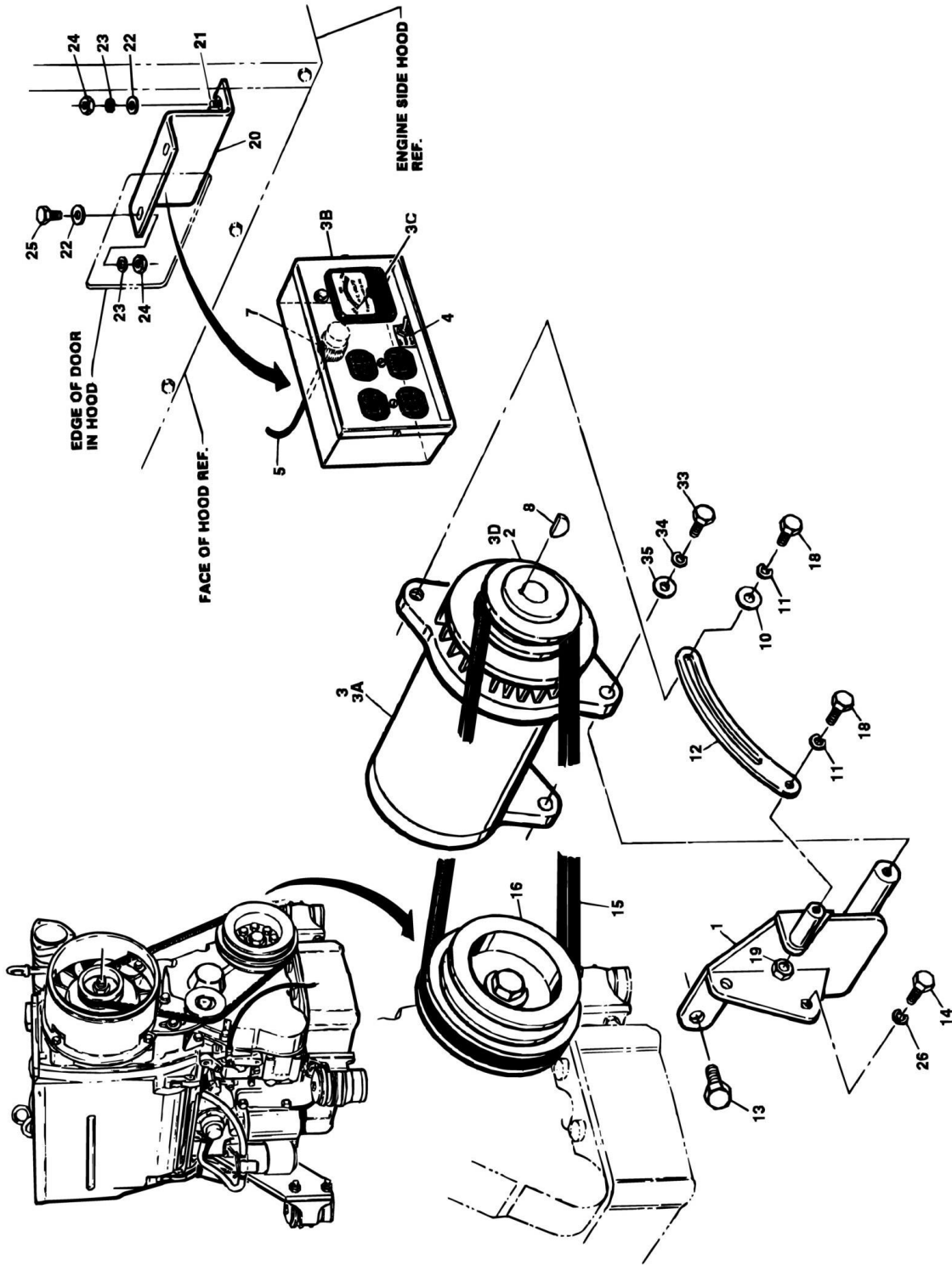
ITEM	PART NUMBER	QTY	DESCRIPTION	REV
153	4300038	2	Stud (Not Shown)	
154	3311505	2	Nut 5/16in-18NC	
155	4751500	2	Flatwasher 5/16in	
156	4280002	0.9 m	Strip, Rubber	
157	1320059	1	Clamp	
		Ref	COUPLING INSTALLATIONS	
157	0250125	Ref	Lovejoy (Design A) (Prior to SN 27991)	-
157	0250597	Ref	Hayes (Design B) (Prior to SN 27991)	-
157	0256848	Ref	Hayes (Design B) (SN 27991 to Present)	-
201		Ref	Coupling Options:	
201	1660176	1	Lovejoy (Design A) (Prior to SN 27991)	
201	1660184	1	Hayes (Design B) (Prior to SN 27991)	
201	1660234	1	Hayes (Design B) (SN 27991 to Present)	
202	0080163	1	Plate, Adapter	
203		Ref	Bolt Options:	
203	0700814	6	Bolt, Metric 8mm x 30mm (Design A) (Prior to SN 27991)	
203	0700810	6	Bolt, Metric 8mm x 20mm (Design B)	
204	4761900	6	Lockwasher, Metric 8mm	
205	0701013	8	Bolt, Metric 10mm x 28mm	
206	4832000	8	Lockwasher, Metric 10mm	
207	3020021	AR	Grease, Coupling (Hayes Only) (Not Shown)	
		Ref	ENGINE COMPONENTS	
301	7016331	1	Filter, Oil - Spin-on	
302	7016328	1	Filter, Fuel	
303	7012598	1	Filter, Fuel - Spin-On	
304	7020414	1	V-Belt	
305	7020416	1	Starter (Not Shown)	
306	7020417	1	Alternator (Not Shown)	
307	7000699	1	Seal, Exhaust (Not Shown)	
308	7012599	1	Pump, Fuel	
309	7020434	1	Dipstick (Not Shown)	
310	7020465	1	Oil Filler Cap	
311		Ref	Gasket, Cylinder Head Options: (Engine p/n 2000137 Only) (Not Shown)	
311	70003160	1	1 Notch	
311	70003161	1	2 Notches	
311	70003162	1	3 Notches	
	0250229	Ref	GENERATOR INSTALLATION (OPTIONAL)	L
427	2180730	1	Fitting, Adapter (Prior to September 1993)	
428	2180749	1	Fitting, 45	
429		Ref	Fitting Options:	
429	2180537	1	Fitting (Prior to November 1995)	
429	2180730	1	Fitting (November 1995 to Present)	
430	2180360	1	Fitting, Tee (Prior to November 1995)	
431	2200261	1	Fitting (Prior to November 1995)	
432	4360037	1	Switch, Pressure	
		Ref	COLD WEATHER INSTALLATIONS (OPTIONAL)	
	0250659	Ref	Cold Weather Installations (Optional) (Prior to November 1994)	B
	0255477	Ref	Cold Weather Installations (Optional) (November 1994 to Present)	-
501	2580001	1	Heater, Battery	

SECTION 2 - TURNTABLE

ITEM	PART NUMBER	QTY	DESCRIPTION	REV
	2901111	1	Start Kit - Cold Weather	
	0253777	Ref	EXHAUST PURIFIER INSTALLATION (OPTIONAL)	A
601	3220086	1	Muffler, Purifier	
602	1120169	1	Cap, Rain	
603	4566054	1	Tube, Exhaust	
604	1320019	2	Clamp	
605	0960960	1	Tube	

SECTION 2 - TURNTABLE

FIGURE 2-16. GENERATOR INSTALLATION - 110V (DEUTZ)



SECTION 2 - TURNTABLE

FIGURE 2-16. GENERATOR INSTALLATION - 110V (DEUTZ)

ITEM	PART NUMBER	QTY	DESCRIPTION	REV
	0250229	Ref	GENERATOR	L
1	4843410	1	Weldment, Generator Mount	
2		Ref	Pulley Options:	
2	3580111	1	Pulley (Prior to August 1991)	
2	3580134	1	Pulley (August 1991 to June 1995)	
3	2460011	1	Generator and Control Box Assembly	
3A	7012558	1	Generator	
3A	7026199	1	Armature with Slip Rings	
3A	7012513	4	Cap, Brush Holder	
3A	7020108	4	Brush	
3A	7020109	4	Holder, Brush	
3A	7012514	1	Fan	
3A	7020110	1	Bell, Front	
3A	7020111	1	Bell Rear	
3A	7020190	2	Bearing	
3B	7003657	1	Box, Control	
		Ref	Note: Replacement 110V Control Box comes with 2 std Receptacles p/n 4460190. Optional Industrial Twist Lock Receptacles p/n 4460027 must be ordered separately.	
3B	4360542	1	Breaker, Circuit (was p/n 7020194)	
3B	2920162	1	Lamp	
3B	7020191	1	Switch, Toggle	
3B	3520028	1	Plug, Hole	
3C	2420203	1	Voltmeter (was p/n 7010699)	
3D	3580134	1	Pulley	
4	3251476	1	Decal - Generator	
5	1060012	AR	Cable 12/4 (Prior to August 1994)	
6	4460134	1	Connector (Prior to February 1991)	
7	4460023	1	Connector Terminal	
8	7027887	1	Key, Woodruff	
9	0100011	AR	Loctite #242 (Not Shown)	
10	4751500	1	Flatwasher 5/16in	
11	4761500	2	Lockwasher 5/16in	
12	0361815	1	Arm, Adjustable	
13	0701414	1	Bolt, Metric 14mm x 30mm	
14	0701012	2	Bolt, Metric 10mm x 25mm	
15	0480059	1	Belt	
16	3580158	1	Pulley	
18		Ref	Bolt Options:	
18	0641508	3	Bolt 5/16in-18NC x 1in (Prior to May 1991)	
18	0681510	2	Bolt 5/16in-18NC x 1 1/4in (Grade 8) (May 1991 to Present)	
19	3311501	1	Nut 5/16in-18NC	
20	0901633	1	Bracket, Box Mount	
21	4300068	2	Stud (Welded on Part)	
22	4751400	4	Flatwasher 1/4in	
23	4761400	4	Lockwasher 1/4in	
24	3311401	4	Nut 1/4in	
25	0641406	2	Bolt 1/4in-20NC x 3/4in	
26	4812000	2	Flatwasher, Metric 10mm	
33	0681610	2	Bolt 3/8in-16NC x 1 1/4in (Grade 8) (June 1992 to Present)	

SECTION 2 - TURNTABLE

ITEM	PART NUMBER	QTY	DESCRIPTION	REV
34	4761600	2	Lockwasher 3/8in (June 1992 to Present)	
35	4751600	2	Flatwasher 3/8in (June 1992 to Present)	

SECTION 2 - TURNTABLE

FIGURE 2-17. ELECTRIC MOTOR, BATTERIES AND CHARGER INSTALLATIONS

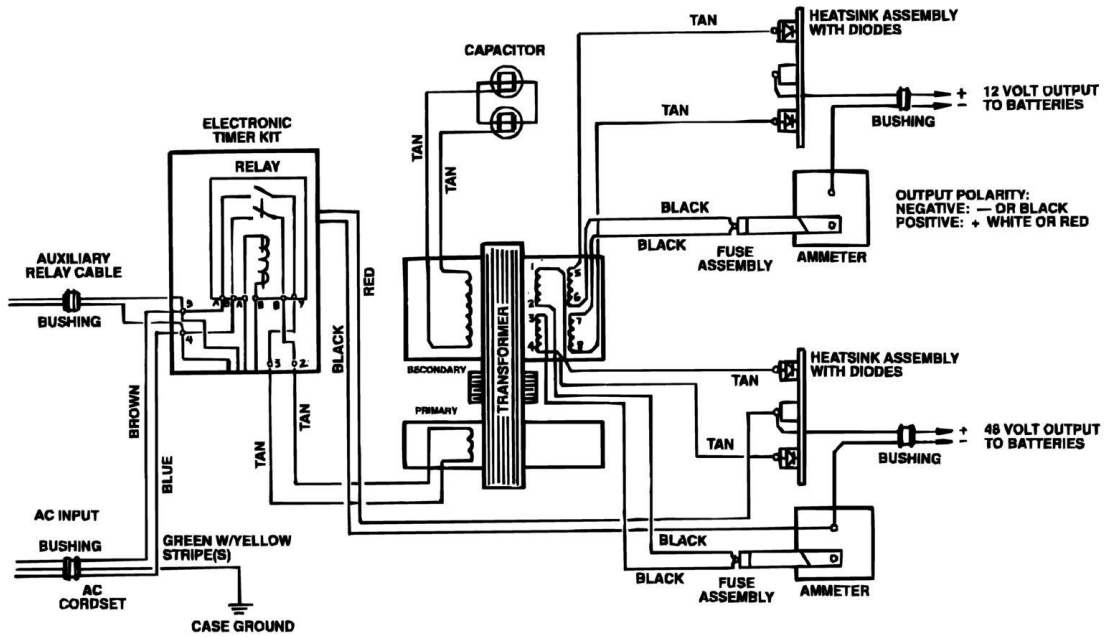
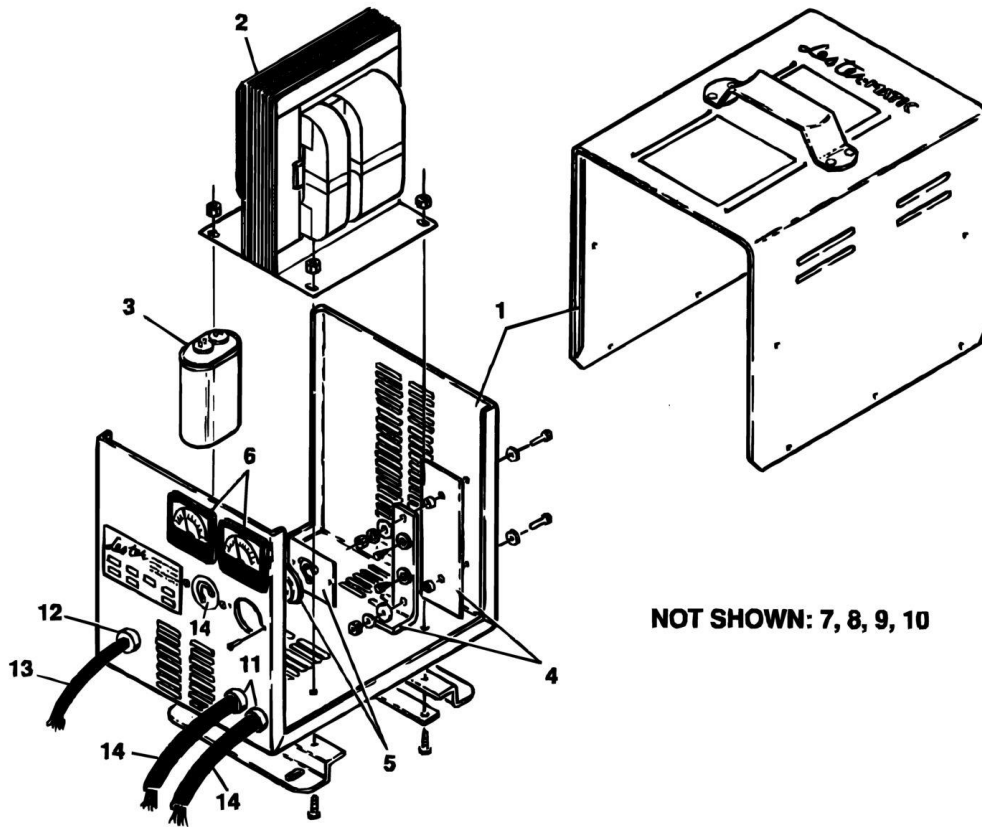
ITEM	PART NUMBER	QTY	DESCRIPTION	REV
	0251014	Ref	ELECTRIC MOTOR INSTALLATION	C
1	3160153	1	Motor, Electric	
2	4843667	1	Weldment, Bracket	
3	0641614	11	Bolt 3/8in-16NC x 1 3/4in	
4	4751600	9	Flatwasher 3/8in	
5	4761600	15	Lockwasher 3/8in	
6	3311601	11	Nut 3/8in-16NC	
7	3600177	1	Pump Assembly - 3 Section (See PUMP ASSEMBLY - 3 SECTION (ELECTRIC MACHINES) for Breakdown)	
9	0641610	4	Bolt 3/8in-16NC x 1 1/4in	
10		Ref	Auxiliary Pump Assembly Options:	
10	3600050	1	Auxiliary Pump Assembly (Prior to September 1992)	
10	3600208	1	Auxiliary Pump Assembly (September 1992 to Present)	
11	3740067	1	Relay	
12	4300032	2	Stud	
13	4761400	2	Lockwasher 1/4in	
14	3311401	2	Nut 1/4in-20NC	
15		Ref	Battery Options:	
15	0400003	1	Wet - Battery	
15	7016175	1	Dry - Battery	
16	3980003	1	Seat, Battery	
17	0400002	1	Battery, Hold-Down	
17	2910479	1	Hold-Down Repair Kit	
18	0236768	2	Rod, Hold-down	
19	3300029	2	Wingnut 3/8in-16NC	
20	0100009	AR	Silicone (Not Shown)	
29	0641504	1	Bolt 5/16in-18NC x 1/2in	
30	4761500	1	Lockwasher 5/16in	
31	3311501	1	Nut 5/16in-18NC	
32	2820030	AR	Tube, Heat Shrink	
33	1060046	1	Cable, Battery (Negative Terminal to Ground)	
34	1060154	1	Cable, Battery (Positive Terminal to Relay)	
35	1060149	1	Cable, Battery (Relay to Aux Power)	
	0250989	Ref	BATTERIES INSTALLATION	C
101	4843574	1	Weldment, Tray	
102	0641613	2	Bolt 3/8in-16NC x 1 5/8in	
103	4751600	4	Flatwasher 3/8in	
104	3311605	2	Locknut 3/8in-16NC	
105	3980017	1	Seat, Battery	
106		Ref	Battery Options:	
106	0400055	8	Wet - Battery	
106	7016177	8	Dry - Battery	
107	0361879	1	Bar	
108	0181554	2	Angle, Retaining	
109	4300068	4	Stud (Welded on Part)	
110	4751400	4	Flatwasher 1/4in	
112	3311405	4	Locknut 1/4in-20NC	
113	1060338	3	Cable, Battery	
114	1060352	4	Cable, Battery	
115	1060355	1	Cable, Battery	

SECTION 2 - TURNTABLE

ITEM	PART NUMBER	QTY	DESCRIPTION	REV
116	0840031	8	Boot, Terminal (Negative Posts)	
117	4843575	1	Bar, Hoisting (Not Shown)	
118	0840032	8	Boot, Terminal (Positive Posts)	
		Ref	CONTACTOR BOX AND CHARGER INSTALLATIONS	
	0251476	Ref	Contactactor Box Without Charger	A
	0252429	Ref	Contactactor Box With Charger/240V AC 50HZ	A
201	0901677	1	Bracket, Mounting - Charger (With Charger Only)	
202	0641613	4	Bolt 3/8in-16NC x 1 5/8in (With Charger Only)	
203	4751600	8	Flatwasher 3/8in (With Charger Only)	
205	3311605	4	Locknut 3/8in-16NC (With Charger Only)	
206	0400096	1	Battery Charger Assembly (See BATTERY CHARGER ASSEMBLY for Breakdown) (With Charger Only)	
207		Ref	Contactactor Box Assembly (See CONTACTOR BOX ASSEMBLY for Breakdown)	
207	0860701	1	Contactactor Box Without Charger	
207	0860771	1	Contactactor Box With Charger/240V AC 50HZ	
208	4300068	5	Stud (Welded on Part)	
209	4751400	5	Flatwasher 1/4in	
211	3311405	5	Locknut 1/4in-20NC	
215	1060356	1	Cable, Battery (Contactactor Box to Plug)	
216	1060345	1	Cable, Battery (Motor to Contactactor Box)	
217		Ref	Harness, Battery Charger Options: (Not Shown)	
217	4921298	1	Contactactor Box Without Charger	
217	4921292	1	Contactactor Box With Charger/240V AC 50HZ	

SECTION 2 - TURNTABLE

FIGURE 2-18. BATTERY CHARGER ASSEMBLY



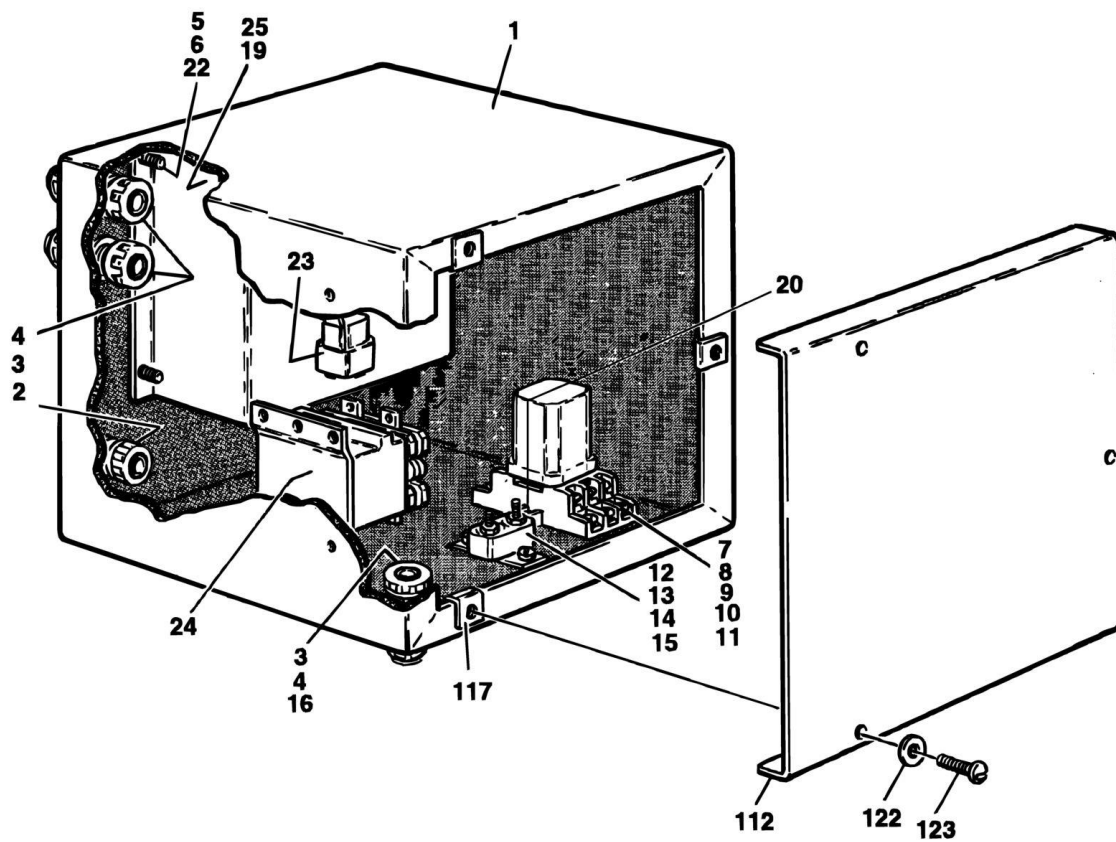
SECTION 2 - TURNTABLE

FIGURE 2-18. BATTERY CHARGER ASSEMBLY

ITEM	PART NUMBER	QTY	DESCRIPTION	REV
	0400096	Ref	BATTERY CHARGER ASSEMBLY	
1	Not Serviced	1	Case, Assembly	
2	Not Available	1	Transformer Assembly	
3	7005902	1	Capacitor - 6MFD/660 VAC	
4	7005971	2	Heatsink Assembly	
5	7005963	2	Fuse Assembly	
6	Not Available	2	Ammeter	
7	Not Available	1	Timer, Electronic	
8	Not Available	1	Relay	
9	7005962	1	Auxiliary Relay Cable Assembly 48VDC	
10	7005960	1	Bushing (Auxiliary Relay)	
11	7005935	2	Bushing (DC Cord)	
12	Not Available	1	Bushing (AC Cord)	
13	Not Available	1	Cord Set (AC)	
14	Not Available	1	Cord Set, (DC)	

SECTION 2 - TURNTABLE

FIGURE 2-19. CONTACTOR BOX ASSEMBLY



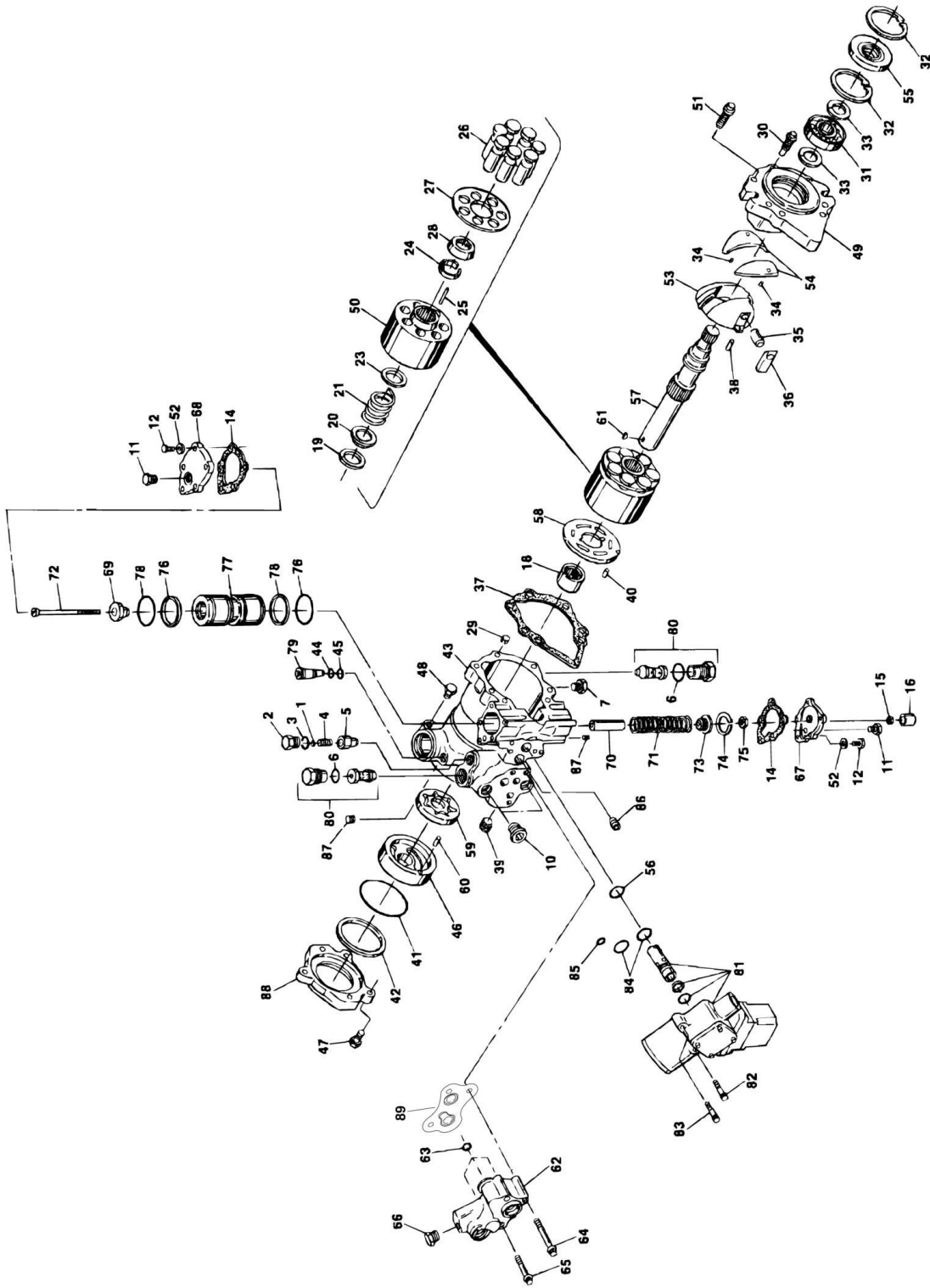
SECTION 2 - TURNTABLE

FIGURE 2-19. CONTACTOR BOX ASSEMBLY

ITEM	PART NUMBER	QTY	DESCRIPTION	REV
		Ref	CONTACTOR BOX ASSEMBLIES	
	0860701	Ref	Contactora Box Assembly	B
	0860771	Ref	Contactora Box Assembly 240VAC 50Hz	A
1	4843668	1	Box	
2	4460051	3	Connector	
3	3300048	4	Locknut, Conduit	
4	0960238	4	Bushing	
5		Ref	Bolt Options:	
5	0641506	7	Bolt 5/16in-18NC x 3/4in (Prior to January 1991)	
5	0641406	7	Bolt 1/4in-20NC x 3/4in (January 1991 to November 1991)	
5	0641408	7	Bolt 1/4in-20NC x 1in (November 1991 to Present)	
6		Ref	Lockwasher Options:	
6	4761500	7	Lockwasher 5/16in (Prior to January 1991)	
6	4761400	7	Lockwasher 1/4in (January 1991 to Present)	
7	4120002	1	Socket, Relay	
8		Ref	Relay Options:	
8	3740035	1	Relay	
8	3740046	1	Relay 240VAC 50Hz	
9	3910610	2	Screw, Machine #6-32NC x 5/8in	
10	4760600	2	Lockwasher #6	
11	3310601	2	Nut #6-32NC	
12	4360232	1	Breaker, Circuit 15Amp	
13	0721004	2	Screw, Machine #10-24NC x 1/2in	
14	4761000	2	Lockwasher #10	
15	3311001	2	Nut #10-24NC	
16		Ref	Connector Options:	
16	4460049	1	Connector (Prior to March 1991)	
16	4460071	1	Connector (March 1991 to Present)	
17	3300047	2	Locknut, Conduit (Prior to March 1991)	
18	0960239	2	Bushing (Prior to March 1991)	
19		Ref	Converter Options:	
19	1600122	1	Converter (Prior to November 1991)	
19	1600119	1	Converter (November 1991 to Present)	
20	4160025	1	Spring, Relay	
22	3311401	7	Nut 1/4in-20NC	
23	3740049	1	Relay	
24	3740064	1	Contactora, Relay	
25	3535808	1	Plate	
		Ref	CONTACTOR BOX AND CHARGER INSTALLATIONS	
	0251476	Ref	Contactora Box Without Charger	A
	0252429	Ref	Contactora Box With Charger/240V AC 50HZ	A
112	1670578	1	Cover, Front	
117	3300177	3	Nut, Tinnerman	
122	4750800	3	Flatwasher #8	
123	0750806	3	Screw, Pan Head #8	

SECTION 2 - TURNTABLE

FIGURE 2-20. PUMP ASSEMBLY - SUNSTRAND (GAS AND DIESEL MACHINES)



SECTION 2 - TURNTABLE

FIGURE 2-20. PUMP ASSEMBLY - SUNSTRAND (GAS AND DIESEL MACHINES)

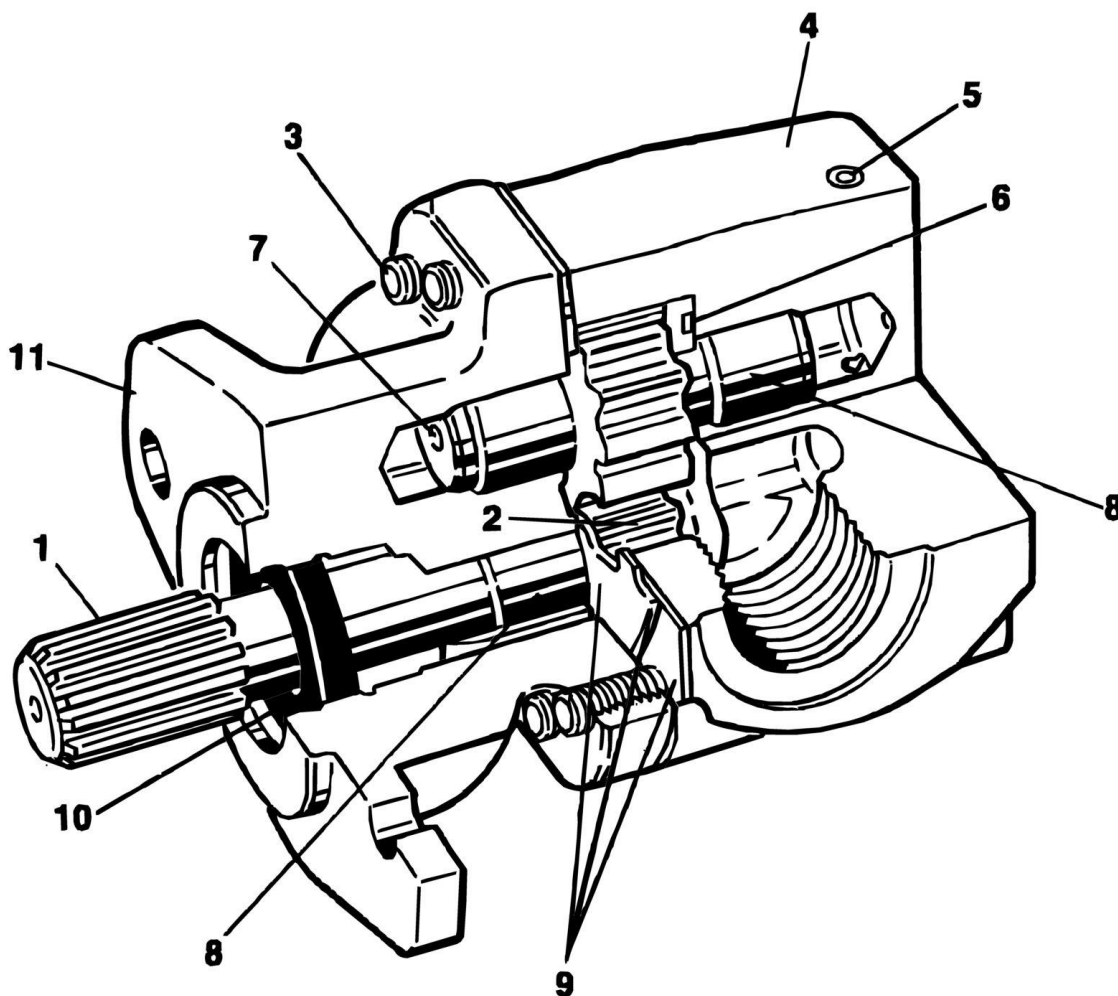
ITEM	PART NUMBER	QTY	DESCRIPTION	REV
		Ref	PISTON PUMP ASSEMBLY	
	3600164	Ref	13 Tooth Pump Spline (Prior to SN 27991)	A
	3600260	Ref	15 Tooth Pump Spline (SN 27991 to Present)	-
1	7007413	1	Shim Kit - Relief Valve	
2	7007414	1	Plug	
3	Kit	1	O-Ring	
4	7007416	1	Spring, Relief Valve	
5	7007417	1	Valve, Relief	
6	Kit	2	O-Ring	
7	7007419	2	Plug	
10	7007420	2	Plug	
11	7007208	2	Plug	
12	7007421	10	Screw	
14	Kit	2	Gasket, Servo Cover	
15	7007423	1	Nut, Special	
16	7007424	1	Cover, Adjustment	
18	7007425	1	Bearing, Needle	
19	Kit	1	Ring, Retaining	
20	Kit	1	Washer	
21	Kit	1	Spring	
23	Kit	1	Washer	
24	Kit	1	Retainer	
25	Kit	3	Pin, Slipper Hold-Down	
26	Kit	7	Piston Assembly	
27	Kit	1	Guide, Slipper	
28	Kit	1	Guide, Retainer	
29	7007435	1	Pin, Spring	
30	7007436	1	Screw - 12 Point Head	
31	7007437	1	Bearing, Ball	
32	7007438	2	Ring	
33	7007439	2	Ring	
34	7007440	2	Pin, Spring	
35	7007441	1	Handle, Pin	
36	7007442	1	Sleeve, Bearing	
37	Kit	1	Gasket, Front Cover	
38	7007444	1	Pin	
39	7007445	1	Plug, Expansion	
40	Kit	1	Pin	
41	Kit	1	O-Ring	
42	Kit	1	Ring, Load Temper	
43	7007449	1	Housing, Pump	
44	Kit	1	Ring, Back-up	
45	Kit	1	O-Ring	
46	Kit	1	Cover, Gerotor	
47	7007453	3	Bolt	
48	7007208	1	Plug	
49	7007454	1	Cover, Front	
50	Kit	1	Block, Cylinder	
51	7007456	6	Screw - 12 Point Head	
52	7001438	10	Washer	

SECTION 2 - TURNTABLE

ITEM	PART NUMBER	QTY	DESCRIPTION	REV
53	Kit	1	Swashplate	
54	7007458	1	Journal, Bearing	
55	Kit	1	Seal, Lip	
56	Kit	1	O-Ring	
57		Ref	Shaft, Main Pump Options:	
57	7007461	1	13 Tooth Spline (Prior to SN 27991)	
57	7010121	1	15 Tooth Spline (SN 27991 to Present)	
58	Kit	1	Plate, Valve	
59	Kit	1	Gerotor Assembly	
60	Kit	1	Pin	
61	Kit	1	Key, Woodruff	
62	7007466	1	Adaptor, Remote Filtration (Without By-Pass)	
63	Kit	3	O-Ring	
64	7007468	2	Screw	
65	7007469	2	Screw	
66	7007470	1	Plug	
67	7007471	1	Cover, Servo (With Adjuster)	
67	7007490	2	Stop, Servo (Not Shown)	
67	7007491	2	Nut, Special (Not Shown)	
67	7007492	2	Ring, External (Not Shown)	
68	7007482	1	Cover, Servo (Without Adjuster)	
69	7007483	1	Guide, Spring	
70	7007484	1	Stop, Servo	
71	7007485	1	Spring	
72	7007486	1	Screw	
73	7007487	1	Guide, Spring	
74	7007488	1	Ring, Retaining	
75	7007499	1	Locknut	
76	Kit	2	Ring, Piston	
77	7007494	1	Piston, Servo	
78	Kit	2	O-Ring	
79	7007472	1	Valve, By-Pass	
80	7010122	2	Valve, Pressure Release (Includes Item 6) (was p/n 7007473)	
81	7007474	1	Control, Dual Oil-Filled	
81	7007496	1	Coil Assembly (Pilot)	
81	7007497	1	Plug (Pump)	
81	7007498	1	Plug (Valve Harness)	
82	7007478	2	Screw	
83	7001498	2	Screw	
84	Kit	2	O-Ring	
85	Kit	1	O-Ring	
86	7007475	1	Plug, Orifice/Screen - .156	
87	7007477	2	Plug, Orifice/Screen - .37	
88	7007476	1	Adapter, Auxiliary Pump	
89	7010120	1	Spacer/Gasket	
	2900752	1	Seal Kit - Complete (Includes Items 3,6,14,37,41,42,44,45,55,56,63,76,78,84 & 85)	
	7007412	1	Seal Kit - Servo Piston (Includes Items 76 & 78)	
	2900826	1	Charge Pump Kit (Includes Items 41,42,46,59,60 & 61)	
	2900827	1	Cylinder Block Kit (Includes Items 19-28,40-50,53,55 & 58)	

SECTION 2 - TURNTABLE

FIGURE 2-21. PUMP ASSEMBLY - SINGLE SECTION (GAS AND DIESEL MACHINES) (PRIOR TO AUGUST 1992)



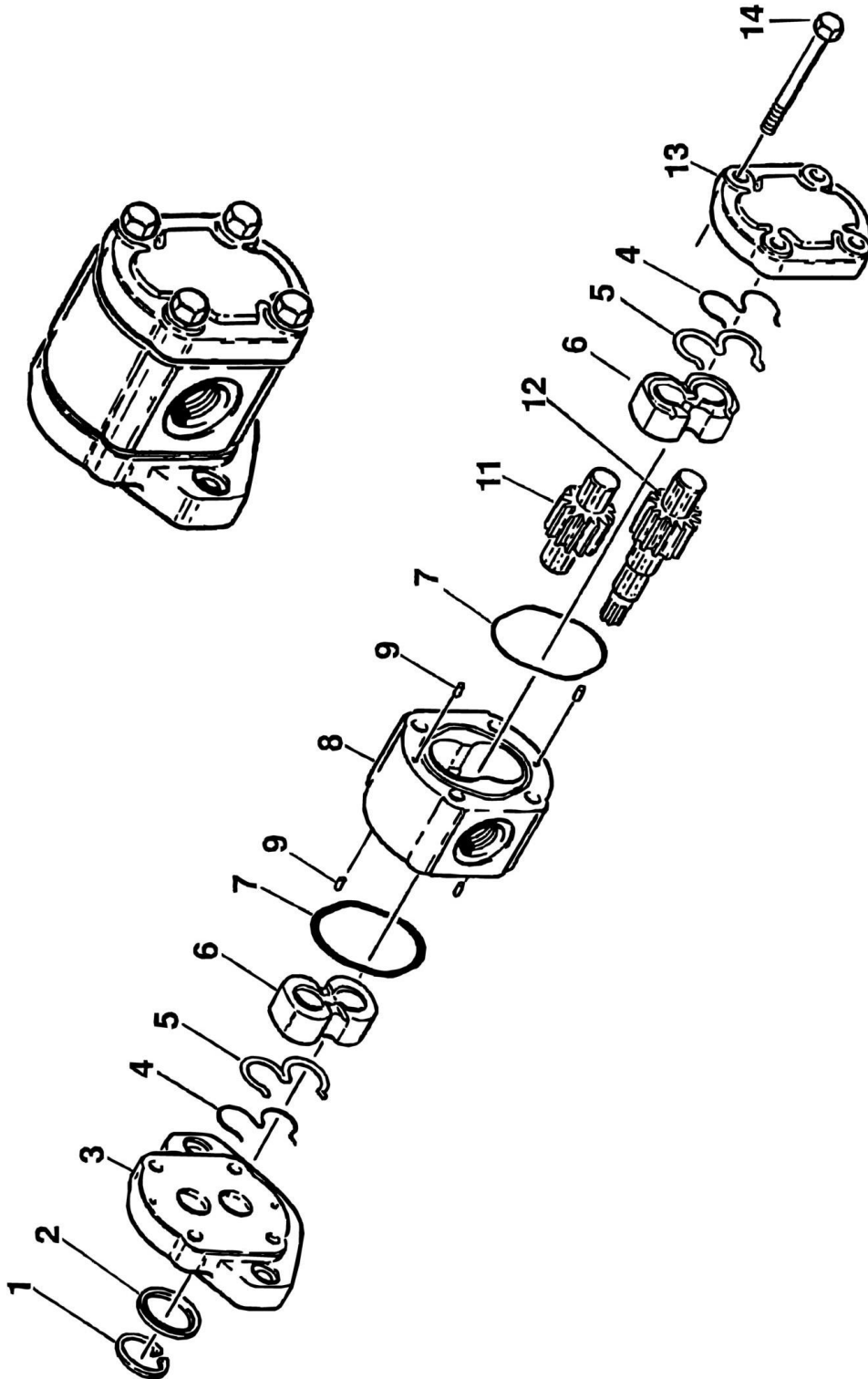
SECTION 2 - TURNTABLE

FIGURE 2-21. PUMP ASSEMBLY - SINGLE SECTION (GAS AND DIESEL MACHINES) (PRIOR TO AUGUST 1992)

ITEM	PART NUMBER	QTY	DESCRIPTION	REV
	3600172	Ref	HYDRAULIC PUMP ASSEMBLY	-
1	7010925	1	Shaft, Drive	
2	7010926	1	Gear (.750)	
2	7010927	1	Pin, Shear.093 x.750 Lg	
3	7010928	8	Screw	
4	7010929	1	Housing, Gear	
5	7010905	1	Plug	
6	7010914	1	Plate, Pressure	
6	Kit	1	Seal	
6	Kit	1	Back-Up	
7	7010930	1	Idler Shaft	
7	7010926	1	Gear (.750)	
7	7010918	1	Ball, Steel (.094)	
8	7010907	4	Bearing	
9	7010919	1	Plate, Wear	
9	Kit	1	Plate, Seal	
9	7010902	4	Ring, Crescent	
9	Kit	1	Seal	
10	Kit	1	Seal, Shaft	
11	7010909	1	Stator	
11	7010911	2	Pin, Shear .219 x .50 Lg	
	2900740	1	Seal, Kit	

SECTION 2 - TURNTABLE

FIGURE 2-22. PUMP ASSEMBLY - SINGLE SECTION (GAS AND DIESEL MACHINES) (AUGUST 1992 TO PRESENT)



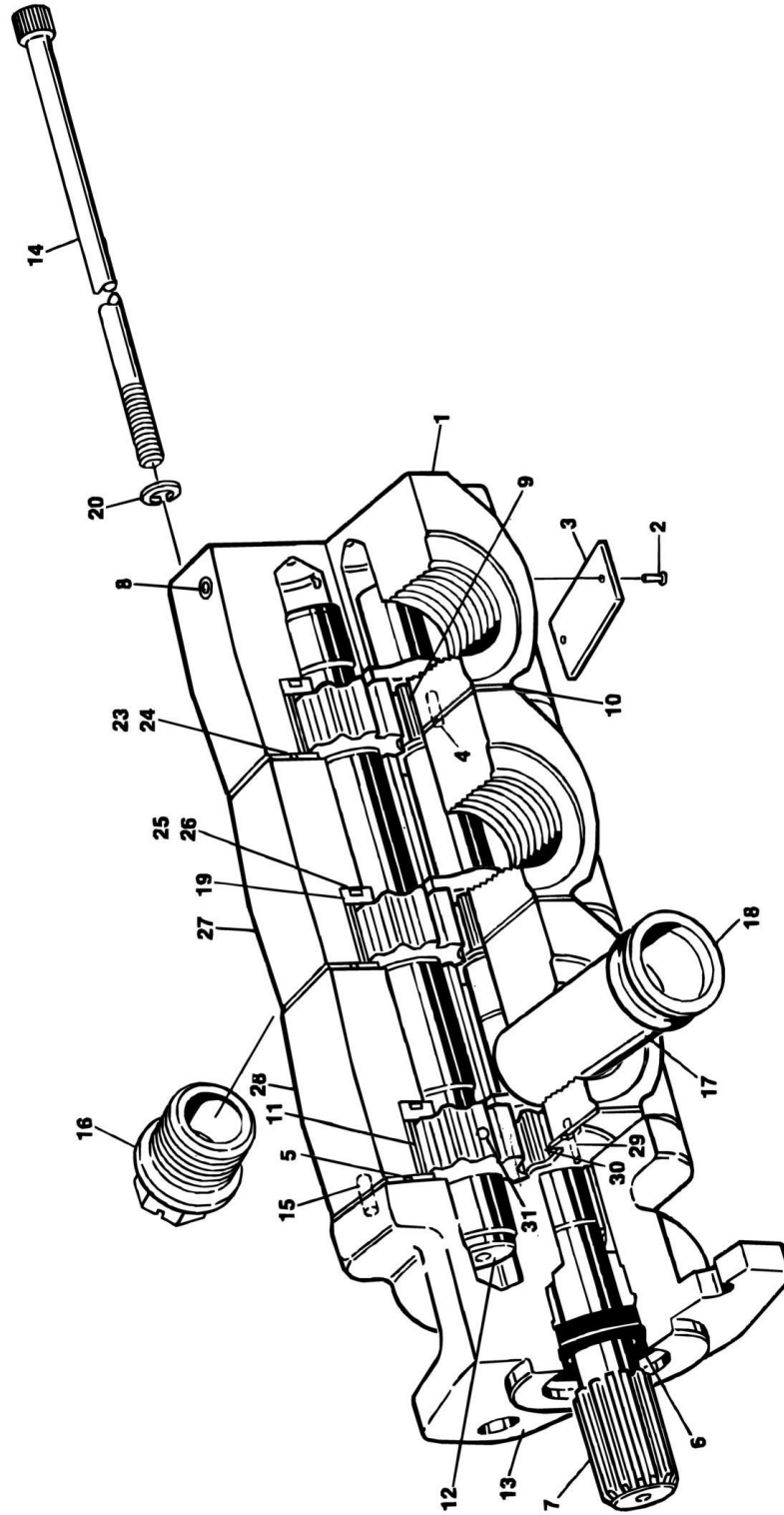
SECTION 2 - TURNTABLE

FIGURE 2-22. PUMP ASSEMBLY - SINGLE SECTION (GAS AND DIESEL MACHINES) (AUGUST 1992 TO PRESENT)

ITEM	PART NUMBER	QTY	DESCRIPTION	REV
	3600199	Ref	HYDRAULIC PUMP ASSEMBLY	-
1	7010955	1	Ring, Retaining	
2	Kit	1	Seal, Shaft	
3	7010956	1	Flange, Mounting	
4	Kit	2	Ring, Back-up	
5	Kit	2	E-Seal	
6	7010957	2	Bearing	
7	Kit	2	O-Ring	
8	7010958	1	Housing	
9	7010959	4	Pin, Dowel	
11	7010954	1	Gear, Idler	
12	7010978	1	Gear, Drive	
13	7010960	1	Cover, End	
14	7010961	4	Bolt	
	7010953	1	Seal, Kit (Includes Items 2,4,5 & 7)	

SECTION 2 - TURNTABLE

FIGURE 2-23. PUMP ASSEMBLY - 3 SECTION (ELECTRIC MACHINES)



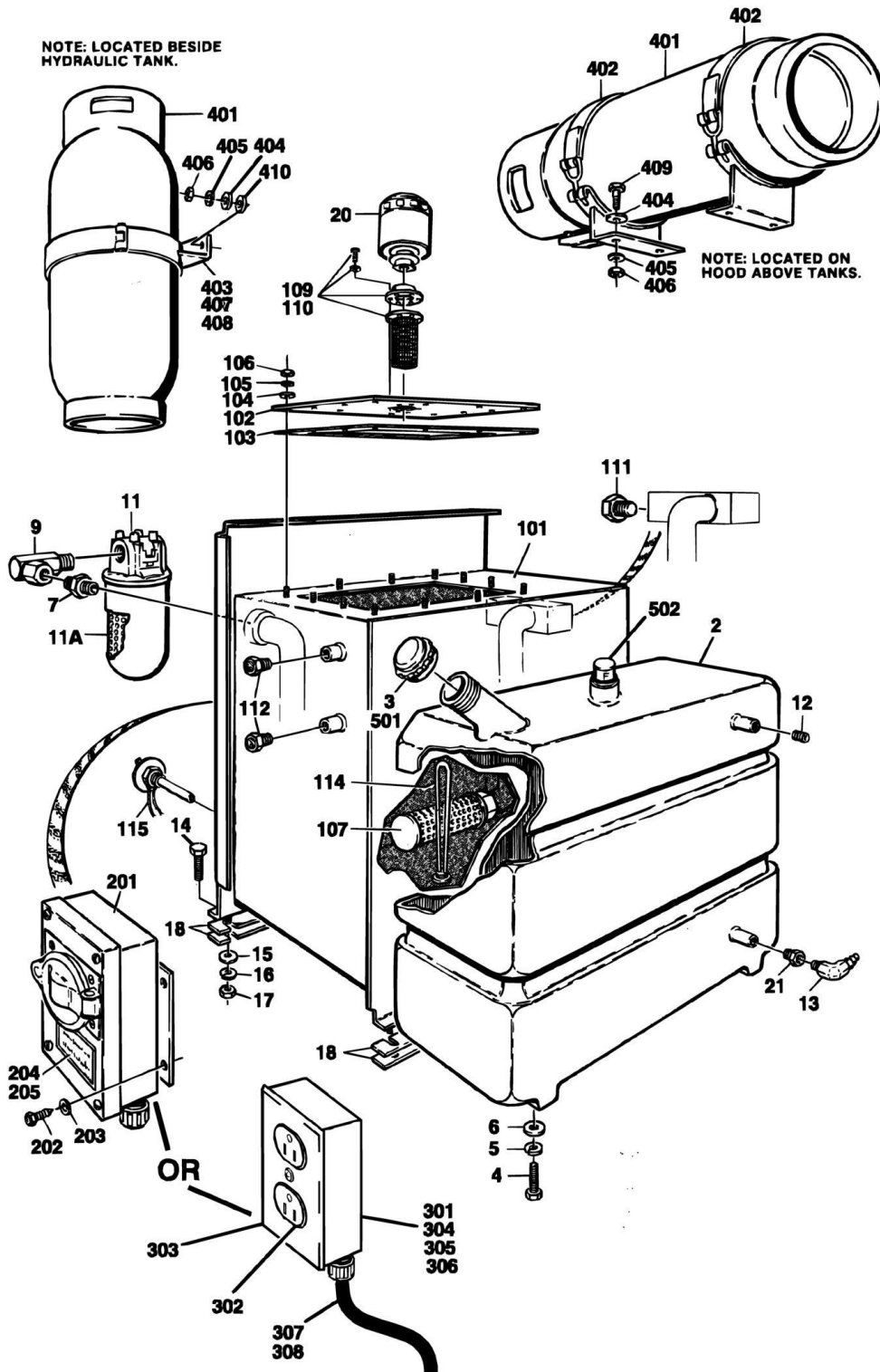
SECTION 2 - TURNTABLE

FIGURE 2-23. PUMP ASSEMBLY - 3 SECTION (ELECTRIC MACHINES)

ITEM	PART NUMBER	QTY	DESCRIPTION	REV
	3600177	Ref	HYDRAULIC PUMP ASSEMBLY	-
1	Not Serviced	1	Housing, Gear - End	
2	Not Serviced	2	Rivet, Tag	
3	Not Serviced	1	Nameplate	
4	7010935	1	Pin, Shear	
5	7010902	4	Ring, Crescent	
6	Kit	1	Seal, Oil	
7	7010939	1	Shaft, Drive	
8	7010905	1	Plug, Lee	
9	7010934	2	Gear	
10	Kit	3	Seal, Plate	
11	7010907	8	Bearing	
12	Not Serviced	1	Shaft, Idler	
13	Not Serviced	1	Stator	
14	7010922	8	Bolt, Socket Head	
15	7010911	6	Pin, Shear	
16	Not Serviced	3	Plug, Shipping	
17	7010902	2	Tube	
18	Not Serviced	2	Plug, Shipping	
19	7010938	3	Plate, Pressure	
20	7010933	8	Lockwasher 1/4in	
23	7010937	3	Plate, Wear	
24	Kit	3	Seal, Wear Plate	
25	Kit	3	Ring, Pressure Plate Back-Up Seal	
26	Kit	3	Seal, Pressure Plate	
27	Not Serviced	1	Housing, Gear - Center	
28	Not Serviced	1	Housing, Gear - Center	
29	7010936	2	Rollpin	
30	7010926	4	Gear	
31	7010918	1	Ball	
	2900740		Seal Kit (Includes Items 6,10,24,25 & 26)	

SECTION 2 - TURNTABLE

FIGURE 2-24. TANK INSTALLATION



SECTION 2 - TURNTABLE

FIGURE 2-24. TANK INSTALLATION

ITEM	PART NUMBER	QTY	DESCRIPTION	REV
		Ref	TANK INSTALLATIONS	
	0250327	Ref	Fuel and Hydraulic Tanks Installation (Standard/Gas and Diesel Machines) (Prior to SN 30537)	E
	0257432	Ref	Fuel and Hydraulic Tanks Installation (Standard/Gas and Diesel Machines) (SN 30537 to Present)	1
	0250660	Ref	Fuel and Hydraulic Tanks Installation (With Heaters/Gas and Diesel Machines)	C
	0251014	Ref	Hydraulic Tanks Installation (Electric Machines - Not Shown)	C
	0251420	Ref	Hydraulic Tanks Installation (LP Only Machines - Not Shown)	A
2		Ref	Tank, Fuel Options:	
2	4400273	1	Tank, Fuel (Prior to SN 30537)	
2	4400402	1	Tank, Fuel (SN 30537 to Present)	
3	1120362	1	Cap, Fuel	
4	0641611	4	Bolt 3/8in-16NC x 1 3/8in	
5	4761600	4	Lockwasher 3/8in	
6	4751600	4	Flatwasher 3/8in	
7		Ref	Fitting, Nipple Options:	
7	2220341	1	Fitting, Nipple (Gas, Diesel and LP Only)	
7	2180644	1	Fitting, Nipple (Electric - Not Shown)	
8	0100020	AR	Sealant	
9		Ref	Fitting	
9	2220077	1	Fitting (Gas, Diesel and LP Only)	
9	2200447	1	Fitting (Electric - Not Shown)	
10	0100027	AR	Sealant	
11	2120109	1	Filter	
11A	2120110	1	Element	
12		Ref	Plug Options:	
12	2220202	3	Plug, Pipe (Prior to June 1991)	
12	2200202	3	Plug, Pipe (June 1991 to Present)	
13	2220805	1	Fitting 90 Barbed (Prior to June 1991)	
14		Ref	Hardware Options:	
14	4300078	4	Stud (Welded on Part) (Prior to June 1992)	
14	0641514	4	Bolt 5/16in-18NC x 1 3/4in (June 1992 to Present)	
15	4751500	4	Flatwasher 5/16in	
16	4761500	4	Lockwasher 5/16in	
17	3311501	4	Nut 5/16in-18NC	
18	4070679	4	Shim	
20	1340046	1	Breather	
21	2220273	1	Fitting, Reducer (Prior to June 1991)	
		Ref	TANK HYDRAULIC ASSEMBLIES	
	4400279	Ref	Standard/Gas/Diesel and LP Only	-
	4400307	Ref	With Heaters/Gas and Diesel	-
	4400241	Ref	Electric - Not Shown	D
101		Ref	Tank Weldment Options:	
101	4400296	1	Standard/Gas/Diesel and LP Only	
101	4400306	1	With Heaters/Gas and Diesel	
101	4400242	1	Electric - Not Shown	
102		Ref	Cover Options:	
102	1670446	1	Gas and Diesel	
102	3532064	1	Electric - Not Shown	

SECTION 2 - TURNTABLE

ITEM	PART NUMBER	QTY	DESCRIPTION	REV
103		Ref	Gasket Options:	
103	3960369	1	Gas and Diesel	
103	3960372	1	Electric - Not Shown	
104	4751400	12	Flatwasher 1/4in	
105	4761400	12	Lockwasher 1/4in	
106	3311401	12	Nut 1/4in-20NC	
107		Ref	Filter, Suction Options:	
107	2120106	1	Gas and Diesel	
107	2120120	1	Electric - Not Shown	
108	0100020	AR	Sealant (Not Shown)	
109		Ref	Filler/Strainer Options: (Includes Mounting Hardware)	
109	1340045	1	Gas and Diesel	
109	1340047	1	Electric - Not Shown	
110	4740338	6	Washer, Sealing	
111	2220242	1	Fitting	
112		Ref	Gauge, Sight Options:	
112	2420115	2	Gauge, Sight (Gas and Diesel)	
112	4562516	8 in	Tube, Sight (Electric - Not Shown)	
112	2180467	2	Fitting (Electric - Not Shown)	
112	1320022	2	Clamp (Electric - Not Shown)	
113	3520022	1	Plug, Magnetic (Tanks Without Heaters Only)	
114	2580018	1	Heater, Immersion (Tanks With Heaters Only)	
115	16600043	1	Thermoswitch, Heat Controller (Tanks With Heaters Only)	
		Ref	JUNCTION BOX INSTALLATIONS (OPTIONAL) (PRIOR TO NOVEMBER 1994)	
	0250659	Ref	Deutz With Heater	B
	0250658	Ref	Ford With Heater	A
201	0231756	1	Junction Box Assembly	
201	4460049	3	Connector, Strain Relief	
201	4460007	1	Strip, Terminal	
201	1670199	1	Cover	
201	4460082	1	Plug, 3 Wire	
202	3941406	4	Screw, Self-Tapping 1/4in x 3/4in	
203	4761400	4	Lockwasher 1/4in	
204		Ref	Nameplate - Heaters Options:	
204	3251837	1	Nameplate - Heaters (Deutz)	
204	3251228	1	Nameplate - Heaters (Ford)	
205	3251243	1	Nameplate - 120V-60Hz	
		Ref	JUNCTION BOX INSTALLATIONS (OPTIONAL) (NOVEMBER 1994 TO PRESENT)	
	0255477	Ref	Deutz With Heater	-
	0255476	Ref	Ford With Heater	-
301		Ref	Box Receptacle Options:	
301	0860785	1	Deutz	
301	0860901	1	Ford	
302	4460190	AR	Terminal, Receptacle	
303		Ref	Cover Options:	
303	1670646	1	Deutz	
303	1670645	1	Ford	
304	0641406	AR	Bolt 1/4in-20NC x 3/4in	
305	3311401	AR	Nut 1/4in-20NC	
306	4761400	AR	Lockwasher 1/4in	

SECTION 2 - TURNTABLE

ITEM	PART NUMBER	QTY	DESCRIPTION	REV
307	1060494	3 m	Cable 12/3	
308	4460138	1	Plug, Terminal	
309	1702089	1	Decal - Heater Cord (Not Shown)	
310	3251272	1	Nameplate - Tank Heater (Not Shown)	
311	3251836	1	Nameplate - Engine and Battery Heaters (Not Shown)	
312	2580046	1	Heater, Pad (Not Shown - Located Under Oil Tank)	
	0250649	Ref	LP TANK BRACKETS INSTALLATION (OPTIONAL)	E
401		Ref	Tanks Options:	
401	4400281	2	Tank Aluminum 33.5Lbs	
401	4400421	2	Tank Steel 33.5Lbs	
401	4400275	2	Tank Aluminum 43.5Lbs	
401	4400420	2	Tank Steel 43.5Lbs	
402	1320023	2	Clamp, Bracket	
403	4300034	2	Stud (Welded on Part)	
404	4751600	10	Flatwasher 3/8in	
405	4761600	6	Lockwasher 3/8in	
406	3311601	6	Nut 3/8in-16NC	
407	1320126	1	Clamp, Bracket	
408	1320127	1	Clamp	
409	0641608	4	Bolt 3/8in-16NC x 1in	
410	4751800	2	Flatwasher 1/2in	
	0257412	Ref	FUEL CAP INSTALLATION (STANDARD)	2
501	1120486	1	Cap, Fuel Vented	
502	2200108	1	Plug	
505	0100020	AR	Sealer, Pipe (Not Shown)	
	0257413	Ref	FUEL CAP INSTALLATION (PROTECTOSEAL)	1
501	1120485	1	Cap, Fuel Vented	
502	2420183	1	Gauge, Fuel	
504	0100019	AR	Loctite #272 (Not Shown)	
505	0100020	AR	Sealer, Pipe (Not Shown)	

SECTION 2 - TURNTABLE

FIGURE 2-25. GROUND CONTROL BOX ASSEMBLY

ITEM	PART NUMBER	QTY	DESCRIPTION	REV
		Ref	GROUND CONTROL BOX ASSEMBLIES	
	0860717	Ref	Ford LSG-411 (Prior to August 1994)	C
	0860960	Ref	Ford LSG-411 (With Prestolite Alternator) (August 1994 to Present)	2
	0860694	Ref	Deutz F2L1011	7
	0860841	Ref	Deutz F2L1011 (With Proportional Controls)	6
	0860692	Ref	Electric	D
1		Ref	Box Options:	
1	0860645	1	Gas and Diesel (With Prestolite Alternator)	
1	0860576	1	Gas and Diesel (With Proportional Controls)	
1	0860637	1	Electric	
2	3252383	1	Lid	
5	4751000	11	Flatwasher #10 (Prior to June 1994)	
6	4761000	AR	Lockwasher #10	
7	3311001	AR	Nut #10-24NC	
9	3790012	9	O-Ring	
11	2420009	1	Hourmeter	
12		Ref	Gauge Options:	
12	2420129	1	Voltmeter (Ford and Deutz)	
12	3520070	1	Plug (Electric)	
13	4360199	1	Switch, Toggle (Ignition)	
14	4360141	1	Switch, Guard	
15	3790015	1	O-Ring	
16		Ref	Switch Options:	
16	4360274	1	Switch, Push Button (Ford and Deutz)	
16	3520026	1	Plug (Electric)	
17	4360202	5	Switch, Toggle	
18	4360200	1	Switch, Toggle	
19	3740049	AR	Relay	
20	4360216	1	Breaker, Circuit 30 Amp	
21	4360232	1	Breaker, Circuit 15 Amp	
22	3640711	1	Track	
23	4460299	2	Stop, Terminal	
24	4460298	45	Block, Terminal	
25	4460301	1	Marker, Terminal	
26	4460311	1	Bar, Buss - 5 Position	
27	4460305	AR	Screw, Terminal	
28	4460306	AR	Washer, Terminal	
29	4460307	AR	Sleeve, Terminal	
30	4460300	2	Barrier, Terminal	
31	4460308	AR	Bar, Buss - 2 Position	
32	4120013	AR	Base, Relay	
33	3740058	AR	Relay	
34	3740063	AR	Spring, Relay	
35	4750600	2	Flatwasher #6	
36	4760600	2	Lockwasher #6	
37	3310601	2	Nut #6-32NC	
38	3910606	2	Screw #6-32NC x 3/8in (Electric Machines Only)	
39	3300177	2	Nut, Tinnerman	
40	0750806	2	Screw, Self-Tapping #8 x 3/4in	

SECTION 2 - TURNTABLE

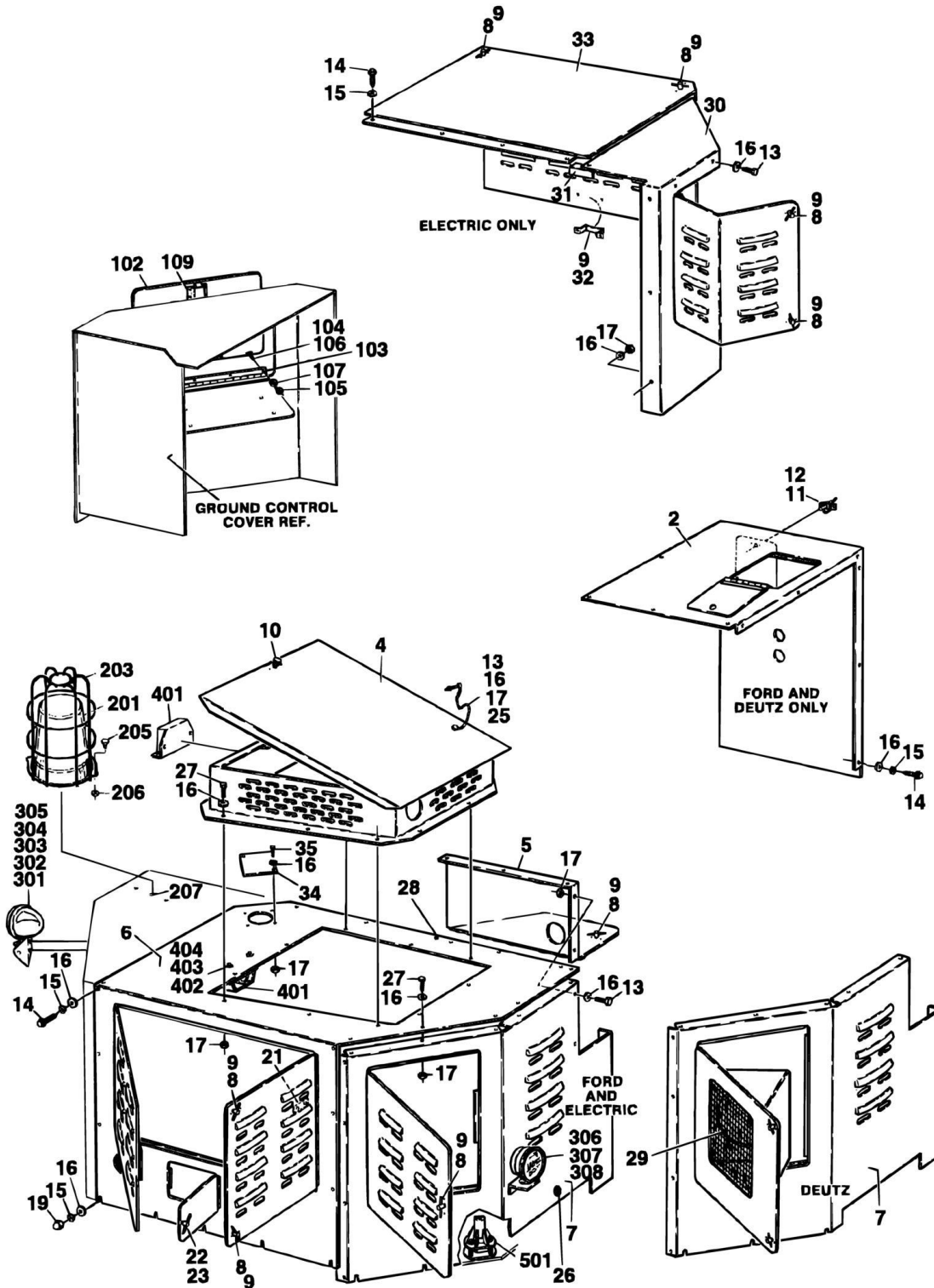
ITEM	PART NUMBER	QTY	DESCRIPTION	REV
41	4740120	2	Washer, Fiber	
42	3911412	3	Screw, Round Head 1/4in-20NC x 3/4in	
43	3311401	3	Nut 1/4in-20NC	
44	4751400	3	Flatwasher 1/4in	
45	4761400	3	Lockwasher 1/4in	
46	4460071	1	Relief, Strain (Ford and Deutz Machines Only)	
47	3300048	4	Nut, Conduit	
48	0960238	4	Bushing	
49	4460051	AR	Relief, Strain	
50	4420037	1 m	Strip, Rubber (Not Shown)	
51	4360284	1	Switch Keyed - 3 Position	
52	4360267	1	Block, Contact SPST N.O.	
53	4360281	3	Block, Contact N.O.	
55	3520028	1	Plug, Hole 1/2in	
56		Ref	Relay, Bosch Options:	
56	3740049	1	Ford - 12V	
56	3740077	1	Deutz - 6V	
62	4751000	1	Flatwasher #10	
63	4761000	1	Lockwasher #10	
64	3311001	1	Nut #10-24NC	
65		Ref	Gauge Options:	
65	2420128	1	Gauge, Oil Pressure (Ford)	
65	2420111	1	Gauge, Oil Pressure (Deutz)	
65	3520070	1	Plug, Hole 2 1/8in (Electric)	
66		Ref	Gauge Options:	
66	2420127	1	Gauge, Water Temperature (Ford)	
66	2420125	1	Gauge, Water Temperature (Deutz)	
66	3520070	1	Plug (Electric)	
67		Ref	Plug Options:	
67	3520026	1	Plug, Hole 5/8in (Ford and Electric)	
67	4360212	1	Breaker, Circuit (Deutz)	
68	3520028	1	Plug, Hole 1/2in	
69	3520028	1	Plug, Hole 1/2in	
70	3520026	1	Plug, Hole 5/8in (Not Shown)	
71	3520028	1	Plug, Hole 1/2in	
85	4120013	1	Socket, Relay (Ford)	
86	3740058	1	Relay (Ford)	
87	3740063	1	Spring, Relay (Ford)	
90	4460244	1	Relief, Strain (Ford and Deutz)	
91	3300048	1	Nut, Conduit (Ford and Deutz)	
92	0960238	AR	Bushing (Ford and Deutz)	
98	3911008	1	Screw #10-24NC x 1/2in (Ford and Deutz)	
99	3520034	2	Plug, Hole 5/16in (Ford and Deutz) (Not Shown)	
100	3520054	4	Plug, Hole 7/16in (Ford and Deutz)	
101	3520028	1	Plug, Hole 1/2in (Ford and Deutz)	
102	3520168	3	Plug, Hole 3/16in (Ford and Deutz) (Not Shown)	
		Ref	GROUND CONTROL BOX INSTALLATIONS	
	0251755	Ref	Ground Control Box (Ford) (Prior to March 1995)	A
	0255151	Ref	Ground Control Box (Ford) (March 1995 to Present)	2
	0251372	Ref	Ground Control Box (Deutz)	3
	0253742	Ref	Ground Control Box (Deutz - With Proportional Controls)	A

SECTION 2 - TURNTABLE

ITEM	PART NUMBER	QTY	DESCRIPTION	REV
	0251364	Ref	Ground Control Box (Electric)	2
204	0641406	4	Bolt 1/4in-20NC x 3/4in	
206	4751400	4	Flatwasher 1/4in	
207	4761400	4	Lockwasher 1/4in	

SECTION 2 - TURNTABLE

FIGURE 2-26. HOODS, LIGHTS AND ALARMS INSTALLATION



SECTION 2 - TURNTABLE

FIGURE 2-26. HOODS, LIGHTS AND ALARMS INSTALLATION

ITEM	PART NUMBER	QTY	DESCRIPTION	REV
		Ref	HOODS INSTALLATIONS	
	0250355	Ref	Hood Installation (Ford)	E
	0250585	Ref	Hood Installation (Deutz)	G
	0250751	Ref	Hood Installation (Electric)	F
		Ref	Note: Replacement Decals must be Purchased Separately - See DECALS SECTION.	
2	4843452	1	Weldment, Tank Cover (Ford and Deutz)	
4		Ref	Weldment, Ventilator Options:	
4	4843564	1	Ford	
4	4843458	1	Deutz and Electric	
5	4843478	1	Weldment, Hood Door	
6		Ref	Hood - Left Side Options:	
6	4843565	1	Ford	
6	4843476	1	Deutz and Electric	
7		Ref	Cover - Left Side Rear Options:	
7	4843479	1	Ford and Electric	
7	4843665	1	Deutz	
8	2940048	AR	Latch	
9	3820019	AR	Rivet	
10	2940051	1	Latch	
11	2940050	1	Latch	
12	3820011	2	Rivet	
13	0641408	AR	Bolt 1/4in-20NC x 1in	
14	3941406	AR	Screw, Self-Tapping 1/4in-20NC x 3/4in	
15	4761400	AR	Lockwasher 1/4in	
16	4751400	AR	Flatwasher 1/4in	
17	3311405	AR	Locknut 1/4in-20NC	
18	4300031	AR	Stud (Welded on Part)	
19	3300151	AR	Nut, Acorn 1/4in-20NC	
20	0100011	AR	Loctite #242 (Not Shown)	
21	0361840	1	Bar, Hood Support	
22	2940050	1	Latch	
23	3820012	2	Rivet	
25	1260017	9 in	Chain	
26	3520031	1	Plug	
27	0641406	24	Bolt 1/4in-20NC x 3/4in	
28	3520034	1	Plug (Deutz)	
29	3960389	3 ft	Seal (June 1995 to Present)	
30	4843580	1	Hood, Right Side Rear - Fuse Box Cover (Electric Only)	
31	0181339	1	Angle (Prior to January 1992)	
32	2560003	1	Handle (Electric Only)	
33	4843579	1	Hood, Right Side - Battery Cover (Electric Only)	
34	1670582	1	Cover (Electric Only)	
35	0641404	2	Bolt 1/4in-20NC x 1/2in (Electric Only)	
		Ref	GROUND CONTROL DOOR INSTALLATIONS	
	0251755	Ref	Ground Control Box (Ford) (Prior to March 1995)	A
	0255151	Ref	Ground Control Box (Ford) (March 1995 to Present)	2
	0251372	Ref	Ground Control Box (Deutz)	3
	0251364	Ref	Ground Control Box (Electric)	2
102	1780245	1	Door	

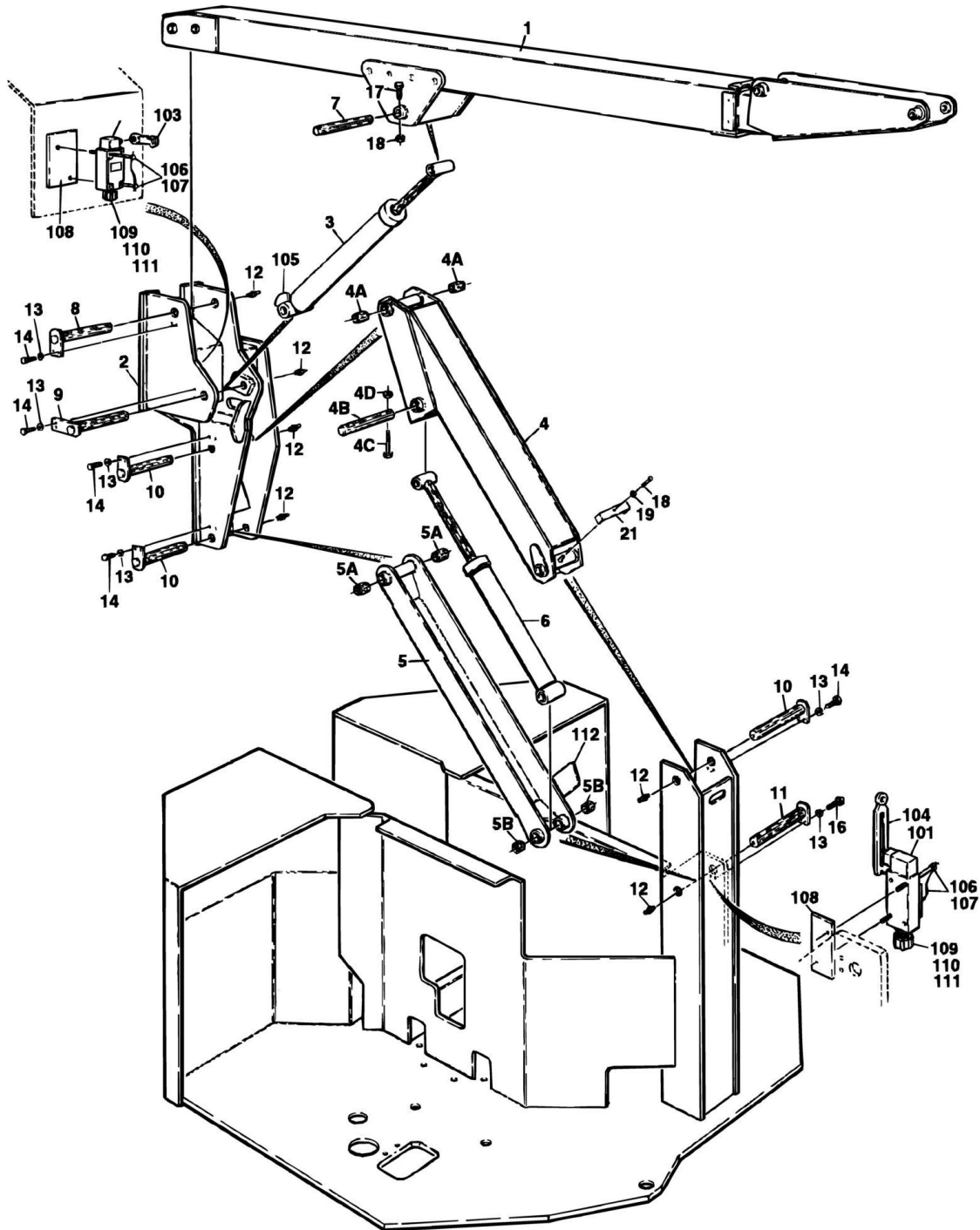
SECTION 2 - TURNTABLE

ITEM	PART NUMBER	QTY	DESCRIPTION	REV
103	2600157	1	Hinge	
104	0641406	AR	Bolt 1/4in-20NC x 3/4in	
105	3311401	4	Nut 1/4in-20NC	
106	4751400	AR	Flatwasher 1/4in	
107	4761400	8	Lockwasher 1/4in	
109	2940057	1	Latch (Includes Mounting Hardware and Trim Plate)	
110	0940083	2	Bumper (Not Shown)	
		Ref	BEACON LIGHT INSTALLATIONS	
	0251174	Ref	Amber	4
	0251173	Ref	Red	4
201		Ref	Light, Beacon Options:	
201	2920018	1	Amber (Prior to November 1992)	
201	2920105	1	Amber (November 1992 to Present)	
201	2920009	1	Red (Prior to November 1992)	
201	2920109	1	Amber (November 1992 to Present)	
203	4060829	1	Shield, Guard (November 1992 to Present)	
204	3941404	2	Screw, Self-Tapping (Not Shown) (November 1992 to Present)	
205		Ref	Bolt Options: (November 1992 to Present)	
205	0641405	2	Bolt 1/4in-20NC x 5/8in (Prior to June 1993)	
205	0641406	2	Bolt 1/4in-20NC x 3/4in (June 1993 to Present)	
206	3311405	2	Locknut 1/4in-20NC (November 1992 to Present)	
207	2540016	1	Grommet (November 1992 to Present)	
	0253352	Ref	HEAD AND TAIL LIGHTS INSTALLATION	2
301		Ref	Headlight Options:	
301	2920001	2	Headlight (Prior to SN 40422)	
301	2920152	2	Headlight (SN 40422 to Present)	
302	0641510	4	Bolt 5/16in-18NC x 1 1/4in	
303	4711500	4	Flatwasher 5/16in	
304	4761500	4	Lockwasher 5/16in	
305	3311501	4	Nut 5/16in-18NC	
306	2920019	2	Tail Light	
307	0901883	4	Tack	
310	2540016	3	Grommet (Not Shown)	
		Ref	ALARM INSTALLATIONS	
	0251172	Ref	Travel	5
	0239401	Ref	Motion	A
	0251443	Ref	Motion	A
401		Ref	Alarm Options:	
401	0140024	1	Alarm (Prior to December 1992)	
401	0140032	1	Alarm (December 1992 to Present)	
402	0641406	2	Bolt 1/4in-20NC x 3/4in (March 1991 to Present)	
403	4751400	4	Flatwasher 1/4in	
404	3311405	2	Locknut 1/4in-20NC	
	0250650	Ref	TILT INDICATOR INSTALLATION	C
501	4360171	1	Sensor, Level	

SECTION 3 - BOOM

SECTION 3 - BOOM

FIGURE 3-1. TURNTABLE, BOOM AND HORIZONTAL LIMIT SWITCH INSTALLATIONS



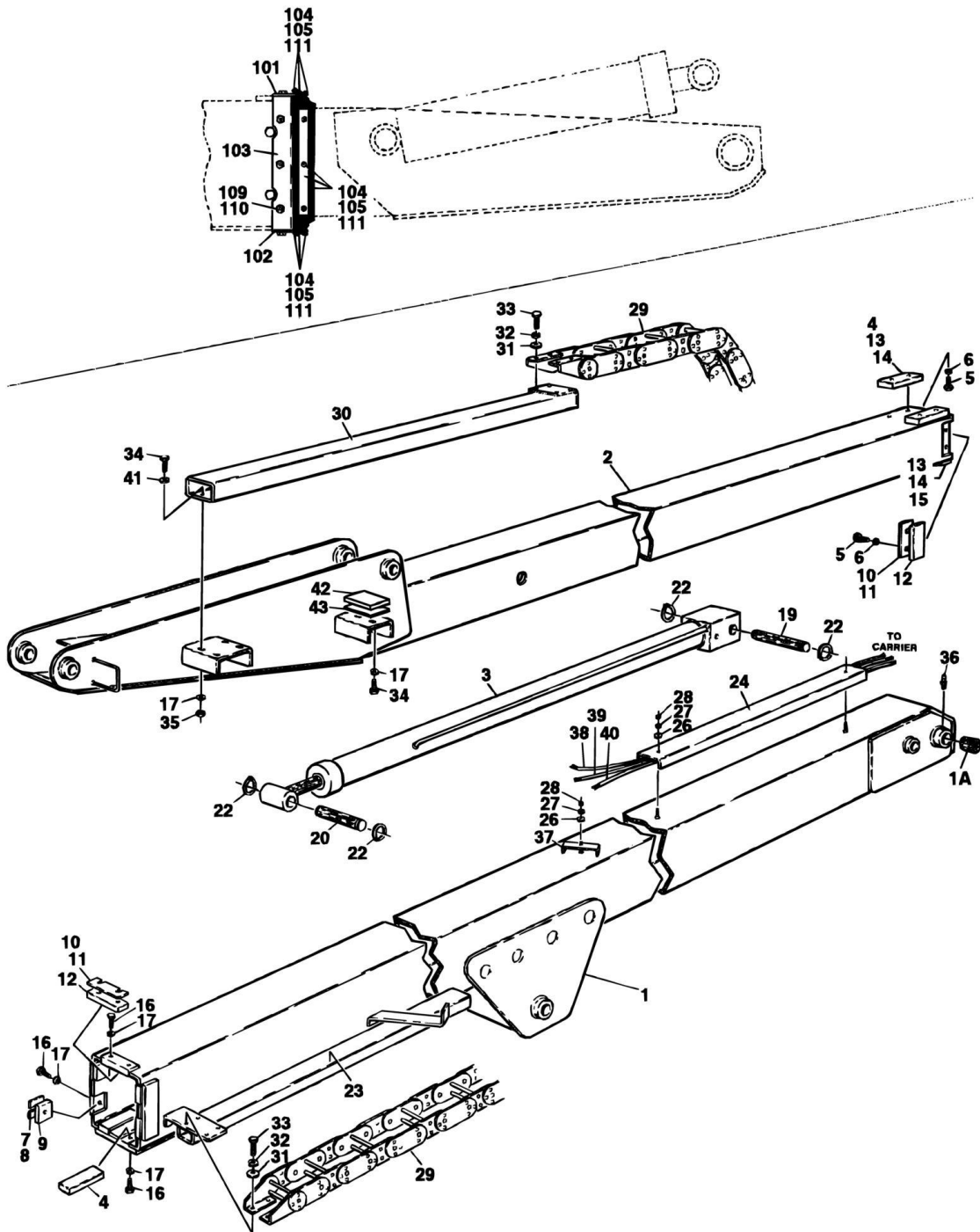
SECTION 3 - BOOM

FIGURE 3-1. TURNTABLE, BOOM AND HORIZONTAL LIMIT SWITCH INSTALLATIONS

ITEM	PART NUMBER	QTY	DESCRIPTION	REV
		Ref	TURNTABLE OPTIONS:	
	4620048	1	Turntable - 2m (Gas and Diesel)	
	4620061	1	Turntable - 1.75m (Gas and Diesel)	
	4620066	1	Turntable - 2m (Electric)	
	4620067	1	Turntable - 1.75m (Electric)	
	4620068	1	Turntable - 1.75m (Electric)	
	0250456	Ref	BOOM INSTALLATION	6
1	0800630	1	Boom Assembly (See BOOM ASSEMBLIES for Breakdown)	
2	4843502	1	Upright, Weldment	
3	1681840	1	Lift Cylinder Assembly (See CYLINDER SECTION for Breakdown)	
4	4842603	1	Arm Weldment - Upper	
4A	0961024	2	Bushing, Oilite	
4B	3421419	1	Pin	
4C	0641420	1	Bolt 1/4in-20NC x 2 1/2in	
4D	3311405	1	Locknut 1/4in-20NC	
5	4842485	1	Arm Weldment - Lower	
5A	0961024	2	Bushing, Oilite	
5B	0961198	2	Bushing, Oilite	
6	1681780	1	Articulate Cylinder Assembly (See CYLINDER SECTION for Breakdown)	
7		Ref	Pin (Boom Attach) Options:	
7	3421752	1	Domestic (Prior to SN 30067)	
7	3422637	1	Domestic (SN 30067 to Present)	
8	3421751	1	Pin	
9	3421749	1	Pin (Upright Attach)	
10	3422011	3	Pin	
11	3421725	1	Pin (Lower Arm/Turntable Attach)	
12	2160002	4	Fitting, Grease	
13	4751600	12	Flatwasher 3/8in	
14	0641607	10	Bolt 3/8in-16NC x 7/8in	
15	0100019	AR	Loctite #271 (Not Shown)	
16	0641609	2	Bolt 3/8in-16NC x 1 1/4in	
17	0641524	1	Bolt 5/16in-18NC x 3in	
18	3311505	2	Nut 5/16in-18NC	
19	4751500	1	Flatwasher 5/16in	
20	4300070	1	Stud (Welded on Part)	
21	1320168	1	Clamp	
	0251337	Ref	HORIZONTAL LIMIT SWITCH INSTALLATION	3
101	4360277	2	Limit, Switch	
102	4360236	2	Head, Actuator	
103	4360278	1	Arm and Roller (Top Switch)	
104	4360237	1	Arm and Roller (Bottom Switch)	
105	1100057	1	Cam, Actuator (Top Switch)	
106	3900168	4	Bolt, Special #10-24NC	
107	4920140	AR	Wire, Mechanics	
108	3534395	1	Plate, Mounting (Weld on Part) (Prior to August 1995)	
109	4460049	2	Connector, Strain Relief	
110	3300047	2	Nut, Conduit	
111	0960239	2	Bushing, Reducer	
112	3534705	1	Plate, Actuator (Bottom Switch)	

SECTION 3 - BOOM

FIGURE 3-2. BOOM ASSEMBLIES



SECTION 3 - BOOM

FIGURE 3-2. BOOM ASSEMBLIES

ITEM	PART NUMBER	QTY	DESCRIPTION	REV
	0800630	Ref	BOOM ASSEMBLY AND WIPERS INSTALLATION	10
1	0800627	1	Weldment, Base	
1A	0961595	2	Bushing	
2	0800716	1	Weldment, Fly	
3	1682179	1	Telescope Cylinder Assembly (See CYLINDER SECTION for Breakdown)	
4	3340263	4	Pad, Wear	
5	0641604	4	Bolt 3/8in-16NC x 1/2in	
6	4761600	4	Lockwasher 3/8in	
7	4070664	AR	Shim 1/16in	
8	4070665	AR	Shim 1/32in	
9	3340545	4	Pad, Wear	
10	4070666	AR	Shim 1/16in	
11	4070667	AR	Shim 1/32in	
12	3340547	3	Pad, Wear	
13		Ref	Shim 1/16in Options:	
13	4070649	AR	Shim 1/16in (Prior to August 1995)	
13	4070498	AR	Shim 1/16in (August 1995 to Present)	
14		Ref	Shim Options:	
14	4070646	AR	Shim 9/64in (Prior to August 1995)	
14	4070499	AR	Shim 1/32in (August 1995 to Present)	
15	4070645	AR	Shim 11/64in (Prior to August 1995)	
16	0641606	14	Bolt 3/8in-16NC x 3/4in	
17	4761600	20	Lockwasher 3/8in	
18	0100019	AR	Loctite #271 (Not Shown)	
19	3421719	1	Pin	
20	3421413	1	Pin	
21	3020028	AR	Lubricant (Not Shown)	
22	3760133	4	Ring, Retaining	
23	4843442	1	Cover, Hose (Side Bottom) (Welded on Part)	
24	4842891	1	Cover, Hose (Top)	
25	4300070	3	Stud (Welded on Part)	
26	4751500	3	Flatwasher 5/16in	
27	4761500	3	Lockwasher 5/16in	
28	3311505	3	Nut 5/16in-18NC	
29	1180227	1	Carrier	
29	7006152	1	Kit, Pin (1 pin, 4 Different Size Washers and 1 Retaining Ring)	
29	7006151	1	Feet Mounting	
29	7006139	1	1ft Section	
29	7006156	1	Rod, Carrier	
30	4843443	1	Cover, Hose (Side Top)	
31	4751400	12	Flatwasher 1/4in	
32	4761400	8	Lockwasher 1/4in	
33	0641406	8	Bolt 1/4in-20NC x 3/4in	
34	0641608	6	Bolt 3/8in-16NC x 1in	
35	3311605	4	Nut 3/8in-16NC	
36	2160002	1	Fitting, Grease	
37	1320168	1	Clamp, Hose	
38	1060516	17 m	Cable, Electrical - 16/30 (was p/n 1060229)	
39	4920618	1	Harness, 110 volt	

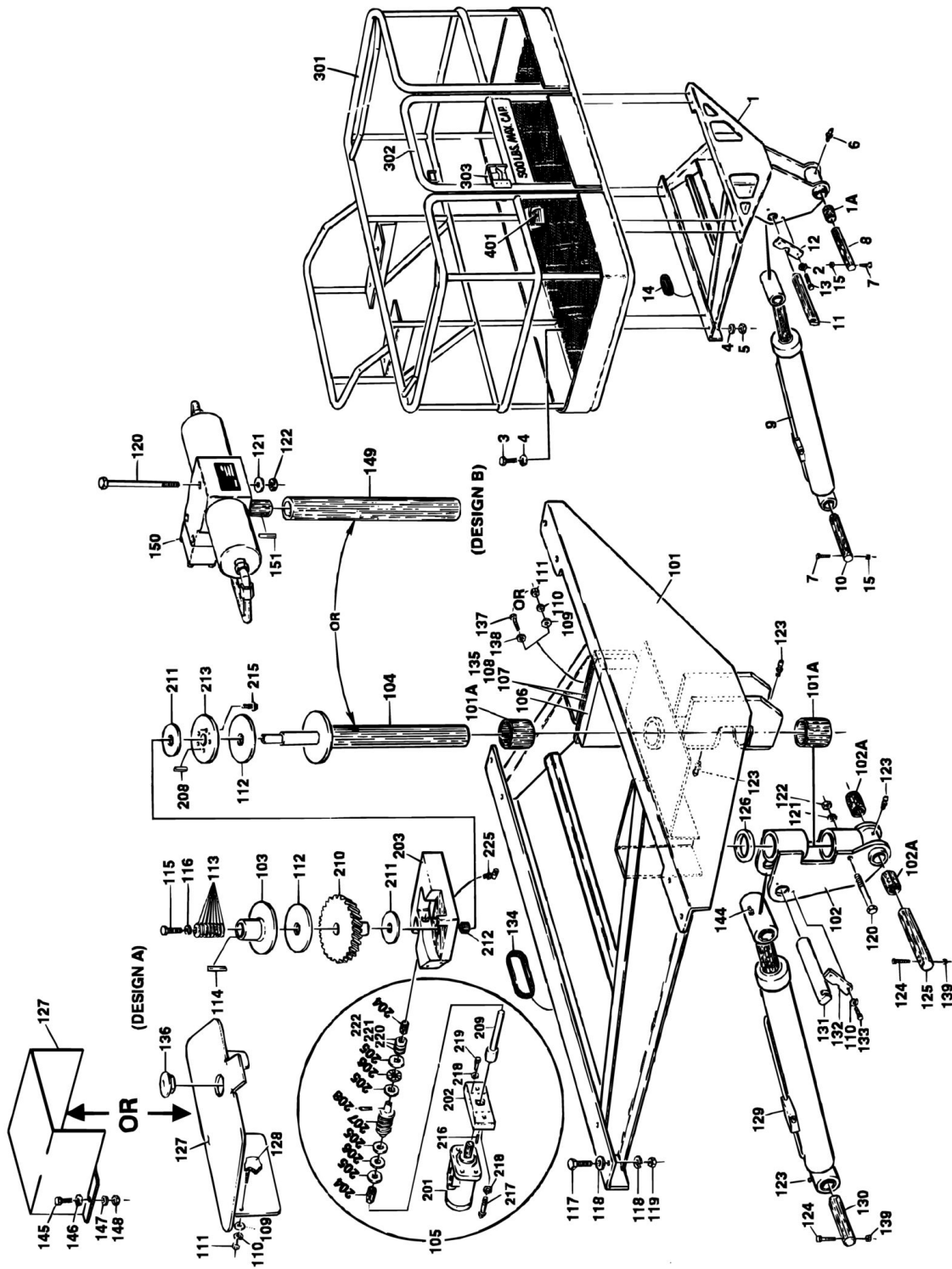
SECTION 3 - BOOM

ITEM	PART NUMBER	QTY	DESCRIPTION	REV
40	1060515	17 m	Cable, Electrical - 12/4 (was p/n 1060012)	
41	4751600	8	Flatwasher 3/8in	
42	0560923	1	Block	
43	4070559	4	Shim 1/16in	
	0251388	Ref	BOOM WIPERS INSTALLATION	-
101	2660057	1	Holder, Wiper (Top)	
102	2660058	1	Holder, Wiper (Bottom)	
103	2660059	2	Holder, Wiper (Side)	
104	0540070	4	Blade, Wiper	
105	4280188	4	Retainer, Strip	
107	4300031	10	Stud (Welded on Part) (5/8in Length)	
108	4300032	2	Stud (Welded on Part) (7/8in Length)	
109	3311401	26	Nut 1/4in-20NC	
110	4761400	24	Lockwasher 1/4in	
111	0641407	12	Bolt 1/4in-20NC x 7/8in	

SECTION 4 - PLATFORM

SECTION 4 - PLATFORM

FIGURE 4-1. STANDARD PLATFORM, CONTROLS AND SUPPORT INSTALLATIONS



SECTION 4 - PLATFORM

FIGURE 4-1. STANDARD PLATFORM, CONTROLS AND SUPPORT INSTALLATIONS

ITEM	PART NUMBER	QTY	DESCRIPTION	REV
	0250495	Ref	FIXED SUPPORT INSTALLATION	B
1	4843515	1	Support Weldment	
1A	0961257	2	Bushing, Bronze	
2	4761500	2	Lockwasher 5/16in	
3	0681610	8	Bolt 3/8in-16NC x 1 1/4in (Grade 8)	
4	4751600	16	Flatwasher 3/8in	
5	3300143	8	Locknut 3/8in-16NC	
6	2160002	1	Fitting, Grease	
7	0641522	2	Bolt 5/16in-18NC x 2 3/4in	
8	3421756	1	Pin	
9	1682178	1	Cylinder, Platform Level	
10	3421491	1	Pin (Boom End)	
11	3421494	1	Pin (Support End)	
12	3532054	1	Plate, Retainer	
13	0641506	2	Bolt 5/16in-18NC x 3/4in	
14	4060804	10 in	Shield, Flexguard	
15	3311505	2	Locknut 5/16in-18NC	
		Ref	ROTATING SUPPORT INSTALLATION OPTIONS:	
	0250493	Ref	Standard Platform W/Worm Gear Drive (Design A)	D
	0252448	Ref	Standard Platform W/Worm Gear Drive (Design A)	A
	0251204	Ref	Standard Platform With Hydraulic Piston (Design B)	-
101		Ref	Support Weldment Options:	
101	4843556	1	Used With 0251204	
101	4844052	1	Used With 0252448	
101A	0961259	2	Bushing, Bronze	
102	0250253	1	Pivot Attach Weldment	
102A	0961257	2	Bushing, Bronze	
103	1120299	1	Cap	
104	4842915	1	Shaft (Platform W/Worm Gear Drive) (Design A)	
105	0235238	1	Rotator Assembly (See Items 201-226 for Breakdown)	
107	4070705	AR	Shim 1/8in	
108	4070706	AR	Shim 1/16in	
109	4751500	2	Flatwasher 5/16in	
110	4761500	4	Lockwasher 5/16in	
111	3311501	2	Nut 5/16in-18NC	
112	3340454	2	Pad, Brake	
113	4160026	8	Washer, Bellville	
114	2880404	1	Key, Square	
115		Ref	Hardware Options:	
115	0652014	1	Bolt 5/8in-18NF x 1 3/4in (Used With 0250493)	
115	0630451	1	Screw 5/8in-18NF x 2in (Used With 0252448)	
116		Ref	Washer Options:	
116	4752000	1	Flatwasher 5/8in (Used With 0250493)	
116	4740398	1	Washer 5/8in (Used With 0252448)	
117	0681610	8	Bolt 3/8in-16NC x 1 1/4in (Grade 8)	
118	4751600	16	Flatwasher 3/8in	
119	3300143	8	Locknut 3/8in-16NC	
120	0641836	AR	Bolt 1/2in-13NC x 4 1/2in	
121	4751800	AR	Flatwasher 1/2in	
122	3311805	AR	Locknut 1/2in-13NC	

SECTION 4 - PLATFORM

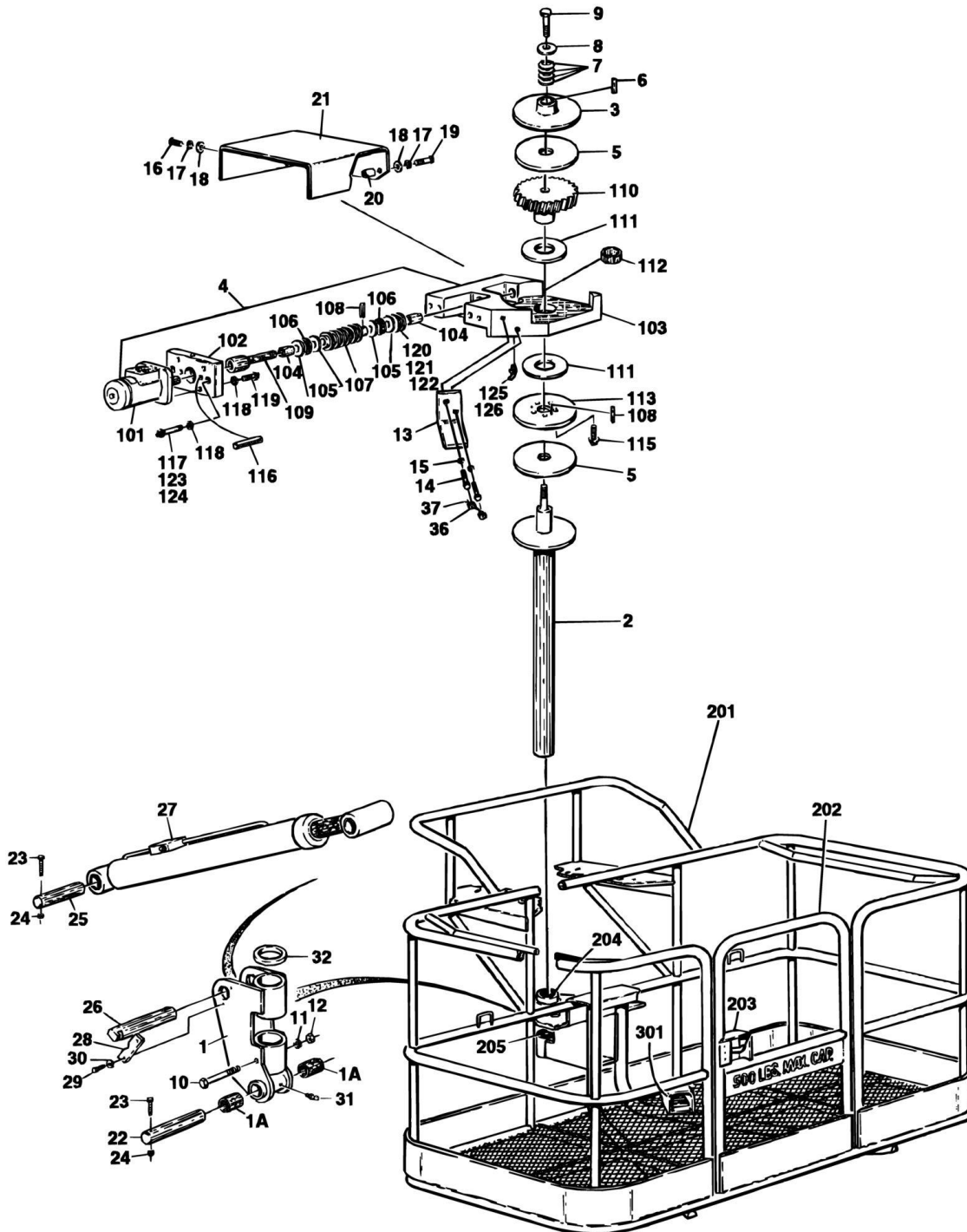
ITEM	PART NUMBER	QTY	DESCRIPTION	REV
123	2160002	4	Fitting, Grease	
124	0641522	2	Bolt 5/16in-18NC x 2 3/4in	
125	3421756	1	Pin Attach	
126	4740158	1	Washer, Thrust	
127		Ref	Cover, Rotator Options:	
127	1670451	1	Used With 0250493	
127	1670620	1	Used With 0252448	
128	4300038	2	Stud (Welded on Part)	
129	1682178	1	Platform Level Cylinder Assembly (See CYLINDER SECTION for Breakdown)	
130	3421491	1	Pin, Attach (Lower)	
131	3421494	1	Pin, Attach (Upper)	
132	3532054	1	Plate, Retaining	
133	0641506	2	Bolt 5/16in-18NC x 3/4in	
134	4060804	10 in	Shield, Flexguard	
135	4070707	AR	Shim 1/32in	
136	3520035	1	Plug (Used With 0250493)	
137		Ref	Bolt Options:	
137	0641816	2	Bolt 1/2in-13NC x 2in (Used With 0250493)	
137	0641810	2	Bolt 1/2in-13NC x 1 1/4in (Used With 0252448)	
138	4761800	2	Lockwasher 1/2in	
139	3311505	2	Locknut 5/16in-18NC	
144	2160001	1	Fitting, Grease	
145	0641406	2	Bolt 1/4in-20NC x 3/4in (Used With 0252448)	
146	4751400	2	Flatwasher 1/4in (Used With 0252448)	
147	4761400	2	Lockwasher 1/4in (Used With 0252448)	
148	3311401	2	Nut 1/4in-20NC (Used With 0252448)	
149	4040216	1	Shaft (Standard Platform With Hydraulic Piston)	
150	0060026	1	Rotator Assembly (Standard Platform With Hydraulic Piston) (See ROTATOR MOTOR ASSEMBLY (HYDRAULIC PISTON) for Breakdown)	
151	2880512	1	Key stock (Standard Platform With Hydraulic Piston)	
	0235238	Ref	ROTATOR ASSEMBLY	E
201	3160083	1	Rotator Motor Assembly (See ROTATOR MOTOR ASSEMBLY (WORM GEAR DRIVE) for Breakdown)	
202	0080099	1	Adapter, Motor	
203	2760064	1	Housing, Gear	
204	0440134	2	Bearing, Sleeve	
205	4740199	4	Washer, Thrust	
206	0440120	2	Bearing, Thrust	
207	2440043	1	Gear, Worm	
208	3440816	4	Rollpin 1/4in x 1in	
209	0080098	1	Adapter, Motor to Worm Gear	
210	2440044	1	Gear, Worm	
211	4740256	2	Washer, Thrust	
212	0440135	1	Bearing, Sleeve	
213	1760068	1	Disc, Brake	
215	3931010	5	Bolt, Socket Head #10-24NC x 5/8in	
216	3441228	2	Rollpin 3/8in x 1 3/4in	
217	3931620	2	Bolt, Socket Head 3/8in-16NC x 1 1/4in	
218	4761600	6	Lockwasher 3/8in	
219	3931612	4	Bolt, Socket Head 3/8in-16NC x 3/4in	

SECTION 4 - PLATFORM

ITEM	PART NUMBER	QTY	DESCRIPTION	REV
220	4070585	AR	Shim.010	
221	4070585	AR	Shim.005	
222	4070587	AR	Shim.002	
223	0100019	AR	Loctite #271 (Not Shown)	
224	0100021	AR	Primer (Not Shown)	
225	2160001	1	Fitting, Grease	
226	3020025	AR	Grease (Not Shown)	
		Ref	PLATFORM ASSEMBLIES	
		Ref	Note: Replacement Decals must be Purchased - See DECALS SECTION.	
301		Ref	Platform Options:	
301	3510308	1	Standard - 91.4cm X 121.9cm	A
301	3510309	1	Standard - 91.4cm X 152.4cm	A
301	3510310	1	Standard - 91.4cm X 182.9cm	A
302	1780254	1	Door	
302	2600143	2	Hinge	
302	3311805	2	Locknut 1/2in-13NC	
302	2160006	2	Fitting, Grease	
303	2940006	1	Latch	
303	3911016	4	Screw, Round Head #10-24NC x 1in	
303	4751000	4	Flatwasher #10	
303	4761000	4	Lockwasher #10	
303	3311001	4	Nut #10-24NC	
303	2560010	1	Handle, Latch	
	0237963	Ref	FOOTSWITCH INSTALLATION	7
401	0641408	3	Bolt 1/4in-20NC x 1in	
401	3311405	3	Locknut 1/4in-20NC	
401	4740362	3	Flatwasher 1/4in	
401	4360031	1	Footswitch	
401	7000625	2	Block, Contact	
401	4460071	1	Contactora	

SECTION 4 - PLATFORM

FIGURE 4-2. LOW MOUNT PLATFORM, CONTROLS AND SUPPORT INSTALLATIONS



SECTION 4 - PLATFORM

FIGURE 4-2. LOW MOUNT PLATFORM, CONTROLS AND SUPPORT INSTALLATIONS

ITEM	PART NUMBER	QTY	DESCRIPTION	REV
	0251267	Ref	FIXED SUPPORT INSTALLATION	D
1	0250253	1	Pivot Attach Weldment	
1A	0961257	2	Bushing, Bronze	
2	4564579	1	Shaft	
3 to 9	Not Required	0	Not Required	
10	0641836	1	Bolt 1/2in-13NC x 4 1/2in	
11	4751800	1	Flatwasher 1/2in	
12	3311805	1	Locknut 1/2in	
13 to 21	Not Required	0	Not Required	
22		Ref	Pin Options:	
22	3421490	1	Standard (Prior to November 1991)	
22	3421756	1	Standard (November 1991 to Present)	
23	0641522	2	Bolt 5/16in-18NC x 2 3/4in	
24	3311505	2	Locknut 5/16in-18NC	
25		Ref	Pin (Boom End) Options:	
25	3421600	1	Standard (Prior to February 1991)	
25	3421491	1	Standard (February 1991 to Present)	
26		Ref	Pin (Support End) Options:	
26	3421612	1	Standard (Prior to February 1991)	
26	3421494	1	Standard (February 1991 to Present)	
27	1682178	1	Cylinder, Platform Level	
28	3532054	1	Plate, Retainer	
29	0641506	2	Bolt 5/16in-18NC x 3/4in	
30	4761500	2	Lockwasher 5/16in-18NC	
31	2160002	3	Fitting, Grease	
32	4740158	1	Washer, Thrust	
33	4220137	2	Bar, Stop (Welded on Part) (Not Shown)	
34	1320160	1	Clamp (Not Shown)	
35	3520035	1	Plug (Not Shown)	
36 to 37	Not Required	0	Not Required	
	0251268	Ref	ROTATING SUPPORT INSTALLATION	F
1	0250253	1	Pivot Attach Weldment	
1A	0961257	2	Bushing, Bronze	
2	4040215	1	Shaft	
3	1120299	1	Cap	
4	0235238	1	Rotator Assembly (See Items 101-126 for Breakdown)	
5	3340454	2	Pad, Brake	
6	2880404	1	Key, Square	
7	4160026	8	Washer, Bellville	
8	4752000	1	Flatwasher 5/8in	
9	0652014	1	Bolt 5/8in-18NF x 1 3/4in	
10	0641836	AR	Bolt 1/2in-13NC x 4 1/2in	
11	4751800	AR	Flatwasher 1/2in	
12	3311805	AR	Locknut 1/2in-13NC	
13	0901756	1	Bracket	
14	0641811	2	Bolt 1/2in-13NC x 1 3/8in	
15	4761800	2	Lockwasher 1/2in	
16	0641404	1	Bolt 1/4in-20NC x 1/2in	
17	4761400	2	Lockwasher 1/4in	
18	4751400	2	Flatwasher 1/4in	

SECTION 4 - PLATFORM

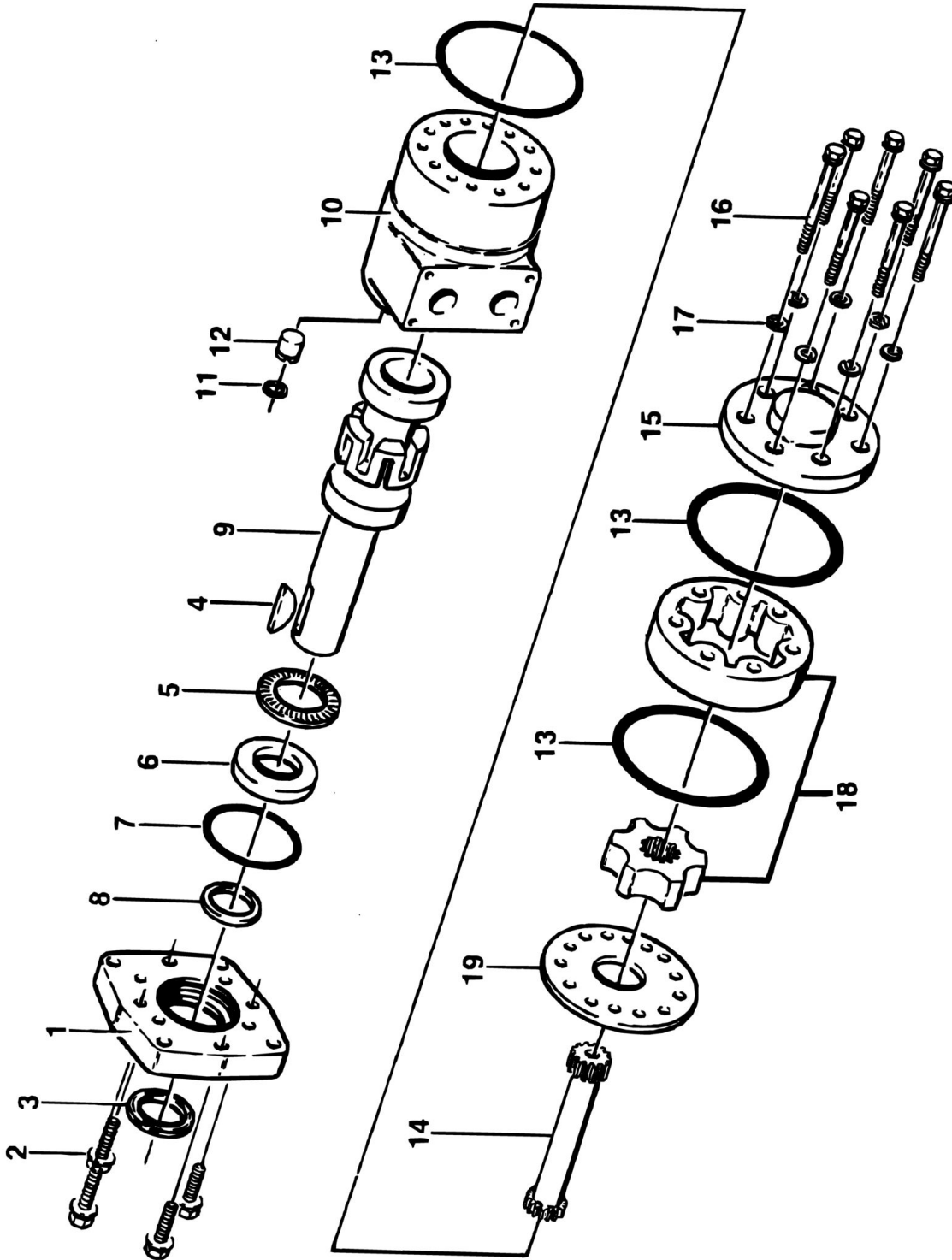
ITEM	PART NUMBER	QTY	DESCRIPTION	REV
19	0641408	1	Bolt 1/4in-20NC x 1in	
20	4562083	1	Spacer, Tube	
21		Ref	Cover Weldment Options:	
21	1670519	1	Cover Weldment (Prior to November 1991)	
21	1670630	1	Cover Weldment (November 1991 to Present)	
22		Ref	Pin Attach Options:	
22	3421490	1	Domestic (Prior to November 1991)	
22	3421756	1	Domestic (November 1991 to Present)	
23	0641522	2	Bolt 5/16in-18NC x 2 3/4in	
24	3311505	2	Locknut 5/16in-18NC	
25	3421491	1	Pin, Attach (Lower)	
26	3421494	1	Pin, Attach (Upper)	
27		Ref	Platform Level Cylinder Assembly Options: (See CYLINDER SECTION for Breakdown)	
27	1682057	1	Platform Level Cylinder Assembly (Prior to January 1991)	
27	1682178	1	Platform Level Cylinder Assembly (January 1991 to Present)	
28	3532054	1	Plate, Retaining	
29	0641506	2	Bolt 5/16in-18NC x 3/4in	
30	4761500	2	Lockwasher 5/16in	
31	2160002	3	Fitting, Grease	
32	4740158	1	Washer, Thrust	
33	Not Required	0	Not Required	
34	1320146		Clamp (Not Shown) (Prior to November 1991)	
35	Not Required	0	Not Required	
36	1380137	2	Clip, Retainer (March 1992 to Present)	
37	4920986	1 ft	Wire, Machanics (March 1992 to Present)	
	0235238	Ref	ROTATOR ASSEMBLY	E
101	3160083	1	Rotator Motor Assembly (See ROTATOR MOTOR ASSEMBLY (WORM GEAR DRIVE) for Breakdown)	
102	0080099	1	Adapter, Motor	
103	2760064	1	Housing, Gear	
104	0440134	2	Bearing, Sleeve	
105	4740199	4	Washer, Thrust	
106	0440120	2	Bearing, Thrust	
107	2440043	1	Gear, Worm	
108	3440816	4	Rollpin 1/4in x 1in	
109	0080098	1	Adapter, Motor to Worm Gear	
110	2440044	1	Gear, Worm	
111	4740256	2	Washer, Thrust	
112	0440135	1	Bearing, Sleeve	
113	1760068	1	Disc, Brake	
115	3931010	5	Bolt, Socket Head #10-24NC x 5/8in	
116	3441228	2	Rollpin 3/8in x 1 3/4in	
117	3931620	2	Bolt, Socket Head 3/8in-16NC x 1 1/4in	
118	4761600	6	Lockwasher 3/8in	
119	3931612	4	Bolt, Socket Head 3/8in-16NC x 3/4in	
120	4070585	AR	Shim.010	
121	4070585	AR	Shim.005	
122	4070587	AR	Shim.002	
123	0100019	AR	Loctite #271 (Not Shown)	
124	0100021	AR	Primer (Not Shown)	
125	2160001	1	Fitting, Grease	

SECTION 4 - PLATFORM

ITEM	PART NUMBER	QTY	DESCRIPTION	REV
126	3020025	AR	Grease	
		Ref	PLATFORM ASSEMBLIES	
		Ref	Note: Replacement Decals must be Purchased - See DECALS SECTION.	
201		Ref	Platform Options:	
201	3510376	1	Low Mount - 91.4cm X 121.9cm	A
201	3510377	1	Low Mount - 91.4cm X 152.4cm	B
201	3510378	1	Low Mount - 91.4cm X 182,9cm	A
202	1780254	1	Door	
202	2600143	2	Hinge	
202	3311805	2	Locknut 1/2in-13NC	
202	2160006	2	Fitting, Grease	
203	2940006	1	Latch	
203	3911016	4	Screw, Round Head #10-24NC x 1in	
203	4751000	4	Flatwasher #10	
203	4761000	4	Lockwasher #10	
203	3311001	4	Nut #10-24NC	
203	2560010	1	Handle, Latch	
204	0961450	1	Bushing, Bronze (Top)	
205	0961259	1	Bushing, Bronze (Bottom)	
	0237963	Ref	FOOTSWITCH INSTALLATION	7
301	0641408	3	Bolt 1/4in-20NC x 1in	
301	3311405	3	Locknut 1/4in-20NC	
301	4740362	3	Flatwasher 1/4in	
301	4360031	1	Footswitch	
301	7000625	2	Block, Contact	
301	4460071	1	Contact	

SECTION 4 - PLATFORM

FIGURE 4-3. ROTATOR MOTOR ASSEMBLY (WORM GEAR DRIVE)



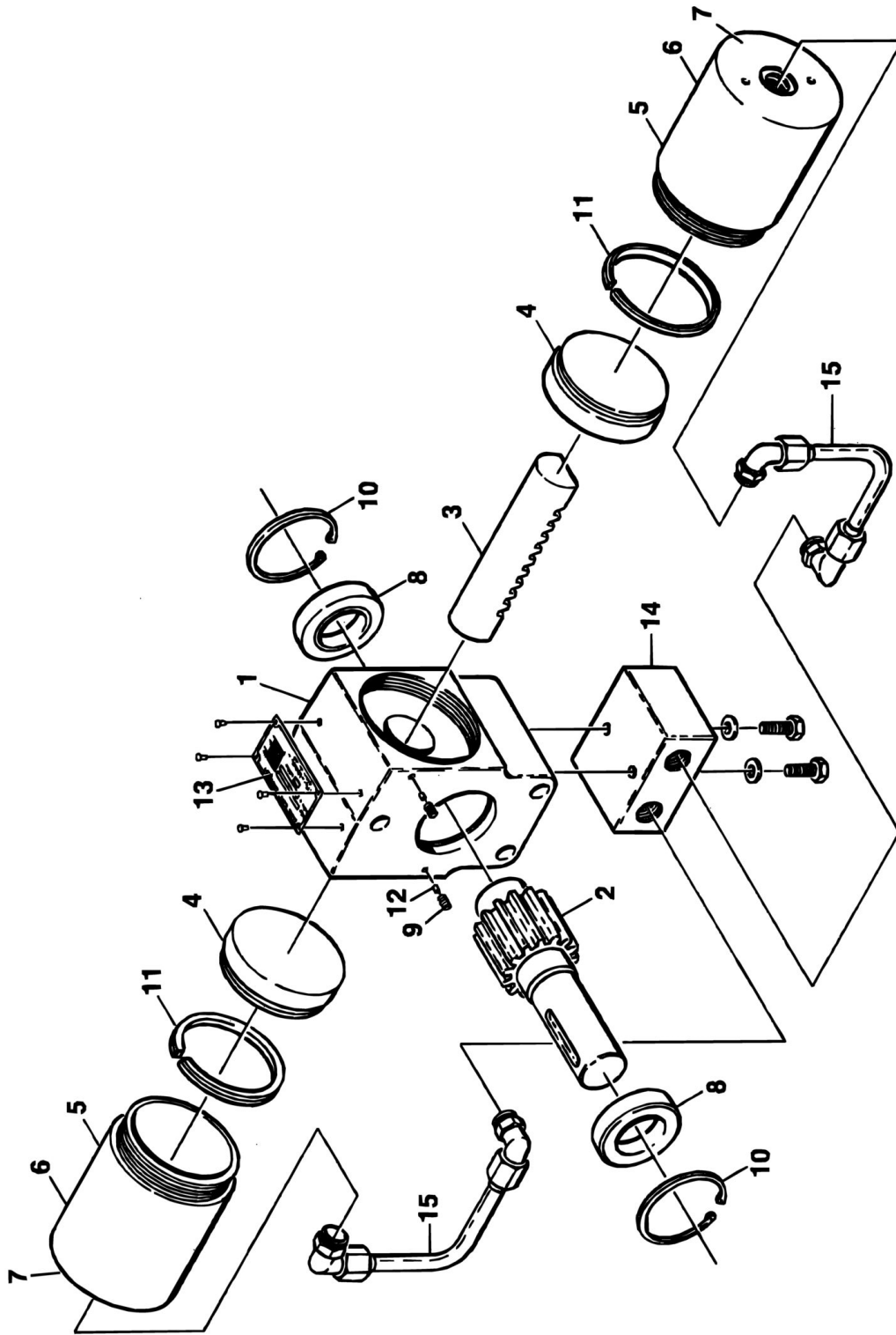
SECTION 4 - PLATFORM

FIGURE 4-3. ROTATOR MOTOR ASSEMBLY (WORM GEAR DRIVE)

ITEM	PART NUMBER	QTY	DESCRIPTION	REV
	3160083	Ref	ROTATOR MOTOR ASSEMBLY	A
1	7002105	1	Flange, Mounting	
2	7002123	4	Screw, Cap	
3	Kit	1	Seal, Dust	
4	7002104	1	Key, Woodruff	
5	7002111	1	Bearing, Thrust Needle	
6	7002117	1	Thrust, Bearing Race	
7	Kit	1	Seal, O-Ring	
8	Kit	1	Seal, Pressure	
9	7002116	1	Shaft, Output	
10	7002103	1	Housing	
11	Kit	1	Seal	
12	7009992	1	Plug, Housing	
13	Kit	3	Seal, O-Ring	
14	7002112	1	Drive	
15	7002107	1	Cap, End	
16	7002100	7	Screw, Cap	
17	7000166	7	Lockwasher	
18	7002125	1	Gerotor Sub-Assembly	
19	7002110	1	Plate, Spacer	
	2900455	1	Seal Kit (Includes Items 3, 7, 8, 11 & 12)	

SECTION 4 - PLATFORM

FIGURE 4-4. ROTATOR MOTOR ASSEMBLY (HYDRAULIC PISTON)



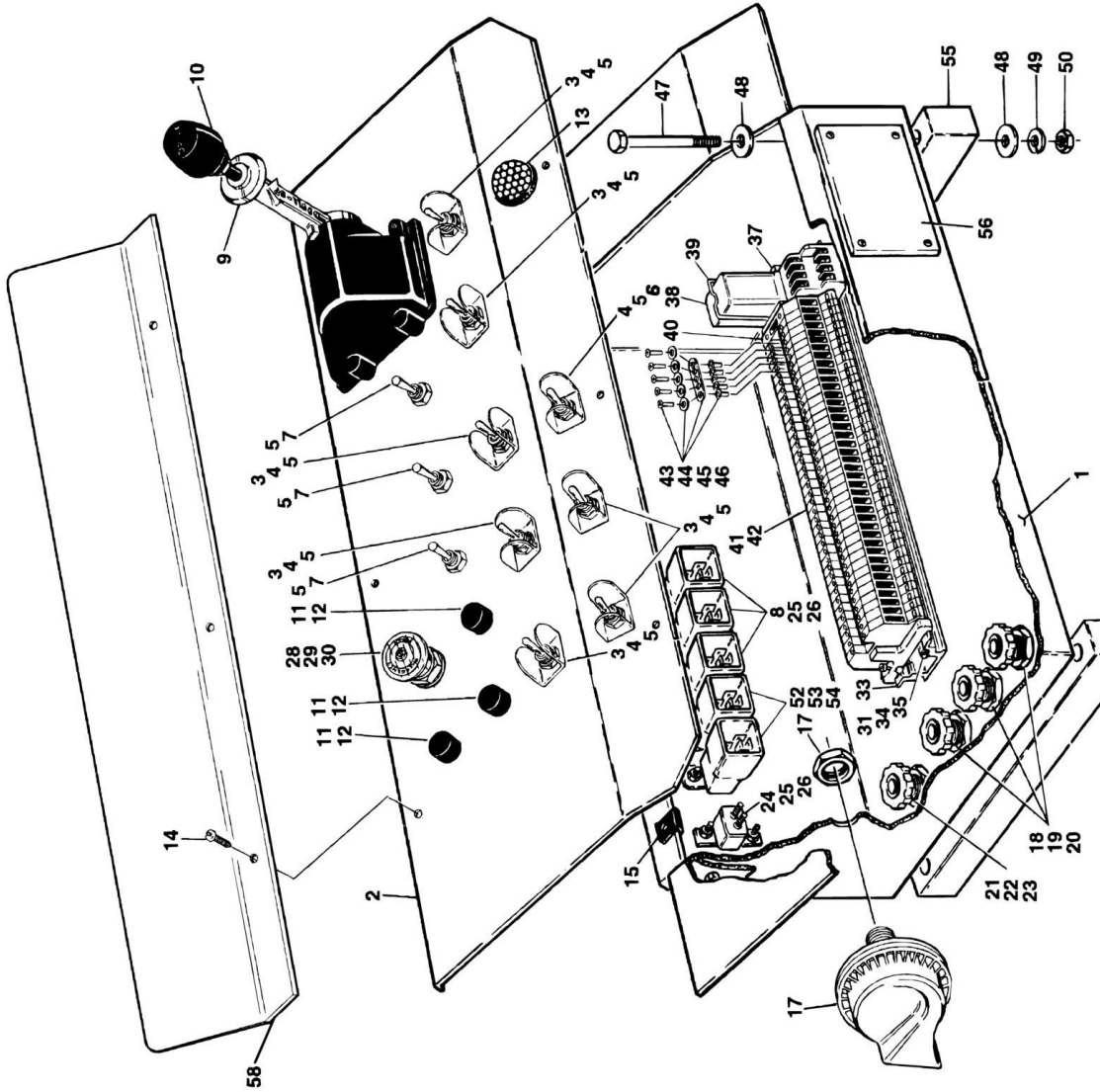
SECTION 4 - PLATFORM

FIGURE 4-4. ROTATOR MOTOR ASSEMBLY (HYDRAULIC PISTON)

ITEM	PART NUMBER	QTY	DESCRIPTION	REV
	0060026	Ref	ROTATOR MOTOR ASSEMBLY	-
1	Not Serviced	1	Housing	
2	7011300	1	Pinion	
3	7011301	1	Rack	
4	7011302	2	Piston	
5	7011303	2	Cylinder Assembly	
6		Ref	Tube, Cylinder (Not Sold Separately)	
7		Ref	Cap, End (Not Sold Separately)	
8	7011304	2	Bushing	
9	7011305	2	Setscrew	
10	7011306	2	Ring, Retaining	
11	Kit	2	Seal, Piston	
12	Kit	2	Pellet, Nylon	
13	Not Serviced	1	Nameplate	
14	7011309	1	Valve Block Assembly	
14	7011310	1	Cartridge	
14	7011311	1	Seal Kit - Cartridge	
15	7011312	1	Tube	
	2900771		Seal Kit - Rotator (Includes Items 11 & 12)	

SECTION 4 - PLATFORM

FIGURE 4-5. PLATFORM CONSOLE BOX ASSEMBLY



SECTION 4 - PLATFORM

FIGURE 4-5. PLATFORM CONSOLE BOX ASSEMBLY

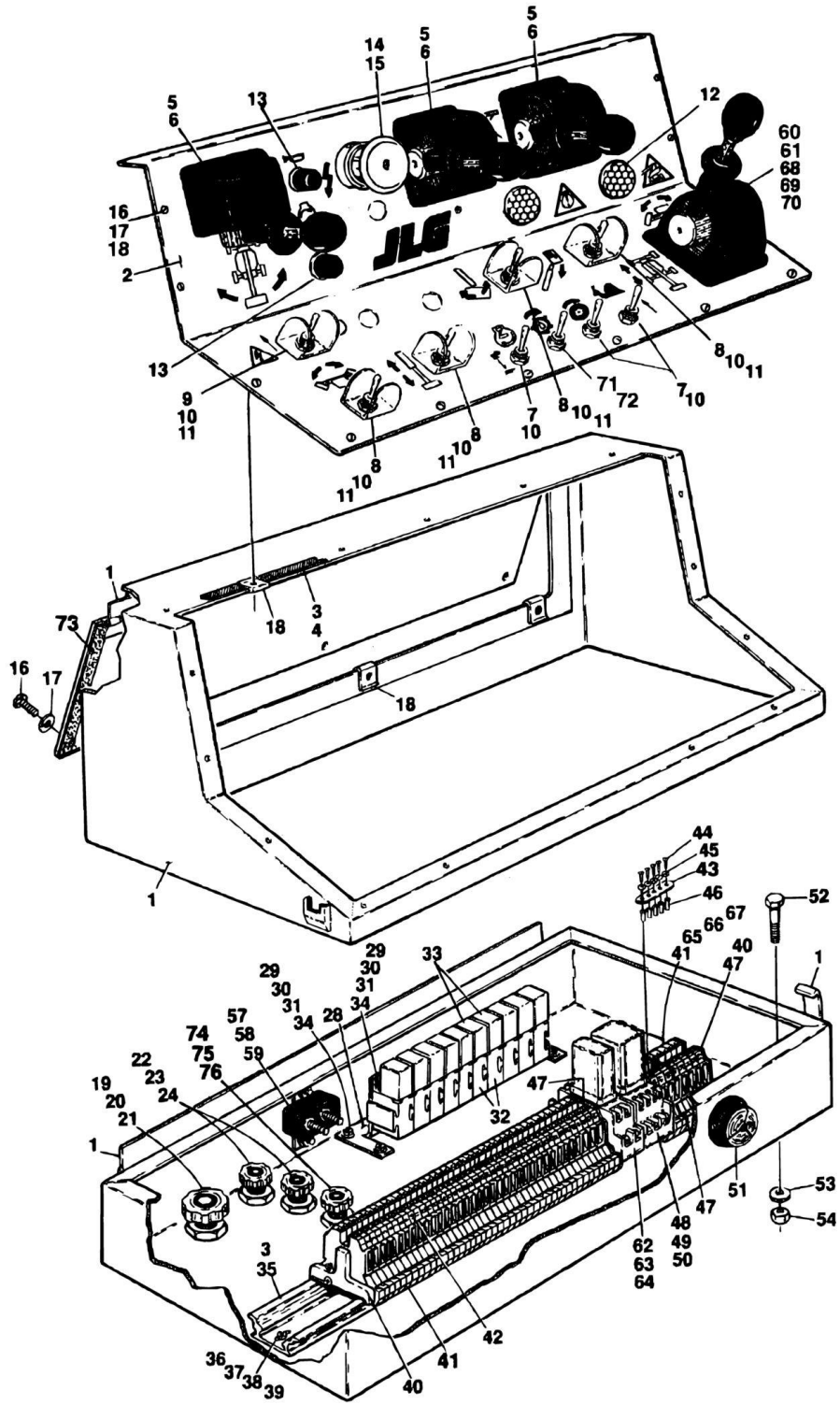
ITEM	PART NUMBER	QTY	DESCRIPTION	REV
		Ref	PLATFORM CONSOLE BOX ASSEMBLY OPTIONS:	
	0860689	Ref	Gas and Diesel	H
	0860693	Ref	Electric	F
1	4842892	1	Box, Console	
2		Ref	Lid, Box Options:	
2	3252053	1	Lid, Box (Prior to March 1994)	
2	3252379	1	Lid, Box (March 1994 to Present)	
3	4360202	7	Switch, Toggle	
4	4060229	8	Guard, Switch	
5	3790012	11	O-Ring	
6	4360200	1	Switch, Toggle (Auxiliary Power)	
7	4360199	3	Switch, Toggle	
8	3740049	3	Relay	
9		Ref	Controller - PQ Options:	
9	1600116	1	Gas and Diesel	
9	7003702	1	Housing Assembly	
9	7003700	1	Handle Assembly	
9	7003783	1	Electrical Assembly	
9	1600127	1	Electric	
9	7003702	1	Housing Assembly	
9	7003700	1	Handle Assembly	
9	7003798	1	Electrical Assembly	
10	2560041	1	Knob	
11	4360274	AR	Switch, Push Button	
12	3790015	AR	O-Ring	
13	2920015	1	Lamp	
14	0751006	6	Screw Pan Head #10-24NC x 3/4in	
15	3300177	6	Nut, Tinnerman	
16	4420008	1.3 m	Tape, Insulation (Not Shown)	
17	0140001	1	Horn	
18	4460052	3	Connector	
19	3300047	3	Nut, Conduit	
20	0960239	3	Bushing	
21	4460051	1	Connector	
22	3300048	1	Nut, Conduit	
23	0960238	1	Bushing	
24	4360209	1	Breaker, Circuit 20Amp	
25	4761000	1	Lockwasher #10	
26	3311001	1	Nut #10-24NC	
28	4360132	1	Switch, Push-Pull (Emergency Stop)	
29	4360108	1	Block, Contact	
30	4360131	1	Lens, Red	
31	4760600	6	Lockwasher #6	
32	3910608	4	Screw Pan Head #6-32NC x 1/2in	
33	3640500	1	Rail	
34	3910606	2	Screw Pan Head #6-32NC x 3/8in	
35	3310601	6	Nut #6-32NC	
36	4460299	2	Stop, Terminal	
37	4120013	1	Socket, Relay	
38	3740058	1	Relay	

SECTION 4 - PLATFORM

ITEM	PART NUMBER	QTY	DESCRIPTION	REV
39	3740063	1	Spring, Relay	
40	4460300	1	Barrier, Terminal	
41	4460298	41	Block, Terminal	
42	4460301	1	Strip, Marking	
43	4460311	1	Bar, Buss	
44	4460307	5	Sleeve	
45	4460306	5	Washer	
46	4460305	5	Screw	
47	0641416	4	Bolt 1/4in-20NC x 2in	
48	4751400	8	Flatwasher 1/4in	
49	4761400	4	Lockwasher 1/4in	
50	3311401	4	Nut 1/4in-20NC	
52	3740049	1	Relay (Electric Machines Only)	
53	4761000	2	Lockwasher #10 (Electric Machines Only)	
54	3311001	2	Nut #10-24NC (Electric Machines Only)	
55	0361966	2	Bar	
56	1670591	1	Cover	
58	3200363	1	Mount, Decal	
	0254411	Ref	AC POWER CORD AND RECEPTACLE INSTALLATION	A
101	Supply Locally	1	Shield, Cover	
102	Supply Locally	1	Receptacle	
103	1060461	17.7 m	Electric Cable - 12/3 (Not Shown)	
104	1700598	1	Decal - Ground (Not Shown)	
105	1700599	1	Decal - Neutral (Not Shown)	
106	Supply Locally	1	Plug	
107	Supply Locally	1	Clamp (Not Shown)	

SECTION 4 - PLATFORM

FIGURE 4-6. PLATFORM CONSOLE BOX ASSEMBLY (PROPORTIONAL CONTROLS)



SECTION 4 - PLATFORM

FIGURE 4-6. PLATFORM CONSOLE BOX ASSEMBLY (PROPORTIONAL CONTROLS)

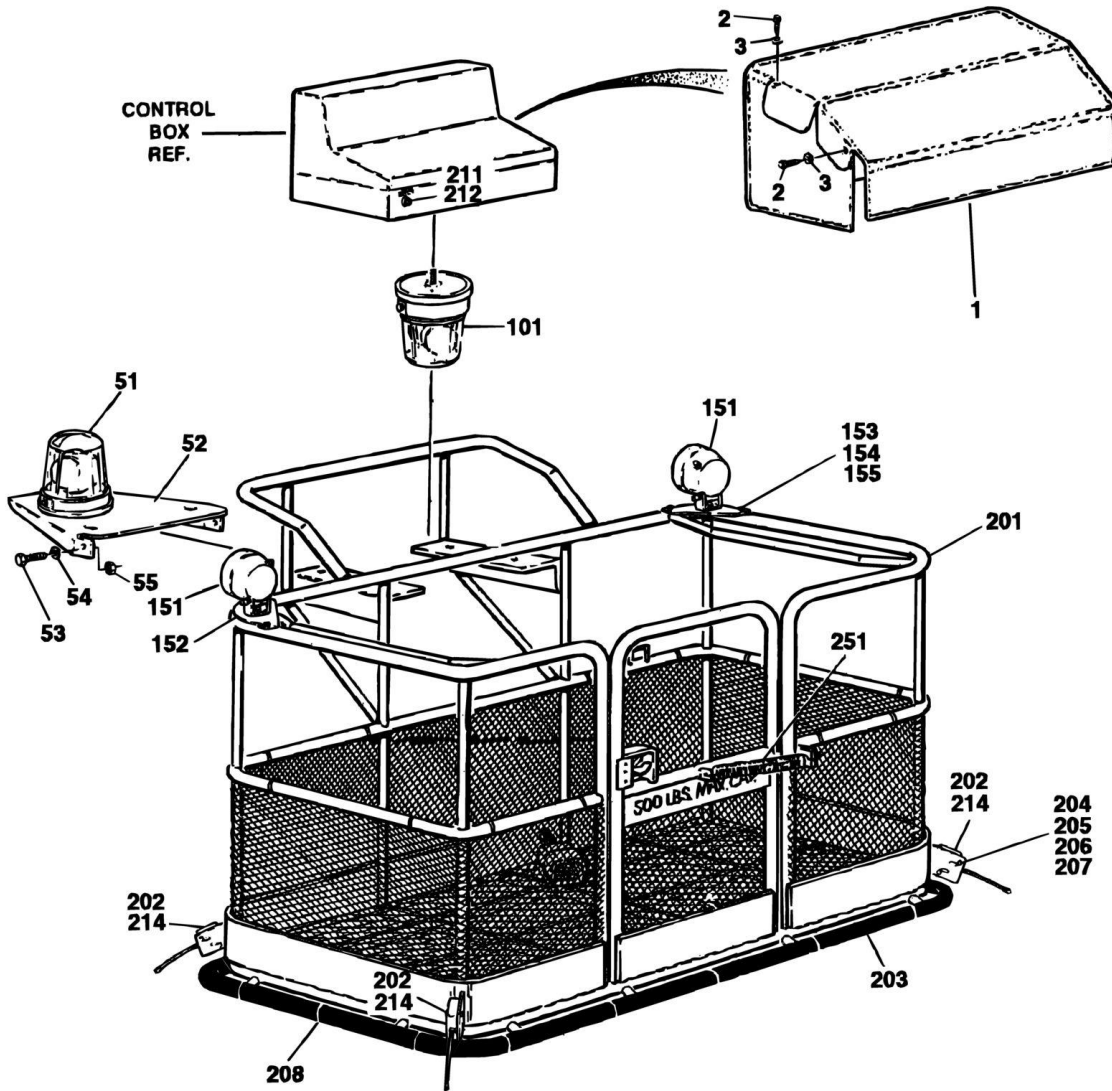
ITEM	PART NUMBER	QTY	DESCRIPTION	REV
		Ref	PLATFORM CONSOLE BOX ASSEMBLY OPTIONS:	
	0860827	Ref	2WS With Creep	C
1	0860739	1	Box, Console	
1A	2940052	2	Latch	
1B	2600132	1	Hinge (Top and Bottom)	
1C	2600105	1	Hinge (Access Door)	
2		Ref	Lid, Box Options:	
2	3252224	1	Lid, Box (Prior to March 1994)	
2	3252382	1	Lid, Box (March 1994 to November 1994)	
2	3538392	1	Lid, Box (November 1994 to Present)	
3	4420008	5.75 ft/1.75m	Tape, Insulation	
4	0100001	AR	Adhesive (Not Shown)	
5	1600126	3	Controller - PQ	
5	7003702	1	Housing Assembly	
5	7003700	1	Handle Assembly	
5	7003782	1	Electrical Assembly	
6	2560112	3	Knob	
7	4360199	3	Switch, Toggle	
8	4360202	4	Switch, Toggle	
9	4360200	1	Switch, Toggle	
10	3790012	8	O-Ring	
11	4060229	5	Guard, Switch	
12	2920015	1	Lamp	
13	4360274	2	Switch, Push Button	
14	4360289	1	Switch, Push/Pull (Emergency Stop)	
14	7012611	1	Mushroom Head	
14	7012612	1	Boot	
15	4360282	1	Block, Contact	
16	0751006	21	Screw Pan Head #10-24NC x 3/4in	
17	4740120	21	Washer, Nylon	
18	3300177	21	Nut, Tinnerman	
19	4460386	1	Strain, Relief	
20	3300147	1	Nut, Conduit	
21	0960905	1	Bushing	
22	4460052	2	Strain, Relief	
23	3300047	2	Nut, Conduit	
24	0960239	2	Bushing	
25 to 27	Not Required	0	Not Required	
28	0901796	1	Bracket	
29	4751000	8	Flatwasher #10	
30	4761000	8	Lockwasher #10	
31	3311001	8	Nut #10-24NC	
32	3740085	6	Socket, Relay	
33	3740086	6	Relay	
34	3911012	8	Screw #10-24NC x 3/4in	
35	3640752	1	Track	
36	3910608	2	Screw Pan Head #6-32NC x 1/2in	
37	4750600	2	Flatwasher #6	
38	4760600	2	Lockwasher #6	

SECTION 4 - PLATFORM

ITEM	PART NUMBER	QTY	DESCRIPTION	REV
39	3310601	2	Nut #6-32NC	
40	4460299	2	Stop, Terminal	
41	4460298	54	Block, Terminal	
42	4460301	1	Strip, Marking	
43	4460311	2	Bar, Buss	
44	4460305	10	Screw	
45	4460306	10	Washer	
46	4460307	10	Sleeve	
47	4460300	3	Barrier, Terminal	
48	4120013	1	Socket, Relay	
49	3740058	1	Relay	
50	3740063	1	Spring, Relay	
51	0140019	1	Alarm	
52	0641508	4	Bolt 5/16in-18NC x 1in	
53	4751500	8	Flatwasher 5/16in	
54	3311505	4	Locknut 5/16in-18NC	
56	3520034	8	Plug, Hole (Not Shown)	
57	4761000	1	Lockwasher #10	
58	3311001	1	Nut #10-24NC	
59	4360232	1	Breaker, Circuit 15Amp	
60	1600116	1	Controller - PQ	
60	7003702	1	Housing Assembly	
60	7003700	1	Handle Assembly	
60	7003783	1	Electrical Assembly	
61	2560112	1	Knob	
62	4120012	1	Socket, Relay	
63	3740057	1	Relay	
64	3740066	1	Spring, Relay	
65	4460404	10	Strip, Marking	
66	4460405	32	Strip, Marking	
67	4460423	2	Strip, Marking	
68	0720803	16	Screw Machine #8-32NC x 3/8in	
69	4750800	16	Flatwasher #8	
70	4760800	16	Lockwasher #8	
71 to 72	Not Required	0	Not Required	
73	4420037	13.75 ft/4.1m	Tape, Insulation	
74	4460071	1	Connector	
75	3300048	1	Nut, Conduit	
76	0960238	1	Bushing	
77	1702402	1	Decal, Console Box	

SECTION 4 - PLATFORM

FIGURE 4-7. OPTIONAL COMMON PLATFORM MOUNTED COMPONENTS



SECTION 4 - PLATFORM

FIGURE 4-7. OPTIONAL COMMON PLATFORM MOUNTED COMPONENTS

ITEM	PART NUMBER	QTY	DESCRIPTION	REV
	0252054	Ref	CONSOLE BOX COVER INSTALLATION (BLACK)	2
	0251203	Ref	CONSOLE BOX COVER INSTALLATION (YELLOW)	2
1		Ref	Cover Options:	
1	1670607	1	Black	
1	1670526	1	Yellow	
2	3941406	4	Self-Tapping Screw 1/4in-20NC	
3	4751400	4	Flatwasher 1/4in	
	0238942	Ref	CONSOLE BOX COVER INSTALLATION (NOT SHOWN)	-
	1670474	1	Cover	
	3380364	1	Panel, Rear	
	3941003	2	Self-Tapping Screw #10 x 3/4in	
	4761000	2	Lockwasher #10	
	4280265	1	Strip, Retainer	
		Ref	BEACON LIGHT INSTALLATION OPTIONS: (PRIOR TO SEPTEMBER 1991)	
	0238866	Ref	AMBER	-
	0238867	Ref	RED	-
51		Ref	Beacon Options:	
51	2920018	1	Amber	
51	2920009	1	Red	
52	0901449	1	Bracket, Mounting	
53	0641406	2	Bolt 1/4in-20NC x 3/4in	
54	4761400	2	Lockwasher 1/4in	
55	3311401	2	Nut 1/4in-20NC	
		Ref	BEACON LIGHT INSTALLATION OPTIONS: (SEPTEMBER 1991 TO PRESENT)	
	0252210	Ref	AMBER	3
	0252211	Ref	RED	3
101		Ref	Beacon Options:	
101	2920018	1	Amber	
101	2920009	1	Red	
102	3520034	1	Plug, Hole 5/16in (Not Shown)	
105	2540016	1	Grommet (Not Shown)	
	0238966	Ref	FLOODLIGHT (PRIOR TO NOVEMBER 1992)	A
151	2920013	2	Floodlight	
	0253987	Ref	PLATFORM WORKLIGHT (NOVEMBER 1992 TO PRESENT)	4
151	2920111	2	Halogen Light	
152	3536089	2	Bracket, Mounting	
153	0641414	4	Bolt 1/4in-20NC x 1 3/4in	
154	3311405	4	Locknut 1/4in-20NC	
155	4711400	4	Flatwasher 1/4in	
	0251024	Ref	PLATFORM BUMPERS INSTALLATION	C
201	3510261	1	Weldment, Platform	
202	4360215	4	Switch, Proximity	
203	0940038	AR	Padding, Bumper	
204	3911012	8	Screw, Round Head #10-24NC x 3/4in	
205	4751000	8	Flatwasher #10	
206	4761000	8	Lockwasher #10	
207	3311001	8	Nut #10-24	
208	4260018	12	Strip, Tie	

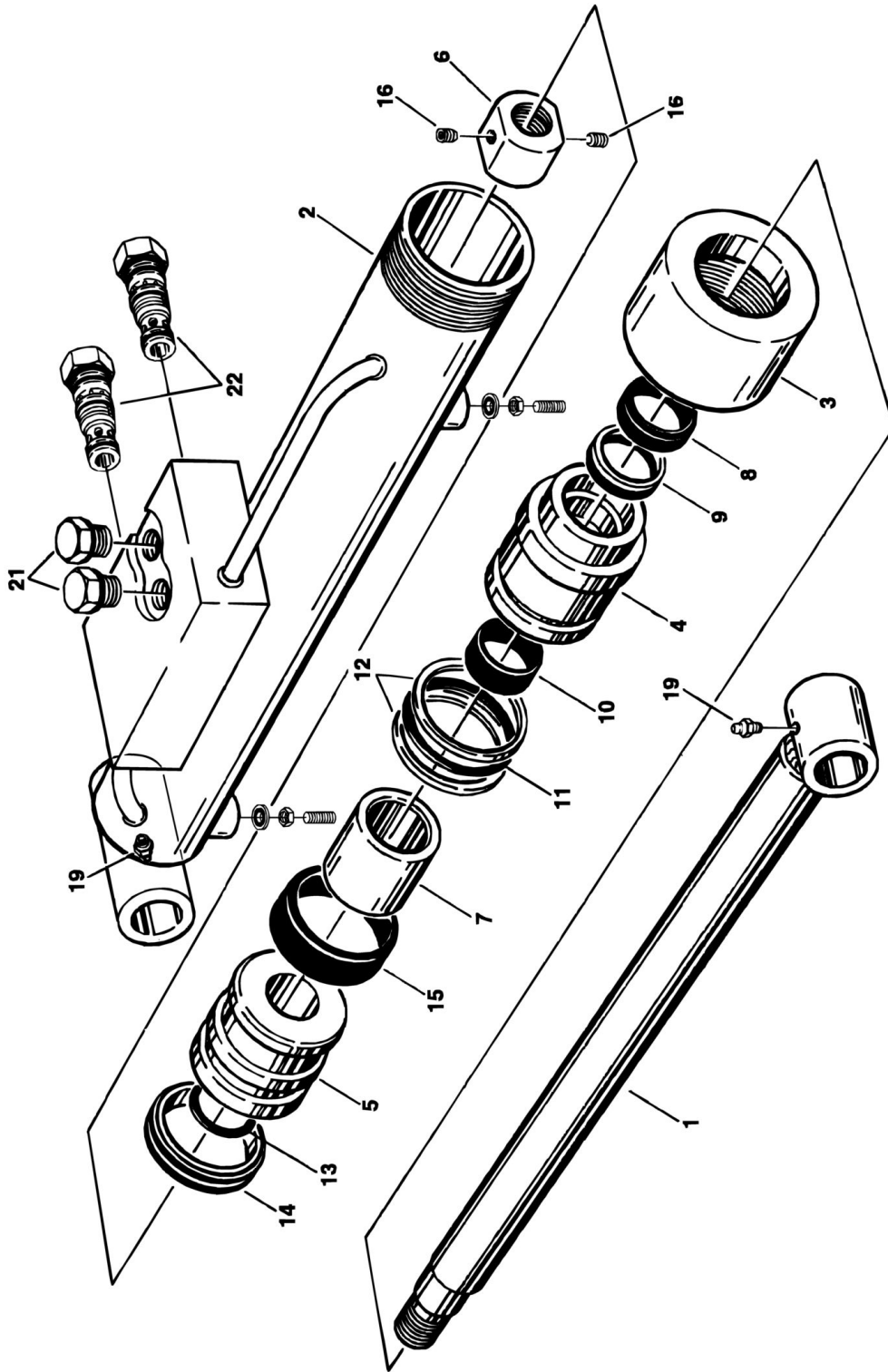
SECTION 4 - PLATFORM

ITEM	PART NUMBER	QTY	DESCRIPTION	REV
210	2540016	9	Grommet (Not Shown)	A
211	3251516	1	Tag - Override	
212	4360274	1	Switch, Push Button (Override)	
213	3740049	1	Relay (Not Shown)	
214	4460521	4	Strain Relief	
	0250143	Ref	SELF-CLOSING GATE INSTALLATION (OPTIONAL)	
251	0900232	1	Bracket (Door Attach)	
251	4160028	1	Spring	
251	0901056	1	Bracket (Platform Attach)	
251	4220007	1	Stop, Door	

SECTION 5 - CYLINDER

SECTION 5 - CYLINDER

FIGURE 5-1. AXLE LOCKOUT CYLINDER ASSEMBLY



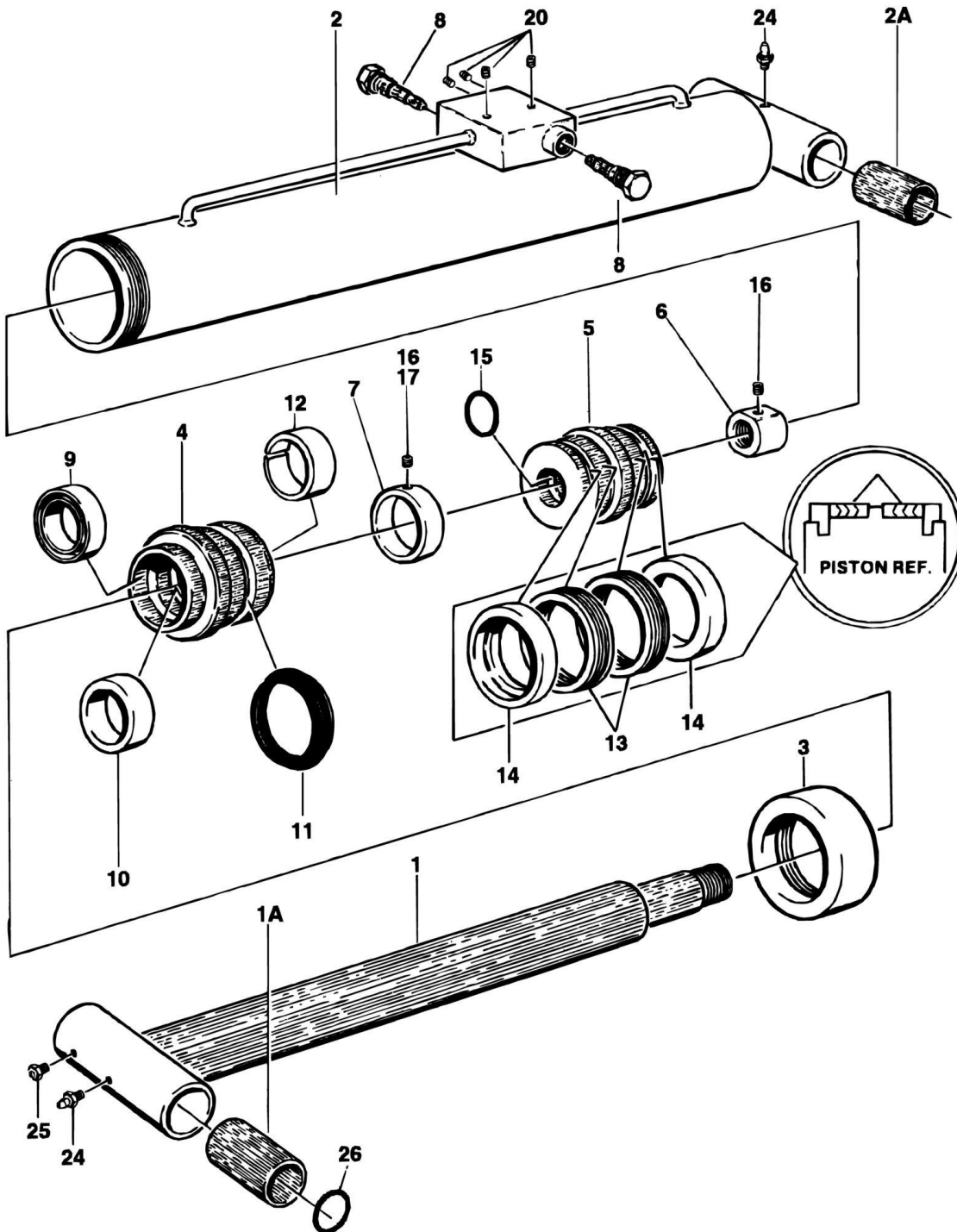
SECTION 5 - CYLINDER

FIGURE 5-1. AXLE LOCKOUT CYLINDER ASSEMBLY

ITEM	PART NUMBER	QTY	DESCRIPTION	REV
	1682406	Ref	AXLE LOCKOUT CYLINDER ASSEMBLY	C
1	1681787	1	Rod Weldment	
2	1682407	1	Barrel Weldment	
3	1120179	1	Retainer	
4	1680892	1	Head	
5	3480120	1	Piston	
6	3300273	1	Nut 3/4in-16NC	
7	4563647	1	Tube, Spacer	
8	Kit	1	Seal, Wiper	
9	Kit	1	Seal, Rod	
10	Kit	1	Ring, Wear	
11	Kit	1	O-Ring	
12	Kit	1	Ring, Back-up	
13	Kit	1	O-Ring	
14	Kit	1	Seal, Piston	
15	Kit	1	Ring, Wear	
16	3900170	1	Set Screw 3/8in-16NC x 3/8in	
17	0100011	AR	Loctite (Not Shown)	
18	3900175	2	Set Screw 1/4in-28NF x 3/4in	
19	2160002	2	Fitting, Grease	
21		Ref	Plug Options:	
21	2220237	2	Plug (Prior to January 1992)	
21	2220885	2	Plug (January 1992 to Present)	
22	4640438	2	Cartridge, Check Valve	
23	3960416	2	Thread Seal	
24	3321401	2	Nut 1/4in-28NF	
25	0100035	AR	Thread Locking Compound (Not Shown)	
26	0100038	AR	Thread Locking Primer (Not Shown)	
	2900381	1	Seal Kit (Includes Items 8-15)	

SECTION 5 - CYLINDER

FIGURE 5-2. PLATFORM LEVEL CYLINDER ASSEMBLY



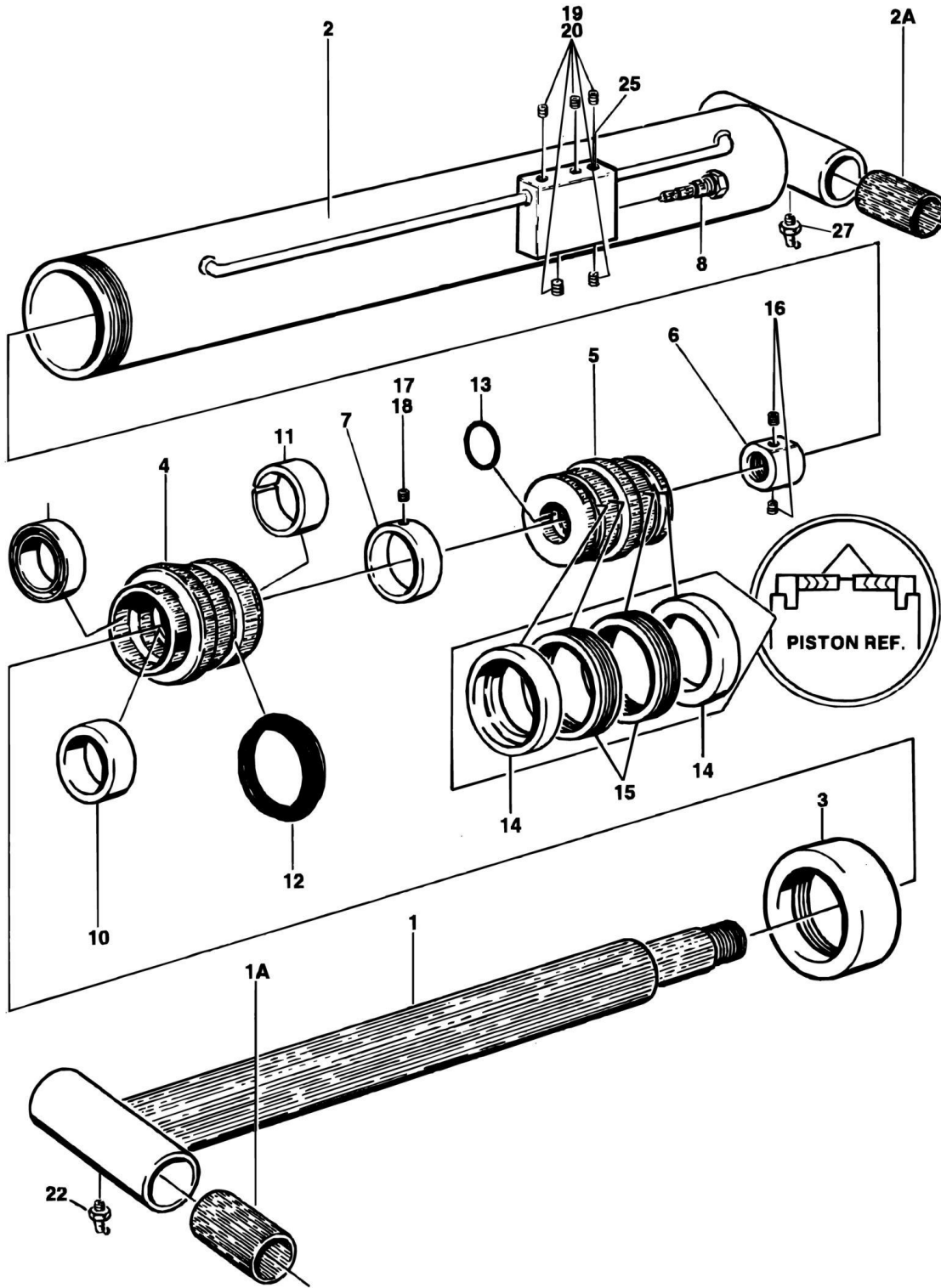
SECTION 5 - CYLINDER

FIGURE 5-2. PLATFORM LEVEL CYLINDER ASSEMBLY

ITEM	PART NUMBER	QTY	DESCRIPTION	REV
	1682178	Ref	PLATFORM LEVEL CYLINDER ASSEMBLY (STANDARD PLATFORM)	C
	1682057	Ref	PLATFORM LEVEL CYLINDER ASSEMBLY (LOW MOUNT PLATFORM) (PRIOR TO JANUARY 1991)	RLC
	1682178	Ref	PLATFORM LEVEL CYLINDER ASSEMBLY (LOW MOUNT PLATFORM) (JANUARY 1991 TO PRESENT)	C
1		Ref	Rod Weldment Options:	
1	1682177	1	1682178 Cylinder	
1	1682060	1	1682057 Cylinder	
1A	0961254	2	Bushing, Garmax	
2		Ref	Barrel Weldment	
2	1681869	1	1682178 Cylinder	
2	1682058	1	1682057 Cylinder	
2A	0960613	2	Bushing, Garmax	
3	1120336	1	Cap	
4	1681847	1	Head	
5		Ref	Piston Options:	
5	3480141	1	1682178 Cylinder	
5	3480130	1	1682057 Cylinder	
6		Ref	Nut Options:	
6	3300284	1	1682178 Cylinder	
6	3300271	1	1682057 Cylinder	
7	4563771	1	Spacer	
8	4640509	1	Cartridge, Valve	
8	2900792	1	Seal Kit - 4640509 Valve	
9	Kit	1	Wiper	
10	Kit	1	Seal, Rod	
11	Kit	1	Seal	
12	Kit	1	Ring, Wear	
13	Kit	2	Seal	
14	Kit	2	Ring, Lock	
15	Kit	1	O-Ring	
16	3900173	1	Set Screw 3/8in-16NC x 3/8in	
17	3900141	1	Set Screw 1/4in-20NC x 3/8in	
18	0100011	AR	Loctite #242 (Not Shown)	
19	2200202	2	Plug	
20	2200201	4	Plug	
21	0100020	AR	Loctite (Not Shown)	
22	0100038	AR	Primer, Locking (Not Shown)	
23	0100035	AR	Thread Locking Compound (Not Shown)	
24	2160002	2	Fitting, Grease	
25	4640812	1	Valve, Relief (Low Mount Platform Only)	
26	3780183	2	O-Ring	
	2901103	1	Seal Kit (Includes Items 9-15)	

SECTION 5 - CYLINDER

FIGURE 5-3. LIFT (BOOM) CYLINDER ASSEMBLY



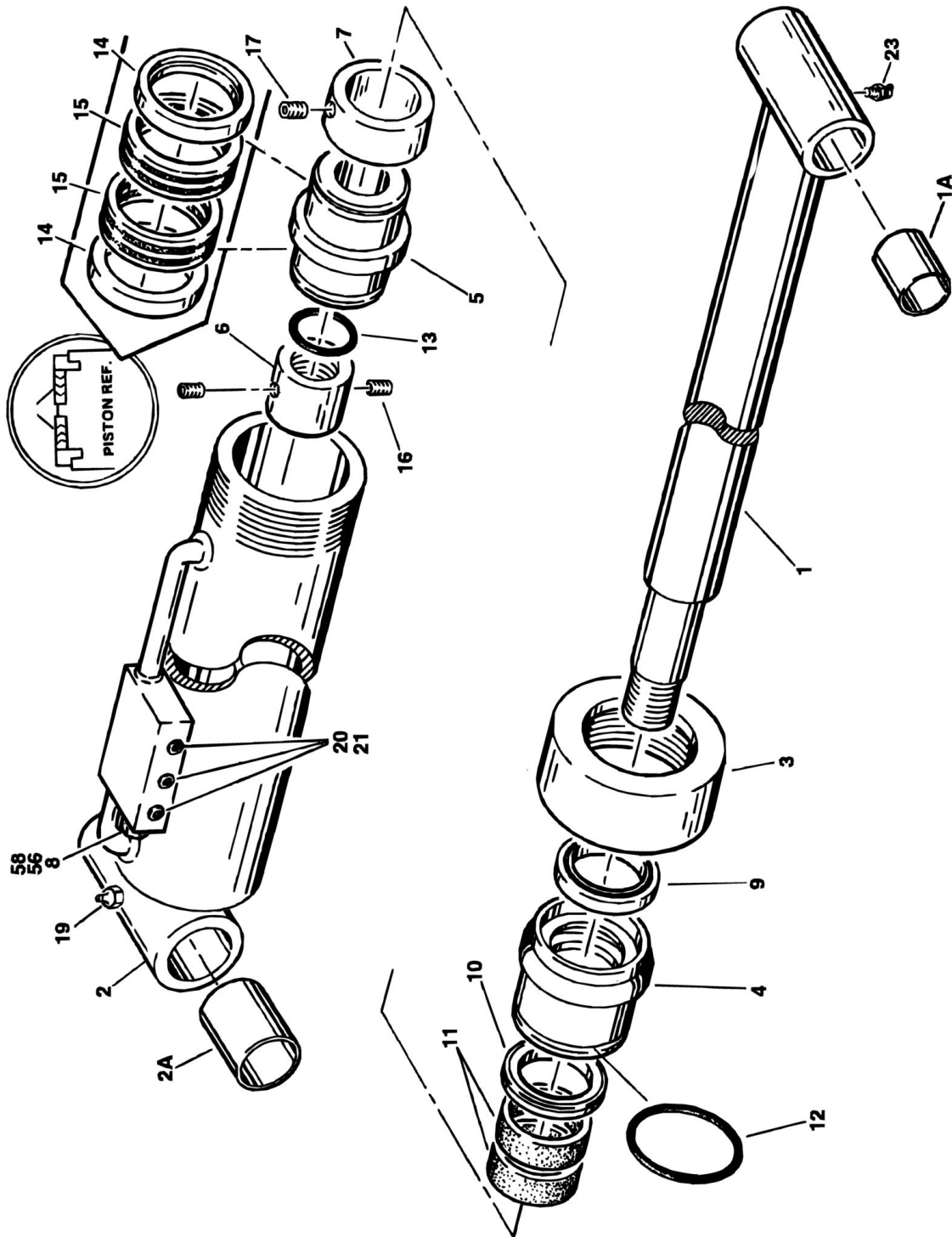
SECTION 5 - CYLINDER

FIGURE 5-3. LIFT (BOOM) CYLINDER ASSEMBLY

ITEM	PART NUMBER	QTY	DESCRIPTION	REV
	1681840	Ref	LIFT CYLINDER ASSEMBLY	10
1	1681841	1	Rod Weldment	
1A	0960946	2	Bushing, Garmax	
2	1681844	1	Barrel Weldment	
2A	0960946	2	Bushing, Garmax	
3	1120340	1	Cap	
4	1681843	1	Head	
5	3480102	1	Piston	
6	3300281	1	Nut	
7	4563769	1	Spacer	
8	4640634	1	Valve, Holding	
9	Kit	1	Wiper	
10	Kit	1	Seal, Rod	
11	Kit	1	Seal	
12	Kit	1	Ring, Wear	
13	Kit	1	O-Ring	
14	Kit	2	Ring, Guidelock	
15	Kit	2	Seal	
16	3900170	1	Set Screw 3/8in-16NC x 3/8in	
17	3900141	1	Set Screw 1/4in-20NC x 3/8in	
18	0100011	AR	Loctite #242 (Not Shown)	
19	2200222	1	Plug	
20	2200233	4	Plug	
21	0100020	AR	Loctite (Not Shown)	
22	2160001	1	Fitting, Grease	
23	0100035	AR	Thread Locking Compound (Not Shown)	
24	0100038	AR	Primer, Locking (Not Shown)	
25	2180380	1	Plug, Orifice Fitting	
26	0900019	AR	Loctite (Not Shown)	
27	2160003	1	Fitting, Grease	
	2901102	1	Seal Kit (Includes Items 9-15)	

SECTION 5 - CYLINDER

FIGURE 5-4. ARTICULATE CYLINDER ASSEMBLY



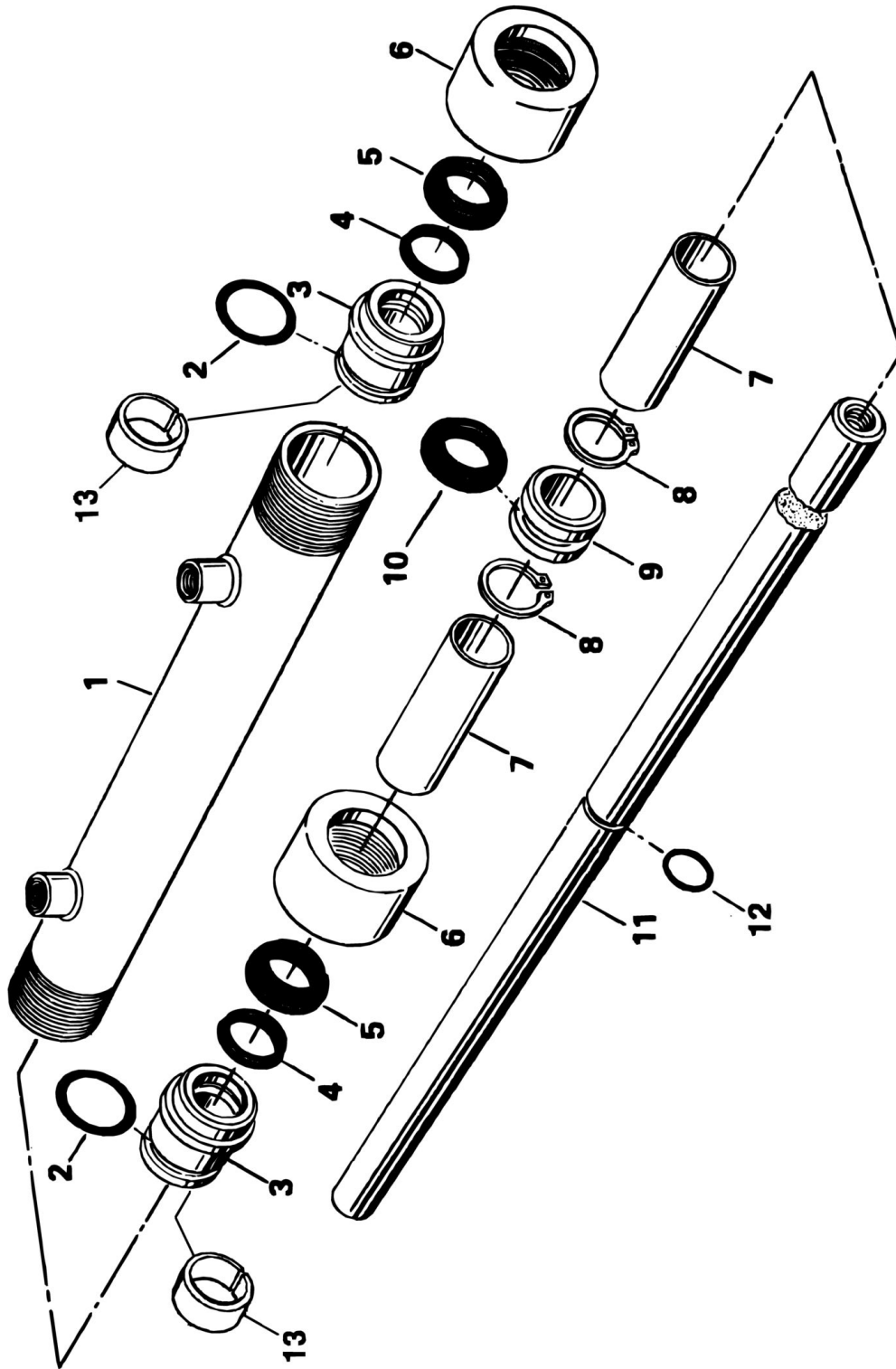
SECTION 5 - CYLINDER

FIGURE 5-4. ARTICULATE CYLINDER ASSEMBLY

ITEM	PART NUMBER	QTY	DESCRIPTION	REV
	1681780	Ref	ARTICULATE CYLINDER ASSEMBLY	6
1	1681781	1	Barrel Weldment	
1A	0960613	2	Bushing, Bronze	
2	1681783	1	Rod Weldment	
2A	0960613	2	Bushing, Bronze	
3	1120286	1	Cap	
4	1681294	1	Head	
5	3480102	1	Piston	
6	3300281	1	Nut	
7	4563644	1	Spacer	
8		Ref	Valve, Holding Options:	
8	4640452	1	Valve, Holding (Prior to September 1994)	
8	4640746	1	Valve, Holding (September 1994 to SN 28849)	
8	4640634	1	Valve, Holding (SN 28850 to Present)	
9	Kit	1	Wiper	
10	Kit	1	Seal, Rod	
11	Kit	1	Ring, Wear	
12	Kit	1	O-Ring	
13	Kit	1	O-Ring	
14	Kit	2	Ring, Guide Lock	
15	Kit	2	Seal	
16	3900170	1	Set Screw 3/8in-16NC x 3/8in	
17	3900141	1	Set Screw 1/4in-20NC x 3/8in	
18	0100011	AR	Loctite #242 (Not Shown)	
19	2160003	1	Fitting, Grease	
20	2200202	3	Plug	
21	2180380	1	Plug, Orifice Fitting	
22	0100020	AR	Loctite (Not Shown)	
23	2160001	1	Fitting, Grease	
25	0100038	AR	Primer, Locking (Not Shown)	
26	0100035	AR	Thread Locking Compound (Not Shown)	
	2900240	1	Seal Kit (Includes Items 9-15) (Prior to SN 43528)	
	2900340	1	Seal Kit (Includes Items 9-15) (SN 43528 to Present)	
		Ref	MANUAL DESCENT INSTALLATIONS	
	0251369	Ref	Gas and Diesel	B
	0252278	Ref	Electric	-
56	4640709	1	Valve, Counter Balance	
56	2900770	1	Seal Kit	
58	1692958	1	Knob	

SECTION 5 - CYLINDER

FIGURE 5-5. STEER CYLINDER ASSEMBLY - 2WD - DOUBLE ROD



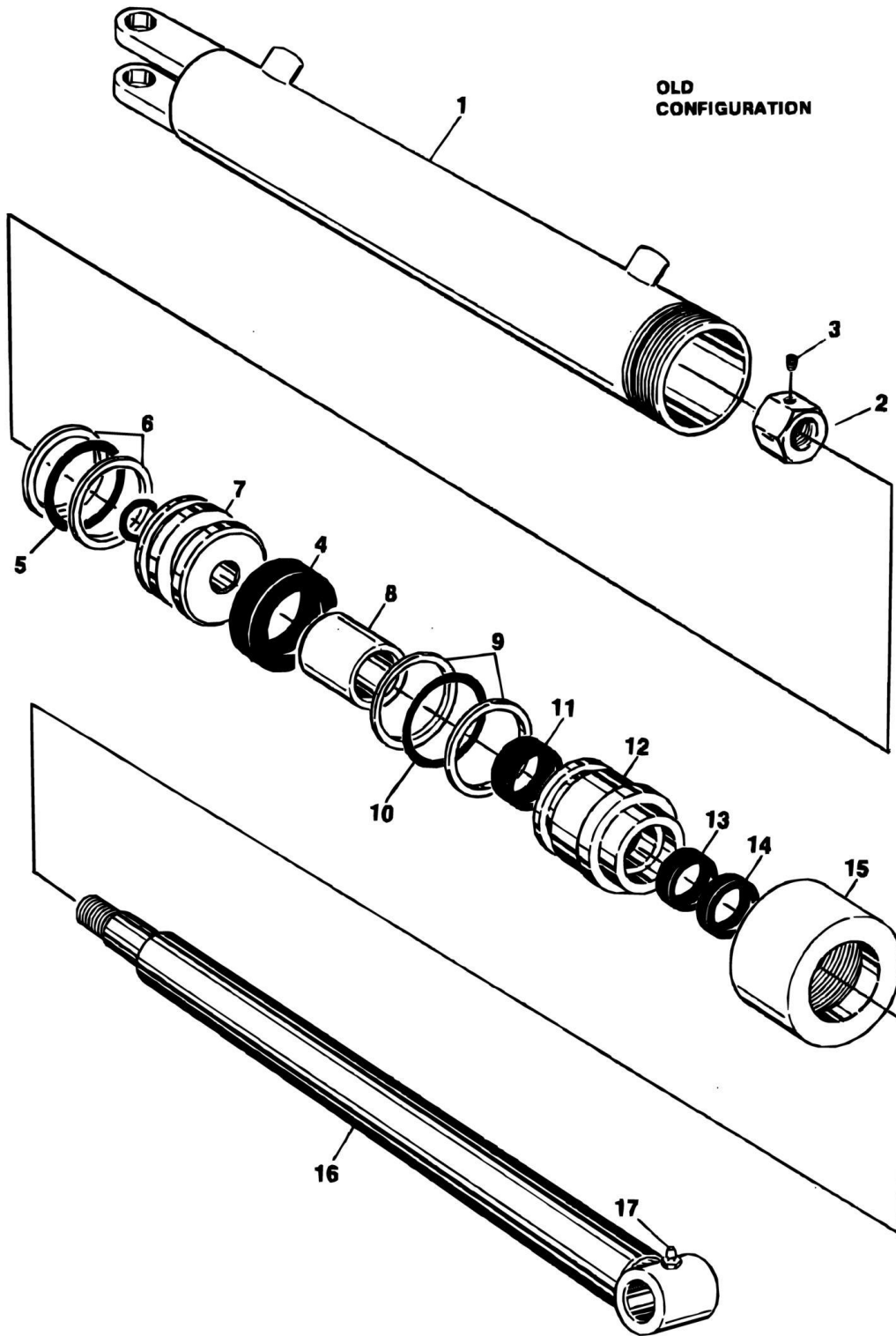
SECTION 5 - CYLINDER

FIGURE 5-5. STEER CYLINDER ASSEMBLY - 2WD - DOUBLE ROD

ITEM	PART NUMBER	QTY	DESCRIPTION	REV
	1681814	Ref	STEER CYLINDER ASSEMBLY (Prior to SN 31941)	A
1	1680654	1	Barrel Weldment	
2	Kit	2	O-Ring	
3	1120229	2	Head	
4	Kit	2	Seal	
5	Kit	2	Seal, Wiper	
6	1120228	2	Head, Retainer	
7	4563681	2	Spacer, Tube	
8	3760141	2	Ring, Retaining	
9	3480098	1	Piston	
10	Kit	1	T-Seal	
11	3840561	1	Rod	
12	Kit	1	O-Ring	
13	Not Required	0	Not Required	
14	0100011	AR	Loctite (Not Shown)	
	2900099	1	Seal Kit (Includes Items 2, 4, 5, 10 & 12)	
	1683511	Ref	STEER CYLINDER ASSEMBLY (SN 31941 to Present)	2
1	1680654	1	Barrel Weldment	
2	Kit	2	O-Ring	
3	1682364	2	Head	
4	Kit	2	Seal	
5	Kit	2	Seal, Wiper	
6	1120387	2	Head, Retainer	
7	4563681	2	Spacer, Tube	
8	3760141	2	Ring, Retaining	
9	3480098	1	Piston	
10	Kit	1	T-Seal	
11	3840561	1	Rod	
12	Kit	1	O-Ring	
13	Kit	2	Ring, Wear	
14	0100011	AR	Loctite (Not Shown)	
	2901178	1	Seal Kit (Includes Items 2, 4, 5, 10, 12 & 13)	

SECTION 5 - CYLINDER

FIGURE 5-6. STEER CYLINDER ASSEMBLY - 2WD - SINGLE ROD



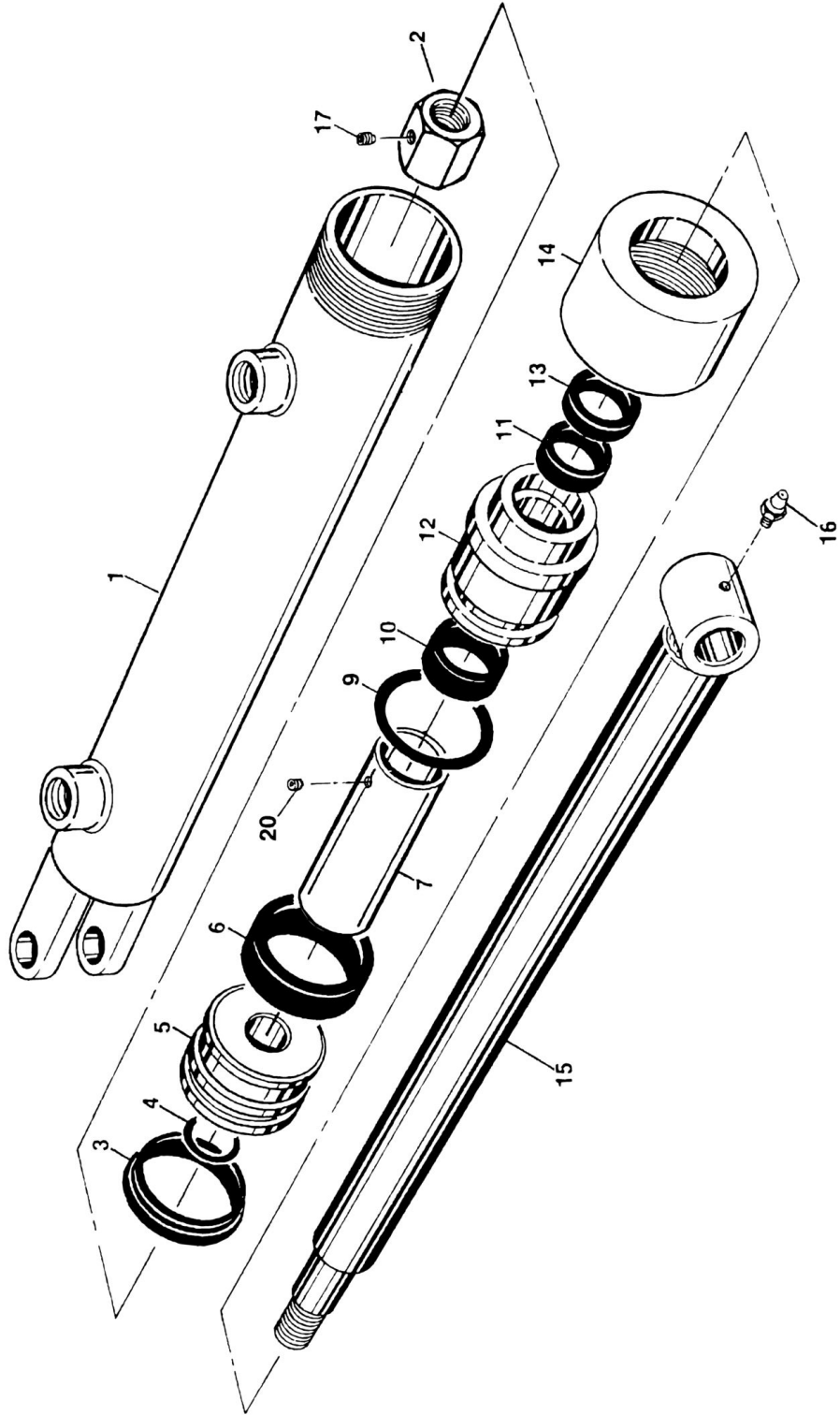
SECTION 5 - CYLINDER

FIGURE 5-6. STEER CYLINDER ASSEMBLY - 2WD - SINGLE ROD

ITEM	PART NUMBER	QTY	DESCRIPTION	REV
	1682020	Ref	STEER CYLINDER ASSEMBLY	C
1	1682084	1	Barrel Weldment	
2	3300273	1	Nut, Hex	
3	3900170	2	Set Screw 3/8in-16NC x 3/8in	
4	Kit	2	Ring, Wear	
5	Kit	1	T-Seal	
6	Kit	1	O-Ring	
7	3480120	1	Piston	
8	4564134	2	Spacer, Tube	
9	3760176	1	Ring	
10	Kit	1	O-Ring	
11	Kit	1	Ring, Wear	
12	1680892	1	Head	
13	Kit	1	Seal, Rod	
14	Kit	1	Wiper, Rod	
15	1120179	1	Head, Retainer	
16	1680739	1	Rod	
17	2160002	1	Fitting, Grease	
18	0100011	AR	Loctite #242 (Not Shown)	
19	0100038	AR	Loctite #222 (Not Shown)	
	2901119	1	Seal Kit (Includes Items 4, 5, 6, 9, 10, 11, 13 & 14)	

SECTION 5 - CYLINDER

FIGURE 5-7. STEER CYLINDER ASSEMBLY - 4WD



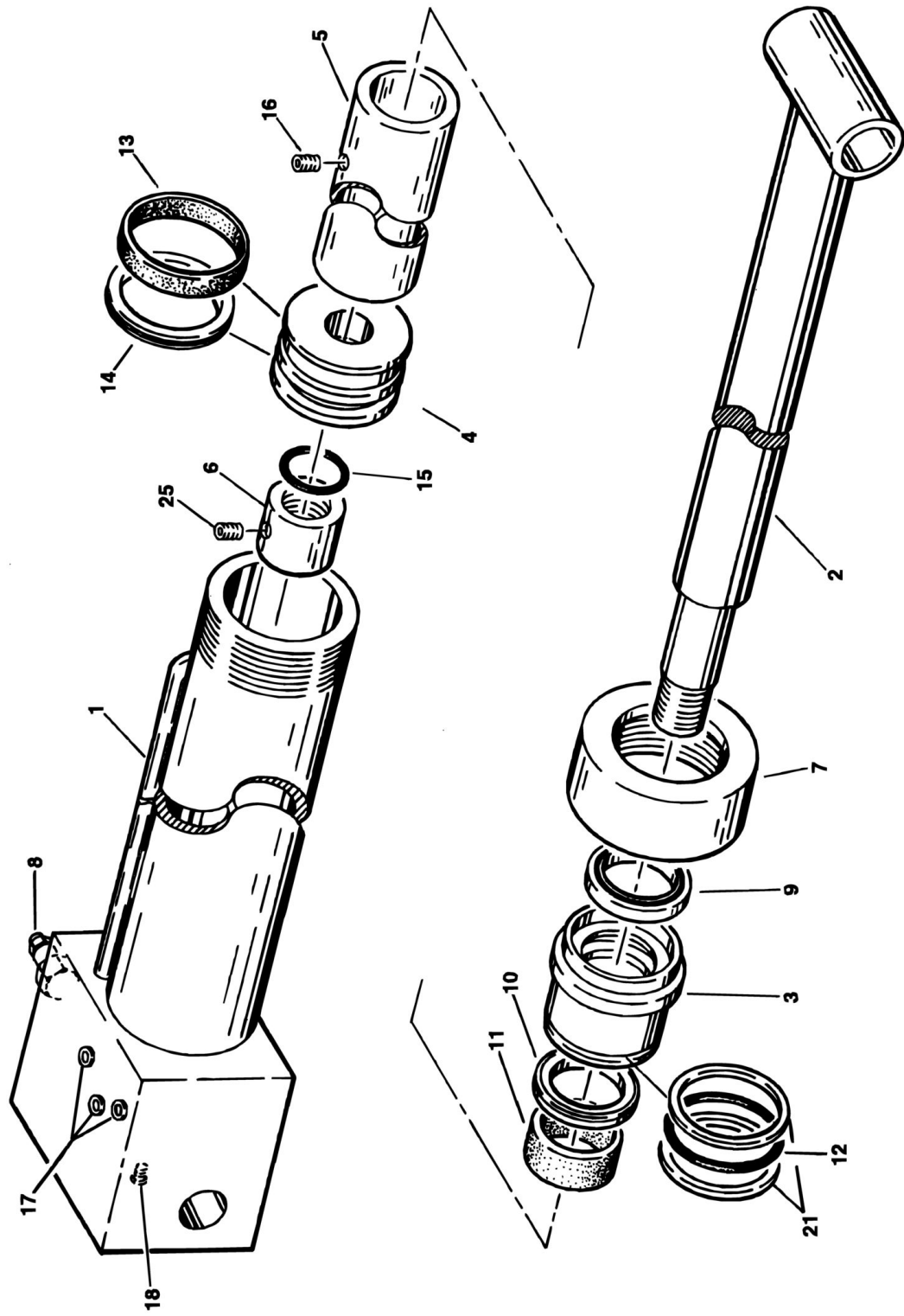
SECTION 5 - CYLINDER

FIGURE 5-7. STEER CYLINDER ASSEMBLY - 4WD

ITEM	PART NUMBER	QTY	DESCRIPTION	REV
	1681555	Ref	STEER CYLINDER ASSEMBLY	
1	1681413	1	Barrel Weldment	
2	3300273	1	Nut, Hex	
3	Kit	1	Seal	
4	Kit	1	O-Ring	
5	3480134	1	Piston	
6	Kit	1	Ring, Wear	
7	4562851	1	Spacer, Tube	
9	Kit	1	O-Ring	
10	Kit	1	Ring, Wear	
11	Kit	1	Seal, Rod	
12	1681344	1	Head	
13	Kit	1	Wiper, Rod	
14	1120108	1	Cap	
15	1681411	1	Rod	
16	2160002	1	Fitting, Grease	
17	3900141	1	Set Screw 1/4in-20NC x 3/8in	
18	0100011	AR	Loctite #242 (Not Shown)	
19	0100038	AR	Loctite #222 (Not Shown)	
20	3900170	1	Set Screw 3/8in-16NC x 3/8in	
	2901123	1	Seal Kit (Includes Items 3, 4, 6, 9, 10, 11 & 13)	

SECTION 5 - CYLINDER

FIGURE 5-8. TELESCOPE CYLINDER ASSEMBLY



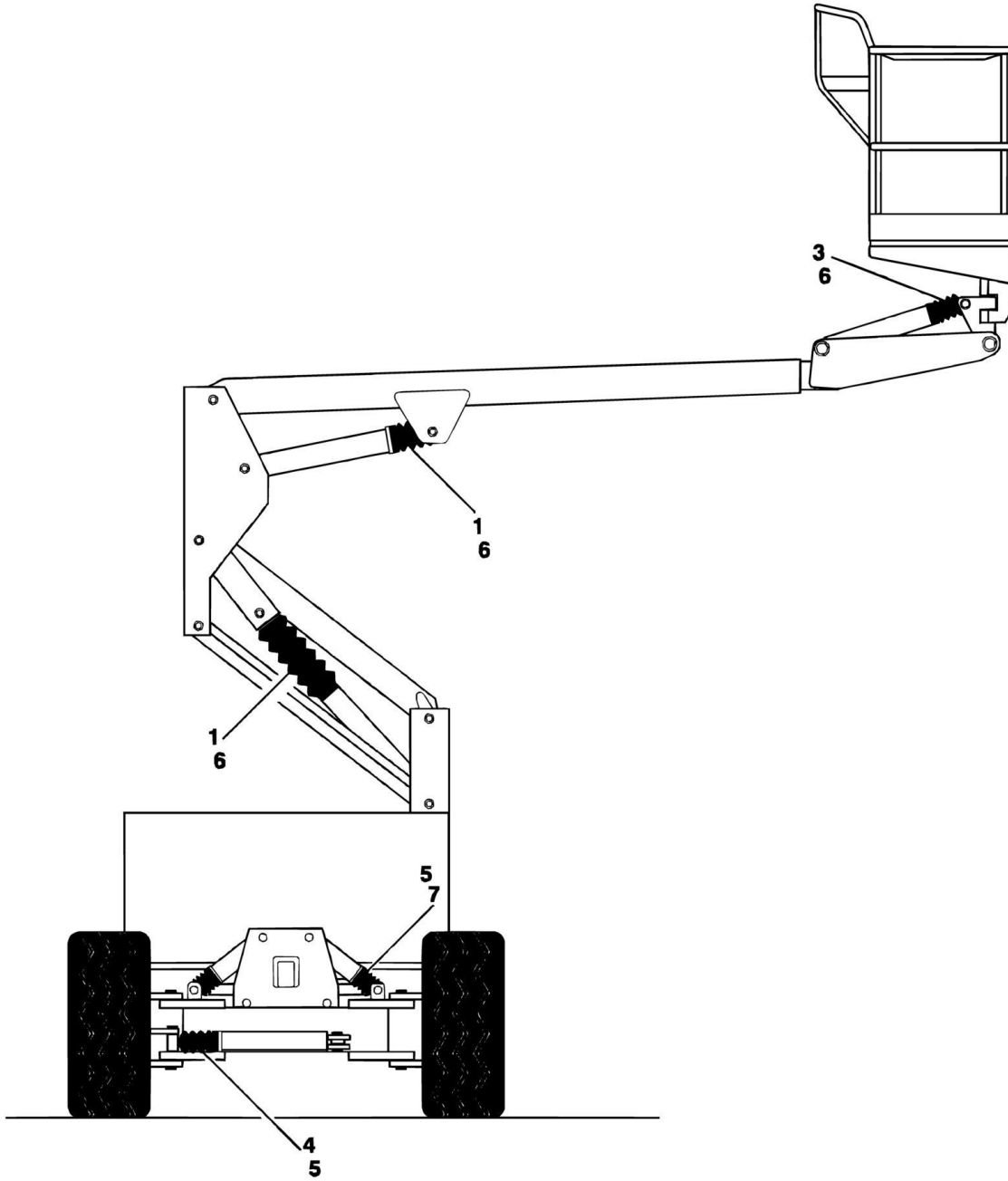
SECTION 5 - CYLINDER

FIGURE 5-8. TELESCOPE CYLINDER ASSEMBLY

ITEM	PART NUMBER	QTY	DESCRIPTION	REV
	1682179	Ref	TELESCOPE CYLINDER ASSEMBLY	B
1	1681793	1	Barrel	
2	1681712	1	Rod	
3	1681635	1	Head	
4	3480120	1	Piston	
5	4564587	1	Spacer, Tube	
6		Ref	Nut Options:	
6	3300101	1	Nut, Rod (Prior to January 1992)	
6	3300272	1	Nut, Hex (January 1992 to Present)	
7	1120179	1	Cap	
8	4640634	1	Valve, Holding	
9	Kit	1	Wiper, Rod	
10	Kit	1	Seal, Rod	
11	Kit	1	Ring, Wear	
12	Kit	1	O-Ring	
13	Kit	1	Ring, Wear	
14	Kit	1	Seal, Piston	
15	Kit	1	O-Ring	
16	3951402	1	Set Screw 1/4in-20NC x 1/4in	
17	2200202	4	Plug, Fitting	
18	2200201	1	Plug, Fitting	
19	0100020	AR	Sealant (Not Shown)	
20	0100011	AR	Loctite #242 (Not Shown)	
21	Kit	2	Ring, Back-up	
23	0100035	AR	Loctite #222 (Not Shown)	
24	0100038	AR	Primer, Locking (Not Shown)	
25	3900170	1	Set Screw 3/8in-16NC x 3/8in	
	2900381	1	Seal Kit (Includes Items 9-15 & 21)	

SECTION 5 - CYLINDER

FIGURE 5-9. CYLINDER BELLOWS INSTALLATIONS



SECTION 5 - CYLINDER

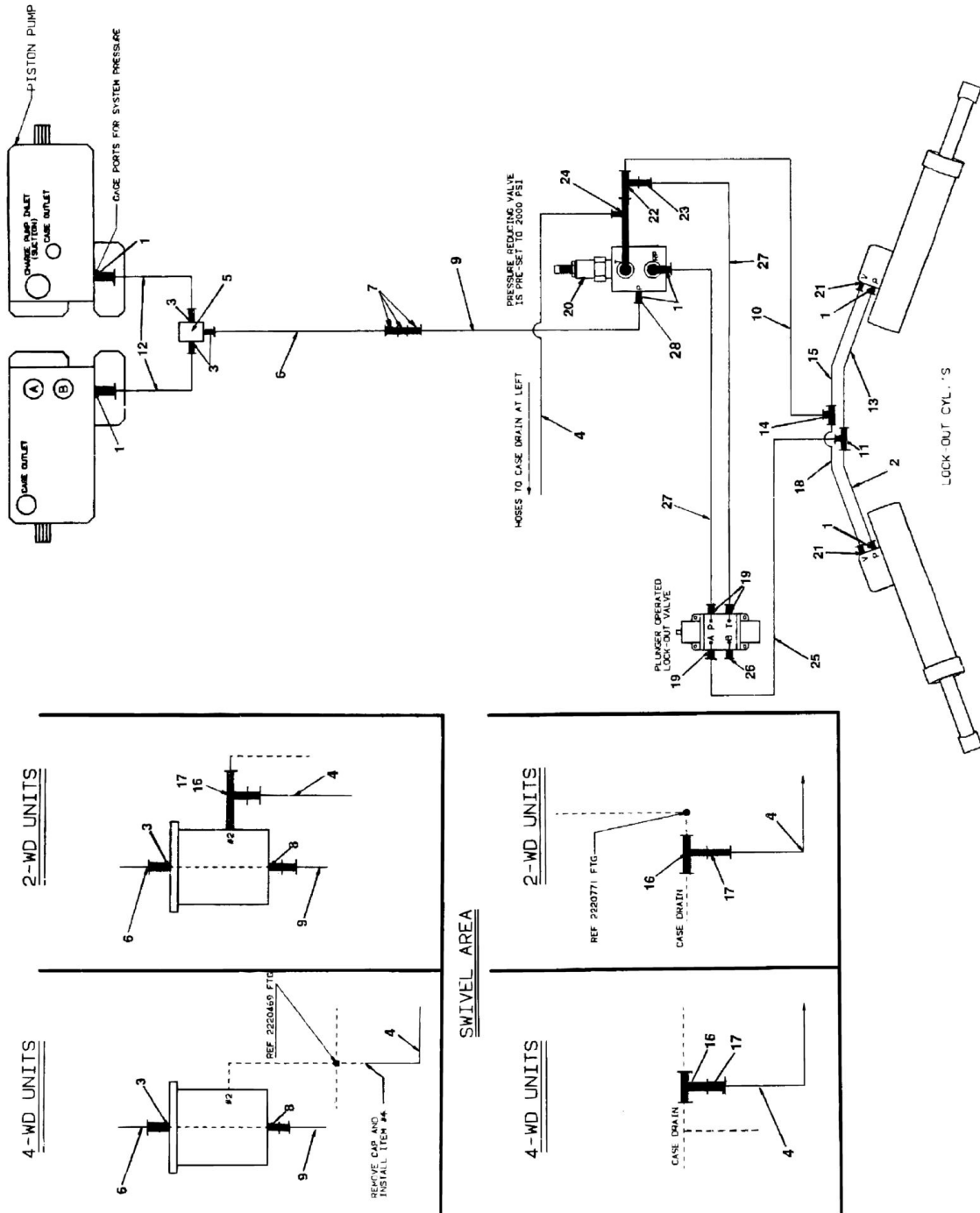
FIGURE 5-9. CYLINDER BELLOWS INSTALLATIONS

ITEM	PART NUMBER	QTY	DESCRIPTION	REV
	0250635	Ref	BELLOWS INSTALLATION - 2WD MACHINES WITH FIXED AXLE AND 2M FRAME	D
1	0460093	2	Bellows, Cylinder (Upper and Lower Lift Cylinder)	
3	0460084	1	Bellows, Cylinder (Upper Slave)	
4	0460082	2	Bellows, Cylinder (Steer)	
5	1320037	2	Clamp	
6	1320122	3	Clamp	
7	Not Required	0	Not Required	
	0250636	Ref	BELLOWS INSTALLATION - 2WD MACHINES WITH OSCILLATING AXLE AND 2M FRAME	D
1	0460093	2	Bellows, Cylinder (Upper and Lower Lift Cylinder)	
3	0460084	1	Bellows, Cylinder (Upper Slave)	
4	0460082	2	Bellows, Cylinder (Steer)	
5	1320037	4	Clamp	
6	1320122	3	Clamp	
7	0460083	2	Bellows, Cylinder (Lockout)	
	0254098	Ref	BELLOWS INSTALLATION - 2WD MACHINES WITH OSCILLATING AXLE AND 1.75M FRAME	C
1	0460093	2	Bellows, Cylinder (Upper and Lower Lift Cylinder)	
3	0460084	1	Bellows, Cylinder (Upper Slave)	
4	0460073	1	Bellows, Cylinder (Steer)	
5	1320037	2	Clamp	
6	1320122	4	Clamp	
7	0460083	2	Bellows, Cylinder (Lockout)	
	0254099	Ref	BELLOWS INSTALLATION - 2WD MACHINES WITH Fixed AXLE AND 1.75M FRAME	B
1	0460093	2	Bellows, Cylinder (Upper and Lower Lift Cylinder)	
3	0460084	1	Bellows, Cylinder (Upper Slave)	
4	0460075	1	Bellows, Cylinder (Steer)	
5	Not Required	0	Not Required	
6	1320122	4	Clamp	
7	Not Required	0	Not Required	
	0256335	Ref	BELLOWS INSTALLATION - 2WD MACHINES WITH OSCILLATING AXLE AND 1.75M FRAME	
1	0460093	2	Bellows, Cylinder (Upper and Lower Lift Cylinder)	
3	0460084	1	Bellows, Cylinder (Upper Slave)	
4	0460075	1	Bellows, Cylinder (Steer)	
5	1320037	2	Clamp	
6	1320122	4	Clamp	
7	0460083	2	Bellows, Cylinder (Lockout)	

SECTION 6 - HYDRAULIC

SECTION 6 - HYDRAULIC

FIGURE 6-1. HYDRAULIC DIAGRAM - AXLE LOCKOUT



SECTION 6 - HYDRAULIC

FIGURE 6-1. HYDRAULIC DIAGRAM - AXLE LOCKOUT

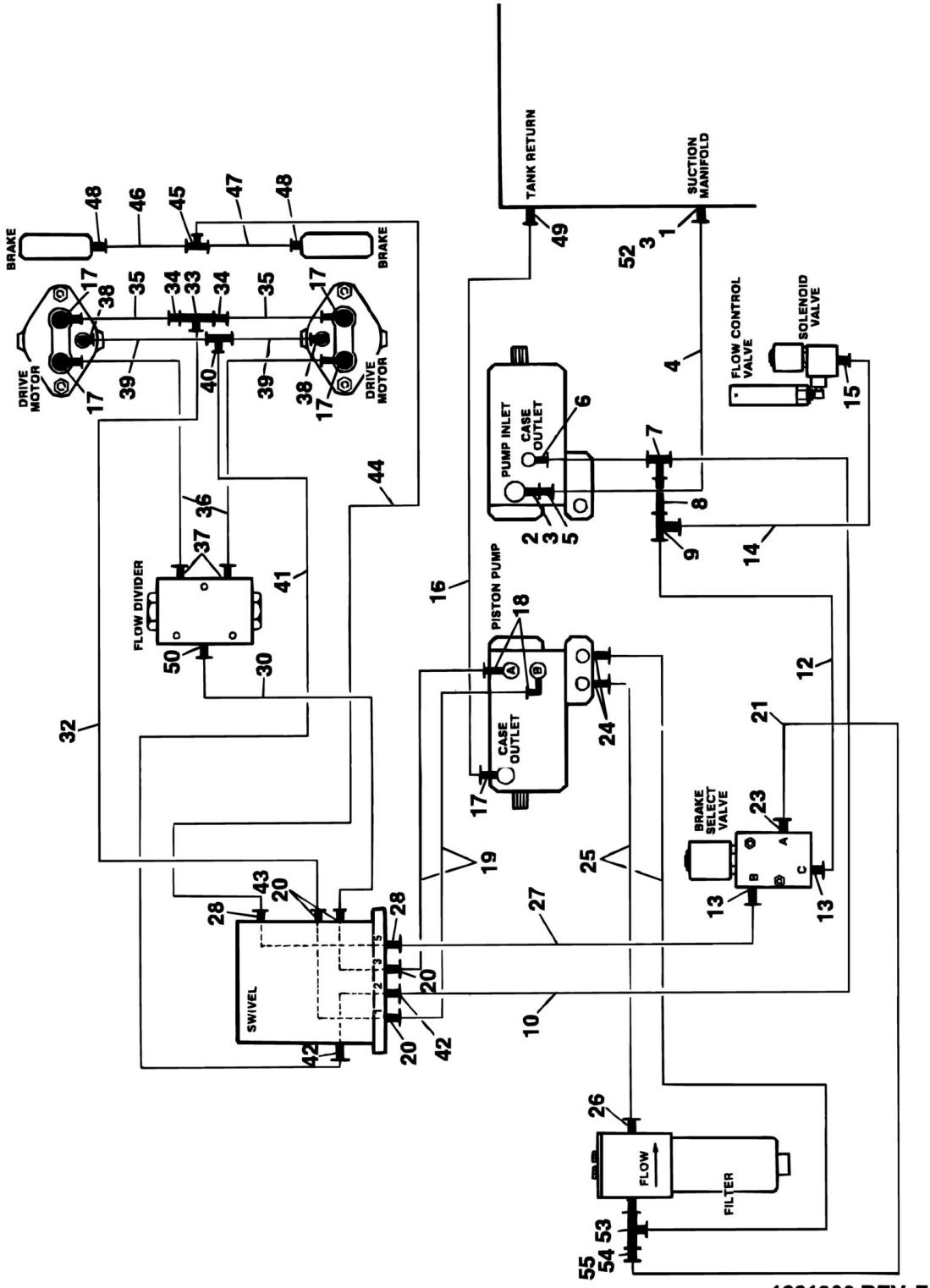
ITEM	PART NUMBER	QTY	DESCRIPTION	REV
		Ref	HYDRAULIC DIAGRAMS - AXLE LOCKOUT	
	2791818	Ref	Without Swivel	-
	2791819	Ref	With Swivel	A
1	2220582	AR	Fitting, Straight	
2		Ref	Hose Options:	
2	2751397	1	Without Swivel	
2	2751397	2	With Swivel (Prior to March 1993)	
2	2751017	2	With Swivel (March 1993 to Present)	
3	2220414	AR	Fitting, Straight	
4		Ref	Hose Options:	
4	2750779	1	Without Swivel	
4	2750779	1	With Swivel (Prior to March 1993)	
4	2750910	1	With Swivel (March 1993 to Present)	
5	4640013	1	Valve, Shuttle	
6		Ref	Hose Options:	
6	2750899	1	Without Swivel	
6	2751010	1	With Swivel	
7	2220771	1	Fitting, Swivel (Without Swivel Only)	
7	2220618	2	Fitting, Reducer (Without Swivel Only)	
8	2180125	1	Fitting, Swivel (With Swivel Only)	
8	2180651	1	Fitting, Modified (With Swivel Only)	
9	2751412	1	Hose	
10		Ref	Hose Options:	
10	2750785	1	Without Swivel	
10	2750785	1	With Swivel (Prior to March 1993)	
10	2750998	1	With Swivel (March 1993 to Present)	
11	2220504	1	Fitting, Tee	
12	2751018	2	Hose	
13		Ref	Hose Options:	
13	2750900	1	Without Swivel	
13	2751397	1	With Swivel	
14	2220490	1	Fitting, Tee	
15		Ref	Hose Options:	
15	2750917	1	Without Swivel	
15	2750910	1	With Swivel	
16		Ref	Fitting, Tee Options:	
16	2220385	1	Without Swivel	
16	2220679	1	With Swivel	
17	2220619	1	Fitting, Reducer	
18		Ref	Hose Options:	
18	2750920	AR	Without Swivel	
18	2750920	AR	With Swivel (Prior to March 1993)	
18	2750910	AR	With Swivel (March 1993 to Present)	
19	2220466	3	Fitting, 90	
21	2220371	2	Fitting, Straight	
22	2220635	1	Fitting, Tee	
23	2220609	1	Fitting, Reducer	
24	2220606	1	Fitting, Tee	
25		Ref	Hose Options:	
25	2751014	1	Without Swivel	

SECTION 6 - HYDRAULIC

ITEM	PART NUMBER	QTY	DESCRIPTION	REV
25	2751014	1	With Swivel (Prior to March 1993)	
25	2751015	1	With Swivel (March 1993 to Present)	
26	2220235	1	Plug	
27		Ref	Hose Options:	
27	2751020	2	Without Swivel	
27	2750900	2	With Swivel	
28	2220472	1	Fitting, 90 (With Swivel Only)	

SECTION 6 - HYDRAULIC

FIGURE 6-2. HYDRAULIC DIAGRAM - DRIVE (2WD)



1281306 REV. F

SECTION 6 - HYDRAULIC

FIGURE 6-2. HYDRAULIC DIAGRAM - DRIVE (2WD)

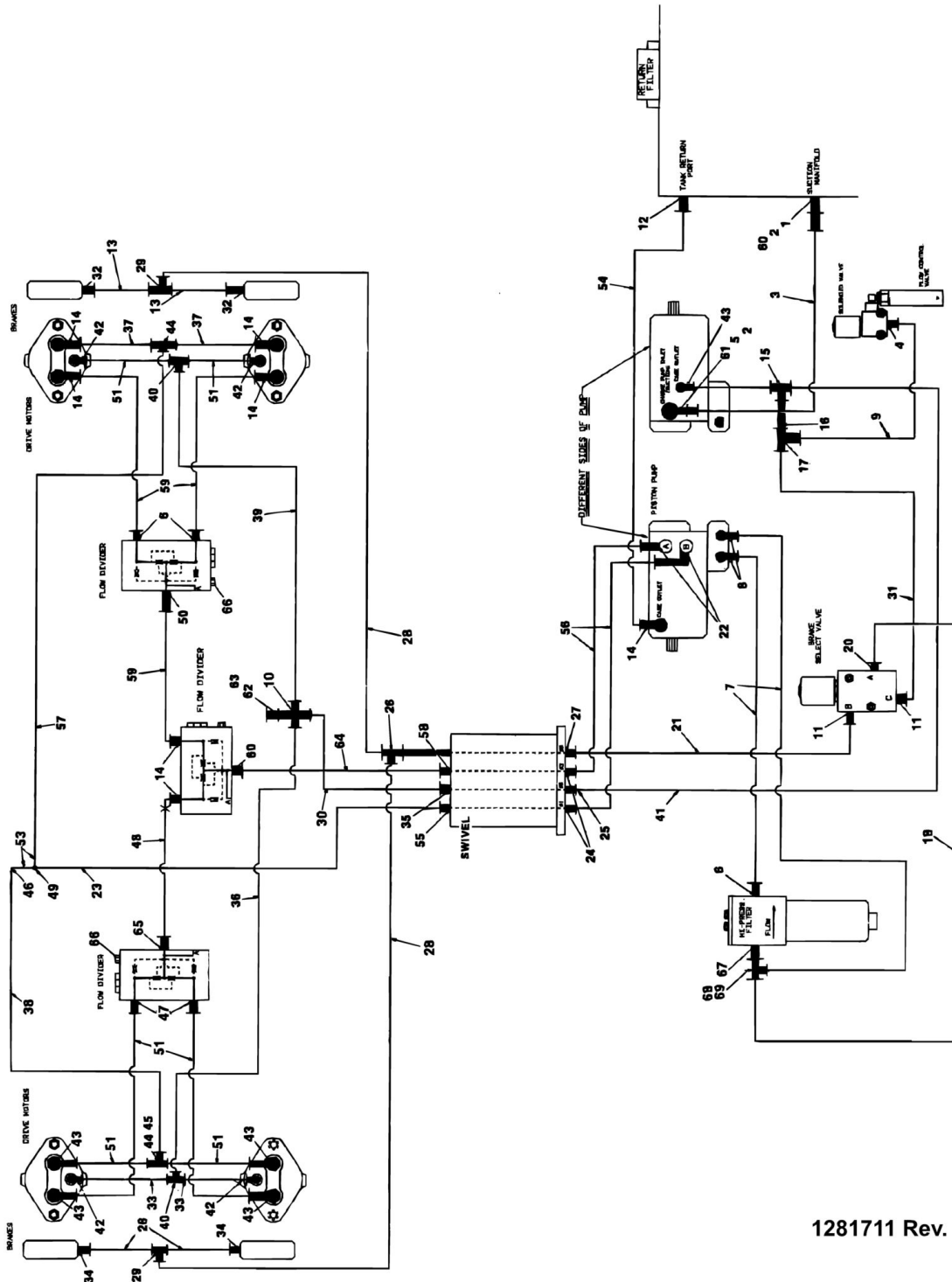
ITEM	PART NUMBER	QTY	DESCRIPTION	REV
		Ref	HYDRAULIC DIAGRAMS - DRIVE (2WD)	
	2791647	Ref	2m Frame 2WD - Deutz (With Swivel)	E
	2791689	Ref	1.75m Frame 2WD - Deutz (With Swivel)	E
	2792061	Ref	2m Frame - With 12in x 16.5in Tires (With Swivel)	-
1	2210003	1	Fitting, Barbed	
2	2220646	1	Fitting, 90	
3	1320023	4	Clamp	
4	2720353	1	Hose, Suction (Prior to March 1993)	
4	2720357	1	Hose, Suction (March 1993 to Present)	
5	2210014	1	Fitting, 90 Barbed	
6	2220375	1	Fitting, Straight	
7	2220385	1	Fitting, Tee	
8	2220618	1	Fitting, Reducer	
9	2220605	1	Fitting, Tee	
10	2750979	1	Hose	
12	2751014	1	Hose	
13	2220417	2	Fitting, Straight (Prior to March 1993)	
13	2220582	2	Fitting, Straight (March 1993 to Present)	
14	2751427	1	Hose	
15	2220468	1	Fitting, Straight	
16	2751631	1	Hose	
17	2220457	5	Fitting, Straight	
18	2220365	2	Fitting, 45	
19	2752319	2	Hose	
20	2220348	4	Fitting, Straight	
21	2751010	1	Hose	
22	2220582	1	Fitting, Straight (Prior to April 1992)	
23	2220585	1	Fitting, 90 (Prior to March 1993)	
23	2220472	1	Fitting, 90 (March 1993 to Present)	
24	2220408	2	Fitting, Straight	
25	2751614	2	Hose	
26	2220578	1	Fitting, 90	
27	2750760	1	Hose	
28	2220414	2	Fitting, Straight	
30		Ref	Hose Options:	
30	2752317	1	2m Frame 2WD	
30	2752323	1	1.75m Frame 2WD	
30	2752324	1	With 12in x 16.5 Tires	
32		Ref	Hose Options:	
32	2752320	1	2m & 1.75m Frame 2WD	
32	2752329	1	With 12in x 16.5 Tires	
33	2220363	1	Fitting, Tee	
34	2220710	2	Fitting, Reducer	
35	2752240	2	Hose	
36		Ref	Hose Options:	
36	2752241	2	2m Frame 2WD	
36	2752238	2	1.75m Frame 2WD	
37		Ref	Fitting Options:	
37	2220465	2	2m Frame 2WD - Fitting, 90 (Prior to March 1993)	
37	2220578	2	2m Frame 2WD - Fitting, 90 (March 1993 to Present)	

SECTION 6 - HYDRAULIC

ITEM	PART NUMBER	QTY	DESCRIPTION	REV
37	2220465	2	1.75m Frame 2WD - Fitting, 90 (Prior to March 1993)	
37	2220451	2	1.75m Frame 2WD - Fitting, Straight (March 1993 to Present)	
38	2220600	2	Fitting, Straight	
39		Ref	Hose Options:	
39	2750757	2	2m Frame 2WD	
39	2751490	2	1.75m Frame 2WD	
40	2220362	1	Fitting, Tee	
41	2750777	1	Hose	
42	2220345	2	Fitting, Straight	
43	2220404	2	Fitting, 90	
44	2751021	1	Hose (Prior to March 1993)	
44	2751398	1	Hose (March 1993 to Present)	
45	2220504	1	Fitting, Tee	
46		Ref	Hose Options:	
46	2751013	1	2m Frame 2WD	
46	2751427	1	1.75m Frame 2WD	
47		Ref	Hose Options:	
47	2751015	1	2m Frame 2WD	
47	2751427	1	1.75m Frame 2WD	
48	2220466	2	Fitting, 90	
49	2220493	1	Fitting, 90	
50	2220377	1	Fitting, Straight	
52	2220377	1	Fitting, Straight	
53	2220738	1	Fitting, Tee	
54	2220621	1	Fitting, Reducer	
55	2220609	1	Fitting, Reducer	

SECTION 6 - HYDRAULIC

FIGURE 6-3. HYDRAULIC DIAGRAM - DRIVE (4WD)



1281711 Rev. - B

SECTION 6 - HYDRAULIC

FIGURE 6-3. HYDRAULIC DIAGRAM - DRIVE (4WD)

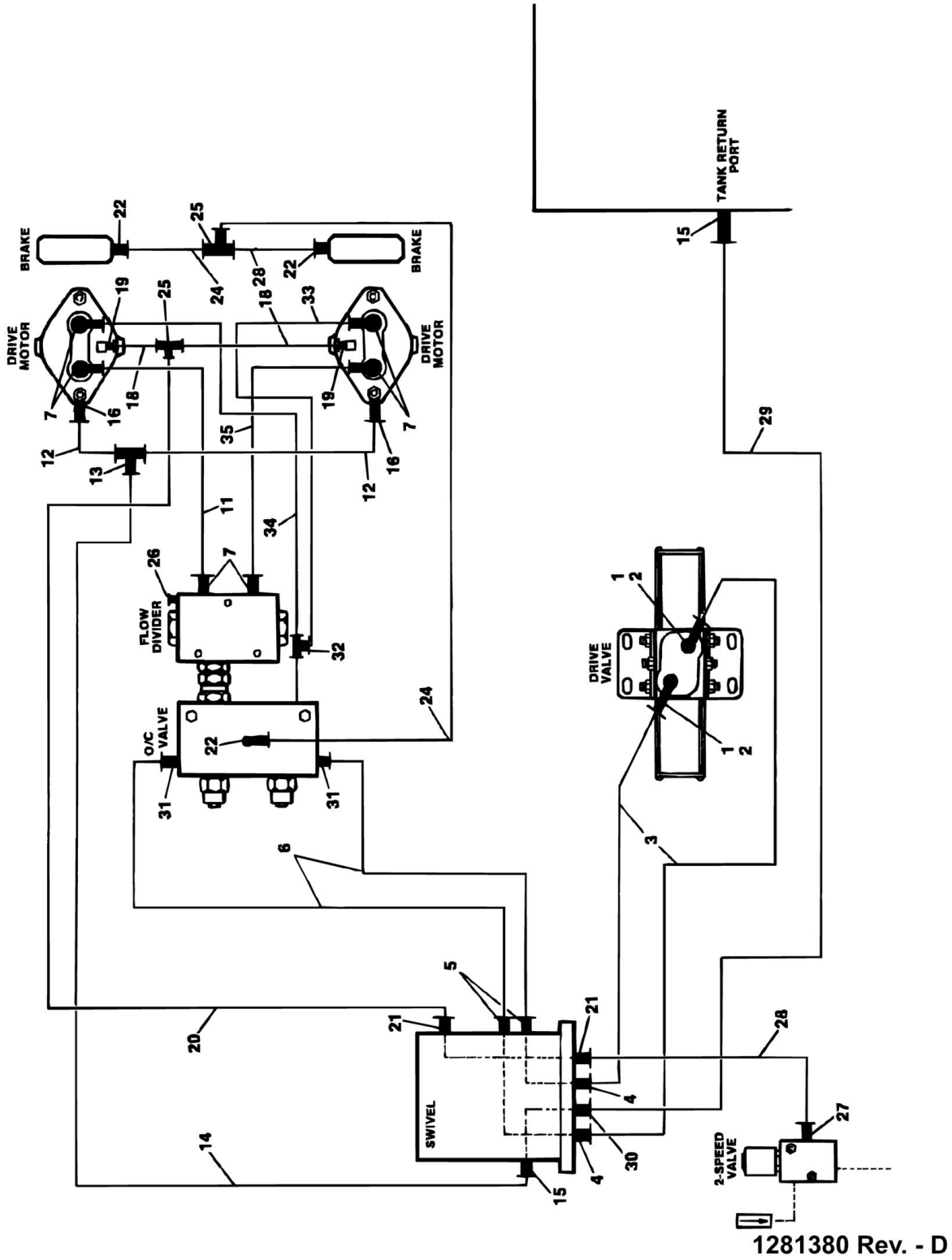
ITEM	PART NUMBER	QTY	DESCRIPTION	REV
		Ref	HYDRAULIC DIAGRAMS - DRIVE (4WD)	
	2791885	Ref	4WD - Ford and Deutz (With Swivel)	B
1	2210003	1	Fitting, Barbed	
2	1320033	4	Clamp	
3	2720357	1	Hose, Suction	
4	2220468	1	Fitting, Straight	
5	2210014	1	Fitting, 90 Barbed	
6	2220578	3	Fitting, Straight	
7	2751614	2	Hose	
8	2220408	2	Fitting, Straight	
9	2751427	1	Hose	
10	2220469	1	Fitting,	
11	2220582	2	Fitting, Straight	
12	2220493	1	Fitting, 90	
13	2751409	2	Hose	
14	2220451	7	Fitting, Straight	
15	2220385	1	Fitting, Tee	
16	2220618	1	Fitting, Reducer	
17	2220605	1	Fitting, Tee	
18	2751010	1	Hose	
20	2220472	1	Fitting, 90	
21	2750760	1	Hose	
22	2220365	2	Fitting, 45	
23	2752322	1	Hose	
24	2220348	2	Fitting, Straight	
25	2220355	1	Fitting, 45	
26	2220684	1	Fitting, Tee	
27	2220414	1	Fitting, Straight	
28	2751021	4	Hose	
29	2220504	2	Fitting, Tee	
30	2751484	1	Hose	
31	2751014	1	Hose	
32	2220466	2	Fitting, 90	
33	2750777	2	Hose	
34	2220415	2	Fitting, Straight	
35	2220345	1	Fitting, Straight	
36	2751490	1	Hose	
37	2752240	2	Hose	
38	2752249	1	Hose	
39	2750976	1	Hose	
40	2220362	2	Fitting, Tee	
41	2750979	1	Hose	
42	2220600	4	Fitting, Straight	
43	2220375	5	Fitting, Straight	
44	2220481	2	Fitting, Tee	
45	2220622	2	Fitting, Reducer	
46	2220407	1	Fitting, 90	
47	2220366	2	Fitting	
48	2752236	1	Hose	
49	2220363	1	Fitting, Tee	

SECTION 6 - HYDRAULIC

ITEM	PART NUMBER	QTY	DESCRIPTION	REV
50	2220435	1	Fitting, Straight	
51	2750757	6	Hose	
52	0100020	AR	Sealant (Not Shown)	
53	2220710	2	Fitting, Reducer	
54	2751631	1	Hose	
55	2220627	1	Fitting, Straight	
56	2752319	2	Hose	
57	2752238	1	Hose	
58	2220627	1	Fitting, 45	
59	2752239	3	Hose	
60	2220377	2	Fitting, Straight	
61	2220646	1	Fitting, 90	
62	2220619	1	Fitting, Reducer	
63	2220516	1	Cap	
64	2752323	1	Hose	
65	2220568	1	Fitting, 45	
66	2220235	2	Fitting, Plug	
67	2220738	1	Fitting, Tee	
68	2220621	1	Fitting, Reducer	
69	222-608	1	Fitting, Reducer	

SECTION 6 - HYDRAULIC

FIGURE 6-4. HYDRAULIC DIAGRAM - DRIVE (ELECTRIC)



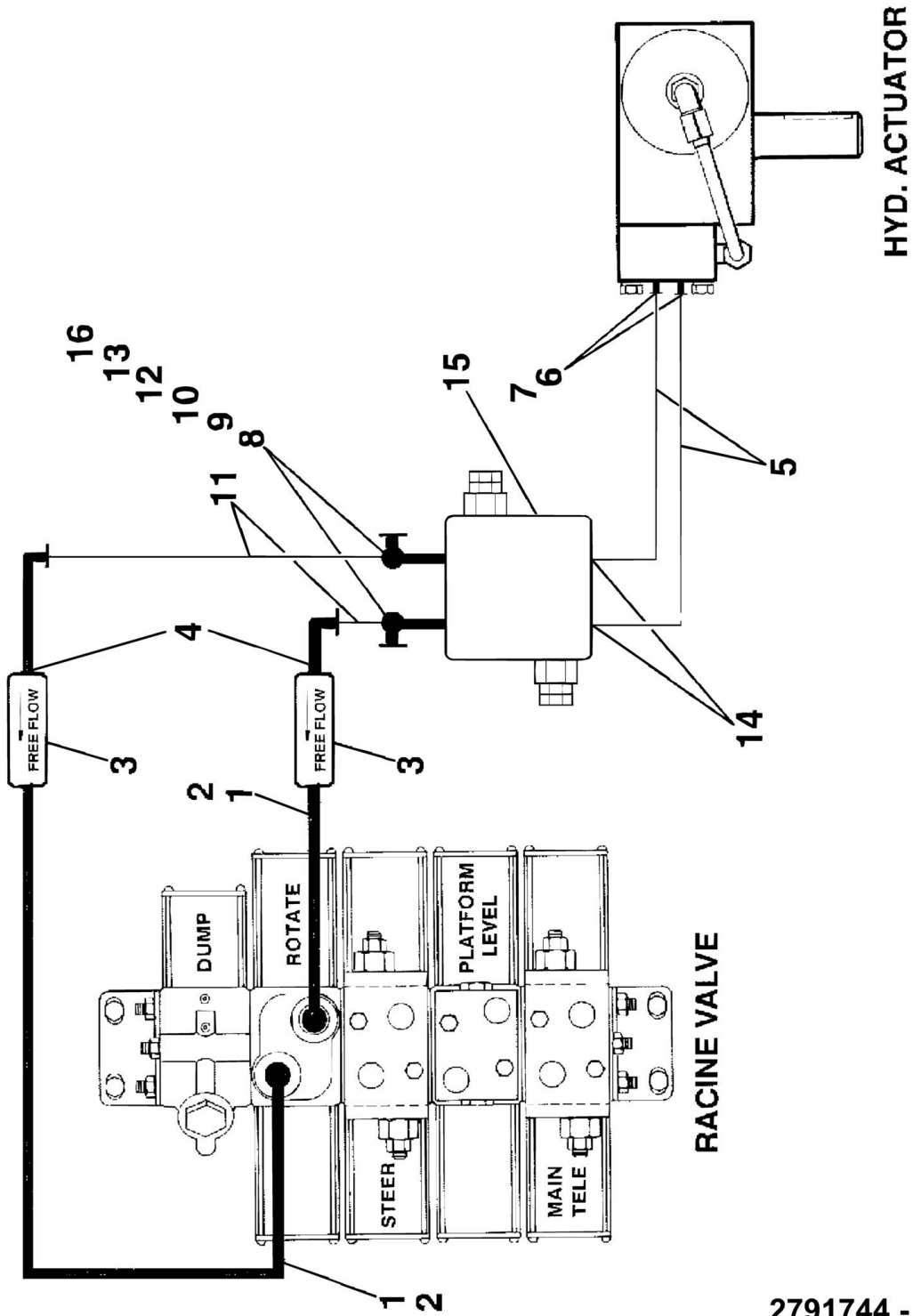
SECTION 6 - HYDRAULIC

FIGURE 6-4. HYDRAULIC DIAGRAM - DRIVE (ELECTRIC)

ITEM	PART NUMBER	QTY	DESCRIPTION	REV
		Ref	HYDRAULIC DIAGRAMS - DRIVE (ELECTRIC)	
	2791710	Ref	2m Frame (With Swivel)	F
	2791711	Ref	1.75m Frame (With Swivel)	E
1	2220593	2	Fitting, Straight	
2	2220655	2	Fitting, 90	
3	2751325	2	Hose	
4	2220347	2	Fitting, Straight	
5	2220356	2	Fitting, 45	
6	2751359	2	Hose	
7	2220451	6	Fitting, Straight	
11		Ref	Hose Options:	
11	2751359	1	2m Frame	
11	2751327	1	1.75m Frame	
12		Ref	Hose Options:	
12	2750976	2	2m Frame	
12	2751502	2	1.75m Frame	
13	2220362	1	Fitting, Tee	
14		Ref	Hose Options:	
14	2750777	1	2m Frame	
14	2750771	1	1.75m Frame	
15	2220345	2	Fitting, Straight	
16	2220596	2	Fitting	
18		Ref	Hose Options:	
18	2750882	2	2m Frame	
18	2751018	2	1.75m Frame	
19	2220415	2	Fitting, Straight	
20	2751021	1	Hose	
21	2750414	2	Fitting, Straight	
22	2220466	3	Fitting, 90	
24		Ref	Hose Options:	
24	2751013	2	2m Frame	
24	2751015	2	1.75m Frame	
25	2220504	2	Fitting, Tee	
26	2220235	1	Fitting, Plug	
27	2220585	1	Fitting, 90	
28	2750760	2	Hose	
29	2750972	1	Hose	
30	2220355	1	Fitting, 45	
31	2220578	2	Fitting, 90	
32	2220738	1	Fitting, Tee	
33		Ref	Hose Options:	
33	2750685	1	2m Frame	
33	2751353	1	1.75m Frame	
34		Ref	Hose Options:	
34	2751331	1	2m Frame	
34	2751345	1	1.75m Frame	
35		Ref	Hose Options:	
35	2751345	1	2m Frame	
35	2751359	1	1.75m Frame	

SECTION 6 - HYDRAULIC

FIGURE 6-5. HYDRAULIC DIAGRAM - ROTATOR (HYDRAULIC PISTON)



2791744 - Rev. A

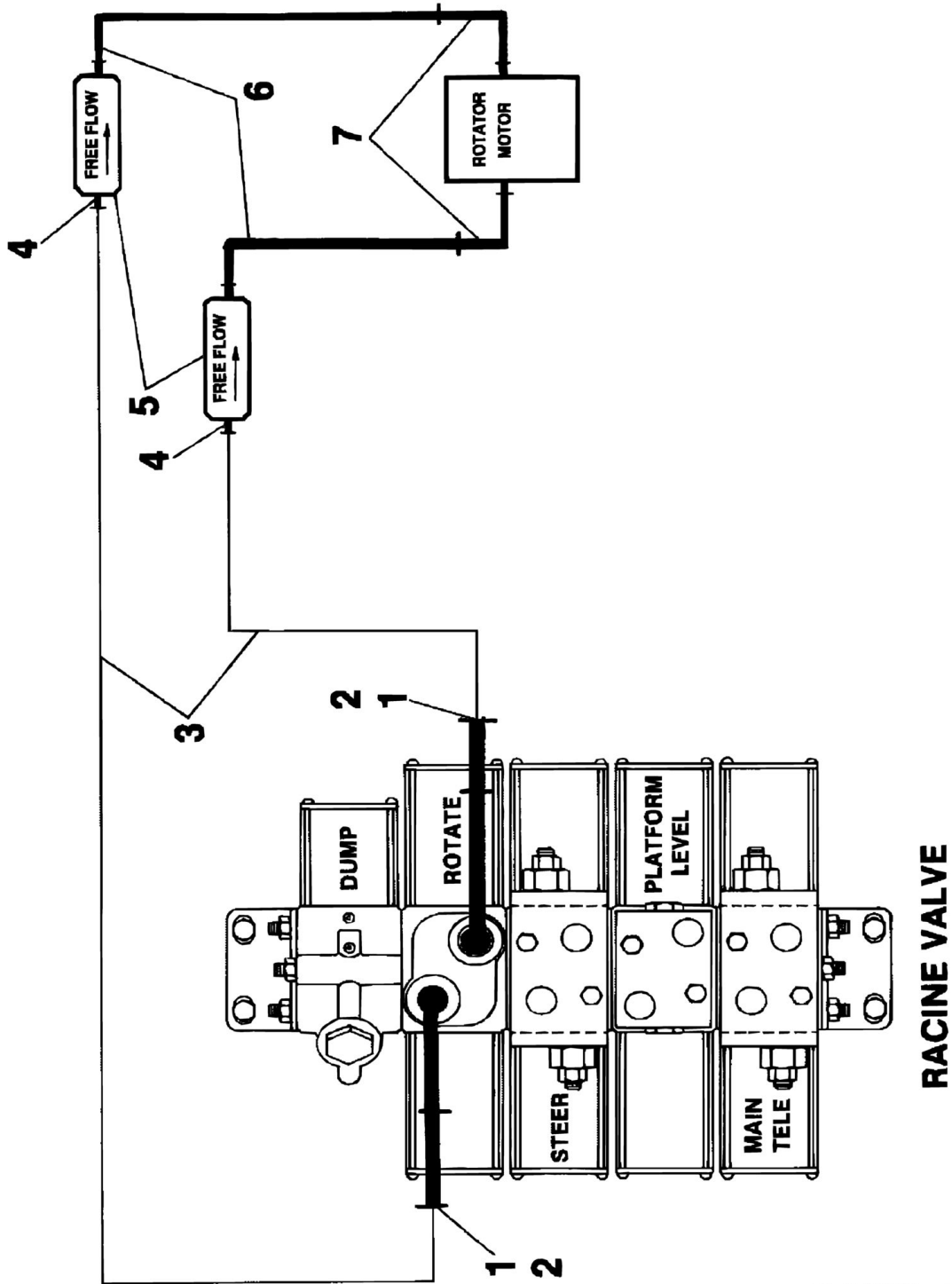
SECTION 6 - HYDRAULIC

FIGURE 6-5. HYDRAULIC DIAGRAM - ROTATOR (HYDRAULIC PISTON)

ITEM	PART NUMBER	QTY	DESCRIPTION	REV
	2791744	Ref	HYDRAULIC DIAGRAMS - ROTATOR (HYDRAULIC PISTON)	A
1	2220446	2	Fitting, Reducer	
2	2220438	2	Fitting, Nipple	
3	4640213	2	Valve, Fixed Restrictor	
4	2220416	2	Fitting, 90	
5	2751451	2	Hose	
6	2220472	2	Fitting, 90	
7	2220654	2	Fitting, 90 (Prior to September 1991)	
8	2220250	2	Fitting, Reducer	
9	2220290	2	Fitting, Tee	
10	2220414	2	Fitting, Straight	
11	2750900	2	Hose	
12	2220428	2	Fitting, Coupling	
13	2220429	2	Cap	
14	2220585	2	Fitting, 90	
15	4640035	1	Valve	
16	2220261	2	Fitting, Nipple	

SECTION 6 - HYDRAULIC

FIGURE 6-6. HYDRAULIC DIAGRAM - ROTATOR (WORM GEAR)



2791620 - Rev. C

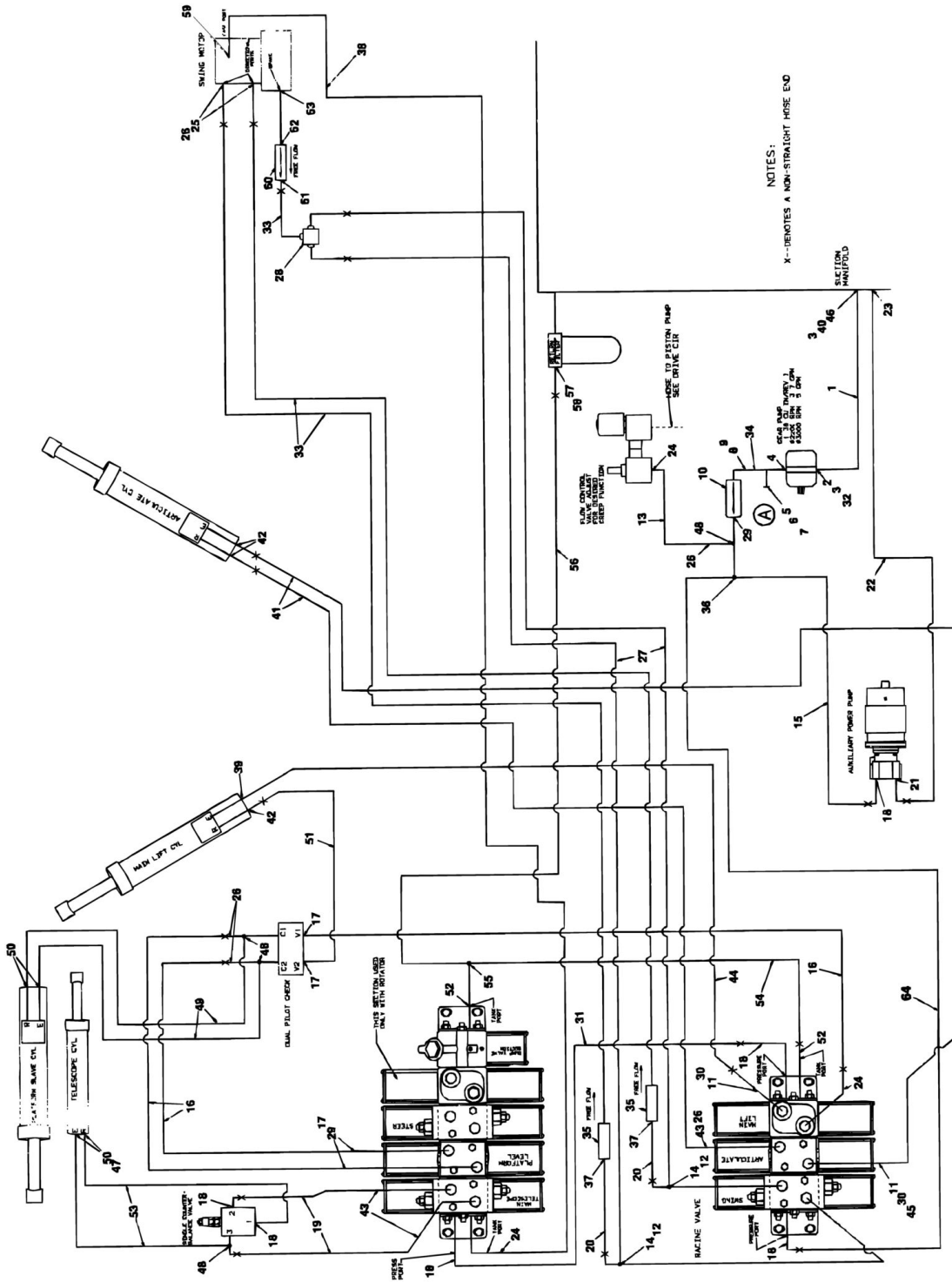
SECTION 6 - HYDRAULIC

FIGURE 6-6. HYDRAULIC DIAGRAM - ROTATOR (WORM GEAR)

ITEM	PART NUMBER	QTY	DESCRIPTION	REV
	2791620	Ref	HYDRAULIC DIAGRAMS - ROTATOR (WORM GEAR)	C
1	2220468	2	Fitting	
2		Ref	Fitting, 90 Options:	
2	2220508	2	Fitting, 90 (Prior to March 1992)	
2	2220654	2	Fitting, 90 (March 1992 to Present)	
3	2751451	2	Hose	
4		Ref	Fitting, 90 Options:	
4	2220416	2	Fitting, 90 (Prior to June 1993)	
4	2220466	2	Fitting, 90 (June 1993 to Present)	
5		Ref	Valve Options:	
5	4640383	2	Valve (Prior to June 1993)	
5	4640778	2	Valve (June 1993 to Present)	
6		Ref	Fitting, Nipple Options:	
6	2220438	2	Fitting, Nipple (Prior to March 1993)	
6	2220261	2	Fitting, Nipple (March 1993 to June 1993)	
6	2220895	2	Fitting, Nipple (June 1993 to Present)	
7		Ref	Fitting, Swivel Options:	
7	2220056	2	Fitting, Swivel (Prior to March 1993)	
7	2220816	2	Fitting, Swivel (March 1993 to June 1993)	
7	2220218	2	Fitting, Swivel (June 1993 to Present)	

SECTION 6 - HYDRAULIC

FIGURE 6-7. HYDRAULIC DIAGRAM - STANDARD (FORD - DEUTZ)



SECTION 6 - HYDRAULIC

FIGURE 6-7. HYDRAULIC DIAGRAM - STANDARD (FORD - DEUTZ)

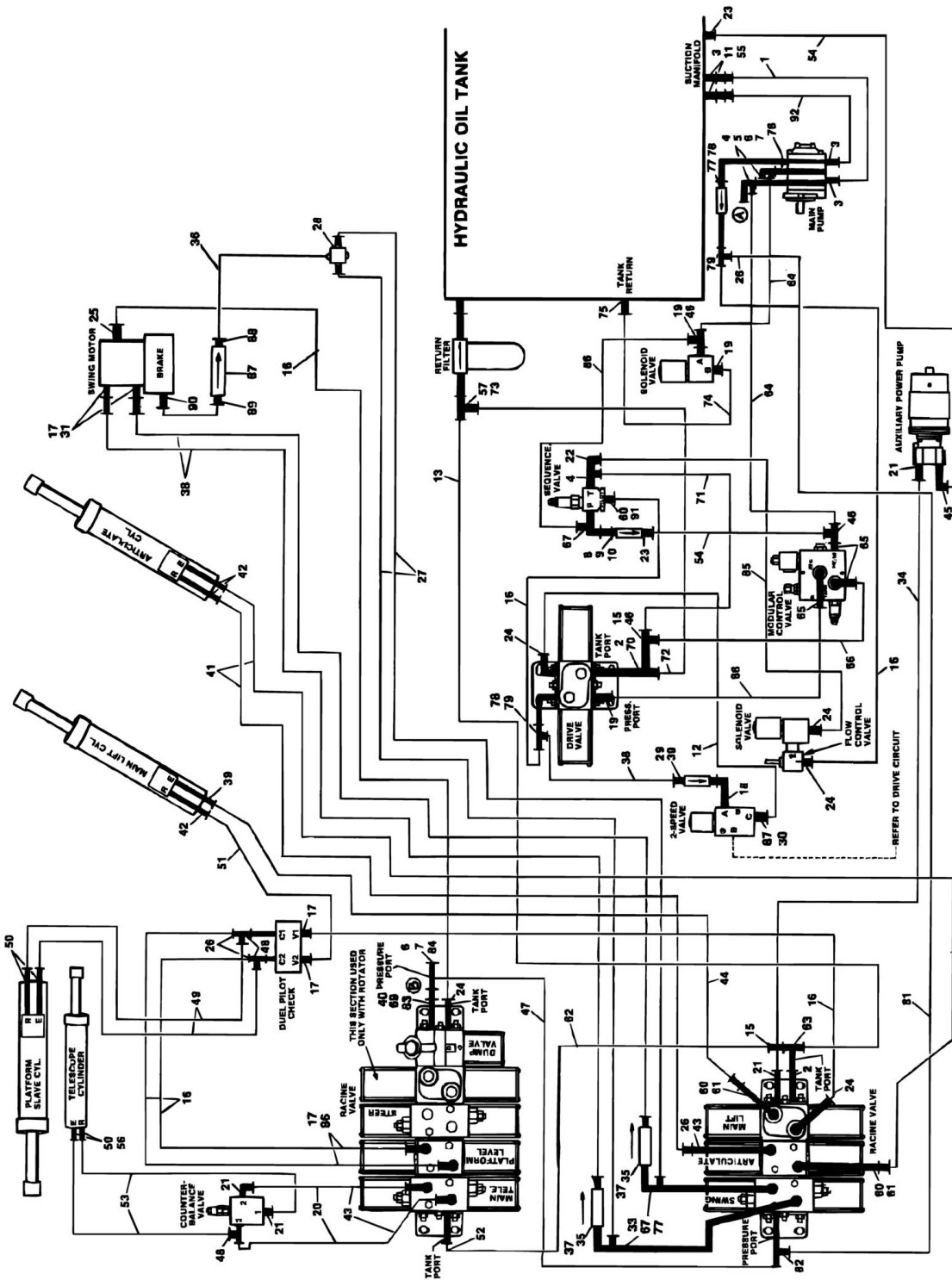
ITEM	PART NUMBER	QTY	DESCRIPTION	REV
	2791963	Ref	HYDRAULIC DIAGRAMS - FORD	C
	2791961	Ref	HYDRAULIC DIAGRAMS - DEUTZ	C
1	2720356	1	Hose, Suction - 3/4in x 67in (Deutz)	
2	2220408	1	Fitting, Straight	
3	1320030	4	Clamp	
4	2180491	1	Fitting, Modified	
5	2220820	1	Fitting, 90	
6	2220429	1	Cap, Dust	
7	2220428	1	Fitting, Quick Disconnect	
8		Ref	Ford and Deutz Options:	
8	2220651	1	Fitting, Straight (Ford)	
8	2752469	1	Hose (Deutz)	
9		Ref	Fitting Options:	
9	Not Required	0	Ford	
9	2220372	1	Deutz	
10	4640776	1	Valve, Check	
11	2180540	2	Fitting, Modified	
12	2220618	4	Fitting, Reducer	
13		Ref	Hose Options:	
13	2752444	1	Ford	
13	2752443	1	Deutz	
14	2220602	2	Fitting, Tee	
15		Ref	Hose Options:	
15	2752472	1	Ford	
15	2752470	1	Deutz	
16	2752434	3	Hose	
17	2220472	4	Fitting, 90	
18	2220371	6	Fitting	
19	2752461	2	Hose	
20	2752436	2	Hose	
21	2220726	1	Fitting, 90	
22	2750759	1	Hose	
23	2220659	1	Fitting, 90	
24	2220468	3	Fitting, Straight	
25	2220497	2	Fitting, Reducer	
26	2220609	6	Fitting, Reducer	
27	2752432	2	Hose	
28	4640574	1	Valve, Shuttle	
29	2220591	3	Fitting, Reducer	
30	2180380	2	Fitting, Orifice (.062)	
31		Ref	Hose Options:	
31	2752471	1	Ford	
31	2752474	1	Deutz	
32	2210008	1	Fitting, 90	
33	2752437	3	Hose	
34		Ref	Fitting Options:	
34	Not Required	0	Ford	
34	2220619	1	Deutz	
35	4640817	2	Valve, Restrictor (.40)	
36	2220579	1	Fitting, Tee	

SECTION 6 - HYDRAULIC

ITEM	PART NUMBER	QTY	DESCRIPTION	REV
37	2220415	4	Fitting, Straight	
38	2752438	1	Hose	
39	2220585	1	Fitting, 90	
40	2210005	1	Fitting, Straight	
41	2752438	2	Hose	
42	2220417	3	Fitting	
43	2220628	3	Fitting, 90	
44	2752440	1	Hose	
45	2220654	2	Fitting, 90	
46	2220435	1	Fitting, Straight	
47	2220509	2	Fitting, 90	
48	2220606	4	Fitting, Tee	
49	2752464	2	Hose	
50	2220399	4	Fitting	
51	2752441	1	Hose	
52	2220373	2	Fitting, Straight	
53	2752465	2	Hose	
54	2752502	1	Hose	
55	2220383	1	Fitting, Tee	
56	2752504	1	Hose	
57	2220696	1	Fitting, Reducer	
58	2220346	1	Fitting	
59	2220466	1	Fitting, 90	
60	4640213	1	Valve, Restrictor (.015)	
61	2220414	1	Fitting, Straight	
62	2220261	1	Fitting	
63	2220110	1	Fitting, 90	
64		Ref	Hose Options:	
64	2752473	1	Ford	
64	2752471	1	Deutz	

SECTION 6 - HYDRAULIC

FIGURE 6-8. HYDRAULIC DIAGRAM - STANDARD (ELECTRIC)



SECTION 6 - HYDRAULIC

FIGURE 6-8. HYDRAULIC DIAGRAM - STANDARD (ELECTRIC)

ITEM	PART NUMBER	QTY	DESCRIPTION	REV
	2791953	Ref	HYDRAULIC DIAGRAM	C
1	2720325	1	Hose, Suction - 1in x 19in	
2	2220593	2	Fitting	
3	1320033	8	Clamp	
4	2180491	3	Fitting, Modified	
5	2220820	1	Fitting, 90	
6	2220429	3	Cap, Dust	
7	2220428	3	Fitting, Quick Disconnect	
8	2220758	1	Fitting, Swivel	
9	2752467	1	Hose	
10	2752442	1	Hose	
11	2210014	2	Fitting, 90	
12	2752433	1	Hose	
13	2750834	1	Hose	
15	2220622	2	Fitting, Reducer	
16	2752434	6	Hose	
17	2220472	6	Fitting, 90	
18	2220904	1	Fitting, 90	
19	2220600	3	Fitting	
20	2752461	2	Hose	
21	2220371	5	Fitting, 90	
22	2220416	1	Fitting, 90	
23	2220659	1	Fitting, 90	
24	2220468	5	Fitting, Straight	
25	2220466	1	Fitting, 90	
26	2220609	3	Fitting, Reducer	
27	2752435	2	Hose	
28	4640574	1	Valve, Shuttle	
29	4640774	2	Valve, Check	
30	2220582	2	Fitting, Straight	
31	2220218	2	Fitting	
32	2220619	2	Fitting, Reducer	
33	2752436	2	Hose	
34	2752462	1	Hose	
35	4640817	2	Valve, Restrictor (.040)	
36	2752437	1	Hose	
37	2220415	4	Fitting	
38	2752438	3	Hose	
39	2220585	1	Fitting	
40	2220446	1	Fitting, Reducer	
41	2752439	2	Hose	
42	2220417	3	Fitting	
43	2220628	3	Fitting, 90	
44	2752440	1	Hose	
45	2220726	1	Fitting, 90	
46	2220385	4	Fitting, Tee	
47	2752463	1	Hose	
48	2220606	3	Fitting, Tee	
49	2752464	2	Hose	
50	2220399	3	Fitting	

SECTION 6 - HYDRAULIC

ITEM	PART NUMBER	QTY	DESCRIPTION	REV
51	2752441	1	Hose	
52	2220373	1	Fitting	
53	2752465	2	Hose	
54	2752492	1	Hose	
55	2220348	2	Fitting	
56	2220509	1	Fitting, 90	
57	2220696	1	Fitting, Reducer	
58	2720183	23 in	Hose	
59	2220596	1	Fitting	
60	2180540	3	Fitting, Modified	
61	2180380	2	Fitting, Orifice	
62	2752493	1	Hose	
63	2220682	1	Fitting, Tee	
64	2752494	2	Hose	
65	2220374	3	Fitting	
66	2752495	2	Hose	
67	2220602	3	Fitting, Tee	
68	2180621	1	Fitting	
69	2220419	1	Fitting	
70	2220700	1	Fitting, Tee	
71	2752496	1	Hose	
72	2751639	1	Hose	
73	2220681	1	Fitting, Tee	
74	2752497	1	Hose	
75	2220345	1	Fitting	
76	4640744	1	Valve, Check	
77	2220618	5	Fitting	
78	2220584	1	Fitting, Tee	
79	2220727	1	Fitting, Straight	
80	2752498	1	Hose	
81	2752466	1	Hose	
82	2220606	1	Fitting, Tee	
83	2220343	1	Fitting	
84	2220438	1	Fitting	
85	2220591	2	Fitting, Reducer	
86	2220909	1	Fitting, Orifice	
87	4640213	1	Valve, Restrictor (.015)	
88	2220414	1	Fitting, Straight	
89	2220261	2	Fitting, Straight	
90	2220110	1	Fitting, 90	

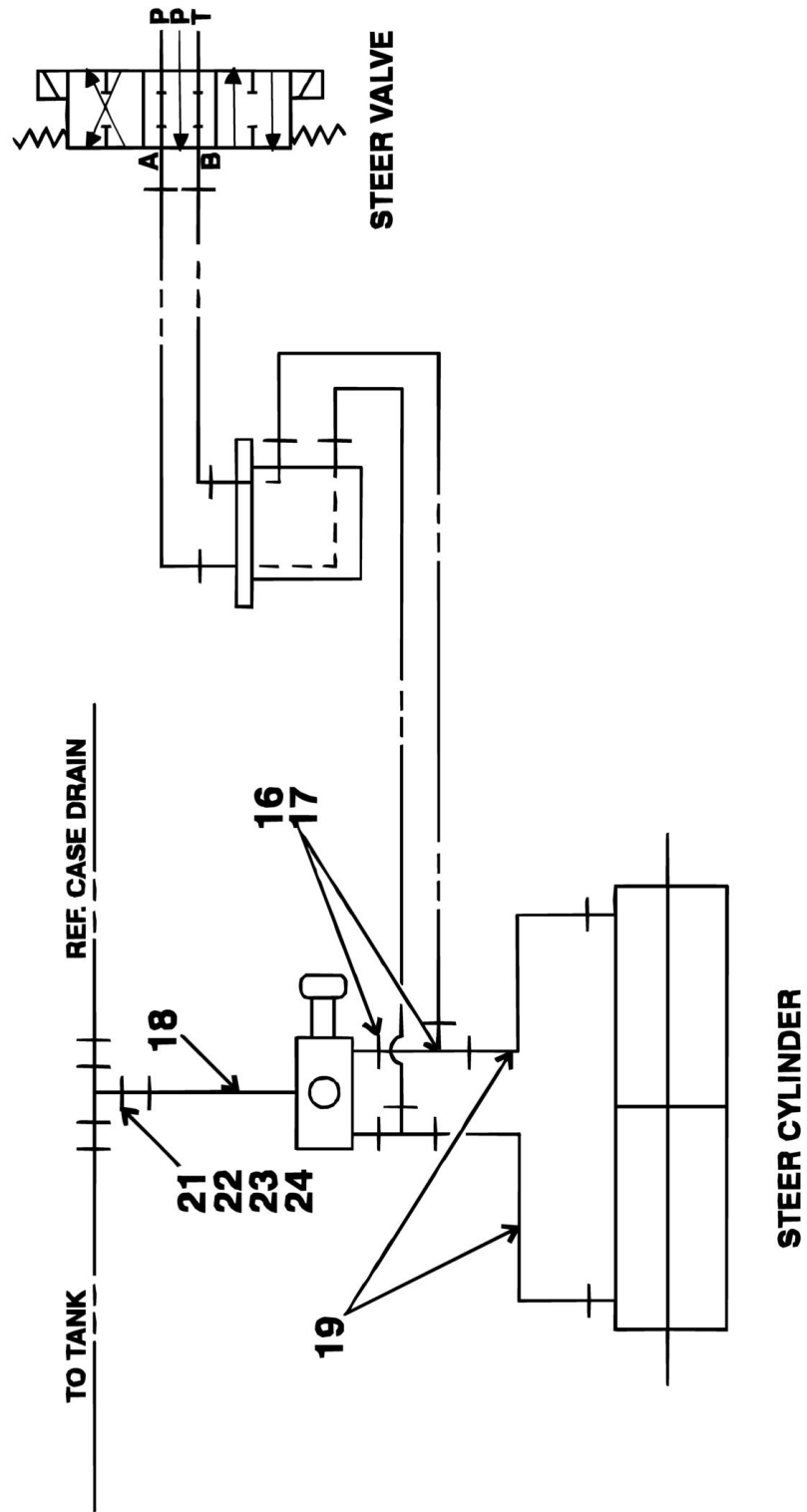
SECTION 6 - HYDRAULIC

FIGURE 6-9. HYDRAULIC DIAGRAM - STEER

ITEM	PART NUMBER	QTY	DESCRIPTION	REV
		Ref	HYDRAULIC DIAGRAMS - STEER:	
	2791653	Ref	Oscillating Axle - 2WD	F
	2791882	Ref	4WD	A
1		Ref	Fitting Options:	
1	2180540	2	Fitting, Modified (2WD)	
1	2220468	2	Fitting, Straight (4WD)	
2		Ref	Fitting, Orifice Options:	
2	2180448	2	2WD (Prior to April 1995)	
2	2180380	2	2WD (April 1995 to Present)	
2	Not Required	0	4WD	
3	2750760	2	Hose	
5	2220414	4	Fitting, Straight	
6		Ref	Hose Options:	
6	2751011	1	2WD (Prior to November 1992)	
6	2750756	1	2WD (November 1992 to March 1993)	
6	2750892	1	2WD (March 1993 to Present)	
6	2750756	1	4WD (Prior to March 1993)	
6	2750892	1	4WD (March 1993 to Present)	
7	2220416	1	Fitting, 90	
8		Ref	Hose Options:	
8	2751011	1	2WD (Prior to November 1992)	
8	2750756	1	2WD (November 1992 to March 1993)	
8	2750892	1	2WD (March 1993 to Present)	
8	2750756	1	4WD (Prior to March 1993)	
8	2750892	1	4WD (March 1993 to Present)	
9	2220416	1	Fitting, 90	

SECTION 6 - HYDRAULIC

FIGURE 6-10. HYDRAULIC DIAGRAM - TOW



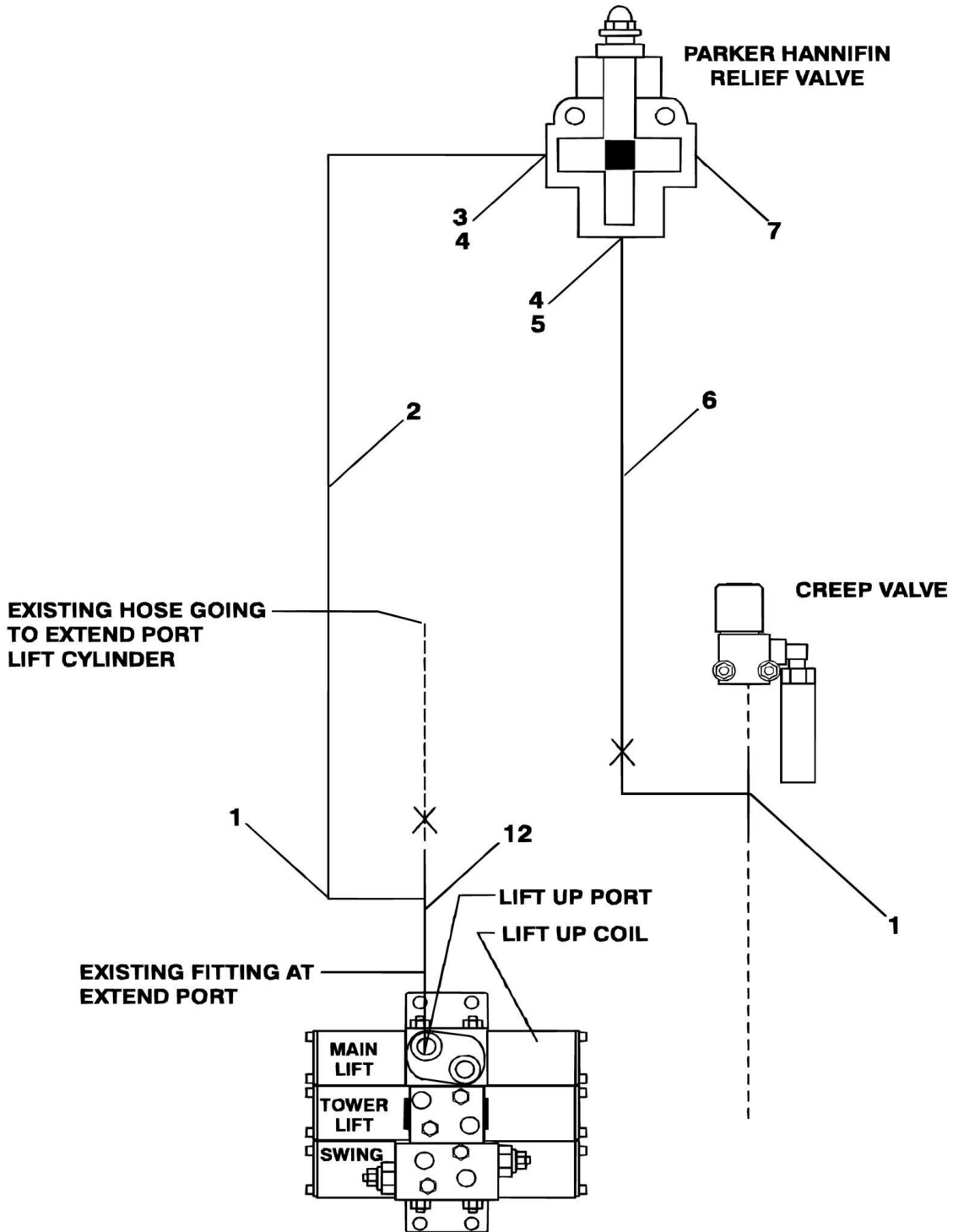
SECTION 6 - HYDRAULIC

FIGURE 6-10. HYDRAULIC DIAGRAM - TOW

ITEM	PART NUMBER	QTY	DESCRIPTION	REV
		Ref	HYDRAULIC DIAGRAMS	
	2791788	Ref	1.75m Frame	B
	2791789	Ref	2m Frame	B
16	2220605	2	Fitting, Tee	
17	2220468	3	Fitting, Straight	
18		Ref	Hose Options:	
18	2751391	1	1.75m Frame	
18	2751410	1	2m Frame	
19		Ref	Hose Options:	
19	2751428	2	1.75m Frame	
19	2751010	2	2m Frame	
21	2220385	1	Fitting, Tee	
22	2220619	1	Fitting, Reducer	
23	2220635	1	Fitting, Swivel	
24	2220609	1	Fitting, Reducer	

SECTION 6 - HYDRAULIC

FIGURE 6-11. HYDRAULIC DIAGRAM - LIFT UP RELIEF (FORD AND DEUTZ)



SECTION 6 - HYDRAULIC

FIGURE 6-11. HYDRAULIC DIAGRAM - LIFT UP RELIEF (FORD AND DEUTZ)

ITEM	PART NUMBER	QTY	DESCRIPTION	REV
		Ref	HYDRAULIC DIAGRAMS - STEER:	
	2791792	Ref	Ford	-
	2791793	Ref	Deutz	-
1	2220605	2	Fitting, Tee	
2		Ref	Hose Options:	
2	2751398	1	Ford	
2	2751011	1	Deutz	
3	2220828	1	Fitting, 90	
4	2220609	2	Fitting, Reducer	
5	2220577	1	Fitting	
6	2750889	1	Hose	
7	2220239	1	Fitting	
8	4640047	1	Valve, Relief	
12		Ref	Fitting, 90 Options:	
12	Not Required	0	Ford	
12	2220654	1	Deutz	

SECTION 6 - HYDRAULIC

FIGURE 6-12. HYDRAULIC DIAGRAM LIST

ITEM	PART NUMBER	QTY	DESCRIPTION	REV
	Note	Ref	Note: Information on Diagrams Not Shown is Available From JLG Service/Parts Departments.	
		Ref	AXLE LOCKOUT HYDRAULIC DIAGRAMS:	
	2791818	Ref	Without Swivel	-
	2791819	Ref	With Swivel	A
	2792063	Ref	Electric Machines - With Swivel	-
		Ref	DRIVE HYDRAULIC DIAGRAMS:	
	2791619	Ref	2m Frame 2WD - Ford (With Swivel) (Prior to April 1992)	E
	2791688	Ref	1.75m Frame 2WD - Ford (With Swivel) (Prior to March 1990)	D
	2791689	Ref	1.75m Frame 2WD - Deutz (With Swivel) (March 1990 to Present)	E
	2792061	Ref	2m Frame - With 12in x 16.5in Tires (With Swivel)	-
	2791710	Ref	2m Frame 2WD - Electric (With Swivel)	F
	2791711	Ref	1.75m Frame 2WD - Electric (With Swivel)	E
	2791712	Ref	2m Frame 2WD - Electric (Without Swivel)	C
	2791713	Ref	1.75m Frame 2WD - Electric (Without Swivel)	B
	2791647	Ref	2m Frame 2WD - Deutz (With Swivel)	E
	2791644	Ref	2m Frame 2WD - Ford (Without Swivel)	C
	2791686	Ref	1.75m Frame 2WD - Ford (Without Swivel)	A
	2791643	Ref	2m Frame 2WD - Deutz (Without Swivel)	B
	2791687	Ref	1.75 Frame 2WD - Deutz (Without Swivel)	A
	2791641	Ref	4WD - Ford (With Swivel) (Prior to September 1991)	A
	2791639	Ref	4WD - Deutz (With Swivel) (Prior to September 1991)	C
	2791885	Ref	4WD - Ford and Deutz (With Swivel) (September 1991 to Present)	B
	2791642	Ref	4WD - Ford (Without Swivel) (Prior to May 1991)	A
	2791854	Ref	4WD - Ford (Without Swivel) (May 1991 to Present)	-
	2791640	Ref	4WD - Deutz (Without Swivel) (Prior to May 1991)	A
	2791853	Ref	4WD - Deutz (Without Swivel) (May 1991 to Present)	-
		Ref	MANUAL DESCENT HYDRAULIC DIAGRAMS	
	2791821	Ref	Gas and Diesel	5
	2791876	Ref	Electric	3
		Ref	ROTATOR HYDRAULIC DIAGRAMS:	
	2791744	Ref	Hydraulic Piston	A
	2791620	Ref	Worm Gear	C
		Ref	STANDARD HYDRAULIC DIAGRAMS:	
	2791963	Ref	Ford	C
	2791961	Ref	Deutz	C
	2791953	Ref	Electric	C
		Ref	STEER HYDRAULIC DIAGRAMS:	
	2791651	Ref	Fixed Axle - 2WD (Without Swivel)	C
	2791650	Ref	Oscillating Axle - 2WD (Without Swivel)	A
	2791649	Ref	4WD (Without Swivel)	A
	2791652	Ref	Fixed Axle - 2WD (With Swivel)	B
	2791653	Ref	Oscillating Axle - 2WD (With Swivel)	B
	2791654	Ref	4WD (With Swivel) (Prior to September 1991)	B
	2791882	Ref	4WD (With Swivel) (September 1991 to Present)	A
		Ref	STEER HYDRAULIC DIAGRAMS:	
	2791295	Ref	5ft 9in Frame (Prior to December 1990)	B
	2791788	Ref	5ft 9in Frame (December 1990 to Present)	B
	2791789	Ref	6ft 6in Frame	B

SECTION 6 - HYDRAULIC

ITEM	PART NUMBER	QTY	DESCRIPTION	REV
	2791764	Ref	2WD/4WD Fixed/Oscillating Axle	A
		Ref	LIFT UP RELIEF HYDRAULIC DIAGRAMS:	
	2791792	Ref	Ford	-
	2791793	Ref	Deutz	-

SECTION 7 - ELECTRICAL

SECTION 7 - ELECTRICAL

FIGURE 7-1. ELECTRICAL DIAGRAM LIST

ITEM	PART NUMBER	QTY	DESCRIPTION	REV
		Ref	Note: Diagrams not shown are available from the JLG Service Department.	
		Ref	ALARM ELECTRICAL DIAGRAMS	
	4932396	Ref	Electrical Diagram - Alarm (Back-Up) (Electric)	-
	3990010	1	Diode - 6 Amp	
	4932403	Ref	Electrical Diagram - Alarm (Back-Up) (Dual Fuel and Diesel) (Prior to February 1993)	-
	0610091	1	Card, Circuit	
	4932638	Ref	Electrical Diagram - Alarm (Back-Up) (Dual Fuel and Diesel) (February 1993 to Present)	2
	3740049	1	Relay	
	3990010	1	Diode - 6 Amp	
	1060341	3.4 m	Cable, Electrical 16/2	
	4932400	Ref	Electrical Diagram - Alarm (Lift Down) (Prior to February 1993)	-
	3990010	3	Diode - 6 Amp	
	4932397	Ref	Electrical Diagram - Alarm (Motion) (Electric) (Prior to February 1993)	-
	3990010	3	Diode - 6 Amp	
	4932640	Ref	Electrical Diagram - Alarm (Motion) (Electric) (February 1993 to Present)	2
	3740049	1	Relay	
	3990010	3	Diode - 6 Amp	
	1060341	2.4 m	Cable, Electrical 16/2	
	4932402	Ref	Electrical Diagram - Alarm (Motion) (Dual Fuel and Diesel) (Prior to February 1993)	-
	3990010	3	Diode - 6 Amp	
	4932398	Ref	Electrical Diagram - Alarm (Swing) (Prior to February 1993)	-
	3990010	1	Diode - 6 Amp	
	4931954	Ref	Electrical Diagram - Alarm (Tilt)	B
	3740049	1	Relay	
	4360089	1	Flasher	
	4932395	Ref	Electrical Diagram - Alarm (Travel) (Electric)	-
	3990010	1	Diode - 6 Amp	
	4932401	Ref	Electrical Diagram - Alarm (Travel) (Dual Fuel and Diesel) (Prior to February 1993)	-
	3990010	1	Diode - 6 Amp	
	4932639	Ref	Travel, Descent and Motion Alarm (February 1993 to Present)	2
	0610091	1	Card, Circuit (Prior to February 1993)	
	3740049	1	Relay	
	3990010	2	Diode - 6 Amp (February 1993 to Present)	
	1060341	3.4 m	Cable, Electrical 16/2 (February 1993 to Present)	
	4931735	Ref	ELECTRICAL DIAGRAM - BATTERY CAPACITY INDICATOR GAUGE WITH LIFT INTERRUPT	A
	2420075	1	Gauge	
	4932412	Ref	ELECTRICAL DIAGRAM - BATTERY CAPACITY INDICATOR GAUGE WITH LIFT INTERRUPT	A
	2420049	1	Gauge	
	0800630	Ref	ELECTRICAL COMPONENTS - BOOM CABLES AND HARNESES	H
	1060229	17 m	Cable, Electrical - 16/30	
	4920618	1	Harness - 110 Volt	

SECTION 7 - ELECTRICAL

ITEM	PART NUMBER	QTY	DESCRIPTION	REV
	1060012	17 m	Cable, Electrical - 16/4	
		Ref	COLD WEATHER PACKAGE ELECTRICAL DIAGRAM	
	1281272	Ref	Cold Weather Package Electrical Diagram (Prior to November 1994)	C
	1282394	Ref	Cold Weather Package Electrical Diagram (November 1994 to Present)	-
	2580001	1	Heater, Battery	
	2901111	1	Start Kit	
	4932356	Ref	ELECTRICAL DIAGRAM - CONTACTOR BOX	A
	4932328	Ref	ELECTRICAL DIAGRAM - CONTACTOR BOX (240VAC)	C
	4932321	Ref	ELECTRICAL DIAGRAM - DRIVE CUT-OUT (8M - DUTCH SPEC) (DIESEL AND DUAL FUEL)	A
	4932330	Ref	ELECTRICAL DIAGRAM - DRIVE CUT-OUT (8M - DUTCH SPEC) (ELECTRIC)	A
	3740057	1	Relay	
	4120012	1	Socket, Relay	
	3740066	1	Spring, Relay	
	4932320	Ref	ELECTRICAL DIAGRAM - DRIVE CUT-OUT (HORIZONTAL - ITALIAN SPEC) (DIESEL AND DUAL FUEL)	A
	4932329	Ref	ELECTRICAL DIAGRAM - DRIVE CUT-OUT (HORIZONTAL - ITALIAN SPEC) (ELECTRIC)	-
	4932047	Ref	DUAL FUEL/LP GAS ELECTRICAL DIAGRAM	1
	4921305	1	Harness - LP Gas	
	4360201	1	Switch, Toggle	
	0252625	Ref	ENGINE DISTRESS ELECTRICAL DIAGRAM - FORD	5
	2920026	1	Light (At Platform Console)	
	4360182	1	Switch, Oil Pressure	
	4360157	1	Switch, Water Temperature	
	3740049	1	Relay	
	2920029	1	Bulb	
	4931945	Ref	GENERATOR ELECTRICAL DIAGRAM - DEUTZ	C
	4460027	1	Receptacle, Electrical - Female Twist-Lock	
	3990010	1	Diode - 6 Amp	
	3740049	2	Relay	
	4360294	1	Breaker, Circuit	
	4932046	Ref	GENERATOR ELECTRICAL DIAGRAM - FORD	5
	4460027	1	Receptacle, Electrical - Female Twist-Lock	
	3990010	4	Diode - 6 Amp	
	3740049	2	Relay	
	4921259	1	Harness - 1 Wire (Aux Power Relay to Generator Relay)	
	4921260	1	Harness - 3 Wire (Generator Relays to Platform)	
	4931998	Ref	Heaters Electrical Diagram	A
	1060016	6.1 m	Cable, Electrical - 16/3 (Junction Box to Heaters)	
	1060012	1 m	Cable, Electrical - 12/4 (Junction Box to Thermostat)	
		Ref	ROTATING BEACON ELECTRICAL DIAGRAMS	
	4931740	Ref	Rotating Beacon Electrical Diagrams (Prior to SN 32426)	A
	4931942	Ref	Rotating Beacon Electrical Diagrams (SN 32426 to Present)	5
	4931834	Ref	HEADLIGHTS AND TAILLIGHTS ELECTRICAL DIAGRAMS (PRIOR TO NOVEMBER 1992)	A
	4360232	1	Breaker, Circuit	
	4931941	Ref	HEADLIGHTS AND TAILLIGHTS ELECTRICAL DIAGRAMS (NOVEMBER 1992 TO PRESENT)	E
	3740049	1	Relay	

SECTION 7 - ELECTRICAL

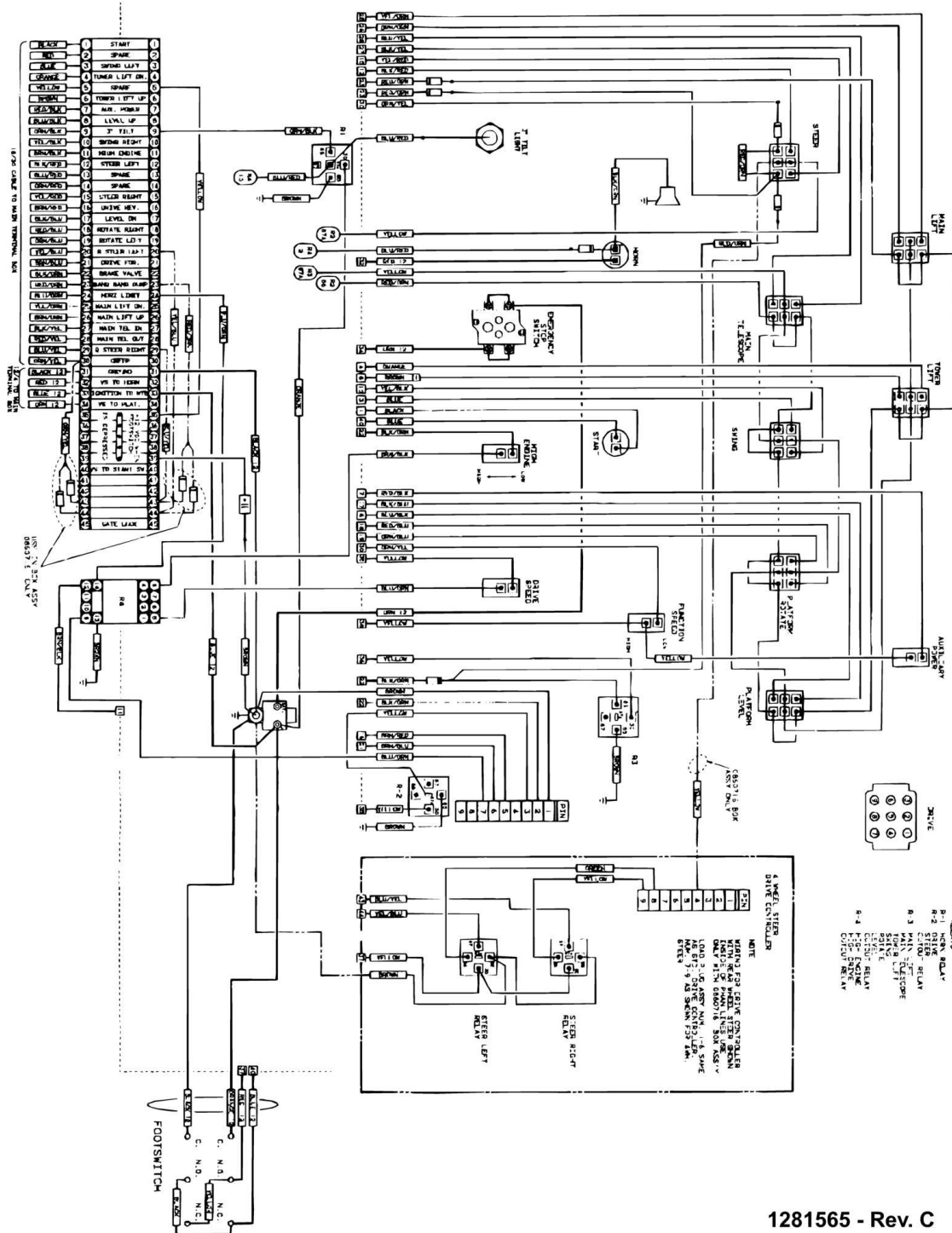
ITEM	PART NUMBER	QTY	DESCRIPTION	REV
	4360199	1	Switch, Toggle	
	4932318	Ref	PLATFORM ELECTRICAL DIAGRAM - DIESEL AND DUAL FUEL	B
		Ref	Cable Electrical - 12/4 Options: (To Footswitch)	
	1060309	2.44 m	Cable Electrical - 12/4 (Prior to May 1995)	
	1060515	2.44 m	Cable Electrical - 12/4 (May 1995 to Present)	
	1540002	1	Capacitor - 1000MF/25VDC	
	3990010	6	Diode - 6 Amp	
	4932586	Ref	PLATFORM ELECTRICAL DIAGRAM - DIESEL (WITH PROPORTIONAL CONTROLS)	1
		Ref	Cable Electrical - 12/4 Options: (To Footswitch)	
	1060309	2.44 m	Cable Electrical - 12/4 (Prior to May 1995)	
	1060515	2.44 m	Cable Electrical - 12/4 (May 1995 to Present)	
	3990010	8	Diode - 6 Amp	
	4932327	Ref	PLATFORM ELECTRICAL DIAGRAM - ELECTRIC	C
		Ref	Cable Electrical - 12/4 Options: (To Footswitch)	
	1060309	2.44 m	Cable Electrical - 12/4 (Prior to May 1995)	
	1060515	2.44 m	Cable Electrical - 12/4 (May 1995 to Present)	
	1540002	1	Capacitor - 1000MF/25VDC	
	3990010	8	Diode - 6 Amp	
	4932089	Ref	PLATFORM GATE LOCK - ELECTRICAL DIAGRAM (FRENCH SPEC)	G
	3740049	1	Relay, Bosch	
	4460049	2	Connector, Strain Relief	
	0960239	1	Bushing	
	3300047	2	Nut, Conduit	
	1060300	4.6 m	Cable - 16/3	
	4932340	Ref	PLATFORM SAFE LOAD SYSTEM - ELECTRICAL DIAGRAM (FRENCH SPEC)	C
	3740049	2	Relay, Bosch	
	3990010	1	Diode - 6 Amp	
	1693405	1	Relay, Timer	
	1692927	1	Socket, Relay	
	1693406	2	Clip, Relay	
	4932332	Ref	GROUND CONTROL ELECTRICAL DIAGRAM - DEUTZ	7-F
	1060016	10.36 m	Cable Electrical - 16/3 (To Horizontal Limit Switch) Options: (was p/n 1060300)	
	1060016	4.88 m	Cable Electrical - 16/3 (To Tower Boom Limit Switch) Options: (was p/n 1060300)	
	4921285	1	Harness - Valve	
		Ref	Harness - Engine Options:	
	4921289	1	Harness - Engine (Prior to July 1995)	
	4921792	1	Harness - Engine (July 1995 to Present)	
	3990010	7	Diode - 6 Amp	
	3730003	1	Resistor (December 1996 to Present)	
	4932611	Ref	GROUND CONTROL ELECTRICAL DIAGRAM - DEUTZ (WITH PROPORTIONAL CONTROLS)	5
	1060016	10.36 m	Cable Electrical - 16/3 (To Horizontal Limit Switch) Options: (was p/n 1060300)	
	1060016	4.88 m	Cable Electrical - 16/3 (To Tower Boom Limit Switch) Options: (was p/n 1060300)	
	4921565	1	Harness - Valve	
		Ref	Harness - Engine Options:	
	4921289	1	Harness - Engine (Prior to July 1995)	

SECTION 7 - ELECTRICAL

ITEM	PART NUMBER	QTY	DESCRIPTION	REV
	4921792	1	Harness - Engine (July 1995 to Present)	
	3990010	7	Diode - 6 Amp	
	3730003	1	Resistor (December 1996 to Present)	
	4932378	Ref	GROUND CONTROL ELECTRICAL DIAGRAM - FORD (PRIOR TO AUGUST 1994)	2
	1060300	10.36 m	Ground Control Electrical Diagram (Use p/n 1600016) Cable Electrical - 16/3 (To Horizontal Limit Switch)	
	1060300	4.88 m	Ground Control Electrical Diagram (Use p/n 1600016) Cable Electrical - 16/3 (To Tower Boom Limit Switch)	
	4921273	1	Harness - Engine and Valve	
	3990010	4	Diode - 6 Amp	
	4932756	Ref	GROUND CONTROL ELECTRICAL DIAGRAM - FORD (AUGUST 1994 TO PRESENT)	2
	1060016	10.36 m	Cable Electrical - 16/3 (To Horizontal Limit Switch) Options: (was p/n 1060300)	
	1060016	4.88 m	Cable Electrical - 16/3 (To Tower Boom Limit Switch) Options: (was p/n 1060300)	
	4921273	1	Harness - Engine and Valve	
	3990010	4	Diode - 6 Amp	
	4932326	Ref	GROUND CONTROL ELECTRICAL DIAGRAM - ELECTRIC	C
	1060016	9.14 m	Cable Electrical - 16/3 (To Horizontal Limit Switch)	
	1060300	4.88 m	Cable Electrical - 16/3 (To Tower Boom Limit Switch)	
	1060300	4.88 m	Cable Electrical - 16/3 (To Tilt Level Sensor)	
	4921343	1	Harness - Contactor Box	
	4921291	1	Harness - Valve	
	3990010	6	Diode - 6 Amp	

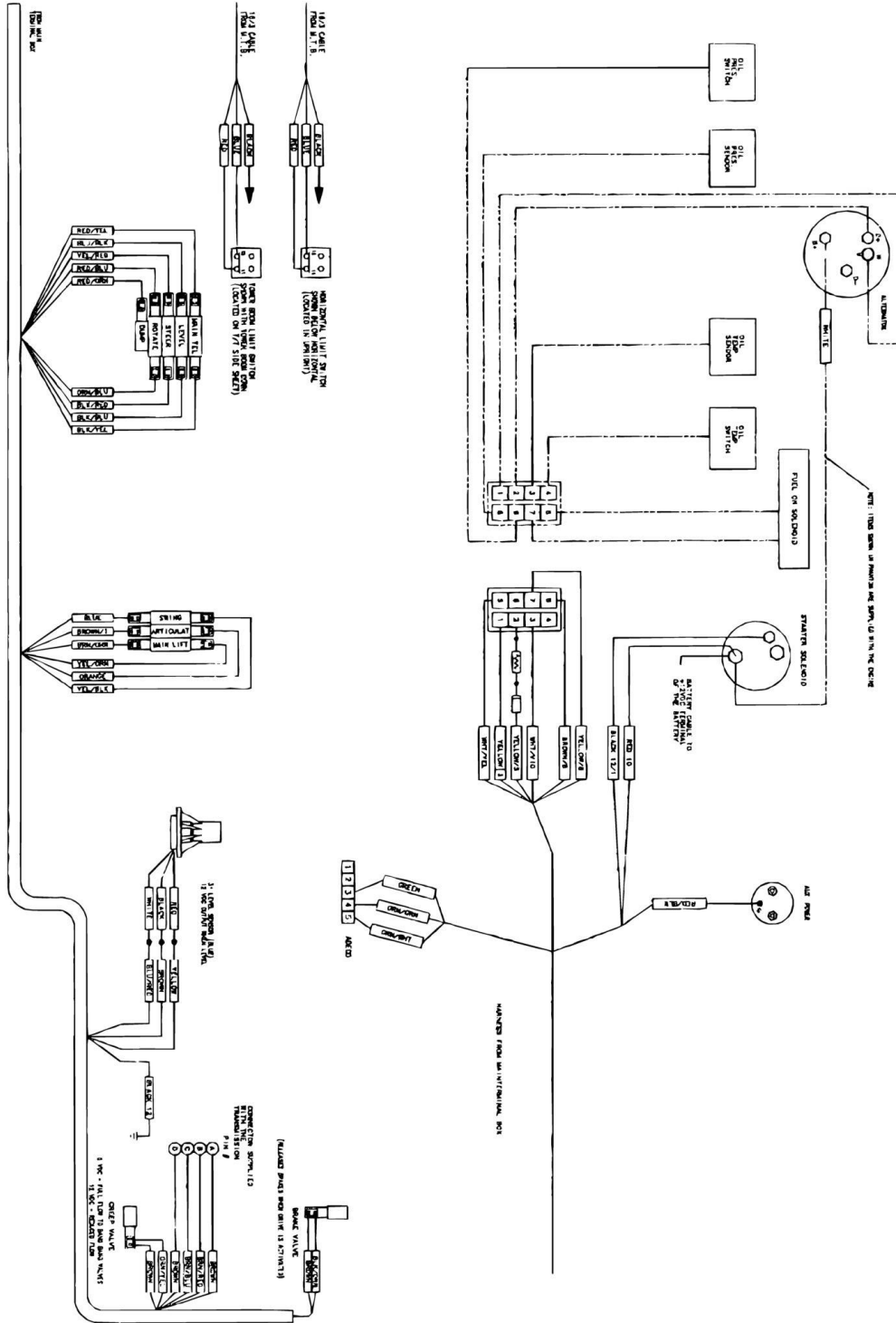
SECTION 7 - ELECTRICAL

FIGURE 7-2. ELECTRICAL DIAGRAM - PLATFORM (FORD AND DEUTZ)



1281565 - Rev. C

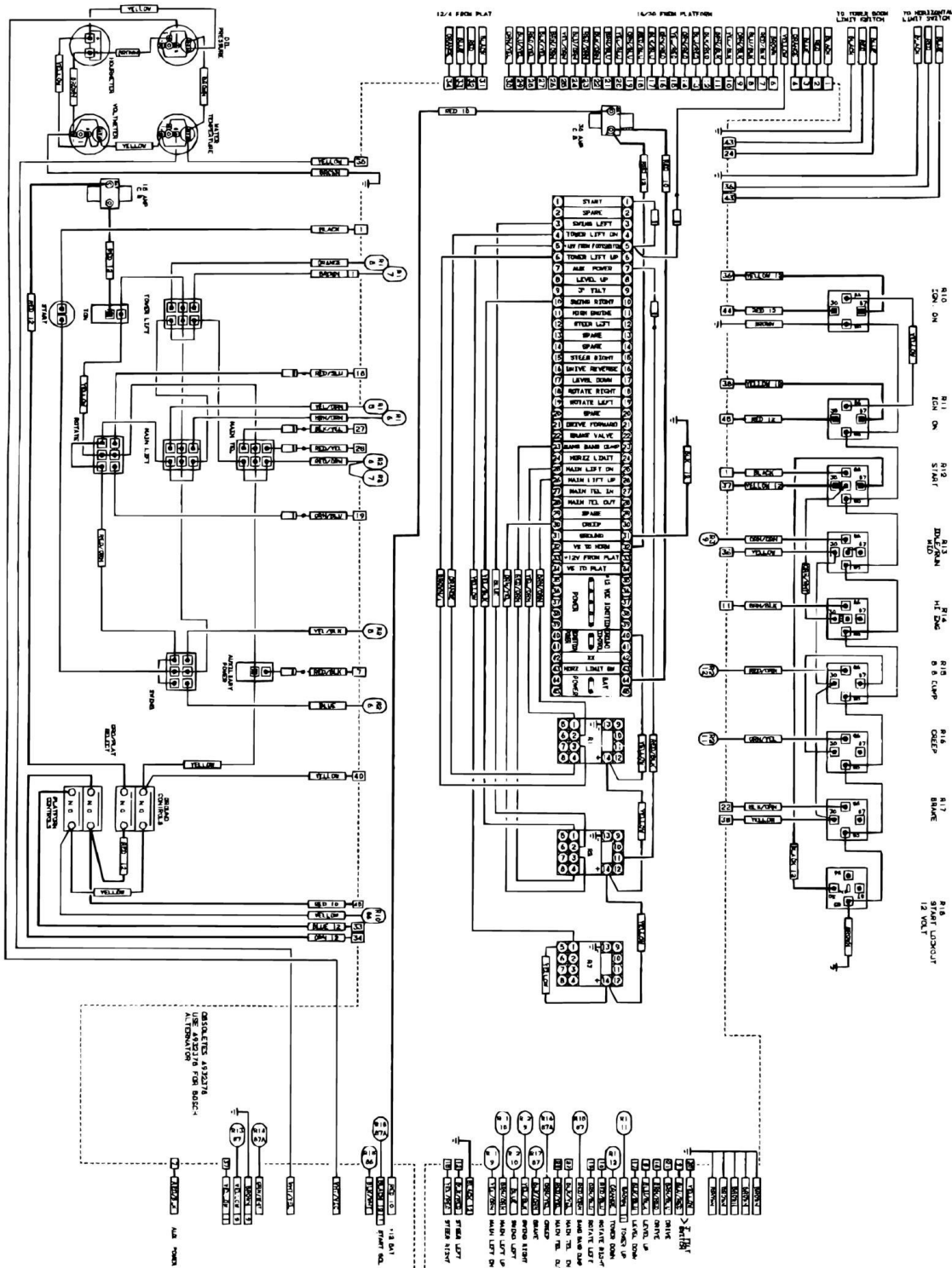
SECTION 7 - ELECTRICAL



4932332 - Rev. F

SECTION 7 - ELECTRICAL

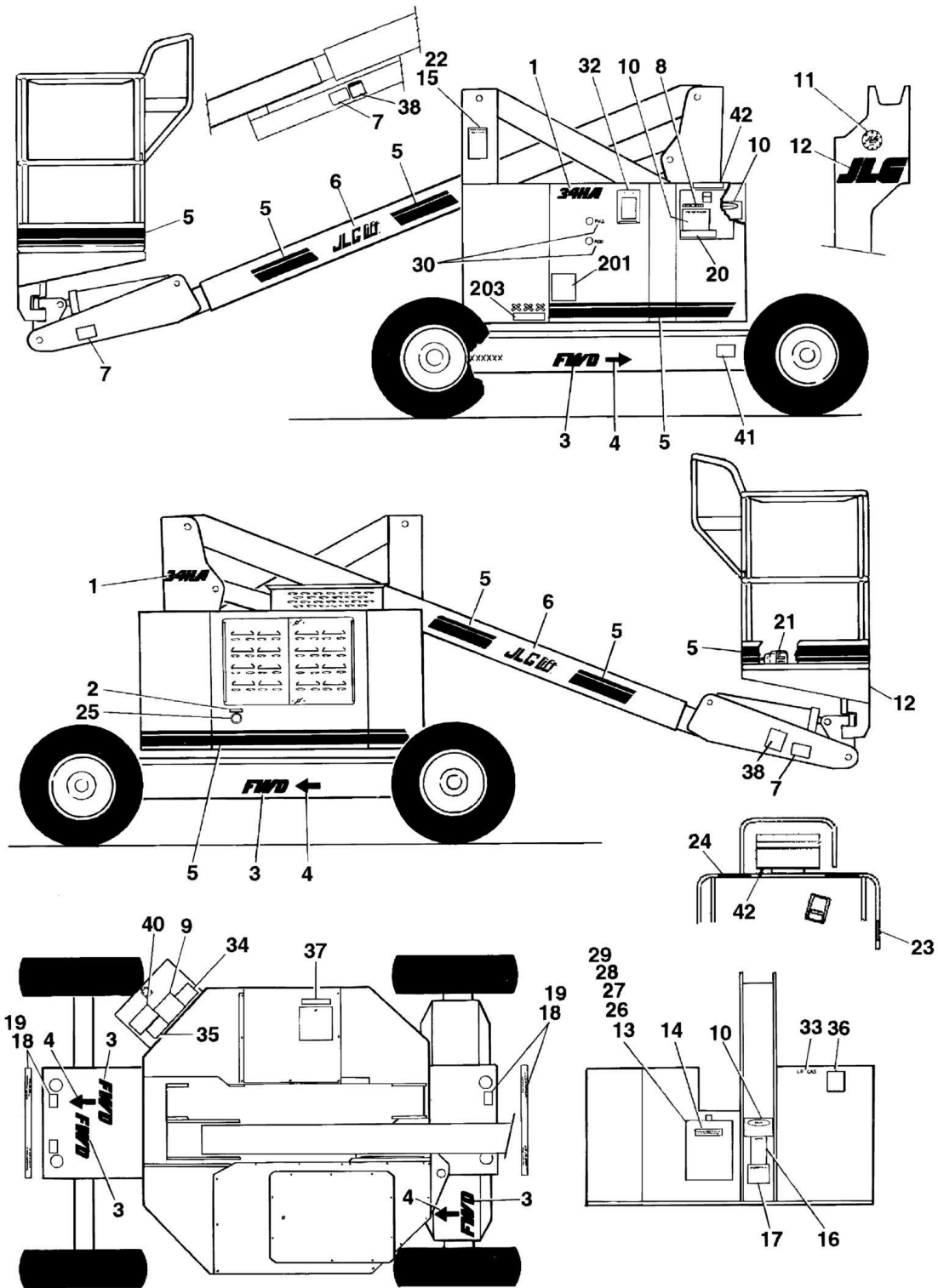
FIGURE 7-7. ELECTRICAL DIAGRAM - GROUND CONTROL (FORD)



SECTION 8 - DECALS

SECTION 8 - DECALS

FIGURE 8-1. DECALS INSTALLATION - STANDARD (PRIOR TO JULY 1991)



SECTION 8 - DECALS

FIGURE 8-1. DECALS INSTALLATION - STANDARD (PRIOR TO JULY 1991)

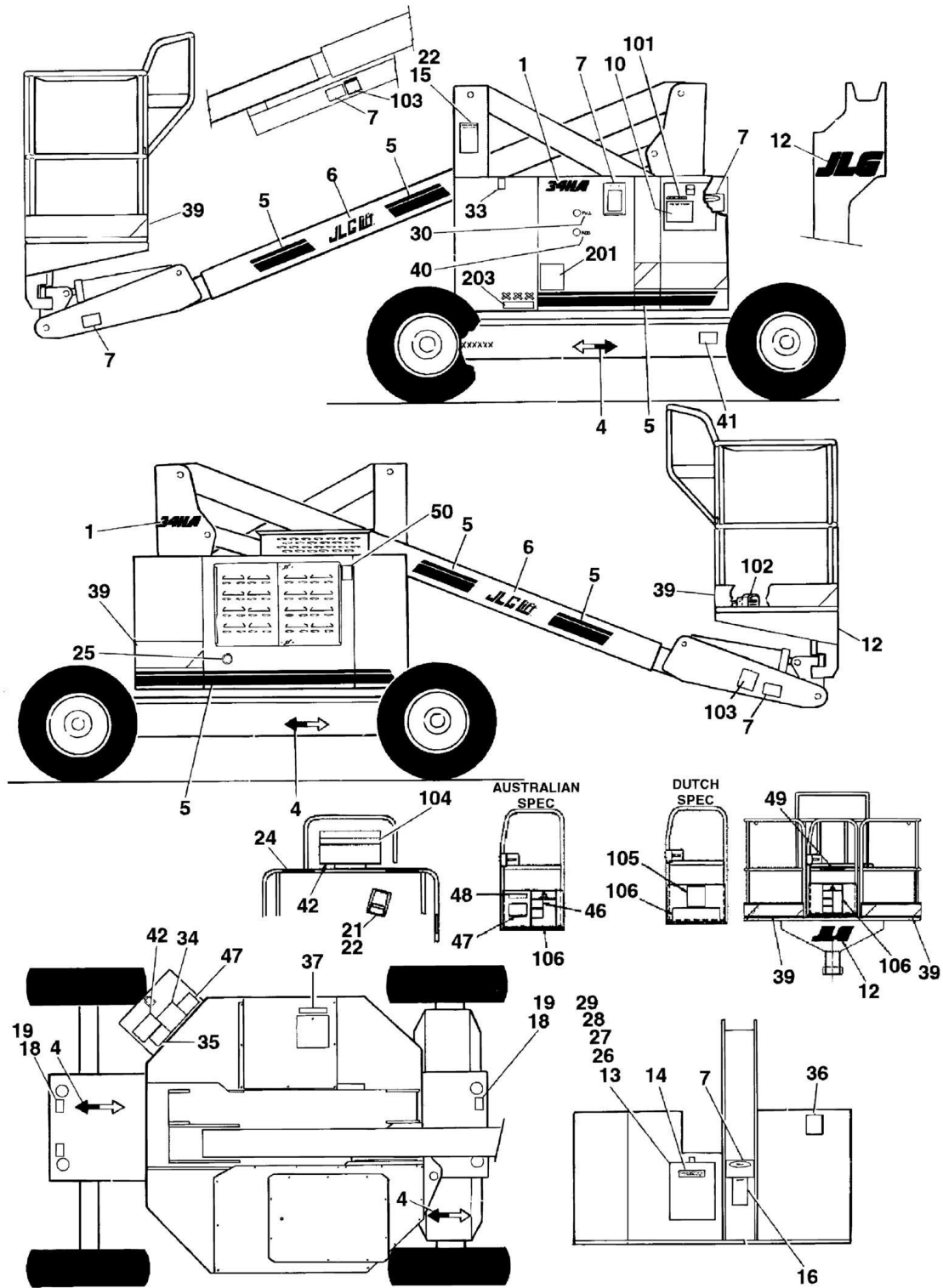
ITEM	PART NUMBER	QTY	DESCRIPTION	REV
		Ref	DECAL INSTALLATIONS	
	0250643	Ref	Brown and Cream	8
	0271036	Ref	JLG Logo (Brown)	1
1		Ref	Decal - 34HA Options:	
1	1701340	2	Decal - 34HA (Prior to June 1991)	
1	1701471	2	Decal - 34HA (June 1991 to Present)	
2	3251243	1	Nameplate - 120V 60HZ	
3	1700977	4	Decal - FWD (Prior to November 1992)	
4		Ref	Decal - Arrow Options:	
4	1700978	4	Decal - Arrow (Prior to November 1992)	
4	1701529	4	Decal - Arrow (November 1992 to Present)	
5		Ref	Decal - Stripping Options:	
5	1700431	7.9 m	Decal - Stripping (Prior to March 1994)	
5	1701703	10 m	Decal - Stripping (March 1994 to Present)	
6		Ref	Decal - JLG Lift Options:	
6	1700422	2	Decal - JLG Lift (Prior to June 1991)	
6	1701441	2	Decal - JLG Lift (June 1991 to Present)	
7		Ref	Decal - Crushing Options:	
7	1700640	3	Decal - Crushing (Prior to March 1994)	
7	1702284	3	Decal - Crushing (March 1994 to Present)	
8	1700037	1	Decal - Ground Control	
9		Ref	Decal - Caution Options:	
9	1700643	1	Decal - Caution (Prior to March 1994)	
9	1702299	1	Decal - Caution (March 1994 to Present)	
10		Ref	Decal - Caution Options:	
10	1700585	3	Decal - Caution (Prior to March 1994)	
10	1702277	3	Decal - Caution (March 1994 to Present)	
11	3251813	1	Decal - Made in USA	
12	1700981	2	Decal - JLG	
13	0860520	1	Box Manual Storage	
14		Ref	Decal - Operations, Safety and Maintenance Options:	
14	1700157	1	Decal - Operations, Safety and Maintenance (Prior to March 1994)	
14	1701509	1	Decal - Operations, Safety and Maintenance (March 1994 to Present)	
15	Not Available	1	Nameplate - Manufacturer	
16	1700584	1	Decal - Patent	
17		Ref	Decal - Inspection Options:	
17	1700593	1	Decal - Inspection (Prior to March 1994)	
17	1702153	1	Decal - Inspection (March 1994 to Present)	
18		Ref	Decal - Lift Here Options:	
18	1700975	4	Decal - Lift Here (Prior to SN 27273)	
18	1701500	4	Decal - Lift Here (SN 27273 to Present)	
19		Ref	Decal - Tie Down Options:	
19	1702300	4	Decal - Tie Down (Prior to SN 27273)	
19	1701500	4	Decal - Tie Down (SN 27273 to Present)	
20		Ref	Decal - Electrocution Hazard Options:	
20	1700580	1	Decal - Electrocution Hazard (Prior to March 1994)	
20	1702292	1	Decal - Electrocution Hazard (March 1994 to Present)	
21	3252347	1	Nameplate - Footswitch (Prior to June 1992) (Was p/n 3251766)	

SECTION 8 - DECALS

ITEM	PART NUMBER	QTY	DESCRIPTION	REV
22	3820001	4	Rivet	
23		Ref	Decal - No Hands Options:	
23	1700476	2	Decal - No Hands (Prior to March 1994)	
23	1702294	2	Decal - No Hands (March 1994 to Present)	
24		Ref	Decal - Attach Lanyard Options:	
24	1700477	2	Decal - Attach Lanyard (Prior to March 1994)	
24	1702512	2	Decal - Attach Lanyard (March 1994 to June 1995)	
24	1704277	2	Decal - Attach Lanyard (June 1995 to Present) (was p/n 1702612)	
25	0961127	1	Bushing, Snap	
26	4751400	6	Flatwasher 1/4in	
27	3311405	5	Nut 1/4in-20NC	
28	1060279	1	Cable, Lanyard	
29	0641408	1	Bolt 1/4in-20NC x 1in	
30	1700756	1	Decal - ADD/Full	
31	0100010	AR	Loctite #242 (Not Shown)	
32		Ref	Decal - Fuel Options:	
32	1700428	1	Brown - Diesel	
32	1700430	1	Brown - Gas	
32	1701542	1	Dual Fuel	
33		Ref	Decal - LP Options:	
33	1700429	1	Brown	
33	1701543	1	LP Gas Only	
34	3252356	1	Decal - Dual Fuel Only	
35		Ref	Decal - LP Options:	
35	1700582	1	Decal - LP (Prior to March 1994)	
35	1702293	1	Decal - LP (March 1994 to Present)	
36	1700818	1	Decal - LP Gas Liquid Withdraw System	
37		Ref	Decal - Hydraulic Oil Options:	
37	1700419	1	Decal - Hydraulic Oil (Prior to April 2000)	
37	1701504	1	Decal - Hydraulic Oil (April 2000 to Present)	
38		Ref	Decal - Caution Options:	
38	1700460	2	Decal - Caution (Prior to March 1994)	
38	1702280	2	Decal - Caution (March 1994 to Present)	
40	1702282	1	Decal - Warning (March 1994 to Present)	
41	1702631	1	Decal - Bar Code	
42	1702688	2	Decal - 500Lbs Max Capacity	
	0251241	Ref	CAPACITY DECAL PLATES INSTALLATION - 265KG (FRENCH SPEC) (NOT SHOWN)	B
101	9983243	1	Decal - 265kg (Located on Platform Console Box)	
102	3820001	4	Rivet	
	0251301	Ref	CORNER WARNING STRIPES INSTALLATION (NOT SHOWN)	A
151	4420051	AR	Tape, Safety (Black/Yellow)	
	0252104	Ref	DECAL INSTALLATION - MANUAL DESCENT	-
201	1701557	1	Decal - Instructions	
202	1701558	4	Decal - Manual Descent (Located on Lift Cylinders) (Not Shown)	
203	1701556	1	Decal - Manual Descent	

SECTION 8 - DECALS

FIGURE 8-2. DECALS INSTALLATION - STANDARD (JULY 1991 TO PRESENT)



SECTION 8 - DECALS

FIGURE 8-2. DECALS INSTALLATION - STANDARD (JULY 1991 TO PRESENT)

ITEM	PART NUMBER	QTY	DESCRIPTION	REV
		Ref	DECAL INSTALLATIONS	
	0252254	Ref	Brown	4
	0252255	Ref	Black	4
	0257854	Ref	Australian Spec - Brown	2
1		Ref	Decal - 34HA Options:	
1	1701471	2	Brown	
1	1701593	2	Black	
4	1701529	4	Decal - Arrow	
5		Ref	Decal - Stripping Options:	
5	1701703	6.49 m	Brown	
5	1701334	6.49 m	Black	
6		Ref	Decal - JLG Lift Options:	
6	1701441	2	Brown	
6	1701550	2	Black	
7	1701518	6	Decal - Crushing	
11	3251813	1	Decal - Made in USA (Prior to July 1995)	
12		Ref	Decal - JLG	
12	1700981	2	Brown	
12	1701321	2	Black	
13	0860520	1	Box Manual Storage	
14	1701509	1	Decal - Operations, Safety and Maintenance	
15	Not Available	1	Nameplate - Manufacturer	
16	1700584	1	Decal - Patent	
18	1701500	4	Decal - Lift Here	
19	1702300	4	Decal - Tie Down	
22	3820001	4	Rivet	
24	1702612	2	Decal - Lanyard Attach (Australian Spec Only)	
25	0961127	1	Bushing, Snap	
26	4751400	6	Flatwasher 1/4in	
27	3311405	5	Nut 1/4in-20NC	
28	1060279	1	Cable, Lanyard	
29	0641408	1	Bolt 1/4in-20NC x 1in	
30	1701502	1	Decal - Hydraulic Oil Level (High)	
31	0100010	AR	Loctite #242 (Not Shown)	
32		Ref	Decal - Fuel Options:	
32	1701542	1	Euro - Diesel	
32	1701505	1	Australian Spec - Diesel	
33	1701543	1	Decal - LP	
34	3252356	1	Decal - Dual Fuel Only	
36	1700818	1	Decal - LP Gas Liquid Withdraw System	
37	1701504	1	Decal - Hydraulic Oil	
39	4420052	6 m	Tape, Safety	
40		Ref	Decal - Warning Options:	
40	1702282	1	Brown	
40	1701503	1	Black	
44	1701555	4	Tire Pressure (Prior to July 1995)	
45	1702631	1	Decal - Bar Code	
46	1703677	1	Decal - Safe Working Load (Australian Spec Only)	
47	1703665	1	Decal - Danger (Electric Hazard) (Australian Spec Only)	
48	1703663	1	Decal - Maintenance (Australian Spec Only)	

SECTION 8 - DECALS

ITEM	PART NUMBER	QTY	DESCRIPTION	REV
49	1703664	1	Decal - Caution (Safety Harness) (Australian Spec Only)	
	0257854	Ref	DECAL INSTALLATION AUSTRALIAN SPEC	2
101	1700037	1	Decal - Ground Control	
102	Not Required	0	Not Required	
103	1702280	2	Decal - Caution	
104	1690696	1	Plate - Caution	
105	1691483	1	Decal - Caution	
106	1690697	1	Decal - Capacity	
	0252265	Ref	DECAL INSTALLATION DUTCH SPEC	A
101	1701574	1	Decal - Ground Control	
102	Not Required	0	Not Required	
103	1701574	2	Decal - Caution	
104	Not Required	0	Not Required	
105	1701596	2	Decal - Caution	
106	1701567	1	Decal - Capacity	
	0252256	Ref	DECAL INSTALLATION U.K. ENGLISH SPEC	B
101	1700037	1	Decal - Ground Control	
102	Not Required	0	Not Required	
103	1702280	2	Decal - Caution	
104	1690696	1	Plate - Caution	
105	1691483	1	Decal - Caution	
106	1690697	1	Decal - Capacity	
	0252257	Ref	DECAL INSTALLATION FRENCH SPEC	-
101	1701515	1	Decal - Ground Control	
102	1693292	1	Nameplate - Footswitch	
103	1701572	2	Decal - Caution	
104	1693286	1	Plate - Caution	
105	1693289	1	Decal - Caution	
106	1701577	1	Decal - Capacity	
	0252258	Ref	DECAL INSTALLATION GERMAN SPEC	-
101	1693285	1	Decal - Ground Control	
102	1693294	1	Nameplate - Footswitch	
103	1701573	2	Decal - Caution	
104	1693288	1	Plate - Caution	
105	1693291	1	Decal - Caution	
106	1690697	1	Decal - Capacity	
	0252264	Ref	DECAL INSTALLATION ITALIAN SPEC	-
101	1701599	1	Decal - Ground Control	
102	1701600	1	Nameplate - Footswitch	
103	1701571	2	Decal - Caution	
104	1701601	1	Plate - Caution	
105	1701602	1	Decal - Caution	
106	1690697	1	Decal - Capacity	
	0253270	Ref	DECAL INSTALLATION SPANISH SPEC	A
101	1701789	1	Decal - Ground Control	
102	1701791	1	Nameplate - Footswitch	
103	1701796	2	Decal - Caution	
104	1701794	1	Plate - Caution	
105	1701798	1	Decal - Caution	
106	1690697	1	Decal - Capacity	
	0252104	Ref	DECAL INSTALLATION - MANUAL DESCENT	-

SECTION 8 - DECALS

ITEM	PART NUMBER	QTY	DESCRIPTION	REV
201	1701557	1	Decal - Instructions	
202	1701558	4	Decal - Manual Descent (Located on Lift Cylinders) (Not Shown)	
203	1701556	1	Decal - Manual Descent	

SECTION 9 - RECOMMENDED SERVICE PARTS STOCK

SECTION 9 - RECOMMENDED SERVICE PARTS STOCK

SECTION 9 - RECOMMENDED SERVICE PARTS STOCK

FIGURE 9-1. MODEL 34HA STANDARD PARTS

ITEM	PART NUMBER	QTY	DESCRIPTION	REV
	Note	Ref	Note: The following list will service fleets of machines (built to current production per date on the front cover) with emergency repair parts which can be installed in the field. Parts from the list should be replaced when inventory is depleted to keep service parts stock supplied. For further information, contact your JLG dealer or the JLG Industries Parts Department.	
		Ref	STANDARD PARTS	
	2120125	4	Element, Filter, (for fleets of 1 to 10)	
	2120125	8	Element, Filter, (for fleets of 10 to 20)	
	2120125	12	Element, Filter, (for fleets of 20 or more)	
	7000417	1	Coil, (for fleets of 1 to 10)	
	7000417	1	Coil, (for fleets of 10 to 20)	
	7000417	1	Coil, (for fleets of 20 or more)	
	7000418	1	Coil, (for fleets of 1 to 10)	
	7000418	1	Coil, (for fleets of 10 to 20)	
	7000418	1	Coil, (for fleets of 20 or more)	
	7002450	1	Coil, (for fleets of 1 to 10)	
	7002450	1	Coil, (for fleets of 10 to 20)	
	7002450	1	Coil, (for fleets of 20 or more)	
	7010711	1	Coil, (for fleets of 1 to 10)	
	7010711	1	Coil, (for fleets of 10 to 20)	
	7010711	1	Coil, (for fleets of 20 or more)	
	7009742	1	Coil, (for fleets of 1 to 10)	
	7009742	1	Coil, (for fleets of 10 to 20)	
	7009742	1	Coil, (for fleets of 20 or more)	
	7004214	1 Dozen	Element, Air Cleaner, (for fleets of 1 to 10)	
	7004214	1 Dozen	Element, Air Cleaner, (for fleets of 10 to 20)	
	7004214	1 Dozen	Element, Air Cleaner, (for fleets of 20 or more)	
	3740067	1	Relay, (for fleets of 1 to 10)	
	3740067	1	Relay, (for fleets of 10 to 20)	
	3740067	1	Relay, (for fleets of 20 or more)	
	3740035	1	Relay, (for fleets of 1 to 10)	
	3740035	1	Relay, (for fleets of 10 to 20)	
	3740035	1	Relay, (for fleets of 20 or more)	
	4360232	1	Breaker, Circuit 15Amp, (for fleets of 1 to 10)	
	4360232	1	Breaker, Circuit 15Amp, (for fleets of 10 to 20)	
	4360232	1	Breaker, Circuit 15Amp, (for fleets of 20 or more)	
	2120110	4	Element, Hydraulic Filter, (for fleets of 1 to 10)	
	2120110	8	Element, Hydraulic Filter, (for fleets of 10 to 20)	
	2120110	12	Element, Hydraulic Filter, (for fleets of 20 or more)	
	1340046	1	Breather, Hydraulic Tank, (for fleets of 1 to 10)	
	1340046	2	Breather, Hydraulic Tank, (for fleets of 10 to 20)	
	1340046	3	Breather, Hydraulic Tank, (for fleets of 20 or more)	
	4360003	1	Switch, Key (Master Switch), (for fleets of 1 to 10)	
	4360003	1	Switch, Key (Master Switch), (for fleets of 10 to 20)	
	4360003	1	Switch, Key (Master Switch), (for fleets of 20 or more)	
	4360073	1	Switch, Toggle Center Off, (for fleets of 1 to 10)	
	4360073	1	Switch, Toggle Center Off, (for fleets of 10 to 20)	
	4360073	1	Switch, Toggle Center Off, (for fleets of 20 or more)	

SECTION 9 - RECOMMENDED SERVICE PARTS STOCK

ITEM	PART NUMBER	QTY	DESCRIPTION	REV
	4360199	1	Switch, Toggle, (for fleets of 1 to 10)	
	4360199	1	Switch, Toggle, (for fleets of 10 to 20)	
	4360199	1	Switch, Toggle, (for fleets of 20 or more)	
	4360274	1	Switch, Push Button, (for fleets of 1 to 10)	
	4360274	1	Switch, Push Button, (for fleets of 10 to 20)	
	4360274	1	Switch, Push Button, (for fleets of 20 or more)	
	4360202	1	Switch, Toggle, (for fleets of 1 to 10)	
	4360202	1	Switch, Toggle, (for fleets of 10 to 20)	
	4360202	1	Switch, Toggle, (for fleets of 20 or more)	
	4360200	1	Switch, Toggle, (for fleets of 1 to 10)	
	4360200	1	Switch, Toggle, (for fleets of 10 to 20)	
	4360200	1	Switch, Toggle, (for fleets of 20 or more)	
	3740049	1	Relay, (for fleets of 1 to 10)	
	3740049	1	Relay, (for fleets of 10 to 20)	
	3740049	1	Relay, (for fleets of 20 or more)	
	4360216	1	Breaker, Circuit 30Amp, (for fleets of 1 to 10)	
	4360216	1	Breaker, Circuit 30Amp, (for fleets of 10 to 20)	
	4360216	1	Breaker, Circuit 30Amp, (for fleets of 20 or more)	
	3740058	1	Relay, (for fleets of 1 to 10)	
	3740058	1	Relay, (for fleets of 10 to 20)	
	3740058	1	Relay, (for fleets of 20 or more)	
	3740077	1	Relay, (for fleets of 1 to 10)	
	3740077	1	Relay, (for fleets of 10 to 20)	
	3740077	1	Relay, (for fleets of 20 or more)	
	4360212	1	Breaker, Circuit, (for fleets of 1 to 10)	
	4360212	1	Breaker, Circuit, (for fleets of 10 to 20)	
	4360212	1	Breaker, Circuit, (for fleets of 20 or more)	
	3740048	1	Relay, (for fleets of 1 to 10)	
	3740048	1	Relay, (for fleets of 10 to 20)	
	3740048	1	Relay, (for fleets of 20 or more)	
	4360171	1	Switch, Tilt Indicator, (for fleets of 1 to 10)	
	4360171	1	Switch, Tilt Indicator, (for fleets of 10 to 20)	
	4360171	1	Switch, Tilt Indicator, (for fleets of 20 or more)	
	4360031	1	Footswitch, (for fleets of 1 to 10)	
	4360031	1	Footswitch, (for fleets of 10 to 20)	
	4360031	1	Footswitch, (for fleets of 20 or more)	
	4360209	1	Breaker, Circuit, (for fleets of 1 to 10)	
	4360209	1	Breaker, Circuit, (for fleets of 10 to 20)	
	4360209	1	Breaker, Circuit, (for fleets of 20 or more)	
	4360327	1	Switch, Potentiometer, (for fleets of 1 to 10)	
	4360327	1	Switch, Potentiometer, (for fleets of 10 to 20)	
	4360327	1	Switch, Potentiometer, (for fleets of 20 or more)	
	4360289	1	Switch, Push/Pull, (for fleets of 1 to 10)	
	4360289	1	Switch, Push/Pull, (for fleets of 10 to 20)	
	4360289	1	Switch, Push/Pull, (for fleets of 20 or more)	
	4360282	1	Block, Contact, (for fleets of 1 to 10)	
	4360282	1	Block, Contact, (for fleets of 10 to 20)	
	4360282	1	Block, Contact, (for fleets of 20 or more)	
	4360215	1	Switch, Proximity, (for fleets of 1 to 10)	
	4360215	1	Switch, Proximity, (for fleets of 10 to 20)	
	4360215	1	Switch, Proximity, (for fleets of 20 or more)	

SECTION 9 - RECOMMENDED SERVICE PARTS STOCK

ITEM	PART NUMBER	QTY	DESCRIPTION	REV
	3990010	2	Diode - 6 Amp, (for fleets of 1 to 10)	
	3990010	2	Diode - 6 Amp, (for fleets of 10 to 20)	
	3990010	2	Diode - 6 Amp, (for fleets of 20 or more)	
	3730003	1	Resistor, (for fleets of 1 to 10)	
	3730003	1	Resistor, (for fleets of 10 to 20)	
	3730003	1	Resistor, (for fleets of 20 or more)	

SECTION 9 - RECOMMENDED SERVICE PARTS STOCK

FIGURE 9-2. MODEL 34HA VARIABLE PARTS

ITEM	PART NUMBER	QTY	DESCRIPTION	REV
	Note	Ref	Note: The following list will service fleets of machines (built to current production per date on the front cover) with emergency repair parts which can be installed in the field. Parts from the list should be replaced when inventory is depleted to keep service parts stock supplied. For further information, contact your JLG dealer or the JLG Industries Parts Department.	
		Ref	VARIABLE PARTS	
	7019949	1 Dozen	Filter, Oil (Ford VSG411 Engine Machines), (for fleets of 1 to 10)	
	7019949	1 Dozen	Filter, Oil (Ford VSG411 Engine Machines), (for fleets of 10 to 20)	
	7019949	1 Dozen	Filter, Oil (Ford VSG411 Engine Machines), (for fleets of 20 or more)	
	7019939	1 Dozen	Filter, Fuel (Ford VSG411 Engine Machines), (for fleets of 1 to 10)	
	7019939	1 Dozen	Filter, Fuel (Ford VSG411 Engine Machines), (for fleets of 10 to 20)	
	7019939	1 Dozen	Filter, Fuel (Ford VSG411 Engine Machines), (for fleets of 20 or more)	
	1660184	1	Coupling, Pump (Ford VGS411 Engine Machines), (for fleets of 1 to 10) (Prior to January 1992)	
	1660184	1	Coupling, Pump (Ford VGS411 Engine Machines), (for fleets of 10 to 20) (Prior to January 1992)	
	1660184	1	Coupling, Pump (Ford VGS411 Engine Machines), (for fleets of 20 or more) (Prior to January 1992)	
	1660207	1	Coupling, Pump (Ford VGS411 Engine Machines), (for fleets of 1 to 10) (January 1992 to Present)	
	1660207	1	Coupling, Pump (Ford VGS411 Engine Machines), (for fleets of 10 to 20) (January 1992 to Present)	
	1660207	1	Coupling, Pump (Ford VGS411 Engine Machines), (for fleets of 20 or more) (January 1992 to Present)	
	7020117	1	Coupling, Pump (Ford VGS413 Engine Machines), (for fleets of 1 to 10)	
	7020117	1	Coupling, Pump (Ford VGS413 Engine Machines), (for fleets of 10 to 20)	
	7020117	1	Coupling, Pump (Ford VGS413 Engine Machines), (for fleets of 20 or more)	
	7016331	1 Dozen	Filter, Oil (Deutz Engine Machines), (for fleets of 1 to 10)	
	7016331	1 Dozen	Filter, Oil (Deutz Engine Machines), (for fleets of 10 to 20)	
	7016331	1 Dozen	Filter, Oil (Deutz Engine Machines), (for fleets of 20 or more)	
	7016328	1 Dozen	Filter, Fuel (Deutz Engine Machines), (for fleets of 1 to 10)	
	7016328	1 Dozen	Filter, Fuel (Deutz Engine Machines), (for fleets of 10 to 20)	
	7016328	1 Dozen	Filter, Fuel (Deutz Engine Machines), (for fleets of 20 or more)	
	1660234	1	Coupling, Pump (Deutz Engine Machines), (for fleets of 1 to 10)	
	1660234	1	Coupling, Pump (Deutz Engine Machines), (for fleets of 10 to 20)	
	1660234	1	Coupling, Pump (Deutz Engine Machines), (for fleets of 20 or more)	
	0060023	1	Actuator, Throttle (Deutz Engine Machines), (for fleets of 1 to 10)	
	0060023	1	Actuator, Throttle (Deutz Engine Machines), (for fleets of 10 to 20)	
	0060023	1	Actuator, Throttle (Deutz Engine Machines), (for fleets of 20 or more)	
	4360277	1	Switch, Limit, (for fleets of 1 to 10)	
	4360277	1	Switch, Limit, (for fleets of 10 to 20)	
	4360277	1	Switch, Limit, (for fleets of 20 or more)	
	1600116	1	Controller, (for fleets of 1 to 10)	
	1600116	1	Controller, (for fleets of 10 to 20)	
	1600116	1	Controller, (for fleets of 20 or more)	
	1600126	1	Controller, (for fleets of 1 to 10)	

SECTION 9 - RECOMMENDED SERVICE PARTS STOCK

ITEM	PART NUMBER	QTY	DESCRIPTION	REV
	1600126	1	Controller, (for fleets of 10 to 20)	
	1600126	1	Controller, (for fleets of 20 or more)	

SECTION 10 - SPECIAL OPTIONS

SECTION 10 - SPECIAL OPTIONS

FIGURE 10-1. SPECIAL OPTIONS

ITEM	PART NUMBER	QTY	DESCRIPTION	REV
	Note	Ref	Note: This list is to accomodate machines ordered with special equipment. Options may not be applicable to all models. For more specific parts information contact JLG Parts Department.	
		Ref	MISCELLANEOUS SPECIAL OPTIONS	
	0238682	Ref	Airline to Platform Installation	
	9983463	Ref	Airline Sketch at Platform	
		Ref	Axle Conversions	
	0251273	Ref	4WD Oscillating to Fixed	
	0251649	Ref	2WD With 6ft 6in Frame Oscillating to Fixed	
	0251475	Ref	2WD With 12 x 16.5 Tires Oscillating to Fixed	
	0253234	Ref	2WD With 5ft 9in Frame Oscillating to Fixed	
	0251975	Ref	Installation Battery Gauge - Electric Machines	
	2420075	1	Gauge	
	0251939	Ref	Installation Battery Meter Gauge - Electric Machines	
	2420049	1	Gauge	
		Ref	Country Spec Installations	
	0253802	Ref	Australian Spec	
	0252263	Ref	Dutch Spec	
	0252259	Ref	English Spec	
	0252260	Ref	French Spec	
	0252261	Ref	German Spec	
	0252262	Ref	Italian Spec	
	0253269	Ref	Spanish Spec	
	1001148902	Ref	Electrical Connector Kit - Amp/Tyco Electrical Connectors	
	1001148903	Ref	Electrical Connector Kit - Deutsch DT Electrical Connectors	
	1001148904	Ref	Electrical Connector Kit - Deutsch HD Electrical Connectors	
	1001148905	Ref	Electrical Connector Kit - Packard Electrical Connectors	
	1001148906	Ref	Electrical Connector Kit - Various Electrical Connectors	
		Ref	Filter Kits:	
		Ref	Combined Filter Kit (Hydraulic/Air and Fuel/Engine Oil) (Deutz Engine):	
	2910438	1	Prior to August 1995	
	1001110986	1	August 1995 to Present	
	1001109675	1	Hydraulic/Air Filter (Deutz Engine)	
	1001110133	1	Fuel/Engine Oil Filter (Deutz Engine)	
	0251692	Ref	Inverter 110Volt Generator (Electric Machines)	
	0251619	Ref	Panel Lights Installation - Standard With Creep	
	0253987	Ref	Platform Lights Installation - Ford and Deutz	1
	0270723	Ref	Beacon, Amber	
	0251180	Ref	Platform Interlock Installation (French Spec)	
	4360263	1	Limit Switch	
	0253558	Ref	Receptacle Plate Installation (Australian Spec)	
	0251921	Ref	Safe Load Indicator System Installation (French Spec)	
	0256829	Ref	Spring Loaded Platform Gate Installation	
	9900493	Ref	Tool Kit	
	0257728	Ref	Tube Rack (180Lbs Capacity) Installation	
	0256436	Ref	Tube Rack Installation	
	0258918	Ref	Utility Rack Assembly	

PART NUMBER INDEX

SECTION 10 - SPECIAL OPTIONS

0060023.....	96, 254	0250109.....	47	0251337.....	135	0254099.....	181
0060026.....	142, 151	0250125.....	97	0251364.....	129, 131	0254411.....	154
0080039.....	80, 86, 96	0250143.....	162	0251369.....	54, 171	0254449.....	22
0080092.....	79	0250144.....	47	0251370.....	17	0254450.....	22
0080098.....	142, 146	0250148.....	12, 18	0251372.....	128, 131	0254451.....	22
0080099.....	142, 146	0250229.....	97, 101	0251388.....	138	0254832.....	21
0080148.....	67	0250253.....	141, 145	0251417.....	91	0255010.....	68
0080163.....	82, 97	0250324.....	82	0251420.....	123	0255151.....	128, 131
0080167.....	91	0250327.....	123	0251443.....	132	0255476.....	83, 88, 124
0080168.....	79	0250355.....	131	0251475.....	15, 258	0255477.....	97, 124
0080172.....	95	0250456.....	135	0251476.....	106, 111	0256335.....	181
0080175.....	82, 87	0250459.....	53	0251486.....	15	0256436.....	258
0080177.....	95	0250460.....	53	0251487.....	15	0256829.....	258
0080178.....	96	0250493.....	141	0251561.....	77	0256848.....	97
0080182.....	79, 85	0250495.....	141	0251565.....	54	0257412.....	125
0080200.....	88	0250503.....	79	0251619.....	258	0257413.....	125
0100001.....	157	0250504.....	80	0251649.....	258	0257432.....	123
0100003.....	77	0250574.....	95	0251692.....	258	0257657.....	85
0100004.....	67	0250575.....	95	0251755.....	128, 131	0257658.....	86
0100009.....	105	0250585.....	131	0251921.....	258	0257728.....	258
0100010.....	242, 245	0250597.....	97	0251939.....	258	0257854.....	245, 246
0100011.....	13, 18, 67, 77, 80, 86, 101, 131, 165, 167, 169, 171, 173, 175, 177, 179	0250598.....	82	0251975.....	258	0258918.....	258
0100019.....	13, 18, 21, 67, 68, 125, 135, 137, 143, 146	0250615.....	53	0252054.....	161	0270122.....	22
0100020.....	67, 91, 123, 124, 125, 167, 169, 171, 179, 194	0250616.....	53	0252104.....	242, 246	0270215.....	12, 18
0100021.....	68, 143, 146	0250626.....	79	0252210.....	161	0270723.....	258
0100027.....	123	0250627.....	80	0252211.....	161	0271036.....	241
0100035.....	165, 167, 169, 171, 179	0250635.....	181	0252254.....	245	0340002.....	80, 86, 96
0100038.....	165, 167, 169, 171, 175, 177, 179	0250636.....	181	0252255.....	245	0360016.....	49
0140001.....	153	0250643.....	241	0252256.....	246	0361651.....	49
0140019.....	158	0250649.....	125	0252257.....	246	0361810.....	86, 96
0140024.....	132	0250650.....	132	0252258.....	246	0361815.....	101
0140032.....	132	0250658.....	124	0252259.....	258	0361840.....	131
0181339.....	131	0250659.....	97, 124	0252260.....	258	0361879.....	105
0181554.....	105	0250660.....	123	0252261.....	258	0361966.....	154
0231047.....	77	0250668.....	93	0252262.....	258	0400002.....	81, 105
0231756.....	124	0250751.....	131	0252263.....	258	0400003.....	81, 105
0235238.....	141, 142, 145, 146	0250772.....	91	0252264.....	246	0400055.....	105
0236768.....	81, 86, 96, 105	0250806.....	82, 87	0252265.....	246	0400075.....	86, 96
0237963.....	143, 147	0250815.....	88	0252278.....	54, 171	0400096.....	106, 109
0238164.....	68	0250989.....	105	0252429.....	106, 111	0440018.....	16
0238390.....	11	0251014.....	105, 123	0252448.....	141	0440019.....	16
0238395.....	11	0251016.....	53	0252578.....	67	0440067.....	67
0238511.....	67	0251017.....	53	0252625.....	87, 221	0440091.....	17, 21
0238523.....	67	0251024.....	161	0252808.....	82	0440112.....	11, 16
0238615.....	77	0251139.....	12, 18	0252941.....	12, 17	0440113.....	11, 16
0238682.....	258	0251141.....	47	0253130.....	22	0440120.....	142, 146
0238866.....	161	0251172.....	132	0253131.....	12, 17	0440134.....	142, 146
0238867.....	161	0251173.....	132	0253132.....	22	0440135.....	142, 146
0238882.....	49	0251174.....	132	0253133.....	12, 17	0440161.....	21
0238942.....	161	0251180.....	258	0253178.....	53	0440162.....	11, 17
0238966.....	161	0251203.....	161	0253179.....	53	0440183.....	17
0239197.....	15	0251204.....	141	0253180.....	53	0460073.....	181
0239401.....	132	0251241.....	242	0253181.....	53	0460075.....	181
0239805.....	12, 17	0251248.....	15	0253182.....	53	0460082.....	181
0239806.....	12, 17	0251259.....	22	0253183.....	53	0460083.....	181
0239948.....	49	0251260.....	22	0253234.....	258	0460084.....	181
0250093.....	22	0251261.....	22	0253269.....	258	0460093.....	181
		0251267.....	145	0253270.....	246	0480057.....	93
		0251268.....	145	0253352.....	132	0480059.....	101
		0251271.....	21	0253558.....	258	0540070.....	138
		0251273.....	21, 258	0253742.....	128	0560605.....	17, 21
		0251301.....	242	0253777.....	98	0560714.....	17, 21
		0251310.....	47	0253802.....	258	0560793.....	67
		0251326.....	15	0253908.....	49	0560804.....	17
		0251327.....	11	0253987.....	161, 258	0560805.....	17
		0251328.....	21	0254094.....	49	0560913.....	21
		0251332.....	54	0254098.....	181	0560923.....	138

SECTION 10 - SPECIAL OPTIONS

0610091 220	0642014 ... 12, 18, 22, 67, 68	0901714 80	1060341 220
0620058 77	0642016 12, 18, 22	0901715 79	1060345 106
0630137 11, 16	0642036 50	0901717 79	1060352 105
0630403 81, 86	0642216 49	0901756 145	1060355 105
0630424 49	0642224 11	0901774 93	1060356 106
0630425 17	0642234 49	0901790 54	1060461 154
0630451 141	0642628 17	0901796 157	1060494 125
0630466 49	0642636 49	0901883 132	1060515 138, 222
0641404 21, 131, 145	0652014 141, 145	0902184 85	1060516 137
0641405 91, 132	0681510 101	0902244 95	1100041 47
0641406 ... 11, 15, 21, 53, 81, 86, 96, 101, 111, 124, 129, 131, 132, 137, 142, 161	0681610 93, 101, 141	0920072 12, 18, 23, 35	1100057 135
0641407 138	0681820 67	0920074 67, 71	1120019 11, 16
0641408 ... 111, 131, 143, 146, 147, 242, 245	0682020 67	0920084 12, 18, 23, 37	1120032 16
0641410 79, 85	0700605 95	0920089 67	1120108 177
0641412 96	0700808 82	0920095 68	1120161 81, 86, 96
0641414 161	0700810 97	0920110 12, 18, 23, 39	1120169 98
0641416 154	0700814 80, 86, 97	0920119 13, 18, 23	1120179 ... 165, 175, 179
0641418 77	0700819 88	0940038 161	1120218 82, 87
0641420 135	0701010 95	0940083 132	1120228 173
0641428 54	0701012 101	0960224 77	1120229 173
0641504 105	0701013 97	0960238 ... 111, 128, 153, 158	1120286 171
0641506 ... 111, 141, 142, 145, 146	0701014 79, 85	0960239 ... 111, 135, 153, 157, 222	1120299 141, 145
0641507 49, 82, 93	0701020 88	0960523 15, 16	1120336 167
0641508 101, 158	0701414 101	0960613 167, 171	1120340 169
0641510 82, 132	0720803 158	0960839 11, 15, 16	1120362 123
0641511 93	0721003 16	0960905 157	1120387 173
0641512 77, 95	0721004 .. 11, 16, 77, 111	0960946 169	1120405 96
0641514 53, 123	0721006 93	0960960 98	1120485 125
0641522 47, 141, 142, 145, 146	0750806 111, 127	0960960 98	1120486 125
0641524 135	0751006 153, 157	0961024 135	1180227 137
0641528 47	0800627 137	0961127 242, 245	1260017 49, 68, 131
0641604 137	0800630 ... 135, 137, 220	0961198 135	1260135 50
0641606 137	0800716 137	0961247 93	1281272 221
0641607 135	0840031 106	0961254 167	1282394 221
0641608 ... 22, 67, 79, 85, 125, 137	0840032 106	0961257 141, 145	1320014 80, 85
0641609 135	0860520 241, 245	0961259 141, 147	1320016 96
0641610 ... 15, 21, 67, 80, 82, 86, 95, 105	0860576 127	0961450 147	1320017 91
0641611 123	0860637 127	0961531 77	1320019 96, 98
0641612 81, 87, 96	0860645 127	0961595 137	1320020 80, 86
0641613 96, 105, 106	0860689 153	1001096415 12, 18, 44	1320022 ... 81, 87, 91, 96, 124
0641614 105	0860692 127	1001109675 258	1320023 125, 189
0641618 21	0860693 153	1001110133 258	1320026 81, 87
0641620 47	0860694 127	1001110986 258	1320030 203
0641728 79, 85	0860701 106, 111	1001148902 258	1320031 80, 86
0641807 77	0860717 127	1001148903 258	1320032 82, 87, 91
0641810 22, 67, 142	0860739 157	1001148904 258	1320033 193, 207
0641811 145	0860771 106, 111	1001148905 258	1320037 181
0641812 ... 79, 81, 85, 86, 95	0860785 124	1001148906 258	1320040 77
0641816 142	0860827 157	1060012 101, 221	1320041 95
0641822 11	0860841 127	1060016 221, 222, 223	1320058 80, 85
0641826 79, 85	0860901 124	1060030 96	1320059 96, 97
0641830 67	0860960 127	1060031 81, 86	1320060 91
0641834 68	0900019 169	1060045 95	1320095 91
0641836 141, 145	0900232 162	1060046 81, 86, 105	1320122 181
0641840 22	0900479 49	1060093 96	1320126 125
0641844 22	0901056 162	1060129 81, 86	1320127 125
0641848 22	0901387 80, 86	1060133 81, 86	1320146 146
0641856 96	0901419 80, 86	1060149 105	1320160 145
	0901449 161	1060154 105	1320168 135, 137
	0901633 93, 101	1060172 96	1320176 95
	0901634 80, 85	1060221 79, 85	1340020 80, 86, 96
	0901635 79, 85	1060229 220	1340045 124
	0901650 93	1060279 242, 245	1340046 123, 250
	0901664 80, 96	1060300 222, 223	1340047 124
	0901677 106	1060309 222	1360122 49
	0901705 95	1060338 105	1380124 22

SECTION 10 - SPECIAL OPTIONS

1380137.....	146	1682364.....	173	1701572.....	246	2160006.....	143, 147
1440154.....	77	1682406...11, 15, 21,	165	1701573.....	246	2180029.....	53
1540002.....	222	1682407.....	165	1701574.....	246	2180104.....	91
1600116.....	153, 158, 254	1683511.....	11, 173	1701577.....	246	2180125.....	185
1600117.....	81, 87	1690696.....	246	1701593.....	245	2180249.....	91
1600119.....	111	1690697.....	246	1701596.....	246	2180348.....	81, 91
1600122.....	111	1691483.....	246	1701599.....	246	2180360....	80, 85, 87, 91,
1600126.....	157, 254, 255	1692927.....	222	1701600.....	246	97	
1600127.....	153	1692958.....	171	1701601.....	246	2180380....	169, 171, 203,
16600043.....	124	1693285.....	246	1701602.....	246	208, 211	
1660009.....	50	1693286.....	246	1701703.....	241, 245	2180387.....	91
1660144.....	49	1693288.....	246	1701789.....	246	2180389.....	91
1660157.....	80, 85	1693289.....	246	1701791.....	246	2180448.....	211
1660160.....	77	1693291.....	246	1701794.....	246	2180467.....	124
1660169.....	82	1693292.....	246	1701796.....	246	2180491.....	203, 207
1660172.....	82	1693294.....	246	1701798.....	246	2180535.....	91
1660173.....	82	1693405.....	222	1702089.....	125	2180536.....	91
1660176.....	97	1693406.....	222	1702153.....	241	2180537.....	97
1660184.....	82, 97, 254	1700037.....	241, 246	1702277.....	241	2180540....	203, 208, 211
1660207.....	82, 254	1700157.....	241	1702280.....	242, 246	2180621.....	208
1660234.....	97, 254	1700419.....	242	1702282.....	242, 245	2180623.....	91
1670199.....	124	1700422.....	241	1702284.....	241	2180644.....	123
1670446.....	123	1700428.....	242	1702292.....	241	2180651.....	185
1670451.....	142	1700429.....	242	1702293.....	242	2180730.....	95, 97
1670474.....	161	1700430.....	242	1702294.....	242	2180749.....	97
1670519.....	146	1700431.....	241	1702299.....	241	2180763.....	77
1670526.....	161	1700460.....	242	1702300.....	241, 245	2200053.....	81
1670578.....	111	1700476.....	242	1702305.....	49	2200108.....	125
1670582.....	131	1700477.....	242	1702402.....	158	2200201.....	167, 179
1670591.....	154	1700580.....	241	1702512.....	242	2200202....	123, 167, 171,
1670594.....	77	1700582.....	242	1702612.....	245	179	
1670607.....	161	1700584.....	241, 245	1702631.....	242, 245	2200222.....	169
1670620.....	142	1700585.....	241	1702688.....	242	2200233.....	87, 169
1670630.....	146	1700593.....	241	1703162.....	87	2200261.....	97
1670645.....	124	1700598.....	154	1703663.....	245	2200447.....	123
1670646.....	124	1700599.....	154	1703664.....	246	2200462.....	81
1680654.....	173	1700640.....	241	1703665.....	245	2210003.....	189, 193
1680739.....	175	1700643.....	241	1703677.....	245	2210005.....	204
1680892.....	165, 175	1700756.....	242	1704277.....	242	2210008.....	203
1681294.....	171	1700818.....	242, 245	1760068.....	142, 146	2210014....	189, 193, 207
1681344.....	177	1700975.....	241	1780245.....	131	2220003.....	91
1681411.....	177	1700977.....	241	1780254.....	143, 147	2220056.....	201
1681413.....	177	1700978.....	241	2000106.....	95	2220077.....	123
1681555.....	21, 177	1700981.....	241, 245	2000109.....	79	2220110.....	204, 208
1681635.....	179	1701321.....	245	2000117.....	79	2220202.....	123
1681712.....	179	1701334.....	245	2000129.....	79	2220218.....	201, 207
1681780.....	135, 171	1701340.....	241	2000137.....	95	2220235....	186, 194, 197
1681781.....	171	1701441.....	241, 245	2000152.....	85	2220237.....	165
1681783.....	171	1701471.....	241, 245	2060016.....	79	2220239.....	215
1681787.....	165	1701500.....	241, 245	2060030.....	85	2220242.....	124
1681793.....	179	1701502.....	245	2080024.....	21	2220250.....	199
1681814.....	11, 173	1701503.....	245	2120077.....	91	2220261....	199, 201, 204,
1681840.....	135, 169	1701504.....	242, 245	2120106.....	124	208	
1681841.....	169	1701505.....	245	2120109.....	123	2220273....	80, 81, 85, 87,
1681843.....	169	1701509.....	241, 245	2120110.....	123, 250	96, 123	
1681844.....	169	1701515.....	246	2120112.....	80	2220290.....	91, 199
1681847.....	167	1701518.....	245	2120120.....	124	2220315.....	91
1681869.....	167	1701529.....	241, 245	2120122.....	53	2220341.....	123
1682020.....	16, 175	1701542.....	242, 245	2120125.....	53, 250	2220343.....	208
1682057.....	146, 167	1701543.....	242, 245	2160001 .	11, 49, 67, 142,	2220345....	190, 193, 197,
1682058.....	167	1701550.....	245	143, 146, 169, 171		208	
1682060.....	167	1701555.....	245	2160002 ...	11, 15, 16, 21,	2220346.....	204
1682084.....	175	1701556.....	242, 247	135, 137, 141, 142,		2220347.....	197
1682177.....	167	1701557.....	242, 247	145, 146, 165, 167,		2220348....	189, 193, 208
1682178....	141, 142, 145,	1701558.....	242, 247	175, 177		2220355.....	193, 197
146, 167		1701567.....	246	2160003 .	17, 21, 49, 169,	2220356.....	197
1682179.....	137, 179	1701571.....	246	171		2220362....	190, 193, 197

SECTION 10 - SPECIAL OPTIONS

2220363 189, 193	2220606 ... 185, 204, 207, 208	2460011 93, 101	2751021 190, 193, 197
2220364 91	2220609 ... 185, 190, 203, 207, 213, 215	2500005 79, 85	2751325 197
2220365 189, 193	2220618 ... 185, 189, 193, 203, 208	2540016 132, 161, 162	2751327 197
2220366 193	2220619 ... 185, 194, 203, 207, 213	2560003 131	2751331 197
2220371 185, 203, 207	2220621 190, 194	2560010 143, 147	2751345 197
2220372 203	2220622 193, 207	2560041 153	2751353 197
2220373 54, 204, 208	2220627 194	2560112 157, 158	2751359 197
2220374 208	2220628 204, 207	2580001 ... 83, 88, 97, 221	2751391 213
2220375 189, 193	2220635 185, 213	2580018 124	2751397 185
2220377 190, 194	2220646 189, 194	2580026 83, 88	2751398 190, 215
2220383 204	2220648 91	2580046 125	2751409 193
2220385 ... 185, 189, 193, 207, 213	2220651 54, 203	2600105 157	2751410 213
2220399 204, 207	2220654 ... 199, 201, 204, 215	2600132 157	2751412 185
2220404 190	2220655 197	2600143 143, 147	2751427 189, 190, 193
2220407 193	2220659 203, 207	2600157 132	2751428 213
2220408 189, 193, 203	2220673 54	2620029 49	2751451 199, 201
2220414 ... 185, 189, 193, 199, 204, 208, 211	2220675 91	2620038 49	2751484 193
2220415 ... 193, 197, 204, 207	2220679 185	2660057 138	2751490 190, 193
2220416 ... 199, 201, 207, 211	2220681 208	2660058 138	2751502 197
2220417 189, 204, 207	2220682 208	2660059 138	2751614 189, 193
2220419 208	2220684 193	2720042 82, 87, 91	2751631 189, 194
2220428 199, 203, 207	2220686 204, 208	2720058 81, 87, 91, 95	2751639 208
2220429 199, 203, 207	2220700 208	2720075 95	2752236 193
2220435 47, 194, 204	2220710 189, 194	2720112 91	2752238 189, 194
2220438 199, 201, 208	2220726 203, 207	2720170 91	2752239 194
2220444 53	2220727 208	2720183 208	2752240 189, 193
2220446 54, 199, 207	2220738 190, 194, 197	2720271 95	2752241 189
2220451 190, 193, 197	2220758 207	2720325 207	2752249 193
2220457 189	2220771 185	2720341 80, 85	2752317 189
2220465 189, 190	2220805 .. 81, 87, 96, 123	2720351 96	2752319 189, 194
2220466 ... 185, 190, 193, 197, 201, 204, 207	2220816 201	2720353 189	2752320 189
2220468 ... 189, 193, 201, 203, 207, 211, 213	2220820 54, 203, 207	2720356 203	2752322 193
2220469 193	2220828 215	2720357 189, 193	2752323 189, 194
2220472 ... 186, 189, 193, 199, 203, 207	2220885 165	2750414 197	2752324 189
2220481 193	2220895 201	2750685 197	2752329 189
2220490 185	2220904 207	2750756 211	2752432 203
2220493 190, 193	2220909 208	2750757 190, 194	2752433 207
2220497 203	222-608 194	2750775 189, 193, 197, 211	2752434 203, 207
2220504 ... 185, 190, 193, 197	2360262 11	2750777 190, 193, 197	2752435 207
2220508 201	2360274 11	2750779 185	2752436 203, 207
2220509 204, 208	2360283 15	2750785 185	2752437 203, 207
2220516 194	2360288 15	2750834 207	2752438 204, 207
2220568 194	2360321 15	2750882 197	2752439 207
2220577 215	2360322 15	2750889 215	2752441 204, 208
2220578 189, 193, 197	2360330 15, 21	2750892 211	2752442 207
2220579 203	2420009 127	2750899 185	2752443 203
2220582 ... 185, 189, 193, 207	2420049 220, 258	2750900 185, 186, 199	2752444 203
2220584 208	2420075 220, 258	2750910 185	2752461 203, 207
2220585 ... 189, 197, 199, 204, 207	2420110 95	2750917 185	2752462 207
2220591 203, 208	2420111 128	2750920 185	2752463 207
2220593 197, 207	2420115 124	2750972 197	2752464 204, 207
2220594 47	2420115 124	2750976 193, 197	2752465 204, 208
2220596 197, 208	2420125 128	2750979 189, 193	2752466 208
2220600 190, 193, 207	2420127 128	2750998 185	2752467 207
2220602 203, 208	2420128 128	2751010 185, 189, 193, 213	2752469 203
2220605 ... 189, 193, 213, 215	2420129 127	2751011 211, 215	2752470 203
	2420130 80, 85	2751013 190, 197	2752471 203, 204
	2420131 80, 85	2751014 185, 186, 189, 193	2752472 203
	2420183 125	2751015 186, 190, 197	2752473 204
	2420203 93, 101	2751017 185	2752474 203
	2440043 142, 146	2751018 185, 197	2752492 208
	2440044 142, 146	2751020 186	2752493 208
	2440056 67		2752494 208
			2752495 208
			2752496 208
			2752497 208

SECTION 10 - SPECIAL OPTIONS

2752498.....	208	2900449.....	44	3250840.....	49	331180579, 85, 141, 143,	
2752502.....	204	2900455.....	149	3250872.....	49	145, 147	
2752504.....	204	2900503.....	54, 65	3251228.....	124	3312001.....	50
2760064.....	142, 146	2900662.....	35	3251243.....	124, 241	3312202.....	49
2760091.....	77	2900686.....	73	3251272.....	125	3312205.....	11
2780091.....	16	2900696.....	65	3251476.....	93, 101	3312602.....	17
2780153.....	11, 16	2900714.....	41	3251516.....	162	3312605.....	49
2780167.....	22, 25	2900724.....	71	3251813.....	241, 245	3313403.....	16
2780168.....	12, 18, 25	2900735.....	65	3251836.....	125	3321001.....	80, 86, 87
2780169.....	12, 18, 25	2900740.....	117, 121	3251837.....	124	3321401.....	165
2780172.....	22, 29	2900752.....	114	3252053.....	153	3321402.....	80, 85
2780191.....	22, 31	2900754.....	29, 33	3252224.....	157	3322202.....	49
2791295.....	216	2900756.....	54	3252347.....	241	3322603.....	11, 16
2791619.....	216	2900766.....	37, 39	3252356.....	242, 245	3323002.....	17, 21, 49
2791620.....	201, 216	2900767.....	37	3252379.....	153	3323003.....	11, 16
2791639.....	216	2900768.....	37, 39	3252382.....	157	3340263.....	137
2791640.....	216	2900770.....	171	3252383.....	127	3340454.....	141, 145
2791641.....	216	2900771.....	151	3281505.....	79, 85	3340545.....	137
2791642.....	216	2900792.....	167	3300012 ...	11, 12, 16, 18,	3340547.....	137
2791643.....	216	2900816.....	33	22		3380364.....	161
2791644.....	216	2900826.....	114	3300029 ..	81, 87, 96, 105	3420158.....	50
2791647.....	189, 216	2900827.....	114	3300047 ...	111, 135, 153,	3420290.....	77
2791649.....	216	2901102.....	169	157, 222		3420352.....	50
2791650.....	216	2901103.....	167	3300048 ...	111, 128, 153,	3421151.....	49
2791651.....	216	2901111.....	98, 221	158		3421190.....	22
2791652.....	216	2901119.....	175	3300101.....	179	3421243.....	16
2791653.....	211, 216	2901123.....	177	3300143.....	141	3421246.....	49
2791654.....	216	2901146.....	77	3300147.....	157	3421340.....	11, 16
2791686.....	216	2901178.....	173	3300151.....	131	3421413.....	137
2791687.....	216	2901184.....	91	3300175.....	17, 21	3421419.....	135
2791688.....	216	2910438.....	258	3300177 ...	111, 127, 153,	3421452.....	68
2791689.....	189, 216	2910479.....	105	157		3421453.....	68
2791710.....	197, 216	2920001.....	132	3300183.....	67	3421490.....	145, 146
2791711.....	197, 216	2920009.....	132, 161	3300208.....	16	3421491....	141, 142, 145,
2791712.....	216	2920013.....	161	3300220.....	80, 86	146	
2791713.....	216	2920015.....	153, 157	3300229.....	17, 21	3421494....	141, 142, 145,
2791744.....	199, 216	2920018.....	132, 161	3300271.....	167	146	
2791764.....	217	2920019.....	132	3300272.....	179	3421600.....	145
2791788.....	213, 216	2920026.....	221	3300273	165, 175, 177	3421612.....	145
2791789.....	213, 216	2920029.....	221	3300281.....	169, 171	3421719.....	137
2791792.....	215, 217	2920105.....	132	3300284.....	167	3421725.....	135
2791793.....	215, 217	2920109.....	132	3310601 ...	111, 127, 153,	3421749.....	135
2791818.....	185, 216	2920111.....	161	158		3421751.....	135
2791819.....	185, 216	2920152.....	132	3311001 ...	47, 77, 80, 81,	3421752.....	135
2791821.....	216	2920162.....	93, 101	86, 93, 111, 127, 128,		3421756....	141, 142, 145,
2791853.....	216	2940006.....	143, 147	143, 147, 153, 154,		146	
2791854.....	216	2940048.....	131	157, 158, 161		3422011.....	135
2791876.....	216	2940050.....	131	3311401 ...	79, 81, 85, 86,	3422261.....	17
2791882.....	211, 216	2940051.....	131	93, 96, 101, 105, 111,		3422637.....	135
2791885.....	193, 216	2940052.....	157	124, 128, 132, 138,		3422794.....	21
2791953.....	207, 216	2940057.....	132	142, 154, 161		3430292.....	49
2791961.....	203, 216	3020021.....	82, 97	331140553, 96, 105, 106,		3431622.....	17, 21
2791963.....	203, 216	3020025.....	143, 147	131, 132, 135, 143,		3440816.....	142, 146
2792061.....	189, 216	3020028.....	137	147, 161, 242, 245		3441228.....	142, 146
2792063.....	216	3040379.....	49	3311501 ...	47, 53, 81, 86,	3450202.....	95
2820022.....	54	3160083 ...	142, 146, 149	95, 101, 105, 123, 132,		3450203.....	95
2820030.....	105	3160118.....	44	141		3450606.....	17, 22
2880404.....	141, 145	3160147.....	67, 73	3311505	97, 135, 137,	3450608.....	11, 16, 17
2880410.....	49	3160153.....	105	141, 142, 145, 146, 158		3450609.....	11, 16
2880512.....	142	3160158 ...	12, 18, 22, 41	3311601 ...	11, 15, 47, 79,	3450810.....	16
2900034.....	26	3160183.....	67, 68, 75	93, 96, 105, 125		3451010.....	16
2900062.....	54	3200201.....	79, 85	331160554, 85, 105, 106,		3451012.....	16
2900099.....	173	3200202.....	79, 85	137		3480098.....	173
2900240.....	171	3200363.....	154	3311705 ...	79, 81, 85, 86	3480102.....	169, 171
2900340.....	171	3220067.....	80	3311801 ...	13, 18, 67, 68,	3480120....	165, 175, 179
2900381.....	165, 179	3220076.....	80, 86	77, 79, 80, 85, 86		3480130.....	167
2900397.....	80	3220086.....	98			3480134.....	177

SECTION 10 - SPECIAL OPTIONS

3480141	167	3740086	157	3990010.....	220, 221, 222, 223, 252	4300097	12, 18
3510261	161	3760004	77	4031713.....	79, 85	4300106	21
3510308	143	3760053	77	4040215.....	145	4300107	67
3510309	143	3760133	137	4040216.....	142	4320008	12, 18
3510310	143	3760141	173	4060229.....	153, 157	4340569	93
3510376	147	3760170	68	4060733.....	81, 87	4360003	250
3510377	147	3760176	175	4060804.....	141, 142	4360031 ...	143, 147, 251
3510378	147	3760215	68	4060829.....	132	4360037	80, 86, 97
3520022	124	3780183	17, 167	4070224.....	21	4360073	250
3520026	127, 128	3790012 ...	127, 153, 157	4070225.....	21	4360089	220
3520028	93, 101, 128	3790015	127, 153	4070498.....	137	4360108	153
3520031	131	3790045	67	4070499.....	137	4360131	153
3520034 ...	128, 131, 158, 161	3790152	80, 86, 95	4070559.....	138	4360132	153
3520035	142, 145	3790155	67, 68	4070585.....	143, 146	4360141	127
3520054	128	3820001 ...	49, 242, 245	4070587.....	143, 146	4360157	88, 221
3520070	127, 128	3820011	131	4070645.....	137	4360171 ...	54, 132, 251
3520168	128	3820012	131	4070646.....	137	4360182	87, 221
3530244	21	3820019	131	4070649.....	137	4360188	91
3530403	77	3840561	173	4070664.....	137	4360199 ...	127, 153, 157, 222, 251
3532054 ...	141, 142, 145, 146	3840914	49	4070665.....	137	4360200 ...	127, 153, 157, 251
3532064	123	3840962	16	4070666.....	137	4360201	221
3532649	49	3840979	91	4070667.....	137	4360202 ...	127, 153, 157, 251
3533291	79, 85	3841005	49	4070679.....	123	4360209	153, 251
3533445	79, 85	3841049	80, 85	4070705.....	141	4360212	128, 251
3534395	135	3841086	16	4070706.....	141	4360215	161, 251
3534705	135	3841087	21	4070707.....	142	4360216	127, 251
3534778	47	3841223	49	4100027.....	45	4360232 ...	111, 127, 158, 221, 250
3535607	67, 68	3900141 ...	167, 169, 171, 177	4100028.....	44, 45	4360236	135
3535808	111	3900168	135	4100029.....	44	4360237	135
3536089	161	3900170 ...	165, 169, 171, 175, 177, 179	4120002.....	111	4360263	258
3536411	21	3900173	167	4120012.....	158, 221	4360267	128
3538392	157	3900175	165	4120013....	127, 128, 153, 158	4360274 ...	127, 153, 157, 162, 251
3580111	101	3910606	127, 153	4130160.....	15	4360277	135, 254
3580134	93, 101	3910608	153, 157	4130161.....	16	4360278	135
3580158	101	3910610	111	4130197.....	11	4360280	54
3600050	81, 96, 105	3911008	81, 87, 128	4130207.....	15	4360281	128
3600164	79, 95, 113	3911012 .	77, 79, 85, 157, 161	4130210.....	16	4360282	157, 251
3600172	80, 95, 117	3911014	80, 86	4130221.....	21	4360284	128
3600177	105, 121	3911016	143, 147	4130222.....	21	4360289	157, 251
3600199 ..	80, 86, 95, 119	3911012	128	4160025.....	111	4360294	221
3600208 ..	81, 87, 96, 105	3911412	128	4160026.....	141, 145	4360327	251
3600260	85, 95, 113	3931010	142, 146	4160028.....	162	4360542	93, 101
3620027	80, 86	3931016	47	4220007.....	162	4400241	123
3640500	153	3931612	142, 146	4220137.....	145	4400242	123
3640711	127	3931620	142, 146	4220139.....	47	4400273	123
3640752	157	3931856	67	4240096.....	79, 85	4400275	125
3720011	91	3941003	161	4260018.....	161	4400279	123
3730003 ...	222, 223, 252	3941404	132	4280002.....	97	4400281	125
3740035	111, 250	3941406 ...	124, 131, 161	4280188.....	138	4400296	123
3740046	111	3951003	95	4280265.....	161	4400306	123
3740048	251	3951402	179	4300031.....	96, 131, 138	4400307	123
3740049 ...	111, 127, 128, 153, 154, 162, 220, 221, 222, 251	3951820	77	4300032..	81, 87, 95, 105, 138	4400402	123
3740057	158, 221	3960098	16	4300033.....	54	4400420	125
3740058 ...	127, 128, 153, 158, 251	3960369	124	4300034....	11, 15, 54, 96, 125	4400421	125
3740063 ...	127, 128, 154, 158	3960372	124	4300038....	54, 81, 87, 97, 142	4420001	96
3740064	111	3960373	11, 16	4300042.....	53	4420008	153, 157
3740066	158, 221	3960388	82, 87, 91	4300056.....	82, 87	4420037	128, 158
3740067 .	79, 85, 96, 105, 250	3960389	96, 131	4300068.....	93, 101, 105, 106	4420051	242
3740077	128, 251	3960407	95	4300070.....	135, 137	4420052	245
3740085	157	3960416	165	4300078.....	123	4460007	124
		3960423	82, 88	4300092.....	12, 18	4460023	93, 101
		3980003	81, 105			4460027	93, 221
		3980007	86, 96				
		3980017	105				

SECTION 10 - SPECIAL OPTIONS

4460049..... 111, 124, 135, 222	4640261 49	4751000 ... 47, 77, 79, 82, 85, 87, 93, 127, 128, 143, 147, 157, 161	4843372..... 96
4460051..... 111, 128, 153	4640383 201	4751400 ... 15, 53, 77, 81, 87, 93, 96, 101, 105, 106, 124, 128, 129, 131, 132, 137, 142, 145, 154, 161, 242, 245	4843410..... 101
4460052..... 153, 157	4640391 91	4751500 ... 47, 49, 53, 86, 93, 97, 101, 123, 135, 137, 141, 158	4843442..... 137
4460071..... 111, 128, 143, 147, 158	4640392 12, 17, 22	4751600 ... 11, 15, 21, 47, 67, 81, 87, 93, 96, 102, 105, 106, 123, 125, 135, 138, 141	4843443..... 137
4460082..... 124	4640438 165	4751700 ... 79, 81, 85, 86	4843452..... 131
4460134..... 101	4640443 47	4751800 ... 13, 18, 79, 85, 86, 125, 141, 145	4843458..... 131
4460138..... 125	4640452 171	4752000 141, 145	4843476..... 131
4460190..... 124	4640504 18	4752200 54	4843478..... 131
4460244..... 128	4640509 167	4752600 50	4843579..... 131
4460298..... 127, 154, 158	4640513 54	4760600 ... 111, 127, 153, 157	4843580..... 131
4460299..... 127, 153, 158	4640521 54	4760800 158	4843665..... 131
4460300..... 127, 154, 158	4640522 54	4761000 ... 11, 16, 47, 77, 80, 81, 86, 87, 93, 111, 127, 128, 143, 147, 153, 154, 157, 158, 161	4843667..... 105
4460301..... 127, 154, 158	4640523 54	4761400 ... 11, 15, 21, 53, 77, 79, 81, 85, 86, 91, 93, 96, 101, 105, 111, 124, 128, 129, 131, 132, 137, 138, 142, 145, 154, 161	4843728..... 15
4460302..... 95	4640529 47	4761500 ... 47, 49, 53, 77, 81, 82, 87, 93, 95, 101, 105, 111, 123, 132, 137, 141, 145, 146	4843732..... 21
4460305..... 127, 154, 158	4640533 54	4761600 ... 11, 15, 21, 22, 47, 67, 79, 81, 82, 87, 93, 95, 96, 102, 105, 123, 125, 137, 142, 146	4843742..... 47
4460306..... 127, 154, 158	4640543 53	4761800 ... 11, 12, 18, 22, 67, 77, 79, 81, 85, 86, 95, 96, 142, 145	4843822..... 77
4460307..... 127, 154, 158	4640570 54, 63	4761900 97	4844052..... 141
4460308..... 127	4640574 203, 207	4762000 49	4860126..... 22
4460311..... 127, 154, 158	4640598 54, 65	4762200 49	4920096..... 22
4460386..... 157	4640601 53, 61	4812000 101	4920140..... 135
4460404..... 158	4640623 53	4831900 80, 82, 86, 88	4920618..... 137, 220
4460405..... 158	4640627 53	4832000 79, 85, 95, 97	4920986..... 146
4460423..... 158	4640629 47	4842485 135	4921259..... 221
4460521..... 162	4640634 ... 169, 171, 179	4842561 12, 17, 22	4921260..... 221
4460660..... 86	4640645 53, 57	4842603 135	4921260..... 221
4460663..... 86	4640646 53, 57	4842621 11, 15, 21	4921273..... 223
4520110..... 12, 17	4640668 47	4842622 11, 15	4921285..... 222
4520111..... 12, 17	4640709 171	4842624 11	4921289..... 222
4520129..... 22	4640744 208	4842794 11, 15	4921291..... 223
4520131..... 17	4640746 171	4842860 11	4921292..... 106
4520199..... 12, 17, 22	4640758 53	4842891 137	4921298..... 106
4562083..... 146	4640774 207	4842892 153	4921305..... 221
4562346..... 49	4640776 203	4842915 141	4921343..... 223
4562516..... 124	4640778 201	4842982 11	4921565..... 222
4562851..... 177	4640812 17, 167	4842994 12, 17	4931735..... 220
4563558..... 80	4640817 203, 207	4842998 68	4931740..... 221
4563644..... 171	4640909 53, 57	4843094 15	4931834..... 221
4563647..... 165	4711400 95, 161	4843286 15, 21	4931941..... 221
4563681..... 173	4711500 132		4931942..... 221
4563769..... 169	4712600 17		4931945..... 221
4563771..... 167	4713000 21		4931954..... 220
4563923..... 67	4740001 11, 16		4931998..... 221
4564134..... 175	4740003 67		4932046..... 221
4564328..... 88	4740004 67, 68		4932047..... 221
4564557..... 96	4740016 16		4932089..... 222
4564575..... 96	4740018 67		4932318..... 222
4564579..... 145	4740032 49		4932320..... 221
4564587..... 179	4740048 67		4932321..... 221
4564623..... 80, 86	4740120 128, 157		4932326..... 223
4564711..... 82, 87	4740156 12		4932327..... 222
4566054..... 98	4740158 ... 142, 145, 146		4932328..... 221
4620048..... 135	4740185 ... 15, 80, 86, 95		4932329..... 221
4620061..... 135	4740189 67		4932330..... 221
4620066..... 135	4740199 142, 146		4932332..... 222
4620067..... 135	4740230 21		4932340..... 222
4620068..... 135	4740252 68		
4640005..... 54	4740256 142, 146		
4640013..... 185	4740273 79, 85		
4640035..... 199	4740274 79, 85		
4640047..... 215	4740338 124		
4640113..... 22	4740362 143, 147		
4640123..... 53	4740398 141		
4640150..... 54	4750016 54		
4640213..... 199, 204, 208	4750600 127, 157		
4640260..... 47	4750800 111, 158		

SECTION 10 - SPECIAL OPTIONS

4932356	221	70003162	97	7002336.....	58, 61, 63	7004896	63
4932378	223	7000413	58	7002338.....	57, 58, 61, 63	7004904	44
4932395	220	7000414	58, 61	7002339.....	58, 61, 63	7004906	41, 44, 45
4932396	220	7000417	57, 250	7002340.....	57, 58, 61, 63	7004907	41, 44, 45
4932397	220	7000418	58, 61, 63, 250	7002341.....	58, 61	7004908	41, 44, 45
4932398	220	7000437	63	7002344.....	58, 61, 63	7004909	44
4932400	220	7000439	58, 61	7002345.....	58, 61, 63	7004910	41, 44
4932401	220	7000440	58, 61	7002346.....	57, 58, 61, 63	7004911	44, 45
4932402	220	7000448	63	7002347.....	63	7004912	44
4932403	220	7000468	57, 58, 61	7002348.....	58, 61, 63	7004913	44
4932412	220	7000470	58, 61, 63	7002350.....	58, 61	7004914	44, 45
4932586	222	7000558	53	7002353.....	58, 61	7004916	44, 45
4932611	222	7000625	143, 147	7002355.....	58, 61	7004917	41, 44
4932638	220	7000645	54	7002356.....	58, 61	7004928	44, 45
4932639	220	7000699	97	7002357.....	58, 61	7004929	44, 45
4932640	220	7000717	35	7002358.....	58, 61	7004933	44
4932756	223	7000728	35	7002359.....	58, 61	7004935	44
70001111	27	7000731	13, 18, 23	7002447.....	58	7004937	44
7000113	58, 61	7000760	35	7002448.....	58	7004938	44, 45
7000114	58, 61	7000796	35	7002449.....	58	7004939	44, 45
7000116	58, 61	7000892	80	7002450.....	58, 250	7004941	44
7000166	149	7001438	113	7002451.....	58	7004942	44
7000191	73	7001498	114	7003006.....	35	7004944	44
7000192	73	7001909	25, 29, 31	7003007.....	35	7004946	44
7000201	25	7001911	25, 29, 31	7003047.....	35	7004948	44
7000202	25	7001912	25, 29, 31	7003049.....	35	7004959	44
7000203	25	7001913	25, 29, 31	7003051.....	35	7004960	44
7000206	25	7001922	31	7003052.....	35	7005902	109
7000211	29, 32	7001931	25, 29, 31	7003055.....	35	7005935	109
7000212	29, 32	7001985	25, 29, 31	7003056.....	35	7005960	109
7000214	26, 29, 31	7001989	29, 31	7003057.....	35	7005962	109
7000216	26, 32	7001997	25	7003059.....	35	7005963	109
7000217	25, 29, 31	7001998	25	7003070.....	35	7005971	109
7000220	29, 32	7002100	149	7003071.....	35	7006139	137
7000226	29	7002103	149	7003454.....	35	7006151	137
7000227	29	7002104	149	7003640.....	54	7006152	137
7000229	25	7002105	149	7003657.....	93, 101	7006156	137
7000230	25	7002107	149	7003700.....	153, 157, 158	7007208	113
7000232	25	7002110	149	7003702.....	153, 157, 158	7007412	114
7000241	29, 31	7002111	149	7003782.....	157	7007413	113
7000242	25, 29, 31	7002112	149	7003783.....	153, 158	7007414	113
7000243	26, 29, 32	7002116	149	7003798.....	153	7007416	113
7000246	25	7002117	149	7003825.....	58, 61, 63	7007417	113
7000247	25, 31	7002123	149	7003828.....	63	7007419	113
7000248	25, 29, 31	7002125	149	7003829.....	63	7007420	113
7000250	26	7002157	73, 75	7003830.....	63	7007421	113
7000251	25	7002159	73	7003831.....	63	7007423	113
7000252	25	7002225	58, 61	7003841.....	61	7007424	113
7000253	25, 29, 31	7002229	57	7003855.....	58, 61	7007425	113
70002533	45	7002262	57, 61	7004214.....	80, 86, 96, 250	7007435	113
70002534	45	7002294	57	7004232.....	65	7007436	113
70002535	45	7002304	57	7004281.....	54	7007437	113
70002536	45	7002305	58, 61	7004282.....	54	7007438	113
70002537	45	7002315	57	7004368.....	53	7007439	113
70002538	45	7002316	57	7004821.....	63	7007440	113
70002539	45	7002317	57, 61	7004822.....	57	7007441	113
70002540	45	7002320	57	7004823.....	57	7007442	113
70002541	45	7002321	57	7004834.....	57	7007444	113
7000257	25	7002322	57	7004835.....	57	7007445	113
7000258	25	7002323	57	7004836.....	57	7007449	113
7000260	26	7002324	57	7004837.....	57	7007453	113
7000261	26, 29, 32	7002326	57	7004838.....	57	7007454	113
7000262	26, 29, 32	7002327	57, 58	7004839.....	57	7007456	113
7000263	25, 26, 29, 31, 32	7002329	57	7004841.....	57	7007458	114
70003160	97	7002333	58, 61, 63	7004859.....	57, 58, 61	7007461	114
70003161	97	7002334	57, 58, 61, 63	7004874.....	41	7007466	114
		7002335	58, 61, 63	7004894.....	63	7007468	114

SECTION 10 - SPECIAL OPTIONS

7007469.....	114	7007955.....	71	7010928.....	117	7016328.....	97, 254
7007470.....	114	7007956.....	71	7010929.....	117	7016331.....	97, 254
7007471.....	114	7007960.....	71	7010930.....	117	7017067.....	25, 31
7007472.....	114	7007970.....	39	7010933.....	121	7017070.....	26, 32
7007474.....	114	7007977.....	37, 39	7010934.....	121	7017080.....	26
7007475.....	114	7007979.....	37	7010935.....	121	7017090.....	26, 32
7007476.....	114	7007980.....	37	7010936.....	121	7017091.....	26, 32
7007477.....	114	7007983.....	37	7010937.....	121	7017092.....	26, 32
7007478.....	114	7007985.....	37	7010938.....	121	7017093.....	26, 32
7007482.....	114	7007986.....	37, 39	7010939.....	121	7017094.....	26, 32
7007483.....	114	7007987.....	37, 39	7010953.....	119	7017095.....	26, 32
7007484.....	114	7009742.....	65, 250	7010954.....	119	7017096.....	31
7007485.....	114	7009745.....	53	7010955.....	119	7017099.....	26, 32
7007486.....	114	7009901.....	73	7010956.....	119	7018602.....	39
7007487.....	114	7009902.....	73	7010957.....	119	7018603.....	39
7007488.....	114	7009903.....	73	7010958.....	119	7018605.....	39
7007490.....	114	7009904.....	73	7010959.....	119	7018606.....	39
7007491.....	114	7009905.....	73, 75	7010960.....	119	7018607.....	39
7007492.....	114	7009906.....	73	7010961.....	119	7018608.....	39
7007494.....	114	7009908.....	73	7010978.....	119	7018609.....	39
7007496.....	114	7009909.....	73, 75	7011118.....	58	7018612.....	13, 18, 23
7007497.....	114	7009912.....	73, 75	7011300.....	151	7019666.....	82
7007498.....	114	7009913.....	73, 75	7011301.....	151	7019668.....	82
7007499.....	114	7009914.....	73	7011302.....	151	7019933.....	80, 82
7007517.....	44	7009915.....	73	7011303.....	151	7019939.....	82, 254
7007601.....	25	7009927.....	75	7011304.....	151	7019941.....	82
7007603.....	26, 29, 31	7009930.....	75	7011305.....	151	7019943.....	82
7007617.....	29, 31	7009983.....	75	7011306.....	151	7019949.....	82, 254
7007643.....	25	7009984.....	75	7011309.....	151	7019951.....	82
7007650.....	26, 29, 31, 32	7009987.....	75	7011310.....	151	7019955.....	82, 87
7007651.....	26, 29, 32	7009988.....	75	7011311.....	151	7019956.....	82, 87
7007652.....	25, 29, 31	7009989.....	75	7011312.....	151	7019957.....	82, 87
7007653.....	25, 29, 31	7009990.....	75	7011712.....	37	7019958.....	83, 87
7007654.....	25, 29, 31	7009992.....	149	7011713.....	37	7019989.....	82, 87
7007683.....	29, 31	7010118.....	87	7011714.....	37	7019998.....	87
7007684.....	29, 31	7010120.....	114	7011715.....	37	7020108.....	93, 101
7007685.....	29, 31	7010121.....	114	7011716.....	37, 39	7020109.....	93, 101
7007686.....	29, 31	7010122.....	114	7011717.....	37	7020110.....	93, 101
7007687.....	29, 31	7010400.....	29	7011720.....	39	7020111.....	93, 101
7007688.....	29, 31	7010429.....	26	7012513.....	93, 101	7020117.....	87, 254
7007689.....	29, 31	7010459.....	31	7012514.....	93, 101	7020121.....	87
7007690.....	29, 31	7010469.....	31, 32	7012558.....	93, 101	7020190.....	93, 101
7007691.....	29, 31	7010470.....	31	7012564.....	82	7020191.....	93, 101
7007692.....	31	7010473.....	33	7012570.....	67	7020323.....	45
7007697.....	25	7010475.....	33	7012571.....	67	7020347.....	45
7007875.....	41	7010476.....	33	7012598.....	97	7020414.....	97
7007876.....	41	7010477.....	33	7012599.....	97	7020416.....	97
7007878.....	41	7010478.....	33	7012611.....	157	7020417.....	97
7007879.....	41	7010511.....	65	7012612.....	157	7020434.....	97
7007880.....	41	7010512.....	65	7012650.....	68	7020465.....	97
7007914.....	37	7010513.....	65	7012651.....	68	7022101.....	87
7007923.....	37	7010514.....	65	7012653.....	82	7022102.....	87
7007924.....	37, 39	7010515.....	65	7012906.....	53	7022103.....	87
7007933.....	37, 39	7010516.....	65	7012907.....	53	7022104.....	87
7007937.....	71	7010711.....	250	7014100.....	32	7022173.....	87
7007938.....	71	7010902.....	117, 121	7014101.....	32	7022174.....	87
7007939.....	71	7010905.....	117, 121	7014102.....	32	7022175.....	87
7007940.....	71	7010907.....	117, 121	7014103.....	32	7022176.....	87
7007941.....	71	7010909.....	117	7014108.....	32	7023670.....	82
7007943.....	71	7010911.....	117, 121	7014109.....	32	7026199.....	93, 101
7007945.....	71	7010914.....	117	7014110.....	32	7027887.....	93, 101
7007946.....	71	7010918.....	117, 121	7014112.....	32	9900493.....	258
7007950.....	71	7010919.....	117	7014113.....	33	9983243.....	242
7007951.....	71	7010922.....	121	7014126.....	33	9983463.....	258
7007952.....	71	7010925.....	117	7016175.....	81, 105		
7007953.....	71	7010926.....	117, 121	7016177.....	105		
7007954.....	71	7010927.....	117	7016180.....	86, 96		



**Corporate Office
JLG Industries, Inc.
1 JLG Drive
McConnellsburg, PA 17233-9533 USA
☎ (717) 485-5161 (Corporate)
☎ (877) 554-5438 (Customer Support)
📠 (717) 485-6417**

**Visit our website for JLG Worldwide Locations.
www.jlg.com**



OSHKOSH™