



Illustrated Parts Manual

Models
40H
40H+6

P/N
3120241

February 10, 2012

ANSI



An Oshkosh Corporation Company

REVISION LOG

August 1984 - Original Issue Of Manual

August 1987 - Revised

February 1995 - Revised (Format Change)

October 1995 - Change 1

Pages Affected:

Cover

Revision Log - Page A

Table of Contents - Pages i and ii

Section 1 - Pages 1-18, 1-23, 1-50 and 1-51

Section 2 - Pages 2-1, 2-1B, 2-9, 2-10, 2-12, 2-25, 2-27 to 2-31, 2-37, 2-42, to 2-49, 2-53, 2-79, 2-85, 2-86, 2-94 to 2-101,
2-104 to 2-111, 2-115 to 2-129, 2-134, 2-137, 2-152, 2-160, 2-163, 2-165 and 2-166

Section 3 - Pages 3-4 to 3-7 and 3-11 to 3-13

Section 4 - Pages 4-2, 4-6, 4-26, 4-29, 4-38, 4-39, 4-41, 4-41A, 4-41B and 4-43

Section 5 - Pages 5-13, 5-15 and 5-40 to 5-42

Section 6 - Pages 6-1, 6-2, 6-4, 6-5 and 6-28 to 6-31

Section 7 - Pages 7-3, 7-4, 7-8 to 7-10, 7-13, 7-18, 7-19, 7-21, 7-26 and 7-27

Section 8 - Pages 8-1 and 8-10

Section 9 - Page 9-1

Section 10 - Pages 10-2 and 10-3

July 24, 2001 - Revised (Edited to B/M 0010324 Revision 67)

February 10, 2005 - Revised

March 18, 2009 - Revised

February 10, 2012 - Revised (Revision 1)

TABLE OF CONTENTS

SECTION 1 - FRAME.....	9
FIGURE 1-1. FRAME AND STEERING INSTALLATION - 2WD BUILT PRIOR TO MID 1984 (WITH DOUBLE ROD STEER CYLINDER)	10
FIGURE 1-2. FRAME AND STEERING INSTALLATION - 2WD BUILT MID 1984 TO PRESENT (WITH SINGLE ROD STEER CYLINDER)	14
FIGURE 1-3. FRAME AND STEERING INSTALLATION - 4WD	18
FIGURE 1-4. TIRES AND WHEEL DRIVE INSTALLATIONS	22
FIGURE 1-5. DRIVE HUB ASSEMBLY	26
FIGURE 1-6. DRIVE HUB/BRAKE ASSEMBLY (4WD FRONT)	30
FIGURE 1-7. BRAKE ASSEMBLY - AUSCO AND MICO.....	34
FIGURE 1-8. BRAKE ASSEMBLY - AUSCO.....	38
FIGURE 1-9. BRAKE ASSEMBLY - MICO	40
FIGURE 1-10. BRAKE ASSEMBLY - AUSCO 29479 (4WD FRONT)	44
FIGURE 1-11. BRAKE ASSEMBLY - AUSCO 37845 (4WD FRONT)	46
FIGURE 1-12. DRIVE MOTOR ASSEMBLY	48
FIGURE 1-13. VALVES INSTALLATION (FRAME MOUNTED).....	54
FIGURE 1-14. LOCKOUT VALVE ASSEMBLY	58
FIGURE 1-15. TOW PACKAGE INSTALLATION.....	60
SECTION 2 - TURNTABLE.....	63
FIGURE 2-1. TURNTABLE AND BOOMS INSTALLATIONS	64
FIGURE 2-2. CONTROL VALVES INSTALLATION - RACINE	68
FIGURE 2-3. RACINE PROPORTIONAL CONTROL VALVE ASSEMBLY - OUTLET SECTION.....	72
FIGURE 2-4. RACINE PROPORTIONAL CONTROL VALVE ASSEMBLY - WORKING SECTION	74
FIGURE 2-5. RACINE PROPORTIONAL CONTROL VALVE ASSEMBLY - INLET SECTION.....	76
FIGURE 2-6. RACINE PROPORTIONAL CONTROL VALVE ASSEMBLY - SERVO SECTION	80
FIGURE 2-7. CONTROL VALVES INSTALLATION - BERTEA.....	84
FIGURE 2-8. CONTROL VALVES ASSEMBLY VICKERS VALVES.....	88
FIGURE 2-9. VICKERS VALVE ASSEMBLIES (PRIOR TO OCTOBER 1994).....	94
FIGURE 2-10. VICKERS VALVE ASSEMBLY - STANDARD CONTROLS (OCTOBER 1994 TO PRESENT)	98
FIGURE 2-11. VICKERS VALVE ASSEMBLY - HYDRAULIC CONTROLS (OCTOBER 1994 TO PRESENT)	102
FIGURE 2-12. CONTROL VALVE ASSEMBLY - BANG-BANG WITH DUMP SECTION.....	106
FIGURE 2-13. CONTROL VALVE ASSEMBLY - BANG-BANG WITH DUMP SECTION.....	110
FIGURE 2-14. CONTROL VALVE ASSEMBLY - BANG-BANG WITH INLET SECTION.....	114
FIGURE 2-15. CONTROL VALVE ASSEMBLY - 1 SECTION BANG-BANG	116
FIGURE 2-16. ACCESSORY VALVE ASSEMBLY (MILLER) HYDRAULIC CONTROLS BUILT THROUGH 1989).....	118
FIGURE 2-17. ACCESSORY VALVE ASSEMBLY (HYDRAFORCE) (HYDRAULIC CONTROLS MACHINES BUILT 1990 TO SEPTEMBER 1991)	120
FIGURE 2-18. STEERING VALVE ASSEMBLY.....	122
FIGURE 2-19. SWING DRIVE, BEARING AND LOCK INSTALLATIONS.....	124
FIGURE 2-20. SWING MOTOR ASSEMBLY	128
FIGURE 2-21. SWING BRAKE ASSEMBLIES - PRIOR TO APRIL 1992	130
FIGURE 2-22. SWING BRAKE ASSEMBLY - APRIL 1992 TO PRESENT	134
FIGURE 2-23. SWING HUB ASSEMBLY	138
FIGURE 2-24. ROTARY COUPLING ASSEMBLY AND INSTALLATION	140
FIGURE 2-25. DEUTZ F2L511 ENGINE INSTALLATION.....	142

TABLE OF CONTENTS

FIGURE 2-26. GENERATOR INSTALLATION - DEUTZ F2L511	148
FIGURE 2-27. DEUTZ F3L912 ENGINE INSTALLATION	152
FIGURE 2-28. ADECO THROTTLE COMPONENTS INSTALLATION - DEUTZ F3L912 ENGINE MACHINES ONLY.....	158
FIGURE 2-29. GENERATOR INSTALLATION - DEUTZ F3L912	162
FIGURE 2-30. DEUTZ F3L1011 ENGINE INSTALLATION	166
FIGURE 2-31. GENERATOR INSTALLATION - DEUTZ F3L1011	172
FIGURE 2-32. FORD LSG 423 ENGINE INSTALLATION (WITH DISTRIBUTOR) (PRIOR TO MARCH 1995).....	176
FIGURE 2-33. ADECO THROTTLE INSTALLATIONS - FORD ENGINE MACHINES	184
FIGURE 2-34. PRECISION GOVERNOR INSTALLATION - FORD ENGINE MACHINES.....	186
FIGURE 2-35. GENERATOR INSTALLATION - FORD ENGINE MACHINES BUILT PRIOR TO MARCH 1995	188
FIGURE 2-36. FORD LRG 423 DIS ENGINE ASSEMBLY (DISTRIBUTORLESS IGNITION SYSTEM) (MARCH 1995 TO S/N 36897).....	192
FIGURE 2-37. FORD LRG 425 DIS ENGINE ASSEMBLY (DISTRIBUTORLESS IGNITION SYSTEM) (SN 36897 to Present) .	198
FIGURE 2-38. GENERATOR INSTALLATION - FORD MACHINES BUILT MARCH 1995 TO PRESENT	204
FIGURE 2-39. DUEL FUEL INSTALLATION (FORD MACHINES)	208
FIGURE 2-40. WISCONSIN VG4D ENGINE INSTALLATION	210
FIGURE 2-41. PUMP COUPLING INSTALLATIONS.....	216
FIGURE 2-42. MAIN PUMP ASSEMBLY (FORD AND DEUTZ F3L912 MACHINES WITH VICKERS VALVES BUILT PRIOR TO MAY/JUNE 1987 - HAS ONE OUTLET IN END COVER).....	220
FIGURE 2-43. MAIN PUMP ASSEMBLY (FORD AND DEUTZ F3L912 AND DEUTZ F3L1011 MACHINES WITH VICKERS VALVES BUILT MAY/JUNE 1987 TO PRESENT - HAS 2 OUTLETS IN END COVER)	222
FIGURE 2-44. MAIN PUMP ASSEMBLY (DEUTZ F2L511 MACHINES).....	224
FIGURE 2-45. PISTON PUMP ASSEMBLY - FRONT (OPTION ON FORD MACHINES).....	226
FIGURE 2-46. PISTON PUMP ASSEMBLY - REAR (OPTION ON FORD MACHINES)	230
FIGURE 2-47. TANKS AND HEATERS INSTALLATION.....	232
FIGURE 2-48. GROUND CONTROLS COMPONENTS INSTALLATION (RACINE VALVE MACHINES).....	236
FIGURE 2-49. GROUND CONTROL COMPONENTS INSTALLATION (VICKERS VALVE MACHINES WITH STANDARD CONTROLS)	240
FIGURE 2-50. GROUND CONTROL COMPONENTS INSTALLATION (MACHINES WITH HYDRAULIC CONTROLS)	246
FIGURE 2-51. ELECTRICAL COMPONENTS INSTALLATION (TURNABLE MOUNTED).....	252
FIGURE 2-52. HOODS INSTALLATION	254
SECTION 3 - BOOM.....	257
FIGURE 3-1. 2 SECTION BOOM ASSEMBLIES	258
FIGURE 3-2. 3 SECTION BOOM ASSEMBLIES	264
FIGURE 3-3. BOOM WIPERS INSTALLATION (2 SECTION).....	270
FIGURE 3-4. BOOM WIPERS INSTALLATION (3 SECTION).....	272
FIGURE 3-5. EXTEND-A-REACH INSTALLATIONS (40H+6 MACHINES)	276
SECTION 4 - PLATFORMS.....	279
FIGURE 4-1. STANDARD PLATFORM AND FOOTSWITCH INSTALLATION	280
FIGURE 4-2. LOW MOUNT PLATFORM AND FOOTSWITCH INSTALLATION	286
FIGURE 4-3. ROTATOR MOTOR ASSEMBLY	292
FIGURE 4-4. CONSOLE BOX ASSEMBLIES - PQ CONTROLLERS WITHOUT PROP TELE (MACHINES BUILT PRIOR TO SEPTEMBER 1991).....	294
FIGURE 4-5. CONSOLE BOX ASSEMBLIES - PQ CONTROLLERS WITH PROP TELE (MACHINES BUILT PRIOR TO SEPTEMBER 1991).....	298

TABLE OF CONTENTS

FIGURE 4-6. CONSOLE BOX ASSEMBLIES - PQ CONTROLLERS AND VICKERS VALVE (MACHINES BUILT SEPTEMBER 1991 TO PRESENT).....	302
FIGURE 4-7. CONSOLE BOX ASSEMBLY - OEM CONTROLLERS.....	306
FIGURE 4-8. CONSOLE BOX ASSEMBLY - HYDRAULIC CONTROLS.....	310
FIGURE 4-9. CAPACITY INDICATOR INSTALLATION (OPTIONAL).....	314
FIGURE 4-10. OPTIONAL COMMON PLATFORM MOUNTED COMPONENTS	320
SECTION 5 - CYLINDER.....	323
FIGURE 5-1. AXLE LOCKOUT CYLINDER ASSEMBLY - 4WD/2WS (PRIOR TO SEPTEMBER 1992) (USE WITH OPTIONAL OSCILLATING AXLE).....	324
FIGURE 5-2. AXLE LOCKOUT CYLINDER ASSEMBLY	328
FIGURE 5-3. LIFT CYLINDER ASSEMBLY - BOOM (PRIOR TO APRIL 1993)	330
FIGURE 5-4. LIFT CYLINDER ASSEMBLY - BOOM (APRIL 1993 TO PRESENT).....	332
FIGURE 5-5. LIFT CYLINDER ASSEMBLY - EXTEND-A-REACH (40H+6 ONLY).....	334
FIGURE 5-6. MASTER CYLINDER ASSEMBLIES	336
FIGURE 5-7. PLATFORM LEVEL CYLINDER ASSEMBLIES (BUILT PRIOR TO JANUARY 1987)	338
FIGURE 5-8. PLATFORM LEVEL CYLINDER ASSEMBLIES (BUILT JANUARY 1987 TO APRIL 1992)	340
FIGURE 5-9. PLATFORM LEVEL CYLINDER ASSEMBLIES (BUILT APRIL 1992 TO PRESENT)	342
FIGURE 5-10. PLATFORM LEVEL CYLINDER ASSEMBLIES (MODEL 40H+6 EXTEND-A-REACH) (Prior to SN 47925)	344
FIGURE 5-11. PLATFORM LEVEL CYLINDER ASSEMBLIES (MODEL 40H+6 EXTEND-A-REACH) (SN 47925 to Present)...	346
FIGURE 5-12. STEER CYLINDER ASSEMBLY - 2WD (PRIOR TO MID 1984)	348
FIGURE 5-13. STEER CYLINDER ASSEMBLY - 2WD (MID 1984 TO PRESENT).....	350
FIGURE 5-14. STEER CYLINDER ASSEMBLY - 4WD.....	352
FIGURE 5-15. TELESCOPE CYLINDER ASSEMBLY (2-SECTION) (PRIOR TO JULY 1985)	354
FIGURE 5-16. TELESCOPE CYLINDER ASSEMBLY (2-SECTION) (JULY 1985 TO PRESENT).....	356
FIGURE 5-17. TELESCOPE CYLINDER ASSEMBLY (3-SECTION).....	358
FIGURE 5-18. CYLINDER BELLOWS INSTALLATION	360
SECTION 6 - HYDRAULICS.....	363
FIGURE 6-1. HYDRAULIC DIAGRAM LIST	364
FIGURE 6-2. AXLE LOCKOUT HYDRAULIC DIAGRAM	368
FIGURE 6-3. DRIVE HYDRAULIC DIAGRAM (2WD)	370
FIGURE 6-4. DRIVE HYDRAULIC DIAGRAM (4WD)	372
FIGURE 6-5. LEVEL HYDRAULIC DIAGRAM (2-SECTION)	374
FIGURE 6-6. LEVEL HYDRAULIC DIAGRAM (3-SECTION)	376
FIGURE 6-7. LEVEL HYDRAULIC DIAGRAM WITH EXTEND-A-REACH AND ROTATE SUPPORT	378
FIGURE 6-8. LIFT HYDRAULIC DIAGRAM (VICKERS)	380
FIGURE 6-9. MANUAL DESCENT HYDRAULIC DIAGRAM.....	382
FIGURE 6-10. PUMP HYDRAULIC DIAGRAM WITH 3-CYLINDER DEUTZ	384
FIGURE 6-11. PUMP HYDRAULIC DIAGRAM WITH FORD ENGINES (MARCH 1995 TO PRESENT).....	388
FIGURE 6-12. ROTATE HYDRAULIC DIAGRAMS 2-SECTION AND 3-SECTION BOOMS.....	392
FIGURE 6-13. SEQUENCE HYDRAULIC DIAGRAM.....	394
FIGURE 6-14. STEER HYDRAULIC DIAGRAM 2WD AND 4WD	396
FIGURE 6-15. SWING HYDRAULIC DIAGRAM	398
FIGURE 6-16. TELESCOPE HYDRAULIC DIAGRAM	400
SECTION 7 - ELECTRICAL	403

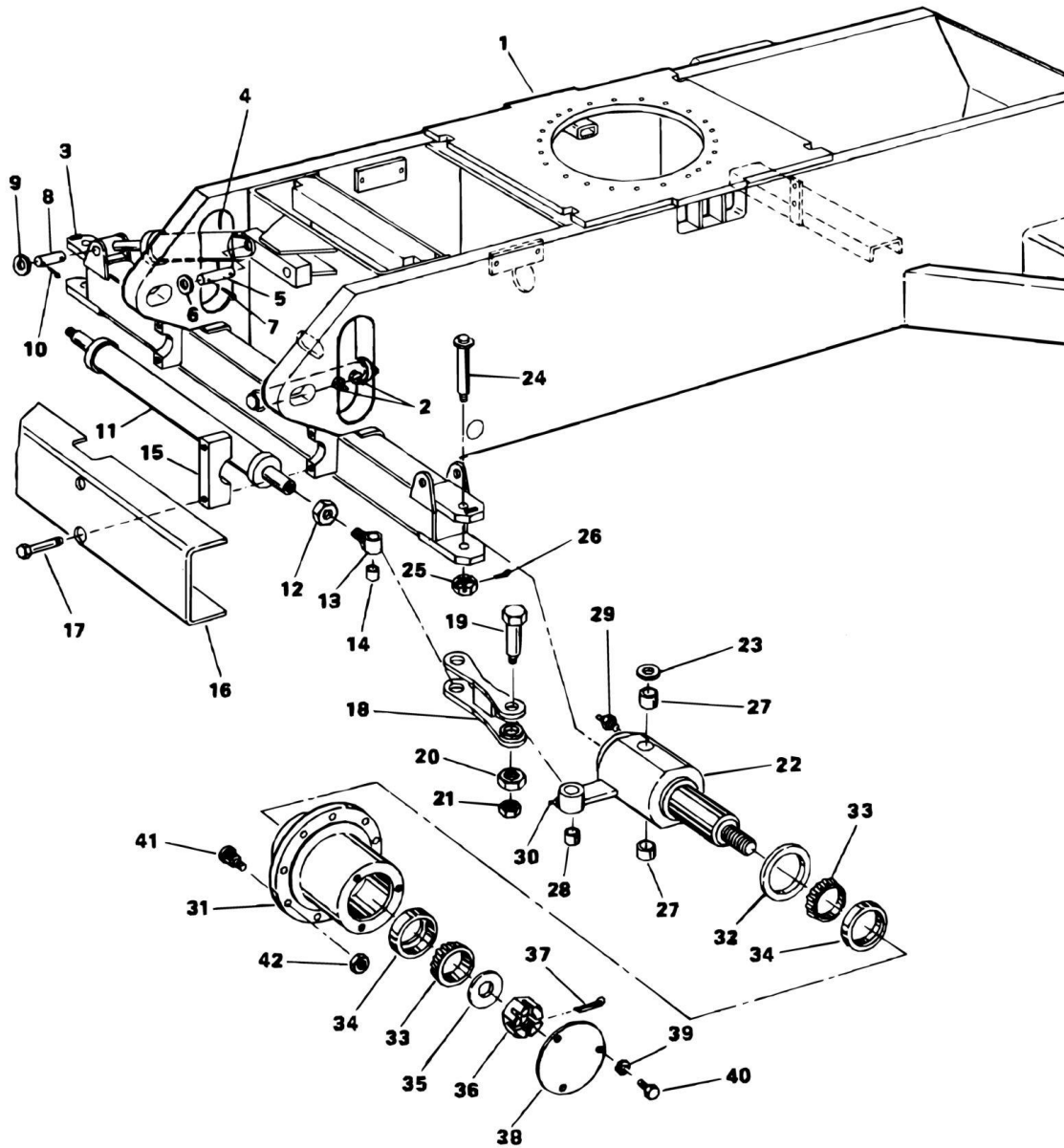
TABLE OF CONTENTS

FIGURE 7-1. ELECTRICAL DIAGRAM LIST	404
FIGURE 7-2. WIRING DIAGRAM - DUAL FUEL (FORD AND WISCONSIN ENGINES)	414
FIGURE 7-3. WIRING DIAGRAM - 110V GENERATOR (DEUTZ ENGINE)	416
FIGURE 7-4. WIRING DIAGRAM - 110V GENERATOR (FORD ENGINE)	418
FIGURE 7-5. WIRING DIAGRAM - PLATFORM CONSOLE STANDARD CONTROLS	420
FIGURE 7-6. WIRING DIAGRAM - PLATFORM CONSOLE HYDRAULIC CONTROLS	422
FIGURE 7-7. WIRING DIAGRAM - STANDARD (DEUTZ F2L511/F3L912 AND WISCONSIN ENGINES WITH STANDARD CONTROLS)	424
FIGURE 7-8. WIRING DIAGRAM - STANDARD (DEUTZ F2L511/F3L912 AND WISCONSIN ENGINES WITH HYDRAULIC CONTROLS)	426
FIGURE 7-9. WIRING DIAGRAM - STANDARD (DEUTZ F3L1011 ENGINES WITH STANDARD CONTROLS).....	428
FIGURE 7-10. WIRING DIAGRAM - STANDARD (DEUTZ F3L1011 ENGINES WITH HYDRAULIC CONTROLS).....	430
FIGURE 7-11. WIRING DIAGRAM - STANDARD (FORD LRG423 DIS ENGINE WITH STANDARD CONTROLS).....	432
FIGURE 7-12. WIRING DIAGRAM - STANDARD (FORD LSG423/LRG425 DIS ENGINE WITH HYDRAULIC CONTROLS).....	434
SECTION 8 - DECALS	437
FIGURE 8-1. DECALS INSTALLATION - DOMESTIC.....	438
FIGURE 8-2. DECALS INSTALLATION - LATIN AMERICA	444
SECTION 9 - RECOMMENDED SERVICE PARTS STOCK.....	447
FIGURE 9-1. MODELS 40H/40H+6 (STANDARD CONTROLS) STANDARD PARTS	448
FIGURE 9-2. MODELS 40H/40H+6 (STANDARD CONTROLS) VARIABLE PARTS	450
SECTION 10 - SPECIAL OPTIONS	451
FIGURE 10-1. MISCELLANEOUS SPECIAL OPTIONS	452
FIGURE 10-2. EURO SPEC COMPONENTS.....	456
PART NUMBER INDEX.....	459

SECTION 1 - FRAME

SECTION 1 - FRAME

FIGURE 1-1. FRAME AND STEERING INSTALLATION - 2WD BUILT PRIOR TO MID 1984 (WITH DOUBLE ROD STEER CYLINDER)



SECTION 1 - FRAME

FIGURE 1-1. FRAME AND STEERING INSTALLATION - 2WD BUILT PRIOR TO MID 1984 (WITH DOUBLE ROD STEER CYLINDER)

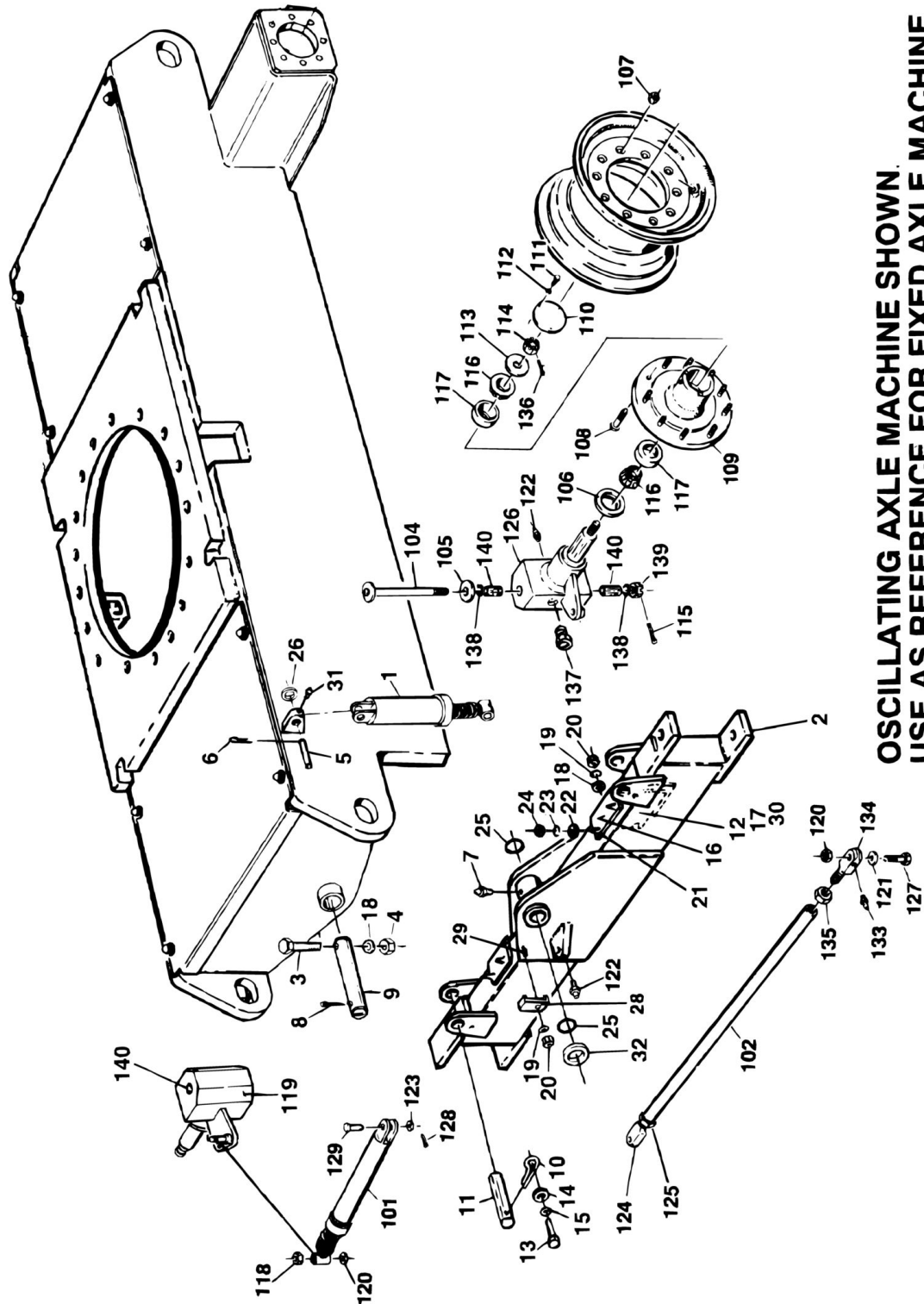
ITEM	PART NUMBER	QTY	DESCRIPTION	REV
1	2360226	1	Frame Weldment	
2	2160002	2	Fitting, Grease	
2	0960534	2	Bushing, Bronze	
	0236220	Ref	OSCILLATING AXLE INSTALLATION	B
3	4841884	1	Axle Beam Weldment	
3	1120191	1	Cap Retainer	
3	0642216	2	Bolt 3/4in-10NC x 2in	
3	4762200	2	Lockwasher 3/4in	
4	1681523	2	Axle Lockout Cylinder Assembly (See CYLINDER SECTION for Breakdown)	
5	3421118	2	Pin	
6	4740103	4	Washer	
7	3450608	4	Pin, Cotter	
8	3420738	2	Pin	
9	4740103	4	Washer	
10	3450608	4	Pin, Cotter	
	0236226	Ref	STEERING INSTALLATION (All units prior to serial no. 0308408969, serial nos. 0308408973 thru 0308408998 and serial nos. 0308409000 thru 0308409017)	B
11	1681520	1	Steering Cylinder Assembly (See CYLINDER SECTION for Breakdown)	
12	3312801	4	Nut, Hex 1 1/8in-7NC	
13	0231964	2	Tie Rod Assembly	
14	0960414	1	Bushing	
15	3200188	2	Mount, Steer Cylinder	
16	1670293	2	Cover	
17	0641830	4	Bolt 1/2in-13NC x 3 3/4in	
18	3010073	2	Steering Link	
19	0630354	4	Bolt, Special	
20	3312605	4	Lock Nut 1in-8NC	
21	3312602	4	Nut, Jam 1in-8NC (When Equipped)	
22	4130143	1	Spindle - L.H. (Includes Items 27 & 28)	
22	4130142	1	Spindle - R.H. (Includes Items 27 & 28)	
23	4740247	2	Washer, Thrust	
24	3420871	2	Pin, King	
25	3313003	2	Nut, Slotted 1 1/4in-7NC	
26	3450608	2	Cotter Pin	
27	0960839	4	Bushing	
28	0960414	2	Bushing	
29	2160002	2	Fitting, Grease	
30	2160006	2	Fitting, Grease	
31	2780091	2	Hub, Weldment	
32	3960098	2	Seal	
33	0440019	4	Bearing, Cone	
34	0440018	4	Bearing, Cup	
35	4740016	2	Washer, Hardened	
36	3323404	2	Nut, Slotted 1 1/2in-12NC	
37	3450408	2	Cotter Pin	
38	1120032	2	Cap, Hub	
39	4761000	6	Lockwasher #10	

SECTION 1 - FRAME

ITEM	PART NUMBER	QTY	DESCRIPTION	REV
40	0641003	6	Bolt #10-24NC x 3/8in	
41	0630137	18	Bolt, Wheel Stud	
42	3300012	18	Nut 1/2in-20NC	

SECTION 1 - FRAME

FIGURE 1-2. FRAME AND STEERING INSTALLATION - 2WD BUILT MID 1984 TO PRESENT (WITH SINGLE ROD STEER CYLINDER)



OSCILLATING AXLE MACHINE SHOWN.
USE AS REFERENCE FOR FIXED AXLE MACHINE

SECTION 1 - FRAME

FIGURE 1-2. FRAME AND STEERING INSTALLATION - 2WD BUILT MID 1984 TO PRESENT (WITH SINGLE ROD STEER CYLINDER)

ITEM	PART NUMBER	QTY	DESCRIPTION	REV
		Ref	FRAME WELDMENT OPTIONS	
		Ref	Fixed Axle Frames:	
	2360234	Ref	Fixed Axle Frames (Mid 1984 to January 1992)	
	2360349	Ref	Fixed Axle Frames (January 1992 to Present)	
		Ref	Oscillating Axle Frames:	
	2360231	Ref	Oscillating Axle Frames (40H Built Mid 1984 to March 1985)	
	2360236	Ref	Oscillating Axle Frames (40H Built March 1985 to January 1992)	
	2360348	Ref	Oscillating Axle Frames (40H Built January 1992 to Present)	
	2360307	Ref	Oscillating Axle Frames (40H+6 and 46H)	
	0236447	Ref	OPTIONAL OSCILLATING FRONT AXLE INSTALLATION - BUILT MID 1984 TO MARCH 1985 (WITH 2 1/2IN BORE LOCKOUT CYLINDER)	5
	0236868	Ref	OPTIONAL OSCILLATING FRONT AXLE INSTALLATION - BUILT MARCH 1985 TO JANUARY 1992 (WITH 3IN BORE LOCKOUT CYLINDER)	5
	0253092	Ref	OPTIONAL OSCILLATING FRONT AXLE INSTALLATION - BUILT JANUARY 1992 TO PRESENT (WITH 3IN BORE LOCKOUT CYLINDER)	4
1		Ref	Axle Lockout Cylinder Assembly (See CYLINDER SECTION for Breakdown) Options:	
1	1681536	2	Axle Lockout Cylinder Assembly (Built Mid 1984 to March 1985)	
1	1681572	2	Axle Lockout Cylinder Assembly (Built March 1985 to January 1992)	
1	1682873	2	Axle Lockout Cylinder Assembly (Built January 1992 to Present)	
2		Ref	Front Axle Weldment Options:	
2	4841999	1	Front Axle Weldment (Built Mid 1984 to March 1985)	
2	4842691	1	Front Axle Weldment (Built March 1985 to Present)	
3	0641636	1	Bolt 3/8in-16NC x 4 1/2in	
4	3311605	1	Lock Nut 3/8in-16NC	
5		Ref	Pin (Top) Options:	
5	3421622	2	Pin (Top) (Built Mid 1984 to March 1985)	
5	3421227	2	Pin (Top) (Built March 1985 to Present)	
6	3450606	4	Pin, Cotter	
7	2160002	AR	Fitting, Grease	
8	3451214	1	Pin, Cotter	
9	3421128	1	Pin, Front Axle	
10	3450808	4	Pin, Cotter	
11		Ref	Pin (Bottom) Options:	
11	3421129	2	Pin (Bottom) (Built Mid 1984 to March 1985)	
11	3421224	2	Pin (Bottom) (Built March 1985 to Present)	
12	4070528	2	Shim, Axle 1/16in	
12	4070800	2	Shim, Axle	
12	4300034	4	Stud (Welded on Part)	
13	0641406	2	Bolt 1/4in-20NC x 3/4in	
14	4751400	2	Flatwasher 1/4in	
15	4761400	2	Lockwasher 1/4in	
16	4220098	2	Stop, Axle	
17	4300034	2	Stud (Welded on Part)	
18	4751600	3	Flatwasher 3/8in	
19	4761600	2	Lockwasher 3/8in	

SECTION 1 - FRAME

ITEM	PART NUMBER	QTY	DESCRIPTION	REV
20	3311601	2	Nut 3/8in-16NC	
21	4300048	4	Stud (Welded on Part)	
22	4751800	4	Flatwasher 1/2in	
23	4761800	4	Lockwasher 1/2in	
24	3311801	4	Nut 1/2in-13NC	
25		Ref	O-Ring Options:	
25	Not Required	0	O-Ring (Built Mid 1984 to March 1985)	
25	Not Required	0	O-Ring (Built March 1985 to January 1992)	
25	3780184	2	O-Ring (Built January 1992 to Present)	
26	4712600	4	Flatwasher 1in Narrow	
27	2540002	6	Grommet (Not Shown)	
		in./15.2cm		
28	1320125	1	Clamp (Prior to SN 38704)	
29	4300030	2	Stud (Welded on Part)	
30	4070800		Shim, Axle	
31		Ref	Fitting, Grease - Straight	
31	2160002	4	Fitting, Grease - Straight (Built Mid 1984 to January 1992)	
31	2160003	4	Fitting, Grease - 45 (Built January 1992 to Present)	
32	4740158	2	Washer, Thrust (Prior to January 1992 Only)	
	0236449	Ref	STEERING INSTALLATION - STANDARD	O
	0252299	Ref	STEERING INSTALLATION - CSA	A
101	1681562	1	Steer Cylinder Assembly (See CYLINDER SECTION for Breakdown) (Note: 1681533 Steer Cylinder used Mid 1984 to January 1985. Replace 1681533 with 1681562)	
102		Ref	Tie-Rod Options:	
102	3840759	1	Tie-Rod with RH Threads both ends (Mid 1984 to April 1986)	
102	3840863	1	Tie-Rod with LH and RH Threads (April 1986 to Present)	
104		Ref	Kingpin Options:	
104		Ref	Kingpin, Standard	
104	3421127	2	Kingpin, 1 1/4in Diameter (Mid 1984 to June 1985)	
104	3421243	2	Kingpin, 1 1/2in Diameter (June 1985 to February 1994)	
104	3422261	2	Kingpin, 1 1/2in Diameter (February 1994 to Present)	
104	3421835	2	Kingpin, CSA	
105		Ref	Thrust Bearing Options:	
105	0440162	2	Bearing - Used with 1 1/4in Kingpins	
105	0440183	2	Bearing - Used with 1 1/2in Kingpins	
106	3960098	2	Seal, Hub	
107	3300012	18	Lugnut	
108	0630137	18	Bolt, Wheel	
109	2780091	2	Hub	
110	1120032	2	Cap, Hub	
111	0721003	6	Screw #10-24NC x 3/8in	
112	4761000	6	Lockwasher #10	
113	4740016	2	Washer, Hardened	
114	3323403	2	Nut, Slotted 1 1/2in-12NF	
115	3451012	2	Pin, Cotter 5/16in x 3in	
116	0440019	2	Cone, Bearing	
117	0440018	2	Cup, Bearing	
118	3300175	1	Locknut	
119		Ref	Spindle (RH Side) Options (Includes Item 140):	
119		Ref	Standard	
119	4130142	1	Spindle - 1 1/4in Diameter (Mid 1984 to June 1985)	

SECTION 1 - FRAME

ITEM	PART NUMBER	QTY	DESCRIPTION	REV
119	4130160	1	Spindle - 1 1/2in Diameter (June 1985 to Present)	
119	4130267	1	CSA	
120	3312602	2	Nut, Jam 1in-8NC	
121	0440091	3	Bearing, Thrust	
122	2160002	3	Fitting, Grease	
123	4712600	1	Flatwasher 1in Narrow	
124	0560605	1	Block, Tie-Rod (RH Side/RH Threads)	
125	3323002	1	Nut, Jam 1 1/4in-12NF	
126		Ref	Spindle (RH Side) Options (Includes Item 140):	
126		Ref	Spindle Standard	
126	4130143	1	Spindle - 1 1/4in Diameter (Mid 1984 to June 1985)	
126	4130161	1	Spindle - 1 1/2in Diameter (June 1985 to Present)	
126	4130268	1	Spindle CSA	
127	0630425	2	Bolt 1in-8NC x 3 3/4in	
128	3450606	1	Pin, Cotter 3/16in x 1 1/2in	
129	3431622	1	Pin, Clevis 1in x 2 3/4in	
132	0100011	AR	Loctite #242 (Not Shown)	
133		Ref	Grease Fitting Options:	
133	2160002	2	Grease Fitting , Straight	
133	2160003	2	Grease Fitting , 45	
134		Ref	Tie-Rod Block (LH Side) Options:	
134	0560605	1	Tie-Rod Block (LH Side/RH Threads) (Mid 1984 to April 1986)	
134	0560714	1	Tie-Rod Block (LH Side/LH Threads) (April 1986 to Present)	
135		Ref	Jam Nut (1 1/4in-12NF) Options:	
135	3323002	1	Jam Nut (RH Threads)	
135	3300229	1	Jam Nut (LH Threads)	
136		Ref	Cotter Pin Options:	
136	3451012	2	Cotter Pin 5/16in x 3in	
136	3450810	2	Cotter Pin 1/4in x 2 1/2in	
137		Ref	Valve, Relief Options: (February 1994 to Present)	
137	4640812	2	Valve, Relief Standard	
137	Not Required	0	Valve, Relief CSA	
138		Ref	O-Ring Options: (February 1994 to Present)	
138	3780183	4	O-Ring, Standard	
138	Not Required	0	O-Ring, CSA	
139		Ref	Slotted Nut Options:	
139	3313003	2	Slotted Nut, Standard - Nut 1 1/4in-7NC	
139	3313403	2	Slotted Nut, Standard - Nut 1 1/2in-6NC	
139	3323403	2	Standard - Nut 1 1/2in-12NF	
140		Ref	Bushing Options:	
140		Ref	Bushing Standard	
140	0960839	2	Bushing 1 1/4in Kingpins (Mid 1984 to June 1985)	
140	0960523	2	Bushing 1 1/2in Kingpins (June 1985 to February 1994)	
140	0961778	2	Bushing 1 1/2in Kingpins (February 1994 to Present)	
140	0960523	2	Bushing CSA	

SECTION 1 - FRAME

FIGURE 1-3. FRAME AND STEERING INSTALLATION - 4WD

ITEM	PART NUMBER	QTY	DESCRIPTION	REV
		Ref	FRAME WELDMENT OPTIONS	
		Ref	Fixed Axle Frames:	
	2360233	Ref	Fixed Axle Frames, (Mid 1984 to January 1992)	
	2360350	Ref	Fixed Axle Frames, (January 1992 to Present)	
		Ref	Oscillating Axle Frames:	
	2360231	Ref	Oscillating Axle Frames, (40H Built Mid 1984 to March 1985)	
	2360236	Ref	Oscillating Axle Frames, (40H Built March 1985 to January 1992)	
	2360348	Ref	Oscillating Axle Frames, (40H Built January 1992 to Present)	
	2360307	Ref	Oscillating Axle Frames, (40H+6 and 46H)	
	0236717	Ref	OPTION OSCILLATING FRONT AXLE INSTALLATION - STANDARD CAPACITY BUILT PRIOR TO APRIL 1993	E
	0253091	Ref	OPTIONAL OSCILLATING FRONT AXLE INSTALLATION - STANDARD CAPACITY BUILT APRIL 1993 TO PRESENT	5
	0253093	Ref	OPTION OSCILLATING FRONT AXLE INSTALLATION - 800 LBS UNRESTRICTED CAPACITY	3
1		Ref	Axle Lockout Cylinder Assembly Options (See CYLINDER SECTION for Breakdown)	
1	1681557	2	Cylinder (Prior to March 1985)	
1	1681571	2	Cylinder (March 1985 to April 1993)	
1	1682727	2	Cylinder (April 1993 to Present)	
1	1682727	2	Cylinder (800Lbs. Unrestrict Capacity)	
2		Ref	Front Axle Weldment Options:	
2	4842153	1	Axle (Prior to April 1993)	
2	4842153	1	Axle (April 1993 to Present)	
2	4843698	1	Axle (800Lbs. Unrestricted Capacity)	
2A		Ref	Bushing (Axle Pivot) Options:	
2A	0961003	2	Bushing (Prior to February 1994)	
2A	0961771	2	Bushing (February 1994 to Present)	
2A	0961003	2	Bushing (800Lbs. Unrestrict Capacity)	
2B		Ref	Bushing (Kingpin Pivot) Options:	
2B	0961029	4	Bushing (Prior to February 1994)	
2B	0961073	4	Bushing (February 1994 to Present)	
2B	0961029	4	Bushing (800Lbs. Unrestrict Capacity)	
3	2540002	11 in	Grommet	
4	2160002	AR	Fitting, Grease - Straight	
5		Ref	Clevis Pin (Top) Options:	
5	3421622	2	Pin (Prior to March 1985)	
5	3421227	2	Pin (March 1985 to Present)	
6	4712600	4	Flatwasher 1in	
7	3450606	4	Pin, Cotter 3/8in x 1 1/2in	
8	0641636	1	Bolt 3/8in-16NC x 4 1/2in	
9	4751600	3	Flatwasher 3/8in	
10	3311605	1	Locknut 3/8in-16NC	
11	2160003	AR	Fitting, Grease - 45	
12	3451214	1	Pin, Cotter 3/8in x 3 1/2in	
13	3421128	1	Pin, Front Axle	
14		Ref	Stud (Welded on Part) Options:	
14	4300048	AR	Stud (Welded on Part) (Prior to SN 35872)	
14	4300045	AR	Stud (Welded on Part) (SN 35872 to Present)	
15	4751800	4	Flatwasher 1/2in	

SECTION 1 - FRAME

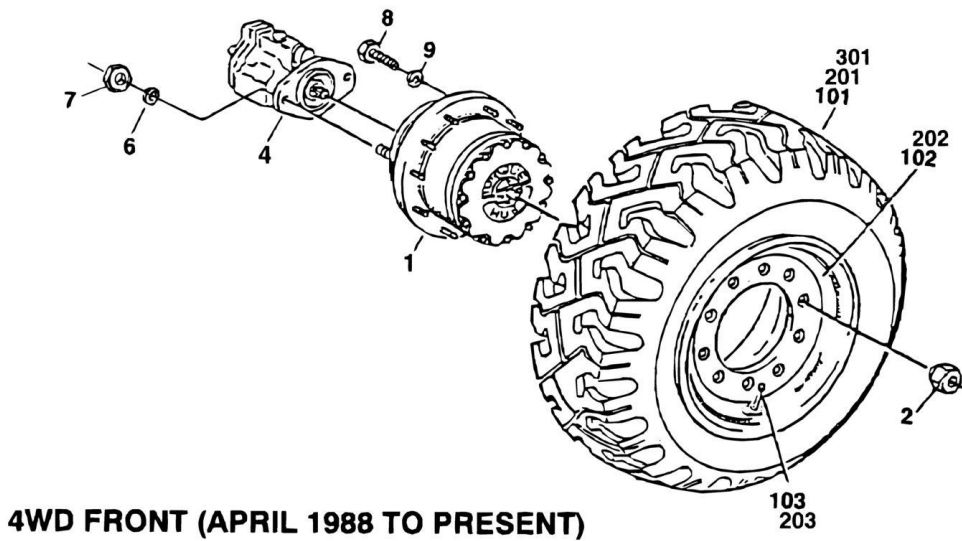
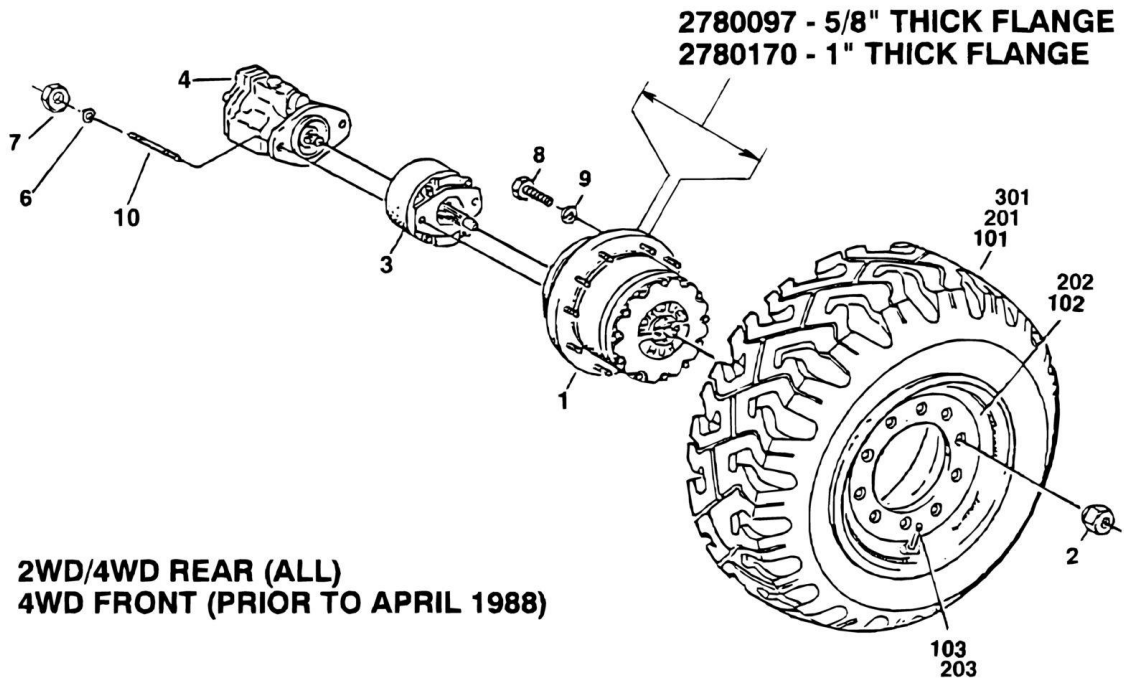
ITEM	PART NUMBER	QTY	DESCRIPTION	REV
16	4761800	2	Lockwasher 1/2in	
17	3311801	2	Nut 1/2in-13NC	
18	4300030	2	Stud (Welded on Part)	
19	4761600	2	Lockwasher 3/8in	
20	3311601	2	Nut 3/8in-16NC	
21	4220098	2	Stop, Axle	
22	4070528	AR	Shim, Axle 1/16in	
23	0641406	2	Bolt 1/4in-20NC x 3/4in	
24	4751400	2	Flatwasher 1/4in	
25	4761400	2	Lockwasher 1/4in	
26	3450808	2	Pin, Cotter 1/4in x 2in	
27		Ref	Clevis Pin (Bottom) Options:	
27	3421129	2	Pin (Prior to March 1985)	
27	3421224	2	Pin (March 1985 to Present)	
28	1320125	1	Clamp, Hose	
29	0641612	1	Bolt 3/8in-16NC x 1 1/2in	
30	0100019	AR	Loctite #271 (Not Shown)	
31	4070800	AR	Shim, Axle	
32		Ref	O-Ring Options:	
32	3780184	2	O-Ring (April 1993 to Present)	
32	Not Required	0	O-Ring (800Lbs. Unrestrict Capacity)	
33		Ref	Washer, Thrust Options:	
33	4740158	2	Washer (Prior to April 1993)	
33	Not Required	0	Washer (April 1993 to Present)	
33	4740158	2	Washer (800Lbs. Unrestrict Capacity)	
	0236705	Ref	STEERING INSTALLATION - STANDARD MACHINES BUILT PRIOR TO APRIL 1992	G
	0251813	Ref	STEERING INSTALLATION - STANDARD MACHINES BUILT APRIL 1992 TO PRESENT AND ALL CSA MACHINES	B
101		Ref	Spindle (RH Side) Options:	
101	4130152	1	Spindle (Prior to August 1986)	
101	4130170	1	Spindle (August 1986 to Present)	
102		Ref	Spindle (LH Side) Options:	
102	4130153	1	Spindle (Prior to August 1986)	
102	4130171	1	Spindle (August 1986 to Present)	
103	1681555	1	Steer Cylinder Assembly (See CYLINDER SECTION for Breakdown)	
104		Ref	Tie-Rod Options:	
104	3840786	1	Tie-Rod (Prior to April 1986)	
104	3840866	1	Tie-Rod (April 1986 to Present)	
105	3431622	1	Pin, Clevis	
106	4712600	1	Flatwasher 1in Narrow	
107	3450606	1	Pin, Cotter 3/16in x 1 1/2in	
108	0560605	1	Block, Tie-Rod (RH Side/RH Threads)	
109	0440091	3	Bearing, Thrust	
110	0642628	2	Bolt 1in-8NC x 3 1/2in	
111	3312602	3	Nut, Jam 1in-8NC	
112	0100011	AR	Loctite #242 (Not Shown)	
113	0630369	1	Bolt, Special	
114	0641404	8	Bolt 1/4in-20NC x 1/2in (Prior to August 1992)	
114	4761400	8	Lockwasher 1/4in (Prior to August 1992)	
115	2080026	8	Tack (August 1992 to Present - When Equipped)	

SECTION 1 - FRAME

ITEM	PART NUMBER	QTY	DESCRIPTION	REV
116		Ref	Cover Plate Options (When Equipped):	
116	3530244	4	Plate (Prior to August 1992)	
116	3536410	4	Plate (August 1992 to Present)	
117		Ref	Kingpin Options:	
117	3421190	4	Kingpin (Prior to April 1992)	
117	3422221	4	Kingpin (April 1992 to Present)	
118	3323002	1	Nut, Jam 1 1/4in-12NF	
119		Ref	Grease Fitting Options:	
119	2160002	AR	Fitting - Straight	
119	2160003	AR	Fitting - 45	
120	0630083	8	Bolt	
121	4751600	AR	Flatwasher 3/8in	
122	0440161	2	Bearing, Thrust	
123	1380124	8	Clip, Retainer (Prior to April 1990)	
124	4920096	4 ft	Wire, Safety	
125		Ref	Tie-Rod Block (LH Side) Options:	
125	0560605	1	Block (LH Side/RH Threads) (Prior to April 1986)	
125	0560714	1	Block (LH Side/LH Threads) (April 1986 to Present)	
126		Ref	Nut (LH Side) Options:	
126	3323002	1	Nut 1 1/4in-12NF (RH Thread) (Prior to April 1986)	
126	3300229	1	Nut 1 1/4in-12NF (LH Thread) (April 1986 to Present)	
127	4640812	4	Valve, Relief (March 1994 to Present)	
128	3780183	8	O-Ring (March 1994 to Present)	

SECTION 1 - FRAME

FIGURE 1-4. TIRES AND WHEEL DRIVE INSTALLATIONS



SECTION 1 - FRAME

FIGURE 1-4. TIRES AND WHEEL DRIVE INSTALLATIONS

ITEM	PART NUMBER	QTY	DESCRIPTION	REV
		Ref	WHEEL DRIVE INSTALLATIONS	
		Ref	2WD Rear	
	0236281	Ref	Ford Engine (Prior To September 1991)	G
	0238299	Ref	Deutz Engine (Prior To September 1991)	A
	0236281	Ref	Deutz/Ford Engine (September 1991 To Present)	6
	0270206	Ref	Deutz/Ford Engine (Post Production Alternative)	1
		Ref	4WD Rear	
	0237319	Ref	Ford Engine (Prior To March 1992)	D
	0237320	Ref	Deutz Engine (Prior To March 1992)	C
	0237319	Ref	Deutz/Ford Engine (March 1992 To Present)	5
	0270216	Ref	Deutz/Ford Engine (Post Production Alternative)	1
		Ref	4WD Front	
	0237317	Ref	Ford Engine (Prior To April 1988)	B
	0237318	Ref	Deutz Engine (Prior To April 1988)	B
	0238840	Ref	Ford Engine (April 1988 To October 1989)	C
	0238841	Ref	Deutz Engine (April 1988 To October 1989)	B
	0238840	Ref	Deutz/Ford Engine (October 1989 To Present)	C
1		Ref	Drive Hub Assembly Options:	
1		Ref	2WD Rear	
1	2780097	2	Hub - Prior to May 1989 (See DRIVE HUB ASSEMBLY for Breakdown)	
1	2780170	2	Hub - May 1989 to Present (See DRIVE HUB ASSEMBLY for Breakdown)	
1		Ref	4WD Rear	
1	2780097	2	Hub - Prior to May 1989 (See DRIVE HUB ASSEMBLY for Breakdown)	
1	2780170	2	Hub - May 1989 to Present (See DRIVE HUB ASSEMBLY for Breakdown)	
1		Ref	4WD Front	
1	2780097	2	Hub - Prior to April 1988 (See DRIVE HUB ASSEMBLY for Breakdown)	
1	2780151	2	Hub/Brake - April 1988 to February 1992 (See DRIVE HUB/BRAKE ASSEMBLY (4WD FRONT) for Breakdown)	
1	2780192	2	Hub/Brake - February 1992 to Present (See DRIVE HUB/BRAKE ASSEMBLY (4WD FRONT) for Breakdown)	
2	3300012	18	Lug, Nut	
3		Ref	DRIVE BRAKE ASSEMBLY OPTIONS:	
3		Ref	2WD Rear	
3	0920027	2	Brake - Prior to June 1987 (See BRAKE ASSEMBLY - AUSCO AND MICO for Breakdown)	
3	0920072	2	Brake - June 1987 to March 1992 (See BRAKE ASSEMBLY - AUSCO for Breakdown)	
3	0920084	2	Brake - March 1992 to S/N 33476 (See BRAKE ASSEMBLY - MICO for Breakdown)	
3	0920110	2	Brake (See BRAKE ASSEMBLY - MICO for Breakdown) (SN 33476 to Present)	
3	0920119	2	Brake (Mico) (May be used as Alternative)	
3		Ref	4WD Rear	
3	0920027	2	Brake - Prior to June 1987 (See BRAKE ASSEMBLY - AUSCO AND MICO for Breakdown)	
3	0920072	2	Brake - June 1987 to March 1992 (See BRAKE ASSEMBLY - AUSCO for Breakdown)	

SECTION 1 - FRAME

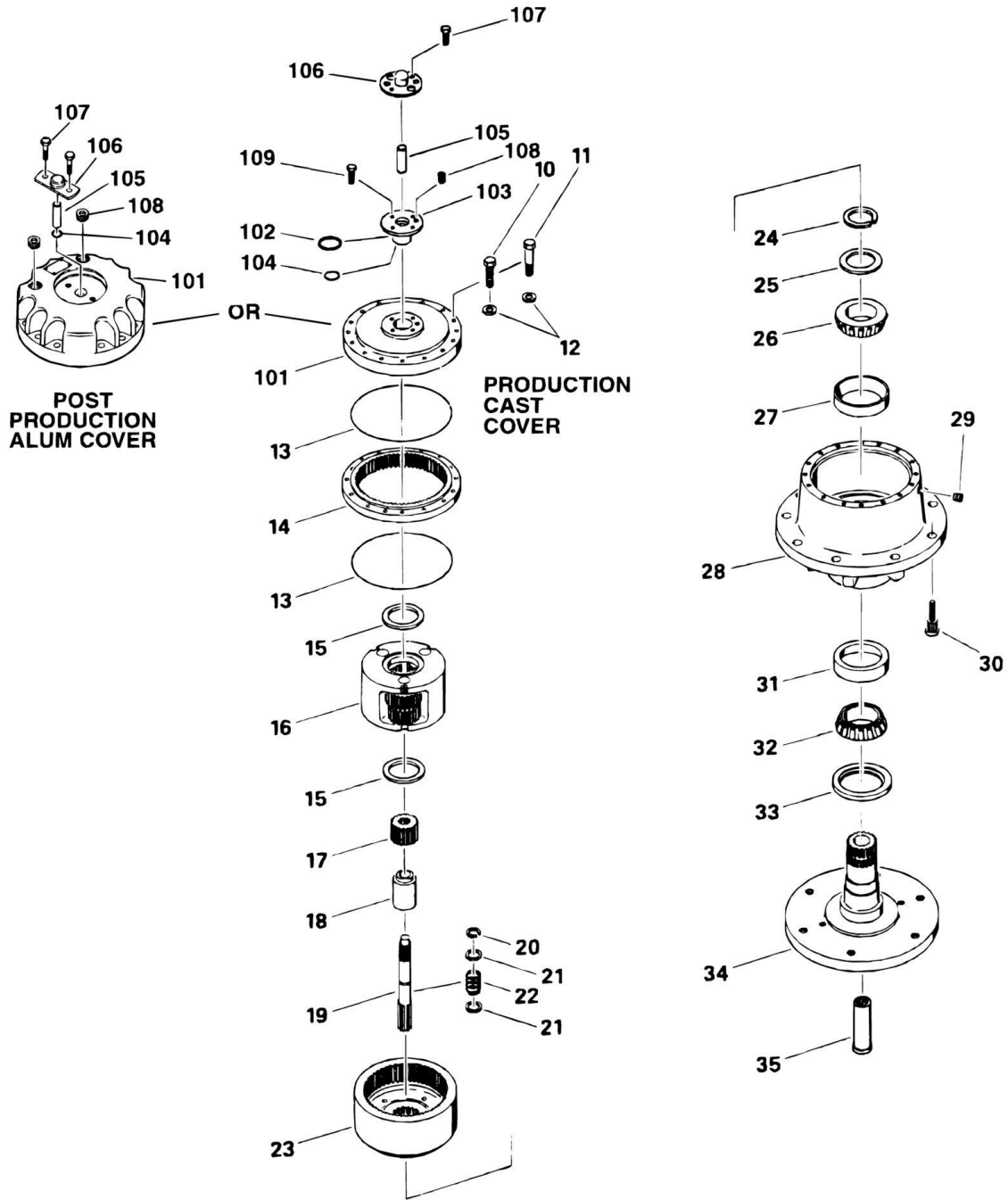
ITEM	PART NUMBER	QTY	DESCRIPTION	REV
3	0920084	2	Brake - March 1992 to S/N 33476 (See BRAKE ASSEMBLY - MICO for Breakdown)	
3	0920110	2	Brake (See BRAKE ASSEMBLY - MICO for Breakdown) (SN 33476 to Present)	
3	0920119	2	Brake (Mico) (May be used as Alternative)	
3		Ref	4WD Front	
3	0920068	2	Brake - Prior to April 1988 (See BRAKE ASSEMBLY - AUSCO 29479 (4WD FRONT) for Breakdown)	
3	0920086	2	Brake - Service Replacement (See BRAKE ASSEMBLY - AUSCO 37845 (4WD FRONT) for Breakdown)	
4		Ref	Drive Motor Assembly Options: (See DRIVE MOTOR ASSEMBLY for Breakdown)	
4		Ref	2WD Rear	
4	1001096416	2	Ford Engine - Prior to October 1992 (was p/n 3160080)	
4	3160343	2	Deutz/Ford Engine - October 1992 to Present (was p/n 3160189)	
4	1001096415	2	Deutz Engine - Prior to September 1991 (was p/n 3160118)	
4		Ref	4WD Rear	
4	3160129	2	Ford Engine - Prior to July 1990	
4	1001096415	2	Deutz/Ford Engine - July 1990 to Present (was p/n 3160118)	
4	3160130	2	Deutz Engine - Prior to July 1990	
4		Ref	4WD Front	
4	3160129	2	Ford Engine - Prior to July 1990	
4	3160130	2	Deutz Engine - Prior to July 1990	
4	1001096415	2	Deutz/Ford Engine - July 1990 to Present (was p/n 3160118)	
6	4761800	4	Lockwasher 1/2in	
7	3311801	4	Nut 1/2in-13NC	
8	0642016	12	Bolt 5/8in-11NC x 2in	
9	4762000	12	Lockwasher 1/2in	
10		Ref	Stud Options:	
10		Ref	2WD Rear	
10	4300092	4	Stud 1/2in x 5 1/2in (Prior to September 1991)	
10	4320008	4	Stud 1/2in x 6 1/8in (September 1991 to March 1992)	
10	4300092	4	Stud 1/2in x 5 1/2in (March 1992 to Present)	
10		Ref	4WD Rear	
10	4300092	4	Stud 1/2in x 5 1/2in (Prior to March 1992)	
10	4320008	4	Stud 1/2in x 6 1/8in (Prior to March 1992)	
10	4300092	4	Stud 1/2in x 5 1/2in (March 1992 to Present)	
10		Ref	4WD Front	
10	4300053	4	Stud 1/2in x 5in (Prior to April 1988)	
		Ref	TIRE INSTALLATION OPTIONS:	
	0234913	Ref	12.5 x 15 Pneumatic (2WD)	A
	0235123	Ref	12.5 x 15 Foam-Filled (2WD)	A
	0236836	Ref	12.5 x 15 Pneumatic (4WD)	A
	0251085	Ref	12.5 x 15 Foam-Filled (4WD)	-
	0251855	Ref	14 x 17.5 Pneumatic (4WD with Oscillating Axle)	-
	0252990	Ref	14 x 17.5 Pneumatic (4WD with Fixed Axle)	-
	0255769	Ref	14 x 17.5 Foam-Filled (4WD with Fixed Axle)	-
	0255626	Ref	14 x 17.5 Foam-Filled (4WD with Oscillating Axle)	-
		Ref	Pneumatic Tire and Wheel Assembly Options:	
101	0233657		12.5 x 15 - Goodyear Farm Service Tread	
101	0233677		12.5 x 15 - Goodyear Sure-Grip (Left Side)	
101	0233678		12.5 x 15 - Goodyear Sure-Grip (Right Side)	

SECTION 1 - FRAME

ITEM	PART NUMBER	QTY	DESCRIPTION	REV
101	4520063	1	Tire - 12.5 x 15 Goodyear Farm Service	
101	4520196	1	Tire - 12.5 x 15 Gans (Galaxy)	
101	4520057	1	Tire - 12.5 x 15 Goodyear Sure-Grip	
101	4520197	1	Tire - 12.5 x 15 OTR	
102	4860065	1	Wheel - 15in	
103	4640392	1	Valve, Air	
104	Not Available	1	Decal - Tire Pressure (Not Shown)	
201	0251853		14 x 17.5 (Right Side)	
201	0251854		14 x 17.5 (Left Side)	
201	4520124	1	Tire - 14 x 17.5 NHS Lug (Goodyear)	
201	4520171	1	Tire - 14 x 17.5 NHS Lug (Gans)	
202	4860129	1	Wheel - 17.5in	
203	4640113	1	Valve	
204	1702738	1	Decal - Tire Pressure (Not Shown)	
301		Ref	Foam-Filled Tire and Wheel Assembly Options:	
		Ref	Note: Assemblies may require ballast/foam filling to manufacture's specifications prior to installing on a machine. Refer to Operation and Safety or Service and Maintenance Manuals.	
		Ref	Purchase individual tire and/or rim only if able to foam fill tire and wheel assembly, otherwise, purchase complete assembly.	
301	0235126		12.5 x 15 - Goodyear Farm Service Tread	
301	0235125		12.5 x 15 - Goodyear Sure-Grip Tread (Right Side)	
301	0235124		12.5 x 15 - Goodyear Sure-Grip Tread (Left Side)	
301	0255624		14 x 17.5 - Gans NHS Lug (Right Side)	
301	0255625		14 x 17.5 - Gans NHS Lug (Left Side)	

SECTION 1 - FRAME

FIGURE 1-5. DRIVE HUB ASSEMBLY



SECTION 1 - FRAME

FIGURE 1-5. DRIVE HUB ASSEMBLY

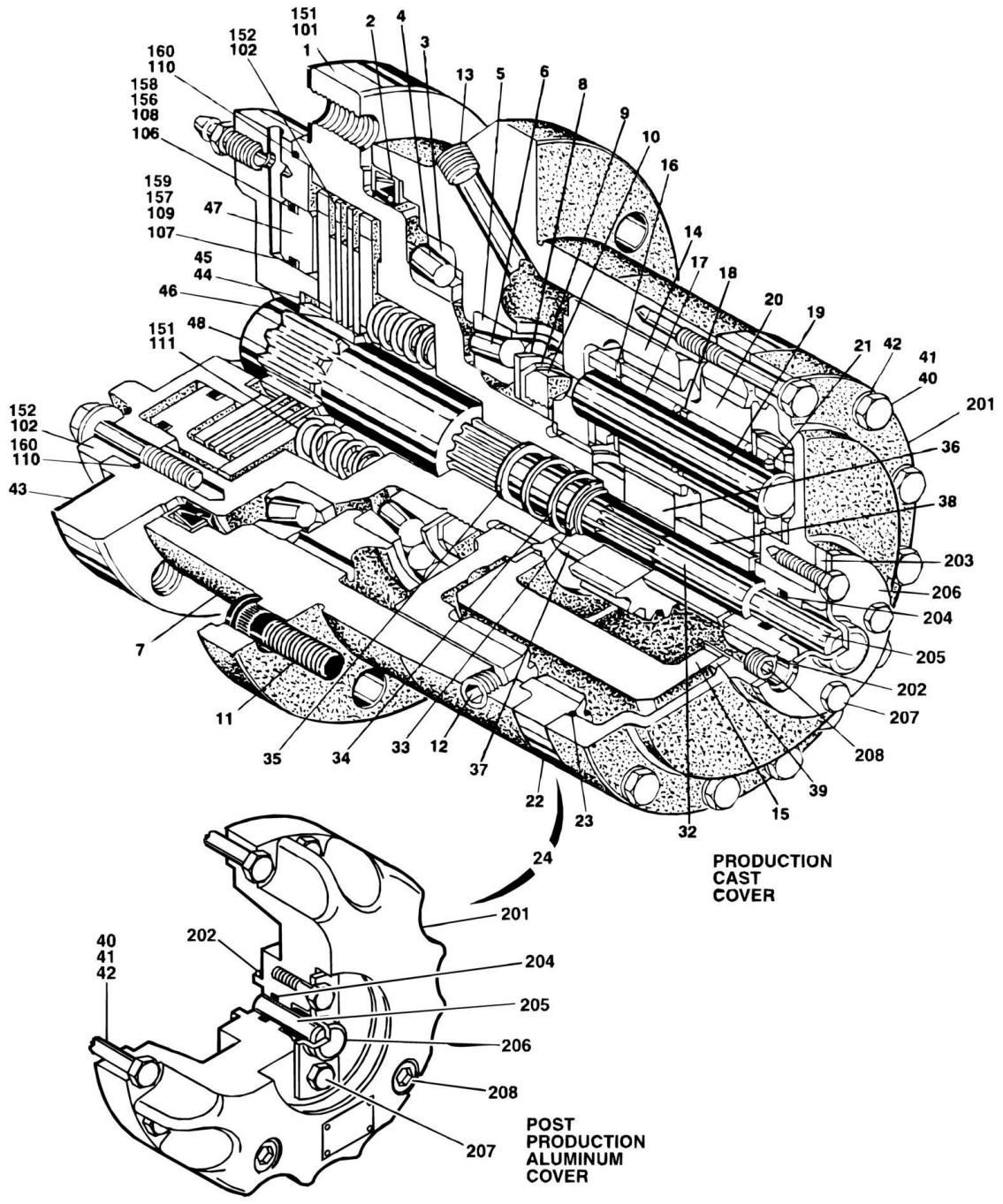
ITEM	PART NUMBER	QTY	DESCRIPTION	REV
		Ref	DRIVE HUB ASSEMBLIES:	
	2780097	Ref	DRIVE HUB ASSEMBLY - PRIOR TO MAY 1989	-
	2780170	Ref	DRIVE HUB ASSEMBLY - MAY 1989 TO PRESENT	-
10	7000217	12	Bolt, Hex Head	
11	7000214	4	Bolt, Hex Head - Shoulder	
12	4751500	16	Flatwasher	
13	Kit	2	O-Ring	
14	7001988	1	Gear, Ring	
15	7000253	2	Washer, Thrust	
16	7001984	1	Planet Carrier Assembly	
16	7001931	1	Carrier	
16	7001985	6	Washer, Thrust	
16	7001909	96	Bearing, Needle Roller	
16	7000263	3	Spacer	
16	7001911	3	Shaft, Planet	
16	7001987	3	Gear, Cluster	
16	7001913	3	Rollpin	
17	7001990	1	Gear, Input	
18	7000252	1	Spacer, Sun Gear	
	7000250	1	Input Shaft Assembly	
19	7000260	1	Shaft, Input	
20	7000261	1	Ring, Retaining	
21	7000263	2	Spacer	
22	7000262	1	Spring	
23	7000246	1	Gear, Stationary Internal	
	7000245	1	Hub Assembly	
24	Kit	1	Ring, Retaining	
25	Kit	1	Spacer	
26	7000257	1	Bearing, Tapered Roller	
27	7000258	1	Cone, Bearing	
28		Ref	Hub Options:	
28	7000259	1	Hub (Prior to May 1989)	
28	7007601	1	Hub (May 1989 to Present)	
29	7000242	1	Plug, Pipe	
30		Ref	Stud, Wheel	
30	0630137	9	Stud, Wheel (Prior to May 1989)	
30	7007697	9	Stud, Wheel (May 1989 to Present)	
31		Ref	Cone, Bearing Options:	
31	7000256	1	Cone, Bearing (Prior to May 1989)	
31	Kit	1	Cone, Bearing (May 1989 to Present)	
32		Ref	Bearing, Tapered Roller Options:	
32	7000255	1	Bearing, Tapered Roller (Prior to May 1989)	
32	Kit	1	Bearing, Tapered Roller (May 1989 to Present)	
33		Ref	Seal Options:	
33	Kit	1	Seal (Prior to May 1989)	
33	7001998	1	Seal (May 1989 to Present)	
34		Ref	Spindle Options:	
34	7000254	1	Spindle (Prior to May 1989)	
34	7001997	1	Spindle (May 1989 to Present)	
35	7000206	1	Coupling, Input	

SECTION 1 - FRAME

ITEM	PART NUMBER	QTY	DESCRIPTION	REV
		Ref	COVER ASSEMBLY	
	See Kit Options	Ref	Production Cast Cover	
	See Kit Options	Ref	Post Production Aluminum Cover	
101		Ref	Cover Options:	
101	See Kit Options	1	Production Cast Cover (Was p/n 7000226)	
101	See Kit Options	1	Post Production Aluminum Cover (was p/n 7017091)	
102		Ref	O-Ring Options:	
102	Kit	1	Production Cast Cover	
102	7017070	1	Post Production Aluminum Cover	
103		Ref	Cap, Cover	
103	Kit	1	Production Cast Cover	
103	Not Required	0	Post Production Aluminum Cover	
104		Ref	O-Ring Options:	
104	Kit	1	Production Cast Cover	
104	7017095	1	Post Production Aluminum Cover	
105		Ref	Rod, Disconnect Options:	
105	Kit	1	Production Cast Cover	
105	7017092	1	Post Production Aluminum Cover	
106		Ref	Cap, Disconnect	
106	Kit	1	Production Cast Cover	
106	7017093	1	Post Production Aluminum Cover	
107		Ref	Bolt Options:	
107	7000216	4	Production Cast Cover	
107	7000216	2	Post Production Aluminum Cover	
108		Ref	Plug, Pipe Options:	
108	7000243	1	Production Cast Cover	
108	7017094	2	Post Production Aluminum Cover	
109		Ref	Bolt Options:	
109	Kit	AR	Production Cast Cover	
109	Not Required	0	Post Production Aluminum Cover	
		Ref	Kit Options:	
		Ref	kit (Prior to May 1989)	
	Not Available	1	Bearing Kit	
	2900034	1	Seal Kit (Includes Items 13, 24, 25 & 33)	
	2900137	1	Disconnect and Seal Kit (Includes Items 102-106, 109, 13, 24, 25 & 33)	
	2900661	1	Seal Kit (Includes Items 13, 15, 24, 33, 102 & 104)	
		Ref	Kit (May 1989 to Present)	
	7010429	1	Bearing Kit (Includes Items 31 & 32)	
	Not Available	1	Seal Kit	
	2900137	1	Disconnect and Seal Kit (102-106, 109, 13, 24, 25 & 33)	
	2900137		Production Cast Cover	
	Not Available		Post Production Aluminum Cover (Purchase Individual Parts)	
		Ref	Cover Kit Options:	
	No Longer Available	NLA	Production Cast Cover (Was p/n 7001989)	
	70001111	1	Aluminum Replacement for Production Cast Cover (Includes 13, 15 (Spacer), 10, 11, 101, 102 AND 104-108) (was p/n 7017098 & p/n 7017099)	
	70001111	1	Post Production Aluminum Cover (Includes 13, 101 & 104-107) (was p/n 7017090)	
	70001111	1	Replacement Cover Kit	

SECTION 1 - FRAME

FIGURE 1-6. DRIVE HUB/BRAKE ASSEMBLY (4WD FRONT)



SECTION 1 - FRAME

FIGURE 1-6. DRIVE HUB/BRAKE ASSEMBLY (4WD FRONT)

ITEM	PART NUMBER	QTY	DESCRIPTION	REV
		Ref	DRIVE HUB/BRAKE ASSEMBLY	
		Ref	Hub/Spindle Assembly	
1	See Variable	1	Brake/Spindle Assembly	
2	Kit	1	Seal	
3	7007683	1	Cup, Bearing	
4	7007684	1	Cone, Bearing	
5	7007685	1	Cup, Bearing	
6	7007686	1	Cone, Bearing	
7	7007687	1	Hub	
8	7007688	1	Washer, Tongued	
9	7007689	1	Lockwasher	
10	7007690	1	Locknut	
11	7000241	9	Stud	
12	7000242	2	Plug, Pipe	
13	7007617	2	Plug, Magnetic	
14	7007691	1	Gear, Internal	
	7001984	1	Carrier Assembly	
15	7001931	1	Carrier	
16	7001985	6	Washer, Thrust	
17	7001909	96	Roller, Needle	
18	7000263	3	Spacer	
19	7001911	3	Shaft, Planet	
20	7001987	3	Gear, Cluster	
21	7001913	3	Pin, Roll (2780151 Hub)	
21	7010474	3	Pin, Roll (2780192 Hub)	
22	7001988	1	Gear, Ring	
23	Kit	2	O-Ring	
24		Ref	Cover Assembly (Includes Items 201-208)	
	7000250	1	Input Shaft Assembly	
32	7000260	1	Shaft, Input	
33	7000261	1	Ring, Retaining	
34	7000262	1	Spring	
35	7000263	2	Spacer	
36	7001990	1	Gear, Input	
37	7000252	1	Spacer, Thrust	
39	7000253	2	Washer, Thrust	
40	7000217	12	Bolt	
41	7000214	4	Bolt, Shoulder	
42	7007603	16	Flatwasher	
42	Kit	1	Gasket (Not Shown)	
43	Kit	1	Gasket	
44	7001922	1	Washer, Thrust	
45	7010459	1	Ring, Retaining	
48	7010455	1	Coupling	
	70001940	1	Seal Kit - Hub (Includes Items 2, 9, 23, 39, 42, 202 & 204)	
	2780151	Ref	DRIVE HUB/BRAKE ASSEMBLY (APRIL 1988 TO FEBRUARY 1992)	A
	7007681	1	Brake/Spindle Assembly	
101	7010454	NLA	Spindle (No longer available due to machining changes - purchase 7010473 as replacement)	

SECTION 1 - FRAME

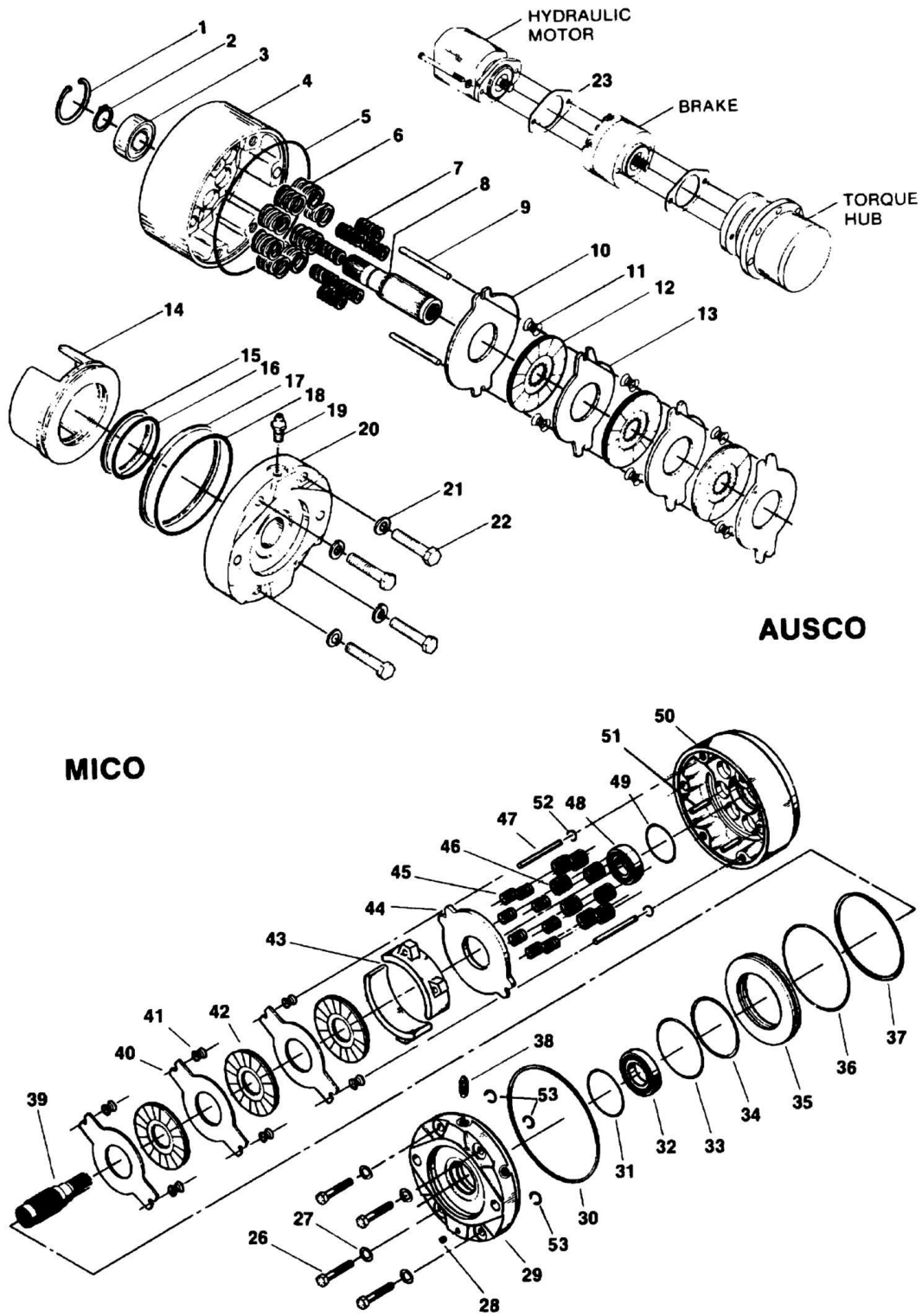
ITEM	PART NUMBER	QTY	DESCRIPTION	REV
102		Ref	Brake Assembly Options (No Longer available - purchase 7010473 as replacement):	
102	7010452	1	Brake for Hub Model W1BJ4V349 (Prior to Mid 1989)	
102	7010453	1	Brake for Hub Model W1BJ4Y349 (Mid 1989 to February 1992)	
103	7003087	2	Disc, Stationary	
104	7003089	3	Disc, Rotating	
105	7003088	1	Piston	
106	Kit	1	Ring, Back-up	
107	Kit	1	Ring, Back-up	
108	Kit	1	O-Ring	
109	Kit	1	O-Ring	
110	Kit	1	O-Ring	
111	7003432	10	Spring	
	2900755	1	Seal Kit - 7010452 & 7010453 Brake (Includes Items 43 & 106-110)	
	2780192	Ref	DRIVE HUB/BRAKE ASSEMBLY (FEBRUARY 1992 TO PRESENT)	-
	7010473	1	Brake/Spindle Assembly	
151	Not Available		Spindle	
152	Not Available	1	Brake Assembly	
153	Kit	7	Disc, Stationary	
154	Kit	6	Disc, Rotating	
155	Kit	1	Piston	
156	Kit	1	Ring, Back-up	
157	Kit	1	Ring, Back-up	
158	Kit	1	O-Ring	
159	Kit	1	O-Ring	
160	Kit	1	O-Ring	
161	Kit	8	Spring	
	7010476	1	Seal Kit 7010473 - Brake (Includes Items 156-160)	
	7010475	1	Lining Repair Kit - 7010473 Brake (Includes Items 153, 154 & 156-160)	
	7010477	1	Spring Repair Kit - 7010473 Brake (Includes Items 160 & 161)	
	7010478	1	Piston Repair Kit - 7010473 Brake (Includes Items 155-160)	
		Ref	COVER ASSEMBLY	
	See Kit Options	Ref	Production Cast Cover	
	See Kit Options	Ref	Post Production Aluminum Cover	
201		Ref	Cover Options:	
201	See Kit Options	1	Production Cast Cover (Was p/n 7000226)	
201	See Kit Options	1	Post Production Aluminum Cover (was p/n 7017091)	
202		Ref	O-Ring Options:	
202	Kit	1	O-Ring, Production Cast Cover	
202	7017070	1	O-Ring, Post Production Aluminum Cover	
203		Ref	Cap, Cover	
203	7000227	1	Cap, Production Cast Cover	
203	Not Required		Cap, Post Production Aluminum Cover	
204		Ref	O-Ring Options:	
204	Kit	1	O-ring, Production Cast Cover	
204	7017095	1	O-ring, Post Production Aluminum Cover	
205		Ref	Rod, Disconnect Options:	
205	7000212	1	Rod, Production Cast Cover	
205	7017092	1	Rod, Post Production Aluminum Cover	

SECTION 1 - FRAME

ITEM	PART NUMBER	QTY	DESCRIPTION	REV
206		Ref	Cap, Disconnect Options:	
206	7000211	1	Cap, Production Cast Cover	
206	7017093	1	Cap, Post Production Aluminum Cover	
207		Ref	Bolt Options:	
207	7000220	4	Bolt, Production Cast Cover	
207	7000216	2	Bolt, Post Production Aluminum Cover	
208		Ref	Plug, Pipe Options:	
208	7000243	1	Plug Pipe, Production Cast Cover	
208	7017094	2	Plug Pipe, Post Production Aluminum Cover	
		Ref	Cover Kit Options:	
	No Longer Available	NLA	Cover Kit, Production Cast Cover (Was p/n 7001989)	
	70001111	1	Cover Kit, Aluminum Replacement for Production Cast Cover (Includes 23, 39 (Spacer), 40, 41 (Dowel Pins), 201, 202 & 204-208) (was p/n 7017099)	
	70001111	1	Post Production Aluminum Cover (Includes 23, 201 & 204-207) (was p/n 7017090)	
	70001111	1	Replacement Cover Kit	

SECTION 1 - FRAME

FIGURE 1-7. BRAKE ASSEMBLY - AUSCO AND MICO



SECTION 1 - FRAME

FIGURE 1-7. BRAKE ASSEMBLY - AUSCO AND MICO

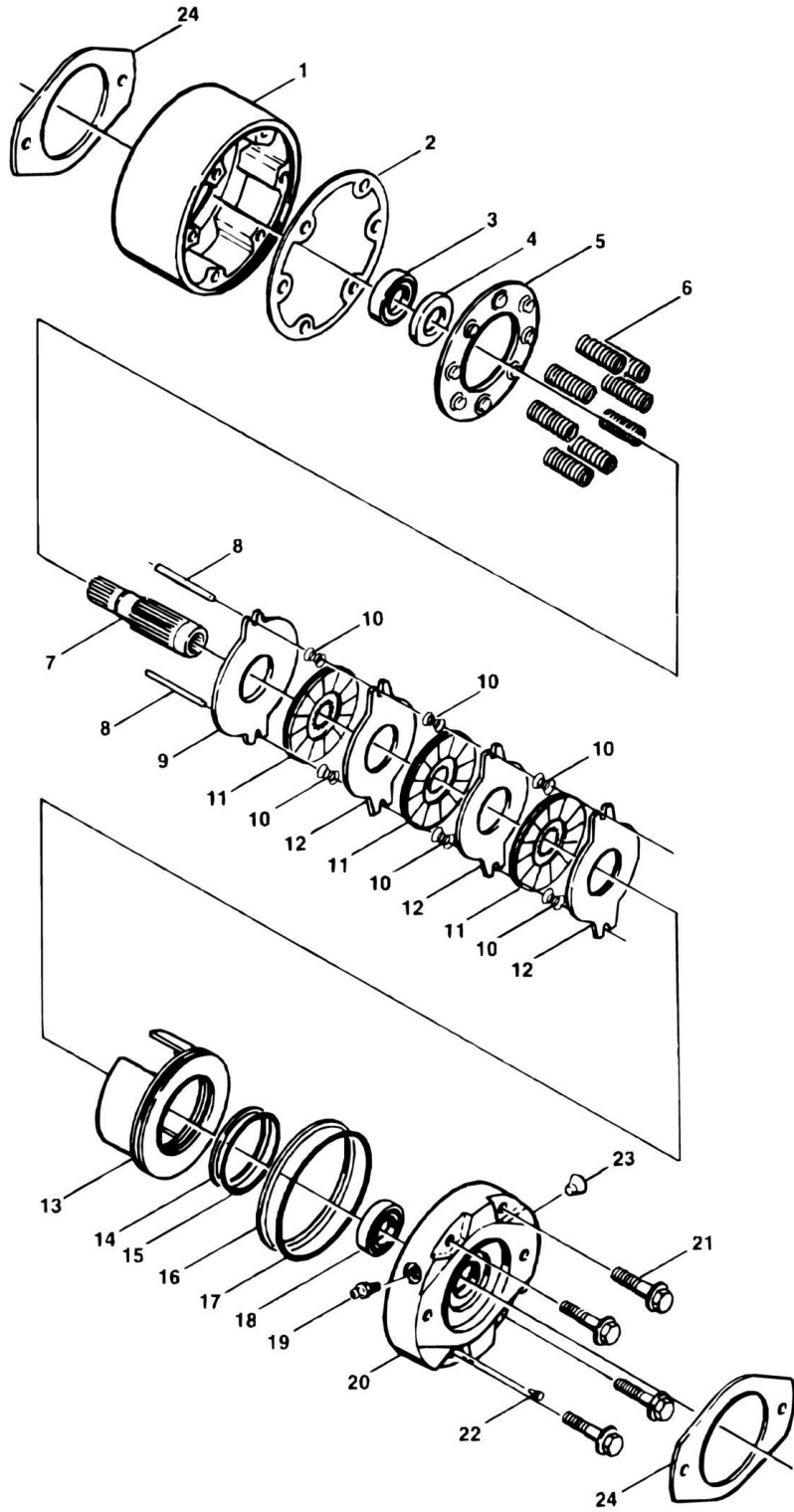
ITEM	PART NUMBER	QTY	DESCRIPTION	REV
	0920027	Ref	BRAKE ASSEMBLY - AUSCO	
1	Kit	1	Ring, Retaining	
2	Kit	1	Ring, Retaining	
3	7000713	1	Bearing, Ball	
4	7000714	1	Housing	
4	7003010	1	Retainer, Spring	
5	7000759	1	O-Ring	
6	7000782	8	Spring, Compression	
7	7000798	8	Spring, Compression	
8	7000716	1	Shaft	
9	7000717	2	Pin, Torque	
10	7000718	1	Disc, Primary	
11	7003006	6	Spring, Compression	
12	7000732	3	Disc, Rotating	
13	7000720	3	Disc, Stationary	
14	7000721	1	Piston	
15	Kit	1	Ring, Back-up	
16	Kit	1	O-Ring	
17	Kit	1	Ring, Back-up	
18	Kit	1	O-Ring	
19	7000796	1	Bleeder	
20	7000727	1	Plate, Power	
21	7000729	4	Lockwasher	
22	7000730	4	Bolt	
22	7003007	4	Bolt, Flanged	
23	Kit	2	Gasket	
	2900131	1	Seal Kit (Includes items 1, 2, 15, 16, 17, 18 & 24)	
	0920027	Ref	BRAKE ASSEMBLY - MICO	G
26	7007913	4	Cap Screw	
27	7007912	4	Lockwasher	
28	7007924	1	Pipe Plug	
29	7007975	1	Cover	
30	Kit	1	Square Ring	
31	Kit	1	O-Ring	
32	7007920	1	Bearing	
33	Kit	1	O-Ring	
34	Kit	1	Back-Up Ring	
35	7007923	1	Piston	
36	Kit	1	O-Ring	
37	Kit	1	Back-Up Ring	
38	7007914	1	Bleeder Screw	
39	7007903	1	Shaft	
40	7007908	3	Disc	
41	7007916	6	Spring	
42	7007909	3	Friction Disc	
43	7007902	2	Separator	
44	7007907	1	Disc (Large Diameter)	
45	7007906	8	Spring	
46	7007905	8	Spring	
47	7007915	2	Pin, Dowel	

SECTION 1 - FRAME

ITEM	PART NUMBER	QTY	DESCRIPTION	REV
48	7007904	1	Bearing	
49	Kit	1	Oil Seal	
50	7007976	1	Housing	
51	7007901	4	Spirol Pin	
52	Kit	2	O-Ring	
53	Kit	4	O-Ring	
	7007933	1	Mounting Gasket (Not Shown)	
	2900641	1	Seal Kit (Includes Items 30, 31, 32, 33, 34, 36, 37, 49, 52 & 53)	

SECTION 1 - FRAME

FIGURE 1-8. BRAKE ASSEMBLY - AUSCO



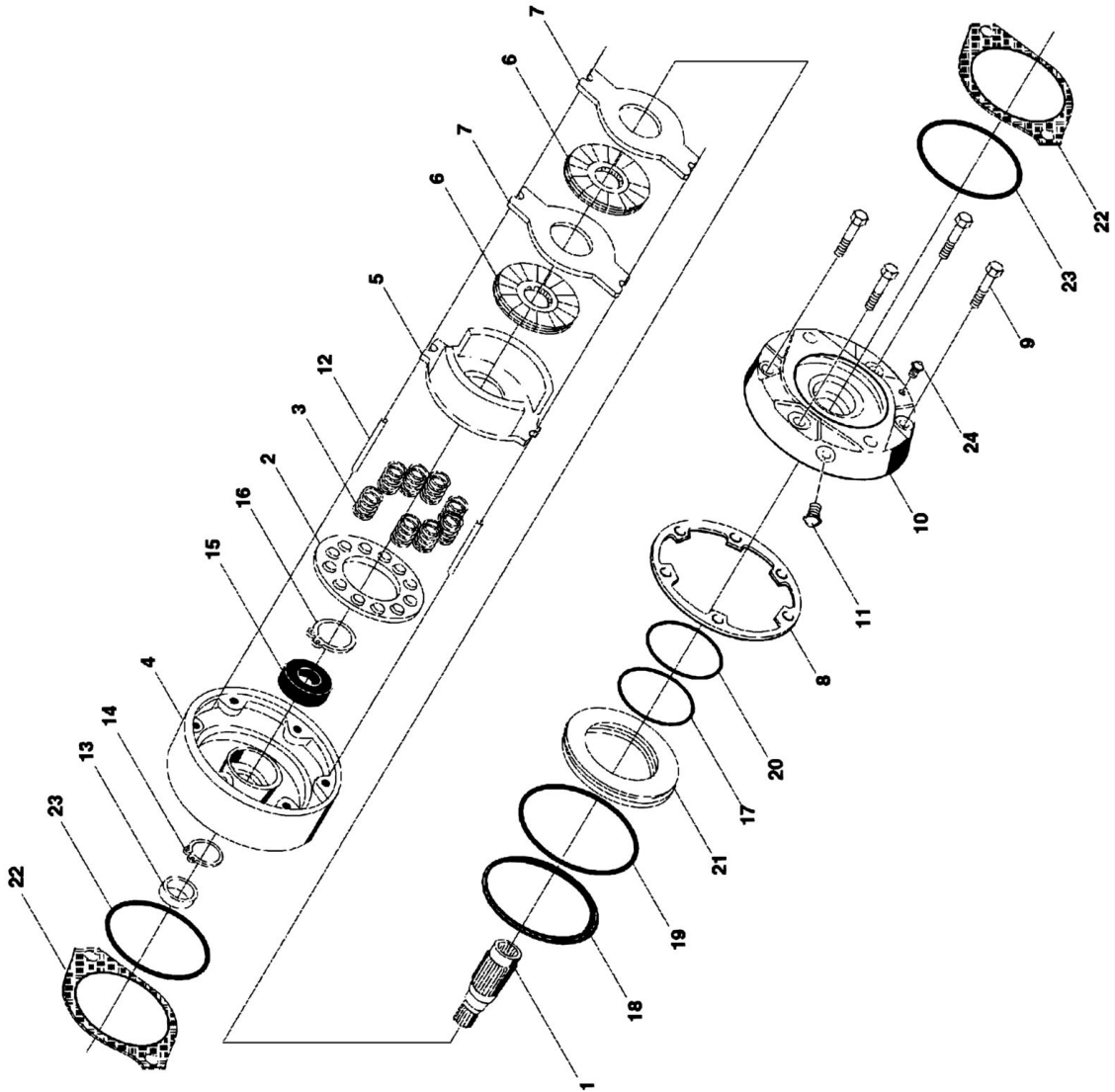
SECTION 1 - FRAME

FIGURE 1-8. BRAKE ASSEMBLY - AUSCO

ITEM	PART NUMBER	QTY	DESCRIPTION	REV
	0920072	Ref	BRAKE ASSEMBLY - AUSCO	D
1	7003047	1	Housing	
2	Kit	1	Gasket	
3	7003049	1	Bearing	
4	Kit	1	Seal, Oil	
5	7003051	1	Retainer, Spring	
6	7003052	8	Spring, Compression	
7	7003070	1	Shaft, Splined	
8	7000717	2	Pin, Torque	
9	7003054	1	Disc, Primary	
10	7003006	6	Spring, Separator	
11	7003055	3	Disc, Rotating	
12	7003056	3	Disc, Stationary	
13	7003057	1	Piston	
14	Kit	1	Ring, Backup	
15	Kit	1	O-Ring	
16	Kit	1	Ring, Backup	
17	Kit	1	O-Ring	
18	7000760	1	Bearing	
19	7000796	1	Screw, Bleeder	
20	7003071	1	Plate, Power	
21	7003007	4	Screw	
22	7003059	1	Valve, Pressure	
23	7000728	1	Plug	
24	Kit	2	Gasket	
	2900662	1	Seal Kit (Includes Items 2, 4, 14, 15, 16, 17 & 24)	
	7003069	1	Gasket Kit (Includes Item 24)	

SECTION 1 - FRAME

FIGURE 1-9. BRAKE ASSEMBLY - MICO



SECTION 1 - FRAME

FIGURE 1-9. BRAKE ASSEMBLY - MICO

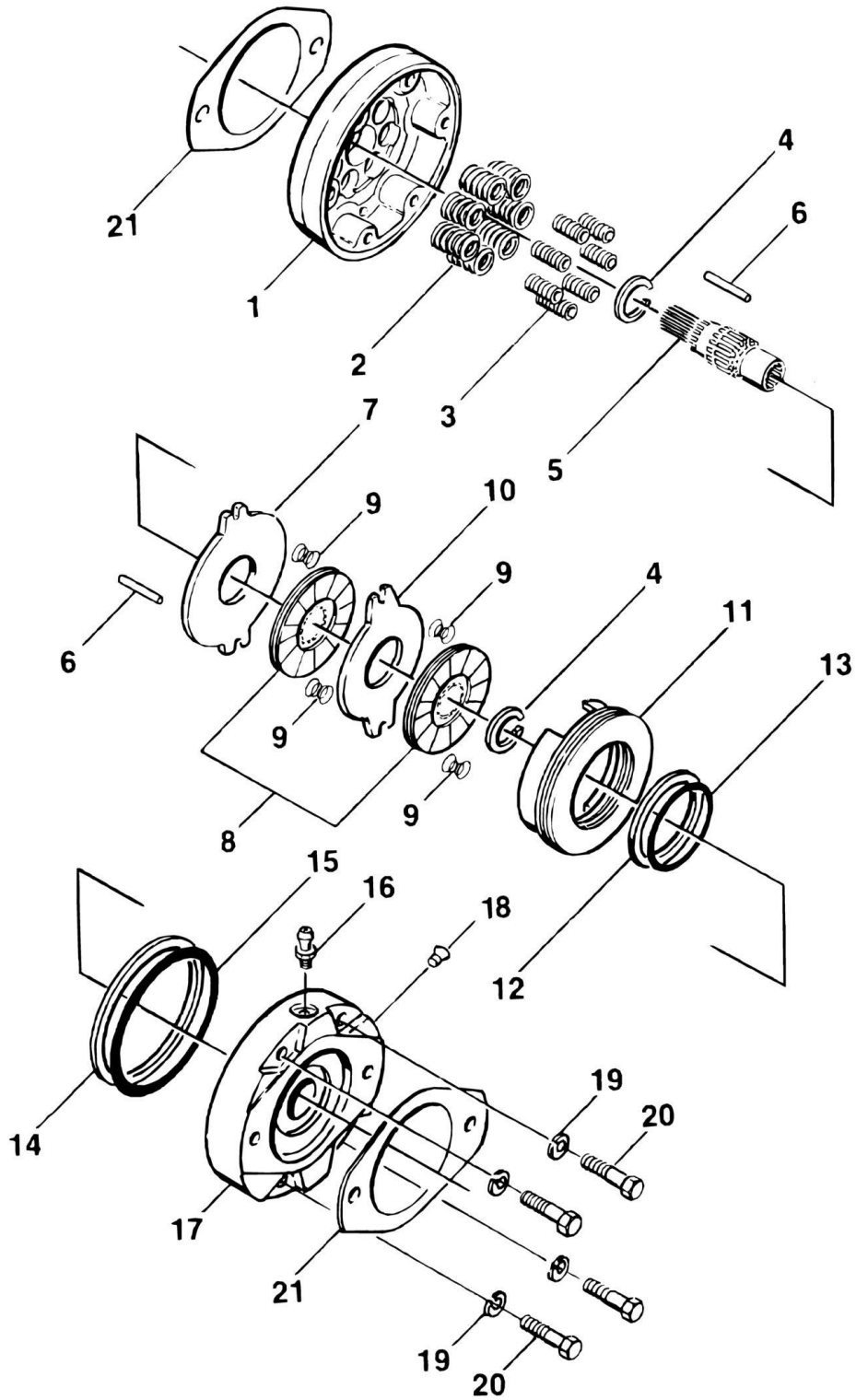
ITEM	PART NUMBER	QTY	DESCRIPTION	REV
		Ref	BRAKE ASSEMBLY - MICO OPTIONS:	
	0920084	Ref	BRAKE ASSEMBLY - MICO (Prior to S/N 36660) (Prior to SN 33476)	A
	0920110	Ref	BRAKE,DRIVE-MICO (SN 33476 through 56536)	B
1	7011712	1	Shaft	
2		Ref	Guide, Spring Options:	
2	7011717	1	Guide, Spring 0920084 Brake (Prior to SN 33476)	
2	7018606	1	Guide, Spring 0920110 Brake (SN 33476 to Present)	
3		Ref	Spring Options:	
3	7007979	6	Spring 0920084 Brake (Inner) (Prior to SN 33476)	
3	7007980	6	Spring 0920084 Brake (Outer) (Prior to SN 33476)	
3	7007970	6	Spring 0920110 Brake (Red) (SN 33476 to Present)	
3	7018602	3	Spring 0920110 Brake (Blue) (SN 33476 to Present)	
4		Ref	Housing Options:	
4	7011713	1	Housing 0920084 Brake (Prior to SN 33476)	
4	7018605	1	Housing 0920110 Brake (SN 33476 to Present)	
5		Ref	Return Plate and Separator Assembly Options:	
5	Kit	1	Return, Plate - 0920084 Brake (Prior to SN 33476)	
5	7011715	2	Separator Assy - 0920084 Brake (Prior to SN 33476)	
5	7011714	4	Pin	
5	7007983	2	Separator	
5	Kit	1	Return Plate and Separator - 0920110 Brake (SN 33476 to Present)	
6	Kit	2	Rotor	
7	Kit	2	Stator	
8	Kit	1	Seal, Case	
9		Ref	Bolt, Washer Head Options:	
9	7007985	4	Bolt, Washer Head 0920084 Brake (Prior to SN 33476)	
9	7018607	4	Bolt, Washer Head 0920110 Brake (SN 33476 to Present)	
10	7007986	1	Cover	
11		Ref	Hardware Options:	
11	7000796	1	Screw, Bleeder (Prior to SN 33906)	
11	7018609	1	Plug, Pipe (SN 33906 to Present)	
12	7007987	2	Pin, Dowel	
13	Kit	1	Seal, Oil	
14	7011716	1	Ring, Retaining	
15	Kit	1	Bearing	
16	7007977	1	Ring, Retaining	
17	Kit	1	Ring, Back-up	
18	Kit	1	Ring, Back-up	
19	Kit	1	O-Ring	
20	Kit	1	O-Ring	
21		Ref	Piston Options:	
21	7007923	1	Piston 0920084 Brake (Prior to SN 33476)	
21	7018603	1	Piston 0920110 Brake (SN 33476 to Present)	
22	7007933	2	Gasket	
23	Kit	2	O-Ring	
24	7007924	1	Plug, Pipe	
	2900766	1	Seal Kit (Includes Items 8, 13, 17, 18, 19, 20, 22 & 23)	
	2900768	1	Seal Kit (Includes Items 8, 13, 15, 22 & 23)	

SECTION 1 - FRAME

ITEM	PART NUMBER	QTY	DESCRIPTION	REV
		Ref	Lining Kit Options: (Includes Items 5, 6, 7, 8, 22 & 23)	
	2900767	1	Lining Kit 0920084 Brake (Prior to SN 33476)	
	7018608	1	Lining Kit 0920110 Brake (SN 33476 to Present)	

SECTION 1 - FRAME

FIGURE 1-10. BRAKE ASSEMBLY - AUSCO 29479 (4WD FRONT)



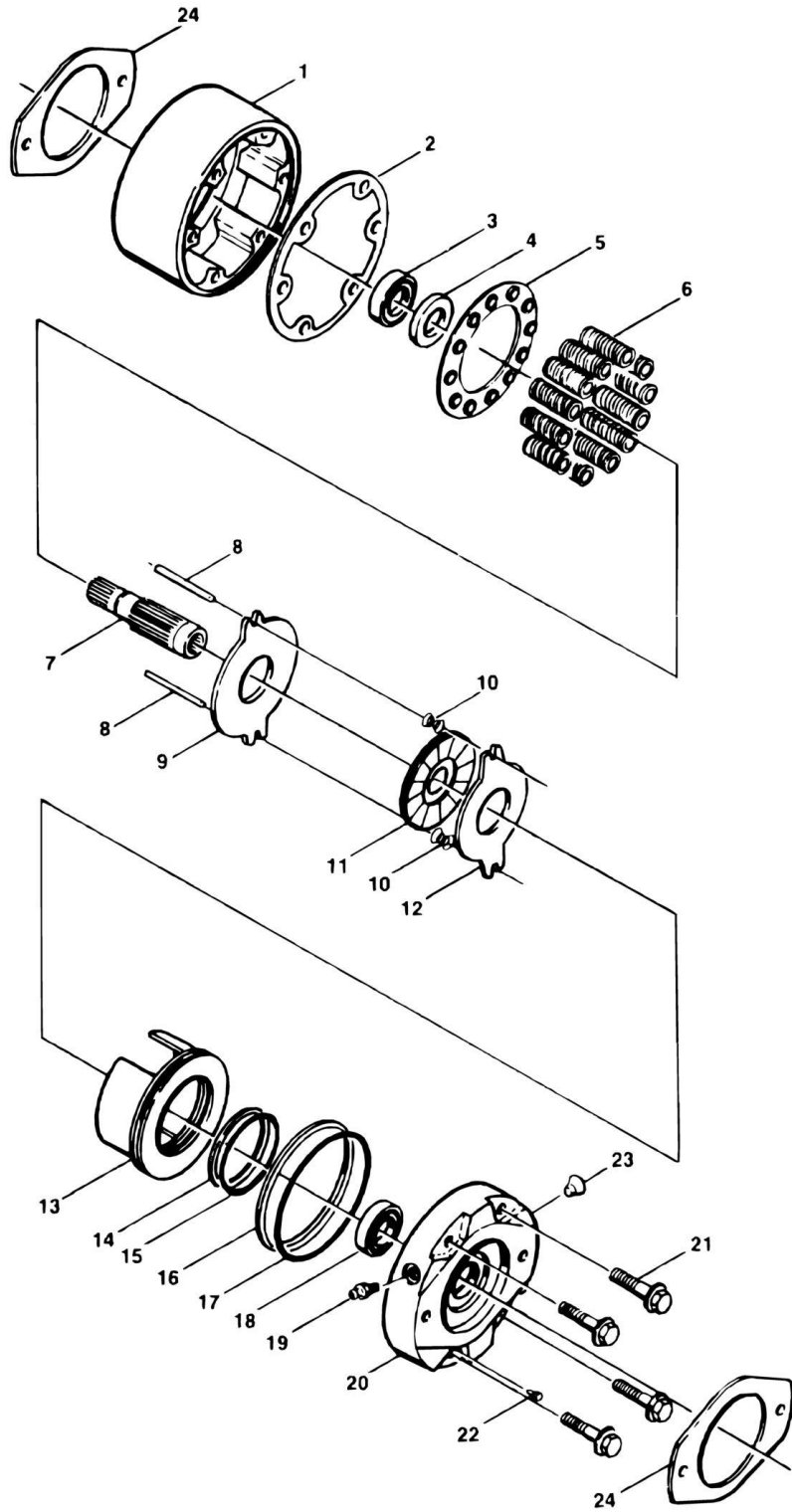
SECTION 1 - FRAME

FIGURE 1-10. BRAKE ASSEMBLY - AUSCO 29479 (4WD FRONT)

ITEM	PART NUMBER	QTY	DESCRIPTION	REV
	0920068	Ref	BRAKE ASSEMBLY - AUSCO	B
1	7003067	1	Housing	
2	7000782	7	Spring, Compression	
3	7000798	7	Spring, Compression	
4	7003060	2	Ring, Retaining	
5	7003061	1	Shaft, Splined	
6	7003062	2	Pin, Torque	
7	7000718	1	Disc, Primary	
8	7000732	2	Disc, Rotating	
9	7003006	4	Spring, Compression	
10	7003063	1	Disc, Stationary	
11	7003064	1	Piston	
12	Kit	1	Ring, Back-up	
13	Kit	1	O-Ring	
14	Kit	1	Ring, Back-up	
15	Kit	1	O-Ring	
16	7000796	1	Bleeder	
17	7003065	1	Plate, Power	
18	7000728	1	Plug	
19	7000729	4	Lockwasher	
20	7003066	4	Bolt	
21	Kit	2	Gasket	
	2900649	1	Seal Kit (Includes 12, 13, 14, 15 & 21)	
	7003069	1	Gasket Kit (Includes Item 21)	

SECTION 1 - FRAME

FIGURE 1-11. BRAKE ASSEMBLY - AUSCO 37845 (4WD FRONT)



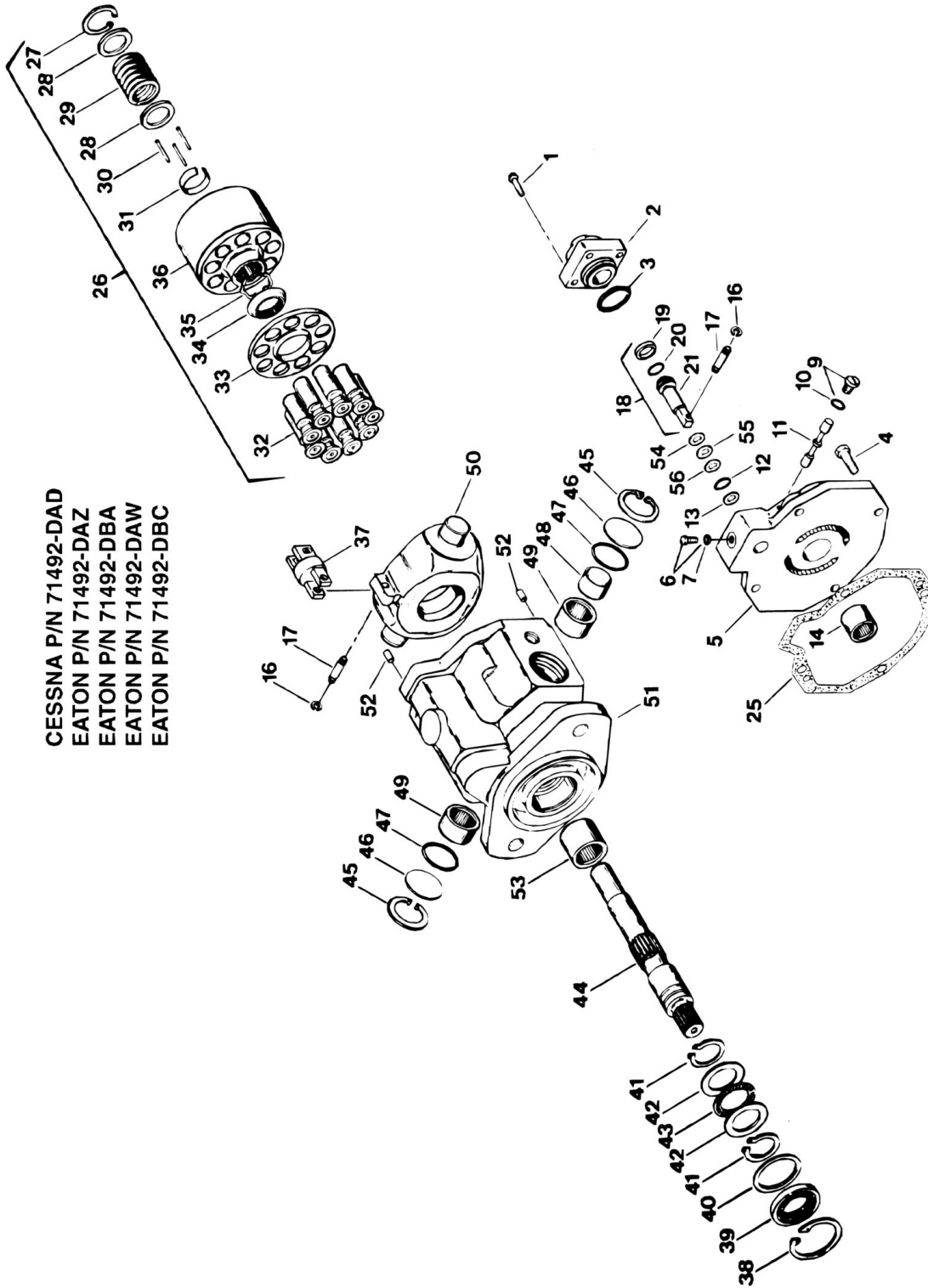
SECTION 1 - FRAME

FIGURE 1-11. BRAKE ASSEMBLY - AUSCO 37845 (4WD FRONT)

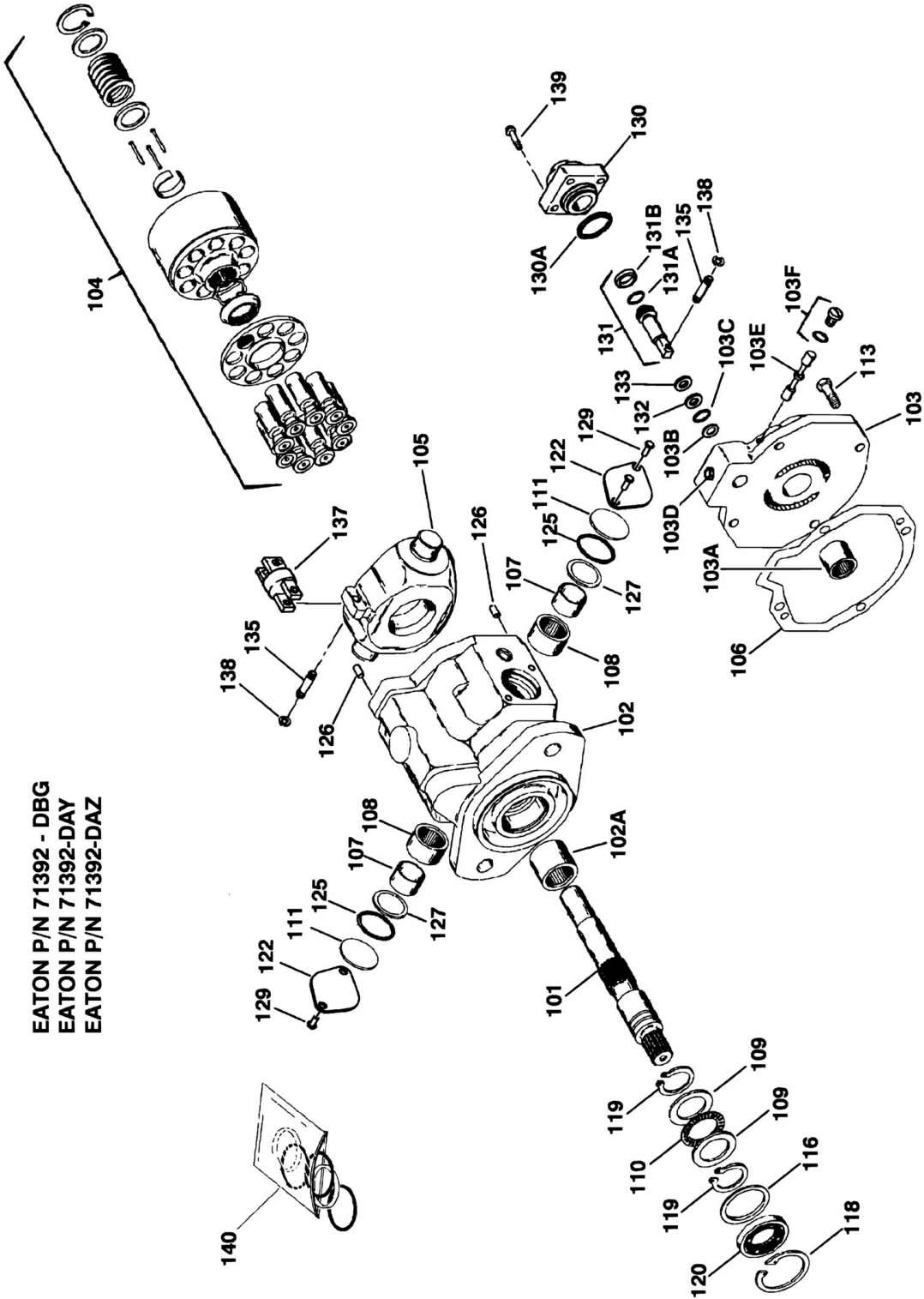
ITEM	PART NUMBER	QTY	DESCRIPTION	REV
	0920086	Ref	BRAKE ASSEMBLY - AUSCO	A
1	7003092	1	Housing	
2	Kit	1	Gasket	
3	7003049	1	Ball Bearing	
4	7003050	1	Oil Seal	
5	7003051	1	Spring Retainer	
6	7003052	12	Compression Spring	
7	7003093	1	Shaft	
8	7003094	2	Torque Pin	
9	7003054	1	Primary Disc	
10	7003006	2	Compression Spring	
11	7003055	1	Rotating Disc	
12	7003056	1	Stationary Disc	
13	7003095	1	Piston	
14	Kit	1	Backup Ring	
15	Kit	1	O-Ring	
16	Kit	1	Backup Ring	
17	Kit	1	O-Ring	
18	7000760	1	Ball Bearing	
19	7000796	1	Bleeder Screw	
20	7003096	1	Power Plate	
21	7003007	4	Hex Screw	
22	7003059	1	Pressure Relief Valve	
23	N.S.	1	Plug, Shipping	
24	Kit	2	Gasket	
	2900662	1	O-Ring Kit (Includes Items 1, 14-17 & 24)	
	7003069	1	Gasket Kit (Includes Item 24)	

SECTION 1 - FRAME

FIGURE 1-12. DRIVE MOTOR ASSEMBLY



SECTION 1 - FRAME



EATON P/N 71392 - DBG
 EATON P/N 71392-DAY
 EATON P/N 71392-DAZ

SECTION 1 - FRAME

FIGURE 1-12. DRIVE MOTOR ASSEMBLY

ITEM	PART NUMBER	QTY	DESCRIPTION	REV
		Ref	Note: Visually identify the drive motor by Cessna and Eaton part number before ordering replacement parts.	
		Ref	DRIVE MOTOR ASSEMBLY	
	1001096416	Ref	Drive Motor Assembly (CESSNA P/N 71492-DAD) (was p/n 3160080)	A
	3160129	Ref	Drive Motor Assembly (EATON P/N 71492-DAZ)	C
	3160130	Ref	Drive Motor Assembly (EATON P/N 71492-DBA)	B
	1001096415	Ref	Drive Motor Assembly (EATON P/N 71492-DAW) (was p/n 3160118)	D
	3160189	Ref	Drive Motor Assembly (Original Equipment) (EATON P/N 71492-DBC)	-
1	7004938	4	Screw, Cap, Socket Head	
2	7004939	1	Control Piston Housing Assembly (Includes Item 3)	
3	Kit	1	O-Ring	
4	7004933	4	Screw, Cap, Hex Head	
5	7004941	1	Backplate Assembly (Includes Items 5-15)	
6	7004942	1	Plug Assembly (Includes Item 7)	
7	Kit	1	O-Ring	
9	7004944	2	Plug Assembly (Shuttle Spool) (Includes Items 8 & 9)	
10	Kit	1	O-Ring (1 Per Plug)	
11	7004946	1	Spool, Shuttle	
12	Kit	1	O-Ring	
13	7004918	1	Washer, Backup	
14	7004917	1	Bearing, Needle	
16	7004937	4	Ring, Retaining	
17	7004929	2	Pin, Connector	
18	7004948	1	Control Piston Assembly (Includes Items 19-21)	
19	Kit	1	Ring, Slippery	
20	Kit	1	O-Ring	
21	Not Available	1	Piston, Control	
25	Kit	1	Gasket, Housing	
26	7004916	1	Rotating Kit Assembly (Includes Items 27-36)	
27	7004936	1	Ring, Retaining	
28	7004950	2	Washer, Machined	
29	7004951	1	Spring, Compression	
30	7004952	3	Pin, Loading	
31	7004953	1	Keeper, Pin	
32	7004954	9	Piston, Assembly	
33	7004955	1	Spider	
34	7004956	1	Pivot	
35	7004957	1	Washer, Wave	
36	Not Available	1	Block, Piston	
37	7004928	1	Connector, Camplate	
38	Kit	1	Ring, Retaining	
39	Kit	1	Seal, Shaft	
40	7004906	1	Washer	
41	Kit	2	Ring, Retaining	
42	7004907	2	Race, Thrust	
43	7004908	1	Bearing, Thrust	
44	7004912	1	Shaft, Drive	

SECTION 1 - FRAME

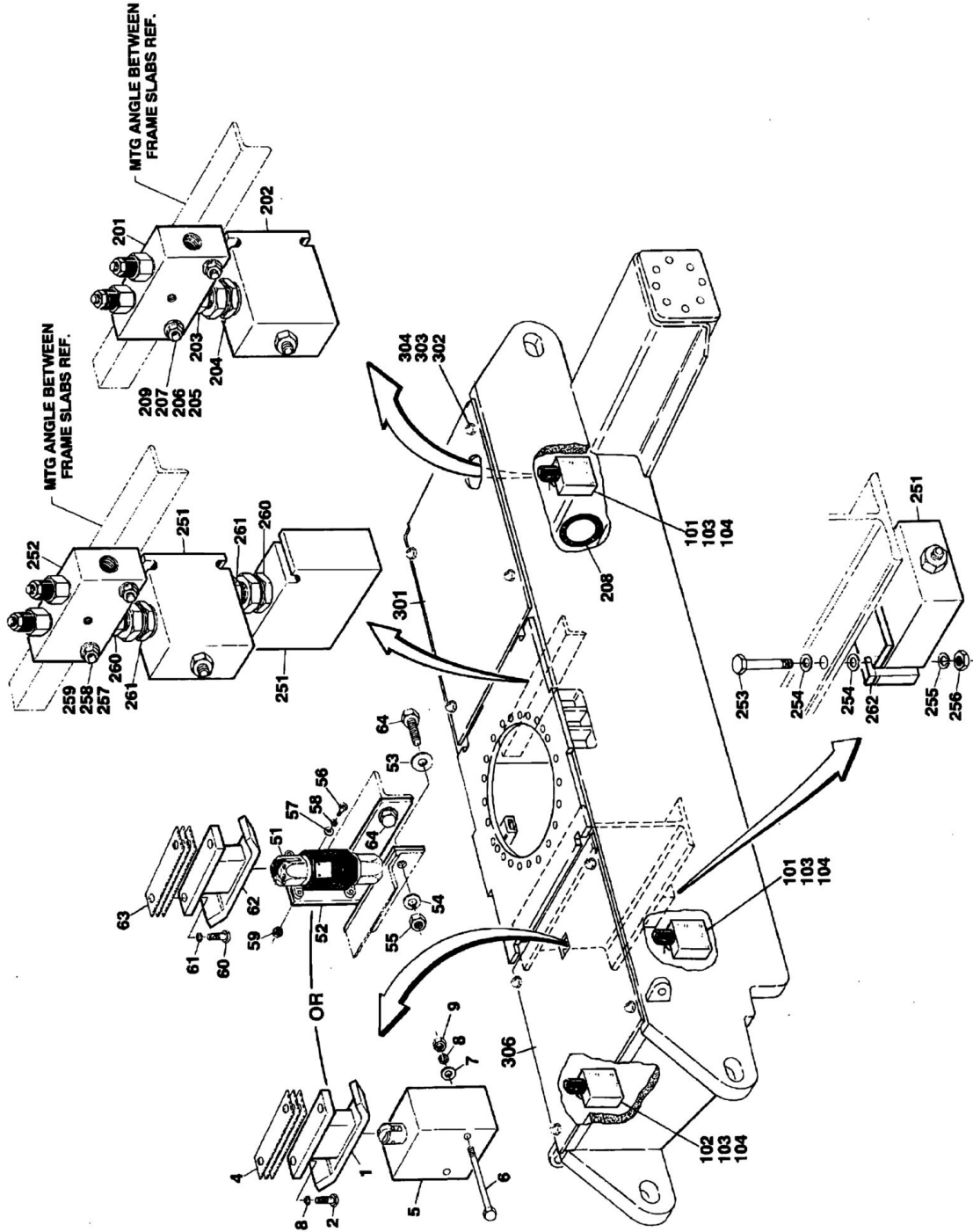
ITEM	PART NUMBER	QTY	DESCRIPTION	REV
45	Kit	2	Ring, Retaining	
46	7004913	2	Cover, Trunnion	
47	Kit	2	O-Ring	
48	7004911	1	Race, Inner	
49	7004914	2	Bearing	
50	7004927	1	Camplate	
51	7004959	1	Housing Assembly (Includes Items 52 & 53)	
52	7004960	2	Pin, Roll (1/4in Dia x 1/2in Long)	
53	7004910	1	Bearing	
54	4100027	AR	Spacer, Piston -.092in Options:	
54	4100027	0	Drive Motor (p/n 3160080)	
54	4100027	0	Drive Motor (p/n 3160129)	
54	4100027	2	Drive Motor (p/n 3160130)	
54	4100027	1	Drive Motor (p/n 3160118)	
54	4100027	0	Drive Motor (p/n 3160189)	
55	4100028	AR	Spacer, Piston -.105in Options:	
55	4100028	0	Drive Motor (p/n 3160080)	
55	4100028	1	Drive Motor (p/n 3160129)	
55	4100028	0	Drive Motor (p/n 3160130)	
55	4100028	1	Drive Motor (p/n 3160118)	
55	4100028	0	Drive Motor (p/n 3160189)	
56	4100029	AR	Spacer, Piston -.110in Options:	
56	4100029	0	Drive Motor (p/n 3160080)	
56	4100029	0	Drive Motor (p/n 3160129)	
56	4100029	0	Drive Motor (p/n 3160130)	
56	4100029	0	Drive Motor (p/n 3160118)	
56	4100029	4	Drive Motor (p/n 3160189)	
	2900449	1	Seal Repair Kit (Includes Items 3, 7, 10, 12, 19, 20, 25, 38, 39, 41, 45 & 47)	
		Ref	DRIVE MOTOR ASSEMBLIES (SERVICE REPLACEMENT)	
	3160343	Ref	Drive Motor Assembly (EATON P/N 71392-DBG)	B
	1001096416	Ref	Drive Motor Assembly (EATON P/N 71392-DAY)	A
	1001096415	Ref	Drive Motor Assembly (EATON P/N 71392-DAZ)	A
101	7004912	1	Shaft, Splined	
102	Not Available	1	Housing	
102A	7004910	1	Bearing	
103	70002533	1	Back Plate Assembly	
103A	Not Available	1	Bearing	
103B	Item 140	1	Washer	
103C	Item 140	1	O-Ring	
103D	Not Available	1	Plug	
103E	Not Available	1	Spool, Shuttle	
103F	Not Available	2	Plug	
104	7004916	1	Rotating Kit Assembly (Sold as an Assembly Only)	
105	70002534	1	Camplate	
106	Item 140	1	Gasket	
107	7004911	2	Race, Inner	
108	7004914	2	Bearing, Needle	
109	7004907	2	Race, Thrust	
110	7004908	1	Bearing, Thrust	
111	70002535	2	Cover, Trunnion	
113	7020323	4	Bolt	

SECTION 1 - FRAME

ITEM	PART NUMBER	QTY	DESCRIPTION	REV
116	7004906	1	Washer	
118	Item 140	1	Ring, Retaining	
119	Item 140	2	Ring, Retaining	
120	Item 140	1	Seal, Shaft	
122	70002536	2	Cover	
124	70002537	1	Plate, Valve (Not Shown - Located Between Items 102 & 103)	
125	Item 140	2	O-Ring	
126	70002538	2	Rollpin	
127	70002539	2	Washer	
129	70002540	4	Screw, Pan Head	
130	7004939	1	Housing, Control Piston	
130A	Item 140	1	O-Ring	
131	70002541	1	Piston Control	
131A	Item 140	1	O-Ring	
131B	Item 140	1	Ring, Slipper	
132	4100027	1	Spacer	
133	4100028	1	Spacer	
135	7004929	2	Pin, Connector	
137	7004928	2	Plate, Connector	
138	Item 140	2	Ring, Retaining	
139	7004938	4	Bolt	
140	7020347	1	Seal Kit - Complete (Includes items 103B, 103C, 106,118, 119, 120, 125, 130A, 131A, 131B & 138)	

SECTION 1 - FRAME

FIGURE 1-13. VALVES INSTALLATION (FRAME MOUNTED)



SECTION 1 - FRAME

FIGURE 1-13. VALVES INSTALLATION (FRAME MOUNTED)

ITEM	PART NUMBER	QTY	DESCRIPTION	REV
	0236404	Ref	LOCKOUT VALVE INSTALLATION (OSCILLATING AXLE MACHINES BUILT PRIOR TO APRIL 1993)	C
1	1100037	1	Cam Assembly	
2	0641612	2	Bolt 3/8in-16NC	
4	4070570	AR	Shim (1/32in)	
4	4070571	AR	Shim (1/16in)	
4	4070572	AR	Shim (1/8in)	
5	4640485	1	Valve, Axle Lockout (See LOCKOUT VALVE ASSEMBLY for Breakdown)	
6	0641634	2	Bolt 3/8in-16NC x 4 1/4in	
7	4751600	2	Flatwasher 3/8in	
8	4761600	4	Lockwasher 3/8in	
9	3311601	2	Nut 3/8in-16NC	
	0253095	Ref	LOCKOUT VALVE INSTALLATION (OSCILLATING AXLE MACHINES BUILT APRIL 1993 TO PRESENT)	-
51	4640668	1	Axle Lockout Valve Assembly	
51	7012516	1	Repair Kit	
52	3536181	1	Bracket, Mounting	
53	4751600	4	Flatwasher 3/8in	
54	4761600	6	Lockwasher 3/8in	
55	3311601	4	Nut 3/8in-16NC	
56	3931016	4	Capscrew, Socket Head #10-24NC x 1in	
57	4751000	8	Flatwasher #10	
58	4761000	4	Lockwasher #10	
59	3311001	4	Nut #10-24NC	
60	0641612	2	Bolt 3/8in-16NC x 1 1/2in	
61	4761600	2	Lockwasher 3/8in	
62	1100037	1	Cam, Lockout	
63	4070570	AR	Shim (1/32in)	
63	4070571	AR	Shim (1/16in)	
63	4070572	AR	Shim (1/8in)	
64	0641608	4	Bolt 3/8in-16NC x 1in	
	0234902	Ref	2 WHEEL - 4 WHEEL DRIVE VALVES INSTALLATION (4WD MACHINES BUILT PRIOR TO NOVEMBER 1987)	-
101	4640228	1	Valve	
102	4640363	2	Valve	
103	0641520	6	Bolt 5/16in-18NC x 2 1/2in	
104	4761500	6	Lockwasher 5/16in	
		Ref	COUNTERBALANCE AND FLOW DIVIDER VALVES INSTALLATION - 2WD	
	0236405	Ref	BUILT PRIOR TO MARCH 1986 (NOT SHOWN)	A
	0237436	Ref	BUILT MARCH 1986 TO JULY 1987 AND 4WD BUILT PRIOR TO JULY 1987	D
	0238489	Ref	BUILT JULY 1987 TO PRESENT	B
201		Ref	Valve, Counterbalance Options:	
201	4640259	1	Built Prior to March 1986 (Not Shown)	
201	0641540	2	Bolt 5/16in-18NC x 5in (Not Shown)	
201	4761500	2	Lockwasher 5/16in (Not Shown)	
201	3311501	2	Nut 5/16in-18NC (Not Shown)	
201	4751500	4	Flatwasher 5/16in (Not Shown)	
201	4640454	1	Built March 1986 to Present	

SECTION 1 - FRAME

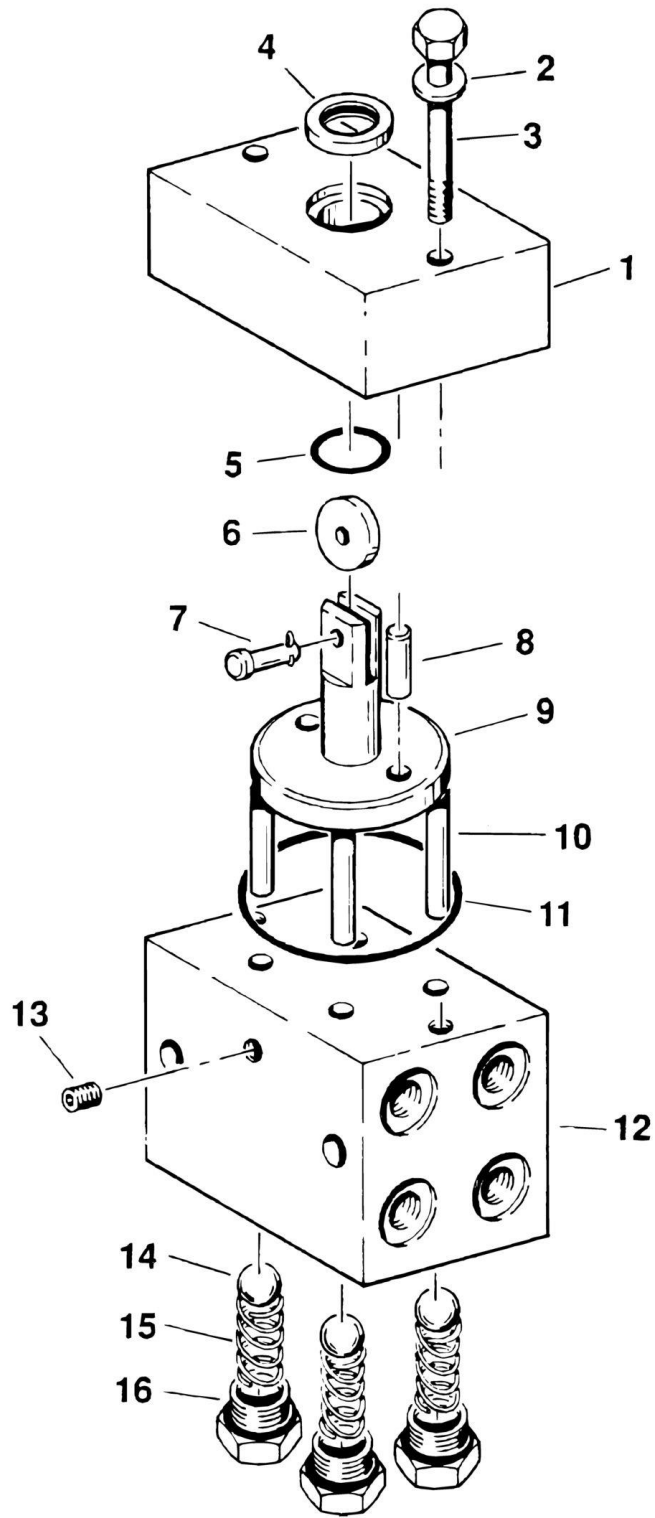
ITEM	PART NUMBER	QTY	DESCRIPTION	REV
201	2900789	2	Seal Kit - Cartridge	
202	4640260	1	Valve, Flow Divider	
202	Not Available	1	Cartridge (Vickers/Modular Controls Version)	
202	7009739	1	Seal Kit (Vickers/Modular Controls Version)	
202	7007321	1	Cartridge (Fluid Controls Version)	
202	7007323	1	Seal Kit (Fluid Controls Version)	
203	2220435	1	Fitting, Straight	
204	2220594	1	Fitting, Adapter	
205		Ref	Hardware Options:	
205	Not Required		Built Prior to March 1986	
205	4300033	2	Built March 1986 to July 1987 and 4WD Built Prior to July 1987 - Stud (Welded on Part)	
205	0641620	2	Built July 1987 to Present - Bolt 3/8in-16NC x 2 1/2in	
206		Ref	Lockwasher Options:	
206	Not Required		Built Prior to March 1986	
206	4761500	2	Built March 1986 to July 1987 and 4WD Built Prior to July 1987 - Lockwasher 5/16in	
206	4761600	2	Built July 1987 to Present - Lockwasher 3/8in	
207		Ref	Nut Options:	
207	Not Required		Built Prior to March 1986	
207	3311501	2	Built March 1986 to July 1987 and 4WD Built Prior to July 1987 - Nut 5/16in-18NC	
207	3311601	2	Built July 1987 to Present - Nut 3/8in-16NC	
208		Ref	Flex-Guard Options:	
208	Not Required		Built Prior to March 1986	
208	4060608	1 ft	Built March 1986 to July 1987 and 4WD Built Prior to July 1987	
208	4060806	18 in	Built July 1987 to Present	
209		Ref	Flatwasher Options:	
209	Not Required		Built Prior to March 1986	
209	4751500	2	Built March 1986 to July 1987 and 4WD Built Prior to July 1987 - Flatwasher 5/16in	
209	4751600	2	Built July 1987 to Present - Flatwasher 3/8in	
	0238570	Ref	COUNTERBALANCE AND FLOW DIVIDER VALVES INSTALLATION - 4WD BUILT JULY 1987 TO PRESENT	3
251	4640260	3	Valve, Flow Divider	
251	Not Available	1	Cartridge (Vickers/Modular Controls Version)	
251	7009739	1	Seal Kit (Vickers/Modular Controls Version)	
251	7007321	1	Cartridge (Fluid Controls Version)	
251	7007323	1	Seal Kit (Fluid Controls Version)	
252	4640454	1	Valve, Counterbalance	
252	2900789	2	Seal Kit - Cartridge	
253		Ref	Bolt Options:	
253	0641528	2	Bolt 5/16in-18NC x 3 1/2 (Prior to SN 34095)	
253	0641520	2	Bolt 5/16in-18NC x 2 1/2 (SN 34095 to Present)	
254	4751500	2	Flatwasher 5/16in	
255	4761500	2	Lockwasher 5/16in	
256	3311505	2	Locknut 5/16in-18NC (Prior to SN 34095)	
257	0641620	2	Bolt 3/8in-16NC x 2 1/2in	
258	4761600	2	Lockwasher 3/8in	
259	3311601	2	Nut 3/8in-16NC	
260	2220594	2	Fitting, Adapter	
261	2220435	2	Fitting, Straight	

SECTION 1 - FRAME

ITEM	PART NUMBER	QTY	DESCRIPTION	REV
262	3537812	1	Plate, Valve Mounting (SN 34095 to Present)	
		Ref	FRAME SHIELDS INSTALLATION OPTIONS:	
	0236242	Ref	PRIOR TO MID 1984	-
	0236450	Ref	MID 1984 TO PRESENT	B
301		Ref	Shield - Rear	
301	4060570	1	Prior to Mid 1984	
301	4060586	1	Mid 1984 to Present	
302	4761400	8	Lockwasher 1/4in	
303	3300151	8	Nut, Acorn 1/4in-20NC	
304	4300031	8	Stud (Welded on Part)	
305	0100011	AR	Loctite #242 (Not Shown)	
306		Ref	Shield - Front	
306	4060571	1	Prior to Mid 1984	
306	4060585	1	Mid 1984 to Present	

SECTION 1 - FRAME

FIGURE 1-14. LOCKOUT VALVE ASSEMBLY



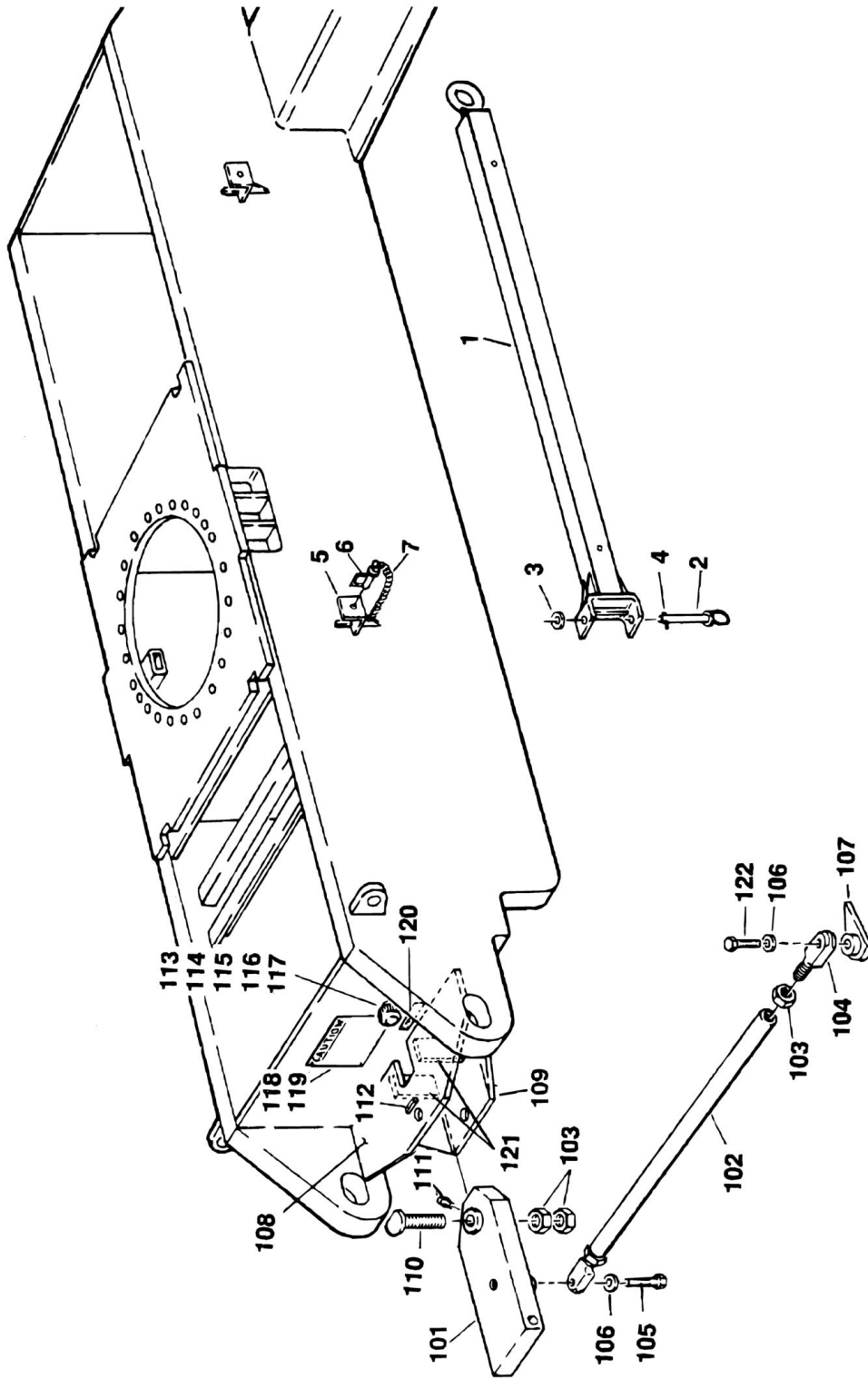
SECTION 1 - FRAME

FIGURE 1-14. LOCKOUT VALVE ASSEMBLY

ITEM	PART NUMBER	QTY	DESCRIPTION	REV
	4640485	Ref	LOCKOUT VALVE ASSEMBLY	A
		Ref	NOTE: OSCILLATING AXLE MACHINES BUILT PRIOR TO APRIL 1993.	
1	0560679	1	Block, Top Valve	
2	0641518	2	Bolt 5/16in-18NC x 2 1/4in	
3	4761500	2	Lockwasher 5/16in	
4	3960047	1	Seal, Rod	
5	3790116	1	O-Ring	
6	3860037	1	Roller, Cam	
7	3430407	1	Clevis Pin with Cotter Pin	
8	3421284	2	Pin	
9	3840833	1	Plunger, Rod	
10	3840854	4	Rod	
11	3790231	1	O-Ring	
12	0560467	1	Block, Bottom Valve	
13	2200202	1	Plug	
13	0100011	AR	Loctite	
14	0320008	4	Ball	
15	4160078	4	Spring	
16	2180658	4	Plug	

SECTION 1 - FRAME

FIGURE 1-15. TOW PACKAGE INSTALLATION



SECTION 1 - FRAME

FIGURE 1-15. TOW PACKAGE INSTALLATION

ITEM	PART NUMBER	QTY	DESCRIPTION	REV
		Ref	2WD TOW PACKAGE OPTIONS:	
	0236581	Ref	2WD Without Steering Wheel (Prior to January 1990)	
	0250418	Ref	2WD Without Steering Wheel (January 1990 to Present)	
	0236562	Ref	2WD With Steering Wheel (Prior to January 1990)	
	0250417	Ref	2WD With Steering Wheel (January 1990 to Present)	
		Ref	4WD TOW PACKAGE OPTIONS:	
	0238195	Ref	4WD Without Steering Wheel (Prior to January 1990)	
	0250423	Ref	4WD Without Steering Wheel (January 1990 to Present)	
	0238196	Ref	4WD With Steering Wheel (Prior to January 1990)	
	0250422	Ref	4WD With Steering Wheel (January 1990 to Present)	
	0236568	Ref	TOW BAR AND STORAGE INSTALLATION	2
1	0232121	1	Tow Bar Assembly	
2	3420447	1	Pin, Tow	
3	4740036	1	Flatwasher	
4	3420372	1	Pin, Cotter	
5	4841065	2	Mount, Tow Bar	
6	3420292	2	Pin, Hitch	
7	1260017	16 in	Chain (2 x 8in Length)	
		Ref	TOW HITCH AND VALVE INSTALLATIONS	
	0236560	Ref	2WD BUILT PRIOR TO JANUARY 1990	B
	0238194	Ref	4WD BUILT PRIOR TO JANUARY 1990	-
	0250416	Ref	2WD BUILT JANUARY 1990 TO PRESENT	3
	0250421	Ref	4WD BUILT JANUARY 1990 TO PRESENT	2
101		Ref	Hitch, Tow Options:	
101	2620025	1	Hitch, Tow (Prior to January 1990)	
101	2620035	1	Hitch, Tow (January 1990 to Present)	
102	3840643	1	Tie-Rod	
103		Ref	Nut Options:	
103	3323002	4	2WD - Nut 1 1/4in-12NF	
103	3323023	4	4WD - Jam Nut 1 1/4in-12NF	
104	1660114	2	End, Tie-Rod	
105	0642628	1	Bolt 1in-8NC x 3 1/2in	
106	4762600	2	Lockwasher 1in	
107	3040382	1	Lug, Tie-Rod	
108	3530016	1	Plate, Hitch Attach (Top)	
109		Ref	Plate, Hitch Attach (Bottom) Options:	
109	3530015	1	Plate, Hitch Attach (Bottom) (Prior to January 1990)	
109	3533365	1	Plate, Hitch Attach (Bottom) (January 1990 to Present)	
110	3421151	1	Pin	
111	2160003	1	Fitting, Grease - 45	
112	2880410	1	Keystock	
113	0641507	2	Bolt 5/16in-18NC x 7/8in	
114	4761500	2	Lockwasher 5/16in	
115	4751500	2	Flatwasher 5/16in	
116	0900479	1	Bracket, Valve Mounting	
117	4640261	1	Valve, Selector	
118	3820001	4	Rivet	
119		Ref	Tow Instruction Decal Options:	
119	3250840	1	Decal (Prior to May 1994)	
119	1702305	1	Decal (May 1994 to Present)	

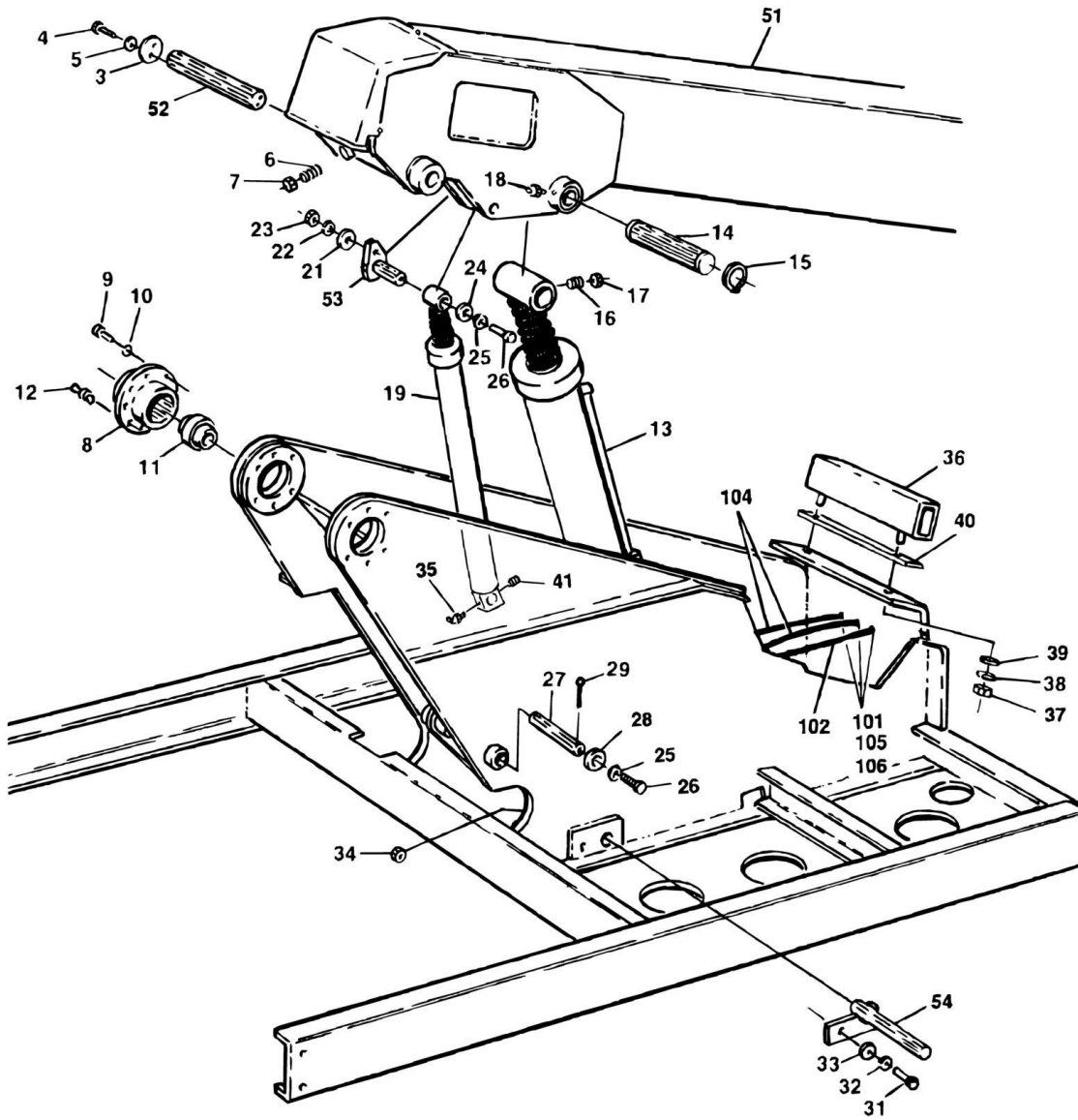
SECTION 1 - FRAME

ITEM	PART NUMBER	QTY	DESCRIPTION	REV
120	3250872	1	Nameplate - Tow Select	
121	2551050	2	Gusset	
122		Ref	Bolt Options:	
122	0642628	1	1in-8NC x 3 1/2in	
122	0642620	1	1in-8NC x 2 1/2in	

SECTION 2 - TURNTABLE

SECTION 2 - TURNTABLE

FIGURE 2-1. TURNTABLE AND BOOMS INSTALLATIONS



SECTION 2 - TURNTABLE

FIGURE 2-1. TURNTABLE AND BOOMS INSTALLATIONS

ITEM	PART NUMBER	QTY	DESCRIPTION	REV
		Ref	TURNTABLE WELDMENT OPTIONS:	
	4620013	Ref	Turntable - Prior to April 1989	
	4620041	Ref	Turntable - April 1989 to December 1991	
	4620077	Ref	Turntable - December 1991 to Present	
	9982449	Ref	Turntable - Deutz F3L912 Powered Machines	
		Ref	BOOM INSTALLATIONS (STANDARD PARTS)	
3	1120198	2	Cap, Boom Pivot	
4	0681812	4	Bolt 1/2in-13NC x 1 1/2in Grade 8	
4	0100019	AR	Loctite #271	
5	4740171	4	Washer, Hardened	
6	3952020	2	Setscrew 5/8in-11NC x 2 1/2in	
7	3312002	2	Nut, Jam 5/8in-11NC	
8		Ref	Boom Pivot Weldment Options:	
8	4840596	2	Pivot - Prior to December 1991	
8	0961240	2	Pivot - December 1991 to Present	
9	0681612	6	Bolt 3/8in-16NC x 1 1/2in Grade 8	
10	4740185	6	Washer, Hardened	
11	0440084	2	Bearing, Spherical	
12	2160006	2	Fitting, Grease	
13		Ref	Lift Cylinder Assembly Options (See CYLINDER SECTION for Breakdown)	
13	1680365	1	Lift Cylinder (Prior to April 1993)	
13	1682697	1	Lift Cylinder - TUV (April 1993 to Present)	
14	3420656	1	Pin, Attach (Lift Cylinder Top)	
15	3760104	2	Ring, Retaining	
16	3951812	1	Setscrew 1/2in-13NC x 1 1/2in	
17	3311802	1	Nut, Jam 1/2in-13NC	
18	2160002	2	Fitting, Grease	
19		Ref	Master Cylinder Assembly Options (See CYLINDER SECTION for Breakdown)	
19	1681519	1	Master Cylinder - Prior to November 1984	
19	1681547	1	Master Cylinder - November 1984 to May 1985	
19	1681580	1	Master Cylinder - May 1985 to Present	
21	4751600	1	Flatwasher 3/8in	
22	4761600	1	Lockwasher 3/8in	
23	3311601	1	Nut 3/8in-16NC	
23	4300034	1	Stud (Welded on Part)	
24	4740006	AR	Flatwasher, Special - 1 3/4in O.D.	
24	4740331	AR	Flatwasher, Special - 2 1/4in O.D.	
25	4761600	AR	Lockwasher 3/8in	
26	0651608	AR	Bolt 3/8in-24NF x 1in	
26	0741608	AR	Screw, Flat Head Countersunk	
27		Ref	Pin Options (Master Cylinder Lower):	
27	3420531	1	Pin - Prior to August 1989	
27	3421706	1	Pin - August 1989 to Present	
28	4740040	2	Flatwasher - Prior to August 1989	
28	4740006	2	Flatwasher - August 1989 to Present	
29	3450608	2	Pin, Cotter - Prior to 1989 Only	
31	0630399	1	Bolt, Special	
32	4761600	1	Lockwasher 3/8in	

SECTION 2 - TURNTABLE

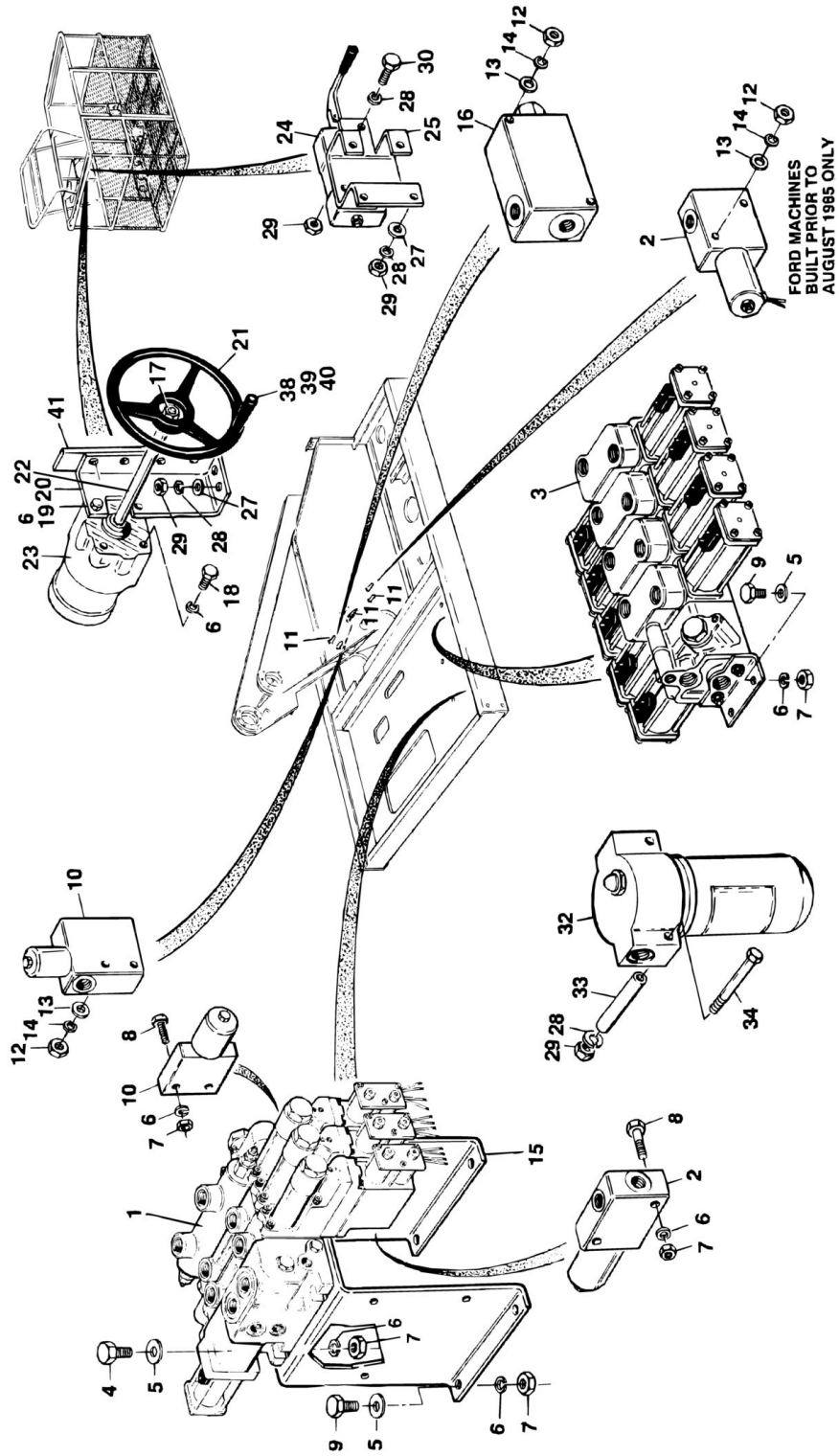
ITEM	PART NUMBER	QTY	DESCRIPTION	REV
33	4751600	1	Flatwasher 3/8in	
34	3311605	1	Locknut 3/8in-16NC	
35	2160003	1	Fitting, Grease - 45	
36	4841992	1	Boom Rest Weldment (When Equipped)	
37	3311601	2	Nut 3/8in-16NC	
38	4761600	2	Lockwasher 3/8in	
39	4751600	2	Flatwasher 3/8in	
40	0361751	1	Bar, Rest	
41	2200221	1	Plug, Pipe	
	0236414	Ref	BOOM INSTALLATION - STANDARD 2 SECTION WITH STANDARD CONTROLS (PRIOR TO APRIL 1988)	J
	0239137	Ref	BOOM INSTALLATION - STANDARD 2 SECTION WITH STANDARD CONTROLS (APRIL 1988 TO PRESENT)	8
	0239256	Ref	BOOM INSTALLATION - STANDARD 2 SECTION WITH HYDRAULIC CONTROLS	H
	0237994	Ref	BOOM INSTALLATION - EXTEND-A-REACH - 2 SECTION WITH STANDARD CONTROLS	H
	0239424	Ref	BOOM INSTALLATION - EXTEND-A-REACH 2 SECTION WITH STANDARD CONTROLS (Prior to SN 36202)	7
	0252118	Ref	BOOM INSTALLATION - CSA 2 SECTION WITH STANDARD CONTROLS	C
	0251814	Ref	BOOM INSTALLATION - CSA 2 SECTION WITH HYDRAULIC CONTROLS	D
	0238755	Ref	BOOM INSTALLATION - 800 LBS. CAPACITY 2 SECTION WITH STANDARD CONTROLS (APRIL 1984 TO PRESENT)	F
	0256857	Ref	BOOM INSTALLATION - 800 LBS. CAPACITY 2 SECTION WITH HYDRAULIC CONTROLS (SN 28572 to Present)	A
	0236260	Ref	BOOM INSTALLATION - STANDARD 3 SECTION WITH STANDARD CONTROLS (PRIOR TO NOVEMBER 1988)	K
	0239136	Ref	BOOM INSTALLATION - STANDARD 3 SECTION WITH STANDARD CONTROLS (NOVEMBER 1988 TO S/N 36202)	G
	0251086	Ref	BOOM INSTALLATION - STANDARD 3 SECTION WITH HYDRAULIC CONTROLS (Prior to SN 36202)	D
51		Ref	Boom Assembly Options: (See BOOM SECTION for Breakdown)	
51		Ref	2 Section	
51	0800379	1	Standard Controls	
51	0800578	1	Hydraulic Controls	
51	0800504	1	Extend-A-Reach With Standard Controls	
51	0800589	1	Extend-A-Reach With Standard Controls (Prior to SN 36202)	
51	0800379	1	CAS - Standard Controls	
51	0800578	1	CAS - Hydraulic Controls	
51	0800707	1	800LBS. Capacity With Standard Controls (April 1984 to Present)	
51	0801098	1	800LBS. Capacity With Hydraulic Controls (SN 28572 to Present)	
51		Ref	3 Section	
51	0800400	1	Standard Controls	
51	0800699	1	Hydraulic Controls (Prior to SN 36202)	
52		Ref	Pin, Boom Pivot Options:	
52	3420643	1	Standard	
52	3421521	1	800LBS. Capacity/CSA	
53		Ref	Pin Options (Master Cylinder - Top):	
53		Ref	Standard Controls	
53	0233449	1	Pin - Prior to September 1984	

SECTION 2 - TURNTABLE

ITEM	PART NUMBER	QTY	DESCRIPTION	REV
53	0236548	1	Pin - September 1984 to Present	
53		Ref	Hydraulic Controls	
53	0236548	1	Pin - Prior to August 1989	
53	3421586	1	Pin - August 1989 to Present	
54		Ref	Pin (Lift Cylinder Bottom) Options:	
54	3421083	1	Standard	
54	3421522	1	800LBS. Capacity/CSA	
	0236487	Ref	LUBE LINE INSTALLATION	D
101	2220124	4	Fitting	
102	2751032	1	Hose (44in Length) (To Lift Cylinder)	
104	2750807	2	Hose (30in Length) (To T/T Bearing)	
105	2160002	3	Fitting, Grease	
106	2180344	3	Fitting, Adapter	

SECTION 2 - TURNTABLE

FIGURE 2-2. CONTROL VALVES INSTALLATION - RACINE



SECTION 2 - TURNTABLE

FIGURE 2-2. CONTROL VALVES INSTALLATION - RACINE

ITEM	PART NUMBER	QTY	DESCRIPTION	REV
		Ref	CONTROL VALVES INSTALLATIONS	
	0236399	Ref	FIXED PLATFORM WITHOUT STEERING WHEEL	I
	0236385	Ref	ROTATING PLATFORM WITHOUT STEERING WHEEL	I
	0236420	Ref	FIXED PLATFORM WITH STEERING WHEEL (FORD MACHINES PRIOR TO AUGUST 1985)	I
	0236401	Ref	FIXED PLATFORM WITH STEERING WHEEL (DEUTZ MACHINES - ALL AND FORD MACHINES BUILT AUGUST 1985 TO PRESENT)	I
	0236419	Ref	ROTATING PLATFORM WITH STEERING WHEEL (FORD MACHINES PRIOR TO AUGUST 1985)	I
	0236400	Ref	ROTATING PLATFORM WITH STEERING WHEEL (DEUTZ MACHINES - ALL AND FORD MACHINES BUILT AUGUST 1985 TO PRESENT)	I
1	4640367	1	Proportional Valve Assembly - 3 Section (See RACINE PROPORTIONAL CONTROL VALVE ASSEMBLY for Breakdown)	
2	4640123	AR	Solenoid Select Valve Assembly (Qty. 1 - Standard/Qty. 2 used on Ford Machines used Prior to August 1985)	
2	7004368	AR	Coil (Hydraforce Version)	
2	7000558	AR	Coil (FPS Version)	
2	7012518	AR	Seal Kit (Hydraforce Version)	
2	7006075	AR	Seal Kit (FPS Version)	
3		Ref	Control Valve Assembly - Bang-Bang Options:	
3		Ref	Without Steering Wheel (See CONTROL VALVE ASSEMBLY for Breakdown)	
3	4640246	1	Fixed Platform	
3	4640247	1	Rotating Platform	
3		Ref	With Steering Wheel (See CONTROL VALVE ASSEMBLY for Breakdown)	
3	4640447	1	Fixed/Rotating Platform	
4	0641612	3	Bolt 3/8in-16NC x 1 1/2in	
5	4751600	9	Flatwasher 3/8in	
6	4761600	17	Lockwasher 3/8in	
7	3311601	13	Nut 3/8in-16NC	
8	0641616	4	Bolt 3/8in-16NC x 2in	
9	0641610	6	Bolt 3/8in-16NC x 1 1/4in	
10	4640360	AR	Dump Valve Assembly (Qty. 1 Required without Steering Wheel/Qty. 2 with Steering Wheel)	
10	7009745	1	Coil (Vickers/Modular Controls Version)	
10	7004368	1	Coil (Hydraforce Version)	
10	7004289	1	Cartridge Without Coil (Vickers/Modular Controls Version)	
10	7010635	1	Cartridge without Coil - Through 1989 (Hydraforce Version)	
10	7012910	1	Cartridge Without Coil - 1989 to Present (Hydraforce Version)	
10	Not Available	1	Seal Kit (Vickers/Modular Controls Version)	
10	2900708	1	Seal Kit - Cartridge (Hydraforce Version)	
10	7003635	1	Check Valve (Vickers/Modular Controls Version)	
10	7009798	1	Check Valve (Hydraforce Version)	
11	4300033	4	Stud (Welded on Part)	
12	3311501	6	Nut 5/16in-18NC	
13	4751500	6	Flatwasher 5/16in	
14	4761500	4	Lockwasher 5/16in	
15	0900886	1	Bracket, Valve Mounting	

SECTION 2 - TURNTABLE

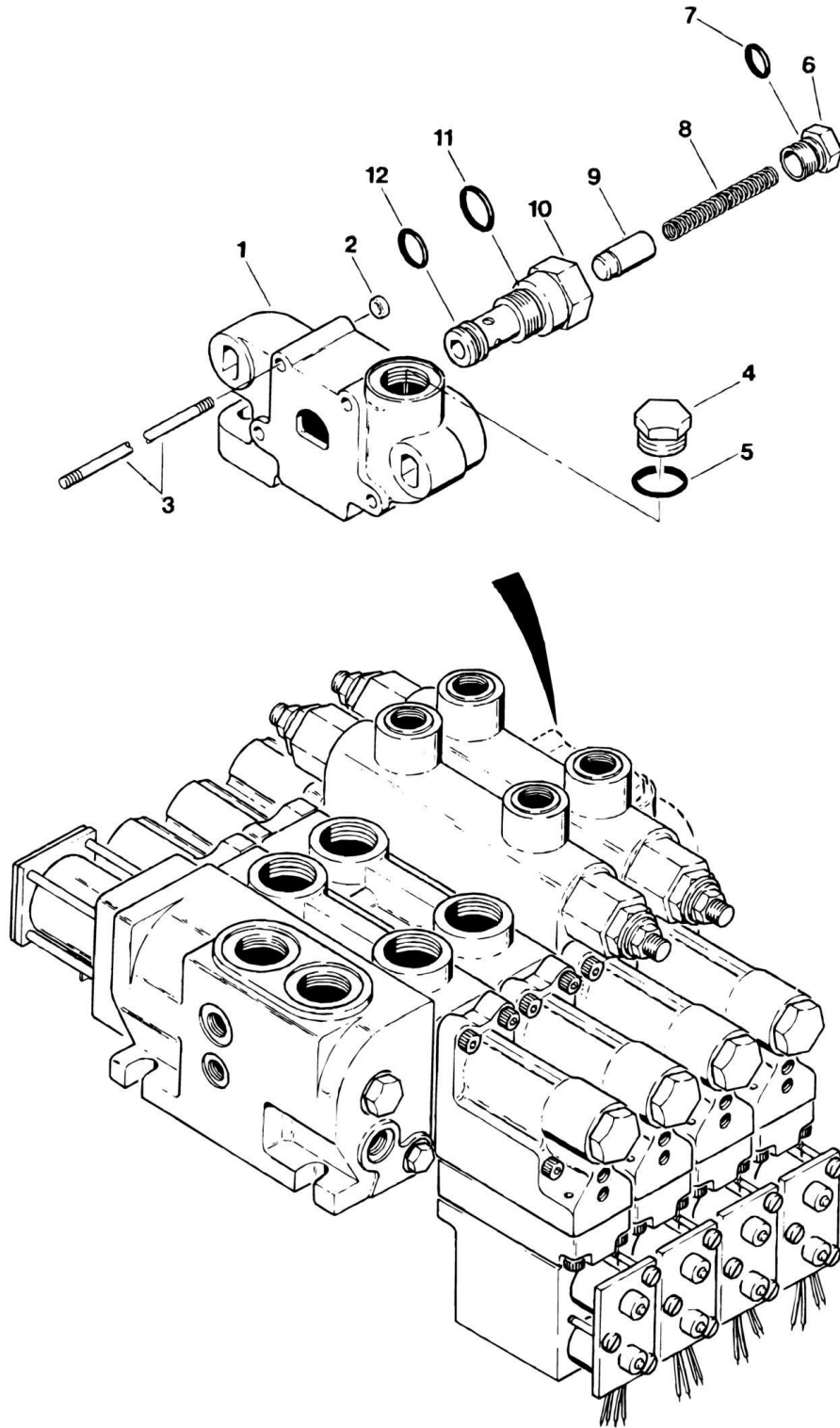
ITEM	PART NUMBER	QTY	DESCRIPTION	REV
16		Ref	Flow Divider Assembly Options:	
16	Not Required		Without Steering Wheel	
16	4640151	1	With Steering Wheel	
17		Ref	Nut, Steering Wheel Options:	
17	Not Required		Without Steering Wheel	
17	3300073	1	With Steering Wheel	
18		Ref	Bolt 3/8in-16NC x 3/4in Options:	
18	Not Required		Without Steering Wheel	
18	0641606	2	With Steering Wheel	
19		Ref	Bolt 3/8in-16NC x 1in Options:	
19	Not Required		Without Steering Wheel	
19	0641608	2	With Steering Wheel	
20		Ref	Bracket, Steering Valve Mounting Options:	
20	Not Required		Without Steering Wheel	
20	0901255	1	With Steering Wheel	
21		Ref	Wheel, Steering Options:	
21	Not Required		Without Steering Wheel	
21	4860097	1	With Steering Wheel	
22		Ref	Column, Steering Options:	
22	Not Required		Without Steering Wheel	
22	1460005	1	With Steering Wheel	
23		Ref	Steering Valve Assembly Options: (See STEERING VALVE ASSEMBLY for Breakdown)	
23	Not Required		Without Steering Wheel	
23	4640408	1	With Steering Wheel	
24		Ref	Manual Rotator Valve Assembly Options: (When Equipped)	
24	Not Required		Without Steering Wheel	
24	4640434	1	With Steering Wheel	
25		Ref	Bracket, Valve Mounting Options:	
25	Not Required		Without Steering Wheel	
25	0901201	1	With Steering Wheel	
26		Ref	Stud Options: (Welded on Part - Not Shown)	
26	Not Required		Without Steering Wheel	
26	4300031	AR	With Steering Wheel	
27		Ref	Flatwasher 1/4in Options:	
27	Not Required		Without Steering Wheel	
27	4751400	AR	With Steering Wheel	
28	4761400	13	Lockwasher 1/4in	
29	3311401	13	Nut 1/4in-20NC	
30		Ref	Bolt 1/4in-20NC x 2in	
30	Not Required		Without Steering Wheel	
30	0641416	2	With Steering Wheel	
32	2120078	1	Filter Assembly	
32	2120079	1	Element, Filter	
33	4562716	2	Tube	
34	0641440	2	Bolt 1/4in-20NC x 5in	
38		Ref	Handle, Steering Wheel	
38	Not Required		Without Steering Wheel	
38	2560066	1	With Steering Wheel	
39		Ref	Screw, Socket Head	
39	Not Required		Without Steering Wheel	
39	3900060	1	With Steering Wheel	

SECTION 2 - TURNTABLE

ITEM	PART NUMBER	QTY	DESCRIPTION	REV
40		Ref	Loctite #242	
40	Not Required		Without Steering Wheel	
40	0100011	AR	With Steering Wheel	
41		Ref	Bar	
41	Not Required		Without Steering Wheel	
41	0361393	1	With Steering Wheel	

SECTION 2 - TURNTABLE

FIGURE 2-3. RACINE PROPORTIONAL CONTROL VALVE ASSEMBLY - OUTLET SECTION



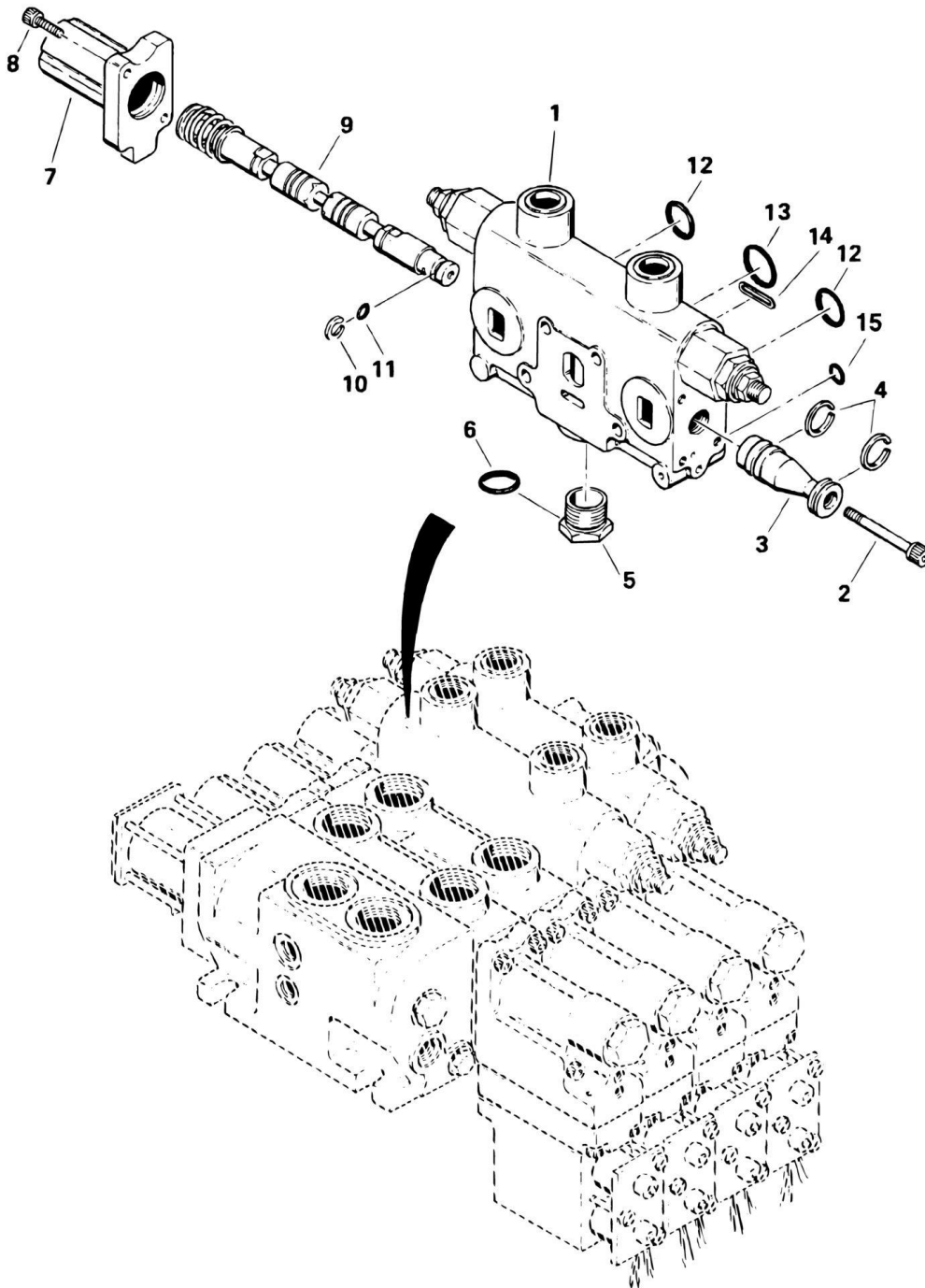
SECTION 2 - TURNTABLE

FIGURE 2-3. RACINE PROPORTIONAL CONTROL VALVE ASSEMBLY - OUTLET SECTION

ITEM	PART NUMBER	QTY	DESCRIPTION	REV
	4640367	Ref	RACINE PROPORTIONAL CONTROL VALVE ASSEMBLY - OUTLET SECTION	-
1	7002368	Ref	Outlet Section	-
2	7004869	4	Nut	
3	7004870	4	Stud	
4	7004871	1	Plug	
5	Kit	1	O-Ring	
	7004872	1	Cartridge Assembly, Pilot Pressure	
	7002288	1	Plug and O-Ring Assembly	
6	7004873	1	Plug	
7	Kit	1	O-Ring	
8	7004874	1	Spring	
9	7002287	1	Poppet	
10	7004875	1	Housing	
11	Kit	1	O-Ring	
12	Kit	1	O-Ring	
	7004833	1	Seal Kit (Includes Items 5,7,11 & 12)	

SECTION 2 - TURNTABLE

FIGURE 2-4. RACINE PROPORTIONAL CONTROL VALVE ASSEMBLY - WORKING SECTION



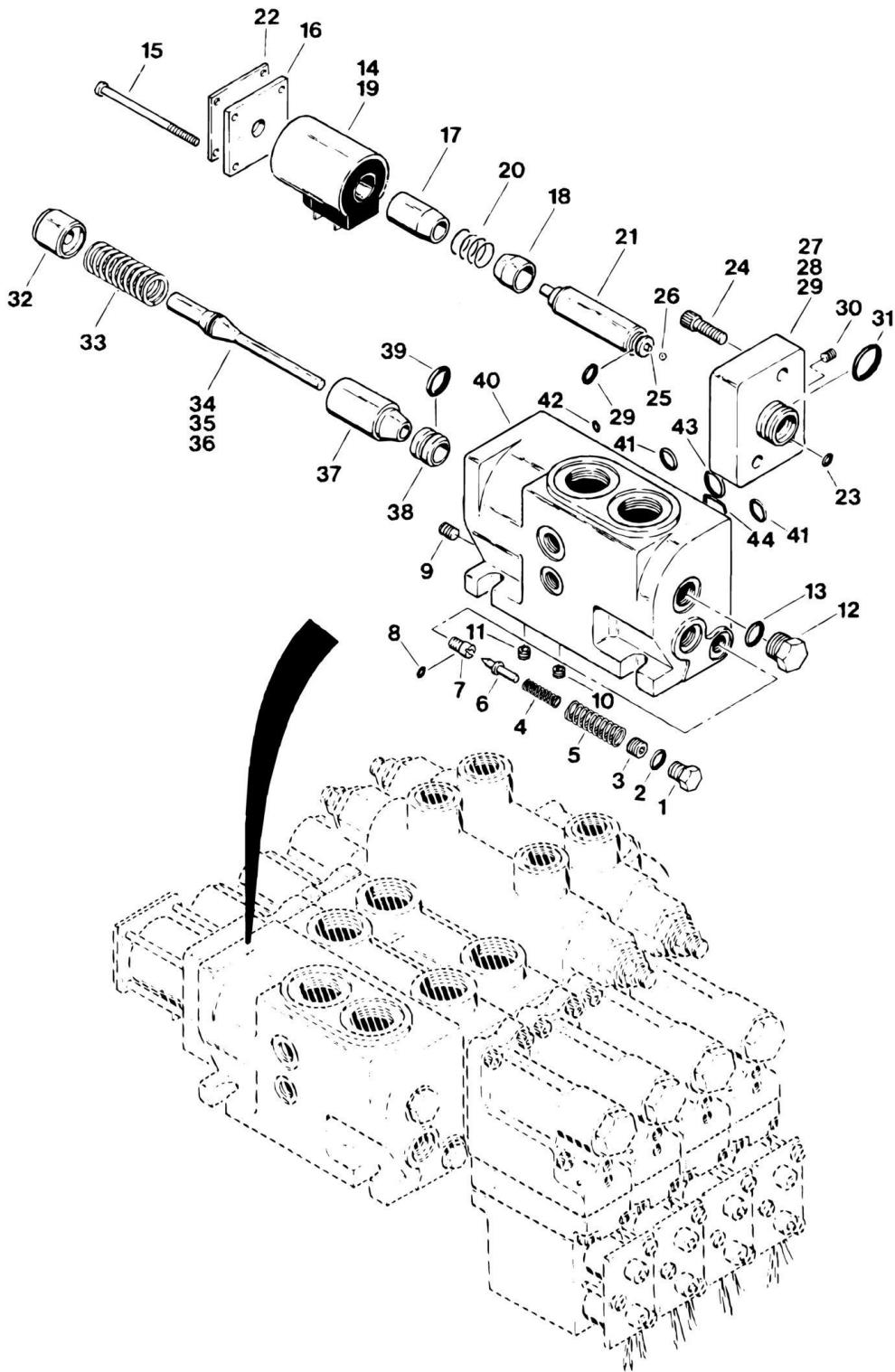
SECTION 2 - TURNTABLE

FIGURE 2-4. RACINE PROPORTIONAL CONTROL VALVE ASSEMBLY - WORKING SECTION

ITEM	PART NUMBER	QTY	DESCRIPTION	REV
	7004888	Ref	LIFT VALVE SECTION (SERVO ASSEMBLY)	
	7004886	Ref	SWING VALVE SECTION (SERVO ASSEMBLY)	
	7004887	Ref	DRIVE VALVE SECTION (SERVO ASSEMBLY)	
1		Ref	Valve Body (Not Serviced - Purchase Complete Assembly)	
2	7002391	1	Screw, Socket Head	
3	7004808	Ref	Ramp (Supplied with Servo)	
4	7002233	Ref	Ring (Supplied with Servo)	
5	7004802	1	Plug Assembly	
6	Kit	1	O-Ring	
7	7002398	1	Cap End	
8	7002231	2	Screw, Socket Head	
9		Ref	Spool (Not Serviced - Purchase Complete Assembly)	
10	7002394	1	Piston Ring	
11	Kit	1	O-Ring	
12	Kit	2	O-Ring	
13	Kit	1	O-Ring	
14	Kit	1	O-Ring	
15	Kit	1	O-Ring	
	7004832	4	Seal Kit - Working Sections	

SECTION 2 - TURNTABLE

FIGURE 2-5. RACINE PROPORTIONAL CONTROL VALVE ASSEMBLY - INLET SECTION



SECTION 2 - TURNTABLE

FIGURE 2-5. RACINE PROPORTIONAL CONTROL VALVE ASSEMBLY - INLET SECTION

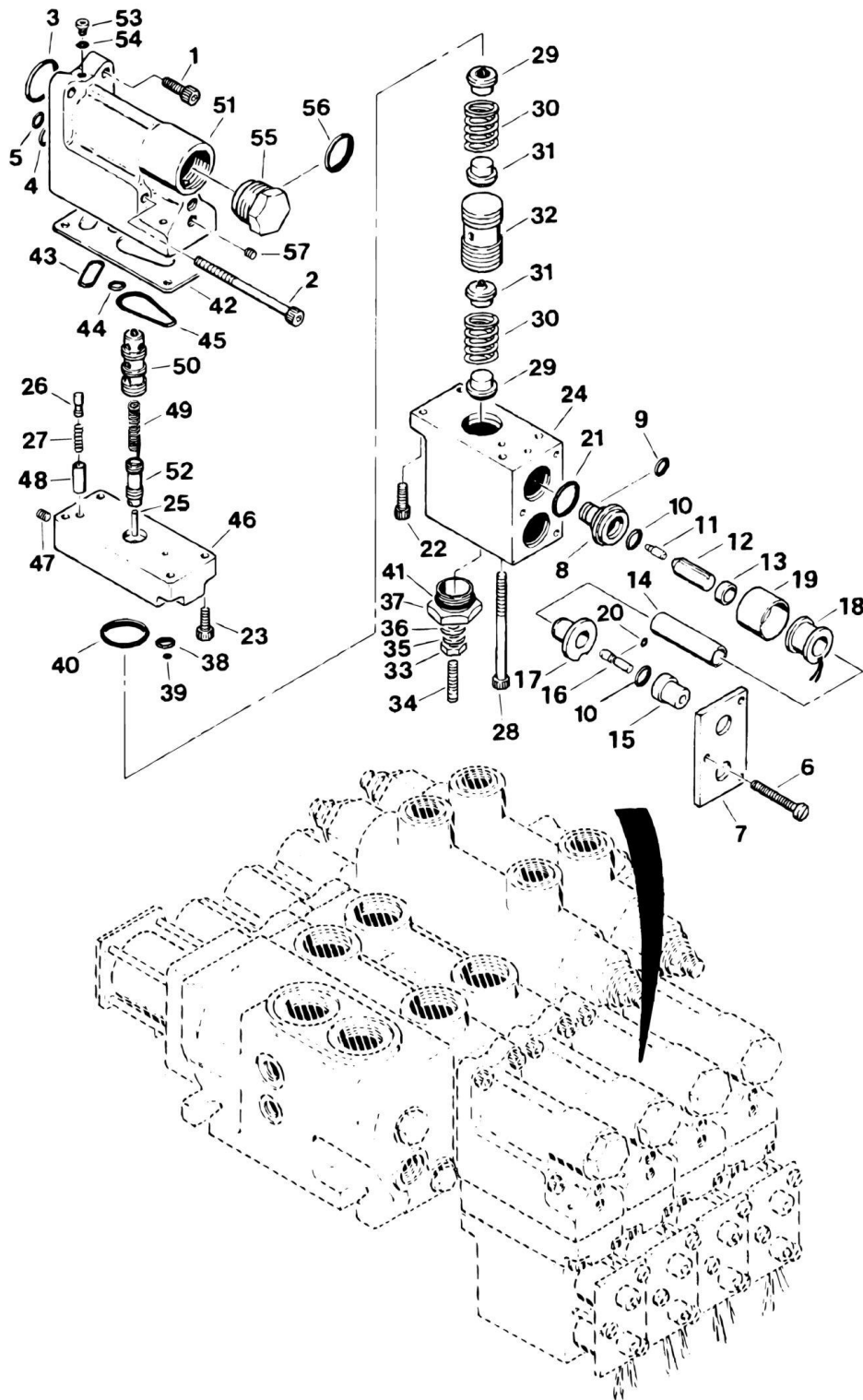
ITEM	PART NUMBER	QTY	DESCRIPTION	REV
	7002364	Ref	INLET VALVE SECTION (DUMP SECTION)	
1	7002385	1	Plug Assembly	
1	7004848	1	Plug	
2	Kit	1	O-Ring	
3	7002384	1	Screw, Socket Set	
4	7002377	1	Spring Compression, Helical	
5	7002376	1	Spring, Compression, Helical	
6	7002371	1	Poppet	
6	7004850	1	Seat Assembly	
7	7004851	1	Seat	
8	Kit	1	O-Ring	
9	7002324	4	Plug	
10	7002326	1	Orifice, 0.040	
11	7002375	1	Orifice, 0.062	
11	7002386	1	Plug Assembly	
12	7004853	1	Plug	
13	Kit	1	O-Ring	
14	7000417	1	Coil, 12 Volt DC	
14	7004854	1	Solenoid Assembly	
15	7004837	4	Screw, Slotted, Pan Head	
16	7002338	1	Plate	
17	7004824	1	Sleeve	
18	7004835	1	Sleeve	
19	7004836	1	Case	
20	7002334	1	Spring	
21	7004855	1	Guide, Tube Assembly	
21	7004838	1	Tube	
21	7004839	1	Plunger	
21	7004856	1	Pin and Guide Assembly	
21	7002340	1	Guide	
21	Kit	1	Packing Preformed, O-Ring	
21	7004857	1	Pin and Quad Ring Assembly	
21	7004841	1	Pin	
21	Kit	1	Quad Ring	
21	7004858	1	Cone and O-Ring Assembly	
21	7004822	1	Cone	
21	Kit	1	Packing, Preformed, O-Ring	
21	Kit	1	Packing, Preformed, O-Ring	
22	7002327	1	Nameplate	
23	Kit	1	O-Ring	
24	7002374	2	Screw, Socket Recessed	
25	7002319	1	Pin	
26	7002229	1	Ball	
26	7002330	1	Seat Assembly	
27	7004823	1	Seat, Ball	
28	Kit	1	O-Ring	
28	7004860	1	End Cap Assembly	
29	7004861	1	Cap	
30	7002223	1	Plug	
31	Kit	1	O-Ring	

SECTION 2 - TURNTABLE

ITEM	PART NUMBER	QTY	DESCRIPTION	REV
32	7002373	1	Spacer	
33	7002379	1	Spring	
33	7004863	1	Stem Assembly	
34	7004864	1	Stem	
35	Kit	1	O-Ring	
36	Kit	1	Glyd Ring	
37	7002372	1	Poppet	
38	7002370	1	Seat	
39	Kit	1	O-Ring	
40	7002360	1	Housing, Inlet Manifold	
41	Kit	2	O-Ring	
42	Kit	1	O-Ring	
43	Kit	1	O-Ring	
44	Kit	1	O-Ring	
	7004833	1	Seal Kit (Includes Items 2,8,13,21,23,28,31,35,36,39 & 41-44)	

SECTION 2 - TURNTABLE

FIGURE 2-6. RACINE PROPORTIONAL CONTROL VALVE ASSEMBLY - SERVO SECTION



SECTION 2 - TURNTABLE

FIGURE 2-6. RACINE PROPORTIONAL CONTROL VALVE ASSEMBLY - SERVO SECTION

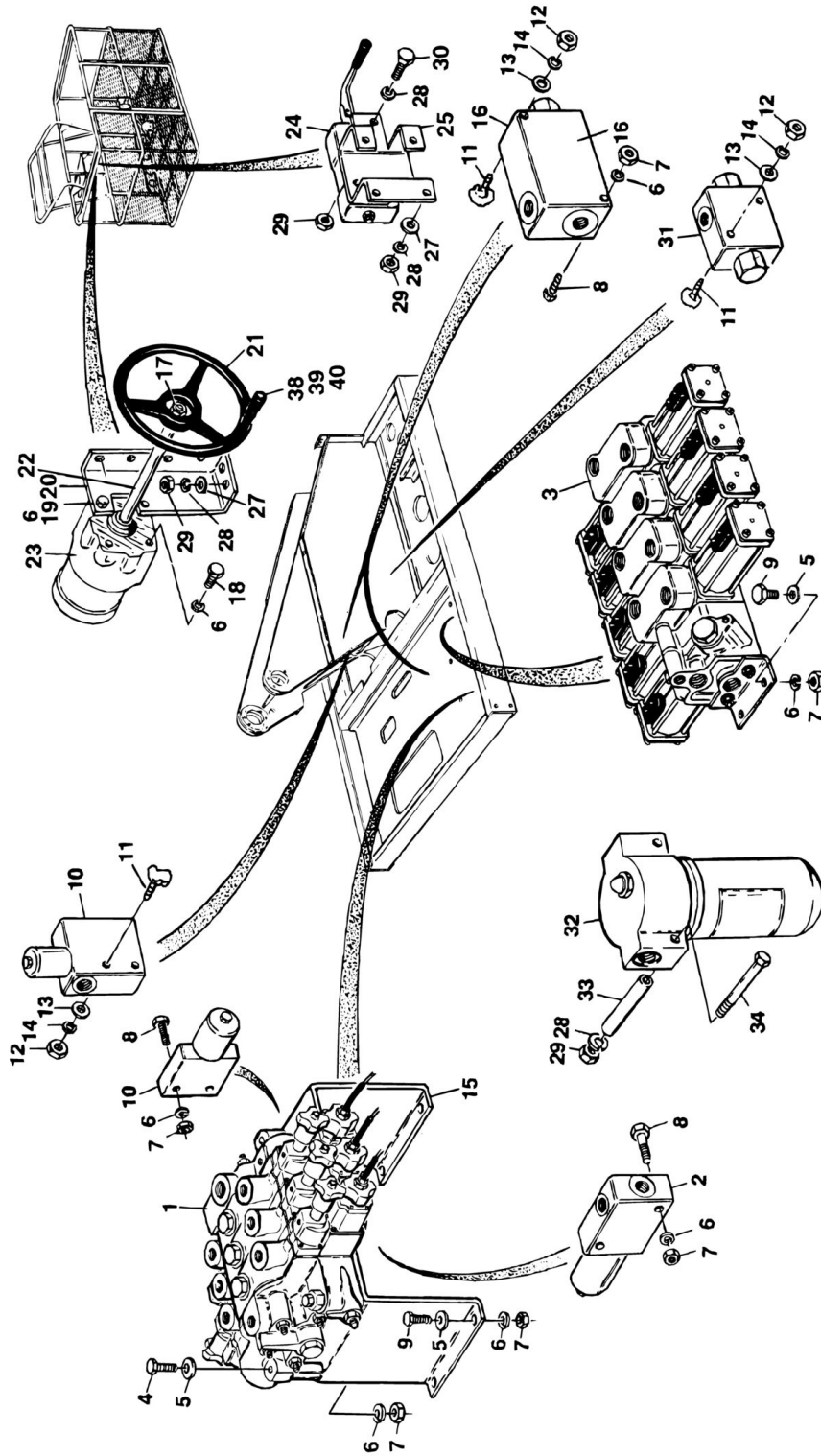
ITEM	PART NUMBER	QTY	DESCRIPTION	REV
	7004884	Ref	SERVO ASSEMBLY	
1	7002231	2	Screw, Socket Head	
2	7004878	2	Screw, Socket Head	
3	Kit	1	O-Ring	
4	Kit	1	O-Ring	
5	Kit	1	O-Ring	
5	0100011	AR	Loctite#242	
	7004883	2	Nose Cone Assembly (Contains Items 8 thru 14)	
6	7002240	3	Screw, Slotted	
7	7002218	1	Plate	
8	7002210	1	Nose	
9	Kit	1	O-Ring	
10	Kit	2	O-Ring	
11	7000423	1	Poppet	
12	7002212	1	Plunger	
13	7002216	1	Sleeve	
14	7002215	1	Tube	
15	7002214	1	Retainer	
16	7002213	2	Pin	
17	7002211	1	Cover	
18	1420003	2	Coil, 7.5 Volt	
19	7002242	2	Case	
20	Kit	2	O-Ring	
21	Kit	2	Packing, Preformed, O-Ring	
22	7002222	2	Screw, Socket Head (Short)	
23	7002228	2	Screw, Socket Head (Long)	
24	7004818	1	Body, Control	
25	7002238	1	Pin	
26	7002220	1	Spool	
27	7002241	1	Spring, Compression, Helical	
28	7002228	2	Screw, Socket Head	
29	7004880	2	Spring Seat and Ball	
30	7002237	2	Spring, Contour	
31	7004881	2	Spring Seat and Ball	
32	7002206	1	Control Pilot Piston	
33	7002224	1	Nut, Jam	
34	7004813	1	Screw, Cup Point	
35	7004812	1	Washer	
36	7004809	1	Seal	
37	7002209	1	Plug	
38	Kit	1	Packing, Preformed, O-Ring	
39	Kit	1	Packing, Preformed, O-Ring	
40	Kit	1	Packing, Preformed, O-Ring	
41	Kit	1	Packing, Preformed, O-Ring	
42	7004815	1	Seal Plate	
43	Kit	1	Packing, Preformed, O-Ring	
44	Kit	1	Packing, Preformed, O-Ring	
45	Kit	1	Packing, Preformed, O-Ring	
46	7004816	1	Plate, Adapter	
47	7004882	1	Screw, Socket Head	

SECTION 2 - TURNTABLE

ITEM	PART NUMBER	QTY	DESCRIPTION	REV
48	7002217	1	Spool Stop	
49	7002234	1	Spring, Sleeve and Spool	
50	7002203	1	Sleeve Assembly	
51	7004817	1	Body, Servo	
52	7002205	1	Spool	
53	7004814	1	Plug	
54	Kit	1	O-Ring	
55	7002704	1	Plug	
56	Kit	1	O-Ring	
56	7004808	1	Ramp	
56	7002233	2	Ring	
57	7002223	2	Plug	
	7004831	1	Seal Kit (Includes Items 3, 4, 5, 9, 10, 20, 21, 38-41, 43-45, 54 & 56)	

SECTION 2 - TURNTABLE

FIGURE 2-7. CONTROL VALVES INSTALLATION - BERTEA



SECTION 2 - TURNTABLE

FIGURE 2-7. CONTROL VALVES INSTALLATION - BERTEA

ITEM	PART NUMBER	QTY	DESCRIPTION	REV
		Ref	CONTROL VALVES INSTALLATIONS	
	0236597	Ref	FIXED PLATFORM WITHOUT STEERING WHEEL	B
	0236598	Ref	ROTATING PLATFORM WITHOUT STEERING WHEEL	B
	0236599	Ref	FIXED PLATFORM WITH STEERING WHEEL	B
	0236600	Ref	ROTATING PLATFORM WITH STEERING WHEEL	B
1	4640283	1	Proportional Valve Assembly - 3 Section	
1		Ref	Inlet Section	
1	7001365	1	Dump Cartridge Assembly	
1	7001366	1	Coil	
1	7001306	1	Filter Assembly	
1	7001354	1	O-Ring	
1	7001318	1	Pilot Pressure Relief Valve	
1		Ref	Working Sections	
1	7001356	1	Drive Section	
1	7001357	1	Lift Section	
1	7001358	1	Swing Section	
1	7001307	3	Pilot Valve Assembly (One Per Section)	
1	7001308	3	Gasket (One Per Section)	
1	7001337	6	Spring, Return (2 Per Section)	
1	7001345	3	Spring, Knob Tension (1 Per Section)	
1	7001305	4	Seal Kit (O-Rings Between Sections)	
1	7001359	1	Outlet Section	
2	4640123	1	Solenoid Select Valve Assembly	
2	7004368	AR	Coil (Hydraforce Version)	
2	7000558	AR	Coil (FPS Version)	
2	7012518	AR	Seal Kit (Hydraforce Version)	
2	7006075	AR	Seal Kit (FPS Version)	
3		Ref	Control Valve Assembly - Bang-Bang Options:	
3		Ref	Without Steering Wheel (See CONTROL VALVE ASSEMBLY for Breakdown)	
3	4640246	1	Fixed Platform	
3	4640247	1	Rotating Platform	
3		Ref	With Steering Wheel (See CONTROL VALVE ASSEMBLY for Breakdown)	
3	4640447	1	Fixed/Rotating Platform	
4	0641640	3	Bolt 3/8in-16NC x 5.00in	
5	4751600	9	Flatwasher 3/8in	
6	4761600	19	Lockwasher 3/8in	
7	3311601	15	Nut 3/8in-16NC	
8	0641616	6	Bolt 3/8in-16NC x 2in	
9	0641610	6	Bolt 3/8in-16NC x 1 1/4in	
10	4640360	AR	Dump Valve Assembly (Qty. 1 Required Without Steering Wheel/ Qty. 2 With Steering Wheel)	
10	7009745	1	Coil (Vickers/Modular Controls Version)	
10	7004368	1	Coil (Hydraforce Version)	
10	7004289	1	Cartridge Without Coil (Vickers/Modular Controls Version)	
10	7010635	1	Cartridge Without Coil - Through 1989 (Hydraforce Version)	
10	7012910	1	Cartridge Without Coil - 1989 to Present (Hydraforce Version)	
10	Not Available	1	Seal Kit (Vickers/Modular Controls Version)	
10	2900708	1	Seal Kit - Cartridge (Hydraforce Version)	

SECTION 2 - TURNTABLE

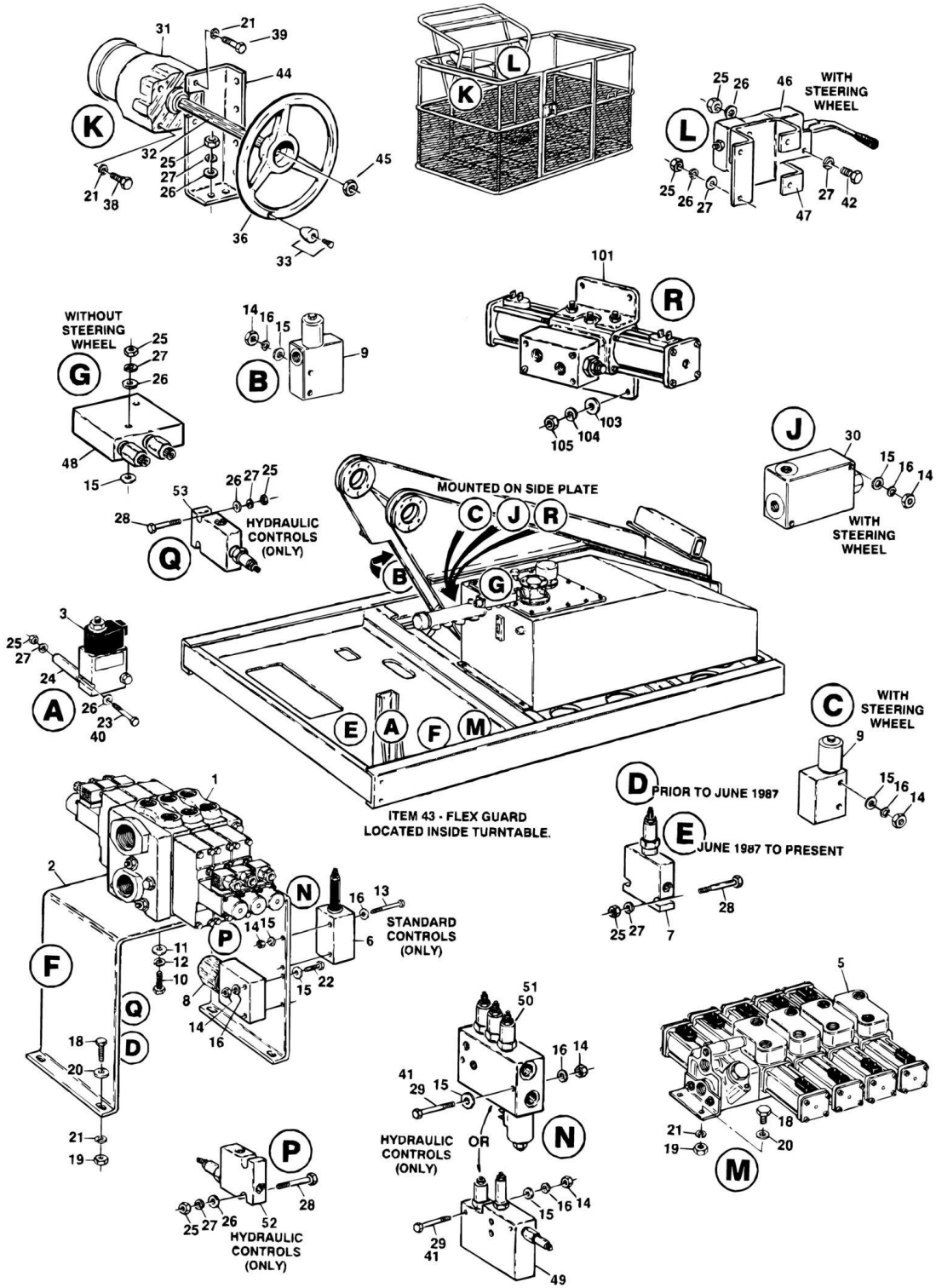
ITEM	PART NUMBER	QTY	DESCRIPTION	REV
10	7003635	1	Check Valve (Vickers/Modular Controls Version)	
10	7009798	1	Check Valve (Hydraforce Version)	
11	4300033	6	Stud (Welded on Part)	
12	3311501	8	Nut 5/16in-18NC	
13	4751500	8	Flatwasher 5/16in	
14	4761500	6	Lockwasher 5/16in	
15	0901257	1	Bracket, Valve Mounting	
16	4640151	1	Valve, Flow Divider	
17		Ref	Nut, Steering Wheel Options:	
17	Not Required		Without Steering Wheel	
17	3300073	1	With Steering Wheel	
18		Ref	Bolt 3/8in-16NC x 3/4in Options:	
18	Not Required		Without Steering Wheel	
18	0641606	2	With Steering Wheel	
19		Ref	Bolt 3/8in-16NC x 1in Options:	
19	Not Required		Without Steering Wheel	
19	0641608	2	With Steering Wheel	
20		Ref	Bracket, Steering Valve Mounting Options:	
20	Not Required		Without Steering Wheel	
20	0901255	1	With Steering Wheel	
21		Ref	Wheel, Steering Options:	
21	Not Required		Without Steering Wheel	
21	4860097	1	With Steering Wheel	
22		Ref	Column, Steering Options:	
22	Not Required		Without Steering Wheel	
22	1460005	1	With Steering Wheel	
23		Ref	Steering Valve Assembly Options: (See STEERING VALVE ASSEMBLY for Breakdown)	
23	Not Required		Without Steering Wheel	
23	4640408	1	With Steering Wheel	
24		Ref	Manual Rotator Valve Assembly Options: (When Equipped)	
24	Not Required		Without Steering Wheel	
24	4640434	1	With Steering Wheel	
25		Ref	Bracket, Valve Mounting Options:	
25	Not Required		Without Steering Wheel	
25	0901201	1	With Steering Wheel	
26		Ref	Stud Options: (Welded on Part - Not Shown)	
26	Not Required		Without Steering Wheel	
26	4300031	AR	With Steering Wheel	
27		Ref	Flatwasher 1/4in Options:	
27	Not Required		Without Steering Wheel	
27	4751400	AR	With Steering Wheel	
28	4761400	13	Lockwasher 1/4in	
29	3311401	13	Nut 1/4in-20NC	
30		Ref	Bolt 1/4in-20NC x 2in	
30	Not Required		Without Steering Wheel	
30	0641416	2	With Steering Wheel	
31	4640035	1	Valve, Crossover	
32	2120078	1	Filter Assembly	
32	2120079	1	Element, Filter	
33	4562716	2	Tube	
34	0641440	2	Bolt 1/4in-20NC x 5in	

SECTION 2 - TURNTABLE

ITEM	PART NUMBER	QTY	DESCRIPTION	REV
38		Ref	Handle, Steering Wheel	
38	Not Required		Without Steering Wheel	
38	2560066	1	With Steering Wheel	
39		Ref	Screw, Socket Head	
39	Not Required		Without Steering Wheel	
39	3900060	1	With Steering Wheel	
40		Ref	Loctite #242	
40	Not Required		Without Steering Wheel	
40	0100011	AR	With Steering Wheel	

SECTION 2 - TURNTABLE

FIGURE 2-8. CONTROL VALVES ASSEMBLY VICKERS VALVES



SECTION 2 - TURNTABLE

FIGURE 2-8. CONTROL VALVES ASSEMBLY VICKERS VALVES

ITEM	PART NUMBER	QTY	DESCRIPTION	REV
		Ref	CONTROL VALVES INSTALLATIONS	
		Ref	WITHOUT STEERING WHEEL (STANDRAD CONTROLS)	
	0237835	Ref	Without Prop Tele/without Rotate/without Steering Wheel/standard Controls	L
	0237836	Ref	Without Prop Tele/with Rotate/without Steering Wheel/standard Controls	L
	0238190	Ref	With Prop Tele/without Rotate/without Steering Wheel/standard Controls	F
	0238191	Ref	With Prop Tele/with Rotate/without Steering Wheel/standard Controls	G
		Ref	WITH STEERING WHEEL (STANDRAD CONTROLS)	
	0237837	Ref	With Steering Wheel: Without Prop Tele/without Rotate/with Steering Wheel/standard Controls (Machines Built Prior To September 1991)	E
	0252353	Ref	With Steering Wheel: Without Prop Tele/without Rotate/with Steering Wheel/standard Controls (Machines Built September 1991 To Present)	B
	0237838	Ref	With Steering Wheel: Without Prop Tele/with Rotate/with Steering Wheel/standard Controls (Machines Built Prior To September 1991)	E
	0252354	Ref	With Steering Wheel: Without Prop Tele/with Rotate/with Steering Wheel/standard Controls (Machines Built September 1991 To Present)	B
	0238192	Ref	With Steering Wheel: With Prop Tele/without Rotate/with Steering Wheel/standard Controls (Machines Built Prior To September 1991)	A
	0252350	Ref	With Steering Wheel: With Prop Tele/with Rotate/with Steering Wheel/standard Controls (Machines Built September 1991 To Present)	-
	0238193	Ref	With Steering Wheel: With Prop Tele/with Rotate/with Steering Wheel/standard Controls (Machines Built Prior To September 1991)	A
	0252351	Ref	With Steering Wheel: With Prop Tele/with Rotate/with Steering Wheel/standard Controls (Machines Built September 1991 To Present)	-
		Ref	WITHOUT STEERING WHEEL (HYDRAULIC CONTROLS)	
	0239242	Ref	With Prop Tele/without Steering Wheel/hydraulic Controls	M
	0239243	Ref	With Prop Tele/with Rotate/without Steering Wheel/Hydraulic Controls	O
1		Ref	Control Valve Assembly (Vickers) Options:	
1		Ref	Without Steering Wheel (Standard Controls)	
1	4640514	1	3 Section (Without Prop Tele - Prior to October 1994) (See VICKERS VALVE ASSEMBLIES for Breakdown)	
1	4640913	1	3 Section (Without Prop Tele - October 1994 to Present) (See VICKERS VALVE ASSEMBLY for Breakdown)	
1	4640524	1	4 Section (With Prop Tele) (Prior to October 1994) (See VICKERS VALVE ASSEMBLIES for Breakdown)	
1	4640914	1	4 Section (With Prop Tele) (October 1994 to Present) (See VICKERS VALVE ASSEMBLY for Breakdown)	
1		Ref	With Steering Wheel (Standard Controls)	
1	4640514	1	3 Section (Without Prop Tele) (See VICKERS VALVE ASSEMBLIES for Breakdown)	
1	4640524	1	4 Section (With Prop Tele) (See VICKERS VALVE ASSEMBLIES for Breakdown)	
1		Ref	Without Steering Wheel (Hydraulic Controls)	

SECTION 2 - TURNTABLE

ITEM	PART NUMBER	QTY	DESCRIPTION	REV
1	4640561	1	Prior to October 1994 (See VICKERS VALVE ASSEMBLIES for Breakdown)	
1	4640918	1	October 1994 to Present (See VICKERS VALVE ASSEMBLY for Breakdown)	
2		Ref	Bracket Options:	
2	0901399	1	Without Prop Tele	
2	4842824	1	With Prop Tele	
3	4640513	AR	Dump Valve Assembly	
3	7003640	AR	Coil (Vickers/Modular Controls Version)	
3	7004289	AR	Cartridge Less Coil (Vickers/Modular Controls Version)	
3	2900503	AR	Seal Kit (Vickers/Modular Controls Version)	
3	7000645	AR	Coil (Hydraforce Version)	
3	7012910	AR	Cartridge Less Coil (Hydraforce Version)	
3	2900756	AR	Seal Kit (Hydraforce Version)	
3	7022390	AR	Nut	
5		Ref	Control Valve Assembly (Bang-Bang) Options:	
5		Ref	Without Steering Wheel (Standard Controls)	
5	4640447	1	2 Section (0238190 Installation) (See CONTROL VALVE ASSEMBLY for Breakdown)	
5	4640246	1	3 Section (0237835 & 0238491 Installations - Prior to August 1995) (See CONTROL VALVE ASSEMBLY for Breakdown)	
5	4640941	1	3 Section (0237835 & 0238491 Installations - August 1995 to Present) (See CONTROL VALVE ASSEMBLY for Breakdown)	
5	4640247	1	4 Section (0257836 Installation - Prior to June 1995) (See CONTROL VALVE ASSEMBLY for Breakdown)	
5	4640940	1	4 Section (0257836 Installation - June 1995 to Present) (See CONTROL VALVE ASSEMBLY for Breakdown)	
5		Ref	With Steering Wheel (Standard Controls)	
5	4640461	1	1 Section (See CONTROL VALVE ASSEMBLY for Breakdown)	
5	4640447	1	2 Section (See CONTROL VALVE ASSEMBLY for Breakdown)	
5		Ref	Without Steering Wheel (Hydraulic Controls)	
5	4640571	1	2 Section (See CONTROL VALVE ASSEMBLY for Breakdown)	
5	4640246	1	3 Section (Prior to August 1995) (See CONTROL VALVE ASSEMBLY for Breakdown)	
5	4640941	1	3 Section (August 1995 to Present) (See CONTROL VALVE ASSEMBLY for Breakdown)	
6		Ref	Sequence Valve Assembly Options:	
6	4640512	1	Standard Controls	
6	Not Required		Hydraulic Controls	
7		Ref	Pressure Reducing Valve Assembly Options:	
7		Ref	Standard Controls	
7	4640522	1	Pressure Reducing Valve Assembly	
7	4640523	1	Cartridge	
7	2900698	1	Seal Kit	
7	Not Required		Hydraulic Controls	
8	4640123	1	Solenoid Valve Assembly	
8	7004368	1	Coil (Hydraforce Version)	
8	7012518	1	Seal Kit (Hydraforce Version)	
8	7000558	1	Coil (FPS Version)	
8	7006075	1	Seal Kit (FPS Version)	

SECTION 2 - TURNTABLE

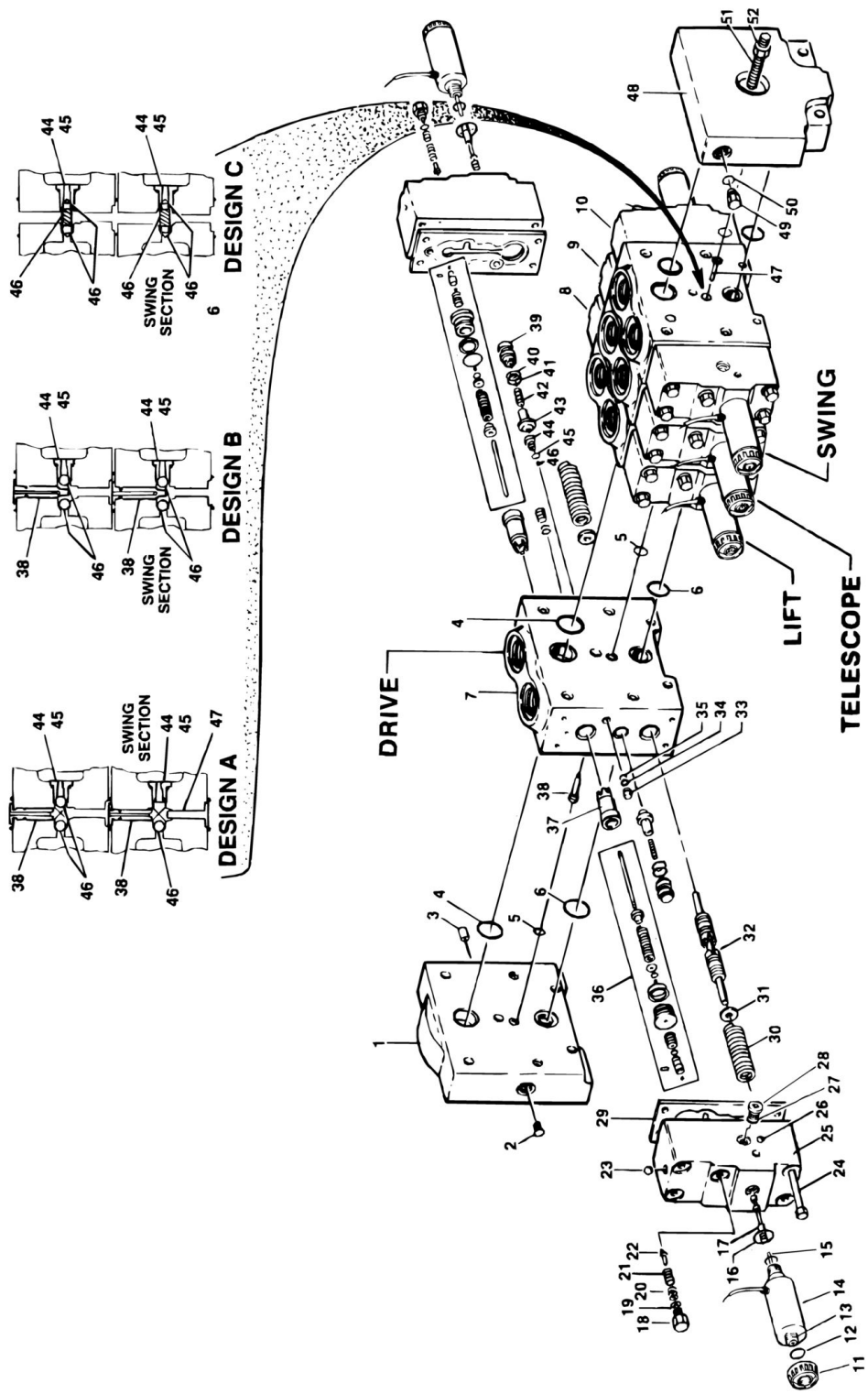
ITEM	PART NUMBER	QTY	DESCRIPTION	REV
9	4640360	AR	Dump Valve Assembly	
9	7009745	AR	Coil (Vickers/Modular Controls Version)	
9	7004289	AR	Solenoid Cartridge Less Coil (Vickers/Modular Controls Version)	
9	7003635	AR	Check Valve Cartridge (Vickers/Modular Controls Version)	
9	7004368	AR	Coil (Hydraforce Version)	
9	7012910	AR	Solenoid Cartridge Less Coil (1989 to Present) (Hydraforce Version)	
9	7010635	AR	Solenoid Cartridge Less Coil (Prior to 1989) (Hydraforce Version)	
9	7009798	AR	Check Valve Cartridge (Hydraforce Version)	
10	0641708	3	Bolt 7/16in-14NC x 1in	
11	4751700	3	Flatwasher 7/16in	
12	4761700	3	Lockwasher 7/16in	
13	0641522	AR	Bolt 5/16in-18NC x 2 3/4in	
14	3311501	AR	Nut 5/16in-18NC	
15	4751500	AR	Flatwasher 5/16in	
16	4761500	AR	Lockwasher 5/16in	
17	4300033	AR	Stud (Welded on Part) (Not Shown)	
18	0641610	AR	Bolt 3/8in-16NC x 1 1/4in	
19	3311601	AR	Nut 3/8in-16NC	
20	4751600	AR	Flatwasher 3/8in	
21	4761600	AR	Lockwasher 3/8in	
22	0641516	AR	Bolt 5/16in-18NC x 2in	
23	0641426	AR	Bolt 1/4in-20NC x 3 1/4in	
24	4562639	2	Spacer, Tube	
25	3311401	AR	Nut 1/4in-20NC	
26	4751400	AR	Flatwasher 1/4in	
27	4761400	AR	Lockwasher 1/4in	
28	0641418	4	Bolt 1/4in-20NC x 2 1/4in	
29	0641528	AR	Bolt 5/16in-18NC x 3 1/2in	
30		Ref	Flow Divider Assembly Options:	
30	Not Required	1	Without Steering Wheel	
30	4640151	1	With Steering Wheel	
31		Ref	Steering Valve Assembly (See STEERING VALVE ASSEMBLY for Breakdown) Options:	
31	Not Required	1	Without Steering Wheel	
31	4640408	1	With Steering Wheel	
32		Ref	Column, Steering Options:	
32	Not Required	1	Without Steering Wheel	
32	1460005	1	With Steering Wheel	
33		Ref	Handle, Steering Wheel Options:	
33	Not Required	1	Without Steering Wheel	
33	2560066	1	With Steering Wheel	
33	3900060	1	Bolt, Shoulder	
33	0100011	AR	Loctite #242	
36		Ref	Wheel, Steering Options:	
36	Not Required	1	Without Steering Wheel	
36	4860097	1	With Steering Wheel	
38	0641606	AR	Bolt 3/8in-16NC x 3/4in	
39	0641608	AR	Bolt 3/8in-16NC x 1in	
40	0641436	AR	Bolt 1/4in-20NC x 4 1/2in	

SECTION 2 - TURNTABLE

ITEM	PART NUMBER	QTY	DESCRIPTION	REV
41	0641538	AR	Bolt 5/16in-18NC x 4 3/4in	
42	0641416	AR	Bolt 1/4in-20NC x 2in	
43	4060804	4 ft.	Flex-Guard (Not Shown - Located on Heat Shield on Engine Side)	
44		Ref	Bracket Options:	
44	Not Required	1	Without Steering Wheel	
44		Ref	With Steering Wheel	
44	0901393	1	Bracket (Prior to September 1991)	
44	0901804	1	Bracket (September 1991 to Present)	
45		Ref	Nut, Steering Wheel Options:	
45	Not Required	1	Without Steering Wheel	
45	3300073	1	With Steering Wheel	
46		Ref	Rotator Valve Options:	
46	Not Required	1	Without Steering Wheel	
46		Ref	With Steering Wheel	
46	Not Required	1	Machines Without Rotate	
46	4640434	1	Machines With Rotate	
47		Ref	Mounting Bracket Options:	
47	Not Required	1	Without Steering Wheel	
47		Ref	With Steering Wheel	
47	0901201	1	Bracket, Mounting (Prior to September 1991)	
47	3533219	1	Plate, Mounting (September 1991 to Present) (Not Shown)	
48		Ref	Relief Valve Assembly (Machines Built May 1993 to Present) Options:	
48	4640839	1	Without Steering Wheel	
48	7012945	1	Cartridge, Relief	
48	7010542	1	Cartridge, Shuttle	
48	Not Required	1	With Steering Wheel	
		Ref	NOTE: USED ON HYDRAULIC MACHINES ONLY	
49	4640535	NLA	Accessory Valve Assembly (Machines built through 1989) (See ACCESSORY VALVE ASSEMBLY for Breakdown) Note: 4640535 Accessory Valve is no longer available as a complete assembly. See CONTROL VALVE ASSEMBLY for Individual parts.	
50	4640580	NLA	Accessory Valve Assembly (Machines Built 1990 to September 1991) (See ACCESSORY VALVE ASSEMBLY for Breakdown) Note: 4640580 Accessory Valve is no longer available as a complete assembly. See CONTROL VALVE ASSEMBLY for Individual parts.	
51	4640716	1	Accessory Valve Assembly (Machines Built September 1991 to Present) (See ACCESSORY VALVE ASSEMBLY for Breakdown) Note: Complete 4640716 Valves are available. See CONTROL VALVE ASSEMBLY for Individual parts.	
52	4640354	1	Relief Valve Assembly	
53	4640362	1	Pressure Reducing Valve Assembly	
53	7004278	1	Cartridge (Vickers/Modular Controls Version)	
53	7012922	1	Cartridge (Hydraforce Version)	
	0238139	Ref	EXTEND-A-REACH VALVE INSTALLATION (40H+6 ONLY)	A
101	4640519	1	Control Valve Assembly (See CONTROL VALVE ASSEMBLY for Breakdown)	
102	4300038	4	Stud (Welded on Part)	
103	4751500	4	Flatwasher 5/16in	
104	4761500	4	Lockwasher 5/16in	
105	3311501	4	Nut 5/16in-18NC	

SECTION 2 - TURNTABLE

FIGURE 2-9. VICKERS VALVE ASSEMBLIES (PRIOR TO OCTOBER 1994)



SECTION 2 - TURNTABLE

FIGURE 2-9. VICKERS VALVE ASSEMBLIES (PRIOR TO OCTOBER 1994)

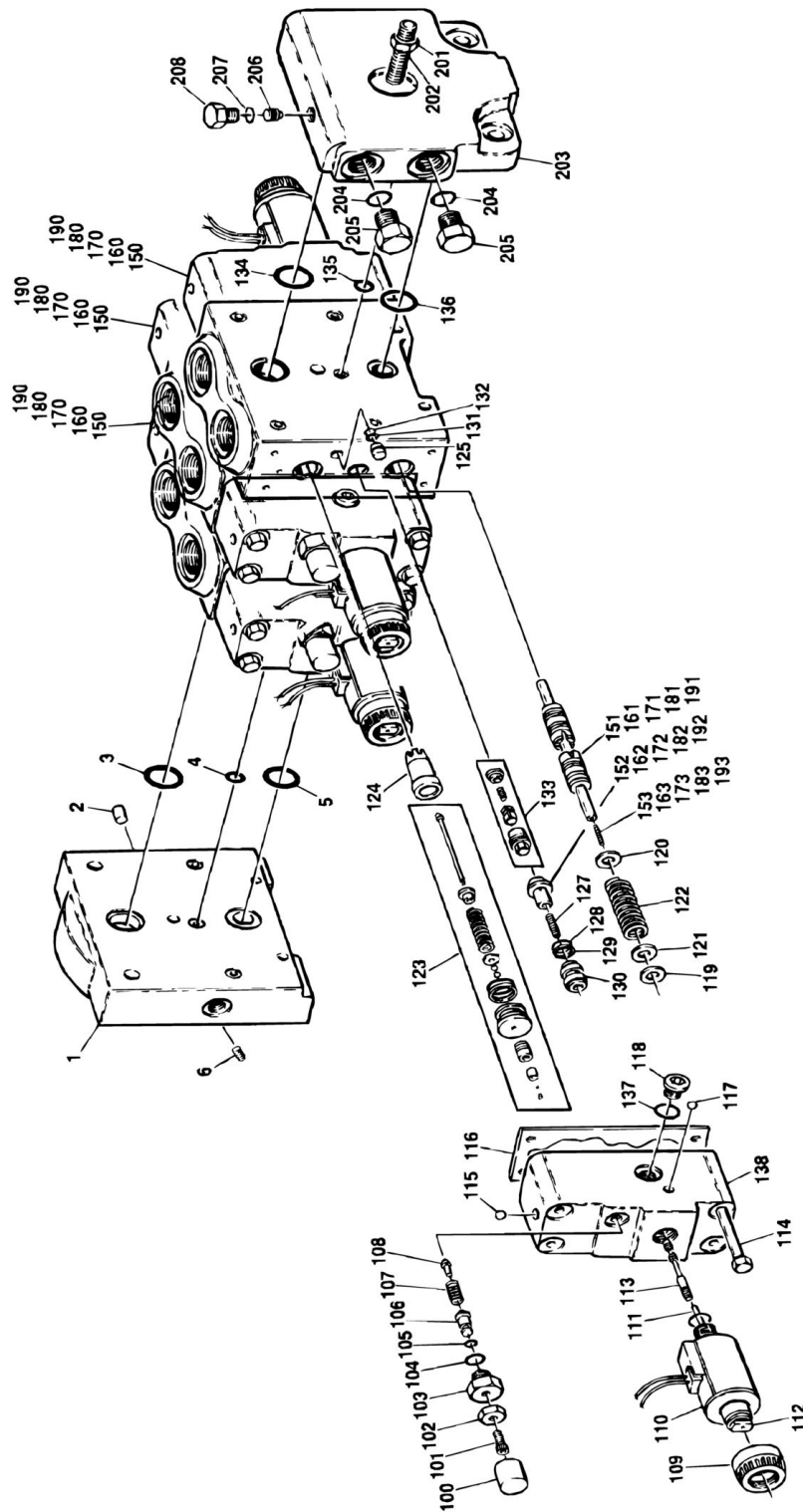
ITEM	PART NUMBER	QTY	DESCRIPTION	REV
	4640524	Ref	VICKERS VALVE ASSEMBLY (4 SECTION) (WITHOUT HYDRAULIC CONTROLS)	-
	4640561	Ref	VICKERS VALVE ASSEMBLY (4 SECTION) (WITH HYDRAULIC CONTROLS)	-
	4640514	Ref	VICKERS VALVE ASSEMBLY (3 SECTION) (WITHOUT HYDRAULIC CONTROLS)	-
1	7006747	1	Inlet Body (Without Hydraulic Controls)	
1	Not Available	1	Inlet Body (Hydraulic Controls)	
2	7006725	1	Setscrew (Without Hydraulic Controls)	
3	7006733	1	Plug	
4	Kit	5	O-Ring	
5	Kit	5	O-Ring	
6	Kit	5	O-Ring	
7	7009350	1	Working Section - Complete (Drive) (4 Section) (Without Hydraulic Controls)	
7	7009355	1	Working Section - Complete (Drive) (4 Section) (Hydraulic Controls)	
7	7006760	1	Working Section - Complete (Drive) (3 Section)	
8	7006762	1	Working Section - Complete (Lift) (Without Hydraulic Controls)	
8	7009356	1	Working Section - Complete (Lift) (Hydraulic Controls)	
9	7009351	1	Working Section - Complete (Telescope) (4 Section Only) (Without Hydraulic Controls)	
9	7009357	1	Working Section - Complete (Telescope) (4 Section Only) (Hydraulic Controls)	
10	7006763	1	Working Section - Complete (Swing) (Without Hydraulic Controls)	
10	7009358	1	Working Section - Complete (Swing) (Hydraulic Controls)	
11	7012325 & 7020361	2	Nut, Retaining (was p/n 7009317) (Note: When replacing this nut (7009317) you must order (7012325 & 7020361).	
12	Kit	2	O-Ring	
13	7009316	2	Core Tube (Includes O-Ring)	
14	7009315	2	Coil and Frame	
15	7009319	2	Pin	
16	Kit	2	O-Ring	
17	7006744	2	Spool	
18	7006726	2	Plug, Torque	
19	Kit	2	O-Ring	
20	7006728	2	Shim Kit	
21	7006729	2	Spring	
22	7006730	2	Poppet	
23	7006731	2	Ball	
24	7006745	8	Screw	
25		Ref	Cap, End (Not Sold Separately)	
26	7006746	2	Ball	
27	Kit	2	O-Ring	
28	7009323	2	Plug	
29	Kit	2	Gasket	
30	7009324	2	Spring	
31	7009325	2	Retainer	
32		Ref	Spool (Not Sold Separately)	
33	7006757	2	Seat	
34	Kit	2	Ring, Back-up	

SECTION 2 - TURNTABLE

ITEM	PART NUMBER	QTY	DESCRIPTION	REV
35	Kit	2	O-Ring	
36	7006732	2	Servo Stem Assembly	
37	7006737	2	Poppet	
38	7009321	1	Retainer (13/16in-2.1cm Length) (Design A)	
38	7009363	1	Retainer (1 3/16in-3cm Length) (Design B)	
38	Not Required		Retainer (Design C)	
38	Kit	1	O-Ring	
39	7006752	2	Retainer	
40	Kit	2	Ring, Back-up	
41	Kit	2	O-Ring	
42	7006773	2	Spring	
43	7006756	2	Poppet	
44	7006771	1	Plug, Torque	
45	Kit	1	O-Ring	
46	7006761	2	Ball (Design A - All Sections Except Swing)	
46	7006761	1	Ball (Design A - Swing Section)	
46	7006761	2	Ball (Design B - All Sections)	
46	7009369	2	Poppet (Design C - All Sections)	
46	7009368	1	Spring (Design C - All Sections)	
47	7006777	1	Pin, Solid (Design A - Swing Section Only)	
47	Not Required		Pin, Solid (Design B and Design C)	
48	7006780	1	Cover End	
49	7006778	1	Plug, Torque	
50	Kit	1	O-Ring	
51	7009329	3	Rod, Tie	
52	7006782	6	Nut	
	7009330	4	Seal Kit (Includes Items 4, 5, 6, 12, 16, 19, 27, 29, 34, 35, 38, 40, 41, 45, 50 & Servo Stem O-Rings)	
	7009395	5	Seal Kit - Valve Face (Includes Items 4, 5 & 6)	

SECTION 2 - TURNTABLE

FIGURE 2-10. VICKERS VALVE ASSEMBLY - STANDARD CONTROLS (OCTOBER 1994 TO PRESENT)



SECTION 2 - TURNTABLE

FIGURE 2-10. VICKERS VALVE ASSEMBLY - STANDARD CONTROLS (OCTOBER 1994 TO PRESENT)

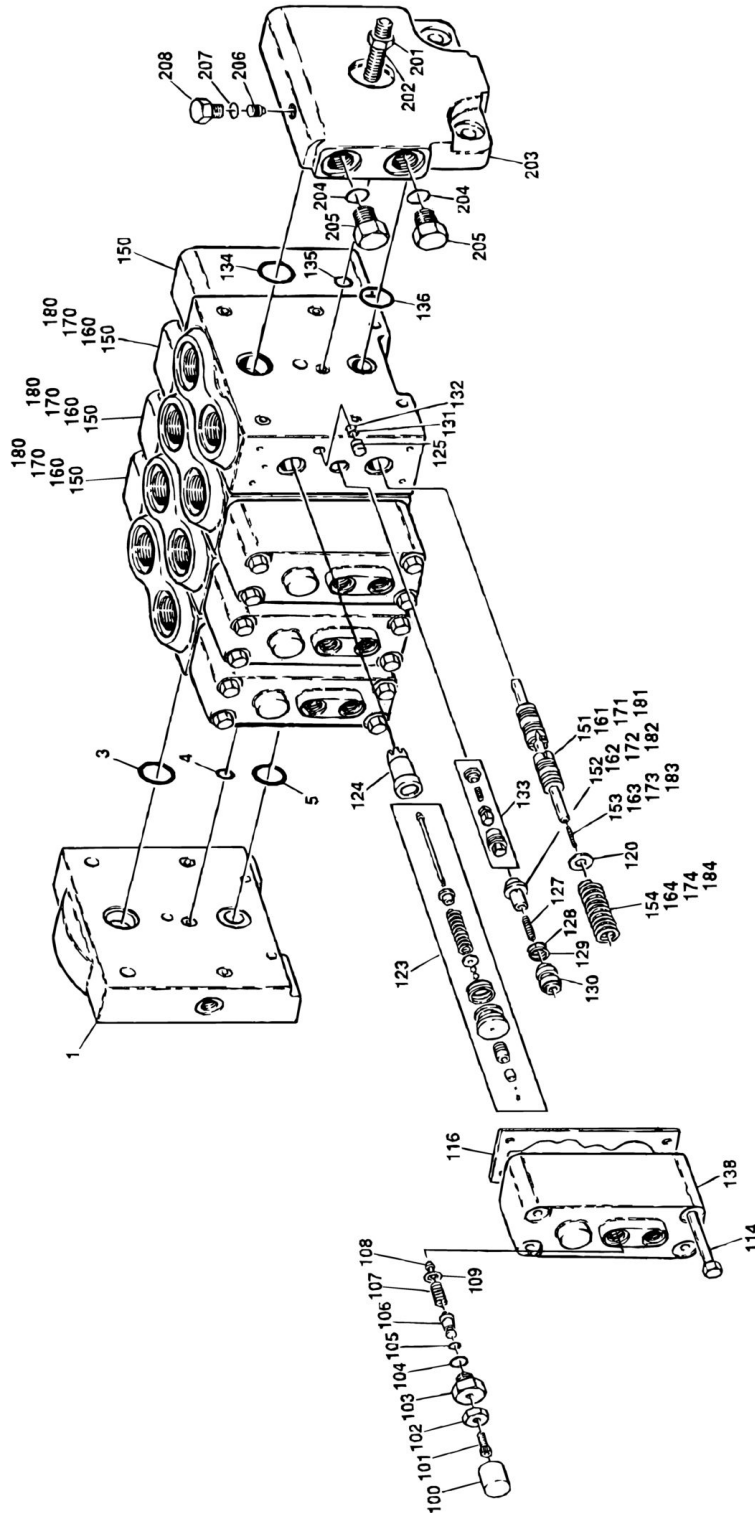
ITEM	PART NUMBER	QTY	DESCRIPTION	REV
	4640913	Ref	VICKERS VALVE ASSEMBLY - 3 SECTION	-
	4640914	Ref	VICKERS VALVE ASSEMBLY - 4 SECTION	-
		Ref	INLET SECTIONS	
1	7006724	1	Inlet Body	
2	7006733	1	Plug	
3	Kit	1	O-Ring	
4	Kit	1	O-Ring	
5	Kit	1	O-Ring	
6	7006725	1	Setscrew	
		Ref	WORKING SECTIONS (STANDARD PARTS)	
100	Kit	AR	Cap (2 Per Section)	
101	7012319	AR	Screw (2 Per Section)	
102	Kit	AR	Nut (2 Per Section)	
103	Kit	AR	Plug (2 Per Section)	
104	Kit	AR	Packing (2 Per Section)	
105	7012322	AR	Packing (2 Per Section)	
106	Kit	AR	Piston (2 Per Section)	
107	Kit	AR	Spring (2 Per Section)	
108	7006730	AR	Poppet (2 Per Section)	
109	7012325	AR	Nut, Retaining (2 Per Section)	
110	7012339	AR	Coil (2 Per Section)	
111	7009319	AR	Pin (2 Per Section)	
112	7012326	AR	Core Tube Sub Assembly (2 Per Section)	
113	7012327	AR	Spool	
114	7006745	AR	Screw (8 Per Section)	
115	7006731	AR	Ball	
116	7006748	AR	Gasket	
117	7006746	AR	Ball	
118	7009323	AR	Plug (2 Per Section)	
119	7012330	AR	Shim (AR Per Section)	
120	7012329	AR	Retainer (2 Per Section)	
121	7012328	AR	Shim (AR Per Section)	
122	7009324	AR	Spring (2 Per Section)	
123	7009320	AR	Stem Servo Sub Assembly (2 Per Section)	
124	7006737	AR	Poppet (2 Per Section)	
125	7006757	AR	Seat (2 Per Section)	
127	7006773	AR	Spring (2 Per Section)	
128	Kit	AR	O-Ring (2 Per Section)	
129	Kit	AR	Back-up (2 Per Section)	
130	7009398	AR	Retainer (2 Per Section)	
131	Kit	AR	Back-up Ring (2 Per Section)	
132	Kit	AR	O-Ring (2 Per Section)	
133	7012333	AR	Load Sense (2 Per Section)	
134	Kit	AR	O-Ring (2 Per Section)	
135	Kit	AR	O-Ring (2 Per Section)	
136	Kit	AR	O-Ring (5 Per Section)	
137	Kit	AR	O-Ring (2 Per Section)	
138	Not Serviced	AR	Cap, End (2 Per Section)	
	7009330	AR	Seal Kit (1 Per Section)	

SECTION 2 - TURNTABLE

ITEM	PART NUMBER	QTY	DESCRIPTION	REV
	7012383		Piston/Spring Kit (Includes 1 each of items 100, 102, 103, 106 & 107) (2 Per Section)	
150		Ref	#1 WORKING SECTION OPTIONS:	
150	7012332	Ref	Drive (All Models)	
151	7012331	1	Spool	
152	7009399	2	Poppet	
153	Not Required		Not Required	
160		Ref	#2 WORKING SECTION OPTIONS:	
160	7012334	Ref	Lift (All Models)	
161	7012331	1	Spool	
162	7009397	2	Poppet	
163	Not Required		Not Required	
		Ref	#3 WORKING SECTION OPTIONS:	
170	7012335	Ref	Swing ("H" and "HX" Models Without Prop. Tele.)	
171	7012340	1	Spool	
172	7009399	2	Poppet	
173	7012300	2	Piston	
180	7012358	Ref	Telescope ("H" and "HX" Models With Prop. Tele.)	
180	7012334	Ref	Lift ("HA" Models)	
181	7012331	1	Spool	
182	7009397	2	Poppet	
183	Not Required		Not Required	
		Ref	#4 WORKING SECTION OPTIONS:	
190	Not Required	Ref	("H" and "HX" Models Without Prop. Tele.)	
190	7012359	Ref	Swing ("H" and "HX" Models With Prop. Tele.)	
190	7012335	Ref	Swing ("HA" Models)	
191	7012340	1	Spool	
192	7009399	2	Poppet	
193	7012300	2	Piston	
		Ref	OUTLET SECTION	
201	7006782	6	Nut	
202	7009361	3	Rod, Tie	
203	7012337	1	Cover End	
204	Kit	2	O-Ring	
205	7006778	2	Plug	
206	7012338	1	Setscrew Orifice Sub-Assembly	
207	Kit	1	O-Ring	
208	7012336	1	Plug	

SECTION 2 - TURNTABLE

FIGURE 2-11. VICKERS VALVE ASSEMBLY - HYDRAULIC CONTROLS (OCTOBER 1994 TO PRESENT)



SECTION 2 - TURNTABLE

FIGURE 2-11. VICKERS VALVE ASSEMBLY - HYDRAULIC CONTROLS (OCTOBER 1994 TO PRESENT)

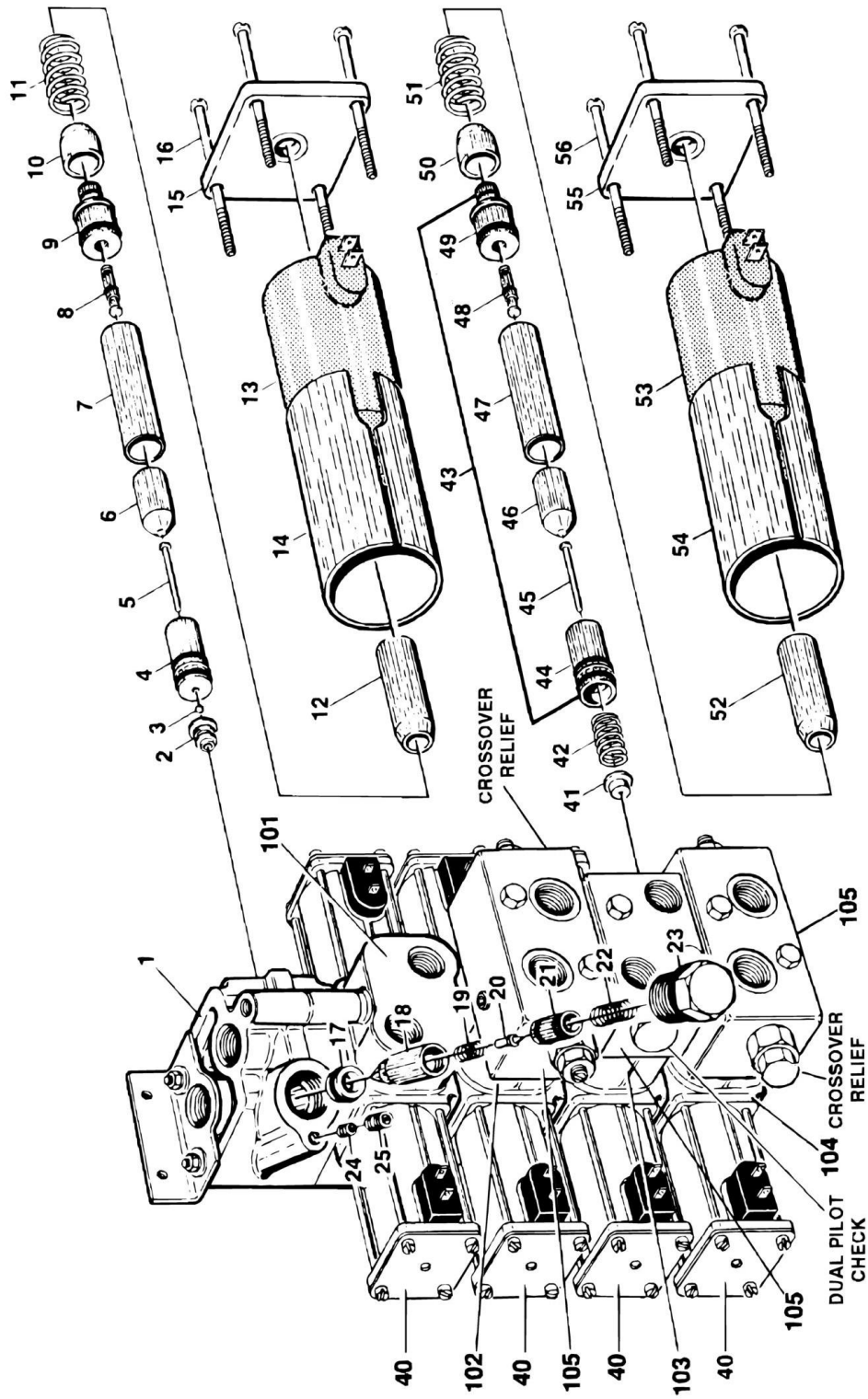
ITEM	PART NUMBER	QTY	DESCRIPTION	REV
	4640918	Ref	VICKERS VALVE ASSEMBLY - 4 SECTION	
		Ref	INLET SECTIONS	
1	7012348	1	Inlet Body	
3	Kit	1	O-Ring	
4	Kit	1	O-Ring	
5	Kit	1	O-Ring	
		Ref	WORKING SECTIONS (STANDARD PARTS)	
100	7012343	AR	Cap (2 Per Section)	
101	7012342	AR	Screw (2 Per Section)	
102	7012341	AR	Nut (2 Per Section)	
103	7012344	AR	Plug (2 Per Section)	
104	Kit	AR	Packing (2 Per Section)	
105	7012322	AR	Packing (2 Per Section)	
106	7012323	AR	Piston (2 Per Section)	
107	7012346	AR	Spring (2 Per Section)	
108	7006730	AR	Poppet (2 Per Section)	
109	7006728	AR	Shim Kit (2 Per Section)	
114	7012347	AR	Screw (8 Per Section)	
116	Kit	AR	Gasket	
120	7012349	AR	Retainer (2 Per Section)	
123	7006732	AR	Stem Servo Sub Assembly (2 Per Section)	
124	7006737	AR	Poppet (2 Per Section)	
125	7012350	AR	Plug (2 Per Section)	
127	7006773	AR	Spring (2 Per Section)	
128	Kit	AR	O-Ring (2 Per Section)	
129	Kit	AR	Back-up (2 Per Section)	
130	7012353	AR	Retainer (2 Per Section)	
131	Kit	AR	Back-up Ring (2 Per Section)	
132	Kit	AR	O-Ring (2 Per Section)	
133	7012352	AR	Load Sense (2 Per Section)	
134	Kit	AR	O-Ring (2 Per Section)	
135	Kit	AR	O-Ring (2 Per Section)	
136	Kit	AR	O-Ring (5 Per Section)	
138	Not Serviced	AR	Cap, End (2 Per Section)	
	7009330	AR	Seal Kit (1 Per Section)	
150		Ref	#1 WORKING SECTION OPTIONS:	
150	7012356	Ref	Drive	
151	7012355	1	Spool	
152	7009399	2	Poppet	
153	7012300	2	Piston	
154	7012354	2	Spring	
160		Ref	#2 WORKING SECTION OPTIONS:	
160	7012357	Ref	Lift	
161	7012331	1	Spool	
162	7009397	2	Poppet	
163	Not Required		Not Required	
164	7006749	2	Spring	
170		Ref	#3 WORKING SECTION OPTIONS:	
170	7012358	Ref	Telescope	

SECTION 2 - TURNTABLE

ITEM	PART NUMBER	QTY	DESCRIPTION	REV
171	7012331	1	Spool	
172	7009397	2	Poppet	
173	Not Required		Not Required	
174	7006749	2	Spring	
		Ref	#4 WORKING SECTION OPTIONS:	
180	7012359	Ref	Swing	
181	7012340	1	Spool	
182	7009399	2	Poppet	
183	7012300	2	Piston	
184	7006749	2	Spring	
		Ref	OUTLET SECTION	
201	7006782	6	Nut	
202	7009329	3	Rod, Tie	
203	7012337	1	Cover End	
204	Kit	2	O-Ring	
205	7006778	2	Plug	
206	7012338	1	Setscrew Orifice Sub-Assembly	
207	Kit	1	O-Ring	
208	7012336	1	Plug	

SECTION 2 - TURNTABLE

FIGURE 2-12. CONTROL VALVE ASSEMBLY - BANG-BANG WITH DUMP SECTION



SECTION 2 - TURNTABLE

FIGURE 2-12. CONTROL VALVE ASSEMBLY - BANG-BANG WITH DUMP SECTION

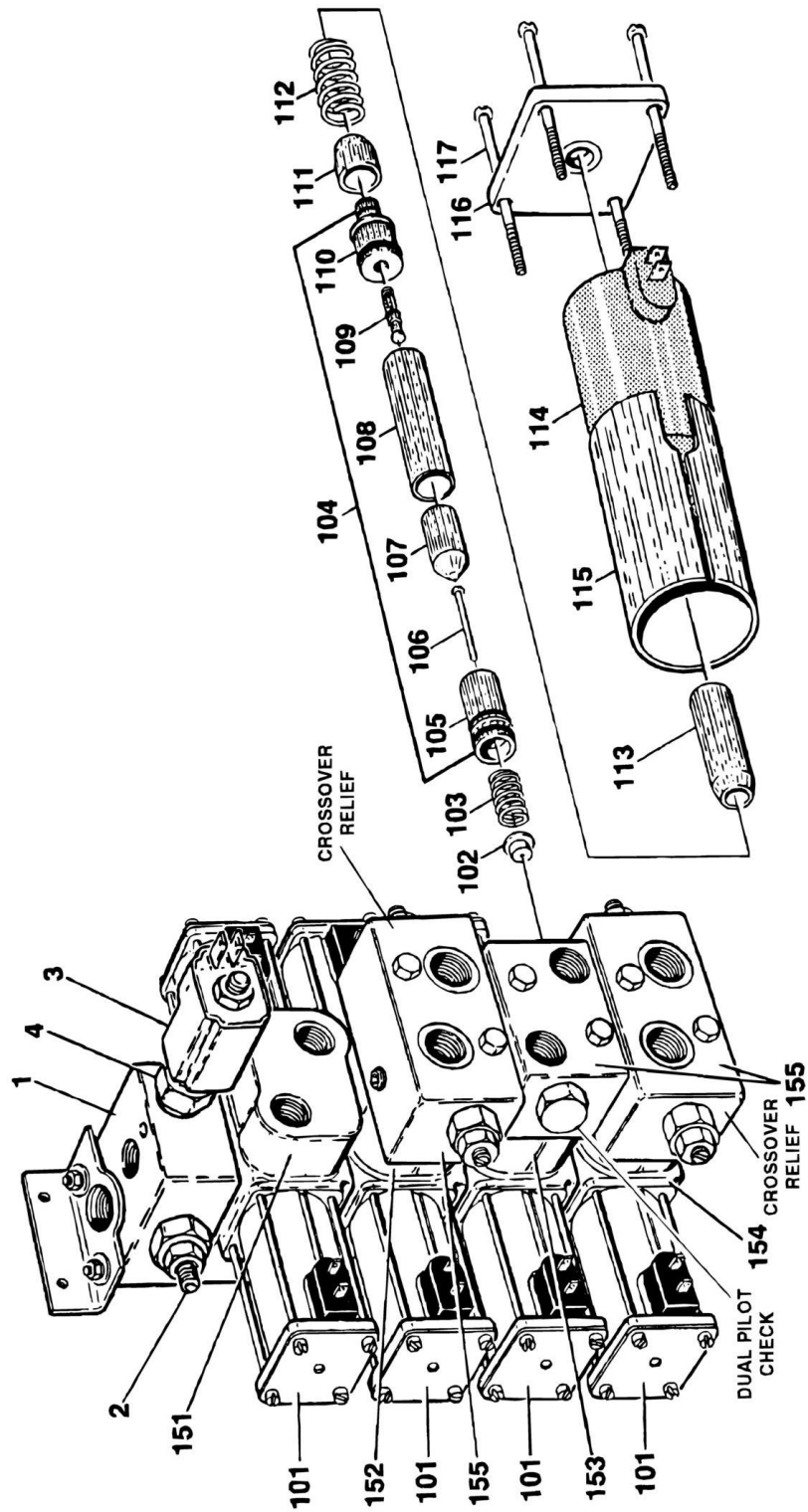
ITEM	PART NUMBER	QTY	DESCRIPTION	REV
	4640571	Ref	VALVE ASSEMBLY - 2 SECTION	B
	4640246	Ref	VALVE ASSEMBLY - 3 SECTION	A
	4640247	Ref	VALVE ASSEMBLY - 4 SECTION	A
1	7002304	Ref	DUMP SECTION	
		Ref	Solenoid Assembly	
2	7004823	1	Seat	
2	7002378	1	O-Ring	
3	7002229	1	Ball	
3		Ref	Guide Tube Assembly	
4	7004822	1	Cone, Female	
4	7004840	1	O-Ring	
5	7002346	1	Pin, Push	
6	7004839	1	Plunger	
7	7004838	1	Tube, Guide	
8	7004841	1	Pin, Push	
8	7002342	1	O-Ring	
9	7002340	1	Guide, External Push Pln	
9	7002337	1	O-Ring	
10	7004834	1	Sleeve, Inner Flux	
11	7002334	1	Spring	
12	7004835	1	Sleeve, Outer Flux	
13	7000417	1	Coil	
14	7004836	1	Case, Solenoid	
15	7002338	1	Plate, End	
15	7002327	1	Nameplate	
16	7004837	4	Screw	
17	7002322	1	Seat	
17	7004826	1	O-Ring	
17		Ref	Main Relief (Poppet) Valve	
18	7002321	1	Case, Poppet	
19	7002328	1	Spring	
20	7002294	1	Poppet	
21	7002320	1	Seat, Adjustable	
21	7004842	1	O-Ring	
22	7002329	1	Spring	
23	7002323	1	Plug	
23	7000102	1	O-Ring	
24	7002326	1	Orifice	
25	7002324	1	Plug	
		Ref	WORKING SECTIONS (STANDARD PARTS)	
40	7004859	AR	Solenoid Assembly (2 Per Section) (Includes Items 43-56)	
41	7002274	AR	Washer (4640246 & 4640247 Valves) (2 Per Section)	
42	7002348	AR	Spring (2 Per Section)	
43	7004821	AR	Guide Tube Assembly (1 Per Solenoid Assembly)	
44	7002345	AR	Cone, Female (1 Per Solenoid Assembly)	
44	Kit	AR	O-Ring (1 Per Solenoid Assembly)	
44	Kit	AR	O-Ring (1 Per Solenoid Assembly)	
45	7002346	AR	Pin, Push (1 Per Solenoid Assembly)	
46	7002344	AR	Plunger (1 Per Solenoid Assembly)	
47	7000470	AR	Tube, Guide (1 Per Solenoid Assembly)	

SECTION 2 - TURNTABLE

ITEM	PART NUMBER	QTY	DESCRIPTION	REV
48	7002341	AR	Pin, Actuator (1 Per Solenoid Assembly)	
48	Kit	AR	Ring, Quad (1 Per Solenoid Assembly)	
49	7002340	AR	Guide, External Push Pin (1 Per Solenoid Assembly)	
49	Kit	AR	O-Ring (1 Per Solenoid Assembly)	
50	7002333	AR	Sleeve, Inner Flux (1 Per Solenoid Assembly)	
51	7002334	AR	Spring (1 Per Solenoid Assembly)	
52	7002336	AR	Sleeve, Outer Flux (1 Per Solenoid Assembly)	
53	7000418	AR	Coil (1 Per Solenoid Assembly)	
54	7002335	AR	Case, Solenoid (1 Per Solenoid Assembly)	
55	7002338	AR	Plate, End (1 Per Solenoid Assembly)	
56	7002339	AR	Screw (4 Per Solenoid Assembly)	
		Ref	WORKING SECTION (VARIABLE PARTS)	
		Ref	Note: Complete Sections listed below include items 40-56 and relief valve assembly when equipped	
101		Ref	Section #1 Options:	
101	7002317	1	Rotate Section (4640247 Valves)	
101	7002315	1	Steer/Tele Section (4640571 & 4640246 Valves)	
102		Ref	Section #2 Options:	
102	7002315	1	Steer/Tele Section (4640246 Valves)	
102	7011182	1	Level Section (4640571 & 4640247 Valves)	
103		Ref	Section #3 Options:	
103	Not Required		(4640571 Valves)	
103	7002315	1	Steer/Tele Section (4640246 Valves)	
103	7011182	1	Level Section (4640247 Valves)	
104		Ref	Section #4 Options:	
104	Not Required		(All except 4640247 Valve)	
104	7002315	1	Steer/Tele Section (4640247 Valve Only)	
105		Ref	Relief Valve Options:	
105	7000468	AR	Crossover Relief Valve Assembly - 7002315 Steer/Tele Sections (Due to various suppliers - internal components are no longer field serviceable)	
105	7011183	AR	Relief Valve Assembly - 7011182 Level Sections (Due to various suppliers - internal components are no longer field serviceable)	
	7000414	4	Seal Kit - Working Section	
	7000413	1	Seal Kit - Dump Section	

SECTION 2 - TURNTABLE

FIGURE 2-13. CONTROL VALVE ASSEMBLY - BANG-BANG WITH DUMP SECTION



SECTION 2 - TURNTABLE

FIGURE 2-13. CONTROL VALVE ASSEMBLY - BANG-BANG WITH DUMP SECTION

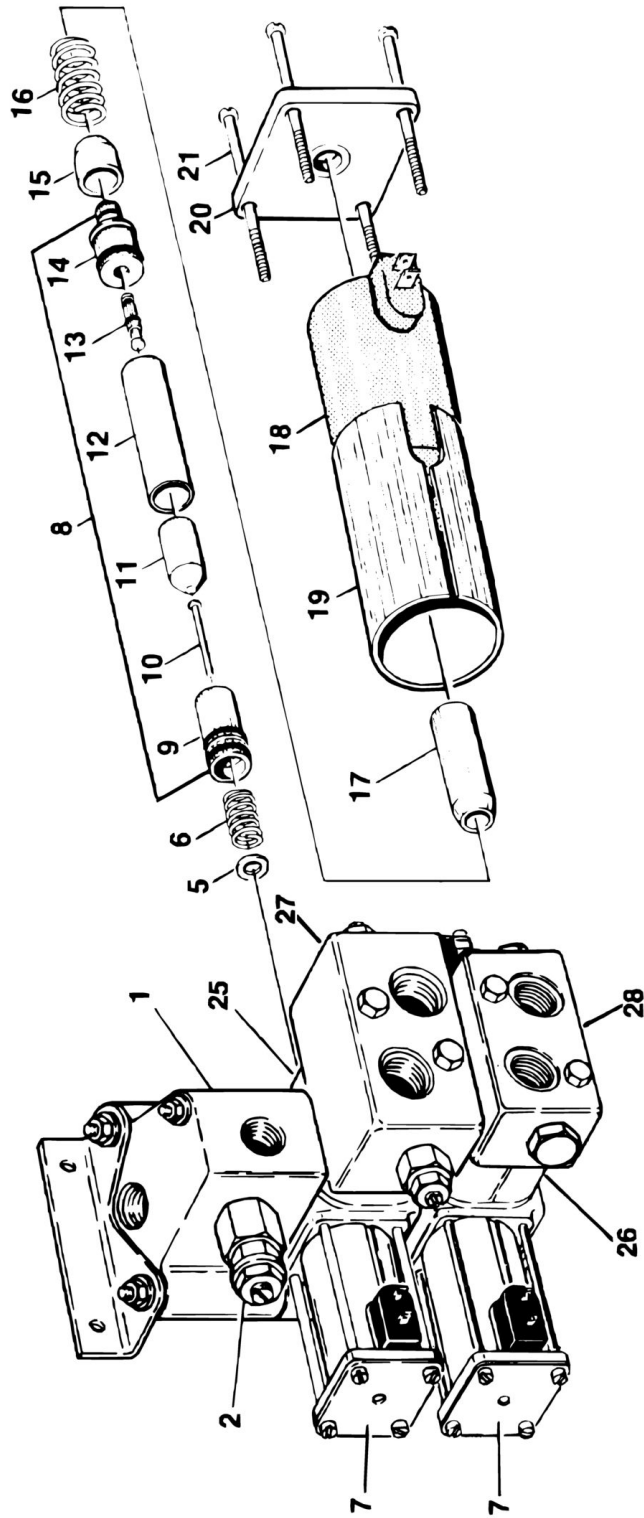
ITEM	PART NUMBER	QTY	DESCRIPTION	REV
	4640941	Ref	Valve Assembly - 3 Section	-
	4640940	Ref	Valve Assembly - 4 Section	-
	7004607	1	Kit, Stacking Section - 4 Section	
		Ref	DUMP SECTION ASSEMBLY	
1	7002447	1	Dump Section - Complete	
2	7002448	1	Cartridge	
2	7002449	1	Seal Kit - 7002448 Cartridge	
3	7002450	1	Coil	
4	7002451	1	Cartridge without Coil	
4	7011118	1	Seal Kit - 7002451 Cartridge	
	7000448	2	O-Ring (Between Sections)	
		Ref	WORKING SECTIONS (STANDARD PARTS)	
101	7004859	2	Solenoid Assembly	
102	7003825	1	Washer	
103	7002348	1	Spring	
104	7004821	1	Guide Tube Assembly	
105	7002345	1	Cone, Female	
105	Kit	1	O-Ring	
105	Kit	1	O-Ring	
106	7002346	1	Pin, Push	
107	7002344	1	Plunger	
108	7000470	1	Tube, Guide	
109	7002341	1	Pin, Actuator	
109	Kit	1	Ring, Quad	
110	7002340	1	Guide, External Push Pln	
110	Kit	1	O-Ring	
111	7002333	1	Sleeve, Inner Flux	
112	7002334	1	Spring	
113	7002336	1	Sleeve, Outer	
114	7000418	1	Coil	
115	7002335	1	Case, Solenoid	
116	7002338	1	Plate, End	
116	7002327	1	Nameplate	
117	7002339	4	Screw	
	7000414	2	Seal Kit - Working Section (1 Per Section)	
		Ref	WORKING SECTIONS - COMPLETE (Includes Items 101-117 and Relief Valve Assembly When Equipped)	
151		Ref	#1 Section Options:	
151	7002315	1	Steer (4640941 Valve)	
151	7002317	1	Rotate (4640940 Valve)	
152		Ref	#2 Section Options:	
152	7011182	1	Level (4640941 Valve)	
152	7002315	1	Steer (4640940 Valve)	
153		Ref	#3 Section Options:	
153	7002315	1	Telescope (4640941 Valve)	
153	7011182	1	Level (4640940 Valve)	
154		Ref	#4 Section Options:	
154	Not Required		(4640941 Valve)	
154	7002315	AR	Telescope (4640940 Valve)	
155		Ref	Relief Valve Options:	

SECTION 2 - TURNTABLE

ITEM	PART NUMBER	QTY	DESCRIPTION	REV
155	7000468	AR	Crossover Relief Valve Assembly - 7002315 Steer/Telescope Sections (Due to various supplies internal components are not field serviceable)	
155	7011183	AR	Check Valve Assembly - 7011182 Level Sections (Due to various suppliers internal components are not field serviceable)	

SECTION 2 - TURNTABLE

FIGURE 2-14. CONTROL VALVE ASSEMBLY - BANG-BANG WITH INLET SECTION



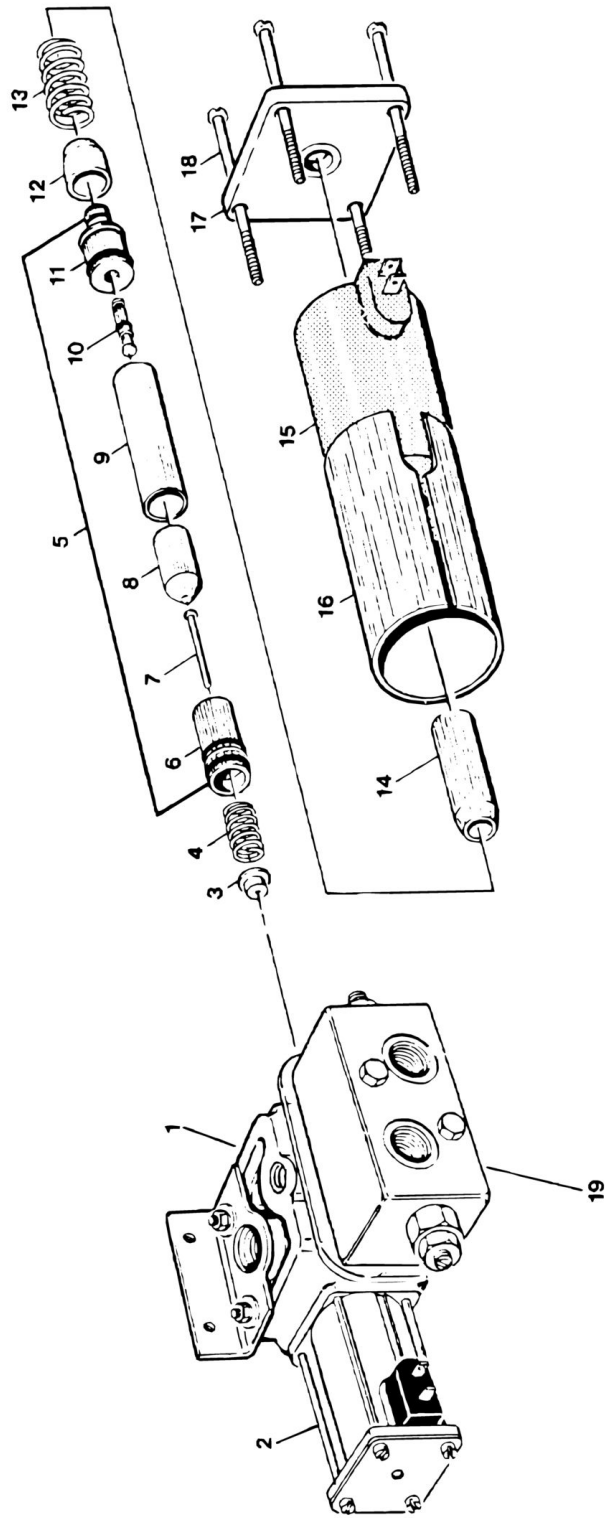
SECTION 2 - TURNTABLE

FIGURE 2-14. CONTROL VALVE ASSEMBLY - BANG-BANG WITH INLET SECTION

ITEM	PART NUMBER	QTY	DESCRIPTION	REV
	4640461	Ref	VALVE ASSEMBLY - 1 SECTION	A
	4640447	Ref	VALVE ASSEMBLY - 2 SECTION	A
1	4640820	Ref	INLET RELIEF SECTION ASSEMBLY	
2	7000447	1	Cartridge	
2	7000413	1	Seal Kit - 7002254 Section	
		Ref	WORKING SECTIONS ASSEMBLY (STANDARD PARTS)	
5	7002274	AR	Washer (2 Per Section)	
6	7002273	AR	Spring (2 Per Section)	
7	7004859	AR	Solenoid Assembly (2 Per Section)	
8	7004821	AR	Guide Tube Assembly (1 Per Solenoid Assembly)	
9	7002345	AR	Female Cone/O-Ring Assembly (1 Per Solenoid Assembly)	
10	7002346	AR	Pin, Push (1 Per Solenoid Assembly)	
11	7002344	AR	Plunger (1 Per Solenoid Assembly)	
12	7000470	AR	Tube, Guide (1 Per Solenoid Assembly)	
13	7002341	AR	Actuator Pin/Quad Ring Assembly (1 Per Solenoid Assembly)	
14	7002340	AR	Pin Guide/O-Ring Assembly (1 Per Solenoid Assembly)	
15	7002333	AR	Sleeve, Inner Flux (1 Per Solenoid Assembly)	
16	7002334	AR	Spring (1 Per Solenoid Assembly)	
17	7002336	AR	Sleeve, Outer Flux (1 Per Solenoid Assembly)	
18	7000418	AR	Coil (1 Per Solenoid Assembly)	
19	7002335	AR	Case, Solenoid (1 Per Solenoid Assembly)	
20	7002338	AR	Plate, End (1 Per Solenoid Assembly)	
21	7002339	AR	Screw (4 Per Solenoid Assembly)	
	7000414	AR	Seal Kit - Working Section (1 Per Section)	
		Ref	WORKING SECTIONS (VARIABLE PARTS)	
25		Ref	Section #1 Options:	
25	Not Required		4640461 Valve	
25	7000466	1	4640447 Valve (Includes Item 27)	
26		Ref	Section #2 Options:	
26	7002257	1	4640461 & 4640447 Valves (Includes Item 28)	
		Ref	Relief Valve Options:	
27	7000468	1	Crossover Relief Valve Assembly - 7000466 Section (Due to various suppliers - internal components are no longer field serviceable)	
28	7011183	1	Relief Valve Assembly 7002257 Section (Due to various suppliers - internal components are no longer field serviceable)	

SECTION 2 - TURNTABLE

FIGURE 2-15. CONTROL VALVE ASSEMBLY - 1 SECTION BANG-BANG



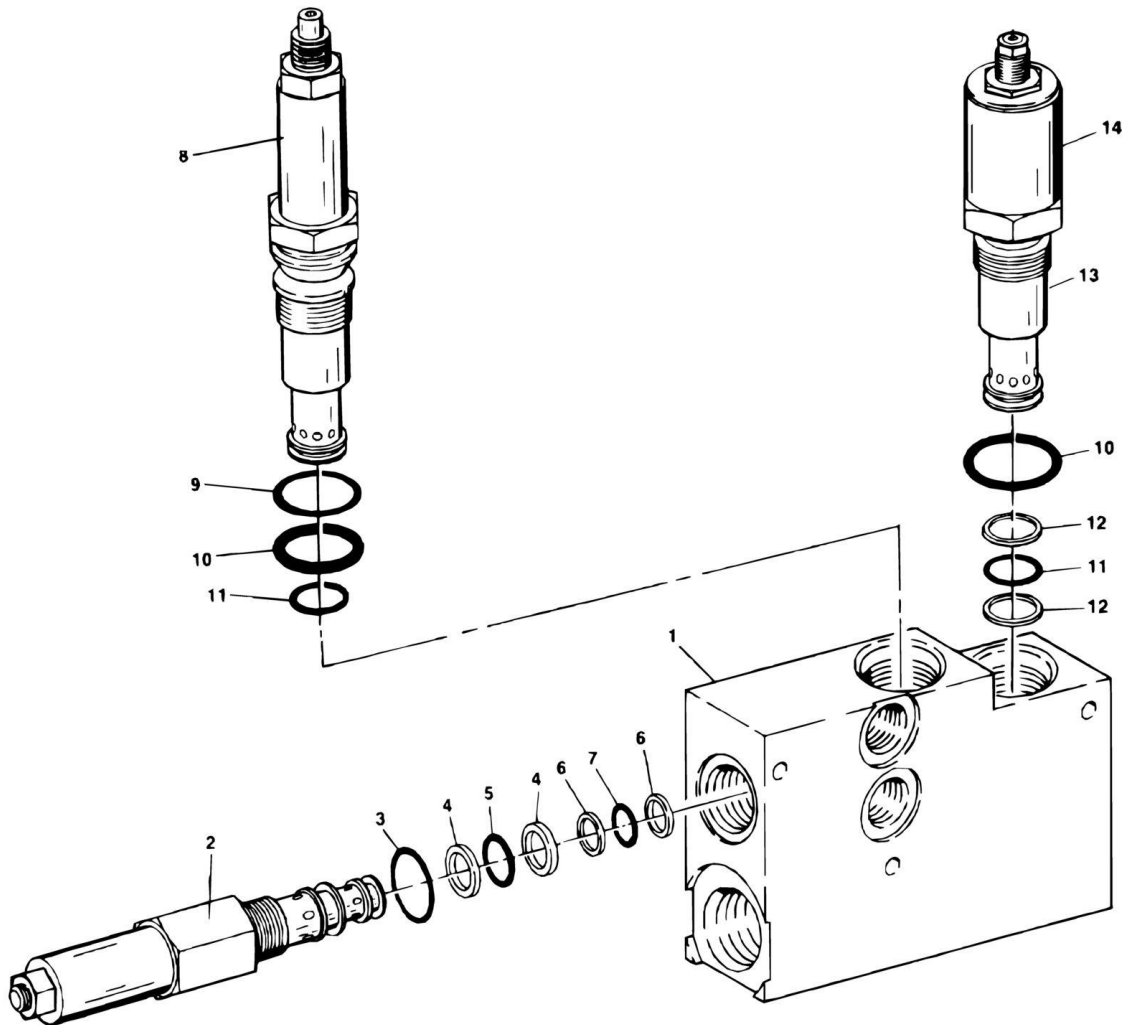
SECTION 2 - TURNTABLE

FIGURE 2-15. CONTROL VALVE ASSEMBLY - 1 SECTION BANG-BANG

ITEM	PART NUMBER	QTY	DESCRIPTION	REV
	4640519	Ref	CONTROL VALVE ASSEMBLY - 1 SECTION BANG-BANG	-
1	7002315	1	Telescope Section - Complete	
2	7004859	2	Solenoid Assembly	
3	7002274	1	Washer	
4	7002348	1	Spring	
5	7004821	1	Guide Tube Assembly	
6	7002345	1	Cone, Female	
6	Kit	1	O-Ring	
6	Kit	1	O-Ring	
7	7002346	1	Pin, Push	
8	7002344	1	Plunger	
9	7000470	1	Tube, Guide	
10	7002341	1	Pin, Actuator	
10	Kit	1	Ring, Quad	
11	7002340	1	Guide, External Push Pln	
11	Kit	1	O-Ring	
12	7002333	1	Sleeve, Inner Flux	
13	7002334	1	Spring	
14	7002336	1	Sleeve, Outer Flux	
15	7000418	1	Coil	
16	7002335	1	Case, Solenoid	
17	7002338	1	Plate, End	
17	7002327	1	Name plate	
18	7002339	4	Screw	
19	7000468	1	Crossover Relief Valve Block Assembly (Due to various suppliers - internal components are no longer field serviceable)	
	7000414	1	Seal Kit - Working Section	

SECTION 2 - TURNTABLE

FIGURE 2-16. ACCESSORY VALVE ASSEMBLY (MILLER) HYDRAULIC CONTROLS BUILT THROUGH 1989)



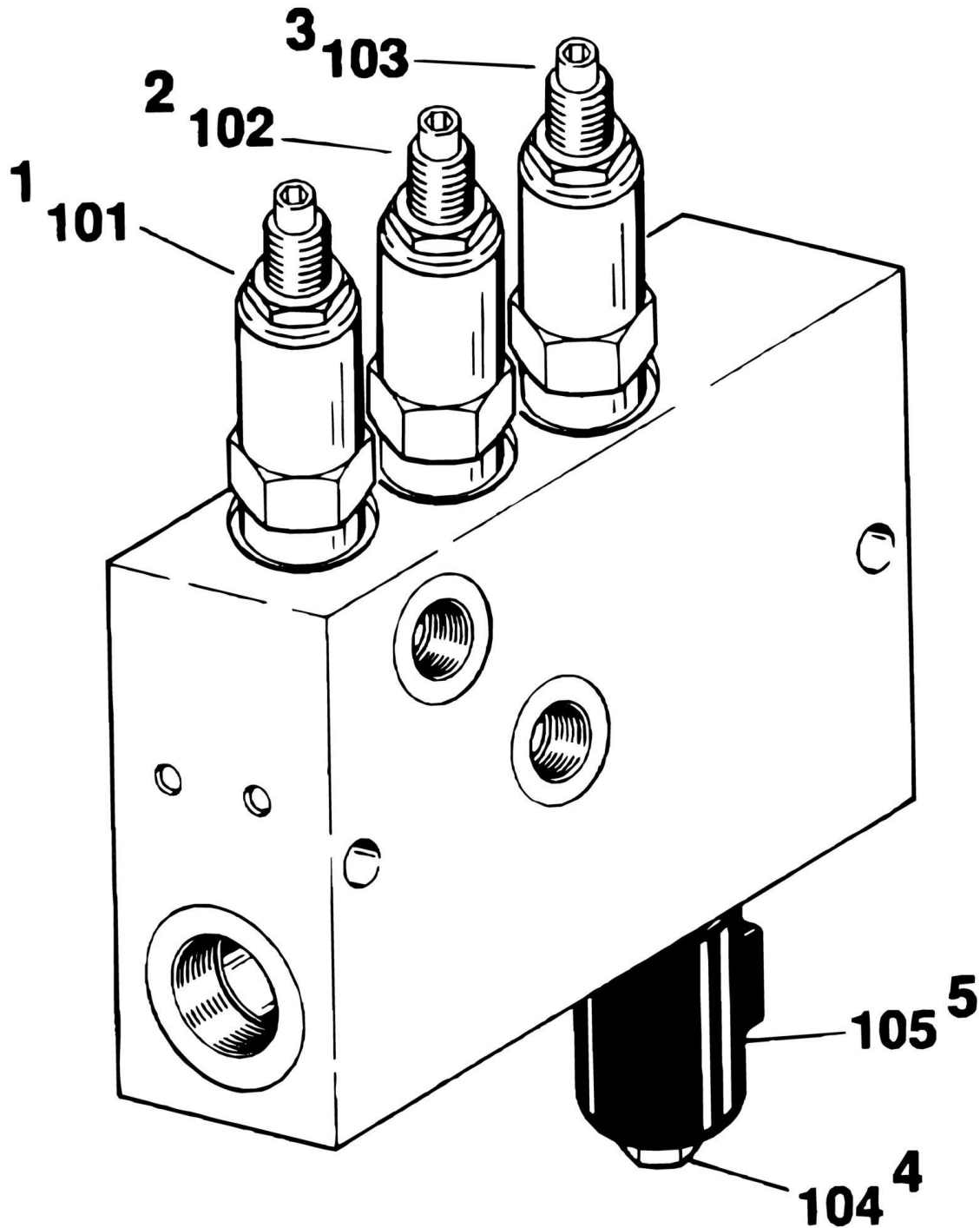
SECTION 2 - TURNTABLE

FIGURE 2-16. ACCESSORY VALVE ASSEMBLY (MILLER) HYDRAULIC CONTROLS BUILT THROUGH 1989)

ITEM	PART NUMBER	QTY	DESCRIPTION	REV
	4640535	Ref	ACCESSORY VALVE ASSEMBLY (MILLER) (HYDRAULIC CONTROLS MACHINES BUILT THROUGH 1989)	A
		Ref	NOTE: NOT SOLD AS A COMPLETE ASSEMBLY.	
1		Ref	Body (Not Sold Separately)	
2	7009755	1	Cartridge, Pressure Reducing/Relieving	
3	7009759	1	O-Ring	
4	7007760	2	Ring, Back-Up	
5	3790015	1	O-Ring	
6	7009761	2	Ring, Back-Up	
7	3790014	1	O-Ring	
8	7009756	1	Cartridge, Sequence	
9	3790118	1	O-Ring	
10	3790211	2	O-Ring	
11	3790016	2	O-Ring	
12	7009762	2	Ring, Back-Up	
13	7009757	1	Cartridge, 2-Position	
14	7009758	1	Coil (Includes Nut and Washer)	

SECTION 2 - TURNTABLE

FIGURE 2-17. ACCESSORY VALVE ASSEMBLY (HYDRAFORCE) (HYDRAULIC CONTROLS MACHINES BUILT 1990 TO SEPTEMBER 1991)



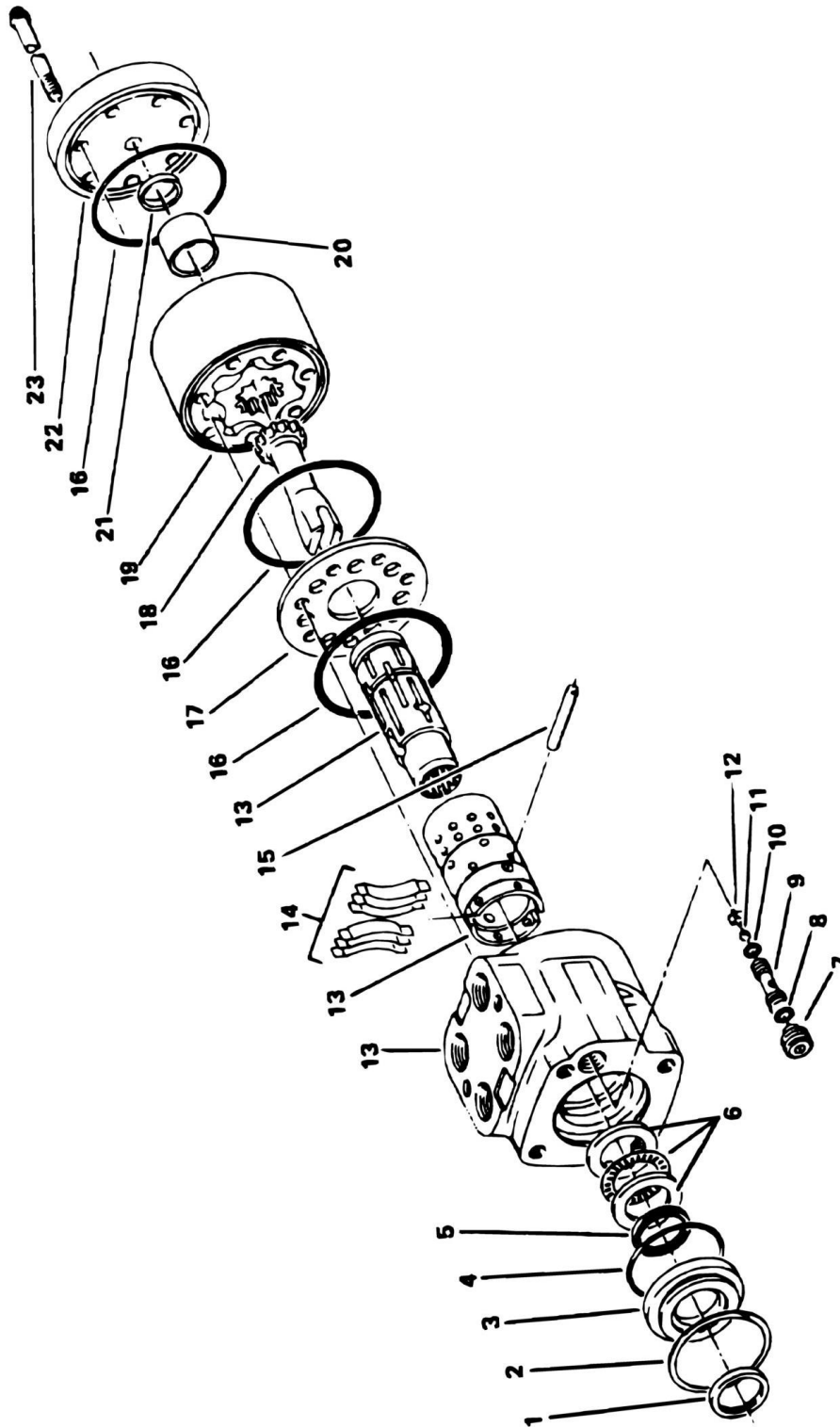
SECTION 2 - TURNTABLE

FIGURE 2-17. ACCESSORY VALVE ASSEMBLY (HYDRAFORCE) (HYDRAULIC CONTROLS MACHINES BUILT 1990 TO SEPTEMBER 1991)

ITEM	PART NUMBER	QTY	DESCRIPTION	REV
	4640580	Ref	ACCESSORY VALVE ASSEMBLY (HYDRAFORCE) (HYDRAULIC CONTROLS MACHINES BUILT 1990 TO SEPTEMBER 1991)	-
		Ref	Note: Not sold as a complete assembly.	
1	7004365	1	Cartridge - Sequence	
2	7004366	1	Cartridge - Pressure Reducing	
3	7004367	1	Cartridge - Main Relief	
4	7004369	1	Cartridge Less Coil - Dump	
5	7004368	1	Coil	
	2900707	2	Seal Kit (Sequence and Pressure Reducing)	
	2900708	1	Seal Kit (Main Relief)	
	2900709	1	Seal Kit (Dump)	
	4640716	Ref	ACCESSORY VALVE ASSEMBLY (HYDRAULIC CONTROLS MACHINES BUILT SEPTEMBER 1991 TO SEPTEMBER 1991)	-
		Ref	Note: Refer to P/N stamped on cartridge hex nut for identification.	
101	7012506	1	Cartridge - Sequence (Hydraforce PS10-34A)	
101	7010552	1	Cartridge - Sequence (Vickers/Modular Controls PSV7-10V)	
102	7012505	1	Cartridge - Pressure Reducing (Hydraforce PR10-32A)	
102	7010553	1	Cartridge - Pressure Reducing (Vickers/Modular Controls PRV1-10V)	
103	7012507	1	Cartridge - Main Relief (Hydraforce RV50-26A)	
103	7010554	1	Cartridge - Main Relief (Vickers/Modular Controls RV5-10V)	
104	7004369	1	Cartridge Less Coil - Dump (Hydraforce SV16-21)	
104	7004368	1	Coil (Hydraforce 6352012)	
105	7010556	1	Cartridge w/ Coil-Dump (Vickers/Mod. Controls SV3-16V)	
105	7010555	1	Coil (Vickers/Modular Controls 565966)	
	7012509	1	Seal Kit (Sequence) (Hydraforce Version)	
	7010557	1	Seal Kit (Sequence) (Vickers/Modular Controls Version)	
	7012510	1	Seal Kit (Pressure Reducing) (Hydraforce Version)	
	7010558	1	Seal Kit (Pressure Reducing) (Vickers/Modular Controls Version)	
	7012511	1	Seal Kit (Main Relief) (Hydraforce Version)	
	7010559	1	Seal Kit (Main Relief) (Vickers/Modular Controls Version)	
	2900709	1	Seal Kit (Dump) (Hydraforce Version)	
	7010560	1	Seal Kit (Dump) (Vickers/Modular Controls Version)	

SECTION 2 - TURNTABLE

FIGURE 2-18. STEERING VALVE ASSEMBLY



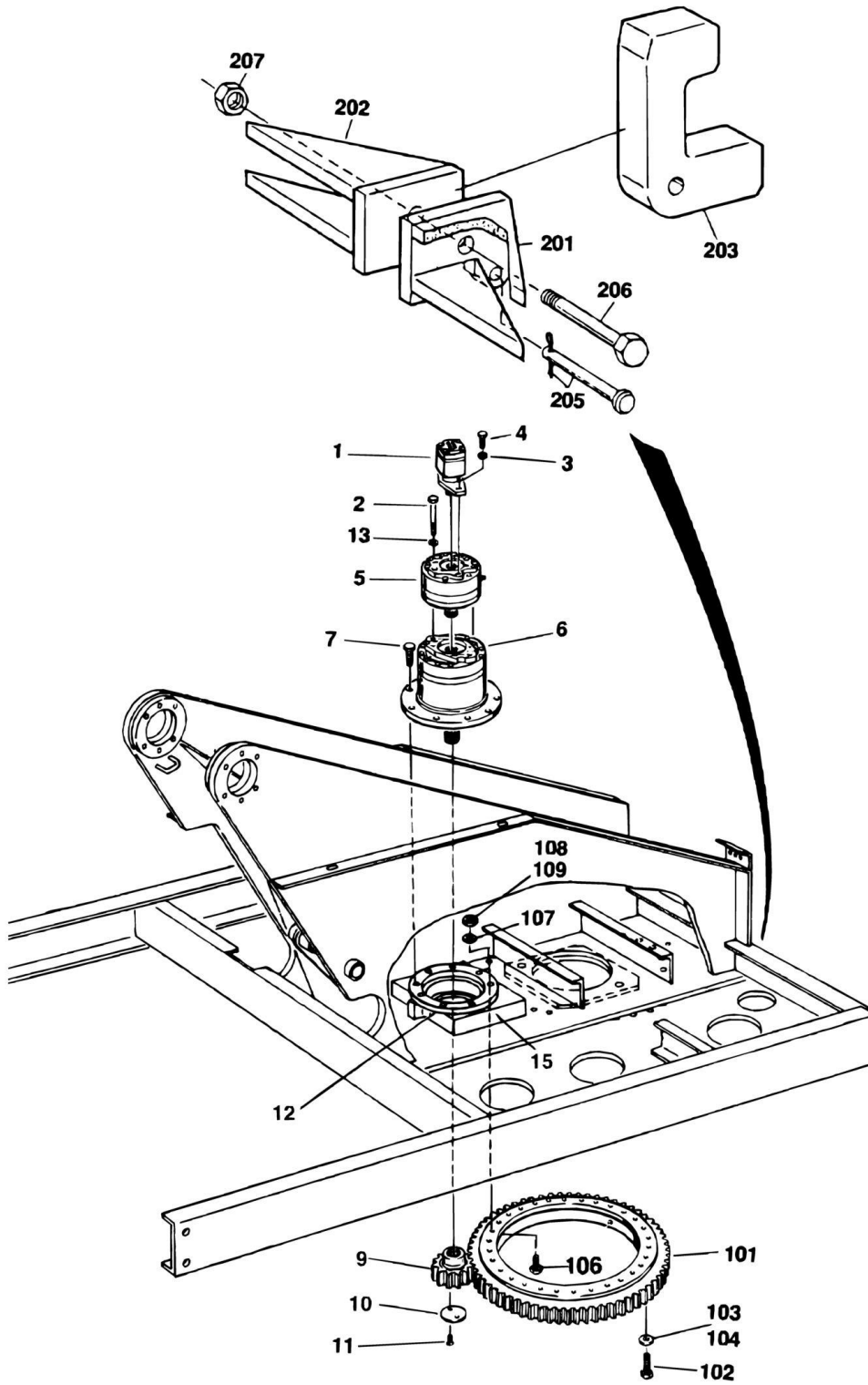
SECTION 2 - TURNTABLE

FIGURE 2-18. STEERING VALVE ASSEMBLY

ITEM	PART NUMBER	QTY	DESCRIPTION	REV
	4640408	Ref	STEER VALVE ASSEMBLY	-
1	7000161	1	Seal	
2	7002127	1	Ring, Retaining	
3	7002128	1	Bushing	
4	Kit	1	Seal	
5	Kit	1	Seal	
6	7002171	1	Kit, Needle Bearing	
7	7002131	1	Setscrew	
8	Kit	1	Seal	
9	7002132	1	Seat, Check Ball	
10	Kit	1	Seal	
11	7002134	1	Ball, Check	
12	7002172	1	Retainer, Check Ball	
13	7002173	1	Control Parts Assembly	
14	7002174	6	Spring, Centering	
15	7002163	1	Pin, Centering	
16	Kit	3	Seal	
17	7002138	1	Plate, Spacer	
18	7002175	1	Drive	
19	7002167	1	Gerotor	
20	7002168	1	Spacer.480	
21	7002169	1	Spacer.140	
22	7002142	1	Cap, End	
23	7002170	7	Bolt	
	2900596	1	Seal Kit (Includes Items 1,4,8,10 & 16)	

SECTION 2 - TURNTABLE

FIGURE 2-19. SWING DRIVE, BEARING AND LOCK INSTALLATIONS



SECTION 2 - TURNTABLE

FIGURE 2-19. SWING DRIVE, BEARING AND LOCK INSTALLATIONS

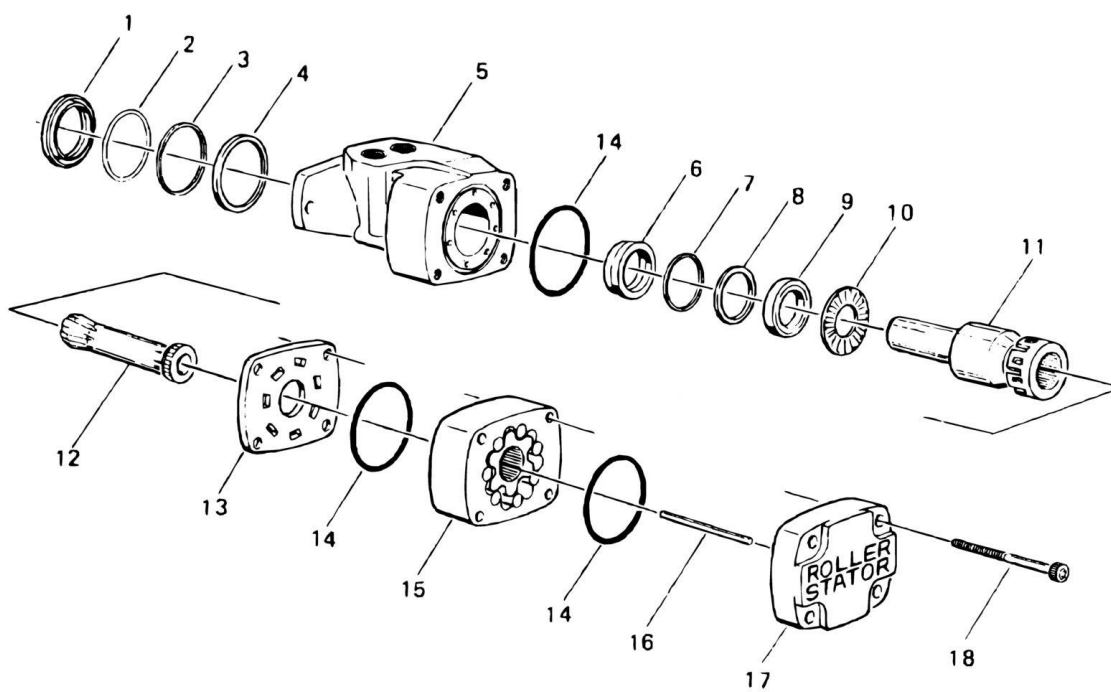
ITEM	PART NUMBER	QTY	DESCRIPTION	REV
		Ref	SWING DRIVE INSTALLATIONS	
	0236507	Ref	SWING DRIVE INSTALLATIONS (PRIOR TO JANUARY 1992)	E
	0252501	Ref	SWING DRIVE INSTALLATIONS (JANUARY 1992 TO PRESENT)	2
1	3160094	1	Swing Motor Assembly (See SWING MOTOR ASSEMBLY for Breakdown)	
2	3931864	2	Bolt, Socket Head 1/2in-13NC x 4in	
3	4761800	2	Lockwasher 1/2in	
4	0641810	2	Bolt 1/2in-13NC x 1 1/4in	
5		Ref	Swing Brake Assembly Options:	
5	0920032	1	Brake (Prior to April 1992) (See SWING BRAKE ASSEMBLIES for Breakdown)	
5	0920083	1	Brake (April 1992 to S/N 33476) (See SWING BRAKE ASSEMBLY for Breakdown)	
5	0920109	1	Brake (See SWING BRAKE ASSEMBLY for Breakdown) (SN 33476 to Present)	
6	2780055	1	Swing Hub Assembly (See SWING HUB ASSEMBLY for Breakdown)	
7	0641914	9	Bolt 9/16in-12NC x 1 3/4in	
8	0100019	AR	Loctite #271 (Not Shown)	
9		Ref	Gear, Pinion Options:	
9	2440022	1	Gear, Pinion (Prior to January 1992)	
9	2440059	1	Gear, Pinion (January 1992 to Present)	
10		Ref	Plate, Retaining Options:	
10	3501916	1	Plate, Retaining (Prior to January 1992)	
10	4740367	1	Plate, Retaining (January 1992 to Present)	
11	0741606	2	Screw, Flathead Countersunk 3/8in-16NC x 3/4in	
12		Ref	Plate, Mounting - Torque Hub Options:	
12	0230976	1	Plate, Mounting (Prior to January 1992)	
12	3760302	1	Plate, Mounting (January 1992 to Present)	
13	4740171	2	Washer, Special	
14	0100009	AR	Sealant - RTV #738 (Not Shown)	
15		Ref	Shim Options:	
15	4070142	AR	Shim 1/8in (Located on Side of Mounting Plate) (Prior to January 1992)	
15	4070143	AR	Shim 3/16in (Located on Side of Mounting Plate) (Prior to January 1992)	
15	Not Required	0	Shim (January 1992 to Present)	
	0234219	Ref	TURNTABLE BEARING INSTALLATION	6
101		Ref	Bearing Options:	
101	0440067	1	Bearing (Prior to October 1991)	
101	0440057	1	Bearing (October 1991 to S/N 33258)	
101	0440067	1	Bearing (SN 33258 to Present)	
102	0681816	23	Bolt 1/2in-13NC x 2in (Grade 8)	
103	4740003	18	Washer, Hardened	
104	4740144	5	Washer, Modified	
105	0100004	AR	Devcon (Not Shown - Used Prior to January 1992)	
106	0682018	23	Bolt 5/8in-11NC x 2 1/4in (Grade 8)	
107	4740004	17	Washer, Hardened	
108	3300183	23	Nut 5/8in-11NC (Grade 8)	
109	4740048	6	Washer, Modified	

SECTION 2 - TURNTABLE

ITEM	PART NUMBER	QTY	DESCRIPTION	REV
111	0100019	AR	Loctite #271 (Not Shown)	B
112	1300010	AR	Solvent, Chlorinated (Loctite #755) (Not Shown)	
	2915079	1	Turntable Bearing Kit (Consists of Items 101- 104 & 106-109)	
	0237202	Ref	LOCK PIN INSTALLATION	
201	0232282	1	Support (Left Side) (Prior to January 1992)	
202	0232281	1	Support (Right Side) (Prior to January 1992)	
203	3420761	1	Pin, Locking	
204	3420620	1	Pin, Clevis	
205	3420182	1	Pin, Cotter	
206	0642022	1	Bolt 5/8in-11NC x 2 3/4in	
207	3312005	1	Locknut 5/8in-11NC	

SECTION 2 - TURNTABLE

FIGURE 2-20. SWING MOTOR ASSEMBLY



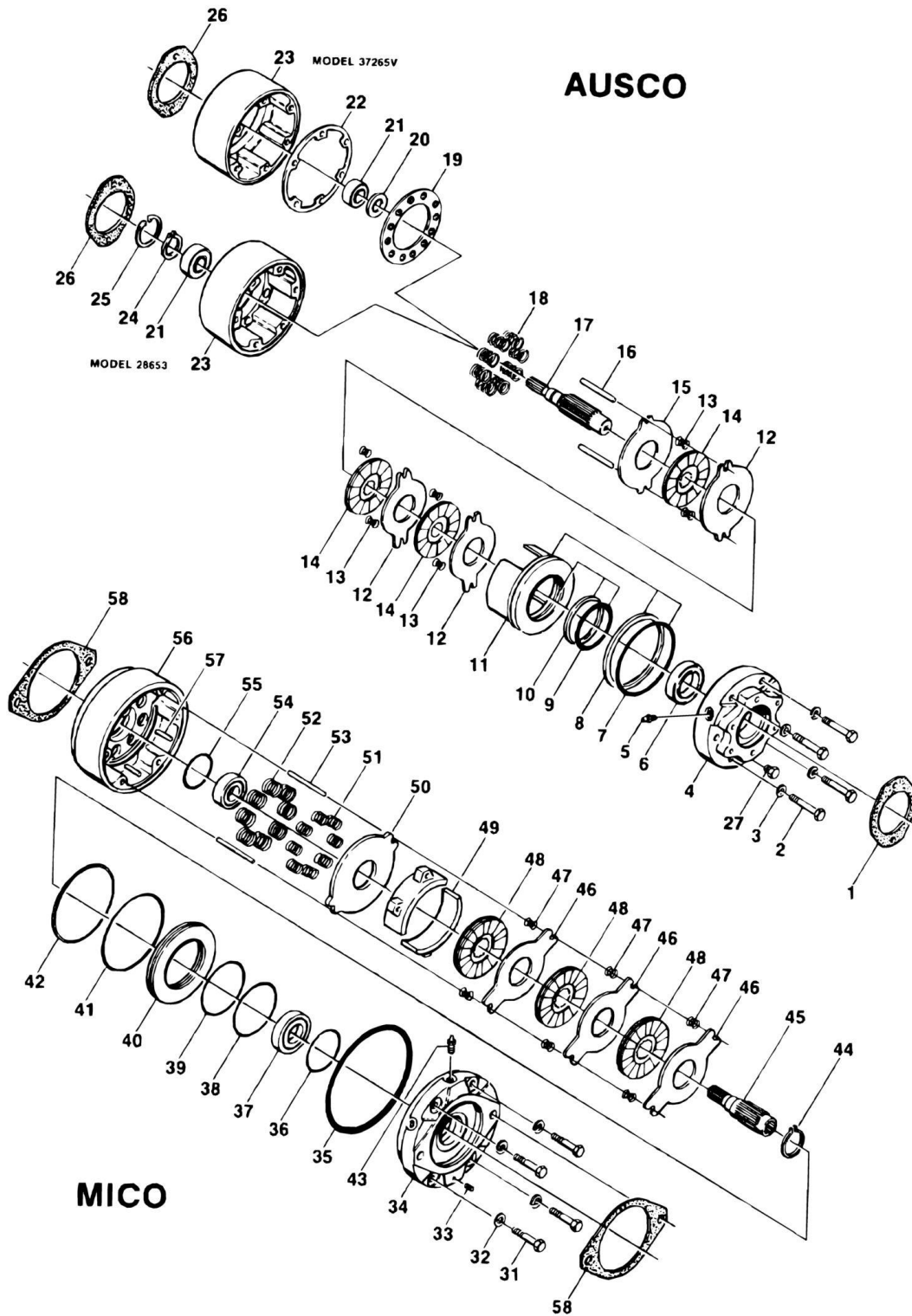
SECTION 2 - TURNTABLE

FIGURE 2-20. SWING MOTOR ASSEMBLY

ITEM	PART NUMBER	QTY	DESCRIPTION	REV
	3160094	Ref	SWING MOTOR ASSEMBLY	C
1	Kit	1	Seal, Dust	
2	Kit	1	Ring, Wire	
3	Kit	1	Shim	
4	Kit	1	Seal	
5	7005818	1	Housing	
6	Kit	1	Carrier, Seal	
7	Kit	1	Shim	
8	Kit	1	Back-up, Leather	
9	Kit	1	Seal, Shaft	
10	7005809	1	Bearing, Thrust	
11	7005810	1	Shaft	
12	7005811	1	Link, Drive	
13	7005812	1	Plate, Wear	
14	Kit	3	Seal	
15	7005823	1	Stator, Roller	
16	7005820	1	Pin, Dowel	
17	7005816	1	Cover, End	
18	7005821	4	Bolt	
	2900477	1	Seal Kit (Consists of Items 1,2,3,4,6,7,8,9 & 14)	

SECTION 2 - TURNTABLE

FIGURE 2-21. SWING BRAKE ASSEMBLIES - PRIOR TO APRIL 1992



SECTION 2 - TURNTABLE

FIGURE 2-21. SWING BRAKE ASSEMBLIES - PRIOR TO APRIL 1992

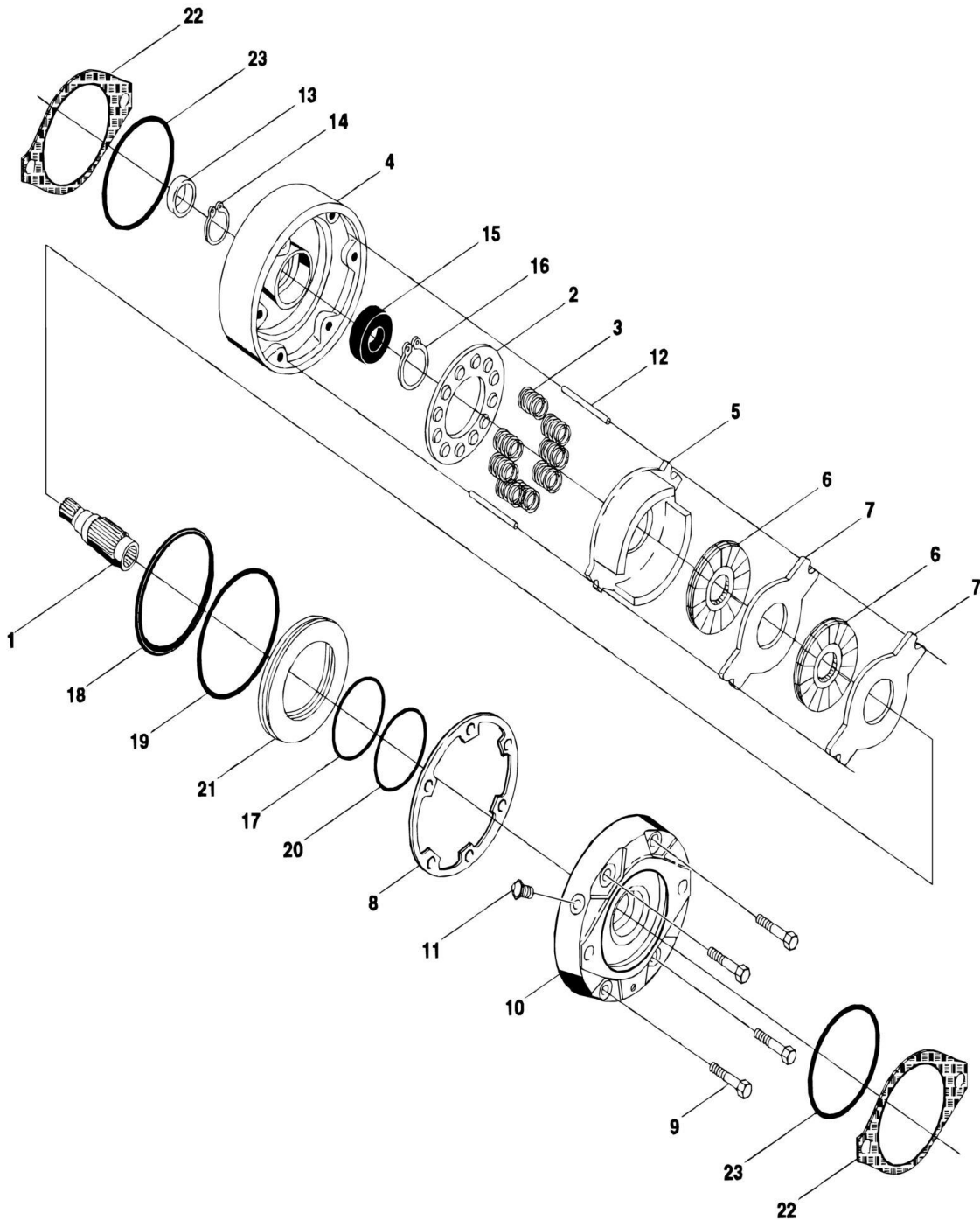
ITEM	PART NUMBER	QTY	DESCRIPTION	REV
	0920032	Ref	SWING BRAKE ASSEMBLY - AUSCO (MODEL 28653)	-
	0920032	Ref	SWING BRAKE ASSEMBLY - AUSCO (MODEL 37265V)	C
		Ref	Note: Refer to Model Number stamped on the front of the Housing item 23.	
1	Kit	1	Gasket	
2	7000730	4	Bolt (Model 28653)	
2	7003007	4	Bolt, Flanged (Model 37265V)	
3	7000729	4	Lockwasher (Model 28653 Only)	
4	7003012	1	Plate, Power (Model 28653)	
4	7003091	1	Plate, Power (Model 37265V)	
5	7000796	1	Bleeder	
6	7000760	1	Bearing, Ball (Model 37265V Only)	
7	Kit	1	O-Ring	
8	Kit	1	Ring, Back-up	
9	Kit	1	O-Ring	
10	Kit	1	Ring, Back-up	
11	7000721	1	Piston (Model 28653)	
11	7003057	1	Piston (Model 37265V)	
12	7000720	3	Disc, Stationary (Model 28653)	
12	7003056	3	Disc, Stationary (Model 37265V)	
13	7003006	6	Spring, Compression	
14	7000732	3	Disc, Rotating (Model 28653)	
14	7003055	3	Disc, Rotating (Model 37265V)	
15	7000718	1	Disc, Primary (Model 28653)	
15	7003054	1	Disc, Primary (Model 37265V)	
16	7000717	2	Pin, Torque	
17	7003013	1	Shaft, Splined (Model 28653)	
17	7003053	1	Shaft, Splined (Model 37265V)	
18	7000798	8	Spring, Compression (Model 28653)	
18	7003052	8	Spring, Compression (Model 37265V)	
19	7003051	1	Retainer, Spring (Model 37265V Only)	
20	Kit	1	Seal, Oil	
21	7000713	1	Bearing, Ball (Model 28653)	
21	7003049	1	Bearing, Ball (Model 37265V)	
22	Kit	1	Gasket (Model 37265V Only)	
23	7000714	1	Housing (Model 28653)	
23	7003090	1	Housing (Model 37265V)	
24	7000712	1	Ring, Retaining (Model 28653 Only)	
25	7000711	1	Ring, Retaining (Model 28653 Only)	
26	Kit	1	Gasket	
27	7003059	1	Valve, Pressure Relief (Model 37265V Only)	
	2900131		Seal Kit (Includes Items 1,7,8,9,10,20,22 & 26)	
	0920032	Ref	SWING BRAKE ASSEMBLY - MICO	B
		Ref	Note: Used Prior to April 1992.	
31	7007913	4	Capscrew	
32	7007912	4	Lockwasher	
33	7007924	1	Plug	
34	7007928	1	Cover	
35	Kit	1	Ring, Square	
36	Kit	1	O-Ring	

SECTION 2 - TURNTABLE

ITEM	PART NUMBER	QTY	DESCRIPTION	REV
37	Kit	1	Bearing	
38	Kit	1	O-Ring	
39	Kit	1	Ring, Back-up	
40	7007923	1	Piston	
41	Kit	1	O-Ring	
42	Kit	1	Ring, Back-up	
43	7007914	1	Bleeder	
44	Kit	1	Ring, Retaining	
45	7007926	1	Shaft	
46	7007908	3	Disc	
47	7007916	6	Spring	
48	7007909	3	Disc, Friction	
49	7007902	2	Separator	
50	7007907	1	Disc	
51	7007906	8	Spring	
52	7007905	8	Spring	
53	7007915	2	Pin, Dowel	
54	Kit	1	Bearing	
55	Kit	1	O-Ring	
56	7007930	1	Housing	
57	7007901	4	Pin, Spiral	
58	7007933	1	Gasket	
58	7007934	1	Gasket	
	2900642	1	Seal Kit (Includes Items 35,36,38,39,41,42,55 & 58 Gaskets)	
	7007927	1	Bearing Kit (Includes Items 36,37,44,54,55 & 58 Gasket)	

SECTION 2 - TURNTABLE

FIGURE 2-22. SWING BRAKE ASSEMBLY - APRIL 1992 TO PRESENT



SECTION 2 - TURNTABLE

FIGURE 2-22. SWING BRAKE ASSEMBLY - APRIL 1992 TO PRESENT

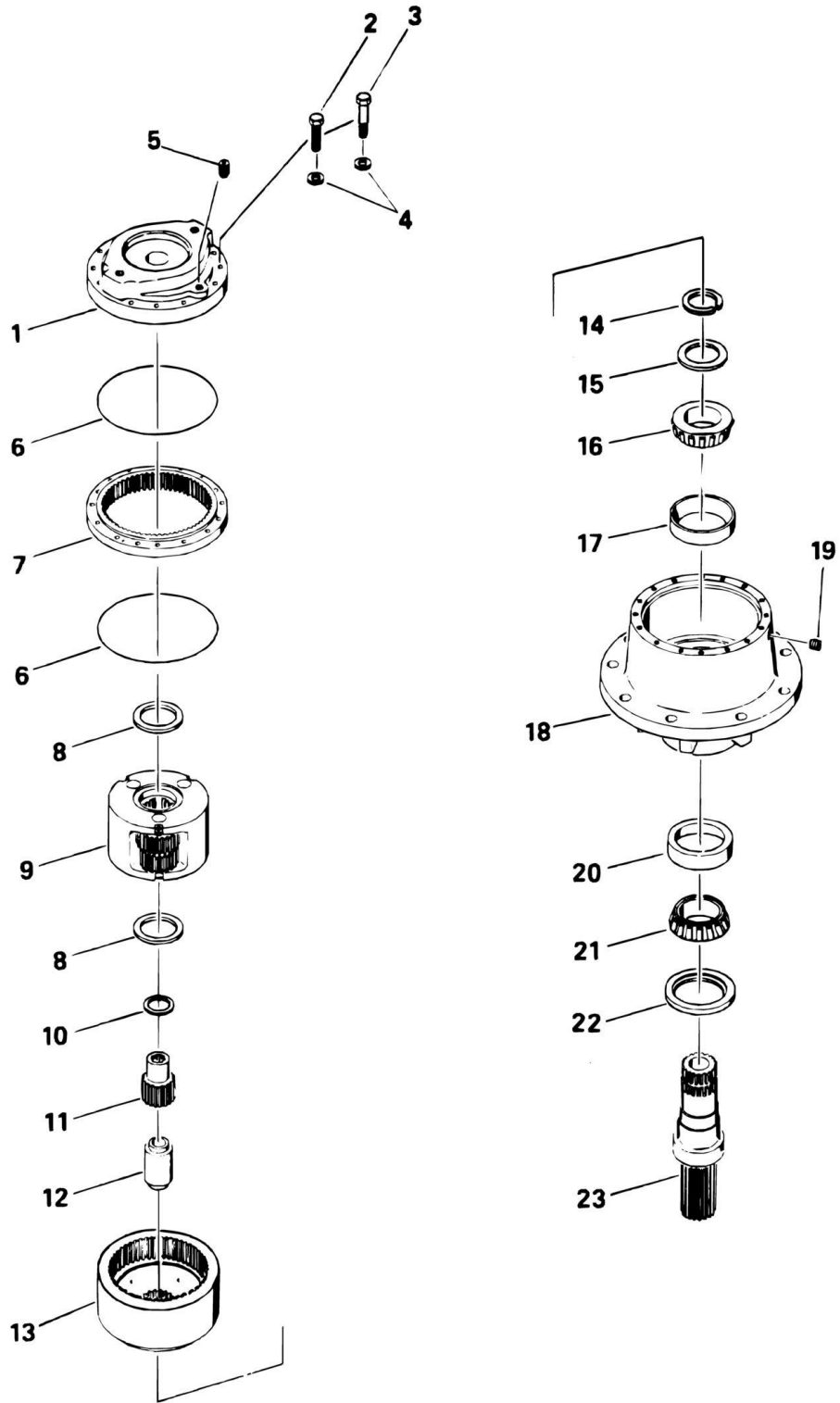
ITEM	PART NUMBER	QTY	DESCRIPTION	REV
		Ref	SWING BRAKE ASSEMBLY OPTIONS:	
	0920083	Ref	SWING BRAKE ASSEMBLY (MACHINES BUILT THROUGH 1992)	-
	0920083	Ref	SWING BRAKE ASSEMBLY (MACHINES BUILT 1993 TO S/N 33476)	A
	0920109	Ref	SWING BRAKE ASSEMBLY (SN 33476 to Present)	B
1		Ref	Shaft Options:	
1	7011718	1	Machines Built Through 1992	
1	7011720	1	Machines Built 1993 to Present	
2		Ref	Guide, Spring Options:	
2	Not Required		Machines Built Through 1992	
2	7011717	1	0920083 Brake (Machines Built 1993 to S/N 33476)	
2	7018606	1	0920109 Brake (SN 33476 to Present)	
3		Ref	Spring Options:	
3	7007979	6	0920083 Brake (Inner) (Prior to SN 33476)	
3	7007980	6	0920083 Brake (Outer) (Prior to SN 33476)	
3	7007970	6	0920109 Brake (Red) (SN 33476 to Present)	
3	7018602	3	0920109 Brake (Blue) (SN 33476 to Present)	
4		Ref	Housing Options:	
4	7007981	1	0920083 Brake (Machines Built Through 1992)	
4	7011713	1	0920083 Brake (Machines Built 1993 to S/N 33476)	
4	7018605	1	0920109 Brake (SN 33476 to Present)	
5		Ref	Return Plate and Separator Assembly Options:	
5	Kit	1	Plate, Return - 0920083 Brake (Prior to SN 33476)	
5	7011715	2	Separator Assy - 0920083 Brake (Prior to SN 33476)	
5	7011714	4	Pin	
5	7007983	2	Separator	
5	Kit	1	Plate, Return/Separator - 0920109 Brake (SN 33476 to Present)	
6	Kit	2	Rotor	
7	Kit	2	Stator	
8	Kit	1	Seal, Oil	
9		Ref	Bolt, Washer Head Options:	
9	7007985	4	0920083 Brake (Prior to SN 33476)	
9	7018607	4	0920109 Brake (SN 33476 to Present)	
10	7011719	1	Cover	
11		Ref	Hardware Options:	
11	7007914	1	Screw, Bleeder (Prior to SN 33906)	
11	7018609	1	Plug, Pipe (SN 33906 to Present)	
12	7007987	2	Pin, Dowel	
13	Kit	1	Seal, Oil	
14		Ref	Ring, Retaining Options:	
14	Not Required		Machines Built Through 1992	
14	7011716	1	Machines Built 1993 to Present	
15	Kit	1	Bearing	
16	7007977	1	Ring, Retaining	
17	Kit	1	Ring, Back-up	
18	Kit	1	Ring, Back-up	
19	Kit	1	O-Ring	
20	Kit	1	O-Ring	
21		Ref	Piston Options:	

SECTION 2 - TURNTABLE

ITEM	PART NUMBER	QTY	DESCRIPTION	REV
21	7007923	1	0920083 Brake (Prior to SN 33476)	
21	7018603	1	0920109 Brake (SN 33476 to Present)	
22	7007934	2	Gasket	
23	Kit	2	O-Ring	
	2900766	1	Seal Kit (Includes Items 8,13,17,18,19,20,22 & 23)	
	2900768	1	Bearing Kit (Includes Items 8,13,14,15,16,22 & 23)	
		Ref	Lining Kit Options:	
	2900767		0920083 Brake (Prior to SN 33476)	
	7018608		0920109 Brake (Includes Items 5,6,7 & 8) (SN 33476 to Present)	

SECTION 2 - TURNTABLE

FIGURE 2-23. SWING HUB ASSEMBLY



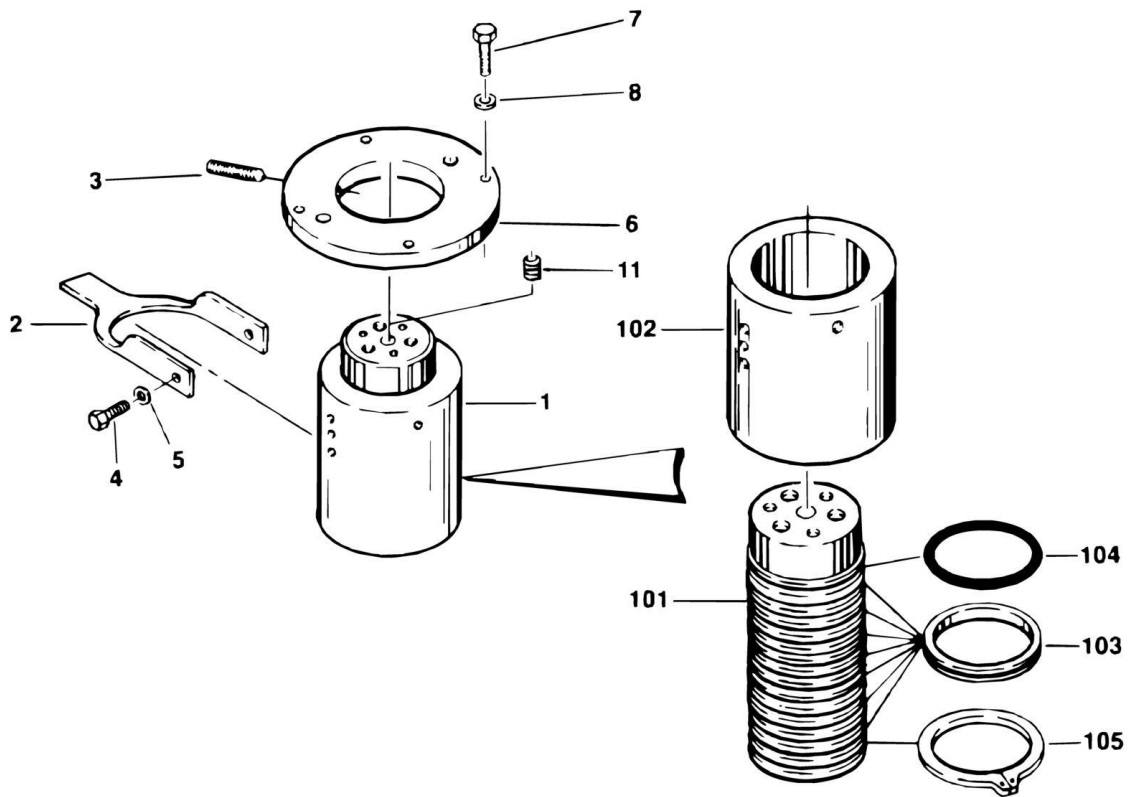
SECTION 2 - TURNTABLE

FIGURE 2-23. SWING HUB ASSEMBLY

ITEM	PART NUMBER	QTY	DESCRIPTION	REV
	2780055	Ref	SWING HUB ASSEMBLY	-
1	7000209	1	Cover	
2	7000217	8	Bolt, Hex Head	
3	7000214	4	Bolt, Hex Head, Shoulder	
4	4751500	12	Flatwasher	
5	7000242	1	Plug, Pipe	
6	Kit	2	O-Ring	
7	7000208	1	Gear, Ring	
8	7000253	2	Washer, Thrust	
9	7000207	1	Planet Carrier Assembly (No Service Breakdown Parts Purchase Entire Assembly)	
10	7000270	1	Washer, Thrust	
11	7000268	1	Gear, Sun-Input	
12	7000269	1	Spacer, Sun Gear	
13	7000246	1	Gear, Internal	
	7000271	1	Hub Assembly	
14	Kit	1	Ring, Retaining	
15	Kit	1	Spacer	
16	7000258	1	Bearing, Tapered Roller	
17	7000257	1	Cup, Bearing	
18	7000210	1	Hub	
19	7000242	1	Plug, Pipe	
20	7000255	1	Cup, Bearing	
21	7000256	1	Bearing, Tapered Roller	
22	Kit	1	Seal	
23	7000233	1	Shaft, Output	
	2900034	1	Kit, Repair (Includes Items 6,14,15 & 22)	

SECTION 2 - TURNTABLE

FIGURE 2-24. ROTARY COUPLING ASSEMBLY AND INSTALLATION



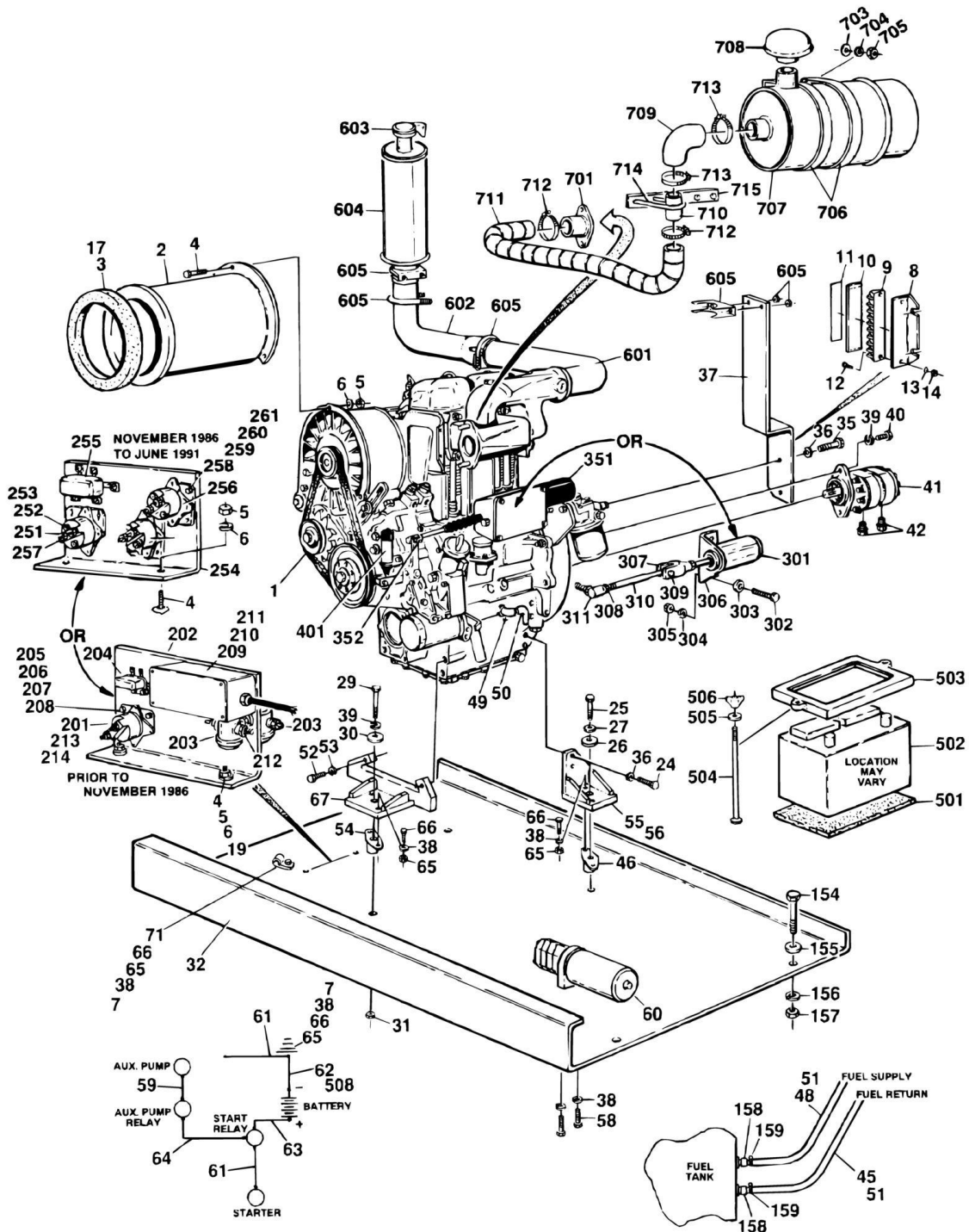
SECTION 2 - TURNTABLE

FIGURE 2-24. ROTARY COUPLING ASSEMBLY AND INSTALLATION

ITEM	PART NUMBER	QTY	DESCRIPTION	REV
		Ref	ROTARY OIL COUPLING INSTALLATIONS	
	0234479	Ref	MACHINES WITH RACINE VALVES AND 2 SPEED DRIVE MOTORS	I
	0238032	Ref	MACHINES WITH VICKERS VALVES BUILT PRIOR TO JANUARY 1991	B
	0250611	Ref	MACHINES WITH VICKERS VALVES BUILT JANUARY 1991 TO PRESENT	C
1		Ref	Oil Coupling Assembly (See Items 101-105 for Breakdown)	
1		Ref	Machines with Racine Valves	
1	1660154	1	Oil Coupling (5 Port)	
1		Ref	Machines with Vickers Valves	
1	1660160	1	Oil Coupling (6 Port) (Prior to January 1991)	
1	1660185	1	Oil Coupling (6 Port) (January 1991 to Present)	
2	3530403	1	Plate, Retaining	
3	3951820	2	Setscrew 1/2in-13NC x 2 1/2in	
4	0641807	2	Bolt 1/2in-13NC x 7/8in	
5	4761800	2	Lockwasher 1/2in	
6	1440154	1	Collar	
7	0641512	4	Bolt 5/16in-18NC x 1 1/2in	
8	4761500	4	Lockwasher 5/16in	
9	0100011	AR	Loctite #242 (Not Shown)	
10	0100019	AR	Loctite #271 (Not Shown)	
11	2200222	1	Plug, Pipe (Used when not equipped with Collector Ring)	
		Ref	ROTARY OIL COUPLING ASSEMBLIES	
101		Ref	Swivel Body Options:	
101	0620055	1	Body for 1660154 Coupling	
101	0620058	1	Body for 1660160 Coupling	
101	0620106	1	Body for 1660185 Coupling	
102		Ref	Swivel Housing Options:	
102	2760025	1	Housing for 1660154 Coupling	
102	2760091	1	Housing for 1660160 & 1660185 Couplings	
103	Kit	7	T-Seal	
104	Kit	1	O-Ring	
105	3760004	1	Ring, Retaining	
	2901146	1	Seal Kit (Includes Items 103 & 104) (1660154, 1660160 & 1660185 Coupling)	
	1660213EX	NLA	1660213 Coupling (Was p/n 7013175) Note: Due to complexity of repair, seal kit no longer available. Use rebuilt unit as replacement.	

SECTION 2 - TURNTABLE

FIGURE 2-25. DEUTZ F2L511 ENGINE INSTALLATION



SECTION 2 - TURNTABLE

FIGURE 2-25. DEUTZ F2L511 ENGINE INSTALLATION

ITEM	PART NUMBER	QTY	DESCRIPTION	REV
	0236477	Ref	ENGINE ASSEMBLY - DEUTZ F2L511D (RACINE VALVES - PRIOR TO NOVEMBER 1986)	I
	0236462	Ref	ENGINE ASSEMBLY - DEUTZ F2L511 CLEAN BURN (RACINE VALVES - PRIOR TO NOVEMBER 1986)	I
	0237864	Ref	ENGINE ASSEMBLY - DEUTZ F2L511D (VICKERS VALVES - NOVEMBER 1986 TO JUNE 1991)	K
	0237866	Ref	ENGINE ASSEMBLY - DEUTZ F2L511W - CLEAN BURN (VICKERS VALVE - NOVEMBER 1986 TO JUNE 1991)	K
1		Ref	Engine Options:	
1	2000054	1	Deutz F2L511D	
1	2000058	1	Deutz F2L511W (Clean Burn)	
2	4842008	1	Air Intake Weldment	
3	3960225	1	Seal, Air Intake	
4	0641408	5	Bolt 1/4in-20NC x 1in	
5	3311401	5	Nut 1/4in-20NC	
6	4761400	5	Lockwasher 1/4in	
7	4751600	4	Flatwasher 3/8in (Not Shown)	
8	0901401	1	Bracket, Mounting - Terminal Strip (Prior to September 1988)	
9	4460227	1	Strip, Terminal (Prior to September 1988)	
10	1670414	1	Cover, Terminal	
11	1700821	1	Decal - Wire Identification	
12	0721006	2	Screw, Machine #10-24NC x 3/4in	
13	4761000	2	Lockwasher #10	
14	3311001	2	Nut #10-24NC	
17	0100001	AR	Adhesive, Weather Strip	
18	0100020	AR	Sealant, Pipe (Not Shown)	
19	4751400	2	Flatwasher 1/4in	
24	0711014	4	Bolt, Metric 10mm x 30mm	
25	0641724	2	Bolt 7/16in-14NC x 3in	
26	4751700	2	Flatwasher 7/16in	
27	4761700	2	Lockwasher 7/16in	
28	3311701	2	Nut 7/16in-14NC (Not Shown)	
29	0641826	1	Bolt 1/2in-13NC x 3 1/4in	
30	4751800	1	Flatwasher 1/2in	
31	3311801	1	Nut 1/2in-13NC	
32	3509816	1	Plate, Mounting - Engine	
35	0701014	AR	Bolt, Metric 10mm x 30mm	
36	4740116	AR	Lockwasher 10mm	
37		Ref	Bracket Options:	
37	0901221	1	Racine Machines	
37	0901423	1	Vickers Machines	
38	4761600	AR	Lockwasher 3/8in	
39	4761800	AR	Lockwasher 1/2in	
40	0641814	AR	Bolt 1/2in-13NC x 1 3/4in	
41	3600078	1	Pump Assembly - Main (See MAIN PUMP ASSEMBLY for Breakdown)	
42	2220379	2	Fitting	
45	2720271	66 in.	Hose - Fuel Return	
46	3200202	2	Mount, Motor - Rear	
48	2720015	8 1/2 in.	Hose - Fuel Supply	
49	2200461	1	Fitting	

SECTION 2 - TURNTABLE

ITEM	PART NUMBER	QTY	DESCRIPTION	REV
50	2720145	1	Hose	
51	1320022	2	Clamp, Hose	
52	0630246	2	Bolt, Metric 14mm x 60mm	
53	4740191	2	Lockwasher, Metric 14mm	
54	3200201	1	Mount, Motor - Front	
55	4841994	1	Bracket, Support - Engine (Rear) (Left Side)	
56	4841993	1	Bracket, Support - Engine (Rear) (Right Side)	
58	0641606	2	Bolt 3/8in-16NC x 3/4in	
59	1060149	1	Cable, Battery (Aux. Relay to Aux. Pump)	
60		Ref	Auxiliary Pump Assembly Options:	
		Ref	Note: When replacing complete assembly recommend P/N 3600071.	
60	3600051	1	Pump Assembly (Prior to November 1984)	
60	7004415	1	Pump Only	
60	7004408	1	Coupling Only	
60	3600115	1	Pump Assembly (November 1984 to August 1990)	
60	7004412	1	Coupling Only	
60	7013755	1	Motor, Replacement	
60	3600071	1	Pump Assembly (August 1990 to June 1991)	
60	7004247	1	Pump Only	
60	7004249	1	Coupling Only	
60	7004248	1	Motor, Replacement	
60	7004436	1	Motor with Bracket	
60	7012576	1	Bracket Only	
61	1060093	2	Cable, Battery (Engine to Ground and Start Relay to Starter)	
62	1060172	1	Cable, Battery (Battery to Ground - Prior to September 1988)	
63		Ref	Battery Cable Options (Battery to Start Relay):	
63	1060154	1	Battery Cable (Prior to May 1989)	
63	1060032	1	Battery Cable (May 1989 to Present)	
64	1060221	1	Cable, Battery (Start Relay to Aux. Relay)	
65	3311601	10	Nut 3/8in-16NC	
66	0641610	10	Bolt 3/8in-16NC x 1 1/4in	
67	4841965	1	Bracket, Support - Engine (Front)	
71	1320060	2	Clamp	
	0236478	Ref	ENGINE INSTALLATION - DEUTZ F2L511D (RACINE VALVES - PRIOR TO NOVEMBER 1986)	A
	0236463	Ref	ENGINE INSTALLATION - DEUTZ F2L511W CLEAN BURN (RACINE VALVES - PRIOR TO NOVEMBER 1986)	A
	0237865	Ref	ENGINE INSTALLATION - DEUTZ F2L511D (VICKERS VALVES - NOVEMBER 1986 TO JUNE 1991)	-
	0237867	Ref	ENGINE INSTALLATION - DEUTZ F2L511W - CLEAN BURN (VICKERS VALVE - NOVEMBER 1986 TO JUNE 1991)	-
154	0641622	4	Bolt 3/8in-16NC x 2 3/4in	
155	4751600	8	Flatwasher 3/8in	
156	4761600	4	Lockwasher 3/8in	
157	3311601	4	Nut 3/8in-16NC	
158	2220296	2	Fitting, Barbed	
159	1320022	2	Clamp	
160	0100020	AR	Sealant, Pipe (Not Shown)	
	0236850	Ref	ELECTRICAL PANEL ASSEMBLY (RACINE MACHINES BUILT PRIOR TO NOVEMBER 1986)	E
201	3740059	1	Relay	
202	3530425	1	Plate, Mounting	

SECTION 2 - TURNTABLE

ITEM	PART NUMBER	QTY	DESCRIPTION	REV
203	3740002	2	Relay	
204	3740030	1	Relay, Adlo	
205	0641006	6	Bolt #10-24NC x 3/4in	
206	4761000	6	Lockwasher #10	
207	3311001	6	Nut #10-24NC	
208	4751000	6	Flatwasher #10	
209	0060021	1	Module, Actuator	
210	0641406	2	Bolt 1/4in-20NC x 3/4in	
211	4761400	2	Lockwasher 1/4in	
212	3300220	6	Nut, Special	
213	3311001	3	Nut #10-24NC	
214	3310801	3	Nut #8-32NC	
	0237627	Ref	ELECTRICAL PANEL ASSEMBLY (VICKERS MACHINES BUILT NOVEMBER 1986 TO JUNE 1991)	F
251	3740059	1	Relay	
252	3321001	3	Nut #10-32NF	
253	3310801	1	Nut #8-32NC	
254	3530425	1	Plate, Mounting	
255		Ref	Relay Options:	
255	3740030	1	Relay, Adlo (Used Prior to April 1991)	
255	3740080	1	Relay, Sealed (Used April 1991 to June 1991)	
256	3740067	2	Relay	
257	3300220	6	Nut, Special	
258	0641405	7	Bolt 1/4in-20NC x 5/8in	
259	4761400	7	Lockwasher 1/4in	
260	3311401	7	Nut 1/4in-20NC	
261	4711400	6	Flatwasher 1/4in Narrow	
		Ref	THROTTLE INSTALLATION - SOLENOID (RACINE VALVES - PRIOR TO NOVEMBER 1985)	
301	3740048	1	Solenoid - Hi-Engine	
302	0641406	5	Bolt 1/4in-20NC x 3/4in	
303	4751400	5	Flatwasher 1/4in	
304	4761400	5	Lockwasher 1/4in	
305	3311401	5	Nut 1/4in-20NC	
306	0900708	1	Bracket, Solenoid Mounting	
307	1360112	1	Clevis	
308	3321401	2	Nut 1/4in-28NF	
309	3430406	1	Pin, Clevis	
309	3450203	1	Pin, Cotter	
310	4840833	1	Throttle Arm	
311	1660070	1	Connector, Ball Joint	
	0237047	Ref	THROTTLE INSTALLATION - ADECO (RACINE VALVES - AFTER NOVEMBER 1985)	A
	0237868	Ref	THROTTLE INSTALLATION - ADECO (VICKERS VALVES)	-
351	0060020	1	Actuator Assembly (Racine Valves)	
351	0060024	1	Actuator Assembly (Vickers Valves)	
351	7008804	1	Bellows, Rubber	
351	7008807	1	Board, Circuit (Racine Machines)	
351	7008829	1	Board, Circuit (Vickers Machines)	
351	7008821	1	Motor, Drive	
351	0901317	1	Bracket	
351	0641408	1	Bolt 1/4in-20NC x 1in	

SECTION 2 - TURNTABLE

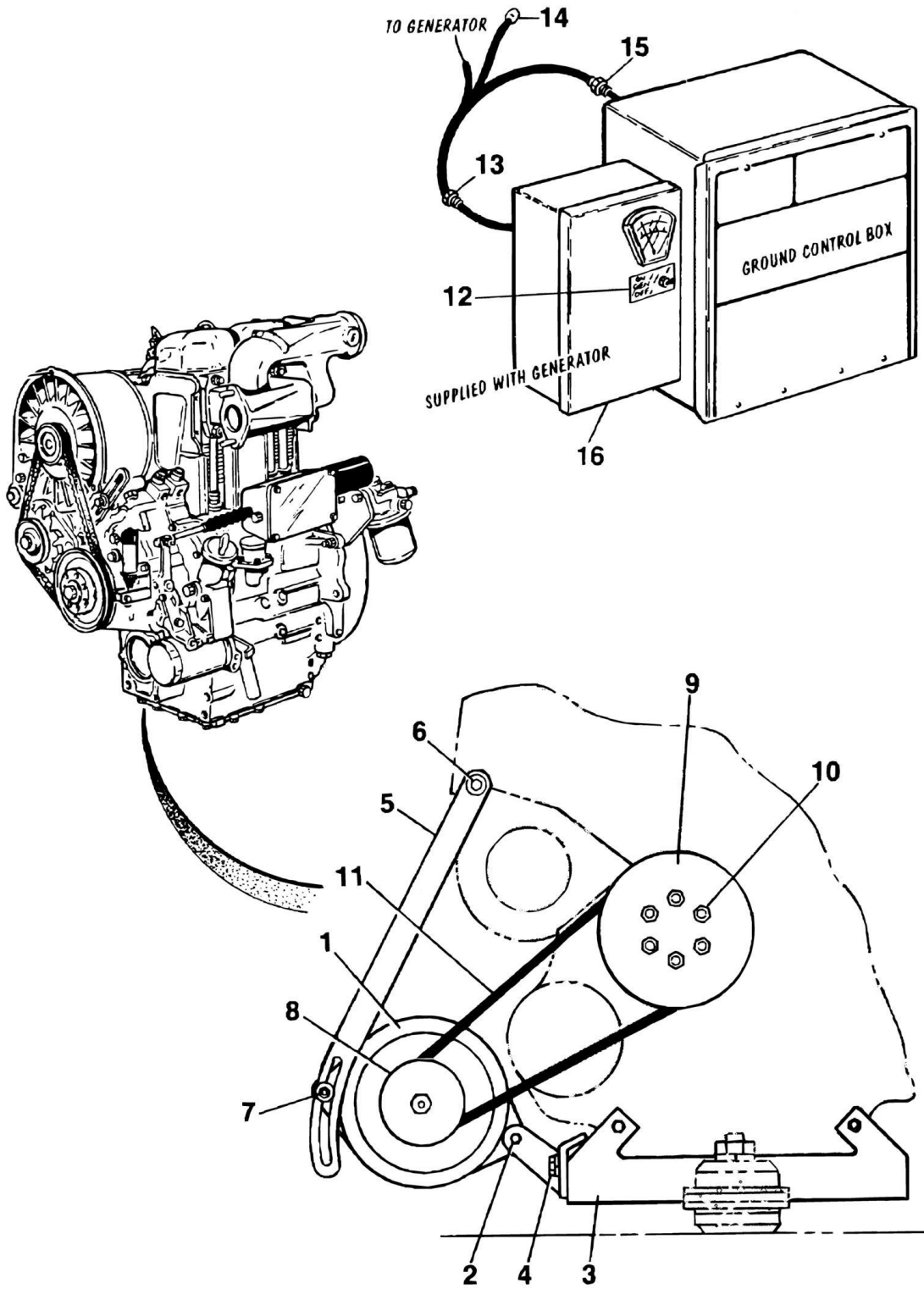
ITEM	PART NUMBER	QTY	DESCRIPTION	REV
351	4751400	2	Flatwasher 1/4in	
351	4761400	1	Lockwasher 1/4in	
351	3311401	1	Nut 1/4in-20NC	
352	3840829	1	Extension	
352	3321401	1	Nut	
	0236526	Ref	SHUTDOWN KIT INSTALLATION	-
401	2900359	1	Shutdown Kit	
	0251323	Ref	BATTERY INSTALLATION	B
		Ref	Note: Location may vary but components are the same.	
501	3980003	1	Seat, Battery	
502	0400003	1	Battery	
503	0400002	1	Hold-Down, Battery	
503	2910479	2	Clips	
504	0630370	2	J-Bolt	
505	4711600	2	Flatwasher 3/8in	
506	3300029	2	Wingnut 3/8in-16NC	
507	0961127	1	Bushing, Snap (Not Shown)	
508	1060146	1	Cable, Battery (September 1988 to June 1995)	
508	1060147	1	Cable, Battery (June 1995 to Present))	
508	0641610	1	Bolt 3/8in-16NC x 1 1/4in (September 1988 to June 1995)	
508	4751600	2	Flatwasher 3/8in (September 1988 to June 1995)	
508	4761600	1	Lockwasher 3/8in (September 1988 to June 1995)	
508	3311601	1	Nut 3/8in-16NC (September 1988 to June 1995)	
	0236472	Ref	EXHAUST INSTALLATION	B
601	4842013	1	Exhaust	
602	4562713	1	Tube, Exhaust	
603	1120067	1	Rain Cap	
604	3220033	1	Muffler	
605	1320019	3	Clamp	
	0236473	Ref	AIR CLEANER INSTALLATION	E
701	4840979	1	Flange	
702	4300032	4	Stud (Welded on Part - Not Shown)	
703	4751400	4	Flatwasher 1/4in	
704	4761400	4	Lockwasher 1/4in	
705	3311401	4	Nut 1/4in-20NC	
706	0340002	2	Band, Mounting	
707		Ref	Air Cleaner Assembly Options:	
707	2120087	1	Air Cleaner (Prior to August 1986)	
707	7004214	1	Element, Air Filter	
707	1340020	1	Air Cleaner (August 1986 to Present)	
707	7004214	1	Element, Air Filter	
708	1120161	1	Cap, Rain	
709	0080039	1	Elbow, 90 Rubber	
710		Ref	Intake Tube Options:	
710	4561598	1	Tube (Prior to August 1989)	
710	4561815	1	Tube (August 1989 to October 1990)	
710	4564475	1	Tube (October 1990 to Present)	
711	2720178	3 ft.	Hose, Air Duct	
712	1320031	2	Clamp, Hose	
713	1320016	2	Clamp, Hose	
714	1320021	1	Clamp, Exhaust	

SECTION 2 - TURNTABLE

ITEM	PART NUMBER	QTY	DESCRIPTION	REV
715	0901743	1	Bracket, Air Hose	
715	4300038	2	Stud (Welded on Part)	
715	4751500	2	Flatwasher 5/16in	
715	3311505	2	Locknut 5/16in-18NC	
		Ref	ENGINE COMPONENTS	
	2000054	Ref	Deutz F2L511D	
	2000058	Ref	Deutz F2L511W (Clean Burn)	
	7020023	1	Filter, Fuel (was p/n 7020249)	
	7021870	1	Filter, Oil (1 ea.)	
	7014502	1	Filter, Oil (Case of 12)	
	3120088	1	Engine Manual	

SECTION 2 - TURNTABLE

FIGURE 2-26. GENERATOR INSTALLATION - DEUTZ F2L511



SECTION 2 - TURNTABLE

FIGURE 2-26. GENERATOR INSTALLATION - DEUTZ F2L511

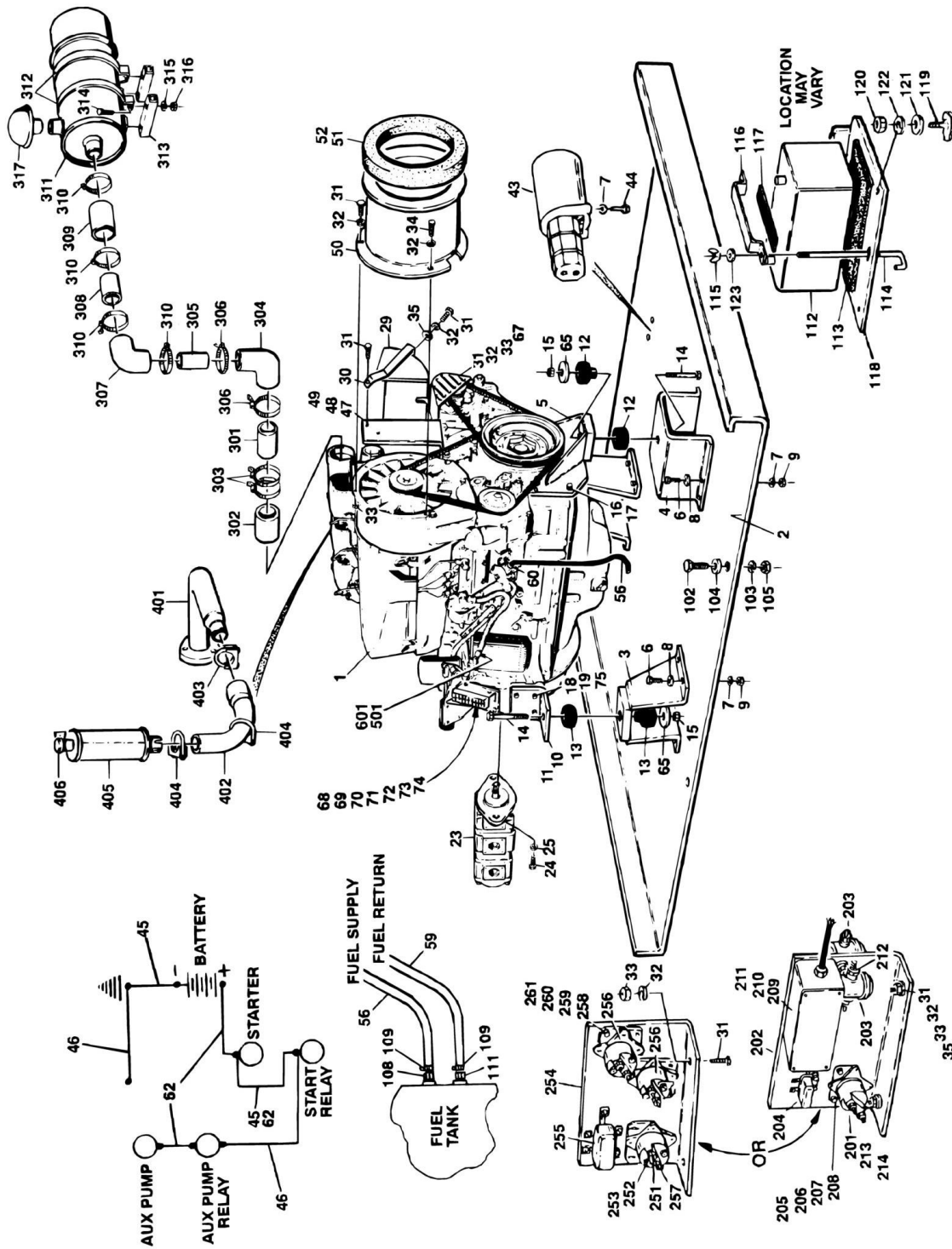
ITEM	PART NUMBER	QTY	DESCRIPTION	REV
	0236418	Ref	GENERATOR INSTALLATION (PRIOR TO JULY 1990)	C
	0251188	Ref	GENERATOR INSTALLATION (JULY 1990 TO PRESENT)	-
1	2460011	1	Generator and Control Box Assembly	
1	7012558	1	Generator Assembly	
1	7020193	1	Cable, Generator (Generator to Control Box)	
1	7026199	1	Armature	
1	7020108	4	Brush	
1	7020109	4	Holder, Brush	
1	7012513	4	Cap, Brush Holder	
1	7012514	1	Fan	
1	7020110	1	Bell, Front	
1	7020111	1	Bell Rear	
1	7020190	2	Bearing	
1	7003657	1	Control Box Assembly	
		Ref	Note: Replacement 110V Control Box comes with 2 std Receptacles p/n 4460190. Optional Industrial Twist Lock Receptacles p/n 4460027 must be ordered separately.	
1	4360542	1	Breaker, Circuit	
1	2420203	1	Voltmeter 110V (was p/n 7010699)	
1		Ref	Receptacle Options:	
1	4460190	AR	Receptacle, Standard 110V	
1	4460027	1	Receptacle, Twistlock 110V	
1	2920162	1	Lamp	
1	7020191	1	Switch, Toggle	
1	3520028	1	Plug, Hole	
2	0641508	2	Bolt 5/16in-18NC x 1in	
2	4761500	2	Lockwasher 5/16in	
2	4751500	2	Flatwasher 5/16in	
2	3311501	2	Nut 5/16in-18NC	
3		Ref	Bracket Options:	
3	4340442	1	Front and Side Bracket (Prior to July 1990)	
3	4340600	1	Front Bracket (July 1990 to present)	
3	4843156	1	Side Bracket (July 1990 to Present)	
4		Ref	Hardware Options:	
4	0630365	1	Bolt, Metric 12mm x 65mm (Grade 8.8) (Prior to July 1990)	
4	0641608	2	Bolt 3/8in-16NC x 1in (July 1990 to Present)	
4	4740117	1	Lockwasher, Metric 12mm (Prior to July 1990)	
4	4761600	2	Lockwasher 3/8in (July 1990 to Present)	
5		Ref	Adjustable Support Options:	
5	4340444	1	Adjustable Support (Prior to July 1990)	
5	4340599	1	Adjustable Support (July 1990 to Present)	
6	0641540	1	Bolt 5/16in-18NC x 5in	
6	4761500	1	Flatwasher 5/16in	
6	3311501	1	Nut 5/16in-18NC	
7	0641508	1	Bolt 5/16in-18NC x 1in	
7	4761500	1	Lockwasher 5/16in	
7	3311501	1	Nut 5/16in-18NC	
8	3580100	1	Pulley, Generator	
8	2860012	1	Key, Woodruff	
9	3580101	1	Pulley	

SECTION 2 - TURNTABLE

ITEM	PART NUMBER	QTY	DESCRIPTION	REV
10	0700816	8	Bolt, Metric 8mm x 40mm	
10	4740118	8	Lockwasher 8mm	
11	0480038	1	V-Belt	
12	3251476	1	Name tag	
13	4460023	1	Connector, Terminal	
14	4460134	1	Connector, Terminal	
14	1060012	3 ft	Cable, Electrical - 12/4	
15	4460071	1	Connector, Strain Relief	
15	3300048	1	Locknut, Conduit	
15	0960238	1	Bushing	
16	See Item 1	1	Control Box Assembly	
16	3910808	2	Screw, Machine #8-32NC x 1/2in	
16	4750800	4	Flatwasher #8	
16	4760800	2	Lockwasher #8	
16	3310801	2	Nut #8-32NC	
17	3740049	2	Relay (Not Shown - Located in Ground Control Box)	
17	3911006	2	Screw, Machine #10-24NC x 1/2in	
17	4761000	2	Lockwasher #10	
17	3311001	2	Nut #10-24NC	

SECTION 2 - TURNTABLE

FIGURE 2-27. DEUTZ F3L912 ENGINE INSTALLATION



SECTION 2 - TURNTABLE

FIGURE 2-27. DEUTZ F3L912 ENGINE INSTALLATION

ITEM	PART NUMBER	QTY	DESCRIPTION	REV
	0236542	Ref	ENGINE ASSEMBLY (WITH GEAR PUMP)	T
	0237633	Ref	ENGINE ASSEMBLY (WITH PISTON PUMP)	J
1	2000066	1	Engine - Deutz F3L912	
2	3509963	1	Plate, Engine Mounting	
3	4842055	2	Support, Engine - Rear	
4	3200215	1	Support, Engine - Front	
5	4842079	1	Bracket, Engine Mounting - Front	
6	0641612	12	Bolt 3/8in-16NC x 1 1/in	
7	4761600	14	Lockwasher 3/8in	
8	4751600	12	Flatwasher 3/8in	
9	3311601	12	Nut 3/8in-16NC	
10	0181158	1	Angle, Engine Mounting - Left Side	
11	0181159	1	Angle, Engine Mounting - Right Side	
12	3200133	1	Mount, Motor - Front	
13	3200183	2	Mount, Motor - Rear	
14	0642032	3	Bolt 5/8in-11NC x 4in	
15	3312005	3	Locknut 5/8in-11NC	
16	0630318	4	Bolt, Metric 14mm x 101mm	
17	4740191	4	Lockwasher 14mm	
18	0701215	8	Bolt, Metric 12mm x 35mm (Top)	
19	4832100	8	Lockwasher, Metric 12mm	
23		Ref	Main Pump Assembly Options:	
23	3600072	1	Pump, Gear (Prior to May 1987) (See MAIN PUMP ASSEMBLY for Breakdown)	
23	3600139	1	Pump, Gear (May 1987 to Present) (See MAIN PUMP ASSEMBLY for Breakdown)	
23	3600126	1	Pump, Piston (See MAIN PUMP ASSEMBLY for Breakdown)	
24	0641810	2	Bolt 1/2in-13NC x 1 1/4in	
25	4761800	2	Lockwasher 1/2in	
29	4060597	1	Shield, Heat	
30	0900880	1	Bracket, Shield	
31	0641408	6	Bolt 1/4in-20NC x 1in	
32	4761400	7	Lockwasher 1/4in	
33	3311401	6	Nut 1/4in-20NC	
34	0700610	2	Bolt, Metric 6mm x 20mm	
35	4751400	2	Flatwasher 1/4in	
43		Ref	Auxiliary Pump Assembly Options:	
		Ref	Note: When replacing complete assembly recommend p/n 3600071.	
43	3600051	1	Pump Assembly (Prior to November 1984)	
43	7004415	1	Pump Only	
43	7004408	1	Coupling Only	
43	3600115	1	Pump Assembly (November 1984 to May 1987)	
43	7004412	1	Coupling Only	
43	7013755	1	Motor, Replacement	
43	3600052	1	Pump Assembly (May 1987 to January 1991)	
43	7004416	1	Pump Only	
43	7004412	1	Coupling Only	
43	7000483	1	Motor, Replacement - Includes Coupling	
43	3600071	1	Pump Assembly (January 1991 to Present)	

SECTION 2 - TURNTABLE

ITEM	PART NUMBER	QTY	DESCRIPTION	REV
43	7004247	1	Pump Only	
43	7004249	1	Coupling Only	
43	7004248	1	Motor, Replacement	
43	7004436	1	Motor with Bracket	
43	7012576	1	Bracket Only	
44	0641606	2	Bolt 3/8in-16NC x 3/4in	
45		Ref	Battery Cable Options:	
45	1060093	3	Battery Cable (Prior to November 1987)	
45	1060054	2	Battery Cable (November 1987 to Present)	
46	1060221	2	Cable, Battery	
47		Ref	Exhaust Bracket Options:	
47	0901250	1	Exhaust Bracket (Prior to September 1989)	
47	4843177	1	Exhaust Bracket (September 1989 to Present)	
48	0700810	2	Bolt, metric 8mm x 24mm	
49	4831900	2	Lockwasher 8mm	
50	4842087	1	Air Intake Weldment	
51		Ref	Seal Options:	
51	3960242	1	Seal (Prior to August 1990)	
51	3960270	3 ft/.9m	Seal (August 1990 to Present)	
52	0100001	AR	Adhesive	
55		Ref	Hose (Oil Pressure) Options:	
55	2750527	1	Gear Pump Machines	
55	2720245	1	Piston Pump Machines	
56	2720015	6 ft	Hose, Fuel Supply	
59	2720071	4 ft	Hose, Fuel Return	
60	1320022	2	Clamp, Hose	
62	1060149	3	Cable, Battery	
65	4740242	3	Washer, Special	
67		Ref	Alternator Shield Options:	
67	Not Required		Alternator Shield (Prior to May 1987)	
67	4060607	AR	Alternator Shield (May 1987 to September 1990)	
67	4060774	AR	Alternator Shield (September 1990 to Present)	
68	0901402	1	Bracket, Terminal Strip	
69	4460277	1	Strip, Terminal	
70	1670414	1	Cover, Terminal Strip	
71	1700821	1	Decal - Wire Identification	
72	3910812	2	Screw, Machine #8-32NC x 3/4in	
73	4770800	2	Starwasher #8	
74	3310801	2	Nut #8-32NC	
75	0701217	4	Bolt, Metric 12mm x 45mm	
	0236541	Ref	ENGINE INSTALLATION - GEAR PUMP	B
	0237632	Ref	ENGINE INSTALLATION - PISTON PUMP	B
102	0641612	4	Bolt 3/8in-16NC x 1 1/2in	
103	4761600	4	Lockwasher 3/8in	
104	4751600	6	Flatwasher 3/8in	
105	3311601	6	Nut 3/8in-16NC	
108	2220296	1	Fitting, Barbed - 90	
109	1320022	2	Clamp	
110	0100020	AR	Sealant, Pipe	
111	2180536	1	Fitting, Barbed	
112	0400025	1	Battery	

SECTION 2 - TURNTABLE

ITEM	PART NUMBER	QTY	DESCRIPTION	REV
113	3980007	1	Seat, Battery	
114	0630370	2	J-Bolt	
115	3300029	2	Wingnut 3/8in-16NC	
116	0400029	1	Hold-Down, Battery	
117	4280060	9 in.	Strip, Neoprene	
118	3532231	1	Tray, Battery	
119	4300038	2	Stud (Welded on Part)	
120	3311501	2	Nut 5/16in-18NC	
121	4751500	2	Flatwasher 5/16in	
122	4761500	2	Lockwasher 5/16in	
123	4711600	2	Flatwasher 3/8in Narrow	
	0236850	Ref	ELECTRICAL PANEL ASSEMBLY (MACHINES BUILT PRIOR TO JULY 1986)	E
201	3740059	1	Relay	
202	3530425	1	Plate, Mounting	
203	3740002	2	Relay	
204	3740030	1	Relay, Adlo	
205	0641006	6	Bolt #10-24NC x 3/4in	
206	4761000	6	Lockwasher #10	
207	3311001	6	Nut #10-24NC	
208	4751000	6	Flatwasher #10	
209	0060021	1	Module, Actuator	
210	0641406	2	Bolt 1/4in-20NC x 3/4in	
211	4761400	2	Lockwasher 1/4in	
212	3300220	6	Nut, Special	
213	3311001	3	Nut #10-24NC	
214	3310801	3	Nut #8-32NC	
	0237627	Ref	ELECTRICAL PANEL ASSEMBLY (MACHINES BUILT JULY 1986 TO DECEMBER 1992)	F
251	3740059	1	Relay	
252	3321001	3	Nut #10-32NF	
253	3310801	1	Nut #8-32NC	
254	3530425	1	Plate, Mounting	
255		Ref	Relay Options:	
255	3740030	1	Relay, Adlo (Used Prior to April 1991)	
255	3740080	1	Relay Sealed (Used April 1991 to December 1992)	
256	3740067	2	Relay	
257	3300220	6	Nut, Special	
258	0641405	7	Bolt 1/4in-20NC x 5/8in	
259	4761400	7	Lockwasher 1/4in	
260	3311401	7	Nut 1/4in-20NC	
261	4711400	6	Flatwasher 1/4in Narrow	
	0236570	Ref	AIR CLEANER INSTALLATION	B
301	0080107	1	Adapter	
302	2720207	1	Hose	
303	1320058	2	Clamp, Hose	
304	0080039	1	Adapter	
305	4561815	1	Tube	
306	1320016	2	Clamp, Hose	
307	0080039	1	Adapter	
308	4561815	1	Tube	
309	2720196	1	Hose	

SECTION 2 - TURNTABLE

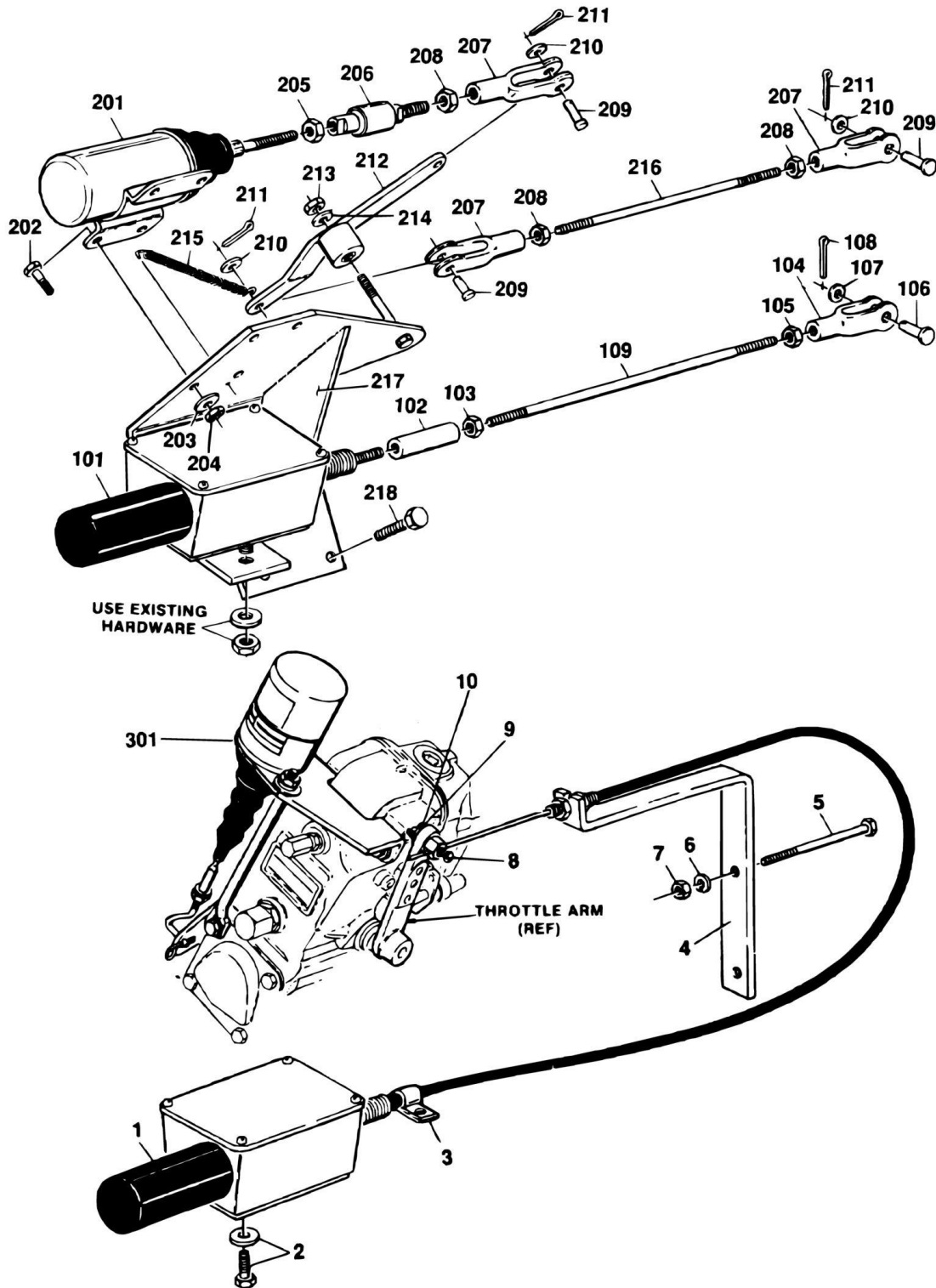
ITEM	PART NUMBER	QTY	DESCRIPTION	REV
310	1320016	4	Clamp, Hose	
311	1340020	1	Air Cleaner Assembly	
311	7004214	1	Filter, Air	
312	0340002	2	Bands, Filter	
313	4562815	2	Tube, Support	
314	0641612	4	Bolt	
315	4761600	4	Lockwasher	
316	3311601	4	Nut	
317	1120161	1	Cap, Rain	
	0236561	Ref	EXHAUST INSTALLATION	A
401	4562781	1	Tube, Exhaust	
402	4562782	1	Tube, Exhaust	
403	1320021	1	Clamp	
404	1320019	2	Clamp	
405	3220033	1	Muffler	
406	1120067	1	Rain Cap	
	0237025	Ref	GENERATOR INSTALLATION (OPTIONAL)	I
501	2180730	1	Fitting, Special Adaptor	
501	2180360	1	Fitting, Tee	
501	4360037	1	Switch, Pressure	
	4931671	Ref	ENGINE DISTRESS INSTALLATION	B
601	4360179	1	Switch, Temperature	
601	2180360	1	Fitting, Tee	
601	2180730	1	Fitting, Adaptor	
601	4360065	1	Switch, Pressure	
	0238317	Ref	COLD WEATHER KIT - ENGINE COMPONENTS (OPTIONAL - NOT SHOWN)	C
	2580001	1	Heater, Battery	
	2901111	1	Cold Start Kit	
		Ref	ENGINE COMPONENTS	
	2000066	Ref	Engine - Deutz F3L912	
	7014685	1	Filter and Gasket Kit	
	7029274	1	Filter, Fuel (was p/n 7000649)	
	7029276	1	Filter, Oil (was p/n 7000648) (1 ea.)	
	7014503	1	Filter, Oil (Case of 12)	
	3120080	1	Engine Manual	
	7000872	1	Alternator	
	7020410	1	Alternator (Remanufactured) (was p/n 7020436)	
	7000698	1	Belt, Alternator	
	7000699	1	Doughnut, Exhaust Seal	
	7000700	1	Manifold, Exhaust	
	7016309	1	Washer, Copper Sealing	
	7016310	1	Lever, Throttle	
	7019607		Switch, Solenoid (was p/n 7016341)	
	7016364	1	Pump, Fuel Lift	
	7020407	1	Gasket, Lift Pump	
	7020432	1	Lift Pump Repair Kit	
	7019617	1	Crankshaft	
	7020439	1	Flywheel	
	7020208	1	Gear, Ring (Flywheel)	
	7020400	1	Washer/Fuel Line	
	7020401	1	Washer	

SECTION 2 - TURNTABLE

ITEM	PART NUMBER	QTY	DESCRIPTION	REV
	7020403	1	Washer/Fuel Line	
	7020405	1	Washer/Oil Plug	
	7020409	1	Dipstick	
	7020413	1	Starter	
	7020420	1	Starter (Remanufactured)	
	7020421	3	Nozzle, Injector	
	7020422	3	Injector	
	7020423	3	Gasket, Injector Tip	
	7020433	1	Gasket	
	7020465	1	Cap, Filler	
	7026173	1	Switch, Broken Belt	
	7026668	2	Plug, Screw	

SECTION 2 - TURNTABLE

FIGURE 2-28. ADECO THROTTLE COMPONENTS INSTALLATION - DEUTZ F3L912 ENGINE MACHINES ONLY



SECTION 2 - TURNTABLE

FIGURE 2-28. ADECO THROTTLE COMPONENTS INSTALLATION - DEUTZ F3L912 ENGINE MACHINES ONLY

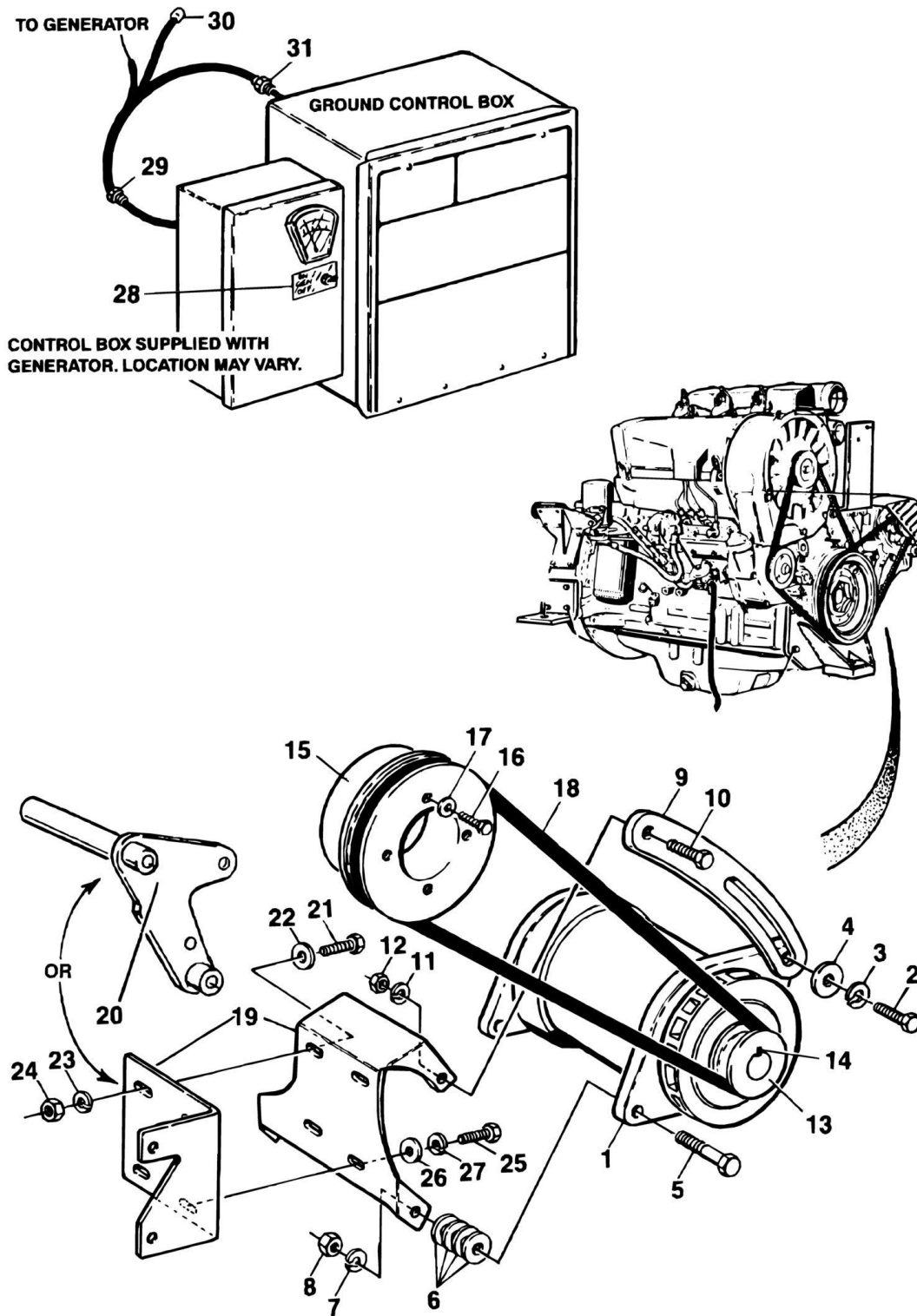
ITEM	PART NUMBER	QTY	DESCRIPTION	REV
	0237703	Ref	THROTTLE ACTUATOR INSTALLATION (TURNTABLE MOUNTED ACTUATOR)	B
1	0060023	1	Actuator	
1	7008804	1	Bellows, Rubber	
1	7008829	1	Board, Circuit	
1	7008821	1	Motor, Drive	
1	7008828	1	Cable, Throttle	
2	0641406	2	Bolt 1/4in-20NC x 3/4in	
2	4751400	2	Flatwasher 1/4in	
3	1320041	2	Clamp, Cable	
4	0901389	1	Bracket, Cable	
5	0630400	2	Bolt, Metric M8-1.25 x 90mm	
6	4761500	2	Lockwasher 5/16in	
7	3290801	2	Nut, Metric M8-1.25	
8	4460302	1	Stop, Cable	
9	4711400	1	Flatwasher 1/4in Narrow	
10	3450203	1	Pin, Cotter 1/16in x 3/4in	
	0236953	Ref	THROTTLE ACTUATOR INSTALLATION (ENGINE BRACKET MOUNTED ACTUATOR)	A
101	0060020	1	Actuator (Use Existing Hardware)	
101	7008804	1	Bellows, Rubber	
101	7008807	1	Board, Circuit	
101	7008821	1	Motor, Drive	
102	3300218	1	Connector	
103	3321401	1	Nut 1/4in-28NF	
104	1360112	1	Clevis	
105	3321401	1	Nut 1/4in-28NF	
106	3430406	1	Pin, Clevis	
107	4751400	1	Flatwasher 1/4in	
108	3450203	1	Pin, Cotter 1/16in x 3/4in	
109	3840819	1	Rod	
	0237630	Ref	STOP-RUN SOLENOID INSTALLATION (TURNTABLE MOUNTED ACTUATOR)	-
	0236953	Ref	STOP-RUN SOLENOID INSTALLATION (ENGINE BRACKET MOUNTED ACTUATOR)	A
201	3740055	1	Solenoid	
202	0641406	4	Bolt 1/4in-20NC x 3/4in	
203	4751400	4	Flatwasher 1/4in	
204	3311401	4	Nut 1/4in-20NC	
205	3321401	1	Nut 1/4in-28NF	
206	4160086	1	Spring, Swivel	
207	1360112	3	Clevis	
208	3321401	1	Nut 1/4in-28NF	
209	3430406	1	Pin, Clevis	
210	4751400	1	Flatwasher 1/4in	
211	3450203	1	Pin, Cotter 1/16in x 3/4in	
212	4842269	1	Arm	
213	3311605	1	Locknut 3/8in-16NC	
214	4751600	1	Flatwasher 3/8in	
215	4160024	1	Spring	

SECTION 2 - TURNTABLE

ITEM	PART NUMBER	QTY	DESCRIPTION	REV
216	3840818	1	Rod	
217		Ref	Mounting Bracket Options:	
217	4842476	1	Bracket (Not Shown - Turntable Mounted Actuator)	
217	4842270	1	Bracket (Engine Bracket Mounted Actuator)	
218	0630136	4	Bolt, Metric 8mm x 24mm	
		Ref	STOP-RUN SOLENOID INSTALLATION (GOVERNOR MOUNTED)	-
301	0250069	1	Fuel Shutdown Kit (Includes Mounting Hardware)	

SECTION 2 - TURNTABLE

FIGURE 2-29. GENERATOR INSTALLATION - DEUTZ F3L912



SECTION 2 - TURNTABLE

FIGURE 2-29. GENERATOR INSTALLATION - DEUTZ F3L912

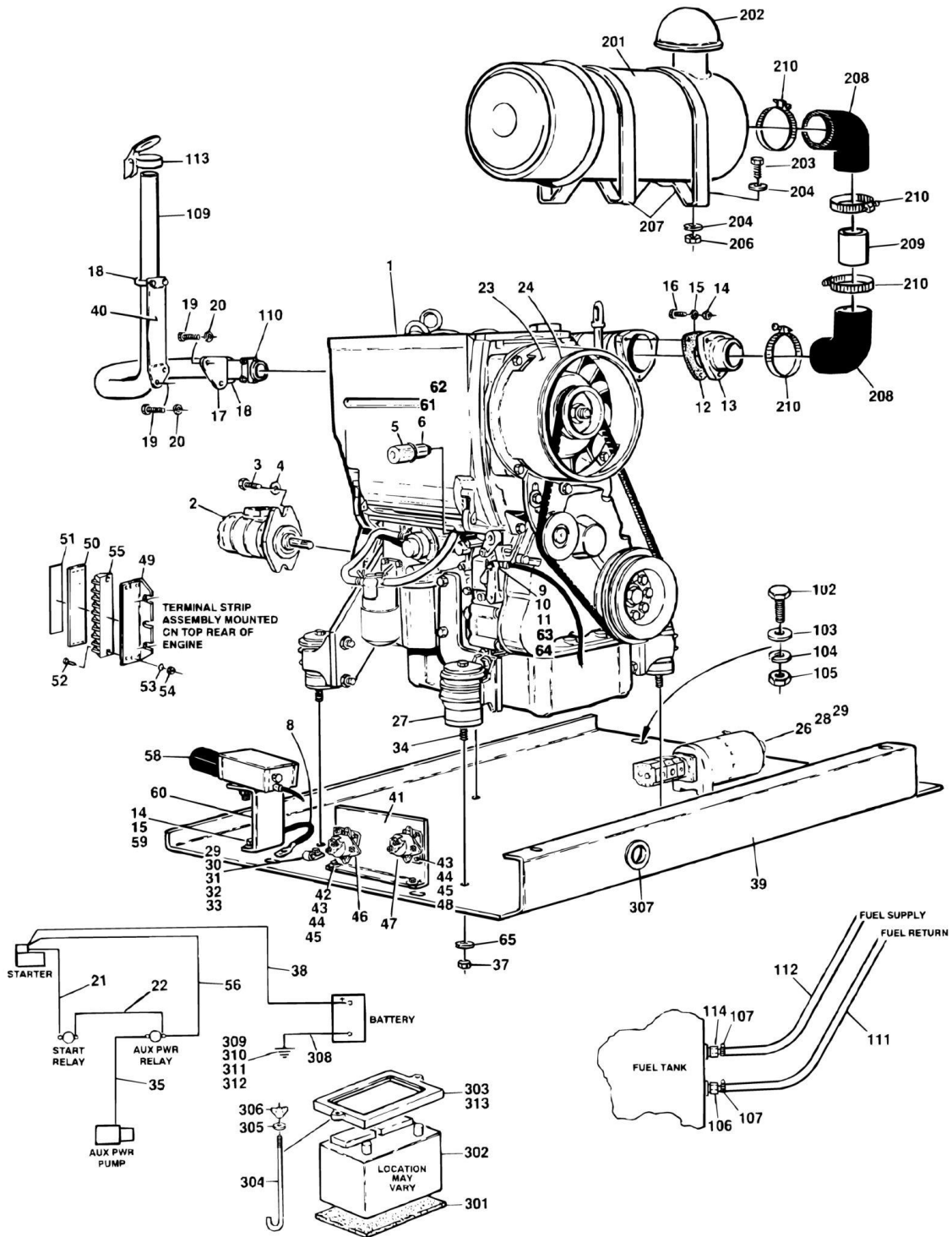
ITEM	PART NUMBER	QTY	DESCRIPTION	REV
	0237025	Ref	GENERATOR INSTALLATION	K
1	2460011	1	Generator and Control Box Assembly	
1	7012558	1	Generator Assembly	
1	7020193	1	Cable, Generator (Generator to Control Box)	
1	7026199	1	Armature	
1	7020108	4	Brush	
1	7020109	4	Holder, Brush	
1	7012513	4	Cap, Brush Holder	
1	7012514	1	Fan	
1	7020110	1	Bell, Front	
1	7020111	1	Bell Rear	
1	7020190	2	Bearing	
1	7003657	1	Control Box Assembly	
		Ref	Note: Replacement 110V Control Box comes with 2 std Receptacles p/n 4460190. Optional Industrial Twist Lock Receptacles p/n 4460027 must be ordered separately.	
1	4360542	1	Breaker, Circuit	
1	2420203	1	Voltmeter 110V (was p/n 7010699)	
1		Ref	Receptacle Options:	
1	4460190	AR	Receptacle, Standard 110V	
1	4460027	1	Receptacle, Twistlock 110V	
1	2920162	1	Lamp	
1	7020191	1	Switch, Toggle	
1	3520028	1	Plug, Hole	
2	0641508	1	Bolt 5/16in-18NC x in	
3	4761500	1	Lockwasher 5/16in	
4	4751500	1	Flatwasher 5/16in	
5	0641508	2	Bolt 5/16in-18NC x 1in	
6	4751500	AR	Flatwasher (Spacer) 5/16in	
7	4761500	2	Lockwasher 5/16in	
8	3311505	2	Locknut, 5/16in-18NC	
9	4340436	1	Support Adjustment (Prior to June 1995)	
9	4340511	1	Support Adjustment (June 1995 to Present)	
10	0641508	1	Bolt 5/16in-18NC	
11	4761500	1	Lockwasher 5/16in	
12	3311505	1	Locknut 5/16in-18NC	
13	See Item 1	1	Pulley (Part of Generator/Control Box Assembly)	
14	See Item 1	1	Key, Woodruff (Part of Generator/Control Box Assembly)	
15	3580109	1	Pulley	
16	0700821	4	Bolt, Metric 8mm x 65mm	
17	4761500	4	Lockwasher 5/16in	
18	0480044	1	V-Belt	
19	4340500	1	Support, Alternator Mounted (Prior to June 1995)	
19	4340501	1	Support, Engine Mounted (Prior to June 1995)	
20	4843133	1	Support Weldment (June 1995 to Present)	
21	0641608	3	Bolt 3/8in-16NC x 1in (Prior to June 1995)	
22	4751600	3	Flatwasher 3/8in (Prior to June 1995)	
23	4761600	3	Lockwasher 3/8in (Prior to June 1995)	
24	3311605	3	Locknut 3/8in-16NC (Prior to June 1995)	
25	0641610	1	Bolt 3/8in-16NC x 1 1/4in (Prior to June 1995)	

SECTION 2 - TURNTABLE

ITEM	PART NUMBER	QTY	DESCRIPTION	REV
26	4751600	1	Flatwasher 3/8in	
27	4761600	1	Lockwasher 3/8in	
		Ref	Box, Electrical (Supplied With Engine)	
	3910808	4	Screw, Machine #8-32NC x 1/2in	
	4751000	4	Flatwasher	
	4760800	4	Lockwasher #8	
	3310801	4	Nut #8-32NC	
28	3251476	1	Nameplate	
29	4460023	1	Connector	
30	4460134	1	Connector	
30	1060012	3 ft	Cable, Electrical - 16/4	
31	4460071	1	Connector	
31	3300048	1	Locknut, Conduit	
31	0960238	1	Bushing	
31	3740049	2	Relay (Not Shown - Located in Ground Control Box)	

SECTION 2 - TURNTABLE

FIGURE 2-30. DEUTZ F3L1011 ENGINE INSTALLATION



SECTION 2 - TURNTABLE

FIGURE 2-30. DEUTZ F3L1011 ENGINE INSTALLATION

ITEM	PART NUMBER	QTY	DESCRIPTION	REV
	0251290	Ref	DEUTZ ENGINE ASSEMBLY F3L-1011	12
1	2000107	1	Engine, Deutz F3L1011 Diesel (Prior to July 1995)	
1	2000138	1	Engine, Deutz F3L1011 Diesel (July 1995 to Present)	
1	7000694	1	Muffler	
2	3600139	1	Pump Assembly - Main (See MAIN PUMP ASSEMBLY for Breakdown)	
3	0641812	2	Bolt 1/2in-13NC x 1 1/2in	
4	4761800	2	Lockwasher, 1/2in	
5	2180730	1	Fitting	
6	2420110	1	Sender, Oil Pressure	
		Ref	Note: See end of parts list for items located at item 6 when equipped with generator.	
8	1060045	1	Cable, Battery	
9	0080172	1	Adapter, Throttle (Prior to July 1995)	
9	4460302	1	Adapter, Throttle (July 1995 to Present)	
10	3450202	1	Pin, Cotter	
11	3951003	1	Screw #10-24UNC x 3/8in (Prior to July 1995)	
11	0902244	1	Bracket, Throttle (July 1995 to Present)	
12	3960407	1	Gasket, Intake Adapter	
13	0080177	1	Adapter Weldment	
14	3311501	5	Nut 5/16in-18UNC-2B	
15	4761500	5	Lockwasher 5/16in Nominal	
16	0641512	3	Bolt 5/16in-18UNC x 1 1/2in	
17	0901705	1	Bracket, Muffler	
18	1320176	3	Clamp, Muffler 1 7/8in U-Bolt	
19	0701010	4	Bolt 10mm x 20mm	
20	4832000	4	Lockwasher 10mm Nominal	
21		Ref	Harness 42in Long	
21	1060054	1	Harness Prior to February 1990	
21	4920929	1	Harness February 1990 to June 1992	
21	4920960	1	Harness June 1992 to Present	
22		Ref	Harness	
22	1060221	1	Harness Prior to February 1990	
22	4920946	1	Harness February 1990 to Present	
23	4843740	1	Air Intake	
24	3960389	1	Seal, Intake	
25	0100001	AR	Adhesive, Dual (Not Shown) (Prior to July 1995 Only)	
26	3600071		Pump Assembly	
26	7004247	1	Pump Only	
26	7004249	1	Coupling Only	
26	7004248	1	Motor, Replacement	
26	7004436	1	Motor with Bracket	
26	7012576	1	Bracket Only	
27	0080174	4	Adapter	
28	0641606	2	Bolt 3/8in-16UNC x 3/4in	
29	4761600	5	Lockwasher 3/8in	
30	0641610	3	Bolt 3/8in-16UNC x 1 1/4in	
31	3311601	3	Nut 3/8in-16UNC	
32	4751600	3	Flatwasher 3/8in	
33	1320060	2	Clamp	

SECTION 2 - TURNTABLE

ITEM	PART NUMBER	QTY	DESCRIPTION	REV
34	0641844	4	Bolt 1/2in-13UNC x 5 1/2in	
35	1060149	1	Battery Cable 55in Long	
37	3311805	4	Locknut 1/2in-13NC	
38	1060032	1	Battery Cable 42in Long	
39		Ref	Plate, Engine Mounting Options:	
39	3534685	1	Plate, Engine Mounting (Prior to S/N 36897) (Prior to SN 36897)	
39	3570861	1	Plate, Engine Mounting (SN 36897 to Present)	
40		Ref	Bracket, Exhaust Options:	
40	0901729	1	Bracket, Exhaust (Prior to SN 32922)	
40	4845517	1	Bracket, Exhaust (SN 32922 to Present)	
41	3530425	1	Bracket, Electrical Panel	
42	0641408	2	Bolt 1/4in-20 x 1in	
43	3311401	6	Nut 1/4in-20	
44	4761400	6	Lockwasher 1/4in	
45	4751400	6	Flatwasher 1/4in	
46	3740059	1	Relay, Start	
47	3740067	1	Relay, Auxiliary Power	
48	0641406	4	Bolt 1/4in-20 x 3/4in	
49	0901401	1	Bracket, Terminal Strip	
50	1670414	1	Cover, Terminal Strip	
51	1701466	1	Decal - Wire Identification	
52	3910812	2	Screw #8 x 32NC x 3/4in	
53	4770800	2	Star Washer #8	
54	3310801	2	Nut #8-32NC	
55	4921365	1	Harness, Engine (Prior to July 1995)	
55	4921768	1	Harness, Engine (July 1995 to Present)	
55	4460264	1	Strip, Terminal	
55	4460277	1	Strip, Terminal	
55	3990010	1	Diode	
55	3730003	1	Resistor	
56	1060054	1	Cable, Battery 36in Long	
58	0060023	1	Actuator Assembly	
58	7008804	1	Bellows	
58	7008829	1	P.C. Board	
58	7008821	1	Motor	
58	7008828	1	Cable	
59	0641508	2	Bolt 5/16NC x 1in	
60	0901770	1	Bracket	
61	2180104	1	Fitting, Nipple (July 1995 to Present)	
62	2200261	1	Fitting, Coupling (July 1995 to Present)	
63	4711400	1	Flatwasher 1/4in Narrow (July 1995 to Present)	
64	0700605	2	Bolt, Metric M6 x 10mm (July 1995 to Present)	
65	4751800	1	Flatwasher 1/2 (SN 44770 to Present)	
	0251291	Ref	ENGINE INSTALLATION	C
102	0641614	4	Bolt 3/8in-16NC x 1 3/4in	
103	4751600	8	Flatwasher 3/8in	
104	4761600	4	Lockwasher 3/8in	
105	3311601	4	Nut 3/8in-16NC	
106	2180536	1	Fitting	
107	1320022	4	Clamp	
108	0100020	AR	Sealant, Pipe (Not Shown)	

SECTION 2 - TURNTABLE

ITEM	PART NUMBER	QTY	DESCRIPTION	REV
109	4564967	1	Tube, Exhaust	
110	1320176	1	Clamp, Exhaust	
111	2720271	7.5 ft	Fuel Line 3/8in (Return)	
112	2720058	6	Fuel Line 5/16in (Supply)	
113	1120169	1	Rain Cap	
114	2220805	1	Fitting	
115	1320020	1	Clamp, Muffler (July 1995 to Present) (Not Shown)	
116	4751500	4	Flatwasher 5/16in (July 1995 to Present) (Not Shown)	
117	3311505	2	Locknut 5/16in-18NC (July 1995 to Present) (Not Shown)	
	0251933	Ref	AIR CLEANER INSTALLATION	B
201	1340020	1	Air Cleaner Assembly	
201	7004214	1	Element	
202	1120161	1	Cap, Air Stack	
203	0641405	4	Bolt 1/4in-20NC x 5/8in	
204	4711400	8	Flatwasher 1/4in	
206	3311405	4	Locknut 1/4in-20NC	
207	0340002	2	Band, Filter	
208	0080039	2	Adapter, 90 Rubber	
209	4562791	1	Tube	
210	1320016	4	Clamp, Hose	
	0251323	Ref	BATTERY INSTALLATION	B
301	3980007	1	Seat, Battery	
302	0400075	1	Battery	
303	0361810	1	Hold-Down, Battery	
304	0630370	2	J-Bolt, Tie Down 3/8in-16NC x 10 7/16in	
305	4711600	2	Flatwasher 3/8in	
306	3300029	2	Wing Nut 3/8in-16NC	
307	0961127	1	Bushing, Snap	
308	1060146	1	Cable, Battery (Prior to June 1995)	
308	1060147	1	Cable, Battery (June 1995 to Present)	
309	0641610	1	Bolt 3/8in-16NC x 1 1/4in (Prior to June 1995)	
310	4751600	2	Flatwasher 3/8in (Prior to June 1995)	
311	4761600	1	Lockwasher 3/8in (Prior to June 1995)	
312	3311601	1	Nut 3/8in-16NC (Prior to June 1995)	
313	4420037	6.75 in	Tape, Insulation	
	0252663	Ref	COLD WEATHER PACKAGE INSTALLATION (OPTIONAL - NOT SHOWN)	3
	2901111	1	Kit, Cold Weather Start	
	0700808	1	Bolt, Metric M8 x 16 Grade 8.8 (Prior to SN 34483)	
	4761500	1	Lockwasher 5/16 (Prior to SN 34483)	
	3311401	4	Nut 1/4in-20NC	
	4761400	4	Lockwasher 1/4in	
	4300031	4	Stud (Welded on Part)	
	2580001	1	Heater, Battery	
	0251682	Ref	ENGINE SHUTDOWN INSTALLATION (NOT SHOWN)	-
		Ref	Note: The following items located at item 6.	
	4360065	1	Switch, Pressure	
	2220318	1	Fitting, 90	
	2180643	1	Fitting, Nipple	
	2180360	1	Fitting, Tee	
	3740049	1	Relay (Located in Ground Control Box - Not Shown)	

SECTION 2 - TURNTABLE

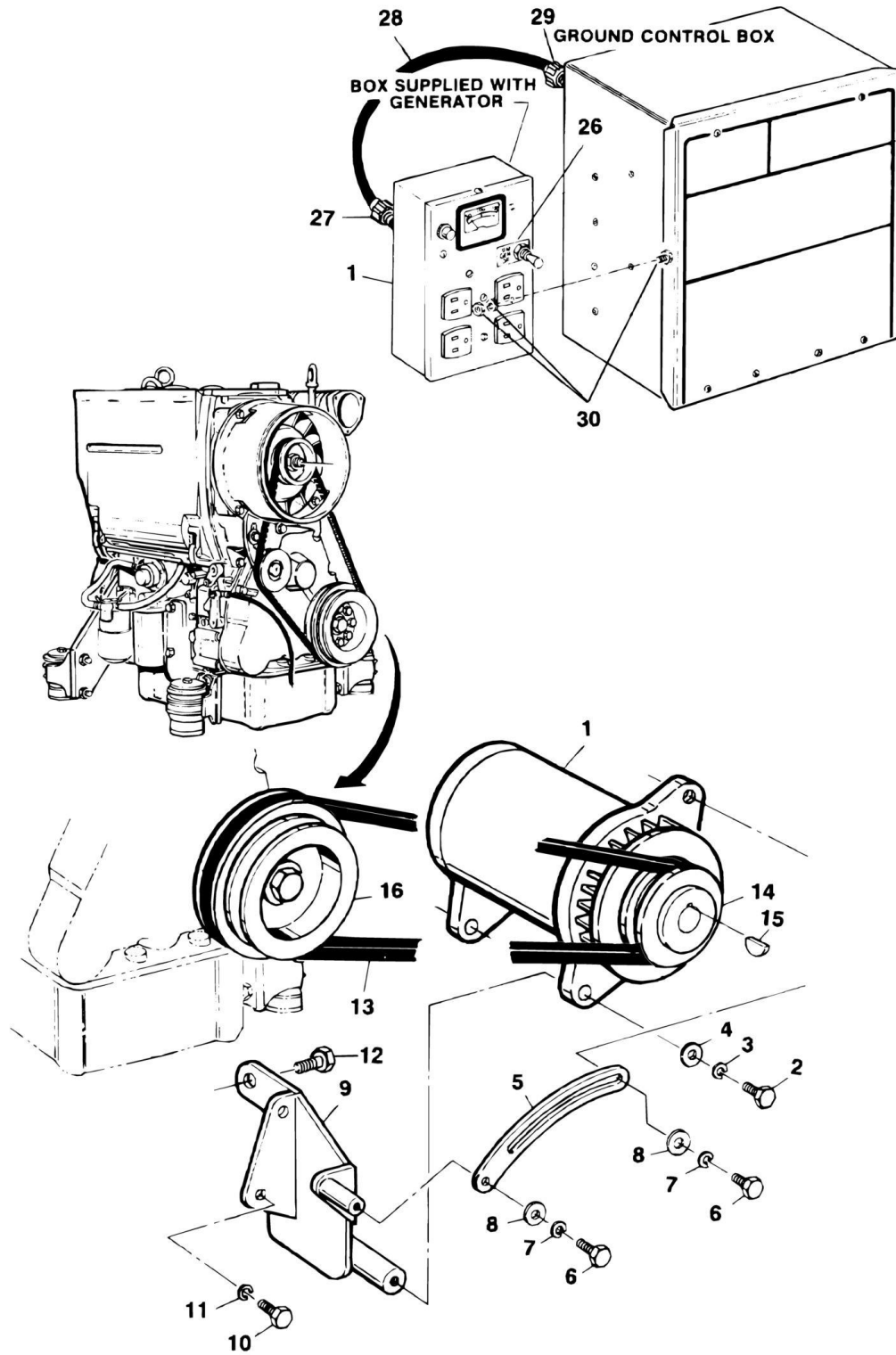
ITEM	PART NUMBER	QTY	DESCRIPTION	REV
	0251876	Ref	ENGINE PRESSURE SWITCH INSTALLATION (USE WITH 110V GENERATOR OPTION - NOT SHOWN)	6
		Ref	Note: The following items located at item 6.	
	4360037	1	Switch, Pressure	
	2200261	1	Fitting, Connector	
	2180360	1	Fitting, Tee	
	2180537	1	Fitting, Brass Nipple	
	2180749	1	Fitting, 45	
	2180730	1	Fitting, Adapter	
	0252661	Ref	ENGINE DISTRESS INSTALLATION (OPTIONAL - NOT SHOWN)	4
		Ref	Note: The following items located at item 6.	
	2180360	1	Fitting, Tee	
	2180318	1	Fitting, 90 (Prior to SN 32301)	
	4360065	1	Switch, Pressure	
		Ref	Fitting, Nipple Options:	
	2180643	1	Fitting, Nipple (Prior to SN 32301)	
	2180749	1	Fitting, 45 Street Elbow (SN 32301 to Present)	
		Ref	ENGINE COMPONENTS	
		Ref	Engine, Deutz F3L1011 Diesel Options:	
	2000107	Ref	Engine Components (Prior to July 1995)	
	2000138	Ref	Engine Components (July 1995 to Present)	
		Ref	Engine 2000107:	
	7014684	1	Tune-up Kit (Includes fuel line and oil plug washers, 1 oil and fuel filters, valve cover and injector tip gaskets)	
	7020023	1	Filter, Fuel (was p/n 7012598)	
	7020455	1	Muffler (was p/n 7000694)	
	7021870	1	Filter, Oil (was p/n 7014502)	
	70003622	3	Injector	
	7020424	3	Gasket, Injector Tip	
	7012626	1	Starter	
	7012698	1	Pump, Fuel Lift	
	7020411	1	Gasket, Fuel Lift	
	7020412	1	Fitting, Tee	
	7016308	1	Ring, Plastic Air Intake	
	7016309	1	Washer, Copper Sealing	
	7019607	1	Switch, Solenoid (was p/n 7016341)	
	7019607	2	Shutdown Device (was p/n 7016359)	
	7020457	1	Alternator	
	7020471	3	Gasket, Exhaust Manifold	
	7020477	1	Gear, Ring (133 Teeth)	
	7027210	1	Sensor, Oil Temperature	
	7027250	1	Spring, Tension (Actuator)	
	3120044	1	Engine Manual	
		Ref	Engine 2000138:	
	7016328	1	Filter, Fuel	
	7020455	1	Muffler (was p/n 7000694)	
	7016331	1	Filter, Oil	
	7012599	1	Pump, Fuel Injector	
	7020426	3	Injector	
	7020424	3	Gasket, Injector Tip	
	7020425	3	Nozzle, Injector	
		Ref	Starter Options:	

SECTION 2 - TURNTABLE

ITEM	PART NUMBER	QTY	DESCRIPTION	REV
	7020479	1	9 teeth	
	7016332	1	11 teeth (was p/n 7020416)	
	7012698	1	Pump, Fuel Lift	
	7020411	1	Gasket, Fuel Lift	
	7020412	1	Fitting, Tee	
	7019607	2	Shutdown Device (was p/n 7016359)	
	7020417	1	Alternator	
	70000851	1	Bracket, Alternator Mounting	
	7020471	3	Gasket, Exhaust Manifold	
		Ref	Gear Options:	
	7024579	1	110 Teeth	
	7020208	1	129 Teeth	
	7020477	1	133 Teeth	
	7020168	1	Sensor, Oil Temperature	
	7027250	1	Spring, Tension (Actuator)	
	7000699	1	Doughnut, Exhaust Seal	
	7020024	1	Cap, Breather	
	7020220	1	Harness	
	7020406	1	Ring, Sealing	
	7020414	1	V-Belt	
	7020419	1	Hose, Fuel Return	
	7020430	1	Gasket, Valve Cover	
	7020435	1	Dipstick	

SECTION 2 - TURNTABLE

FIGURE 2-31. GENERATOR INSTALLATION - DEUTZ F3L1011



SECTION 2 - TURNTABLE

FIGURE 2-31. GENERATOR INSTALLATION - DEUTZ F3L1011

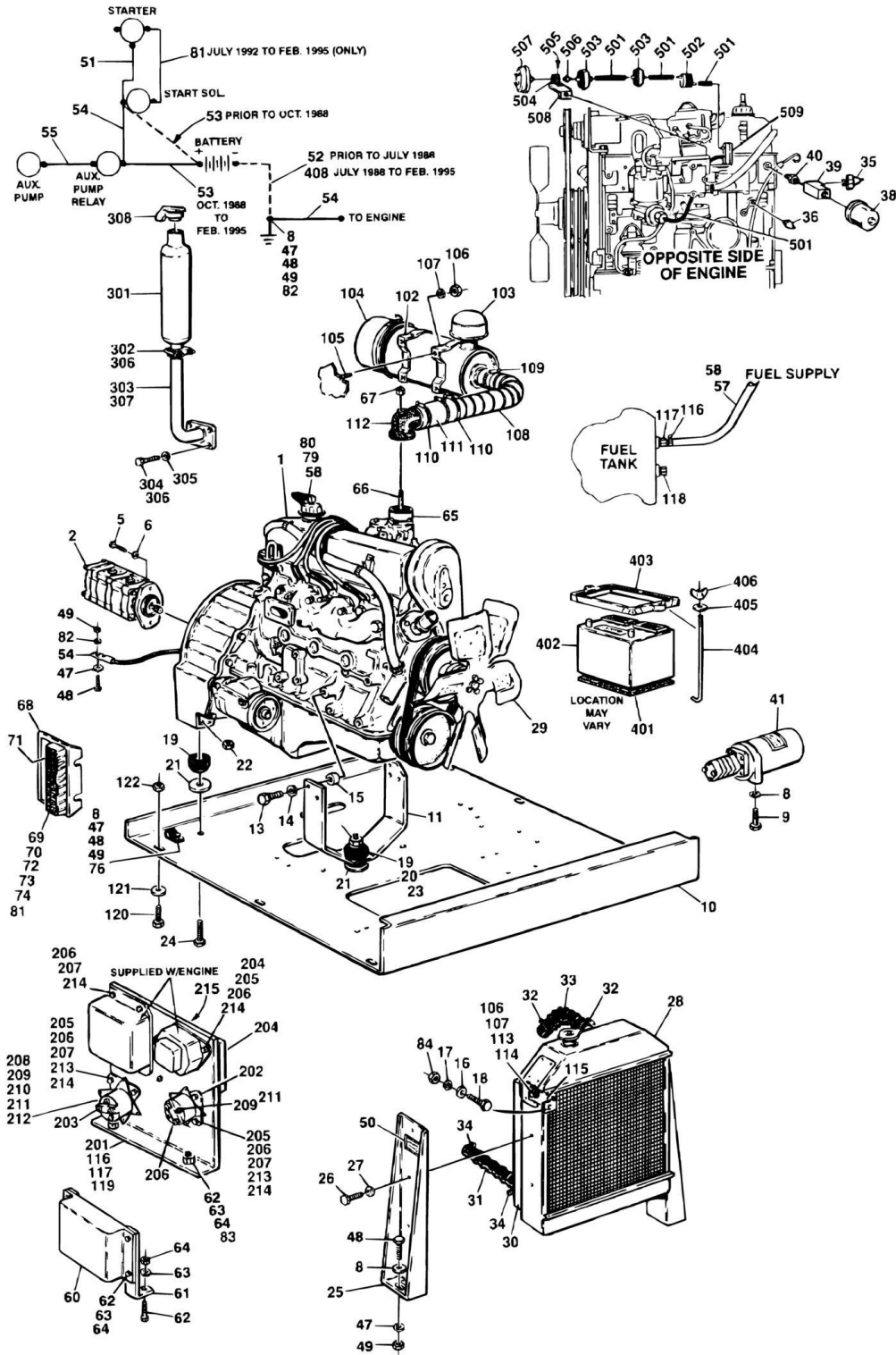
ITEM	PART NUMBER	QTY	DESCRIPTION	REV
	0251876	Ref	GENERATOR INSTALLATION - DEUTZ F3L1011	6
1	2460011	1	Generator and Control Box Assembly	
1	7012558	1	Generator Assembly	
1	7020193	1	Cable, Generator (Generator to Control Box)	
1	7026199	1	Armature	
1	7020108	4	Brush	
1	7020109	4	Holder, Brush	
1	7012513	4	Cap, Brush Holder	
1	7012514	1	Fan	
1	7020110	1	Bell, Front	
1	7020111	1	Bell Rear	
1	7020190	2	Bearing	
1	7003657	1	Control Box Assembly	
		Ref	Note: Replacement 110V Control Box comes with 2 std Receptacles p/n 4460190. Optional Industrial Twist Lock Receptacles p/n 4460027 must be ordered separately.	
1	4360542	1	Breaker, Circuit	
1	2420203	1	Voltmeter 110V (was p/n 7010699)	
1		Ref	Receptacle Options:	
1	4460190	AR	Receptacle, Standard 110V	
1	4460027	1	Receptacle, Twistlock 110V	
1	2920162	1	Lamp	
1	7020191	1	Switch, Toggle	
1	3520028	1	Plug, Hole	
2	0681610	2	Bolt 3/8in-16NC x 1 1/4in (Grade 8)	
3	4761600	2	Lockwasher 3/8in	
4	4751600	2	Flatwasher 3/8in	
5	0361815	1	Arm, Adjustable	
6	0681510	2	Bolt 5/16in-18NC x 1 1/4in (Grade 8)	
7	4761500	2	Lockwasher 5/16in	
8	4751500	2	Flatwasher 5/16in	
9	4843410	1	Bracket, Mounting - Generator	
10	0761012	2	Bolt, Metric 10mm x 25m	
11	4812000	2	Flatwasher, Metric 10mm	
11	0100011	AR	Loctite	
12	0701414	1	Bolt, Metric 14mm x 30mm	
13	0480059	1	V-Belt	
14	3580134	1	Pulley	
15	2860012	1	Key	
16	3580158	1	Pulley	
17	See Item 1	1	Box, Control	
18	0641406	2	Bolt 1/4in-20NC x 3/4in	
19	4751400	2	Flatwasher 1/4in	
20	4761400	2	Lockwasher 1/4in	
21	3311401	2	Nut 1/4in-20NC	
22	0901633	1	Bracket, Mounting - Box	
23	3311401	2	Nut 1/4in-20NC	
24	4761400	2	Lockwasher 1/4in	
25	4751400	2	Flatwasher 1/4in	
25	4300068	2	Stud (Welded on Part)	

SECTION 2 - TURNTABLE

ITEM	PART NUMBER	QTY	DESCRIPTION	REV
26	3251476	1	Decal - Generator	
27	4460023	1	Terminal	
28	1060012	AR	Cable - 12/4	
29	4460071	1	Connector, Strain Relief	
29	3300048	1	Locknut, Conduit	
29	0960238	1	Bushing	
30	0641404	2	Bolt 1/4in-20NC x 1/2in	
30	4751400	4	Flatwasher 1/4in	
30	4761400	2	Lockwasher 1/4in	
30	3311401	2	Nut 1/4in-20NC	

SECTION 2 - TURNTABLE

FIGURE 2-32. FORD LSG 423 ENGINE INSTALLATION (WITH DISTRIBUTOR) (PRIOR TO MARCH 1995)



SECTION 2 - TURNTABLE

FIGURE 2-32. FORD LSG 423 ENGINE INSTALLATION (WITH DISTRIBUTOR) (PRIOR TO MARCH 1995)

ITEM	PART NUMBER	QTY	DESCRIPTION	REV
	0236344	Ref	ENGINE ASSEMBLY - STANDARD GAS WITH GEAR PUMP AND ADECO THROTTLE (PRIOR TO JUNE 1987)	L
	0238345	Ref	ENGINE ASSEMBLY - STANDARD GAS WITH GEAR PUMP AND PRECISION GOVERNOR (JUNE 1987 TO FEBRUARY 1995)	L
	0237523	Ref	ENGINE ASSEMBLY - STANDARD GAS WITH PISTON PUMP (PRIOR TO MARCH 1995)	A
	0236543	Ref	ENGINE ASSEMBLY - DUAL FUEL WITH GEAR PUMP AND ADECO THROTTLE (PRIOR TO JUNE 1987)	J
	0238347	Ref	ENGINE ASSEMBLY - DUAL FUEL WITH GEAR PUMP AND PRECISION GOVERNOR (JUNE 1987 TO MARCH 1995)	O
1		Ref	Engine Options:	
1	2000073	1	Engine (Prior to August 1984)	
1	2000086	1	Engine (August 1984 to June 1987)	
1	2000088	1	Engine (June 1987 to March 1995)	
2		Ref	Pump Assembly (Main) Options:	
2	3600072	1	Gear Pump Assembly (Prior to June 1987) (See MAIN PUMP ASSEMBLY for Breakdown)	
2	3600139	1	Gear Pump Assembly (June 1987 to February 1995) (See MAIN PUMP ASSEMBLY for Breakdown)	
2	3600126	1	Piston Pump Assembly (See PISTON PUMP ASSEMBLY for Breakdown)	
5	0641812	2	Bolt 1/2in-13NC x 1 1/2in	
6	4761800	2	Lockwasher 1/2in	
8	4761600	AR	Lockwasher 1/2in	
9	0641608	2	Bolt 3/8in-16NC x 1in	
10		Ref	Plate, Mounting (Engine) Options:	
10	3509613	1	Plate, Mounting (Engine) (Prior to April 1986)	
10	3509816	1	Plate, Mounting (Engine) (April 1986 to March 1995)	
11	3200200	1	Bracket, Support - Engine (Front)	
12	0701014	3	Bolt, Metric 10mm x 30mm	
13	0701015	1	Bolt, Metric 10mm x 35mm	
14	4832000	4	Lockwasher 10mm	
15	4740275	1	Spacer	
16	0630360	2	Bolt, Carriage	
17	4761500	2	Lockwasher 5/16in	
18	4751500	6	Flatwasher 5/16in	
19	3200062	4	Mount, Motor	
20	0960991	1	Bushing	
21	4751800	3	Flatwasher 1/2in	
22	3311805	3	Locknut 1/2in-13NC	
23	0641828	1	Bolt 1/2in-13NC x 3 1/2in	
24	0641820	2	Bolt 1/2in-13NC x 2 1/2in	
25		Ref	Bracket (Radiator) Option:	
25	0901180	2	Bracket (Radiator) (Prior to March 1990)	
25	0901651	2	Bracket (Radiator) (March 1990 to March 1995)	
26	3940804	12	Screw, Self-Tapping #8 x 1/2in	
27	4750800	12	Flatwasher #8	
28	3620026	1	Radiator Assembly	
29	2060014	1	Fan	
30		Ref	Shroud Options:	

SECTION 2 - TURNTABLE

ITEM	PART NUMBER	QTY	DESCRIPTION	REV
30	2680333	1	Shroud (Prior to May 1990)	
30	2680386	1	Shroud (May 1990 to March 1995)	
31	2720232	1	Hose, Radiator (Bottom)	
32	1320014	3	Clamp, Hose	
33		Ref	Radiator Hose (Top) Options:	
33	2720233	1	Radiator Hose (Top) (Prior to June 1987)	
33	2720254	1	Radiator Hose (Top) (June 1987 to March 1995)	
34	1320031	1	Clamp, Hose	
35	4360037	1	Switch, Oil Pressure	
36	2420024	1	Sender, Temperature	
37	0100020	AR	Sealant, Pipe (Not Shown)	
38	2420033	1	Sender, Oil Pressure	
39	2180360	1	Fitting, Tee	
40	2220273	1	Fitting, Reducer	
41		Ref	Auxiliary Pump Assembly Options:	
		Ref	Note: When replacing complete assy recommend p/n 3600071.	
41	3600051	1	Pump Assembly (Prior to October 1984)	
41	7004415	1	Pump Only	
41	7004408	1	Coupling Only	
41	3600115	1	Pump Assembly (October 1984 to June 1987)	
41	7004412	1	Coupling Only	
41	7013755	1	Motor, Replacement	
41	3600052	1	Pump Assembly (June 1987 to October 1990)	
41	7004416	1	Pump Only	
41	7004412	1	Coupling Only	
41	7000483	1	Motor, Replacement - Includes Coupling	
41	3600071	1	Pump Assembly (October 1990 to March 1995)	
41	7004247	1	Pump Only	
41	7004249	1	Coupling Only	
41	7004248	1	Motor, Replacement	
41	7004436	1	Motor with Bracket	
41	7012576	1	Bracket Only	
47	4751600	11	Flatwasher 3/8in	
48	0641610	6	Bolt 3/8in-16NC x 1 1/4in	
49	3311601	6	Nut 3/8in-16NC	
50	3250914	2	Decal - Caution	
51		Ref	Cable (Battery) Options:	
51	1060045	1	Cable (Battery) (Prior to August 1992)	
51	1060093	1	Cable (Battery) (August 1992 to March 1995)	
52	1060172	1	Cable, Battery (Prior to July 1988)	
53		Ref	Cable (Battery) Options:	
53	1060074	1	Cable (Battery) (Prior to October 1988)	
53	1060032	1	Cable (Battery) (October 1988 to March 1995)	
54		Ref	Cable (Battery) Options:	
54	1060093	2	18in Length	
54	1060045	2	10in Length	
55	1060030	1	Cable, Battery	
57	2720058	8 ft	Hose, Fuel - Supply	
58	1320022	2	Clamp	
60	1600098	1	Controller, Governor (With Precision Governor - June 1987 to March 1995)	
61	0901419	2	Bracket (With Precision Governor - June 1987 to March 1995)	

SECTION 2 - TURNTABLE

ITEM	PART NUMBER	QTY	DESCRIPTION	REV
62	0641408	AR	Bolt 1/4in-20NC x 1in	
63	4761400	AR	Lockwasher 1/4in	
64	3311401	AR	Nut 1/4in-20NC	
65	0080092	1	Adapter, Carburetor	
66	4300057	1	Stud, Carburetor	
67	3311405	1	Locknut 1/4in-20NC	
68	0901401	1	Bracket, Terminal Strip	
69	4460277	1	Strip, Terminal	
70	1670414	1	Cover, Terminal Strip	
71	1700901	1	Decal, Terminal Strip	
72	3910812	2	Screw, Machine #8-32NC x 3/4in	
73	4770800	2	Starwasher #8	
74	3310801	2	Nut #8-32NC	
76	1320069	1	Clamp	
79	4562516	AR	Hose	
80	2720160	24 in	Hose	
81	4920961	1	Harness (July 1992 to March 1995)	
82	4791600	2	Starwasher 3/8in	
83	4791400	2	Starwasher 1/4in	
84	3311501	4	Nut 5/16in-18NC	
	0236369	Ref	ENGINE INSTALLATION - STANDARD GAS WITH GEAR PUMP AND ADECO THROTTLE (PRIOR TO JUNE 1987)	G
	0238346	Ref	ENGINE INSTALLATION - STANDARD GAS WITH GEAR PUMP AND PRECISION GOVERNOR (JUNE 1987 TO MARCH 1995)	D
	0237522	Ref	ENGINE INSTALLATION - STANDARD GAS WITH PISTON PUMP (PRIOR TO MARCH 1995)	B
	0236544	Ref	ENGINE INSTALLATION - DUAL FUEL WITH GEAR PUMP AND ADECO THROTTLE (PRIOR TO JUNE 1987)	C
	0238348	Ref	ENGINE INSTALLATION - DUAL FUEL WITH GEAR PUMP AND PRECISION GOVERNOR (JUNE 1987 TO MARCH 1995)	F
102	0340002	2	Band, Mounting	
103	1120161	1	Cap, Rain	
104	1340020	1	Air Cleaner Assembly	
104	7004214	1	Element, Filter	
105	4300031	4	Stud (Welded on Part)	
106	3311401	6	Nut 1/4in-20NC	
107	4761400	6	Lockwasher 1/4in	
108	4561815	1	Tube, Air Intake	
109	0080039	1	Adaptor	
110	1320016	3	Clamp, Hose	
111	2720178	14 in	Hose	
112	0080124	1	Adaptor, Carburetor	
113	4711400	4	Flatwasher 1/4in Narrow	
114	0641408	2	Bolt 1/4in-20NC x 1in	
115	0901243	1	Bracket, Radiator Support	
116	1320022	1	Clamp, Hose	
117	2220805	1	Fitting, Barbed	
118	2200101	1	Plug, Pipe	
119	0100020	AR	Sealant, Pipe	
120	0641813	4	Bolt 1/2in-13NC x 1 5/8in	
121	4751800	8	Flatwasher 1/2in	
122	3311805	4	Locknut 1/2in-13NC	

SECTION 2 - TURNTABLE

ITEM	PART NUMBER	QTY	DESCRIPTION	REV
		Ref	ELECTRICAL PANEL ASSEMBLIES	
	0236321	Ref	MACHINES WITH RACINE PROP VALVES	I
	0237859	Ref	MACHINES WITH VICKERS PROP VALVES	E
201	3509714	1	Plate, Mounting	
202	3740067	1	Relay, Prestolite	
203	3300220	4	Nut, Special	
204	3740061	1	Solenoid, Start Lockout	
205	3311401	7	Nut 1/4in-20NC	
206	0641405	10	Bolt 1/4in-20NC x 5/8in	
207	4761400	10	Lockwasher 1/4in	
208	3740059	1	Relay, Motorcraft	
209	3311001	2	Nut #10-24NC	
210	3310801	1	Nut #8-32NC	
211	4761000	2	Lockwasher #10	
212	4760800	1	Lockwasher #8	
213	4711400	4	Flatwasher 1/4in	
214	4791400	9	Starwasher 1/4in	
215		Ref	Actuator, Adeco Throttle Options:	
215	0060021	1	Machines With Racine Prop Valves	
215	Not Required		Machines With Vickers Prop Valves	
	0236370	Ref	EXHAUST INSTALLATION	C
301	3220033	1	Muffler	
302	1320019	1	Clamp	
303	4562661	1	Tube, Exhaust	
304	0701010	4	Bolt 10mm x 20mm	
305	4832000	4	Lockwasher 10mm	
306	3920385	2 ft	Wire, Safety	
307	4100025	15 in	Sleeve, Fiberglass	
308	1120067	1	Cap, Rain	
	0239266	Ref	BATTERY INSTALLATION	C
		Ref	Note: Location may vary but components are the same.	
401	3980003	1	Seat, Battery	
402	0400003	1	Battery	
403	0400002	1	Hold-Down, Battery	
403	2910479	2	Clips	
404	0630370	2	J-Bolt	
405	4711600	2	Flatwasher 3/8in	
406	3300029	2	Wingnut 3/8in-16NC	
407	0961127	1	Bushing, Snap (Not Shown)	
408	1060146	1	Cable, Battery (July 1988 to March 1995)	
408	0641610	1	Bolt 3/8in-16NC x 1 1/4in	
408	4751600	2	Flatwasher 3/8in	
408	4761600	1	Lockwasher 3/8in	
408	3311601	1	Nut 3/8in-16NC	
		Ref	VACUUM SWITCH INSTALLATIONS	
	0237071	Ref	MAY 1985 TO APRIL 1986	-
	0236782	Ref	PRIOR TO MAY 1985	-
501	2720016	AR	Hose	
502	2129112	1	Filter	
503	4360195	AR	Switch, Vacuum Delay	
504	1320041	2	Clamp	

SECTION 2 - TURNTABLE

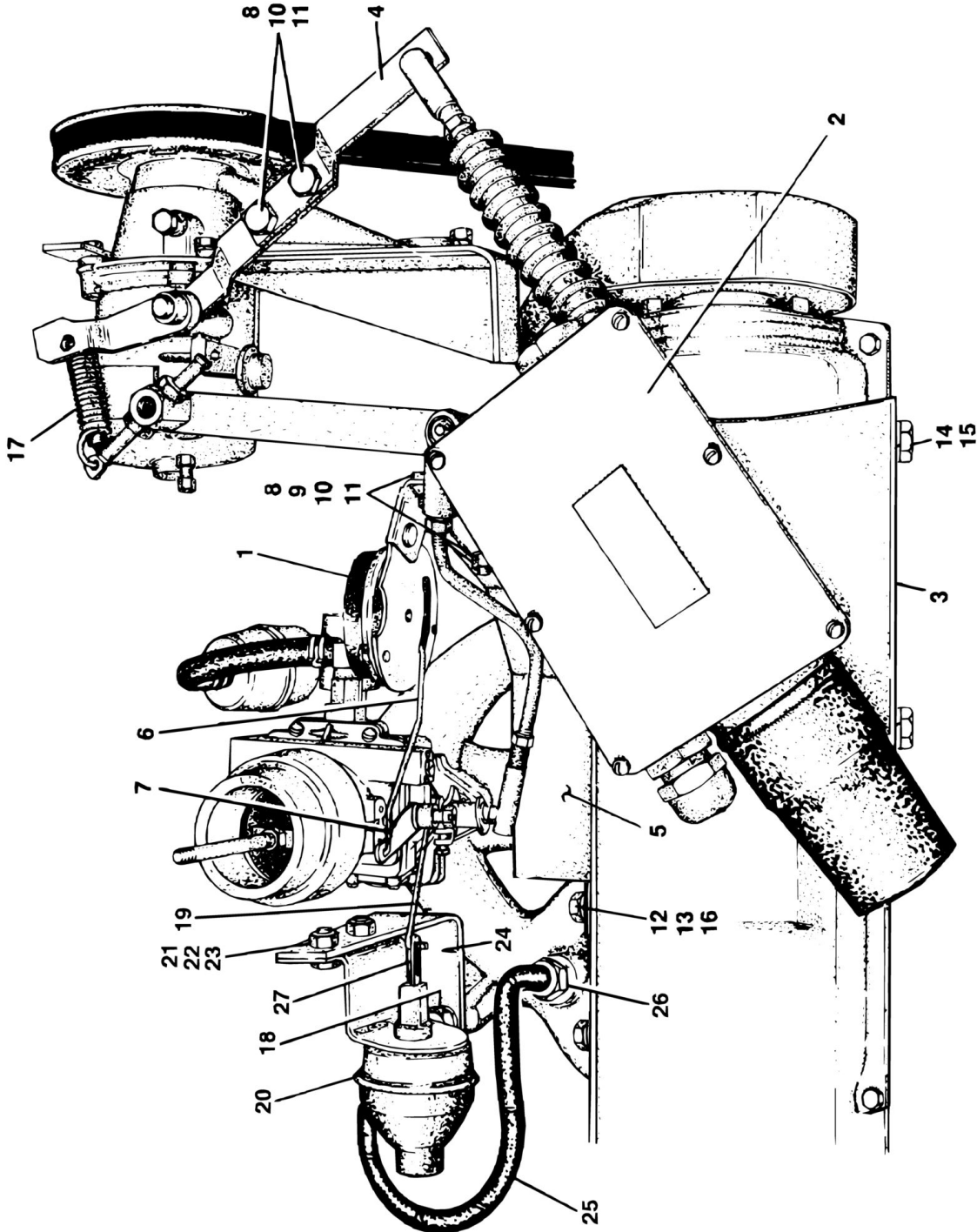
ITEM	PART NUMBER	QTY	DESCRIPTION	REV
505	0641405	1	Bolt 1/4in-20NC x 5/8in	
505	4761400	1	Lockwasher 1/4in	
505	3311401	1	Nut 1/4in-20NC	
506	2220295	1	Fitting, Coupling	
507	4360067	1	Switch, Vacuum	
507	4360066	1	Switch, Vacuum	
508	0901306	1	Bracket (4in Long)	
508	0901333	1	Bracket (4 3/4in Long)	
509	2180623	1	Fitting	
		Ref	COLD WEATHER KIT - ENGINE COMPONENTS OPTIONS: (OPTIONAL - NOT SHOWN)	
	0236871	Ref	Ford LSG 423 (Prior to SN 24769)	D
	0236339	Ref	Ford LSG 423 (S/N 24769 to March 1995)	-
	2580001	1	Heater, Battery	
		Ref	Heater, Engine Block Options:	
	2580022	1	Heater, Engine Block (Prior to SN 24769)	
	2580048	1	Heater, Engine Block (S/N 24769 to March 1995)	
		Ref	ENGINE COMPONENTS	
	2000073	Ref	Engine Components (Prior to August 1984)	
	2000086	Ref	Engine Components (August 1984 to June 1987)	
	2000088	Ref	Engine Components (June 1987 to March 1995)	
	9982700	1	Carburetor (Standard Gas) Without Built-in Choke (Machines Built through 1989)	
	7000643	1	Carburetor (Standard Gas) With Built-in Choke (Machines Built 1990 to March 1995)	
	7000878	1	Rebuilt Kit - 9982700 and 7000643 Carburetor	
	1140009	1	Carburetor - LP Gas	
	7024321	1	Gasket, Carburetor (Top) (Used on 7000878)	
	7000646		Gasket, Carburetor	
	7000877	1	Fuel Shut-Off (With Wire)	
	7000884	1	Fuel Shut-Off (With Terminal Post)	
	7000895	1	Choke Assembly	
	7012577	1	Vacuum Line Fitting	
	7012578	1	Vacuum Line Tube Assembly	
	7000867	1	Engine Harness	
	7010633	1	Fuel Pump Assembly	
	7019932	4	Spark Plug (was p/n 7012595)	
	7019931	1	Wire Set Spark Plug	
	7014677	1	Major Components Kit (Includes 1 each of Standard Gas Carburetor, Water Pump, Fuel Pump, Starter and Standard Alternator)	
	7014678	1	Gasket/Electrical Kit (Includes Upper and Lower Gasket Kits, 1 each of Thermostat, Ring Gear, Belt, Coil, Ignition Module, Voltage Regulator, Starter Solenoid and Hose)	
	7014679	1	Tune-up Kit (Includes 4 Spark Plugs and 1 each of Oil Filter, Fuel Filter, Cap, Rotor and ignition Wire Set)	
	7021869	1	Filter, Oil (was p/n 7014501)	
	7000665	1	Fan (Engine 2000073 Only)	
	7012679	1	Starter (was p/n 7000868)	
	7000869	1	Module	
	7019976	1	Flywheel	
	7022180	1	Gear, Ring (Flywheel)	
	7000874	1	Alternator	

SECTION 2 - TURNTABLE

ITEM	PART NUMBER	QTY	DESCRIPTION	REV
	7000870	1	Regulator, Voltage	
	7000871	1	Coil	
	7022153	1	Pump, Water (Engine 2000088 Only)	
	7023667	1	Fitting, Tee (Water By-Pass) (Engine 2000088 Only)	
	3120089	1	Engine Manual	

SECTION 2 - TURNTABLE

FIGURE 2-33. ADECO THROTTLE INSTALLATIONS - FORD ENGINE MACHINES



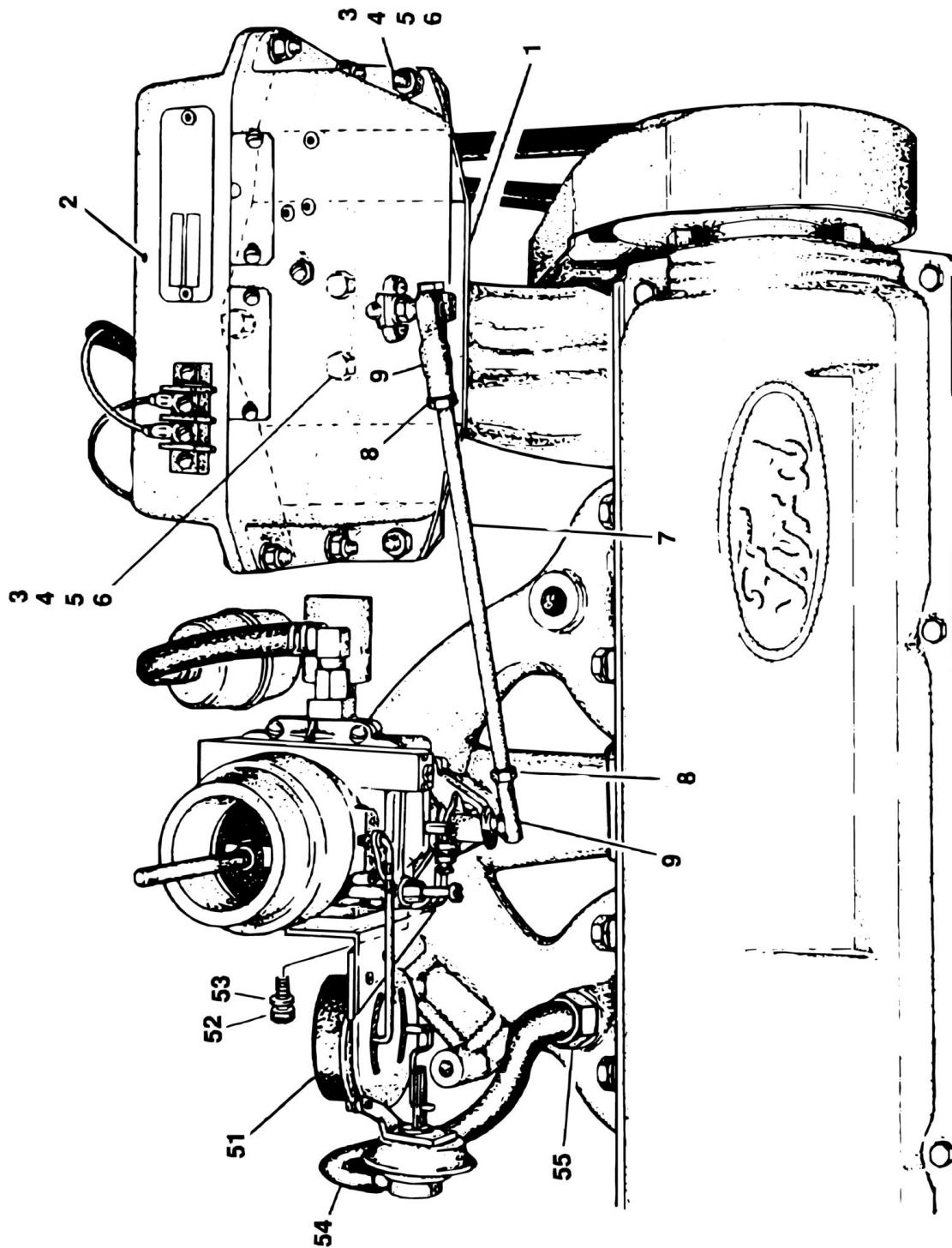
SECTION 2 - TURNTABLE

FIGURE 2-33. ADECO THROTTLE INSTALLATIONS - FORD ENGINE MACHINES

ITEM	PART NUMBER	QTY	DESCRIPTION	REV
		Ref	NOTE: For machines with solenoid controlled throttle (built prior to mid 1985) replace with Adeco throttle.	
		Ref	ADECO THROTTLE INSTALLATION	
	0236965	Ref	WITHOUT VACUUM PULL-OFF - BUILT MID 1985 TO APRIL 1986	-
	0237356	Ref	WITH VACUUM PULL-OFF BUILT APRIL 1986 TO JUNE 1987	B
1		Ref	Choke Kit Options:	
1	2900097	1	Built Mid 1985 to April 1986	
1	0237715	1	Built April 1986 to June 1987	
2	0060020	1	Actuator, Adeco	
2	7008807	1	Board, Circuit	
2	7008804	1	Bellows, Rubber	
2	7008821	1	Motor, Drive	
3	4842263	1	Bracket, Actuator Mounting	
4	3010081	1	Link, Throttle	
5	0901297	1	Bracket, Choke Mounting	
6	3840821	1	Rod, Choke	
7	1380111	1	Clip, Rod	
8	0641406	4	Bolt 1/4in-20NC x 3/4in	
9	4751400	2	Flatwasher 1/4in	
10	4761400	4	Lockwasher 1/4in	
11	3311401	4	Nut 1/4in-20NC	
12	0630384	2	Bolt, Metric 8mm x 40mm	
13	4751500	3	Flatwasher 5/16in	
14	0630135	2	Bolt, Metric 10mm x 30mm	
15	4740116	2	Lockwasher, Metric 10mm	
16	4761500	2	Lockwasher 5/16in	
17	4160084	1	Spring	
		Ref	Note: Items 18 - 27 Used on Machines Built April 1986 to June 1987.	
18	0700810	1	Bolt, Metric 8mm x 20mm	
19	3840855	1	Rod, Choke Pull-Off	
20	0060022	1	Actuator, Vacuum Choke Pull-Off	
21	3910808	2	Screw, Round Head #8-32NC x 1/2in	
22	4760800	2	Lockwasher #8	
23	3310801	2	Nut #8-32NC	
24	0901347	1	Bracket, Actuator	
25	2720016	12 in	Hose	
26	2180666	1	Fitting	
27	1380112	1	Clip	

SECTION 2 - TURNTABLE

FIGURE 2-34. PRECISION GOVERNOR INSTALLATION - FORD ENGINE MACHINES



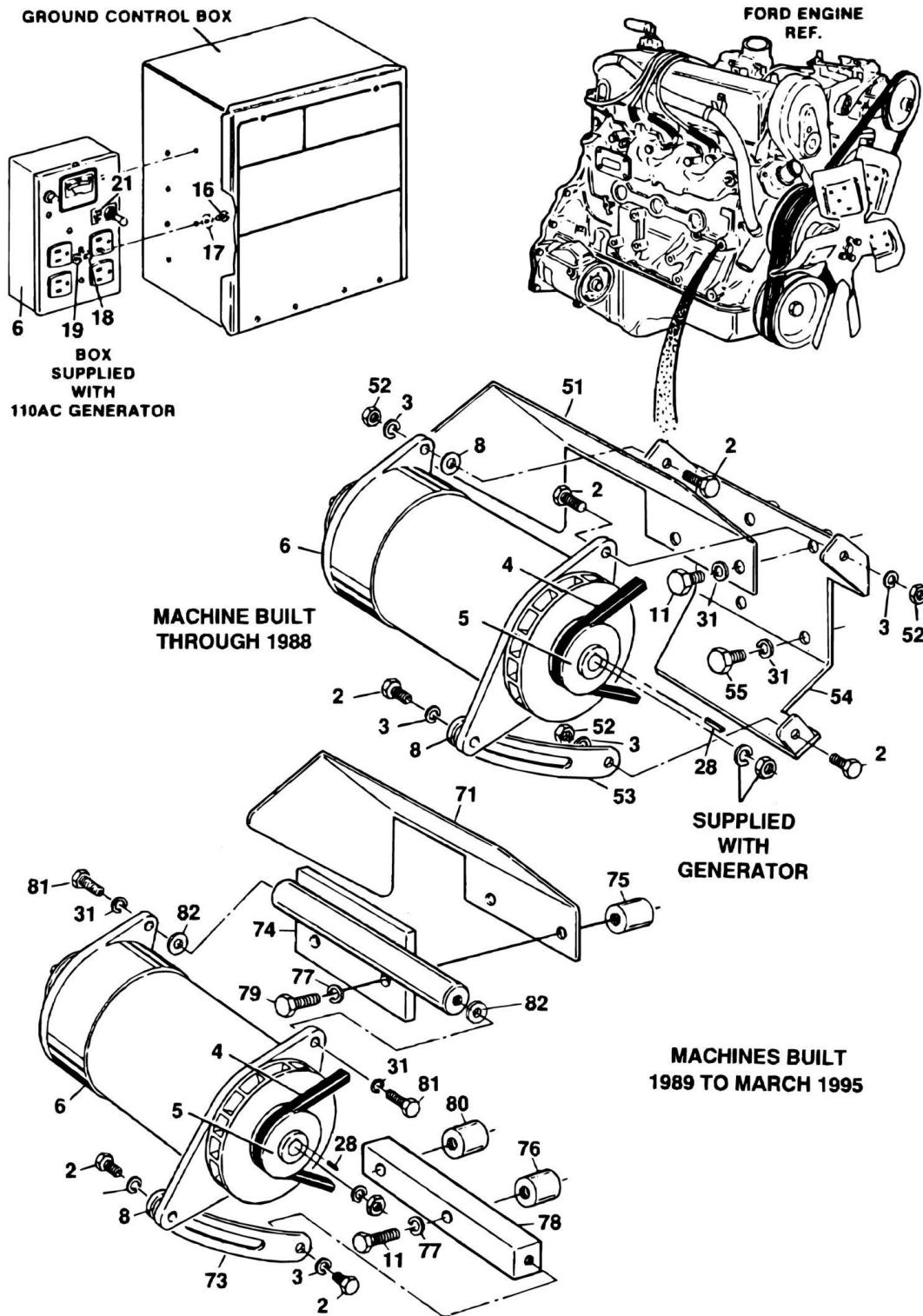
SECTION 2 - TURNTABLE

FIGURE 2-34. PRECISION GOVERNOR INSTALLATION - FORD ENGINE MACHINES

ITEM	PART NUMBER	QTY	DESCRIPTION	REV
	0238044	Ref	PRECISION GOVERNOR INSTALLATION (STANDARD PARTS)	A
1	0901373	1	Bracket, Governor	
2	2500004	1	Governor	
3	0641408	7	Bolt 1/4in-20NC x 1in	
4	3311401	7	Nut 1/4in-20NC	
5	4751400	7	Flatwasher 1/4in	
6	4761400	7	Lockwasher 1/4in	
7	3840898	1	Rod	
8	3321401	2	Nut 1/4in-28NF	
9	1660157	2	Coupling, Ball - Joint	
	0238044	Ref	PRECISION GOVERNOR INSTALLATION (VARIABLE PARTS REQUIRED ON 1987-1989 MODELS WITHOUT BUILT-IN CHOKE. 1990 MODELS HAVE CARBURETOR WITH BUILT-IN CHOKE)	A
51	0237568	1	Choke and Vacuum Pull-Off Assembly (Includes Sensor)	
52	3910812	2	Screw, Round Head #8-32NC x 3/4in	
53	4760800	2	Lockwasher #8	
54	2720016	1 ft	Hose	
55	2180666	1	Fitting	

SECTION 2 - TURNTABLE

FIGURE 2-35. GENERATOR INSTALLATION - FORD ENGINE MACHINES BUILT PRIOR TO MARCH 1995



SECTION 2 - TURNTABLE

FIGURE 2-35. GENERATOR INSTALLATION - FORD ENGINE MACHINES BUILT PRIOR TO MARCH 1995

ITEM	PART NUMBER	QTY	DESCRIPTION	REV
		Ref	GENERATOR INSTALLATIONS	
	0236382	Ref	GENERATOR - PRIOR TO MAY 1987	C
	0236383	Ref	GENERATOR - MAY 1987 THROUGH 1988	F
	0239244	Ref	GENERATOR -1989 TO MARCH 1995	11
2	0641508	3	Bolt 5/16in-18NC x 1in	
3	4761500	4	Lockwasher 5/8in	
4		Ref	V-Belt Options:	
4	0480037	1	V-Belt (Prior to May 1987)	
4	0480048	1	V-Belt (May 1987 to March 1995)	
5	See Item 6	1	Pulley (Part of Generator Assembly)	
6	2460011	1	Generator and Control Box Assembly	
6	7012558	1	Generator Assembly	
6	7020193	1	Cable, Generator (Generator to Control Box)	
6	7026199	1	Armature	
6	7020108	4	Brush	
6	7020109	4	Holder, Brush	
6	7012513	4	Cap, Brush Holder	
6	7012514	1	Fan	
6	7020110	1	Bell, Front	
6	7020111	1	Bell Rear	
6	7020190	2	Bearing	
6	7003657	1	Control Box Assembly	
		Ref	Note: Replacement 110V Control Box comes with 2 std Receptacles p/n 4460190. Optional Industrial Twist Lock Receptacles p/n 4460027 must be ordered separately.	
6	4360542	1	Breaker, Circuit	
6	2420203	1	Voltmeter 110V (was p/n 7010699)	
6		Ref	Receptacle Options:	
6	4460190	AR	Receptacle, Standard 110V	
6	4460027	1	Receptacle, Twistlock 110V	
6	2920162	1	Lamp	
6	7020191	1	Switch, Toggle	
6	3520028	1	Plug, Hole	
8	4751500	1	Flatwasher 5/16in	
11	0701021	2	Bolt, Metric 10mm x 65mm	
16	0721004	2	Screw, Machine #10-24NC x 1/2in	
17	4751000	4	Flatwasher #10	
18	4761000	2	Lockwasher #10	
19	3311001		Nut #10-24NC	
21	3251476	1	Decal - On/Off	
22	1060012	AR	Cable, Electrical - 12/4	
23	4460134	1	Connector (Not Shown - Located at Generator)	
24	4460071	1	Connector (Not Shown - Located at Ground Control Box)	
25	3300048	1	Locknut, Conduit (Not Shown - Located at Ground Control Box)	
26	0960238	1	Bushing (Not Shown - Located at Ground Control Box)	
27	4460023	1	Connector, Terminal (Not Shown - Located at Generator Control Box)	
28	See Item 6	1	Key, Woodruff (Part of Generator Assembly)	
31	4761600	AR	Lockwasher 3/8in	

SECTION 2 - TURNTABLE

ITEM	PART NUMBER	QTY	DESCRIPTION	REV
	0236382	Ref	GENERATOR INSTALLATION (PRIOR TO MAY 1987)	C
	0236383	Ref	GENERATOR INSTALLATION (MAY 1987 THROUGH 1988)	F
51	4060579	1	Shield, Heat	
52	3311501	4	Nut 5/16in-18NC	
53	4340436	1	Support, Adjustable	
54		Ref	Support Options:	
54	4340437	1	Support (Prior to May 1987)	
54	4340438	1	Support (May 1987 through 1988)	
55	0630135	2	Bolt, Metric 10mm x 30mm	
	0239244	Ref	GENERATOR INSTALLATION (1989 TO MARCH 1995)	11
71	4060696	1	Shield, Heat	
73	4340565	1	Support, Adjustable	
74	4843156	1	Support Weldment	
75	4564123	AR	Tube, Spacer	
76	4564329	1	Tube, Spacer	
77	4832000	4	Lockwasher, Metric 10mm	
78	0361704	1	Bar, Mounting	
79	0701022	4	Bolt, Metric 10mm x 70mm	
80	4564328	1	Tube, Spacer	
81	0681610	2	Bolt 3/8in-16NC x 1 1/4in (Grade 8)	
82	4751600	3	Flatwasher 3/8in	

SECTION 2 - TURNTABLE

**FIGURE 2-36. FORD LRG 423 DIS ENGINE ASSEMBLY (DISTRIBUTORLESS IGNITION SYSTEM)
(MARCH 1995 TO S/N 36897)**

ITEM	PART NUMBER	QTY	DESCRIPTION	REV
	0255120	Ref	FORD ENGINE ASSEMBLY - STANDARD GAS	E
	0255121	Ref	FORD ENGINE ASSEMBLY - DUAL FUEL	E
1	2000126	1	Engine	
2	2220315	1	Fitting, Straight	
3	3600139	1	Pump Assembly - Main (See MAIN PUMP ASSEMBLY for Breakdown)	
4	3200377	1	Mount, Engine (Front)	
5	4566605	1	Tube, Spacer	
6	2500005	1	Precision Governor Actuator	
7	0902088	1	Bracket, Governor Mounting	
8	3841255	1	Rod, Throttle	
9	1660157	2	Coupling, Ball joint	
10	0902089	1	Bracket, Terminal Strip Mounting	
11	0902087	1	Bracket, Fuel Pump Mounting	
12	2420024	1	Sender, Water Temperature	
13	2420033	1	Sender, Oil Pressure	
14	4360037	1	Switch, Oil Pressure	
15	2220273	1	Fitting, Reducer	
16	2220994	1	Fitting, Cross	
17	4300056	1	Stud, Carburetor	
18		Ref	Valve, Oil Drain Options:	
18	4640750	1	Valve, Oil Drain (Prior to SN 31722)	
18	4640989	1	Valve, Oil Drain (SN 31722 through 36897)	
19	2750532	2.5 ft	Hose	
20	1320022	3	Clamp, Hose	
21	1700901	1	Decal, Terminal Strip	
22	1670414	1	Cover, Terminal	
23	0641406	2	Bolt 1/4in-20NC x 3/4in	
24	2720058	1.5 ft	Fuel Line	
25	2180536	1	Fitting, Straight Pipe	
26	2720271	2.5 ft	Hose, Vacuum	
27	0701022	2	Bolt 10mm x 70mm	
28	0701014	2	Bolt 10mm x 30mm	
29	4832000	4	Lockwasher 10mm	
30	0700810	3	Bolt 8mm x 20mm	
31	4831900	3	Lockwasher 8mm	
32	0641812	2	Bolt 1/2in-13NC x 1 1/2in	
33	4761800	2	Lockwasher 1/2in	
34	0641408	4	Bolt 1/4in-20NC x 1in	
35	4360405	1	Switch, Oil Pressure	
36	3311405	6	Locknut 1/4in-20NC	
37	4791400	2	Starwasher 1/4in	
38	0721014	2	Bolt #10-24NC x 1 3/4in	
39	3311001	2	Nut #10-24NC	
40	4761000	2	Lockwasher #10	
41	3321401	1	Nut 1/4in-28NF	
42	0100020	AR	Sealant, Pipe (Not Shown)	
43	0701015	1	Bolt, Metric M10 x 35mm	
44	4791600	2	Starwasher 3/8in	

SECTION 2 - TURNTABLE

ITEM	PART NUMBER	QTY	DESCRIPTION	REV
45	2220437	1	Fitting, Reducer	
	0255122	Ref	FORD ENGINE INSTALLATION - STANDARD GAS	D
	0255126	Ref	FORD ENGINE INSTALLATION - DUAL FUEL	6
101	Not Required		Not Required	
102	0340002	2	Bands, A/C Mounting	
103	1120161	1	Cap, Air Cleaner	
104	1340020	1	Air Cleaner	
104	7004214	1	Air Cleaner Element	
105	4300031	4	Stud (Welded on Part)	
106	3311401	6	Nut 1/4in-20NC	
107	4761400	6	Lockwasher 1/4in	
108	4561815	1	Air Cleaner Tube	
109	0080039	1	90 Tube	
110	1320016	5	Clamp	
111	2720178	1.2 ft	Hose 2 1/4in x 2 1/2in	
112	3534685	1	Plate, Engine Mounting	
113	4711400	AR	Flatwasher 1/4in Narrow	
114	0641408	12	Bolt 1/4in-20NC x 1in	
115	0901243	2	Bracket, Radiator Support	
116	1320022	3	Clamp	
117	2220805	1	Fitting	
118	2200101	1	Fitting	
119	0100020	AR	Sealant, Pipe (Not Shown)	
120	0641813	4	Bolt 1/2in-13NC x 1 5/8in	
121	4751800	8	Flatwasher 1/2in	
122	3311805	4	Locknut 1/2in-13NC	
123	0080092	1	Adapter, Choke	
124	0080211	1	Adapter, Fan Spacer	
125	0901651	2	Bracket, Radiator	
126	3940804	12	Screw #8 x 3/4in	
127	4750800	12	Flatwasher #8	
128	3620026	1	Radiator	
129	2060014	1	Fan	
130	2680386	1	Shroud, Radiator	
131	7016376	1	Hose, Radiator	
132	1320014	3	Clamp	
133	7016375	1	Hose, Radiator	
134	1320031	1	Clamp	
135	3200062	4	Mount, Engine	
137	4751800	3	Flatwasher 1/2in	
138	3311805	3	Locknut 1/2in-13NC	
139	0651828	1	Bolt 1/2in-13NC x 3 1/2in	
140	0641820	2	Bolt 1/2in-13NC x 2 1/2in	
141	3600071	1	Auxiliary Pump Assembly	
141	7004247	1	Pump Only	
141	7004249	1	Coupling Only	
141	7004248	1	Motor, Replacement	
141	7004436	1	Motor with Bracket	
141	7012576	1	Bracket Only	
142	3740080	2	Relay	
143	0630360	2	Bolt, Carriage 5/16in-18NC x 1 1/4in	

SECTION 2 - TURNTABLE

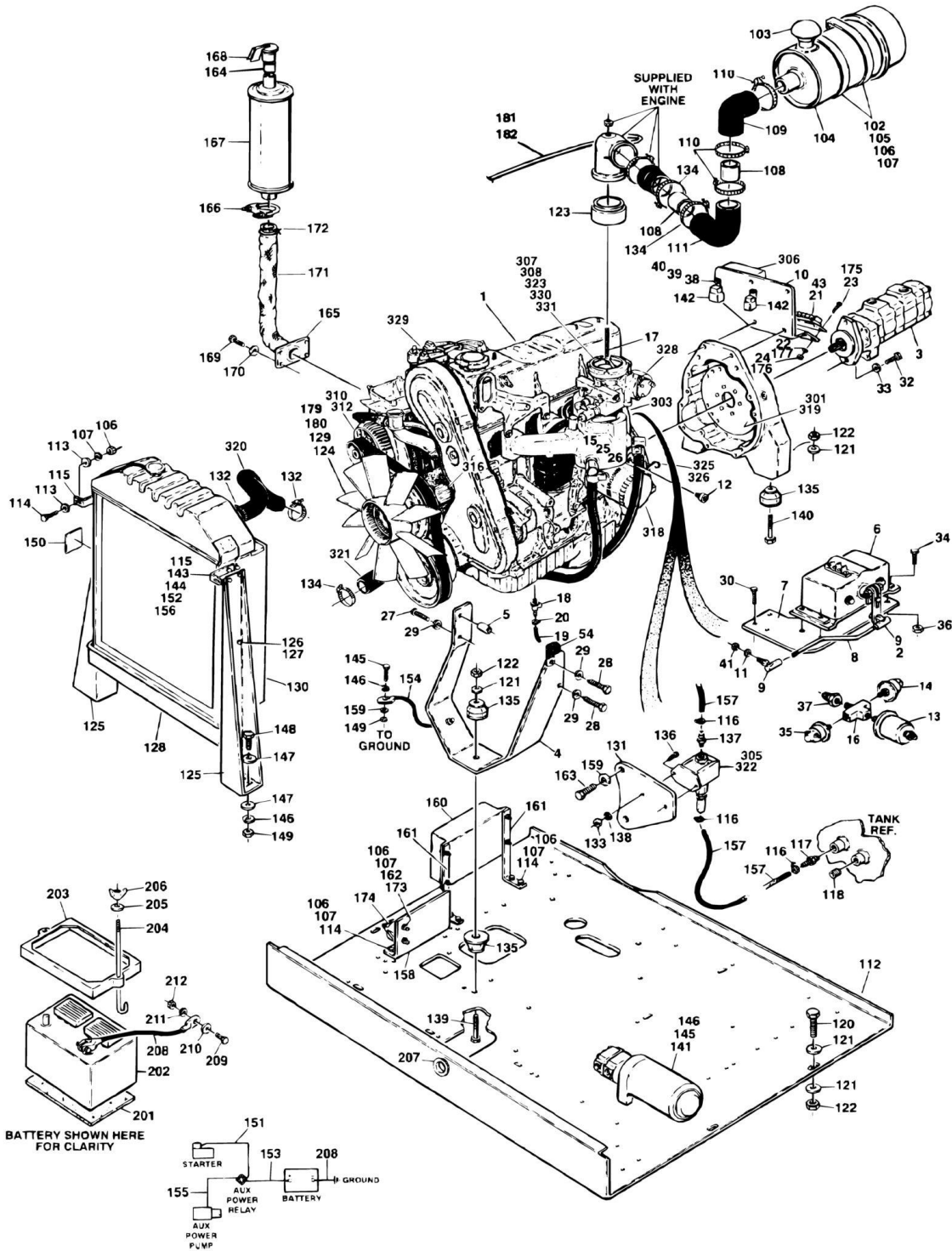
ITEM	PART NUMBER	QTY	DESCRIPTION	REV
144	3311501	4	Nut 5/16in-18NC	
145	0641608	4	Bolt 3/8in-16NC x 1in	
146	4761600	8	Lockwasher 3/8in	
147	4751600	8	Flatwasher 3/8in	
148	0641610	4	Bolt 3/8in-16NC	
149	3311601	6	Nut 3/8in-16NC	
150	3250914	2	Nameplate - "Caution - Fan Blade"	
151	1060093	1	Cable, Battery 18in	
152	4761500	2	Lockwasher 5/16in	
153	1060032	1	Cable, Battery 42in	
154	1060045	1	Cable, Battery 10in	
155	1060030	1	Cable, Battery 49in	
156	4751500	6	Flatwasher 5/16ft	
157	2720058	8 ft	Fuel Line	
158	3538387	1	Plate, Electrical Panel	
159	4791600	2	Lockwasher 3/8in	
160	1600211	1	Precision Governor Controller	
161	0901419	2	Bracket	
162	0641406	2	Bolt 1/4in-20NC x 3/4in	
163	4761400	12	Lockwasher 1/4in	
164	3311401	12	Nut 1/4in-20NC	
165	4562661	1	Tube Weldment	
166	1320019	2	Clamp	
167	3220033	1	Muffler	
168	1120067	1	Raincap	
169	0701010	4	Bolt 10mm x 20mm	
170	4832000	4	Lockwasher 10mm	
171	4100025	1.3 ft	Sleeve, Fiberglass	
172	4920385	2 ft	Wire, Safety	
173	4771400	4	Starwasher 1/4in	
174	3740067	1	Relay, Auxiliary Power	
175	3910812	2	Bolt #8-32NC x 3/4in	
176	3310801	2	Nut #8-32NC	
177	4760800	2	Lockwasher #8	
179	0630400	4	Bolt, Metric M8-1.25 x 90mm	
180	0100020	AR	Sealant, Pipe (Not Shown)	
181	2720160	2 ft/.6m	Hose	
182	4652516	1 in/2.5cm	Hose	
183	1320032	1	Clamp	
184	4831900	4	Lockwasher, Metric M8	
185	4566870	1	Tube, Exhaust	
	0239266	Ref	BATTERY INSTALLATION	C
201	3980003	1	Seat, Masonite	
202	0400003	1	Battery	
203	0400002	1	Holddown, Battery	
203	2910479	2	Clips	
204	0630370	2	J-Bolt 3/8inx 10 7/16in	
205	4711600	2	Flatwasher 3/8in Narrow	
206	3300029	2	Wingnut 3/8in-16NC	
207	0961127	1	Bushing, Snap (Not Shown)	
208	1060146	1	Cable, Battery (March 1995 to June 1995)	

SECTION 2 - TURNTABLE

ITEM	PART NUMBER	QTY	DESCRIPTION	REV
208	1060074	1	Cable, Battery (June 1995 to S/N 36897)	
209	0641610	1	Bolt 3/8in-16NC x 1 1/4in	
210	4751600	2	Flatwasher 3/8in	
211	4761600	1	Lockwasher 3/8in	
212	3311601	1	Nut 3/8in-16NC	
	0257154	Ref	COLD WEATHER KIT - ENGINE COMPONENTS (OPTIONAL - NOT SHOWN) (SN 42903 through 36897)	1
250	2580048	1	Heater, Engine Block (Not Shown)	
	2000126	Ref	ENGINE COMPONENTS:	
301	4360157	1	Switch, Temperature	
302	7000646	1	Gasket, Carburetor	
303	7012679	1	Starter and Wire Kit (Not Shown) (was p/n 7000868)	
303	7025145	1	Solenoid, Starter (Not Shown)	
304	7000884	1	Solenoid, Fuel	
305	1660218	1	Housing and Coupling Assembly (See PUMP COUPLING INSTALLATIONS for Breakdown)	
306	7012664	1	Element, Filter Air	
307	7016600	1	Fuel Pump - Electric (Facet)	
308	7012680	1	Alternator	
309	7012681	1	Module, Ignition	
310	7012682	1	Harness, Engine (Not Shown)	
311	7012683	1	Spring (Not Shown)	
312	7012690	1	Carburetor	
312	7023471	1	Float Assembly	
312	7024321	1	Gasket, Calibrator (Top)	
313	7021869	1	Filter, Oil (was p/n 7014501)	
314	7019926	1	Hose, Radiator (Top)	
315	7019927	1	Hose, Radiator (Bottom)	
316	7016601	1	Filter, Fuel (Used with Facet Pump)	
317	7016605	1	Choke, Automatic	
318	7022153	1	Water Pump (was p/n 7016638)	
319	7019921	1	Belt, Alternator	
320	7019930	1	Assembly, Ignition Coil	
321	7019931	1	Wires, Spark Plug	
321	7019932	4	Spark Plug	
322	7019933	1	Kit, Calibrator Repair	
323	7019976	1	Flywheel (Not Shown)	
324	7020120	1	Housing, Bell	
325	7022143	1	Gasket, Exhaust Manifold to Head (Not Shown)	
326	7022180	1	Gear, Ring (Not Shown)	
328	7019925	1	Valve, PCV	
329	2120149	1	Element, Filter Hydraulic Oil (Not Shown)	
330	2120150	1	Element, Charge Filter Hydraulic Oil (Not Shown)	
331	70002307	1	Gasket, Exhaust Manifold to Exhaust Pipe (4 bolt)	
332	7019923	1	Manifold, Intake	
333	7019924	1	Manifold, Exhaust (Not Shown)	
334	7019929	1	Pulley, Idler (Tensioner Assy) (Not Shown)	
335	7022178	1	Sensor, Crankshaft (Not Shown)	
336	7022150	1	Belt, Timing (Not Shown – Located on Front Of Engine Under Timing Belt Cover)	

SECTION 2 - TURNTABLE

FIGURE 2-37. FORD LRG 425 DIS ENGINE ASSEMBLY (DISTRIBUTORLESS IGNITION SYSTEM) (SN 36897 to Present)



SECTION 2 - TURNTABLE

FIGURE 2-37. FORD LRG 425 DIS ENGINE ASSEMBLY (DISTRIBUTORLESS IGNITION SYSTEM) (SN 36897 to Present)

ITEM	PART NUMBER	QTY	DESCRIPTION	REV
	0257888	Ref	FORD ENGINE ASSEMBLY - STANDARD GAS	4
	0257889	Ref	FORD ENGINE ASSEMBLY - DUAL FUEL	6
1		Ref	Engine Options:	
1	2000153	1	Engine (Prior to SN 37699)	
1	2000157	1	Engine (SN 37699 through 39254)	
1	2000159	1	Engine (SN 39254 to Present)	
2	4751000	1	Flatwasher #10	
3	3600139	1	Pump Assembly - Main (See MAIN PUMP ASSEMBLY for Breakdown)	
4	3200377	1	Mount, Engine (Front)	
5	4566605	1	Tube, Spacer	
6	2500005	1	Precision Governor Actuator	
7	0902088	1	Bracket, Governor Mounting	
8	3841255	1	Rod, Throttle	
9	1660157	2	Coupling, Ball joint	
10	0902447	1	Bracket, Terminal Strip Mounting	
11	4761400	1	Lockwasher 1/4in	
12	2420024	1	Sender, Water Temperature	
13	2420033	1	Sender, Oil Pressure	
14	4360037	1	Switch, Oil Pressure	
15	2220273	1	Fitting, Reducer	
16	2220994	1	Fitting, Cross	
17	4300056	1	Stud, Carburetor	
18	4640989	1	Valve, Oil Drain	
19	2750532	2.5 ft	Hose	
20	1320022	1	Clamp, Hose	
21	1700901	1	Decal, Terminal Strip	
22	4760800	2	Lockwasher #8	
23	3910812	2	Bolt #8-32NC x 3/4in	
24	3310801	2	Nut #8-32NC	
25	2180536	1	Fitting Straight/Barbed	
26	2720271	2.5 ft	Hose, Vacuum	
27	0701022	2	Bolt 10mm x 70mm	
28	0701014	2	Bolt 10mm x 30mm	
29	4832000	4	Lockwasher 10mm	
30	0700810	3	Bolt 8mm x 20mm	
31	0100011	AR	Loctite #242 (Not Shown)	
32	0641812	2	Bolt 1/2in-13NC x 1 1/2in	
33	4761800	2	Lockwasher 1/2in	
34	0641408	4	Bolt 1/4in-20NC x 1in	
35	4360405	1	Switch, Oil Pressure	
36	3311405	6	Locknut 1/4in-20NC	
37	2220437	1	Fitting, Reducer	
38	0721014	2	Bolt #10-24NC x 1 3/4in	
39	3311001	2	Nut #10-24NC	
40	4761000	2	Lockwasher #10	
41	3321401	1	Nut 1/4in-28NF	
42	0100020	AR	Sealant, Pipe (Not Shown)	
43	1670414	1	Cover, Terminal	

SECTION 2 - TURNTABLE

ITEM	PART NUMBER	QTY	DESCRIPTION	REV
47	4100025	2 ft/0.6m	Sock (Not Shown)	
54	1320060	1	Clamp	
	0258163	Ref	FORD ENGINE INSTALLATION - STANDARD GAS	2
	0258164	Ref	FORD ENGINE INSTALLATION - DUAL FUEL	3
102	0340002	2	Bands, A/C Mounting	
103	1120161	1	Cap, Air Cleaner	
104	1340020	1	Air Cleaner	
104	7004214	1	Air Cleaner Element	
105	4300031	4	Stud (Welded on Part)	
106	3311401	18	Nut 1/4in-20NC	
107	4761400	18	Lockwasher 1/4in	
108	4561815	2	Air Cleaner Tube	
109	0080039	1	90 Tube	
110	1320016	AR	Clamp	
111	2720178	1.2 ft	Hose 2 1/4in x 2 1/2in	
112	3570861	1	Plate, Engine Mounting	
113	4711400	4	Flatwasher 1/4in Narrow	
114	0641408	12	Bolt 1/4in-20NC x 1in	
115	0901243	2	Bracket, Radiator Support	
116	1320022	3	Clamp	
117	2220805	1	Fitting	
118	2200101	1	Fitting	
119	0100020	AR	Sealant, Pipe (Not Shown)	
120	0641813	4	Bolt 1/2in-13NC x 1 5/8in	
121	4751800	11	Flatwasher 1/2in	
122	3311805	7	Locknut 1/2in-13NC	
123	0080092	1	Adapter, Choke	
124	0080211	1	Adapter, Fan Spacer	
125	0901651	2	Bracket, Radiator	
126	3940804	12	Screw #8 x 3/4in	
127	4750800	12	Flatwasher #8	
128	3620026	1	Radiator	
129	2060014	1	Fan	
130	2680386	1	Shroud, Radiator	
131	0902087	1	Bracket, Fuel Pump Mounting	
132	1320012	3	Clamp	
133	3311405	1	Locknut 1/4in-20NC	
134	1320031	3	Clamp	
135	3200062	4	Mount, Engine	
136	0641404	1	Bolt 1/4in-20NC x 1/2in	
137	2220315	1	Fitting Straight	
138	4791400	1	Lockwasher 1/4in	
139	0651828	1	Bolt 1/2in-13NC x 3 1/2in	
140	0641820	2	Bolt 1/2in-13NC x 2 1/2in	
141	3600071	1	Auxiliary Pump Assembly	
141	7004247	1	Pump Only	
141	7004249	1	Coupling Only	
141	7004248	1	Motor, Replacement	
141	7004436	1	Motor with Bracket	
141	7012576	1	Bracket Only	
142	3740080	2	Relay	

SECTION 2 - TURNTABLE

ITEM	PART NUMBER	QTY	DESCRIPTION	REV
143	0630360	2	Bolt, Carriage 5/16in-18NC x 1 1/4in	
144	3311501	4	Nut 5/16in-18NC	
145	0641608	4	Bolt 3/8in-16NC x 1in	
146	4761600	8	Lockwasher 3/8in	
147	4751600	8	Flatwasher 3/8in	
148	0641610	4	Bolt 3/8in-16NC	
149	3311601	6	Nut 3/8in-16NC	
150	3250914	2	Nameplate - "Caution - Fan Blade"	
151	1060093	1	Cable, Battery 18in	
152	4761500	2	Lockwasher 5/16in	
153	1060032	1	Cable, Battery 42in	
154	1060045	1	Cable, Battery 10in	
155	1060030	1	Cable, Battery 49in	
156	4751500	6	Flatwasher 5/16ft	
157	2720058	9.3 ft	Fuel Line	
158	3538387	1	Plate, Electrical Panel	
159	4791600	4	Lockwasher 3/8in	
160	1600211	1	Precision Governor Controller	
161	0901419	2	Bracket	
162	0641406	2	Bolt 1/4in-20NC x 3/4in	
163	0701015	1	Bolt 10mm x 35mm	
164	4566870	1	Tube, Exhaust	
165	4562661	1	Tube Weldment	
166	1320019	2	Clamp	
167	3220033	1	Muffler	
168	1120067	1	Raincap	
169	0701010	4	Bolt 10mm x 20mm	
170	4832000	4	Lockwasher 10mm	
171	4100025	1.3 ft	Sleeve, Fiberglass	
172	4920385	2 ft	Wire, Safety	
173	4771400	4	Starwasher 1/4in	
174	3740067	1	Relay, Auxiliary Power	
175	3910812	2	Bolt #8-32NC x 3/4in	
176	3310801	2	Nut #8-32NC	
177	4760800	2	Lockwasher #8	
179	0630400	4	Bolt, Metric M8-1.25 x 90mm	
180	4831900	4	Lockwasher 8mm	
181	2720160	2 ft/.6m	Hose	
182	1320032	2	Clamp	
	0239266	Ref	BATTERY INSTALLATION	C
201	3980003	1	Seat, Masonite	
202	0400003	1	Battery	
203	0400002	1	Holddown, Battery	
203	2910479	2	Clips	
204	0630370	2	J-Bolt 3/8inx 10 7/16in	
205	4711600	2	Flatwasher 3/8in Narrow	
206	3300029	2	Wingnut 3/8in-16NC	
207	0961127	1	Bushing, Snap (Not Shown)	
208	1060146	1	Cable, Battery (March 1995 to June 1995)	
208	1060074	1	Cable, Battery (June 1995 to Present)	
209	0641610	1	Bolt 3/8in-16NC x 1 1/4in	

SECTION 2 - TURNTABLE

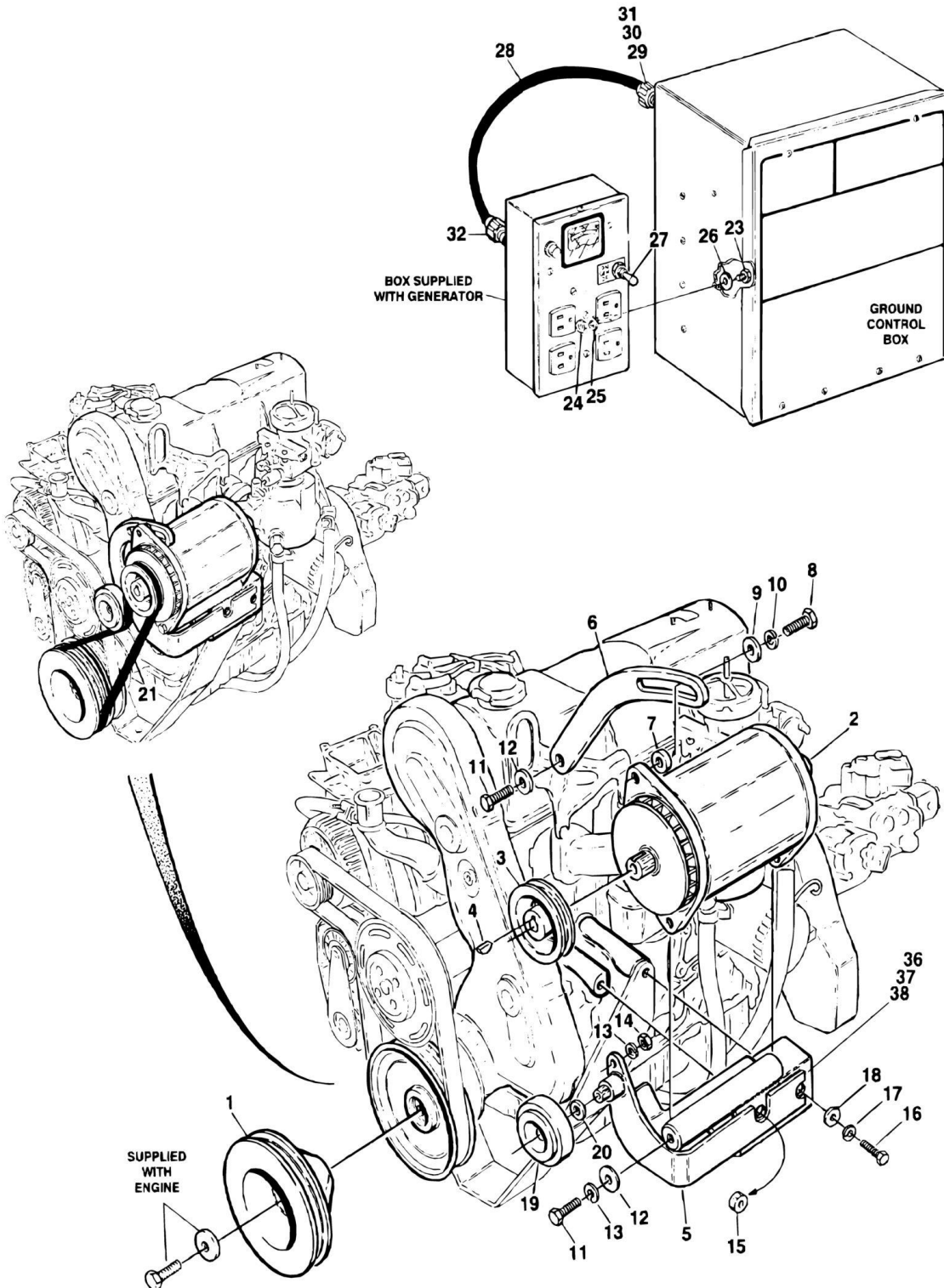
ITEM	PART NUMBER	QTY	DESCRIPTION	REV
210	4751600	2	Flatwasher 3/8in	
211	4761600	1	Lockwasher 3/8in	
212	3311601	1	Nut 3/8in-16NC	
	0257154	Ref	COLD WEATHER KIT - ENGINE COMPONENTS (OPTIONAL - NOT SHOWN) (SN 42903 to Present)	1
250	2580048	1	Heater, Engine Block (Not Shown)	
		Ref	ENGINE COMPONENTS:	
	2000153	Ref	Engine Components (Prior to SN 37699)	
	2000157	Ref	Engine Components (SN 37699 through 39254)	
	2000159	Ref	Engine Components (SN 39254 to Present)	
301	1660249	1	Coupling (was p/n 7012656)	
302	7012679	1	Starter (Not Shown)	
303	7025126	1	Manifold, Intake (Was p/n 7019923)	
304	7019924	1	Manifold, Exhaust (Not Shown)	
305		Ref	Filter, Fuel Options:	
305	7016601	1	Filter, Fuel (Used with Facet Pump) (Engine 2000157)	
305	7027972	1	Filter, Fuel (Used with Facet Pump) (was 7019928) (Engine 2000159)	
306	7023687	1	Module, Ignition (was p/n 7019961)	
307	7019988	1	Carburetor (was p/n 7019974)	
307	70000163	1	Needle, Spring Loaded	
307	7000884	1	Solenoid, Fuel	
307	7027292	1	Float Assembly	
308	7000646	1	Gasket, Carburetor (was p/n 7019975)	
309	7019976	1	Assembly, Flywheel (Not Shown)	
310	7019977	1	Alternator	
311	7019978	1	Tensioner, Belt (Not Shown)	
312	7027402	1	Belt, Alternator (was p/n 7019979)	
313	7019980	1	Harness, Engine (Not Shown)	
314	7019981	1	Indicator, Oil Level (Not Shown)	
315	7019982	1	Inlet Tube, Water Pump (Not Shown)	
316	7022153	1	Assembly, Water Pump	
316	7019985	1	Pulley, Water Pump	
316	7022156	1	Thermostat Assembly (Not Shown)	
317	7019997	1	Regulator (Not Shown)	
318	7021869	1	Filter, Oil (was p/n 7014501)	
319	1660218	1	Housing and Coupling Assembly (See PUMP COUPLING INSTALLATIONS for Breakdown)	
320	7019926	1	Hose, Radiator (Top) (Engines 2000157 & 2000159)	
321	7019927	1	Hose, Radiator (Bottom) (Engines 2000157 & 2000159)	
322		Ref	Fuel Pump - Electric (Facet) Options:	
322	7016600	1	Engine 2000157	
322	7019983	1	Engine 2000159	
323	7019933	1	Kit, Carburetor Repair (Engines 2000157 & 2000159)	
324	7022180	1	Gear, Ring (Engines 2000157 & 2000159) (Not Shown)	
325	2420109	1	Dipstick (Engine 2000159)	
326	4564281	1	Tube, Dipstick (Engine 2000159)	
328	7016605	1	Choke, Automatic (Engine 2000159)	
329	7019930	1	Assembly, Ignition Coil (Engine 2000159)	
330	7024321	1	Gasket, Carburetor (Top) (Engine 2000159)	
331	7025122	1	Carburetor Base (Engine 2000159)	
332	7022178	1	Sensor, Crankshaft (Not Shown) (Engine 2000159)	

SECTION 2 - TURNTABLE

ITEM	PART NUMBER	QTY	DESCRIPTION	REV
333	7019931	1	Wire Set Spark Plug (Not Shown)	
333	7019932	4	Spark Plug (Not Shown)	
334	70002307	1	Gasket, Exhaust (Manifold to Pipe) (Not Shown)	
335	7025134	1	Gasket, Water Outlet Connection (Not Shown) (Engine 2000159)	
336	7025124	1	Gasket Kit Upper (Not Shown) (Engine 2000159) (Includes Crankshaft Seal, Water Outlet, Head Gasket (Paper), Water Outlet, Head Gasket (Rubber), Head Gasket, Exhaust Valve Seat Insert, Valve Stem Seal, Valve/Rocker Arm Cover Gasket and Intake Manifold to Head Gasket.	

SECTION 2 - TURNTABLE

FIGURE 2-38. GENERATOR INSTALLATION - FORD MACHINES BUILT MARCH 1995 TO PRESENT



SECTION 2 - TURNTABLE

FIGURE 2-38. GENERATOR INSTALLATION - FORD MACHINES BUILT MARCH 1995 TO PRESENT

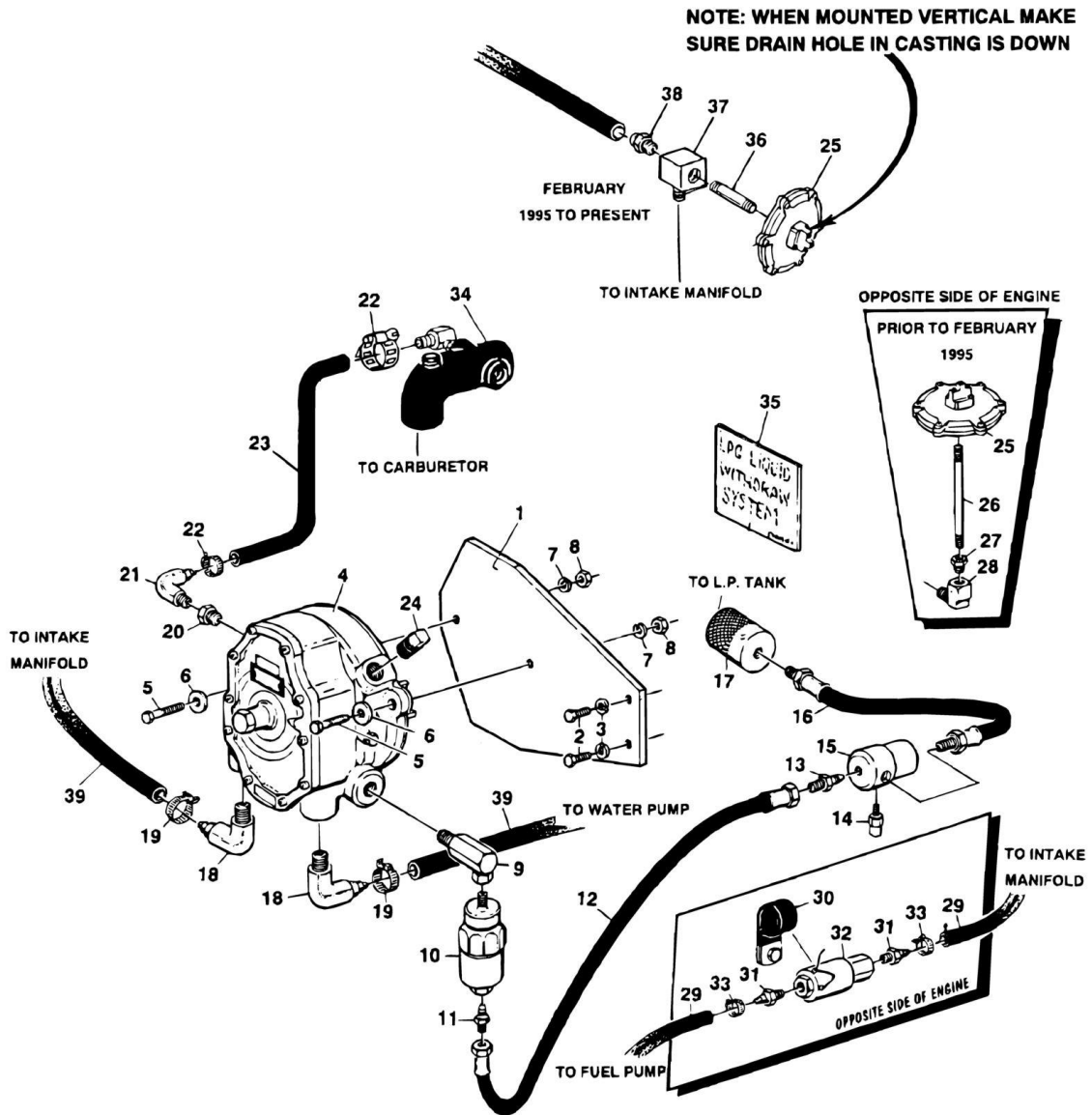
ITEM	PART NUMBER	QTY	DESCRIPTION	REV
	0255227	Ref	GENERATOR INSTALLATION	8
1	3580250	1	Pulley, Crankshaft	
2	2460011	1	Generator and Control Box Assembly	
2	7012558	1	Generator Assembly	
2	7020193	1	Cable, Generator (Generator to Control Box)	
2	7026199	1	Armature	
2	7020108	4	Brush	
2	7020109	4	Holder, Brush	
2	7012513	4	Cap, Brush Holder	
2	7012514	1	Fan	
2	7020110	1	Bell, Front	
2	7020111	1	Bell Rear	
2	7020190	2	Bearing	
2	7003657	1	Control Box Assembly	
		Ref	Note: Replacement 110V Control Box comes with 2 std Receptacles p/n 4460190. Optional Industrial Twist Lock Receptacles p/n 4460027 must be ordered separately.	
2	4360542	1	Breaker, Circuit	
2	2420203	1	Voltmeter 110V (was p/n 7010699)	
2		Ref	Receptacle Options:	
2	4460190	AR	Receptacle, Standard 110V	
2	4460027	1	Receptacle, Twistlock 110V	
2	2920162	1	Lamp	
2	7020191	1	Switch, Toggle	
2	3520028	1	Plug, Hole	
3	3580134	1	Pulley	
4	2860012	1	Key, Woodruff	
5	0902104	1	Bracket, Generator Mounting	
6	0200530	1	Arm, Adjusting	
7	4564417	1	Tube, Spacer	
8	0641508	1	Bolt 5/16in-18NC x 1in	
9	4751500	1	Flatwasher 5/16in	
10	4761500	1	Lockwasher 5/16in	
11	0641612	3	Bolt 3/8in-16NC x 1 1/2in	
12	4751600	3	Flatwasher 3/8in	
13	4761600	3	Lockwasher 3/8in	
14	3311601	1	Nut 3/8in-16NC	
15	4566650	1	Tube, Spacer	
16	0701015	2	Bolt 10mm - 1.5 x 35mm	
17	4812000	2	Flatwasher 10mm	
18	4832000	2	Lockwasher	
19	3580239	1	Pulley, Idler	
20	4740275	1	Washer	
21	0480090	1	Belt, Generator	
22	0100011	AR	Loctite (Not Shown)	
23	0721004	2	Bolt #10-24NC x 1/2in	
24	3311001	2	Nut #10-24NC	
25	4751000	6	Flatwasher #10	
26	4761000	2	Lockwasher #10	
27	3251476	1	Nameplate, Generator	

SECTION 2 - TURNTABLE

ITEM	PART NUMBER	QTY	DESCRIPTION	REV
28		Ref	Cable, Control 12/4 Options:	
28	1060012	3 ft	Production	
28	1060515	3 ft	Post Production	
29	4460071	1	Connector, Strain Relief	
30	0960238	1	Bushing	
31	3300048	1	Nut, Conduit	
32	4460023	1	Connector, Strain Relief	
34	2180360	1	Fitting, Tee (Located on Engine)	
35	4360037	1	Switch, Oil Pressure (Located on Engine)	
36	4070585	AR	Shim .010	
37	4070586	AR	Shim .005	
38	4070587	AR	Shim .002	

SECTION 2 - TURNTABLE

FIGURE 2-39. DUEL FUEL INSTALLATION (FORD MACHINES)



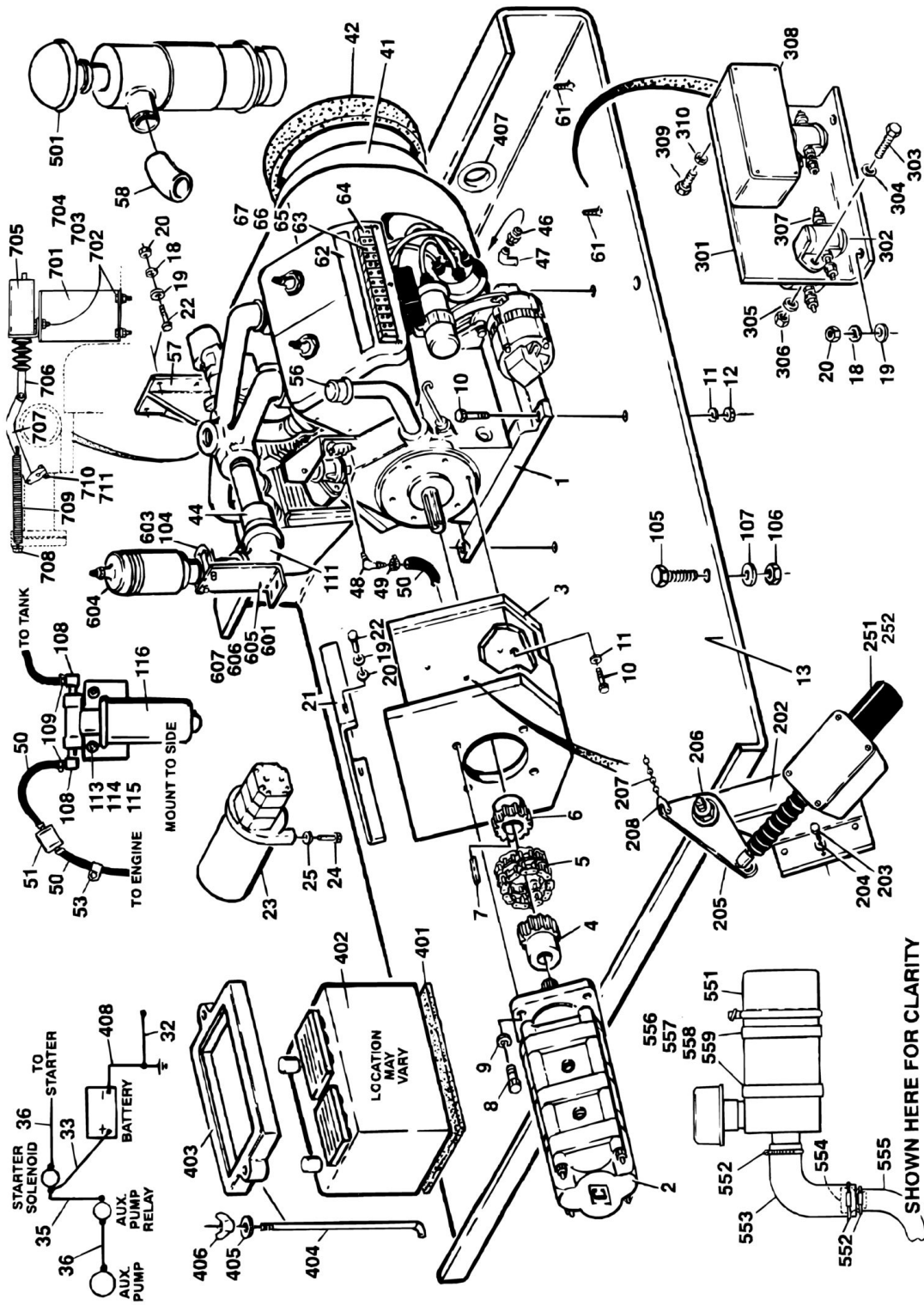
SECTION 2 - TURNTABLE

FIGURE 2-39. DUEL FUEL INSTALLATION (FORD MACHINES)

ITEM	PART NUMBER	QTY	DESCRIPTION	REV
		Ref	DUAL FUEL INSTALLATION (FORD MACHINES)	
1	0901236	1	Bracket, Vaporizer (Prior to March 1995)	
1	0902089	1	Bracket, Vaporizer (March 1995 to S/N 36176)	
1	0902447	1	Bracket, Vaporizer (SN 36176 to Present)	
2	0701014	2	Bolt, Metric 10mm x 30mm	
3	4761800	2	Lockwasher 1/2in	
4	4700005	1	Regulator	
4	7017515	1	Repair Kit	
5	0641416	2	Bolt 1/4in-20NC x 2in	
6	4751400	2	Flatwasher 1/4in (Prior to SN 36897)	
7	4761400	2	Lockwasher 1/4in (Prior to SN 36897)	
8		Ref	Nut Options:	
8	3311401	2	Nut 1/4in (Prior to SN 36897)	
8	3311405	2	Locknut 1/4in (SN 36897 to Present)	
9	2220064	1	Fitting, 90	
10	2120077	1	L.P. Filter Lock	
11	2180418	1	Fitting	
11	2220082	1	Fitting, 90 (Not Shown)	
12	2720127	1	Hose	
13	2180418	1	Fitting	
14	2180389	1	Valve, Relief	
15	2180388	1	Filter, Bulkhead	
16	2720117	1	Hose	
17	2180387	1	Fitting, L.P. Tank	
18	2220313	2	Fitting, 90 (Prior to March 1995)	
18	2220675	2	Fitting, 90 (March 1995 to Present)	
19	1320022	4	Clamp, Hose	
20	2220251	1	Fitting, Reducer	
21	2220675	1	Fitting, 90	
22	1320017	2	Clamp, Hose	
23	2720112	1	Hose, Vapor	
24	2200224	1	Plug, Pipe (Prior to March 1995)	
24	2200204	1	Plug, Pipe (March 1995 to Present)	
25	4360188	1	Switch, Vacuum	
26	2180420	1	Pipe, Nipple (Prior to March 1995)	
27	2220652	1	Fitting (Prior to March 1995)	
28	2220430	1	Fitting, Reducer (Prior to March 1995)	
29	2720058	AR	Hose	
30	1320060	1	Clamp, Hose	
31	2220315	2	Fitting	
32	4640391	1	Fuel, Lock (Prior to SN 36897)	
33	1320022	2	Clamp, Hose	
34	0080124	1	Adaptor, Carburetor	
35	1700818	1	Decal - LPG Liquid Withdrawal System	
36	2180104	1	Fitting, Nipple (March 1995 to Present)	
37	2180360	1	Fitting, Tee (March 1995 to Present)	
38	2180536	1	Fitting, Straight/Barbed (March 1995 to Present)	
39	2750532	AR	Hose 3/8in I.D.	

SECTION 2 - TURNTABLE

FIGURE 2-40. WISCONSIN VG4D ENGINE INSTALLATION



SECTION 2 - TURNTABLE

FIGURE 2-40. WISCONSIN VG4D ENGINE INSTALLATION

ITEM	PART NUMBER	QTY	DESCRIPTION	REV
	0236451	Ref	ENGINE ASSEMBLY	K
	0239411	Ref	ENGINE ASSEMBLY (HYDRAULIC CONTROLS)	C
1	2000065	1	Engine, Wisconsin VG4D	
2		Ref	Pump, Hydraulic (Main) Options	
2	3600072	1	Pump Only (Prior to May 1987) (See MAIN PUMP ASSEMBLY for Breakdown)	
2	3600139	1	Pump Only (May 1987 to Present) (See MAIN PUMP ASSEMBLY for Breakdown)	
3	0080073	1	Adapter, Pump	
4	1660062	1	Coupling, Half	
5	1260025	1	Chain, Coupling	
6	1660119	1	Coupling, Half	
7	2880619	1	Keystock (3/8in x 3/8in x 2 3/8in)	
8	0641810	2	Bolt 1/2in-13NC x 1.25	
9	4761800	2	Lockwasher 1/2in	
10	0642014	8	Bolt 5/8in-11NC x 1 3/4in	
11	4762000	8	Lockwasher 5/8in	
12	3312001	4	Nut 5/8in-11NC	
13	3509816	1	Plate, Engine Mounting	
18	4761400	AR	Lockwasher 1/4in	
19	4751400	AR	Flatwasher 1/4in	
20	3311401	AR	Nut 1/4in-20NC	
21	4060533	1	Shield, Pump Adapter	
22	0641405	6	Bolt 1/4in-20NC x 5/8in	
23		Ref	Auxiliary Pump Assembly Options	
		Ref	Note: When replacing complete assembly recommend using p/n 3600071.	
23	3600051	1	Pump Assembly (Prior to November 1985)	
23	7004415	1	Pump Only	
23	7004408	1	Coupling Only	
23	3600115	1	Pump Assembly (November 1985 to August 1990)	
23	7004412	1	Coupling Only	
23	7013755	1	Motor, Replacement	
23	3600071	1	Pump Assembly (August 1990 to June 1991)	
23	7004247	1	Pump Only	
23	7004249	1	Coupling Only	
23	7004248	1	Motor, Replacement	
23	7004436	1	Motor with Bracket	
23	7010071	1	Bracket Only	
24	0641606	2	Bolt 3/8in-16NC x 3/4in	
25	4771600	2	Starlock Washer 3/8in	
32	1060093	2	Cable 18in	
33	1060032	1	Cable 42in	
35	1060221	1	Cable 12in	
36	1060149	2	Cable 55in	
37	0100010	AR	Loctite #12 (Not Shown)	
41	4843148	1	Weldment, Ring	
42	3960247	1	Seal, Air Intake	
43	0100001	AR	Adhesive	
44	2180625	1	Fitting, Nipple	

SECTION 2 - TURNTABLE

ITEM	PART NUMBER	QTY	DESCRIPTION	REV
46	2220252	1	Fitting, Adapter	
47	2200344	1	Fitting, 90 Elbow	
48	2220296	1	Fitting	
49	1320022	1	Clamp	
50	2720015	AR	Hose	
51	2120042	1	Filter	
53	1320131	1	Clamp, Support	
56	2901181	1	Breather Assembly, Positive Crankcase	
57	4842235	1	Bracket, Air Cleaner	
58	2180482	1	Fitting, Air Cleaner	
61	4300032	2	Stud (Welded Part)	
62	1700820	1	Decal, Terminal Strip	
63	4460277	1	Strip, Terminal	
64	1670414	1	Cover, Terminal Strip Cover	
65	3300233	2	Nut #8-32	
66	3910812	2	Bolt #8-32 x 3/4in	
67	4770800	2	Starlock Washer	
	0236452	Ref	ENGINE INSTALLATION (STANDARD CONTROLS)	B
	0239412	Ref	ENGINE INSTALLATION (HYDRAULIC CONTROLS)	A
104	1320019	1	Clamp, Muffler	
105	0641814	4	Bolt, 1/2in-13NC x 1 3/4in	
106	3311805	4	Nut, 1/2in-13NC	
107	4751800	4	Flatwasher 1/2in	
108	2220296	1	Fitting	
109	1320022	1	Clamp	
111	4562947	1	Tube, Exhaust	
113	4300031	2	Stud (Welded Part)	
114	4761400	2	Lockwasher 1/4in	
115	3311401	2	Nut 1/4in-20NC	
116	3600151	1	Pump, Electric Fuel	
		Ref	THROTTLE INSTALLATIONS (STANDARD PARTS)	
202	4842288	1	Bracket	
203	0641406	3	Bolt 1/4in-20NC x 3/4in	
204	4761400	3	Lockwasher 1/4in	
205	0200291	1	Arm	
206	3311605	1	Locknut 3/8in-16NC	
206	4751600	2	Flatwasher 3/8in	
207	1260082	1 ft	Chain	
208	1660083	2	Coupling	
208	3430304	1	Pin, Clevis	
208	3450203	1	Pin, Cotter	
	0236992	Ref	THROTTLE INSTALLATION (MACHINE BUILT PRIOR TO NOVEMBER 1985 (VARIABLE PARTS))	A
251	0060020	1	Actuator Assembly	
251	7008807	1	Board, Circuit	
251	7008821	1	Motor	
251	7008822	1	Cover, Motor	
251	7008804	1	Bellows, Rod	
	0237687	Ref	THROTTLE INSTALLATION (MACHINES BUILT NOVEMBER 1985 TO PRESENT) (VARIABLE PARTS)	
252	0060024	1	Actuator Assembly	
252	7008829	1	Board, Circuit	

SECTION 2 - TURNTABLE

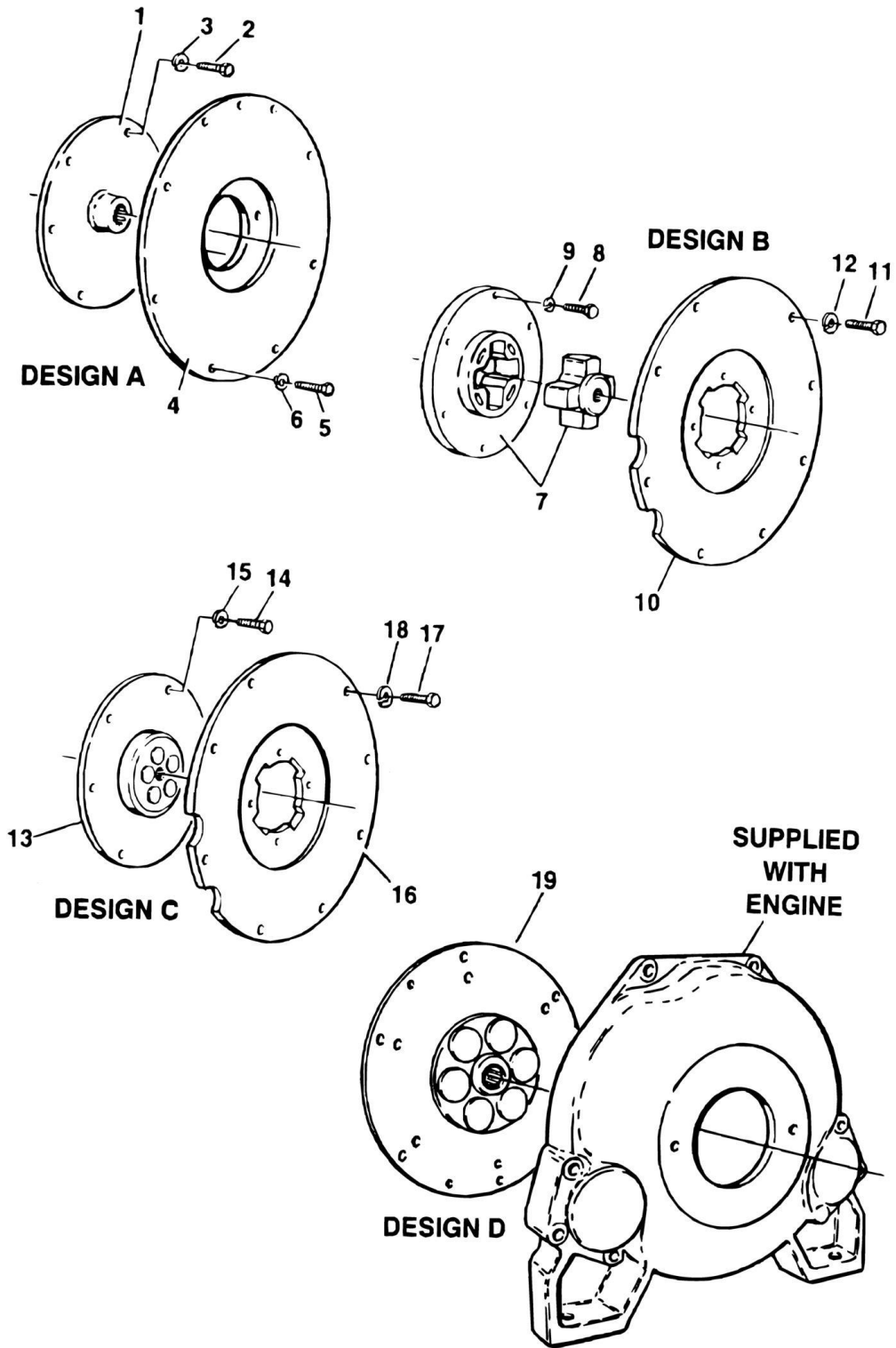
ITEM	PART NUMBER	QTY	DESCRIPTION	REV
252	7008821	1	Motor	
252	7008822	1	Cover, Motor	
252	7008804	1	Bellows, Rod	
	0237297	Ref	ELECTRICAL PANEL ASSEMBLY (MACHINES BUILT PRIOR TO NOVEMBER 1985)	-
301	3530405	1	Plate, Mounting	
302	3740002	3	Relay	
303	0641006	2	Bolt #10-24	
304	4751000	2	Flatwasher #10	
305	4761000	2	Lockwasher #10	
306	3311001	2	Nut #10-24NC	
307	3300220	2	Nut, Special	
308	0060021	1	Module, Actuator	
309	0641406	2	Bolt 1/4in-20NC x 3/4in	
310	4761400	2	Lockwasher	
	0239266	Ref	BATTERY INSTALLATION	B
401	3980003	1	Seat, Masonite	
402	0400003	1	Battery	
403	0400002	1	Holddown, Battery	
403	2910479	2	Clips	
404	0630370	2	J-Bolt 3/8in x 10 7/16in	
405	4711600	2	Flatwasher	
406	3300029	2	Wingnut	
407	0961127	1	Bushing, Snap	
408	1060146	1	Cable, Battery 12in (Prior to June 1995)	
408	1060147	1	Cable, Battery 12in (June 1995 to Present)	
408	0641610	1	Bolt 3/8in-16NC x 1 1/4in (Prior to June 1995)	
408	4751600	2	Flatwasher 3/8in (Prior to June 1995)	
408	4761600	1	Lockwasher 3/8in (Prior to June 1995)	
408	3311601	1	Nut 3/8in-16NC (Prior to June 1995)	
		Ref	AIR CLEANER INSTALLATION (STANDARD CONTROLS)	
501		Ref	Air Cleaner (Supplied with Engine)	
	0239416	Ref	AIR CLEANER (HYDRAULIC CONTROLS)	A
551	1340020	1	Air Cleaner	
551	7004214	1	Element, Filter	
552	1320016	4	Clamp, Hose	
553	0080039	1	Adapter, Fitting 90	
554	0080157	1	Adapter	
555	2720038	2 ft	Hose	
556	4300031	4	Stud (Welded Part)	
557	4761400	4	Lockwasher 1/4in	
558	3311401	4	Nut 1/4in-20NC	
559	0340002	2	Band, Mounting	
		Ref	EXHAUST INSTALLATION	A
601	0901294	1	Bracket, Exhaust	
603	1320019	1	Clamp, Muffler	
604	3220043	1	Muffler	
605	4300031	2	Stud (Welded Part)	
606	4761400	2	Lockwasher 1/4in	
607	3311401	2	Nut 1/4in-20NC	
	0250705	Ref	CHOKE SOLENOID INSTALLATION	A
701	0901669	1	Bracket, Choke Solenoid	

SECTION 2 - TURNTABLE

ITEM	PART NUMBER	QTY	DESCRIPTION	REV
702	0641406	4	Bolt, 1/4in-20NC x 3/4in	
703	4761400	4	Lockwasher	
704	3311401	2	Nut, 1/4in-20NC	
705	3740028	1	Solenoid, Choke	
706	1360061	1	Clevis, Choke Solenoid	
707	2980112	1	Lever, Choke	
708	0901670	1	Bracket, Spring	
709	4160037	1	Spring	
710	0730606	1	Bolt, #6-40NC x 3/4in	
711	3310601	2	Nut #6-40NC	
		Ref	ENGINE COMPONENTS	
	7021872	1	Filter, Oil	
	3120014	1	Engine Manual	

SECTION 2 - TURNTABLE

FIGURE 2-41. PUMP COUPLING INSTALLATIONS



SECTION 2 - TURNTABLE

FIGURE 2-41. PUMP COUPLING INSTALLATIONS

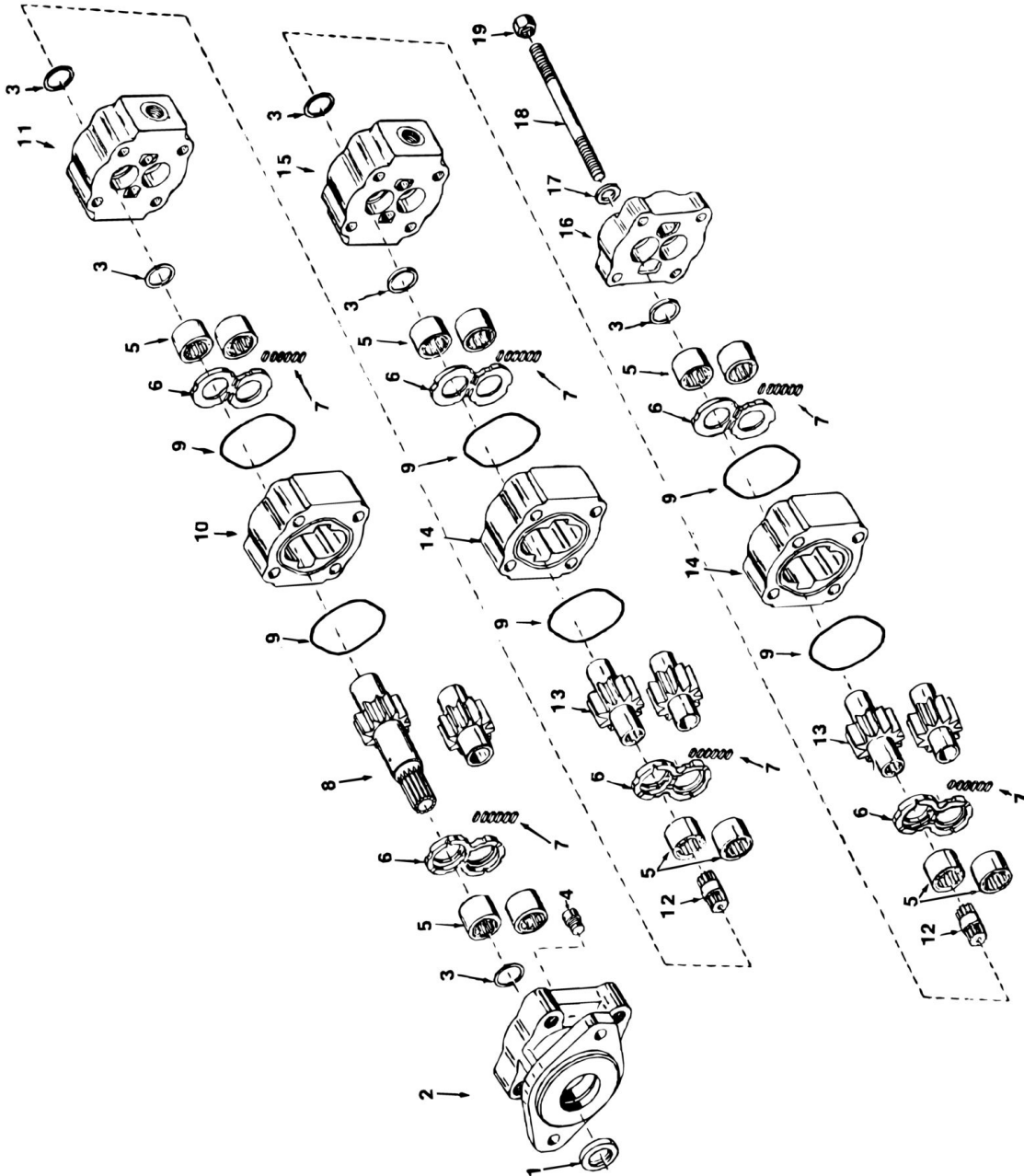
ITEM	PART NUMBER	QTY	DESCRIPTION	REV
		Ref	PUMP COUPLING INSTALLATIONS (FORD ENGINES)	
		Ref	JLG DISC INSTALLATION (DESIGN A)	
1	1760106	1	Disc Assembly (Ford Engines)	
1	1760075	1	Disc Assembly (Deutz - F2L511)	
1	1760106	1	Disc Assembly (Deutz - F3L912)	
2		Ref	Bolt Options:	
2	0641606	6	Bolt 3/8in-16NC x 3/4in (Ford Engines)	
2	0700810	6	Bolt, Metric 8mm x 20mm (Deutz - F2L511)	
2	0701010	6	Bolt, Metric 10mm x 20mm (Deutz - F3L912)	
3		Ref	Lockwasher Options:	
3	4761600	6	Lockwasher 3/8in (Ford Engines)	
3	4740116	6	Lockwasher 8mm (Deutz - F2L511)	
3	4832000	6	Lockwasher 10mm (Deutz - F3L912)	
4		Ref	Adapter, Pump Options:	
4	0080119	1	Adapter, Pump (Ford Engines)	
4	0080031	1	Plate, Adapter (Deutz - F2L511)	
4	0080087	1	Plate, Adapter (Deutz - F3L912)	
5		Ref	Bolt Options:	
5	0641608	8	Bolt 3/8in-16NC x 1in (Ford Engines)	
5	0701014	12	Bolt 10mm x 30mm (Deutz Engines)	
6		Ref	Lockwasher Options:	
6	4761600	8	Lockwasher 3/8in (Ford Engines)	
6	4832000	12	Lockwasher, Metric 10mm (Deutz Engines)	
		Ref	LOVEJOY COUPLING INSTALLATION (DESIGN B)	
	0239962	Ref	Ford Engine Machines	-
	0250125	Ref	Deutz - F3L1011	-
	0239968	Ref	Deutz - F2L511	-
	0239954	Ref	Deutz - F3L912	-
7	1660170	1	Coupling - Lovejoy (Ford Engine Machines)	
7	1660174	1	Disc, Coupling (Ford Engine Machines)	
7	1660175	1	Hub, Coupling (Ford Engine Machines)	
7	1660170	1	Coupling - Lovejoy (Deutz - F3L912)	
7	1660174	1	Disc, Coupling (Deutz - F3L912)	
7	1660175	1	Hub, Coupling (Deutz - F3L912)	
7	1660169	1	Coupling - Lovejoy (Deutz - F3L1011)	
7	1660172	1	Hub, Coupling (Deutz - F3L1011)	
7	1660173	1	Disc, Coupling (Deutz - F3L1011)	
7	1660176	1	Coupling - Lovejoy (Deutz - F2L511)	
8		Ref	Bolt Options:	
8	0641610	6	Bolt 3/8in-16NC x 1 1/4in (Ford Engine Machines)	
8	0701014	6	Bolt, Metric 10mm x 30mm (Deutz - F3L912)	
8	0700814	6	Bolt, Metric 8mm x 30mm (Deutz - F31011)	
8	0700812	6	Bolt, Metric 8mm x 25mm (Deutz - F2L511)	
9		Ref	Lockwasher Options:	
9	4761600	6	Lockwasher 3/8in (Ford Engine Machines)	
9	4832000	6	Lockwasher 10mm (Deutz - F3L912)	
9	4831900	6	Lockwasher 8mm (Deutz - F3L1011 and Deutz - F2L511)	
10		Ref	Adapter, Pump Options:	
10	0080163	1	Adapter, Pump (Ford Engine Machines)	
10	0080164	1	Adapter, Pump (Deutz - F3L912)	

SECTION 2 - TURNTABLE

ITEM	PART NUMBER	QTY	DESCRIPTION	REV
10	0080163	1	Adapter, Pump (Deutz - F31011)	
10	0080169	1	Adapter, Pump (Deutz - F2L511)	
11		Ref	Bolt Options:	
11	0641610	8	Bolt 3/8in-16NC x 1 1/4in (Ford Engine Machines)	
11	0701014	12	Bolt, Metric 10mm x 30mm (Deutz - F3L912)	
11	0701013	8	Bolt, Metric 10mm x 28mm (Deutz - F3L1011)	
11	0701014	8	Bolt, Metric 10mm x 30mm (Deutz - F2L511)	
12		Ref	Lockwasher Options:	
12	4761600	8	Lockwasher 3/8in (Ford Engine Machines)	
12	4832000	12	Lockwasher (Deutz - F3L912)	
12	4832000	8	Lockwasher (Deutz - F3L1011 and F2L511)	
		Ref	HAYES COUPLING INSTALLATION (DESIGN C)	
	0250599	Ref	Ford Engine Machines	-
	0250600	Ref	Deutz - F3L912	-
	0250620	Ref	Deutz - F2L511	-
	0250599	Ref	Deutz - F3L1011	-
13		Ref	Coupling (Design C) Options:	
13	1660183	1	Coupling (Ford Engine Machines)	
13	1660183	1	Coupling (Deutz -F3L912 and Deutz -F3L1011)	
13	1660184	1	Coupling (Deutz -F2L511)	
14		Ref	Bolt Options:	
14	0641607	6	Bolt 3/8in-16NC x 7/8in (Ford Engine Machines)	
14	0701010	6	Bolt, Metric 10mm x 20mm (Deutz -F3L912)	
14	0700808	6	Bolt, Metric 8mm x 16mm (Deutz -F2L511)	
15		Ref	Lockwasher Options:	
15	4761600	6	Lockwasher 3/8in (Ford Engine Machines)	
15	4832000	6	Lockwasher 10mm (Deutz -F3L912)	
15	4831900	6	Lockwasher 8mm (Deutz -F2L511)	
15	4761600	6	Lockwasher 3/8in (Deutz -F3L1011)	
16		Ref	Adapter, Pump Mounting Options: (Design C)	
16	0080163	1	Adapter, Pump (Ford Engine Machines)	
16	0080164	1	Adapter, Pump (Deutz -F3L912)	
16	0080163	1	Adapter, Pump (Deutz -F2L511 and Deutz -F3L1011)	
17		Ref	Bolt Options:	
17	0641610	8	Bolt 3/8in-16NC x 1 1/4in (Ford Engine Machines)	
17	0701014	12	Bolt, Metric 10mm x 30mm (Deutz -F3L912)	
17	0701014	8	Bolt, Metric 10mm x 30mm (Deutz -F2L511)	
17	0641610	8	Bolt 3/8in-16NC x 1 1/4in (Deutz -F3L1011)	
18		Ref	Lockwasher Options:	
18	4761600	8	Lockwasher 3/8in (Ford Engine Machines)	
18	4832000	12	Lockwasher 10mm (Deutz -F3L912)	
18	4832000	8	Lockwasher 10mm (Deutz -F2L511)	
18	4761600	8	Lockwasher 3/8in (Deutz -F3L1011)	
18	3020021	AR	Grease	
		Ref	Note: Design - D Not used on Deutz Engines.	
	1660218	Ref	HAYES COUPLING INSTALLATION (DESIGN D)	
19	7012656	1	Coupling	

SECTION 2 - TURNTABLE

FIGURE 2-42. MAIN PUMP ASSEMBLY (FORD AND DEUTZ F3L912 MACHINES WITH VICKERS VALVES BUILT PRIOR TO MAY/JUNE 1987 - HAS ONE OUTLET IN END COVER)



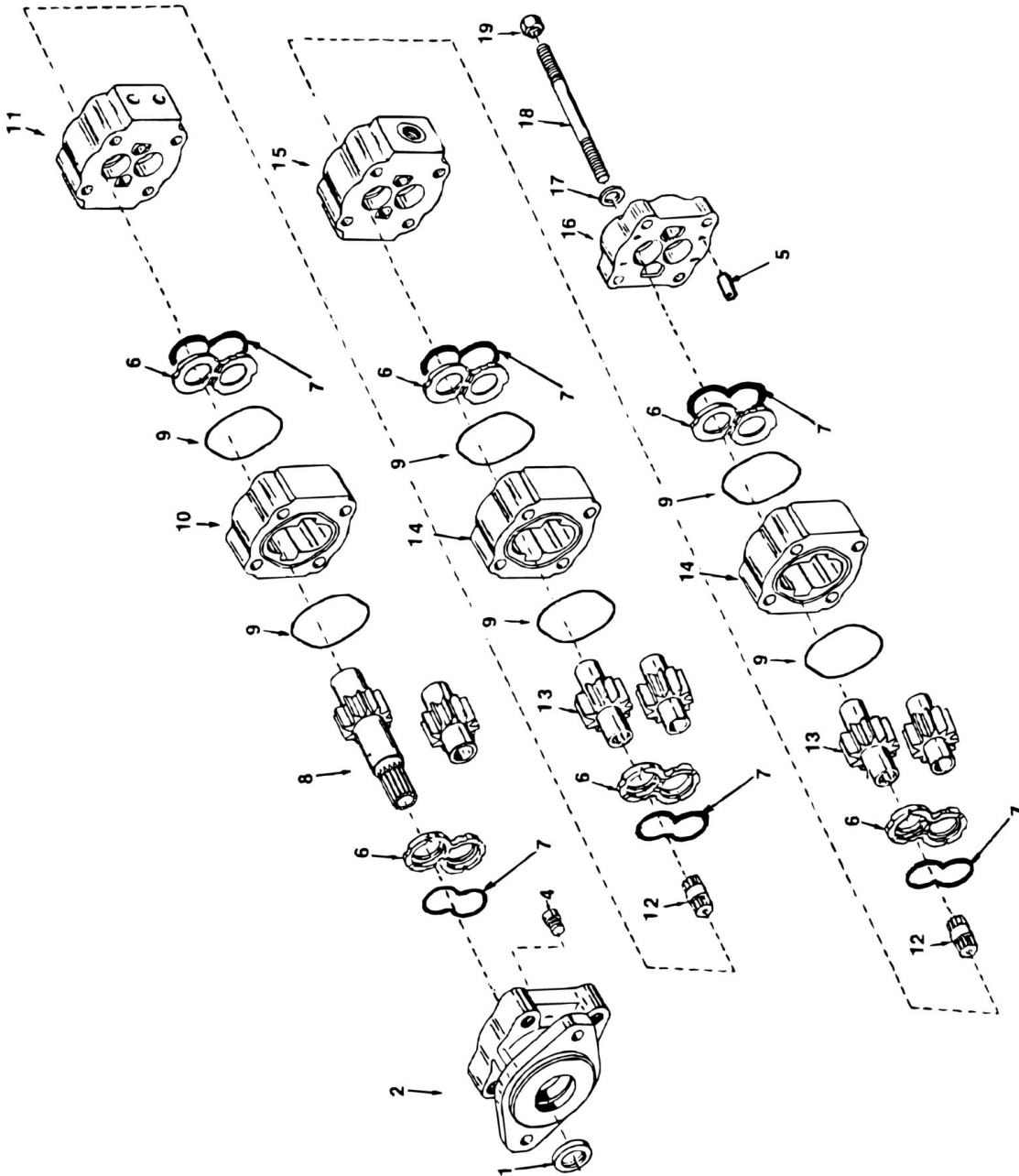
SECTION 2 - TURNTABLE

FIGURE 2-42. MAIN PUMP ASSEMBLY (FORD AND DEUTZ F3L912 MACHINES WITH VICKERS VALVES BUILT PRIOR TO MAY/JUNE 1987 - HAS ONE OUTLET IN END COVER)

ITEM	PART NUMBER	QTY	DESCRIPTION	REV
	3600072	Ref	PUMP ASSEMBLY	
1	Kit	1	Seal, Lip	
2	7005509	1	Cover, End	
3	Kit	6	Seal, Ring	
4	7003103	1	Plug	
5	7003168	12	Bearing, Roller	
6	7005511	6	Plate, Thrust	
7	Kit	3 strips	Seal, Pocket	
8	7005505	1 set	Shaft and Gear	
9	Kit	6	Seal, Gasket	
10	7003176	1	Housing, Gear	
11	7005512	1	Carrier, Bearing	
12	7003174	2	Shaft, Connecting	
13	7003177	2 sets	Gear Set	
14	7003178	2	Housing, Gear	
15	7005513	1	Carrier, Bearing	
16	7005541	1	Cover, Rear	
17	7001293	4	Washer	
18	7005542	4	Stud	
19	7003114	4	Nut	
	2900120	1	Kit, Seal (Kit Includes Items 1, 3, 7 & 9)	

SECTION 2 - TURNTABLE

FIGURE 2-43. MAIN PUMP ASSEMBLY (FORD AND DEUTZ F3L912 AND DEUTZ F3L1011 MACHINES WITH VICKERS VALVES BUILT MAY/JUNE 1987 TO PRESENT - HAS 2 OUTLETS IN END COVER)



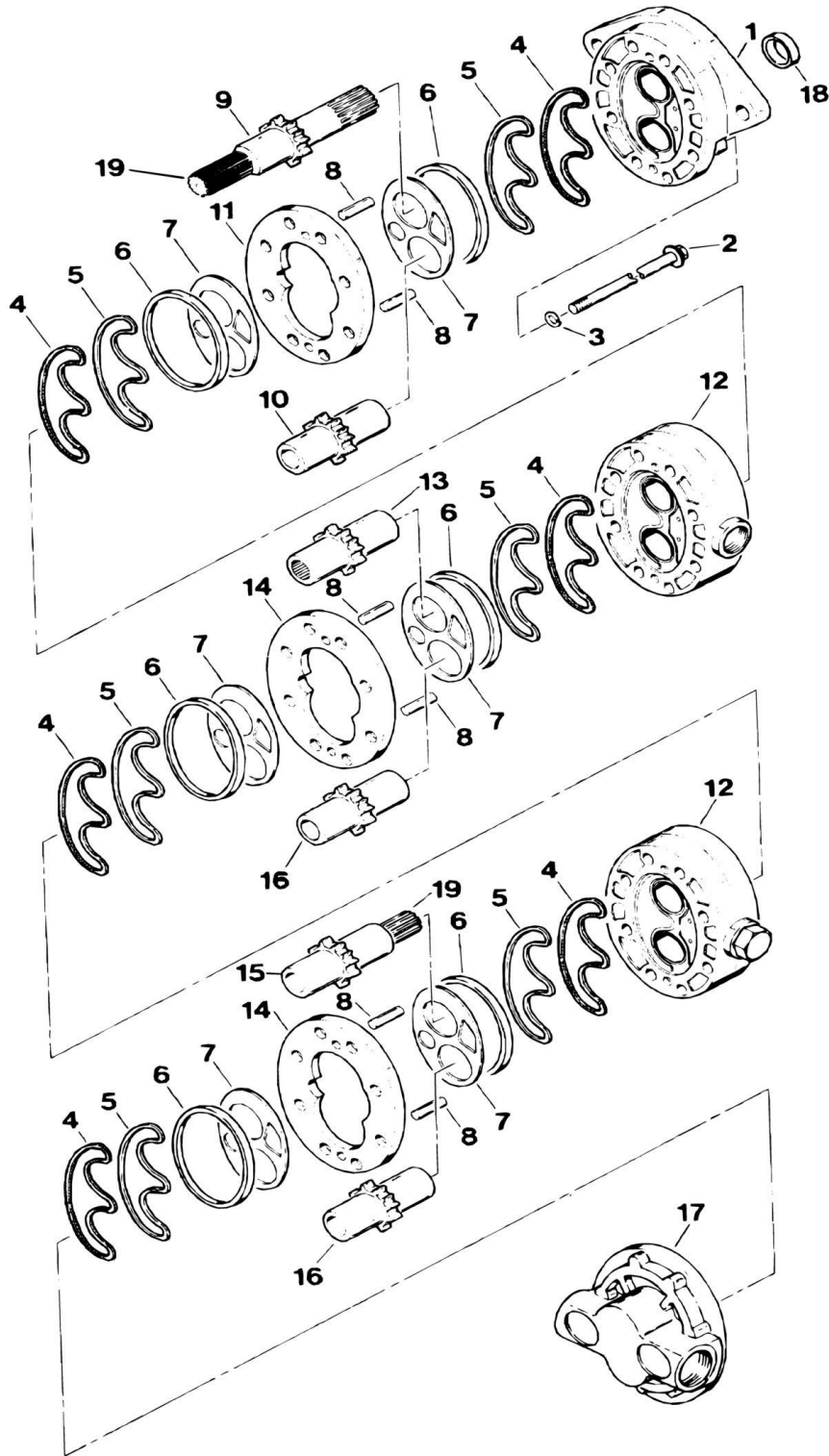
SECTION 2 - TURNTABLE

FIGURE 2-43. MAIN PUMP ASSEMBLY (FORD AND DEUTZ F3L912 AND DEUTZ F3L1011 MACHINES WITH VICKERS VALVES BUILT MAY/JUNE 1987 TO PRESENT - HAS 2 OUTLETS IN END COVER)

ITEM	PART NUMBER	QTY	DESCRIPTION	REV
	3600139	Ref	PUMP ASSEMBLY	B
1	Kit	1	Seal, Lip	
2	7009513	1	Cover, End with Bushings	
4	7003103	1	Plug	
5	7009500	12	Dowel	
6	7009503	6	Plate, Thrust	
7	Kit	6	Seal, Channel	
8	7009509	1 set	Shaft and Gear	
9	Kit	6	Seal, Gasket	
10	7009510	1	Housing, Gear	
11	7009508	1	Carrier, Bearing with Bushings	
12	7005599	2	Shaft, Connecting	
13	7005598	2	Gear Set	
14	7009504	1	Housing, Gear	
15	7009505	1	Carrier, Bearing with Bushings	
16	7009511	1	Cover, Rear with Bushings	
17	7005597	4	Washer	
18	7005562	4	Stud	
19	7005595	4	Nut	
	7016913	1	Kit, Seal (Includes Items 1, 7 & 9)	

SECTION 2 - TURNTABLE

FIGURE 2-44. MAIN PUMP ASSEMBLY (DEUTZ F2L511 MACHINES)



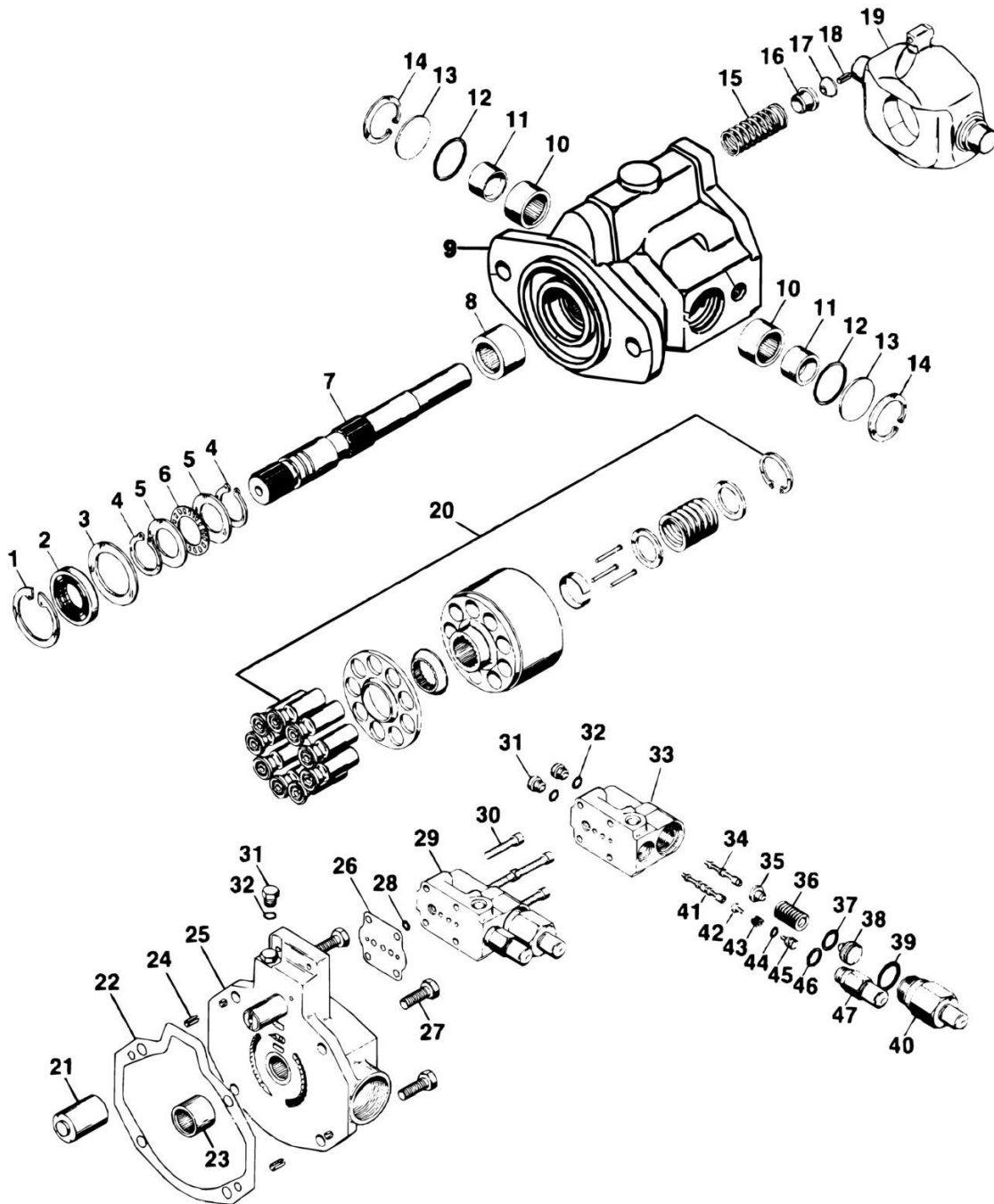
SECTION 2 - TURNTABLE

FIGURE 2-44. MAIN PUMP ASSEMBLY (DEUTZ F2L511 MACHINES)

ITEM	PART NUMBER	QTY	DESCRIPTION	REV
	3600078	Ref	MAIN PUMP ASSEMBLY (DEUTZ F2L511 MACHINES)	
1	7002724	1	Body Assembly, R.H.	
1	7002728	2	Bushing	
2	7002705	8	Nut, Stud	
3	7002706	8	Washer, Lock	
4	7000305	6	Seal, Preload	
5	7000306	6	Seal, Load	
6	7000307	6	Ring, Sealing	
7	7002707	6	Plate, Wear	
8	7002711	4	Pin, Dowel	
8	7002701	2	Pin, Dowel	
9	7002725	1	Gear Shaft, Drive	
10	7002726	1	Gear, Idler	
11	7002700	1	Plate, Gear	
12	7002729	2	Plate, Bearing	
12	7002728	8	Bushing	
13	7002722	1	Gear, Shaft Drive	
14	7002713	2	Plate, Gear	
15	7002721	1	Gear, Drive	
16	7002720	2	Gear, Idler	
17	7002730	1	Cover Assembly	
17	7002728	2	Bushing	
18	7002727	1	Seal, Oil	
18	7002718	1	O-Ring (Not Shown)	
18	7002717	1	Plug (Not Shown)	
19	7002723	2	Coupling	
	2900467	1	Kit, Repair (Includes items 4, 5, 6, 7 & 18)	

SECTION 2 - TURNTABLE

FIGURE 2-45. PISTON PUMP ASSEMBLY - FRONT (OPTION ON FORD MACHINES)



SECTION 2 - TURNTABLE

FIGURE 2-45. PISTON PUMP ASSEMBLY - FRONT (OPTION ON FORD MACHINES)

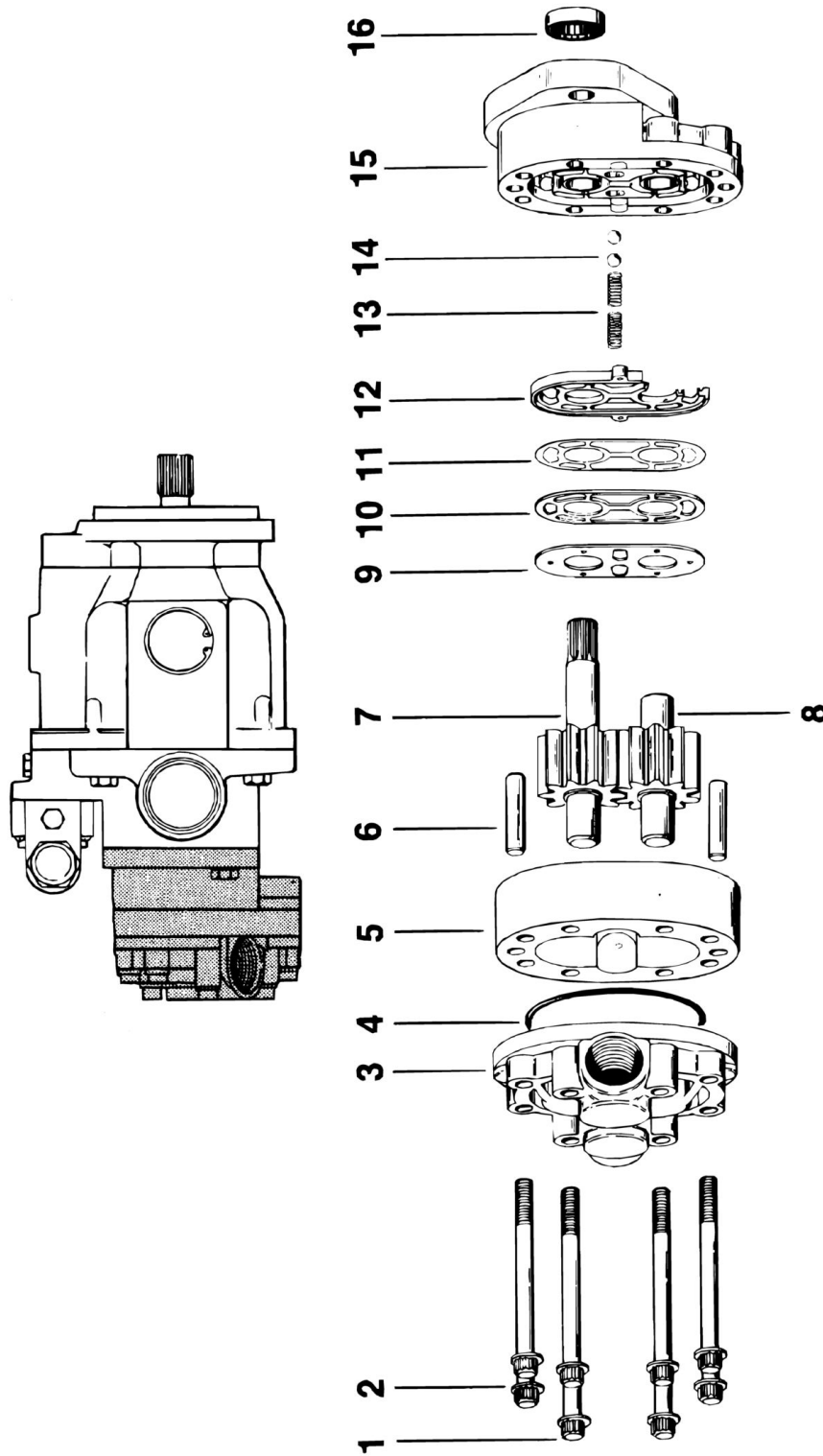
ITEM	PART NUMBER	QTY	DESCRIPTION	REV
	3600126	Ref	PISTON PUMP ASSEMBLY - FRONT	
1	7004904	1	Ring, Retaining	
2	7004905	1	Seal, Shaft	
3	7004906	1	Washer	
4	7004909	2	Ring, Retaining	
5	7004907	2	Race, Thrust	
6	7004908	1	Bearing, Thrust	
7	7004901	1	Shaft, Drive (Splined)	
8	7004910	1	Bearing	
9	NON-SERVICEABLE	1	Housing	
10	7004914	2	Bearing	
11	7004911	2	Race, Inner	
12	7004932	2	O-Ring	
13	7004913	2	Cover, Trunnion	
14	7004935	2	Ring, Retaining	
15	7004962	1	Spring	
16	7004963	1	Collar, Spring	
17	7004964	1	Button, Pivot	
18	7004965	1	Pin, Roll	
19	7004966	1	Plate, Cam	
20	7004971	1	Rotating Kit Assembly	
21	7004972	1	Piston, Control	
22	7004915	1	Gasket, Housing	
23	7004917	1	Bearing	
24	7004960	2	Pin, Roll	
25	7007856	1	Back Plate Assembly	
26	7004974	1	Gasket, Compensator	
27	7004933	4	Bolt	
28	7007857	1	O-Ring	
29	7007858	1	Compensator Assembly	
30	7004977	4	Bolt	
31	7004942	3	Plug Assembly	
32	7004920	3	O-Ring	
33	NON-SERVICEABLE	1	Body, Compensator	
34	NON-SERVICEABLE	1	Spool, Pressure	
35	7007859	1	Cap, Spring Pivot	
36	7004981	1	Spring	
37	7007860	1	O-Ring	
38	7007861	1	Follower, Pressure Spring	
39	7004984	1	O-Ring	
40	7007862	1	Cap, Pressure Adjustment	
41	NON-SERVICEABLE	1	Spool, Flow	
42	7007866	1	Pivot, Spring	
43	7007867	1	Spring	
44	7007868	1	O-Ring	
45	7007869	1	Follower, Flow Spring	

SECTION 2 - TURNTABLE

ITEM	PART NUMBER	QTY	DESCRIPTION	REV
46	7007870	1	O-Ring	
47	7007871	1	Cap, Flow Adjustment	
47	2900699		Kit, Seal	

SECTION 2 - TURNTABLE

FIGURE 2-46. PISTON PUMP ASSEMBLY - REAR (OPTION ON FORD MACHINES)



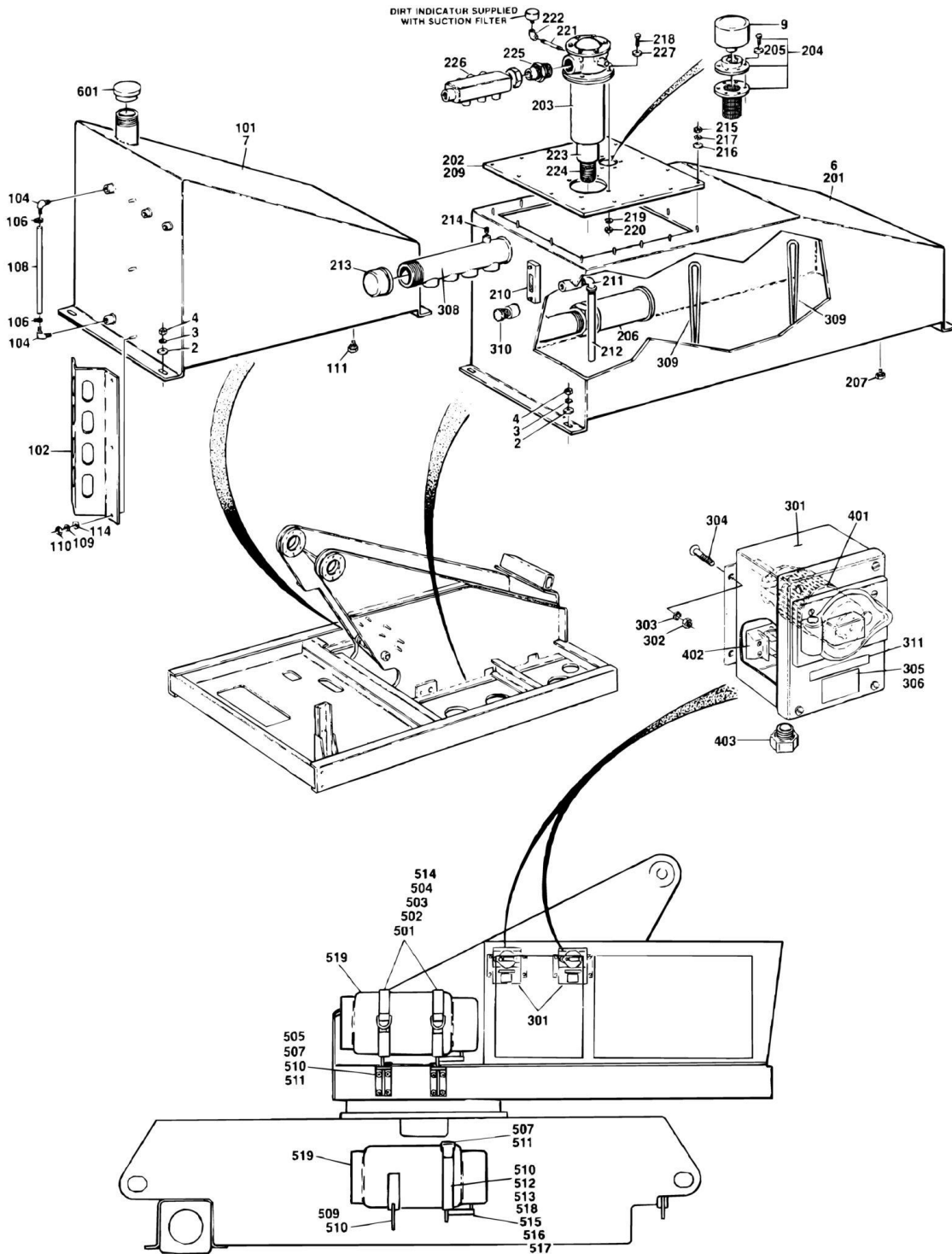
SECTION 2 - TURNTABLE

FIGURE 2-46. PISTON PUMP ASSEMBLY - REAR (OPTION ON FORD MACHINES)

ITEM	PART NUMBER	QTY	DESCRIPTION	REV
	3600126	Ref	PISTON PUMP ASSEMBLY - REAR	
1	7007840	4	Bolt	
2	7007841	4	Bolt	
3	7004996	1	Back Plate Assembly	
4	7004997	1	O-Ring	
5	NON-SERVICEABLE	1	Body	
6	NON-SERVICEABLE	2	Pin, Dowel	
7	7007853	1	Drive Gear Assembly	
8	7007854	1	Idler Gear Assembly	
9	7007504	1	Diaphragm	
10	7007560	1	Gasket, Back-Up	
11	7007506	1	Gasket, Protector	
12	7007507	1	Seal, Diaphragm	
13	7007512	2	Spring	
14	7007513	2	Ball, Steel	
15	7007561	1	Front Plate Assembly	
16	7007515	1	Seal Shaft	
16	2900626	1	Kit, Seal	

SECTION 2 - TURNTABLE

FIGURE 2-47. TANKS AND HEATERS INSTALLATION



SECTION 2 - TURNTABLE

FIGURE 2-47. TANKS AND HEATERS INSTALLATION

ITEM	PART NUMBER	QTY	DESCRIPTION	REV
	0236350	Ref	HYDRAULIC AND FUEL TANKS INSTALLATION - WITHOUT HEATERS	E
	0252662	Ref	HYDRAULIC AND FUEL TANKS INSTALLATION - WITH HEATERS	2
1	4300034	6	Stud (Welded on Parts) (Not Shown)	
2	4751600	6	Flatwasher 3/8in	
3	4761600	6	Lockwasher 3/8in	
4	3311601	6	Nut 3/8in-16NC	
6		Ref	Hydraulic Tank Assembly Options: (See Items 201-227 for Breakdown)	
6	4400183	1	Without Heaters (Prior to July 1986)	
6	4400213	1	Without Heaters (July 1986 to Present)	
6	4400233	1	With Heaters	
7	4400184	1	Fuel Tank Assembly (See Items 101-114 for Breakdown)	
9	1340046	1	Breather, Tank	
	4400184	Ref	FUEL TANK ASSEMBLY	D
101	4841916	1	Tank Weldment	
102	4060574	1	Protector, Gauge	
104	2180467	2	Fitting	
106	1320022	2	Clamp	
108	4562516	14 in	Tube, Polyurethane	
109	4761400	3	Lockwasher 1/4in	
110	3311401	3	Nut 1/4in-20NC	
111	2200052	1	Plug	
113	0100020	AR	Sealant, Pipe (Not Shown)	
114	4751400	3	Flatwasher 1/4in	
		Ref	HYDRAULIC OIL TANK ASSEMBLY	
	4400183	Ref	WITHOUT HEATER (PRIOR TO JULY 1986)	D
	4400213	Ref	WITHOUT HEATER (JULY 1986 TO PRESENT)	A
	4400233	Ref	WITH HEATERS	C
201		Ref	Tank Weldment Options:	
201	4841910	1	Without Heater (Prior to July 1986)	
201	4842436	1	Without Heater (July 1986 to Present)	
201	4400232	1	With Heater	
202		Ref	Lid Options:	
202	4841906	1	Without Heater (Prior to July 1986)	
202	1670468	1	Without Heater (July 1986 to Present)	
202	1670468	1	With Heater	
203	2120103	1	Filter Assembly - Hydraulic Oil	
203	2120107	1	Element, Filter	
203	7004244	1	Indicator, Pressure	
203	7012559	1	Gasket (Located Between Filter and Tank)	
203	7016333	1	O-Ring (Located Under Cap)	
204	1340045	1	Screw, Filler	
205	4740338	6	Washer, Sealing	
206	2120104	1	Filter	
207	3520022	1	Plug, Pipe	
208	0100020	AR	Sealant, Pipe (Not Shown)	
209		Ref	Gasket, Lid Options:	
209	3960330	1	Without Heater (Prior to July 1986)	

SECTION 2 - TURNTABLE

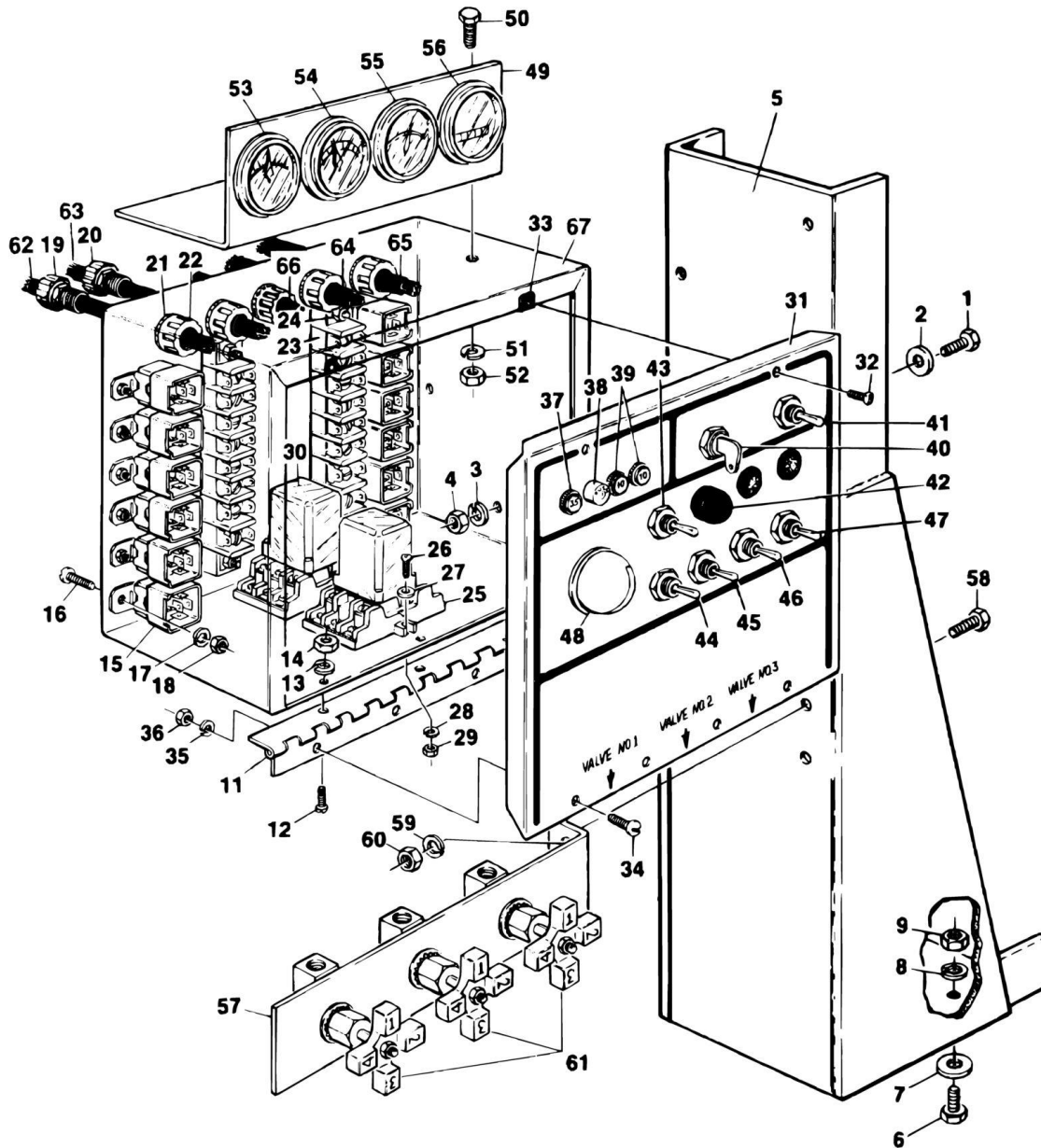
ITEM	PART NUMBER	QTY	DESCRIPTION	REV
209	3960371	1	Without Heater (July 1986 to Present)	
209	3960371	1	With Heater	
210	2420080	1	Gauge, Level Indicator	
210	7016664	2	Seal	
211	2200444	1	Fitting, 90	
212	2180604	1	Nipple, Pipe	
213	2200009	1	Fitting, Cap	
214	2200202	1	Plug, Pipe	
215	3311401	14	Nut 1/4in-20NC	
216	4751400	14	Flatwasher 1/4in	
217	4761400	14	Lockwasher 1/4in	
218	0641612	4	Bolt 3/8in-16NC x 1 1/2in	
219	4761600	4	Lockwasher 3/8in	
220	3311601	4	Nut 3/8in-16NC	
221	3460132	1	Nipple, Pipe	
222	2200341	1	Fitting, 90	
223	2200268	1	Fitting, Coupling	
224	2180099	1	Fitting, Nipple	
225	2220765	1	Fitting, Union	
226	3100045	1	Manifold, Return	
227	4740322	4	Washer, Sealing	
	0238317	Ref	TANK HEATER INSTALLATION - DEUTZ F3L912	C
	0252663	Ref	TANK HEATER INSTALLATION - DEUTZ F3L1011	3
	0236871	Ref	TANK HEATER INSTALLATION - FORD (Prior to SN 24769)	D
	0256339	Ref	TANK HEATER INSTALLATION - FORD (SN 24769 to Present)	-
301	0231756	2	Junction Box Assembly (See Items 401-403 for Breakdown)	
302	3311401	4	Nut 1/4in-20NC	
303	4761400	4	Lockwasher	
304	4300031	4	Stud (Welded on Part)	
305		Ref	Nameplate - Engine/Battery Manifold Heater Options: (Left Box)	
305	3252179	1	Deutz	
305	3251271	1	Ford	
306	3251272	1	Nameplate - Hydraulic Oil Tank Heater (Right Box)	
308	4420026	1	Heater, Manifold	
309	2580018	2	Heater, Immersion	
310	1600043	1	Controller, Thermostatic	
311	3251243	2	Nameplate - 120V-60Hz	
	0231756	Ref	JUNCTION BOX ASSEMBLY	C
401	4460137	1	Receptacle, Female (1 Per Assembly)	
401	4460082	1	Receptacle, Male (1 Per Assembly)	
402	4460007	1	Strip, Terminal (1 Per Assembly)	
403	4460049	3	Connector, Strain Relief (3 Per Assembly)	
	0236547	Ref	LPG TANKS INSTALLATION (FORD MACHINES WITH DUAL FUEL)	F
501	1320023	1 set	Clamp	
502	4761500	4	Lockwasher 5/16in	
503	0641510	4	Bolt 5/16in-18NC x 1 1/4in	
504	3311501	4	Nut 5/16in-18NC	
505	0900893	2	Bracket	
507	4761600	12	Lockwasher 3/8in	
509	0900935	2	Bracket	
510	4300034	12	Stud (Welded on Part)	

SECTION 2 - TURNTABLE

ITEM	PART NUMBER	QTY	DESCRIPTION	REV
511	3311601	12	Nut 3/8in-16NC	
512	1320126	1	Clamp - Strap Section	
513	1320127	1	Clamp - Toggle Section	
514	4751600	8	Flatwasher 3/8in	
515	3200332	1	Mount	
516	0641403	2	Bolt 1/4in-20NC x 3/8in	
517	4761400	2	Lockwasher 1/4in	
518	4751800	4	Flatwasher 1/2in	
519		Ref	LPG Tank Options:	
519	4400038	2	43.5# Tank - Vapor Withdrawal	
519	4400275	2	43.5# Tank - Liquid Withdrawal	
		Ref	FUEL CAP ASSEMBLY	
	Part of Tank	Ref	Part of Tank (Prior to SN 30711)	
	0257365	Ref	with Standard Cap (SN 30711 to Present)	1
	0257366	Ref	with Locking Red Cap (SN 30711 to Present)	1
	0258626	Ref	with Locking Blue Cap (SN 30711 to Present)	1
601		Ref	Cap, Fill Options:	
601	1120314	1	Standard Cap (Prior to SN 30711)	
601	1120314	1	with Standard Cap (SN 30711 to Present)	
601	1120367	1	with Locking Red Cap (SN 30711 to Present)	
601	1120512	1	with Locking Blue Cap (SN 30711 to Present)	

SECTION 2 - TURNTABLE

FIGURE 2-48. GROUND CONTROLS COMPONENTS INSTALLATION (RACINE VALVE MACHINES)



SECTION 2 - TURNTABLE

FIGURE 2-48. GROUND CONTROLS COMPONENTS INSTALLATION (RACINE VALVE MACHINES)

ITEM	PART NUMBER	QTY	DESCRIPTION	REV
	0236408	Ref	GROUND CONTROLS INSTALLATION	E
		Ref	Ground Control Box and Harness Assembly Options (See Items 62-67)	
	0860478	1	Ground Control Box and Harness Assembly (Prior to October 1984)	
	0860490	1	Ground Control Box and Harness Assembly (October 1984 to August 1985)	
	0860509	1	Ground Control Box and Harness Assembly (August 1985 to November 1985)	
	0860516	1	Ground Control Box and Harness Assembly (November 1985 to June 1987)	
	0860517	1	Ground Control Box and Harness Assembly (November 1985 to June 1987)	
1	0641406	3	Bolt 1/4in-20NC x 3/4in	
2	4751400	3	Flatwasher 1/4in	
3	4761400	3	Lockwasher 1/4in	
4	3311401	3	Nut 1/4in-20NC	
5	4841978	1	Bracket, Box Mounting	
6	0641609	4	Bolt 3/8in-16NC x 1 1/8in	
7	4751600	4	Flatwasher 3/8in	
8	4761600	4	Lockwasher 3/8in	
9	3311601	4	Nut 3/8in-16NC	
	0236172	Ref	GROUND CONTROL BOX ASSEMBLY (PRIOR TO OCTOBER 1984)	C
	0236506	Ref	GROUND CONTROL BOX ASSEMBLY (OCTOBER 1984 TO AUGUST 1985)	C
	0237067	Ref	GROUND CONTROL BOX ASSEMBLY (AUGUST 1985 TO JUNE 1987)	C
10	0860467	1	Box (Prior to October 1984)	
10	0860487	1	Box (October 1984 to June 1987)	
10	4280237	1	Strip, Rubber	
10	0100001	AR	Adhesive	
11	2600093	1	Hinge	
12	3911012	3	Screw #10-24NC x 3/4in	
13	4761000	3	Lockwasher #10	
14	3311001	3	Nut #10-24NC	
15	3740049	12	Relay - SPDT	
16	3911008	12	Screw #10-24NC x 1in	
17	4761000	12	Lockwasher #10	
18	3311001	12	Nut #10-24NC	
19	4460051	3	Connector	
20	4460071	1	Connector	
21	3300048	4	Locknut, Conduit	
22	0960238	4	Bushing	
23	4460263	2	Terminal Strip	
24	3910610	4	Screw #6-32NC x 1 1/4in	
25	4120002	2	Relay, Socket	
26	3910610	4	Screw #6-32NC x 1 1/4in	
27	4751000	4	Flatwasher #10	
28	4760600	4	Lockwasher #6	
29	3310601	4	Nut #6-32NC	
30	3740016	2	Relay	

SECTION 2 - TURNTABLE

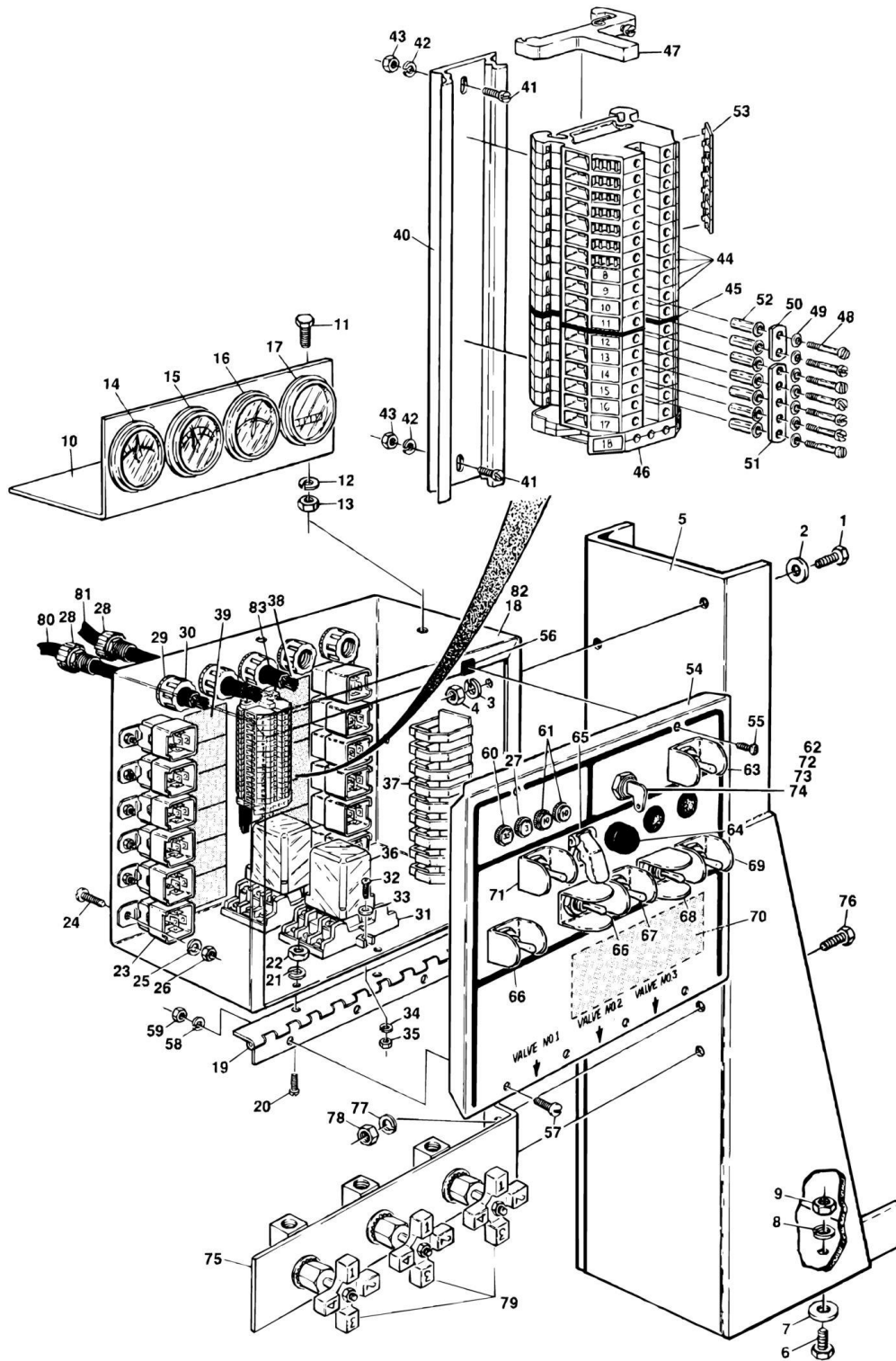
ITEM	PART NUMBER	QTY	DESCRIPTION	REV
31	3251650	1	Lid (August 1985 to June 1987)	
31	3251522	1	Lid (Prior to August 1985)	
32	2080018	2	Screw (Top)	
33	3300177	2	Nut, Tinnerman	
34	3911006	4	Screw (Bottom) #10-24NC x 3/4in	
35	4761000	4	Lockwasher #10	
36	3311001	4	Nut #10-24NC	
37	4360186	1	Circuit Breaker (35 Amp)	
38	4360212	1	Circuit Breaker (3 Amp)	
39	4360069	2	Circuit Breaker (10 Amp)	
40	4360003	1	Switch, Master Key	
40	2860002	1 set	Key, Replacement	
41	4360073	1	Switch, Control (Select)	
41	3790012	1	O-Ring	
42	4360016	1	Switch, Pushbutton (Start)	
43	4360199	1	Switch, (Ignition)	
43	3790012	1	O-Ring	
44	4360204	1	Switch (Auxiliary Power)	
44	3790012	1	O-Ring	
45	4360202	1	Switch - Center Off (Lift)	
45	3790012	1	O-Ring	
46	4360202	1	Switch, - Center Off (Swing)	
46	3790012	1	O-Ring	
47	4360202	1	Switch, - Center Off (Telescope)	
47	3790012	1	O-Ring	
48	2920024	1	Light, Panel (Optional)	
	0236508	Ref	GAUGES INSTALLATION - DEUTZ	A
	0236407	Ref	GAUGES INSTALLATION - FORD	B
49	3380309	1	Panel, Gauge (Ford)	
49	0901212	1	Panel, Gauge (Deutz)	
50	0641406	3	Bolt 1/4in-20NC x 3/4in	
51	4761400	3	Lockwasher 1/4in	
52	3311401	3	Nut 1/4in-20NC	
53	2420006	1	Gauge, Ammeter	
53	2420091	1	Gauge, Voltmeter (Ford after February 1987)	
54	2420035	1	Gauge, Oil Pressure (Ford)	
54	2420030	1	Gauge, Oil Pressure (Deutz)	
55	2420019	1	Gauge, Water Temperature (Ford Only)	
56	2420009	1	Gauge, Hourmeter	
	0236406	Ref	MANUAL DESCENT VALVES INSTALLATION	A
57	0901192	1	Bracket, Manual Descent	
58	0641608	2	Bolt	
59	4761600	2	Lockwasher	
60	3311601	2	Nut	
61	4640005	3	Valve, Needle	
61	2900062	3	Kit, Panel Mounting	
	1280422	Ref	GROUND CONTROL BOX AND HARNESS ASSEMBLY	T
62		Ref	Harness Options:	
62	4920402	1	Harness (Prior to October 1984)	
62	4920454	1	Harness (October 1984 to August 1985)	
62	Not Required	1	Harness (August 1985 to June 1987)	

SECTION 2 - TURNTABLE

ITEM	PART NUMBER	QTY	DESCRIPTION	REV
63		Ref	Harness Options:	
63	4920403	1	Harness (Prior to October 1984)	
63	4920455	1	Harness (October 1984 to August 1985)	
63	Not Required	1	Harness (August 1985 to June 1987)	
64		Ref	Harness Options:	
64	4920417	1	Harness (Prior to October 1984)	
64	4920464	1	Harness (October 1984 to August 1985)	
64	4920527	1	Harness (August 1985 to June 1987)	
65		Ref	Harness Options:	
65	4920409	1	Harness (Prior to October 1984)	
65	4920465	1	3 Stack Valve (October 1984 to June 1987)	
65	4920466	1	4 Stack Valve (October 1984 to June 1987)	
66	1060016	12 ft	Cable, Electrical - 16/3	
67		Ref	Ground Control Box Options (Includes Items 10-47):	
67	0236172	1	Ground Control Box (Prior to October 1984)	
67	0236506	1	Ground Control Box (October 1984 to August 1985)	
67	0237067	1	Ground Control Box (August 1985 to June 1987)	

SECTION 2 - TURNTABLE

FIGURE 2-49. GROUND CONTROL COMPONENTS INSTALLATION (VICKERS VALVE MACHINES WITH STANDARD CONTROLS)



SECTION 2 - TURNTABLE

FIGURE 2-49. GROUND CONTROL COMPONENTS INSTALLATION (VICKERS VALVE MACHINES WITH STANDARD CONTROLS)

ITEM	PART NUMBER	QTY	DESCRIPTION	REV
	0238054	Ref	GROUND CONTROLS INSTALLATION - DEUTZ F2L511 AND F3L912	E
	0251643	Ref	GROUND CONTROLS INSTALLATION - DEUTZ F3L1011	C
	0238053	Ref	GROUND CONTROLS INSTALLATION - FORD	C
	0238132	Ref	GROUND CONTROLS INSTALLATION - WISCONSIN	D
		Ref	GROUND CONTROL BOX AND HARNESS ASSEMBLY OPTIONS (INCLUDES ITEMS 80-83):	
	0860548	Ref	Deutz F2L511/F3L912, Ford and Wisconsin (June 1987 to May 1994)	
	0860909	Ref	Deutz F2L511/F3L912, Ford and Wisconsin (May 1994 to Present)	
	0860709	Ref	Deutz F3L1011 (Prior to May 1994)	
	0860932	Ref	Deutz F3L1011 (May 1994 to Present)	
1	0641406	3	Bolt 1/4in-20NC x 3/4in	
2	4751400	3	Flatwasher 1/4in	
3	4761400	3	Lockwasher 1/4in	
4	3311401	3	Nut 1/4in-20NC	
5	4841978	1	Bracket, Box Mounting	
6	0641610	4	Bolt 3/8in-16NC x 1 1/4in	
7	4751600	4	Flatwasher 3/8in	
8	4761600	4	Lockwasher 3/8in	
9	3311601	4	Nut 3/8in-16NC	
10	3380309	1	Panel, Gauge (Ford and Deutz F3L1011)	
10	0901212	1	Panel, Gauge (Deutz F2L511)	
10	0901212	1	Panel, Gauge (Deutz F3L912) (Prior to SN 30866)	
10	3380309	1	Panel, Gauge (Deutz F3L912) (SN 30866 to Present)	
10	0901213	1	Panel, Gauge (Wisconsin)	
11	0641406	3	Bolt 1/4in-20NC x 3/4in	
12	4761400	3	Lockwasher 1/4in	
13	3311401	3	Nut 1/4in-20NC	
14	2420091	1	Gauge, Voltmeter (All Except Deutz F3L1011)	
14	2420129	1	Gauge, Voltmeter (Deutz F3L1011 Only)	
15	2420035	1	Gauge, Oil Pressure (Ford)	
15	2420030	1	Gauge, Oil Pressure (Deutz F2L511/F3L912)	
15	2420111	1	Gauge, Oil Pressure (Deutz F3L1011)	
15	2220574	1	Fitting (Deutz) - (Not Shown)	
15	2220295	1	Fitting, Coupling (Deutz) - (Not Shown)	
15	0100020	AR	Sealant, Pipe	
16	2420019	1	Gauge, Water Temperature (Ford Only)	
16	2420125	1	Gauge, Oil Temperature (Deutz F3L1011 Only)	
17	2420009	1	Gauge, Hourmeter	
	0237855	Ref	GROUND CONTROL BOX ASSEMBLY - DEUTZ F2L511/F3L912, FORD AND WISCONSIN (JUNE 1984 TO MAY 1994)	
	0860908	Ref	GROUND CONTROL BOX ASSEMBLY - DEUTZ F2L511/F3L912, FORD AND WISCONSIN (MAY 1994 TO PRESENT)	4
	0860709	Ref	GROUND CONTROL BOX ASSEMBLY - DEUTZ F3L1011 (PRIOR TO MAY 1994)	
	0860932	Ref	GROUND CONTROL BOX ASSEMBLY - DEUTZ F3L1011 (MAY 1994 TO PRESENT)	4
18	0860547	1	Box	

SECTION 2 - TURNTABLE

ITEM	PART NUMBER	QTY	DESCRIPTION	REV
18	4420037	2.75 ft	Strip, Rubber	
19	2600093	1	Hinge	
20	3911016	3	Screw #10-24NC x 2in	
21	4761000	3	Lockwasher #10	
22	3911006	3	Nut #10-24NC	
23	3740049	12	Relay SPST	
24	3911008	12	Screw #10-24NC x 1in	
25	4761000	12	Lockwasher #10	
26	3311001	12	Nut #10-24NC	
27	4360212	1	Breaker, Circuit - 3 Amp (Deutz)	
27	3520026	1	Plug, Hole (Ford and Wisconsin)	
28	4460051	3	Connector, Strain Relief	
28	4460244	1	Connector, Strain Relief	
28	4460071	1	Connector, Strain Relief	
29	3300048	4	Locknut, Conduit	
30	0960238	4	Bushing	
31	4120002	2	Relay, Socket	
32	3910610	3	Screw #6-32NC x 1 1/4in	
33	4750600	3	Flatwasher #6	
34	4760600	3	Lockwasher #6	
35	3310601	3	Nut #6-32NC	
36	3740016	2	Relay	
37	1840002	10 3/4 in	Duct, Wire (1 Each Side)	
38	1700789	1	Decal, Relay Functions	
39	1700788	1	Decal, Relay Functions	
40	3640555	1	Rail	
41	3910606	2	Screw #6-32NC x 3/4in	
42	4760600	2	Lockwasher #6	
43	3310601	2	Nut #6-32NC	
44	4460298	AR	Terminal, Strip	
45	4460300	1	Terminal, Barrier	
46	4460303	1	Terminal, Ground Block	
47	4460299	1	Terminal, Stop	
48	4460305	7	Screw	
49	4460306	7	Washer	
50	4460308	1	Terminal, Bus Bar (2 Position)	
51	4460311	1	Terminal, Bus Bar (5 Position)	
52	4460307	7	Sleeve	
53	4460301	2	Terminal, Marker Strip	
54	3251650	1	Lid (June 1987 to May 1994)	
54	3252343	1	Lid (F3L1011) (May 1994 to Present)	
54	3252343	1	Lid (F2L511 & F3L912) (May 1994 to S/N 48044)	
54	3252638	1	Lid (F2L511 & F3L912) (SN 48044 to Present)	
55	0750806	2	Screw (Top)	
56	3300177	2	Nut, Tinnerman	
57	3911006	3	Screw (Bottom) #10-24NC x 3/4in	
58	4761000	3	Lockwasher #10	
59	3311001	3	Nut #10-24NC	
60	4360186	1	Circuit Breaker (35 Amp)	
61	4360069	2	Circuit Breaker (10 Amp)	
62		Ref	Switch, Master Key Options:	

SECTION 2 - TURNTABLE

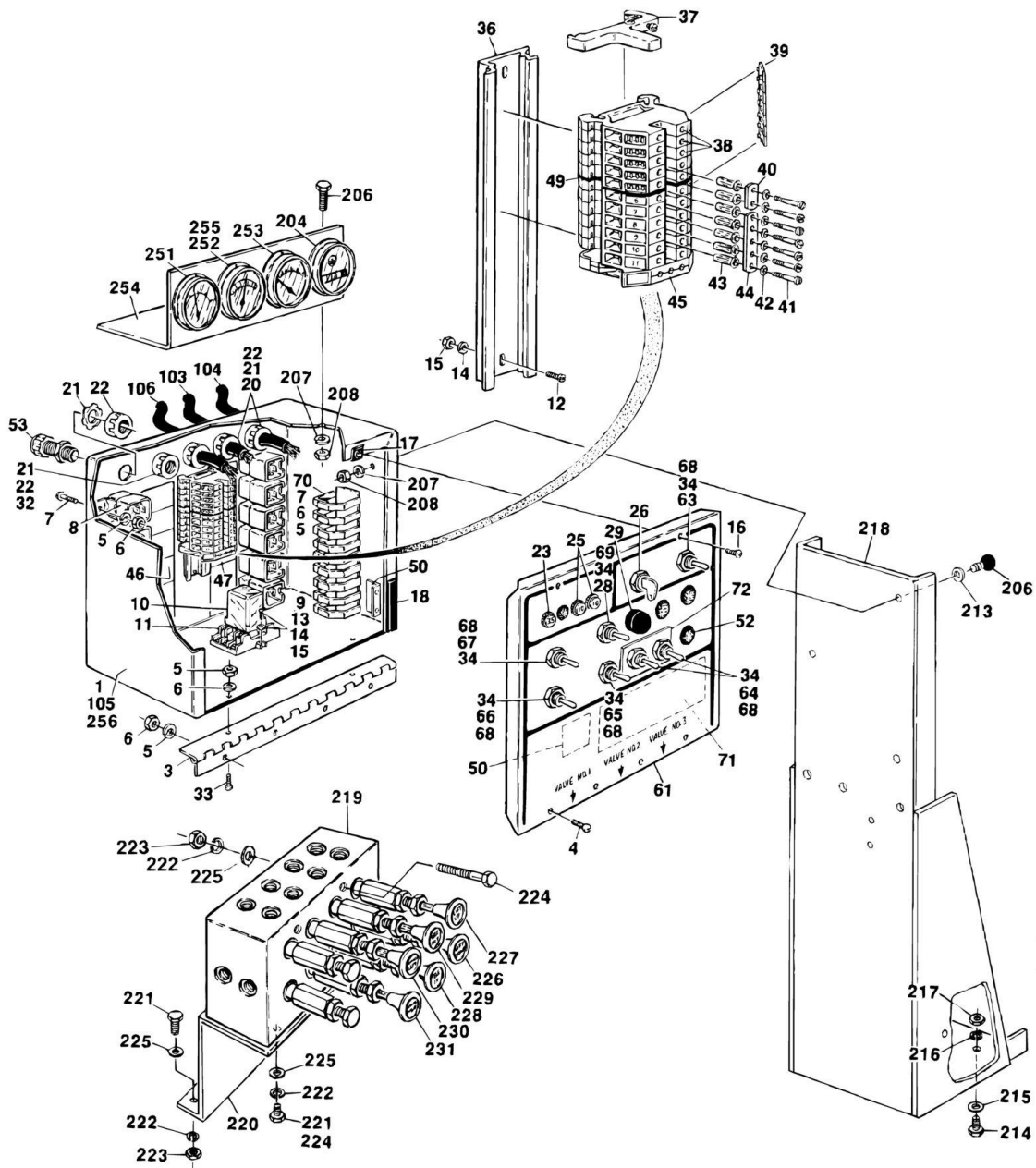
ITEM	PART NUMBER	QTY	DESCRIPTION	REV
62	4360003	1	Switch, Master Key (F3L1011)	
62	2860002	1 set	Key, Replacement	
62	4360003	1	Switch, Master Key (F2L511 & F3L912) (Prior to SN 48044)	
62	2860002	1 set	Key, Replacement	
62	4360466	1	Switch, Master Key (F2L511 & F3L912) (SN 48044 to Present)	
62	7020174	1 set	Key, Replacement	
63	4360073	1	Switch, Control Selection (June 1987 to May 1994)	
63	4360201	1	Switch, Control Selection (May 1994 to Present)	
63	3790012	1	O-Ring	
63	4060802	1	Guard, Switch	
64	4360274	1	Switch, Push Button (Horn)	
65	4360199	1	Switch (Ignition)	
65	3790012	1	O-Ring	
65	4360141	1	Cover, Red Switch (May 1994 to Present)	
66	4360200	1	Switch (Auxiliary Power) (June 1987 to May 1994)	
66	4360202	2	Switch (Platform Rotate and Platform Level) (May 1994 to Present)	
66	3790012	AR	O-Ring	
66	4060802	2	Guard, Switch	
67	4360202	1	Switch (Lift) Center Off	
67	3790012	1	O-Ring	
67	4060802	1	Guard, Switch	
68	4360202	1	Switch (Swing) Center Off	
68	3790012	1	O-Ring	
68	4060802	1	Guard, Switch	
69	4360202	1	Switch (Telescope) Center Off	
69	3790012	1	O-Ring	
69	4060802	1	Guard, Switch	
70	1700790	1	Decal, Relay Schematic (June 1987 to May 1994 Only)	
71	4360200	1	Switch (Auxiliary Power) (May 1994 to Present)	
71	3790012	1	O-Ring	
71	4060802	1	Guard, Switch	
72	4070991	1	Shim, .125	
73	4070987	1	Shim, .015	
74	3910804	2	Screw, #8-32NC x 1/4in	
	0236406	Ref	MANUAL DESCENT VALVES INSTALLATION	A
75	0901192	1	Bracket, Manual Descent	
76	0641608	2	Bolt	
77	4761600	2	Lockwasher	
78	3311601	2	Nut	
79	4640005	3	Valve, Needle	
79	2900062	3	Kit, Panel Mounting	
		Ref	GROUND CONTROL BOX AND HARNESS ASSEMBLIES	
80		Ref	Harness Options:	
80	4920845	AR	All Except Deutz F3L1011 Machines	
80	See Note	AR	Deutz F3L1011 Machines (See ELECTRICAL SECTION for Breakdown)	
81		Ref	Harness Options:	
81	4920842	AR	All Except Deutz F3L1011 Machines	
81	See Note	AR	Deutz F3L1011 Machines (See ELECTRICAL SECTION for Breakdown)	
82		Ref	Control Box Assembly Options (Includes Items 18-70):	

SECTION 2 - TURNTABLE

ITEM	PART NUMBER	QTY	DESCRIPTION	REV
82	0237855	1	Deutz F2L511/F3L912, Ford and Wisconsin (June 1987 to May 1994)	
82	0860908	1	Deutz F2L511/F3L912, Ford and Wisconsin (May 1994 to Present)	
82	0860709	1	Deutz F3L1011 (Prior to May 1994)	
82	0860932	1	Deutz F3L1011 (May 1994 to Present)	
83	1060016	12 ft	Cable, Electrical - 16/3	
	4932811	Ref	WIRING DIAGRAM - FORD LRG423 ONLY (NOT SHOWN - ADD TO TERMINAL BLOCK)	-
	4460298	1	Block, Terminal	
	4460300	1	Barrier, Terminal	
	4460299	1	Stop, Terminal	

SECTION 2 - TURNTABLE

FIGURE 2-50. GROUND CONTROL COMPONENTS INSTALLATION (MACHINES WITH HYDRAULIC CONTROLS)



SECTION 2 - TURNTABLE

FIGURE 2-50. GROUND CONTROL COMPONENTS INSTALLATION (MACHINES WITH HYDRAULIC CONTROLS)

ITEM	PART NUMBER	QTY	DESCRIPTION	REV
		Ref	GROUND CONTROL BOX ASSEMBLY (STANDARD PARTS)	
1	0860547	1	Box	
3	2600093	1	Hinge	
4	3911006	AR	Screw, Round Head #10-24NC x 3/8in	
5	4761000	AR	Lockwasher #10	
6	3311001	AR	Nut #10-24NC	
7	3911008	12	Screw, Round Head #10-24NC x 1/2in	
8	3740049	AR	Relay - SPDT	
9	4750600	2	Flatwasher #6	
10	3740016	1	Relay - 3PDT	
11	4120002	1	Socket, Relay	
12	3910606	2	Screw, Round Head #6-32NC x 3/8in	
13	3910610	AR	Screw, Round Head #6-32NC x 5/8in	
14	4760600	AR	Lockwasher #6	
15	3310601	AR	Nut #6-32NC	
16	0750806	2	Screw #8 x 3/4in	
17	3300177	2	Nut, Tinnerman	
18	4420037	33 in	Strip, Rubber	
19	0100001	AR	Adhesive (Not Shown)	
20	4460051	2	Connector, Strain Relief	
21	3300048	4	Nut, Conduit	
22	0960238	4	Bushing	
23	4360186	1	Breaker, Circuit - 35 Amp	
25	4360069	2	Breaker, Circuit - 10 Amp	
26	4360003	1	Switch, Key	
26	2860002	1	Key, Replacement	
28	4360199	1	Switch, Toggle	
29	4360274	1	Switch, Push Button	
32	4460071	2	Connector, Strain Relief	
33	3911016	3	Screw, Round Head #10-24NC x 1in	
34	3790012	6	O-Ring	
36	3640555	6 in	Rail	
37	4460299	1	Stop, Terminal	
38	4460298	11	Strip, Terminal	
39	4460301	1	Marker, Terminal	
40	4460308	1	Bar, Buss (2 Position)	
41	4460305	7	Screw, Terminal	
42	4460306	7	Washer, Terminal	
43	4460307	7	Sleeve, Terminal	
44	4460311	1	Bar, Buss (5 Position)	
45	4460303	1	Block, Ground	
46	1700788	1	Decal, Relay Functions	
47	1700789	1	Decal, Relay Functions	
49	4460300	1	Barrier, Terminal	
50	4460488	5	Clamp, Cable	
52	3520028	AR	Plug	
53	4460244	1	Connector	
		Ref	GROUND CONTROL BOX ASSEMBLIES (VARIABLE PARTS)	

SECTION 2 - TURNTABLE

ITEM	PART NUMBER	QTY	DESCRIPTION	REV
	0239219	Ref	ALL MACHINES EXCEPT DEUTZ F3L1011 BUILT PRIOR TO MAY 1994	D
	0860913	Ref	ALL MACHINES EXCEPT DEUTZ F3L1011 BUILT MAY 1994 TO PRESENT	B
	0860710	Ref	DEUTZ F3L1011 MACHINES BUILT PRIOR TO MAY 1994	-
	0860935	Ref	DEUTZ F3L1011 MACHINES BUILT MAY 1994 TO PRESENT	B
61		Ref	Lid Options:	
61	3251650	1	All Machines Built Prior To May 1994	
61	3252343	1	All Machines Built May 1994 To Present	
62	4120013	2	Socket, Relay (All Machines Except Deutz F3L1011 Built May 1994 To Present)	
63		Ref	Switch, Toggle Options:	
63	4360073	1	All Machines Except Deutz F3L1011 Built Prior To May 1994	
63	4360201	1	All Machines Except Deutz F3L1011 Built May 1994 To Present	
63	4360201	1	Deutz F3L1011 Machines Built Prior To May 1994	
63	4360201	1	Deutz F3L1011 Machines Built May 1994 To Present	
64		Ref	Switch, Toggle/Plug, Hole Options:	
64	4360202	2	Switch, Toggle (All Machines Built Prior To May 1994)	
64	3520028	2	Plug, Hole (All Machines Built May 1994 To Present)	
65		Ref	Switch, Toggle Options:	
65	4360200	1	Switch, Toggle (All Machines Built Prior To May 1994)	
65	4360202	1	Switch, Toggle (All Machines Built May 1994 To Present)	
66		Ref	Switch, Toggle Options:	
66	Not Required	0	All Machines Built Prior To May 1994	
66	4360202	1	All Machines Built May 1994 To Present	
67		Ref	Switch, Toggle Options:	
67	Not Required	0	All Machines Built Prior To May 1994	
67	4360200	1	All Machines Built May 1994 To Present	
68		Ref	Guard, Switch Options:	
68	Not Required	0	All Machines Built Prior To May 1994	
68	4060802	1	All Machines Built May 1994 To Present	
69		Ref	Cover, Switch - Red Options:	
69	Not Required	0	All Machines Built Prior To May 1994	
69	4360141	1	All Machines Built May 1994 To Present	
70		Ref	Duct Options:	
70	1840002	11 in	All Machines Built Prior To May 1994	
70	Not Required	0	All Machines Built May 1994 To Present	
71		Ref	Decal - Relay Schematic Options:	
71	1700790	1	All Machines Built Prior To May 1994	
71	Not Required	0	All Machines1 Built May 1994 To Present	
72		Ref	Nameplate - Rotate and Level Options:	
72	3251880	1	All Machines Built Prior To May 1994	
72	Not Required	0	All Machines Built May 1994 To Present	
		Ref	GROUND CONTROL BOX AND HARNESS ASSEMBLIES	
103		Ref	Harness Options:	
103	4920845	AR	All Machines Except Deutz F3L1011 Machines	
103		Ref	Deutz F3L1011 Machines (See ELECTRICAL SECTION for Breakdown)	
104		Ref	Harness Options:	
104	4921131	AR	All Machines Except Deutz F3L1011 Machines	
104		Ref	Deutz F3L1011 Machines (See ELECTRICAL SECTION for Breakdown)	

SECTION 2 - TURNTABLE

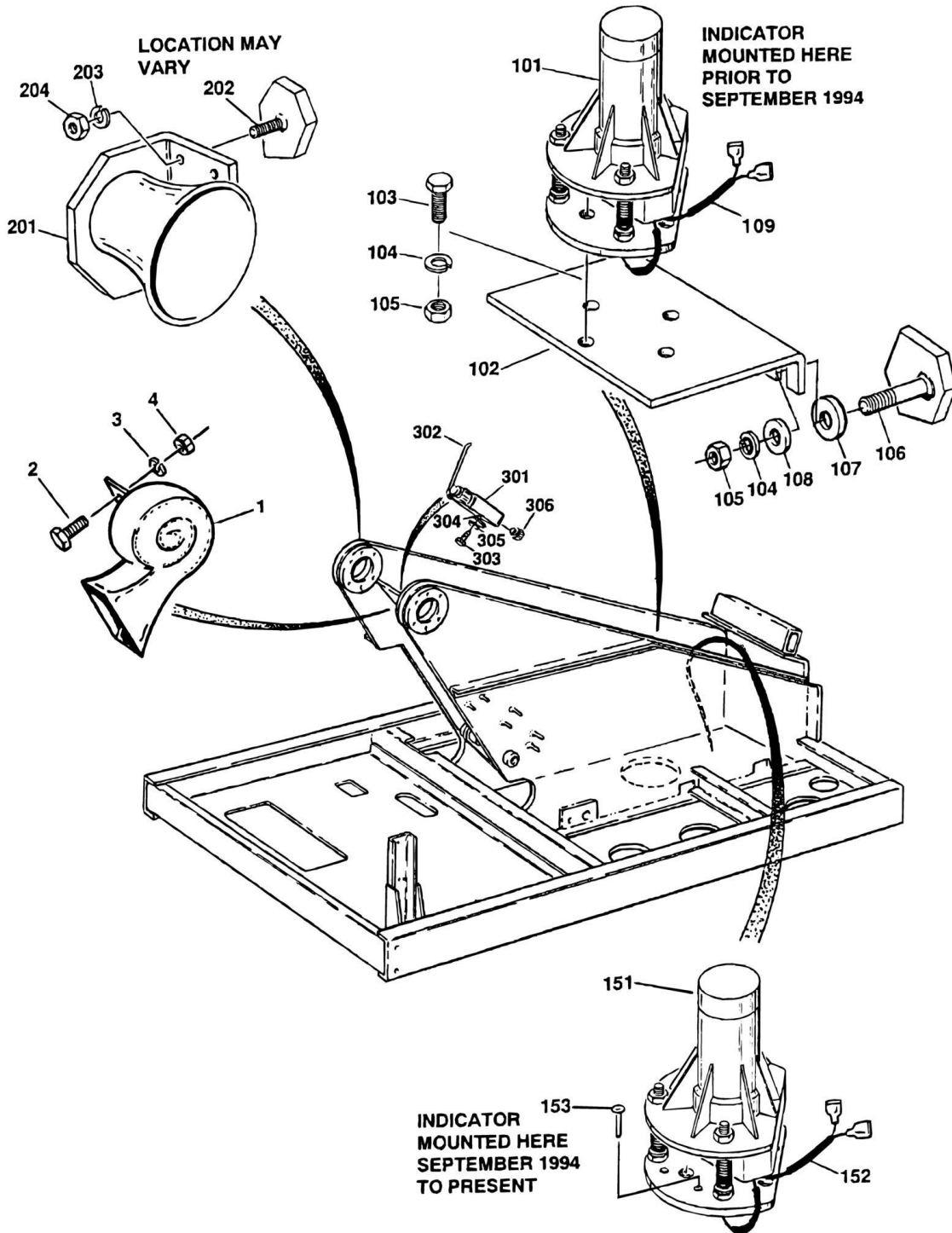
ITEM	PART NUMBER	QTY	DESCRIPTION	REV
105		Ref	Control Box Assembly Options (Includes Items 1-72):	
105	0239219	1	Deutz F2L511/F3L912, Ford and Wisconsin (Prior to May 1994)	
105	0860913	1	Deutz F2L511/F3L912, Ford and Wisconsin (May 1994 to Present)	
105	0860710	1	Deutz F3L1011 (Prior to May 1994)	
105	0860935	1	Deutz F3L1011 (May 1994 to Present)	
106	1060016	12 ft	Cable, Electrical - 16/3	
		Ref	GROUND CONTROL INSTALLATION (STANDARD PARTS)	
204	2420009	1	Gauge, Hourmeter	
206	0641406	6	Bolt 1/4in-20NC x 3/4in	
207	4761400	6	Lockwasher 1/4in	
208	3311401	6	Nut, 1/4in-20NC	
211	0100020	AR	Sealant, Pipe	
213	4751400	3	Flatwasher 1/4in	
214	0641610	4	Bolt 3/8in-16NC x 1 1/4in	
215	4751600	8	Flatwasher 3/8in	
216	4761600	4	Lockwasher 3/8in	
217	3311601	4	Nut 3/8in-16NC	
218	4841978	1	Weldment, Box Mounting	
219	4640558	1	Valve, Ground Control	
219	7009353	6	Cartridge (With Knob)	
219	7009354	2	Cartridge (Without Knob)	
220	0901518	1	Bracket, Valve Mounting	
221	0641508	2	Bolt 5/16in-18NC x 1in	
222	4761500	6	Lockwasher 5/16in	
223	3311501	6	Nut 5/16in-18NC	
224	0641538	4	Bolt 5/16in-18NC x 4 3/4in	
225	4751500	4	Flatwasher 5/16in	
226	3251869	1	Decal, Lift Down	
227	3251868	1	Decal, Lift Up	
228	3251866	1	Decal, Telescope In	
229	3251867	1	Decal, Telescope Out	
230	3251864	1	Decal, Swing Left	
231	3251865	1	Decal, Swing Right	
		Ref	GROUND CONTROL INSTALLATIONS (VARIABLE PARTS)	
	0239273	Ref	DEUTZ F2L511/F3L912	D
	0251644	Ref	DEUTZ F3L1011	F
	0239272	Ref	FORD (Prior to SN 36897)	G
	0256662	Ref	FORD - LRG (SN 36897 to Present)	
	0239271	Ref	WISCONSIN	F
251		Ref	Gauge, Voltmeter Options:	
251	2420091	1	Deutz F2L511/F3L912	
251	2420129	1	Deutz F3L1011	
251	2420091	1	Ford/Ford - LRG	
251	2420091	1	Wisconsin	
252		Ref	Gauge, Oil Pressure Options:	
252	2420030	1	Deutz F2L511/F3L912	
252	2420111	1	Deutz F3L1011	
252	2420035	1	Ford/Ford - LRG	
252	Not Required	0	Wisconsin	
253		Ref	Gauge, Water Temperature Options:	
253	Not Required	0	Deutz F2L511/F3L912	

SECTION 2 - TURNTABLE

ITEM	PART NUMBER	QTY	DESCRIPTION	REV
253	2420125	1	Deutz F3L1011	
253	2420019	1	Ford/Ford - LRG	
253	Not Required	0	Wisconsin	
254		Ref	Bracket, Gauge Mounting Options:	
254	0901212	1	Deutz F2L511/F3L912 (Prior to SN 30866)	
254	3380309	1	Deutz F2L511/F3L912 (SN 30866 to Present)	
254	3380309	1	Deutz F3L1011	
254	3380309	1	Ford/Ford - LRG	
254	0901213	1	Wisconsin	
255		Ref	Fitting Options:	
255	2220021	1	Deutz F2L511/F3L912	
255	Not Required	0	Deutz F3L1011	
255	Not Required	0	Ford/Ford - LRG	
255	2220021	1	Wisconsin	
256		Ref	Ground Control Box and Harness Assembly Options (Includes Items 101-106):	
256		Ref	Deutz F2L511/F3L912	
256	0860564	1	Ground Control Box and Harness Assembly (Prior to May 1994)	
256	0860912	1	Ground Control Box and Harness Assembly (May 1994 to Present)	
256		Ref	Deutz F3L1011	
256	0860710	1	Ground Control Box and Harness Assembly (Prior to May 1994)	
256	0860935	1	Ground Control Box and Harness Assembly (May 1994 to Present)	
256		Ref	Ford	
256	0860564	1	Ground Control Box and Harness Assembly (Prior May 1994)	
256	0860912	1	Ground Control Box and Harness Assembly (May 1994 to Present)	
256	0861054	1	Ford - LRG	
256		Ref	Wisconsin	
256	0860564	1	Ground Control Box and Harness Assembly (Prior to May 1994)	
256	0860912	1	Ground Control Box and Harness Assembly (May 1994 to Present)	

SECTION 2 - TURNTABLE

FIGURE 2-51. ELECTRICAL COMPONENTS INSTALLATION (TURNTABLE MOUNTED)



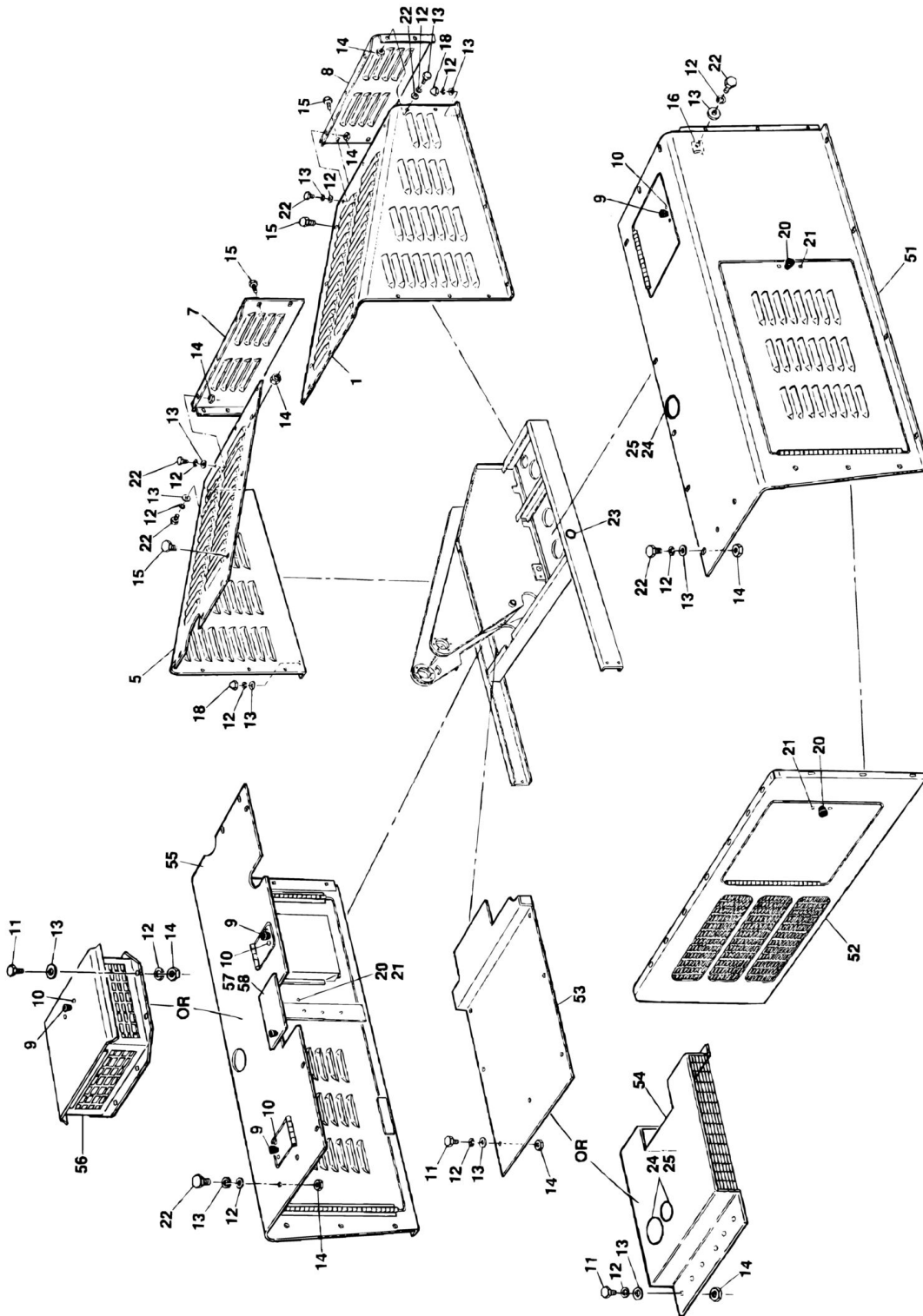
SECTION 2 - TURNTABLE

FIGURE 2-51. ELECTRICAL COMPONENTS INSTALLATION (TURNTABLE MOUNTED)

ITEM	PART NUMBER	QTY	DESCRIPTION	REV
	0237205	Ref	HORN INSTALLATION	-
1	0140001	1	Horn, Electric	
2	0641406	1	Bolt 1/4in-20NC x 3/4in	
3	4761400	1	Lockwasher 1/4in	
4	3311401	1	Nut 1/4in-20NC	
	0235631	Ref	TILT INDICATOR INSTALLATION (PRIOR TO APRIL 1982)	-
	0236536	Ref	TILT INDICATOR INSTALLATION (APRIL 1982 TO SEPTEMBER 1984)	-
101	4360171	1	Indicator, Tilt	
102	3508393	1	Plate, Tilt Indicator	
103	0641406	4	Bolt 1/4in-20NC x 3/4in	
104	4761400	6	Lockwasher 1/4in	
105	3311401	6	Nut 1/4in-20NC	
106	4300032	2	Stud (Welded Part)	
107	4751400	2	Flatwasher 1/4in	
108	4741500	2	Flatwasher 5/16in	
109	2820022	1 ft	Tubing, Vinyl	
	0250138	Ref	TILT INDICATOR INSTALLATION (SEPTEMBER 1984 TO PRESENT)	D
151	4360171	1	Indicator, Tilt	
152	2820015	1 ft	Tubing, Vinyl	
153	4300106	2	Screw, Drive #10 x 3/8in	
	0234429	Ref	TRAVEL ALARM INSTALLATION (PRIOR TO APRIL 1986)	A
	0237540	Ref	TRAVEL ALARM INSTALLATION (APRIL 1986 TO APRIL 1992)	A
	0251543	Ref	TRAVEL ALARM INSTALLATION (APRIL 1992 TO PRESENT)	2
	0239055	Ref	TRAVEL ALARM INSTALLATION U/L	A
201	0140012	1	Alarm, Travel (Prior to September 1989)	
201	0140024	1	Alarm, Travel (September 1989 to April 1992)	
201	0140032	1	Alarm, Travel (April 1992 to Present)	
202	0641406	2	Bolt 1/4in-20NC x 3/4in	
203	4751400	4	Flatwasher 1/4in	
204	3311405	2	Locknut 1/4in	
204	1670398	1	Cover (U/L Only, Not Shown)	
	0236287	Ref	HORIZONTAL CUT-OUT LIMIT SWITCH INSTALLATION	D
301	4360057	1	Switch, Limit	
302	0200048	1	Arm, Activator	
303	0731005	2	Screw, Machine #10-32NF x 5/8in	
304	4751000	2	Flatwasher #10	
305	4761000	2	Lockwasher #10	
306	4460049	1	Connector	

SECTION 2 - TURNTABLE

FIGURE 2-52. HOODS INSTALLATION



SECTION 2 - TURNTABLE

FIGURE 2-52. HOODS INSTALLATION

ITEM	PART NUMBER	QTY	DESCRIPTION	REV
	1280449	Ref	HOODS INSTALLATION (STANDARD PARTS)	I
		Ref	NOTE: REPLACEMENT DECALS MUST BE ORDERED SEPARATELY - SEE SECTION 8.	
1	2680232	1	Hood, Oil Tank	
5	2680233	1	Hood, Fuel Tank	
7	2680231	1	Cover, Rear (Oil Tank Side)	
8	2680230	1	Cover, Rear (Fuel Tank Side)	
9	2940050	AR	Latch, Door	
10	3820012	AR	Rivet	
11	0641406	AR	Bolt 1/4in-20NC x 3/4in	
12	4761400	AR	Lockwasher 1/4in	
13	4751400	AR	Flatwasher 1/4in	
14	3311401	AR	Nut 1/4in-20NC	
15	3900022	AR	Screw, Self-Tap 1/4in x 7/8in	
16	3300181	12	Nut, Retainer	
17	4300031	14	Stud (Welded on Part - Not Shown)	
18	3300151	14	Nut, Acorn 1/4in-20NC	
20	2940048	4	Latch, Door	
21	3820019	8	Rivet	
22	0641405	AR	Bolt 1/4in-20NC x 5/8in	
23	3520064	2	Plug, Hole	
24	2540003	AR	Grommet	
25	0100001	AR	Adhesive	
		Ref	HOODS INSTALLATIONS (VARIABLE PARTS)	
	0236474	Ref	DEUTZ F2L511	G
	2680336	Ref	DEUTZ F3L912	D
	0251315	Ref	DEUTZ F3L1011	2
	2680319	Ref	FORD	N
	0236809	Ref	WISCONSIN	E
51		Ref	Hood - Valve Side Options:	
51	4841940	1	Deutz F2L511	
51	4842067	1	Deutz F3L912	
51	4841940	1	Deutz F3L1011	
51	4841940	1	Ford	
51	4841940	1	Wisconsin	
52		Ref	Cover - Front Side Options:	
52	4842016	1	Deutz F2L511	
52	4842063	1	Deutz F3L912	
52	4843741	1	Deutz F3L1011	
52	4841921	1	Ford	
52	4842216	1	Wisconsin	
53		Ref	Cover - Front Center Options:	
53		Ref	Deutz F2L511	
53	2680348	1	Cover - Front Center (February 1986 to Present)	
53	2680238	1	Cover - Front Center (Prior to February 1986)	
53	Not Required	0	Deutz F3L912	
53	2680348	1	Deutz F3L1011	
53		Ref	Ford	
53	2680238	1	Cover - Front Center (Prior to February 1986)	
53	2680348	1	Cover - Front Center (February 1986 to September 1987)	

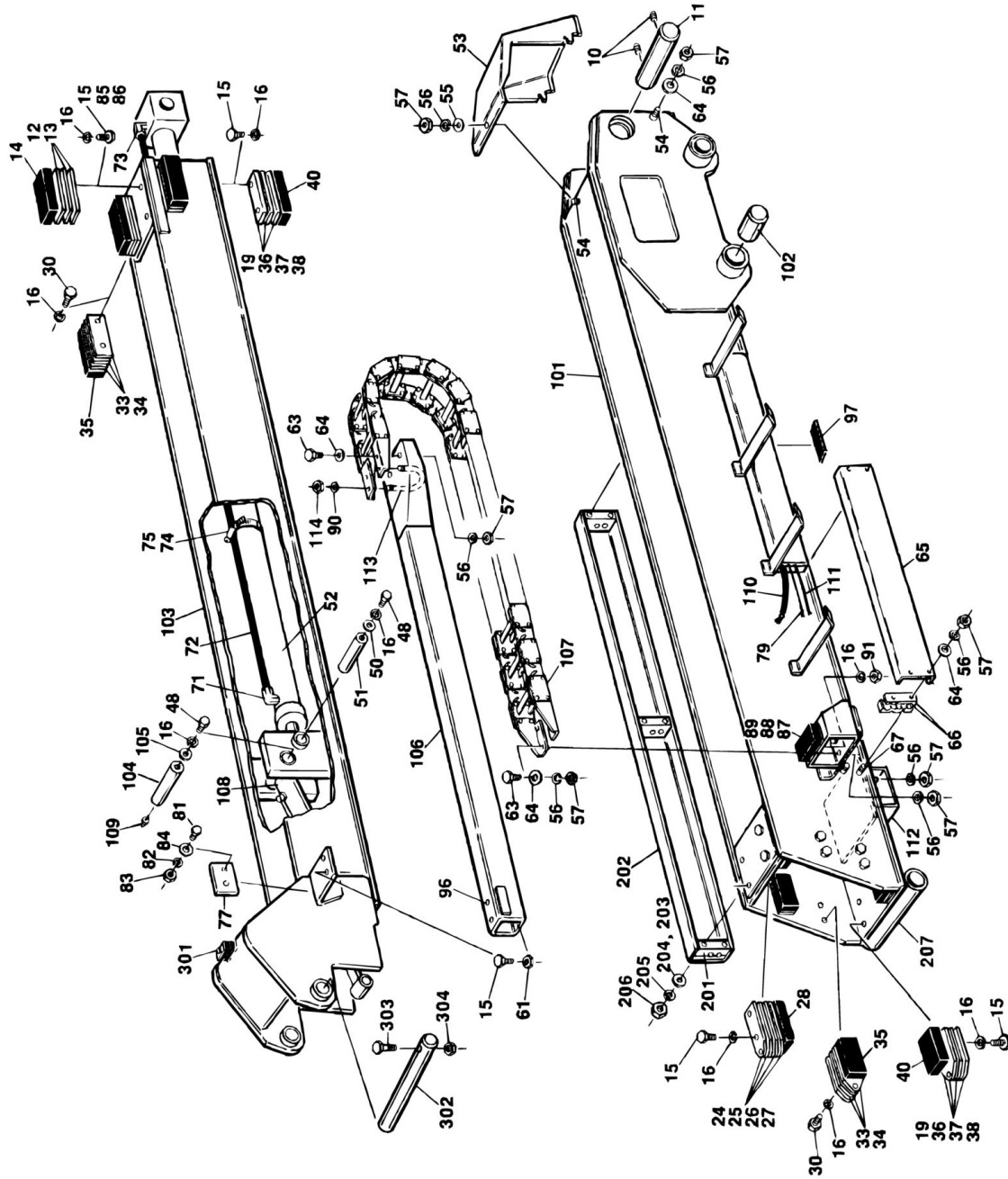
SECTION 2 - TURNTABLE

ITEM	PART NUMBER	QTY	DESCRIPTION	REV
53	0238279	1	Cover - Front Center (September 1987 to Present)	
53	2680233	1	Wisconsin	
54		Ref	Vent - Front Center Options:	
54	Not Required	0	Deutz F2L511	
54		Ref	Deutz F3L912	
54	4680005	1	Vent - Front Center (October 1989 to Present)	
54	4842066	1	Vent - Front Center (Prior to October 1989)	
54	Not Required	0	Deutz F3L1011	
54	Not Required	0	Ford	
54	Not Required	0	Wisconsin	
55		Ref	Hood - Engine Side Options:	
55		Ref	Deutz F2L511	
55	4842846	1	Hood - Engine Side (September 1987 to Present)	
55	4842018	1	Hood - Engine Side (Prior to September 1987)	
55		Ref	Deutz F3L912	
55	4842852	1	Hood - Engine Side (September 1987 to Present)	
55	4842064	1	Hood - Engine Side (Prior to September 1987)	
55	4842846	1	Deutz F3L1011	
55		Ref	Ford	
55	4841939	1	Hood - Engine Side (Prior to September 1987)	
55	4842829	1	Hood - Engine Side (September 1987 to October 1988)	
55	4842880	1	Hood - Engine Side (October 1988 to Present)	
55		Ref	Wisconsin	
55	4843436	1	Hood - Engine Side (July 1990 to Present)	
55	4842846	1	Hood - Engine Side (September 1987 to July 1990)	
55	4842018	1	Hood - Engine Side (Prior to September 1987)	
56		Ref	Ventilator Options:	
56	4842976	1	Deutz F2L511	
56	Not Required	0	Deutz F3L912	
56	4842976	1	Deutz F3L1011	
56	Not Required	0	Ford	
56	4842011	1	Wisconsin	
57	1670301	1	Cover, Oil Cap (Circular in Design - Not Shown) (Ford Engine Machines Only) (Prior to August 1986 Only)	
58	1670363	1	Cover (Rectangular in Design) (Ford Engine Machines Only) (August 1985 to September 1987 Only)	

SECTION 3 - BOOM

SECTION 3 - BOOM

FIGURE 3-1. 2 SECTION BOOM ASSEMBLIES



SECTION 3 - BOOM

FIGURE 3-1. 2 SECTION BOOM ASSEMBLIES

ITEM	PART NUMBER	QTY	DESCRIPTION	REV
		Ref	BOOM ASSEMBLY (STANDARD PARTS)	
9	0100011	AR	Loctite #242 (Not Shown)	
10	3951608	2	Setscrew 3/8in-16NC x 1in	
11	3421052	1	Pin (Telescope Cylinder Attach)	
12	4070504	AR	Shim 1/16in	
13	4070503	AR	Shim 1/8in	
14	3340401	2	Pad, Wear	
15	0641610	AR	Bolt 3/8in-16NC x 1 1/4in	
16	4761600	AR	Lockwasher 3/8in	
19	4070506	AR	Shim 1/4in	
24	4070498	AR	Shim 1/16in	
25	4070499	AR	Shim 1/32in	
26	4070497	AR	Shim 1/8in	
27	4070500	AR	Shim 1/4in	
28	3340399	2	Pad, Wear	
30	0641606	12	Bolt 3/8in-16NC x 3/4in	
33	4070502	AR	Shim 1/16in	
34	4070501	AR	Shim 1/8in	
35	3340394	6	Pad, Wear	
36	4070508	AR	Shim 1/16in	
37	4070505	AR	Shim 11/64in	
38	4070507	AR	Shim 1/8in	
40	3340403	4	Pad, Wear	
48	0651608	AR	Bolt 3/8in-24NF x 1in	
50	4740263	1	Washer, Special	
51	4841836	1	Pin (Telescope Cylinder Attach)	
52		Ref	Telescope Cylinder Assembly Options (See CYLINDER SECTION for Breakdown)	
52	1681510	1	Cylinder (Prior to July 1985)	
		Ref	Note: If replacing complete cylinder recommend using P/N 1681583	
52	1681583	1	Cylinder (July 1985 to Present)	
53	4060567	1	Shield, Boom	
54	4300032	3	Stud (Welded on Part)	
56	4761400	17	Lockwasher 1/4in	
57	3311401	17	Nut 1/4in-20NC	
61	3311605	2	Locknut 3/8in-16NC	
63	0641407	8	Bolt 1/4in-20NC x 7/8in	
64	4751400	21	Flatwasher 1/4in	
65	4060568	2	Shield	
66	4340413	3	Support, Line	
67	4300042	6	Stud (Welded on Part)	
71	2220343	1	Fitting, Straight	
72	2751150	1	Hose	
73	2220372	1	Fitting, Straight	
74	4280018	3 ft.	Strip, Rubber	
75	1320037	2	Clamp, Hose	
76	0100020	AR	Sealant, Pipe (Not Shown)	
77	4280242	1	Strip, Reinforcement	
79		Ref	Cable Electrical - 12/4	

SECTION 3 - BOOM

ITEM	PART NUMBER	QTY	DESCRIPTION	REV
79	1060012	57.3 ft.	Cable,12-4 (40H Prior to SN 52885)	
79	1060515	69.3 ft.	46H/40H+6	
81	0641510	2	Bolt 5/16in-18NC x 1 1/4in	
82	4761500	2	Lockwasher 5/16in	
83	3311501	2	Nut 5/16in-18NC	
84	4711500	2	Flatwasher 5/16in	
85	1380124	6	Clip, Retainer (March 1995 to June 1995)	
86	4920986	AR	Wire, Mechanics (March 1995 to June 1995)	
87	3340453	1	Pad, Wear	
88	4070508	AR	Shim	
88	4070551	AR	Shim (800 LBS. Capacity with Hydraulic Controls)	
89	4070507	AR	Shim	
89	4070552	AR	Shim (800 LBS. Capacity with Hydraulic Controls)	
90	4761600	2	Lockwasher 3/8in	
91	0641608	2	Bolt 3/8in-16NC x 1in	
96	3520029	2	Plug, Hole	
97	1670836	4	Cover, Boom (SN 34483 to Present)	
		Ref	BOOM ASSEMBLY OPTIONS: (VARIABLE PARTS)	
	0800379	Ref	STANDARD 40H WITH STANDARD CONTROLS	28
	0800707	Ref	800 LBS. CAPACITY 40H WITH STANDARD CONTROLS	7
	0801098	Ref	800 LBS. CAPACITY 40H WITH HYDRAULIC CONTROLS	3
	0800578	Ref	STANDARD 40H WITH HYDRAULIC CONTROLS	14
	0800504	Ref	46H/40H+6 WITH STANDARD CONTROLS (NOT SHOWN)	9
101		Ref	Base Weldment Options:	
101	0800378	1	Standard 40H with Standard Controls	
101	0800706	1	800 LBS. Capacity 40H with Standard Controls	
101		Ref	Standard 40H with Hydraulic Controls	
101	0800378	1	Base Weldment (Prior to February 1990)	
101	0800647	1	Base Weldment (February 1990 to Present)	
101	0801099	1	800 LBS. Capacity 40H with Hydraulic Controls	
101	0800378	1	46H/40H+6 with Standard Controls	
102	0960957	2	Bushing, Bronze	
103		Ref	Fly Weldment Options:	
103		Ref	Standard 40H with Standard Controls	
103	0800377	1	Fly Weldment (Prior to June 1985)	
103	0800415	1	Fly Weldment (June 1985 to Present)	
103	0800415	1	800 LBS. Capacity 40H with Standard Controls	
103	0800576	1	Standard 40H with Hydraulic Controls	
103	0800576	1	800 LBS. Capacity 40H with Hydraulic Controls	
103	0800469	1	46H/40H+6 with Standard Controls	
104	3421069	1	Pin 40H (Slave Cylinder Attach) with Standard/Hydraulic Controls	
104		Ref	Pin 46H/40H+6 with Standard Controls (See EXTEND-A-REACH INSTALLATIONS (40H+6 MACHINES) for Breakdown)	
105	4740006	1	Washer, Hardened 40H with Standard/Hydraulic Controls	
105		Ref	Pin 46H/40H+6 with Standard Controls (See EXTEND-A-REACH INSTALLATIONS (40H+6 MACHINES) for Breakdown)	
106		Ref	Tube Options:	
106		Ref	Standard 40H with Standard Controls	
106	4562557	1	Tube (Prior to May 1985)	
106	1180152	1	Tube (May 1985 to Present)	
106	1180152	1	800 LBS. Capacity 40H with Standard Controls	
106		Ref	Standard 40H with Hydraulic Controls	

SECTION 3 - BOOM

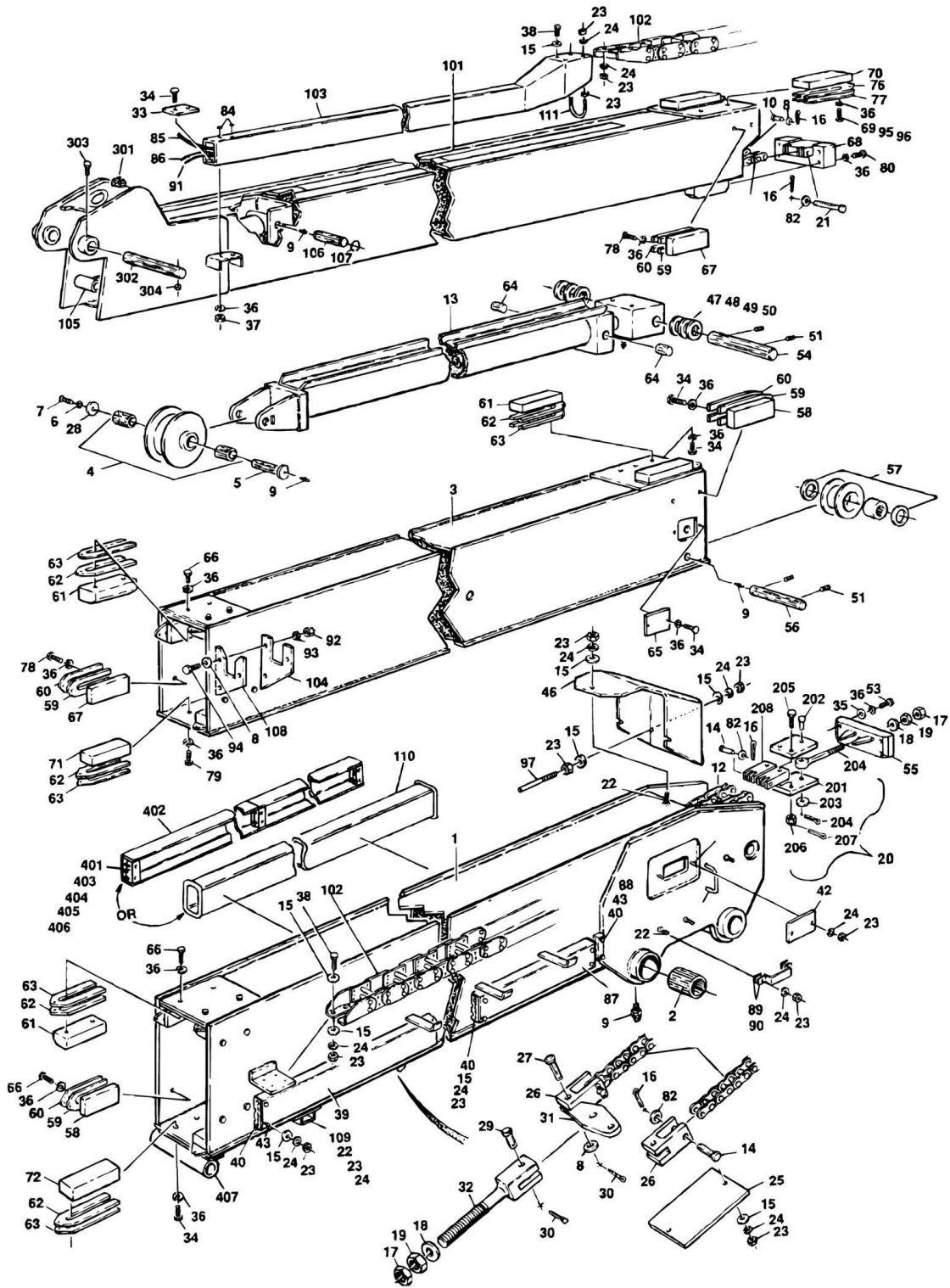
ITEM	PART NUMBER	QTY	DESCRIPTION	REV
106	1180183	1	Tube (Prior to July 1990)	
106	1180263	1	Tube (July 1990 to Present)	
106	1180263	1	800 LBS. Capacity 40H with Hydraulic Controls	
106	1180152	1	46H/40H+6 with Standard Controls	
107	1180103	1	Carrier	
107	7006132	AR	One Foot Section (2A Version through 1989)	
107	7006140	AR	One Foot Section (2CP Version 1990 to Present)	
107	7006121	AR	Mounting Feet (2A Version through 1989)	
107	7006149	AR	Mounting Feet (2CP Version 1990 to Present)	
107	7006137	AR	Pin Kit (Includes 1 pin, 1 Retaining Ring & 4 Washers) (2A Version through 1989)	
107	7006152	AR	Pin Kit (Includes 1 pin, 1 Retaining Ring & 4 Washers) (2CP 1990 to Present)	
		Ref	Note: 2A version powertrack has a link height of 1 3/4in and the pin are 2 1/2in apart (center to center) 2CP version powertrack has a link height of 2in and the pin are 3in apart (center to center)	
107	1180180	1	Carrier (800 LBS. Capacity with Hydraulic Controls Only)	
107	7006190	AR	One Foot Section	
107	7006143	AR	Mounting Feet	
107	7006138	AR	Pin Kit (Includes 1 link pin, 1 retaining ring & 4 washers of various thicknesses)	
108		Ref	Platform Level Cylinder Assembly Options (See Section CYLINDER for Breakdown)	
108		Ref	Standard 40H with Standard Controls	
108	1681518	1	Platform Level Cylinder Assembly (Prior to July 1985)	
108	1681548	1	Platform Level Cylinder Assembly (July 1985 to January 1987)	
108	1681722	1	Platform Level Cylinder Assembly (January 1987 to April 1992)	
108	1682602	1	Platform Level Cylinder Assembly (April 1992 to S/N 33111)	
108	1683534	1	Platform Level Cylinder Assembly (SN 33111 to Present)	
108		Ref	800 LBS. Capacity 40H with Standard Controls	
108	1681722	1	Platform Level Cylinder Assembly (Prior to April 1992)	
108	1682602	1	Platform Level Cylinder Assembly (April 1992 to S/N 33111)	
108	1683534	1	Platform Level Cylinder Assembly (SN 33111 to Present)	
108		Ref	Standard 40H with Hydraulic Controls	
108	1681722	1	Platform Level Cylinder Assembly (Prior to April 1992)	
108	1682602	1	Platform Level Cylinder Assembly (April 1992 to S/N 33111)	
108	1683534	1	Platform Level Cylinder Assembly (SN 33111 to Present)	
108		Ref	800 LBS. Capacity 40H with Hydraulic Controls	
108	1682602	1	Platform Level Cylinder Assembly (April 1992 to S/N 33111) (Prior to SN 33111)	
108	1683534	1	Platform Level Cylinder Assembly (SN 33111 to Present)	
108		Ref	Platform Level Cylinder Assembly 46H/40H+6 with Standard Controls (See EXTEND-A-REACH INSTALLATIONS (40H+6 MACHINES) for Breakdown)	
109	2160002	1	Fitting, Grease (Not Used on 46H/40H+6 with Standard Controls)	
110		Ref	Cable, Electrical Options:	
110	1060229	56.5 ft.	Cable, Electrical - 16/30 (Standard 40H with Standard Controls) (Prior to SN 52885)	
110	1060516	56.5 ft.	Cable, Electrical - 16/30 (Standard 40H with Standard Controls) (SN 52885 to Present)	
110	1060229	56.5 ft.	Cable, Electrical - 16/30 (800 LBS. Capacity 40H) (Production)	

SECTION 3 - BOOM

ITEM	PART NUMBER	QTY	DESCRIPTION	REV
110	1060516	56.5 ft.	Cable, Electrical - 16/30 (800 LBS. Capacity 40H) (Post Production)	
110	1060039	56.5 ft.	Cable, Electrical - 16/24 (Standard 40H with Hydraulic Controls)	
110	1060039	56.5 ft.	Cable, Electrical - 16/24 (800 LBS. Capacity 40H with Hydraulic Controls)	
110	1060229	68.5 ft.	Cable, Electrical - 16/30 (46H/40H+6 with Standard Controls) (Prior to SN 52885)	
110	1060516	68.5 ft.	Cable, Electrical - 16/30 (46H/40H+6 with Standard Controls) (SN 52885 to Present)	
111		Ref	Harness - 110 Volt Options:	
111	4920415	1	Standard 40H with Standard Controls	
111	4920415	1	800 LBS. Capacity 40H with Standard Controls	
111	4920415	1	Standard 40H with Hydraulic Controls	
111	Not Required	0	800 LBS. Capacity 40H with Hydraulic Controls	
111	4920866	1	46H/40H+6 with Standard Controls	
112	4843106	1	Tube, Crossover (Standard 40H with Hydraulic Controls Only)	
113	1320171	1	Clamp (Standard 40H with Hydraulic Controls Only)	
114	3311602	4	Nut, Jam 3/8in-16NC (Standard 40H with Hydraulic Controls Only)	
	0236490	Ref	HYDRAULIC LINE SUPPORT INSTALLATION (MACHINES WITH STEERING WHEEL OR EXTEND-A-REACH OPTIONS)	B
201	4340447	3	Support	
202	4060568	2	Shield	
203	4300036	6	Stud (Welded on Part)	
204	4751400	6	Flatwasher 1/4in	
205	4761400	6	Lockwasher 1/4in	
206	3311401	6	Nut 1/4in-20NC	
207	4842025	1	Boom Hose Weldment	
	0800377	Ref	FLY WELDMENT	
	0800415	Ref	FLY WELDMENT	
301	1320052	1	Clamp, Hose (Welded on Part)	
302	3421088	1	Pin, Boom Nose	
303	0641622	1	Bolt 3/8in-16NC x 2 3/4in	
304	3311605	1	Locknut 3/8in-16NC	

SECTION 3 - BOOM

FIGURE 3-2. 3 SECTION BOOM ASSEMBLIES



SECTION 3 - BOOM

FIGURE 3-2. 3 SECTION BOOM ASSEMBLIES

ITEM	PART NUMBER	QTY	DESCRIPTION	REV
		Ref	BOOM ASSEMBLY (STANDARD PARTS)	
1	0800401	1	Base Weldment	
2	0960651	2	Bushing, Bronze	
3	0800399	1	Mid Weldment	
4	0237564	1	Sheave Assembly	
4	0960406	2	Bushing	
5	3421348	1	Pin, Sheave	
6	4761800	1	Lockwasher 1/2in	
7	0651808	1	Bolt 1/2in-20NF x 1in	
8	4751500	8	Flatwasher 5/16in	
9	2160002	5	Fitting, Grease	
10	3420650	2	Pin, Clevis (Retract Chain)	
11	1260164	1 set	Chain, Retract	
12	1260165	1 set	Chain, Extend	
13	1681543	1	Telescope Cylinder Assembly (See CYLINDER SECTION for Breakdown)	
14	3420414	4	Pin, Clevis	
15	4751400	AR	Flatwasher 1/4in	
16	3450203	7	Pin, Cotter 1/8in x 3/4in	
17	3300241	2	Locknut 3/4in-10NC Grade 8	
18	4740057	2	Washer, Hardened	
19	3312202	2	Nut, Jam 3/4in-10NC	
20	0236044	1	Chain Adjuster Assembly (See Items 201-209 for Breakdown)	
21	3421029	1	Pin, Clevis	
22	4300031	AR	Stud (Welded on Part)	
23	3311401	AR	Nut 1/4in-20NC	
24	4761400	AR	Lockwasher 1/4in	
25	1670319	1	Plate, Cover	
26	1360160	2	Clevis, Chain Attach	
27	3420867	2	Pin, Chain Attach	
28	4740003	1	Washer, Hardened	
29	3420865	1	Pin, Adjuster	
30	3450403	3	Pin, Cotter 1/4in x 3/4in	
31	3509928	1	Plate, Clevis	
32	1360100	1	Clevis, Adjuster	
33	4280242	1	Strip, Reinforcement	
34	0641608	18	Bolt 3/8in-16NC x 1in	
35	4751600	AR	Flatwasher 3/8in	
36	4761600	56	Lockwasher 3/8in	
37	3311601	AR	Nut 3/8in-16NC	
38	0641407	AR	Bolt 1/4in-20NC x 7/8in	
39	4060595	1	Shield	
40	4340413	4	Support, Line	
42	1670321	1	Cover, Side	
43	4300042	8	Stud	
46	4840627	1	Shield, Boom End	
47	4740102	1	Washer, Spacer .25	
48	4740136	1	Washer, Spacer .31	
49	4740137	1	Washer, Spacer .38	
50	4740138	1	Washer, Spacer .38	

SECTION 3 - BOOM

ITEM	PART NUMBER	QTY	DESCRIPTION	REV
51	3951608	4	Setscrew 3/8in-16NC x 1in	
52	0100011	AR	Loctite #242 (Not Shown)	
53	0641616	4	Bolt 3/8in-16NC x 2in	
54	3420420	1	Pin (Telescope Cylinder Attach)	
55	4842043	1	Block, Chain Attach	
56	3421145	2	Pin, Sheave	
57	0233389	2	Sheave Assembly	C
57	0960406	2	Bearing (March 1993 to Present) (1 Per Assembly)	
57	0440082	2	Bearing (Prior to March 1993) (1 Per Assembly)	
57	3960212	4	Seal (Prior to March 1993 Only) (2 Per Assembly)	
58	3340404	6	Pad, Wear	
59	4070546	AR	Shim 1/32in	
60	4070547	AR	Shim 1/16in	
61	3340263	6	Pad, Wear	
62	4070544	AR	Shim 1/16in	
63	4070545	AR	Shim 1/8in	
64	3420645	2	Pin, Trunion	
65	0360372	2	Bar	
66	0641605	8	Bolt 3/8in-16NC x 5/8in	
67	3340450	6	Pad, Wear	
68	0236521	1	Block, Chain Attach	
69	0641606	4	Bolt 3/8in-16NC x 3/4in	
70	3340453	2	Pad, Wear	
71	3340446	2	Pad, Wear	
72	3340261	2	Pad, Wear	
76	4070508	AR	Shim 1/16in	
77	4070507	AR	Shim 1/8in	
78	0641607	12	Bolt 3/8in-16NC x 7/8in	
79	0641609	4	Bolt 3/8in-16NC x 1 1/8in	
80	0641613	4	Bolt 3/8in-16NC x 1 5/8in	
81	0641410	3	Bolt 1/4in-20NC x 1 1/4in	
82	4741000	7	Flatwasher, Special	
84	3520029	2	Plug, Hole	
85		Ref	Cable, Electrical - 16/30 Options:	
85	1060229	56.5 ft	Cable, Electrical - 16/30 (Production)	
85	1060516	56.5 ft	Cable, Electrical - 16/30 (Post Production)	
85	1060229	68.5 ft	Cable, Electrical - 16/30 (Production)	
85	1060516	68.5 ft	Cable, Electrical - 16/30 (Post Production)	
86	1060012	Ref	Cable, Electrical - 12/4	
86	1060012	57.3 ft	Cable, Electrical - 16/30	
86	1060012	68.5 ft	Cable, Electrical - 16/30 (46H)	
87	4060623	1	Shield	
88	3311402	2	Nut, Jam 1/4in-20NC	
89	1320137	1	Clamp	
90	4280033	AR	Seal	
91	4920618	1	Harness - 110V (Prior to August 1994)	
92	3311501	3	Nut 5/16in-18NC	
93	4761500	3	Lockwasher 5/16in	
94	0641506	3	Bolt 5/16in-18NC x 3/4in	
95	1380124	8	Clip, Retainer (March 1987 to June 1995)	
96	4920986	AR	Wire, Mechanics (March 1987 to June 1995)	

SECTION 3 - BOOM

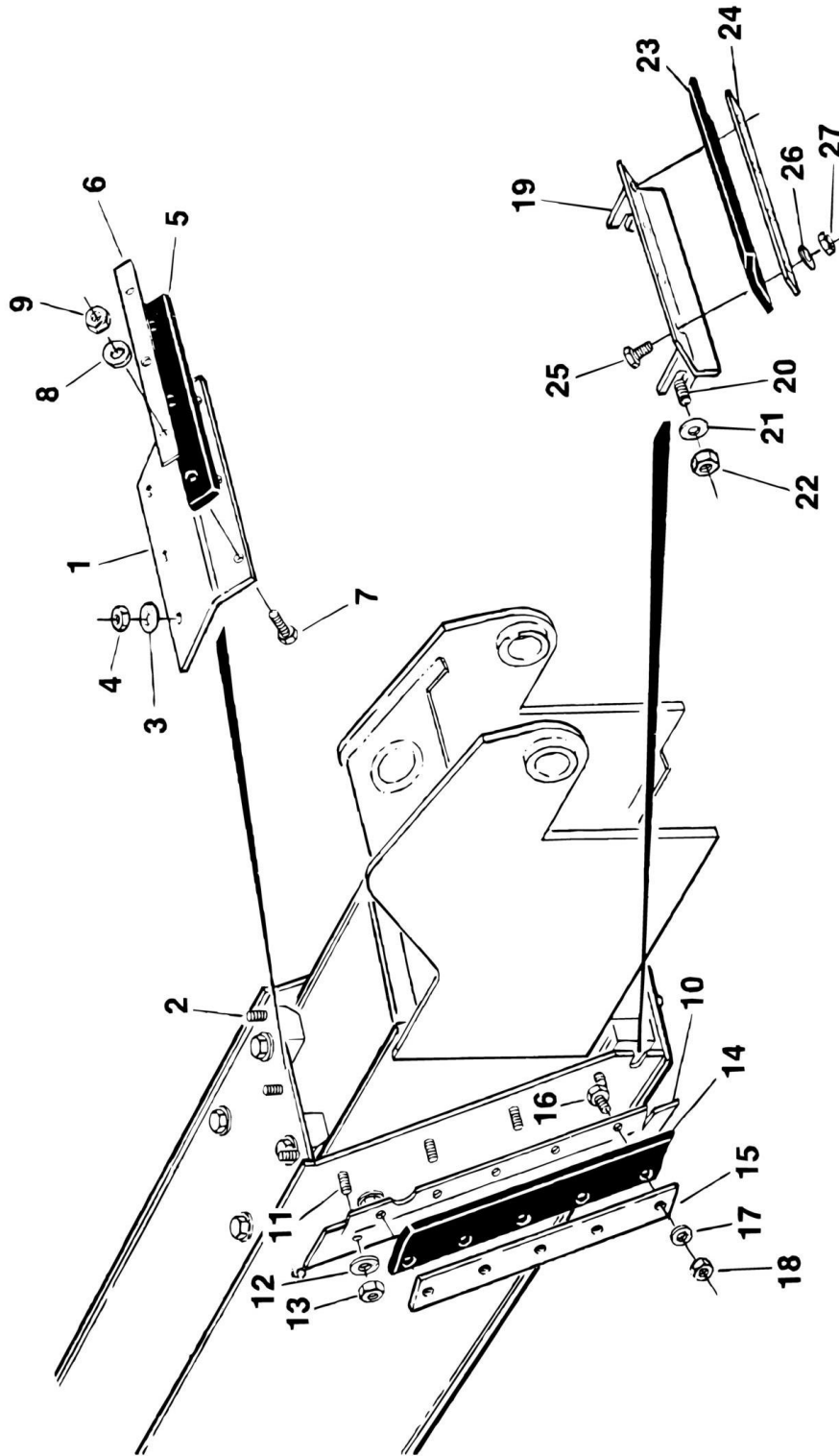
ITEM	PART NUMBER	QTY	DESCRIPTION	REV
97	4300087	2	Stud (Welded on Part - Used After April 1990)	
98	1670836	6	Cover, Boom (Not Shown)	
		Ref	BOOM ASSEMBLY (VARIABLE PARTS)	
	0800400	Ref	40H WITH STANDARD CONTROLS	21
	0800699	Ref	40H WITH HYDRAULIC CONTROLS	10
	0800589	Ref	46H/40H+6 WITH STANDARD CONTROLS (NOT SHOWN)	6
101		Ref	Fly Weldment (See Items 301-304) Options:	
101	0800416	1	Fly Weldment Standard Controls (40H)	
101	0800416	1	Fly Weldment Hydraulic Controls (40H)	
101	0800583	1	Fly Weldment Hydraulic Controls (46H/40H+6)	
102		Ref	Carrier Options:	
102		Ref	Carrier Standard Controls	
102	1180140	1	Carrier Standard Controls (40H)	
102	7006140	AR	Carrier One Foot Section	
102	7006148	2 Pair	Carrier Mounting Feet	
102	7006152	AR	Pin Kit (Includes 1 pin, 1 Retaining Ring & 4 Washers)	
102	1180259	1	Carrier Hydraulic Controls (40H)	
102	1180140	1	Carrier Hydraulic Controls (46H/40H+6)	
103		Ref	Tube Options:	
103	1180139	1	Tube Standard Controls (40H)	
103	1180269	1	Tube Hydraulic Controls (40H)	
103	1180139	1	Tube Hydraulic Controls (46H/40H+6)	
104		Ref	Support, Tube Options:	
104	4340453	1	Tube Standard Controls (40H)	
104	4340562	1	Tube Hydraulic Controls (40H)	
104	4340453	1	Tube Hydraulic Controls (46H/40H+6)	
105		Ref	Platform Level Cylinder Assembly Options: (See CYLINDER SECTION for Breakdown)	
105		Ref	Platform Level Cylinder Assembly 40H with Standard Controls	
105	1681518	1	Platform Level Cylinder Assembly (Prior to July 1985)	
105	1681548	1	Platform Level Cylinder Assembly (July 1985 to January 1987)	
105	1681722	1	Platform Level Cylinder Assembly (January 1987 to April 1992)	
105	1682602	1	Platform Level Cylinder Assembly (April 1992 to S/N 33111)	
105	1683534	1	Platform Level Cylinder Assembly (SN 33111 to Present)	
105	4340562	1	Platform Level Cylinder Assembly 40H with Hydraulic Controls	
105	1681722	1	Platform Level Cylinder Assembly (Prior to April 1992)	
105	1682602	1	Platform Level Cylinder Assembly (April 1992 to S/N 33111)	
105	1683534	1	Platform Level Cylinder Assembly (SN 33111 to Present)	
105		Ref	Platform Level Cylinder Assembly 46H/40H+6 with Hydraulic Controls (See EXTEND-A-REACH INSTALLATIONS (40H+6 MACHINES) for Breakdown)	
106		Ref	Pin, Attach Options:	
106	3421207	1	Pin, Attach 40H with Standard/Hydraulic Controls	
106		Ref	Pin, attach 46H/40H+6 with Hydraulic Controls (See EXTEND-A-REACH INSTALLATIONS (40H+6 MACHINES) for Breakdown)	
107		Ref	Ring, Retaining Options:	
107	3760133	2	Ring, Retaining 40H with Standard/Hydraulic Controls	
108		Ref	Support, Tube Options:	
108	4340454	1	Support, Tube 40H with Standard Controls	
108	4340561	1	Support, Tube 40H with Hydraulic Controls	
108	4340454	1	Support, Tube 46H Hydraulic Controls	

SECTION 3 - BOOM

ITEM	PART NUMBER	QTY	DESCRIPTION	REV
		Ref	Note: Items 109-112 Used on Machines Hydraulic Controls Only	
109	4843106	1	Hose Tube Weldment	
110	4843685	1	Hose Tube Weldment	
111	1320171	1	Clamp	
112	3841091	1	Rod, Support	
	0236044	Ref	CHAIN ADJUSTER ASSEMBLY	B
201	3509182	2	Plate, Chain Adjuster	
202	3421142	1	Pin, Clevis	
203	4712200	1	Flatwasher 1/2 Narrow	
204	3450505	1	Pin, Cotter 5/32in x 1 1/4in	
205	0630347	2	Bolt 1/2in-13NC x 2 1/4in Grade 8	
206	3311803	2	Nut, Slotted 1/2in-13NC	
207	3450405	2	Pin, Cotter 1/8in x 1 1/4in	
208	0560554	1	Block, Chain Attach	
209	0630374	1	Eyebolt	
	0800416	Ref	FLY WELDMENT	
301	1320052	1	Clamp (Welded on Part)	
302	3421088	1	Pin, Boom Nose	
303	0641622	1	Bolt	
304	3311605	1	Nut	
	0236534	Ref	HYDRAULIC SUPPORT LINES INSTALLATION (MACHINES WITH STEERING WHEEL OR EXTEND-A-REACH OPTIONS)	A
401	4340447	3	Support, Line	
402	4060595	2	Shield	
403	4300036	6	Stud (Welded on Part)	
404	4751400	6	Flatwasher 1/4in	
405	4761400	6	Lockwasher 1/4in	
406	3311401	6	Nut 1/4in-20NC	
407	4842047	1	Boom Nose Weldment	

SECTION 3 - BOOM

FIGURE 3-3. BOOM WIPERS INSTALLATION (2 SECTION)



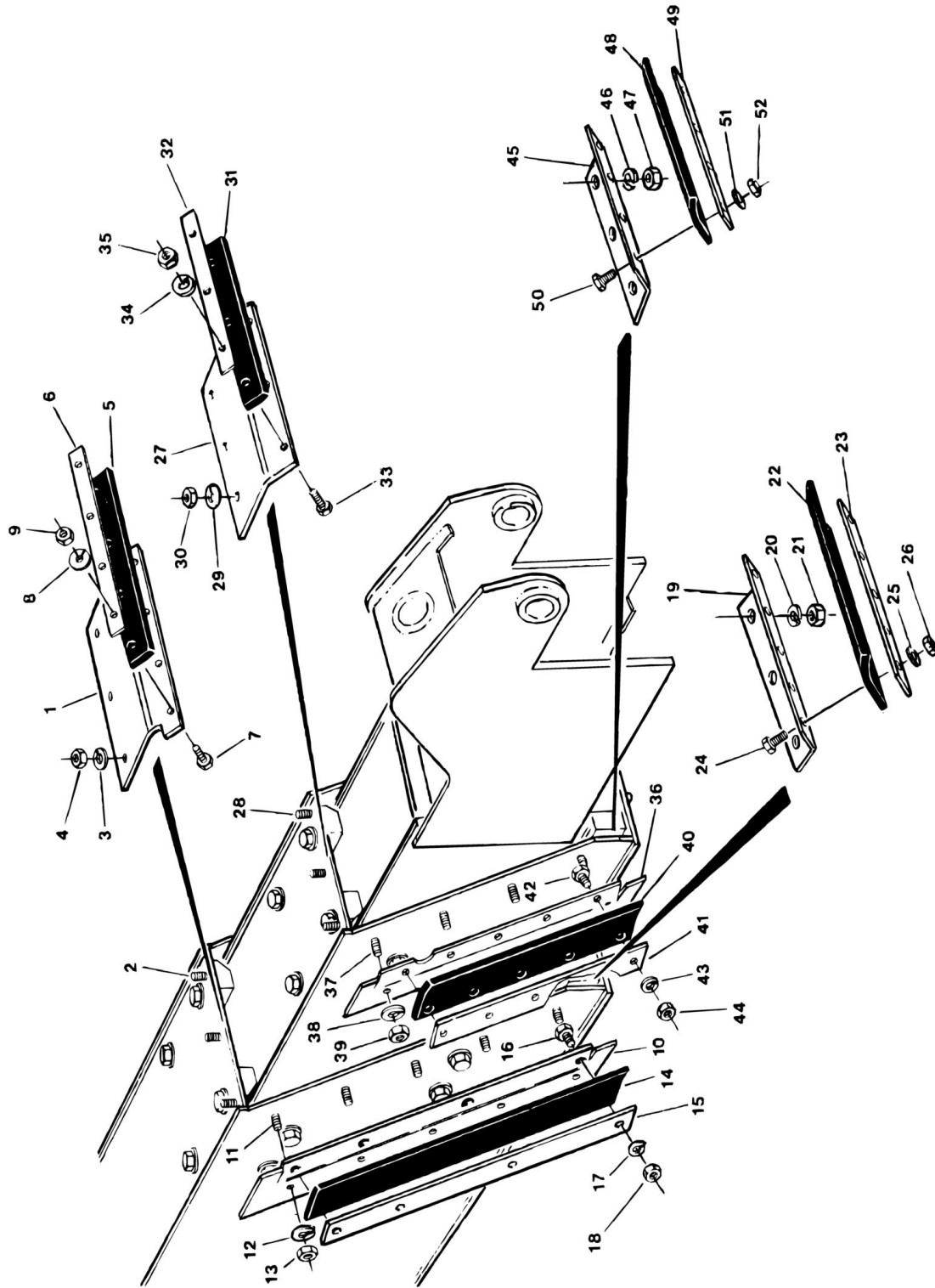
SECTION 3 - BOOM

FIGURE 3-3. BOOM WIPERS INSTALLATION (2 SECTION)

ITEM	PART NUMBER	QTY	DESCRIPTION	REV
	0236440	Ref	BOOM WIPERS INSTALLATION (2 SECTION)	B
1	2660014	1	Holder, Boom Wiper	
2	4300031	3	Stud (Welded On Part) 1/4in-20NC x 5/8in	
3	4751400	3	Flatwasher 1/4in	
4	3311401	3	Nut 1/4in-20NC	
5	0540045	1	Blade, Wiper	
6	4280195	1	Strip, Wiper Retainer	
7	0641407	3	Bolt 1/4in-20NC x 7/8in	
8	4751400	3	Flatwasher 1/4in	
9	3311401	3	Nut 1/4in-20NC	
10	2660064	1	Holder, Boom Wiper - Left Side (Shown)	
10	2660063	1	Holder, Boom Wiper - Right Side (Not Shown)	
11	4300031	4	Stud (Welded on Part) 1/5in-20NC x 5/8in	
12	4751400	4	Flatwasher 1/4in	
13	3311401	4	Nut 1/4in-20NC	
14	0540046	2	Blade, Wiper	
15	4280196	2	Strip, Wiper Retainer	
16	0641407	10	Bolt 1/4in-20NC x 7/8in	
17	4751400	10	Flatwasher 1/4in	
18	3311401	10	Nut 1/4in-20NC	
19	2660061	1	Holder	
20	4300034	2	Stud (Welded on Part) 3/8in-16NC x 1	
21	4751600	2	Flatwasher 1/4in	
22	3311601	2	Nut 3/8in-16NC	
23	0540047	1	Blade, Wiper	
24	4280197	1	Strip, Wiper Retainer	
25	0641407	4	Bolt 1/4in-20NC x 7/8in	
26	4751400	4	Flatwasher 1/4in	
27	3311401	4	Nut 1/4in-20NC	

SECTION 3 - BOOM

FIGURE 3-4. BOOM WIPERS INSTALLATION (3 SECTION)



SECTION 3 - BOOM

FIGURE 3-4. BOOM WIPERS INSTALLATION (3 SECTION)

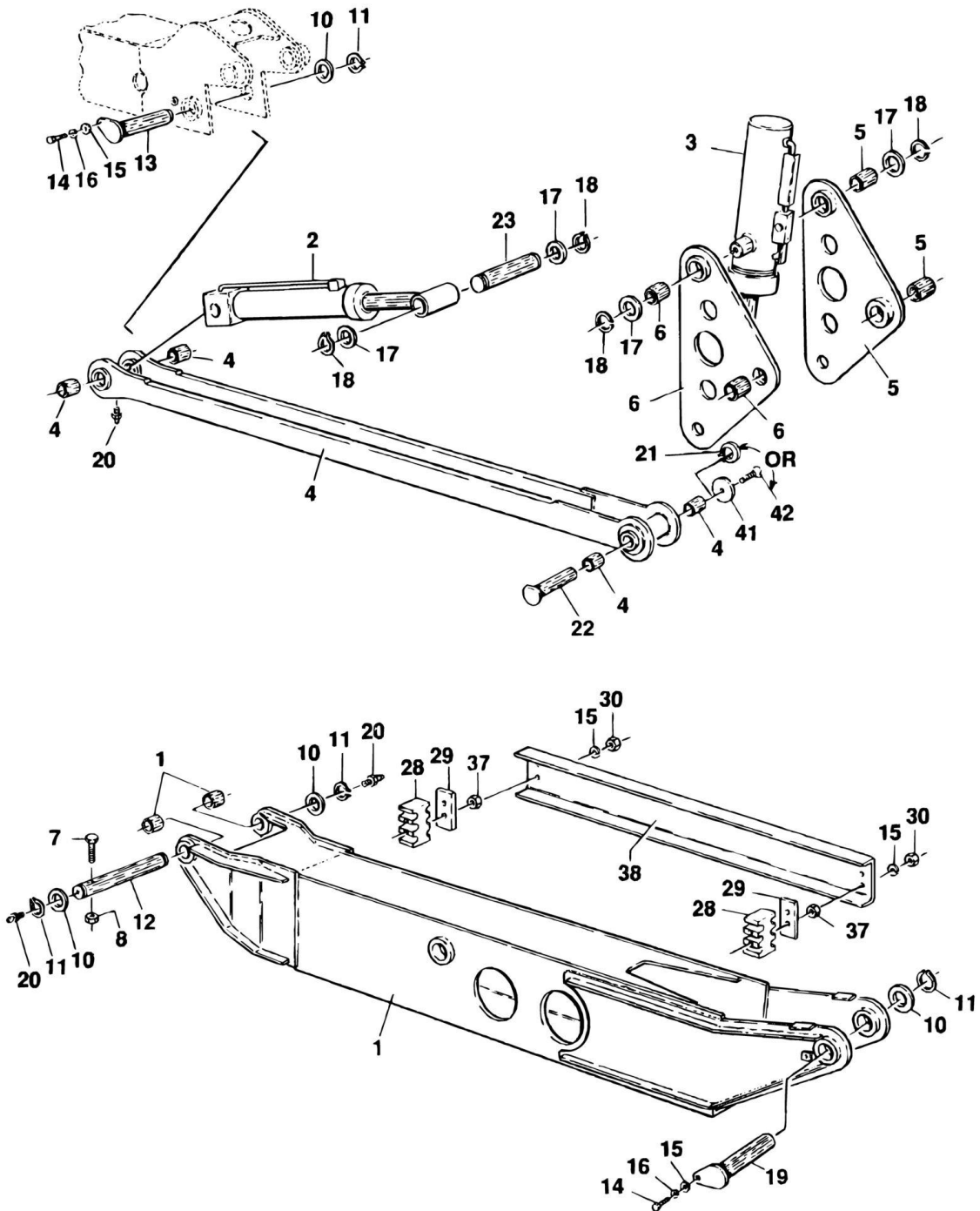
ITEM	PART NUMBER	QTY	DESCRIPTION	REV
	0235306	Ref	BOOM WIPERS INSTALLATION (3 SECTION)	B
1	2660021	1	Holder, Boom Wiper (Top-Base Section)	
2	4300031	3	Stud (Welded on Part) 1/4in-20NC x .63	
3	4761400	3	Lockwasher 1/4in	
4	3311401	3	Nut 1/4in-20NC	
5	0540054	1	Blade, Wiper	
6	4280210	1	Strip, Wiper Retainer	
7	0641407	5	Bolt 1/4in-20NC x .87	
8	4751400	5	Flatwasher 1/4in	
9	3311401	5	Nut 1/4in-20NC	
10	2660025	1	Holder, Boom Wiper (Right Side Base Section - Not Shown)	
10	2660026	1	Holder, Boom Wiper (Left Side Base Section - Shown)	
11	4300031	8	Stud (Welded on Part) 1/4in-20NC x .63	
12	4761400	8	Lockwasher 1/4in	
13	3311401	8	Nut 1/4in-20	
14	0540055	2	Blade, Wiper	
15	4280211	2	Strip, Wiper Retainer	
16	0641407	10	Bolt 1/4in-20NC x .87	
17	4751400	10	Flatwasher 1/4in	
18	3311401	10	Nut 1/4in-20NC	
19	2660020	1	Holder, Boom Wiper (Bottom Base Section)	
19	4300031	3	Stud (Welded on Part) 1/4in-20NC x .63	
20	4761400	3	Lockwasher 1/4in	
21	3311401	3	Nut 1/4in-20NC	
22	0540053	1	Blade, Wiper	
23	4280209	1	Strip, Wiper Retainer	
24	0641407	5	Bolt 1/4in-20NC x .87	
25	4751400	5	Flatwasher 1/4in	
26	3311401	5	Nut 1/4in-20NC	
27	2660022	1	Holder, Boom Wiper (Top-Mid Section)	
28	4300031	3	Stud (Welded on Part) 1/4in-20NC x .63	
29	4761400	3	Lockwasher 1/4in	
30	3311401	3	Nut 1/4in-20NC	
31	0540052	1	Blade, Wiper	
32	4280208	1	Strip, Wiper Retainer	
33	0641407	5	Bolt 1/4in-20NC x .87	
34	4751400	5	Flatwasher 1/4in	
35	3311401	5	Nut 1/4in-20NC	
36	2660023	1	Holder, Boom Wiper (Right Side Mid-Section - Not Shown)	
36	2660024	1	Holder, Boom Wiper (Left Side Mid-Section - Shown)	
37	4300031	8	Stud (Welded on Part) .25in-20NC x .63	
38	4761400	8	Lockwasher 1/4in	
39	3311401	8	Nut 1/4in-20NC	
40	0540056	2	Blade, Wiper	
41	4280212	2	Strip, Wiper Retainer	
42	0641407	10	Bolt 1/4in-20NC x .87	
43	4751400	10	Flatwasher 1/4in	
44	3311401	10	Nut 1/4in-20NC	
45	2660019	1	Holder, Boom Wiper (Bottom Mid-Section)	
45	4300031	3	Stud (Welded on Part) .25in-20NC x .63	

SECTION 3 - BOOM

ITEM	PART NUMBER	QTY	DESCRIPTION	REV
46	4761400	3	Lockwasher 1/4in	
47	3311401	3	Nut 1/4in-20NC	
48	0540052	1	Blade, Wiper	
49	4280208	1	Strip, Wiper Retainer	
50	0641407	5	Bolt 1/4in-20NC x .87	
51	4751400	5	Flatwasher 1/4in	
52	3311401	5	Nut 1/4in-20NC	

SECTION 3 - BOOM

FIGURE 3-5. EXTEND-A-REACH INSTALLATIONS (40H+6 MACHINES)



SECTION 3 - BOOM

FIGURE 3-5. EXTEND-A-REACH INSTALLATIONS (40H+6 MACHINES)

ITEM	PART NUMBER	QTY	DESCRIPTION	REV
		Ref	EXTEND-A-REACH INSTALLATION	
	0237673	Ref	STANDARD (PRIOR TO FEBRUARY 1991)	J
	0251632	Ref	STANDARD (FEBRUARY 1991 TO S/N 40604)	3
	0258949	Ref	STANDARD (SN 40604 to Present)	1
	0251494	Ref	CSA (Prior to SN 40604)	4
	0258950	Ref	CSA (SN 40604 to Present)	1
1		Ref	Snoot Weldment Options:	
1	4845930	1	Snoot Weldment (p/n was 4842579) (Prior to SN 40604)	
1	4845930	1	Snoot Weldment (p/n was 4842579) (SN 40604 to Present)	
1		Ref	Bushing, Bronze Options:	
1	0961186	2	Bushing, Bronze (Prior to October 1990)	
1	0961528	2	Bushing, Bronze (October 1990 to S/N 41849)	
1	0961654	2	Bushing, Bronze (Platform End) (SN 41849 to Present)	
2	1681730	1	Extend-A-Reach Lift Cylinder Assembly (See CYLINDER SECTION for Breakdown)	
3		Ref	Extend-A-Reach Slave Level Cylinder Assembly (See CYLINDER SECTION for Breakdown)	
3	1681791	1	Cylinder (Prior to February 1991)	
3	1682459	1	Cylinder (February 1991 to S/N 47925)	
3	1683494	1	Cylinder (SN 47925 to Present)	
4	4842601	1	Link Weldment	
4	0961185	2	Bushing, Bronze (Boom Attach End)	
4	0961098	2	Bushing, Bronze (Pivot Plate Attach End)	
5	4842606	1	Plate, Pivot (Right Side)	
5	0961200	1	Bushing, Bronze (Front Center)	
5	0961201	1	Bushing, Bronze (Top)	
6	4842605	1	Plate, Pivot (Left Side)	
6	0961200	1	Bushing, Bronze (Front Center)	
6	0961201	1	Bushing, Bronze (Top)	
7	0641622	1	Bolt 3/8in-16NC x 2 3/4in	
8	3311605	1	Locknut 3/8in-16NC	
9	0100011	AR	Loctite #242 (Not Shown)	
10	4740332	4	Washer, Special	
11	3760233	4	Ring, Retaining	
12		Ref	Pin Options:	
12	3421428	1	Pin (Prior to February 1991)	
12	3421823	1	Pin (February 1991 to Present)	
12	3421819	1	CSA	
13	3421511	1	Pin	
14	0641606	2	Bolt 3/8in-16NC x 3/4in	
15	4751600	6	Flatwasher 3/8in	
16	4761600	2	Lockwasher 3/8in	
17	4740333	4	Washer, Special	
18	3760237	4	Ring, Retainer	
19		Ref	Pin Options:	
19	3421513	1	Standard (Prior to SN 40604)	
19	3422768	1	Standard (SN 40604 to Present)	
19	3421821	1	CSA (Prior to SN 40604)	
19	3422766	1	CSA (SN 40604 to Present)	
20	2160002	6	Fitting, Grease	

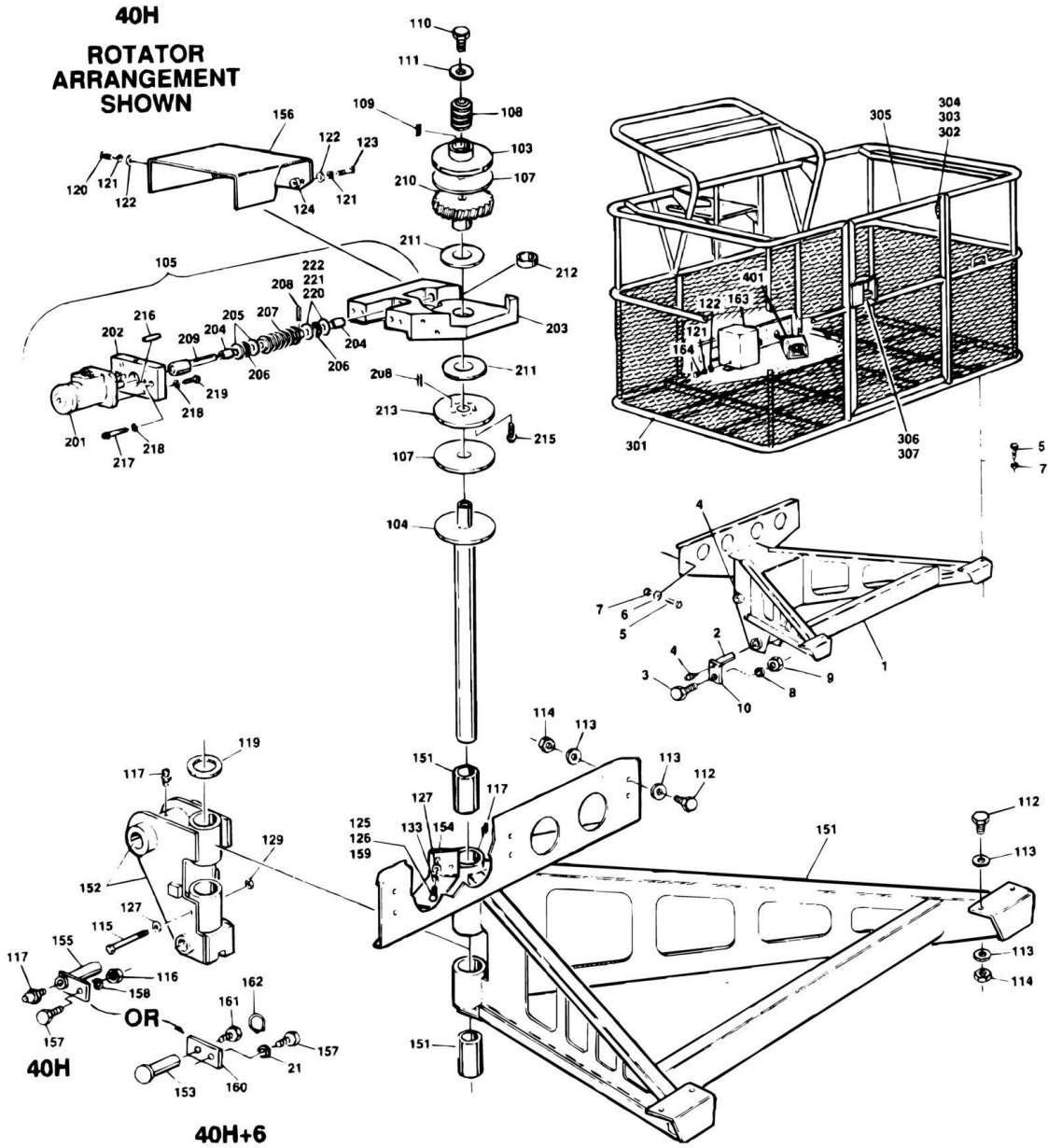
SECTION 3 - BOOM

ITEM	PART NUMBER	QTY	DESCRIPTION	REV
21	3760133	1	Ring, Retaining (Prior to February 1991)	
22		Ref	Pin Options:	
22	3421429	1	Standard (Prior to February 1991)	
22	3421950	1	Standard (February 1991 to Present)	
22	3421950	1	CSA	
23	3421376	1	Pin	
28	1320145	2	Clamp	
29	0361524	2	Bar	
30	3311605	4	Locknut 3/8in-16NC	
36	4300076	4	Stud 3/8in-16NC x 3 (Welded on Parts) (Not Shown)	
37	3311602	4	Nut, Jam 3/8in-16NC	
38	1670456	1	Cover, Hose	
40	2880508	1	Keystock (Not Shown) (Prior to SN 44981)	
41	4740390	1	Washer	
42	0741606	1	Screw, Countersunk 3/8in-16NC x 3/4in	

SECTION 4 - PLATFORMS

SECTION 4 - PLATFORMS

FIGURE 4-1. STANDARD PLATFORM AND FOOTSWITCH INSTALLATION



SECTION 4 - PLATFORMS

FIGURE 4-1. STANDARD PLATFORM AND FOOTSWITCH INSTALLATION

ITEM	PART NUMBER	QTY	DESCRIPTION	REV
	0236830	Ref	FIXED SUPPORT INSTALLATION - MACHINES WITHOUT EXTEND-A-REACH	A
	0238154	Ref	FIXED SUPPORT INSTALLATION - MACHINES WITH EXTEND-A-REACH	B
1		Ref	Support Weldment Options:	
1	4842229	1	Without Extend-A-Reach	
1	0961024	2	Bushing	
1	4842817	1	With Extend-A-Reach (Not Shown)	
1	0961185	2	Bushing	
2		Ref	Pin Options:	
2	3421176	1	Without Extend-A-Reach	
2		Ref	With Extend-A-Reach (Not Shown)	
2	3421426	1	Pin (Prior to January 1991)	
2	3421825	1	Pin (January 1991 to November 1991)	
2	3422019	1	Pin (November 1991 to Present)	
3		Ref	Bolt Options:	
3	0641608	1	Bolt 3/8in-16NC x 1in (Without Extend-A-Reach)	
3	0641405	1	Bolt 1/4in-20NC x 5/8in (Use After November 1991 Only) (With Extend-A-Reach) (Not Shown)	
4	2160002	AR	Fitting, Grease	
5	0681610	10	Bolt 3/8in-16NC x 1 1/4in	
6	4751600	AR	Flatwasher 3/8in	
7		Ref	Locknut Options:	
7	3311605	10	Locknut 3/8in-16NC Without Extend-A-Reach	
7	3300143	10	Locknut 3/8in With Extend-A-Reach (Not Shown)	
8	4761600	1	Lockwasher 3/8in	
9		Ref	Nut 3/8in-16NC Options:	
9	3311601	1	Without Extend-A-Reach	
9	Not Required	0	With Extend-A-Reach (Not Shown)	
10		Ref	Retainer Options:	
10		Ref	Plate (Part of Item 2) (Without Extend-A-Reach)	
10		Ref	With Extend-A-Reach (Not Shown) Retainer Options:	
10	Not Required	0	(Prior to January 1991)	
10	4740385	1	Washer (January 1991 to November 1991)	
10	0362079	1	Bar (November 1991 to Present)	
10	3900159	1	Screw, Countersunk 1/2in-13NC x 3/4in (Not Shown - Used After January 1991)	
10	3760237	1	Ring, Retaining (Not Shown - Used Prior to January 1991)	
		Ref	ROTATOR AND SUPPORT INSTALLATION (STANDARD PARTS)	
103	1120299	1	Cap	
104		Ref	Rotator Shaft Options:	
104	4842046	1	Shaft (Standard/Domestic)	
104	4040218	1	Shaft (CSA/2:1 Stability)	
105	0235238	1	Rotator Assembly (See Items 201-226 for Breakdown)	
107	3340454	2	Pad, Brake	
108	4160026	8	Washer, Belleville	
109	2880404	1	Key	
110	0652014	1	Bolt 5/8in-18NF x 1 3/4in	
111	4752000	1	Flatwasher 5/8in	
112	0681610	10	Bolt 3/8in-16NC x 1 1/4in (Grade 8)	

SECTION 4 - PLATFORMS

ITEM	PART NUMBER	QTY	DESCRIPTION	REV
113	4751600	21	Flatwasher 3/8in	
114	3300143	10	Locknut 3/8in-16NC	
115	0641836	1	Bolt 1/2in-13NC x 4 1/2in	
116	3311601	1	Nut 3/8in-16NC	
117	2160002	4	Fitting, Grease	
119	4740158	1	Washer, Thrust	
120	0641404	1	Bolt 1/4in-20NC x 1/2in	
121	4761400	AR	Lockwasher 1/4in	
122	4751400	AR	Flatwasher 1/4in	
123	0641408	1	Bolt 1/4in-20NC x 1in	
124	4562083	1	Spacer	
125	0641811	2	Bolt 1/2in-13NC x 1 3/8in	
126	1380137	2	Clip, Retainer	
127	4751800	1	Flatwasher 1/2in	
129	3311805	1	Locknut 1/2in-13NC	
133	4761800	2	Lockwasher 1/2in	
	0236831	Ref	ROTATOR AND SUPPORT INSTALLATION - STANDARD WITHOUT EXTEND-A-REACH (VARIABLE PARTS)	G
	0251459	Ref	ROTATOR AND SUPPORT INSTALLATION - CSA WITHOUT EXTEND-A-REACH (VARIABLE PARTS)	4
	0237672	Ref	ROTATOR AND SUPPORT INSTALLATION - STANDARD WITH EXTEND-A-REACH (VARIABLE PARTS)	5
	0251488	Ref	ROTATOR AND SUPPORT INSTALLATION - CSA WITH EXTEND-A-REACH (VARIABLE PARTS)	4
151		Ref	Support Weldment Options:	
151	0236261	1	Without Extend-A-Reach	
151	4842609	1	With Extend-A-Reach	
151	0960564	2	Bushing, Bronze	
152		Ref	Pivot Weldment Options:	
152	0236741	1	Without Extend-A-Reach	
152	0961024	2	Bushing, Bronze	
152		Ref	With Extend-A-Reach	
152	0237975	1	Pivot (Prior to January 1991)	
152	0251512	1	Pivot (January 1991 to Present)	
152	0961185	2	Bushing, Bronze	
153		Ref	Pin Options:	
153	Not Required	0	Without Extend-A-Reach	
153		Ref	With Extend-A-Reach	
153	3421426	1	Pin (Prior to January 1991)	
153	3421825	1	Pin (January 1991 to November 1991)	
153	3422019	1	Pin (November 1991 to Present)	
154		Ref	Mount Options:	
154	3200194	1	Without Extend-A-Reach (Prior to SN 28572)	
154	0901411	1	With Extend-A-Reach (Not Shown) (Prior to SN 37053)	
155		Ref	Pin Options:	
155	3421176	1	Without Extend-A-Reach	
155	Not Required	0	With Extend-A-Reach	
156		Ref	Cover, Rotator Options:	
156	1670322	1	Without Extend-A-Reach	
156	1670421	1	With Extend-A-Reach	
157		Ref	Bolt Options:	
157	0641612	1	Bolt 3/8in-16NC x 1 1/2in Without Extend-A-Reach	

SECTION 4 - PLATFORMS

ITEM	PART NUMBER	QTY	DESCRIPTION	REV
157	0641405	1	Bolt 1/4in-20NC x 5/8in With Extend-A-Reach (Used after November 1991)	
157	0100011	AR	LOCTITE #242	
158		Ref	Lockwasher 3/8in Options:	
158	4761600	1	Without Extend-A-Reach	
158	Not Required	0	With Extend-A-Reach	
159		Ref	Wire, Mechanics Options:	
159	4920986	AR	Without Extend-A-Reach	
159	4920385	AR	With Extend-A-Reach	
160		Ref	Retainer Options:	
160	Not Required	0	Without Extend-A-Reach	
160		Ref	With Extend-A-Reach	
160	Not Required	0	Retainer (Prior to January 1991)	
160	4740385	1	Washer (January 1991 to November 1991)	
160	0362079	1	Bar (November 1991 to Present)	
161		Ref	Screw, Countersunk 1/2in-13NC x 3/4in (Used after January 1991) Options:	
161	Not Required	0	Without Extend-A-Reach	
161	3900159	1	With Extend-A-Reach	
162		Ref	Ring, Retaining Options: (Prior to January 1991)	
162	Not Required	0	Without Extend-A-Reach	
162	3760237	1	With Extend-A-Reach	
163		Ref	Cover, Motor Options:	
163	Not Required	0	Without Extend-A-Reach	
163	1670422	1	With Extend-A-Reach	
164		Ref	Bolt 1/4in-20NC x 3/4in Options:	
164	Not Required	0	Without Extend-A-Reach	
164	0641406	2	With Extend-A-Reach	
	0235238	Ref	ROTATOR ASSEMBLY	E
		Ref	Note: For Machines Built Prior to September 1991 refer to Service Information Bulletin #91-5 for required upgrade.	
201	3160083	1	Rotator Motor Assembly (See ROTATOR MOTOR ASSEMBLY for Breakdown)	
202	0080099	1	Adapter, Motor	
203	2760064	1	Housing, Gear	
204	0440134	2	Bearing, Sleeve	
205	4740199	4	Washer, Thrust	
206	0440120	2	Bearing, Thrust	
207	2440043	1	Gear, Worm	
208	3440816	4	Rollpin 1/4in x 1in	
209	0080098	1	Adapter, Motor to Worm Gear	
210	2440044	1	Gear, Worm	
211	4740256	2	Washer, Thrust	
212	0440135	1	Bearing, Sleeve	
213	1760068	1	Disc, Brake	
215	3931010	5	Bolt, Socket Head #10-24NC x 5/8in	
216	3441228	2	Rollpin 3/8in x 1 3/4in	
217	3931620	2	Bolt, Socket Head 3/8in-16NC x 1 1/4in	
218	4761600	6	Lockwasher 3/8in	
219	3931612	4	Bolt, Socket Head 3/8in-16NC x 3/4in	
220	4070585	AR	Shim .010	
221	4070586	AR	Shim .005	

SECTION 4 - PLATFORMS

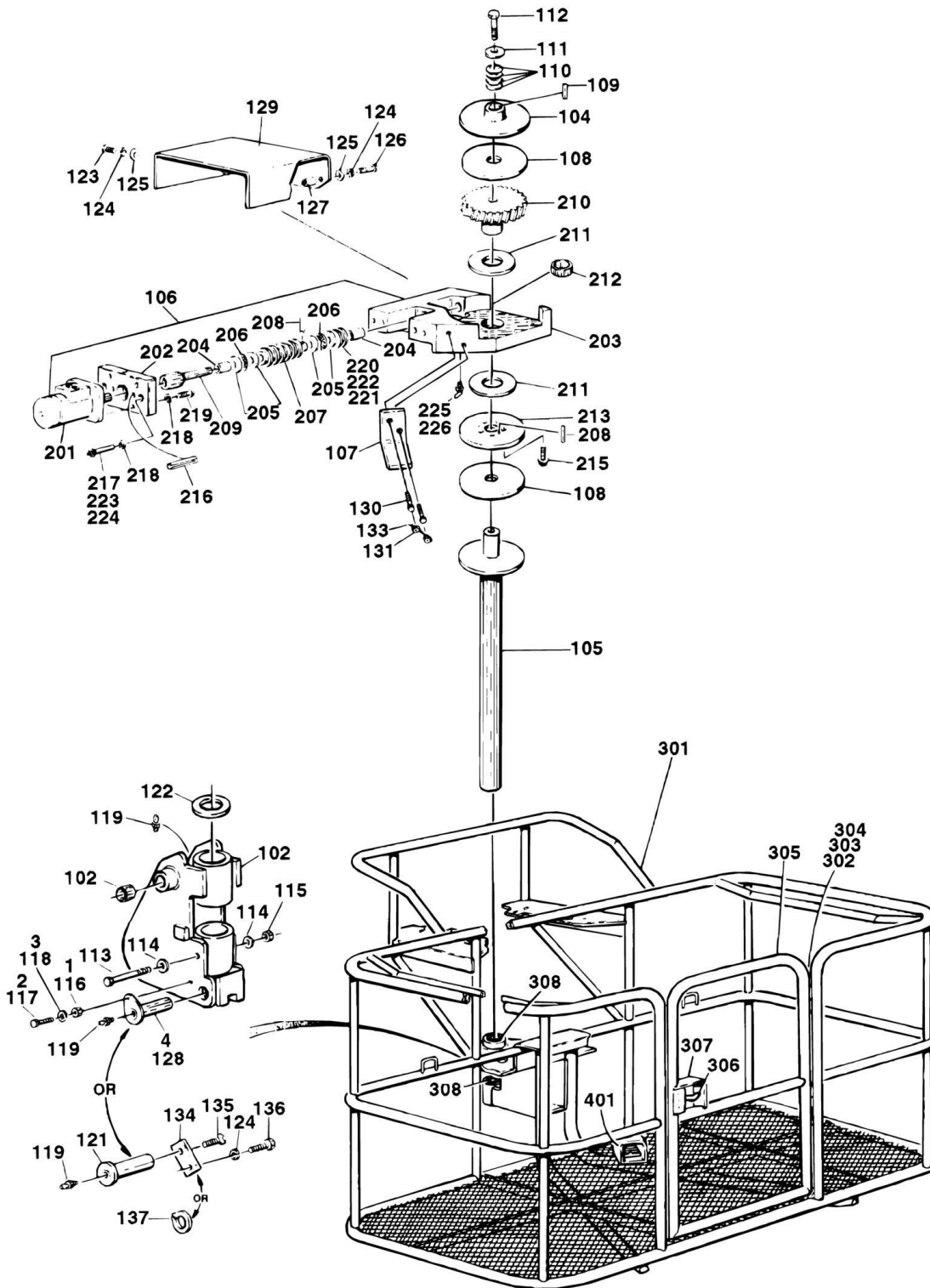
ITEM	PART NUMBER	QTY	DESCRIPTION	REV
222	4070587	AR	Shim .002	
223	0100019	AR	Loctite #271 (Not Shown)	
224	0100021	AR	Primer (Not Shown)	
225	2160001	1	Fitting, Grease - 90	
226	3020025	AR	Grease (Not Shown)	
		Ref	PLATFORM WELDMENTS	
		Ref	NOTE: REPLACEMENT DECALS MUST BE ORDERED SEPARATELY - SEE DECAL SECTION.	
301		Ref	Standard Platform Options:	
301		Ref	3ft x 4ft (91.5cm x 123cm):	
301		Ref	Standard Platform 40H:	
301	3510138	1	Platform (Prior to July 1993)	
301	3510438	1	Platform (July 1993 to Present)	
301		Ref	Standard Platform 40H+6/46H:	
301	3510158	1	Platform (Prior to July 1993)	
301	3510439	1	Platform (July 1993 to Present)	
301		Ref	3ft X 5ft (91.5cm x 152.5cm):	
301		Ref	Standard Platform 40H:	
301	3510141	1	Platform with PQ Controllers (Prior to September 1990)	
301	3510150	1	Platform with OEM Controllers (Prior to September 1990)	
301	3510268	1	Platform (September 1990 to Present)	
301	3510234	1	Platform with Welded-on Bumper	
301	3510268	1	Platform with Chain-Attached Bumper	
301	3510353	1	Platform with Slide-Bar/Kick Plates	
301	3510512	1	Platform with Mesh to Top	
301		Ref	Standard Platform 40H+6/46H:	
301	3510271	1	Platform	
301	3510319	1	Platform with Welded-on Bumper	
301	3510271	1	Platform with Chain Attached Bumper	
301		Ref	3in X 6in (91.5cm x 183cm):	
301		Ref	Standard Platform 40H:	
301	3510148	1	Platform with PQ Controllers (Prior to September 1990)	
301	3510161	1	Platform with OEM Controllers (Prior to September 1990)	
301	3510269	1	Platform (September 1990 to Present)	
301	3510262	1	Platform with Welded-on Bumper	
301	3510269	1	Platform with Chain Attached Bumper	
301		Ref	Standard Platform 40H+6/46H:	
301	3510272	1	Platform	
301	3510320	1	Platform with Welded-on Bumper	
301	3510272	1	Platform with Chain Attached Bumper	
301		Ref	3in x 8in (91.5cm x 244cm):	
301		Ref	Standard Platform 40H:	
301	3510139	1	Platform with PQ Controller (Prior to September 1990)	
301	3510153	1	Platform with OEM Controller (Prior to September 1990)	
301	3510270	1	Platform (September 1990 to Present)	
301	3510348	1	Platform with Welded-on Bumper	
301	3510270	1	Platform with Chain Attached Bumper	
301	3510506	1	Platform with Mesh to Top Rail	
		Ref	Standard Platform Components:	
302	2600095	2	Pin, Hinge	
303	3311805	2	Locknut 1/2in-13NC	
304	2160006	2	Fitting, Grease	

SECTION 4 - PLATFORMS

ITEM	PART NUMBER	QTY	DESCRIPTION	REV
305		Ref	Door Options:	
305	1780145	1	Door (Prior to September 1990)	
305	1780252	1	Door (September 1990 to Present)	
305	1780288	1	Door With Mesh to Mid Rail	
306	2940006	1	Latch, Door	
307	2560010	1	Handle	
	0237963	Ref	FOOTSWITCH INSTALLATION	F
401	0641408	3	Bolt 1/4in-20NC x 1in	
401	3311405	3	Locknut 1/4in-20NC	
401	4740362	3	Washer, Fender	
401	4360031	1	Footswitch	
401	7000625	2	Block, Contact	
401	4460071	1	Connector, Strain Relief	

SECTION 4 - PLATFORMS

FIGURE 4-2. LOW MOUNT PLATFORM AND FOOTSWITCH INSTALLATION



SECTION 4 - PLATFORMS

FIGURE 4-2. LOW MOUNT PLATFORM AND FOOTSWITCH INSTALLATION

ITEM	PART NUMBER	QTY	DESCRIPTION	REV
	0250248	Ref	FIXED SUPPORT INSTALLATION	A
1	3322601	1	Nut 3/8in-16NC	
2	0641609	1	Bolt 3/8in-16NC x 1 1/8in	
3	4761600	1	Lockwasher 3/8in	
4	3421176	1	Pin Weldment	
		Ref	ROTATOR AND SUPPORT INSTALLATIONS	
	0239341	Ref	MACHINES WITHOUT EXTEND-A-REACH (DOMESTIC/STANDARD)	8
	0251769	Ref	MACHINES WITHOUT EXTEND-A-REACH (CSA/2:1 STABILITY)	4
	0239342	Ref	MACHINES WITH EXTEND-A-REACH (DOMESTIC/STANDARD)	G
	0251770	Ref	MACHINES WITH EXTEND-A-REACH (CSA/2:1 STABILITY)	D
102		Ref	Pivot Weldment Options:	
102	0236741	1	Machines Without Extend-A-Reach	
102	0961024	2	Bushing, Bronze	
102		Ref	Machines With Extend-A-Reach	
102	0237975	1	Pivot (Prior to March 1991) (Not Shown)	
102	0251512	1	Pivot (March 1991 to Present) (Not Shown)	
102	0961185	2	Bushing, Bronze	
104	1120299	1	Cap	
105		Ref	Shaft Options:	
105	4842046	1	Shaft (Domestic/Standard)	
105	4040218	1	Shaft (CSA/2:1 Stability) (Production)	
105	4842046	1	Shaft (CSA/2:1 Stability) (Post Production)	
106	0235238	1	Rotator Assembly (See Items 101-126 for Breakdown)	
107		Ref	Mount Options:	
107		Ref	Machines Without Extend-A-Reach	
107	0901525	1	Mount (Prior to July 1990)	
107	0901721	1	Mount (July 1990 to S/N 34095)	
107	0902414	1	Mount (SN 34095 to Present)	
107	0901524	1	Machines With Extend-A-Reach	
108	3340454	2	Pad, Brake	
109	2880404	1	Key	
110	4160026	8	Washer, Belleville	
111	4752000	1	Flatwasher 5/8in	
112	0652014	1	Bolt 5/8in-18NF x 1 3/4in	
113	0641836	1	Bolt 1/2in-13NC x 4 1/2in	
114	4751800	1	Flatwasher 1/2in	
115	3311805	1	Locknut 1/2in-13NC	
116		Ref	Nut 3/8in-16NC Options:	
116	3311601	1	Machines Without Extend-A-Reach	
116	Not Required	0	Machines With Extend-A-Reach	
117		Ref	Bolt 3/8in-16NC x 1in Options:	
117	0641608	1	Machines Without Extend-A-Reach	
117	Not Required	0	Machines With Extend-A-Reach	
118		Ref	Lockwasher 3/8in Options:	
118	4761600	1	Machines Without Extend-A-Reach	
118	Not Required	0	Machines With Extend-A-Reach	
119	2160002	AR	Fitting, Grease	
121		Ref	Pin Options:	

SECTION 4 - PLATFORMS

ITEM	PART NUMBER	QTY	DESCRIPTION	REV
121	Not Required	0	Machines Without Extend-A-Reach	
121		Ref	Machines With Extend-A-Reach	
121	3421426	1	Pin (Prior to March 1991)	
121	3421825	1	Pin (March 1991 to November 1991)	
121	3422019	1	Pin (November 1991 to Present)	
122	4740158	1	Washer, Thrust	
123	0641404	1	Bolt 1/4in-20NC x 1/2in	
124	4761400	2	Lockwasher 1/4in	
125	4751400	2	Flatwasher 1/4in	
126	0641408	1	Bolt 1/4in-20NC x 1in	
127	4562083	1	Spacer, Tube	
128		Ref	Pin Options:	
128	3421176	1	Machines Without Extend-A-Reach	
128	Not Required	0	Machines With Extend-A-Reach	
129		Ref	Cover Options:	
129		Ref	Machines Without Extend-A-Reach	
129	1670322	1	Cover (Prior to July 1990)	
129	1670519	1	Cover (July 1990 to April 1992)	
129	1670630	1	Cover (April 1992 to Present)	
129		Ref	Machines With Extend-A-Reach	
129	1670421	1	Cover (Prior to November 1992)	
129	1670630	1	Cover (November 1992 to Present)	
130	0641811	2	Bolt 1/2in-13NC x 1 3/8in	
131	1380137	2	Clip, Retainer	
133	4920986	AR	Wire, Mechanics	
134		Ref	Retainer Options:	
134	Not Required	0	Machines Without Extend-A-Reach	
134		Ref	Machines With Extend-A-Reach	
134	Not Required	0	Prior to March 1991	
134	4740385	1	Washer (March 1991 to November 1991)	
134	0362079	1	Bar (November 1991 to Present)	
135		Ref	Screw, Countersunk 1/2in-13NC x 3/4in (Used March 1991 to Present) Options:	
135	Not Required	0	Machines Without Extend-A-Reach	
135	3900159	1	Machines With Extend-A-Reach	
135	0100011	AR	LOCTITE #242	
136		Ref	Bolt 1/4in-20NC x 5/8in Options:	
136	Not Required	0	Machines Without Extend-A-Reach	
136	0641405	1	Machines With Extend-A-Reach	
137		Ref	Ring, Retainer (Used Prior to March 1991) Options:	
137	Not Required	0	Machines Without Extend-A-Reach	
137	3760237	1	Machines With Extend-A-Reach	
	0235238	Ref	ROTATOR ASSEMBLY:	E
		Ref	Note: For Machines Built Prior to September 1991 refer to Service Information Bulletin #91-5 for required upgrade.	
201	3160083	1	Rotator Motor Assembly (See ROTATOR MOTOR ASSEMBLY for Breakdown)	
202	0080099	1	Adapter, Motor	
203	2760064	1	Housing, Gear	
204	0440134	2	Bearing, Sleeve	
205	4740199	4	Washer, Thrust	
206	0440120	2	Bearing, Thrust	

SECTION 4 - PLATFORMS

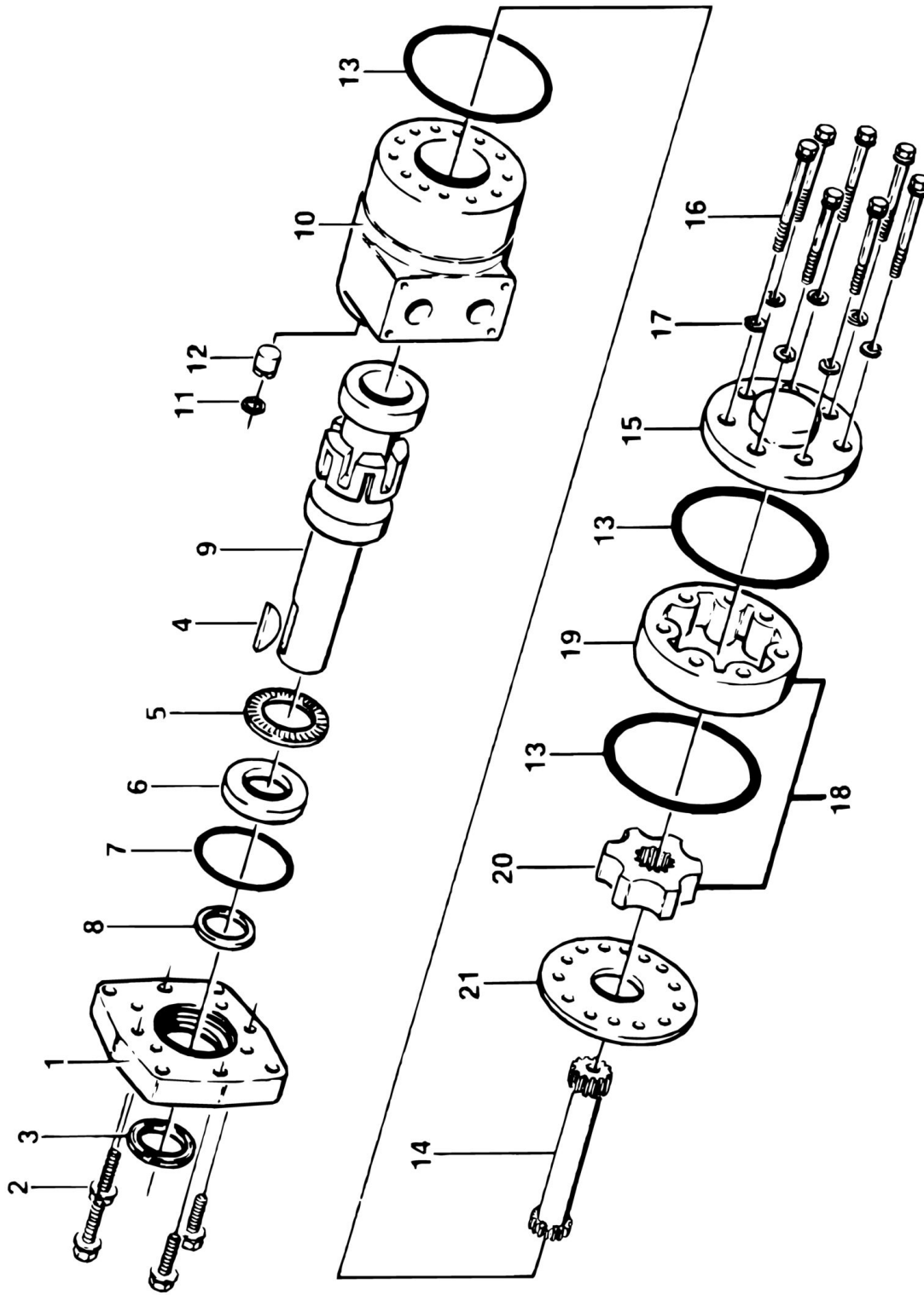
ITEM	PART NUMBER	QTY	DESCRIPTION	REV
207	2440043	1	Gear, Worm	
208	3440816	4	Rollpin 1/4in x 1in	
209	0080098	1	Adapter, Motor to Worm Gear	
210	2440044	1	Gear, Worm	
211	4740256	2	Washer, Thrust	
212	0440135	1	Bearing, Sleeve	
213	1760068	1	Disc, Brake	
215	3931010	5	Bolt, Socket Head #10-24NC x 5/8in	
216	3441228	2	Rollpin 3/8in x 1 3/4in	
217	3931620	2	Bolt, Socket Head 3/8in-16NC x 1 1/4in	
218	4761600	6	Lockwasher 3/8in	
219	3931612	4	Bolt, Socket Head 3/8in-16NC x 3/4in	
220	4070585	AR	Shim .010	
221	4070586	AR	Shim .005	
222	4070587	AR	Shim .002	
223	0100019	AR	Loctite #271	
224	0100021	AR	Primer	
225	2160001	1	Fitting, Grease - 90	
226	3020025	AR	Grease	
		Ref	PLATFORM WELDMENTS	
		Ref	NOTE: REPLACEMENT DECALS MUST BE ORDERED SEPARATELY - SEE DECAL SECTION.	
301		Ref	Low Mount Platform Options:	
301		Ref	3ft x 5ft (91.5cm x 152.5cm)	
301	3510231	1	Platform - Fixed Support	
301	3510194	1	Platform - Rotating Support (Prior to August 1990)	
301	3510276	1	Platform - Rotating Support (August 1990 to Present)	
301	3510254	1	Platform with Welded-on Bumpers (Standard Controls)	
301	3510279	1	Platform with Welded-on Bumpers (Hydraulic Controls)	
301	3510276	1	Platform with Chain Attached Bumpers	
301		Ref	3ft x 6ft (91.5cm x 183cm)	
301	3510223	1	Platform - Rotating Support (Prior to August 1990)	
301	3510277	1	Platform - Rotating Support (August 1990 to Present)	
301	3510393	1	Platform with Welded-on Bumpers	
301	3510277	1	Platform with Chain-Attached Bumpers	
301		Ref	3in x 8in (91.5cm x 244cm)	
301	3510211	1	Platform - Rotating Support (Prior to August 1990)	
301	3510278	1	Platform - Rotating Support (August 1990 to Present)	
301	3510380	1	Platform with Welded-on Bumpers	
301	3510278	1	Platform with Chain Attached Bumpers	
		Ref	Standard Platform Components	
302	2600143	2	Pin, Hinge	
303	3311805	2	Locknut 1/2in-13NC	
304	2160006	2	Fitting, Grease	
305	1780145	1	Door Weldment (Machines Built Prior to April 1990)	
305	1780252	1	Door Weldment (Machines Built August 1990 to Present)	
306	2940006	1	Latch, Door	
307	2560010	1	Handle	
308	0960564	2	Bushing, Bronze	
	0237963	Ref	FOOTSWITCH INSTALLATION	F
401	0641408	3	Bolt 1/4in-20NC x 1in	
401	3311405	3	Locknut 1/4in-20NC	

SECTION 4 - PLATFORMS

ITEM	PART NUMBER	QTY	DESCRIPTION	REV
401	4740362	3	Washer, Fender	
401	4360031	1	Footswitch	
401	7000625	2	Block, Contact	
401	4460071	1	Connector, Strain Relief	

SECTION 4 - PLATFORMS

FIGURE 4-3. ROTATOR MOTOR ASSEMBLY



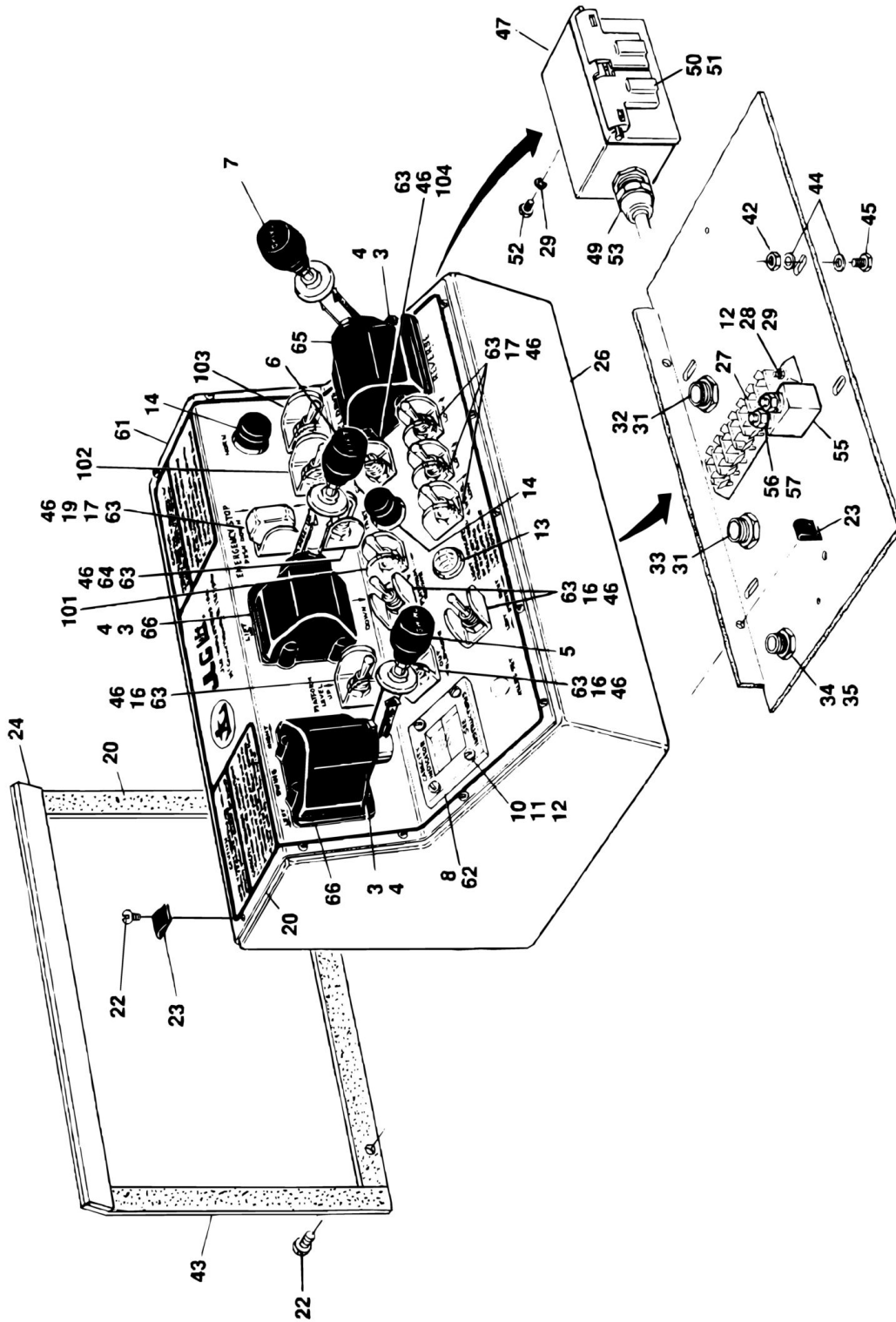
SECTION 4 - PLATFORMS

FIGURE 4-3. ROTATOR MOTOR ASSEMBLY

ITEM	PART NUMBER	QTY	DESCRIPTION	REV
	3160083	Ref	ROTATOR MOTOR ASSEMBLY	A
1	7002105	1	Flange, Mounting	
2	7002123	4	Screw, Cap	
3	Kit	1	Seal, Dust	
4	7002104	1	Key, Woodruff	
5	7002111	1	Bearing, Thrust Needle	
6	7002117	1	Thrust, Bearing Race	
7	Kit	1	Seal, O-Ring	
8	Kit	1	Seal, Pressure	
9	7002116	1	Shaft, Output	
10	7002103	1	Housing	
11	Kit	1	Seal	
12	7009992	1	Plug, Housing	
13	Kit	3	Seal, O-Ring	
14	7002112	1	Drive	
15	7002107	1	Cap, End	
16	7002100	7	Screw, Cap	
17	7000166	7	Lockwasher	
18	7002125	1	Gerotor Sub-Assembly	
19	7002110	1	Plate, Spacer	
	2900455	1	Seal Kit (Includes Items 3,7,8,11 & 13) (P/N 101-1009-007)	
	2900733	1	Seal Kit (Includes Items 3,7,8,11 & 13) (P/N'S 101-1009-008 & 101-1009-009)	
		Ref	Note: Identify by P/N stamped on nameplate located on Item 10.	

SECTION 4 - PLATFORMS

FIGURE 4-4. CONSOLE BOX ASSEMBLIES - PQ CONTROLLERS WITHOUT PROP TELE (MACHINES BUILT PRIOR TO SEPTEMBER 1991)



SECTION 4 - PLATFORMS

FIGURE 4-4. CONSOLE BOX ASSEMBLIES - PQ CONTROLLERS WITHOUT PROP TELE (MACHINES BUILT PRIOR TO SEPTEMBER 1991)

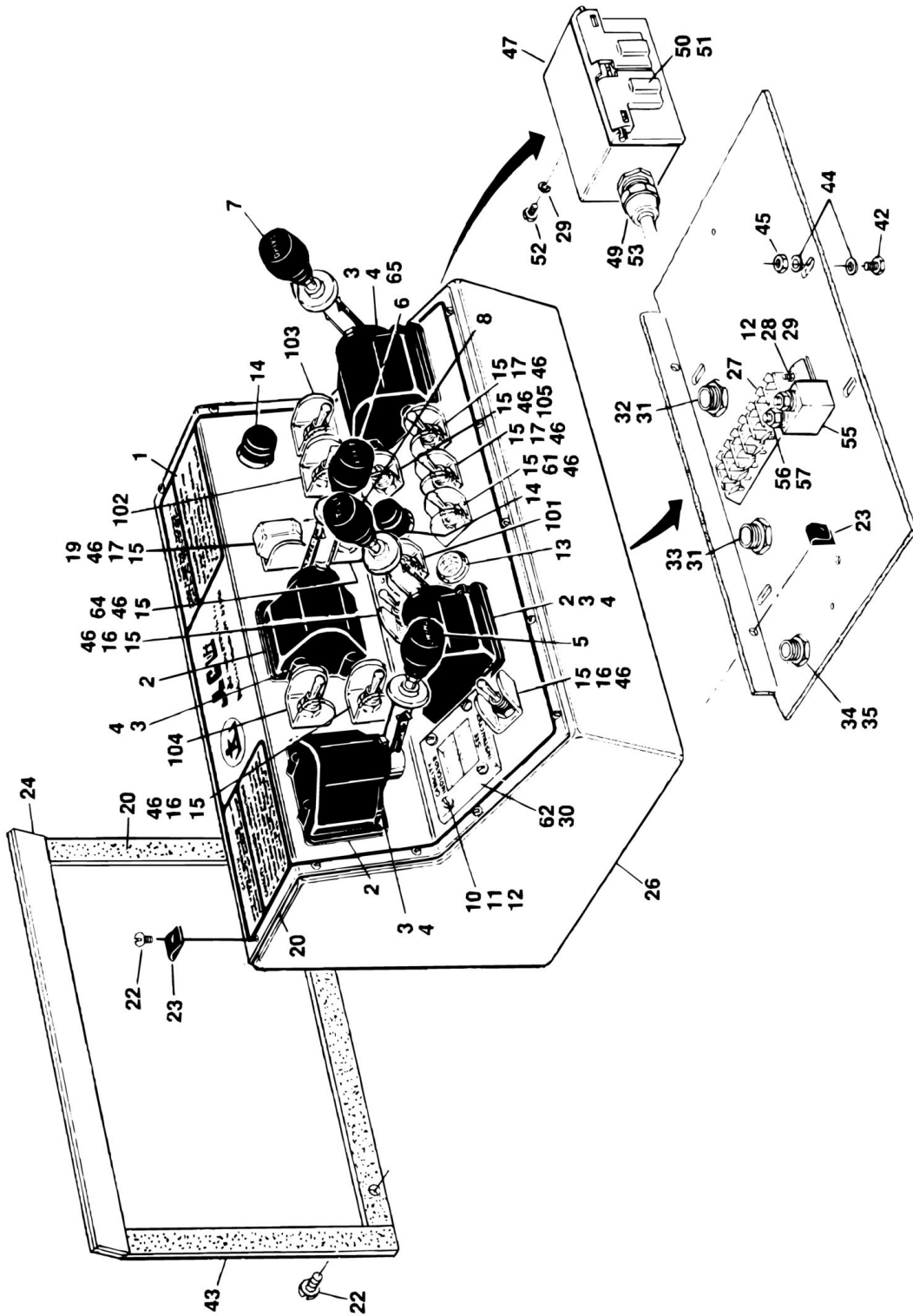
ITEM	PART NUMBER	QTY	DESCRIPTION	REV
		Ref	CONSOLE BOX ASSEMBLY (STANDARD PARTS)	
3	0720803	12	Bolt #8-32NC x 3/8in	
4	4760800	12	Lockwasher #8	
5	2560040	1	Knob, Controller (Swing)	
6	2560038	1	Knob, Controller (Lift)	
7	2560041	1	Knob, Controller (Drive)	
8	3960251	1	Gasket	
10	3911014	4	Screw, Round Head #10-24NC x 7/8in	
11	4771000	4	Starwasher #10	
12	3311001	6	Nut #10-24NC	
13	2920015	1	Lamp	
14	4360274	2	Switch, Push Button	
16	4360202	4	Switch, Toggle	
17	4360199	4	Switch, Toggle	
19	4360141	1	Guard, Switch	
20	4420038	34 in	Tape, Insulation	
21	0100001	AR	Adhesive (Not Shown)	
22	0751006	15	Screw #10-24NC x 3/4in	
23	3300177	15	Nut, Tinnerman	
24	3960250	16 in	Weatherstrip	
25	0100009	AR	Silicone-RTV (Not Shown)	
26	0860472	1	Box, Weldment	
27	4460263	1	Strip, Terminal	
28	3911012	2	Screw, Round Head #10-24NC x 3/4in	
29	4761000	6	Lockwasher #10	
31	3300048	2	Locknut, Conduit	
32	4460071	1	Connector, Strain Relief	
33	4460051	1	Connector, Strain Relief	
34	3300047	1	Locknut, Conduit	
35	4460052	1	Connector, Strain Relief	
41	0100011	AR	Loctite #242 (Not Shown)	
42	3311405	4	Locknut 1/4in-20NC	
43	3509858	1	Plate, Rear Cover	
44	4751400	8	Flatwasher 1/4in	
45	0641407	4	Bolt 1/4in-20NC x 7/8in	
46	3790012	AR	O-Ring	
47	0860038	1	Box, Receptacle	
49	4460049	1	Connector, Strain Relief	
50	4460190	1	Receptacle	
51	4060092	1	Shield, Weatherproof	
52	3900294	4	Screw, Machine #10-16NC x 1in	
53	0960407	1	Bushing	
55	4360209	1	Breaker, Circuit 20 Amp	
56	3321001	2	Nut #10-32NF	
57	4751000	2	Flatwasher #10	
		Ref	CONSOLE ASSEMBLIES (VARIABLE PARTS)	
	0236497	Ref	MACHINES WITH RACINE VALVES AND WITHOUT CAPACITY INDICATOR AND WITH SOLENOID THROTTLE	9

SECTION 4 - PLATFORMS

ITEM	PART NUMBER	QTY	DESCRIPTION	REV
	0237041	Ref	MACHINES WITH RACINE VALVES AND WITHOUT CAPACITY INDICATOR AND WITH ADECO THROTTLE	F
	0236493	Ref	MACHINES WITH RACINE VALVES WITH CAPACITY INDICATOR AND WITH SOLENOID THROTTLE	9
	0237040	Ref	STANDARD MACHINES WITH RACINE VALVES AND WITH CAPACITY INDICATOR AND WITH ADECO THROTTLE	G
	0237042	Ref	CSA MACHINES WITH RACINE VALVES AND WITH CAPACITY INDICATOR AND WITH ADECO THROTTLE	D
	0236656	Ref	MACHINES WITH BERTEA VALVES WITHOUT CAPACITY INDICATOR WITH SOLENOID THROTTLE	F
	0237044	Ref	MACHINES WITH BERTEA VALVES WITHOUT CAPACITY INDICATOR WITH ADECO THROTTLE	C
	0236657	Ref	MACHINES WITH BERTEA VALVES WITH CAPACITY INDICATOR WITH SOLENOID THROTTLE	F
	0237043	Ref	MACHINES WITH BERTEA VALVES WITH CAPACITY INDICATOR WITH ADECO THROTTLE	D
	0237943	Ref	MACHINES WITH VICKERS VALVE AND WITHOUT CAPACITY INDICATOR	E
	0237942	Ref	STANDARD MACHINES WITH VICKERS VALVE AND WITH CAPACITY INDICATOR	I
	0237944	Ref	CSA MACHINES WITH VICKERS VALVE AND WITH CAPACITY INDICATOR	G
61		Ref	Lid, Console Options:	
61	3251537	1	Racine Valves and Berteas Valves	
61	3251741	1	Vickers Valves	
62		Ref	Capacity Options:	
62	3251561	1	Decal - Capacity (Without Capacity Indicator)	
62	2960006	1	Lens, Capacity Indicator (With Capacity Indicator)	
63	4060087	8	Shield, Switch	
64		Ref	Switch, Toggle Options:	
64	4360204	1	Switch, Toggle (Racine Valves and Berteas Valves)	
64	4360200	1	Switch, Toggle (Vickers Valves)	
65		Ref	Controller, PQ (Drive) Options:	
65	1600094	1	Racine Valves and Solenoid/Adeco Throttle	
65	1600040	1	Berteas Valves and Solenoid Throttle	
65	1600084	1	Berteas Valves and Adeco Throttle	
65	1600094	1	Vickers Valves	
66		Ref	Controller, PQ (Swing and Lift)	
66	1600094	2	Racine Valves and Solenoid/Adeco Throttle	
66	1600040	2	Berteas Valves and Solenoid/Adeco Throttle	
66	1600094	2	Vickers Valves	
		Ref	OPTIONAL INSTALLATIONS	
101		Ref	Glow Plug Control Components (Location may vary)	
101	4360200	1	Switch, Toggle	
101	4060087	1	Shield, Switch	
101	3790012	1	O-Ring	
102		Ref	Beacon Lights Controls Components	
103		Ref	Lights Controls Components	
103	4360199	1	Switch, Toggle	
103	4060087	1	Shield, Switch	
103	3790012	1	O-Ring	
104	4360199		4WD Components	
104		Ref	Switch, Toggle	

SECTION 4 - PLATFORMS

FIGURE 4-5. CONSOLE BOX ASSEMBLIES - PQ CONTROLLERS WITH PROP TELE (MACHINES BUILT PRIOR TO SEPTEMBER 1991)



SECTION 4 - PLATFORMS

FIGURE 4-5. CONSOLE BOX ASSEMBLIES - PQ CONTROLLERS WITH PROP TELE (MACHINES BUILT PRIOR TO SEPTEMBER 1991)

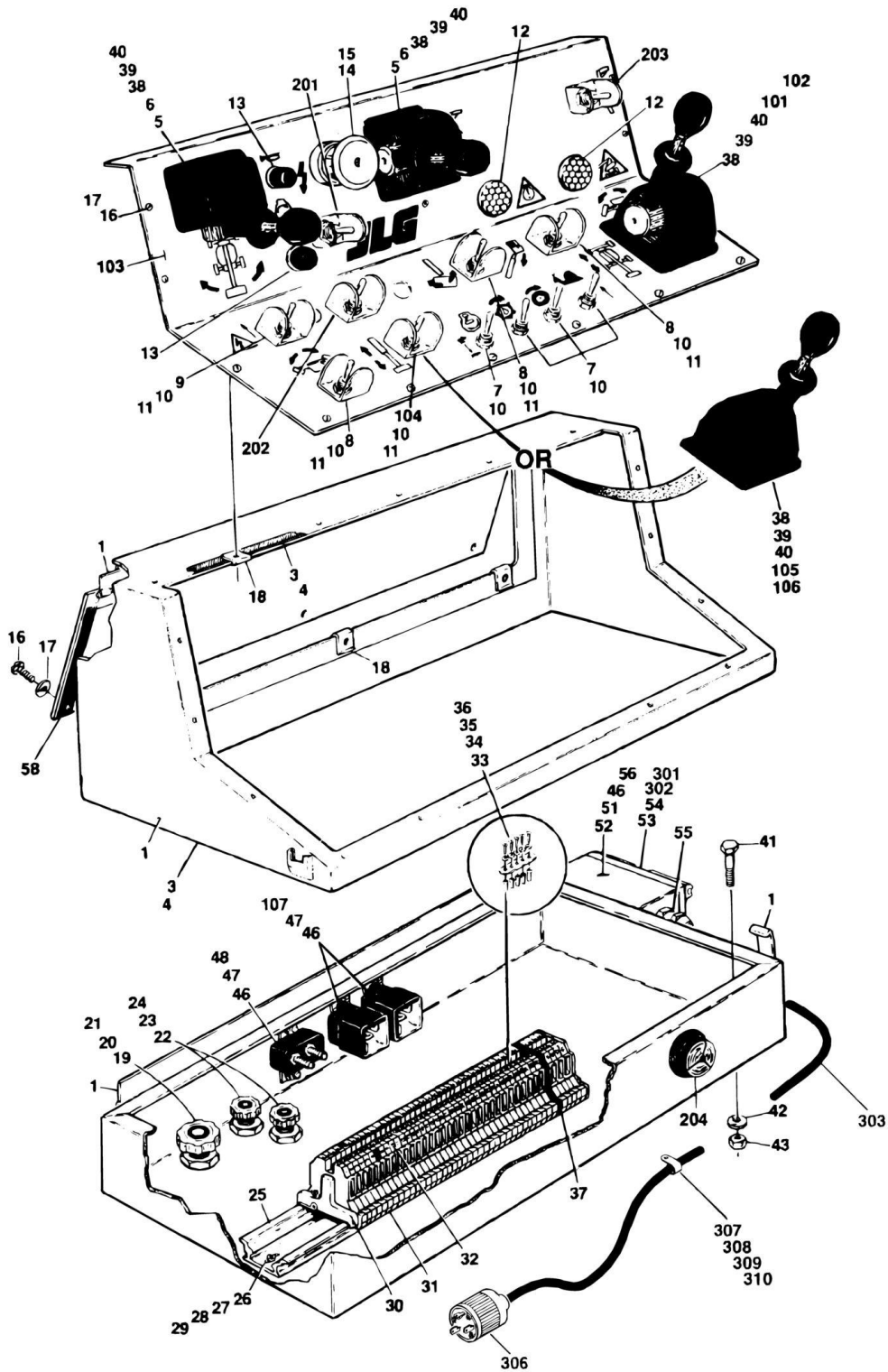
ITEM	PART NUMBER	QTY	DESCRIPTION	REV
		Ref	CONSOLE BOX ASSEMBLY (STANDARD PARTS)	
1	3251742	1	Lid, Console	
2	1600094	3	Controller, PQ	
3	0720803	12	Bolt #8-32NC x 3/8in	
4	4760800	12	Lockwasher #8	
5	2560040	1	Knob, Controller (Swing)	
6	2560038	1	Knob, Controller (Lift)	
7	2560041	1	Knob, Controller (Drive)	
8	2560039	1	Knob, Controller (Tele)	
10	3911014	4	Screw, Round Head #10-24NC x 7/8in	
11	4771000	4	Starwasher #10	
12	3311001	6	Nut #10-24NC	
13	2920015	1	Lamp	
14	4360274	2	Switch, Push Button	
15	4060087	7	Shield, Switch	
16	4360202	3	Switch, Toggle	
17	4360199	3	Switch, Toggle	
19	4360141	1	Guard, Switch	
20	4420038	34 in	Tape, Insulation	
21	0100001	AR	Adhesive (Not Shown)	
22	0751006	15	Screw #10-24NC x 3/4in	
23	3300177	15	Nut, Tinnerman	
24	3960240	16"	Weatherstrip	
25	0100009	AR	Silicone - RTV (Not Shown)	
26	0860472	1	Box Weldment	
27	4460263	1	Strip, Terminal	
28	3911012	2	Screw, Round Head #10-24NC x 3/4in	
29	4761000	6	Lockwasher #10	
30	3960251	1	Gasket	
31	3300048	2	Locknut, Conduit	
32	4460071	1	Connector, Strain Relief	
33	4460051	1	Connector, Strain Relief	
34	3300047	1	Locknut, Conduit	
35	4460052	1	Connector, Strain Relief	
41	0100011	AR	Loctite #242 (Not Shown)	
42	3311405	4	Locknut 1/4in-20NC	
43	3509858	1	Plate, Rear Cover	
44	4751400	8	Flatwasher 1/4in	
45	0641407	4	Bolt 1/4in-20NC x 7/8in	
46	3790012	AR	O-Ring	
47	0860038	1	Box, Receptacle	
49	4460049	1	Connector, Strain Relief	
50	4460190	1	Receptacle	
51	4060092	1	Shield, Weatherproof	
52	3911008	4	Screw, Machine #10-24NC x 1/2in	
53	0960407	1	Bushing	
55	4360209	1	Breaker, Circuit - 20 Amp	
56	3321001	2	Nut #10-32NF	
57	4751000	2	Flatwasher #10	

SECTION 4 - PLATFORMS

ITEM	PART NUMBER	QTY	DESCRIPTION	REV
		Ref	CONSOLE BOX ASSEMBLIES (VARIABLE PARTS)	
	0236821	Ref	MACHINES WITH RACINE VALVES AND WITHOUT CAPACITY INDICATOR	J
	0236822	Ref	MACHINES WITH RACINE VALVES WITH CAPACITY INDICATOR	J
	0237948	Ref	MACHINES WITH VICKERS VALVE AND WITHOUT CAPACITY INDICATOR	E
	0237947	Ref	MACHINES WITH VICKERS VALVE AND WITHCAPACITY INDICATOR	F
61		Ref	Switch, Toggle (Wheel Speed) Options:	
61	Not Required	0	Racine Valves	
61	4360199	1	Vickers Valves	
62		Ref	Capacity Options:	
62	3251561	1	Decal - Capacity (Without Capacity Indicator)	
62	2960006	1	Lens, Capacity Indicator (With Capacity Indicator)	
64		Ref	Switch, Toggle Options:	
64	4360204	1	Switch, Toggle (Racine Valves)	
64	4360200	1	Switch, Toggle (Vickers Valves)	
65	1600094	1	Controller, PQ	
		Ref	OPTIONAL INSTALLATIONS	
101		Ref	Glow Plug Control Components (Location may vary)	
101	4360200	1	Switch, Toggle	
101	4060087	1	Shield, Switch	
101	3790012	1	O-Ring	
102		Ref	Beacon Lights Controls Components	
103		Ref	Lights Controls Components	
103	4360199	1	Switch, Toggle	
103	4060087	1	Shield, Switch	
103	3790012	1	O-Ring	
104		Ref	Extend-A-Reach Control Components (46H/40H+6 Only)	
104	4360202	1	Switch, Toggle	
104	4060087	1	Shield, Switch	
104	3790012	1	O-Ring	
104	3251746	1	Nameplate	
105		Ref	4WD Components	
105	4360199	1	Switch, Toggle	

SECTION 4 - PLATFORMS

FIGURE 4-6. CONSOLE BOX ASSEMBLIES - PQ CONTROLLERS AND VICKERS VALVE (MACHINES BUILT SEPTEMBER 1991 TO PRESENT)



SECTION 4 - PLATFORMS

FIGURE 4-6. CONSOLE BOX ASSEMBLIES - PQ CONTROLLERS AND VICKERS VALVE (MACHINES BUILT SEPTEMBER 1991 TO PRESENT)

ITEM	PART NUMBER	QTY	DESCRIPTION	REV
		Ref	CONSOLE BOX ASSEMBLY (STANDARD PARTS)	
1	0860739	1	Box Weldment	
1	2940052	2	Latch	
1	2600105	1	Hinge (Top)	
1	2600132	1	Hinge (Bottom)	
1	3531023	1	Rear Access Door	
3	4420008	69 ft./1.75c	Tape, Insulation	
4	0100001	AR	Adhesive	
5	1600141	2	Controller, PQ	
6	2560112	2	Knob	
7	4360199	4	Switch, Toggle	
8	4360202	3	Switch, Toggle	
9	4360200	1	Switch, Toggle	
10	3790012	AR	O-Ring	
11	4060229	5	Shield	
12	2920015	2	Lamp	
13	4360274	2	Switch, Push Button	
14		Ref	Switch, Emergency Stop Options:	
14	4360289	1	Switch, Emergency Stop (Prior to SN 47999)	
14	4360475	1	Switch, Emergency Stop (SN 47999 to Present)	
14		Ref	Cap Options:	
14	7012611	1	Cap, Mushroom Head (Used on Switch p/n 4360289)	
14	7012612	1	Boot (Used on Switch p/n 4360289)	
14	7020175	1	Cap, Red (Used on Switch p/n 4360475)	
14	7020176	1	Contact Block (Used on Switch p/n 4360475)	
15		Ref	Block, Contact Options:	
15	4360282	1	Block, Contact (Prior to SN 47999)	
15	4360476	1	Block, Contact (SN 47999 to Present)	
16	0751006	21	Screw #10-24NC x 3/4in	
17	4740120	21	Washer, Nylon	
18	3300177	21	Nut, Tinnerman	
19	4460386	1	Connector, Strain Relief	
20	3300147	1	Nut, Conduit	
21	0960905	1	Bushing	
22	4460052	2	Connector, Strain Relief	
23	3300047	2	Nut, Conduit	
24	0960239	2	Bushing	
25	3640752	1	Track	
26	3910608	2	Screw #6-32NC x 1/2in	
27	4750600	2	Flatwasher #6	
28	4760600	2	Lockwasher #6	
29	3310601	2	Nut #6-32NC	
30	4460299	2	Stop, Terminal	
31	4460298	40	Block, Terminal	
32	4460301	1	Strip, Marking	
33	4460311	1	Bar, Buss	
34	4460305	5	Screw, Terminal	
35	4460306	5	Washer, Terminal	

SECTION 4 - PLATFORMS

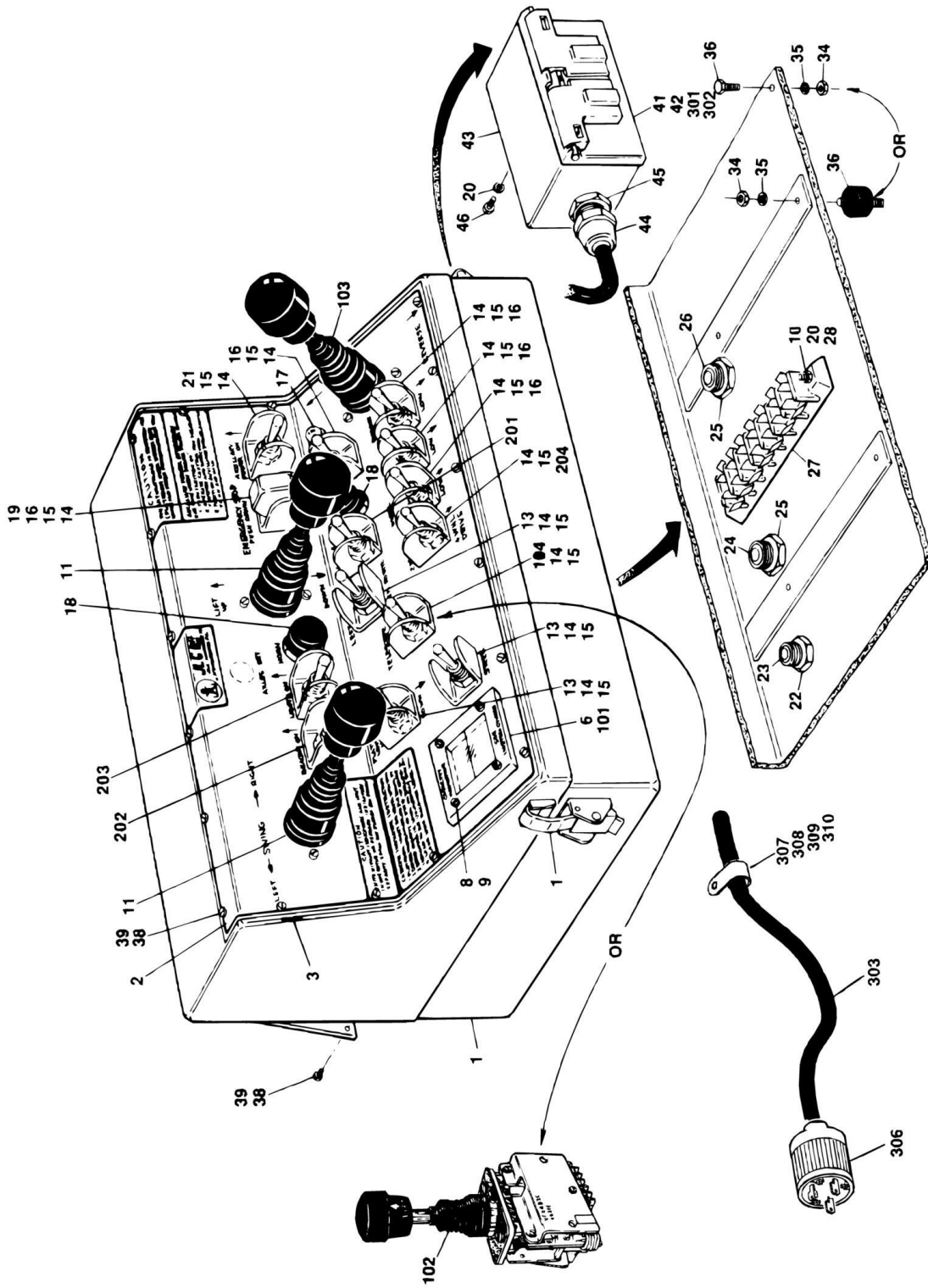
ITEM	PART NUMBER	QTY	DESCRIPTION	REV
36	4460307	5	Sleeve, Terminal	
37	4460300	3	Barrier, Terminal	
38	0720803	16	Screw, Machine #8-32NC x 3/8in	
39	4750800	16	Flatwasher #8	
40	4760800	16	Lockwasher #8	
41	0641508	4	Bolt 5/16in- 18NC x 1in	
42	4751500	8	Flatwasher 5/16in	
43	3311505	4	Locknut 5/16in- 18NC	
46	4761000	AR	Lockwasher #10	
47	3311001	AR	Nut #10-24NC	
48	4360209	1	Breaker, Circuit - 20 Amp	
51	3900294	4	Screw #10-24NC x 1in	
52	0860038	1	Box, Receptacle	
53	4460190	1	Receptacle (Standard)	
54	4060092	1	Cover, Receptacle (Standard)	
55	4460071	1	Connector, Strain Relief	
56	4751000	4	Flatwasher #10	
57	3520034	2	Plug (Not Shown)	
58	4420037	45	Tape, Insulation	
		in./38cm		
		Ref	CONSOLE BOX ASSEMBLIES (VARIABLE PARTS)	
	0860743	Ref	MACHINES WITHOUT PROP TELE	8
	0860745	Ref	MACHINES WITH PROP TELE	8
	0860842	Ref	MACHINES WITH STEER SWITCH IN DRIVE CONTROLLER	7
101		Ref	Controller, PQ Options:	
101	1600141	1	Machines Without/With Prop Tele	
101	1600140	1	Machines With Steer Switch In Drive Controller	
102		Ref	Knob Options:	
102	2560112	1	Machines Without/With Prop Tele	
102	Not Required	0	Machines With Steer Switch In Drive Controller	
103		Ref	Lid Options:	
103		Ref	Machines Without Prop Tele	
103	3252140	1	Lid (Prior to May 1994)	
103	3252353	1	Lid (May 1994 to November 1994)	
103	3538394	1	Plate, Console Decal Mounting (November 1994 to Present)	
103	1702404	1	Decal, Console (November 1994 to Present)	
103		Ref	Machines With Prop Tele	
103	3252139	1	Lid (Prior to May 1994)	
103	3252364	1	Lid (May 1994 to November 1994)	
103	Not Available	1	Plate, Console Decal Mounting (November 1994 to Present)	
103	Not Available	1	Decal, Console (November 1994 to Present)	
103		Ref	Machines With Steer Switch In Drive Controller	
103	3252140	1	Lid (Prior to May 1994)	
103	3252353	1	Lid (May 1994 to November 1994)	
103	3538394	1	Plate, Console Decal Mounting (November 1994 to Present)	
103	1702404	1	Decal, Console (November 1994 to Present)	
104		Ref	Switch, Toggle Options:	
104	4360202	1	Machines Without Prop Tele	
104	Not Required	0	Machines With Prop Tele	
104	4360202	1	Machines With Steer Switch In Drive Controller	
105		Ref	Controller, PQ Options:	
105	Not Required	0	Machines Without Prop Tele	

SECTION 4 - PLATFORMS

ITEM	PART NUMBER	QTY	DESCRIPTION	REV
105	1600141	1	Machines With Prop Tele	
105	Not Required	0	Machines With Steer Switch In Drive Controller	
106		Ref	Knob Options:	
106	Not Required	0	Machines Without Prop Tele	
106	2560112	1	Machines With Prop Tele	
106	Not Required	0	Machines With Steer Switch In Drive Controller	
107	Not Required	0	BOLT	
		Ref	OPTIONAL INSTALLATIONS	
201		Ref	Choke/Glow Plug Components	
201	4360200	1	Switch, Toggle	
201	3790012	1	O-Ring	
201	4060229	1	Shield	
202		Ref	Lights Components	
202	4360199	1	Switch, Toggle	
202	3790012	1	O-Ring	
202	4060229	1	Shield	
203		Ref	Extend-A-Reach Components	
203	4360202	1	Switch, Toggle	
203	3790012	1	O-Ring	
203	4060229	1	Shield	
204	0253077	Ref	Tilt Alarm Installations	5-B
204	0140026	1	Alarm	
204	1540002	1	Capacitor	
		Ref	AC POWER CORD INSTALLATIONS	
	0254410	Ref	Ac Power Cord Installation 40H	3
	0254414	Ref	Ac Power Cord Installation 40H+6	3
301	4060092	1	Cover, Receptacle (Standard)	
302	4460190	1	Receptacle (Standard)	
303		Ref	Cable, Electrical 12/3 Options:	
303		Ref	Cable, Electrical 12/3 40H	
303		Ref	Cable, Electrical 12/3 40H+6	
306	4460205	1	Plug	
307	1320041	1	Clamp, Cable	
308	0721006	1	Bolt #10-24NC x 3/4in	
309	4751000	2	Flatwasher #10	
310	3311005	1	Locknut #10-24NC	

SECTION 4 - PLATFORMS

FIGURE 4-7. CONSOLE BOX ASSEMBLY - OEM CONTROLLERS



SECTION 4 - PLATFORMS

FIGURE 4-7. CONSOLE BOX ASSEMBLY - OEM CONTROLLERS

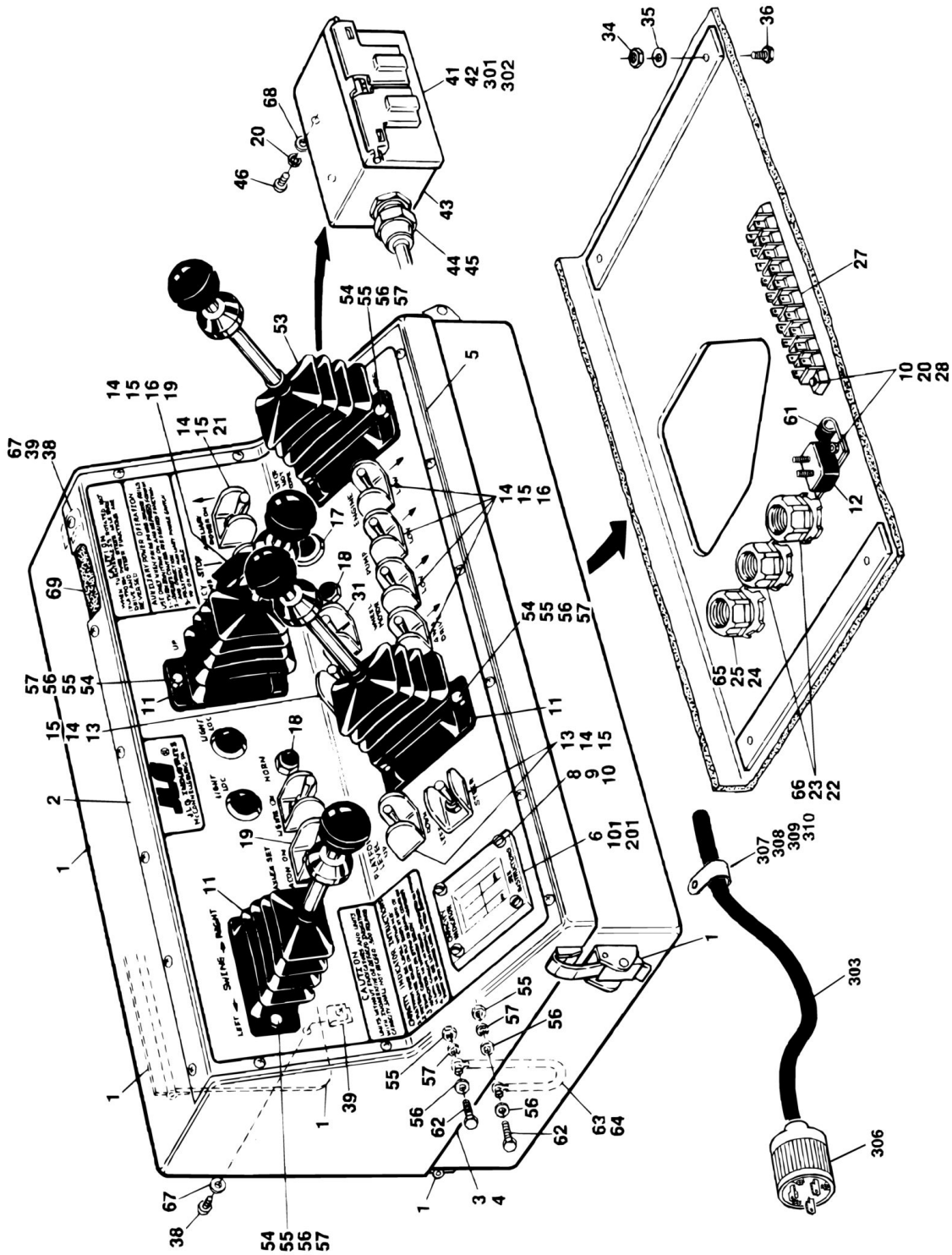
ITEM	PART NUMBER	QTY	DESCRIPTION	REV
		Ref	CONSOLE BOX ASSEMBLY (STANDARD PARTS)	
1	0860538	1	Box Weldment	
1	2600132	1	Hinge (Top to Bottom)	
1	2600105	1	Hinge (Rear Access Door)	
1	2940052	2	Latch	
2	3251678	1	Lid	
3	4420038	45 in./38cm	Tape, Insulation	
4	0100001	AR	Adhesive (Not Shown)	
5	0100009	AR	Silicone, RTV (Not Shown)	
6	3960251	1	Gasket	
8	3911014	4	Screw, Round Head #10-24NC x 7/8in	
9	4771000	4	Starwasher #10	
10	3311001	6	Nut #10-24NC	
11		Ref	Controller, OEM Option	
11	1600247	2	Controller, OEM (p/n was 1600092) (Prior to SN 41439)	
11	1600247	2	Controller, OEM (SN 41439 to Present)	
13	4360202	3	Switch, Toggle	
14	4060087	AR	Shield, Switch	
15	3790012	AR	O-Ring	
16	4360199	5	Switch, Toggle	
17	2920015	1	Lamp	
18	4360274	2	Switch, Push Button	
19	4360141	1	Guard, Switch	
20	4761000	6	Lockwasher #10	
21	4360200	1	Switch, Toggle	
22	3300047	1	Locknut, Conduit	
23	4460052	1	Connector, Strain Relief	
24	4460051	1	Connector, Strain Relief	
25	3300048	2	Locknut, Conduit	
26	4460071	1	Connector, Strain Relief	
27	4460263	1	Strip, Terminal	
28	0721008	2	Screw #10-24NC x 1/2in	
34	3311505	4	Locknut 5/16in-18NC	
35	4751500	8	Flatwasher 5/16in	
36		Ref	Mounting Hardware Option	
36	4320002	4	Stud with Rubber Mount (Prior to August 1990)	
36	0641508	4	Bolt 5/16in-18NC (August 1990 to Present)	
38	0791006	21	Screw, Pan Head #10-24NC x 3/4in	
39	3300177	21	Nut, Tinnerman	
41	4060092	1	Cover, Weather Shield	
42	4460190	1	Receptacle, Electrical	
43	0860038	1	Box, Receptacle	
44	4460049	1	Connector, Strain Relief	
45	0960407	1	Bushing	
46	3911008	4	Screw #10-24NC x 1/2in	
		Ref	CONSOLE BOX ASSEMBLIES (VARIABLE PARTS)	
	0238264	Ref	2WD MACHINES WITHOUT CAPACITY INDICATOR AND WITHOUT PROP TELE	7

SECTION 4 - PLATFORMS

ITEM	PART NUMBER	QTY	DESCRIPTION	REV
	0238179	Ref	2WD MACHINES WITH CAPACITY INDICATOR AND WITHOUT PROP TELE AND WITH STANDARD PLATFORM	11
	0254737	Ref	2WD MACHINES WITH CAPACITY INDICATOR AND WITHOUT PROP TELE AND WITH LOW MOUNT PLATFORM	2
	0238263	Ref	2WD MACHINES WITHOUT CAPACITY INDICATOR AND WITH PROP TELE	7
	0238180	Ref	2WD MACHINES WITH CAPACITY INDICATOR AND WITH PROP TELE	8
	0238178	Ref	4WD MACHINES WITH CAPACITY INDICATOR AND WITHOUT PROP TELE (1987-191)	7
101		Ref	Capacity Options:	
101	3251551	1	Decal - 2WD Machines Without Capacity Indicator	
101	2960006	1	Lens - 2WD Machines With Capacity Indicator	
102		Ref	Controller, OEM (Tele) Options:	
102	Not Required	0	Machines Without Prop Tele	
102		Ref	Machines With Prop Tele Options:	
102	1600247	1	Machines With Prop Tele (p/n was 1600092) (Prior to SN 41439)	
102	1600247	1	Machines With Prop Tele (SN 41439 to Present)	
103		Ref	Controller, OEM (Drive) Options:	
103	1600247	1	Controller, OEM (Drive) (p/n was 1600092) (Prior to SN 41439)	
103	1600247	1	Controller, OEM (Drive) (SN 41439 to Present)	
104		Ref	Switch, Toggle (Tele) Options:	
104	4360202	1	Machines Without Prop Tele	
104	Not Required	0	Machines With Prop Tele	
		Ref	OPTIONAL INSTALLATIONS	
201		Ref	Glow Plug/Choke Components	
201	4360199	1	Switch, Toggle	
201	4060087	1	Shield, Switch	
201	3790012	1	O-Ring	
202		Ref	Beacon Components	
202	4360199	1	Switch, Toggle	
202	4060087	1	Shield, Switch	
202	3790012	1	O-Ring	
203		Ref	Lights Components	
203	4360199	1	Switch, Toggle	
203	4060087	1	Shield, Switch	
203	3790012	1	O-Ring	
204		Ref	4WD Components	
204	4360199	1	Switch, Toggle	
		Ref	AC POWER CORD INSTALLATIONS	
	0254410	Ref	AC Power Cord Installations 40H	3
	0254414	Ref	AC Power Cord Installations 40H+6	3
301	4060092	1	Cover, Receptacle (Standard)	
302	4460190	1	Receptacle (Standard)	
303		Ref	Cable, Electrical 12/3 Options:	
303		Ref	Cable, Electrical 12/3 40H	
303		Ref	Cable, Electrical 12/3 40H+6	
306	4460205	1	Plug	
307	1320041	1	Clamp, Cable	
308	0721006	1	Bolt #10-24NC x 3/4in	
309	4751000	2	Flatwasher #10	
310	3311005	1	Locknut #10-24NC	

SECTION 4 - PLATFORMS

FIGURE 4-8. CONSOLE BOX ASSEMBLY - HYDRAULIC CONTROLS



SECTION 4 - PLATFORMS

FIGURE 4-8. CONSOLE BOX ASSEMBLY - HYDRAULIC CONTROLS

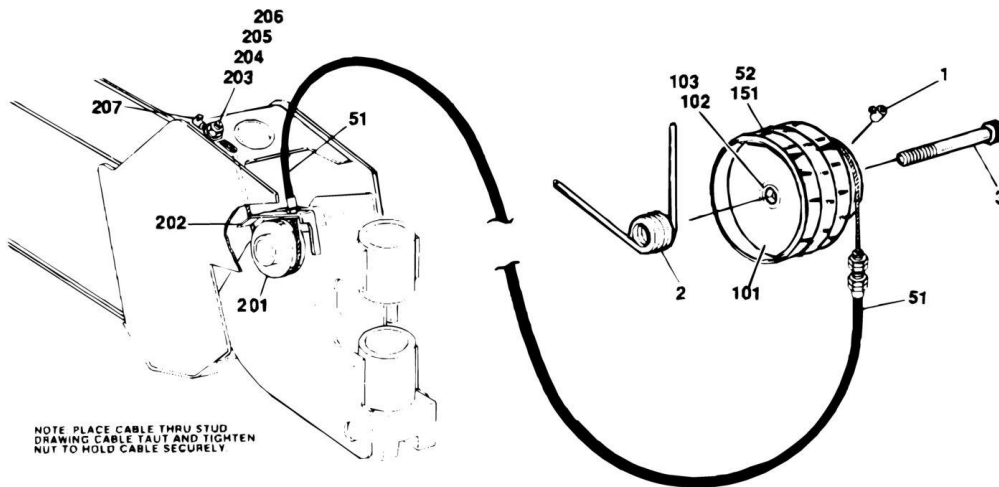
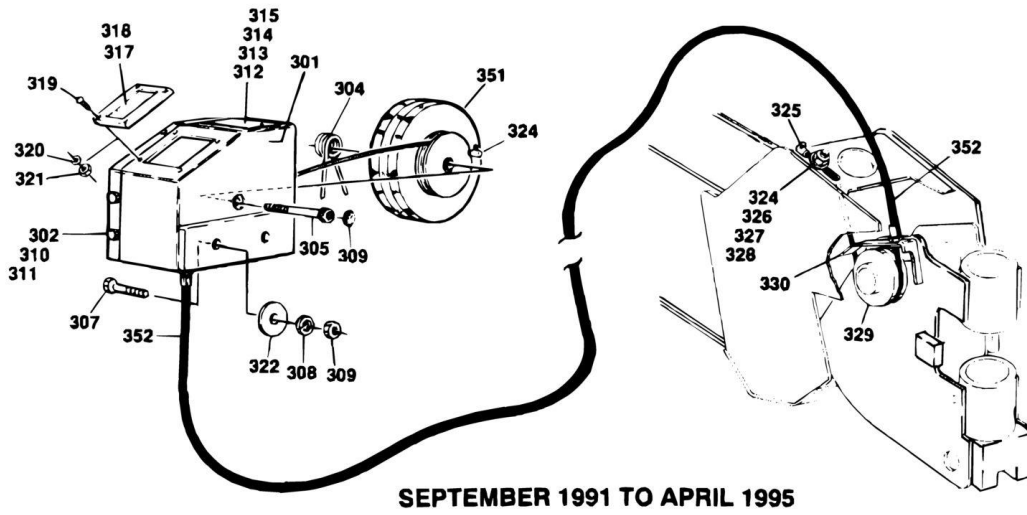
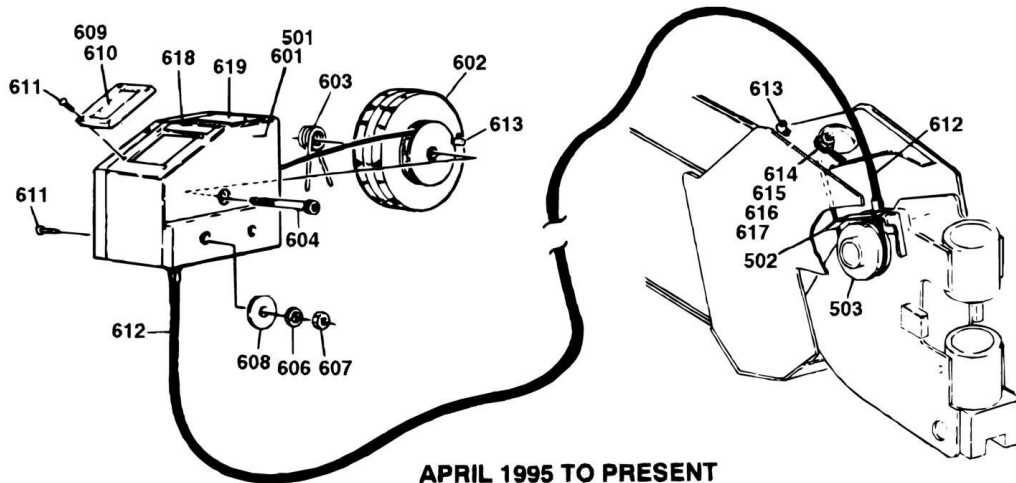
ITEM	PART NUMBER	QTY	DESCRIPTION	REV
		Ref	CONSOLE BOX ASSEMBLY (STANDARD PARTS)	
1	0860565	1	Box Weldment	
1	2950052	1	Latch	
1	2600132	1	Hinge (Top to Bottom)	
1	2600105	1	Hinge (Access Door)	
1	3531023	1	Door, Access (Rear)	
2		Ref	Lid Options:	
2	3251858	1	Lid (Prior to May 1994)	
2	3252374	1	Lid (May 1994 to November 1994)	
2	3538391	1	Plate, Console Decal Mounting (November 1994 to Present)	
2	1702401	1	Decal, Console (November 1994 to Present)	
3	4420008	69 in./1.75m	Tape, Insulation	
4	0100001	AR	Adhesive (Not Shown)	
5	0100009	AR	Silicone, RTV (Not Shown)	
6	3960251	1	Gasket	
8	3911014	4	Screw, Round Head #10-24NC x 7/8in	
9	4771000	4	Starwasher #10	
10	3311001	8	Nut #10-24NC	
11		Ref	Controller Options:	
11	4640559	3	Controller (Prior February 1992)	
11	4640748	3	Controller (February 1992 to Present)	
11	7009352	AR	Boot (1 Per Assembly)	
11	7012314	AR	Lever Kit (1 Per Assembly)	
11	7012316	AR	Spring, Handle Lock (1 Per Assembly)	
12	4360209	1	Breaker, Circuit - 20 Amp	
13	4360202	3	Switch, Toggle	
14		Ref	Switch, Shield Options:	
14	4060087	AR	Shield (Prior to May 1994)	
14	4060229	AR	Shield (May 1994 to Present)	
15	3790012	AR	O-Ring	
16	4360199	4	Switch, Toggle	
17	2920015	1	Lamp	
18	4360274	2	Switch, Push Button	
19	4360141	1	Cover, Switch	
20	4761000	8	Lockwasher #10	
21	4360200	1	Switch, Toggle	
22	3300047	2	Locknut, Conduit	
23	4460052	2	Connector, Strain Relief	
24	4460051	1	Connector, Strain Relief	
25	3300048	1	Locknut, Conduit	
27	4460263	1	Strip, Terminal	
28	3911012	4	Screw #10-24NC x 3/4in	
34	3311505	4	Locknut 5/16in-18NC	
35	4751500	8	Flatwasher 5/16in	
36	0641508	4	Bolt 5/16in-18NC	
38	0751006	21	Screw #10-24NC x 3/4in	
39	3300177	21	Nut, Tinnerman	
41	4060092	1	Shield, Weatherproof	
42	4460190	1	Receptacle, Electrical	

SECTION 4 - PLATFORMS

ITEM	PART NUMBER	QTY	DESCRIPTION	REV
43	0860038	1	Box, Electrical	
44	4460071	1	Connector, Strain Relief	
45	0960407	1	Reducer	
46	3900294	4	Screw #10-24NC x 1in	
53		Ref	Controller Options:	
53	4640560	1	Controller (Prior to February 1993)	
53	4640749	1	Controller (February 1992 to Present)	
53	7009352	AR	Boot (1 Per Assembly)	
53	7012314	AR	Lever Kit (1 Per Assembly)	
53	7012316	AR	Spring, Handle Lock (1 Per Assembly)	
54	0641406	8	Bolt 1/4in--20NC x 3/4in	
55	3311401	20	Nut 1/4in-20NC	
56	4751400	16	Flatwasher 1/4in	
57	4761400	12	Lockwasher 1/4in	
61	1320041	1	Clamp	
62	0641409	4	Bolt 1/4in-20NC x 1 1/8in	
63	1260017	16	Chain	
		in./41cm		
64	2820022	15	Tubing	
		in./39cm		
65	0960238	1	Bushing	
66	0960239	2	Bushing	
67	4741000	21	Washer, Nylon	
68	4751000	4	Flatwasher #10	
69	4420037	12	Tape, Insulation	
		in./27cm		
	0250067	Ref	CONSOLE BOX ASSEMBLY - MACHINES WITHOUT CAPACTIY INDICATOR (VARIABLE PARTS)	J
101		Ref	Capacity Decal Options:	
101	3251551	1	Decal (Prior to May 1994)	
101	3252394	1	Decal (May 1994 to Present)	
	0239229	Ref	CONSOLE BOX ASSEMBLY - STANDARD MACHINES WITH CAPACITY INDICATOR AND STANDARD PLATFORM (VARIABLE PARTS)	16
	0250674	Ref	CONSOLE BOX ASSEMBLY - CSA MACHINES WITH CAPACITY INDICATOR AND STANDARD PLATFORM (VARIABLE PARTS)	H
	0254246	Ref	CONSOLE BOX ASSEMBLY - MACHINES WITH CAPACITY INDICATOR AND LOW MOUNT PLATFORM (VARIABLE PARTS)	D
201	2960006	1	Lens, Capacity Indicator	
		Ref	AC POWER CORD INSTALLATIONS	
	0254410	Ref	AC Power Cord Installation 40H	3
	0254414	Ref	AC Power Cord Installation 40H+6	3
301	4060092	1	Cover, Receptacle (Standard)	
302	4460190	1	Receptacle (Standard)	
303		Ref	Cable, Electrical 12/3 Options:	
303		Ref	Cable, Electrical 12/3 40H	
303		Ref	Cable, Electrical 12/3 40H+6	
306	4460205	1	Plug	
307	1320041	1	Clamp, Cable	
308	0721006	1	Bolt #10-24NC x 3/4in	
309	4751000	2	Flatwasher #10	
310	3311005	1	Locknut #10-24NC	

SECTION 4 - PLATFORMS

FIGURE 4-9. CAPACITY INDICATOR INSTALLATION (OPTIONAL)



SECTION 4 - PLATFORMS

FIGURE 4-9. CAPACITY INDICATOR INSTALLATION (OPTIONAL)

ITEM	PART NUMBER	QTY	DESCRIPTION	REV
		Ref	Note: Use 1-207 for machines with standard controls built prior to September 1991 and all machines with hydraulic controls.	
		Ref	Use 301-403 for machines with standard controls built September 1991 to April 1995. Use 501-652 for machines with standard controls built April 1995 to present	
		Ref	GAGE INSTALLATIONS (STANDARD PARTS) (SEE NOTE FOR USAGE)	
1	4220044	2	Stop, Throttle	
2	4160058	1	Spring, Torsion	
3	3900111	1	Screw, Shoulder 3/8in-16NC x 1 3/4in	
3	0100011	AR	LOCTITE #242	
		Ref	GAGE INSTALLATIONS (VARIABLE PARTS) (SEE NOTE FOR USAGE)	
51		Ref	Cable Options:	
51	1060168	1	Cable (40H with Racine and Berteau Valves)	
51	1060168	1	Cable (40H/40H+6/46H with Vickers Valves, with Prop Tele and with Standard Platform)	
51	1060369	1	Cable (40H/40H+6/46H with Vickers Valves, without Prop Tele and with Standard Platforms)	
51	1060417	1	Cable (40H with Vickers Valves and Low Mount Platforms)	
51	1060369	1	Cable (40H+6/46H without Prop Tele and with Low Mount Platform)	
51	1060168	1	Cable (40H+6/46H with Prop Tele and with Low Mount Platform)	
52		Ref	Capacity Indicator Gage Options (See Items 101-151 for Breakdown)	
52	2420055	1	Gage (Domestic/Standard)	
52	2420050	1	Gage (CSA/2:1 Stability)	
		Ref	CAPACITY INDICATOR GAGE ASSEMBLIES (VARIABLE PARTS)	
	2420055	Ref	DOMESTIC/ STANDARD	
	2420050	Ref	CSA/2:1 STABILITY	
101	2420057	1	Housing	
102	0440042	2	Bearing, Ball	
103	4561774	1	Tube, Spacer	
104		Ref	Nameplate - Capacity Options:	
104	1700503	1	Domestic/Standard	
104	1700502	1	CSA/2:1 Stability	
	0236834	Ref	CAPACITY INDICATOR INSTALLATION (SEE NOTE for usage)	C
201	3580092	1	Pulley	
202	1670340	1	Cover	
203	1320109	1	Cable	
204	4751600	3	Flatwasher 3/8in	
205	4761600	1	Lockwasher 3/8in	
206	3321601	1	Nut 3/8in-24NF	
207	4220044	1	Stop, Throttle	
		Ref	CAPACITY INDICATOR INSTALLATION (SEE NOTE FOR USAGE) (STANDARD PARTS)	
301	4843851	1	Box Weldment	
302	4843852	1	Sideplate Weldment	
304	4160058	1	Spring, Torsion	
305	3900111	1	Bolt, Shoulder 3/8in-16NC x 1 3/4in	

SECTION 4 - PLATFORMS

ITEM	PART NUMBER	QTY	DESCRIPTION	REV
306	0100011	AR	Loctite #242 (Not Shown)	
307	0641408	2	Bolt 1/4in-20NC x 1in	
308	4751400	2	Flatwasher 1/4in	
309	3311405	2	Locknut 1/4in-20NC	
310	4761400	4	Lockwasher 1/4in	
311	0641404	4	Bolt 1/4in-20NC x 1/2in	
312		Ref	Nameplate Options:	
312	3252084	1	Nameplate (Prior to May 1994)	
312	3252346	1	Nameplate (May 1994 to Present)	
313	3300177	6	Nut, Tinnerman	
314	0751006	6	Screw #10-24NC x 3/8in	
315	0100001	AR	Adhesive (Not Shown)	
316	4420008	24	Tape, Insulation	
		in./61cm		
317	3960251	1	Gasket	
318	2960006	1	Lens	
319	3911014	4	Screw #10-24NC x 7/8in	
320	4771000	4	Starwasher #10	
321	3311001	4	Nut #10-24NC	
322	4740362	2	Washer, Fender	
324	4220044	2	Stop, Throttle	
325	1320109	1	Clamp, Cable	
326	4751600	1	Flatwasher 3/8in	
327	4761600	1	Lockwasher 3/8in	
328	3321601	1	Nut 3/8in-24NF	
329	3580183	1	Pulley	
330	1670340	1	Cover, Pulley	
	0252285	Ref	CAPACITY INDICATOR INSTALLATION - DOMESTIC STANDARD PLATFORMS	C
	0252510	Ref	CAPACITY INDICATOR INSTALLATION - CSA STANDARD PLATFORMS	B
	0253437	Ref	CAPACITY INDICATOR INSTALLATION - DOMESITC LOW MOUNT PLATFORM	B
	0253438	Ref	CAPACITY INDICATOR INSTALLATION - CSA LOW MOUNT PLATFORM	C
351		Ref	Capacity Indicator Gage Options (See Items 401-403 for Breakdown)	
351	2420055	1	Gage (Domestic/Standard)	
351	2420050	1	Gage (CSA/2:1 Stability)	
352		Ref	Cable Options:	
352	1060369	1	Cable (Standard Platform)	
352	1060417	1	Cable (Low Mount Platform)	
	1280203	Ref	CAPACITY INDICATOR GAGE ASSEMBLY	
401	2420057	1	Housing	
402	0440042	2	Bearing, Ball	
403	4561774	1	Tube, Spacer	
	0255729	Ref	CAPACITY INDICATOR INSTALLATION - DOMESTIC STANDARD PLATFORM	-
	0255730	Ref	CAPACITY INDICATOR INSTALLATION - CSA STANDARD PLATFORM	-
	0255731	Ref	CAPACITY INDICATOR INSTALLATION - DOMESITC LOW MOUNT PLATFORM	-
	0255732	Ref	CAPACITY INDICATOR INSTALLATION - CSA LOW MOUNT PLATFORM	-

SECTION 4 - PLATFORMS

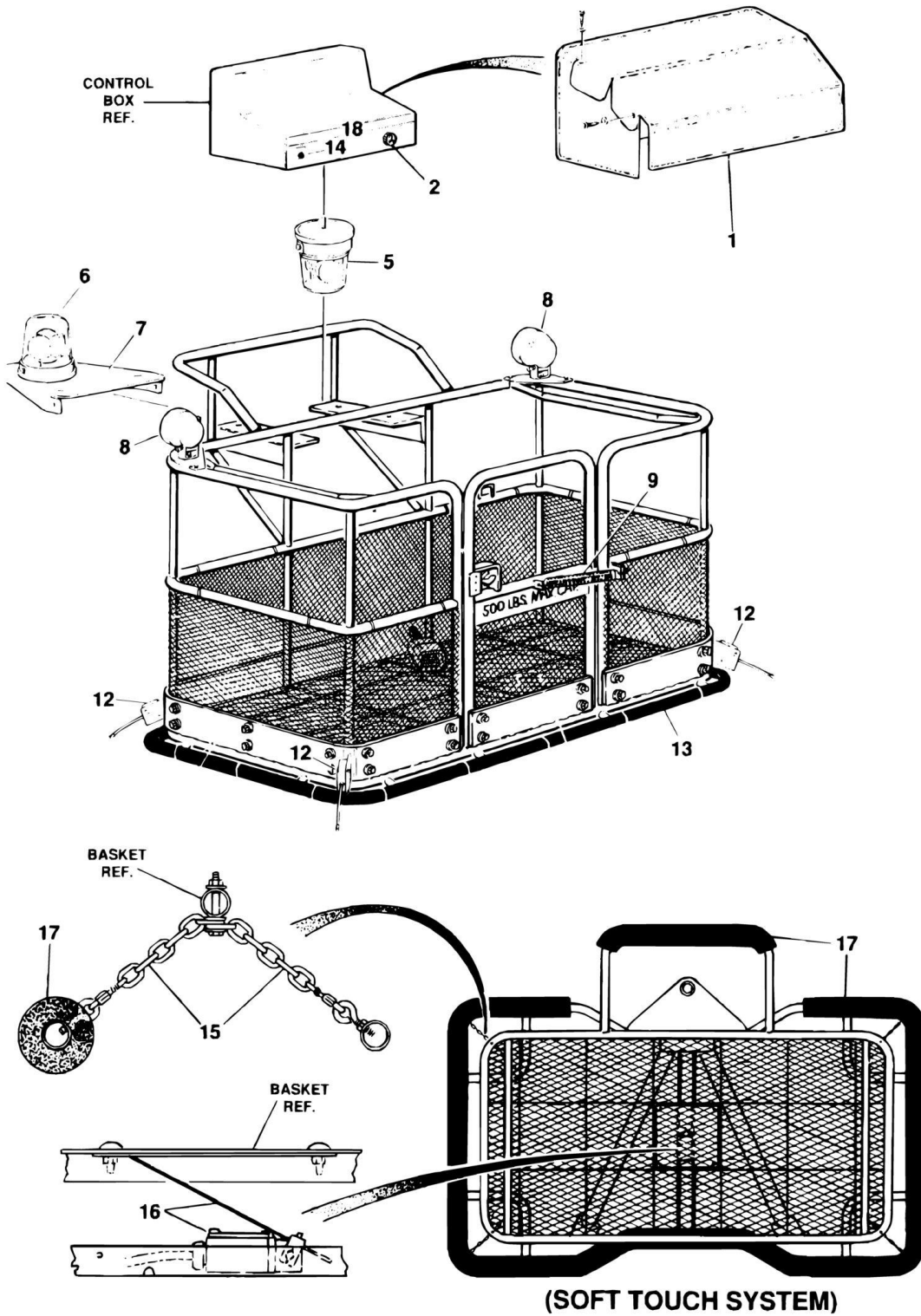
ITEM	PART NUMBER	QTY	DESCRIPTION	REV
501		Ref	Capacity Indicator Assembly Options (See Items 601 - 652 for Breakdown)	
501	0255725	1	Domestic Standard Platform	
501	0255726	1	CSA Standard Platform	
501	0257609	1	Brazil Spec. Standard Platform	
501	0257846	1	Latin America Spec. Standard Platform	
501	0255727	1	Domestic Low Mount Platform	
501	0255728	1	CSA Low Mount Platform	
501	0257606	1	Brazil Spec. Low Mount Platform	
501	0257847	1	Latin America Spec. Low Mount Platform	
502	1670340	1	Cover	
503	3580183	1	Pulley	
		Ref	CAPACITY INDICATOR ASSEMBLIES	
	0255725	Ref	DOMESTIC STANDARD PLATFORM	A
	0255726	Ref	CSA STANDARD PLATFORM	A
	0257608	Ref	BRAZIL SPEC. STANDARD PLATFORM	1
	0257844	Ref	LATIN AMERICA SPEC. STANDARD PLATFORM	1
	0255727	Ref	DOMESTIC LOW MOUNT PLATFORM	A
	0255728	Ref	CSA LOW PLATFORM	A
	0257604	Ref	BRAZIL SPEC. LOW MOUNT PLATFORM	1
	0257843	Ref	LATIN AMERICA SPEC. LOW MOUNT PLATFORM	1
601	4845039	1	Box Assembly	
602		Ref	Gauge, Capacity Indicator Options:	
602	2420055	1	Domestic	
602	2420050	1	CSA	
602	2420185	1	Brazil Spec./Latin America Spec.	
603	4160058	1	Spring	
604	3900111	1	Bolt, Shoulder	
605	0100011	AR	Loctite #242 (Not Shown)	
606	4751400	2	Flatwasher 1/4in	
607	3311405	2	Locknut 1/4in-20NC	
608	4740362	2	Washer, Fender	
609	3960251	1	Gasket	
610		Ref	Lens, Indicator Options:	
610	2960006	1	Domestic/CSA	
610	2960010	1	Brazil Spec.	
610	2960011	1	Latin America Spec.	
611	3910812	10	Screw, Machine #8-32NC x 3/4in	
612		Ref	Cable Options:	
612	1060369	1	Standard Platform	
612	1060417	1	Low Mount Platform	
613	4220044	2	Stop, Throttle	
614	1320109	1	Clamp, Cable	
615	4751600	3	Flatwasher 3/8in	
616	4761600	1	Lockwasher 3/8in	
617	3321601	1	Nut 3/8in-24NC	
618		Ref	Decal - Instructions Options:	
618	7012662	1	Domestic/CSA	
618	3252556	1	Brazil Spec.	
618	1703667	1	Latin America Spec.	
619		Ref	Decal - Warning Options:	
619	7012672	1	Domestic/CSA	

SECTION 4 - PLATFORMS

ITEM	PART NUMBER	QTY	DESCRIPTION	REV
619	3252554	1	Brazil Spec.	
619	1703668	1	Latin America Spec.	

SECTION 4 - PLATFORMS

FIGURE 4-10. OPTIONAL COMMON PLATFORM MOUNTED COMPONENTS



SECTION 4 - PLATFORMS

FIGURE 4-10. OPTIONAL COMMON PLATFORM MOUNTED COMPONENTS

ITEM	PART NUMBER	QTY	DESCRIPTION	REV
		Ref	OPTIONAL COMMON PLATFORM MOUNTED COMPONENTS	
	0237171	Ref	CONSOLE BOX COVER INSTALLATIONS (PRIOR TO SEPTEMBER 1990)	A
	0239254	Ref	CONSOLE BOX COVER INSTALLATIONS (PRIOR TO SEPTEMBER 1990)	-
	0252054	Ref	CONSOLE BOX COVER INSTALLATIONS (SEPTEMBER 1990 TO PRESENT)	2
	0251203	Ref	CONSOLE BOX COVER INSTALLATIONS (SEPTEMBER 1990 TO PRESENT)	2
		Ref	Note: See SPECIAL OPTIONS SECTION for Folding Style Cover.	
1		Ref	Cover Options:	
1	1670366	1	Cover (PQ Controllers/Prior to September 1990)	
1	1670482	1	Cover (OEM Controllers/Prior to September 1990)	
1	1670607	1	Cover (Black/September 1990 to Present)	
1	1670526	1	Cover (Yellow/September 1990 to Present)	
	0253077	Ref	ALARM INSTALLATIONS	5
2	0140026	1	Alarm	
		Ref	Beacon Light Options:	
5	0252211	AR	Beacon Mounted Under Console (September 1991 to Present)	3
5	0252210	AR	Beacon Mounted Under Console (September 1991 to Present)	3
5	2920009	AR	Beacon (Red)	
5	2920018	AR	Beacon (Amber)	
6	0235980	AR	Beacon Mounted in Front of Console (Prior to September 1991)	A
6	0235981	AR	Beacon Mounted in Front of Console (Prior to September 1991)	A
6	2920009	AR	Beacon (Red)	
6	2920100	AR	Beacon (Red) (U/L)	
6	2920018	AR	Beacon (Amber)	
6	2920096	AR	Beacon (Amber) (U/L)	
7	0901449		Bracket, Mounting	
	2900068	Ref	WORKLIGHT OPTIONS (PRIOR TO NOVEMBER 1992)	F
	0253987	Ref	WORKLIGHT OPTIONS (NOVEMBER 1992 TO PRESENT)	4
	0254748	Ref	WORKLIGHT OPTIONS WITH PADDED PLATFORM	2
8	2920013	2	Floodlight (Prior to November 1992)	
8	2920111	2	Halogen Light (November 1992 to Present) (Uses P/N 3536089 Mounting Plate)	
	0250143	Ref	SELF-CLOSING GATE INSTALLATION	A
9	4160028	1	Spring	
9	0900232	1	Bracket (Door Mounted)	
9	0901056	1	Bracket (Platform Mounted)	
9	4220007	1	Stop, Door	
		Ref	PLATFORM BUMPERS INSTALLATION (WELDED-ON TYPE)	
	0250689	Ref	3ft x 5ft STANDARD PLATFORM WITH STANDARD CONTROLS	C
	0251162	Ref	3ft x 5ft STANDARD PLATFORM WITH HYDRAULIC CONTROLS	C
	0251035	Ref	3ft x 6ft STANDARD PLATFORM	C
	0251348	Ref	3ft x 8ft STANDARD PLATFORM	
	0251349	Ref	3ft x 5ft EXTEND-A-REACH PLATFORM	
	0251350	Ref	3ft x 6ft EXTEND-A-REACH PLATFORM	

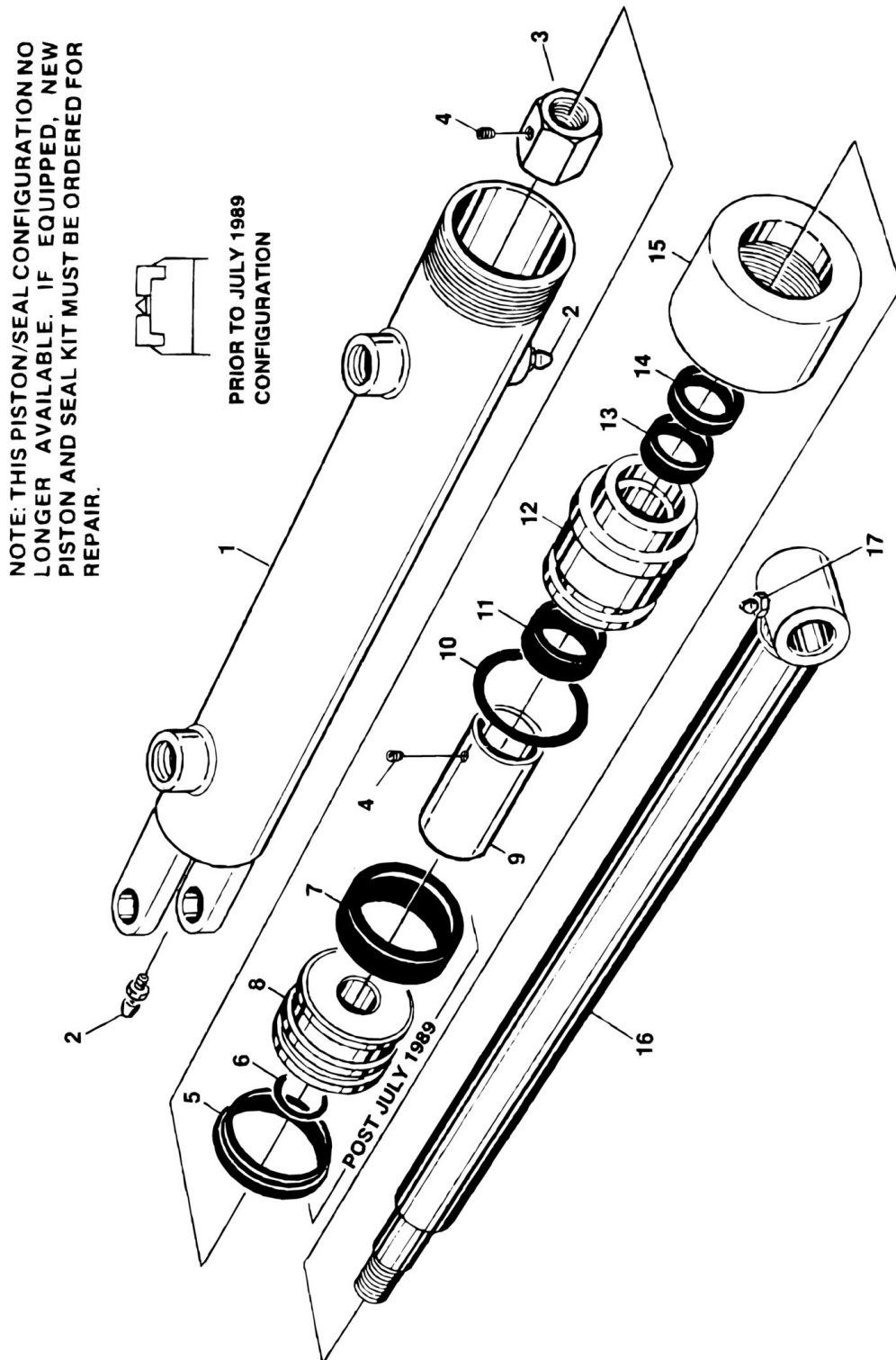
SECTION 4 - PLATFORMS

ITEM	PART NUMBER	QTY	DESCRIPTION	REV
	0250919	Ref	3ft x 5ft LOW MOUNT PLATFORM	
	0253462	Ref	3ft x 6ft LOW MOUNT PLATFORM	A
	0252902	Ref	3ft x 8ft LOW MOUNT PLATFORM	A
12	4360305	4	Switch, Proximity - U/L Machines	
12	4360215	4	Switch, Proximity - Standard Machines	
12	4460521	4	Connector, Strain Relief	
13	0940038	AR	Padding, Bumper	
14	4360274	1	Switch, Push Button (Override)	
14	3251596	1	Nameplate - Override	
14	3740049	1	Relay (Not Shown)	
		Ref	PLATFORM BUMPERS INSTALLATION - SOFT TOUCH SYSTEM (CHAIN MOUNTED TYPE)	
	0254463	Ref	3ft x 5ft LOW MOUNT PLATFORM	6
	0254464	Ref	3ft x 6ft LOW MOUNT PLATFORM	7
	0254465	Ref	3ft x 8ft LOW MOUNT PLATFORM	7
15	0630440	8	Eyebolt	
15	3010088	8	Link, Quick	
15	1260136	AR	Chain	
16	4360057	1	Switch, Limit	
16	0200048	1	Arm, Actuator	
17	0940038	AR	Padding (Bottom Rail)	
17	1670663	1	Cover (Rail Behind Console Box) (Prior to SN 44770)	
17	1670664	1	Cover (LH Top Rail - 36in x 60in Platform)	
17	1670715	1	Cover (LH Top Rail - 36in x 72in Platform)	
17	1670720	1	Cover (LH Top Rail - 36in x 96in Platform)	
17	1670665	4	Cover (Vertical Rails)	
17	1670666	1	Cover (Gate)	
17	1670667	1	Cover (RH Top Rail - 36in x 60in Platform)	
17	1670716	1	Cover (RH Top Rail - 36in x 72in Platform)	
17	1670721	1	Cover (RH Top Rail - 36in x 96in Platform)	
17	1670671	1	Padding (LH Mid Rail - 36in x 60in Platform)	
17	1670717	1	Cover (LH Mid Rail - 36in x 72in Platform)	
17	1670722	1	Cover (LH Mid Rail - 36in x 96in Platform)	
17	1670672	1	Cover (RH Mid Rail - 36in x 60in Platform)	
17	1670718	1	Cover (RH Mid Rail - 36in x 72in Platform)	
17	1670723	1	Cover (RH Mid Rail - 36in x 96in Platform)	
17	1670673	1	Cover (Bumper Rail - 36in x 60in Platform)	
17	1670719	1	Cover (Bumper Rail - 36in x 72in Platform)	
17	1670724	1	Cover (Bumper Rail - 36in x 96in Platform)	
18	4360274	1	Switch, Push Button	
18	3252238	1	Decal - Soft Touch System	
19	1060341	12 ft/3.7m	Cable, 16-2 (SN 36200 to Present)	

SECTION 5 - CYLINDER

SECTION 5 - CYLINDER

FIGURE 5-1. AXLE LOCKOUT CYLINDER ASSEMBLY - 4WD/2WS (PRIOR TO SEPTEMBER 1992)
(USE WITH OPTIONAL OSCILLATING AXLE)



SECTION 5 - CYLINDER

**FIGURE 5-1. AXLE LOCKOUT CYLINDER ASSEMBLY - 4WD/2WS (PRIOR TO SEPTEMBER 1992)
(USE WITH OPTIONAL OSCILLATING AXLE)**

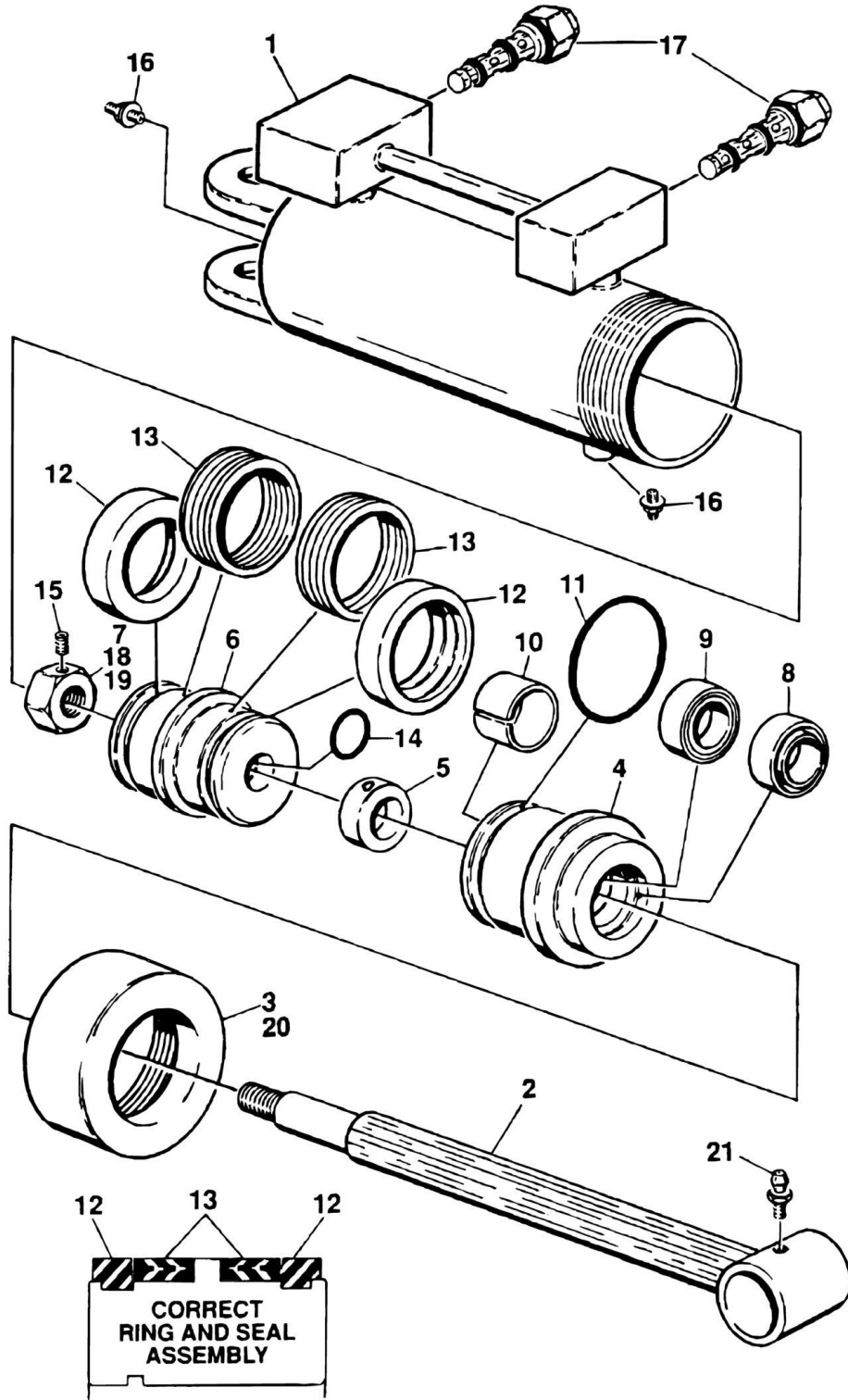
ITEM	PART NUMBER	QTY	DESCRIPTION	REV
		Ref	Note: This seal arrangement used on 2WD machines built prior to March 1985 and 4WD machines built prior to april 1993.	
	1681523	Ref	LOCKOUT CYLINDER ASSEMBLY (2WD BUILT PRIOR TO MID 1984)	B
	1681536	Ref	LOCKOUT CYLINDER ASSEMBLY (2WD BUILT MID 1984 TO MARCH 1985)	B
	1681556	Ref	LOCKOUT CYLINDER ASSEMBLY (4WD - BUILT PRIOR TO MARCH 1985)	A
	1681571	Ref	LOCKOUT CYLINDER ASSEMBLY (4WD - BUILT MARCH 1985 TO APRIL 1993)	G
1		Ref	Barrel Options:	
1	1680726	1	2WD Built Prior to Mid 1984	
1	1680741	1	2WD Built Mid 1984 to March 1985	
1	1680760	1	4WD Built Prior to March 1985	
1	1681458	1	4WD Built March 1985 to April 1993	
2		Ref	Options:	
2	4640273	4	Bleeder (Machines Built Prior to March 1985)	
2	3900175	4	Setscrew 1/4in-28NC x 3/4in (Machines Built March 1985 to April 1993)	
2	3960416	AR	Seal, Thread	
2	3321401	4	Nut 1/4in-28NC	
3		Ref	Nut Options:	
3	1120108	1	2WD Built Prior to Mid 1984	
3	3300187	1	2WD Built Mid 1984 to March 1985	
3	3300273	1	4WD Built Prior to April 1993	
4		Ref	Setscrew Options:	
4	3900141	3	Machines Built Prior to March 1985	
4	3900170	1	Machines Built March 1985 to April 1993	
5	Kit	1	Seal, Tee	
6	Kit	1	O-Ring	
7	Kit	1	Ring, Wear	
8		Ref	Piston Options:	
8	3480134	1	2WD Built Prior to Mid 1984	
8	3480120	1	2WD Built Mid 1984 to March 1985	
8	3480107	1	4WD Built Prior to March 1985	
8	3480134	1	4WD Built March 1985 to April 1993	
9		Ref	Spacer Options:	
9	4562595	1	2WD Built Prior to Mid 1984	
9	4562687	1	2WD Built Mid 1984 to March 1985	
9	4562859	1	4WD Built Prior to April 1993	
10	Kit	1	O-Ring	
10	Kit	1	Ring, Backup (4WD Built Prior to March 1985 Only)	
11	Kit	1	Ring, Wear	
12		Ref	Head Options:	
12	1681344	1	2WD Built Prior to Mid 1984	
12	1680892	1	2WD Built Mid 1984 to March 1985	
12	1680892	1	4WD Built Prior to March 1985	
12	1681322	1	4WD Built March 1985 to April 1993	
13	Kit	1	Seal, Rod	

SECTION 5 - CYLINDER

ITEM	PART NUMBER	QTY	DESCRIPTION	REV
14	Kit	1	Wiper, Rod	
15		Ref	Retainer, Head Options:	
15	1120108	1	2WD Built Prior to Mid 1984	
15	1120179	1	2WD Built Mid 1984 to March 1985	
15	1120179	1	4WD Built Prior to March 1985	
15	1120108	1	4WD Built March 1985 to April 1993	
16		Ref	Rod Options:	
16	1681342	1	2WD Built Prior to Mid 1984	
16	1681383	1	2WD Built Mid 1984 to March 1985	
16	1681414	1	4WD Built Prior to March 1985	
16	1681460	1	4WD Built March 1985 to April 1993	
17		Ref	Fitting, Grease Options:	
17	2160006	1	2WD Built Prior to Mid 1984	
17	2160002	1	2WD Built Mid 1984 to March 1985	
17	2160002	1	4WD Built Prior to March 1985	
17	2160003	1	4WD Built March 1985 to April 1993	
	0100011	AR	LOCTITE #242	
	0100038	AR	Primer, Locking	
	0100035	AR	Loctite #222	
	2901123	1	Seal Kit - 1681523 Cylinder (Includes Items 5, 6, 7, 10, 11, 13 & 14)	
	2901119	1	Seal Kit - 1681536 Cylinder (Includes Items 5, 6, 7, 10, 11, 13 & 14)	
	2900095	1	Seal Kit - 1681556 Cylinder (Includes Items 5, 6, 7, 10, 11, 13 & 14)	
	2901148	1	Seal Kit - 1681571 Cylinder (Includes Items 5, 6, 7, 10, 11, 13 & 14)	

SECTION 5 - CYLINDER

FIGURE 5-2. AXLE LOCKOUT CYLINDER ASSEMBLY



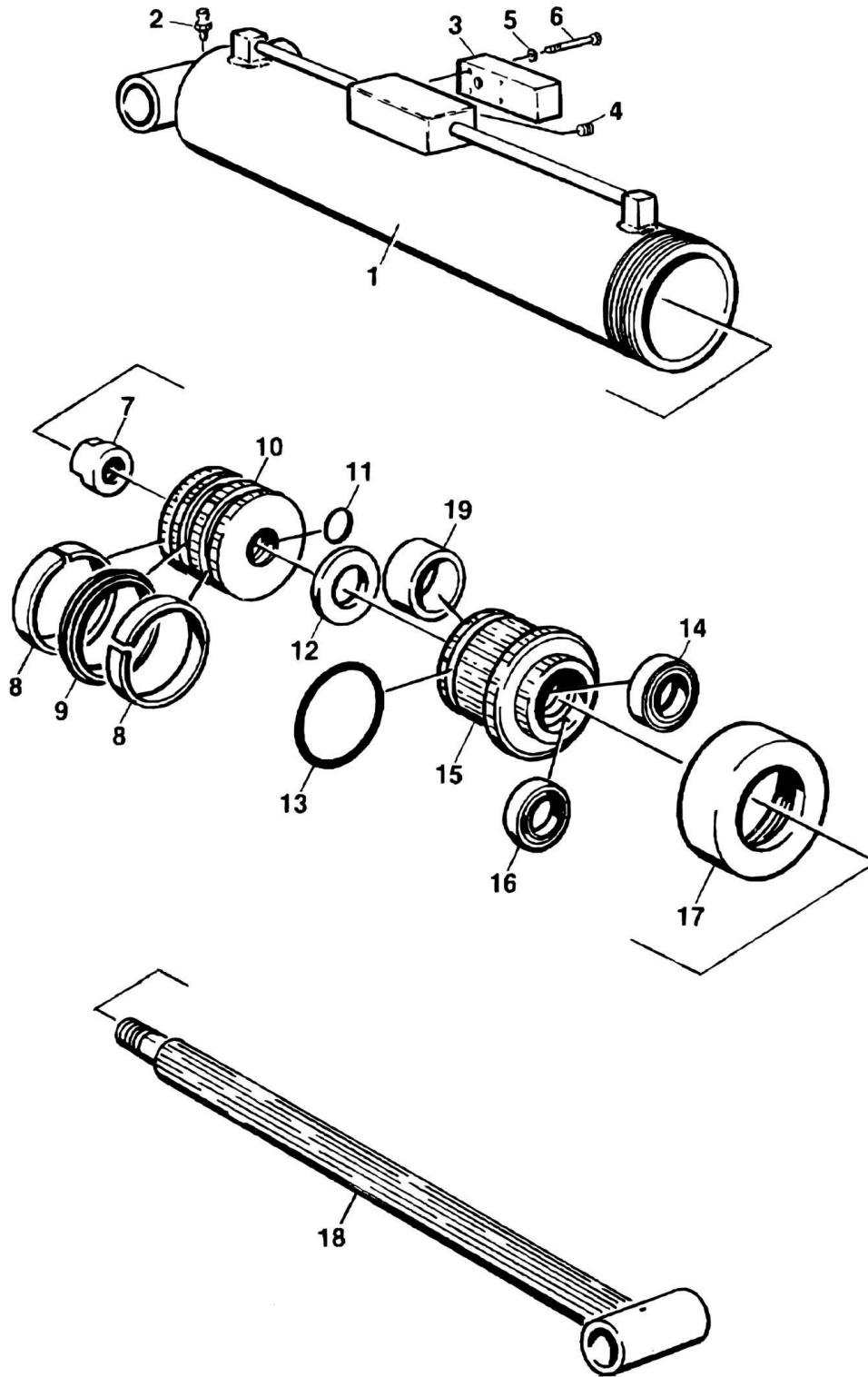
SECTION 5 - CYLINDER

FIGURE 5-2. AXLE LOCKOUT CYLINDER ASSEMBLY

ITEM	PART NUMBER	QTY	DESCRIPTION	REV
		Ref	Note: This seal arrangement used on 2WD machines built March 1985 to present and 4WD machines built April 1993 to present.	
	1681572	Ref	LOCKOUT CYLINDER ASSEMBLY (2WD BUILT MARCH 1985 TO JANUARY 1992)	F
	1682873	Ref	LOCKOUT CYLINDER ASSEMBLY (2WD BUILT JANUARY 1992 TO PRESENT)	-
	1682727	Ref	LOCKOUT CYLINDER ASSEMBLY (4WD - BUILT APRIL 1993 TO PRESENT)	B
1		Ref	Barrel Options:	
1	1681461	1	2WD Built March 1985 to January 1992	
1	1682874	1	2WD Built January 1992 to Present	
1	1682728	1	4WD Built April 1993 to Present	
2		Ref	Rod Options:	
2	1681462	1	2WD Built March 1985 to January 1992	
2	1681462	1	2WD Built January 1992 to Present	
2	1682730	1	4WD Built April 1993 to Present	
3	1120108	1	Retainer	
4	1681322	1	Head	
5		Ref	Spacer Options:	
5	4562859	1	2WD Built March 1985 to January 1992	
5	4562859	1	2WD Built January 1992 to Present	
5	3951403	1	Setscrew 1/4in-20NC x 3/8in	
5	4565816	1	4WD Built April 1993 to Present	
6	3480116	1	Piston	
7	3300273	1	Nut, Hex	
8	Kit	1	Seal, Wiper	
9	Kit	1	Seal, Rod	
10	Kit	1	Ring, Wear	
11	Kit	1	O-Ring	
12	Kit	2	Ring, Lock	
13	Kit	2	Seal, Piston	
14	Kit	1	O-Ring	
15	3900170	1	Setscrew 3/8in-16NC x 3/8in	
16	3900175	3	Setscrew 1/4in-28NC x 3/4in	
16	3321401	3	Nut 1/4in-28NC	
16	3960416	AR	Seal, Thread	
17		Ref	Valve, Counterbalance Options:	
17	Not Required		2WD Built March 1985 to January 1992	
17	4640509	2	2WD Built January 1992 to Present	
17	2900792	2	Seal Kit - 4640509 (1 Per Cartridge)	
17	4640509	2	4WD Built April 1993 to Present	
17	2900792	2	Seal Kit - 4640509 Valve (1 Per Cartridge)	
18	0100011	AR	Loctite	
19	0100038	AR	Loctite, Primer	
20	0100035	AR	Locking Compound	
21		Ref	Fitting, Grease Options:	
21	2160003	1	2WD Built March 1985 to January 1992	
21	2160002	1	2WD Built January 1992 to Present	
21	2160002	1	4WD Built April 1993 to Present	
21	2900379	1	Kit, Seal (Includes Items 8-14)	

SECTION 5 - CYLINDER

FIGURE 5-3. LIFT CYLINDER ASSEMBLY - BOOM (PRIOR TO APRIL 1993)



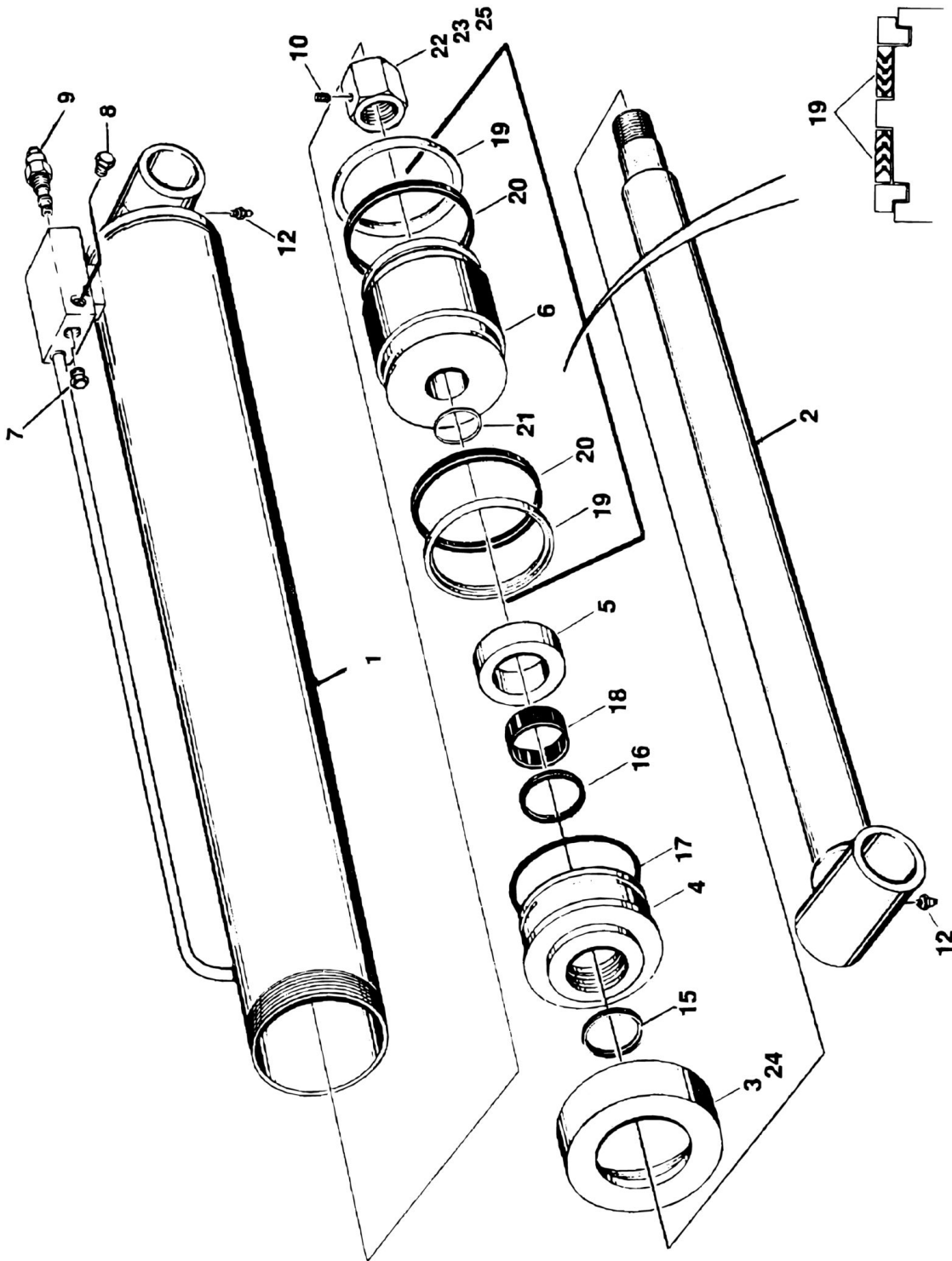
SECTION 5 - CYLINDER

FIGURE 5-3. LIFT CYLINDER ASSEMBLY - BOOM (PRIOR TO APRIL 1993)

ITEM	PART NUMBER	QTY	DESCRIPTION	REV
	1680365	Ref	LIFT CYLINDER ASSEMBLY - BOOM (PRIOR TO APRIL 1993)	M
1	1680758	1	Barrel	
2	2160002	1	Fitting, Grease	
3	4640181	1	Valve	
4	3900035	1	Setscrew 1/2in-13NC x 1/2in	
5	Not Required		Not Required	
6	3931440	4	Bolt 1/4in-20NF x 2 1/2in	
7	3300291	1	Nut	
7	0100011	AR	Loctite	
7	0100038	AR	Loctite, Primer	
8	Kit	2	Ring, Wear	
9	Kit	1	Seal, "T"	
10	3480070	1	Piston	
11	Kit	1	O-Ring	
12	1440159	1	Spacer	
13	Kit	1	O-Ring	
14	Kit	1	Seal, Polypak	
15	1680872	1	Head	
16	Kit	1	Seal, Canned	
17	1120196	1	Retainer	
17	0100035	AR	Compound, Thread Locking	
18	1681222	1	Rod	
19	Kit	1	Ring, Wear	
	2900385	1	Seal Kit (Includes Items 8, 9, 11, 13, 14, 16, & 19)	

SECTION 5 - CYLINDER

FIGURE 5-4. LIFT CYLINDER ASSEMBLY - BOOM (APRIL 1993 TO PRESENT)



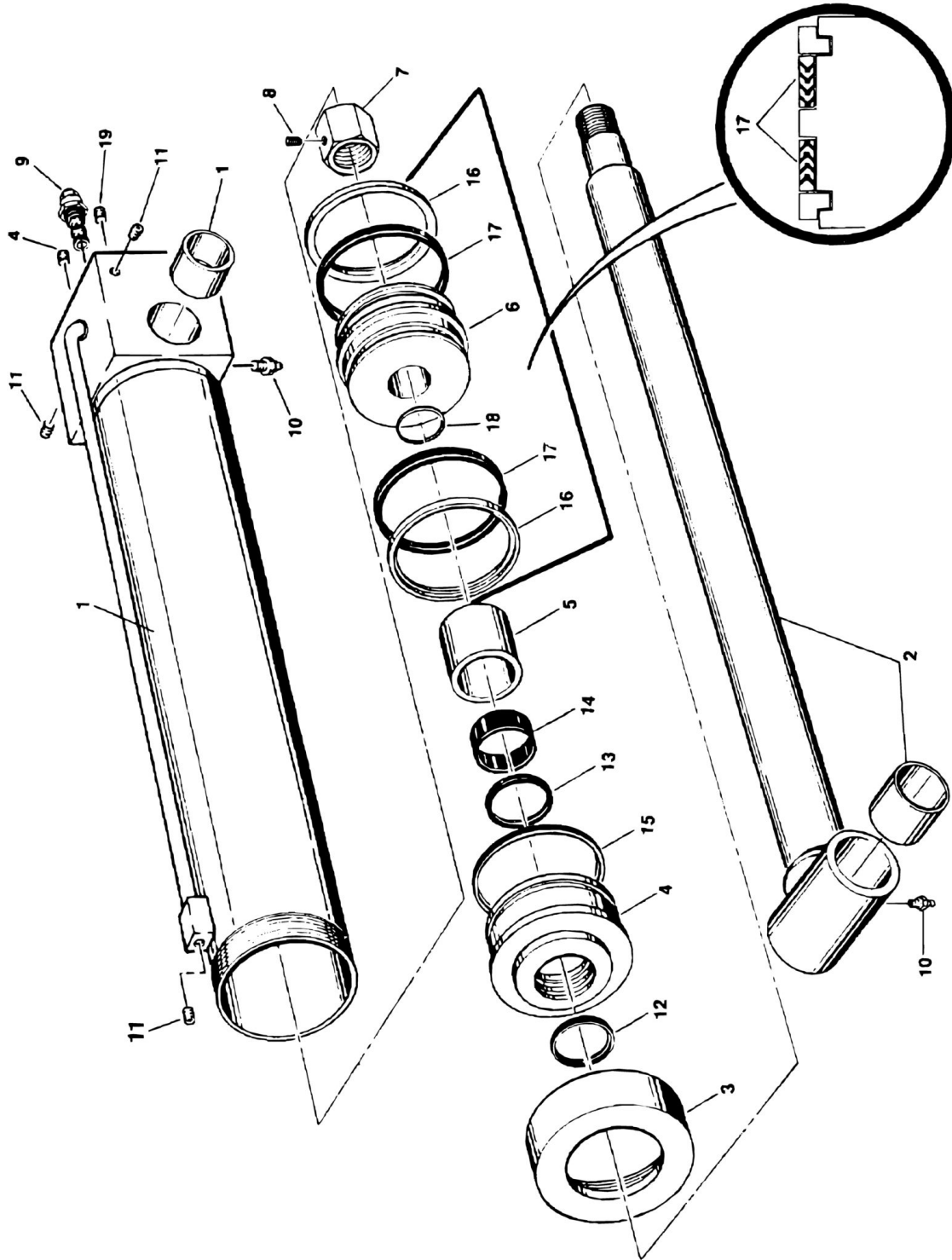
SECTION 5 - CYLINDER

FIGURE 5-4. LIFT CYLINDER ASSEMBLY - BOOM (APRIL 1993 TO PRESENT)

ITEM	PART NUMBER	QTY	DESCRIPTION	REV
	1682697	Ref	LIFT CYLINDER ASSEMBLY - BOOM (APRIL 1993 TO PRESENT)	B
1	1682698	1	Barrel	
2	1682700	1	Rod	
3	1120196	1	Retainer	
4	1680872	1	Head	
5	4565803	1	Spacer	
6	3480165	1	Piston	
7	2220887	1	Plug, O-Ring	
8	2220883	1	Plug, O-Ring	
9	4640495	1	Valve, Cartridge	
9	2900770	1	Seal Kit - 4640495 Valve	
10	3900170	1	Setscrew 3/8in-16NC x 3/8in	
11	Not Required		Not Required	
12	2160002	2	Fitting, Grease	
13	Not Required		Not Required	
14	Not Required		Not Required	
15	Kit	1	Wiper	
16	Kit	1	Seal, Rod	
17	Kit	1	O-Ring	
18	Kit	1	Ring, Wear	
19	Kit	2	Ring, Guidelock	
20	Kit	2	Seal, Hydrolock	
21	Kit	1	O-Ring	
22	0100011	AR	LOCTITE #242	
23	0100038	AR	Loctite, Primer	
24	0100035	AR	Loctite #222	
25	3300281	1	Nut	
	2901219	1	Seal Kit (Includes Items 15-21)	

SECTION 5 - CYLINDER

FIGURE 5-5. LIFT CYLINDER ASSEMBLY - EXTEND-A-REACH (40H+6 ONLY)



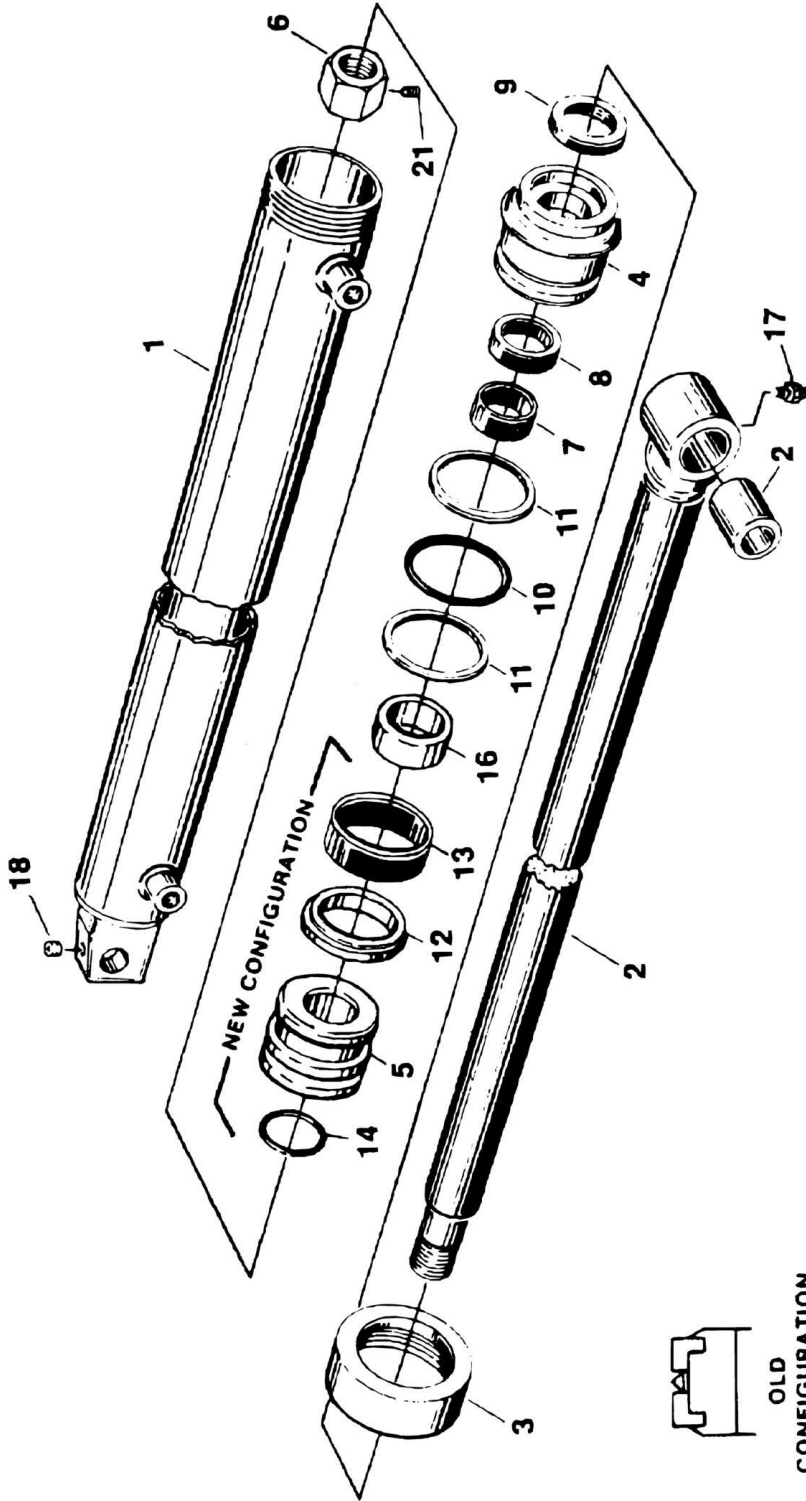
SECTION 5 - CYLINDER

FIGURE 5-5. LIFT CYLINDER ASSEMBLY - EXTEND-A-REACH (40H+6 ONLY)

ITEM	PART NUMBER	QTY	DESCRIPTION	REV
	1681730	Ref	LIFT CYLINDER ASSEMBLY	G
1	1681731	1	Barrel Weldment	
1	0961185	2	Bushing, Bronze	
2	1681732	1	Rod Weldment	
2	0961024	2	Bushing, Bronze	
3	1120108	1	Retainer	
3	0100035	AR	Loctite #222	
4	1681283	1	Head	
5	4563577	1	Spacer	
6	3480126	1	Piston	
7	3300278	1	Nut	
7	0100011	AR	LOCTITE #242	
7	0100038	AR	Loctite Primer	
8	3900170	1	Setscrew 3/8in-16NC x 3/8in	
9	4640495	1	Cartridge, Holding Valve (Prior to August 1995)	
9	4640771	1	Cartridge, Holding Valve (August 1995 to Present)	
9	2900770	1	Seal Kit - 4640495 and 4640771 Valves	
10	Not Required		Not Required	
11	2200201	3	Plug, Pipe	
11	0100020	AR	Sealant, Pipe	
12	Kit	1	Wiper, Rod	
13	Kit	1	Seal, Rod	
14	Kit	1	Ring, Wear	
15	Kit	1	O-Ring	
16	Kit	2	Ring, Wear	
17	Kit	2	Seal	
18	Kit	1	O-Ring	
19	2200222	2	Plug, Pipe	
19	0100020	AR	Sealant, Pipe	
	2901113	1	Kit, Seal (Includes Items 12-18)	

SECTION 5 - CYLINDER

FIGURE 5-6. MASTER CYLINDER ASSEMBLIES



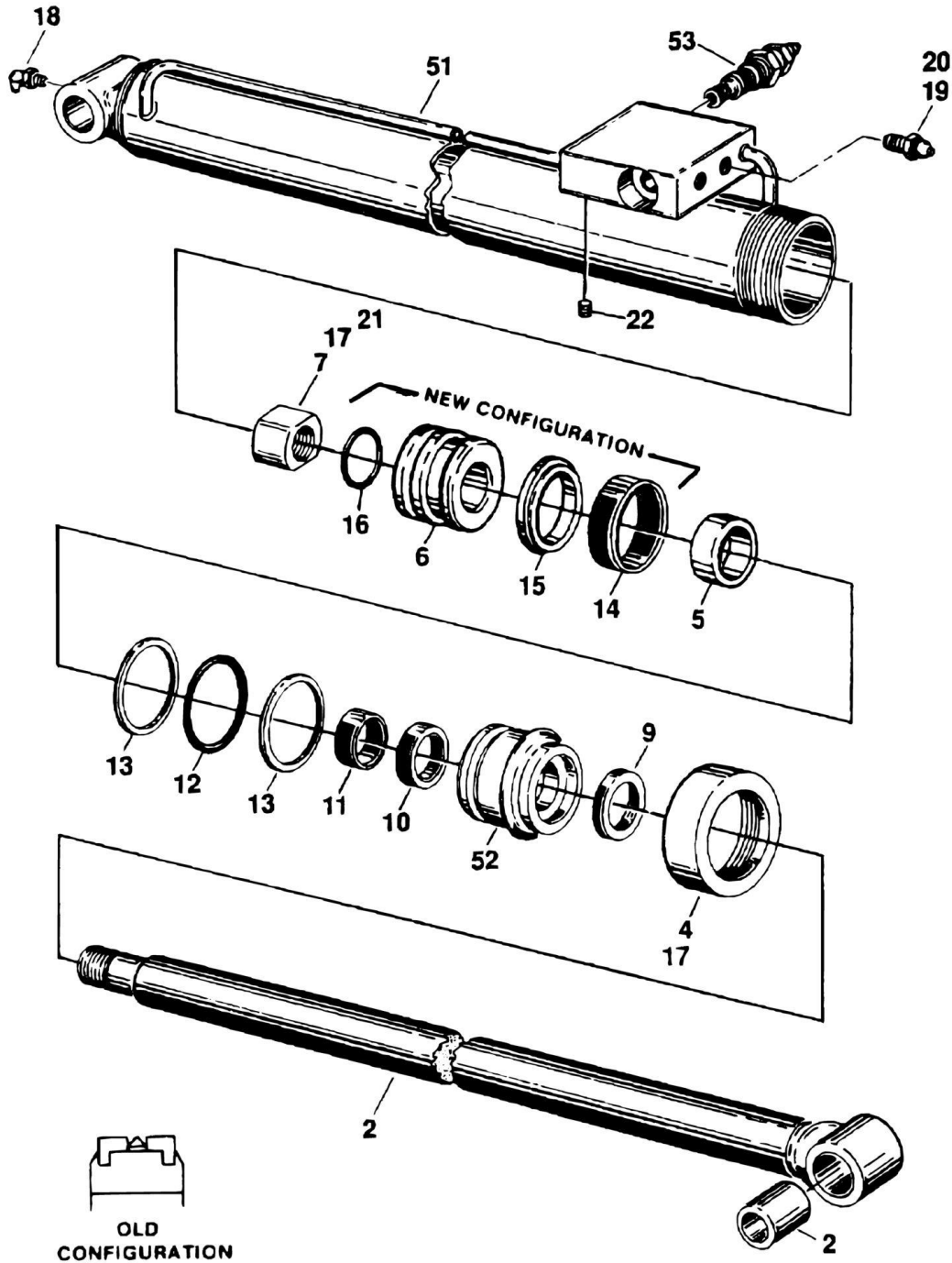
SECTION 5 - CYLINDER

FIGURE 5-6. MASTER CYLINDER ASSEMBLIES

ITEM	PART NUMBER	QTY	DESCRIPTION	REV
	1681519	Ref	MASTER CYLINDER (PRIOR TO NOVEMBER 1984)	C
	1681547	Ref	MASTER CYLINDER ASSEMBLY (NOVEMBER 1984 TO MAY 1985)	B
	1681580	Ref	MASTER CYLINDER ASSEMBLY (MAY 1985 TO PRESENT)	F
1		Ref	Barrel Options:	
1	1680723	1	Prior to May 1985	
1	1681490	1	May 1985 to Present	
2		Ref	Rod Options:	
2	1681333	1	Rod (Prior to November 1984)	
2	0960555	1	Bushing, Bronze	
2	1681401	1	Rod (November 1984 to May 1985)	
2	0960097	1	Bushing, Bronze	
2	1681488	1	Rod (May 1985 to Present)	
2	0960097	1	Bushing, Bronze	
3	1120179	1	Retainer	
4	1680892	1	Head	
5	3480120	1	Piston	
6		Ref	Nut Options:	
6	3300101	1	Prior to May 1985	
6	3300272	1	May 1985 to Present	
7	Kit	1	Ring, Wear	
8	Kit	1	Seal, Rod	
9	Kit	1	Wiper, Rod	
10	Kit	1	O-Ring	
11	Kit	2	Ring, Back-up	
12	Kit	1	Seal, Piston	
13	Kit	1	Ring, Wear	
14	Kit	1	O-Ring	
16		Ref	Spacer Options:	
16	1440142	1	Prior to May 1985	
16	4563031	1	May 1985 to Present	
17	2160002	1	Fitting, Grease	
18	2200201	1	Plug, Pipe 1/8 NPT	
21	3900170	1	Setscrew 3/8in-16NC x 3/8in	
	0100011	AR	LOCTITE #242	
	0100038	AR	Loctite, Primer	
	0100035	AR	Loctite #222	
	2901119	1	Seal Kit - 1681519 Cylinder (Includes Items 7-14)	
	2901119	1	Seal Kit - 1681547 Cylinder (Includes Items 7-14)	
	2900381	1	Seal Kit - 1681580 Cylinder (Includes Items 7-14)	

SECTION 5 - CYLINDER

FIGURE 5-7. PLATFORM LEVEL CYLINDER ASSEMBLIES (BUILT PRIOR TO JANUARY 1987)



NOTE: THIS PISTON/SEAL CONFIGURATION NO LONGER AVAILABLE. IF EQUIPPED, NEW PISTON AND SEAL KIT MUST BE ORDERED FOR REPAIR.

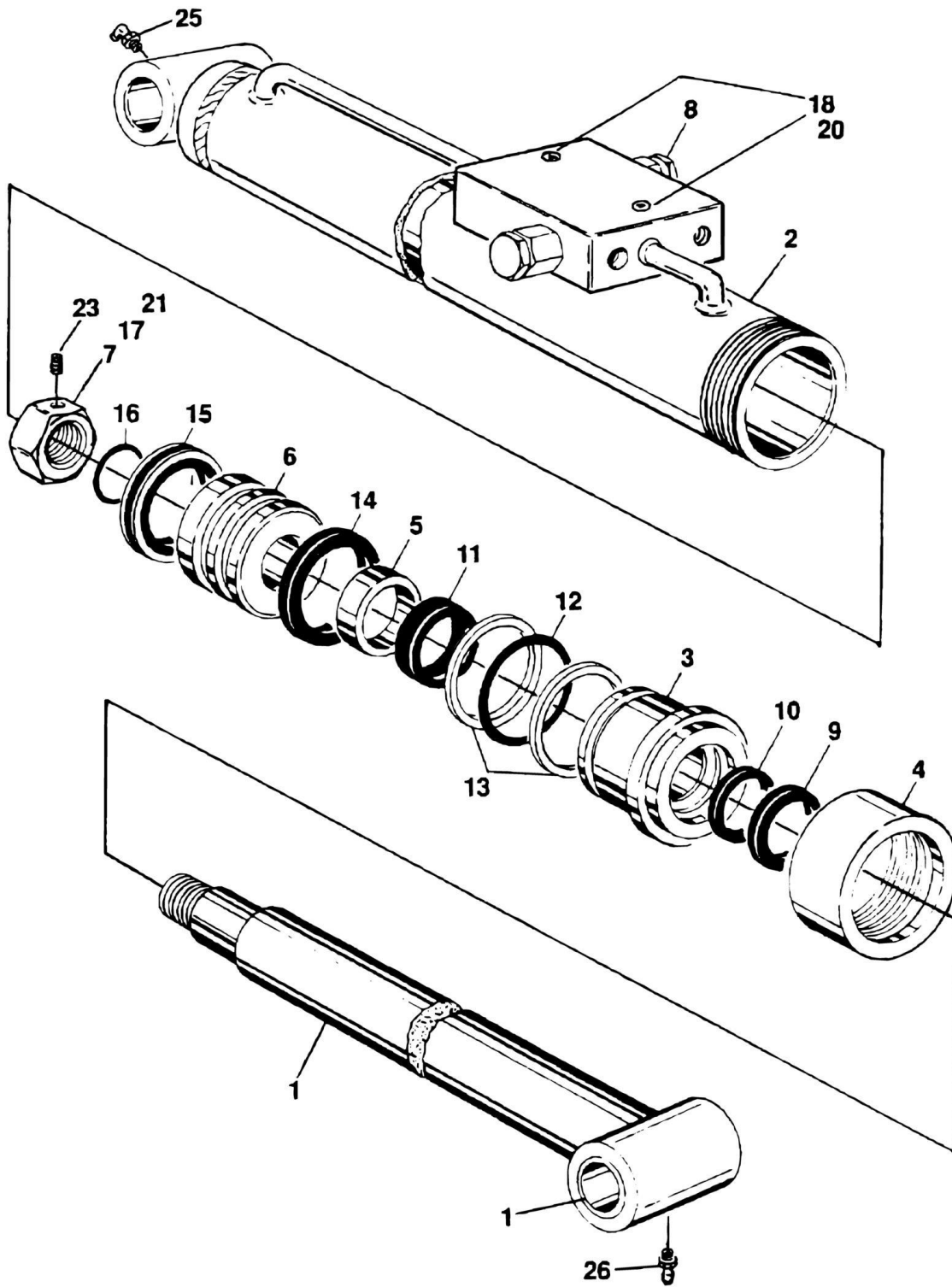
SECTION 5 - CYLINDER

FIGURE 5-7. PLATFORM LEVEL CYLINDER ASSEMBLIES (BUILT PRIOR TO JANUARY 1987)

ITEM	PART NUMBER	QTY	DESCRIPTION	REV
		Ref	PLATFORM LEVEL CYLINDER ASSEMBLY (STANDARD PARTS)	
2	1681331	1	Rod Assembly	
2	0960097	1	Bushing	
4	1120179	1	Retainer	
5	1440142	1	Spacer	
6		Ref	Piston Options:	
6	Not Available		Piston (Prior to Mid 1989) (See Note Illustration Page)	
6	3480120	1	Piston (Mid 1989 to Present)	
7	3300272	1	Nut, Hex (Replacement)	
7	3900170	1	Setscrew	
9	Kit	1	Seal, Wiper	
10	Kit	1	Seal, Rod	
11	Kit	1	Ring, Wear	
12	Kit	1	O-Ring	
13	Kit	2	Ring, Back-up	
14	Kit	1	Ring, Wear	
15	Kit	1	Seal, Piston	
16	Kit	1	O-Ring	
17	0100011	AR	LOCTITE #242	
18	2160001	1	Fitting, Grease - 90	
19	2200213	2	Plug, Pipe - 3/8in	
20	0100020	AR	Sealant, Pipe	
21	0100021	AR	Primer, Locking	
22	2200201	2	Plug, Pipe 1/8in	
		Ref	PLATFORM LEVEL CYLINDER ASSEMBLIES (VARIABLE PARTS)	
	1681518	Ref	PRIOR TO JULY 1985	C
	1681548	Ref	JULY 1985 TO JANUARY 1987	F
51		Ref	Barrel Assembly Options:	
51	1680722	1	Prior to July 1985	
51	1680751	1	July 1985 to January 1987	
52		Ref	Head Options:	
52	1680892	1	Prior to July 1985	
52	1681635	1	July 1985 to January 1987	
53		Ref	Valve, Cartridge Options:	
53	4640269	1	Valve, Cartridge (Prior to July 1985)	
53	4640495	2	Valve, Cartridge (July 1985 to January 1987)	
53	2900770	2	Seal Kit - 4640495 Valve (1 per cartridge)	
	2901119	1	Seal Kit - 1681518 Cylinder (Includes Items 9-16)	
	2901120	1	Seal Kit - 1681548 Cylinder (Includes Items 9-16)	

SECTION 5 - CYLINDER

FIGURE 5-8. PLATFORM LEVEL CYLINDER ASSEMBLIES (BUILT JANUARY 1987 TO APRIL 1992)



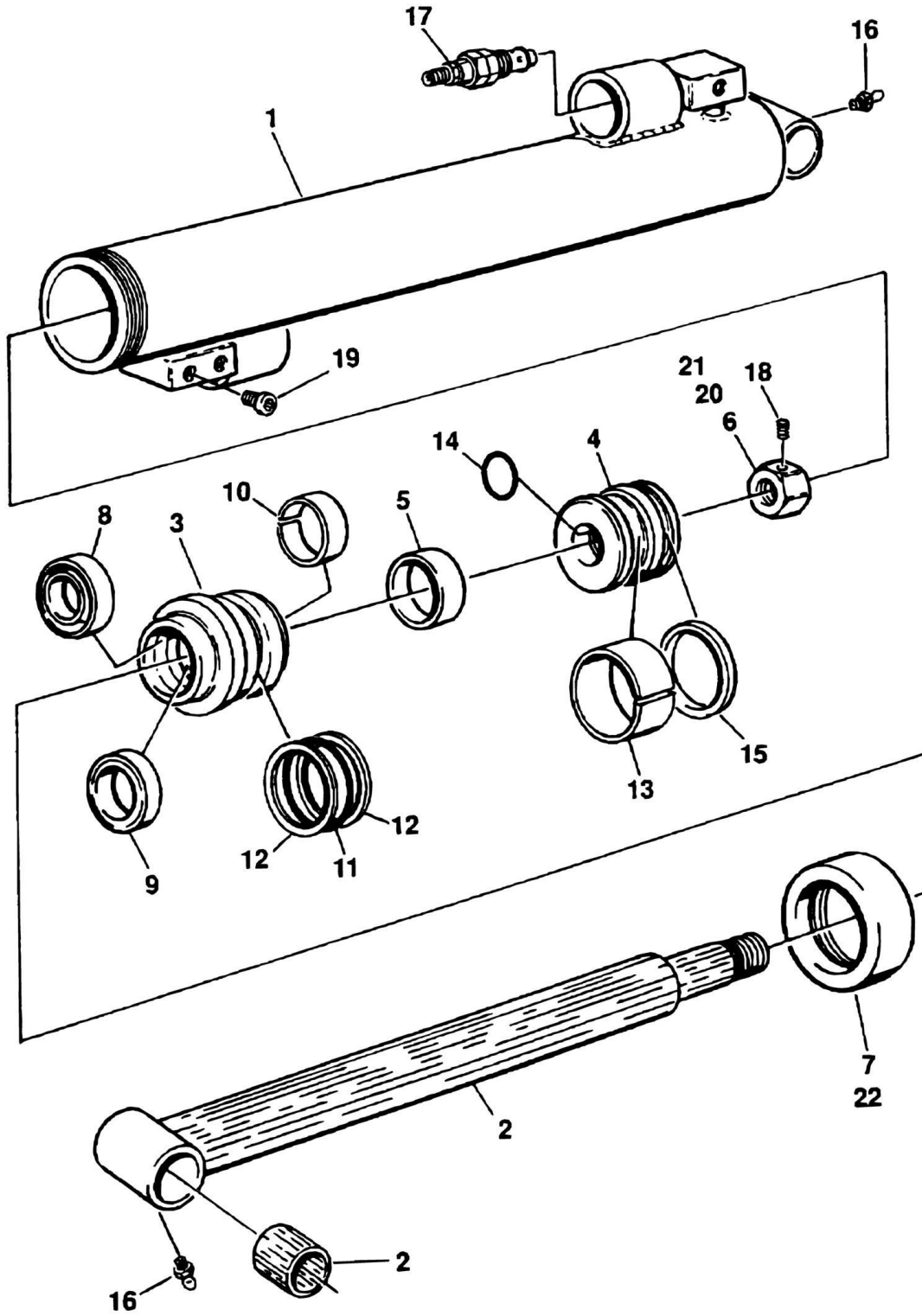
SECTION 5 - CYLINDER

FIGURE 5-8. PLATFORM LEVEL CYLINDER ASSEMBLIES (BUILT JANUARY 1987 TO APRIL 1992)

ITEM	PART NUMBER	QTY	DESCRIPTION	REV
	1681722	Ref	PLATFORM LEVEL CYLINDER ASSEMBLY	D
1	1681331	1	Rod Assembly	
1	0960097	1	Bushing, Bronze	
2	1681721	1	Barrel Assembly	
3	1680892	1	Head	
4	1120179	1	Retainer	
5	1440142	1	Spacer	
6	3480120	1	Piston	
7	3300272	1	Nut	
8	4640509	2	Valve, Cartridge	
8	2900792	2	Seal Kit - 4640509 Valve	
9	Kit	1	Seal, Wiper	
10	Kit	1	Seal, Rod	
11	Kit	1	Ring, Wear	
12	Kit	1	O-Ring	
13	Kit	2	Ring, Back-up	
14	Kit	1	Ring, Wear	
15	Kit	1	Seal, Piston	
16	Kit	1	O-Ring	
17	0100011	AR	LOCTITE #242	
18	2200201	2	Plug 1/8in	
19	2200202	2	Plug 1/4in	
20	0100020	AR	Sealant, Thread	
21	0100038	AR	Primer, Locking	
23	3900170	1	Setscrew 3/8in-16NC x 3/8in	
24	0100035	AR	Locking Compound	
25	2160001	1	Fitting, Grease - 90	
26	2160002	1	Fitting, Grease	
	2900381	1	Seal Kit - 1681722 Cylinder (Includes Items 9-16)	

SECTION 5 - CYLINDER

FIGURE 5-9. PLATFORM LEVEL CYLINDER ASSEMBLIES (BUILT APRIL 1992 TO PRESENT)



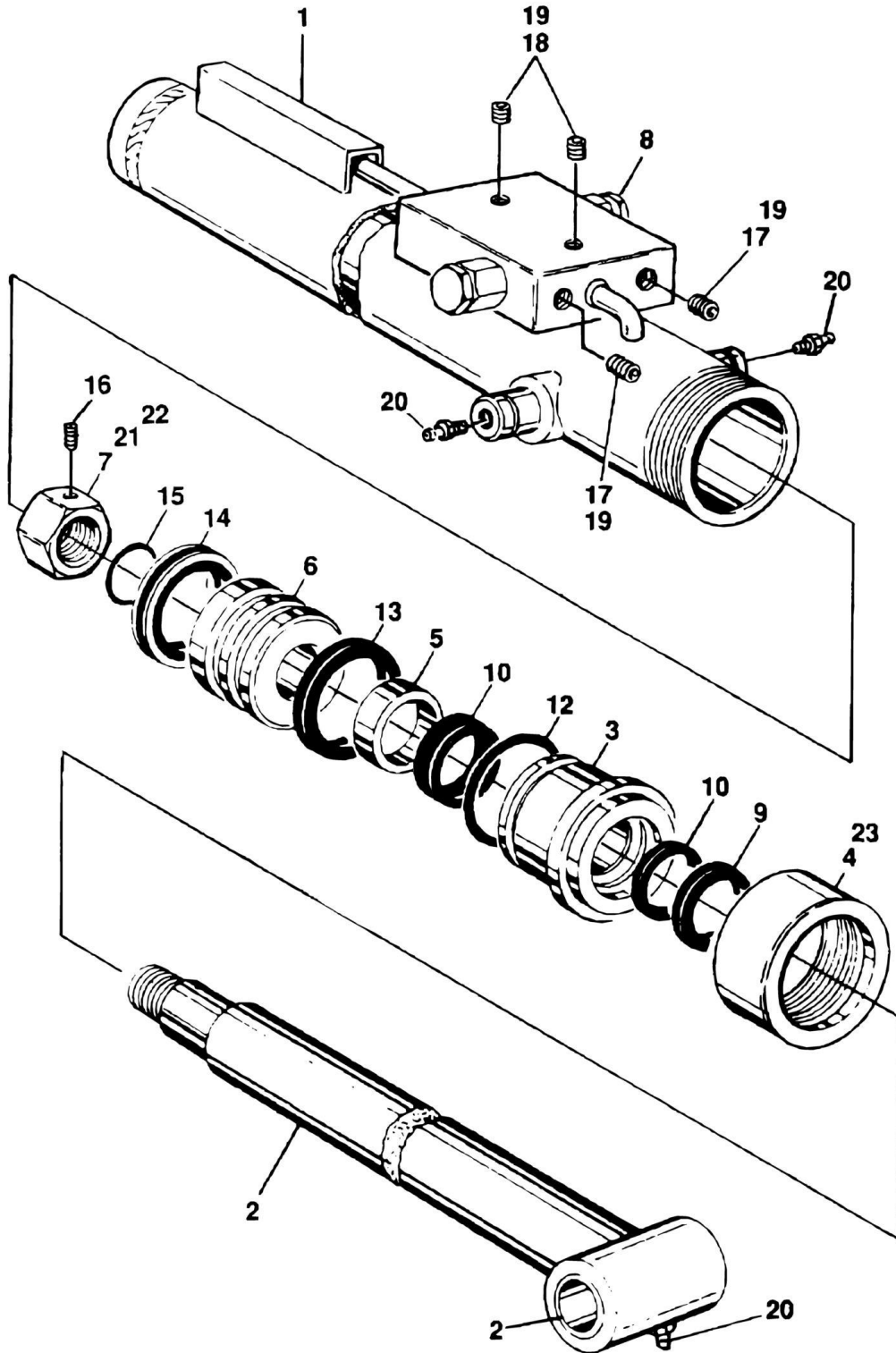
SECTION 5 - CYLINDER

FIGURE 5-9. PLATFORM LEVEL CYLINDER ASSEMBLIES (BUILT APRIL 1992 TO PRESENT)

ITEM	PART NUMBER	QTY	DESCRIPTION	REV
		Ref	PLATFORM LEVEL CYLINDER ASSEMBLY OPTIONS:	
	1682602	Ref	Cylinder Assembly (Prior to SN 33111)	B
	1683534	Ref	Cylinder Assembly (SN 33111 to Present)	1
1		Ref	Barrel Assembly Options:	
1	1682603	1	Barrel Assembly (Prior to SN 33111)	
1	1683533	1	Barrel Assembly (SN 33111 to Present)	
2	1681331	1	Rod Assembly	
2	0960097	1	Bushing	
3	1680892	1	Head	
4	3480120	1	Piston	
5	4564046	1	Spacer	
6	3300272	1	Nut	
7	1120179	1	Retainer	
8	Kit	1	Seal, Wiper	
9	Kit	1	Seal, Rod	
10	Kit	1	Ring, Wear	
11	Kit	1	O-Ring	
12	Kit	2	Ring, Back-up	
13	Kit	1	Ring, Wear	
14	Kit	1	O-Ring	
15	Kit	1	Seal, Piston	
16	2160002	2	Fitting, Grease	
17	4640634	2	Valve, Cartridge - Holding	
17	2900770	1	Seal Kit - 4640634 Valve (1 Per Assembly)	
18	3900170	1	Setscrew 3/8in-16NC x 3/8in	
19	2220885	2	Plug, Socket head #6	
20	0100011	AR	LOCTITE #242	
21	0100038	AR	Primer, Locking	
22	0100035	AR	Loctite #222	
	2900381	1	Seal Kit - 1682602 Cylinder (Includes Items 8-15)	

SECTION 5 - CYLINDER

FIGURE 5-10. PLATFORM LEVEL CYLINDER ASSEMBLIES (MODEL 40H+6 EXTEND-A-REACH)
(Prior to SN 47925)



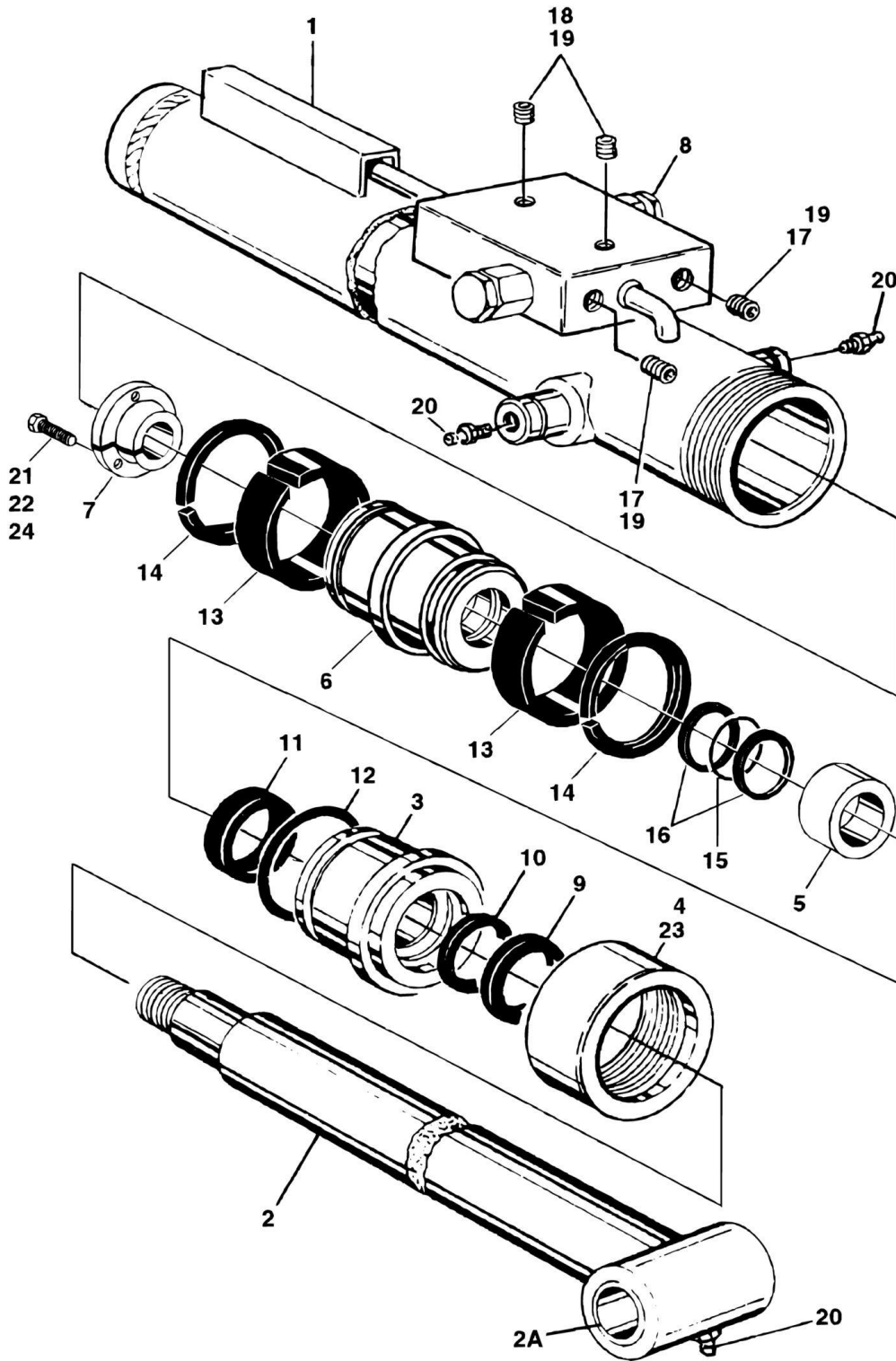
SECTION 5 - CYLINDER

**FIGURE 5-10. PLATFORM LEVEL CYLINDER ASSEMBLIES (MODEL 40H+6 EXTEND-A-REACH)
(Prior to SN 47925)**

ITEM	PART NUMBER	QTY	DESCRIPTION	REV
		Ref	PLATFORM LEVEL CYLINDER ASSEMBLIES	
	1681791	Ref	PRIOR TO FEBRUARY 1991	F
	1682459	Ref	FEBRUARY 1991 TO S/N 47925	A
1		Ref	Barrel Assembly Options:	
1	1681796	1	Prior to February 1991	
1	1682460	1	February 1991 to S/N 47925	
2	1681797	1	Rod Assembly	
2	0961182	2	Bushing, Bronze	
3	1681792	1	Head	
4	1120305	1	Retainer	
5	4563657	1	Spacer	
6	3480124	1	Piston	
7	3300276	1	Nut Hex	
8	4640509	2	Valve, Cartridge - Holding	
8	2900792	2	Seal Kit - 4640509 Valve (1 Per Cartridge)	
9	Kit	1	Seal, Wiper	
10	Kit	1	Seal, Rod	
11	Kit	1	Ring, Wear	
12	Kit	1	O-Ring	
13	Kit	1	Ring, Wear	
14	Kit	1	T-Seal	
15	Kit	1	O-Ring	
16	3900170	1	Setscrew 3/8in-16NC x 3/8in	
17	2200213	2	Plug, Pipe 1/4	
18	2200201	2	Plug, Pipe 1/8in	
19	0100020	AR	Sealant, Thread	
20	2160002	3	Fitting, Grease	
21	0100011	AR	LOCTITE #242	
22	0100038	AR	Primer, Locking	
23	0100035	AR	Loctite #222	
	2900394	1	Seal Kit - Cylinder (Includes Items 9-15)	

SECTION 5 - CYLINDER

FIGURE 5-11. PLATFORM LEVEL CYLINDER ASSEMBLIES (MODEL 40H+6 EXTEND-A-REACH) (SN 47925 to Present)



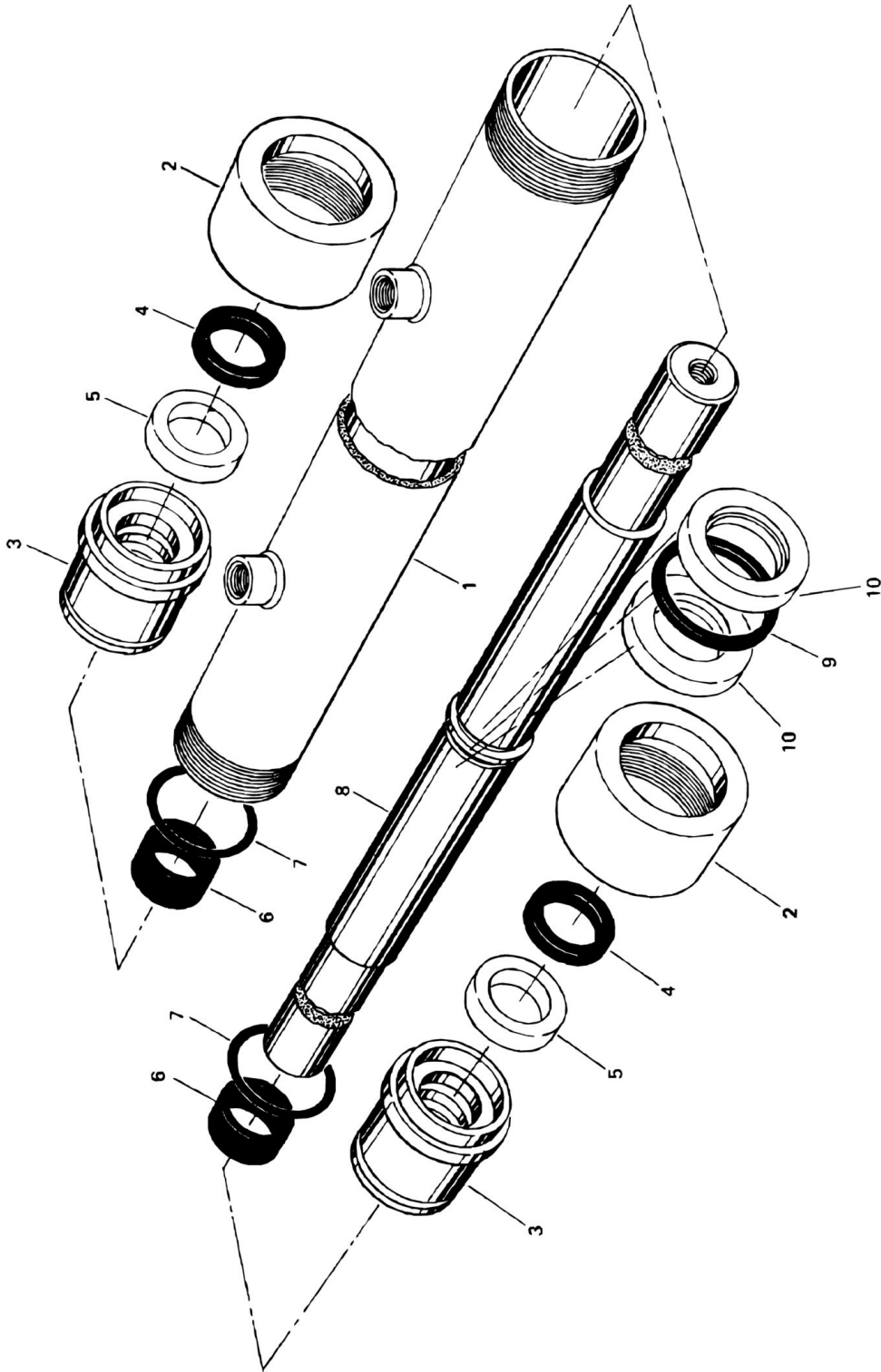
SECTION 5 - CYLINDER

FIGURE 5-11. PLATFORM LEVEL CYLINDER ASSEMBLIES (MODEL 40H+6 EXTEND-A-REACH) (SN 47925 to Present)

ITEM	PART NUMBER	QTY	DESCRIPTION	REV
	1683494	Ref	PLATFORM LEVEL CYLINDER ASSEMBLY	2
1	1683495	1	Barrel Assembly	
2	1683497	1	Rod Assembly	
2A	0961182	2	Bushing, Bronze	
3	1681792	1	Head	
4	1120305	1	Retainer	
5	4563657	1	Spacer	
6	3480188	1	Piston	
7	0961894	1	Bushing, Tapered	
8	4640509	2	Valve, Cartridge - Holding	
8	2900792	2	Seal Kit - 4640509 Valve (1 Per Cartridge)	
9	Kit	1	Seal, Wiper	
10	Kit	1	Seal, Rod	
11	Kit	1	Ring, Wear	
12	Kit	1	O-Ring	
13	Kit	1	Ring, Wear	
14	Kit	1	T-Seal	
15	Kit	1	O-Ring	
16	Kit	1	Ring Back-up	
17	2200213	2	Plug, Pipe 1/4in	
18	2200201	2	Plug, Pipe 1/8in	
19	0100020	AR	Sealant, Thread	
20	2160002	3	Fitting, Grease	
23	0100035	AR	Loctite #222	
24		Ref	Bolt Options:	
24	0641408	3	Bolt 1/4in-20 NC x 1 (Prior to SN 44769)	
24	0630535	3	Screw, Socket Head 1/4in-20NC x 1 1/8 (SN 44769 to Present)	
	2901480	1	Seal Kit - Cylinder (Includes Items 9-16)	

SECTION 5 - CYLINDER

FIGURE 5-12. STEER CYLINDER ASSEMBLY - 2WD (PRIOR TO MID 1984)



SECTION 5 - CYLINDER

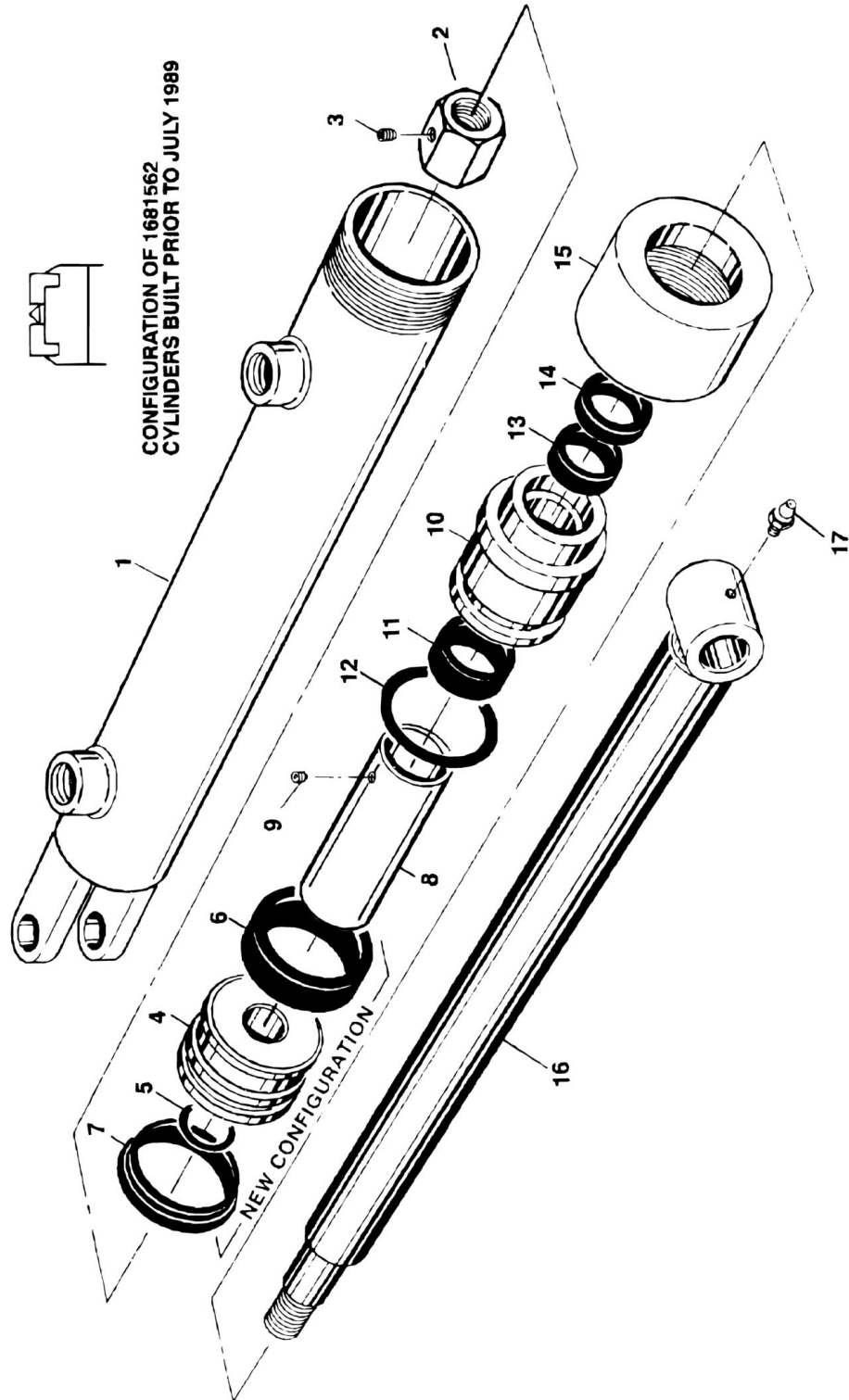
FIGURE 5-12. STEER CYLINDER ASSEMBLY - 2WD (PRIOR TO MID 1984)

ITEM	PART NUMBER	QTY	DESCRIPTION	REV
	1681520	Ref	STEER CYLINDER ASSEMBLY	C
1	1680724	1	Barrel	
2	1120108	2	Retainer	
3	1681283	2	Head	
4	Kit	2	Wiper	
5	Kit	2	Seal, Rod	
6	Kit	2	Ring, Wear	
7	Kit	2	O-Ring	
8	1681335	1	Rod	
9	Kit	1	Seal, Piston	
10	Kit	2	Ring, Guidelock	
	2900353	1	Seal Kit (Includes Items 4-7, 9 & 10)	

SECTION 5 - CYLINDER

FIGURE 5-13. STEER CYLINDER ASSEMBLY - 2WD (MID 1984 TO PRESENT)

NOTE. THIS PISTON/SEAL CONFIGURATION NO LONGER AVAILABLE. IF EQUIPPED, NEW PISTON AND SEAL KIT MUST BE ORDERED FOR REPAIR.



SECTION 5 - CYLINDER

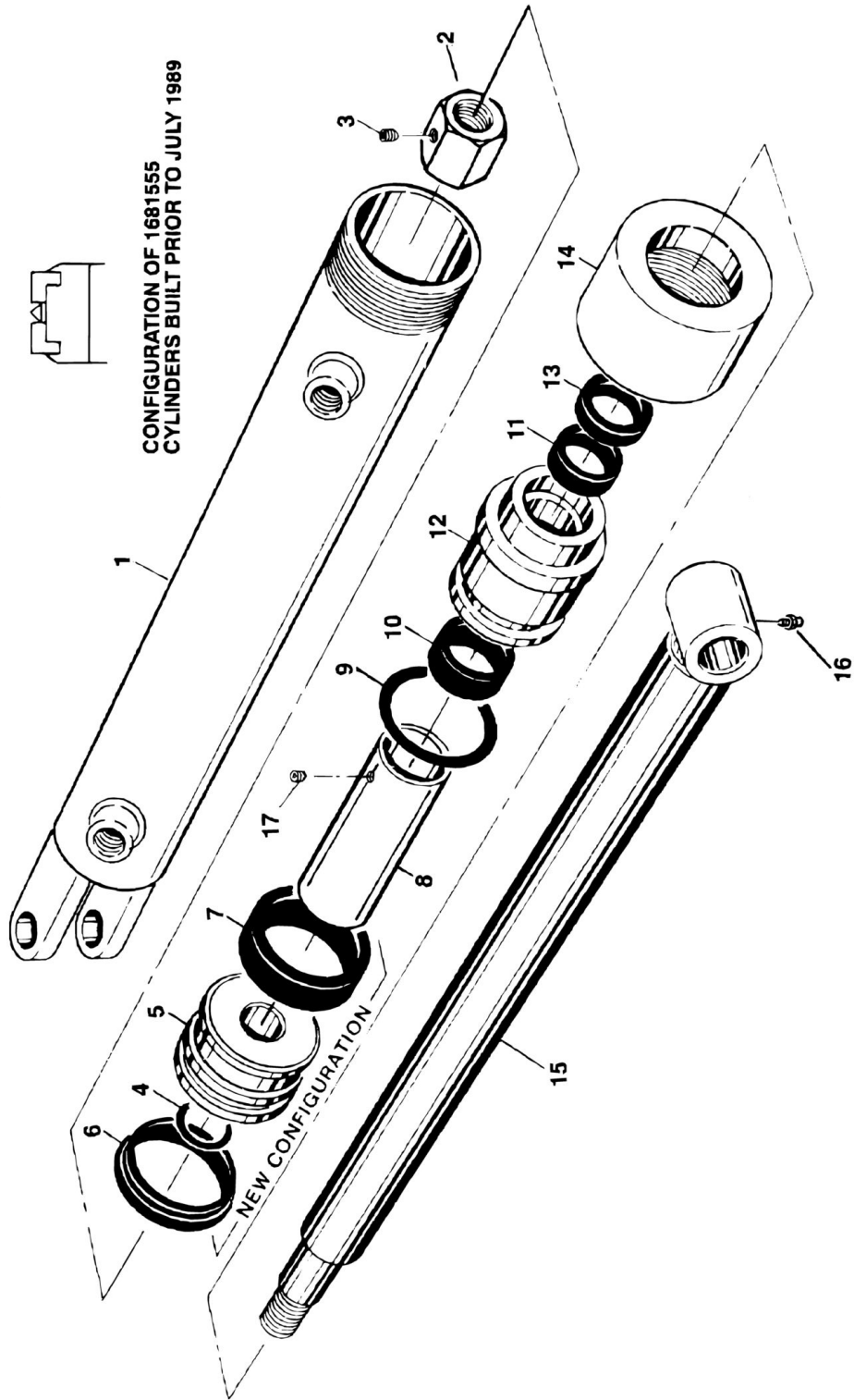
FIGURE 5-13. STEER CYLINDER ASSEMBLY - 2WD (MID 1984 TO PRESENT)

ITEM	PART NUMBER	QTY	DESCRIPTION	REV
	1681562	Ref	STEER CYLINDER ASSEMBLY	G
1	1681433	1	Barrel	
2	3300273	1	Nut, Hex	
3	3900170	1	Setscrew 3/8in-16NC x 3/8in	
4	3480134	1	Piston	
5	Kit	1	O-Ring	
6	Kit	1	Ring	
7	Kit	1	Seal	
8	4562687	1	Spacer	
9	3900141	1	Setscrew	
10	1681322	1	Head	
11	Kit	1	Ring, Wear	
12	Kit	1	O-Ring	
13	Kit	1	Seal, Rod	
14	Kit	1	Wiper, Rod	
15	1120108	1	Retainer	
16	1681435	1	Rod	
17	2160001	1	Fitting, Grease	
	0100011	AR	LOCTITE #242	
	0100038	AR	Loctite, Primer	
	0100035	AR	Compound, Thread Locking	
	2901148	1	Seal Kit (Includes Items 5-7, 11-14)	

SECTION 5 - CYLINDER

FIGURE 5-14. STEER CYLINDER ASEMBLY - 4WD

NOTE: THIS PISTON/SEAL CONFIGURATION NO LONGER AVAILABLE. IF EQUIPPED, NEW PISTON AND SEAL KIT MUST BE ORDERED FOR REPAIR.



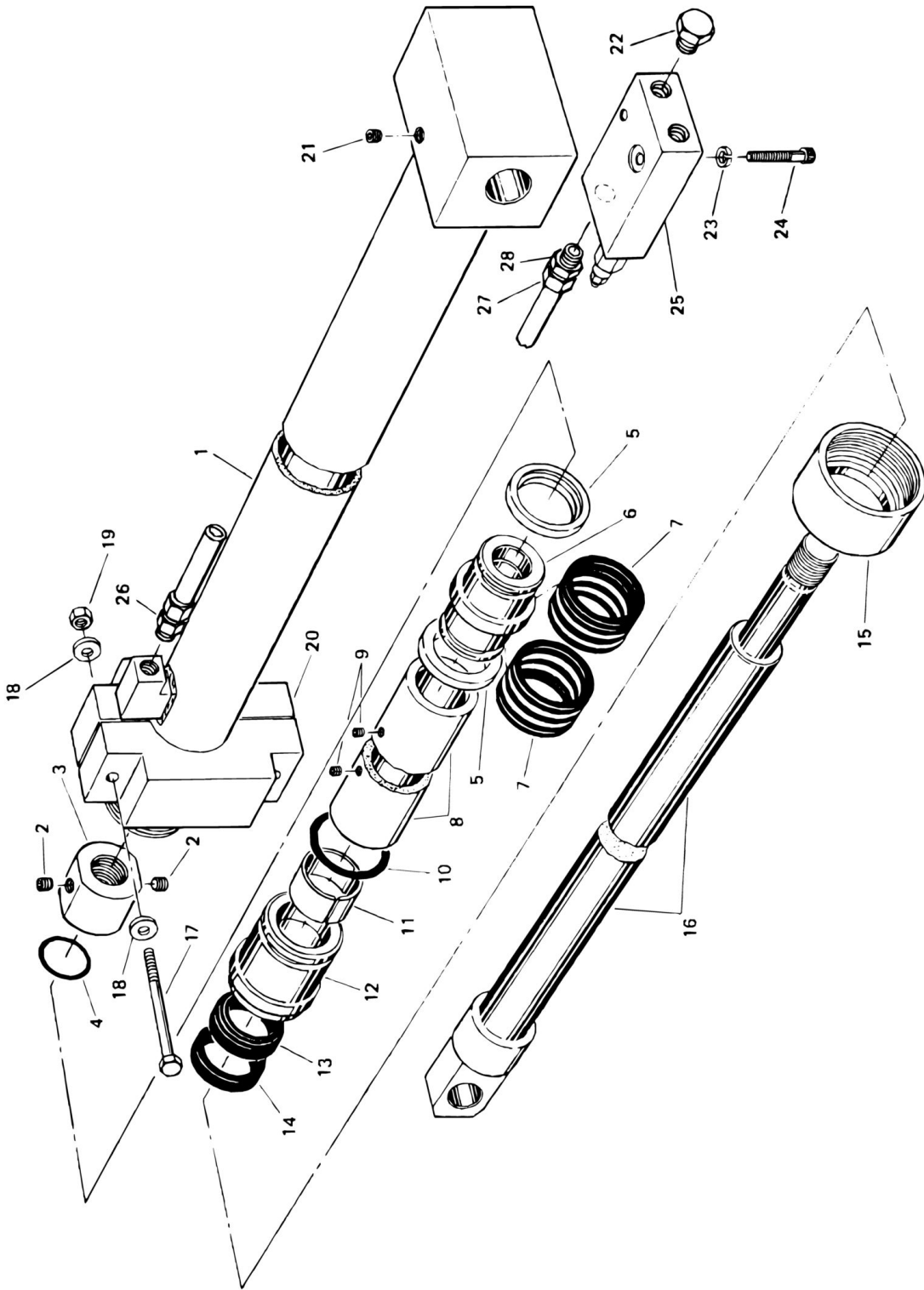
SECTION 5 - CYLINDER

FIGURE 5-14. STEER CYLINDER ASSEMBLY - 4WD

ITEM	PART NUMBER	QTY	DESCRIPTION	REV
	1681555	Ref	STEER CYLINDER ASSEMBLY - 4WD	D
1	1681413	1	Barrel Assembly	
2	3300273	1	Nut, Hex	
3	3900141	1	Setscrew 1/4in-20NC x 3/8in	
4	Kit	1	O-Ring	
5	3480134	1	Piston	
6	Kit	1	Seal, Piston	
7	Kit	1	Ring, Wear	
8	4562851	1	Spacer	
9	Kit	1	O-Ring	
10	Kit	1	Ring, Wear	
11	Kit	1	Seal, Rod	
12	1681344	1	Head	
13	Kit	1	Wiper	
14	1120108	1	Cap	
15	1681411	1	Rod	
16	2160002	1	Fitting, Grease	
17	3900170	1	Setscrew 3/8in-16NC x 3/8in	
	0100011	AR	Loctite	
	0100038	AR	Loctite, Primer	
	0100035	AR	Compound, Thread Locking	
	2901123	1	Seal Kit (Includes Items 4, 6, 7, 9, 10, 11 & 13)	

SECTION 5 - CYLINDER

FIGURE 5-15. TELESCOPE CYLINDER ASSEMBLY (2-SECTION) (PRIOR TO JULY 1985)



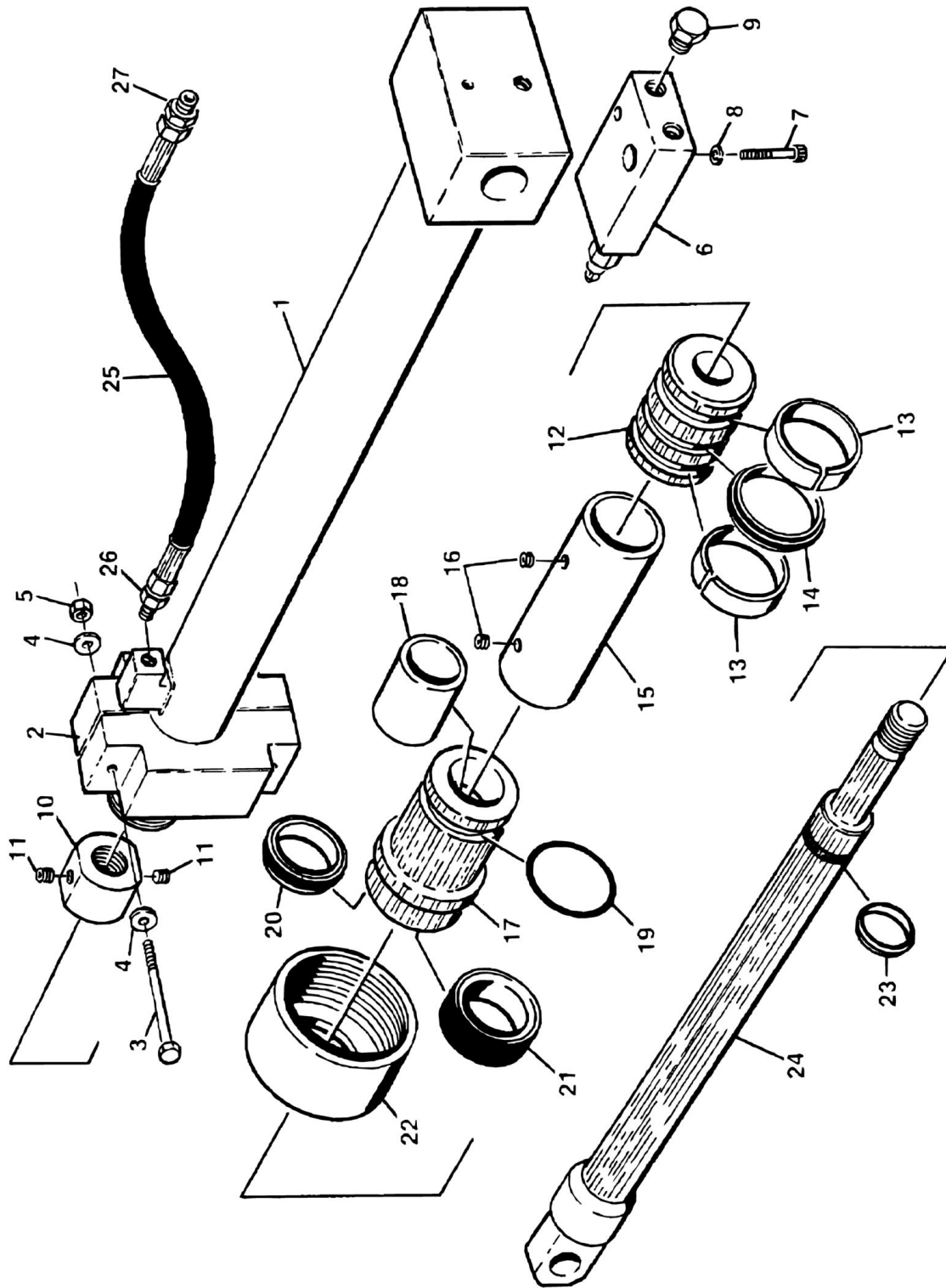
SECTION 5 - CYLINDER

FIGURE 5-15. TELESCOPE CYLINDER ASSEMBLY (2-SECTION) (PRIOR TO JULY 1985)

ITEM	PART NUMBER	QTY	DESCRIPTION	REV
	1681510	Ref	TELESCOPE CYLINDER ASSEMBLY (2 SECTION)	J
1	1680717	1	Barrel Assembly	
2	3900141	2	Setscrew, Nylon	
3	3300198	1	Nut	
4	Kit	2	Seal, T	
5	Kit	2	Ring, Guidelock	
6	3480092	1	Piston	
7	Kit	2	Seal, Piston	
8	1440220	1	Spacer	
9	3951603	2	Bolt 3/8in-16NC x 3/8in	
10	Kit	1	O-Ring	
11	Kit	1	Ring, Wear	
12	1681283	1	Head	
13	Kit	1	Seal, Rod	
14	Kit	1	Seal, Rod Wiper	
15	1120108	1	Cap	
15	0100011	AR	Loctite	
16	1681306	1	Rod Assembly	
17	0641628	2	Bolt 3/8in-16NC x 3.50	
18	4751600	4	Flatwasher 3/8in	
19	3311605	2	Nut 3/8in-16NC	
20	0560563	1	Block, Cylinder Support	
21	2200102	1	Plug, Pipe 1/4 NPT	
21	0100020	AR	Loctite PST	
22	2220238	2	Plug	
23	4740056	2	Washer 3/8in	
24	3951628	2	Bolt 3/8in-16NC x 1.75in	
25	4640414	1	Valve, Counterbalance	
26	2220343	1	Adapter, Straight	
27	2751150	1	Hose Assembly	
28	2220372	1	Adapter, Straight	
	2900347	1	Seal Kit (Includes Items 4, 5, 7, 10, 11, 13 & 14)	

SECTION 5 - CYLINDER

FIGURE 5-16. TELESCOPE CYLINDER ASSEMBLY (2-SECTION) (JULY 1985 TO PRESENT)



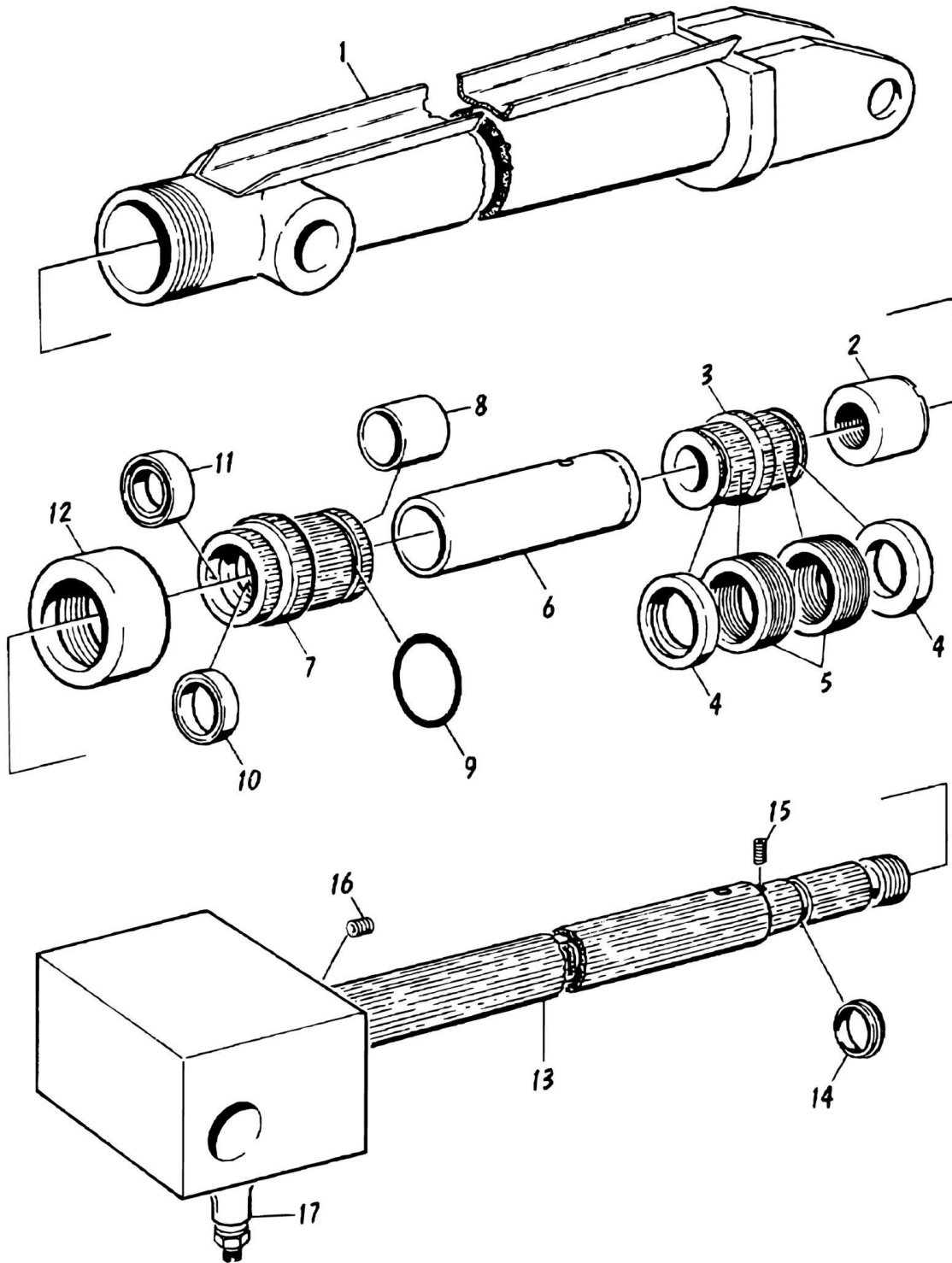
SECTION 5 - CYLINDER

FIGURE 5-16. TELESCOPE CYLINDER ASSEMBLY (2-SECTION) (JULY 1985 TO PRESENT)

ITEM	PART NUMBER	QTY	DESCRIPTION	REV
	1681583	Ref	TELESCOPE CYLINDER ASSEMBLY (2 SECTION)	E
1	1680717	1	Barrel Assembly	
2	0560563	1	Block, Cylinder Support	
3	0641628	2	Bolt 3/8in-16NC x 3 1/2in	
4	4751600	4	Flatwasher 3/8in	
5	3311605	2	Nut 3/8in-16NC	
6	4640414	1	Valve, Counterbalance	
7	3931628	2	Bolt 3/8in-16NC x 1.75in	
8	4740056	2	Washer 3/8in	
9	2220238	2	Plug	
10	3300293	1	Nut, Hex	
10	0100011	AR	Loctite	
10	0100038	AR	Loctite, Primer	
11	3900171	2	Setscrew 3/8in-16NC x 3/8in	
12	3480054	1	Piston	
13	Kit	2	Band, Wear	
14	Kit	1	Seal, T	
15	1440220	1	Spacer	
16	3951603	2	Setscrew 3/8in-16NC x 3/8in	
17	1681283	1	Head	
18	Kit	1	Ring, Wear	
19	Kit	1	O-Ring	
20	Kit	1	Seal Rod	
21	Kit	1	Seal, Rod Wiper	
22	1120108	1	Cap, End	
22	0100035	AR	Compound, Thread Locking	
23	Kit	1	Seal, T	
24	1681306	1	Rod	
25	2751150	1	Hose	
26	2220372	1	Fitting	
27	2220343	1	Fitting	
	2900350	1	Seal Kit (Includes Items 13, 14, 18, 19, 20, 21 & 23)	

SECTION 5 - CYLINDER

FIGURE 5-17. TELESCOPE CYLINDER ASSEMBLY (3-SECTION)



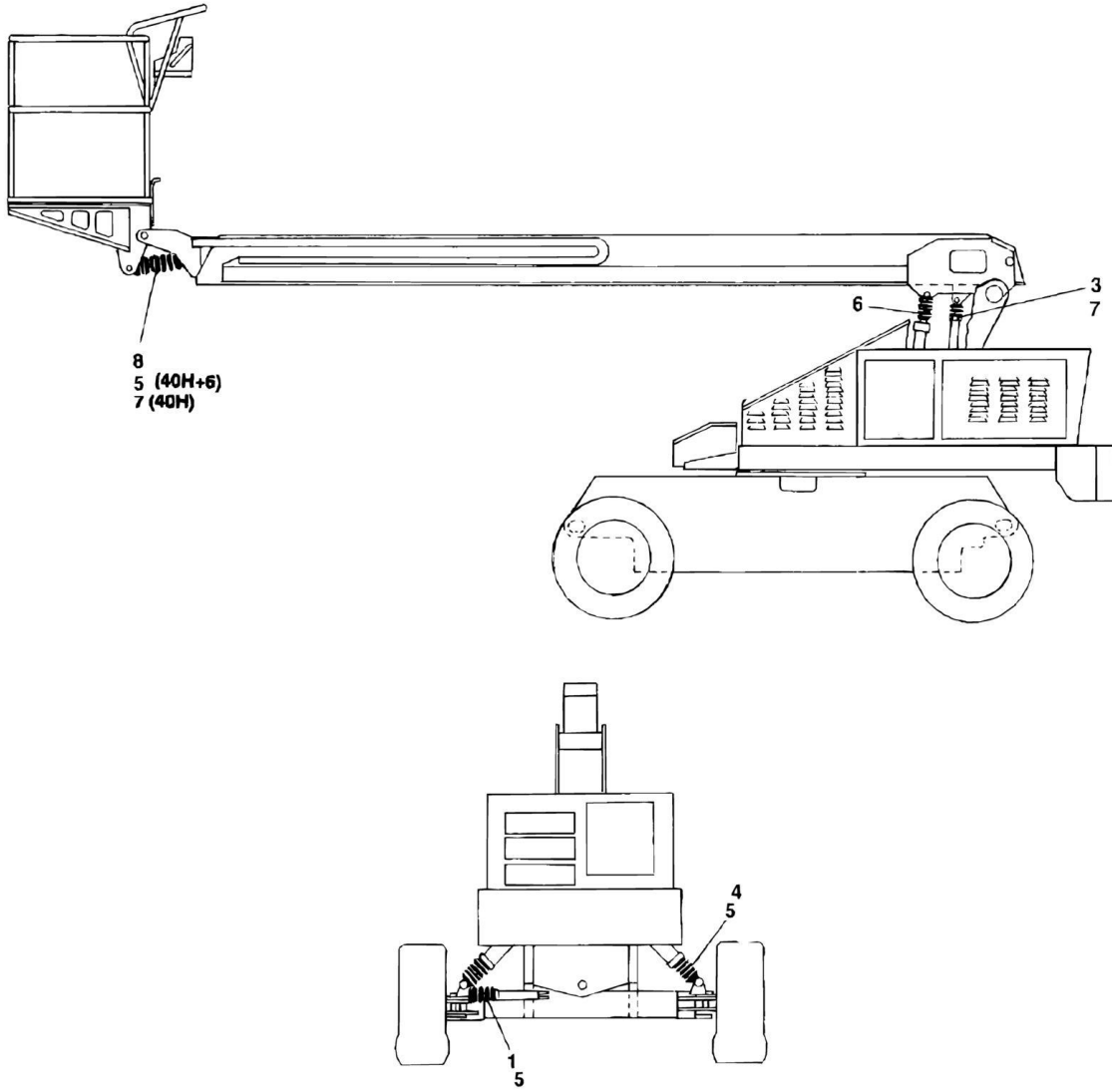
SECTION 5 - CYLINDER

FIGURE 5-17. TELESCOPE CYLINDER ASSEMBLY (3-SECTION)

ITEM	PART NUMBER	QTY	DESCRIPTION	REV
	1681543	Ref	TELESCOPE CYLINDER ASSEMBLY (3 SECTION)	F
1	1680149	1	Barrel Assembly	
2	3300293	1	Nut, Hex	
2	0100011	AR	Loctite	
2	0100038	AR	Loctite, Primer	
3	3480092	1	Piston	
4	Kit	2	Ring, Wear	
5	Kit	2	Seal, Piston	
6	4562756	1	Spacer	
7	1681283	1	Head	
8	Kit	1	Band, Wear	
9	Kit	1	O-Ring	
10	Kit	1	Seal, Rod	
11	Kit	1	Wiper, Rod	
12	1120108	1	Cap, End	
12	0100035	AR	Compound, Thread Locking	
13	1081391	1	Rod Assembly	
14	Kit	1	Seal, T	
15	3951405	1	Setscrew 1/4in-20NC x 5/8in	
15	0100011	AR	Loctite	
16	2200222	4	Plug, Pipe	
17	4640212	1	Valve, Holding	
	2900341	1	Seal Kit (Includes Items 4, 5, 8, 9, 10, 11 & 14)	

SECTION 5 - CYLINDER

FIGURE 5-18. CYLINDER BELLOWS INSTALLATION



SECTION 5 - CYLINDER

FIGURE 5-18. CYLINDER BELLOWS INSTALLATION

ITEM	PART NUMBER	QTY	DESCRIPTION	REV
		Ref	Cylinder Bellows Installations	
	0237096	Ref	40H 2WD WITH FIXED AXLE	D
	0237097	Ref	40H 2WD WITH OSCILLATING AXLE	E
	0253135	Ref	40H 4WD WITH FIXED AXLE	A
	0253134	Ref	40H 4WD WITH OSCILLATING AXLE	A
	0255645	Ref	40H+6 2WD WITH FIXED AXLE	A
	0255646	Ref	40H+6 2WD WITH OSCILLATING AXLE	A
	0255648	Ref	40H+6 4WD WITH FIXED AXLE	-
	0255647	Ref	40H+6 4WD WITH OSCILLATING AXLE	-
1		Ref	Bellows, Steer Cylinder Options:	
1	0460073	1	2WD	
1	0460075	1	4WD	
2	0460076	1	Bellows, Lift Cylinder	
3	0460071	1	Bellows, Master Cylinder	
4		Ref	Bellows, Lockout Cylinder Options:	
4	Not Required	1	Fixed Axle	
4	0460077	2	Oscillating Axle	
5	1320122	AR	Clamp, Worm Gear (5 1/8in- 6in Dia.)	
6	1320059	1	Clamp, Worm Gear (2 1/2in-12 1/4in Dia.)	
7	1320037	AR	Clamp, Worm Gear (3 - 4 1/8in Dia.)	
8		Ref	Bellows, Slave Cylinder Options:	
8	0460101	1	Bellows, Slave Cylinder 40H	
8	0460081	1	Bellows, Slave Cylinder 40H+6	

SECTION 6 - HYDRAULICS

SECTION 6 - HYDRAULICS

FIGURE 6-1. HYDRAULIC DIAGRAM LIST

ITEM	PART NUMBER	QTY	DESCRIPTION	REV
		Ref	HYDRAULIC DIAGRAM LIST	
		Ref	Note: Diagrams with part numbers 2791940, 2791290, 2791338, 2792070, 2792071, 2792072, 2790899, 2791843, 2792198, 2790889, 2790995, 1281353, 2791698, 2791724, 2791190 & 2790900 are shown in the following pages. Diagrams not shown is available from the JLG Service/Parts Department.	
		Ref	Axle Lockout Hydraulic Diagrams:	
	2790901	Ref	Prior to October 1992	G
	2791940	Ref	October 1992 to Present	B
		Ref	Drive Hydraulic Diagrams:	
		Ref	Racine Valve Machines	
	2790898	Ref	2WD (Prior to March 1986)	G
	2791118	Ref	2WD (March 1986 to July 1986)	-
	2791151	Ref	2WD (July 1986 to April 1987)	A
	2791036	Ref	4WD (Prior to March 1986)	-
	2791117	Ref	4WD (March 1986 to August 1986)	-
	2791159	Ref	4WD (August 1986 to August 1987)	-
		Ref	VICKERS VALVE MACHINES	
	2791290	Ref	2WD (August 1987 to Present)	C
	2791338	Ref	4WD (August 1987 to Present)	I
		Ref	Level Hydraulic Diagrams:	
		Ref	40H MACHINES	
	2790896	Ref	2 Section Boom with Fixed Support (Prior to May 1993)	RL-G
	2790958	Ref	2 Section Boom with Rotate Support (Prior to May 1993)	-
	2792070	Ref	2 Section Boom with Fixed and Rotate Support (May 1993 to Present)	A
	2790994	Ref	3 Section (Prior to May 1993)	C
	2792071	Ref	3 Section (May 1993 to Present)	A
		Ref	40H+6 MACHINES	
	2791222	Ref	2 Section Boom with Fixed Support (Prior to May 1993)	D
	2792073	Ref	2 Section Boom with Fixed Support (May 1993 to Present)	C
	2791220	Ref	2 Section Boom with Rotator Support (Prior to May 1993)	H
	2792072	Ref	2 Section Boom with Rotator Support (May 1993 to Present)	B
		Ref	HYDRAULIC CONTROLLED MACHINES	
	2791753	Ref	3 Section Boom (Prior to May 1993)	B
	2792074	Ref	3 Section Boom (May 1993 to Present)	A
	2790899	Ref	MANUAL DESCENT HYDRAULIC DIAGRAM	9
	2791286	Ref	PROP TELE HYDRAULIC DIAGRAM	-
		Ref	PUMP HYDRAULIC DIAGRAM	
		Ref	DIESEL ENGINE WITH RACINE VALVES:	
	2790986	Ref	Deutz F2L511	E
	2790951	Ref	Deutz F2L511 with Steering Wheel	-
	2790998	Ref	Deutz F2L511 with Steering Wheel - 3 Section Boom	A
	2790983	Ref	Deutz F2L511 with Oil Cooler	-
	2791000	Ref	Deutz F2L511 with Steering Wheel and Oil Cooler	A
	2791130	Ref	Deutz F3L912	A
	2791128	Ref	Deutz F3L912 with Steering Wheel	-
	2791129	Ref	Deutz F3L912 with Steering Wheel and Oil Cooler	-
	2791131	Ref	Deutz F3L912 with Oil Cooler	-

SECTION 6 - HYDRAULICS

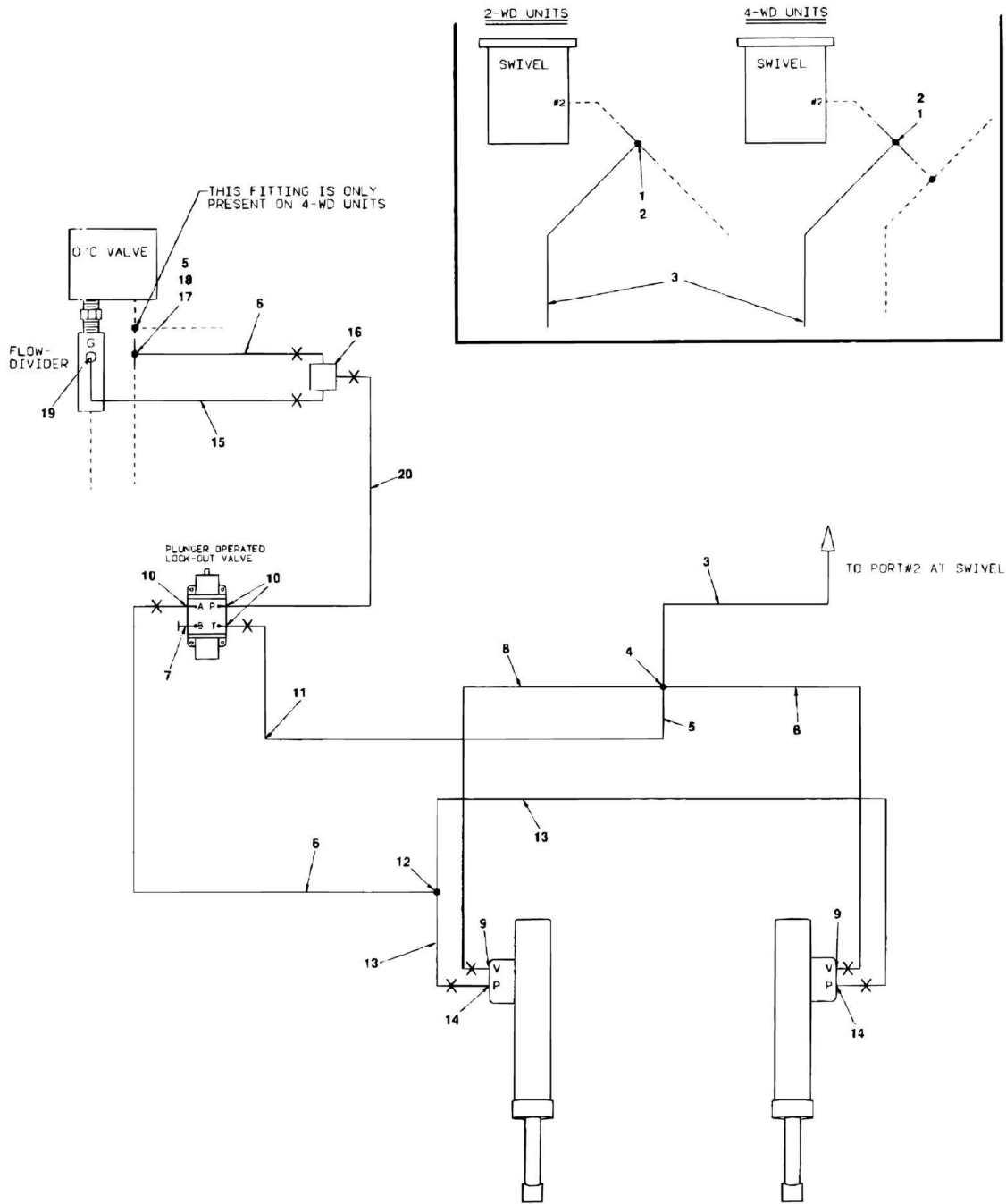
ITEM	PART NUMBER	QTY	DESCRIPTION	REV
	2791132	Ref	Deutz F3L912 with Steering Wheel and 3 Section Boom	-
	2791133	Ref	Deutz F3L012 with Steering Wheel, Oil Cooler and 3 Section Boom	-
		Ref	DIESEL ENGINE WITH VICKERS VALVES AND STANDARD CONTROLS:	
	2791195	Ref	Deutz F2L511	F
	2791192	Ref	Deutz F2L511 with Steering Wheel	E
	2791208	Ref	Deutz F2L511 with Steering Wheel and 3 Section Boom	B
	2791196	Ref	Deutz F2L511 with Oil Cooler	C
	2791211	Ref	Deutz F2L511 with Steering Wheel and Oil Cooler	B
	2791200	Ref	Deutz F3L912	F
	2791194	Ref	Deutz F3L912 with Steering Wheel	C
	2791197	Ref	Deutz F3L912 with Steering Wheel and Oil Cooler	C
	2791205	Ref	Deutz F3L912 with Oil Cooler	E
	2791207	Ref	Deutz F3L912 with Steering Wheel and 3-Section Boom	B
	2791212	Ref	Deutz F3L912 with Steering Wheel, Oil Cooler and 3-Section Boom	C
	2791843	Ref	Deutz F3L1011	C
		Ref	DIESEL ENGINES WITH VICKERS VALVES AND HYDRAULIC CONTROLS:	
	2791867	Ref	Deutz F3L1011	6
		Ref	GAS ENGINES WITH RACINE VALVES:	
	2790902	Ref	Ford with 2-Section Boom	I
	2791043	Ref	Ford with Steering Wheel and 2-Section Boom	B
	2791042	Ref	Ford with 3-Section Boom	-
	2791041	Ref	Ford with Steering Wheel and Oil Cooler	-
	2791044	Ref	Ford with Steering Wheel, Oil Cooler and 3-Section Boom	-
	2791033	Ref	Wisconsin without Steering Wheel	A
	2791091	Ref	Wisconsin with Steering Wheel and 2-Section Boom	-
	2791094	Ref	Wisconsin with Steering Wheel and 3-Section Boom	-
	2791093	Ref	Wisconsin with Steering Wheel, Oil Cooler and 3-Section Boom	-
		Ref	GAS ENGINE WITH VICKERS VALVES AND STANDARD CONTROLS:	
	2791201	Ref	Ford without Steering Wheel (Prior to March 1995)	H
	2791191	Ref	Ford with Steering Wheel and 2-Section Boom (Prior to March 1995)	D
	2791209	Ref	Ford with Steering Wheel and 3-Section Boom (Prior to March 1995)	B
	2791204	Ref	Ford with Oil Cooler (Prior to March 1995)	D
	2791193	Ref	Ford with Steering Wheel, Oil Cooler and 2-Section Boom (Prior to March 1995)	C
	2791210	Ref	Ford with Steering Wheel, Oil Cooler and 3-Section (Prior to March 1995)	B
	2792198	Ref	Ford (March 1995 to Present)	A
	2792199	Ref	Ford with Oil Cooler (March 1995 to Present)	-
	2791206	Ref	Wisconsin without Steering Wheel	D
	2791198	Ref	Wisconsin with Steering Wheel and 2-Section Boom	C
	2791199	Ref	Wisconsin with Steering Wheel, Oil Cooler and 2-Section Boom	C
	2791203	Ref	Wisconsin with Steering Wheel, Oil Cooler and 3-Section Boom	C
	2791202	Ref	Wisconsin with Steering Wheel and 3-Section Boom	C
		Ref	GAS ENGINE WITH VICKERS VALVES AND HYDRAULIC CONTROLS	
	2791450	Ref	Ford Engine (Prior to March 1995)	8
	2792200	Ref	Ford Engine (March 1995 to Present)	2

SECTION 6 - HYDRAULICS

ITEM	PART NUMBER	QTY	DESCRIPTION	REV
	2791445	Ref	Wisconsin Engine	8
	2791754	Ref	Wisconsin Engine (Dow Chemical)	7
		Ref	Rotate Hydraulic Diagrams:	
	2790889	Ref	2-Section Boom	F
	2790995	Ref	3-Section Boom	C
	2790962	Ref	Machines with Steering Wheel	-
	2791752	Ref	3-Section Boom with Hydraulic Controls	A
	1281353	Ref	Sequence Hydraulic Diagrams:	
	2791698	Ref	Standard Controls	A
	2791699	Ref	Hydraulic Controls	A
		Ref	Steer Hydraulic Diagrams:	
	2790894	Ref	2-Wheel Drive	D
	2790961	Ref	2-Section Boom with Steering Wheel	C
	2790996	Ref	3-Section Boom with Steering Wheel	C
	2791724	Ref	4-Wheel Drive	A
		Ref	Swing Hydraulic Diagrams:	
	2790895	Ref	Machines with Racine Valves	B
	2791190	Ref	Machines with Vickers Valves	A
		Ref	Telescope Hydraulic Diagrams:	
	2790900	Ref	Standard Controls	D
	2791286	Ref	Hydraulic Controls	-
		Ref	TOOL LINE LHYDRAULIC DIAGRAMS:	
	2791568	Ref	Machines with 2-Section Boom	A
	2791493	Ref	Machines with 3-Section Boom	A
		Ref	Tow Hydraulic Diagrams:	
	2790968	Ref	With Steering Wheel	B
	2790969	Ref	Without Steering Wheel	B

SECTION 6 - HYDRAULICS

FIGURE 6-2. AXLE LOCKOUT HYDRAULIC DIAGRAM



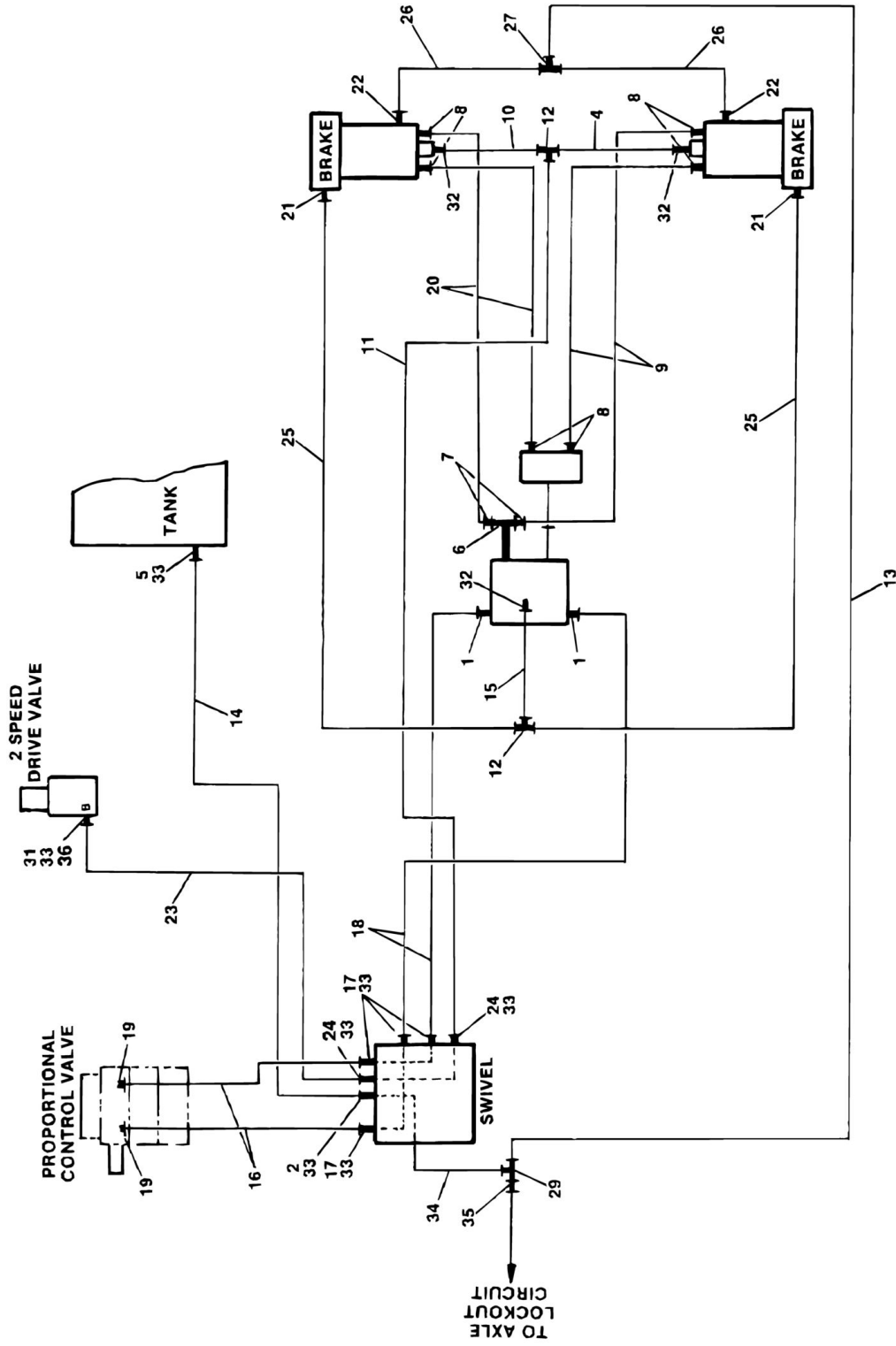
SECTION 6 - HYDRAULICS

FIGURE 6-2. AXLE LOCKOUT HYDRAULIC DIAGRAM

ITEM	PART NUMBER	QTY	DESCRIPTION	REV
	2791940	Ref	AXLE LOCKOUT HYDRAULIC DIAGRAM	B
1	2220385	1	Fitting, Tee	
2	2220619	1	Fitting, Reducer	
3	2751155	1	Hose	
4	2220827	1	Fitting, Cross	
5	2220609	2	Fitting, Reducer	
6	2750901	2	Hose	
7	2220235	1	Fitting, Plug	
8	2750990	2	Hose	
9	2220371	2	Fitting, Straight	
10	2220415	3	Fitting, Straight	
11	2751018	1	Hose	
12	2205504	1	Fitting, Tee	
13	2751010	2	Hose	
14	2220582	2	Fitting, Straight	
15	2750902	1	Hose	
16	4640574	1	Valve, Shuttle	
17	2220700	1	Fitting, Tee	
18	2220621	1	Fitting, Reducer	
19	2220466	1	Fitting, 90	
20	2751410	20	Hose	

SECTION 6 - HYDRAULICS

FIGURE 6-3. DRIVE HYDRAULIC DIAGRAM (2WD)



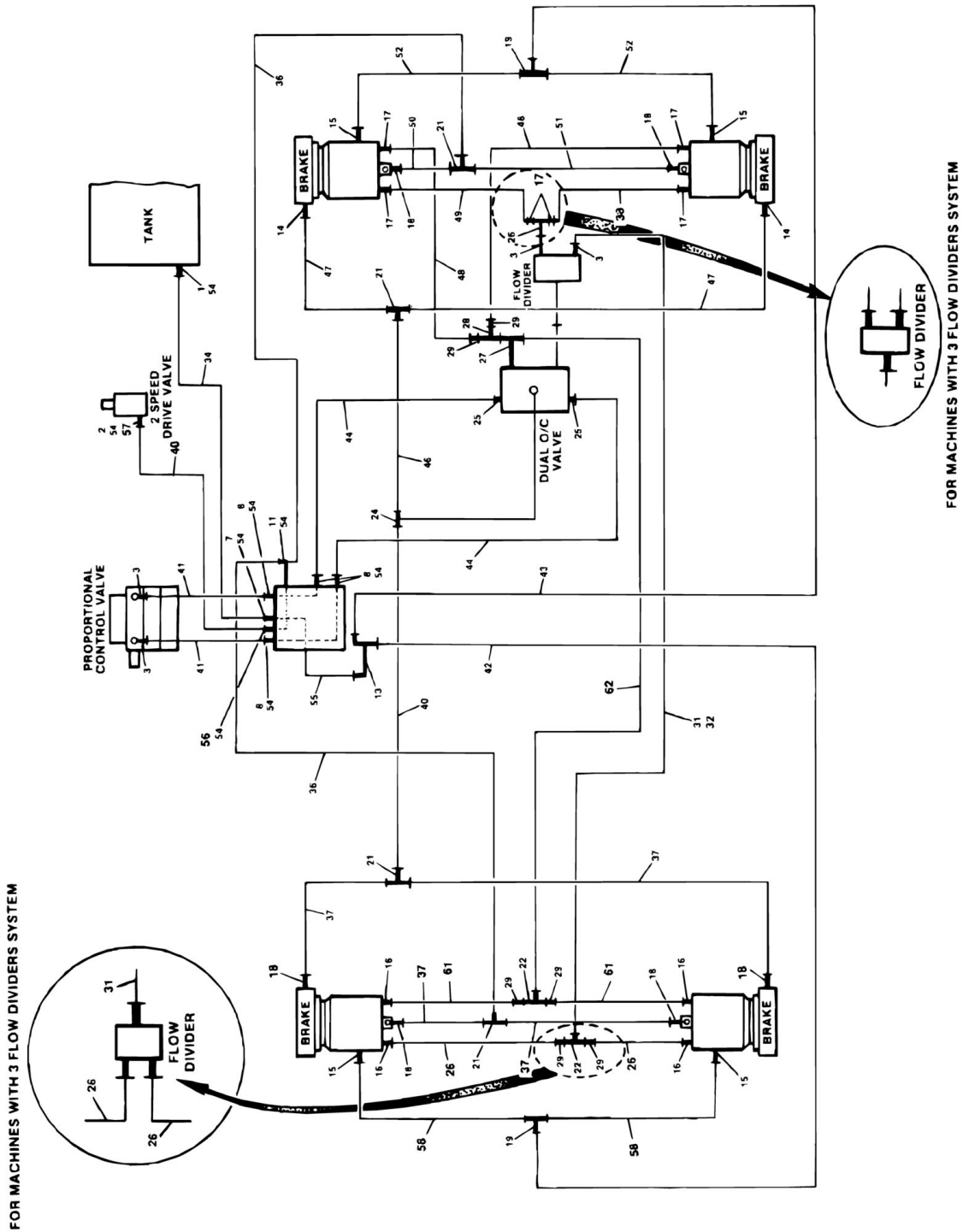
SECTION 6 - HYDRAULICS

FIGURE 6-3. DRIVE HYDRAULIC DIAGRAM (2WD)

ITEM	PART NUMBER	QTY	DESCRIPTION	REV
	2791290	Ref	DRIVE HYDRAULIC DIAGRAM (2WD)	C
1	2220578	2	Fitting, 90	
2	2220345	1	Fitting, Straight	
4	2751010	1	Hose	
5	2220659	1	Fitting, 90	
6	2220622	2	Fitting, Reducer	
7	2220695	1	Fitting, Tee	
8	2220375	6	Fitting, O-Ring	
9	2750762	2	Hose	
10	2751017	1	Hose	
11	2751011	1	Hose	
12	2220504	2	Fitting, Tee	
13	2751483	1	Hose	
14	2751489	1	Hose	
15	2751020	1	Hose	
16	2750873	2	Hose	
17	2220347	4	Fitting, Pipe	
18	2751341	2	Hose	
19	2220451	2	Fitting, O-Ring	
20	2750977	2	Hose	
21	2220466	2	Fitting, O-Ring	
22	2220596	2	Fitting, O-Ring	
23	2750899	1	Hose	
24	2220414	2	Fitting, Pipe	
25	2751014	2	Hose	
26	2750774	2	Hose	
27	2220362	1	Fitting, Tee	
29	2220383	2	Fitting, Tee	
31	2220417	1	Fitting, 90	
32	2220415	3	Fitting, O-Ring	
33	0100020	AR	Loctite 56747	
34	2220355	1	Fitting, 45	
35	2220619	1	Fitting, Reducer	
36	2220822	1	Fitting, Orifice	

SECTION 6 - HYDRAULICS

FIGURE 6-4. DRIVE HYDRAULIC DIAGRAM (4WD)



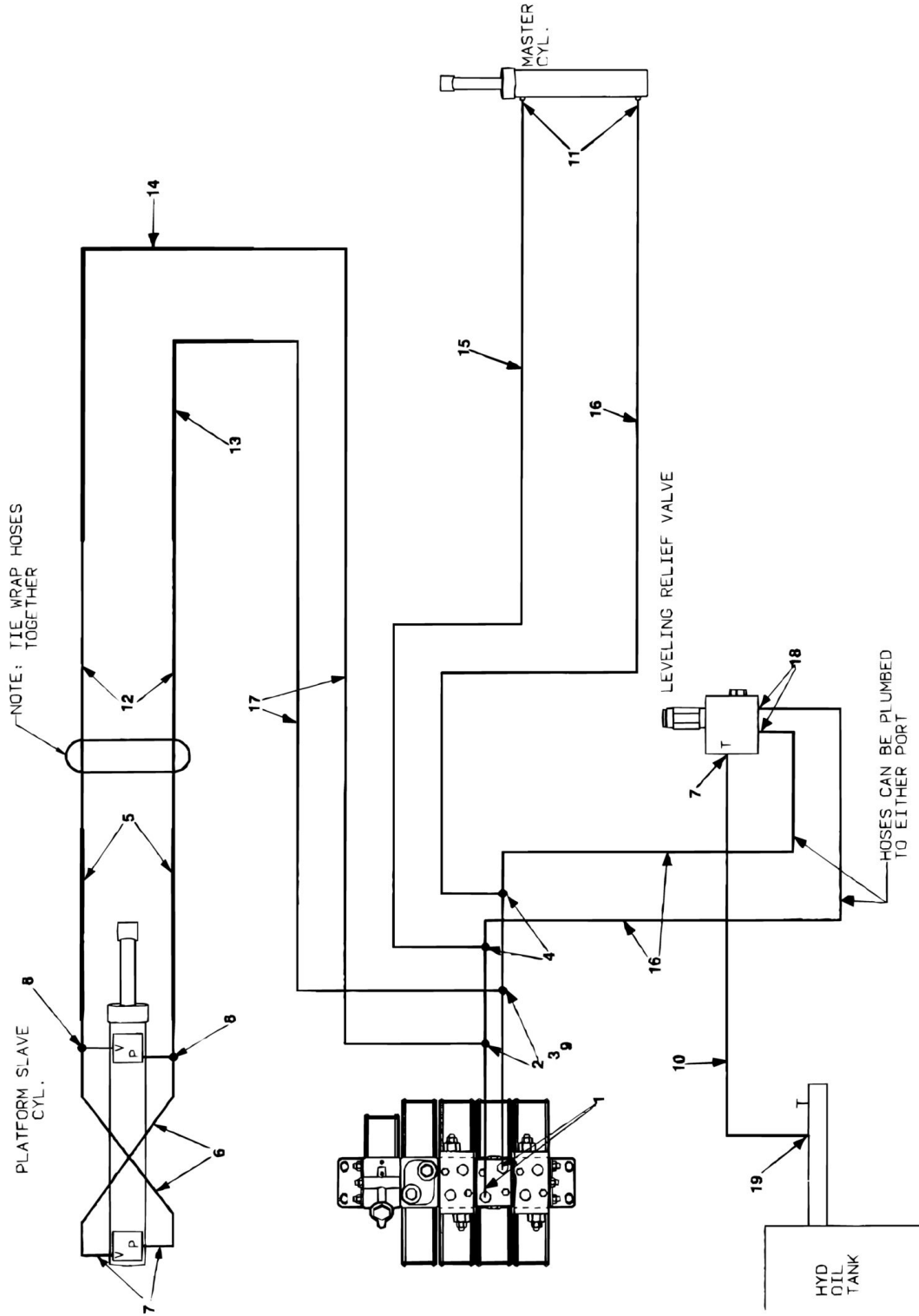
SECTION 6 - HYDRAULICS

FIGURE 6-4. DRIVE HYDRAULIC DIAGRAM (4WD)

ITEM	PART NUMBER	QTY	DESCRIPTION	REV
	2791338	Ref	DRIVE HYDRAULIC DIAGRAM (4WD)	I
1	2220659	1	Fitting, 90	
2	2220417	1	Fitting, 90	
3	2220451	3	Fitting, Straight	
7	2220345	1	Fitting, Straight	
8	2220347	4	Fitting, Straight	
11	2220584	1	Fitting, Tee	
13	2220383	1	Fitting, Tee	
14	2220466	2	Fitting, 90	
15	2220596	4	Fitting, 90	
16	2220366	4	Fitting, 90	
17	2220375	8	Fitting, Straight	
18	2220415	6	Fitting, Straight	
19	2220362	2	Fitting, Tee	
21	2220504	4	Fitting, Tee	
22	2220481	1	Fitting, Tee	
24	2220711	1	Fitting, Tee	
25	2220578	2	Fitting, 90	
26	2750759	2	Hose	
27	2220695	1	Fitting, Tee	
28	2220700	1	Fitting, Tee	
29	2220622	4	Fitting, Reducer	
31	2220435	1	Fitting, Straight	
32	2751320	1	Hose	
34	2751489	1	Hose	
36	2750891	2	Hose	
37	2751391	4	Hose	
38	2750979	2	Hose	
40	2750892	2	Hose	
41	2750873	2	Hose	
42	2750762	1	Hose	
43	2751483	1	Hose	
44	2751341	2	Hose	
46	2751427	1	Hose	
47	2751014	2	Hose	
48	2750977	2	Hose	
50	2751017	1	Hose	
51	2751010	1	Hose	
52	2750774	2	Hose	
54	0100020	AR	Loctite #56747	
55	2220355	1	Fitting, 45	
56	2220414	1	Fitting, Pipe	
57	2220822	1	Fitting, Pipe	
58	2750777	2	Hose	
61	2750777	2	Hose	
62	2751333	1	Hose	

SECTION 6 - HYDRAULICS

FIGURE 6-5. LEVEL HYDRAULIC DIAGRAM (2-SECTION)



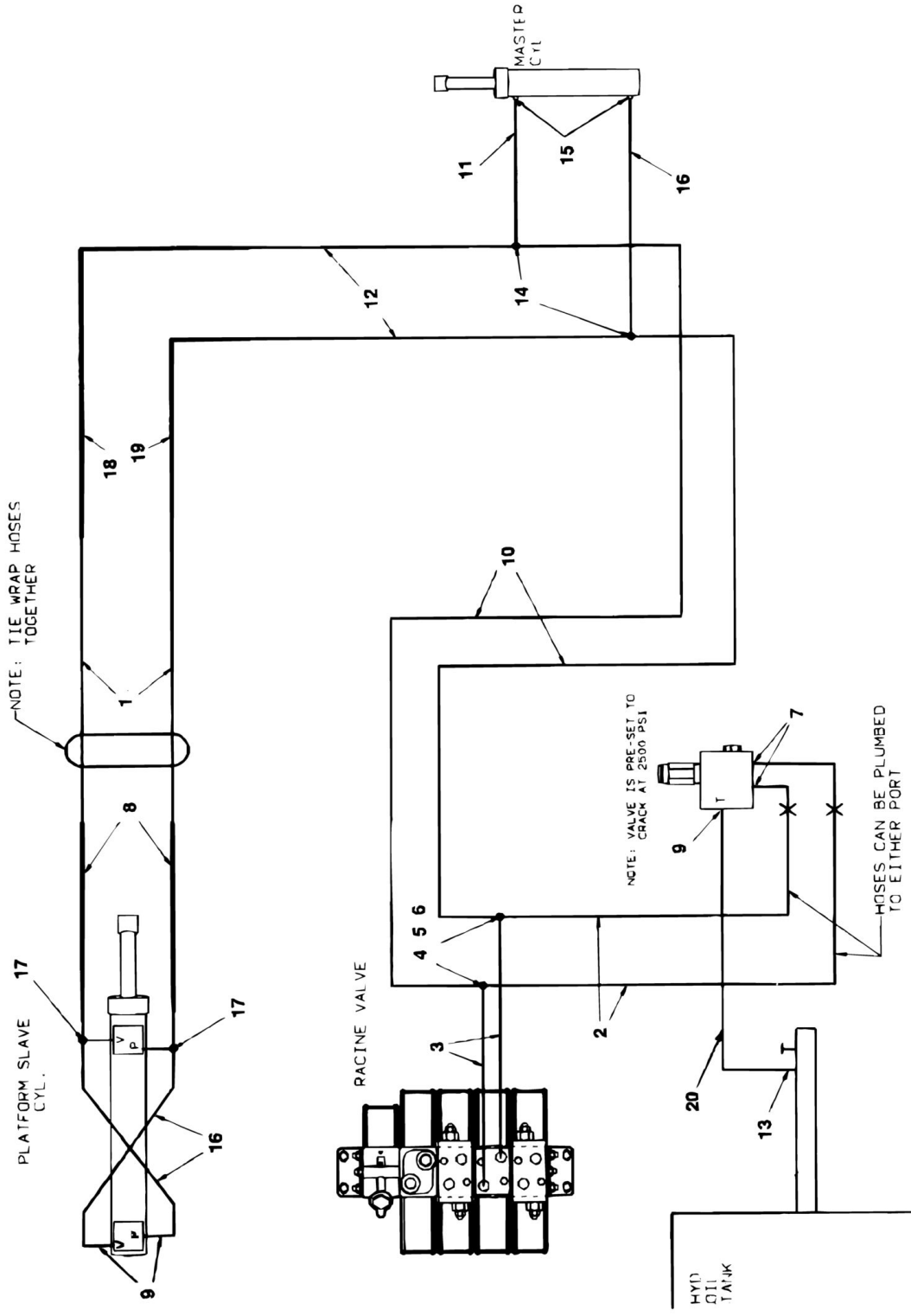
SECTION 6 - HYDRAULICS

FIGURE 6-5. LEVEL HYDRAULIC DIAGRAM (2-SECTION)

ITEM	PART NUMBER	QTY	DESCRIPTION	REV
	2792070	Ref	LEVEL HYDRAULIC DIAGRAM (2-SECTION)	A
1	2220591	2	Fitting, 90	
2	2180379	2	Fitting, Tee	
3	2180621	2	Fitting, Plug	
4	2220635	2	Fitting, Tee	
5	4565873	2	Tube Assembly	
6	2750918	2	Hose	
7	2220473	3	Fitting, 90	
8	2220899	2	Fitting, Tee	
9	0100011	AR	Loctite	
10	2750998	1	Hose	
11	2220495	2	Fitting, 90	
12	2751148	2	Hose	
13	4562534	1	Tube Assembly	
14	4562533	1	Tube Assembly	
15	2750786	1	Hose	
16	2750779	3	Hose	
17	2751151	2	Hose	
18	2220501	2	Fitting	
19	2220343	1	Fitting	

SECTION 6 - HYDRAULICS

FIGURE 6-6. LEVEL HYDRAULIC DIAGRAM (3-SECTION)



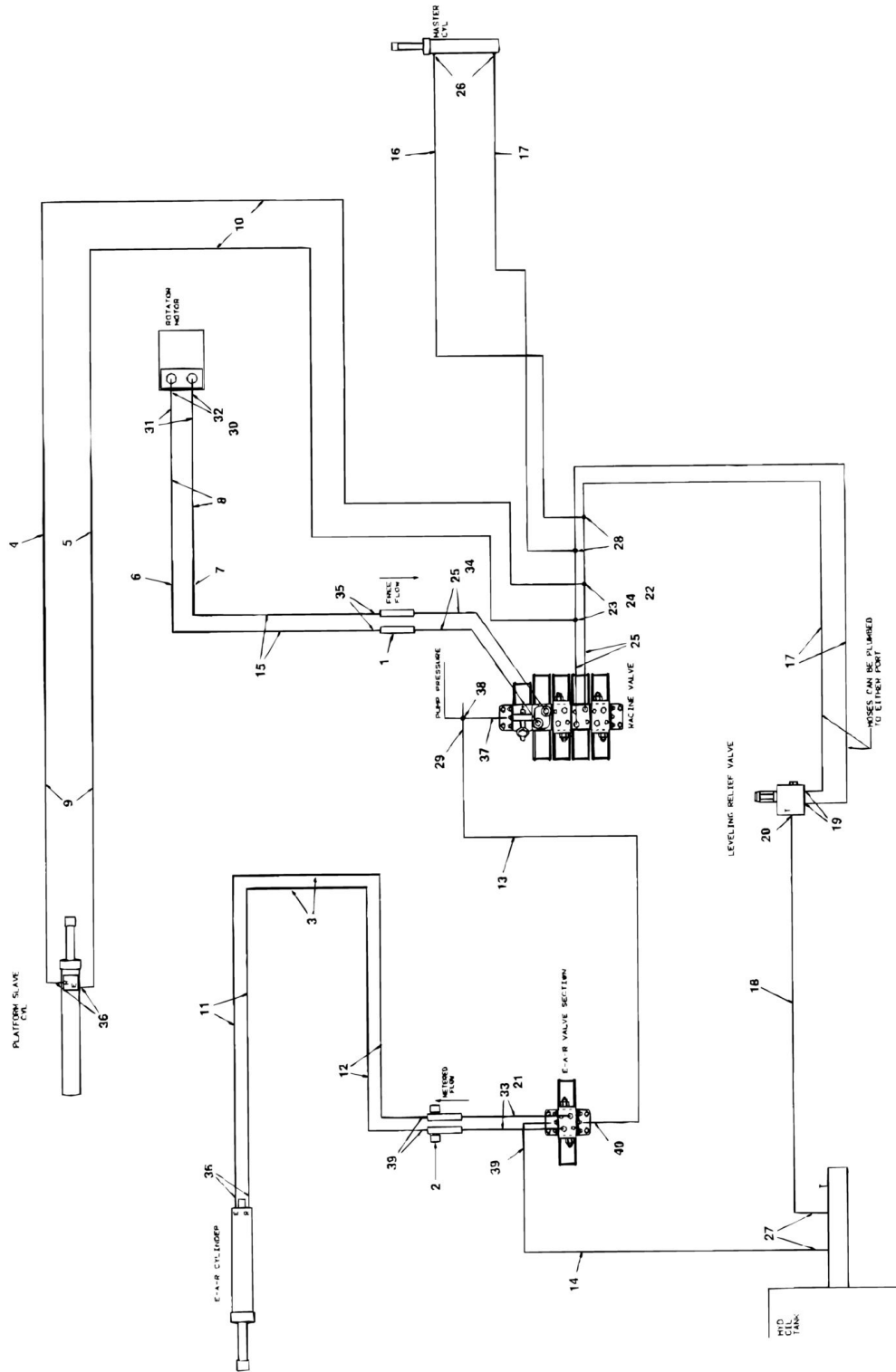
SECTION 6 - HYDRAULICS

FIGURE 6-6. LEVEL HYDRAULIC DIAGRAM (3-SECTION)

ITEM	PART NUMBER	QTY	DESCRIPTION	REV
	2792071	Ref	LEVEL HYDRAULIC DIAGRAM (3-SECTION)	A
1	2751840	2	Hose	
2	2750779	2	Hose	
3	2220591	2	Fitting, 90	
4	2180379	2	Fitting, Tee	
5	2180621	2	Fitting, Plug	
6	0100011	AR	Loctite	
7	2220501	2	Fitting, 45	
8	4565873	2	Tube Assembly	
9	2220473	3	Fitting, 90	
10	2750924	2	Hose	
11	2750785	1	Hose	
12	2751151	2	Hose	
13	2220343	1	Fitting, Straight	
14	2220490	2	Fitting, Tee	
15	2220495	2	Fitting, 90	
16	2750918	3	Hose	
17	2220899	2	Fitting, Tee	
18	4563213	1	Tube Assembly	
19	4563212	1	Tube Assembly	
20	2750998	1	Hose	

SECTION 6 - HYDRAULICS

FIGURE 6-7. LEVEL HYDRAULIC DIAGRAM WITH EXTEND-A-REACH AND ROTATE SUPPORT



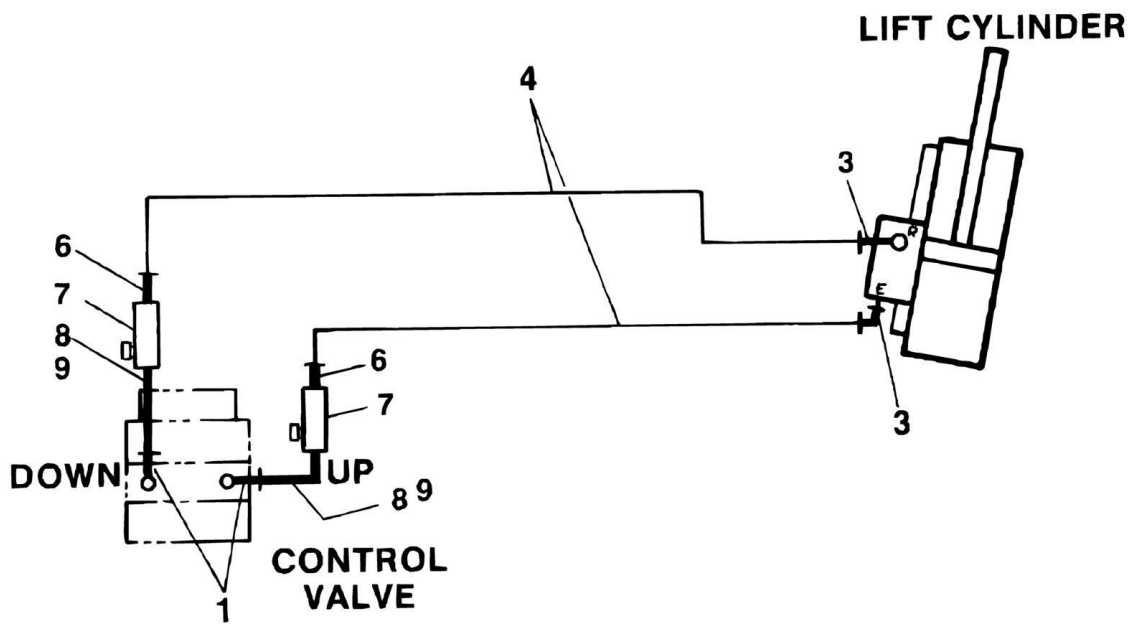
SECTION 6 - HYDRAULICS

FIGURE 6-7. LEVEL HYDRAULIC DIAGRAM WITH EXTEND-A-REACH AND ROTATE SUPPORT

ITEM	PART NUMBER	QTY	DESCRIPTION	REV
	2792072	Ref	LEVEL HYDRAULIC DIAGRAM WITH EXTEND-A-REACH AND ROTATE SUPPORT	B
1	4640778	2	Valve, Restrictor	
2	4640757	2	Valve	
3	4562719	2	Tube Assembly	
4	4562534	1	Tube Assembly	
5	4562533	1	Tube Assembly	
6	4562531	1	Tube Assembly	
7	4562532	1	Tube Assembly	
8	2751918	2	Hose	
9	2751863	2	Hose	
10	2751151	2	Hose	
11	2751152	2	Hose	
12	2751153	2	Hose	
13	2750990	1	Hose	
14	2751003	1	Hose	
15	2751447	2	Hose	
16	2750786	1	Hose	
17	2750779	3	Hose	
18	2750998	1	Hose	
19	2220501	2	Fitting, 45	
20	2220473	1	Fitting, Straight	
21	2220596	2	Fitting, 90	
22	0100011	AR	Loctite	
23	2180379	2	Fitting, Modified Tee	
24	2180621	2	Fitting, Plug	
25	2220591	4	Fitting, 90	
26	2220495	2	Fitting, 90	
27	2220343	2	Fitting, Straight	
28	2220635	2	Fitting, Tee	
29	2220619	1	Fitting, Reducer	
30	2220507	2	Fitting, 90	
31	2220609	2	Fitting, Reducer	
32	2220497	2	Fitting, Straight	
33	2220651	2	Fitting, Straight	
34	2220895	2	Fitting, Straight	
35	2220415	2	Fitting	
36	2220399	4	Fitting, Straight	
37	2220500	1	Fitting, 45 (Prior to February 1995)	
38	2220385	1	Fitting	
39	2220372	3	Fitting, Straight	
40	2220371	1	Fitting, Straight	

SECTION 6 - HYDRAULICS

FIGURE 6-8. LIFT HYDRAULIC DIAGRAM (VICKERS)



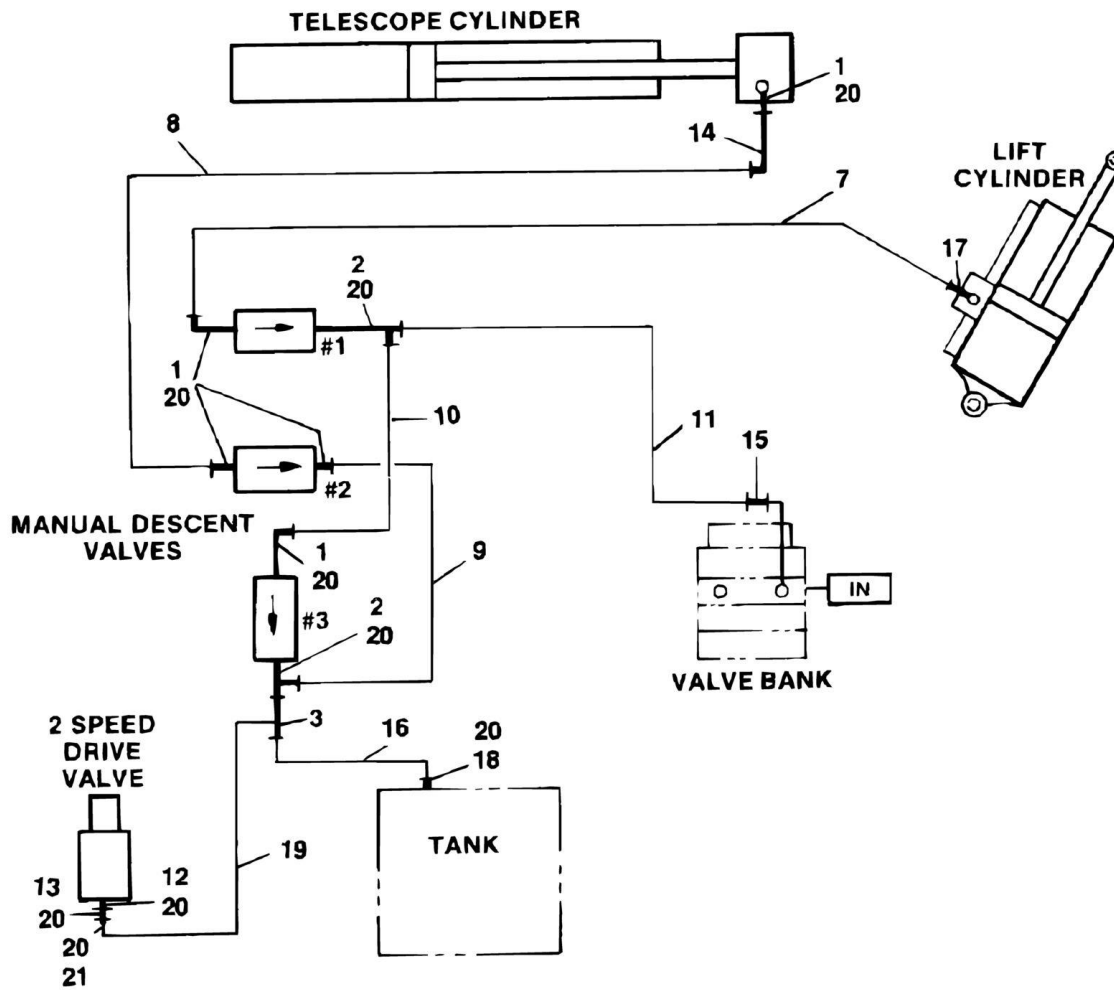
SECTION 6 - HYDRAULICS

FIGURE 6-8. LIFT HYDRAULIC DIAGRAM (VICKERS)

ITEM	PART NUMBER	QTY	DESCRIPTION	REV
	2791189	Ref	LIFT HYDRAULIC DIAGRAM (VICKERS)	F
1	2220577	2	Fitting, O-Ring	
3	2220501	2	Fitting, 45	
4	2751102	2	Hose	
6	2220399	2	Fitting, Pipe - JIC	
7	4640128	2	Valve, Flow Control	
8	2220438	2	Fitting, Pipe	
9	2220741	2	Fitting, Pipe	

SECTION 6 - HYDRAULICS

FIGURE 6-9. MANUAL DESCENT HYDRAULIC DIAGRAM



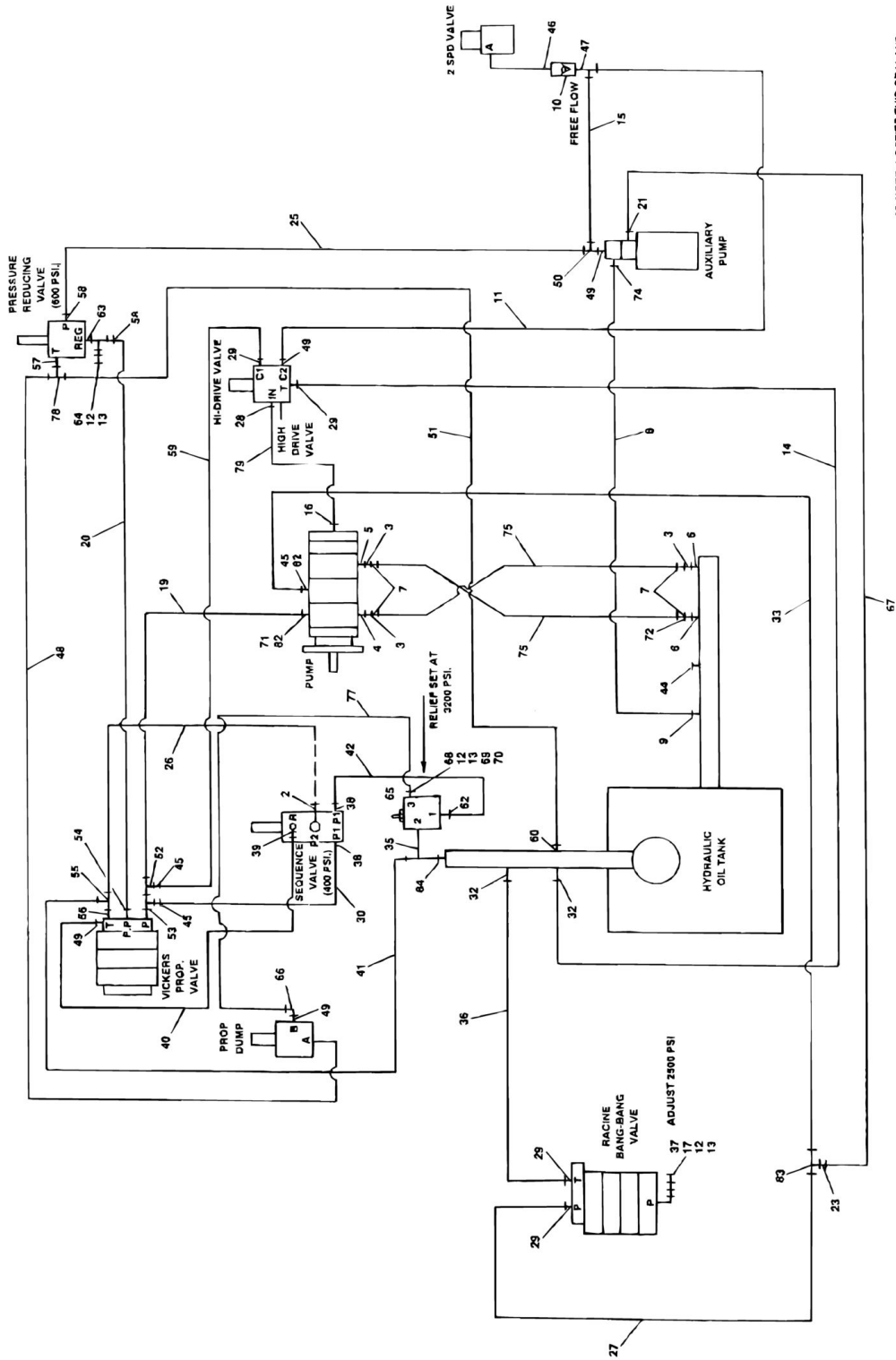
SECTION 6 - HYDRAULICS

FIGURE 6-9. MANUAL DESCENT HYDRAULIC DIAGRAM

ITEM	PART NUMBER	QTY	DESCRIPTION	REV
	2790899	Ref	MANUAL DESCENT HYDRAULIC DIAGRAM	9
1	2220416	5	Fitting, Pipe	
2	2220684	2	Fitting, Tee	
3	2220605	1	Fitting, Tee	
7	2750756	1	Hose	
8	2750905	1	Hose	
9	2750900	1	Hose	
10	2751397	1	Hose	
11	2750893	1	Hose	
12	2220417	1	Fitting	
13	2180217	1	Fitting (Prior to SN 47999)	
14	2220508	1	Fitting, 90	
15	2220609	1	Fitting	
16	2751411	1	Hose	
17	2220466	1	Fitting, 90	
18	2220417	1	Fitting	
19	2751427	1	Hose	
20	0100020	AR	Loctite	
21	2220909	1	Fitting	

SECTION 6 - HYDRAULICS

FIGURE 6-10. PUMP HYDRAULIC DIAGRAM WITH 3-CYLINDER DEUTZ



SECTION 6 - HYDRAULICS

FIGURE 6-10. PUMP HYDRAULIC DIAGRAM WITH 3-CYLINDER DEUTZ

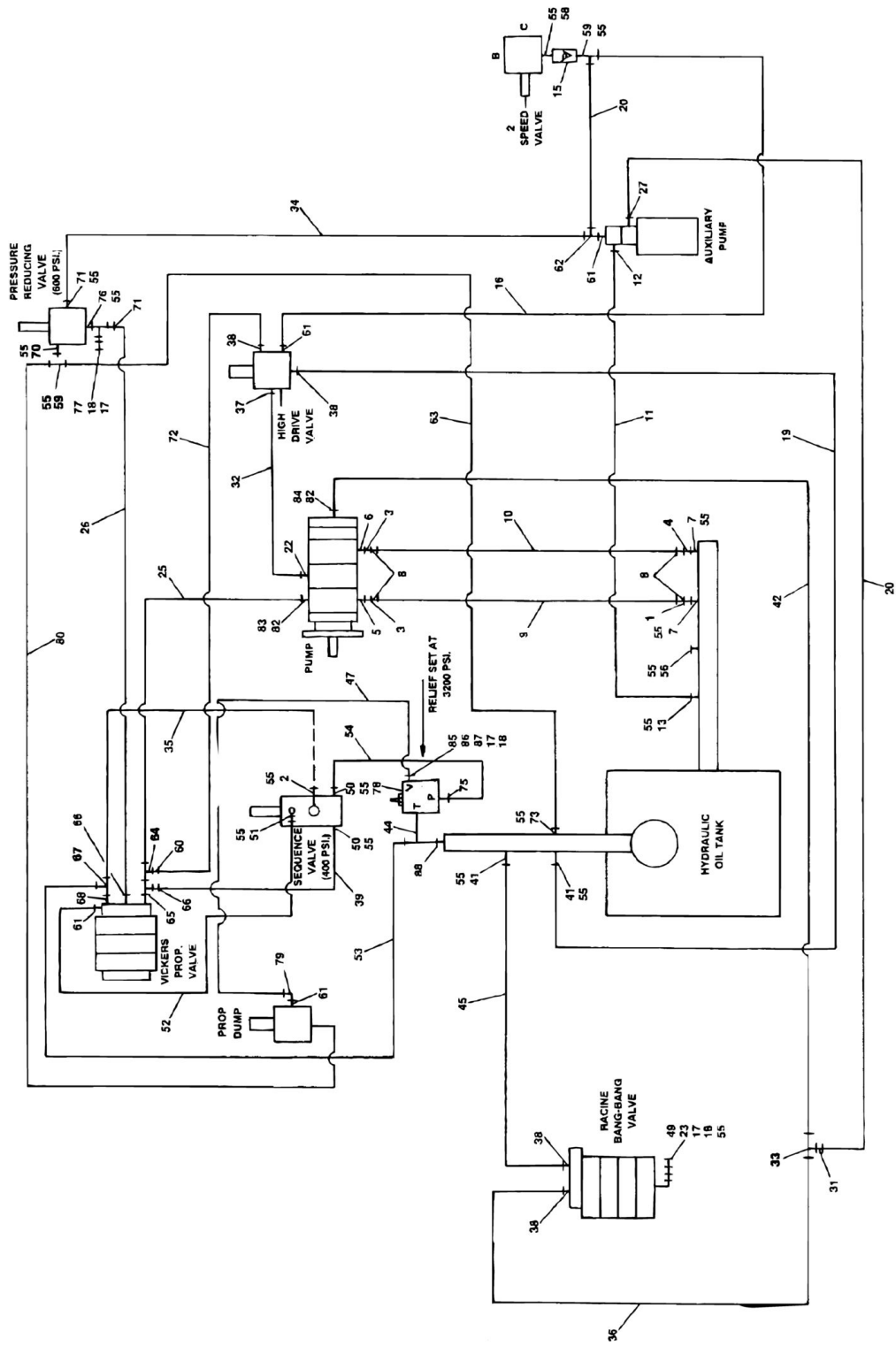
ITEM	PART NUMBER	QTY	DESCRIPTION	REV
	2791843	Ref	PUMP HYDRAULIC DIAGRAM WITH 3-CYLINDER DEUTZ	C
2	2220347	1	Fitting, Straight	
3	2210014	3	Fitting, Nipple	
4	2220377	1	Fitting, Straight	
5	2220379	1	Fitting, Straight	
6	2220491	2	Fitting, Straight	
7	1320014	8	Clamp	
8	2750125	1	Hose	
9	2220009	1	Fitting	
10	4640197	1	Valve, Check	
11	2751398	1	Hose	
12	2220428	3	Fitting	
13	2220429	3	Cap, Dust	
14	2750776	1	Hose	
15	2750900	1	Hose	
16	2220366	1	Fitting, 90	
17	2220261	1	Fitting	
19	2751335	1	Hose	
20	2751427	1	Hose	
21	2220466	1	Fitting, 90	
23	2220618	1	Fitting, Reducer	
25	2750902	1	Hose	
26	2751355	1	Hose	
27	2750982	1	Hose	
28	2220500	1	Fitting, 45	
29	2220373	4	Fitting	
30	2750969	1	Hose	
32	2220345	2	Fitting, Straight	
33	2750766	1	Hose	
35	2220896	1	Fitting, Tee	
36	2750927	1	Hose	
37	2220111	1	Fitting, 90	
38	2220470	2	Fitting, 90	
39	2220416	1	Fitting, 90	
40	2751412	1	Hose	
41	2751622	1	Hose	
42	2750757	1	Hose	
43	0100020	AR	Sealant	
44	3520022	1	Fitting, Plug	
45	2220622	3	Fitting, Reducer	
46	2220673	1	Fitting, 90	
47	2220634	1	Fitting, Tee	
48	2751012	1	Hose	
49	2220582	4	Fitting, Straight	
50	2220605	1	Fitting, Tee	
51	2750894	1	Hose	
52	2220700	1	Fitting, Tee	
53	2220695	1	Fitting, Tee	
54	2220472	1	Fitting, 90	
55	2220682	1	Fitting, Tee	

SECTION 6 - HYDRAULICS

ITEM	PART NUMBER	QTY	DESCRIPTION	REV
56	2220435	1	Fitting, Straight	
57	2220250	1	Fitting, Reducer	
58	2220585	2	Fitting, 90	
59	2750771	1	Hose	
60	2220417	1	Fitting, Straight	
62	2220374	1	Fitting, Straight	
63	2220444	1	Fitting, Tee	
64	2220438	1	Fitting, Nipple	
65	4640520	1	Valve, Relief	
66	2220677	1	Fitting, 45	
67	2751397	1	Hose	
68	2220727	1	Fitting	
69	2220752	1	Fitting	
70	2220414	1	Fitting	
71	2220407	1	Fitting, 90	
72	2210035	1	Fitting, 90	
74	2220114	1	Fitting, 90	
75	2720325	2	Hose, Suction	
77	2751391	1	Hose	
78	2220584	1	Fitting, Tee	
79	2751517	1	Hose	
82	4640575	2	Valve, Check	
83	2220362	1	Fitting	
84	2220834	1	Fitting	

SECTION 6 - HYDRAULICS

FIGURE 6-11. PUMP HYDRAULIC DIAGRAM WITH FORD ENGINES (MARCH 1995 TO PRESENT)



SECTION 6 - HYDRAULICS

FIGURE 6-11. PUMP HYDRAULIC DIAGRAM WITH FORD ENGINES (MARCH 1995 TO PRESENT)

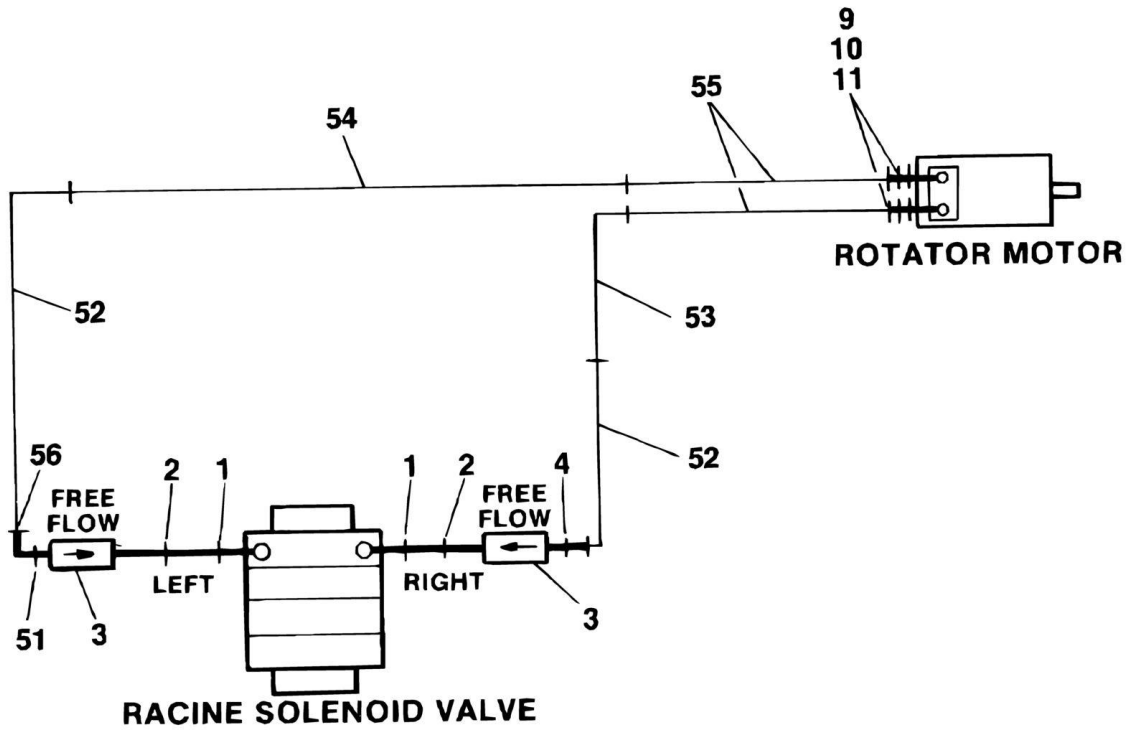
ITEM	PART NUMBER	QTY	DESCRIPTION	REV
	2792198	Ref	PUMP HYDRAULIC DIAGRAM WITH FORD ENGINES	A
1	2210011	1	Fitting, Nipple	
2	2220347	2	Fitting, Straight	
3	2210025	2	Fitting, Nipple	
4	2210043	1	Fitting, Nipple	
5	2220479	1	Fitting, Straight	
6	2220380	1	Fitting, Straight	
7	2220350	2	Fitting, Straight	
8	1320033	8	Clamp, Hose	
9	2720391	2	Hose, Suction 1 1/4in x 58in	
11	2750125	1	Hose	
12	2220114	1	Fitting, 90	
13	2220009	1	Fitting, Straight	
15	4640197	1	Valve, Check	
16	2751398	1	Hose	
17	2220428	3	Fitting	
18	2220429	3	Fitting	
19	2750776	1	Hose	
20	2750900	2	Hose	
22	2220366	1	Fitting, 90	
23	2220261	1	Fitting, Nipple	
25	2751360	1	Hose	
26	2751427	1	Hose	
27	2220466	1	Fitting, 90	
31	2220618	1	Fitting, Reducer	
32	2750976	1	Hose	
33	2220362	1	Fitting, Tee	
34	2750902	1	Hose	
35	2751355	1	Hose	
36	2750982	1	Hose	
37	2220500	1	Fitting, 45	
38	2220373	4	Fitting, Straight	
39	2750969	1	Hose	
41	2220345	2	Fitting, Straight	
42	2750766	1	Hose	
44	2220896	1	Fitting, Tee	
45	2750927	1	Hose	
47	2751391	1	Hose	
49	2220111	1	Fitting, 90	
50	2220470	2	Fitting, 90	
51	2220416	1	Fitting, 90	
52	2751412	1	Hose	
53	2751622	1	Hose	
54	2750757	1	Hose	
55	0100020	AR	Sealant	
56	3520022	1	Fitting, Plug	
58	2220673	1	Fitting, 90	
59	2220684	2	Fitting, Tee	
60	2220622	2	Fitting, Reducer	
61	2220582	4	Fitting, O-Ring	

SECTION 6 - HYDRAULICS

ITEM	PART NUMBER	QTY	DESCRIPTION	REV
62	2220605	1	Fitting, Tee	
63	2750894	1	Hose	
64	2220700	1	Fitting, Tee	
65	2220695	1	Fitting, Tee	
66	2220472	1	Fitting, 90	
67	2220682	1	Fitting, Tee	
68	2220435	1	Fitting, Straight	
70	2220250	1	Fitting, Pipe Reducer	
71	2220585	2	Fitting, 90	
72	2750771	1	Hose	
73	2220417	1	Fitting, Straight	
75	2220374	1	Fitting, Straight	
76	2220444	1	Fitting, Tee	
77	2220438	1	Fitting, Nipple	
78	4640520	1	Valve	
78	7004279	1	Cartridge Only	
78	7004280	1	Seal Kit - 7004279 Valve	
79	2220677	1	Fitting, 45	
80	2751012	1	Hose	
82	4640575	2	Valve	
83	2220407	1	Fitting, 90	
84	2220622	1	Fitting, Reducer	
85	2220727	1	Fitting	
86	2220752	1	Fitting	
87	2220414	1	Fitting	
88	2220834	1	Fitting	

SECTION 6 - HYDRAULICS

FIGURE 6-12. ROTATE HYDRAULIC DIAGRAMS 2-SECTION AND 3-SECTION BOOMS



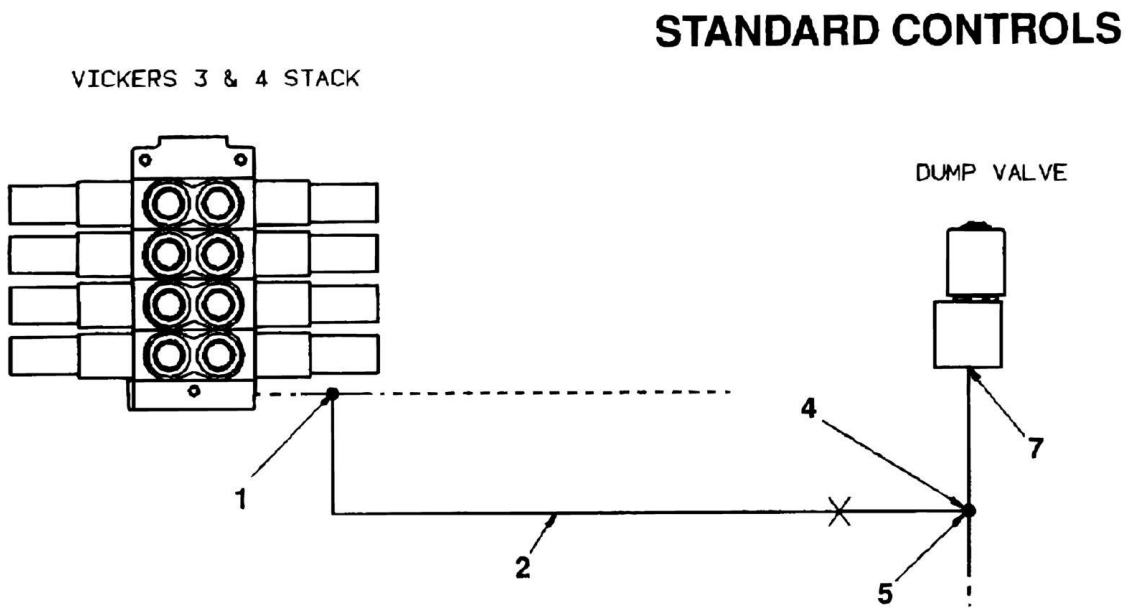
SECTION 6 - HYDRAULICS

FIGURE 6-12. ROTATE HYDRAULIC DIAGRAMS 2-SECTION AND 3-SECTION BOOMS

ITEM	PART NUMBER	QTY	DESCRIPTION	REV
		Ref	HYDRAULIC DIAGRAM (STANDARD PARTS)	
1	2220446	2	Fitting, O-Ring	
2	2220438	2	Fitting, Pipe Nipple	
3	4640383	2	Valve, Restrictor	
9	2220609	2	Fitting, Straight	
10	2220507	2	Fitting, 90	
11	2220497	2	Fitting, Straight	
		Ref	HYDRAULIC DIAGRAM (VARIABLE PARTS)	
	2790889	Ref	2-SECTION BOOM	F
	2790995	Ref	3-SECTION BOOM (Prior to SN 36202)	C
51		Ref	Fitting, Straight Options:	
51	2220416	2	2-Section	
51	2220414	2	3-section	
52		Ref	Hose Options:	
52	2751447	2	2-Section	
52	2751437	2	3-section	
53		Ref	Tube Options:	
53	4562532	1	2-Section	
53	4563210	1	3-section	
54		Ref	Tube Options:	
54	4562531	1	2-Section	
54	4563211	1	3-section	
55		Ref	Hose Options:	
55	2751436	2	2-Section	
55	2751875	2	3-section	
56		Ref	Fitting Options:	
56	Not Required		2-Section	
56	2220462	1	3-section	

SECTION 6 - HYDRAULICS

FIGURE 6-13. SEQUENCE HYDRAULIC DIAGRAM



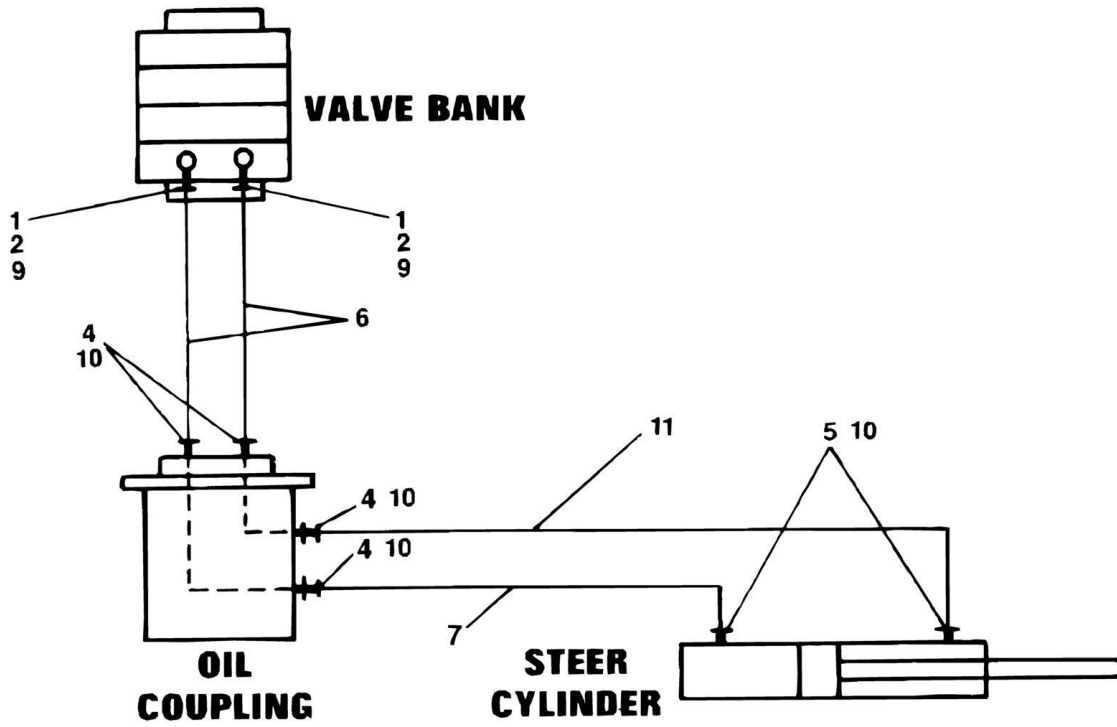
SECTION 6 - HYDRAULICS

FIGURE 6-13. SEQUENCE HYDRAULIC DIAGRAM

ITEM	PART NUMBER	QTY	DESCRIPTION	REV
	2791698	Ref	SEQUENCE HYDRAULIC DIAGRAM	A
1	2220605	1	Fitting	
2	2750889	1	Hose	
4	2220909	1	Fitting	
5	2220605	1	Fitting, Tee	
7	2220582	1	Fitting, Straight	

SECTION 6 - HYDRAULICS

FIGURE 6-14. STEER HYDRAULIC DIAGRAM 2WD AND 4WD



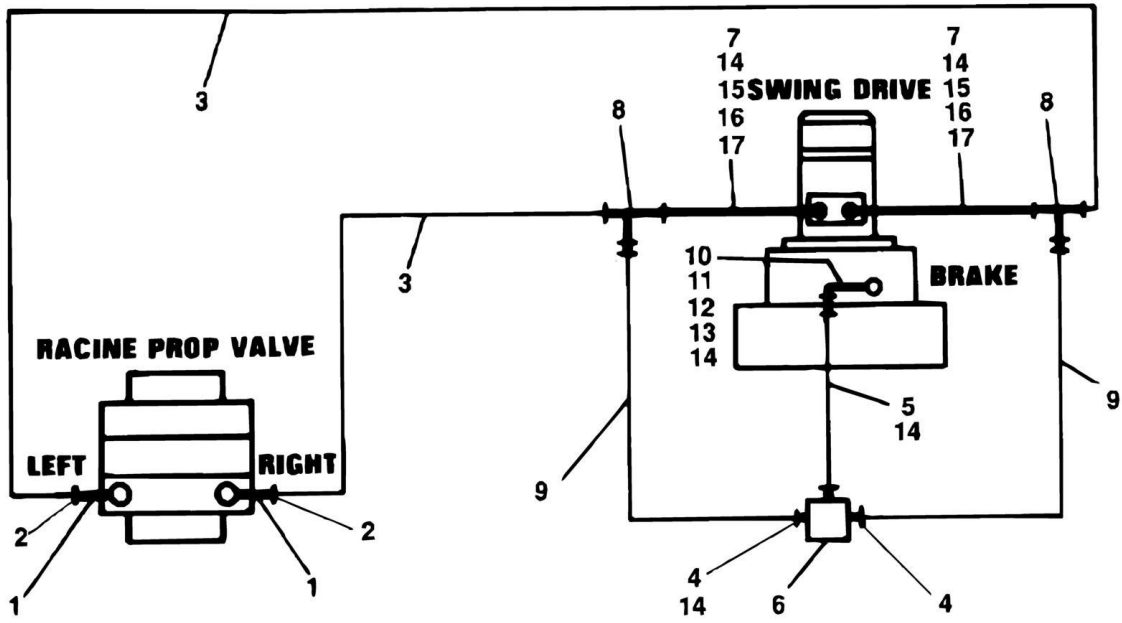
SECTION 6 - HYDRAULICS

FIGURE 6-14. STEER HYDRAULIC DIAGRAM 2WD AND 4WD

ITEM	PART NUMBER	QTY	DESCRIPTION	REV
	2790894	Ref	HYDRAULIC DIAGRAM - 2WD	D
	2791724	Ref	HYDRAULIC DIAGRAM - 4WD	A
1	2180540	2	Fitting, O-Ring	
2	2180380	2	Fitting	
4	2220414	4	Fitting, Pipe	
5	2220416	2	Fitting, 90	
6	2751396	2	Hose	
7		Ref	Hose Options:	
7	2751410	1	2WD	
7	2750892	1	4WD	
9	0100011	AR	LOCTITE #242	
10	0100020	AR	Loctite #56747	
11	2750892	1	Hose	

SECTION 6 - HYDRAULICS

FIGURE 6-15. SWING HYDRAULIC DIAGRAM



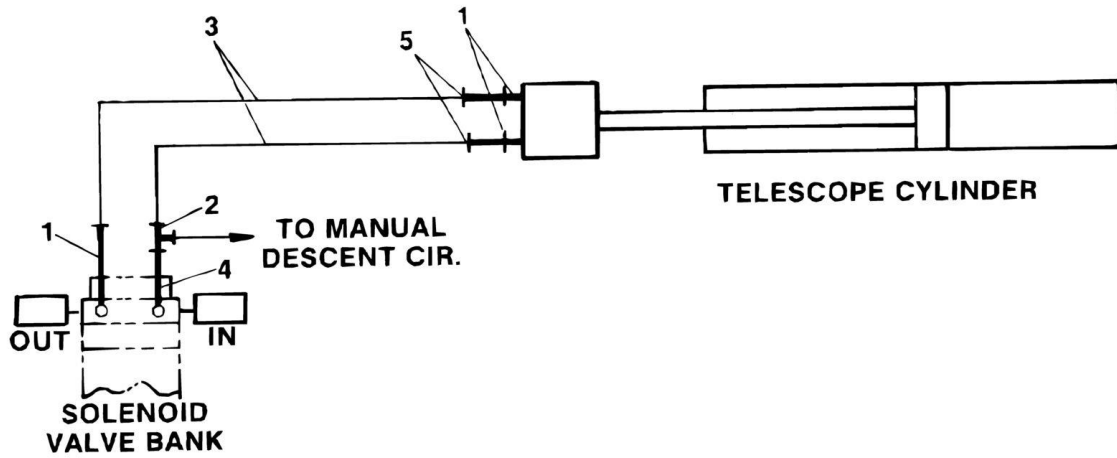
SECTION 6 - HYDRAULICS

FIGURE 6-15. SWING HYDRAULIC DIAGRAM

ITEM	PART NUMBER	QTY	DESCRIPTION	REV
	2791190	Ref	SWING HYDRAULIC DIAGRAM	A
1	2220221	2	Fitting, O-Ring	
2	2220582	2	Fitting, O-Ring	
3	2750892	2	Hose	
4	2220416	2	Fitting, 90	
5	2220261	1	Fitting	
6	4640013	1	Valve, Shuttle	
7	2220757	2	Fitting, Modified	
8	2220605	2	Fitting, Tee	
9	2750900	2	Hose	
10	2220110	1	Fitting, O-Ring	
11	2180166	1	Fitting, Tee	
12	2220428	1	Fitting, Quick Connect	
13	2220429	1	Fitting	
14	0100020	AR	Loctite, Sealant	
15	2220609	2	Fitting, Reducer	
16	2180083	2	Fitting, Orifice	
17	0100011	AR	LOCTITE #242	

SECTION 6 - HYDRAULICS

FIGURE 6-16. TELESCOPE HYDRAULIC DIAGRAM



SECTION 6 - HYDRAULICS

FIGURE 6-16. TELESCOPE HYDRAULIC DIAGRAM

ITEM	PART NUMBER	QTY	DESCRIPTION	REV
	2790900	Ref	TELESCOPE HYDRAULIC DIAGRAM	D
1	2220372	3	Fitting, O-Ring	
2	2220616	1	Fitting, Tee	
3	2750909	2	Hose	
4	2220591	1	Fitting, O-Ring Reducer	
5	2220507	2	Fitting, 90	

SECTION 7 - ELECTRICAL

SECTION 7 - ELECTRICAL

FIGURE 7-1. ELECTRICAL DIAGRAM LIST

ITEM	PART NUMBER	QTY	DESCRIPTION	REV
		Ref	ELECTRICAL DIAGRAM LIST	
		Ref	Note: Diagrams with asterisk (*) are shown in the following pages. Diagrams not shown are available for the JLG Service Department.	
		Ref	Alarm Wiring Diagrams	
		Ref	Standard and Hydraulic Controls (Prior to April 1992)	
	4931472	Ref	Back-up Alarm Wiring Diagram	A
	1280555	Ref	Back-up Alarm Wiring Diagram	B
	4931468	Ref	Descent Alarm Wiring Diagram	A
	1280555	Ref	Descent Alarm Wiring Diagram	B
	0239055	Ref	Motion Alarm Wiring Diagram	A
	4931520	Ref	Swing Alarm Wiring Diagram	A
	1280555	Ref	Swing Alarm Wiring Diagram	B
	4931470	Ref	Tilt Alarm Wiring Diagram	A
	1280555	Ref	Tilt Alarm Wiring Diagram	B
	4931399	Ref	Travel Alarm Wiring Diagram	B
	1280555	Ref	Travel Alarm Wiring Diagram	B
	3990010	AR	Diode - 6 Amp	
	3740049	1	Relay - SPST	
		Ref	Standard Controls (April 1992 to April 1993)	
	4932507	Ref	Back-up Alarm Wiring Diagram	-
	1281840	Ref	Back-up Alarm Wiring Diagram	-
	4932507	Ref	Descent Alarm Wiring Diagram	-
	1281840	Ref	Descent Alarm Wiring Diagram	-
	4932508	Ref	Motion Alarm Wiring Diagram	-
	1281840	Ref	Motion Alarm Wiring Diagram	-
	4932507	Ref	Swing Alarm Wiring Diagram	-
	1281840	Ref	Swing Alarm Wiring Diagram	-
	0253077	Ref	Tilt Alarm Wiring Diagram	-
	4932507	Ref	Travel Alarm Wiring Diagram	-
	1281840	Ref	Travel Alarm Wiring Diagram	-
	0610091	1	Card, Circuit	
	3740049	1	Relay	
	3990010	AR	Diode - 6 Amp	
	0140026	AR	Alarm (Tilt Only - Located at Console)	
		Ref	Standard Controls (April 1993 to Present)	
	4932637	Ref	Back-up Alarm Wiring Diagram	2
	1282091	Ref	Back-up Alarm Wiring Diagram	D
	4932637	Ref	Descent Alarm Wiring Diagram	2
	1282091	Ref	Descent Alarm Wiring Diagram	D
	4932639	Ref	Motion Alarm Wiring Diagram	2
	1282091	Ref	Motion Alarm Wiring Diagram	D
	4932637	Ref	Swing Alarm Wiring Diagram	2
	1282091	Ref	Swing Alarm Wiring Diagram	D
	0253077	Ref	Tilt Alarm Without Cutout Wiring Diagram	-
	0254203	Ref	Tilt Alarm With Cutout Wiring Diagram	-
	4932637	Ref	Travel Alarm Wiring Diagram	2
	1282091	Ref	Travel Alarm Wiring Diagram	D
	3740049	1	Relay	

SECTION 7 - ELECTRICAL

ITEM	PART NUMBER	QTY	DESCRIPTION	REV
	3990010	AR	Diode - 6 Amp	
	0610104	AR	Card, Circuit	
	0140026	AR	Alarm (Tilt Alarm Only - Located at Console)	
		Ref	Hydraulic Controls (April 1992 to Present)	
	4932347	Ref	Back-up Alarm Wiring Diagram	-
	1281503	Ref	Back-up Alarm Wiring Diagram	-
	4932346	Ref	Descent Alarm Wiring Diagram	-
	1281503	Ref	Descent Alarm Wiring Diagram	-
	4932345	Ref	Motion Alarm Wiring Diagram	-
	1281503	Ref	Motion Alarm Wiring Diagram	-
	4932349	Ref	Swing Alarm Wiring Diagram	-
	1281503	Ref	Swing Alarm Wiring Diagram	-
	0253077	Ref	Tilt Alarm Wiring Diagram	-
	4932348	Ref	Travel Alarm Wiring Diagram	-
	1281503	Ref	Travel Alarm Wiring Diagram	-
	4360184	1	Switch, Pressure	
	3740049	1	Relay - SPST	
	3990010	AR	Diode - 6 Amp	
	0140026	AR	Alarm (Tilt Alarm Only - Located at Console)	
		Ref	Beacon/Strobe Light Wiring Diagrams	
	4931085	Ref	Beacon Light - Platform Mounted (Prior to September 1991)	-
	4931740	Ref	Beacon Light - Platform Mounted (September 1991 to April 1994)	A
	1281671	Ref	Beacon Light - Platform Mounted (April 1994 to Present)	D
	4931674	Ref	Beacon/Strobe Light - Turntable Mounted (Prior to February 1994)	-
	4932673	Ref	Beacon/Strobe Light - Turntable Mounted (February 1994 to Present)	3
	1281771	Ref	Cold Start Wiring Diagram - Deutz	H
	4931444	Ref	Dual Fuel Wiring Diagram (Prior to May 1995)	F
	1281738	Ref	Dual Fuel Wiring Diagram (Prior to May 1995)	G
	4921305	1	Harness	
	4360201	1	Switch, Toggle (Located at Ground Control Box)	
	4932813	Ref	Dual Fuel Wiring Diagram (May 1995 to Present)	-
	4921763	1	Harness	
	4360201	1	Switch, Toggle (Located at Ground Control Box)	
	4931671	Ref	Engine Distress Wiring Diagram - Deutz F3L912 Engines (Prior to SN 33476)	B
	4360179	1	Switch, Temperature	
	4360089	1	Flasher	
	3740013	1	Relay	
	4360065	1	Switch, Pressure	
	2920034	1	Lamp (Located at Platform Console)	
	3251695	1	Nameplate - Engine Distress	
	0255152	Ref	Engine Distress Wiring Diagram - Deutz F3L912 Engines (SN 33476 to Present)	3
	4360179	1	Switch, Temperature	
	3740049	1	Relay	
	4360065	1	Switch, Pressure	
	2920026	1	Lamp (Located at Platform Console)	
	0252661	Ref	Engine Distress Wiring Diagram - Deutz F3L1011	4
	2920026	1	Lamp, Indicator	

SECTION 7 - ELECTRICAL

ITEM	PART NUMBER	QTY	DESCRIPTION	REV
	4921407	1	Harness	
	4360065	1	Switch, Pressure	
	4931598	Ref	Engine Distress Wiring Diagram - Ford Engines (Prior to July 1994)	B
	3740013	1	Relay	
	4360089	1	Flasher	
	2920034	1	Lamp (Located at Platform Console)	
	3251695	1	Nameplate - Engine Distress	
	4360182	1	Switch, Oil Pressure	
	4360157	1	Switch, Water Temperature	
	0255058	Ref	Engine Distress Wiring Diagram - Ford Engines (July 1994 to Present)	B
	2920026	1	Lamp, Indicator - Red	
	2920029	1	Bulb, Light	
	4360182	1	Switch, Oil Pressure	
	4360157	1	Switch, Water Temperature	
	3740049	1	Relay	
	0251682	Ref	Engine Shutdown Installation - Deutz F3L1011 Engines (Optional)	-
	3990010	1	Diode - 6 Amp	
	3740049	1	Relay	
	4360065	1	Switch, Pressure	
	4932892	Ref	Engine Shutdown Installation - Deutz F3L912 Engines (Broken Fan Belt) (Optional)	-
	4921886	1	Harness	
	4931347	Ref	Engine Shutdown Installation Ford Engines With Steering Wheel	B
	4931640	Ref	Extend-A-Reach Wiring Diagram	C
	4360202	2	Switch, Toggle (Located at Both Control Boxes)	
	3251747	2	Nameplate - Articulate (Located on control boxes when equipped)	
	4920868	1	Harness, Extend-A-Reach Valve	
	4931314	Ref	Generator Wiring Diagram - 110V (Deutz - Prior to May 1987)	C
	4931693	Ref	Generator Wiring Diagram - 110V (Deutz - May 1987 to Present)	E
	3990001	1	Diode - 3.5 Amp	
	3740049	1	Relay	
	4360294	1	Breaker, Circuit - 30 Amp	
	4931314	Ref	Generator Wiring Diagram - 110V (Ford - Prior to May 1987)	C
	4931692	Ref	Generator Wiring Diagram - 110V (Ford - May 1987 to March 1995)	D
	4932806	Ref	Generator Wiring Diagram - 110V (Ford - March 1995 to Present)	3
	3990001	2	Diode - 3.5 Amp	
	3740049	1	Relay (Prior to March 1995)	
	4360294	1	Breaker, Circuit - 30 Amp	
	4460027	1	Outlet, Twist Lock (March 1995 to Present)	
	4931691	Ref	Heaters Wiring Diagram (Deutz F3L912)	D
	1060300	50 ft.	Cable, Electrical - 16/3	
	1060515	20 ft	Cable, Electrical - 12/4	
	4932474	Ref	Heaters Wiring Diagram (Deutz F3L1011)	2
	1060016	30 ft	Cable, Electrical - 16/3	
	1060012	10 ft	Cable, Electrical - 12/4	

SECTION 7 - ELECTRICAL

ITEM	PART NUMBER	QTY	DESCRIPTION	REV
	4931411	Ref	Heaters Wiring Diagram (Ford)	3
	1060016	30 ft	Cable, Electrical - 16/3	
	1060515	10 ft	Cable, Electrical - 12/4	
	0254097	Ref	Lights Wiring Diagram - Brake Lights	-
	1282112	Ref	Lights Wiring Diagram - Brake Lights	C
	3740049	1	Relay	
	3990010	5	Diode - 6 Amp	
	4931412	Ref	Lights Wiring Diagram - Headlight and Taillights (Prior to April 1987)	-
	4931678	Ref	Lights Wiring Diagram - Headlights and Taillights (April 1987 to Present)	B
	4932080	Ref	Lights Wiring Diagram - Headlights and Taillights Front and Rear	
	4360199	1	Switch, Toggle	
	0255026	Ref	Lights Wiring Diagram - Head/Stop/Tail/Back-Up Lights and Turn Signal	-
	2920001	2	Headlight	
	2920113	2	Light, Turn Signal (Front)	
	2920064	1	Light, Stop/Tail/Turn/Back-Up (LH)	
	2920065	1	Light, Stop/Tail/Turn/Back-Up (RH)	
	4360089	1	Flasher	
	4360135	1	Switch, Turn Signal	
	4360199	1	Switch, Toggle - Lights On/Off	
	3740080	1	Relay	
	4360287	1	Fuse - 15 Amp	
	0610104	1	Card, Circuit	
	3990010	5	Diode - 6 Amp	
	3740049	1	Relay, Bosch	
	4931269	Ref	Oil Cooler Wiring Diagram	2
	2400005	1	Fuse - 20 Amp (Prior to SN 32301)	
	4921424	1	Harness (SN 32301 to Present)	
	4460374	1	Plug, Relay (SN 32301 to Present)	
		Ref	Platform Wiring Diagrams	
		Ref	Racine Valve Machines:	
	4931334	Ref	Wiring Diagram - Solenoid Throttle and Without Prop Tele (Prior to August 1985)	E
	4931422	Ref	Wiring Diagram - Adeco Throttle and Without Prop Tele (August 1985 to Mid 1987)	B
	4931395	Ref	Wiring Diagram - Solenoid Throttle and With Prop Tele (Prior to August 1985)	
	4931392	Ref	Wiring Diagram - Solenoid Throttle and With Prop Tele (Prior to August 1985)	
	4931424	Ref	Wiring Diagram - Adeco Throttle and With Prop Tele (August 1985 to Mid 1987)	A
	4360209	1	Breaker, Circuit - 20 Amp	
	1540002	1	Capacitor - 1000MF/25VDC	
	3990010	AR	Diode - 6 Amp	
		Ref	Vickers Valve Machines With Standard PQ	
		Ref	Controllers and Without Prop Tele:	
	4931625	Ref	Wiring Diagram (Mid 1987 to September 1991)	5
	4932433	Ref	Wiring Diagram With Creep (September 1991 to Present)	2
	1281682	Ref	Wiring Diagram With Creep (September 1991 to Present)	B
	9983524	Ref	Wiring Diagram With Steer in Drive Controller	-

SECTION 7 - ELECTRICAL

ITEM	PART NUMBER	QTY	DESCRIPTION	REV
	3990010	AR	Diode - 6 Amp	
	1540002	1	Capacitor - 1000MF/25VDC	
		Ref	Cable, Electrical - 12/4 (To Footswitch) Options:	
	1060012	9 ft	Production	
	1060515	9 ft	Post Production	
		Ref	Vickers Valve Machines With Standard PQ Controllers and With Prop Tele:	
	4931672	Ref	Wiring Diagram (Mid 1987 to September 1991)	B
	4932435	Ref	Wiring Diagram - With Creep (September 1991 to Present)	2
	1281682	Ref	Wiring Diagram - With Creep (September 1991 to Present)	B
	3990010	AR	Diode - 6 Amp	
	1540002	1	Capacitor - 1000MF/25VDC	
		Ref	Cable, Electrical - 12/4 (To Footswitch) Options:	
	1060012	9 ft	Production	
	1060515	9 ft	Post Production	
		Ref	Vickers Valve Machines With Hydraulic PQ Controllers:	
	4931842	Ref	Wiring Diagram	4
	1280994	Ref	Wiring Diagram	D
		Ref	Cable, Electrical - 12/4 (To Footswitch) Options:	
	1060012	7 ft	Production	
	1060515	7 ft	Post Production	
	4921132	1	Harness, Capacitor	
		Ref	Vickers Valve Machines With OEM Controllers:	
	4931665	Ref	Wiring Diagram - Without Prop Tele	B
	1280803	Ref	Wiring Diagram - Without Prop Tele	-
	4931666	Ref	Wiring Diagram - With Prop Tele	-
	1280804	Ref	Wiring Diagram - With Prop Tele	-
	4360216	1	Breaker, Circuit - 30 Amp	
	1060012	7 ft.	Cable, Electrical - 12/4	
	4920630	1	Harness, Capacitor	
		Ref	Platform Bumper Wiring Diagram	
	1282197	Ref	Wiring Diagram - Chain Mounted (Soft-Touch) Bumper	H
	4932059	Ref	Wiring Diagram - Welded on Bumper	A
		Ref	Platform Work Lights Wiring Diagram	
	2900068	Ref	Wiring Diagram (Prior to November 1992)	F
	2920013	2	Worklight	
	0253987	Ref	Wiring Diagram (November 1992 to Present)	4
	0254748	Ref	Wiring Diagram With Padded Platform	2
	2920111	2	Worklight	
	4931912	Ref	Power Tool Wiring Diagram	A
	4931669	Ref	Proportional Telescope Wiring Diagram (March 1987 to June 1994)	A
	4932736	Ref	Proportional Telescope Wiring Diagram (June 1994 to Present)	-
		Ref	Standard Wiring Diagrams (Bertea Valve Machines)	
	4931368	Ref	Wiring Diagram - Without Steering Wheel	
	4931369	Ref	Wiring Diagram - With Steering Wheel	
		Ref	Standard Wiring Diagrams (Racine Valve Machines)	
		Ref	Wiring Diagram (Prior to November 1985)	
	4931339	Ref	Engine Wiring Diagram - Deutz F2L511 Without	B
		Ref	Glow Plugs (Prior to November 1985)	
	4920429	1	Harness, Engine	

SECTION 7 - ELECTRICAL

ITEM	PART NUMBER	QTY	DESCRIPTION	REV
	4920426	1	Harness, Hourmeter Ground	
	4931338	Ref	Engine Wiring Diagram - Deutz F2L511 With Glow Plugs (Prior to November 1985)	A
	4920428	1	Harness, Engine	
	4920426	1	Harness, Hourmeter Ground	
	4360114	1	Switch, Toggle - Glow Plugs	
	4931348	Ref	Engine Wiring Diagram - Deutz F3L912 (Prior to November 1985)	B
	4920432	1	Harness, Engine	
	4920426	1	Harness, Hourmeter Ground	
	4931346	Ref	Engine Wiring Diagram - Ford (Prior to June 1985)	E
	4920425	Ref	Harness, Engine	
	4931434	Ref	Engine Wiring Diagram - Ford (June 1985 to November 1985)	-
	1280529	Ref	Engine Wiring Diagram - Ford (June 1985 to November 1985)	B
	4920529	1	Harness, Engine	
	4931286	Ref	Ground Control Box Wiring Diagram (Prior to October 1984) (See Ground Control Box for Harnesses)	A
	4931365	Ref	Ground Control Box Wiring Diagram (October 1984 to August 1985) (See Ground Control Box for Harness)	C
	4931458	Ref	Ground Control Box Wiring Diagram (August 1985 to November 1985) (See Ground Control Box for Harnesses)	B
	4931342	Ref	Valve Wiring Diagram Without Steering Wheel	C
	4931343	Ref	Valve Wiring Diagram With Steering Wheel (Deutz and Wisconsin)	B
	4931344	Ref	Valve Wiring Diagram With Steering Wheel (Ford)	B
		Ref	Wiring Diagrams (November 1985 to June 1987)	
		Ref	Wiring Diagram - Deutz F2L511	
	4931431	Ref	Engine Wiring Diagram Without Glow Plugs	-
	1280581	Ref	Engine Wiring Diagram Without Glow Plugs	B
	4931430	Ref	Engine Wiring Diagram With Glow Plugs	-
	1280581	Ref	Engine Wiring Diagram With Glow Plugs	B
	4931476	Ref	Ground Control Box Wiring Diagram - 3 Stack Valve (See Ground Control Box for Harnesses)	E
	4931478	Ref	Ground Control Box Wiring Diagram - 4 Stack (See Ground Control Box for Harnesses)	B
	4931487	Ref	Valve Wiring Diagram - Without Steering Wheel	A
	1280581	Ref	Valve Wiring Diagram - Without Steering Wheel	B
	4931488	Ref	Valve Wiring Diagram - With Steering Wheel	-
	1280581	ref	Valve Wiring Diagram - With Steering Wheel	B
		Ref	Wiring Diagram - Deutz F3L912	
	4931433	Ref	Engine Wiring Diagram	A
	1280584	Ref	Engine Wiring Diagram	A
	4931432	Ref	Engine Wiring Diagram With Glow Plug	A
	1280584	Ref	Engine Wiring Diagram With Glow Plug	A
	4931476	Ref	Ground Control Box Wiring Diagram - 3 Stack Valve (See Ground Control Box for Harnesses)	
	4931478	Ref	Ground Control Box Wiring Diagram - 4 Stack (See Ground Control Box for Harnesses)	B
	4931487	Ref	Valve Wiring Diagram - Without Steering Wheel	A
	1280601	Ref	Valve Wiring Diagram - Without Steering Wheel	A
	4931488	Ref	Valve Wiring Diagram - With Steering Wheel	-
	1280601	Ref	Valve Wiring Diagram - With Steering Wheel	A

SECTION 7 - ELECTRICAL

ITEM	PART NUMBER	QTY	DESCRIPTION	REV
		Ref	Wiring Diagram - Ford Without Prop Tele	
	4931527	Ref	Engine Wiring Diagram	-
	1280602	Ref	Engine Wiring Diagram	B
	4920599	1	Harness, Engine	
	4931476	Ref	Ground Control Box Wiring Diagram - 3 Stack Valve (See Ground Control Box for Harnesses)	E
	4931478	Ref	Ground Control Box Wiring Diagram - 4 Stack Valve (See Ground Control Box for Harnesses)	B
	4931487	Ref	Valve Wiring Diagram - Without Steering Wheel	A
	1280601	1	Valve Wiring Diagram - Without Steering Wheel	A
	4931488	Ref	Valve Wiring Diagram - With Steering Wheel	-
	1280601	1	Valve Wiring Diagram - With Steering Wheel	A
		Ref	Wiring Diagram - Ford With Prop Tele	
	4931527	Ref	Engine Wiring Diagram	-
	1280602	1	Engine Wiring Diagram	B
	4920599	1	Harness, Engine	
	4931476	Ref	Ground Control Box Wiring Diagram - 3 Stack Valve (See Ground Control Box for Harnesses)	E
	4931478	Ref	Ground Control Box Wiring Diagram - 4 Stack Valve (See Ground Control Box for Harnesses)	B
	4931489	Ref	Valve Wiring Diagram - Without Steering Wheel	-
	1280602	Ref	Valve Wiring Diagram - Without Steering Wheel	B
	4931490	Ref	Valve Wiring Diagram - With Steering Wheel	-
	1280602	Ref	Valve Wiring Diagram - With Steering Wheel	B
		Ref	Wiring Diagram - Wisconsin Without Prop Tele	
	4931440	Ref	Engine Wiring Diagram	C
	1280577	Ref	Engine Wiring Diagram	C
	4931476	Ref	Ground Control Box Wiring Diagram - 3 Stack Valve (See Ground Control Box for Harness)	E
	4931478	Ref	Ground Control Box Wiring Diagram - 4 Stack Valve (See Ground Control Box for Harnesses)	B
	4931487	Ref	Valve Wiring Diagram - Without Steering Wheel	A
	1280577	Ref	Valve Wiring Diagram - Without Steering Wheel	C
	4931488	Ref	Valve Wiring Diagram - With Steering Wheel	-
	1280577	Ref	Valve Wiring Diagram - With Steering Wheel	C
		Ref	Wiring Diagram - Wisconsin With Prop Tele	
	4931440	Ref	Engine Wiring Diagram	C
	1280578	Ref	Engine Wiring Diagram	-
	4931476	Ref	Ground Control Box Wiring Diagram - 3 Stack Valve (See Ground Control Box for Harnesses)	E
	4931478	Ref	Ground Control Box Wiring Diagram - 4 Stack Valve (See Ground Control Box for Harnesses)	B
	4931489	Ref	Valve Wiring Diagram - Without Steering Wheel	-
	1280578	Ref	Valve Wiring Diagram - Without Steering Wheel	-
	4931490	Ref	Valve Wiring Diagram - With Steering Wheel	-
	1280578	Ref	Valve Wiring Diagram - With Steering Wheel	-
		Ref	Standard Wiring Diagrams (Vickers Valve Machines)	
		Ref	Wiring Diagram - Standard Controls	
		Ref	Wiring Diagrams - Deutz and Wisconsin:	
	4931624	Ref	Engine Wiring Diagram - Deutz F2L511	F
	1280727	Ref	Engine Wiring Diagram - Deutz F2L511	K
	4920851	1	Harness, Engine	

SECTION 7 - ELECTRICAL

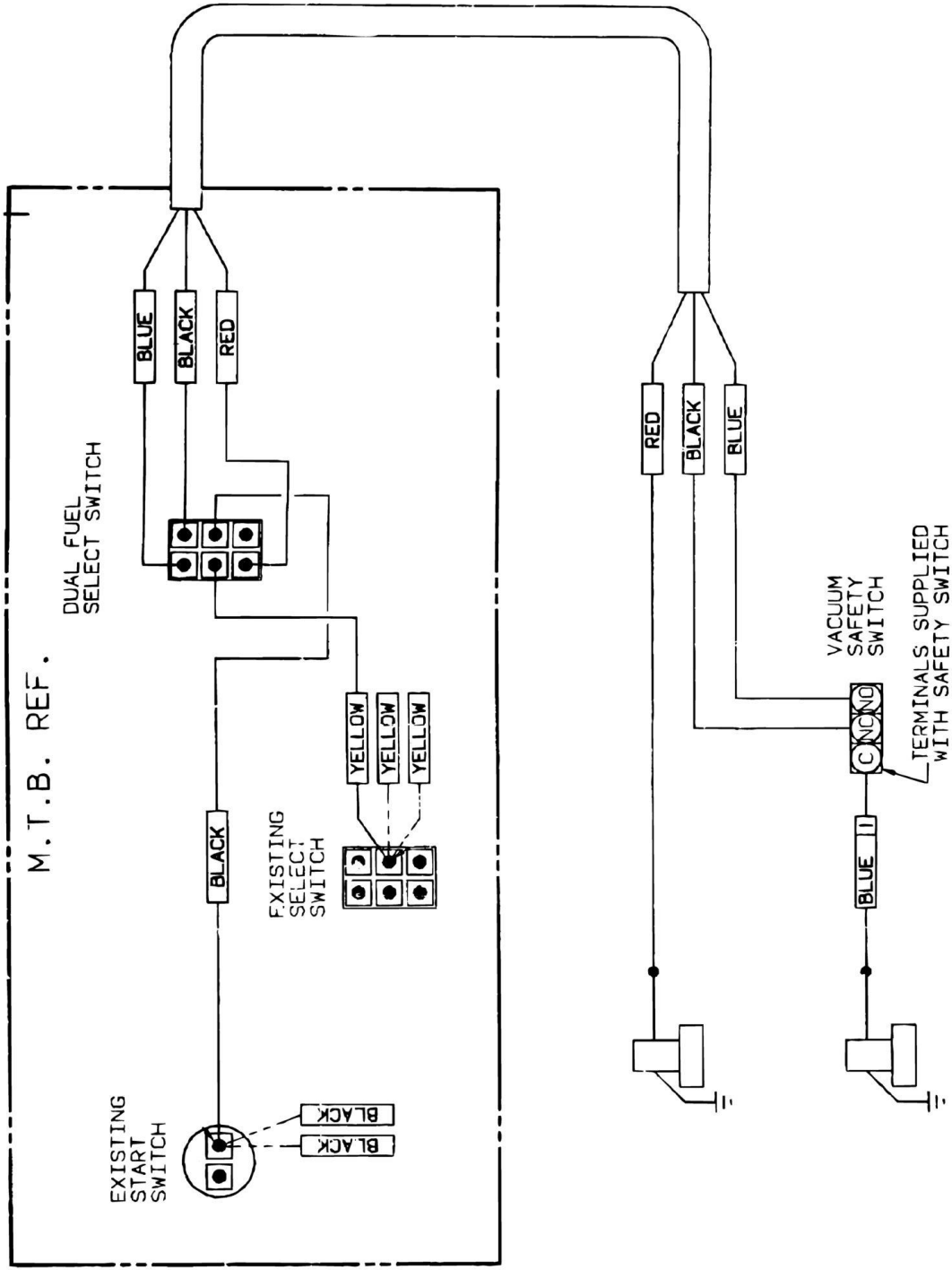
ITEM	PART NUMBER	QTY	DESCRIPTION	REV
	4360212	1	Breaker, Circuit - 3 Amp	
	3990010	1	Diode - 6 Amp	
	4931623	Ref	Engine Wiring Diagram - Deutz F3L912	G
	1280727	Ref	Engine Wiring Diagram - Deutz F3L912	K
	4920852	1	Harness, Engine	
	4360212	1	Breaker, Circuit - 3 Amp	
	3990010	Ref	Diode - 6 Amp	
	4932343	Ref	Engine Wiring Diagram - Deutz F3L1011	2
	1281502	Ref	Engine Wiring Diagram - Deutz F3L1011	E
	4921364	1	Harness, Engine	
	3990010	8	Diode - 6 Amp	
	4931622	Ref	Engine Wiring Diagram - Wisconsin (Prior to July 1988)	E
	1280727	Ref	Engine Wiring Diagram - Wisconsin (July 1998 to Present)	K
	4920850	1	Harness, Engine	
	4931826	Ref	Engine Wiring Diagram - Wisconsin (July 1988 to Present)	D
	1280727	Ref	Engine Wiring Diagram - Wisconsin (July 1988 to Present)	K
	4921128	1	Harness, Engine	
	3990010	1	Diode - 6 Amp	
	4931620	Ref	Ground Control Box Wiring Diagram (Prior to May 1994) (See Ground Control Box Installation for Harnesses)	G
	4932704	Ref	Ground Control Box Wiring Diagram - Deutz F2L511/F3L912 and Wisconsin (May 1994 to Present) (See Ground Control Box Installation for Harnesses)	6
	4932343	Ref	Ground Control Box Wiring Diagram - Deutz F3L1011 (See Ground Control Box Installation)	2
	1281502	Ref	Ground Control Box Wiring Diagram - Deutz F3L1011 (See Ground Control Box Installation)	E
		Ref	Wiring Diagrams - Ford:	
	4931621	Ref	Engine Wiring Diagram - Standard (Prior to June 1987)	A
	1280726	Ref	Engine Wiring Diagram - Standard (Prior to June 1987)	A
	4360228	1	Switch, Remote Speed Set	
	4920979	1	Harness, Engine	
	4931685	Ref	Engine Wiring Diagram - Standard (June 1987 - March 1995)	F
	1280826	Ref	Engine Wiring Diagram - Standard (June 1987 - March 1995)	H
	4360228	1	Switch, Remote Speed Set	
	4920997	1	Harness, Engine (June 1987 to March 1991)	
	4921309	1	Harness, Engine (March 1991 to March 1995)	
	4932745	Ref	Engine Wiring Diagram - Standard (March 1995 to June 1995)	-
	1282353	Ref	Engine Wiring Diagram - Standard (March 1995 to June 1995)	A
	4921716	1	Harness Engine	
	4932811	Ref	Engine Wiring Diagram - Standard (June 1995 to Present)	B
	1282459	Ref	Engine Wiring Diagram - Standard (June 1995 to Present)	A
	4921716	1	Harness Engine	
	4460298	1	Block, Terminal	
	4460300	1	Barrier, Terminal	
	4460299	1	Stop, Terminal	
	4931620	Ref	Ground Control Wiring Diagram (Prior to May 1994) (See Ground Control Box Installation for Harnesses)	G
	4932704	Ref	Ground Control Wiring Diagram (May 1994 to Present) (See Ground Control Box Installation for Harnesses)	6

SECTION 7 - ELECTRICAL

ITEM	PART NUMBER	QTY	DESCRIPTION	REV
	4931624	Ref	Engine Wiring Diagram - Deutz F2L912	F
	1280922	Ref	Engine Wiring Diagram - Deutz F2L912	I
	4920851	1	Harness, Engine	
	4360212	1	Breaker, Circuit - 3 Amp	
	3990010	1	Diode - 6 Amp	
	4931623	Ref	Engine Wiring Diagram - Deutz F3L912	H
	1280992	Ref	Engine Wiring Diagram - Deutz F3L912	F
	4920852	1	Harness, Engine	
	4360212	1	Breaker, Circuit - 3 Amp	
	3990010	1	Diode - 6 Amp	
	4932367	Ref	Engine Wiring Diagram - Deutz F3L1011	A
	1281541	Ref	Engine Wiring Diagram - Deutz F3L1011	C
	4921364	1	Harness, Engine	
	3990010	6	Diode - 6 Amp	
	4931622	Ref	Engine Wiring Diagram - Wisconsin (Prior to July 1988)	E
	1280992	Ref	Engine Wiring Diagram - Wisconsin (Prior to July 1988)	F
	4920850	1	Harness, Engine	
	4931826	Ref	Engine Wiring Diagram - Wisconsin (July 1988 to Present)	D
	1280992	Ref	Engine Wiring Diagram - Wisconsin (July 1988 to Present)	F
	4921128	1	Harness, Engine	
	4931836	Ref	Ground Control Box Wiring Diagram - Deutz F2L511/F3L912 and Wisconsin (See Ground Control Box Installation for Harnesses)	4
	4932367	Ref	Ground Control Box Wiring Diagram - Deutz F3L1011 (See Ground Control Box Installation for Harnesses)	A
	1281541	Ref	Ground Control Box Wiring Diagram - Deutz F3L1011 (See Ground Control Box Installation for Harnesses)	C
		Ref	Wiring Diagram - Ford:	
	4931621	Ref	Engine Wiring Diagram (Prior to June 1987)	A
	1280991	Ref	Engine Wiring Diagram (Prior to June 1987)	D
	4360228	1	Switch, Remote Speed Set	
	4920979	1	Harness, Engine	
	4931685	Ref	Engine Wiring Diagram (June 1987 to Present)	E
	1280991	Ref	Engine Wiring Diagram (June 1987 to Present)	D
	4360228	1	Switch, Remote Speed Set	
	4920997	1	Harness, Engine (June 1987 to March 1991)	
	4921309	1	Harness, Engine (March 1991 to Present)	
	4931836	Ref	Ground Control Box Wiring Diagram (See Ground Control Box Installation for Harnesses) (Prior to SN 36897)	4
	4932880	Ref	Ground Control Box Wiring Diagram (See Ground Control Box Installation for Harnesses) (SN 36897 to Present)	A
	4931349	Ref	WCBC Machines Wiring Diagram	C

SECTION 7 - ELECTRICAL

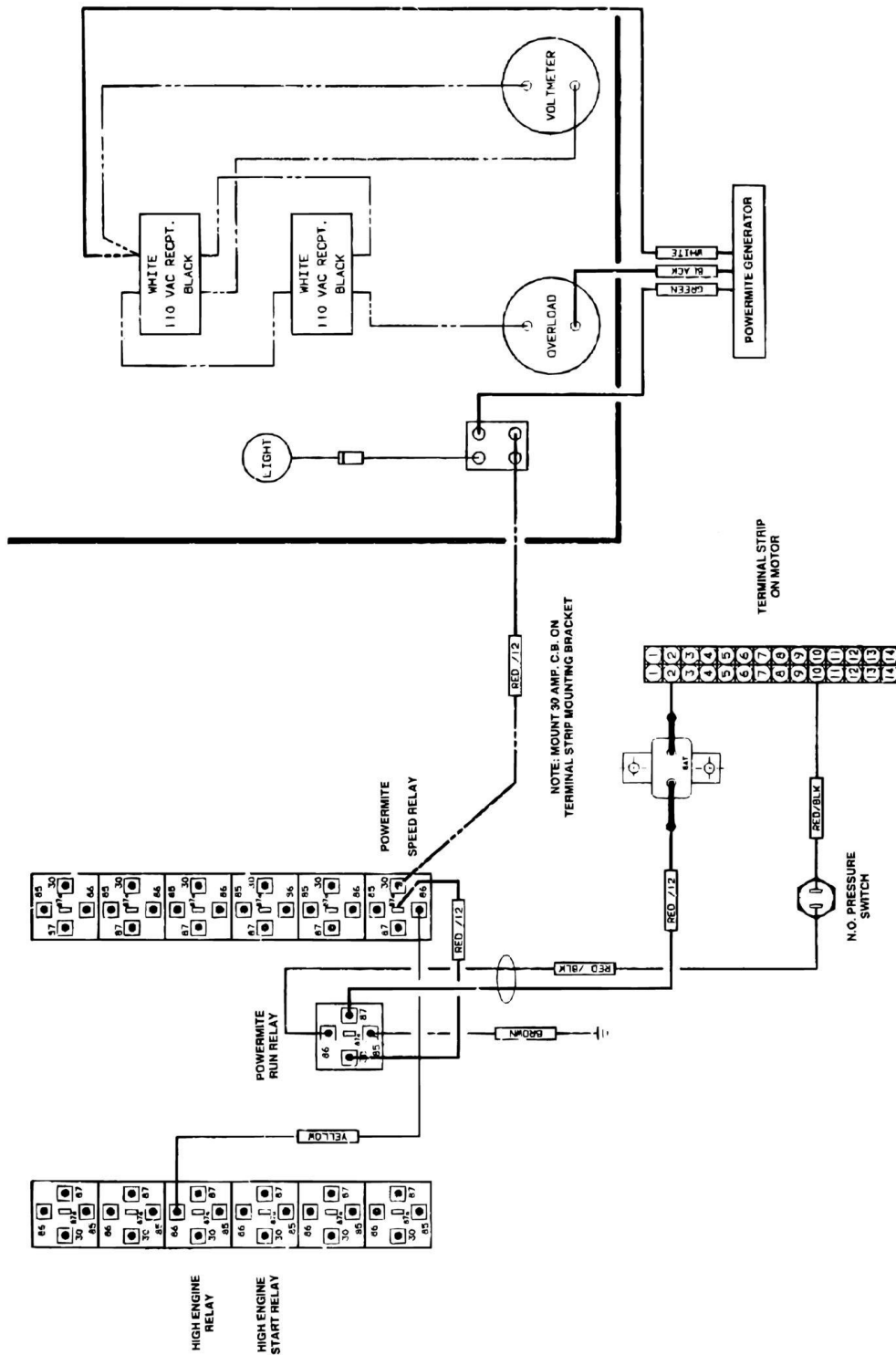
FIGURE 7-2. WIRING DIAGRAM - DUAL FUEL (FORD AND WISCONSIN ENGINES)



1281738 - Rev H

SECTION 7 - ELECTRICAL

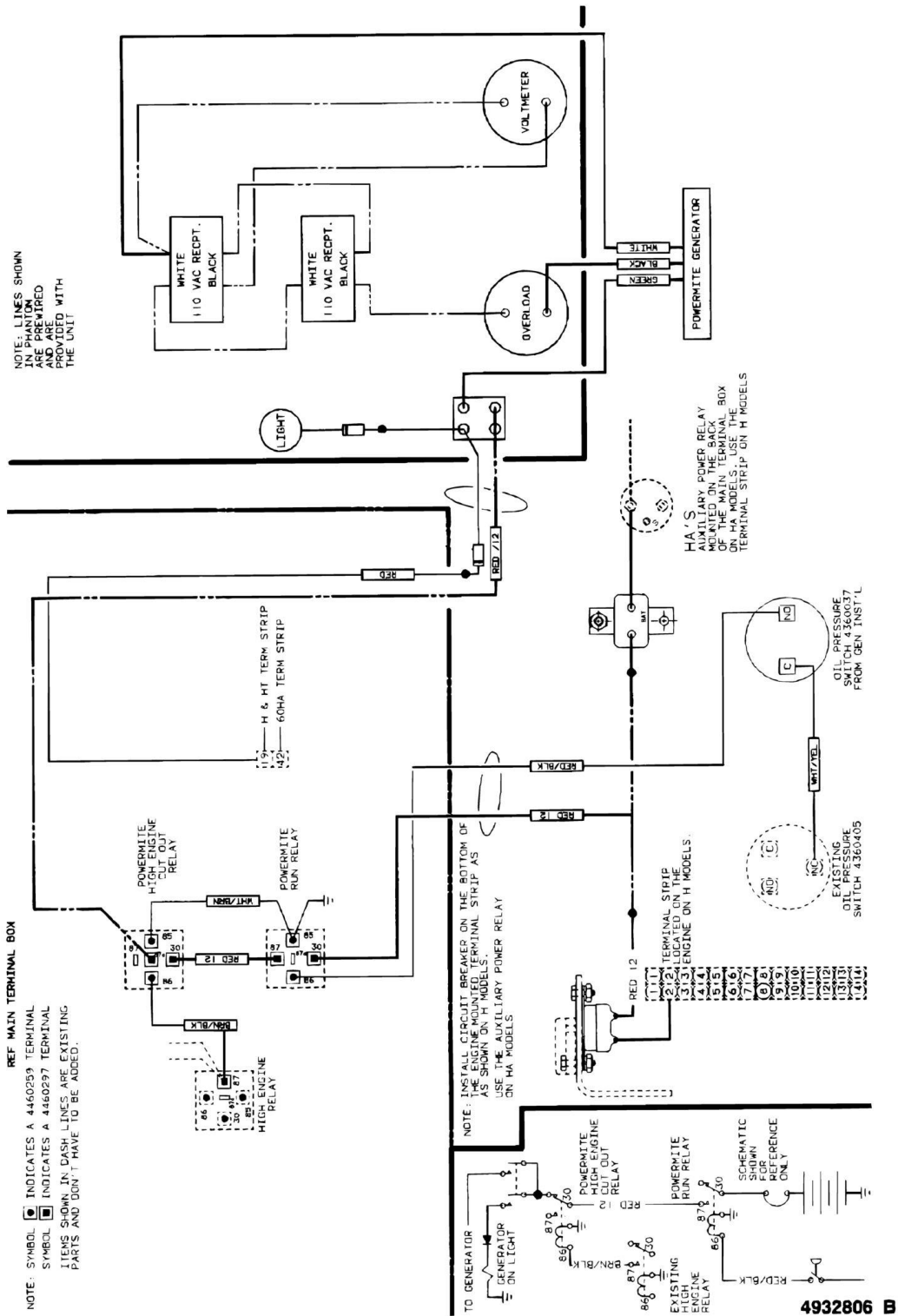
FIGURE 7-3. WIRING DIAGRAM - 110V GENERATOR (DEUTZ ENGINE)



4931693 - Rev E

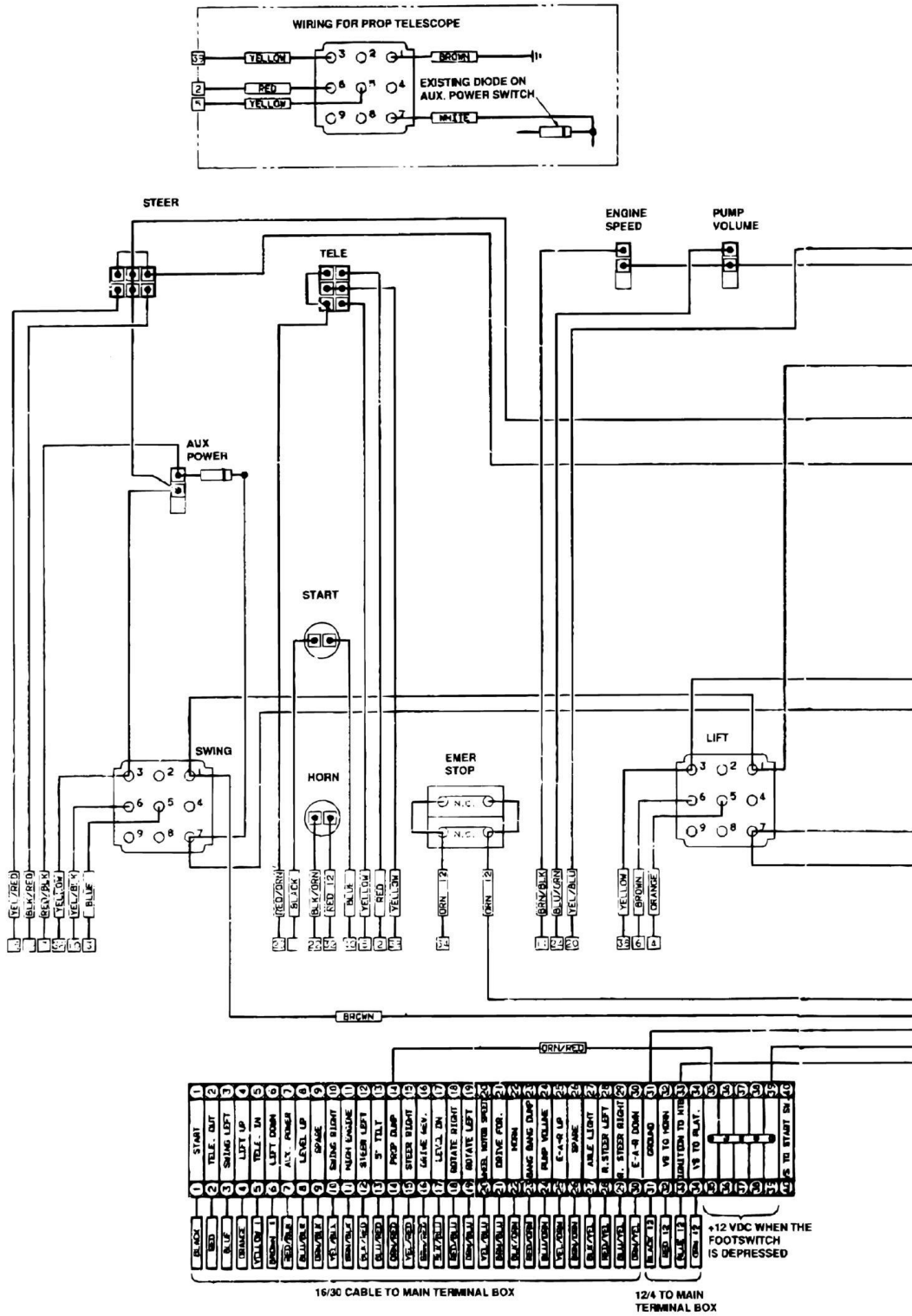
SECTION 7 - ELECTRICAL

FIGURE 7-4. WIRING DIAGRAM - 110V GENERATOR (FORD ENGINE)

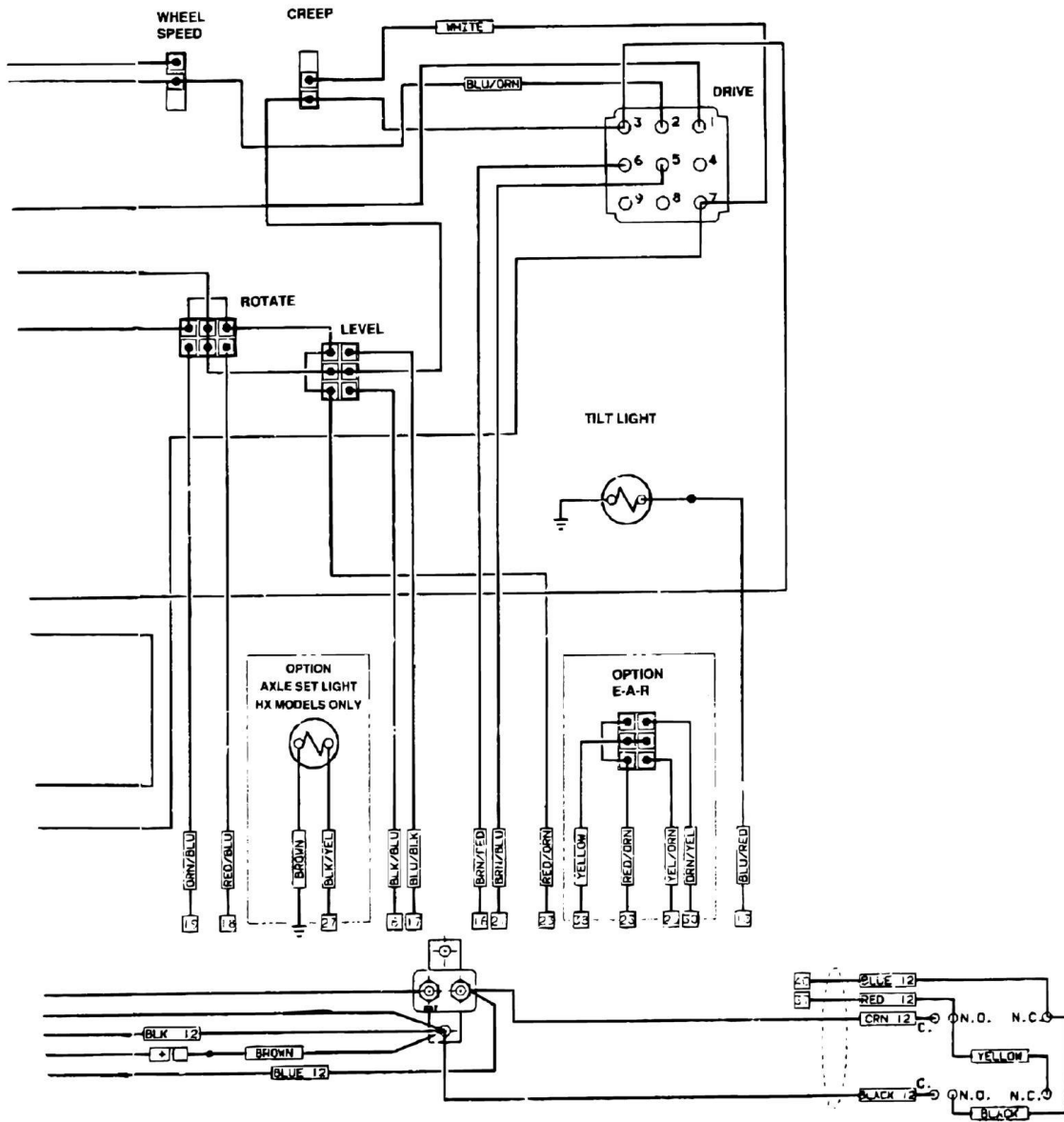


SECTION 7 - ELECTRICAL

FIGURE 7-5. WIRING DIAGRAM - PLATFORM CONSOLE STANDARD CONTROLS



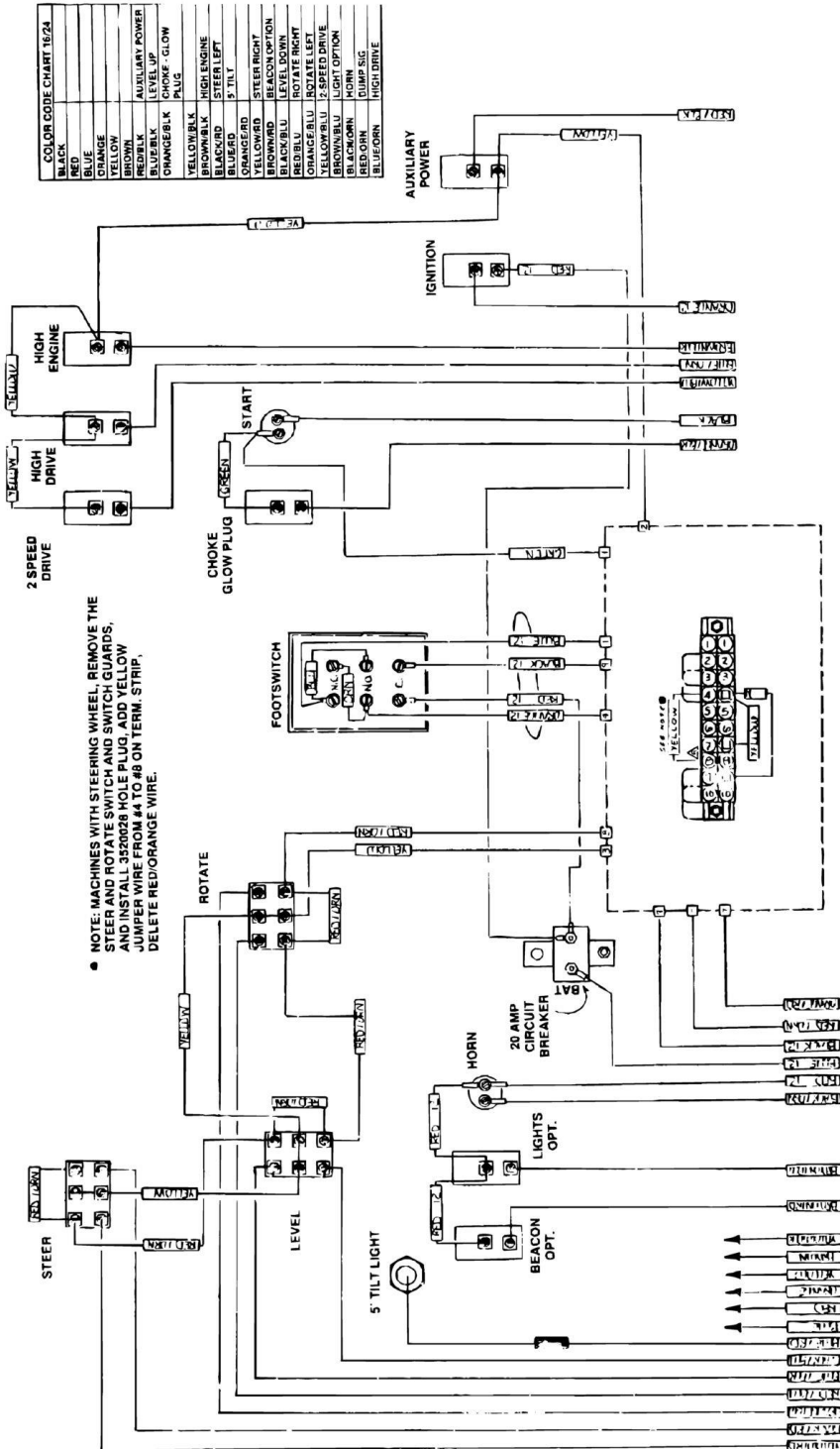
SECTION 7 - ELECTRICAL



FOOTSWITCH
1281682 - Rev B

SECTION 7 - ELECTRICAL

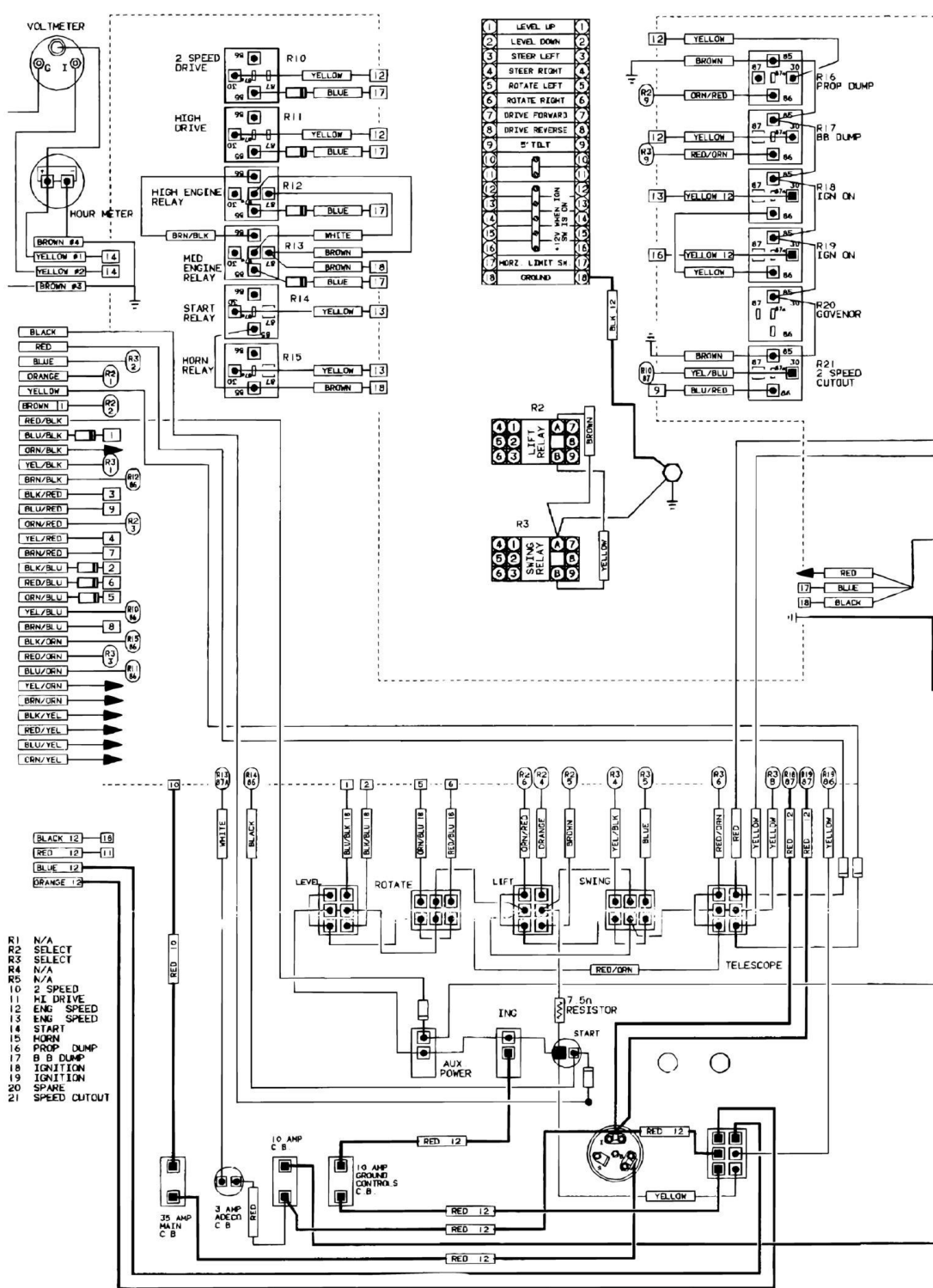
FIGURE 7-6. WIRING DIAGRAM - PLATFORM CONSOLE HYDRAULIC CONTROLS



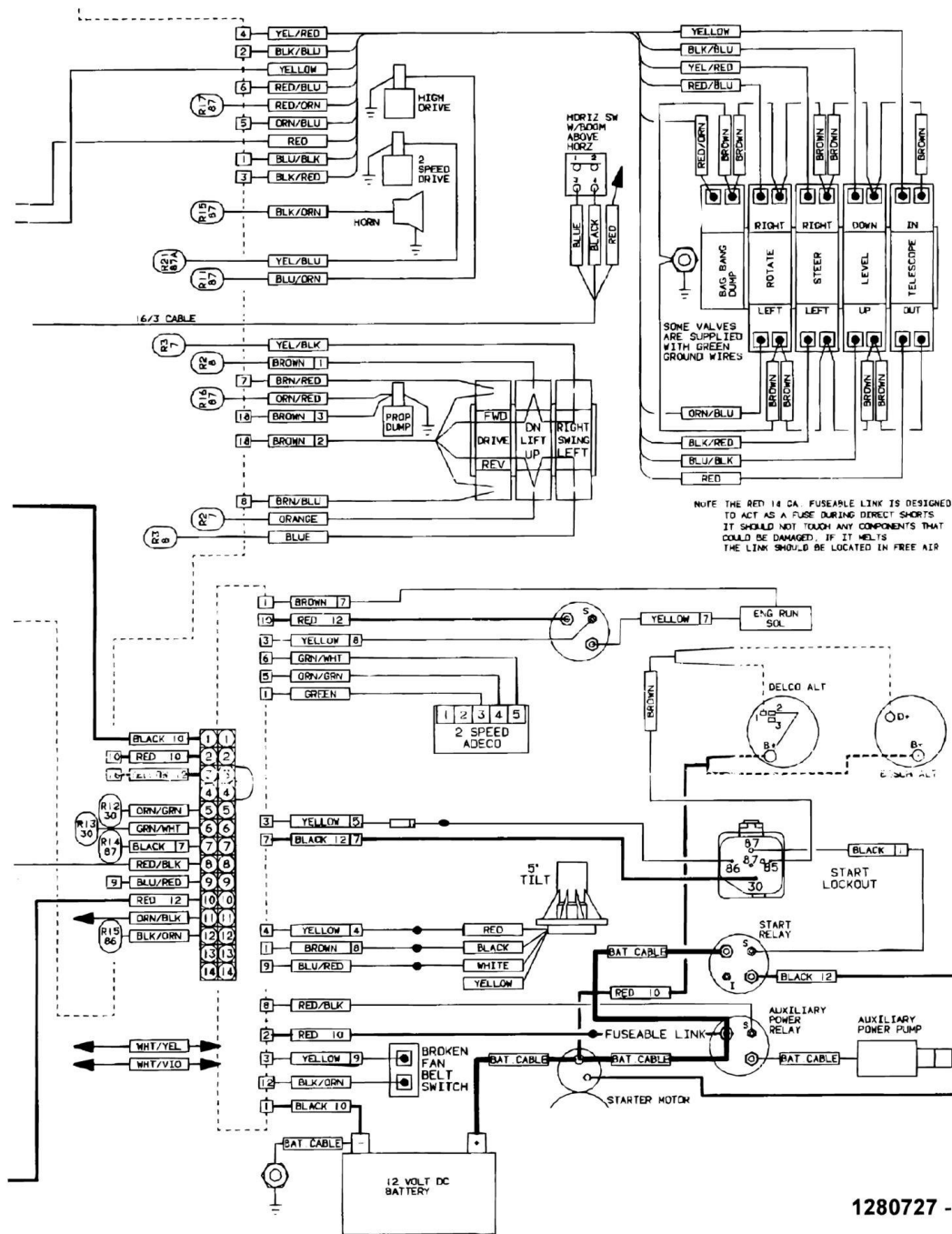
1280994 - Rev D

SECTION 7 - ELECTRICAL

FIGURE 7-7. WIRING DIAGRAM - STANDARD (DEUTZ F2L511/F3L912 AND WISCONSIN ENGINES WITH STANDARD CONTROLS)



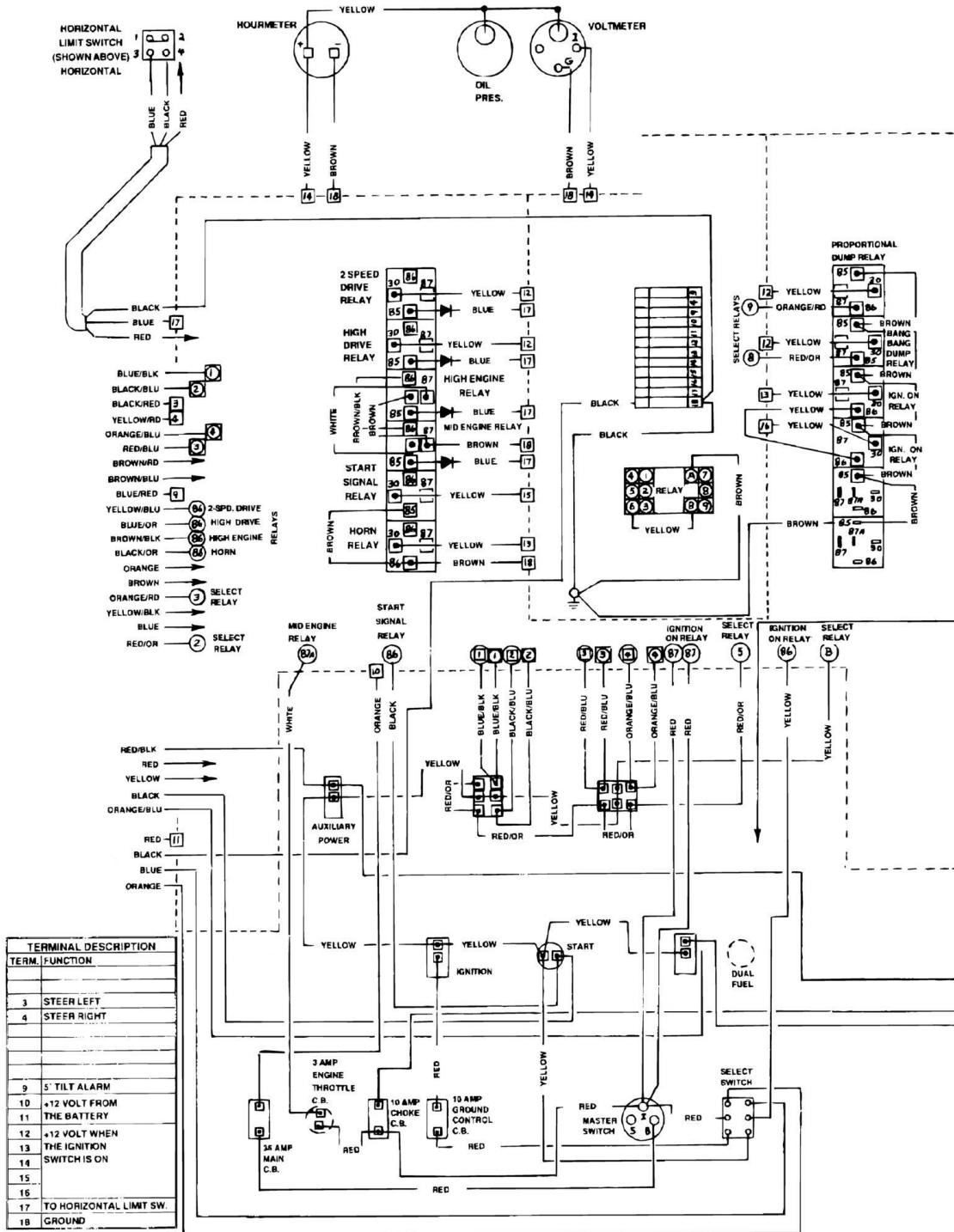
SECTION 7 - ELECTRICAL



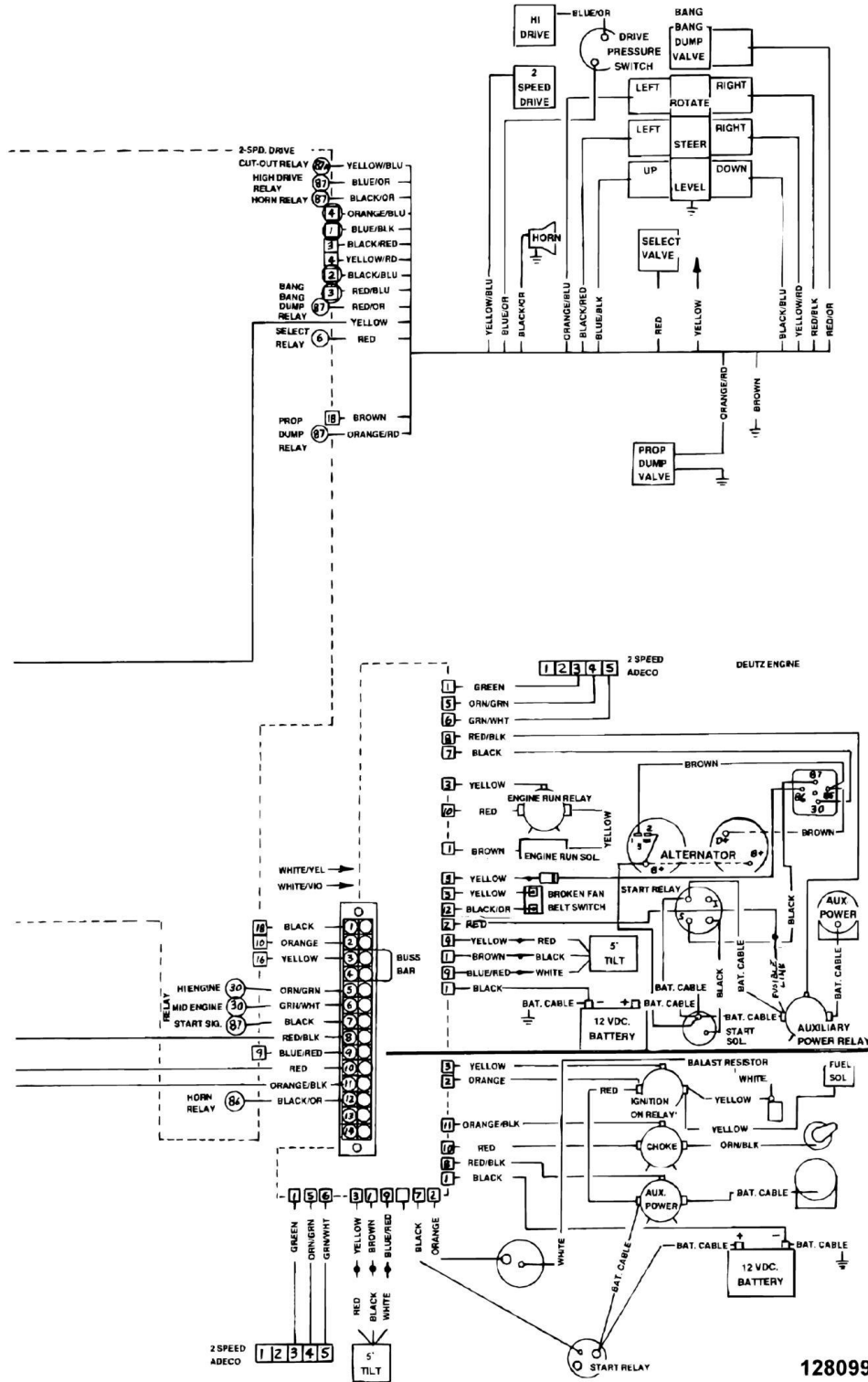
1280727 - Rev K

SECTION 7 - ELECTRICAL

FIGURE 7-8. WIRING DIAGRAM - STANDARD (DEUTZ F2L511/F3L912 AND WISCONSIN ENGINES WITH HYDRAULIC CONTROLS)



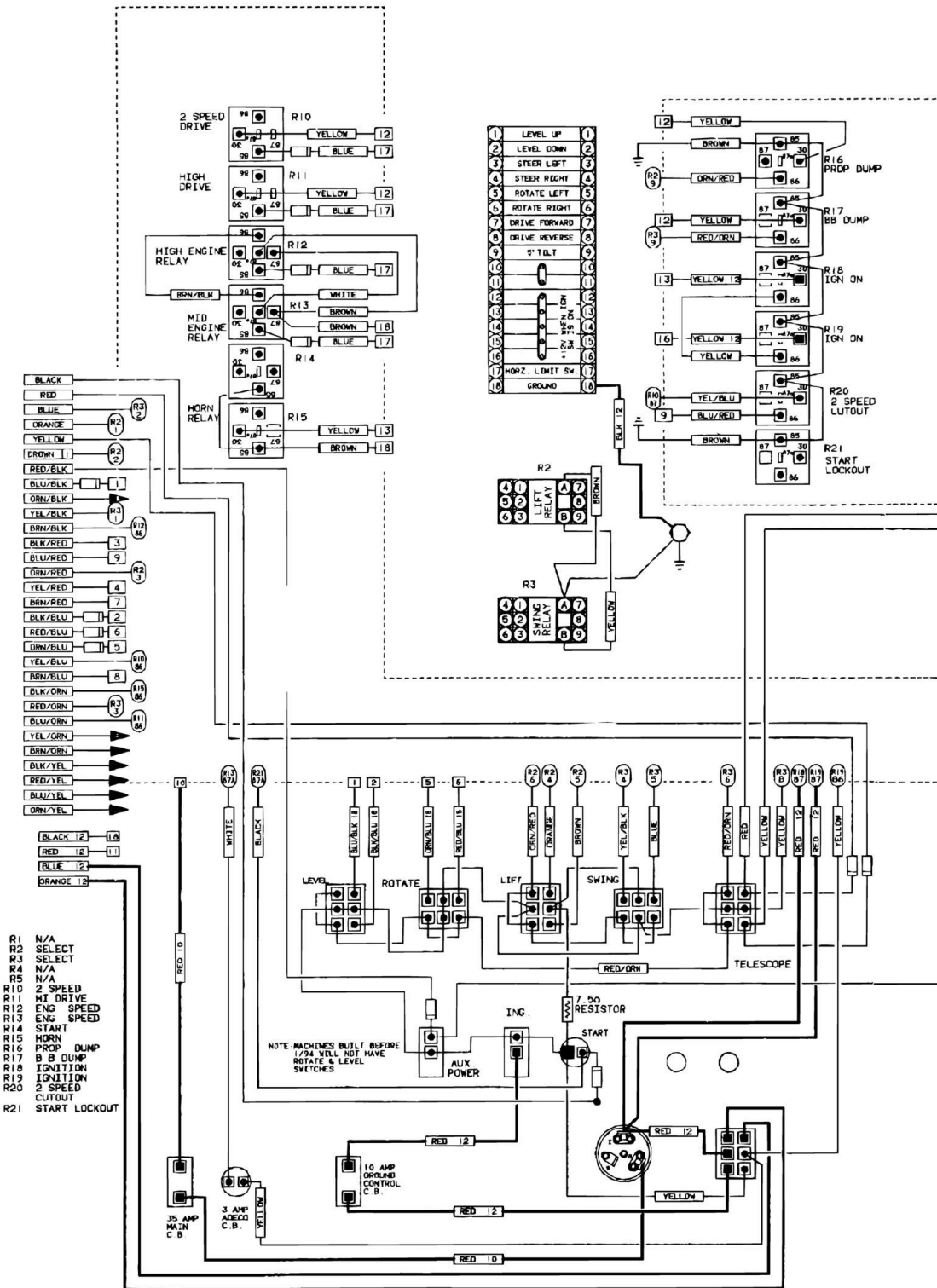
SECTION 7 - ELECTRICAL



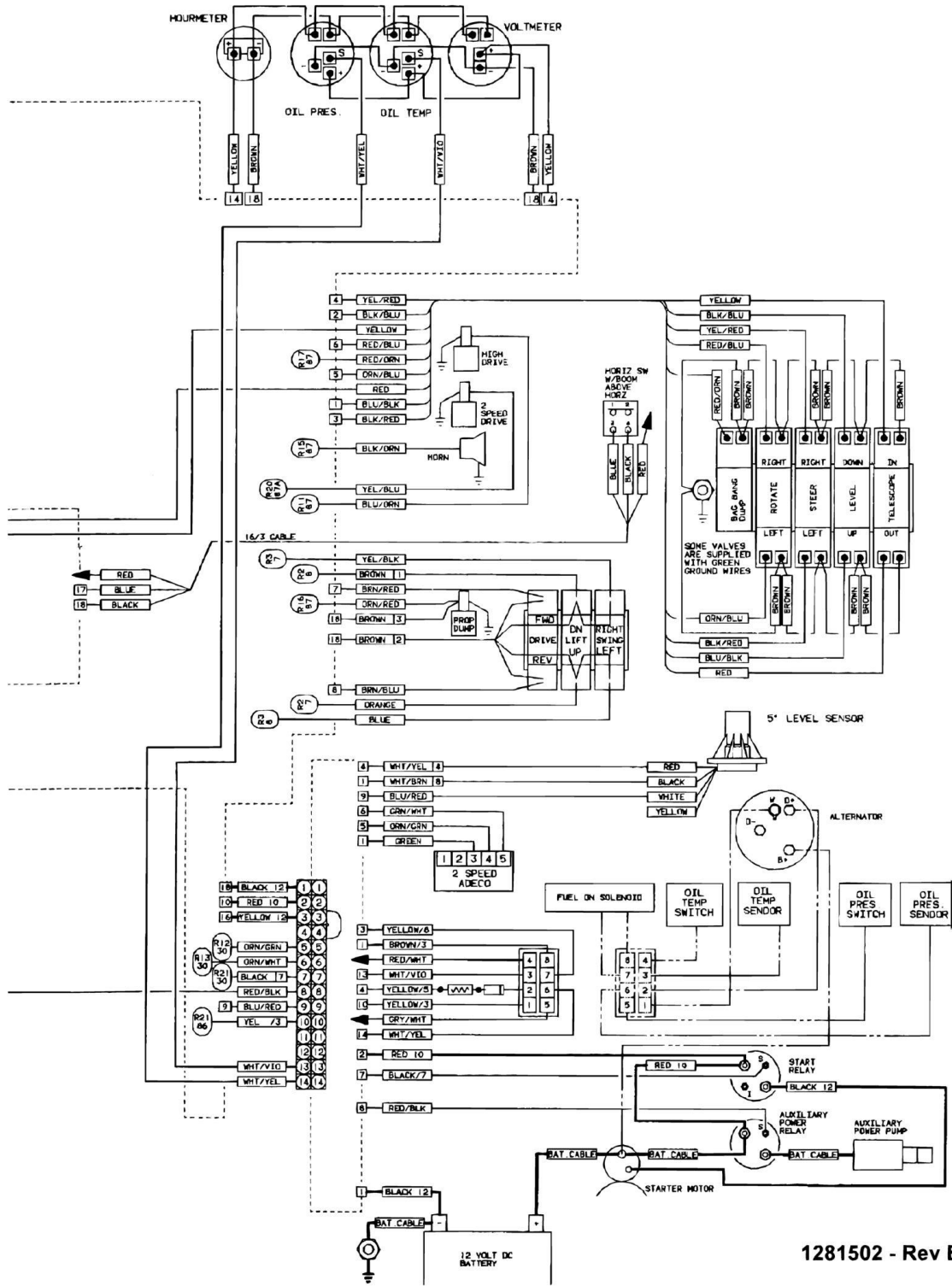
1280992 - Rev F

SECTION 7 - ELECTRICAL

FIGURE 7-9. WIRING DIAGRAM - STANDARD (DEUTZ F3L1011 ENGINES WITH STANDARD CONTROLS)



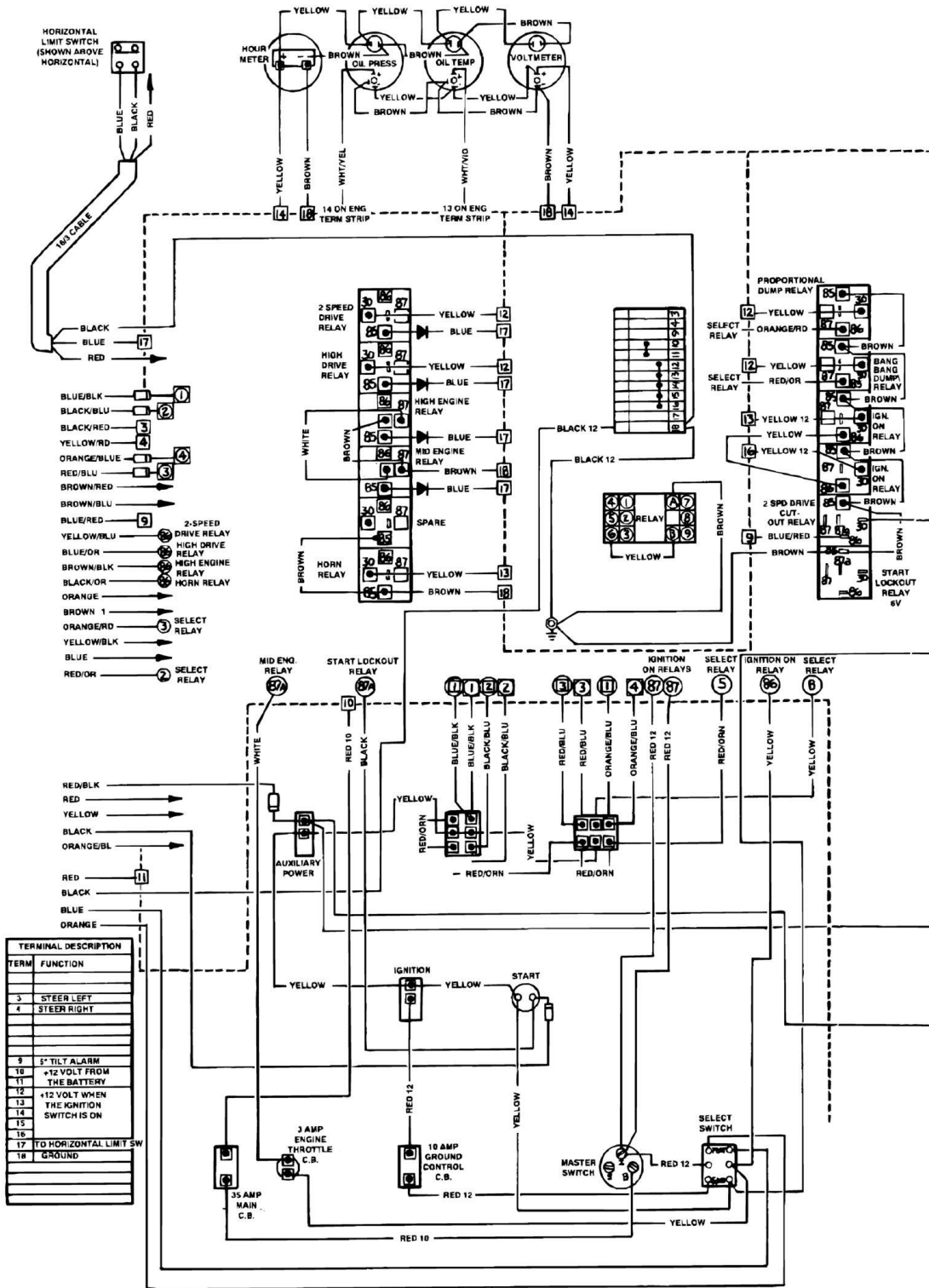
SECTION 7 - ELECTRICAL



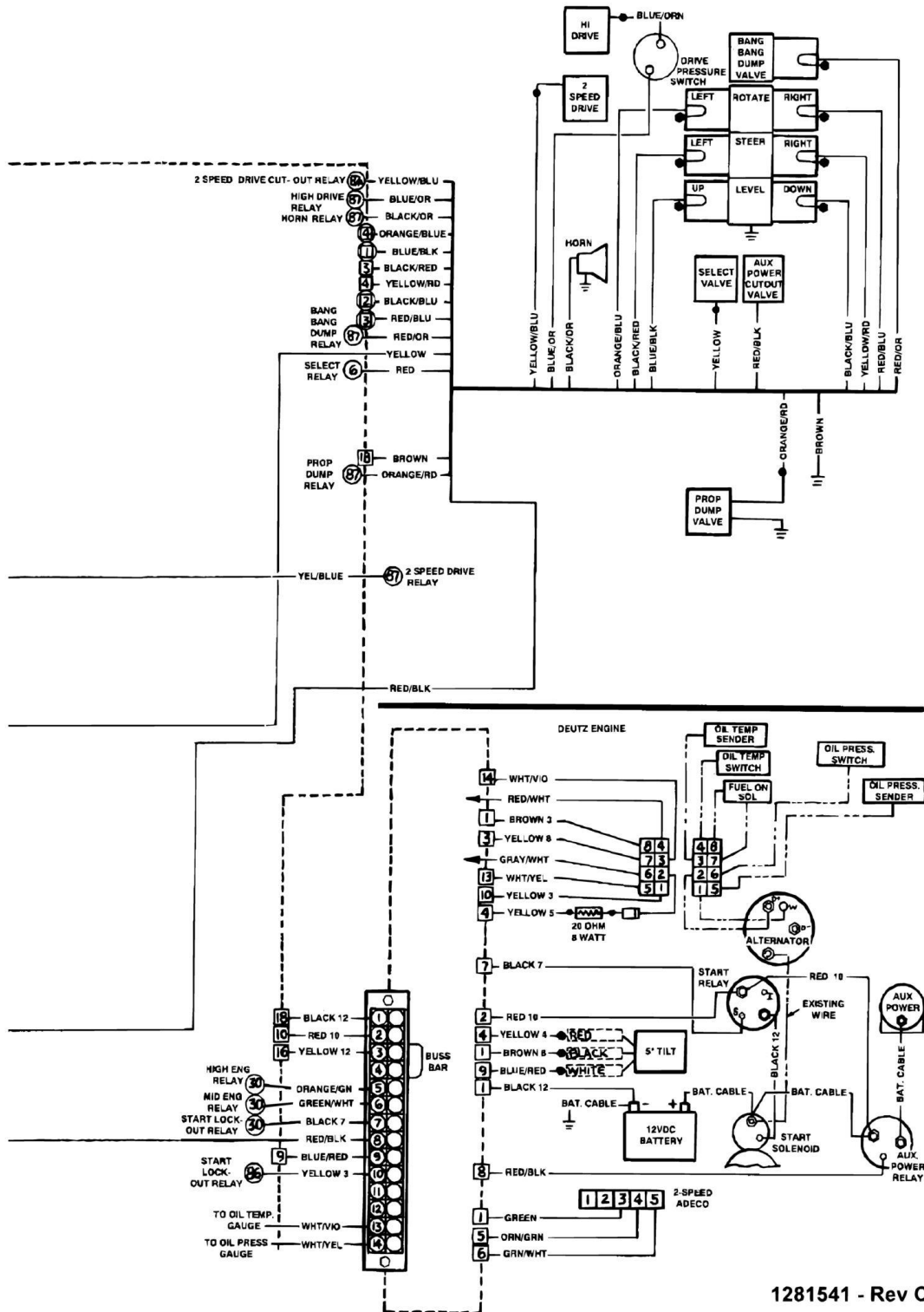
1281502 - Rev E

SECTION 7 - ELECTRICAL

FIGURE 7-10. WIRING DIAGRAM - STANDARD (DEUTZ F3L1011 ENGINES WITH HYDRAULIC CONTROLS)



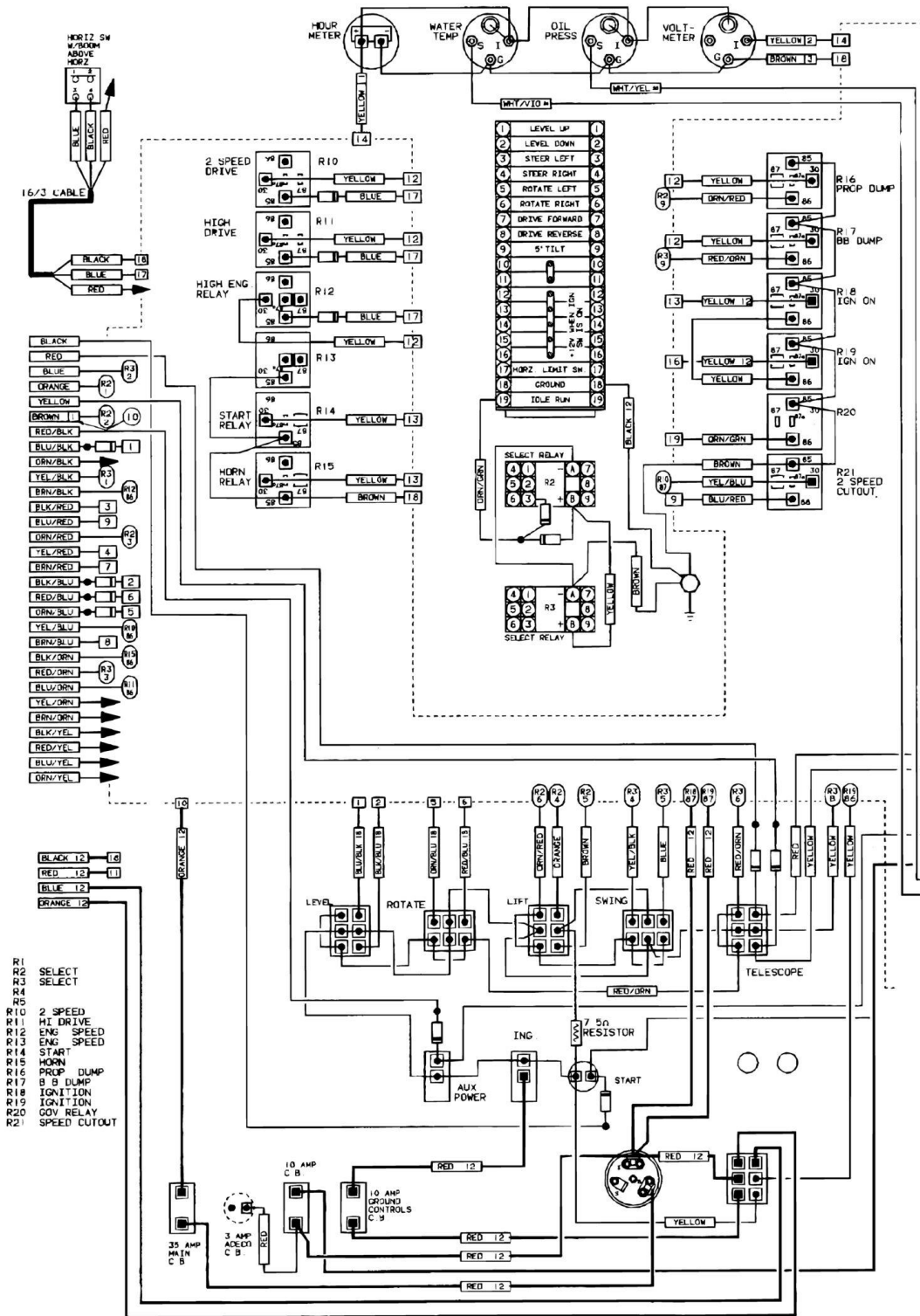
SECTION 7 - ELECTRICAL



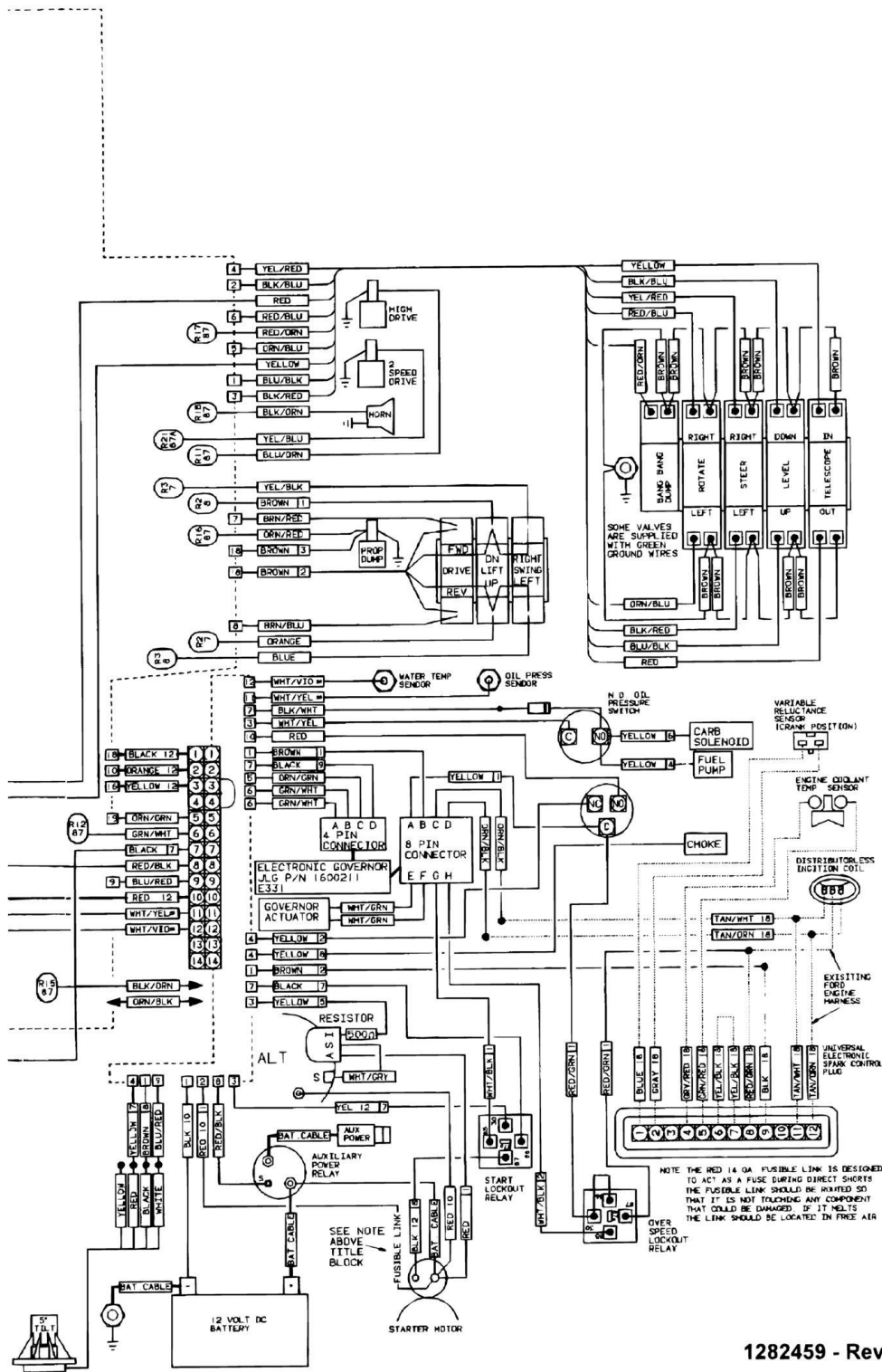
1281541 - Rev C

SECTION 7 - ELECTRICAL

FIGURE 7-11. WIRING DIAGRAM - STANDARD (FORD LRG423 DIS ENGINE WITH STANDARD CONTROLS)



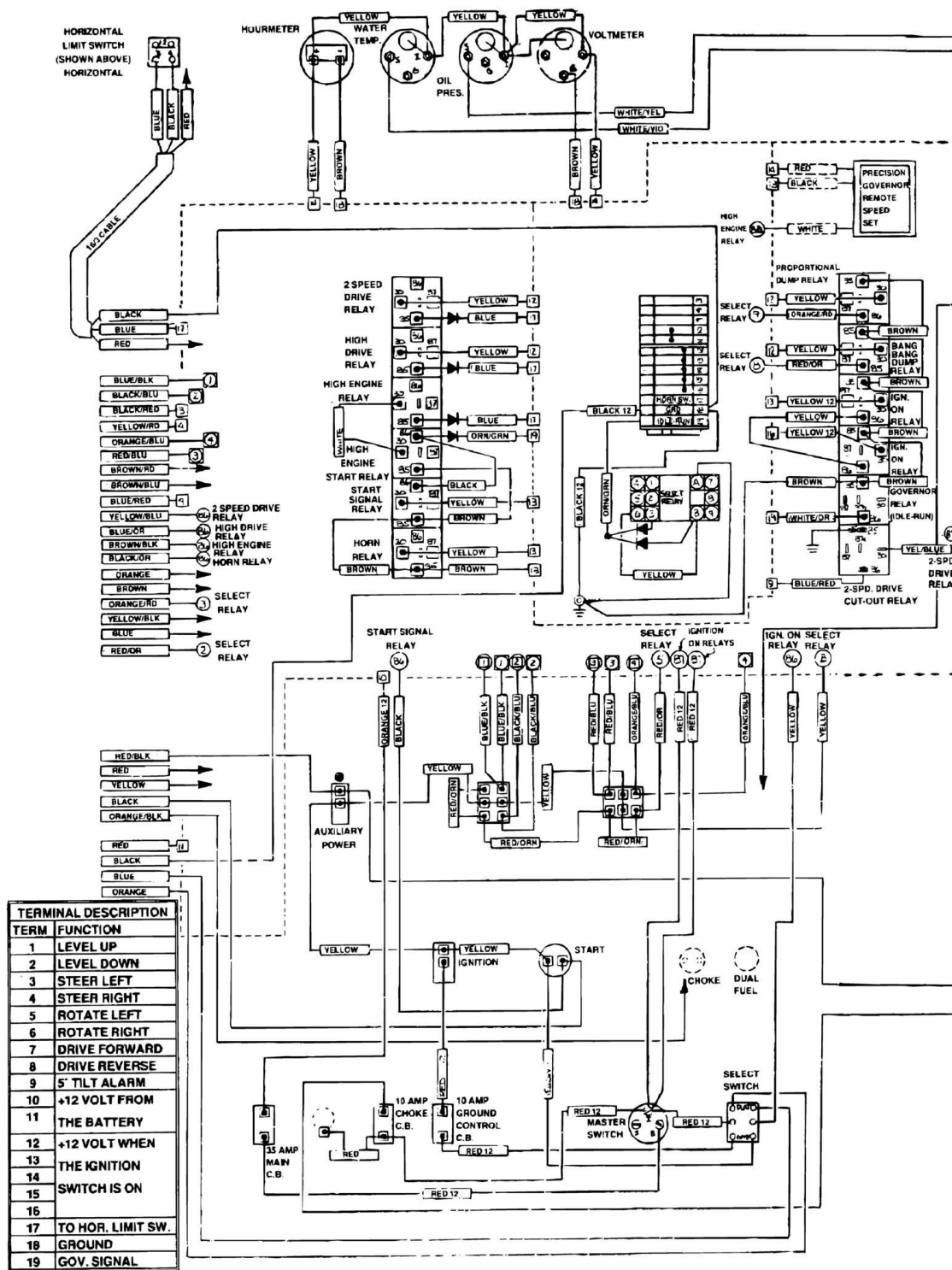
SECTION 7 - ELECTRICAL



1282459 - Rev A

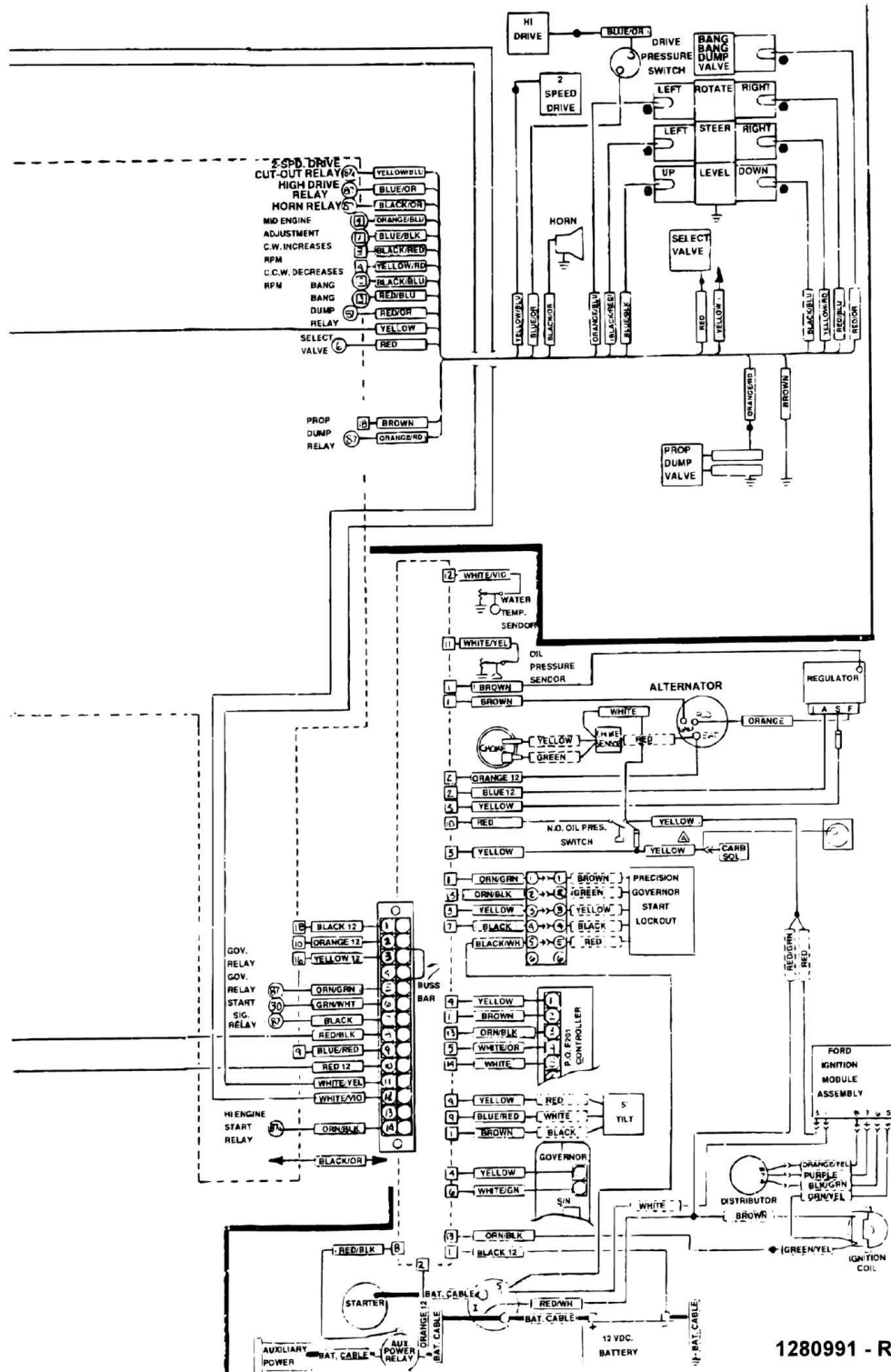
SECTION 7 - ELECTRICAL

FIGURE 7-12. WIRING DIAGRAM - STANDARD (FORD LSG423/LRG425 DIS ENGINE WITH HYDRAULIC CONTROLS)



TERM	FUNCTION
1	LEVEL UP
2	LEVEL DOWN
3	STEER LEFT
4	STEER RIGHT
5	ROTATE LEFT
6	ROTATE RIGHT
7	DRIVE FORWARD
8	DRIVE REVERSE
9	5° TILT ALARM
10	+12 VOLT FROM
11	THE BATTERY
12	+12 VOLT WHEN
13	THE IGNITION
14	SWITCH IS ON
15	
16	
17	TO HOR. LIMIT SW.
18	GROUND
19	GOV. SIGNAL

SECTION 7 - ELECTRICAL

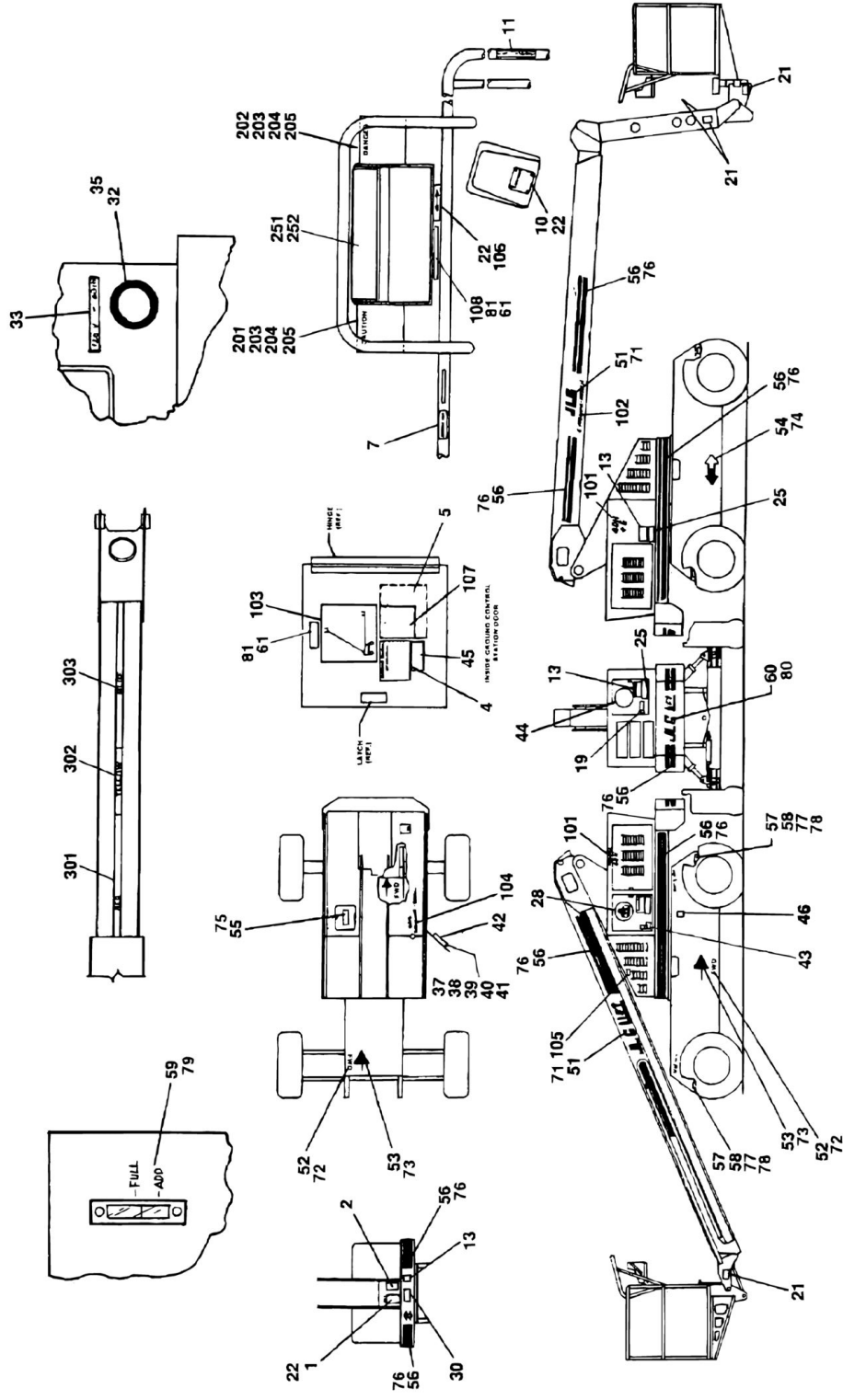


1280991 - Rev D

SECTION 8 - DECALS

SECTION 8 - DECALS

FIGURE 8-1. DECALS INSTALLATION - DOMESTIC.



SECTION 8 - DECALS

FIGURE 8-1. DECALS INSTALLATION - DOMESTIC.

ITEM	PART NUMBER	QTY	DESCRIPTION	REV
		Ref	DECALS INSTALLATION (STANDARD PARTS)	
1	Not Available	1	Nameplate - Serial Number	
2	1700587	1	Decal - Patent	
4		Ref	Decal - Ground Control Operation Options:	
4	1700582	1	Decal - Ground Control Operation (Prior to May 1994)	
4	1702293	1	Decal - Ground Control Operation (May 1994 to Present)	
5		Ref	Decal - Caution Options:	
5	1700586	1	Decal - Caution (Prior to March 1985)	
5	1700643	1	Decal - Caution (March 1985 to May 1994)	
5	1702299	1	Decal - Caution (May 1994 to Present)	
7		Ref	Decal - Attach Belt Options:	
7	1700477	2	Decal - Attach Belt (Prior to May 1994)	
7	1702276	2	Decal - Attach Belt (May 1994 to September 1995)	
7	1702612	2	Decal - Attach Belt (September 1995 to Present)	
10	3251766	1	Decal - Footswitch (Prior to March 1991 Only)	
11		Ref	Decal - No Hands Options:	
11	1700476	2	Decal - No Hands (Prior to May 1994)	
11	1702294	2	Decal - No Hands (May 1994 to Present)	
13		Ref	Decal - Crushing	
13	1700585	4	Decal - Crushing (Prior to May 1994)	
13	1702277	4	Decal - Crushing (May 1994 to Present)	
19	1700583	1	Decal - Ground Control Location	
21		Ref	Decal - Crushing Options:	
21	1700581	AR	Decal - Crushing (Prior to March 1985)	
21	1700640	AR	Decal - Crushing (March 1985 to May 1994)	
21	1702284	AR	Decal - Crushing (May 1994 to Present)	
22	3820001	AR	Rivet	
25		Ref	Decal - Electrocution Hazard Options:	
25	1700580	3	Decal - Electrocution Hazard (Prior to May 1994)	
25	1702292	3	Decal - Electrocution Hazard (May 1994 to Present)	
28	1700427	2	Decal - Logo (September 1984 to September 1989 Only)	
30		Ref	Decal - Inspection	
30	1700593	1	Decal - Inspection (Prior to May 1994)	
30	1702153	1	Decal - Inspection (May 1994 to Present)	
32	0961127	1	Bushing, Snap (March 1986 to Present)	
33	3251243	1	Nameplate - 120V (March 1986 to Present)	
35	0100010	AR	Adhesive	
37	0860520	1	Box, Manual Storage (May 1987 to Present)	
38	3311405	5	Locknut 1/4in-20NC (May 1987 to Present)	
39	4751400	6	Flatwasher 1/4in (May 1987 to Present)	
40	1060279	1	Lanyard (May 1987 to Present)	
41	0641408	1	Bolt 1/4in-20NC x 1in (May 1987 to Present)	
42	1700157	1	Decal - Manual (Prior to May 1994)	
42	1701509	1	Decal - Manual (May 1994 to Present)	
43	3251569	1	Decal - Manual (May 1987 to Present)	
44		Ref	Decal Options:	
44	1700427	1	Logo (September 1984 to September 1989)	
44	3251813	1	USA (September 1989 to Present)	
45	1702282	1	Decal - Warning (May 1994 to Present Only)	
46	1702631	1	Decal - Bar Code (September 1995 to Present Only)	

SECTION 8 - DECALS

ITEM	PART NUMBER	QTY	DESCRIPTION	REV
		Ref	BROWN DECAL INSTALLATIONS (VARIABLE PARTS)	
	0271154	Ref	40H JLG Logo	1
	0236371	Ref	40H WITH STANDARD CONTROLS	21
	9983543	Ref	40H WITH HYDRAULIC CONTROLS	4
	0271167	Ref	40H+6/46H JLG Logo	1
	0237996	Ref	40H+6/46H WITH STANDARD CONTROLS	13
	9983544	Ref	40H+6/46H WITH HYDRAULIC CONTROLS	B
51		Ref	Decal - JLG Lift Option:	
51	1700426	2	Decal - JLG Lift (Prior to March 1992)	
51	1701684	2	Decal - JLG Lift (March 1992 to Present)	
52		Ref	Decal - FWD Option:	
52	1700423	AR	Brown (Prior to September 1989)	
52	1700977	AR	Creme (September 1989 to November 1992)	
53		Ref	Decal - Arrow Option:	
53	1700568	AR	Brown (Prior to September 1989)	
53	1700978	AR	Creme (September 1989 to November 1992)	
54	1701529	AR	Decal - Arrow (November 1992 to Present)	
55	1700419	1	Decal - Hydraulic Fluid	
56	1700431	32 ft	Stripe - Orange/Brown (Prior to September 1995)	
56	1701703	32 ft	Stripe - Orange/Brown (September 1995 to Present)	
57		Ref	Decal - Lift Here Options:	
57	1700377	4	Brown (Prior to September 1989)	
57	1700975	4	Creme (September 1989 to S/N 45895)	
57	1701500	4	Decal. Lift (SN 45895 to Present)	
58		Ref	Decal - Tie Down Options:	
58	1700575	4	Brown (October 1984 to September 1989)	
58	1700976	4	Creme (September 1989 to S/N 45895)	
58	1702300	4	Decal - Tie Down (SN 45895 to Present)	
59	1700756	1	Decal - Full/Add (March 1987 to Present)	
60		Ref	Decal Options:	
60	1700426	1	JLG Lift (Prior to September 1989)	
60	1700981	1	JLG (September 1989 to Present)	
61	1702966	2	Decal - 500 Lb. Unrestricted Capacity (40H Standard Controls Only) (SN 34725 to Present)	
	2900624	1	Decal Kit (Brown)	
		Ref	BLACK DECAL INSTALLATION (VARIABLE PARTS)	
	0253620	Ref	40H WITH STANDARD CONTROLS	4
71	1701685	2	Decal - JLG Lift	
72	1700053	AR	Decal - FWD (November 1992)	
73	1700058	AR	Decal - Arrow (Prior to November 1992)	
74	1701529	AR	Decal - Arrow (November 1992 to Present)	
75	1700195	1	Decal - Hydraulic Fluid	
76	1701334	32 ft.	Stripe - Black	
77	1700232	4	Decal - Lift Here	
78	1701326	4	Decal - Tie Down	
79	1701336	1	Decal - Full/Add	
80	1701321	1	Decal - JLG	
81	1702966	2	Decal - 500 Lb. Unrestricted Capacity (SN 33893 to Present)	
		Ref	DECAL INSTALLATIONS (OPTIONAL PARTS)	
101		Ref	Decal - Model Designation Options:	
101	1700587	2	Model 40H (Brown) (Prior to March 1992)	
101	1701740	2	Model 40H (Brown) (March 1992 to Present)	

SECTION 8 - DECALS

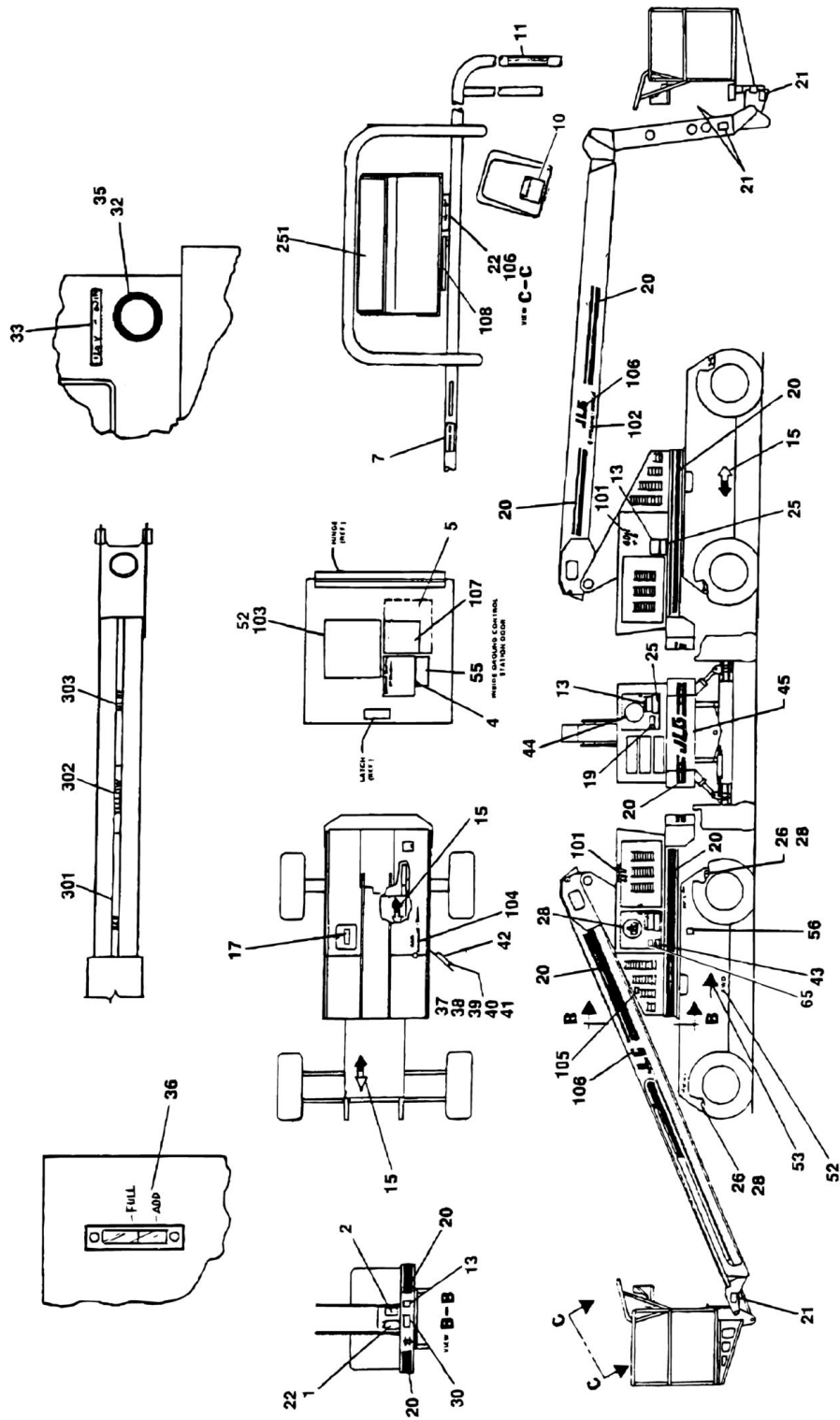
ITEM	PART NUMBER	QTY	DESCRIPTION	REV
101	1701873	2	Model 40H (Black)	
101	1701377	2	Model 40H+6 (Brown)	
102	1701375	AR	Decal - Extend-A-Reach (40H+6/46H Only)	
103		Ref	Nameplate - Load/Reach Options:	
103	3251565	1	40H With Standard 2 Section Boom	
103	3251601	1	40H With CSA 2 Section Boom	
103	3251693	1	40H With 3 Section Boom (Prior to SN 36202)	
103	3251745	1	40H+6/46	
104		Ref	Decal - Fuel Options:	
104	1700430	AR	Gas (Brown)	
104	1700194	AR	Gas (Black)	
104	1700428	AR	Diesel (Brown)	
104	1700196	AR	Diesel (Black)	
105		Ref	Decal - LP Gas Option (Dual Fuel Units Only):	
105	1700429	AR	(Brown)	
105	1700197	AR	(Black)	
106	3251579	1	Nameplate - Platform Rotate (With Steering Wheel Only)	
107		Ref	Nameplate - Caution (Dual Fuel Units Only)	
107	3251028	1	Nameplate - Caution (Prior to May 1994)	
107	3252356	1	Nameplate - Caution (May 1994 to Present)	
108	1701678	1	Decal - 500 Lb. Capacity (40H+6/46H Only)	
		Ref	CAUTION/DANGER PLACARDS INSTALLATION - PQ CONTROLS (PRIOR TO APRIL 1992)	
	1280450	Ref	All (Prior to March 1991)	W
	1280802	Ref	All (Prior to March 1991)	P
	0251713	Ref	Domestic (March 1991 to April 1992)	-
	0251767	Ref	CSA (March 1991 to April 1992)	-
201		Ref	Decal - Caution Options:	
201	3251548	1	Domestic	
201	3251607	1	CSA	
202	3251549	1	Decal - Danger	
203	4751400	4	Flatwasher 1/4in	
204	4761400	4	Lockwasher 1/4in	
205	3300151	4	Nut, Acorn 1/4in-20NC	
	0252312	Ref	CAUTION/DANGER PLACARDS INSTALLATION - PQ CONTROLS (APRIL 1992 TO PRESENT)	C
251	3536671	1	Plate, Placard Mounting	
251		Ref	Nameplate - Caution/Danger Options:	
251	3252144	1	Nameplate - Caution/Danger (April 1992 to May 1994)	
251	3252369	1	Nameplate - Caution/Danger (May 1994 to Present)	
251	3820019	4	Rivet	
		Ref	CAUTION/DANGER PLACARDS INSTALLATION - OEM CONTROLS	
	0239128	Ref	Domestic	A
	0237344	Ref	CSA	C
252	3530997	1	Plate, Placard Mounting	
252		Ref	Nameplate - Caution/Danger Options:	
252	3251775	1	Domestic	
252	3251671	1	CSA	
252	3820001	6	Rivet	
252	0641404	4	Bolt 1/4in-20NC x 1/2in	
252	4751400	4	Flatwasher 1/4in	

SECTION 8 - DECALS

ITEM	PART NUMBER	QTY	DESCRIPTION	REV
252	3311405	4	Locknut 1/4in-20NC	
252	3534468	1	Plate, Support	
	0236465	Ref	BOOM TAPE INSTALLATIONS	A
	0236465	Ref	DOMESTIC 2 SECTION BOOM	A
	0236316	Ref	CSA 2 SECTION BOOM	B
	0237616	Ref	DOMESTIC 3 SECTION BOOMS	A
	0239659	Ref	CSA 3 SECTION BOOM	-
301	4420017	AR	Tape - Red Options:	
301	4420017	64 in	Domestic 2 Section Boom	
301	4420017	70.75 in	CSA 2 Section Boom	
301	4420017	24.06 in	Domestic 3 Section Boom	
301	4420017	31.51 in	CSA 3 Section Boom	
302	4420016	AR	Tape - Yellow Options:	
302	4420016	41 in	Domestic 2 Section Boom	
302	4420016	46.25 in	CSA 2 Section Boom	
302	4420016	20.5 in	Domestic 3 Section Boom	
302	4420016	20.5 in	CSA 3 Section Boom	
303	4420018	AR	Tape - Blue Options:	
303	4420018	75.25 in	Domestic 2 Section Boom	
303	4420018	63.25 in	CSA 2 Section Boom	
303	4420018	70.75 in	Domestic 3 Section Boom	
303	4420018	63.25 in	CSA 3 Section Boom	

SECTION 8 - DECALS

FIGURE 8-2. DECALS INSTALLATION - LATIN AMERICA.



SECTION 8 - DECALS

FIGURE 8-2. DECALS INSTALLATION - LATIN AMERICA.

ITEM	PART NUMBER	QTY	DESCRIPTION	REV
		Ref	DECALS INSTALLATION (STANDARD PARTS)	
	0255847	Ref	DECALS INSTALLATION, 40H	7
	0255846	Ref	DECALS INSTALLATION, 40H+6	5
1	Not Available	1	Nameplate - Serial Number	
2	1702573	1	Decal - Patent	
4	1702606	1	Decal - Ground Control Operation	
5	1702607	1	Decal - Caution Options:	
7	1702690	2	Decal - Attach Belt	
10	3252489	1	Nameplate - Footswitch	
11	1702586	2	Decal - No Hands	
13	1702609	4	Decal - Crushing	
15	1701529	4	Decal - Arrow	
17	1702599	1	Decal - Hydraulic	
19	1702601	1	Decal - Ground Control Location	
20	1701703	32 ft/9.75m	Decal - Orange/Brown Stripe	
21	1702583	AR	Decal - Crushing	
22	3820001	AR	Rivet	
25	1702585	3	Decal - Electrocutation Hazard Options	
26		Ref	Decal - Lift Here Options:	
26	1702603	4	Decal - Lift Here, 40H+6	
26	1702603	4	Decal - Lift Here (40H Prior to SN 41439)	
26	1702835	4	Decal - Lift Here (40H SN 41439 to Present)	
29	1702604	4	Decal - Tie-Down	
30	1702552	1	Decal - Inspection	
32	0961127	1	Bushing, Snap	
33		Ref	Decal - 220V/50HZ Options:	
33	1702590	1	Decal - 220V/50HZ (Prior to SN 29330)	
33	1703453	1	Decal - 220V/50HZ (SN 29330 to Present)	
35	0100010	AR	Adhesive	
36	1702602	1	Decal - Full/Add	
37	0860520	1	Box, Manual Storage	
38	3311405	5	Locknut 1/4in-20NC	
39	4751400	6	Flatwasher 1/4in	
40	1060279	1	Lanyard	
41	0641408	1	Bolt 1/4in-20NC x 1in	
42	1701509	1	Decal - Manual	
43	1702665	1	Decal - Manual	
44	3251813	1	Decal - USA	
45	1700981	1	Decal - JLG	
52	1703666	1	Decal - Manual Descent (SN 34483 to Present)	
55	1702281	1	Decal - Warning	
56	1702631	1	Decal - Bar Code	
64	1702663	1	Decal - Dan Blade (Not Shown Located on Radiator Shroud) (SN 39254 to Present)	
65	1702720	1	Decal - LP Gas Liquid System (SN 39254 to Present)	
		Ref	DECAL INSTALLATIONS (OPTIONAL PARTS)	
101		Ref	Decal - Model Designation Options:	
101	1701740	2	Decal - Model Designation, Model 40H	
101	1701377	2	Decal - Model Designation, Model 40H+6	

SECTION 8 - DECALS

ITEM	PART NUMBER	QTY	DESCRIPTION	REV
102	1702660	AR	Decal - Extend-A-Reach (40H+6 Only)	
103		Ref	Nameplate - Load/Reach Options:	
103	3251565	1	Nameplate - Load/Reach, 40H With 2 Section Boom	
103	1702664	1	Nameplate - Load/Reach, 40H With 3 Section Boom (Argentina Only)	
103	3251693	1	Nameplate - Load/Reach, 40H With 3 Section Boom	
103	1702667	1	Nameplate - Load/Reach, 40H+6	
104		Ref	Decal - Fuel Options:	
104	1702722	AR	Gas	
104	1702600	AR	Diesel	
105	1702721	AR	Decal - LP Gas Option (Dual Fuel Units Only):	
106		Ref	Decal - JLG Lift Option:	
106	1701376	2	Decal - JLG Lift, 40H+6	
106	1701684	2	Decal - JLG Lift, 40H	
107	1702669	1	Nameplate - Caution (Dual Fuel Units Only)	
108	1702661	1	Decal - 230KG. Capacity (40H+6 Only)	
	2910018		Kit, Decal (Brown) (40H)	
	2900948		Kit, Decal (Brown) (40H+6)	
	0255756	Ref	CAUTION/DANGER PLACARDS INSTALLATION	-
251	3536671	1	Plate, Placard Mounting	
251	1702608	1	Nameplate - Caution/Danger Options:	
251	3820019	4	Rivet	
	0236465	Ref	BOOM TAPE INSTALLATION - 2 SECTION BOOM	A
	0237616	Ref	BOOM TAPE INSTALLATION - 3 SECTION BOOM	A
301	4420017	Ref	Tape - Red	
301	4420017	64 in	2 Section	
301	4420017	24.06 in	3 Section	
302	4420016	Ref	Tape - Yellow	
302	4420016	41 in	2 Section	
302	4420016	20.5 in	3 Section	
303	4420018	Ref	Tape - Blue	
303	4420018	75.25 in	2 Section	
303	4420018	70.75 in	3 Section	

SECTION 9 - RECOMMENDED SERVICE PARTS STOCK

SECTION 9 - RECOMMENDED SERVICE PARTS STOCK

SECTION 9 - RECOMMENDED SERVICE PARTS STOCK

FIGURE 9-1. MODELS 40H/40H+6 (STANDARD CONTROLS) STANDARD PARTS

ITEM	PART NUMBER	QTY	DESCRIPTION	REV
	Note	Ref	Note: The following list will service one machine (built to current production per date on the front cover) with emergency repair parts which can be installed in the field. Parts from the list should be replaced when inventory is depleted to keep service parts stock supplied. For further information, contact your JLG dealer or the JLG Industries Parts Department.	
		Ref	STANDARD PARTS	
	7012339	1	Coil, (for fleets of 1 to 10)	
	7012339	1	Coil, (for fleets of 10 to 20)	
	7012339	1	Coil, (for fleets of 20 or more)	
	7000417	1	Coil, (for fleets of 1 to 10)	
	7000417	1	Coil, (for fleets of 10 to 20)	
	7000417	1	Coil, (for fleets of 20 or more)	
	7000418	1	Coil, (for fleets of 1 to 10)	
	7000418	1	Coil, (for fleets of 10 to 20)	
	7000418	1	Coil, (for fleets of 20 or more)	
	3990010	2	Diode, (for fleets of 1 to 10)	
	3990010	2	Diode, (for fleets of 10 to 20)	
	3990010	2	Diode, (for fleets of 20 or more)	
	7004214	1 Dozen	Element Filter, (for fleets of 1 to 10)	
	7004214	1 Dozen	Element Filter, (for fleets of 10 to 20)	
	7004214	1 Dozen	Element Filter, (for fleets of 20 or more)	
	3740067	1	Relay, (for fleets of 1 to 10)	
	3740067	1	Relay, (for fleets of 10 to 20)	
	3740067	1	Relay, (for fleets of 20 or more)	
	3740049	1	Relay, (for fleets of 1 to 10)	
	3740049	1	Relay, (for fleets of 10 to 20)	
	3740049	1	Relay, (for fleets of 20 or more)	
	3740016	1	Relay, (for fleets of 1 to 10)	
	3740016	1	Relay, (for fleets of 10 to 20)	
	3740016	1	Relay, (for fleets of 20 or more)	
	2120107	1 Dozen	Element Filter, (for fleets of 1 to 10)	
	2120107	1 Dozen	Element Filter, (for fleets of 10 to 20)	
	2120107	1 Dozen	Element Filter, (for fleets of 20 or more)	
	4360003	1	Switch, Master Key (Deutz F3L1011), (for fleets of 1 to 10)	
	4360003	1	Switch, Master Key (Deutz F3L1011), (for fleets of 10 to 20)	
	4360003	1	Switch, Master Key (Deutz F3L1011), (for fleets of 20 or more)	
	2860002	1 set	Key, Replacement (Deutz F3L1011), (for fleets of 1 to 10)	
	2860002	1 set	Key, Replacement (Deutz F3L1011), (for fleets of 10 to 20)	
	2860002	1 set	Key, Replacement (Deutz F3L1011), (for fleets of 20 or more)	
	4360466	1	Switch, Master Key (Deutz F3L912), (for fleets of 1 to 10)	
	4360466	1	Switch, Master Key (Deutz F3L912), (for fleets of 10 to 20)	
	4360466	1	Switch, Master Key (Deutz F3L912), (for fleets of 20 or more)	
	7020174	1 set	Key, Replacement (Deutz F3L912), (for fleets of 1 to 10)	
	7020174	1 set	Key, Replacement (Deutz F3L912), (for fleets of 10 to 20)	
	7020174	1 set	Key, Replacement (Deutz F3L912), (for fleets of 20 or more)	
	4360201	1	Switch, Control Selection, (for fleets of 1 to 10)	
	4360201	1	Switch, Control Selection, (for fleets of 10 to 20)	
	4360201	1	Switch, Control Selection, (for fleets of 20 or more)	

SECTION 9 - RECOMMENDED SERVICE PARTS STOCK

ITEM	PART NUMBER	QTY	DESCRIPTION	REV
	4360274	1	Switch, Push Button, (for fleets of 1 to 10)	
	4360274	1	Switch, Push Button, (for fleets of 10 to 20)	
	4360274	1	Switch, Push Button, (for fleets of 20 or more)	
	4360199	1	Switch, Toggle, (for fleets of 1 to 10)	
	4360199	1	Switch, Toggle, (for fleets of 10 to 20)	
	4360199	1	Switch, Toggle, (for fleets of 20 or more)	
	4360202	1	Switch, Toggle, (for fleets of 1 to 10)	
	4360202	1	Switch, Toggle, (for fleets of 10 to 20)	
	4360202	1	Switch, Toggle, (for fleets of 20 or more)	
	4360200	1	Switch, Toggle, (for fleets of 1 to 10)	
	4360200	1	Switch, Toggle, (for fleets of 10 to 20)	
	4360200	1	Switch, Toggle, (for fleets of 20 or more)	
	4360212	1	Breaker, Circuit 3 Amp, (for fleets of 1 to 10)	
	4360212	1	Breaker, Circuit 3 Amp, (for fleets of 10 to 20)	
	4360212	1	Breaker, Circuit 3 Amp, (for fleets of 20 or more)	
	4360186	1	Breaker, Circuit 35 Amp, (for fleets of 1 to 10)	
	4360186	1	Breaker, Circuit 35 Amp, (for fleets of 10 to 20)	
	4360186	1	Breaker, Circuit 35 Amp, (for fleets of 20 or more)	
	4360069	1	Breaker, Circuit 10 Amp, (for fleets of 1 to 10)	
	4360069	1	Breaker, Circuit 10 Amp, (for fleets of 10 to 20)	
	4360069	1	Breaker, Circuit 10 Amp, (for fleets of 20 or more)	
	4360542	1	Breaker, Circuit (Generator), (for fleets of 1 to 10)	
	4360542	1	Breaker, Circuit (Generator), (for fleets of 10 to 20)	
	4360542	1	Breaker, Circuit (Generator), (for fleets of 20 or more)	
	1340046	1	Breather, Hydraulic Tank, (for fleets of 1 to 10)	
	1340046	1	Breather, Hydraulic Tank, (for fleets of 10 to 20)	
	1340046	1	Breather, Hydraulic Tank, (for fleets of 20 or more)	
	4360475	1	Switch, Emergency Stop, (for fleets of 1 to 10)	
	4360475	1	Switch, Emergency Stop, (for fleets of 10 to 20)	
	4360475	1	Switch, Emergency Stop, (for fleets of 20 or more)	
	1600141	1	Controller, PQ, (for fleets of 1 to 10)	
	1600141	1	Controller, PQ, (for fleets of 10 to 20)	
	1600141	1	Controller, PQ, (for fleets of 20 or more)	
	4360209	1	Breaker, Circuit 20 Amp, (for fleets of 1 to 10)	
	4360209	1	Breaker, Circuit 20 Amp, (for fleets of 10 to 20)	
	4360209	1	Breaker, Circuit 20 Amp, (for fleets of 20 or more)	
	3990001	1	Diode - 3.5 Amp, (for fleets of 1 to 10)	
	3990001	1	Diode - 3.5 Amp, (for fleets of 10 to 20)	
	3990001	1	Diode - 3.5 Amp, (for fleets of 20 or more)	

SECTION 9 - RECOMMENDED SERVICE PARTS STOCK

FIGURE 9-2. MODELS 40H/40H+6 (STANDARD CONTROLS) VARIABLE PARTS

ITEM	PART NUMBER	QTY	DESCRIPTION	REV
	Note	Ref	Note: The following list will service one machine (built to current production per date on the front cover) with emergency repair parts which can be installed in the field. Parts from the list should be replaced when inventory is depleted to keep service parts stock supplied. For further information, contact your JLG dealer or the JLG Industries Parts Department.	
		Ref	VARIABLE PARTS	
	7029274	1	Filter, Fuel (Deutz F3L912), (for fleets of 1 to 10)	
	7029274	1	Filter, Fuel (Deutz F3L912), (for fleets of 10 to 20)	
	7029274	1	Filter, Fuel (Deutz F3L912), (for fleets of 20 or more)	
	7020023	1	Filter, Fuel (Deutz F3L1011), (for fleets of 1 to 10)	
	7020023	1	Filter, Fuel (Deutz F3L1011), (for fleets of 10 to 20)	
	7020023	1	Filter, Fuel (Deutz F3L1011), (for fleets of 20 or more)	
	7027972	1	Filter, Fuel (Ford LRG425), (for fleets of 1 to 10)	
	7027972	1	Filter, Fuel (Ford LRG425), (for fleets of 10 to 20)	
	7027972	1	Filter, Fuel (Ford LRG425), (for fleets of 20 or more)	
	7029276	1 Dozen	Filter, Oil (Deutz F3L912), (for fleets of 1 to 10)	
	7029276	1 Dozen	Filter, Oil (Deutz F3L912), (for fleets of 10 to 20)	
	7029276	1 Dozen	Filter, Oil (Deutz F3L912), (for fleets of 20 or more)	
	7021870	1 Dozen	Filter, Oil (Deutz F3L1011), (for fleets of 1 to 10)	
	7021870	1 Dozen	Filter, Oil (Deutz F3L1011), (for fleets of 10 to 20)	
	7021870	1 Dozen	Filter, Oil (Deutz F3L1011), (for fleets of 20 or more)	
	7021869	1 Dozen	Filter, Oil (Ford LRG425), (for fleets of 1 to 10)	
	7021869	1 Dozen	Filter, Oil (Ford LRG425), (for fleets of 10 to 20)	
	7021869	1 Dozen	Filter, Oil (Ford LRG425), (for fleets of 20 or more)	
	3740080	1	Relay (Ford LRG425), (for fleets of 1 to 10)	
	3740080	1	Relay (Ford LRG425), (for fleets of 10 to 20)	
	3740080	1	Relay (Ford LRG425), (for fleets of 20 or more)	
	7006152	24	Power Track - Pin Kit, (for fleets of 1 to 10)	
	7006152	24	Power Track - Pin Kit, (for fleets of 10 to 20)	
	7006152	24	Power Track - Pin Kit, (for fleets of 20 or more)	
	7006140	2	Power Track - 1ft Section, (for fleets of 1 to 10)	
	7006140	2	Power Track - 1ft Section, (for fleets of 10 to 20)	
	7006140	2	Power Track - 1ft Section, (for fleets of 20 or more)	
	2940006	1	Latch, (for fleets of 1 to 10)	
	2940006	1	Latch, (for fleets of 10 to 20)	
	2940006	1	Latch, (for fleets of 20 or more)	
1	4360057	1	Switch, Limit, (for fleets of 1 to 10)	
1	4360057	1	Switch, Limit, (for fleets of 10 to 20)	
1	4360057	1	Switch, Limit, (for fleets of 20 or more)	

SECTION 10 - SPECIAL OPTIONS

SECTION 10 - SPECIAL OPTIONS

FIGURE 10-1. MISCELLANEOUS SPECIAL OPTIONS

ITEM	PART NUMBER	QTY	DESCRIPTION	REV
	Note	Ref	Note: This list is to accommodate machines ordered with special equipment. Options may not be applicable to all models. For more specific parts information contact JLG Parts Department.	
		Ref	MISCELLANEOUS SPECIAL OPTIONS	
	0237063	Ref	Air Cleaner Service Indicator	
	2420047	1	Gauge, Indicator	
	0237136	Ref	Airline Installation - 1/2in (40H)	
	0237137	Ref	Airline Installation - 3/4in	
	9982515	Ref	Axle Conversion - Fixed to Oscillating	
	0239189	Ref	Beacon Light Installations - Hood (Amber)	
	2920018	1	Light, Amber	
	0239190	Ref	Beacon Light Installations - Hood (Red)	
	2920009	1	Light, Red	
	0256789	Ref	Camera Mount Assembly	
		Ref	Decals Installations	
		Ref	Country Spec.	
	0253881	Ref	Japanese Spec. (40H)	
	0253883	Ref	Japanese Spec. (40H+6)	
	0257578	Ref	Brazil Spec. (40H)	
	2900938	Ref	Kit, Decal - Brazil Spec. (40H)	
	0257576	Ref	Brazil Spec. (40H+6)	
	2910044	Ref	Kit, Decal - Brazil Spec. (40H+6)	
	0233550	Ref	CSA	
	3252221	1	Decal (Located on Platform Control Box)	
	0250729	Ref	500 Lbs. Capacity	
	1700919	3	Nameplate (Located on Platform)	
	0256660	Ref	800 Lbs. Capacity Unrestricted No Indication	
	3251996	1	Nameplate (Located on Ground Control)	
	1703089	1	Decal - 800 Lbs. Unrestricted (Located on Platform Control)	
	0256956	Ref	Lanyard (GM Spec.)	
	1703175	2	Decal - Lanyard Attach (Located on Platform)	
	0271113	Ref	Sunbelt Rentals	
	0271158	Ref	United Rentals	
	0256487	Ref	Warning Prop 65 (Diesel)	
	1702961	1	Warning Prop 65 (Located on Platform)	
	0256488	Ref	Warning Prop 65 (Gas)	
	1702962	1	Warning Prop 65 (Located on Platform)	
	1001148902	Ref	Electrical Connector Kit - Amp/Tyco Electrical Connectors	
	1001148903	Ref	Electrical Connector Kit - Deutsch DT Electrical Connectors	
	1001148904	Ref	Electrical Connector Kit - Deutsch HD Electrical Connectors	
	1001148905	Ref	Electrical Connector Kit - Packard Electrical Connectors	
	1001148906	Ref	Electrical Connector Kit - Various Electrical Connectors	
	0237014	Ref	Exhaust Installation With Oxy Catalyst (Ford LSG 423)	
	3220053	1	Purifier, Oxy Catalyst	
	0251530	Ref	Exhaust Installation With Spark Arrestor (Deutz F3L1011) (Prior to April 1992)	
	0253102	Ref	Exhaust Installation With Spark Arrestor (Deutz F3L1011) (April 1992 to Present)	

SECTION 10 - SPECIAL OPTIONS

ITEM	PART NUMBER	QTY	DESCRIPTION	REV
	3220036	1	Arrestor, Spark	
		Ref	Filter Kits:	
		Ref	Combined Filter Kit (Hydraulic/Air and Fuel/Engine Oil) Options:	
	1001111016	1	Deutz F2L511	
	1001110984	1	Deutz F3L912	
	1001111016	1	Deutz F3L1011	
	2910942	1	Ford LRG-423 & LRG-425 (March 1995 to Present)	
	1001109673	1	Hydraulic/Air Filter	
	1001110131	1	Engine - Fuel/Engine Oil Filter	
		Ref	Ground Control Installation (Brazil Spec.)	
	0257623	Ref	Deutz F3L1011	
	0257615	Ref	Deutz F3L912	
	0257612	Ref	Ford	
	0861145	1	Ground Control Box Assembly (Deutz F3L1011)	
	0861146	1	Ground Control Box Assembly (Ford/Deutz F3L912)	
	0237090	Ref	Hostile Environment Package - Fixed Axle	
	0237091	Ref	Hostile Environment Package - Oscillating Axle	
	0237092	Ref	Hostile Environment Package - Fixed Axle and Oil Cooler	
	0237093	Ref	Hostile Environment Package - Oscillating Axle and Oil Cooler	
	2791754	Ref	Hydraulic Diagram (Pump Circuit/Wisconsin Engine) (Dow Chemical Units)	
	0250279	Ref	Hydraulic Power Tool Installation (2 Section Boom)	
	0239610	Ref	Hydraulic Power Tool Installation (3 Section Boom)	
	4640192	1	Valve, Flow Regulator	
	4640021	1	Valve, Solenoid Operated	
	4360199	1	Switch, Toggle	
	0236614	Ref	Lights Installations - Headlights and Taillights	
		Ref	Headlight Options:	
	2920001	2	Headlight (Prior to SN 40604)	
	2920152	2	Headlight (SN 40604 to Present)	
	2920019	2	Taillight	
	3740067	1	Solenoid	
	4360070	1	Breaker, Circuit - 15 Amp	
	1700244	1	Decal - Headlight	
	1700238	1	Decal - Circuit Breaker	
	0255026	Ref	Lights Installations - Head/Stop/Turn/Tail/Back-up Lights	
	2920001	2	Headlight	
	2920113	2	Light, Turn Signal (Front)	
	2920064	1	Light, Stop/Turn/Tail/Back-Up (LH)	
	2920065	1	Light, Stop/Turn/Tail/Back-Up (RH)	
	4360089	1	Switch, Flasher	
	4360135	1	Switch, Turn Signal	
	4390199	1	Switch, Lights On/Off	
	3740080	1	Relay, Bosch	
	4360287	1	Switch, Fuse - 15 Amp	
	0610104	1	Card, Circuit	
	3990010	5	Diode	
	0236596	Ref	Oil Cooler Installation	
	3740049	1	Relay (Prior to October 1995)	
	3740080	1	Relay (October 1995 to Present)	
	2060012	1	Fan	
	3620016	1	Cooler, Oil	

SECTION 10 - SPECIAL OPTIONS

ITEM	PART NUMBER	QTY	DESCRIPTION	REV
	2520071	1	Grill	
	0237095	Ref	Oil Cooler Filter Installation	
	2120116		Filter	
	0254981	Ref	Padding, Installation - Platform (Without Bumper)	
	0237064	Ref	Panel Lights Installation	
	2940024	3	Light, Panel	
	0256436	Ref	Pipe Rack Installation	
	0270723	Ref	Platform Beacon Light Installation	
	0238669	Ref	Platform Installation - Special Low Mount (S/N's 10976 -10980)	
	0253634	Ref	Platform Console Cover Installation - Folding Style (40H)	
	0256260	Ref	Platform Console Cover Installation - Folding Style (40H+6)	
	1670674	1	Cover (Top Stationary) (40H & 40H+6)	
	1670676	1	Cover (Mid Hinged) (40H)	
	1670677	1	Cover (Lower Hinged) (40H)	
	1670782	1	Cover (Mid/Lower Hinged) (40H+6)	
	3252369	1	Nameplate - Caution/Danger (40H & 40H+6)	
	1281196	Ref	Platform (Welded-On) Kickplates Installation - Low Mount Platform	
	0250257	Ref	3ft x 5ft Platform	
	0250261	Ref	3ft x 6ft Platform	
	0250262	Ref	3ft x 8ft Platform	
		Ref	Platform (Bolt-On) Kickplates Installation	
	0250707	Ref	3ft x 5ft Standard Platform	
	0250708	Ref	3ft x 6ft Standard Platform	
	0250709	Ref	3ft x 8ft Standard Platform	
	0250731	Ref	3ft x 5ft Low Mount Platform	
	0250730	Ref	3ft x 6ft Low Mount Platform	
	0250732	Ref	3ft x 8ft Low Mount Platform	
	0256829	Ref	Platform Spring Loaded Gate Installation	
	0238442	Ref	Platform Step Installation	
		Ref	Technical Publication Supplements	
	3120344	1	OEM Controller Supplement	
	3120351	1	PQ Controller Supplement	
	3120322	1	Specification Data Handbook	
		Ref	Tools for Service	
	7002828	1	Wire Stripper	
	7002821	1	Wire Crimper (To install wire ends to wires)	
	7002823	1	Pin/Socket Extractor - Universal (To Remove Pins/Sockets from Connectors)	
	4460467	1	Extractor - 16-18 Gauge (For Removal of Pin/Sockets from Deutsch Connectors)	
	4460510	1	Extractor - 12-14 Gauge (For Removal of Pin/Sockets from Deutsch Connectors)	
	7002822	1	Screwdriver, Potentiometer (To Adjust Drive Controllers)	
	7016654	1	Screwdriver, Magnetic	
	7004275	1	Seal Installation Tool - 1in	
	7004276	1	Seal Installation Tool - 1 1/2in	
	7002826	1	Seal Installation Tool - 2in	
	0257728	Ref	Tube Rack	
	0237094	Ref	Turntable Shield Installation	
	4060621	1	Shield	
	0253646	Ref	United Airlines Package	

SECTION 10 - SPECIAL OPTIONS

ITEM	PART NUMBER	QTY	DESCRIPTION	REV
	0253644	Ref	Boom Rest Installation	
	0253645	Ref	Engine Run Installation	
	0253534	Ref	Frame Counterweight Installation	
	0253535	Ref	Corner Lights Installation	
	0253462	Ref	Airline Installation	
	0255094	Ref	Fan Shield Installation	
	9982882	Ref	Spark Arrestor Installation	
	4360205	Ref	Switch, Select (Platform/Ground)	
	2940048	Ref	Latch, Hood Door (Oil Tank Fill Lid)	
	2940052	Ref	Latch, Hood Door (Battery Box)	
	3251784	Ref	Nameplate - 500 Lbs. Cap.	
	1701819	Ref	Decal - Gasoline	
	1701820	Ref	Decal - Hydraulic Fluid	
	1701830	Ref	Decal - Propane	
	1701894	Ref	Decal - Gas/Purge/LP	
	0236529	Ref	W.C.B.C. Package	
	0251806	Ref	Weld Cable Installation	

SECTION 10 - SPECIAL OPTIONS

FIGURE 10-2. EURO SPEC COMPONENTS

ITEM	PART NUMBER	QTY	DESCRIPTION	REV
	Note	Ref	Note: This list is to accommodate machines ordered with special equipment. Options may not be applicable to all models. For more specific parts information contact JLG Parts Department.	
		Ref	EURO SPEC COMPONENTS	
		Ref	SECTION 2 - TURNTABLE	
	0253250	Ref	Ground Control Box Installation	
	1280765	Ref	Ground Control Box Installation	
	0253292	Ref	Horizontal Cutout Switch Installation	
	1281917	Ref	Horizontal Cutout Switch Installation	
	0253322	Ref	Manual Descent Installation	
	0253278	Ref	Tilt Indicator Installation	
		Ref	SECTION 4 - PLATFORM	
	0860803	Ref	Console Box Assembly Standard (2WS)	
	0860804	Ref	Console Box Assembly with Prop Tele (2WS)	
	3510296	Ref	Platform - Standard Mount 36inx 60in (40H)	
	3510297	Ref	Platform - Standard Mount 36inx 72in (40H)	
	3510298	Ref	Platform - Standard Mount 36inx 96in (40H)	
	3510304	Ref	Platform - Low Mount 36inx 60in (40H/40H+6)	
	3510305	Ref	Platform - Low Mount 36inx 72in (40H/40H+6)	
	3510306	Ref	Platform - Low Mount 36inx 96in (40H)	
	3510299	Ref	Platform - 36inx 60in (40H+6)	
	3510300	Ref	Platform - 36inx 72in (40H+6)	
	0254411	Ref	Power Cord at Console Box (40H)	
	1282163	Ref	Power Cord at Console Box (40H)	
	0254415	Ref	Power Cord at Console Box (40H+6)	
	1282163	Ref	Power Cord at Console Box (40H+6)	
	0253558	Ref	Receptacle Mounting Plate Installation (Australian Spec)	
	0256112	Ref	Rotator Installation	
	1281494	Ref	Rotator Installation	
		Ref	Safe Load System Installation Options: (French Spec.)	
	0253747	Ref	Safe Load System Installation (Prior to SN 36621)	
	0258039	Ref	Safe Load System Installation (SN 36621 to Present)	
		Ref	SECTION 7 - ELECTRICAL	
		Ref	Safe Load System Installation Options: (French Spec.)	
	4932898	Ref	Safe Load System Installation (Prior to SN 36621)	
	4933007	Ref	Safe Load System Installation (SN 36621 to Present)	
	4932564	Ref	Wiring Diagram - Euro	
	4932667	Ref	Wiring Diagram Modification - Australian Spec	
		Ref	SECTION 8 - DECALS	
	0255621	Ref	Country Spec - 40H (Australian)	
	0255622	Ref	Country Spec - 40H+6 (Australian)	
	0252948	Ref	Country Spec - 40H (Dutch)	
	0252965	Ref	Country Spec - 40H+6 (Dutch)	
	0252944	Ref	Country Spec - 40H (UK English)	
	0252961	Ref	Country Spec - 40H+6 (UK English)	
	0252945	Ref	Country Spec - 40H (French)	
	0252962	Ref	Country Spec - 40H+6 (French)	
	0252946	Ref	Country Spec - 40H (German)	

SECTION 10 - SPECIAL OPTIONS

ITEM	PART NUMBER	QTY	DESCRIPTION	REV
	0252963	Ref	Country Spec - 40H+6 (German)	
	0252947	Ref	Country Spec - 40H (Italian)	
	0252964	Ref	Country Spec - 40H+6 (Italian)	
	0253293	Ref	Country Spec - 40H (Spanish)	
	0253296	Ref	Country Spec - 40H+6 (Spanish)	
	0257303	Ref	Decal - 40H (Australian Spec)	
	1280450	Ref	Decal - 40H (Australian Spec)	
	0257304	Ref	Decal - 40H+6 (Australian Spec)	
	1280802	Ref	Decal - 40H+6 (Australian Spec)	
	0257249	Ref	Decal - 40H (CE)	
	1280450	Ref	Decal - 40H (CE)	
	0257167	Ref	Decal - 40H+6 (CE)	
	1280802	Ref	Decal - 40H+6 (CE)	
	0252949	Ref	Decal - 40H (Common)	
	1280450	Ref	Decal - 40H (Common)	
	0252966	Ref	Decal - 40H+6 (Common)	
	1280802	Ref	Decal - 40H+6 (Common)	
	0252954	Ref	Decal - 40H (Dutch Spec)	
	1280450	Ref	Decal - 40H (Dutch Spec)	
	0252971	Ref	Decal - 40H+6 (Dutch Spec)	
	1280802	Ref	Decal - 40H+6 (Dutch Spec)	
	0252950	Ref	Decal - 40H (UK English Spec)	
	1280450	Ref	Decal - 40H (UK English Spec)	
	0252967	Ref	Decal - 40H+6 (UK English Spec)	
	1280802	Ref	Decal - 40H+6 (UK English Spec)	
	0252951	Ref	Decal - 40H (French Spec)	
	1280450	Ref	Decal - 40H (French Spec)	
	0252968	Ref	Decal - 40H+6 (French Spec)	
	1280802	Ref	Decal - 40H+6 (French Spec)	
	0252952	Ref	Decal - 40H (German Spec)	
	1280450	Ref	Decal - 40H (German Spec)	
	0252969	Ref	Decal - 40H+6 (German Spec)	
	1280802	Ref	Decal - 40H+6 (German Spec)	
	0252953	Ref	Decal - 40H (Italian Spec)	
	1280450	Ref	Decal - 40H (Italian Spec)	
	0252970	Ref	Decal - 40H+6 (Italian Spec)	
	1280802	Ref	Decal - 40H+6 (Italian Spec)	
	0253294	Ref	Decal - 40H (Spanish Spec)	
	1280450	Ref	Decal - 40H (Spanish Spec)	
	0253297	Ref	Decal - 40H+6 (Spanish Spec)	
	1280802	Ref	Decal - 40H+6 (Spanish Spec)	
	2910032	Ref	Kit, Decal - 40H (Australian Spec) (Brown)	
	2910011	Ref	Kit, Decal - 40H/40H+6 (Australian Spec) (Brown)	
	2910042	Ref	Kit, Decal - 40H (Spanish Spec)	
	2900948	Ref	Kit, Decal - 40H+6 (Spanish Spec)	

PART NUMBER INDEX

SECTION 10 - SPECIAL OPTIONS

0060020.... 145, 159, 185, 212	0140032 253	0236449 16	0237044.....296
0060021.... 145, 155, 180, 213	0181158 153	0236450 57	0237047.....145
0060022..... 185	0181159 153	0236451 211	0237063.....452
0060023..... 159, 168	0200048 253, 322	0236452 212	0237064.....454
0060024..... 145, 212	0200291 212	0236462 143	0237067..... 237, 239
0080031.....217	0200530 205	0236463 144	0237071.....180
0080039.... 146, 155, 169, 179, 194, 200, 213	0230976 125	0236465 442, 446	0237090.....453
0080073.....211	0231756 234	0236472 146	0237091.....453
0080087.....217	0231964 11	0236473 146	0237092.....453
0080092.... 179, 194, 200	0232121 61	0236474 255	0237093.....453
0080098.....283, 289	0232281 126	0236477 143	0237094.....454
0080099.....283, 288	0232282 126	0236478 144	0237095.....454
0080107..... 155	0233389 266	0236487 67	0237096.....361
0080119.....217	0233449 66	0236490 262	0237097.....361
0080124..... 179, 209	0233550 452	0236493 296	0237136.....452
0080157.....213	0233657 24	0236497 295	0237137.....452
0080163.....217, 218	0233677 24	0236506 237, 239	0237171.....321
0080164.....217, 218	0233678 24	0236507 125	0237202.....126
0080169.....218	0234219 125	0236508 238	0237205.....253
0080172..... 167	0234429 253	0236521 266	0237297.....213
0080174..... 167	0234479 141	0236526 146	0237317.....23
0080177..... 167	0234902 55	0236529 455	0237318.....23
0080211..... 194, 200	0234913 24	0236534 268	0237319.....23
0100001.... 143, 154, 167, 211, 237, 247, 255, 295, 299, 303, 307, 311, 316	0235123 24	0236536 253	0237320.....23
0100004.....125	0235124 25	0236541 154	0237344.....441
0100009.... 125, 295, 299, 307, 311	0235125 25	0236542 153	0237356.....185
0100010....211, 439, 445	0235126 25	0236543 177	0237436.....55
0100011....17, 20, 57, 59, 71, 81, 87, 91, 141, 173, 199, 205, 259, 266, 277, 283, 288, 295, 299, 315, 316, 317, 326, 329, 331, 333, 335, 337, 339, 341, 343, 345, 351, 353, 355, 357, 359, 375, 377, 379, 397, 399	0235238 ... 281, 283, 287, 288	0236544 179	0237522.....179
010001920, 65, 125, 126, 141, 284, 289	0235306 273	0236547 234	0237523.....177
0100020.... 143, 144, 154, 168, 178, 179, 193, 194, 195, 199, 200, 233, 241, 249, 259, 335, 339, 341, 345, 347, 355, 371, 373, 383, 385, 389, 397, 399	0235631 253	0236548 67	0237540.....253
0100021....284, 289, 339	0235980 321	0236560 61	0237564.....265
0100035....326, 329, 331, 333, 335, 337, 341, 343, 345, 347, 351, 353, 357, 359	0235981 321	0236561 156	0237568.....187
0100038....326, 329, 331, 333, 335, 337, 341, 343, 345, 351, 353, 357, 359	0236044 265, 268	0236562 61	0237616..... 442, 446
0140001.....253	0236044 265, 268	0236568 61	0237627..... 145, 155
0140012.....253	0236172 237, 239	0236570 155	0237630.....159
0140024.....253	0236220 11	0236581 61	0237632.....154
0140026.... 305, 321, 404, 405	0236226 11	0236596 453	0237633.....153
	0236242 57	0236597 85	0237672.....282
	0236260 66	0236598 85	0237673.....277
	0236261 282	0236599 85	0237687.....212
	0236281 23	0236600 85	0237703.....159
	0236287 253	0236614 453	0237715.....185
	0236316 442	0236656 296	0237835.....89
	0236321 180	0236657 296	0237836.....89
	0236339 181	0236705 20	0237837.....89
	0236344 177	0236717 19	0237838.....89
	0236350 233	0236741 282, 287	0237855..... 241, 244
	0236369 179	0236782 180	0237859.....180
	0236370 180	0236809 255	0237864.....143
	0236371 440	0236821 300	0237865.....144
	0236382 189, 190	0236822 300	0237866.....143
	0236383 189, 190	0236830 281	0237867.....144
	0236385 69	0236831 282	0237868.....145
	0236399 69	0236834 315	0237942.....296
	0236400 69	0236836 24	0237943.....296
	0236401 69	0236850 144, 155	0237944.....296
	0236404 55	0236868 15	0237947.....300
	0236405 55	0236871 181, 234	0237948.....300
	0236406 238, 243	0236953 159	0237963.....285, 289
	0236407 238	0236965 185	0237975.....282, 287
	0236408 237	0236992 212	0237994.....66
	0236414 66	0237014 452	0237996.....440
	0236418 149	0237025 156, 163	0238032.....141
	0236419 69	0237040 296	0238044.....187
	0236420 69	0237041 296	0238053.....241
	0236440 271	0237042 296	0238054.....241
	0236447 15	0237043 296	0238132.....241

SECTION 10 - SPECIAL OPTIONS

0238139.....	92	0250416.....	61	0252501.....	125	0254415.....	456
0238154.....	281	0250417.....	61	0252510.....	316	0254463.....	322
0238178.....	308	0250418.....	61	0252661.....	170, 405	0254464.....	322
0238179.....	308	0250421.....	61	0252662.....	233	0254465.....	322
0238180.....	308	0250422.....	61	0252663.....	169, 234	0254737.....	308
0238190.....	89	0250423.....	61	0252902.....	322	0254748.....	321, 408
0238191.....	89	0250599.....	218	0252944.....	456	0254981.....	454
0238192.....	89	0250600.....	218	0252945.....	456	0255026.....	407, 453
0238193.....	89	0250611.....	141	0252946.....	456	0255058.....	406
0238194.....	61	0250620.....	218	0252947.....	457	0255094.....	455
0238195.....	61	0250674.....	312	0252948.....	456	0255120.....	193
0238196.....	61	0250689.....	321	0252949.....	457	0255121.....	193
0238263.....	308	0250705.....	213	0252950.....	457	0255122.....	194
0238264.....	307	0250707.....	454	0252951.....	457	0255126.....	194
0238279.....	256	0250708.....	454	0252952.....	457	0255152.....	405
0238299.....	23	0250709.....	454	0252953.....	457	0255227.....	205
0238317.....	156, 234	0250729.....	452	0252954.....	457	0255621.....	456
0238345.....	177	0250730.....	454	0252961.....	456	0255622.....	456
0238346.....	179	0250731.....	454	0252962.....	456	0255624.....	25
0238347.....	177	0250732.....	454	0252963.....	457	0255625.....	25
0238348.....	179	0250919.....	322	0252964.....	457	0255626.....	24
0238442.....	454	0251035.....	321	0252965.....	456	0255645.....	361
0238489.....	55	0251085.....	24	0252966.....	457	0255646.....	361
0238570.....	56	0251086.....	66	0252967.....	457	0255647.....	361
0238669.....	454	0251162.....	321	0252968.....	457	0255648.....	361
0238755.....	66	0251188.....	149	0252969.....	457	0255725.....	317
0238840.....	23	0251203.....	321	0252970.....	457	0255726.....	317
0238841.....	23	0251290.....	167	0252971.....	457	0255727.....	317
0239055.....	253, 404	0251291.....	168	0252990.....	24	0255728.....	317
0239128.....	441	0251315.....	255	0253077.....	305, 321, 404, 405	0255729.....	316
0239136.....	66	0251323.....	146, 169	0253091.....	19	0255730.....	316
0239137.....	66	0251348.....	321	0253092.....	15	0255731.....	316
0239189.....	452	0251349.....	321	0253093.....	19	0255732.....	316
0239190.....	452	0251350.....	321	0253095.....	55	0255756.....	446
0239219.....	248, 249	0251459.....	282	0253102.....	452	0255769.....	24
0239229.....	312	0251488.....	282	0253103.....	452	0255846.....	445
0239242.....	89	0251494.....	277	0253134.....	361	0255847.....	445
0239243.....	89	0251512.....	282, 287	0253135.....	361	0255812.....	456
0239244.....	189, 190	0251530.....	452	0253250.....	456	0256260.....	454
0239254.....	321	0251543.....	253	0253278.....	456	0256339.....	234
0239256.....	66	0251632.....	277	0253292.....	456	0256436.....	454
0239266.....	180, 195, 201, 213	0251643.....	241	0253293.....	457	0256487.....	452
0239271.....	249	0251644.....	249	0253294.....	457	0256488.....	452
0239272.....	249	0251682.....	169, 406	0253296.....	457	0256660.....	452
0239273.....	249	0251713.....	441	0253297.....	457	0256662.....	249
0239341.....	287	0251767.....	441	0253322.....	456	0256789.....	452
0239342.....	287	0251769.....	287	0253437.....	316	0256829.....	454
0239411.....	211	0251770.....	287	0253438.....	316	0256857.....	66
0239412.....	212	0251806.....	455	0253462.....	322, 455	0256956.....	452
0239416.....	213	0251813.....	20	0253534.....	455	0257154.....	196, 202
0239424.....	66	0251814.....	66	0253535.....	455	0257167.....	457
0239610.....	453	0251853.....	25	0253558.....	456	0257249.....	457
0239659.....	442	0251854.....	25	0253620.....	440	0257303.....	457
0239954.....	217	0251855.....	24	0253634.....	454	0257304.....	457
0239962.....	217	0251876.....	170, 173	0253644.....	455	0257365.....	235
0239968.....	217	0251933.....	169	0253645.....	455	0257366.....	235
0250067.....	312	0252054.....	321	0253646.....	454	0257576.....	452
0250069.....	160	0252118.....	66	0253747.....	456	0257578.....	452
0250125.....	217	0252210.....	321	0253881.....	452	0257604.....	317
0250138.....	253	0252211.....	321	0253883.....	452	0257606.....	317
0250143.....	321	0252285.....	316	0253987.....	321, 408	0257608.....	317
0250248.....	287	0252299.....	16	0254097.....	407	0257609.....	317
0250257.....	454	0252312.....	441	0254203.....	404	0257612.....	453
0250261.....	454	0252350.....	89	0254246.....	312	0257615.....	453
0250262.....	454	0252351.....	89	0254410.....	305, 308, 312	0257623.....	453
0250279.....	453	0252353.....	89	0254411.....	456	0257728.....	454
		0252354.....	89	0254414.....	305, 308, 312	0257843.....	317

SECTION 10 - SPECIAL OPTIONS

0257844.....317	0540053.....273	0641508 ... 149, 163, 168, 189, 205, 249, 304, 307, 311	0681610.....173, 190, 281
0257846.....317	0540054.....273	0641510234, 260	0681612.....65
0257847.....317	0540055.....273	0641512141, 167	0681812.....65
0257888.....199	0540056.....273	064151691	0681816.....125
0257889.....199	0560467.....59	064151859	0682018.....125
0258039.....456	0560554.....268	064152055, 56	0700605.....168
0258163.....200	0560563.....355, 357	064152291	0700610.....153
0258164.....200	0560605.....17, 20, 21	064152856, 91	0700808.....169, 218
0258626.....235	0560679.....59	064153892, 249	0700810....154, 185, 193, 199, 217
0258949.....277	0560714.....17, 21	064154055, 149	0700812.....217
0258950.....277	0610091.....404	0641605266	0700814.....217
0270206.....23	0610104 ... 405, 407, 453	0641606 .70, 86, 91, 144, 154, 167, 211, 217, 259, 266, 277	0700816.....150
0270216.....23	0620055.....141	0641607218, 266	0700821.....163
0270723.....454	0620058.....141	0641608 ... 55, 70, 86, 91, 149, 163, 177, 195, 201, 217, 238, 243, 260, 265, 281, 287	0701010....167, 180, 195, 201, 217, 218
0271113.....452	0620106.....141	0641609 ... 237, 266, 287	0701013.....218
0271154.....440	0630083.....21	0641610 .69, 85, 91, 144, 146, 163, 167, 169, 178, 180, 195, 196, 201, 213, 217, 218, 241, 249, 259	0701014....143, 177, 193, 199, 209, 217, 218
0271158.....452	0630135.....185, 190	0641612 .20, 55, 69, 153, 154, 156, 205, 234, 282	0701015....177, 193, 201, 205
0271167.....440	0630136.....160	0641613266	0701021.....189
0320008.....59	0630137.....12, 16, 27	0641614168	0701022....190, 193, 199
0340002....146, 156, 169, 179, 194, 200, 213	0630246.....144	064161669, 85, 266	0701215.....153
0360372.....266	0630318.....153	064162056	0701217.....154
0361393.....71	0630347.....268	0641622 ... 144, 262, 268, 277	0701414.....173
0361524.....278	0630354.....11	0641628355, 357	0711014.....143
0361704.....190	0630360....177, 194, 201	064163455	0720803....295, 299, 304
0361751.....66	0630365.....149	064163615, 19	0721003.....16
0361810.....169	0630369.....20	064164085	0721004.....189, 205
0361815.....173	0630370 ... 146, 155, 169, 180, 195, 201, 213	064170891	0721006....143, 305, 308, 312
0362079....281, 283, 288	0630374.....268	0641724143	0721008.....307
0400002....146, 180, 195, 201, 213	0630384.....185	0641807141	0721014.....193, 199
0400003....146, 180, 195, 201, 213	0630399.....65	0641810125, 153, 211	0730606.....214
0400025.....154	0630400159, 195, 201	0641811282, 288	0731005.....253
0400029.....155	0630425.....17	0641812 ... 167, 177, 193, 199	0741606.....125, 278
0400075.....169	0630440322	0641813179, 194, 200	0741608.....65
0440018.....11, 16	0630535.....347	0641814143, 212	0750806.....242, 247
0440019.....11, 16	0641003.....12	0641820177, 194, 200	0751006....295, 299, 303, 311, 316
0440042.....315, 316	0641006 ... 145, 155, 213	0641822143	0761012.....173
0440057.....125	0641403235	0641828177	0791006.....307
0440067.....125	064140420, 174, 200, 282, 288, 316, 441	064183011	0800377.....260, 262
0440082.....266	0641405 ... 145, 155, 169, 180, 181, 211, 255, 281, 283, 288	0641836282, 287	0800378.....260
0440084.....65	0641406 15, 20, 145, 155, 159, 168, 173, 185, 193, 195, 201, 212, 213, 214, 237, 238, 241, 249, 253, 255, 283, 312	0641844168	0800379.....66, 260
0440091.....17, 20	0641407 ... 259, 265, 271, 273, 274, 295, 299	0641914125	0800399.....265
0440120.....283, 288	0641408 ... 143, 145, 153, 168, 179, 187, 193, 194, 199, 200, 282, 285, 288, 289, 316, 347, 439, 445	0642014211	0800400.....66, 267
0440134.....283, 288	0641409312	064201624	0800401.....265
0440135.....283, 289	0641410266	0642022126	0800415.....260, 262
0440161.....21	0641416 ...70, 86, 92, 209	0642032153	0800416.....267, 268
0440162.....16	064141891	064221611	0800469.....260
0440183.....16	064142691	064262062	0800504.....66, 260
0460071.....361	064143691	064262820, 61, 62	0800576.....260
0460073.....361	064144070, 86	065160865, 259	0800578.....66, 260
0460075.....361	0641506266	0651808265	0800583.....267
0460076.....361	064150761	0651828194, 200	0800589.....66, 267
0460077.....361		0652014281, 287	0800647.....260
0460081.....361		0681510173	0800699.....66, 267
0460101.....361			0800706.....260
0480037.....189			0800707.....66, 260
0480038.....150			0801098.....66, 260
0480044.....163			0801099.....260
0480048.....189			0860038....295, 299, 304, 307, 312
0480059.....173			0860467.....237
0480090.....205			0860472.....295, 299
0540045.....271			
0540046.....271			
0540047.....271			
0540052.....273, 274			

SECTION 10 - SPECIAL OPTIONS

0860478 237	0901633 173	1001096415.....24, 50, 51	1180103..... 261
0860487 237	0901651 177, 194, 200	1001096416.....24, 50, 51	1180139..... 267
0860490 237	0901669 213	1001109673.....453	1180140..... 267
0860509 237	0901670 214	1001110131.....453	1180152..... 260, 261
0860516 237	0901705 167	1001110984.....453	1180180..... 261
0860517 237	0901721 287	1001111016.....453	1180183..... 261
0860520 439, 445	0901729 168	1001148902.....452	1180259..... 267
0860538 307	0901743 147	1001148903.....452	1180263..... 261
0860547 241, 247	0901770 168	1001148904.....452	1180269..... 267
0860548 241	0901804 92	1001148905.....452	1260017..... 61, 312
0860564 250	0902087 193, 200	1001148906.....452	1260025..... 211
0860565 311	0902088 193, 199	1060012.... 150, 164, 174, 189, 206, 260, 266, 406, 408	1260082..... 212
0860709 241, 244	0902089 193, 209	1060016....239, 244, 249, 406, 407	1260136..... 322
0860710 248, 249, 250	0902104 205	1060030..... 178, 195, 201	1260164..... 265
0860739 303	0902244 167	1060032.... 144, 168, 178, 195, 201, 211	1260165..... 265
0860743 304	0902414 287	1060039.....262	1260203..... 316
0860745 304	0902447 199, 209	1060045.... 167, 178, 195, 201	1280422..... 238
0860803 456	0920027 23, 35	1060054.... 154, 167, 168	1280449..... 255
0860804 456	0920032 125, 131	1060074.... 178, 196, 201	1280450..... 441, 457
0860842 304	0920068 24, 45	1060093.... 144, 154, 178, 195, 201, 211	1280529..... 409
0860908 241, 244	0920072 23, 39	1060146.... 146, 169, 180, 195, 201, 213	1280555..... 404
0860909 241	0920083 125, 135	1060147.... 146, 169, 213	1280577..... 410
0860912 250	0920084 23, 24, 41	1060149.... 144, 154, 168, 211	1280578..... 410
0860913 248, 249	0920086 24, 47	1060154.....144	1280581..... 409
0860932 241, 244	0920109 125, 135	1060168.....315	1280584..... 409
0860935 248, 249, 250	0920110 23, 24, 41	1060172..... 144, 178	1280601..... 409, 410
0861054 250	0920119 23, 24	1060221.... 144, 154, 167, 211	1280602..... 410
0861145 453	0940038 322	1060229....261, 262, 266	1280726..... 411
0861146 453	0960097 ... 337, 339, 341, 343	1060279.....439, 445	1280727..... 410, 411
0900232 321	0960238 ... 150, 164, 174, 189, 206, 237, 242, 247, 312	1060300.....406	1280765..... 456
0900479 61	0960239 303, 312	1060341.....322	1280802..... 441, 457
0900708 145	0960406 265, 266	1060369.... 315, 316, 317	1280803..... 408
0900880 153	0960407 ... 295, 299, 307, 312	1060417.... 315, 316, 317	1280804..... 408
0900886 69	0960414 11	1060515.... 206, 260, 406, 407, 408	1280826..... 411
0900893 234	0960523 17	1060516....261, 262, 266	1280922..... 412
0900935 234	0960534 11	1081391.....359	1280991..... 412
0901056 321	0960555 337	1100037.....55	1280994..... 408
0901180 177	0960564 282, 289	1120032..... 11, 16	1281196..... 454
0901192 238, 243	0960651 265	1120067.... 146, 156, 180, 195, 201	1281353..... 366
0901201 70, 86, 92	0960839 11, 17	1120108....325, 326, 329, 335, 349, 351, 353, 355, 357, 359	1281494..... 456
0901212 238, 241, 250	0960905 303	1120161.... 146, 156, 169, 179, 194, 200	1281502..... 411
0901213 241, 250	0960957 260	1120169.....169	1281503..... 405
0901221 143	0960991 177	1120179....326, 337, 339, 341, 343	1281541..... 412
0901236 209	0961003 19	1120191.....11	1281671..... 405
0901243 179, 194, 200	0961024 ... 281, 282, 287, 335	1120196.....331, 333	1281682..... 407, 408
0901250 154	0961029 19	1120198.....65	1281738..... 405
0901255 70, 86	0961073 19	1120299.....281, 287	1281771..... 405
0901257 86	0961098 277	1120305.....345, 347	1281840..... 404
0901294 213	0961127 ... 146, 169, 180, 195, 201, 213, 439, 445	1120314.....235	1281917..... 456
0901297 185	0961182 345, 347	1120367.....235	1282091..... 404
0901306 181	0961185 ... 277, 281, 282, 287, 335	1120512.....235	1282112..... 407
0901317 145	0961186 277	1140009.....181	1282163..... 456
0901333 181	0961200 277		1282197..... 408
0901347 185	0961201 277		1282353..... 411
0901373 187	0961240 65		1282459..... 411
0901389 159	0961528 277		1300010..... 126
0901393 92	0961654 277		1320012..... 200
0901399 90	0961771 19		1320014 178, 194, 385
0901401 143, 168, 179	0961778 17		1320016 ... 146, 155, 156, 169, 179, 194, 200, 213
0901402 154	0961894 347		1320017 209
0901411 282			1320019... 146, 156, 180, 195, 201, 212, 213
0901419 178, 195, 201			1320020..... 169
0901423 143			1320021 146, 156
0901449 321			
0901518 249			
0901524 287			
0901525 287			

SECTION 10 - SPECIAL OPTIONS

1320022.... 144, 154, 168, 178, 179, 193, 194, 199, 200, 209, 212, 233	1660173 217	1681222 331	1700053..... 440
1320023..... 234	1660174 217	1681283 ... 335, 349, 355, 357, 359	1700058..... 440
1320031.... 146, 178, 194, 200	1660175 217	1681306 355, 357	1700157..... 439
1320032..... 195, 201	1660176 217	1681322 325, 329, 351	1700194..... 441
1320033..... 389	1660183 218	1681331 339, 341, 343	1700195..... 440
1320037..... 259, 361	1660184 218	1681333 337	1700196..... 441
1320041 159, 180, 305, 308, 312	1660185 141	1681335 349	1700197..... 441
1320052..... 262, 268	1660213EX 141	1681342 326	1700232..... 440
1320058..... 155	1660218 196, 202, 218	1681344 325, 353	1700238..... 453
1320059..... 361	1660249 202	1681383 326	1700244..... 453
1320060.... 144, 167, 200, 209	1670293 11	1681401 337	1700377..... 440
1320069..... 179	1670301 256	1681411 353	1700419..... 440
1320109.... 315, 316, 317	1670319 265	1681413 353	1700423..... 440
1320122..... 361	1670321 265	1681414 326	1700426..... 440
1320125..... 16, 20	1670322 282, 288	1681433 351	1700427..... 439
1320126..... 235	1670340 315, 316, 317	1681435 351	1700428..... 441
1320127..... 235	1670363 256	1681458 325	1700429..... 441
1320131..... 212	1670366 321	1681460 326	1700430..... 441
1320137..... 266	1670398 253	1681461 329	1700431..... 440
1320145..... 278	1670414 ... 143, 154, 168, 179, 193, 199, 212	1681462 329	1700476..... 439
1320171..... 262, 268	1670421 282, 288	1681488 337	1700477..... 439
1320176..... 167, 169	1670422 283	1681490 337	1700502..... 315
1340020.... 146, 156, 169, 179, 194, 200, 213	1670456 278	1681510 259, 355	1700503..... 315
1340045..... 233	1670468 233	1681518 261, 267, 339	1700568..... 440
1340046..... 233, 449	1670482 321	1681519 65, 337	1700575..... 440
1360061..... 214	1670519 288	1681520 11, 349	1700580..... 439
1360100..... 265	1670526 321	1681523 11, 325	1700581..... 439
1360112..... 145, 159	1670607 321	1681536 15, 325	1700582..... 439
1360160..... 265	1670630 288	1681543 265, 359	1700583..... 439
1380111..... 185	1670663 322	1681547 65, 337	1700585..... 439
1380112..... 185	1670664 322	1681548 261, 267, 339	1700586..... 439
1380124.... 21, 260, 266	1670665 322	1681555 20, 353	1700587..... 439, 440
1380137..... 282, 288	1670666 322	1681556 325	1700593..... 439
1420003..... 81	1670667 322	1681557 19	1700640..... 439
1440142.... 337, 339, 341	1670671 322	1681562 16, 351	1700643..... 439
1440154..... 141	1670672 322	1681562 16, 351	1700756..... 440
1440159..... 331	1670673 322	1681571 19, 325	1700756..... 440
1440220..... 355, 357	1670674 454	1681572 15, 329	1700788..... 242, 247
1460005..... 70, 86, 91	1670676 454	1681580 65, 337	1700789..... 242, 247
1540002.... 305, 407, 408	1670677 454	1681583 259, 357	1700790..... 243, 248
1600040..... 296	1670715 322	1681635 339	1700818..... 209
1600043..... 234	1670716 322	1681721 341	1700820..... 212
1600084..... 296	1670717 322	1681722 261, 267, 341	1700821..... 143, 154
1600094.... 296, 299, 300	1670718 322	1681730 277, 335	1700901.... 179, 193, 199
1600098..... 178	1670719 322	1681731 335	1700919..... 452
1600140..... 304	1670720 322	1681732 335	1700975..... 440
1600141 303, 304, 305, 449	1670721 322	1681791 277, 345	1700976..... 440
1600211..... 195, 201	1670722 322	1681792 345, 347	1700977..... 440
1600247..... 307, 308	1670723 322	1681796 345	1700978..... 440
1660062..... 211	1670724 322	1681797 345	1700981..... 440, 445
1660070..... 145	1670782 454	1682459 277, 345	1701321..... 440
1660083..... 212	1670836 260, 267	1682460 345	1701326..... 440
1660114..... 61	1680149 359	1682602 ... 261, 267, 343	1701334..... 440
1660119..... 211	1680365 65, 331	1682603 343	1701336..... 440
1660154..... 141	1680717 355, 357	1682697 65, 333	1701375..... 441
1660157.... 187, 193, 199	1680722 339	1682698 333	1701376..... 446
1660160..... 141	1680723 337	1682700 333	1701377..... 441, 445
1660169..... 217	1680724 349	1682727 19, 329	1701466..... 168
1660170..... 217	1680726 325	1682728 329	1701500..... 440
1660172..... 217	1680741 325	1682730 329	1701509..... 439, 445
	1680751 339	1682873 15, 329	1701529..... 440, 445
	1680758 331	1682874 329	1701678..... 441
	1680760 325	1683494 277, 347	1701684..... 440, 446
	1680872 331, 333	1683495 347	1701685..... 440
	1680892 ... 325, 337, 339, 341, 343	1683497 347	1701703..... 440, 445
		1683533 343	1701740..... 440, 445
		1683534 261, 267, 343	1701819..... 455
			1701820..... 455

SECTION 10 - SPECIAL OPTIONS

1701830.....	455	2000066.....	153, 156	2180730.....	156, 167, 170	2220383.....	371, 373
1701873.....	441	2000073.....	177, 181	2180749.....	170	2220385.....	369, 379
1701894.....	455	2000086.....	177, 181	2200009.....	234	2220399.....	379, 381
1702153.....	439	2000088.....	177, 181	2200052.....	233	2220407.....	386, 390
1702276.....	439	2000107.....	167, 170	2200101.....	179, 194, 200	2220414... 371, 373, 386,	
1702277.....	439	2000126.....	193, 196	2200102.....	355	390, 393, 397	
1702281.....	445	2000138.....	167, 170	2200201.....	335, 337, 339,	2220415... 369, 371, 373,	
1702282.....	439	2000153.....	199, 202	341, 345, 347		379	
1702284.....	439	2000157.....	199, 202	2200202.....	59, 234, 341	2220416... 383, 385, 389,	
1702292.....	439	2000159.....	199, 202	2200204.....	209	393, 397, 399	
1702293.....	439	2060012.....	453	2200213.....	339, 345, 347	2220417... 371, 373, 383,	
1702294.....	439	2060014... 177, 194, 200		2200221.....	66	386, 390	
1702299.....	439	2080018.....	238	2200222.....	141, 335, 359	2220428... 385, 389, 399	
1702300.....	440	2080026.....	20	2200224.....	209	2220429... 385, 389, 399	
1702305.....	61	2120042.....	212	2200261.....	168, 170	2220430.....	209
1702401.....	311	2120077.....	209	2200268.....	234	2220435... 56, 373, 386,	
1702404.....	304	2120078.....	70, 86	2200341.....	234	390	
1702552.....	445	2120079.....	70, 86	2200344.....	212	2220437.....	194, 199
1702573.....	445	2120087.....	146	2200444.....	234	2220438... 381, 386, 390,	
1702583.....	445	2120103.....	233	2200461.....	143	393	
1702585.....	445	2120104.....	233	2205504.....	369	2220444.....	386, 390
1702586.....	445	2120107..... 233, 448		2210011.....	389	2220446.....	393
1702590.....	445	2120116.....	454	2210014.....	385	2220451.....	371, 373
1702599.....	445	2120149.....	196	2210025.....	389	2220462.....	393
1702600.....	446	2120150.....	196	2210035.....	386	2220466... 369, 371, 373,	
1702601.....	445	2129112.....	180	2210043.....	389	383, 385, 389	
1702602.....	445	2160001... 284, 289, 339,		2220009.....	385, 389	2220470.....	385, 389
1702603.....	445	341, 351		2220021.....	250	2220472.....	385, 390
1702604.....	445	2160002... 11, 15, 16, 17,		2220064.....	209	2220473... 375, 377, 379	
1702606.....	445	19, 21, 65, 67, 261,		2220082.....	209	2220479.....	389
1702607.....	445	265, 277, 281, 282,		2220110.....	399	2220481.....	373
1702608.....	446	287, 326, 329, 331,		2220111.....	385, 389	2220490.....	377
1702609.....	445	333, 337, 341, 343,		2220114.....	386, 389	2220491.....	385
1702612.....	439	345, 347, 353		2220124.....	67	2220495... 375, 377, 379	
1702631.....	439, 445	2160003... 16, 17, 19, 21,		2220221.....	399	2220497.....	379, 393
1702660.....	446	61, 66, 326, 329		2220235.....	369	2220500... 379, 385, 389	
1702661.....	446	2160006 11, 65, 284, 289,		2220238.....	355, 357	2220501... 375, 377, 379,	
1702663.....	445	326		2220250.....	386, 390	381	
1702664.....	446	2180083.....	399	2220251.....	209	2220504.....	371, 373
1702665.....	445	2180099.....	234	2220252.....	212	2220507... 379, 393, 401	
1702667.....	446	2180104.....	168, 209	2220261.....	385, 389, 399	2220508.....	383
1702669.....	446	2180166.....	399	2220273.....	178, 193, 199	2220574.....	241
1702690.....	445	2180217.....	383	2220295.....	181, 241	2220577.....	381
1702720.....	445	2180318.....	170	2220296.....	144, 154, 212	2220578.....	371, 373
1702721.....	446	2180344.....	67	2220313.....	209	2220582... 369, 385, 389,	
1702722.....	446	2180360... 156, 169, 170,		2220315.....	193, 200, 209	395, 399	
1702738.....	25	178, 206, 209		2220318.....	169	2220584.....	373, 386
1702835.....	445	2180379... 375, 377, 379		2220343.....	259, 355, 357,	2220585.....	386, 390
1702961.....	452	2180380.....	397	375, 377, 379		2220591... 375, 377, 379,	
1702962.....	452	2180387.....	209	2220345... 371, 373, 385,		401	
1702966.....	440	2180388.....	209	389		2220594.....	56
1703089.....	452	2180389.....	209	2220347... 371, 373, 385,		2220596... 371, 373, 379	
1703175.....	452	2180418.....	209	389		2220605... 383, 385, 390,	
1703453.....	445	2180420.....	209	2220350.....	389	395, 399	
1703666.....	445	2180467.....	233	2220355.....	371, 373	2220609... 369, 379, 383,	
1703667.....	317	2180482.....	212	2220362... 371, 373, 386,		393, 399	
1703668.....	318	2180536... 154, 168, 193,		389		2220616.....	401
1760068.....	283, 289	199, 209		2220366... 373, 385, 389		2220618.....	385, 389
1760075.....	217	2180537.....	170	2220371.....	369, 379	2220619... 369, 371, 379	
1760106.....	217	2180540.....	397	2220372... 259, 355, 357,		2220621.....	369
1780145.....	285, 289	2180604.....	234	379, 401		2220622... 371, 373, 385,	
1780252.....	285, 289	2180621... 375, 377, 379		2220373.....	385, 389	389, 390	
1780288.....	285	2180623.....	181	2220374.....	386, 390	2220634.....	385
1840002.....	242, 248	2180625.....	211	2220375.....	371, 373	2220635.....	375, 379
2000054.....	143, 147	2180643.....	169, 170	2220377.....	385	2220651.....	379
2000058.....	143, 147	2180658.....	59	2220379.....	143, 385	2220652.....	209
2000065.....	211	2180666.....	185, 187	2220380.....	389	2220659.....	371, 373

SECTION 10 - SPECIAL OPTIONS

2220673.....385, 389	2520071 454	2750125 385, 389	2751412.....385, 389
2220675.....209	2540002 16, 19	2750527 154	2751427....373, 383, 385, 389
2220677.....386, 390	2540003 255	2750532 193, 199, 209	2751436.....393
2220682.....385, 390	2551050 62	2750756 383	2751437.....393
2220684.....383, 389	2560010 285, 289	2750757 385, 389	2751447.....379, 393
2220695....371, 373, 385, 390	2560038 295, 299	2750759 373	2751483.....371, 373
2220700....369, 373, 385, 390	2560039 299	2750762 371, 373	2751489.....371, 373
2220711.....373	2560040 295, 299	2750766 385, 389	2751517.....386
2220727.....386, 390	2560041 295, 299	2750771 386, 390	2751622.....385, 389
2220741.....381	2560066 70, 87, 91	2750774 371, 373	2751840.....377
2220752.....386, 390	2560112 303, 304, 305	2750776 385, 389	2751863.....379
2220757.....399	2580001 156, 169, 181	2750777 373	2751875.....393
2220765.....234	2580018 234	2750779 375, 377, 379	2751918.....379
2220805....169, 179, 194, 200	2580022 181	2750785 377	2760025.....141
2220822.....371, 373	2580048 181, 196, 202	2750786 375, 379	2760064.....283, 288
2220827.....369	2600093 237, 242, 247	2750807 67	2760091.....141
2220834.....386, 390	2600095 284	2750873 371, 373	2780055.....125, 139
2220883.....333	2600105 303, 307, 311	2750889 395	2780091.....11, 16
2220885.....343	2600132 303, 307, 311	2750891 373	2780097.....23, 27
2220887333	2600143 289	2750892 373, 397, 399	2780151.....23, 31
2220895.....379	2620025 61	2750893 383	2780170.....23, 27
2220896.....385, 389	2620035 61	2750894 385, 390	2780192.....23, 32
2220899.....375, 377	2660014 271	2750899 371	2790889.....366, 393
2220909.....383, 395	2660019 273	2750900 ... 383, 385, 389, 399	2790894.....366, 397
2220994.....193, 199	2660020 273	2750901 369	2790895.....366
2360226.....11	2660021 273	2750902 369, 385, 389	2790896.....364
2360231.....15, 19	2660022 273	2750905 383	2790898.....364
2360233.....19	2660023 273	2750909 401	2790899.....364, 383
2360234.....15	2660024 273	2750918 375, 377	2790900.....366, 401
2360236.....15, 19	2660025 273	2750919 377	2790901.....364
2360307.....15, 19	2660026 273	2750927 385, 389	2790902.....365
2360348.....15, 19	2660061 271	2750969 385, 389	2790951.....364
2360349.....15	2660063 271	2750976 389	2790958.....364
2360350.....19	2660064 271	2750977 371, 373	2790961.....366
2400005.....407	2680230 255	2750979 373	2790962.....366
2420006.....238	2680231 255	2750982 385, 389	2790968.....366
2420009....238, 241, 249	2680232 255	2750989 369, 379	2790969.....366
2420019....238, 241, 250	2680233 255, 256	2750990 375, 377, 379	2790983.....364
2420024....178, 193, 199	2680238 255	2751003 379	2790986.....364
2420030....238, 241, 249	2680319 255	2751010 369, 371, 373	2790994.....364
2420033....178, 193, 199	2680333 178	2751011 371	2790995.....366, 393
2420035....238, 241, 249	2680336 255	2751012 385, 390	2790996.....366
2420047.....452	2680348 255	2751014 371, 373	2790998.....364
2420050....315, 316, 317	2680386 178, 194, 200	2751017 371, 373	2791000.....364
2420055....315, 316, 317	2720015 143, 154, 212	2751018 369	2791033.....365
2420057.....315, 316	2720016 180, 185, 187	2751020 371	2791036.....364
2420080.....234	2720038 213	2751032 67	2791041.....365
2420091....238, 241, 249	2720058 ... 169, 178, 193, 195, 201, 209	2751102 381	2791042.....365
2420109.....202	2720071 154	2751148 375	2791043.....365
2420110.....167	2720112 209	2751150 259, 355, 357	2791044.....365
2420111.....241, 249	2720117 209	2751151 375, 377, 379	2791091.....365
2420125.....241, 250	2720127 209	2751152 379	2791093.....365
2420129.....241, 249	2720145 144	2751153 379	2791094.....365
2420185.....317	2720160 179, 195, 201	2751155 369	2791117.....364
2420203....149, 163, 173, 189, 205	2720178 ... 146, 179, 194, 200	2751320 373	2791118.....364
2440022.....125	2720196 155	2751333 373	2791128.....364
2440043.....283, 289	2720207 155	2751335 385	2791129.....364
2440044.....283, 289	2720232 178	2751341 371, 373	2791130.....364
2440059.....125	2720233 178	2751355 385, 389	2791131.....364
2460011....149, 163, 173, 189, 205	2720245 154	2751360 389	2791132.....365
2500004.....187	2720254 178	2751391 373, 386, 389	2791133.....365
2500005.....193, 199	2720254 178	2751396 397	2791151.....364
	2720271 ... 143, 169, 193, 199	2751397 383, 386	2791159.....364
	2720325 386	2751398 385, 389	2791189.....381
	2720391 389	2751410 369, 397	2791190.....366, 399
		2751411 383	2791191.....365

SECTION 10 - SPECIAL OPTIONS

2791192.....	365	2900353.....	349	2920064.....	407, 453	3251537.....	296
2791193.....	365	2900359.....	146	2920065.....	407, 453	3251548.....	441
2791194.....	365	2900379.....	329	2920096.....	321	3251549.....	441
2791195.....	365	2900381.....	337, 341, 343	2920100.....	321	3251551.....	308, 312
2791196.....	365	2900385.....	331	2920111.....	321, 408	3251561.....	296, 300
2791197.....	365	2900394.....	345	2920113.....	407, 453	3251565.....	441, 446
2791198.....	365	2900449.....	51	2920152.....	453	3251569.....	439
2791199.....	365	2900455.....	293	2920162.....	149, 163, 173, 189, 205	3251579.....	441
2791200.....	365	2900467.....	225	2940006.....	285, 289, 450	3251596.....	322
2791201.....	365	2900477.....	129	2940024.....	454	3251601.....	441
2791202.....	365	2900503.....	90	2940048.....	255, 455	3251607.....	441
2791203.....	365	2900596.....	123	2940050.....	255	3251650.....	238, 242, 248
2791204.....	365	2900624.....	440	2940052.....	303, 307, 455	3251671.....	441
2791205.....	365	2900626.....	231	2950052.....	311	3251678.....	307
2791206.....	365	2900641.....	36	2960006.....	296, 300, 308, 312, 316, 317	3251693.....	441, 446
2791207.....	365	2900642.....	132	2960010.....	317	3251695.....	405, 406
2791208.....	365	2900649.....	45	2960011.....	317	3251741.....	296
2791209.....	365	2900661.....	28	2980112.....	214	3251742.....	299
2791210.....	365	2900662.....	39, 47	3010073.....	11	3251745.....	441
2791211.....	365	2900698.....	90	3010081.....	185	3251746.....	300
2791212.....	365	2900699.....	228	3010088.....	322	3251747.....	406
2791220.....	364	2900707.....	121	3020021.....	218	3251766.....	439
2791222.....	364	2900708.....	69, 85, 121	3020025.....	284, 289	3251775.....	441
2791286.....	364, 366	2900709.....	121	3040382.....	61	3251784.....	455
2791290.....	364, 371	2900733.....	293	3100045.....	234	3251813.....	439, 445
2791338.....	364, 373	2900755.....	32	3120014.....	214	3251858.....	311
2791445.....	366	2900756.....	90	3120044.....	170	3251864.....	249
2791450.....	365	2900766.....	41, 136	3120080.....	156	3251865.....	249
2791493.....	366	2900767.....	42, 136	3120088.....	147	3251866.....	249
2791568.....	366	2900768.....	41, 136	3120089.....	182	3251867.....	249
2791698.....	366, 395	2900770.....	333, 335, 339, 343	3120322.....	454	3251868.....	249
2791699.....	366	2900789.....	56	3120344.....	454	3251869.....	249
2791724.....	366, 397	2900792.....	329, 341, 345, 347	3120351.....	454	3251880.....	248
2791752.....	366	2900938.....	452	3160083.....	283, 288, 293	3251996.....	452
2791753.....	364	2900948.....	446, 457	3160094.....	125, 129	3252084.....	316
2791754.....	366, 453	2901111.....	156, 169	3160129.....	24, 50	3252139.....	304
2791843.....	365, 385	2901113.....	335	3160130.....	24, 50	3252140.....	304
2791867.....	365	2901119.....	326, 337, 339	3160189.....	50	3252144.....	441
2791940.....	364, 369	2901120.....	339	3160343.....	24, 51	3252179.....	234
2792070.....	364, 375	2901123.....	326, 353	3200062.....	177, 194, 200	3252221.....	452
2792071.....	364, 377	2901146.....	141	3200133.....	153	3252238.....	322
2792072.....	364, 379	2901148.....	326, 351	3200183.....	153	3252343.....	242, 248
2792073.....	364	2901181.....	212	3200188.....	11	3252346.....	316
2792074.....	364	2901219.....	333	3200194.....	282	3252353.....	304
2792198.....	365, 389	2901480.....	347	3200200.....	177	3252356.....	441
2792199.....	365	2910011.....	457	3200201.....	144	3252364.....	304
2792200.....	365	2910018.....	446	3200202.....	143	3252369.....	441, 454
2820015.....	253	2910032.....	457	3200215.....	153	3252374.....	311
2820022.....	253, 312	2910042.....	457	3200332.....	235	3252394.....	312
2860002.....	238, 243, 247, 448	2910044.....	452	3200377.....	193, 199	3252489.....	445
2860012.....	149, 173, 205	2910479.....	146, 180, 195, 201, 213	3220033.....	146, 156, 180, 195, 201	3252554.....	318
2880404.....	281, 287	2910942.....	453	3220036.....	453	3252556.....	317
2880410.....	61	2915079.....	126	3220043.....	213	3252638.....	242
2880508.....	278	2920001.....	407, 453	3220053.....	452	3290801.....	159
2880619.....	211	2920009.....	321, 452	3250840.....	61	3300012.....	12, 16, 23
2900034.....	28, 139	2920013.....	321, 408	3250872.....	62	3300029.....	146, 155, 169, 180, 195, 201, 213
2900062.....	238, 243	2920015.....	295, 299, 303, 307, 311	3250914.....	178, 195, 201	3300047.....	295, 299, 303, 307, 311
2900068.....	321, 408	2920018.....	321, 452	3251028.....	441	3300048.....	150, 164, 174, 189, 206, 237, 242, 247, 295, 299, 307, 311
2900095.....	326	2920019.....	453	3251243.....	234, 439	3300073.....	70, 86, 92
2900097.....	185	2920024.....	238	3251271.....	234	3300101.....	337
2900120.....	221	2920026.....	405, 406	3251272.....	234	3300143.....	281, 282
2900131.....	35, 131	2920029.....	406	3251476.....	150, 164, 174, 189, 205	3300147.....	303
2900137.....	28	2920034.....	405, 406	3251522.....	238	3300151.....	57, 255, 441
2900341.....	359						
2900347.....	355						
2900350.....	357						

SECTION 10 - SPECIAL OPTIONS

3300175.....16	3311605 . 15, 19, 66, 159,	3421129 15, 20	3501916.....125
3300177....238, 242, 247,	163, 212, 259, 262,	3421142 268	3508393.....253
295, 299, 303, 307,	268, 277, 278, 281,	3421145 266	3509182.....268
311, 316	355, 357	3421151 61	3509613.....177
3300181.....255	3311701 143	3421176 ... 281, 282, 287,	3509714.....180
3300183.....125	3311801 ...16, 20, 24, 143	288	3509816.... 143, 177, 211
3300187.....325	3311802 65	3421190 21	3509858.....295, 299
3300198.....355	3311803 268	3421207 267	3509928.....265
3300218.....159	3311805 ... 168, 177, 179,	3421224 15, 20	3509963.....153
3300220....145, 155, 180,	194, 200, 212, 282,	3421227 15, 19	3510138.....284
213	284, 287, 289	3421243 16	3510139.....284
3300229.....17, 21	3312001 211	3421284 59	3510141.....284
3300233.....212	3312002 65	3421348 265	3510148.....284
3300241.....265	3312005 126, 153	3421376 278	3510150.....284
3300272....337, 339, 341,	3312202 265	3421426 281, 282, 288	3510153.....284
343	3312602 11, 17, 20	3421428 277	3510158.....284
3300273....325, 329, 351,	3312605 11	3421429 278	3510161.....284
353	3312801 11	3421511 277	3510194.....289
3300276.....345	3313003 11, 17	3421513 277	3510211.....289
3300278.....335	3313403 17	3421521 66	3510223.....289
3300281.....333	3321001 ... 145, 155, 295,	3421522 67	3510231.....289
3300291.....331	299	3421586 67	3510234.....284
3300293.....357, 359	3321401 ... 145, 146, 159,	3421622 15, 19	3510254.....289
3310601....214, 237, 242,	187, 193, 199, 325, 329	3421706 65	3510262.....284
247, 303	3321601 315, 316, 317	3421819 277	3510268.....284
3310801.... 145, 150, 154,	3322601 287	3421821 277	3510269.....284
155, 164, 168, 179,	3323002 17, 21, 61	3421823 277	3510270.....284
180, 185, 195, 199, 201	3323023 61	3421825 281, 282, 288	3510271.....284
3311001....55, 143, 145,	3323403 16, 17	3421835 16	3510272.....284
150, 155, 180, 189,	3323404 11	3421950 278	3510276.....289
193, 199, 205, 213,	3340261 266	3422019 ... 281, 282, 288	3510277.....289
237, 238, 242, 247,	3340263 266	3422221 21	3510278.....289
295, 299, 304, 307,	3340394 259	3422261 16	3510279.....289
311, 316	3340399 259	3422766 277	3510296.....456
3311005.... 305, 308, 312	3340401 259	3422768 277	3510297.....456
3311401..70, 86, 91, 143,	3340403 259	3430304 212	3510298.....456
145, 146, 153, 155,	3340404 266	3430406 145, 159	3510299.....456
159, 168, 169, 173,	3340446 266	3430407 59	3510300.....456
174, 179, 180, 181,	3340450 266	3431622 17, 20	3510304.....456
185, 187, 194, 195,	3340453 260, 266	3440816 283, 289	3510305.....456
200, 209, 211, 212,	3340454 281, 287	3441228 283, 289	3510306.....456
213, 214, 233, 234,	3380309 ... 238, 241, 250	3450202 167	3510319.....284
237, 238, 241, 249,	3420182 126	3450203 ... 145, 159, 212,	3510320.....284
253, 255, 259, 262,	3420292 61	265	3510348.....284
265, 268, 271, 273,	3420372 61	3450403 265	3510353.....284
274, 312	3420414 265	3450405 268	3510380.....289
3311402.....266	3420420 266	3450408 11	3510393.....289
3311405.... 169, 179, 193,	3420447 61	3450505 268	3510438.....284
199, 200, 209, 253,	3420531 65	3450606 ... 15, 17, 19, 20	3510439.....284
285, 289, 295, 299,	3420620 126	3450608 11, 65	3510506.....284
316, 317, 439, 442, 445	3420643 66	3450808 15, 20	3510512.....284
3311501....55, 56, 69, 86,	3420645 266	3450810 17	3520022.... 233, 385, 389
91, 92, 149, 155, 167,	3420650 265	3451012 16, 17	3520026.....242
179, 190, 195, 201,	3420656 65	3451214 15, 19	3520028.... 149, 163, 173,
234, 249, 260, 266	3420738 11	3460132 234	189, 205, 247, 248
3311505.....56, 147, 163,	3420761 126	3480054 357	3520029.....260, 266
169, 304, 307, 311	3420865 265	3480070 331	3520034.....304
3311601.... 16, 20, 55, 56,	3420867 265	3480092 355, 359	3520064.....255
65, 66, 69, 85, 91, 144,	3420871 11	3480107 325	3530015.....61
146, 153, 154, 156,	3421029 265	3480116 329	3530016.....61
167, 168, 169, 178,	3421052 259	3480120 ... 325, 337, 339,	3530244.....21
180, 195, 196, 201,	3421069 260	341, 343	3530403.....141
202, 205, 213, 233,	3421083 67	3480124 345	3530405.....213
234, 235, 237, 238,	3421088 262, 268	3480126 335	3530425.... 144, 145, 155,
241, 243, 249, 265,	3421118 11	3480134 325, 351, 353	168
271, 281, 282, 287	3421127 16	3480165 333	3530997.....441
3311602.....262, 278	3421128 15, 19	3480188 347	3531023.....303, 311

SECTION 10 - SPECIAL OPTIONS

3532231	155	3760302	125	3931612.....	283, 289	4070499.....	259
3533219	92	3780183	17, 21	3931620.....	283, 289	4070500.....	259
3533365	61	3780184	16, 20	3931628.....	357	4070501.....	259
3534468	442	3790012 ...	238, 243, 247, 295, 296, 299, 300, 303, 305, 307, 308, 311	3931864.....	125	4070502.....	259
3534685	168, 194	3790014	119	3940804.....	177, 194, 200	4070503.....	259
3536181	55	3790015	119	3951003.....	167	4070504.....	259
3536410	21	3790016	119	3951403.....	329	4070505.....	259
3536671	441, 446	3790116	59	3951405.....	359	4070506.....	259
3537812	57	3790118	119	3951603.....	355, 357	4070507 ...	259, 260, 266
3538387	195, 201	3790211	119	3951608.....	259, 266	4070508 ...	259, 260, 266
3538391	311	3790231	59	3951628.....	355	4070528	15, 20
3538394	304	3820001	61, 439, 441, 445	3951812.....	65	4070544	266
3570861	168, 200	3820012	255	3951820.....	141	4070545	266
3580092	315	3820019 ...	255, 441, 446	3952020.....	65	4070546.....	266
3580100	149	3840643	61	3960047.....	59	4070547.....	266
3580101	149	3840759	16	3960098.....	11, 16	4070551.....	260
3580109	163	3840786	20	3960212.....	266	4070552.....	260
3580134	173, 205	3840818	160	3960225.....	143	4070570.....	55
3580158	173	3840819	159	3960240.....	299	4070571.....	55
3580183	316, 317	3840821	185	3960242.....	154	4070572.....	55
3580239	205	3840829	146	3960247.....	211	4070585 ...	206, 283, 289
3580250	205	3840833	59	3960250.....	295	4070586 ...	206, 283, 289
3600051 ...	144, 153, 178, 211	3840854	59	3960251 ...	295, 299, 307, 311, 316, 317	4070587 ...	206, 284, 289
3600052	153, 178	3840855	185	3960270.....	154	4070800	15, 16, 20
3600071 ...	144, 153, 167, 178, 194, 200, 211	3840863	16	3960330.....	233	4070987.....	243
3600072 ...	153, 177, 211, 221	3840866	20	3960371.....	234	4070991.....	243
3600078	143, 225	3840898	187	3960389.....	167	4100025 ...	180, 195, 200, 201
3600115 ...	144, 153, 178, 211	3840899	187	3960407.....	167	4100027.....	51, 52
3600126 ...	153, 177, 227, 231	3841091	268	3960416.....	325, 329	4100028.....	51, 52
3600139 ...	153, 167, 177, 193, 199, 211, 223	3841255	193, 199	3980003....	146, 180, 195, 201, 213	4100029.....	51
3600151	212	3860037	59	3980007.....	155, 169	4120002 ...	237, 242, 247
3620016	453	3900022	255	3990001.....	406, 449	4120013.....	248
3620026 ...	177, 194, 200	3900035	331	3990010....	168, 404, 405, 406, 407, 408, 411, 412, 448, 453	4130142.....	11, 16
3640555	242, 247	3900060	70, 87, 91	4040218.....	281, 287	4130143.....	11, 17
3640752	303	3900111	315, 317	4060087....	296, 299, 300, 307, 308, 311	4130152.....	20
3730003	168	3900141 ...	325, 351, 353, 355	4060092....	295, 299, 304, 305, 307, 308, 311, 312	4130153.....	20
3740002 ...	145, 155, 213	3900159 ...	281, 283, 288	4060229....	303, 305, 311	4130160.....	17
3740013	405, 406	3900170 ...	325, 329, 333, 335, 337, 339, 341, 343, 345, 351, 353	4060533.....	211	4130161.....	17
3740016 ...	237, 242, 247, 448	3900171	357	4060567.....	259	4130170.....	20
3740028	214	3900175	325, 329	4060570.....	57	4130171.....	20
3740030	145, 155	3900294 ...	295, 304, 312	4060571.....	57	4130267.....	17
3740048	145	3910606	242, 247	4060574.....	233	4130268.....	17
3740049 ...	150, 164, 169, 237, 242, 247, 322, 404, 405, 406, 407, 448, 453	3910608	303	4060579.....	190	4160024.....	159
3740055	159	3910804	243	4060585.....	57	4160026.....	281, 287
3740059 ...	144, 145, 155, 168, 180	3910808 ...	150, 164, 185	4060586.....	57	4160028.....	321
3740061	180	3910812 ...	154, 168, 179, 187, 195, 199, 201, 212, 317	4060595.....	265, 268	4160037.....	214
3740067 ...	145, 155, 168, 180, 195, 201, 448, 453	3911006 ...	150, 238, 242, 247	4060597.....	153	4160058.....	315, 317
3740080 ...	145, 155, 194, 200, 407, 450, 453	3911008 ...	237, 242, 247, 299, 307	4060607.....	154	4160078.....	59
3760004	141	3911012 ...	237, 295, 299, 311	4060608.....	56	4160084.....	185
3760104	65	3911014 ...	295, 299, 307, 311, 316	4060621.....	454	4160086.....	159
3760133	267, 278	3911016	242, 247	4060623.....	266	4220007.....	321
3760233	277	3920385	180	4060696.....	190	4220044 ...	315, 316, 317
3760237 ...	277, 281, 283, 288	3931010	283, 289	4060774.....	154	4220098	15, 20
		3931016	55	4060802.....	243, 248	4280018.....	259
		3931440	331	4060804.....	92	4280033.....	266
				4060806.....	56	4280060.....	155
				4070142.....	125	4280195.....	271
				4070143.....	125	4280196.....	271
				4070497.....	259	4280197.....	271
				4070498.....	259	4280208.....	273, 274
						4280209.....	273
						4280210.....	273
						4280211.....	273
						4280212.....	273
						4280237.....	237
						4280242.....	259, 265

SECTION 10 - SPECIAL OPTIONS

4300030.....16, 20	4360184.....405	4460052 ... 295, 299, 303,	4562782.....156
4300031...57, 70, 86, 169,	4360186... 238, 242, 247,	307, 311	4562791.....169
179, 194, 200, 212,	449	4460071 ... 150, 164, 174,	4562815.....156
213, 234, 255, 265,	4360188.....209	189, 206, 237, 242,	4562851.....353
271, 273	4360195.....180	247, 285, 290, 295,	4562859.....325, 329
4300032....146, 212, 253,	4360199... 238, 243, 247,	299, 304, 307, 312	4562947.....212
259	295, 296, 299, 300,	4460082234	4563031.....337
4300033....56, 69, 86, 91	303, 305, 307, 308,	4460134150, 164, 189	4563210.....393
4300034 15, 65, 233, 234,	311, 407, 449, 453	4460137234	4563211.....393
271	4360200 ... 243, 248, 296,	4460190 ... 149, 163, 173,	4563212.....377
4300036.....262, 268	300, 303, 305, 307,	189, 205, 295, 299,	4563213.....377
4300038.....92, 147, 155	311, 449	304, 305, 307, 308,	4563577.....335
4300042.....259, 265	4360201 ... 243, 248, 405,	311, 312	4563657.....345, 347
4300045.....19	448	4460205305, 308, 312	4564046.....343
4300048.....16, 19	4360202 ... 238, 243, 248,	4460227143	4564123.....190
4300053.....24	295, 299, 300, 303,	4460244242, 247	4564281.....202
4300056.....193, 199	304, 305, 307, 308,	4460263 ... 237, 295, 299,	4564328.....190
4300057.....179	311, 406, 449	307, 311	4564329.....190
4300068.....173	4360204 ... 238, 296, 300	4460264168	4564417.....205
4300076.....278	4360205455	4460277 ... 154, 168, 179,	4564475.....146
4300087.....267	4360209 ... 295, 299, 304,	212	4564967.....169
4300092.....24	311, 407, 449	4460298 ... 242, 244, 247,	4565803.....333
4300106.....253	4360212 ... 238, 242, 411,	303, 411	4565816.....329
4320002.....307	412, 449	4460299 ... 242, 244, 247,	4565873.....375, 377
4320008.....24	4360215322	303, 411	4566605.....193, 199
4340413.....259, 265	4360216408	4460300 ... 242, 244, 247,	4566650.....205
4340436.....163, 190	4360228411, 412	304, 411	4566870.....195, 201
4340437.....190	4360274 ... 243, 247, 295,	4460301242, 247, 303	4620013.....65
4340438.....190	299, 303, 307, 311,	4460302159, 167	4620041.....65
4340442.....149	322, 449	4460303242, 247	4620077.....65
4340444.....149	4360282303	4460305242, 247, 303	4640005.....238, 243
4340447.....262, 268	4360287407, 453	4460306242, 247, 303	4640013.....399
4340453.....267	4360289303	4460307 ... 242, 247, 304	4640021.....453
4340454.....267	4360294406	4460308242, 247	4640035.....86
4340500.....163	4360305322	4460311242, 247, 303	4640113.....25
4340501.....163	4360405193, 199	4460374407	4640123.....69, 85, 90
4340511.....163	4360466243, 448	4460386303	4640128.....381
4340561.....267	4360475303, 449	4460467454	4640151.....70, 86, 91
4340562.....267	4360476303	4460488247	4640181.....331
4340565.....190	4360542 ... 149, 163, 173,	4460510454	4640192.....453
4340599.....149	189, 205, 449	4460521322	4640197.....385, 389
4340600.....149	4390199453	452005725	4640212.....359
4360003... 238, 243, 247,	4400038235	452006325	4640228.....55
448	4400183233	452012425	4640246... 69, 85, 90, 107
4360016.....238	4400184233	452017125	4640247... 69, 85, 90, 107
4360031.....285, 290	4400213233	452019625	4640259.....55
4360037... 156, 170, 178,	4400232233	452019725	4640260.....56
193, 199, 206	4400233233	4561598146	4640261.....61
4360057... 253, 322, 450	4400275235	4561774315, 316	4640269.....339
4360065... 156, 169, 170,	4420008 ... 303, 311, 316	4561815 ... 146, 155, 179,	4640273.....325
405, 406	4420016442, 446	194, 200	4640283.....85
4360066.....181	4420017442, 446	4562083282, 288	4640354.....92
4360067.....181	4420018442, 446	4562516179, 233	4640360.....69, 85, 91
4360069... 238, 242, 247,	4420026234	4562531379, 393	4640362.....92
449	4420037 ... 169, 242, 247,	4562532379, 393	4640363.....55
4360070.....453	304, 312	4562533375, 379	4640367.....69, 73
4360073... 238, 243, 248	4420038 ... 295, 299, 307	4562534375, 379	4640383.....393
4360089... 405, 406, 407,	4460007234	4562557260	4640391.....209
453	4460023 ... 150, 164, 174,	4562595325	4640392.....25
4360114.....409	189, 206	456263991	4640408... 70, 86, 91, 123
4360135.....407, 453	4460027 ... 149, 163, 173,	4562661 ... 180, 195, 201	4640414.....355, 357
4360141... 243, 248, 295,	189, 205, 406	4562687325, 351	4640434.....70, 86, 92
299, 307, 311	4460049 ... 234, 253, 295,	4562713146	4640447... 69, 85, 90, 115
4360157.....196, 406	299, 307	456271670, 86	4640454.....55, 56
4360171.....253	4460051 ... 237, 242, 247,	4562719379	4640461.....90, 115
4360179.....156, 405	295, 299, 307, 311	4562756359	4640485.....55, 59
4360182.....406		4562781156	4640495... 333, 335, 339

SECTION 10 - SPECIAL OPTIONS

4640509 ... 329, 341, 345, 347	4740158 16, 20, 282, 288	4761000.. 11, 16, 55, 143, 145, 150, 155, 180, 189, 193, 199, 205, 213, 237, 238, 242, 247, 253, 295, 299, 304, 307, 311	4841884 11
4640512 90	4740171 65, 125	4761400.... 15, 20, 57, 70, 86, 91, 143, 145, 146, 153, 155, 168, 169, 173, 174, 179, 180, 181, 185, 187, 194, 195, 199, 200, 209, 211, 212, 213, 214, 233, 234, 235, 237, 238, 241, 249, 253, 255, 259, 262, 265, 268, 273, 274, 282, 288, 312, 316, 441	4841906 233
4640513 90	4740185 65	4761500.... 55, 56, 59, 61, 69, 86, 91, 92, 141, 149, 155, 159, 163, 167, 169, 173, 177, 185, 189, 195, 201, 205, 234, 249, 260, 266	4841910 233
4640514 89, 95	4740191 144, 153	4761600.... 15, 20, 55, 56, 65, 66, 69, 85, 91, 143, 144, 146, 149, 153, 154, 156, 163, 164, 167, 168, 169, 173, 177, 180, 189, 195, 196, 201, 202, 205, 213, 217, 218, 233, 234, 237, 238, 241, 243, 249, 259, 260, 265, 277, 281, 283, 287, 289, 315, 316, 317	4841916 233
4640519 92, 117	4740199 283, 288	4761700..... 91, 143	4841921 255
4640520 386, 390	4740242 154	4761800... 16, 20, 24, 125, 141, 143, 153, 167, 177, 193, 199, 209, 211, 265, 282	4841939 256
4640522 90	4740247 11	4762000..... 24, 211	4841940 255
4640523 90	4740256 283, 289	4762200..... 11	4841965 144
4640524 89, 95	4740263 259	4762600..... 61	4841978 237, 241, 249
4640535 92, 119	4740275 177, 205	4770800.... 154, 168, 179, 212	4841992 66
4640558 249	4740322 234	4771000.... 295, 299, 307, 311, 316	4841993 144
4640559 311	4740331 65	4771400..... 195, 201	4841994 144
4640560 312	4740332 277	4771600..... 211	4841999 15
4640561 90, 95	4740333 277	4791400.... 179, 180, 193, 200	4842008 143
4640571 90, 107	4740338 233	4791600.... 179, 193, 195, 201	4842011 256
4640574 369	4740362 ... 285, 290, 316, 317	4791800.... 179, 193, 195, 201, 205, 217, 218	4842013 146
4640575 386, 390	4740367 125	4812000..... 173, 205	4842016 255
4640580 92, 121	4740385 281, 283, 288	4831900.... 154, 193, 195, 201, 217, 218	4842018 256
4640634 343	4740390 278	4832000.... 167, 177, 180, 190, 193, 195, 199, 201, 205, 217, 218	4842025 262
4640668 55	4741000 266, 312	4832100..... 153	4842043 266
4640716 92, 121	4741500 253	4840596..... 65	4842046 281, 287
4640748 311	4750600 242, 247, 303	4840627..... 265	4842047 268
4640749 312	4750800 ... 150, 177, 194, 200, 304	4840833..... 145	4842055 153
4640750 193	4751000 55, 145, 155, 164, 189, 199, 205, 213, 237, 253, 295, 299, 304, 305, 308, 312	4840979..... 146	4842063 255
4640757 379	4751400 ... 15, 20, 70, 86, 91, 143, 145, 146, 153, 159, 168, 173, 174, 185, 187, 209, 211, 233, 234, 237, 241, 249, 253, 255, 259, 262, 265, 268, 271, 273, 274, 282, 288, 295, 299, 312, 316, 317, 439, 441, 445	4841065..... 61	4842064 256
4640771 335	4751500 ... 27, 55, 56, 61, 69, 86, 91, 92, 139, 147, 149, 155, 163, 169, 173, 177, 185, 189, 195, 201, 205, 249, 265, 304, 307, 311	4841836..... 259	4842066 256
4640778 379	4751600 ... 15, 19, 21, 55, 56, 65, 66, 69, 85, 91, 143, 144, 146, 153, 154, 159, 163, 164, 167, 168, 169, 173, 178, 180, 190, 195, 196, 201, 202, 205, 212, 213, 233, 235, 237, 241, 249, 265, 271, 277, 281, 282, 315, 316, 317, 355, 357		4842067 255
4640812 17, 21	4751700 91, 143		4842079 153
4640820 115	4751800 16, 19, 143, 168, 177, 179, 194, 200, 212, 235, 282, 287		4842087 154
4640839 92	4752000 281, 287		4842153 19
4640913 89, 99	4760600 ... 237, 242, 247, 303		4842216 255
4640914 89, 99	4760800 ... 150, 164, 180, 185, 187, 195, 199, 201, 295, 299, 304		4842229 281
4640918 90, 103			4842235 212
4640940 90, 111			4842263 185
4640941 90, 111			4842269 159
4640989 193, 199			4842270 160
4652516 195			4842278 212
4680005 256			4842436 233
4700005 209			4842476 160
4711400 ... 145, 155, 159, 168, 169, 179, 180, 194, 200			4842601 277
4711500 260			4842605 277
4711600 ... 146, 155, 169, 180, 195, 201, 213			4842606 277
4712200 268			4842609 282
4712600 16, 17, 19, 20			4842691 15
4740003 125, 265			4842817 281
4740004 125			4842824 90
4740006 65, 260			4842829 256
4740016 11, 16			4842846 256
4740036 61			4842852 256
4740040 65			4842880 256
4740048 125			4842976 256
4740056 355, 357			4843106 262, 268
4740057 265			4843133 163
4740102 265			4843148 211
4740103 11			4843156 149, 190
4740116 143, 185, 217			4843177 154
4740117 149			4843410 173
4740118 150			4843436 256
4740120 303			4843685 268
4740136 265			4843698 19
4740137 265			4843740 167
4740138 265			4843741 255
4740144 125			4843851 315
			4843852 315
			4845039 317
			4845517 168
			4845930 277

SECTION 10 - SPECIAL OPTIONS

4860065.....	25	4931365.....	409	4932564.....	456	7000305.....	225
4860097.....	70, 86, 91	4931368.....	408	4932637.....	404	7000306.....	225
4860129.....	25	4931369.....	408	4932639.....	404	7000307.....	225
4920096.....	21	4931392.....	407	4932667.....	456	70003622.....	170
4920385.....	195, 201, 283	4931395.....	407	4932673.....	405	7000413.....	108, 115
4920402.....	238	4931399.....	404	4932704.....	411	7000414.....	108, 111, 115,
4920403.....	239	4931411.....	407	4932736.....	408	117	
4920409.....	239	4931412.....	407	4932745.....	411	7000417.....	77, 107, 448
4920415.....	262	4931422.....	407	4932806.....	406	7000418.....	108, 111, 115,
4920417.....	239	4931424.....	407	4932811.....	244, 411	117, 448	
4920425.....	409	4931430.....	409	4932813.....	405	7000423.....	81
4920426.....	409	4931431.....	409	4932880.....	412	7000447.....	115
4920428.....	409	4931432.....	409	4932892.....	406	7000448.....	111
4920429.....	408	4931433.....	409	4932898.....	456	7000466.....	115
4920432.....	409	4931434.....	409	4933007.....	456	7000468.....	108, 112, 115,
4920454.....	238	4931440.....	410	70000163.....	202	117	
4920455.....	239	4931444.....	405	70000851.....	171	7000470.....	107, 111, 115,
4920464.....	239	4931458.....	409	7000102.....	107	117	
4920465.....	239	4931468.....	404	70001111.....	28, 33	7000483.....	153, 178
4920466.....	239	4931470.....	404	7000161.....	123	7000558.....	69, 85, 90
4920527.....	239	4931472.....	404	7000166.....	293	7000625.....	285, 290
4920529.....	409	4931476.....	409, 410	70001940.....	31	7000643.....	181
4920599.....	410	4931478.....	409, 410	7000206.....	27	7000645.....	90
4920618.....	266	4931487.....	409, 410	7000207.....	139	7000646.....	181, 196, 202
4920630.....	408	4931488.....	409, 410	7000208.....	139	7000665.....	181
4920842.....	243	4931489.....	410	7000209.....	139	7000694.....	167
4920845.....	243, 248	4931490.....	410	7000210.....	139	7000698.....	156
4920850.....	411, 412	4931520.....	404	7000211.....	33	7000699.....	156, 171
4920851.....	410, 412	4931527.....	410	7000212.....	32	7000700.....	156
4920852.....	411, 412	4931598.....	406	7000214.....	27, 31, 139	7000711.....	131
4920866.....	262	4931620.....	411	7000216.....	28, 33	7000712.....	131
4920868.....	406	4931621.....	411, 412	7000217.....	27, 31, 139	7000713.....	35, 131
4920929.....	167	4931622.....	411, 412	7000220.....	33	7000714.....	35, 131
4920946.....	167	4931623.....	411, 412	7000227.....	32	7000716.....	35
4920960.....	167	4931624.....	410, 412	70002307.....	196, 203	7000717.....	35, 39, 131
4920961.....	179	4931625.....	407	7000233.....	139	7000718.....	35, 45, 131
4920979.....	411, 412	4931640.....	406	7000241.....	31	7000720.....	35, 131
4920986.....	260, 266, 283,	4931665.....	408	7000242.....	27, 31, 139	7000721.....	35, 131
288		4931666.....	408	7000243.....	28, 33	7000727.....	35
4920997.....	411, 412	4931669.....	408	7000245.....	27	7000728.....	39, 45
4921128.....	411, 412	4931671.....	156, 405	7000246.....	27, 139	7000729.....	35, 45, 131
4921131.....	248	4931672.....	408	7000250.....	27, 31	7000730.....	35, 131
4921132.....	408	4931674.....	405	7000252.....	27, 31	7000732.....	35, 45, 131
4921305.....	405	4931678.....	407	7000253.....	27, 31, 139	7000759.....	35
4921309.....	411, 412	4931685.....	411, 412	70002533.....	51	7000760.....	39, 47, 131
4921364.....	411, 412	4931691.....	406	70002534.....	51	7000782.....	35, 45
4921365.....	168	4931692.....	406	70002535.....	51	7000796.....	35, 39, 41, 45,
4921407.....	406	4931693.....	406	70002536.....	52	47, 131	
4921424.....	407	4931740.....	405	70002537.....	52	7000798.....	35, 45, 131
4921716.....	411	4931826.....	411, 412	70002538.....	52	7000867.....	181
4921763.....	405	4931836.....	412	70002539.....	52	7000869.....	181
4921768.....	168	4931842.....	408	7000254.....	27	7000870.....	182
4921886.....	406	4931912.....	408	70002540.....	52	7000871.....	182
4931085.....	405	4932059.....	408	70002541.....	52	7000872.....	156
4931269.....	407	4932080.....	407	7000255.....	27, 139	7000874.....	181
4931286.....	409	4932343.....	411	7000256.....	27, 139	7000877.....	181
4931314.....	406	4932345.....	405	7000257.....	27, 139	7000878.....	181
4931334.....	407	4932346.....	405	7000258.....	27, 139	7000884.....	181, 196, 202
4931338.....	409	4932347.....	405	7000259.....	27	7000895.....	181
4931339.....	408	4932348.....	405	7000260.....	27, 31	7001293.....	221
4931342.....	409	4932349.....	405	7000261.....	27, 31	7001305.....	85
4931343.....	409	4932367.....	412	7000262.....	27, 31	7001306.....	85
4931344.....	409	4932433.....	407	7000263.....	27, 31	7001307.....	85
4931346.....	409	4932435.....	408	7000268.....	139	7001308.....	85
4931347.....	406	4932474.....	406	7000269.....	139	7001318.....	85
4931348.....	409	4932507.....	404	7000270.....	139	7001337.....	85
4931349.....	412	4932508.....	404	7000271.....	139	7001345.....	85

SECTION 10 - SPECIAL OPTIONS

7001354.....	85	7002231.....	75, 81	7002384.....	77	7003089.....	32
7001356.....	85	7002233.....	75, 82	7002385.....	77	7003090.....	131
7001357.....	85	7002234.....	82	7002386.....	77	7003091.....	131
7001358.....	85	7002237.....	81	7002391.....	75	7003092.....	47
7001359.....	85	7002238.....	81	7002394.....	75	7003093.....	47
7001365.....	85	7002240.....	81	7002398.....	75	7003094.....	47
7001366.....	85	7002241.....	81	7002447.....	111	7003095.....	47
7001909.....	27, 31	7002242.....	81	7002448.....	111	7003096.....	47
7001911.....	27, 31	7002257.....	115	7002449.....	111	7003103.....	221, 223
7001913.....	27, 31	7002273.....	115	7002450.....	111	7003114.....	221
7001922.....	31	7002274.....	107, 115, 117	7002451.....	111	7003168.....	221
7001931.....	27, 31	7002287.....	73	7002700.....	225	7003174.....	221
7001984.....	27, 31	7002288.....	73	7002701.....	225	7003176.....	221
7001985.....	27, 31	7002294.....	107	7002704.....	82	7003177.....	221
7001987.....	27, 31	7002304.....	107	7002705.....	225	7003178.....	221
7001988.....	27, 31	7002315.....	108, 111, 117	7002706.....	225	7003432.....	32
7001990.....	27, 31	7002317.....	108, 111	7002707.....	225	7003635.....	69, 86, 91
7001997.....	27	7002319.....	77	7002711.....	225	7003640.....	90
7001998.....	27	7002320.....	107	7002713.....	225	7003657... 149, 163, 173, 189, 205	
7002100.....	293	7002321.....	107	7002717.....	225	7003825.....	111
7002103.....	293	7002322.....	107	7002718.....	225	7004214... 146, 156, 169, 179, 194, 200, 213, 448	
7002104.....	293	7002323.....	107	7002720.....	225	7004244.....	233
7002105.....	293	7002324.....	77, 107	7002721.....	225	7004247... 144, 154, 167, 178, 194, 200, 211	
7002107.....	293	7002326.....	77, 107	7002722.....	225	7004248... 144, 154, 167, 178, 194, 200, 211	
7002110.....	293	7002327.....	77, 107, 111, 117	7002723.....	225	7004249... 144, 154, 167, 178, 194, 200, 211	
7002111.....	293	7002328.....	107	7002724.....	225	7004275.....	454
7002112.....	293	7002329.....	107	7002725.....	225	7004276.....	454
7002116.....	293	7002330.....	77	7002726.....	225	7004278.....	92
7002117.....	293	7002333... 108, 111, 115, 117		7002727.....	225	7004279.....	390
7002123.....	293	7002334... 77, 107, 108, 111, 115, 117		7002728.....	225	7004280.....	390
7002125.....	293	7002335... 108, 111, 115, 117		7002729.....	225	7004289... 69, 85, 90, 91	
7002127.....	123	7002336... 108, 111, 115, 117		7002730.....	225	7004365.....	121
7002128.....	123	7002337.....	107	7002821.....	454	7004366.....	121
7002131.....	123	7002338... 77, 107, 108, 111, 115, 117		7002822.....	454	7004367.....	121
7002132.....	123	7002339... 108, 111, 115, 117		7002823.....	454	7004368... 69, 85, 90, 91, 121	
7002134.....	123	7002340... 77, 107, 108, 111, 115, 117		7002826.....	454	7004369.....	121
7002138.....	123	7002341... 108, 111, 115, 117		7002828.....	454	7004408... 144, 153, 178, 211	
7002142.....	123	7002342.....	107	7003006... 35, 39, 45, 47, 131		7004412... 144, 153, 178, 211	
7002163.....	123	7002343... 107, 111, 115, 117		7003007... 35, 39, 47, 131		7004415... 144, 153, 178, 211	
7002167.....	123	7002344... 107, 111, 115, 117		7003010.....	35	7004416.....	153, 178
7002168.....	123	7002345... 107, 111, 115, 117		7003012.....	131	7004436... 144, 154, 167, 178, 194, 200, 211	
7002169.....	123	7002346... 107, 111, 115, 117		7003013.....	131	7004607.....	111
7002170.....	123	7002348... 107, 111, 117		7003017.....	39	7004802.....	75
7002171.....	123	7002360.....	78	7003018.....	131	7004808.....	75, 82
7002172.....	123	7002364.....	77	7003019.....	39, 47, 131	7004809.....	81
7002173.....	123	7002368.....	73	7003047.....	39	7004812.....	81
7002174.....	123	7002370.....	78	7003049.....	39, 47, 131	7004813.....	81
7002175.....	123	7002371.....	77	7003050.....	47	7004814.....	82
7002203.....	82	7002372.....	78	7003051.....	39, 47, 131	7004815.....	81
7002205.....	82	7002373.....	78	7003052.....	39, 47, 131	7004816.....	81
7002206.....	81	7002374.....	77	7003053.....	131	7004817.....	82
7002209.....	81	7002375.....	77	7003054.....	39, 47, 131	7004818.....	81
7002210.....	81	7002376.....	77	7003055.....	39, 47, 131	7004821... 107, 111, 115, 117	
7002211.....	81	7002377.....	77	7003056.....	39, 47, 131	7004822.....	77, 107
7002212.....	81	7002378.....	107	7003057.....	39, 131	7004823.....	77, 107
7002213.....	81	7002379.....	78	7003059.....	39, 47, 131	7004824.....	77
7002214.....	81			7003060.....	45		
7002215.....	81			7003061.....	45		
7002216.....	81			7003062.....	45		
7002217.....	82			7003063.....	45		
7002218.....	81			7003064.....	45		
7002220.....	81			7003065.....	45		
7002222.....	81			7003066.....	45		
7002223.....	77, 82			7003067.....	45		
7002224.....	81			7003069.....	39, 45, 47		
7002228.....	81			7003070.....	39		
7002229.....	77, 107			7003071.....	39		
				7003087.....	32		
				7003088.....	32		

SECTION 10 - SPECIAL OPTIONS

7004826.....	107	7004936.....	50	7006728.....	95, 103	7007871.....	228
7004831.....	82	7004937.....	50	7006729.....	95	7007901.....	36, 132
7004832.....	75	7004938.....	50, 52	7006730.....	95, 99, 103	7007902.....	35, 132
7004833.....	73, 78	7004939.....	50, 52	7006731.....	95, 99	7007903.....	35
7004834.....	107	7004941.....	50	7006732.....	96, 103	7007904.....	36
7004835.....	77, 107	7004942.....	50, 227	7006733.....	95, 99	7007905.....	35, 132
7004836.....	77, 107	7004944.....	50	7006737.....	96, 99, 103	7007906.....	35, 132
7004837.....	77, 107	7004946.....	50	7006744.....	95	7007907.....	35, 132
7004838.....	77, 107	7004948.....	50	7006745.....	95, 99	7007908.....	35, 132
7004839.....	77, 107	7004950.....	50	7006746.....	95, 99	7007909.....	35, 132
7004840.....	107	7004951.....	50	7006747.....	95	7007912.....	35, 131
7004841.....	77, 107	7004952.....	50	7006748.....	99	7007913.....	35, 131
7004842.....	107	7004953.....	50	7006749.....	103, 104	7007914.....	35, 132, 135
7004848.....	77	7004954.....	50	7006752.....	96	7007915.....	35, 132
7004850.....	77	7004955.....	50	7006756.....	96	7007916.....	35, 132
7004851.....	77	7004956.....	50	7006757.....	95, 99	7007920.....	35
7004853.....	77	7004957.....	50	7006760.....	95	7007923.....	35, 41, 132, 136
7004854.....	77	7004959.....	51	7006761.....	96	7007924.....	35, 41, 131
7004855.....	77	7004960.....	51, 227	7006762.....	95	7007926.....	132
7004856.....	77	7004962.....	227	7006763.....	95	7007927.....	132
7004857.....	77	7004963.....	227	7006771.....	96	7007928.....	131
7004858.....	77	7004964.....	227	7006773.....	96, 99, 103	7007930.....	132
7004859.....	107, 111, 115, 117	7004965.....	227	7006777.....	96	7007933.....	36, 41, 132
7004860.....	77	7004966.....	227	7006778.....	96, 100, 104	7007934.....	132, 136
7004861.....	77	7004971.....	227	7006780.....	96	7007970.....	41, 135
7004863.....	78	7004972.....	227	7006782.....	96, 100, 104	7007975.....	35
7004864.....	78	7004974.....	227	7007321.....	56	7007976.....	36
7004869.....	73	7004977.....	227	7007323.....	56	7007977.....	41, 135
7004870.....	73	7004981.....	227	7007504.....	231	7007979.....	41, 135
7004871.....	73	7004984.....	227	7007506.....	231	7007980.....	41, 135
7004872.....	73	7004996.....	231	7007507.....	231	7007981.....	135
7004873.....	73	7004997.....	231	7007512.....	231	7007983.....	41, 135
7004874.....	73	7005505.....	221	7007513.....	231	7007985.....	41, 135
7004875.....	73	7005509.....	221	7007515.....	231	7007986.....	41
7004878.....	81	7005511.....	221	7007560.....	231	7007987.....	41, 135
7004880.....	81	7005512.....	221	7007561.....	231	7008804.....	145, 159, 168, 185, 212, 213
7004881.....	81	7005513.....	221	7007601.....	27	7008807.....	145, 159, 185, 212
7004882.....	81	7005541.....	221	7007603.....	31	7008821.....	145, 159, 168, 185, 212, 213
7004883.....	81	7005542.....	221	7007617.....	31	7008822.....	212, 213
7004884.....	81	7005562.....	223	7007681.....	31	7008828.....	159, 168
7004886.....	75	7005595.....	223	7007683.....	31	7008829.....	145, 159, 168, 212
7004887.....	75	7005597.....	223	7007684.....	31	7009315.....	95
7004888.....	75	7005598.....	223	7007685.....	31	7009316.....	95
7004901.....	227	7005599.....	223	7007686.....	31	7009319.....	95, 99
7004904.....	227	7005809.....	129	7007687.....	31	7009320.....	99
7004905.....	227	7005810.....	129	7007688.....	31	7009321.....	96
7004906.....	50, 52, 227	7005811.....	129	7007689.....	31	7009323.....	95, 99
7004907.....	50, 51, 227	7005812.....	129	7007690.....	31	7009324.....	95, 99
7004908.....	50, 51, 227	7005816.....	129	7007691.....	31	7009325.....	95
7004909.....	227	7005818.....	129	7007697.....	27	7009329.....	96, 104
7004910.....	51, 227	7005820.....	129	7007760.....	119	7009330.....	96, 99, 103
7004911.....	51, 227	7005821.....	129	7007760.....	119	7009350.....	95
7004912.....	50, 51	7005823.....	129	7007840.....	231	7009351.....	95
7004913.....	51, 227	7006075.....	69, 85, 90	7007841.....	231	7009352.....	311, 312
7004914.....	51, 227	7006121.....	261	7007853.....	231	7009353.....	249
7004915.....	227	7006132.....	261	7007854.....	231	7009354.....	249
7004916.....	50, 51	7006137.....	261	7007856.....	227	7009355.....	95
7004917.....	50, 227	7006138.....	261	7007857.....	227	7009356.....	95
7004918.....	50	7006140.....	261, 267, 450	7007858.....	227	7009357.....	95
7004920.....	227	7006143.....	261	7007859.....	227	7009358.....	95
7004927.....	51	7006148.....	267	7007860.....	227	7009361.....	100
7004928.....	50, 52	7006149.....	261	7007861.....	227	7009363.....	96
7004929.....	50, 52	7006152.....	261, 267, 450	7007862.....	227	7009368.....	96
7004932.....	227	7006190.....	261	7007866.....	227		
7004933.....	50, 227	7006724.....	99	7007867.....	227		
7004935.....	227	7006725.....	95, 99	7007868.....	227		
		7006726.....	95	7007869.....	227		
				7007870.....	228		

SECTION 10 - SPECIAL OPTIONS

7009369.....	96	7012323.....	103	7012690.....	196	7020024.....	171
7009395.....	96	7012325.....	99	7012698.....	170, 171	7020108... ..	149, 163, 173, 189, 205
7009397....	100, 103, 104	7012326.....	99	7012910.....	69, 85, 90, 91	7020109... ..	149, 163, 173, 189, 205
7009398.....	99	7012327.....	99	7012922.....	92	7020110... ..	149, 163, 173, 189, 205
7009399....	100, 103, 104	7012328.....	99	7012945.....	92	7020111... ..	149, 163, 173, 189, 205
7009500.....	223	7012329.....	99	7013755....	144, 153, 178, 211	7020120.....	196
7009503.....	223	7012330.....	99	7014502.....	147	7020168.....	171
7009504.....	223	7012331... ..	100, 103, 104	7014503.....	156	7020174.....	243, 448
7009505.....	223	7012332.....	100	7014677.....	181	7020175.....	303
7009508.....	223	7012333.....	99	7014678.....	181	7020176.....	303
7009509.....	223	7012334.....	100	7014679.....	181	7020190... ..	149, 163, 173, 189, 205
7009510.....	223	7012335.....	100	7014684.....	170	7020191... ..	149, 163, 173, 189, 205
7009511.....	223	7012336.....	100, 104	7014685.....	156	7020193... ..	149, 163, 173, 189, 205
7009513.....	223	7012337.....	100, 104	7014688.....	170	7020208.....	156, 171
7009739.....	56	7012338.....	100, 104	7016308.....	156, 170	7020220.....	171
7009745.....	69, 85, 91	7012339.....	99, 448	7016309.....	156	7020323.....	51
7009755.....	119	7012340.....	100, 104	7016310.....	156	7020347.....	52
7009756.....	119	7012341.....	103	7016328.....	170	7020400.....	156
7009757.....	119	7012342.....	103	7016331.....	170	7020401.....	156
7009758.....	119	7012343.....	103	7016332.....	171	7020403.....	157
7009759.....	119	7012344.....	103	7016333.....	233	7020405.....	157
7009761.....	119	7012346.....	103	7016364.....	156	7020406.....	171
7009762.....	119	7012347.....	103	7016375.....	194	7020407.....	156
7009798.....	69, 86, 91	7012348.....	103	7016376.....	194	7020409.....	157
7009992.....	293	7012349.....	103	7016600.....	196, 202	7020410.....	156
7010071.....	211	7012350.....	103	7016601.....	196, 202	7020411.....	170, 171
7010429.....	28	7012352.....	103	7016605.....	196, 202	7020412.....	170, 171
7010452.....	32	7012353.....	103	7016654.....	454	7020413.....	157
7010453.....	32	7012354.....	103	7016664.....	234	7020414.....	171
7010454.....	31	7012355.....	103	7016913.....	223	7020417.....	171
7010455.....	31	7012356.....	103	7017070.....	28, 32	7020419.....	171
7010459.....	31	7012357.....	103	7017092.....	28, 32	7020420.....	157
7010473.....	32	7012358.....	100, 103	7017093.....	28, 33	7020421.....	157
7010474.....	31	7012359.....	100, 104	7017094.....	28, 33	7020422.....	157
7010475.....	32	7012383.....	100	7017095.....	28, 32	7020423.....	157
7010476.....	32	7012505.....	121	7017515.....	209	7020424.....	170
7010477.....	32	7012506.....	121	7018602.....	41, 135	7020425.....	170
7010478.....	32	7012507.....	121	7018603.....	41, 136	7020426.....	170
7010542.....	92	7012509.....	121	7018605.....	41, 135	7020430.....	171
7010552.....	121	7012510.....	121	7018606.....	41, 135	7020432.....	156
7010553.....	121	7012511.....	121	7018607.....	41, 135	7020433.....	157
7010554.....	121	7012513... ..	149, 163, 173, 189, 205	7018608.....	42, 136	7020435.....	171
7010555.....	121	7012514... ..	149, 163, 173, 189, 205	7018609.....	41, 135	7020439.....	156
7010556.....	121	7012516.....	55	7019607....	156, 170, 171	7020455.....	170
7010558.....	121	7012518.....	69, 85, 90	7019617.....	156	7020457.....	170
7010559.....	121	7012558... ..	149, 163, 173, 189, 205	7019921.....	196	7020465.....	157
7010560.....	121	7012559.....	233	7019923.....	196	7020471.....	170, 171
7010633.....	181	7012576... ..	144, 154, 167, 178, 194, 200	7019924.....	196, 202	7020477.....	170, 171
7010635.....	69, 85, 91	7012577.....	181	7019925.....	196	7020479.....	171
7011118.....	111	7012578.....	181	7019926.....	196, 202	7021869... ..	181, 196, 202, 450
7011182.....	108, 111	7012599.....	170	7019927.....	196, 202	7021870....	147, 170, 450
7011183....	108, 112, 115	7012611.....	303	7019929.....	196	7021872.....	214
7011712.....	41	7012612.....	303	7019930.....	196, 202	7022143.....	196
7011713.....	41, 135	7012626.....	170	7019931....	181, 196, 203	7022150.....	196
7011714.....	41, 135	7012656.....	218	7019932....	181, 196, 203	7022153....	182, 196, 202
7011715.....	41, 135	7012662.....	317	7019933.....	196, 202	7022156.....	202
7011716.....	41, 135	7012664.....	196	7019976....	181, 196, 202	7022178.....	196, 202
7011717.....	41, 135	7012672.....	317	7019977.....	202	7022180....	181, 196, 202
7011718.....	135	7012679....	181, 196, 202	7019978.....	202	7022390.....	90
7011719.....	135	7012680.....	196	7019980.....	202		
7011720.....	135	7012681.....	196	7019981.....	202		
7012300....	100, 103, 104	7012682.....	196	7019982.....	202		
7012314.....	311, 312	7012683.....	196	7019983.....	202		
7012316.....	311, 312			7019985.....	202		
7012319.....	99			7019988.....	202		
7012322.....	99, 103			7019997.....	202		
				7020023....	147, 170, 450		

SECTION 10 - SPECIAL OPTIONS

7023471.....	196	7025134.....	203	7027292.....	202	9982882.....	455
7023667.....	182	7025145.....	196	7027402.....	202	9983524.....	407
7023687.....	202	7026173.....	157	7027972.....	202, 450	9983543.....	440
7024321.....	181, 196, 202	7026199... 149, 163, 173,		7029274.....	156, 450	9983544.....	440
7024579.....	171	189, 205		7029276.....	156, 450	N.S.....	47
7025122.....	202	7026668.....	157	9982449.....	65	NON-SERVICEABLE 227,	
7025124.....	203	7027210.....	170	9982515.....	452	231	
7025126.....	202	7027250.....	170, 171	9982700.....	181		



**Corporate Office
JLG Industries, Inc.
1 JLG Drive
McConnellsburg, PA 17233-9533 USA**
☎ **(717) 485-5161 (Corporate)**
☎ **(877) 554-5438 (Customer Support)**
📠 **(717) 485-6417**

**Visit our website for JLG Worldwide Locations.
www.jlg.com**



OSHKOSH™