



ILLUSTRATED PARTS

Models 40HT

3120244

July 31, 1990



AUSTRALIAN OFFICE

JLG INDUSTRIES, INC.
P.O. Box 5119
11 Bolwarra Road
Port Macquarie, Australia
Telephone: 065 811111
Fax: 065 810122

EUROPEAN OFFICE

JLG INDUSTRIES (EUROPE)
Kilmartin Place,
Tannochside Park
Uddingston, Scotland, G71 5PH
Telephone: 01698 811005
Main Fax: 01698 811055
Parts Fax: 01698 811455

CORPORATE OFFICE

JLG INDUSTRIES, INC.
1 JLG Drive
McConnellsburg, PA.
17233-9533
USA
Telephone: (717) 485-5161
Fax: (717) 485-6417

TABLE OF CONTENTS

SECTION 1 - ILLUSTRATED PARTS LIST	5
FIGURE 1-1. BOOM, TURNTABLE AND HORIZONTAL CUTOUT SWITCH INSTALLATIONS.....	6
FIGURE 1-2. BOOM ASSEMBLY (2 SECTION).....	10
FIGURE 1-3. TELESCOPE CYLINDER ASSEMBLY (2 SECTION BOOM)	14
FIGURE 1-4. BOOM ASSEMBLY (3 SECTION).....	16
FIGURE 1-5. TELESCOPE CYLINDER ASSEMBLY (3 SECTION BOOM)	22
FIGURE 1-6. SLAVE CYLINDER ASSEMBLY	24
FIGURE 1-7. LIFT CYLINDER ASSEMBLY	26
FIGURE 1-8. MASTER CYLINDER ASSEMBLY	28
FIGURE 1-9. BOOM WIPERS INSTALLATION (2 SECTION)	30
FIGURE 1-10. BOOM WIPERS INSTALLATION (3 SECTION)	32
FIGURE 1-11. PLATFORM AND CONTROL STANDS ASSEMBLIES AND INSTALLATIONS	36
FIGURE 1-12. ROTATOR MOTOR ASSEMBLY	40
FIGURE 1-13. PLATFORM CONTROL BOX ASSEMBLIES - PQ CONTROLLERS (CIRCA 1983-1984)	42
FIGURE 1-14. PLATFORM CONTROL BOX ASSEMBLIES - PQ CONTROLLERS (CIRCA 1984 AND NEWER)	46
FIGURE 1-15. PLATFORM CONTROL BOX ASSEMBLIES - OEM CONTROLLERS.....	52
FIGURE 1-16. GROUND CONTROL BOX ASSEMBLIES (RACINE VALVES).....	56
FIGURE 1-17. GROUND CONTROL BOX ASSEMBLIES (VICKERS VALVES)	60
FIGURE 1-18. CONTROL VALVES INSTALLATION (RACINE VALVES)	64
FIGURE 1-19. PROPORTIONAL CONTROL VALVE ASSEMBLY - OUTLET SECTION	68
FIGURE 1-20. PROPORTIONAL CONTROL VALVE ASSEMBLY - WORKING SECTIONS	70
FIGURE 1-21. PROPORTIONAL CONTROL VALVE ASSEMBLY - INLET (DUMP) SECTION	72
FIGURE 1-22. PROPORTIONAL CONTROL VALVE ASSEMBLY - SERVO ASSEMBLY	76
FIGURE 1-23. CONTROL VALVE ASSEMBLY - RACINE BANG-BANG.....	80
FIGURE 1-24. CONTROL VALVES INSTALLATION (VICKERS VALVES)	84
FIGURE 1-25. CONTROL VALVE ASSEMBLY - VICKERS.....	88
FIGURE 1-26. ENGINE COMPONENTS, ASSEMBLIES AND INSTALLATIONS - WISCONSIN VH4D GAS.....	92
FIGURE 1-27. DUAL FUEL AND LPG COMPONENTS INSTALLATION - WISCONSIN.....	98
FIGURE 1-28. 110 VOLT GENERATOR INSTALLATION - WICONSIN	102
FIGURE 1-29. ENGINE COMPONENTS, ASSEMBLIES AND INSTALLATION - DEUTZ F2L511	104
FIGURE 1-30. 110 VOLT GENERATOR INSTALLATION - DEUTZ.....	110
FIGURE 1-31. MOTOR COMPONENTS, ASSEMBLIES AND INSTALLATIONS - ELECTRIC	112
FIGURE 1-32. GEAR PUMP ASSEMBLY	116
FIGURE 1-33. TANDEM PUMP ASSEMBLY (PISTON PUMP SECTION)	118
FIGURE 1-34. TANDEMPUMPASSEMBLY(GEARPUMPSECTION).....	122
FIGURE 1-35. TANKS INSTALLATION.....	124
FIGURE 1-36. HOODS INSTALLATION	128
FIGURE 1-37. REMOTE LUBRICATION AND TURNTABLE LOKING PIN INSTALLATION	132
FIGURE 1-38. ROTARY OIL COUPLING INSTALLATION	134
FIGURE 1-39. ROTARY OIL COUPLING INSTALLATION	136
FIGURE 1-40. SWING DRIVE AND SWING BEARING INSTALLATIONS	138
FIGURE 1-41. SWING BRAKE ASSEMBLY	140
FIGURE 1-42. SWING BRAKE ASSEMBLY	144
FIGURE 1-43. SWING HUB ASSEMBLY	146

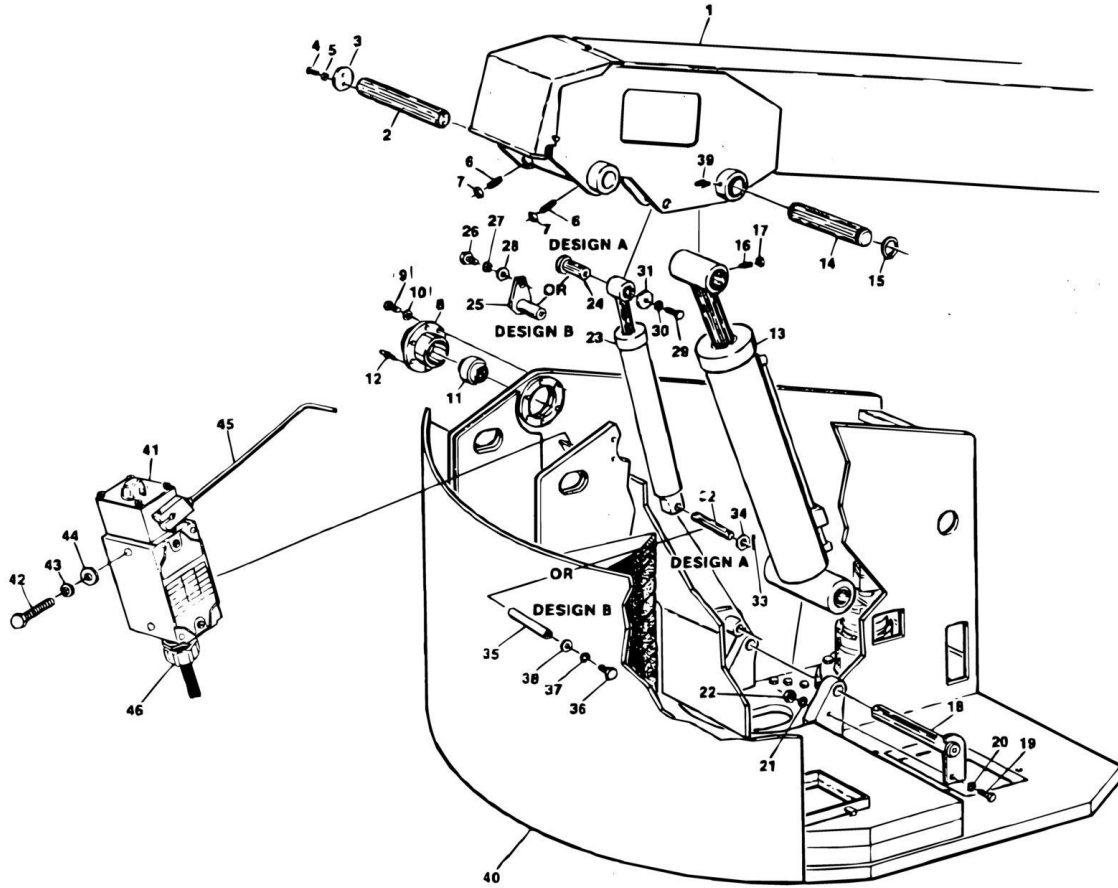
TABLE OF CONTENTS

FIGURE 1-44. FRAME, STEERING AND DRIVE COMPONENTS INSTALLATION (DOUBLE ACTING STEER CYLINDER).....	148
FIGURE 1-45. STEER CYLINDER ASSEMBLY (DOUBLE ACTING).....	152
FIGURE 1-46. FRAME, STEERING AND DRIVE COMPONENTS INSTALLATION (SINGLE ACTING STEER CYLINDER)	154
FIGURE 1-47. STEER CYLINDER ASSEMBLY (SINGLE ACTING)	158
FIGURE 1-48. DRIVE MOTOR ASSEMBLY	160
FIGURE 1-49. DRIVE BRAKE ASSEMBLY (HOUSING LENGTH - 3 3/4IN)	164
FIGURE 1-50. DRIVE BRAKE ASSEMBLY - AUSCO (HOUSING LENGTH - 4IN)	166
FIGURE 1-51. DRIVE BRAKE ASSEMBLY - MICO (HOUSING LENGTH - 4IN)	168
FIGURE 1-52. DRIVE HUB ASSEMBLY.....	170
FIGURE 1-53. TOW PACKAGE (SINGLE ACTING STEER CYLINDER MACHINES)	172
FIGURE 1-54. PLACARDS AND DECALS INSTALLATION - MODEL 40HT	174
FIGURE 1-55. HYDRAULIC DIAGRAM - DRIVE	178
FIGURE 1-56. HYDRAULIC DIAGRAM - LEVEL.....	182
FIGURE 1-57. HYDRAULIC DIAGRAM - LIFT.....	184
FIGURE 1-58. HYDRAULIC DIAGRAM - MANUAL DESCENT	186
FIGURE 1-59. HYDRAULIC DIAGRAM - PUMP (RACINE VALVES WITHOUT STEERING WHEEL)	188
FIGURE 1-60. HYDRAULIC DIAGRAM - PUMP (RACINE VALVES WITH STEERING WHEEL).....	192
FIGURE 1-61. HYDRAULIC DIAGRAM - PUMP (VICKERS VALVES WITHOUT STEERING WHEEL)	196
FIGURE 1-62. HYDRAULIC DIAGRAM - PUMP (VICKERS VALVES WITH STEERING WHEEL).....	200
FIGURE 1-63. HYDRAULIC DIAGRAM - ROTATE (WITHOUT STEERING WHEEL).....	204
FIGURE 1-64. HYDRAULIC DIAGRAM - ROTATE (WITH STEERING WHEEL)	206
FIGURE 1-65. HYDRAULIC DIAGRAM - STEER (WITHOUT STEERING WHEEL)	208
FIGURE 1-66. HYDRAULIC DIAGRAM - STEER (WITH STEERING WHEEL).....	210
FIGURE 1-67. HYDRAULIC DIAGRAM - SWING.....	212
FIGURE 1-68. HYDRAULIC DIAGRAM - TELESCOPE.....	214
FIGURE 1-69. HYDRAULIC DIAGRAM - TOW.....	216
FIGURE 1-70. ELECTRICAL WIRING DIAGRAMS - RACINE VALVES.....	218
FIGURE 1-71. ELECTRICAL WIRING DIAGRAMS - VICKERS VALVES	220
SECTION 2 - RECOMMENDED SERVICE PARTS STOCK.....	223
FIGURE 2-1. 40HT LIFT STANDARD PARTS	224
FIGURE 2-2. 40HT LIFT OPTIONAL/VARIABLE PARTS	226
PART NUMBER INDEX.....	229

SECTION 1 - ILLUSTRATED PARTS LIST

SECTION 1 - ILLUSTRATED PARTS LIST

FIGURE 1-1. BOOM, TURNTABLE AND HORIZONTAL CUTOUT SWITCH INSTALLATIONS



SECTION 1 - ILLUSTRATED PARTS LIST

FIGURE 1-1. BOOM, TURNTABLE AND HORIZONTAL CUTOUT SWITCH INSTALLATIONS

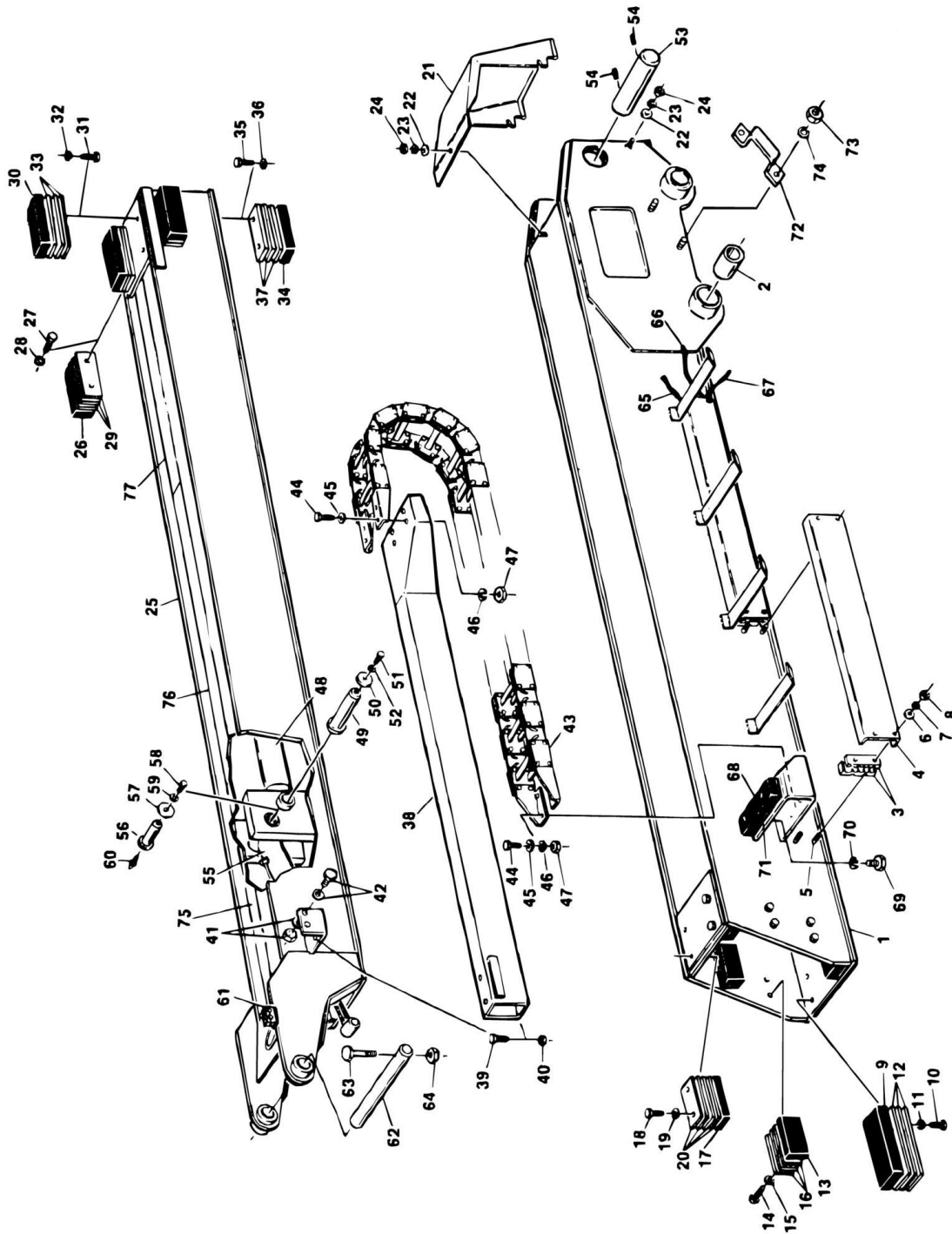
ITEM	PART NUMBER	QTY	DESCRIPTION	REV
		Ref	BOOM, TURNTABLE AND HORIZONTAL CUTOUT SWITCH INSTALLATIONS	
	0236200	Ref	BOOM INSTALLATION (2 SECTION) (GAS AND DIESEL)	O
	0237594	Ref	BOOM INSTALLATION (2 SECTION) (ELECTRIC)	B
	0236530	Ref	BOOM INSTALLATION (3 SECTION)	H
1	0800379	1	Boom Assembly (2 Section) (See BOOM ASSEMBLY for Breakdown)	
1	0800400	1	Boom Assembly (3 Section) (See BOOM ASSEMBLY for Breakdown)	
2	3420643	2	Pin, Boom Pivot (Attaching Parts)	
3	1120198	2	Cap, Boom Pivot	
4	0681812	4	Bolt, 1/2in-13NC x 1 1/2in (Grade 8)	
5	4740171	4	Washer, Hardened	
6	3952020	2	Setscrew 5/18in-11NC x 2 1/2in	
7	3312002	2	Nut, Jam 5/18in-11NC	
7	0100019	AR	Loctite	
8	4840596	2	Boom Pivot Weldment (Attaching Parts)	
9	0681612	6	Bolt 3/8in-16NC x 1 1/2in (Grade 8)	
10	4740185	6	Washer, Hardened	
11	0440084	2	Bearing	
12	2160006	2	Fitting, Grease	
13	1680365	1	Lift Cylinder Assembly (See LIFT CYLINDER ASSEMBLY for Breakdown) (Attaching Parts)	
14	3420656	1	Pin, Lift Cylinder (Upper)	
15	3760104	2	Ring, Retaining	
16	3951812	1	Bolt, Socket Head 1/2in-13NC x 1 1/2in	
17	3311802	1	Nut, Jam 1/2in-13NC	
18	3421083	1	Pin, Lift Cylinder (Lower)	
19	0630399	1	Bolt, Special	
20	4751600	1	Flatwasher 3/8in	
21	4761600	1	Lockwasher 3/8in	
22	3311605	1	Locknut 3/8in-13NC	
23	1681519	1	Master Cylinder Assembly (See MASTER CYLINDER ASSEMBLY for Breakdown)	
23	1681547	1	Master Cylinder Assembly (See MASTER CYLINDER ASSEMBLY for Breakdown)	
23	1681580	1	Master Cylinder Assembly (See MASTER CYLINDER ASSEMBLY for Breakdown) (Attaching Parts)	
		Ref	Note: Refer to Number Stamped on Barrel for Identification.	
24	0233449	1	Pin, Master Cylinder (Upper - Design A)	
25	0236548	1	Pin, Master Cylinder (Upper - Design B)	
26	3311501	1	Nut 5/16in-18NC (Design B Only)	
27	4761500	1	Lockwasher 5/16in (Design B Only)	
28	4751500	1	Flatwasher 5/16in (Design B Only)	
28	4300038	1	Stud (Welded On Part) (Design B Only)	
29	0651608	1	Bolt 3/8in-24NF x 1in	
30	4761600	1	Lockwasher 3/8in	
31	4740006	1	Flatwasher, Special	
31	0100019	AR	Loctite	
32	3420531	1	Pin, Master Cylinder (Lower - Design A)	
33	3450609	2	Pin, Cotter (Design A)	

SECTION 1 - ILLUSTRATED PARTS LIST

ITEM	PART NUMBER	QTY	DESCRIPTION	REV
34	4740040	2	Flatwasher, Special (Design A)	
35	3421706	1	Pin, Master Cylinder (Lower - Design B) (Gas and Diesel)	
35	3421353	1	Pin, Master Cylinder (Lower - Design B) (Electric)	
36	0651608	2	Bolt 3/8in-24NF x 1in (Design B)	
37	4761600	2	Lockwasher 3/8in (Design B)	
38	4740006	2	Flatwasher, Special (Design B)	
39	2160002	2	Fitting, Grease	
40	4620069	1	Turntable (Domestic Gas and Diesel)	
40	4620058	1	Turntable (CSA Gas and Diesel)	
40	4620023	1	Turntable (Domestic Electric)	
	0236287	Ref	HORIZONTAL CUT-OUT SWITCH INSTALLATION	C
41	4360057	1	Switch, Limit (Attaching Parts)	
42	0731005	2	Screw, Machine #10-32NF x 5/8in	
43	4761000	2	Lockwasher #10	
44	4751000	2	Flatwasher #10	
45	0200048	1	Arm, Activator	
46	4460049	1	Connector, Strain Relief	
	0236442	Ref	TURNTABLE SHIELD INSTALLATION (OPTIONAL NOT SHOWN)	A
	4060584	1	Shield (Attaching Parts)	
	3900022	4	Screw, Self-Tapping 1/4in x 3/4in	

SECTION 1 - ILLUSTRATED PARTS LIST

FIGURE 1-2. BOOM ASSEMBLY (2 SECTION)



SECTION 1 - ILLUSTRATED PARTS LIST

FIGURE 1-2. BOOM ASSEMBLY (2 SECTION)

ITEM	PART NUMBER	QTY	DESCRIPTION	REV
	0800379	Ref	BOOM ASSEMBLY (2 SECTION)	S
1	0800378	1	Base Section	
2	0960957	2	Bushing, Bronze	
3	4340413	3	Support, Hydraulic Lines	
4	4060568	2	Shield (Attaching Parts)	
5	4300042	4	Stud (Welded-On Part)	
6	4751400	4	Flatwasher 1/4in	
7	4761400	4	Lockwasher 1/4in	
8	3311401	4	Nut 1/4in -20NC	
9	3340172	2	Pad, Wear (1/2in Hardware) (Base Front Bottom)	
9	3340403	2	Pad, Wear (3/8in Hardware) (Base Front Bottom) (Attaching Parts)	
10	0641818	6	Bolt 1/2in -13NC x 2 1/4in	
10	0641610	6	Bolt 3/8in -16NC x 1 1/4in	
11	4761800	6	Lockwasher 1/2in	
11	4761600	6	Lockwasher 3/8in	
11	0100011	AR	Loctite	
12	4070070	AR	Shim 1/16in (Use With 1/2in Hardware)	
12	4070090	AR	Shim 11/64in (Use With 1/2in Hardware)	
12	4070131	AR	Shim 3/4in (Use With 1/2in Hardware)	
12	4070132	AR	Shim 1/2in (Use With 1/2in Hardware)	
12	4070508	AR	Shim 1/16in (Use With 3/8in Hardware)	
12	4070507	AR	Shim 1/8in (Use With 3/8in Hardware)	
12	4070505	AR	Shim 11/64in (Use With 3/8in Hardware)	
13	3340166	4	Pad, Wear (3 1/2in Length) (Base Front Side)	
13	3340394	4	Pad, Wear (5 1/2in Length) (Base Front Side) (Attaching Parts)	
14	0641606	8	Bolt 3/8in -16NC x 3/4in	
15	4761600	8	Lockwasher 3/8in	
15	0100011	AR	Loctite	
16	4070069	AR	Shim 1/16in (3 1/2in Pad)	
16	4070502	AR	Shim 1/16in (5 1/2in Pad)	
16	4070501	AR	Shim 1/8in (5 1/2in Pad)	
16	4070089	AR	Shim 11/64in (3 1/2in Pad)	
17	3340306	2	Pad, Wear (Originally 3/8in Thick) (Base Front Top)	
17	3340399	2	Pad, Wear (Originally 7/8in Thick) (Base Front Top) (Attaching Parts)	
18	0641610	4	Bolt 3/8in-16NC x 1 1/4in	
19	4761600	4	Lockwasher 3/8in	
19	0100011	AR	Loctite	
20	4070497	AR	Shim 1/8in	
20	4070498	AR	Shim 1/16in	
20	4070499	AR	Shim 11/32in	
20	4070500	AR	Shim 1/4in	
21	4060567	1	Cover, Boom - Rear (Attaching Parts)	
22	4751400	3	Flatwasher 1/4in	
23	4761400	3	Lockwasher 1/4in	
24	3311401	3	Nut 1/4in -20NC	
24	4300032	3	Stud (Welded-On Part)	
25	0800377	1	Fly Section (Shown)	
25	0800415	1	Fly Section (Not Shown)	
26	3340378	2	Pad, Wear (8in (Length) (Fly Rear Side)	

SECTION 1 - ILLUSTRATED PARTS LIST

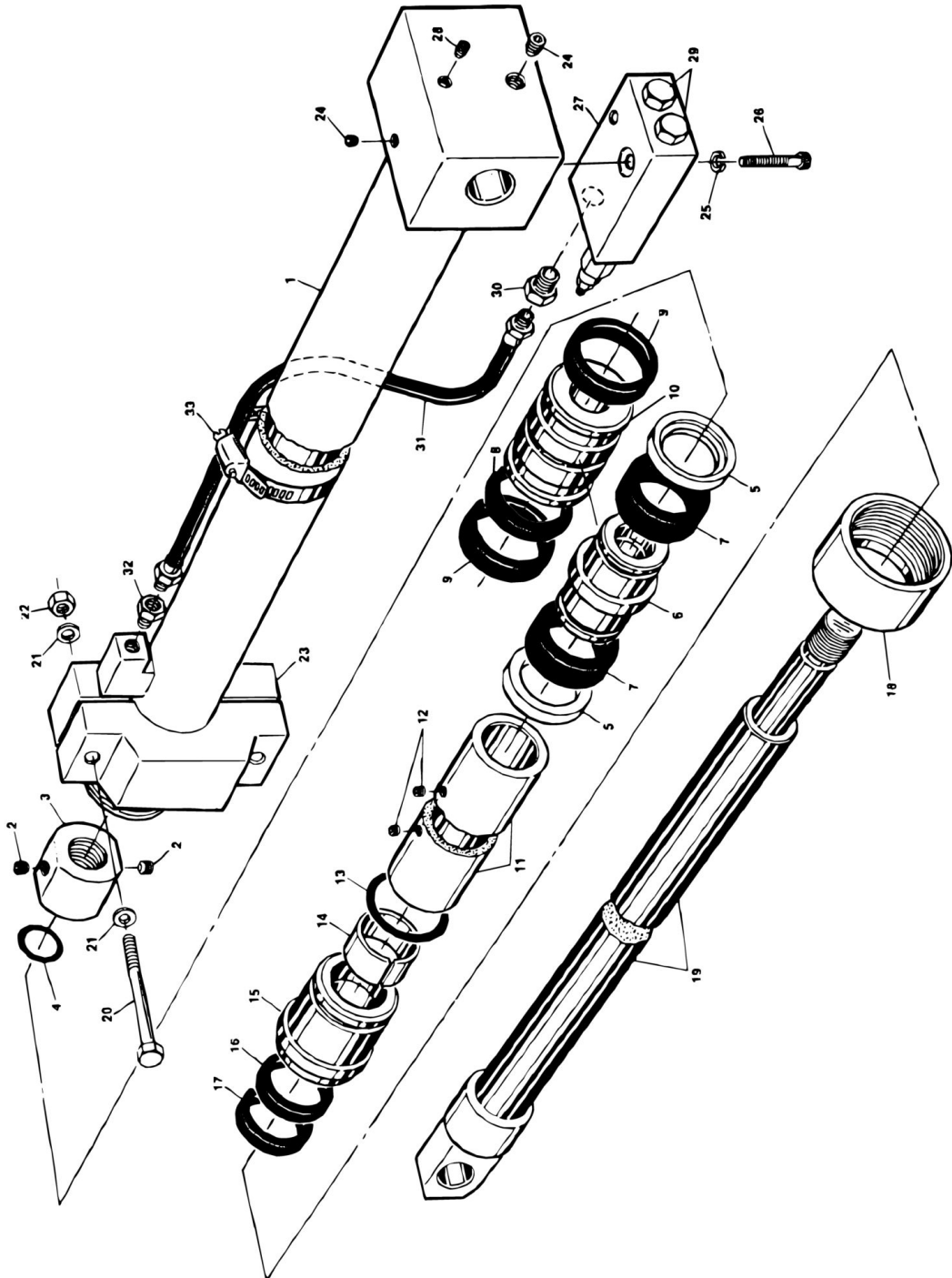
ITEM	PART NUMBER	QTY	DESCRIPTION	REV
26	3340394	2	Pad, Wear (5 1/2in Length) (Fly Rear Side) (Attaching Parts)	
27	0641606	4	Bolt 3/8in-16NC x 3/4in	
28	4761600	4	Lockwasher 3/8in	
28	0100011	AR	Loctite	
29	4070437	AR	Shim 1/16in (8in Length)	
29	4070502	AR	Shim 1/16in (6 1/2in Length)	
29	4070438	AR	Shim 1/8in (8in Length)	
29	4070501	AR	Shim 1/8in (6 1/2in Length)	
30	3340378	2	Pad, Wear (2 Mounting Holes) (Fly Rear Top)	
30	3340401	2	Pad, Wear (3 Mounting Holes) (Fly Rear Top) (Attaching Parts)	
31	0641610	4/6	Bolt 3/8in -16NC x 1 1/4in	
32	4761600	4/6	Lockwasher 3/8in	
32	0100011	AR	Loctite	
33	4070504	AR	Shim 1/16in	
33	4070503	AR	Shim 1/8in	
33	1380124	4/6	Clip, Retainer	
33	4920986	AR	Wire, Mechanics	
34	3340378	2	Pad, Wear (2 Mounting Holes) (Fly Rear Bottom)	
34	3340403	2	Pad, Wear (3 Mounting Holes) (Fly Rear Bottom) (Attaching Parts)	
35	0641614	4/6	Bolt	
36	4761600	4/6	Lockwasher	
36	0100011	AR	Loctite	
37	4070508	AR	Shim 1/16in	
37	4070507	AR	Shim 1/8in	
37	4070506	AR	Shim 1/4in	
37	4070505	AR	Shim 11/64in	
38	1180152	1	Tube, Carrier (Attaching Parts)	
39	0641610	2	Bolt 3/8in -16NC x 1 1/4in	
40	3311605	2	Locknut 3/8in -16NC	
41	0641510	2	Bolt 5/16in -18NC x 1 1/4in	
41	4751500	AR	Flatwasher 5/16in	
42	4761500	2	Lockwasher 5/16in	
42	3311501	2	Nut 5/16in-18NC	
42	4280242	1	Strip, Reinforcement	
43	1180103	1	Carrier (Attaching Parts)	
44	0641406	8	Bolt 1/4in -20NC x 3/4in	
45	4751400	8	Flatwasher 1/4in	
46	4761400	8	Lockwasher 1/4in	
47	3311401	8	Nut 1/4in -20NC	
48	1681510	1	Telescope Cylinder Assembly (See TELESCOPE CYLINDER ASSEMBLY for Breakdown)	
48	1681583	1	Telescope Cylinder Assembly (See TELESCOPE CYLINDER ASSEMBLY for Breakdown) (Attaching Parts)	
		Ref	Note: Refer to Number Stamped on Barrel for Identification.	
49	4841836	1	Pin, Telescope (Front)	
50	4740263	1	Washer, Special	
51	0651608	1	Bolt 3/8in - 24NF x 1in	
52	4761600	1	Lockwasher 3/8in	
53	3421052	1	Pin, Telescope (Rear)	
54	3951608	2	Setscrew 3/8in -16NC x 1in	
54	0100011	AR	Loctite	

SECTION 1 - ILLUSTRATED PARTS LIST

ITEM	PART NUMBER	QTY	DESCRIPTION	REV
55	1681518	1	Slave Cylinder Assembly (See SALVE CYLINDER ASSEMBLY for Breakdown)	
55	1681548	1	Slave Cylinder Assembly (See SALVE CYLINDER ASSEMBLY for Breakdown)	
55	1681722	1	Slave Cylinder Assembly (See SALVE CYLINDER ASSEMBLY for Breakdown) (Attaching Parts)	
		Ref	Note: Refer to Number Stamped on Barrel for Identification.	
56	3421069	1	Pin, Slave Cylinder	
57	4740006	1	Washer, Hardened	
58	0651608	1	Bolt 3/8in-24NF x 1in	
59	4761600	1	Lockwasher 3/8in	
59	0100011	AR	Loctite	
60	2160002	1	Fitting, Grease	
61	1320052	1	Clamp, Hose (Welded-On Part)	
62	3421089	1	Pin (Attaching Parts)	
63	0641622	1	Bolt 3/8in -16NC x 2 3/4in	
64	3311605	1	Locknut 3/8in -16NC	
65	1060229	56.5 ft	Cable - 16/30	
66	1060012	57.3 ft	Cable - 12/4	
67	4920415	1	Harness - 110 Volt	
68	3340453	1	Pad, Wear (Carrier) (Attaching Parts)	
69	0641608	2	Bolt 3/8in-16NC x 1in	
70	4761600	2	Lockwasher 3/8in	
71	4070508	AR	Shim 1/16in	
71	4070507	AR	Shim 1/8in	
72	0361758	1	Bar, Hose Clamp (Attaching Parts)	
73	3311401	2	Nut 1/4in	
74	4761400	2	Lockwasher 1/4in	
74	4430031	2	Stud (Welded on Part)	
74	4420037	6 in	Tape, Insulation	
74	0100001	AR	Adhesive	
	0236490	Ref	STEERING WHEEL TUBES SUPPORT INSTALLATION (NOT SHOWN)	B
	4340447	3	Clamp, Tube Support	
	4060568	2	Shield (Attaching Parts)	
	3311401	6	Nut 1/4in-20NC	
	4751400	6	Flatwasher 1/4in	
	4751400	6	Lockwasher 1/4in	
	4300036	6	Stud (Welded on Part)	
	4842025	1	Boom Hose Weldment	
	0236316	Ref	BOOM TAPE INSTALLATION (DOMESTIC)	B
	0237164	Ref	BOOM TAPE INSTALLATION (CSA)	A
75	4420018	63.25 in	Tape - Blue (Domestic)	
75	4420018	51.88 in	Tape - Blue (CSA)	
76	4420016	46.25 in	Tape - Yellow (Domestic)	
76	4420016	49.5 in	Tape - Yellow (CSA)	
77	4420017	70.75 in	Tape - Red (Domestic)	
77	4420017	78.13 in	Tape - Red (CSA)	

SECTION 1 - ILLUSTRATED PARTS LIST

FIGURE 1-3. TELESCOPE CYLINDER ASSEMBLY (2 SECTION BOOM)



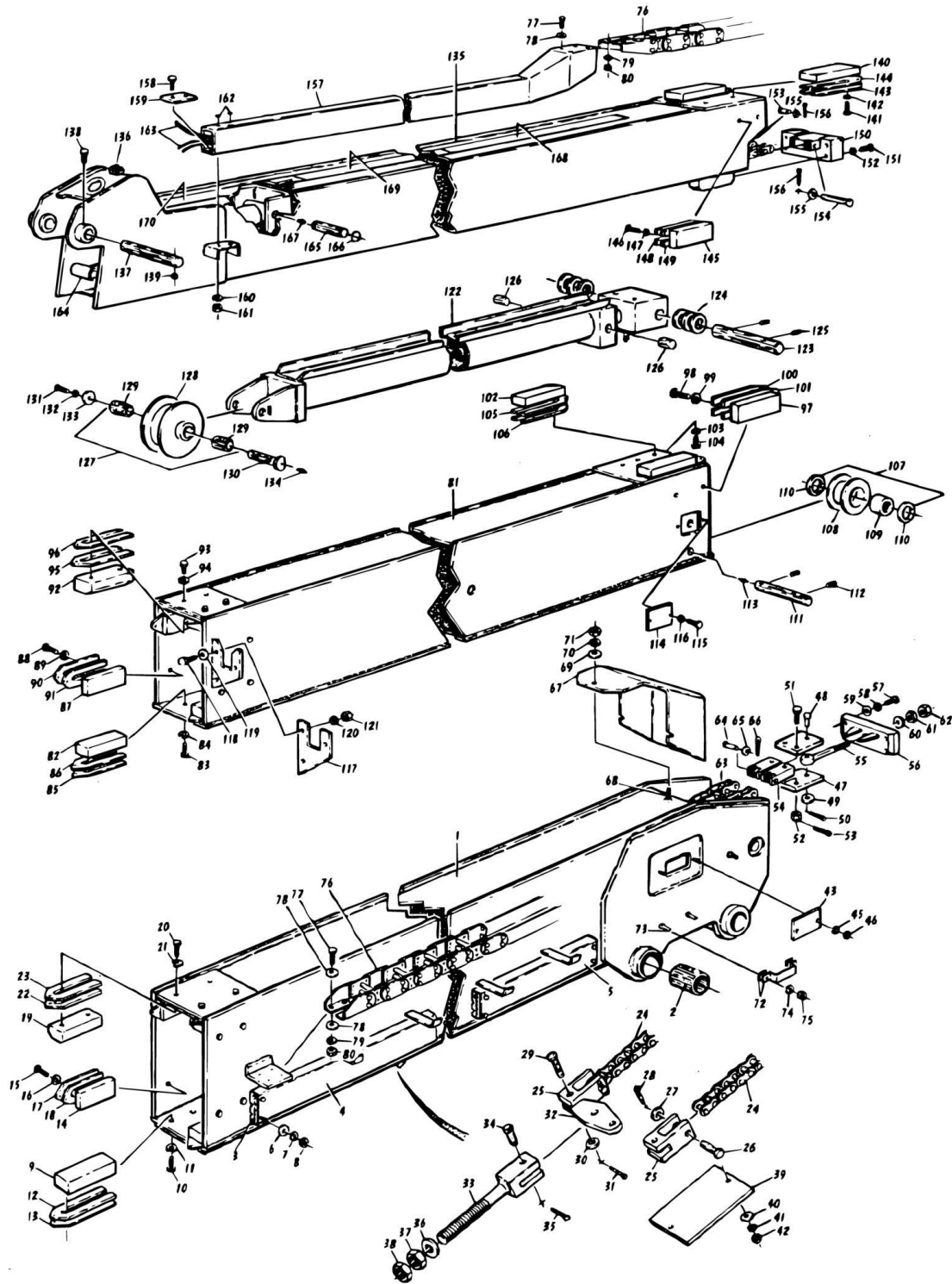
SECTION 1 - ILLUSTRATED PARTS LIST

FIGURE 1-3. TELESCOPE CYLINDER ASSEMBLY (2 SECTION BOOM)

ITEM	PART NUMBER	QTY	DESCRIPTION	REV
	1681510	Ref	TELESCOPE CYLINDER ASSEMBLY (2 SECTION BOOM)	I
	1681583	Ref	TELESCOPE CYLINDER ASSEMBLY (2 SECTION BOOM)	C
		Ref	Note: Refer to Number Stamped on Barrel for Identification.	
1	1680717	1	Barrel Assembly	
2	3900141	2	Screw, Set Nylon	
3	3300198	1	Nut	
4	Kit	1	T-Seal	
5	Kit	2	Ring, Guidelock (1681510 Cylinder)	
6	3480092	1	Piston (1681510 Cylinder)	
7	Kit	2	Seal, Piston (1681510 Cylinder)	
8	Kit	1	T-Seal (1681583 Cylinder)	
9	Kit	2	Band, Wear (1681583 Cylinder)	
10	3480054	1	Piston (1681583 Cylinder)	
11	1440220	1	Collar	
12	3951603	2	Setscrew 3/8in-16NC x 3/8in	
13	Kit	1	O-Ring	
14	Kit	1	Ring, Wear	
15	1681283	1	Head, Cylinder	
16	Kit	1	Seal, Rod	
17	Kit	1	Seal, Road Wiper	
18	1120108	1	End Cap Head	
19	1681306	1	Cylinder Rod	
20	0641628	2	Bolt 3/8in-16NC x 3 1/2in	
21	4751600	4	Flatwasher 3/8in	
22	3311605	2	Locknut 3/8in-16NC	
23	0560563	1	Block, Cylinder Support	
24	2200102	1	Plug, Pipe	
25	4740056	2	Washer, High Collar	
26	3931628	2	Screw, Socket Head 3/8in-16NC x 1 3/4in	
27	4640414	1	Valve, Counterbalance	
28	2200201	1	Plug, Bleeder (1681583 Cylinder)	
29	2220238	2	Plug, O-Ring	
30	2220372	1	Fitting, Straight	
31	2751150	1	Hose	
32	2220343	1	Fitting, Straight	
33	1320037	1	Clamp	
33	4280018	AR	Strip, Rubber	
	2900347		Seal Kit - 1681510 Cylinder (Includes Items 4, 5, 7, 13, 14, 16 & 17)	
	2900350		Seal Kit - 1681583 Cylinder (Includes Items 4, 8, 9, 13, 14, 16 & 17)	

SECTION 1 - ILLUSTRATED PARTS LIST

FIGURE 1-4. BOOM ASSEMBLY (3 SECTION)



SECTION 1 - ILLUSTRATED PARTS LIST

FIGURE 1-4. BOOM ASSEMBLY (3 SECTION)

ITEM	PART NUMBER	QTY	DESCRIPTION	REV
	0800400	Ref	BOOM ASSEMBLY (2 SECTION)	L
1	0800401	1	Base Section	
2	0960651	2	Bushing, Bronze	
3	4340413	4	Support, Hydraulic Lines	
4	4060595	1	Shield, Hydraulic - Front - 63in	
5	4060623	1	Shield, Hydraulic - Rear - 36in (Attaching Parts)	
6	4751400	8	Flatwasher 1/4in	
7	4761400	8	Lockwasher 1/4in	
8	3311401	8	Nut 1/4in-20NC	
8	4300042	8	Stud (Welded on Part)	
9	3340261	2	Pad, Wear (Base Front Bottom) (Attaching Parts)	
10	0641608	4	Bolt 3/8in-16NC x 1in	
11	4761600	4	Lockwasher 3/8in	
12	4070544	AR	Shim 1/16in	
13	4070545	AR	Shim 1/8in	
14	3340404	4	Pad, Wear (Base Front Side) (Attaching Parts)	
15	0641605	8	Bolt 3/8in-16NC x 5/8in	
16	4761600	8	Lockwasher 3/8in	
17	4070546	AR	Shim 1/32in	
18	4070547	AR	Shim 1/16in	
19	3340263	2	Pad, Wear (Base Front Top) (Attaching Parts)	
20	0651605	4	Bolt 3/8in-16NC x 5/8in	
21	4761600	4	Lockwasher 3/8in	
22	4070546	AR	Shim 1/32in	
23	4070547	AR	Shim 1/16in	
24	1260164	1 set	Chain, Retract	
25	1360160	2	Clevis, Chain Attach	
26	3420414	2	Pin, Clevis	
27	4741000	2	Flatwasher, Special	
28	3450203	2	Pin, Cotter	
29	3420867	2	Pin, Clevis Chain Adjust	
30	4751500	2	Flatwasher	
31	3450403	2	Pin, Cotter	
32	3509928	1	Plate, Clevis Attach	
33	1360100	1	Clevis, Chain Adjust	
34	3420865	1	Pin, Clevis Chain Adjust	
35	3450403	1	Pin, Cotter	
36	4740057	1	Washer, Hardened	
37	3312202	1	Nut, Jam 3/4in-10NC	
38	3300241	1	Locknut 3/4in-10NC	
39	1670319	1	Cover Plate (Attaching Parts)	
40	4751400	2	Flatwasher 1/4in	
41	4761400	2	Lockwasher 1/4in	
42	3311401	2	Nut 1/4in-20NC	
43	1670321	2	Cover, Base Boom Side (Attaching Parts)	
44	4300031	4	Stud (Welded on Part)	
45	4761400	4	Lockwasher 1/4in	
46	3311401	4	Nut 1/4in-20NC	
	0236044	1	Chain Adjuster Assembly	A
47	3509182	2	Plate, Chain Adjuster	

SECTION 1 - ILLUSTRATED PARTS LIST

ITEM	PART NUMBER	QTY	DESCRIPTION	REV
48	3421142	1	Pin Clevis	
49	4740276	1	Flatwasher, Special	
50	3450505	2	Pin, Cotter	
51	0630347	2	Bolt 1/2in-13NC x 2 1/4 (Grade 8)	
52	3311803	2	Nut, Slotted 1/2in-13NC	
53	3450505	2	Pin, Cotter	
54	0560554	1	Block, Chain Attach	
55	0630374	1	Eyebolt	
56	4842043	1	Chain Attach Block (Attaching Parts)	
57	0641616	4	Bolt 3/8in-16NC x 2in	
58	4761600	4	Lockwasher 3/8in	
59	4751600	4	Flatwasher 3/8in	
60	4740057	1	Washer, Hardened	
61	3300241	1	Locknut 3/4in-10NC	
62	3312202	1	Nut, Jam 3/4in-10NC	
63	1260165	1 set	Chain, Extend (Attaching Parts)	
64	3420414	2	Pin, Clevis	
65	4741000	2	Flatwasher, Special	
66	3450203	2	Pin, Cotter	
67	4840627	1	Shield (Attaching Parts)	
68	4300031	3	Stud (Welded on Part)	
69	4751400	3	Flatwasher 1/4in	
70	4761400	3	Lockwasher 1/4in	
71	3311401	3	Nut 1/4in -20NC	
72	1320137	1	Clamp, Hose	
72	4280033	0.88	Weather Seal (Attaching Parts)	
73	4300031	2	Stud (Welded on Part)	
74	4761400	2	Lockwasher 1/4in	
75	3311401	2	Nut 1/4in -20NC	
76	1180140	1	Carrier (Attaching Parts)	
77	0641407	4	Bolt 1/4in -20NC x 7/8in	
78	4751400	8	Flatwasher 1/4in	
79	4761400	4	Lockwasher 1/4in	
80	3311401	4	Nut 1/4in -20NC	
81	0800399	1	Mid Section	
82	3340446	2	Pad, Wear (Mid Front Bottom) (Attaching Parts)	
83	0641609	4	Bolt 3/8in -16NC x 1 1/8in	
84	4761600	4	Lockwasher 3/8in	
85	4070544	AR	Shim 1/16in	
86	4070545	AR	Shim 1/8in	
87	3340450	4	Pad, Wear (Mid Front Side) (Attaching Parts)	
88	0641607	8	Bolt 3/8in -16NC x 7/8in	
89	4761600	8	Lockwasher 3/8in	
90	4070546	AR	Shim 1/32in	
91	4070547	AR	Shim 1/16in	
92	3340263	2	Pad, Wear (Mid Front Top) (Attaching Parts)	
93	0641605	4	Bolt 3/8in -16NC x 5/8in	
94	4761600	4	Lockwasher 3/8in	
95	4070544	AR	Shim 1/16in	
96	4070545	AR	Shim 1/8in	
97	3340404	2	Pad, Wear (Mid Rear Side) (Attaching Parts)	

SECTION 1 - ILLUSTRATED PARTS LIST

ITEM	PART NUMBER	QTY	DESCRIPTION	REV
98	0641608	4	Bolt 3/8in -16NC x 1in	
99	4761600	4	Lockwasher 3/8in	
100	4070546	AR	Shim 1/32in	
101	4070547	AR	Shim 1/16in	
102	3340263	2	Pad, Wear (Mid Rear Top) (Attaching Parts)	
103	0641608	4	Bolt 3/8in -16NC x 1in	
104	4761600	4	Lockwasher 3/8in	
105	4070544	AR	Shim 1/16in	
106	4070545	AR	Shim 1/8in	
106	1320124	4	Clip, Retainer	
106	4920986	AR	Wire, Mechanics	
107	0233389	1	Sheave Assembly	B
108		Ref	Sheave	
109	0440082	1	Bearing, Needle	
110	3960212	2	Seal	
111	3421145	1	Pin, Sheave (Attaching Parts)	
112	3951608	2	Setscrew 3/8in -16NC x 1in	
112	0100011	AR	Loctite	
113	2160002	1	Fitting, Grease	
114	0360372	2	Bar (Attaching Parts)	
115	0641608	4	Bolt 3/8in -16NC x 1in	
116	4761600	4	Lockwasher 3/8in	
116	0100011	AR	Loctite	
117	4340454	1	Support, Mid Boom (Attaching Parts)	
118	0641506	3	Bolt 5/16in -18NC x 3/4in	
119	4751500	3	Flatwasher 5/16in	
120	4761500	3	Lockwasher 5/16in	
121	3311501	3	Nut 5/16in -18NC	
122	1681543	1	Telescope Cylinder Assembly (See TELESCOPE CYLINDER ASSEMBLY for Breakdown) (Attaching Parts)	
123	3420420	1	Pin (Rear)	
124	4740102	AR	Washer, Spacer 1/4in	
124	4740136	AR	Washer, Spacer 5/16in	
124	4740137	AR	Washer, Spacer 3/8in	
124	4740138	4	Washer, Spacer 3/8in	
125	3951608	2	Setscrew 3/8in -16NC x 1in	
125	0100011	AR	Loctite	
126	3420645	2	Pin	
127	0237564	1	Sheave Assembly	-
127	0236867	1	Sheave Assembly	-
128	0236867	1	Sheave	
129	0960406	2	Bushing	
129	0440173	2	Bearing, Needle	
129	3960212	2	Seal	
130	3421348	1	Pin (Sheave With Bushings)	
130	3421214	1	Pin (Sheave With Needle Bearings) (Attaching Parts)	
131	0651808	1	Bolt 1/2in -20NF x 1in	
132	4761800	1	Lockwasher 1/2in	
133	4751500	1	Flatwasher 1/2in	
133	0100011	AR	Loctite	
134	2160002	1	Fitting, Grease	
135	0800416	1	Fly Section	

SECTION 1 - ILLUSTRATED PARTS LIST

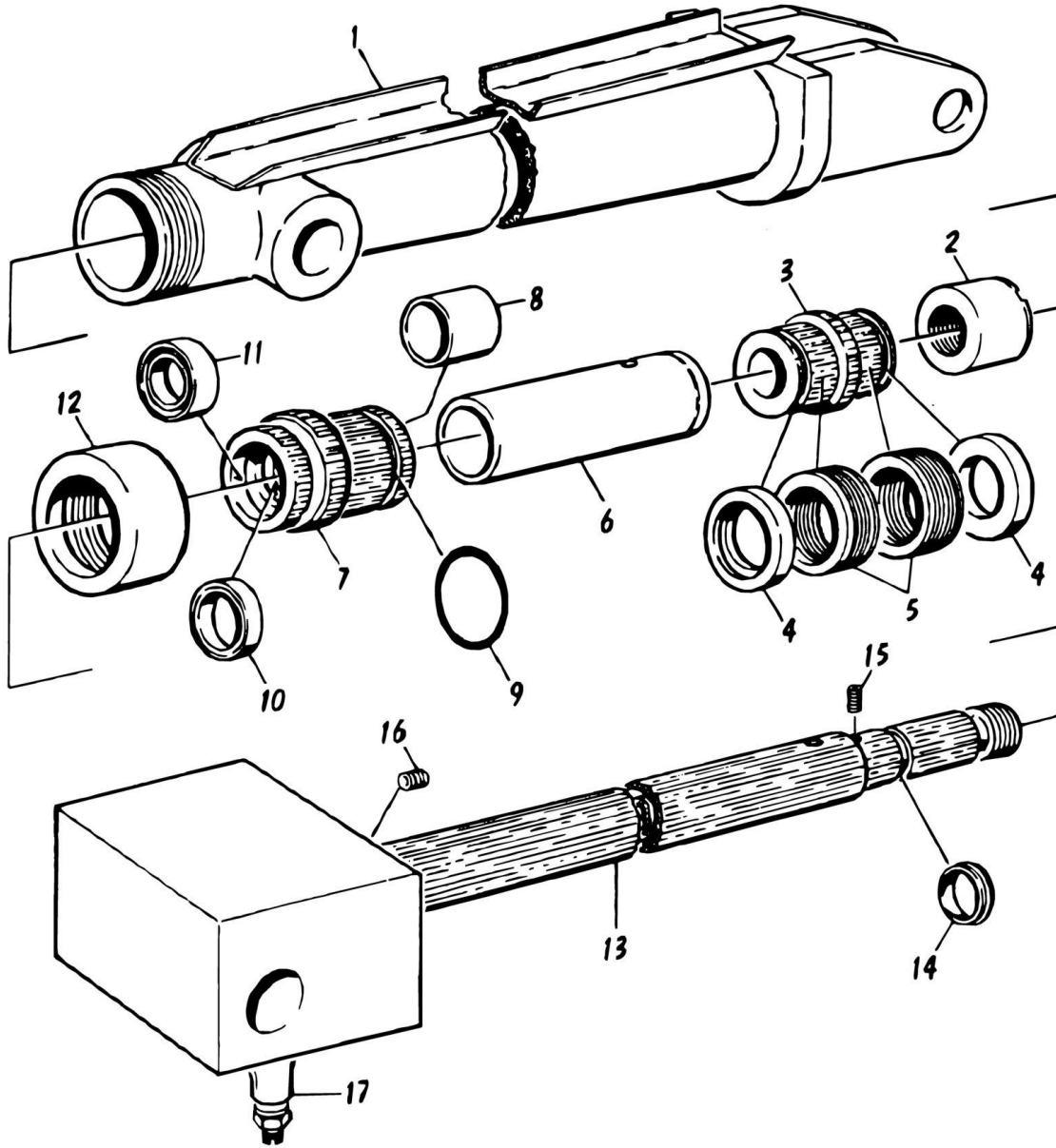
ITEM	PART NUMBER	QTY	DESCRIPTION	REV
136	1320052	1	Clamp (Welded on Part)	
137	3421089	1	Pin, Boom Nose (Attaching Parts)	
138	0641622	1	Bolt 3/8in -16NC x 2 3/4in	
139	3311605	1	Locknut 3/8in -16NC	
139	0100011	AR	Loctite	
140	3340453	2	Pad, Wear (Fly Rear Top) (Attaching Parts)	
141	0641606	4	Bolt 3/8in -16NC x 3/4in	
142	4761600	4	Lockwasher 3/8in	
143	4070507	AR	Shim 1/8in	
144	4070508	AR	Shim 1/16in	
144	1320124	4	Clip, Retainer	
144	4920986	4	Wire, Mechanics	
145	3340450	2	Pad, Wear (Fly Rear Side) (Attaching Parts)	
146	0641607	4	Bolt 3/8in -16NC x 7/8in	
147	4761600	4	Lockwasher 3/8in	
148	4070546	AR	Shim 1/32in	
149	4070547	AR	Shim 1/16in	
150	0236521	1	Chain Attach Assembly (Attaching Parts)	
151	0641613	4	Bolt 3/8in -16NC x 1 5/8in	
152	4761600	4	Lockwasher 3/8in	
	1260165	1	Chain, Extend (Attaching Parts)	
153	3420650	2	Pin, Clevis	
154	3421029	1	Pin, Clevis	
155	4741000	3	Flatwasher, Special	
156	3450203	3	Pin, Cotter	
157	1180139	1	Carrier Tube (Attaching Parts)	
158	0641608	2	Bolt 3/8in -16NC x 1in	
159	4280242	1	Strip, Reinforcing	
160	4751600	2	Flatwasher 3/8in	
161	3311605	2	Locknut 3/8in -16NC	
162	3520029	2	Plug, Hole	
163	1060229	56.5 ft	Cable (16/30)	
163	1060012		57.3 ft.	
163	4920618	1	Harness, 110 volt	
164	1681722	1	Slave Cylinder Assembly (See SLAVE CYLINDER ASSEMBLY for Breakdown)	
164	1681548	1	Slave Cylinder Assembly (See SLAVE CYLINDER ASSEMBLY for Breakdown)	
164	1681518	1	Slave Cylinder Assembly (See SLAVE CYLINDER ASSEMBLY for Breakdown)	
		Ref	Note: Refer to Number Stamped on Barrel for Identification.	
165	3421207	1	Pin, Slave Cylinder	
166	3760133	2	Ring, Retainer	
167	2160002	1	Fitting, Grease	
	0236743	Ref	BOOM TAPE INSTALLATION	C
168	4420017	36 in	Tape, Red	
169	4420016	23 in	Tape, Yellow	
170	4420018	56 1/4in	Tape, Blue	
	0236534	Ref	STEERING WHEEL TUBE SUPPORT INSTALLATION (OPTIONAL - NOT SHOWN)	A
	4340447	3	Clamp, Tube Support	
	4060595	2	Shield, Tube (Attaching Parts)	

SECTION 1 - ILLUSTRATED PARTS LIST

ITEM	PART NUMBER	QTY	DESCRIPTION	REV
	3311401	6	Nut 1/4in -20NC	
	4761400	6	Lockwasher 1/4in	
	4751400	6	Flatwasher 1/4in	
	4300036	6	Stud (Welded on Part)	
	4842047	1	Boom Hose Weldment	

SECTION 1 - ILLUSTRATED PARTS LIST

FIGURE 1-5. TELESCOPE CYLINDER ASSEMBLY (3 SECTION BOOM)



SECTION 1 - ILLUSTRATED PARTS LIST

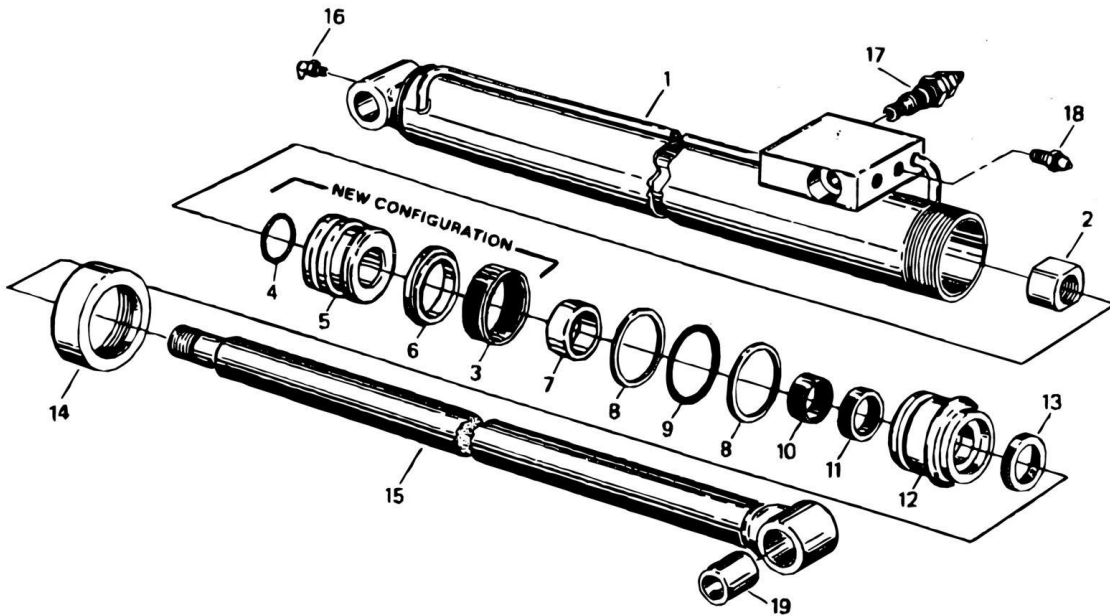
FIGURE 1-5. TELESCOPE CYLINDER ASSEMBLY (3 SECTION BOOM)

ITEM	PART NUMBER	QTY	DESCRIPTION	REV
	1681543	Ref	TELESCOPE CYLINDER ASSEMBLY (3-SECTION BOOM)	E
1	1680749	1	Barrel	
2	3300086	1	Nut, Special	
2	0100011	AR	Loctite	
3	3480092	1	Piston	
4	Kit	2	Ring, Piston	
5	Kit	2	Seal, Piston	
6	4562756	1	Spacer	
7	1681283	1	Head	
8	Kit	1	Band, Wear	
9	Kit	1	O-Ring	
10	Kit	1	Seal, Rod	
11	Kit	1	Wiper, Rod	
12	1120108	1	End Cap	
13	1681391	1	Rod	
14	Kit	1	Seal	
15	3961405	1	Setscrew 1/4in-20NC x 5/8in	
15	0100011	AR	Loctite	
16	2200222	1	Plug, Pipe	
17	4640212	1	Valve	
	2900347	1	Kit, Seal (Includes Items 4, 5, 8, 9, 10, 11 & 14)	

SECTION 1 - ILLUSTRATED PARTS LIST

FIGURE 1-6. SLAVE CYLINDER ASSEMBLY

NOTE: THIS PISTON/SEAL CONFIGURATION NO LONGER AVAILABLE. IF EQUIPPED, NEW PISTON AND SEAL KIT MUST BE ORDERED FOR REPAIR.



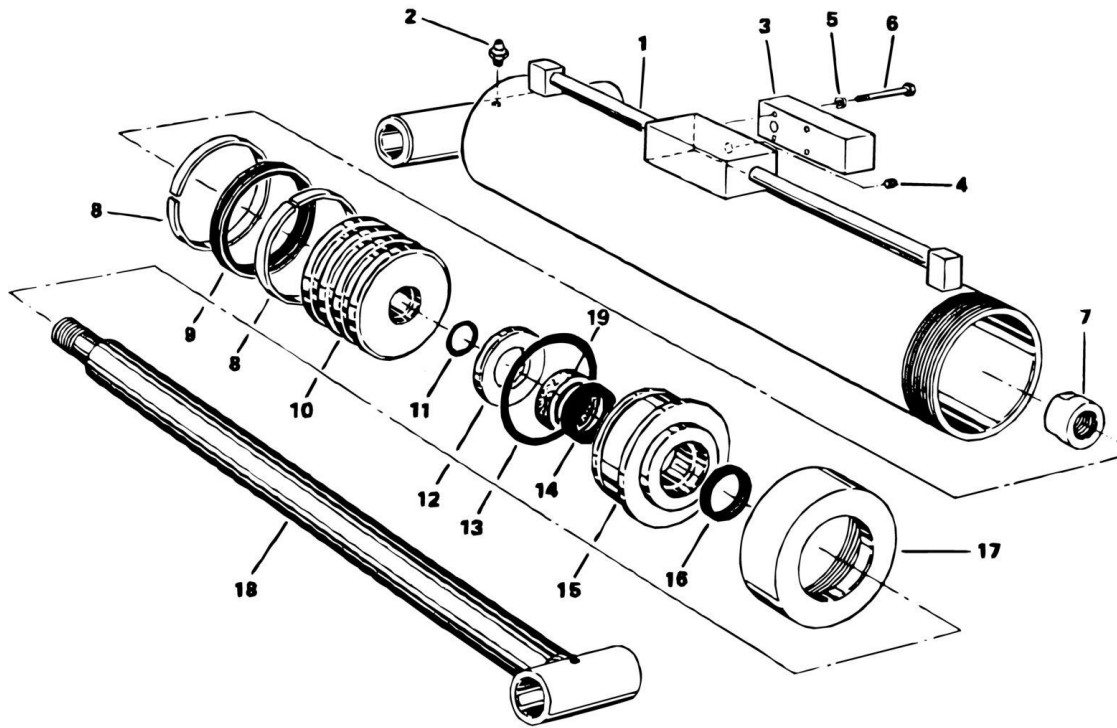
SECTION 1 - ILLUSTRATED PARTS LIST

FIGURE 1-6. SLAVE CYLINDER ASSEMBLY

ITEM	PART NUMBER	QTY	DESCRIPTION	REV
	1681518	Ref	SLAVE CYLINDER ASSEMBLY	C
	1681548	Ref	SLAVE CYLINDER ASSEMBLY	F
	1681722	Ref	SLAVE CYLINDER ASSEMBLY	B
		Ref	Note: Refer to P/N Stamped on Barrel for Identification.	
1	1680722	1	Barrel (1681518 Cylinder)	
1	1680751	1	Barrel (1681548 Cylinder)	
1	1681721	1	Barrel (1681722 Cylinder)	
2	3300101	1	Nut	
3	Kit	2	Ring, Wear	
4	Kit	1	O-Ring	
5	3480120	1	Piston	
		Ref	Note: All 1681722 Cylinders have 3480120 Piston From First Day of Production.	
6	Kit	1	Seal, Piston	
7	1440142	1	Spacer	
8	Kit	2	Ring, Back-up	
9	Kit	1	O-Ring	
10	Kit	1	Ring, Wear	
11	Kit	1	Seal, Rod	
12	1661635	1	Head (1681548 Cylinder)	
12	1680892	1	Head (1681722 & 1681518 Cylinders)	
13	Kit	1	Wiper, Rod	
14	1120179	1	Head, Retainer	
15	1681331	1	Rod Assembly	
16	2160001	1	Fitting	
17	4640269	1	Valve (1681518 Cylinder)	
17	4640495	2	Valve (1681548 Cylinder)	
17	4640509	2	Valve (1681722 Cylinder)	
18	2200213	2	Fitting (1681548 Cylinder)	
18	2200202	2	Plug (1681722 Cylinder)	
18	0100011	AR	Loctite	
18	0100020	AR	Sealant, Pipe	
19	0960097	1	Bushing	
	2901119	1	Kit, Seal - 1681518 Cylinder (Includes Items 3, 4, 6, 8, 9, 10, 11 & 13)	
	2900381	1	Kit Seal - 1681722 & 1681548 Cylinders (Includes Items 3, 4, 6, 8, 9, 10, 11 & 13)	
	0460058	1	Bellows (Optional - Not Shown)	

SECTION 1 - ILLUSTRATED PARTS LIST

FIGURE 1-7. LIFT CYLINDER ASSEMBLY



SECTION 1 - ILLUSTRATED PARTS LIST

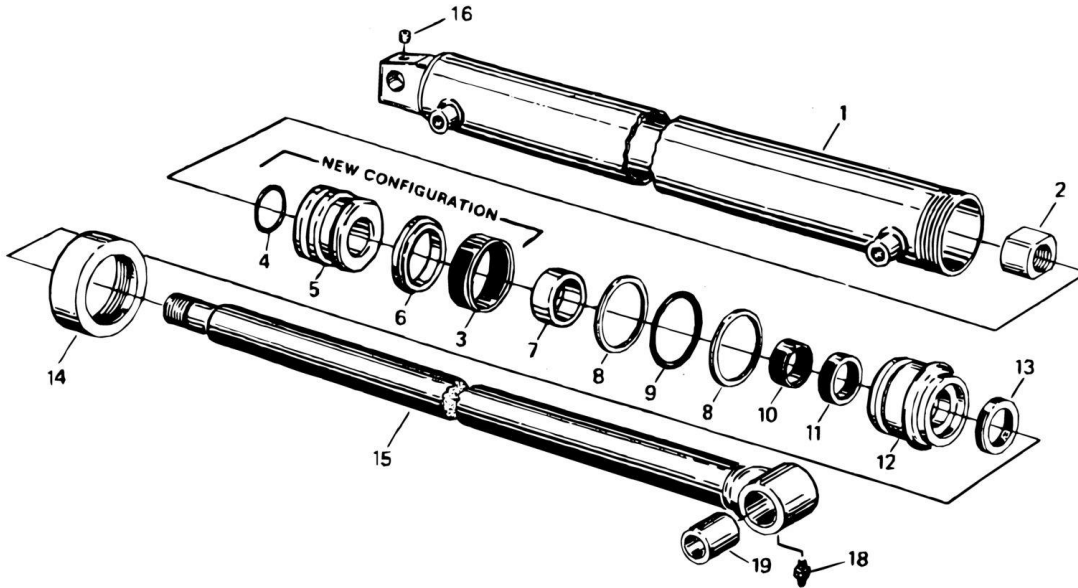
FIGURE 1-7. LIFT CYLINDER ASSEMBLY

ITEM	PART NUMBER	QTY	DESCRIPTION	REV
	1680365	Ref	LIFT CYLINDER ASSEMBLY	J
1	1680758	1	Barrel, Cylinder	
2	2160002	1	Fitting, Grease	
3	4640181	1	Valve	
4	3900035	1	Orifice	
5	4751400	4	Washer 1/4in	
6	0641412	4	Bolt 1/4in-20NC x 1 1/2in	
7	3300061	1	Nut, Special	
8	Kit	2	Ring, Wear	
9	Kit	1	T-Seal	
10	3480070	1	Piston	
11	Kit	1	O-Ring	
12	1440159	1	Collar	
13	Kit	1	O-Ring	
14	Kit	1	Seal, Polypak	
15	1680872	1	Head	
16	Kit	1	Seal, Canned	
17	1120196	1	Cap End	
18	1681222	1	Rod	
19	Kit	1	Ring, Wear	
19	2900385	1	Kit, Seal (Includes Items 8, 9, 11, 13, 14, 16 & 19)	
19	0460059	1	Bellows (Optional)	

SECTION 1 - ILLUSTRATED PARTS LIST

FIGURE 1-8. MASTER CYLINDER ASSEMBLY

NOTE: THIS PISTON/SEAL CONFIGURATION NO LONGER AVAILABLE. IF EQUIPPED, NEW PISTON AND SEAL KIT MUST BE ORDERED FOR REPAIR.



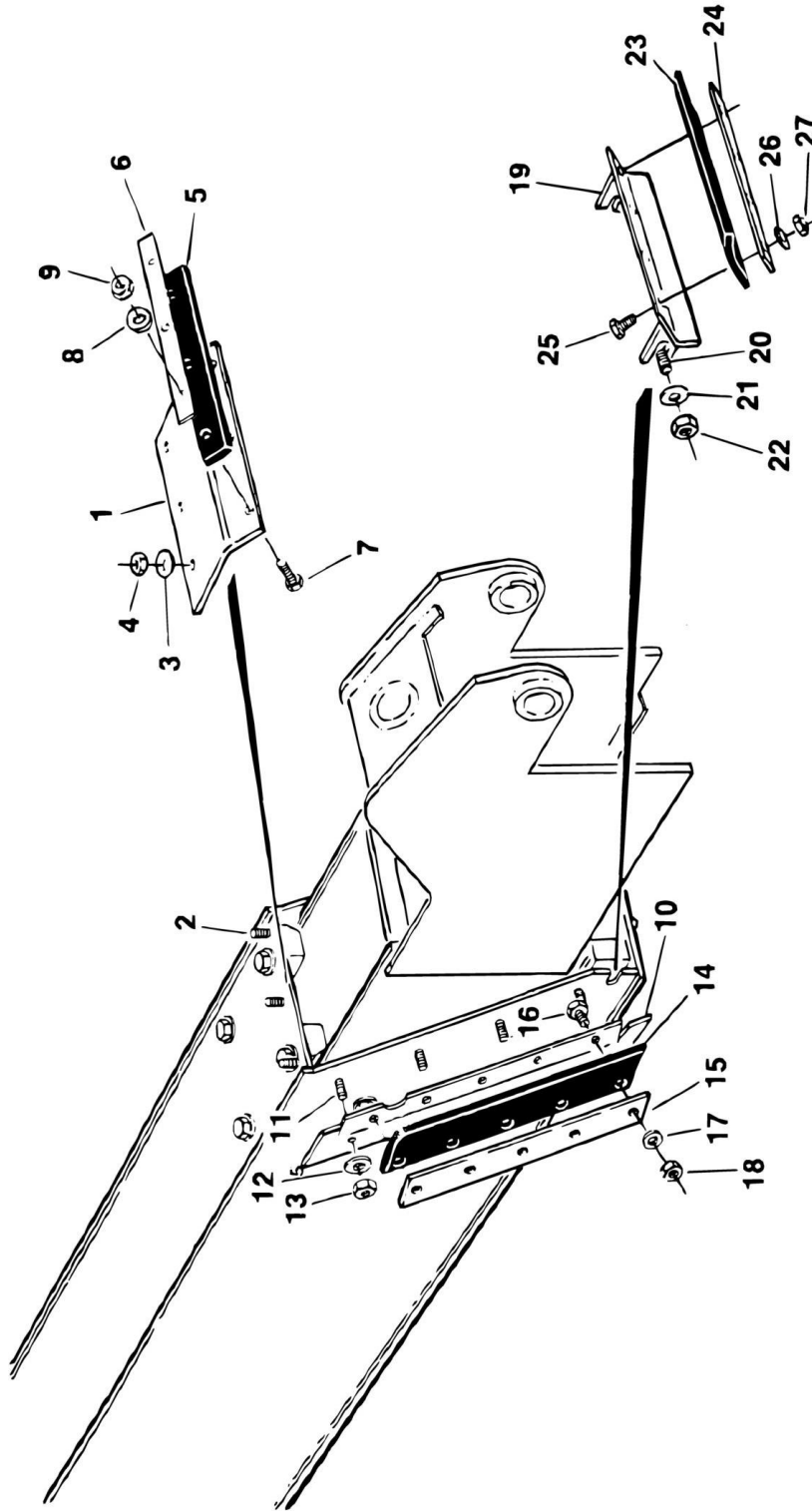
SECTION 1 - ILLUSTRATED PARTS LIST

FIGURE 1-8. MASTER CYLINDER ASSEMBLY

ITEM	PART NUMBER	QTY	DESCRIPTION	REV
	1681519	Ref	MASTER CYLINDER ASSEMBLY	C
	1681547	Ref	MASTER CYLINDER ASSEMBLY	B
	1681580	Ref	MASTER CYLINDER ASSEMBLY	D
		Ref	Note: Refer to Number Stamped on Barrel for Identification.	
1	160723	1	Barrel (1681519 & 1681547 Cylinders)	
1	1681490	1	Barrel (1681580 Cylinder)	
2	3300101	1	Nut	
3	Kit	1	Ring, Wear	
4	Kit	1	O-Ring	
5	3480120	1	Piston	
6	Kit	1	Seal, Piston	
7	1440142	1	Spacer (1681519 & 1681547 Cylinders)	
7	4563031	1	Spacer (1681580 Cylinder)	
8	Kit	2	Ring, Back-up	
9	Kit	1	O-Ring	
10	Kit	1	Ring, Wear	
11	Kit	1	Seal, Rod	
12	1680892	1	Head	
13	Kit	1	Wiper, Rod	
14	1120179	1	Head, Retainer	
15	1681333	1	Rod (1681519 Cylinder)	
15	1681401	1	Rod (1681547 Cylinder)	
15	1681488	1	Rod (1681580 Cylinder)	
16	2200201	1	Fitting, Plug	
18	2160002	1	Fitting, Grease	
19	0960097	1	Bushing	
	2901119	1	Kit, Seal - 1681519 & 1681547 Cylinders (Includes Items 3, 4, 6, 8, 9, 10, 11 & 13)	
	2901120	1	Kit, Seal - 1681580 Cylinder (Includes Items 3, 4, 6, 8, 9, 10, 11 & 13)	
	0460058	1	Bellows (Optional - Not Shown)	

SECTION 1 - ILLUSTRATED PARTS LIST

FIGURE 1-9. BOOM WIPERS INSTALLATION (2 SECTION)



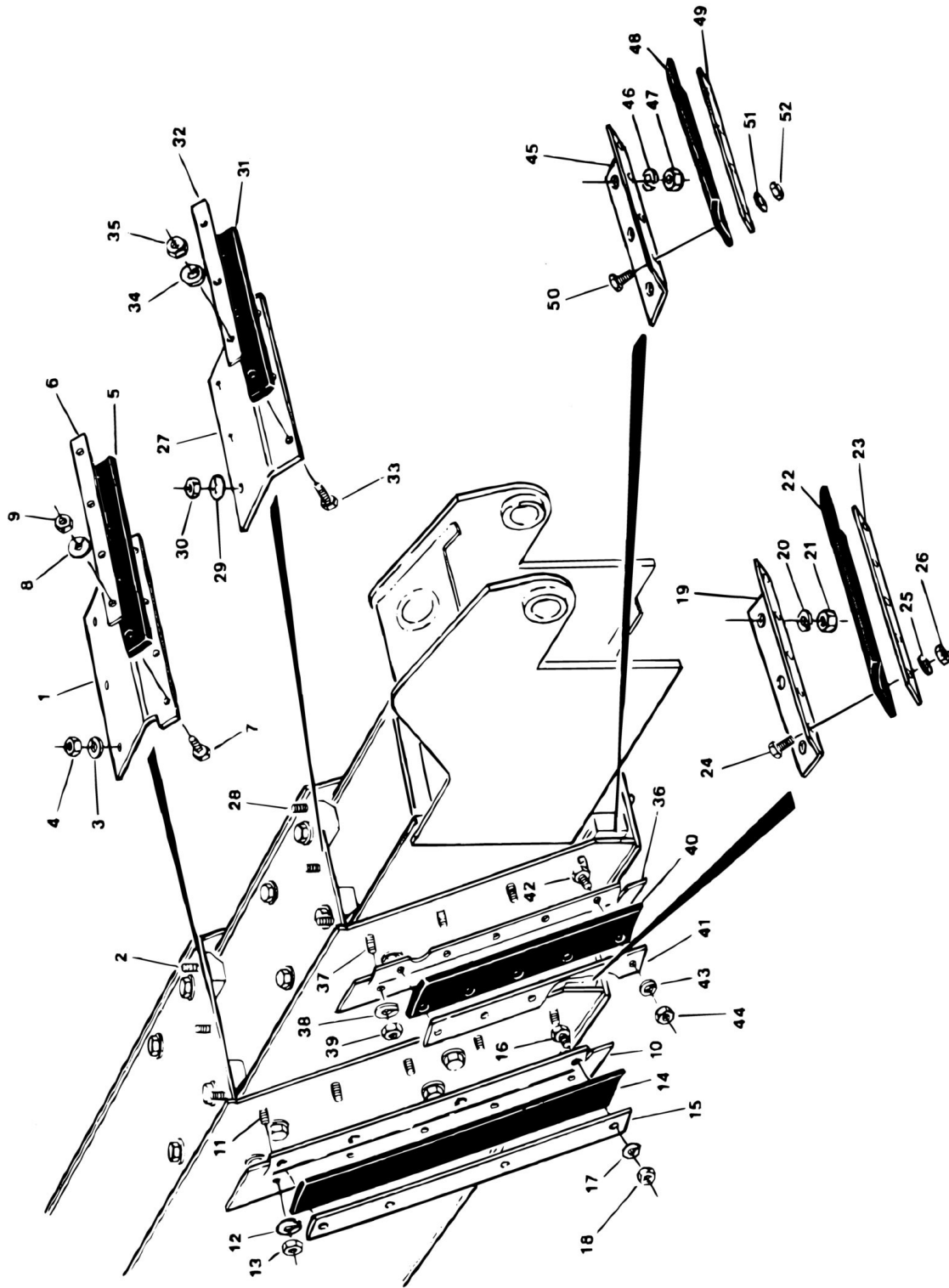
SECTION 1 - ILLUSTRATED PARTS LIST

FIGURE 1-9. BOOM WIPERS INSTALLATION (2 SECTION)

ITEM	PART NUMBER	QTY	DESCRIPTION	REV
	0236440	Ref	BOOM WIPERS INSTALLATION (2 SECTION)	B
1	2660014	1	Holder, Boom Wiper (Attaching Parts)	
2	4300031	3	Stud (Welded on Part)	
3	4751400	3	Flatwasher 1/4in	
4	3311401	3	Nut 1/4in-20NC	
5	0540045	1	Blade, Wiper (Attaching Parts)	
6	4280195	1	Strip, Wiper Retainer	
7	0641407	3	Bolt 1/4in-20NC x 7/8in	
8	4751400	3	Flatwasher 1/4in	
9	3311401	3	Nut 1/4in-20NC	
10	2660064	1	Holder, Boom Wiper - Left Side (Shown)	
10	2660063	1	Holder, Boom Wiper - Ring Side (Not Shown) (Attaching Parts)	
11	4300031	4	Stud (Welded on Part)	
12	4751400	4	Flatwasher 1/4in	
13	3311401	4	Nut 1/4in-20NC	
14	0540046	2	Blade, Wiper (Attaching Parts)	
15	4280196	2	Strip, Wiper Retainer	
16	0641407	10	Bolt 1/4in-20NC x 7/8in	
17	4751400	10	Flatwasher 1/4in	
18	3311401	10	Nut 1/4in-20NC	
19	2660061	1	Holder (Attaching Parts)	
20	4300034	4	Stud (Welded on Part)	
21	4751600	4	Flatwasher 3/8in	
22	3311601	4	Nut 3/8in -16NC	
23	0540047	1	Blade, Wiper (Attaching Parts)	
24	4280197	1	Strip, Wiper Retainer	
25	0641407	4	Bolt 1/4in-20NC x 7/8in	
26	4751400	4	Flatwasher 1/4in	
27	3311401	4	Nut 1/4in-20NC	

SECTION 1 - ILLUSTRATED PARTS LIST

FIGURE 1-10. BOOM WIPERS INSTALLATION (3 SECTION)



SECTION 1 - ILLUSTRATED PARTS LIST

FIGURE 1-10. BOOM WIPERS INSTALLATION (3 SECTION)

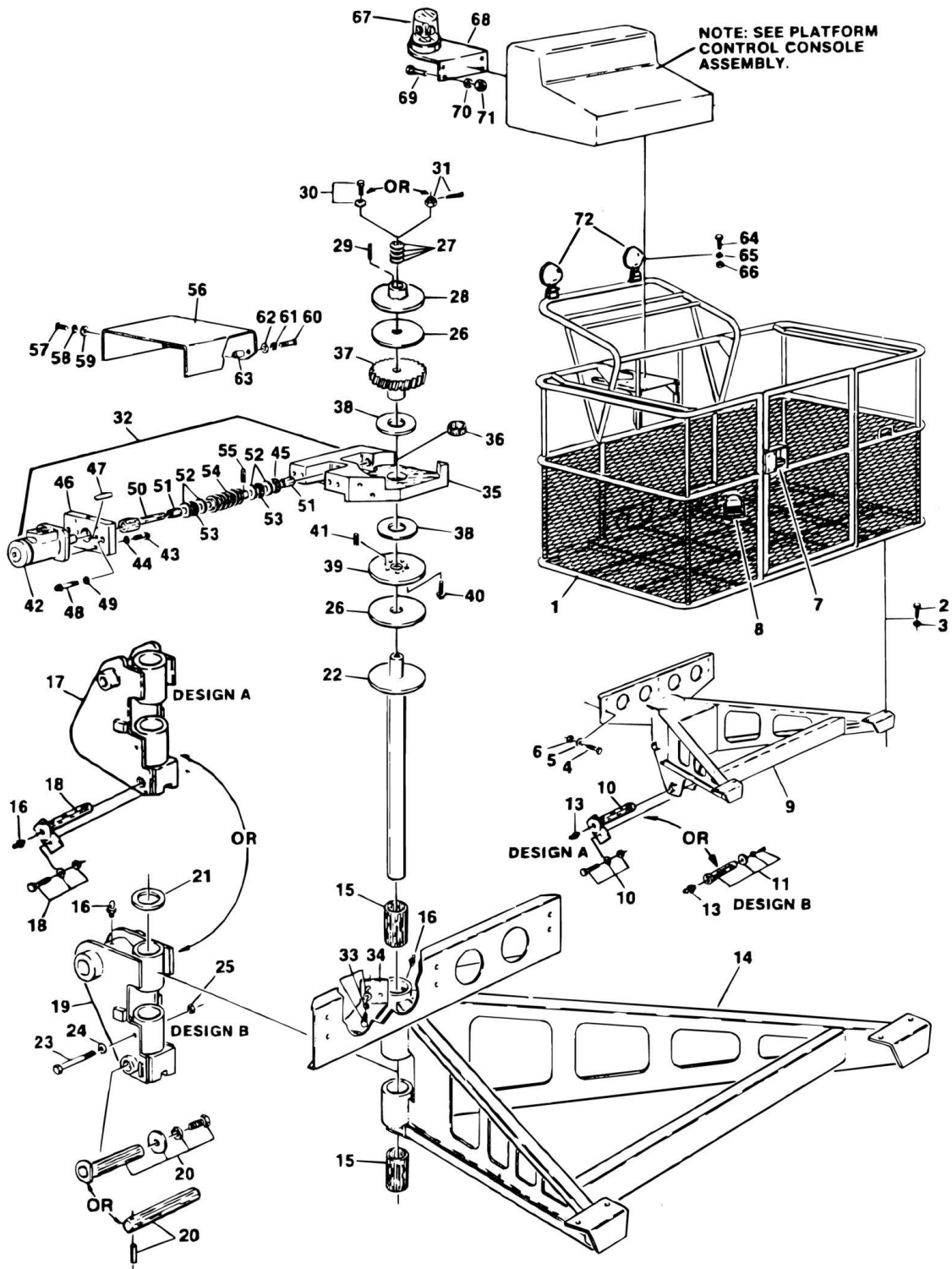
ITEM	PART NUMBER	QTY	DESCRIPTION	REV
	0235306	Ref	BOOM WIPERS INSTALLATION (3 SECTION BOOM)	B
1	2660021	1	Holder, Boom Wiper (Top-Base Section) (Attaching Parts)	
2	4300031	3	Stud (Welded on Part)	
3	4761400	3	Lockwasher 1/4in	
4	3311401	3	Nut 1/4in-20NC	
5	0540054	1	Blade, Wiper (Attaching Parts)	
6	4280210	1	Strip, Wiper Retainer	
7	0641407	5	Bolt 1/4in-20NC x 7/8in	
8	4751400	5	Flatwasher 1/4in	
9	3311401	5	Nut 1/4in-20NC	
10	2660025	1	Holder, Boom Wiper (Right Side Base Section - Not Shown)	
10	2660026	1	Holder, Boom Wiper (Left Side Base Section - Shown) (Attaching Parts)	
11	4300031	8	Stud (Welded on Part)	
12	4761400	8	Lockwasher 1/4in	
13	3311401	8	Nut 1/4in-20NC	
14	0540055	2	Blade, Wiper (Attaching Parts)	
15	4280211	2	Strip, Wiper Retainer	
16	0641407	10	Bolt 1/4in-20NC x 7/8in	
17	4751400	10	Flatwasher 1/4in	
18	3311401	10	Nut 1/4in-20NC	
19	2660020	1	Holder, Boom Wiper (Bottom Side Section) (Attaching Parts)	
19	4300031	3	Stud (Welded on Part)	
20	4761400	3	Lockwasher 1/4in	
21	3311401	3	Nut 1/4in-20NC	
22	0540053	1	Blade, Wiper (Attaching Parts)	
23	4280209	1	Strip, Wiper Retainer	
24	0641407	5	Bolt 1/4in-20NC x 7/8in	
25	4751400	5	Flatwasher 1/4in	
26	3311401	5	Nut 1/4in-20NC	
27	2660022	1	Holder, Boom Wiper (Top-Mid Section) (Attaching Parts)	
28	4300031	3	Stud (Welded on Part)	
29	4761400	3	Lockwasher 1/4in	
30	3311401	3	Nut 1/4in-20NC	
31	0540052	1	Blade, Wiper (Attaching Parts)	
32	4280208	1	Strip, Wiper Retainer	
33	0641407	5	Bolt 1/4in-20NC x 7/8in	
34	4751400	5	Flatwasher 1/4in	
35	3311401	5	Nut 1/4in-20NC	
36	2660023	1	Holder, Boom Wiper (Right Side Mid-Section - Not Shown)	
36	2660024	1	Holder, Boom Wiper (Left Side Mid-Section - Shown) (Attaching Parts)	
37	4300031	8	Stud (Welded on Part)	
38	4761400	8	Lockwasher 1/4in	
39	3311401	8	Nut 1/4in-20NC	
40	0540056	2	Blade, Wiper (Attaching Parts)	
41	4280212	2	Strip, Wear Retainer	
42	0641407	10	Bolt 1/4in-20NC x 7/8in	
43	4751400	10	Flatwasher 1/4in	
44	3311401	10	Nut 1/4in-20NC	

SECTION 1 - ILLUSTRATED PARTS LIST

ITEM	PART NUMBER	QTY	DESCRIPTION	REV
45	2660019	1	Holder, Boom Wiper (Bottom Mid-Section) (Attaching Parts)	
45	4300031	3	Stud (Welded on Parts)	
46	4761400	3	Lockwasher 1/4in	
47	3311401	3	Nut 1/4in-20NC	
48	0540052	1	Blade, Wiper (Attaching Parts)	
49	4280208	1	Strip, Wiper Retainer	
50	0641407	5	Bolt 1/4in-20NC x 7/8in	
51	4751400	5	Flatwasher 1/4in	
52	3311401	5	Nut 1/4in-20NC	

SECTION 1 - ILLUSTRATED PARTS LIST

FIGURE 1-11. PLATFORM AND CONTROL STANDS ASSEMBLIES AND INSTALLATIONS



SECTION 1 - ILLUSTRATED PARTS LIST

FIGURE 1-11. PLATFORM AND CONTROL STANDS ASSEMBLIES AND INSTALLATIONS

ITEM	PART NUMBER	QTY	DESCRIPTION	REV
		Ref	PLATFORMS AND CONTROL STANDS ASSEMBLIES AND INSTALLATIONS	
1	3510138	1	Platform - 3ft x 4ft (P/Q Controls)	
1	Consult Factory	1	Platform - 3ft x 4ft (OEM Controls)	
1	3510141	1	Platform - 3ft x 5ft (Standard) (P/Q Controls)	
1	3510194	1	Platform - 3ft x 5ft (Low Mount with Rotator) (P/Q Controls)	
1	3510231	1	Platform - 3ft x 5ft (Low Mount without Rotator) (P/Q Controls)	
1	3510148	1	Platform - 3ft x 6ft (P/Q Controls)	
1	3510161	1	Platform - 3ft x6ft (OEM Controls) (Attaching Parts)	
2	0681610	4	Bolt 3/8in-16NC x 1 1/4in (Grade 8)	
3	3300143	4	Locknut 3/8in-16NC (Grade 8)	
4	0681610	6	Bolt 3/8in-16NC x 1 1/4in (Grade 8)	
5	4751600	12	Flatwasher 3/8in	
6	3300143	6	Locknut 3/8in-16NC (Grade 8)	
7	2560010	1	Handle, Latch	
7	2940006	1	Latch, Door (Attaching Parts)	
7	3911012	4	Screw, Round Head #10-24NC x 1 1/2in	
7	4751000	4	Flatwasher #10	
7	4761000	4	Lockwasher #10	
7	3311001	4	Nut #10-24NC	
	0233861	Ref	FOOTSWITCH INSTALLATION (RACINE VALVES)	B
	0237963	Ref	FOOTSWITCH INSTALLATION (VICKERS VALVES)	C
8	4360031	1	Footswitch (Attaching Parts)	
8	0641510	3	Bolt 5/16in-18NC x 1 1/4in	
8	4751500	3	Flatwasher 5/16in	
8	4761500	3	Lockwasher 5/16in	
8	3311501	3	Nut 5/16in-18NC	
	7000625	2	Block, Contact	
	4460071	1	Connector, Terminal	
	0236331	Ref	FIXED SUPPORT INSTALLATION (STANDARD)	A
	0236830	Ref	FIXED SUPPORT INSTALLATION (STANDARD)	A
	0250248	Ref	FIXED SUPPORT INSTALLATION (LOW MOUNT)	A
9	4842403	1	Support, Fixed (Design A - Has Bolt through Plate Welded to Pin)	
9	4841912	1	Support, Fixed (Design B- Has Bolt Screwed into End of Pin)	
10	3421176	1	Pin (Design A)	
10	0641608	1	Bolt 3/8in-16NC x 1in (Design A)	
10	4761600	1	Lockwasher 3/8in (Design A)	
10	3311601	1	Nut 3/8in-16NC (Design A)	
11	4841956	1	Pin (Design B)	
11	0651608	1	Bolt 3/8in -24NF x 1in (Design B)	
11	4761600	1	Lockwasher 3/8in (Design B)	
11	4740006	1	Flatwasher, Special (Design B)	
13	2160002	2	Fitting, Grease	
	0236327	Ref	SUPPORT AND ROTATOR INSTALLATION (STANDARD)	C
	0236533	Ref	SUPPORT AND ROTATOR INSTALLATION (STANDARD)	A
	0236831	Ref	SUPPORT AND ROTATOR INSTALLATION (STANDARD)	C
	0239341	Ref	SUPPORT AND ROTATOR INSTALLATION (LOW MOUNT)	A
14	0236261	1	Support, Rotating	
15	0960564	2	Busing, Bronze	
16	2160002	3	Fitting, Grease	

SECTION 1 - ILLUSTRATED PARTS LIST

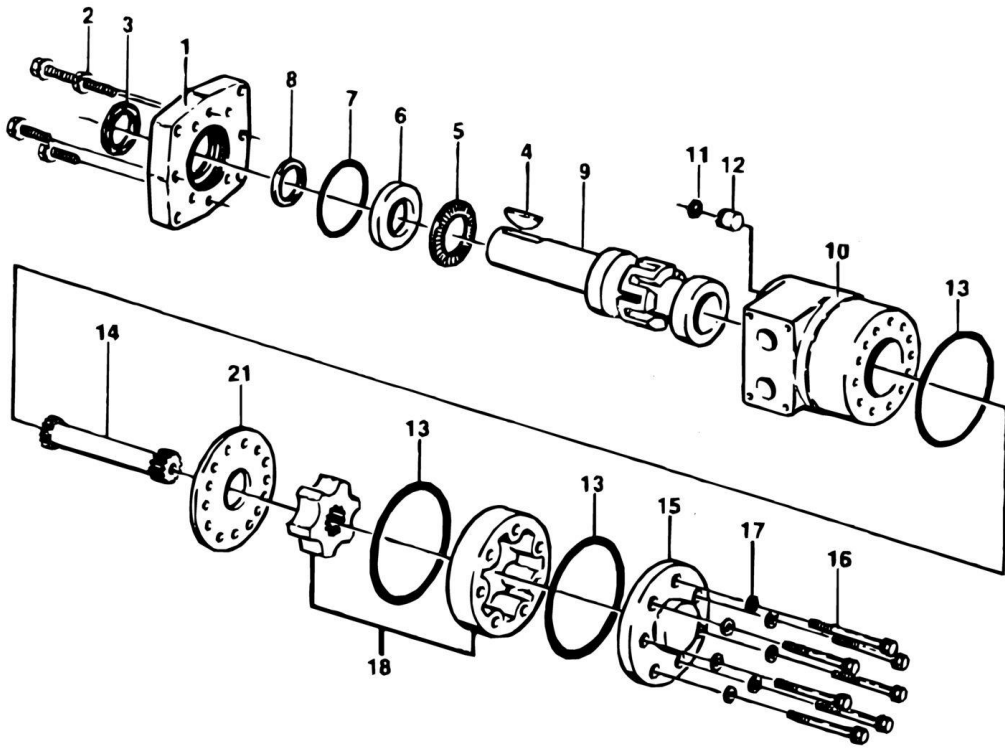
ITEM	PART NUMBER	QTY	DESCRIPTION	REV
17	0236741	1	Pivot, Attachment (Design A)	
17	0961024	2	Bushing, Bronze (Design A) (Attaching Parts)	
18	3421176	1	Pin (Design A)	
18	0641608	1	Bolt 3/8in-16NC x 1in (Design A)	
18	4761600	1	Lockwasher 3/8in (Design A)	
18	3311601	1	Nut 3/8in-16NC (Design A)	
19	0240014	1	Pivot Attachment (Design B) (Attaching Parts)	
20	4841956	1	Pin (With Bolt) (Design B)	
20	3421121	1	Pin (With Rollpin) (Design B)	
20	0651608	1	Bolt 3/8in-24NF x 1in	
20	4761600	1	Lockwasher 3/8in	
20	4740006	1	Washer, Special	
20	3440828	1	Rollpin	
21	4740158	1	Washer, Thrust	
22	4842046	1	Shaft (Top End Threaded Internally)	
22	4841830	1	Shaft (Top End Threaded Externally) (Not Shown) (Attaching Parts)	
23	0641836	1	Bolt	
23	0641634	1	Bolt 3/8in-16NC x 4 1/4in	
24	4751800	1	Flatwasher	
24	4751600	1	Flatwasher 3/8in	
25	3311805	1	Locknut 1/2in-13NC	
25	3311605	1	Locknut 3/8in-16NC	
26	3340454	2	Pad, Brake (Shaft With Internal Threads)	
26	3340287	2	Pad, Brake (Shaft With External Threads)	
27	4160026	8	Washer, Belleville (Shaft With Internal Threads)	
27	4160027	6	Washer, Belleville (Shaft With External Threads)	
28	1120299	1	Cap (Shaft With Internal Threads)	
28	1120239	1	Cap (Shaft With External Threads)	
29	2880404	1	Key Stock, Square (Shaft With Internal Threads Only)	
30	0652014	1	Bolt 5/8in-18NF x 1 7/8in (Shaft With Internal Threads)	
30	4752000	1	Flatwasher 5/8in	
31	3312003	1	Nut, Slotted 5/8in-11NC	
31	3450307	1	Pin, Cotter	
32		Ref	Rotator Assembly (Attaching Parts)	
33	0641811	2	Bolt 1/2in-13NC x 1 3/8in	
33	4761800	2	Lockwasher 1/2in	
33	4751800	2	Flatwasher 1/2in	
34	3200194	1	Mount	
35	2760064	1	Housing, Gear	
36	0440135	1	Bearing, Sleeve	
37	2440044	1	Gear	
38	4740256	2	Washer, Thrust	
39	1760068	1	Disc, Brake	
40	3931010	5	Bolt, Socket Head #10-24NC x 1 1/4in	
40	0100019	AR	Loctite	
41	3440616	1	Pin, Poll	
42	3160083	1	Rotator Motor Assembly (See ROTATOR MOTOR ASSEMBLY for Breakdown)	
43	3931612	4	Bolt, Socket Head 3/8in-16NC x 1 1/2in	
44	4761600	4	Lockwasher 3/8in	
45	4070585	AR	Shim .010	

SECTION 1 - ILLUSTRATED PARTS LIST

ITEM	PART NUMBER	QTY	DESCRIPTION	REV
45	4070586	AR	Shim .005	
45	4070587	AR	Shim .002	
46	0080099	1	Adapter, Motor (Attaching Parts)	
47	3441228	2	Pin, Roll	
48	3931620	2	Bolt, Socket Head 3/8in-16NC x 2 1/2in	
49	4761600	2	Lockwasher 3/8in	
50	0080098	1	Shaft, Adapter	
51	0440134	2	Bearing, Sleeve	
52	4740199	4	Washer, Thrust	
53	0440120	2	Bearing, Needle	
54	2440043	1	Gear, Worm (Attaching Parts)	
55	3440816	1	Pin, Roll	
56	1670322	1	Cover (Shaft With Internal Threads)	
56	1670195	1	Cover (Shaft With External Threads) (Attaching Parts)	
57	0641404	1	Bolt 1/4in-20NC x 1/2in	
58	4761400	1	Lockwasher 1/4in	
59	4751400	1	Flatwasher 1/4in	
60	0641408	1	Bolt 1/4in-20NC x 1in	
61	4761400	1	Lockwasher 1/4in	
62	4751400	1	Flatwasher 1/4in	
		Ref	CONSOLE INSTALLATION	
63	4562083	1	Spacer	
64	0641407	4	Bolt 1/4in-20NC x 7/8in	
65	4751400	8	Lockwasher 1/4in	
66	3311405	4	Locknut 1/4in-20NC	
	0239259	Ref	CONSOLE COVER INSTALLATION (OPTIONAL - NOT SHOWN)	-
	1670482	1	Cover	
	3900022	8	Screw, Self-Tapping 1/4in	
	4751400	8	Flatwasher 1/4in	
	0235980	Ref	ROTATING BEACON LIGHT INSTALLATION (RED)	A
	0235981	Ref	ROTATING BEACON LIGHT INSTALLATION (AMBER)	A
67	2920009	1	Light, Beacon (Red)	
67	2920018	1	Light, Beacon (Amber) (Attaching Parts)	
68	0900383	1	Bracket	
69	0641606	4	Bolt 3/8in-16NC x 3/4in	
70	4761600	4	Lockwasher 3/8in	
71	3311601	4	Nut 3/8in-16NC	
	2900068	Ref	FLOODLIGHT INSTALLATION	D
72	2920013	2	Floodlight	

SECTION 1 - ILLUSTRATED PARTS LIST

FIGURE 1-12. ROTATOR MOTOR ASSEMBLY



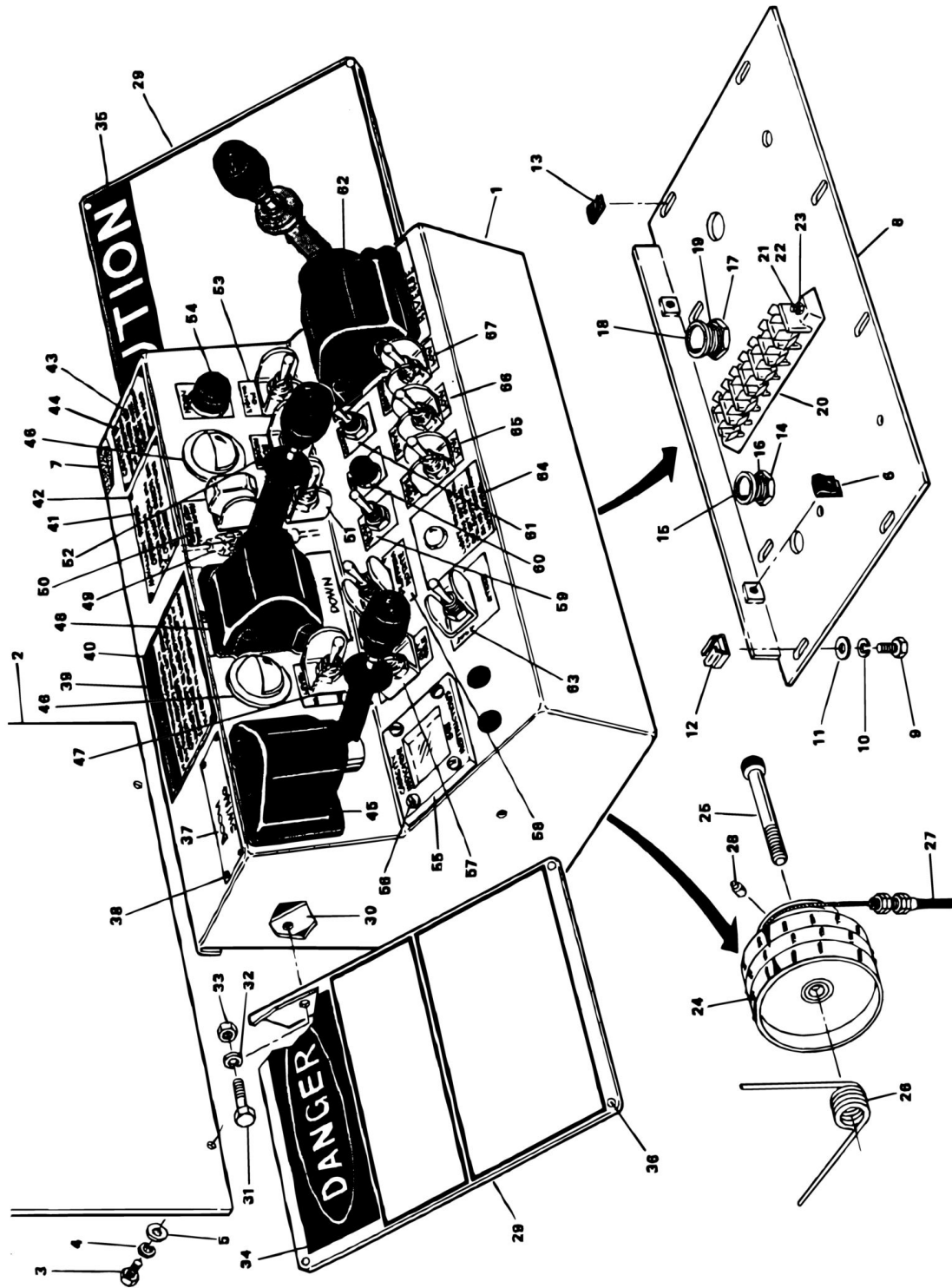
SECTION 1 - ILLUSTRATED PARTS LIST

FIGURE 1-12. ROTATOR MOTOR ASSEMBLY

ITEM	PART NUMBER	QTY	DESCRIPTION	REV
	3160083	Ref	ROTATOR MOTOR ASSEMBLY	A
1	7002105	1	Flange, Mounting (Attaching Parts)	
2	7002123	4	Screw, Cap	
3	Kit	1	Seal, Dust	
4	7002104	1	Key, Woodruff	
5	7002111	1	Bearing, Thrust Needle	
6	7002117	1	Thrust, Bearing Race	
7	Kit	1	Seal, O-Ring	
8	Kit	1	Seal, Pressure	
9	7002116	1	Shaft, Output	
10	7002103	1	Housing	
11	Kit	1	Seal	
12	7002114	1	Plug, Housing	
13	Kit	3	Seal, O-Ring	
14	7002112	1	Drive	
15	7002107	1	Cap, End (Attaching Parts)	
16	7002100	7	Screw, Cap	
17	7000166	7	Lockwasher	
18	7002125	1	Gerotor Sub-Assembly	
21	7002110	1	Plate, Spacer	
	2900455	1	Seal Kit (Includes Items 3, 7, 8, 11 & 13)	

SECTION 1 - ILLUSTRATED PARTS LIST

FIGURE 1-13. PLATFORM CONTROL BOX ASSEMBLIES - PQ CONTROLLERS (CIRCA 1983-1984)



SECTION 1 - ILLUSTRATED PARTS LIST

FIGURE 1-13. PLATFORM CONTROL BOX ASSEMBLIES - PQ CONTROLLERS (CIRCA 1983-1984)

ITEM	PART NUMBER	QTY	DESCRIPTION	REV
		Ref	PLATFORM CONTROL BOX ASSEMBLIES - PQ CONTROLLERS (WITH INDIVIDUAL FUNCTION NAMEPLATES) (CIRCA 1983-1984)	
	0236161	Ref	CONTROL BOX INSTALLATION (WITH CAPACITY INDICATOR AND WITHOUT PROP TELE) (RACINE VALVES)	C
	0236162	Ref	CONTROL BOX INSTALLATION (WITHOUT CAPACITY INDICATOR AND WITHOUT PROP TELE) (RACINE VALVES)	C
	0860464	Ref	CONTROL BOX ASSEMBLY (WITH CAPACITY INDICATOR)	A
	0860466	Ref	CONTROL BOX ASSEMBLY (WITHOUT CAPACITY INDICATOR)	A
1	0860284	1	Control Box Weldment	
2	1670109	1	Panel, Rear Cover (Attaching Parts)	
3	0651404	6	Bolt 1/4in-28NF x 1/2in	
4	4761400	6	Lockwasher 1/4in	
5	4751400	6	Flatwasher 1/4in	
6	3300181	2	Nut, Retainer	
6	3960250	1	Seal, Foam	
7	0100001	AR	Weatherstrip, Dual	
8	3509562	1	Plate Bottom Cover (Attaching Parts)	
9	0651404	3	Bolt 1/4in-28NF x 1/2in	
10	4761400	4	Lockwasher 1/4in	
11	4751400	4	Flatwasher 1/4in	
12	3300182	2	Nut, Retainer	
13	3300181	2	Nut, Retainer	
14	3300047	1	Lock Ring	
15	0960239	1	Cap	
16	4460049	1	Strain Relief	
17	3300048	1	Lock Ring	
18	0760238	1	Cap	
19	4460051	1	Strain, Relief	
20	4460122	1	Strip, Terminal - 7 Pole (Attaching Parts)	
21	3921012	2	Screw #10-24NC x 3/4in	
22	4761000	2	Lockwasher #10	
23	3311001	2	Nut #10-24NC	
24	2420050	1	Gauge, Capacity Indicator - Cable Type Boxes Only	
25	3900111	1	Screw, Shoulder	
25	0100011	AR	Loctite	
	2420057	1	Housing, Capacity Indicator	
	0440042	2	Bearing, Ball	
	4561774	2	Tube, Bearing Spacer	
	1700503	1	Nameplate, Capacity	
26	4160058	1	Spring	
27	1060138	1	Cable, Capacity Indicator	
28	4220044	1	Throttle Stop	
29	3504118	2	Plate, Placard Mounting (Attaching Parts)	
30	3506244	2	Plate	
31	0641406	8	Bolt 1/4in-20NC x 3/4in	
32	4761400	8	Lockwasher 1/4in	
33	3311401	8	Nut 1/4in-20NC	
34	3250887	1	Nameplate, Danger	
35	3251380	1	Nameplate, Caution	

SECTION 1 - ILLUSTRATED PARTS LIST

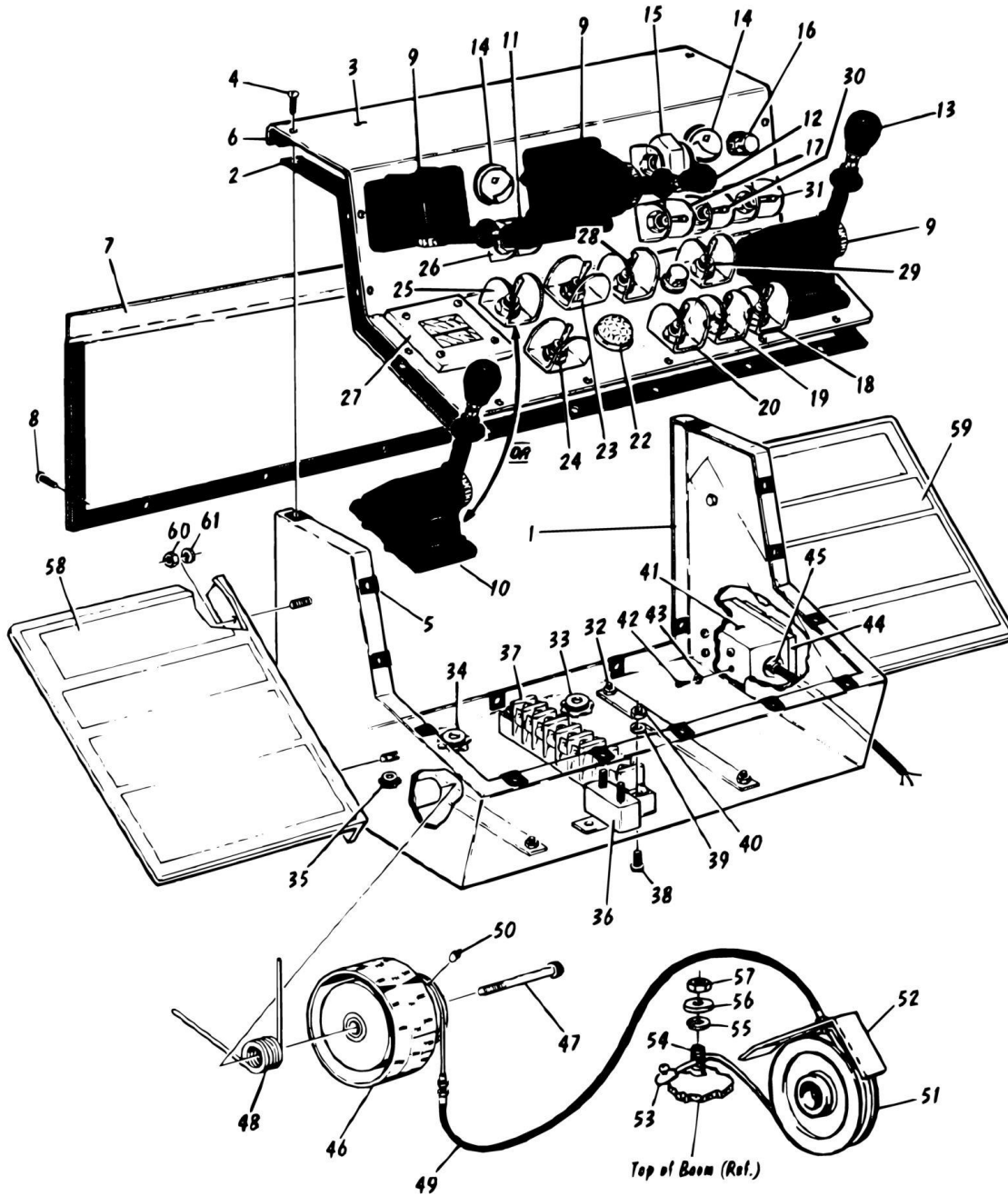
ITEM	PART NUMBER	QTY	DESCRIPTION	REV
36	3820011	8	Rivet, Pop	
37	3251010	1	Nameplate, Boom Swing (Attaching Parts)	
38	3820011	4	Rivet, Pop	
39	3251136	1	Nameplate, Caution (Attaching Parts)	
40	3820011	4	Rivet, Pop	
41	3251012	1	Nameplate, Auxiliary Power Operation	
42	3820011	4	Rivet, Pop	
43	3251011	1	Nameplate, Drive Instruction (Attaching Parts)	
44	3820011	4	Rivet, Pop	
45	1600040	1	Controller, P.Q. - Swing (Attaching Parts)	
45	0640803	4	Bolt #8-32NC x 3/8in	
45	4760800	4	Lockwasher #8	
45	7003703	1	Gasket	
46	2920024	2	Light Panel - Signal Start	
46	2920029	2	Bulb, 12 V.D.C.	
47	4360077	1	Switch, Level	
47	4060087	1	Shield, Toggle Switch	
47	3251018	1	Nameplate, Level	
48	1600040	1	Controller, P.Q. - Lift (Attaching Parts)	
48	0640803	4	Bolt #8-32NC x 3/8in	
48	4760800	4	Lockwasher #8	
48	7003703	1	Gasket	
49	2400001	1	Fuse, 10 Amp	
50	4360071	1	Switch, Emergency Stop	
50	4360141	1	Guard, Spring Loaded	
50	4060087	1	Shield	
50	3251017	1	Nameplate, Emergency Stop	
51	4360084	1	Switch, Auxiliary Power	
51	4060087	1	Shield	
51	3251021	1	Nameplate, Auxiliary Power	
52	4360071	1	Switch, Beacon	
52	4060087	1	Shield	
52	3251020	1	Nameplate, Beacon On	
53	4360071	1	Switch, Lights	
53	4060087	1	Shield	
53	3251019	1	Nameplate, Lights	
54	4360114	1	Switch, Horn	
54	3250995	1	Nameplate, Horn	
55	2960006	1	Lens, Capacity Indicator, Cable Type	
55	3507501	1	Plate, Cover (Without Capacity Indicator) (Attaching Parts)	
56	3900127	4	Screw Special	
56	4771000	4	Starwasher #10	
59	3300180	1	Nut, Retainer	
56	3960251	1	Gasket (With Capacity Indicator)	
56	3960254	1	Gasket (Without Capacity Indicator)	
57	4360077	1	Switch, Telescope	
57	4060087	1	Shield	
57	3250592	1	Nameplate, Telescope	
58	4360077	1	Switch, Rotate	
58	4060087	1	Shield	
58	3251022	1	Nameplate, Rotate	

SECTION 1 - ILLUSTRATED PARTS LIST

ITEM	PART NUMBER	QTY	DESCRIPTION	REV
59	4360114	1	Switch, Glow Plug	
59	3251025	1	Nameplate, Glow Plug	
60	4360016	1	Switch, Start Push Button	
60	3250996	1	Nameplate, Start	
61	4360114	1	Switch, Choke	
61	3251026	1	Nameplate, Choke	
62	1600041	1	Controller, P.Q. -Drive (Attaching Parts)	
62	0640803	4	Bolt #8-32NC x 3/8in	
62	4760800	4	Lockwasher #8	
62	7003703	1	Gasket	
63	4360077	1	Switch, Steer	
63	4060087	1	Shield	
63	3250591	1	Nameplate, Steer	
64	2920015	1	Light, Red, Tilt Indicator	
64	2920029	1	Bulb, 12 V.D.C.	
64	3251250	1	Nameplate, Tilt Indicator	
65	4360071	1	Switch, Drive, Motor	
65	4060087	1	Shield	
65	3251244	1	Nameplate, Drive Motor	
66	4360071	1	Switch, Drive Speed	
66	4060087	1	Shield	
66	3251024	1	Nameplate, Drive Speed	
67	4360071	1	Switch, Engine Speed	
67	4060087	1	Shield	
67	3251023	1	Nameplate, Drive Speed	
	2900453	1	Nameplate, Kit	

SECTION 1 - ILLUSTRATED PARTS LIST

FIGURE 1-14. PLATFORM CONTROL BOX ASSEMBLIES - PQ CONTROLLERS (CIRCA 1984 AND NEWER)



SECTION 1 - ILLUSTRATED PARTS LIST

FIGURE 1-14. PLATFORM CONTROL BOX ASSEMBLIES - PQ CONTROLLERS (CIRCA 1984 AND NEWER)

ITEM	PART NUMBER	QTY	DESCRIPTION	REV
		Ref	PLATFORM CONTROL BOX ASSEMBLIES - PQ CONTROLLERS (WITH FUNCTIONS PRINTED ON LID) (CIRCA 1984 AND NEWER)	
	0236497	Ref	PLATFORM CONTROL BOX ASSEMBLY (WITHOUT CAPACITY INDICATOR AND WITHOUT PROP TELE) (GAS/DIESEL WITH RACINE VALVES)	F
	0237041	Ref	PLATFORM CONTROL BOX ASSEMBLY (WITHOUT CAPACITY INDICATOR AND WITHOUT PROP TELE) (GAS/DIESEL WITH ADECO THROTTLE AND RACINE VALVES)	C
	0237943	Ref	PLATFORM CONTROL BOX ASSEMBLY (WITHOUT CAPACITY INDICATOR AND WITHOUT PROP TELE) (GAS/DIESEL WITH VICKERS VALVES)	C
	0236522	Ref	PLATFORM CONTROL BOX ASSEMBLY (WITH CAPACITY INDICATOR AND WITHOUT PROP TELE) (GAS/DIESEL WITH RACINE VALVES)	A
	0237042	Ref	PLATFORM CONTROL BOX ASSEMBLY (WITH CAPACITY INDICATOR AND WITHOUT PROP TELE) (GAS/DIESEL WITH ADECO THROTTLE AND RACINE VALVES)	F
	0238266	Ref	PLATFORM CONTROL BOX ASSEMBLY (WITH CAPACITY INDICATOR AND WITHOUT PROP TELE) (GAS/DIESEL WITH VICKERS VALVES)	A
	0237944	Ref	PLATFORM CONTROL BOX ASSEMBLY (WITH CAPACITY INDICATOR AND WITHOUT PROP TELE) (GAS/DIESEL WITH VICKERS VALVES)	C
	0237595	Ref	PLATFORM CONTROL BOX ASSEMBLY (WITH CAPACITY INDICATOR AND WITHOUT PROP TELE) (ELECTRIC WITH RACINE/VICKERS VALVES)	-
	02337057	Ref	PLATFORM CONTROL BOX ASSEMBLY (WITH CAPACITY INDICATOR AND WITH PROP TELE) (GAS/DIESEL WITH RACINE/VICKERS VALVES)	F
	0237058	Ref	PLATFORM CONTROL BOX ASSEMBLY (WITHOUT CAPACITY INDICATOR AND WITH PROP TELE) (GAS/DIESEL WITH RACINE/VICKER VALVES)	E
1	0860472	1	Box, Console	
2	4420038	AR	Tape, Insulation	
3	3251537	1	Decal, Console (Racine Valves and Without Prop Tele)	
3	3251741	1	Decal, Console (Vickers Valves and Without Prop Tele)	
3	3251620	1	Decal, Console (With Prop Tele) (Attaching Parts)	
4	0751006	13	Screw, Pan Head #10-24NC x 3/4in	
5	3300177	13	Nut, Tinnerman	
6	3960250	1	Weathership	
6	010001	AR	Adhesive	
7	3509858	1	Plate (Attaching Parts)	
8	0751006	2	Screw, Pan Head #10-24NC x 3/4in	
8	3300177	2	Nut, Tinnerman	
9	1600094	3	Controller, PQ (Attaching Parts)	
9	0640803	4	Bolt #8-32NC x 3/8in	
9	4760800	8	Lockwasher #8	
10	1600094	1	Controller, PQ (Prop Tele Only) (Attaching Parts)	
10	0720803	4	Screw #8-32NC x 3/8in	
10	4760800	4	Lockwasher #8	
	2560039	1	Knob, Tele	
11	2560040	1	Knob, Swing	

SECTION 1 - ILLUSTRATED PARTS LIST

ITEM	PART NUMBER	QTY	DESCRIPTION	REV
12	2560038	1	Knob, Lift	
13	2560041	1	Knob, Drive	
14	2920024	1	Panel Lights (Optional)	
15	4360199	1	Switch, Emergency Stop -SPST	
15	4360141	1	Guard, Switch	
15	3790012	1	O-Ring	
15	4060087	1	Shield, Toggle Switch	
16	4360016	1	Switch, Horn	
17	4360204	1	Switch, Auxilliary Power - PDST/MC (Racine)	
17	4360200	1	Switch, Auxiliary Power - SPST/MC (Vickers)	
17	3790012	1	O-Ring	
17	4060087	1	Shield, Toggle Switch	
18	4360199	1	Switch, Engine Speed - SPST	
18	3790012	1	O-Ring	
18	4060087	1	Guard, Toggle Switch	
19	4360199	1	Switch, Drive Speed - SPST	
19	3790012	1	O-Ring	
19	4060087	1	Guard, Toggle Switch	
20	4360199	1	Switch, Drive Motor -SPST	
20	3790012	1	O-Ring	
20	4060087	1	Guard, Toggle Switch	
20	3251244	1	Nametag, Drive Motor (Vickers)	
21	4360016	1	Switch, Start	
22	2920015	1	Lamp, Not Level	
23	4360202	1	Switchn Platform Rotate - DPDT/MC/C.OFF	
23	3790012	1	O-Ring	
23	4060087	1	Guard, Toggle Switch	
24	4360202	1	Switch, Steer - DPDT/MC/C.OFF	
24	3790012	1	O-Ring	
24	4060087	1	Guard, Toggle Switch	
25	4360202	1	Switch, Telescope - DPDT/MC/C.OFF (Without prop Tele)	
25	3790012	1	O-Ring	
25	4060087	1	Guard, Toggle Switch	
26	4360202	1	Switch, Platform - DPDT/MC/C. OFF	
26	3790012	1	O-Ring	
26	4060087	1	Guard, Toggle Switch	
27	2960006	1	Lens, Capacity Indicator (Attaching Parts)	
27	3960251	4	Gasket	
27	3911014	4	Screw #10-24NC x 7/8in	
27	4771000	4	Starwasher #10	
27	3311001	4	Nut #10-24NC	
	3251551	1	Decal - 500 Lb. Capacity - Used only on consoles without capacity indicator. (Not Shown)	
28	4360200	1	Switch, Choke or Glow Plug - SPST/MC	
28	3790012	1	O-Ring	
28	4060087	1	Guard, Toggle Switch	
29	4360199	1	Switch, 2WD/4WD Select - SPST	
29	3790012	1	O-Ring	
29	4060087	1	Guard, Toggle Switch	
30	4360199	1	Switch, Beacon Light -SPST	
30	3790012	1	O-Ring	
30	4060087	1	Guard, Toggle Switch	

SECTION 1 - ILLUSTRATED PARTS LIST

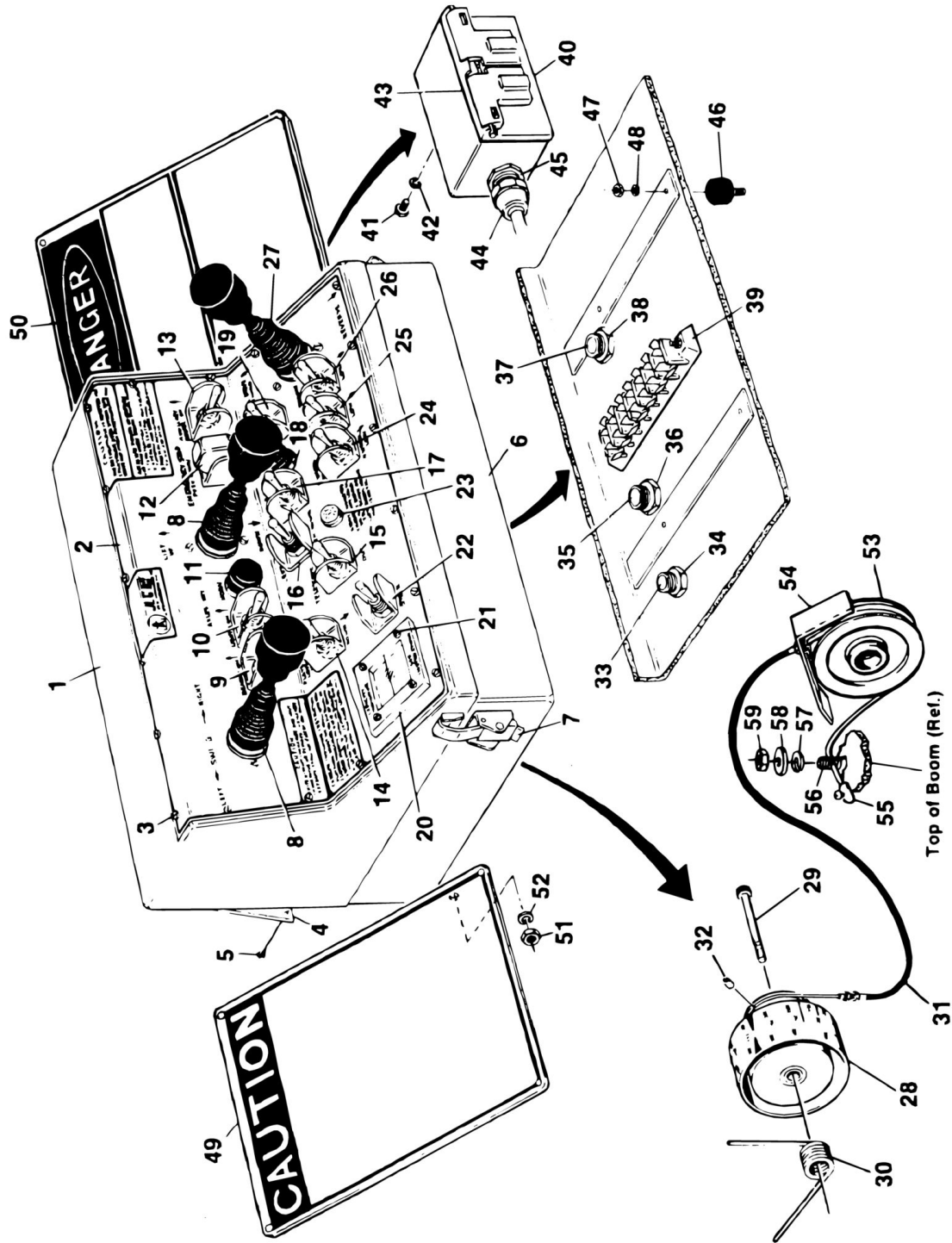
ITEM	PART NUMBER	QTY	DESCRIPTION	REV
31	4360199	1	Switch, Light - SPST	
31	3790012	1	O-Ring	
31	4060087	1	Guard, Toggle Swtich	
32	0641407	4	Bolt 1/4in -20NC x 7/8in	
32	4751400	8	Flatwasher 1/4in	
32	3311405	4	Locknut 1/4in -20NC	
33	4460071	1	Connector	
33	3300048	1	Nut	
34	4460051	1	Connector	
34	3300048	1	Nut	
35	4460052	1	Connector	
35	3300047	1	Nut	
36	4360209	1	Circuit Breaker - 20 Amp	
36	3321001	2	Nut #10-32NF	
36	4751000	2	Flatwasher #10	
37	4460263	1	Terminal Strip (Attaching Parts)	
38	3910016	2	Screw #10-24NC x 1in	
39	4761000	2	Lockwasher #10	
40	3311001	2	Nut #10-24NC	
41	0860036	1	Box, Switch (Attaching Parts)	
42	3911008	4	Screw #10-24NC x 1/2in	
43	4761000	4	Lockwasher #10	
44	4060092	1	Shield, Weatherproof	
44	4460190	1	Terminal, Receptable (Not Shown)	
45	4460049	1	Connector	
45	0960407	1	Bushing, Reducer	
46	2420050	1	Gauge, Capacity Indicator (Uses Decal P/N 1700502)	
46	2420055	1	Gauge, Capacity Indicator (Uses Decal P/N 1700503)	
47	3900111	1	Bolt, Special	
47	0100011	AR	Loctite	
	1700502	1	Nameplate	
	1700503	1	Nameplate	
	4561774	1	Space, Tube	
	0440042	2	Bearing, Ball	
	2420057	1	Gauge, Indicator	
48	4160058	1	Spring, Torsion	
49	1060168	1	Cable, Push Pull	
50	4220044	2	Throttle Stop	
	0236834	Ref	CAPACITY INDICATOR INSTALLATION	B
51	3580092	1	Pulley	
52	1670340	1	Cover, Pulley	
53	4220044	1	Stop, Throttle (Attaching Parts)	
54	4300041	1	Stud (Welded On Part) (When Equipped)	
54	1320109	1	Clamp (Not Shown - When Equipped)	
55	4761600	1	Lockwasher 3/8in	
56	4751600	1	Flatwasher 3/8in	
57	3311605	1	Locknut 3/8in -16NC	
57	3321601	1	Nut 3/8in-24NF	
		Ref	DECAL INSTALLATION - CAUTION AND DANGER	
58	3251548	1	Decal - Caution (Standard)	
58	3251607	1	Decal-Caution (CSA)	

SECTION 1 - ILLUSTRATED PARTS LIST

ITEM	PART NUMBER	QTY	DESCRIPTION	REV
59	3251549	1	Decal-Danger (Attaching Parts)	
60	3311401	2	Nut 1/4in -20NC	
61	4761400	2	Lockwasher 1/4in	

SECTION 1 - ILLUSTRATED PARTS LIST

FIGURE 1-15. PLATFORM CONTROL BOX ASSEMBLIES - OEM CONTROLLERS



SECTION 1 - ILLUSTRATED PARTS LIST

FIGURE 1-15. PLATFORM CONTROL BOX ASSEMBLIES - OEM CONTROLLERS

ITEM	PART NUMBER	QTY	DESCRIPTION	REV
		Ref	PLATFORM CONTROL BOX ASSEMBLY - OEM CONTROLLERS	
	0238264	Ref	PLATFORM CONTROL BOX ASSEMBLY (WITHOUT CAPACITY INDICATOR AND WITHOUT PROP TELE)	C
	0237315	Ref	PLATFORM CONTROL BOX ASSEMBLY (WITH CAPACITY INDICATOR AND WITHOUT PROP TELE)	C
	0238179	Ref	PLATFORM CONTROL BOX ASSEMBLY (WITH CAPACITY INDICATOR AND WITHOUT PROP TELE)	C
	0238263	Ref	PLATFORM CONTROL BOX ASSEMBLY (WITHOUT CAPACITY INDICATOR AND WITH PROP TELE)	C
	0238180	Ref	PLATFORM CONTROL BOX ASSEMBLY (WITH CAPACITY INDICATOR AND WITH PROP TELE)	C
	0238318	Ref	PLATFORM CONTROL BOX ASSEMBLY (WITH CAPACITY INDICATOR AND WITH PROP TELE)	D
1	0860538	Ref	Control Box	
1	4420038	AR	Insulation Tape	
1	010001	AR	Adhesive, Weatherstrip	
2	3251678	1	Nameplate	
3	0751006	18	Screw, Pan Head #10 x 3/4in	
3	3300177	18	Nut, Tinnerman	
5	0751006	3	Screw, Panhead #10 x 3/4in	
5	3300177	3	Nut, Tinnerman	
6	0860535	1	Box, Bottom (Attaching Parts)	
7	2940052	2	Latch	
8	1600092	2	Controller, OEM (Swing) (Drive) (Attaching Parts)	
8	4740120	8	Flatewasher, Nylon	
8	3900127	5	Screw, Round Head #10-32NF x 7/8in	
8	3900157	3	Screw #10-32NF x 1 1/4in (Grade 2)	
8	4070589	AR	Shim	
8	4070588	AR	Shim	
9	4360071	1	Switch, SPST	
9	3790012	1	O-Ring	
9	4060087	1	Shield	
10	4360199	1	Switch, Lights -SPST	
10	3790012	1	O-Ring	
10	4060087	1	Shield	
11	4360016	1	Switch, Horn	
12	4360199	1	Switch, Emergency Stop -SPST	
12	2790012	1	O-Ring	
12	4060087	1	Shield	
12	4360141	1	Guard	
13	4360200	1	Switch, Auxiliary Power - SPST/MC	
13	4360204	1	Switch-Auxiliary Power - DPST/MC	
13	3790012	1	O-Ring	
13	4060087	1	Shield	
14	4360202	1	Switch, Platform Level - DPDT	
14	3790012	1	O-Ring	
14	4060087	1	Shield	
15	4360202	1	Switch, Tele - DPDT (Optional)	
15	1600092	1	Controller, OEM - Prop Telescope (OEM P/N EMS4MM4508) (Optional)	

SECTION 1 - ILLUSTRATED PARTS LIST

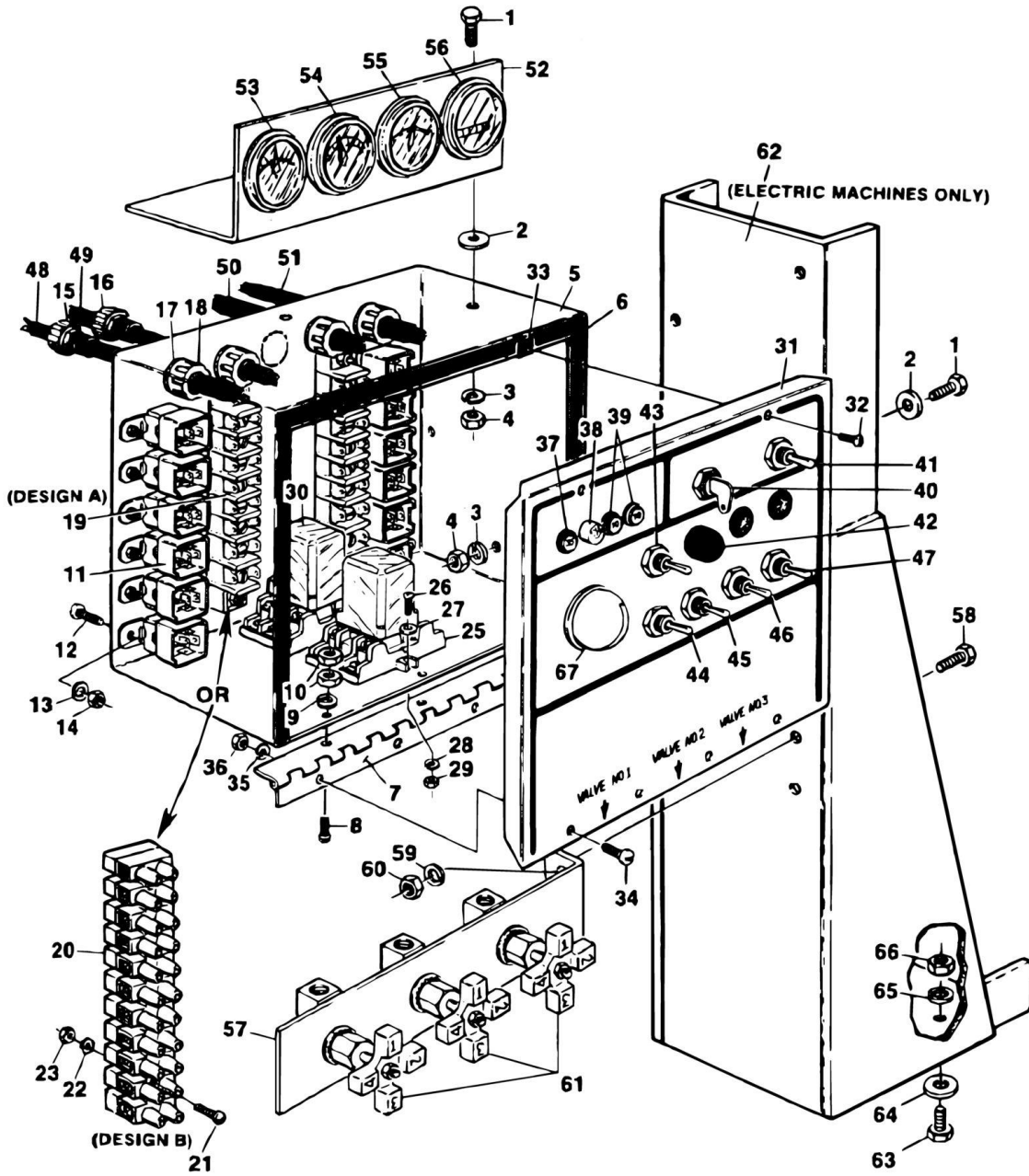
ITEM	PART NUMBER	QTY	DESCRIPTION	REV
15	1600093		Controller, OEM - Prop Telescope (OEM P/N EMS4M4509 (Optional)	
15	3790012	1	O-Ring	
15	4060087	1	Shield	
16	4360202	1	Switch, Platform Rotate - DPDT	
16	3790012	1	O-Ring	
16	4060087	1	Shield	
17	4360199	1	Switch, 2 Wheel Drive - 4 Wheel Drive (Optional)	
17	3790012	1	O-Ring	
17	4060087	1	Shield	
18	4360016	1	Switch, Start	
19	4360199	1	Switch, Creer On - SPST	
19	3790012	1	O-Ring	
19	4060087	1	Shield	
20	2960006	1	Lens, Capacity Indicator (Attaching Parts)	
21	3911014	4	Screw #10-24NC x 7/8in	
21	4771000	4	Starwasher	
21	3311001	4	Nut #10-24NC	
21	3960251	1	Gasket	
21	2141551	1	Decal - 500 LBS Capacity - Use On Console Without Capacity Indicator (Not Shown)	
22	4360202	1	Switch, Steer - DPDT	
22	3790012	1	O-Ring	
22	4060087	1	Shield	
23	2920015	1	Lamp	
24	4360199	1	Switch, Drive Motor Hi-Low - SPST	
24	3790012	1	O-Ring	
24	4060087	1	Shield	
25	4360199	1	Switch, Drive Speed Hi-Low - SPST	
25	3790012	1	O-Ring	
25	4060087	1	Shield	
26	4360199	1	Shield, Engine Speed Hi-Low - SPST	
26	3790012	1	O-Ring	
26	4060087	1	Shield	
27	1060092	1	Controller, OEM (Forward-Reverse) (Attaching Parts)	
27	4740120	8	Flatwasher, Nylon	
27	3900127	5	Screw, Round Head #10-32NF x 7/8in	
27	3900157	3	Screw #10-32NF x 1 1/4in (Grade 2)	
27	4070588	AR	Shim	
28	2420055	1	Gauge, Capacity Indicator (Uses Decal P/N 1700503)	
28	2420050	1	Gauge, Capacity Indicator (Uses Decal P/N 1700502) (Attaching Parts)	
29	3900111	1	Bolt	
29	0100011	AR	Loctite	
	1700502	1	Nameplate	
	1700503	1	Nameplate	
	4561774	1	Spacer, Tube	
	0440042	2	Bearing, Ball	
	2420057	1	Gauge, Indicator	
30	4160058	1	Spring, Torsion	
31	1060168	1	Cable	
32	420044	2	Cable Stop	

SECTION 1 - ILLUSTRATED PARTS LIST

ITEM	PART NUMBER	QTY	DESCRIPTION	REV
33	4460052	1	Connector	
34	3300047	1	Nut	
35	4460051	1	Connector	
36	3300048	1	Nut	
37	4460071	1	Connector	
38	3300048	1	Nut	
39	4460263	1	Terminal Strip (Attaching Parts)	
39	0721008	2	Screw #10-24NC x 1/2in	
39	4761000	2	Lockwasher #10	
39	3311001	2	Nut #10-24NC	
40	0860038	1	Box, Switch (Attaching Parts)	
41	3911008	4	Screw, #10-24NC x 1/2in	
42	4761000	4	Lockwasher #10	
43	4060092	1	Shield, Weatherproof	
43	4460190	1	Terminal, Receptacle (Not Shown)	
44	4460049	1	Connector	
45	0960407	1	Bushing, Reducer	
46	4320002	4	Stud	
47	3311505	8	Locknut 5/16in -18NC	
48	4751500	8	Flatwasher 5/16in	
49	3251548	1	Decal, Caution (Standard) (LH Side of Box - Shown)	
50	3251549	1	Decal, Danger (RH Side of Box - Shown) (Attaching Parts)	
51	3311405	4	Locknut 1/4in - 20NC	
52	4751400	8	Flatwasher 1/4in	
	3251775	1	Decal, Caution/Danger (Standard) (Located in Front of Box - Not Shown)	
	3251671	1	Decal, Caution/Danger (CSA) (Located in Front of Box - Not Shown) (Attaching Parts)	
	3820001	6	Rivet	
	2920024	2	Light, Panel (Optional - Not Shown)	
	0236834	Ref	CAPACITY INDICATOR INSTALLATION	B
53	3580092	1	Pulley	
54	1670340	1	Cover, Pulley	
55	4220044	1	Stop, Throttle (Attaching Parts)	
56	4300041	1	Stud (Welded On Part) (When Equipped)	
56	1320109	1	Clamp (Not Shown - When Equipped)	
57	4761600	1	Lockwasher 3/8in	
58	4751600	1	Flatwasher 3/8in	
59	3311605	1	Locknut 3/8in -16NC	
59	3321601	1	Nut 3/8in-24NF	

SECTION 1 - ILLUSTRATED PARTS LIST

FIGURE 1-16. GROUND CONTROL BOX ASSEMBLIES (RACINE VALVES)



SECTION 1 - ILLUSTRATED PARTS LIST

FIGURE 1-16. GROUND CONTROL BOX ASSEMBLIES (RACINE VALVES)

ITEM	PART NUMBER	QTY	DESCRIPTION	REV
	0236332	Ref	GROUND CONTROL BOX INSTALLATION (GAS WITH RACINE VALVES)	C
	0236500	Ref	GROUND CONTROL BOX INSTALLATION (GAS WITH RACINE VALVES)	F
	0236501	Ref	GROUND CONTROL BOX INSTALLATION (DIESEL WITH RACINE VALVES)	F
	0237567	Ref	GROUND CONTROL BOX INSTALLATION (ELECTRIC WITH RACINE VALVES)	C
	0860469	1	Box and Harness Assembly (Gas with Ammeter on Engine Cowl and Bolt-On Wiring)	A
	0860478	1	Box and Harness Assembly (Gas/Diesel with Ammeter on Ground Control Box and Bolt-On Wiring)	-
	0860490	1	Box and Harness Assembly (Gas/Diesel with Slip-On Terminals)	C
	0860509	1	Box and Harness Assembly (Gas with Adeco Throttle)	-
	0860516	1	Box and Harness Assembly/Ga/Diesel with Adeco Throttle and Ignition/Start Relays (3 Stack Racine Valve)	-
	0860517	1	Box and Harness Assembly (Gas/Diesel with Adeco Throttle and Ignition/Start Relays) (4 Stack Racine Valve)	-
	0860470	1	Box and Assembly (Electric) (Attaching Parts)	B
1	0641408	3	Bolt 1/4in -20NC x 1in	
2	4751400	3	Flatwasher 1/4in	
3	4761400	3	Lockwasher 1/4in	
4	3311401	3	Nut 1/4in	
	0236172	1	Box Assembly (Gas/Diesel with Bolt-On Wiring)	C
	0236506	1	Box Assembly (Gas/Diesel with Slip-On Terminals)	B
	0237067	1	Box Assembly (Gas/Diesel with Adeco Throttle and All Electric Machines)	C
		Ref	Note: For Best Reference Order Complete ground Control Box Assembly Model and Serial Number of Machine.	
5	0860467	1	Box (Use with Bolt-On Wiring)	
5	0860487	1	Box (Use with Slip-On Terminals)	
6	4280237	1	Strip, Rubber	
6	0100001	AR	Adhesive	
7	2600093	1	Hinge (Attaching Parts)	
8	3911012	3	Screw #10-24NC x 3/4in	
9	4761000	3	Lockwasher 3/8in	
10	3311001	6	Nut #10-24NC	
11	3740049	7	Relay -SPDT (Mounted on Side of Box) (Not Shown)	
11	3740049	12	Relay-SPDT (Mounted on Back of Box) (Shown) (Attaching Parts)	
12	3911008	7/12	Screw, Round Head #10-24NC x 1/2in	
13	4761000	7/12	Lockwasher #10	
14	3311001	7/12	Nut #10-24NC	
15	4460051	3	Connector	
16	4460071	1	Connector	
17	3300048	4	Locknut, Conduit	
18	0960238	4	Bushing	
19	4460263	2	Terminal Strip (Use with Slip-On Terminals) (Design A)	
20	4460053	2	Terminal Strip (Use with Bolt-On Wiring) (Design B) (Attaching Parts)	
21	3910612	4	Screw, Round head #6-32NC x 5/8in	
22	4760600	4	Lockwasher #6	

SECTION 1 - ILLUSTRATED PARTS LIST

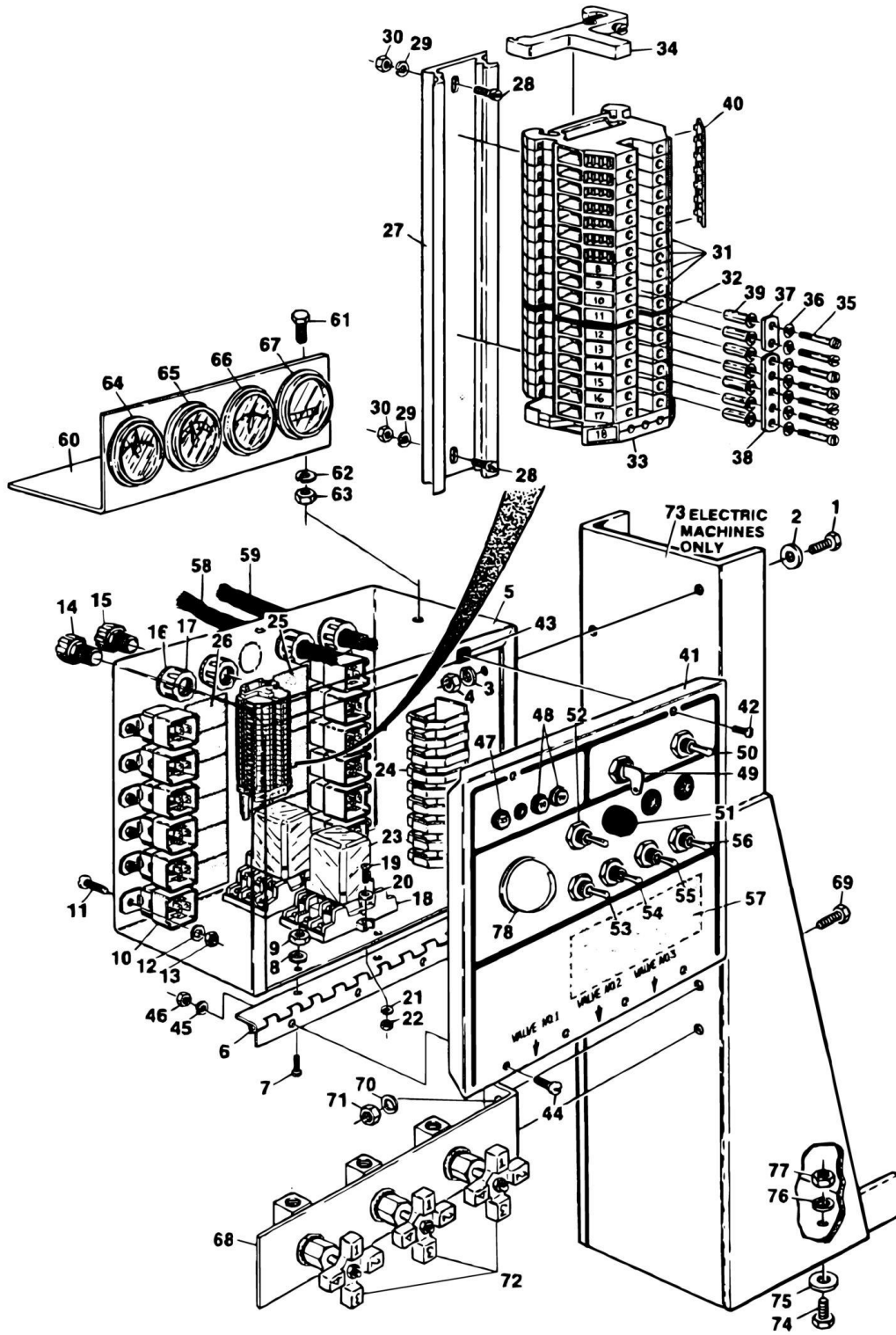
ITEM	PART NUMBER	QTY	DESCRIPTION	REV
23	3310601	4	Nut #6-32NC	
25	4120002	2	Relay, Socket (Attaching Parts)	
26	3910610	4	Screw, Round Head #6-32NC x 5/8in	
27	4751000	4	Flatwasher #10	
28	4760600	4	Lockwasher #6	
29	3310601	4	Nut #6-32NC	
30	3740016	2	Relay	
31	3251522	1	Lid (P/N Printed on Bottom Edge)	
31	3125650	1	Lid (P/N Printed on Bottom Edge) (Attaching Parts)	
32	0750806	2	Screw #8 x 3/4in (Top)	
33	3300177	2	Nut, Tinnerman (Top)	
34	3911006	4	Screw #10-24NC x 3/8in	
35	4761000	4	Lockwasher #10	
36	3311001	4	Nut #10-24NC	
37	4360186	1	Circuit Breaker (35 Amp)	
38	4360212	1	Circuit Breaker (3 Amp)	
38	4360069	1	Circuit Breaker (10 Amp)	
39	4360069	2	Circuit Breaker (10 Amp)	
40	4360003	1	Switch, Master	
41	4360073	1	Switch, Toggle - DPDT (Select)	
41	3790012	1	O-Ring	
42	4360016	1	Switch, Pushbutton (Start)	
43	4360199	1	Switch, Toggle-SPST (Ignition) (Used with Slip-On Terminals)	
43	4360071	1	Switch, Toggle-SPST (Ignition) (Used with Bolt-On Wiring)	
43	3790012		O-Ring	
44	4360204	1	Switch, Toggle - DPST/MC (Aux. Power) (Used with Slip-On Terminals)	
44	4360084	1	Switch, Toggle - DPST (Aux. Power) (Used with Bolt-On Wiring)	
44	4360089	1	Flasher (When Equipped) (Not Shown)	
44	1320060	1	Clamp (Used with Above Flasher) (Not Shown)	
44	3790012	1	O-Ring	
45	4360202	1	Switch, Toggle = DPDT /MC Center Off (Lift) (Used with Slip-On Terminals)	
45	4360074	1	Switch, Toggle - DPST (Lift) (Used with Bolt-On Wiring)	
45	3790012	1	O-Ring	
46	4360202	1	Switch, Toggle - DPDT/MC Center Off (Swing) (Used with Slip-On Terminals)	
46	4360074	1	Switch, Toggle - DPST (Swing) (Used with Bolt-On Wiring)	
46	3790012	1	O-Ring	
47	4360202	1	Switch, Toggle - DPDT/MC Center Off (Telescope) (Used with Slip-On Terminals)	
47	4360074	1	Switch, Toggle - DPST (Telescope) (Used with Bolt On Wiring)	
47	3790012		O-Ring	
48	4920402	1	Harness, Wiring (16/24 to Boom) (Bolt-On Wiring and all Electric Machines)	
48	4920454	1	Harness, Wiring (16/24 to Boom) (Slip-On Terminals)	
49	4920403		Harness, Wiring (12/4 to Boom) (Bolt-On Wiring and all Electric Machines)	
49	4920455	1	Harness, Wiring (12/4 to Boom) (Slip-On Terminals)	
50	4920408	1	Harness, Wiring (Engine) (Gas with Ammeter on Engine Cowl and Bolt-On Wiring)	
50	4920417	1	Harness, Wiring (Engine (Gas/Diesel with Ammeter on Ground Control Box and Bolt-On Wiring)	

SECTION 1 - ILLUSTRATED PARTS LIST

ITEM	PART NUMBER	QTY	DESCRIPTION	REV
50	4920464	1	Harness, Wiring (Engine) (Gas/Diesel with Slip-On Terminals)	
50	4920527	1	Harness, Wiring (Engine) (Gas/Diesel with Slip-On Terminals and Adeco Throttle)	
50	4920413	1	Harness, Wiring (Motor) (Electric Machines)	
51	4920409	1	Harness, Wiring (Valve) (Slip-On Wiring)	
51	4920465	1	Harness, Wiring (Valve) (Slip-In Terminals Harness, Wiring (Valve) (Slip-On Terminals with 3 Stack Valve)	
51	4920466	1	Harness, Wiring (Valve) (Slip-On Terminals with 4 Stack Valve)	
51	4920407	1	Harness, Wiring (Valve) (All Electric Machines)	
52	3380309	1	Bracket, Mounting - Gauge (4 Gauge)	
52	1901212	1	Bracket, Mounting - Gauge (3 Gauge)	
52	1901213	1	Bracket, Mounting - Gauge (2 Gauge)	
52	0901372	1	Bracket, Mounting - Gauge (Single Gauge)	
		Ref	Note: (Location May Vary).	
53	2420006	1	Gauge, Ammeter	
53	2420059	1	Gauge, Battery Capacity (Electric)	
54	2420035	1	Gauge, Oil Pressure - Gas	
54	2420030	1	Gauge, Oil Pressure - Diesel	
55	2420019	1	Gauge, Water Temperature	
56	2420009	1	Gauge, Hourmeter	
57	0901192	1	Bracket, Manual Descent (Electric Machines Only) (Attaching Parts)	
58	0641608	2	Bolt	
59	4761600	2	Lockwasher	
60	3311601	2	Nut	
61	4640005	3	Valve, Needle	
61	2900062	3	Kit, Panel Mounting	
62	4841978	1	Bracket, Box Mounting (Electric Machines Only) (Attaching Parts)	
63	0641609	4	Bolt	
64	4751600	4	Flatwasher	
65	4761600	4	Locwasher	
66	3311601	4	Nut	
67	292004	1	Light, Panel (Optional)	

SECTION 1 - ILLUSTRATED PARTS LIST

FIGURE 1-17. GROUND CONTROL BOX ASSEMBLIES (VICKERS VALVES)



SECTION 1 - ILLUSTRATED PARTS LIST

FIGURE 1-17. GROUND CONTROL BOX ASSEMBLIES (VICKERS VALVES)

ITEM	PART NUMBER	QTY	DESCRIPTION	REV
	0238060	Ref	GROUND CONTROLS BOX INSTALLATION (GAS WITH VICKERS VALVES)	A
	0238061	Ref	GROUND CONTROL BOX INSTALLATION (DIESEL WITH VICKERS VALVES)	A
	0238250	Ref	GROUND CONTROL BOX INSTALLATION (ELECTRIC WITH VICKERS VALVES)	-
	0860548	1	Box and Wiring Assembly (Gas/Diesel)	-
	0860521	1	Box and Wiring Assembly (Electric) (Attaching Parts)	-
1	0641406	3	Bolt 1/4in - 20NC x 3/4in (Electric)	
2	4751400	3/2	Flatwasher 1/4in	
3	4761400	3/2	Lockwasher 1/4in	
4	3311401	3/2	Nut 1/4in -20NC	
4	4300031	2	Stud (Welded on Part) (Not Shown) (Gas/Diesel)	
	0237855	1	Box Assembly (Gas/Diesel)	E
	0238369	1	Box Assembly (Electric)	-
5	0860547	1	Box	
5	4420037	2.75 ft	Strip, Rubber	
6	2600093	1	Hinge (Attaching Parts)	
7	3911012	3	Screw #10-24NC x 3/4in	
8	4761000	3	Lockwasher #10	
9	3911006	6	Nut #10-24NC	
10	3740049	12	Relay - SPST (Gas/Diesel)	
10	3740049	7	Relay - SPST (Electric) (Attaching Parts)	
11	3911008	12/7	Screw #10-24NC x 1/2in	
12	4761000	12/7	Lockwasher #10	
13	3311001	12/7	Nut #10-24NC	
14	4460051	3	Connector	
15	4460071	1	Connector	
16	3300048	4	Conduit Locknut	
17	0960238	4	Bushing	
18	4120002	2	Relay, Socket (Attaching Parts)	
19	3910610	3	Screw, Round Head #6-32NC x 5/8in	
20	4751000	3	Flatwasher #10	
21	4760600	3	Lockwasher #6	
22	3310601	3	Nut #6-32NC	
23	3740016	2	Relay	
24	1840002	0.897 ft	Duct, Wire (1 Each Side) (Attaching Parts)	
24	3911008	4	Screw, Round Head #10-24NC x 1 1/2in	
24	4761000	4	Lockwasher #10	
24	3311001	4	Nut #10-24NC	
	4460234	5	Clamp, Cable (Not Shown)	
25	1700789	1	Decal, Relay Functions (Gas/Diesel Only)	
26	1700788	1	Decal, Relay Functions (Gas/Diesel Only)	
27	3640492	1	Rail (Attaching Parts)	
28	3910606	2	Screw, Round Head #6-32NC x 3/8in	
29	4760600	2	Lockwasher n6	
30	3310601	2	Nut #6-32NC	
31	4460298	17	Terminal, Strip	
32	4460300	1	Terminal, Barrier	
33	4460303	1	Terminal, Ground Block	

SECTION 1 - ILLUSTRATED PARTS LIST

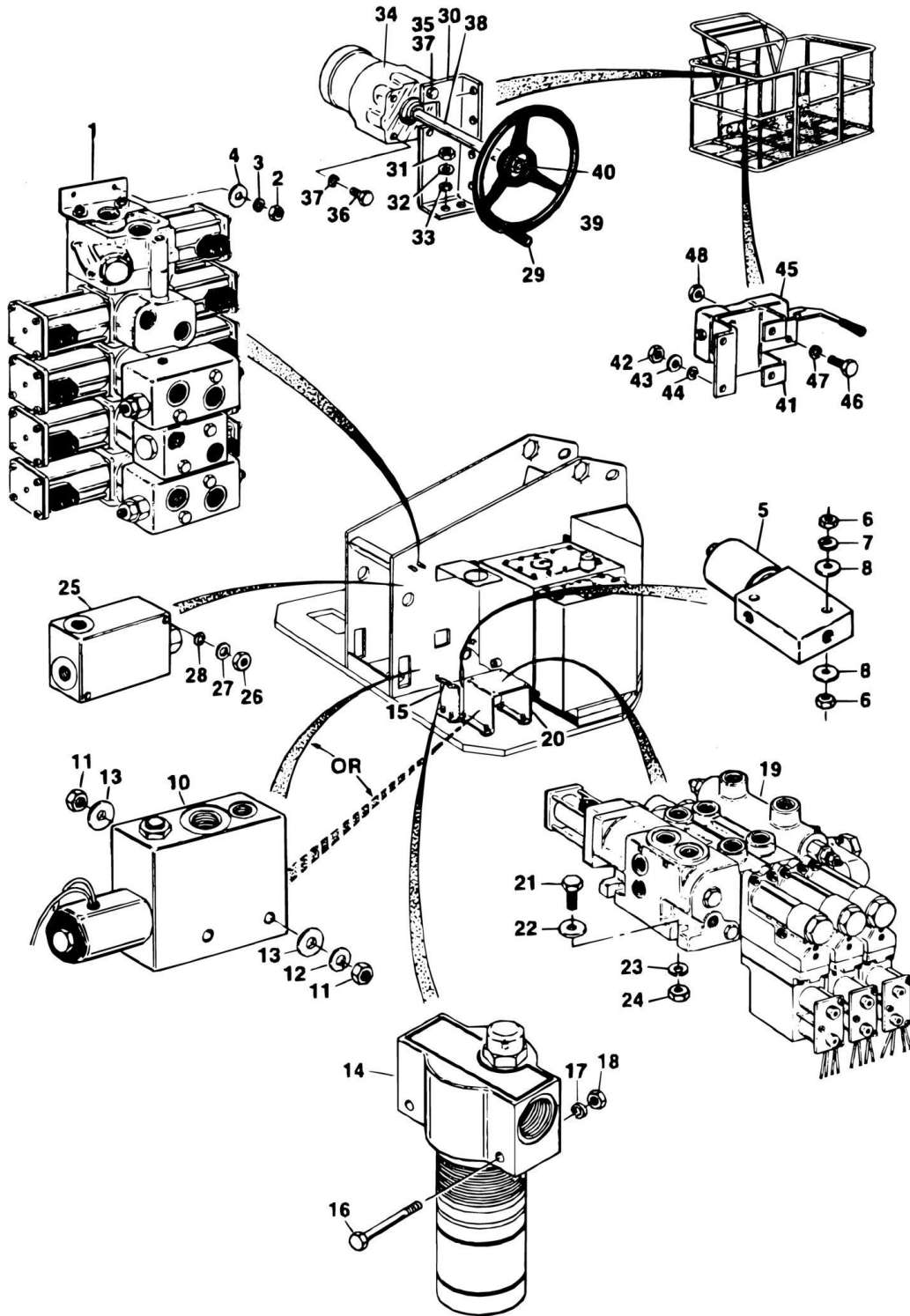
ITEM	PART NUMBER	QTY	DESCRIPTION	REV
34	4460229	1	Terminal, Stop	
35	4460305	7	Screw	
36	4460306	7	Washer	
37	4460308	1	Terminal, Bus Bar (2 Position)	
38	4460311	1	Terminal, Bus Bar (5 Position)	
39	4460307	7	Sleeve	
40	4460301	2	Terminal, Marker Strip	
41	3251650	1	Lid (Attaching Parts)	
42	0750806	2	Screw, Self-Tapping #8 x 3/4in (Top)	
43	3300177	2	Nut, Tinnerman	
44	3911006	3	Screw #10-24NC x 3/8in (Bottom)	
45	4761000	3	Lockwasher #10	
46	3311001	3	Nut #10-24NC	
47	4360186	1	Circuit Breaker (35 Amp)	
48	4360069	2	Circuit Breaker (10 Amp)	
49	4360003	1	Switch, Master	
50	4360073	1	Switch, Push Butoon, SPST/MC (Start)	
50	3790012	1	O-Ring	
51	4360016	1	Switch, Push Button - SPST/MC (Start)	
52	4360199	1	Switch, Toggle - SPST (Ignition)	
52	3790012	1	O-Ring	
53	4360200	1	Switch, Toggle - SPST/MC (Aux. Power)	
53	3790012	1	O-Ring	
54	4360202	1	Switch, Toggle DPDT/MC Center Off (Lift)	
54	3790012	1	O-Ring	
55	4360202	1	Switch, Toggle - DPDT/MC Center Off (Swing)	
55	3790012	1	O-Ring	
56	4360202	1	Switch, Toggle - DPDT/MC Center Off (Telescope)	
56	3790012	1	O-Ring	
57	1700790	1	Decal, Relay Schematic	
58	4920845	1	Harness, Wiring - Engine (Gas/Diesel)	
58	4921001	1	Harness, Wiring - Engine (Electric)	
59	4920842	1	Harness, Wiring - Valve (Gas/Diesel)	
59	4921000	1	Harness, Wiring -Valve (Electric)	
60	3380309	1	Bracket, Mounting - Gauge (4 Gauge)	
60	0901212	1	Bracket, Mounting - Gauge (3 Gauge)	
60	0901213	1	Bracket, Mounting - Gauge (2 Gauge)	
60	0901372	1	Bracket, Mounting - Gauge (Single Gauge) (Attaching Parts)	
		Ref	Note: (Location May Vary).	
61	0641406	3	Bolt 1/4in - 20NC x 3/4in	
62	4761400	3	Lockwasher	
63	3311401	3	Nut 1/4in-20NC	
64	2420091	1	Gauge, Voltmeter	
64	2420059	1	Gauge, Battery Capacity (Electric)	
65	2420035	1	Gauge, Oil Pressure (Gas)	
65	2420030	1	Gauge, Oil Pressure (Diesel)	
65	2220574	1	Fitting (Deutz) - (Not Shown)	
65	2220295	1	Fitting, Coupling (Deutz) - (Not Shown)	
65	0100020	AR	Loctite (Diesel)	
66	2420019	1	Gauge, Water Temperature (Gas)	
67	2420009	1	Gauge , Hourmeter	

SECTION 1 - ILLUSTRATED PARTS LIST

ITEM	PART NUMBER	QTY	DESCRIPTION	REV
68	0901192	1	Bracket, Manual Descent (Electric Machines Only) (Attaching Parts)	
69	0641608	2	Bolt 3/8in - 16NC x 1in	
70	4761600	2	Lockwasher 3/8in	
71	3311601	2	Nut 3/8in -16NC	
72	4640005	3	Valve, Needle	
72	2900062	3	Kit, Panel Mounting	
73	4841978	1	Bracket, Box Mounting (Electric Machines Only) (Attaching Parts)	
74	0641609	4	Bolt 3/8in - 16NC x 1 1/8in	
75	4751600	4	Flatwasher 3/8in	
76	4761600	4	Lockwasher 3/8in	
77	3311601	4	Nut 3/8in - 16NC	
78	2920024	1	Light, Panel (Optional)	

SECTION 1 - ILLUSTRATED PARTS LIST

FIGURE 1-18. CONTROL VALVES INSTALLATION (RACINE VALVES)



SECTION 1 - ILLUSTRATED PARTS LIST

FIGURE 1-18. CONTROL VALVES INSTALLATION (RACINE VALVES)

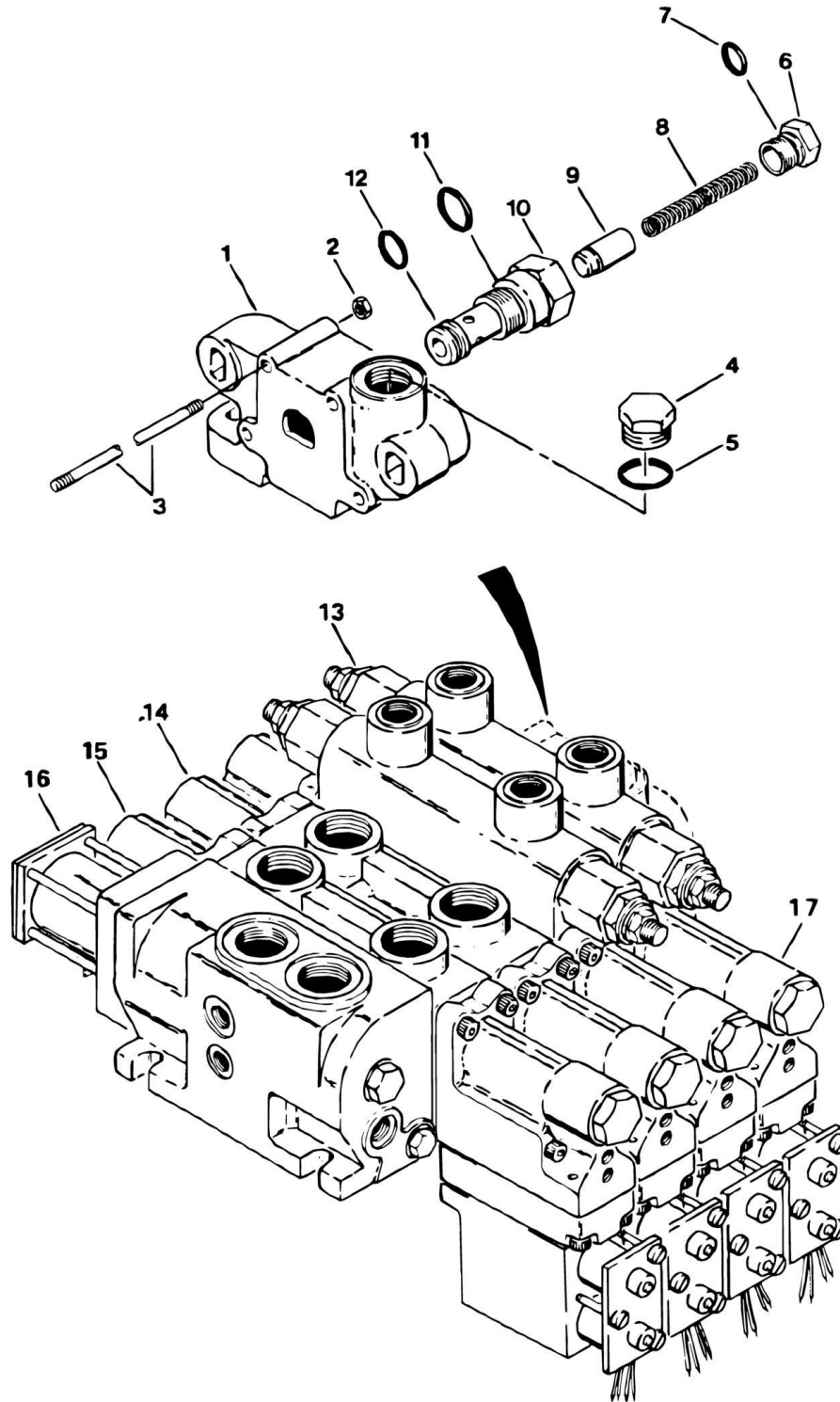
ITEM	PART NUMBER	QTY	DESCRIPTION	REV
		Ref	CONTROL VALVES INSTALLATIONS (RACINE VALVES)	
	0236192	Ref	CONTROL VALVES INSTALLATION (GAS/DIESEL WITHOUT ROTATOR, PROP TELE AND STEERING WHEEL)	I
	0236191	Ref	CONTROL VALVES INSTALLATION (GAS/DIESEL WITH ROTATOR AND WITHOUT PROP TELE AND STEERING WHEEL)	I
	0237567	Ref	CONTROL VALVES INSTALLATION (ELECTRIC WITH ROTATOR AND WITHOUT PROP TELE AND STEERING WHEEL)	C
	0237060	Ref	CONTROL VALVES INSTALLATION (GAS/DIESEL WITHOUT ROTATOR AND STEERING WHEEL AND WITH PROP TELE)	-
	0237059	Ref	CONTROL VALVES INSTALLATION (GAS/DIESEL WITH ROTATOR AND PROP TELE AND WITHOUT ROTATOR AND PROP TELE AND WITHOUT STEERING)	-
	0236884	Ref	CONTROL VALVES INSTALLATION (GAS/ DIESEL WITHOUT ROTATOR AND PROP TELE AND WITH STEERING WHEEL)	A
	0236885	Ref	CONTROL VALVES INSTALLATION (GAS/DIESEL WITH ROTATOR AND STEERING WHEEL AND WITHOUT PROP TELE)	B
1	4640447	1	Control Valve Assembly - 2 Section Racine	
1	7002254	1	Complete Relief Inlet Section	
1	7000446	1	Complete Working Section (Telescope)	
1	7002257	1	Complete Working Section (Level)	
1	7000418	4	Coil - 12 VDC (2 Per Section)	
1	7002265	1	Stacking Kit	
1	4640246	1	Control Valve Assembly - 3 Section Racine (See CONTROL VALVE ASSEMBLY - RACINE BANG-BANG for Breakdown)	
1	4640247	1	Control Valve Assembly - 4 Section Racine (See CONTROL VALVE ASSEMBLY - RACINE BANG-BANG for Breakdown) (Attaching Parts)	
2	3311501	4	Nut 5/16in - 18NC	
3	4761500	4	Lockwasher 5/16in	
4	4751500	4	Flatwasher 5/16in	
4	4300038	4	Stud (Welded on Part)	
5	4640123	1	Valve - 2 Speed (Mounted on T/T Floor Plate for Gas/Diesel and on Bracket for Electric) (Attaching Parts)	
6	3311501	4	Nut 5/16in - 18NC	
7	4761500	2	Lockwasher 5/16in	
8	4751500	4	Flatwasher 5/16in	
8	4300033	2	Stud (Welded on Part)	
	7000558	1	Coil (FPS Version)	
	7004368	1	Coil (Hydroforce Version)	
10	4640360	1	Valve, Combination (Mounted on T/T Side Plate or on Valve Bracket Item 20 for Gas/Diesel and on Motor Side for Electric Machines) (Qty 2 Required with Steering Wheel Option) (Attaching Parts)	
11	3311501	4	Nut 5/16in - 18NC	
12	4761500	2	Lockwasher 5/16in	
13	4751500	4	Flatwasher 5/16in	
13	4300038	2	Stud (Welded on Parts)	
	7004368	1	Coil (Hydroforce Version)	
	7009745	1	Coil (Modular Controls Version)	
14	2120078	1	Filter, Hi Pressure (Attaching Parts)	

SECTION 1 - ILLUSTRATED PARTS LIST

ITEM	PART NUMBER	QTY	DESCRIPTION	REV
15	0900617	1	Bracket, Filter Mounting	
16	0641420	2	Bolt 1/4in - 20NC x 2 1/2in	
17	4761400	5	Lockwasher 1/4in	
18	3311401	5	Nut 1/4in - 20NC	
	2120079	1	Element	
19	4640367	1	Proportional Control Valve Assembly - Racine 3 Section (See PROPORTIONAL CONTROL VALVE ASSEMBLY for Breakdown)	
19	4640456	1	Proportional Control Valve Assembly - Racine 4 Section (See PROPORTIONAL CONTROL VALVE ASSEMBLY for Breakdown) (Attaching Parts)	
20	0901117	1	Bracket, Valve Mounting	
21	0641612	3	Bolt 3/8in - 16NC x 1 1/2in	
22	4751600	3	Flatwasher 3/8in	
23	4751600	3	Lockwasher 3/8in	
24	3311601	3	Nut 3/8in - 16NC	
25	4640151	1	Valve, Flow Divider (With Steering Wheel Only) (Attaching Parts)	
26	3311501	4	Nut 5/16in-18NC	
27	4751500	4	Flatwasher 5/16in	
28	4761500	2	Lockwasher 5/16in	
28	4300033	2	Stud (Welded on Part)	
29	2560066	1	Handle, Steering Wheel	
29	3600060	1	Screw	
29	0100011	AR	Loctite	
30	0901255	1	Bracket, Steering Valve Mounting (Attaching Parts)	
31	3311401	4	Nut 1/4in-20NC	
32	4751400	4	Flatwasher 1/4in	
33	4761400	4	Lockwasher 1/4in	
33	4300031	1	Stud (Welded on Part)	
34	4640408	1	Valve, Steering (Attaching Parts)	
35	0641608	2	Bolt 3/8in - 16NC x 1in	
36	0641606	2	Bolt 3/8in - 16NC x 3/4in	
37	4761600	4	Lockwasher 3/8in	
38	1460005	1	Column, Steering	
39	4860097	1	Wheel, Steering	
40	3300073	1	Nut, Steering Wheel	
41	0901201	1	Bracket, Manual Rotator Valve (With Steering Wheel and Rotating Platform Only) (Attaching Parts)	
42	3311401	4	Nut 1/4in-20NC	
43	4751400	4	Flatwasher 1/4in	
44	4761400	4	Lockwasher 1/4in	
44	4300031	4	Stud (Welded on Part)	
45	4640434	1	Valve, Manual Rotator (With Steering Wheel and Rotating Platform Only) (Attaching Parts)	
46	0641416	2	Bolt 1/4in -20NC x 2in	
47	4761400	2	Lockwasher 1/4in	
48	3311401	2	Nut 1/4in - 20NC	

SECTION 1 - ILLUSTRATED PARTS LIST

FIGURE 1-19. PROPORTIONAL CONTROL VALVE ASSEMBLY - OUTLET SECTION



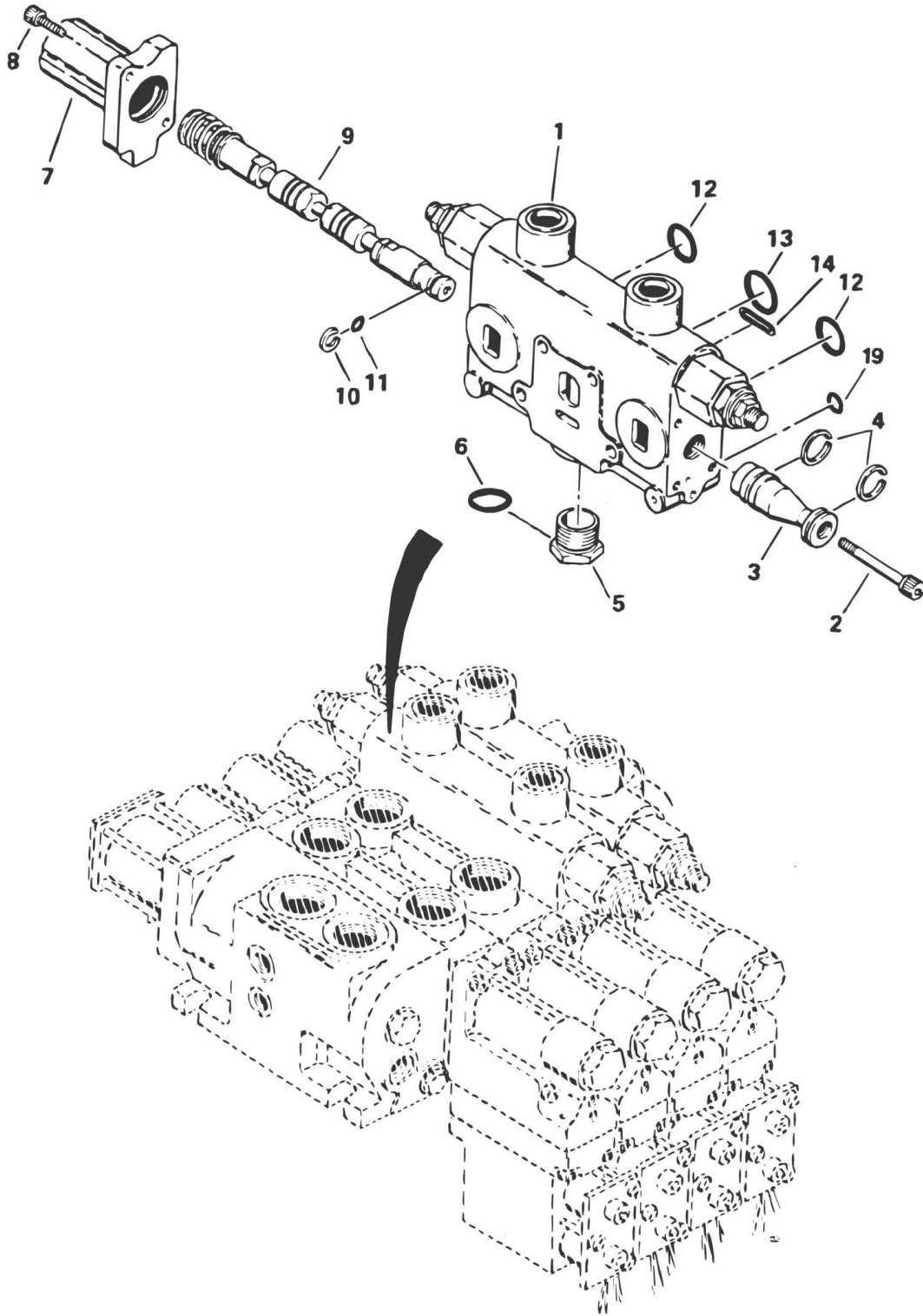
SECTION 1 - ILLUSTRATED PARTS LIST

FIGURE 1-19. PROPORTIONAL CONTROL VALVE ASSEMBLY - OUTLET SECTION

ITEM	PART NUMBER	QTY	DESCRIPTION	REV
	4640367	Ref	PROPORTIONAL CONTROL VALVE ASSEMBLY - OUTLET SECTION	-
	4640456	Ref	PROPORTIONAL CONTROL VALVE ASSEMBLY - OUTLET SECTION	-
1	7002368	1	Outlet Section	
2	7004869	4	Nut	
3	7004870	4	Stud	
4	7004871	1	Plug	
5	Kit	1	O-Ring	
5	7004872	1	Cartridge Assembly, Pilot Pressure	
5	7002288	1	Plug and O-Ring Assembly	
6	7004873	1	Plug	
7	Kit	1	O-Ring	
8	7004874	1	Spring	
9	7002287	1	Poppet	
10	7004875	1	Housing	
11	Kit	1	O-Ring	
12	Kit	1	O-Ring	
13	7004886	1	Swing Valve Section (3 Section Valve) (See PROPORTIONAL CONTROL VALVE ASSEMBLY - WORKING SECTIONS for Breakdown)	
13	7004891	2	Swing and Telescope Valve Sections (4 Section Valve) (See PROPORTIONAL CONTROL VALVE ASSEMBLY - WORKING SECTIONS for Breakdown)	
14	7004888		Lift Valve Section (See PROPORTIONAL CONTROL VALVE ASSEMBLY - WORKING SECTIONS for Breakdown)	
15	7004890	1	Drive Valve Section (See PROPORTIONAL CONTROL VALVE ASSEMBLY - WORKING SECTIONS for Breakdown)	
16	7002364	1	Inlet Manifold (See PROPORTIONAL CONTROL VALVE ASSEMBLY - INLET (DUMP) SECTION for Breakdown)	
17	7004884	1	Servo Assembly (See PROPORTIONAL CONTROL VALVE ASSEMBLY - INLET (DUMP) SECTION for Breakdown)	
17	7004833		Seal Kit for 7002368 (Includes 5, 7, 11 & 12)	

SECTION 1 - ILLUSTRATED PARTS LIST

FIGURE 1-20. PROPORTIONAL CONTROL VALVE ASSEMBLY - WORKING SECTIONS



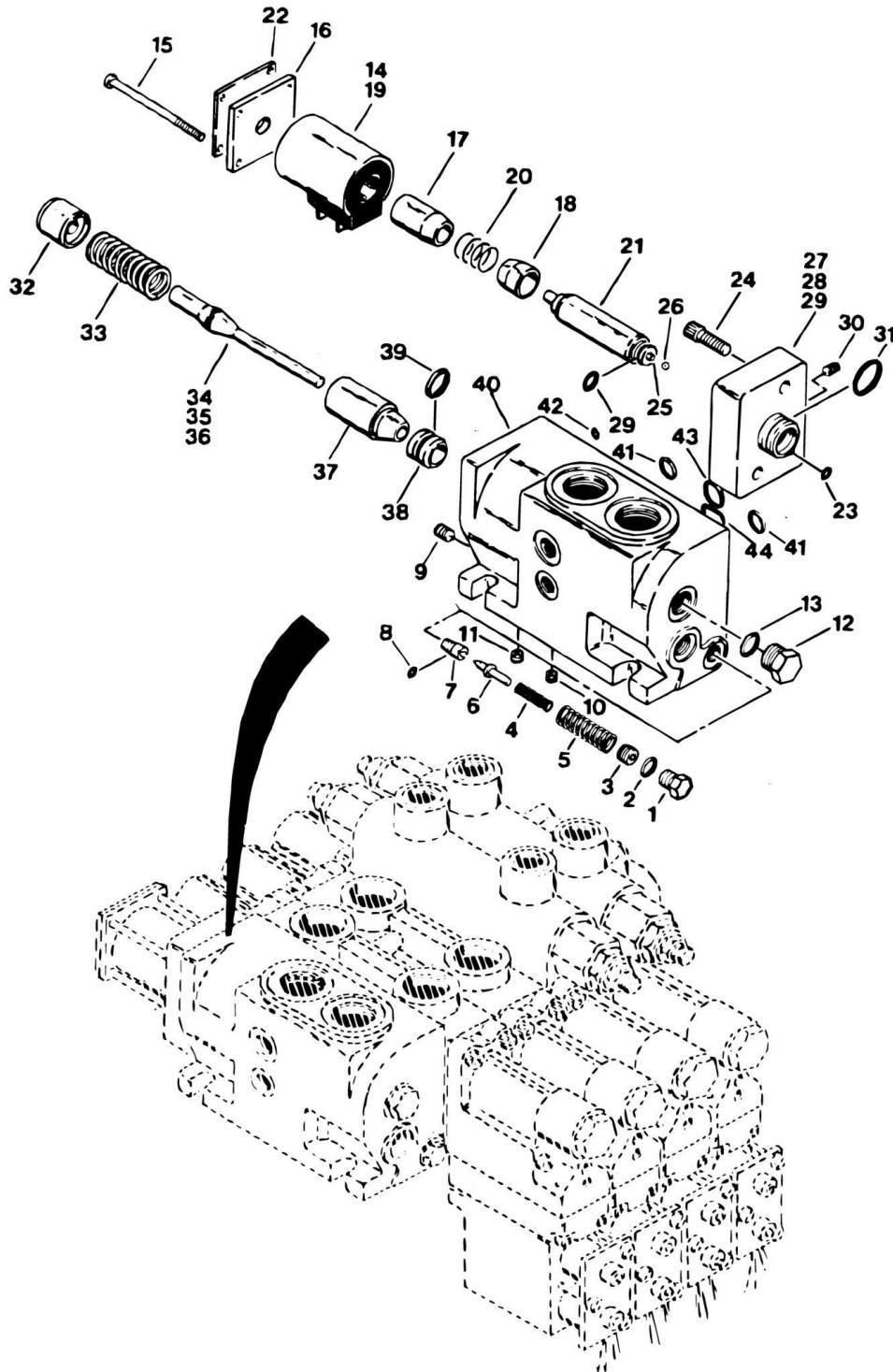
SECTION 1 - ILLUSTRATED PARTS LIST

FIGURE 1-20. PROPORTIONAL CONTROL VALVE ASSEMBLY - WORKING SECTIONS

ITEM	PART NUMBER	QTY	DESCRIPTION	REV
		Ref	PROPORTIONAL CONTROL VALVE ASSEMBLY	
	7004888	Ref	LIFT VALVE SECTION (SERVO ASSEMBLY)	
	7004886	Ref	SWING VALVE SECTION (SERVO ASSEMBLY) (3 SECTION VALVE)	
	7004891	Ref	SWING VALVE SECTION (SERVO ASSEMBLY) (4 SECTION VALVE)	
	7004891	Ref	TELESCOPE VALVE SECTION (SERVO ASSEMBLY) (4 SECTION VALVE)	
	7004890	Ref	DRIVE VALVE SECTION (SERVO ASSEMBLY)	
1		Ref	Valve Body (Not Serviced - Purchase Complete Assembly)	
2	7002391	1	Screw, Socket Head	
3	7004808	Ref	Ramp (Supplied with Servo)	
4	7002233	Ref	Ring (Supplied with Servo)	
5	7004802	1	Plug Assembly	
6	Kit	1	O-Ring	
7	7002398	1	Cap End (Attaching Parts)	
8	7002231	2	Screw, Socket Head	
9		Ref	Spool, (Not Serviced - Purchase Complete Assembly)	
10	Kit	1	Piston Ring	
11	Kit	1	O-Ring	
12	Kit	2	O-Ring	
13	Kit	1	O-Ring	
14	Kit	1	O-Ring	
15	7002378	1	O-Ring	
15	7004832	4	Seal Kit	

SECTION 1 - ILLUSTRATED PARTS LIST

FIGURE 1-21. PROPORTIONAL CONTROL VALVE ASSEMBLY - INLET (DUMP) SECTION



SECTION 1 - ILLUSTRATED PARTS LIST

FIGURE 1-21. PROPORTIONAL CONTROL VALVE ASSEMBLY - INLET (DUMP) SECTION

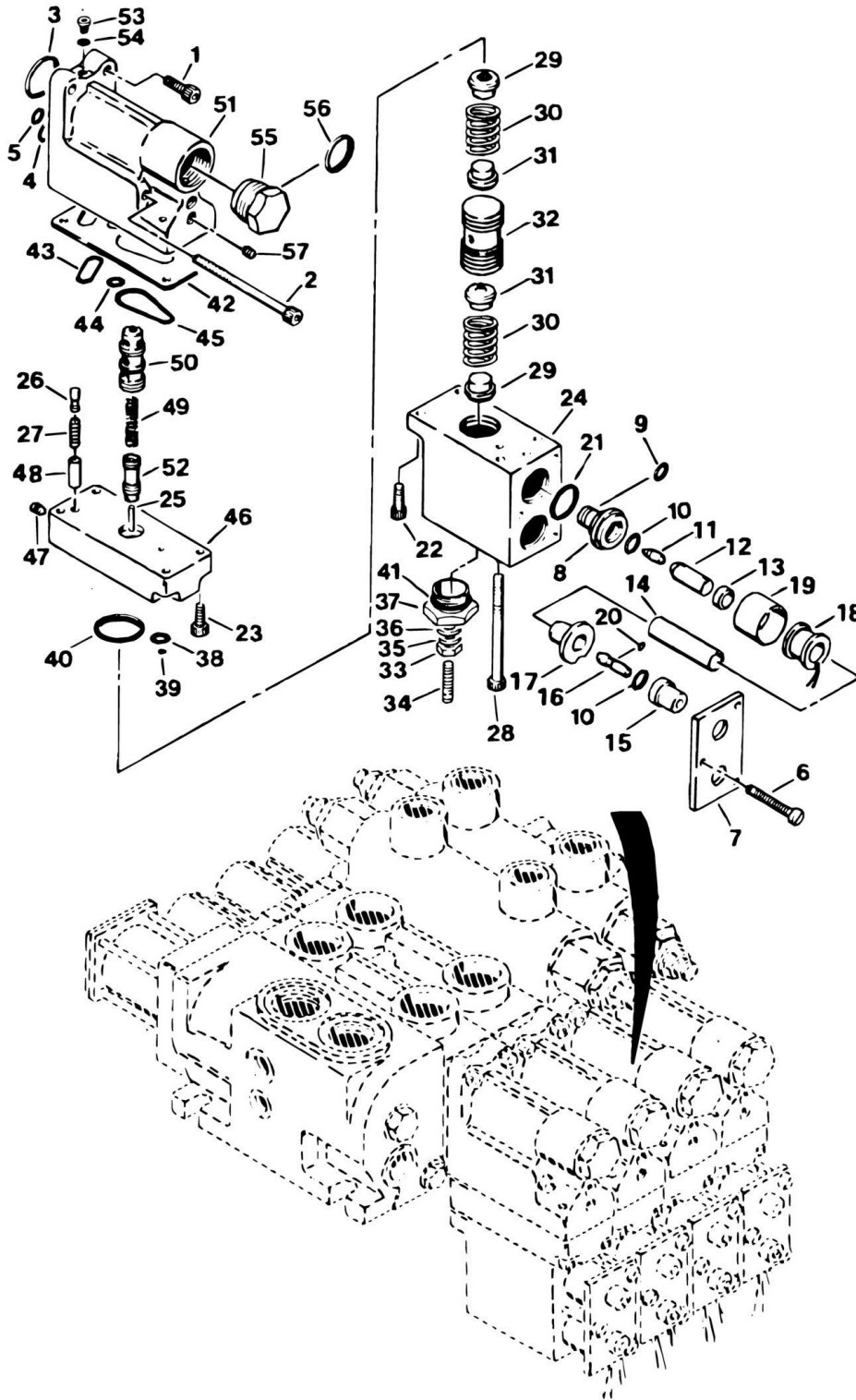
ITEM	PART NUMBER	QTY	DESCRIPTION	REV
	7002364	Ref	PROPORTIONAL CONTROL VALVE ASSEMBLY INLET (DUMP) SECTION	
	7002385	1	Plug Assembly	
1	7004848	1	Plug	
2	Kit	1	O-Ring	
3	7002384	1	Screw, Socket Set	
4	7002377	1	Spring Compression, Helical	
5	7002376	1	Spring Compression, Helical	
6	7002371	1	Poppet	
	7004850	1	Seat Assembly	
7	7004851	1	Seat	
8	Kit	1	O-Ring	
9	7002324	4	Plug	
10	7002326	1	Orifice, 0.040	
11	7002375	1	Orifice, 0.062	
11	7002386	1	Plug Assembly	
12	7004853	1	Plug	
13	Kit	1	O-Ring	
14	7000417	1	Coil, 12 Volt DC	
	7004854	1	Solenoid Assembly	
15	7004837	4	Screw, Slotted, Pan Head	
16	7002338	1	Plate	
17	7004824	1	Sleeve	
18	7004835	1	Sleeve	
19	7004836	1	Case	
20	7002334	1	Spring	
21	7004855	1	Guide, Tube Assembly	
21	7004838	1	Tube	
21	7004839	1	Plunger	
21	7004856	1	Pin and Guide Assembly	
21	7002340	1	Guide	
21	Kit	1	Packing, Preformed, O-Ring	
21	7004857	1	Pin and Quad Ring Assembly	
21	7004841	1	Pin	
21	Kit	1	Quad Ring	
21	7004858	1	Cone and O-Ring Assembly	
21	4004822	1	Cone	
21	Kit	1	Packing, Preformed, O-Ring	
21	Kit	1	Packing, Preformed, O-Ring	
22	7002327	1	Nameplate	
23	Kit	1	O-Ring	
24	7002374	2	Screw, Socket Recessed	
25	7002319	1	Pin	
26	7002229	1	Ball	
	7002330	1	Seat Assembly	
27	7004823	1	Seat, Ball	
28	Kit	1	O-Ring	
	7004860	1	End Cap Assembly	
29	7004861	1	Cap	
30	7002223	1	Plug	

SECTION 1 - ILLUSTRATED PARTS LIST

ITEM	PART NUMBER	QTY	DESCRIPTION	REV
31	Kit	1	O-Ring	
32	7002373	1	Spacer	
33	7002379	1	Spring	
	7004863	1	Stem Assembly	
34	7004864	1	Stem	
35	Kit	1	O-Ring	
36	Kit	1	Glyd Ring	
37	7002372	1	Poppet	
38	7002370	1	Seat	
39	Kit	1	O-Ring	
40	7002360	1	Housing, Inlet Manifold	
41	Kit	2	O-Ring	
42	Kit	1	O-Ring	
43	Kit	1	O-Ring	
44	Kit	1	O-Ring	
	7004833	4	Seal Kit (1 Per Section)	

SECTION 1 - ILLUSTRATED PARTS LIST

FIGURE 1-22. PROPORTIONAL CONTROL VALVE ASSEMBLY - SERVO ASSEMBLY



SECTION 1 - ILLUSTRATED PARTS LIST

FIGURE 1-22. PROPORTIONAL CONTROL VALVE ASSEMBLY - SERVO ASSEMBLY

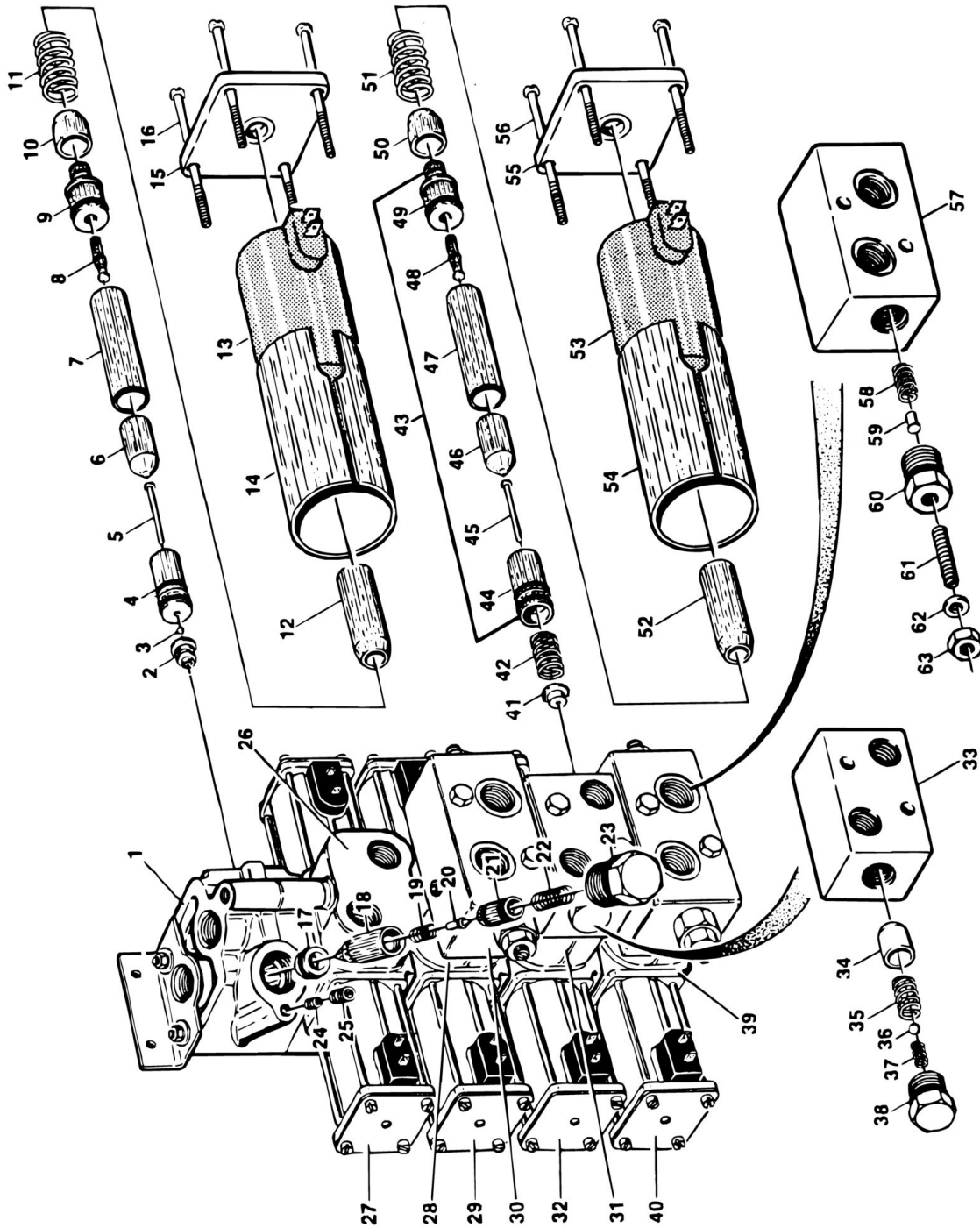
ITEM	PART NUMBER	QTY	DESCRIPTION	REV
		Ref	PROPORTIONAL CONTROL VALVE ASSEMBLY - SERVO ASSEMBLY	
	7004884	3	Servo Assembly (Attaching Parts)	
1	7002231	2	Screw, Socket Head	
2	7004878	2	Screw, Socket Head	
3	Kit	1	O-Ring	
4	Kit	1	O-Ring	
5	Kit	1	O-Ring	
5	0100011	AR	Loctite	
	7004883	2	Nose Cone Assembly (Includes Items 8 thru 14) (Attaching Parts)	
6	7002240	3	Screw, Slotted	
7	7002218	1	Plate	
8	7002210	1	Nose	
9	Kit	1	O-Ring	
10	Kit	2	O-Ring	
11	7000423	1	Poppet	
12	7002212	1	Plunger	
13	7002216	1	Sleeve	
14	7002215	1	Tube	
15	7002214	1	Retainer	
16	7002213	2	Pin	
17	7002211	1	Cover	
18	1420003	2	Coil, 7.5 Volt	
19	7002242	2	Case	
20	Kit	2	O-Ring	
21	Kit	2	Packing, Preformed, O-Ring	
22	7002222	2	Screw, Socket Head (Short)	
23	7002228	2	Screw, Socket Head (Long)	
24	8004818	1	Body, Control	
25	7002238	1	Pin	
26	7002220	1	Spool	
27	7002241	1	Spring, Compression, Helical	
28	7002228	2	Screw, Socket Head	
29	7004880	2	Spring Seat and Ball	
30	7002237	2	Spring, Contour	
31	7004881	2	Spring Seat and Ball	
32	7002206	1	Control Pilot Piston	
33	7002224	1	Nut, Jam	
34	7004813	1	Screw, Cup Point	
35	7004812	1	Washer	
36	Kit	1	Seal	
37	7002209	1	Plug	
38	Kit	1	Packing, Preformed, O-Ring	
39	Kit	1	Packing, Preformed, O-Ring	
40	Kit	1	Packing, Preformed, O-Ring	
41	Kit	1	Packing, Preformed, O-Ring	
42	Kit	1	Seal Plate	
43	Kit	1	Packing, Preformed, O-Ring	
44	Kit	1	Packing, Preformed, O-Ring	
45	Kit	1	Packing, Preformed, O-Ring	

SECTION 1 - ILLUSTRATED PARTS LIST

ITEM	PART NUMBER	QTY	DESCRIPTION	REV
46	7004816	1	Plate, Adapter	
47	7004882	1	Screw, Socket Set	
48	7002217	1	Spool Stop	
49	7002234	1	Spring, Sleeve and Spool	
50	7002203	1	Sleeve Assembly	
51	7004817	1	Body, Servo	
52	7002205	1	Spool	
53	7004814	1	Plug	
54	Kit	1	O-Ring	
55	7002704	1	Plug	
56	Kit	1	O-Ring	
56	7004808	1	Ramp (Shown on Working Section - Item 3)	
56	Kit	2	Ring (Shown on Working Section - Item 4)	
57	7002223	2	Plug	
57	7004831	1	Seal Kit	

SECTION 1 - ILLUSTRATED PARTS LIST

FIGURE 1-23. CONTROL VALVE ASSEMBLY - RACINE BANG-BANG



SECTION 1 - ILLUSTRATED PARTS LIST

FIGURE 1-23. CONTROL VALVE ASSEMBLY - RACINE BANG-BANG

ITEM	PART NUMBER	QTY	DESCRIPTION	REV
	4640247	Ref	CONTROL VALVE ASSEMBLY - 4 SECTION RACINE BANG-BANG	A
	4640246	Ref	CONTROL VALVE ASSEMBLY - 3 SECTION RACINE BANG-BANG	A
1	7002304	1	Dump Section - Complete	
2		Ref	Solenoid Assembly	
2	7004823	1	Seat	
2	Kit	1	O-Ring	
3	7002229	1	Ball	
4		Ref	Guide Tube Assembly	
4	7004822	1	Cone, Female	
4	Kit	1	O-Ring	
5	7002346	1	Pin, Push	
6	7004839	1	Plunger	
7	7004838	1	Tube, Guide	
8	7004841	1	Pin, Push	
8	Kit	1	O-Ring	
9	7002340	1	Guide, External Push Pln	
9	Kit	1	O-Ring	
10	704834	1	Sleeve, Inner Flux	
11	7002334	1	Spring	
12	7004835	1	Sleeve, Outer Flux	
13	7000417	1	Coil	
14	7004836	1	Case, Solenoid	
15	7002338	1	Plate, End	
15	7002327	1	Nameplate	
16	7004837	4	Screw	
17	7002322	1	Seat	
17	Kit	1	O-Ring	
17		Ref	Main Relief (Poppet) Valve	
18	7002321	1	Case, Poppet	
19	7002328	1	Spring	
20	7002294	1	Poppet	
21	7002320	1	Seat, Adjustable	
21	Kit	1	O-Ring	
22	7002329	1	Spring	
23	7002323	1	Plug	
23	Kit	1	O-Ring	
24	7002326	1	Orifice	
25	7002324	1	Plug	
26	7002317	1	Rotate Section - Complete (4 Section Only)	
27	7004859	2	Solenoid Assembly (Refer To Items 41-56 For Serviced Parts)	
28	7002315	1	Telescope Section - Complete	
29	7004859	2	Solenoid Assembly (Refer To Items 41-56 For Serviced Parts)	
30	7000468	1	Relief Valve Block Assembly (Refer To Items 58-63 For Serviced Parts)	
31	7002316	1	Level Secion - Complete	
32	7004859	2	Solenoid Assembly (Refer To Items 41-56 For Serviced Parts)	
33	7002262	1	Relief Valve Block Assembly	
34	7002359	2	Poppet	

SECTION 1 - ILLUSTRATED PARTS LIST

ITEM	PART NUMBER	QTY	DESCRIPTION	REV
35	7002356	2	Spring	
36	7002225	2	Ball	
37	7002358	2	Spring	
38	7002357	2	Plug	
38	Kit	2	O-Ring	
39	7002315	1	Steer Section - Complete	
40	7004859	2	Solenoid Assembly	
41	7002274	1	Washer	
42	7002348	1	Spring	
43	7002305	1	Guide Tube Assembly	
44	7002345	1	Cone, Female	
44	Kit	1	O-Ring	
45	7002346	1	Pin, Push	
46	7002344	1	Plunger	
47	7000470	1	Tube, Guide	
48	7002341	1	Pin, Actuator	
48	Kit	1	Ring, Quad	
49	7002340	1	Guide, External Push Pln	
49	Kit	1	O-Ring	
50	7002333	1	Sleeve, Inner Flux	
51	7002334	1	Spring	
52	7002336	1	Sleeve, Outer Flux	
53	7000418	1	Coil	
54	7002335	1	Case, Solenoid	
55	7002338	1	Plate, End	
55	7002327	1	Nameplate	
56	7002339	4	Screw	
57	7000468	1	Relief Valve Block Assembly	
58	7002355	2	Spring	
59	7000116	2	Rivet	
60	7002350	2	Plug	
60	Kit	2	O-Ring	
61	7000113	2	Screw, Adjusting	
62	Kit	2	Seal, Thread	
63	7000114	2	Nut	
	7000414	4	Seal Kit - Working Section	
	7000413	1	Seal Kit - Dump Section	
	7000439	2	Seal Kit - Relief Valve Block (Telescope and Steer)	
	7000440	1	Seal Kit - Relief Valve Block (Level)	

SECTION 1 - ILLUSTRATED PARTS LIST

FIGURE 1-24. CONTROL VALVES INSTALLATION (VICKERS VALVES)

ITEM	PART NUMBER	QTY	DESCRIPTION	REV
		Ref	CONTROL VALVES INSTALLATION (VICKERS VALVES)	
	0237733	Ref	VALVE INSTALLATION, WITH ROTATOR, WITHOUT PROPORTIONAL TELE AND WITH STEERING WHEEL	-
	0237732	Ref	VALVE INSTALLATION, WITH ROTATOR, WITHOUT PROPORTIONAL TELE AND WITHOUT STEERING WHEEL (GAS/DIESEL)	A
	0238250	Ref	VALVE INSTALLATION, WITH ROTATOR, WITHOUT PROPORTIONAL TELE AND WITHOUT STEERING WHEEL (ELECTRIC)	-
	0237731	Ref	VALVE INSTALLATION, WITHOUT ROTATOR, WITHOUT PROPORTIONAL TELE WITHOUT STERRING WHEEL	-
	0237734	Ref	VALVE INSTALLATION, WITHOUT ROTATOR, WITHOUT PROPORTIONAL TELE AND WITH STEERING WHEEL	-
	0238226	Ref	VALVE INSTALLATION, WITH ROTATOR, WITH PROPORTIONAL TELE AND WITH STEERING WHEEL	-
	0238224	Ref	VALVE INSTALLATION, WITH ROTATOR, WITH PROPORTIONAL TELE AND WITHOUT STEERING WHEEL	-
	0238223	Ref	VALVE INSTALLATION, WITHOUT ROTATOR, WITH PROPORTIONAL TELE AND WITHOUT STEERING WHEEL	-
	0238225	Ref	VALVE INSTALLATION, WITHOUT ROTATOR, WITH PROPORTIONAL TELE AND WITH STEERING WHEEL	-
1	4640514	1	Control Valve Assembly - 3 Section Vickers (See CONTROL VALVE ASSEMBLY - VICKERS for Breakdown)	
1	4640524	1	Control Valve Assembly - 4 Section Vickers (See CONTROL VALVE ASSEMBLY - VICKERS for Breakdown)	
2	0641708	3	Bolt 7/16in -14NC x 1in	
3	4751700	3	Flatwasher 7/16in	
4	4761700	3	Lockwasher 7/16in	
5	4640513	1	Valve, Dump (Attaching Parts)	
6	0641418	2	Bolt 1/4in -20NC 2 1/4in	
7	4751400	2	Flatwasher 1/4in	
8	4761400	2	Lockwasher 1/4in	
9	3311401	2	Nut 1/4in - 20NC	
	7003640	1	Coil (Modular Controls)	
	2900503	1	Seal Kit (Modular Controls)	
10	0901399	1	Bracket, Control Valve Mounting (Attaching Parts)	
11	3311501	4	Nut 5/16in - 18NC	
12	4761500	4	Lockwasher 5/16in	
13	4751500	4	Flatwasher 5/16in	
13	4300038	4	Stud (Welded on Part)	
15	4640123	1	Valve - 2 Speed (Mounted on T/T Floor Plate for Gas/ Diesel and on Bracket for Electric) (Attaching Parts)	
16	3311501	4	Nut 5/16in - 18NC	
17	4761500	2	Lockwasher 5/16in	
18	4751500	2	Flatwasher 5/16in	
18	4300033	2	Stud (Welded on Part)	
	7000558	1	Coil (FPS Version)	
	7004368	1	Coil (Hydroforce Version)	
19	4640512	1	Valve, Sequence (Attaching Parts)	
20	0641522	2	Bolt 5/16in -18NC x 2 3/4in	
21	4751500	2	Flatwasher 5/16in	
22	4761500	2	Lockwasher 5/16in	
23	3311501	2	Nut 5/16in -18NC	

SECTION 1 - ILLUSTRATED PARTS LIST

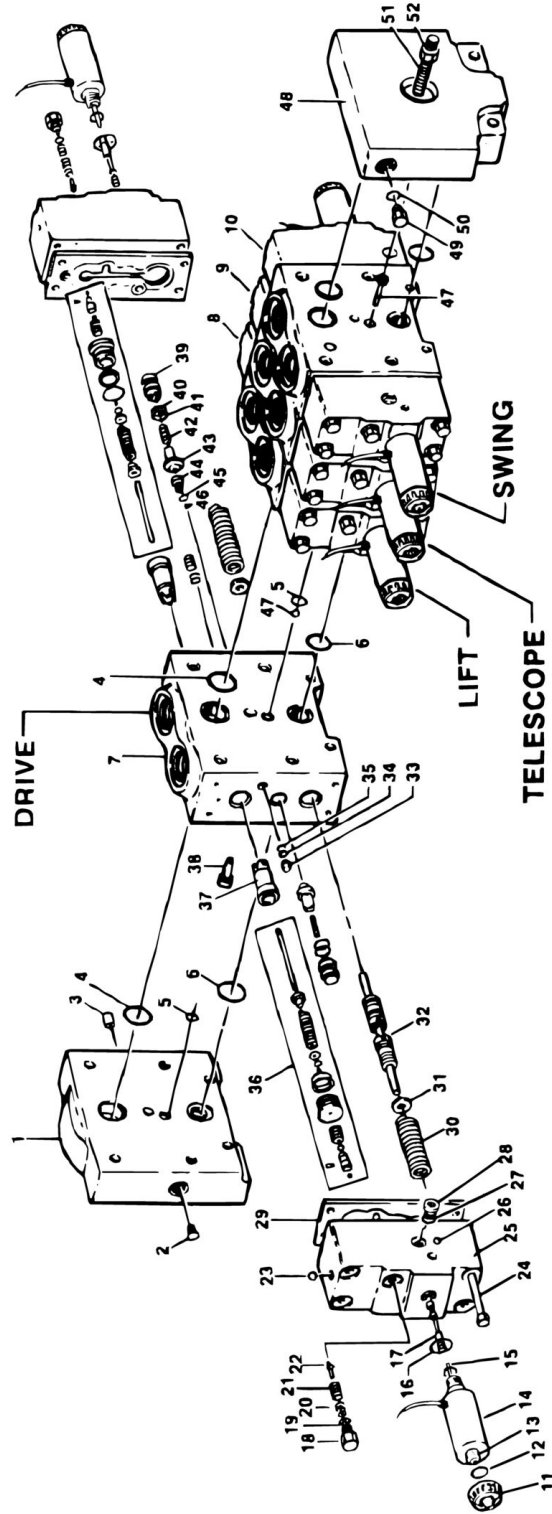
ITEM	PART NUMBER	QTY	DESCRIPTION	REV
24	4640151	1	Divider, Flow (With Steering Wheel) (Attaching Parts)	
25	3311501	1	Nut 5/16in - 18NC	
26	4761500	2	Lockwasher 5/16in	
27	4751500	2	Flatwasher 5/16in	
27	4300033	2	Stud (Welded on Part)	
28	4640461	1	Control Valve Assembly - Single Section Racine	
28	7002254	1	Complete Relief Inlet Section	
28	7002257	1	Complete Working Section (Level)	
28	7000418	2	Coil - 12 VCD (2 Per Section)	
28	4640447	1	Control Valve Assembly - 2 Section Racine	
28	7002254	1	Complete Relief Inlet Section	
28	7000446	1	Complete Working Section (Telescope)	
28	7002257	1	Complete Working Section (Level)	
28	7000418	4	Coil - 12 VCD (2 Per Section)	
28	7002265	1	Stacking Kit	
28	4640246	1	Control Valve Assembly - 3 Section Racine (See CONTROL VALVE ASSEMBLY - RACINE BANG-BANG for Breakdown)	
28	4640247	1	Control Valve Assembly - 3 Section Racine (See CONTROL VALVE ASSEMBLY - RACINE BANG-BANG for Breakdown) (Attaching Parts)	
29	3311501	4	Nut 5/16in - 18NC	
30	4761500	4	Lockwasher 5/16in	
31	4751500	4	Flatwasher 5/16in	
31	4300038	4	Stud (Welded on Part)	
32	4640522	1	Valve, Pressure Reducing (Attaching Partts)	
33	3311401	2	Nut 1/4in -20NC	
34	4761400	2	Lockwasher 1/4in	
35	4751400	2	Flatwasher 1/4in	
36	0641418	2	Bolt 1/4in -20NC x 2 1/4in	
37	4640360	1	Valve, Combination (Mounted on T/T Side Plate or on Valve Bracket Item 10 for Gas/Diesel and on Motor Side for Electric Machines) (Qty 2 Required with Steering Wheel Option) (Attaching Parts)	
38	3311501	4	Nut 5/16in -18NC	
39	4761500	2	Lockwasher 5/16in	
40	4751500	4	Flatwasher 5/16in	
40	4300033	2	Stud (Welded on Part)	
	7009745	1	Coil (Modular Control Version)	
41	4640408	1	Valve, Steer (Attaching Parts)	
42	0641606	2	Bolt 3/8in -16NC x 3/4in	
43	0641609	2	Bolt 3/8in -16NC x 1 1/8in	
44	4761600	4	Lockwasher 3/8in	
45	1460005	1	Column, Steering	
46	4860097	1	Wheel, Steering (Attaching Parts)	
47	3300073	1	Nut, Special	
48	2560066	1	Handle, Steering Wheel (Attaching Parts)	
48	3900060	1	Bolt, Shoulder	
48	0100011	AR	Loctite	
49	0901255	1	Bracket, Steering Valve (Attaching Parts)	
50	3311401	5	Nut 1/4in -20NC	
51	4761400	5	Lockwasher 1/4in	
52	4751400	5	Flatwasher 1/4in	
53	4300031	5	Stud (Welded on Part)	

SECTION 1 - ILLUSTRATED PARTS LIST

ITEM	PART NUMBER	QTY	DESCRIPTION	REV
54	4640434	1	Valve, Rotator (With Steering Wheel and Rotating Platform) (Attaching Parts)	
55	0641416	2	Bolt 1/4in -20NC x 2in	
56	4761400	2	Lockwasher 1/4in	
57	3311401	2	Nut 1/4in -20NC	
58	0901201	1	Bracket, Rotator Valve (Attaching Parts)	
59	3311401	4	Nut 1/4in -20NC	
60	4761400	4	Lockwasher 1/4in	
61	4751400	4	Flatwasher 1/4in	
62	4300031	4	Stud (Welded on Part)	

SECTION 1 - ILLUSTRATED PARTS LIST

FIGURE 1-25. CONTROL VALVE ASSEMBLY - VICKERS



SECTION 1 - ILLUSTRATED PARTS LIST

FIGURE 1-25. CONTROL VALVE ASSEMBLY - VICKERS

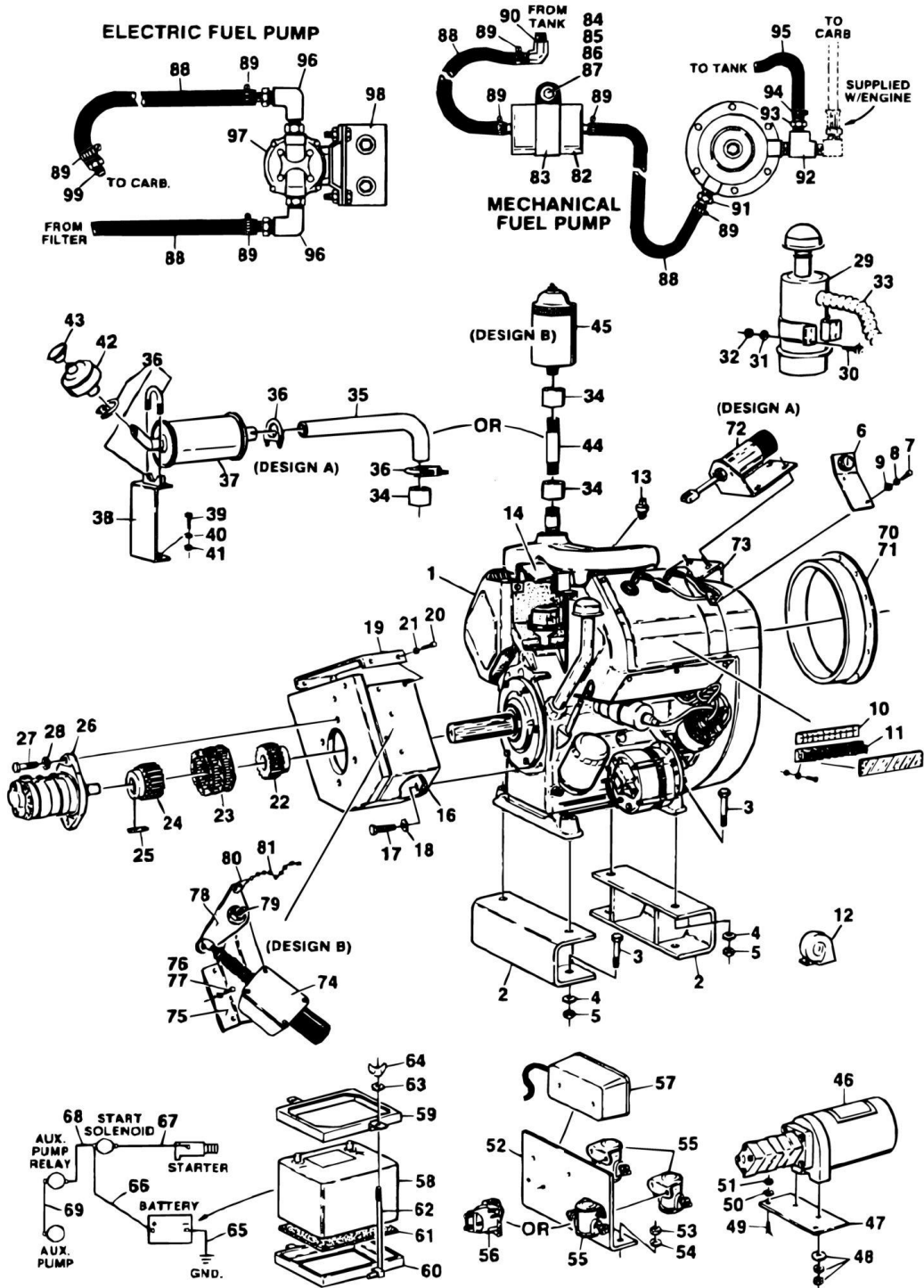
ITEM	PART NUMBER	QTY	DESCRIPTION	REV
	4640524	Ref	CONTROL VALVE ASSEMBLY (VICKERS 4 SECTION)	-
	4640514	Ref	CONTROL VALVE ASSEMBLY (VICKERS 3 SECTION)	-
1	7006747	1	Inlet Body	
2	7006725	1	Setscrew	
3	7006733	1	Plug	
4	Kit	5	O-Ring	
5	Kit	5	O-Ring	
6	Kit	5	O-Ring	
7	7009350	1	Working Section - Complete (Drive) (4 Section)	
7	7006760	1	Working Section - Complete (Drive) (3 Section)	
8	7006762	1	Working Section - Complete (Lift)	
9	7009351	1	Working Section - Complete (Telescope) (4 Section Only)	
10	7006763	1	Working Section - Complete (Swing)	
11	7009317	2	Nut, Retaining	
12	Kit	2	O-Ring	
13	7009316	2	Core Tube (Includes O-Ring)	
14	7009315	2	Coil and Frame (Round)	
14	7009360	2	Adaptor Kit (Required if changing from square coils to round coils. Square coils no longer available)	
15	7009319	2	Pin	
16	Kit	2	O-Ring	
17	7006744	2	Spool	
18	7006726	2	Plug, Torque	
19	Kit	2	O-Ring	
20	7006728	2	Shim Kit	
21	7006729	2	Spring	
22	7006730	2	Poppet	
23	7006731	2	Ball	
24	7006745	8	Screw	
25	N.S.S.	2	Cap, End (Not Sold Separately)	
26	7006746	2	Ball	
27	Kit	2	O-Ring	
28	7009323	2	Plug	
29	Kit	2	Gasket	
30	7009324	2	Spring	
31	7009325	2	Retainer	
32	N.S.S.	2	Spool (Not Sold Separately)	
33	7006757	2	Seat	
34	Kit	2	Ring, Back Ring	
35	Kit	2	O-Ring	
36	7006732	2	Servo Stem Assembly	
37	7006737	2	Poppet	
38	7009321	2	Retainer	
39	7006752	2	Retainer	
40	Kit	2	Ring, Back-up	
41	Kit	2	O-Ring	
42	7006773	2	Spring	
43	7006756	2	Poppet	
44	7006771	2	Plug, Torque	
45	Kit	2	O-Ring	

SECTION 1 - ILLUSTRATED PARTS LIST

ITEM	PART NUMBER	QTY	DESCRIPTION	REV
46	7006761	2	Ball	
47	7006761	2	Ball - Drive Tele and Lift (2) Per Section Swing Section (1)	
47	7006777	2	Pin (Swing Section)	
48	7006780	1	Cover End	
49	7006778	1	Plug, Torque	
50	Kit	1	O-Ring	
51	7009329	3	Rod, Tie (4 Section)	
51	7009361	1	Tie Rod Kit (3 Section) (Includes Item 52)	
52	7006782	6	Nut	
52	7009330	3	Seal Kit (Includes Items 4, 5, 6, 12, 16, 27, 34, 35, 40, 41, 45, 50 and Servo Stem O-Rings)	

SECTION 1 - ILLUSTRATED PARTS LIST

FIGURE 1-26. ENGINE COMPONENTS, ASSEMBLIES AND INSTALLATIONS - WISCONSIN VH4D GAS



SECTION 1 - ILLUSTRATED PARTS LIST

FIGURE 1-26. ENGINE COMPONENTS, ASSEMBLIES AND INSTALLATIONS - WISCONSIN VH4D GAS

ITEM	PART NUMBER	QTY	DESCRIPTION	REV
		Ref	ENGINE COMPONENTS, ASSEMBLIES AND INSTALLATIONS - WISCONSIN VH4D GAS	
	0236178	Ref	ENGINE ASSEMBLY AND INSTALLATION - STANDARD GAS (RACINE VALVES)	N
	0237895	Ref	ENGINE ASSEMBLY AND INSTALLATION - STANDARD GAS (VICKERS VALVES)	E
	0236182	Ref	ENGINE ASSEMBLY AND INSTALLATION - VAPOR WITHDRAWAL DUAL FUEL - RACINE VALVES	L
	0237899	Ref	ENGINE ASSEMBLY AND INSTALLATION - VAPOR WITHDRAWAL DUAL FUEL (VICKERS VALVES)	F
	0238307	Ref	ENGINE ASSEMBLY AND INSTALLATION - VAPOR WITHDRAWAL DUAL FUEL (VICKERS VALVE PISTON PUMP)	C
	0236671	Ref	ENGINE ASSEMBLY AND INSTALLATION - LIQUID WITHDRAWAL DUAL FUEL (RACINE VALVES)	C
	0237901	Ref	ENGINE ASSEMBLY AND INSTALLATION - LIQUID WITHDRAWAL DUAL FUEL (VICKERS VALVES)	E
	0236184	Ref	ENGINE ASSEMBLY AND INSTALLATION - LP GAS (RACINE VALVES)	I
	0237897	Ref	ENGINE ASSEMBLY AND INSTALLATION - LP GAS (VICKERS VALVES)	E
1	2000024	1	Engine, Wisconsin VH4D (Standard and Dual Fuel)	
1	2000043	1	Engine, Wisconsin VH4D (LP) (Attaching Parts)	
2	4841899	2	Channel	
3	0641820	4	Bolt 1/2in-13NC x 2 1/2in	
3	0641822	4	Bolt 1/2in-13NC x 2 3/4in	
4	4751800	8	Flatwasher 1/2in	
5	3311805	8	Locknut 1/2in-13NC	
6	0900047	1	Bracket, Ammeter (When Equipped) (Attaching Parts)	
7	0641406	2	Bolt 1/4in-20NC x 3/4in	
8	4761400	2	Lockwasher 1/4in	
9	4751400	2	Flatwasher 1/4in	
	2420006	1	Ammeter (Supplied With Engine)	
10	1700820	1	Decal - Terminal Strip (Vickers Machines Only)	
11	4460277	1	Strip, Terminal (Vickers Machines Only) (Attaching Parts)	
11	3910812	2	Screw, Round Head #8-32NC x 3/4in	
11	4770800	2	Starwasher #8	
11	3300233	2	Nut, Special	
	1670414	1	Cover	
12	0140001	1	Horn (Location May Vary) (Attaching Parts)	
12	4751400	4	Flatwasher 1/4in	
12	4761400	4	Lockwasher 1/4in	
12	3311401	4	Nut 1/4in-20NC	
13	4360067	1	Switch, Vacuum (When Equipped)	
14	4060558	1	Heat Shield (Attaching Parts)	
14	3941406	1	Screw, Self-Tapper 1/4in-20NC x 3/4in	
14	0641406	1	Bolt 1/4in -20NC x 3/4in	
14	4761400	1	Lockwasher 1/4	
14	4751400	1	Flatwasher 1/4in	
16	0080064	1	Adapter, Pump (Attaching Parts)	
17	0641710	4	Bolt 7/16in-14NC x 1 1/4in	
18	4761700	4	Lockwasher 7/16in	
19	4060474	1	Shield, Adapter (Attaching Parts)	

SECTION 1 - ILLUSTRATED PARTS LIST

ITEM	PART NUMBER	QTY	DESCRIPTION	REV
20	0641406	4	Bolt 1/4in-20NC x 3/4in	
21	4761400	4	Lockwasher 1/4in	
22	1660063	1	Coupling - Half	
23	1260025	1	Chain	
24	1660062	1	Coupling - Half (Attaching Parts)	
25	2880614	1	Keystock	
26	3600078	1	Pump Assembly - Gear (See GEAR PUMP ASSEMBLY for Breakdown)	
26	3600126	1	Pump Assembly - Piston (See TANDEM PUMP ASSEMBLY (PISTON PUMP SECTION) for Breakdown) (Attaching Parts)	
27	0641810	2	Bolt 1/2in-13NC x 1 1/4in	
28	4761800	2	Lockwasher 1/2in	
29		Ref	Air Cleaner (Supplied With Engine) (Attaching Parts)	
30	4300031	4	Stud (Welded on Part)	
31	4761400	4	Lockwasher 1/4in	
32	3311401	4	Nut 1/4in-20NC	
33	2720158	1	Hose (2 Section Boom)	
33	2720048	1	Hose (3 Section Boom) (Not Shown)	
33	4561818	1	Tube (3 Section Boom) (Not Shown)	
33	1320031	3	Clamp (3 Section Boom) (Not Shown)	
33	2420047	1	Indicator, Service (Optional - Not Shown)	
34	2200267	1	Coupling (Design A)	
34	2200267	2	Coupling (Design B)	
35	4562575	1	Tube Exhaust (Design A)	
36	1320019	4	Clamp (Design A)	
37	3220012	1	Muffler (Design A)	
38	0901147	1	Bracket, Muffler (Design A) (Attaching Parts)	
39	0641408	2	Bolt 1/4in -20NC x 1in	
40	4751400	2	Flatwasher 1/4in	
41	3311401	2	Nut 1/4in-20NS	
42	3220036	1	Spark Arrestor (Optional) (Design A)	
43	1120067	1	Rain Cap (Design A Without Spark Arrestor)	
44	2180644	1	Nipple, Fitting (2 1/2in Length)	
44	2180412	1	Nipple, Fitting (4 1/2in Length)	
45	3220050	1	Muffler	
45	1120169	1	Rain Cap (Design A With Spark Arrestor)	
46	3600141	1	Auxiliary Pump Assembly (Use In Place of Stone Industries Models DC00164B & DC00164C) (Recommend Selling complete Pump as Parts Are Not Interchangable Between Old and New Pump Assemblies)	
46	3600050	1	Auxiliary Pump Assembly (Stone Industries Model DB00108B and John Barnes Model 1210402)	
46	7004414	1	Pump (Stone)	
46	7010923	1	Pump (Barnes)	
46	7004412	1	Coupling (Stone)	
46	7004249	1	Coupling (Barnes)	
46	7000482	1	Motor (Stone)	
46	7004248	1	Motor (Barnes)	
46	3600052	1	Auxiliary Pump Assembly (Stone Industries Model DB00119B)	
46	7004416	1	Pump	
46	7004412	1	Coupling	
46	7000483	1	Motor (Includes Coupling) (Attaching Parts)	

SECTION 1 - ILLUSTRATED PARTS LIST

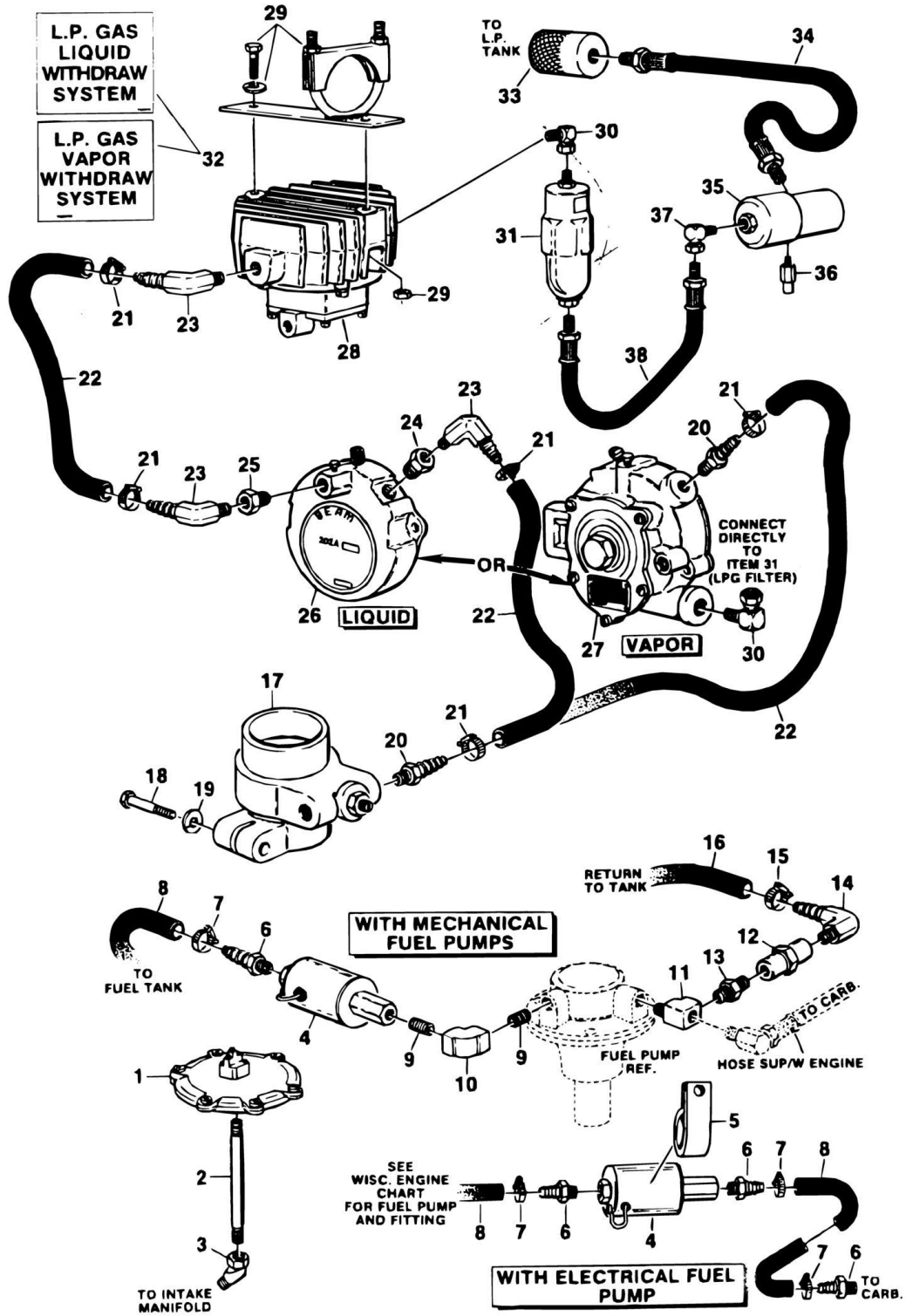
ITEM	PART NUMBER	QTY	DESCRIPTION	REV
47	3505609	1	Plate, Mounting (Required When Mounted on Counterweight Only)	
48	0641618	2	Bolt 3/8in-16NC x 2 1/4in	
48	4761600	2	Lockwasher 3/8in	
48	4711600	2	Flatwasher 3/8in	
49	4300038	2	Stud (Welded on Part)	
50	4761500	2	Lockwasher 5/16in	
51	3311501	2	Nut 5/16in-18NC	
51		Ref	Note: for Machines Without Electric Panel Assembly (Prior to 1986) Refer to Electric Panel Assembly for serviced solenoid relays.	
52	0237297	1	Electrical Panel Assembly (Racine Valves)	-
52	0237874	1	Electric Panel Assembly (Vickers Valves) (Not Shown) (Attaching Parts)	-
53	3311401	2	Nut 1/4in - 20NC	
54	4761400	2	Lockwasher 1/4in	
54	4300031	2	Stud (Welded on Part)	
	3530425	1	Plate, Mounting	
55	3740002	3	Solenoid (Racine Valves)	
56	3740067	2	Solenoid (Vickers Valves)	
57	0060021	1	Module, Actuator (Adeco)	
58	0400003	1	Battery	
59	0400002	1	Battery Hold-down	
60	0860003	1	Battery Box (Welded On Part)	
61	3980006	1	Battery Seat (Attaching Parts)	
62	0630003	2	Bolt, Hold-down	
63	4751600	2	Flatwasher 3/8in	
64	3300029	2	Nut, Wing 3/8in-16NC	
65	1060146	1	Cable, Battery (Negative Terminal to Ground)	
66	1060270	1	Cable, Battery (Positive Terminal to Start Solenoid)	
67	0400008	1	Cable Battery (Start Solenoid to Starter)	
68	1060221	1	Cable, Battery (Start Solenoid to Aux. Pump Relay)	
69	0400008	1	Cable, Battery - 28in Length (Aux Relay to Aux Pump)	
69	1060093	1	Cable, Battery - 18in Length (Aux Relay to Aux Pump)	
70	4842028	1	Shroud, Cooling	
71	4280180	1	Strip, Shroud (Attaching Parts)	
71	3820001	6	Rivet	
71	4750600	6	Flatwasher #6	
72	3740048	1	Solenoid, Throttle Control (Design A)	
72	1360061	1	Yoke, Clevis	
73	0230445	1	Bracket, Hi-Engine (Design A)	
	0236992	1	Throttle Installation (Single Speed) (Design B)	A
	0237687	1	Throttle Installation (Two Speed) (Design B)	-
74	0060020	1	Actuator (Single Speed)	
74	0060024	1	Actuator (Two Speed)	
75	4842288	1	Bracket (Attaching Parts)	
76	0641406	3	Bolt 1/4in-20NC x 3/4in	
77	4761400	3	Lockwasher 1/4in	
78	0200291	1	Arm (Attaching Parts)	
79	3311605	1	Locknut 3/8in-16NC	
79	4751700	2	Flatwasher 7/16in	
80	1260082	1 ft	Chain (Attaching Parts)	

SECTION 1 - ILLUSTRATED PARTS LIST

ITEM	PART NUMBER	QTY	DESCRIPTION	REV
81	1660083	2	Coupling	
81	3430304	1	Pin, Clevis	
81	3450203	1	Pin, Cotter	
82	2120042	1	Filter, In-Line (Attaching Parts)	
83	1320131	1	Clamp	
84	0641406	1	Bolt 1/4in-20NC x 3/4in	
85	4751400	1	Flatwasher 1/4in	
86	4761400	1	Lockwasher 1/4in	
87	3311401	1	Nut 1/4in -20NC	
88	2720015	AR	Hose (Supply)	
89	1320022	2	Clamp	
90	2220296	1	Fitting, 90 Barbed	
91	2220315	1	Fitting, Straight Barbed (With Mechanical Fuel Pump)	
91	2220063	1	Fitting, 90 (When Equipped)	
92	2180360	1	Fiting, Tee (When Equipped With Return Line and Mechanical Fuel Pump)	
93	2220296	2	Fitting, 90 Barbed (When Equipped With Return Line and Mechanical Fuel Pump)	
94	1320022	2	Clamp (When Equipped With Return Line)	
95	2720015	100 in	Hose (When Equipped With Return Line)	
96	2220296	2	Fitting, 90 Barbed (When Equipped With Electric Fuel Pump)	
97	3600094	1	Pump, Fuel - Electric (Facet Version) (When Equipped)	
97	3600151	1	Pump, Fuel - Electric (Stewart - Warner Version) (When Equipped) (Attaching Parts)	
97	0641408	2	Bolt 1/4in-20NC x 1in	
97	0641405	4	Bolt 1/4in-20NC x 5/8in	
97	4761400	4	Lockwasher 1/4in	
97	3311401	4	Nut 1/4in-20NC	
98	0901607	1	Bracket, Mounting - Fuel Pump (Attaching Parts)	
98	3311401	2	Nut 1/4in-20NC	
98	4761400	2	Lockwasher 1/4in	
98	4751400	2	Flatwasher 1/4in	
98	4300031	2	Stud (Welded on Part)	
99	2220315	1	Fitting, Straight Barbed	
	2580001	1	Heater, Battery (Optional - Not Shown)	
	2580005	1	Element, Heater - Crankcase (Optional - Not Shown)	
	1600022	1	Controller, Thermoswitch - Crankcase (Optional - Not Shown)	

SECTION 1 - ILLUSTRATED PARTS LIST

FIGURE 1-27. DUAL FUEL AND LPG COMPONENTS INSTALLATION - WISCONSIN



SECTION 1 - ILLUSTRATED PARTS LIST

FIGURE 1-27. DUAL FUEL AND LPG COMPONENTS INSTALLATION - WISCONSIN

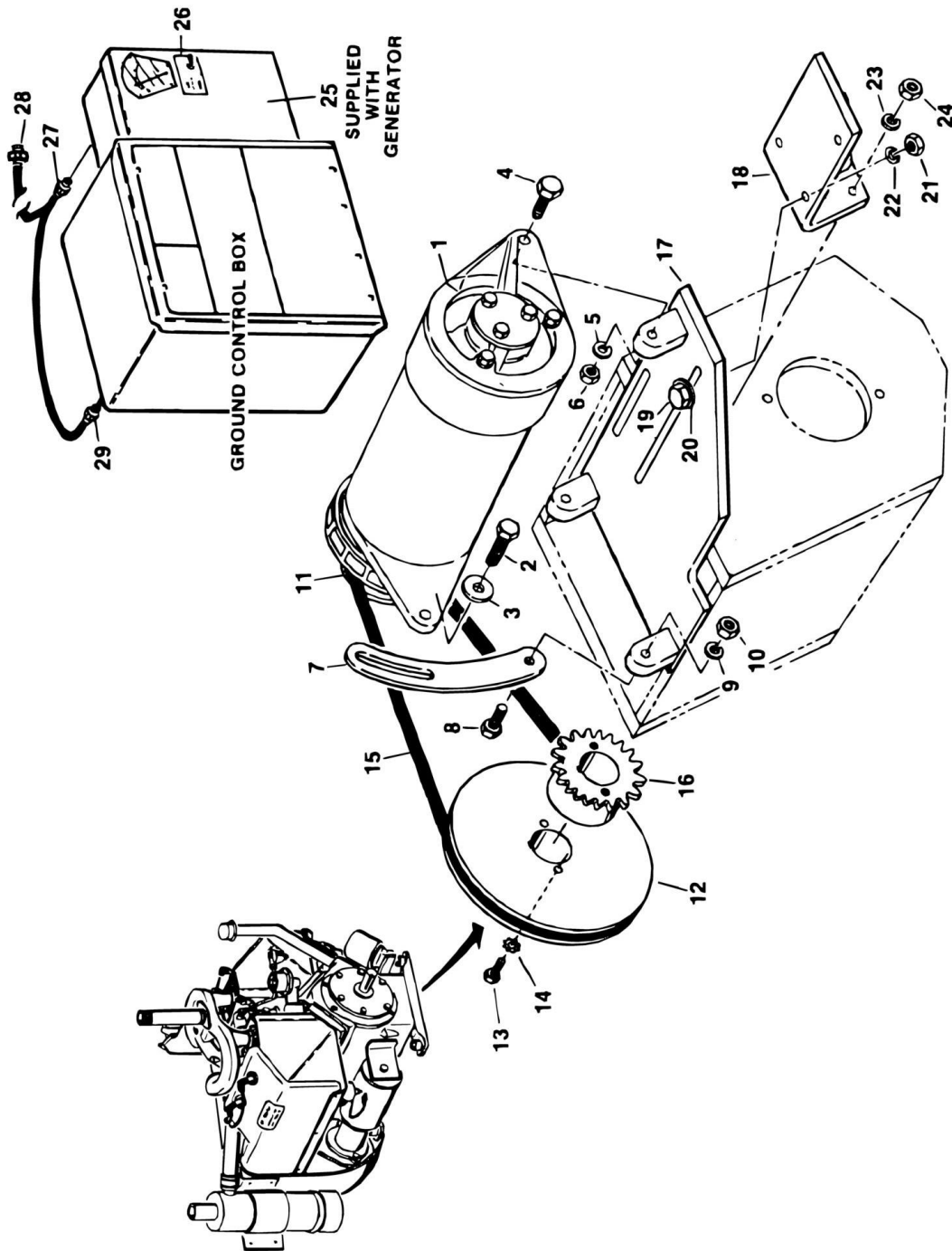
ITEM	PART NUMBER	QTY	DESCRIPTION	REV
		Ref	DUAL FUEL AND LPG COMPONENTS INSTALLATION - WISCONSIN	
1	4360188	1	Switch, Vacuum	
2	3460132	1	Fitting, Nipple	
3	2220124	1	Fitting	
4	4640391	1	Fuel-Lock, Gasoline (Attaching Parts)	
5	1320060	1	Clamp (When Equipped With Electric Fuel Pump Only)	
5	0641406	1	Bolt 1/4in-20NC x 3/4in	
5	4751400	1	Flatwasher 1/4in	
5	4761400	1	Lockwasher 1/4in	
5	3311401	1	Nut 1/4in-20NC	
6	2220315	3	Fitting, Straight Barbed	
7	1320022	2	Clamp	
8	2720015	AR	Hose (Supply)	
9	2180537	2	Fitting, Nipple (When Equipped With Mechanical Fuel Pump)	
10	2220318	1	Fitting, 90 (When Equipped With Mechanical Fuel Pump)	
11	2180360	1	Fitting, Tee (When Equipped With Mechanical Fuel Pump)	
12	4640444	1	Valve, Check (When Equipped With Mechanical Fuel Pump and Return Line)	
13	2220261	1	Fitting, Coupling (When Equipped With Mechanical Fuel Pump and Return Line)	
14	2220296	2	Fitting, 90 Barbed (When Equipped With Mechanical Fuel Pump and Return Line)	
15	1320022	2	Clamp (When Equipped With Mechanical Fuel Pump and Return Line)	
16	2720015	AR	Hose (Return) (When Equipped With Mechanical Fuel Pump and Return Line)	
17	0080103	1	Adapter, Carburetor (Attaching Parts)	
18	0641408	1	Bolt 1/4in-20NC x 1in	
19	4761400	1	Lockwasher 1/4in	
20	2180535	1	Fitting (Vapor Withdrawal Requires Qty 2)	
21	1320022	4	Clamp	
22	2720112	AR	Hose	
23	2220675	3	Fitting, 90 (Liquid Withdrawal Only)	
24	2220269	1	Fitting, Reducer (Liquid Withdrawal Only)	
25	2220257	1	Fitting, Reducer (Liquid Withdrawal Only)	
26	3720014	1	Regulator (Liquid Withdrawal)	
26	0901268	1	Bracket (Liquid Withdrawal)	
27	3720012	1	Regulator (Vapor Withdrawal)	
27	0900919	1	Bracket (Vapor Withdrawal)	
28	4700006	1	Vaporizer (Liquid Withdrawal Only) (Attaching Parts)	
29	0901267	1	Bracket, Mounting - Vaporizer (Liquid Withdrawal Only)	
29	0641414	4	Bolt 1/4in-20NC x 1 3/4in	
29	4761400	4	Lockwasher 1/4in	
29	3311401	4	Nut 1/4in-20NC	
30	2220064	2	Fitting, Swivel	
31	2120077	1	Filter, LPG	
32	1700819	1	Decal (Vapor Withdrawal)	
32	1700818	1	Decal (Liquid Withdrawal)	
	0238916	Ref	LP TANK LINES INSTALLATION	-
	0236410	Ref	LP TANK LINES INSTALLATION	H

SECTION 1 - ILLUSTRATED PARTS LIST

ITEM	PART NUMBER	QTY	DESCRIPTION	REV
33	2180387	1	Fitting, Tank	
34	2720104	1	Hose - 36in Length	
34	2720117	2	Hose - 24in Length	
35	2180388	1	Fitting, Bulkhead	
36	2180389	1	Valve, Relief	
37	2180125	1	Fitting, 90	
38	2720249	1	Hose	

SECTION 1 - ILLUSTRATED PARTS LIST

FIGURE 1-28. 110 VOLT GENERATOR INSTALLATION - WICON SIN



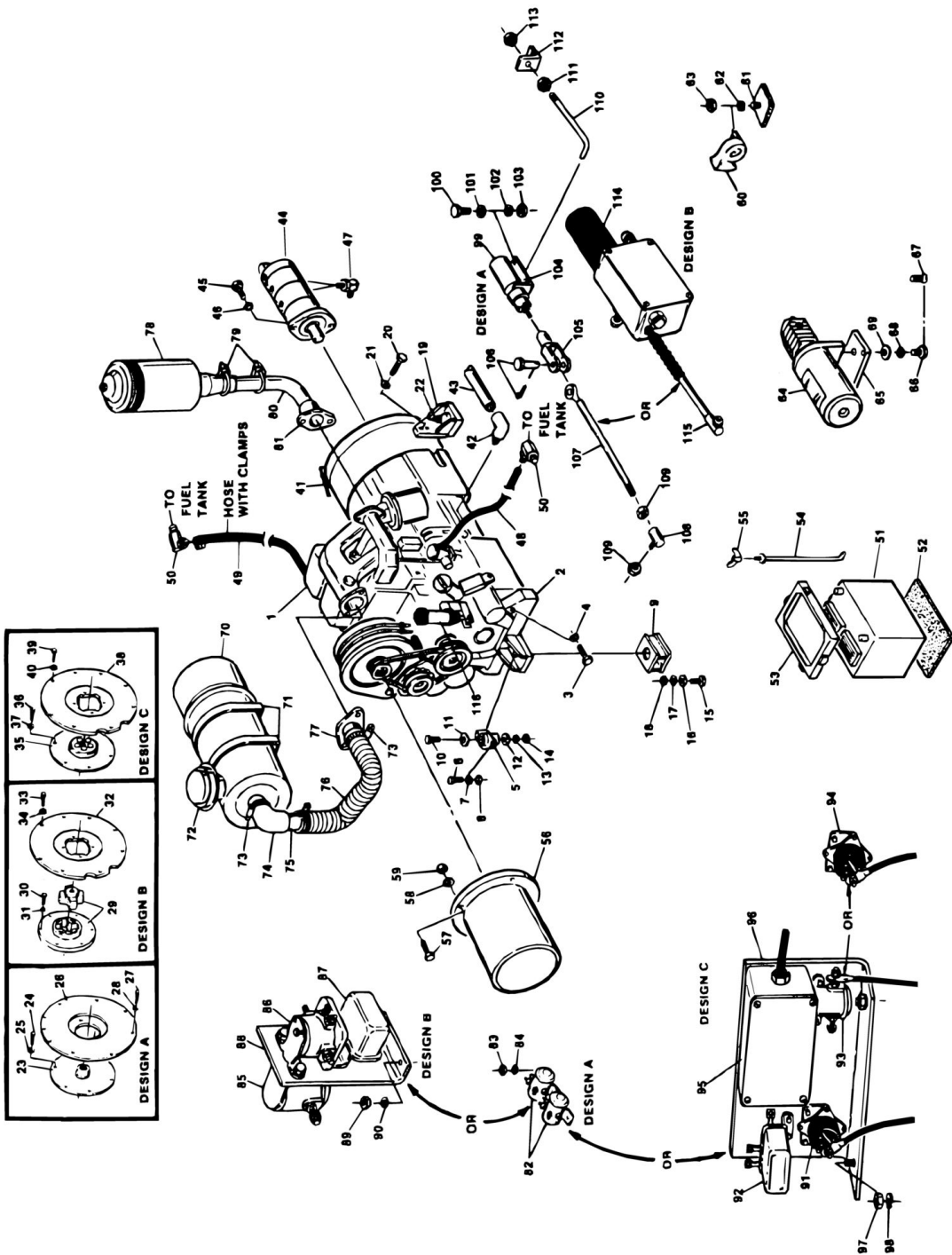
SECTION 1 - ILLUSTRATED PARTS LIST

FIGURE 1-28. 110 VOLT GENERATOR INSTALLATION - WICON SIN

ITEM	PART NUMBER	QTY	DESCRIPTION	REV
	0236329	Ref	110 VOLT GENERATOR INSTALLATION - WICON SIN (RACINE VALVES)	E
	0238893	Ref	110 VOLT GENERATOR INSTALLATION - WICON SIN (VICKERS VALVES)	B
1	2460011	1	Generator (Attaching Parts)	
2	0641508	1	Bolt 5/16in-18NC x1in	
3	4751500	1	Flatwasher 5/16in	
4	0641512	2	Bolt 5/16in-18NC x 1 1/2in	
5	4761500	2	Lockwasher 5/6in	
6	3311501	2	Nut 5/16in-18NC	
7	0901037	1	Adjusting Bracket (Attaching Parts)	
8	0641510	1	Bolt 5/16in-18NC x 1 1/4in	
9	4761500	1	Lockwasher 5/16in	
10	3311501	1	Nut 5/16in-18NC	
11	3580072	1	Pulley	
11	1440217	1	Collar (Not Shown)	
11	2860012	1	Key, Woodruff (Not Shown)	
11		Ref	Loctite #242	
12	3580077	1	Pulley (Attaching Parts)	
13	0641412	2	Bolt 1/4in-20NC x 1 1/2in	
14	4771400	2	Starwasher 1/4in	
15	0480035	1	V-Belt	
16	1660089	1	Coupling	
17	0235776	1	Bracket	
18	0235777	1	Bracket (Attaching Parts)	
19	0641410	3	Bolt 1/4in-20NC x 1 1/4in	
20	4751400	3	Flatwasher 1/4in	
21	3311401	3	Nut 1/4in-20NC	
22	4761400	3	Lockwasher 1/4in	
22	0641612	2	Bolt 3/8in-16NC x 1 1/2in (Not Shown)	
23	4761600	2	Lockwasher 3/8in	
24	3311601	2	Nut 3/8in-16NC	
25		Ref	Box, Electrical (Supplied With Engine) (Attaching Parts)	
25	4300062	2	Stud (Welded On Parts)	
25	4751400	4	Flatwasher 1/4in	
25	4761400	2	Lockwasher 1/4in	
25	3311401	2	Nut 1/4in-20NC	
26	3251476	1	Nameplate	
27	4460023	1	Connector	
28	4460134	1	Connector	
28	1060012	1	Cable, Control	
29	4460071	1	Connector	
29	3300048	1	Locknut, Conduit	
29	0960238	1	Bushing	

SECTION 1 - ILLUSTRATED PARTS LIST

FIGURE 1-29. ENGINE COMPONENTS, ASSEMBLIES AND INSTALLATION - DEUTZ F2L511



SECTION 1 - ILLUSTRATED PARTS LIST

FIGURE 1-29. ENGINE COMPONENTS, ASSEMBLIES AND INSTALLATION - DEUTZ F2L511

ITEM	PART NUMBER	QTY	DESCRIPTION	REV
		Ref	ENGINE COMPONENTS, ASSEMBLIES AND INSTALLATIONS - DEUTZ F2L511	
	0236409	Ref	ENGINE INSTALLATION - DEUTZ F2L511D (RACINE VALVES)	G
	0237914	Ref	ENGINE INSTALLATION - DEUTZ F2L511D (VICKERS VALVES)	C
	0236480	Ref	ENGINE INSTALLATION - DEUTZ F2L511W (VICKERS VALVES)	E
	0237916	Ref	ENGINE INSTALLATION - DEUTZ F2L511W (VICKERS VALVES)	D
1	2000054	1	Engine, Deutz Diesel F2L511D	
1	2000058	1	Engine, Deutz Diesel F2L511W	
2	4841965	1	Mount, Front Engine (Attaching Parts)	
3	0701420	2	Bolt 14MM x 60MM	
4	4740191	2	Lockwasher, Metric 14MM	
5	3200201	1	Mount, Engine (Attaching Parts)	
6	0641610	2	Bolt 3/8in-16NC x 1 1/4in	
7	4761600	2	Lockwasher 3/8in	
8	3311601	2	Nut 3/8in-16NC	
9	3410003	1	Pedestal, Engine Mount (Attaching Parts)	
10	0641832	1	Bolt 1/2in-13NC x 4in	
11	4740274	AR	Shim, Washer	
12	4751800	1	Flatwasher 1/2in	
12	4070524	AR	Shim, Mounting (Not Shown)	
13	4761800	1	Lockwasher 1/2in	
14	3311801	1	Nut 1/2in-13NC	
15	0641622	4	Bolt 3/8in-16NC X 2 3/4in	
16	4751600	4	Flatwasher 3/8in	
17	4761600	4	Lockwasher 3/8in	
18	3311601	4	Nut 3/8in-16NC	
19	4841970	1	Engine Mount (Left Rear -Shown)	
19	4841966	1	Engine Mount (Right Rear - Not Shown) (Attaching Parts)	
20	0711014	2	Bolt 10MM x 30MM	
21	4740116	2	Lockwasher, Metric 10MM	
22	3200202	2	Mount, Rear Engine (Attaching Parts)	
22	0641610	2	Bolt 3/8in-16NC x 1 1/4in	
22	4761600	2	Lockwasher 3/8in	
22	3311601	2	Nut 3/8in-16NC	
22	0641724	1	Bolt 7/16in-14NC x 3in	
22	4740273	1	Shim Washer	
22	4751700	1	Flatwasher 7/16in	
22	4761700	1	Lockwasher 7/16in	
22	3311701	1	Nut 7/16in-14NC	
23	1760075	1	Disc, Pump Drive (Design A) (Attaching Parts)	
24	0630136	6	Bolt, Metric 8MM x 20MM	
25	4740118	6	Lockwasher, Metric 8MM	
26	0080031	1	Adaptor, Pump (Design A) (Attaching Parts)	
27	0701014	8	Bolt, Metric 10MM x 30MM	
28	470116	8	Lockwasher, metric 10MM	
28	0250619	1	Lovejoy Coupling Installation (Design B)	-
29	1660169	1	Coupling (Design B) (Attaching Parts)	

SECTION 1 - ILLUSTRATED PARTS LIST

ITEM	PART NUMBER	QTY	DESCRIPTION	REV
30	0700812	6	Bolt, Metric 8MM x 25MM	
31	4831900	6	Lockwasher, Metric 8MM	
	1660173	1	Disc, Coupling	
	1660172	1	Hub, Coupling	
32	0080163	1	Adaptor, Pump (Design B) (Attaching Parts)	
33	0701014	8	Bolt, Metric 10MM x 30MM	
34	4832000	8	Lockwasher, Metric 10MM	
34		Ref	NOTE: PUMP MOUNTING ADAPTER P/N 0080163 MUST BE USED WITH COUPLING P/N 1660169.	
	1281089	Ref	LOVE JOY COUPLING AND PUMP MOUNTING PLATE ASSEMBLY PROCEDURES	C
		Ref	1. Separate Coupling Disc and Hub, Align Plastic Disc on Flywheel and torque to 19 ft.lbs. (Important) Coupling Webbing must face pump.	
		Ref	2. Attach Pump Mounting Plate Adaptor to Bell Housing of Engine.	
		Ref	3. Slide Coupling Hub onto Pump Shaft until Pump Shaft bottoms out on Roll Pin (Located inside Hub). Torque Hub onto Shaft to 22 ft lbs	
		Ref	4. Insert Coupling Hub, (Now affixed to Pump Shaft), through the Pilot Bore in the Pump Mounting Plate, align Coupling Hub and Disc, push Pump into position and secure.	
	0250620	1	Hayes Coupling Installation (Design C)	
35	1660184	1	Coupling (Design C) (Attaching Parts)	
36	0700808	6	Bolt, Metric 8MM x 16MM	
37	4831900	6	Lockwasher, Metric 8MM	
38	0080163	1	Adapter, Pump Mounting (Design C) (Attaching Parts)	
39	0701014	8	Bolt, Metric 10MM x 30MM	
40	4832000	8	Lockwasher, Metric 10MM	
	1281089	Ref	HAYES COUPLING AND PUMP MOUNTING PLATE ASSEMBLY PROCEDURES	C
		Ref	1. Align Disc Assembly on flywheel and Torque to 19 ft lbs	
		Ref	2. Attach Pump Mounting Plate Adapter to Bell Housing of Engine.	
		Ref	3. Apply Texaco #1912 Grease or Equivalent to Internal Splines of Coupling and External Splines of Pump.	
		Ref	4. Position and Secure Pump.	
41	4460277	1	Strip, Terminal (Attaching Parts)	
41	0901401	1	Bracket	
41	3910812	2	Screw, Machines #8-32NC x 3/4in	
41	4770800	2	Starwasher #8	
41	3310801	2	Nut #8-32NC	
	1700821	1	Decal - Wire ID	
	1670414	1	Cover, Terminal Strip	
42	2200461	1	Fitting	
43	2720145	1	Hose (To Oil Pressure Gauge)	
44	3300078	1	Main Pump Assembly (See GEAR PUMP ASSEMBLY for Breakdown) (Attaching Parts)	
45	0641814	2	Bolt 1/2in-13NC x 1 3/4in	
45	0641610	2	Bolt 3/8in-16NC x 1 1/4in	
46	4761800	2	Lockwasher	
46	4761600	2	Lockwasher 3/8in	
47	2220592	2	Fitting	
48	2720015	AR	Hose (Supply)	
48	1320022	2	Clamp	
49	2720271	AR	Hose (Return)	

SECTION 1 - ILLUSTRATED PARTS LIST

ITEM	PART NUMBER	QTY	DESCRIPTION	REV
49	1320022	2	Clamp	
50	2220296	2	Fitting, 90 Barbed	
51	0400003	1	Battery	
52	3980003	1	Seat, Battery	
53	042002	1	Holddown, Battery (Attaching Parts)	
54	0630003	1	Seat, Battery (Attaching Parts)	
55	3300029	2	Wingnut 3/8in-16NC	
55	4751600	2	Flatwasher 3/8in	
	1060146	1	Cable, Battery (Negative to Frame Ground)	
	1060093	1	Cable, Battery (Engine to Ground)	
	1060074	1	Cable, Battery (Positive to Start Solenoid)	
	1060093	1	Cable, Battery (Aux Pump to Aux Solenoid)	
	1060093	1	Cable, Battery (Aux Relay to Start Relay)	
	0400008	1	Cable, Battery (Aux Relay to Start Solenoid)	
56	4840878	1	Air Intake (Attaching Parts)	
57	0641408	3	Bolt 1/4in-20NC x 1in	
58	4761400	3	Lockwasher 1/4in	
59	3311401	3	Nut 1/4in-20NC	
	3960225	1	Seal, Air Intake (Not Shown)	
60	0140001	1	Horn (Attaching Parts)	
61	4300032	1	Stud (Welded on Part)	
62	4761500	1	Lockwasher 5/16in	
63	3311501	1	Nut 5/16in-18NC	
64	3600141	1	Auxiliary Pump Assembly (Use in place of Stone Industries Model DC00164C) (Recommend purchasing complete pump as parts are not interchangeable between old and new pump assemblies.)	
64	3600052	1	Auxiliary Pump Assembly (Stone Industries Model DB00119B)	
64	7004416	1	Pump	
64	7004412	1	Coupling	
64	7000483	1	Motor (Includes Coupling) (Attaching Parts)	
65	3500609	1	Plate, Mounting (Required when mounted on counterweight only)	
66	3900031	2	Screw, Countersunk	
67	0641618	2	Bolt 3/8in-16NC x 2 1/4in	
68	4761600	2	Lockwasher 3/8in	
69	4751600	2	Flatwasher 3/8in	
	0236448	Ref	AIR CLEANER INSTALLATION	C
70	1340020	1	Air Cleaner Assembly (Attaching Parts)	
71	0340002	2	Band, Mounting	
71	3311401	4	Nut 1/4in-20NC	
71	4761400	4	Lockwasher 1/4in	
71	4751400	4	Flatwasher 1/4in	
71	4300032	4	Stud (Welded on Part)	
	7004214	1	Element	
72	1120161	1	Cap, Air	
73	1320031	4	Clamp	
74	0080039	1	Elbow, Rubber Adapter	
75	4651815	1	Tube	
76	2720178	AR	Hose, Air Duct	
77	4840979		Flange	
	2420047	1	Gage, Indicator - Servicxe (Optional) (Not Shown)	
	0236445	Ref	EXHAUST INSTALLATION	B
78	3220052	1	Muffler	

SECTION 1 - ILLUSTRATED PARTS LIST

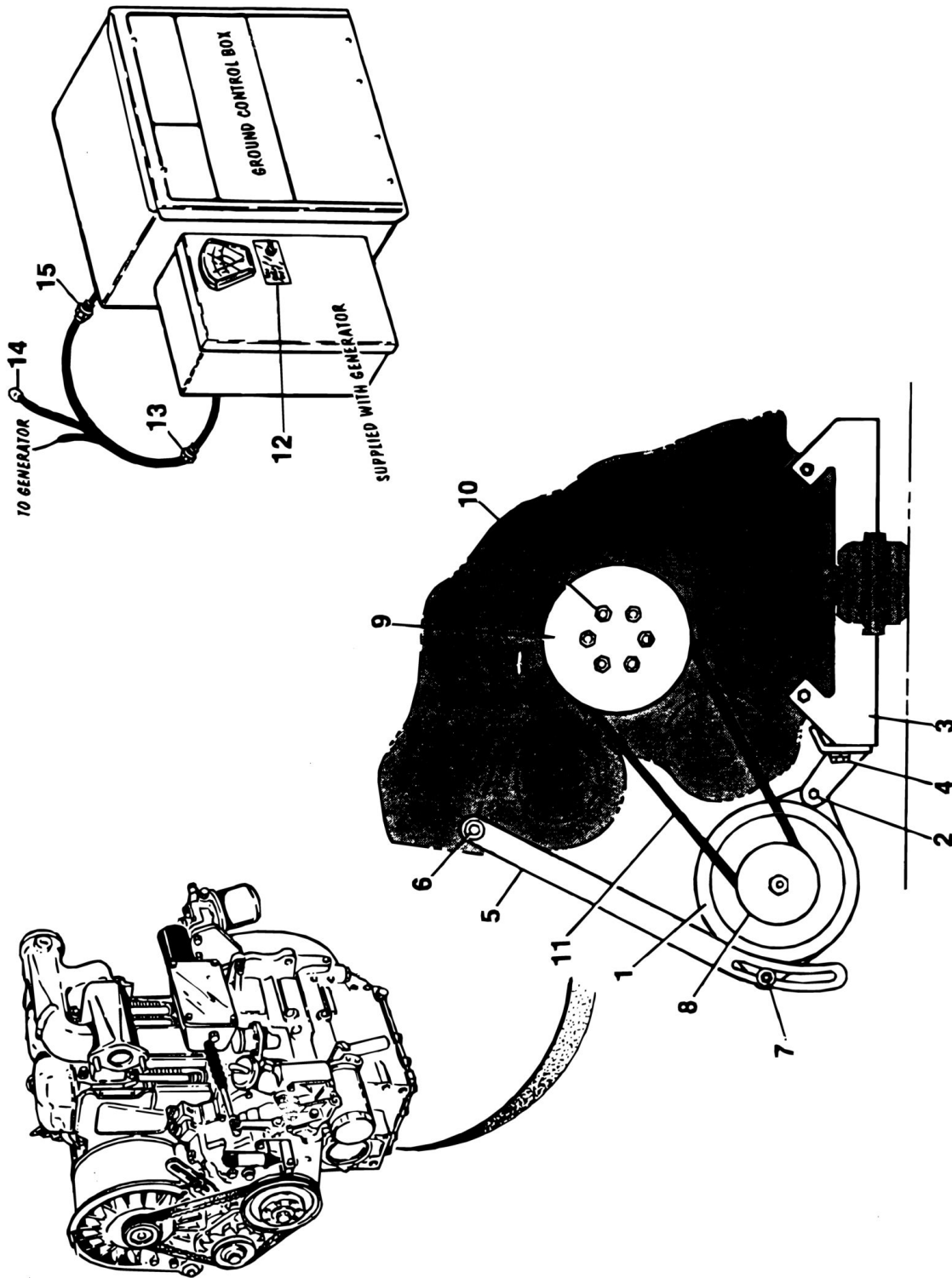
ITEM	PART NUMBER	QTY	DESCRIPTION	REV
79	1320019	3	Clamp	
80	4562691	1	Tube, Exhaust	
81	4842017	1	Flange	
81	0901226	1	Bracket, Support (Not Shown)	
		Ref	SOLENOID INSTALLATION (RACINE VALVES) (DESIGN A)	
82	3740002	2	Solenoid (Essex P/N 70-111225-5) (Attaching Parts)	
83	3311401	3	Nut 1/4in-20NC	
84	4761400	3	Lockwasher 1/4in	
84	4300032	3	Stud (Welded on Part)	
		Ref	SOLENOID INSTALLATION (RACINE VALVES) (DESIGN B)	
85	3740002	1	Solenoid (Essex P/N 70-111225-5)	
86	3740027	1	Solenoid, Start (Motorcraft P/N B6AZ-11450-A)	
87	3740030	1	Relay, Adio (Delco P/N 115834)	
88	0901194	1	Bracket (Attaching Parts)	
89	3311401	2	Nut 1/4in-20NC	
90	4761400	2	Lockwasher 1/4in	
90	4300032	2	Stud (Welded on Part)	
	0237627	Ref	SOLENOID (ELECTRICAL PANEL) INSTALLATION (VICKERS VALVES)	D
	0236850	Ref	SOLENOID (ELECTRICAL PANEL) INSTALLATION (RACINE VALVES)	E
91	3740059	1	Relay (Motorcraft)	
92	3740030	1	Relay, Adio (Delco)	
93	3740002	2	Solenoid (Essex)	
94	3740067	2	Relay (Prestolite)	
95	0060021	1	Module, Adeco (When Equipped)	
96	3530425	1	Panel, Mounting (Attaching Parts)	
97	3311401	2	Nut 1/4in-20NC	
98	4761400	2	Lockwasher 1/4in	
		Ref	THROTTLE INSTALLATION - SOLENOID (RACINE VALVES) (DESIGN A)	
99	3740048	1	Solenoid - Hi-Engine (Attaching Parts)	
100	0641406	4	Bolt 1/4in-20NC x 3/4in	
101	4751400	4	Flatwasher 1/4in	
102	4761400	4	Lockwasher 1/4in	
103	3311401	4	Nut 1/4in-20NC	
104	0900708	1	Bracket, Solenoid Mounting (Attaching Parts)	
104	0641616	1	Bolt 3/8in-16NC x 2in	
104	4761600	1	Lockwasher 3/8in	
104	0641408	1	Bolt 1/4in-20NC x 1in	
104	4751400	1	Flatwasher 1/4in	
104	4761400	1	Lockwasher	
104	3311401	1	Nut 1/4in-20NC	
105	1360112	1	Clevis	
105	3321401	1	Nut 1/4in-28NF	
106	3430406	1	Pin, Clevis	
106	3450203	1	Pin, Cotter	
107	4840833	1	Throttle Arm	
108	1660070	1	Connector, Ball Joint (Attaching Parts)	
109	3321401	2	Nut 1/4in-28NF	
109	4761400	2	Lockwasher 1/4in	
110	3840765	1	Rod, Stop (When Equipped) (Attaching Parts)	

SECTION 1 - ILLUSTRATED PARTS LIST

ITEM	PART NUMBER	QTY	DESCRIPTION	REV
111	3311401	1	Nut 1/4in-20NC	
112	3509872	1	Bracket	
113	3311405	1	Locknut 1/4in-20NC	
	0237047	Ref	THROTTLE INSTALLATION - ADECO (RACINE VALVES)	A
	0237868	Ref	THROTTLE INSTALLATION - ADECO (VICKERS VALVES)	-
114	0060020	1	Actuator (Racine Valves)	
114	0060024	1	Actuator (Vickers Valves)	
114	0901317	1	Bracket (Attaching Parts)	
114	0641408	1	Bolt 1/4in-20NC x 1in	
114	4751400	2	Flatwasher 1/4in	
114	4761400	1	Lockwasher 1/4in	
114	3311401	1	Nut 1/4in-20NC	
115	3840829	1	Extension	
115	3321401	1	Nut	
	0236526	Ref	SHUTDOWN KIT INSTALLATION	-
116	2900359	1	Shutdown Kit	

SECTION 1 - ILLUSTRATED PARTS LIST

FIGURE 1-30. 110 VOLT GENERATOR INSTALLATION - DEUTZ



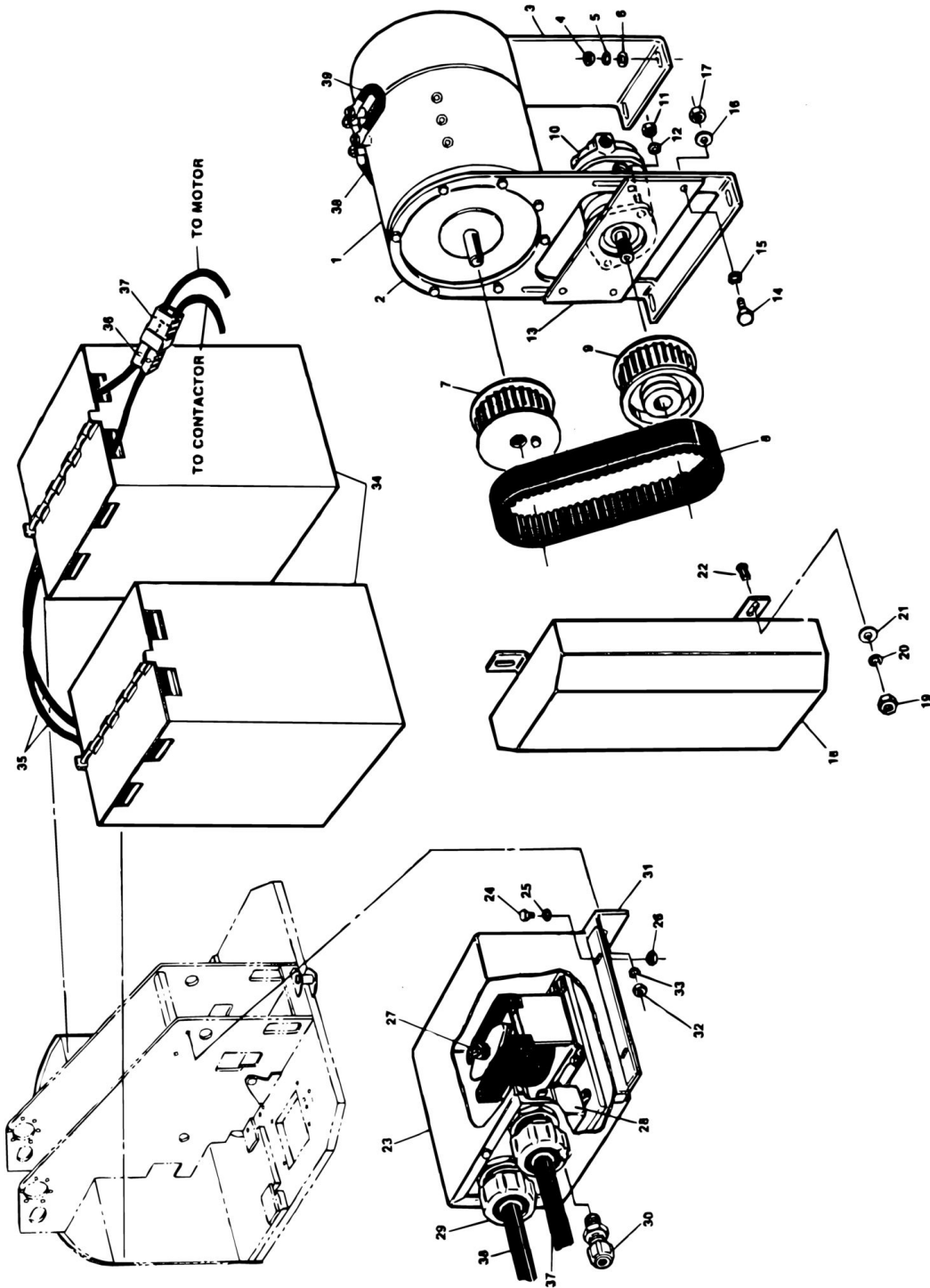
SECTION 1 - ILLUSTRATED PARTS LIST

FIGURE 1-30. 110 VOLT GENERATOR INSTALLATION - DEUTZ

ITEM	PART NUMBER	QTY	DESCRIPTION	REV
	0236418	Ref	110 VOLT GENERATOR INSTALLATION - (DEUTZ)	C
1	2460011	1	Generator (Attaching Parts)	
2	0641508	2	Bolt 5/16in-18NC x 1in	
2	4761500	2	Lockwasher 5/16in	
2	3311501	2	Nut 5/16in-18NC	
3	4340442	1	Support, Generator (Attaching Parts)	
4	0630365	1	Bolt, Metric 12MM x 65MM (Grade 8.8)	
4	4740117	1	Lockwasher 12MM	
5	4340444	1	Support Adjuster, Generator (Attaching Parts)	
6	0641540	1	Bolt 5/16in-18NC x 5in	
6	4761500	1	Lockwasher 5/16in	
6	3311501	1	Nut 5-16in-18NC	
7	0641508	1	Bolt 5/16in-18NC x 1in	
7	4751500	1	Flatwasher 5/16in	
7	4761500	1	Lockwasher 5/16in	
8	3580100	1	Pulley, Generator	
8	2860012	1	Key, Woodruff	
9	3580101	1	Pulley (Attaching Parts)	
10	0630190	8	Bolt , Metric 8MM	
10	4740118	8	Lockwasher 8mm	
11	0480038	1	Belt	
11	0480038	1	Box, Electrical (Supplied with Engine) (Attaching Parts)	
11	3910808	2	Screw, #8-32NC x 1/2in	
11	4751000	4	Flatwasher #8	
11	4760800	2	Lockwasher #8	
11	3310801	2	Nut #8-32NC	
12	3251476	1	Nameplate	
13	4460023	1	Connector	
14	4460134	1	Connector	
14	1060012	1	Cable, Control	
15	4460071	1	Connector	
15	3300048	1	Locknut, Conduit	
15	0960238	1	Bushing	
15	3740049	2	Relay (Located in Ground Control Box)	

SECTION 1 - ILLUSTRATED PARTS LIST

FIGURE 1-31. MOTOR COMPONENTS, ASSEMBLIES AND INSTALLATIONS - ELECTRIC



SECTION 1 - ILLUSTRATED PARTS LIST

FIGURE 1-31. MOTOR COMPONENTS, ASSEMBLIES AND INSTALLATIONS - ELECTRIC

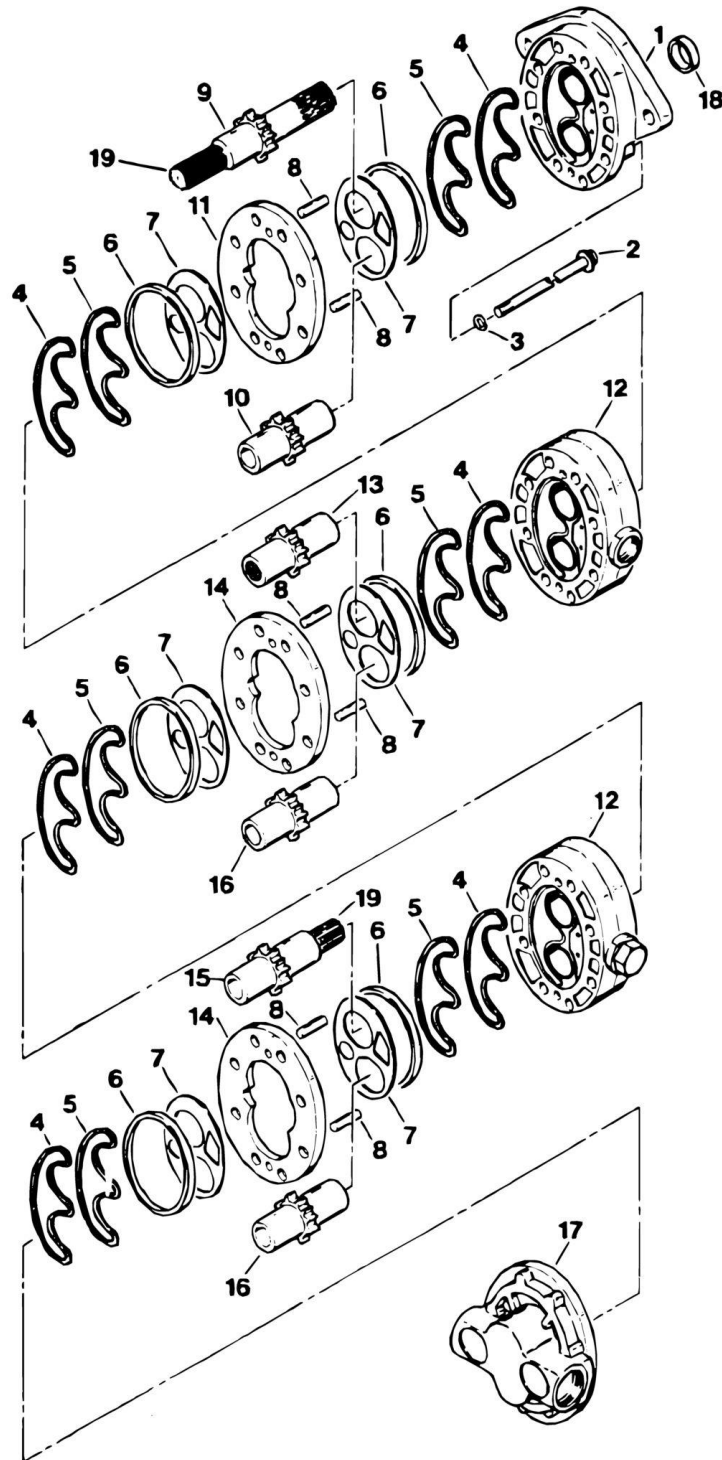
ITEM	PART NUMBER	QTY	DESCRIPTION	REV
	0237575	Ref	MOTOR COMPONENTS, ASSEMBLIES AND INSTALLATION - ELECTRIC	A
1	3160069	1	Motor, Electric - 10.3 HP/36 VDC (Attaching Parts)	
2	0901377	1	Bracket (Front)	
3	0900984	1	Bracket (Rear)	
4	3311601	4	Nut 3/8in-16NC	
5	4761600	4	Lockwasher 3/8in	
6	4751600	4	Flatwasher 3/8in	
6	4300034	4	Stud (Welded on Part)	
7	4180071	1	Sprocket (Motor)	
7	2880510	1	Key	
8	0480029	1	Belt, Drive	
9	4180070	1	Sprocket (Pump)	
9	1440182	1	Adapter, Collar	
9	2880510	1	Key	
10	3600078	2	Pump Assembly (See GEAR PUMP ASSEMBLY for Breakdown) (Attaching Parts)	
11	3311801	2	Nut 1-2in-13NC	
12	3311801	2	Nut 1/2in-13NC	
13	0900985	1	Bracket, Mounting - Pump (Attaching Parts)	
14	0641610	4	Bolt 3/8in-13NC x 1 1/4in	
15	4751600	4	Flatwasher 3/8in	
16	4761600	4	Lockwasher 3/8in	
17	3311601	4	Nut 3/8in-16NC	
18	1670395	1	Cover, Pump Drive (Attaching Parts)	
19	3311401	3	Nut 1/4in-20NC	
20	4761400	3	Lockwasher 1/4in	
21	4751400	3	Flatwasher 1/4in	
22	4300031	2	Stud (Welded on Part)	
23	0234648	1	Contactora Box Assembly (Attaching Parts)	
24	0641406	4	Bolt 1/4in-20NC x 3/4in	
25	4761400	4	Lockwasher 1/4in	
26	3311401	4	Nut 1/4in-20NC	
27	4360149	1	Contactora	
28	3740047	1	Relay - SPDT	
29	4460163	2	Connector, Strain Relief	
29	0960776	2	Bushing	
29	3300128	2	Nut, Conduit	
30	4460049	1	Connector, Strain Relief	
30	0960239	1	Bushing	
30	3300047	1	Nut, Conduit	
31	0901374	1	Bracket, Mounting - Contactora Box (Attaching Parts)	
32	3311601	2	Nut 3/8in-16NC	
33	4761600	2	Lockwasher 3/8in	
33	4300034	2	Stud (Welded on Part)	
34	0400047	2	Battery	
35	1060214	2	Cable (Negative to Positive)	
36	1060260	1	Cable (Battery Harness)	
37	1060259	1	Cable (Contactora/Motora Harness)	
38	1060180	1	Cable (Motora to Contactora Box)	

SECTION 1 - ILLUSTRATED PARTS LIST

ITEM	PART NUMBER	QTY	DESCRIPTION	REV
39	1060258	1	Cable (Motor to Case)	

SECTION 1 - ILLUSTRATED PARTS LIST

FIGURE 1-32. GEAR PUMP ASSEMBLY



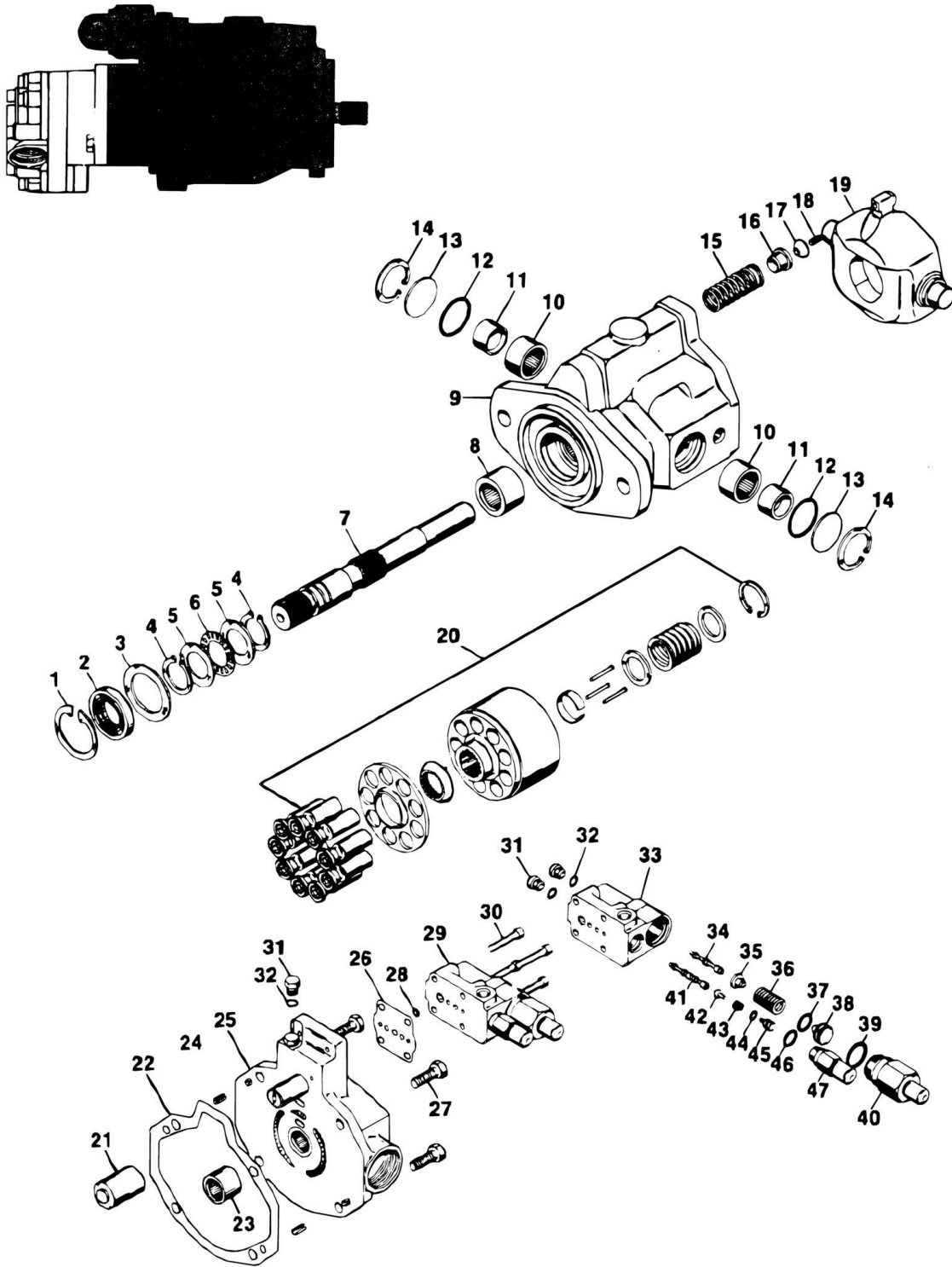
SECTION 1 - ILLUSTRATED PARTS LIST

FIGURE 1-32. GEAR PUMP ASSEMBLY

ITEM	PART NUMBER	QTY	DESCRIPTION	REV
	3600078	Ref	GEAR PUMP ASSEMBLY	
1	7002724	1	Body Assembly, R.H.	
1	7002728	2	Bushing	
2	7002705	8	Nut, Stud	
3	7002706	8	Washer, Lock	
4	Kit	6	Seal, Preload	
5	Kit	6	Seal, Load	
6	Kit	6	Ring, Sealing	
7	Kit	6	Plate, Wear	
8	7002711	4	Pin, Dowell	
8	7002701	2	Pin, Dowell	
9	7002725	1	Gear Shaft, Drive	
10	7002726	1	Gear, Idler	
11	7002700	1	Plate, Gear	
12	7002729	2	Plate, Bearing	
12	7002728	8	Bushing	
13	7002722	1	Gear, Shaft Drive	
14	7002713	2	Plate, Gear	
15	7002721	1	Gear, Drive	
16	7002720	2	Gear, Idler	
17	7002730	1	Cover Assembly	
17	7002728	2	Bushing	
18	Kit	1	Seal, Oil	
18	7002715	3	Caplug	
18	7002716	2	Caplug	
18	Kit	1	O-Ring	
18	7002717	1	Plug	
19	7002723	2	Coupling	
	2900467	1	Kit, Repair (Includes items 4, 5, 6, 7 & 18)	

SECTION 1 - ILLUSTRATED PARTS LIST

FIGURE 1-33. TANDEM PUMP ASSEMBLY (PISTON PUMP SECTION)



SECTION 1 - ILLUSTRATED PARTS LIST

FIGURE 1-33. TANDEM PUMP ASSEMBLY (PISTON PUMP SECTION)

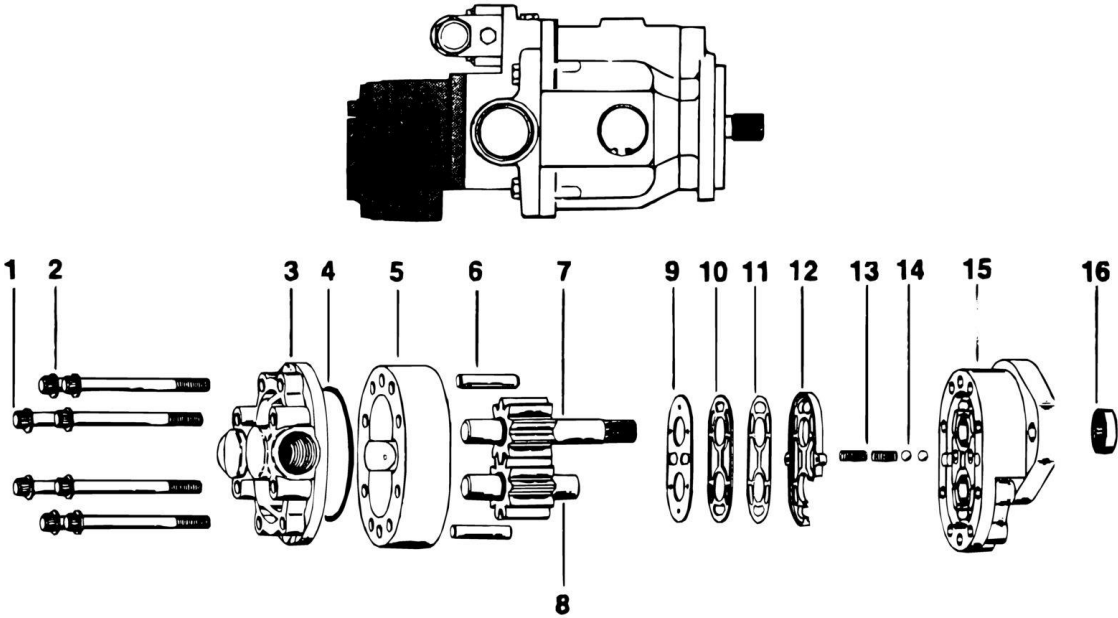
ITEM	PART NUMBER	QTY	DESCRIPTION	REV
	3600126	Ref	TANDEM PUMP ASSEMBLY	
	7007872	1	Piston Pump Section	
1	Kit	1	Ring, Retaining	
2	Kit	1	Seal, Shaft	
3	7004906	1	Washer	
4	Kit	2	Ring, Retaining	
5	7004907	2	Race, Thrust	
6	7004908	1	Bearing, Thrust	
7	7004901	1	Shaft, Drive (Splined)	
8	7004910	1	Bearing	
9	NON-SERVICEABLE	1	Houseing	
10	7004914	2	Bearing	
11	7004911	2	Race, Inner	
12	Kit	2	O-Ring	
13	7004913	2	Cover, Trunion	
14	Kit	2	Ring, Retaining	
15	7004962	1	Spring	
16	7004963	1	Collar, Spring	
17	7004964	1	Button, Pivot	
18	7004965	1	Pin, Roll	
19	7004966	1	Plate, Cam	
20	7004971	1	Rotating Kit Assembly	
21	7004972	1	Piston, Control	
22	Kit	1	Gasket, Housing	
23	7004917	1	Bearing	
24	7004960	2	Pin, Roll	
25	7007856	1	Back Plate Assembly	
26	Kit	1	Gasket, Compensator	
27	7004933	4	Bolt	
28	Kit	1	O-Ring	
29	7007858	1	Compensator Assembly	
30	7004977	4	Bolt	
31	7004942	3	Plug Assembly	
32	Kit	3	O-Ring	
33	NON-SERVICEABLE	1	Body, Compensator	
34	NON-SERVICEABLE	1	Housing	
35	7007859	1	Cap, Spring Pivot	
36	7004981	1	Spring	
37	Kit	1	O-Ring	
38	7007861	1	Follower, Pressure Spring	
39	Kit	1	O-Ring	
40	7007862	1	Cap, Pressure Adjustment	
41	NON-SERVICEABLE	1	Spool, Flow	
42	7007866	1	Pivot, Spring	
43	7007867	1	Spring	
44	Kit	1	O-Ring	

SECTION 1 - ILLUSTRATED PARTS LIST

ITEM	PART NUMBER	QTY	DESCRIPTION	REV
45	7007869	1	Follower, Flow Spring	
46	Kit	1	O-Ring	
47	7007871	1	Cap, Flow Adjustment	
47	2900699	1	Kit, Seal (Includes Items 1, 2, 4, 12, 14, 22, 26, 28, 32, 37, 39, 44 & 46)	

SECTION 1 - ILLUSTRATED PARTS LIST

FIGURE 1-34. TANDEMPUMPASSEMBLY(GEARPUMPSECTION)



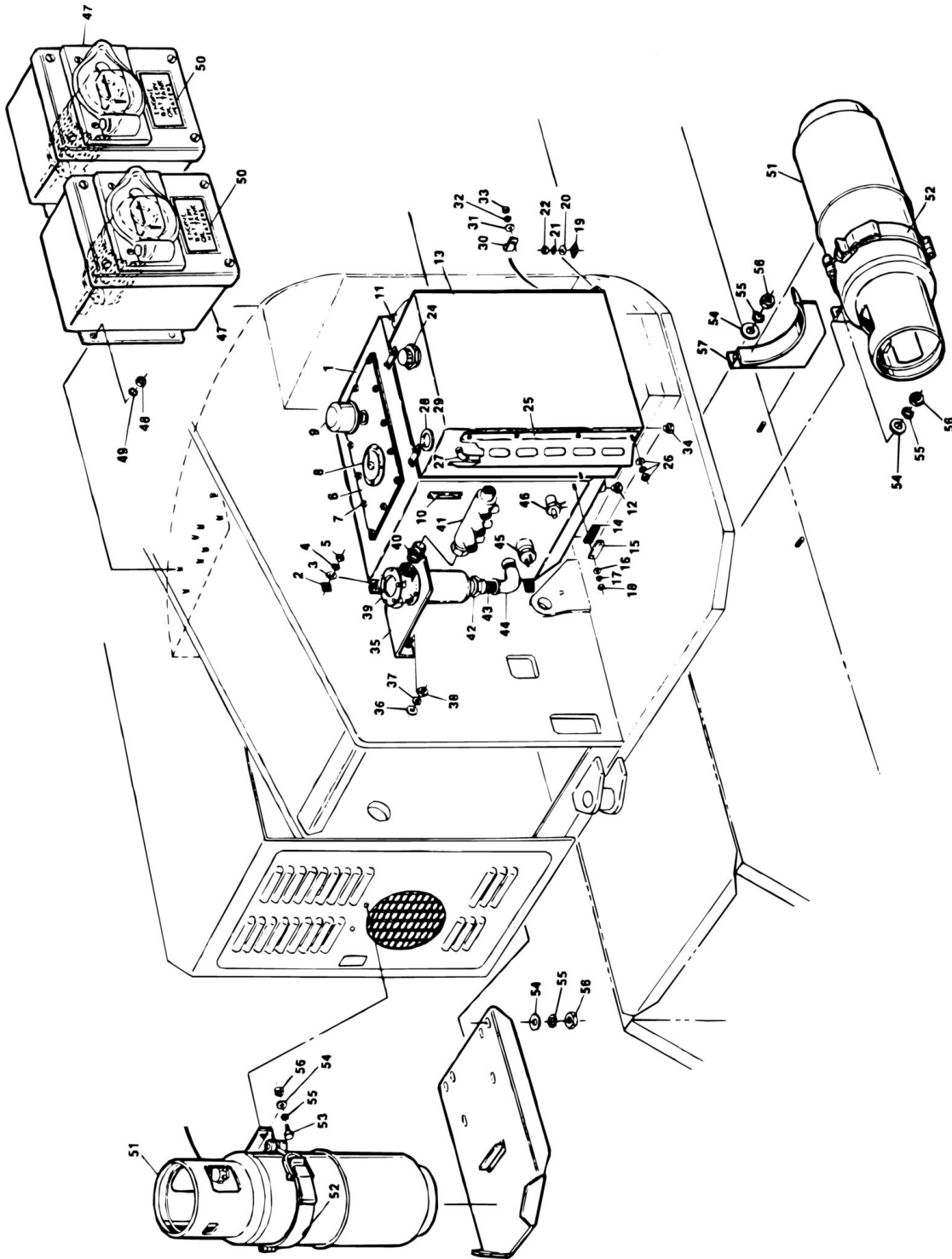
SECTION 1 - ILLUSTRATED PARTS LIST

FIGURE 1-34. TANDEMPUMPASSEMBLY(GEARPUMPSECTION)

ITEM	PART NUMBER	QTY	DESCRIPTION	REV
	3600126	Ref	TANDEM PUMP ASSEMBLY	
	7007873	1	Gear Pump Section	
1	7007840	4	Bolt	
2	7007841	4	Bolt	
3	7004996	1	Back Plate Assembly	
4	Kit	1	O-Ring	
5	7007855	1	Body Assembly (Includes Item 6)	
6		Ref	Pin, Dowel	
7	7007853	1	Drive Gear Assembly	
8	7007854	1	Idler Gear Assembly	
9	Kit	1	Diaphragm	
10	Kit	1	Gasket, Back-Up	
11	Kit	1	Gasket, Protector	
12	Kit	1	Seal, Diapharagm	
13	Kit	2	Spring	
14	Kit	2	Ball, Steel	
15	7007561	1	Front Plate Assembly	
16	Kit	1	Seal Shaft	
16	2900626	1	Kit, Seal and Repair (Includes Items 4, 9, 10, 11, 12, 13, 14 & 16)	

SECTION 1 - ILLUSTRATED PARTS LIST

FIGURE 1-35. TANKS INSTALLATION



SECTION 1 - ILLUSTRATED PARTS LIST

FIGURE 1-35. TANKS INSTALLATION

ITEM	PART NUMBER	QTY	DESCRIPTION	REV
		Ref	TANKS INSTALLATION	
	0236201	Ref	HYDRAULIC OIL AND FUEL TANKS INSTALLATION	E
	0239634	Ref	HYDRAULIC OIL AND FUEL TANKS INSTALLATION	A
1	4400219	1	Hydraulic Oil Tank Assembly (Gas and Diesel)	C
1	4400212	1	Hydraulic Oil Tank Assembly (Electric) (Not Shown) (Attaching Parts)	A
2	4280234	1	Strip, Rubber	
3	4751500	1	Flatwasher 5/16in	
4	4761500	1	Lockwasher 5/16in	
5	3311501	1	Nut 5/16in-18NC	
5	4300038	1	Stud (Welded on Part)	
6	3532219	1	Lid (1 Hole for Filler/Breather)	
6	4841863	1	Lid (2 Holes for Separate Filler and Breather)	
6	1670393	1	Lid (Electric) Attaching Parts	
7	4761400	12	Lockwasher 1/4in-20NC	
7	3311401	12	Nut 1/4in-20NC	
7	3960370	1	Gasket (Use for 3532219 Lid)	
7	3960310	1	Gasket (Use for 481863 Lid)	
7	3960359	1	Gasket (Electric)	
8	1120287	1	Cap (When Equipped)	
8	1120266	1	Cap and Dipstick (Electric Only - Not Shown)	
9	1340021	1	Breather (With Screw Threads)	
9	0100020	AR	Loctite, Pipe Sealant	
9	1340046	1	Breather (With Ears)	
9	1340045	1	Basket, Strainer (Includes Hardware)	
9	4740338	6	Washer, Sealing	
10	2420080	1	Gauge, Oil Level	
11	2200102	1	Plug, Pipe	
11	0100020	AR	Loctite, Pipe Sealant	
11	2120106	1	Filter, Magnetic Screen (Not Shown - Inside Tank)	
12	3520022	1	Plug, Magnetic	
12	0100020	AR	Loctite, Pipe Sealant	
13	4400181	1	Fuel Tank Assembly (With Sight Gauge)	D
13	4400271	1	Fuel Tank Assembly (With Mechanical Gauge) (Attaching Parts)	-
14	4280234	3	Strip, Rubber	
15	3509431	3	Plate, Tank Connector	
16	4751500	6	Flatwasher 5/16in	
17	4761500	6	Lockwasher 5/16in	
18	3311501	6	Nut 5/16in-18NC	
18	4300038	6	Stud (Welded on Part)	
19	4280234	1	Strip, Rubber	
20	4751500	1	Flatwasher 5/16in	
21	4761500	1	Lockwasher 5/16in	
22	3311501	1	Nut 5/16in-18NC	
22	4300038	1	Stud	
24	2420052	1	Gauge, Mechanical Fuel	
25	4060575	1	Shield, Fuel Gauge (Attaching Parts)	
26	4751400	1	Flatwasher 1/4in	
26	4761400	1	Lockwasher 1/4in	
26	3311401	1	Nut 1/4in-20NC	

SECTION 1 - ILLUSTRATED PARTS LIST

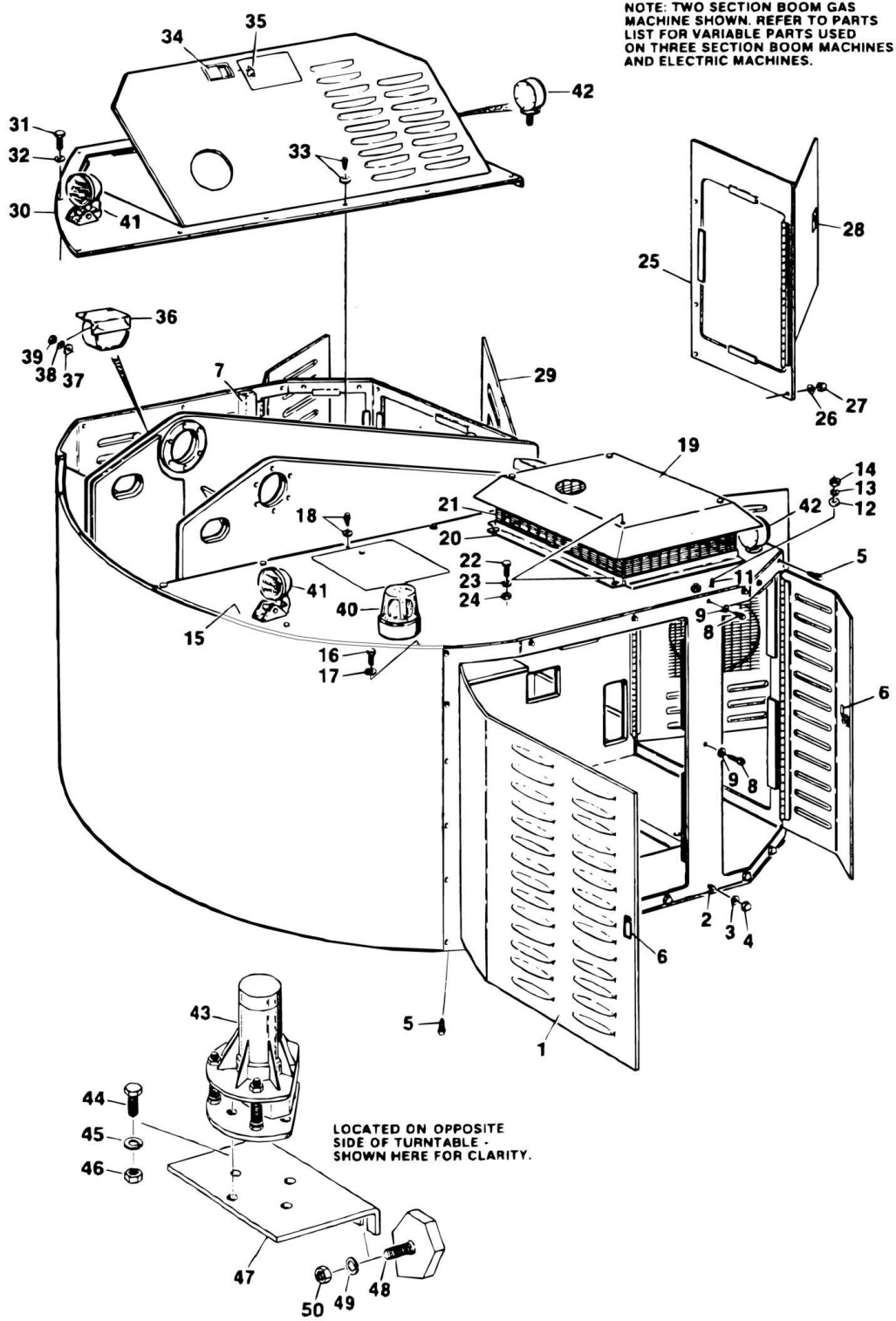
ITEM	PART NUMBER	QTY	DESCRIPTION	REV
27	4562632	1	Tube, Sight Gauge (Attaching Parts)	
27	2180607	2	Fitting	
27	1320022	2	Clamp, Hose	
28	1120314	1	Cap, Fuel	
29	4562535	1	Tube, Fuel Tank Vent (Attaching Parts)	
29	2180607	1	Fitting	
29	1320022	1	Clamp	
30	1320041	1	Clamp, Conduit	
31	4751400	1	Flatwasher 1/4in	
32	4761400	1	Lockwasher 1/4in	
33	3311401	1	Nut 1/4in-20NC	
34	2200204	1	Plug, Magnetic	
35	0901141	1	Bracket, Oil Filter (Attaching Parts)	
36	4751600	2	Flatwasher 3/8in	
37	4761600	2	Lockwasher 3/8in	
38	3311601	2	Nut 3/8in-16NC	
38	4300034	2	Stud (Welded on Part)	
39	2120103	1	Filter (Return) (Attaching Parts)	
39	06441608	4	Bolt 3/8in-16NC x 1in	
39	4761600	4	Lockwasher 3/8in	
39	3311601	4	Nut 3/8in-16NC	
	2120107	1	Element	
40	2220765	1	Fitting	
41	3100045	1	Manifold	
42	2180619	1	Fitting	
43	2180101	1	Nipple	
44	2200448	1	Fitting, Elbow	
44	0100020	AR	Loctite, Pipe Sealant	
	0250657	Ref	HEATERS INSTALLATIONS (OPTIONAL)	-
	4420026	1	Tape, Head - Manifold (Not Shown)	
45	2580018	1	Heater, Immersion (Hydraulic Tank)	
46	1600043	1	Controller, Thermostat (Hydraulic Tank)	
46	0100020	AR	Sealant	
47	0231756	2	Junction Box Assembly (Attaching Parts)	
48	3311401	4	Nut 1/4in-20NC	
49	4761400	4	Lockwasher 1/4in	
49	4300031	4	Stud (Welded on Part)	
	1670199	1	Cover	
	4460049	3	Connector, Strain Relief	
50	3251271	1	Nameplate - Engine, Battery, Manifold Heaters	
50	3251272	1	Nameplate - Hydraulic Tank Heaters	
	0236410	Ref	LP TANKS INSTALLATION - STANDARD MOUNTING	H
	0238916	Ref	LP TANKS INSTALLATION - OPTIONAL MOUNTING	-
51	4400275	2	Tank, LP (43.5 Lb Liquid Withdrawal)	
51	4400038	2	Tank, LP (43.5 Lb Vapor Withdrawal)	
51	4400040	2	Tank, LP (33.5 Lb) (Attaching Parts)	
52	1320023	1 set	Clamp (Set of 2 - 1 for Each Tank)	
53	1320023	2	Bolt 3/8in-16NC x 1 1/4in (T/T Tank)	
54	4751600	6	Flatwasher 3/8in	
55	4761600	6	Lockwasher 3/8in	
56	3311601	6	Nut 3/8in-16NC	

SECTION 1 - ILLUSTRATED PARTS LIST

ITEM	PART NUMBER	QTY	DESCRIPTION	REV
56	4300034	4	Stud (Welded on Part) (Frame Tank)	
57	0900935	1	Bracket (Frame Mounting Only)	

SECTION 1 - ILLUSTRATED PARTS LIST

FIGURE 1-36. HOODS INSTALLATION



SECTION 1 - ILLUSTRATED PARTS LIST

FIGURE 1-36. HOODS INSTALLATION

ITEM	PART NUMBER	QTY	DESCRIPTION	REV
	0236289	Ref	HOODS INSTALLATION (2 SECTION BOOM WITH GAS ENGINE)	F
	0236380	Ref	HOODS INSTALLATION (2 SECTION BOOM WITH DIESEL ENGINE)	G
	0237583	Ref	HOODS INSTALLATION (2 SECTION BOOM WITH ELECTRIC MOTOR)	D
	0237110	Ref	HOODS INSTALLATION (3 SECTION BOOM WITH GAS ENGINE)	B
	0237111	Ref	HOODS INSTALLATION (3 SECTION BOOM WITH DIESEL ENGINE)	A
1	4841948	1	Hood Panel - Engine Side (Gas)	
1	4841980	1	Hood Panel - Engine Side (Diesel)	
1	2680352	1	Hood Panel - Motor Side (Electric - Not Shown) (Attaching Parts)	
2	4300031	10	Stud (Welded on Part)	
3	4761400	10	Lockwasher 1/4in	
4	3300151	10	Nut, Acorn 1/4in-20NC	
5	3900022	12	Screw, Self-Tapping 1/4in x 7/8in	
5	4751400	12	Flatwasher 1/4in	
6	2940042	3	Latch (Mounting Hardware Included)	
7	1270992	2	Channel, Support (Attaching Parts)	
8	3900022	2	Screw, Self-Tapping 1/4in x 7/8in	
9	4751400	2	Flatwasher 1/4in	
11	4300031	4	Stud (Welded on Part)	
12	4751400	4	Flatwasher 1/4in	
13	4761400	4	Lockwasher 1/4in	
14	3311401	4	Nut 1/4in-20NC	
15	2680390	1	Hood Panel - Engine Side (Top) (Gas)	
15	2680320	1	Hood Panel - Engine Side (Top) (Diesel)	
15	2680359	1	Hood Panel - Motor Side (Top Counterweight Cover) (Electric - Not Shown)	
15	2680349	1	Hood Panel - Motor Side (Top Cover Over Motor) (Electric - Not Shown) (Attaching Parts)	
16	3941404	4	Screw, Hex 1/4in - 20NC x 1/2in	
17	4751400	4	Flatwasher 1/4in	
18	3900022	4	Screw, Self-Tapping 1/4inx7/8in	
18	4751400	4	Flatwasher 1/4in	
19	1670283	1	Cover, Hood Vent	
20	4841844	1	Mount, Hood Vent (Attaching Parts)	
21	0901128	4	Bracket, Hood Vent	
22	0641406	8	Bolt 1/4in-20NC x 3/4in	
23	4761400	8	Lockwasher 1/4in	
24	3311401	8	Nut 1/4in-20NC	
25	4841920	1	Hood Panel - Center (2 Section Boom)	
25	4842338	1	Hood Panel - Center (3 Section Boom) (Attaching Parts)	
25	4300032	6	Stud (Welded On Part) (Not Shown)	
26	4761400	6	Lockwasher 1/4in	
27	3300151	6	Nut, Acorn 1/4in-20NC	
27	4070410	AR	Shim 1/16in (Not Shown)	
27	4070411	AR	Shim 1/8in (Not Shown)	
27	4070412	AR	Shim 3/16in (Not Shown)	
28	2940044	1	Latch (Hardware Included)	
29	4841947	1	Hood Panel - Valve Side (2 Section Boom)	
29	4842340	1	Hood Panel - Valve Side (3 Section Boom)	

SECTION 1 - ILLUSTRATED PARTS LIST

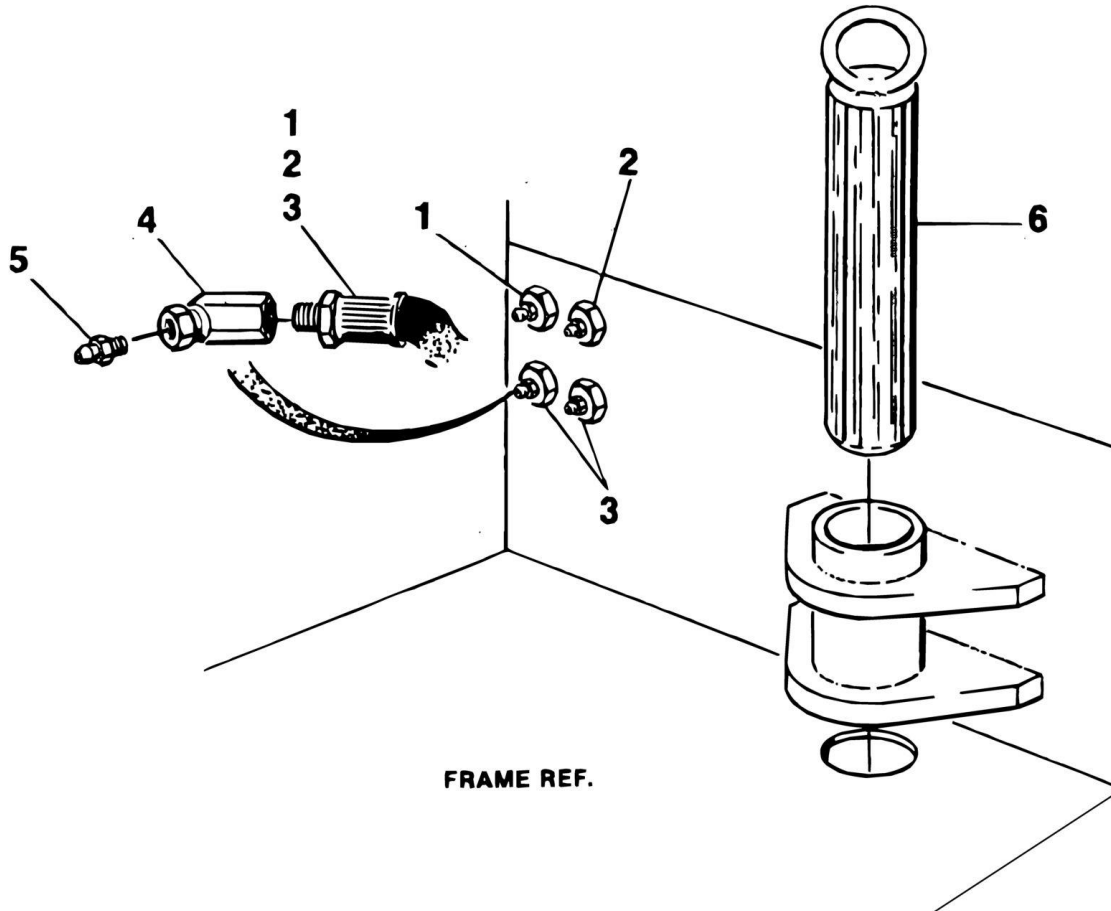
ITEM	PART NUMBER	QTY	DESCRIPTION	REV
29	2680362	1	Hood Panel - Valve Side (Electric - Not Shown) (Attaching Parts)	
29	4300068	10	Stud (Welded on Part)	
29	4751400	22	Flatwasher 1/4in	
29	4761400	10	Lockwasher 1/4in	
29	3300151	10	Nut, Acorn	
29	4070410	AR	Shim 1/16in	
29	4070411	AR	Shim 1/8in	
29	4070412	AR	Shim 3/16in	
29	3900022	12	Screw, Self-Tapping	
	2940042	2	Latch (Hardware Included) (Not Shown)	
30	4841930	1	Hood Panel - Valve Side (Top) (2 Section Boom)	
30	4842339	1	Hood Panel - Valve Side (Top) (3 Section Boom)	
30	2680359	1	Hood Panel - Valve Side (Top Counterweight Cover) (Electric - Not Shown)	
30	2680350	1	Hood Panel - Valve Side (Top Cover Over Valves) (Electric - Not Shown) (Attaching Parts)	
31	3941404	4	Screw, Hex 1/4in-20NC x 1/2in	
32	4751400	4	Flatwasher 1/4in	
33	3900022	4	Screw, Self-Tapping 1/4in x 7/8in	
33	4751400	4	Flatwasher 1/4in	
34	2940045	1	Latch (Hardware Included)	
35	2940050	1	Latch (3 Section Boom Only)	
35	3820012	2	Rivet	
	0237726	Ref	TRAVEL ALARM INSTALLATION	-
	0239055	Ref	MOTION ALARM INSTALLATION	-
36	0140024	1	Alarm (Weatherproof - Use in Place of Alarm Requiring Cover) (Attaching Parts)	
36	4300031	2	Stud (Welded on Part)	
37	4751400	2	Flatwasher 1/4in	
38	4761400	2	Lockwasher 1/4in	
39	3311401	2	Nut 1/4in-20NC	
	0236550	Ref	ROTATING BEACON LIGHT INSTALLATION (AMBER) (WITH AMMETER)	A
	0236551	Ref	ROTATING BEACON LIGHT INSTALLATION (RED) (WITH AMMETER)	A
	0239189	Ref	ROTATING BEACON LIGHT INSTALLATION (AMBER) (WITH VOLTMETER)	-
	0239190	Ref	ROTATING BEACON LIGHT INSTALLATION (RED) (WITH VOLTMETER)	-
40	2920018	1	Beacon, Rotating (Amber)	
40	2920009	1	Beacon, Rotating (Red)	
	0236606	Ref	HEADLIGHTS AND TAILLIGHTS INSTALLATIONS	B
41	2920001	2	Headlight	
42	2920019	2	Taillight	
42	3740002	1	Solenoid (Not Shown)	
42	4360070	1	Breaker, Circuit (Not Shown)	
	0235631	Ref	TILT INDICATOR INSTALLATION	-
43	4360171	1	Sensor, Level Indicator (Attaching Parts)	
44	0641406	4	Bolt 1/4in-20NC x 3/4in	
45	4761400	4	Lockwasher 1/4in	
46	3311401	4	Nut 1/4in-20NC	
47	3508393	1	Plate, Mounting (Attaching Parts)	
48	4300032	2	Stud (Weldment Part)	

SECTION 1 - ILLUSTRATED PARTS LIST

ITEM	PART NUMBER	QTY	DESCRIPTION	REV
49	4761400	2	Lockwasher 1/4in	
50	3311401	2	Nut 1/4in-20NC	

SECTION 1 - ILLUSTRATED PARTS LIST

FIGURE 1-37. REMOTE LUBRICATION AND TURNTABLE LOKING PIN INSTALLATION



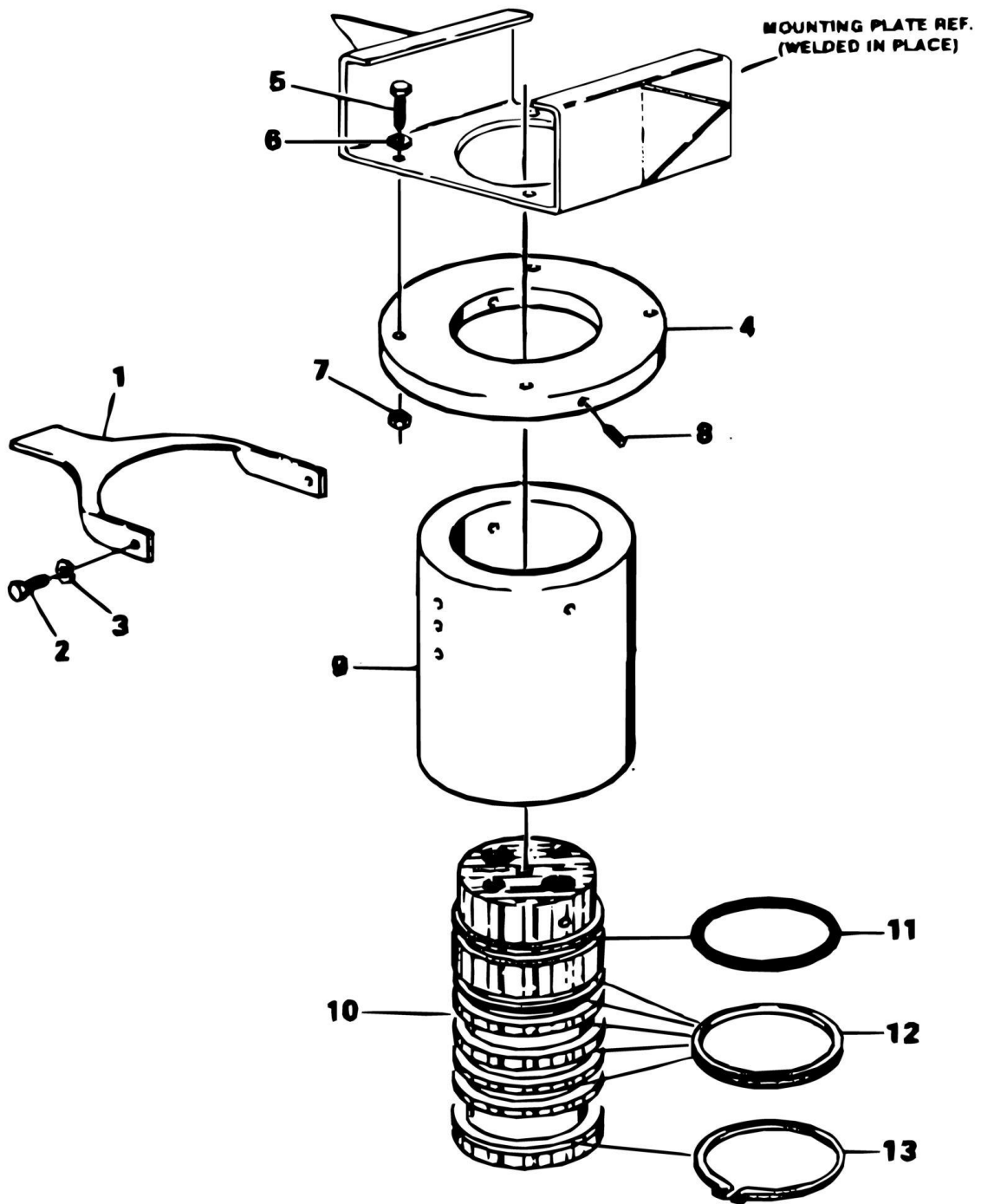
SECTION 1 - ILLUSTRATED PARTS LIST

FIGURE 1-37. REMOTE LUBRICATION AND TURNTABLE LOKING PIN INSTALLATION

ITEM	PART NUMBER	QTY	DESCRIPTION	REV
		Ref	REMOTE LUBRICATION AND TURNTABLE LOCKING PIN INSTALLATION	
	0236214	Ref	LIFT CYLINDER, BEARING AND MASTER CYLINDER LUBE	D
1	2751032	1	Hose	
1	2220063	1	Fitting (Not Shown)	
2	2750807	1	Hose	
3	2751095	2	Hose	
4	2220124	4	Fitting	
5	2160002	4	Fitting, Grease	
	0237195	Ref	LOCK PIN INSTALLATION - TURNTABLE	-
6	3421086	1	Pin (Fall 1985 to Present)	
6	4841973	1	Pin (1983 to Fall 1985)	

SECTION 1 - ILLUSTRATED PARTS LIST

FIGURE 1-38. ROTARY OIL COUPLING INSTALLATION



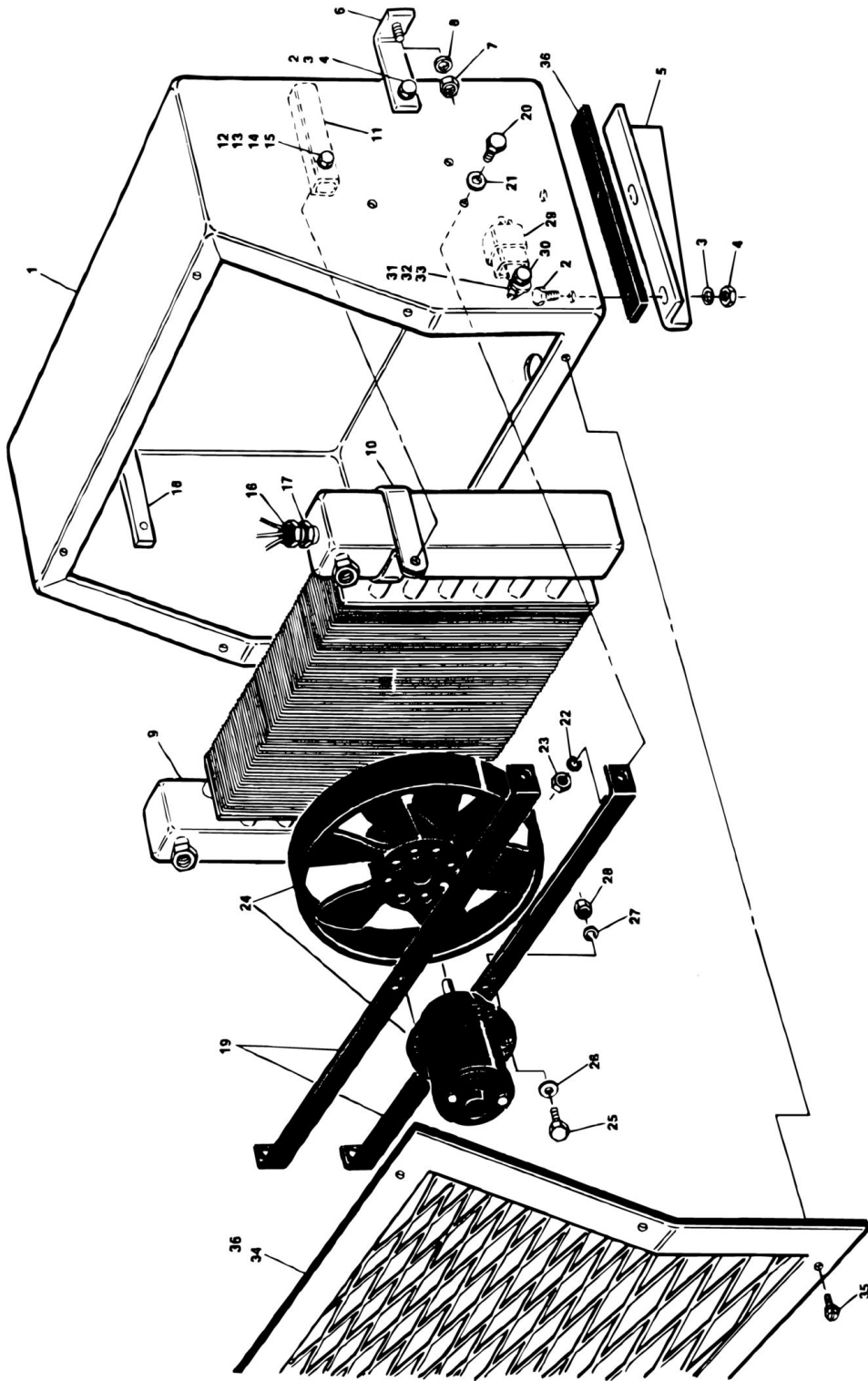
SECTION 1 - ILLUSTRATED PARTS LIST

FIGURE 1-38. ROTARY OIL COUPLING INSTALLATION

ITEM	PART NUMBER	QTY	DESCRIPTION	REV
	0236349	Ref	ROTARY OIL COUPLING INSTALLATION (SINGLE SPEED - RACINE VALVES)	E
	0234479	Ref	ROTARY OIL COUPLING INSTALLATION (TWO SPEED - RACINE VALVES)	T
	0238033	Ref	ROTARY OIL COUPLING INSTALLATION (VICKERS VALVES)	-
1	3500403	1	Plate, Retaining (Attaching Parts)	
2	0641807	2	Bolt 1/2in-13NC x 7/8in	
3	4761800	2	Lockwasher 1/2in	
3	0100003	AR	Sealant	
4	1440026	1	Collar (Attaching Parts)	
5	0641512	4	Bolt 5/16in-18NC x 1 1/2in	
6	4761500	4	Lockwasher 5/16in	
7	3311501	4	Nut 5/16in-18NC	
	1660154	1	Coupling, Rotary (Racine Valves)	
	1660160	1	Coupling, Rotary (Vickers Valves) (Attaching Parts)	
8	3951820	2	Setscrew 1/2in-13NC x 2 1/2in	
8	0100011	AR	Nylock	
9	2760025	1	Housing, Swivel (5 Port)	
9	2760091	1	Housing, Swivel (6 Port)	
10	0620055	1	Body, Swivel (5 Port)	
10	0620058	1	Body, Swivel (6 Port)	
11	Kit	1	O-Ring	
12	Kit	7	Seal	
13	3760004	1	Ring, Retaining	
13	2901146	1	Seal Kit (Includes Items 11 & 12)	

SECTION 1 - ILLUSTRATED PARTS LIST

FIGURE 1-39. ROTARY OIL COUPLING INSTALLATION



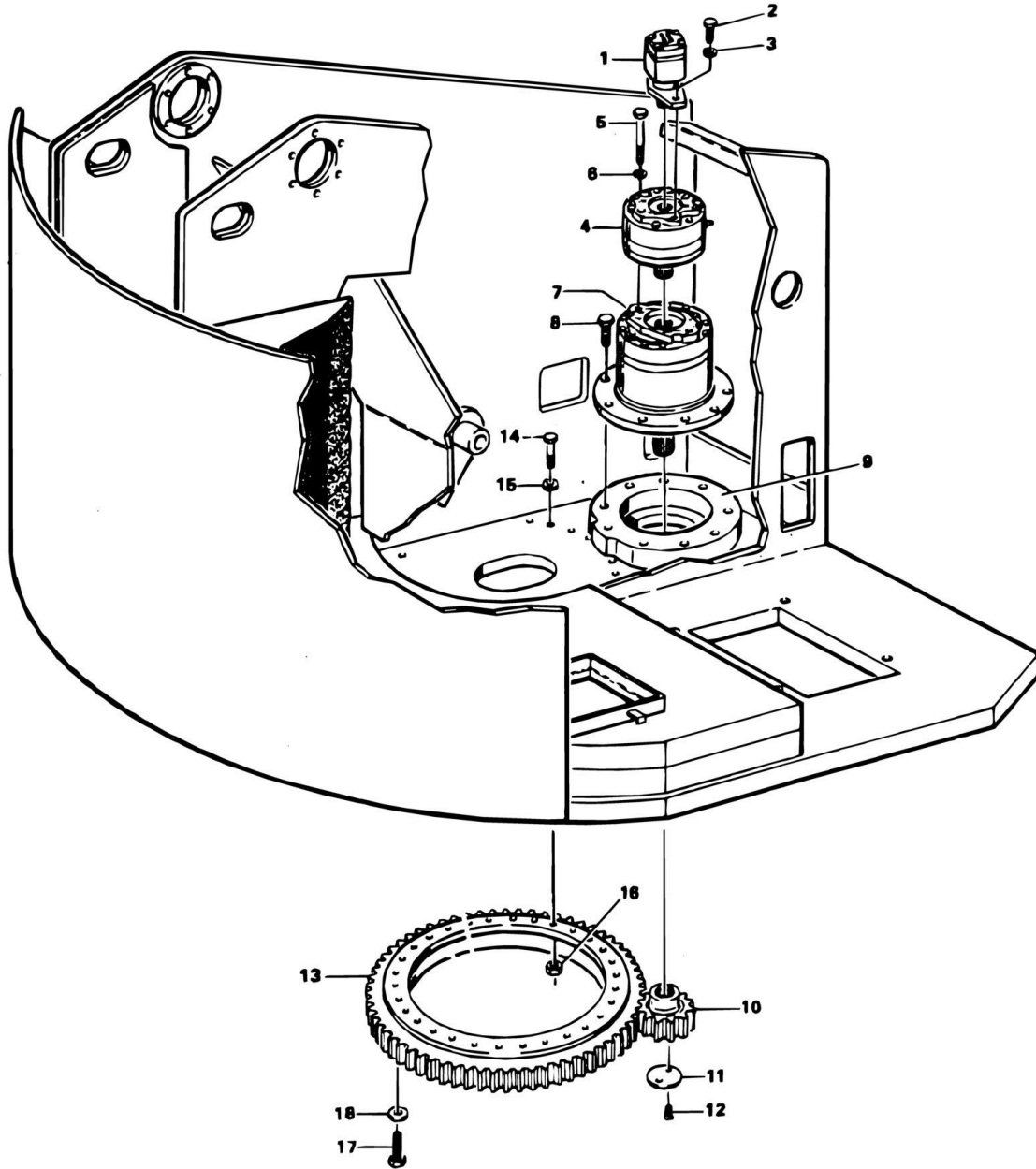
SECTION 1 - ILLUSTRATED PARTS LIST

FIGURE 1-39. ROTARY OIL COUPLING INSTALLATION

ITEM	PART NUMBER	QTY	DESCRIPTION	REV
	0236589	Ref	OIL COOLER INSTALLATION	A
1	0860365	1	Box (Attaching Parts)	
2	0641607	6	Bolt 3/8in-16NC x 7/8in	
3	4761600	6	Lockwasher 3/8in	
4	3311601	6	Nut 3/8in-16NC	
5	3530062	2	Bracket, Support - Box (Bottom) (Welded on Part)	
6	0361156	2	Bar, Support - Box (Side) (Attaching Parts)	
7	3311601	1	Nut 3/8in-16NC	
8	4761600	1	Lockwasher 3/8in	
8	4300034	1	Stud (Welded on Part)	
9	3620016	1	Radiator (Attching Parts)	
10	1320060	4	Clamp	
11	4561947	2	Tube	
12	0641412	4	Bolt 1/4in-20NC x 1 1/2in	
13	4751400	4	Flatwasher 1/4in	
14	4761400	4	Lockwasher 1/4in	
15	3311401	4	Nut 1/4in-20NC	
16	4360181	1	Switch, Temperature	
17	2220282	1	Fitting, Reducer	
17	0100020	AR	Sealant	
18	0360819	2	Bar	
19	0901123	2	Bracket, Support - Fan Motor (Attaching Parts)	
20	0641708	2	Bolt 5/16in-18NC x 1in	
21	4751700	2	Flatwasher 5/16in	
22	4761700	2	Lockwasher 5/16in	
23	3311701	2	Nut 5/16in-18NC	
24	2060012	1	Motor With Fan (Attaching Parts)	
25	0641008	4	Bolt #10-24NC x 1in	
26	4751000	4	Flatwasher #10	
27	4761000	4	Lockwasher #10	
28	3311001	4	Nut #10-24NC	
29	3740049	1	Relay (Attaching Parts)	
30	0641008	1	Bolt #10-24NC x 1in	
31	4751000	1	Flatwasher #10	
32	4761000	1	Lockwasher #10	
33	3311001	1	Nut #10-24NC	
34	2520071	1	Grill (Attaching Parts)	
35	3941403	6	Screw, Self-Tapping 1/4in x 3/8in	
36	4280059	40 in	Strip, Rubber	
36	0100001	AR	Adhesive	

SECTION 1 - ILLUSTRATED PARTS LIST

FIGURE 1-40. SWING DRIVE AND SWING BEARING INSTALLATIONS



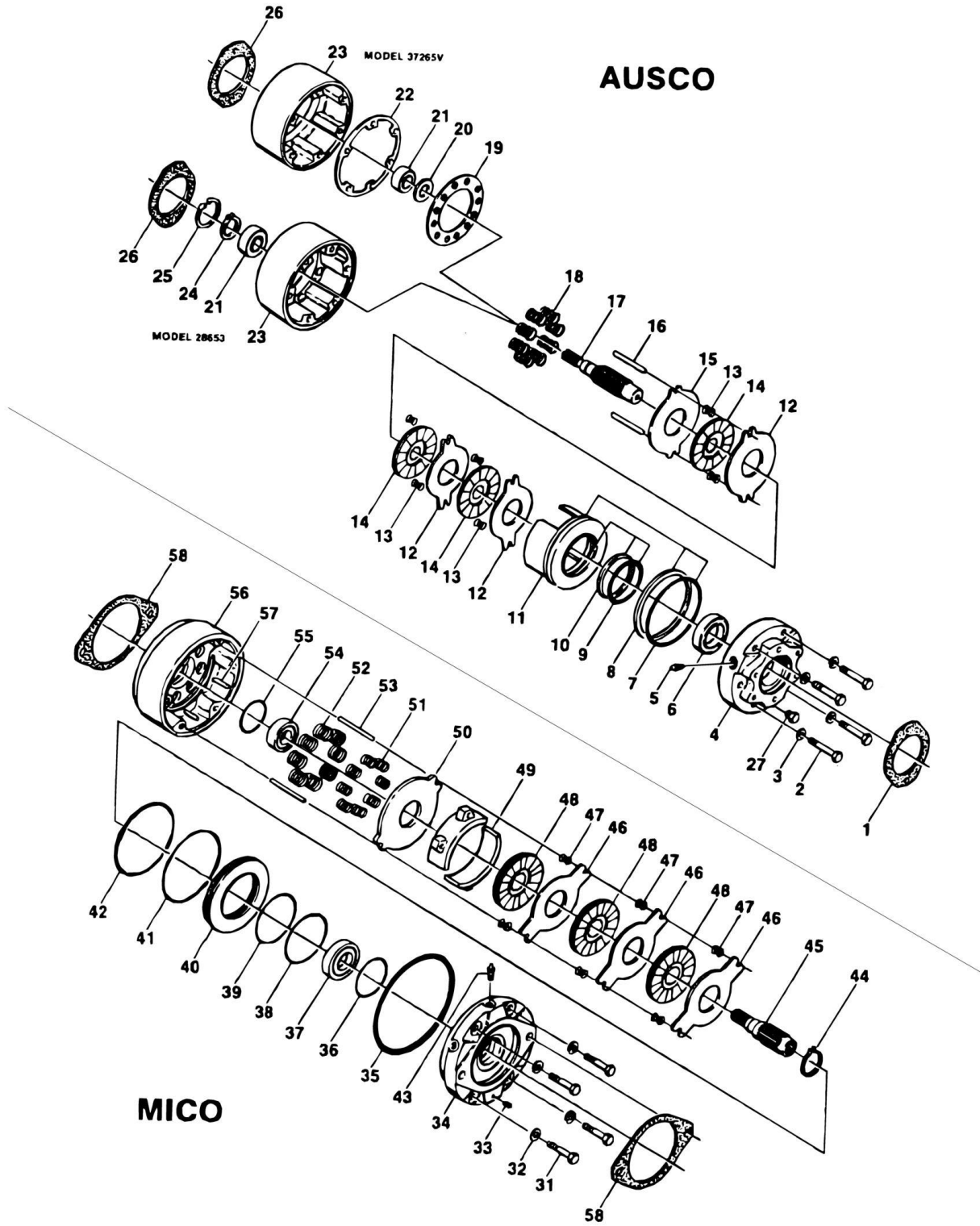
SECTION 1 - ILLUSTRATED PARTS LIST

FIGURE 1-40. SWING DRIVE AND SWING BEARING INSTALLATIONS

ITEM	PART NUMBER	QTY	DESCRIPTION	REV
		Ref	SWING DRIVE AND SWING BEARING INSTALLATIONS	
	0236266	Ref	SWING DRIVE ASSEMBLY	D
1	3160094	1	Motor, Swing (See SWING BRAKE ASSEMBLY for Breakdown) (Attaching Parts)	
2	0641810	2	Bolt 1/2in-13NC x 1 1/4in	
3	4761800	2	Lockwasher 1/2in	
4	0920032	1	Swing Brake Assembly (See SWING BRAKE ASSEMBLY for Breakdown) (Attaching Parts)	
5	3931872	2	Bolt, Socket Head 1/2in-13NC x 4 1/2in	
6	4740189	2	Washer, Special	
6	4070142	AR	Shim - 1/8in	
6	4070143	AR	Shim - 1/16in	
6	0100009	AR	Sealant	
7	2780055	1	Swing Hub Assembly (See SWING HUB ASSEMBLY for Breakdown) (Attaching Parts)	
8	0641912	9	Bolt 9/16in-12NC x 1 1/2in	
8	0100019	AR	Loctite	
9	3200197	1	Plate, Drive Hub Mounting (Welded-On Part)	
10	2440022	1	Gear, Pinion (Attaching Parts)	
11	3501916	1	Plate, Retaining	
12	3900031	2	Screw, Flathead 3/8in-16NC x 3/4in	
12	0100003	AR	Loctite	
	0236145	Ref	TURNTABLE BEARING INSTALLATION	E
13	0440067	1	Turntable Bearing (Attaching Parts)	
14	0630139	23	Bolt 5/8in-11NC x 3in (Grade 8)	
15	4740004	19	Washer, Hardened	
15	4740048	4	Washer, Special	
16	3300183	23	Nut, 5/8in-11NC (Grade 8)	
16	0100019	AR	Loctite	
17	0630160	23	Bolt 1/2in-13NC x 2in (Grade 8)	
18	4740003	19	Washer, Hardened	
18	4740144	4	Washer, Special	
18	0100004	AR	Devcon	
18	0100019	AR	Loctite	

SECTION 1 - ILLUSTRATED PARTS LIST

FIGURE 1-41. SWING BRAKE ASSEMBLY



SECTION 1 - ILLUSTRATED PARTS LIST

FIGURE 1-41. SWING BRAKE ASSEMBLY

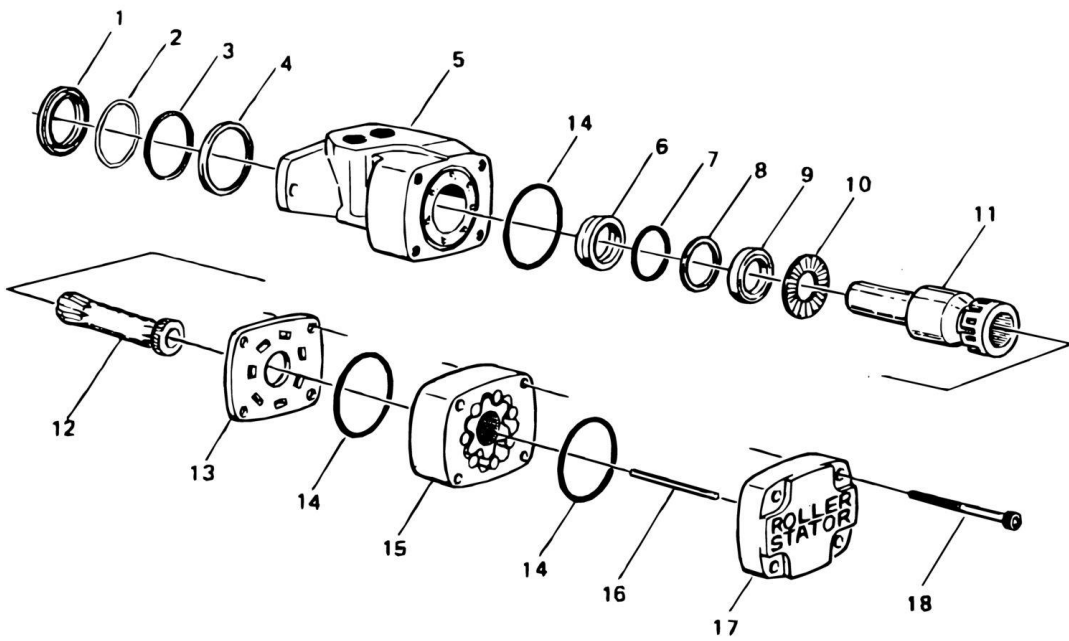
ITEM	PART NUMBER	QTY	DESCRIPTION	REV
	0920032	Ref	SWING BRAKE ASSEMBLY - AUSCO (MODEL 28653)	-
	0920032	Ref	SWING BRAKE ASSEMBLY - AUSCO (MODEL 37265V)	C
	Note	Ref	Note: Refer to Model Number stamped on the front of the Housing Item 23	
1	Kit	1	Gasket	
2	7000730	4	Bolt (Model 28653)	
2	7003007	4	Bolt, Flanged (Model 37365V)	
3	7000729	4	Lockwasher (Model 2853 Only)	
4	7003012	1	Plate, Power (Model 28653)	
4	7003091	1	Plate, Power (Model 37265V)	
5	7000796	1	Bleeder	
6	7000760	1	Bearing, Ball (Model 37265V Only)	
7	Kit	1	O-Ring	
8	Kit	1	Ring, Back-up	
9	Kit	1	O-Ring	
10	Kit	1	Ring, Back-up	
11	7000721	1	Piston (Model 28653)	
11	7003057	1	Piston (Model 37265V)	
12	7000720	3	Disc, Stationary (Model 28653)	
12	7003056	3	Disc, Stationary (Model 37265V)	
13	7003006	6	Spring, Compression	
14	7000732	3	Disc, Rotating (Model 28653)	
14	7003055	3	Disc, Rotating (Model 37265V)	
15	7000718	1	Disc, Primary (Model 28653)	
15	7003054	1	Disc, Primary (Model 37265V)	
16	7000717	2	Pin, Torque	
17	7003013	1	Shaft, Splined (Model 28653)	
17	7003053	1	Shaft, Splined (Model 37265V)	
18	7000798	8	Spring, Compression (Model 37265)	
18	7003052	8	Spring, Compression (Model 37265V)	
19	7003051	1	Retainer, Spring (Model 37265V Only)	
20	Kit	1	Seal, Oil	
21	7000713	1	Bearing, Ball (Model 28653)	
21	7003049	1	Bearing, Ball (Model 37265V)	
22	Kit	1	Gasket (Model 37265V Only)	
23	7000714	1	Housing (Model 28653)	
23	7003090	1	Housing (Model 37265V)	
24	7000712	1	Ring, Retaining (Model 28653 Only)	
25	7000711	1	Ring, Retaining (Model 28653 Only)	
26	Kit	1	Gasket	
27	7003059	1	Valve, Pressure Relief (Model 37265V Only)	
	2900131	1	Seal Kit (Includes Items 1, 7, 8, 9, 10, 20, 22 & 26)	
	0920032	Ref	SWING BRAKE ASSEMBLY - MICO	B
31	7007913	4	Capscrew	
32	7007912	4	Lockwasher	
33	7007924	1	Plug	
34	7007928	1	Cover	
35	Kit	1	Ring, Square	
36	Kit	1	O-Ring	
37	Kit	1	Bearing	

SECTION 1 - ILLUSTRATED PARTS LIST

ITEM	PART NUMBER	QTY	DESCRIPTION	REV
38	Kit	1	O-Ring	
39	Kit	1	Ring, Back-up	
40	7007923	1	Piston	
41	Kit	1	O-Ring	
42	Kit	1	Ring, Back-up	
43	7007914	1	Bleeder	
44	Kit	1	Ring, Retaining	
45	7007926	1	Shaft	
46	7007908	3	Disc	
47	7007916	6	Spring	
48	7007909	3	Disc, Friction	
49	7007902	2	Separator	
50	7007907	1	Disc	
51	7007906	8	Spring	
52	7007905	8	Spring	
53	7007915	2	Pin, Dowel	
54	Kit	1	Bearing	
55	Kit	1	O-Ring	
56	7007930	1	Housing	
57	7007901	4	Pin, Spiral	
58	7007933	1	Gasket	
58	7007934	1	Gasket	
	2900642	1	Seal Kit (Includes Items 35, 36, 38, 39, 41, 42, 55 & 58 Gaskets)	
	7007927	1	Bearing Kit (Includes Items 36, 37, 44, 54, 55 & 58 Gaskets)	

SECTION 1 - ILLUSTRATED PARTS LIST

FIGURE 1-42. SWING BRAKE ASSEMBLY



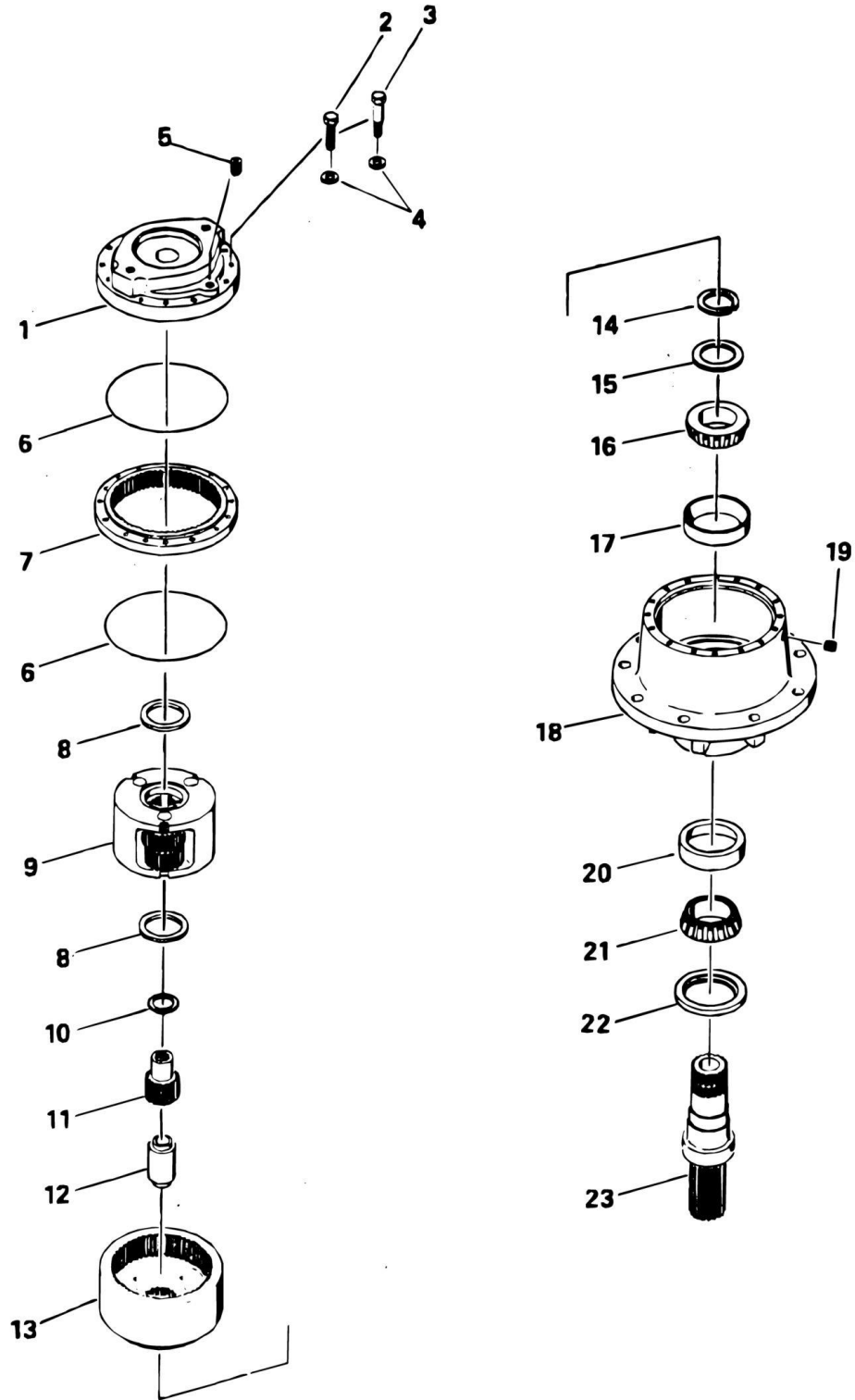
SECTION 1 - ILLUSTRATED PARTS LIST

FIGURE 1-42. SWING BRAKE ASSEMBLY

ITEM	PART NUMBER	QTY	DESCRIPTION	REV
	3160094	Ref	SWING MOTOR ASSEMBLY	C
1	Kit	1	Seal, Dust	
2	Kit	1	Ring, Wire	
3	Kit	1	Shim	
4	Kit	1	Seal	
5	7005818	1	Housing	
6	Kit	1	Carrier, Seal	
7	Kit	1	Shim	
8	Kit	1	Back-up, Leather	
9	Kit	1	Seal, Shaft	
10	7005809	1	Bearing, Thrust	
11	7005810	1	Shaft	
12	7005811	1	Link, Drive	
13	7005812	1	Plate, Wear	
14	Kit	3	Seal	
15	7005823	1	Stator, Roller	
16	7005820	1	Pin, Dowel	
17	7005816	1	Cover, End	
18	7005821	4	Bolt	
	2900477	1	Seal Kit (Consists of Items 1, 2, 3, 4, 6, 7, 8, 9 & 14)	

SECTION 1 - ILLUSTRATED PARTS LIST

FIGURE 1-43. SWING HUB ASSEMBLY



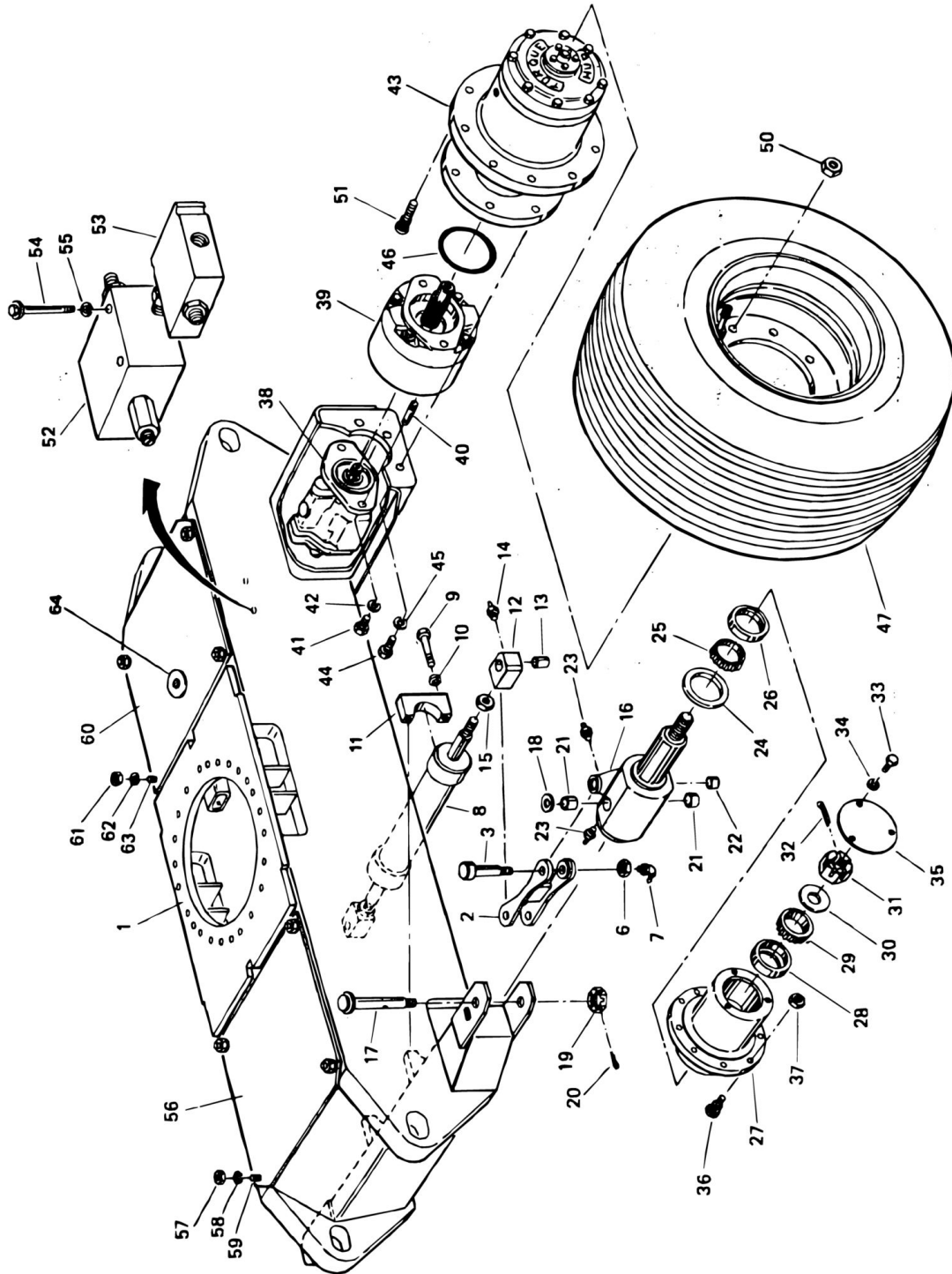
SECTION 1 - ILLUSTRATED PARTS LIST

FIGURE 1-43. SWING HUB ASSEMBLY

ITEM	PART NUMBER	QTY	DESCRIPTION	REV
	2780055	Ref	SWING HUB ASSEMBLY	-
1	7000209	1	Cover (Attaching Parts)	
2	7000217	8	Bolt, Hex Head	
3	7000214	4	Bolt, Hex Head, Shoulder	
4	4751500	12	Flatwasher	
5	7000242	1	Plug, Pipe	
6	Kit	2	O-Ring	
7	7000208	1	Gear, Ring	
8	7000253	2	Washer, Thrust	
9	7000207	1	Planet Carrier Assembly (No Service Breakdown Parts Purchase Entire Assembly)	
10	7000270	1	Washer, Thrust	
11	7000268	1	Gear, Sun-Input	
12	7000269	1	Spacer, Sun Gear	
13	7000246	1	Gear, Internal	
	7000271	Ref	HUB ASSEMBLY	
14	Kit	1	Ring, Retaining	
15	Kit	1	Spacer	
16	7000258	1	Bearing, Tapered Roller	
17	7000257	1	Cup, Bearing	
18	7000210	1	Hub	
19	7000242	1	Plug, Pipe	
20	7000255	1	Cup, Bearing	
21	7000256	1	Bearing, Tapered Roller	
22	Kit	1	Seal	
23	7000233	1	Shaft, Output	
	2900034	1	Kit, Repair (Includes Items 6, 14, 15 & 22).	

SECTION 1 - ILLUSTRATED PARTS LIST

FIGURE 1-44. FRAME, STEERING AND DRIVE COMPONENTS INSTALLATION (DOUBLE ACTING STEER CYLINDER)



SECTION 1 - ILLUSTRATED PARTS LIST

FIGURE 1-44. FRAME, STEERING AND DRIVE COMPONENTS INSTALLATION (DOUBLE ACTING STEER CYLINDER)

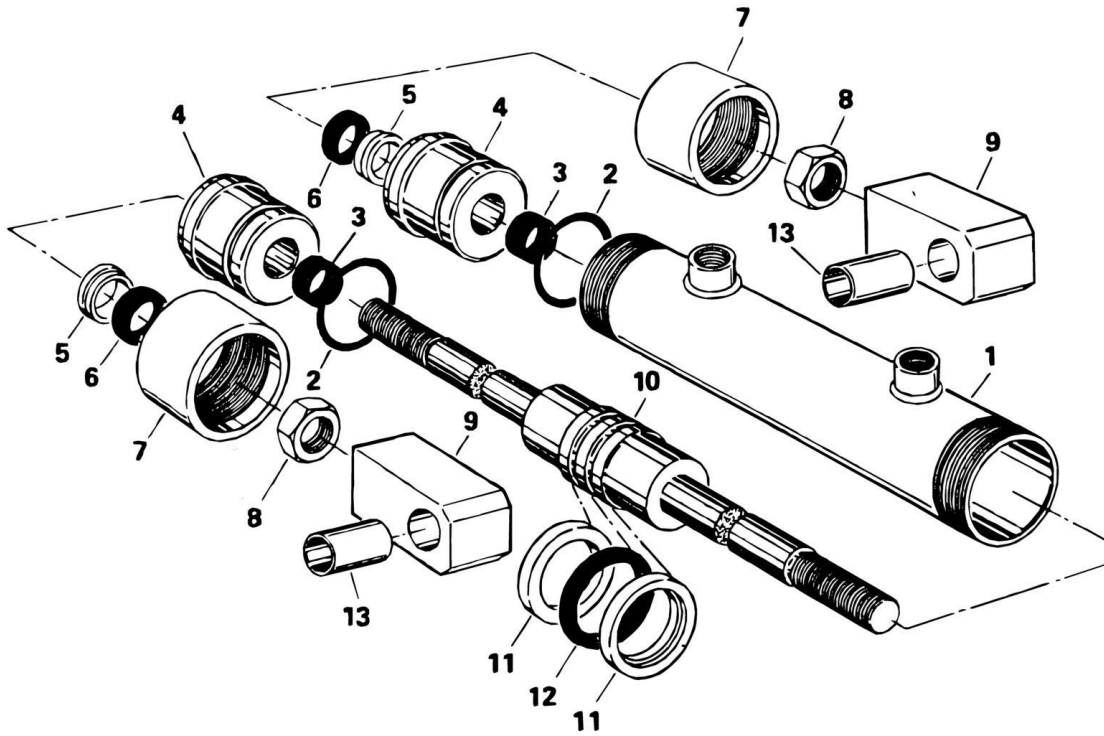
ITEM	PART NUMBER	QTY	DESCRIPTION	REV
		Ref	FRAME STEERING AND DRIVE COMPONENTS INSTALLATIONS (DOUBLE ACTING STEER CYLINDER)	
1	2360224	Ref	FRAME WELDMENT	D
	0236144	Ref	STEERING INSTALLATION	G
2	4841838	2	Steering Link (Attaching Parts)	
3	0630354	2	Bolt, Special	
6	3312605	2	Locknut 1in-8NC	
7	2160001	2	Fitting, Grease	
8	1681511	1	Steer Cylinder Assembly (Coarse Thread Rod) (See STEER CYLINDER ASSEMBLY (DOUBLE ACTING) for Breakdown)	
8	1681534	1	Steer Cylinder Assembly (Fine Thread Rod) (See STEER CYLINDER ASSEMBLY (DOUBLE ACTING) for Breakdown) (Attaching Parts)	
9	3931868	4	Bolt, Socket Head 1/2in-13NC x 4 1/4in	
10	4761800	4	Lockwasher 1/2in	
11	1320115	2	Clamp	
12	1360128	2	Clevis (Coarse Thread)	
12	1360158	2	Clevis (Fine Thread)	
13	0960981	2	Bushing	
14	2160002	2	Fitting, Grease	
15	3312802	2	Nut, Jam 1 1/8in-7NC	
15	3323002	2	Nut, Jam 1 1/4in-12NF	
16	4130133	2	Spindle, Steer (Attaching Parts)	
17	3420871	2	Pin, King	
18	4740247	2	Washer, Thrust	
19	3313003	2	Nut, Slotted 1 1/4in-7NC	
20	3450608	2	Pin, Cotter	
21	0960839	4	Bushing, Oilite	
22	0960275	2	Bushing, Oilite	
23	2160002	4	Fitting, Grease	
24	3960098	2	Seal	
25	0440019	2	Bearing, Cone	
26	0440018	2	Bearing, Cup	
27	2780091	2	Hub Weldment (Attaching Parts)	
28	0440018	2	Bearing, Cup	
29	0440019	2	Bearing, Cone	
30	4740016	2	Washer, Hardened	
31	3300208	2	Nut, Slotted 1 1/2in-12NF	
32	3450408	2	Pin, Cotter	
33	0641003	12	Bolt #10-24NC x 3/8in	
34	4761000	12	Lockwasher 3/8in	
35	1120032	2	Cap, Hub	
	0235126	1	Front Tire Wheel Assembly (Not Shown) (Attaching Parts)	
36	0630137	18	Bolt, Wheel Stud	
37	3300012	18	Nut, Wheel	
	0236243	Ref	WHEEL DRIVE ASSEMBLY	
38	3160118	2	Drive Motor Assembly (See DRIVE MOTOR ASSEMBLY for Breakdown)	

SECTION 1 - ILLUSTRATED PARTS LIST

ITEM	PART NUMBER	QTY	DESCRIPTION	REV
39	0920072	2	Drive Brake Assembly (Housing Length - 3 3/4in) See DRIVE BRAKE ASSEMBLY (HOUSING LENGTH - 3 3/4IN) for Breakdown)	
39	0920027	2	Drive Brake Assembly (Housing Length - 4in) (See DRIVE BRAKE ASSEMBLY for Breakdowns) (Attaching Parts)	
40	4320008	4	Stud	
41	3311801	4	Nut 1/2in-13NC	
42	4761800	4	Lockwasher 1/2in	
43	2780106	2	Drive Hub Assembly (See DRIVE HUB ASSEMBLY for Breakdown) (Attaching Parts)	
44	0642016	12	Bolt, Hex 5/8in-11NC x 2in	
45	4762000	12	Lockwasher 5/8in	
46	3790152	2	O-Ring (When Equipped)	
	0236246	Ref	TIRE AND WHEEL INSTALLATION - POLYURETHANE FILLED TIRES	-
47	0236247	1	Tire and Wheel Assembly (LH Rear)	
47	0236248	1	Tire and Wheel Assembly (RH Rear - Not Shown) (Attaching Parts)	
50	3300106	18	Nut, Wheel	
51	7000265	18	Bolt, Wheel Stud	
	0236150	Ref	FLOW DIVIDER AND OVERCENTER VALVE INSTALLATION	B
52	4640161	1	Valve, Overcenter (Use When Bolted Directly to Axle Housing As Shown)	
52	4640259	1	Valve, Overcenter (Use When Bolted to a Bracket Welded on the Axle Housing - Not Shown)	
53	4640260	1	Valve, Flow Divider (Attaching Parts)	
54	0641540	2	Bolt 5/16in-18NC x 5in	
55	4761500	2	Lockwasher 5/16in	
55	4751500	2	Flatwasher 5/16in (When Required)	
55	3311501	2	Nut 5/16in-18NC (When Required)	
	0236189	Ref	FRAME SHIELDS INSTALLATION	B
56	4060564	1	Shield Front (Attaching Parts)	
57	3300151	6	Nut, Acorn 1/4in-20NC	
58	4751400	6	Flatwasher 1/4in	
59	4300031	6	Stud (Welded on Part)	
60	4060565	1	Shield Rear (Attaching Parts)	
61	3300151	6	Nut, Acorn, 1/4in-20NC	
62	4761400	6	Flatwasher 1/4in	
63	4300031	6	Stud (Welded on Part)	
64	1670297	1	Shield, Cover (Attaching Parts)	
64	3911020	1	Screw, Machine #10-24NC x 1 1/4in	
64	4761000	1	Lockwasher #10	
64	4751000	1	Flatwasher #10	
64	0361077	1	Bar	

SECTION 1 - ILLUSTRATED PARTS LIST

FIGURE 1-45. STEER CYLINDER ASSEMBLY (DOUBLE ACTING)



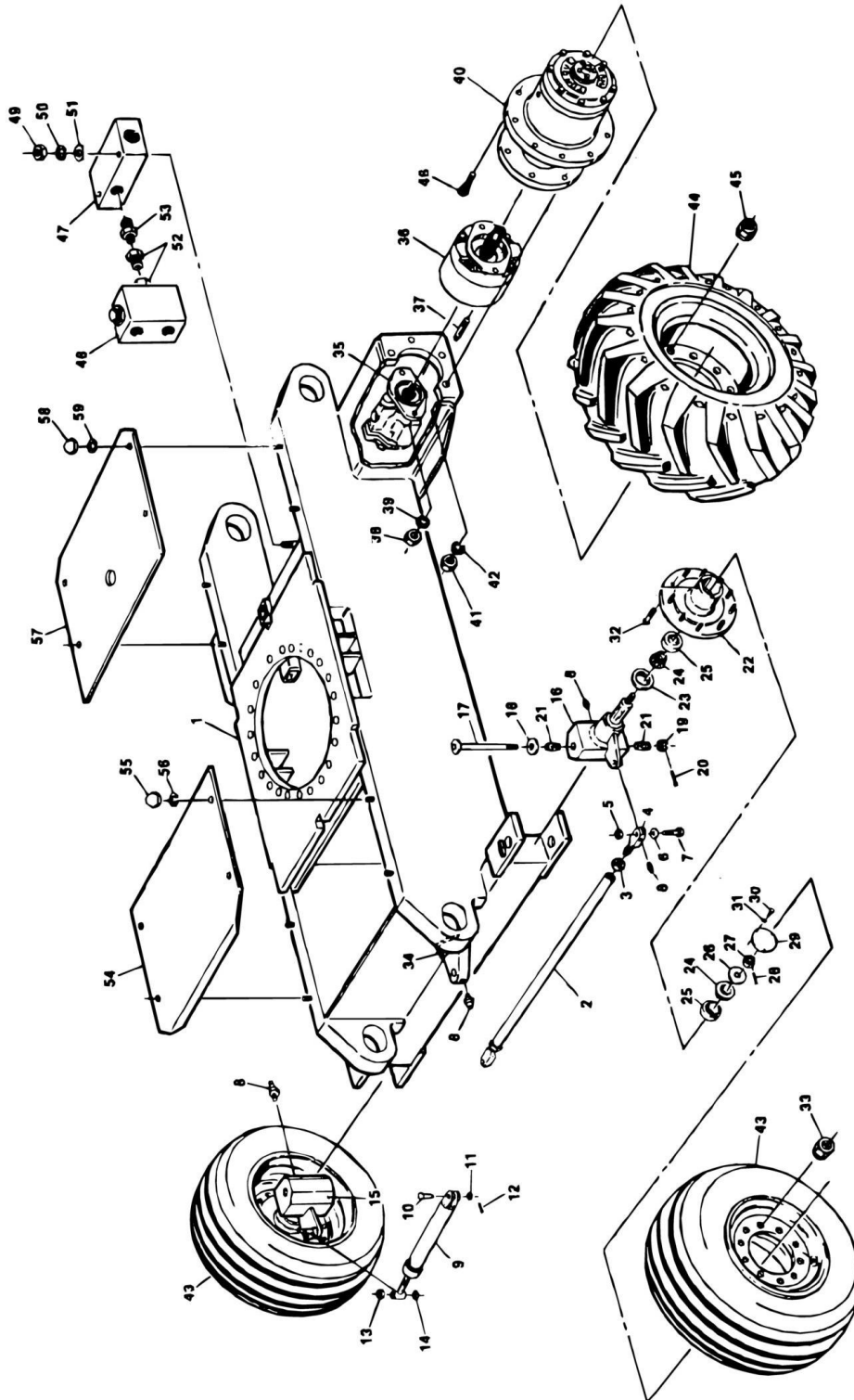
SECTION 1 - ILLUSTRATED PARTS LIST

FIGURE 1-45. STEER CYLINDER ASSEMBLY (DOUBLE ACTING)

ITEM	PART NUMBER	QTY	DESCRIPTION	REV
	1681511	Ref	STEER CYLINDER ASSEMBLY (DOUBLE ACTING WITH COARSE THREAD ROD)	C
	1681534	Ref	STEER CYLINDER ASSEMBLY (DOUBLE ACTING WITH FINE THREAD ROD)	-
1	1680720	1	Barrel	
2	Kit	2	O-Ring	
3	Kit	2	Wear Ring	
4	1681322	2	Head	
5	Kit	2	Rod Seal	
6	Kit	2	Rod Wiper	
7	1120108	2	Head Retainer	
8	3312802	2	Nut, Jam 1 1/8in-7NC	
8	3323002	2	Nut, Jam 1 1/4in-12NF	
9	1360128	2	Clevis (Coarse Thread)	
9	1360158	2	Clevis (Fine Thread)	
10	1681319	1	Piston-Rod Assembly (1681511 Cylinder)	
10	3480112	2	Piston (1681534 Cylinder)	
10	1681380	2	Rod (1681534 Cylinder)	
11	Kit	2	Ring, Guideloc	
12	Kit	2	Seal, Piston	
13	0960981	2	Bushing	
13	2900348	1	Kit, Seal (Includes Items 2, 3, 5, 6, 11 & 12)	
13	0460043	2	Bellows (Optional - Not Shown)	

SECTION 1 - ILLUSTRATED PARTS LIST

FIGURE 1-46. FRAME, STEERING AND DRIVE COMPONENTS INSTALLATION (SINGLE ACTING STEER CYLINDER)



SECTION 1 - ILLUSTRATED PARTS LIST

FIGURE 1-46. FRAME, STEERING AND DRIVE COMPONENTS INSTALLATION (SINGLE ACTING STEER CYLINDER)

ITEM	PART NUMBER	QTY	DESCRIPTION	REV
		Ref	FRAME, STEERING AND DRIVE COMPONENTS INSTALLATIONS (SINGLE ACTING CYLINDER)	
1	2360240	Ref	FRAME WELDMENT	C
	0236468	Ref	STEERING INSTALLATION	F
2	3840864	1	Tie-Rod (LH/RH Threads on Opposite Ends) (May 1986 to Present)	
2	3840764	1	Tie-Rod (RH Threads on Both Ends) (1984 to April 1986) (Attaching Parts)	
3	3300023	2/1	Nut 1 1/4in-12NF (RH Threads)	
3	3300229	1	Nut 1 1/4in-12NF (LH Threads)	
4	0560605	2/1	End, Tie-Rod (RH Threads)	
4	0560714	1	End, Tie-Rod (LH Threads)	
5	3312602	2	Nut, Jam 1in-8NC	
6	0440091	2	Washer, Thrust	
7	0642628	2	Bolt 1in-8NC x 3 1/2in	
8	2160002	5	Fitting, Grease	
9	1681533	1	Steer Cylinder Assembly (2 1/2in Bore) (See STEER CYLINDER ASSEMBLY (SINGLE ACTING) for Breakdown)	
9	1681562	1	Steer Cylinder Assembly (3in Bore) (See STEER CYLINDER ASSEMBLY (SINGLE ACTING) for Breakdown) (Attaching Parts)	
10	3431622	1	Pin, Clevis	
11	4752600	1	Flatwasher 1in	
12	3450606	1	Pin, Cotter	
13	3300175	1	Locknut, Special	
14	0440091	1	Washer, Thrust	
15	4130160	1	Spindle - RH (1 1/2in Dia King Pin)	
15	4130142	1	Spindle - RH (1 1/4in Dia King Pin)	
16	4130161	1	Spindle - LH (1 1/2in Dia King Pin)	
16	4130143	1	Spindle - LH (1 1/4in Dia King Pin) (Attaching Parts)	
17	3421243	1	King Pin (1 1/2in Dia)	
17	3421127	1	King Pin (1 1/4in Dia)	
18	0440183	1	Washer, Thrust (1 1/2in I.D.)	
18	0440162	1	Washer, Thrust (1 1/4in I.D.)	
19	3300208	1	Nut, Slotted 1 1/2in-12NF	
19	3313003	1	Nut, Slotted 1 1/4in-7NC	
20	3451012	1	Pin, Cotter 5/16in x 3in	
20	3450608	1	Pin, Cotter 3/16in x 2in	
21	0960523	4	Bushing, Bronze (1 1/2in Dia)	
21	0960839	4	Bushing, Bronze (1 1/4in Dia)	
22	2780091	2	Hub Assembly (Attaching Parts)	
23	3960098	1	Seal, Hub	
24	0440019	2	Cone, Bearing	
25	0440018	2	Cup, Bearing	
26	4740016	1	Washer, Hardened	
27	3300208	1	Nut, Slotted 1 1/2in-12NF	
28	3450810	1	Pin, Cotter	
29	1120032	2	Cap, Hub (Attaching Parts)	
30	0641003	3	Bolt #10-24NC x 3/8in	
31	4761000	3	Lockwasher #10	
32	0630137	18	Stud, Wheel	

SECTION 1 - ILLUSTRATED PARTS LIST

ITEM	PART NUMBER	QTY	DESCRIPTION	REV
33	3300012	18	Lug Nut 1/2in-20NF	
34	2540002	7 in	Grommet, Nylon	
	0236243	Ref	WHEEL DRIVE ASSEMBLY (ALL WISCONSIN AND ELECTRIC/DEUTZ FROM 1984-1985)	C
	0237316	Ref	WHEEL DRIVE ASSEMBLY (DEUTZ FROM 1986 TO PRESENT)	A
35	3160118	2	Drive Motor Assembly (All Wisconsin, Electric and 1984-85 Deutz) (See DRIVE MOTOR ASSEMBLY for Breakdown)	
35	3160130	2	Drive Motor Assembly (1986 to Present Deutz) (See DRIVE MOTOR ASSEMBLY for Breakdown)	
36	0920072	2	Drive Brake Assembly (Housing Length - 3 3/4in) See DRIVE BRAKE ASSEMBLY (HOUSING LENGTH - 3 3/4IN) for Breakdown)	
36	0920027	2	Drive Brake Assembly (Housing Length - 4in) (See DRIVE BRAKE ASSEMBLY - MICO (HOUSING LENGTH - 4IN) for Breakdowns) (Attaching Parts)	
37	4320008	2	Stud	
38	3311801	2	Nut 1/2in-13NC	
39	4761800	2	Lockwasher 1/2in	
40	2780106	2	Drive Hub Assembly (See DRIVE HUB ASSEMBLY for Breakdown) (Attaching Parts)	
41	0642016	6	Bolt, Hex 5/8in-11NC x 2in	
42	4762000	6	Lockwasher 5/8in	
	0236246	Ref	TIRE AND WHEEL INSTALLATION - POLYURETHANE FILLED TIRES	-
43	0235126	2	Tire and Wheel Assembly (Front)	
44	0236247	1	Tire and Wheel Assembly (LH Rear)	
44	0236248	1	Tire and Wheel Assembly (RH Rear - Not Shown) (Attaching Parts)	
45	3300106	9	Nut, Wheel (Rear)	
46	7000265	9	Bolt, Wheel Stud (Rear)	
	0237436	Ref	FLOW DIVIDER AND OVERCENTER VALVE INSTALLATION (JUNE 1986 TO PRESENT)	D
	0236150	Ref	FLOW DIVIDER AND OVERCENTER VALVE INSTALLATION (1984 TO MAY 1986)	B
47	4640454	1	Valve, Overcenter (Use When Bolted Directly to Axle Housing As Shown)	
47	4640259	1	Valve, Overcenter (Use When Bolted to a Bracket Welded on the Axle Housing - Not Shown)	
48	4640260	1	Valve, Flow Divider (Attaching Parts)	
48	4300033	2	Stud (Welded on Part)	
48	0641540	2	Bolt 5/16in-18NC x 5in	
49	4761500	2	Lockwasher 5/16in	
50	4751500	2	Flatwasher 5/16in	
51	3311501	2	Nut 5/16in-18NC	
52	2220435	1	Fitting	
53	2220594	1	Fitting	
	0236471	Ref	FRAME SHIELDS INSTALLATION	A
54	4060587	1	Shield (Front) (Attaching Parts)	
55	3300151	6	Nut, Acorn 1/4in-20NC	
56	4751400	6	Flatwasher 1/4in	
56	4300031	6	Stud (Welded on Part)	
57	4060588	1	Shield (Rear) (Attaching Parts)	
58	3300151	6	Nut, Acorn 1/4in-20NC	
59	4761400	6	Flatwasher 1/4in	

SECTION 1 - ILLUSTRATED PARTS LIST

ITEM	PART NUMBER	QTY	DESCRIPTION	REV
59	4300031	6	Stud (Welded on Part)	

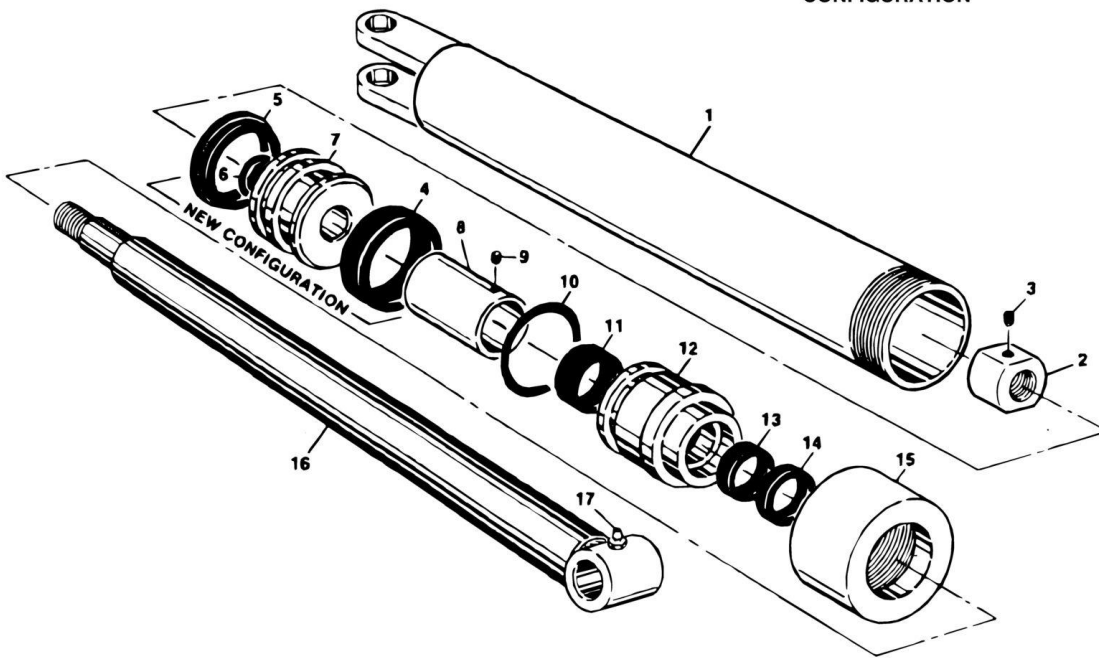
SECTION 1 - ILLUSTRATED PARTS LIST

FIGURE 1-47. STEER CYLINDER ASSEMBLY (SINGLE ACTING)

NOTE: THIS PISTON/SEAL CONFIGURATION NO LONGER AVAILABLE. IF EQUIPPED, NEW PISTON AND SEAL KIT MUST BE ORDERED FOR REPAIR.



OLD CONFIGURATION



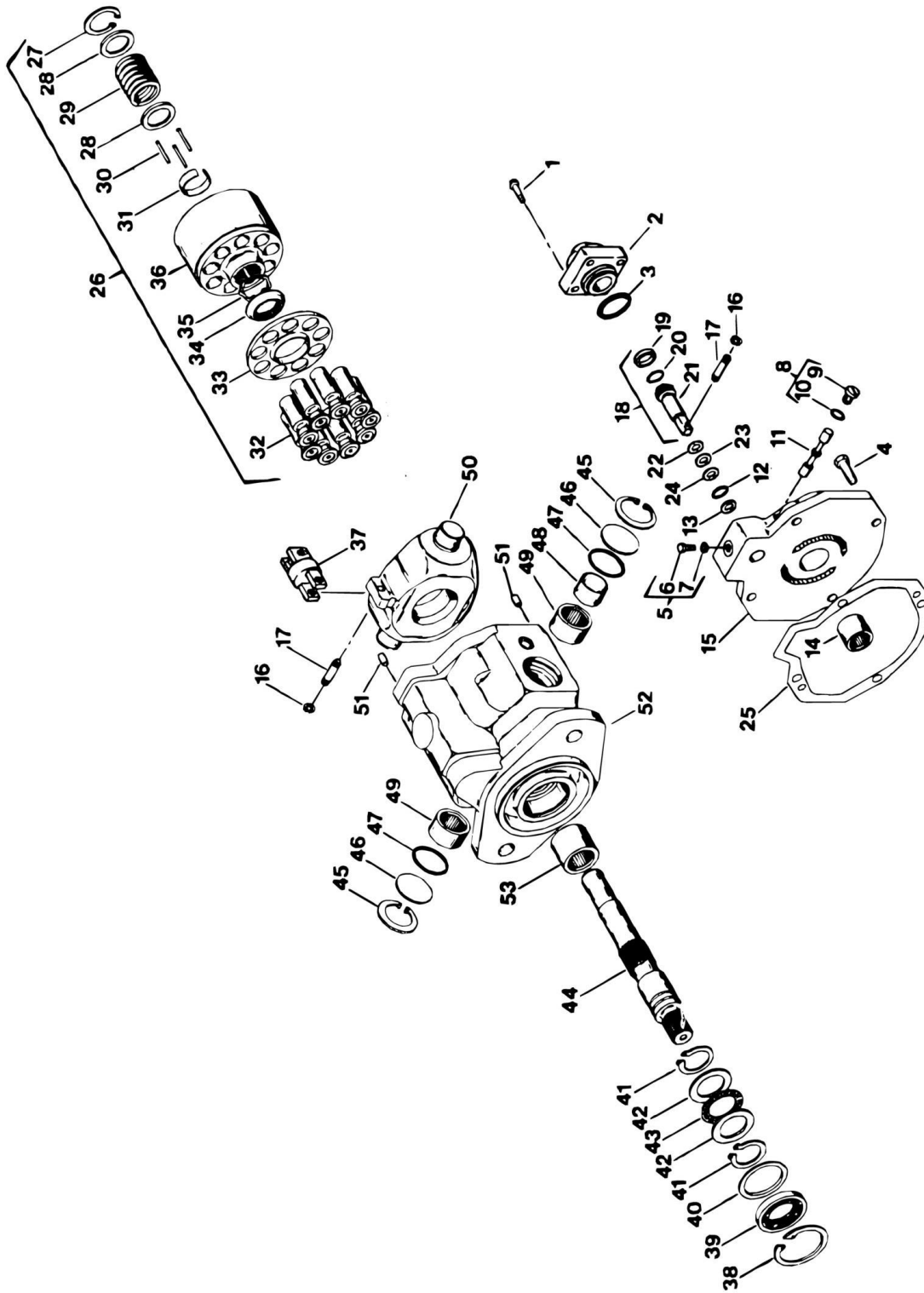
SECTION 1 - ILLUSTRATED PARTS LIST

FIGURE 1-47. STEER CYLINDER ASSEMBLY (SINGLE ACTING)

ITEM	PART NUMBER	QTY	DESCRIPTION	REV
	1681562	Ref	STEER CYLINDER ASSEMBLY (SINGLE ACTING) (3IN BORE)	E
	1681533	Ref	STEER CYLINDER ASSEMBLY (SINGLE ACTING) (2 1/2IN BORE)	D
	Note	Ref	Note: Refer to P/N Stamped on Barrel for Identification.	
1	1681433	1	Barrel (1681562 Cylinder)	
1	1680740	1	Barrel (1681533 Cylinder)	
2	3300187	1	Nut	
2	0100011	AR	Nyloc	
3	3900141	1	Setscrew	
3	0100011	AR	Nyloc	
4	Kit	2	Ring, Wear	
5	Kit	1	Seal	
6	Kit	1	O-Ring	
7	3480134	1	Piston (1681562 Cylinder)	
7	3480120	1	Piston (1681533 Cylinder)	
8	4562687	1	Spacer	
9	3900141	1	Setscrew	
9	0100011	1	Nyloc	
10	Kit	1	O-Ring	
10	Kit	2	Ring, Back-up (1681533 Cylinder Only)	
11	Kit	1	Ring, Wear	
12	1681322	1	Head, Cylinder (1681562 Cylinder)	
12	1680892	1	Head, Cylinder (1681533 Cylinder)	
13	Kit	1	Seal, Rod	
14	Kit	1	Wiper, Rod	
15	1120108	1	Cap (1681562 Cylinder)	
15	1120179	1	Cap (1681533 Cylinder)	
16	1681435	1	Rod (1681562 Cylinder)	
16	1680739	1	Rod (1681533 Cylinder)	
17	2160002	1	Fitting, Grease (2WD)	
17	2901148	1	Kit, Seal (1681562 Cylinder) (Includes Items 4, 5, 6, 10, 11, 13 & 14)	
17	2901119	1	Kit, Seal (1681533 Cylinder) (Includes Items 4, 5, 6, 10, 11, 13 & 14)	
17	0460043	1	Bellows, Steer Cylinder (Optional - Not Shown)	

SECTION 1 - ILLUSTRATED PARTS LIST

FIGURE 1-48. DRIVE MOTOR ASSEMBLY



SECTION 1 - ILLUSTRATED PARTS LIST

FIGURE 1-48. DRIVE MOTOR ASSEMBLY

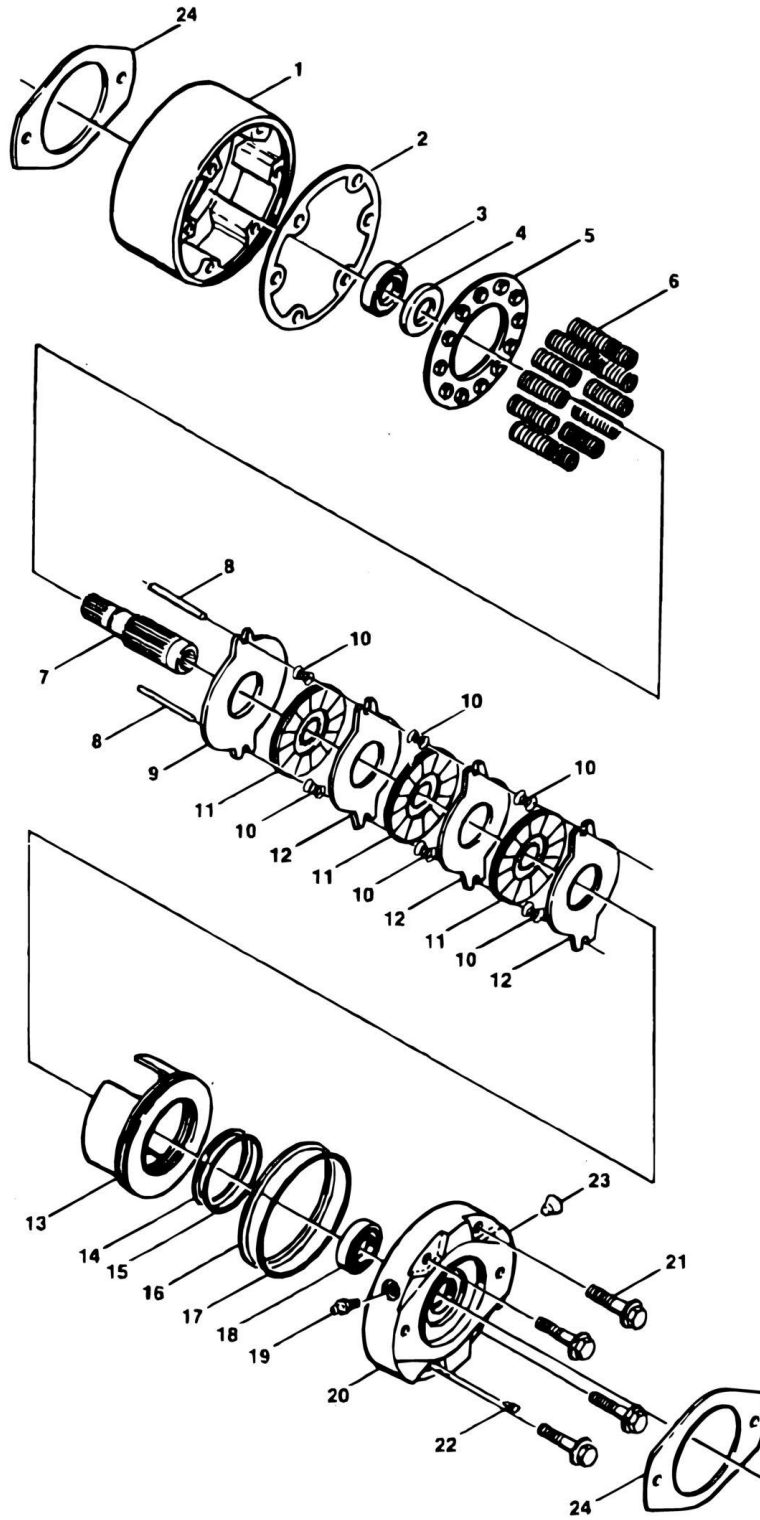
ITEM	PART NUMBER	QTY	DESCRIPTION	REV
	3160118	Ref	DRIVE MOTOR ASSEMBLY (ALL WISCONSIN, ELECTRIC AND 1984-1985 DEUTZ)	A
	3160130	Ref	DRIVE MOTOR ASSEMBLY (1986 TO PRESENT DEUTZ)	A
	7004939	1	Control Piston Housing Assembly (Attaching Parts)	
1	7004938	4	Screw, Cap, Socket Head	
2	7004940	1	Housing, Control Piston	
3	Kit	1	O-Ring	
3	7004941	1	Backplate Assembly (Attaching Parts)	
4	7004933	4	Screw, Cap, Hex Head	
5	7004942	1	Plug Assembly	
6	7004943	1	Plug	
7	Kit	1	O-Ring	
8	7004944	2	Plug Assembly (Shuttle Spool)	
9	7004945	1	Plug	
10	Kit	1	O-Ring	
11	7004946	1	Spool, Shuttle	
12	Kit	1	O-Ring	
13	7004918	1	Washer, Backup	
14	7004917	1	Bearing, Needle	
15	7004947	1	Backplate	
16	7004937	4	Ring, Retaining	
17	7004929	2	Pin, Connector	
18	7004948	1	Control Piston Assembly	
19	Kit	1	Ring, Slippery	
20	Kit	1	O-Ring	
21	7004949	1	Piston, Control	
22	4100027	AR	Spacer, Piston - .092in	
23	4100028	AR	Spacer, Piston - .105in	
24	4100029	AR	Spacer, Piston - .110in	
25	Kit	1	Gasket, Housing	
26	7004916	1	Rotating Kit Assembly	
27	7004936	1	Ring, Retaining	
28	7004950	2	Washer, Machined	
29	7004951	1	Spring, Compression	
30	7004952	3	Pin, Loading	
31	7004953	1	Keeper, Pin	
32	7004954	9	Piston, Assembly	
33	7004955	1	Spider	
34	7004956	1	Pivot	
35	7004957	1	Washer, Wave	
36	7004958	1	Block, Piston	
37	7004928	1	Connector, Camplate	
38	Kit	1	Ring, Retaining	
39	Kit	1	Seal, Shaft	
40	7004906	1	Washer	
41	Kit	2	Ring, Retaining	
42	7004907	2	Race, Thrust	
43	7004908	1	Bearing, Thrust	
44	7004912	1	Shaft, Drive	
45	Kit	2	Ring, Retaining	

SECTION 1 - ILLUSTRATED PARTS LIST

ITEM	PART NUMBER	QTY	DESCRIPTION	REV
46	7004913	2	Cover, Trunnion	
47	Kit	2	O-Ring	
48	7004911	1	Race, Inner	
49	7004914	2	Bearing	
50	7004927	1	Camplate	
50	7004959	1	Housing Assembly	
51	7004960	2	Pin, Rol (1/4in Dia x 1/2in Long)	
52	7004961	1	Housing	
53	7004910	1	Bearing	
54	4100027	2	Shim	
	2900449	Ref	Seal Repair Kit (Includes Items 3, 7, 10, 12, 19, 20, 25, 38, 39, 41, 45, 47)	

SECTION 1 - ILLUSTRATED PARTS LIST

FIGURE 1-49. DRIVE BRAKE ASSEMBLY (HOUSING LENGTH - 3 3/4IN)



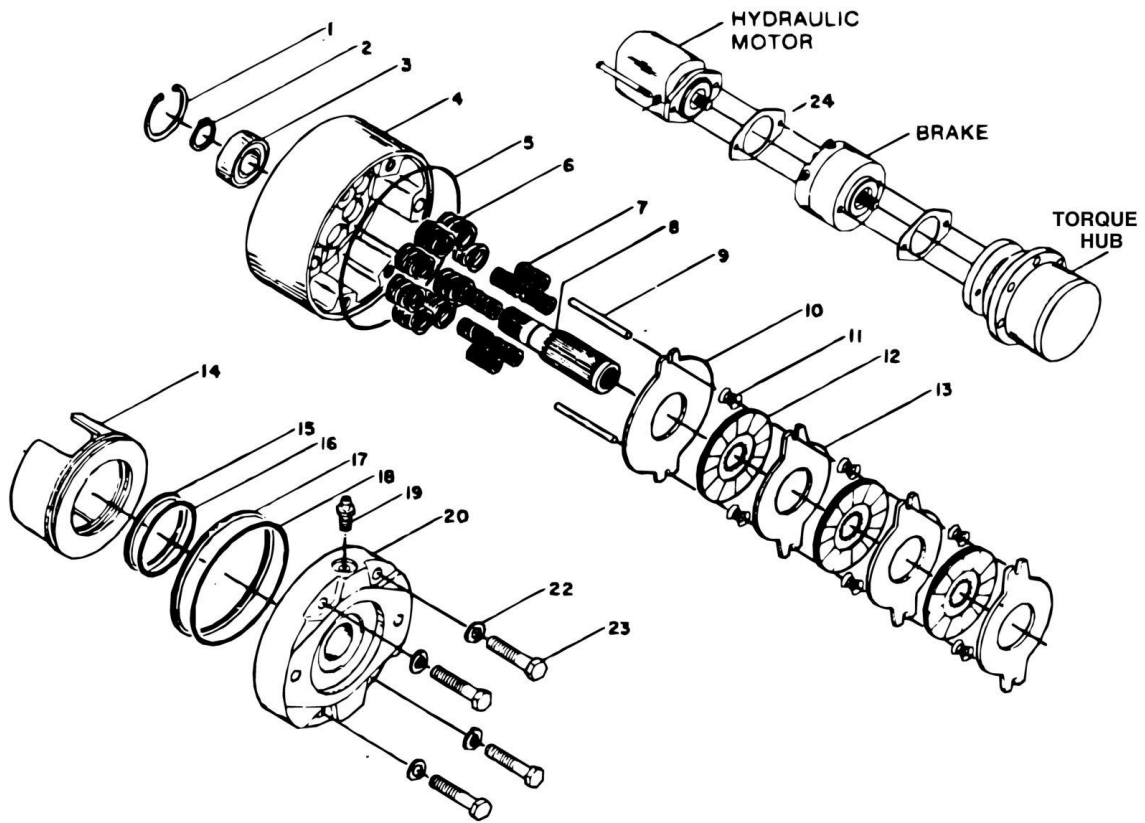
SECTION 1 - ILLUSTRATED PARTS LIST

FIGURE 1-49. DRIVE BRAKE ASSEMBLY (HOUSING LENGTH - 3 3/4IN)

ITEM	PART NUMBER	QTY	DESCRIPTION	REV
	0920072	Ref	DRIVE BRAKE ASSEMBLY (HOUSING LENGTH - 3 2/4IN)	D
1	7003047	1	Housing	
2	Kit	1	Gasket	
3	7003049	1	Bearing	
4	Kit	1	Seal, Oil	
5	7003051	1	Retainer, Spring	
6	7003052	12	Spring, Compression	
7	7003070	1	Shaft, Splined	
8	7000717	2	Pin, Torque	
9	7003054	1	Disc, Primary	
10	7003006	6	Spring, Separator	
11	7003055	3	Disc, Rotating	
12	7003056	3	Disc, Stationary	
13	7003057	1	Piston	
14	Kit	1	Ring, Backup	
15	Kit	1	O-Ring	
16	Kit	1	Ring, Backup	
17	Kit	1	O-Ring	
18	7000760	1	Bearing	
19	2000796	1	Screw, Bleeder	
20	7003071	1	Plate, Power	
21	7003007	4	Screw	
22	7003059	1	Valve, Pressure	
23	7000728	1	Plug	
24	Kit	2	Gasket	
24	2900662	1	Kit, Seal (Includes Items 2, 4, 14, 15, 16, 17 & 24)	

SECTION 1 - ILLUSTRATED PARTS LIST

FIGURE 1-50. DRIVE BRAKE ASSEMBLY - AUSCO (HOUSING LENGTH - 4IN)



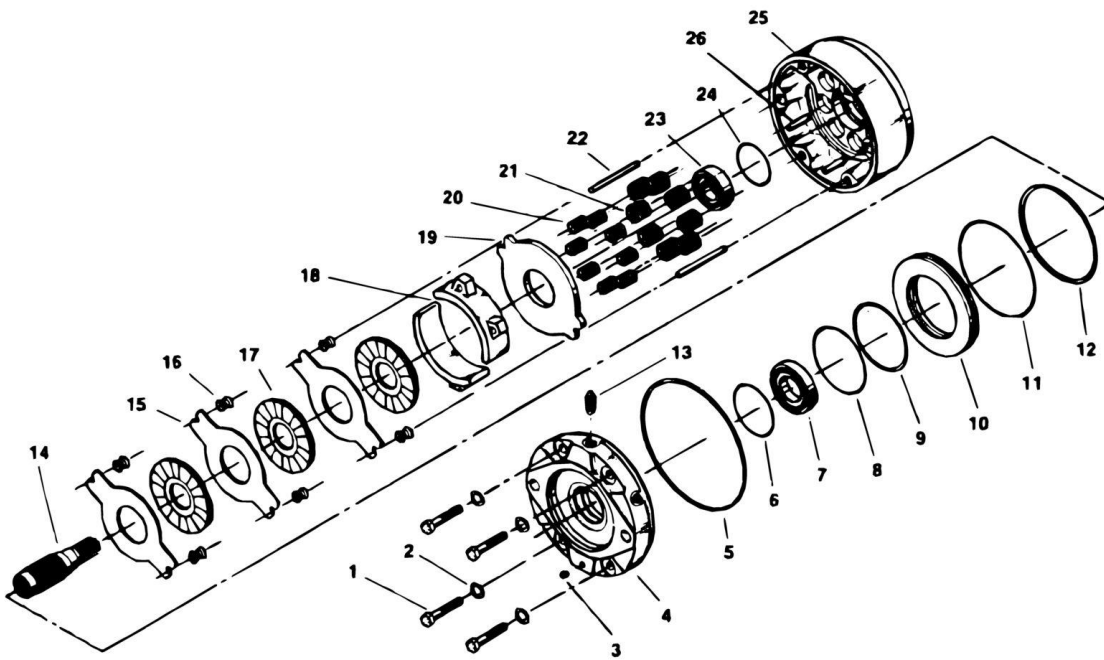
SECTION 1 - ILLUSTRATED PARTS LIST

FIGURE 1-50. DRIVE BRAKE ASSEMBLY - AUSCO (HOUSING LENGTH - 4IN)

ITEM	PART NUMBER	QTY	DESCRIPTION	REV
	0920027	Ref	DRIVE BRAKE ASSEMBLY - AUSCO (4IN HOUSING)	F
1	Kit	1	Ring, Retaining	
2	Kit	1	Ring, Retaining	
3	7000713	1	Bearing, Ball	
4	7000714	1	Housing	
4	7003010	1	Retainer, Spring	
5	7000759	1	O-Ring	
6	7000782	8	Spring, Compression	
7	7000798	8	Spring, Compression	
8	7000716	1	Shaft	
9	7000717	2	Pin, Torque	
10	7000718	1	Disc, Primary	
11	7003006	6	Spring, Compression	
12	7000732	3	Disc, Rotating	
13	7000720	3	Disc, Stationary	
14	7000721	1	Piston	
15	Kit	1	Ring, Back-up	
16	Kit	1	O-Ring	
17	Kit	1	Ring, Back-up	
18	Kit	1	O-Ring	
19	7000796	1	Bleeder	
20	7000727	1	Plate, Power	
22	7000729	4	Lockwasher	
23	7000730	4	Bolt	
23	7003007	4	Bolt, Flanged	
24	Kit	2	Gasket	
24	2900131	1	Kit, Seal (Includes Items 1, 2, 15, 16, 17, 18 & 24)	

SECTION 1 - ILLUSTRATED PARTS LIST

FIGURE 1-51. DRIVE BRAKE ASSEMBLY - MICO (HOUSING LENGTH - 4IN)



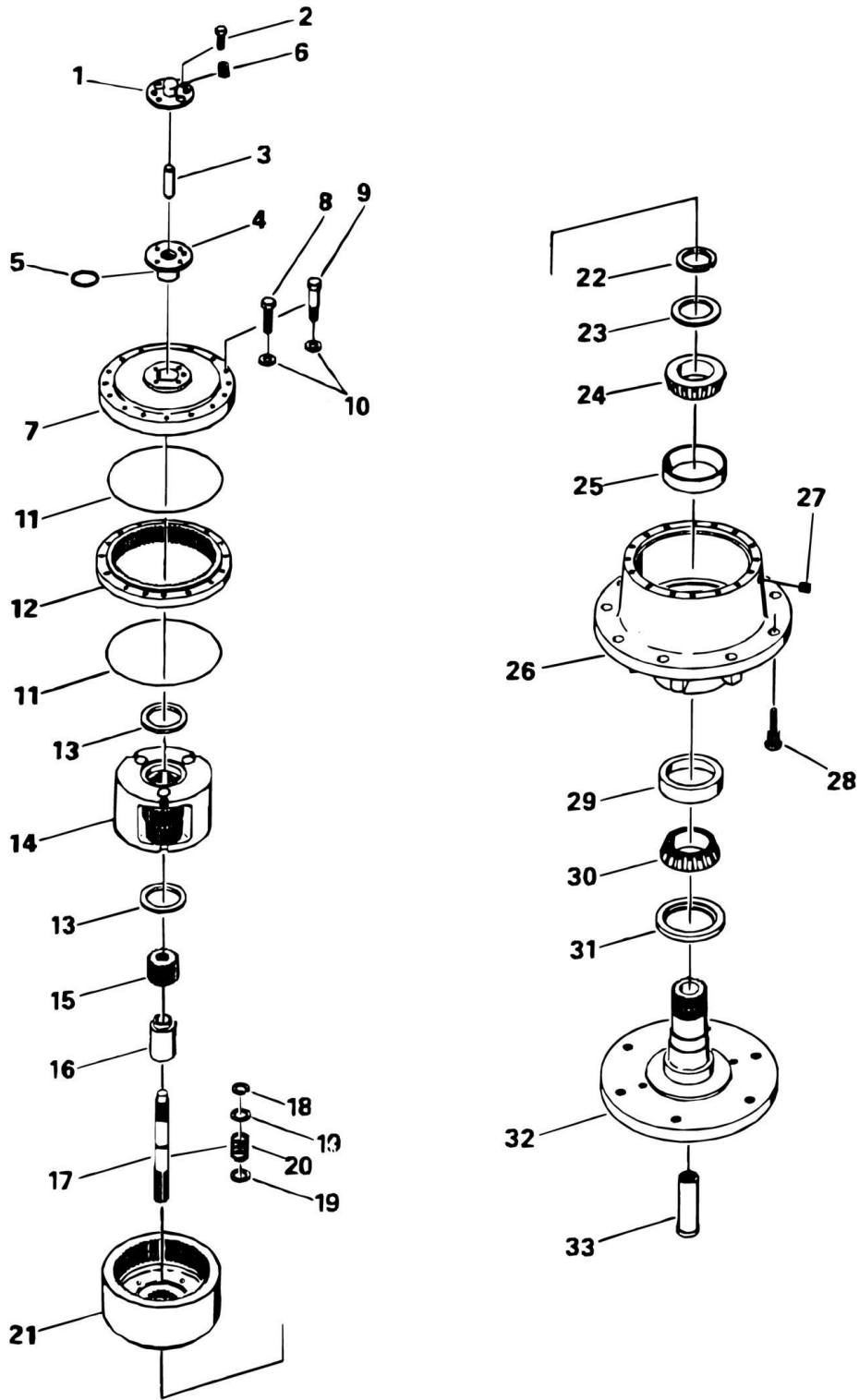
SECTION 1 - ILLUSTRATED PARTS LIST

FIGURE 1-51. DRIVE BRAKE ASSEMBLY - MICO (HOUSING LENGTH - 4IN)

ITEM	PART NUMBER	QTY	DESCRIPTION	REV
	0920027	Ref	DRIVE BRAKE ASSEMBLY, MICO (4IN HOUSING)	F
1	7007913	4	Cap, Screw	
2	7007912	4	Lockwasher	
3	7007924	1	Pipe Plug	
4	7007911	1	Cover	
5	Kit	1	Square Ring	
6	Kit	1	O-Ring	
7	7007920	1	Bearing	
8	Kit	1	O-Ring	
9	Kit	1	Back-Up Ring	
10	7007923	1	Piston	
11	Kit	1	O-Ring	
12	Kit	1	Back-Up Ring	
13	7007914	1	Bleeder Screw	
14	7007903	1	Shaft	
15	7007908	3	Disc	
16	7007916	6	Spring	
17	7007909	3	Friction Disc	
18	7007902	2	Separator	
19	7007907	1	Disc (Large Diameter)	
20	7007906	8	Spring	
21	7007905	8	Spring	
22	7007915	2	Pin, Dowel	
23	7007904	1	Bearing	
24	Kit	1	Oil Seal	
25	7007919	1	Housing	
26	7007901	4	Spirol Pin	
26	7007933	1	Mounting Gasket (Not Shown)	
	2900641	1	Kit, Seal (Includes Items 5, 6, 8, 9, 11,12 & 24)	

SECTION 1 - ILLUSTRATED PARTS LIST

FIGURE 1-52. DRIVE HUB ASSEMBLY



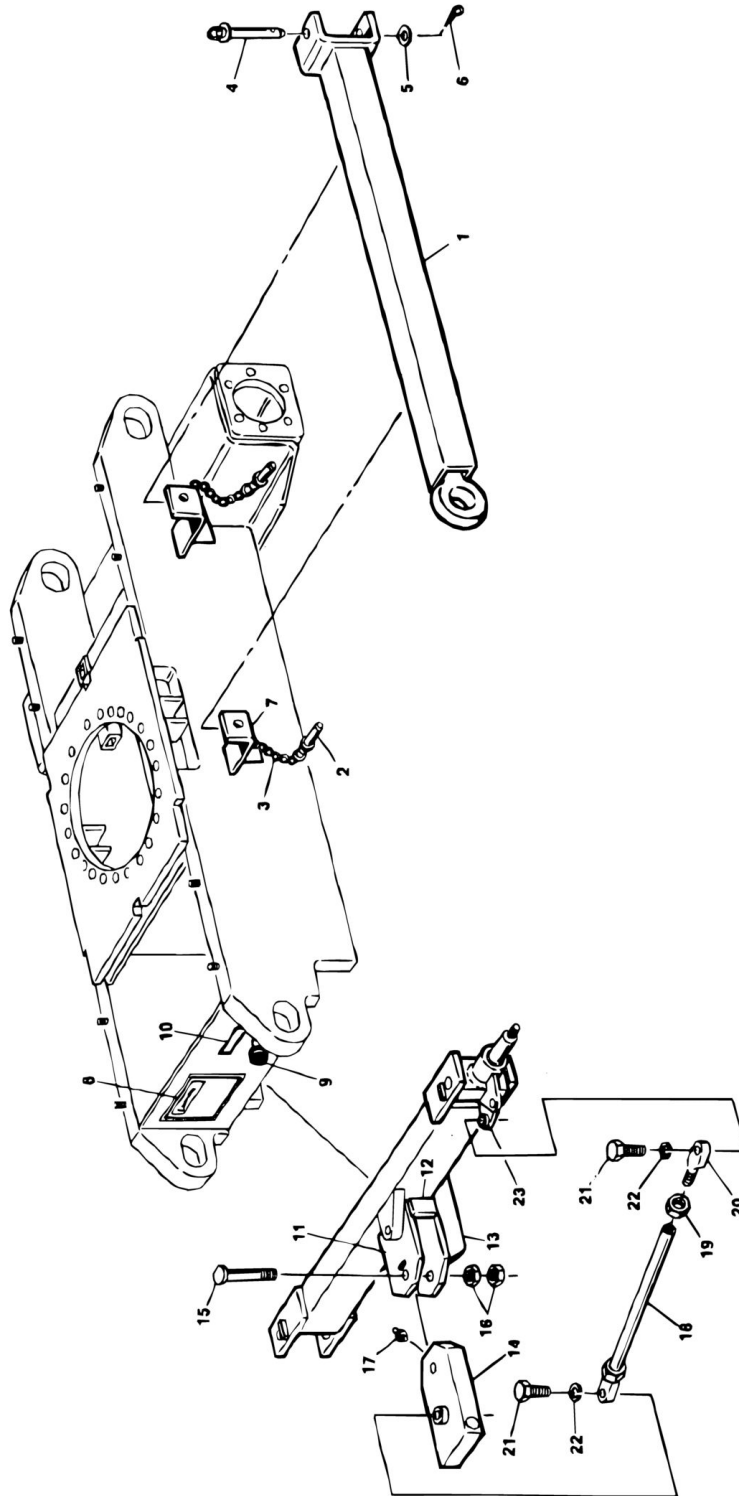
SECTION 1 - ILLUSTRATED PARTS LIST

FIGURE 1-52. DRIVE HUB ASSEMBLY

ITEM	PART NUMBER	QTY	DESCRIPTION	REV
	2780106	Ref	DRIVE HUB ASSEMBLY	
	7000249	1	COVER ASSEMBLY	
1	7000211	1	Cap, Disconnect (Attaching Parts)	
2	7000220	4	Bolt, Hex Head	
3	7000212	1	Rod, Disconnect	
4	7000227	1	Cap, Cover	
5	7000215	1	O-Ring	
6	7000243	1	Plug, Pipe	
7	7000226	1	Cover (Attaching Parts)	
8	7000217	12	Bolt, Hex Head	
9	7000214	4	Bolt, Hex Head	
10	4751500	16	Flatwasher	
11	7000230	2	O-Ring	
12	7000208	1	Gear, Ring	
13	7000253	2	Washer, Thrust	
14	7000207	1	Planet Carrier Assembly (No Service Breakdown Parts - Purchase Entire Assembly)	
15	7007602	1	Gear, Sun	
16	7000252	1	Spacer, Sun Gear	
	7000250	1	INPUT SHAFT ASSEMBLY	
17	7000260	1	Shaft, Input	
18	7000261	1	Ring, Retaining	
19	7000263	2	Spacer	
20	7000262	1	Spring	
21	7000246	1	Gear, Stationary Internal	
22		Ref	HUB ASSEMBLY	
22	7000229	1	Ring, Retaining	
23	7000232	1	Spacer	
24	7000257	1	Bearing, Tapered Roller	
25	7000258	1	Cup, Bearing	
26	7007601	1	Hub	
27	7000242	1	Plug, Pipe	
28	7007640	9	Stud, Wheel	
29	Kit	1	Cup, Bearing	
30	Kit	1	Bearing, Tapered Roller	
31	7001998	1	Seal	
32	7001997	1	Spindle	
33	7000206	1	Coupling, Input	
	7010429	1	Bearing Kit (Includes Items 29 & 30)	

SECTION 1 - ILLUSTRATED PARTS LIST

FIGURE 1-53. TOW PACKAGE (SINGLE ACTING STEER CYLINDER MACHINES)



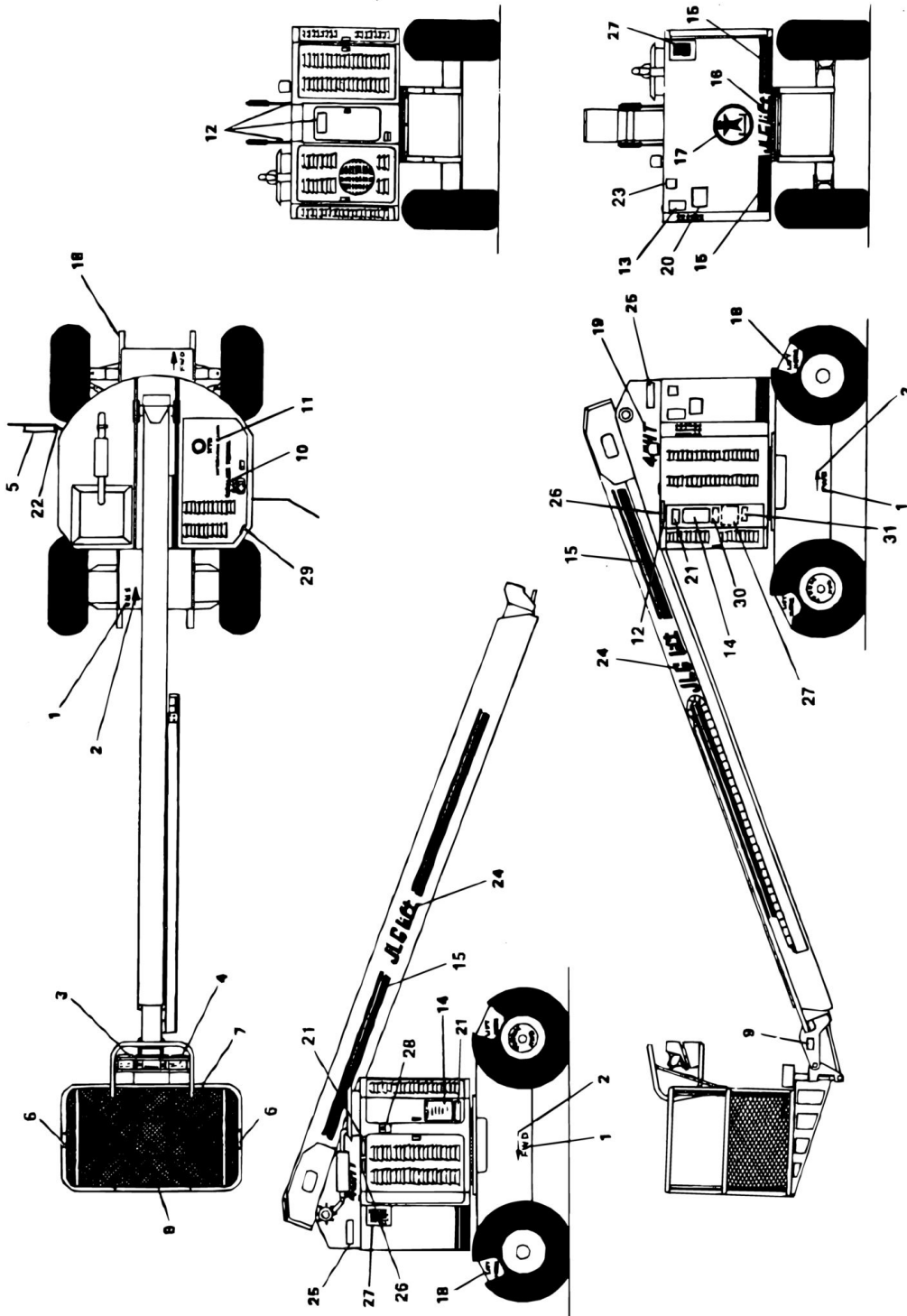
SECTION 1 - ILLUSTRATED PARTS LIST

FIGURE 1-53. TOW PACKAGE (SINGLE ACTING STEER CYLINDER MACHINES)

ITEM	PART NUMBER	QTY	DESCRIPTION	REV
	0236856	Ref	TOW PACKAGE (SINGLE ACTING STEER CYLINDER MACHINES)	-
	0236862	Ref	TOW BAR STOWAGE INSTALLATION	A
1	0236893	1	Tow Bar Assembly (Attaching Parts)	
2	3420292	2	Pin, Quick Release	
3	1260017	2	Chain	
4	3420447	1	Pin, Tow	
5	4740036	1	Flatwasher, Special	
6	3420372	1	Hairpin	
7	4841055	2	Mount, Stowage	
	0236855	Ref	TOW HITCH INSTALLATION	A
8	3250840	1	Nameplate, Caution (Attaching Parts)	
8	3820001	4	Rivet, Pop	
9	4640261	1	Valve, Selector (Attaching Parts)	
9	0641507	2	Bolt 5/16in-18NC x 7/8in	
9	4751500	2	Flatwasher 5/16in	
9	4761500	2	Lockwasher 5/16in	
9	0900479	1	Bracket	
10	3250872	1	Nameplate - Tow Select (Attaching Parts)	
10	3820005	4	Rivet, Pop	
11	3530451	2	Plate (Top)	
11	2880410	1	Key	
12	2551050	2	Gusset, Side	
13	3530452	1	Plate (Bottom)	
13	2551084	2	Gusset	
14	2620026	1	Hitch (Attaching Parts)	
15	3420860	1	Pin	
16	3300023	2	Nut 1 1/4in-12NF	
17	2160003	1	Fitting, Grease	
18	3840807	1	Tie Rod (Attaching Parts)	
19	3300023	2	Nut, Jam 1 1/4in-12NF	
20	1660114	2	End, Rod	
21	0642622	2	Bolt 1in-8NC x 2 3/4in	
22	4762600	2	Lockwasher 1in	
23	3040314	1	Lug	

SECTION 1 - ILLUSTRATED PARTS LIST

FIGURE 1-54. PLACARDS AND DECALS INSTALLATION - MODEL 40HT



SECTION 1 - ILLUSTRATED PARTS LIST

FIGURE 1-54. PLACARDS AND DECALS INSTALLATION - MODEL 40HT

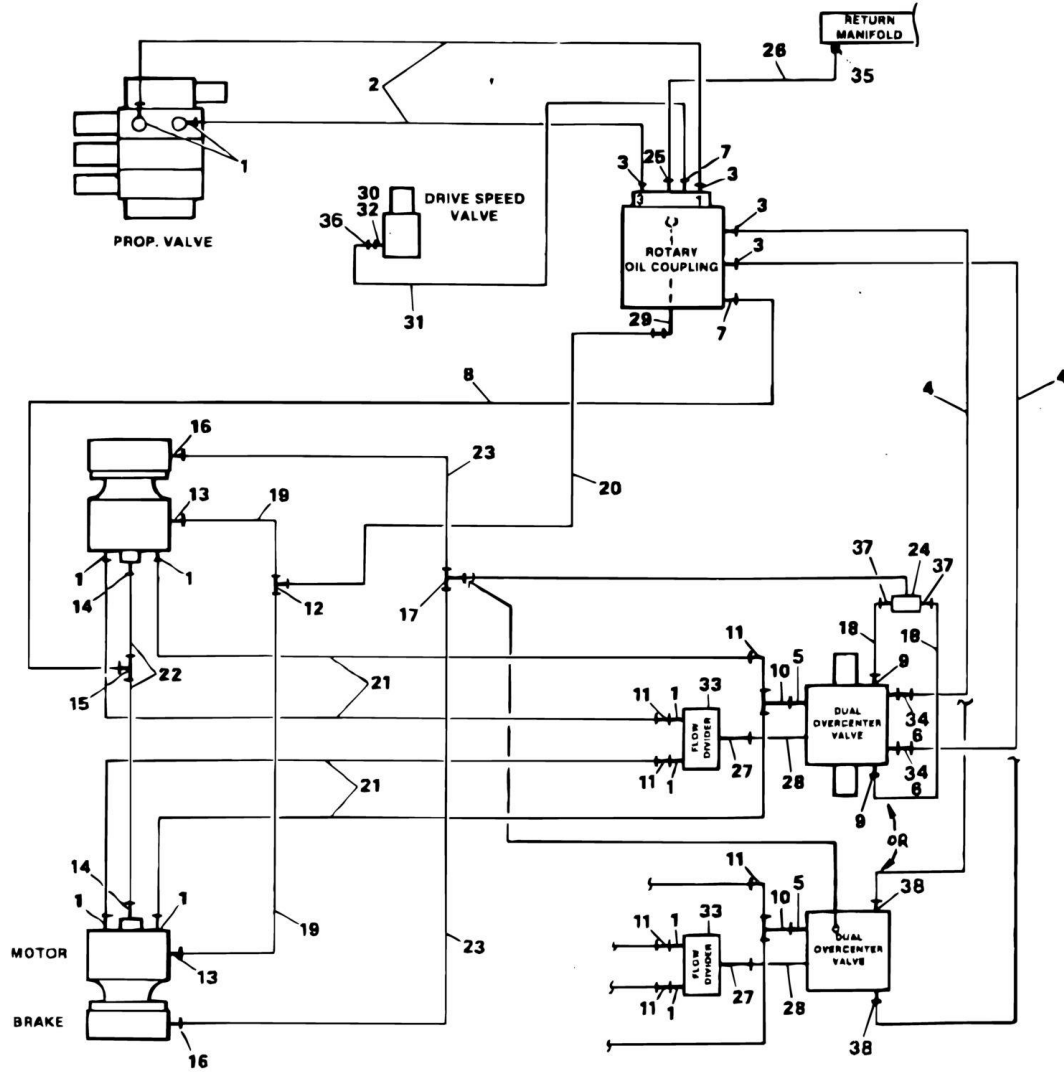
ITEM	PART NUMBER	QTY	DESCRIPTION	REV
		Ref	PLACARDS AND DECALS INSTALLATIONS MODEL 40HT	
	0236274	Ref	PLACARDS AND DECALS INSTALLATIONS (GAS)	
	0236276	Ref	PLACARDS AND DECALS INSTALLATIONS (DIESEL)	J
	0236277	Ref	PLACARDS AND DECALS INSTALLATIONS (L.P. GAS)	J
	0236278	Ref	PLACARDS AND DECALS INSTALLATIONS (DUAL FUEL)	J
	0237593	Ref	PLACARDS AND DECALS INSTALLATIONS (ELECTRIC)	B
1	1700423	4	Decal - FWD (Brown)	
1	1700977	4	Decal - FWD (Cream)	
2	1700568	4	Decal - Arrow (Brown)	
2	1700978	4	Decal - Arrow (Cream)	
3	3251549	1	Nameplate - Danger (Attaching Parts)	
3	3311401	2	Nut 1/4in-20NC	
3	4761400	2	Lockwasher 1/4in	
4	3251548	1	Nameplate - Caution (Gas, Diesel, LP Dual Fuel)	
4	3251548	1	Nameplate - Caution (Electric) (Attaching Parts)	
4	3311401	2	Nut 1/4in-20NC	
4	4761400	2	Lockwasher 1/4in	
5	1700157	1	Decal - Manual	
5	0860520	1	Box, Manual Storage (Attaching Parts)	
5	3311405	4	Locknut 1/4in-20NC	
5	4751400	4	Flatwasher 1/4in	
	1060279	1	Cable, Lanyard (Attaching Parts)	
	0641408	1	Bolt 1/4in-20NC x 1in	
	3311405	1	Locknut 1/4in-20NC	
6	1700476	2	Decal - No Hands	
7	1700477	1	Decal - Attach Belt	
8	3251766	1	Nameplate - Footswitch	
8	3820001	4	Rivet	
9	1700640	2	Decal - Danger	
10	1700430	1	Decal - Gas-Gasoline-Petrol	
10	1700428	1	Decal - Diesel Fuel	
11	1700419	1	Decal - Hydraulic Fluid	
12	1700585	3	Decal - Danger (Location May Vary)	
13	1700584	1	Decal - Patent	
14	1700643	1	Decal - Caution (Location May Vary)	
15	1700431	AR	Decal - Brown and Orange Stripe	
16	1700422	1	Decal - JLG Lift (Shown) (Used 1983 - Fall 1989)	
16	1700981	1	Decal - JLG (Not Shown) (Fall 1989 to Present)	
17	1700427	1	Decal - Company Logo (Shown) (1983 - Fall 1989)	
17	3251813	1	Decal USA (Not Shown) (Fall 1989 to Present)	
18	1700377	4	Decal - Lift Here (Brown)	
18	1700975	4	Decal - Lift Here (Cream)	
18	1700575	4	Decal - Tie Down Lug (Brown)	
18	1700976	4	Decal - Tie Down Lug (Cream)	
19	1700557	2	Decal - 40HT	
20	1700593	1	Decal - Inspection	
21	3251569	1	Nameplate - Operator Handbook (Location May Vary)	
22	1700582	1	Nameplate - Ground Control Instructions	
23	Consult Factory	1	Nameplate - Manufacturer's Serial Number	
23	3820001	4	Rivet	

SECTION 1 - ILLUSTRATED PARTS LIST

ITEM	PART NUMBER	QTY	DESCRIPTION	REV
24	1700426	2	Decal - JLG Lift	
25	1700580	2	Nameplate - Danger	
26	1700583	1	Nameplate - Ground Control (Location May Vary)	
27	3251543	1	Nameplate - Reach (2-Section Boom - Domestic)	
27	3251613	1	Nameplate - Reach (3-Section Boom)	
27	3251510	1	Nameplate - Reach (2 Section Boom - CSA) (Location May Vary)	
28	3251028	1	Nameplate - Caution (LP and Dual Fuel Only)	
29	1700756	1	Decal - Full/Add	
30	1700717	1	Decal - Ground (Electric Only)	
31	3251045	1	Nameplate - Danger (Electric Only)	
	2901030	1	Decal Kit (40HT Without Capacity Indicator)	

SECTION 1 - ILLUSTRATED PARTS LIST

FIGURE 1-55. HYDRAULIC DIAGRAM - DRIVE



SECTION 1 - ILLUSTRATED PARTS LIST

FIGURE 1-55. HYDRAULIC DIAGRAM - DRIVE

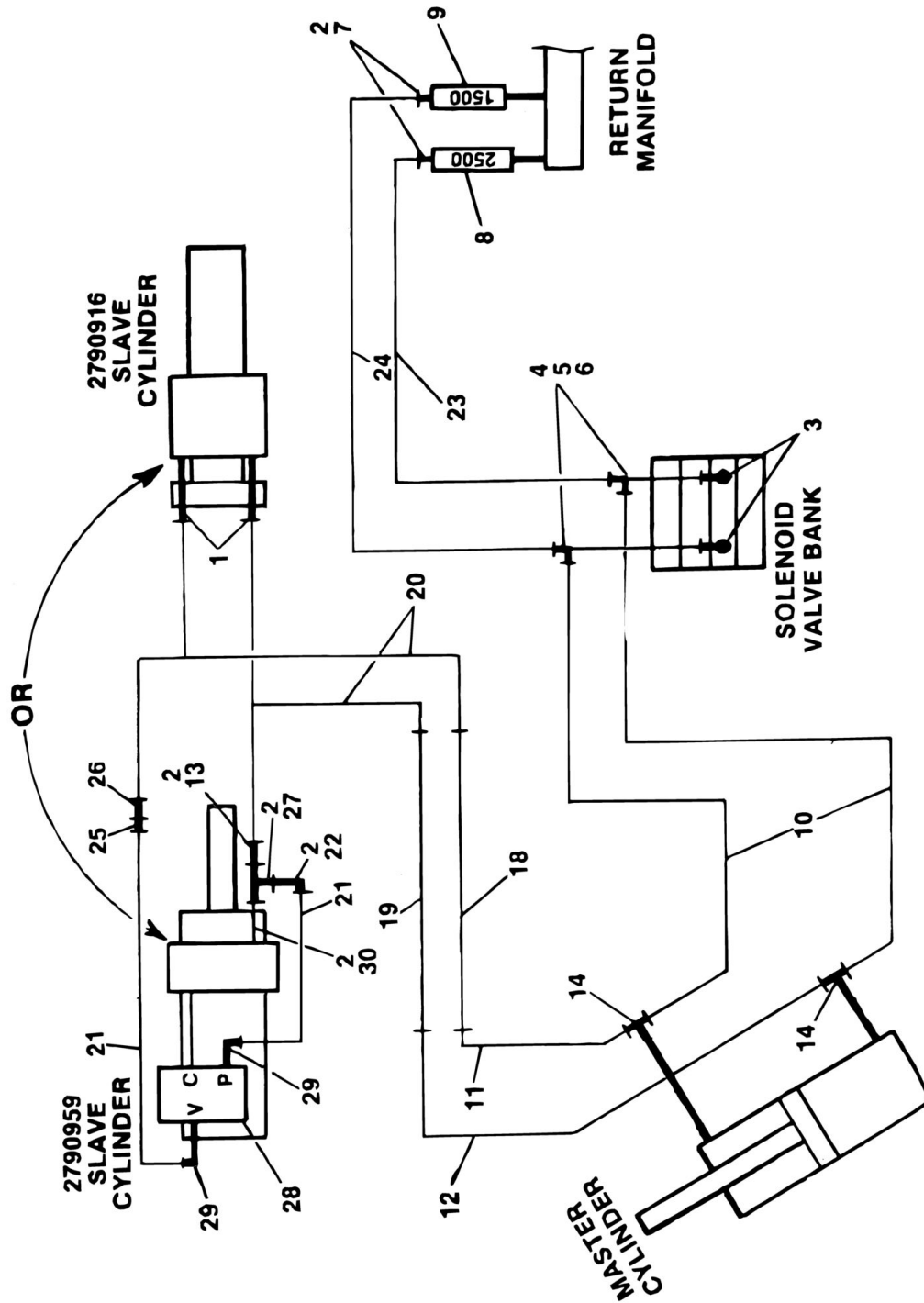
ITEM	PART NUMBER	QTY	DESCRIPTION	REV
	2790890	Ref	HYDRAULIC DIAGRAM DRIVE (1984-1986 With Separate Shuttle Valve)	F
	2791320	Ref	HYDRAULIC DIAGRAM DRIVE (1986 Present With Built-in Shuttle Valve)	B
1	2220375	8	Fitting	
2	2750979	2	Hose	
3	2220346	4	Fitting	
4	2750757	2	Hose	
5	2220435	1	Fitting (2790890)	
5	2220622	1	Fitting (2790890)	
5	2220375	1	Fitting (2791320)	
6	2220622	2	Fitting (2790890 Only)	
7	2220414	2	Fitting	
8	2751013	1	Hose	
9	2220416	2	Fitting (2790890 Only)	
10	2220385	1	Fitting	
11	2220386	3	Fitting	
12	2220490	1	Fitting (2790890)	
12	2220362	1	Fitting (2791320)	
13	2220473	2	Fitting (2790890)	
13	2220596	2	Fitting (2791320)	
14	2220415	2	Fitting	
15	2220504	1	Fitting	
16	2220466	2	Fitting	
17	2220584	1	Fitting (2790890)	
17	2220711	1	Fitting (2791320)	
18	2750908	2	Hose (2790890 Only)	
19	2750778	2	Hose (2790890)	
19	2750976	2	Hose (2791320)	
20	2750785	1	Hose (2790890)	
20	2750773	1	Hose (2791320)	
21	2750929	4	Hose	
22	2751019	2	Hose	
23	2750760	2	Hose	
24	4640013	1	Valve (2790890 Only)	
25	2220399	1	Fitting (2790890)	
25	2220345	1	Fitting (2791320)	
26	2750785	1	Hose (2790890)	
26	2220763	1	Hose (2791320)	
27	2180134	1	Fitting	
28	2220061	1	Fitting	
29	2180125	1	Fitting (2790390)	
29	2220399	1	Fitting (2790890)	
29	2220355	1	Fitting (2791320)	
30	2180217	1	Fitting (2790890)	
30	2220822	1	Fitting, Orifice (2791320)	
31	2751021	1	Hose	
32	2220250	1	Fitting	
33	4640260	1	Flow Divider	
34	2180343	2	Fitting, Modified 90 (2790890 Only)	

SECTION 1 - ILLUSTRATED PARTS LIST

ITEM	PART NUMBER	QTY	DESCRIPTION	REV
35	2220703	1	Fitting, 90 (2790890)	
35	2220659	1	Fitting, 90 (2791320)	
36	2180651	1	Fitting, Modified (2790890)	
36	2220417	1	Fitting (2791320)	
37	2220414	2	Fitting (2790980 Only)	
38	2220366	2	Fitting (2791320 Only)	

SECTION 1 - ILLUSTRATED PARTS LIST

FIGURE 1-56. HYDRAULIC DIAGRAM - LEVEL



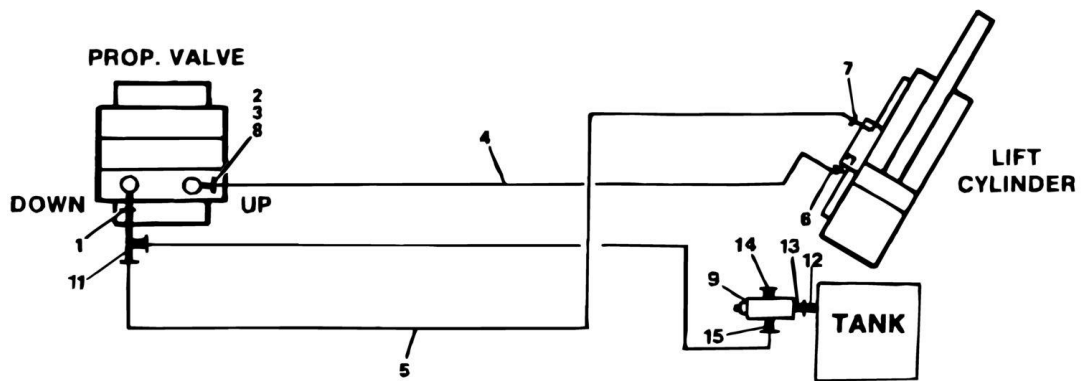
SECTION 1 - ILLUSTRATED PARTS LIST

FIGURE 1-56. HYDRAULIC DIAGRAM - LEVEL

ITEM	PART NUMBER	QTY	DESCRIPTION	REV
	2790959	Ref	HYDRAULIC DIAGRAM LEVEL (WITH ADD-ON PILOT CHECK VALVE)	-
	2790916	Ref	HYDRAULIC DIAGRAM LEVEL (PILOT CHECK VALVE IS PART OF SLAVE CYLINDER)	A
1	2220343	2	Fitting (2790916 Only)	
2	0100020	AR	Loctite	
3	2220591	2	Fitting, O-Ring Reducer	
4	2180379	2	Fitting, Tee	
5	2180621	2	Fitting, Plug	
6	0100011	AR	Loctite	
7	2220607	2	Fitting, Pipe	
8	4640165	1	Valve, Relief	
9	4640012	1	Valve, Relief	
10	2750999	2	Hose	
11	2751147	1	Hose	
12	2751146	1	Hose	
13	2220343	1	Fitting, Pipe (2790959 Only)	
14	2220608	2	Fitting, Tee	
18	4562533	1	Tube	
19	4562534	1	Tube	
20	2751148	2	Hose	
21	2751018	2	Hose (2790959 Only)	
22	2220585	1	Fitting, Pipe (2790959 Only)	
23	2750920	1	Hose (2790959)	
23	2750919	1	Hose (2790916)	
24	2750920	1	Hose (2790959)	
24	2751002	1	Hose (2790916)	
25	2220609	1	Fitting, Reducer (2790959 Only)	
26	2220511	1	Fitting (2790959 Only)	
27	2220444	1	Fitting, Tee (2790959 Only)	
28	4640450	1	Valve, P. O. Check	
29	2220416	2	Fitting, 90 Pipe	
30	2220006	1	Fitting, Pipe	

SECTION 1 - ILLUSTRATED PARTS LIST

FIGURE 1-57. HYDRAULIC DIAGRAM - LIFT



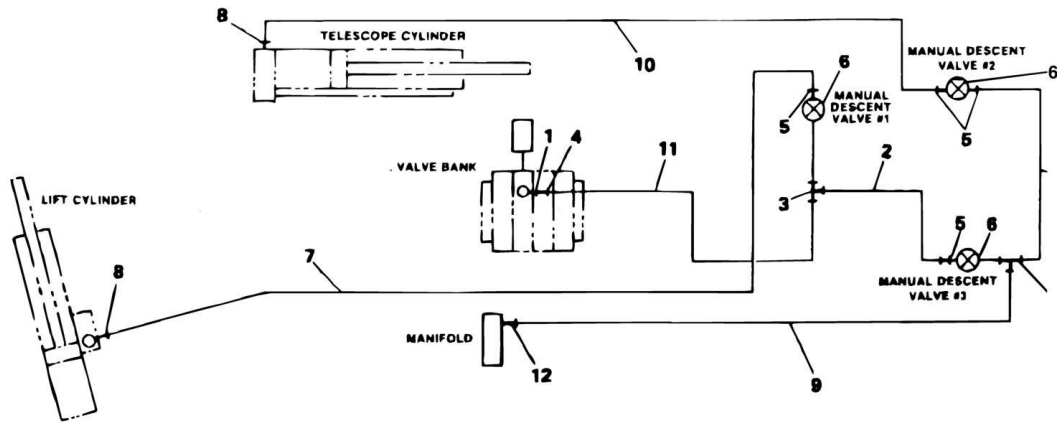
SECTION 1 - ILLUSTRATED PARTS LIST

FIGURE 1-57. HYDRAULIC DIAGRAM - LIFT

ITEM	PART NUMBER	QTY	DESCRIPTION	REV
	2790884	Ref	HYDRAULIC DIAGRAM - LIFT (RACINE VALVES)	A
	2791228	Ref	HYDRAULIC DIAGRAM - LIFT (VICKERS VALVES)	-
1	2220497	1	Fitting	
2	2180377	1	Fitting	
3	2180494	1	Fitting	
4	2750990	1	Hose	
5	2750990	1	Hose	
6	2220343	1	Fitting	
7	2220495	1	Fitting	
8	0100011	AR	Loctite	
9	4640047	1	Valve, Relief (1986 - Present - Machines With Racine Valves Only)	
10	2750919	1	Hose (1986 - Present - Machines With Racine Valves Only)	
11	2220635	1	Fitting, Tee (1986 - Present - Machines With Racines Valves Only)	
12	2220280	1	Fitting, Nipple (1986 - Present - Machines With Racines Valves Only)	
13	2180167	1	Fitting, Modified (1986 - Present - Machines With Racine Valves Only)	
14	2220239	1	Fitting, Plug (1986 - Present - Machines With Racine Valves Only)	
15	2220497	1	Fitting, Straight (1986 - Present - Machines With Racine Valves Only)	

SECTION 1 - ILLUSTRATED PARTS LIST

FIGURE 1-58. HYDRAULIC DIAGRAM - MANUAL DESCENT



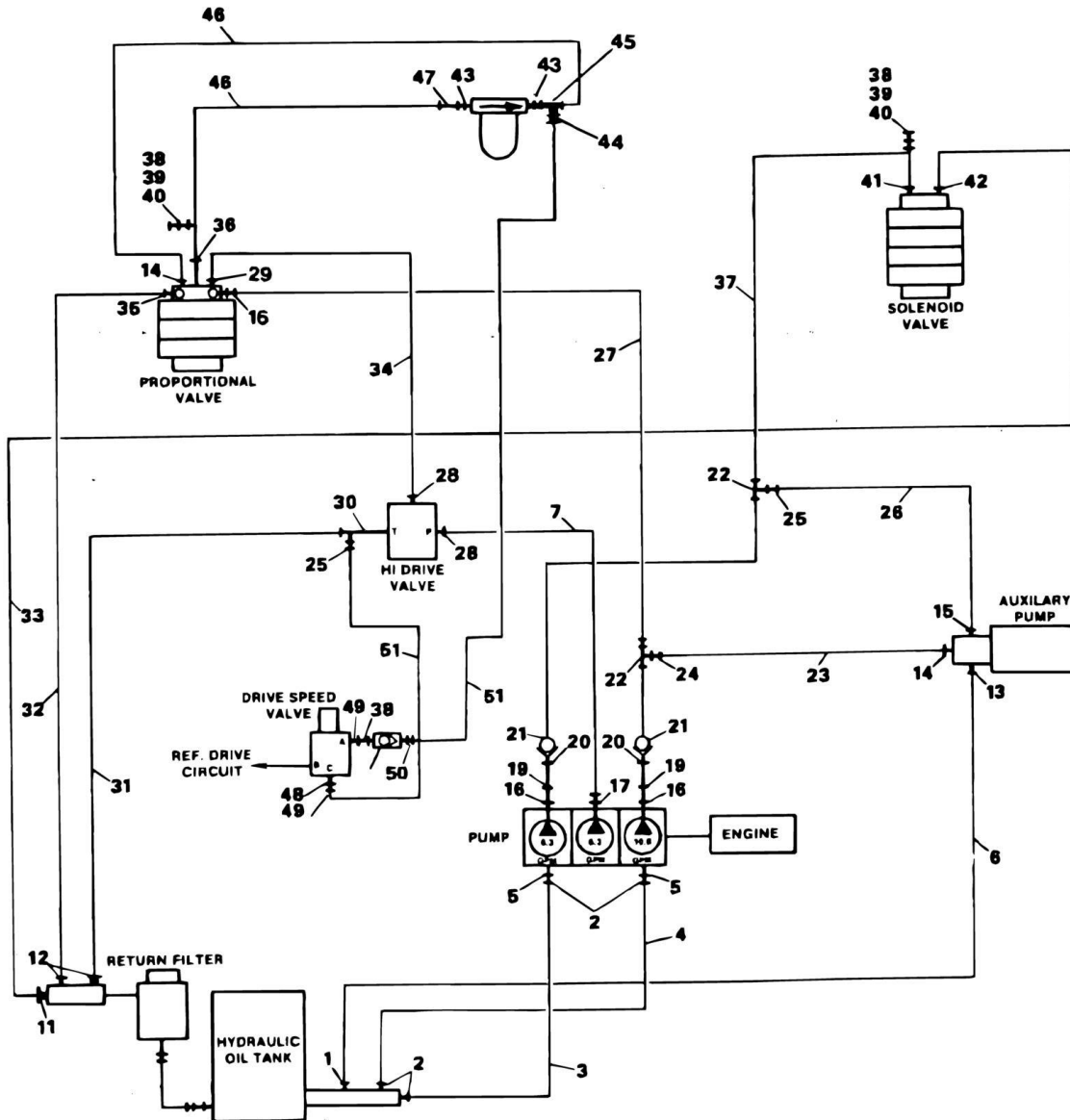
SECTION 1 - ILLUSTRATED PARTS LIST

FIGURE 1-58. HYDRAULIC DIAGRAM - MANUAL DESCENT

ITEM	PART NUMBER	QTY	DESCRIPTION	REV
	2790888	Ref	HYDRAULIC DIAGRAM - MANUAL DESCENT	D
1	2220609	1	Fitting	
2	2750902	2	Hose	
3	2220684	2	Fitting, Tee	
4	2220462	1	Fitting	
5	2220416	4	Fitting, 90	
6	4640005	3	Valve, Needle	
7	2750904	1	Hose	
8	2220416	2	Fitting	
9	2750904	1	Hose	
10	2751432	1	Hose	
11	2750904	1	Hose	
12	2220417	1	Fitting	

SECTION 1 - ILLUSTRATED PARTS LIST

FIGURE 1-59. HYDRAULIC DIAGRAM - PUMP (RACINE VALVES WITHOUT STEERING WHEEL)



SECTION 1 - ILLUSTRATED PARTS LIST

FIGURE 1-59. HYDRAULIC DIAGRAM - PUMP (RACINE VALVES WITHOUT STEERING WHEEL)

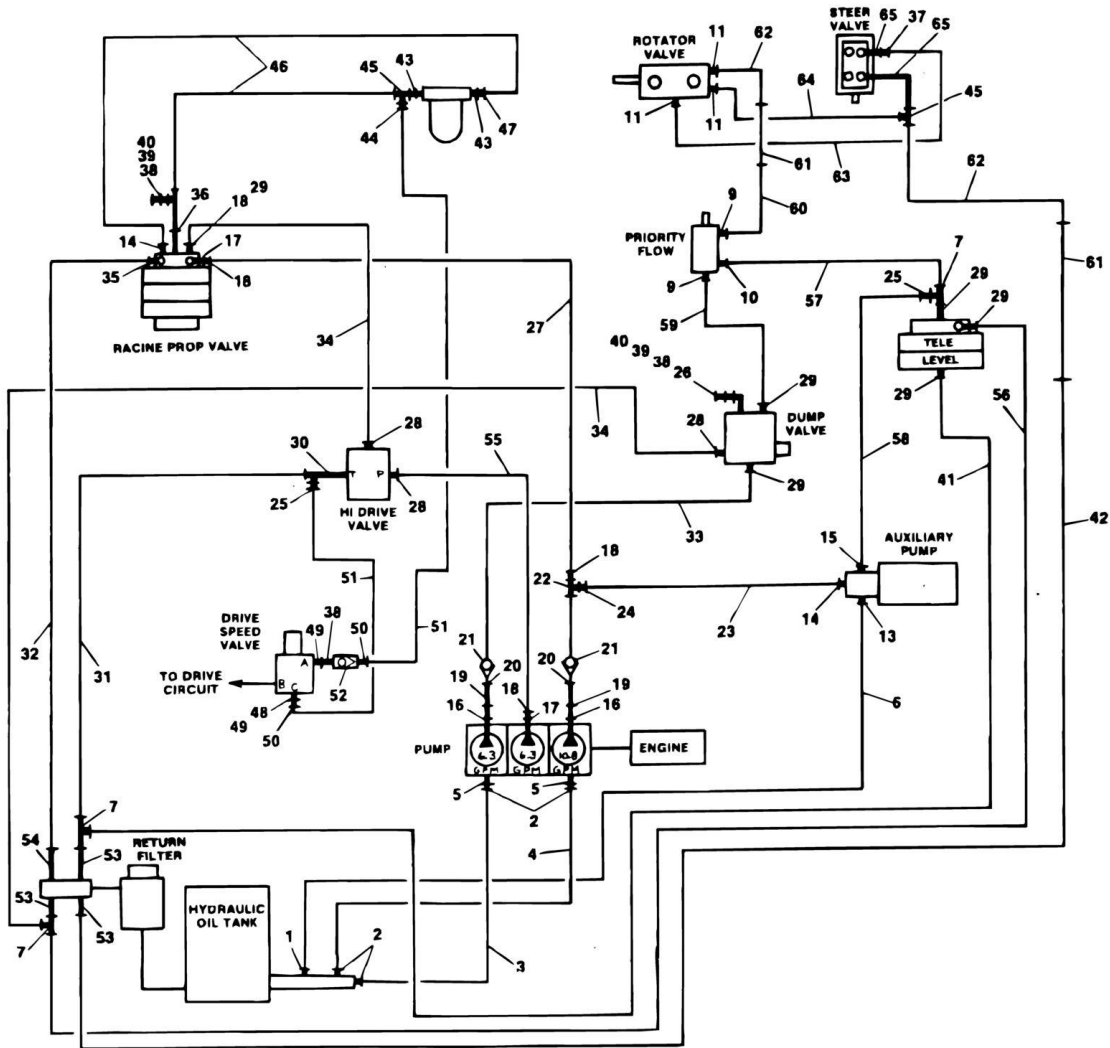
ITEM	PART NUMBER	QTY	DESCRIPTION	REV
	2790881	Ref	HYDRAULIC DIAGRAM - PUMP (RACINE VALVES WITHOUT STEERING WHEEL)	H
1	2220009	1	Fitting	
2	1320012	8	Clamp	
3	2720077	1	Hose	
4	2720076	1	Hose	
5	2220592	2	Fitting	
6	2180651	1	Fitting, Modified	
7	2750759	1	Hose	
8	4640197	1	Valve, Check	
11	2220347	1	Fitting	
12	2220407	1	Fitting, 90	
12	2220345	2	Fitting, Straight	
13	2220057	1	Fitting	
14	2220473	2	Fitting	
15	2220466	1	Fitting	
16	2220366	3	Fitting	
17	2220375	1	Fitting	
19	2220670	2	Fitting	
20	2220252	2	Fitting	
21	4640009	2	Valve, Check	
22	2220679	2	Fitting	
23	2750998	1	Hose	
24	2220619	1	Fitting	
25	2220618	2	Fitting	
26	2751013	1	Hose	
27	2750771	1	Hose	
28	2220596	2	Fitting	
29	2220373	1	Fitting	
30	2220602	1	Fitting	
31	2750774	1	Hose	
32	2751327	1	Hose	
33	2750762	1	Hose (Both Ends Straight)	
33	2751478	1	Hose (90 End - Straight End)	
34	2750929	2	Hose (24in length)	
34	2750968	1	Hose (18in Length)	
35	2220451	1	Fitting	
36	2180516	1	Fitting	
37	2751489	1	Hose (Both Ends Straight)	
37	2751466	1	Hose (90 End - Straight)	
38	2220261	3	Fitting	
39	2220428	2	Fitting	
40	2220429	2	Fitting	
41	2180357	1	Fitting	
41	2220386	1	Fitting, 90	
42	2220373	1	Fitting	
43	2220577	2	Fitting	
44	2220609	1	Fitting	
45	2220635	1	Fitting	
46	2751002	2	Hose (15in Length)	

SECTION 1 - ILLUSTRATED PARTS LIST

ITEM	PART NUMBER	QTY	DESCRIPTION	REV
46	2750911	1	Hose (12in Length)	
47	2220507	1	Fitting	
48	2180217	1	Fitting	
49	2220250	2	Fitting	
50	2220414	2	Fiting	
51	2751018	2	Hose (15in length)	
51	2750902	1	Hose (12in Length)	

SECTION 1 - ILLUSTRATED PARTS LIST

FIGURE 1-60. HYDRAULIC DIAGRAM - PUMP (RACINE VALVES WITH STEERING WHEEL)



SECTION 1 - ILLUSTRATED PARTS LIST

FIGURE 1-60. HYDRAULIC DIAGRAM - PUMP (RACINE VALVES WITH STEERING WHEEL)

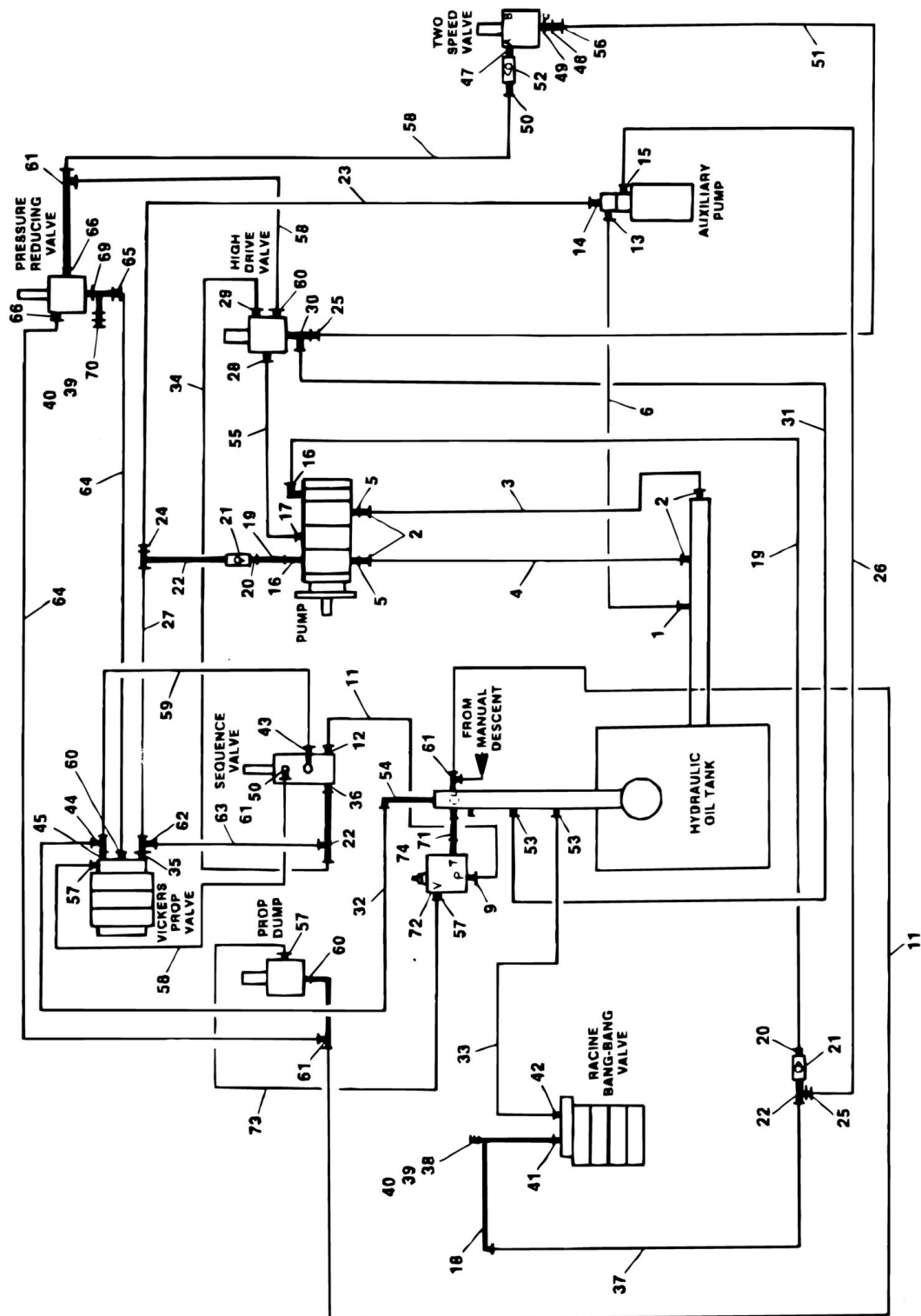
ITEM	PART NUMBER	QTY	DESCRIPTION	REV
	2791027	Ref	HYDRAULIC DIAGRAM - PUMP (RACINE VALVES WITH STEERING WHEEL)	-
1	2220009	1	Fitting, Straight	
2	1320017	8	Clamp, Hose	
3	2720077	1	Hose, Suction	
4	2720076	1	Hose, Suction	
5	2220592	2	Fitting, 90	
6	2750122	1	Hose	
7	2220385	3	Fitting, Tee	
9	2220345	2	Fitting, Straight	
10	2220659	1	Fitting, 90	
11	2220371	3	Fitting, Straight	
12	2220407	1	Fitting, 90	
13	2220057	1	Fitting, Straight	
14	2220473	2	Fitting, 90	
15	2220466	1	Fitting, 90	
16	2220366	2	Fitting, 90	
17	2220375	2	Fitting, Straight	
18	2220386	5	Fitting, 90	
19	2220670	2	Fitting, Straight	
20	2220252	2	Fitting, Nipple	
21	4640009	2	Valve, Check	
22	2220679	1	Fitting, Tee	
23	2750998	1	Hose	
24	2220619	1	Fitting, Straight Reducer	
25	2220618	2	Fitting, Straight Reducer	
26	2220111	1	Fitting, 90	
27	2750776	1	Hose	
28	2220596	3	Fitting, 90	
29	2220373	6	Fitting, Straight	
30	2220602	1	Fitting, Tee	
31	2750774	1	Hose	
32	2751327	1	Hose	
33	2751489	1	Hose	
34	2750929	2	Hose	
35	2220451	1	Fitting, Straight	
36	2180516	1	Fitting, Modified 90	
37	2220657	1	Fitting, 45	
38	2220261	3	Fitting, Nipple	
39	2220428	2	Fitting, Quick Disconnect	
40	2220429	2	Cap, Disconnect	
41	2750974	1	Hose	
42	2751154	1	Hose	
43	2220577	2	Fitting, Straight	
44	2220609	1	Fitting, Reducer	
45	2220635	2	Fitting, Tee	
46	2750920	2	Hose	
47	2220507	1	Fitting, 90	
48	2180217	1	Orifice	
49	2220250	2	Fitting, Reducer	

SECTION 1 - ILLUSTRATED PARTS LIST

ITEM	PART NUMBER	QTY	DESCRIPTION	REV
50	2220414	2	Fitting	
51	2751018	2	Hose	
52	4640197	1	Valve, Check	
53	2220345	3	Fitting, Straight	
54	2220347	1	Fitting, Straight	
55	2750759	1	Hose	
56	2750969	1	Hose	
57	2750775	1	Hose	
58	2750905	1	Hose	
59	2750968	1	Hose	
60	2751153	1	Hose	
61	4562719	2	Tube	
62	2751152	2	Hose	
63	2751004	1	Hose	
64	2750926	1	Hose	
65	2220372	2	Fitting, Straight	
	0100020	AR	Sealant	

SECTION 1 - ILLUSTRATED PARTS LIST

FIGURE 1-61. HYDRAULIC DIAGRAM - PUMP (VICKERS VALVES WITHOUT STEERING WHEEL)



SECTION 1 - ILLUSTRATED PARTS LIST

FIGURE 1-61. HYDRAULIC DIAGRAM - PUMP (VICKERS VALVES WITHOUT STEERING WHEEL)

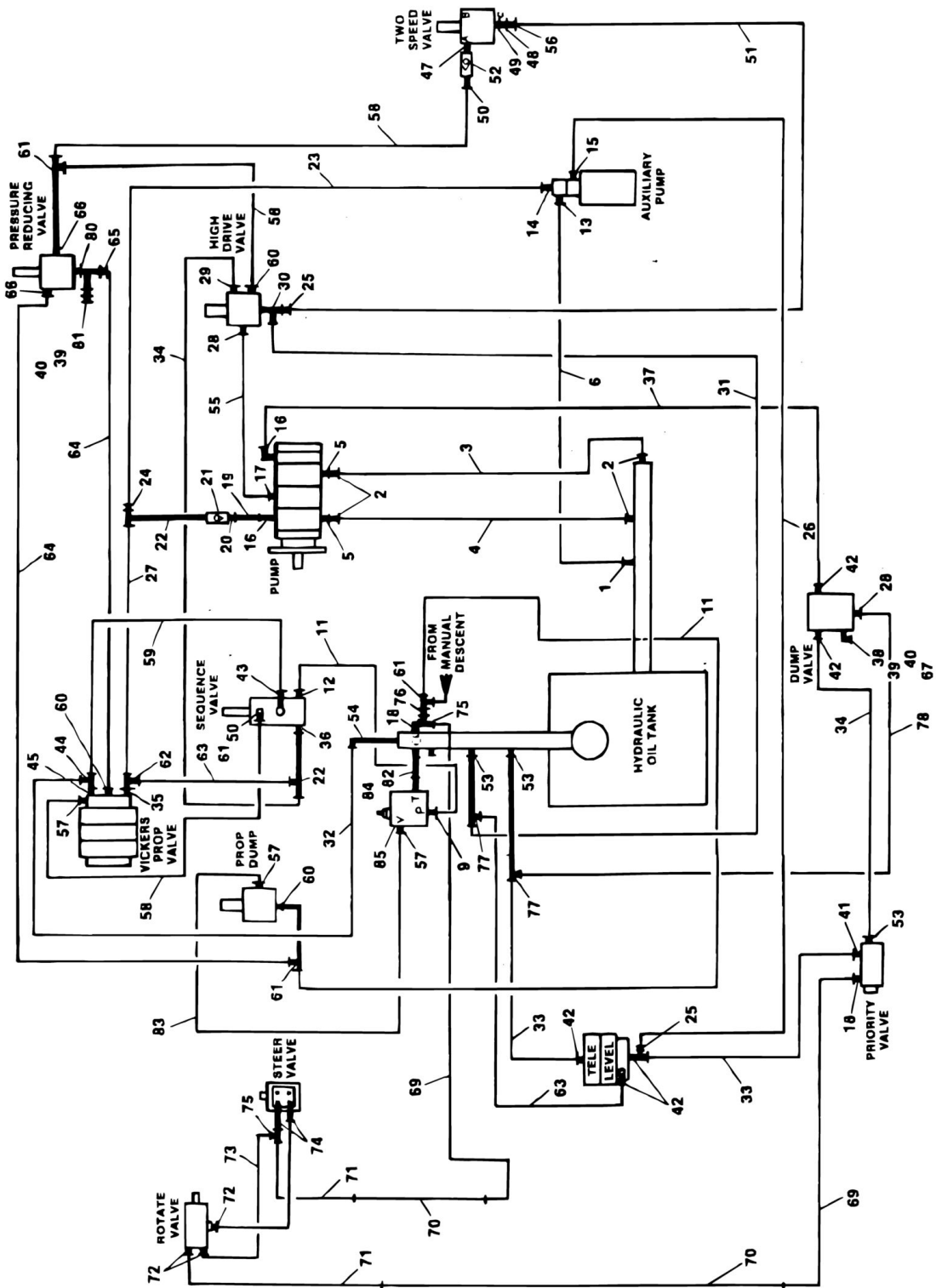
ITEM	PART NUMBER	QTY	DESCRIPTION	REV
	2791226	Ref	HYDRAULIC DIAGRAM - PUMP (VICKERS VALVES WITHOUT STEERING WHEEL)	C
1	2220009	1	Fitting, Straight	
2	1320012	8	Clamp, Hose	
3	2720077	1	Hose, Suction	
4	2720076	1	Hose, Suction	
5	2220592	2	Fitting, 90	
6	2750122	1	Hose	
9	2220374	1	Fitting, Straight	
10	2220239	1	Fitting, Plug	
11	2750889	2	Hose	
12	2220346	1	Fitting	
13	2220114	1	Fitting, Straight	
14	2220473	1	Fitting, 90	
15	2220466	1	Fitting, 90	
16	2220366	2	Fitting, 90	
17	2220375	1	Fitting, Straight	
18	2220386	1	Fitting, 90	
19	2220670	2	Fitting, Straight	
20	2220252	2	Fitting, Nipple	
21	4640009	2	Valve, Check	
22	2220679	3	Fitting, Tee	
23	2750998	1	Hose	
24	2220619	1	Fitting, Reducer	
25	2220618	2	Fitting, Reducer	
26	2751013	1	Hose	
27	2750771	1	Hose	
28	2220596	1	Fitting, 90	
29	2220474	1	Fitting, 90	
30	2220602	1	Fitting, Tee	
31	2750774	1	Hose	
32	2751350	1	Hose	
33	2750762	1	Hose	
34	2750968	1	Hose	
35	2220695	1	Fitting, Tee	
36	2220282	1	Fitting, Reducer	
37	2751466	1	Hose	
38	2220261	1	Fitting, Nipple	
39	2220428	2	Fitting, Disconnect	
40	2220429	2	Cap, Disconnect	
41	2180357	1	Fitting, Modified 90	
42	2220373	1	Fitting, Straight	
43	2220347	1	Fitting, Straight	
44	2220682	1	Fitting, Tee	
45	2220435	1	Fitting, Straight	
47	2220438	1	Fitting, Reducer	
48	2180217	1	Orifice	
49	2220250	1	Fitting, Reducer	
50	2220414	2	Fitting, Straight	
51	2751018	1	Hose	

SECTION 1 - ILLUSTRATED PARTS LIST

ITEM	PART NUMBER	QTY	DESCRIPTION	REV
52	4640197	1	Valve, Check	
53	2220345	2	Fitting, Straight	
54	2220493	1	Fitting, 90	
55	2750759	1	Hose	
56	2180651	1	Fitting, Modified Straight	
57	2220582	3	Fitting, Straight	
58	2750902	3	Hose	
59	2751355	1	Hose	
60	2220472	3	Fitting, 90	
61	2220605	4	Fitting, Tee	
62	2220622	1	Fitting, Reducer	
63	2750969	1	Hose	
64	2750900	2	Hose	
65	2220417	1	Fitting, Straight	
66	2220585	2	Fitting, 90	
69	2220444	1	Fitting, Tee	
70	2220438	1	Fitting, Straight	
71	2220400	1	Fitting, Straight	
72	4640520	1	Valve	
73	2751010	1	Hose	
74	2220753	1	Fitting, Adapter	
	0100020	AR	Sealant	

SECTION 1 - ILLUSTRATED PARTS LIST

FIGURE 1-62. HYDRAULIC DIAGRAM - PUMP (VICKERS VALVES WITH STEERING WHEEL)



SECTION 1 - ILLUSTRATED PARTS LIST

FIGURE 1-62. HYDRAULIC DIAGRAM - PUMP (VICKERS VALVES WITH STEERING WHEEL)

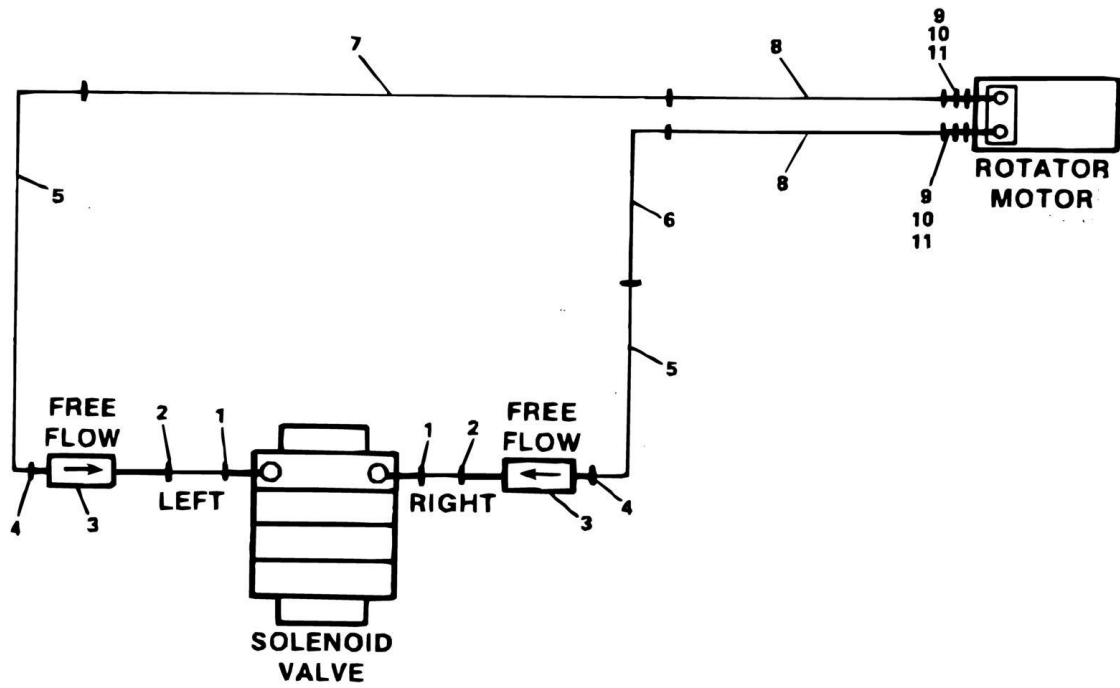
ITEM	PART NUMBER	QTY	DESCRIPTION	REV
	2791227	Ref	HYDRAULIC DIAGRAM - PUMP (VICKERS VALVES WITH STEERING WHEEL)	D
1	2220009	1	Fitting, Straight	
2	1320012	8	Clamp, Hose	
3	2720077	1	Hose, Suction	
4	2720076	1	Hose, Suction	
5	2220592	2	Fitting, 90	
6	2750122	1	Hose	
9	2220374	1	Fitting, Straight	
10	2220239	1	Fitting, Plug	
11	2750889	2	Hose	
12	2220346	1	Fitting	
13	2220114	1	Fitting, Straight	
14	2220473	1	Fitting, 90	
15	2220466	1	Fitting, 90	
16	2220366	2	Fitting, 90	
17	2220375	1	Fitting, Straight	
18	2220344	2	Fitting, Straight	
19	2220670	1	Fitting, Straight	
20	2220252	2	Fitting, Nipple	
21	4640009	1	Valve, Check	
22	2220679	2	Fitting, Tee	
23	2750998	1	Hose	
24	2220619	1	Fitting, Reducer	
25	2220618	2	Fitting, Reducer	
26	2750905	1	Hose	
27	2750771	1	Hose	
28	2220596	2	Fitting, 90	
29	2220474	1	Fitting, 90	
30	2220602	1	Fitting, Tee	
31	2750774	1	Hose	
32	2751350	1	Hose	
33	2750974	2	Hose	
34	2750968	2	Hose	
35	2220695	1	Fitting, Tee	
36	2220282	1	Fitting, Reducer	
37	2751466	1	Hose	
38	2220261	1	Fitting, Nipple	
39	2220428	2	Fitting, Disconnect	
40	2220429	2	Cap, Disconnect	
41	2220659	1	Fitting, 90	
42	2220373	5	Fitting, Straight	
43	2220347	1	Fitting, Straight	
44	2220682	1	Fitting, Tee	
45	2220435	1	Fitting, Straight	
47	2220438	1	Fitting, Reducer	
48	2180217	1	Orifice	
49	2220250	1	Fitting, Reducer	
50	2220414	2	Fitting, Straight	
51	2751018	1	Hose	

SECTION 1 - ILLUSTRATED PARTS LIST

ITEM	PART NUMBER	QTY	DESCRIPTION	REV
52	4640197	1	Valve, Check	
53	2220345	3	Fitting, Straight	
54	2220493	1	Fitting, 90	
55	2750759	1	Hose	
56	2180651	1	Fitting, Modified Straight	
57	2220582	3	Fitting, Straight	
58	2750902	3	Hose	
59	2751355	1	Hose	
60	2220472	3	Fitting, 90	
61	2220605	4	Fitting, Tee	
62	2220622	1	Fitting, Reducer	
63	2750969	2	Hose	
64	2750900	2	Hose	
65	2220417	1	Fitting, Straight	
66	2220585	2	Fitting, 90	
67	2220111	1	Fitting, 90	
69	2791153	2	Hose	
70	4562719	2	Tube	
71	2751152	2	Hose	
72	2220371	3	Fitting, Straight	
73	2750926	1	Hose	
74	2220372	2	Fitting, Straight	
75	2220635	2	Fitting, Tee	
76	2220609	1	Fitting, Reducer	
77	2220385	2	Fitting, Tee	
78	2750929	1	Hose	
80	2220444	1	Fitting, Tee	
81	2220438	1	Fitting, Straight	
82	2220400	1	Fitting, Straight	
83	2751010	1	Hose	
84	2220753	1	Fitting, Adapter	
85	4640520	1	Valve	
	0100020	AR	Sealant	

SECTION 1 - ILLUSTRATED PARTS LIST

FIGURE 1-63. HYDRAULIC DIAGRAM - ROTATE (WITHOUT STEERING WHEEL)



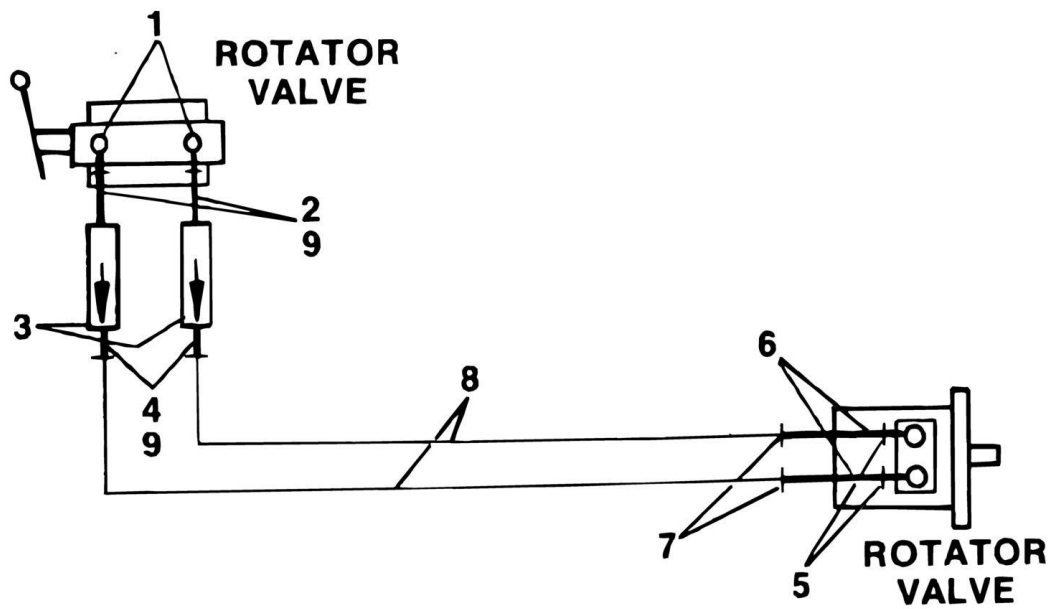
SECTION 1 - ILLUSTRATED PARTS LIST

FIGURE 1-63. HYDRAULIC DIAGRAM - ROTATE (WITHOUT STEERING WHEEL)

ITEM	PART NUMBER	QTY	DESCRIPTION	REV
	2790889	Ref	HYDRAULIC DIAGRAM - ROTATE (2 SECTION BOOM WITHOUT STEERING WHEEL)	E
	2790995	Ref	HYDRAULIC DIAGRAM - ROTATE (3 SECTION BOOM WITHOUT STEERING WHEEL)	B
1	2180029	2	Fitting	
2	2220261	2	Fitting	
3	4640383	2	Valve, Restricted	
4	2220414	2	Fitting, Straight	
4	2220416	2	Fitting, 90	
4	2220462	2	Fitting, 90	
5	2751437	2	Hose 90in Length	
5	2751447	2	Hose 80in Length	
6	4562532	1	Tube (2 Section Boom)	
6	4563210	1	Tube (3 Section Boom)	
7	4562531	1	Tube (2 Section Boom)	
7	4563211	1	Tube (3 Section Boom)	
8	2751436	2	Hose (268in Length)	
8	2751875	2	Hose (325in Length)	
9	2220609	2	Fitting	
10	2220507	2	Fitting	
11	2220497	2	Fitting	

SECTION 1 - ILLUSTRATED PARTS LIST

FIGURE 1-64. HYDRAULIC DIAGRAM - ROTATE (WITH STEERING WHEEL)



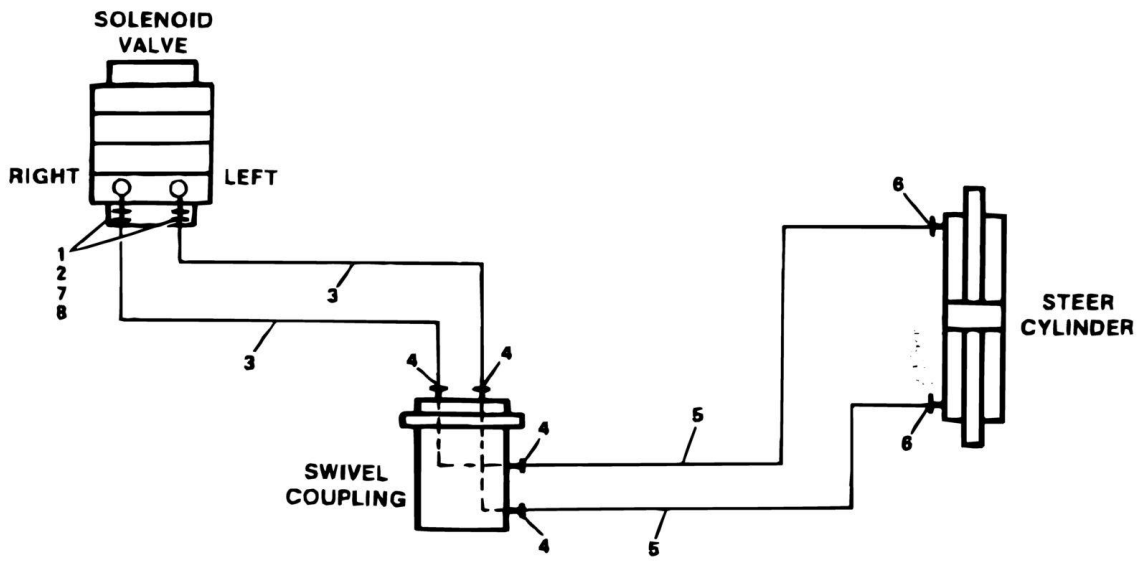
SECTION 1 - ILLUSTRATED PARTS LIST

FIGURE 1-64. HYDRAULIC DIAGRAM - ROTATE (WITH STEERING WHEEL)

ITEM	PART NUMBER	QTY	DESCRIPTION	REV
	2791029	Ref	HYDRAULIC DIAGRAM - ROTATE (2 SECTION BOOM WITH STEERING WHEEL)	-
1	2220111	2	Fitting, 90 O-Ring	
2	2220261	2	Fitting, Nipple	
3	4640383	2	Valve, Restrictor	
4	2220414	2	Fitting, Pipe	
5	2220497	2	Fitting, O-Ring	
6	2220507	2	Fitting, 90 Stem	
7	2220609	2	Fitting, Reducer	
8	2751014	2	Hose	
9	0100020	AR	Loctite	

SECTION 1 - ILLUSTRATED PARTS LIST

FIGURE 1-65. HYDRAULIC DIAGRAM - STEER (WITHOUT STEERING WHEEL)



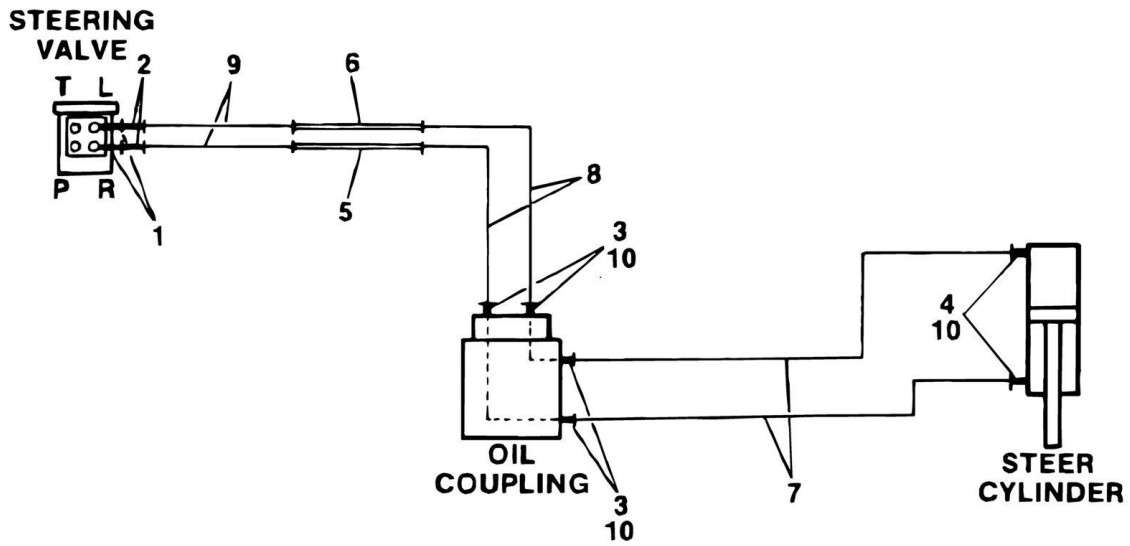
SECTION 1 - ILLUSTRATED PARTS LIST

FIGURE 1-65. HYDRAULIC DIAGRAM - STEER (WITHOUT STEERING WHEEL)

ITEM	PART NUMBER	QTY	DESCRIPTION	REV
	2790883	Ref	HYDRAULIC DIAGRAM - STEER (WITHOUT STEERING WHEEL)	C
1	2180540	2	Fitting	
2	2220462	2	Fitting, 90 (When Equipped)	
3	2751011	2	Hose (With Both Ends Straight)	
3	2750899	2	Hose (With one Straight End and one 90 End)	
4	2220417	4	Fitting	
5	2751396	2	Hose	
6	2220586	2	Fitting	
7	2180380	2	Fitting	
8	0100011	AR	Loctite	

SECTION 1 - ILLUSTRATED PARTS LIST

FIGURE 1-66. HYDRAULIC DIAGRAM - STEER (WITH STEERING WHEEL)



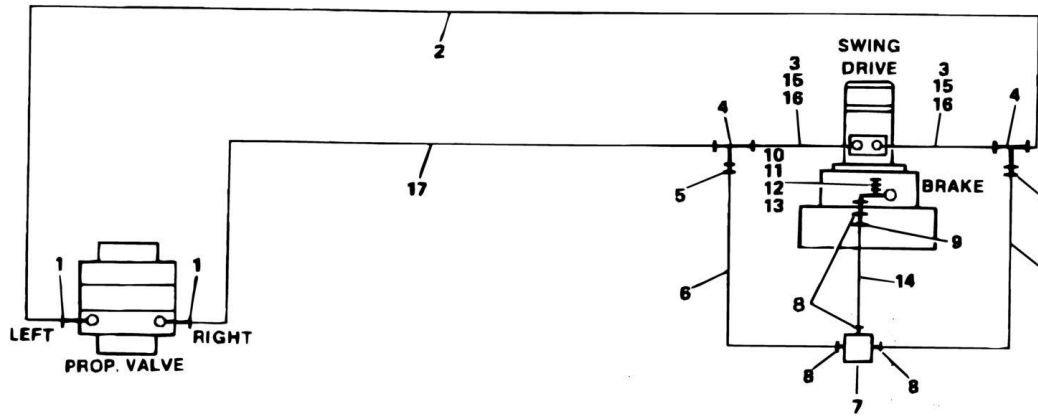
SECTION 1 - ILLUSTRATED PARTS LIST

FIGURE 1-66. HYDRAULIC DIAGRAM - STEER (WITH STEERING WHEEL)

ITEM	PART NUMBER	QTY	DESCRIPTION	REV
	2791028	Ref	HYDRAULIC DIAGRAM - STEER (2 SECTION BOOM WITH STEERING WHEEL)	-
	2790996	Ref	HYDRAULIC DIAGRAM - STEER (3 SECTION BOOM WITH STEERING WHEEL)	C
1	2220468	2	Fitting, Straight O-Ring	
2	2220462	2	Fitting, 90 (3 Section Only)	
3	2220417	4	Fitting, Pipe	
4	2220414	2	Fitting, Straight (2 Section)	
4	2220416	2	Fitting, 90 (3 Section)	
5	4562532	1	Tube Assembly (2 Section)	
5	4563210	1	Tube Assembly (3 Section)	
6	4562531	1	Tube Assembly (2 Section)	
6	4563211	1	Tube assembly (3 Section)	
7	2751396	2	Hose (2 Section)	
7	2751016	2	Hose (3 Section)	
8	2751447	2	Hose	
9	2751446	2	Hose, 1/4in x 290in	
9	2751888	2	Hose, 1/4in x 365in (3 Section)	
10	0100020	AR	Loctite	

SECTION 1 - ILLUSTRATED PARTS LIST

FIGURE 1-67. HYDRAULIC DIAGRAM - SWING



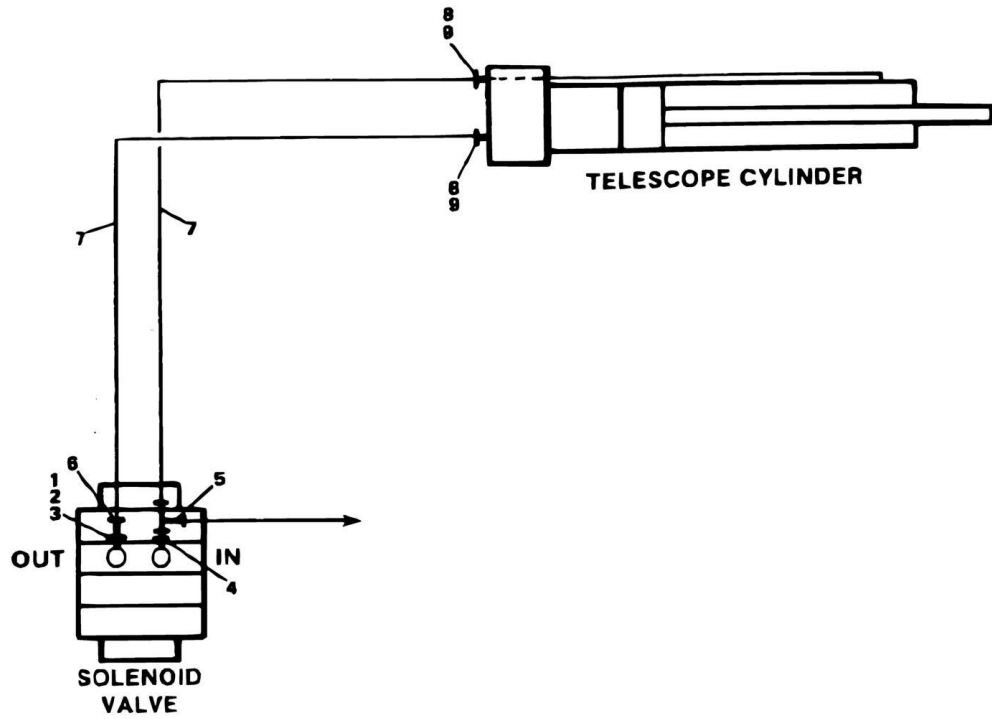
SECTION 1 - ILLUSTRATED PARTS LIST

FIGURE 1-67. HYDRAULIC DIAGRAM - SWING

ITEM	PART NUMBER	QTY	DESCRIPTION	REV
	2790887	Ref	HYDRAULIC DIAGRAM - SWING (RACINE)	C
	2791229	Ref	HYDRAULIC DIAGRAM - SWING (VICKERS)	-
1	2220497	2	Fitting (Racine)	
1	2220577	2	Fitting (Vickers)	
2	2751003	1	Hose	
3	2220757	2	Fitting, Straight	
4	2220635	2	Fitting, Tee	
5	2220609	2	Fitting, Straight	
6	2750901	2	Hose	
7	4640013	1	Valve, Shuttle	
8	2220414	4	Fitting, Straight	
9	2220462	1	Fitting 90 (When Equipped)	
10	2220110	1	Fitting, 90	
11	2180166	1	Fitting, Tee	
12	2220428	1	Fitting, Quick Disconnect	
13	2220429	1	Cap, Dust	
14	2750900	1	Hose	
15	2180394	2	Orifice	
16	0100011	AR	Loctite	
17	2751003	1	Hose	

SECTION 1 - ILLUSTRATED PARTS LIST

FIGURE 1-68. HYDRAULIC DIAGRAM - TELESCOPE



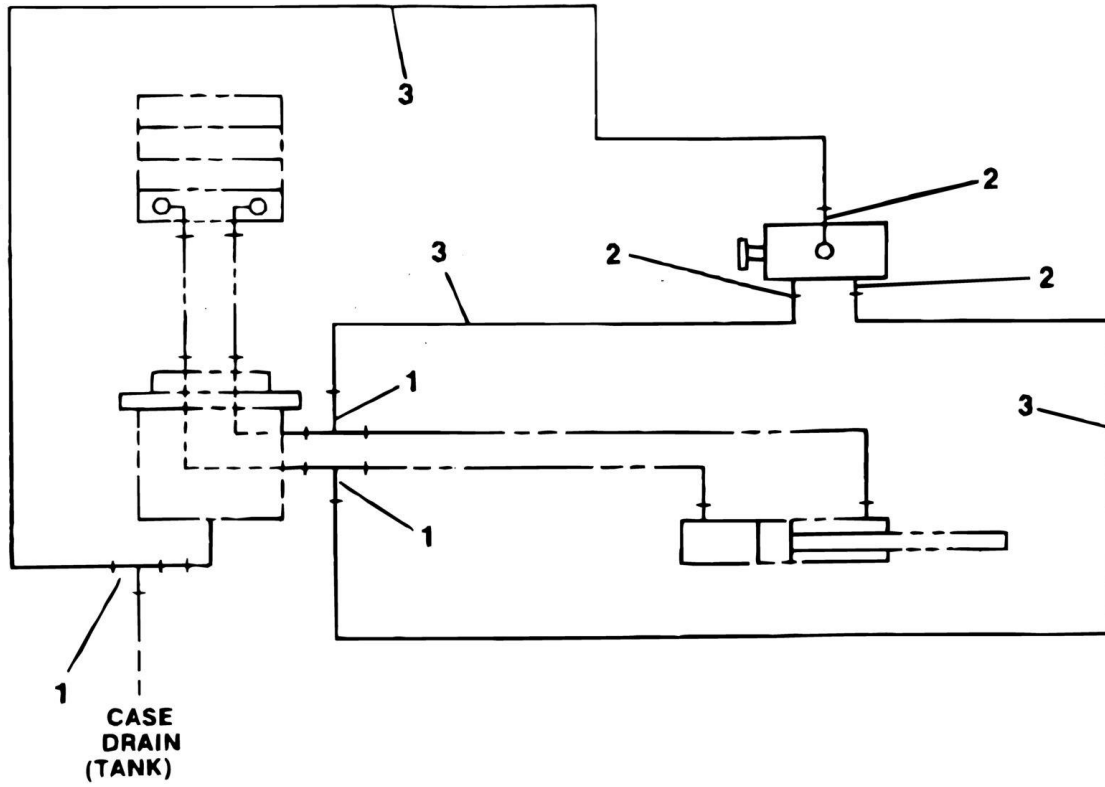
SECTION 1 - ILLUSTRATED PARTS LIST

FIGURE 1-68. HYDRAULIC DIAGRAM - TELESCOPE

ITEM	PART NUMBER	QTY	DESCRIPTION	REV
	2790886	Ref	HYDRAULIC DIAGRAM - TELESCOPE	C
1	2180479	1	Fitting, Modified	
2	2180486	1	Orifice	
3	0100011	AR	Loctite	
4	2220591	1	Fitting, Straight	
5	2220606	1	Fitting, Tee	
6	2220507	1	Fitting, 90	
7	2751128	1	Hose (With Straight Ends)	
7	2750908	2	Hose (With one Straight End and one 90 End)	
8	2220372	2	Fitting, Straight	
9	2220509	2	Fitting, 90 (When Equipped)	

SECTION 1 - ILLUSTRATED PARTS LIST

FIGURE 1-69. HYDRAULIC DIAGRAM - TOW



SECTION 1 - ILLUSTRATED PARTS LIST

FIGURE 1-69. HYDRAULIC DIAGRAM - TOW

ITEM	PART NUMBER	QTY	DESCRIPTION	REV
	2791031	Ref	HYDRAULIC DIAGRAM - TOW	-
1	2220605	3	Fitting, Tee	
2	2220468	3	Fitting	
3	2751428	3	Hose	

SECTION 1 - ILLUSTRATED PARTS LIST

FIGURE 1-70. ELECTRICAL WIRING DIAGRAMS - RACINE VALVES

ITEM	PART NUMBER	QTY	DESCRIPTION	REV
		Ref	ELECTRICAL WIRING DIAGRAMS - RACINE VALVES	
	1280577	Ref	ENGINE AND VALVES WIRING DIAGRAM - WISCONSIN WITH GEAR PUMP AND 3 STACK VALVE WITHOUT PROP TELE (DWG ONLY)	C
	4931440	1	Engine Wiring Diagram (B/M Only)	C
	4920574	1	Harness - Choke Relay to Choke	
	4920575	1	Harness - Power Feed to Choke Relay	
	4920578	1	Harness - Ignition Relay to Ignition Coil	
	4920579	1	Harness - Power to Ignition Relay	
	4920523	1	Harness - Power to Glow Plug	
	4920662	1	Harness - Start Switch to Terminal Strip	
	1280576	Ref	ENGINE AND VALVES WIRING DIAGRAM - WISCONSIN WITH PISTON PUMP AND 3 STACK VALVE WITHOUT PROP TELE (DWG. ONLY)	C
	4931440	1	Engine Wiring Diagram (B/M Only) (Refer To Available Harness List Near Beginning of This P/L)	C
	4931525	1	Valve Wiring Diagram - Without Steering Wheel (B/M Only)	-
	4920576	1	Harness - Proportional Valve to Ground	
	4931480	1	Valve Wiring Diagram - With Steering Wheel (B/M Only)	
	4920576	1	Harness-Proportional Valve to Ground	
	1280578	Ref	ENGINE AND VALVE WIRING DIAGRAM - WISCONSIN WITH GEAR PUMP AND 4 STACK VALVE WITH PROP TELE (DWG ONLY)	-
	4931440	-	Engine Wiring Diagram (B/M Only) (Refer To Available Harness List Near Beginning of This P/L)	
	1280575	Ref	ENGINE AND VALVE WIRING DIAGRAM - WISCONSIN WITH PISTON PUMP AND 4 STACK VALVE WITH PROP TELE (DWG ONLY)	A
	4931440	1	Engine Wiring Diagram (B/M Only)	
	4931482	1	Valve Wiring Diagram - Without Steering Wheel (B/M Only)	
	4920584	1	Harness - Proportional Valve To Ground	
	4931479	1	Valve Wiring Diagram - With Steering Wheel (B/M Only)	
	4920584	1	Harness - Proportional Valve To Ground	
	1280581	Ref	ENGINE AND VALVE WIRING DIAGRAM - DEUTZ WITH 3 STACK VALVE WITHOUT PROP TELE (DWG ONLY)	B
	4931484	1	Engine Wiring Diagram - Without Glow Plugs (B/M Only)	
	4920585	1	Harness - Engine Run	
	4920594	1	Harness - Alternator	
	4920587	1	Harness - Adlo Relay Ground	
	4920590	1	Harness - Start Signal From Adlo Relay To Start Relay	
	4931483	1	Engine Wiring Diagram - With Glow Plugs (B/M Only)	
	4920591	1	Harness - Power To Glow Plug Relay	
	4920592	1	Harness - Power To Glow Plugs	
	4920593	1	Harness- Power To Primer	
	4920523	1	Harness - Power To Glow Plug Switch	
	4920596	1	Harness - Start Signal To Glow Plug Relay (Also Refer To Available Harnesses Listed Under P/N 4931484 - Without Glow Plugs Above)	
	4931478	Ref	GROUND CONTROL WIRING DIAGRAM (GAS/DIESEL)	B
	4920497	1	Harness - Circuit Breaker To Select Switch	
	4920499	1	Harness - Circuit Breaker To Ground Ignition Switch	

SECTION 1 - ILLUSTRATED PARTS LIST

ITEM	PART NUMBER	QTY	DESCRIPTION	REV
	4920577	1	Harness - Select Switch To Relays	
	4920501	1	Harness - Circuit Breaker	
	4920502	1	Harness - Ground	
	4920504	1	Harness - Horizontal Cut-Out	
	4920505	1	Harness - Relay Ground	
	4920506	1	Harness - Relay Ground	
	4920507	1	Harness - Relay Ground	
	4920508	1	Harness - Mid Engine	
	4920509	1	Harness - Swing	
	4920510	1	Harness - Swing	
	4920511	1	Harness - Lift	
	4920512	1	Harness - Lift	
	4920513	1	Harness - Mid Engine	
	4920524	1	Harness - Swing Relay To Bang-Bang Dump	
	4920602	1	Harness - Proportional Dump	
	4920518	1	Harness - Power Distributor	
	4920519	1	Harness - Ignition On	
	4920521	1	Harness - Select Switch To Ignition On	
	4920580	1	Harness - Start	
	4920525	1	Harness - Proportional Dump to Relay	
	4931312	Ref	GROUND CONTROL WIRING DIAGRAM (ELECTRIC MACHINE) (DWG ONLY)	A
	4931422	Ref	PLATFORM WIRING DIAGRAM - WITHOUT PROP TELE	B
	4920427	1	Harness - Power Feed (Ignition To 20 Amp C.B.)	
	4920420	1	Harness - Drive Controller	
	4920456	1	Harness - Lift or Swing Controller	
	4920422	1	Harness - Start and Choke	
	4920423	1	Harness - Power To Toggle Switch	
	4920531	1	Harness - Bang-Bang Dump	
	4920609	1	Harness - Power Feed (20 Amp C.B. To Terminal Strip)	
	4931586	Ref	PLATFORM WIRING DIAGRAM - WITH PROP TELE	-
	4920421	1	Harness - Prop Tele (Also Refer To Available Harnesses Listed Under P/N 4931422 - Without Prop Tele Above)	
	4931313	Ref	PLATFORM WIRING DIAGRAM (SN 0308308653 ELECTRIC MACHINE ONLY) (DWG ONLY)	-
	4931342	Ref	VALVES WIRING DIAGRAM (ELECTRIC MACHINES ONLY) (DWG ONLY)	C

SECTION 1 - ILLUSTRATED PARTS LIST

FIGURE 1-71. ELECTRICAL WIRING DIAGRAMS - VICKERS VALVES

ITEM	PART NUMBER	QTY	DESCRIPTION	REV
		Ref	ELECTRICAL WIRING DIAGRAMS - VICKERS VALVES	
	1280727	Ref	ENGINE AND VALVES WIRING DIAGRAM (DWG ONLY)	C
	4931622	1	Engine Wiring Diagram - Wisconsin (B/M Only)	B
	4920797	1	Harness - Relay Power	
	4920798	1	Harness - Relay Ground	
	4920733	1	Harness - Choke Switch Power	
	4920850	1	Harness - Engine	
	4931825	1	Engine Wiring Diagram - Deutz (B/M Only)	A
	4920797	1	Harness - Relay Power	
	4920798	1	Harness - Relay Ground	
	4921127	1	Harness - Engine	
	4931620	Ref	GROUND CONTROL WIRING DIAGRAM (GAS/DIESEL MACHINES)	E
	4920718	6	Harness - Terminal Strip To Relay	
	4920846	3	Harness - Terminal Strip To Relay (Includes Diode)	
	4920793	1	Harness - Horn To Start Signal Relays	
	4920719	1	Harness - Fuse Holder	
	4920720	1	Harness - Lift Relay	
	4920721	1	Harness - Swing Relay	
	4920722	1	Harness - Ignition On To Terminal Strip	
	4920723	1	Harness - 35 Amp C.B. To Engine Harness	
	4920724	1	Harness - Start To Start Signal Relay	
	4920725	1	Harness - Lift Switch To Terminal 4 Lift Relay	
	4920726	1	Harness - Lift Switch To Terminal 5 Lift Relay	
	4920727	1	Harness - Swing Switch To Terminal 4 Swing Relay	
	4920728	1	Harness - Swing Switch To Terminal 5 Swing Relay	
	4920729	1	Harness - Ignition Switch To Switch	
	4920730	1	Harness - 35 Amp C.B. To Master Switch	
	4920731	1	Harness - Switch To Master Switch	
	4920847	1	Harness - Relay Ground	
	4920977	1	Harness - Power To Aux. Power, Start, Swing and Lift Switches	
	4920787	1	Harness - Power To Swing and Lift Switches	
	4920794	1	Harness - Master Switch To Ignition On Relays	
	4920795	1	Harness - Telescope Switch To Swing Relay	
	4920796	1	Harness - Select Switch To Ignition On Relay	
	4920892	1	Harness - Ignition On Relay To Terminal Strip	
	4931688	Ref	GROUND CONTROL WIRING DIAGRAM (ELECTRIC MACHINES)	-
	4921000	1	Harness - Valve	
	4921001	1	Harness - Motor	
	4931625	Ref	PLATFORM WIRING DIAGRAM - PQ CONTROLLERS WITHOUT PROP TELE	D
	4920734	1	Harness - Power Feed (Ignition To 20 Amp C.B.)	
	4920984	1	Harness - Drive Controller	
	4920855	1	Harness - Lift and Swing Controller	
	4920422	1	Harness - Start and Choke	
	4920858	1	Harness - Power To Toggle Switch	
	4920531	1	Harness - Bang-Bang Dump	
	4920609	1	Harness - Power Feed (20 Amp C.B. To Terminal Strip)	

SECTION 1 - ILLUSTRATED PARTS LIST

ITEM	PART NUMBER	QTY	DESCRIPTION	REV
	4931586	Ref	PLATFORM WIRING DIAGRAM - PQ CONTROLLERS WITH PROP TELE	-
	4920427	1	Harness - Power Feed (Ignition To 20 Amp C.B.)	
	4920420	1	Harness - Drive Controller	
	4920456	1	Harness - Lift or Swing Controller	
	4920422	1	Harness-Start and Choke	
	4920423	1	Harness - Power To Toggle Switch	
	4920531	1	Harness-Bang-Bang Dump	
	4920609	1	Harness-Power Feed (20 Amp C.B To Terminal Strip)	
	4920421	1	Harness - Prop Tele	
	1280803	Ref	PLATFORM WIRING DIAGRAM - OEM CONTROLLERS WITHOUT PROP TELE (DWG ONLY)	-
	4931665	1	Platform Wiring Diagram (B/M Only)	A
	4920884	1	Harness - Ignition	
	4920620	1	Harness - Start	
	4920621	1	Harness - Creep	
	4920622	1	Harness - Creep To Drive	
	4920623	1	Harness - Terminal Strip To Aux. Power Switch	
	4920624	1	Harness - Terminal Strip To Swing and Lift Switches	
	4920625	1	Harness - Ground To Swing and Lift Switches	
	4920818	1	Harness - Aux, Hi Engine, Hi Drive Jumper	
	1280804	Ref	PLATFORM WIRING DIAGRAM - OEM CONTROLLERS WITH PROP TELE (DWG ONLY)	-
	4931666	1	Platform Wiring Diagram (B/M Only)	
	4920629	1	Harness - Bang-Bang Dump	
	4920630	1	Harness - Capacitor	
	4920889	1	Harness - Creep To Tele	
	4920891	1	Harness - Ground To Tele	
	4920890	1	Harness - +12 To Tele (Also Refer To Available Harnesses Listed Under P/N 1280803 Without Prop Tele)	

SECTION 2 - RECOMMENDED SERVICE PARTS STOCK

SECTION 2 - RECOMMENDED SERVICE PARTS STOCK

SECTION 2 - RECOMMENDED SERVICE PARTS STOCK

FIGURE 2-1. 40HT LIFT STANDARD PARTS

ITEM	PART NUMBER	QTY	DESCRIPTION	REV
	Note	Ref	Note: The following list will service each Model 40HT Lift with the most commonly used parts. For further information, contact the JLG Industries Parts Department at Area Code (717) 485-5161.	
	Note	Ref	Note: The following Parts are Integral of Illustrated Parts List.	
		Ref	STANDARD PARTS	
	4360057	1	Limit Switch	
	3340453	1	Wear Pad Carrier	
	4640414	1	Valve Counterbalance	
	4640181	1	Valve, Lift Cylinder	
	2900385	1	Seal Kit Lift Cylinder	
	2940006	1	Door Latch Basket	
	4360031	1	Footswitch	
	7000625	2	Contact Block, Footswitch	
	1760068	1	Brake Disc	
	4360071	4	Switch, Emergency, Stop Lights, Drive, Speed	
	4360016	2	Switch, Start, Horn	
	4640005	2	Valve, Needle	
	3600141	1	Auxiliary Pump	
	3740067	1	Relay Prestolite	
	3740048	1	Solenoid Hi-Engine	
	2120107	4	Hydraulic Filter Return	
	4360171	1	Sensor, Level Indicator	
	2901146	1	Seal Kit, Rotary Oil Coupling	
	3160094	1	Seal Kit, Swing Motor	
	2900034	1	Repair Kit, Swing Hub	
	0440018	2	Bearing Cup	
	0440019	2	Bearing Cone	
	2900449	2	Seal Kit Drive Motor	
	7000211	2	Disconnect Cap Drive Hub	
	7000212	2	Disconnect Rod Drive Hub	

SECTION 2 - RECOMMENDED SERVICE PARTS STOCK

FIGURE 2-2. 40HT LIFT OPTIONAL/VARIABLE PARTS

ITEM	PART NUMBER	QTY	DESCRIPTION	REV
	Note	Ref	Note: The following list will service each Model 40HT Lift with the most commonly used parts. For further information, contact the JLG Industries Parts Department at Area Code (717) 485-5161.	
	Note	Ref	Note: The following Parts are Integral of Illustrated Parts List.	
		Ref	OPTIONAL/VARIABLE	
	3340172	2	Wear Pad, 1/2in Hardware 2 Section Boom	
	3340403	4	Wear Pad, 3/8in Hardware, 3 Mounting Holes 2 Section Boom	
	3340166	4	Wear Pad 3 1/2in Length 2 Section Boom	
	3340394	6	Wear Pad 5 1/2in Length 2 Section Boom	
	3340306	2	Wear Pad 3/8in Thick 2 Section Boom	
	3340399	2	Wear Pad 7/8in Thick 2 Section Boom	
	3340378	6	Wear Pad, 8in Length, 2 Mounting Holes 2 (Section Boom)	
	3340401	2	Wear Pad, 3 Mounting Holes 2 Section Boom	
	1180103	1	Carrier Power Track 2 Section Boom	
	2900347	1	Seal Kit, Telescope Cylinder 1681510	
	2900350	1	Seal Kit, Telescope Cylinder 1681583	
	3340261	2	Wear Pad, Base Front Bottom 3 Section Boom	
	3340404	6	Wear Pad, Base Front Side 3 Section Boom	
	3340263	6	Wear Pad, Base Front Top 3 Section Boom	
	1260164	1 set	Retract Chain 3 Section Boom	
	1260165	1 set	Extend Chain 3 Section Boom	
	1180140	1	Carrier Power Track 3 Section Boom	
	3340446	2	Wear Pad, Mid Front Bottom 3 Section Boom	
	3340450	6	Wear Pad, Mid Front Side 3 Section Boom	
	3340453	2	Wear Pad, Fly Rear Top 3 Section Boom	
	2900347	1	Seal Kit, Telescope Cylinder 3 Section Boom	
	4640212	1	Valve Telescope Cylinder 3 Section Boom	
	2901119	1	Seal Kit, Slave Cylinder 1681518 3 Section Boom	
	2900381	1	Seal Kit, Slave Cylinder 1681722, 1681548 3 Section Boom	
	4640269	1	Valve, Slave Cylinder 1681518 3 Section Boom	
	4640495	2	Valve, Slave Cylinder 1681548 3 Section Boom	
	4640509	2	Valve, Slave Cylinder 1681722 3 Section Boom	
	2901119	1	Seal Kit Master Cylinder 1681519, 1681547	
	2901120	1	Seal Kit Master Cylinder 1681580	
	3340454	2	Brake Pad, Shaft With Internal Threads	
	3340287	2	Brake Pad, Shaft With External Threads	
	0440134	2	Sleeve Bearing	
	0440120	2	Needle Bearing	
	2900455	1	Seal Kit Rotator Motor	
	1060138	1	Cable Capacity Indicator	
	1060168	1	Cable Capacity Indicator	
	1600094	2	Controller PQ	
	2560039	1	Knob PQ Tele	
	2560040	1	Knob PQ Swing	
	2560038	1	Knob PQ Lift	
	2560041	1	Knob PQ Drive	
	4360199	2	Switch, Emergency Stop, Engine Speed	
	4360204	2	Switch, Aux Power Racine	

SECTION 2 - RECOMMENDED SERVICE PARTS STOCK

ITEM	PART NUMBER	QTY	DESCRIPTION	REV
	4360200	2	Switch, Aux Power Vickers, Choke	
	4360202	4	Switch, Rotate, Steer, Tele, Platform	
	4360209	1	Circuit Breaker 20A	
	1600092	2	Controller OEM Swing, Drive, Tele	
	1600093	1	Controller OEM Tele	
	4360077	4	Switch Level, Tele, Rot, Steer	
	4360084	1	Switch Aux Power	
	4360114	1	Switch Horn, Glow Plug, Choke	
	3740049	10	Relay SPDT	
	3740016	2	Relay PB	
	4360186	1	Circuit Breaker 35A	
	4360212	1	Circuit Breaker 3A	
	4360069	3	Circuit Breaker 10A	
	4360003	1	Switch, Master	
	4360073	1	Switch, Toggle DPDT	
	4360074	1	Switch, Toggle DPST Lift, Swing, Tele	
	7000418	3	Coil 12VDC Racine	
	7000558	1	Coil FPS	
	7004368	1	Coil Hydroforce	
	7009745	1	Coil Modular Controls	
	2120079	4	Element Hydraulic Filter	
	7000417	1	Coil 12VDC Racine	
	1420003	1	Coil 7.5 VDC Racine	
	7003640	1	Coil Modular Controls	
	7009315	1	Coil, Vickers	
	4360067	1	Switch, Vacuum	
	3740002	2	Solenoid, Racine Valves	
	3740067	1	Solenoid, Vickers Valves	
	0060020	1	Actuator, Single Speed, Wisconsin	
	0060024	1	Actuator, Two Speed, Wisconsin	
	2120042	4	Filter Inline	
	3740027	1	Solenoid Start	
	3740030	1	Relay Adlo	
	3740059	1	Relay Motorcraft	
	0060021	1	Adeco Module	
	2900467	1	Repair Kit 3600078	
	2900699	1	Seal Kit 3600126 Piston Pump	
	2900626	1	Seal Kit 3600126 Tandem Pump	
	1120287	1	Cap, Hydraulic Tank	
	1120266	1	Cap and Disptick Hydraulic Tank	
	1340021	1	Breather Hydraulic Tank	
	1340046	1	Breather With Ears Hydraulic Tank	
	2420052	1	Mechanical Fuel Gauge	
	1120314	1	Cap, Fuel	
	2900131	1	Seal Kit, Ausco Swing Brake	
	2900642	1	Seal Kit, Mico Swing Brake	
	2900348	1	Seal Kit Steer Cylinder Double Acting	
	2901148	1	Seal Kit Steer Cylinder Single Acting 3in Bore	
	2901119	1	Seal Kit Steer Cylinder Single Acting 2 1/2in Bore	
	2900662	2	Seal Kit Drive Brake 0920072	
	2900131	2	Seal Kit Drive Brake 0920027 Ausco	

SECTION 2 - RECOMMENDED SERVICE PARTS STOCK

ITEM	PART NUMBER	QTY	DESCRIPTION	REV
	2900641	2	Seal Kit Drive Brake 0920027 Mico	

SECTION 2 - RECOMMENDED SERVICE PARTS STOCK

PART NUMBER INDEX

SECTION 2 - RECOMMENDED SERVICE PARTS STOCK

0060020.....95, 109, 227	0236278.....175	0237567.....57, 65	0440042.....43, 49, 54
0060021.....95, 108, 227	0236287.....8	0237575.....113	0440067.....139
0060024.....95, 109, 227	0236289.....129	0237583.....129	0440082.....19
0080031.....105	0236316.....13	0237593.....175	0440084.....7
0080039.....107	0236327.....37	0237594.....7	0440091.....155
0080064.....93	0236329.....103	0237595.....47	0440120.....39, 226
0080098.....39	0236331.....37	0237627.....108	0440134.....39, 226
0080099.....39	0236332.....57	0237687.....95	0440135.....38
0080103.....99	0236349.....135	0237726.....130	0440162.....155
0080163.....106	0236380.....129	0237731.....85	0440173.....19
0100001...13, 43, 57, 137	0236409.....105	0237732.....85	0440183.....155
0100003.....135, 139	0236410.....99, 126	0237733.....85	0460043.....153, 159
0100004.....139	0236418.....111	0237734.....85	0460058.....25, 29
0100009.....139	0236440.....31	0237855.....61	0460059.....27
010001.....47, 53	0236442.....8	0237868.....109	0480029.....113
0100011...11, 12, 13, 19, 20, 23, 25, 43, 49, 54, 66, 77, 86, 135, 159, 183, 185, 209, 213, 215	0236445.....107	0237874.....95	0480035.....103
0100019.....7, 38, 139	0236448.....107	0237895.....93	0480038.....111
0100020 25, 62, 125, 126, 137, 183, 194, 198, 202, 207, 211	0236468.....155	0237897.....93	0540045.....31
0140001.....93, 107	0236471.....156	0237899.....93	0540046.....31
0140024.....130	0236480.....105	0237901.....93	0540047.....31
0200048.....8	0236490.....13	0237914.....105	0540052.....33, 34
0200291.....95	0236497.....47	0237916.....105	0540053.....33
0230445.....95	0236500.....57	0237943.....47	0540054.....33
0231756.....126	0236501.....57	0237944.....47	0540055.....33
0233389.....19	0236506.....57	0237963.....37	0540056.....33
0233449.....7	0236521.....20	0238033.....135	0560554.....18
02337057.....47	0236522.....47	0238060.....61	0560563.....15
0233861.....37	0236526.....109	0238061.....61	0560605.....155
0234479.....135	0236530.....7	0238179.....53	0560714.....155
0234648.....113	0236533.....37	0238180.....53	0620055.....135
0235126.....149, 156	0236534.....20	0238223.....85	0620058.....135
0235306.....33	0236548.....7	0238224.....85	0630003.....95, 107
0235631.....130	0236550.....130	0238225.....85	0630136.....105
0235776.....103	0236551.....130	0238226.....85	0630137.....149, 155
0235777.....103	0236589.....137	0238250.....61, 85	0630139.....139
0235980.....39	0236606.....130	0238263.....53	0630160.....139
0235981.....39	0236671.....93	0238264.....53	0630190.....111
0236044.....17	0236741.....38	0238266.....47	0630347.....18
0236144.....149	0236743.....20	0238307.....93	0630354.....149
0236145.....139	0236830.....37	0238318.....53	0630365.....111
0236150.....150, 156	0236831.....37	0238369.....61	0630374.....18
0236161.....43	0236834.....49, 55	0238893.....103	0630399.....7
0236162.....43	0236850.....108	0238916.....99, 126	0640803.....44, 45, 47
0236172.....57	0236855.....173	0239055.....130	0641003.....149, 155
0236178.....93	0236856.....173	0239189.....130	0641008.....137
0236182.....93	0236862.....173	0239190.....130	0641404.....39
0236184.....93	0236867.....19	0239259.....39	0641405.....96
0236189.....150	0236884.....65	0239341.....37	0641406...12, 43, 61, 62, 93, 94, 95, 96, 99, 108, 113, 129, 130
0236191.....65	0236885.....65	0239634.....125	0641407...18, 31, 33, 34, 39, 49
0236192.....65	0236893.....173	0240014.....38	0641408...39, 57, 94, 96, 99, 107, 108, 109, 175
0236200.....7	0236992.....95	0250248.....37	0641410.....103
0236201.....125	0237041.....47	0250619.....105	0641412.....27, 103, 137
0236214.....133	0237042.....47	0250620.....106	0641414.....99
0236243.....149, 156	0237047.....109	0250657.....126	0641416.....66, 87
0236246.....150, 156	0237058.....47	0340002.....107	0641418.....85, 86
0236247.....150, 156	0237059.....65	0360372.....19	0641420.....66
0236248.....150, 156	0237060.....65	0360819.....137	0641506.....19
0236261.....37	0237067.....57	0361077.....150	0641507.....173
0236266.....139	0237110.....129	0361156.....137	0641508.....103, 111
0236274.....175	0237111.....129	0361758.....13	0641510.....12, 37, 103
0236276.....175	0237164.....13	0400002.....95	0641512.....103, 135
0236277.....175	0237195.....133	0400003.....95, 107	0641522.....85
	0237297.....95	0400008.....95, 107	0641540.....111, 150, 156
	0237315.....53	0400047.....113	
	0237316.....156	042002.....107	
	0237436.....156	0440018...149, 155, 224	
	0237564.....19	0440019...149, 155, 224	

SECTION 2 - RECOMMENDED SERVICE PARTS STOCK

0641605 17, 18	0860464 43	1060012. 13, 20, 103, 111	1340046 125, 227
0641606 ... 11, 12, 20, 39, 66, 86	0860466 43	1060074 107	1360061 95
0641607 18, 20, 137	0860467 57	1060092 54	1360100 17
0641608 ... 13, 17, 19, 20, 37, 38, 59, 63, 66	0860469 57	1060093 95, 107	1360112 108
0641609 ... 18, 59, 63, 86	0860470 57	1060138 43, 226	1360128 149, 153
0641610 11, 12, 105, 106, 113	0860472 47	1060146 95, 107	1360158 149, 153
0641612 66, 103	0860478 57	1060168 49, 54, 226	1360160 17
0641613 20	0860487 57	1060180 113	1380124 12
0641614 12	0860490 57	1060214 113	1420003 77, 227
0641616 18, 108	0860509 57	1060221 95	1440026 135
0641618 95, 107	0860516 57	1060229 13, 20	1440142 25, 29
0641622 13, 20, 105	0860517 57	1060258 114	1440159 27
0641628 15	0860520 175	1060259 113	1440182 113
0641634 38	0860521 61	1060260 113	1440217 103
0641708 85, 137	0860535 53	1060270 95	1440220 15
0641710 93	0860538 53	1060279 175	1460005 66, 86
0641724 105	0860547 61	1120032 149, 155	1600022 96
0641807 135	0860548 61	1120067 94	1600040 44
0641810 94, 139	0900047 93	1120108. 15, 23, 153, 159	1600041 45
0641811 38	0900383 39	1120161 107	1600043 126
0641814 106	0900479 173	1120169 94	1600092 53, 227
0641818 11	0900617 66	1120179 25, 29, 159	1600093 54, 227
0641820 93	0900708 108	1120196 27	1600094 47, 226
0641822 93	0900919 99	1120198 7	160723 29
0641832 105	0900935 127	1120239 38	1660062 94
0641836 38	0900984 113	1120266 125, 227	1660063 94
0641912 139	0900985 113	1120287 125, 227	1660070 108
0642016 150, 156	0901037 103	1120299 38	1660083 96
0642622 173	0901117 66	1120314 126, 227	1660089 103
0642628 155	0901123 137	1180103 12, 226	1660114 173
06441608 126	0901128 129	1180139 20	1660154 135
0651404 43	0901141 126	1180140 18, 226	1660160 135
0651605 17	0901147 94	1180152 12	1660169 105
0651608. 7, 8, 12, 13, 37, 38	0901192 59, 63	1260017 173	1660172 106
0651808 19	0901194 108	1260025 94	1660173 106
0652014 38	0901201 66, 87	1260082 95	1660184 106
0681610 37	0901212 62	1260164 17, 226	1661635 25
0681612 7	0901213 62	1260165 18, 20, 226	1670109 43
0681812 7	0901226 108	1270992 129	1670195 39
0700808 106	0901255 66, 86	1280575 218	1670199 126
0700812 106	0901267 99	1280576 218	1670283 129
0701014 105, 106	0901268 99	1280577 218	1670297 150
0701420 105	0901317 109	1280578 218	1670319 17
0711014 105	0901372 59, 62	1280581 218	1670321 17
0720803 47	0901374 113	1280727 220	1670322 39
0721008 55	0901377 113	1280803 221	1670340 49, 55
0731005 8	0901399 85	1280804 221	1670393 125
0750806 58, 62	0901401 106	1281089 106	1670395 113
0751006 47, 53	0901607 96	1320012 189, 197, 201	1670414 93, 106
0760238 43	0920027 ... 150, 156, 167, 169	1320017 193	1670482 39
0800377 11	0920032 139, 141	1320019 94, 108	1680365 7, 27
0800378 11	0920072 ... 150, 156, 165	1320022 96, 99, 106, 107, 126	1680717 15
0800379 7, 11	0960097 25, 29	1320023 126	1680720 153
0800399 18	0960238 57, 61, 103, 111	1320031 94, 107	1680722 25
0800400 7, 17	0960239 43, 113	1320037 15	1680739 159
0800401 17	0960275 149	1320041 126	1680740 159
0800415 11	0960406 19	1320052 13, 20	1680749 23
0800416 19	0960407 49, 55	1320050 58, 99, 137	1680751 25
0860003 95	0960523 155	1320109 49, 55	1680758 27
0860036 49	0960564 37	1320115 149	1680872 27
0860038 55	0960651 17	1320124 19, 20	1680892 25, 29, 159
0860284 43	0960776 113	1320131 96	1681222 27
0860365 137	0960839 149, 155	1320137 18	1681283 15, 23
	0960957 11	1340020 107	1681306 15
	0960981 149, 153	1340021 125, 227	1681319 153
	0961024 38	1340045 125	1681322 153, 159
			1681331 25

SECTION 2 - RECOMMENDED SERVICE PARTS STOCK

1681333.....29	2000043 93	2220110 213	2220468.....211, 217
1681380.....153	2000054 105	2220111 193, 202, 207	2220472.....198, 202
1681391.....23	2000058 105	2220114 197, 201	2220473....179, 189, 193,
1681401.....29	2000796 165	2220124 99, 133	197, 201
1681433.....159	2060012 137	2220238 15	2220474.....197, 201
1681435.....159	2120042 96, 227	2220239 185, 197, 201	2220490.....179
1681488.....29	2120077 99	2220250 ... 179, 190, 193,	2220493.....198, 202
1681490.....29	2120078 65	197, 201	2220495.....185
1681510.....12, 15	2120079 66, 227	2220252 ... 189, 193, 197,	2220497....185, 205, 207,
1681511.....149, 153	2120103 126	201	213
1681518.....13, 20, 25	2120106 125	2220257 99	2220504.....179
1681519.....7, 29	2120107 126, 224	2220261 99, 189, 193,	2220507....190, 193, 205,
1681533.....155, 159	2141551 54	197, 201, 205, 207	207, 215
1681534.....149, 153	2160001 25, 149	2220269 99	2220509.....215
1681543.....19, 23	2160002 8, 13, 19, 20, 27,	2220280 185	2220511.....183
1681547.....7, 29	29, 37, 133, 149, 155,	2220282 137, 197, 201	2220574.....62
1681548.....13, 20, 25	159	2220295 62	2220577....189, 193, 213
1681562.....155, 159	2160003 173	2220296 96, 99, 107	2220582.....198, 202
1681580.....7, 29	2160006 7	2220315 96, 99	2220584.....179
1681583.....12, 15	2180029 205	2220318 99	2220585....183, 198, 202
1681721.....25	2180101 126	2220343 15, 183, 185	2220586.....209
1681722.....13, 20, 25	2180125 100, 179	2220344 201	2220591.....183, 215
1700157.....175	2180134 179	2220345 ... 179, 189, 193,	2220592....106, 189, 193,
1700377.....175	2180166 213	194, 198, 202	197, 201
1700419.....175	2180167 185	2220346 179, 197, 201	2220594.....156
1700422.....175	2180217 ... 179, 190, 193,	2220347 ... 189, 194, 197,	2220596....179, 189, 193,
1700423.....175	197, 201	201	197, 201
1700426.....176	2180343 179	2220355 179	2220602....189, 193, 197,
1700427.....175	2180357 189, 197	2220362 179	201
1700428.....175	2180360 96, 99	2220366 ... 180, 189, 193,	2220605....198, 202, 217
1700430.....175	2180377 185	197, 201	2220606.....215
1700431.....175	2180379 183	2220371 193, 202	2220607.....183
1700476.....175	2180380 209	2220372 15, 194, 202,	2220608.....183
1700477.....175	2180387 100	215	2220609....183, 187, 189,
1700502.....49, 54	2180388 100	2220373 ... 189, 193, 197,	193, 202, 205, 207, 213
1700503.....43, 49, 54	2180389 100	201	2220618....189, 193, 197,
1700557.....175	2180394 213	2220374 197, 201	201
1700568.....175	2180412 94	2220375 ... 179, 189, 193,	2220619....189, 193, 197,
1700575.....175	2180479 215	197, 201	201
1700580.....176	2180486 215	2220385 179, 193, 202	2220622....179, 198, 202
1700582.....175	2180494 185	2220386 ... 179, 189, 193,	2220635....185, 189, 193,
1700583.....176	2180516 189, 193	197	202, 213
1700584.....175	2180535 99	2220399 179	2220657.....193
1700585.....175	2180537 99	2220400 198, 202	2220659....180, 193, 201
1700593.....175	2180540 209	2220407 189, 193	2220670....189, 193, 197,
1700640.....175	2180607 126	2220414 ... 179, 180, 190,	201
1700643.....175	2180619 126	194, 197, 201, 205,	2220675.....99
1700717.....176	2180621 183	207, 211, 213	2220679....189, 193, 197,
1700756.....176	2180644 94	2220415 179	201
1700788.....61	2180651 ... 180, 189, 198,	2220416 ... 179, 183, 187,	2220682.....197, 201
1700789.....61	202	205, 211	2220684.....187
1700790.....62	2200102 15, 125	2220417 ... 180, 187, 198,	2220695.....197, 201
1700818.....99	2200201 15, 29	202, 209, 211	2220703.....180
1700819.....99	2200202 25	2220428 ... 189, 193, 197,	2220711.....179
1700820.....93	2200204 126	201, 213	2220753.....198, 202
1700821.....106	2200213 25	2220429 ... 189, 193, 197,	2220757.....213
1700975.....175	2200222 23	201, 213	2220763.....179
1700976.....175	2200267 94	2220435 ... 156, 179, 197,	2220765.....126
1700977.....175	2200448 126	201	2220822.....179
1700978.....175	2200461 106	2220438 ... 197, 198, 201,	2360224.....149
1700981.....175	2220006 183	202	2360240.....155
1760068.....38, 224	2220009 ... 189, 193, 197,	2220444 183, 198, 202	2400001.....44
1760075.....105	201	2220451 189, 193	2420006.....59, 93
1840002.....61	2220057 189, 193	2220462 ... 187, 205, 209,	2420009.....59, 62
1901212.....59	2220061 179	211, 213	2420019.....59, 62
1901213.....59	2220063 96, 133	2220466 ... 179, 189, 193,	2420030.....59, 62
2000024.....93	2220064 99	197, 201	2420035.....59, 62

SECTION 2 - RECOMMENDED SERVICE PARTS STOCK

2420047 94, 107	2750773 179	2751489 189, 193	2920015 45, 48, 54
2420050 43, 49, 54	2750774 ... 189, 193, 197, 201	2751875 205	2920018 39, 130
2420052 125, 227	2750775 194	2751888 211	2920019 130
2420055 49, 54	2750776 193	2760025 135	2920024 ... 44, 48, 55, 63
2420057 43, 49, 54	2750778 179	2760064 38	2920029 44, 45
2420059 59, 62	2750785 179	2760091 135	292004 59
2420080 125	2750807 133	2780055 139, 147	2940006 37, 224
2420091 62	2750889 197, 201	2780091 149, 155	2940042 129, 130
2440022 139	2750899 209	2780106 ... 150, 156, 171	2940044 129
2440043 39	2750900 ... 198, 202, 213	2790012 53	2940045 130
2440044 38	2750901 213	2790881 189	2940050 130
2460011 103, 111	2750902 ... 187, 190, 198, 202	2790883 209	2940052 53
2520071 137	2750904 187	2790884 185	2960006 44, 48, 54
2540002 156	2750905 194, 201	2790886 215	3040314 173
2551050 173	2750908 179, 215	2790887 213	3100045 126
2551084 173	2750911 190	2790888 187	3125650 58
2560010 37	2750919 183, 185	2790889 205	3160069 113
2560038 48, 226	2750920 183, 193	2790890 179	3160083 38, 41
2560039 47, 226	2750926 194, 202	2790916 183	3160094 ... 139, 145, 224
2560040 47, 226	2750929 ... 179, 189, 193, 202	2790959 183	3160118 ... 149, 156, 161
2560041 48, 226	2750968 ... 189, 194, 197, 201	2790995 205	3160130 156, 161
2560066 66, 86	2750969 ... 194, 198, 202	2790996 211	3200194 38
2580001 96	2750974 193, 201	2791027 193	3200197 139
2580005 96	2750976 179	2791028 211	3200201 105
2580018 126	2750979 179	2791029 207	3200202 105
2600093 57, 61	2750990 185	2791031 217	3220012 94
2620026 173	2750998 ... 189, 193, 197, 201	2791153 202	3220036 94
2660014 31	2750999 183	2791226 197	3220050 94
2660019 34	2751002 183, 189	2791227 201	3220052 107
2660020 33	2751003 213	2791228 185	3250591 45
2660021 33	2751004 194	2791229 213	3250592 44
2660022 33	2751010 198, 202	2791320 179	3250840 173
2660023 33	2751011 209	2860012 103, 111	3250872 173
2660024 33	2751013 ... 179, 189, 197	2880404 38	3250887 43
2660025 33	2751014 207	2880410 173	3250995 44
2660026 33	2751016 211	2880510 113	3250996 45
2660061 31	2751018 ... 183, 190, 194, 197, 201	2880614 94	3251010 44
2660063 31	2751019 179	2900034 147, 224	3251011 44
2660064 31	2751021 179	2900062 59, 63	3251012 44
2680320 129	2751032 133	2900068 39	3251017 44
2680349 129	2751095 133	2900131 ... 141, 167, 227	3251018 44
2680350 130	2751128 215	2900347 15, 23, 226	3251019 44
2680352 129	2751146 183	2900348 153, 227	3251020 44
2680359 129, 130	2751147 183	2900350 15, 226	3251021 44
2680362 130	2751148 183	2900359 109	3251022 44
2680390 129	2751150 15	2900381 25, 226	3251023 45
2720015 96, 99, 106	2751152 194, 202	2900385 27, 224	3251024 45
2720048 94	2751153 194	2900449 162, 224	3251025 45
2720076 ... 189, 193, 197, 201	2751154 193	2900453 45	3251026 45
2720077 ... 189, 193, 197, 201	2751327 189, 193	2900455 41, 226	3251028 176
2720104 100	2751350 197, 201	2900467 117, 227	3251045 176
2720112 99	2751355 198, 202	2900477 145	3251136 44
2720117 100	2751396 209, 211	2900503 85	3251244 45, 48
2720145 106	2751428 217	2900626 123, 227	3251250 45
2720158 94	2751432 187	2900641 169, 228	3251271 126
2720178 107	2751436 205	2900642 142, 227	3251272 126
2720249 100	2751437 205	2900662 165, 227	3251380 43
2720271 106	2751446 211	2900699 120, 227	3251476 103, 111
2750122 ... 193, 197, 201	2751447 205, 211	2901030 176	3251510 176
2750757 179	2751466 ... 189, 197, 201	2901119 25, 29, 159, 226, 227	3251522 58
2750759 ... 189, 194, 198, 202	2751478 189	2901120 29, 226	3251537 47
2750760 179		2901146 135, 224	3251543 176
2750762 189, 197		2901148 159, 227	3251548 49, 55, 175
2750771 ... 189, 197, 201		2920001 130	3251549 50, 55, 175
		2920009 39, 130	3251551 48
		2920013 39	3251569 175
			3251607 49

SECTION 2 - RECOMMENDED SERVICE PARTS STOCK

3251613.....176	3312002.....7	3450203 ... 17, 18, 20, 96, 108	3740047.....113
3251620.....47	3312003.....38	3450307.....38	3740048.....95, 108, 224
3251650.....62	3312202.....17, 18	3450403.....17	3740049 57, 61, 111, 137, 227
3251671.....55	3312602.....155	3450408.....149	3740059.....108, 227
3251678.....53	3312605.....149	3450505.....18	3740067.....95, 108, 224, 227
3251741.....47	3312802.....149, 153	3450606.....155	3760004.....135
3251766.....175	3313003.....149, 155	3450608.....149, 155	3760104.....7
3251775.....55	3321001.....49	3450609.....7	3760133.....20
3251813.....175	3321401.....108, 109	3450810.....155	3790012....48, 49, 53, 54, 58, 62
3300012.....149, 156	3321601.....49, 55	3451012.....155	3790152.....150
3300023.....155, 173	3323002.....149, 153	3460132.....99	3820001 55, 95, 173, 175
3300029.....95, 107	3340166.....11, 226	3480054.....15	3820005.....173
3300047....43, 49, 55, 113	3340172.....11, 226	3480070.....27	3820011.....44
3300048....43, 49, 55, 57, 61, 103, 111	3340261.....17, 226	3480092.....15, 23	3820012.....130
3300061.....27	3340287.....38, 226	3480112.....153	3840764.....155
3300073.....66, 86	3340306.....11, 226	3480120.....25, 29, 159	3840765.....108
3300078.....106	3340378.....11, 12, 226	3480134.....159	3840807.....173
3300086.....23	3340394.....11, 12, 226	3500403.....135	3840829.....109
3300101.....25, 29	3340399.....11, 226	3500609.....107	3840864.....155
3300106.....150, 156	3340401.....12, 226	3501916.....139	3900022...8, 39, 129, 130
3300128.....113	3340403.....11, 12, 226	3504118.....43	3900031.....107, 139
3300143.....37	3340404.....17, 18, 226	3505609.....95	3900035.....27
3300151....129, 130, 150, 156	3340446.....18, 226	3506244.....43	3900060.....86
3300175.....155	3340450.....18, 20, 226	3507501.....44	3900111.....43, 49, 54
3300177....47, 53, 58, 62	3340453 13, 20, 224, 226	3508393.....130	3900127.....44, 53, 54
3300180.....44	3340454.....38, 226	3509182.....17	3900141.....15, 159
3300181.....43	3380309.....59, 62	3509431.....125	3900157.....53, 54
3300182.....43	3410003.....105	3509562.....43	3910016.....49
3300183.....139	3420292.....173	3509858.....47	3910606.....61
3300187.....159	3420372.....173	3509872.....109	3910610.....58, 61
3300198.....15	3420414.....17, 18	3509928.....17	3910612.....57
3300208.....149, 155	3420420.....19	3510138.....37	3910808.....111
3300229.....155	3420447.....173	3510141.....37	3910812.....93, 106
3300233.....93	3420531.....7	3510148.....37	3911006.....58, 61, 62
3300241.....17, 18	3420643.....7	3510161.....37	3911008....49, 55, 57, 61
3310601.....58, 61	3420645.....19	3510194.....37	3911012.....37, 57, 61
3310801.....106, 111	3420650.....20	3510231.....37	3911014.....48, 54
3311001....37, 43, 48, 49, 54, 55, 57, 58, 61, 62, 137	3420656.....7	3520022.....125	3911020.....150
3311401....11, 12, 13, 17, 18, 21, 31, 33, 34, 43, 50, 57, 61, 62, 66, 85, 86, 87, 93, 94, 95, 96, 99, 103, 107, 108, 109, 113, 125, 126, 129, 130, 131, 137, 175	3420860.....173	3520029.....20	3921012.....43
3311405..39, 49, 55, 109, 175	3420865.....17	3530062.....137	3931010.....38
3311501 7, 12, 19, 37, 65, 66, 85, 86, 95, 103, 107, 111, 125, 135, 150, 156	3420867.....17	3530425.....95, 108	3931612.....38
3311505.....55	3420871.....149	3530451.....173	3931620.....39
3311601....31, 37, 38, 39, 59, 63, 66, 103, 105, 113, 126, 137	3421029.....20	3530452.....173	3931628.....15
3311605 7, 12, 13, 15, 20, 38, 49, 55, 95	3421052.....12	3532219.....125	3931868.....149
3311701.....105, 137	3421069.....13	3580072.....103	3931872.....139
3311801....105, 113, 150, 156	3421083.....7	3580077.....103	3941403.....137
3311802.....7	3421086.....133	3580092.....49, 55	3941404.....129, 130
3311803.....18	3421089.....13, 20	3580100.....111	3941406.....93
3311805.....38, 93	3421089.....13, 20	3580101.....111	3951603.....15
	3421121.....38	3600050.....94	3951608.....12, 19
	3421127.....155	3600052.....94, 107	3951812.....7
	3421142.....18	3600060.....66	3951820.....135
	3421145.....19	3600078.....94, 113, 117	3952020.....7
	3421176.....37, 38	3600094.....96	3960098.....149, 155
	3421207.....20	3600126.....94, 119, 123	3960212.....19
	3421214.....19	3600141.....94, 107, 224	3960225.....107
	3421243.....155	3600151.....96	3960250.....43, 47
	3421348.....19	3620016.....137	3960251.....44, 48, 54
	3421353.....8	3640492.....61	3960254.....44
	3421706.....8	3720012.....99	3960310.....125
	3430304.....96	3720014.....99	3960359.....125
	3430406.....108	3740002....95, 108, 130, 227	3960370.....125
	3431622.....155	3740016.....58, 61, 227	3961405.....23
	3440616.....38	3740027.....108, 227	3980003.....107
	3440816.....39	3740030.....108, 227	
	3440828.....38		
	3441228.....39		

SECTION 2 - RECOMMENDED SERVICE PARTS STOCK

3980006 95	4220044 43, 49, 55	4360204...48, 53, 58, 226	4640012 183
4004822 73	4280018 15	4360209 49, 227	4640013 179, 213
4060087 ... 44, 45, 48, 49, 53, 54	4280033 18	4360212 58, 227	4640047 185
4060092 49, 55	4280059 137	4400038 126	4640123 65, 85
4060474 93	4280180 95	4400040 126	4640151 66, 86
4060558 93	4280195 31	4400181 125	4640161 150
4060564 150	4280196 31	4400212 125	4640165 183
4060565 150	4280197 31	4400219 125	4640181 27, 224
4060567 11	4280208 33, 34	4400271 125	4640197 ... 189, 194, 198, 202
4060568 11, 13	4280209 33	4400275 126	4640212 23, 226
4060575 125	4280210 33	4420016 13, 20	4640246 65, 81, 86
4060584 8	4280211 33	4420017 13, 20	4640247 65, 81, 86
4060587 156	4280212 33	4420018 13, 20	4640259 150, 156
4060588 156	4280234 125	4420026 126	4640260 ... 150, 156, 179
4060595 17, 20	4280237 57	4420037 13, 61	4640261 173
4060623 17	4280242 12, 20	4420038 47, 53	4640269 25, 226
4070069 11	4300031 ... 17, 18, 31, 33, 34, 61, 66, 86, 87, 94, 95, 96, 113, 126, 129, 130, 150, 156, 157	4430031 13	4640360 65, 86
4070070 11	4300032 11, 107, 108, 129, 130	4460023 103, 111	4640367 66, 69
4070089 11	4300033 ... 65, 66, 85, 86, 156	4460049 8, 43, 49, 55, 113, 126	4640383 205, 207
4070090 11	4300034 31, 113, 126, 127, 137	4460051 ... 43, 49, 55, 57, 61	4640391 99
4070131 11	4300036 13, 21	4460052 49, 55	4640408 66, 86
4070132 11	4300038 7, 65, 85, 86, 95, 125	4460053 57	4640414 15, 224
4070142 139	4300041 49, 55	4460071 ... 37, 49, 55, 57, 61, 103, 111	4640434 66, 87
4070143 139	4300042 11, 17	4460122 43	4640444 99
4070410 129, 130	4300062 103	4460134 103, 111	4640447 65, 86
4070411 129, 130	4300068 130	4460163 113	4640450 183
4070412 129, 130	4320002 55	4460190 49, 55	4640454 156
4070437 12	4320008 150, 156	4460229 62	4640456 66, 69
4070438 12	4340413 11, 17	4460234 61	4640461 86
4070497 11	4340442 111	4460263 49, 55, 57	4640495 25, 226
4070498 11	4340444 111	4460277 93, 106	4640509 25, 226
4070499 11	4340447 13, 20	4460298 61	4640512 85
4070500 11	4340454 19	4460300 61	4640513 85
4070501 11, 12	4360003 58, 62, 227	4460301 62	4640514 85, 89
4070502 11, 12	4360016 ... 45, 48, 53, 54, 58, 62, 224	4460303 61	4640520 198, 202
4070503 12	4360031 37, 224	4460305 62	4640522 86
4070504 12	4360057 8, 224	4460306 62	4640524 85, 89
4070505 11, 12	4360067 93, 227	4460307 62	4651815 107
4070506 12	4360069 58, 62, 227	4460308 62	4700006 99
4070507 ... 11, 12, 13, 20	4360070 130	4460311 62	470116 105
4070508 ... 11, 12, 13, 20	4360071 ... 44, 45, 53, 58, 224	4460309 62	4711600 95
4070524 105	4360073 58, 62, 227	4460310 62	4740003 139
4070544 17, 18, 19	4360074 58, 227	4561774 43, 49, 54	4740004 139
4070545 17, 18, 19	4360077 44, 45, 227	4561818 94	4740006 ... 7, 8, 13, 37, 38
4070546 ... 17, 18, 19, 20	4360084 44, 58, 227	4561947 137	4740016 149, 155
4070547 ... 17, 18, 19, 20	4360089 58	4562083 39	4740036 173
4070585 38	4360114 44, 45, 227	4562531 205, 211	4740040 8
4070586 39	4360141 44, 48, 53	4562532 205, 211	4740048 139
4070587 39	4360149 113	4562533 183	4740056 15
4070588 53, 54	4360171 130, 224	4562534 183	4740057 17, 18
4070589 53	4360181 137	4562535 126	4740102 19
4100027 161, 162	4360186 58, 62, 227	4562575 94	4740116 105
4100028 161	4360188 99	4562632 126	4740117 111
4100029 161	4360199 ... 48, 49, 53, 54, 58, 62, 226	4562687 159	4740118 105, 111
4120002 58, 61	4360200 .. 48, 53, 62, 227	4562691 108	4740120 53, 54
4130133 149	4360202 ... 48, 53, 54, 58, 62, 227	4562719 194, 202	4740136 19
4130142 155		4562756 23	4740137 19
4130143 155		4563031 29	4740138 19
4130160 155		4563210 205, 211	4740144 139
4130161 155		4563211 205, 211	4740158 38
4160026 38		4620023 8	4740171 7
4160027 38		4620058 8	4740185 7
4160058 43, 49, 54		4620069 8	4740189 139
4180070 113		4640005 59, 63, 187, 224	4740191 105
4180071 113		4640009 ... 189, 193, 197, 201	4740199 39
420044 54			4740247 149

SECTION 2 - RECOMMENDED SERVICE PARTS STOCK

4740256.....	38	4840979.....	107	4920521.....	219	4920890.....	221
4740263.....	12	4841055.....	173	4920523.....	218	4920891.....	221
4740273.....	105	4841830.....	38	4920524.....	219	4920892.....	220
4740274.....	105	4841836.....	12	4920525.....	219	4920977.....	220
4740276.....	18	4841838.....	149	4920527.....	59	4920984.....	220
4740338.....	125	4841844.....	129	4920531.....	219, 220, 221	4920986.....	12, 19, 20
4741000.....	17, 18, 20	4841863.....	125	4920574.....	218	4921000.....	62, 220
4750600.....	95	4841899.....	93	4920575.....	218	4921001.....	62, 220
4751000 8, 37, 49, 58, 61, 111, 137, 150		4841912.....	37	4920576.....	218	4921127.....	220
4751400.....	11, 12, 13, 17, 18, 21, 27, 31, 33, 34, 39, 43, 49, 55, 57, 61, 66, 85, 86, 87, 93, 94, 96, 99, 103, 107, 108, 109, 113, 125, 126, 129, 130, 137, 150, 156, 175	4841920.....	129	4920577.....	219	4931312.....	219
4751500 7, 12, 17, 19, 37, 55, 65, 66, 85, 86, 103, 111, 125, 147, 150, 156, 171, 173		4841930.....	130	4920578.....	218	4931313.....	219
4751600 7, 15, 18, 20, 31, 37, 38, 49, 55, 59, 63, 66, 95, 105, 107, 113, 126		4841947.....	129	4920579.....	218	4931342.....	219
4751700. 85, 95, 105, 137		4841948.....	129	4920580.....	219	4931422.....	219
4751800.....	38, 93, 105	4841956.....	37, 38	4920584.....	218	4931440.....	218
4752000.....	38	4841965.....	105	4920585.....	218	4931478.....	218
4752600.....	155	4841966.....	105	4920587.....	218	4931479.....	218
4760600.....	57, 58, 61	4841970.....	105	4920590.....	218	4931480.....	218
4760800... 44, 45, 47, 111		4841973.....	133	4920591.....	218	4931482.....	218
4761000 8, 37, 43, 49, 55, 57, 58, 61, 62, 137, 149, 150, 155		4841978.....	59, 63	4920592.....	218	4931483.....	218
4761400.....	11, 12, 13, 17, 18, 21, 33, 34, 39, 43, 50, 57, 61, 62, 66, 85, 86, 87, 93, 94, 95, 96, 99, 103, 107, 108, 109, 113, 125, 126, 129, 130, 131, 137, 150, 156, 175	4841980.....	129	4920593.....	218	4931484.....	218
4761500 7, 12, 19, 37, 65, 66, 85, 86, 95, 103, 107, 111, 125, 135, 150, 156, 173		4842017.....	108	4920594.....	218	4931525.....	218
4761600.. 7, 8, 11, 12, 13, 17, 18, 19, 20, 37, 38, 39, 49, 55, 59, 63, 66, 86, 95, 103, 105, 106, 107, 108, 113, 126, 137		4842025.....	13	4920596.....	218	4931586.....	219, 221
4761700. 85, 93, 105, 137		4842028.....	95	4920602.....	219	4931620.....	220
4761800.....	11, 19, 38, 94, 105, 106, 135, 139, 149, 150, 156	4842043.....	18	4920609.....	219, 220, 221	4931622.....	220
4762000.....	150, 156	4842046.....	38	4920618.....	20	4931625.....	220
4762600.....	173	4842047.....	21	4920620.....	221	4931665.....	221
4770800.....	93, 106	4842288.....	95	4920621.....	221	4931666.....	221
4771000.....	44, 48, 54	4842338.....	129	4920622.....	221	4931688.....	220
4771400.....	103	4842339.....	130	4920623.....	221	4931825.....	220
4831900.....	106	4842340.....	129	4920624.....	221	7000113.....	82
4832000.....	106	4842403.....	37	4920625.....	221	7000114.....	82
4840596.....	7	4860097.....	66, 86	4920629.....	221	7000116.....	82
4840627.....	18	4920402.....	58	4920630.....	221	7000166.....	41
4840833.....	108	4920403.....	58	4920662.....	218	7000206.....	171
4840878.....	107	4920407.....	59	4920718.....	220	7000207.....	147, 171
		4920408.....	58	4920719.....	220	7000208.....	147, 171
		4920409.....	59	4920720.....	220	7000209.....	147
		4920413.....	59	4920721.....	220	7000210.....	147
		4920415.....	13	4920722.....	220	7000211.....	171, 224
		4920417.....	58	4920723.....	220	7000212.....	171, 224
		4920420.....	219, 221	4920724.....	220	7000214.....	147, 171
		4920421.....	219, 221	4920725.....	220	7000215.....	171
		4920422.....	219, 220, 221	4920726.....	220	7000217.....	147, 171
		4920423.....	219, 221	4920727.....	220	7000220.....	171
		4920427.....	219, 221	4920728.....	220	7000226.....	171
		4920454.....	58	4920729.....	220	7000227.....	171
		4920455.....	58	4920730.....	220	7000229.....	171
		4920456.....	219, 221	4920731.....	220	7000230.....	171
		4920464.....	59	4920733.....	220	7000232.....	171
		4920465.....	59	4920734.....	220	7000233.....	147
		4920466.....	59	4920787.....	220	7000242.....	147, 171
		4920497.....	218	4920793.....	220	7000243.....	171
		4920499.....	218	4920794.....	220	7000246.....	147, 171
		4920501.....	219	4920795.....	220	7000249.....	171
		4920502.....	219	4920796.....	220	7000250.....	171
		4920504.....	219	4920797.....	220	7000252.....	171
		4920505.....	219	4920798.....	220	7000253.....	147, 171
		4920506.....	219	4920818.....	221	7000255.....	147
		4920507.....	219	4920842.....	62	7000256.....	147
		4920508.....	219	4920845.....	62	7000257.....	147, 171
		4920509.....	219	4920846.....	220	7000258.....	147, 171
		4920510.....	219	4920847.....	220	7000260.....	171
		4920511.....	219	4920850.....	220	7000261.....	171
		4920512.....	219	4920855.....	220	7000262.....	171
		4920513.....	219	4920858.....	220	7000263.....	171
		4920518.....	219	4920884.....	221	7000265.....	150, 156
		4920519.....	219	4920889.....	221	7000268.....	147

SECTION 2 - RECOMMENDED SERVICE PARTS STOCK

7000269.....	147	7002224.....	77	7002384.....	73	7004836.....	73, 81
7000270.....	147	7002225.....	82	7002385.....	73	7004837.....	73, 81
7000271.....	147	7002228.....	77	7002386.....	73	7004838.....	73, 81
7000413.....	82	7002229.....	73, 81	7002391.....	71	7004839.....	73, 81
7000414.....	82	7002231.....	71, 77	7002398.....	71	7004841.....	73, 81
7000417.....	73, 81, 227	7002233.....	71	7002700.....	117	7004848.....	73
7000418.....	65, 82, 86, 227	7002234.....	78	7002701.....	117	7004850.....	73
7000423.....	77	7002237.....	77	7002704.....	78	7004851.....	73
7000439.....	82	7002238.....	77	7002705.....	117	7004853.....	73
7000440.....	82	7002240.....	77	7002706.....	117	7004854.....	73
7000446.....	65, 86	7002241.....	77	7002711.....	117	7004855.....	73
7000468.....	81, 82	7002242.....	77	7002713.....	117	7004856.....	73
7000470.....	82	7002254.....	65, 86	7002715.....	117	7004857.....	73
7000482.....	94	7002257.....	65, 86	7002716.....	117	7004858.....	73
7000483.....	94, 107	7002262.....	81	7002717.....	117	7004859.....	81, 82
7000558.....	65, 85, 227	7002265.....	65, 86	7002720.....	117	7004860.....	73
7000625.....	37, 224	7002274.....	82	7002721.....	117	7004861.....	73
7000711.....	141	7002287.....	69	7002722.....	117	7004863.....	74
7000712.....	141	7002288.....	69	7002723.....	117	7004864.....	74
7000713.....	141, 167	7002294.....	81	7002724.....	117	7004869.....	69
7000714.....	141, 167	7002304.....	81	7002725.....	117	7004870.....	69
7000716.....	167	7002305.....	82	7002726.....	117	7004871.....	69
7000717.....	141, 165, 167	7002315.....	81, 82	7002728.....	117	7004872.....	69
7000718.....	141, 167	7002316.....	81	7002729.....	117	7004873.....	69
7000720.....	141, 167	7002317.....	81	7002730.....	117	7004874.....	69
7000721.....	141, 167	7002319.....	73	7003006.....	141, 165, 167	7004875.....	69
7000727.....	167	7002320.....	81	7003007.....	141, 165, 167	7004878.....	77
7000728.....	165	7002321.....	81	7003010.....	167	7004880.....	77
7000729.....	141, 167	7002322.....	81	7003012.....	141	7004881.....	77
7000730.....	141, 167	7002323.....	81	7003013.....	141	7004882.....	78
7000732.....	141, 167	7002324.....	73, 81	7003047.....	165	7004883.....	77
7000759.....	167	7002326.....	73, 81	7003049.....	141, 165	7004884.....	69, 77
7000760.....	141, 165	7002327.....	73, 81, 82	7003051.....	141, 165	7004886.....	69, 71
7000782.....	167	7002328.....	81	7003052.....	141, 165	7004888.....	69, 71
7000796.....	141, 167	7002329.....	81	7003053.....	141	7004890.....	69, 71
7000798.....	141, 167	7002330.....	73	7003054.....	141, 165	7004891.....	69, 71
7001997.....	171	7002333.....	82	7003055.....	141, 165	7004901.....	119
7001998.....	171	7002334.....	73, 81, 82	7003056.....	141, 165	7004906.....	119, 161
7002100.....	41	7002335.....	82	7003057.....	141, 165	7004907.....	119, 161
7002103.....	41	7002336.....	82	7003059.....	141, 165	7004908.....	119, 161
7002104.....	41	7002338.....	73, 81, 82	7003070.....	165	7004910.....	119, 162
7002105.....	41	7002339.....	82	7003071.....	165	7004911.....	119, 162
7002107.....	41	7002340.....	73, 81, 82	7003090.....	141	7004912.....	161
7002110.....	41	7002341.....	82	7003091.....	141	7004913.....	119, 162
7002111.....	41	7002344.....	82	7003640.....	85, 227	7004914.....	119, 162
7002112.....	41	7002345.....	82	7003703.....	44, 45	7004916.....	161
7002114.....	41	7002346.....	81, 82	7004214.....	107	7004917.....	119, 161
7002116.....	41	7002348.....	82	7004248.....	94	7004918.....	161
7002117.....	41	7002350.....	82	7004249.....	94	7004927.....	162
7002123.....	41	7002355.....	82	7004368.....	65, 85, 227	7004928.....	161
7002125.....	41	7002356.....	82	7004412.....	94, 107	7004929.....	161
7002203.....	78	7002357.....	82	7004414.....	94	7004933.....	119, 161
7002205.....	78	7002358.....	82	7004416.....	94, 107	7004936.....	161
7002206.....	77	7002359.....	81	7004802.....	71	7004937.....	161
7002209.....	77	7002360.....	74	7004808.....	71, 78	7004938.....	161
7002210.....	77	7002364.....	69, 73	7004812.....	77	7004939.....	161
7002211.....	77	7002368.....	69	7004813.....	77	7004940.....	161
7002212.....	77	7002370.....	74	7004814.....	78	7004941.....	161
7002213.....	77	7002371.....	73	7004816.....	78	7004942.....	119, 161
7002214.....	77	7002372.....	74	7004817.....	78	7004943.....	161
7002215.....	77	7002373.....	74	7004822.....	81	7004944.....	161
7002216.....	77	7002374.....	73	7004823.....	73, 81	7004945.....	161
7002217.....	78	7002375.....	73	7004824.....	73	7004946.....	161
7002218.....	77	7002376.....	73	7004831.....	78	7004947.....	161
7002220.....	77	7002377.....	73	7004832.....	71	7004948.....	161
7002222.....	77	7002378.....	71	7004833.....	69, 74	7004949.....	161
7002223.....	73, 78	7002379.....	74	7004835.....	73, 81	7004950.....	161

SECTION 2 - RECOMMENDED SERVICE PARTS STOCK

7004951..... 161	7006726..... 89	7007853..... 123	7007923..... 142, 169
7004952..... 161	7006728..... 89	7007854..... 123	7007924..... 141, 169
7004953..... 161	7006729..... 89	7007855..... 123	7007926..... 142
7004954..... 161	7006730..... 89	7007856..... 119	7007927..... 142
7004955..... 161	7006731..... 89	7007858..... 119	7007928..... 141
7004956..... 161	7006732..... 89	7007859..... 119	7007930..... 142
7004957..... 161	7006733..... 89	7007861..... 119	7007933..... 142, 169
7004958..... 161	7006737..... 89	7007862..... 119	7007934..... 142
7004959..... 162	7006744..... 89	7007866..... 119	7009315..... 89, 227
7004960..... 119, 162	7006745..... 89	7007867..... 119	7009316..... 89
7004961..... 162	7006746..... 89	7007869..... 120	7009317..... 89
7004962..... 119	7006747..... 89	7007871..... 120	7009319..... 89
7004963..... 119	7006752..... 89	7007872..... 119	7009321..... 89
7004964..... 119	7006756..... 89	7007873..... 123	7009323..... 89
7004965..... 119	7006757..... 89	7007901..... 142, 169	7009324..... 89
7004966..... 119	7006760..... 89	7007902..... 142, 169	7009325..... 89
7004971..... 119	7006761..... 90	7007903..... 169	7009329..... 90
7004972..... 119	7006762..... 89	7007904..... 169	7009330..... 90
7004977..... 119	7006763..... 89	7007905..... 142, 169	7009350..... 89
7004981..... 119	7006771..... 89	7007906..... 142, 169	7009351..... 89
7004996..... 123	7006773..... 89	7007907..... 142, 169	7009360..... 89
7005809..... 145	7006777..... 90	7007908..... 142, 169	7009361..... 90
7005810..... 145	7006778..... 90	7007909..... 142, 169	7009745..... 65, 86, 227
7005811..... 145	7006780..... 90	7007911..... 169	7010429..... 171
7005812..... 145	7006782..... 90	7007912..... 141, 169	7010923..... 94
7005816..... 145	7007561..... 123	7007913..... 141, 169	704834..... 81
7005818..... 145	7007601..... 171	7007914..... 142, 169	8004818..... 77
7005820..... 145	7007602..... 171	7007915..... 142, 169	NON-SERVICEABLE. 119
7005821..... 145	7007640..... 171	7007916..... 142, 169	
7005823..... 145	7007840..... 123	7007919..... 169	
7006725..... 89	7007841..... 123	7007920..... 169	



**Corporate Office
JLG Industries, Inc.
1 JLG Drive
McConnellsburg, PA 17233-9533 USA
☎ (717) 485-5161 (Corporate)
☎ (877) 554-5438 (Customer Support)
📠 (717) 485-6417**

**Visit our website for JLG Worldwide Locations.
www.jlg.com**



OSHKOSH™