



---

# Illustrated Parts Manual

## **Model 15VPSP**

3120798

May 29, 2013

**ANSI**



An Oshkosh Corporation Company



## REVISION LOG

January 31, 2000 - Original Issue Of Manual  
September 5, 2000 - Revised (Manual edited to 0010566 Revision 10)  
March 27, 2003 - Revised (Manual edited to 0010566 Revision 22)  
December 20, 2006 - Revised Manual  
November 15, 2010 - Revised Manual  
May 29, 2013 - Revised Manual



# TABLE OF CONTENTS

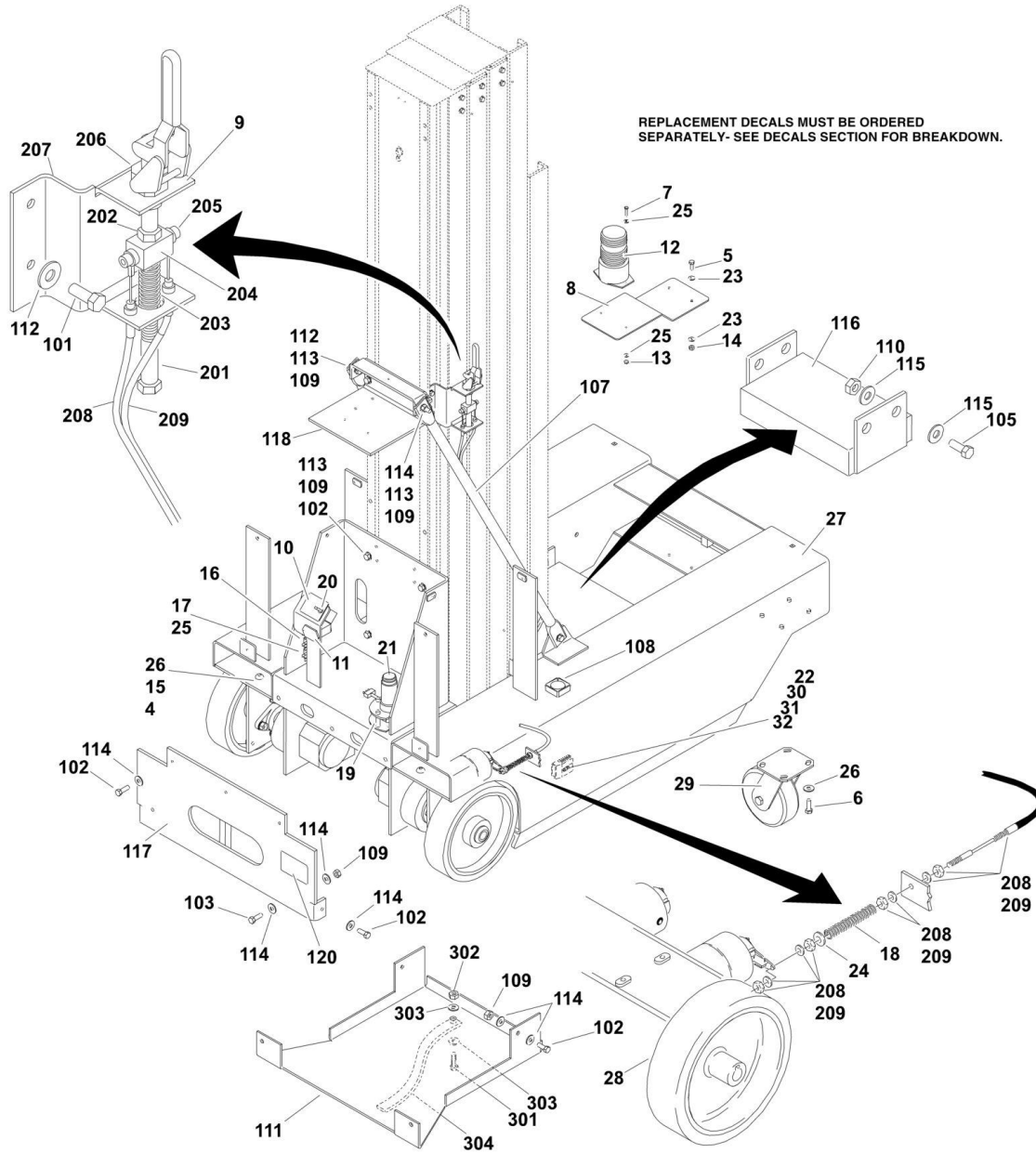
SECTION 1 - BASE.....	7
FIGURE 1-1. BASE MOUNTED COMPONENTS INSTALLATION .....	8
FIGURE 1-2. REAR DRIVE ASSEMBLY .....	12
FIGURE 1-3. DRIVE MOTOR ASSEMBLY .....	16
FIGURE 1-4. JLG POTHOLE PROTECTION INSTALLATION .....	18
SECTION 2 - CONTROLS .....	21
FIGURE 2-1. GROUND CONTROL/POWER PACK INSTALLATION .....	22
FIGURE 2-2. PLATFORM CONTROLS AND CABLES INSTALLATIONS .....	26
FIGURE 2-3. BATTERY CHARGER ASSEMBLY (ANSI).....	28
FIGURE 2-4. BATTERY CHARGER ASSEMBLY (ANSI EXPORT) .....	30
FIGURE 2-5. PUMP/MOTOR/TANK ASSEMBLY.....	32
FIGURE 2-6. CONTROL BOX ASSEMBLY.....	34
SECTION 3 - MAST .....	37
FIGURE 3-1. MAST ASSEMBLY - 15VPSP .....	38
FIGURE 3-2. MAST MOUNTING COMPONENTS .....	44
SECTION 4 - PLATFORM.....	47
FIGURE 4-1. PLATFORM INSTALLATION (FOLD DOWN SIDE RAILS) .....	48
FIGURE 4-2. PLATFORM INSTALLATION (FIXED SIDE RAILS) .....	52
FIGURE 4-3. PLATFORM INSTALLATION (QUICK CHANGE GULLWING) .....	56
FIGURE 4-4. PLATFORM INSTALLATION (QUICK CHANGE MOLDED).....	60
SECTION 5 - CYLINDER.....	63
FIGURE 5-1. LIFT CYLINDER ASSEMBLY .....	64
SECTION 6 - HYDRAULIC .....	67
FIGURE 6-1. HYDRAULIC DIAGRAM (Prior to SN 03620).....	68
FIGURE 6-2. HYDRAULIC DIAGRAM (SN 03620 to Present) .....	70
SECTION 7 - ELECTRICAL .....	73
FIGURE 7-1. ELECTRICAL SCHEMATIC (Prior to SN 03620) .....	74
FIGURE 7-2. ELECTRICAL SCHEMATIC (SN 03620 to Present) .....	76
FIGURE 7-3. ELECTRICAL COMPONENTS INSTALLATION.....	78
SECTION 8 - DECALS.....	83
FIGURE 8-1. DECALS INSTALLATION .....	84
FIGURE 8-2. DECALS INSTALLATION (COUNTRY SPEC) .....	88
SECTION 9 - RECOMMENDED SERVICE PARTS STOCK .....	91
FIGURE 9-1. VPSP SERIES STANDARD PARTS.....	92
SECTION 10 - SPECIAL OPTIONS.....	95
FIGURE 10-1. SPECIAL OPTIONS.....	96
PART NUMBER INDEX.....	97



**SECTION 1 - BASE**

# SECTION 1 - BASE

## FIGURE 1-1. BASE MOUNTED COMPONENTS INSTALLATION





# SECTION 1 - BASE

## FIGURE 1-1. BASE MOUNTED COMPONENTS INSTALLATION

ITEM	PART NUMBER	QTY	DESCRIPTION	REV
		Ref	<b>BASE ASSEMBLY</b>	
	0259526	Ref	<b>Base Assembly 15VPSP</b>	C
1	0100011	AR	Loctite #242 (Not Shown)	
4	0630446	4	Bolt 3/8in-16NC x 1in (Carriage)	
5	0641406	2	Bolt 1/4in-20NC x 3/4in	
6	0641609	8	Bolt 3/8in-16NC x 1 1/8in	
7	0721008	2	Screw	
8	0902583	1	Bracket, Beacon	
9	1060658	1	Cable, Brake Assembly (See Items for 201-211 Breakdown)	
10	1702923	1	Decal - Manual Descent	
11	2420165	1	Gauge, Hour Meter	
12	2920146	1	Lamp, Beacon Assembly	
12	7016319	1	Tube, Flash	
12	7016372	1	Lens, Amber	
13	3311005	2	Locknut #10-24NC	
14	3311405	2	Locknut 1/4in-20NC	
15	3311605	4	Locknut 3/8in-16NC	
16	3740069	3	Relay, Power 24VDC	
17	3911010	3	Screw	
18	4160164	2	Spring, Compression	
19	4300106	4	Stud, Grooved	
20	4360314	1	Switch, Toggle	
21		Ref	Switch, Tilt Options:	
21	4360435	1	Switch, Tilt <b>(Prior to SN 03863)</b>	
21	4360465	1	Switch, Tilt <b>(SN 03863 to Present)</b>	
22	4460648	2	Receptacle - 2 Position	
23	4711400	4	Flatwasher 1/4in Narrow	
24	4740430	2	Washer, Fender	
25	4751000	7	Flatwasher #10 Wide	
26	4751600	12	Flatwasher 3/8in Wide	
27	4846087	1	Base Weldment	
28	4860175	2	Wheel, Rear Assembly	
28	7019659	2	Steel Insert (1 Per Assembly)	
29	4860177	2	Wheel, Caster Assembly	
29	7019660	2	Axle 1/2in x 3 1/4in (1 Per Assembly)	
29	7019661	2	Wheel, Replacement (1 Per Assembly)	
29	7019662	2	Caster without Wheel (1 Per Assembly)	
29	7019663	2	Bearing, Wheel (1 Per Assembly)	
30	3310601	8	Nut #6-32 NC <b>(SN 13479 to Present)</b>	
31	3910620	4	Screw #6-32 NC x 1 1/4 <b>(SN 13479 to Present)</b>	
32	4750600	8	Flatwasher #6 <b>(SN 13479 to Present)</b>	
		Ref	<b>MAST SUPPORT INSTALLATIONS</b>	
	0259527	Ref	<b>Mast Support Installations (Prior to SN 03620)</b>	C
	0271465	Ref	<b>Mast Support Installations (SN 03620 to Present)</b>	A
101	0641406	2	Bolt 1/4in-20NC x 3/4in	
102	0641608	20	Bolt 3/8in-16NC x 1in	
103	0641609	2	Bolt 3/8in-16NC x 1 1/8in	
104	0641612	1	Bolt 3/8in-16NC x 1 1/2in	
105	0641810	4	Bolt 1/2in-13NC x 1 1/4in	
107	0880139	2	Brace, Mast	

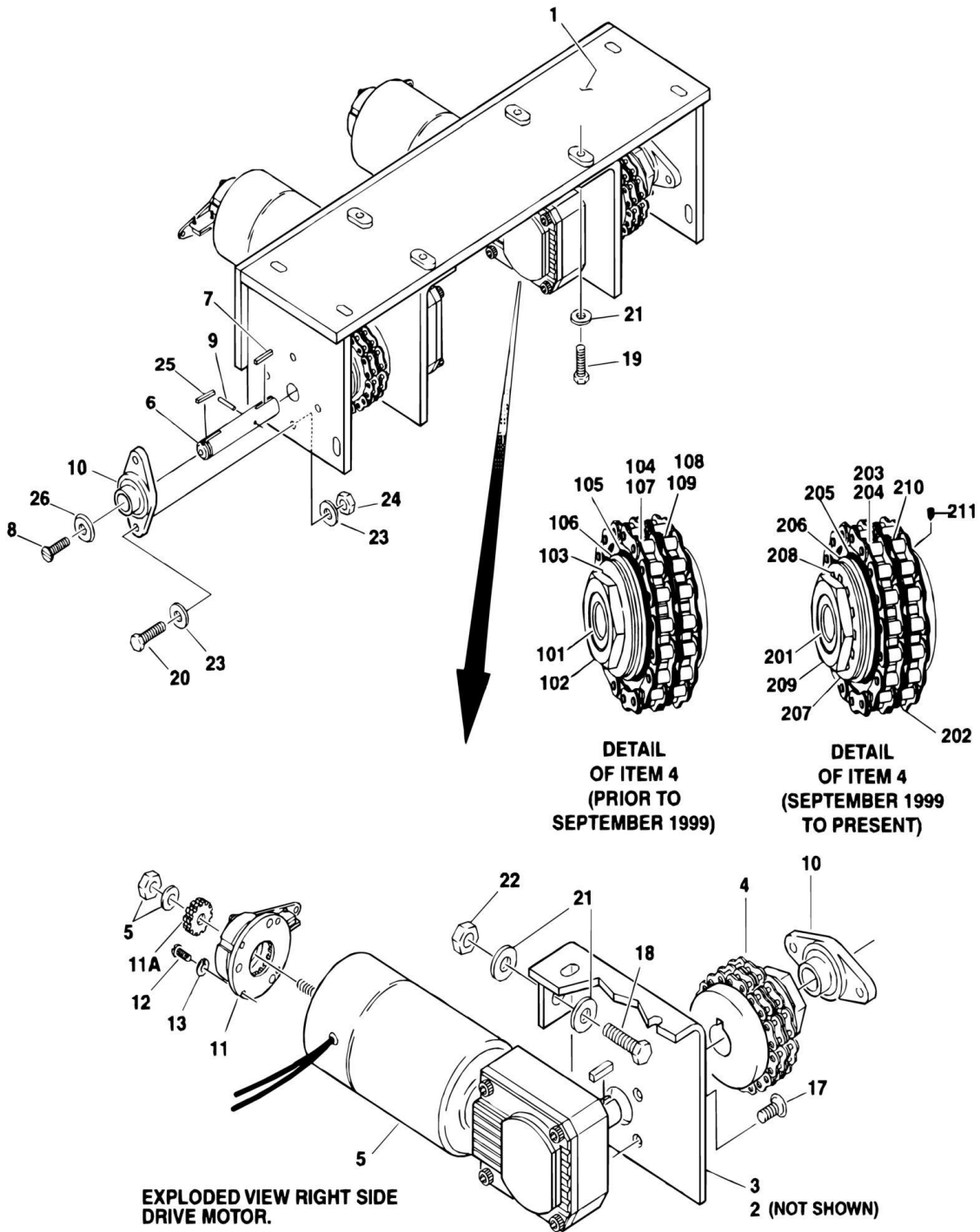
## SECTION 1 - BASE

ITEM	PART NUMBER	QTY	DESCRIPTION	REV
108	2420140	1	Gauge, Level ( <b>Prior to SN 03620</b> )	
109	3311605	18	Locknut 3/8in-16NC	
110	3311805	4	Locknut 1/2in-13NC	
111	3570172	1	Cover, Drive Motors	
112	4711400	2	Flatwasher 1/4in Narrow	
113	4711600	28	Flatwasher 3/8in Narrow	
114	4751600	13	Flatwasher 3/8in Wide	
115	4751800	8	Flatwasher 1/2in Wide	
116	4845291	1	Weldment, Counterweight	
117	4845474	1	Weldment, Rear Plate	
118	4846173	1	Weldment, Ground Control	
119	4240033	2	Wire, Tie (Not Shown)	
120	1704582	1	Decal - Manual Descent ( <b>SN 03620 to Present</b> )	
	1060658	Ref	<b>BRAKE CABLE ASSEMBLY</b>	3-C
201	0641528	1	Bolt 5/16in-18NC x 3 1/2in	
202	3311501	1	Nut 5/16in-18NC	
203	4160166	1	Spring, Compression	
204	0561284	1	Bar, Aluminum	
205	3900248	2	Bolt 1/4in-20NC x 1/4in	
206	2560150	1	Handle, Brake Cable	
207	3570382	1	Bracket, Brake Cable	
208	1060661	1	Cable, Brake	
209	1060662	1	Cable, Brake	
210	0100019	AR	Loctite #271 (Not Shown)	
211	0100035	AR	Loctite #222 (Not Shown)	
	0270352	Ref	<b>STATIC STRAP INSTALLATION</b>	A
301	0641608	1	Bolt 3/8in-16NC x 1in	
302	3311605	1	Nut 3/8in-16NC	
303	4751600	2	Flatwasher 3/8in	
304	4240084	1	Strap, Static	



# SECTION 1 - BASE

## FIGURE 1-2. REAR DRIVE ASSEMBLY



# SECTION 1 - BASE

## FIGURE 1-2. REAR DRIVE ASSEMBLY

ITEM	PART NUMBER	QTY	DESCRIPTION	REV
	0258718	Ref	<b>REAR DRIVE ASSEMBLY</b>	1-B
1	4845473	1	Weldment, Drive	
2	3570168	1	Plate, Motor Mount (Left)	
3	3570169	1	Plate, Motor Mount (Right)	
4	1400126	2	Clutch, Torque Limiting Options:	
4		Ref	Dalton Brand Clutch, Torque Limiting (See Items 101-109 for Breakdown) (Prior to September 1999)	
4		Ref	EPT Brand Clutch, Torque Limiting (See Items 201-211 for Breakdown) (September 1999 to Present)	
5	3160234	2	Wheel Drive Motor Assembly (See DRIVE MOTOR ASSEMBLY for Breakdown)	
6	4040268	2	Shaft, Drive	
7	2860027	2	Key, Clutch	
8	0741609	2	Bolt 3/8in-16NC x 1 1/8in	
9	3440520	2	Pin, Roll	
10	0440221	4	Bearing, Flange	
11	0256851	2	Brake Assembly	
11	7014117	2	Switch, Micro (1 Per Assembly)	
11	7014118	2	Disc, Friction (1 Per Assembly)	
11A	7014119	2	Gear (1 Per Assembly)	
11A	7014120	4	Setscrew (2 Per Assembly)	
12	3930808	8	Bolt #8-32NC x 1/2in	
13	4750800	8	Flatwasher #8	
14	0100035	AR	Loctite #222 (Not Shown)	
15	0100011	AR	Loctite #242 (Not Shown)	
16	0100019	AR	Loctite #272 (Not Shown)	
17	3900221	6	Bolt 5/16in-18NC x 3/4in	
18	0641610	2	Bolt 3/8in-16NC x 1 1/4in	
19	0641609	4	Bolt 3/8in-16NC x 1 1/8in	
20	0641711	8	Bolt 7/16in-14NC x 1 3/8in	
21	4751600	8	Flatwasher 3/8in	
22	3311605	2	Locknut 3/8in-16NC	
23	4711700	16	Flatwasher 7/16in	
24	3311705	8	Locknut 7/16in-14NC	
25	2860029	2	Key, Wheel	
26	4740478	2	Washer, Wheel Retainer	
	1400126	Ref	<b>TORQUE LIMITER CLUTCH ASSEMBLY (DALTON BRAND) (PRIOR TO SEPTEMBER 1999)</b>	A
101	7016689	1	Hub	
102	7016683	1	Nut, Adjusting	
103	7016684	1	Spring	
104	7016685	1	Bearing	
105	7016691	2	Facing, Friction	
106	7016690	1	Plate, Pressure	
107	7016686	1	Sprocket	
108	7016687	1	Coupling, Chain	
109	7016688	1	Sprocket	
	1400126	Ref	<b>TORQUE LIMITER CLUTCH ASSEMBLY (EPT BRAND) (SEPTEMBER 1999 TO PRESENT)</b>	C
201	7023351	1	Hub	
202	7023352	1	Chain	

## SECTION 1 - BASE

ITEM	PART NUMBER	QTY	DESCRIPTION	REV
203	7023353	1	Sprocket	
204	7023354	1	Bushing	
205	7023355	2	Facing, Friction	
206	7023356	1	Plate, Pressure	
207	7023357	3	Disc, Spring	
208	7023358	1	Lockwasher, Tabbed	
209	7023359	1	Nut, Adjusting	
210	7023360	1	Sprocket	
211	7023361	1	Setscrew	



# SECTION 1 - BASE

## FIGURE 1-3. DRIVE MOTOR ASSEMBLY

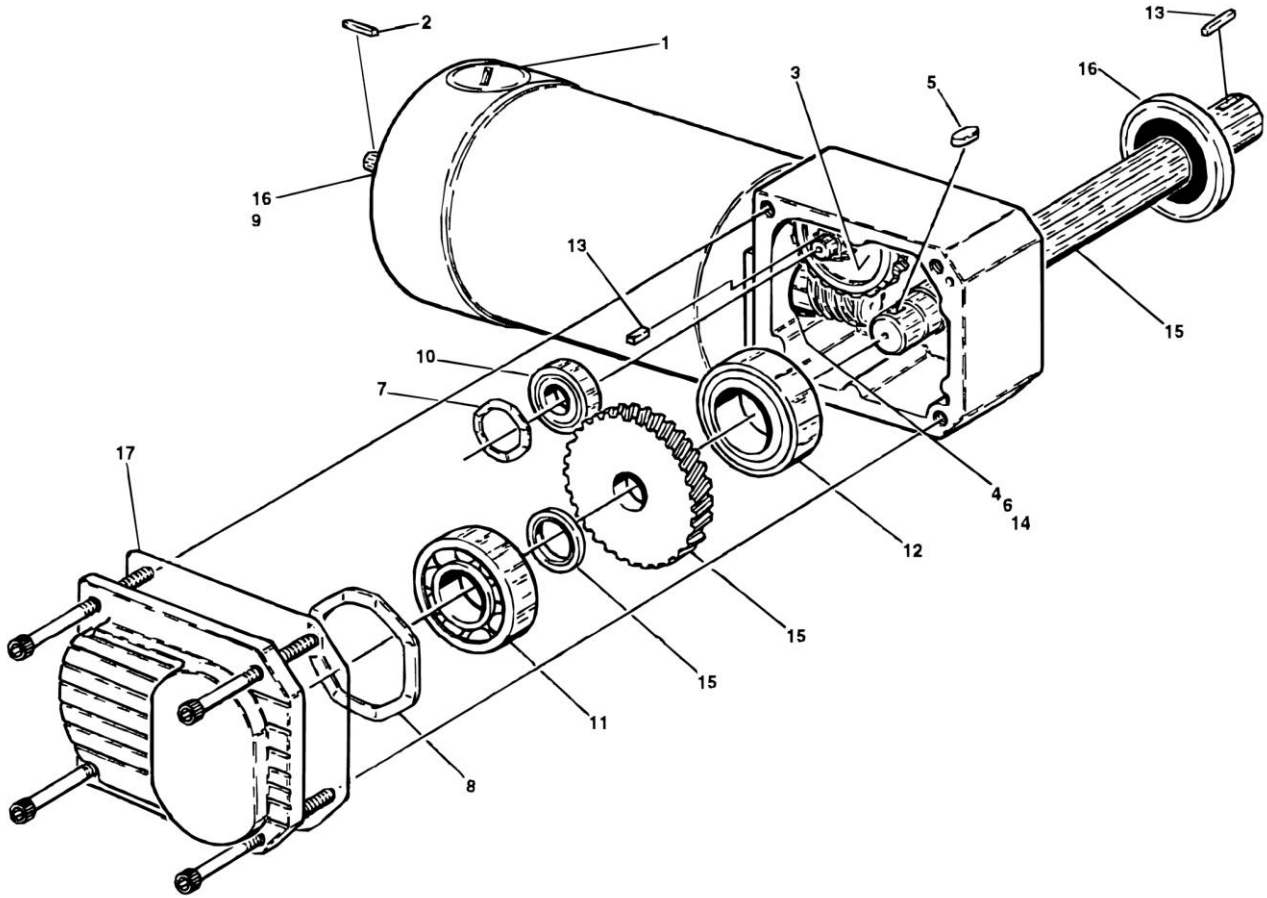


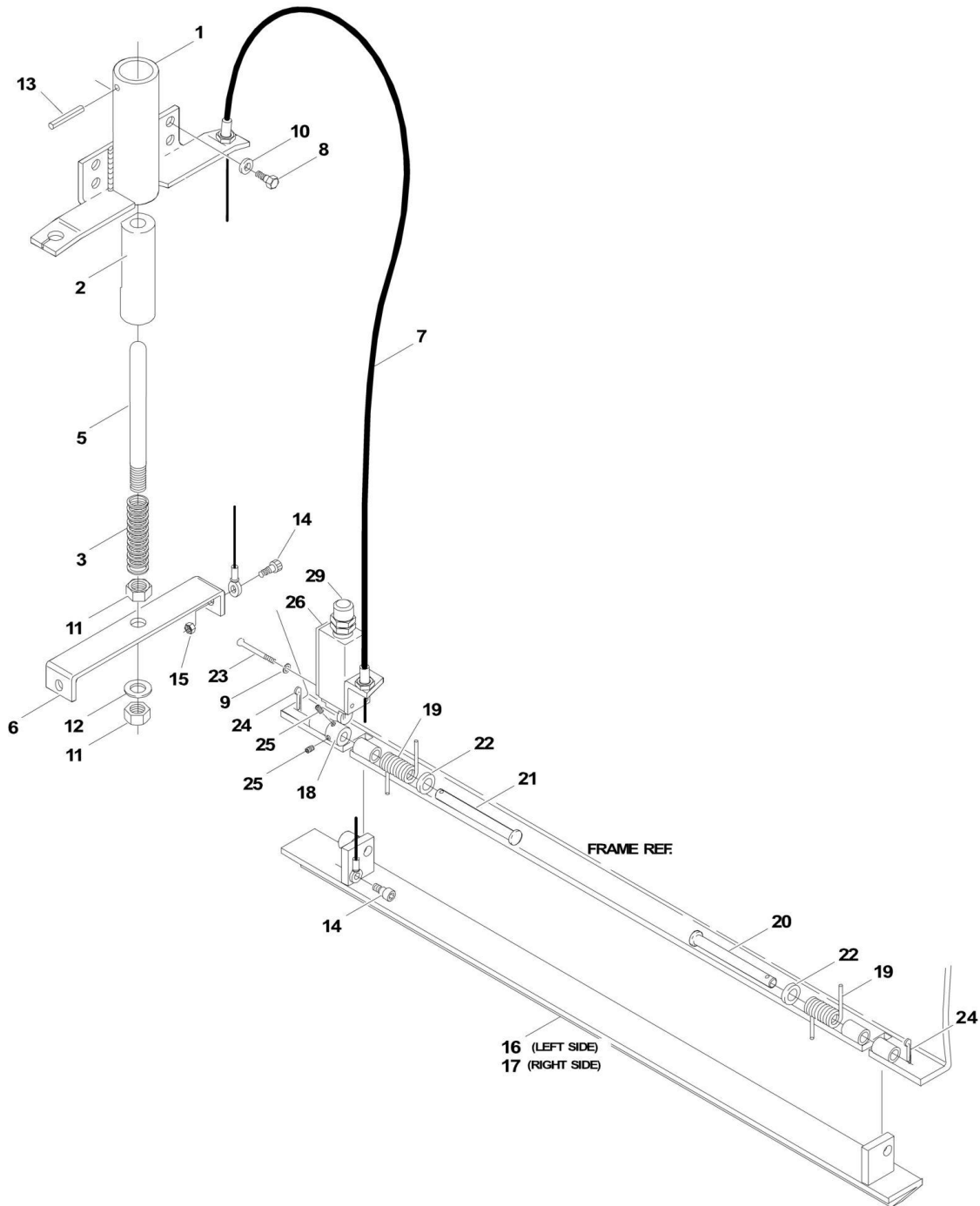


FIGURE 1-3. DRIVE MOTOR ASSEMBLY

ITEM	PART NUMBER	QTY	DESCRIPTION	REV
	3160234	Ref	<b>DRIVE MOTOR ASSEMBLY</b>	B
1	7018000	1	Brush Kit	
2	7018001	1	Key, Shaft	
3	7018002	1	Gear and Pinion Assembly	
4	7018005	1	Ring, Retaining	
5	7018007	1	Key, Shaft	
6	7018008	1	Bearing	
7	7018009	1	Washer, Wave	
8	7018010	1	Washer, Wave	
9	7018011	1	Washer, Wave	
10	7018012	2	Bearing 32mm x 12mm x 10mm	
11	7018013	1	Bearing 47mm x 20mm x 14mm	
12	7018014	1	Bearing 47mm x 25mm x 12mm	
13	7018015	1	Shaft, Key	
14	7018018	2	Seal, Lip	
15	7018019	1	Gear and Drive Shaft	
16	7018027	1	Bearing	
17	7018028	1	O-Ring	

# SECTION 1 - BASE

## FIGURE 1-4. JLG POTHOLE PROTECTION INSTALLATION



## SECTION 1 - BASE

**FIGURE 1-4. JLG POTHOLE PROTECTION INSTALLATION**

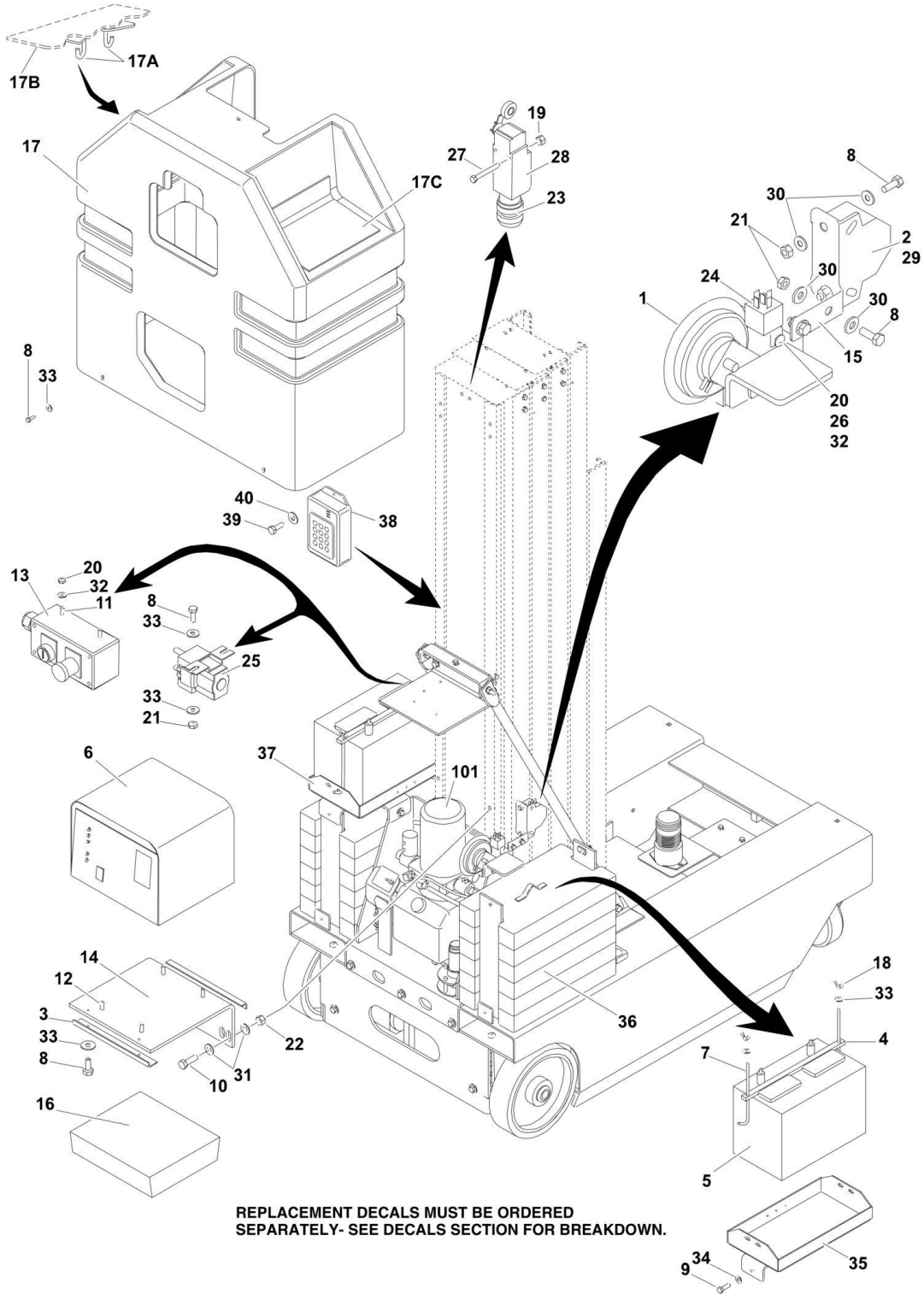
ITEM	PART NUMBER	QTY	DESCRIPTION	REV
	0257490	Ref	<b>JLG POTHOLE PROTECTION INSTALLATION</b>	2-B
1	4845507	1	Actuator Weldment	
2	4567203	1	Tube, Sleeve	
3	4160160	1	Spring, Compression	
4	3020022	AR	Grease, Lithium (with PTFE) (Not Shown)	
5	3841343	1	Rod, Actuator	
6	3570230	1	Plate, Cable Attach	
7	1060649	2	Cable	
8	0641405	4	Bolt 1/4in-20NC x 5/8in	
9	4750600	4	Flatwasher #6	
10	4711400	4	Flatwasher 1/4in Narrow	
11	3312002	2	Nut, Jam 5/8in-11NC	
12	4712000	1	Flatwasher 5/8in Narrow	
13	3440418	1	Rollpin 1/8in 1 1/8in	
14	3900202	4	Screw, Shoulder 1/4in-20NC x 1/4in	
15	3311005	2	Locknut #10-24NC	
16	4845508	1	Bar, Pothole (Left Side)	
17	4845509	1	Bar, Pothole (Right Side)	
18	1100103	2	Cam	
19	4160162	4	Spring, Torsion	
20	3430630	2	Pin, Clevis 3/8in x 3 3/4in	
21	3430638	2	Pin, Clevis 3/8in x 4 3/4in	
22	4751600	4	Flatwasher 3/8in	
23	3910620	4	Screw #6-32NC x 1 1/4in	
24	3450403	4	Pin, Cotter 1/8in x 3/4in	
25	3900249	4	Setscrew #10-32NC x 3/16in	
26	4360456	2	Switch, Limit	
27	0100035	AR	Loctite #222 (Not Shown)	
28	0100011	AR	Loctite #242 (Not Shown)	
29	4460662	2	Connector, Strain Relief	



**SECTION 2 - CONTROLS**

# SECTION 2 - CONTROLS

## FIGURE 2-1. GROUND CONTROL/POWER PACK INSTALLATION



## SECTION 2 - CONTROLS

**FIGURE 2-1. GROUND CONTROL/POWER PACK INSTALLATION**

ITEM	PART NUMBER	QTY	DESCRIPTION	REV
		Ref	<b>GROUND CONTROL/POWER PACK INSTALLATIONS:</b>	
	0259528	Ref	<b>GROUND CONTROL (STANDARD)</b>	D
	0270719	Ref	<b>GROUND CONTROL (KEYLESS)</b>	A
1	0140022	1	Alarm, Horn	
2	0140033	1	Alarm	
3	0181857	1	Angle, Controller Mount	
4		Ref	Bar, Battery Hold Down Options:	
4	0362604	2	Bar, Battery Hold Down <b>(Prior to SN 3533)</b>	
4	0362658	2	Bar, Battery Hold Down <b>(SN 3533 to Present)</b>	
5	0400122	2	Battery	
6	0400164	1	Charger, Battery 120VAC (See BATTERY CHARGER ASSEMBLY (ANSI) for Breakdown)	
7	0630504	4	Bolt, Battery Hold Down	
8	0641406	13	Bolt 1/4in-20NC x 3/4in	
9	0641508	6	Bolt 5/16in-18NC x 1in	
10	0641609	2	Bolt 3/8in-16NC x 1 1/8in	
11	0721006	2	Screw	
12	0741407	4	Bolt 1/4in-20NC x 7/8in	
13		Ref	Ground Control Box Options:	
13	0861330	1	Standard	
13	7020094	1	Lid	
13	4360469	1	Switch, Key	
13	2860030	1	Key, Replacement	
13	7020078	1	Switch, Push-Pull (Stop)	
13	7020093	4	Screw m3 x 25	
13	7020097	1	Legend Plate, "Power/Off/On"	
13	7020096	1	Legend Plate, "Stop"	
13	4460633	1	Connector, Strain Relief	
13	0861386	1	Keyless	
13	7020094	1	Lid	
13	7023273	1	Switch, Select	
13	7020078	1	Switch, Push-Pull (Stop)	
13	7020093	4	Screw m3 x 25	
13	7020267	1	Legend Plate, "Power/Off/On"	
13	7020096	1	Legend Plate, "Stop"	
13	4460633	1	Connector, Strain Relief	
14	0902250	1	Bracket, Charger/Controller	
15	0902356	1	Bracket, Alarm	
16	1600305	1	Controller	
17		Ref	Hood Options:	
17	2680432	1	Hood <b>(Prior to SN 3533)</b>	
17	2680483	1	Hood <b>(SN 3533 to Present)</b>	
17A	2700080	2	Hook	
17B	7023342	1	Lid (Used on p/n 2680432)	
17C	7023341	1	Lid (Used on p/n 2680432)	
18	3300202	4	Wingnut	
19	3311001	2	Nut #10-24NC	
20	3311005	3	Locknut #10-24NC	
21	3311405	6	Locknut 1/4in-20NC	
22	3311605	2	Locknut 3/8in-16NC	

## SECTION 2 - CONTROLS

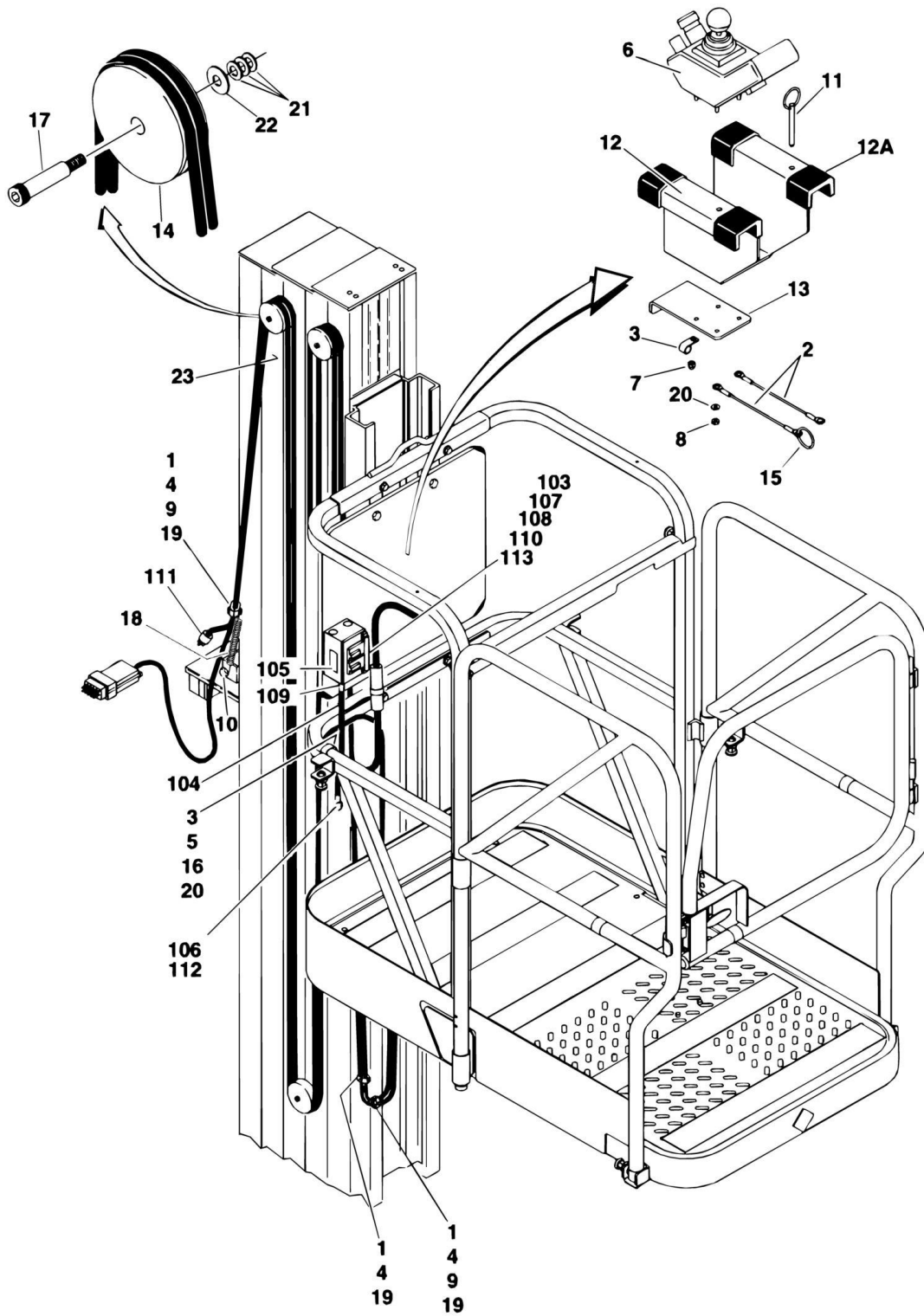
ITEM	PART NUMBER	QTY	DESCRIPTION	REV
23	3520166	1	Plug	
24	3740069	1	Relay, Power 24VDC	
25	3740130	1	Relay, 100Amp	
26	3911010	1	Screw	
27	3911024	2	Screw	
28	4360437	1	Switch, Limit	
29	4460685	4	Terminal, Stud Mount Tab	
30	4711400	8	Flatwasher 1/4in Narrow	
31	4711600	4	Flatwasher 3/8in Narrow	
32	4751000	6	Flatwasher #10 Wide	
33	4751400	15	Flatwasher 1/4in Wide	
34	4751500	6	Flatwasher 5/16in Wide	
35	4845875	1	Weldment, Battery Box (Left)	
36	4845876	2	Weldment, Counterweight	
37	4845878	1	Weldment, Battery Box (Right)	
38	2940132	1	Lock, Programmable Security (Keyless Machines Only)	
39	3900205	2	Screw #10-24NC x 5/8in (Keyless Machines Only)	
40	4750800	2	Flatwasher #8 (Keyless Machines Only)	
		Ref	<b>POWER PACK INSTALLATIONS</b>	
	0259774	Ref	<b>Power Pack Installations (Prior to SN 3620)</b>	A
	0271466	Ref	<b>Power Pack Installations (SN 3620 to Present)</b>	A
101	3600254	1	Pump/Motor 24VDC (See PUMP/MOTOR/TANK ASSEMBLY for Breakdown)	
101	0641606	4	Bolt 3/8in-16NC x 3/4in	
101	0741605	2	Bolt 3/8in-16NC x 5/8in	
101	4751600	4	Flatwasher 3/8in Wide	





# SECTION 2 - CONTROLS

## FIGURE 2-2. PLATFORM CONTROLS AND CABLES INSTALLATIONS



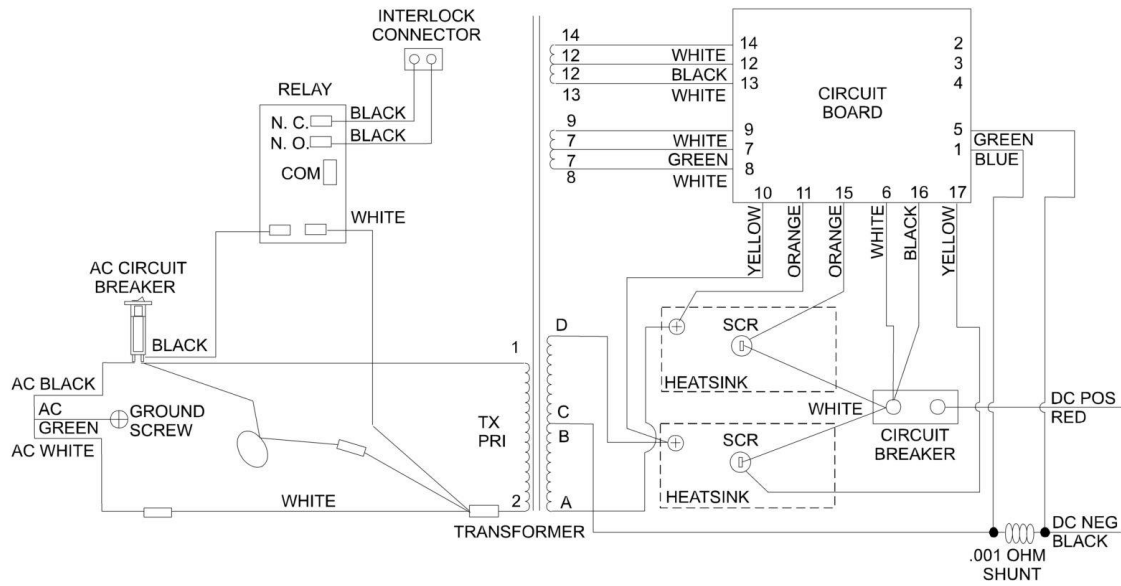
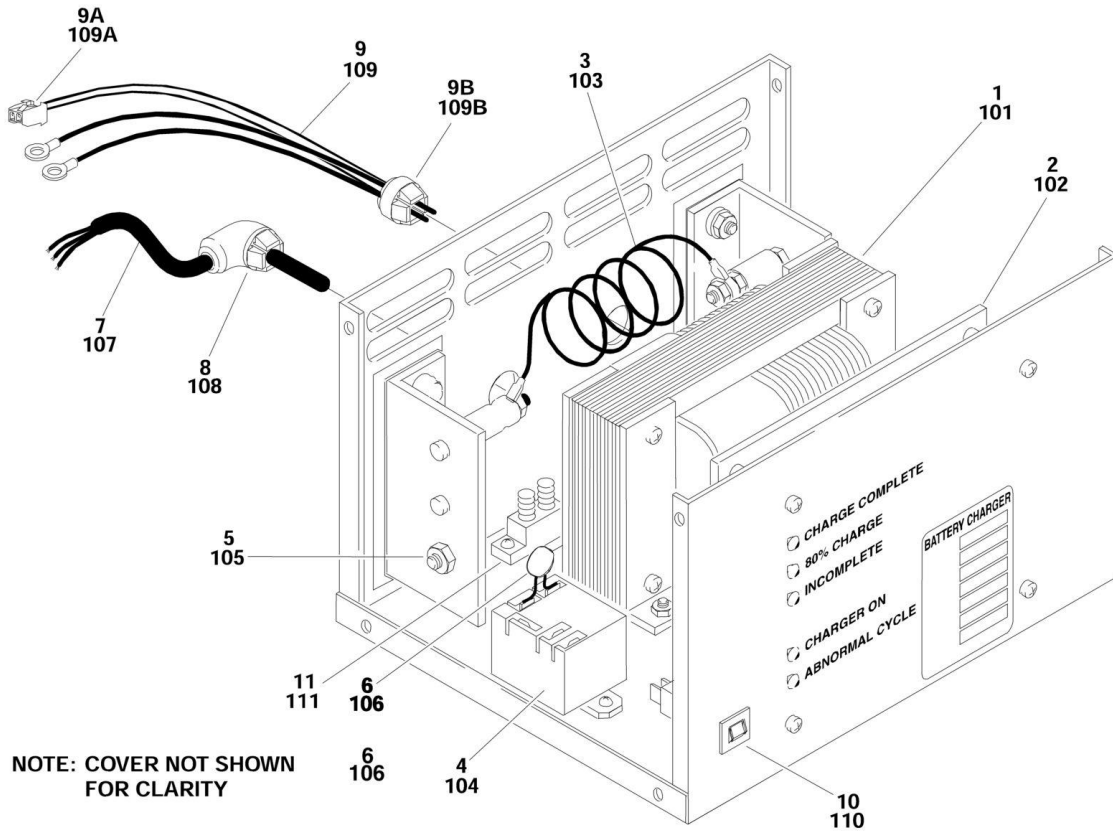
## SECTION 2 - CONTROLS

**FIGURE 2-2. PLATFORM CONTROLS AND CABLES INSTALLATIONS**

ITEM	PART NUMBER	QTY	DESCRIPTION	REV
		Ref	<b>PLATFORM CONTROLS AND CABLES INSTALLATIONS</b>	
	0259769	Ref	<b>Platform Controls and Cables Installations 15 VPSP</b>	B
1	0641410	3	Bolt 1/4in-20NC x 1 1/4in	
2	1060380	2	Cable, Lanyard	
3	1320043	2	Clamp, Cable	
4	1320149	3	Clamp, Hose	
5	1380132	1	Clip, Gripper	
6	1600304	1	Controller, Joystick	
7	3300417	4	Nut, Acorn #8-32NC	
8	3310801	8	Nut #8-32NC	
9	3311405	2	Locknut 1/4in-20NC	
10	3311605	1	Locknut 3/8in-16NC	
11	3422657	1	Pin, Quick Release	
12	3570680	1	Bracket, Joystick	
12A		Ref	Pad, Rubber Options:	
12A	7020075	2	RH Side Pad	
12A	7020076	2	LH Side Pad	
13	3570737	1	Bracket, Joystick	
14	3580231	3	Pulley, Sheave	
15	3760170	1	Ring, Split	
16	3820024	1	Rivet	
17	3900200	3	Screw, Shoulder	
18	4160130	1	Spring, Extension	
19	4711400	5	Flatwasher 1/4in Narrow	
20	4750800	5	Flatwasher #8 Wide	
21	4751000	12	Flatwasher #10 Wide	
22	4751500	3	Flatwasher 5/16in Wide	
23	4922203	1	Harness, Platform Control	
	0271059	Ref	<b>OPTIONAL 120V ACCESSORY OUTLET</b>	A
101	0100019	AR	Loctite #271 (Not Shown)	
102	0721005	2	Screw	
103	0860946	1	Box, Outlet	
104	1060564	23 ft/7.0m	Cable Electrical 12/3	
105	3252761	2	Decal - 120V	
106	3300047	1	Locknut 1/2in Conduit	
107	3311001	2	Nut #10-24NC	
108	4060092	1	Cover	
109	4460023	1	Connector	
110	4460190	1	Receptacle	
111	4460549	1	Plug	
112	4460566	1	Terminal 90	
113	4761000	2	Lockwasher #10	

# SECTION 2 - CONTROLS

## FIGURE 2-3. BATTERY CHARGER ASSEMBLY (ANSI)



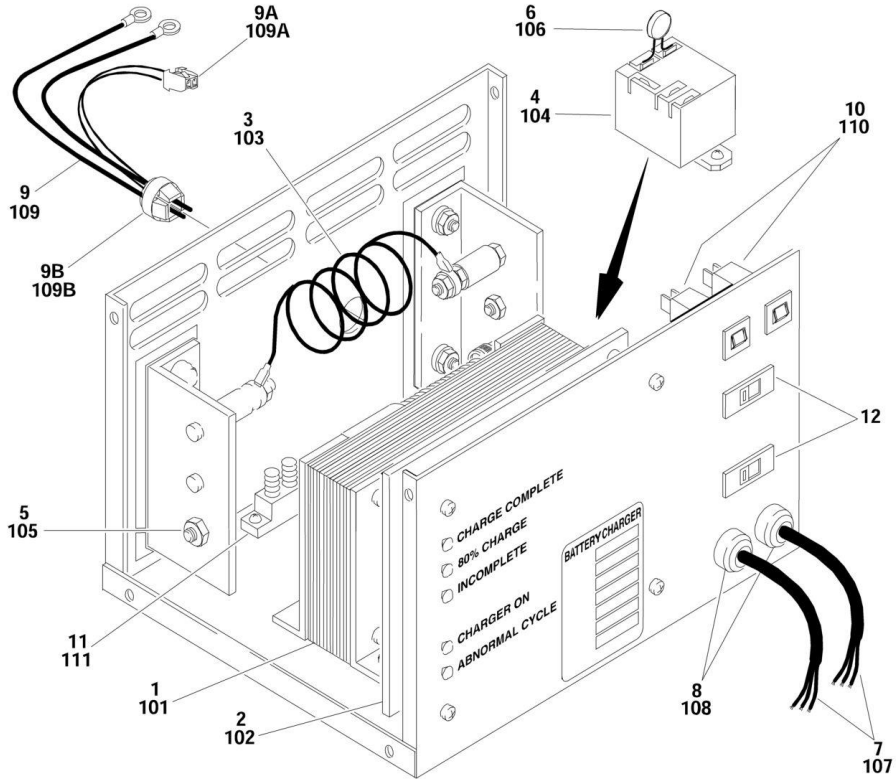
## SECTION 2 - CONTROLS

**FIGURE 2-3. BATTERY CHARGER ASSEMBLY (ANSI)**

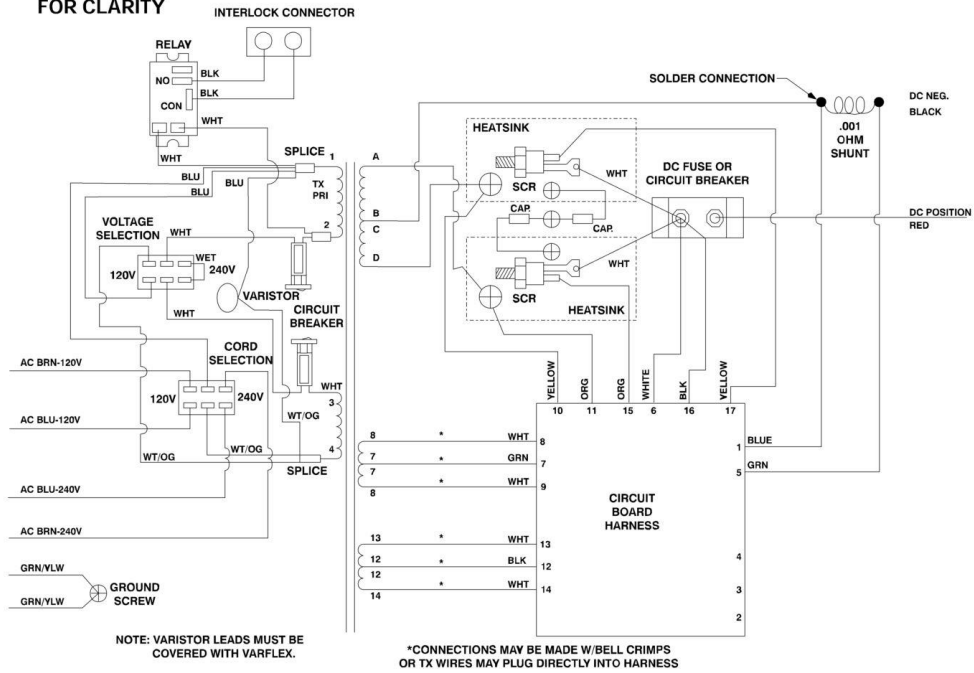
ITEM	PART NUMBER	QTY	DESCRIPTION	REV
		Ref	<b>BATTERY CHARGER ASSEMBLIES</b>	
	0400164	Ref	<b>120 VOLT/60HZ</b>	B
1	7018550	1	Transformer	
2	7018553	1	Card, Circuit	
3	7018554	1	Shunt Assembly	
4	7018506	1	Relay, Interlock	
5	7018555	2	SCR Rectifier	
6	7011596	1	Varistor	
7	7018556	1	AC Cord Assembly	
8	7011528	1	Connector, Strain Relief - 90	
9	7018567	1	DC Harness Assembly	
9A	4460424	1	Connector, Male - 2 Position	
9A	4460267	2	Pin, Male	
9B	7011528	1	Connector, Strain Relief	
10	7018514	1	Breaker, Circuit - AC	
11	7011509	1	Breaker, Circuit - DC	
	0400173	Ref	<b>220 VOLT/60HZ W/INTERLOCK</b>	A
101	7018561	1	Transformer	
102	7018553	1	Card, Circuit	
103	7018554	1	Shunt Assembly	
104	7018535	1	Relay, Interlock	
105	7018555	2	SCR Rectifier	
106	7018537	1	Varistor	
107	7018565	1	AC Cord Assembly	
108	7011528	1	Connector, Strain Relief - 90	
109	7018567	1	DC Harness Assembly	
109A	4460424	1	Connector, Male - 2 Position	
109A	4460267	2	Pin, Male	
109B	7011528	1	Connector, Strain Relief	
110	7018557	1	Breaker, Circuit - AC	
111	7011509	1	Breaker, Circuit - DC	

# SECTION 2 - CONTROLS

## FIGURE 2-4. BATTERY CHARGER ASSEMBLY (ANSI EXPORT)



NOTE: COVER NOT SHOWN FOR CLARITY



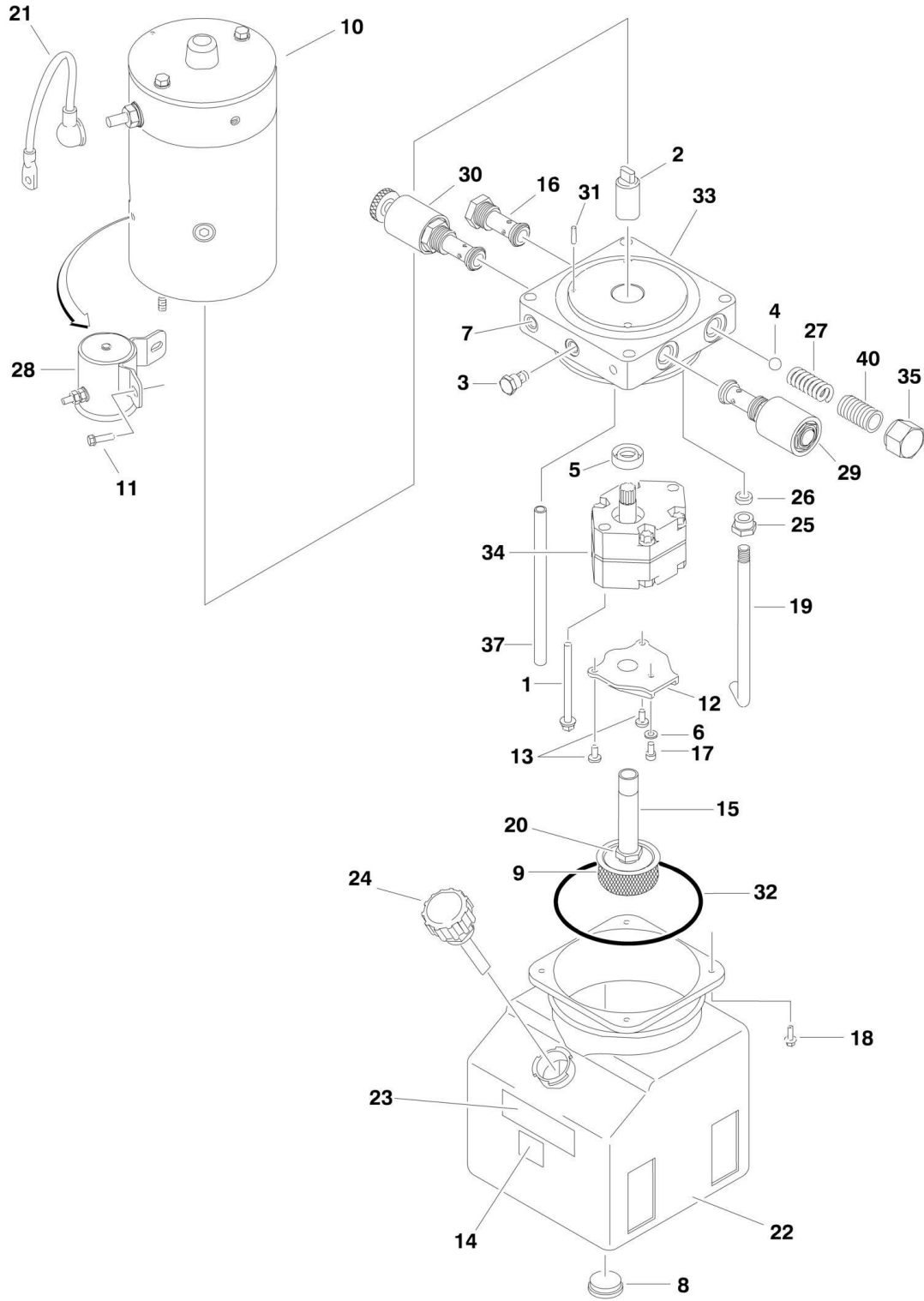
## SECTION 2 - CONTROLS

**FIGURE 2-4. BATTERY CHARGER ASSEMBLY (ANSI EXPORT)**

ITEM	PART NUMBER	QTY	DESCRIPTION	REV
		Ref	<b>BATTERY CHARGER ASSEMBLY</b>	
	0400157	Ref	<b>120/240 VOLT/50HZ</b>	B
1	7020620	1	Transformer (was p/n 7018551)	
2	7018562	1	Card, Circuit	
3	7018554	1	Shunt Assembly	
4	7018564	1	Relay, Interlock	
5	7018555	2	SCR Rectifier	
6	7018589	1	Varistor (was p/n 7018537)	
7	7018556	1	AC Cord Assembly	
8	7011528	1	Connector, Strain Relief - 90	
9	7018567	1	DC Harness Assembly	
9A	4460424	1	Connector, Male - 2 Position	
9A	4460267	2	Pin, Male	
9B	7011528	1	Connector, Strain Relief	
10	7018557	2	Breaker, Circuit - AC	
11	7011509	1	Breaker, Circuit - DC	
12	7018586	2	Switch, Selector	
13	7011649	1	Relay (Not Shown)	
	0400166	Ref	<b>240 VOLT/50HZ</b>	B
101	7018551	1	Transformer	
102	7018562	1	Card, Circuit	
103	7018554	1	Shunt Assembly	
104	7018563	1	Relay, Interlock	
105	7018555	2	SCR Rectifier	
106	7018537	1	Varistor	
107	7018556	1	AC Cord Assembly	
108	7011528	1	Connector, Strain Relief - 90	
109	7018567	1	DC Harness Assembly	
109A	4460424	1	Connector, Male - 2 Position	
109A	4460267	2	Pin, Male	
109B	7011528	1	Connector, Strain Relief	
110	7018557	1	Breaker, Circuit - AC	
111	7011509	1	Breaker, Circuit - DC	

# SECTION 2 - CONTROLS

## FIGURE 2-5. PUMP/MOTOR/TANK ASSEMBLY





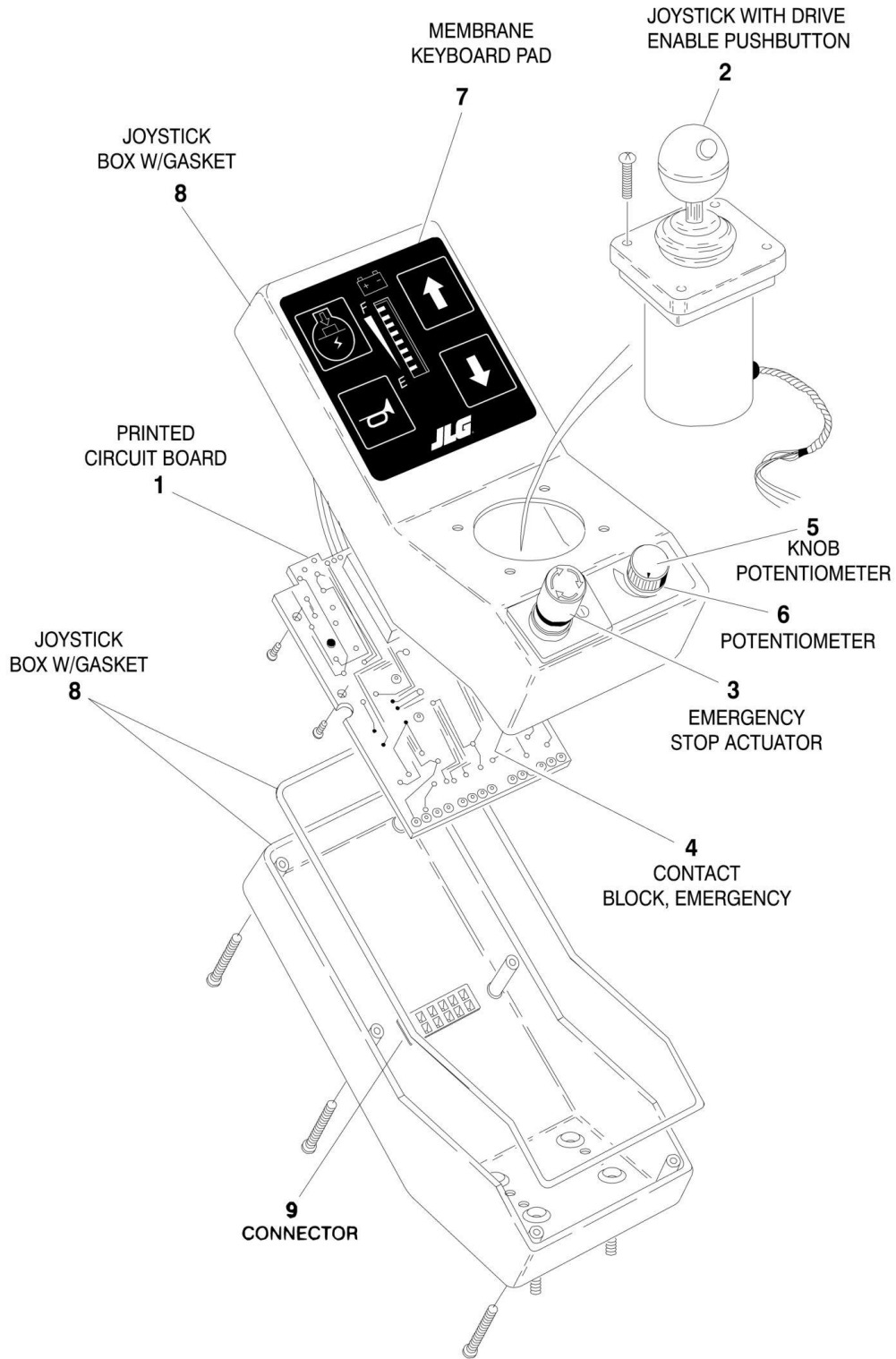
## SECTION 2 - CONTROLS

**FIGURE 2-5. PUMP/MOTOR/TANK ASSEMBLY**

ITEM	PART NUMBER	QTY	DESCRIPTION	REV
	3600254	Ref	<b>PUMP/MOTOR/TANK ASSEMBLY</b>	C
1	7013713	2	Bolt 5/16in-24NF x 2 3/4in	
2	7016735	1	Coupling	
3	7013714	1	Plug	
4	7013715	1	Ball	
5	7013716	1	Seal, Shaft	
6	7013717	1	Washer	
7	Not Serviced	1	Plug, Shipping	
8	7013722	1	Magnet	
9	7013723	1	Filter - 149 Micron	
10	7016710	1	Motor	
10	7016718	1	Brush Kit	
11	7013758	2	Screw 1/4in-20NC	
12	7013727	1	Cover	
13	7013728	2	Screw M6 x 1	
14	Not Serviced	1	Nameplate - Serial Number	
15	7016719	1	Pipe, PCV	
16	7013708	1	Valve, Check Cartridge	
17	7016720	1	Bolt 5/16in-18NC x 1in	
18	7016721	4	Bolt #12-24NC x 1/2in	
19	7013791	1	Tube, Return	
20	7016722	1	Nut 3/8in	
21	7013759	1	Cable, Electrical	
22	7016712	1	Tank, Plastic	
23	7016713	1	Decal - Tank Fill Line	
24	7016714	1	Breather	
25	7013792	1	Nut, Compression	
26	7013793	1	Sleeve, Compression	
27	7013733	1	Spring	
28	7016711	1	Solenoid, Start	
29	7022205	1	Valve, Solenoid Cartridge	
29	7022206	1	Coil	
30	7016723	1	Valve, Manual Override Cartridge	
31	7013766	1	Pin	
32	7013743	1	O-Ring	
33	Not Serviced	1	Endhead	
34	7017717	1	Pump Assembly	
34	7013701	1	Seal Kit - Pump	
35	7013750	1	Cap	
36	7013720	2	Plug 1/16in	
37	7016724	1	Tube	
40	7013770	1	Valve, Screw Adjustment	

# SECTION 2 - CONTROLS

## FIGURE 2-6. CONTROL BOX ASSEMBLY



## SECTION 2 - CONTROLS

### FIGURE 2-6. CONTROL BOX ASSEMBLY

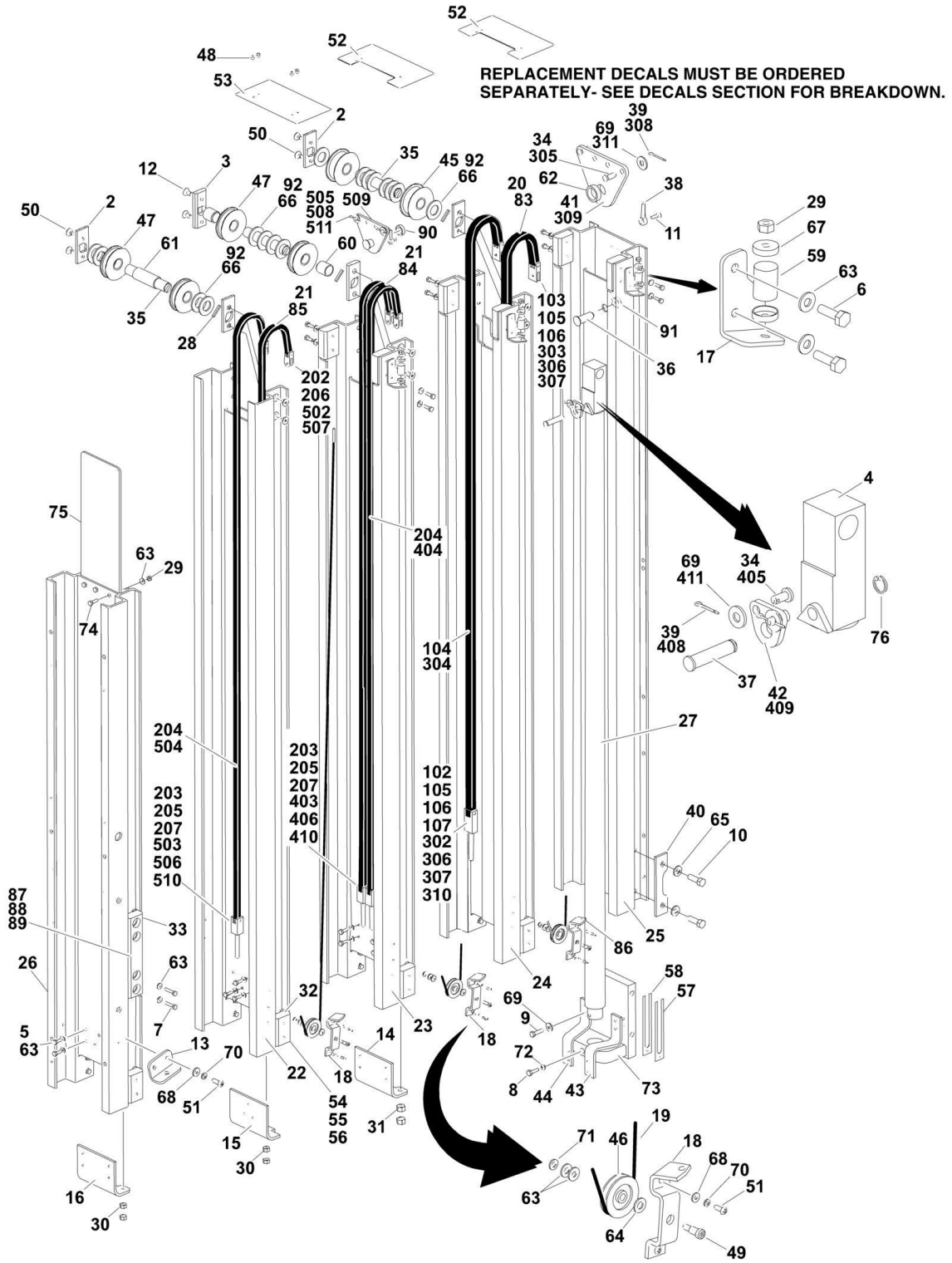
ITEM	PART NUMBER	QTY	DESCRIPTION	REV
	1600304	Ref	<b>CONTROL BOX ASSEMBLY</b>	A
1	7020147	1	Printed Circuit Board	
2	7023201	1	Joystick	
3	7020144	1	Emergency Stop Actuator	
4	7020145	1	Contact Block, Emergency Stop	
5	7020143	1	Knob Potentiometer	
6	7020142	1	Potentiometer	
7	7023202	1	Membrane Keyboard Pad	
8	7020139	1	Joystick Box W/Gasket	
9	7026038	1	Connector, 12 Position	
9	7026039	12	Pin	



**SECTION 3 - MAST**

# SECTION 3 - MAST

## FIGURE 3-1. MAST ASSEMBLY - 15VPSP



## SECTION 3 - MAST

### FIGURE 3-1. MAST ASSEMBLY - 15VPSP

ITEM	PART NUMBER	QTY	DESCRIPTION	REV
	0801211	Ref	<b>MAST ASSEMBLY - 15VPSP (Prior to SN 3620)</b>	I
	0801313	Ref	<b>MAST ASSEMBLY - 15VPSP (SN 3620 to Present)</b>	A
1	0100011	AR	Loctite #242 (Not Shown)	
2	0362735	4	Bar, Sheave Pin Support	
3	0362736	2	Bar, Sheave Pin Support	
4	0561341	1	Block, Chain Anchor	
5	0641406	33	Bolt 1/4in-20NC x 3/4in	
6	0641407	6	Bolt 1/4in-20NC x 7/8in	
7	0641410	8	Bolt 1/4in-20NC x 1 1/4in	
8	0641508	1	Bolt 5/16in-18NC x 1in	
9	0641510	4	Bolt 5/16in-18NC x 1 1/4in	
10	0641812	4	Bolt 1/2in-13NC x 1 1/2in	
11	0741006	2	Screw #10-24NC x 3/4in	
12	0741606	4	Screw 3/8in-16NC x 3/4in	
13	0902047	1	Bracket, Sequence Cable	
14	0902422	1	Bracket, Bottom Chain Attach	
15	0902423	1	Bracket, Bottom Chain Attach	
16	0902424	1	Bracket, Bottom Chain Attach	
17	0902431	3	Bracket, Sequence Cable	
18	0902445	AR	Bracket, Sequence Cable	
19	1060683	3	Cable, Sequence	
20	1260343	2	Chain Assembly - #544 (See Items 101-107 for Breakdown) <b>(Prior to SN 3529)</b>	
21	1260349	4	Chain Assembly - #444 (See Items 201-207 for Breakdown) <b>(Prior to SN 3529)</b>	
22	1271392	1	Channel, Mast #6	
23	1271419	1	Channel, Mast #3	
24	1271421	1	Channel, Mast #2	
25	1271455	1	Channel, Mast #1	
26		Ref	Channel, Mast Header Options:	
26	1271456	1	Channel, Mast Header <b>(Prior to SN 3620)</b>	
26	1271471	1	Channel, Mast Header <b>(SN 3620 to Present)</b>	
27		Ref	Lift Cylinder Assembly Options (See CYLINDER SECTION for Breakdown):	
27	1683808	1	Lift Cylinder Assembly <b>(Prior to SN 3620)</b>	
27	1684142	1	Lift Cylinder Assembly <b>(SN 3620 to Present)</b>	
28	2880310	3	Key	
29	3311401	6	Nut 1/4in-20NC <b>(SN 12269 to Present)</b>	
30	3311601	8	Nut 3/8in-16 NC	
31	3311801	4	Nut 1/2in-13NC	
32	3340845	14	Pad, Slide Guide	
33	3340858	2	Pad, Slide Guide	
34	3422338	6	Pin, Chain Equalizer	
35	3422717	3	Pin, Sheave	
36	3422750	2	Pin, Chain Equalizer	
37	3422752	1	Pin, Chain Equalizer	
38	3422757	2	Pin, Keeper	
39	3450304	6	Pin, Cotter	
40	3570893	2	Plate, Cylinder Mount	
41	3571101	2	Plate, Chain Adjustment	

## SECTION 3 - MAST

ITEM	PART NUMBER	QTY	DESCRIPTION	REV
42	3571103	1	Plate, Chain Adjustment	
43	3571788	1	Plate, Acuator Support	
44	3571790	1	Plate, Acuator Support	
45	3580268	2	Sheave Assembly <b>(Prior to SN 3620)</b>	
45	0440225	1	Bearing	
45	3580267	1	Sheave, Chain	
45	3580286	2	Sheave Assembly <b>(SN 3620 to Present)</b>	
45	0440246	1	Bearing	
45	3580285	1	Sheave, Chain	
46	3580269	3	Sheave, Sequence Cable	
47	3580274	4	Sheave Assembly <b>(Prior to SN 3608)</b>	
47	0440230	1	Bearing	
47	3580275	1	Sheave, Chain	
47	3580293	4	Sheave Assembly <b>(SN 3608 to Present)</b>	
47	0440294	1	Bearing	
47	3580275	1	Sheave, Chain	
48	3820034	12	Rivet	
49	3900187	3	Screw, Shoulder	
50	3900192	8	Screw, 3/8in-16NC x 1/2in	
51	3900205	8	Bolt #10-24NC x 5/8in	
52	4060960	2	Shield, Mast Cover	
53	4060961	1	Shield, Mast Cover	
54	4070860	20	Shim, Slide Pad	
55	4070861	20	Shim, Slide Pad	
56	4070862	16	Shim, Slide Pad	
57	4070970	2	Shim, Cylinder Mount	
58	4070971	4	Shim, Cylinder Mount	
59	4160124	3	Spring	
60	4567489	2	Tube, Spacer	
61	4567492	1	Tube, Spacer	
62	4567750	1	Tube, Spacer	
63	4711400	59	Flatwasher 1/4in	
64	4711500	3	Flatwasher 5/16in	
65	4711800	4	Flatwasher 1/2in	
66	4712600	16	Flatwasher 1 <b>(Prior to SN 3608)</b>	
67	4740414	6	Washer, Cup	
68	4750800	8	Flatwasher #8 Wide	
69	4751500	10	Flatwasher 5/16in Wide	
70	4761000	8	Lockwasher #10	
71	4761400	3	Lockwasher 1/4in	
72	4761500	1	Lockwasher 5/16in	
73		Ref	Mount, Cylinder Options:	
73	4845731	1	Mount, Cylinder <b>(Prior to SN 3620)</b>	
73	4846381	1	Mount, Cylinder <b>(SN 3620 to Present)</b>	
74	0641408	3	Bolt 1/4in-20NC x 1in	
75		Ref	Shied Options:	
75	4060987	1	Shied <b>(Prior to SN 3617)</b>	
75	4061006	1	Shied <b>(SN 3617 to Present)</b>	
76	3760383	1	Ring, Retainer	
83	1260355	1	Chain Assembly - #544 (See Items 301-307 for Breakdown) <b>(SN 3529 to Present)</b>	



## SECTION 3 - MAST

ITEM	PART NUMBER	QTY	DESCRIPTION	REV
84	1260356	1	Chain Assembly - #444 (See Items 401-407 for Breakdown) <b>(SN 3529 to Present)</b>	
85	1260357	1	Chain Assembly - #444 (See Items 501-507 for Breakdown) <b>(SN 3529 to Present)</b>	
86	0902698	1	Bracket, Sequence Cable <b>(SN 3608 to Present)</b>	
87	4070988	2	Shim, Slide Pad <b>(SN 3620 to Present)</b>	
88	4070989	2	Shim, Slide Pad <b>(SN 3620 to Present)</b>	
89	4070990	2	Shim, Slide Pad <b>(SN 3620 to Present)</b>	
90	4567749	1	Tube, Spacer <b>(SN 3620 to Present)</b>	
91	4567751	1	Tube, Spacer <b>(SN 3620 to Present)</b>	
92	4740007	14	Washer, Thrust <b>(SN 3620 to Present)</b>	
	Not Available	1	Mast Kit (Not Available at Time of Printing)	
	1260343	Rev	<b>CHAIN ASSEMBLY - #544 CHAIN (Prior to SN 3529)</b>	A
101	0100062	AR	Loctite #RC/640 (Not Shown)	
102	0561308	1	Block, Chain Anchor	
103	0561336	1	Block, Chain Anchor	
104	1260343	71 in/1.8m	Chain	
105	3422720	2	Pin, Chain Anchor	
106	3450202	4	Pin, Cotter	
107	4300129	1	Stud	
	1260349	Rev	<b>CHAIN ASSEMBLY - #444 CHAIN (Prior to SN 3529)</b>	C
201	0100062	AR	Loctite #RC/640 (Not Shown)	
202	0561149	1	Block, Chain Anchor	
203		Ref	Block, Chain Anchor Options:	
203	0561151	1	Block, Chain Anchor <b>(Prior to SN 3218)</b>	
203	0561408	1	Block, Chain Anchor <b>(SN 3218 to Present)</b>	
204	1260349	71 in/1.8m	Chain	
205	3422346	1	Pin, Groove	
206	3422355	1	Pin, Groove	
207	4300111	1	Stud	
	1260355	Rev	<b>CHAIN ASSEMBLY - #544 CHAIN (SN 3529 to Present)</b>	C
301	0100062	AR	Loctite #RC/640 (Not Shown)	
302	0561308	2	Block, Chain Anchor	
303	0561336	2	Block, Chain Anchor	
304	1260355	11.8 ft/3.6m	Chain	
305	3422338	2	Pin, Groove	
306	3422720	4	Pin, Groove	
307	3450202	8	Pin, Cotter	
308	3450304	2	Pin, Cotter	
309	3571101	1	Plate, Chain Adjustment	
310	4300129	2	Stud	
311	4751500	2	Flatwasher 5/16in	
	1260356	Rev	<b>CHAIN ASSEMBLY - #444 CHAIN (SN 3529 to Present)</b>	C
401	0100062	AR	Loctite #RC/640 (Not Shown)	
402	0561149	2	Block, Chain Anchor	
403	0561408	2	Block, Chain Anchor	
404	1260356	11.8 ft/3.6m	Chain	
405	3422338	2	Pin, Groove	
406	3422346	2	Pin, Groove	
407	3422355	2	Pin, Groove	

### SECTION 3 - MAST

ITEM	PART NUMBER	QTY	DESCRIPTION	REV
408	3450304	2	Pin, Cotter	C
409	3571103	1	Plate, Chain Adjustment	
410	4300111	2	Stud	
411	4751500	2	Flatwasher 5/16in	
	1260357	Rev	<b>CHAIN ASSEMBLY - #444 CHAIN (SN 3529 to Present)</b>	
501	0100062	AR	Loctite #RC/640 (Not Shown)	
502	0561149	2	Block, Chain Anchor	
503	0561408	2	Block, Chain Anchor	
504	1260357	11.8 ft/3.6m	Chain	
505	3422338	2	Pin, Groove	
506	3422346	2	Pin, Groove	
507	3422355	2	Pin, Groove	
508	3450304	2	Pin, Cotter	
509	3571101	1	Plate, Chain Adjustment	
510	4300111	2	Stud	
511	4751500	2	Flatwasher 5/16in	



# SECTION 3 - MAST

## FIGURE 3-2. MAST MOUNTING COMPONENTS

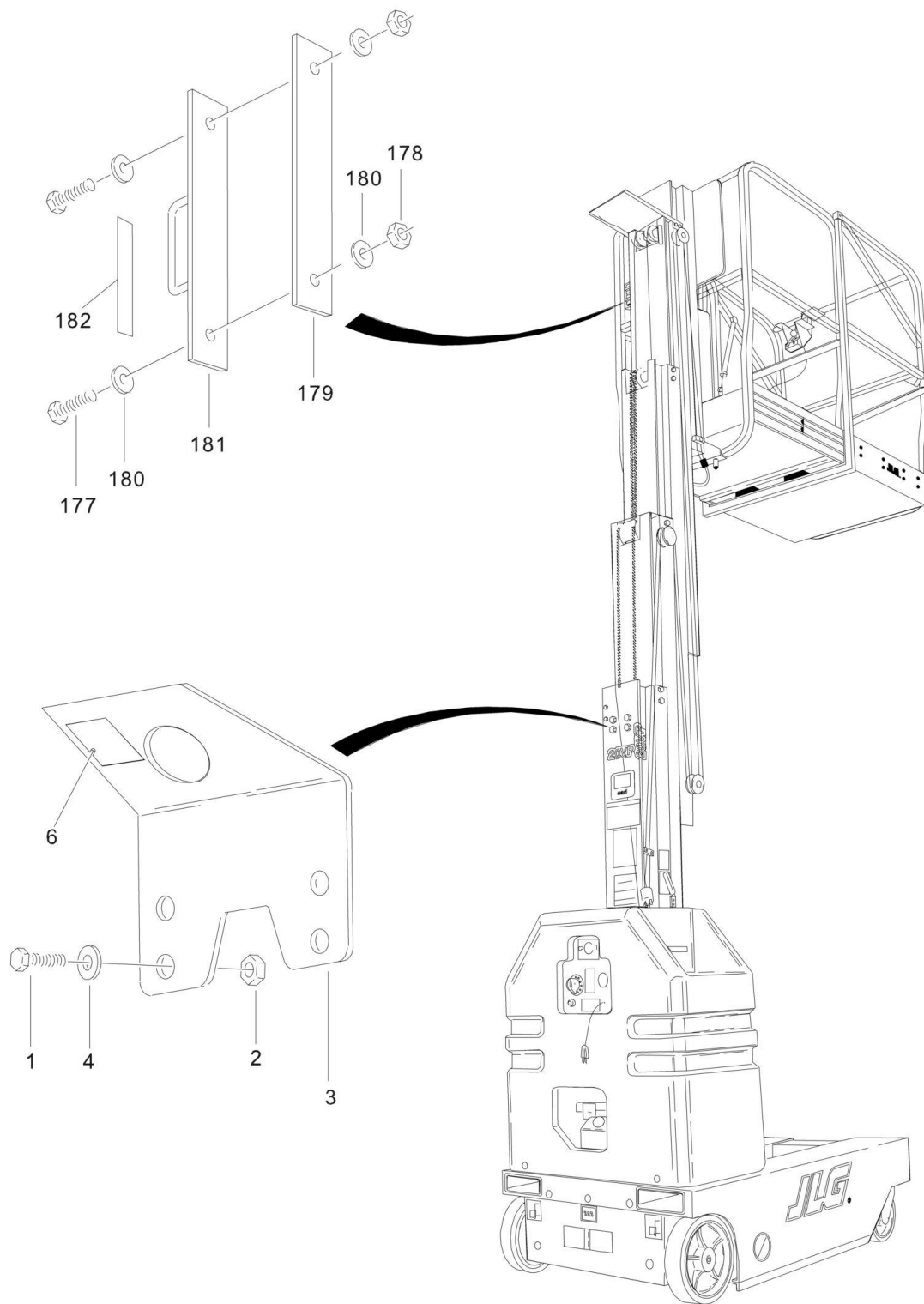


FIGURE 3-2. MAST MOUNTING COMPONENTS

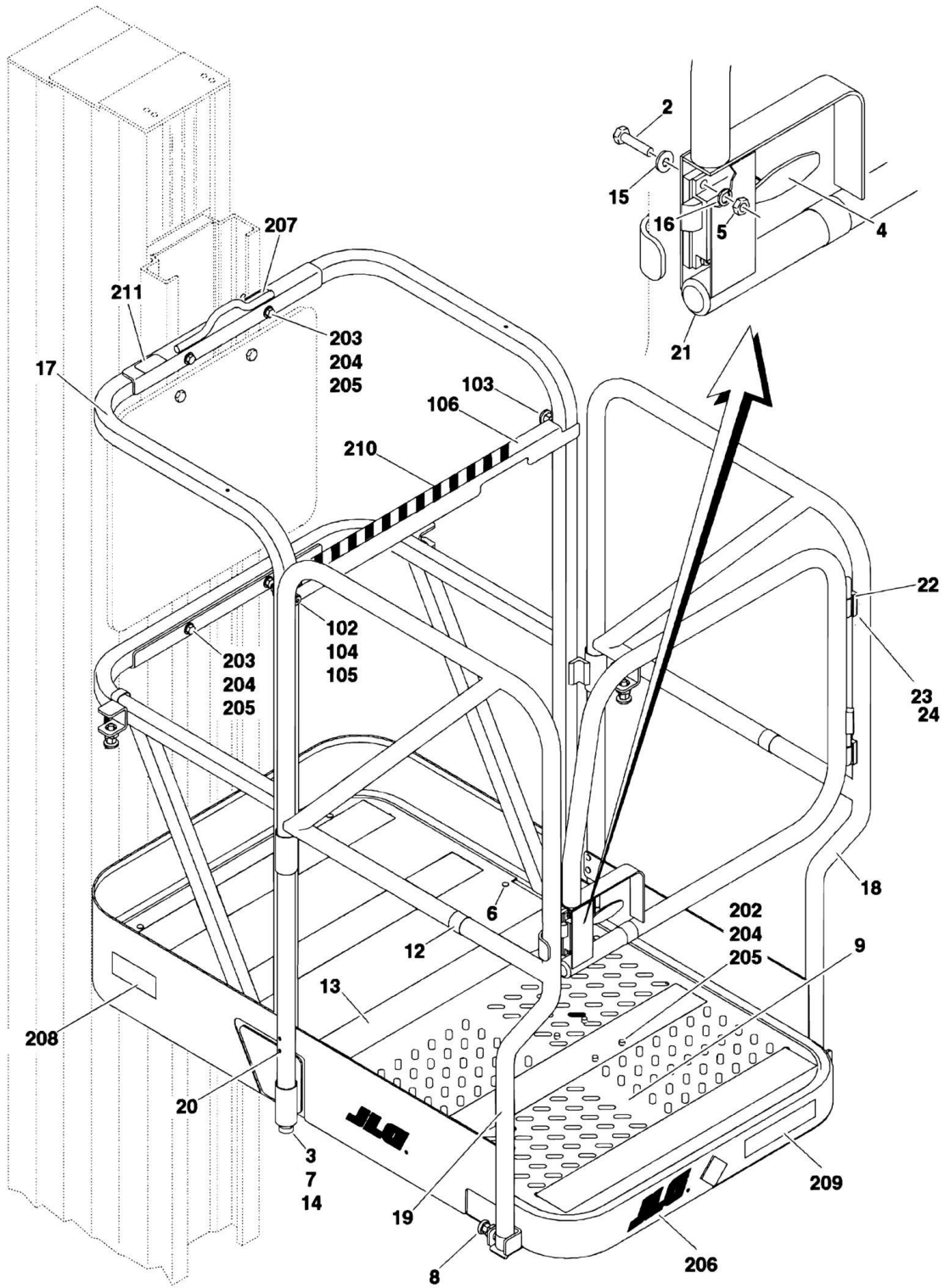
ITEM	PART NUMBER	QTY	DESCRIPTION	REV
	0258448	Ref	<b>OPTIONAL CRANE HOOK INSTALLATION</b>	C
1	0641612	4	Bolt 3/8in-16NC x 1 1/2in	
2	3311605	4	Locknut 3/8in-16NC	
3	3570976	1	Plate, Crane Hook	
4	4711600	8	Flatwasher 3/8in	
6	1703455	1	Decal - Crane Hook	
	0801211	Ref	<b>MAST ASSEMBLY - 15VPSP (SAFETY ATTACH)</b>	I
177	0641812	2	Bolt 1/2in-13NC x 1 1/2in	
178	3271805	2	Locknut 1/2in-13NC	
179	3539814	1	Plate, Safety Attach Backing	
180	4751800	4	Flatwasher 1/2in Wide	
181	4845345	1	Weldment, Safety Attach	
182	1704277	1	Decal - Lanyard Attach	



**SECTION 4 - PLATFORM**

# SECTION 4 - PLATFORM

## FIGURE 4-1. PLATFORM INSTALLATION (FOLD DOWN SIDE RAILS)





## SECTION 4 - PLATFORM

**FIGURE 4-1. PLATFORM INSTALLATION (FOLD DOWN SIDE RAILS)**

ITEM	PART NUMBER	QTY	DESCRIPTION	REV
	0259350	Ref	<b>PLATFORM ASSEMBLY</b>	G
1	0100011	AR	Loctite #242 (Not Shown)	
2	0721008	4	Screw	
3	0940049	2	Stopper, Hood	
4	2940074	1	Latch	
5	3311001	4	Nut #10-24NC	
6	3820032	12	Rivet	
7	3311501	4	Nut 5/16in-18NC	
8	3422744	5	Pin, Plunger	
9	3571552	1	Plate, Platform Pan	
10 to 11	Not Required	0	Not Required	
12	4280296	2 ft/0.6m	Strip, Wear	
13	4420039	10 ft/3.0m	Tape, Non Skid	
14	4751500	4	Flatwasher 5/16in Wide	
15	4751000	4	Flatwasher #10 Wide	
16	4761000	4	Lockwasher #10	
17		Ref	<b>PLATFORM OPTIONS:</b>	
17	4846030	1	Platform ( <b>Prior to SN 03571</b> )	
17	4846323	1	Platform ( <b>SN 03571 through 03619</b> )	
17	4846521	1	Platform ( <b>SN 03620 to Present</b> )	
18		Ref	<b>Platform, Gate Options:</b>	
18	4846034	1	Platform, Gate ( <b>Prior to SN 03571</b> )	
18	4846324	1	Platform, Gate ( <b>SN 03571 to Present</b> )	
19		Ref	<b>Rail, Platform Gate Options:</b>	
19	4846035	1	Rail, Platform Gate ( <b>Prior to SN 03571</b> )	
19	4846325	1	Rail, Platform Gate ( <b>SN 03571 to Present</b> )	
20	2080040	4	Fastener, Huck	
21	3520176	1	Plug	
22	0962337	2	Bushing, Hinge ( <b>SN 03479 to Present</b> )	
23	3422866	2	Pin, Hinge ( <b>SN 03479 to Present</b> )	
24	3760448	2	Ring, Snap ( <b>SN 03479 to Present</b> )	
		Ref	<b>PLATFORM SUB ASSEMBLY</b>	
	0259376	Ref	<b>Platform Sub Assembly (Prior to SN 03200)</b>	A
	0270065	Ref	<b>Platform Sub Assembly (SN 03200 to Present)</b>	A
101	Not Required	0	Not Required	
102	3311605	1	Locknut 3/8in-16NC	
103	3422744	1	Pin, Plunger	
104	3900270	1	Bolt, Shoulder 1/2in-16NC x 1/2in	
105	4711600	1	Flatwasher 3/8in Narrow	
106	4846129	1	Rail, Top	
		Ref	<b>PLATFORM INSTALLATIONS</b>	
	0259775	Ref	<b>Standard</b>	D
	0271387	Ref	<b>Chinese</b>	A
201	Not Required	0	Not Required	
202	0641616	2	Bolt 3/8in-16NC x 2in	
203	0641620	4	Bolt 3/8in-16NC x 2 1/2in	
204	3311605	6	Locknut 3/8in-16NC	
205	4711600	12	Flatwasher 3/8in	
206	1703681	5	Decal - JLG	
207	1704277	1	Decal - Lanyard Attach	

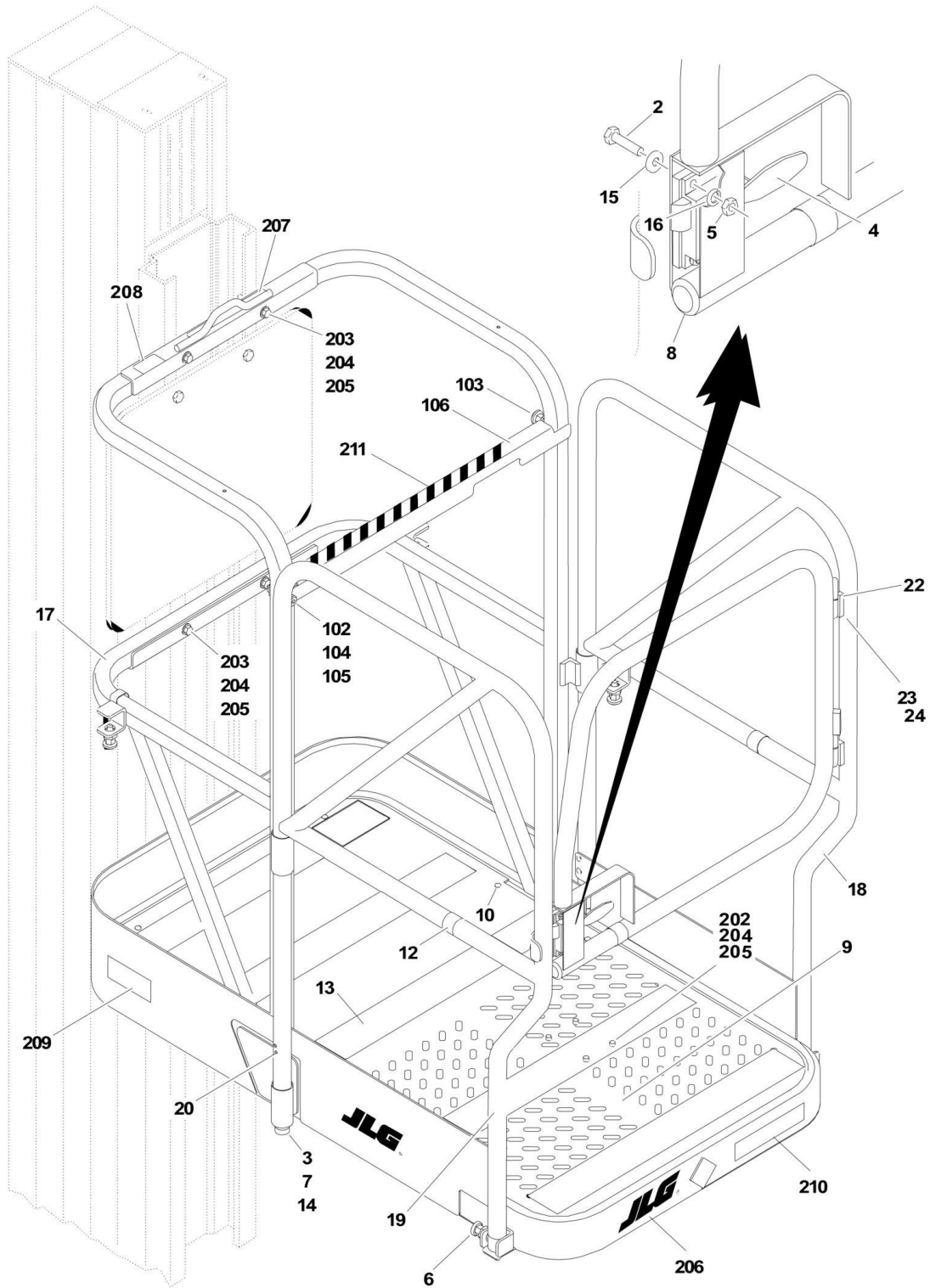
## SECTION 4 - PLATFORM

ITEM	PART NUMBER	QTY	DESCRIPTION	REV
208		Ref	Decal - JLG Manufacturing Options:	
208	1704458	1	Standard	
208	1704971	1	Chinese	
209	1704467	1	Decal - Model Designation	
210		Ref	Decal - Close Gate Options:	
210	1704469	1	Standard	
210	1704976	1	Chinese	
211		Ref	Decal - Fall Hazard Options:	
211	1704366	1	Standard	
211	1704970	1	Chinese	



# SECTION 4 - PLATFORM

## FIGURE 4-2. PLATFORM INSTALLATION (FIXED SIDE RAILS)



## SECTION 4 - PLATFORM

**FIGURE 4-2. PLATFORM INSTALLATION (FIXED SIDE RAILS)**

ITEM	PART NUMBER	QTY	DESCRIPTION	REV
	0270438	Ref	<b>PLATFORM ASSEMBLY</b>	C
1	0100011	AR	Loctite #242 (Not Shown)	
2	0721008	4	Screw	
3	0940049	2	Stopper, Hood	
4	2940074	1	Latch	
5	3311001	4	Nut #10-24NC	
6	0630545	2	Bolt 5/8in-18NC	
7	3311501	4	Nut 5/16in-18NC	
8	3520176	1	Plug	
9	3571552	1	Plate, Platform Pan	
10	3820032	12	Rivet	
11	Not Required	0	Not Required	
12	4280296	20	Strip, Wear	
		in/51cm		
13	4420039	10 ft/6.1m	Tape, Non Skid	
14	4751500	4	Flatwasher 5/16in Wide	
15	4751000	4	Flatwasher #10 Wide	
16	4761000	4	Lockwasher #10	
17	4846323	1	Platform	
18	4846324	1	Platform, Gate	
19	4846325	1	Rail, Platform Gate	
20	2080040	4	Fastener, Huck	
22	0962337	2	Bushing, Hinge	
23	3422866	2	Pin, Hinge	
24	3760448	2	Ring, Snap	
	0270440	Ref	<b>PLATFORM SUB ASSEMBLY</b>	A
101	Not Required	0	Not Required	
102	3311605	1	Locknut 3/8in-16NC	
103	3422744	1	Pin, Plunger	
104	3900270	1	Bolt, Shoulder 1/2in-16NC x 1/2in	
105	4711600	1	Flatwasher 3/8in Narrow	
106	4846129	1	Rail, Top	
		Ref	<b>PLATFORM INSTALLATIONS</b>	
	0270441	Ref	<b>Standard</b>	B
	0271388	Ref	<b>Chinese</b>	A
201	Not Required	0	Not Required	
202	0641616	2	Bolt 3/8in-16NC x 2in	
203	0641620	4	Bolt 3/8in-16NC x 2 1/2in	
204	3311605	6	Locknut 3/8in-16NC	
205	4711600	12	Flatwasher 3/8in	
206	1703681	5	Decal - JLG	
207	1704277	1	Decal - Lanyard Attach	
208		Ref	Decal - Warning Options:	
208	1704366	1	Standard	
208	1704970	1	Chinese	
209		Ref	Decal - JLG Manufacturing Options:	
209	1704458	2	Standard	
209	1704971	2	Chinese	
210	1704467	1	Decal - Model Designation	
211		Ref	Decal - Close Gate Options:	

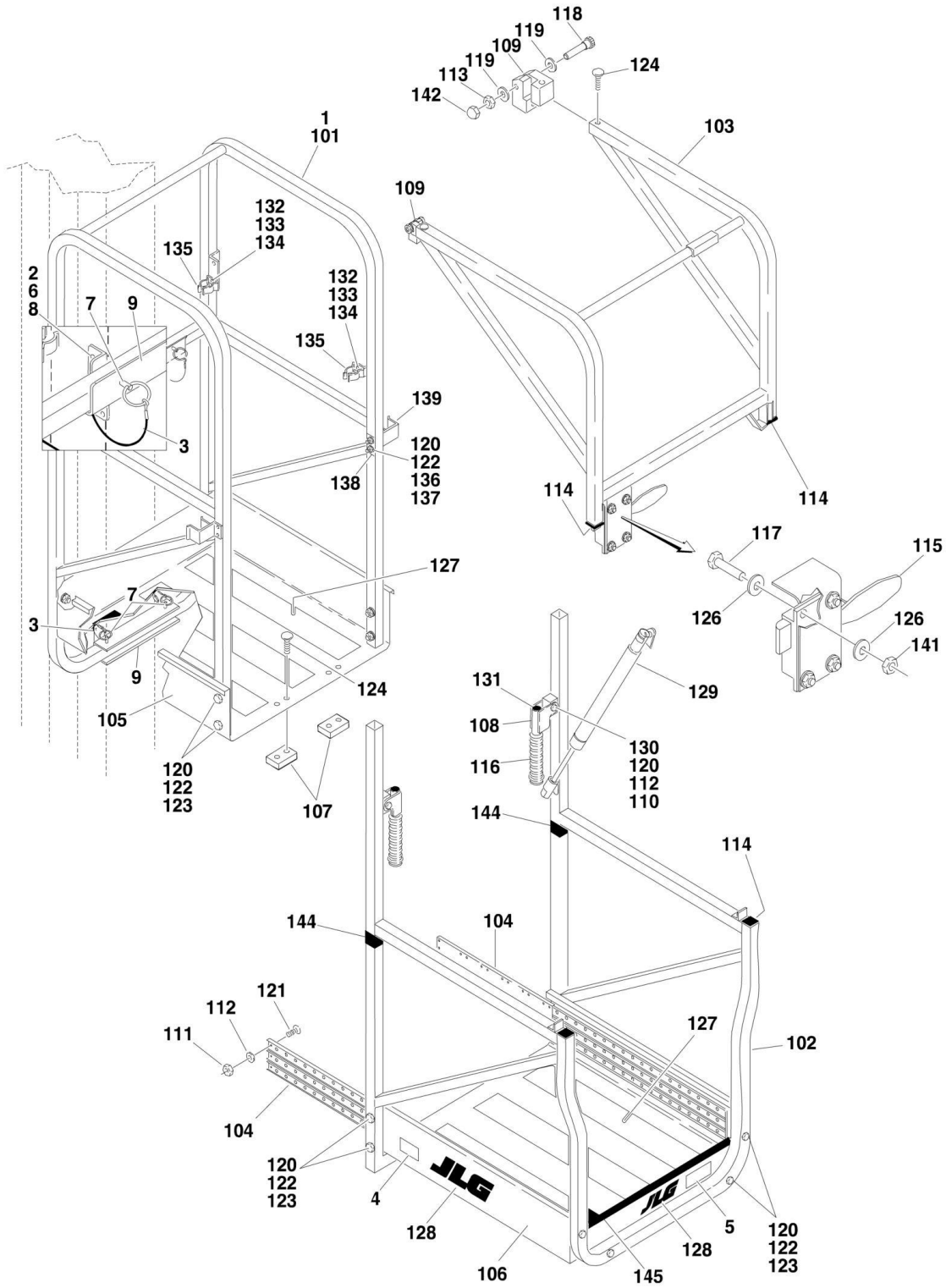
## SECTION 4 - PLATFORM

ITEM	PART NUMBER	QTY	DESCRIPTION	REV
211	1704469	1	Standard	
211	1704976	1	Chinese	



# SECTION 4 - PLATFORM

## FIGURE 4-3. PLATFORM INSTALLATION (QUICK CHANGE GULLWING)





## SECTION 4 - PLATFORM

**FIGURE 4-3. PLATFORM INSTALLATION (QUICK CHANGE GULLWING)**

ITEM	PART NUMBER	QTY	DESCRIPTION	REV
		Ref	<b>PLATFORM INSTALLATIONS</b>	
	0270513	Ref	<b>Standard</b>	A
	0271389	Ref	<b>Chinese</b>	A
1	Not Required	0	Not Required	
2	0641408	8	Bolt 1/4in-20NC x 1in	
3	1060380	4	Cable, Lanyard	
4		Ref	Decal - JLG Manufacturing Options:	
4	1704458	2	Standard	
4	1704971	2	Chinese	
5	1704467	1	Decal - Model Designation	
6	3311405	8	Locknut 1/4in-20NC	
7	3422657	4	Pin, Quick Release	
8	4711400	16	Flatwasher 1/4in Narrow	
9	4846021	2	Bracket	
	0258586	Ref	<b>PLATFORM ASSEMBLY</b>	5
101	4845810	1	Weldment, Platform Rail (Stationary)	
102	4845811	1	Weldment, Platform Rail (Extension)	
103	4845812	1	Weldment, Gate	
104	2020005	1 Pair	Glides, Extension	
105	3570362	1	Pan, Floor (Stationary)	
106	3570274	1	Pan, Floor (Extension)	
107	3340829	2	Pad, Slide	
108	4845614	2	Handle	
109	2600225	4	Hinge, Gate	
110	3900200	2	Bolt, Shoulder	
111	3311005	64	Locknut #10-24NC	
112	4751000	66	Flatwasher #10	
113	3311505	2	Locknut 5/16in-18NC	
114	3520072	4	Cap-Plug	
115	2940074	1	Latch	
116	2560154	2	Grip, Handle	
117	0721006	4	Bolt #10-24NC x 3/4in	
118	3900032	2	Bolt, Shoulder	
119	4711600	4	Flatwasher 3/8in (Narrow)	
120	3311405	22	Locknut 1/4in-20NC	
121	3900252	64	Screw, Button Head 1/4in-20NC	
122	4711400	40	Flatwasher 1/4in (Narrow)	
123	0641414	16	Bolt 1/4in-20NC x 1 3/4in	
124	3900258	8	Screw, Button Head 1/4in-20NC x 3/4in	
125	0100011	AR	Loctite #242 (Not Shown)	
126	4751000	8	Flatwasher #10	
127	4420039	11 ft/3.4m	Tape, Non Skid	
128	1703681	3	Decal - JLG	
129	4160165	1	Spring, Gas Shock (Note: Not Include Brackets)	
129	0902877	2	Bracket, Mounting	
130	4711500	4	Flatwasher 5/16in (Narrow)	
131	3250030	2	Plug, Hole	
132	0720805	4	Screw #8-32NC x 5/8in	
133	4750800	8	Flatwasher #8	
134	3310805	4	Locknut #8-32NC	

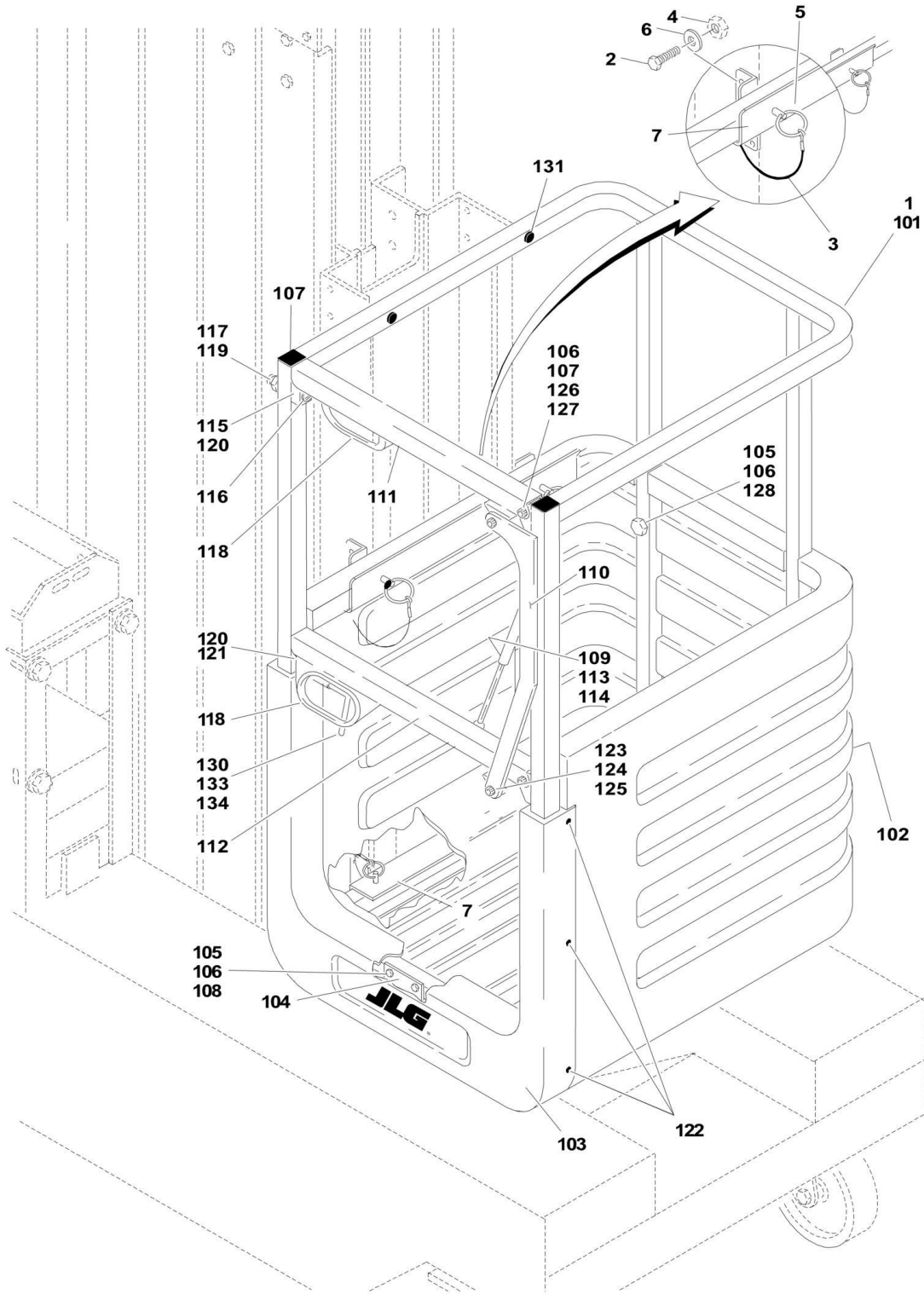
## SECTION 4 - PLATFORM

ITEM	PART NUMBER	QTY	DESCRIPTION	REV
135	1380132	4	Clip, Gripper	
136	0641416	4	Bolt 1/4in-20NC x 2in	
137	3570653	2	Plate, Shim	
138	3570654	2	Plate, Backing	
139	4845657	2	Weldment, Stop	
141	3311005	4	Locknut #10-24NC	
142	3300356	2	Nut, Acorn 5/16in-18NC	
144	4280296	10	Strip, Wear	
		in/25cm		
145	4060803	2.2	Shield, Flex-Trim	
		ft/0.67m		



# SECTION 4 - PLATFORM

## FIGURE 4-4. PLATFORM INSTALLATION (QUICK CHANGE MOLDED)



## SECTION 4 - PLATFORM

**FIGURE 4-4. PLATFORM INSTALLATION (QUICK CHANGE MOLDED)**

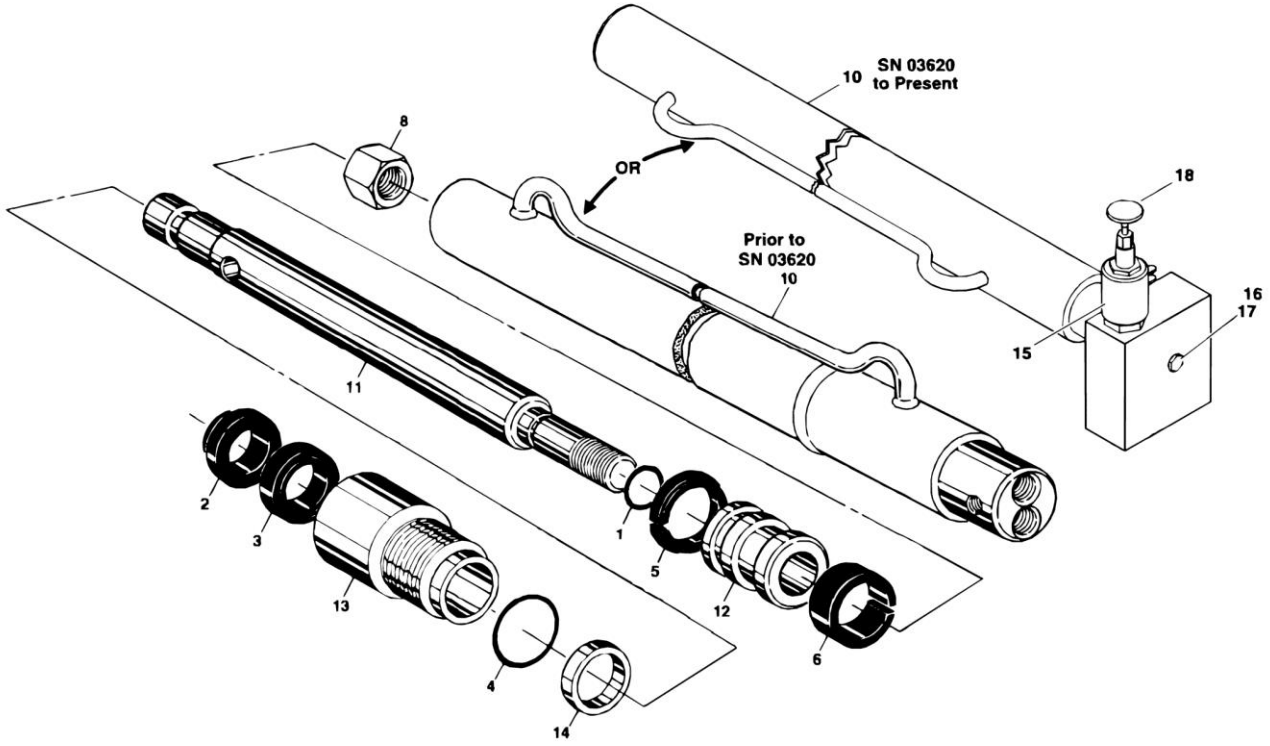
ITEM	PART NUMBER	QTY	DESCRIPTION	REV
	0270512	Ref	<b>MOLDED PLATFORM INSTALLATION</b>	A
2	0641408	8	Bolt 1/4in-20NC x 1in	
3	1060380	4	Cable, Lanyard	
4	3311405	8	Locknut 1/4in-20NC	
5	3422657	4	Pin, Ball Detent	
6	4711400	16	Flatwasher 1/4in	
7	4846021	2	Weldment, Platform Mount	
	0258672	Ref	<b>PLATFORM ASSEMBLY</b>	1/A
101	4845822	1	Rail	
102	3510676	1	Basket	
103	4060882	1	Cover	
104	4845831	1	Weldment, Bottom Mount	
105	0641416	10	Bolt 1/4in-20NC x 2in	
106	4751400	22	Flatwasher 1/4in	
107	3520072	4	Cap	
108	3311405	12	Locknut 1/4in-20NC	
109	4160125	1	Spring, Gas	
110	0362347	1	Link, Gate	
111	3640924	1	Rail, Gate (Top)	
112	3640990	1	Rail, Gate (Bottom)	
113	4751500	1	Flatwasher 5/16in	
114	3311505	1	Locknut 5/16in-18NC	
115	3340746	1	Pad, Gate Rest	
116	3911032	4	Screw, Machine #10-24NC x 2in	
117	4751000	8	Flatwasher #10	
118	4060803	2 ft/0.6m	Flex-Trim	
119	3311001	4	Nut #10-24NC	
120	4070890	2	Shim, Gate Stop	
121	3340754	1	Pad, Gate Latch	
122	3900177	6	Screw, Plastite	
123	3900202	2	Bolt, Shoulder	
124	4740429	4	Washer, Nylon	
125	3311005	2	Locknut #10-24NC	
126	3900203	2	Bolt, Shoulder	
127	4740428	4	Washer, Nylon	
128	3300151	2	Nut, Acorn 1/4in-20NC	
129	0100011	AR	Loctite #242 (Not Shown)	
130	2940082	1	Latch, Gate	
131	3520028	4	Plug	
133	3820024	2	Rivet	
134	4070894	1	Shim, Gate Latch	



**SECTION 5 - CYLINDER**

# SECTION 5 - CYLINDER

## FIGURE 5-1. LIFT CYLINDER ASSEMBLY





## SECTION 5 - CYLINDER

### FIGURE 5-1. LIFT CYLINDER ASSEMBLY

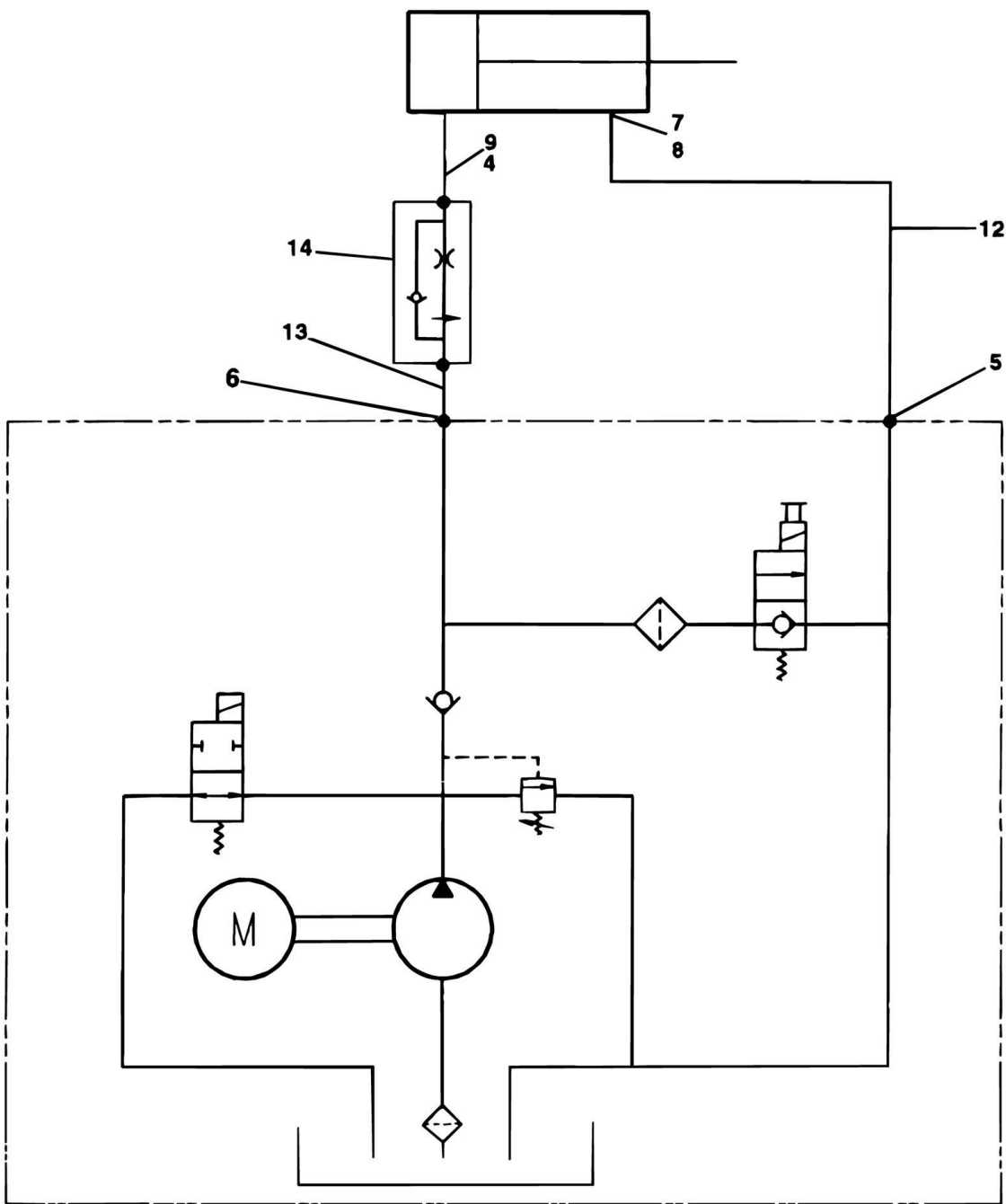
ITEM	PART NUMBER	QTY	DESCRIPTION	REV
		Ref	<b>LIFT CYLINDER ASSEMBLIES</b>	
	1683808	Ref	<b>Lift Cylinder Assemblies (Prior to SN 03620)</b>	A
	1684142	Ref	<b>Lift Cylinder Assemblies (SN 03620 to Present)</b>	G
1	Kit	1	O-Ring	
2	Kit	1	Wiper	
3	Kit	1	Seal	
4	Kit	1	O-Ring	
5	Kit	1	Seal	
6	Kit	1	Ring, Wear	
8		Ref	Locknut Options:	
8	7003246	1	Locknut <b>(Prior to SN 03620)</b>	
8	7023391	1	Locknut <b>(SN 03620 to Present)</b>	
10		Ref	Barrel Options:	
10	7019839	1	Barrel <b>(Prior to SN 03620)</b>	
10	Not Available		Barrel <b>(SN 03620 to Present)</b>	
11		Ref	Rod Options:	
11	7019838	1	Rod <b>(Prior to SN 03620)</b>	
11	7023393	1	Rod <b>(SN 03620 to Present)</b>	
12		Ref	Piston Options:	
12	7019835	1	Piston <b>(Prior to SN 03620)</b>	
12	7023392	1	Piston <b>(SN 03620 to Present)</b>	
13		Ref	Head Options:	
13	7019834	1	Head <b>(Prior to SN 03620)</b>	
13	7023394	1	Head <b>(SN 03620 to Present)</b>	
14		Ref	Spacer Options:	
14	7019872	1	Spacer <b>(Prior to SN 03620)</b>	
14	Not Required	0	Spacer <b>(SN 03620 to Present)</b>	
15		Ref	Poppet, Solenoid Valve Only <b>(SN 03620 to Present)</b>	
15	7024354	1	Poppet, Solenoid Valve - 20 Volt Coil	
15	7012958	1	20 Volt Coil Only	
15	7012998	1	Seal Kit	
16	7023397	1	Spring Only <b>(SN 03620 to Present)</b>	
17	7023398	1	Control Valve Only <b>(SN 03620 to Present)</b>	
18	7023399	1	Knob-Red	
	7019865	1	Seal Kit - 1683808 (Includes Items 1-6)	
	7023395	1	Seal Kit - 1684142 (Includes Items 1-6)	



**SECTION 6 - HYDRAULIC**

# SECTION 6 - HYDRAULIC

FIGURE 6-1. HYDRAULIC DIAGRAM (Prior to SN 03620)



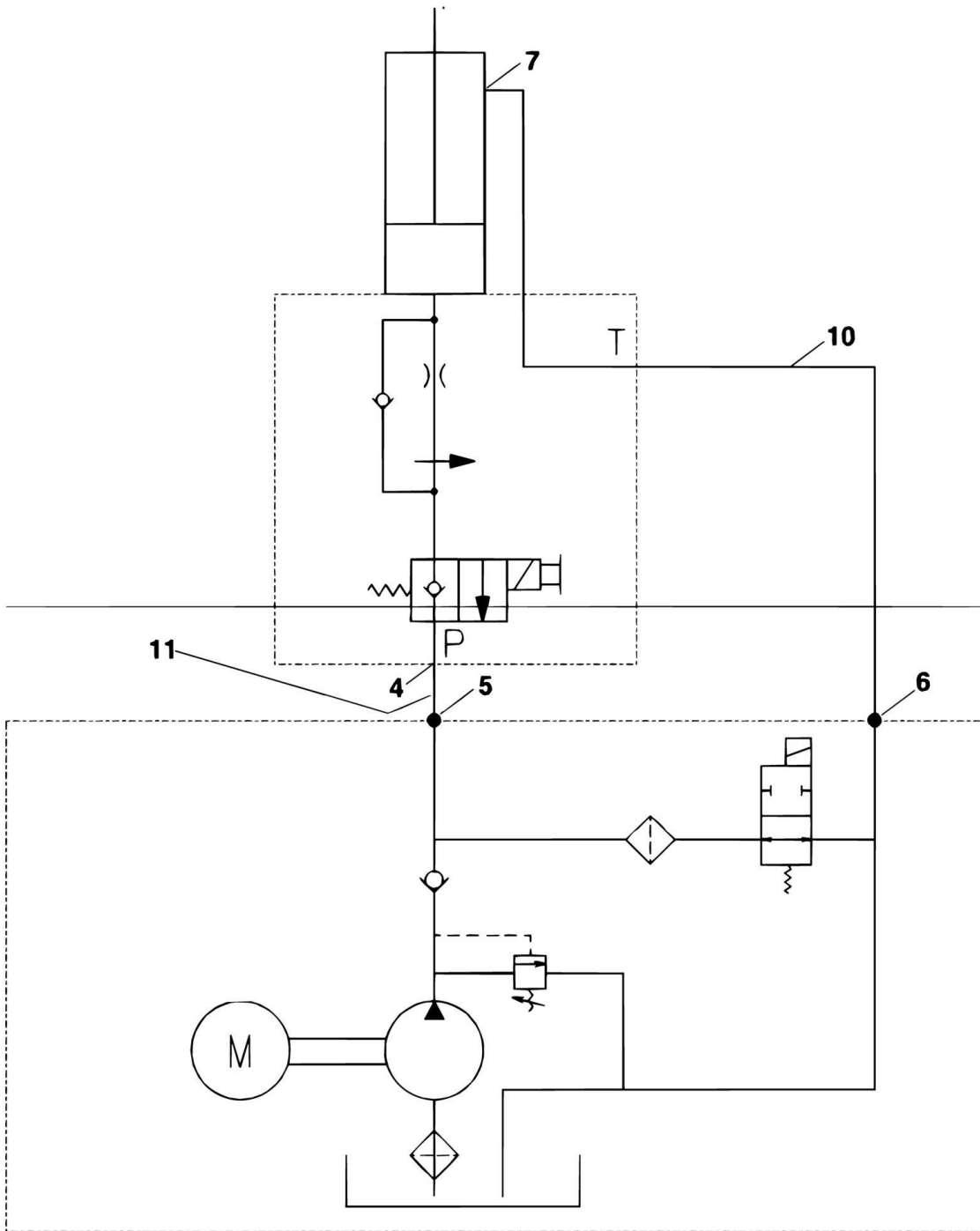
## SECTION 6 - HYDRAULIC

**FIGURE 6-1. HYDRAULIC DIAGRAM (Prior to SN 03620)**

ITEM	PART NUMBER	QTY	DESCRIPTION	REV
	0259774	Ref	<b>HYDRAULIC DIAGRAM</b>	A
1	0100020	AR	Sealant, Pipe (Not Shown)	
4	2220416	1	Fitting	
5	2220472	1	Fitting	
6	2220473	1	Fitting	
7	2220507	1	Fitting, 90	
8	2220603	1	Fitting	
9	2220875	1	Fitting	
12	4568026	1	Tube, Return	
13	4568027	1	Tube, Extension	
14	4640956	1	Valve, Flow	

# SECTION 6 - HYDRAULIC

FIGURE 6-2. HYDRAULIC DIAGRAM (SN 03620 to Present)



## SECTION 6 - HYDRAULIC

**FIGURE 6-2. HYDRAULIC DIAGRAM (SN 03620 to Present)**

ITEM	PART NUMBER	QTY	DESCRIPTION	REV
	0271466	Ref	<b>HYDRAULIC DIAGRAM</b>	A
1	0100020	AR	Sealant, Pipe (Not Shown)	
4	2220415	1	Fitting	
5	2220472	1	Fitting	
6	2220473	1	Fitting	
7	2220603	1	Fitting	
10	4568285	1	Tube, Return	
11	4568286	1	Tube, Extension	

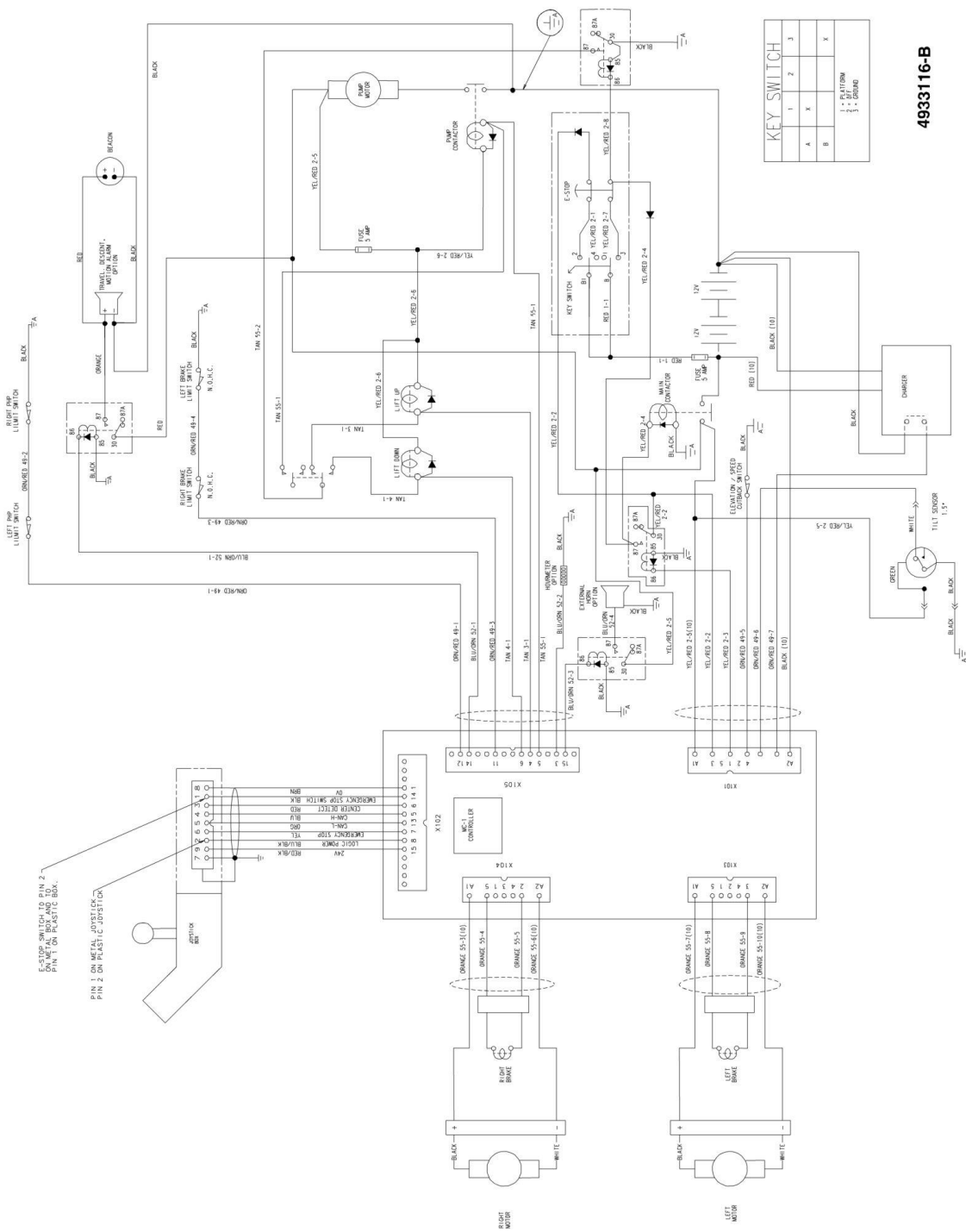




**SECTION 7 - ELECTRICAL**

# SECTION 7 - ELECTRICAL

## FIGURE 7-1. ELECTRICAL SCHEMATIC (Prior to SN 03620)



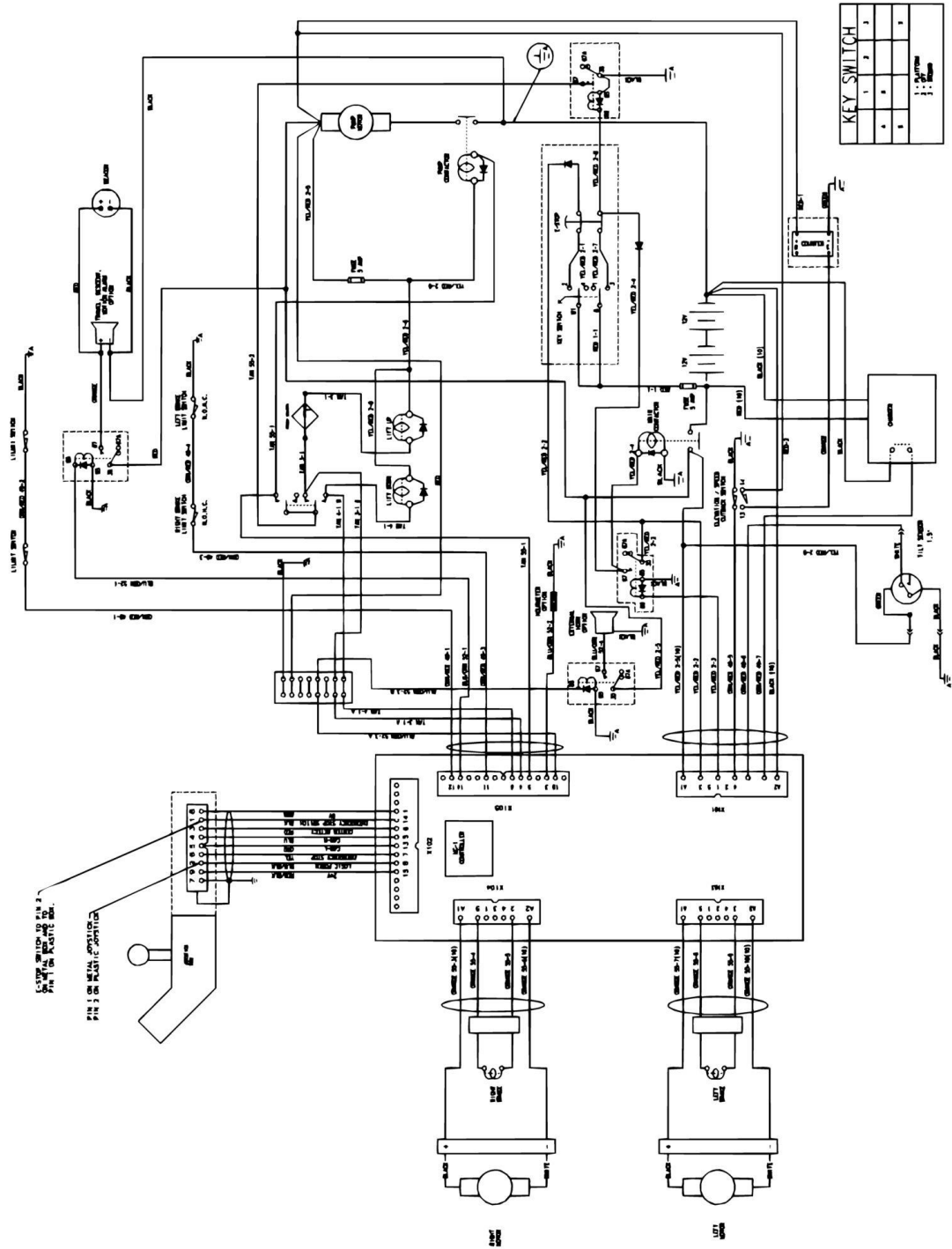
KEY SWITCH			
1	2	3	4
A	K		Y
B			
1 - OFF 2 - A 3 - K 4 - Y			

4933116-B



# SECTION 7 - ELECTRICAL

## FIGURE 7-2. ELECTRICAL SCHEMATIC (SN 03620 to Present)



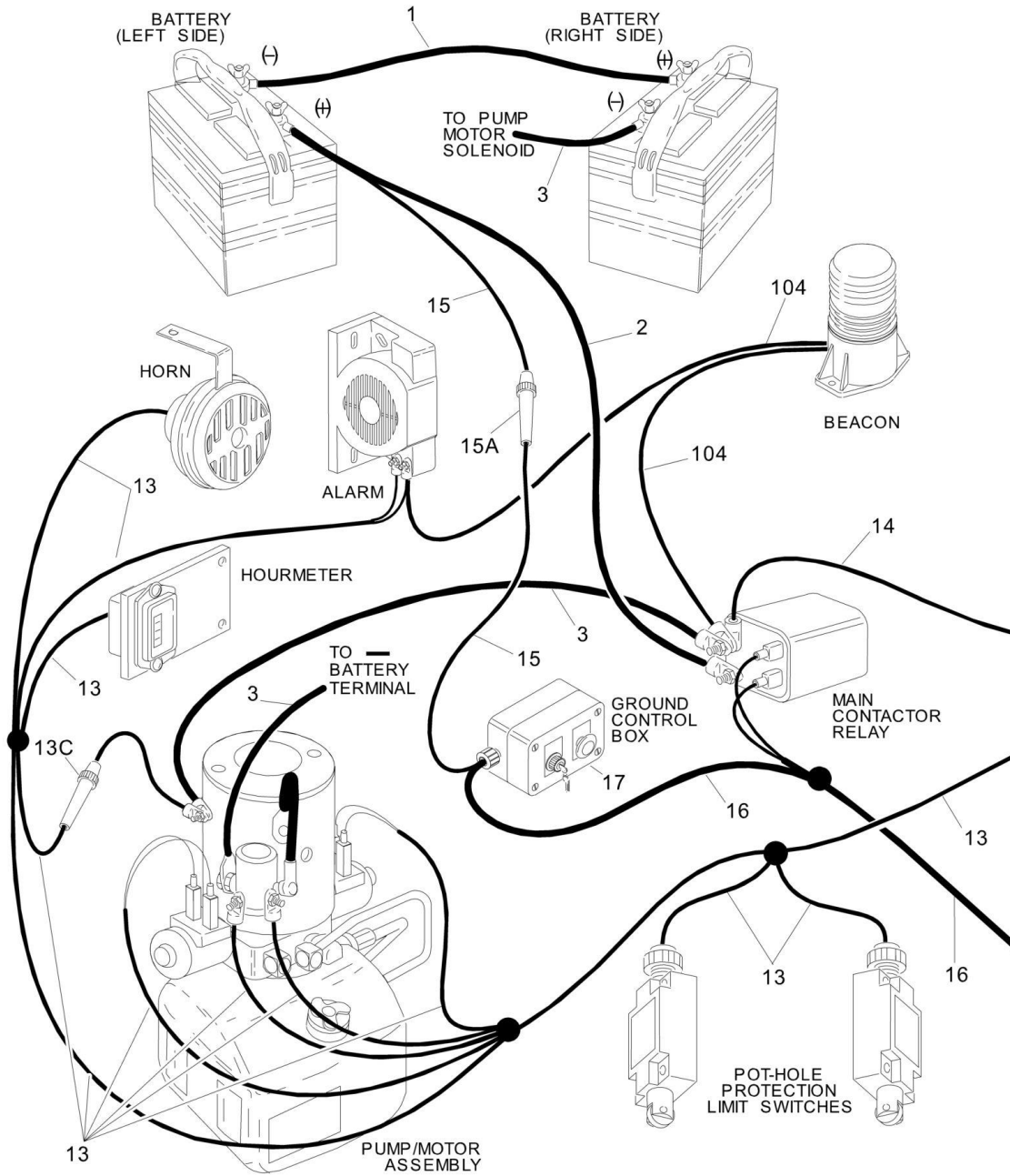
KEY SWITCH			
1	2	3	4
5	6	7	8
9	10	11	12

4933172\_D

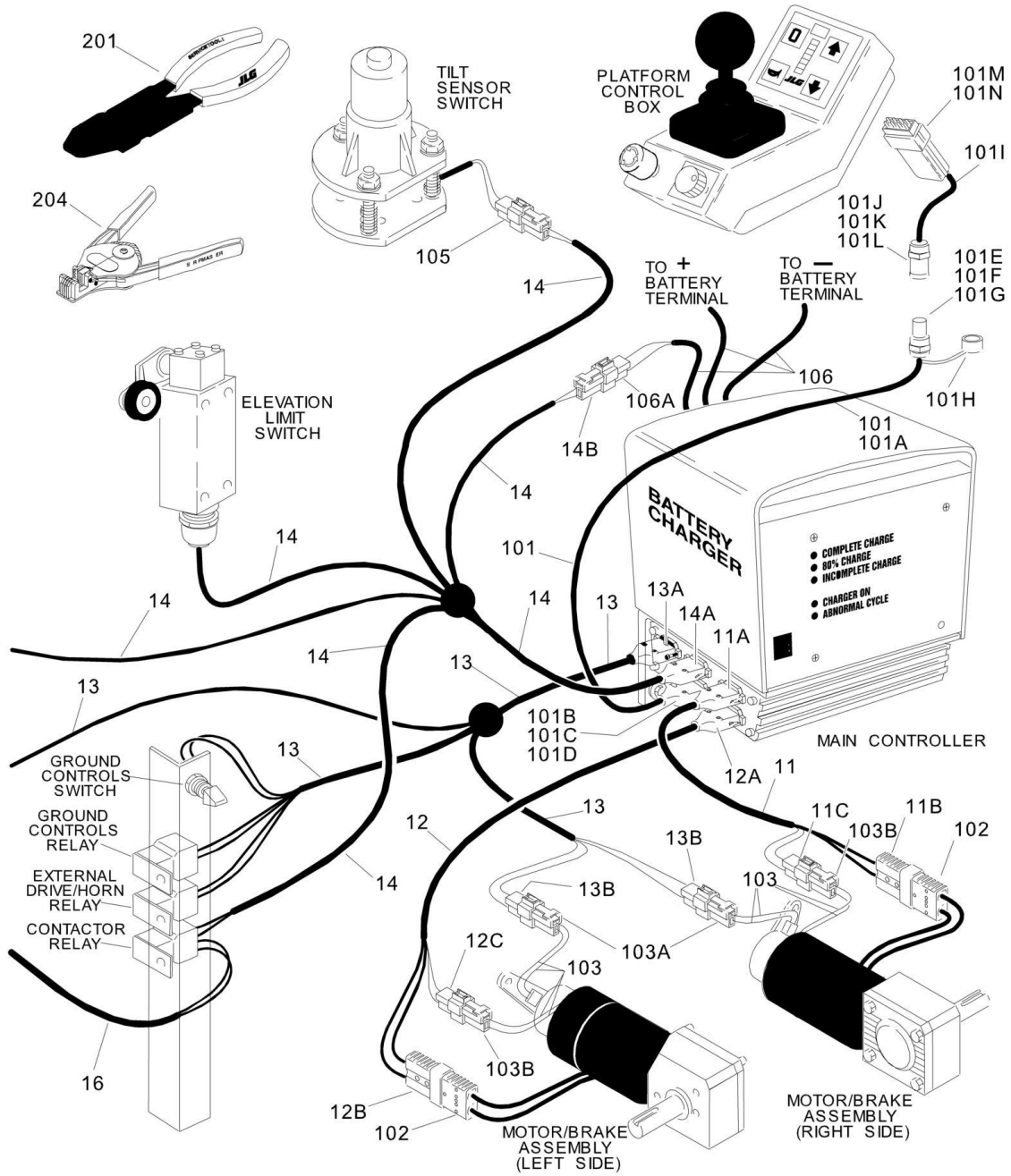


# SECTION 7 - ELECTRICAL

## FIGURE 7-3. ELECTRICAL COMPONENTS INSTALLATION



# SECTION 7 - ELECTRICAL



# SECTION 7 - ELECTRICAL

## FIGURE 7-3. ELECTRICAL COMPONENTS INSTALLATION

ITEM	PART NUMBER	QTY	DESCRIPTION	REV
		Ref	<b>ELECTRICAL SYSTEM INSTALLATIONS</b>	
	0259776	Ref	<b>Electrical System Installations (Prior to SN 03620)</b>	E
	0271478	Ref	<b>Electrical System Installations (SN 03620 to Present)</b>	A
1	1060618	1	Cable, Battery - 40in	
2	1060619	1	Cable, Battery - 24in	
3	1060620	2	Cable, Battery - 21in	
11	4921963	1	Harness, Right Motor	
11A	4460644	1	Receptacle - 5 Pin	
11A	4460645	2	Shell, Receptacle	
11B	4460648	1	Receptacle - 2 Position	
11C	4460320	1	Connector, Female - 2 Position	
11C	4460267	1	Pin	
11C	4460268	2	Socket	
12	4921964	1	Harness, Left Motor	
12A	4460644	1	Receptacle - 5 Pin	
12A	4460645	2	Pin	
12B	4460648	1	Receptacle - 2 Position	
12C	4460320	1	Connector, Female - 2 Position	
12C	4460267	1	Pin	
12C	4460268	2	Socket	
13	4921965	1	Harness, Valve and Limit Switch <b>(Prior to SN 03083)</b>	
13	4922492	1	Harness, Valve and Limit Switch <b>(SN 03083 through 03619)</b>	
13	4922617	1	Harness, Valve and Limit Switch <b>(SN 03620 to Present)</b>	
13	3990010	AR	Diode	
13A	4460681	1	Receptacle - 15 Pin	
13A	4460643	1	Shell, Receptacle	
13A	4460684	8	Socket	
13B	4460424	2	Connector, Male - 2 Position	
13B	4460267	2	Pin	
13B	4460268	2	Socket	
13C	2400006	1	Fuse - 5 Amp	
13C	4460044	1	Fuseholder	
14	4921966	1	Harness, Controller Power	
14	3990010	2	Diode	
14A	4460646	1	Receptacle - 5 Pin	
14A	4460647	2	Shell, Receptacle	
14B	4460320	1	Connector, Female - 2 Position	
14B	4460268	2	Socket	
15	4921967	1	Harness, Key Switch Power	
15A	2400006	1	Fuse - 5 Amp	
15A	4460044	1	Fuseholder	
16	4921968	1	Harness, Main Contactor	
16	3990010	2	Diode - 6 Amp	
17	4921969	1	Harness, E-Stop (Located Inside Control Box)	
18	4460234	2	Strap, Tie (Not Shown)	
19	4240032	6	Strap, Tie (Not Shown)	
20	4240033	4	Strap, Tie (Not Shown)	
		Ref	<b>STANDARD HARNESS ASSEMBLIES</b>	
101	4922203	1	Harness, Ground to Platform	
101A	1060616	AR	Cable, Shielded	



## SECTION 7 - ELECTRICAL

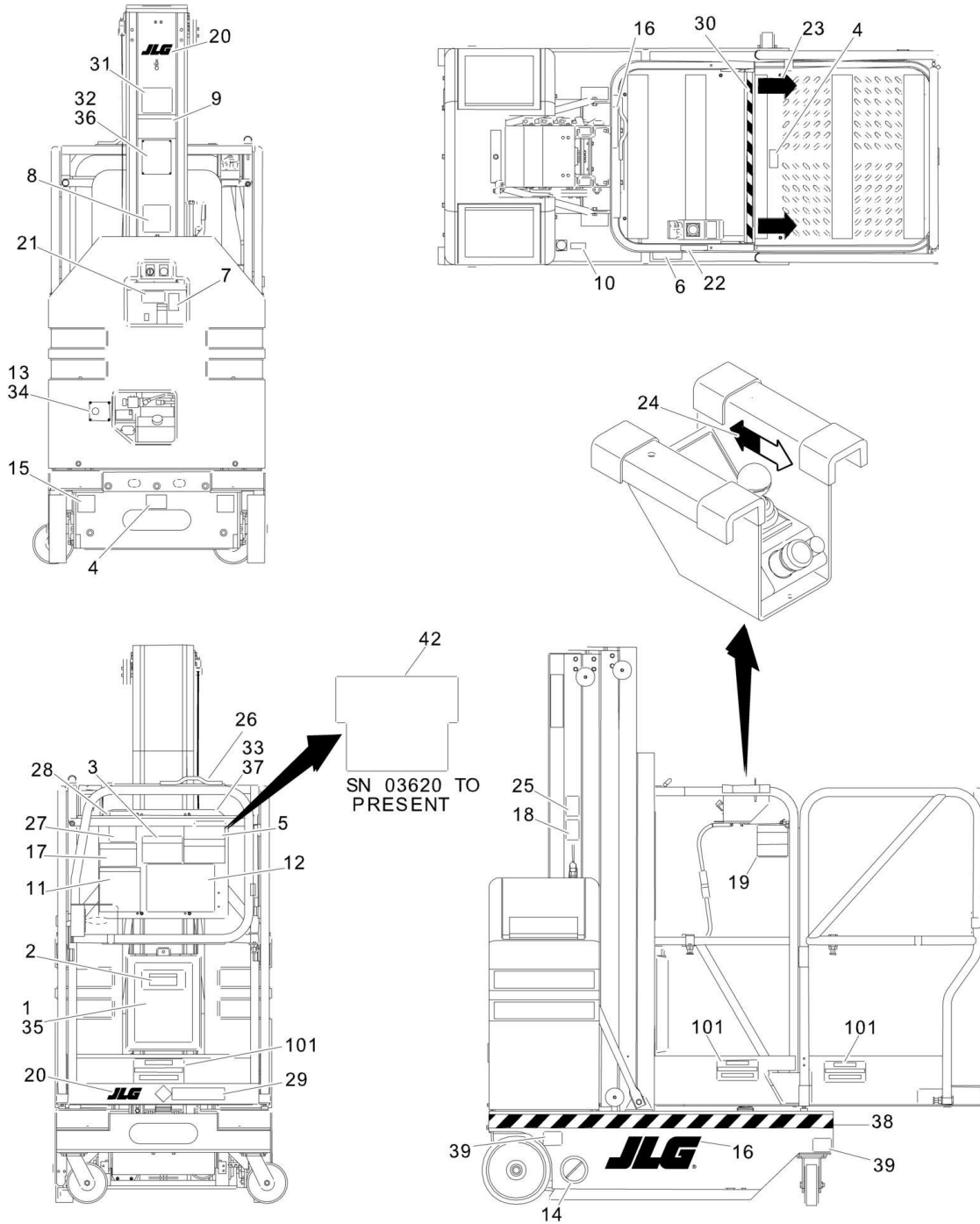
ITEM	PART NUMBER	QTY	DESCRIPTION	REV
101B	4460682	1	Terminal, 15 Pin	
101C	4460643	1	Terminal, 15 Pin	
101D	4460683	8	Terminal, Pin	
101E	4460771	1	Terminal Plug, Male	
101F	4460773	1	Backshell	
101G	4460775	9	Pin, Male	
101H	4460774	1	Cap, Dust	
101I	7020216	1	Harness, Connector (Includes Items 101J, 101K, 101L, 101M & 101N)	
101J	4460772	1	Terminal Plug, Female	
101K	4460773	1	Backshell	
101L	4460776	9	Pin, Female	
101M	4460671	1	Terminal, 12 Pin	
101N	4460672	9	Terminal, Female	
102	4460648	2	Terminal (Harness Supplied with Drive Motor Only)	
103	Not Available	2	Harness Assembly - Brake	
103A	4460320	2	Connector, Female - 2 Position	
103A	4460268	1	Socket	
103A	4460267	1	Pin	
103B	4460424	1	Connector, Male - 2 Position	
103B	4460268	1	Socket	
103B	4460267	1	Pin	
104	Not Available	1	Beacon Light Harness Assembly	
105	4460445	1	Receptacle - 3 Position (Attach to #14 for Tilt Sensor)	
105	4460227	3	Pin	
106	7018567	1	DC Battery Charger Harness Assembly	
106A	7011621	1	Connector, Male - 2 Position	
106A	4460267	2	Pin, Male	
		Ref	<b>TOOLS</b>	
	0100048	AR	Compound, Silicone (Use on Connectors/Receptacles)	
201	7002821	1	Crimper (For Wire to Pin/Socket Connections)	
202	7002830	1	Extractor (For Removal of Pin/Socket from Connectors) (Not Shown)	
204	7002828	1	Stripper, Wire	



**SECTION 8 - DECALS**

# SECTION 8 - DECALS

## FIGURE 8-1. DECALS INSTALLATION



## SECTION 8 - DECALS

### FIGURE 8-1. DECALS INSTALLATION

ITEM	PART NUMBER	QTY	DESCRIPTION	REV
	0259770	Ref	<b>DECAL INSTALLATION - STANDARD</b>	E
1	0860520	1	Box, Manual Storage	
2	1702110	1	Decal - Read Instructions	
3	1702282	1	Decal - Warning	
4	1702300	2	Decal - Tie Down	
5	1702361	1	Decal - Electrical Hazard <b>(Prior to SN 03620)</b>	
6		Ref	Decal - Crushing Options:	
6	1702364	2	Decal - Crushing <b>(Prior to SN 03620)</b>	
6	1703786	2	Decal - Crushing <b>(SN 03620 to Present)</b>	
7		Ref	Decal - Explosion/Fire Hazard	
7	1702437	1	Decal - Explosion/Fire Hazard <b>(Prior to SN 03620)</b>	
7	1703785	1	Decal - Explosion/Fire Hazard <b>(SN 03620 to Present)</b>	
8	Not Available	1	Decal - Bar Code	
9	1702885	1	Decal - Daily Checklist	
10	1702886	1	Decal - Leveling	
11	1702887	1	Decal - Operation <b>(Prior to SN 03620)</b>	
12	1702905	1	Decal - Joystick <b>(Prior to SN 03620)</b>	
13	1702922	1	Decal - Manual Decent <b>(Prior to SN 03620)</b>	
14	1703072	2	Decal - No Forklift	
15	1703073	2	Decal - Fork Pockets	
16	1703625	2	Decal - JLG	
17	1703635	1	Decal - Brakes <b>(Prior to SN 03620)</b>	
18	1703636	1	Decal - Brakes	
19	1704527	1	Decal - Operation	
20	1703681	1	Decal - JLG	
21	1703682	1	Decal - Charger Cord Location	
22	1703684	1	Decal - Control Box Location	
23	1703687	2	Decal - Arrow	
24	1703688	2	Decal - Arrow	
25	1703708	1	Decal - Towing/Winching	
26	1704277	1	Decal - Lanyard Attach <b>(Prior to SN 03608)</b>	
27		Ref	Decal - Maximum Capacity Options:	
27	1704538	1	Decal - Maximum Capacity <b>(Prior to SN 03608)</b>	
27	1704749	1	Decal - Maximum Capacity <b>(SN 03608 through 03620)</b>	
28	1704366	1	Decal - Warning <b>(Prior to SN 03620)</b>	
29	1704467	2	Decal - Model Designation	
30	1704469	1	Decal - Close Gate <b>(Prior to SN 03608)</b>	
31	3251813	1	Decal - USA	
32	Not Available	1	Nameplate, Serial Number	
33	3380441	1	Panel, Control	
34	3820006	4	Rivet <b>(Prior to SN 03620)</b>	
35	3820024	4	Rivet	
36	3820031	4	Rivet	
37	3820032	4	Rivet	
38	4420051	AR	Tape, Safety	
39	1704539	4	Decal - Wheel Load	
41	1700584	1	Decal - Patent	
42	1704888	1	Decal - Warning/Instruction <b>(SN 03620 to Present)</b>	
	0270641	Ref	<b>DECAL INSTALLATION (WALMART SPEC ONLY)</b>	A
	0271256	Ref	<b>DECAL INSTALLATION (HOUSE 2 HOME SPEC ONLY)</b>	A

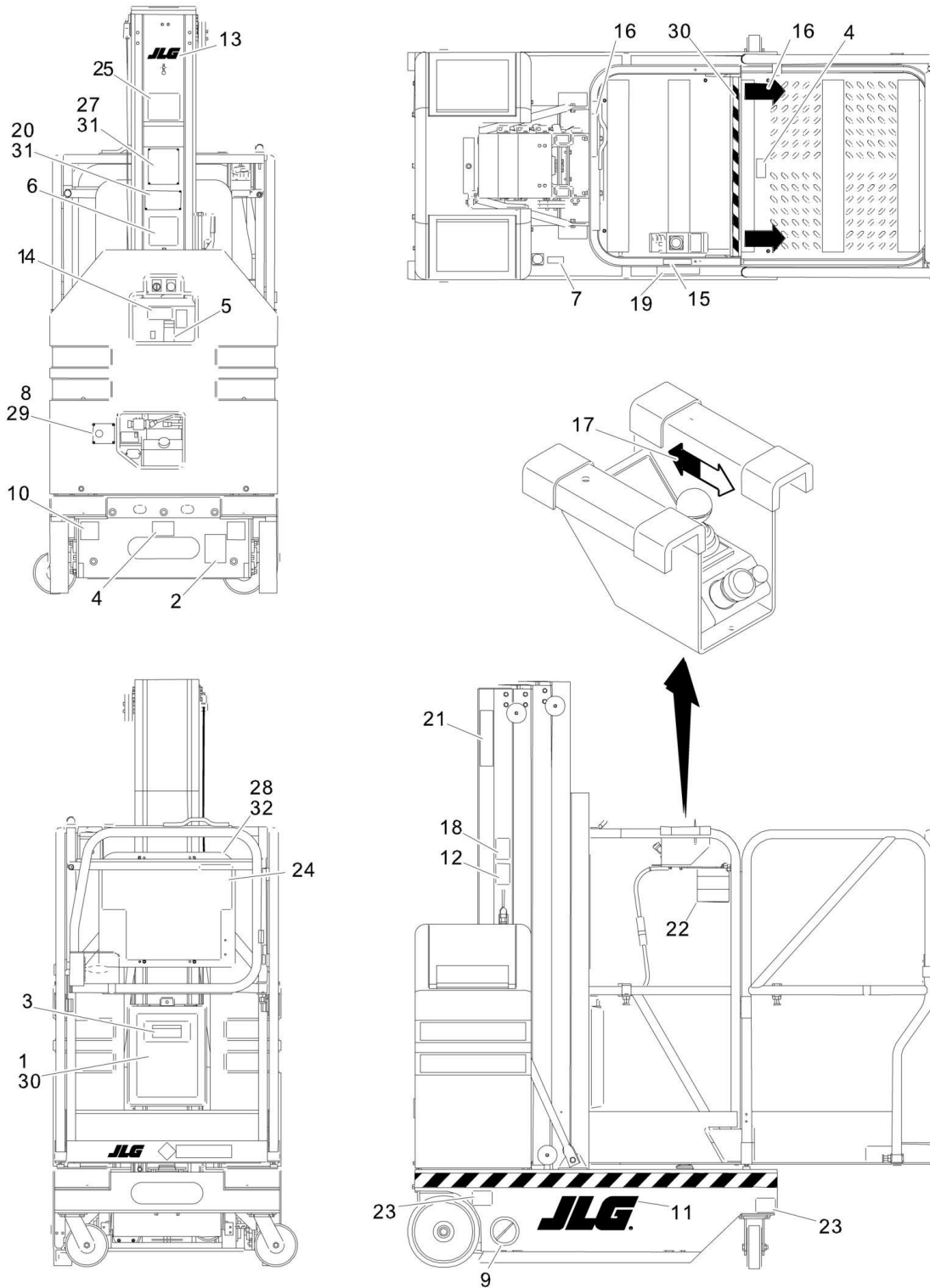
## SECTION 8 - DECALS

ITEM	PART NUMBER	QTY	DESCRIPTION	REV
	0270873	Ref	<b>DECAL INSTALLATION W/FIX SIDERAILS (HOME DEPOT SPEC ONLY)</b>	A
	0270875	Ref	<b>DECAL INSTALLATION W/MOLDED PLATFORM/MATERIAL TRAY (HOME DEPOT SPEC ONLY)</b>	B
101		Ref	Decal Options:	
101	1704706	5	Associates Only (WALMART SPEC ONLY)	
101	1704960	5	Team Members (HOUSE 2 HOME SPEC ONLY)	
101	1704423	5	Employees Only (HOME DEPOT SPEC ONLY)	



# SECTION 8 - DECALS

## FIGURE 8-2. DECALS INSTALLATION (COUNTRY SPEC)





## SECTION 8 - DECALS

**FIGURE 8-2. DECALS INSTALLATION (COUNTRY SPEC)**

ITEM	PART NUMBER	QTY	DESCRIPTION	REV
		Ref	<b>DECAL INSTALLATION - STANDARD</b>	
	0259790	Ref	<b>CSA SPEC</b>	B
	0271365	Ref	<b>CHINESE</b>	B
1	0860520	1	Box, Manual Storage	
2	1700584	1	Decal - Patent	
3		Ref	Decal - Read Instructions Options:	
3	1702110	1	CSA	
3	1703741	1	Chinese	
4	1702300	2	Decal - Tie Down	
5		Ref	Decal - Explosion/Fire Hazard Options:	
5	1702437	1	CSA	
5	1703747	1	Chinese	
6	Not Available	1	Decal - Bar Code	
7		Ref	Decal - Leveling Options:	
7	1702437	1	CSA	
7	1703745	1	Chinese	
8	1702922	1	Decal-Leveling Decal-Manual Decent <b>(Prior to SN 03620)</b>	
9	1703072	2	Decal - No Forklift	
10	1703073	2	Decal - Fork Pockets	
11	1703625	2	Decal - JLG	
12		Ref	Decal - Brakes Options:	
12	1703636	1	CSA	
12	1703749	1	Chinese	
13	1703681	1	Decal - JLG	
14	1703682	1	Decal - Charger Cord Location	
15		Ref	Decal - Control Box Location Options:	
15	1703684	1	CSA	
15	1703751	1	Chinese	
16	1703687	2	Decal - Arrow	
17	1703688	2	Decal - Arrow	
18		Ref	Decal - Towing/Winching Options:	
18	1703708	1	CSA	
18	1703752	1	Chinese	
19		Ref	Decal - Crushing Hazard Options:	
19	1703786	2	CSA	
19	1704081	2	Chinese	
20		Ref	Decal - JLG Manufacturing Options:	
20	1704458	1	CSA	
20	1704971	1	Chinese	
21	1704467	2	Decal-Model Designation	
22		Ref	Decal - Operation Options:	
22	1704527	1	CSA	
22	1704973	1	Chinese	
23		Ref	Decal - Wheel Load Options:	
23	1704539	4	CSA	
23	1704974	4	Chinese	
24		Ref	Decal - Warning/Instruction Options:	
24	1704889	1	CSA	
24	1704975	1	Chinese	
25		Ref	Decal - USA Options:	

## SECTION 8 - DECALS

ITEM	PART NUMBER	QTY	DESCRIPTION	REV
25	3251813	1	CSA	
25	Not Required	0	Chinese	
26		Ref	Nameplate, CSA	
26	3252191	1	CSA	
26	Not Required	0	Chinese	
27	Not Available	1	Nameplate, Serial Number	
28	3380441	1	Panel, Control	
29	3820006	4	Decal - USA Rivet <b>(Prior to SN 03620)</b>	
30	3820024	4	Rivet	
31	3820031	8	Rivet	
32	3820032	4	Rivet	
33	4420051	AR	Tape, Safety	

**SECTION 9 - RECOMMENDED SERVICE PARTS STOCK**

**SECTION 9 - RECOMMENDED SERVICE PARTS STOCK**

# SECTION 9 - RECOMMENDED SERVICE PARTS STOCK

## FIGURE 9-1. VPSP SERIES STANDARD PARTS

ITEM	PART NUMBER	QTY	DESCRIPTION	REV
	Note	Ref	<b>Note: The following list will service one machine (built to current production per date on the front cover) with emergency repair parts which can be installed in the field. Parts from the list should be replaced when inventory is depleted to keep service parts stock supplied. For further information, contact your JLG dealer or the JLG Industries Parts Department.</b>	
		Ref	<b>STANDARD PARTS</b>	
	3740069	1	Relay, Power 24 VDC, (for fleets of 1 to 10)	
	3740069	1	Relay, Power 24 VDC, (for fleets of 10 to 20)	
	3740069	1	Relay, Power 24 VDC, (for fleets of 20 or more)	
	4360314	1	Switch, Toggle, (for fleets of 1 to 10)	
	4360314	1	Switch, Toggle, (for fleets of 10 to 20)	
	4360314	1	Switch, Toggle, (for fleets of 20 or more)	
	4360465	1	Switch, Tilt, (for fleets of 1 to 10)	
	4360465	1	Switch, Tilt, (for fleets of 10 to 20)	
	4360465	1	Switch, Tilt, (for fleets of 20 or more)	
	7014117	1	Switch, Micro, (for fleets of 1 to 10)	
	7014117	1	Switch, Micro, (for fleets of 10 to 20)	
	7014117	1	Switch, Micro, (for fleets of 20 or more)	
	4360456	1	Switch, Limit, (for fleets of 1 to 10)	
	4360456	1	Switch, Limit, (for fleets of 10 to 20)	
	4360456	1	Switch, Limit, (for fleets of 20 or more)	
	0861330	1	Ground Control Box, (for fleets of 1 to 10)	
	0861330	1	Ground Control Box, (for fleets of 10 to 20)	
	0861330	1	Ground Control Box, (for fleets of 20 or more)	
	0861386	1	Ground Control Box (Keyless), (for fleets of 1 to 10)	
	0861386	1	Ground Control Box (Keyless), (for fleets of 10 to 20)	
	0861386	1	Ground Control Box (Keyless), (for fleets of 20 or more)	
	1600305	1	Controller, (for fleets of 1 to 10)	
	1600305	1	Controller, (for fleets of 10 to 20)	
	1600305	1	Controller, (for fleets of 20 or more)	
	3740130	1	Relay 100-Amp, (for fleets of 1 to 10)	
	3740130	1	Relay 100-Amp, (for fleets of 10 to 20)	
	3740130	1	Relay 100-Amp, (for fleets of 20 or more)	
	4360437	1	Switch, Limit, (for fleets of 1 to 10)	
	4360437	1	Switch, Limit, (for fleets of 10 to 20)	
	4360437	1	Switch, Limit, (for fleets of 20 or more)	
	1600304	1	Controller, Joystick, (for fleets of 1 to 10)	
	1600304	1	Controller, Joystick, (for fleets of 10 to 20)	
	1600304	1	Controller, Joystick, (for fleets of 20 or more)	
	7018550	1	Transformer, (for fleets of 1 to 10)	
	7018550	1	Transformer, (for fleets of 10 to 20)	
	7018550	1	Transformer, (for fleets of 20 or more)	
	7018506	1	Relay, Interlock, (for fleets of 1 to 10)	
	7018506	1	Relay, Interlock, (for fleets of 10 to 20)	
	7018506	1	Relay, Interlock, (for fleets of 20 or more)	
	7018514	1	Breaker, Circuit - AC, (for fleets of 1 to 10)	
	7018514	1	Breaker, Circuit - AC, (for fleets of 10 to 20)	
	7018514	1	Breaker, Circuit - AC, (for fleets of 20 or more)	

## SECTION 9 - RECOMMENDED SERVICE PARTS STOCK

ITEM	PART NUMBER	QTY	DESCRIPTION	REV
	7011509	1	Breaker, Circuit - DC, (for fleets of 1 to 10)	
	7011509	1	Breaker, Circuit - DC, (for fleets of 10 to 20)	
	7011509	1	Breaker, Circuit - DC, (for fleets of 20 or more)	
	7016735	1	Coupling, (for fleets of 1 to 10)	
	7016735	1	Coupling, (for fleets of 10 to 20)	
	7016735	1	Coupling, (for fleets of 20 or more)	
	7013723	1	Filter - 149 Micron, (for fleets of 1 to 10)	
	7013723	1	Filter - 149 Micron, (for fleets of 10 to 20)	
	7013723	1	Filter - 149 Micron, (for fleets of 20 or more)	
	7016714	1	Breather, (for fleets of 1 to 10)	
	7016714	1	Breather, (for fleets of 10 to 20)	
	7016714	1	Breather, (for fleets of 20 or more)	
	7016711	1	Solenoid, Start, (for fleets of 1 to 10)	
	7016711	1	Solenoid, Start, (for fleets of 10 to 20)	
	7016711	1	Solenoid, Start, (for fleets of 20 or more)	
	3990010	2	Diode, (for fleets of 1 to 10)	
	3990010	2	Diode, (for fleets of 10 to 20)	
	3990010	2	Diode, (for fleets of 20 or more)	
	2400006	2	Fuse - 5 Amp, (for fleets of 1 to 10)	
	2400006	2	Fuse - 5 Amp, (for fleets of 10 to 20)	
	2400006	2	Fuse - 5 Amp, (for fleets of 20 or more)	



**SECTION 10 - SPECIAL OPTIONS**

## SECTION 10 - SPECIAL OPTIONS

FIGURE 10-1. SPECIAL OPTIONS

ITEM	PART NUMBER	QTY	DESCRIPTION	REV
	0220008	Ref	<b>ARRESTER, SAFETY BELT</b>	
	Note	Ref	<b>Note: This list is to accommodate machines ordered with special equipment. Options may not be applicable to all models. For more specific parts information contact JLG Parts Department.</b>	
	0220007	Ref	<b>ARRESTER, STATIC LANYARD</b>	
	0271685	Ref	<b>CHAIN AND SHEAVE COVERS INSTALLATION</b>	
	0272004	Ref	<b>CYCLE COUNTER</b>	
		Ref	<b>ELECTRICAL CONNECTOR KITS</b>	
	1001148902	Ref	Amp/Tyco Electrical Connector Kit	
	1001148903	Ref	Deutsch DT Electrical Connector Kit	
	1001148904	Ref	Deutsch HD Electrical Connector Kit	
	1001148905	Ref	Packard Electrical Connector Kit	
	1001148906	Ref	Various Electrical Connectors Kit	
	0255040	Ref	<b>FLUORESCENT TUBE CADDY</b>	
	0271809	Ref	<b>LIMTER 12FT</b>	
	0258799	Ref	<b>MATERIAL TRAY</b>	
	0271198	Ref	<b>RUG CARRIER</b>	
		Ref	<b>TOOLS</b>	
	0100048	AR	Compound, Silicone (Use on connectors/receptacles)	
	7002821	1	Crimper (For Wire to Pin/Socket Connections)	
	7002830	1	Extractor (For Removal of Pin/Socket from Connectors)	
	7002828	1	Stripper, Wire	
	1001137005	1	Cable Kit, Software (Not Shown)	



**PART NUMBER INDEX**

## SECTION 10 - SPECIAL OPTIONS

01000119, 13, 19, 39, 49, 53, 57, 61	0440230 ..... 40	1001148906 ..... 96	1704277 ..... 45, 49, 53, 85
0100019 ..... 10, 13, 27	0440246 ..... 40	1060380 ..... 27, 57, 61	1704366 ..... 50, 53, 85
0100020 ..... 69, 71	0440294 ..... 40	1060564 ..... 27	1704423 ..... 86
0100035 ..... 10, 13, 19	0561149 ..... 41, 42	1060616 ..... 80	1704458 ..... 50, 53, 57, 89
0100048 ..... 81, 96	0561151 ..... 41	1060618 ..... 80	1704467 ..... 50, 53, 57, 85, 89
0100062 ..... 41, 42	0561284 ..... 10	1060619 ..... 80	1704469 ..... 50, 54, 85
0140022 ..... 23	0561308 ..... 41	1060620 ..... 80	1704527 ..... 85, 89
0140033 ..... 23	0561336 ..... 41	1060649 ..... 19	1704538 ..... 85
0181857 ..... 23	0561341 ..... 39	1060658 ..... 9, 10	1704539 ..... 85, 89
0220007 ..... 96	0561408 ..... 41, 42	1060661 ..... 10	1704582 ..... 10
0220008 ..... 96	0630446 ..... 9	1060662 ..... 10	1704706 ..... 86
0255040 ..... 96	0630504 ..... 23	1060683 ..... 39	1704749 ..... 85
0256851 ..... 13	0630545 ..... 53	1100103 ..... 19	1704888 ..... 85
0257490 ..... 19	0641405 ..... 19	1260343 ..... 39, 41	1704889 ..... 89
0258448 ..... 45	0641406 ..... 9, 23, 39	1260349 ..... 39, 41	1704960 ..... 86
0258586 ..... 57	0641407 ..... 39	1260355 ..... 40, 41	1704970 ..... 50, 53
0258672 ..... 61	0641408 ..... 40, 57, 61	1260356 ..... 41	1704971 ..... 50, 53, 57, 89
0258718 ..... 13	0641410 ..... 27, 39	1260357 ..... 41, 42	1704973 ..... 89
0258799 ..... 96	0641414 ..... 57	1271392 ..... 39	1704974 ..... 89
0259350 ..... 49	0641416 ..... 58, 61	1271419 ..... 39	1704975 ..... 89
0259376 ..... 49	0641508 ..... 23, 39	1271421 ..... 39	1704976 ..... 50, 54
0259526 ..... 9	0641510 ..... 39	1271455 ..... 39	2020005 ..... 57
0259527 ..... 9	0641528 ..... 10	1271456 ..... 39	2080040 ..... 49, 53
0259528 ..... 23	0641606 ..... 24	1271471 ..... 39	2220415 ..... 71
0259769 ..... 27	0641608 ..... 9, 10	1320043 ..... 27	2220416 ..... 69
0259770 ..... 85	0641609 ..... 9, 13, 23	1320149 ..... 27	2220472 ..... 69, 71
0259774 ..... 24, 69	0641610 ..... 13	1380132 ..... 27, 58	2220473 ..... 69, 71
0259775 ..... 49	0641612 ..... 9, 45	1400126 ..... 13	2220507 ..... 69
0259776 ..... 80	0641616 ..... 49, 53	1600304 ..... 27, 35, 92	2220603 ..... 69, 71
0259790 ..... 89	0641620 ..... 49, 53	1600305 ..... 23, 92	2220875 ..... 69
0270065 ..... 49	0641711 ..... 13	1683808 ..... 39, 65	2400006 ..... 80, 93
0270352 ..... 10	0641810 ..... 9	1684142 ..... 39, 65	2420140 ..... 10
0270438 ..... 53	0641812 ..... 39, 45	1700584 ..... 85, 89	2420165 ..... 9
0270440 ..... 53	0720805 ..... 57	1702110 ..... 85, 89	2560150 ..... 10
0270441 ..... 53	0721005 ..... 27	1702282 ..... 85	2560154 ..... 57
0270512 ..... 61	0721006 ..... 23, 57	1702300 ..... 85, 89	2600225 ..... 57
0270513 ..... 57	0721008 ..... 9, 49, 53	1702361 ..... 85	2680432 ..... 23
0270641 ..... 85	0741006 ..... 39	1702364 ..... 85	2680483 ..... 23
0270719 ..... 23	0741407 ..... 23	1702437 ..... 85, 89	2700080 ..... 23
0270873 ..... 86	0741605 ..... 24	1702885 ..... 85	2860027 ..... 13
0270875 ..... 86	0741606 ..... 39	1702886 ..... 85	2860029 ..... 13
0271059 ..... 27	0741606 ..... 39	1702887 ..... 85	2860030 ..... 23
0271198 ..... 96	0741609 ..... 13	1702905 ..... 85	2880310 ..... 39
0271256 ..... 85	0801211 ..... 39, 45	1702922 ..... 85, 89	2920146 ..... 9
0271365 ..... 89	0801313 ..... 39	1702923 ..... 9	2940074 ..... 49, 53, 57
0271387 ..... 49	0860520 ..... 85, 89	1703072 ..... 85, 89	2940082 ..... 61
0271388 ..... 53	0860946 ..... 27	1703073 ..... 85, 89	2940132 ..... 24
0271389 ..... 57	0861330 ..... 23, 92	1703455 ..... 45	3020022 ..... 19
0271465 ..... 9	0861386 ..... 23, 92	1703625 ..... 85, 89	3160234 ..... 13, 17
0271466 ..... 24, 71	0880139 ..... 9	1703635 ..... 85	3250030 ..... 57
0271478 ..... 80	0902047 ..... 39	1703636 ..... 85, 89	3251813 ..... 85, 90
0271685 ..... 96	0902250 ..... 23	1703681 ..... 49, 53, 57, 85, 89	3252191 ..... 90
0271809 ..... 96	0902356 ..... 23	1703682 ..... 85, 89	3252761 ..... 27
0272004 ..... 96	0902422 ..... 39	1703684 ..... 85, 89	3271805 ..... 45
0362347 ..... 61	0902423 ..... 39	1703687 ..... 85, 89	3300047 ..... 27
0362604 ..... 23	0902424 ..... 39	1703687 ..... 85, 89	3300151 ..... 61
0362658 ..... 23	0902431 ..... 39	1703688 ..... 85, 89	3300202 ..... 23
0362735 ..... 39	0902445 ..... 39	1703708 ..... 85, 89	3300356 ..... 58
0362736 ..... 39	0902583 ..... 9	1703741 ..... 89	3300417 ..... 27
0400122 ..... 23	0902698 ..... 41	1703745 ..... 89	3310601 ..... 9
0400157 ..... 31	0902877 ..... 57	1703747 ..... 89	3310801 ..... 27
0400164 ..... 23, 29	0940049 ..... 49, 53	1703749 ..... 89	3310805 ..... 57
0400166 ..... 31	0962337 ..... 49, 53	1703751 ..... 89	3311001 ..... 23, 27, 49, 53, 61
0400173 ..... 29	1001137005 ..... 96	1703752 ..... 89	33110059, 19, 23, 57, 58, 61
0440221 ..... 13	1001148902 ..... 96	1703785 ..... 85	
0440225 ..... 40	1001148903 ..... 96	1703786 ..... 85, 89	
	1001148904 ..... 96	1704081 ..... 89	
	1001148905 ..... 96		

## SECTION 10 - SPECIAL OPTIONS

3311401	39	3580293	40	4300129	41	4740478	13
3311405	9, 23, 27, 57, 61	3600254	24, 33	4360314	9, 92	4750600	9, 19
3311501	10, 49, 53	3640924	61	4360435	9	4750800	13, 24, 27, 40, 57
3311505	57, 61	3640990	61	4360437	24, 92	4751000	9, 24, 27, 49, 53, 57, 61
3311601	39	3740069	9, 24, 92	4360456	19, 92	4751400	24, 61
3311605	9, 10, 13, 23, 27, 45, 49, 53	3740130	24, 92	4360465	9, 92	4751500	24, 27, 40, 41, 42, 49, 53, 61
3311705	13	3760170	27	4360469	23	4751600	9, 10, 13, 19, 24
3311801	39	3760383	40	4420039	49, 53, 57	4751800	10, 45
3311805	10	3760448	49, 53	4420051	85, 90	4761000	27, 40, 49, 53
3312002	19	3820006	85, 90	4460023	27	4761400	40
3340746	61	3820024	27, 61, 85, 90	4460044	80	4761500	40
3340754	61	3820031	85, 90	4460190	27	4845291	10
3340829	57	3820032	49, 53, 85, 90	4460227	81	4845345	45
3340845	39	3820034	40	4460234	80	4845473	13
3340858	39	3841343	19	4460267	29, 31, 80, 81	4845474	10
3380441	85, 90	3900032	57	4460268	80, 81	4845507	19
3422338	39, 41, 42	3900177	61	4460320	80, 81	4845508	19
3422346	41, 42	3900187	40	4460424	29, 31, 80, 81	4845509	19
3422355	41, 42	3900192	40	4460445	81	4845614	57
3422657	27, 57, 61	3900200	27, 57	4460549	27	4845657	58
3422717	39	3900202	19, 61	4460566	27	4845731	40
3422720	41	3900203	61	4460633	23	4845810	57
3422744	49, 53	3900205	24, 40	4460643	80, 81	4845811	57
3422750	39	3900221	13	4460644	80	4845812	57
3422752	39	3900248	10	4460645	80	4845822	61
3422757	39	3900249	19	4460646	80	4845831	61
3422866	49, 53	3900252	57	4460647	80	4845875	24
3430630	19	3900258	57	4460648	9, 80, 81	4845876	24
3430638	19	3900270	49, 53	4460662	19	4845878	24
3440418	19	3910620	9, 19	4460671	81	4846021	57, 61
3440520	13	3911010	9, 24	4460672	81	4846030	49
3450202	41	3911024	24	4460681	80	4846034	49
3450304	39, 41, 42	3911032	61	4460682	81	4846035	49
3450403	19	3930808	13	4460683	81	4846087	9
3510676	61	3990010	80, 93	4460684	80	4846129	49, 53
3520028	61	4040268	13	4460685	24	4846173	10
3520072	57, 61	4060092	27	4460688	24	4846323	49, 53
3520166	24	4060803	58, 61	4460771	81	4846324	49, 53
3520176	49, 53	4060882	61	4460772	81	4846325	49, 53
3539814	45	4060960	40	4460773	81	4846381	40
3570168	13	4060961	40	4460774	81	4846521	49
3570169	13	4060987	40	4460775	81	4860175	9
3570172	10	4060987	40	4460776	81	4860177	9
3570172	10	4061006	40	4567203	19	4921963	80
3570230	19	4070860	40	4567203	19	4921964	80
3570274	57	4070861	40	4567489	40	4921965	80
3570362	57	4070862	40	4567492	40	4921966	80
3570382	10	4070862	40	4567749	41	4921967	80
3570653	58	4070890	61	4567750	40	4921968	80
3570654	58	4070894	61	4567751	41	4921969	80
3570680	27	4070894	61	4568026	69	4922203	27, 80
3570737	27	4070970	40	4568027	69	4922492	80
3570893	39	4070971	40	4568285	71	4922617	80
3570976	45	4070988	41	4568286	71	7002821	81, 96
3571101	39, 41, 42	4070989	41	4640956	69	7002828	81, 96
3571103	40, 42	4070990	41	4711400	9, 10, 19, 24, 27, 40, 57, 61	7002830	81, 96
3571552	49, 53	4160124	40	4711500	40, 57	7003246	65
3571788	40	4160125	61	4711600	10, 24, 45, 49, 53, 57	7011509	29, 31, 93
3571790	40	4160130	27	4712600	40	7011528	29, 31
3580231	27	4160160	19	4740007	41	7011596	29
3580267	40	4160162	19	4740414	40	7011621	81
3580268	40	4160164	9	4740428	61	7011649	31
3580269	40	4160165	57	4740429	61	7012958	65
3580269	40	4160166	10	4740430	9	7012998	65
3580274	40	4240032	80				
3580275	40	4240033	10, 80				
3580285	40	4240084	10				
3580286	40	4280296	49, 53, 58				
		4300106	9				
		4300111	41, 42				

## SECTION 10 - SPECIAL OPTIONS

7013701.....	33	7016691.....	13	7018550.....	29, 92	7020144.....	35
7013708.....	33	7016710.....	33	7018551.....	31	7020145.....	35
7013713.....	33	7016711.....	33, 93	7018553.....	29	7020147.....	35
7013714.....	33	7016712.....	33	7018554.....	29, 31	7020216.....	81
7013715.....	33	7016713.....	33	7018555.....	29, 31	7020267.....	23
7013716.....	33	7016714.....	33, 93	7018556.....	29, 31	7020620.....	31
7013717.....	33	7016718.....	33	7018557.....	29, 31	7022205.....	33
7013720.....	33	7016719.....	33	7018561.....	29	7022206.....	33
7013722.....	33	7016720.....	33	7018562.....	31	7023201.....	35
7013723.....	33, 93	7016721.....	33	7018563.....	31	7023202.....	35
7013727.....	33	7016722.....	33	7018564.....	31	7023273.....	23
7013728.....	33	7016723.....	33	7018565.....	29	7023341.....	23
7013733.....	33	7016724.....	33	7018567.....	29, 31, 81	7023342.....	23
7013743.....	33	7016735.....	33, 93	7018586.....	31	7023351.....	13
7013750.....	33	7017717.....	33	7018589.....	31	7023352.....	13
7013758.....	33	7018000.....	17	7019659.....	9	7023353.....	14
7013759.....	33	7018001.....	17	7019660.....	9	7023354.....	14
7013766.....	33	7018002.....	17	7019661.....	9	7023355.....	14
7013770.....	33	7018005.....	17	7019662.....	9	7023356.....	14
7013791.....	33	7018007.....	17	7019663.....	9	7023357.....	14
7013792.....	33	7018008.....	17	7019834.....	65	7023358.....	14
7013793.....	33	7018009.....	17	7019835.....	65	7023359.....	14
7014117.....	13, 92	7018010.....	17	7019838.....	65	7023360.....	14
7014118.....	13	7018011.....	17	7019839.....	65	7023361.....	14
7014119.....	13	7018012.....	17	7019865.....	65	7023391.....	65
7014120.....	13	7018013.....	17	7019872.....	65	7023392.....	65
7016319.....	9	7018014.....	17	7020075.....	27	7023393.....	65
7016372.....	9	7018015.....	17	7020076.....	27	7023394.....	65
7016683.....	13	7018018.....	17	7020078.....	23	7023395.....	65
7016684.....	13	7018019.....	17	7020093.....	23	7023397.....	65
7016685.....	13	7018027.....	17	7020094.....	23	7023398.....	65
7016686.....	13	7018028.....	17	7020096.....	23	7023399.....	65
7016687.....	13	7018506.....	29, 92	7020097.....	23	7024354.....	65
7016688.....	13	7018514.....	29, 92	7020139.....	35	7026038.....	35
7016689.....	13	7018535.....	29	7020142.....	35	7026039.....	35
7016690.....	13	7018537.....	29, 31	7020143.....	35		





**Corporate Office  
JLG Industries, Inc.  
1 JLG Drive  
McConnellsburg, PA 17233-9533 USA  
☎ (717) 485-5161 (Corporate)  
☎ (877) 554-5438 (Customer Support)  
📠 (717) 485-6417**

**Visit our website for JLG Worldwide Locations.  
[www.jlg.com](http://www.jlg.com)**



**OSHKOSH™**