



Illustrated Parts Manual

**Model
120HX**

P/N
3120820

August 31, 2011



An Oshkosh Corporation Company

REVISION LOG

May 1992 - Original Issue Of Manual
May 1995 - Revised
June 1997 - Revised
May 1998 - Revised
December 1998 - Revised
November 12, 1999 - Revised (Manual edited to 0010448 Revision 32)
March 2, 2000 - Revised (Manual edited to 0010448 Revision 32)
October 1, 2000 - Revised (Manual edited to 0010448 Revision 33)
February 24, 2004 - Revised
January 4, 2008 - Revised
August 31, 2011 - Revised

TABLE OF CONTENTS

SECTION 1 - FRAME.....	7
FIGURE 1-1. FRAME, VALVES AND SHIELDS INSTALLATION	8
FIGURE 1-2. VALVE ASSEMBLY - HYDRO AIR	10
FIGURE 1-3. STEERING AND AXLES INSTALLATION	12
FIGURE 1-4. TIRE AND WHEEL DRIVE INSTALLATIONS.....	16
FIGURE 1-5. DRIVE HUB ASSEMBLY	18
FIGURE 1-6. DRIVE BRAKE ASSEMBLY.....	22
FIGURE 1-7. DRIVE MOTOR ASSEMBLY - REXROTH.....	26
FIGURE 1-8. JACK CYLINDER INSTALLATION	28
SECTION 2 - TURNTABLE.....	31
FIGURE 2-1. TURNTABLE, BOOM AND SWITCHES INSTALLATION	32
FIGURE 2-2. VALVES INSTALLATION - TURNTABLE MOUNTED	36
FIGURE 2-3. VALVES ASSEMBLY - HYDRO AIR (Prior to SN 38697).....	38
FIGURE 2-4. VALVE ASSEMBLY - HYDRO AIR (SN 38697 to Present).....	40
FIGURE 2-5. ROTARY COUPLING AND COLLECTOR RING ASSEMBLY AND INSTALLATION	44
FIGURE 2-6. SWING DRIVE AND BEARING INSTALLATION.....	48
FIGURE 2-7. SWING MOTOR ASSEMBLY	50
FIGURE 2-8. SWING BRAKE ASSEMBLY	52
FIGURE 2-9. SWING HUB ASSEMBLY	56
FIGURE 2-10. LOAD MANAGEMENT INSTALLATION	58
FIGURE 2-11. GROUND CONTROLS INSTALLATION.....	60
FIGURE 2-12. REMOTE DRIVE CONTROL BOX ASSEMBLY (PRIOR TO JULY 1992)	66
FIGURE 2-13. REMOTE DRIVE CONTROL BOX ASSEMBLY (JULY 1992 TO PRESENT).....	68
FIGURE 2-14. DEUTZ F4L-912 ENGINE INSTALLATION.....	70
FIGURE 2-15. GENERATOR INSTALLATION - DEUTZ.....	78
FIGURE 2-16. PUMP COUPLING INSTALLATION.....	80
FIGURE 2-17. PUMP ASSEMBLY - SUNSTRAND	82
FIGURE 2-18. PUMP ASSEMBLY - BARNES (OCTOBER 1992 THROUGH SN 38696).....	86
FIGURE 2-19. PUMP ASSEMBLY - HYDRO-AIR (SN 38697 to Present).....	88
FIGURE 2-20. TANKS INSTALLATION.....	90
FIGURE 2-21. HOOD INSTALLATION.....	94
FIGURE 2-22. OIL COOLER INSTALLATION.....	98
SECTION 3 - BOOM.....	101
FIGURE 3-1. BOOM ASSEMBLY COMPONENTS INSTALLATION.....	102
FIGURE 3-2. CHAIN ADJUSTER ASSEMBLIES	110
FIGURE 3-3. JIB BOOM INSTALLATION	112
FIGURE 3-4. EXTEND-A-REACH INSTALLATION.....	114
FIGURE 3-5. BOOM LENGTH INDICATOR AND LIMIT SWITCHES INSTALLATION.....	116
FIGURE 3-6. BROKEN CHAIN LIMIT SWITCH INSTALLATION (GERMAN/AUSTRIAN EN280 SPECS AND ALL CE SPECS).....	120
FIGURE 3-7. BOOM WIPERS INSTALLATION	122
SECTION 4 - PLATFORMS.....	125
FIGURE 4-1. PLATFORM COMPONENTS INSTALLATION (LOW MOUNT).....	126

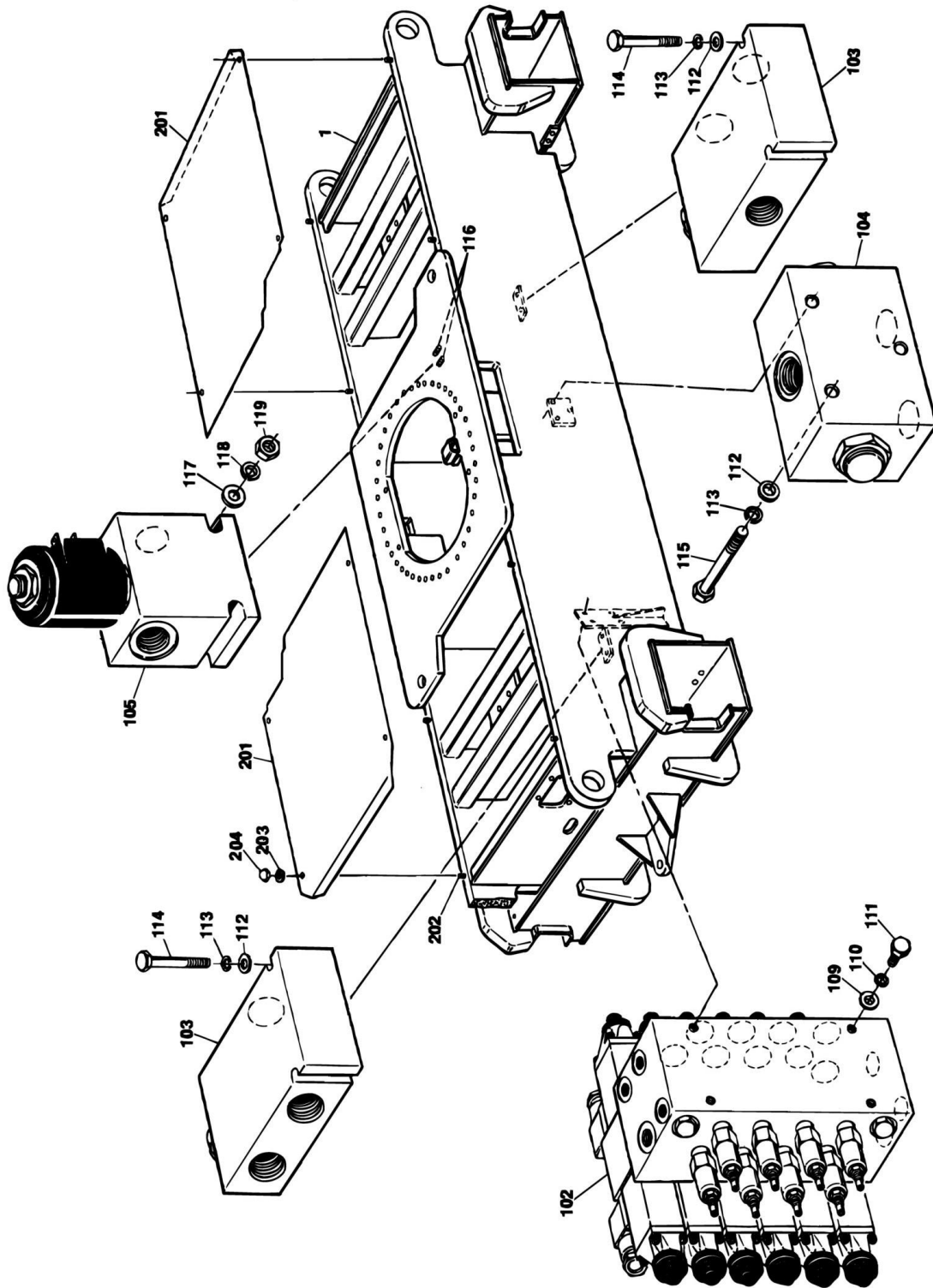
TABLE OF CONTENTS

FIGURE 4-2. ROTATOR MOTOR ASSEMBLY	130
FIGURE 4-3. PLATFORM CONSOLE ASSEMBLY (Prior to SN 25609).....	132
FIGURE 4-4. PLATFORM CONSOLE ASSEMBLY (SN 25609 to Present).....	136
FIGURE 4-5. OPTIONAL PLATFORM MOUNTED COMPONENTS	140
SECTION 5 - CYLINDERS	143
FIGURE 5-1. AXLE EXTENSION CYLINDER ASSEMBLY	144
FIGURE 5-2. BOOM LIFT CYLINDER ASSEMBLY	146
FIGURE 5-3. EXTEND-A-REACH PLATFORM LEVEL CYLINDER ASSEMBLY	148
FIGURE 5-4. EXTEND-A-REACH LIFT CYLINDER ASSEMBLY	150
FIGURE 5-5. JACK CYLINDER ASSEMBLY	152
FIGURE 5-6. MASTER CYLINDER ASSEMBLY	154
FIGURE 5-7. STEER CYLINDER ASSEMBLY	156
FIGURE 5-8. TELESCOPE CYLINDER ASSEMBLY	158
FIGURE 5-9. CYLINDER BELLOWS INSTALLATION (OPTIONAL)	162
SECTION 6 - HYDRAULICS.....	165
FIGURE 6-1. HYDRAULIC DIAGRAM - DRIVE (4WD AND DEUTZ ENGINE) (Prior to SN 38697).....	166
FIGURE 6-2. HYDRAULIC DIAGRAM - DRIVE (4WD AND DEUTZ ENGINE) (SN 38697 to Present)	170
FIGURE 6-3. HYDRAULIC DIAGRAM - MANUAL DESCENT (FRENCH AND ITALIAN SPECS).....	174
FIGURE 6-4. HYDRAULIC DIAGRAM - STANDARD (Prior to SN 38697).....	176
FIGURE 6-5. HYDRAULIC DIAGRAM - STANDARD (SN 38697 to Present).....	180
FIGURE 6-6. HYDRAULIC DIAGRAM LIST.....	184
SECTION 7 - ELECTRICAL.....	185
FIGURE 7-1. ELECTRICAL SCHEMATIC (SHEET 1 OF 4) (Prior to SN 38697)	186
FIGURE 7-2. ELECTRICAL SCHEMATIC (SHEET 1 OF 4) (SN 38697 to Present).....	190
FIGURE 7-3. ELECTRICAL COMPONENTS AND DIAGRAM CHART	194
SECTION 8 - DECALS	199
FIGURE 8-1. DECALS INSTALLATION.....	200
SECTION 9 - RECOMMENDED SERVICE PARTS STOCK.....	205
FIGURE 9-1. MODEL 120HX STANDARD PARTS	206
FIGURE 9-2. MODEL 120HX VARIABLE PARTS	210
SECTION 10 - SPECIAL OPTIONS	211
FIGURE 10-1. SPECIAL OPTIONS	212
PART NUMBER INDEX.....	213

SECTION 1 - FRAME

SECTION 1 - FRAME

FIGURE 1-1. FRAME, VALVES AND SHIELDS INSTALLATION



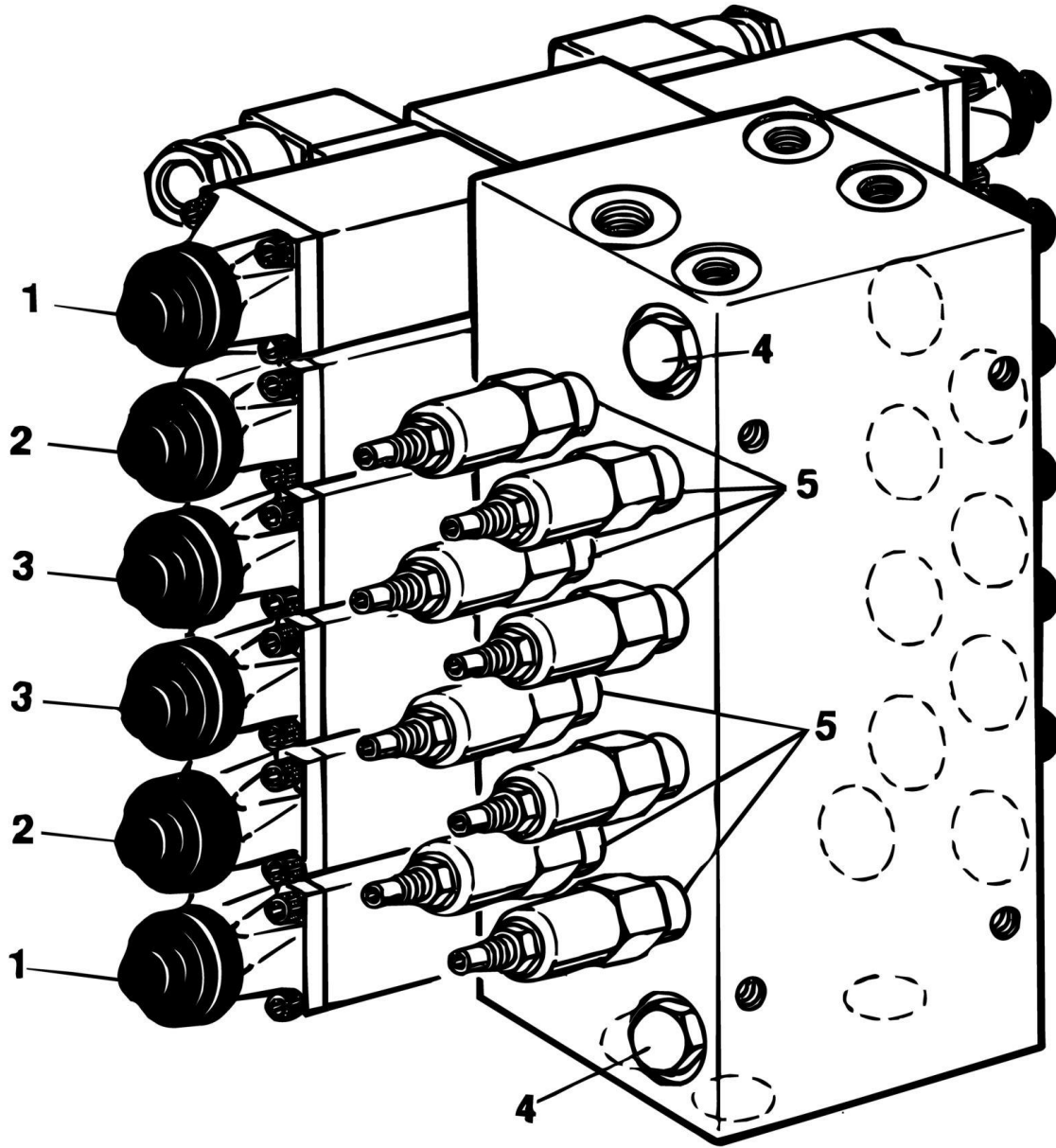
SECTION 1 - FRAME

FIGURE 1-1. FRAME, VALVES AND SHIELDS INSTALLATION

ITEM	PART NUMBER	QTY	DESCRIPTION	REV
		Ref	FRAME, VALVES AND SHIELDS INSTALLATION	
1	2360353	1	Frame Weldment (Prior to June 1993)	
1	2360369	1	Frame Weldment (June 1993 to Present)	
		Ref	VALVES INSTALLATION - FRAME MOUNTED	
	0252709	Ref	Valves Installation - Frame Mounted (Prior to SN 38697)	4
	0258677	Ref	Valves Installation - Frame Mounted (SN 38697 to Present)	2
102		Ref	Valve Assembly - Hydro Air Options:	
102	4640739	1	Valve Assembly - Hydro Air (See VALVE ASSEMBLY - HYDRO AIR for Breakdown) (Prior to SN 38697)	
102	4641066	1	Valve Assembly - Hydro Air (See VALVE ASSEMBLY - HYDRO AIR for Breakdown) (SN 38697 to Present)	
103		Ref	Valve Assembly - Flow Divider Options:	
103		Ref	Valve Assembly - Flow Divider Components: (Prior to SN 38697)	
103	4640260	2	Valve Assembly - Flow Divider	
103	Not Available		Cartridge (Vickers/Modular Controls Version)	
103	7009739	2	Seal Kit (Vickers/Modular Controls Version)	
103	7007321	2	Cartridge (Fluid Controls Version)	
103	7007323	2	Seal Kit (Fluid Controls Version)	
103		Ref	Valve Assembly - Flow Divider Components: (SN 38697 to Present)	
103	4640923	2	Valve Assembly - Flow Divider	
103	7012992	2	Cartridge	
103	7012980	2	Seal Kit	
103	7012993	2	Plug, Orifice	
104	4640629	1	Valve Assembly - Flow Divider (Prior to SN 38697)	
104	2900745	2	Seal Kit - Cartridge (Includes O-Rings and Back-Up Rings) (2 Per Valve)	
105	4640743	1	Valve Assembly - Hydraforce 3-Way Solenoid	
105	7000645	1	Coil	
105	7012905	1	Seal Kit	
109	4711600	4	Flatwasher 3/8in Narrow	
110	4761600	7	Lockwasher 3/8in	
111	0641609	4	Bolt 3/8in-16NC x 1 1/8in	
112	4711500	AR	Flatwasher 5/16in Narrow	
113	4761500	AR	Lockwasher 5/16in	
114	0641520	4	Bolt 5/16in-18NC x 2 1/2in	
115	0641524	3	Bolt 5/16in-18NC x 3in (Prior to SN 38697)	
116	4300036	2	Stud (Welded on Part)	
117	4711400	4	Flatwasher 1/4in Narrow	
118	4761400	2	Lockwasher 1/4in	
119	3311401	2	Nut 1/4in-20NC	
	0252684	Ref	FRAME SHIELDS INSTALLATION	2
201	4060824	2	Shield	
202	4300031	8	Stud (Welded on Part)	
203	4751400	8	Flatwasher 1/4in	
204	3300151	8	Nut, Acorn 1/4in-20NC	
	0100011	AR	Loctite #242	

SECTION 1 - FRAME

FIGURE 1-2. VALVE ASSEMBLY - HYDRO AIR



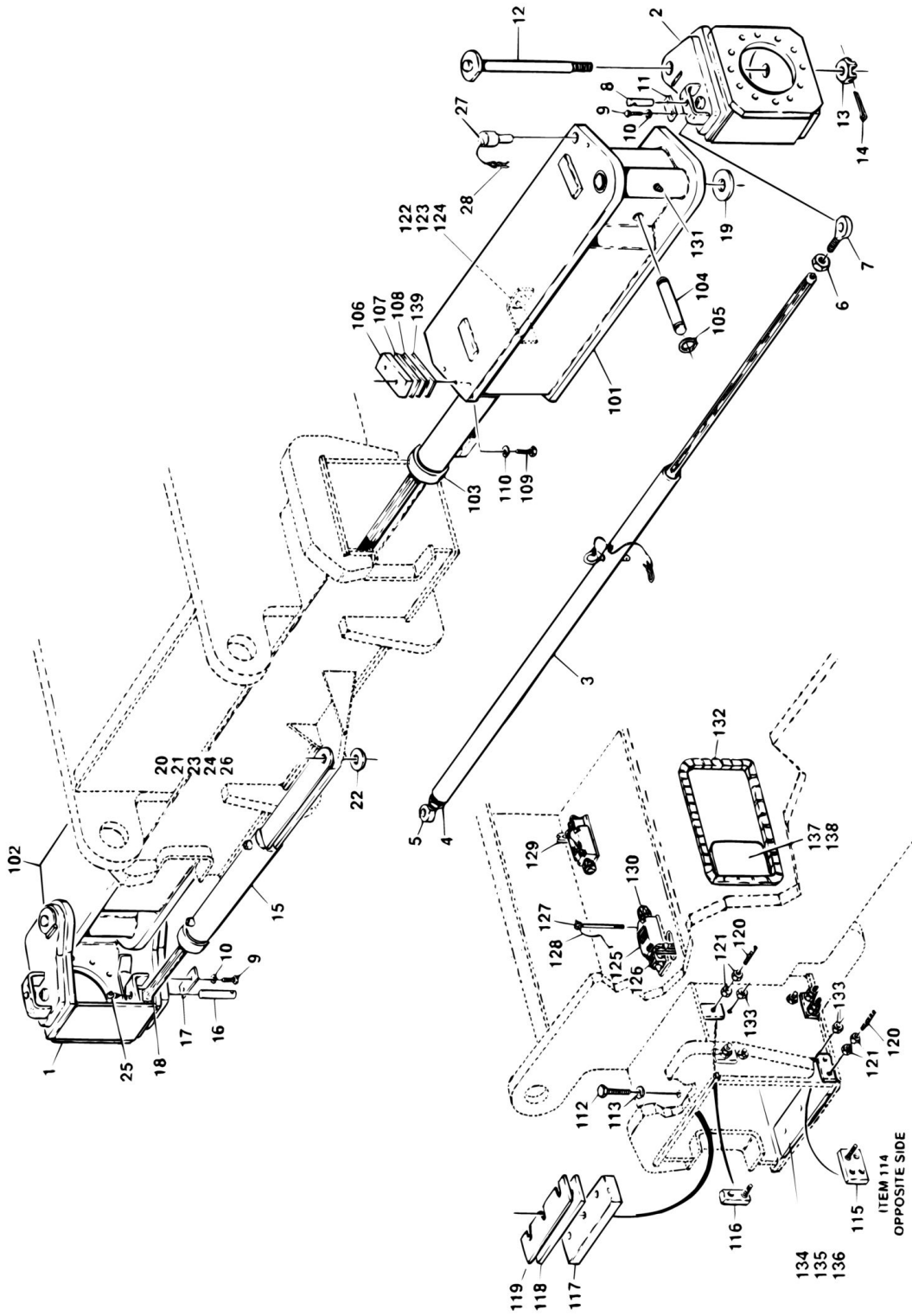
SECTION 1 - FRAME

FIGURE 1-2. VALVE ASSEMBLY - HYDRO AIR

ITEM	PART NUMBER	QTY	DESCRIPTION	REV
		Ref	VALVE ASSEMBLY - HYDRO AIR	
	4640739	Ref	Valve Assembly - Hydro Air (Prior to SN 38697)	A
	4641066	Ref	Valve Assembly - Hydro Air (SN 38697 to Present)	A
1		Ref	Rexroth Valve Section - Complete (Jack) Options:	
1		Ref	Rexroth Valve Section - Complete Components: (Prior to SN 38697)	
1	7012723	2	Rexroth Valve Section - Complete (Jack)	
1	7012730	4	Coil, Solenoid (2 Per Section)	
1	7012725	1	Seal Kit - Rexroth Valve Section	
1	7012731	2	Orifice 1.5mm (Located in B Port)	
1		Ref	Rexroth Valve Section - Complete Components: (SN 38697 to Present)	
1	7017491	2	Rexroth Valve Section - Complete (Jack)	
1	7021404	4	Spool (2 Per Section)	
1	7021401	4	Coil (2 Per Section)	
1	7021402	2	Seal Kit	
1	7021403	4	End Cap (2 Per Section)	
2		Ref	Rexroth Valve Section - Complete (Steer) Options:	
2		Ref	Rexroth Valve Section - Complete (Steer) Components: (Prior to SN 38697)	
2	4640788	2	Rexroth Valve Section - Complete (Steer)	
2	7012730	4	Coil, Solenoid (2 Per Section)	
2	7012725	1	Seal Kit - Rexroth Valve Section	
2		Ref	Rexroth Valve Section - Complete (Steer) Components: (SN 38697 to Present)	
2	7017490	2	Rexroth Valve Section - Complete (Steer)	
2	7021400	4	Spool (2 Per Section)	
2	7021401	4	Coil (2 Per Section)	
2	7021402	2	Seal Kit	
2	7021403	4	End Cap (2 Per Section)	
3		Ref	Rexroth Valve Section - Complete (Extend) Options:	
3		Ref	Rexroth Valve Section - Complete (Extend) Components: (Prior to SN 38697)	
3	7012724	2	Rexroth Valve Section - Complete (Extend)	
3	7012725	1	Seal Kit - Rexroth Valve Section	
3	7012730	4	Coil, Solenoid (2 Per Section)	
3		Ref	Rexroth Valve Section - Complete (Extend) Components: (SN 38697 to Present)	
3	7017491	2	Rexroth Valve Section - Complete (Jack)	
3	7021404	4	Spool (2 Per Section)	
3	7021401	4	Coil (2 Per Section)	
3	7021402	2	Seal Kit	
3	7021403	4	End Cap (2 Per Section)	
4	7012914	4	Cartridge, Valve - Hydraforce	
5	7012912	8	Cartridge, Valve - Hydraforce	
	7012918	4	Seal Kit - 7012914 Cartridge Valve (1 Per Cartridge)	
	7012998	8	Seal Kit - 7012912 Cartridge Valve (1 Per Cartridge)	

SECTION 1 - FRAME

FIGURE 1-3. STEERING AND AXLES INSTALLATION



SECTION 1 - FRAME

FIGURE 1-3. STEERING AND AXLES INSTALLATION

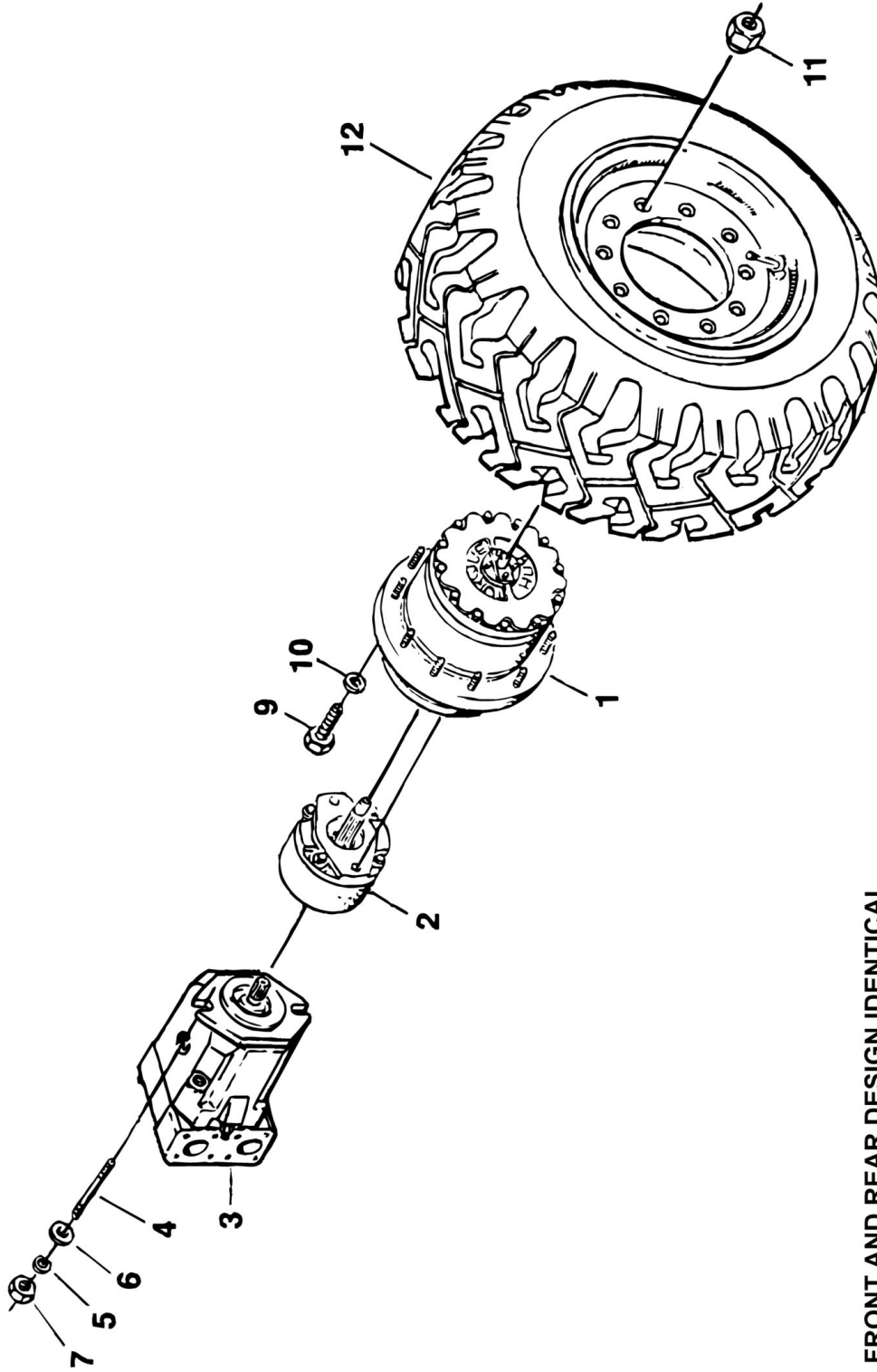
ITEM	PART NUMBER	QTY	DESCRIPTION	REV
	0252605	Ref	STEERING AND AXLES INSTALLATION	4
1	4130282	2	Spindle Weldment	
2	4130283	2	Spindle Weldment	
3	0252674	2	Tie-Rod Assembly	A
3	3841167	2	Rod, Inner - Tie-Rod (1 Per Assembly)	
3	3841166	2	Tube, Outer - Tie-Rod (1 Per Assembly)	
3	3421990	2	Pin, Extension Lock (1 Per Assembly)	
3	3420372	2	Hairpin (1 Per Assembly)	
3	1260017	2 ft/5cm	Chain - #3 (1 ft/2.5cm Per Assembly)	
4	3323002	2	Nut, Jam 1 1/4in-12NF (RH Threads)	
5	1660202	2	Rod, End (RH Threads)	
6	3300229	2	Nut, Jam 1 1/4in-12NF	
7	1660203	2	Rod, End (LH Threads)	
8	3421972	4	Pin (Tie-Rod)	
9	0641506	12	Bolt 5/16in-18NC x 3/4in	
10	4761500	12	Lockwasher 5/16in	
11	3532054	4	Plate, Retainer	
12	3421948	4	Kingpin	
13	3324203	4	Nut, Slotted 2in-9NF	
14	3451012	4	Pin, Cotter 5/16in x 3in	
15	1682605	2	Steer Cylinder Assembly (See CYLINDER SECTION for Breakdown)	
16	3422044	2	Pin (Steer Cylinder)	
17	3531946	2	Plate, Retainer	
18	4740130	2	Washer, Thrust	
19	4740314	4	Washer, Thrust	
20	3422023	2	Pin (Steer Cylinder) (Prior to SN 33213)	
20	3422633	2	Pin (Steer Cylinder) (SN 33213 to Present)	
21	3420592	2	Hairpin	
22	4713000	2	Flatwasher 1 1/4in Narrow	
23	3760170	4	Ring	
24	1260017	14.5 in/37cm	Chain - #3 (7.25 in/18.5cm Per Location)	
25	2160001	2	Fitting, Grease - 90	
26	2160003	1	Fitting, Grease - 45	
27	4220174	4	Weldment, Stop (Prior to SN 47227)	
28	3450808	4	Cotter Pin (SN 47227 to Present)	
		Ref	EXTENDABLE AXLES INSTALLATION	
	0252604	Ref	Extendable Axles Installation (Prior To June 1993)	B
	0253776	Ref	Extendable Axles Installation (June 1993 To Present)	3
101	4844090	2	Axle Weldment	
101	0960821	4	Bushing (2 Per Axle) (Kingpin Pivot)	
102	4844089	2	Axle Weldment	
102	0960821	4	Bushing (2 Per Axle) (Kingpin Pivot)	
103		Ref	Axle Extension Cylinder Assembly Options (See CYLINDER SECTION for Breakdown):	
103	1682618	2	Axle Extension Cylinder Assembly (Prior to SN 33105)	
103	1683532	2	Axle Extension Cylinder Assembly (SN 33105 to Present)	
104	3421953	4	Pin (Extension Cylinder)	
105	3760133	8	Ring, Retaining	

SECTION 1 - FRAME

ITEM	PART NUMBER	QTY	DESCRIPTION	REV
106	3340197	4	Pad, Wear (Rear Top)	
107	4070810	AR	Shim	
108	4070811	AR	Shim	
109	0641618	8	Bolt 3/8in-16NC x 2 1/4in	
110	4761600	8	Lockwasher 3/8in	
112	0641809	12	Bolt 1/2in-13NC x 1 1/8in	
113	4711800	12	Lockwasher 1/2in	
114	0560675	4	Block, Axle Shim (Bottom)	
115	0560674	4	Block, Axle Shim (Bottom)	
116	0560673	8	Block, Axle Shim (Top)	
117	3535884	4	Plate, Axle Stop	
118	4070803	AR	Shim 1/16in/1.6mm	
119	4070804	AR	Shim 1/32in/.8mm	
120	3972218	24	Setscrew 3/4in-10NC x 2 1/4in	
121	3312202	24	Nut, Jam 3/4in-10NC	
122	3535883	2	Plate, Cylinder Retaining	
123	0641609	4	Bolt 3/8in-16NC x 1 1/8in	
124	3311605	4	Locknut 3/8in-16NC	
125	4360277	4	Switch, Limit	
126	4360236	4	Head, Actuator	
127	3900168	8	Bolt, Socket Head #10-24NC	
128	4920140	4	Lockwire	
129	4360237	4	Switch, Arm	
130	4460052	4	Connector, Strain Relief	
131	2160002	4	Fitting, Grease	
132	4060807	92 in/2.34cm	Flex-Trim	
133	3311505	16	Nut 5/16in-18NC	
134	4070845	AR	Shim (June 1993 to Present Only)	
135	0641807	12	Bolt 1/2in-13NC x 7/8in (June 1993 to Present Only)	
136	4761800	12	Lockwasher 1/2in (June 1993 to Present Only)	
137	3536794	2	Plate (June 1993 to Present Only)	
138	0641605	4	Bolt 3/8in-16NC x 5/8in (June 1993 to Present Only)	
139	4070849	AR	Shim (June 1993 to Present Only)	
	0100011	AR	Loctite #242	

SECTION 1 - FRAME

FIGURE 1-4. TIRE AND WHEEL DRIVE INSTALLATIONS



FRONT AND REAR DESIGN IDENTICAL

SECTION 1 - FRAME

FIGURE 1-4. TIRE AND WHEEL DRIVE INSTALLATIONS

ITEM	PART NUMBER	QTY	DESCRIPTION	REV
		Ref	TIRE AND WHEEL DRIVE INSTALLATIONS	
	0252606	Ref	WHEEL DRIVE INSTALLATION	3
1	2780189	4	Drive Hub Assembly (See DRIVE HUB ASSEMBLY for Breakdown)	
2		Ref	Drive Brake Assembly Options (See DRIVE BRAKE ASSEMBLY for Breakdown):	
2	0920084	4	Drive Brake Assembly (Prior to SN 33476)	
2	0920110	4	Drive Brake Assembly (SN 33476 to Present)	
3		Ref	Drive Motor Assembly Options (See DRIVE MOTOR ASSEMBLY - REXROTH for Breakdown):	
3	See Note	4	Drive Motor Assembly Prior to July 1995 (was p/n 3160176) (Note: Use p/n 3160213 Motor Plus p/n 2900869 Conversion Kit as Replacement.)	
3	3160213	4	Drive Motor Assembly July 1995 to Present (See DRIVE MOTOR ASSEMBLY - REXROTH for Breakdown)	
4	4300092	8	Stud 1/2in-13NC x 5 1/2in (2 Per Wheel)	
5	4761800	8	Lockwasher 1/2in (2 Per Wheel)	
6	4751800	8	Flatwasher (2 Per Wheel)	
7	3311801	8	Nut 1/2in-13NC (2 Per Wheel)	
9	0642216	48	Bolt 3/4in-10NC x 2in (12 Per Wheel)	
10	4762200	48	Lockwasher 3/4in (12 Per Wheel)	
11	3300007	48	Lugnut 3/4in-16NC (12 Per Wheel)	
	0100011	AR	Loctite #242	
		Ref	TIRE AND WHEEL INSTALLATION (FOAM-FILLED)	
	0251590	Ref	Tire and Wheel Installation (Foam-Filled) (Prior to SN 43718)	2
	0259545	Ref	Tire and Wheel Installation (Foam-Filled) (SN 43718 to Present)	A
12		Ref	Tire and Wheel Assembly (Foam-Filled) Options:	
12	0251589	4	Tire and Wheel Assembly (Foam-Filled) (Prior to SN 43718)	
12		Ref	Tire and Wheel Assembly (Foam-Filled) (SN 43718 to Present)	
12	0259444	2	Right Side (Foam-Filled)	
12	0259445	2	Left Side (Foam-Filled)	
		Ref	Note: Assemblies may require ballast/foam filling to manufacturer's specifications prior to installing on a machine. Refer to Operation and Safety or Service and Maintenance Manuals. Purchase individual tire and/or rim only if able to foam fill tire and wheel assembly, otherwise, purchase complete assembly.	
12		Ref	Tire Options:	
12	4520136	4	Tire 445/65R x 22.5 (Prior to SN 43718)	
12	4520218	4	Tire 445/65R x 22.5 (SN 43718 to Present)	

SECTION 1 - FRAME

FIGURE 1-5. DRIVE HUB ASSEMBLY

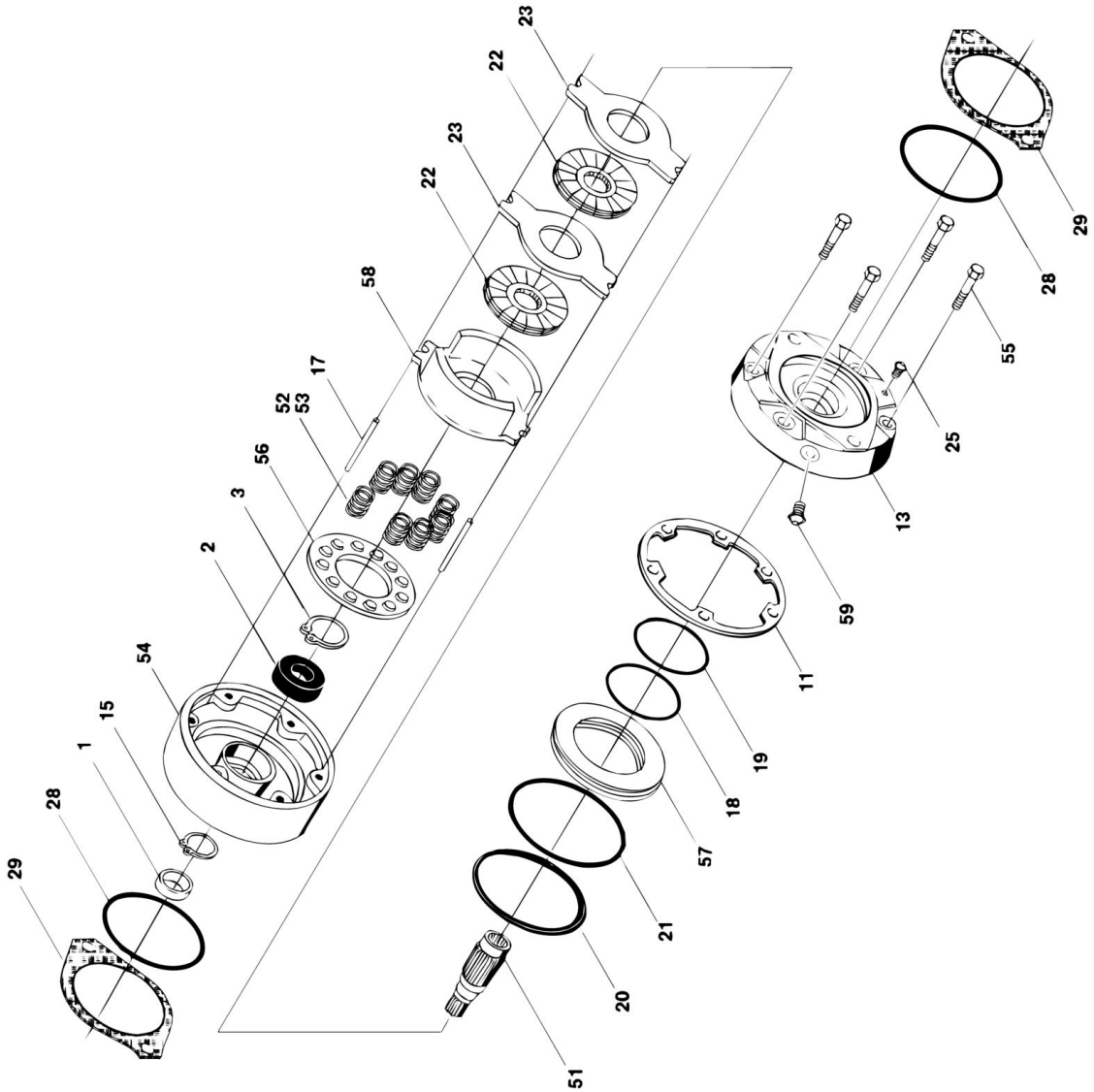
ITEM	PART NUMBER	QTY	DESCRIPTION	REV
	2780189	Ref	DRIVE HUB ASSEMBLY	-
1	7007698	1	Hub and Spindle Assembly (See Items 101-110 for Breakdown)	
2	7007657	1	Gear, Internal	
3	7001910	1	Carrier Assembly (See Items 201-208 for Breakdown)	
4	7001963	1	Gear, Ring	
5	Kit	2	O-Ring	
6	7001965	1	Cover Assembly (See Items 301-309 for Breakdown)	
7	7000282	2	Washer, Thrust	
8	7000283	1	Spring	
9	7000284	1	Ring, Retaining - Internal	
10	7000285	1	Ring, Retaining - External	
11	7010472	1	Shaft, Input	
12	7001995	1	Spacer, Input	
13	7010471	1	Gear, Sun	
14	7001993	1	Spacer, Input	
15	7001972	4	Washer, Thrust	
16	7001973	2	Bearing, Thrust	
17	7001974	16	Bolt 1/2in-13NC x 3 3/4in	
18	7001975	4	Bolt, Socket Head 3/8in-16NC x 3 1/2in	
19	7000290	1	Coupling	
23	7001976	20	Lockwasher	
25	7001977	1	Ring, Keeper	
	7007698	Ref	HUB AND SPINDLE ASSEMBLY	
101	7007699	1	Spindle	
102	Kit	1	Seal, Lip	
103	7001947	2	Cup, Bearing	
104	7001948	2	Cone, Bearing	
105	7001949	1	Washer, Thrust	
106	7001950	1	Ring, Retaining - External	
107	7001951	1	Housing	
108	7001928	2	Plug, Pipe	
109	7000265	12	Stud 3/4in-16NF	
110	7001952	2	Plug, Pipe	
	7001910	Ref	CARRIER ASSEMBLY	
201	7001955	1	Carrier	
202	7001956	3	Rollpin	
203	7001957	6	Cup, Bearing	
204	7001958	6	Cone, Bearing	
205	7001959	3	Shaft, Planet	
206	7017003	3	Gear, Cluster	
207	7001961	3	Spacer, Thrust	
208	7001962	3	Ring, Retainer - External	
	7001965	Ref	COVER ASSEMBLY	
301	7001966	1	Plate, Cover	
302	7001967	1	Cap, Cover	
303	7000220	4	Bolt 1/4in-20NC x 3/4in	
304	7000231	1	Cap, Disengage	
305	7001968	1	Rod, Disengage	
306	Kit	1	O-Ring	
307	Kit	1	O-Ring	

SECTION 1 - FRAME

ITEM	PART NUMBER	QTY	DESCRIPTION	REV
308	7000243	1	Plug, Pipe - 1/8in	
309	7001928	1	Plug, Pipe - 3/8in	
	2900560	1	Seal Kit (Includes Items 5, 102, 306 & 307)	

SECTION 1 - FRAME

FIGURE 1-6. DRIVE BRAKE ASSEMBLY



SECTION 1 - FRAME

FIGURE 1-6. DRIVE BRAKE ASSEMBLY

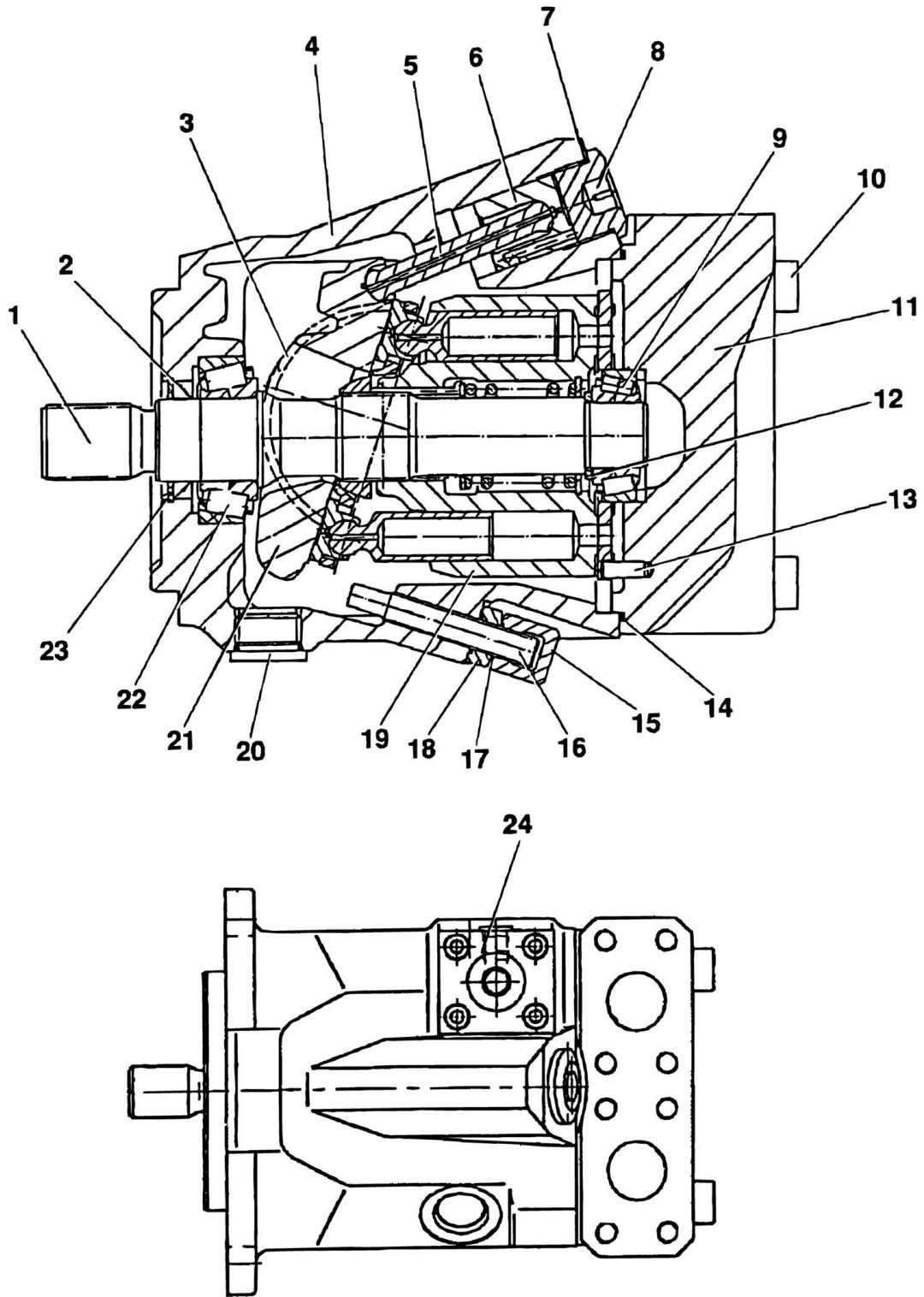
ITEM	PART NUMBER	QTY	DESCRIPTION	REV
		Ref	DRIVE BRAKE ASSEMBLY	
1	Kit	1	Seal, Oil	
2	Kit	1	Bearing	
3	7007977	1	Ring, Retaining	
11	Kit	1	Seal, Case	
13	7007986	1	Cover	
15	7011716	1	Ring, Retainer	
17	7007987	2	Pin, Dowel	
18	Kit	1	Ring, Back-up	
19	Kit	1	O-Ring	
20	Kit	1	Ring, Back-up	
21	Kit	1	O-Ring	
22	Kit	2	Rotor	
23	Kit	2	Stator	
25	7007924	1	Plug, Pipe	
28	Kit	2	O-Ring	
29	7007933	2	Gasket	
	2900766	1	Seal Kit (Includes Items 1, 11, 18, 19, 20, 21, 28 & 29)	
	2900768	1	Bearing Kit (Includes Items 1, 2, 11, 28 & 29)	
		Ref	DRIVE BRAKE ASSY - MICO (VARIABLE PARTS)	
	0920084	Ref	Drive Brake Assy - Mico (Variable Parts) (Prior to SN 33476)	A
	0920110	Ref	Drive Brake Assy - Mico (Variable Parts) (SN 33476 to Present)	B
51	7011712	1	Shaft	
52		Ref	Spring Options:	
52	7007979	6	Inner Spring (Prior to SN 33476)	
52	7007980	6	Outer Spring (Prior to SN 33476)	
52	Not Required	0	Spring (SN 33476 to Present)	
53		Ref	Spring Options:	
53	Not Required	0	Spring (Prior to SN 33476)	
53	7007970	6	Spring (Red) (SN 33476 to Present)	
53	7018602	3	Spring (Blue) (SN 33476 to Present)	
54		Ref	Housing Options:	
54	7011713	1	Housing (Prior to SN 33476)	
54	7018605	1	Housing (SN 33476 to Present)	
55		Ref	Bolt, Washer Head Options:	
55	7007985	4	Bolt, Washer Head (Prior to SN 33476)	
55	7018607	4	Bolt, Washer Head (SN 33476 to Present)	
56		Ref	Guide, Spring Options:	
56	7011717	1	Guide, Spring (Prior to SN 33476)	
56	7018606	1	Guide, Spring (SN 33476 to Present)	
57		Ref	Piston Options:	
57	7007923	1	Piston (Prior to SN 33476)	
57	7018603	1	Piston (SN 33476 to Present)	
58		Ref	Plate, Return/Separator Assembly Options:	
58	7007923	1	Plate, Return/Separator Assembly Components: (Prior to SN 33476)	
58	Kit	1	Plate, Return	
58	7011715	2	Separator Assembly	
58	7011714	4	Pin	
58	7007983	2	Separator	

SECTION 1 - FRAME

ITEM	PART NUMBER	QTY	DESCRIPTION	REV
58	7018603	1	Plate, Return/Separator Assembly Components: (SN 33476 to Present)	
58	Kit	1	Plate, Return	
59		Ref	Plug Options:	
59	7007914	1	Bleeder Screw (Prior to SN 33476)	
59	7018609	1	Plug (SN 33476 to Present)	
		Ref	Lining Kit Options (Includes Items 58, 11, 22, 23, 28 & 29):	
	2900767	1	Lining Kit (Prior to SN 33476)	
	7018608	1	Lining Kit (SN 33476 to Present)	

SECTION 1 - FRAME

FIGURE 1-7. DRIVE MOTOR ASSEMBLY - REXROTH



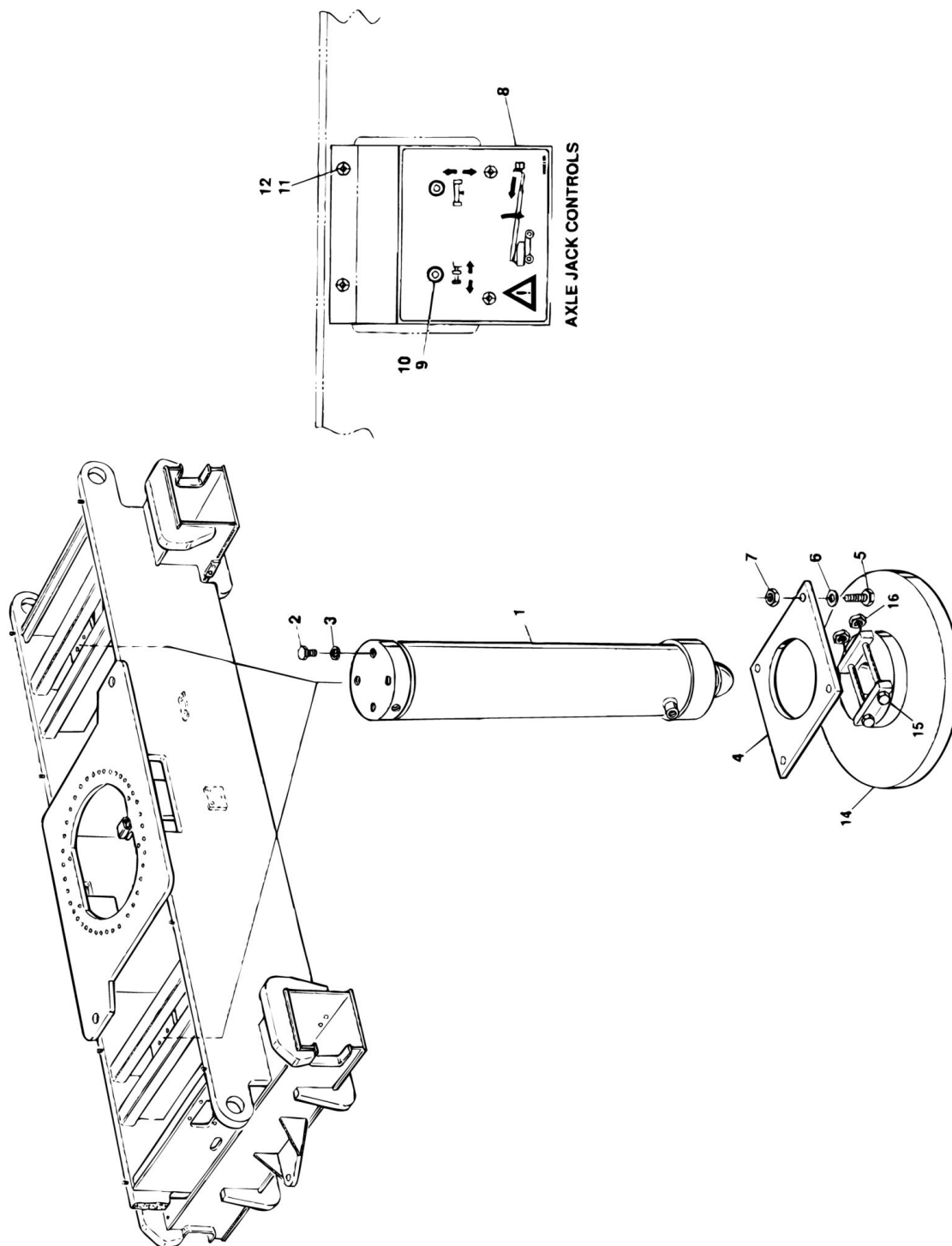
SECTION 1 - FRAME

FIGURE 1-7. DRIVE MOTOR ASSEMBLY - REXROTH

ITEM	PART NUMBER	QTY	DESCRIPTION	REV
		Ref	DRIVE MOTOR ASSEMBLY - REXROTH	
	3160176	Ref	Drive Motor Assembly - Rexroth (Prior to July 1995)	-
	3160213	Ref	Drive Motor Assembly - Rexroth (July 1995 to Present)	-
1	7012701	1	Shaft - 13 Teeth	
2	Kit	1	Seal, Shaft	
3	7012702	2	Bearing, Cradle	
4	Not Available	1	Housing	
5	7012703	1	Rod, Piston	
6	7012704	1	Piston, Stroking	
7	Kit	1	O-Ring	
8	7012705	1	Nut, Adaptor	
9	7012706	1	Bearing, Roller	
10	7012707	4	Bolt, Metric Socket Head M12 x 65	
11	7012708	1	Block, Port	
12	7012709	1	Shim	
13	7012710	1	Pin, Dowel M6 x 18	
14	Kit	1	O-Ring	
15	7012711	1	Nut, Cap M10 x 1	
16	7012712	1	Screw, Adjusting	
17	Kit	2	O-Ring	
18	7012713	1	Nut, Jam M10 x 1	
19	Kit	1	Rotary Group Assembly	
20	Not Available	1	Plug	
21	Kit	1	Plate, Swash	
22	7012714	1	Bearing, Roller	
23	7012715	1	V-Ring	
24	7012700	1	Control Plate Assembly	
	2900788	1	Seal Kit (Includes Items 2, 7, 14, 17 and O-Rings under Item 24)	
	7012716	1	Rotary Group Kit (Includes Items 19 & 21)	

SECTION 1 - FRAME

FIGURE 1-8. JACK CYLINDER INSTALLATION



SECTION 1 - FRAME

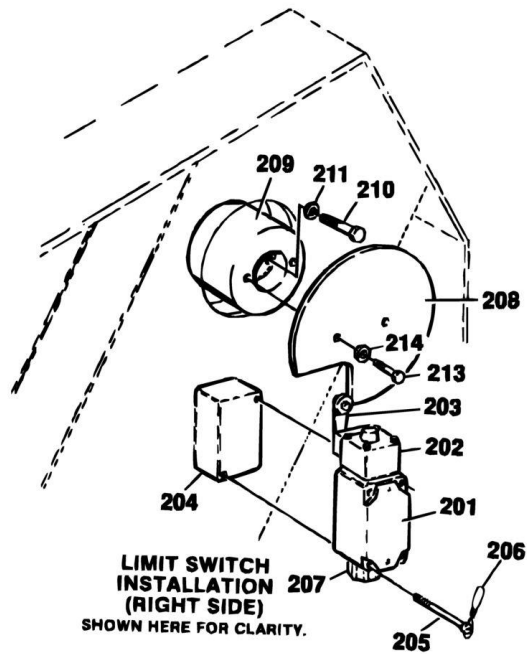
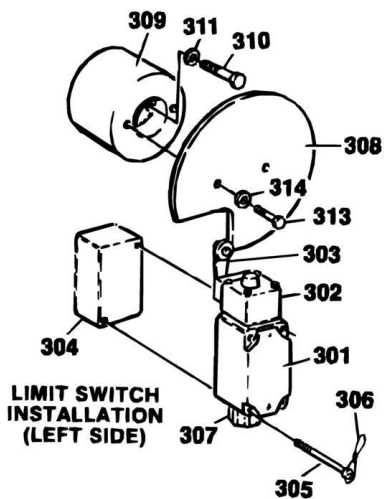
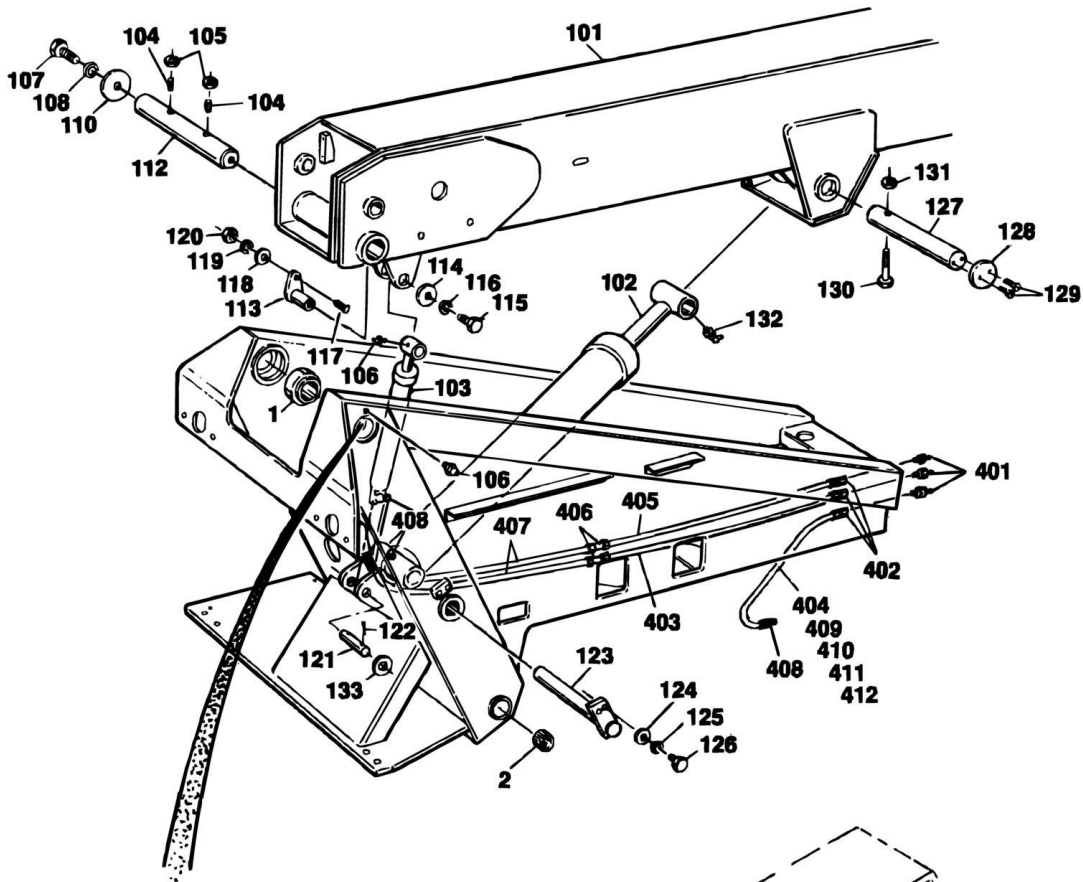
FIGURE 1-8. JACK CYLINDER INSTALLATION

ITEM	PART NUMBER	QTY	DESCRIPTION	REV
	0252607	Ref	JACK CYLINDER INSTALLATION	2
1	1682511	2	Jack Cylinder Assembly (See CYLINDER SECTION for Breakdown)	
2	0641812	8	Bolt 1/2in-13NC X 1 1/2in (4 Per Cylinder)	
3	4761800	8	Lockwasher 1/2in (4 Per Cylinder)	
4	3535906	2	Plate, Mounting (1 Per Cylinder)	
5	0641816	8	Bolt 1/2in-13NC x 2in (4 Per Cylinder)	
6	4711800	8	Flatwasher 1/2in Narrow (4 Per Cylinder)	
7	3311805	8	Locknut 1/2in-13NC (4 Per Cylinder)	
8	3252185	2	Nameplate - Jack Operator (1 Per End of Machine)	
9	4360314	4	Switch, Toggle (Extend and Retract of Jack Cylinder and Axles) (2 Per Nameplate)	
10	4740397	4	Washer, Special (2 Per Nameplate)	
11	0630448	8	Screw, Button Head 1/4in-20NC x 3/4in (4 Per Nameplate)	
12	4761400	8	Lockwasher 1/4in (4 Per Nameplate)	
14	3340630	2	Jack Pad Weldment	
15	0641852	4	Bolt 1/2in -13 NC x 6 1/2in	
16	3311801	4	Nut 1/2in - 13 NC	
	0100011	AR	Loctite	

SECTION 2 - TURNTABLE

SECTION 2 - TURNTABLE

FIGURE 2-1. TURNTABLE, BOOM AND SWITCHES INSTALLATION



SECTION 2 - TURNTABLE

FIGURE 2-1. TURNTABLE, BOOM AND SWITCHES INSTALLATION

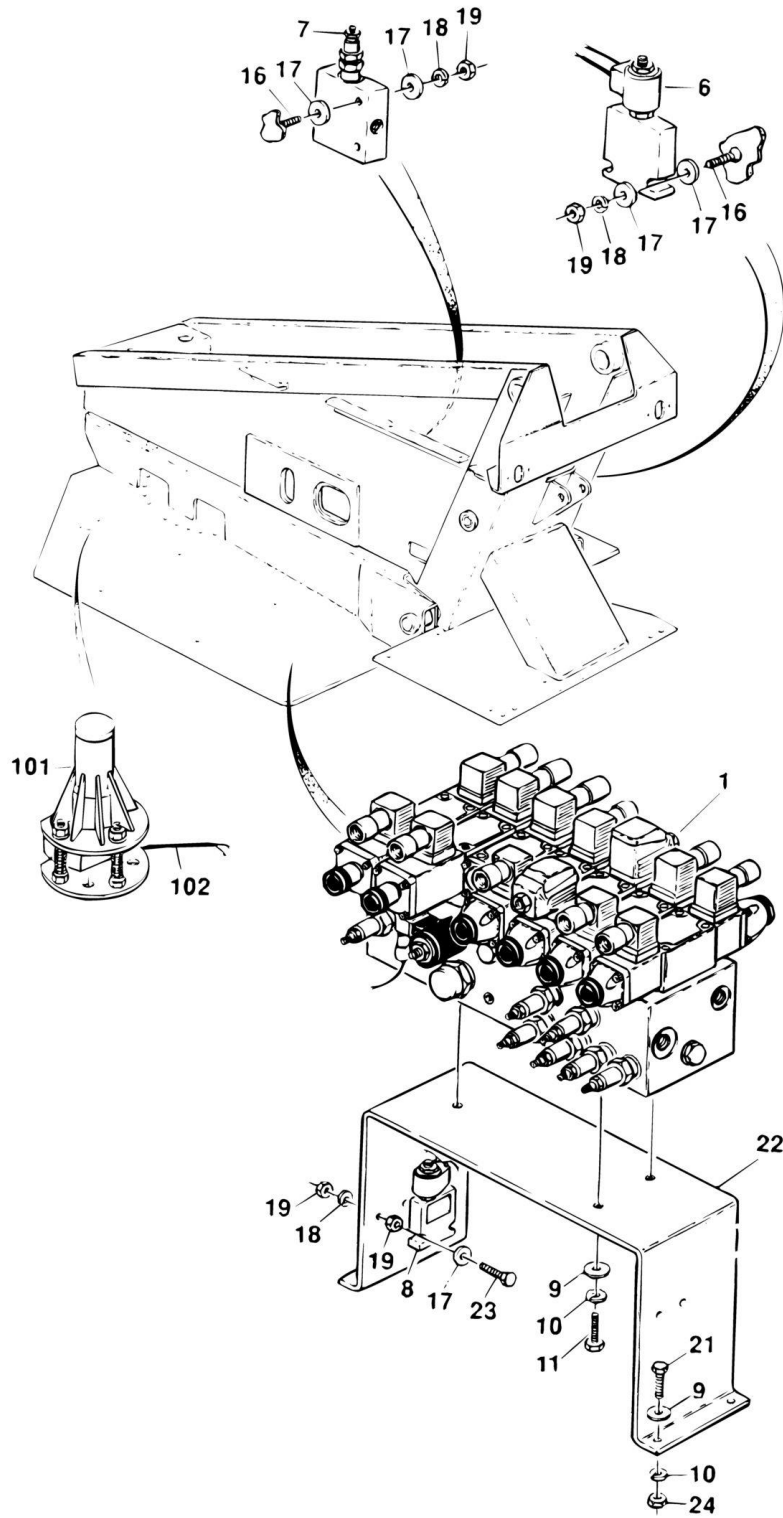
ITEM	PART NUMBER	QTY	DESCRIPTION	REV
	4620078	Ref	TURNTABLE ASSEMBLY	F-6
1	0252852	2	Boom Pivot Assembly	
1	0960594	2	Bushing, Self-Aligning (1 Per Assembly)	
2	0961392	2	Bushing, Bronze (Base Pivot)	
		Ref	BOOM AND CYLINDERS INSTALLATION	C
	0252609	Ref	Standard Boom (Prior to SN 37026)	F
	0258418	Ref	Standard Boom (SN 37026 to Present)	1
	0252932	Ref	Boom With Chip Covers (Prior to SN 37026)	D
	0258416	Ref	Boom With Chip Covers (SN 37026 to Present)	1
101		Ref	Boom Assembly (See BOOM SECTION for Breakdown)	
102		Ref	Lift Cylinder Assembly Options (See CYLINDERS SECTION for Breakdown):	
102	1682630	1	Lift Cylinder Assembly Options Prior to November 1992	
102	1682895	1	Lift Cylinder Assembly Options November 1992 to Present	
103	1681580	1	Master Cylinder Assembly (See CYLINDERS SECTION for Breakdown)	
104	3952014	2	Setscrew 5/8in-11NC x 1 3/4in	
105	3312002	2	Nut, Jam 5/8in-11NC	
106	2160002	3	Fitting, Grease	
107	0681812	4	Bolt 1/2in-13NC	
108	4740171	4	Washer, Special Hardened	
110	1120368	2	Cap, Boom Pivot	
112	3421555	1	Pin, Boom Pivot	
113	0236548	1	Pin, Top Master Cylinder	
114	4740006	1	Washer, Special	
115	0651608	1	Bolt 3/8in-24NF x 1in	
116	4761600	1	Lockwasher 3/8in	
117	4300038	1	Stud (Welded on Part) (Prior to July 1995)	
117	4300034	1	Stud (Welded on Part) (July 1995 to Present)	
118	4751500	1	Flatwasher 5/16in (Prior to July 1995)	
118	4751600	1	Flatwasher 3/8in (July 1995 to Present)	
119	4761500	1	Lockwasher 5/16in (Prior to July 1995)	
119	4761600	1	Lockwasher 3/8in (July 1995 to Present)	
120	3311501	1	Nut 5/16in-18NC (Prior to July 1995)	
120	3311601	1	Nut 3/8in-16NC (July 1995 to Present)	
121	3420085	1	Pin, Bottom Master Cylinder	
122	3450610	2	Pin, Cotter 3/16in x 2 1/2in	
123	3421676	1	Pin, Bottom Lift Cylinder	
124	4712200	2	Flatwasher 3/4in	
125	4762200	2	Lockwasher 3/4in	
126	0682213	2	Bolt 3/4in-10NC x 1 5/8in (Grade 8)	
127	3421678	1	Pin, Top Lift Cylinder	
128	4740361	2	Washer, Special	
129	3900159	4	Screw, Countersunk 1/2in-13NC x 3/4in	
130	0641840	1	Bolt 1/2in-13NC x 5in	
131	3311805	1	Locknut 1/2in-13NC	
132	2160001	1	Fitting, Grease - 90	
133	4740040	2	Flatwasher, Special	
	0100019	AR	Loctite #271	

SECTION 2 - TURNTABLE

ITEM	PART NUMBER	QTY	DESCRIPTION	REV
	0251007	Ref	HORIZONTAL CUTOUT LIMIT SWITCH INSTALLATION (RIGHT SIDE)	2
201	4360277	1	Switch, Limit	
202	4360236	1	Head, Actuator	
203	4360278	1	Roller and Arm	
204	0560984	1	Block, Switch Mounting	
205	3900168	2	Bolt, Socket Head #10-24NC Special	
206	4920140	1	Lockwire	
207	4460052	1	Connector, Strain Relief	
208	1100048	1	Cam	
209	1120372	1	Cap	
210	0681812	2	Bolt 1/2in-13NC x 1 1/2in (Grade 8)	
211	4740171	2	Washer, Special Hardened	
213	0641408	2	Bolt 1/4in-20NC x 1in	
214	4761400	2	Lockwasher 1/4in	
	0100019	AR	Loctite #271	
	0251006	Ref	8 METER CUTOUT LIMIT SWITCH INSTALLATION (DUTCH AND GERMAN SPECS) (LEFT SIDE)	B
301	4360277	1	Switch, Limit	
302	4360236	1	Head, Actuator	
303	4360278	1	Roller and Arm	
304	0560984	1	Block, Switch Mounting	
305	3900168	2	Bolt, Socket Head #10-24NC Special	
306	4920140	1	Lockwire	
307	4460052	1	Connector, Strain Relief	
308	1100048	1	Cam	
309	1120372	1	Cap	
310	0681812	2	Bolt 1/2in-13NC x 1 1/2in (Grade 8)	
311	4740171	2	Washer, Special Hardened	
313	0641408	2	Bolt 1/4in-20NC x 1in	
314	4761400	2	Lockwasher 1/4in	
	0100019	AR	Loctite #271	
	0239844	Ref	LUBE LINES INSTALLATION	3
401	2160002	3	Fitting, Grease	
402	2220001	3	Fitting	
403	2751032	1	Hose	
404	2750528	1	Hose	
405	2750807	1	Hose	
406	2200261	2	Fitting, Nipple	
407	2750527	2	Hose	
408	2220063	3	Fitting	
409	4300031	1	Stud (Welded on Part)	
410	4761400	1	Lockwasher 1/4in	
411	3311401	1	Nut 1/4in-20NC	
412	1320040	1	Clamp, Insulated	

SECTION 2 - TURNTABLE

FIGURE 2-2. VALVES INSTALLATION - TURNTABLE MOUNTED



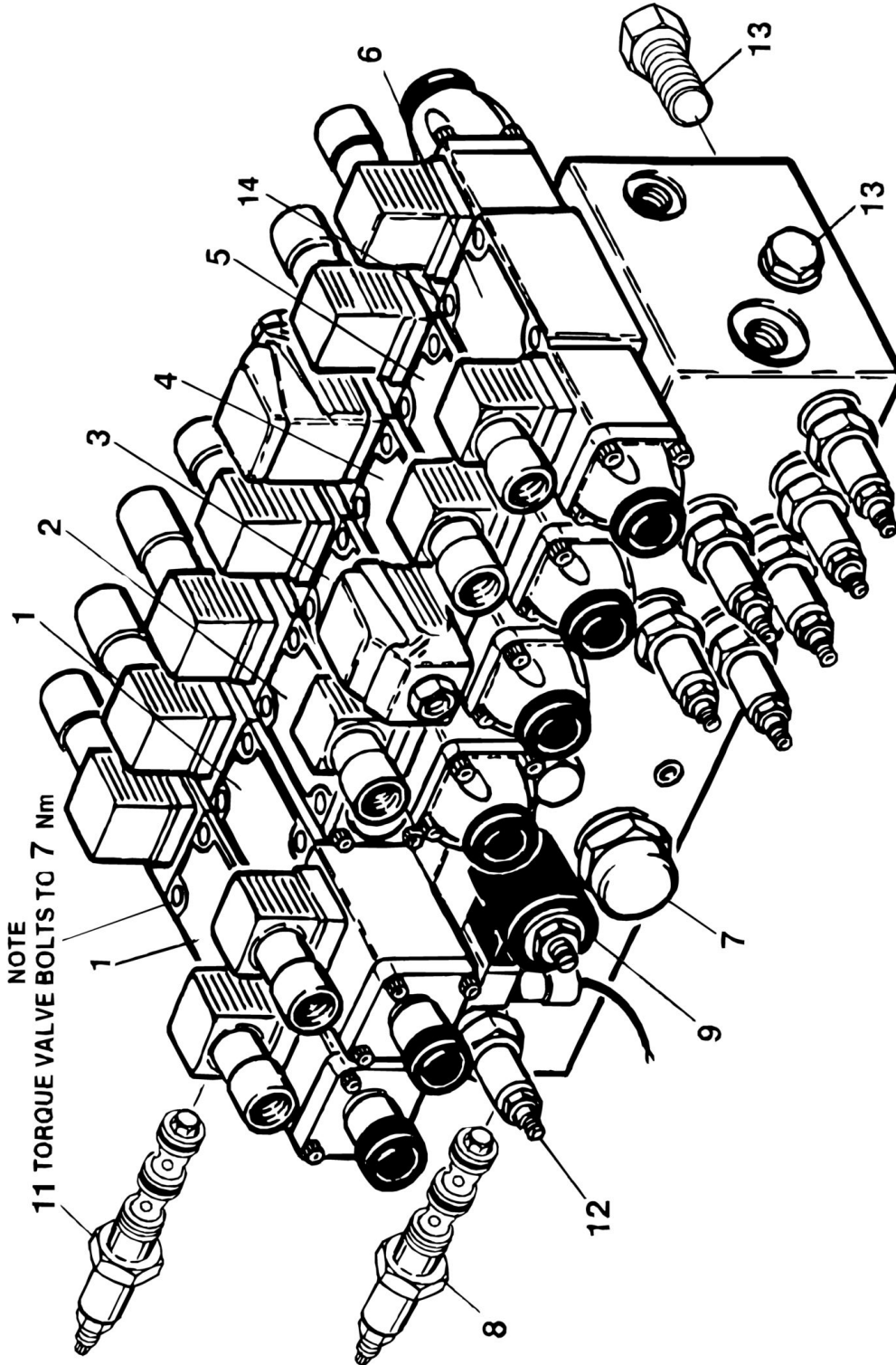
SECTION 2 - TURNTABLE

FIGURE 2-2. VALVES INSTALLATION - TURNTABLE MOUNTED

ITEM	PART NUMBER	QTY	DESCRIPTION	REV
		Ref	VALVES INSTALLATION - TURNTABLE MOUNTED	
	0252709	Ref	Valves Installation - Turntable Mounted (Prior to SN 38697)	4
	0258677	Ref	Valves Installation - Turntable Mounted (SN 38697 to Present)	2
1		Ref	Valve Assembly - Hydro-Air Options:	
1	4640738	1	Valve Assembly - Hydro-Air (See VALVES ASSEMBLY - HYDRO AIR for Breakdown) (Prior to SN 38697)	
1	4641065	1	Valve Assembly - Hydro-Air (See VALVE ASSEMBLY - HYDRO AIR for Breakdown) (SN 38697 to Present)	
1	4641181	1	Post Production (See VALVE ASSEMBLY - HYDRO AIR for Breakdown)	
6	4640758	1	Valve Assembly - 3 - Way Solenoid	
6	7012906	1	Coil	
6	7012907	1	Seal Kit	
7		Ref	Valve, Counterbalance Options:	
7	4640626	1	Valve, Counterbalance (Prior to SN 38697)	
7	4641079	1	Valve, Counterbalance (SN 38697 to Present)	
8	4640543	1	Valve Assembly - Solenoid	
8	7009745	1	Coil (Vickers/Modular Controls Version)	
8	7004368	1	Coil (Hydraforce Version)	
9	4711600	11	Flatwasher 3/8in	
10	4761600	7	Lockwasher 3/8in	
11	0641609	3	Bolt 3/8in-16NC x 1 1/8in	
16	4300036	4	Stud (Welded on Part)	
17	4711400	17	Flatwasher 1/4in	
18	4761400	11	Lockwasher 1/4in	
19	3311401	17	Nut 1/4in-20NC	
21	0641616	4	Bolt 3/8in-16NC x 2in	
22	3535942	1	Plate, Valve Mounting	
23	0641420	2	Bolt 1/4in-20NC x 2 1/2in	
24	3311605	4	Nut 3/8in-16NC	
25	0140001	1	Horn	
26	0641406	1	Bolt 1/4in-20NC x 3/4in	
	0252926	Ref	TILT INDICATOR INSTALLATION	3
101		Ref	Switch, Level Sensor - 3, Options:	
101	4360171	1	Switch, Level Sensor Prior to May 1993	
101	4360362	1	Switch, Level Sensor May 1993 to Present	
102	2820022	6 in/14cm	Tubing, Vinyl (6 in/14cm Per Switch) (Prior to May 1993)	

SECTION 2 - TURNTABLE

FIGURE 2-3. VALVES ASSEMBLY - HYDRO AIR (Prior to SN 38697)



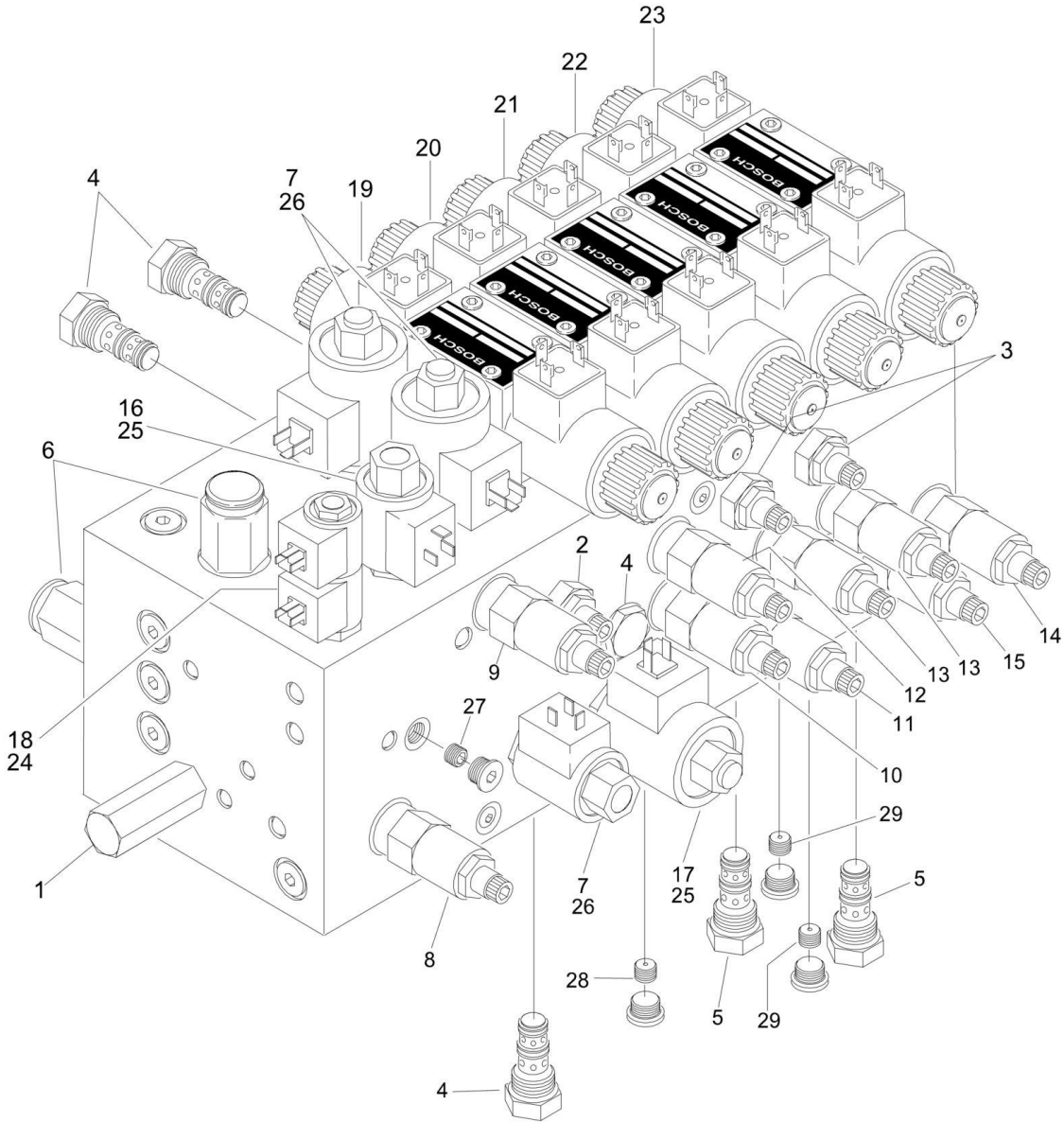
SECTION 2 - TURNTABLE

FIGURE 2-3. VALVES ASSEMBLY - HYDRO AIR (Prior to SN 38697)

ITEM	PART NUMBER	QTY	DESCRIPTION	REV
	4640738	Ref	VALVE ASSEMBLY - HYDRO-AIR (Prior to SN 38697)	-
1	7012717	2	Rexroth Valve Section - Complete (Swing and Lift)	
1	7012728	4	Coil, Solenoid (2 Per Section)	
2	7012718	1	Rexroth Valve Section - Complete (Flow) (was p/n 4640782)	
2	7012728	1	Coil, Solenoid (1 Per Section)	
3	7012720	1	Rexroth Valve Section - Complete (Telescope)	
3	7012730	2	Coil, Solenoid (2 Per Section)	
3	7012734	1	Orifice 2.7mm (Located in T Port)	
4	7012719	1	Rexroth Valve Section - Complete (Extend-A-Reach)	
4	7012729	2	Coil, Solenoid (2 Per Section)	
4	7012735	2	Diode Circuit Board (2 Per Section)	
4	7012736	1	Orifice 1.2mm (Located in Port A Only)	
5	4640788	1	Rexroth Valve Section - Complete (Rotate)	
5	7012730	2	Coil, Solenoid (2 Per Section)	
6	7012722	1	Rexroth Valve Section - Complete (Platform Level)	
6	7012730	2	Coil, Solenoid (2 Per Section)	
6	7012736	2	Orifice 1.2mm (Located in A and B Ports)	
7	7012908	1	Cartridge, Valve	
7	7012915	1	Seal Kit - 7012908 Cartridge	
8	7012909	1	Cartridge, Valve	
8	7012916	1	Seal Kit - 7012909 Cartridge	
9	7012910	1	Cartridge, Valve (Without Coil)	
9	2900756	1	Seal Kit - 7012910 Cartridge	
9	7000645	1	Coil - 12V	
10	7010542	4	Cartridge, Valve	
10	7010543	4	Seal Kit - 7010542 Cartridge (1 Per Cartridge)	
11	7012912	7	Cartridge, Valve	
11	7010541	7	Seal Kit - 7012912 Cartridge (1 Per Cartridge)	
12	7012913	1	Cartridge, Valve	
12	2900708	1	Seal Kit - 7012913 Cartridge (1 Per Cartridge)	
13	7012914	2	Cartridge, Valve	
13	7012918	2	Seal Kit - 7012914 Cartridge (1 Per Cartridge)	
14	7018942	AR	Capscrew, Socket Head #10-24NC x 2in	
	7012725	7	Seal Kit - Rexroth Valve Sections (1 Per Valve Section)	

SECTION 2 - TURNTABLE

FIGURE 2-4. VALVE ASSEMBLY - HYDRO AIR (SN 38697 to Present)



SECTION 2 - TURNTABLE

FIGURE 2-4. VALVE ASSEMBLY - HYDRO AIR (SN 38697 to Present)

ITEM	PART NUMBER	QTY	DESCRIPTION	REV
		Ref	VALVE ASSEMBLIES	
	4641065	Ref	PRODUCTION	E
	4641181	Ref	POST PRODUCTION	B
1	7017482	1	Cartridge, Valve	
1	7012518	1	Seal Kit - 7017482 Cartridge	
2	7012997	1	Cartridge, Flow Control (Lift Down Speed Control)	
2	7010545	1	Seal Kit - 7012997 Cartridge	
3	7017483	2	Cartridge, Flow Control	
3	7012953	2	Seal Kit - 7017483 Cartridge	
4	7010542	4	Cartridge, Load Shuttle	
4	7010543	4	Seal Kit - 7010542 Cartridge (1 Per Cartridge)	
5	7012914	2	Cartridge, Pilot Check	
5	7012918	2	Seal Kit - 7012914 Cartridge (1 Per Cartridge)	
6	7017484	2	Cartridge, Pilot Directional	
6	7012942	2	Seal Kit - 7017484 Cartridge (1 Per Cartridge)	
7	7017485	3	Cartridge, Proportional Valve (Without Coil) (Lift, Swing, Tele, EAR and Rotate)	
7	Not Available	3	Seal Kit - 7017485 Cartridge	
8	7021637	1	Cartridge, Relief Valve (Main Pressure Adjustment)	
8	7012972	1	Seal Kit - 7021637 Cartridge	
9	7017487	1	Cartridge, Relief Valve (Lift Down Pressure)	
9	7017496	1	Seal Kit - 7017487 Cartridge	
10	7017421	1	Cartridge, Relief Valve (Swing Pressure)	
10	7012998	1	Seal Kit - 7017421 Cartridge	
11	7017418	1	Cartridge, Relief Valve (EAR Up Pressure)	
11	7012998	1	Seal Kit - 7017418 Cartridge	
12	7017488	1	Cartridge, Relief Valve (EAR Down Pressure)	
12	7012998	1	Seal Kit - 7017488 Cartridge	
13	7017422	2	Cartridge, Relief Valve (Rotate Right, Rotate Left)	
13	7012998	2	Seal Kit - 7017422 Cartridge	
14	7017489	1	Cartridge, Relief Valve (Level Down Pressure)	
14	7012998	1	Seal Kit - 7017489 Cartridge	
15	7017422	1	Cartridge, Relief Valve (Level Up Pressure)	
15	7012998	1	Seal Kit - 7017489 Cartridge	
16	7012910	1	Cartridge, Solenoid Valve (Without Coil) (Main Dump)	
16	2900708	1	Seal Kit - 7012910 Cartridge	
17	7010635	1	Cartridge, Solenoid Valve (Without Coil) (Lift Down)	
17	2900708	1	Seal Kit - 7010635 Cartridge	
18	7017452	1	Cartridge, Solenoid Valve (Without Coil) (Telescope)	
18	7017402	1	Seal Kit - 7017452 Cartridge	
18	7012944	2	Coil - 12V	
19	7021622	1	Bosch Valve Section - Complete (Lift)	
19	7021405	1	Spool (2 Per Section)	
19	7021401	1	Coil (2 Per Section)	
19	7021402	1	Seal Kit (2 Per Section)	
19	7021406	1	Cap, End (2 Per Section)	
19	7024826	4	Bolt	
20	7017491	1	Bosch Valve Section - Complete (Swing)	
20	7021404	1	Spool (2 Per Section)	
20	7021401	1	Coil (2 Per Section)	

SECTION 2 - TURNTABLE

ITEM	PART NUMBER	QTY	DESCRIPTION	REV
20	7021402	1	Seal Kit (2 Per Section)	
20	7021403	1	Cap, End (2 Per Section)	
20	7024826	4	Bolt	
21	7017491	1	Bosch Valve Section - Complete (EAR)	
21	7021404	1	Spool (2 Per Section)	
21	7021401	1	Coil (2 Per Section)	
21	7021402	1	Seal Kit (2 Per Section)	
21	7021403	1	Cap, End (2 Per Section)	
21	7024826	4	Bolt	
22	7017490	1	Bosch Valve Section - Complete (Rotate)	
22	7021400	1	Spool (2 Per Section)	
22	7021401	1	Coil (2 Per Section)	
22	7021402	1	Seal Kit (2 Per Section)	
22	7021403	1	Cap, End (2 Per Section)	
22	7024826	4	Bolt	
23	7017491	1	Bosch Valve Section - Complete (Level)	
23	7021404	1	Spool (2 Per Section)	
23	7021401	1	Coil (2 Per Section)	
23	7021402	1	Seal Kit (2 Per Section)	
23	7021403	1	Cap, End (2 Per Section)	
23	7024826	4	Bolt	
24	7012944	2	Coil	
25	7012943	2	Coil	
26	7017451	3	Coil	
27	7017492	1	Orifice	
28	7017493	1	Orifice	
29	7017494	2	Orifice	

SECTION 2 - TURNTABLE

FIGURE 2-5. ROTARY COUPLING AND COLLECTOR RING ASSEMBLY AND INSTALLATION

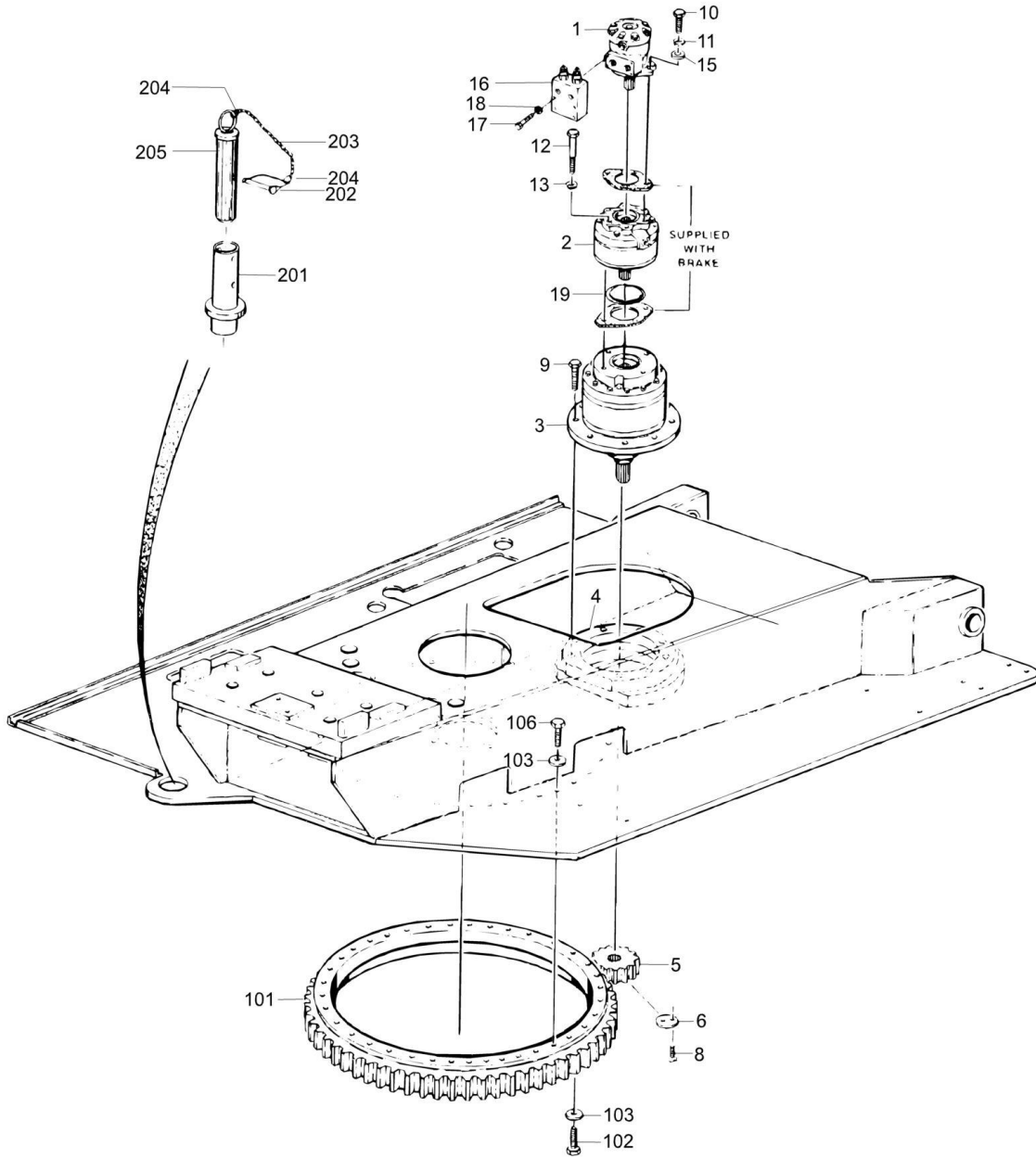
ITEM	PART NUMBER	QTY	DESCRIPTION	REV
		Ref	ROTARY COUPLING AND COLLECTOR RING ASSEMBLY AND INSTALLATION OPTIONS:	
	0250611	Ref	Rotary Coupling and Collector Ring Assembly and Installation Prior To September 1994	B
	0254882	Ref	Rotary Coupling and Collector Ring Assembly and Installation September 1994 To Present	3
1		Ref	Rotary Oil Coupling Assembly Options:	
1	1660185	1	Rotary Oil Coupling Assembly Prior To September 1994 (See Items 101-105 For Breakdown)	-
1	1660213	1	Rotary Oil Coupling Assembly September 1994 to Present	A
1	7013175	1	Seal Kit - 1660213 Coupling	
2	3530403	1	Plate, Retaining	
3	3951820	2	Setscrew 1/2in-13NC x 2 1/2in	
4	0641807	2	Bolt 1/2in-13NC x 7/8in	
5	4761800	2	Lockwasher 1/2in	
6	1440154	1	Collar	
7	0641512	4	Bolt 5/16in-18NC x 1 1/2in (Prior to SN 36536)	
7	0641514	4	Bolt 5/16in-18NC x 1 3/4in (SN 36536 to Present)	
8	4761500	4	Lockwasher 5/16in	
8	0100011	AR	Loctite #242	
8	0100019	AR	Loctite #271	
	1660185	Ref	ROTARY OIL COUPLING ASSEMBLY	-
101	0620106	1	Body, Swivel	
102	2760091	1	Housing, Swivel	
103	Kit	7	T-Seal	
104	3760004	1	Ring, Retaining	
105	Kit	1	O-Ring	
		Ref	Seal Kit Options:	
	2901146	1	1660185 Coupling (Includes Items 103 & 105)	
	1660213EX	1	1660213 Coupling (was p/n 7013175) (Note: Due to complexity of repair, seal kit no longer available. Use rebuilt unit as replacement.)	
	0252284	Ref	COLLECTOR RING INSTALLATION (FOUR WHEEL STEER ONLY)	3
201	4843822	1	Bracket Weldment	
202	0960224	2	Bushing	
203	0641418	2	Bolt 1/4in-20NC x 2 1/4in	
204	2180763	1	Pipe	
205	0961531	1	Bushing	
206	3760108	1	Collector Ring Assembly	
207	3311801	2	Nut 1/2in-13NC	
208	3420290	2	Pin, Drive	
209	0231047	2	Guide, Drive	
210	0234721	1	Cover	
211	0721004	4	Screw, Machine #10-24NC x 1/2in	
212	4761400	2	Lockwasher 1/4in	
213	1320040	2	Clamp, Cable	
214	3911012	2	Screw, Machine	
215	4751000	6	Flatwasher #10	
216	4761000	6	Lockwasher #10	
217	3311001	6	Nut #10-24NC	

SECTION 2 - TURNTABLE

ITEM	PART NUMBER	QTY	DESCRIPTION	REV
218	4751400	2	Flatwasher 1/4in	

SECTION 2 - TURNTABLE

FIGURE 2-6. SWING DRIVE AND BEARING INSTALLATION



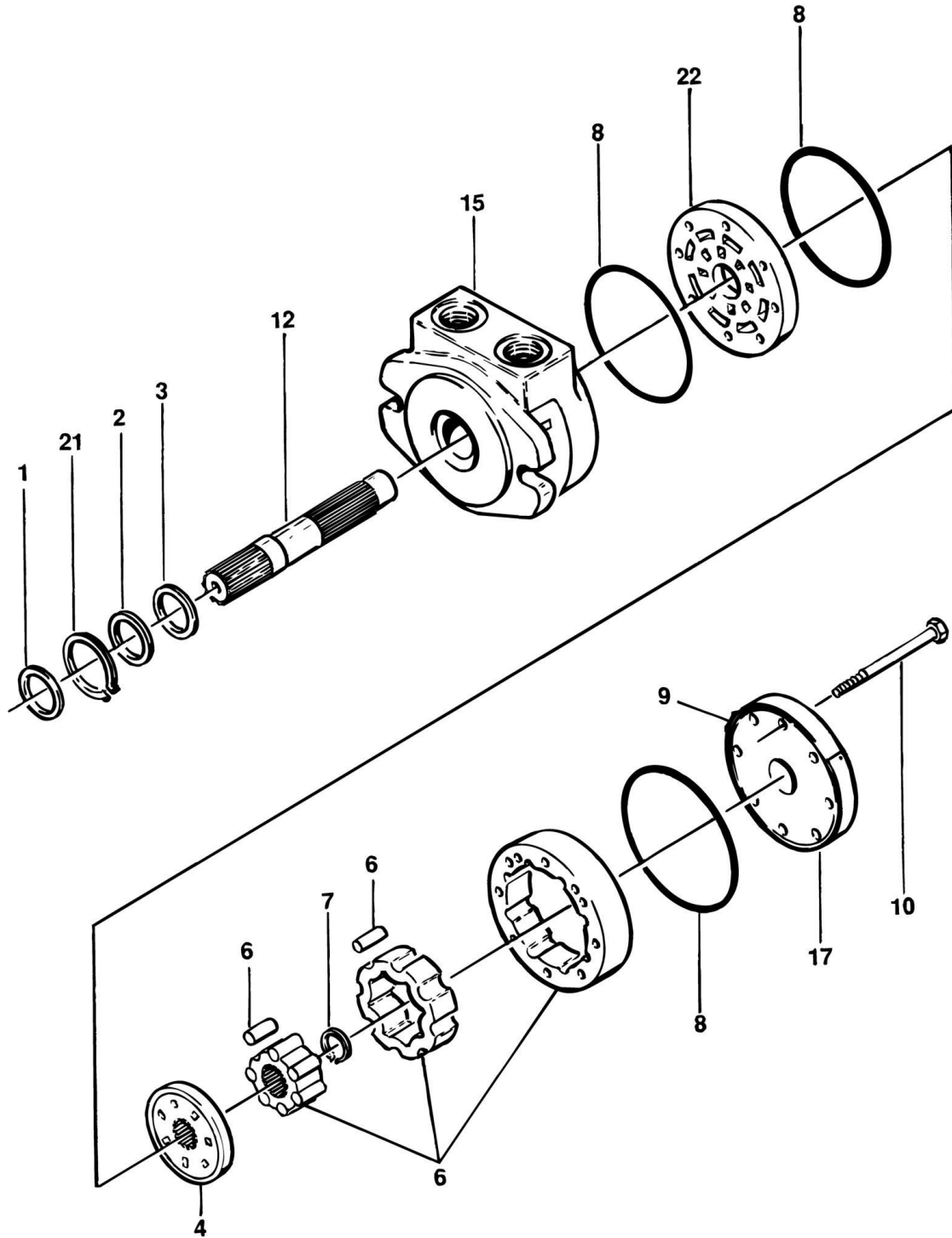
SECTION 2 - TURNTABLE

FIGURE 2-6. SWING DRIVE AND BEARING INSTALLATION

ITEM	PART NUMBER	QTY	DESCRIPTION	REV
	0252675	Ref	SWING DRIVE INSTALLATION	5
1	3160184	1	Swing Motor Assembly (See SWING MOTOR ASSEMBLY for Breakdown)	
2		Ref	Swing Brake Assembly Options (See SWING BRAKE ASSEMBLY for Breakdown):	
2	0920083	1	Swing Brake Assembly (Prior to SN 33476)	
2	0920109	1	Swing Brake Assembly (SN 33476 to Present)	
3	2780116	1	Swing Hub Assembly (See SWING HUB ASSEMBLY for Breakdown)	
4	4844109	1	Mounting Weldment - Swing Drive	
5	2440058	1	Gear, Pinion	
6	3533337	1	Plate, Retaining	
8	3900164	2	Screw, Countersunk 1/2in-20NF x 1in	
9	0642216	8	Bolt 3/4in-10NC x 2in	
10	0641810	2	Bolt 1/2in-13NC x 1 1/4in	
11	4761800	2	Lockwasher 1/2in	
12	3931864	2	Bolt, Socket Head 1/2in-13NC x 4in (Grade 8)	
13	4740189	2	Washer, Special	
15	4740171	2	Washer, Special Hardened	
16	4640741	1	Motor Control Valve Assembly	
16	7011320	2	Cartridge	
16	2900770	2	Seal Kit	
17	0641520	4	Bolt 5/16in-18NC x 2 1/2in	
18	4761500	4	Lockwasher 5/16in	
19	3790155	1	O-Ring (SN 40756 to Present)	
	0100019	AR	Loctite #271	
	0100009	AR	Sealant, Pipe	
	0250348	Ref	TURNTABLE BEARING INSTALLATION	7-F
101	0440193	1	Bearing	
102	0682016	40	Bolt 5/8in-11NC x 2in	
103	4740004	80	Washer, Special Hardened	
104	0100019	AR	Loctite #271 (Not Shown)	
106		Ref	Bolt Options:	
106	0682016	40	Use Bolt 5/8in-11NC x 2in (Prior to SN 53244)	
106	0682026	40	Use Bolt 5/8in-11NC x 3 1/4in (Prior to SN 53244)	
	0239842	Ref	TURNTABLE LOCK INSTALLATION	2
201	4843318	1	Bushing Weldment	
202	3421565	1	Pin, Snap	
203	1260017	9 in/23cm	Chain - #3	
204	3760170	2	Ring, Quick Release	
205	3421563	1	Pin, Turntable Lock	

SECTION 2 - TURNTABLE

FIGURE 2-7. SWING MOTOR ASSEMBLY



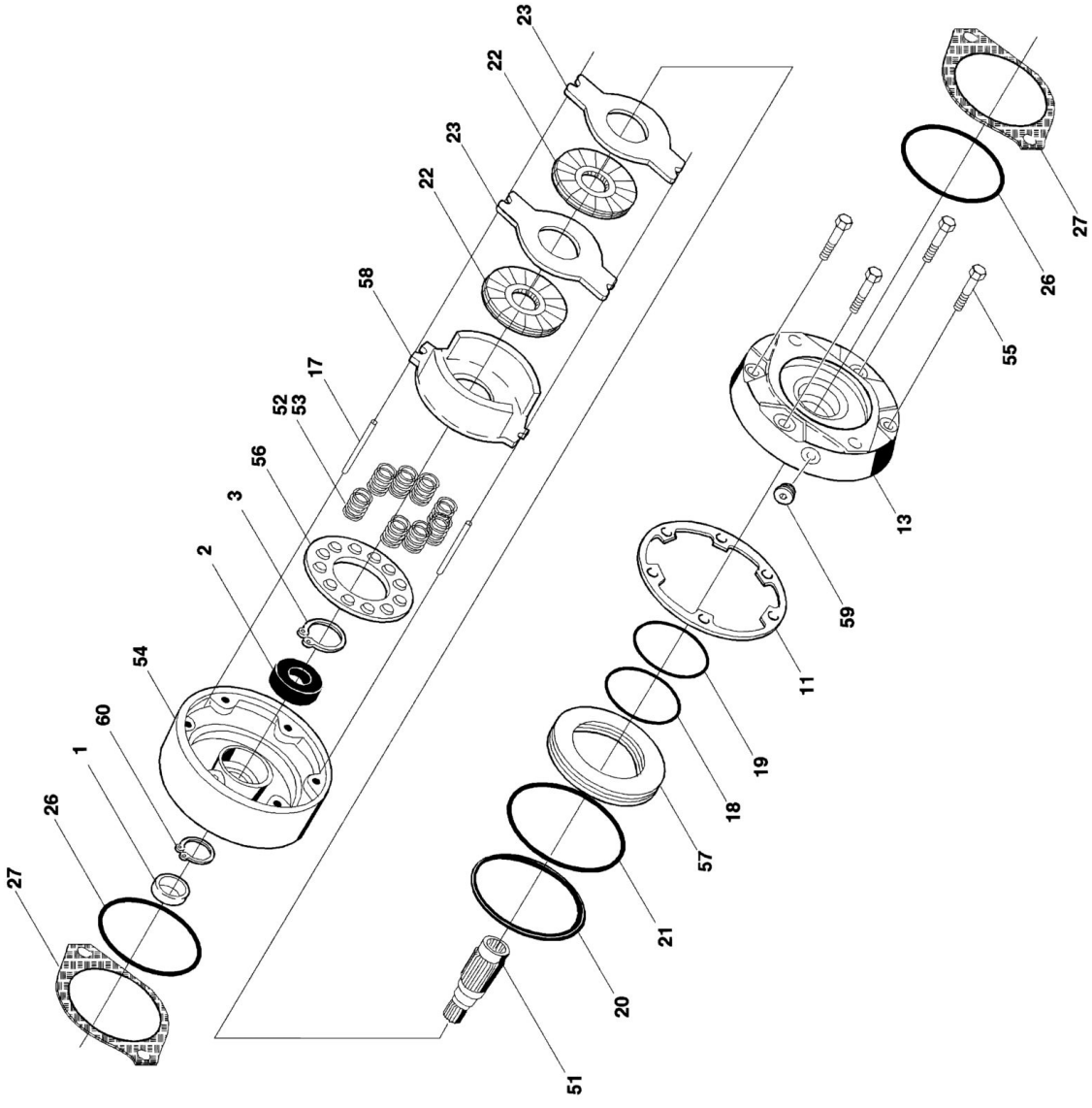
SECTION 2 - TURNTABLE

FIGURE 2-7. SWING MOTOR ASSEMBLY

ITEM	PART NUMBER	QTY	DESCRIPTION	REV
	3160184	Ref	SWING MOTOR ASSEMBLY	B
1	Kit	1	Seal, Dust	
2	Kit	1	Ring, Back-up	
3	Kit	1	Seal, Lip	
4	7004196	1	Valve, Rotary	
5	7004167	2	Ball, Check Valve	
6	7004179	1	IGR Assembly	
7	Kit	1	Ring, Snap	
8	Kit	3	Seal, Ring	
9	7004171	1	Plug, Vent (Includes O-Ring)	
10	7010780	8	Bolt	
12	7010781	1	Shaft, Spline	
15	7010782	1	Body/Bearing Assembly	
17	7004192	1	Cover/Bearing Assembly	
21	Kit	1	Ring, Retaining	
22	7010776	1	Plate, Commutator	
	2900798	1	Seal Kit (Includes Items 1, 2, 3, 7, 8 & 21)	

SECTION 2 - TURNTABLE

FIGURE 2-8. SWING BRAKE ASSEMBLY



SECTION 2 - TURNTABLE

FIGURE 2-8. SWING BRAKE ASSEMBLY

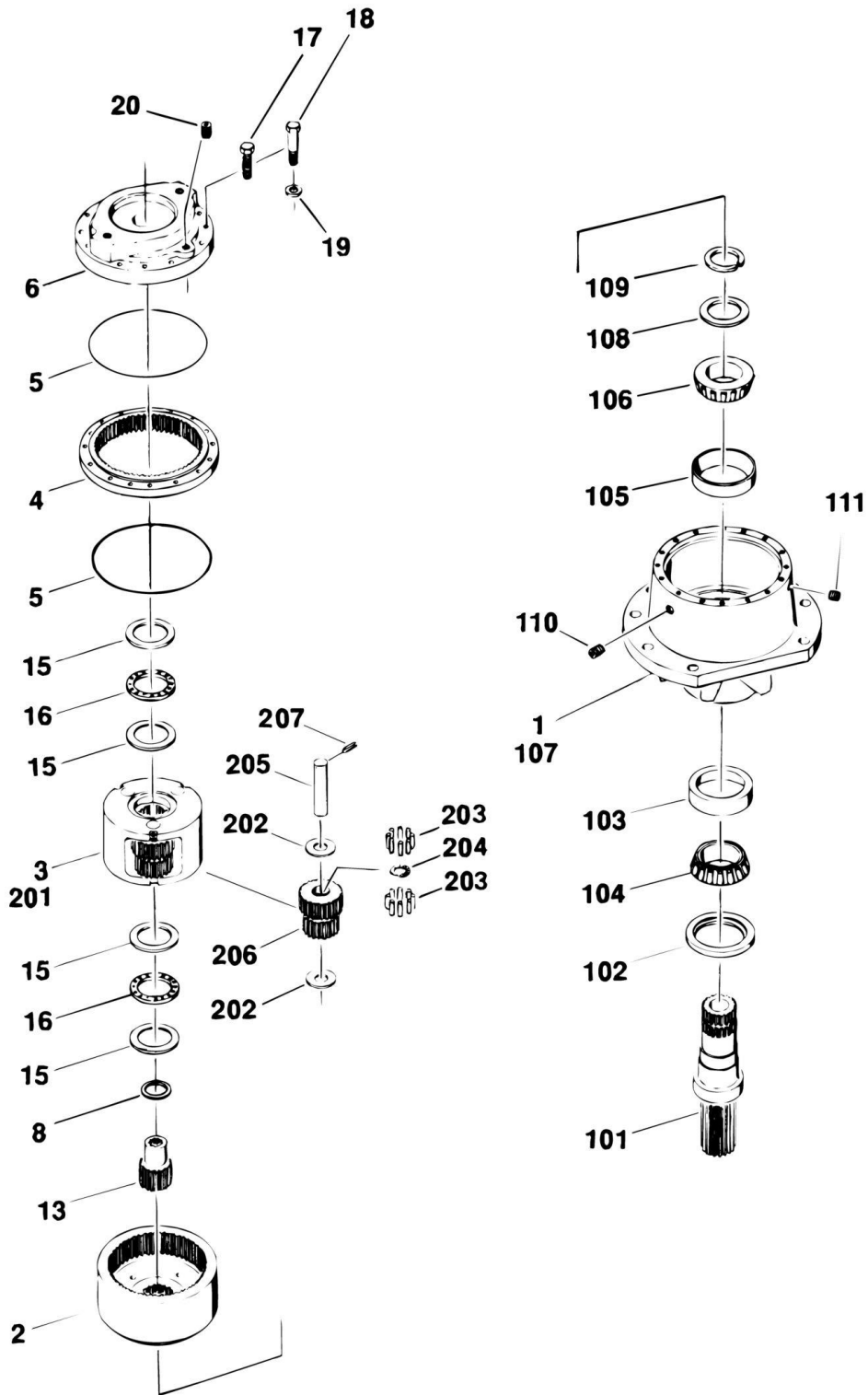
ITEM	PART NUMBER	QTY	DESCRIPTION	REV
		Ref	SWING BRAKE ASSEMBLY	
1	Kit	1	Seal, Oil	
2	Kit	1	Bearing	
3	7007977	1	Ring, Retaining	
11	Kit	1	Seal, Case	
13	7011719	1	Cover	
15	7007987	2	Pin, Dowel	
16	Kit	1	Ring, Back-up (Inner)	
17	Kit	1	O-Ring (Inner)	
18	Kit	1	Ring, Back-up (Outer)	
19	Kit	1	O-Ring (Outer)	
20	Kit	2	Rotor	
21	Kit	2	Stator	
26	Kit	2	O-Ring	
27	7007934	2	Gasket	
	2900766	1	Seal Kit (Includes Items 1, 11, 16, 17, 18, 19, 26 & 27)	
	2900768	1	Bearing Kit (Includes Items 1, 2, 11, 26 & 27)	
		Ref	SWING BRAKE ASSEMBLY (VARIABLE PARTS)	
	0920083	Ref	Machines Built Through 1992	-
	0920083	Ref	Machines Built 1993 through SN 33475	A
	0920109	Ref	Machines Built (SN 33476 to Present)	B
51		Ref	Shaft Options:	
51	7011718	1	Machines Built Through 1992	
51	7011720	1	Machines Built Through 1993 to Present	
52		Ref	Spring Options:	
52		Ref	0920083 Brake Components:	
52	7007979	6	Spring (Small)	
52	7007980	6	Spring (Large)	
52	Not Required	0	0920109 Brake	
53		Ref	Spring Options:	
53	Not Required	0	0920083 Brake	
53		Ref	0920109 Brake Components:	
53	7007970	6	Spring (Red)	
53	7018602	3	Spring (Blue)	
54		Ref	Housing Options:	
54	7007981	1	Machines Built Through 1992	
54	7011713	1	Machines Built Through 1993 through SN 33475	
54	7018605	1	Machines Built (SN 33476 to Present)	
55		Ref	Bolt, Washer Head	
55	7007985	4	0920083 Brake	
55	7018607	4	0920109 Brake	
56		Ref	Guide, Spring	
56	Not Required	0	Machines Built Through 1992	
56	7011717	1	Machines Built Through 1993 through SN 33475	
56	7018606	1	Machines Built (SN 33476 to Present)	
57	7007923	1	Piston	
57	7007923	1	0920083 Brake	
57	7018603	1	0920109 Brake	
58		Ref	Return Plate/Separator Assembly Options:	
58		Ref	0920083 Brake Components:	

SECTION 2 - TURNTABLE

ITEM	PART NUMBER	QTY	DESCRIPTION	REV
58	Kit	1	Plate, Return	
58	7011715	2	Separator Assembly	
58	7011714	4	Pin	
58	7007983	2	Separator	
58	7018604	1	0920109 Brake (1 Welded Component)	
59		Ref	Screw, Bleeder/Plug Options:	
59	7007914	1	0920083 Brake (Screw, Bleeder)	
59	7018609	1	0920109 Brake (Plug)	
60		Ref	Ring, Retaining Options:	
60	Not Required	0	Machines Built Through 1992	
60	7011716	AR	Machines Built Through 1993 to Present	
		Ref	Lining Kit Options (Includes Items 11, 20, 21, 26, 27 & 58):	
	2900767	1	0920083 Brake	
	7018608	1	0920109 Brake	

SECTION 2 - TURNTABLE

FIGURE 2-9. SWING HUB ASSEMBLY



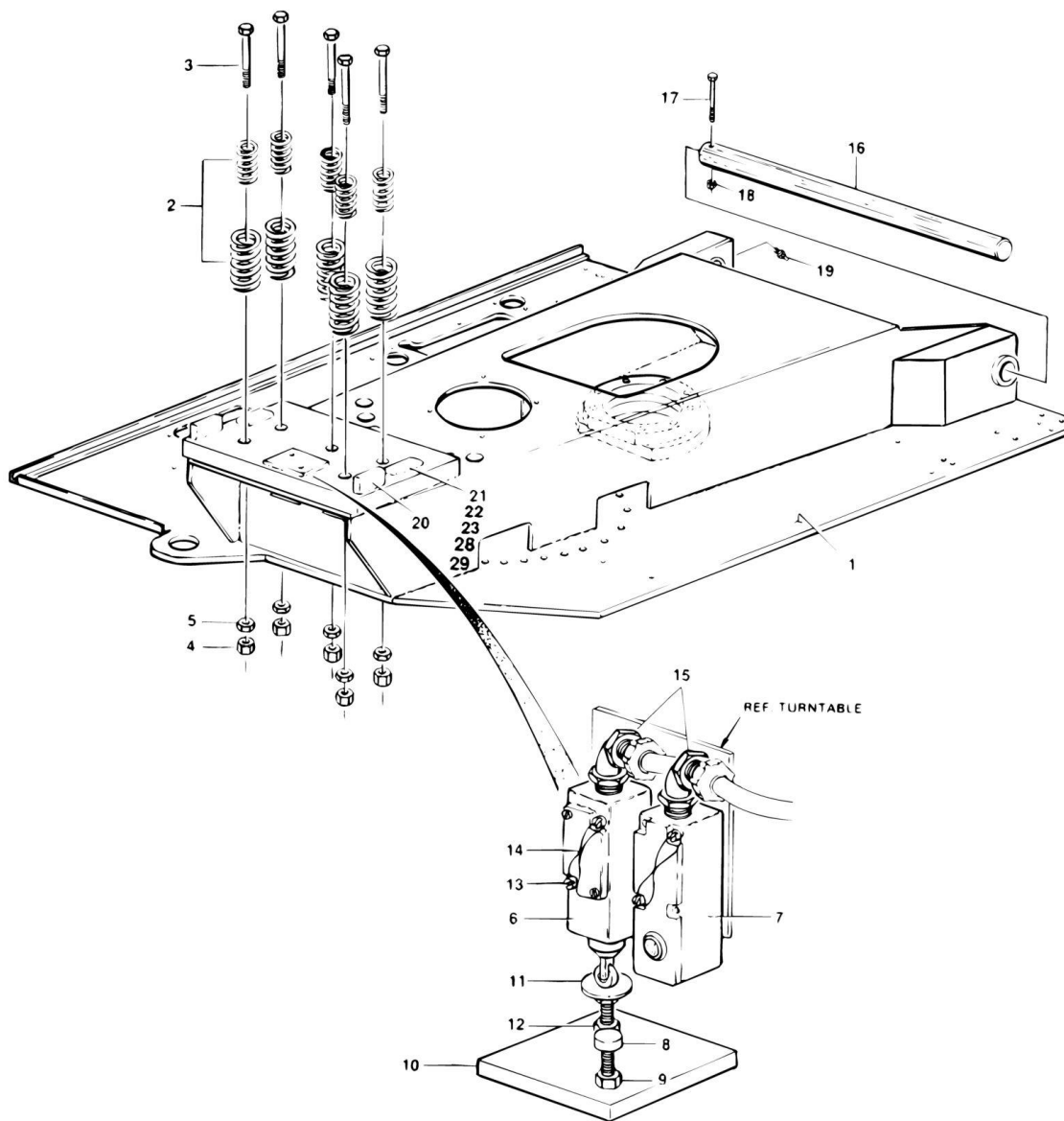
SECTION 2 - TURNTABLE

FIGURE 2-9. SWING HUB ASSEMBLY

ITEM	PART NUMBER	QTY	DESCRIPTION	REV
	2780116	Ref	SWING HUB ASSEMBLY	-
1	7001916	1	Hub and Spindle Assembly (See Items 101-111 for Breakdown)	
2	7001917	1	Gear, Internal	
3	7001918	1	Carrier Assembly (See items 201-207 for Breakdown)	
4	7000279	1	Gear, Ring	
5	Kit	2	O-Ring	
6	7001920	1	Cover	
8	7001922	1	Washer, Thrust	
13	7001921	1	Gear, Input	
15	7000287	4	Washer, Thrust	
16	7000288	2	Bearing, Thrust	
17	7001923	8	Bolt	
18	7001924	4	Bolt, Shoulder	
19	7001929	4	Lockwasher	
20	7001926	1	Plug, Pipe	
	7001916	Ref	HUB AND SPINDLE ASSEMBLY	
101	7001982	1	Shaft, Output	
102	Kit	1	Seal, Lip	
103	7000272	1	Cup, Bearing	
104	7000273	1	Cone, Bearing	
105	7000274	1	Cup, Bearing	
106	7000275	1	Cone, Bearing	
107	Not Available	1	Hub	
108	Kit	1	Spacer	
109	Kit	1	Ring, Retaining	
110	7001928	1	Plug, Pipe	
111	7001926	2	Plug, Pipe	
	7001918	Ref	Carrier Assembly	
201	Not Available	1	Housing, Carrier	
202	Kit	6	Washer, Thrust	
203	7001902	84	Bearing, Needle	
204	Kit	3	Spacer	
205	7001904	3	Shaft, Planet	
206	Kit	3	Gear, Cluster	
207	Kit	3	Rollpin	
	2900202	1	Seal Kit (Includes Items 5, 102, 108 & 109)	
	7001927	1	Cluster Gear Kit (Includes Items 202, 204, 206 & 207)	

SECTION 2 - TURNTABLE

FIGURE 2-10. LOAD MANAGEMENT INSTALLATION



SECTION 2 - TURNTABLE

FIGURE 2-10. LOAD MANAGEMENT INSTALLATION

ITEM	PART NUMBER	QTY	DESCRIPTION	REV
	0239868	Ref	LOAD MANAGEMENT INSTALLATION	7
1		Ref	Base Weldment Options:	
1	4843310	1	Base Weldment (Prior to May 1992)	
1	4844080	1	Base Weldment (May 1992 to September 1992)	
1	4844272	1	Base Weldment (September 1992 to Present)	
2	4160099	5	Spring	
3	0630422	5	Bolt 1 1/4in-NC x 14in	
4	3313002	5	Nut, Jam 1 1/4in-7NC	
5	3273001	5	Nut 1 1/4in-7NC (Grade 8)	
6	4360263	1	Switch, Limit	
7	4360259	1	Switch, Proximity	
8	3841004	1	Rod, Actuator	
9	3321501	1	Nut 5/16in-18	
10	3533414	1	Plate, Actuator Mounting	
11	4843128	1	Actuator, Switch (Prior to SN 27316)	
11	0630510	1	Bolt, Leveler (SN 27316 to Present)	
12	3321405	1	Locknut 1/4in-28NF	
13	3900104	4	Screw, Drilled Head #10-24NC x 2 1/4in	
14	4920140	2	Lockwire	
15	4460342	2	Connector, Strain Relief	
16	3421677	1	Pin, Load Moment Pivot	
17	0642252	1	Bolt 3/4in-10NC x 6 1/2in	
18	3312205	1	Locknut 3/4in-10NC	
19	2160002	2	Fitting, Grease	
20	4220120	2	Stop, Turntable	
21	4220121	AR	Stop, Turntable	
22	4070729	AR	Shim 11 GA x 1 1/2in x 4in	
23	4070728	AR	Shim 16 GA x 1 1/2in x 4in	
28	4220157	AR	Stop, Turntable 1/2in x 1 1/2in x 4in	
29	4220158	AR	Stop, Turntable 1/4in x 1 1/2in x 4in	
	0100019	AR	Loctite	

SECTION 2 - TURNTABLE

FIGURE 2-11. GROUND CONTROLS INSTALLATION

ITEM	PART NUMBER	QTY	DESCRIPTION	REV
		Ref	GROUND CONTROLS INSTALLATIONS	
	0252712	Ref	Ground Controls Installations (Prior to SN 38697)	A
	0257206	Ref	Ground Controls Installations (Prior to SN 38697)	1
	0258614	Ref	Ground Controls Installations (SN 38697 to Present)	1
1		Ref	Ground Control Box Assembly - Deutz (See Items 101-182 for Breakdown)	
1	0860776	1	Ground Control Box Assembly - Deutz (Prior to SN 25609)	
1	0861090	1	Ground Control Box Assembly - Deutz (SN 25609 through 38696)	
1	0861221	1	Ground Control Box Assembly - Deutz (SN 38697 to Present)	
2	2600148	1	Hinge	
3	1780227	1	Door, Ground Control	
4	4751400	14	Flatwasher 1/4in	
5	3311405	14	Locknut 1/4in-20NC (Prior to SN 38697)	
5	3311401	14	Nut 1/4in-20NC (SN 38697 to Present)	
6	4300031	5	Stud (Welded on Part) (Prior to SN 38697)	
7	2940042	1	Latch	
9	4300032	4	Stud (Welded on Part)	
10	4751500	8	Flatwasher 5/16in	
	0100011	AR	Loctite #242	
		Ref	GROUND CONTROL BOX ASSEMBLY	
	0860776	Ref	Ground Control Box Assembly (Prior to SN 25609)	H
	0861090	Ref	Ground Control Box Assembly (SN 25609 through 38696)	4
	0861221	Ref	Ground Control Box Assembly (SN 38697 to Present)	4
101		Ref	Lid/Nameplate Options:	
101	3252195	1	Lid/Nameplate (Prior to May 1994)	
101	3252357	1	Lid/Nameplate (May 1994 through SN 34118)	
101	3252547	1	Lid/Nameplate (SN 34119 through 45583)	
101	3252646	1	Lid/Nameplate (SN 45584 to Present)	
102	0860562	1	Box	
103	0140019	1	Alarm	
104	4420037	15 ft/4.5m	Gasket	
105	0610084	1	Card, Circuit (Engine Relay)	
106	0610080	1	Card, Circuit (Select)	
107		Ref	Card, Circuit (Load Radius) Options:	
107	0610083	1	Card, Circuit (Load Radius) (Prior to April 1993)	
107	0610106	1	Card, Circuit (Load Radius) (April 1993 through SN 44576)	
107	0610130	1	Card, Circuit (Load Radius) (SN 44577 to Present)	
108	0610100	2	Card, Circuit (Overload)	
109	3740070	16	Relay - SPDT	
110	3740016	6	Relay - 3PDT	
111	3740057	2	Relay - 2PDT (Prior to SN 25609)	
111	3740122	2	Relay - 2PDT (SN 25609 to Present)	
112	3740049	AR	Relay - 5PDT (With Skirt)	
113	4360069	3	Breaker, Circuit - 10 Amp (SN 25609 to Present)	
114	4460301	1	Marker, Terminal (1-50)	
115	3640686	1	Rail	
116	4460442	1	Stop, Terminal	
117	4460387	35	Block, Terminal	
118	4460388	4	Barrier, Terminal	

SECTION 2 - TURNTABLE

ITEM	PART NUMBER	QTY	DESCRIPTION	REV
119	4460307	20	Sleeve, Terminal	
120	4460441	4	Bar, Buss - 5 Position	
121	4460306	20	Washer, Terminal	
122	4460305	20	Screw, Terminal	
123	4360216	1	Breaker, Circuit - 30 Amp	
124	4360232	2	Breaker, Circuit - 15 Amp	
125		Ref	Switch, Key (Master Select) Options:	
125	4360319	1	Switch, Key (Master Select) (Prior to SN 45584)	
125	4360470	1	Switch, Key (Master Select) (SN 45584 to Present)	
125		Ref	Key, Replacement Options:	
125	7012560	1	Use with 4360319 Switches	
125	2860030	1	Use with 4360470 Switch	
126	4460299	1	Stop, Terminal	
127	2920027	1	Light, Indicator - Green (Axles Set)	
128	2920029	3	Bulb, Light	
129	4360212	1	Breaker, Circuit - 3 Amp	
130	2920026	1	Light, Indicator - Red (Radius Limit)	
131	4360274	1	Switch, Push Button (Start)	
132	4460390	4	Bar, Buss - 5 Position (SN 25609 to Present)	
133	2920090	1	Light, Indicator - Blue (Capacity Limit)	
134	4360314	6	Switch, Toggle (Extend-A-Reach, Lift, Swing, Level, Telescope and Rotate)	
135	4760600	AR	Lockwasher #6	
136	4751400	AR	Flatwasher 1/4in	
137	3311401	AR	Nut 1/4in-20NC	
138	4751000	4	Flatwasher #10	
139	3311001	4	Nut #10-24NC	
140		Ref	Connector, Strain Relief Options:	
140	4460071	1	Connector, Strain Relief (Prior to SN 25609)	
140	4460051	6	Connector, Strain Relief (SN 25609 to Present)	
141	3300048	6	Nut, Conduit	
142	0960238	6	Bushing, Reducer	
143	4460071	1	Connector, Strain Relief (Prior to SN 38697)	
144	4460386	1	Connector, Strain Relief	
145	3300177	3	Nut, Tinnerman	
146	0750806	3	Screw, Self-Tapping #8 x 3/4in	
147	0720804	6	Screw, Hex #8-32NC x 1/2in	
148	4760800	6	Lockwasher #8	
149	3310801	6	Nut #8-32NC	
150	3910606	2	Screw, Hex #6-32NC x 3/8in	
151	4460451	20	Strip, Terminal Marking - #98	
152	3790012	8	O-Ring	
153	4460234	10	Clamp, Cable	
154	4460452	20	Strip, Terminal marking - #99	
155		Ref	Base, Relay Options:	
155	4120012	2	Base, Relay (Prior to SN 25609)	
155	4120036	2	Base, Relay (SN 25609 to Present)	
156	3300147	1	Nut, Conduit	
157	4460704	AR	Strip, Terminal marking - #97	
157	3740066	2	Strip, Terminal Marking - #97 (Prior to SN 25609)	
157	3740124	12	Strip, Terminal Marking - #97 (SN 25609 to Present)	
158	3910616	10	Screw, Hex #6-32NC x 1in	

SECTION 2 - TURNTABLE

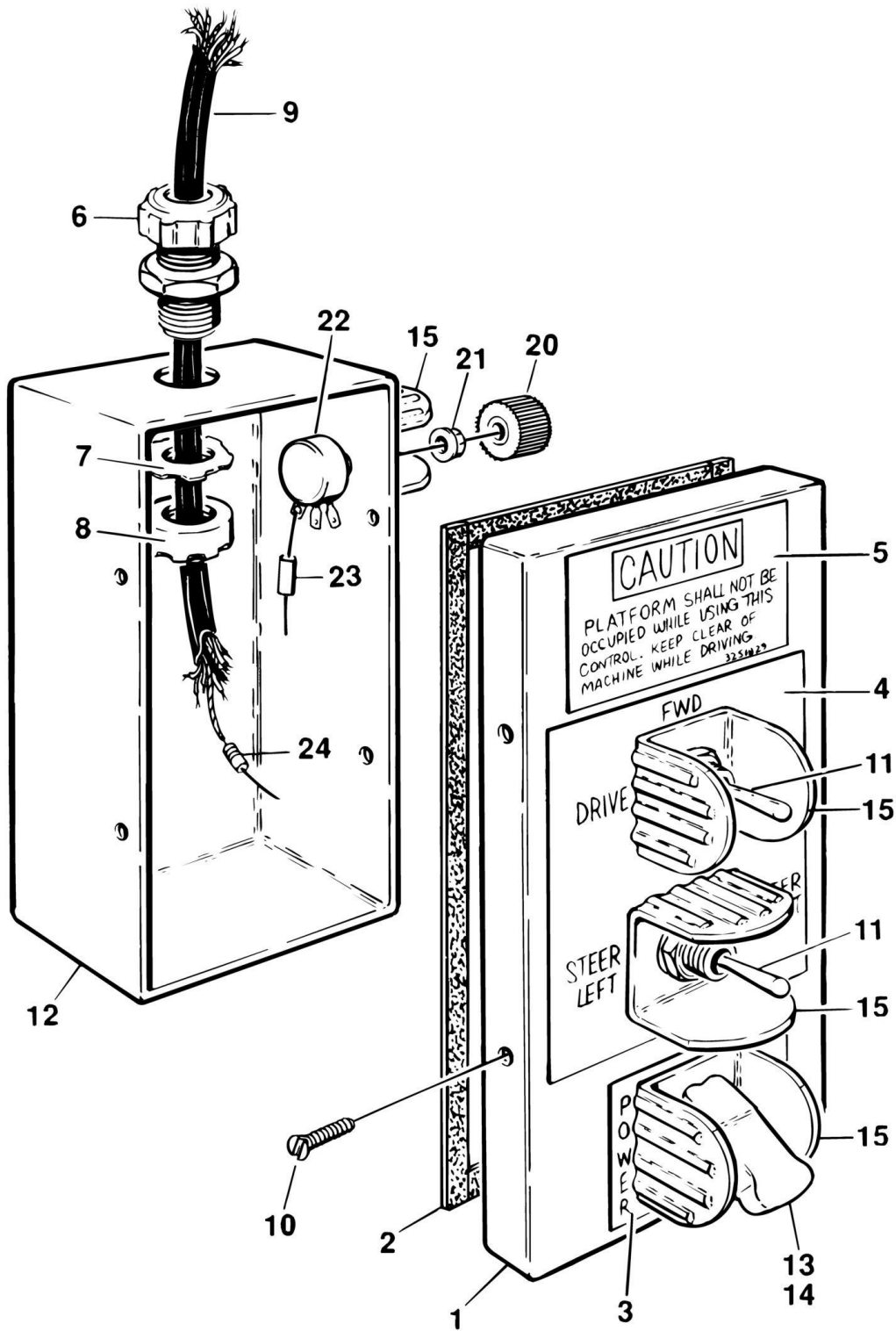
ITEM	PART NUMBER	QTY	DESCRIPTION	REV
159	4564088	AR	Stand-Off #6-32NC x 1/4in	
160	3310601	AR	Nut #6-32NC	
162	2420009	1	Hourmeter	
163	2420091	1	Voltmeter	
164	2420074	1	Gauge, Oil Pressure	
165	3520070	1	Plug, Hole	
166	0960905	1	Bushing	
167	4360330	1	Switch, Toggle (Auxiliary Power)	
168	4360328	1	Switch, Toggle (Proximity Manual Test)	
169	4060229	1	Guard, Switch	
170	0610091	1	Card, Circuit (Prior to SN 38697)	
171		Ref	Socket, Relay Options:	
171	4120013	1	Socket, Relay (Prior to SN 25609)	
171	4120037	1	Socket, Relay (SN 25609 through 38697)	
172		Ref	Relay Options:	
172	4120013	1	Relay (Prior to SN 25609)	
172	4120037	1	Relay (SN 25609 through 38697)	
173		Ref	Spring, Relay Options:	
173	3740058	AR	Spring, Relay (Prior to SN 25609)	
173	3740123	AR	Spring, Relay (SN 25609 to Present)	
174		Ref	Block, Contact Options:	
174	4360282	1	Block, Contact (Prior to SN 45584)	
174	4360476	1	Block, Contact (SN 45584 to Present)	
175		Ref	Switch, Emergency Stop Options:	
175	4360289	1	Switch, Emergency Stop (Prior to SN 45584)	
175	4360475	1	Switch, Emergency Stop (SN 45584 to Present)	
175		Ref	Cap Options:	
175	7012611	1	Cap, Mushroom Head (Used on Switch p/n 4360289)	
175	7012612	1	Boot (Used on Switch p/n 4360289)	
175	7020175	1	Cap, Red (Used on Switch p/n 4360475)	
175	7020176	1	Contact Block (Used on Switch p/n 4360475)	
177	4740120	3	Washer, Nylon	
178	4750800	6	Washer, Flat	
179	4070991	1	Shim .125 (SN 45584 to Present)	
180	4070987	1	Shim .015 (SN 45584 to Present)	
181	3910804	6	Screw #8-32NC x 1/4in (SN 45584 to Present)	
182	1704260	1	Decal - EMS (SN 45584 to Present)	
	0253378	Ref	TUV MONITORING SYSTEM INSTALLATION	C-2
201	3790012	1	O-Ring	
202	4360202	1	Switch, Toggle	
203	4060229	1	Switch, Guard	
204	3640930	1	Mounting, Rail	
205	4460299	5	Stop, Terminal	
206	3740019	2	Relay, Latch	
207	4120028	2	Socket, Relay	
208	4160112	2	Spring, Relay	
209	3740086	3	Relay	
210	4120029	1	Socket, Relay	
211	3640555	1	Mounting, Rail	
212	3740090	2	Time Delay, Relay	
213	4120030	2	Socket, Relay	

SECTION 2 - TURNTABLE

ITEM	PART NUMBER	QTY	DESCRIPTION	REV
214	4160112	2	Spring, Relay	
216	0720603	4	Screw #6-32 x 3/8in	
217	4760600	4	Lockwasher #6	
218	3310601	4	Nut #6-32	

SECTION 2 - TURNTABLE

FIGURE 2-12. REMOTE DRIVE CONTROL BOX ASSEMBLY (PRIOR TO JULY 1992)



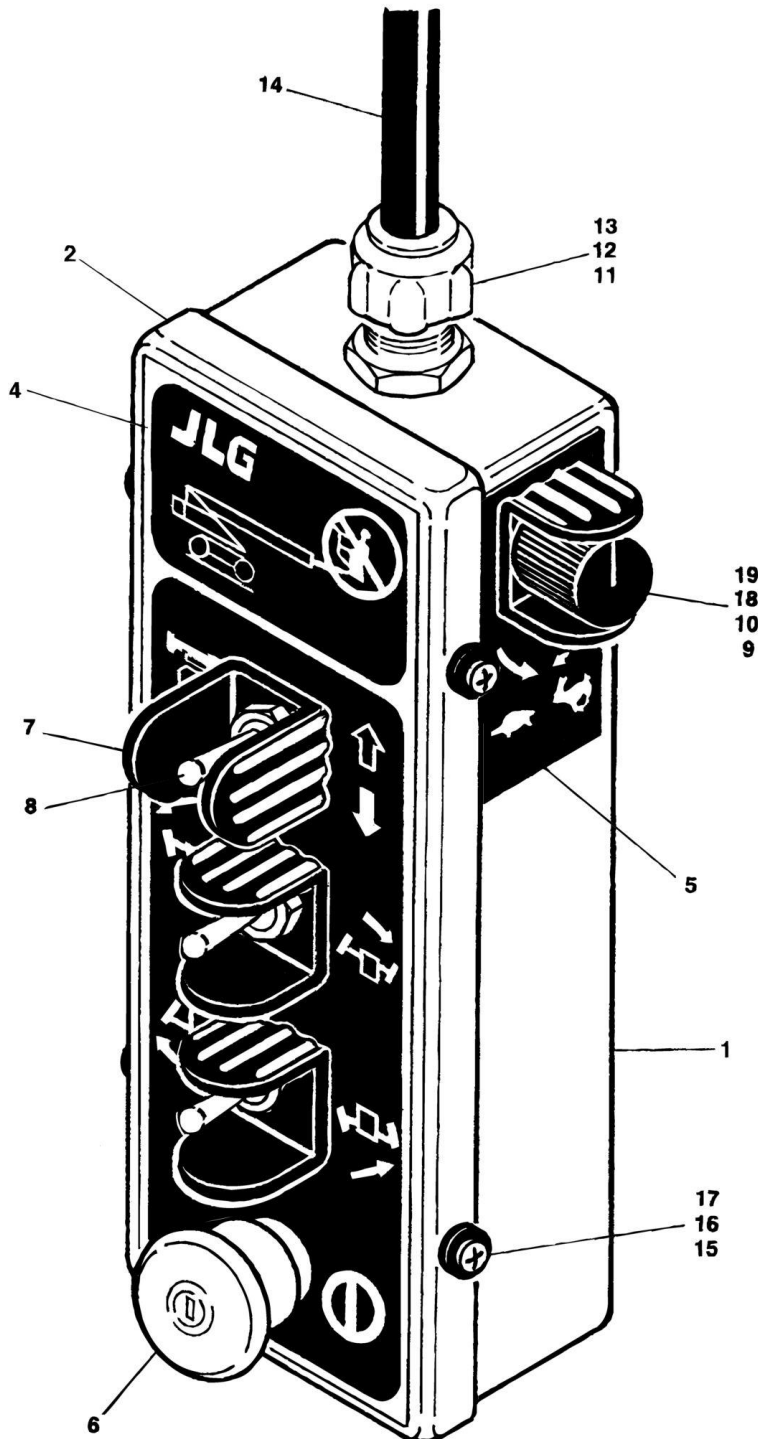
SECTION 2 - TURNTABLE

FIGURE 2-12. REMOTE DRIVE CONTROL BOX ASSEMBLY (PRIOR TO JULY 1992)

ITEM	PART NUMBER	QTY	DESCRIPTION	REV
	0252717	Ref	REMOTE DRIVE CONTROL BOX ASSEMBLY (PRIOR TO JULY 1992)	A
1	3503928	1	Lid, Control Box	
2	4420037	21 in/53cm	Tape, Insulation	
3	3251831	1	Nameplate - Emergency Stop	
4	3251830	1	Nameplate - Drive/Steer Functions	
5	3251829	1	Nameplate - Caution	
6	4460052	1	Connector, Strain Relief	
7	3300047	1	Locknut, Conduit	
8	0960239	1	Bushing	
9	1060304	23 ft/7.62m	Cable, Electrical - 16/10	
10	3941004	4	Screw #10 x 1/2in	
11	4360074	2	Switch, Toggle	
12	4843020	1	Control Box Weldment	
13	4360071	1	Switch, Toggle	
14	4360141	1	Guard, Switch	
15	4060802	4	Shield	
20	2560116	1	Knob, Speed Control	
21	3300352	1	Nut, Special	
22	4360340	1	Switch, Potentiometer	
23	3730091	1	Resistor	
24	3990001	6	Diode	

SECTION 2 - TURNTABLE

FIGURE 2-13. REMOTE DRIVE CONTROL BOX ASSEMBLY (JULY 1992 TO PRESENT)



NOTE: 0253148 2/WS JULY 1992 TO OCTOBER 1992
0253604 4/WS OCTOBER 1992 TO PRESENT

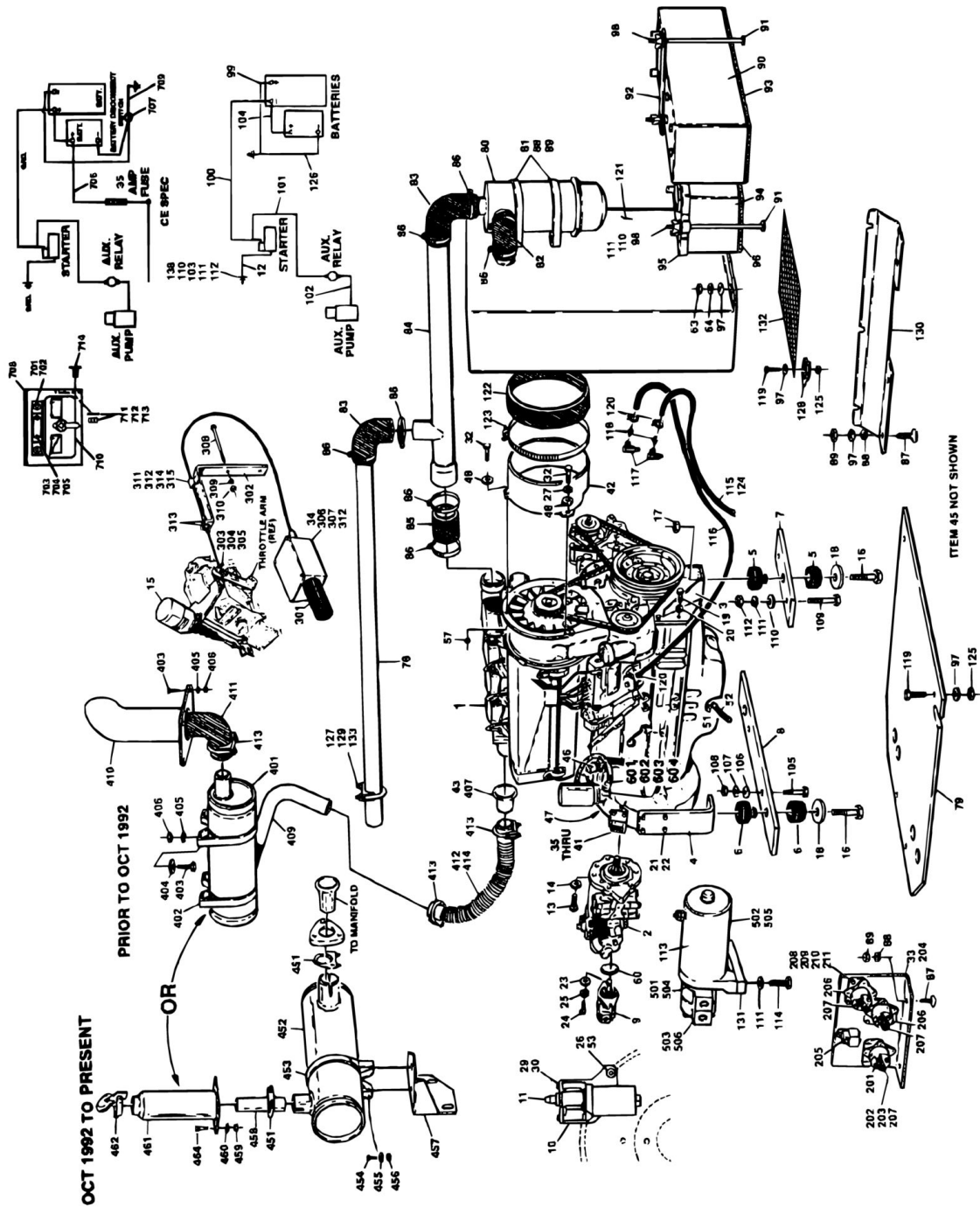
SECTION 2 - TURNTABLE

FIGURE 2-13. REMOTE DRIVE CONTROL BOX ASSEMBLY (JULY 1992 TO PRESENT)

ITEM	PART NUMBER	QTY	DESCRIPTION	REV
		Ref	REMOTE DRIVE CONTROL BOX ASSEMBLY	
	0253148	Ref	2WS (July 1992 through October 1992)	-
	0253604	Ref	4WS (October 1992 to Present)	6
1		Ref	Box, Remote Options:	
1	0860798	1	2WS	
1	0860831	1	4WS	
2		Ref	Plate, Remote Box Lid Options:	
2	3536234	1	2WS	
2	3536613	1	4WS	
3	4420037	AR	Tape, Insulation	
4		Ref	Decal, Remote Box Options:	
4	1701774	1	2WS	
4	1701872	1	4WS (October 1992 through March 1994)	
4	1702291	1	4WS (March 1994 to Present)	
5	1701775	1	Decal, Potentiometer	
6		Ref	Switch, Emergency Stop Options:	
6	4360289	1	Switch, Emergency Stop (Prior to SN 44577)	
6	4360475	1	Switch, Emergency Stop (SN 44577 to Present)	
7	4060802	AR	Shield, Toggle	
8	4360074	AR	Switch, Toggle	
9	4360340	1	Switch, Potentiometer	
10	3300352	1	Nut, Special	
11	4460052	1	Connector, Strain	
12	3300047	1	Locknut	
13	0960239	1	Bushing	
14	1060018	25 ft	Cable, Control 16/10 (was p/n 1060304)	
15	4740120	4	Washer, Nylon	
16	3300177	4	Nut, Tinnerman #8	
17	0750804	4	Screw #8 x 1/2 Lg	
18	2560116	1	Knob, Speed Control (Black)	
19	4711600	1	Flatwasher 3/8in	
	3730091	1	Resistor (Not Shown)	
	3990001	AR	Diode (Not Shown)	

SECTION 2 - TURNTABLE

FIGURE 2-14. DEUTZ F4L-912 ENGINE INSTALLATION



SECTION 2 - TURNTABLE

FIGURE 2-14. DEUTZ F4L-912 ENGINE INSTALLATION

ITEM	PART NUMBER	QTY	DESCRIPTION	REV
		Ref	DEUTZ F4L-912 ENGINE ASSEMBLY	
	0252496	Ref	Standard Engine (Prior to October 1992)	B
	0253353	Ref	Standard Engine (October 1992 through SN 38696)	E
	0258730	Ref	Standard Engine (SN 38697 to Present)	4
	0252500	Ref	Clean Burn Engine (Prior to October 1992)	B
	0253355	Ref	Clean Burn Engine (October 1992 through SN 38696)	E
	0258731	Ref	Clean Burn Engine (SN 38697 through 43911)	4
1	2000083	1	Engine - Deutz Diesel F4L-912	
1	2000115	1	Engine - Deutz Diesel F4L-912 - Clean Burn	
2		Ref	Pump Assembly - Sunstrand Options (See PUMP ASSEMBLY - SUNSTRAND for Breakdown):	
2	3600164	1	13 Tooth Spline (Prior to SN 28163)	
2	3600260	1	15 Tooth Spline (SN 28163 to Present)	
3	3200229	1	Motor Support Weldment (Front)	
4	3200228	2	Motor Support Weldment (Rear)	
5	3200133	1	Mount, Rubber Motor (Front)	
6	3200183	2	Mount, Rubber Motor (Rear)	
7	3200227	1	Plate, Engine Mounting (Front)	
8	3200306	1	Plate, Engine Mounting (Rear)	
9		Ref	Pump Assembly Options:	
9	3600191	1	Pump Used (Prior to October 1992) (Not Field Serviceable)	
9	2900660	1	Shaft Seal Kit - 3600191 Pump	
9	3600205	1	Pump Used (October 1992 through SN 38696) (See PUMP ASSEMBLY - BARNES For Breakdown)	
9	3600286	1	Pump Used (See PUMP ASSEMBLY - HYDRO-AIR for Breakdown) (SN 38697 to Present)	
10	0901829	1	Bracket, Filter	
11	2120135	1	Filter - Charge Pump	
11	2120136	1	Element	
12	1060044	1	Cable, Battery (Starter to Ground)	
13	0641812	2	Bolt 1/2in-13NC x 1 1/2in	
14	4761800	2	Lockwasher 1/2in	
15	0250069	1	Fuel Shutdown Kit (Includes Mounting Hardware)	
16	0642032	3	Bolt 5/8in-11NC x 4in	
17	3312005	3	Locknut 5/8in-11NC	
18	4740242	3	Flatwasher, Special	
19	0701427	4	Bolt, Metric 14mm x 100mm	
20	4740191	4	Lockwasher, Metric 14.2mm	
21	0701215	8	Bolt, Metric 12mm x 35mm	
22	4832100	8	Lockwasher 12mm	
23	4751600	2	Flatwasher 3/8in (Prior to SN 38697)	
23	4891600	2	Flatwasher 3/8in (SN 38697 to Present)	
24	0641610	2	Bolt 3/8in-16NC x 1 1/4in (Prior to SN 38697)	
24	0641620	2	Bolt 3/8in-16NC x 1 1/4in (SN 38697 to Present)	
25	4761600	2	Lockwasher 3/8in (Prior to SN 38697)	
25	0100011	AR	Loctite #242 (SN 38697 to Present)	
26	0701015	2	Bolt, Metric 10mm x 35mm	
27	4831700	1	Lockwasher 6mm	
28	3311401	3	Nut 1/4in-20NC	
29	0641405	4	Bolt 1/4in-20NC x 5/8in	

SECTION 2 - TURNTABLE

ITEM	PART NUMBER	QTY	DESCRIPTION	REV
30	4761400	4	Lockwasher #1/4in	
32	0700617	5	Bolt, Metric 6mm x 45mm	
33	0237627	1	Electrical Panel Assembly (See Items 201-211 for (Breakdown)	
34	0237635	1	Throttle Cable Installation (See Items 301-315 for Breakdown)	
35	0901402	1	Bracket, Terminal Strip	
36	1320070	1	Clamp, Wire	
37	1670414	1	Cover, Terminal Strip	
38	3910812	2	Screw, Machine #8-32NC x 3/4in	
39	4770800	2	Starwasher #8	
40	3310801	2	Nut #8-32NC	
41	1700821	1	Decal, Wire Identification	
42	4843384	1	Air Intake Weldment	
43	4565269	1	Adapter, Exhaust (SN 38697 to Present)	
45	4921414	1	Harness, Wiring	
46	2420073	1	Gauge, Sender Unit	
47		Ref	Coupling Installations (See PUMP COUPLING INSTALLATION for Breakdown)	
48	4811700	9	Flatwasher 6mm	
51	4640742	1	Valve, Oil Drain	
52	2720042	6 in/15cm	Hose, Heater	
53	4832000	2	Lockwasher, Metric 10mm	
57	3290607	4	Locknut, Metric 6mm (SN 38697 to Present)	
59	1320222	1	Clamp (Not Shown) (SN 38697 to Present)	
60	3790152	1	O-Ring	
	4420001	AR	Tape, Sealant	
		Ref	DEUTZ ENGINE INSTALLATION	
	0252495	Ref	Standard Engine (Prior To October 1992)	B
	0252499	Ref	Clean Burn Engine (Prior To October 1992)	B
	0253354	Ref	Standard Engine (October 1992 through SN 38696)	3
	0258723	Ref	Standard Engine (SN 38697 to Present)	1
	0253356	Ref	Clean Burn Engine (October 1992 through SN 38696)	2
	0258729	Ref	Clean Burn Engine (SN 38697 through 43911)	2
78		Ref	Tube Weldment	
78	4844165	1	Tube Weldment (Prior to October 1992)	
78	4844238	1	Tube Weldment (October 1992 to Present)	
79	1670627	1	Cover, Base Plate	
80	1340020	1	Air Cleaner Assembly	
80	7004214	1	Element	
81	0340002	2	Band, Mounting	
82	0080046	1	Elbow	
83	0080039	2	Elbow	
84	4565655	1	Tube	
85	2720224	1	Hose 2 3/4in ID x 3in Lg	
86	1320058	8	Clamp	
87	4300031	8	Stud (Welded on Part)	
88	4761400	6	Lockwasher 1/4in	
89	3311401	12	Nut 1/4in-20NC	
90	0400020	1	Battery (Large)	
91	0236768	4	Rod, Tie-Down	
92	0361027	1	Bar, Hold-Down	
93	3980006	1	Seat, battery	
94	0400003	1	Battery (Small)	

SECTION 2 - TURNTABLE

ITEM	PART NUMBER	QTY	DESCRIPTION	REV
95	0400002	1	Hold-Down	
96	3980003	1	Seat, Battery	
97	4751400	AR	Flatwasher 1/4in	
98	3300029	4	Wingnut 1/4in-20NC	
99	1060031	1	Cable, Battery (Large Battery to Ground)	
100	1060109	1	Cable, Battery (Large Battery to Starter)	
101	1060149	1	Cable, Battery (Starter to Aux Relay)	
102	1060132	1	Cable, Battery (Aux Relay to Aux Pump)	
103	4300034	AR	Stud (Welded on Part)	
104	4921139	1	Cable, Battery (Positive to Positive - Batteries)	
105	0642022	2	Bolt 5/8in-11NC x 2 3/4in	
106	4752000	2	Flatwasher 5/8in	
107	4762000	2	Lockwasher 5/8in	
108	3312001	2	Nut 5/8in-11NC	
109	0641622	2	Bolt 3/8in-16NC x 2 3/4in	
110	4751600	AR	Flatwasher 3/8in	
111	4761600	AR	Lockwasher 3/8in	
112	3311601	AR	Nut 3/8in-16NC	
113		Ref	Auxiliary Pump Assembly Options (See Items 501-506 for Breakdown):	
113	3600050	1	Auxiliary Pump Assembly (Prior to April 1993)	
113	3600208	1	Auxiliary Pump Assembly (April 1993 to Present)	
114	0641620	2	Bolt 3/8in-16NC x 2 1/2in	
115	2720271	8 ft/2.4m	Fuel Line (Return)	
116	2750532	10 ft/3m	Fuel Line (Supply)	
117	2220063	2	Fitting, 90	
118	2220720	2	Fitting, Barbed	
119	0641414	13	Bolt 1/4in-20NC x 1 3/4in	
120	1320022	4	Clamp	
121		Ref	Air Inlet Box Assembly Options:	
121	0252866	1	Air Inlet Box Assembly (Prior to October 1992)	
121	0253194	1	Air Inlet Box Assembly (October 1992 to Present)	
122	4280002	30 in/76cm	Neoprene 1/8in x 2in	
123	1320059	1	Clamp	
124	2180536	1	Fitting, Coupling	
125	3311405	13	Locknut 1/4in-20NC	
126	1060031	1	Cable, Battery (Small Battery to Ground)	
127	4751500	2	Flatwasher 5/16in	
128	4740362	6	Washer, Fender	
129	4761500	2	Lockwasher 5/16in	
130	3535949	1	Plate, Hose Cover	
131	0362101	1	Bar, Spacer	
132	3536008	1	Plate, Shield	
133	1320021	1	Clamp, Muffler	
138	4751700	1	Flatwasher 7/16in (SN 38697 to Present)	
	0237627	Ref	ELECTRICAL PANEL ASSEMBLY	7
201	3740059	1	Relay	
202	3321001	3	Nut #10-32NF	
203	3310801	1	Nut #8-32NC	
204	3530425	1	Plate, Mounting	
205	3740080	1	Relay, Sealed	

SECTION 2 - TURNTABLE

ITEM	PART NUMBER	QTY	DESCRIPTION	REV
206	3740067	2	Relay	
207	3300220	6	Nut, Special	
208	0641405	7	Bolt 1/4in-20NC x 5/8in	
209	4761400	7	Lockwasher 1/4in (Prior to SN 37522)	
209	4791400	7	Starwasher 1/4in (SN 37522 to Present)	
210	3311401	7	Nut 1/4in-20NC	
211	4711400	6	Flatwasher 1/4in	
	0237635	Ref	THROTTLE CABLE INSTALLATION	4
301	0060023	1	Actuator	
301	7008804	1	Bellows, Rubber	
301	7008829	1	Board, Circuit	
301	7008821	1	Motor, Drive	
301	7008828	1	Cable, Throttle	
302	0901389	1	Bracket, Throttle Cable	
303	4460302	1	Stop, Terminal	
304	3450203	1	Pin, Cotter 1/16in x 3/4in	
305	4711400	1	Flatwasher 1/4in Narrow	
306	0641409	2	Bolt 1/4in-20NC x 1 1/8in	
307	4751400	2	Flatwasher 1/4in	
308	0630400	2	Bolt, Metric 8mm - 1.25 x 90mm	
309	4761500	2	Lockwasher 5/16in (Prior to SN 37522)	
309	4831900	2	Lockwasher 8mm (SN 37522 to Present)	
310	3290801	2	Nut, Metric 8mm - 1.25	
311	1320041	1	Clamp	
312	4761400	3	Lockwasher 1/4in	
313	4751600	2	Flatwasher 3/8in	
314	0641406	1	Bolt 1/4in-20NC x 3/4in	
315	3311401	1	Nut 1/4in-20NC	
	0252694	Ref	EXHAUST INSTALLATION (PRIOR TO OCTOBER 1992)	-
401	3220080	1	Muffler	
402	0340041	2	Band, Mounting	
403	0641406	8	Bolt 1/4in-20NC x 3/4in	
404	4751400	4	Flatwasher 1/4in	
405	4761400	8	Lockwasher 1/4in	
406	3311401	8	Nut 1/4in-20NC	
407	4565269	1	Adaptor, Exhaust	
409	4565663	1	Tube, Exhaust	
410	4844169	1	Snorkel	
411	4565267	1	Elbow, Exhaust	
412	4565664	1	Tube, Flex Exhaust	
413	1320011	4	Clamp, Muffler - 2 1/2in	
414	4100025	42 in/1m	Sleeve, Fiberglass	
	0255613	Ref	EXHAUST INSTALLATION (OCTOBER 1992 TO PRESENT)	2
451	1320011	2	Clamp, Muffler	
452	3220082	1	Muffler (Standard)	
452	3220088	1	Muffler (Exhaust Purifier - Optional Not Shown)	
453	0340041	1	Band, Mounting	
454	0641408	2	Bolt 1/4in-20NC x 1in	
455	4751400	4	Flatwasher 1/4in	
456	3311405	2	Locknut 1/4in-20NC	
457	0901849	1	Bracket, Exhaust Mounting	

SECTION 2 - TURNTABLE

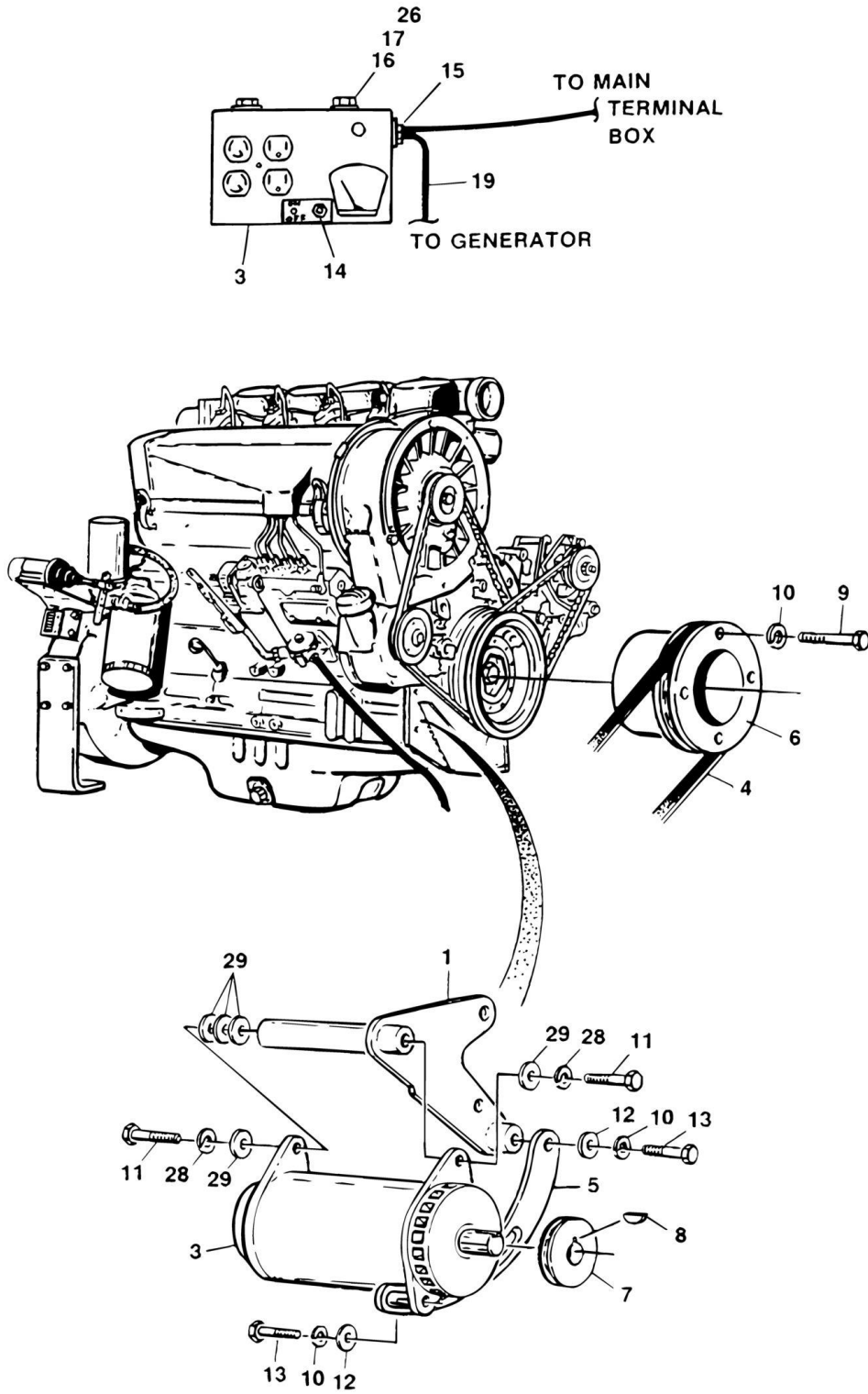
ITEM	PART NUMBER	QTY	DESCRIPTION	REV
458	4565751	1	Tube, Exhaust	
459	3311405	4	Locknut 1/4in-20NC	
460	4751400	4	Flatwasher 1/4in	
461	4844235	1	Stack, Exhaust	
462	1120423	1	Cap, Rain	
464	0641408	4	Bolt 1/4in-20NC x 1in	
	3600050	Ref	AUXILIARY PUMP ASSEMBLY - BARNES OR STONE PUMP (PRIOR TO APRIL 1993)	D
501		Ref	Coupling Options:	
501	7004249	1	Barnes Brand Pump	
501	7004412	1	Stone Brand Pump	
502		Ref	Motor Options:	
502	7004248	1	Barnes Brand Pump	
502	7000482	1	Stone Brand Pump	
503		Ref	Pump Options:	
503	7010923	1	Barnes Brand Pump	
503	7004414	1	Stone Brand Pump	
	3600208	Ref	AUXILIARY PUMP ASSEMBLY (APRIL 1993 TO PRESENT)	A
504	7013711	1	Coupling	
505	7013710	1	Motor 12VDC	
505	7013753	1	Brush Kit	
506	7013712	1	Pump	
		Ref	ENGINE DISTRESS INSTALLATION	
	0255152	Ref	Engine Distress Installation	3
	0255274	Ref	Low Oil Pressure Shutdown Installation (Prior to SN 54482)	4
	0270566	Ref	Low Oil Pressure Shutdown Installation (SN 54482 to Present)	1-B
	0239119	Ref	Generator Installation - 110 Volt	11
601	4360179	1	Switch, Temp Head (Located Under Top Engine Cover) (Engine Distress Installation Only)	
602	2180360	1	Fitting, Tee	
603		Ref	Switch, Oil Pressure Options:	
603	4360065	1	Engine Distress Installation	
603	4360065	1	Low Oil Pressure Shutdown Installation	
603	4360037	1	Generator Installation - 110 Volt	
604		Ref	Fitting Options:	
604	2180749	1	Fitting, 45, (Engine Distress Installation and Low Oil Pressure Shutdown) (SN 54482 to Present)	
604	Not Required	0	Low Oil Pressure Shutdown Installation (Prior to SN 54482)	
604	2180730	1	Fitting, Adapter (Generator Installation - 110V)	
	0257216	Ref	BATTERY DISCONNECT SWITCH INSTALLATION (SN 25609 to Present)	A-2
701	2400054	1	Fuse, 35 Amp	
702	2400044	1	Fuse Holder	
703	0741008	2	Screw #10-24NC x 1in	
704	4751000	2	Flatwasher #10	
705	3311005	2	Locknut #10-24NC	
706	4920970	1	Harness	
707	4360155	1	Switch, Disconnect	
708	0902374	1	Bracket	
709	1060044	1	Cable, Battery	
710	1703476	1	Decal, Battery Connect and Disconnect	

SECTION 2 - TURNTABLE

ITEM	PART NUMBER	QTY	DESCRIPTION	REV
711	4300038	2	Weld Stud 5/16in-18NC x 1in	
712	4751500	2	Flatwasher 5/16in	
713	4761500	2	Lockwasher 5/16in	
714	3311501	2	Nut 5/16in-18NC	
		Ref	ENGINE COMPONENTS	
	7000663	1	Alternator (Bosch)	
	7000872	1	Alternator (Delco-Remy)	
		Ref	Starter Options:	
	7020413	1	Starter (New) (was p/n 7000661)	
	7020420	1	Starter (Remanufactured)	
	70001927	1	Manifold, Exhaust	
	7000697	1	Belt, Blower	
	7000698	1	Belt, Alternator	
	7026125	1	Flange, Exhaust	
	7029274	1	Filter, Fuel (was p/n 7000649)	
	7029276	1	Filter, Oil (was p/n 7000648)	
	7014503	1	Filter, Oil (Case of 12)	
	7016309	1	Washer, Copper Sealing	
	7016330	1	Switch, Oil Pressure	
	7019607	1	Switch, Solenoid (was p/n 7016341)	
	7016364	2	Pump, Fuel Lift	
	7019607	1	Solenoid, Fuel Shutdown	
	7020208	1	Gear, Ring	
	7020400	1	Washer, Fuel Line	
	7020401	1	Washer	
	7020402	1	Washer, Fuel Line	
	7020403	1	Washer, Fuel Line	
	7020405	1	Washer, Oil Plug	
	7020407	1	Gasket, Lift Pump	
	7020409	1	Dipstick	
	7020421	1	Nozzle, Injector	
	7020422	1	Injector	
	7020423	1	Gasket, Injector Tip	
	7020432	1	Kit, Lift Pump Repair	
	7020433	1	Gasket	
	7020498	1	Fan	
	7026173	1	Switch, Broken Belt	
	7027250	1	Spring, Tension (Actuator)	
	70001361	4	Pump, Fuel Injection	
	70001928	4	Gasket, Exhaust Manifold	
	70002252	4	Ring, Head Fire	
	70002253	1	Gasket Set, Complete Engine	
	70002254	4	Kit, Piston/Cylinder	
	70002258	4	Bolt, Cylinder Head	
	70002259	4	Washer, Cylinder Head Bolt	

SECTION 2 - TURNTABLE

FIGURE 2-15. GENERATOR INSTALLATION - DEUTZ



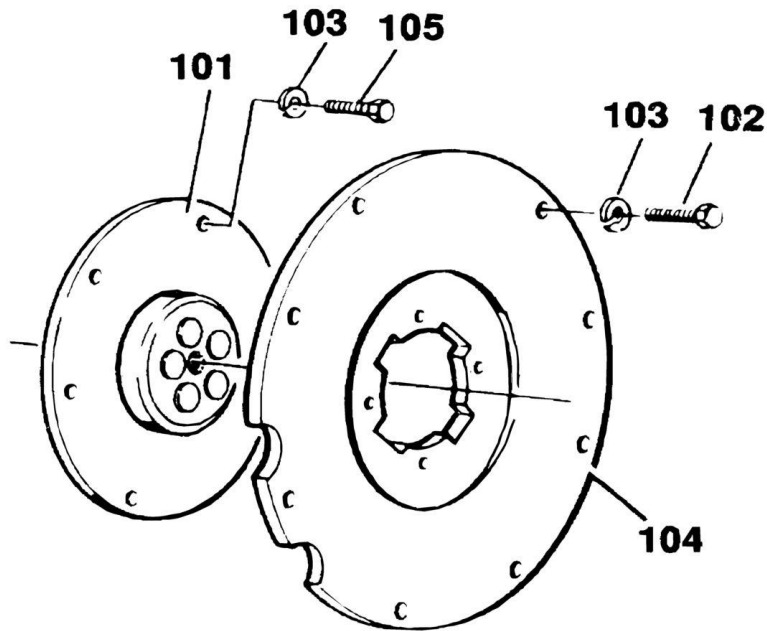
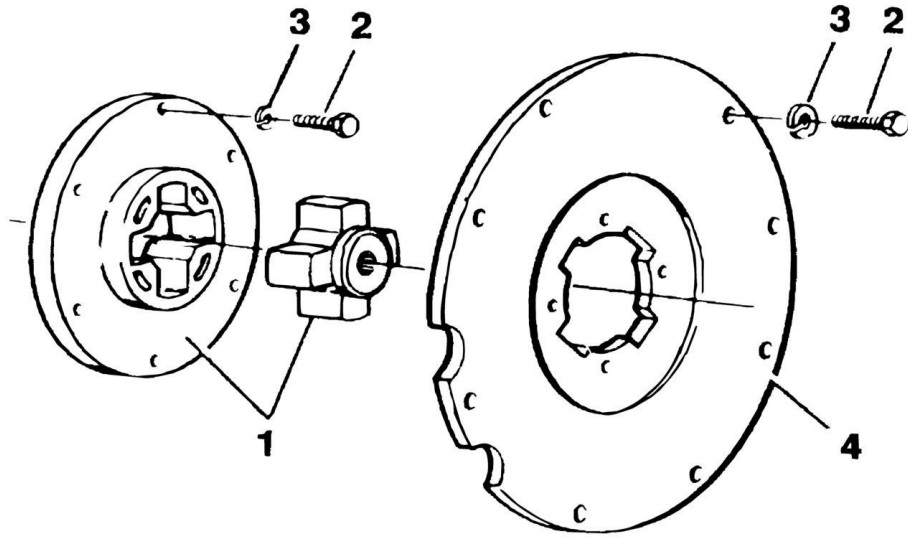
SECTION 2 - TURNTABLE

FIGURE 2-15. GENERATOR INSTALLATION - DEUTZ

ITEM	PART NUMBER	QTY	DESCRIPTION	REV
	0239119	Ref	GENERATOR INSTALLATION- DEUTZ	11
1	4843133	1	Bracket, Generator Mounting	
3	2460011	1	Generator and Control Box Assembly	
3	7012558	1	Generator	
3	7020193	1	Cord, Power	
3	7026199	1	Armature	
3	7020108	4	Brush	
3	7020109	4	Holder, Brush	
3	7012513	4	Cap, Brush Holder	
3	7012514	1	Fan	
3	7020110	1	End, Bell Front	
3	7020111	1	End, Bell Rear	
3	7020190	2	Bearings	
3	7003657	1	Box, Control	
		Ref	Note: Replacement Generator p/n 7012558 comes standard with Pulley p/n 3580134. This Pulley may not be correct for all applications. Refer to Pulley options below.	
3	2420203	1	Voltmeter (was p/n 7010699)	
3	4360542	1	Breaker, Circuit (was p/n 7020194)	
3	4460190	2	Receptacle	
3	2920162	1	Lamp	
3	7020191	1	Switch, Toggle	
3	3520028	1	Plug, Hole	
4	0480050	1	V-Belt	
5	4340511	1	Support, Adjustment	
6	3580109	1	Pulley	
8	2860012	1	Key, Woodruff	
9	0700821	4	Bolt, Metric 8m x 65mm	
10	4761500	6	Lockwasher 5/16in	
11	0681610	2	Bolt 3/8in-16NC x 1 1/4in (Grade 8)	
12	4751500	AR	Flatwasher 5/16in	
13	0641507	2	Bolt 5/16in-18NC x 7/8in	
14	3251476	1	Nameplate - On/Off	
15	4460023	1	Connector	
16	4300031	2	Stud (Welded on Part)	
17	4761400	2	Lockwasher 1/4in	
19	4920039	12 ft/3.7m	Wire - Red	
22	2180360	1	Fitting, Tee (Not Shown - Located on Engine)	
25	4360037	1	Switch, Oil Pressure (Not Shown - Located on Engine)	
26	3311401	2	Nut 1/4in-20NC	
27	2180730	1	Fitting, Adapter (Not Shown - Located on Engine)	
28	4761600	2	Lockwasher 3/8in	
29	4751600	4	Flatwasher 3/8in	

SECTION 2 - TURNTABLE

FIGURE 2-16. PUMP COUPLING INSTALLATION



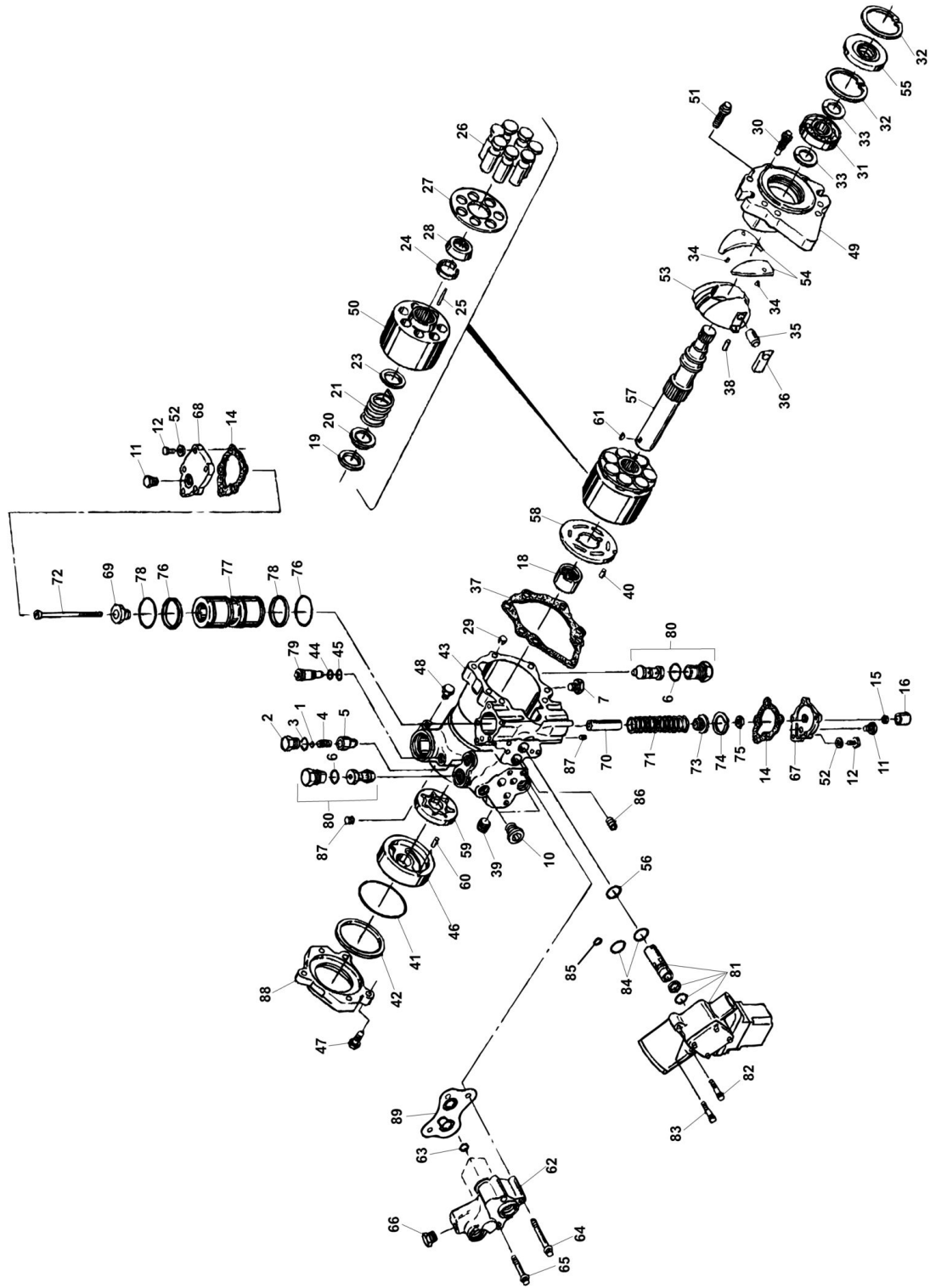
SECTION 2 - TURNTABLE

FIGURE 2-16. PUMP COUPLING INSTALLATION

ITEM	PART NUMBER	QTY	DESCRIPTION	REV
		Ref	PUMP COUPLING INSTALLATIONS	
	0239954	Ref	PUMP COUPLING INSTALLATION - LOVEJOY (STANDARD PARTS WHEN EQUIPPED) (Note: Used with 13 tooth pump.)	-
1	1660170	1	Coupling, Pump - Lovejoy	
1	1660174	1	Disc, Coupling	
1	1660175	1	Hub, Coupling	
2	0701014	18	Bolt, Metric 10mm x 30mm	
3	4832000	18	Lockwasher, Metric 10mm	
4	0080164	1	Adaptor, Pump Mounting Plate	
		Ref	PUMP COUPLING INSTALLATION - HAYES	
	0250600	Ref	13 Tooth Pump	-
	0256849	Ref	15 Tooth Pump	-
101		Ref	Coupling, Pump - Hayes Options:	
101	1660183	1	13 Tooth Pump	
101	1660233	1	15 Tooth Pump	
102	0701014	12	Bolt, Metric 10mm x 30mm	
103	4832000	18	Lockwasher 10mm	
104	0080164	1	Plate, Adaptor	
105	0701010	6	Bolt, Metric 10mm x 20mm	
	3020021	AR	Grease	

SECTION 2 - TURNTABLE

FIGURE 2-17. PUMP ASSEMBLY - SUNSTRAND



SECTION 2 - TURNTABLE

FIGURE 2-17. PUMP ASSEMBLY - SUNSTRAND

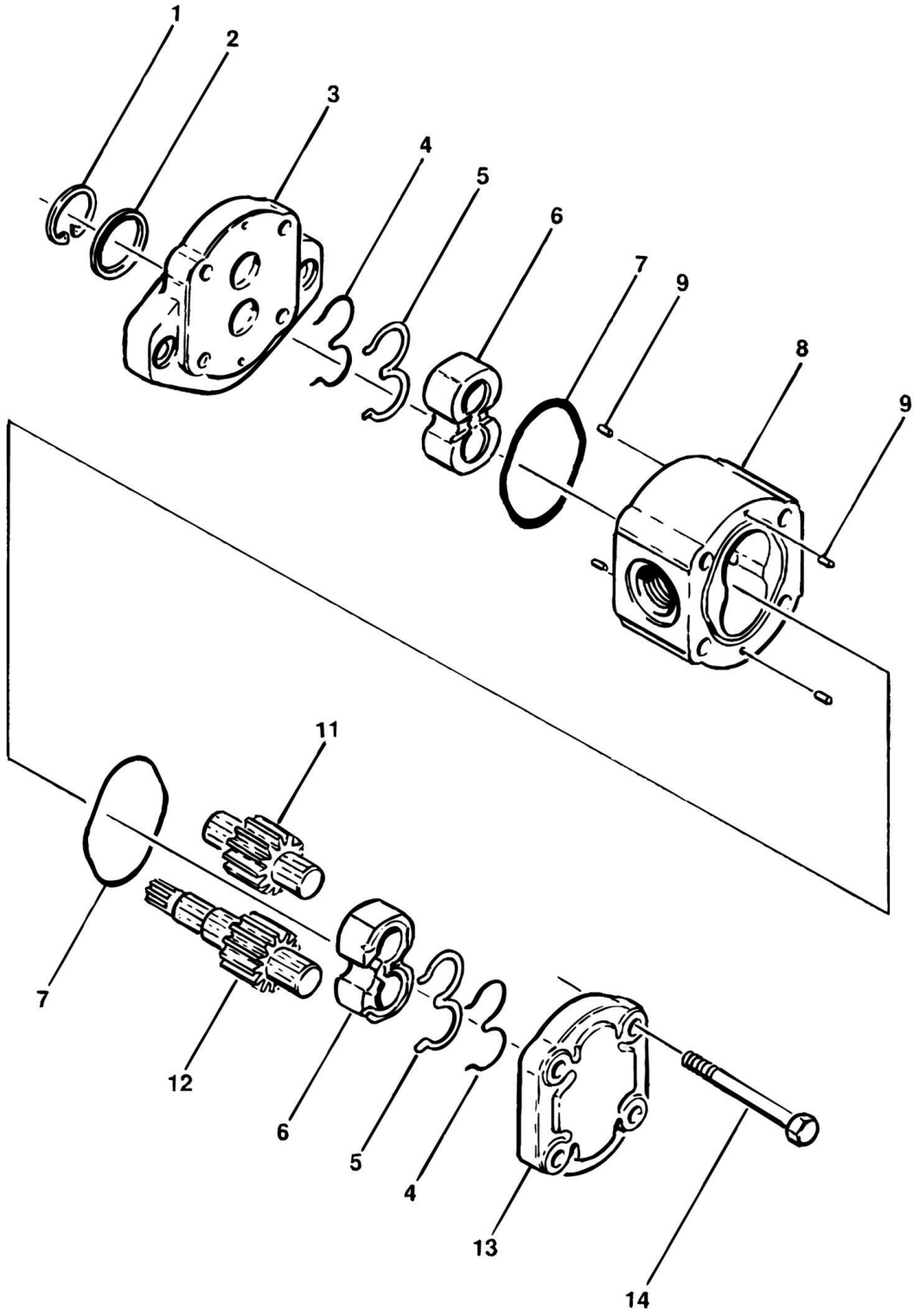
ITEM	PART NUMBER	QTY	DESCRIPTION	REV
		Ref	PISTON PUMP ASSEMBLY - SUNSTRAND	
	3600164	Ref	13 Tooth Pump Spline (Prior to SN 28163)	A
	3600260	Ref	15 Tooth Pump Spline (SN 28163 to Present)	-
1	7007413	1	Shim Kit - Relief Valve	
2	7007414	1	Plug	
3	Kit	1	O-Ring	
4	7007416	1	Spring, Relief Valve	
5	7007417	1	Valve, Relief	
6	Kit	2	O-Ring	
7	7007419	2	Plug	
10	7007420	2	Plug	
11	7007208	2	Plug	
12	7007421	10	Screw	
14	7007422	2	Gasket, Servo Cover	
15	7007423	1	Nut, Special	
16	7007424	1	Cover, Adjustment	
18	7007425	1	Bearing, Needle	
19	Kit	1	Ring, Retaining	
20	Kit	1	Washer	
21	Kit	1	Spring	
23	Kit	1	Washer	
24	Kit	1	Retainer	
25	Kit	3	Pin, Slipper Holddown	
26	Kit	7	Piston Assembly	
27	Kit	1	Guide, Slipper	
28	Kit	1	Guide, Retainer	
29	7007435	1	Pin, Spring	
30	7007436	1	Screw - 12 Point Head	
31	7007437	1	Bearing, Ball	
32	7007438	2	Ring	
33	7007439	2	Ring	
34	7007440	2	Pin, Spring	
35	7007441	1	Handle, Pin	
36	7007442	1	Sleeve, Bearing	
37	Kit	1	Gasket, Front Cover	
38	7007444	1	Pin	
39	7007445	1	Plug, Expansion	
40	Kit	1	Pin	
41	Kit	1	O-Ring	
42	Kit	1	Ring, Load Temper	
43	7007449	1	Housing, Pump	
44	Kit	1	Ring, Back-up	
45	Kit	1	O-Ring	
46	Kit	1	Cover, Gerotor	
47	7007453	3	Bolt, Hex	
48	7007208	1	Plug	
49	7007454	1	Cover, Front	
50	Kit	1	Block, Cylinder	
51	7007456	6	Screw - 12 Point Head	
52	7001438	10	Washer	

SECTION 2 - TURNTABLE

ITEM	PART NUMBER	QTY	DESCRIPTION	REV
53	Kit	1	Swashplate	
54	7007458	1	Journal, Bearing	
55	Kit	1	Seal, Lip	
56	Kit	1	O-Ring	
57		Ref	Shaft, Main Pump	
57	7007461	1	13 Tooth Spline (Prior to SN 30660)	
57	7010121	1	15 Tooth Spline (SN 30660 to Present)	
58	Kit	1	Plate, Valve	
59	Kit	1	Gerotor Assembly	
60	Kit	1	Pin	
61	Kit	1	Key, Woodruff	
62	7007466	1	Adaptor, Remote Filtration (Without Bypass)	
63	Kit	3	O-Ring	
64	7007468	2	Screw	
65	7007469	2	Screw	
66	7007470	1	Plug	
67	7007471	1	Cover, Servo (With Adjuster)	
67	7007490	2	Stop, Servo (Not Shown)	
67	7007491	2	Nut, Special (Not Shown)	
67	7007492	2	Ring, External (Not Shown)	
68	7007482	1	Cover, Servo (Without Adjuster)	
69	7007483	1	Guide, Spring	
70	7007484	1	Stop, Servo	
71	7007485	1	Spring	
72	7007486	1	Screw	
73	7007487	1	Guide, Spring	
74	7007488	1	Ring, Retaining	
75	7007499	1	Locknut	
76	Kit	2	Ring, Piston	
77	7007494	1	Piston, Servo	
78	Kit	2	O-Ring	
79	7007472	1	Valve, By-Pass	
80	7007473	2	Valve, Pressure Release (Includes Item 6)	
81	7007474	1	Control, Dual Oil-Filled	
81	7007496	1	Coil Assembly (Pilot)	
81	7007497	1	Plug (Pump)	
81	7007498	1	Plug (Valve Harness)	
82	7007478	2	Screw	
83	7001498	2	Screw	
84	Kit	2	O-Ring	
85	Kit	1	O-Ring	
86	7007475	1	Plug, Orifice/Screen -.156	
87	7007477	2	Plug, Orifice -.37	
88	7007476	1	Adapter, Auxiliary Pump	
89	7010120	1	Spacer/Gasket	
	2900752	1	Seal Kit - Complete (Includes Items 3, 6, 14, 15, 37, 41, 42, 44, 45, 55, 56, 63, 76, 78, 84 & 85)	
	7007412	1	Seal Kit - Servo Piston (Includes Items 76 & 78)	
	2900826	1	Charge Pump Kit (Includes Items 41, 42, 46, 59, 60 & 61)	
	2900827	1	Cylinder Block Kit (Includes Items 19-28, 40, 50, 53, 55 & 58)	

SECTION 2 - TURNTABLE

FIGURE 2-18. PUMP ASSEMBLY - BARNES (OCTOBER 1992 THROUGH SN 38696)



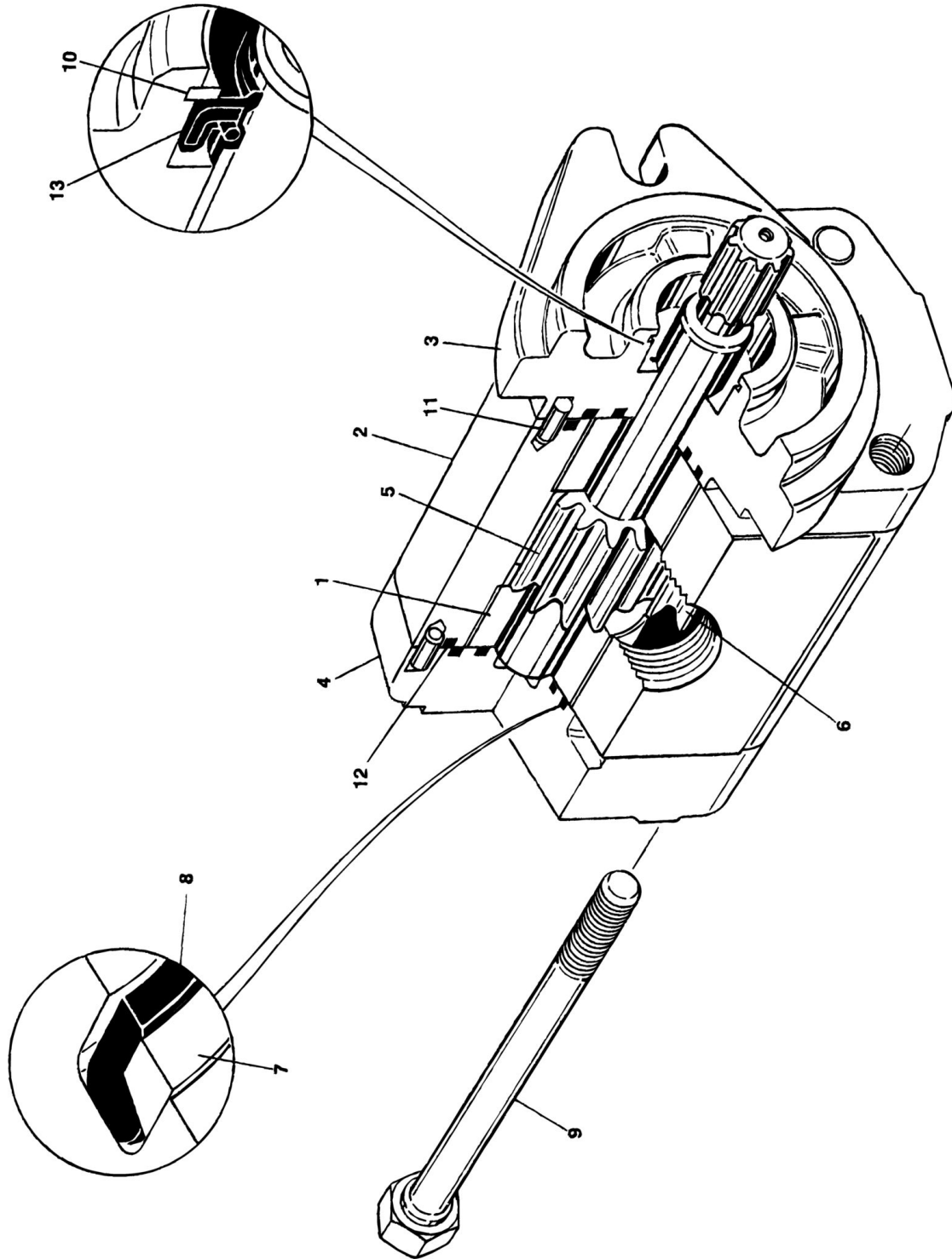
SECTION 2 - TURNTABLE

FIGURE 2-18. PUMP ASSEMBLY - BARNES (OCTOBER 1992 THROUGH SN 38696)

ITEM	PART NUMBER	QTY	DESCRIPTION	REV
	3600205	Ref	PUMP ASSEMBLY - BARNES (OCTOBER 1992 TO S/N 38697)	-
1	7010955	1	Ring, Retaining	
2	Kit		Kit	
3	7010956	1	Flange, Mounting	
4	Kit		Kit	
5	Kit		Kit	
6	7010957	2	Bearing	
7	Kit	2	O-Ring	
8	7010996	1	Housing, Gear	
9	7010959	4	Pin, Dowel	
11	7010997	1	Gear, Idler	
12	7010998	1	Gear, Drive	
13	7010960	1	Cover, End	
14	7010961	4	Bolt	
	7010953	1	Seal Kit (Includes Items 2, 4, 5 & 7)	

SECTION 2 - TURNTABLE

FIGURE 2-19. PUMP ASSEMBLY - HYDRO-AIR (SN 38697 to Present)



SECTION 2 - TURNTABLE

FIGURE 2-19. PUMP ASSEMBLY - HYDRO-AIR (SN 38697 to Present)

ITEM	PART NUMBER	QTY	DESCRIPTION	REV
	3600286	Ref	PUMP ASSEMBLY - HYDRO-AIR (SN 38697 to Present)	-
1	7010105	2	Bearing/Bushing	
2	Not Serviced	1	Housing	
3	Not Serviced	1	Flange, Mounting	
4	7010103	1	Cover, End	
5	7010126	1	Gear, Drive	
6	7010125	1	Gear, Idler	
7	Kit	2	Ring, Anti-Extrusion	
8	Kit	2	Seal	
9	7010124	4	Bolt	
10	7010104	1	Ring, Retaining	
11	7010127	4	Pin, Dowel	
12	Kit	2	Seal, O-Ring	
13	Kit	1	Seal, Shaft	
	7007489	1	Seal Kit (Includes Items 7, 8, 12 & 13)	

SECTION 2 - TURNTABLE

FIGURE 2-20. TANKS INSTALLATION

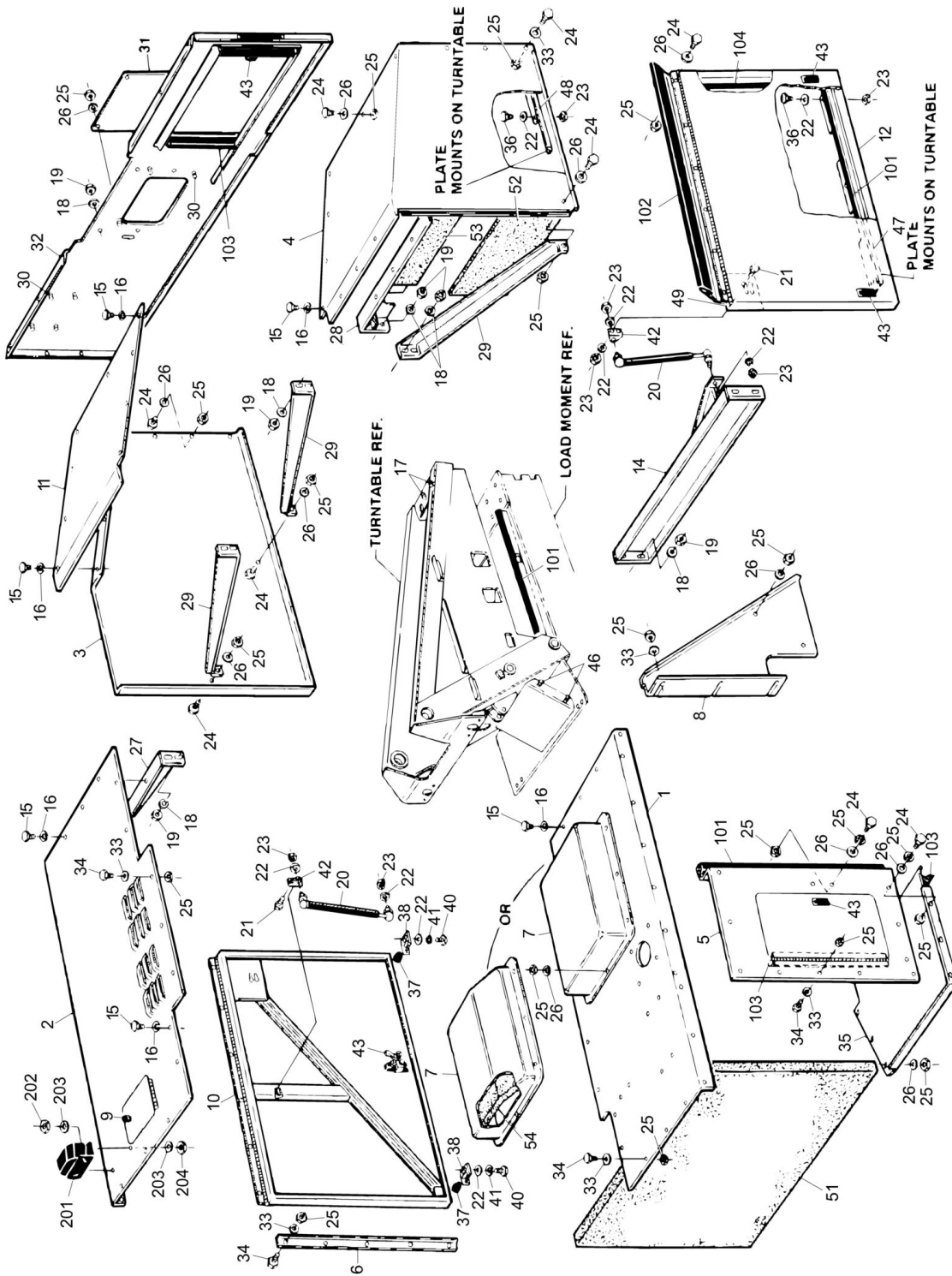
ITEM	PART NUMBER	QTY	DESCRIPTION	REV
	0252524	Ref	TANKS INSTALLATION	5
1		Ref	Fuel Tank Assembly Options (See Items 101-112 for Breakdown):	
1	4400279	1	Fuel Tank Assembly (Prior to June 1995)	
1	4400386	1	Fuel Tank Assembly (June 1995 to Present)	
2	4400340	1	Hydraulic Oil Tank Assembly (See Items 201-216 for Breakdown)	
3	0641614	4	Bolt 3/8in-16NC x 1 3/4in	
4	4711600	15	Flatwasher 3/8in	
5	3311605	8	Locknut 3/8in-16NC	
6	0641616	3	Bolt 3/8in-16NC x 2in	
7	1340046	1	Breather	
8	2220893	1	Fitting	
9	2120134	1	Filter, Hydraulic	
9	2120129	1	Element	
	4300034	4	Stud, Weld	
		Ref	FUEL TANK ASSEMBLY	
	4400279	Ref	Fuel Tank Assembly (Prior to June 1995)	B
	4400386	Ref	Fuel Tank Assembly (June 1995 to Present)	2
101		Ref	Tank Weldment Options:	
101	4400280	1	Tank Weldment Options (Prior to June 1995)	
101	4400387	1	Tank Weldment Options (June 1995 to Present)	
103	2180467	2	Fitting, 90	
104		Ref	Tube, Sight Options:	
104	4562663	15 in/38cm	Tube, Sight (Prior to February 1993)	
104	4562516	15 in/38cm	Tube, Sight (February 1993 to Present)	
105	1320022	2	Clamp	
106	2200052	1	Plug, Pipe - 1/4in	
107	0100020	AR	Sealant, Thread (Not Shown)	
108	4060574	1	Protector, Gauge	
109	3311401	3	Nut 1/4in-20NC	
110	4761400	3	Lockwasher 1/4in	
111	4751400	3	Flatwasher 1/4in	
112	3300205	3	Nut, Retainer 5/16in-18NC	
	4400340	Ref	HYDRAULIC OIL TANK ASSEMBLY	B
201	4400341	1	Tank Weldment	
203	4740338	6	Washer, Sealing	
204	2420080	1	Gauge, Level	
204	7016664	2	Washer, Sealing	
205	1670625	1	Lid	
207	3520022	1	Plug, Magnetic	
208	1340045	1	Basket, Strainer	
209	3960371	1	Gasket	
210	3300205	3	Nut, Retainer 5/16in-18NC	
211	2180606	1	Nipple, Pipe	
212	2120104	1	Filter	
213	3311401	14	Nut 1/4in-20NC	
214	4761400	14	Lockwasher 1/4in	
215	0100020	AR	Sealant, Thread (Not Shown)	
216	4751400	14	Flatwasher 1/4in	

SECTION 2 - TURNTABLE

ITEM	PART NUMBER	QTY	DESCRIPTION	REV
	0255869	Ref	FUEL FILL EXTENSION KIT	-
		Ref	Note: For use on fuel tanks built prior to June 1995. Tanks built June 1995 to present are already equipped with extension.	
301	4845158	1	Fill Tube Extension Weldment	
302	3960465	1	Seal	
		Ref	FUEL CAP ASSEMBLY - STANDARD	
	4400279	Ref	Fuel Cap Assembly - Standard (Prior to June 1995)	B
	4400386	Ref	Fuel Cap Assembly - Standard (June 1995 through SN 30381)	2
	0257365	Ref	Fuel Cap Assembly - Standard with Standard Cap (SN 30382 to Present)	1
	0257366	Ref	Fuel Cap Assembly - Standard with Red Protectoseal Cap (SN 30382 to Present)	2
	0258626	Ref	Fuel Cap Assembly - Standard with Blue Protectoseal Cap (SN 30382 to Present)	1
401		Ref	Cap, Fill Options:	
401	1120314	1	Standard Cap	
401	1120367	1	Red Protectoseal Cap	
401	1120512	1	Blue Protectoseal Cap	

SECTION 2 - TURNTABLE

FIGURE 2-21. HOOD INSTALLATION



SECTION 2 - TURNTABLE

FIGURE 2-21. HOOD INSTALLATION

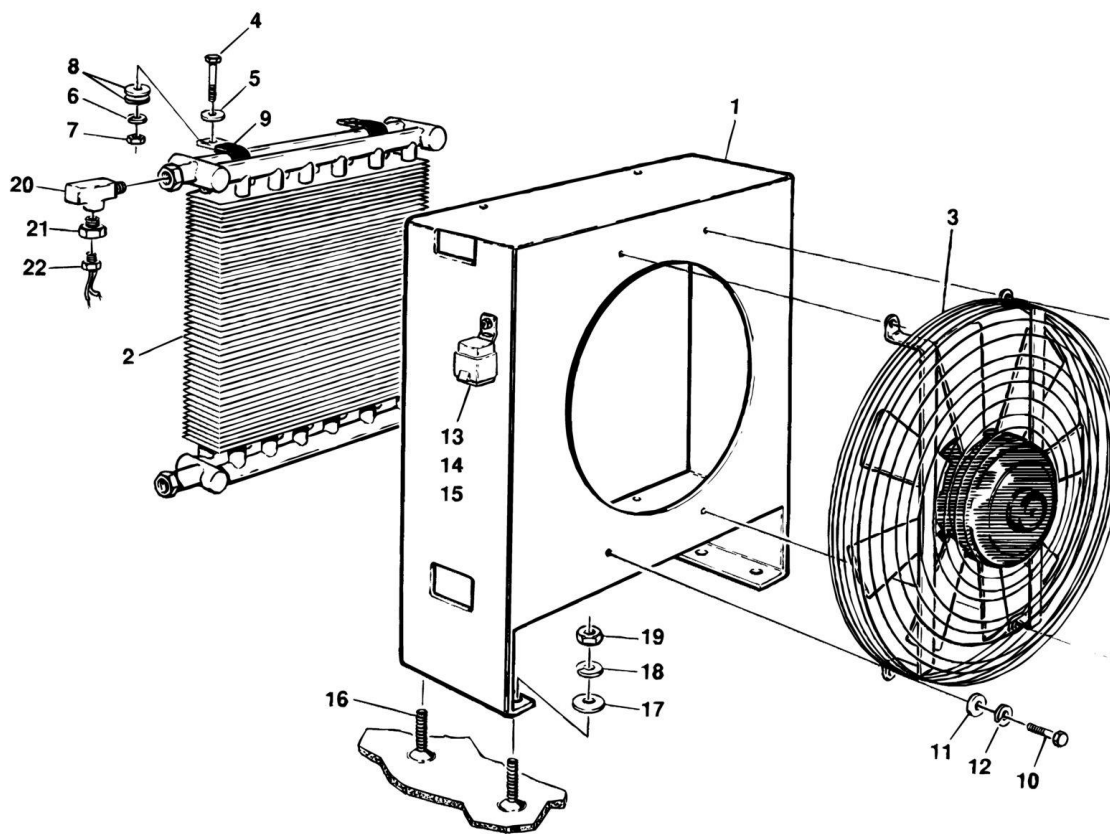
ITEM	PART NUMBER	QTY	DESCRIPTION	REV
		Ref	HOOD INSTALLATION	
	0252589	Ref	Hood Installation (Prior to October 1992)	B
	0253362	Ref	Hood Installation (October 1992 to Present)	5
		Ref	Note: Replacement Decals Must be Ordered Separately - See DECALS SECTION.	
1		Ref	Panel - Hood Top (Engine Side) Options:	
1	3380399	1	Panel - Hood Top (Engine Side) (Prior to October 1992)	
1	3536417	1	Panel - Hood Top (Engine Side) (October 1992 to Present)	
2		Ref	Panel - Hood Top (Valve Side) Options:	
2	4844115	1	Panel - Hood Top (Valve Side) (Prior to October 1992)	
2	4844390	1	Panel - Hood Top (Valve Side) (October 1992 to Present)	
3		Ref	Panel - Hood (Valve Side) Options:	
3	3380378	1	Panel - Hood (Valve Side) (Prior to June 1995)	
3	3380419	1	Panel - Hood (Valve Side) (June 1995 to Present)	
4	3380400	1	Panel - Hood (Engine Side)	
5	4844087	1	Panel - Door (Engine Side)	
6	1780172	1	Door (Valve Side)	
7		Ref	Duct, Discharge (Engine Side) Options:	
7	4844078	1	Duct, Discharge (Engine Side) (Prior to October 1992)	
7	4844236	1	Duct, Discharge (Engine Side) (October 1992 to Present)	
8	3535948	1	Plate, Baffle (Engine Side)	
9	2940051	1	Latch	
10	4844113	1	Door (Valve Side)	
11	3380379	1	Panel - Hood Top (Valve Side)	
12	4844074	1	Door (Engine Side)	
14	4843334	1	Mounting, Gas Spring	
15	3941405	8	Screw, Self-Tap 1/4in x 5/8in	
16	4761400	8	Lockwasher 1/4in	
17	4300034	16	Stud (Welded on Part)	
18	4751600	16	Flatwasher 3/8in	
19	3311605	16	Locknut 3/8in-16NC	
20	4160081	2	Spring, Gas	
21	0630383	4	Bolt, Carriage 5/16in-18NC x 3/4in	
22	4751500	10	Flatwasher 5/16in	
23	3311505	6	Locknut 5/16in-18NC	
24	0641406	40	Bolt 1/4in-20NC x 3/4in	
25	3311405	70	Locknut 1/4in-20NC	
26	4751400	48	Flatwasher 1/4in	
27	0901500	1	Bracket, Mounting - Hood	
28	4843324	1	Bracket, Mounting - Hood	
29	0901502	3	Bracket, Mounting - Hood	
31	1670516	1	Cover, Front	
32	4844083	1	Hood (Front)	
33	4740362	41	Washer, Fender	
34	0641408	22	Bolt 1/4in-20NC x 1in	
35	3537819	1	Plate, Extension - Base	
36	0641512	5	Bolt 5/16in-18NC x 1 1/2in (October 1992 to Present)	
37	0940036	2	Bumper, Door	
38	0901197	2	Bracket, Door Stop	
40	0641508	4	Bolt 5/16in-18NC x 1in	

SECTION 2 - TURNTABLE

ITEM	PART NUMBER	QTY	DESCRIPTION	REV
41	4761500	4	Lockwasher 5/16in	
42	3200222	2	Mounting, Gas Spring	
43	2940042	5	Mounting, Latch	
46	4300032	5	Stud (Welded on Part)	
47	3536414	1	Plate, Seal (October 1992 to Present)	
48	3536415	1	Plate, Seal (October 1992 to Present)	
49	3535951	1	Plate, Hinge Shield	
50	3820018	10	Rivet	
51	2820059	1	Acoustical Foam - 33 x 20 (October 1992 to Present)	
52	2820058	1	Acoustical Foam - 20 x 17 (October 1992 to Present)	
53	2820053	1	Acoustical Foam - 6 3/4in x 14 3/4in (October 1992 to Present)	
54	2820057	1	Acoustical Foam - 24in x 16 3/4in (October 1992 to Present)	
	0100011	AR	Loctite #242	
	0252652	Ref	HOOD SEALS INSTALLATION	A
101	3960418	13 ft/4m	Seal	
102	3960389	8 ft/2.4m	Seal, Door	
103	3960429	7 ft/2.1m	Tape, Sealant	
104	3960433	6 ft/1.8m	Seal	
	0251543	Ref	ALARM INSTALLATION (OPTIONAL)	2
201	0140032	1	Alarm	
202	0641406	2	Bolt 1/4in-20NC x 3/4in	
203	4751400	4	Flatwasher 1/4in	
204	3311405	2	Locknut 1/4in-20NC	

SECTION 2 - TURNTABLE

FIGURE 2-22. OIL COOLER INSTALLATION



SECTION 2 - TURNTABLE

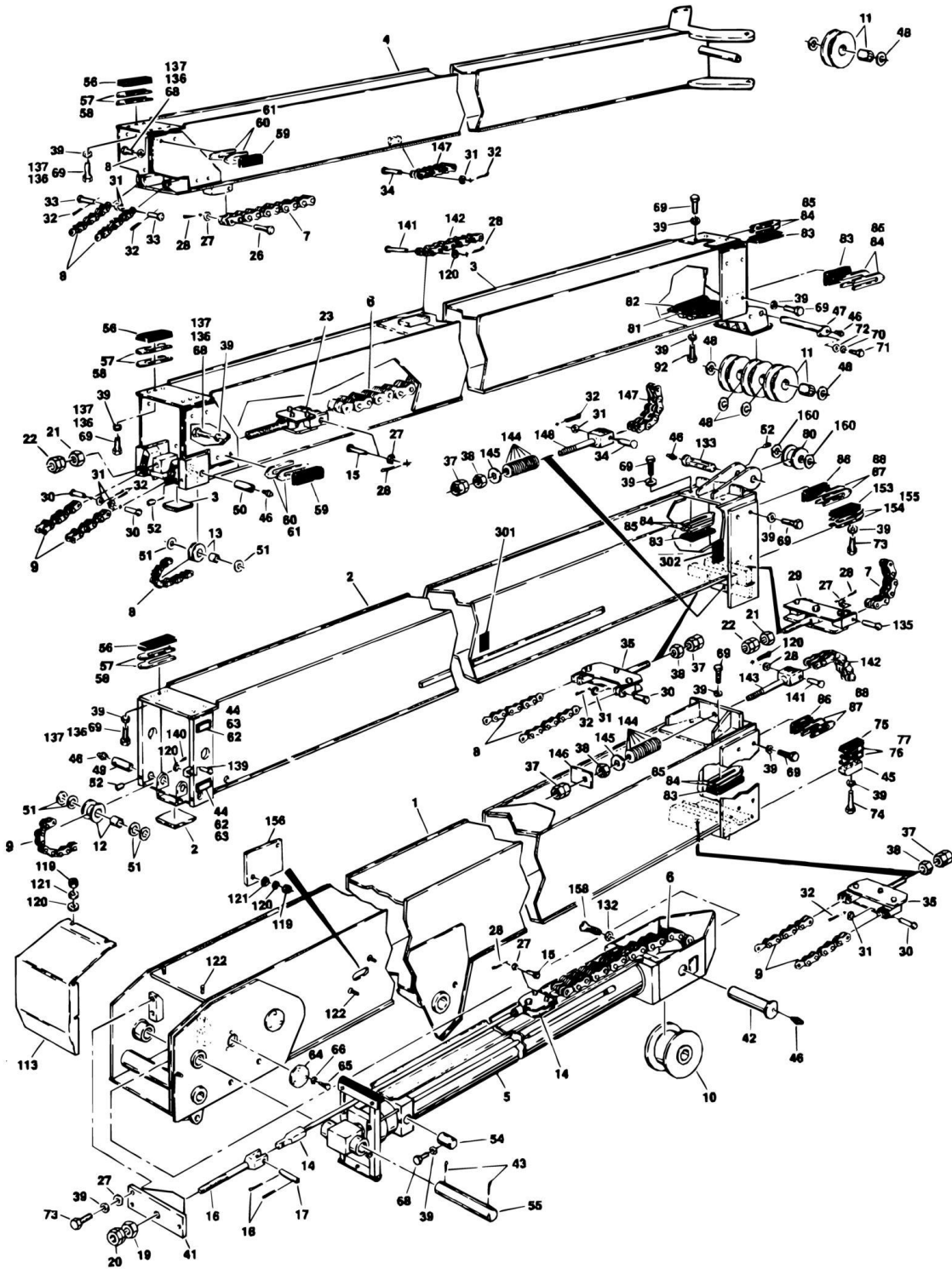
FIGURE 2-22. OIL COOLER INSTALLATION

ITEM	PART NUMBER	QTY	DESCRIPTION	REV
	0252906	Ref	OIL COOLER INSTALLATION (OPTIONAL)	3
1	4844177	1	Bracket, Oil Cooler	
2		Ref	Oil Cooler Assembly Options:	
2	3620015	1	Oil Cooler Assembly (Prior to October 1992)	
2	3620003	1	Oil Cooler Assembly (October 1992 to Present)	
3	2060012	1	Fan, Oil Cooler	
4	0641508	4	Bolt 5/16in-18NC x 1in	
5	4751500	4	Flatwasher 5/16in	
6	4761500	4	Lockwasher 5/16in	
7	3311501	4	Nut 5/16in-18NC	
8	4751600	8	Flatwasher 3/8in	
9	1320060	4	Clamp	
10	0731006	5	Bolt #10-32NF x 3/4in	
11	4751000	5	Flatwasher #10	
12	4761000	5	Lockwasher #10	
13	3740080	1	Relay	
14	4460374	1	Plug	
15	4460375	4	Terminal	
16	4300048	4	Stud (Welded on Part)	
17	4751800	4	Flatwasher 1/2in	
18	4761800	4	Lockwasher 1/2in	
19	3311801	4	Nut 1/2in-13NC	
20	2220369	1	Fitting, Tee	
21	2220282	1	Fitting, Reducer	
22	4360181	1	Switch, Temperature	

SECTION 3 - BOOM

SECTION 3 - BOOM

FIGURE 3-1. BOOM ASSEMBLY COMPONENTS INSTALLATION



SECTION 3 - BOOM

FIGURE 3-1. BOOM ASSEMBLY COMPONENTS INSTALLATION

ITEM	PART NUMBER	QTY	DESCRIPTION	REV
		Ref	BOOM ASSEMBLY COMPONENTS INSTALLATION	
		Ref	BOOM ASSEMBLIES (STANDARD PARTS)	
1	0800765	1	Base Weldment	-
2	0800766	1	Inner Mid Weldment	6
2	3532549	1	Plate, Skid (Rear Bottom)	
3	0800767	1	Outer Mid Weldment	
3	3535816	1	Plate, Skid (Rear Bottom)	
4		Ref	Fly Weldment Options:	
4	0800768	1	Fly Weldment (Prior to SN 37026)	
4	0801155	1	Fly Weldment (SN 37026 to Present)	
5		Ref	Telescope Cylinder Assembly Options (See CYLINDER SECTION for Breakdown):	
5	1682030	1	Standard Boom (Prior to November 1992)	
5	1682820	1	Standard Boom (November 1992 through SN 38697)	
5	1683701	1	Standard Boom (SN 38697 to Present)	
5	1682030	1	Boom with Chip Covers (Prior to November 1992)	
5	1682820	1	Boom with Chip Covers (November 1992 to Present)	
6	1260235	1 st	Chain, Extend - Outer Mid BL866	
7	1260234	1 st	Chain, Extend - Fly BL823	
8	1260275	1 st	Chain, Retract - Fly BL446	
9	1260233	1 st	Chain, Retract - Outer Mid BL446	
10	3580139	1	Sheave - Outer Mid Extend Chain	
11	0238927	3	Sheave Assembly - Fly Extend Chain	B
11	0961293	3	Bushing, Bronze (1 Per Sheave)	
12	0237151	2	Sheave Assembly - Outer Mid Extend Chain	B
12	0961353	2	Bushing, Bronze (1 Per Sheave)	
13	0239606	2	Sheave Assembly - Fly Retract Chain	-
13	0961369	2	Bushing, Bronze (1 Per Sheave)	
14	0239268	1	Adjustable Clevis Assembly - Outer Mid Retract Chain (See CHAIN ADJUSTER ASSEMBLIES for Breakdown)	
15	3421286	4	Pin, Attach	
16	1360171	1	Clevis	
17	3421279	1	Pin, Attach	
18	3450408	2	Pin, Cotter 1/8in x 2in	
19	3313002	1	Nut, Jam 1 1/4in-7NC	
20	3300244	1	Locknut, Nylon 1 1/4in-7NC Grade 8	
21	3312602	2	Nut, Jam 1in-8NC	
22	3300243	2	Locknut, Nylon 1in-8NC Grade 8	
23	0238901	1	Adjustable Clevis Assembly - Outer Mid Retract Chain (See CHAIN ADJUSTER ASSEMBLIES for Breakdown)	
26	3421570	2	Pin, Attach	
27	4751600	35	Flatwasher 3/8in	
28	3450303	8	Pin, Cotter 3/22in x 3/4in	
29	0238919	1	Adjustable Clevis Assembly - Fly Extend Chain (See CHAIN ADJUSTER ASSEMBLIES for Breakdown)	
30	3421280	6	Pin, Attach	
31	4751000	10	Flatwasher #10	
32	3450202	8	Pin, Cotter 1/16in x 1/2in	
33	3421629	2	Pin, Attach	
34	3420659	2	Pin, Attach	

SECTION 3 - BOOM

ITEM	PART NUMBER	QTY	DESCRIPTION	REV
35	0238945	2	Adjustable Clevis Assembly - Outer Mid and Fly Retract Chain (See CHAIN ADJUSTER ASSEMBLIES for Breakdown)	
37	3300240	2	Locknut, Nylon 5/8in-11NC (Grade 8)	
38	3312002	2	Nut, Jam 5/8in-11NC	
39	4761600	100	Lockwasher 3/8in	
41	4843105	1	Mount, End - Chain	
42	3421539	1	Pin, Sheave	
43	3450814	2	Pin, Cotter 1/4in x 3 1/2in	
44	4070616	AR	Shim 1/32in/.8mm	
45	0560689	2	Block, Mounting - Wear Pad	
46	2160002	7	Fitting, Grease	
47	3421778	1	Pin, Sheave	
48	4740307	12	Washer, Thrust	
49	3421290	2	Pin, Sheave	
50	3422040	2	Pin, Sheave	
51	4740311	12	Washer, Thrust	
52	3951606	5	Setscrew 3/8in-16NC x 3/4in	
54	3421497	2	Pin, Trunion	
55	3421293	1	Pin, Cylinder	
56	3340475	6	Pad, Wear (Fly Rear Top, Inner Mid Rear Top and Outer Mid Rear Top)	
57	4070535	AR	Shim 1/8in/3.2mm	
58	4070536	AR	Shim 1/16in/1.6mm	
59	3340263	9	Pad, Wear (Carrier Support - Left Side, Fly Rear Sides and Outer Mid Rear Sides)	
60	4070544	AR	Shim 1/16in/1.6mm	
61	4070545	AR	Shim 1/8in/3.2mm	
62	3340563	4	Pad, Skid	
63	4070615	AR	Shim 1/16in/1.6mm	
64	1120019	4	Cap	
65	0721003	12	Bolt #10-24NC x 3/8in	
66	4761000	12	Lockwasher #10	
67	0641605	2	Bolt 3/8in-16NC x 5/8in	
68	0641607	18	Bolt 3/8in-16NC x 7/8in	
69	0641609	52	Bolt 3/8in-16NC x 1 1/8in	
70	4761800	1	Lockwasher 1/2in	
71	0641808	1	Bolt 1/2in-13NC x 1in	
72	4751800	1	Flatwasher 1/2in	
73	0641614	7	Bolt 3/8in-16NC x 1 3/4in	
74	0641630	6	Bolt 3/8in-16NC x 3 3/4in	
75	3340496	2	Pad, Wear (Base Front Bottom)	
76	4070602	AR	Shim 1/8in/3.2mm	
77	4070603	AR	Shim 1/16in/1.6mm	
78	0641608	8	Bolt 3/8in-16NC x 1in	
79	0641636	4	Bolt 3/8in-16NC x 4 1/2in	
80	0239607	1	Sheave Assembly - Safety Chain	
80	0961370	1	Bushing, Bronze	
81	0901700	1	Bracket, Wear Pad	
82	3340506	2	Pad, Wear (Outer Mid Front Bottom)	
83	3340500	10	Pad, Wear (Outer Mid Front Sides and Top, Inner Mid Front Top and Base Front Top)	
84	4070708	AR	Shim 1/16in/1.6mm	

SECTION 3 - BOOM

ITEM	PART NUMBER	QTY	DESCRIPTION	REV
85	4070709	AR	Shim 1/8in/3.2mm	
86	3340502	8	Pad, Wear (Inner Mid Front Sides and Base Front Sides)	
87	4070710	AR	Shim 1/16in/1.6mm	
88	4070711	AR	Shim 1/8in/3.2mm	
89	4844126	1	Tube, Hose and Cable (Left Side)	
91	3311601	20	Nut 3/8in-16NC	
92	0641610	6	Bolt 3/8in-16NC x 1 1/4in	
93	1180287	1	Carrier Tube Weldment (Left Side)	
94	4280242	2	Strip, Reinforcing	
95	1320121	4	Clamp (Prior to SN 51528)	
96	0641404	2	Bolt 1/4in-20NC x 1/2in	
97	3450806	2	Pin, Cotter 1/4in x 1 1/2in	
98	3841013	2	Rod, Roller	
99	3860050	2	Roller	
100	3840956	1	Hanger (Left Side)	
101	2660042	1	Holder	
102		Ref	Rod, Hose Retainer (Left Side) Options:	
102	3840957	1	Rod, Hose Retainer (Left Side) (Prior to SN 37026)	
102	0902470	1	Rod, Hose Retainer (Left Side) (SN 37026 to Present)	
103	1320155	2	Clamp, U-Bolt	
104	4843080	1	Bracket, Support - Carrier Wear Pad (Left Side)	
105	1060394	149 ft/45m	Cable, Electrical - 10/4	
107	1060392	149 ft/45m	Cable, Electrical - 16/36	
108	3840844	1	Hanger (Right Side) (Prior to August 1992)	
109	4340519	4	Support (Prior to August 1992)	
110	0880090	4	Brace (Prior to August 1992)	
111	1180254	1	Carrier Tube Weldment (Right Side)	
113	4843107	1	Cover, Boom End (Prior to September 1992)	
113	4843087	1	Cover, Boom End (September 1992 to Present)	
114	3532793		Plate, Hose Cover	
115	4060685	2	Shield, Hose and Cable (Right Side)	
116	4060684	1	Shield, Hose and Cable (Right Side)	
117	4340632	8	Support, Hydraulic Line	
118	4300098	8	Stud (Welded on Part)	
119	3311401	18	Nut 1/4in-20NC	
120	4751400	21	Flatwasher 1/4in	
121	4761400	18	Lockwasher 1/4in	
122	4300032	8	Stud (Welded on Part)	
123	3840858	1	Rod, Tube Retainer	
124	4562516	1	Tube	
125	4340453	1	Support, Bracket	
126	0181175	1	Angle (Prior to August 1992)	
127	4761500	3	Lockwasher 5/16in	
128	0641510	3	Bolt 5/16in-18NC x 1 1/4in	
129	3311501	3	Nut 5/16in-18NC	
130	4751500	6	Flatwasher 5/16in	
131	4340520	2	Support (Prior to August 1992)	
132	4740349	1	Washer, Special	
133	3421632	1	Pin (Prior to March 1993)	
134	3536001	1	Plate, Ramp (Left Side)	

SECTION 3 - BOOM

ITEM	PART NUMBER	QTY	DESCRIPTION	REV
135	3421571	2	Pin, Attach	
136	1380124	34	Clip, Retainer (Prior to May 1995)	
137	4920385	17.6 ft/5.4m	Wire, Safety (Prior to May 1995)	
138	3840975	1	Rod, Hose Retainer (Right Side) (Prior to March 1993)	
139	3430408	1	Pin, Clevis 1/4in x 1in	
140	3450203	1	Pin, Cotter 1/16in x 3/4in	
141	3421628	2	Pin, Attach	
142	1260254	1	Chain, Safety (Upper)	
143	1360234	1	Clevis, Chain	
144	4160098	104 Ref	Washer, Belleville Note: Top of base section requires qty 75 on both standard machines and machines with broken chain limit switch (See BROKEN CHAIN LIMIT SWITCH INSTALLATION). Standard machines require qty 27 at the bottom of inner mid section. Machines with broken chain limit switch require the standard qty 27 plus an additional qty 48 per BROKEN CHAIN LIMIT SWITCH INSTALLATION for a total qty of 75 at bottom of inner mid section.	
145	4712000	2	Flatwasher 5/8in (Narrow)	
146	0361727	1	Bar	
147	1260261	1	Chain, Safety (Lower)	
148	1360223	1	Clevis, Chain	
149	1060016	AR	Cable, Electrical - 16/3 Options:	
149	1060016	50 ft/15.3m	Cable, Electrical - 16/3 (Prior to SN 47227)	
149	1060016	30 ft/9.1m	Cable, Electrical - 16/3 (SN 47227 to Present)	
153	3340494	2	Pad, Wear (Inner Mid Front Bottom)	
154	4070600	AR	Shim 1/8in/3.2mm	
155	4070601	AR	Shim 1/16in/1.6mm	
156	1670321	1	Cover (Prior to SN 40599)	
158	0741608	1	Screw, Countersunk 3/8in-16NC x 1in	
159	3520029	4	Plug, Hole (Prior to SN 47227)	
160	4740304	2	Washer, Spacer	
161	0641407	2	Bolt 1/4in - 20 NC x 7/8in	
162	1670836	8	Cover (Not Shown) Located on Bottom of Boom Sections)	
163	0641611	2	Bolt 3/8in-16NC x 1 3/8in (SN 40599 to Present)	
	0100011	AR	Loctite #242	
		Ref	BOOM ASSEMBLY (VARIABLE PARTS)	
	0800764	Ref	Boom Without Chip Covers (Prior to SN 37026)	11
	0801158	Ref	Boom Without Chip Covers (SN 37026 to Present)	5
	0800805	Ref	Boom With Chip Covers (Prior to SN 37026)	10
	0801160	Ref	Boom With Chip Covers (SN 37026 to Present)	5
201		Ref	Carrier (Left Side) Options:	
201A	1001119696	1	Carrier Without Chip Covers (was p/n 1180286 - Gemco is Original Equipment/Gortrac is Service Replacement)	
201B		Ref	Gemco Power Track Replacement Parts:	
201B	7006193	AR	Repair Section - 1 Foot	
201B	7006143	4	Bracket, Mounting (Includes 1 left, 1 right mounting brackets and 2 spacers)	
201B	7006138	AR	Pin Assembly (Includes 1 link pin, 1 retaining ring and 4 washers of various thicknesses)	
201B	7006165	AR	Kit, Rod Carrier (Includes 1 rod, 1 sleeve and 2 screws)	
201B	7016520	AR	Rod w/Roll Pin	

SECTION 3 - BOOM

ITEM	PART NUMBER	QTY	DESCRIPTION	REV
201B	7016531	1	Clamping Carrier Assembly (Includes 2 link pins, 1 clamping carrier, 1 clamping stiffener, 1 bolt, 1 nut and 1 lockwasher)	
201C		Ref	Gortrac Power Track Replacement Parts:	
201C	70003143	AR	Repair Section (Includes 1 set of attaching hardware) (1001119696 Power Track Only)	
201C	70003144	AR	Mounting Bracket Kit (Includes 4 mtg feet and hardware to attach to track) (1001119696 Power Track Only)	
201D	1180296	1	Carrier With Chip Covers	
201E		Ref	Gemco Power Track Replacement Parts:	
201E	7006196	AR	Repair Section - 1 Foot	
201E	7006143	4	Bracket, Mounting (Includes 1 left, 1 right mounting brackets and 2 spacers)	
201E	7006138	AR	Pin Assembly (Includes 1 link pin, 1 retaining ring and 4 washers of various thicknesses)	
202		Ref	Carrier (Right Side) Options:	
202A	1001099842	1	Carrier Without Chip Covers (was p/n 1180236 - Gemco is Original Equipment/Gortrac is Service Replacement)	
202B		Ref	Gemco Power Track Replacement Parts:	
202B	7006153	AR	Repair Section - 1 Foot	
202B	7006143	4	Bracket, Mounting (Includes 1 left, 1 right mounting brackets and 2 spacers)	
202B	7006138	AR	Pin Assembly (Includes 1 link pin, 1 retaining ring and 4 washers of various thicknesses)	
202B	7006165	AR	Kit, Rod Carrier (Includes 1 rod, 1 sleeve and 2 screws)	
202B	7016520	AR	Rod w/Roll Pin	
202B	7016531	1	Clamping Carrier Assembly (Includes 2 link pins, 1 clamping carrier, 1 clamping stiffener, 1 bolt, 1 nut and 1 lockwasher)	
202C		Ref	Gortrac Power Track Replacement Parts:	
202C	70002008	AR	Repair Section (Includes 1 set of attaching hardware) (1001099842 Power Track Only)	
202C	70002009	AR	Mounting Bracket Kit (Includes 4 mtg feet and hardware to attach to track) (1001099842 Power Track Only)	
202D	1180258	1	Carrier With Chip Covers	
202E		Ref	Gemco Power Track Replacement Parts:	
202E	7006145	AR	Repair Section - 1 Foot	
202E	7006143	4	Bracket, Mounting (Includes 1 left, 1 right mounting brackets and 2 spacers)	
202E	7006138	AR	Pin Assembly (Includes 1 link pin, 1 retaining ring and 4 washers of various thicknesses)	
	0252764	Ref	RADIUS LIMIT TAPE INSTALLATION	3
	1282060	Ref	RADIUS LIMIT TAPE INSTALLATION	3
301	4420017	6 in/15.3cm	Tape - Red	
302	4420015	6 in/15.3cm	Tape - White	

SECTION 3 - BOOM

FIGURE 3-2. CHAIN ADJUSTER ASSEMBLIES

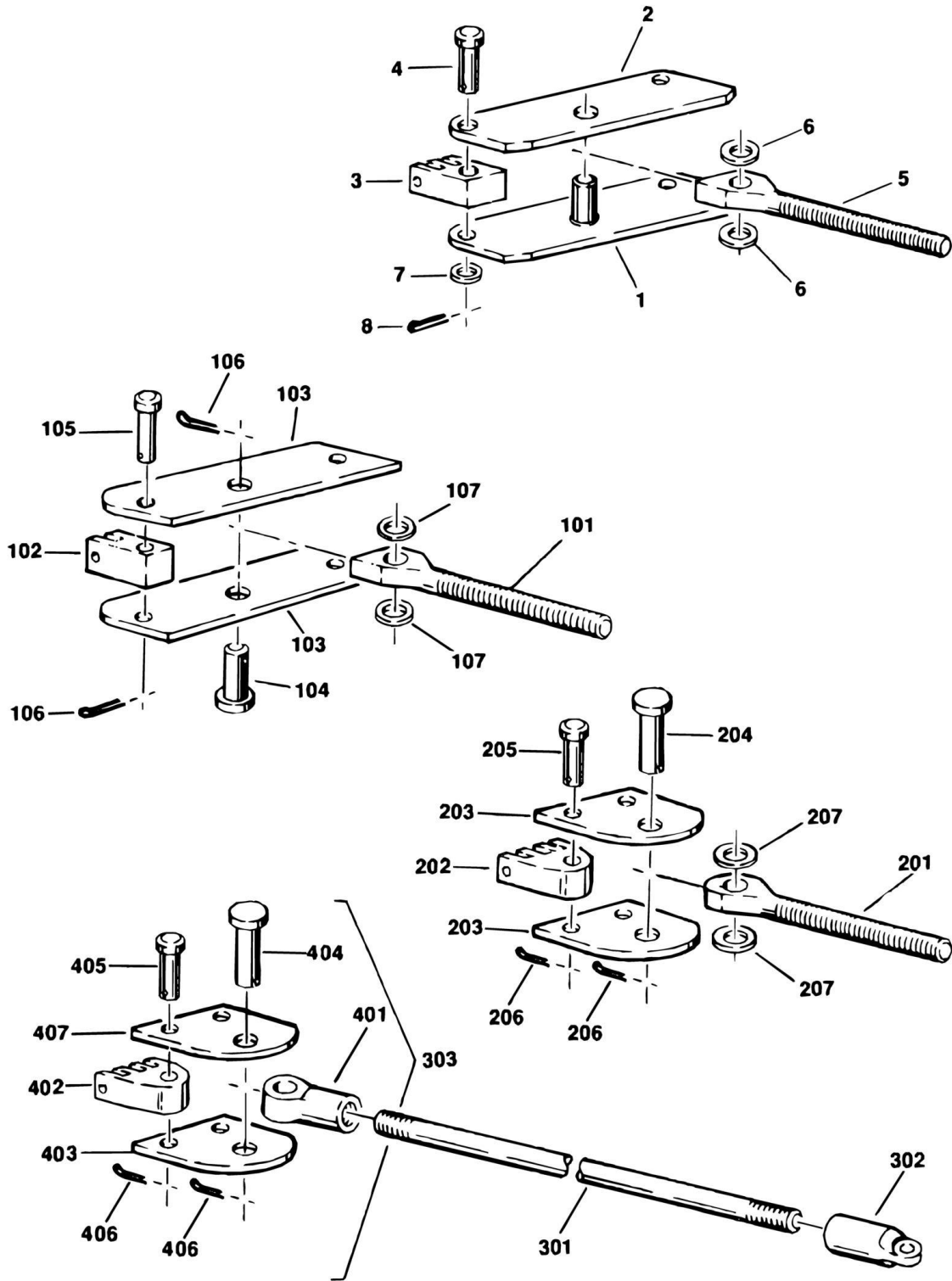
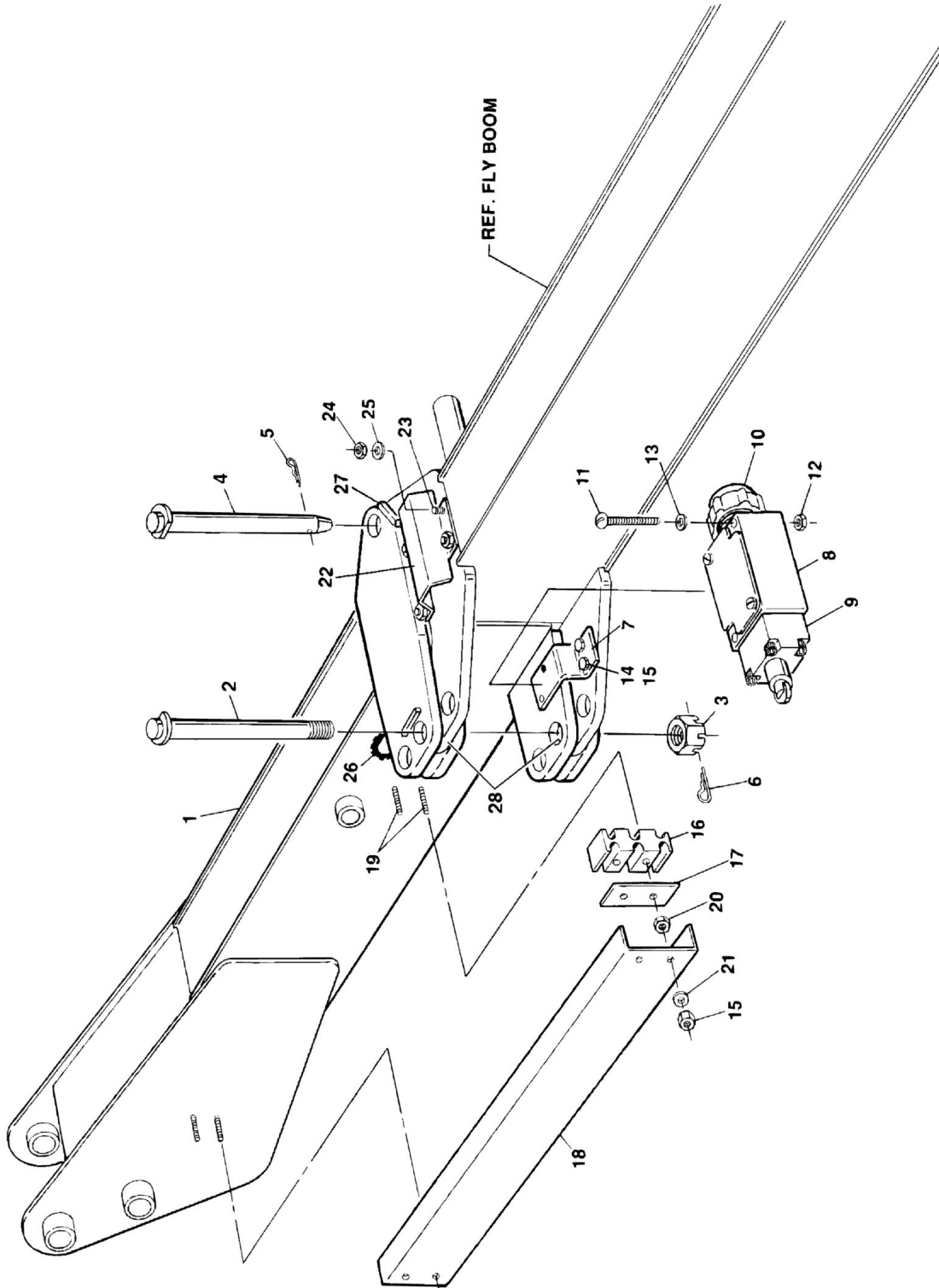


FIGURE 3-2. CHAIN ADJUSTER ASSEMBLIES

ITEM	PART NUMBER	QTY	DESCRIPTION	REV
		Ref	CHAIN ADJUSTER ASSEMBLIES	
	0238945	Ref	CHAIN ADJUSTER ASSEMBLY (OUTER MID AND FLY RETRACT)	-
1	4843026	1	Chain Plate Weldment	
2	3532466	1	Plate, Top	
3	1360175	2	Clevis	
4	3420552	2	Pin, Clevis	
5	0630197	1	Eyebolt	
6	4740156	2	Washer, Thrust	
7	4740270	2	Washer, Special	
8	3450504	2	Pin, Cotter 5/32in x 1in	
	0238919	Ref	CHAIN ADJUSTER ASSEMBLY (FLY EXTEND)	-
101	0630410	1	Eyebolt	
102	1360209	2	Clevis	
103	3532425	2	Plate	
104	3421535	1	Pin, Adjuster Plate	
105	3421534	2	Pin, Clevis	
106	3450506	3	Pin, Cotter 3/32in x 1 1/2in	
107	4740111	2	Washer, Thrust	
	0238901	Ref	CHAIN ADJUSTER ASSEMBLY (OUTER MID RETRACT)	-
201	0630409	1	Eyebolt	
202	1360206	2	Clevis	
203	3532410	2	Plate	
204	3421535	1	Pin, Adjuster Plate	
205	3421534	2	Pin, Clevis	
206	3450506	3	Pin, Cotter 3/32in x 1 1/2in	
207	4740111	2	Washer, Thrust	
	0239268	Ref	CHAIN ADJUSTER AND ROD ASSEMBLY (OUTER MID RETRACT)	B
301	3840945	1	Rod	
302	1360208	1	Clevis, Rod	
303	0238900	1	Chain Adjuster Assembly (See Items 401-407 for Breakdown)	
	0100003	AR	Loctite #277	
	0238900	Ref	CHAIN ADJUSTER ASSEMBLY (OUTER MID RETRACT)	B
401	1360207	1	Clevis, Rod	
402	1360206	2	Clevis, Chain	
403	3532410	1	Plate, Chain Adjuster (Top)	
404	3421535	1	Pin, Adjuster Plate	
405	3421534	2	Pin, Clevis	
406	3450506	3	Pin, Cotter 3/32in x 1 1/2in	
407	3534436	1	Plate, Chain Adjuster Plate (Bottom)	

SECTION 3 - BOOM

FIGURE 3-3. JIB BOOM INSTALLATION



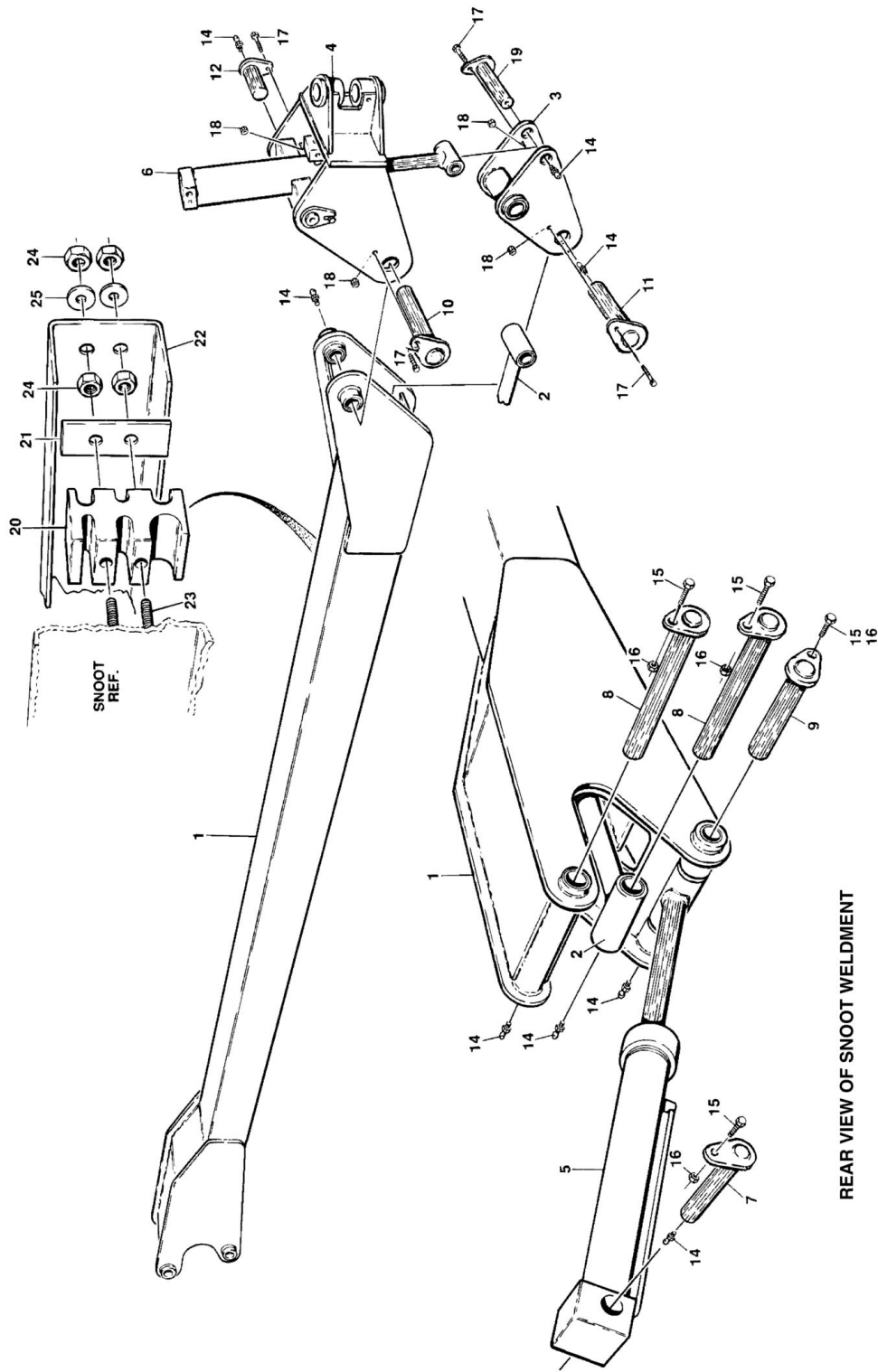
SECTION 3 - BOOM

FIGURE 3-3. JIB BOOM INSTALLATION

ITEM	PART NUMBER	QTY	DESCRIPTION	REV
		Ref	JIB BOOM INSTALLATION OPTIONS:	
	0252658	Ref	Jib Boom Installation (Prior to SN 37026)	4
	0258414	Ref	Jib Boom Installation (SN 37026 to Present)	1
1		Ref	Boom, Jib Options:	
1	0800769	1	Boom, Jib (Prior to SN 37026)	
1	0801156	1	Boom, Jib (SN 37026 to Present)	
2		Ref	Pin (Left Side Attach) Options:	
2	3422041	1	Pin (Left Side Attach) (Prior to SN 37026)	
2	3422727	1	Pin (Left Side Attach) (SN 37026 to Present)	
3	3323403	1	Nut, Slotted 1 1/2in x 12NF	
4		Ref	Pin (Right Side Attach) Options:	
4	3422053	1	Pin (Right Side Attach) (Prior to SN 37026)	
4	3422679	1	Pin (Right Side Attach) (SN 37026 to Present)	
5	3420592	1	Hairpin	
6	3451012	1	Pin, Cotter 5/16in x 3in	
7	0901835	1	Bracket, Limit Switch	
8	4360277	1	Switch, Limit	
9	4360307	1	Head, Switch	
10	4460049	1	Connector, Strain Relief	
11	0721016	2	Screw, Machine #10-24NC x 2in	
12	3311005	2	Locknut #10-24NC	
13	4751000	2	Flatwasher #10	
14	0641615	2	Bolt 3/8in-16NC x 1 7/8in	
15	3311605	6	Locknut	
16	1320184	2	Clamp, Hose and Cable	
17	3535978	2	Plate	
18	1670635	1	Cover, Hose and Cable	
19	4300076	4	Stud (Welded on Part)	
20	3311602	4	Nut, Jam 3/8in-16NC	
21	4751600	4	Flatwasher 3/8in	
22	3532793	1	Plate, Hose Cover	
23	4300032	4	Stud (Welded on Part)	
24	3311405	4	Locknut 1/4in-20NC	
25	4751400	4	Flatwasher 1/4in	
26	4060803	10 in	Trim, Flexible	
27	2880814	2	Keystock (Welded on Part)	
28		Ref	Bushing, Garmax	
28	Not Required	0	Bushing, Garmax (Prior to SN 37026)	
28	0962181	2	Bushing, Garmax (SN 37026 to Present)	

SECTION 3 - BOOM

FIGURE 3-4. EXTEND-A-REACH INSTALLATION



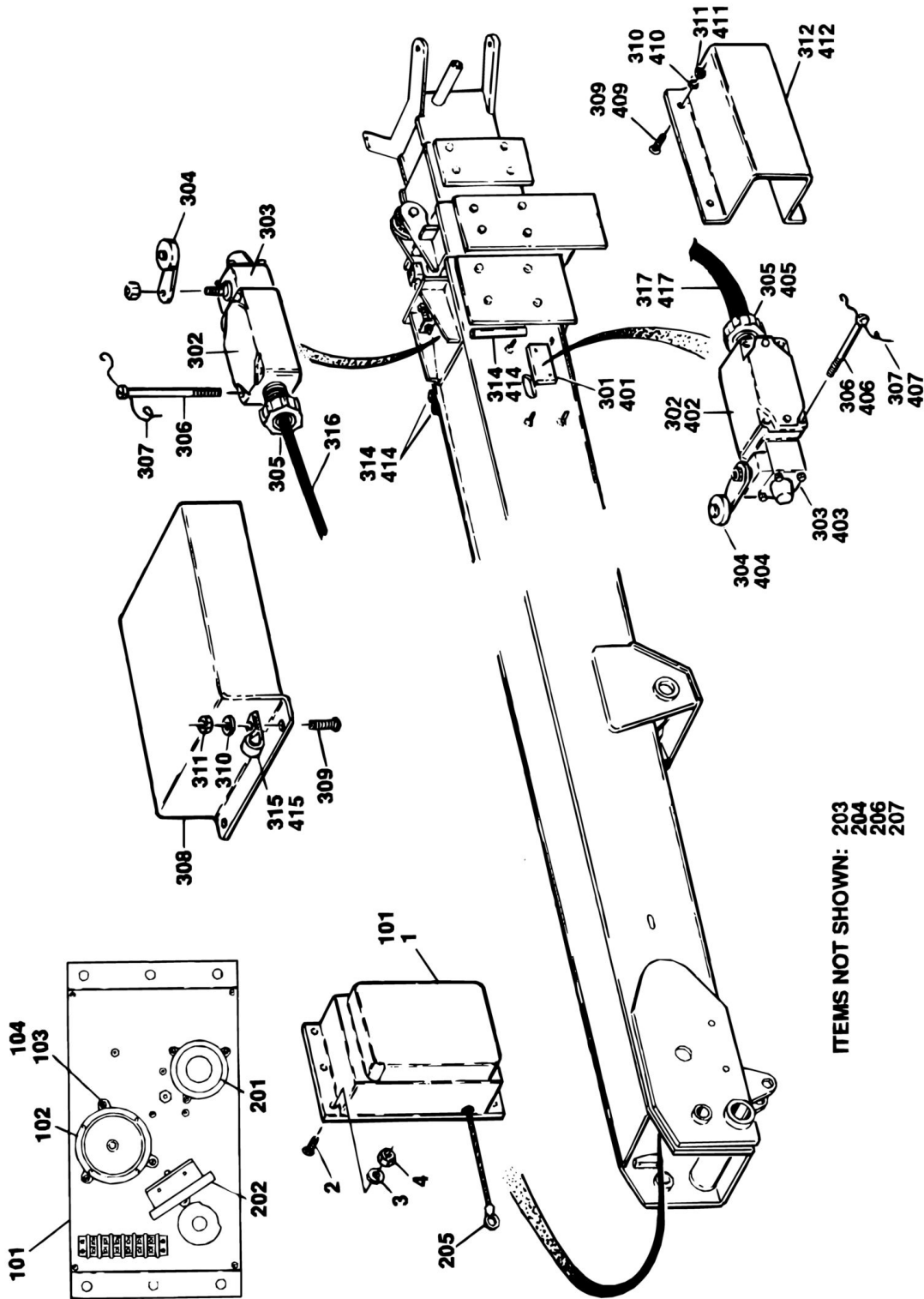
SECTION 3 - BOOM

FIGURE 3-4. EXTEND-A-REACH INSTALLATION

ITEM	PART NUMBER	QTY	DESCRIPTION	REV
	0252610	Ref	EXTEND-A-REACH INSTALLATION	5
1	4844092	1	Snoot Weldment	
1	0960565	4	Bushing, Bronze	
2	4844093	1	Level Link Weldment	
2	0961654	2	Bushing, Bronze (Platform End)	
2	0960565	2	Bushing, Bronze (Jib End)	
3	4844094	1	Level Plate Weldment	
3	0961654	2	Bushing, Bronze	
4	4844095	1	Pivot Attach Weldment	
4	1320051	1	Clamp, Hose	
5		Ref	Extend-A-Reach Lift Cylinder Assembly Options: (See CYLINDER SECTION for Breakdown)	
5	1682635	1	Extend-A-Reach Lift Cylinder Assembly (Prior to SN 49403)	
5	1683725	1	Extend-A-Reach Lift Cylinder Assembly (SN 49403 to Present)	
6		Ref	Extend-A-Reach Platform Level Cylinder Assembly Options: (See CYLINDER SECTION for Breakdown)	
6	1682642	1	Extend-A-Reach Platform Level Cylinder Assembly (Prior to April 1992)	
6	1682753	1	Extend-A-Reach Platform Level Cylinder Assembly (Prior to SN 29913)	
6	1683493	1	Extend-A-Reach Platform Level Cylinder Assembly (SN 29913 to Present)	
7	3422087	1	Pin, Attach (Lift Cylinder - Barrel End)	
8	3422077	2	Pin, Attach (Snoot and Level Link to Jib)	
9	3422079	1	Pin, Attach (Lift Cylinder - Rod End)	
10	3422081	1	Pin, Attach (Snoot to Pivot)	
11	3422083	1	Pin, Attach (Level Link to Level Plate)	
12	3422037	2	Pin, Attach (Level Cylinder - Barrel End)	
14	2160002	9	Fitting, Grease	
15	0641608	3	Bolt 3/8in-16NC x 1in	
16	4761600	3	Lockwasher 3/8in	
17	0641610	6	Bolt 3/8in-16NC x 1 1/4in	
18	3311605	10	Locknut 3/8in-16NC	
19	3422085	1	Pin, Attach (Level Cylinder - Rod End)	
20	1320184	2	Clamp, Hose and Cable	
21	3535978	2	Plate	
22	1670634	1	Cover, Hose and Cable	
23	4300076	4	Stud (Welded on Part)	
24	3311602	4	Nut, Jam 3/8in-16NC	
25	4751600	4	Flatwasher 3/8in	
	0100011	AR	Loctite #242	

SECTION 3 - BOOM

FIGURE 3-5. BOOM LENGTH INDICATOR AND LIMIT SWITCHES INSTALLATION



SECTION 3 - BOOM

FIGURE 3-5. BOOM LENGTH INDICATOR AND LIMIT SWITCHES INSTALLATION

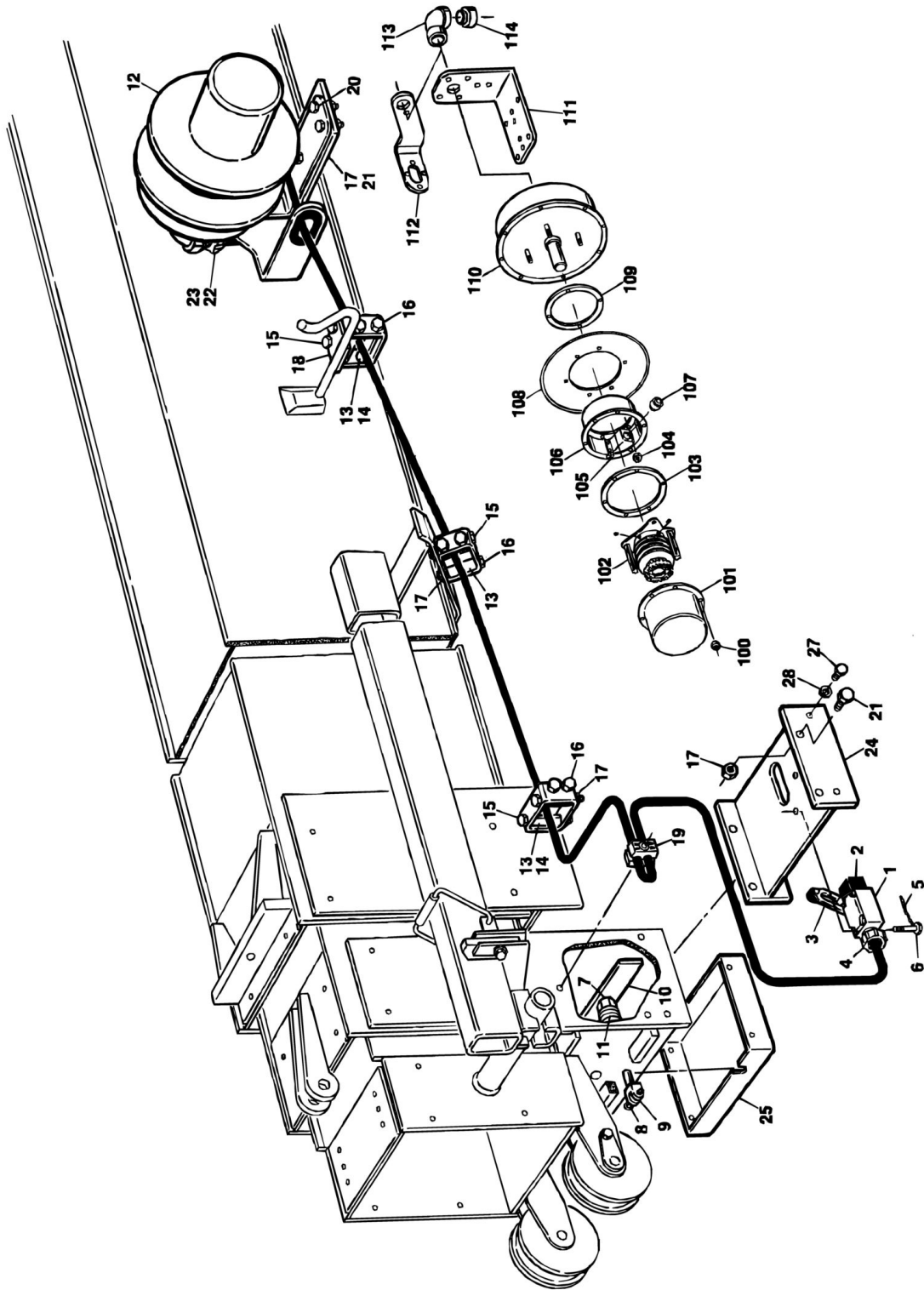
ITEM	PART NUMBER	QTY	DESCRIPTION	REV
	0250119	Ref	BOOM LENGTH/INDICATOR INSTALLATION	2
1	0239485	1	Boom Length Indicator Assembly (See Item 101-106 for Breakdown)	
2	4300032	4	Stud (Welded on Part)	
3	4761400	4	Lockwasher 1/4in	
4	3311401	4	Nut 1/4in-20NC	
	0239485	Ref	BOOM LENGTH INDICATOR SUBASSEMBLY	D
101	0860575	1	Indicator Box Assembly (See Items 201-207 for Breakdown)	
102	4360153	1	Pendulum	
103	3910408	4	Screw #4NC x 1/2in	
104	4770400	4	Starwasher #4	
106	4460428	1	Strain Relief	
	0860575	Ref	INDICATOR BOX ASSEMBLY	E
201	7000637	1	Potentiometer	
202	7000638	1	Switch	
203	7000639	1	Spring, Reel	
204	7012526	1	Spring, Extension	
205	7000647	1	Cable	
206	3730024	1	Resistor - 100 ohms	
207	7016535	1	Plate	
	0251020	Ref	BOOM LIMIT SWITCHES INSTALLATION (AUSTRALIAN SPEC - PRIOR TO SEPTEMBER 1995 AND ALL EN280 AND CE SPEC BUILT TO PRESENT)	7
301	3534395	1	Plate, Mounting - Limit Switch	
302	4360277	2	Switch, Limit	
303	4360236	2	Head, Switch	
304	4360278	2	Arm and Roller	
305	4460052	2	Connector, Strain Relief	
306	3900168	4	Bolt, Socket With Hole #10-24NC x 1 1/2in	
307	4920140	2	Wire, Safety	
308	3533183	1	Cover (Top Limit Switch)	
309	4300031	8	Stud (Welded on Part)	
310	4761400	8	Lockwasher 1/4in	
311	3311401	8	Nut 1/4in-20NC	
312	1670579	1	Cover (Side Limit Switch)	
314	4564880	3	Tube, Cable	
315	1320040	3	Clamp, Cable	
316	1060016	50	Cable, Electrical - 16/3	
		ft/15.3m		
317	1060079	52	Cable, Electrical - 16/4	
		ft/15.9m		
318	1670836	1	Cover, Boom (Not Shown Located on Opposite Side of Boom) (SN 40599 to Present)	
	0255815	Ref	BOOM LIMIT SWITCHES INSTALLATION (AUSTRALIAN SPEC ONLY - SEPTEMBER 1995 TO PRESENT)	4
401	3534395	1	Plate, Mounting - Limit Switch	
402	4360277	1	Switch, Limit	
403	4360235	1	Head, Switch	
404	4360278	1	Arm and Roller	
405	4460052	1	Connector, Strain Relief	
406	3900168	2	Bolt, Socket With Hole #10-24NC x 1 1/2in	

SECTION 3 - BOOM

ITEM	PART NUMBER	QTY	DESCRIPTION	REV
407	4920140	1	Wire, Safety	
409	4300031	6	Stud (Welded on Part)	
410	4761400	6	Lockwasher 1/4in	
411	3311401	6	Nut 1/4in-20NC	
412	1670579	1	Cover (Side Limit Switch)	
414	4564880	2	Tube, Cable	
415	1320040	2	Clamp, Cable	
417	1060079	52 ft/15.9m	Cable, Electrical - 16/4	
418	1670836	2	Cover, Boom (Not Shown Located on Opposite Side of Boom) (SN 40599 to Present)	

SECTION 3 - BOOM

FIGURE 3-6. BROKEN CHAIN LIMIT SWITCH INSTALLATION (GERMAN/AUSTRIAN EN280 SPECS AND ALL CE SPECS)



SECTION 3 - BOOM

FIGURE 3-6. BROKEN CHAIN LIMIT SWITCH INSTALLATION (GERMAN/AUSTRIAN EN280 SPECS AND ALL CE SPECS)

ITEM	PART NUMBER	QTY	DESCRIPTION	REV
	0253062	Ref	BROKEN CHAIN LIMIT SWITCH INSTALLATION	3
1	4360277	1	Switch, Limit	
2	4360236	1	Head, Switch	
3	4360237	1	Arm, Actuator	
4	4460052	1	Connector, Strain Relief	
5	4920140	1	Wire, Safety	
6	3900168	2	Bolt, Socket With Hole #10-24NC x 1 1/2in	
7	3303240	1	Locknut	
8	3450202	1	Pin, Cotter 1/16in x 1/2in	
9	1360250	1	Clevis, Chain	
10	3536145	1	Plate, Switch	
11	4160098	48	Washer, Bellville	
		Ref	Note: Machines with broken chain limit switch require the standard qty 27 per BOOM ASSEMBLY COMPONENTS INSTALLATION plus an additional qty 48 for a total qty of 75 at this location.	
12	3680051	1	Cable Reel Assy (See Items 100-114 For Breakdown)	
13	4565798	6	Tube, Cable	
14	4565799	24	Tube, Cable	
15	0641630	12	Bolt 3/8in-16NC x 3 3/4in	
16	0641632	12	Bolt 3/8in-16NC x 4in	
17	3311605	31	Locknut 3/8in-16NC	
18	3536146	1	Plate, Mounting	
19	1320049	1	Clamp, Hose	
20	3536147	1	Plate, Mounting	
21	0641609	7	Bolt 3/8in-16NC x 1 1/8in	
22	0960407	1	Bushing, Reducer	
23	4460049	1	Connector, Strain Relief	
24	4844201	1	Plate, Switch Mounting	
25	3536148	1	Cover	
27	0721003	4	Bolt #10-24NC x 3/8in	
28	4761000	4	Lockwasher #10	
	3680051	Ref	CABLE REEL ASSEMBLY	
100	7010836	6	Nut	
101	7010837	1	Cover, Slip Ring	
102	7010848	1	Slip Ring Assembly	
103	7010847	1	Gasket, Cover	
104	7010836	4	Nut	
105	Not Available	1	Pin, Drive	
106	7010846	1	Drum/Entrance Assembly	
107	7010839	1	Cable Kit	
108	7010845	1	Flange, Front	
109	7010840	1	Gasket, Drum	
110	7010844	1	Cartridge, Spring	
111	7010841	1	Base	
112	7010843	1	Guide Arm Assembly	
113	Not Available	1	Fitting, 90	
114	7010842	1	Seal, Watertight	

SECTION 3 - BOOM

FIGURE 3-7. BOOM WIPERS INSTALLATION

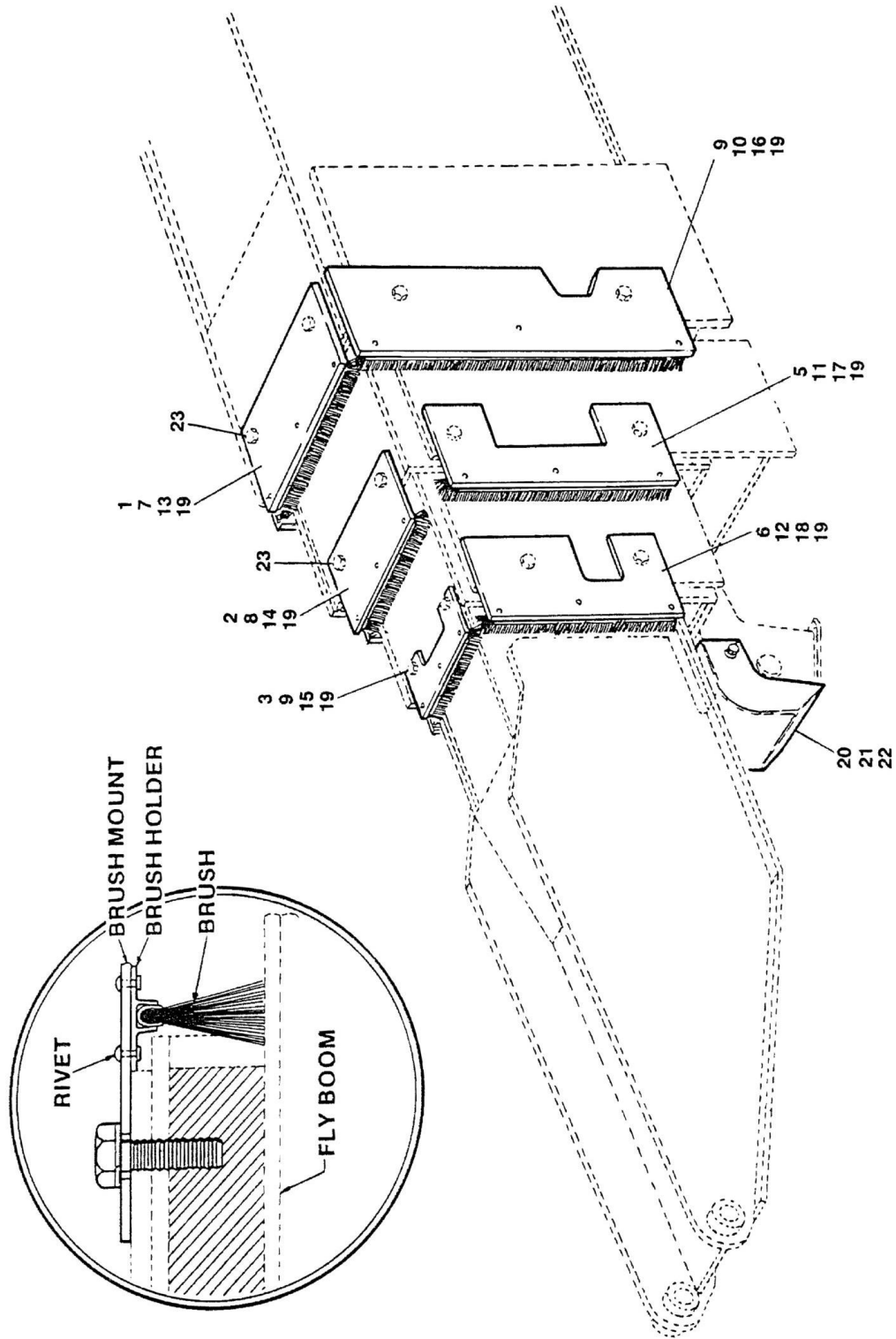


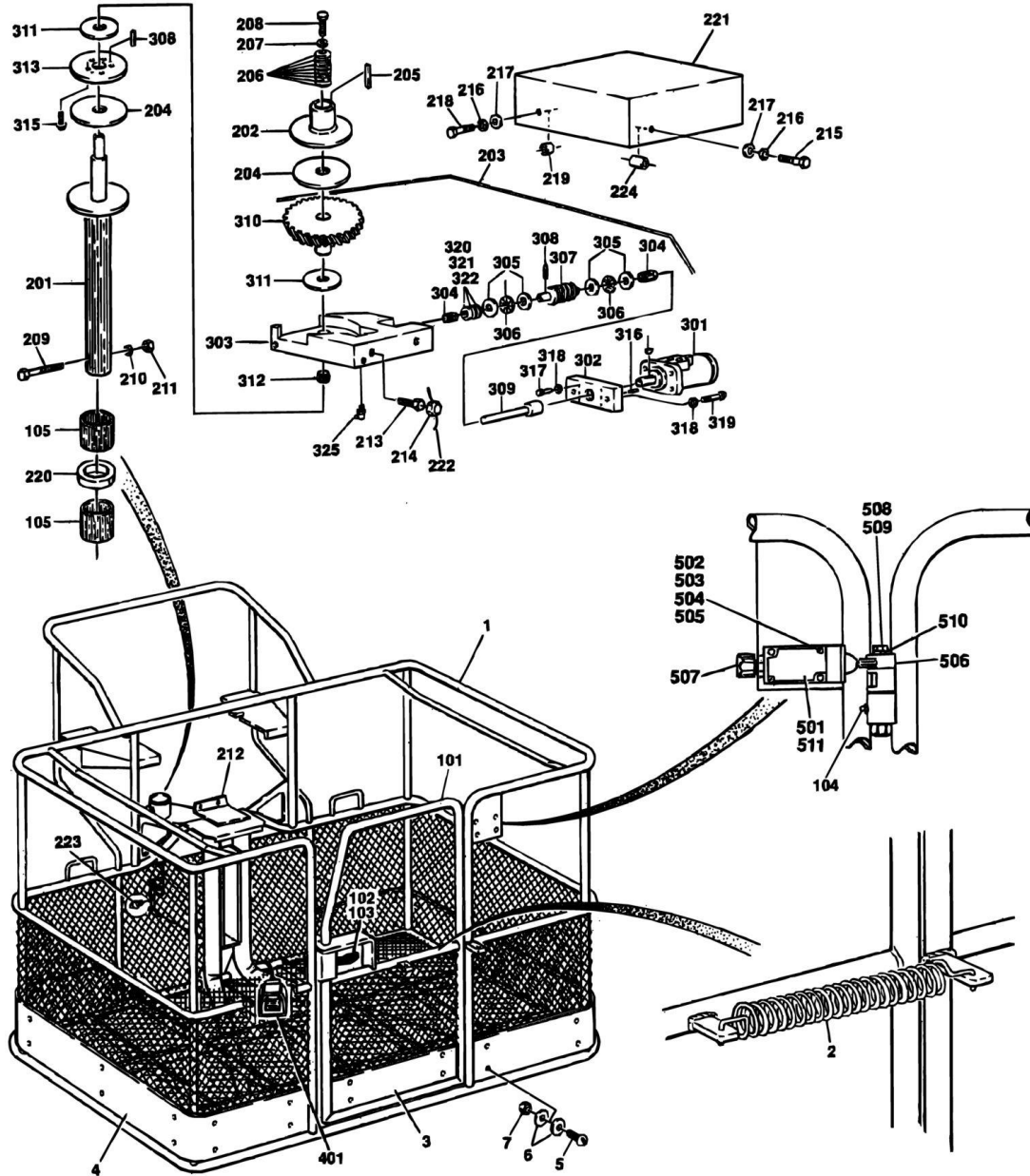
FIGURE 3-7. BOOM WIPERS INSTALLATION

ITEM	PART NUMBER	QTY	DESCRIPTION	REV
	0253303	Ref	BOOM WIPERS INSTALLATION	2
1	3200344	1	Mount, Boom Wiper (Base/Top)	
2	3200346	2	Mount, Boom, Wiper (Inner Mid/Top)	
3	3200348	1	Mount, Boom, Wiper (Outer Mid/Top)	
4	3200345	2	Mount, Boom, Wiper (Base/Side)	
5	3200347	2	Mount, Boom Wiper (Inner Mid/Side)	
6	3200349	2	Mount, Boom Wiper (Outer Mid/Side)	
7	0540074	1	Blade, Boom Wiper (Base/Top)	
8	0540089	2	Blade, Boom Wiper (Inner Mid/Top)	
9	0540078	1	Blade, Boom Wiper (Outer Mid/Top)	
10	0540075	2	Blade, Boom Wiper (Base/Side)	
11	0540077	2	Blade, Boom Wiper (Inner Mid/Side)	
12	0540079	2	Blade, Boom Wiper (Outer Mid/Side)	
13	2660067	1	Holder, Brush (Base/Top)	
14	2660085	2	Holder, Brush (Inner Mid/Top)	
15	2660071	1	Holder, Brush (Outer Mid/Top)	
16	2660068	2	Holder, Brush (Base/Side)	
17	2660070	2	Holder, Brush (Inner Mid/Side)	
18	2660072	2	Holder, Brush (Outer Mid/Side)	
19	3820001	30	Rivet, Pop	
20	1670491	1	Cover Weldment	
21	0641404	4	Bolt 1/4in -20NC x 1/2in	
22	4761400	4	Lockwasher	
23	4711600	4	Flatwasher	

SECTION 4 - PLATFORMS

SECTION 4 - PLATFORMS

FIGURE 4-1. PLATFORM COMPONENTS INSTALLATION (LOW MOUNT)



SECTION 4 - PLATFORMS

FIGURE 4-1. PLATFORM COMPONENTS INSTALLATION (LOW MOUNT)

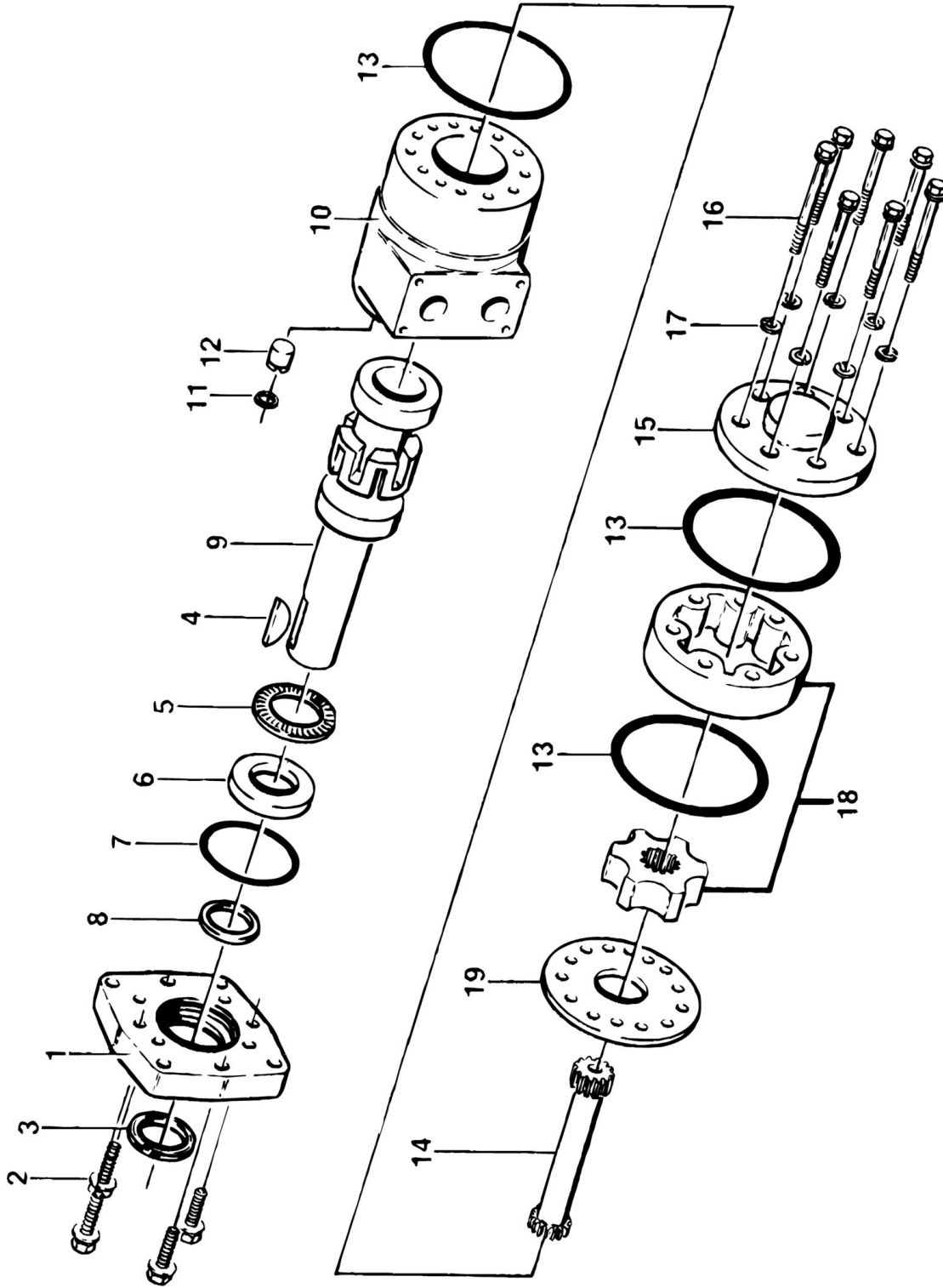
ITEM	PART NUMBER	QTY	DESCRIPTION	REV
	3510365	Ref	PLATFORM ASSEMBLY LOW MOUNT	3
		Ref	Note: Replacement Decals Must be Ordered Separately - See DECALS SECTION for Breakdown.	
1	3510364	1	Platform Weldment (.9m x 1.83m) (See Items 101 to 105 for Serviced Parts)	
2	4160028	1	Spring, Tension	
4	3534146	2	Plate, Kick (Ends)	
5	0721003	32	Screw, Machine #10-24NC x 3/4in	
6	4740371	64	Washer, Special	
7	3311005	32	Locknut #10-24NC	
	3510364	Ref	PLATFORM ASSEMBLY COMPONENTS	3
101	1780252	1	Door Weldment	
102	2940006	1	Latch, Door	
103	2560010	1	Handle, Latch	
104	2160006	2	Fitting, Grease	
105	0960564	2	Bushing, Bronze	
	0252682	Ref	ROTATOR AND SUPPORT INSTALLATION	2
201	4842046	1	Shaft Weldment	
202	1120299	1	Cap	
203	0235238	1	Rotator Assembly (See Items 301-325 for Breakdown)	
204	3340454	2	Pad, Brake	
205	2880404	1	Key	
206	4160026	8	Washer, Belleville	
207	4752000	1	Flatwasher 5/8in	
208	0652014	1	Bolt 5/8in-18NF x 1 3/4in	
209	0641836	1	Bolt 1/2in-13NC x 4 1/2in	
210	4751800	1	Flatwasher 1/2in	
211	3311805	1	Locknut 1/2in-13NC	
212	0901834	1	Bracket	
213	0641811	2	Bolt 1/2in-13NC x 1 3/8in	
214	1380137	2	Clip, Retainer	
215	0641412	1	Bolt 1/4in-20NC x 1 1/2in	
216	4761400	2	Lockwasher 1/4in	
217	4751400	2	Flatwasher 1/4in	
218	0641408	1	Bolt 1/4in-20NC x 1in	
219	4562083	1	Tube, Spacer	
220	4740158	1	Washer, Thrust	
221	1670632	1	Cover	
222	4920986	1 ft/30cm	Wire, Safety	
223	2160002	2	Fitting, Grease	
224	4565665	1	Tube, Spacer	
	0235238	Ref	ROTATOR ASSEMBLY	E
301	3160083	1	Rotor Motor Assembly (See ROTATOR MOTOR ASSEMBLY for Breakdown)	
302	0080099	1	Adaptor, Motor	
303	2760064	1	Housing, Gear	
304	0440134	2	Bearing, Sleeve	
305	4740199	4	Washer, Thrust	
306	0440120	2	Bearing, Thrust	
307	2440043	1	Gear, Worm	

SECTION 4 - PLATFORMS

ITEM	PART NUMBER	QTY	DESCRIPTION	REV
308	3440816	4	Rollpin 1/4in x 1in	
309	0080098	1	Adaptor - Motor to Worm Gear	
310	2440044	1	Gear, Worm	
311	4740256	2	Washer, Thrust	
312	0440135	1	Bearing, Sleeve	
313	1760068	1	Disc, Brake	
315	3931010	5	Bolt, Socket Head #10-24NC x 5/8in	
316	3441228	2	Rollpin 3/8in x 1 3/4in	
317	3931620	2	Bolt, Socket Head 3/8in - 16NC x 1 1/4in	
318	4761600	6	Lockwasher 3/8in	
319	3931612	4	Bolt, Socket Head 3/8in - 16NC x 3/4in	
320	4070585	AR	Shim, Rotator - .010in/.25mm	
321	4070586	AR	Shim, Rotator - .005in/.13mm	
322	4070587	AR	Shim, Rotator - .002in/.05mm	
325	2160001	1	Fitting, Grease - 90	
	0100019	AR	Loctite #271	
	0100021	AR	Primer, Locking - "N"	
	3020025	AR	Grease	
	0237963	Ref	FOOTSWITCH INSTALLATION	7
401	0641408	3	Bolt 1/4in-20NC x 1in	
401	3311401	3	Nut 1/4in-20NC	
401	4740362	3	Flatwasher 1/4in	
401	4360031	1	Footswitch Assembly	
401	7000625	2	Block, Contact	
401	4460071	1	Connector	
	0252044	Ref	PLATFORM GATE INTERLOCK SWITCH INSTALLATION (FRENCH MACHINES ONLY)	3
501	4360277	1	Switch, Limit	
502	0721016	2	Screw, Machine #10-24NC x 2in	
503	3311001	2	Nut #10-24NC	
504	4751000	2	Flatwasher #10	
505	4761000	2	Lockwasher #10	
506	1100066	1	Cam, Interlock	
507	4460049	1	Connector, Strain Relief	
508	4761600	1	Lockwasher 3/8in	
509	0641608	1	Bolt 3/8in-16NC x 1in	
510	3440418	1	Roll Pin 1/8in x 1 1/8in	
511	4360307	1	Head, Switch	
512	2540016	2	Grommet (Not Shown)	

SECTION 4 - PLATFORMS

FIGURE 4-2. ROTATOR MOTOR ASSEMBLY



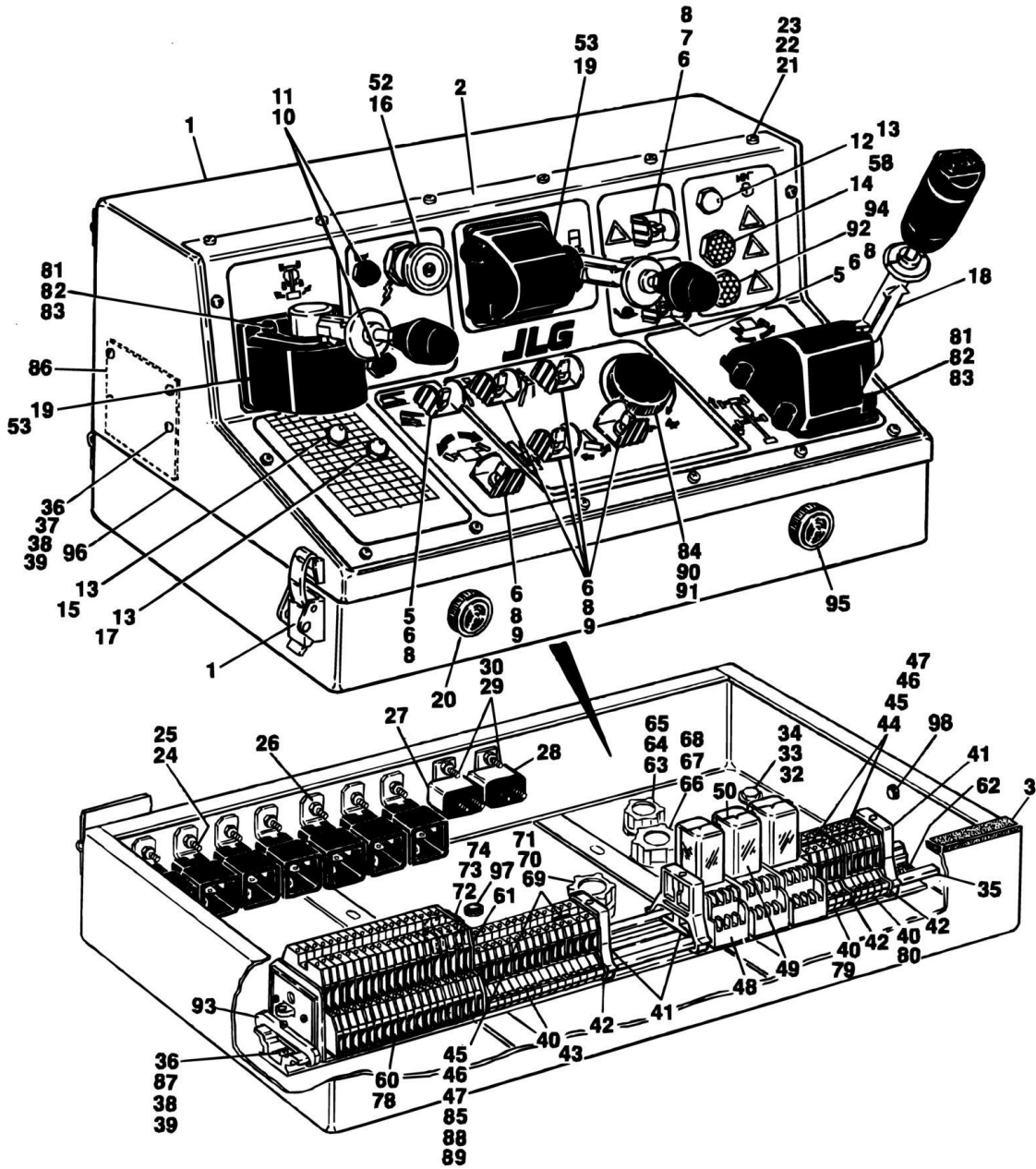
SECTION 4 - PLATFORMS

FIGURE 4-2. ROTATOR MOTOR ASSEMBLY

ITEM	PART NUMBER	QTY	DESCRIPTION	REV
	3160083	Ref	ROTATOR MOTOR ASSEMBLY	A
1	7002105	1	Flange, Mounting	
2	7002123	4	Screw, Cap	
3	Kit	1	Seal, Dust	
4	7002104	1	Key, Woodruff	
5	7002111	1	Bearing, Thrust Needle	
6	7002117	1	Thrust, Bearing Race	
7	Kit	1	Seal, O-Ring	
8	Kit	1	Seal, Pressure	
9	7002116	1	Shaft, Output	
10	7002103	1	Housing	
11	Kit	1	Seal	
12	Kit	1	Plug, Housing	
13	7002115	3	Seal, O-Ring	
14	7002112	1	Drive	
15	7002107	1	Cap, End	
16	7002100	7	Screw, Cap	
17	7000166	7	Lockwasher	
18	7002125	1	Gerotor Sub-Assembly	
19	7002110	1	Plate, Spacer	
	2900455	1	Seal Kit (Includes Items 3,7,8,11 & 12) (P/N 1011009007)	
	2900733	1	Seal Kit (Includes Items 3,7,8,11 & 12) (P/N's 1011009008 & 1011009009)	
		Ref	Note: Identify by P/N stamped on nameplate located on Item 10.	

SECTION 4 - PLATFORMS

FIGURE 4-3. PLATFORM CONSOLE ASSEMBLY (Prior to SN 25609)



SECTION 4 - PLATFORMS

FIGURE 4-3. PLATFORM CONSOLE ASSEMBLY (Prior to SN 25609)

ITEM	PART NUMBER	QTY	DESCRIPTION	REV
	0860773	Ref	PLATFORM CONSOLE ASSEMBLY (MACHINES BUILT) (Prior to SN 25609)	10
1	0860538	1	Box Weldment	
1	2940052	2	Latch	
1	2600105	1	Hinge (Rear Access Door)	
1	2600132	1	Hinge (Top to Bottom Sections)	
2		Ref	Lid Options:	
2	3252181	1	Lid (Prior to May 1994)	
2	3252370	1	Lid (May 1994 to Present)	
3	4420037	129 in/3.27m	Tape, Insulation	
5	4360336	2	Switch, Toggle (Engine Speed and Creep)	
6	3790012	8	O-Ring	
6	4740397	8	Washer, Spacer	
7	4360330	1	Switch, Toggle (Auxiliary Power)	
8	4060802	8	Shield, Switch	
9	4360314	5	Switch, Toggle (Front Steer, Extend-A-Reach, Level, Telescope and Rotate)	
10	3790015	2	O-Ring	
11	4360274	2	Switch, Push-Button	
12	2920027	1	Light, Indicator - Green (Axles Set)	
13	2920029	3	Bulb, Light	
14	2920015	1	Lamp, Indicator - Red (Chassis Out of Level) (Prior to July 1992)	
14	2920104	1	Lamp, Red (July 1992 to Present)	
15	2920090	1	Light, Indicator - Blue (Capacity)	
16		Ref	Switch, Emergency Stop Options:	
16	4360289	1	Production	
16	4360475	1	Post Production	
16	7012611	1	Cap, Mushroom Head (Used on Switch p/n 4360289)	
16	7012612	1	Boot (Used on Switch p/n 4360289)	
16	7020175	1	Cap, Red (Used on Switch p/n 4360475)	
16	7020176	1	Contact Block (Used on Switch p/n 4360475)	
17	2920026	1	Light, Indicator - Red (Radius)	
18	1600135	1	Controller (Drive/Rear Steer)	
18	7003797	1	Electrical Assembly	
18	7003751	1	Potentiometer	
18	7003789	1	Switch, Rocker	
18	7003790	1	Cap, Rubber	
19	1600155	2	Controller (Lift and Swing)	
19	7011928	1	Electrical Assembly	
19	7003751	1	Potentiometer	
20	0140019	1	Alarm	
21	0751006	21	Screw, Pan Head #10-24NC x 3/4in	
22	4740120	21	Washer, Nylon	
23	3300177	21	Nut, Tinnerman	
24	4761000	AR	Lockwasher #10	
25	3311001	AR	Nut #10-24NC	
26	3740049	AR	Relay - SPST	
27	4360209	1	Breaker, Circuit - 20 Amp	
28	4360232	1	Breaker, Circuit - 15 Amp	

SECTION 4 - PLATFORMS

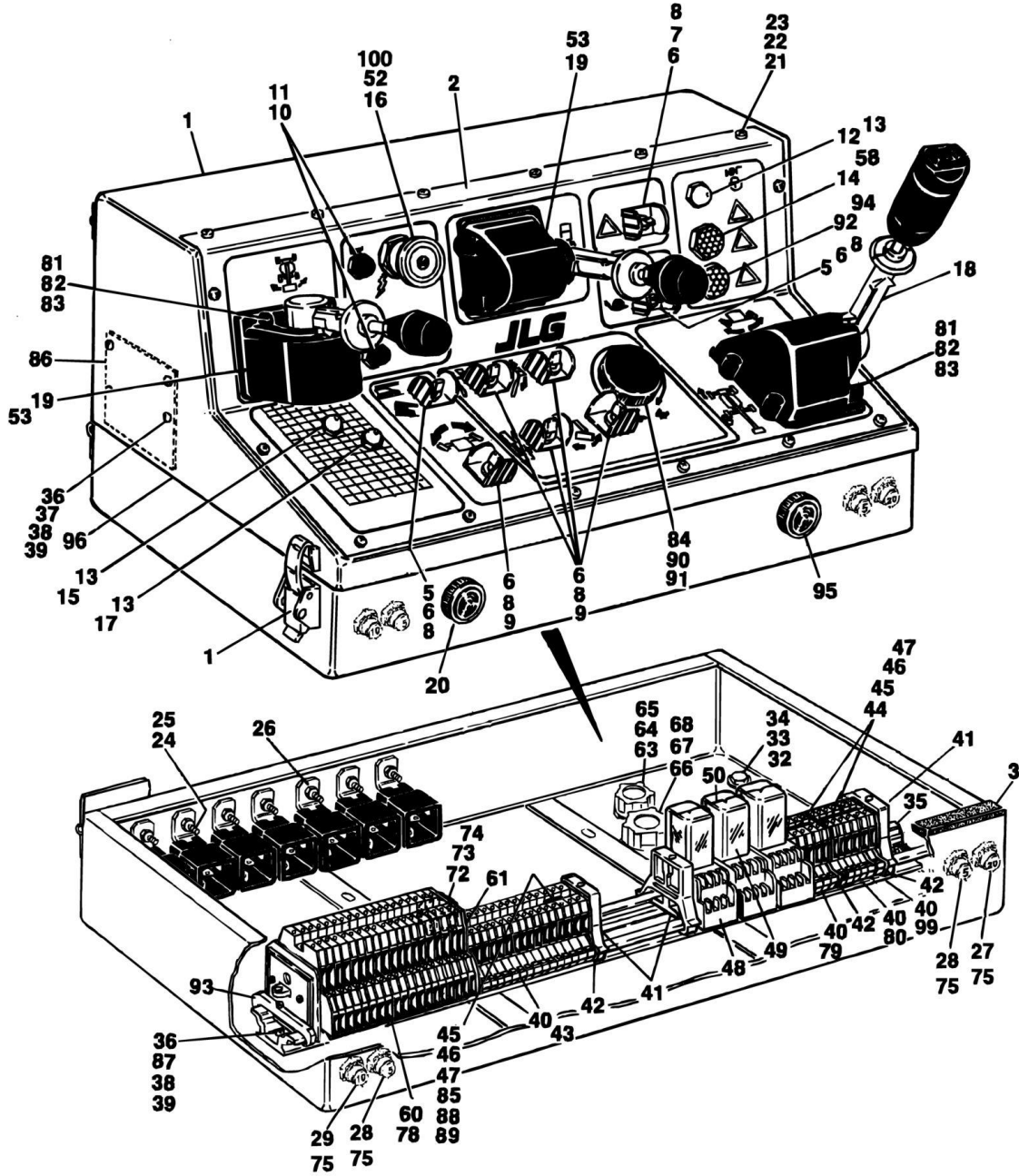
ITEM	PART NUMBER	QTY	DESCRIPTION	REV
29	4761000	2	Lockwasher #10	
30	3311001	2	Nut #10-24NC	
31	4761000	4	Lockwasher #10	
32	0641508	4	Bolt 5/16in-18NC x 1in	
33	4751500	8	Flatwasher 5/16in	
34	3311505	4	Locknut 5/16in-18NC	
35	3640752	1	Track	
36	3310601	6	Nut #6-32NC	
37	3910608	6	Screw, Machine #6-32NC x 1in	
38	4750600	10	Flatwasher #6	
39	4760600	6	Lockwasher #6	
40	4460298	29	Block, Terminal	
41	4460299	3	Stop, Terminal	
42	4460300	3	Barrier, Terminal	
43	4460301	1	Strip, Marking	
44	4460311	2	Bar, Terminal Buss	
45	4460305	12	Screw, Terminal	
46	4460306	12	Washer, Terminal	
47	4460307	12	Sleeve, Terminal	
48	4120013	3	Socket, Relay	
49	3740058	3	Relay - 4PDT	
50	3740063	3	Spring, Relay	
52		Ref	Block, Contact - NC Options:	
52	4360282	1	Production	
52	4360476	1	Post Production	
53	2560112	2	Knob, Controller	
58	2920108	1	Bulb	
60	4460387	18	Block, Terminal	
61	4460388	1	Barrier, Terminal	
62	4220038	1.5 in/4cm	Tape, Insulation	
63	4460071	1	Connector, Strain Relief	
64	3300048	1	Nut, Conduit	
65	0960238	1	Bushing	
66	4460386	1	Connector, Strain Relief	
67	3300147	1	Nut, Conduit	
68	0960905	1	Bushing	
69	4460051	1	Connector, Strain Relief	
70	3300048	1	Nut, Conduit	
71	0960238	1	Bushing	
72	4460052	1	Connector, Strain Relief	
73	3300047	1	Nut, Conduit	
74	0960239	1	Bushing	
76	4460414	2	Strip, Marking - #4	
77	4460412	2	Strip, Marking - #2	
78	4460411	2	Strip, Marking - #1	
79	4460451	10	Strip, Marking - #98	
80	4460452	10	Strip, Marking - #99	
81	0720803	20	Screw, Machine #8-32NC x 3/8in	
82	4750800	20	Flatwasher #8	
83	4760800	20	Lockwasher #8	
84	4360327	1	Potentiometer - 200 Ohm	

SECTION 4 - PLATFORMS

ITEM	PART NUMBER	QTY	DESCRIPTION	REV
85	4460308	1	Bar, Terminal Buss	
86	1600153	1	Board, Circuit - Controller Drive	
87	3910616	4	Screw, Machine #6-32NC x 1in	
88	4460415	10	Strip, Marking - #5	
89	4460413	4	Strip, Marking - #3	
90	3300352	1	Nut, Special	
91		Ref	Knob, Potentiometer Options:	
91	2560115	1	Production	
91	2560136	1	Post Production	
92	2920104	1	Lamp-Red	
93	4460442	1	Stop, Terminal	
94	2920108	1	Bulb, Light	
95		Ref	Alarm Options:	
95	0140019	1	Alarm (Prior to May 1994)	
95	0140026	1	Alarm (May 1994 to Present)	
96	4420008	5.75 ft/1.75m	Tape, Insulation	
97	3520033	1	Plug, Hole	
98	3520034	2	Plug, Hole 5/16in	
	0100001	AR	Adhesive	

SECTION 4 - PLATFORMS

FIGURE 4-4. PLATFORM CONSOLE ASSEMBLY (SN 25609 to Present)



SECTION 4 - PLATFORMS

FIGURE 4-4. PLATFORM CONSOLE ASSEMBLY (SN 25609 to Present)

ITEM	PART NUMBER	QTY	DESCRIPTION	REV
		Ref	PLATFORM CONSOLE ASSEMBLY	
	0861089	Ref	Platform Console Assembly (SN 25609 through 38696)	6
	0861217	Ref	Platform Console Assembly (SN 38697 to Present)	3
1	0861105	1	Box Weldment	
1	2940052	2	Latch	
1	2600105	1	Hinge (Rear Access Door)	
1	2600132	1	Hinge (Top to Bottom Sections)	
2	3252370	1	Lid	
3	4420037	129 in/3.27m	Tape, Insulation	
5	4360336	2	Switch, Toggle (Engine Speed and Creep)	
6	4740397	8	Washer, Spacer	
7	4360330	1	Switch, Toggle (Auxiliary Power)	
8	4060802	8	Shield, Switch	
9	4360314	5	Switch, Toggle (Front Steer, Extend-A-Reach, Level, Telescope and Rotate)	
10	3790015	2	O-Ring	
11	4360274	2	Switch, Push-Button	
12	2920027	1	Light, Indicator - Green (Axles Set)	
13	2920029	3	Bulb, Light	
14	2920104	1	Lamp, Red	
15	2920090	1	Light, Indicator - Blue (Capacity)	
16		Ref	Switch, Emergency Stop Options:	
16	4360289	1	Switch, Emergency Stop (Prior to SN 44645)	
16	4360475	1	Switch, Emergency Stop (SN 44645 to Present)	
16	7012611	1	Cap, Mushroom Head (Used on Switch p/n 4360289)	
16	7012612	1	Boot (Used on Switch p/n 4360289)	
16	7020175	1	Cap, Red (Used on Switch p/n 4360475)	
16	7020176	1	Contact Block (Used on Switch p/n 4360475)	
17	2920026	1	Light, Indicator - Red (Radius)	
18	1600135	1	Controller (Drive/Rear Steer)	
18	7003797	1	Electrical Assembly	
18	7003751	1	Potentiometer	
18	7003789	1	Switch, Rocker	
18	7003790	1	Cap, Rubber	
19		Ref	Controller (Lift and Swing) Options:	
19	1600155	2	Controller Used (Prior to SN 38697)	
19	7011928	1	Electrical Assembly	
19	7003751	1	Potentiometer	
19	1600277	2	Controller Used (SN 38697 to Present)	
19	7020512	1	Electrical Assembly	
19	7003751	1	Potentiometer	
20	0140019	1	Alarm	
21	0751006	21	Screw, Pan Head #10-24NC x 3/4in	
22	4740120	21	Washer, Nylon	
23	3300177	21	Nut, Tinnerman	
24	4761000	AR	Lockwasher #10	
25	3311001	AR	Nut #10-24NC	
26	3740049	AR	Relay - SPST	
27	4360161	1	Breaker, Circuit - 20 Amp	

SECTION 4 - PLATFORMS

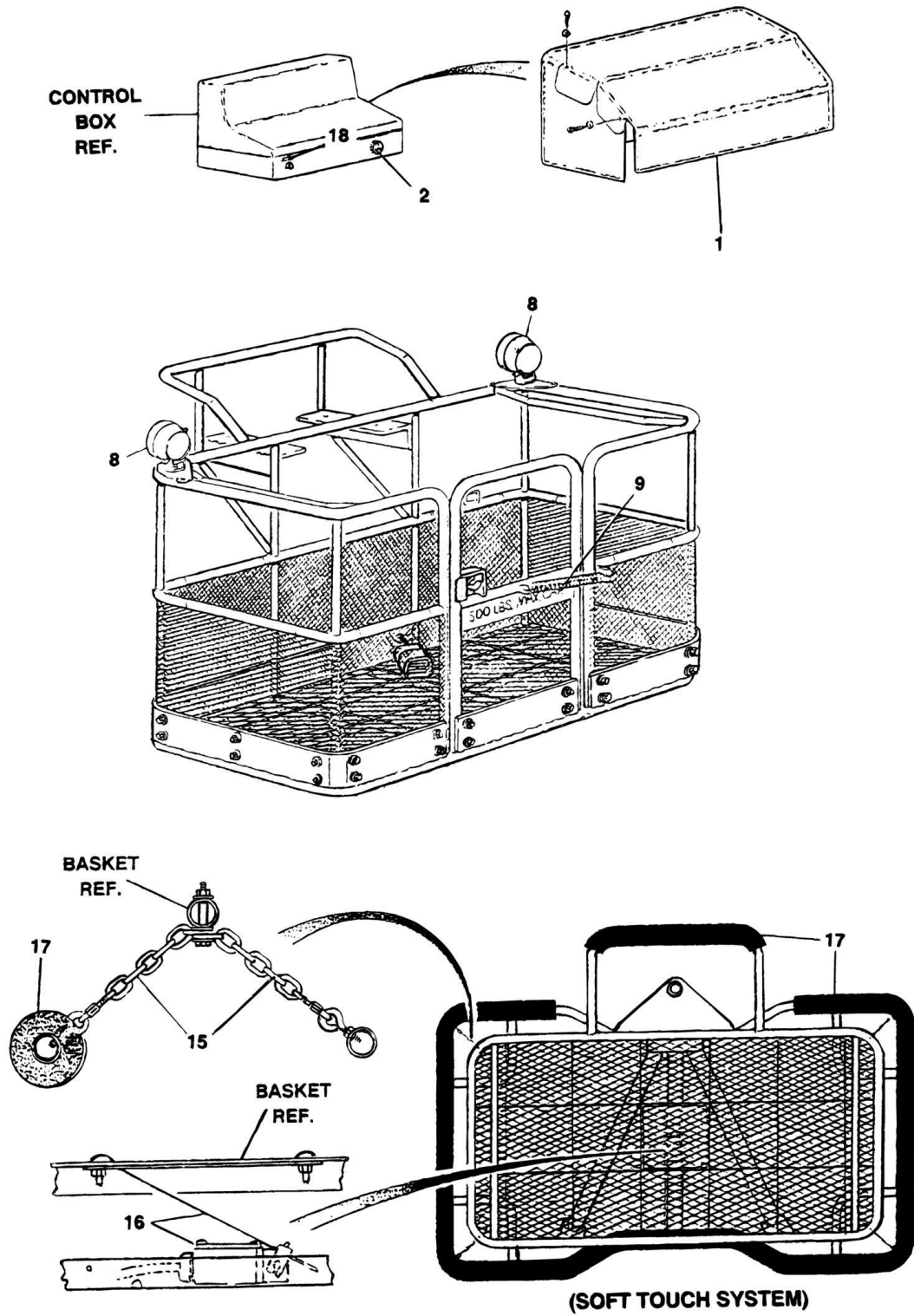
ITEM	PART NUMBER	QTY	DESCRIPTION	REV
28	4360112	2	Breaker, Circuit - 5 Amp	
29	4360069	1	Breaker, Circuit - 10 Amp	
32	0641508	4	Bolt 5/16in-18NC x 1in	
33	4751500	8	Flatwasher 5/16in	
34	3311505	4	Locknut 5/16in-18NC	
35	3641172	1	Track	
36	3310601	6	Nut #6-32NC	
37	3910608	6	Screw, Machine #6-32NC x 1in	
38	4750600	10	Flatwasher #6	
39	4760600	6	Lockwasher #6	
40	4460298	29	Block, Terminal	
41	4460299	3	Stop, Terminal	
42	4460300	3	Barrier, Terminal	
43	4460301	1	Strip, Marking	
44	4460311	2	Bar, Terminal Buss	
45	4460305	12	Screw, Terminal	
46	4460306	12	Washer, Terminal	
47	4460307	12	Sleeve, Terminal	
48	4120037	3	Socket, Relay	
49	3740123	3	Relay - 4PDT	
50	3740124	3	Spring, Relay	
52		Ref	Block, Contact - NC Options:	
52	4360282	1	Block, Contact - NC (Prior to SN 44645)	
52	4360476	1	Block, Contact - NC (SN 44645 to Present)	
53	2560112	2	Knob, Controller	
58	2920108	1	Bulb	
60	4460387	18	Block, Terminal	
61	4460388	1	Barrier, Terminal	
63	4460071	2	Connector, Strain Relief	
64	3300048	2	Nut, Conduit	
65	0960238	2	Bushing	
66	4460386	1	Connector, Strain Relief	
67	3300147	1	Nut, Conduit	
68	0960905	1	Bushing	
72	4460052	1	Connector, Strain Relief	
73	3300047	1	Nut, Conduit	
74	0960239	1	Bushing	
75	3300396	4	Seal, Cap	
76	4460414	2	Strip, Marking - #4	
77	4460412	2	Strip, Marking - #2	
78	4460411	2	Strip, Marking - #1	
79	4460451	10	Strip, Marking - #98	
80	4460452	10	Strip, Marking - #99	
81	0720803	20	Screw, Machine #8-32NC x 3/8in	
82	4750800	20	Flatwasher #8	
83	4760800	20	Lockwasher #8	
84	4360327	1	Potentiometer - 200 Ohm	
85	4460308	1	Bar, Terminal Buss	
86	1600153	1	Board, Circuit - Controller Drive	
87	3910616	4	Screw, Machine #6-32NC x 1in	
88	4460415	10	Strip, Marking - #5	

SECTION 4 - PLATFORMS

ITEM	PART NUMBER	QTY	DESCRIPTION	REV
89	4460413	4	Strip, Marking - #3	
90	3300352	1	Nut, Special	
91		Ref	Knob, Potentiometer Options:	
91	2560115	1	Production	
91	2560136	1	Post Production	
92	2920104	1	Lamp - Red	
93	4460442	1	Stop, Terminal	
94	2920108	1	Bulb, Light	
95	0140026	1	Alarm	
96	4420008	5.75 ft/1.75m	Tape, Insulation	
99	4460704	4	Strip, Marking - #97	
100	1704260	1	Decal - EMS (SN 44645 to Present)	
	0100001	AR	Adhesive	

SECTION 4 - PLATFORMS

FIGURE 4-5. OPTIONAL PLATFORM MOUNTED COMPONENTS



SECTION 4 - PLATFORMS

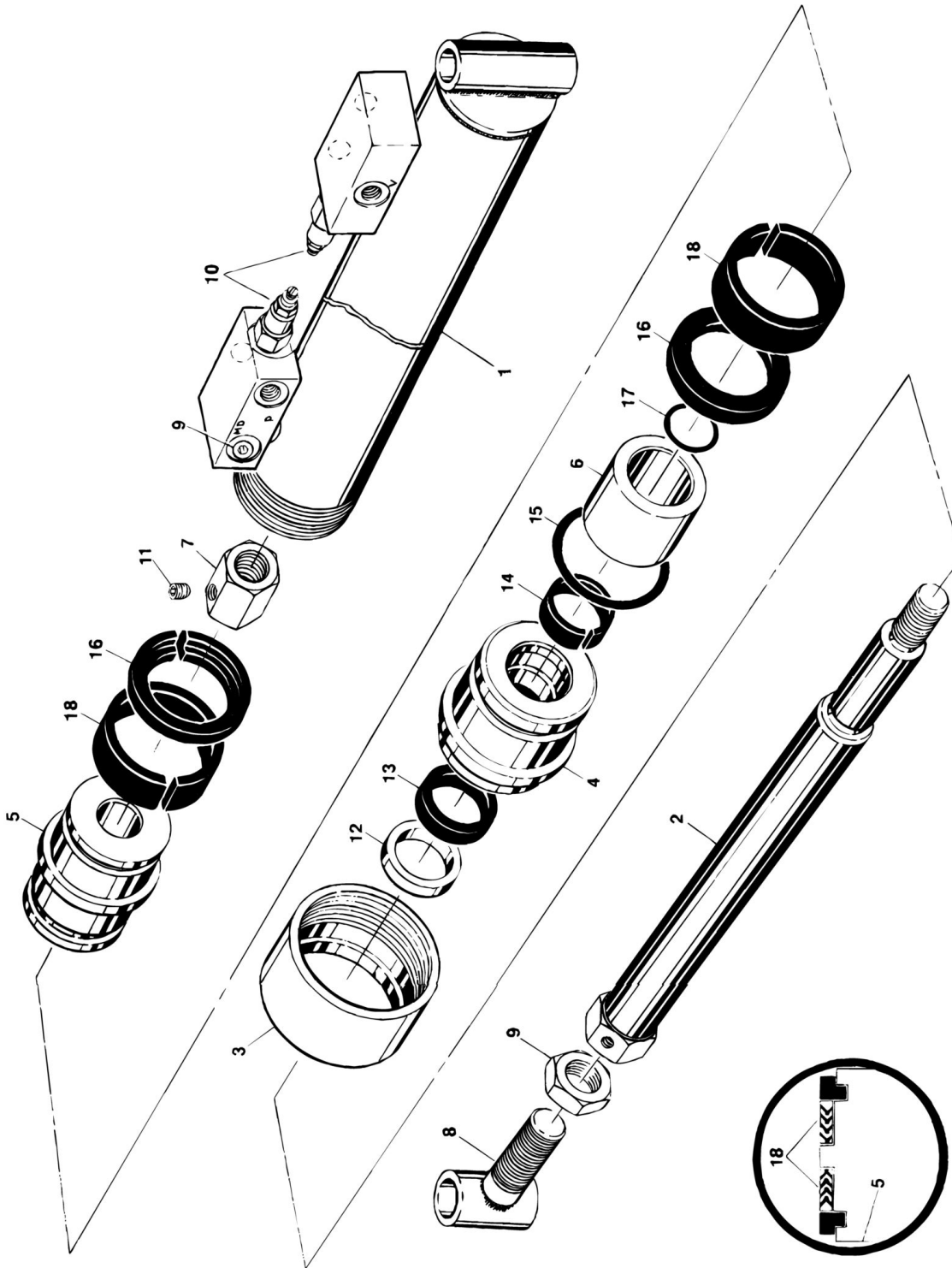
FIGURE 4-5. OPTIONAL PLATFORM MOUNTED COMPONENTS

ITEM	PART NUMBER	QTY	DESCRIPTION	REV
		Ref	OPTIONAL PLATFORM MOUNTED COMPONENTS	
	0251203	Ref	CONSOLE COVER INSTALLATION (YELLOW)	2
	0252054	Ref	CONSOLE COVER INSTALLATION (BLACK)	2
1	1670526	1	Cover (Yellow Vinyl)	
1	1670607	1	Cover (Black Vinyl)	
1	3900022	4	Screw, Self-Tapping 1/4in (Prior to SN 26766)	
1	3901406	4	Screw, Self-Tapping 1/4in-20 (SN 26766 to Present)	
1	4751400	4	Flatwasher 1/4in	
	0253077	Ref	TILT ALARM INSTALLATION	5
2	0140026	1	Alarm	
	0253987	Ref	WORKLIGHTS INSTALLATION	4
	0254748	Ref	WORKLIGHTS INSTALLATION (WITH BUMPERS)	2
8	2920111	2	Light, Halogen	
8	3536089	2	Plate, Mounting	
	0250143	Ref	SELF-CLOSING GATE INSTALLATION	A
9	4160028	1	Spring	
9	0900232	1	Bracket (Door Mounted)	
9	0901056	1	Bracket (Platform Mounted)	
9	4220007	1	Stop, Door	
	1282197	Ref	PLATFORM BUMPERS INSTALLATION - SOFT TOUCH SYSTEM (CHAIN MOUNTED TYPE)	H
	0255695	Ref	3ft x 6ft LOW MOUNTED PLATFORM (Prior to SN 43389)	5
	0259365	Ref	3ft x 6ft LOW MOUNTED PLATFORM (SN 43389 to Present)	2
15	0630440	8	Eyebolt	
15	3010088	8	Link, Quick	
15	1260136	AR	Chain	
16	4360057	1	Switch, Limit	
16	0200048	1	Arm, Actuator	
17	0940038	62	Padding, Bumper	
		ft/18.9m		
17	1670663	1	Cover (Rail Behind Console Box) (Prior to SN 44770)	
17	1670715		Cover (LH Top Rail)	
17	1670665	4	Cover (Vertical Rails)	
17	1670666	1	Cover (Gate)	
17	1670716	1	Cover (RH Top Rail)	
17	1670717	1	Cover (LH Mid Rail)	
17	1670718	1	Cover (RH Mid Rail)	
17	1670719	1	Cover (Bumper Rail)	
18	4360274	1	Switch, Push Button	
18	3252238	1	Decal - Soft Touch System	

SECTION 5 - CYLINDERS

SECTION 5 - CYLINDERS

FIGURE 5-1. AXLE EXTENSION CYLINDER ASSEMBLY



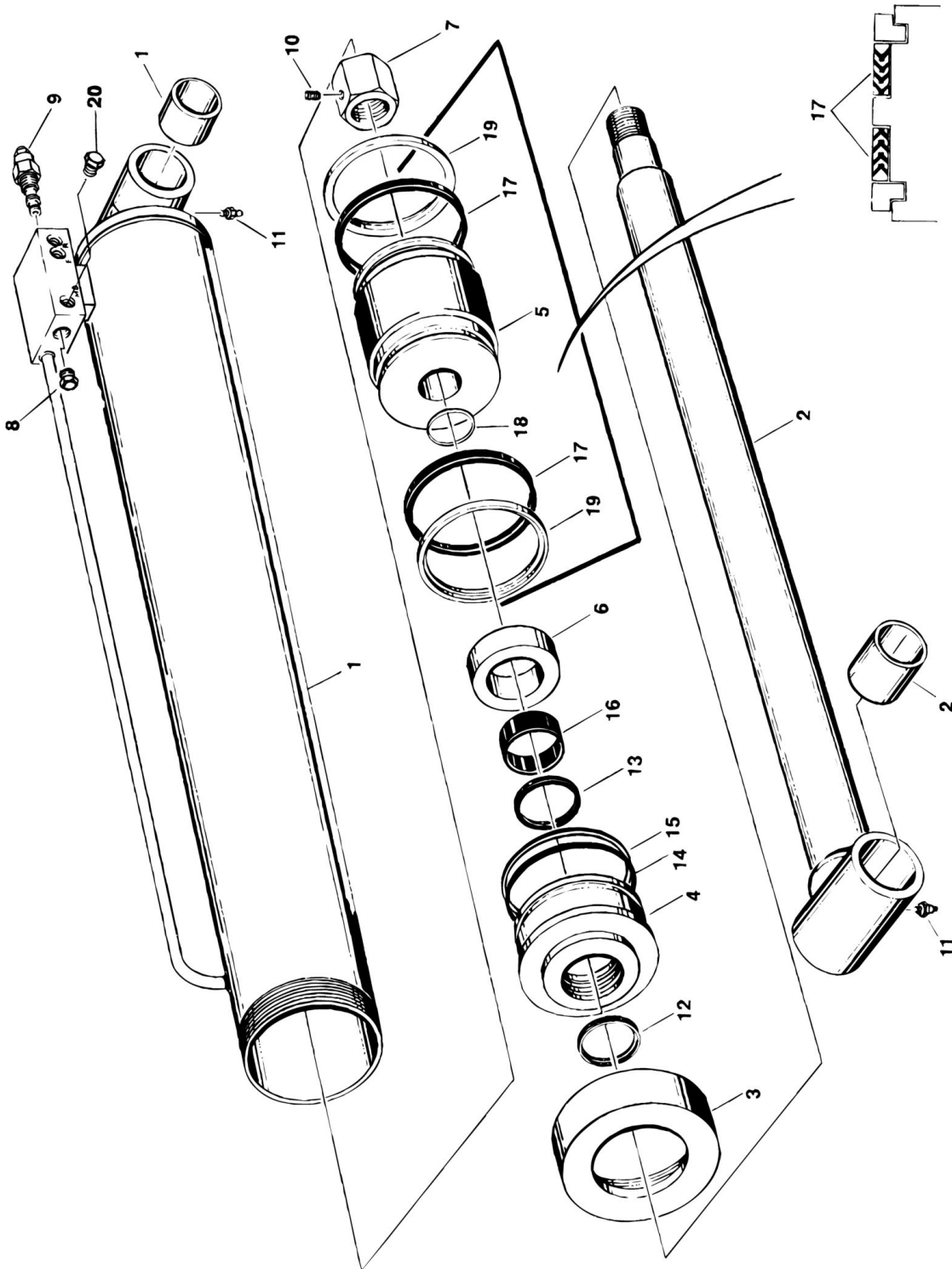
SECTION 5 - CYLINDERS

FIGURE 5-1. AXLE EXTENSION CYLINDER ASSEMBLY

ITEM	PART NUMBER	QTY	DESCRIPTION	REV
		Ref	AXLE EXTENSION CYLINDER ASSEMBLY	
	1682618	Ref	Axle Extension Cylinder Assembly (Prior to SN 33105)	-
	1683532	Ref	Axle Extension Cylinder Assembly (SN 33105 to Present)	1
1		Ref	Barrel Weldment Options:	
1	1682620	1	Barrel Weldment (Prior to SN 33105)	
1	1683531	1	Barrel Weldment (SN 33105 to Present)	
2	1682622	1	Rod Weldment	
3	1120108	1	Retainer	
4	1681283	1	Head	
5	3480092	1	Piston	
6	4565647	1	Spacer	
7	3300287	1	Nut	
8	3841164	1	Rod-End	
9	3323402	1	Nut, Jam 1 1/2in-12NF	
10	4640495	2	Cartridge, Holding Valve	
10	2900770	2	Seal Kit - 4640495 Cartridge Valve (1 Per Valve)	
11	3900170	1	Setscrew 3/8in-16NC x 3/8in	
12	Kit	1	Wiper, Rod	
13	Kit	1	Seal, Rod	
14	Kit	1	Ring, Wear	
15	Kit	1	O-Ring	
16	Kit	2	Ring, Lock	
17	Kit	1	O-Ring	
18	Kit	2	Seal, Hydrolock	
	0100038	AR	Primer, Locking	
	0100011	AR	Loctite #242	
	0100035	AR	Loctite #222	
	2900396	1	Seal Kit (Includes Items 12-18)	

SECTION 5 - CYLINDERS

FIGURE 5-2. BOOM LIFT CYLINDER ASSEMBLY



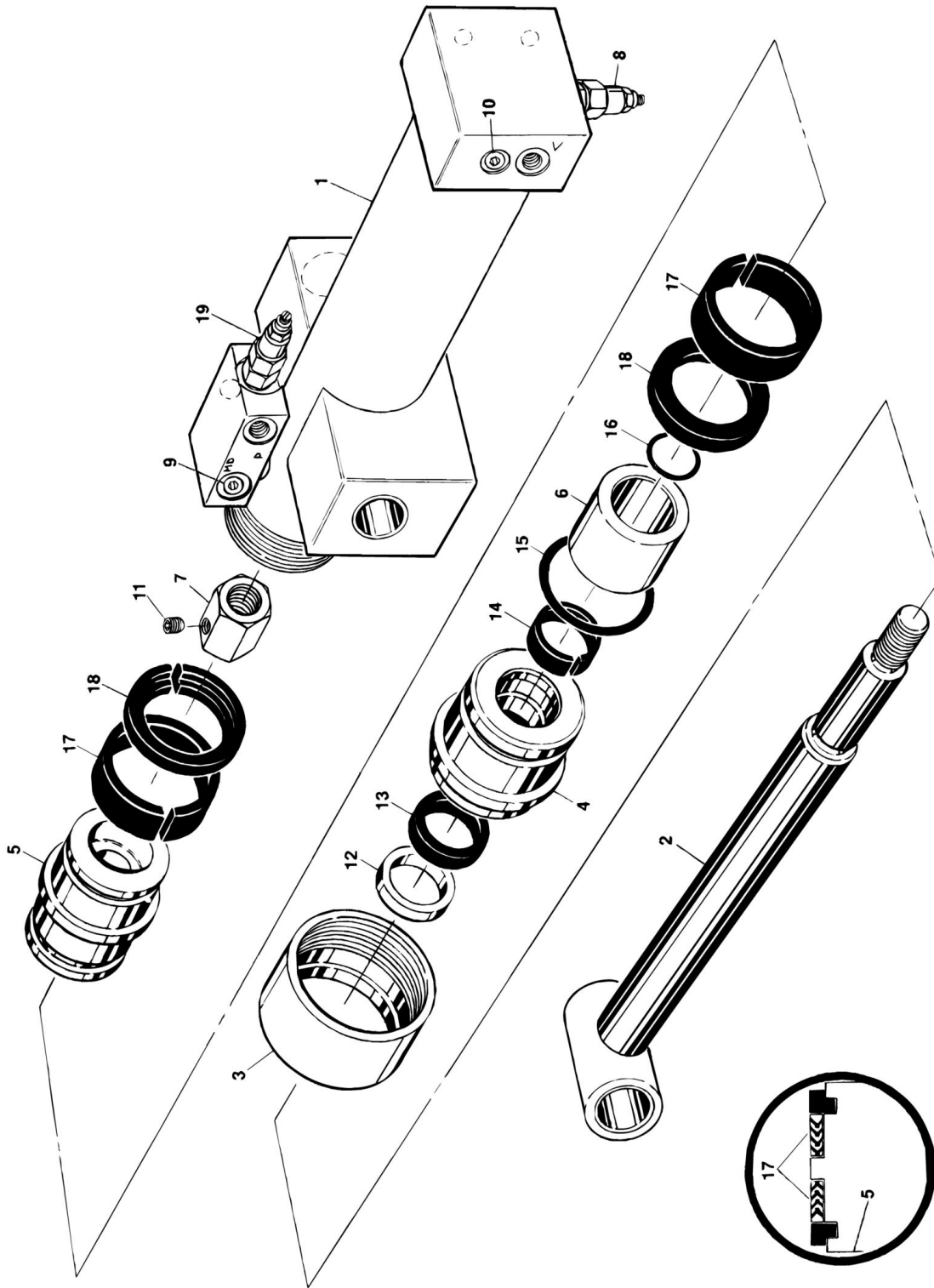
SECTION 5 - CYLINDERS

FIGURE 5-2. BOOM LIFT CYLINDER ASSEMBLY

ITEM	PART NUMBER	QTY	DESCRIPTION	REV
		Ref	BOOM LIFT CYLINDER ASSEMBLY OPTIONS:	
	1682630	Ref	Boom Lift Cylinder Assembly Options (Prior to November 1992)	B
	1682895	Ref	Boom Lift Cylinder Assembly Options November 1992 to Present	-
1	1682631	1	Barrel Weldment	
1	0960509	2	Bushing, Bronze	
2	1682633	1	Rod Weldment	
2	0961082	2	Bushing, Bronze	
3	1120363	1	Retainer	
4	1682118	1	Head	
5	3480162	1	Piston	
6	4565652	1	Spacer	
7	3300306	1	Nut	
8	2220887	1	Plug	
9		Ref	Cartridge, Holding Valve Options:	
9	4640709	1	Cartridge, Holding Valve (Prior to November 1992)	
9	4640771	1	Cartridge, Holding Valve (November 1992 to Present)	
9	2900770	1	Seal Kit - 4640709 Valve	
10	3900171	1	Setscrew 1/2in-13NC x 1/2in	
11	2160002	2	Fitting, Grease	
12	Kit	1	Wiper, Rod	
13	Kit	1	Seal, Rod	
14	Kit	1	O-Ring	
15	Kit	1	Ring, Back-up	
16	Kit	1	Ring, Wear	
17	Kit	2	Ring, Guide	
18	Kit	1	O-Ring	
19	Kit	1	Ring, Lock	
20	2220883	1	Plug	
	0100011	AR	Loctite #242	
	0100038	AR	Primer, Locking	
	0100035	AR	Loctite #222	
	2901118	1	Seal Kit (Includes Items 12-19)	

SECTION 5 - CYLINDERS

FIGURE 5-3. EXTEND-A-REACH PLATFORM LEVEL CYLINDER ASSEMBLY



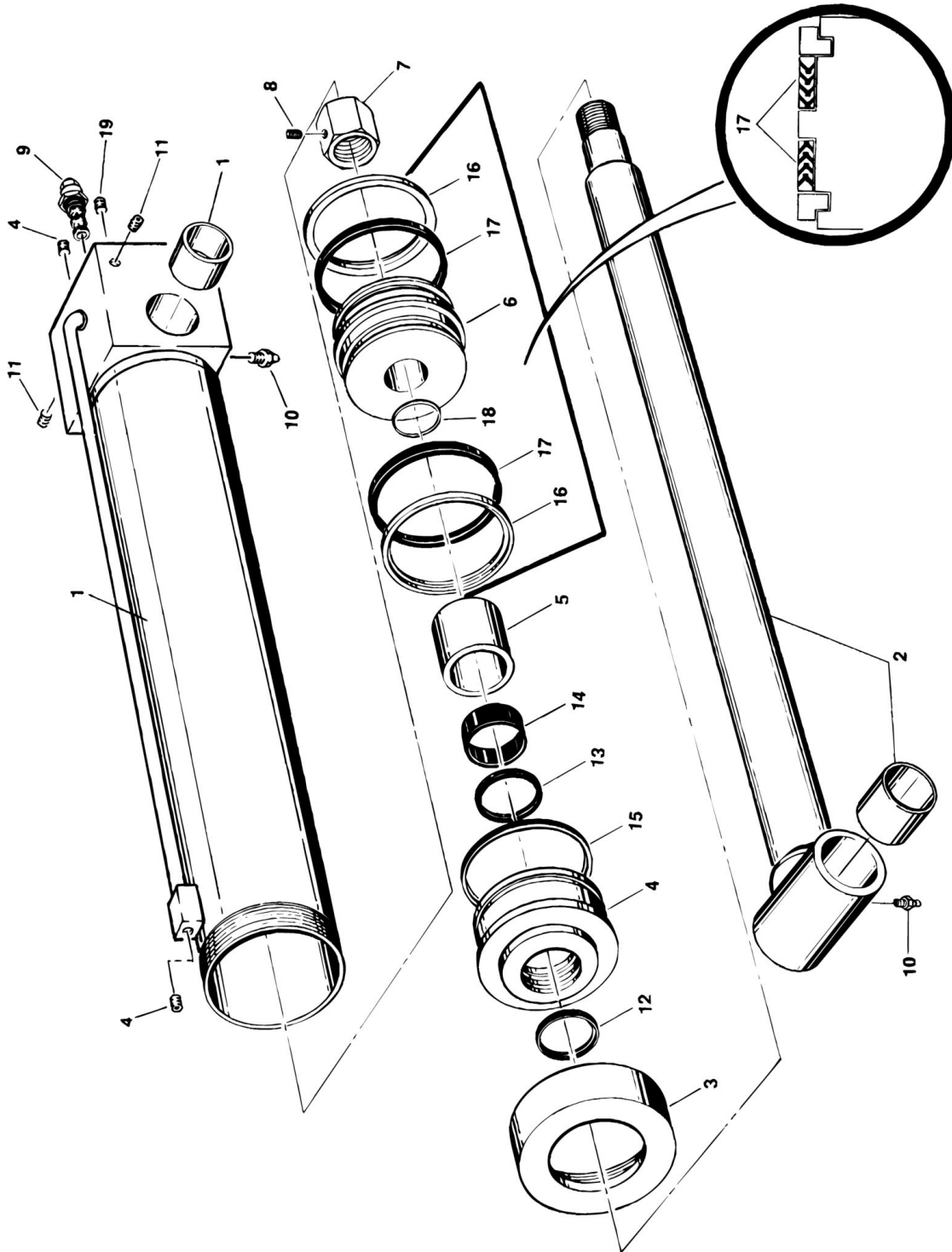
SECTION 5 - CYLINDERS

FIGURE 5-3. EXTEND-A-REACH PLATFORM LEVEL CYLINDER ASSEMBLY

ITEM	PART NUMBER	QTY	DESCRIPTION	REV
		Ref	EXTEND-A-REACH PLATFORM LEVEL CYLINDER ASSEMBLY OPTIONS:	
	1682753	Ref	Extend-A-Reach Platform Level Cylinder Assembly (Prior to SN 29913)	B
	1683493	Ref	Extend-A-Reach Platform Level Cylinder Assembly (SN 29913 to Present)	-/-
1		Ref	Barrel Weldment Options:	
1	1682754	1	Barrel Weldment (Prior to SN 29913)	
1	1682754	1	Barrel Weldment (SN 29913 to Present)	
1	0961595	2	Bushing, Bronze	
2	1682755	1	Rod Weldment	
2	0961182	2	Bushing, Oilite	
3	1120305	1	Retainer	
4	1681792	1	Head	
5	3480167	1	Piston	
6	4565913	1	Spacer	
7	3300279	1	Nut	
8	4640634	1	Cartridge, Holding Valve	
8	2900770	1	Seal Kit - 4640634 Valve	
9	2220885	1	Plug 3/8in	
10	2220883	2	Plug 1/4in	
11	3900170	1	Setscrew 3/8in-16NC x 3/8in	
12	Kit	1	Wiper, Rod	
13	Kit	1	Seal, Rod	
14	Kit	1	Ring, Wear	
15	Kit	1	O-Ring	
16	Kit	1	O-Ring	
17	Kit	2	Ring, Guide	
18	Kit	2	Ring, Lock	
19		Ref	Valve Options:	
19	4640634	1	Cartridge, Holding Valve (Prior to SN 29913)	
19	4640996	1	Valve, Counterbalance (SN 29913 to Present)	
19	2900770	1	Seal Kit - 4640634 Valve	
	0100038	AR	Primer, Loctite	
	0100011	AR	Loctite #242	
	0100035	AR	Loctite #222	
	2901206	1	Seal Kit (Includes Items 12-18)	B

SECTION 5 - CYLINDERS

FIGURE 5-4. EXTEND-A-REACH LIFT CYLINDER ASSEMBLY



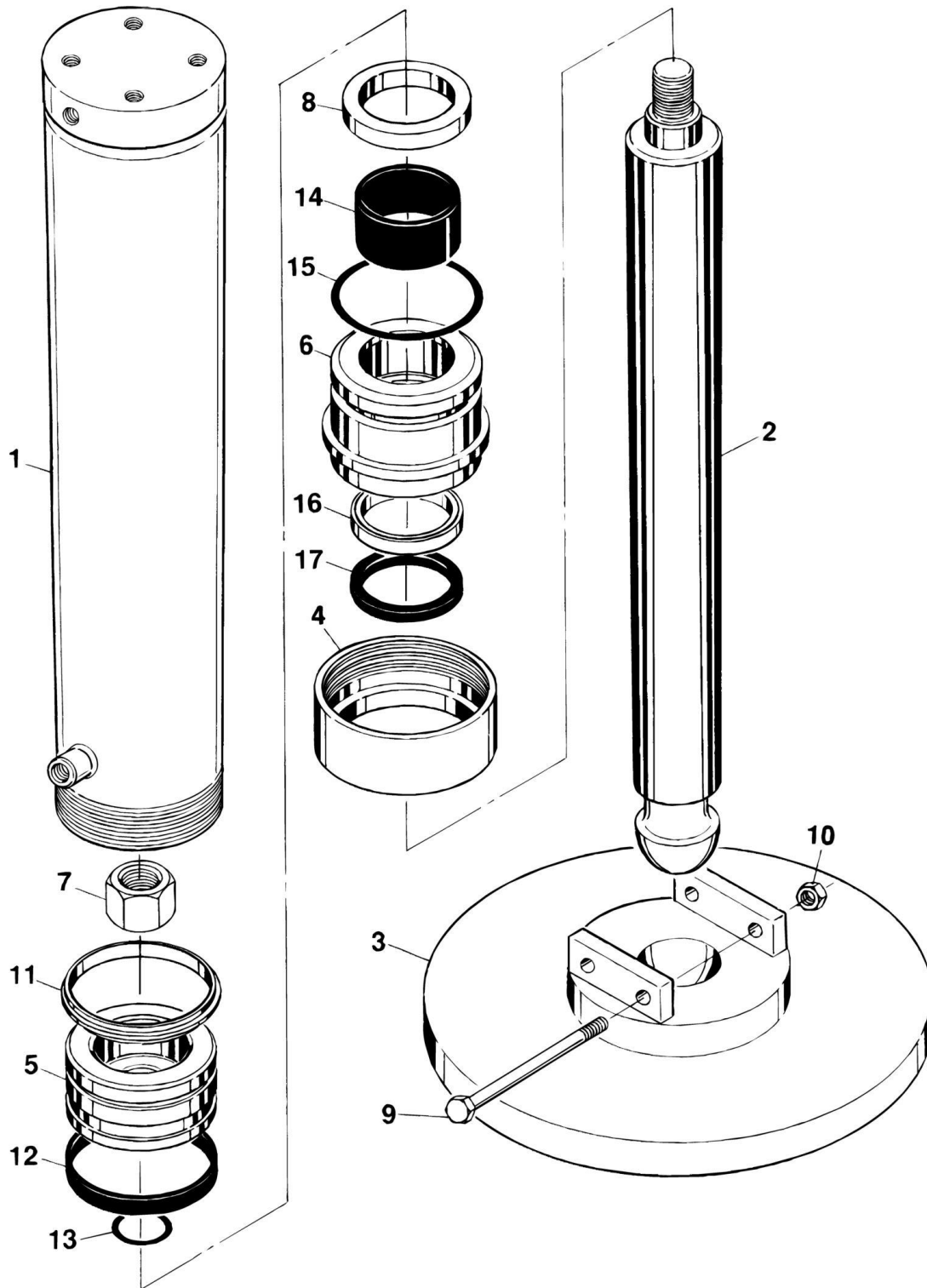
SECTION 5 - CYLINDERS

FIGURE 5-4. EXTEND-A-REACH LIFT CYLINDER ASSEMBLY

ITEM	PART NUMBER	QTY	DESCRIPTION	REV
		Ref	EXTEND-A-REACH LIFT CYLINDER ASSEMBLY OPTIONS:	
	1682635	Ref	Extend-A-Reach Lift Cylinder Assembly Options (Prior to SN 49403)	-
	1683725	Ref	Extend-A-Reach Lift Cylinder Assembly Options (SN 49403 to Present)	1
1	1682636	1	Barrel Weldment	
1	0961185	2	Bushing, Bronze	
2	1682638	1	Rod Weldment	
2	0961595	2	Bushing, Bronze	
3	1120305	1	Retainer	
4	1681423	1	Head	
5	4564009	1	Spacer	
6	3480113	1	Piston	
7	3300285	1	Nut	
8	3900170	1	Setscrew 3/8in-16NC x 3/8in	
9		Ref	Cartridge, Holding Valve Options:	
9	4640634	1	Cartridge, Holding Valve (Prior to SN 49403)	
9	4640495	2	Cartridge, Holding Valve (SN 49403 to Present)	
9	2900770	1	Seal Kit - 4640495 Valve	
10	2160002	2	Fitting, Grease	
11	2200201	4	Plug, Pipe 1/8in NPT	
12	Kit	1	Wiper, Rod	
13	Kit	1	Seal, Rod	
14	Kit	1	Ring, Wear	
15	Kit	1	Seal, Head	
16	Kit	2	Ring, Guide	
17	Kit	2	Ring, Lock	
18	Kit	1	O-Ring	
19	2200222	2	Plug, Pipe 1/4in NPT	
	0100020	AR	Sealant, Pipe	
	0100011	AR	Loctite #242	
	0100038	AR	Primer, Locking	
	0100035	AR	Loctite #222	
	2901142	1	Seal Kit (Includes Items 12-18)	

SECTION 5 - CYLINDERS

FIGURE 5-5. JACK CYLINDER ASSEMBLY



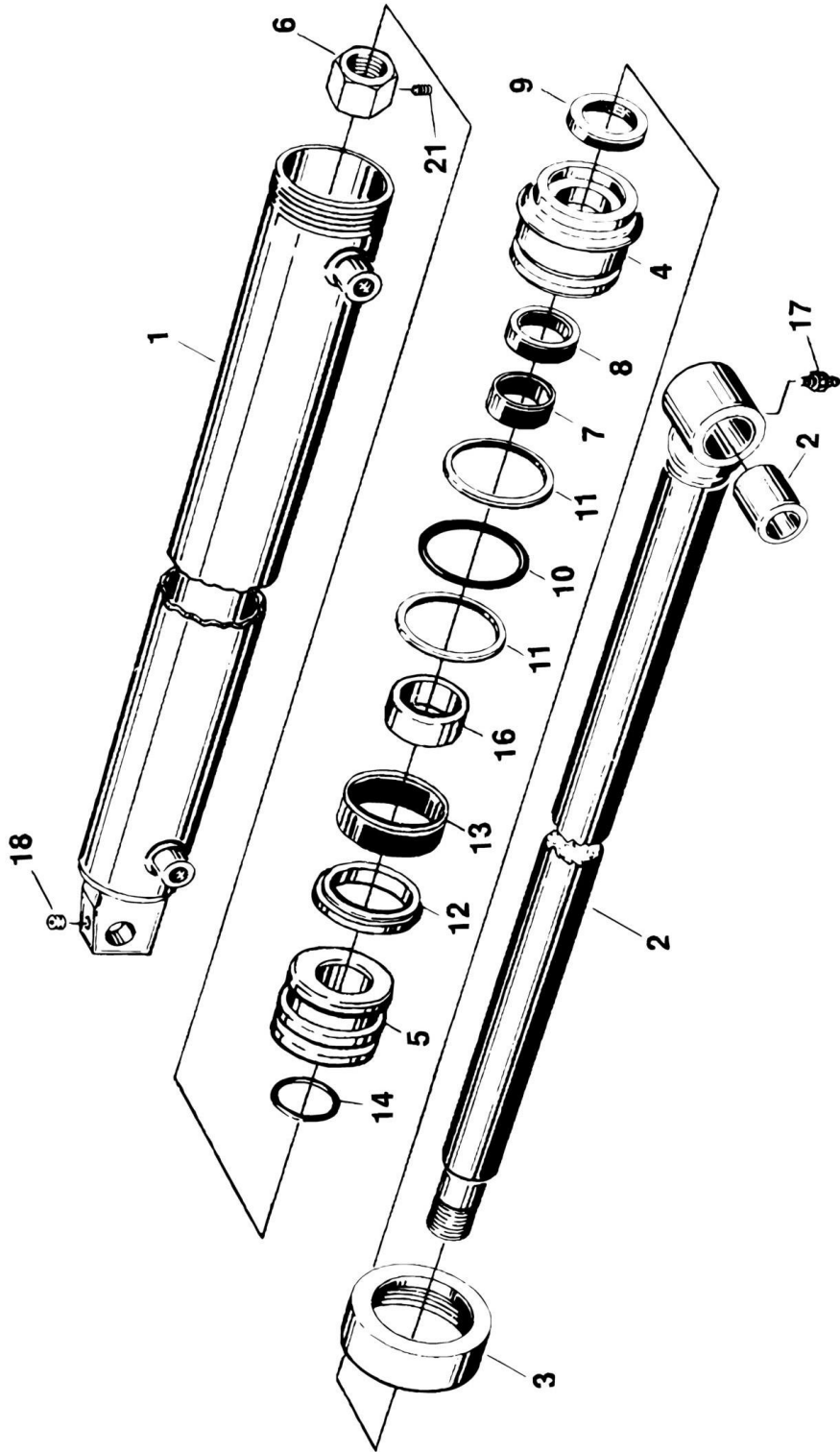
SECTION 5 - CYLINDERS

FIGURE 5-5. JACK CYLINDER ASSEMBLY

ITEM	PART NUMBER	QTY	DESCRIPTION	REV
	1682511	Ref	JACK CYLINDER ASSEMBLY	A
1	1682512	1	Barrel Weldment	
2	1682514	1	Rod Weldment	
3	3340630	1	Jack Pad Weldment	
4	1120358	1	Retainer	
5	3480137	1	Piston	
6	1682098	1	Head	
7	3300281	1	Nut	
8	4565225	1	Tube, Spacer	
9	0641852	2	Bolt 1/2in-13NC x 6 1/2in	
10	3311801	2	Nut 1/2in-13NC	
11	Kit	1	T-Seal	
12	Kit	1	Ring, Wear	
13	Kit	1	O-Ring	
14	Kit	1	Ring, Wear	
15	Kit	1	O-Ring	
16	Kit	1	Seal, Rod	
17	Kit	1	Wiper, Rod	
	0100011	AR	Loctite #242	
	0100035	AR	Primer, Locking	
	0100038	AR	Loctite #222	
	2901115	1	Seal Kit (Includes Items 11-17)	

SECTION 5 - CYLINDERS

FIGURE 5-6. MASTER CYLINDER ASSEMBLY



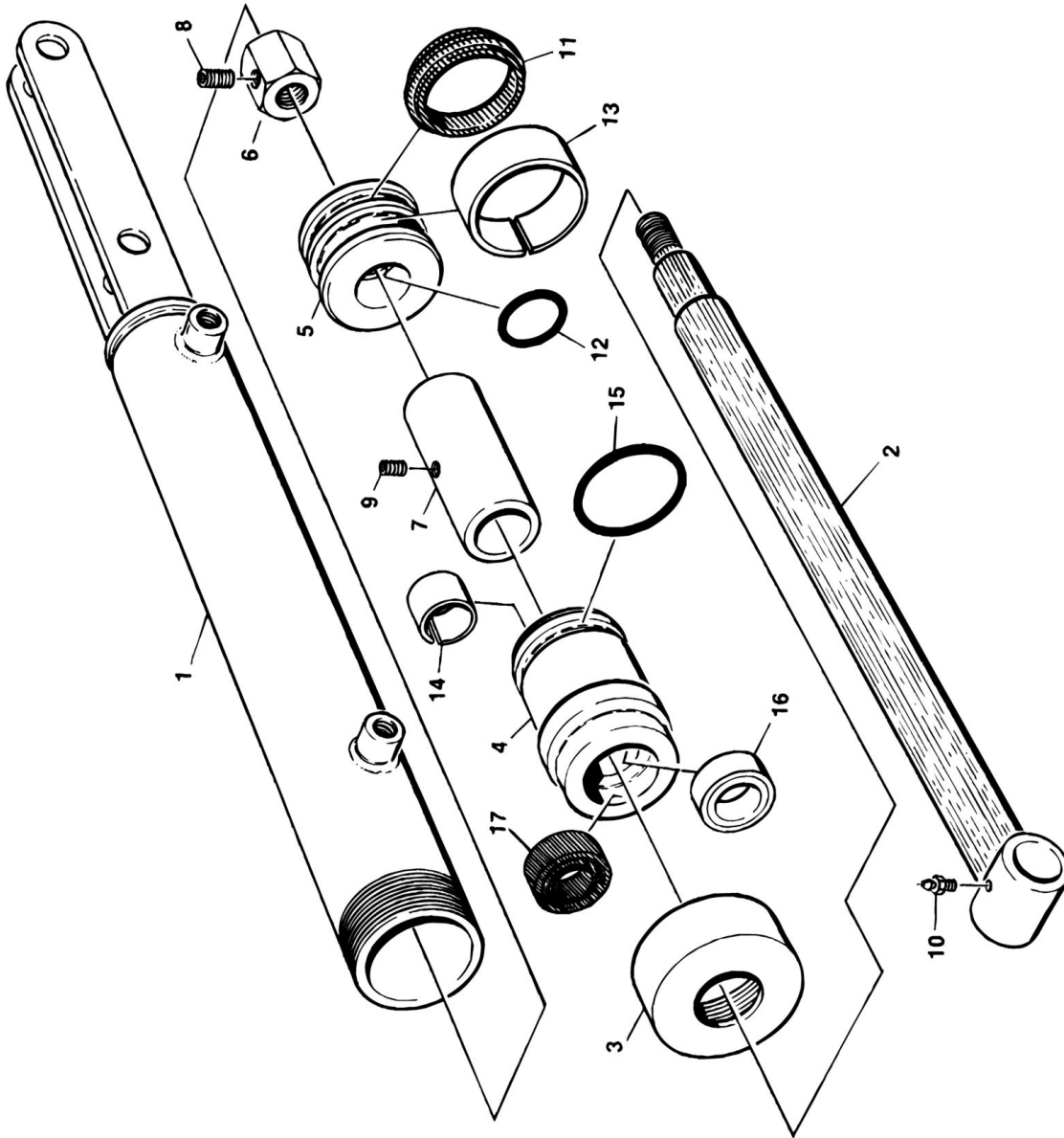
SECTION 5 - CYLINDERS

FIGURE 5-6. MASTER CYLINDER ASSEMBLY

ITEM	PART NUMBER	QTY	DESCRIPTION	REV
	1681580	Ref	MASTER CYLINDER ASSEMBLY	F
1	1681490	1	Barrel Weldment	
2	1681488	1	Rod Weldment	
2	0960097	1	Bushing, Bronze	
3	1120179	1	Retainer	
4	1680892	1	Head	
5	3480120	1	Piston	
6	3300272	1	Nut	
7	Kit	1	Ring, Wear	
8	Kit	1	Z-Seal	
9	Kit	1	Wiper, Rod	
10	Kit	1	O-Ring	
11	Kit	2	Ring, Back-up	
12	Kit	1	Seal, Piston	
13	Kit	1	Ring, Wear	
14	Kit	1	O-Ring	
16	4563031	1	Tube, Spacer	
17	2160002	1	Fitting, Grease	
18	2200201	1	Plug, Pipe 1/8in NPT	
21	3900170	1	Setscrew 3/8in-16NC x 3/8in	
	0100011	AR	Loctite #242	
	0100038	AR	Primer, Locking	
	0100035	AR	Loctite #222	
	2900381	1	Seal Kit (Includes Items 7-14)	

SECTION 5 - CYLINDERS

FIGURE 5-7. STEER CYLINDER ASSEMBLY



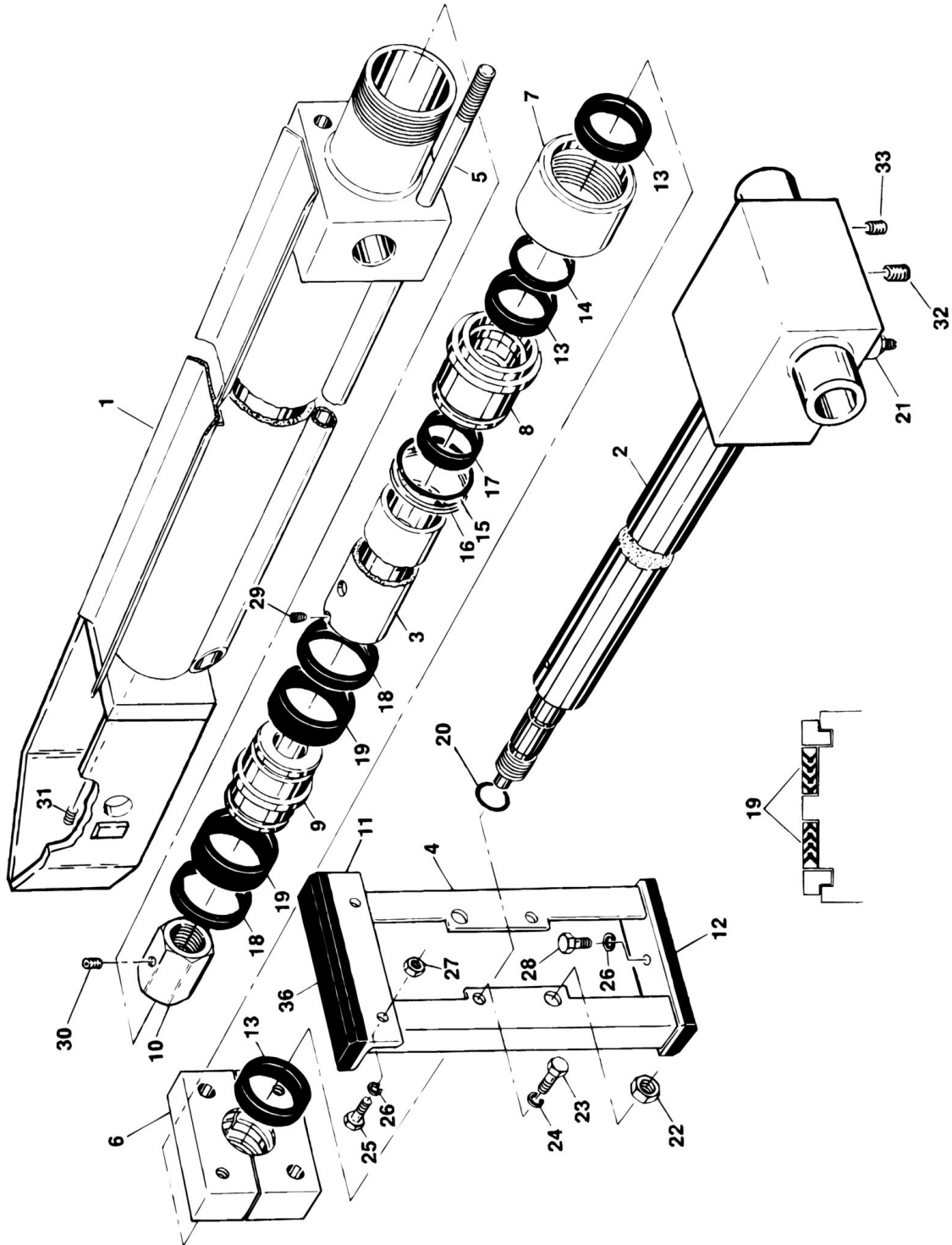
SECTION 5 - CYLINDERS

FIGURE 5-7. STEER CYLINDER ASSEMBLY

ITEM	PART NUMBER	QTY	DESCRIPTION	REV
	1682605	Ref	STEER CYLINDER ASSEMBLY	-
1	1682606	1	Barrel Weldment	
2	1682608	1	Rod Weldment	
3	1120108	1	Retainer	
4	1681344	1	Head	
5	3480134	1	Piston	
6	3300273	1	Nut	
7	4563963	1	Tube, Spacer	
8	3900170	1	Setscrew 3/8in-16NC x 3/8in	
9	3900141	1	Setscrew 1/4in-20NC x 3/8in	
10	2160002	1	Fitting, Grease	
11	Kit	1	T-Seal	
12	Kit	1	O-Ring	
13	Kit	1	Ring, Wear	
14	Kit	1	Ring, Wear	
15	Kit	1	O-Ring	
16	Kit	1	Seal, Rod	
17	Kit	1	Wiper, Rod	
	0100011	AR	Loctite #242	
	0100038	AR	Primer, Locking	
	0100035	AR	Loctite #222	
	2901123	1	Seal Kit (Includes Items 11-17)	

SECTION 5 - CYLINDERS

FIGURE 5-8. TELESCOPE CYLINDER ASSEMBLY



SECTION 5 - CYLINDERS

FIGURE 5-8. TELESCOPE CYLINDER ASSEMBLY

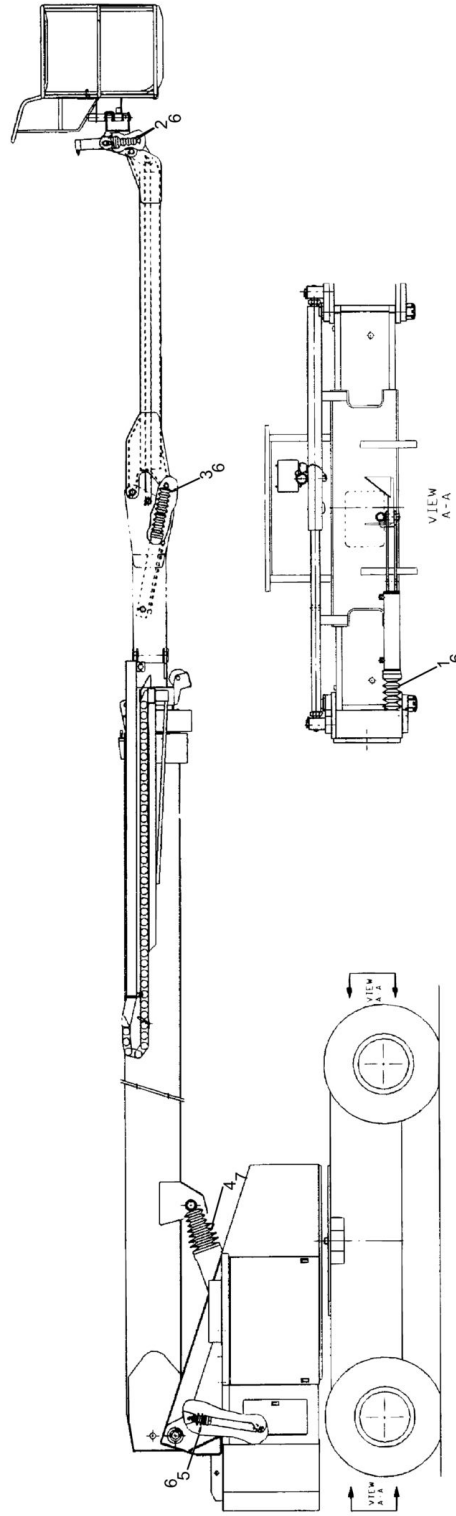
ITEM	PART NUMBER	QTY	DESCRIPTION	REV
		Ref	TELESCOPE CYLINDER ASSEMBLIES	
		Ref	TELESCOPE CYLINDER ASSEMBLIES	
	1682030	Ref	Standard Boom (Prior to November 1992)	D
	1682820	Ref	Standard Boom (November 1992 through SN 38696)	A
	1683701	Ref	Standard Boom (SN 38697 to Present)	2
	1682030	Ref	Boom with Chip Covers (Prior to November 1992)	D
	1682820	Ref	Boom with Chip Covers (November 1992 to Present)	A
1	1681926	1	Barrel Weldment	
2	1681922	1	Rod Weldment	
3	1682031	1	Spacer	
4	4843016	1	Rod Support Weldment	
5	3840944	2	Rod, Guide	
6	0560773	1	Block, Nylatron	
7	1120345	1	Retainer	
8		Ref	Head	
8	1681925	1	Head (Prior to November 1992)	
8	1682298	1	Head (November 1992 to Present)	
9	3480133	1	Piston	
10	3300299	1	Nut	
11	0181404	1	Angle	
12	3340560	1	Pad, Wear	
13	Kit	3	Seal, Rod	
14	Kit	1	Wiper, Rod	
15	Kit	1	O-Ring	
16	Kit	1	Ring, Back-up	
17	Kit	1	Ring, Wear	
18	Kit	2	Ring, Guide	
19	Kit	2	Seal, Piston	
20	Kit	1	T-Seal	
21		Ref	Cartridge, Valve Options:	
21	4640487	1	1682030 & 1682820 Cylinders	
21	4641083	1	1683701 Cylinder	
21	7011317	1	Seal Kit	
22	3312202	2	Nut, Jam 3/4in-10NC	
23	0641812	2	Bolt 1/2in-13NC x 1 1/2in	
24	4761800	2	Lockwasher 1/2in	
25	0641608	2	Bolt 3/8in-16NC x 1in	
26	4761600	7	Lockwasher 3/8in	
27	3311601	2	Nut 3/8in-16NC	
28	0641605	5	Bolt 3/8in-16NC x 5/8in	
29	3951405	1	Setscrew 1/4in-20NC x 5/8in	
30	3900171	1	Setscrew 1/2in-13NC x 1/2in	
31	2200221	1	Plug, Pipe 1/8in NPT	
32	2200224	2	Plug, Pipe 3/8in NPT	
33	2200222	1	Plug, Pipe 1/4in NPT	
36	3340566	1	Pad, Wear	
	0100020	AR	Sealant, Pipe	
	0100011	AR	Loctite #242	
	0100035	AR	Loctite #222	
	0100038	AR	Primer, Locking	

SECTION 5 - CYLINDERS

ITEM	PART NUMBER	QTY	DESCRIPTION	REV
		Ref	Seal Kit Options (Includes Items 13-20)	
	2901109	1	Seal Kit (Prior to November 1992)	
	2901234	1	Seal Kit (November 1992 to Present)	

SECTION 5 - CYLINDERS

FIGURE 5-9. CYLINDER BELLOWS INSTALLATION (OPTIONAL)



SECTION 5 - CYLINDERS

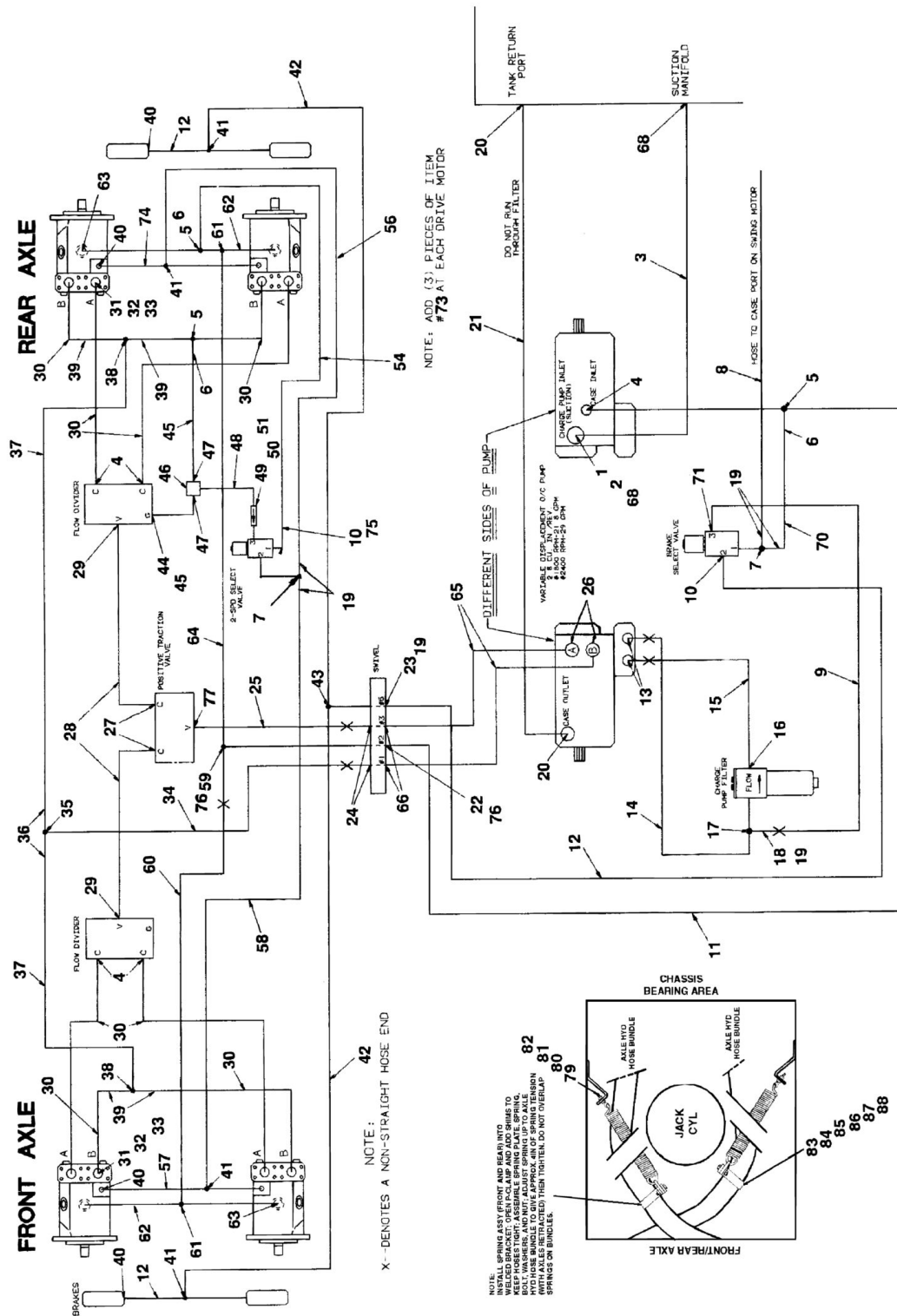
FIGURE 5-9. CYLINDER BELLOWS INSTALLATION (OPTIONAL)

ITEM	PART NUMBER	QTY	DESCRIPTION	REV
	0252829	Ref	CYLINDER BELLOWS INSTALLATION (OPTIONAL)	2
1	0460089	2	Bellow (Steer)	
2	0460088	1	Bellow (Extend-A-Reach Level)	
3	0460087	1	Bellow (Extend-A-Reach Lift)	
4	0460086	1	Bellow (Boom Lift)	
5	0460071	1	Bellow (Master)	
6	1320037	5	Clamp	
7	1320059	1	Clamp	

SECTION 6 - HYDRAULICS

SECTION 6 - HYDRAULICS

FIGURE 6-1. HYDRAULIC DIAGRAM - DRIVE (4WD AND DEUTZ ENGINE) (Prior to SN 38697)



SECTION 6 - HYDRAULICS

FIGURE 6-1. HYDRAULIC DIAGRAM - DRIVE (4WD AND DEUTZ ENGINE) (Prior to SN 38697)

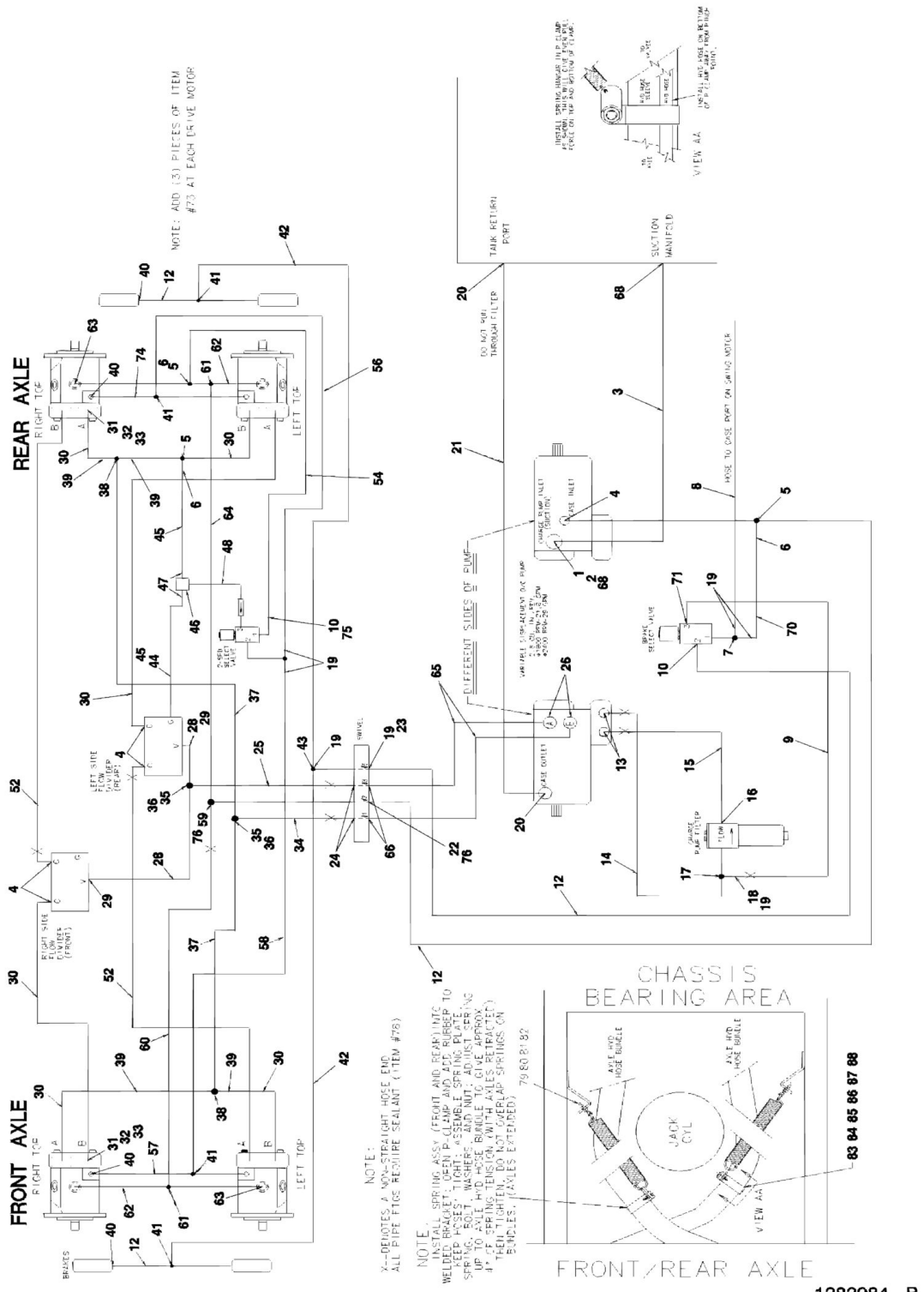
ITEM	PART NUMBER	QTY	DESCRIPTION	REV
	2791925	Ref	HYDRAULIC DIAGRAM - DRIVE	6
1	2220377	1	Fitting, Straight	
2	2210014	1	Fitting, 90, Barbed	
3	2720281	64	Hose, Suction	
		in/16.3m		
4	2220375	5	Fitting, Straight	
5	2220385	3	Fitting, Tee	
6	2220618	3	Fitting, Reducer	
7	2220606	2	Fitting, Tee	
8	2751026	1	Hose	
9	2751017	1	Hose	
10	2220582	1	Fitting, Straight	
11	2751484	1	Hose	
12	2751906	5	Hose	
13	2220408	2	Fitting, Straight	
14	2751623	1	Hose	
15	2750834	1	Hose	
16	2220578	1	Fitting, 90	
17	2220738	1	Fitting, Tee	
18	2220621	1	Fitting, Reducer	
19	2220609	8	Fitting, Reducer	
20	2220451	2	Fitting, Straight	
21	2750835	1	Hose	
22	2220500	1	Fitting, 45	
23	2220501	1	Fitting, 45	
24	2220377	2	Fitting, Straight	
25	2752322	1	Hose	
26	2220365	2	Fitting, 45	
27	2220498	2	Fitting, 45	
28	2752249	2	Hose	
29	2220435	2	Fitting, Straight	
30	2752383	8	Hose	
31	2220596	8	Fitting, 90	
32	2220866	8	Flange	
33	2901194	8	Bolt Kit - Flange	
34	2752322	1	Hose	
35	2220363	1	Fitting, Tee	
36	2220710	2	Fitting, Reducer	
37	2752247	2	Hose	
38	2220481	2	Fitting, Tee	
39	2220622	4	Fitting, Reducer	
40	2220466	8	Fitting, 90	
41	2220504	4	Fitting, Tee	
42	2751021	2	Hose	
43	2220899	1	Fitting, Tee	
44	2220415	1	Fitting, Straight	
45	2750900	2	Hose	
46	4640013	1	Valve, Shuttle	
47	2220416	2	Fitting, 90	
48	2220261	1	Fitting, Nipple	

SECTION 6 - HYDRAULICS

ITEM	PART NUMBER	QTY	DESCRIPTION	REV
49	4640197	1	Valve, Check	
50	2220727	1	Fitting	
51	2220820	1	Fitting, 90	
54	2751018	1	Hose	
56	2751015	1	Hose	
57	2751406	2	Hose	
58	2751899	1	Hose	
59	2220602	1	Fitting, Tee	
60	2750979	1	Hose	
61	2220362	2	Fitting, Tee	
62	2751489	4	Hose (Prior to July 1995)	
62	2752932	4	Hose (July 1995 to Present)	
63	2220374	4	Fitting, Straight (Prior to July 1995)	
63	2220671	4	Fitting, Straight (July 1995 to Present)	
64	2750762	1	Hose	
65	2752337	2	Hose	
66	2220365	2	Fitting, 45	
68	1320033	4	Clamp	
70	2751013	1	Hose	
71	2220472	1	Fitting, 90	
73	4100026	12	Cover, Nylon	
74	2750904	2	Hose	
75	2220909	1	Fitting	
76	2220811	2	Fitting, Reducer	
77	2220646	1	Fitting	
79	4160174	4	Spring, Anchor	
80	4160175	4	Spring, Extension	
81	3311401	8	Nut 1/4in-20NC	
82	4761400	4	Lockwasher	
83	1320110	4	Clamp	
84	3570980	4	Plate, Spring	
85	4280307	8	Rubber	
86	0641508	4	Bolt 5/16in-18NC x 1in	
87	4711500	8	Flatwasher	
88	3311505	4	Locknut 5/16in	

SECTION 6 - HYDRAULICS

FIGURE 6-2. HYDRAULIC DIAGRAM - DRIVE (4WD AND DEUTZ ENGINE) (SN 38697 to Present)



1282984 - B

SECTION 6 - HYDRAULICS

FIGURE 6-2. HYDRAULIC DIAGRAM - DRIVE (4WD AND DEUTZ ENGINE) (SN 38697 to Present)

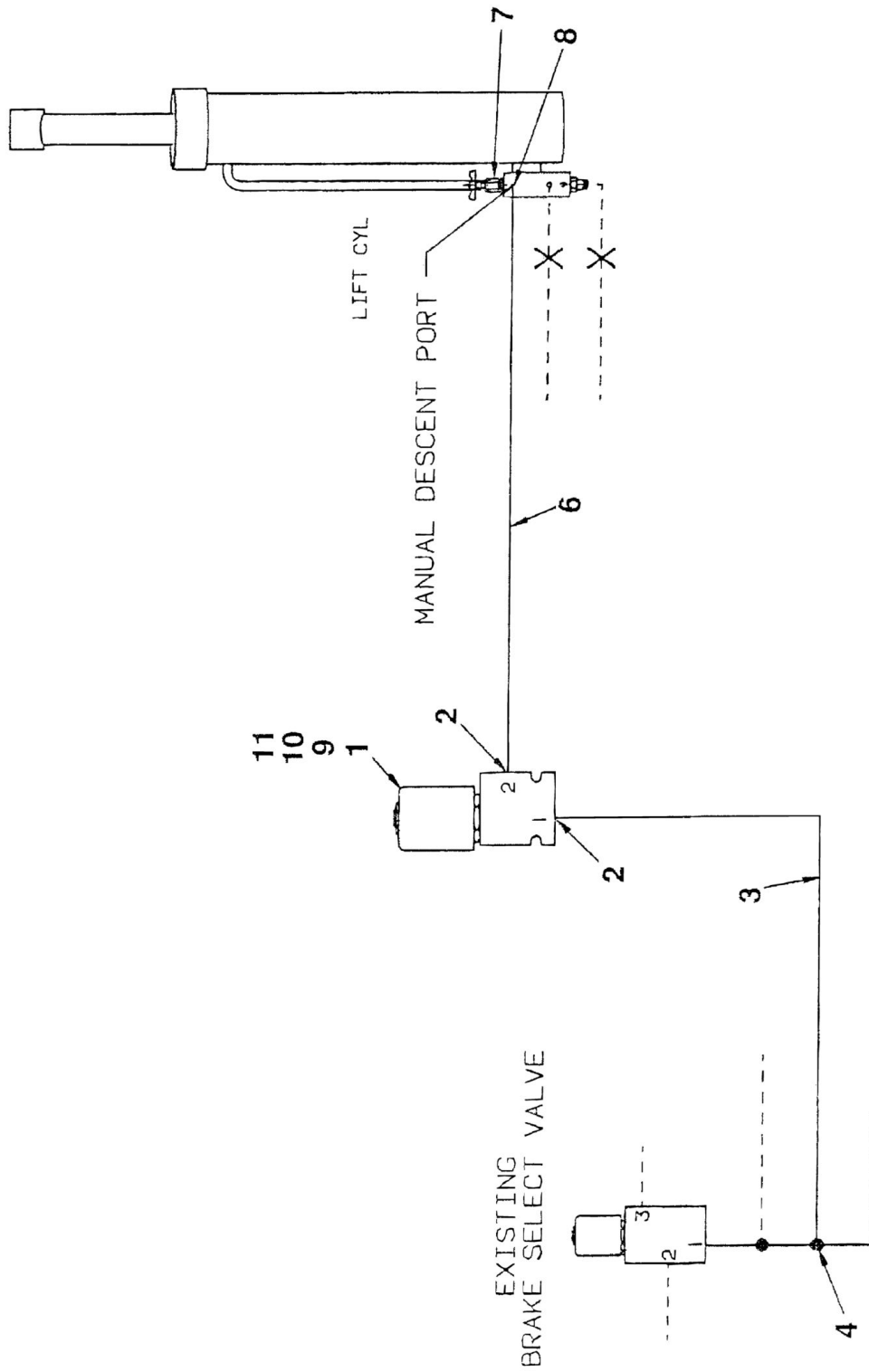
ITEM	PART NUMBER	QTY	DESCRIPTION	REV
	2792376	Ref	HYDRAULIC DIAGRAM - DRIVE	1
1	2220377	1	Fitting, Straight	
2	2210014	1	Fitting, 90, Barbed	
3	2720281	1	Hose, Suction	
4	2220375	5	Fitting, Straight	
5	2220385	3	Fitting, Tee	
6	2220618	3	Fitting, Reducer	
7	2220606	2	Fitting, Tee	
8	2751026	1	Hose	
9	2751017	1	Hose	
10	2220582	2	Fitting, Straight	
11	2751484	1	Hose	
12	2751906	5	Hose	
13	2220408	2	Fitting, Straight	
14	2751623	1	Hose	
15	2750834	1	Hose	
16	2220578	1	Fitting, 90	
17	2220738	1	Fitting, Tee	
18	2220621	1	Fitting, Reducer	
19	2220609	8	Fitting, Reducer	
20	2220451	2	Fitting, Straight	
21	2750835	1	Hose	
22	2220500	1	Fitting, 45	
23	2220501	1	Fitting, 45	
24	2220377	2	Fitting, Straight	
25	2752322	1	Hose	
26	2220365	2	Fitting, 45	
28	2752249	2	Hose	
29	2220435	2	Fitting, Straight	
30	2752383	6	Hose	
31	2220596	8	Fitting, 90	
32	2220866	8	Flange	
33	2901194	8	Bolt Kit - Flange	
34	2752322	1	Hose	
35	2220363	2	Fitting, Tee	
36	2220710	4	Fitting, Reducer	
37	2752247	2	Hose	
38	2220481	2	Fitting, Tee	
39	2220622	4	Fitting, Reducer	
40	2220466	8	Fitting, 90	
41	2220504	4	Fitting, Tee	
42	2751021	2	Hose	
43	2220899	1	Fitting, Tee	
44	2220415	1	Fitting, Straight	
45	2750900	2	Hose	
46	4640013	1	Valve, Shuttle	
47	2220416	2	Fitting, 90	
48	2220261	1	Fitting, Nipple	
49	4640197	1	Valve, Check	
50	2220727	1	Fitting	

SECTION 6 - HYDRAULICS

ITEM	PART NUMBER	QTY	DESCRIPTION	REV
51	2220820	1	Fitting, 90	
52	2752405	2	Hose	
54	2751018	1	Hose	
56	2751015	1	Hose	
57	2751406	2	Hose	
58	2751899	1	Hose	
59	2220602	1	Fitting, Tee	
60	2750979	1	Hose	
61	2220362	2	Fitting, Tee	
62	2752932	4	Hose	
63	2220671	4	Fitting, Straight	
64	2750762	1	Hose	
65	2752337	2	Hose	
66	2220365	2	Fitting, 45	
68	1320033	4	Clamp	
70	2751013	1	Hose	
71	2220472	1	Fitting, 90	
73	4100026	12	Cover, Nylon	
74	2750904	2	Hose	
75	2220909	1	Fitting	
76	2220811	2	Fitting, Reducer	
78	0100020	AR	Sealant, Pipe (Not Shown)	
79	4160174	4	Spring, Anchor	
80	4160175	4	Spring, Extension	
81	3311401	8	Nut 1/4in-20NC	
82	4761400	4	Lockwasher	
83	1320110	4	Clamp	
84	3570980	4	Plate, Spring	
85	4280307	8	Rubber	
86	0641508	4	Bolt 5/16in-18NC x 1 in	
87	4711500	8	Flatwasher	
88	3311505	4	Locknut 5/16in-18NC	

SECTION 6 - HYDRAULICS

FIGURE 6-3. HYDRAULIC DIAGRAM - MANUAL DESCENT (FRENCH AND ITALIAN SPECS)



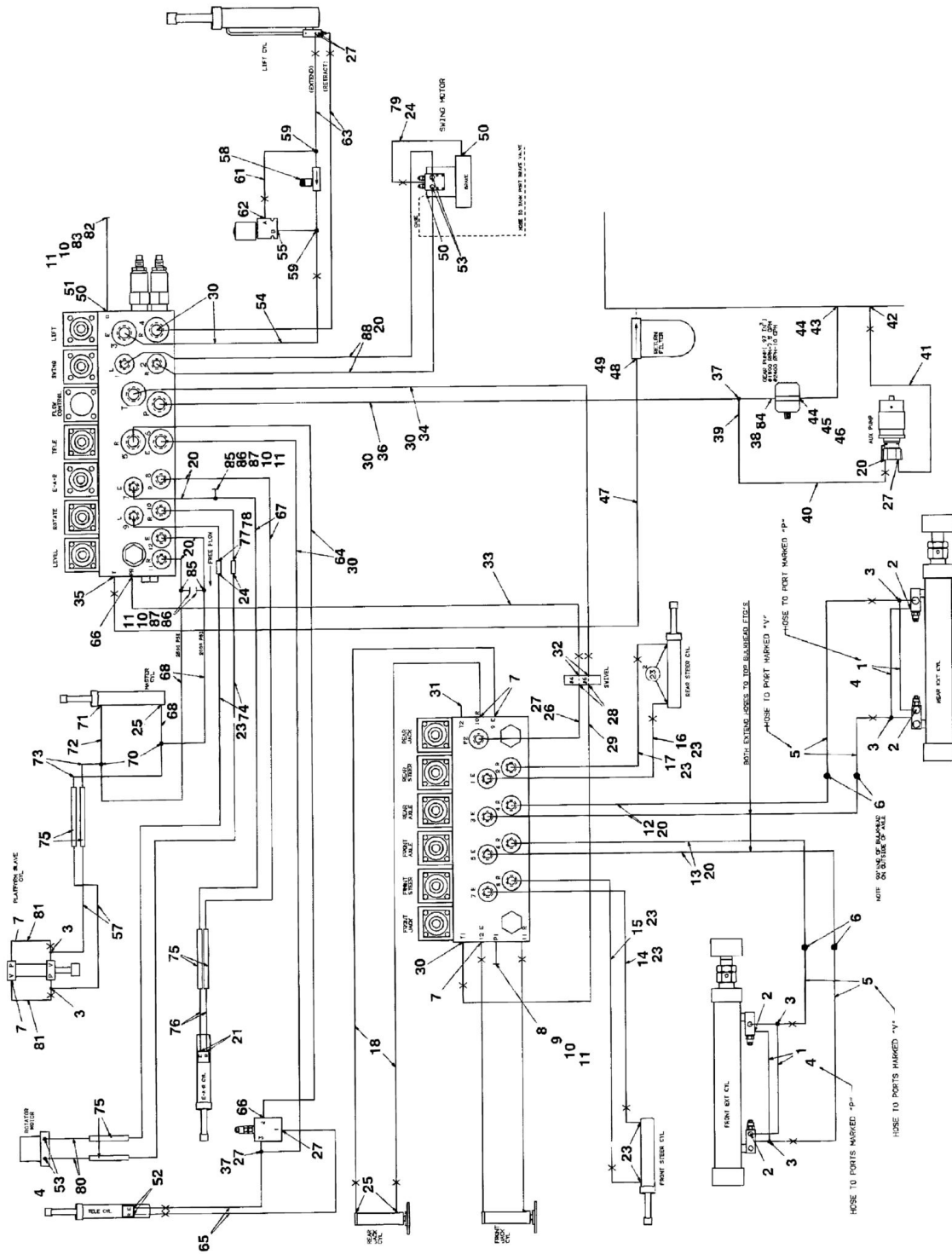
SECTION 6 - HYDRAULICS

FIGURE 6-3. HYDRAULIC DIAGRAM - MANUAL DESCENT (FRENCH AND ITALIAN SPECS)

ITEM	PART NUMBER	QTY	DESCRIPTION	REV
	0253649	Ref	HYDRAULIC DIAGRAM - MANUAL DESCENT	B
1	4640543	1	Valve Assembly	
2	2220468	2	Fitting, Straight	
3	2750900	1	Hose	
4	2220605	1	Fitting, Tee	
6	2751396	1	Hose	
7	4640731	1	Valve	
8	2220415	1	Fitting, Straight	
9	4300051	2	Stud (Weld on Part)	
10	3311405	2	Locknut 1/4in-20NC	
11	4751400	8	Flatwasher 1/4in	
13	1701746	1	Decal - Manual Descent (Not Shown)	

SECTION 6 - HYDRAULICS

FIGURE 6-4. HYDRAULIC DIAGRAM - STANDARD (Prior to SN 38697)



SECTION 6 - HYDRAULICS

FIGURE 6-4. HYDRAULIC DIAGRAM - STANDARD (Prior to SN 38697)

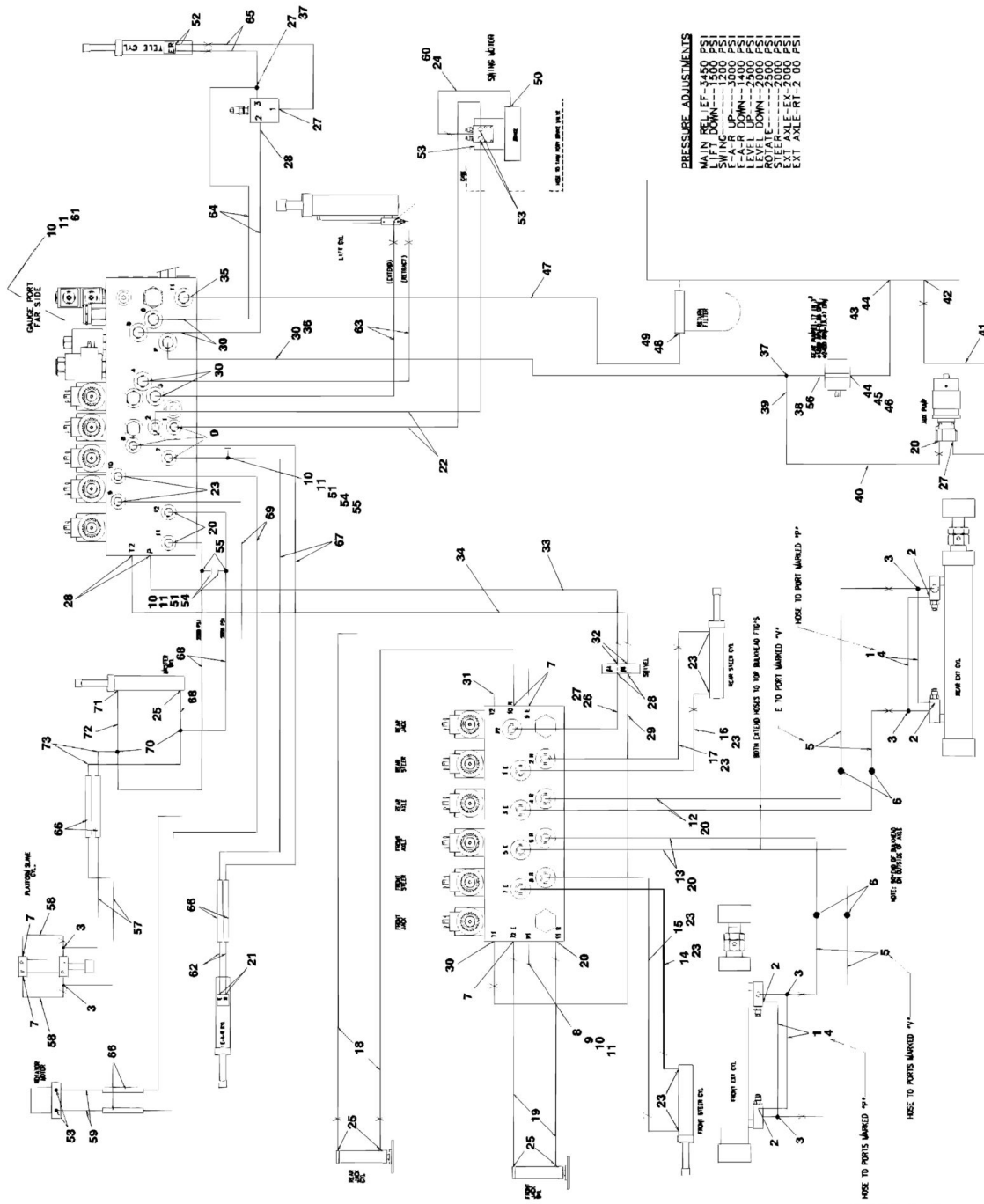
ITEM	PART NUMBER	QTY	DESCRIPTION	REV
	2791921	Ref	HYDRAULIC DIAGRAM - STANDARD	E
1	2751013	4	Hose	
2	2220472	4	Fitting, 90	
3	2220606	6	Fitting, Tee	
4	2220609	6	Fitting, Reducer	
5	2750910	4	Hose	
6	2230043	4	Fitting, 90	
7	2220473	5	Fitting, 90	
8	2220727	1	Fitting, Adapter	
9	2220261	1	Fitting, Straight	
10	2220428	5	Fitting, Quick Disconnect	
11	2220429	5	Cap, Dust	
12	2751852	2	Hose	
13	2751111	2	Hose	
14	2750897	1	Hose	
15	2750896	1	Hose	
16	2751432	1	Hose	
17	2751433	1	Hose	
18	2750908	2	Hose	
19	2750990	2	Hose	
20	2220371	12	Fitting, Straight	
21	2220399	2	Fitting	
23	2220582	8	Fitting, Straight	
24	2220415	3	Fitting, Straight	
25	2220343	5	Fitting, Straight	
26	2750762	1	Hose	
27	2220600	6	Fitting, Straight	
28	2220726	2	Fitting, 90	
29	2750766	1	Hose	
30	2220373	7	Fitting, Straight	
31	2220238	1	Fitting, Plug	
32	2220600	2	Fitting, Straight	
33	2750758	1	Hose	
34	2751504	1	Hose	
35	2220593	1	Fitting, Straight	
36	2751483	1	Hose	
37	2220385	2	Fitting, Tee	
38	4640744	1	Valve, Check	
39	2220619	1	Fitting, Reducer	
40	2751004	1	Hose	
41	2751467	1	Hose	
42	2220375	1	Fitting, Straight	
43	2720281	64 in/16.3m	Hose, Suction	
44	1320033	4	Clamp	
45	2220376	1	Fitting, Straight	
46	2210014	1	Fitting, 90	
47	2751617	1	Hose	
48	2220464	1	Fitting, 90	
49	2220710	1	Fitting, Reducer	

SECTION 6 - HYDRAULICS

ITEM	PART NUMBER	QTY	DESCRIPTION	REV
50	2220466	3	Fitting, 90	
51	2751015	1	Hose	
52	2220346	2	Fitting, Straight	
53	2220497	4	Fitting, Straight	
54	2750757	1	Hose	
55	2220651	1	Fitting, Swivel	
57	2752173	2	Hose	
58	4640757	1	Valve, Flow Control	
59	2220602	2	Fitting, Tee	
61	2751494	1	Hose	
62	2220596	1	Fitting, 90	
63	2750771	2	Hose	
64	2750763	2	Hose	
65	2751466	2	Hose	
66	2220726	2	Fitting, 90	
67	2751168	2	Hose	
68	2750785	3	Hose	
70	2220490	2	Fitting, Tee	
71	2220495	1	Fitting, 90	
72	2750999	1	Hose	
73	2751151	2	Hose	
74	2751455	2	Hose	
75	4563167	6	Tube	
76	2752172	2	Hose	
77	2220895	2	Fitting, Nipple	
78	4640752	2	Valve, Restrictor	
79	2750889	1	Hose	
80	2750907	2	Hose	
81	2751002	2	Hose	
82	2220414	1	Fitting, Straight	
83	1320041	1	Clamp	
84	2220810	1	Fitting, Reducer	
85	2220635	3	Fitting, Tee	
86	2220741	3	Fitting, Adapter	
87	2220438	3	Fitting, Nipple	
88	2750785	2	Hose	

SECTION 6 - HYDRAULICS

FIGURE 6-5. HYDRAULIC DIAGRAM - STANDARD (SN 38697 to Present)



2792375 - A

SECTION 6 - HYDRAULICS

FIGURE 6-5. HYDRAULIC DIAGRAM - STANDARD (SN 38697 to Present)

ITEM	PART NUMBER	QTY	DESCRIPTION	REV
	2792375	Ref	HYDRAULIC DIAGRAM - STANDARD	1
1	2751013	4	Hose	
2	2220472	4	Fitting, 90	
3	2220606	6	Fitting, Tee	
4	2220609	6	Fitting, Reducer	
5	2750910	4	Hose	
6	2230043	4	Fitting, 90	
7	2220473	5	Fitting, 90	
8	2220727	1	Fitting, Adapter	
9	2220261	1	Fitting, Straight	
10	2220428	5	Fitting, Quick Disconnect	
11	2220429	5	Cap, Dust	
12	2751852	2	Hose	
13	2751111	2	Hose	
14	2750897	1	Hose	
15	2750896	1	Hose	
16	2751432	1	Hose	
17	2751433	1	Hose	
18	2750908	2	Hose	
19	2750990	2	Hose	
20	2220371	12	Fitting, Straight	
21	2220399	2	Fitting	
22	2750785	2	Hose	
23	2220582	8	Fitting, Straight	
24	2220415	3	Fitting, Straight	
25	2220343	5	Fitting, Straight	
26	2750762	1	Hose	
27	2220600	6	Fitting, Straight	
28	2220726	5	Fitting, 90	
29	2750766	1	Hose	
30	2220373	6	Fitting, Straight	
31	2220238	1	Fitting, Plug	
32	2220600	2	Fitting, Straight	
33	2750758	1	Hose	
34	2751498	1	Hose	
35	2220593	1	Fitting, Straight	
36	2751483	1	Hose	
37	2220385	2	Fitting, Tee	
38	4640744	1	Valve, Check	
39	2220619	1	Fitting, Reducer	
40	2751004	1	Hose	
41	2751467	1	Hose	
42	2220375	1	Fitting, Straight	
43	2720281	1	Hose, Suction	
44	1320033	4	Clamp	
45	2220376	1	Fitting, Straight	
46	2210014	1	Fitting, 90	
47	2751617	1	Hose	
48	2220464	1	Fitting, 90	
49	2220710	1	Fitting, Reducer	

SECTION 6 - HYDRAULICS

ITEM	PART NUMBER	QTY	DESCRIPTION	REV
50	2220466	2	Fitting, 90	
51	2220438	3	Fitting, Nipple	
51	2751015	1	Hose	
52	2220346	2	Fitting, Straight	
53	2220497	4	Fitting, Straight	
54	2220741	3	Fitting, Adapter	
55	2220635	3	Fitting, Tee	
56	2220810	1	Fitting, Reducer	
57	2752173	2	Hose	
58	2751002	2	Hose	
59	2750907	2	Hose	
60	2750889	1	Hose	
61	2220873	3	Fitting, Nipple	
62	2752172	2	Hose	
63	2750771	2	Hose	
64	2750763	2	Hose	
65	2751466	2	Hose	
66	4563167	6	Tube	
67	2751168	2	Hose	
68	2750785	3	Hose	
69	2751455	2	Hose	
70	2220490	2	Fitting, Tee	
71	2220495	1	Fitting, 90	
72	2750999	1	Hose	
73	2751151	2	Hose	

SECTION 6 - HYDRAULICS

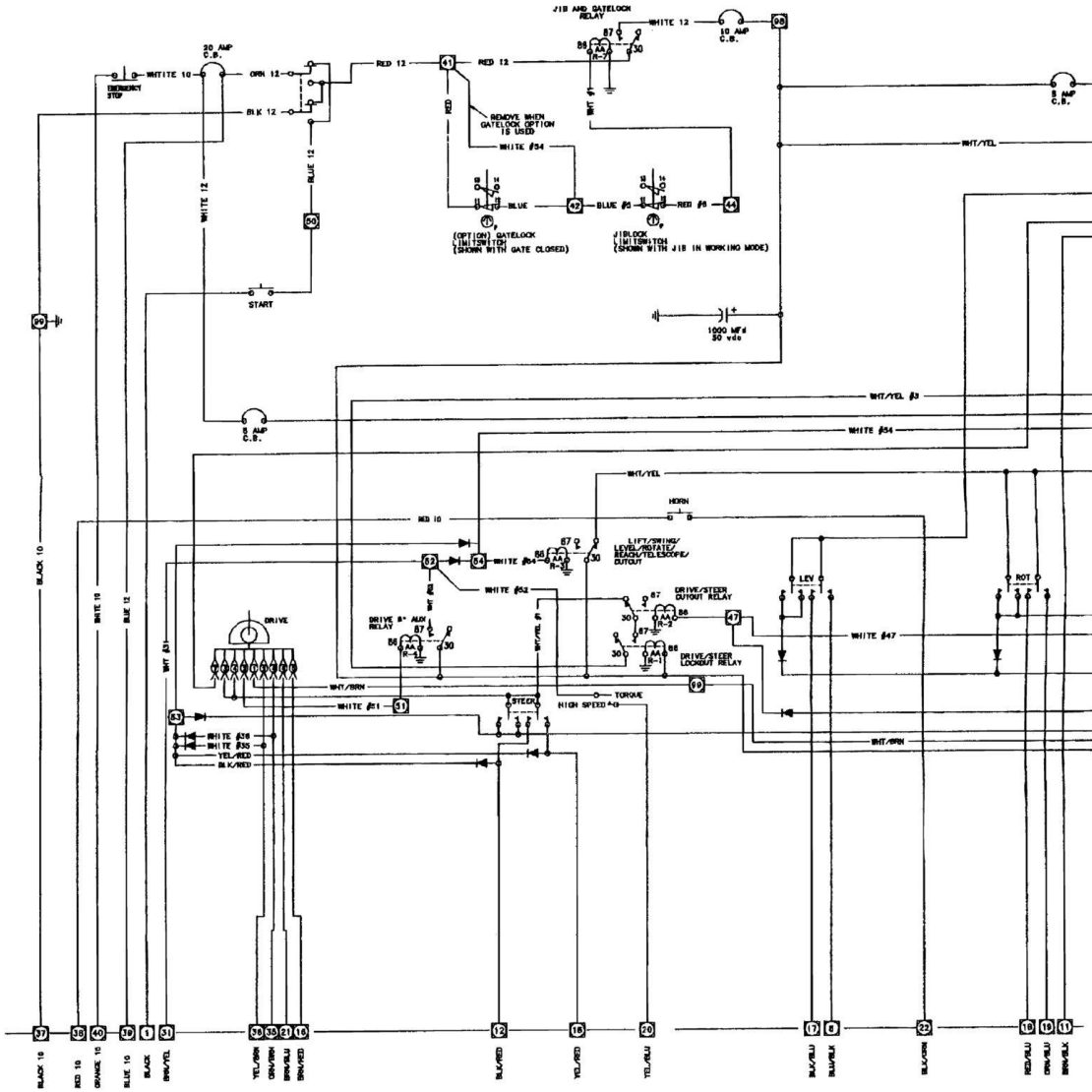
FIGURE 6-6. HYDRAULIC DIAGRAM LIST

ITEM	PART NUMBER	QTY	DESCRIPTION	REV
		Ref	HYDRAULIC DIAGRAM LIST	
		Ref	Note: Information on Diagrams not shown are available from JLG Service/Parts Departments.	
	2791925	Ref	Hydraulic Diagram - Drive (4WD/ Deutz Engine) (Prior to SN 38697)	
	2792376	Ref	Hydraulic Diagram - Drive (4WD/ Deutz Engine) (SN 38697 to Present)	
	1692883	Ref	Hydraulic Diagram - Manual Descent (Prior to October 1992)	
	0253649	Ref	Hydraulic Diagram - Manual Descent (October 1992 to Present)	
	1281814	Ref	Hydraulic Diagram - Oil Cooler	
	2791921	Ref	Hydraulic Diagram - Standard (Prior to SN 38697)	
	2792375	Ref	Hydraulic Diagram - Standard (SN 38697 to Present)	
	2791922	Ref	Hydraulic Schematic (4WD) (Prior to SN 38697)	
	2792377	Ref	Hydraulic Schematic (4WD) (SN 38697 to Present)	

SECTION 7 - ELECTRICAL

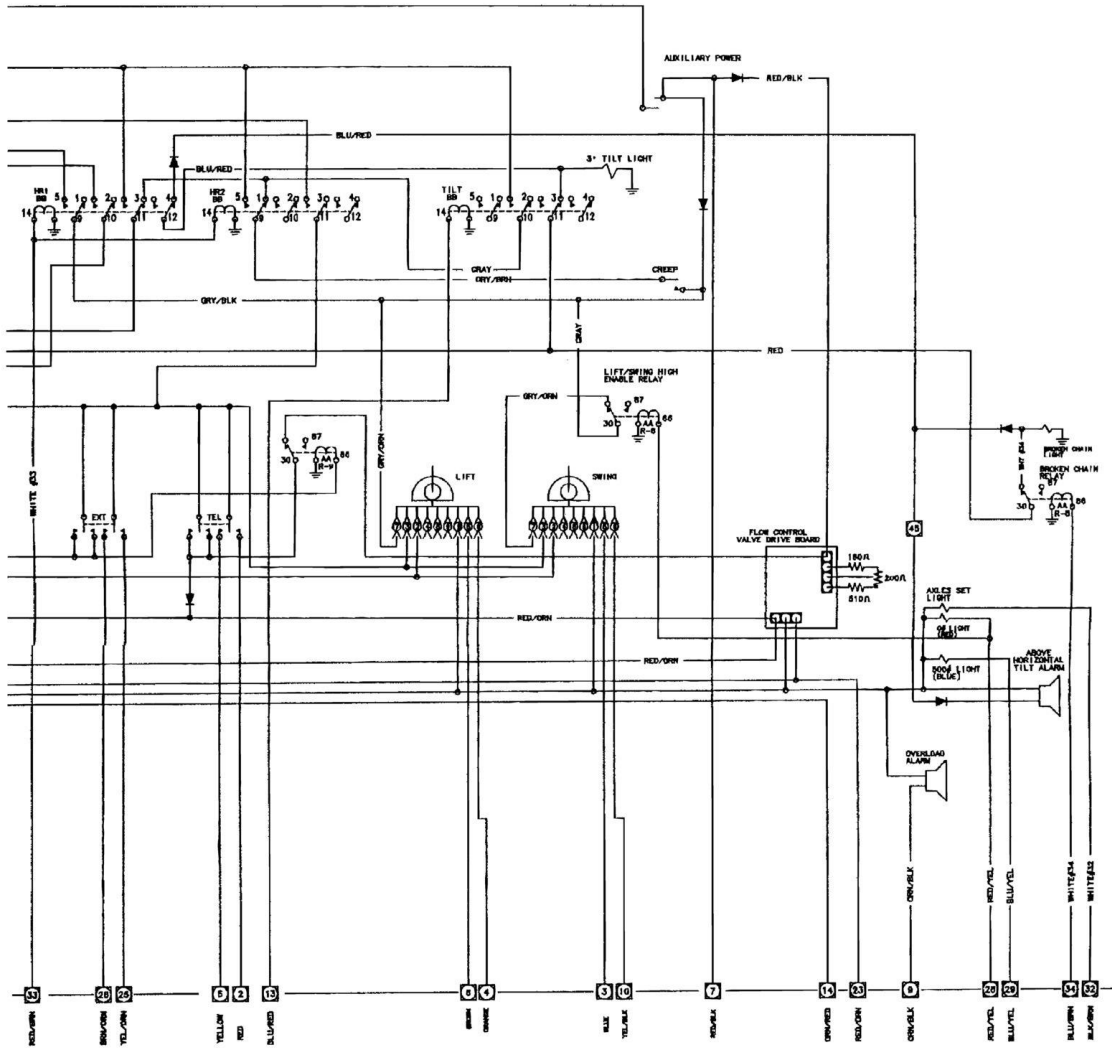
SECTION 7 - ELECTRICAL

FIGURE 7-1. ELECTRICAL SCHEMATIC (SHEET 1 OF 4) (Prior to SN 38697)



1870022 - C

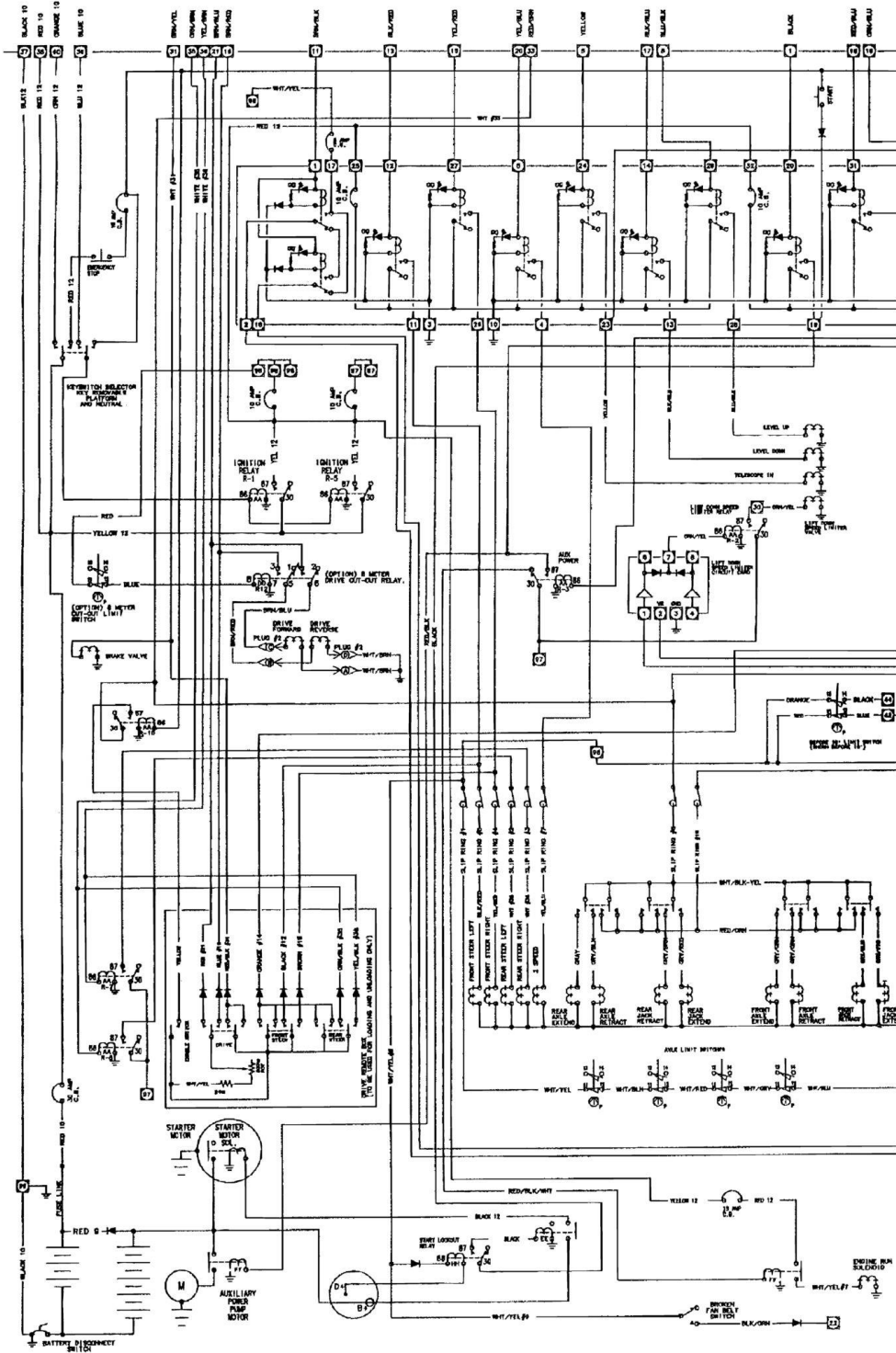
SECTION 7 - ELECTRICAL



NOTE: ALL UNSPECIFIED CONDUCTORS
EQUIVALENT TO 1.5mm²
CONDUCTORS SPECIFIED 12 - 3.0mm²
10 - 4.5mm²
9 - 6.0mm²

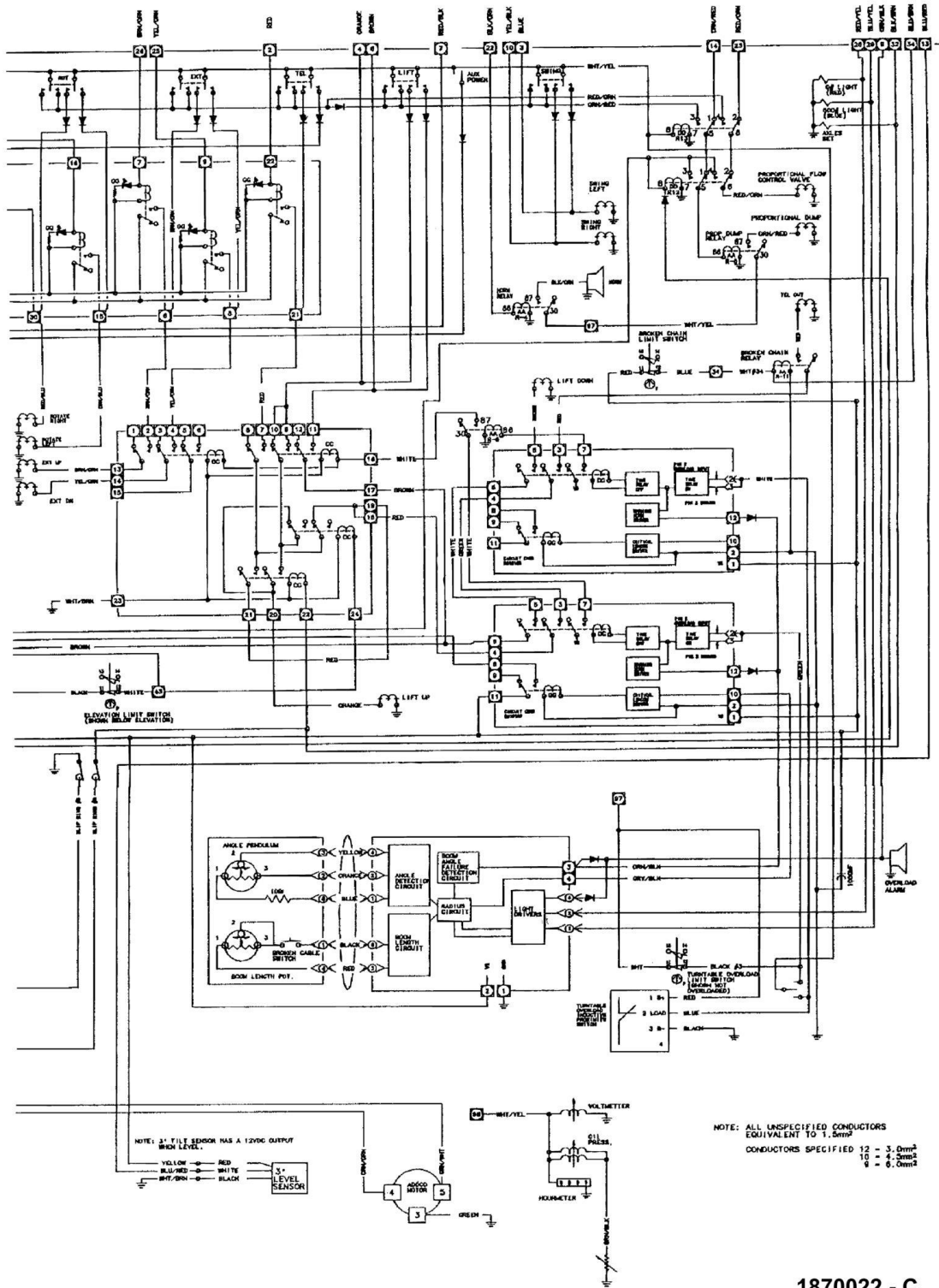
1870022 - C

SECTION 7 - ELECTRICAL



1870022 - C

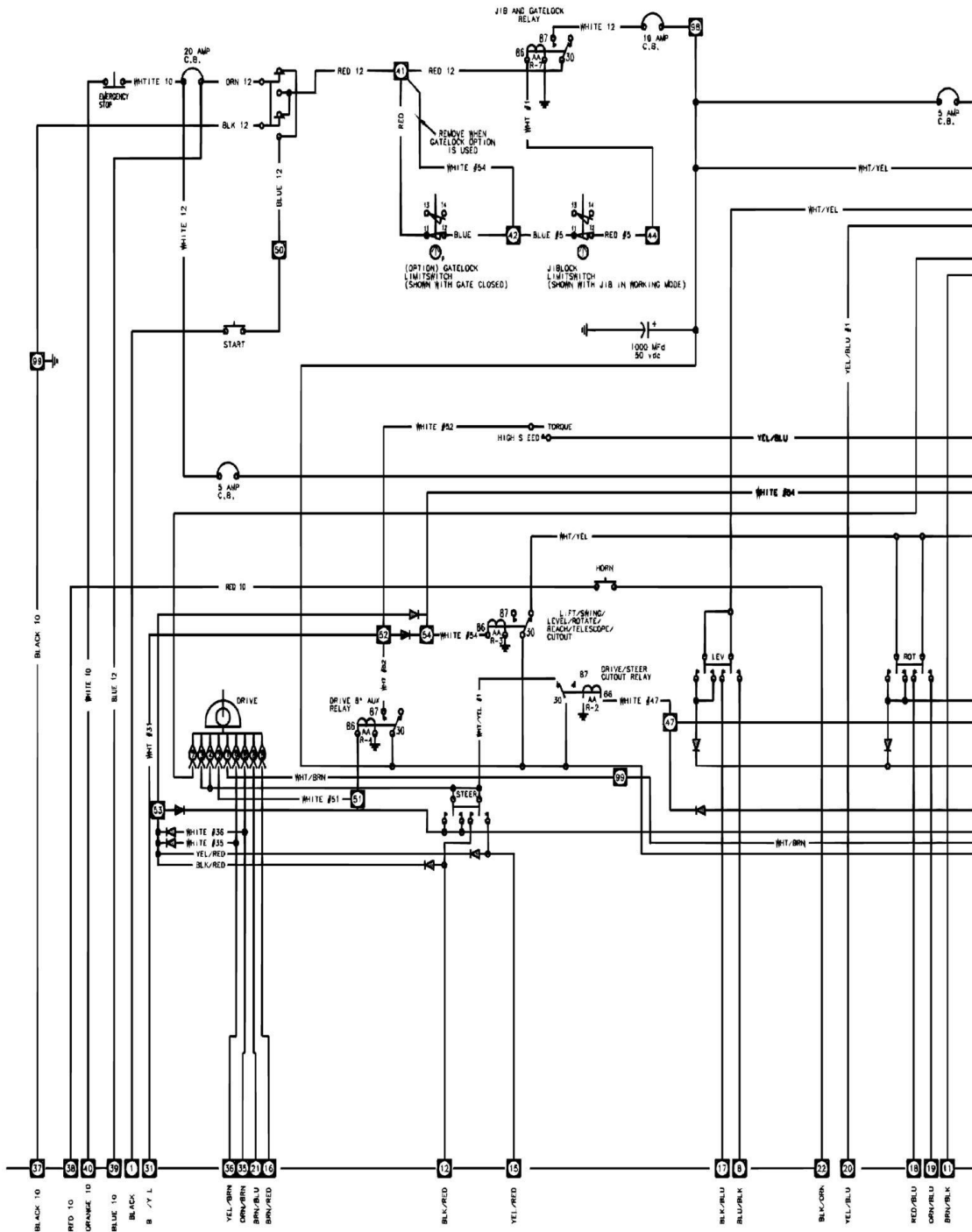
SECTION 7 - ELECTRICAL



1870022 - C

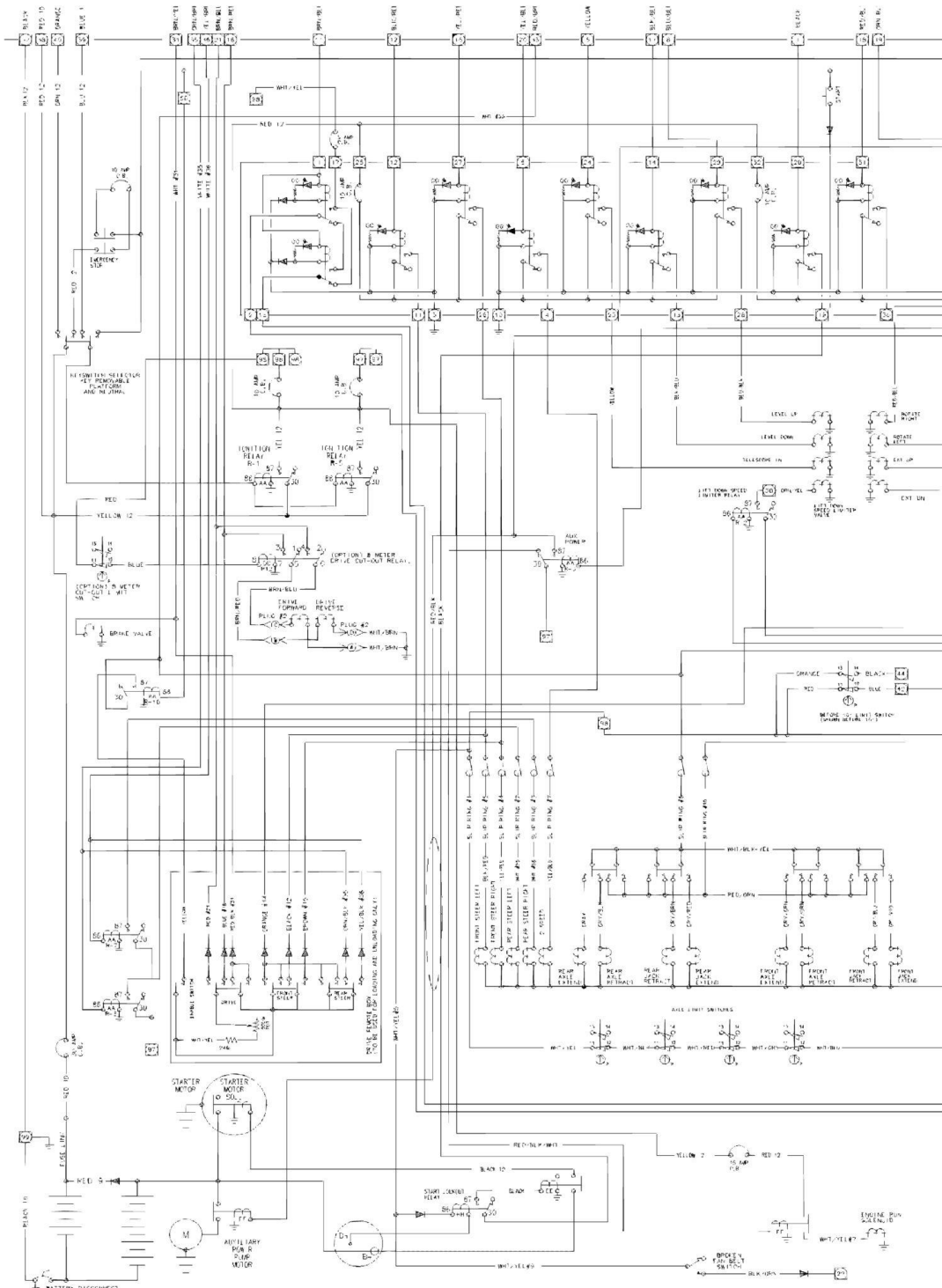
SECTION 7 - ELECTRICAL

FIGURE 7-2. ELECTRICAL SCHEMATIC (SHEET 1 OF 4) (SN 38697 to Present)



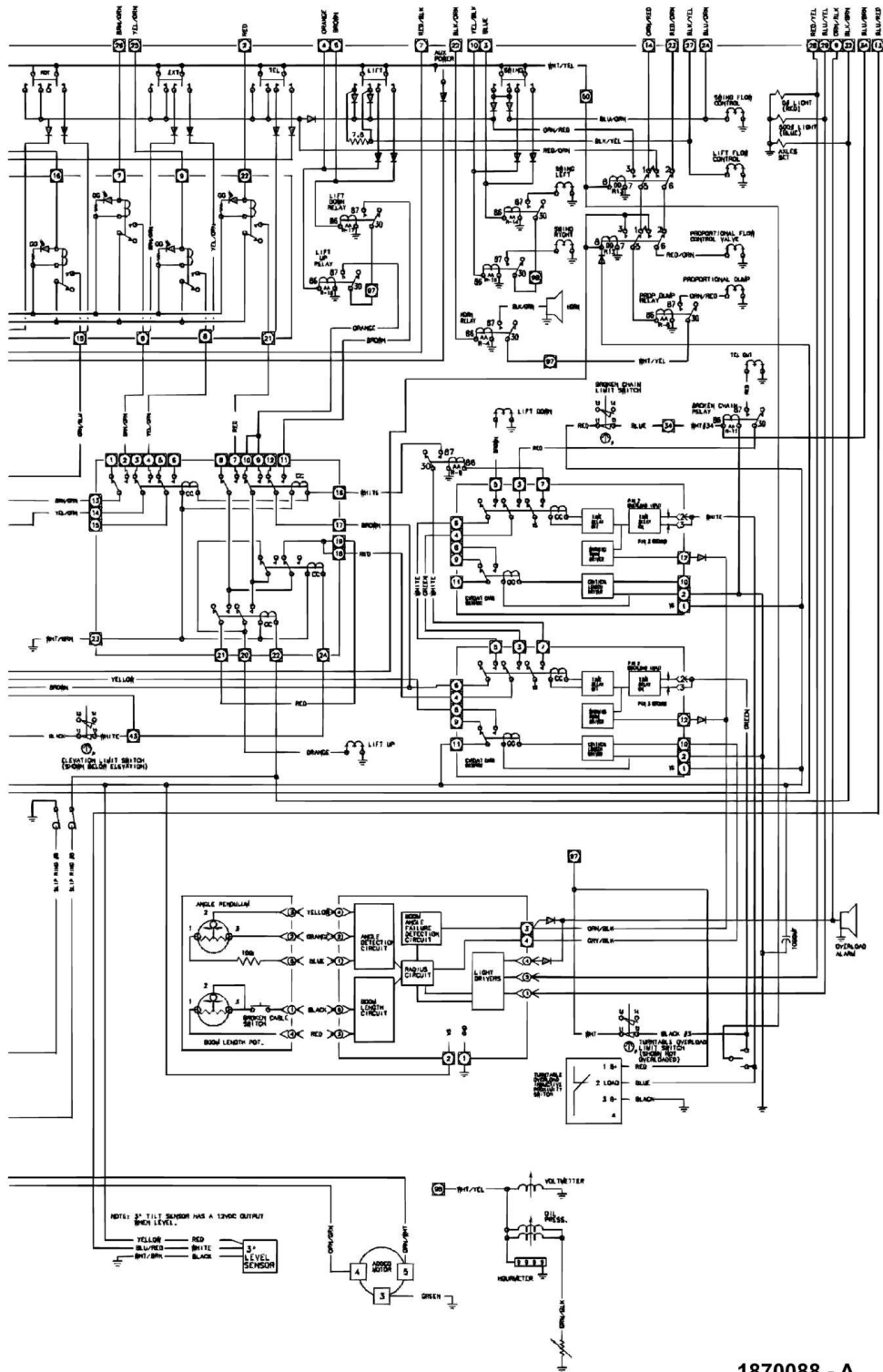
1870088 - A

SECTION 7 - ELECTRICAL



1870088 - A

SECTION 7 - ELECTRICAL



1870088 - A

SECTION 7 - ELECTRICAL

FIGURE 7-3. ELECTRICAL COMPONENTS AND DIAGRAM CHART

ITEM	PART NUMBER	QTY	DESCRIPTION	REV
		Ref	ELECTRICAL COMPONENTS AND DIAGRAM CHART	
		Ref	Note: Diagrams not shown are available from the JLG Service Department.	
		Ref	Alarm Wiring Diagrams	
	4932507	Ref	Alarms Electrical Diagram (Travel, Backup, Swing and Descent) (Prior to April 1993)	-
	0610091	1	Card, Circuit	
	3740049	1	Relay	
	4932639	Ref	Alarms Electrical Diagram (Backup, Swing and Descent) (April 1993 to Present)	2
	1282091	Ref	Alarms Electrical Diagram (Backup, Swing and Descent) (April 1993 to Present)	C
	4932638	Ref	Alarms Electrical Diagram (Travel) (April 1993 to Present)	2
	1282091	Ref	Alarms Electrical Diagram (Travel) (April 1993 to Present)	C
	3740049	1	Relay	
	3990010	2	Diode 6 Amp	
	1060341	11 ft/3.4m	Cable, Electrical - 16/2	
	0253077	Ref	Alarm Electrical Diagram (Tilt)	5
	0140026	1	Alarm	
	1540002	1	Capacitor (Prior to SN 38697)	
	4932635	Ref	Australian Spec Wiring Diagram	D
	1281819	Ref	Boom Electric Components	H
	1060394	Ref	Cable, Electrical - 10/4 Options:	
	1060394	140 ft/43m	Cable, Electrical - 10/4 (Prior to SN 37026)	
	1060394	149 ft/45.4m	Cable, Electrical - 10/4 (SN 37026 to Present)	
	1060392	Ref	Cable, Electrical - 16/36 Options:	
	1060392	140 ft/43m	Cable, Electrical - 16/36 (Prior to SN 37026)	
	1060392	149 ft/45.4m	Cable, Electrical - 16/36 (SN 37026 to Present)	
	4931961	Ref	Boom Length Indicator Electrical Diagram	1
	3730024	1	Resistor - 100 ohms/1/2 watt	
	4932608	Ref	Broken Chain Indicator Electrical Diagram	B
	4932099	Ref	Drive Cut-Out Electrical Diagram - 8m (Dutch and German Spec Only) (Not Shown)	A
	1060300	15 ft/4.6m	Cable, Electrical - 16/3	
	4120012	1	Socket, Relay	
	3740057	1	Relay - 2PDT	
	3740066	1	Spring, Relay	
	4932312	Ref	Drive Cut-Out Electrical Diagram - Horizontal (Italian Spec Only) (Not Shown)	A
	4120012	1	Socket, Relay	
	3740057	1	Relay - 2PDT	
	3740066	1	Spring, Relay	
	0255152	Ref	Engine Distress Electrical Diagram	3
	4360179	1	Switch, Temperature	
	4360065	1	Switch, Oil Pressure	
	4932892	Ref	Engine Shutdown Electrical Diagram (Broken Fan Belt)	-
	4921886	1	Harness	

SECTION 7 - ELECTRICAL

ITEM	PART NUMBER	QTY	DESCRIPTION	REV
	3740080	1	Relay, Bosch	
	4932434	Ref	Four Wheel Steer Electrical Diagram	-
	1281684	Ref	Four Wheel Steer Electrical Diagram	A
	1060042	15 ft/4.6m	Cable, Electrical - 16/5	
	4460049	1	Connector, Strain Relief (Locate at Ground Control Box)	
	3300047	1	Nut, Conduit	
	0960239	1	Bushing	
	4932484	Ref	Frame Electrical Diagram	A
	4921417	1	Harness Assembly	
	4932492	Ref	French Spec Modification Electrical Diagram	C
	1693405	1	Relay, Time Delay	
	1692927	1	Base, Relay	
	4931858	Ref	Generator Electrical Diagram	A
	3990010	1	Diode 6 Amp	
	4460027	1	Receptacle, Twist Lock	
	1282370	Ref	Lights Electrical Diagrams:	C
	0255277	Ref	Beacon Light Installation - Amber (Australian Spec - Prior to September 1995 and EN280 and CE Specs Built to Present)	2
	2920018	1	Light, Rotary Beacon - Amber	
	0255816	Ref	Beacon Light Installation - Amber (Australian Spec - Prior to September 1995 to Present)	2
	2920105	1	Light, Rotary Beacon - Amber	
	0255278	Ref	Beacon Light Components - Red	2
	2920009	1	Light, Rotary Beacon - Red	
	0255271	Ref	Headlights/Taillights Components	5
	2920110	2	Headlight	
	0901927	2	Bracket	
	2920113	2	Taillight	
	1060079	Ref	Cable, Electrical - 16/4 Options:	
	1060079	140 ft/43m	Cable, Electrical - 16/4 (Prior to SN 37026)	
	1060079	149 ft/45.4m	Cable, Electrical - 16/4 (SN 37026 to Present)	
	4360199	1	Switch, Toggle	
	4360287	1	Breaker, Circuit - 15 Amp	
	3740080	1	Relay	
	3250585	1	Nameplate, Head Light (SN 31730 to Present)	
	0255273	Ref	Stop Lights Components	2
	3740049	4	Relay	
	3990010	5	Diode 6 Amp	
	0255272	Ref	Turn Signal Components	2
	2920113	2	Taillight	
	0901928	2	Bracket	
	4360089	1	Switch, Flasher	
		Ref	Low Oil Pressure Shutdown Electrical Diagrams	
	0255274	Ref	Low Oil Pressure Shutdown Electrical Diagrams (Prior to SN 54482)	4
	0270566	Ref	Low Oil Pressure Shutdown Electrical Diagrams (SN 54482 to Present)	1/A
	2920026	1	Lamp, Red (At Console Box)	
	2920029	1	Bulb, Light	
	4360065	1	Switch, Oil Pressure	
	3740049	1	Relay	

SECTION 7 - ELECTRICAL

ITEM	PART NUMBER	QTY	DESCRIPTION	REV
	3990010	2	Diode 6 Amp	
	3740080	1	Relay	
	3252074	1	Nameplate, Engine Distress (SN 27440 to Present)	
	4932597	Ref	Manual Descent Electrical Diagram	A
	3990010	1	Diode 6 Amp	
	3990001	1	Diode 1 Amp	
	4360274	1	Switch, Push Button	
	3740049	1	Relay	
	0252906	Ref	Oil Cooler Electrical Diagram	3
	1281814	Ref	Oil Cooler Electrical Diagram	A
	4932481	Ref	Platform Electrical Diagram (EN280 SPEC)	I
	4932941	Ref	Platform Electrical Diagram (CE SPEC) (Prior to SN 38697)	1
	3990010	15	Diode - 6 Amp	
	1060012	8 ft/2.5m	Cable, Electrical - 12/4 (To Footswitch)	
	11060128	4 ft/1.3m	Cable, Shielded Electrical - 20/3 (1600153 Control Card to Function Speed Switch)	
	3730102	1	Resistor - 180 ohm 1/2 watt	
	3730023	1	Resistor - 510 ohm 1/2 watt	
	1540003	1	Capacitor	
	4933045	Ref	Platform Electrical Diagram (CE SPEC) (SN 38697 to Present)	3
	3990010	20	Diode - 6 Amp	
	1060012	8 ft/2.5m	Cable, Electrical - 12/4 (To Footswitch)	
	11060128	4 ft/1.3m	Cable, Shielded Electrical - 20/3 (1600153 Control Card to Function Speed Switch)	
	3730102	1	Resistor - 180 ohm 1/2 watt	
	3730023	1	Resistor - 510 ohm 1/2 watt	
	1540003	1	Capacitor	
	Ref		Platform Bumpers Electrical Diagrams	
	0255695	Ref	Platform Bumpers Electrical Diagrams (Prior to SN 43389)	5
	1282197	Ref	Platform Bumpers Electrical Diagrams (Prior to SN 43389)	G
	0259365	Ref	Platform Bumpers Electrical Diagrams (SN 43389 to Present)	2
	1282197	Ref	Platform Bumpers Electrical Diagrams (SN 43389 to Present)	H
	4360057	1	Switch, Limit	
	4360274	1	Switch, Push Button	
	3252238	1	Decal - Softtouch	
	3740049	2	Relay	
	1060341	12 ft/3.7m	Cable, Electrical - 16/2	
	4932621	Ref	Platform Gate Interlock Electrical Diagram	A
	1060300	15 ft/4.6m	Cable, Electrical	
	0253987	Ref	Platform Worklights Electrical Diagram	4
	0254748	Ref	Platform Worklights Electrical Diagram (With Bumpers)	2
	2920111	2	Light, Halogen	
	0254435	Ref	Receptacle at Platform Electrical Components	3
	1282163	Ref	Receptacle at Platform Electrical Components	B
	Supply Locally	1	Cover, Receptacle	
	Supply Locally	1	Receptacle	
	1060545	AR	Cable, Electrical - 10/3 Options:	
	1060545	160	Cable, Electrical - 10/3 (Prior to SN 37026)	
		ft/48.8m		
	1060545	149	Cable, Electrical - 10/3 (SN 37026 to Present)	
		ft/45.4m		
	4932482	Ref	Standard Electrical Diagram - Deutz (Prior to SN 25609)	J

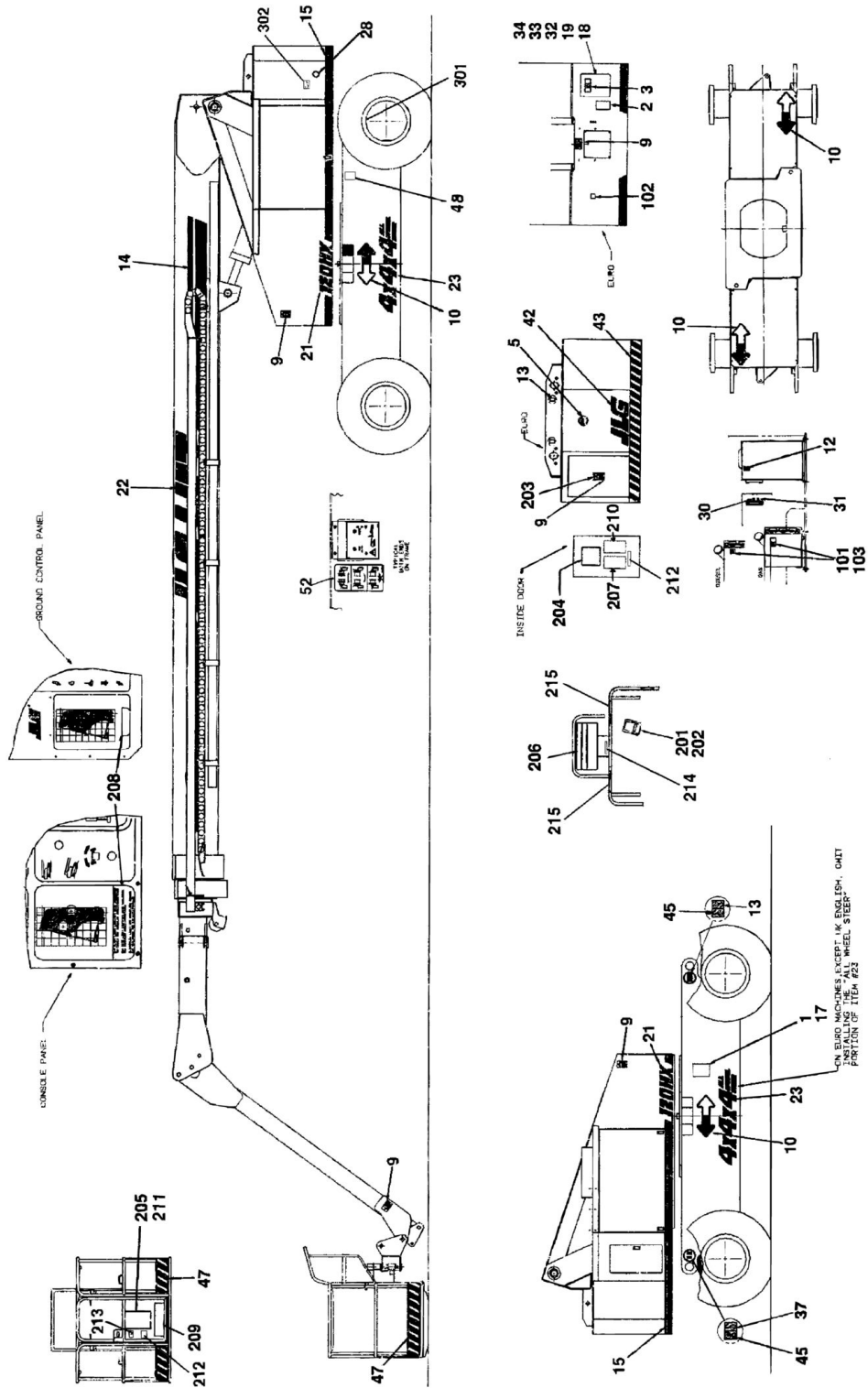
SECTION 7 - ELECTRICAL

ITEM	PART NUMBER	QTY	DESCRIPTION	REV
	3990010	20	Diode - 6 Amp	
	1060341	30 ft/9.1m	Cable, Electrical - 16/2 (GCB to Horizontal Limit Switch -15 ft/4.6m and Override Test Switch to Load Management Limit Switch - 14 ft/4.3m)	
	1060016	15 ft/4.6m	Cable, Electrical - 16/3 (Override Test Switch to Proximity Switch)	
	1060302	15 ft/4.6m	Cable, Electrical - 16/5 (GCB to Boom Length Measuring Device)	
	4921415	1	Harness (Engine Terminal Strip to GCB)	
	4921416	1	Harness (Valves to GCB)	
	4921418	1	Harness (GCB to Collector Ring)	
	1540003	1	Capacitor	
	3730095	2	Resistor - 7.5 Ohm	
	4932942	Ref	Standard Electrical Diagram - Deutz (SN 25609 through 38696)	1
	4933048	Ref	Standard Electrical Diagram - Deutz (SN 38697 to Present)	1
	3990010	22	Diode - 6 Amp	
	1060341	30 ft/9.1m	Cable, Electrical - 16/2 (GCB to Horizontal Limit Switch - 15 ft/4.6m and Override Test Switch to Load Management Limit Switch - 14 ft/4.3m)	
	1060016	15 ft/4.6m	Cable, Electrical - 16/3 (Override Test Switch to Proximity Switch)	
	1060302	15 ft/4.6m	Cable, Electrical - 16/5 (GCB to Boom Length Measuring Device)	
	4921415	1	Harness (Engine Terminal Strip to GCB)	
	4921416	1	Harness (Valves to GCB)	
	4921418	1	Harness (GCB to Collector Ring)	
	1540003	2	Capacitor	
	3730095	2	Resistor - 7.5 Ohm	
	3730115	1	Resistor Adjustable - 7.5 Ohm	
	1870022	Ref	Standard Electrical Schematic (Prior to SN 38697)	C
	1870088	Ref	Standard Electrical Schematic (SN 38697 to Present)	A
	4932570	Ref	TUV Monitoring System Wiring Diagram (Optional on German TUV Machines)	E

SECTION 8 - DECALS

SECTION 8 - DECALS

FIGURE 8-1. DECALS INSTALLATION



SECTION 8 - DECALS

FIGURE 8-1. DECALS INSTALLATION

ITEM	PART NUMBER	QTY	DESCRIPTION	REV
		Ref	DECALS INSTALLATION (STANDARD PARTS)	
	0252839	Ref	Decals Installation (Standard Parts) (Prior to SN 25609)	E
	0257221	Ref	Decals Installation (Standard Parts) (SN 25609 to Present)	1
1	Not Available	1	Nameplate - Serial Number	
2	1700584	1	Decal - Patent	
3	1701509	1	Decal - Manual	
5	3251813	1	Decal - USA	
9	1701518	7	Decal - Crushing	
10	1701501	4	Decal - Arrow	
12	1701504	1	Decal - Hydraulic Oil	
13	1701500	4	Decal - Tie Down/Lift Up	
14	1701704	34	Decal - Stripe	
		ft/10.4m		
15	1701703	27 ft/8.2m	Decal - Stripe	
17	3820001	AR	Rivet	
18	0641408	1	Bolt 1/4in-20NC x 1in	
19	1060279	1	Cable, Lanyard	
21	1701700	2	Decal - 120HX	
22	1701699	2	Decal - JLG Lift	
23	1701701	2	Decal - 4 x 4 x 4	
28	0961127	1	Bushing, Snap	
30	1701502	1	Decal - Hydraulic Oil Full	
31	1701503	1	Decal - Hydraulic Oil Low	
32	0860520	1	Box, Manual Storage	
33	3311405	5	Locknut 1/4in-20NC	
34	4751400	6	Flatwasher 1/4in	
37	1701499	2	Decal - Do Not Tie Down/Do Not Lift Up	
42	1701702	1	Decal - JLG	
43	4420052	10 ft/3m	Decal - Corner Warning Strip	
45	1702300	4	Decal - Tie-Down	
47	4420051	11 ft/3.4m	Decal - Corner Warning Strip	
48	Not Available	1	Decal - Bar Code	
52	1704421	2	Decal - Extend/Retracted (SN 47227 to Present)	
	0100011	AR	Loctite #242	
	0010448	Ref	DECAL INSTALLATION - FUEL (VARIABLE PARTS)	
101	1701505	1	Decal - Diesel Fuel	
102	1701543	1	Decal - L.P. Fuel	
103	1701542	1	Decal - Gasoline Fuel	
		Ref	DECAL INSTALLATION (VARIABLE PARTS)	
	0252840	Ref	Australian Spec (Prior to SN 25609)	A
	0257226	Ref	Australian Spec (SN 25609 to Present)	3
	0252844	Ref	Dutch Spec	4
	0252841	Ref	French Spec	4
	0252842	Ref	German and Austrian Spec	2
	0252843	Ref	Italian Spec	2
	0253264	Ref	Spanish Spec	2
	0252840	Ref	UK Spec	2
201		Ref	Nameplate - Footswitch Warning Options:	
201	3252347	1	Australian Spec	
201	1703518	1	Dutch Spec	

SECTION 8 - DECALS

ITEM	PART NUMBER	QTY	DESCRIPTION	REV
201	1693292	1	French Spec	
201	1693294	1	German and Austrian Spec	
201	1701600	1	Italian Spec	
201	1701791	1	Spanish Spec	
201	3252347	1	UK Spec	
202	3820001	4	Rivet	
203		Ref	Decal - Ground Control Location Options:	
203	1700037	1	Australian Spec	
203	1701616	1	Dutch Spec	
203	1701515	1	French Spec	
203	1693285	1	German and Austrian Spec	
203	1701599	1	Italian Spec	
203	1701789	1	Spanish Spec	
203	1700037	1	UK Spec	
204		Ref	Decal - Load Management Options:	
204	1701296	1	Australian Spec (Prior to SN 33726)	
204	1703529	1	Australian Spec (SN 33726 to Present)	
204	1701532	1	Dutch Spec (Prior to SN 33726)	
204	1703606	1	Dutch Spec (SN 33726 to Present)	
204	1701507	1	French Spec (Prior to SN 33726)	
204	1703607	1	French Spec (SN 33726 to Present)	
204	1701563	1	German and Austrian Spec (Prior to SN 33726)	
204	1703608	1	German and Austrian Spec (SN 33726 to Present)	
204	1701697	1	Italian Spec (Prior to SN 33726)	
204	1703609	1	Italian Spec (SN 33726 to Present)	
204	1701799	1	Spanish Spec (Prior to SN 33726)	
204	1703611	1	Spanish Spec (SN 33726 to Present)	
204	1701296	1	UK Spec (Prior to SN 33726)	
204	1703529	1	UK Spec (SN 33726 to Present)	
205		Ref	Decal - Caution Options:	
205	1690697	1	Australian Spec	
205	1701596	1	Dutch Spec	
205	1701577	1	French Spec (Prior to SN 29214)	
205	1701649	1	French Spec (SN 29214 through 38696)	
205	1690697	1	French Spec (SN 38697 to Present)	
205	1690697	1	German and Austrian Spec	
205	1690697	1	Italian Spec	
205	1690697	1	Spanish Spec	
205	1690697	1	UK Spec	
206		Ref	Decal - Caution Options:	
206	1690696	1	Australian Spec	
206	Not Required	0	Dutch Spec	
206	1693286	1	French Spec	
206	1693288	1	German and Austrian Spec	
206	1701601	1	Italian Spec	
206	1701794	1	Spanish Spec	
206	1690696	1	UK Spec	
207		Ref	Decal - Caution Options:	
207	1691483	1	Australian Spec	
207	Not Required	0	Dutch Spec	
207	1693289	1	French Spec	

SECTION 8 - DECALS

ITEM	PART NUMBER	QTY	DESCRIPTION	REV
207	1693291	1	German and Austrian Spec	
207	1701602	1	Italian Spec	
207	1701798	1	Spanish Spec	
207	1691483	1	UK Spec	
208		Ref	Decal - Light Indicates Options:	
208	1701728	2	Australian Spec	
208	1701732	2	Dutch Spec	
208	1701729	2	French Spec	
208	1701730	2	German and Austrian Spec	
208	1701731	2	Italian Spec	
208	1701800	2	Spanish Spec	
208	1701728	2	UK Spec	
209		Ref	Decal - Capacity Options:	
209	Not Required	0	All Specs Except Dutch Spec	
209	1701567	2	Dutch Spec	
210		Ref	Decal - Caution Options:	
210	Not Required	0	All Specs Except Dutch Spec	
210	1701596	1	Dutch Spec	
211		Ref	Decal - Safe Working Load Options:	
211	Not Required	0	All Specs Except Australian Spec	
211	Not Required	0	Australian Spec (Prior to SN 34839)	
211	1703677	1	Australian Spec (SN 34839 to Present)	
212		Ref	Decal - Danger Options:	
212	Not Required	0	All Specs Except Australian Spec	
212	Not Required	0	Australian Spec (Prior to SN 34839)	
212	1703665	2	Australian Spec (SN 34839 to Present)	
213		Ref	Decal - Maintenance Options:	
213	Not Required	0	All Specs Except Australian Spec	
213	Not Required	0	Australian Spec (Prior to SN 34839)	
213	1703663	1	Australian Spec (SN 34839 to Present)	
214		Ref	Decal - Caution Options:	
214	Not Required	0	All Specs Except Australian Spec	
214	Not Required	0	Australian Spec (Prior to SN 34839)	
214	1703664	1	Australian Spec (SN 34839 to Present)	
215		Ref	Decal - Attach Belt Options:	
215	Not Required	0	All Specs Except Australian Spec	
215	Not Required	0	Australian Spec (Prior to SN 34839)	
215	1702612	2	Australian Spec (SN 34839 to Present)	
		Ref	Decal Kit Options:	
	Not Available	1	All Specs Except Australian Spec	
	2900998	1	Australian Spec (Note: Items 2, 3, 9, 10, 12, 13, 14, 22, 23, 30, 31, 37, 42, 43, 45, 47, 203, 204, 205, 206, 207, 208, 211, 212, 213, 214 & 215 Included in kit)	
	0257223	Ref	CE DECAL INSTALLATION (Note: Not Required on Australian Machines.)	2
301	1703481	4	Decal - Max Tire Load	
302	1702928	1	Decal - CE	

SECTION 9 - RECOMMENDED SERVICE PARTS STOCK

SECTION 9 - RECOMMENDED SERVICE PARTS STOCK

SECTION 9 - RECOMMENDED SERVICE PARTS STOCK

FIGURE 9-1. MODEL 120HX STANDARD PARTS

ITEM	PART NUMBER	QTY	DESCRIPTION	REV
	Note	Ref	The following list will service fleets of machines (built to current production per date on the front cover) with emergency repair parts which can be installed in the field. Parts from the list should be replaced when inventory is depleted to keep service parts stock supplied. For further information, contact your JLG dealer or the JLG Industries Parts Department.	
		Ref	STANDARD PARTS	
	7000645	1	Coil (for fleets of 1 to 10)	
	7000645	1	Coil (for fleets of 10 to 20)	
	7000645	1	Coil (for fleets of 20 of more)	
	7012730	1	Coil (for fleets of 1 to 10)	
	7012730	1	Coil (for fleets of 10 to 20)	
	7012730	1	Coil (for fleets of 20 of more)	
	7021401	1	Coil (for fleets of 1 to 10)	
	7021401	1	Coil (for fleets of 10 to 20)	
	7021401	1	Coil (for fleets of 20 of more)	
	4360314	1	Switch, Toggle (for fleets of 1 to 10)	
	4360314	1	Switch, Toggle (for fleets of 10 to 20)	
	4360314	1	Switch, Toggle (for fleets of 20 of more)	
	4360277	1	Switch, Limit (for fleets of 1 to 10)	
	4360277	1	Switch, Limit (for fleets of 10 to 20)	
	4360277	1	Switch, Limit (for fleets of 20 of more)	
	7012906	1	Coil (for fleets of 1 to 10)	
	7012906	1	Coil (for fleets of 10 to 20)	
	7012906	1	Coil (for fleets of 20 of more)	
	4360363	1	Switch, Level Sensor (for fleets of 1 to 10)	
	4360363	1	Switch, Level Sensor (for fleets of 10 to 20)	
	4360363	1	Switch, Level Sensor (for fleets of 20 of more)	
	7017451	1	Coil (for fleets of 1 to 10)	
	7017451	1	Coil (for fleets of 10 to 20)	
	7017451	1	Coil (for fleets of 20 of more)	
	7012943	1	Coil (for fleets of 1 to 10)	
	7012943	1	Coil (for fleets of 10 to 20)	
	7012943	1	Coil (for fleets of 20 of more)	
	7012944	1	Coil (for fleets of 1 to 10)	
	7012944	1	Coil (for fleets of 10 to 20)	
	7012944	1	Coil (for fleets of 20 of more)	
	4360263	1	Switch, Limit (for fleets of 1 to 10)	
	4360263	1	Switch, Limit (for fleets of 10 to 20)	
	4360263	1	Switch, Limit (for fleets of 20 of more)	
	4360259	1	Switch, Proximity (for fleets of 1 to 10)	
	4360259	1	Switch, Proximity (for fleets of 10 to 20)	
	4360259	1	Switch, Proximity (for fleets of 20 of more)	
	3740070	1	Relay - SPDT (for fleets of 1 to 10)	
	3740070	1	Relay - SPDT (for fleets of 10 to 20)	
	3740070	1	Relay - SPDT (for fleets of 20 of more)	
	3740016	1	Relay - 3PDT (for fleets of 1 to 10)	
	3740016	1	Relay - 3PDT (for fleets of 10 to 20)	
	3740016	1	Relay - 3PDT (for fleets of 20 of more)	

SECTION 9 - RECOMMENDED SERVICE PARTS STOCK

ITEM	PART NUMBER	QTY	DESCRIPTION	REV
	3740122	1	Relay (for fleets of 1 to 10)	
	3740122	1	Relay (for fleets of 10 to 20)	
	3740122	1	Relay (for fleets of 20 of more)	
	3740049	1	Relay - SPDT (for fleets of 1 to 10)	
	3740049	1	Relay - SPDT (for fleets of 10 to 20)	
	3740049	1	Relay - SPDT (for fleets of 20 of more)	
	4360216	1	Breaker, Circuit - 30 Amp (for fleets of 1 to 10)	
	4360216	1	Breaker, Circuit - 30 Amp (for fleets of 10 to 20)	
	4360216	1	Breaker, Circuit - 30 Amp (for fleets of 20 of more)	
	4360232	1	Breaker, Circuit - 15 Amp (for fleets of 1 to 10)	
	4360232	1	Breaker, Circuit - 15 Amp (for fleets of 10 to 20)	
	4360232	1	Breaker, Circuit - 15 Amp (for fleets of 20 of more)	
	4360112	1	Breaker, Circuit - 5 Amp (for fleets of 1 to 10)	
	4360112	1	Breaker, Circuit - 5 Amp (for fleets of 10 to 20)	
	4360112	1	Breaker, Circuit - 5 Amp (for fleets of 20 of more)	
	4360470	1	Switch, Key (for fleets of 1 to 10)	
	4360470	1	Switch, Key (for fleets of 10 to 20)	
	4360470	1	Switch, Key (for fleets of 20 of more)	
	2860030	1	Key, Replacement (for fleets of 1 to 10)	
	2860030	1	Key, Replacement (for fleets of 10 to 20)	
	2860030	1	Key, Replacement (for fleets of 20 of more)	
	4360212	1	Breaker, Circuit - 3 Amp (for fleets of 1 to 10)	
	4360212	1	Breaker, Circuit - 3 Amp (for fleets of 10 to 20)	
	4360212	1	Breaker, Circuit - 3 Amp (for fleets of 20 of more)	
	4360069	1	Breaker, Circuit - 10 Amp (for fleets of 1 to 10)	
	4360069	1	Breaker, Circuit - 10 Amp (for fleets of 10 to 20)	
	4360069	1	Breaker, Circuit - 10 Amp (for fleets of 20 of more)	
	4360274	1	Switch, Push Button (for fleets of 1 to 10)	
	4360274	1	Switch, Push Button (for fleets of 10 to 20)	
	4360274	1	Switch, Push Button (for fleets of 20 of more)	
	4360330	1	Switch, Toggle (for fleets of 1 to 10)	
	4360330	1	Switch, Toggle (for fleets of 10 to 20)	
	4360330	1	Switch, Toggle (for fleets of 20 of more)	
	4360328	1	Switch, Toggle (for fleets of 1 to 10)	
	4360328	1	Switch, Toggle (for fleets of 10 to 20)	
	4360328	1	Switch, Toggle (for fleets of 20 of more)	
	3740123	1	Relay (for fleets of 1 to 10)	
	3740123	1	Relay (for fleets of 10 to 20)	
	3740123	1	Relay (for fleets of 20 of more)	
	4360282	1	Block, Contact (for fleets of 1 to 10)	
	4360282	1	Block, Contact (for fleets of 10 to 20)	
	4360282	1	Block, Contact (for fleets of 20 of more)	
	4360476	1	Block, Contact (for fleets of 1 to 10)	
	4360476	1	Block, Contact (for fleets of 10 to 20)	
	4360476	1	Block, Contact (for fleets of 20 of more)	
	4360475	1	Switch, Push Button (for fleets of 1 to 10)	
	4360475	1	Switch, Push Button (for fleets of 10 to 20)	
	4360475	1	Switch, Push Button (for fleets of 20 of more)	
	4360074	1	Switch, Toggle (for fleets of 1 to 10)	
	4360074	1	Switch, Toggle (for fleets of 10 to 20)	
	4360074	1	Switch, Toggle (for fleets of 20 of more)	

SECTION 9 - RECOMMENDED SERVICE PARTS STOCK

ITEM	PART NUMBER	QTY	DESCRIPTION	REV
	4360340	1	Switch, Potentiometer (for fleets of 1 to 10)	
	4360340	1	Switch, Potentiometer (for fleets of 10 to 20)	
	4360340	1	Switch, Potentiometer (for fleets of 20 of more)	
	3990001	2	Diode - 6 Amp (for fleets of 1 to 10)	
	3990001	2	Diode - 6 Amp (for fleets of 10 to 20)	
	3990001	2	Diode - 6 Amp (for fleets of 20 of more)	
	2120136	4	Element, Charge Pump Filter (for fleets of 1 to 10)	
	2120136	8	Element, Charge Pump Filter (for fleets of 10 to 20)	
	2120136	12	Element, Charge Pump Filter (for fleets of 20 of more)	
	7004214	1 dz	Element, Air Filter (for fleets of 1 to 10)	
	7004214	1	Element, Air Filter (for fleets of 10 to 20)	
	7004214	1 dz	Element, Air Filter (for fleets of 20 of more)	
	3740059	1	Relay (for fleets of 1 to 10)	
	3740059	1	Relay (for fleets of 10 to 20)	
	3740059	1	Relay (for fleets of 20 of more)	
	3740080	1	Relay (for fleets of 1 to 10)	
	3740080	1	Relay (for fleets of 10 to 20)	
	3740080	1	Relay (for fleets of 20 of more)	
	3740067	1	Relay (for fleets of 1 to 10)	
	3740067	1	Relay (for fleets of 10 to 20)	
	3740067	1	Relay (for fleets of 20 of more)	
	7008829	1	Board, Circuit (for fleets of 1 to 10)	
	7008829	1	Board, Circuit (for fleets of 10 to 20)	
	7008829	1	Board, Circuit (for fleets of 20 of more)	
	7008828	1	Cable, Throttle (for fleets of 1 to 10)	
	7008828	1	Cable, Throttle (for fleets of 10 to 20)	
	7008828	1	Cable, Throttle (for fleets of 20 of more)	
	7029274	1	Filter, Engine Fuel (Deutz) (for fleets of 1 to 10)	
	7029274	1	Filter, Engine Fuel (Deutz) (for fleets of 10 to 20)	
	7029274	1	Filter, Engine Fuel (Deutz) (for fleets of 20 of more)	
	7014503	1 cs	Filter, Engine Oil (Deutz) (for fleets of 1 to 10)	
	7014503	1 cs	Filter, Engine Oil (Deutz) (for fleets of 10 to 20)	
	7014503	1 cs	Filter, Engine Oil (Deutz) (for fleets of 20 of more)	
	1660183	1	Coupling (Deutz) (for fleets of 1 to 10)	
	1660183	1	Coupling (Deutz) (for fleets of 10 to 20)	
	1660183	1	Coupling (Deutz) (for fleets of 20 of more)	
	1660233	1	Coupling (Deutz) (for fleets of 1 to 10)	
	1660233	1	Coupling (Deutz) (for fleets of 10 to 20)	
	1660233	1	Coupling (Deutz) (for fleets of 20 of more)	
	2120129	4	Element, Hydraulic Oil Filter (for fleets of 1 to 10)	
	2120129	8	Element, Hydraulic Oil Filter (for fleets of 10 to 20)	
	2120129	12	Element, Hydraulic Oil Filter (for fleets of 20 of more)	
	1340046	1	Breather, Hydraulic (for fleets of 1 to 10)	
	1340046	1	Breather, Hydraulic (for fleets of 10 to 20)	
	1340046	1	Breather, Hydraulic (for fleets of 20 of more)	
	7006138	24	Pin Kit - Powertrack (for fleets of 1 to 10)	
	7006138	24	Pin Kit - Powertrack (for fleets of 10 to 20)	
	7006138	24	Pin Kit - Powertrack (for fleets of 20 of more)	
	7000638	1	Switch (for fleets of 1 to 10)	
	7000638	1	Switch (for fleets of 10 to 20)	
	7000638	1	Switch (for fleets of 20 of more)	

SECTION 9 - RECOMMENDED SERVICE PARTS STOCK

ITEM	PART NUMBER	QTY	DESCRIPTION	REV
	7000647	1	Cable (for fleets of 1 to 10)	
	7000647	1	Cable (for fleets of 10 to 20)	
	7000647	1	Cable (for fleets of 20 of more)	
	2940006	1	Latch, Door (for fleets of 1 to 10)	
	2940006	1	Latch, Door (for fleets of 10 to 20)	
	2940006	1	Latch, Door (for fleets of 20 of more)	
	4360031	1	Footswitch (for fleets of 1 to 10)	
	4360031	1	Footswitch (for fleets of 10 to 20)	
	4360031	1	Footswitch (for fleets of 20 of more)	
	4360336	1	Switch, Toggle (for fleets of 1 to 10)	
	4360336	1	Switch, Toggle (for fleets of 10 to 20)	
	4360336	1	Switch, Toggle (for fleets of 20 of more)	
	1600277	1	Controller, PQ (for fleets of 1 to 10)	
	1600277	1	Controller, PQ (for fleets of 10 to 20)	
	1600277	1	Controller, PQ (for fleets of 20 of more)	
	7020512	1	Board, Circuit - 1600155 Controller (for fleets of 1 to 10)	
	7020512	1	Board, Circuit - 1600155 Controller (for fleets of 10 to 20)	
	7020512	1	Board, Circuit - 1600155 Controller (for fleets of 20 of more)	
	7003797	1	Board, Circuit - 1600135 Controller (for fleets of 1 to 10)	
	7003797	1	Board, Circuit - 1600135 Controller (for fleets of 10 to 20)	
	7003797	1	Board, Circuit - 1600135 Controller (for fleets of 20 of more)	
	7003789	1	Switch, Steer - 1600135 Controller (for fleets of 1 to 10)	
	7003789	1	Switch, Steer - 1600135 Controller (for fleets of 10 to 20)	
	7003789	1	Switch, Steer - 1600135 Controller (for fleets of 20 of more)	
	4360161	1	Breaker, Circuit - 20 Amp (for fleets of 1 to 10)	
	4360161	1	Breaker, Circuit - 20 Amp (for fleets of 10 to 20)	
	4360161	1	Breaker, Circuit - 20 Amp (for fleets of 20 of more)	
	4360057	1	Switch, Limit (for fleets of 1 to 10)	
	4360057	1	Switch, Limit (for fleets of 10 to 20)	
	4360057	1	Switch, Limit (for fleets of 20 of more)	
	3990010	1	Diode - 6 Amp (for fleets of 1 to 10)	
	3990010	1	Diode - 6 Amp (for fleets of 10 to 20)	
	3990010	1	Diode - 6 Amp (for fleets of 20 of more)	

SECTION 9 - RECOMMENDED SERVICE PARTS STOCK

FIGURE 9-2. MODEL 120HX VARIABLE PARTS

ITEM	PART NUMBER	QTY	DESCRIPTION	REV
	Note	Ref	The following list will service fleets of machines (built to current production per date on the front cover) with emergency repair parts which can be installed in the field. Parts from the list should be replaced when inventory is depleted to keep service parts stock supplied. For further information, contact your JLG dealer or the JLG Industries Parts Department.	
		Ref	VARIABLE PARTS	
	7006193	1	Powertrack Repair Section Without Chip Covers - Left Side (for fleets of 1 to 10)	
	7006193	1	Powertrack Repair Section Without Chip Covers - Left Side (for fleets of 10 to 20)	
	7006193	1	Powertrack Repair Section Without Chip Covers - Left Side (for fleets of 20 of more)	
	7006196	1	Powertrack Repair Section With Chip Covers - Left Side (for fleets of 1 to 10)	
	7006196	1	Powertrack Repair Section With Chip Covers - Left Side (for fleets of 10 to 20)	
	7006196	1	Powertrack Repair Section With Chip Covers - Left Side (for fleets of 20 of more)	
	7006153	1	Powertrack Repair Section Without Chip Covers - Right Side (for fleets of 1 to 10)	
	7006153	1	Powertrack Repair Section Without Chip Covers - Right Side (for fleets of 10 to 20)	
	7006153	1	Powertrack Repair Section Without Chip Covers - Right Side (for fleets of 20 of more)	
	7006145	1	Powertrack Repair Section With Chip Covers - Right Side (for fleets of 1 to 10)	
	7006145	1	Powertrack Repair Section With Chip Covers - Right Side (for fleets of 10 to 20)	
	7006145	1	Powertrack Repair Section With Chip Covers - Right Side (for fleets of 20 of more)	
	1693405	1	Relay (French Spec Only) (for fleets of 1 to 10)	
	1693405	1	Relay (French Spec Only) (for fleets of 10 to 20)	
	1693405	1	Relay (French Spec Only) (for fleets of 20 of more)	
	3740057	1	Relay (Italian Spec Only) (for fleets of 1 to 10)	
	3740057	1	Relay (Italian Spec Only) (for fleets of 10 to 20)	
	3740057	1	Relay (Italian Spec Only) (for fleets of 20 of more)	

SECTION 10 - SPECIAL OPTIONS

SECTION 10 - SPECIAL OPTIONS

FIGURE 10-1. SPECIAL OPTIONS

ITEM	PART NUMBER	QTY	DESCRIPTION	REV
	Note	Ref	Note: This list is to accommodate machines ordered with special equipment. Options may not be applicable to all models. For more specific parts information contact JLG Parts Department.	
		Ref	MISCELLANEOUS SPECIAL OPTIONS	
	0255060	Ref	Airline Installation - 1/2in	
	2910105	Ref	Axle Hose Retract Springs Kit	
	1702788	Ref	Biodegradable Hydraulic Fluid Decal	
	1703479	Ref	Biodegradable Hydraulic Fluid Decal (German Spec)	
	1704174	Ref	SYN Biodegradable Hydraulic Fluid Decal	
	1704175	Ref	SYN Biodegradable Hydraulic Fluid Decal (German Spec)	
	9983982	Ref	Cable, Control 10/3	
	0256789	Ref	Camera Mounting Installation	
	0258888	Ref	Decals Installation - Lifting	
	0257221	Ref	Decals Installation - Common Global (SN 25609 to Present)	
	0254109	Ref	Exhaust Purifier Installation	
	3220088	1	Muffler, Exhaust Purifier	
	4566219	1	Tube, Exhaust	
	1282370	Ref	Lights Installations Options:	
	0255277	Ref	Beacon Light Installation - Amber (Mounted on Hood)(Australian Spec Built Prior to September 1995 and All EN280 and CE Specs Built to Present)	
	0255816	Ref	Beacon Light Installation - Amber (Mounted on Hood)(Australian Spec Built September 1995 to Present)	
	0270723	Ref	Beacon Light Installation - Amber (Mounted on Platform)	
	0255278	Ref	Beacon Light Installation - Red	
	0255271	Ref	Headlights/Taillights Installation	
	0255273	Ref	Stop Light Installation	
	0255272	Ref	Turn Signals Installation	
	0253050	Ref	Pinion Installation	
	0256436	Ref	Pipe Rack Installation	
	0238442	Ref	Platform Step Installation	
	0254435	Ref	Receptacle Installation at Platform	
		Ref	Tools For Service:	
	7002821	Ref	Crimper, Wire	
	2900838	Ref	Fastener Kit - U.S. Standards	
	7002823	Ref	Pin Extractor - Universal (For Electrical Connectors with Pins and Sockets)	
	7016654	Ref	Screwdriver, Magnetic	
	7002822	Ref	Screwdriver, Pontimeter	
	7004275	Ref	Seal Tool 1in (For Cylinders)	
	7004276	Ref	Seal Tool 1 1/2in (For Cylinders)	
	7002828	Ref	Stripper, Wire	
	7014676	Ref	Tool Kit - U.S. Standards	
	9900443	Ref	Tool Box and Tools	
	0257728	Ref	Tube Rack Installation	
	0253050	Ref	Turntable Pinion Shield Installation	
	0258918	Ref	Utility Rack Installation	
	0255061	Ref	Weld Leads Installation	

PART NUMBER INDEX

SECTION 10 - SPECIAL OPTIONS

0010448.....	201	0251589.....	17	0255274.....	75, 195	0610080.....	61
0060023.....	74	0251590.....	17	0255277.....	195, 212	0610083.....	61
0080039.....	72	0252044.....	128	0255278.....	195, 212	0610084.....	61
0080046.....	72	0252054.....	141	0255613.....	74	0610091.....	63, 194
0080098.....	128	0252284.....	45	0255695.....	141, 196	0610100.....	61
0080099.....	127	0252495.....	72	0255815.....	117	0610106.....	61
0080164.....	81	0252496.....	71	0255816.....	195, 212	0610130.....	61
0100001.....	135, 139	0252499.....	72	0255869.....	92	0620106.....	45
0100003.....	111	0252500.....	71	0256436.....	212	0630197.....	111
0100009.....	49	0252524.....	91	0256789.....	212	0630383.....	95
0100011 9, 14, 17, 29, 45, 61, 71, 96, 107, 115, 145, 147, 149, 151, 153, 155, 157, 159, 201		0252589.....	95	0256849.....	81	0630400.....	74
0100019.....	33, 34, 45, 49, 59, 128	0252604.....	13	0257206.....	61	0630409.....	111
0100020.....	91, 151, 159, 172	0252605.....	13	0257216.....	75	0630410.....	111
0100021.....	128	0252606.....	17	0257221.....	201, 212	0630422.....	59
0100035.....	145, 147, 149, 151, 153, 155, 157, 159	0252607.....	29	0257223.....	203	0630440.....	141
0100038.....	145, 147, 149, 151, 153, 155, 157, 159	0252609.....	33	0257226.....	201	0630448.....	29
0140001.....	37	0252610.....	115	0257365.....	92	0630510.....	59
0140019.....	61, 133, 135, 137	0252652.....	96	0257366.....	92	0641404.....	106, 123
0140026.....	135, 139, 141, 194	0252658.....	113	0257728.....	212	0641405.....	71, 74
0140032.....	96	0252674.....	13	0258414.....	113	0641406.....	37, 74, 95, 96
0181175.....	106	0252675.....	49	0258416.....	33	0641407.....	107
0181404.....	159	0252682.....	127	0258418.....	33	0641408.....	34, 74, 75, 95, 127, 128, 201
0200048.....	141	0252684.....	9	0258614.....	61	0641409.....	74
0231047.....	45	0252694.....	74	0258626.....	92	0641412.....	127
0234721.....	45	0252709.....	9, 37	0258677.....	9, 37	0641414.....	73
0235238.....	127	0252712.....	61	0258723.....	72	0641418.....	45
0236548.....	33	0252717.....	67	0258729.....	72	0641420.....	37
0236768.....	72	0252764.....	108	0258730.....	71	0641506.....	13
0237151.....	104	0252829.....	163	0258731.....	71	0641507.....	79
0237627.....	72, 73	0252839.....	201	0258888.....	212	0641508 95, 99, 134, 138, 168, 172	
0237635.....	72, 74	0252840.....	201	0258918.....	212	0641510.....	106
0237963.....	128	0252841.....	201	0259365.....	141, 196	0641512.....	45, 95
0238442.....	212	0252842.....	201	0259444.....	17	0641514.....	45
0238900.....	111	0252843.....	201	0259445.....	17	0641520.....	9, 49
0238901.....	104, 111	0252844.....	201	0259545.....	17	0641524.....	9
0238919.....	104, 111	0252852.....	33	0270566.....	75, 195	0641605.....	14, 105, 159
0238927.....	104	0252866.....	73	0270723.....	212	0641607.....	105
0238945.....	105, 111	0252906.....	99, 196	0340002.....	72	0641608.....	105, 115, 128, 159
0239119.....	75, 79	0252926.....	37	0340041.....	74	0641609.....	9, 14, 37, 105, 121
0239268.....	104, 111	0252932.....	33	0361027.....	72	0641610.....	71, 106, 115
0239485.....	117	0253050.....	212	0361727.....	107	0641611.....	107
0239606.....	104	0253062.....	121	0362101.....	73	0641614.....	91, 105
0239607.....	105	0253077.....	141, 194	0400002.....	73	0641615.....	113
0239842.....	49	0253148.....	69	0400003.....	72	0641616.....	37, 91
0239844.....	34	0253194.....	73	0400020.....	72	0641618.....	14
0239868.....	59	0253264.....	201	0440120.....	127	0641620.....	71, 73
0239954.....	81	0253303.....	123	0440134.....	127	0641622.....	73
0250069.....	71	0253353.....	71	0440135.....	128	0641630.....	105, 121
0250119.....	117	0253354.....	72	0440193.....	49	0641632.....	121
0250143.....	141	0253355.....	71	0460071.....	163	0641636.....	105
0250348.....	49	0253356.....	72	0460086.....	163	0641807.....	14, 45
0250600.....	81	0253362.....	95	0460087.....	163	0641808.....	105
0250611.....	45	0253378.....	63	0460088.....	163	0641809.....	14
0251006.....	34	0253604.....	69	0460089.....	163	0641810.....	49
0251007.....	34	0253649.....	175, 184	0480050.....	79	0641811.....	127
0251020.....	117	0253776.....	13	0540074.....	123	0641812.....	29, 71, 159
0251203.....	141	0253987.....	141, 196	0540075.....	123	0641816.....	29
0251543.....	96	0254109.....	212	0540077.....	123	0641836.....	127
		0254435.....	196, 212	0540078.....	123	0641840.....	33
		0254748.....	141, 196	0540079.....	123	0641852.....	29, 153
		0254882.....	45	0540089.....	123	0642022.....	73
		0255060.....	212	0560673.....	14	0642032.....	71
		0255061.....	212	0560674.....	14	0642216.....	17, 49
		0255152.....	75, 194	0560675.....	14		
		0255271.....	195, 212	0560689.....	105		
		0255272.....	195, 212	0560773.....	159		
		0255273.....	195, 212	0560984.....	34		

SECTION 10 - SPECIAL OPTIONS

0642252.....	59	0902470.....	106	1120423.....	75	1660202.....	13
0651608.....	33	0920083.....	49, 53	1120512.....	92	1660203.....	13
0652014.....	127	0920084.....	17, 23	1180254.....	106	1660213.....	45
0681610.....	79	0920109.....	49, 53	1180258.....	108	1660213EX.....	45
0681812.....	33, 34	0920110.....	17, 23	1180287.....	106	1660233.....	81, 208
0682016.....	49	0940036.....	95	1180296.....	108	1670321.....	107
0682026.....	49	0940038.....	141	1260017.....	13, 49	1670414.....	72
0682213.....	33	0960097.....	155	1260136.....	141	1670491.....	123
0700617.....	72	0960224.....	45	1260233.....	104	1670516.....	95
0700821.....	79	0960238.....	62, 134, 138	1260234.....	104	1670526.....	141
0701010.....	81	0960239.....	67, 69, 134, 138, 195	1260235.....	104	1670579.....	117, 118
0701014.....	81	0960407.....	121	1260254.....	107	1670607.....	141
0701015.....	71	0960509.....	147	1260261.....	107	1670625.....	91
0701215.....	71	0960564.....	127	1260275.....	104	1670627.....	72
0701427.....	71	0960565.....	115	1281684.....	195	1670632.....	127
0720603.....	64	0960594.....	33	1281814.....	184, 196	1670634.....	115
0720803.....	134, 138	0960821.....	13	1281819.....	194	1670635.....	113
0720804.....	62	0960905.....	63, 134, 138	1282060.....	108	1670663.....	141
0721003.....	105, 121, 127	0961082.....	147	1282091.....	194	1670665.....	141
0721004.....	45	0961127.....	201	1282163.....	196	1670666.....	141
0721016.....	113, 128	0961182.....	149	1282197.....	141, 196	1670715.....	141
0731006.....	99	0961185.....	151	1282370.....	195, 212	1670716.....	141
0741008.....	75	0961293.....	104	1320011.....	74	1670717.....	141
0741608.....	107	0961353.....	104	1320021.....	73	1670718.....	141
0750804.....	69	0961369.....	104	1320022.....	73, 91	1670719.....	141
0750806.....	62	0961370.....	105	1320033.....	168, 172, 177, 181	1670836.....	107, 117, 118
0751006.....	133, 137	0961392.....	33	1320037.....	163	1680892.....	155
0800764.....	107	0961531.....	45	1320040.....	34, 45, 117, 118	1681283.....	145
0800765.....	104	0961595.....	149, 151	1320041.....	74, 178	1681344.....	157
0800766.....	104	0961654.....	115	1320049.....	121	1681423.....	151
0800767.....	104	0962181.....	113	1320051.....	115	1681488.....	155
0800768.....	104	1001099.....	842..... 108	1320058.....	72	1681490.....	155
0800769.....	113	1001119.....	696..... 107	1320059.....	73, 163	1681580.....	33, 155
0800805.....	107	1060012.....	196	1320060.....	99	1681792.....	149
0801155.....	104	1060016.....	107, 117, 197	1320070.....	72	1681922.....	159
0801156.....	113	1060018.....	69	1320110.....	168, 172	1681925.....	159
0801158.....	107	1060031.....	73	1320121.....	106	1681926.....	159
0801160.....	107	1060042.....	195	1320155.....	106	1682030.....	104, 159
0860520.....	201	1060044.....	71, 75	1320184.....	113, 115	1682031.....	159
0860538.....	133	1060079.....	117, 118, 195	1320222.....	72	1682098.....	153
0860562.....	61	1060109.....	73	1340020.....	72	1682118.....	147
0860575.....	117	1060132.....	73	1340045.....	91	1682298.....	159
0860773.....	133	1060149.....	73	1340046.....	91, 208	1682511.....	29, 153
0860776.....	61	1060279.....	201	1360171.....	104	1682512.....	153
0860798.....	69	1060300.....	194, 196	1360175.....	111	1682514.....	153
0860831.....	69	1060302.....	197	1360206.....	111	1682605.....	13, 157
0861089.....	137	1060304.....	67	1360207.....	111	1682606.....	157
0861090.....	61	1060341.....	194, 196, 197	1360208.....	111	1682608.....	157
0861105.....	137	1060392.....	106, 194	1360209.....	111	1682618.....	13, 145
0861217.....	137	1060394.....	106, 194	1360223.....	107	1682620.....	145
0861221.....	61	1060545.....	196	1360234.....	107	1682622.....	145
0880090.....	106	1100048.....	34	1360250.....	121	1682630.....	33, 147
0900232.....	141	1100066.....	128	1380124.....	107	1682631.....	147
0901056.....	141	11060128.....	196	1380137.....	127	1682633.....	147
0901197.....	95	1120019.....	105	1440154.....	45	1682635.....	115, 151
0901389.....	74	1120108.....	145, 157	1540002.....	194	1682636.....	151
0901402.....	72	1120179.....	155	1540003.....	196, 197	1682638.....	151
0901500.....	95	1120299.....	127	1600135.....	133, 137	1682642.....	115
0901502.....	95	1120305.....	149, 151	1600153.....	135, 138	1682753.....	115, 149
0901700.....	105	1120314.....	92	1600155.....	133, 137	1682754.....	149
0901829.....	71	1120345.....	159	1600277.....	137, 209	1682755.....	149
0901834.....	127	1120358.....	153	1660170.....	81	1682820.....	104, 159
0901835.....	113	1120363.....	147	1660174.....	81	1682895.....	33, 147
0901849.....	74	1120367.....	92	1660175.....	81	1683493.....	115, 149
0901927.....	195	1120368.....	33	1660183.....	81, 208	1683531.....	145
0901928.....	195	1120372.....	34	1660185.....	45	1683532.....	13, 145
0902374.....	75					1683701.....	104, 159

SECTION 10 - SPECIAL OPTIONS

1683725.....	115, 151	1702788.....	212	2220369.....	99	2220866.....	167, 171
1690696.....	202	1702928.....	203	2220371.....	177, 181	2220873.....	182
1690697.....	202	1703476.....	75	2220373.....	177, 181	2220883.....	147, 149
1691483.....	202, 203	1703479.....	212	2220374.....	168	2220885.....	149
1692883.....	184	1703481.....	203	2220375 ...	167, 171, 177, 181	2220887.....	147
1692927.....	195	1703518.....	201	2220376.....	177, 181	2220893.....	91
1693285.....	202	1703529.....	202	2220377.....	167, 171	2220895.....	178
1693286.....	202	1703606.....	202	2220385 ...	167, 171, 177, 181	2220899.....	167, 171
1693288.....	202	1703607.....	202	2220399.....	177, 181	2220909.....	168, 172
1693289.....	202	1703608.....	202	2220408.....	167, 171	2230043.....	177, 181
1693291.....	203	1703609.....	202	2220414.....	178	2360353.....	9
1693292.....	202	1703611.....	202	2220415 ...	167, 171, 175, 177, 181	2360369.....	9
1693294.....	202	1703663.....	203	2220416.....	167, 171	2400044.....	75
1693405.....	195, 210	1703664.....	203	2220428.....	177, 181	2400054.....	75
1700037.....	202	1703665.....	203	2220429.....	177, 181	2420009.....	63
1700584.....	201	1703677.....	203	2220435.....	167, 171	2420073.....	72
1700821.....	72	1704174.....	212	2220438.....	178, 182	2420074.....	63
1701296.....	202	1704175.....	212	2220451.....	167, 171	2420080.....	91
1701499.....	201	1704260.....	63, 139	2220464.....	177, 181	2420091.....	63
1701500.....	201	1704421.....	201	2220466 ...	167, 171, 178, 182	2420203.....	79
1701501.....	201	1760068.....	128	2220472 ...	168, 172, 177, 181	2440043.....	127
1701502.....	201	1780172.....	95	2220473.....	177, 181	2440044.....	128
1701503.....	201	1780227.....	61	2220481.....	167, 171	2440058.....	49
1701504.....	201	1780252.....	127	2220490.....	178, 182	2460011.....	79
1701505.....	201	1870022.....	197	2220495.....	178, 182	2540016.....	128
1701507.....	202	1870088.....	197	2220497.....	178, 182	2560010.....	127
1701509.....	201	2000083.....	71	2220498.....	167	2560112.....	134, 138
1701515.....	202	2000115.....	71	2220500.....	167, 171	2560115.....	135, 139
1701518.....	201	2060012.....	99	2220501.....	167, 171	2560116.....	67, 69
1701532.....	202	2120104.....	91	2220504.....	167, 171	2560136.....	135, 139
1701542.....	201	2120129.....	91, 208	2220505.....	167, 171	2600105.....	133, 137
1701543.....	201	2120134.....	91	2220507.....	167, 171	2600132.....	133, 137
1701563.....	202	2120135.....	71	2220582 ...	167, 171, 177, 181	2600148.....	61
1701567.....	203	2120136.....	71, 208	2220593.....	177, 181	2660042.....	106
1701577.....	202	2160001.....	13, 33, 128	2220596 ...	167, 171, 178	2660067.....	123
1701596.....	202, 203	2160002 ...	14, 33, 34, 59, 105, 115, 127, 147, 151, 155, 157	2220600.....	177, 181	2660068.....	123
1701599.....	202	2160003.....	13	2220602 ...	168, 172, 178	2660070.....	123
1701600.....	202	2160006.....	127	2220605.....	175	2660071.....	123
1701601.....	202	2180360.....	75, 79	2220606 ...	167, 171, 177, 181	2660072.....	123
1701602.....	203	2180467.....	91	2220609 ...	167, 171, 177, 181	2660085.....	123
1701616.....	202	2180536.....	73	2220618.....	167, 171	2720042.....	72
1701649.....	202	2180606.....	91	2220619.....	177, 181	2720224.....	72
1701697.....	202	2180730.....	75, 79	2220621.....	167, 171	2720271.....	73
1701699.....	201	2180749.....	75	2220622.....	167, 171	2720281 ...	167, 171, 177, 181
1701700.....	201	2180763.....	45	2220635.....	178, 182	2750527.....	34
1701701.....	201	2200052.....	91	2220646.....	168	2750528.....	34
1701702.....	201	2200201.....	151, 155	2220651.....	178	2750532.....	73
1701703.....	201	2200221.....	159	2220671.....	168, 172	2750757.....	178
1701704.....	201	2200222.....	151, 159	2220710 ...	167, 171, 177, 181	2750758.....	177, 181
1701728.....	203	2200224.....	159	2220720.....	73	2750762 ...	168, 172, 177, 181
1701729.....	203	2200261.....	34	2220726 ...	177, 178, 181	2750763.....	178, 182
1701730.....	203	2210014 ...	167, 171, 177, 181	2220727 ...	168, 171, 177, 181	2750766.....	177, 181
1701731.....	203	2220001.....	34	2220738.....	167, 171	2750771.....	178, 182
1701732.....	203	2220063.....	34, 73	2220741.....	178, 182	2750785 ...	178, 181, 182
1701746.....	175	2220238.....	177, 181	2220810.....	178, 182	2750807.....	34
1701774.....	69	2220261 ...	167, 171, 177, 181	2220811.....	168, 172	2750834.....	167, 171
1701775.....	69	2220282.....	99	2220820.....	168, 172	2750835.....	167, 171
1701789.....	202	2220343.....	177, 181			2750889.....	178, 182
1701791.....	202	2220346.....	178, 182			2750896.....	177, 181
1701794.....	202	2220362.....	168, 172			2750897.....	177, 181
1701798.....	203	2220363.....	167, 171			2750900 ...	167, 171, 175
1701799.....	202	2220365 ...	167, 168, 171, 172			2750904.....	168, 172
1701800.....	203	292				2750907.....	178, 182
1701872.....	69					2750908.....	177, 181
1702291.....	69					2750910.....	177, 181
1702300.....	201						
1702612.....	203						

SECTION 10 - SPECIAL OPTIONS

2750979	168, 172	2900560	20	3200347	123	3311801 ...	17, 29, 45, 99, 153
2750990	177, 181	2900660	71	3200348	123	3311805	29, 33, 127
2750999	178, 182	2900708	39, 41	3200349	123	3312001	73
2751002	178, 182	2900733	131	3220080	74	3312002	33, 105
2751004	177, 181	2900745	9	3220082	74	3312005	71
2751013 ...	168, 172, 177, 181	2900752	84	3220088	74, 212	3312202	14, 159
2751015 ...	168, 172, 178, 182	2900756	39	3250585	195	3312205	59
2751017	167, 171	2900766	23, 53	3251476	79	3312602	104
2751018	168, 172	2900767	24, 54	3251813	201	3313002	59, 104
2751021	167, 171	2900768	23, 53	3251829	67	3321001	73
2751026	167, 171	2900770	49, 145, 147, 149, 151	3251830	67	3321405	59
2751032	34	2900788	27	3251831	67	3321501	59
2751111	177, 181	2900798	51	3252074	196	3323002	13
2751151	178, 182	2900826	84	3252181	133	3323402	145
2751168	178, 182	2900827	84	3252185	29	3323403	113
2751396	175	2900838	212	3252195	61	3324203	13
2751406	168, 172	2900998	203	3252238	141, 196	3340197	14
2751432	177, 181	2900998	203	3252347	201, 202	3340263	105
2751433	177, 181	2901109	160	3252357	61	3340454	127
2751455	178, 182	2901115	153	3252370	133, 137	3340475	105
2751466	178, 182	2901118	147	3252547	61	3340494	107
2751467	177, 181	2901123	157	3252646	61	3340496	105
2751483	177, 181	2901142	151	3273001	59	3340500	105
2751484	167, 171	2901146	45	3290607	72	3340502	106
2751489	168	2901194	167, 171	3290801	74	3340506	105
2751494	178	2901206	149	3300007	17	3340560	159
2751498	181	2901234	160	3300029	73	3340563	105
2751504	177	2910105	212	3300047 67, 69, 134, 138, 195		3340566	159
2751617	177, 181	2920009	195	3300048	62, 134, 138	3340630	29, 153
2751623	167, 171	2920015	133	3300147	62, 134, 138	3380378	95
2751852	177, 181	2920018	195	3300151	9	3380379	95
2751899	168, 172	2920026	62, 133, 137, 195	3300177 62, 69, 133, 137		3380399	95
2751906	167, 171	2920027	62, 133, 137	3300205	91	3380400	95
2752172	178, 182	2920029	62, 133, 137, 195	3300220	74	3380419	95
2752173	178, 182	2920090	62, 133, 137	3300229	13	3420085	33
2752247	167, 171	2920024 ...	133, 135, 137, 139	3300240	105	3420290	45
2752249	167, 171	2920104	195	3300243	104	3420372	13
2752322	167, 171	2920105	195	3300244	104	3420552	111
2752337	168, 172	2920108 ...	134, 135, 138, 139	3300272	155	3420592	13, 113
2752383	167, 171	2920110	195	3300273	157	3420659	104
2752405	172	2920111	141, 196	3300279	149	3421279	104
2752932	168, 172	2920113	195	3300281	153	3421280	104
2760064	127	2920114	195	3300285	151	3421286	104
2760091	45	2920162	79	3300287	145	3421290	105
2780116	49, 57	2940006	127, 209	3300299	159	3421293	105
2780189	17, 19	2940042	61, 96	3300306	147	3421497	105
2791921	177, 184	2940044	61, 96	3300352 67, 69, 135, 139		3421534	111
2791922	184	2940051	95	3300396	138	3421535	111
2791925	167, 184	2940052	133, 137	3303240	121	3421539	105
2792375	181, 184	3010088	141	3310601 63, 64, 134, 138		3421555	33
2792376	171, 184	3020021	81	3310801	62, 72, 73	3421563	49
2792377	184	3020025	128	3311001 45, 62, 128, 133, 134, 137		3421565	49
2820022	37	3160083	127, 131	3311005	75, 113, 127	3421570	104
2820053	96	3160176	27	3311005	75, 113, 127	3421571	107
2820057	96	3160184	49, 51	3311401 9, 34, 37, 61, 62, 71, 72, 74, 79, 91, 106, 117, 118, 128, 168, 172		3421628	107
2820058	96	3160213	17, 27	3311405	61, 73, 74, 75, 95, 96, 113, 175, 201	3421629	104
2820059	96	3200133	71	3311501 ...	33, 76, 99, 106	3421632	106
2860012	79	3200183	71	3311505 14, 95, 134, 138, 168, 172		3421676	33
2860030	62, 207	3200222	96	3311601 33, 73, 106, 159		3421677	59
2880404	127	3200227	71	3311602	113, 115	3421678	33
2880814	113	3200228	71	3311605	14, 37, 91, 95, 113, 115, 121	3421778	105
2900202	57	3200229	71			3421948	13
2900381	155	3200306	71			3421953	13
2900396	145	3200344	123			3421972	13
2900455	131	3200345	123			3421990	13
		3200346	123			3422023	13

SECTION 10 - SPECIAL OPTIONS

3422037.....	115	3535949.....	73	3820001	123, 201, 202	4070586.....	128
3422040.....	105	3535951.....	96	3820018.....	96	4070587.....	128
3422041.....	113	3535978.....	113, 115	3840844.....	106	4070600.....	107
3422044.....	13	3536001.....	106	3840858.....	106	4070601.....	107
3422053.....	113	3536008.....	73	3840944.....	159	4070602.....	105
3422077.....	115	3536089.....	141	3840945.....	111	4070603.....	105
3422079.....	115	3536145.....	121	3840956.....	106	4070615.....	105
3422081.....	115	3536146.....	121	3840957.....	106	4070616.....	105
3422083.....	115	3536147.....	121	3840975.....	107	4070708.....	105
3422085.....	115	3536148.....	121	3841004.....	59	4070709.....	106
3422087.....	115	3536234.....	69	3841013.....	106	4070710.....	106
3422633.....	13	3536414.....	96	3841164.....	145	4070711.....	106
3422679.....	113	3536415.....	96	3841166.....	13	4070728.....	59
3422727.....	113	3536417.....	95	3841167.....	13	4070729.....	59
3430408.....	107	3536613.....	69	3860050.....	106	4070803.....	14
3440418.....	128	3536794.....	14	3900022.....	141	4070804.....	14
3440816.....	128	3537819.....	95	3900104.....	59	4070810.....	14
3441228.....	128	3570980.....	168, 172	3900141.....	157	4070811.....	14
3450202.....	104, 121	3580109.....	79	3900159.....	33	4070845.....	14
3450203.....	74, 107	3580139.....	104	3900164.....	49	4070849.....	14
3450303.....	104	3600050.....	73, 75	3900168.....	14, 34, 117, 121	4070987.....	63
3450408.....	104	3600164.....	71, 83	3900170 ...	145, 149, 151, 155, 157	4070991.....	63
3450504.....	111	3600191.....	71	3900171.....	147, 159	4100025.....	74
3450506.....	111	3600205.....	71, 87	3901406.....	141	4100026.....	168, 172
3450610.....	33	3600208.....	73, 75	3910408.....	117	4120012.....	62, 194
3450806.....	106	3600260.....	71, 83	3910606.....	62	4120013.....	63, 134
3450808.....	13	3600286.....	71, 89	3910608.....	134, 138	4120028.....	63
3450814.....	105	3620003.....	99	3910616.....	62, 135, 138	4120029.....	63
3451012.....	13, 113	3620015.....	99	3910804.....	63	4120030.....	63
3480092.....	145	3640555.....	63	3910812.....	72	4120036.....	62
3480113.....	151	3640686.....	61	3911012.....	45	4120037.....	63, 138
3480120.....	155	3640752.....	134	3931010.....	128	4130282.....	13
3480133.....	159	3640930.....	63	3931612.....	128	4130283.....	13
3480134.....	157	3641172.....	138	3931620.....	128	4160026.....	127
3480137.....	153	3680051.....	121	3931864.....	49	4160028.....	127, 141
3480162.....	147	3730023.....	196	3941004.....	67	4160081.....	95
3480167.....	149	3730024.....	117, 194	3941405.....	95	4160098.....	107, 121
3503928.....	67	3730091.....	67, 69	3951405.....	159	4160099.....	59
3510364.....	127	3730095.....	197	3951606.....	105	4160112.....	63, 64
3510365.....	127	3730102.....	196	3951820.....	45	4160174.....	168, 172
3520022.....	91	3730115.....	197	3952014.....	33	4160175.....	168, 172
3520028.....	79	3740016.....	61, 206	3960371.....	91	4220007.....	141
3520029.....	107	3740019.....	63	3960389.....	96	4220038.....	134
3520033.....	135	3740049.....	61, 133, 137, 194, 195, 196, 207	3960418.....	96	4220120.....	59
3520034.....	135	3740057.....	61, 194, 210	3960429.....	96	4220121.....	59
3520070.....	63	3740058.....	63, 134	3960433.....	96	4220157.....	59
3530403.....	45	3740059.....	73, 208	3960465.....	92	4220158.....	59
3530425.....	73	3740063.....	134	3972218.....	14	4220174.....	13
3531946.....	13	3740066.....	62, 194	3980003.....	73	4280002.....	73
3532054.....	13	3740067.....	74, 208	3980006.....	72	4280242.....	106
3532410.....	111	3740070.....	61, 206	3990001.....	67, 69, 196, 208	4280307.....	168, 172
3532425.....	111	3740080.....	73, 99, 195, 196, 208	3990010 ...	194, 195, 196, 197, 209	4300031.....	9, 34, 61, 72, 79, 117, 118
3532466.....	111	3740086.....	63	4060229.....	63	4300032.....	61, 96, 106, 113, 117
3532549.....	104	3740090.....	63	4060574.....	91	4300034.....	33, 73, 91, 95
3532793.....	106, 113	3740122.....	61, 207	4060684.....	106	4300036.....	9, 37
3533183.....	117	3740123.....	63, 138, 207	4060685.....	106	4300038.....	33, 76
3533337.....	49	3740124.....	62, 138	4060802.....	67, 69, 133, 137	4300048.....	99
3533414.....	59	3760004.....	45	4060803.....	113	4300051.....	175
3534146.....	127	3760108.....	45	4060807.....	14	4300076.....	113, 115
3534395.....	117	3760133.....	13	4060824.....	9	4300092.....	17
3534436.....	111	3760170.....	13, 49	4070535.....	105	4300098.....	106
3535816.....	104	3790012.....	62, 63, 133	4070536.....	105	4340453.....	106
3535883.....	14	3790015.....	133, 137	4070544.....	105	4340511.....	79
3535884.....	14	3790152.....	72	4070545.....	105	4340519.....	106
3535906.....	29	3790155.....	49	4070585.....	128	4340520.....	106
3535942.....	37						
3535948.....	95						

SECTION 10 - SPECIAL OPTIONS

4340632	106	4420051	201	4640013.....	167, 171	47514009, 46, 61, 62, 73,	
4360031	128, 209	4420052	201	4640197.....	168, 171	74, 75, 91, 95, 96, 106,	
4360037	75, 79	4460023	79	4640260.....	9	113, 127, 141, 175, 201	
4360057	141, 196, 209	4460027	195	4640487.....	159	4751500... 33, 61, 73, 76,	
4360065	75, 194, 195	4460049 ...	113, 121, 128,	4640495.....	145, 151	79, 95, 99, 106, 134,	
4360069	61, 138, 207	195	4460051	62, 134	4640543.....	37, 175	
4360071	67	4460052 ...	14, 34, 67, 69,	4640626.....	37	4751600... 33, 71, 73, 74,	
4360074	67, 69, 207	117, 121, 134, 138	4460071	62, 128, 134,	4640629.....	9	
4360089	195	138	4460071	62, 128, 134,	4640634.....	149, 151	
4360112	138, 207	138	4460190	79	4640709.....	147	
4360141	67	4460190	79	4640731.....	175	4751700	73
4360153	117	4460234	62	4640738.....	37, 39	4751800.17, 99, 105, 127	
4360155	75	4460298	134, 138	4640739.....	9, 11	4752000	73, 127
4360161	137, 209	4460299 62, 63, 134, 138	4460300	134, 138	4640741.....	49	4760600.62, 64, 134, 138
4360171	37	4460301	61, 134, 138	4640742.....	72	4760800.....	62, 134, 138
4360179	75, 194	4460302	74	4640743.....	9	476100045, 99, 105, 121,	
4360181	99	4460305	62, 134, 138	4640744.....	177, 181	128, 133, 134, 137	
4360199	195	4460306	62, 134, 138	4640752.....	178	47614009, 29, 34, 37, 45,	
4360202	63	4460307	62, 134, 138	4640757.....	178	72, 74, 79, 91, 95, 106,	
4360209	133	4460308	135, 138	4640758.....	37	117, 118, 123, 127,	
4360212	62, 207	4460311	134, 138	4640771.....	147	168, 172	
4360216	62, 207	4460342	59	4640788.....	11, 39	47615009, 13, 33, 45, 49,	
4360232	62, 133, 207	4460374	99	4640923.....	9	73, 74, 76, 79, 96, 99,	
4360235	117	4460375	99	4640996.....	149	106	
4360236 14, 34, 117, 121		4460386	62, 134, 138	4641065.....	37, 41	47616009, 14, 33, 37, 71,	
4360237	14, 121	4460387	61, 134, 138	4641066.....	9, 11	73, 79, 105, 115, 128,	
4360259	59, 206	4460388	61, 134, 138	4641079.....	37	159	
4360263	59, 206	4460390	62	4641083.....	159	4761800... 14, 17, 29, 45,	
4360274	62, 133, 137,	4460411	134, 138	4641181.....	37, 41	49, 71, 99, 105, 159	
141, 196, 207		4460412	134, 138	4711400.....	9, 37, 74	4762000	73
4360277 14, 34, 113, 117,		4460413	135, 139	4711500.....	9, 168, 172	4762200	17, 33
121, 128, 206		4460414	134, 138	4711600.....	9, 37, 69, 91,	4770400	117
4360278	34, 117	4460415	135, 138	123		4770800	72
4360282	63, 134, 138,	4460428	117	4711800.....	14, 29	4791400	74
207		4460441	62	4712000.....	107	4811700	72
4360287	195	4460442	61, 135, 139	4712200.....	33	4831700	71
4360289 63, 69, 133, 137		4460451	62, 134, 138	4713000.....	13	4831900	74
4360307	113, 128	4460452	62, 134, 138	4740004.....	49	4832000	72, 81
4360314 29, 62, 133, 137,		4460704	62, 139	4740006.....	33	4832100	71
206		4520136	17	4740040.....	33	4842046	127
4360319	62	4520218	17	4740040.....	33	4843016	159
4360327	134, 138	4562083	127	4740111.....	111	4843020	67
4360328	63, 207	4562516	91, 106	4740120.63, 69, 133, 137		4843026	111
4360330	63, 133, 137,	4562663	91	4740130.....	13	4843080	106
207		4563031	155	4740156.....	111	4843087	106
4360336	133, 137, 209	4563167	178, 182	4740158.....	127	4843105	105
4360340	67, 69, 208	4563963	157	4740171.....	33, 34, 49	4843107	106
4360362	37	4564009	151	4740189.....	49	4843128	59
4360363	206	4564088	63	4740191.....	71	4843133	79
4360470	62, 207	4564880	117, 118	4740199.....	127	4843133	79
4360475 63, 69, 133, 137,		4565225	153	4740242.....	71	4843310	59
207		4565267	74	4740256.....	128	4843318	49
4360476	63, 134, 138,	4565269	72, 74	4740270.....	111	4843324	95
207		4565647	145	4740304.....	107	4843384	72
4360542	79	4565652	147	4740307	105	4843822	45
4400279	91, 92	4565655	72	4740311.....	105	4844074	95
4400280	91	4565663	74	4740314.....	13	4844078	95
4400340	91	4565664	74	4740338.....	91	4844080	59
4400341	91	4565665	127	4740349.....	106	4844083	95
4400386	91, 92	4565751	75	4740361.....	33	4844087	95
4400387	91	4565798	121	4740362.....	73, 95, 128	4844089	13
4420001	72	4565799	121	4740371.....	127	4844090	13
4420008	135, 139	4565913	149	4740397.....	29, 133, 137	4844092	115
4420015	108	4566219	212	4750600.....	134, 138	4844093	115
4420017	108	4620078	33	4750800.....	63, 134, 138	4844094	115
4420037. 61, 67, 69, 133,				4751000....	45, 62, 75, 99,	4844095	115
137				104, 113, 128		4844109	49
						4844113	95

SECTION 10 - SPECIAL OPTIONS

4844115.....	95	7000279.....	57	7002104.....	131	7007454.....	83
4844126.....	106	7000282.....	19	7002105.....	131	7007456.....	83
4844165.....	72	7000283.....	19	7002107.....	131	7007458.....	84
4844169.....	74	7000284.....	19	7002110.....	131	7007461.....	84
4844177.....	99	7000285.....	19	7002111.....	131	7007466.....	84
4844201.....	121	7000287.....	57	7002112.....	131	7007468.....	84
4844235.....	75	7000288.....	57	7002115.....	131	7007469.....	84
4844236.....	95	7000290.....	19	7002116.....	131	7007470.....	84
4844238.....	72	70003143.....	108	7002117.....	131	7007471.....	84
4844272.....	59	70003144.....	108	7002123.....	131	7007472.....	84
4844390.....	95	7000482.....	75	7002125.....	131	7007473.....	84
4845158.....	92	7000625.....	128	7002821.....	212	7007474.....	84
4891600.....	71	7000637.....	117	7002822.....	212	7007475.....	84
4920039.....	79	7000638.....	117, 208	7002823.....	212	7007476.....	84
4920140..14, 34, 59, 117, 118, 121		7000639.....	117	7002828.....	212	7007477.....	84
4920385.....	107	7000645.....	9, 39, 206	7003657.....	79	7007478.....	84
4920970.....	75	7000647.....	117, 209	7003751.....	133, 137	7007482.....	84
4920986.....	127	7000663.....	76	7003789 ...	133, 137, 209	7007483.....	84
4921139.....	73	7000697.....	76	7003790.....	133, 137	7007484.....	84
4921414.....	72	7000698.....	76	7003797 ...	133, 137, 209	7007485.....	84
4921415.....	197	7000872.....	76	7004167.....	51	7007486.....	84
4921416.....	197	7001438.....	83	7004171.....	51	7007487.....	84
4921417.....	195	7001498.....	84	7004179.....	51	7007488.....	84
4921418.....	197	7001902.....	57	7004192.....	51	7007489.....	89
4921886.....	194	7001904.....	57	7004196.....	51	7007490.....	84
4931858.....	195	7001910.....	19	7004214.....	72, 208	7007491.....	84
4931961.....	194	7001916.....	57	7004248.....	75	7007492.....	84
4932099.....	194	7001917.....	57	7004249.....	75	7007494.....	84
4932312.....	194	7001918.....	57	7004275.....	212	7007496.....	84
4932434.....	195	7001920.....	57	7004276.....	212	7007497.....	84
4932481.....	196	7001921.....	57	7004368.....	37	7007498.....	84
4932482.....	196	7001922.....	57	7004412.....	75	7007499.....	84
4932484.....	195	7001923.....	57	7004414.....	75	7007657.....	19
4932492.....	195	7001924.....	57	7006138 ...	107, 108, 208	7007698.....	19
4932507.....	194	7001926.....	57	7006143.....	107, 108	7007699.....	19
4932570.....	197	7001927.....	57	7006145.....	108, 210	7007914.....	24, 54
4932597.....	196	7001928.....	19, 20, 57	7006153.....	108, 210	7007923.....	23, 53
4932608.....	194	7001929.....	57	7006165.....	107, 108	7007924.....	23
4932621.....	196	7001947.....	19	7006193.....	107, 210	7007933.....	23
4932635.....	194	7001948.....	19	7006196.....	108, 210	7007934.....	53
4932638.....	194	7001949.....	19	7007208.....	83	7007970.....	23, 53
4932639.....	194	7001950.....	19	7007321.....	9	7007977.....	23, 53
4932892.....	194	7001951.....	19	7007323.....	9	7007979.....	23, 53
4932941.....	196	7001952.....	19	7007412.....	84	7007980.....	23, 53
4932942.....	197	7001955.....	19	7007413.....	83	7007981.....	53
4933045.....	196	7001956.....	19	7007414.....	83	7007983.....	23, 54
4933048.....	197	7001957.....	19	7007416.....	83	7007985.....	23, 53
70001361.....	76	7001958.....	19	7007417.....	83	7007986.....	23
7000166.....	131	7001959.....	19	7007419.....	83	7007987.....	23, 53
70001927.....	76	7001961.....	19	7007420.....	83	7008804.....	74
70001928.....	76	7001962.....	19	7007421.....	83	7008821.....	74
70002008.....	108	7001963.....	19	7007422.....	83	7008828.....	74, 208
70002009.....	108	7001965.....	19	7007423.....	83	7008829.....	74, 208
7000220.....	19	7001966.....	19	7007424.....	83	7009739.....	9
70002252.....	76	7001967.....	19	7007425.....	83	7009745.....	37
70002253.....	76	7001968.....	19	7007435.....	83	7010103.....	89
70002254.....	76	7001972.....	19	7007436.....	83	7010104.....	89
70002258.....	76	7001973.....	19	7007437.....	83	7010105.....	89
70002259.....	76	7001974.....	19	7007438.....	83	7010120.....	84
7000231.....	19	7001975.....	19	7007439.....	83	7010121.....	84
7000243.....	20	7001976.....	19	7007440.....	83	7010124.....	89
7000265.....	19	7001977.....	19	7007441.....	83	7010125.....	89
7000272.....	57	7001982.....	57	7007442.....	83	7010126.....	89
7000273.....	57	7001993.....	19	7007444.....	83	7010127.....	89
7000274.....	57	7001995.....	19	7007445.....	83	7010471.....	19
7000275.....	57	7002100.....	131	7007449.....	83	7010472.....	19
		7002103.....	131	7007453.....	83	7010541.....	39

SECTION 10 - SPECIAL OPTIONS

7010542.....	39, 41	7012611.....	63, 133, 137	7012953.....	41	7018609.....	24, 54
7010543.....	39, 41	7012612.....	63, 133, 137	7012972.....	41	7018942.....	39
7010545.....	41	7012700.....	27	7012980.....	9	7019607.....	76
7010635.....	41	7012701.....	27	7012992.....	9	7020108.....	79
7010776.....	51	7012702.....	27	7012993.....	9	7020109.....	79
7010780.....	51	7012703.....	27	7012997.....	41	7020110.....	79
7010781.....	51	7012704.....	27	7012998.....	11, 41	7020111.....	79
7010782.....	51	7012705.....	27	7013175.....	45	7020175.....	63, 133, 137
7010836.....	121	7012706.....	27	7013710.....	75	7020176.....	63, 133, 137
7010837.....	121	7012707.....	27	7013711.....	75	7020190.....	79
7010839.....	121	7012708.....	27	7013712.....	75	7020191.....	79
7010840.....	121	7012709.....	27	7013753.....	75	7020193.....	79
7010841.....	121	7012710.....	27	7014503.....	76, 208	7020208.....	76
7010842.....	121	7012711.....	27	7014676.....	212	7020400.....	76
7010843.....	121	7012712.....	27	7016309.....	76	7020401.....	76
7010844.....	121	7012713.....	27	7016330.....	76	7020402.....	76
7010845.....	121	7012714.....	27	7016364.....	76	7020403.....	76
7010846.....	121	7012715.....	27	7016520.....	107, 108	7020405.....	76
7010847.....	121	7012716.....	27	7016531.....	108	7020407.....	76
7010848.....	121	7012717.....	39	7016535.....	117	7020409.....	76
7010923.....	75	7012718.....	39	7016654.....	212	7020413.....	76
7010953.....	87	7012719.....	39	7016664.....	91	7020420.....	76
7010955.....	87	7012720.....	39	7017003.....	19	7020421.....	76
7010956.....	87	7012722.....	39	7017402.....	41	7020422.....	76
7010957.....	87	7012723.....	11	7017418.....	41	7020423.....	76
7010959.....	87	7012724.....	11	7017421.....	41	7020432.....	76
7010960.....	87	7012725.....	11, 39	7017422.....	41	7020433.....	76
7010961.....	87	7012728.....	39	7017451.....	42, 206	7020498.....	76
7010996.....	87	7012729.....	39	7017452.....	41	7020512.....	137, 209
7010997.....	87	7012730.....	11, 39, 206	7017482.....	41	7021400.....	11, 42
7010998.....	87	7012731.....	11	7017483.....	41	7021401.....	11, 41, 42, 206
7011317.....	159	7012734.....	39	7017484.....	41	7021402.....	11, 41, 42
7011320.....	49	7012735.....	39	7017485.....	41	7021403.....	11, 42
7011712.....	23	7012736.....	39	7017487.....	41	7021404.....	11, 41, 42
7011713.....	23, 53	7012905.....	9	7017488.....	41	7021405.....	41
7011714.....	23, 54	7012906.....	37, 206	7017489.....	41	7021406.....	41
7011715.....	23, 54	7012907.....	37	7017490.....	11, 42	7021622.....	41
7011716.....	23, 54	7012908.....	39	7017491.....	11, 41, 42	7021637.....	41
7011717.....	23, 53	7012909.....	39	7017492.....	42	7024826.....	41, 42
7011718.....	53	7012910.....	39, 41	7017493.....	42	7026125.....	76
7011719.....	53	7012912.....	11, 39	7017494.....	42	7026173.....	76
7011720.....	53	7012913.....	39	7017496.....	41	7026199.....	79
7011928.....	133, 137	7012914.....	11, 39, 41	7018602.....	23, 53	7027250.....	76
7012513.....	79	7012915.....	39	7018603.....	23, 24, 53	7029274.....	76, 208
7012514.....	79	7012916.....	39	7018604.....	54	7029276.....	76
7012518.....	41	7012918.....	11, 39, 41	7018605.....	23, 53	9900443.....	212
7012526.....	117	7012942.....	41	7018606.....	23, 53	9983982.....	212
7012558.....	79	7012943.....	42, 206	7018607.....	23, 53		
7012560.....	62	7012944.....	41, 42, 206	7018608.....	24, 54		



**Corporate Office
JLG Industries, Inc.
1 JLG Drive
McConnellsburg, PA 17233-9533 USA
☎ (717) 485-5161 (Corporate)
☎ (877) 554-5438 (Customer Support)
📠 (717) 485-6417**

**Visit our website for JLG Worldwide Locations.
www.jlg.com**



OSHKOSH™