



Illustrated Parts Manual

Models
30e
35e/n35e
40e/n40e
45e

P/N
3120744

October 4, 2012

ANSI



An Oshkosh Corporation Company

REVISION LOG

October 1997 - Original Issue Of Manual (Was originally part of combine manual 3120595)

November 1998 - Revised

October 18, 2000 - Revised (Manual edited to 0010501 Revision 45 - Model 30electric)

(Manual edited to 0010491 Revision 63 - Model 35electric)

(Manual edited to 0010500 Revision 58 - Model 40electric)

(Manual edited to 0010489 Revision 55 - Model 45electric)

April 16, 2003 - Revised (Manual edited to 0010501 Revision 48 - Model 30electric)

(Manual edited to 0010491 Revision 71 - Model 35electric)

(Manual edited to 0010500 Revision 63 - Model 40electric)

(Manual edited to 0010489 Revision 57 - Model 45electric)

January 31, 2007 - Revised Manual

October 29, 2010 - Revised Manual

October 4, 2012 - Revised Manual (Revision 1)

TABLE OF CONTENTS

| | |
|--|-----|
| SECTION 1 - FRAME..... | 7 |
| FIGURE 1-1. FRAME AND STEERING INSTALLATION - MODEL 30ELECTRIC..... | 8 |
| FIGURE 1-2. FRAME AND STEERING INSTALLATIONS - MODELS 35ELECTRIC, 40ELECTRIC & 45ELECTRIC | 12 |
| FIGURE 1-3. TIRE AND WHEEL DRIVE INSTALLATION | 16 |
| FIGURE 1-4. DRIVE BRAKE ASSEMBLY..... | 22 |
| FIGURE 1-5. DRIVE HUB ASSEMBLY - MODEL 30ELECTRIC..... | 24 |
| FIGURE 1-6. DRIVE HUB ASSEMBLY - MODELS 35ELECTRIC, 40ELECTRIC, 45ELECTRIC | 26 |
| FIGURE 1-7. ELECTRICAL COMPONENTS INSTALLATION (FRAME MOUNTED)..... | 28 |
| FIGURE 1-8. BATTERY CHARGER ASSEMBLY | 34 |
| FIGURE 1-9. BATTERY CHARGER ASSEMBLY - 220V/50HZ UL (SERVICE REPLACEMENT - LATIN AMERICA/BRAZIL SPEC)..... | 38 |
| FIGURE 1-10. HYDRAULIC COMPONENTS AND COVERS INSTALLATION (FRAME MOUNTED)..... | 40 |
| SECTION 2 - TURNTABLE..... | 45 |
| FIGURE 2-1. TURNTABLE MOUNTED COMPONENTS INSTALLATIONS - MODEL 30ELECTRIC..... | 46 |
| FIGURE 2-2. TURNTABLE MOUNTED COMPONENTS INSTALLATIONS - MODEL 35ELECTRIC..... | 48 |
| FIGURE 2-3. TURNTABLE MOUNTED COMPONENTS INSTALLATIONS - MODEL 40ELECTRIC & 45ELECTRIC..... | 50 |
| FIGURE 2-4. CONTROL VALVE ASSEMBLY - MODELS 35ELECTRIC, 40ELECTRIC & 45ELECTRIC | 52 |
| FIGURE 2-5. SWING DRIVE AND TURNTABLE BEARING INSTALLATIONS - MODELS 30ELECTRIC & 35ELECTRIC | 56 |
| FIGURE 2-6. SWING BEARING ASSEMBLY - MODELS 30ELECTRIC & 35ELECTRIC (POST PRODUCTION SERVICE REPLACEMENT)..... | 58 |
| FIGURE 2-7. SWING DRIVE AND TURNTABLE BEARING INSTALLATIONS - MODELS 40ELECTRIC & 45ELECTRIC | 60 |
| FIGURE 2-8. SWING BEARING ASSEMBLY - MODELS 40ELECTRIC & 45ELECTRIC (POST PRODUCTION SERVICE REPLACEMENT)..... | 62 |
| FIGURE 2-9. SWING MOTOR ASSEMBLY | 64 |
| FIGURE 2-10. GROUND CONTROL COMPONENTS INSTALLATIONS - MODEL 30ELECTRIC..... | 66 |
| FIGURE 2-11. GROUND CONTROL COMPONENTS INSTALLATIONS - MODELS 35ELECTRIC, 40ELECTRIC & 45ELECTRIC | 70 |
| FIGURE 2-12. TURNTABLE AND HOOD INSTALLATION - MODEL 30ELECTRIC..... | 74 |
| FIGURE 2-13. TURNTABLE AND HOOD INSTALLATION - MODEL 35ELECTRIC..... | 76 |
| FIGURE 2-14. TURNTABLE AND HOOD INSTALLATION - MODEL 40ELECTRIC & 45ELECTRIC..... | 80 |
| SECTION 3 - BOOM..... | 83 |
| FIGURE 3-1. BOOMS AND LIMIT SWITCHES INSTALLATION MODEL 30ELECTRIC | 84 |
| FIGURE 3-2. BOOMS AND LIMIT SWITCHES INSTALLATION MODEL 35ELECTRIC | 88 |
| FIGURE 3-3. BOOMS INSTALLATION - MODELS 40ELECTRIC & 45ELECTRIC | 92 |
| FIGURE 3-4. LIMIT SWITCHES, CABLES AND CLAMPS INSTALLATION - MODEL 40ELECTRIC & 45ELECTRIC..... | 96 |
| FIGURE 3-5. UPPER BOOM COMPONENTS ASSEMBLY - MODELS 35ELECTRIC, 40ELECTRIC & 45ELECTRIC | 100 |
| SECTION 4 - PLATFORMS | 103 |
| FIGURE 4-1. PLATFORM AND COMPONENTS INSTALLATION - MODEL 30ELECTRIC | 104 |
| FIGURE 4-2. PLATFORM AND COMPONENTS INSTALLATION - MODEL 35ELECTRIC, 40ELECTRIC & 45ELECTRIC..... | 108 |
| FIGURE 4-3. ROTATOR MOTOR/PUMP/TANK ASSEMBLY | 112 |
| FIGURE 4-4. PLATFORM CONSOLE ASSEMBLY..... | 114 |
| FIGURE 4-5. CONTROL ASSEMBLY (DRIVE/STEER)..... | 118 |
| SECTION 5 - CYLINDER..... | 121 |

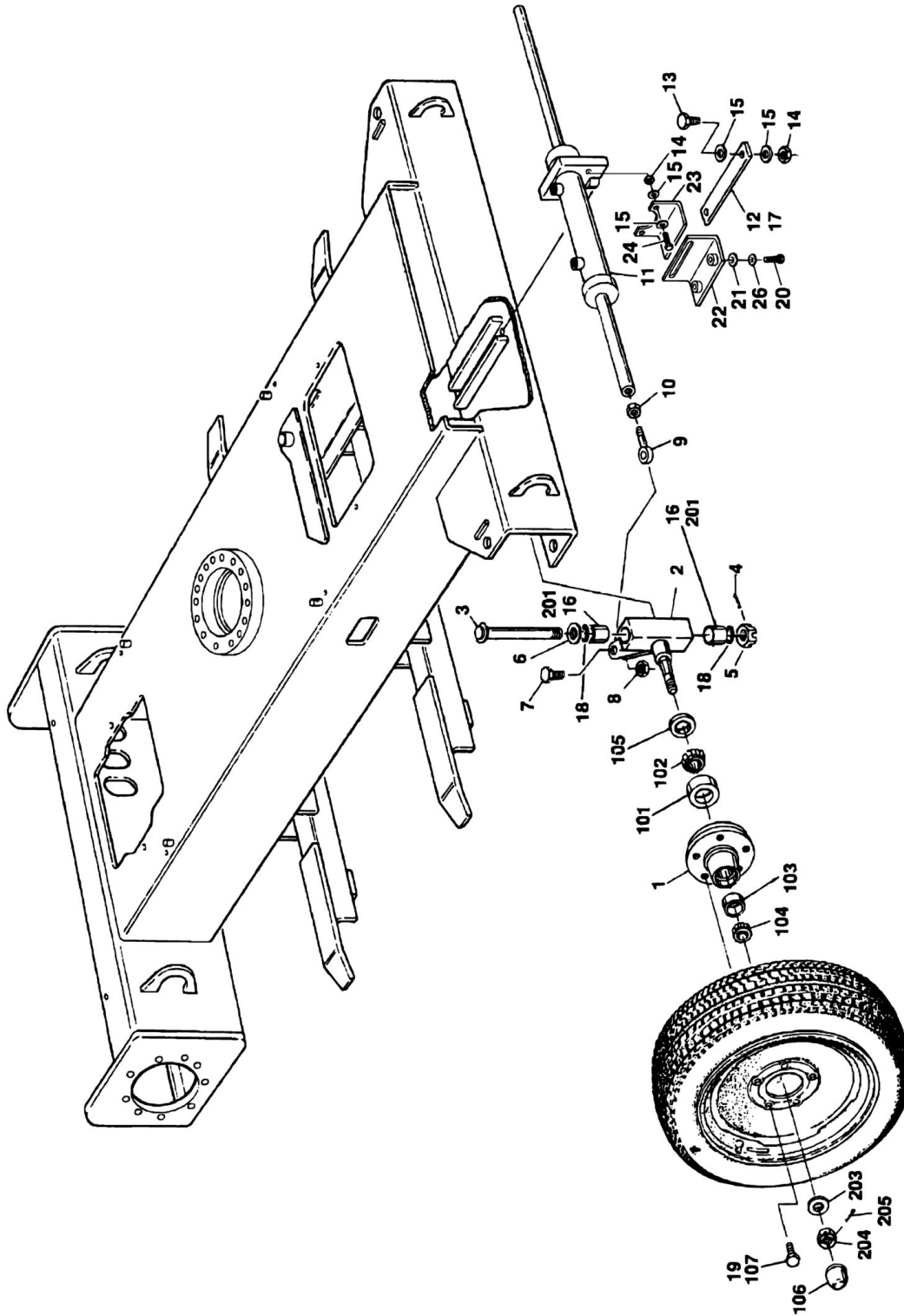
TABLE OF CONTENTS

| | |
|---|-----|
| FIGURE 5-1. LIFT CYLINDER ASSEMBLY - MODEL 30ELECTRIC | 122 |
| FIGURE 5-2. UPPER LIFT CYLINDER ASSEMBLIES - MODELS 35ELECTRIC, 40ELECTRIC & 45ELECTRIC..... | 124 |
| FIGURE 5-3. MID LIFT CYLINDER ASSEMBLIES - MODELS 40ELECTRIC & 45ELECTRIC | 128 |
| FIGURE 5-4. LOWER LIFT CYLINDER ASSEMBLIES - MODELS 35ELECTRIC, 40ELECTRIC & 45ELECTRIC | 132 |
| FIGURE 5-5. MASTER CYLINDER ASSEMBLY - MODELS 35ELECTRIC, 40ELECTRIC & 45ELECTRIC..... | 136 |
| FIGURE 5-6. PLATFORM ROTATOR CYLINDER ASSEMBLY - MODELS 35ELECTRIC, 40ELECTRIC & 45ELECTRIC..... | 138 |
| FIGURE 5-7. SLAVE CYLINDER ASSEMBLY - MODELS 35ELECTRIC, 40ELECTRIC & 45ELECTRIC | 140 |
| FIGURE 5-8. STEER CYLINDER ASSEMBLIES..... | 142 |
| FIGURE 5-9. TELESCOPE CYLINDER ASSEMBLIES - MODELS 35ELECTRIC, 40ELECTRIC & 45ELECTRIC..... | 144 |
| FIGURE 5-10. CYLINDER BELLOWS INSTALLATION - MODEL 30ELECTRIC (OPTIONAL)..... | 146 |
| FIGURE 5-11. CYLINDER BELLOWS INSTALLATION - MODELS 35ELECTRIC, 40ELECTRIC & 45ELECTRIC (OPTIONAL) | 148 |
| SECTION 6 - HYDRAULICS..... | 151 |
| FIGURE 6-1. HYDRAULICS DIAGRAM LIST | 152 |
| FIGURE 6-2. HYDRAULIC DIAGRAM - 30ELECTRIC | 154 |
| FIGURE 6-3. HYDRAULIC DIAGRAM - 35ELECTRIC | 156 |
| FIGURE 6-4. HYDRAULIC DIAGRAM - 40ELECTRIC & 45ELECTRIC | 158 |
| SECTION 7 - ELECTRICAL..... | 161 |
| FIGURE 7-1. ELECTRICAL COMPONENTS AND DIAGRAMS LIST - 30ELECTRIC..... | 162 |
| FIGURE 7-2. ELECTRICAL COMPONENTS AND DIAGRAMS LIST - 35ELECTRIC/40ELECTRIC/45ELECTRIC..... | 164 |
| FIGURE 7-3. ELECTRICAL SCHEMATIC - 30ELECTRIC WITH COLORED WIRE (SHEET 1 OF 4) (Prior to SN 36544)..... | 168 |
| FIGURE 7-4. ELECTRICAL SCHEMATIC - 30ELECTRIC WITH NUMBERED COLORED WIRE (SHEET 1 OF 4) (SN 36544 to Present)..... | 172 |
| FIGURE 7-5. ELECTRICAL SCHEMATIC - 35ELECTRIC/40ELECTRIC/45ELECTRIC WITH COLORED WIRE (SHEET 1 OF 4) (Prior to SN 36648) | 176 |
| FIGURE 7-6. ELECTRICAL SCHEMATIC - 35ELECTRIC/40ELECTRIC/45ELECTRIC WITH NUMBERED COLORED WIRE (SHEET 1 OF 4) (SN 36648 to Present) | 180 |
| FIGURE 7-7. HARNESS COMPONENTS INSTALLATION | 184 |
| SECTION 8 - DECALS | 193 |
| FIGURE 8-1. DECALS INSTALLATION - 30ELECTRIC | 194 |
| FIGURE 8-2. DECALS INSTALLATION - 35ELECTRIC | 198 |
| FIGURE 8-3. DECALS INSTALLATION - 40ELECTRIC & 45ELECTRIC | 202 |
| SECTION 9 - RECOMMENDED SERVICE PARTS STOCK..... | 205 |
| FIGURE 9-1. 30/35/40/45 ELECTRIC LIFTS STANDARD PARTS..... | 206 |
| FIGURE 9-2. 30/35/40/45 ELECTRIC LIFTS VARIABLE PARTS..... | 208 |
| SECTION 10 - SPECIAL OPTIONS | 209 |
| FIGURE 10-1. SPECIAL OPTIONS | 210 |
| SECTION 11 - REAR COVER | 215 |
| FIGURE 11-1. REAR COVER..... | 216 |
| PART NUMBER INDEX..... | 217 |

SECTION 1 - FRAME

SECTION 1 - FRAME

FIGURE 1-1. FRAME AND STEERING INSTALLATION - MODEL 30ELECTRIC



SECTION 1 - FRAME

FIGURE 1-1. FRAME AND STEERING INSTALLATION - MODEL 30ELECTRIC

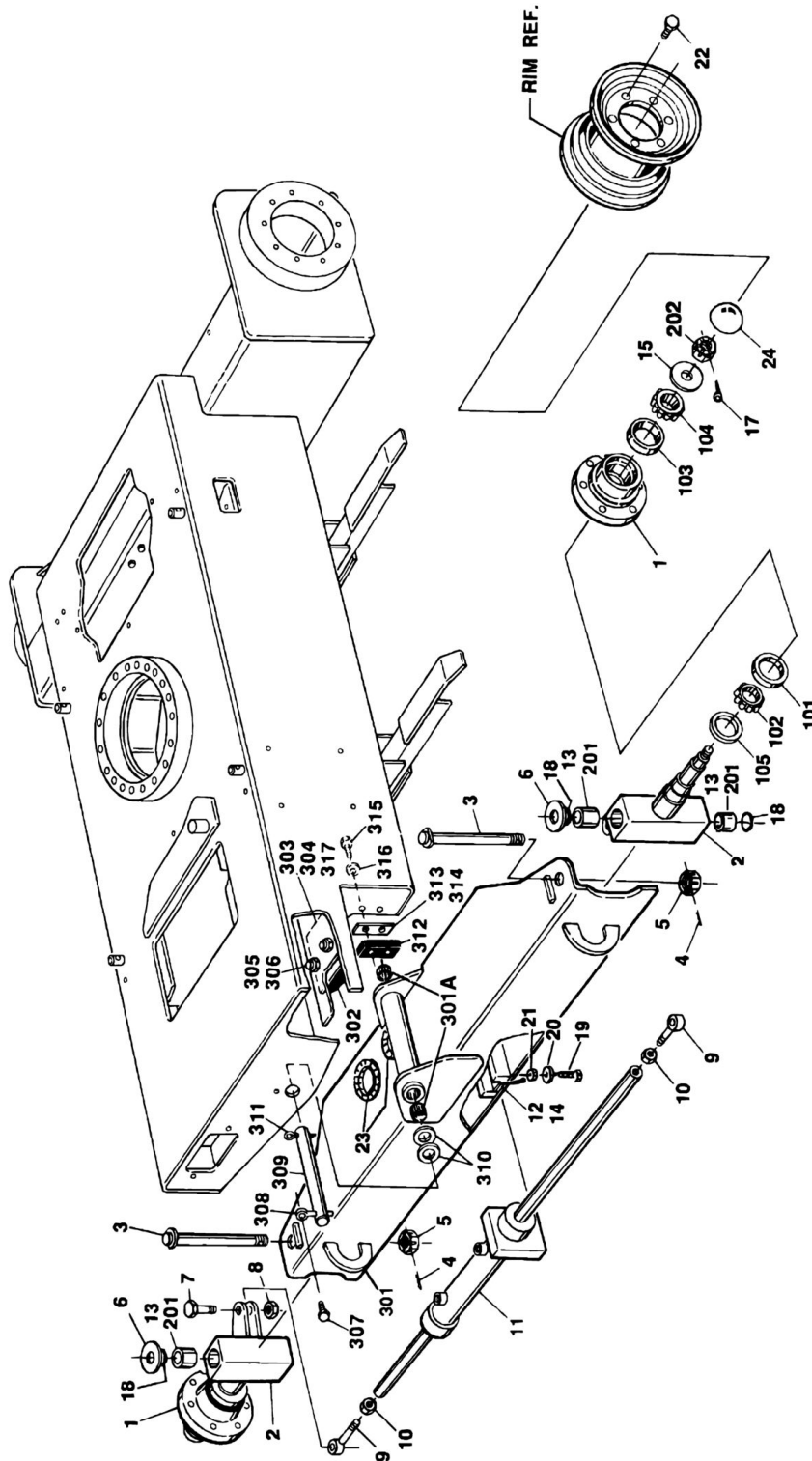
| ITEM | PART NUMBER | QTY | DESCRIPTION | REV |
|------|-------------|-----|--|-----|
| | | Ref | FRAME WELDMENT OPTIONS: | |
| | 2360378 | 1 | Frame Weldment | |
| | | Ref | STEERING AND SPINDLES INSTALLATION | |
| | 0252243 | Ref | Steering and Spindles Installation (Prior to SN 0300052767) | 8 |
| | 0270291 | Ref | Steering and Spindles Installation (SN 0300052767 to Present) | 2 |
| 1 | 1001139010 | 2 | Hub Assembly (Includes Items 101-107) (was p/n 2780186) | |
| | | Ref | Note: Original Equipment Hub p/n 2780186 uses Wheel Bolts. Service Replacement Hub p/n 1001139010 uses pressed in studs - Lugnuts p/n 3300255 must be ordered separately. | |
| 2 | 4130286 | 2 | Spindle Weldment (Includes Items 201-205) | |
| 3 | 3421988 | 2 | Kingpin | |
| 4 | 3450810 | 2 | Pin, Cotter 1/4in x 2 1/2in | |
| 5 | 3313003 | 2 | Nut, Slotted 1 1/4in - 7NC | |
| 6 | 0440162 | 2 | Washer, Thrust | |
| 7 | 0642016 | 2 | Bolt 5/8in-16NC x 2in | |
| 8 | 3312005 | 2 | Locknut 5/8in-16NC | |
| 9 | 3841146 | 2 | Rod-End | |
| 10 | 3322002 | 2 | Nut, Jam 5/8in-16NC | |
| 11 | | Ref | Steer Cylinder Assembly (See CYLINDER SECTION for Breakdown) | |
| 11 | 1682527 | 1 | Steer Cylinder Assembly (Prior to SN 37950) | |
| 11 | 1683695 | 1 | Steer Cylinder Assembly (SN 37950 to Present) | |
| 12 | 3340644 | 1 | Pad, Wear | |
| 13 | 0641510 | 2 | Bolt 5/16in-18NC x 1 1/4in | |
| 14 | 3311505 | 2 | Locknut 5/16in-18NC | |
| 15 | 4751500 | 4 | Flatwasher 5/16in | |
| 16 | 3020022 | AR | Grease | |
| 17 | 4070809 | AR | Shim | |
| 18 | 3780182 | 4 | O-Ring | |
| 19 | See Note | 10 | Bolt, Wheel (Note: Refer to Item 107) | |
| 20 | 0641608 | 2 | Bolt 3/8in-16NC x 1 (SN 0300052767 through 0300053809) | |
| 21 | 4740453 | 2 | Flatwasher 3/8 (SN 0300052767 through 0300053809) | |
| 22 | 0182002 | 1 | Angle (SN 0300052767 through 0300053809) | |
| 23 | 0182000 | 1 | Angle (SN 0300052767 through 0300053809) | |
| 24 | 0641514 | 2 | Bolt 5/16in-18NC x 1 3/4 (SN 0300052767 through 0300053809) | |
| 25 | 0100019 | AR | Loctite (Not Shown) (SN 0300052767 through 0300053809) | |
| 26 | 4711600 | 2 | Flatwasher 3/8in (Narrow) (SN 0300052767 through 0300053809) | |
| | 2780186 | Ref | HUB ASSEMBLY (ORIGINAL EQUIPMENT) | C |
| | 1001139010 | Ref | HUB ASSEMBLY (SERVICE REPLACEMENT) | A |
| | | Ref | Note: Original Equipment Hub p/n 2780186 uses Wheel Bolts. Service Replacement Hub p/n 1001139010 uses pressed in studs - Lugnuts p/n 3300255 must be ordered separately. | |
| 101 | 7012519 | 2 | Cup, Bearing - Inner (1 Per Hub) | |
| 102 | 7012520 | 2 | Cone, Bearing - Inner (1 Per Hub) | |
| 103 | 7012521 | 2 | Cup, Bearing - Outer (1 Per Hub) | |
| 104 | 7012522 | 2 | Cone, Bearing - Outer (1 Per Hub) | |
| 105 | 7012523 | 2 | Seal (1 Per Hub) | |
| 106 | 1001102354 | 2 | Cap, Dust (1 Per Hub) (was p/n 7012524) | |

SECTION 1 - FRAME

| ITEM | PART NUMBER | QTY | DESCRIPTION | REV |
|------|-------------|-----|--|-----|
| 107 | 0630016 | 10 | Bolt, Wheel (5 Per Hub) (was p/n 7012525) (Used on Original Equipment Hub p/n 2780186) | |
| 107 | 7016360 | 10 | Stud, Wheel (5 Per Hub) (Used on Service Replacement Hub p/n 1001139010) (Not Shown) | |
| 107 | 3300255 | 10 | Lugnut (5 Per Hub) (Used with Service Replacement Hub p/n 1001139010 - Must be purchased separately) (Not Shown) | |
| | 2900804 | 2 | Bearing and Seal Kit (Includes Qty 1 of Items 101-105) | |
| | 4130286 | Ref | SPINDLE WELDMENT | |
| 201 | 0961621 | 4 | Bushing, Bronze (2 Per Spindle) | |
| 203 | 7012542 | 2 | Washer (1 Per Spindle) | |
| 204 | 7012541 | 2 | Nut, Slotted (1 Per Spindle) | |
| 205 | 7012543 | 2 | Pin, Cotter (1 Per Spindle) | |

SECTION 1 - FRAME

FIGURE 1-2. FRAME AND STEERING INSTALLATIONS - MODELS 35ELECTRIC, 40ELECTRIC & 45ELECTRIC



SECTION 1 - FRAME

FIGURE 1-2. FRAME AND STEERING INSTALLATIONS - MODELS 35ELECTRIC, 40ELECTRIC & 45ELECTRIC

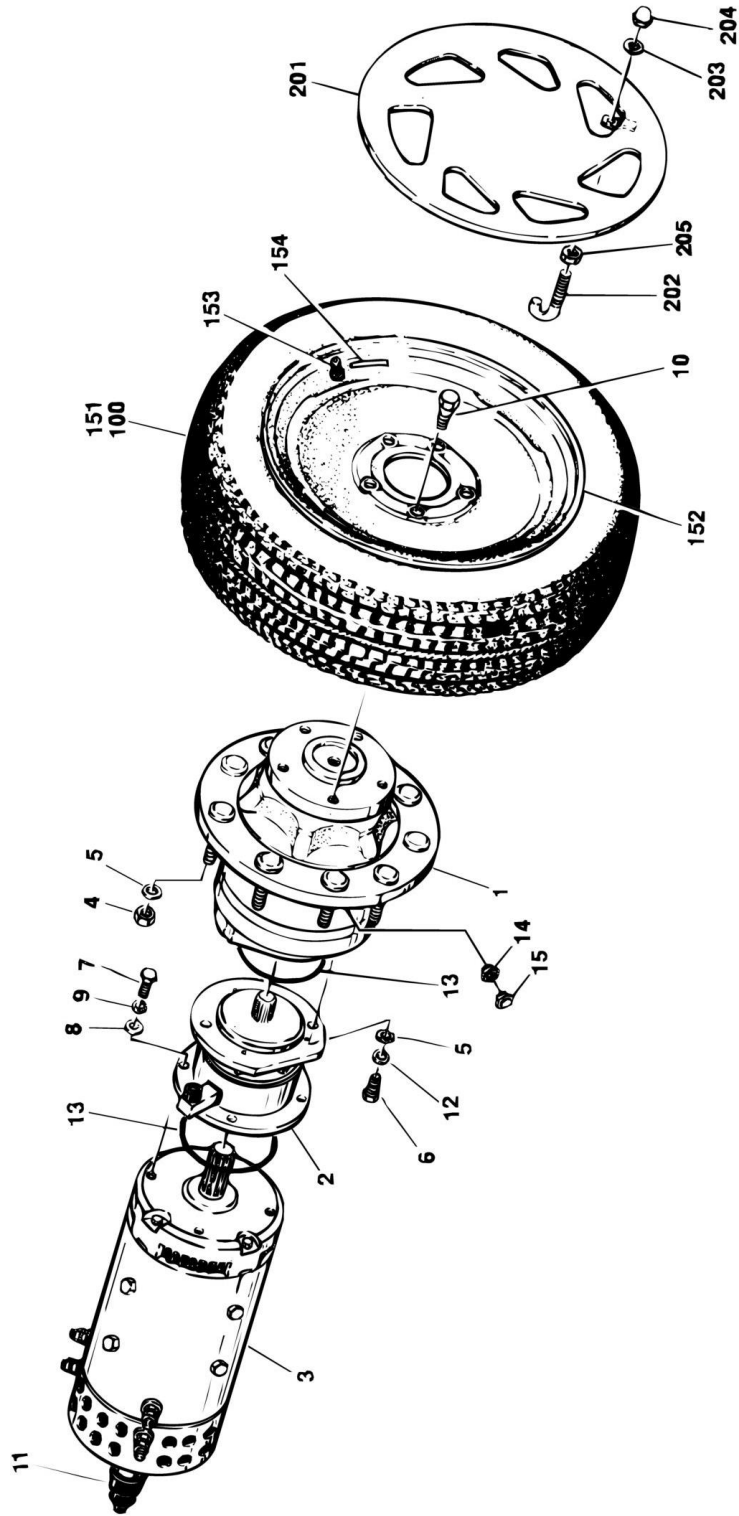
| ITEM | PART NUMBER | QTY | DESCRIPTION | REV |
|------|-------------|-----|---|-----|
| | | Ref | FRAME WELDMENT OPTIONS: | |
| | 2360371 | 1 | Model 35electric (Prior to SN 24526) | |
| | 2360405 | 1 | Model 35electric (SN 24526 to Present) | |
| | 2360375 | 1 | Model n35electric (Prior to SN 23550) | |
| | 2360404 | 1 | Model n35electric (SN 23550 to Present) | |
| | 2360372 | 1 | Model 40electric (Prior to SN 24233) | |
| | 2360406 | 1 | Model 40electric (SN 24233 to Present) | |
| | 2360373 | 1 | Model n40electric (Prior to SN 25492) | |
| | 2360407 | 1 | Model n40electric (SN 25492 to Present) | |
| | 2360379 | 1 | Model 45electric (Prior to SN 24324) | |
| | 2360408 | 1 | Model 45electric (SN 24324 to Present) | |
| | 9983829 | 2 | Lifting Lug Repair Plate (Right) (45electric) | |
| | 9983833 | 2 | Lifting Lug Repair Plate (Left) (45electric) | |
| | | Ref | STEERING AND SPINDLES INSTALLATIONS | |
| | 0253594 | Ref | Standard 35/40/45electric Prior to June 1994 | 8-G |
| | 0255011 | Ref | Standard 35/40/45electric June 1994 to Present | 4-C |
| | 0253594 | Ref | CSA 35/40/45electric | 8-G |
| | 0253735 | Ref | Standard n35/n40electric Prior to June 1994 | 7-F |
| | 0255012 | Ref | Standard n35/n40electric June 1994 to Present | 4-C |
| | 0253735 | Ref | CSA n35/n40electric | 7-F |
| 1 | 2780201 | 2 | Hub Assembly (See Items 101-107 for Breakdown) | |
| 2 | | Ref | Spindle Weldment Options (See Items 201-202 for Breakdown): | |
| 2 | 4130302 | 2 | Standard Machines Prior to June 1994 | |
| 2 | 4130319 | 2 | Standard Machines June 1994 to Present | |
| 2 | 4130302 | 2 | CSA Machines | |
| 3 | 3421988 | 2 | Kingpin | |
| 4 | 3450810 | 2 | Pin, Cotter 1/4in x 2 1/4in | |
| 5 | 3313003 | 2 | Nut, Slotted 1 1/4 -7NC | |
| 6 | 0440162 | 2 | Washer, Thrust | |
| 7 | 0642016 | 2 | Bolt 5/8in-11NC x 2in | |
| 8 | 3312005 | 2 | Locknut 5/8in-11NC | |
| 9 | 3841146 | 2 | End, Rod | |
| 10 | 3322002 | 2 | Nut, Jam 5/8in-18NF | |
| 11 | | Ref | Steer Cylinder Assembly (See CYLINDER SECTION for Breakdown): | |
| 11 | 1682527 | | Steer Cylinder Assembly 35/40/45electric (Prior to SN 37950) | |
| 11 | 1683695 | | Steer Cylinder Assembly 35/40/45electric (SN 37950 to Present) | |
| 11 | 1682893 | | Steer Cylinder Assembly n35/n40electric (Prior to SN 37950) | |
| 11 | 1683696 | | Steer Cylinder Assembly n35/n40electric (SN 37950 to Present) | |
| 12 | 3340644 | 1 | Pad, Wear | |
| 13 | 3020022 | AR | Grease | |
| 14 | 4070809 | AR | Shim | |
| 15 | 4712400 | 2 | Flatwasher 7/8in | |
| 17 | 3450506 | 2 | Pin, Cotter | |
| 18 | 3780182 | 4 | O-Ring | |
| 19 | 0641510 | 1 | Bolt 5/16in-18NC x 1 1/4in | |
| 20 | 4751500 | 1 | Flatwasher 5/16in | |

SECTION 1 - FRAME

| ITEM | PART NUMBER | QTY | DESCRIPTION | REV |
|------|-------------|-----------|---|-----|
| 21 | 3311505 | 1 | Locknut 5/16in-18NC | |
| 22 | 0630016 | 12 | Bolt, Wheel 1/2in-20NF x 1in | |
| 23 | 4060808 | 2 ft/.61m | Trim | |
| 24 | 1120457 | 2 | Cap, Dust | |
| | 2780201 | Ref | HUB ASSEMBLY | D |
| 101 | Kit | 2 | Cup, Bearing - Inner (1 Per Hub) | |
| 102 | Kit | 2 | Cone, Bearing - Inner (1 Per Hub) | |
| 103 | Kit | 2 | Cup, Bearing - Outer (1 Per Hub) | |
| 104 | Kit | 2 | Cone, Bearing - Outer (1 Per Hub) | |
| 105 | Kit | 2 | Seal (1 Per Hub) | |
| | 2900842 | 2 | BEARING KIT (INCLUDES QTY. 1 OF ITEM 101-105) | |
| | | Ref | SPINDLE ASSEMBLY | |
| 201 | 0961621 | 4 | Bushing (2 Per Spindle) | |
| 202 | 3322403 | 2 | Nut, Slotted 7/8in-14NF (1 Per Spindle) | |
| | | Ref | AXLE INSTALLATIONS | |
| | 0253613 | Ref | Axle Installations 35/40/45electric | D |
| | 0253734 | Ref | Axle Installations n35/n40electric | D |
| 301 | | Ref | Axle Weldment Options: | |
| 301 | 4844324 | 1 | Axle Weldment 35/40/45electric | |
| 301 | 4844369 | 1 | Axle Weldment n35/n40electric | |
| 301A | 0961621 | 2 | Bushing | |
| 302 | 0940048 | 2 | Bumper | |
| 303 | 4070832 | AR | Shim 1/2in-13mm | |
| 304 | 4070833 | AR | Shim 1/16in-1.6mm | |
| 305 | 0641814 | 4 | Bolt 1/2in-13NC x 1 3/4in | |
| 306 | 3311805 | 4 | Locknut 1/2in-13NC | |
| 307 | 0641608 | 1 | Bolt 3/8in-16NC x 1in | |
| 308 | 3841143 | 1 | Pin, Keeper | |
| 309 | 3422170 | 1 | Pin, Axle | |
| 310 | 4740247 | 2 | Washer, Thrust | |
| 311 | 3451210 | 1 | Pin, Cotter 3/8in x 2 1/2in | |
| 312 | 3340450 | 2 | Pad, Wear | |
| 313 | 4070834 | AR | Shim 1/4in-6.4mm | |
| 314 | 4070835 | AR | Shim 1/16in-1.6mm | |
| 315 | 0641610 | 4 | Bolt 3/8in-16NC x 1 1/4in | |
| 316 | 4751600 | 4 | Flatwasher 3/8in | |
| 317 | 4070853 | AR | Shim 1/32in-.8mm | |
| | 0100011 | AR | Loctite #242 (Not Shown) | |

SECTION 1 - FRAME

FIGURE 1-3. TIRE AND WHEEL DRIVE INSTALLATION



SECTION 1 - FRAME

FIGURE 1-3. TIRE AND WHEEL DRIVE INSTALLATION

| ITEM | PART NUMBER | QTY | DESCRIPTION | REV |
|------|-------------|-----|---|-----|
| | | Ref | WHEEL DRIVE INSTALLATIONS | |
| | 0254710 | Ref | Wheel Drive Installations 30electric U/L Models | 8 |
| | 0257551 | Ref | Wheel Drive Installations 30electric Non-U/L Models | 1 |
| | 0254485 | Ref | Wheel Drive Installations 35/40electric U/L Models | 8 |
| | 0257549 | Ref | Wheel Drive Installations 35/40electric Non-U/L Models | 1 |
| | 0254485 | Ref | Wheel Drive Installations n35/n40electric U/L Models Prior to October 1994 | 8 |
| | 0255111 | Ref | Wheel Drive Installations n35/n40electric U/L Models Oct 1994 to Present | 3 |
| | 0257548 | Ref | Wheel Drive Installations n35/n40electric Non-U/L Models | 1 |
| | 0254599 | Ref | Wheel Drive Installations 45electric U/L Models | 7 |
| | 0257550 | Ref | Wheel Drive Installations 45electric Non-U/L Models | 1 |
| 1 | | Ref | Drive Hub Assembly Options: | |
| 1 | 2780185 | 1 | Drive Hub Assembly 30electric (See DRIVE HUB ASSEMBLY - MODEL 30electric for Breakdown) | |
| 1 | 2780198 | 1 | Drive Hub Assembly 35/40/45electric (See DRIVE HUB ASSEMBLY - MODELS 35electric, 40electric, 45electric for Breakdown) | |
| 1 | 2780198 | 1 | Drive Hub Assembly n35/n40electric Non-U/L Models (See DRIVE HUB ASSEMBLY - MODELS 35electric, 40electric, 45electric for Breakdown) | |
| 1 | 2780198 | 1 | Drive Hub Assembly n35/n40electric U/L Models Prior to October 1994 (See DRIVE HUB ASSEMBLY - MODELS 35electric, 40electric, 45electric for Breakdown) | |
| 1 | 2780206 | 1 | Drive Hub Assembly n35/n40electric U/L Models October 1994 to Present (SeeDRIVE HUB ASSEMBLY - MODELS 35electric, 40electric, 45electric for Breakdown) | |
| 2 | 0920090 | 2 | Drive Brake Assy (See DRIVE BRAKE ASSEMBLY for Breakdown) | |
| 3 | 3160186 | 2 | Drive Motor Assembly | |
| 3 | 2900811 | 2 | Repair Kit (Includes All Bearings, Brushes, Springs and Wavy Washer (1 Per Motor) | |
| 3 | 7012546 | 2 | Field Coil Kit (1 Per Motor) | |
| 4 | 3321801 | 18 | Nut 1/2in-20NF | |
| 4 | 0100011 | AR | Loctite #242 | |
| 5 | 4711800 | 22 | Flatwasher 1/2in Narrow | |
| 6 | 0641811 | 4 | Bolt 1/2in-13NC | |
| 7 | 0641608 | 8 | Bolt 3/8in-16NC x 1in | |
| 8 | 4711600 | 8 | Flatwasher 3/16in Narrow | |
| 9 | 4761600 | 8 | Lockwasher 3/16in | |
| 10 | 0630016 | Ref | Bolt, Wheel | |
| 10 | 0630016 | 10 | Bolt, Wheel 30electric | |
| 10 | 0630016 | 12 | Bolt, Wheel 35/40/45electric | |
| 11 | 3990053 | 1 | Sensor, Tach Drive | |
| 11 | 7012609 | 1 | Boot, Rubber | |
| 12 | 4761800 | 4 | Lockwasher 1/2in | |
| 13 | 3790240 | 2 | O-Ring | |
| 14 | 2220273 | 2 | Fitting, Reducer (SN 32280 to Present) | |
| 15 | 2180819 | 2 | Vent, Breather (SN 32280 to Present) | |
| | | Ref | TIRE AND WHEEL INSTALLATION OPTIONS - MODEL 30electric | |
| | 0252349 | Ref | Tire and Wheel Assembly (ST205/75R16 Pneumatic) | |
| | 0253347 | Ref | Tire and Wheel Assembly (26x7x20 Non-Marking) | |

SECTION 1 - FRAME

| ITEM | PART NUMBER | QTY | DESCRIPTION | REV |
|------|-------------|-----|---|-----|
| 100 | 0252352 | 4 | Tire and Wheel Assembly (ST205/75R16 Pneumatic) (Includes Items 151-154) | |
| 100 | 0252431 | 4 | Tire and Wheel Assembly (ST205/75R16 Foam-Filled) (Sold as an Assembly Only) | |
| 100 | 4520151 | 4 | Tire and Wheel Assembly (26x7x20 Non-Marking) (Sold as an Assembly Only) | |
| | | Ref | TIRE AND WHEEL INSTALLATION OPTIONS - MODEL 35electric, 40electric & 45electric | |
| | 0256835 | Ref | Tire and Wheel Assy (G78-15 Pneumatic/6in Rim) | |
| | 0254484 | Ref | Tire and Wheel Assy (LT215/85R16 Pneumatic/8in Rim) | |
| | 0256837 | Ref | Tire and Wheel Assy (G78-15 Foam-Filled/6in Rim) | |
| | 0254866 | Ref | Tire and Wheel Assy (LT215/85R16 Foam-Filled/8in Rim) | |
| | 0254120 | Ref | Tire and Wheel Assy (22x6x16 Solid) | |
| | 0254874 | Ref | Tire and Wheel Assy (6.50x16 Solid Non-Marking) | |
| | 0254121 | Ref | Tire and Wheel Assy (22x6x16 Solid Non-Marking) | |
| 100 | 0256834 | 4 | Tire and Wheel Assy (G78-15 Pneumatic/6in Rim) (Includes Items 151-154) (Models 35electric & 40electric) | |
| 100 | 0256640 | 4 | Tire and Wheel Assy (G78-15 Pneumatic/8in Rim) (Includes Items 151-154) (Models 35electric & 40electric) | |
| 100 | 0254481 | 3 | Tire and Wheel Assy (LT215/85R16 Pneumatic/8in Rim) (Includes Items 151-154) (Models 35electric & 45electric) | |
| 100 | 0253439 | 4 | Tire and Wheel Assy (ST225/75R15 Pneumatic/8in Rim) (Includes Items 151-154)(Models 35electric & 40electric) | |
| 100 | 0256836 | 4 | Tire and Wheel Assy (G78-15 Foam-Filled/6in Rim) (Models 35electric & 40electric) | |
| 100 | 0256642 | 4 | Tire and Wheel Assy (G78-15 Foam-Filled/8in Rim) (Models 35electric & 40electric) | |
| 100 | 0254865 | 2 | Tire and Wheel Assy (LT215/85R16 Foam-Filled/8in Rim) (Models 35electric & 45electric) | |
| 100 | 0253784 | 4 | Tire and Wheel Assy (ST225/75R15 Foam-Filled/8in Rim) (Models 35electric, 40electric & 45electric) | |
| 100 | 4520154 | 4 | Tire and Wheel Assy (22x6x16 Solid) (Models 35electric & 40electric) | |
| 100 | 4520155 | 4 | Tire and Wheel Assy (22x6x16 Solid Non-Marking) (Models 35electric & 40electric) | |
| 100 | 4520159 | 4 | Tire and Wheel Assy (6.50x16 Solid Non-Marking) (Models 35electric, 40electric & 45electric) | |
| 100 | 4520198 | | Tire and Wheel Assy (7.50x15 Solid Static Conductive) (Model 45electric) | |
| | | Ref | Note: Assemblies may require ballast/foam filling to manufacturer's specifications prior to installing on a machine. Refer to Operation and Safety or Service & Maintenance Manuals. Purchase individual tire and/or rim only if able to foam fill tire and wheel assembly, otherwise, purchase complete assembly. | |
| | 0256834 | Ref | TIRE AND WHEEL ASSEMBLY (G78-15 PNEUMATIC/6IN RIM) (MODELS 35ELECTRIC & 40ELECTRIC) | - |
| | 0256640 | Ref | TIRE AND WHEEL ASSEMBLY (G78-15 PNEUMATIC/8IN RIM) (MODELS 35ELECTRIC & 40ELECTRIC) | A |
| | 0254481 | Ref | TIRE AND WHEEL ASSEMBLY (LT215/85R16 PNEUMATIC/6IN RIM) (MODELS 35electric & 45electric) | B |
| | 0253439 | Ref | TIRE AND WHEEL ASSEMBLY (ST225/75R16 PNEUMATIC/8IN RIM) (MODELS 35electric & 40electric) | B |
| | 0252352 | Ref | TIRE AND WHEEL ASSEMBLY (ST205/75R16 PNEUMATIC/6IN RIM) (MODEL 30electric) | B |
| 151 | | Ref | Tire (1 Per Assembly) Options: | |
| 151 | 4520184 | 4 | G78-15 Pneumatic/6in Rim | |

SECTION 1 - FRAME

| ITEM | PART NUMBER | QTY | DESCRIPTION | REV |
|------|-------------|-----|---|-----|
| 151 | 4520184 | 4 | G78-15 Pneumatic/8in Rim | |
| 151 | 4520265 | 4 | LT215/85R16 Pneumatic/6in Rim (p/n was 4520156) | |
| 151 | 4520148 | 4 | ST225/75R16 Pneumatic/8in Rim | |
| 151 | 4520139 | 4 | ST205/75R16 Pneumatic/6in Rim | |
| 152 | | Ref | Rim (1 Per Assembly) Options: | |
| 152 | 4860169 | 4 | G78-15 Pneumatic/6in Rim | |
| 152 | 4860137 | 4 | G78-15 Pneumatic/8in Rim | |
| 152 | 4860142 | 4 | LT215/85R16 Pneumatic/6in Rim | |
| 152 | 4860137 | 4 | ST225/75R16 Pneumatic/8in Rim | |
| 152 | 4860136 | 4 | ST205/75R16 Pneumatic/6in Rim | |
| 153 | 4640392 | 4 | Stem, Valve | |
| 154 | | Ref | Decal - Tire Pressure (1 Per Assembly) Options: | |
| 154 | 1701812 | 4 | G78-15 Pneumatic/6in Rim | |
| 154 | 1701812 | 4 | G78-15 Pneumatic/8in Rim | |
| 154 | 1702275 | 4 | LT215/85R16 Pneumatic/6in Rim (Prior to September 1995) | |
| 154 | 1702740 | 4 | LT215/85R16 Pneumatic/6in Rim (September 1995 to Present) | |
| 154 | 1701812 | 4 | ST225/75R16 Pneumatic/8in Rim | |
| 154 | 1701643 | 4 | ST205/75R16 Pneumatic/6in Rim | |
| | | Ref | Note: Assemblies may require ballast/foam filling to manufacturer's specifications prior to installing on a machine. Refer to Operation and Safety or Service and Maintenance Manuals. | |
| | | Ref | Purchase individual tire and/or rim only if able to foam fill tire and wheel assembly, otherwise, purchase complete assembly. | |
| | | Ref | HUB CAP INSTALLATION (OPTIONAL) | |
| | 0252754 | Ref | Use on Model 30electric | B |
| | 0253864 | Ref | Use on Model 35electric/40electric with 8in Rim/Pneumatic and 8in Rim/Foam-Filled Tires. use on Model 45electric with 8in Rim/Foam-Filled Tires. | B |
| | 0254590 | Ref | Use on Models 35electric & 45electric with 8in Rim /Pneumatic Tires. | C |
| | 0256832 | Ref | Use on Model 35electric/40electric/45electric with 6in Rims | - |
| | 0254155 | Ref | Use on Model 35electric & 40electric with Solid Tires | B |
| 201 | | Ref | Hubcap Options: | |
| 201 | 1670633 | 4 | Hubcap Model 30electric | |
| 201 | 1670633 | 4 | Hubcap Model 35electric/ 40electric with 8in Rim/Pneumatic and 8in Rim/ Foam-Filled Tires. use on Model 45electric with 8in Rim/ Foam-Filled Tires. | |
| 201 | 1670810 | 4 | Hubcap Models 35electric & 45electric with 8in Rim /Pneumatic Tires. | |
| 201 | 1670808 | 4 | Hubcap Model 35electric/ 40electric/ 45electric with 6in Rims | |
| 201 | 1670692 | 4 | Hubcap Model 35electric & 40electric with Solid Tires | |
| 202 | | Ref | Bolt Options: | |
| 202 | 0630455 | 8 | J-Bolt 5/16in-18NC - Model 30electric | |
| 202 | 0630465 | 8 | J-Bolt 5/16in-18NC - Model 35electric/40electric with 8in Rim/ Pneumatic and 8in Rim/Foam-Filled Tires. use on Model 45electric with 8in Rim/Foam-Filled Tires. | |
| 202 | 0641510 | 8 | Bolt 5/16in-18NC x 1 1/4in - Models 35electric & 45electric with 8in Rim /Pneumatic Tires. | |
| 202 | 0630513 | 8 | J-Bolt 5/16in-18NC - Model 35electric/40electric/45electric with 6in Rims | |
| 202 | 0641518 | 8 | Bolt 5/16in-18NC x 2 1/4in - Model 35electric & 40electric with Solid Tires | |
| 203 | 4761500 | 8 | Lockwasher 5/16in | |

SECTION 1 - FRAME

| ITEM | PART NUMBER | QTY | DESCRIPTION | REV |
|------|--------------|-----|--|-----|
| 204 | | Ref | Nut, Acorn 5/16in-18NC Options: | |
| 204 | 3300356 | 8 | Nut, Acorn 5/16in-18NC Model 30electric | |
| 204 | 3300356 | 8 | Nut, Acorn 5/16in-18NC Model 35electric/ 40electric with 8in Rim/ Pneumatic and 8in Rim/ Foam-Filled Tires. use on Model 45electric with 8in Rim/ Foam-Filled Tires. | |
| 204 | Not Required | 0 | Nut, Acorn 5/16in-18NC Models 35electric & 45electric with 8in Rim /Pneumatic Tires. | |
| 204 | 3300356 | 8 | Nut, Acorn 5/16in-18NC Model 35electric/ 40electric/ 45electric with 6in Rims | |
| 204 | Not Required | 0 | Nut, Acorn 5/16in-18NC Model 35electric & 40electric with Solid Tires | |
| 205 | | Ref | Nut 5/16in-18NC Options: | |
| 205 | 3311501 | 8 | Nut 5/16in-18NC Model 30electric | |
| 205 | 3311501 | 8 | Nut 5/16in-18NC Model 35electric/ 40electric with 8in Rim/ Pneumatic and 8in Rim/ Foam-Filled Tires. use on Model 45electric with 8in Rim/ Foam-Filled Tires. | |
| 205 | Not Required | 0 | Nut 5/16in-18NC Models 35electric & 45electric with 8in Rim /Pneumatic Tires. | |
| 205 | 3311501 | 8 | Nut 5/16in-18NC Model 35electric/ 40electric/ 45electric with 6in Rims | |
| 205 | Not Required | 0 | Nut 5/16in-18NC Model 35electric & 40electric with Solid Tires | |

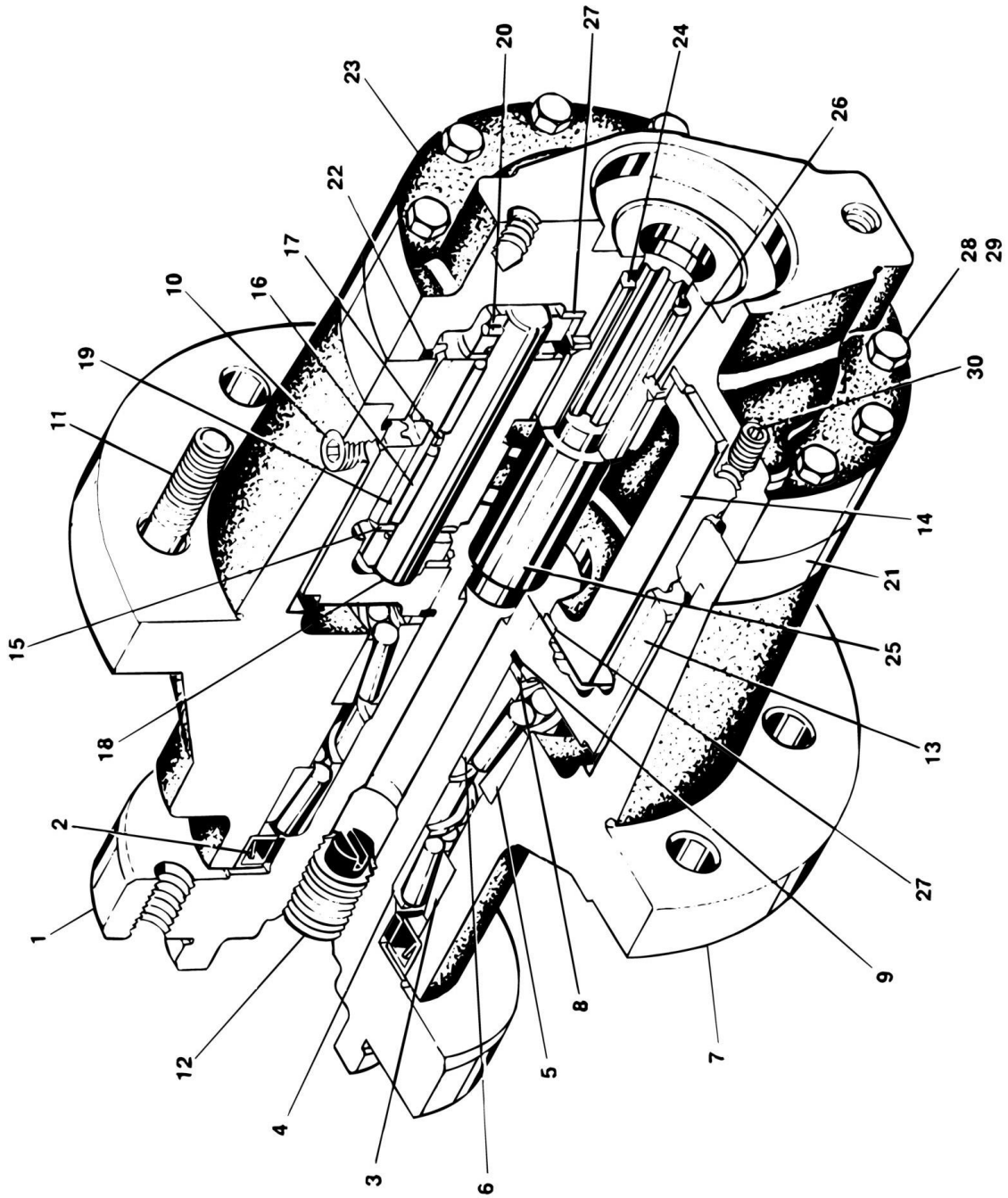
SECTION 1 - FRAME

FIGURE 1-4. DRIVE BRAKE ASSEMBLY

| ITEM | PART NUMBER | QTY | DESCRIPTION | REV |
|------|---------------|-----|---|-----|
| | 0920090 | Ref | DRIVE BRAKE ASSEMBLY | B |
| 1 | 7012552 | 1 | Magnet and Coil Assembly | |
| 2 | 7012582 | 1 | Armature | |
| 3 | 7012554 | 1 | Shaft | |
| 4 | Not Available | 1 | Plate, Mounting | |
| 5 | Kit | 3 | Plate, Friction (Solid) | |
| 7 | Kit | 2 | Plate, Outer | |
| 8 | 7012692 | 3 | Spacer | |
| 9 | 7014116 | 3 | Bolt, Metric Socket Head | |
| 10 | Kit | 8 | Spring, Compression | |
| 11 | 7026609 | 1 | Bearing, Ball | |
| 12 | 7014129 | 1 | Ring, Retainer (External) | |
| 13 | 7014130 | 1 | Ring, Retainer (Internal) | |
| 14 | 7012689 | 3 | Manual Release Assembly | |
| 19 | 3790240 | 1 | O-Ring | |
| 20 | 7012691 | AR | Shim | |
| 21 | 7012580 | 1 | Connector, Electrical | |
| 21 | 7014127 | 1 | Plug, Base | |
| 22 | 3790225 | 1 | O-Ring (January 1995 to Present) | |
| 23 | 7014128 | 1 | Seal (SN 50521 to Present) | |
| | 7012583 | 1 | Repair Kit (Includes Items 5, 7, 10, 11 & 22) | |

SECTION 1 - FRAME

FIGURE 1-5. DRIVE HUB ASSEMBLY - MODEL 30ELECTRIC



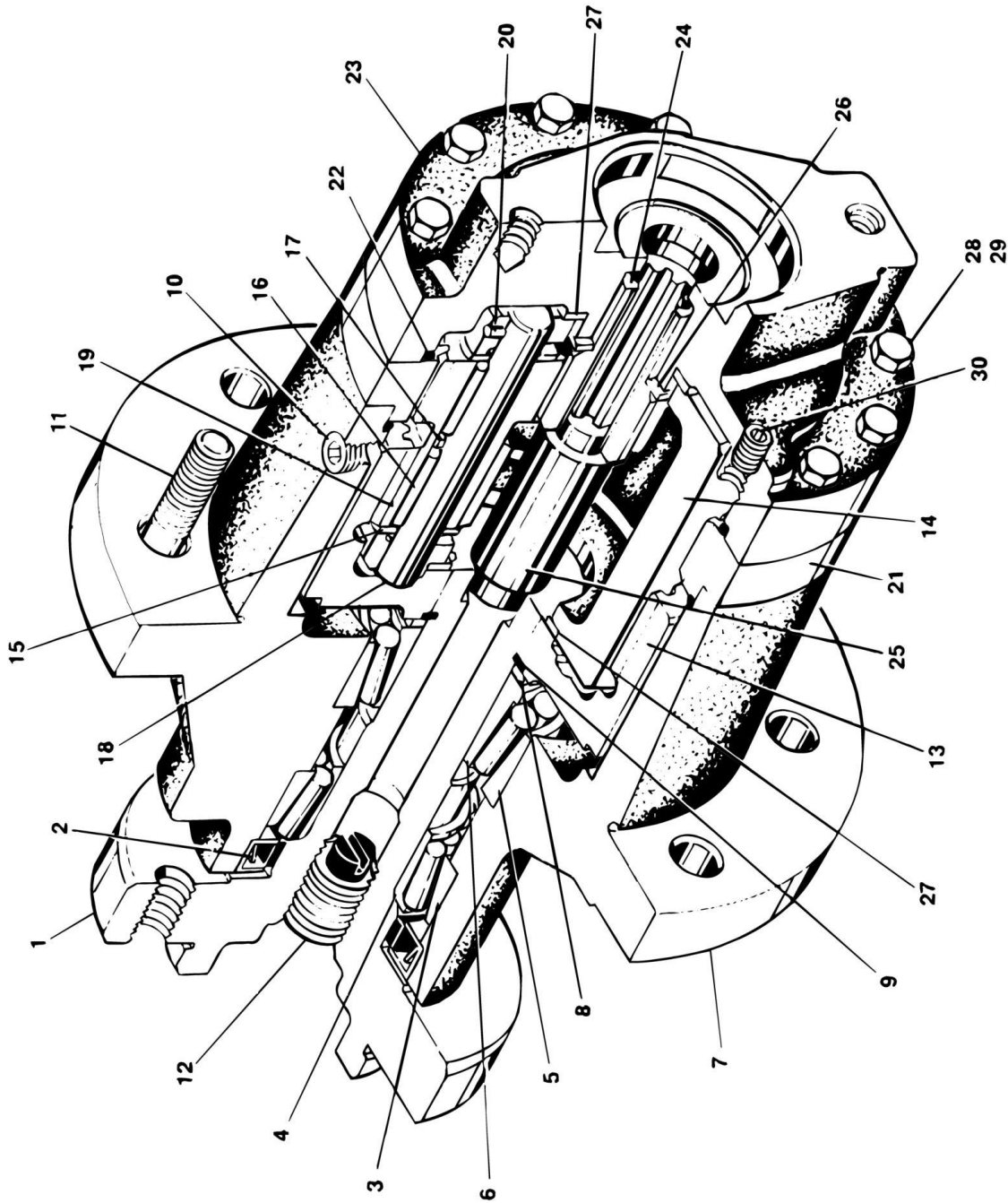
SECTION 1 - FRAME

FIGURE 1-5. DRIVE HUB ASSEMBLY - MODEL 30ELECTRIC

| ITEM | PART NUMBER | QTY | DESCRIPTION | REV |
|------|-------------|-----|--|-----|
| | 2780185 | Ref | DRIVE HUB ASSEMBLY - MODEL 30electric | B |
| | | Ref | Hub-Shaft Assembly | |
| 1 | 7010463 | 1 | Spindle | |
| 2 | 7000228 | 1 | Seal, Lip (Part of Seal Kit p/n 2900034) | |
| 3 | 7000255 | 1 | Cup, Bearing (Outer) | |
| 4 | 7000256 | 1 | Cone, Bearing (Outer) | |
| 5 | 7000257 | 1 | Cup, Bearing (Inner) | |
| 6 | 7000258 | 1 | Cone, Bearing (Inner) | |
| 7 | 7000259 | 1 | Housing | |
| 8 | 7000232 | 1 | Thrustwasher (Part of Seal Kit p/n 2900034) | |
| 9 | 7000229 | 1 | Ring, Retaining (Part of Seal Kit p/n 2900034) | |
| 10 | 7000242 | 2 | Plug, Pipe - 1/4in NPTF | |
| 11 | 7000241 | 9 | Stud, Wheel 1/2in-20NF | |
| 12 | 7001952 | 1 | Plug, Pipe 3/4in NPTF | |
| 13 | 7000246 | 1 | Gear, Internal | |
| | | Ref | Carrier Assembly | |
| 14 | 7001931 | 1 | Carrier | |
| 15 | 7001985 | 6 | Thrustwasher, Tanged | |
| 16 | 7001909 | 96 | Bearing, Needle | |
| 17 | 7000263 | 3 | Spacer, Thrust | |
| 18 | 7001911 | 3 | Shaft, Planet | |
| 19 | 7001912 | 3 | Gear, Cluster | |
| 20 | 7001913 | 3 | Rollpin | |
| 21 | 7000248 | 1 | Gear, Ring | |
| 22 | 7000230 | 2 | O-Ring (Part of Seal Kit p/n 2900034) | |
| 23 | 7000209 | 1 | Cover, Input | |
| 24 | 7010461 | 1 | Gear, Sun | |
| 25 | 7000269 | 1 | Spacer, Input | |
| 26 | 7000270 | 1 | Thrustwasher | |
| 27 | 7000253 | 2 | Thrustwasher | |
| 28 | 7000217 | 8 | Bolt, Hex | |
| 29 | 7000214 | 4 | Bolt, Shoulder | |
| 30 | 7000242 | 1 | Plug, Pipe 1/4in NPTF | |
| | 2900034 | 1 | Seal Kit (Includes Items 2, 8, 9 & 22) | |

SECTION 1 - FRAME

FIGURE 1-6. DRIVE HUB ASSEMBLY - MODELS 35ELECTRIC, 40ELECTRIC, 45ELECTRIC



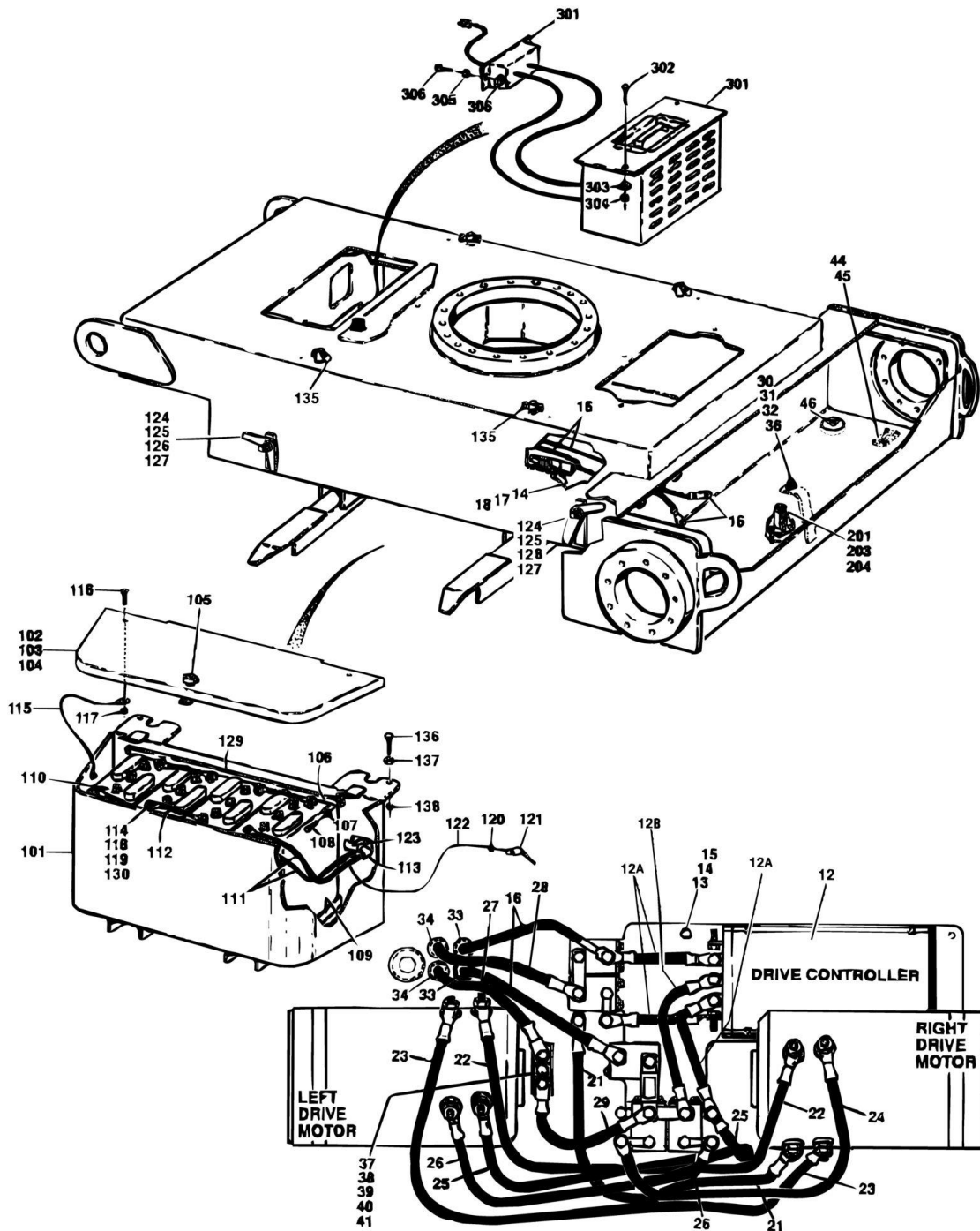
SECTION 1 - FRAME

FIGURE 1-6. DRIVE HUB ASSEMBLY - MODELS 35ELECTRIC, 40ELECTRIC, 45ELECTRIC

| ITEM | PART NUMBER | QTY | DESCRIPTION | REV |
|------|-------------|-----|---|-----|
| | 2780198 | Ref | DRIVE HUB ASSEMBLY - MODEL 35ELECTRIC, 40ELECTRIC & 45ELECTRIC | B |
| | 2780198 | Ref | DRIVE HUB ASSEMBLY - MODEL N35ELECTRIC & N40 ELECTRIC BUILT PRIOR TO OCTOBER 1994 | B |
| | 2780206 | Ref | DRIVE HUB ASSEMBLY - MODEL N35ELECTRIC & N40ELECTRIC BUILT OCTOBER 1994 TO PRESENT | - |
| | | Ref | Hub-Shaft Assembly | |
| 1 | 7010486 | 1 | Spindle | |
| 2 | 7000228 | 1 | Seal, Lip (Part of Seal Kit) | |
| 3 | 7000255 | 1 | Cup, Bearing (Outer) | |
| 4 | 7000256 | 1 | Cone, Bearing (Outer) | |
| 5 | 7000257 | 1 | Cup, Bearing (Inner) | |
| 6 | 7000258 | 1 | Cone, Bearing (Inner) | |
| 7 | 7000259 | 1 | Housing | |
| 8 | 7000232 | 1 | Thrustwasher (Part of Seal Kit) | |
| 9 | 7000229 | 1 | Ring, Retaining (Part of Seal Kit) | |
| 10 | 7000242 | 2 | Plug, Pipe - 1/4in NPTF | |
| 11 | 7000241 | 9 | Stud, Wheel 1/2in-20NF | |
| 12 | 7001952 | 1 | Plug, Pipe 3/4in NPTF | |
| 13 | 7000246 | 1 | Gear, Internal (2780198) | |
| 13 | 7010491 | 1 | Gear, Internal (2780206) | |
| | | Ref | Carrier Assembly | |
| 14 | 7010481 | 1 | Carrier (2780198) | |
| 14 | 7010489 | 1 | Carrier (2780206) | |
| 15 | 7001985 | 6 | Washer, Tanged Thrust | |
| 16 | 7001909 | 96 | Bearing, Needle | |
| 17 | 7000263 | 3 | Spacer, Thrust | |
| 18 | 7010483 | 3 | Shaft, Planet | |
| 19 | 7010484 | 3 | Gear, Cluster (2780198) | |
| 19 | 7010490 | 3 | Gear, Cluster (2780206) | |
| 20 | 7010474 | 3 | Rollpin | |
| 21 | 7000248 | 1 | Gear, Ring | |
| 22 | 7000230 | 2 | O-Ring (Part of Seal Kit) | |
| 23 | 7000209 | 1 | Cover, Input | |
| 24 | 7010482 | 1 | Gear, Sun | |
| 25 | 7010485 | 1 | Spacer, Input | |
| 26 | 7007642 | 1 | Thrustwasher | |
| 27 | 7000253 | 2 | Thrustwasher (Part of Seal Kit) | |
| 28 | 7001923 | 8 | Bolt, Hex (2780198) | |
| 28 | 7000217 | 8 | Bolt, Hex (2780206) | |
| 29 | 7000214 | 4 | Bolt, Shoulder | |
| 30 | 7000242 | 1 | Plug, Pipe 1/4in NPTF | |
| | 2900034 | 1 | Seal Kit (Includes Items 2, 8, 9 & 22) | |
| | 2900661 | 1 | Seal Kit (Includes Items 2, 9, 22 & 27) | |

SECTION 1 - FRAME

FIGURE 1-7. ELECTRICAL COMPONENTS INSTALLATION (FRAME MOUNTED)



SECTION 1 - FRAME

FIGURE 1-7. ELECTRICAL COMPONENTS INSTALLATION (FRAME MOUNTED)

| ITEM | PART NUMBER | QTY | DESCRIPTION | REV |
|------|-------------|-----|--|-----|
| | | Ref | DRIVE CONTACTOR INSTALLATIONS | |
| | 0254710 | Ref | Drive Contactor Installations 30electric U/L | 8 |
| | 0257551 | Ref | Drive Contactor Installations 30electric Non-U/L | 1 |
| | 0254485 | Ref | Drive Contactor Installations 35/40electric U/L | 8 |
| | 0257549 | Ref | Drive Contactor Installations 35/40electric Non-U/L | 1 |
| | 0254485 | Ref | Drive Contactor Installations n35/n40electric U/L Prior to October 1994 | 8 |
| | 0255111 | Ref | Drive Contactor Installations n35/n40electric U/L Oct 1994 to Present | 3 |
| | 0257548 | Ref | Drive Contactor Installations n35/n40electric Non-U/L | 1 |
| | 0254599 | Ref | Drive Contactor Installations 45electric U/L | 7 |
| | 0257550 | Ref | Drive Contactor Installations 45electric Non-U/L | 1 |
| 12 | | Ref | Contactor Plate Assembly Options (See ELECTRICAL SECTION for Breakdown of Additional Components) | |
| 12 | 0254549 | 1 | Contactor Plate Assembly 30e/35e/n35e/40e/n40e | |
| 12 | 0254597 | 1 | Contactor Plate Assembly 45e | |
| 12A | 70003552 | 3 | Cable, Electrical (8.5in/21.5cm) | |
| 12B | 70003553 | 1 | Cable, Electrical (10in/25.4cm) | |
| 13 | 0641408 | 3 | Bolt 1/4in-20NC x 1in | |
| 14 | 4711400 | 7 | Flatwasher 1/4in | |
| 15 | 4761400 | 3 | Lockwasher 1/4in | |
| 16 | 1060404 | 1 | Cable Assembly | |
| 17 | 0641416 | 4 | Bolt 1/4in-20NC x 2in | |
| 18 | 3311405 | 4 | Locknut 1/4in-20NC | |
| 21 | 1060464 | 1 | Cable - 37in/94cm Length | |
| 22 | 1060465 | 1 | Cable - 42in/106.7cm Length | |
| 23 | 1060466 | 1 | Cable - 44in/111.8cm Length | |
| 24 | 1060467 | 1 | Cable - 27in/68.6cm Length | |
| 25 | 1060468 | 1 | Cable - 33in/83.8cm Length | |
| 26 | 1060469 | 1 | Cable - 29in/73.7cm Length | |
| 27 | 1060535 | 1 | Cable - 36in/91.4cm Length | |
| 28 | 1060435 | 1 | Cable - 48in/122cm Length | |
| 29 | 1060534 | 1 | Cable - 12in/30.5cm Length | |
| 30 | 0641508 | 1 | Bolt 5/16in-18NC x 1in | |
| 31 | 3311505 | 1 | Locknut 5/16in-18NC | |
| 32 | 4751500 | 2 | Flatwasher 5/16in | |
| 33 | 2540020 | 2 | Grommet | |
| 34 | 2540019 | 2 | Grommet | |
| 35 | 0840027 | 2 | Cover, Battery Terminal (Not Shown - Located on Motor) | |
| 36 | 4240084 | 1 | Strap, Static | |
| 37 | 2400045 | 1 | Fuse | |
| 38 | 2400044 | 1 | Fuseholder | |
| 39 | 0741008 | 2 | Screw #10-24NC x 1in | |
| 40 | 4751000 | 2 | Flatwasher #10 | |
| 41 | 3311005 | 2 | Locknut #10-24NC | |
| 43 | 2540023 | 1 | Grommet (30electric Non U/L Machines Only) | |
| 44 | 3538157 | 2 | Plate, Drain | |
| 45 | 0791004 | 8 | Screw, Lock #110-24NC x 1/2in | |
| 46 | 1670835 | 4 | Cover, Drain (U/L Machines) | |
| | | Ref | BATTERY BOX INSTALLATIONS | |

SECTION 1 - FRAME

| ITEM | PART NUMBER | QTY | DESCRIPTION | REV |
|------|-------------|-----|--|-----|
| | | Ref | Note: See SPECIAL OPTIONS SECTION for Gel-Cell Batteries | |
| | 0254499 | Ref | Battery Box Installations 30electric U/L with Wet Batteries | 7 |
| | 0257556 | Ref | Battery Box Installations 30electric Non U/L with Wet Batteries | 2 |
| | 0256123 | Ref | Battery Box Installations 30electric U/L with Dry Batteries | - |
| | 0254483 | Ref | Battery Box Installations 35electric U/L with Wet Batteries (Prior to SN 0300024526) | 6 |
| | 0256121 | Ref | Battery Box Installations 35electric U/L with Wet Batteries (SN 0300024526 to Present) | 9 |
| | 0257557 | Ref | Battery Box Installations 35electric Non U/L with Wet Batteries | 3 |
| | 0256125 | Ref | Battery Box Installations 35electric U/L with Dry Batteries (Prior to SN 0300024526) | 2 |
| | 0254483 | Ref | Battery Box Installations n35electric U/L with Wet Batteries (Prior to SN 0300023550) | 6 |
| | 0256121 | Ref | Battery Box Installations n35electric U/L with Wet Batteries (SN 0300023550 to Present) | 9 |
| | 0257557 | Ref | Battery Box Installations n35electric Non U/L with Wet Batteries | 2 |
| | 0256125 | Ref | Battery Box Installations n35electric U/L with Dry Batteries | 2 |
| | 0254276 | Ref | Battery Box Installations 40electric U/L with Wet Batteries (Prior to SN 0300024233) | H |
| | 0256530 | Ref | Battery Box Installations 40electric U/L with Wet Batteries (SN 0300024233 to Present) | 6 |
| | 0257558 | Ref | Battery Box Installations 40electric Non U/L with Wet Batteries | 2 |
| | 0256124 | Ref | Battery Box Installations 40electric U/L with Dry Batteries (Prior to SN 0300050377) | A |
| | 0270258 | Ref | Battery Box Installations 40electric U/L with Dry Batteries (SN 0300050377 to Present) | 1 |
| | 0254276 | Ref | Battery Box Installations n40electric U/L with Wet Batteries (Prior to SN 0300025492) | H |
| | 0257558 | Ref | Battery Box Installations n40electric Non U/L with Wet Batteries | 1 |
| | 0256530 | Ref | Battery Box Installations n40electric U/L with Wet Batteries (SN 0300025492 to Present) | 6 |
| | 0256124 | Ref | Battery Box Installations n40electric U/L with Dry Batteries (Prior to SN 0300050377) | 2 |
| | 0270258 | Ref | Battery Box Installations n40electric U/L with Dry Batteries (SN 0300050377 to Present) | 1 |
| | 0254276 | Ref | Battery Box Installations 45electric U/L with Wet Batteries (Prior to SN 0300024324) | H |
| | 0256530 | Ref | Battery Box Installations 45electric U/L with Wet Batteries (SN 0300024324 to Present) | 6 |
| | 0257558 | Ref | Battery Box Installations 45electric Non U/L with Wet Batteries | 1 |
| | 0256124 | Ref | Battery Box Installations 45electric U/L with Dry Batteries (Prior to SN 0300050377) | A |
| | 0270258 | Ref | Battery Box Installations 45electric U/L with Dry Batteries (SN 0300050377 to Present) | 1 |
| 101 | | Ref | Battery Box Weldment Options: | |
| 101 | 4844689 | 1 | Battery Box Weldment 30electric | |
| 101 | 4844632 | 1 | Battery Box Weldment 35electric (Prior to SN 0300024526) | |
| 101 | 4845262 | 1 | Battery Box Weldment 35electric (SN 0300024526 to Present) | |
| 101 | 4844632 | 1 | Battery Box Weldment n35electric (Prior to SN 0300023550) | |
| 101 | 4845262 | 1 | Battery Box Weldment n35electric (SN 0300023550 to Present) | |

SECTION 1 - FRAME

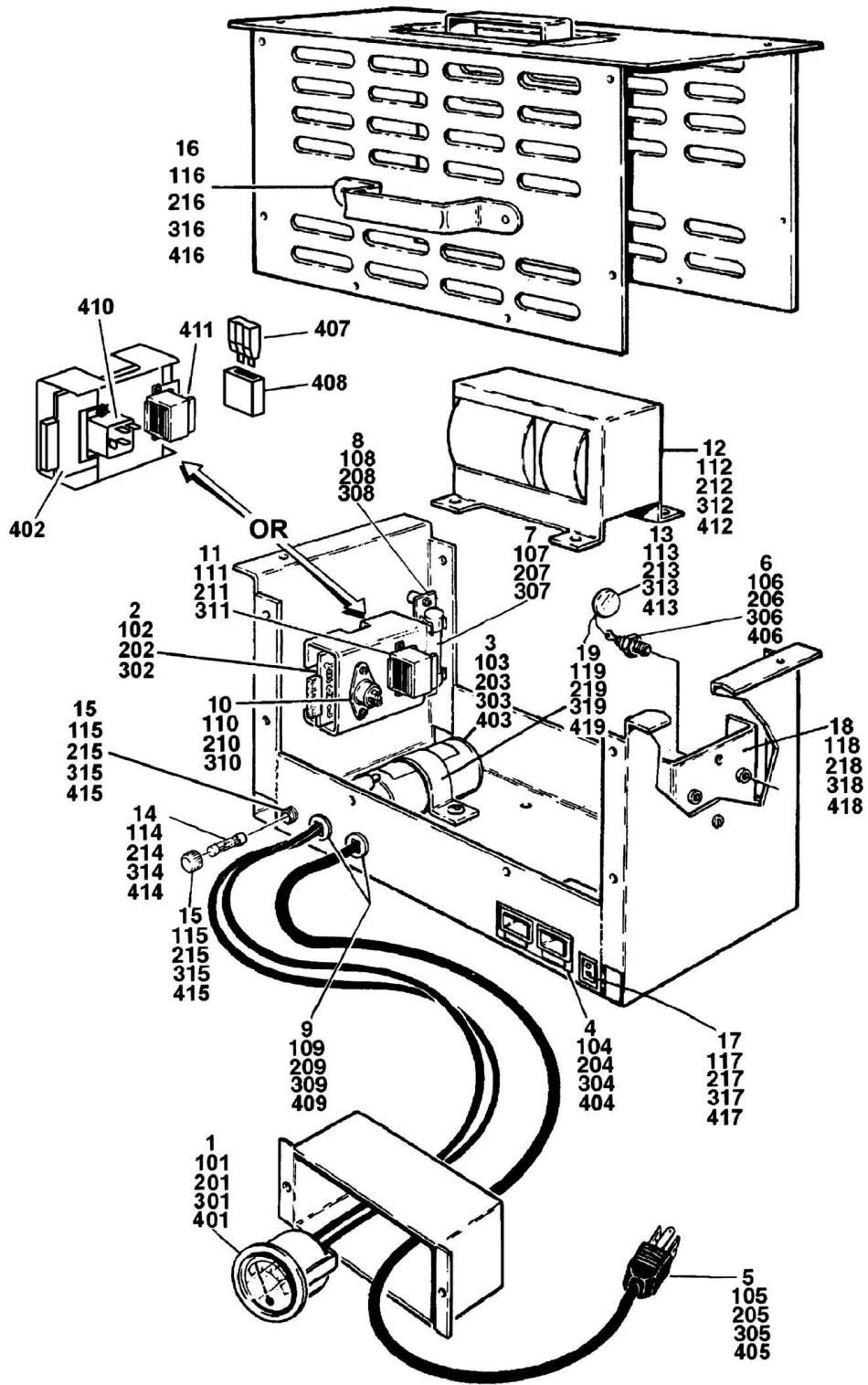
| ITEM | PART NUMBER | QTY | DESCRIPTION | REV |
|------|-------------|-----|---|-----|
| 101 | 4844424 | 1 | Battery Box Weldment 40electric (Prior to SN 0300024233) | |
| 101 | 4845343 | 1 | Battery Box Weldment 40electric (SN 0300024233 to Present) | |
| 101 | 4844424 | 1 | Battery Box Weldment n40electric (Prior to SN 0300025492) | |
| 101 | 4845343 | 1 | Battery Box Weldment n40electric (SN 0300025492 to Present) | |
| 101 | 4844424 | 1 | Battery Box Weldment 45electric (Prior to SN 0300024324) | |
| 101 | 4845343 | 1 | Battery Box Weldment 45electric (SN 0300024324 to Present) | |
| 102 | 1670696 | 2 | Cover, Battery Box | |
| 103 | 2820063 | 2 | Insulator, Cover (U/L Machines Only) | |
| 104 | 0100065 | AR | Adhesive (U/L Machines Only) | |
| 105 | 2940073 | 2 | Latch | |
| 106 | 4565640 | 2 | Tube | |
| 107 | | Ref | Hardware Options: | |
| 107 | 3300029 | 4 | Wingnut 3/8in-16NC (Not Shown) (30electric) | |
| 107 | 4711500 | 8 | Flatwasher 5/16in Thin (35electric/40electric/45electric) | |
| 108 | | Ref | Hardware Options: | |
| 108 | 0630453 | 4 | Bolt (30electric) | |
| 108 | 0641512 | 4 | Bolt (35electric/40electric/45electric) | |
| 109 | | Ref | Liner, Box Options: | |
| 109 | 3000003 | 2 | Liner, Box 30electric/40electric/45electric | |
| 109 | 3000004 | 2 | Liner, Box 35electric (Prior to SN 0300044788) | |
| 109 | 3000003 | 2 | Liner, Box 35electric (SN 0300044788 to Present) | |
| 110 | | Ref | Battery Options: | |
| 110 | 0400069 | 8 | Wet (30electric) | |
| 110 | 0400112 | 8 | Dry (30electric) | |
| 110 | 0400121 | 8 | Wet (35electric) | |
| 110 | 0400136 | 8 | Dry (35electric) | |
| 110 | 0400055 | 8 | Wet (40electric/45electric) | |
| 110 | 0400107 | 8 | Dry (40electric/45electric) | |
| 111 | 1060405 | 2 | Cable, Battery | |
| 112 | 1060092 | 6 | Cable, Battery | |
| 113 | 0100048 | AR | Silicon Compound | |
| 114 | 0100051 | AR | Grease, Terminal | |
| 115 | 1060492 | 4 | Lanyard | |
| 116 | 0630407 | 8 | Screw, Button Head 1/4in x 5/8in | |
| 117 | 3311405 | 8 | Locknut 1/4in-20NC | |
| 118 | 0840031 | 12 | Boot, Terminal - "d" shape | |
| 119 | 0840032 | 4 | Boot, Terminal - "b" shape | |
| 120 | | Ref | Hardware Options:Grommet | |
| 120 | 2540016 | 2 | Grommet (U/L Machines) | |
| 120 | 3520054 | 2 | Plug (Non U/L Machines) | |
| 121 | 3760170 | 2 | Ring | |
| 122 | 1060491 | 2 | Cable, Lanyard | |
| 123 | 1320172 | 2 | Handle, Pull | |
| 124 | 4300107 | 4 | Stud 1/2in-16NC x 2in | |
| 125 | 4751800 | 8 | Flatwasher 1/2in | |
| 126 | 2940093 | 2 | Latch (Left Hand) (35electric SN 0300024526 to Present/n35electric SN 0300023550 to Present/40electric SN 0300024233 to Present/n40electric SN 0300025492 to Present/45electric SN 0300024324 to Present) | |
| 127 | 3311805 | 4 | Locknut 1/2in-13NC | |

SECTION 1 - FRAME

| ITEM | PART NUMBER | QTY | DESCRIPTION | REV |
|------|--------------|-----|---|-----|
| 128 | 2940094 | 2 | Latch (Right Hand) (35electric SN 0300024526 to Present/n35electric SN 0300023550 to Present/40electric SN 0300024233 to Present/n40electric SN 0300025492 to Present/45electric SN 0300024324 to Present) | |
| 129 | | Ref | Insulator Options: | |
| 129 | Not Required | 0 | Non U/L Machines | |
| 129 | 2820065 | 4 | Insulator 30electricU/L | |
| 129 | 2820066 | 4 | Insulator 35electric U/L | |
| 129 | 2820067 | 4 | Insulator 40electric/45electric U/L | |
| 130 | 4761500 | 16 | Lockwasher 5/16in | |
| 135 | 3421799 | 4 | Pin, Quick Release (30electric/35electric Prior to SN 0300024526/n35electric Prior to SN 0300023550/40electric Prior to SN 0300024233/n40electric Prior to SN 0300025492/45electric Prior to SN 0300024324) | |
| 136 | 0641612 | 4 | Bolt 3/8in-16NC x 1 1/2in | |
| 137 | 4751600 | 8 | Flatwasher 3/8in | |
| 138 | 3311605 | 4 | Locknut 3/8in-16NC | |
| | 0254603 | Ref | TILT INDICATOR INSTALLATION | - |
| 201 | 4360371 | 1 | Sensor, Level | |
| 201 | 7012608 | 1 | Fuse 1.5 Amp (Black Version) | |
| 201 | Not Required | 0 | Fuse (Blue and Orange Version) | |
| 203 | 0641406 | 2 | Bolt 1/4in-20NC x 3/4in | |
| 204 | 3311405 | 2 | Locknut 1/4in-20NC | |
| | | Ref | BATTERY CHARGER INSTALLATIONS | |
| | | Ref | Note: See SPECIAL OPTIONS SECTION for Gel-Cell Battery Chargers and Connections | |
| | 0254801 | Ref | 110V/60HZ UL USA/CSA/LATIN AMERICA SPECS | A |
| | 0257564 | Ref | 110V/60Hz Non-UL USA/CSA/Latin America Spec | 2 |
| | 0257479 | Ref | 220V/60Hz UL USA/CSA/Latin America/Brazil Specs | 2 |
| | 0255743 | Ref | 220V/50Hz UL Latin America Spec | 2 |
| | 0253241 | Ref | 100V/50-60Hz Non-UL Japanese Spec | 5 |
| 301 | | Ref | Battery Charger Assembly Options (See BATTERY CHARGER ASSEMBLY for Breakdown) | |
| 301 | 0400124 | | 110V/60Hz U/L USA/CSA/Latin America Specs | |
| 301 | 0400162 | | 110V/60Hz Non-U/L USA/CSA/Latin America Specs | |
| 301 | 0400158 | | 220V/60Hz U/L USA/CSA/Latin America Specs | |
| 301 | 0400137 | | 220V/50Hz U/L USA/CSA/Latin America Specs | |
| 301 | 0400135 | | 100V/60Hz Non-U/L Japanese Spec | |
| 302 | 0641408 | 2 | Bolt 1/4in-20NC x 1in | |
| 303 | 4711400 | 2 | Flatwasher 1/4in Narrow | |
| 304 | 3311405 | 2 | Locknut 1/4in-20NC | |
| 305 | 4761400 | 2 | Lockwasher 1/4in | |
| 306 | 0641408 | 2 | Bolt 1/4in-20NC x 1in | |
| 307 | | Ref | Instructions Decal Options (Not Shown): | |
| 307 | 1701695 | 1 | 110V English Language | |
| 307 | 1702352 | 1 | 220V English Language | |
| 307 | 1702950 | 1 | 110V Spanish Language | |
| 307 | 1702949 | 1 | 220V Spanish Language | |
| 308 | 3300181 | 2 | Nut, Retainer 1/4in-20NC | |

SECTION 1 - FRAME

FIGURE 1-8. BATTERY CHARGER ASSEMBLY



SECTION 1 - FRAME

FIGURE 1-8. BATTERY CHARGER ASSEMBLY

| ITEM | PART NUMBER | QTY | DESCRIPTION | REV |
|------|---------------|-----|--|-----|
| | | Ref | Note: Battery charger serial number nameplate located on right side of charger. First line is the charger spec and date code. Prior to mid-February 1996 Example: BA515 (Spec) AP (Date Code). | |
| | | Ref | First letter in the date code indicates month (A - January/ B - February/C- March/etc. With exception of letter "I" which is not used). Second letter indicates year (N-1992/O-1993/P-1994/S-1995/T-1996 etc.). | |
| | | Ref | After mid-February 1996 Example: BA515 (Spec) 9631 (Date Code). First and second digits in the date code indicate year. Third and fourth digits indicate the week of manufacture. | |
| | 0400124 | Ref | BATTERY CHARGER ASSEMBLY (PRODUCTION) - 110V/60HZ U/L USA/CSA/LATIN AMERICA SPECS | - |
| | | Ref | Note: This Charger Was Used During Production and Uses A Triac. Service Replacement Chargers Use A Relay. See Items 401-420 For Chargers Containing A Relay. | |
| 1 | 7011573 | 1 | Ammeter | |
| 2 | | Ref | Circuit Board Options: | |
| 2 | 7011662 | 1 | Prior to January 1995 (Was p/n 7011629) | |
| 2 | 7011662 | 1 | January 1995 to Present | |
| 3 | 7018500 | 1 | Condenser (Was p/n 7011574) | |
| 4 | 7011590 | 1 | Connector, DC | |
| 5 | 7011643 | 1 | Cord, AC | |
| 6 | 7011576 | 2 | Diode | |
| 7 | 7011593 | 1 | Fuse, DC - 45 Amp | |
| 8 | 7011594 | 1 | Holder, Fuse - DC | |
| 9 | 7011646 | 2 | Relief, Strain (AC Cord) | |
| 9 | 7011528 | 1 | Relief, Strain (DC Cord) | |
| 10 | 7011517 | 1 | Triac | |
| 11 | 7011518 | 1 | Transformer, Control | |
| 12 | 7011595 | 1 | Transformer, Main | |
| 13 | 7011584 | 1 | Varistor | |
| 14 | 7011645 | 1 | Fuse, AC - 25 Amp | |
| 15 | 7011507 | 1 | Holder, Fuse - AC | |
| 16 | Not Available | 2 | Handle | |
| 17 | 7011621 | 1 | Connector, Enable Switch | |
| 18 | 7011610 | 1 | Heatsink | |
| 19 | 7011511 | 1 | Strap, Condenser | |
| | 0400162 | Ref | BATTERY CHARGER ASSEMBLY-110V/60HZ NON-UL USA/CSA/LATIN AMERICA SPECS | A |
| 101 | 7011573 | 1 | Ammeter | |
| 102 | 7011662 | 1 | Board, Circuit | |
| 103 | 7020624 | 1 | Condenser (Was p/n 7011574) | |
| 104 | 7011590 | 1 | Connector, DC | |
| 105 | 7011591 | 1 | Cord, AC | |
| 106 | 7011668 | 2 | Diode | |
| 107 | 7011593 | 1 | Fuse, DC - 45 Amp | |
| 108 | 7011594 | 1 | Holder, Fuse - DC | |
| 109 | 7011646 | 2 | Relief, Strain (AC Cord) | |
| 109 | 7011528 | 1 | Relief, Strain (DC Cord) | |
| 110 | 7018572 | 1 | Triac | |
| 111 | 7011518 | 1 | Transformer, Control | |

SECTION 1 - FRAME

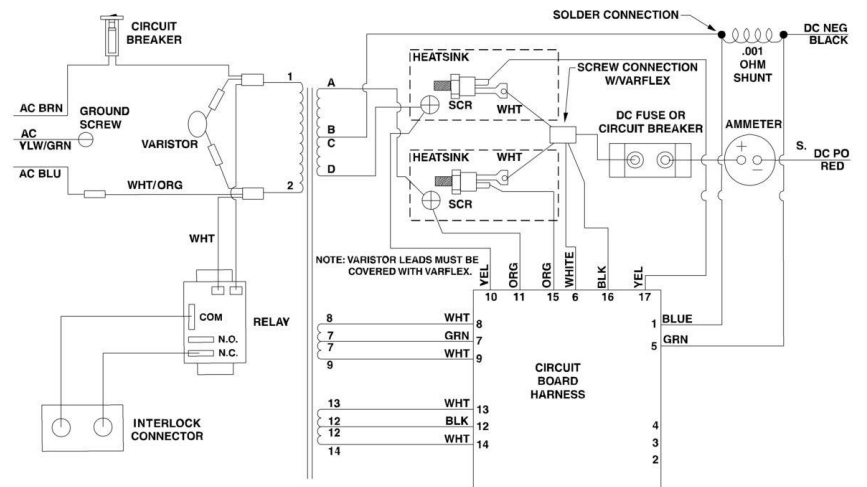
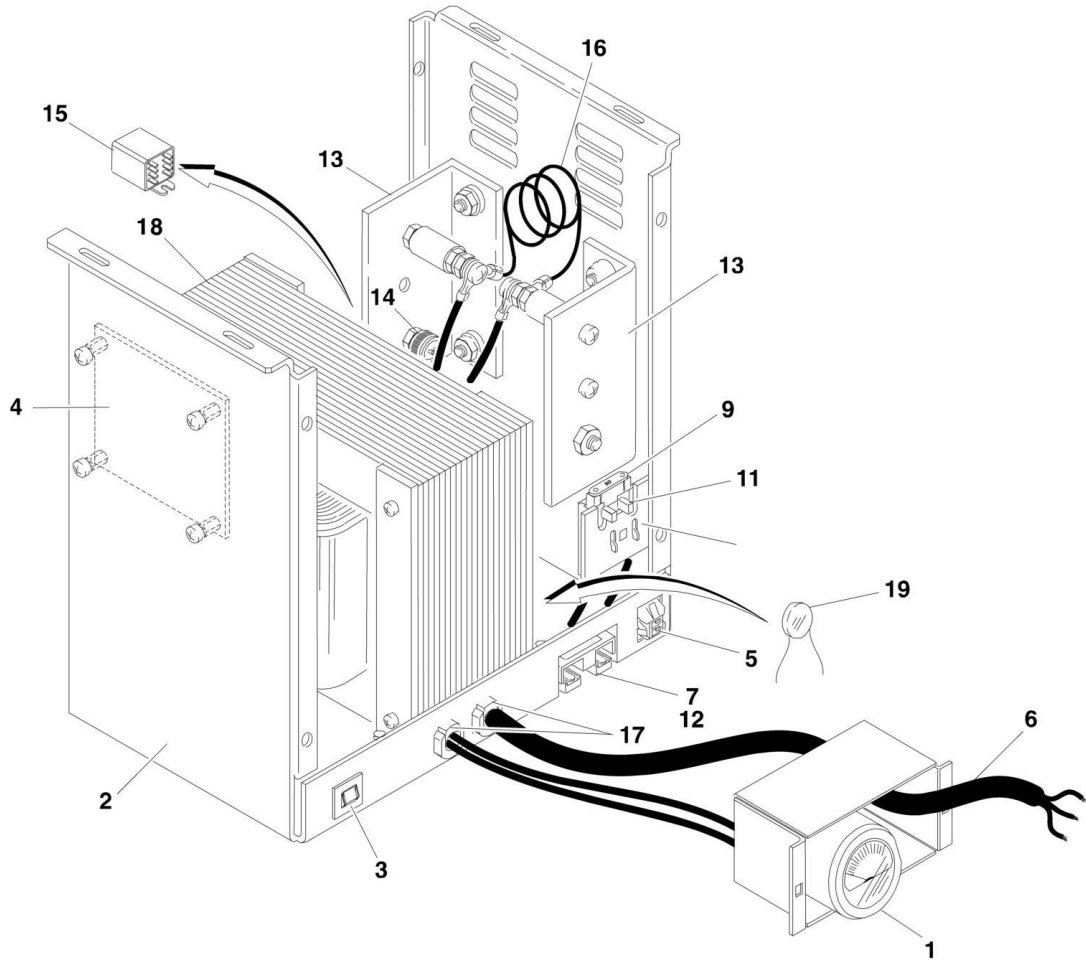
| ITEM | PART NUMBER | QTY | DESCRIPTION | REV |
|------|---------------|-----|--|-----|
| 112 | 7018574 | 1 | Transformer, Main | |
| 113 | 7011584 | 1 | Varistor | |
| 114 | 7011645 | 1 | Fuse, AC - 25 Amp | |
| 115 | 7011507 | 1 | Holder, Fuse - AC | |
| 116 | Not Available | 2 | Handle | |
| 117 | 7011621 | 1 | Connector, Enable Switch | |
| 118 | 7018539 | 1 | Heatsink | |
| 119 | 7011511 | 1 | Strap, Condenser | |
| | 0400158 | Ref | BATTERY CHARGER ASSEMBLY 220V/60HZ ULUSA/CSA/LATIN AMERICA/BRAZIL SPECS | B |
| 201 | 7011573 | 1 | Ammeter | |
| 202 | 7018538 | 1 | Board, Circuit | |
| 203 | 7020624 | 1 | Condenser (Was p/n 7011574) | |
| 204 | 7011590 | 1 | Connector, DC | |
| 205 | 7011677 | 1 | Cord, AC | |
| 206 | 7011668 | 2 | Diode | |
| 207 | 7018570 | 1 | Fuse, DC - 80 Amp | |
| 208 | 7018571 | 1 | Holder, Fuse - DC | |
| 209 | 7011646 | 2 | Relief, Strain (AC Cord) | |
| 209 | 7011528 | 1 | Relief, Strain (DC Cord) | |
| 210 | 7018572 | 1 | Triac | |
| 211 | 7011551 | 1 | Transformer, Control | |
| 212 | 7018573 | 1 | Transformer, Main | |
| 213 | 7011584 | 1 | Varistor | |
| 214 | 7018569 | 1 | Fuse, AC - 15 Amp | |
| 215 | 7011507 | 1 | Holder, Fuse - AC | |
| 216 | Not Available | 2 | Handle | |
| 217 | 7011621 | 1 | Connector, Enable Switch | |
| 218 | 7018539 | 1 | Heatsink | |
| 219 | 7011511 | 1 | Strap, Condenser | |
| | 0400137 | Ref | BATTERY CHARGER ASSEMBLY 220V/50HZ UL LATIN AMERICA/BRAZIL SPEC (Note: Complete Charger No Longer Available For Replacement Use Charger p/n 0400198. See BATTERY CHARGER ASSEMBLY - 220V/50HZ UL (SERVICE REPLACEMENT - LATIN AMERICA/BRAZIL SPEC) for Service Parts Breakdown of Charger p/n 0400198.) | B |
| 301 | 7011573 | 1 | Ammeter | |
| 302 | 7018538 | 1 | Board, Circuit | |
| 303 | 7011574 | 1 | Condenser | |
| 304 | 7011590 | 1 | Connector, DC | |
| 305 | | Ref | Cord, AC Options: | |
| 305 | 7011572 | 1 | Prior to Date Code 9906 | |
| 305 | 7011674 | 1 | Date Code 9907 to Present | |
| 306 | 7011576 | 2 | Diode | |
| 307 | 7011593 | 1 | Fuse, DC - 80 Amp | |
| 308 | 7011594 | 1 | Holder, Fuse - DC | |
| 309 | 7011646 | 2 | Relief, Strain (AC Cord) | |
| 309 | 7011528 | 1 | Relief, Strain (DC Cord) | |
| 310 | 7011517 | 1 | Triac | |
| 311 | 7011551 | 1 | Transformer, Control | |
| 312 | 7011598 | 1 | Transformer, Main | |
| 313 | 7011584 | 1 | Varistor | |
| 314 | 7011508 | 1 | Fuse, AC - 15 Amp | |

SECTION 1 - FRAME

| ITEM | PART NUMBER | QTY | DESCRIPTION | REV |
|------|---------------|-----|--|-----|
| 315 | 7011507 | 1 | Holder, Fuse - AC | |
| 316 | Not Available | 2 | Handle | |
| 317 | 7011621 | 1 | Connector, Enable Switch | |
| 318 | 7018539 | 1 | Heatsink | |
| 319 | 7011511 | 1 | Strap, Condenser | |
| | 0400124 | Ref | BATTERY CHARGER ASSEMBLY (SERVICE REPLACEMENT) - 110V/60HZ U/L USA/CSA/LATIN AMERICA SPECS (Note: This Charger Is Used For Service Replacement And Uses a Relay. Production Chargers Used a Triac. See Items 1-19 For Chargers Containing a Triac.) | - |
| 401 | 7011573 | 1 | Ammeter | |
| 402 | 7022961 | 1 | Board, Circuit | |
| 403 | 7020624 | 1 | Condenser | |
| 404 | 7011590 | 1 | Connector, DC | |
| 405 | 7022962 | 1 | Cord, AC | |
| 406 | 7011668 | 1 | Diode | |
| 407 | 7020691 | 1 | Fuse, DC | |
| 408 | 7018571 | 1 | Holder, Fuse - DC | |
| 409 | 7011646 | 2 | Relief, Strain (AC Cord) | |
| 409 | 7020659 | 1 | Relief, Strain (DC Cord) | |
| 410 | 7018506 | 1 | Relay | |
| 411 | 7011518 | 1 | Transformer, Control | |
| 412 | 7022963 | 1 | Transformer, Main | |
| 413 | 7011596 | 1 | Varistor | |
| 414 | 7011645 | 1 | Fuse, AC | |
| 415 | 7011507 | 1 | Holder, Fuse - AC | |
| 416 | Not Available | 2 | Handle | |
| 417 | 7011621 | 1 | Connector, Enable Switch | |
| 418 | 7018539 | 1 | Heatsink | |
| 419 | 7011511 | 1 | Strap, Condenser | |
| 420 | 7020687 | 1 | Harness, Relay (Not Shown) | |

SECTION 1 - FRAME

FIGURE 1-9. BATTERY CHARGER ASSEMBLY - 220V/50HZ UL (SERVICE REPLACEMENT - LATIN AMERICA/BRAZIL SPEC)



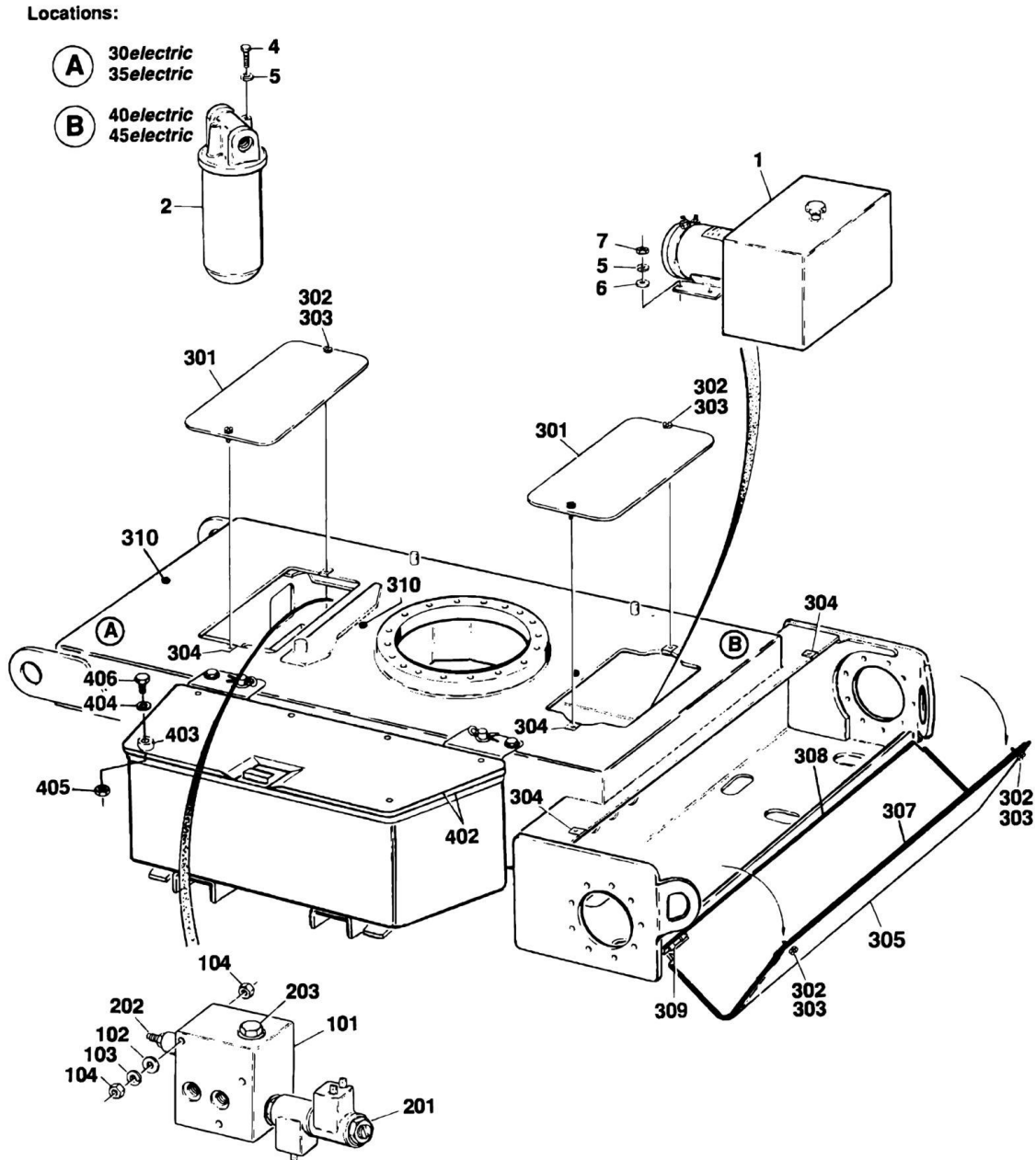
SECTION 1 - FRAME

FIGURE 1-9. BATTERY CHARGER ASSEMBLY - 220V/50HZ UL (SERVICE REPLACEMENT - LATIN AMERICA/BRAZIL SPEC)

| ITEM | PART NUMBER | QTY | DESCRIPTION | REV |
|------|-------------|-----|--|-----|
| | 0400198 | Ref | BATTERY CHARGER ASSEMBLY - LATIN AMERICA/BRAZIL SPECS (SERVICE REPLACEMENT FOR 0400137 BATTERY CHARGER) | |
| 1 | 7011573 | 1 | Ammeter (was p/n 7022915) | |
| 2 | 7022904 | 1 | Cover Assembly, Case | |
| 3 | 7018525 | 1 | Breaker, Circuit | |
| 4 | 7022938 | 1 | Board, Circuit (was p/n 7022934) | |
| 5 | 7011621 | 1 | Connector | |
| 6 | 7022914 | 1 | Cord, AC | |
| 7 | 7022916 | 1 | Cord, DC | |
| 8 | 7018577 | 2 | Capacitor Assembly (Not Shown) | |
| 9 | 7011593 | 1 | Fuse, DC - 45 Amp | |
| 10 | 7020658 | 1 | Harness (Not Shown) | |
| 11 | 7011594 | 1 | Holder, Fuse - DC | |
| 12 | 7011590 | 1 | Connector, DC | |
| 13 | 7020649 | 2 | Recifier Assembly | |
| 14 | 7020650 | 1 | Recifier (1 Per Assembly) | |
| 15 | 7018563 | 1 | Relay | |
| 16 | 7020674 | 1 | Shunt Assembly | |
| 17 | 7011529 | 1 | Strain Relief | |
| 17 | 7020659 | 1 | Strain Relief | |
| 18 | 7022939 | 1 | Transformer (was p/n 7022917) | |
| 19 | 7020633 | 1 | Varistor Assembly | |

SECTION 1 - FRAME

FIGURE 1-10. HYDRAULIC COMPONENTS AND COVERS INSTALLATION (FRAME MOUNTED)



SECTION 1 - FRAME

FIGURE 1-10. HYDRAULIC COMPONENTS AND COVERS INSTALLATION (FRAME MOUNTED)

| ITEM | PART NUMBER | QTY | DESCRIPTION | REV |
|------|-------------|-----|---|-----|
| | 0254708 | Ref | MOTOR/PUMP/TANK AND FILTER INSTALLATION - MODEL 30ELECTRIC | |
| | 0252339 | Ref | MOTOR/PUMP/TANK AND FILTER INSTALLATION - MODEL 35ELECTRIC | E |
| | 0271913 | Ref | MOTOR/PUMP/TANK AND FILTER INSTALLATION (W/FILTER FOR FIRE RESISTANT HYDRAULIC FLUID) - MODEL 35ELECTRIC | 1 |
| | 0254299 | Ref | MODEL/PUMP/TANK AND FILTER INSTALLATION - MODEL 40ELECTRIC & 45ELECTRIC | B |
| 1 | | Ref | Pump/Motor/Tank Assembly Options: | |
| 1 | | Ref | Pump/Motor/Tank Assembly (Prior to SN 27665) | |
| 1 | 3600192 | 1 | Pump/Motor/Tank Assembly | A |
| 1 | 7013700 | 1 | Pump Assembly | |
| 1 | 2900813 | 1 | Seal Kit (Includes All O-Rings, Seals and Filters) | |
| 1 | 7013702 | 1 | Filter | |
| 1 | 7013703 | 1 | Electric Motor Assembly | |
| 1 | 7022200 | 1 | Brush Kit (Lessen Motor) (was p/n 7013704) | |
| 1 | 7016766 | 1 | Brush Kit (Ohio Motor) | |
| 1 | 7013729 | 1 | Coupling | |
| 1 | 7013706 | 1 | Reservoir | |
| 1 | 7013707 | 1 | Relief Cartridge Assembly | |
| 1 | 7013708 | 1 | Check Valve Assembly | |
| 1 | 7013709 | 1 | Breather/Dipstick Assembly | |
| 1 | | Ref | Breather/Dipstick Assembly (SN 27665 to Present) | |
| 1 | 3600261 | 1 | Pump/Motor/Tank Assy | B |
| 1 | 7016717 | 1 | Pump Assembly | |
| 1 | 7013701 | 1 | Seal Kit (Includes all O-Rings, Seals and Filters) | |
| 1 | 7013723 | 1 | Filter | |
| 1 | 70002418 | 1 | Fitting, 90, Elbow Suction | |
| 1 | 7013716 | 1 | Seal, Shaft | |
| 1 | 7013743 | 1 | O-Ring | |
| 1 | 7013717 | 1 | Washer | |
| 1 | 7013727 | 1 | Cover, Suction | |
| 1 | 7013713 | 2 | Bolt, Torx (Pump to Motor) | |
| 1 | 7013728 | 2 | Screw M6-10 x 12mm | |
| 1 | 3931516 | 1 | Screw 5/16in-18 x 1in | |
| 1 | 7013703 | 1 | Electric Motor Assembly | |
| 1 | 7022200 | 1 | Brush Kit | |
| 1 | 7022202 | 1 | Armature | |
| 1 | 7016740 | 1 | Endhead | |
| 1 | 7013744 | 1 | Adaptor, Endhead | |
| 1 | 7016739 | 4 | Lockwasher | |
| 1 | 7016725 | 4 | Screw 1/4in-20NC x 3/4in | |
| 1 | 7013748 | 1 | Tag, Caution | |
| 1 | 7013729 | 1 | Coupling | |
| 1 | 7013706 | 1 | Reservoir | |
| 1 | 7013750 | 1 | Relief Cartridge Assy. | |
| 1 | 7013715 | 1 | Ball, Steel | |
| 1 | 7013733 | 1 | Spring | |
| 1 | 7013719 | 1 | Ball, Steel | |
| 1 | 7013722 | 1 | Plug, Magnet | |

SECTION 1 - FRAME

| ITEM | PART NUMBER | QTY | DESCRIPTION | REV |
|------|-------------|-----------|---|-----|
| 1 | 7013740 | 4 | Screw 12-24 x .29 | |
| 1 | 7013770 | 1 | Screw, Valve Adjustment | |
| 2 | 2120105 | 1 | Filter, Return | |
| 2 | 2120072 | 1 | Element, Filter | |
| 2 | 2120165 | 1 | Filter, Return (For Fire Resistant Hydraulic Oil) | |
| 2 | 2120158 | 1 | Element, Filter | |
| 3 | 0100009 | AR | Silicone | |
| 4 | 3911410 | 2 | Screw, Machine 1/4in-20NC x 5/8in | |
| 5 | 4761400 | 6 | Lockwasher 1/4in | |
| 6 | 4751400 | 4 | Flatwasher 1/4in | |
| 7 | 3311401 | 4 | Nut 1/4in-20NC | |
| | 0252290 | Ref | VALVE INSTALLATION - MODEL 30ELECTRIC | B |
| | 0254298 | Ref | VALVE INSTALLATION - MODEL 35ELECTRIC | 2 |
| | 0253650 | Ref | VALVE INSTALLATION - MODEL 40ELECTRIC & 45ELECTRIC | 8 |
| 101 | 4640726 | 1 | Control Valve Assembly (See Items 201-203 for Breakdown) | |
| 102 | 4751400 | 2 | Flatwasher 1/4in | |
| 103 | 4761400 | 2 | Lockwasher 1/4in | |
| 104 | 3311401 | 2 | Nut 1/4in-20NC | |
| | 4640726 | Ref | CONTROL VALVE ASSEMBLY - HYDRO-AIR (STEER) | G |
| 201 | 7010537 | 1 | Cartridge - Complete Solenoid (Steer Directional Controls) | |
| 201 | 7010538 | 2 | Coil | |
| 201 | 7010539 | 1 | Seal Kit | |
| 201 | 7012951 | 1 | Weatherproof Kit | |
| 202 | 7010540 | 1 | Cartridge - Complete (Steer Pressure Relief) (Prior to SN 31641) | |
| 202 | 7010541 | 1 | Seal Kit | |
| 202 | 7012912 | 1 | Cartridge - Complete (Steer Pressure Relief) (SN 31641 to Present) | |
| 202 | 7012998 | 1 | Seal Kit | |
| 203 | 7010542 | 1 | Cartridge - Complete (Steer Shuttle Valve) | |
| 203 | 7010543 | 1 | Seal Kit | |
| | | Ref | FRAME COVERS INSTALLATIONS | |
| | 0254605 | Ref | Frame Covers Installations 30electric | B-2 |
| | 0254291 | Ref | Frame Covers Installations 35/40/45electric | A |
| | 0254292 | Ref | Frame Covers Installations 35/40/45electric | A |
| 301 | 3535959 | 2 | Plate, Cover | |
| 302 | 3900174 | 6 | Screw, Special | |
| 303 | 3760308 | 6 | Retainer | |
| 304 | 1380138 | 6 | Clip, Receptacle | |
| 305 | | Ref | Cover, Rear Axle Options: | |
| 305 | 4844778 | 1 | Cover, Rear Axle 30electric | |
| 305 | 4844602 | 1 | Cover, Rear Axle 35/40/45electric | |
| 305 | 4844603 | 1 | Cover, Rear Axle n35/n40electric | |
| 306 | 0940036 | 2 | Bumper, Rubber | |
| 307 | 3960447 | 8 ft/2.5m | Seal, Self-Grip | |
| 308 | 3960433 | 4 ft/1.3m | Seal | |
| 309 | 3300371 | 4 | Wingnut | |
| 310 | 3520026 | 3 | Plug, Hole | |
| | 0252986 | Ref | OPTIONAL BATTERY BOX COVERS INSTALLATION - MODEL 30ELECTRIC ONLY | - |
| 402 | 1670650 | 2 | Cover, Battery Box | |
| 403 | 4565755 | 12 | Tube | |
| 404 | 4711400 | 12 | Flatwasher 1/4in | |

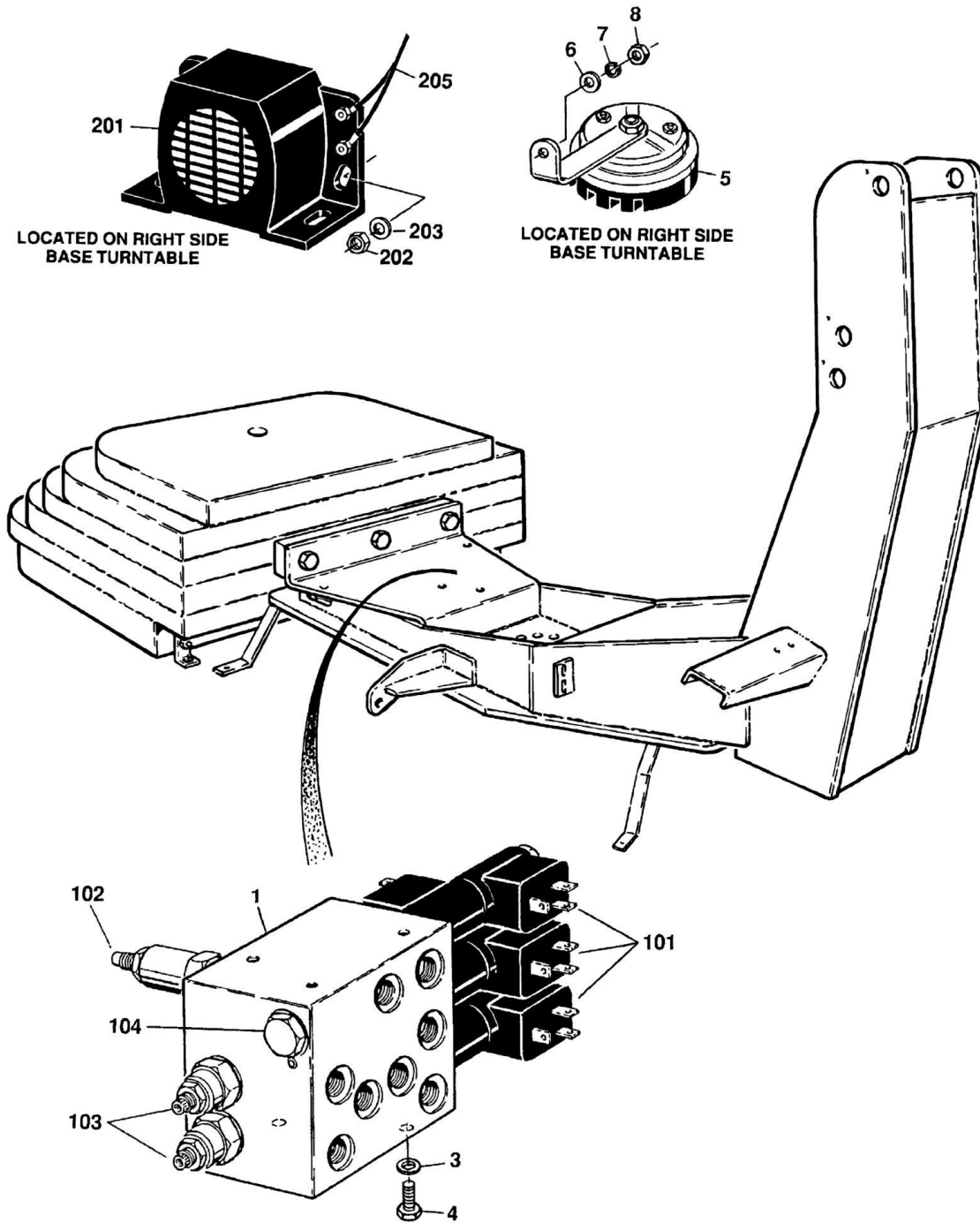
SECTION 1 - FRAME

| ITEM | PART NUMBER | QTY | DESCRIPTION | REV |
|-------------|--------------------|------------|---------------------------|------------|
| 405 | 3311405 | 12 | Locknut 1/4in-20NC | |
| 406 | 0641412 | 12 | Bolt 1/4in-20NC x 1 1/2in | |

SECTION 2 - TURNTABLE

SECTION 2 - TURNTABLE

FIGURE 2-1. TURNTABLE MOUNTED COMPONENTS INSTALLATIONS - MODEL 30ELECTRIC



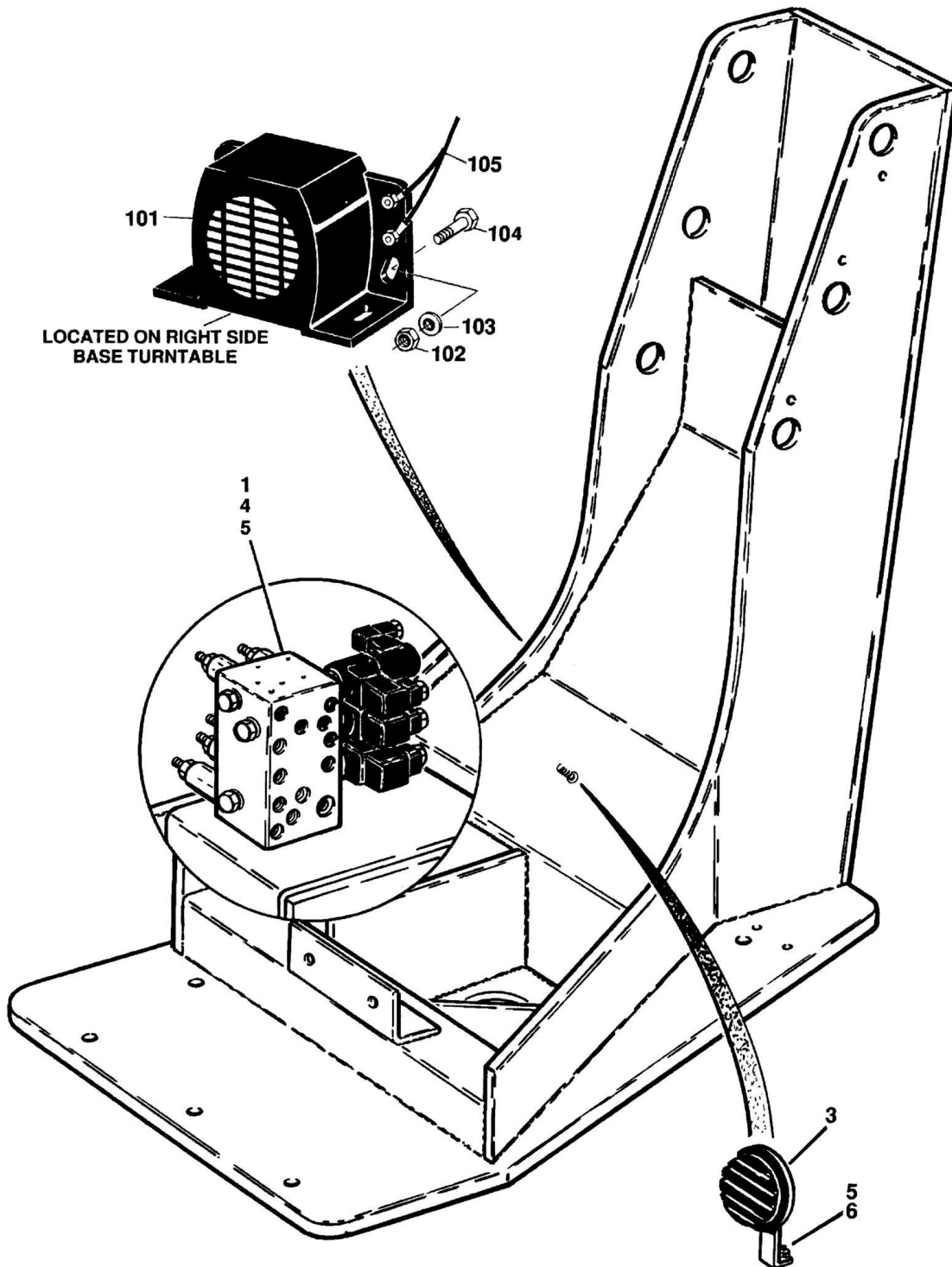
SECTION 2 - TURNTABLE

FIGURE 2-1. TURNTABLE MOUNTED COMPONENTS INSTALLATIONS - MODEL 30ELECTRIC

| ITEM | PART NUMBER | QTY | DESCRIPTION | REV |
|------|-------------|-----|---|-----|
| | 0252290 | Ref | VALVE AND HORN INSTALLATION | B |
| 1 | 4640725 | 1 | Control Valve Assembly - Hydro-Air (Swing and Lift) (Includes Items 101-104) | |
| 3 | 4761500 | 2 | Lockwasher 5/16in | |
| 4 | 0641508 | 2 | Bolt 5/16in-18NC x 1in | |
| 5 | 0140028 | 1 | Horn | |
| 6 | 4751400 | 1 | Flatwasher 1/4in | |
| 7 | 4761400 | 1 | Lockwasher 1/4in | |
| 8 | 3311401 | 1 | Nut 1/4in-20NC | |
| | 4640725 | Ref | CONTROL VALVE ASSEMBLY - HYDRO-AIR (SWING AND LIFT) | A |
| 101 | 7010546 | 3 | Cartridge - Complete (Direction Control - Swing, Main/Main/Upper Lift Up/Down and Tower/Lower Lift Up/Down) | |
| 101 | 7010538 | 6 | Coil (2 Per Cartridge) | |
| 101 | 7010539 | 3 | Seal Kit | |
| 102 | 7010540 | 3 | Cartridge - Complete (Swing Crossover/Pressure Relief/Relief/Lift Down Relief) | |
| 102 | 7010541 | 3 | Seal Kit | |
| 103 | 7010544 | 2 | Cartridge - Complete (Lift Down Speed/Flow Control) | |
| 103 | 7010545 | 2 | Seal Kit | |
| 104 | 7010542 | 1 | Cartridge - Complete (Swing Shuttle Valve) | |
| 104 | 7010543 | 1 | Seal Kit | |
| | | Ref | MOTION ALARM KITS (OPTIONAL) | |
| | 2901212 | Ref | Motion Alarm Kits (Optional) without Numbered Colored Wire (Prior to SN 36544) | - |
| | 2901560 | Ref | Motion Alarm Kits (Optional) with Numbered Colored Wire (SN 36544 to Present) | 1 |
| 201 | 0140031 | 1 | Alarm, Motion (Remove ground strap before installation) | |
| 202 | 3311405 | 2 | Locknut 1/4in-20NC | |
| 203 | 4711400 | 4 | Flatwasher 1/4in | |
| 205 | | Ref | Harness Options: | |
| 205 | 4921425 | 1 | Harness without Numbered Colored Wire (Prior to SN 36544) | |
| 205 | 4922076 | 1 | Harness with Numbered Colored Wire (SN 36544 to Present) | |

SECTION 2 - TURNTABLE

FIGURE 2-2. TURNTABLE MOUNTED COMPONENTS INSTALLATIONS - MODEL 35ELECTRIC



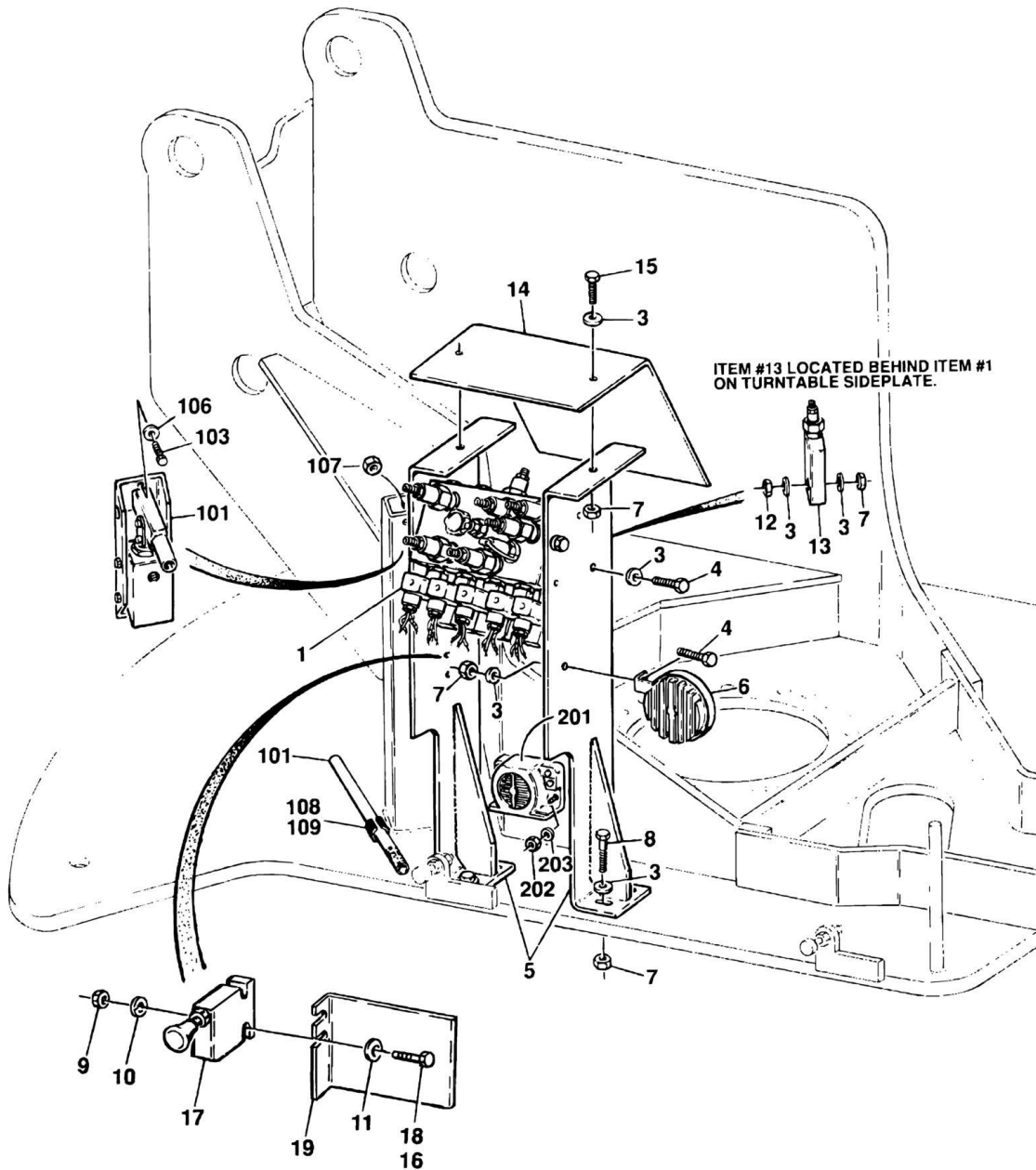
SECTION 2 - TURNTABLE

FIGURE 2-2. TURNTABLE MOUNTED COMPONENTS INSTALLATIONS - MODEL 35ELECTRIC

| ITEM | PART NUMBER | QTY | DESCRIPTION | REV |
|------|-------------|-----|--|-----|
| | 0254298 | Ref | VALVES AND HORN INSTALLATION | 2 |
| 1 | | Ref | Control Valve Assembly Options (See CONTROL VALVE ASSEMBLY for Breakdown): | |
| 1 | 4640843 | 1 | Control Valve Assembly (Prior to SN 34056) | |
| 1 | 4641026 | 1 | Control Valve Assembly (SN 34056 to Present) | |
| 3 | 0140028 | 1 | Horn | |
| 4 | 0641507 | 2 | Bolt 5/16in-18NC x 7/8in | |
| 5 | 4751500 | 3 | Flatwasher 5/16in | |
| 6 | 3311505 | 1 | Locknut 5/16in-18NC | |
| | 0100011 | AR | Loctite #242 | |
| | | Ref | MOTION ALARM KITS | |
| | 2901302 | Ref | Motion Alarm Kits without Numbered Colored Wire (Prior to SN 36648) | A |
| | 2901600 | Ref | Motion Alarm Kits with Numbered Colored Wire (SN 36648 to Present) | 1 |
| 101 | 0140031 | 1 | Alarm, Motion (Remove ground strap before installation) | |
| 102 | 3311405 | 2 | Locknut 1/4in-20NC | |
| 103 | 4711400 | 4 | Flatwasher 1/4in | |
| 104 | 0641410 | 2 | Bolt 1/4in-20NC x 1 1/4in | |
| 105 | | Ref | Harness | |
| 105 | 4921425 | 1 | Harness without Numbered Colored Wire (Prior to SN 36648) | |
| 105 | 4922076 | 1 | Harness with Numbered Colored Wire (SN 36648 to Present) | |

SECTION 2 - TURNTABLE

FIGURE 2-3. TURNTABLE MOUNTED COMPONENTS INSTALLATIONS - MODEL 40ELECTRIC & 45ELECTRIC



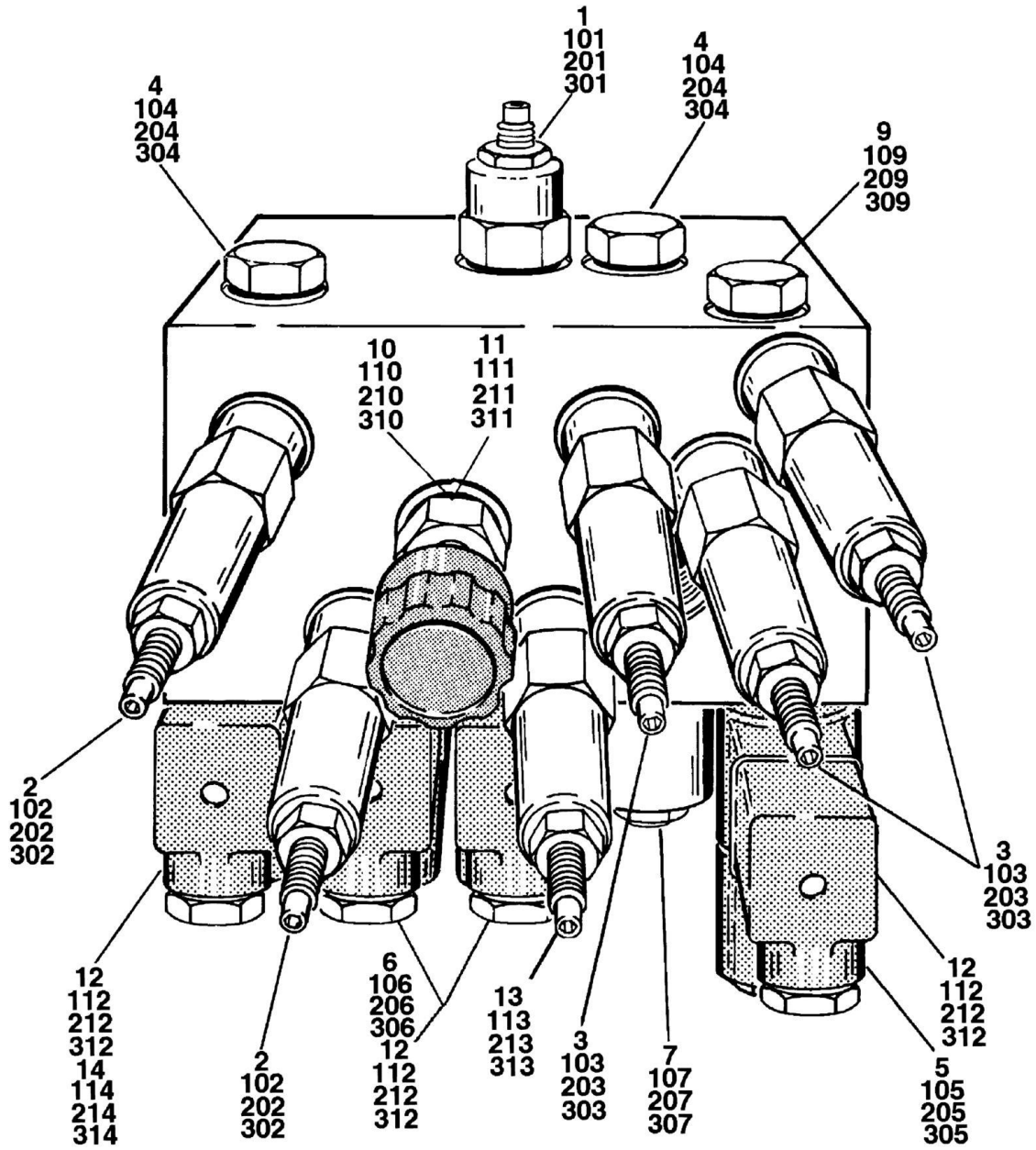
SECTION 2 - TURNTABLE

FIGURE 2-3. TURNTABLE MOUNTED COMPONENTS INSTALLATIONS - MODEL 40ELECTRIC & 45ELECTRIC

| ITEM | PART NUMBER | QTY | DESCRIPTION | REV |
|------|-------------|-----|--|-----|
| | 0253650 | Ref | VALVES AND HORN INSTALLATION | 8-F |
| 1 | | Ref | Control Valve Assembly Options (See CONTROL VALVE ASSEMBLY for Breakdown): | |
| 1 | 4640797 | 1 | Control Valve Assembly (Prior to SN 0300034056) | |
| 1 | 4641025 | 1 | Control Valve Assembly (SN 0300034056 to Present) | |
| 3 | 4711500 | 12 | Flatwasher 5/16in Thin | |
| 4 | 0641506 | 4 | Bolt 5/16in-18NC x 3/4in | |
| 5 | 4844365 | 1 | Bracket, Valve Mounting | |
| 6 | 0140028 | 1 | Horn | |
| 7 | 3311505 | 7 | Locknut 5/16in-18NC | |
| 8 | 0641514 | 4 | Bolt 5/16in-18NC | |
| 9 | 3311401 | 6 | Nut 1/4in-20NC | |
| 10 | 4761400 | 4 | Lockwasher 1/4in | |
| 11 | 4751400 | 6 | Flatwasher 1/4in Regular | |
| 12 | 3311501 | 1 | Nut 5/16in-18NC | |
| 13 | 4640814 | 1 | Relief Valve Assembly | |
| 13 | 7011322 | 1 | Cartridge, Valve | |
| 14 | 4060854 | 1 | Shield, Valve | |
| 15 | 0641508 | 2 | Bolt 5/16in-18NC x 1in | |
| 16 | 0100011 | AR | Loctite #242 (Not Shown) | |
| 17 | 4640866 | 1 | Manual Valve Assembly | |
| 17 | 2900708 | 1 | Seal Kit - 4640866 Valve | |
| 18 | 0641418 | 2 | Bolt 1/4in-20NC x 2 1/4in | |
| 19 | 0902051 | 1 | Bracket, Decal Mounting (Prior to SN 0300052185) | |
| | 0253708 | Ref | MANUAL DESCENT COMPONENTS INSTALLATION | C |
| 101 | 3600179 | 1 | Pump Assembly | |
| 101 | 2900779 | 1 | Seal Kit | |
| 101 | 7010652 | 1 | Handle | |
| 101 | 3600179 | NLA | Pump w/o Handle (was p/n 7016673 - No Longer Available) | |
| 103 | 0641518 | 2 | Bolt 5/16in-18NC x 2 1/4in | |
| 106 | 4751500 | 4 | Flatwasher 5/16in Regular | |
| 107 | 3311501 | 2 | Nut 5/16in-18NC | |
| 108 | 1380132 | 1 | Clip, Gripper | |
| 109 | 4300106 | 1 | Stud, Special | |
| | | Ref | ALARM KITS | |
| | 2901249 | Ref | Motion Alarm Kit without Numbered Colored Wire (Prior to SN 0300036648) | 2 |
| | 2901601 | Ref | Motion Alarm Kit with Numbered Colored Wire (SN 0300036648 to Present) | 1 |
| | 2901250 | Ref | Tilt Alarm Kit | A |
| 201 | 0140031 | 1 | Alarm, Motion (Remove ground strap before installation) | |
| 202 | 3311405 | 2 | Locknut 1/4in-20NC | |
| 203 | 4711400 | 4 | Flatwasher 1/4in Regular | |
| 204 | | Ref | Harness Options (Not Shown): | |
| 204 | 4921425 | 1 | Harness w/o Numbered Colored Wire (Prior to SN 0300036648) | |
| 204 | 4922076 | 1 | Harness with Numbered Colored Wire (SN 0300036648 to Present) | |

SECTION 2 - TURNTABLE

FIGURE 2-4. CONTROL VALVE ASSEMBLY - MODELS 35ELECTRIC, 40ELECTRIC & 45ELECTRIC



SECTION 2 - TURNTABLE

FIGURE 2-4. CONTROL VALVE ASSEMBLY - MODELS 35ELECTRIC, 40ELECTRIC & 45ELECTRIC

| ITEM | PART NUMBER | QTY | DESCRIPTION | REV |
|------|-------------|-----|--|-----|
| | | Ref | CONTROL VALVE ASSEMBLY - MODELS 35ELECTRIC, 40ELECTRIC & 45ELECTRIC | |
| | 4640797 | Ref | CONTROL VALVE ASSEMBLY - MODELS 45electric & 40electric (Prior to SN 34056) | C |
| 1 | 7009795 | 1 | Cartridge, Flow Control Valve (Lower Lift Down) | |
| 2 | 7010540 | 2 | Cartridge, Relief Valve (Upper Lift Down and Swing) | |
| 3 | 7012912 | 3 | Cartridge, Relief Valve (Platform Level and Telescope) | |
| 4 | 7010542 | 2 | Cartridge, Shuttle Valve (Swing) | |
| 5 | 7010546 | 1 | Cartridge, Solenoid Valve (Platform Level) | |
| 5 | 7010538 | 2 | Coil (2 Per Assembly) | |
| 6 | 7012948 | 2 | Cartridge, Solenoid Valve (Lift) | |
| 6 | 7010538 | 4 | Coil (2 Per Assembly) | |
| 7 | 7012946 | 2 | Cartridge, Solenoid Valve (Telescope) | |
| 7 | 7010538 | 2 | Coil (1 Per Assembly) | |
| 9 | 7012914 | 2 | Cartridge, Check Valve (Platform Level) | |
| 10 | 7012947 | 1 | Cartridge, Valve (Manual Descent) | |
| 11 | 7012949 | 1 | Knob | |
| 12 | 4460499 | 8 | Connector, Electrical | |
| 13 | 7012912 | 1 | Cartridge, Relief Valve (Lower Lift) | |
| 14 | 7010546 | 1 | Cartridge, Solenoid Valve (Swing) | |
| 14 | 7010538 | 2 | Coil (2 Per Assembly) | |
| | 7010545 | 1 | Seal Kit (For Item 1) | |
| | 7010541 | 6 | Seal Kit (For Items 2, 3 & 13) | |
| | 7010543 | 5 | Seal Kit (For Items 4, 7 & 10) | |
| | 7010539 | 4 | Seal Kit (For Items 5, 6 & 14) | |
| | 7012918 | 2 | Seal Kit (For Item 9) | |
| | 7012951 | 6 | Weatherproofing Kit (For Items 5, 6, 7 & 14) | |
| | 4641025 | Ref | CONTROL VALVE ASSEMBLY - MODELS 45electric & 40electric (SN 34056 to Present) | A |
| 101 | 7012997 | 1 | Cartridge, Flow Control Valve (Lower Lift Down) | |
| 102 | 7012981 | 2 | Cartridge, Relief Valve (Upper Lift Down and Swing) | |
| 103 | 7012912 | 3 | Cartridge, Relief Valve (Platform Level and Telescope) | |
| 104 | 7010542 | 2 | Cartridge, Shuttle Valve (Swing) | |
| 105 | 7017401 | 1 | Cartridge, Solenoid Valve (Platform Level) | |
| 105 | 7010538 | 2 | Coil (2 Per Assembly) | |
| 106 | 7012948 | 2 | Cartridge, Solenoid Valve (Lift) | |
| 106 | 7010538 | 4 | Coil (2 Per Assembly) | |
| 107 | 7012999 | 2 | Cartridge, Solenoid Valve (Telescope) | |
| 107 | 7010538 | 2 | Coil (1 Per Assembly) | |
| 109 | 7012914 | 2 | Cartridge, Check Valve (Platform Level) | |
| 110 | 7012947 | 1 | Cartridge, Valve (Manual Descent) | |
| 111 | 7012949 | 1 | Knob | |
| 112 | 4460499 | 8 | Connector, Electrical | |
| 113 | 7012912 | 1 | Cartridge, Relief Valve (Lower Lift) | |
| 114 | 7017433 | 1 | Cartridge, Solenoid Valve (Swing) | |
| 114 | 7010538 | 2 | Coil (2 Per Assembly) | |
| | 7012901 | 1 | Seal Kit (For Item 101) | |
| | 7012998 | | Seal Kit (For Items 102, 103 & 113) | |
| | 7010543 | 2 | Seal Kit (For Items 104) | |
| | 7017402 | 2 | Seal Kit (For Items 105) | |

SECTION 2 - TURNTABLE

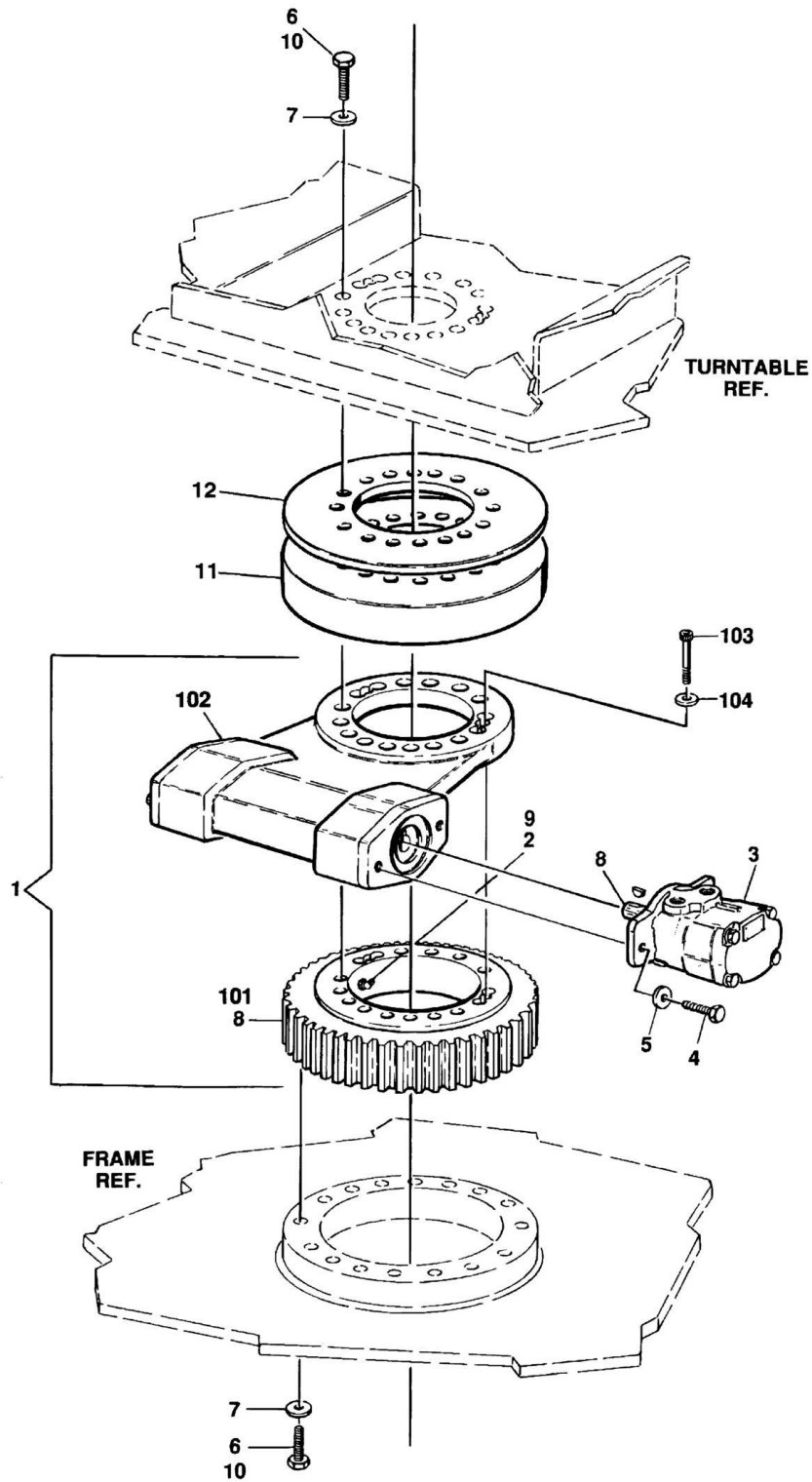
| ITEM | PART NUMBER | QTY | DESCRIPTION | REV |
|------|--------------|-----|---|-----|
| | 7012903 | 2 | Seal Kit (For Items 106) | |
| | 7012907 | 2 | Seal Kit (For Items 107) | |
| | 7012918 | 2 | Seal Kit (For Item 109) | |
| | 7012518 | 1 | Seal Kit (For Item 110) | |
| | 7017403 | 2 | Weatherproofing Kit (For Items 106) | |
| | 7017435 | 2 | Weatherproofing Kit (For Items 107) | |
| | 7012951 | 4 | Weatherproofing Kit (For Items 105 & 114) | |
| | 4640843 | Ref | CONTROL VALVE ASSEMBLY - MODEL 35electric (Prior to SN 34056) | - |
| 201 | Not Required | 0 | Not Required | |
| 202 | 7010540 | 2 | Cartridge, Flow Control Valve (Upper Lift and Swing) | |
| 203 | 7012912 | 3 | Cartridge, Relief Valve (Platform Level and Telescope) | |
| 204 | 7010542 | 2 | Cartridge, Shuttle Valve (Swing) | |
| 205 | 7010546 | 1 | Cartridge, Solenoid Valve (Platform Level and Swing) | |
| 205 | 7010538 | 2 | Coil (2 Per Assembly) | |
| 206 | 7010546 | 2 | Cartridge, Solenoid Valve | |
| 206 | 7010538 | 4 | Coil (2 Per Assembly) | |
| 207 | 7012946 | 2 | Cartridge, Solenoid Valve | |
| 207 | 7010538 | 2 | Coil (1 Per Assembly) | |
| 209 | 7012914 | 2 | Cartridge, Check Valve (Platform Level) | |
| 210 | Not Required | 0 | Not Required | |
| 211 | Not Required | 0 | Not Required | |
| 212 | 4460499 | 8 | Connector, Electrical | |
| 213 | 7010540 | 1 | Cartridge, Relief Valve (Lower Lift) | |
| 214 | 7010546 | 1 | Cartridge, Solenoid Valve (Swing) | |
| 214 | 7010538 | 2 | Coil (2 Per Assembly) | |
| | 7010541 | 6 | Seal Kit (For Items 202, 203 & 213) | |
| | 7010543 | 4 | Seal Kit (For Items 204 & 207) | |
| | 7012918 | 2 | Seal Kit (For Item 209) | |
| | 7010539 | 4 | Seal Kit (For Items 205, 206 & 214) | |
| | 7012951 | 6 | Weatherproofing Kit (For Items 205, 206, 207 & 214) | |
| | 4641026 | Ref | CONTROL VALVE ASSEMBLY - MODELS 35electric (SN 34056 to Present) | A |
| 301 | Not Required | 0 | Not Required | |
| 302 | 7012981 | 2 | Cartridge, Relief Valve (Upper Lift Down and Swing) | |
| 303 | 7012912 | 3 | Cartridge, Relief Valve (Platform Level and Telescope) | |
| 304 | 7010542 | 2 | Cartridge, Shuttle Valve (Swing) | |
| 305 | 7010546 | 1 | Cartridge, Solenoid Valve (Platform Level) | |
| 305 | 7010538 | 2 | Coil (2 Per Assembly) | |
| 306 | 7010546 | 2 | Cartridge, Solenoid Valve (Lift) | |
| 306 | 7010538 | 4 | Coil (2 Per Assembly) | |
| 307 | 7012946 | 2 | Cartridge, Solenoid Valve (Telescope) | |
| 307 | 7010538 | 2 | Coil (1 Per Assembly) | |
| 309 | 7012914 | 2 | Cartridge, Check Valve (Platform Level) | |
| 310 | Not Required | 0 | Not Required | |
| 311 | Not Required | 0 | Not Required | |
| 312 | 4460499 | 8 | Connector, Electrical | |
| 313 | 7012981 | 1 | Cartridge, Relief Valve (Lower Lift) | |
| 314 | 7010537 | 1 | Cartridge, Solenoid Valve (Swing) | |
| 314 | 7010538 | 2 | Coil (2 Per Assembly) | |
| | 7012998 | 1 | Seal Kit (For Items 302, 303 & 313) | |
| | 7010543 | 2 | Seal Kit (For Items 304 & 307) | |

SECTION 2 - TURNTABLE

| ITEM | PART NUMBER | QTY | DESCRIPTION | REV |
|-------------|--------------------|------------|--------------------------------|------------|
| | 7017402 | 2 | Seal Kit (For Items 305 & 306) | |
| | 7012918 | 2 | Seal Kit (For Item 309) | |

SECTION 2 - TURNTABLE

FIGURE 2-5. SWING DRIVE AND TURNTABLE BEARING INSTALLATIONS - MODELS 30ELECTRIC & 35ELECTRIC



SECTION 2 - TURNTABLE

FIGURE 2-5. SWING DRIVE AND TURNTABLE BEARING INSTALLATIONS - MODELS 30ELECTRIC & 35ELECTRIC

| ITEM | PART NUMBER | QTY | DESCRIPTION | REV |
|------|--------------|-----|--|-----|
| | | Ref | SWING DRIVE AND TURNTABLE BEARING INSTALLATIONS | |
| | 0253185 | Ref | Swing Drive and Turntable Bearing Installations 30electric | 4 |
| | 0254830 | Ref | Swing Drive and Turntable Bearing Installations n35electric | 3 |
| | 0254831 | Ref | Swing Drive and Turntable Bearing Installations 35electric | 3 |
| 1 | | Ref | Turntable Bearing and Rotation Box Assembly Options: | |
| 1 | 0440202 | 1 | Production (See Items 101-104 for Breakdown) | |
| 1 | 0440338 | 1 | Post Production Service Replacement (See SWING BEARING ASSEMBLY for Breakdown) | |
| 2 | 2160003 | 1 | Fitting, Grease - 45 | |
| 3 | 3160182 | 1 | Swing Motor Assy (See SWING DRIVE AND TURNTABLE BEARING INSTALLATIONS for Breakdown) | |
| 4 | 0681814 | 2 | Bolt 1/2in-13NC x 1 3/4in (Grade 8) | |
| 5 | 4740171 | 2 | Washer, Hardened | |
| 6 | | Ref | Bolt | |
| 6 | 0682022 | 32 | Bolt 30electric (5/8in-20NC x 2 3/4in Grade 8) | |
| 6 | 0682024 | 16 | Bolt n35electric (5/8in-20NC x 3in Grade 8) | |
| 6 | 0682040 | 16 | Bolt n35electric (5/8in-20NC x 5in Grade 8) | |
| 6 | 0682024 | 32 | Bolt 35electric (5/8in-20NC x 3in Grade 8) | |
| 7 | 4892000 | 32 | Washer, Hardened | |
| 8 | 3020027 | AR | Grease, Bearing (5 Gallon Bucket) (Prior to SN 31641) | |
| 8 | 3020036 | AR | Grease, Bearing (SN 31641 to Present) | |
| 9 | 3020029 | AR | Grease, Bearing | |
| 10 | 0100019 | AR | Loctite #271 | |
| 11 | | Ref | Plate, Counterweight Options: | |
| 11 | Not Required | 0 | Plate, Counterweight 30electric & 35electric | |
| 11 | 4844797 | 1 | Plate, Counterweight n35electric | |
| 12 | | Ref | Plate, Spacer Options: | |
| 12 | Not Required | 0 | Plate, Spacer 30electric & 35electric | |
| 12 | 3538052 | 1 | Plate, Spacer n35electric | |
| | 0440202 | Ref | TURNTABLE BEARING AND ROTATION BOX ASSEMBLY (PRODUCTION) | C |
| 101 | 7012584 | 1 | Bearing, Turntable | |
| 102 | 7012585 | 1 | Swing Rotation Box Assembly | |
| 102 | 7012654 | 1 | Seal, Outer - Capped End (1.75 O.D.) | |
| 102 | 7016676 | 1 | Seal, Outer - Capped End (2.063 O.D.) | |
| 102 | 7012655 | 1 | Seal, Outer - Motor End | |
| 102 | 7016682 | 1 | Shims Kit | |
| 102 | 7023484 | 1 | Cap, End | |
| 102 | 7027730 | 2 | Seal, Inner | |
| 103 | 3931414 | 2 | Bolt, Socket Head 1/4in-20NC | |
| 104 | 4761400 | 2 | Lockwasher 1/4in | |

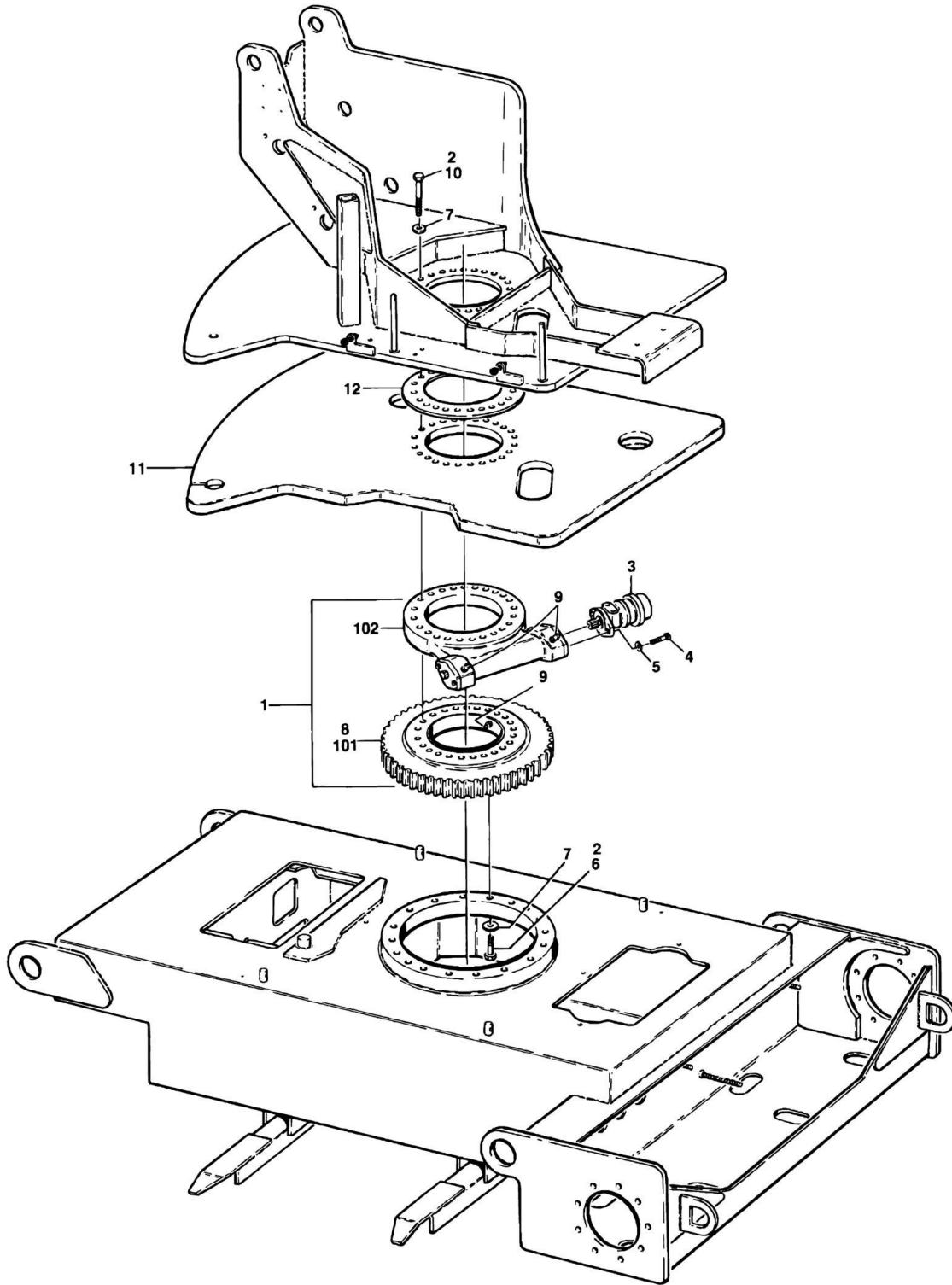
SECTION 2 - TURNTABLE

FIGURE 2-6. SWING BEARING ASSEMBLY - MODELS 30ELECTRIC & 35ELECTRIC (POST PRODUCTION SERVICE REPLACEMENT)

| ITEM | PART NUMBER | QTY | DESCRIPTION | REV |
|------|---------------|-----|-------------------------------|-----|
| | 0440338 | Ref | SWING BEARING ASSEMBLY | A |
| 1 | 7026042 | 2 | Cup, Bearing | |
| 1 | 7026043 | 2 | Cone, Bearing | |
| 2 | 7027356 | 1 | Adapter, Motor | |
| 3 | 7027361 | 2 | Seal | |
| 4 | 7027354 | 1 | Cap, End | |
| 5 | 70000864 | 2 | Bolt, 1/4in-20 x 1 1/8in | |
| 6 | 0641812 | 2 | Bolt, 1/2in-13 x 1 1/2in | |
| 7 | 70000865 | 1 | Plug | |
| 8 | 7027360 | 1 | Seal | |
| 9 | 7027359 | 1 | Fitting, Grease | |
| 10 | 7027358 | 2 | Fitting, Grease | |
| 11 | Not Available | 1 | Housing | |
| 12 | 4891400 | 2 | Flatwasher, 1/4in | |
| 13 | 70000866 | 1 | Gear, Worm | |
| 14 | 70000867 | 1 | Gear, Ring | |
| 15 | 7027352 | AR | Gasket, .010 (Brown) | |
| 16 | 7027351 | AR | Gasket, .0075 (Clear) | |
| 17 | 7027350 | AR | Gasket, .005 (Blue) | |
| 18 | 7027353 | 1 | Gasket, .020 (Yellow) | |

SECTION 2 - TURNTABLE

FIGURE 2-7. SWING DRIVE AND TURNTABLE BEARING INSTALLATIONS - MODELS 40ELECTRIC & 45ELECTRIC



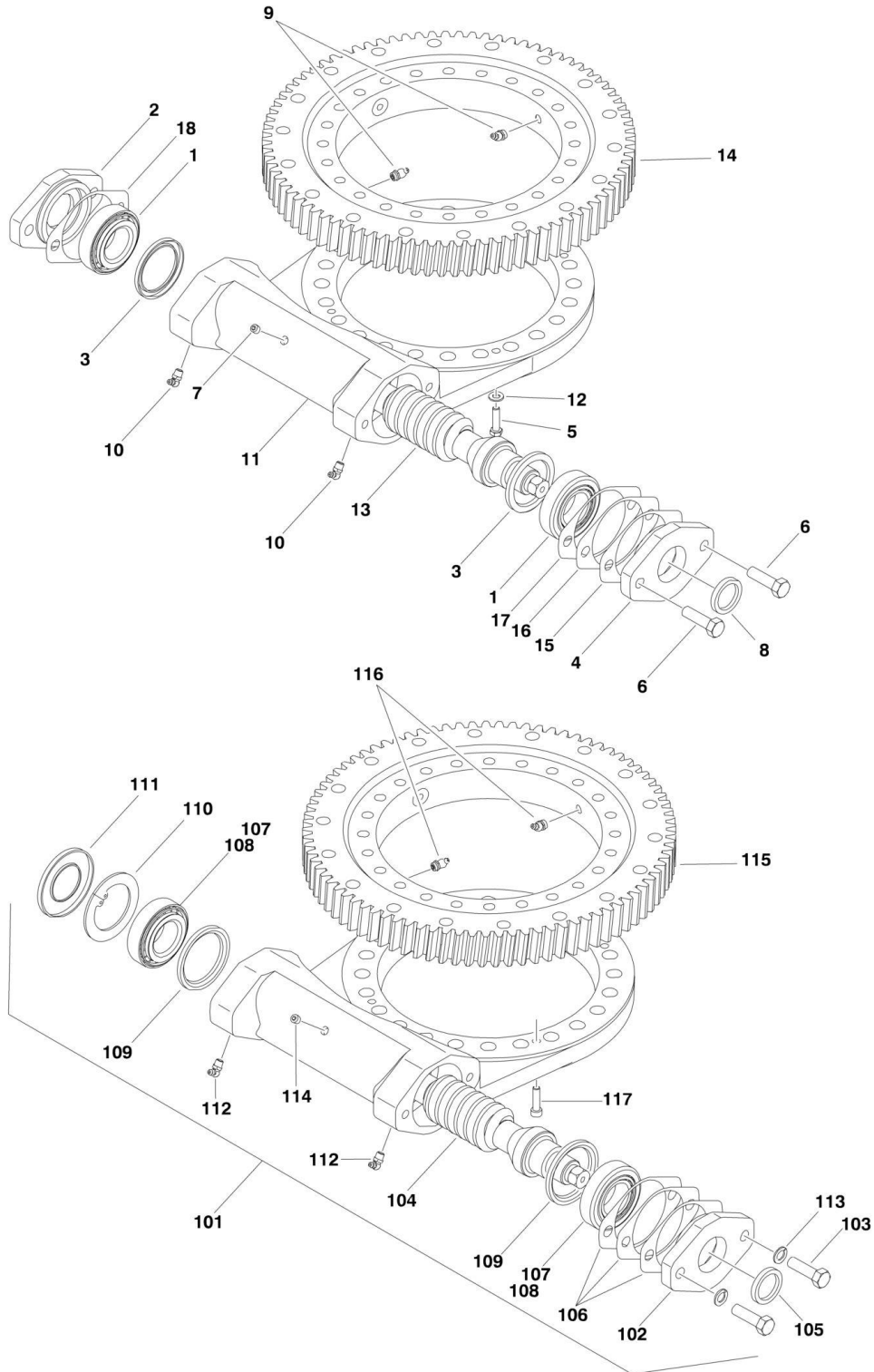
SECTION 2 - TURNTABLE

FIGURE 2-7. SWING DRIVE AND TURNTABLE BEARING INSTALLATIONS - MODELS 40ELECTRIC & 45ELECTRIC

| ITEM | PART NUMBER | QTY | DESCRIPTION | REV |
|------|--------------|-----|--|-----|
| | | Ref | SWING DRIVE AND TURNTABLE BEARING INSTALLATION | |
| | 0253508 | Ref | Swing Drive and Turntable Bearing Installations 40electric | 3 |
| | 0253533 | Ref | Swing Drive and Turntable Bearing Installations n40electric | 4 |
| | 0253508 | Ref | Swing Drive and Turntable Bearing Installations 45electric | 3 |
| 1 | | Ref | Turntable Bearing and Rotation Box Assembly Options: | |
| 1 | 0440203 | 1 | Production (See Items 101-102 for Breakdown) | |
| 1 | 0440339 | 1 | Post Production Service Replacement (See SWING BEARING ASSEMBLY for Breakdown) | |
| 2 | 0100019 | AR | Loctite | |
| 3 | 3160182 | 1 | Swing Motor Assy (See SWING MOTOR ASSEMBLY for Breakdown) | |
| 4 | 0681814 | 2 | Bolt 1/2in-13NC x 1 3/4in Grade 8 | |
| 5 | 4740171 | 2 | Washer, Hardened | |
| 6 | 0682026 | 18 | Bolt 5/8in-11NC x 3 1/4in | |
| 7 | 4740393 | 42 | Washer, Hardened | |
| 8 | 3020027 | AR | Grease, Bearing (5 Gallon Bucket) (Prior to SN 31641) | |
| 8 | 3020036 | AR | Grease, Bearing (SN 31641 to Present) | |
| 9 | 3020029 | AR | Grease, Bearing | |
| 10 | | Ref | Bolt Options: | |
| 10 | 0682028 | 24 | Bolt 40electric (Bolt 5/8in-11NC x 3 1/2in Grade 8) | |
| 10 | 0682048 | 24 | Bolt n40electric (Bolt 5/8in-11NC x 6in Grade 8) | |
| 10 | 0682028 | 24 | Bolt 45electric (Bolt 5/8in-11NC x 3 1/2in Grade 8) | |
| 11 | | Ref | Plate, Counterweight Options: | |
| 11 | Not Required | 0 | Plate, Counterweight 40electric & 45electric | |
| 11 | 4844595 | 1 | Plate, Counterweight n40electric | |
| 12 | | Ref | Plate, Spacer Options: | |
| 12 | Not Required | 0 | Plate, Spacer 40electric & 45electric | |
| 12 | 3536755 | 1 | Plate, Spacer n40electric | |
| | 0440203 | Ref | TURNTABLE BEARING AND ROTATION BOX ASSEMBLY (PRODUCTION) | E |
| 101 | 7012596 | 1 | Bearing, Turntable | |
| 102 | 7012597 | 1 | Swing Rotation Box Assembly | |
| 102 | 7012654 | 1 | Seal, Outer - Capped End (1.75 O.D.) | |
| 102 | 7016676 | 1 | Seal, Outer - Capped End (2.063 O.D.) | |
| 102 | 7012655 | 1 | Seal, Outer - Motor End | |
| 102 | 7027730 | 2 | Seal, Inner | |

SECTION 2 - TURNTABLE

FIGURE 2-8. SWING BEARING ASSEMBLY - MODELS 40ELECTRIC & 45ELECTRIC (POST PRODUCTION SERVICE REPLACEMENT)



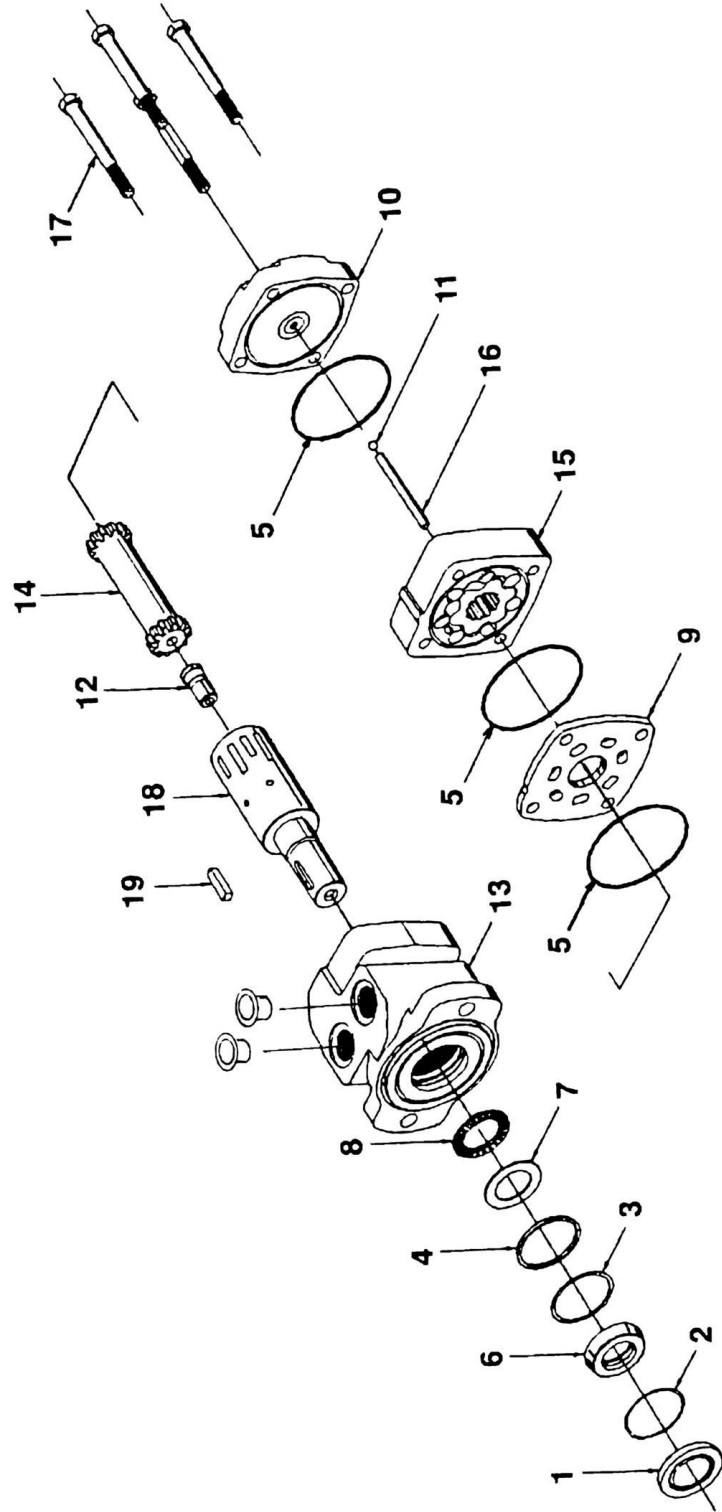
SECTION 2 - TURNTABLE

FIGURE 2-8. SWING BEARING ASSEMBLY - MODELS 40ELECTRIC & 45ELECTRIC (POST PRODUCTION SERVICE REPLACEMENT)

| ITEM | PART NUMBER | QTY | DESCRIPTION | REV |
|------|---------------|-----|---|-----|
| | | Ref | Note: Visually identify the brand before ordering replacement parts. | |
| | 0440339 | Ref | SWING BEARING ASSEMBLY (PERFECTION GEAR) (POST PRODUCTION) | C |
| 1 | 7026042 | 2 | Bearing, Cup | |
| 1 | 7026043 | 2 | Bearing, Cone | |
| 2 | 7027356 | 1 | Adapter, Motor | |
| 3 | 7027361 | 2 | Seal | |
| 4 | 7027354 | 1 | Cap, End | |
| 5 | 0641510 | 2 | Bolt 5/16in-18NC x 1 1/4in | |
| 6 | 0641812 | 2 | Bolt 1/2in-13NC x 1 1/2in | |
| 7 | 70000865 | 1 | Plug | |
| 8 | 7027360 | 1 | Seal | |
| 9 | 7027359 | 2 | Straight Fitting, Grease | |
| 9 | 2160003 | 2 | Fitting, Grease - 45 | |
| 10 | 7027358 | 2 | 90, Fitting, Grease | |
| 11 | Not Available | 1 | Housing | |
| 12 | 4891500 | 2 | Flatwasher 5/16in (Hardened) | |
| 13 | 7027363 | 1 | Gear, Worm | |
| 14 | 70000868 | 1 | Ring, Bearing | |
| 15 | 7027352 | AR | Gasket (.010 - Brown) | |
| 16 | 7027351 | AR | Gasket (.0075 - Clear) | |
| 17 | 7027350 | AR | Gasket (.005 - Blue) | |
| 18 | 7027353 | 1 | Gasket (.020 - Yellow) | |
| | 0440203 | Ref | SWING BEARING ASSEMBLY (KAYDON) (PRODUCTION) (Note: When replacing major components, consider replacing with p/n 0440339 Complete Bearing Assembly.) | G |
| 101 | 7012597 | 1 | Swing Rotation Box Assembly | |
| 102 | 7023484 | 1 | Cap, End | |
| 103 | Not Available | 2 | Bolt 1/2in-13NC x 1 1/2in Grade 8 | |
| 104 | Not Available | 1 | Gear, Worm | |
| 105 | 7012654 | 1 | Seal, Outer - Capped End (1.75 O.D.) | |
| 105 | 7016676 | 1 | Seal, Outer - Capped End (2.063 O.D.) | |
| 106 | 7016682 | 1 | Shims Kit (Includes Qty 3 each of .005, .0075 & .010 Shims) | |
| 107 | 70001677 | 2 | Cup, Bearing | |
| 108 | 90206369 | 2 | Cone, Bearing | |
| 109 | 7027730 | 2 | Seal, Inner | |
| 110 | Not Available | 1 | Ring, Retaining | |
| 111 | 7012655 | 1 | Seal, Outer - Motor End | |
| 112 | 2160001 | 2 | Fitting, Grease - 90 | |
| 113 | Not Available | 2 | Lockwasher 1/2in | |
| 114 | | Ref | Component Options: | |
| 114 | Not Available | | Plug, Pipe | |
| 114 | 2160001 | 1 | Fitting, Grease - 45 | |
| 115 | 7012596 | 1 | Bearing, Turntable | |
| 116 | 2160003 | 2 | Fitting, Grease - 45 | |
| 117 | Not Available | 4 | Capscrew, Socket Head 5/16in-18NC | |
| 117 | Not Available | 4 | Washer 5/16in (Not Shown) | |

SECTION 2 - TURNTABLE

FIGURE 2-9. SWING MOTOR ASSEMBLY



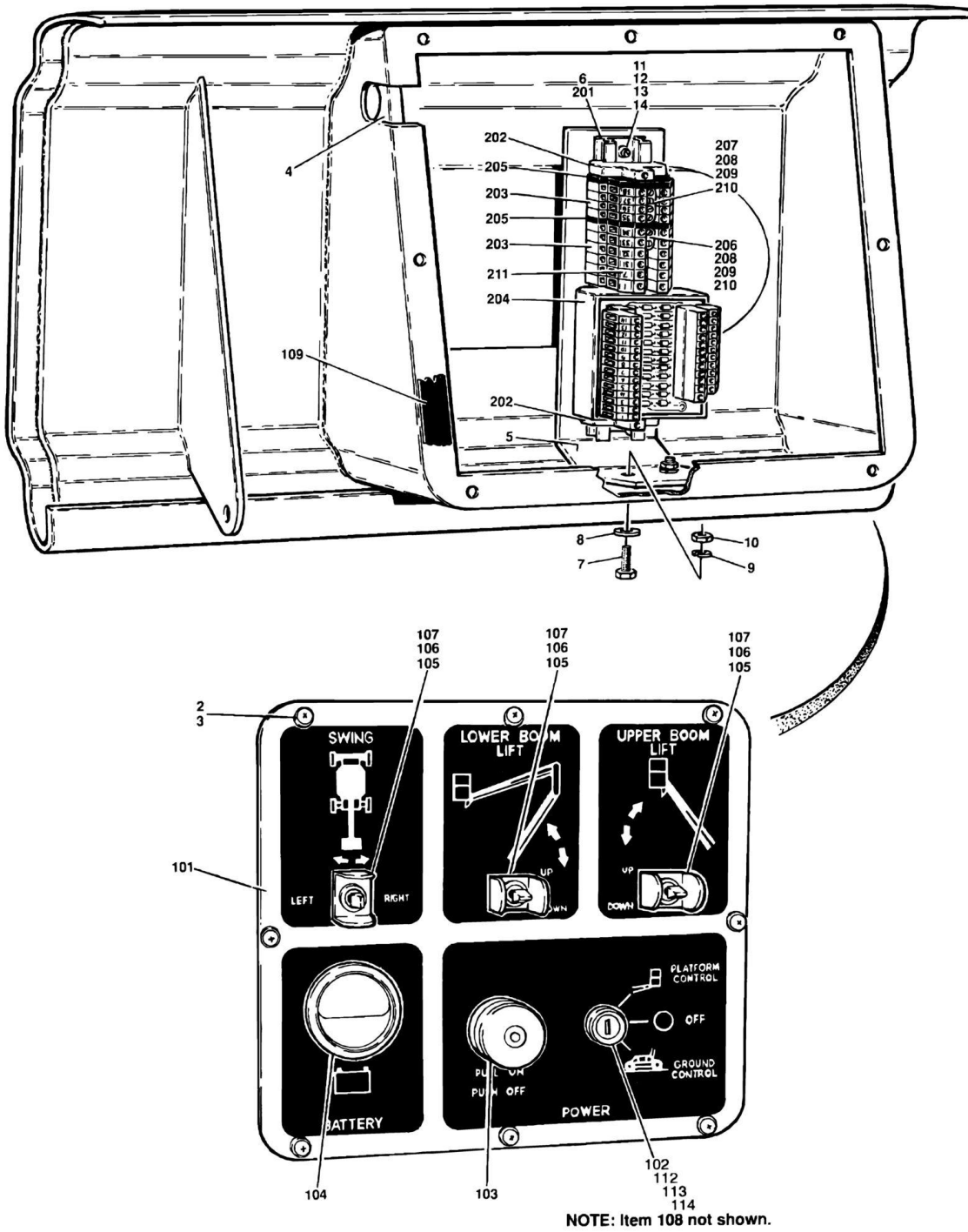
SECTION 2 - TURNTABLE

FIGURE 2-9. SWING MOTOR ASSEMBLY

| ITEM | PART NUMBER | QTY | DESCRIPTION | REV |
|------|---------------|-----|-------------------------------|-----|
| | 3160182 | Ref | SWING MOTOR ASSEMBLY | - |
| 1 | Kit | 1 | Seal, Dust | |
| 2 | Kit | 1 | Ring, Retainer | |
| 3 | Kit | 1 | Shim, Back-Up | |
| 4 | Kit | 1 | Seal, Housing | |
| 5 | Kit | 3 | Seal, Body | |
| 6 | Kit | 1 | Seal, Shaft | |
| 6 | Kit | 1 | Ring, Teflon Back-Up | |
| 6 | Kit | 1 | Shim, Back-Up | |
| 7 | 7016417 | 1 | Washer, Thrust | |
| 8 | 7005809 | 1 | Bearing, Thrust | |
| 9 | 7005812 | 1 | Plate, Wear | |
| 10 | 7005874 | 1 | Cover, End | |
| 11 | Not Available | AR | Ball (Part of Item 10) | |
| 12 | 7005876 | 1 | Plug, Cooling | |
| 13 | 7005804 | 1 | Housing | |
| 14 | 7005811 | 1 | Link, Drive | |
| 15 | 7005877 | 1 | Rotor Set Assembly | |
| 16 | 7005878 | AR | Pin, Drive Link | |
| 17 | 7005821 | 4 | Bolt | |
| 18 | 7005879 | 1 | Shaft | |
| 19 | 7005880 | 1 | Key | |
| | 7005881 | 1 | Seal Kit (Includes Items 1-6) | |

SECTION 2 - TURNTABLE

FIGURE 2-10. GROUND CONTROL COMPONENTS INSTALLATIONS - MODEL 30ELECTRIC



SECTION 2 - TURNTABLE

FIGURE 2-10. GROUND CONTROL COMPONENTS INSTALLATIONS - MODEL 30ELECTRIC

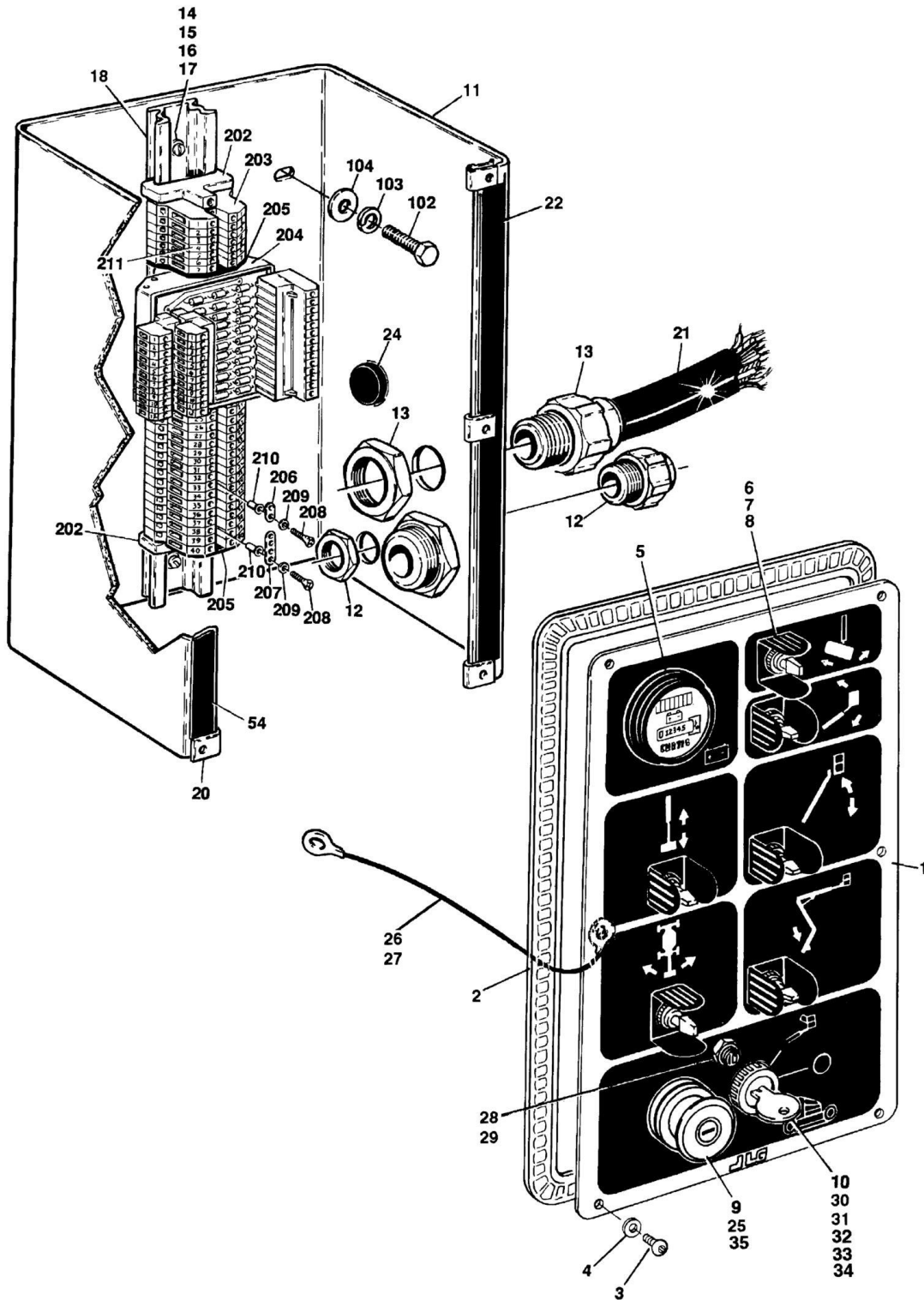
| ITEM | PART NUMBER | QTY | DESCRIPTION | REV |
|------|--------------|-----------|--|-----|
| | | Ref | GROUND CONTROL BOX INSTALLATION | |
| | 0254739 | Ref | Standard Spec Without Numbered Colored Wire (Prior to SN 36544) | A |
| | 0258046 | Ref | Standard Spec with Numbered Colored Wire (SN 36544 to Present) | 1 |
| | 0254740 | Ref | Japanese Spec Without Numbered Colored Wire (Prior to SN 36544) | A |
| | 0258045 | Ref | Japanese Spec with Numbered Colored Wire (SN 36544 to Present) | 1 |
| 2 | 0630464 | 8 | Screw #10-24NC x 1/2in | |
| 3 | 4740120 | 8 | Washer, Nylon | |
| 4 | 1380139 | 1 | Clip | |
| 5 | 3537992 | 1 | Plate, Mounting | |
| 6 | 4460545 | 1 | Terminal Strip Assembly (See Items 201-211 for Breakdown) | |
| 7 | 0641406 | 2 | Bolt 1/4in-20NC x 3/4in | |
| 8 | 4740362 | 2 | Flatwasher, Special | |
| 9 | 4751400 | 2 | Flatwasher 1/4in | |
| 10 | 3311405 | 2 | Locknut 1/4in-20NC | |
| 11 | 3910608 | 2 | Screw #6-32NC x 1/2in | |
| 12 | 4760600 | 2 | Lockwasher #6 | |
| 13 | 4750600 | 2 | Flatwasher #6 | |
| 14 | 3310601 | 2 | Nut #6-32NC | |
| | | Ref | GROUND CONTROL BOX ASSEMBLY | |
| | 0860914 | Ref | Standard Spec Without Numbered Colored Wire (Prior to SN 36544) | 2 |
| | 0861180 | Ref | Standard Spec with Numbered Colored Wire (SN 36544 to Present) | 2 |
| | 0860915 | Ref | Japanese Spec Without Numbered Colored Wire (Prior to SN 36544) | A |
| | 0861181 | Ref | Japanese Spec with Numbered Colored Wire (SN 36544 to Present) | 2 |
| 101 | | Ref | Nameplate, Ground Control Options: | |
| 101 | 3252349 | 1 | Nameplate, Ground Control (Prior to SN 47045) | |
| 101 | 3252648 | 1 | Nameplate, Ground Control (SN 47045 to Present) | |
| 102 | 4360346 | 1 | Switch, Master Key (Select) (Prior to SN 47045) | |
| 102 | 7012587 | 1 | Key, Replacement | |
| 102 | 4360473 | 1 | Switch, Master Key (Select) (SN 47045 to Present) | |
| 102 | 2860030 | 1 | Key, Replacement | |
| 103 | 4360289 | 1 | Switch, Emergency Stop (Prior to SN 47045) | |
| 103 | 7012611 | 1 | Head, Mushroom | |
| 103 | 7012612 | 1 | Boot | |
| 103 | 4360475 | 1 | Switch, Emergency Stop (SN 47045 to Present) | |
| 103 | 7020175 | 1 | Cap/E-Stop With Sealing Ring | |
| 103 | 7020176 | 1 | Contact Block With Mount Collar | |
| 104 | 2420106 | 1 | Meter, Battery Capacity | |
| 105 | 4360314 | 3 | Switch, Toggle | |
| 106 | 4060802 | 3 | Shield, Toggle Switch | |
| 107 | 4740397 | 3 | Washer, Spacer | |
| 108 | 4460234 | 3 | Mount, Cable Tie (Located on Back of Nameplate) | |
| 109 | 4420037 | 4 ft/1.2m | Tape, Insulation | |
| 111 | Not Required | 0 | Not Required | |

SECTION 2 - TURNTABLE

| ITEM | PART NUMBER | QTY | DESCRIPTION | REV |
|------|-------------|-----|---|-----|
| 112 | 4070987 | 1 | Shim,.015 (SN 47045 to Present) | |
| 113 | 4070991 | 1 | Shim,.125 (SN 47045 to Present) | |
| 114 | 3910804 | 6 | Screw #8-32NC x 1/4in (SN 47045 to Present) | |
| | 4460545 | Ref | TERMINAL STRIP ASSEMBLY | - |
| 201 | 3640930 | 1 | Rail | |
| 202 | 4460299 | 2 | Stop, Terminal | |
| 203 | 4460298 | 10 | Block, Terminal | |
| 204 | 0610107 | 1 | Card, Circuit | |
| 205 | 4460300 | 2 | Barrier, Terminal | |
| 206 | 4460308 | 1 | Bar, Buss - 2 Position | |
| 207 | 4460310 | 1 | Bar, Buss - 4 Position | |
| 208 | 4460305 | 6 | Screw | |
| 209 | 4460306 | 6 | Washer | |
| 210 | 4460307 | 6 | Sleeve | |
| 211 | 4460301 | 2 | Strip, Marking | |

SECTION 2 - TURNTABLE

FIGURE 2-11. GROUND CONTROL COMPONENTS INSTALLATIONS - MODELS 35ELECTRIC, 40ELECTRIC & 45ELECTRIC



SECTION 2 - TURNTABLE

FIGURE 2-11. GROUND CONTROL COMPONENTS INSTALLATIONS - MODELS 35ELECTRIC, 40ELECTRIC & 45ELECTRIC

| ITEM | PART NUMBER | QTY | DESCRIPTION | REV |
|------|--------------|------------|--|-----|
| | | Ref | GROUND CONTROL BOX ASSEMBLY | |
| | 0860916 | Ref | Standard Spec 35electric without Numbered Colored Wire (Prior to SN 36648) | 6 |
| | 0861188 | Ref | Standard Spec 35electric with Numbered Colored Wire (SN 36648 to Present) | 4 |
| | 0860918 | Ref | Standard Spec 40electric & 45electric without Numbered Colored Wire (Prior to SN 36648) | 3 |
| | 0861190 | Ref | Standard Spec 40electric & 45electric without Numbered Colored Wire (SN 36648 to Present) | 3 |
| | 0860917 | Ref | Japanese Spec 35electric without Numbered Colored Wire (Prior to SN 36648) | 5 |
| | 0861189 | Ref | Japanese Spec 35electric with Numbered Colored Wire (SN 36648 to Present) | 4 |
| | 0860919 | Ref | Japanese Spec 40electric & 45electric without Numbered Colored Wire (Prior to SN 36648) | 3 |
| | 0861191 | Ref | Japanese Spec 40electric & 45electric without Numbered Colored Wire (SN 36648 to Present) | 3 |
| 1 | | Ref | Lid Options: | |
| 1 | 3252350 | 1 | Lid 35electric (Prior to SN 47045) | |
| 1 | 3252649 | 1 | Lid 35electric (SN 47045 to Present) | |
| 1 | 3252351 | 1 | Lid 40electric & 45electric | |
| 2 | | Ref | Seal Options: | |
| 2 | 3960447 | 50 in/1.3m | Seal 35electric | |
| 2 | 3960438 | 50 in/1.3m | Seal 40electric & 45electric | |
| 3 | 0630464 | 6 | Screw #10-24NC x 1/2in | |
| 4 | 4740120 | 6 | Washer, Nylon | |
| 5 | 2420106 | 1 | Voltmeter | |
| 5 | 7012665 | 1 | Guard, Domed | |
| 6 | 4360314 | 6 | Switch, Toggle | |
| 7 | 4060802 | 6 | Guard, Switch | |
| 8 | 4740397 | 6 | Spacer | |
| 9 | 4360289 | 1 | Switch, Emergency Stop (Prior to SN 47045) | |
| 9 | 7012611 | 1 | Head, Mushroom | |
| 9 | 7012612 | 1 | Boot | |
| 9 | 4360475 | 1 | Switch, Emergency Stop (SN 47045 to Present) | |
| 9 | 7020175 | 1 | Cap/E-Stop With Sealing Ring | |
| 9 | 7020176 | 1 | Contact Block With Mount Collar | |
| 10 | 4360346 | 1 | Switch, Master Key (Select) (Standard Spec) (Prior to SN 47045) | |
| 10 | 7012587 | 1 | Key, Replacement | |
| 10 | 4360473 | 1 | Switch, Master Key (Select) (Standard Spec) (SN 47045 to Present) | |
| 10 | 2860030 | 1 | Key, Replacement | |
| 10 | 4360347 | 1 | Switch, Master Key (Select) (Japanese Spec) (Prior to SN 47045) | |
| 10 | 7012587 | 1 | Key, Replacement | |
| 10 | 4360474 | 1 | Switch, Master Key (Select) (Japanese Spec) (SN 47045 to Present) | |
| 10 | 2860030 | 1 | Key, Replacement | |
| 11 | | Ref | Box Weldment Options: | |
| 11 | Not Required | 0 | Box Weldment 35electric | |

SECTION 2 - TURNTABLE

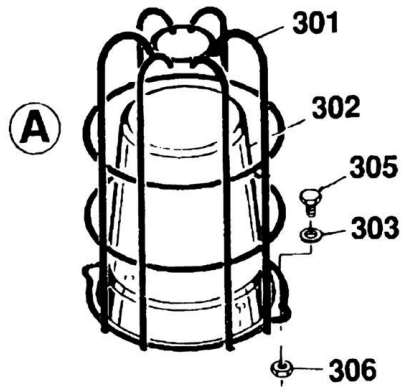
| ITEM | PART NUMBER | QTY | DESCRIPTION | REV |
|------|--------------|----------|--|-----|
| 11 | 0860883 | 1 | Box Weldment 40electric & 45electric | |
| 12 | 4460425 | 2 | Connector, Strain Relief | |
| 13 | 4460426 | 1 | Connector, Strain Relief | |
| 14 | 3910608 | 2 | Screw, Round Head #6-32NC x 1/2in | |
| 15 | 4760600 | 2 | Lockwasher #6 | |
| 16 | 4750600 | 2 | Flatwasher #6 | |
| 17 | 3310601 | 2 | Nut #6-32NC | |
| 18 | 4460530 | 1 | Terminal Strip Assembly (See Items 201-211 for Breakdown) | |
| 20 | 3300365 | 6 | Nut, Retainer | |
| 21 | | Ref | Harness - Chassis and Valve Options (See ELECTRICAL SECTION for Breakdown): | |
| 21 | 4921643 | 1 | Harness - Chassis and Valve without Numbered Colored Wire (Prior to SN 36648) | |
| 21 | 4922039 | 1 | Harness - Chassis and Valve with Numbered Colored Wire (SN 36648 to Present) | |
| 22 | 4420008 | 4 ft/.3m | Tape, Seal | |
| 23 | 0100048 | AR | Silicone (Not Shown) | |
| 24 | | Ref | Plug, Hole Options: | |
| 24 | Not Required | 0 | Plug, Hole 35electric | |
| 24 | 3520084 | 1 | Plug, Hole 40electric & 45electric | |
| 25 | | Ref | Block, Contact Options: | |
| 25 | 4360282 | 1 | Block, Contact (Prior to SN 47045) | |
| 25 | 4360476 | 1 | Block, Contact (SN 47045 to Present) | |
| 26 | | Ref | Cable, Lanyard Options: | |
| 26 | Not Required | 0 | Cable, Lanyard 35electric | |
| 26 | 1060584 | 1 | Cable, Lanyard 40electric & 45electric | |
| 27 | 3311011 | AR | Nut, Push #10 | |
| 28 | 4360069 | 1 | Breaker, Circuit - 10 Amp (March 1995 to Present Only) | |
| 29 | 3300396 | 1 | Nut, Special (March 1995 to Present Only) | |
| 30 | 3300412 | 1 | Nut, Keyswitch (35electric Only) (SN 34783 through 49748) | |
| 31 | 3300413 | 1 | Nut, Cap (35electric Only Only) (SN 34783 through 49748) | |
| 32 | 4070987 | 1 | Shim,.015 (SN 47045 to Present) | |
| 33 | 4070991 | 1 | Shim,.125 (SN 47045 to Present) | |
| 34 | 3910804 | 6 | Screw #8-32NC x 1/4in (SN 47045 to Present) | |
| 35 | 1704260 | 1 | Decal - EMS (Japanese Spec Only) (SN 47045 to Present) | |
| | | Ref | GROUND CONTROL BOX INSTALLATIONS | |
| | 0254536 | Ref | Standard Spec 35electric without Numbered Colored Wire (Prior to SN 36648) | A |
| | 0258061 | Ref | Standard Spec 35electric with Numbered Colored Wire (SN 36648 to Present) | 1 |
| | 0254399 | Ref | Standard Spec 40electric & 45electric without Numbered Colored Wire (Prior to SN 36648) | A |
| | 0258063 | Ref | Standard Spec 40electric & 45electric without Numbered Colored Wire (SN 36648 to Present) | 1 |
| | 0254537 | Ref | Japanese Spec 35electric without Numbered Colored Wire (Prior to SN 36648) | A |
| | 0258062 | Ref | Japanese Spec 35electric with Numbered Colored Wire (SN 36648 to Present) | 1 |
| | 0254400 | Ref | Japanese Spec 40electric & 45electric without Numbered Colored Wire (Prior to SN 36648) | A |
| | 0258064 | Ref | Japanese Spec 40electric & 45electric without Numbered Colored Wire (SN 36648 to Present) | 1 |
| 102 | 0641605 | 4 | Bolt 3/8in-16NC x 5/8in | |
| 103 | 4761600 | 4 | Lockwasher 3/8in | |

SECTION 2 - TURNTABLE

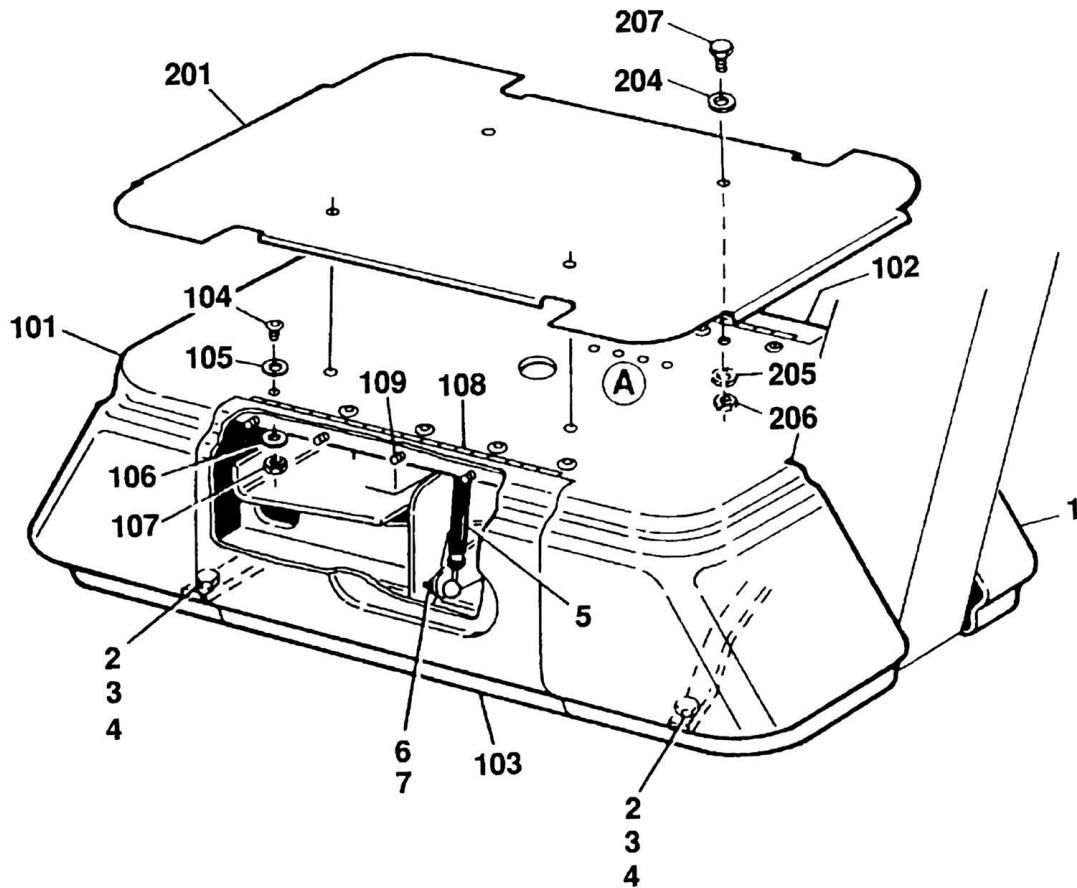
| ITEM | PART NUMBER | QTY | DESCRIPTION | REV |
|------|-------------|-----|--------------------------------|-----|
| 104 | 4751600 | 4 | Flatwasher 3/8in | |
| | 4460530 | Ref | TERMINAL STRIP ASSEMBLY | A |
| 201 | 3640920 | 1 | Rail, Mounting | |
| 202 | 4460299 | 2 | Stop, Terminal | |
| 203 | 4460298 | 26 | Block, Terminal | |
| 204 | 0610107 | 1 | Card, Circuit | |
| 205 | 4460300 | 3 | Barrier, Terminal | |
| 206 | 4460308 | 1 | Bar, Buss - 2 Position | |
| 207 | 4460310 | 1 | Bar, Buss - 4 Position | |
| 208 | 4460305 | 6 | Screw, Terminal | |
| 209 | 4460306 | 6 | Washer, Terminal | |
| 210 | 4460307 | 6 | Sleeve, Terminal | |
| 211 | 4460301 | 2 | Strip, Terminal Numbering | |

SECTION 2 - TURNTABLE

FIGURE 2-12. TURNTABLE AND HOOD INSTALLATION - MODEL 30ELECTRIC



LOCATED ON COVER



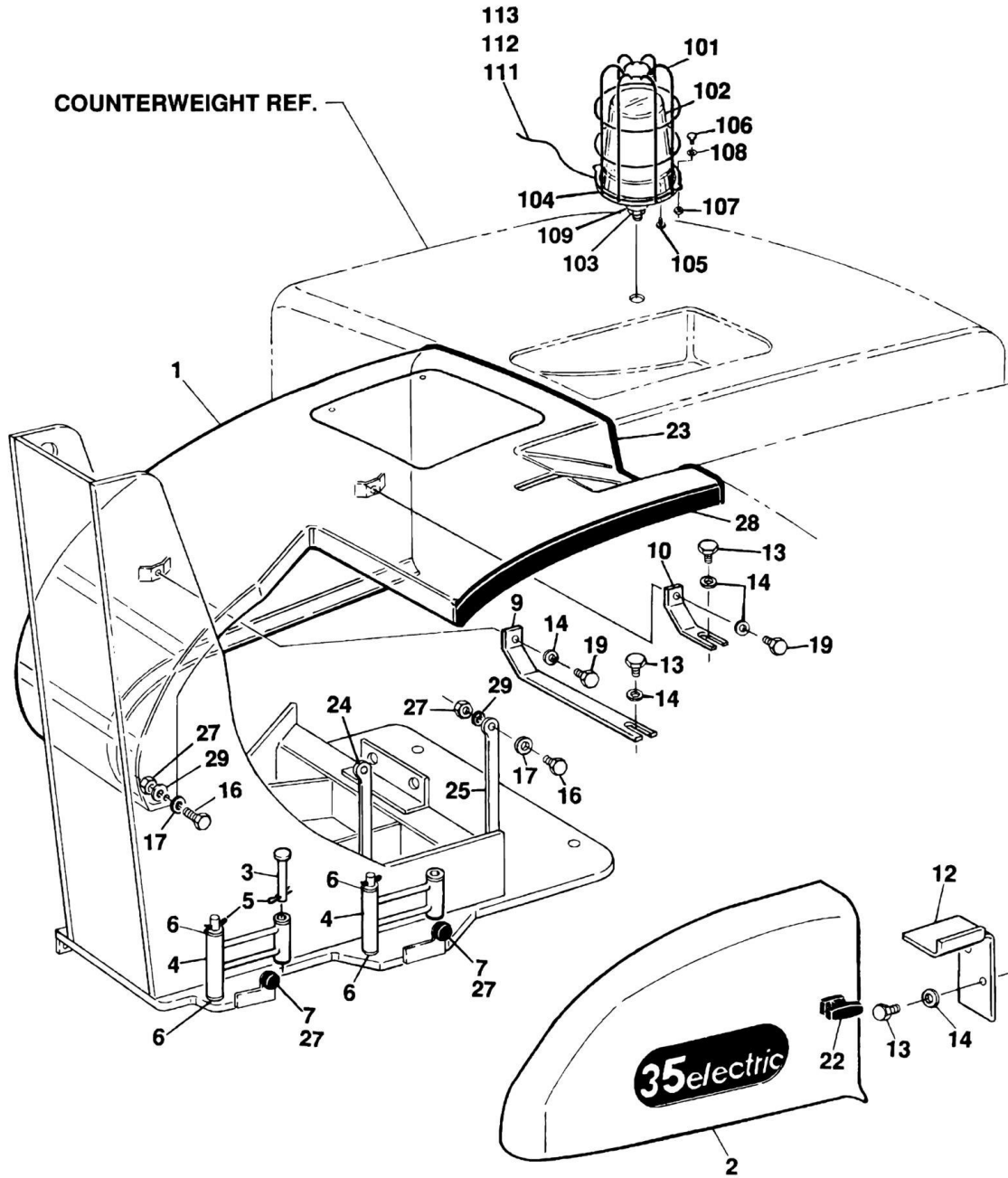
SECTION 2 - TURNTABLE

FIGURE 2-12. TURNTABLE AND HOOD INSTALLATION - MODEL 30ELECTRIC

| ITEM | PART NUMBER | QTY | DESCRIPTION | REV |
|------|-------------|-----|---|-----|
| | 4620086 | 1 | TURNTABLE | |
| | 0254743 | Ref | HOODS INSTALLATION | - |
| | | Ref | Note: Replacement Decals Must be Ordered Separately. | |
| 1 | 0254744 | 1 | Hood Assembly (Includes Items 101-109) | |
| 2 | 0641510 | 4 | Bolt 5/16in-18NC x 1 1/4in | |
| 3 | 4711500 | 8 | Flatwasher 5/16in Narrow | |
| 4 | 3311505 | 4 | Locknut 5/16in-18NC | |
| 5 | 4160117 | 2 | Spring, Gas | |
| 6 | 4761500 | 4 | Lockwasher 5/16in | |
| 7 | 3311501 | 4 | Nut 5/16in-18NC | |
| | 0254744 | Ref | HOOD ASSEMBLY | - |
| | | Ref | Note: Replacement Decals Must be Ordered Separately. | |
| 101 | 2680404 | 1 | Hood | |
| 102 | 2680413 | 1 | Door (Ground Control Panel) | |
| 103 | 2680405 | 1 | Door (Manual Storage Panel) | |
| 104 | 0630457 | 10 | Bolt, Button | |
| 105 | 4711400 | 20 | Flatwasher 1/4in Narrow | |
| 106 | 4751400 | 10 | Flatwasher 1/4in Narrow | |
| 107 | 3311401 | 10 | Nut 1/4in-20NC | |
| 108 | 2600192 | 2 | Hinge, Door | |
| 109 | 0630448 | 20 | Bolt, Button | |
| | 0252986 | Ref | COVER INSTALLATION (OPTIONAL) | 2 |
| 201 | 4844182 | 1 | Cover | |
| 204 | 4711500 | 8 | Flatwasher 5/16in Narrow | |
| 205 | 4761500 | 4 | Lockwasher 5/16in | |
| 206 | 3311501 | 4 | Nut 5/16in-18NC | |
| 207 | 0641514 | 4 | Bolt 5/16in-18NC x 1 3/4in | |
| | 0254745 | Ref | BEACON KIT (OPTIONAL) | B |
| 301 | 4060865 | 1 | Guard, Strobe | |
| 302 | 2920119 | 1 | Light, Strobe (Amber) (Prior to SN 28019) | |
| 302 | 2920146 | 1 | Light, Strobe (Amber) (SN 28019 to Present) | |
| 302 | 7016319 | 1 | Bulb, Light | |
| 302 | | Ref | Amber Lens Options: | |
| 302 | 7016320 | 1 | Lens - 3 1/8in Height | |
| 302 | 7016372 | 1 | Lens - 4 1/8in Height | |
| 303 | 4751000 | 4 | Flatwasher #10 | |
| 305 | 0721008 | 2 | Bolt #10-24NC x 1in | |
| 306 | 3311005 | 2 | Locknut #10-24NC | |

SECTION 2 - TURNTABLE

FIGURE 2-13. TURNTABLE AND HOOD INSTALLATION - MODEL 35ELECTRIC



SECTION 2 - TURNTABLE

FIGURE 2-13. TURNTABLE AND HOOD INSTALLATION - MODEL 35ELECTRIC

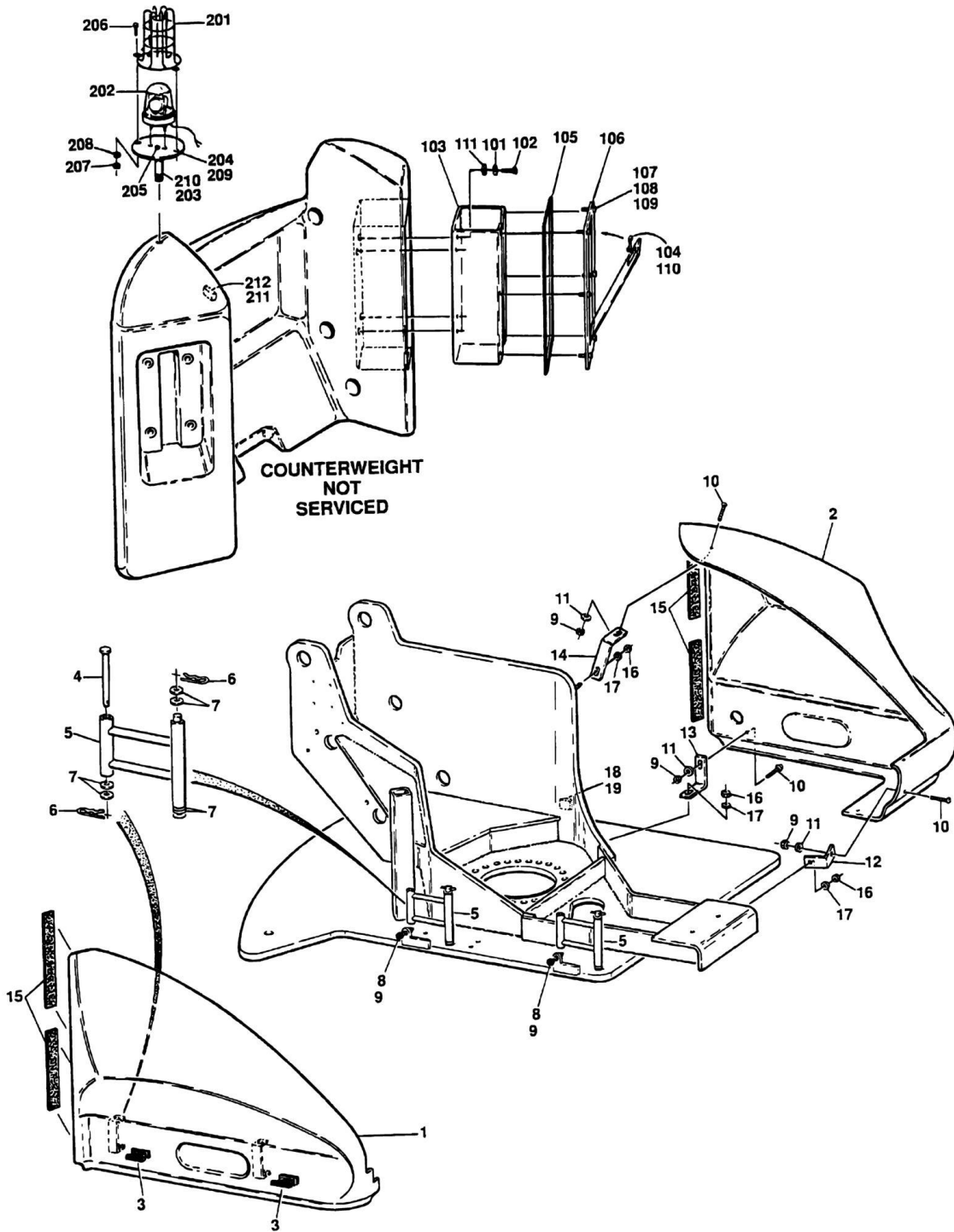
| ITEM | PART NUMBER | QTY | DESCRIPTION | REV |
|------|-------------|------------|--|-----|
| | 4620101 | 1 | TURNTABLE | |
| | 0254698 | Ref | HOODS INSTALLATION | D |
| | | Ref | Note: Replacement Decals Must be Ordered Separately. | |
| 1 | 2680239 | 1 | Hood - Left Side | |
| 1 | 7012624 | 1 | Access Panel Assembly | |
| 1 | 7016353 | 2 | Access Panel Fastener Kit | |
| 2 | 2680240 | 1 | Hood - Right Side | |
| 3 | 3430840 | 2 | Pin, Clevis | |
| 4 | 0253687 | 2 | Hinge | |
| 5 | 3420156 | 4 | Hairpin | |
| 6 | 4711800 | AR | Flatwasher 1/2in Narrow | |
| 7 | 0940049 | 2 | Bumper | |
| 9 | 0902045 | 1 | Bracket | |
| 10 | 0902044 | 1 | Bracket | |
| 12 | 0902046 | 1 | Bracket | |
| 13 | 0641608 | 6 | Bolt 3/8in-16NC x 1in | |
| 14 | 4751600 | 8 | Flatwasher 3/8in | |
| 16 | 0630476 | 5 | Capscrew, Button Head | |
| 17 | 4751500 | 5 | Flatwasher 5/16in | |
| 18 | 0100011 | AR | Loctite #242 (Not Shown) | |
| 19 | 0641606 | 2 | Bolt 3/8in-16NC x 3/4in | |
| 22 | 2940071 | 1 | Latch | |
| 23 | 3960453 | 76 in/2m | Seal | |
| 24 | 0902055 | 1 | Bracket | |
| 25 | 0902056 | 1 | Bracket | |
| 27 | 3311501 | 9 | Nut 5/16in-18NC | |
| 28 | 3960433 | 20 in/51cm | Seal | |
| 29 | 4761500 | 5 | Lockwasher 5/16in | |
| | | Ref | OPTIONAL STROBE LIGHT INSTALLATIONS | |
| | 0254544 | Ref | Optional Strobe Light Installations Prior to January 1995 | E |
| | 0255611 | Ref | Optional Strobe Light Installations January 1995 to Present | 3 |
| 101 | 4060865 | 1 | Guard, Light | |
| 102 | | Ref | Light, Strobe Options (Amber): | |
| 102 | 2920119 | 1 | Light (Prior to SN 28019) | |
| 102 | 2920146 | 1 | Light (SN 28019 to Present) | |
| 102 | 7016319 | 1 | Bulb, Light | |
| 102 | | Ref | Amber Lens Options: | |
| 102 | 7016320 | 1 | Lens - 3 1/8in Height | |
| 102 | 7016372 | 1 | Lens - 4 1/8in Height | |
| 103 | | Ref | Bolt, Special Options: | |
| 103 | 0630491 | 1 | Bolt, Special Prior to January 1995 | |
| 103 | 0630474 | 1 | Bolt, Special January 1995 to Present | |
| 104 | 3537903 | 1 | Plate, Mounting | |
| 105 | 0741606 | 1 | Screw, Flathead 3/8in-16NC x 3/4in | |
| 106 | 0721008 | 2 | Bolt #10-24NC x 1in | |
| 107 | 3311005 | 2 | Locknut #10-24NC | |
| 108 | 4751000 | 4 | Flatwasher #10 | |
| 109 | | Ref | Spacer Options: | |
| 109 | 4220162 | | Spacer Prior to January 1995 | |

SECTION 2 - TURNTABLE

| ITEM | PART NUMBER | QTY | DESCRIPTION | REV |
|------|-------------|---------------|--------------------------------|-----|
| 109 | 4220111 | | Spacer January 1995 to Present | |
| 110 | 0100011 | AR | Loctite #242 | |
| 111 | 4240032 | 1 | Tie-Strap | |
| 112 | 4460234 | 1 | Clamp | |
| 113 | 2820036 | 16 in/41cm | Loom (Not Shown) | |

SECTION 2 - TURNTABLE

FIGURE 2-14. TURNTABLE AND HOOD INSTALLATION - MODEL 40ELECTRIC & 45ELECTRIC



SECTION 2 - TURNTABLE

FIGURE 2-14. TURNTABLE AND HOOD INSTALLATION - MODEL 40ELECTRIC & 45ELECTRIC

| ITEM | PART NUMBER | QTY | DESCRIPTION | REV |
|------|-------------|------------|---|-----|
| | 4620088 | 1 | TURNTABLE | |
| | 0253709 | Ref | HOODS INSTALLATION | 7 |
| | | Ref | Note: Replacement Decals Must be Ordered Separately. | |
| 1 | | Ref | Hood (Left Side) Options: | |
| 1 | 2680410 | 1 | Hood (Left Side) (Prior to SN 48140) | |
| 1 | 2680473 | 1 | Hood (Left Side) (SN 48140 to Present) | |
| 2 | | Ref | Hood (Right Side) Options: | |
| 2 | 2680411 | 1 | Hood (Right Side) (Prior to SN 48140) | |
| 2 | 2680475 | 1 | Hood (Right Side) (SN 48140 to Present) | |
| 3 | 2940071 | 2 | Latch | |
| 4 | 3430840 | 2 | Pin, Clevis | |
| 5 | 0253687 | 2 | Swing Hinge Assembly | |
| 6 | 3420156 | 4 | Hairpin | |
| 7 | 4751800 | AR | Flatwasher 1/2in | |
| 8 | 0940049 | 2 | Bumper (Prior to SN 48140) | |
| 9 | 3311501 | 3 | Nut 5/16in-18NC | |
| 10 | 0630468 | 3 | Screw, Button Head 5/16in-18NC x 1in | |
| 11 | 4751500 | 5 | Flatwasher 5/16in | |
| 12 | 0901923 | 1 | Bracket, Mounting - Right Front | |
| 13 | 0901923 | 1 | Bracket, Mounting - Right Side Bottom | |
| 14 | 0901921 | 1 | Bracket, Mounting - Right Side Top | |
| 15 | 3960453 | 5 ft/1.6m | Seal, Door | |
| 16 | 3311601 | 1 | Nut 3/8in-16NC | |
| 17 | 4751600 | 1 | Flatwasher 3/8in | |
| 18 | 1320043 | 1 | Clamp | |
| 19 | 0641510 | 2 | Bolt 5/16in-18NC x 1 1/4in | |
| 20 | 4751400 | 1 | Flatwasher 1/4in | |
| 21 | 3311401 | 1 | Nut 1/4in-20NC | |
| 21 | 0100011 | AR | Loctite (Not Shown) | |
| | 0253984 | Ref | STORAGE COMPARTMENT INSTALLATION | B |
| 101 | 4761600 | 4 | Lockwasher 3/8in | |
| 102 | 0641605 | 4 | Bolt 3/8in-16NC x 5/8in | |
| 103 | 3536691 | 1 | Box, Storage | |
| 104 | 2940042 | 1 | Latch | |
| 105 | 3960438 | 50 in/1.3m | Seal | |
| 106 | 4844404 | 1 | Door Front Weldment | |
| 107 | 4740120 | 6 | Washer, Nylon | |
| 108 | 0630464 | 6 | Screw, Button Head #10-24NC x 1/2in | |
| 109 | 3300365 | 6 | Retainer, Nut #10-24NC | |
| 110 | 0100011 | AR | Loctite #242 | |
| 111 | 4751600 | 4 | Flatwasher | |
| | 0254544 | Ref | OPTIONAL STROBE LIGHT INSTALLATION | 7 |
| 201 | 4060865 | 1 | Guard, Light | |
| 202 | 2920119 | 1 | Light, Strobe (Amber) (Prior to SN 28019) | |
| 202 | 2920146 | 1 | Light, Strobe (Amber) (SN 28019 to Present) | |
| 202 | 7016319 | 1 | Bulb, Light | |
| 202 | | Ref | Amber Lens Options: | |
| 202 | 7016320 | 1 | Lens - 3 1/8in Height | |
| 202 | 7016372 | 1 | Lens - 4 1/8in Height | |
| 203 | 0630491 | 1 | Bolt, Special | |

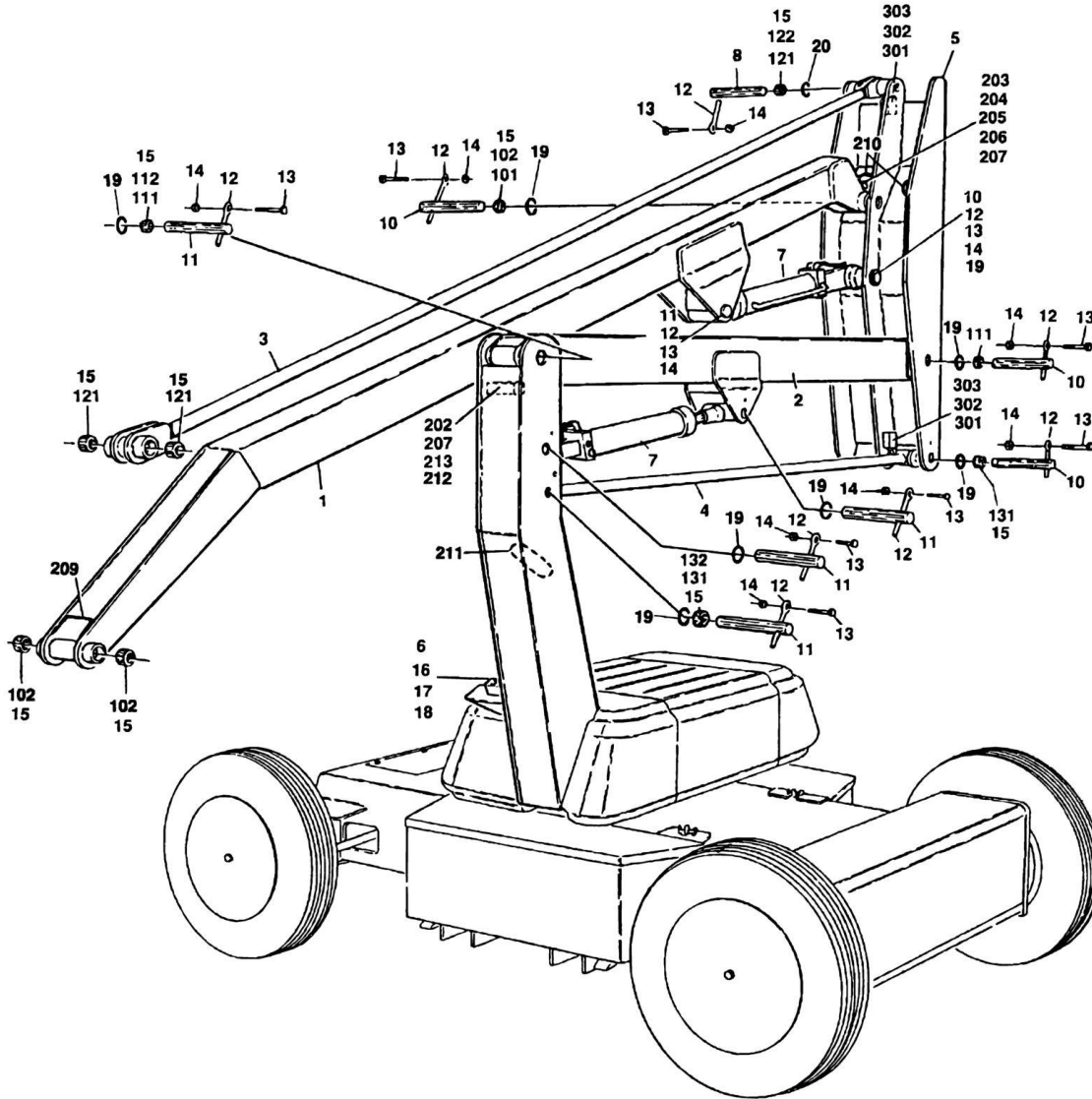
SECTION 2 - TURNTABLE

| ITEM | PART NUMBER | QTY | DESCRIPTION | REV |
|------|-------------|-----|------------------------------------|-----|
| 204 | 3537903 | 1 | Plate, Mounting | |
| 205 | 0741606 | 1 | Screw, Flathead 3/8in-16NC x 3/4in | |
| 206 | 0721008 | 2 | Bolt #10-24NC x 1in | |
| 207 | 3311005 | 2 | Locknut #10-24NC | |
| 208 | 4751000 | 4 | Flatwasher #10 | |
| 209 | 4220162 | 1 | Spacer | |
| 210 | 0100011 | AR | Loctite #242 | |
| 211 | 4240032 | 1 | Tie-Strap | |
| 212 | 4460234 | 1 | Clamp | |
| 213 | 2820036 | AR | Loom (Not Shown) | |

SECTION 3 - BOOM

SECTION 3 - BOOM

FIGURE 3-1. BOOMS AND LIMIT SWITCHES INSTALLATION MODEL 30ELECTRIC



SECTION 3 - BOOM

FIGURE 3-1. BOOMS AND LIMIT SWITCHES INSTALLATION MODEL 30ELECTRIC

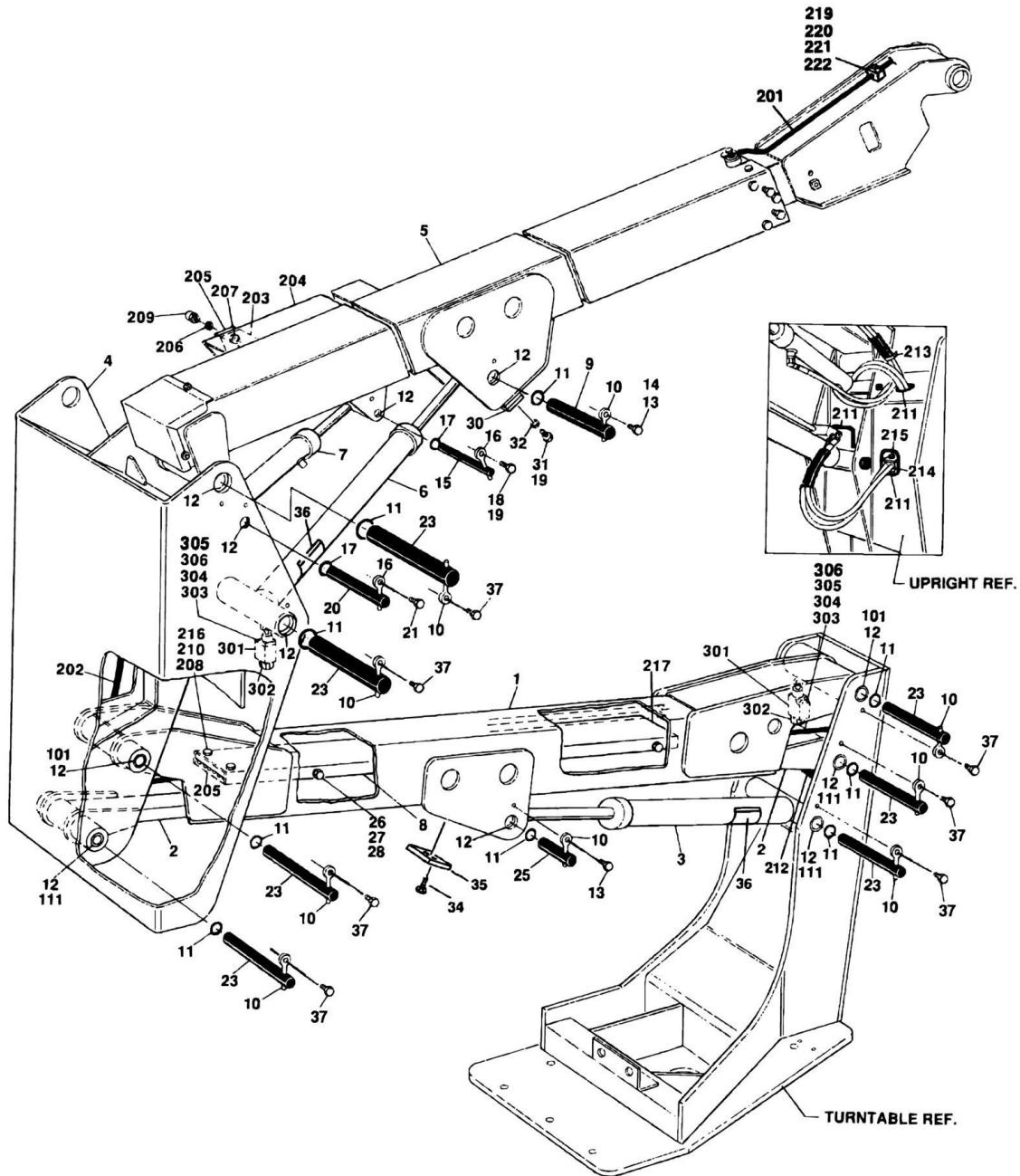
| ITEM | PART NUMBER | QTY | DESCRIPTION | REV |
|------|-------------|----------|--|-----|
| | 0252318 | Ref | BOOMS INSTALLATION | C |
| 1 | 0800750 | 1 | Main/Upper Boom Assembly (Includes Items 101 & 102) | |
| 2 | 0800749 | 1 | Tower/Lower Boom Assembly (Includes Items 111) | |
| 3 | 4844027 | 1 | Main/Upper Level Link Assembly (Includes Item 121) | |
| 4 | 4844026 | 1 | Tower/Lower Level Link Assy (Includes Item 131) | |
| 5 | 4844028 | 1 | Upright Weldment | |
| 6 | 0560995 | 1 | Block, Bumper | |
| 7 | 1682662 | 2 | Lift Cylinder Assy (See CYLINDER SECTION for Breakdown) | |
| 8 | 3422006 | 1 | Pin, Attach | |
| 10 | 3421985 | 4 | Pin, Attach | |
| 11 | 3421986 | 5 | Pin, Attach | |
| 12 | 3841143 | 10 | Pin, Keeper | |
| 13 | 0641509 | 10 | Bolt 5/16in-18NC x 1 1/2in | |
| 14 | 3311505 | 10 | Locknut 5/16in-18NC | |
| 15 | 3020022 | AR | Grease, Bearing | |
| 16 | 0641410 | 2 | Bolt 1/4in-20NC x 1 1/4in | |
| 17 | 4751400 | 2 | Flatwasher 1/4in | |
| 18 | 3311405 | 2 | Locknut 1/4in-20NC | |
| 19 | 3780183 | 18 | O-Ring | |
| 20 | 3780181 | 2 | O-Ring | |
| | 0800750 | Ref | MAIN/UPPER BOOM ASSEMBLY | |
| 101 | 0961602 | 2 | Bushing, Teflon | |
| 102 | 0961608 | 2 | Bushing, Teflon | |
| | 0800749 | Ref | TOWER/LOWER BOOM ASSEMBLY | |
| 111 | 0961602 | 4 | Bushing, Teflon | |
| | 4844027 | Ref | MAIN/UPPER LEVEL LINK ASSEMBLY | |
| 121 | 0961608 | 4 | Bushing, Teflon | |
| | 4844026 | Ref | TOWER/LOWER LEVEL LINK ASSEMBLY | |
| 131 | 0961602 | 4 | Bushing, Teflon | |
| | | Ref | CLAMPS AND CABLE INSTALLATIONS | |
| | 0254738 | Ref | Clamps and Cable Installations w/o Numbered Colored Wire (Prior to SN 36544) | A |
| | 0258226 | Ref | Clamps and Cable Installations w/ Numbered Colored Wire (SN 36544 to Present) | 1-A |
| 201 | | Ref | Harness - Main Boom Options (Not Shown - See ELECTRICAL SECTION for Breakdown): | |
| 201 | 4921659 | 1 | Harness - Main Boom (Prior to SN 36544) | |
| 201 | 4922061 | 1 | Harness - Main Boom (SN 36544 to Present) | |
| 202 | 0561157 | 1 | Block, Clamp | |
| 203 | 0561158 | 1 | Block, Clamp | |
| 204 | 0641414 | | Bolt 1/4in-20NC x 1 3/4in | |
| 205 | 3311405 | 2 | Locknut 1/4in-20NC | |
| 206 | 0641410 | 2 | Bolt 1/4in-20NC x 1 1/4in | |
| 207 | 4761400 | 4 | Lockwasher 1/4in | |
| 208 | 4240099 | 20 | Tie-Strap (Not Shown) | |
| 209 | 4060804 | 18 | Protector, Edge (3/16in-4.8mm) | |
| | | in/25cm | | |
| 210 | 4060805 | 40 | Protector, Edge (1/4in-6.4mm) | |
| | | in/102cm | | |
| 211 | 4060807 | 29 | Protector, Edge (3/8in-9.5mm) | |
| | | in/73cm | | |

SECTION 3 - BOOM

| ITEM | PART NUMBER | QTY | DESCRIPTION | REV |
|------|-------------|-----|---|-----|
| 212 | 4751400 | 2 | Flatwasher 1/4in | D |
| 213 | 3311401 | 2 | Nut 1/4in-20NC | |
| | 0252303 | Ref | BOOM LIMIT SWITCHES INSTALLATION | |
| 301 | 4360321 | 2 | Switch, Limit | |
| 302 | 3900168 | 4 | Bolt, Special | |
| 303 | 4751000 | 4 | Flatwasher | |
| 304 | 3311005 | 4 | Locknut #10-24NC | |
| 305 | 4920140 | AR | Wire, Safety | |
| 306 | 4460428 | 2 | Connector, Strain Relief | |

SECTION 3 - BOOM

FIGURE 3-2. BOOMS AND LIMIT SWITCHES INSTALLATION MODEL 35ELECTRIC



SECTION 3 - BOOM

FIGURE 3-2. BOOMS AND LIMIT SWITCHES INSTALLATION MODEL 35ELECTRIC

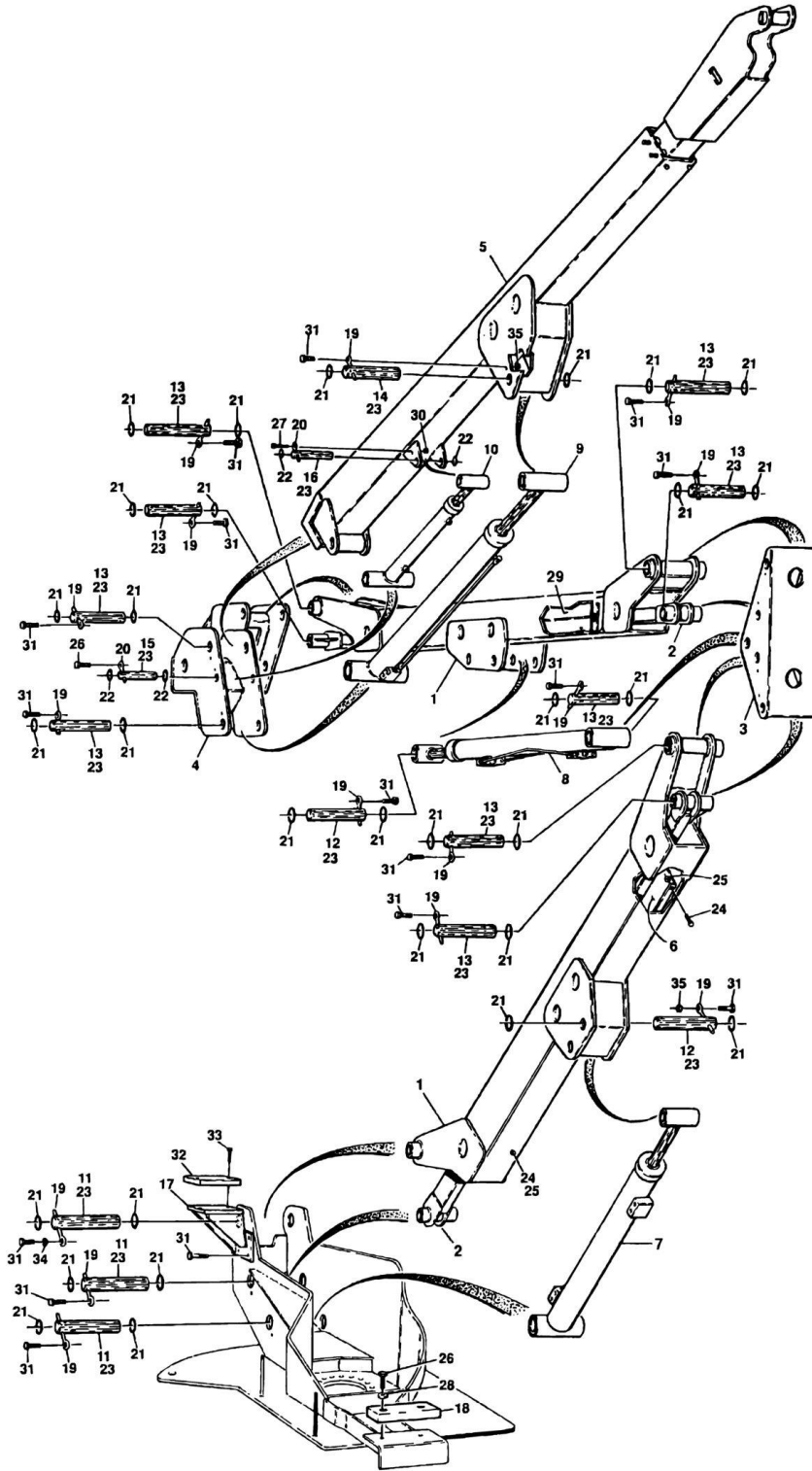
| ITEM | PART NUMBER | QTY | DESCRIPTION | REV |
|------|-------------|-----|--|-----|
| | 0254190 | Ref | BOOM INSTALLATION | 14 |
| 1 | | Ref | Lower Boom Weldment Options (Includes Item 101) | |
| 1 | 0800866 | 1 | Lower Boom Weldment Prior to August 1994 | |
| 1 | 0801007 | 1 | Lower Boom Weldment August 1994 to Present | |
| 2 | 4844576 | 1 | Lower Link Weldment (Includes Item 111) | |
| 3 | 1682980 | 1 | Lower Lift Cylinder Assembly (See CYLINDER SECTION for Breakdown) | |
| 4 | 4844588 | 1 | Upright Weldment | |
| 5 | 0800832 | 1 | Upper Boom Assembly (See UPPER BOOM COMPONENTS ASSEMBLY for Breakdown) | |
| 6 | | Ref | Upper Lift Cylinder Assembly Options (See CYLINDER SECTION for Breakdown): | |
| 6 | 1682958 | 1 | Upper Lift Cylinder Assembly (Prior to SN 29899) | |
| 6 | 1683509 | 1 | Upper Lift Cylinder Assembly (SN 29899 to Present) | |
| 7 | | Ref | Master Cylinder Assembly Options (See CYLINDER SECTION for Breakdown) | |
| 7 | 1682877 | 1 | Master Cylinder Assembly Prior to January 1995 | |
| 7 | 1683325 | 1 | Master Cylinder Assembly January 1995 to Present | |
| 8 | 3537220 | 1 | Plate, Cable | |
| 9 | 3422178 | 1 | Pin | |
| 10 | 3841203 | 9 | Keeper, Pin | |
| 11 | 3780184 | 18 | O-Ring | |
| 12 | 3020022 | AR | Grease | |
| 13 | 0641812 | 2 | Bolt 1/2in-13NC x 1 1/2in | |
| 14 | 3311805 | 2 | Locknut 1/2in-13NC | |
| 15 | 3422180 | 1 | Pin | |
| 16 | 3841143 | 2 | Keeper, Pin | |
| 17 | 3780181 | 4 | O-Ring | |
| 18 | 0641610 | 1 | Bolt 3/8in-16NC x 1 1/4in | |
| 19 | 3311605 | 3 | Locknut 3/8in-16NC | |
| 20 | 3422179 | 1 | Pin | |
| 21 | 0641608 | 1 | Bolt 3/8in-16NC x 1in | |
| 23 | 3422177 | 7 | Pin | |
| 25 | 3422176 | 1 | Pin | |
| 26 | 0641408 | 4 | Bolt 1/4in-20NC x 1in | |
| 27 | 4751400 | 4 | Flatwasher 1/4in | |
| 28 | 3311405 | 4 | Locknut 1/4in-20NC | |
| 30 | 0561076 | 1 | Block, Boom Rest | |
| 31 | 0641614 | 2 | Bolt 3/8in-16NC x 1 3/4in | |
| 32 | 4751600 | 4 | Flatwasher 3/8in | |
| 33 | 0100011 | AR | Loctite #242 (Not Shown) | |
| 34 | 0641606 | 2 | Bolt 3/8in-16NC x 3/4in | |
| 35 | 0561173 | 1 | Block, Boom Rest | |
| 36 | 1701714 | 1 | Decal - Manual Descent (Prior to SN 32126) | |
| 37 | 0641808 | 7 | Bolt 1/2in-13NC x 1in | |
| | | Ref | LOWER BOOM WELDMENTS | |
| | 0800866 | Ref | Lower Boom Weldments Prior to August 1994 | - |
| | 0801007 | Ref | Lower Boom Weldments August 1994 to Present | B-2 |
| 101 | 0961726 | 4 | Bushing, Teflon | |
| | 4844576 | Ref | LOWER LINK WELDMENT | - |

SECTION 3 - BOOM

| ITEM | PART NUMBER | QTY | DESCRIPTION | REV |
|------|-------------|-------------|--|-----|
| 111 | 0961726 | 4 | Bushing, Teflon | |
| | | Ref | CABLES AND CLAMPS INSTALLATIONS | |
| | 0254595 | Ref | Clamps and Cable Installations w/o Numbered Colored Wire (Prior to SN 36648) | D |
| | 0258565 | Ref | Clamps and Cable Installations w/ Numbered Colored Wire (SN 36648 to Present) | 1 |
| 201 | | Ref | Harness - Upper Boom Options (See ELECTRICAL SECTION for Breakdown) | |
| 201 | 4921644 | 1 | Harness - Upper Boom (Prior to SN 36648) | |
| 201 | 4922128 | 1 | Harness - Upper Boom (SN 36648 to Present) | |
| 202 | 4921650 | 1 | Harness-Lower Boom (See ELECTRICAL SECTION for Breakdown) | |
| 203 | 0561090 | 2 | Clamp, Block | |
| 204 | 3536999 | 1 | Cover | |
| 205 | 1320205 | 2 | Clamp | |
| 206 | 4751400 | 12 | Flatwasher 1/4in | |
| 207 | 3311401 | 6 | Nut 1/4in-20NC | |
| 208 | 3311505 | 2 | Locknut 5/16in-18NC | |
| 209 | 3300151 | 6 | Nut, Acorn 1/4in-20NC | |
| 210 | 0641514 | 2 | Bolt 5/16in-18NC x 1 3/4in | |
| 211 | 4060805 | 6 ft/1.8m | Trim 1/4in | |
| 212 | 4060808 | 10 in/25cm | Trim 1/2in | |
| 213 | 4240099 | 26 | Tie-Strap | |
| 214 | 1320159 | 1 | Clamp | |
| 215 | 0641511 | 1 | Bolt 5/16in-18NC x 1 3/8in | |
| 216 | 4751500 | 4 | Flatwasher 5/16in | |
| 217 | 4060803 | 6 in/15cm | Trim 1/16in-1/8in | |
| 218 | 0100011 | AR | Loctite #242 (Not Shown) | |
| 219 | 1320195 | 1 | Cover, Clamp | |
| 220 | 1320199 | 1 | Clamp | |
| 221 | 0641520 | 1 | Bolt 5/16in-18NC x 2 1/2in | |
| 222 | 3311505 | 1 | Locknut 5/16in-18NC | |
| | 0254815 | Ref | BOOM LIMIT SWITCHES INSTALLATION | A |
| 301 | 4360321 | 2 | Switch, Limit | |
| 302 | 4460428 | 2 | Connector, Strain Relief | |
| 303 | 3311005 | 4 | Locknut #10-24NC | |
| 304 | 4751000 | 4 | Flatwasher #10 | |
| 305 | 3900168 | 2 | Bolt #10-24NC x 1 1/2in | |
| 306 | 1060341 | 34 ft/10.4m | Cable, Electrical | |

SECTION 3 - BOOM

FIGURE 3-3. BOOMS INSTALLATION - MODELS 40ELECTRIC & 45ELECTRIC



SECTION 3 - BOOM

FIGURE 3-3. BOOMS INSTALLATION - MODELS 40ELECTRIC & 45ELECTRIC

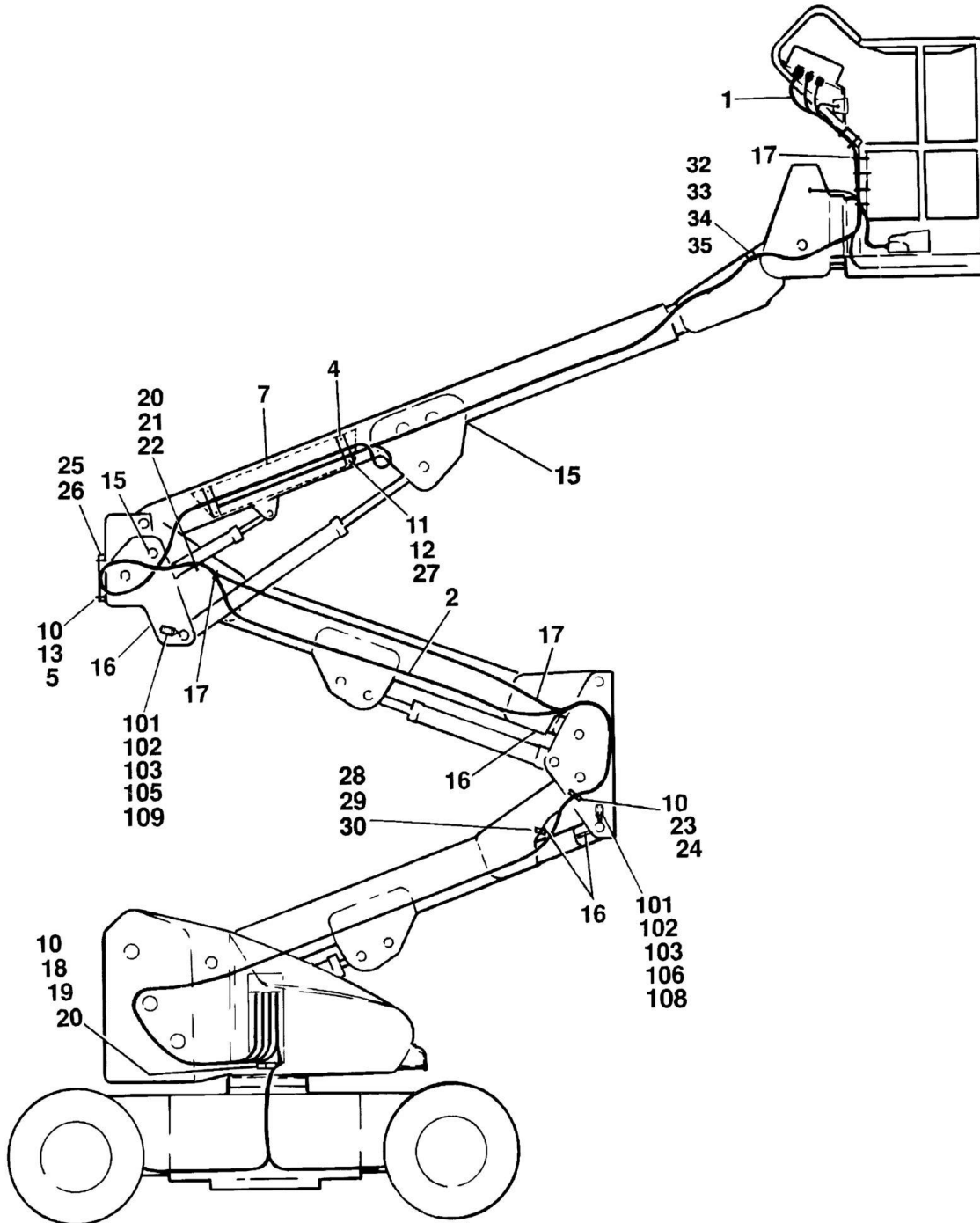
| ITEM | PART NUMBER | QTY | DESCRIPTION | REV |
|------|-------------|-----|---|-----|
| | | Ref | BOOMS INSTALLATION (STANDARD PARTS) | |
| | 0253455 | Ref | Booms Installation 40electric | 13 |
| | 0254040 | Ref | Booms Installation 45electric | 8 |
| 1 | | Ref | Tower Boom Weldment Options: | |
| 1 | 0800831 | 2 | Tower Boom Weldment 40electric | |
| 1 | 0800852 | 2 | Tower Boom Weldment 45electric | |
| 1 | 0961726 | 8 | Bushing, Teflon (4 Per Assembly) | |
| 2 | | Ref | Link, Level Options (Base and Mid): | |
| 2 | 4844302 | 2 | Link, Level 40electric | |
| 2 | 4844541 | 2 | Link, Level 45electric | |
| 2 | 0961726 | 8 | Bushing, Teflon (4 Per Assembly) | |
| 3 | | Ref | Upright Weldment Options (Bottom): | |
| 3 | 4844303 | 1 | Upright Weldment 40electric | |
| 3 | 4844427 | 1 | Upright Weldment 45electric | |
| 4 | 4844304 | 1 | Upright Weldment (Top) | |
| 5 | | Ref | Upper Boom Assembly Options (See UPPER BOOM COMPONENTS ASSEMBLY for Breakdown): | |
| 5 | 0800832 | 1 | Upper Boom Assembly 40electric | |
| 5 | 0800853 | 1 | Upper Boom Assembly 45electric | |
| 6 | | Ref | Plate, Hose Guard Options: | |
| 6 | 3536491 | 1 | Plate, Hose Guard 40electric | |
| 6 | 3537045 | 1 | Plate, Hose Guard 45electric | |
| 7 | | Ref | Cylinder Assembly - Lower Lift Options (See CYLINDER SECTION for Breakdown) | |
| 7 | 1682855 | 1 | Cylinder Assembly - Lower Lift 40electric (Prior to SN 33111) | |
| 7 | 1683518 | 1 | Cylinder Assembly - Lower Lift 40electric (SN 33111 to Present) | |
| 7 | 1683013 | 1 | Cylinder Assembly - Lower Lift 45electric (Prior to SN 33090) | |
| 7 | 1683521 | 1 | Cylinder Assembly - Lower Lift 45electric (SN 33090 to Present) | |
| 8 | | Ref | Cylinder Assembly - Mid Lift Options (See CYLINDER SECTION for Breakdown): | |
| 8 | 1682861 | 1 | Cylinder Assembly - Mid Lift 40electric (Prior to SN 33111) | |
| 8 | 1683519 | 1 | Cylinder Assembly - Mid Lift 40electric (SN 33111 to Present) | |
| 8 | 1683018 | 1 | Cylinder Assembly - Mid Lift 45electric (Prior to SN 33090) | |
| 8 | 1683522 | 1 | Cylinder Assembly - Mid Lift 45electric (SN 33090 to Present) | |
| 9 | | Ref | Cylinder Assembly Options - Upper Lift (See CYLINDER SECTION for Breakdown) | |
| 9 | 1682867 | 1 | Cylinder Assembly Prior to March 1995 | |
| 9 | 1683337 | 1 | Cylinder Assembly March 1995 to SN 29899 | |
| 9 | 1683506 | 1 | Cylinder Assembly (SN 29899 through 33089) | |
| 9 | 1683520 | 1 | Cylinder Assembly (SN 33090 to Present) | |
| 10 | | Ref | Cylinder Assembly Options - Master (See CYLINDER SECTION for Breakdown) | |
| 10 | 1682877 | 1 | Cylinder Assembly Prior to January 1995 | |
| 10 | 1683325 | 1 | Cylinder Assembly January 1995 to Present | |
| 11 | 3422175 | 3 | Pin, Pivot | |
| 12 | 3422176 | 2 | Pin, Pivot | |
| 13 | 3422177 | 9 | Pin, Pivot | |
| 14 | 3422178 | 1 | Pin, Pivot | |
| 15 | 3422179 | 1 | Pin, Pivot | |

SECTION 3 - BOOM

| ITEM | PART NUMBER | QTY | DESCRIPTION | REV |
|------|-------------|-----|---------------------------|-----|
| 16 | 3422180 | 1 | Pin, Pivot | |
| 17 | 4844467 | 1 | Boom Rest Weldment | |
| 18 | 0561076 | 1 | Block, Boom Rest | |
| 19 | 3841203 | 15 | Keeper, Pin - 1/2in | |
| 20 | 3841143 | 2 | Keeper, Pin - 3/8in | |
| 21 | 3780184 | 30 | O-Ring - 2in | |
| 22 | 3780181 | 4 | O-Ring - 1in | |
| 23 | 3020022 | AR | Grease | |
| 24 | 0641506 | 4 | Bolt 5/16in-18NC x 3/4in | |
| 25 | 3311505 | 4 | Locknut 5/16in-18NC | |
| 26 | 0641608 | 3 | Bolt 3/8in-16NC x 1in | |
| 27 | 0641610 | 1 | Bolt 3/8in-16NC x 1 1/4in | |
| 28 | 4751600 | 2 | Flatwasher 3/8in | |
| 29 | | Ref | Tube Options: | |
| 29 | 4566427 | 1 | Tube 40electric | |
| 29 | 4566356 | 1 | Tube 45electric | |
| 30 | 3311605 | 1 | Locknut 3/8in-16NC | |
| 31 | 0641812 | 6 | Bolt 1/2in-13NC x 1 1/2in | |
| 32 | 0940048 | 1 | Bumper | |
| 33 | 0641806 | 2 | Bolt 1/2in-13NC x 3/4in | |
| 34 | 0641810 | 12 | Bolt 1/2in-13NC x 1 1/4in | |
| 35 | 3311805 | 3 | Locknut 1/2in-13NC | |

SECTION 3 - BOOM

FIGURE 3-4. LIMIT SWITCHES, CABLES AND CLAMPS INSTALLATION - MODEL 40ELECTRIC & 45ELECTRIC



SECTION 3 - BOOM

FIGURE 3-4. LIMIT SWITCHES, CABLES AND CLAMPS INSTALLATION - MODEL 40ELECTRIC & 45ELECTRIC

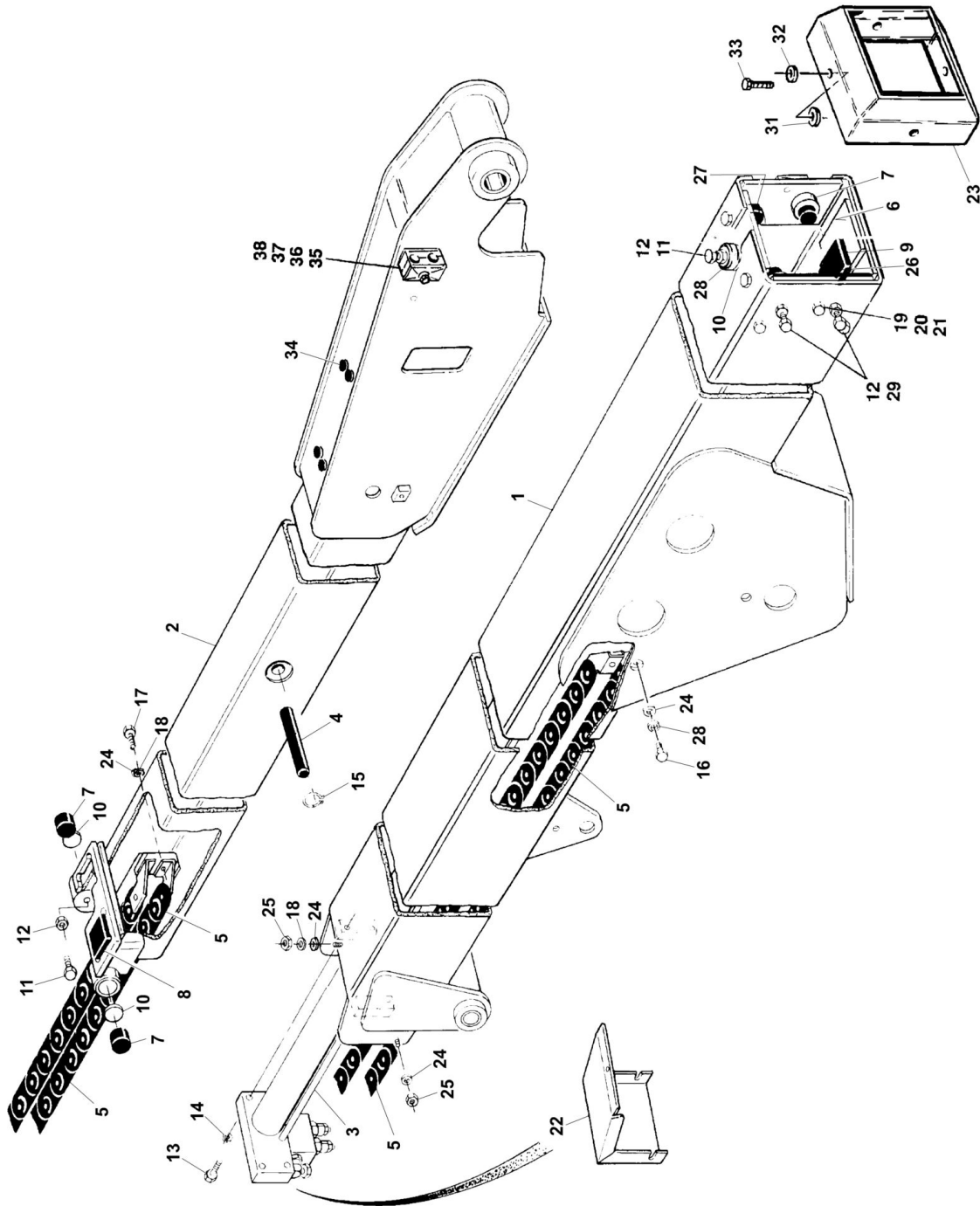
| ITEM | PART NUMBER | QTY | DESCRIPTION | REV |
|------|-------------|----------------|---|-----|
| | | Ref | CLAMPS AND CABLES INSTALLATIONS | |
| | 0254647 | Ref | Clamps and Cables Installations 40electric without Numbered Colored Wire (Prior to SN 36648) | 6 |
| | 0258563 | Ref | Clamps and Cables Installations 40electric with Numbered Colored Wire (SN 36648 to Present) | 1 |
| | 0254041 | Ref | Clamps and Cables Installations 45electric without Numbered Colored Wire (Prior to SN 36648) | 7 |
| | 0258564 | Ref | Clamps and Cables Installations 45electric with Numbered Colored Wire (SN 36648 to Present) | 1 |
| 1 | | Ref | Harness Assembly - Upper Boom Options (See ELECTRICAL SECTION for Breakdown): | |
| 1 | 4921644 | 1 | Harness Assembly - Upper Boom 40electric (Prior to SN 36648) | |
| 1 | 4922128 | 1 | Harness Assembly - Upper Boom 40electric (SN 36648 to Present) | |
| 1 | 4921645 | 1 | Harness Assembly - Upper Boom 45electric (Prior to SN 36648) | |
| 1 | 4922127 | 1 | Harness Assembly - Upper Boom 45electric (SN 36648 to Present) | |
| 2 | | Ref | Harness Assembly - Tower Boom Options (See ELECTRICAL SECTION for Breakdown): | |
| 2 | 4921581 | 1 | Harness Assembly - Tower Boom 40electric | |
| 2 | 4921591 | 1 | Harness Assembly - Tower Boom 45electric | |
| 4 | 0561090 | 2 | Block, Hose Clamp | |
| 5 | 0561091 | 1 | Block, Hose Clamp | |
| 7 | 3536999 | 1 | Shield | |
| 10 | 4751500 | 5 | Flatwasher 5/16in | |
| 11 | 4751400 | 12 | Flatwasher 1/4in | |
| 12 | 3311401 | 6 | Nut 1/4in-20NC | |
| 13 | 0641514 | 3 | Bolt 5/16in-18NC x 1 3/4in | |
| 15 | | Ref | Trim Options: | |
| 15 | 4060807 | 3.6 ft/1.1m | Trim 40electric (was p/n 4060805) | |
| 15 | 4060805 | 3.6 ft/1.1m | Trim 45electric | |
| 16 | 4060808 | 8 ft/2.4m | Trim 1/2in | |
| 17 | 4240099 | 26 | Tie-Strap | |
| 20 | 3311505 | 1 | Locknut 5/16in-18NC | |
| 21 | 4566243 | 1 | Roller | |
| 22 | 0641560 | 1 | Bolt 5/16in-18NC x 7 1/2in | |
| 23 | 0641512 | 1 | Bolt 5/16in-18NC x 1 1/2in | |
| 24 | 1320205 | 1 | Clamp, Hose | |
| 25 | 1670697 | 1 | Cover, Hose | |
| 26 | 0630467 | 4 | Capscrew, Button 5/16in-18NC x 1/2in | |
| 27 | 3300151 | 6 | Nut, Acorn 1/4in - 20NC | |
| 28 | 1320040 | 1 | Clamp, Cable | |
| 29 | 0641410 | 1 | Bolt 1/4in-20NC x 1 1/4in | |
| 30 | 3311405 | 1 | Locknut 1/4in-20NC | |
| 31 | 0100011 | AR | Loctite #242 (Not Shown) | |
| 32 | 1320195 | 1 | Cover, Clamp | |
| 33 | 1320199 | 1 | Clamp | |
| 34 | 0641520 | 1 | Bolt 5/16in-18NC x 2 1/2in | |
| 35 | 3311505 | 1 | Locknut 5/16in-18NC | |

SECTION 3 - BOOM

| ITEM | PART NUMBER | QTY | DESCRIPTION | REV |
|------|-------------|----------------|---|-----|
| | | Ref | BOOM LIMIT SWITCHES INSTALLATIONS (40ELECTRIC) | |
| | 0253704 | Ref | Boom Limit Switches Installations 40electric | 5 |
| | 0254875 | Ref | Boom Limit Switches Installations 45electric | 4 |
| 101 | 4360321 | 2 | Switch, Limit | |
| 102 | 4460428 | 2 | Connector, Strain Relief | |
| 103 | 3311005 | 4 | Locknut #10-24NC | |
| 105 | | Ref | Bolt, Socket Head Options: #10-24NC X 1 1/2in | |
| 105 | 3900168 | 2 | Bolt, Socket Head (#10-24NC x 1 1/2in) (Prior to SN 33795) | |
| 105 | 3900246 | 2 | Bolt, Socket Head (#10-24NC x 1 3/4in) (SN 33795 to Present) | |
| 106 | | Ref | Bolt, Socket Head Options: | |
| 106 | 3900097 | 2 | Bolt, Socket Head (#10-24NC x 2 1/8in) (Prior to SN 33795) | |
| 106 | 3900104 | 2 | Bolt, Socket Head (#10-24NC x 2 1/4in) (SN 33795 to Present) | |
| 107 | 1060341 | AR | Cable, Electrical - 16/2 | |
| 107 | 1060341 | 48 ft/17.7m | Cable, Electrical - 16/2 40electric | |
| 107 | 1060341 | 58 ft/15m | Cable, Electrical - 16/2 45electric | |
| 108 | 1670832 | 1 | Cover, Switch Lower (SN 33795 to Present) | |
| 109 | 1670833 | 1 | Cover, Switch Upper (SN 33795 to Present) | |

SECTION 3 - BOOM

FIGURE 3-5. UPPER BOOM COMPONENTS ASSEMBLY - MODELS 35ELECTRIC, 40ELECTRIC & 45ELECTRIC



SECTION 3 - BOOM

FIGURE 3-5. UPPER BOOM COMPONENTS ASSEMBLY - MODELS 35ELECTRIC, 40ELECTRIC & 45ELECTRIC

| ITEM | PART NUMBER | QTY | DESCRIPTION | REV |
|------|-------------|-----|---|------|
| | | Ref | UPPER BOOM ASSEMBLIES | |
| | 0800832 | Ref | Upper Boom Assemblies 35electric | 18-P |
| | 0800832 | Ref | Upper Boom Assemblies 40electric | 18-P |
| | 0800853 | Ref | Upper Boom Assemblies 45electric | 13-J |
| 1 | | Ref | Base Weldment Options: | |
| 1 | 0800833 | 1 | Base Weldment 35electric & 40electric | |
| 1 | 0800854 | 1 | Base Weldment 45electric | |
| 1 | 0961726 | 2 | Bushing, Teflon | |
| 2 | | Ref | Fly Weldment Options: | |
| 2 | 0800834 | 1 | Fly Weldment 35electric & 40electric | |
| 2 | 0800855 | 1 | Fly Weldment 45electric | |
| 2 | 0961726 | 2 | Bushing, Teflon | |
| 3 | | Ref | Telescope Cylinder Assembly Options (See CYLINDER SECTION for Breakdown): | |
| 3 | 1682887 | 1 | Telescope Cylinder Assembly 35electric & 40electric | |
| 3 | 1682947 | 1 | Telescope Cylinder Assembly 45electric | |
| 4 | | Ref | Pin, Mounting Options: | |
| 4 | 3422185 | 1 | Pin, Mounting 35electric & 40electric | |
| 4 | 3422263 | 1 | Pin, Mounting 45electric (Prior to February 1995) | |
| 4 | 3422185 | 1 | Pin, Mounting 45electric (February 1995 to SN 57117) | |
| 4 | 3422901 | 1 | Pin, Mounting 45electric (SN 57117 to Present) | |
| 5 | 1180302 | 1 | Powertrack | |
| 5 | 7019698 | 40 | Links, Replacement | |
| 5 | 7019699 | 1 | Bracket, End | |
| 6 | 4844579 | 1 | Holder, Wear Pad (Base Front Bottom) | |
| 7 | 3340663 | 8 | Pad, Wear (Base Front Top and Sides/Fly Rear Sides and Bottom) | |
| 8 | | Ref | Pad, Wear Options (Fly Rear Top): | |
| 8 | 3340666 | 2 | Pad, Wear (Prior to SN 31965) | |
| 8 | 3340820 | 2 | Pad, Wear (SN 31965 to Present) | |
| 9 | 3340682 | 1 | Pad, Wear (Base Front Bottom) | |
| 10 | 1760160 | 8 | Disc | |
| 11 | 0630487 | 6 | Bolt, Special | |
| 12 | 3311602 | 8 | Nut, Jam 3/8in-16NC | |
| 13 | 0641818 | 4 | Bolt 1/2in-13NC x 2 1/4in | |
| 14 | 4761800 | 4 | Lockwasher 1/2in | |
| 15 | 3760115 | 2 | Ring, Retaining | |
| 16 | 0641405 | 2 | Bolt 1/4in-20NC x 5/8in | |
| 17 | 0641404 | 2 | Bolt 1/4in-20NC x 1/2in | |
| 18 | 4761400 | 7 | Lockwasher 1/4in | |
| 19 | 0641606 | 7 | Bolt 3/8in-16NC x 3/4in | |
| 20 | 4761600 | 7 | Lockwasher 3/8in | |
| 21 | 0100011 | AR | Loctite #242 | |
| 22 | 1670678 | 1 | Cover, Boom | |
| 23 | 1670698 | 1 | Cover, Boom | |
| 24 | 4751400 | 7 | Flatwasher 1/4in | |
| 25 | 3311401 | 3 | Nut 1/4in-20NC | |
| 26 | | Ref | Holder, Wear Pad Options (Base Front Left Side): | |
| 26 | 1220038 | 2 | Holder, Wear Pad (was p/n 4844383) (Prior to SN 35014) | |

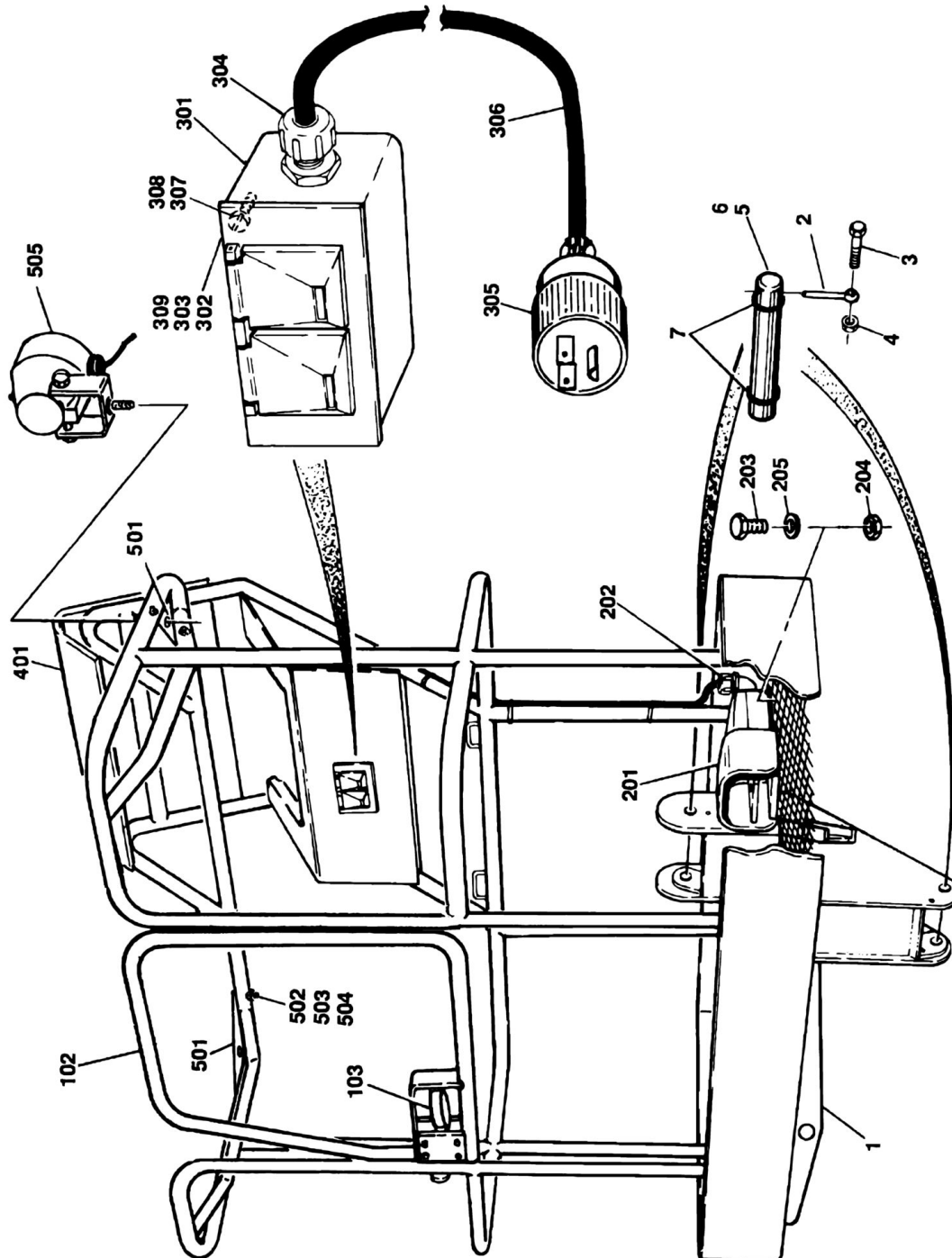
SECTION 3 - BOOM

| ITEM | PART NUMBER | QTY | DESCRIPTION | REV |
|------|-------------|-----|---|-----|
| 26 | 1220038 | 2 | Holder, Wear Pad (SN 35014 to Present) | |
| 27 | | Ref | Holder, Wear Pad Options (Base Front Right Side): | |
| 27 | 1220039 | 2 | Holder, Wear Pad (was p/n 4844384) (Prior to SN 35014) | |
| 27 | 1220039 | 2 | Holder, Wear Pad (SN 35014 to Present) | |
| 28 | | Ref | Holder, Wear Pad Options (Base Front Top): | |
| 28 | 1220040 | 2 | Holder, Wear Pad (was p/n 4844386) (Prior to SN 35014) | |
| 28 | 1220040 | 2 | Holder, Wear Pad (SN 35014 to Present) | |
| 29 | 0630399 | 2 | Bolt 3/8in-16NC x 2 1/4in | |
| 30 | 0100009 | AR | Silicone (Not Shown) | |
| 31 | 4740413 | 5 | Spacer | |
| 32 | 4751600 | 5 | Flatwasher 3/8in | |
| 33 | 0641608 | 5 | Bolt 3/8in-16NC x 1in | |
| 34 | 3520034 | 4 | Plug, Hole | |
| 35 | 1320195 | 1 | Cover, Clamp (March 1995 to Present Only) | |
| 36 | 1320199 | 1 | Clamp (March 1995 to Present Only) | |
| 37 | 0641520 | 1 | Bolt 5/16in-18NC x 2 1/4in (March 1995 to Present) Only) | |
| 38 | 3311505 | 1 | Locknut 5/16in-18NC (March 1995 to Present Only) | |

SECTION 4 - PLATFORMS

SECTION 4 - PLATFORMS

FIGURE 4-1. PLATFORM AND COMPONENTS INSTALLATION - MODEL 30ELECTRIC



SECTION 4 - PLATFORMS

FIGURE 4-1. PLATFORM AND COMPONENTS INSTALLATION - MODEL 30ELECTRIC

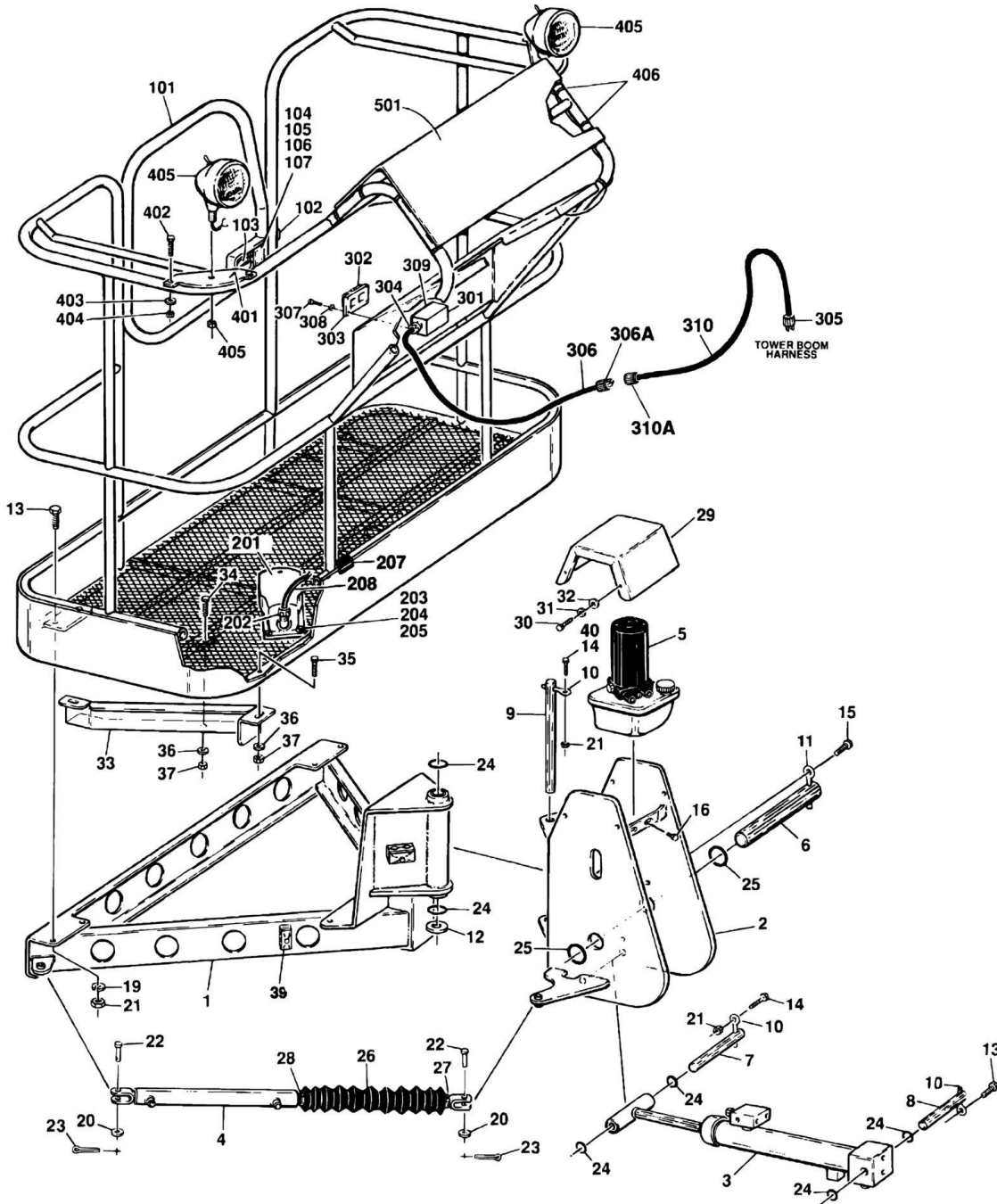
| ITEM | PART NUMBER | QTY | DESCRIPTION | REV |
|------|-------------|-----------------|--|-----|
| | | Ref | PLATFORM INSTALLATIONS | |
| | 0254645 | Ref | Platform with Lift Gate | A |
| | 0254646 | Ref | Platform with Swing Gate | 2 |
| | | Ref | Note: Replacement Decals Must be Ordered Separately. | |
| 1 | | Ref | Platform Assembly Options: | |
| 1 | 3510458 | 1 | Platform with Lift Gate (Prior to May 1995) (Not Shown) | |
| 1 | 3510502 | 1 | Platform with Lift Gate (May 1995 to Present) (Not Shown) | |
| 1 | 3510459 | 1 | Platform with Swing Gate (Prior to May 1995) | |
| 1 | 3510503 | 1 | Platform with Swing Gate (May 1995 to SN 33712) | |
| 1 | 3510599 | 1 | Platform with Swing Gate (SN 33712 to Present) | |
| 2 | 3841143 | 2 | Pin, Keeper | |
| 3 | 0641509 | 2 | Bolt 5/16in-18NC x 1 1/8in | |
| 4 | 3311505 | 2 | Locknut 5/16in-18NC | |
| 5 | 3421983 | 2 | Pin, Attach | |
| 6 | 3020022 | AR | Grease, Bearing | |
| 7 | 3780181 | 4 | O-Ring | |
| | | Ref | PLATFORM ASSEMBLY COMPONENTS | |
| 102 | | Ref | Swing Gate Assemblies Options: | |
| 102 | 1780265 | 1 | Swing Gate Assembly (Prior to SN 33712) | |
| 102 | 1780299 | 1 | Swing Gate Assembly (SN 33712 to Present) | |
| 102 | 4844102 | 1 | Lift Gate Assembly (Not Shown) | |
| 103 | 2940006 | 1 | Latch | |
| 103 | 2560010 | 1 | Handle | |
| | 0252408 | Ref | FOOTSWITCH INSTALLATION | 5 |
| 201 | 4360031 | 1 | Footswitch Assembly | |
| 201 | 7000625 | 2 | Block, Contact | |
| 201 | 3252347 | 1 | Decal | |
| | | Ref | Note: Decal for other languages See SPECIAL OPTIONS SECTION | |
| 202 | | Ref | Connector, Strain Relief Options: | |
| 202 | 4460422 | 1 | Connector, Strain Relief - 90 (Prior to SN 42965) | |
| 202 | 4460071 | 1 | Connector, Strain Relief - Straight (SN 42965 to Present) | |
| 203 | 0641408 | 3 | Bolt 1/4in-20NC x 1in | |
| 204 | 3311405 | 3 | Locknut 1/4in-20NC | |
| 205 | 4751400 | 3 | Flatwasher 1/4in | |
| 207 | 4060803 | 2 in/5cm | Flex-Trim (Not Shown) | |
| | 0252358 | Ref | OPTIONAL 110VAC RECEPTACLE INSTALLATION | F |
| 301 | 0860038 | 1 | Box, Switch | |
| 302 | 4460347 | 1 | Receptacle, Electrical | |
| 303 | 4060092 | 1 | Shield, Cover | |
| 304 | 4460071 | 1 | Connector, Strain Relief | |
| 305 | 4460205 | 1 | Plug, Electrical | |
| 306 | 1060330 | 40 ft./12.2m | Cable, Electrical 16/3 | |
| 307 | 3910606 | 4 | Screw, Machine #6-32NC x 3/8in | |
| 308 | 4760600 | 4 | Lockwasher #6 | |
| 309 | 3960422 | 1 | Gasket, Shield | |
| | | Ref | OPTIONAL CONSOLE COVER KITS | |
| | 2901213 | Ref | Standard Machines | - |
| | 0254955 | Ref | U/L Machines | A |

SECTION 4 - PLATFORMS

| ITEM | PART NUMBER | QTY | DESCRIPTION | REV |
|------|-------------|-----|--|-----|
| 401 | | Ref | Cover, Console Options: | |
| 401 | 1670636 | 1 | Standard Machines | |
| 401 | 1670732 | 1 | U/L Machines | |
| 401 | 1020005 | 2 | Button, Tear Away Mount | |
| 401 | 1670688 | 1 | Cover, Tear Away | |
| | | Ref | OPTIONAL WORK LIGHTS KITS | |
| | 2901251 | Ref | Optional Work Lights Kits (Prior to SN 36544) | E |
| | 2901561 | Re | Optional Work Lights Kits (SN 36544 to Present) | 2 |
| 501 | 3536089 | 2 | Plate, Mounting | |
| 502 | 0641414 | 4 | Bolt 1/4in-20NC x 1 3/4in | |
| 503 | 3311405 | 4 | Locknut 1/4in-20NC | |
| 504 | 4711400 | 4 | Flatwasher 1/4in Narrow | |
| 505 | 2920095 | 2 | Light Assembly | |
| 505 | 7016356 | 2 | Bulb, Replacement (1 per Light) | |
| 506 | 4240099 | 10 | Tie-Strap (Not Shown) | |
| 511 | | Ref | Connector, Strain Relief Options (Not Shown - Located at Console Box): | |
| 511 | 4460598 | 1 | Connector, Strain Relief (Prior to SN 28755) | |
| 511 | 4460428 | 1 | Connector, Strain Relief (SN 28755 to Present) | |

SECTION 4 - PLATFORMS

FIGURE 4-2. PLATFORM AND COMPONENTS INSTALLATION - MODEL 35ELECTRIC, 40ELECTRIC & 45ELECTRIC



SECTION 4 - PLATFORMS

FIGURE 4-2. PLATFORM AND COMPONENTS INSTALLATION - MODEL 35ELECTRIC, 40ELECTRIC & 45ELECTRIC

| ITEM | PART NUMBER | QTY | DESCRIPTION | REV |
|------|-------------|-----|--|-----|
| | 0253698 | Ref | ROTATOR AND SUPPORT INSTALLATION | M |
| 1 | 4844465 | 1 | Support Weldment | |
| 1 | 0961608 | 2 | Bushing, Bronze (Platform Pivot) | |
| 1 | 0961749 | 2 | Bushing, Bronze (Rotator Cylinder Pivot) | |
| 1 | 1320050 | 2 | Clamp, Hose | |
| 2 | 4844466 | 1 | Pivot Weldment | |
| 2 | 0961749 | 2 | Bushing, Bronze (Rotator Cylinder Pivot) | |
| 3 | | Ref | Slave Cylinder Assembly Options (See CYLINDER SECTION for Breakdown) | |
| 3 | 1682876 | 1 | Slave Cylinder Assembly Prior to January 1995 | |
| 3 | 1683285 | 1 | Slave Cylinder Assembly January 1995 to Present | |
| 4 | 1682930 | 1 | Rotator Cylinder Assembly (See CYLINDER SECTION for Breakdown) | |
| 5 | 3600207 | 1 | Rotator Pump, Motor and Tank Assembly (See ROTATOR MOTOR/PUMP/TANK ASSEMBLY for Breakdown) | |
| 6 | 3422176 | 1 | Pin, Pivot | |
| 7 | 3422180 | 1 | Pin, Pivot | |
| 8 | 3422181 | 1 | Pin, Pivot | |
| 9 | 3422191 | 1 | Pin, Pivot | |
| 10 | 3841143 | 3 | Pin, Keeper | |
| 11 | 3841203 | 1 | Pin, Keeper | |
| 12 | 4740007 | 1 | Washer, Thrust | |
| 13 | 0641607 | 8 | Bolt 3/8in-16NC x 7/8in | |
| 14 | 0641608 | 1 | Bolt 3/8in-16NC x 1in | |
| 15 | 0641810 | 1 | Bolt 1/2in-13NC x 1 1/4in | |
| 16 | 0641605 | 2 | Bolt 3/8in-16NC x 5/8in | |
| 19 | 4751600 | 9 | Flatwasher 3/8in | |
| 20 | 4751800 | 2 | Flatwasher 1/2in | |
| 21 | 3311605 | 9 | Locknut 3/8in-16NC | |
| 22 | 3430816 | 2 | Pin, Clevis 1/2in x 2in | |
| 23 | 3450405 | 2 | Pin, Cotter | |
| 24 | 3780181 | 6 | O-Ring | |
| 25 | 3780184 | 2 | O-Ring | |
| 26 | 0460106 | 1 | Bellows | |
| 27 | 1320017 | 1 | Clamp, Hose | |
| 28 | 1320031 | 1 | Clamp, Hose | |
| 29 | 1670690 | 1 | Cover, Motor | |
| 30 | 3941405 | 4 | Screw, Self-Tapping 1/4in x 5/8in | |
| 31 | 4751400 | 4 | Flatwasher 1/4in | |
| 32 | 4761400 | 4 | Lockwasher 1/4in | |
| 33 | 4060855 | 1 | Shield | |
| 34 | 0641505 | 1 | Bolt 5/16in-18NC x 5/8in | |
| 35 | 0641516 | 2 | Bolt 5/16in-18NC x 2in | |
| 36 | 4751500 | 6 | Flatwasher 5/16in | |
| 37 | 3311505 | 3 | Locknut 5/16in-18NC | |
| 38 | 0100011 | AR | Loctite #242 (Not Shown) | |
| 39 | 1320159 | 1 | Clamp, Hose | |
| 40 | 0641610 | 1 | Bolt 3/8in-16NC x 1 1/4in | |
| | | Ref | PLATFORM WELDMENTS | |

SECTION 4 - PLATFORMS

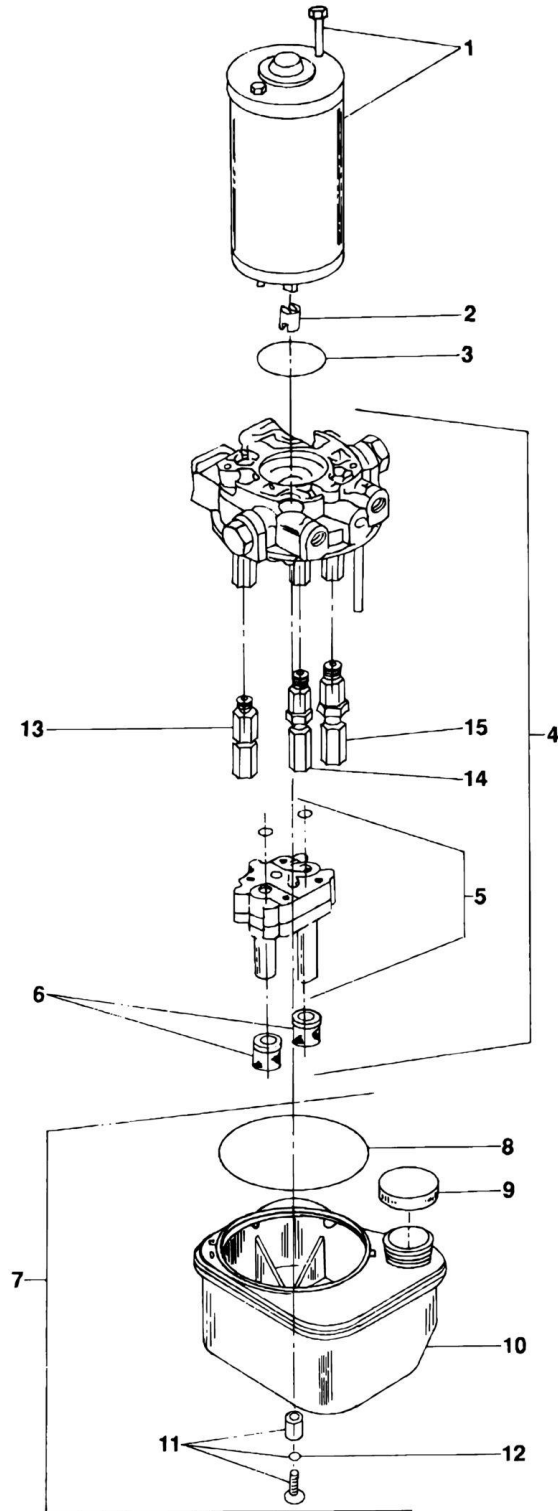
| ITEM | PART NUMBER | QTY | DESCRIPTION | REV |
|------|--------------|----------|--|-----|
| | 3510434 | Ref | 26in x 48in (Prior to May 1995) | - |
| | 3510504 | Ref | 26in x 48in (May 1995 to SN 33712) | A |
| | 3510596 | Ref | 26in x 48in (SN 33712 to Present) | B-2 |
| | 3510600 | Ref | 26in x 48in (With Mesh to Top Rail) (SN 32838 through 33711) | 1 |
| | 3510601 | Ref | 26in x 48in (With Mesh to Top Rail) (SN 33712 to Present) | C-2 |
| | 3510460 | Ref | 26in x 60in (Prior to May 1995) | - |
| | 3510498 | Ref | 26in x 60in (May 1995 to SN 33712) | A |
| | 3510584 | Ref | 26in x 60in (SN 33712 to Present) | A-1 |
| | 3510507 | Ref | 26in x 60in (With Mesh to Top Rail) (Prior To May 1995) | - |
| | 3510513 | Ref | 26in X 60in (With Mesh to Top Rail) (May 1995 TO SN 33712) | A |
| | 3510598 | Ref | 26in x 60in (With Mesh to Top Rail) (SN 33712 to Present) | A-3 |
| | | Ref | Note: Replacement Decals Must be Ordered Separately. | |
| 101 | | Ref | Door Weldment Options (Includes Items 102-107): | |
| 101 | 1780265 | 1 | Without Mesh (Prior to SN 33712) | |
| 101 | 1780299 | 1 | Without Mesh (SN 33712 to Present) | |
| 101 | 1780289 | 1 | With Mesh to Top Rail (Prior to SN 33712) | |
| 101 | 1780300 | 1 | With Mesh to Top Rail (SN 33712 to Present) | |
| 102 | | Ref | Latch, Door Options: | |
| 102 | 2940006 | 1 | Latch, Door (Prior to SN 33712) | |
| 102 | 2940074 | 1 | Latch, Door (SN 33712 to Present) | |
| 103 | | Ref | Handle, Door Options: | |
| 103 | 2560010 | 1 | Handle, Door (Prior to SN 33712) | |
| 103 | Not Required | 0 | Handle, Door (SN 33712 to Present) | |
| 104 | 3911016 | 4 | Screw, Machine #10-24NC x 1in | |
| 105 | 4761000 | 4 | Lockwasher #10 | |
| 106 | 4751000 | 4 | Flatwasher #10 | |
| 107 | 3311001 | 4 | Nut #10-24NC | |
| | 0252408 | Ref | FOOTSWITCH INSTALLATION | 5 |
| 201 | 4360031 | 1 | Footswitch Assembly | |
| 201 | 7000625 | 2 | Block, Contact | |
| 201 | 3252347 | 1 | Decal | |
| | | Ref | Note: Decal for other languages See SPECIAL OPTIONS SECTION | |
| 202 | | Ref | Connector, Strain Relief Options: | |
| 202 | 4460422 | 1 | Connector, Strain Relief - 90 (Prior to SN 42965) | |
| 202 | 4460071 | 1 | Connector, Strain Relief - Straight (SN 42965 to Present) | |
| 203 | 0641408 | 3 | Bolt 1/4in-20NC x 1in | |
| 204 | 3311401 | 3 | Nut 1/4in-20NC | |
| 205 | 4751400 | 3 | Flatwasher 1/4in | |
| 207 | 4060803 | 2 in/5cm | Flex-Trim | |
| 208 | 4921396 | 1 | Harness (Console Box to Footswitch) | |
| | | Ref | RECEPTACLE BOX INSTALLATION (OPTIONAL) | |
| | 0254542 | Ref | Receptacle Box Installation 35electric with 110VAC Receptacle | D |
| | 0253716 | Ref | Receptacle Box Installation 40electric with 110VAC Receptacle | E |
| | 0254042 | Ref | Receptacle Box Installation 45electric with 110VAC Receptacle | D |
| | 0257103 | Ref | Receptacle Box Installation 45electric with 220VAC Receptacle | - |
| 301 | 0860038 | 1 | Box, Electrical | |
| 302 | | Ref | Receptacle, Electrical Options: | |

SECTION 4 - PLATFORMS

| ITEM | PART NUMBER | QTY | DESCRIPTION | REV |
|------|-------------|-----------|--|-----|
| 302 | 4460347 | 1 | 110VAC | |
| 302 | 4460125 | 1 | 220VAC | |
| 303 | 4060092 | 1 | Cover, Receptacle | |
| 304 | 4460071 | 1 | Connector, Strain Relief | |
| 305 | | Ref | Plug | |
| 305 | 4460205 | 1 | 110VAC | |
| 305 | 4460233 | 1 | 220VAC | |
| 306 | | Ref | Harness Options (Upper Boom): | |
| 306 | 4921647 | 1 | Harness 35electric | |
| 306 | 4921569 | 1 | Harness 40electric | |
| 306 | 4921593 | 1 | Harness 45electric | |
| 306A | 4460205 | 1 | Plug, Male | |
| 307 | | Ref | Screw, Machine Options: | |
| 307 | 3910606 | 4 | 110VAC (#6-32NC x 3/8in) | |
| 307 | 4460233 | 4 | 220VAC (#10 x 1/2in) | |
| 308 | 4760600 | 4 | Lockwasher Options: | |
| 308 | 4460205 | 4 | 110VAC (#6) | |
| 308 | 4460233 | 4 | 220VAC (#10) | |
| 309 | 3960422 | 1 | Gasket | |
| 310 | | Ref | Harness Options (Lower Boom): | |
| 310 | 4921646 | 1 | Harness 35electric | |
| 310 | 4921568 | 1 | Harness 40electric | |
| 310 | 4921592 | 1 | Harness 45electric | |
| 310A | 4460134 | 1 | Receptacle | |
| 311 | 4460315 | 1 | Terminal (Not Shown - 220VAC Machines Only) | |
| 312 | | Ref | Decal Options (Not Shown): | |
| 312 | 3251243 | 1 | 110VAC | |
| 312 | 3252507 | 1 | 220VAC | |
| | | Ref | OPTIONAL WORK LIGHTS KITS | |
| | 2901251 | Ref | Optional Work Lights Kits (Prior to SN 36544) | E |
| | 2901561 | Ref | Optional Work Lights Kits (SN 36544 to Present) | 2 |
| 401 | 3536089 | 2 | Plate, Mounting | |
| 402 | 0641414 | 4 | Bolt 1/4in-20NC x 1 3/4in | |
| 403 | 3311405 | 4 | Locknut 1/4in-20NC | |
| 404 | 4711400 | 4 | Flatwasher 1/4in Narrow | |
| 405 | 2920095 | 2 | Floodlight | |
| 405 | 7016356 | 2 | Bulb, Replacement (1per Light) | |
| 406 | 4240099 | 10 | Tie-Strap | |
| 409 | 2820035 | 9 ft/2.7m | Loom, Vinyl (Not Shown) | |
| 411 | | Ref | Connector, Strain Relief Options (Not Shown - Located at Console Box): | |
| 411 | 4460598 | 1 | Connector, Strain Relief (Prior to SN 28755) | |
| 411 | 4460428 | 1 | Connector, Strain Relief (SN 28755 to Present) | |
| | 2901213 | Ref | OPTIONAL CONSOLE COVER KIT - STANDARD MACHINES | - |
| 501 | 1670636 | 1 | Cover | |
| | 0254955 | Ref | OPTIONAL CONSOLE COVER KIT - U/L MACHINES (NOT SHOWN) | A |
| 501 | 1670732 | 1 | Cover, Console | |
| 501 | 1020005 | AR | Button, Tear Away | |
| 501 | 1670688 | AR | Cover, Tear Away | |

SECTION 4 - PLATFORMS

FIGURE 4-3. ROTATOR MOTOR/PUMP/TANK ASSEMBLY



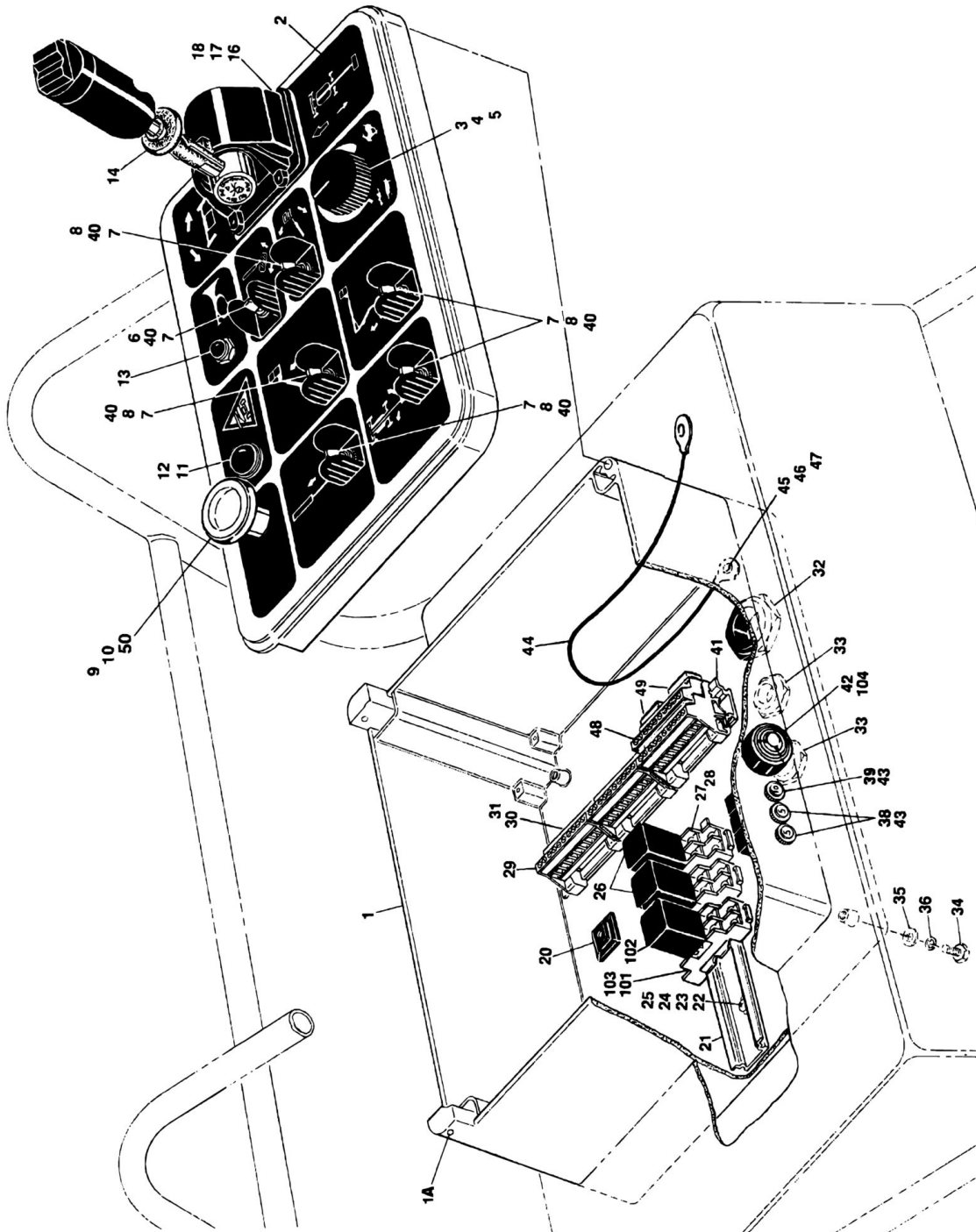
SECTION 4 - PLATFORMS

FIGURE 4-3. ROTATOR MOTOR/PUMP/TANK ASSEMBLY

| ITEM | PART NUMBER | QTY | DESCRIPTION | REV |
|------|---------------|-----|---|-----|
| | 3600207 | Ref | ROTATOR MOTOR/PUMP/TANK ASSEMBLY | - |
| 1 | 7003550 | 1 | Motor (Includes Mounting Bolts) | |
| 1 | Not Available | 1 | Brush/Spring Kit | |
| 2 | 7003551 | 1 | Coupling | |
| 3 | Kit | 1 | O-Ring | |
| 4 | 7003552 | 1 | Pump/Adapter Assembly | |
| 5 | 7003553 | 1 | Pump Assembly | |
| 6 | 7003554 | 1 | Filter | |
| 7 | 7003555 | 1 | Reservoir Assembly | |
| 8 | Kit | 1 | Seal | |
| 9 | 7003556 | 1 | Cap, Reservoir | |
| 10 | 7003557 | 1 | Reservoir | |
| 11 | 7003558 | 1 | Mounting Kit | |
| 12 | Kit | 4 | O-Ring | |
| 13 | 7003559 | 1 | Cartridge - Thermal Relief Valve | |
| 14 | 7003560 | 1 | Cartridge - High Pressure Relief Valve | |
| 15 | 7003561 | 1 | Cartridge - Low Pressure Relief Valve | |
| | 7003562 | 1 | Seal Kit (Includes Items 3,8,12 and Pump Seals and O-Rings) | |

SECTION 4 - PLATFORMS

FIGURE 4-4. PLATFORM CONSOLE ASSEMBLY



SECTION 4 - PLATFORMS

FIGURE 4-4. PLATFORM CONSOLE ASSEMBLY

| ITEM | PART NUMBER | QTY | DESCRIPTION | REV |
|------|--------------|-----|---|-----|
| | | Ref | PLATFORM CONSOLE ASSEMBLY | |
| | 0860920 | Ref | Platform Console Assembly 30electric (Prior to SN 31037) | 4 |
| | 0861058 | Ref | Platform Console Assembly 30electric (SN 31037 through 36543) | A |
| | 0861184 | Ref | Platform Console Assembly 30electric (SN 36544 to Present) | 3 |
| | 0860921 | Ref | Platform Console Assembly 35electric (Prior to SN 31037) | D |
| | 0861059 | Ref | Platform Console Assembly 35electric (SN 31037 through 36647) | 2 |
| | 0861186 | Ref | Platform Console Assembly 35electric (SN 36648 to Present) | 3 |
| | 0860922 | Ref | Platform Console Assembly 40electric & 45electric (Prior to SN 31037) | C |
| | 0861060 | Ref | Platform Console Assembly 40electric & 45electric (SN 31037 through 36647) | A |
| | 0861187 | Ref | Platform Console Assembly 40electric & 45electric (SN 36648 to Present) | 3 |
| 1 | | Ref | Box Assembly Options: | |
| 1 | 0860895 | 1 | Box Assembly 30electric (Prior to SN 31037) | |
| 1 | 0861057 | 1 | Box Assembly 30electric (SN 31037 to Present) | |
| 1 | 0860876 | 1 | Box Assembly 35electric/40electric/45electric (Prior to SN 31037) | |
| 1 | 0861056 | 1 | Box Assembly 35electric/40electric/45electric (SN 31037 to Present) | |
| 1A | 2900859 | 1 | Hinge Pin/Retainer/Gasket Kit | |
| 2 | | Ref | Decal Options: | |
| 2 | 1702287 | 1 | Decal 30electric (Prior to SN 47045) | |
| 2 | 1704414 | 1 | Decal 30electric (SN 47045 to Present) | |
| 2 | 1702286 | 1 | Decal 35electric (Prior to SN 47045) | |
| 2 | 1704415 | 1 | Decal 35electric (SN 47045 to Present) | |
| 2 | 1702285 | 1 | Decal 40electric/45electric (Prior to SN 47045) | |
| 2 | 1704416 | 1 | Decal 40electric/45electric (SN 47045 to Present) | |
| 3 | | Ref | Potentiometer Options (Function Speed): | |
| 3 | 4360365 | 1 | Potentiometer (Prior to SN 31037) | |
| 3 | 4360445 | 1 | Potentiometer (SN 31037 to Present) | |
| 4 | 3300352 | 1 | Nut, Special (Prior to SN 31037) | |
| 5 | | Ref | Knob Options: | |
| 5 | 2560115 | 1 | Knob (Prior to SN 31037) | |
| 5 | 2560136 | 1 | Knob (SN 31037 to Present) | |
| 6 | | Ref | Switch, Toggle Options (Basket Rotate): | |
| 6 | Not Required | 0 | Switch, Toggle 30electric | |
| 6 | 4360314 | 1 | Switch, Toggle 35electric/40electric/45electric | |
| 7 | 4060802 | AR | Guard, Switch | |
| 8 | 4360328 | 5 | Switch, Toggle (Swing/Lift/Tele/Level) | |
| 9 | | Ref | Switch, Push-Pull Options (Emergency Stop): | |
| 9 | 4360317 | 1 | Switch (Prior to SN 31037) | |
| 9 | 7012566 | 1 | Lens | |
| 9 | 7012517 | 1 | Bulb | |
| 9 | 4360289 | 1 | Switch (SN 31037 through 47044) | |
| 9 | 7012611 | 1 | Push-Pull Mush Head | |
| 9 | 7012612 | 1 | Boot | |
| 9 | 4360475 | 1 | Switch, Emergency Stop (SN 47045 to Present) | |
| 9 | 7020175 | 1 | Cap/E-Stop With Sealing Ring | |

SECTION 4 - PLATFORMS

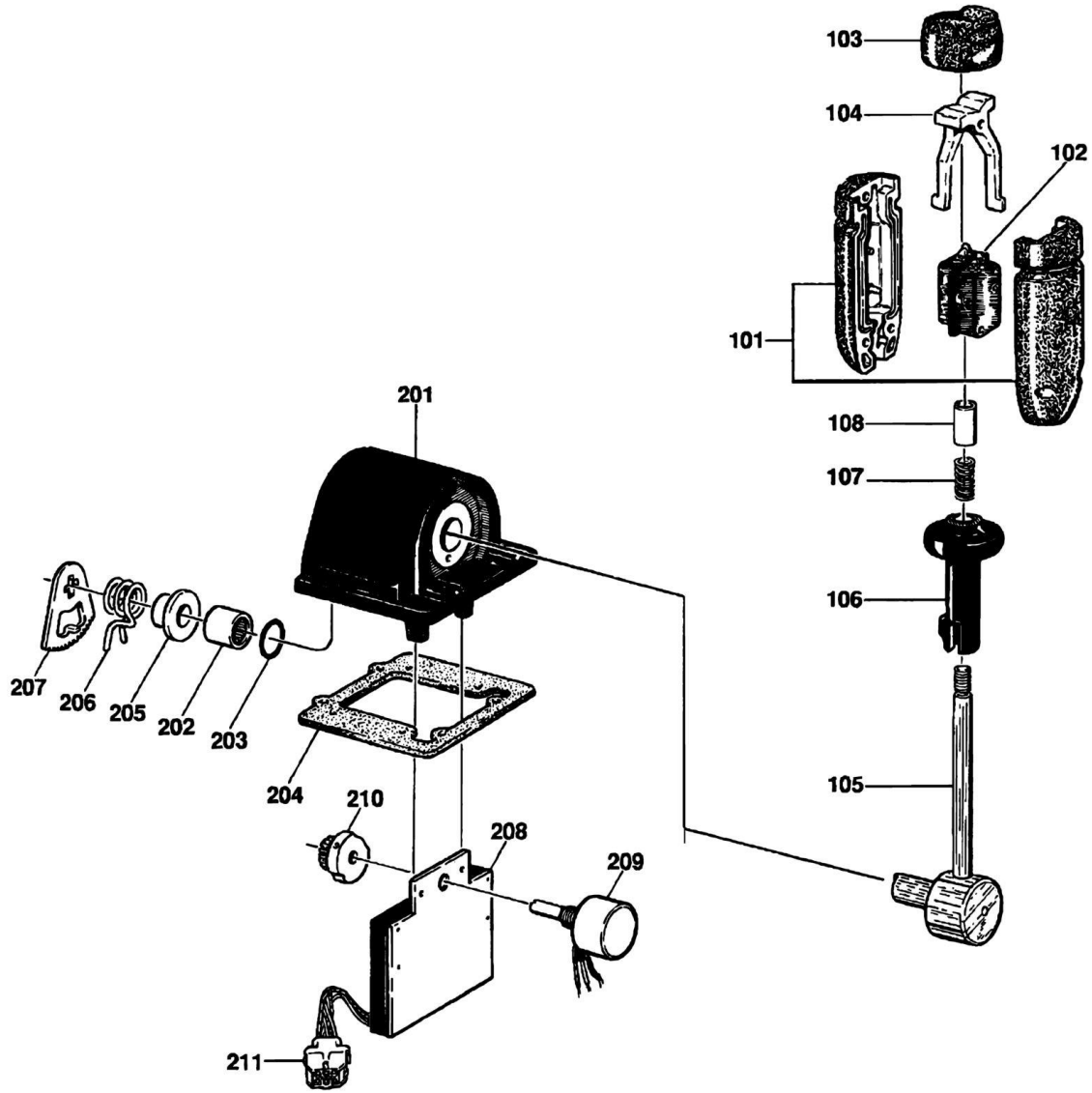
| ITEM | PART NUMBER | QTY | DESCRIPTION | REV |
|------|--------------|-----|--|-----|
| 9 | 7020176 | 1 | Contact Block With Mount Collar | |
| 10 | | Ref | Block, Contact Options: | |
| 10 | 4360282 | 1 | Block, Contact (Prior to SN 47045) | |
| 10 | 4360476 | 1 | Block, Contact (SN 47045 to Present) | |
| 11 | 2920120 | 1 | Light, Indicator | |
| 12 | 2920107 | 1 | Bulb | |
| 13 | 4360274 | 1 | Switch, Push Button (Horn) | |
| 14 | 1600175 | 1 | Controller Assembly (Drive/Steer) (See CONTROL ASSEMBLY (DRIVE/STEER) for Breakdown) | |
| 15 | 0720805 | 4 | Screw, Machine #8-32NC x 5/8in | |
| 16 | 4750800 | 4 | Flatwasher #8 | |
| 17 | 4760800 | 4 | Lockwasher #8 | |
| 18 | 3537234 | 1 | Plate, Controller Support | |
| 19 | 3520031 | 1 | Plug, Hole | |
| 20 | 4460488 | 4 | Mount, Cable Tie | |
| 21 | 3640834 | AR | Strip, Terminal | |
| 22 | 3910608 | 4 | Screw #6-32NC x 1 1/2in | |
| 23 | 4760600 | 4 | Lockwasher #6 | |
| 24 | 4750600 | 4 | Flatwasher #6 | |
| 25 | 3310601 | 4 | Nut #6-32NC | |
| 26 | 3740087 | AR | Relay | |
| 27 | 4120027 | AR | Base, Relay | |
| 28 | 3740063 | AR | Spring, Relay | |
| 29 | 4460522 | 3 | Block, Terminal | |
| 30 | 4460525 | 2 | Markers, Terminal | |
| 31 | 4460524 | 3 | Lock, Terminal | |
| 32 | 4460526 | 1 | Connector, Strain Relief | |
| 33 | 4460428 | AR | Connector, Strain Relief | |
| 34 | 0641508 | 4 | Bolt 5/16in-18NC x 1in | |
| 35 | 4751500 | 4 | Flatwasher 5/16in | |
| 36 | 4761500 | 4 | Lockwasher 5/16in | |
| 38 | 4360112 | 2 | Breaker, Circuit - 5 Amp | |
| 39 | | Ref | Breaker, Circuit - 10 Amp | |
| 39 | Not Required | 0 | Breaker, Circuit - 10 Amp 30electric | |
| 39 | 4360069 | 1 | Breaker, Circuit - 10 Amp 35electric/40electric/45electric | |
| 40 | 4740420 | 6 | Washer, Sealing | |
| 41 | 3640930 | 1 | Rail | |
| 42 | 0100029 | AR | Silicone | |
| 43 | 3790012 | 3 | O-Ring | |
| 44 | 1060329 | 1 | Lanyard | |
| 45 | 0731003 | 1 | Bolt #10-24NC x 3/8in | |
| 46 | 4751000 | 1 | Flatwasher #10 | |
| 47 | 4761000 | 1 | Lockwasher #10 | |
| 48 | | Ref | Plug, Terminal Options: | |
| 48 | Not Required | 0 | Plug, Terminal 30electric | |
| 48 | 4460523 | 1 | Plug, Terminal 35electric/40electric/45electric | |
| 49 | | Ref | Bridge, Insertion Options: | |
| 49 | Not Required | 0 | Bridge, Insertion 30electric | |
| 49 | 4460529 | 2 | Bridge, Insertion 35electric/40electric/45electric | |
| 50 | 1704260 | 1 | Decal - EMS (SN 47045 to Present) | |
| | | Ref | OPTIONAL TILT ALARM KIT (OPTIONAL) | |
| | 2901216 | Ref | Optional Tilt Alarm Kit 30electric | |

SECTION 4 - PLATFORMS

| ITEM | PART NUMBER | QTY | DESCRIPTION | REV |
|------|-------------|-----|--|-----|
| | 2901250 | Ref | Optional Tilt Alarm Kit 35electric | |
| | 4932681 | Ref | Optional Tilt Alarm Kit 40electric & 45electric | |
| 101 | 4120027 | 1 | Base, Relay | |
| 102 | 3740087 | 1 | Relay | |
| 103 | 3740063 | 1 | Spring, Relay | |
| 104 | 0140030 | 1 | Alarm | |
| 105 | 3990001 | AR | Diode - 3.5 Amp (Not Shown) | |

SECTION 4 - PLATFORMS

FIGURE 4-5. CONTROL ASSEMBLY (DRIVE/STEER)



SECTION 4 - PLATFORMS

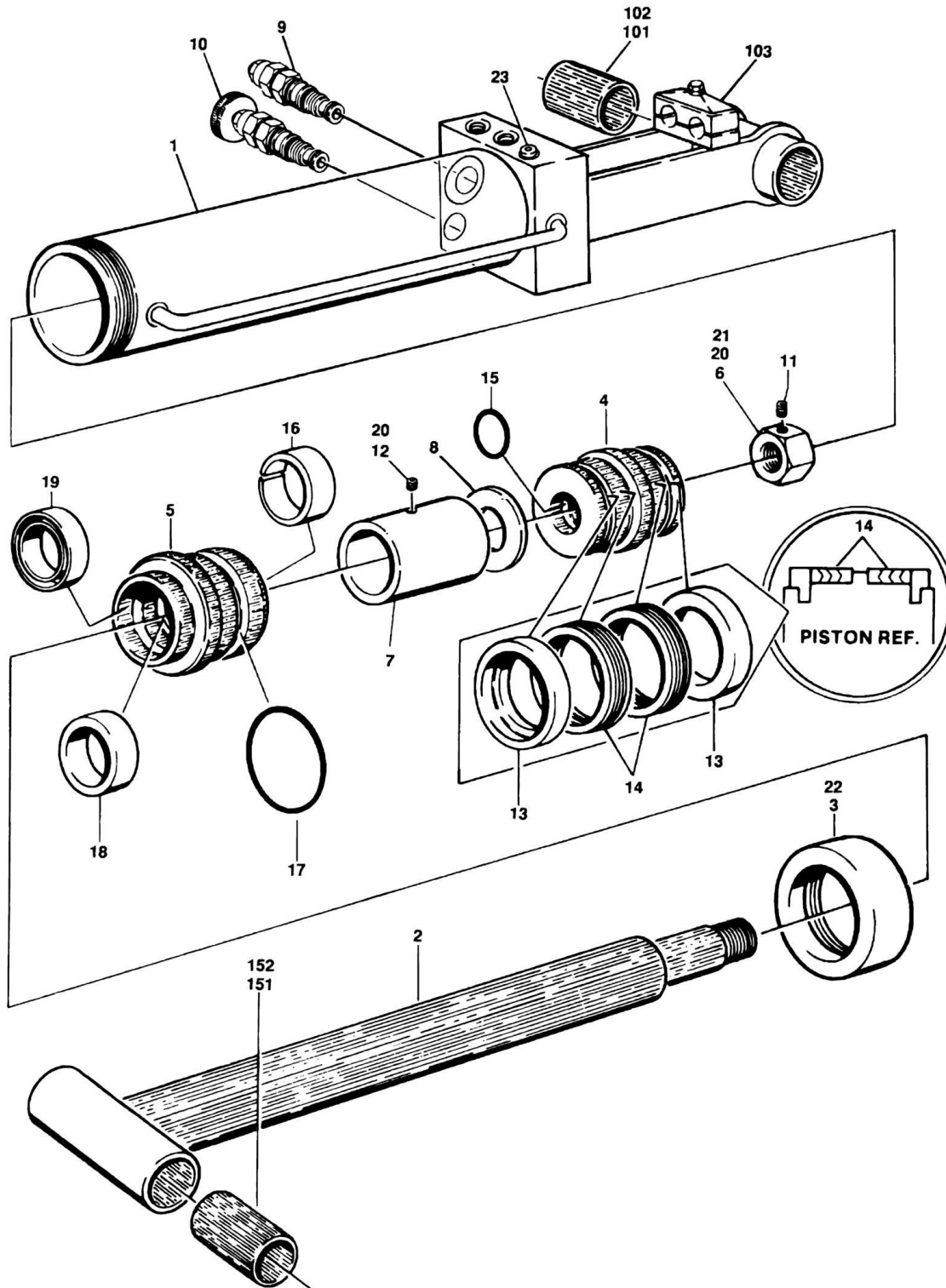
FIGURE 4-5. CONTROL ASSEMBLY (DRIVE/STEER)

| ITEM | PART NUMBER | QTY | DESCRIPTION | REV |
|------|-------------|-----|---|-----|
| | 1600175 | Ref | CONTROLLER ASSEMBLY (DRIVE/STEER) | - |
| | 7003795 | Ref | ROCKER SWITCH GRIP HANDLE ASSEMBLY | |
| 101 | 7003792 | 2 | Half, Handle | |
| 102 | 7003789 | 1 | Switch, Rocker | |
| 103 | 7003790 | 1 | Cap, Rubber | |
| 104 | 7003791 | 1 | Actuator, Switch | |
| 105 | 7003793 | 1 | Shaft, Handle | |
| 106 | Kit | 1 | Lock, Slide | |
| 107 | Kit | 1 | Spring | |
| 108 | Kit | 1 | Sleeve | |
| 109 | 7011973 | 1 | Bolt 1/4in-20NC x 3/8in with Hole Drilled in Center (Not Shown) | |
| | 7003722 | 1 | Slide Lock Repair Kit (Includes Items 106-108) | |
| | | Ref | HOUSING AND INTERNAL COMPONENTS | |
| 201 | 7003702 | 1 | Housing Assembly (Includes Items 202 & 203) | |
| 202 | 7003739 | 1 | Bushing, Bronze | |
| 203 | 3790112 | 1 | O-Ring | |
| 204 | 7003703 | 1 | Gasket | |
| 205 | 7003744 | 1 | Guide, Spring | |
| 206 | 7003719 | 1 | Spring, Torsion | |
| 207 | 7011904 | 1 | Sector, Gear | |
| 208 | 7011942 | 1 | Electrical Assembly | |
| 209 | 7003751 | 1 | Potentiometer | |
| 210 | 7003788 | 1 | Gear, Brass Spur | |
| 210 | 7020511 | 1 | Set Screw | |
| 211 | | Ref | Harness Connector Components: | |
| 211 | 4460266 | 1 | Cap, Female - 9 Pin | |
| 211 | 4460265 | 1 | Plug, Male | |
| 211 | 4460226 | 9 | Socket, Female | |
| 211 | 4460227 | 9 | Pin, Male | |

SECTION 5 - CYLINDER

SECTION 5 - CYLINDER

FIGURE 5-1. LIFT CYLINDER ASSEMBLY - MODEL 30ELECTRIC



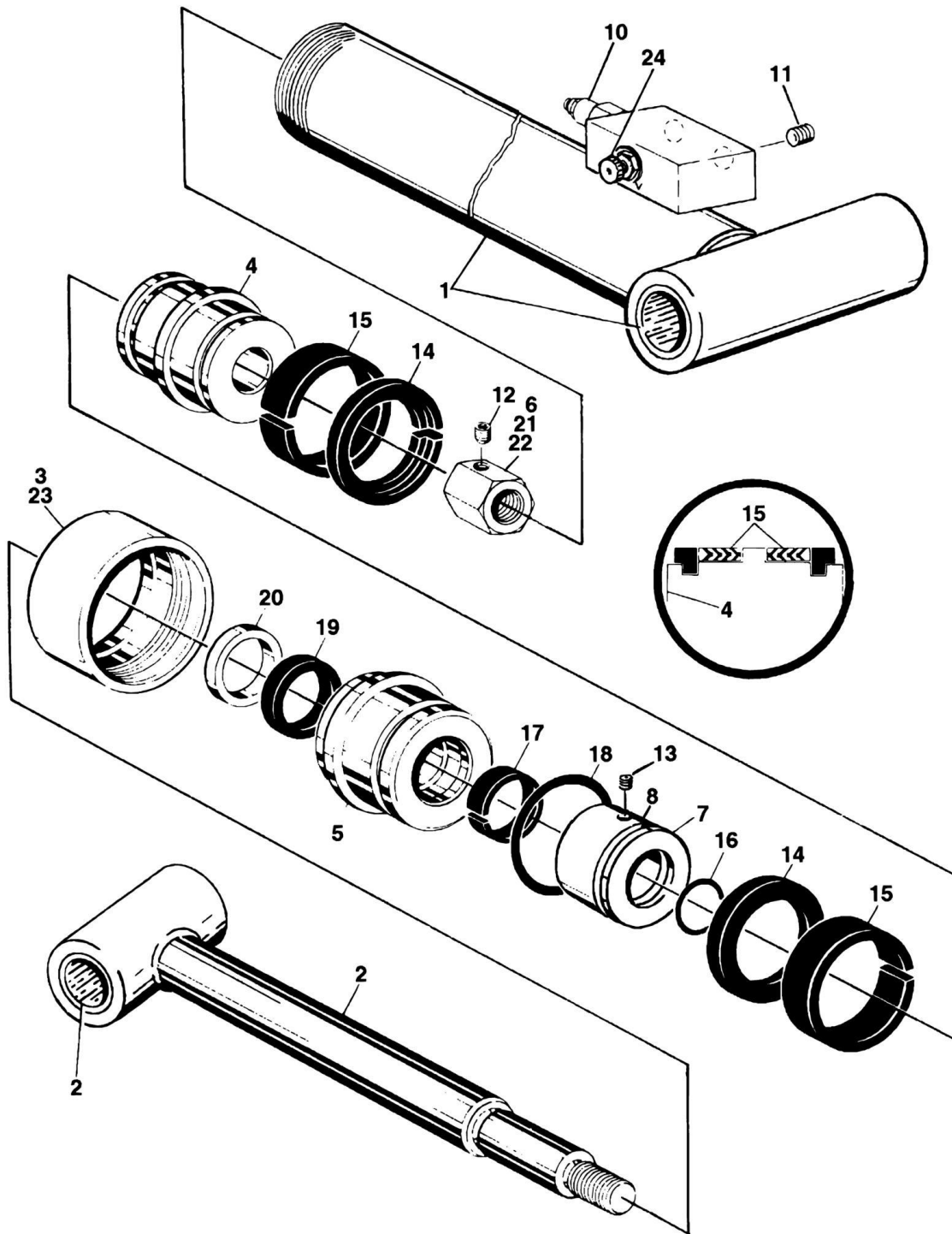
SECTION 5 - CYLINDER

FIGURE 5-1. LIFT CYLINDER ASSEMBLY - MODEL 30ELECTRIC

| ITEM | PART NUMBER | QTY | DESCRIPTION | REV |
|------|-------------|-----|---|-----|
| | 1682662 | Ref | LIFT CYLINDER ASSEMBLY - MODEL 30ELECTRIC | E-6 |
| 1 | 1682663 | 1 | Barrel Assembly (Includes Items 101-103) | |
| 2 | 1682544 | 1 | Rod Assembly (Includes Items 151-152) | |
| 3 | 1120108 | 1 | Retainer | |
| 4 | 3480115 | 1 | Piston | |
| 5 | 1681344 | 1 | Head | |
| 6 | 3300279 | 1 | Nut | |
| 7 | 4565332 | 1 | Spacer, Tube | |
| 8 | 4740394 | 1 | Washer | |
| 9 | | Ref | Holding Cartridge Valve Options: | |
| 9 | 4641084 | 1 | Cartridge (Prior to Sept 1995) (was p/n 4640746) | |
| 9 | 4641084 | 1 | Cartridge (Sept 1995 to SN 39627) (was p/n 4640938) | |
| 9 | 4641084 | 1 | Cartridge (SN 39627 to Present) | |
| 9 | 2900770 | 1 | Seal Kit - 4640746/460938/4641084 Cartridges | |
| 10 | 4640799 | 1 | Valve, Needle Cartridge | |
| 10 | 7010545 | 1 | Seal Kit - 4640799 Cartridge | |
| 10 | | Ref | Knob Options: | |
| 10 | 7012961 | 1 | Black (Machines Built Through 1997) | |
| 10 | 7017438 | 1 | Red (Machines Built 1998 to Present) | |
| 11 | 3900170 | 1 | Setscrew 3/8in-16NC x 3/8in | |
| 12 | 3951402 | 1 | Setscrew 1/4in-20NC x 1/4in | |
| 13 | Kit | 2 | Ring, Lock | |
| 14 | Kit | 2 | Seal | |
| 15 | Kit | 1 | O-Ring | |
| 16 | Kit | 1 | Ring, Wear | |
| 17 | Kit | 1 | O-Ring | |
| 18 | Kit | 1 | Seal, Rod | |
| 19 | Kit | 1 | Seal, Wiper | |
| 20 | 0100011 | AR | Loctite #242 | |
| 21 | 0100038 | AR | Primer, Locking | |
| 22 | 0100035 | AR | Loctite #222 | |
| 23 | 2220883 | 2 | Plug, O-Ring | |
| | 2900371 | 2 | Seal Kit (Includes Items 13-19) (1 Per Cylinder) | |
| | 1682663 | Ref | BARREL ASSEMBLY | |
| 101 | 0961602 | 2 | Bushing, Teflon (Includes Item 102) | |
| 102 | 3790029 | 2 | O-Ring (1 Per Bushing) | |
| 103 | 1320051 | 1 | Clamp | |
| | 1682544 | Ref | ROD ASSEMBLY | |
| 151 | 0961602 | 2 | Bushing, Teflon (Includes Item 152) | |
| 152 | 3790029 | 2 | O-Ring (1 Per Bushing) | |

SECTION 5 - CYLINDER

FIGURE 5-2. UPPER LIFT CYLINDER ASSEMBLIES - MODELS 35ELECTRIC, 40ELECTRIC & 45ELECTRIC



SECTION 5 - CYLINDER

FIGURE 5-2. UPPER LIFT CYLINDER ASSEMBLIES - MODELS 35ELECTRIC, 40ELECTRIC & 45ELECTRIC

| ITEM | PART NUMBER | QTY | DESCRIPTION | REV |
|------|--------------|-----|--|-----|
| | | Ref | UPPER LIFT CYLINDER ASSEMBLIES | |
| | 1682867 | Ref | Upper Lift Cylinder Assemblies 40electric & 45electric (Prior to March 1995) | E |
| | 1683337 | Ref | Upper Lift Cylinder Assemblies 40electric & 45electric (March 1995 to SN 29898) | - |
| | 1683506 | Ref | Upper Lift Cylinder Assemblies 40electric & 45electric (SN 29899 through 33089) | - |
| | 1683520 | Ref | Upper Lift Cylinder Assemblies 40electric & 45electric (SN 33090 to Present) | A-1 |
| | 1682958 | Ref | Upper Lift Cylinder Assemblies 35electric (Prior to SN 29899) | D |
| | 1683509 | Ref | Upper Lift Cylinder Assemblies 35electric (SN 29899 to Present) | 1 |
| 1 | | Ref | Barrel Weldment Options: | |
| 1 | | Ref | Barrel Weldment 40electric & 45electric | |
| 1 | 1682868 | 1 | 1682867 Cylinder (Prior to March 1995) | |
| 1 | 1682868 | 1 | 1683337 Cylinder (March 1995 to SN 29898) | |
| 1 | 1682868 | 1 | 1683506 Cylinder (SN 29899 through 33089) | |
| 1 | 1683514 | 1 | 1683520 Cylinder (SN 33090 to Present) | |
| 1 | 1682988 | 1 | Barrel Weldment 35electric | |
| 1 | 0961726 | 2 | Bushing, Teflon | |
| 2 | | Ref | Rod Weldment Options: | |
| 2 | | Ref | Rod Weldment 40electric & 45electric | |
| 2 | 1682870 | 1 | 1682867 Cylinder (Prior to March 1995) | |
| 2 | 1682870 | 1 | 1683337 Cylinder (March 1995 to SN 29898) | |
| 2 | 1683505 | 1 | 1683506 Cylinder (SN 29899 through 33089) | |
| 2 | 1683505 | 1 | 1683520 Cylinder (SN 33090 to Present) | |
| 2 | | Ref | Rod Weldment 35electric | |
| 2 | 1682972 | 1 | 1682958 Cylinder (Prior to SN 29899) | |
| 2 | 1683508 | 1 | 1683509 Cylinder (SN 29899 to Present) | |
| 2 | 0961726 | 2 | Bushing, Teflon | |
| 3 | 1120108 | 1 | Retainer | |
| 4 | 3480115 | 1 | Piston | |
| 5 | | Ref | Head Options: | |
| 5 | | Ref | Head 40electric & 45electric | |
| 5 | 1681344 | 1 | 1682867 Cylinder (Prior to March 1995) | |
| 5 | 1681344 | 1 | 1683337 Cylinder (March 1995 to SN 29898) | |
| 5 | 1683504 | 1 | 1683506 Cylinder (SN 29899 through 33089) | |
| 5 | 1683504 | 1 | 1683520 Cylinder (SN 33090 to Present) | |
| 5 | | Ref | Head 35electric | |
| 5 | 1681344 | 1 | 1682958 Cylinder (Prior to SN 29899) | |
| 5 | 1683504 | 1 | 1683509 Cylinder (SN 29899 to Present) | |
| 6 | | Ref | Nut, Hex Options: | |
| 6 | 3300279 | 1 | Nut, Hex 40electric & 45electric | |
| 6 | 3300315 | 1 | Nut, Hex 35electric | |
| 7 | | Ref | Washer Options: | |
| 7 | | Ref | Washer 40electric & 45electric | |
| 7 | 4740394 | 1 | 1682867 Cylinder (Prior to March 1995) | |
| 7 | 4740394 | 1 | 1683337 Cylinder (March 1995 to SN 29898) | |
| 7 | Not Required | 0 | 1683506 Cylinder (SN 29899 through 33089) | |
| 7 | Not Required | 0 | 1683520 Cylinder (SN 33090 to Present) | |

SECTION 5 - CYLINDER

| ITEM | PART NUMBER | QTY | DESCRIPTION | REV |
|------|--------------|-----|---|-----|
| 7 | | Ref | Washer 35electric | |
| 7 | 4740394 | 1 | 1682958 Cylinder (Prior to SN 29899) | |
| 7 | Not Required | 0 | 1683509 Cylinder (SN 29899 to Present) | |
| 8 | | Ref | Spacer Options: | |
| 8 | | Ref | Spacer 40electric & 45electric | |
| 8 | 4566009 | 1 | 1682867 Cylinder (Prior to March 1995) | |
| 8 | 4566009 | 1 | 1683337 Cylinder (March 1995 to SN 29898) | |
| 8 | 4567177 | 1 | 1683506 Cylinder (SN 29899 through 33089) | |
| 8 | 4567177 | 1 | 1683520 Cylinder (SN 33090 to Present) | |
| 8 | | Ref | Spacer 35electric | |
| 8 | 4566473 | 1 | 1682958 Cylinder (Prior to SN 29899) | |
| 8 | 4567180 | 1 | 1683509 Cylinder (SN 29899 to Present) | |
| 9 | Not Required | 0 | Not Required | |
| 10 | | Ref | Cartridge, Holding Options: | |
| 10 | | Ref | Cartridge, Holding 40electric & 45electric | |
| 10 | 4640771 | 1 | Cartridge (Prior to March 1995) | |
| 10 | 4640936 | 1 | Cartridge (March 1995 to Present) | |
| 10 | 2900770 | 1 | Seal Kit - 4640771 & 4640936 Valves | |
| 10 | | Ref | Cartridge, Holding 35electric | |
| 10 | 4640771 | 1 | Cartridge, Holding Valve | |
| 10 | 2900770 | 1 | Seal Kit - 4640771 Valve | |
| 11 | | Ref | Plug Options: | |
| 11 | 2220885 | 1 | Plug 40electric & 45electric | |
| 11 | Not Required | 0 | Plug 35electric | |
| 12 | 3900170 | 1 | Setscrew 3/8in-16NC x 3/8in | |
| 13 | 3951402 | 1 | Setscrew 1/4in-20NC x 1/4in | |
| 14 | Kit | 2 | Ring, Lock | |
| 15 | Kit | 2 | Seal, Piston | |
| 16 | Kit | 1 | O-Ring | |
| 17 | Kit | 1 | Ring, Wear | |
| 18 | Kit | 1 | O-Ring | |
| 19 | Kit | 1 | Seal, Rod | |
| 20 | Kit | 1 | Wiper Rod | |
| 21 | 0100011 | AR | Loctite #242 | |
| 22 | 0100038 | AR | Primer, Locking | |
| 23 | 0100035 | AR | Loctite #222 | |
| 24 | | Ref | Cartridge, Needle Valve Options: | |
| 24 | Not Required | 0 | Cartridge, Needle Valve 40electric & 45electric | |
| 24 | 4640799 | 1 | Cartridge, Needle Valve 35electric | |
| | | Ref | Seal Kit Options (Includes Items 14-20): | |
| | | Ref | Seal Kit 40electric & 45electric | |
| | 2900371 | 1 | 1682867 & 1683337 Cylinder (Prior to SN 29899) | |
| | 2901496 | 1 | 1683506 & 1683520 Cylinder (SN 29899 to Present) | |
| | | Ref | Seal Kit 35electric | |
| | 2900371 | 1 | 1682958 Cylinder (Prior to SN 29899) | |
| | 2901496 | 1 | 1683509 Cylinder (SN 29899 to Present) | |

SECTION 5 - CYLINDER

FIGURE 5-3. MID LIFT CYLINDER ASSEMBLIES - MODELS 40ELECTRIC & 45ELECTRIC

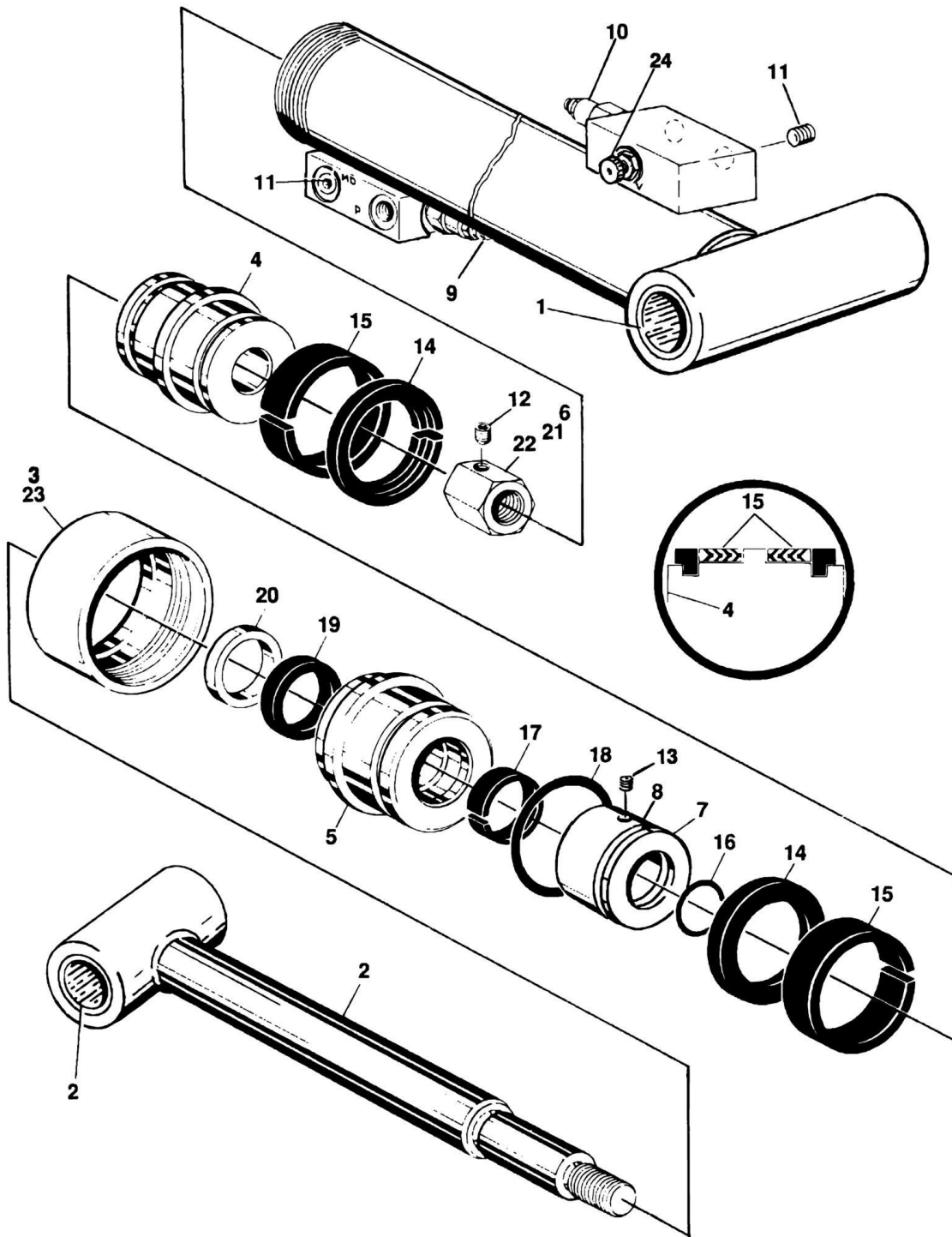
| ITEM | PART NUMBER | QTY | DESCRIPTION | REV |
|------|--------------|-----|--|-----|
| | | Ref | MID LIFT CYLINDER ASSEMBLY | |
| | 1683018 | Ref | Mid Lift Cylinder Assembly 45electric (Prior to SN 33090) | D-4 |
| | 1683522 | Ref | Mid Lift Cylinder Assembly 45electric (SN 33090 to Present) | A-1 |
| | 1682861 | Ref | Mid Lift Cylinder Assembly 40electric (Prior to SN 33111) | C-3 |
| | 1683519 | Ref | Mid Lift Cylinder Assembly 40electric (SN 33111 to Present) | A-1 |
| 1 | | Ref | Barrel Weldment Options: | |
| 1 | | Ref | Barrel Weldment 45electric | |
| 1 | 1683019 | 1 | 1683018 Cylinder (Prior to SN 33090) | |
| 1 | 1683516 | 1 | 1683522 Cylinder (SN 33090 to Present) | |
| 1 | | Ref | Barrel Weldment 40electric | |
| 1 | 1682862 | 1 | 1682861 Cylinder (Prior to SN 33111) | |
| 1 | 1683513 | 1 | 1683519 Cylinder (SN 33111 to Present) | |
| 1 | 0961726 | 2 | Bushing, Teflon | |
| 2 | | Ref | Rod Weldment Options: | |
| 2 | 1683021 | 1 | Rod Weldment 45electric | |
| 2 | 1682864 | 1 | Rod Weldment 40electric | |
| 2 | 0961726 | 2 | Bushing, Teflon | |
| 3 | | Ref | Retainer Options: | |
| 3 | 1120305 | 1 | Retainer 45electric | |
| 3 | 1120108 | 1 | Retainer 40electric | |
| 4 | | Ref | Piston Options: | |
| 4 | 3480113 | 1 | Piston 45electric | |
| 4 | 3480115 | 1 | Piston 40electric | |
| 5 | | Ref | Head Options: | |
| 5 | 1682209 | 1 | Head 45electric | |
| 5 | 1681344 | 1 | Head 40electric | |
| 6 | | Ref | Nut, Hex Options: | |
| 6 | 3300281 | 1 | Nut, Hex 45electric | |
| 6 | 3300279 | 1 | Nut, Hex 40electric | |
| 7 | | Ref | Washer Options: | |
| 7 | 4740207 | 1 | Washer 45electric | |
| 7 | 4740394 | 1 | Washer 40electric | |
| 8 | | Ref | Spacer Options: | |
| 8 | 4566435 | 1 | Spacer 45electric | |
| 8 | 4565994 | 1 | Spacer 40electric | |
| 9 | 4640634 | 1 | Cartridge, Holding Valve | |
| 9 | 2900770 | 1 | Seal Kit - 4640634 | |
| 10 | 4640816 | 1 | Cartridge, Holding Valve | |
| 10 | 2900770 | 1 | Seal Kit - 4640771 Valve | |
| 11 | 2220885 | 2 | Plug | |
| 12 | 3900170 | 1 | Setscrew 3/8in-16NC x 3/8in | |
| 13 | | Ref | Setscrew 1/4in-20NC x 1/4in Options: | |
| 13 | Not Required | 0 | Setscrew 1/4in-20NC x 1/4in 45electric | |
| 13 | 3951402 | 1 | Setscrew 1/4in-20NC x 1/4in 40electric | |
| 14 | Kit | 2 | Ring, Lock | |
| 15 | Kit | 2 | Seal, Piston | |
| 16 | Kit | 1 | O-Ring | |
| 17 | Kit | 1 | Ring, Wear | |
| 18 | Kit | 1 | O-Ring | |
| 19 | Kit | 1 | Seal, Rod | |

SECTION 5 - CYLINDER

| ITEM | PART NUMBER | QTY | DESCRIPTION | REV |
|------|--------------|-----|---|-----|
| 20 | Kit | 1 | Wiper Rod | |
| 21 | 0100011 | AR | Loctite #242 | |
| 22 | 0100038 | AR | Primer, Locking | |
| 23 | 0100035 | AR | Loctite #222 | |
| 24 | Not Required | 0 | Not Required | |
| | | Ref | Mid Lift Cylinder Assembly 45electric | |
| | 2901154 | 1 | Seal Kit - 1683018 & 1683522 Mid Lift Cylinder (Includes Items 14-20) | |
| | | Ref | Mid Lift Cylinder Assembly 40electric | |
| | 2900371 | 1 | Seal Kit - 1682861 & 1683519 Mid Lift Cylinder (Includes Items 64-70) | |

SECTION 5 - CYLINDER

FIGURE 5-4. LOWER LIFT CYLINDER ASSEMBLIES - MODELS 35ELECTRIC, 40ELECTRIC & 45ELECTRIC



SECTION 5 - CYLINDER

FIGURE 5-4. LOWER LIFT CYLINDER ASSEMBLIES - MODELS 35ELECTRIC, 40ELECTRIC & 45ELECTRIC

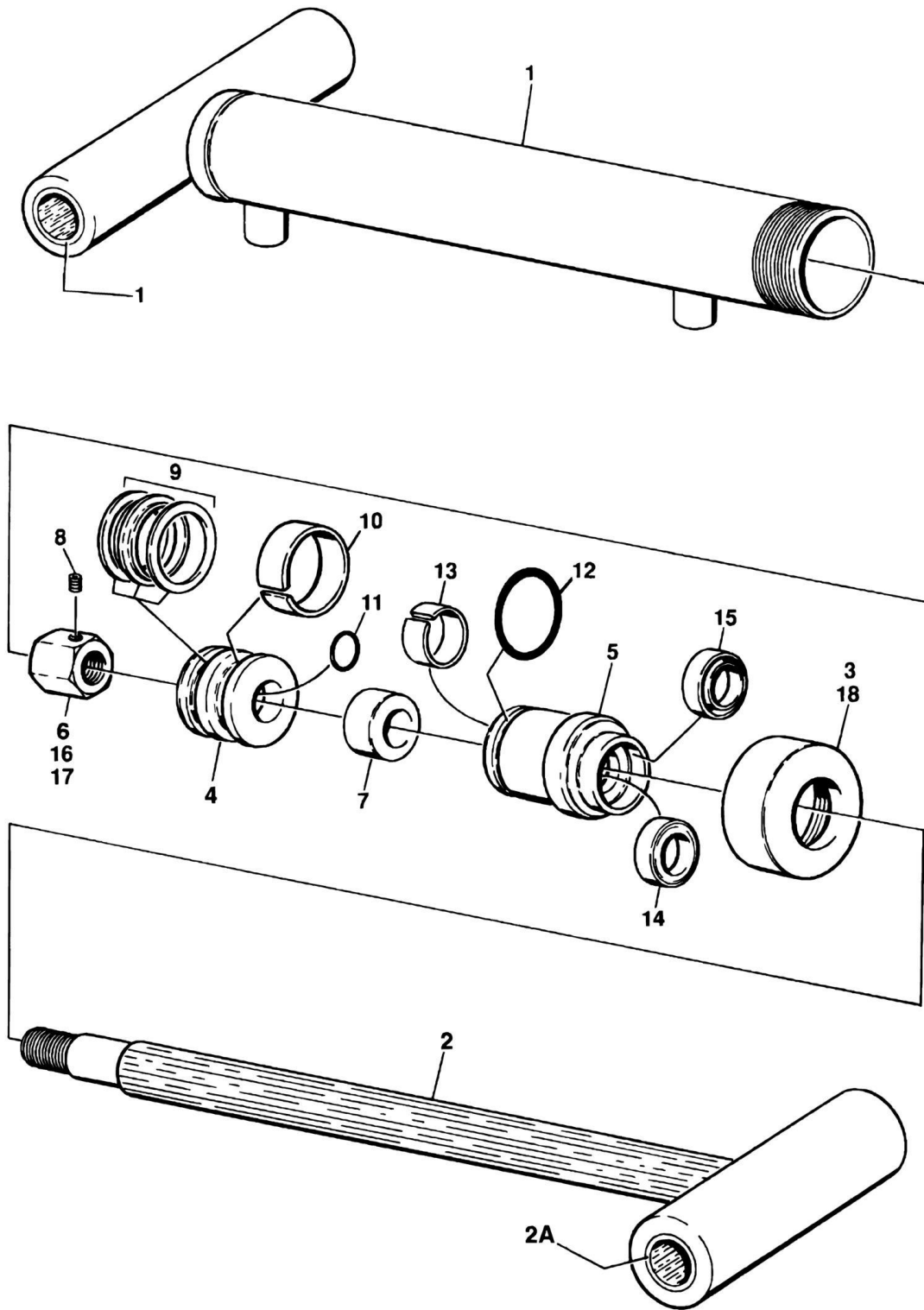
| ITEM | PART NUMBER | QTY | DESCRIPTION | REV |
|------|--------------|-----|--|-----|
| | | Ref | LOWER LIFT CYLINDER ASSEMBLY | |
| | 1683013 | Ref | Lower Lift Cylinder Assembly 45electric (Prior to SN 33090) | 4 |
| | 1683521 | Ref | Lower Lift Cylinder Assembly 45electric (SN 33090 to Present) | A-1 |
| | 1682855 | Ref | Lower Lift Cylinder Assembly 40electric (Prior to SN 33111) | D-4 |
| | 1683518 | Ref | Lower Lift Cylinder Assembly 40electric (SN 33111 to Present) | A-1 |
| | 1682980 | Ref | Lower Lift Cylinder Assembly 35electric | 4 |
| 1 | | Ref | Barrel Weldment Options: | |
| 1 | | Ref | Barrel Weldment 45electric | |
| 1 | 1683014 | 1 | 1683013 Cylinder (Prior to SN 33090) | |
| 1 | 1683515 | 1 | 1683521 Cylinder (SN 33090 to Present) | |
| 1 | | Ref | Barrel Weldment 40electric | |
| 1 | 1682856 | 1 | 1682855 Cylinder (Prior to SN 33111) | |
| 1 | 1683512 | 1 | 1683518 Cylinder (SN 33111 to Present) | |
| 1 | 1682981 | 1 | Barrel Weldment 35electric | |
| 1 | 0961726 | 2 | Bushing, Teflon | |
| 2 | | Ref | Rod Weldment Options: | |
| 2 | 1683016 | 1 | Rod Weldment 45electric | |
| 2 | 1682858 | 1 | Rod Weldment 40electric | |
| 2 | 1682983 | 1 | Rod Weldment 35electric | |
| 2 | 0961726 | 2 | Bushing, Teflon | |
| 3 | | Ref | Retainer Options: | |
| 3 | 1120094 | 1 | Retainer 45electric | |
| 3 | 1120305 | 1 | Retainer 40electric | |
| 3 | 1120305 | 1 | Retainer 35electric | |
| 4 | | Ref | Piston Options: | |
| 4 | 3480102 | 1 | Piston 45electric | |
| 4 | 3480113 | 1 | Piston 40electric | |
| 4 | 3480113 | 1 | Piston 35electric | |
| 5 | | Ref | Head Options: | |
| 5 | 1682323 | 1 | Head 45electric | |
| 5 | 1682209 | 1 | Head 40electric | |
| 5 | 1682209 | 1 | Head 35electric | |
| 6 | 3300281 | 1 | Nut, Hex | |
| 7 | | Ref | Washer Options: | |
| 7 | Not Required | 0 | Washer 45electric | |
| 7 | 4740207 | 1 | Washer 40electric | |
| 7 | 4740207 | 1 | Washer 35electric | |
| 8 | | Ref | Spacer Options: | |
| 8 | 4566432 | 1 | Spacer 45electric | |
| 8 | 4565992 | 1 | Spacer 40electric | |
| 8 | 4566261 | 1 | Spacer 35electric | |
| 9 | | Ref | Cartridge, Holding Valve Options: | |
| 9 | | Ref | Cartridge, Holding Valve 40/45electric | |
| 9 | 4640634 | 1 | Cartridge, Holding Valve | |
| 9 | 2900770 | 1 | Seal Kit - 4640634 Valve | |
| 9 | Not Required | 0 | Cartridge, Holding Valve 35electric | |
| 10 | | Ref | Cartridge, Holding Valve Options: | |
| 10 | | Ref | Cartridge, Holding Valve 40/45electric | |
| 10 | 4640816 | 1 | Cartridge, Holding Valve | |

SECTION 5 - CYLINDER

| ITEM | PART NUMBER | QTY | DESCRIPTION | REV |
|------|--------------|-----|--|-----|
| 10 | 2900770 | 1 | Seal Kit - 4640816 Valve | |
| 10 | | Ref | Cartridge, Holding Valve 35electric | |
| 10 | 4640746 | 1 | Cartridge, Holding Valve | |
| 10 | 2900770 | 1 | Seal Kit - 4640634 Valve | |
| 11 | 2220885 | 2 | Plug | |
| 12 | 3900170 | 1 | Setscrew 3/8in-16NC x 3/8in | |
| 13 | Not Required | 0 | Not Required | |
| 14 | Kit | 2 | Ring, Lock | |
| 15 | Kit | 2 | Seal, Piston | |
| 16 | Kit | 1 | O-Ring | |
| 17 | Kit | 1 | Ring, Wear | |
| 18 | Kit | 1 | O-Ring | |
| 19 | Kit | 1 | Seal, Rod | |
| 20 | Kit | 1 | Wiper, Rod | |
| 21 | 0100011 | AR | Loctite #242 | |
| 22 | 0100038 | AR | Primer, Locking | |
| 23 | 0100035 | AR | Loctite #222 | |
| 24 | | Ref | Cartridge, Needle Valve Options: | |
| 24 | Not Required | 0 | Cartridge, Needle Valve 40/45electric | |
| 24 | 4640799 | 1 | Cartridge, Needle Valve 35electric | |
| | | Ref | Cartridge, Needle Valve 45electric | |
| | 2901170 | 1 | Seal Kit - 1683013 & 1683521 Lower Lift Cylinders (Includes Items 14-20) | |
| | | Ref | Cartridge, Needle Valve 40electric | |
| | 2901154 | 1 | Seal Kit - 1682855 & 1683518 Tower Lift Cylinders (Includes Items 14-20) | |
| | | Ref | Cartridge, Needle Valve 35electric | |
| | 2901154 | 1 | Seal Kit - 1682980 Lower Lift Cylinder (Includes Items 14-20) | |

SECTION 5 - CYLINDER

FIGURE 5-5. MASTER CYLINDER ASSEMBLY - MODELS 35ELECTRIC, 40ELECTRIC & 45ELECTRIC



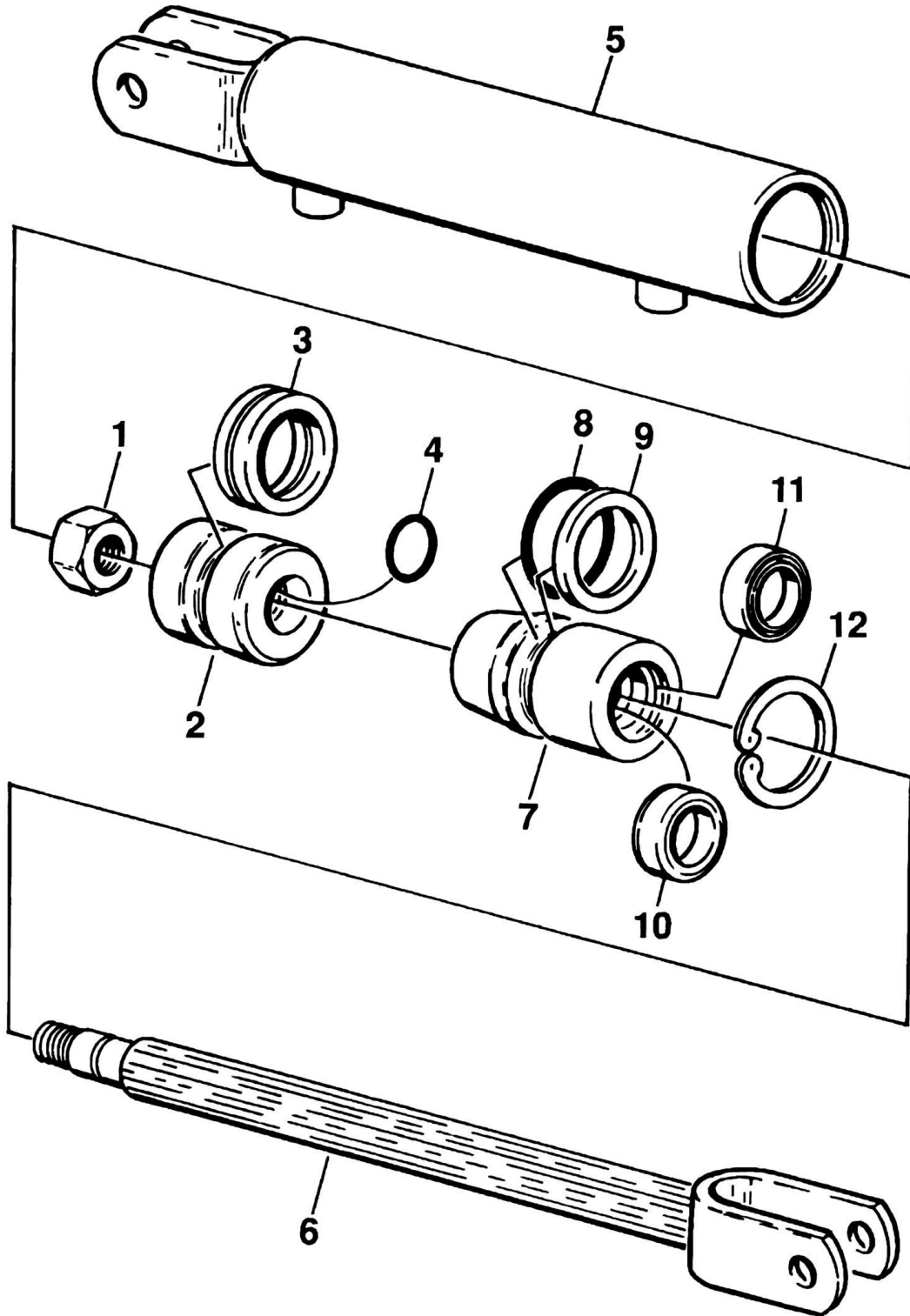
SECTION 5 - CYLINDER

FIGURE 5-5. MASTER CYLINDER ASSEMBLY - MODELS 35ELECTRIC, 40ELECTRIC & 45ELECTRIC

| ITEM | PART NUMBER | QTY | DESCRIPTION | REV |
|------|-------------|-----|--|-----|
| | | Ref | MASTER CYLINDER ASSEMBLY - MODELS | |
| | 1682877 | Ref | 40electric & 45electric (Prior to January 1995) | A |
| | 1683325 | Ref | 40electric & 45electric (January 1995 to Present) | 1-A |
| 1 | 1682879 | 1 | Barrel Weldment | |
| 1 | 0961608 | 2 | Bushing, Teflon | |
| 2 | | Ref | Rod Weldment Options: | |
| 2 | 1682881 | 1 | 1682877 Cylinder (Prior to January 1995) | |
| 2 | 1683286 | 1 | 1683325 Cylinder (January 1995 to Present) | |
| 2A | 0961608 | 2 | Bushing, Teflon | |
| 3 | 1120110 | 1 | Retainer | |
| 4 | | Ref | Piston Options: | |
| 4 | 3480123 | 1 | 1682877 Cylinder (Prior to January 1995) | |
| 4 | 3480217 | 1 | 1683325 Cylinder (January 1995 to Present) | |
| 5 | 1682154 | 1 | Head | |
| 6 | | Ref | Nut, Hex Options: | |
| 6 | 3300309 | 1 | 1682877 Cylinder (Prior to January 1995) | |
| 6 | 3300308 | 1 | 1683325 Cylinder (January 1995 to Present) | |
| 7 | 4566023 | 1 | Spacer, Tube | |
| 8 | 3900170 | 1 | Setscrew 3/8in-16NC x 3/8in | |
| 9 | Kit | 1 | T-Seal | |
| 10 | Kit | 1 | Ring, Wear | |
| 11 | Kit | 1 | O-Ring | |
| 12 | Kit | 1 | O-Ring | |
| 13 | Kit | 1 | Ring, Wear | |
| 14 | Kit | 1 | Seal, Rod | |
| 15 | Kit | 1 | Wiper, Rod | |
| 16 | 0100038 | AR | Primer, Locking | |
| 17 | 0100011 | AR | Loctite #242 | |
| 18 | 0100035 | AR | Loctite #222 | |
| | 2901147 | 1 | Seal Kit (Includes Items 9-15) | |

SECTION 5 - CYLINDER

FIGURE 5-6. PLATFORM ROTATOR CYLINDER ASSEMBLY - MODELS 35ELECTRIC, 40ELECTRIC & 45ELECTRIC



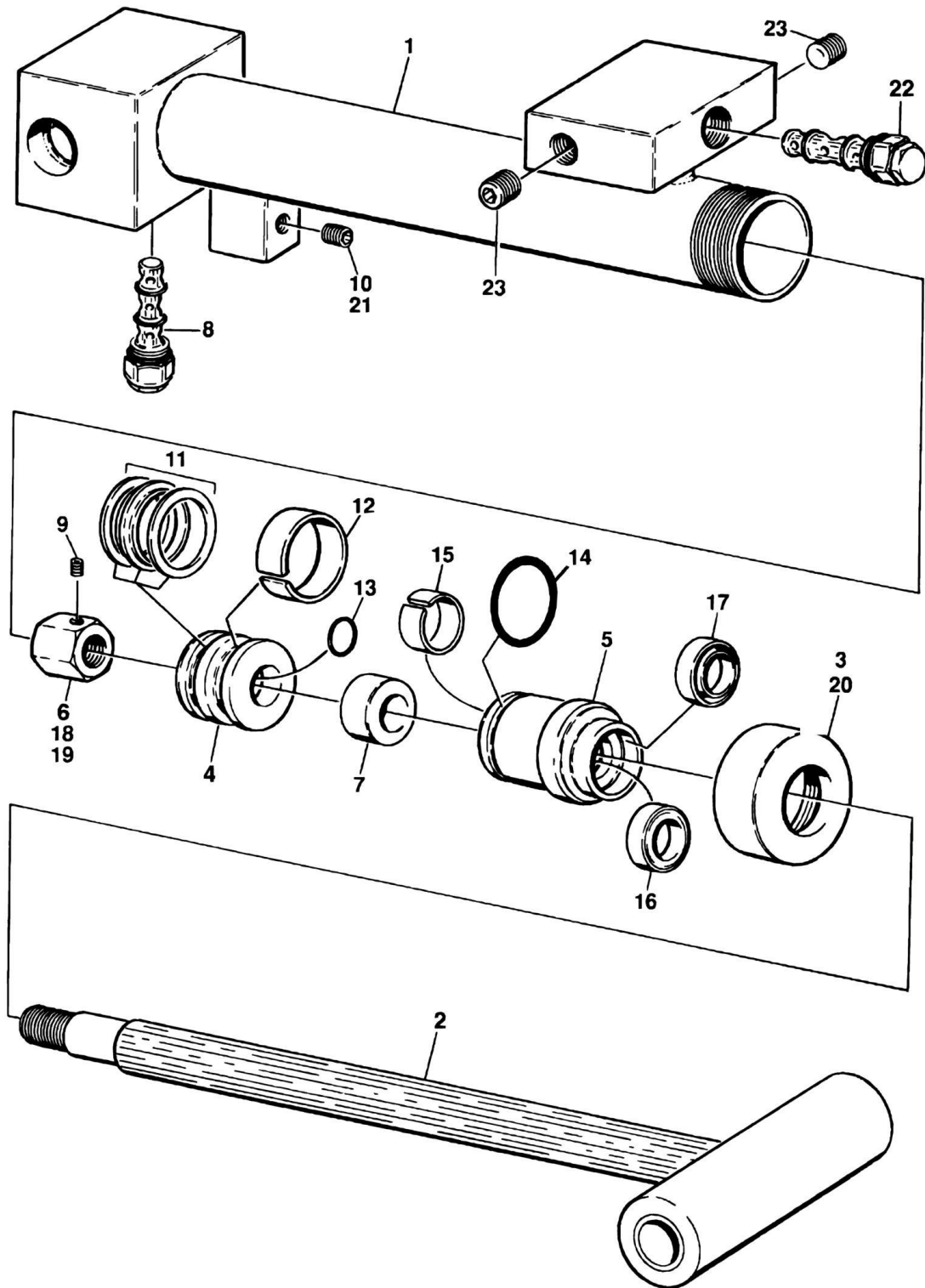
SECTION 5 - CYLINDER

FIGURE 5-6. PLATFORM ROTATOR CYLINDER ASSEMBLY - MODELS 35ELECTRIC, 40ELECTRIC & 45ELECTRIC

| ITEM | PART NUMBER | QTY | DESCRIPTION | REV |
|------|-------------|-----|--|-----|
| | 1682930 | Ref | PLATFORM ROTATOR CYLINDER ASSEMBLY - MODELS 35electric, 40electric & 45electric | B |
| 1 | 7001609 | 1 | Nut, Hex | |
| 2 | 7001610 | 1 | Piston | |
| 3 | Kit | 1 | Seal | |
| 4 | Kit | 1 | O-Ring | |
| 5 | 7001611 | 1 | Barrel Weldment | |
| 6 | 7001612 | 1 | Rod | |
| 7 | 7001613 | 1 | Head | |
| 8 | Kit | 1 | O-Ring | |
| 9 | Kit | 1 | Ring, Back-up | |
| 10 | Kit | 1 | Seal | |
| 11 | Kit | 1 | Wiper | |
| 12 | 7001614 | 1 | Ring, Retainer | |
| | 7001608 | 1 | Seal Kit - 1682930 Cylinder (Includes Items 3,4 & 8-11) | |

SECTION 5 - CYLINDER

FIGURE 5-7. SLAVE CYLINDER ASSEMBLY - MODELS 35ELECTRIC, 40ELECTRIC & 45ELECTRIC



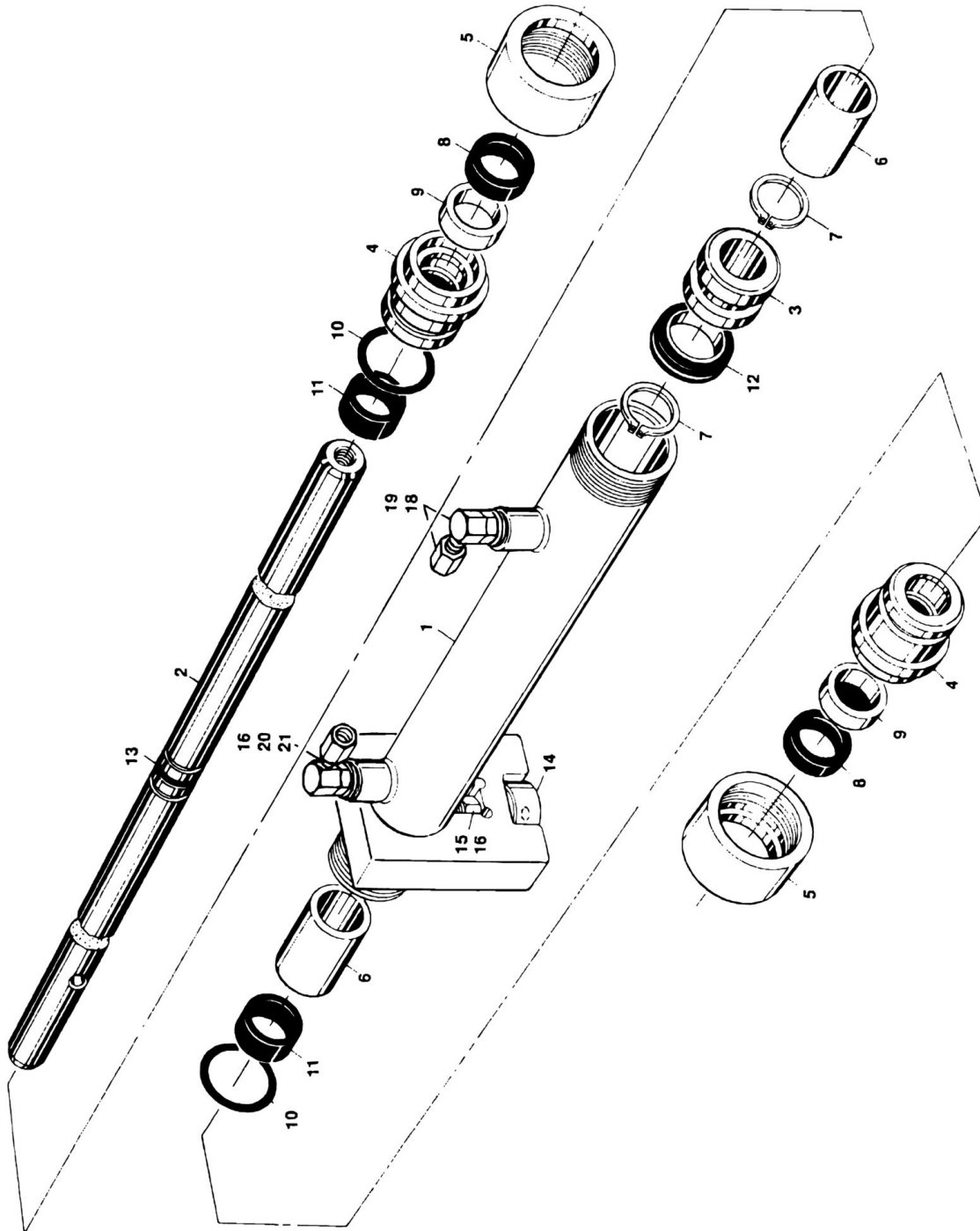
SECTION 5 - CYLINDER

FIGURE 5-7. SLAVE CYLINDER ASSEMBLY - MODELS 35ELECTRIC, 40ELECTRIC & 45ELECTRIC

| ITEM | PART NUMBER | QTY | DESCRIPTION | REV |
|------|-------------|-----|--|-----|
| | | Ref | SLAVE CYLINDER ASSEMBLY | |
| | 1682876 | Ref | Slave Cylinder Assembly Prior to January 1995 | C |
| | 1683285 | Ref | Slave Cylinder Assembly January 1995 to Present | A |
| 1 | 1682878 | 1 | Barrel Weldment | |
| 1 | 0961608 | 2 | Bushing, Teflon | |
| 2 | | Ref | Rod Weldment Options: | |
| 2 | 1682881 | 1 | 1682876 Cylinder (Prior to January 1995) | |
| 2 | 1683286 | 1 | 1683285 Cylinder (January 1995 to Present) | |
| 2 | 0961608 | 2 | Bushing, Teflon | |
| 3 | 1120110 | 1 | Retainer | |
| 4 | | Ref | Piston Options: | |
| 4 | 3480123 | 1 | 1682876 Cylinder (Prior to January 1995) | |
| 4 | 3480217 | 1 | 1683285 Cylinder (January 1995 to Present) | |
| 5 | 1682154 | 1 | Head | |
| 6 | | Ref | Nut, Hex Options: | |
| 6 | 3300309 | 1 | 1682876 Cylinder (Prior to January 1995) | |
| 6 | 3300308 | 1 | 1683285 Cylinder (January 1995 to Present) | |
| 7 | 4566023 | 1 | Spacer, Tube | |
| 8 | 4640509 | 1 | Valve, Holding | |
| 9 | 3900170 | 1 | Setscrew 3/8in-16NC x 3/8in | |
| 10 | 2200222 | 1 | Plug, Pipe | |
| 11 | Kit | 1 | T-Seal | |
| 12 | Kit | 1 | Ring, Wear | |
| 13 | Kit | 1 | O-Ring | |
| 14 | Kit | 1 | O-Ring | |
| 15 | Kit | 1 | Ring, Wear | |
| 16 | Kit | 1 | Seal, Rod | |
| 17 | Kit | 1 | Wiper, Rod | |
| 18 | 0100038 | AR | Primer, Locking | |
| 19 | 0100011 | AR | Loctite #242 | |
| 20 | 0100035 | AR | Loctite #222 | |
| 21 | 0100020 | AR | Sealant, Pipe | |
| 22 | | Ref | Cartridge, Holding Valve Options: | |
| 22 | 4640509 | 1 | Cartridge (1682876 Cylinder-Prior to Jan 1995) | |
| 22 | 2900792 | 1 | Seal Kit - 4640509 Valve | |
| 22 | 4640932 | 1 | Cartridge (1683285 Cylinder-Jan 1995 to Present) | |
| 22 | 7011112 | 1 | Seal Kit - 4640932 Valve | |
| 23 | 2220883 | 2 | Plug, Socket Hex | |
| | 2901147 | 1 | Seal Kit - 1682876 & 1683285 Cylinder (Includes Items 11-17) | |

SECTION 5 - CYLINDER

FIGURE 5-8. STEER CYLINDER ASSEMBLIES



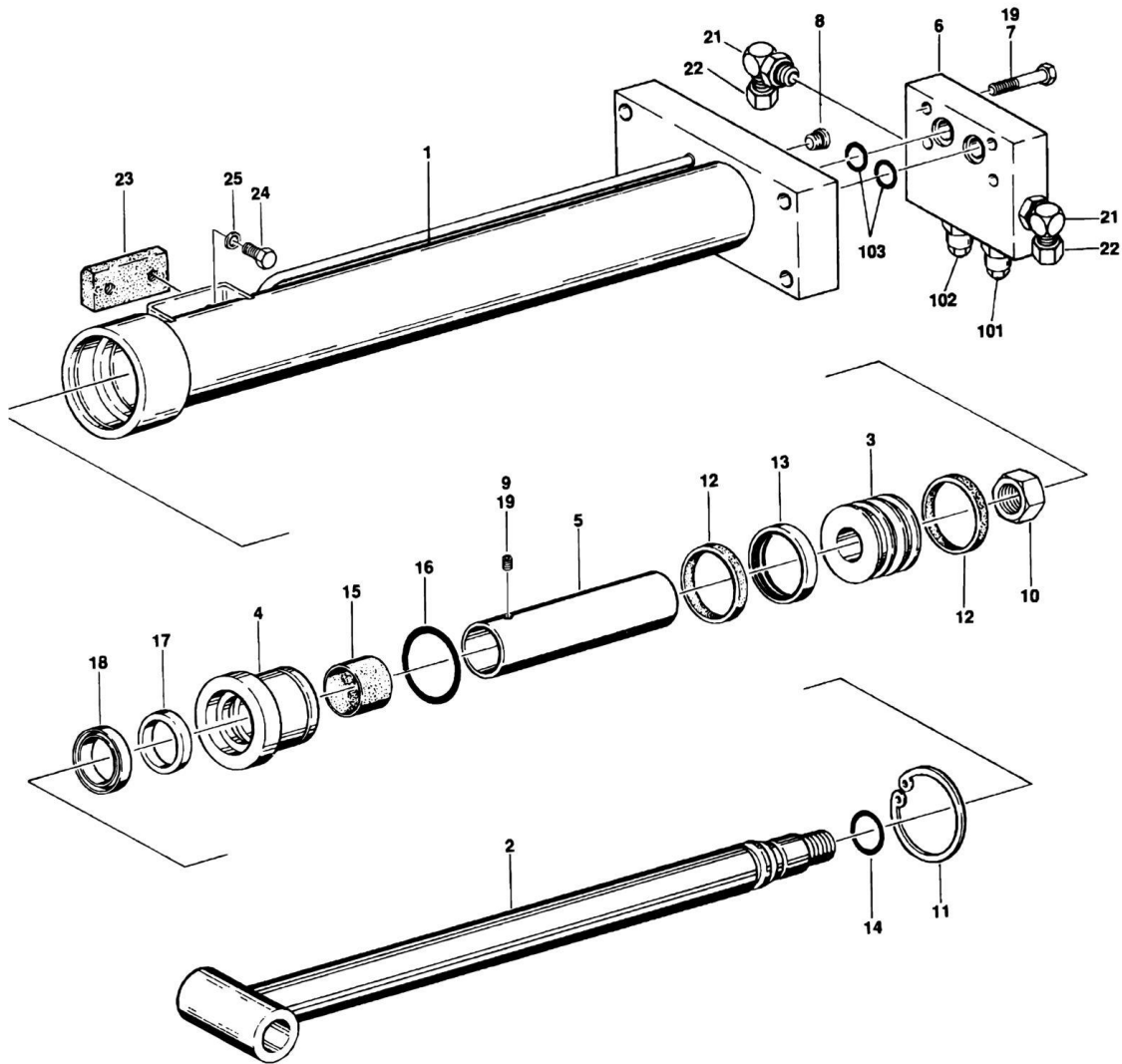
SECTION 5 - CYLINDER

FIGURE 5-8. STEER CYLINDER ASSEMBLIES

| ITEM | PART NUMBER | QTY | DESCRIPTION | REV |
|------|-------------|-----|---|-----|
| | | Ref | STEER CYLINDER ASSEMBLIES | |
| | 1682527 | Ref | Steer Cylinder Assemblies 35electric/40electric/45electric (Prior to SN 37950) | C-5 |
| | 1683695 | Ref | Steer Cylinder Assemblies 35electric/40electric/45electric (SN 37950 to Present) | A-2 |
| | 1682893 | Ref | Steer Cylinder Assemblies n35electric/n40electric (Prior to SN 37950) | B-3 |
| | 1683696 | Ref | Steer Cylinder Assemblies n35electric/n40electric (SN 37950 to Present) | A-2 |
| 1 | | Ref | Barrel Weldment Options: | |
| 1 | 1682528 | 1 | 1682527 & 1682893 Cyls (Prior to SN 37950) | |
| 1 | 1683694 | 1 | 1683695 & 1683696 Cyls (SN 37950 to Present) | |
| 2 | | Ref | Rod Weldment Options: | |
| 2 | 1682530 | 1 | Rod Weldment 35electric/40electric/45electric | |
| 2 | 1682894 | 1 | Rod Weldment n35electric/n40electric | |
| 3 | 3480153 | 1 | Piston | |
| 4 | 1682364 | 2 | Head | |
| 5 | 1120387 | 2 | Retainer | |
| 6 | 4565275 | 2 | Spacer | |
| 7 | 3760141 | 2 | Ring, Retaining | |
| 8 | Kit | 2 | Seal, Wiper | |
| 9 | Kit | 2 | Seal, Rod | |
| 10 | Kit | 2 | O-Ring | |
| 11 | Kit | 2 | Ring, Wear | |
| 12 | Kit | 1 | T-Seal | |
| 13 | Kit | 1 | O-Ring | |
| 14 | | Ref | Follower, Cam Options: | |
| 14 | 3860054 | 1 | Follower, Cam (Prior to SN 31331) | |
| 14 | 3860076 | 1 | Follower, Cam (SN 31331 through 37949) | |
| 14 | 3860080 | 1 | Follower, Cam (SN 37950 to Present) | |
| 15 | 3321802 | 1 | Nut, Jam 1/2in-20NF | |
| 16 | 0100035 | AR | Loctite #222 | |
| 18 | 2220472 | 1 | Fitting, 90 | |
| 19 | 2220515 | 2 | Fitting, Cap | |
| 20 | 2180699 | 1 | Fitting, Modified | |
| 21 | 2180394 | 1 | Orifice | |
| | 2901178 | 1 | Seal Kit (Includes Items 8-13) | |

SECTION 5 - CYLINDER

FIGURE 5-9. TELESCOPE CYLINDER ASSEMBLIES - MODELS 35ELECTRIC, 40ELECTRIC & 45ELECTRIC



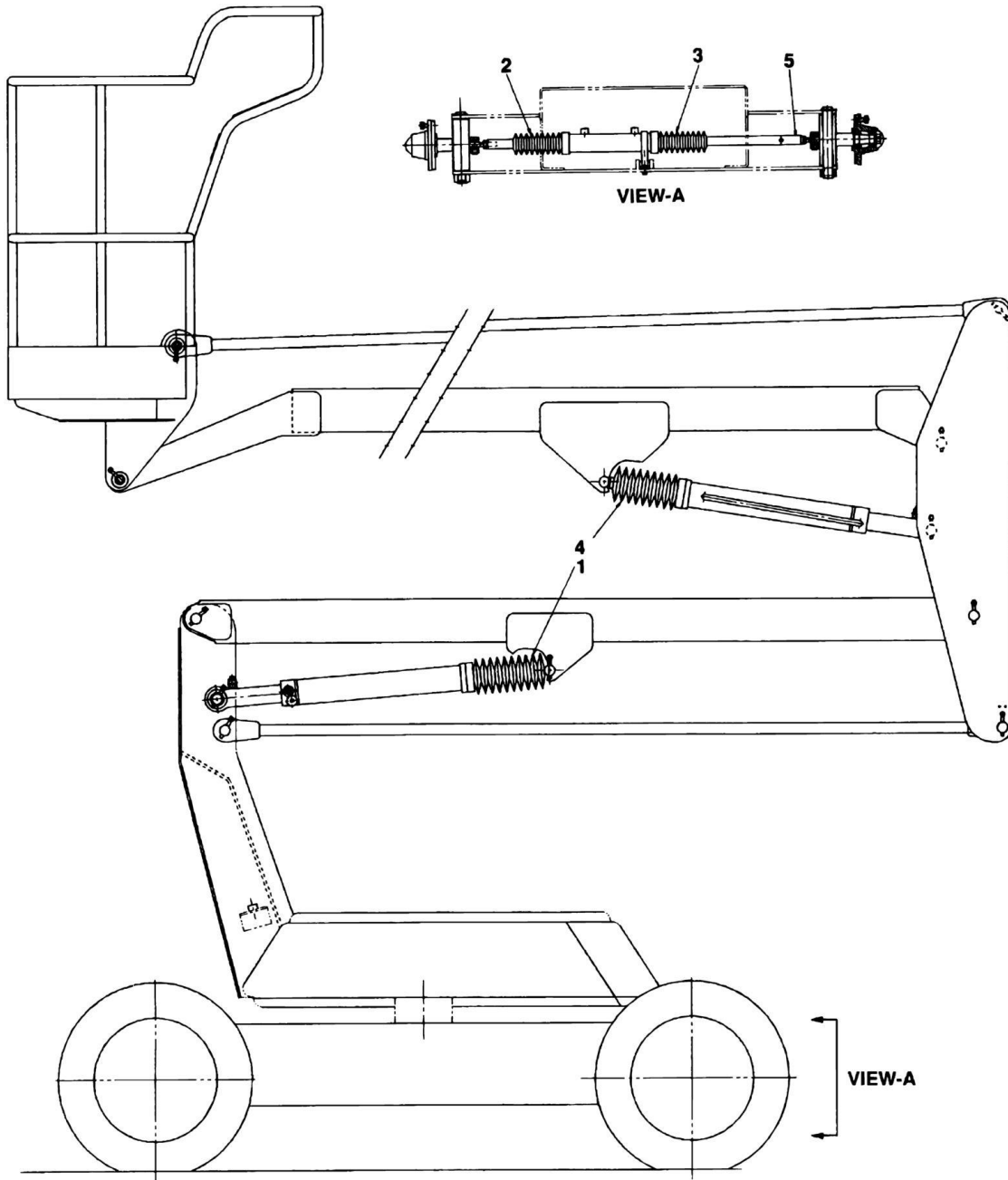
SECTION 5 - CYLINDER

FIGURE 5-9. TELESCOPE CYLINDER ASSEMBLIES - MODELS 35ELECTRIC, 40ELECTRIC & 45ELECTRIC

| ITEM | PART NUMBER | QTY | DESCRIPTION | REV |
|------|-------------|-----|---|-----|
| | | Ref | TELESCOPE CYLINDER ASSEMBLIES | |
| | 1682947 | Ref | Telescope Cylinder Assemblies 45electric | B-2 |
| | 1682887 | Ref | Telescope Cylinder Assemblies 35electric/40electric | E-5 |
| 1 | | Ref | Barrel Weldment Options: | |
| 1 | 1682948 | 1 | Barrel Weldment 45electric | |
| 1 | 1682888 | 1 | Barrel Weldment 35electric/40electric | |
| 2 | | Ref | Rod Weldment Options: | |
| 2 | 1682950 | 1 | Rod Weldment 45electric | |
| 2 | 1682890 | 1 | Rod Weldment 35electric/40electric | |
| 3 | 3480170 | 1 | Piston | |
| 4 | 1682892 | 1 | Head | |
| 5 | 4566027 | 1 | Spacer, Tube | |
| 6 | 4640807 | 1 | Counterbalance Valve Assembly (See Items 101-103 for Breakdown) | |
| 7 | 0641512 | 4 | Bolt 5/16in-18NC x 1 1/2in | |
| 8 | 2220883 | 2 | Plug, O-Ring | |
| 9 | 3951402 | 1 | Setscrew 1/4in-20NC x 1/4in | |
| 10 | 3322205 | 1 | Locknut | |
| 11 | 3760318 | 1 | Ring, Retaining | |
| 12 | Kit | 2 | Ring, Wear | |
| 13 | Kit | 1 | Seal, Cap | |
| 14 | Kit | 1 | O-Ring | |
| 15 | Kit | 1 | Ring, Wear | |
| 16 | Kit | 1 | O-Ring | |
| 17 | Kit | 1 | Seal, Rod | |
| 18 | Kit | 1 | Wiper | |
| 19 | 0100011 | AR | Loctite #242 | |
| 21 | 2220628 | 2 | Fitting, 90 | |
| 22 | 2220516 | 2 | Fitting, Cap | |
| 23 | 3340679 | 1 | Wear Pad Assembly | |
| 24 | 0641604 | 2 | Bolt 3/8in-16NC x 1/2in | |
| 25 | 4761600 | 2 | Lockwasher 3/8in | |
| 26 | 0100011 | AR | Loctite #242 | |
| | 2901242 | 1 | Seal Kit (Includes Items 12-18) | |
| | 4640807 | Ref | COUNTERBALANCE VALVE ASSEMBLY | B |
| 101 | 4640771 | 1 | Cartridge, Counterbalance | |
| 102 | 4640709 | 1 | Cartridge, Vented Counterbalance | |
| 103 | 3790113 | 2 | O-Ring (Between Valve and Cylinder Block) | |
| | 2900770 | | Seal Kit (1 Per Cartridge) | |

SECTION 5 - CYLINDER

FIGURE 5-10. CYLINDER BELLOWS INSTALLATION - MODEL 30ELECTRIC (OPTIONAL)



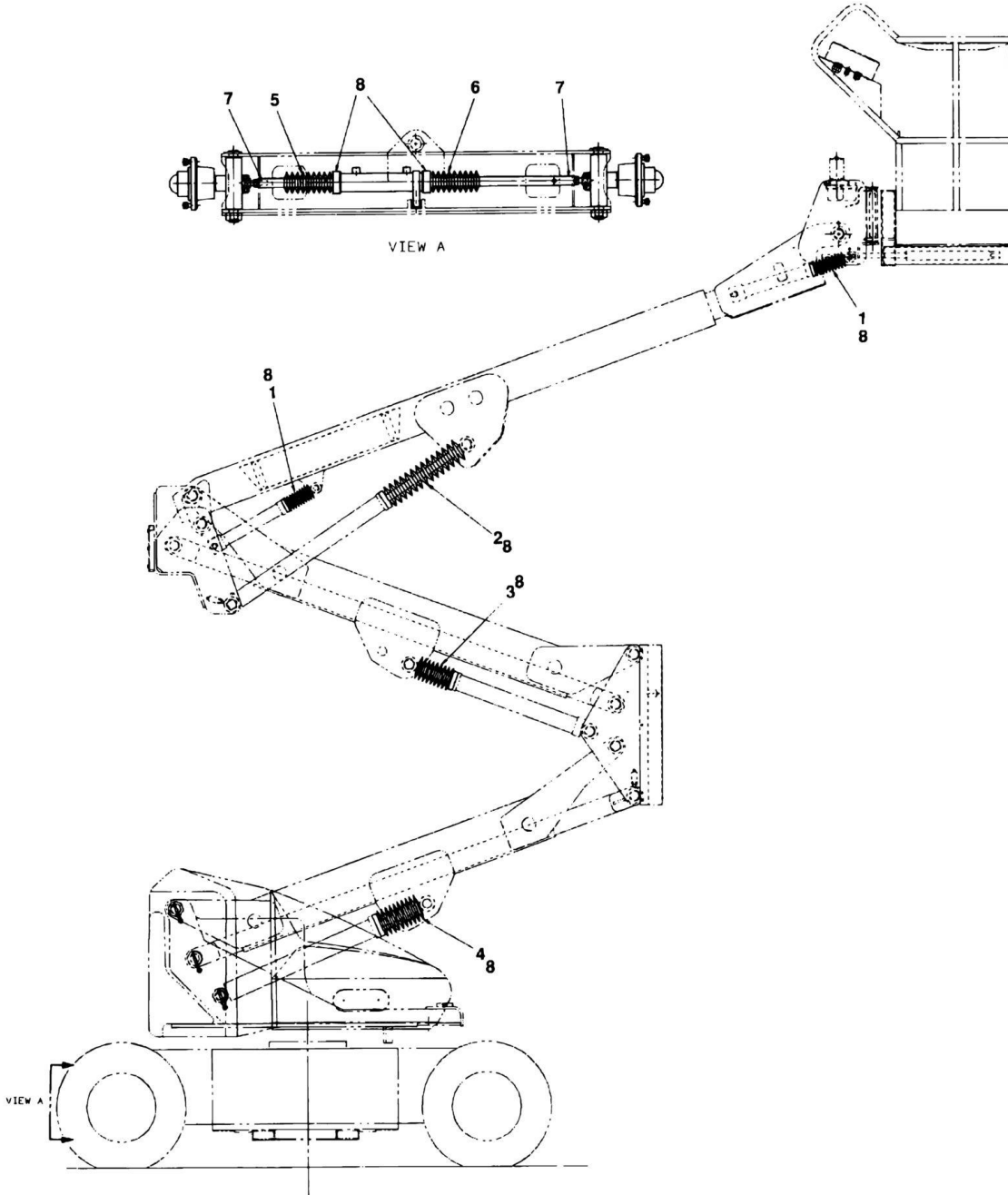
SECTION 5 - CYLINDER

FIGURE 5-10. CYLINDER BELLOWS INSTALLATION - MODEL 30ELECTRIC (OPTIONAL)

| ITEM | PART NUMBER | QTY | DESCRIPTION | REV |
|------|-------------|-----|--|-----|
| | 0253028 | Ref | CYLINDER BELLOWS INSTALLATION - MODEL 30ELECTRIC (OPTIONAL) | - |
| 1 | 0460096 | 2 | Bellow (Lift Cylinder) | |
| 2 | 0460102 | 1 | Bellow (Steer Cylinder - Right Side) | |
| 3 | 0460103 | 1 | Bellow (Steer Cylinder - Left Side) | |
| 4 | 1320037 | 4 | Clamp | |
| 5 | 1320033 | 2 | Clamp | |

SECTION 5 - CYLINDER

FIGURE 5-11. CYLINDER BELLOWS INSTALLATION - MODELS 35ELECTRIC, 40ELECTRIC & 45ELECTRIC (OPTIONAL)



SECTION 5 - CYLINDER

FIGURE 5-11. CYLINDER BELLOWS INSTALLATION - MODELS 35ELECTRIC, 40ELECTRIC & 45ELECTRIC (OPTIONAL)

| ITEM | PART NUMBER | QTY | DESCRIPTION | REV |
|------|--------------|-----|---|-----|
| | 0254851 | Ref | OPTIONAL CYLINDER BELLOWS INSTALLATION - MODEL 45electric | A |
| | 0254028 | Ref | OPTIONAL CYLINDER BELLOWS INSTALLATION - MODEL 40electric | A |
| | 0254850 | Ref | OPTIONAL CYLINDER BELLOWS INSTALLATION - MODEL 35electric | A |
| 1 | 0460110 | 2 | Bellows, Cylinders (Slave and Master Cylinders) | |
| 2 | 0460111 | 1 | Bellows, Cylinders (Upper Lift Cylinder) (Prior to SN 29899) | |
| 2 | 0460115 | 1 | Bellows, Cylinders (Upper Lift Cylinder) (SN 29899 to Present) | |
| 3 | | Ref | Bellows, Cylinders (Mid Lift Cylinder) Options: | |
| 3 | 0460113 | 1 | Bellows, Cylinders (Mid Lift Cylinder) 45electric | |
| 3 | 0460112 | 1 | Bellows, Cylinders (Mid Lift Cylinder) 40electric | |
| 3 | Not Required | 0 | Bellows, Cylinders (Mid Lift Cylinder) 35electric | |
| 4 | | Ref | Bellows, Cylinders (Tower Lift Cylinder) Options: | |
| 4 | 0460114 | 1 | Bellows, Cylinders (Tower Lift Cylinder) 45electric | |
| 4 | 0460113 | 1 | Bellows, Cylinders (Tower Lift Cylinder) 40electric | |
| 4 | 0460113 | 1 | Bellows, Cylinders (Tower Lift Cylinder) 35electric | |
| 5 | 0460102 | 1 | Bellows, Cylinders (Steer Cylinder - Right Side) | |
| 6 | 0460103 | 1 | Bellows, Cylinders (Steer Cylinder - Left Side) | |
| 7 | 1320033 | 2 | Clamp | |
| 8 | 1320037 | AR | Clamp | |

SECTION 6 - HYDRAULICS

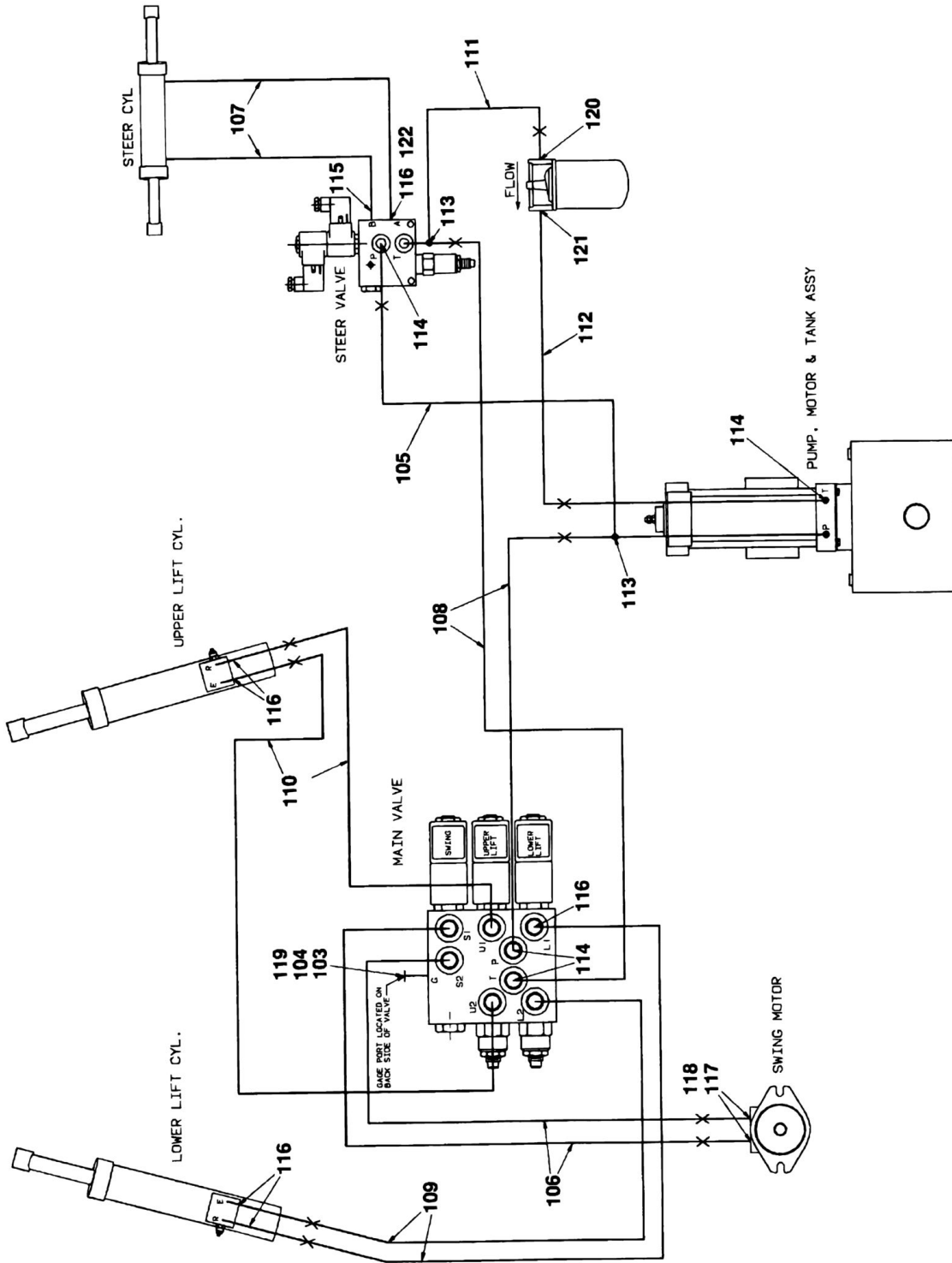
SECTION 6 - HYDRAULICS

FIGURE 6-1. HYDRAULICS DIAGRAM LIST

| ITEM | PART NUMBER | QTY | DESCRIPTION | REV |
|------|-------------|-----|---|-----|
| | | Ref | HYDRAULICS DIAGRAM LIST | |
| | | Ref | Note: Information on diagrams not shown is available from the JLG Service/Parts Departments. | |
| | 2791990 | | Standard Hydraulic Diagram - 30electric | |
| | 2792142 | | Standard Hydraulic Diagram - 35electric | |
| | 2792543 | | W/Fire Resistant Hydraulic Oil Hydraulic Diagram - 35electric | |
| | 2792017 | | Standard Hydraulic Diagram - 40electric | |
| | 2792144 | | Standard Hydraulic Diagram - 45electric | |
| | 2792334 | | Standard Hydraulic Diagram - 45electric (Including 33862) | |
| | 0257428 | | Simultaneous Drive/Lift/Steer Hydraulic Diagram- 35electric (Prior to SN 35014) | |
| | 0258211 | | Simultaneous Drive/Lift/Steer Hydraulic Diagram - 35electric (SN 35014 to Present) | |
| | 0257429 | | Simultaneous Drive/Lift/Steer Hydraulic Diagram-40/45electric (Prior to SN 35014) | |
| | 0258212 | | Simultaneous Drive/Lift/Steer Hydraulic Diagram-40/45electric (SN 35014 to Present) | |
| | 2791887 | | Hydraulic Schematic - 30electric | |
| | 2792141 | | Hydraulic Schematic - 35electric | |
| | 2792012 | | Hydraulic Schematic - 40electric & 45electric | |

SECTION 6 - HYDRAULICS

FIGURE 6-2. HYDRAULIC DIAGRAM - 30ELECTRIC



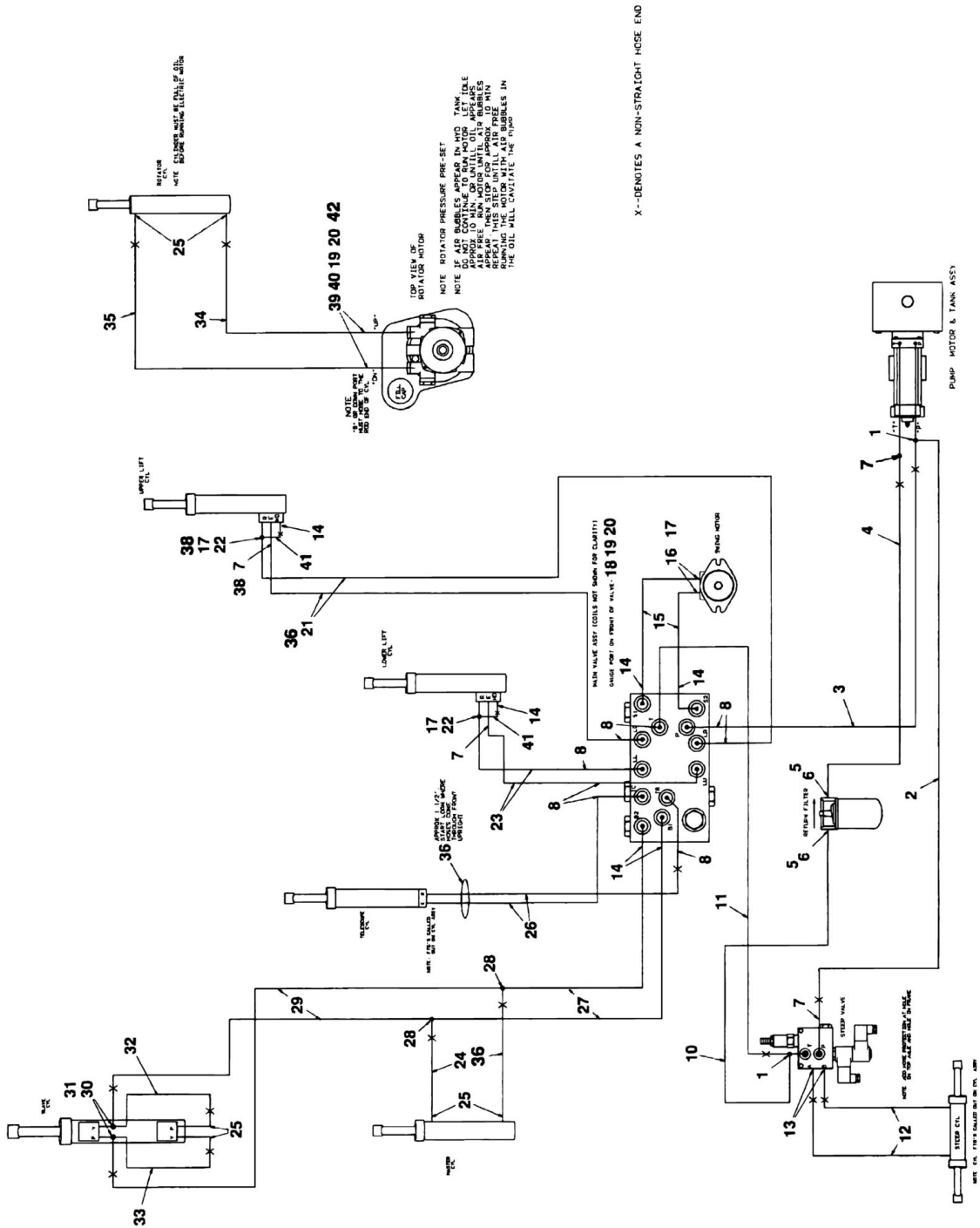
SECTION 6 - HYDRAULICS

FIGURE 6-2. HYDRAULIC DIAGRAM - 30ELECTRIC

| ITEM | PART NUMBER | QTY | DESCRIPTION | REV |
|------|-------------|-----|---------------------------------------|-----|
| | 2791990 | Ref | HYDRAULIC DIAGRAM - 30ELECTRIC | B |
| 103 | 2220428 | 1 | Fitting, Quick Disconnect | |
| 104 | 2220429 | 1 | Cap, Dust | |
| 105 | 2752484 | 1 | Hose | |
| 106 | 2752453 | 2 | Hose | |
| 107 | 2752443 | 2 | Hose | |
| 108 | 2751473 | 2 | Hose | |
| 109 | 2752454 | 2 | Hose | |
| 110 | 2752455 | 2 | Hose | |
| 111 | 2752485 | 1 | Hose | |
| 112 | 2752486 | 1 | Hose | |
| 113 | 2220606 | 2 | Fitting, Tee | |
| 114 | 2220371 | 4 | Fitting, Straight | |
| 115 | 2220472 | 1 | Fitting, 90 | |
| 116 | 2220582 | 11 | Fitting, Straight | |
| 117 | 2220497 | 2 | Fitting, Straight | |
| 118 | 2220609 | 2 | Fitting, Reducer | |
| 119 | 2220873 | 1 | Fitting | |
| 120 | 2220492 | 1 | Fitting | |
| 121 | 2220874 | 1 | Fitting, 90 | |
| 122 | 2220654 | 1 | Fitting, 90 | |
| 123 | 0100020 | AR | Sealant, Thread (Not Shown) | |

SECTION 6 - HYDRAULICS

FIGURE 6-3. HYDRAULIC DIAGRAM - 35ELECTRIC



SECTION 6 - HYDRAULICS

FIGURE 6-3. HYDRAULIC DIAGRAM - 35ELECTRIC

| ITEM | PART NUMBER | QTY | DESCRIPTION | REV |
|------|--------------|-----|--|-----|
| | 2792142 | Ref | HYDRAULIC DIAGRAM - 35ELECTRIC | E-7 |
| | 2792546 | Ref | HYDRAULIC DIAGRAM (W/FIRE RESISTANT HYDRAULIC OIL) - 35ELECTRIC | A-1 |
| 1 | 2220606 | 2 | Fitting, Tee | |
| 2 | 2752484 | 1 | Hose | |
| 3 | 2752487 | 1 | Hose | |
| 4 | 2752471 | 1 | Hose | |
| 5 | | Ref | Fitting Options: | |
| 5 | 2220874 | 2 | Fitting, 90, (Standard Machines) | |
| 5 | 2220366 | 2 | Fitting, Straight (W/Fire Resistant Hydraulic Oil) | |
| 6 | | Ref | Fitting Options: | |
| 6 | Not Required | 0 | Standard Machines | |
| 6 | 2220619 | 2 | Fitting, Reducer (W/Fire Resistant Hydraulic Oil) | |
| 7 | 2220371 | 4 | Fitting, Straight | |
| 8 | 2220603 | 8 | Fitting, Straight | |
| 10 | 2752489 | 1 | Hose | |
| 11 | 2752611 | 1 | Hose | |
| 12 | 2752446 | 2 | Hose | |
| 13 | 2220582 | 2 | Fitting, Straight | |
| 14 | 2220415 | 4 | Fitting, Straight | |
| 15 | 2752459 | 2 | Hose | |
| 16 | 2220497 | 2 | Fitting, Straight | |
| 17 | 2220609 | 2 | Fitting, Reducer | |
| 18 | 2220873 | 1 | Fitting, Pipe | |
| 19 | 2220428 | 3 | Fitting, Quick Disconnect | |
| 20 | 2220429 | 3 | Cap, Dust | |
| 21 | 2752623 | 2 | Hose | |
| 22 | 2220606 | 2 | Fitting, Tee | |
| 23 | 2752627 | 2 | Hose | |
| 24 | 2752580 | 2 | Hose | |
| 25 | 2220472 | 6 | Fitting, 90 | |
| 26 | 2752624 | 2 | Hose | |
| 27 | 2752583 | 2 | Hose | |
| 28 | 2220504 | 2 | Fitting, Tee | |
| 29 | 2753005 | 2 | Hose | |
| 30 | 2220727 | 2 | Fitting, Pipe | |
| 31 | 2220684 | 2 | Fitting, Tee | |
| 32 | 2752435 | 1 | Hose | |
| 33 | 2752573 | 1 | Hose | |
| 34 | 2752574 | 1 | Hose | |
| 35 | 2752575 | 1 | Hose | |
| 36 | 4100026 | 3 | Sleeve, Nylon | |
| 37 | 1702397 | 1 | Tags, Hose (Not Shown) | |
| 38 | 2220507 | 2 | Fitting, 90 | |
| 39 | 2220584 | 2 | Fitting, Tee | |
| 40 | | Ref | Fitting, Straight Options: | |
| 40 | 2220935 | 2 | Fitting, Straight (Prior to SN 47049) | |
| 40 | 2221020 | 2 | Fitting, Straight (SN 47049 to Present) | |
| 41 | 2752447 | 2 | Hose | |
| 42 | 2220677 | 2 | Fitting, 45 | |

SECTION 6 - HYDRAULICS

FIGURE 6-4. HYDRAULIC DIAGRAM - 40ELECTRIC & 45ELECTRIC

| ITEM | PART NUMBER | QTY | DESCRIPTION | REV |
|------|-------------|-----|-------------------------------------|------|
| | | Ref | HYDRAULIC DIAGRAM | |
| | 2792017 | Ref | Hydraulic Diagram 40electric | 14-L |
| | 2792144 | Ref | Hydraulic Diagram 45electric | 8-H |
| 1 | 2220606 | 4 | Fitting, Tee | |
| 2 | 2752484 | 1 | Hose | |
| 3 | 2752487 | 1 | Hose | |
| 4 | 2752471 | 1 | Hose | |
| 5 | 2752488 | 1 | Hose | |
| 6 | 2220603 | 8 | Fitting, Straight | |
| 7 | 2220371 | 2 | Fitting, Straight | |
| 8 | 2220874 | 2 | Fitting, 90 | |
| 9 | 2220473 | 4 | Fitting, 90 | |
| 11 | 2752489 | 1 | Hose | |
| 12 | 2752611 | 1 | Hose | |
| 13 | 2220657 | 5 | Fitting, 45 | |
| 14 | 2752446 | 2 | Hose | |
| 15 | 2220582 | 3 | Fitting, Straight | |
| 16 | 2220466 | 1 | Fitting, 90 | |
| 17 | 2752433 | 2 | Hose | |
| 18 | 2220415 | 1 | Fitting, Straight | |
| 19 | 2220502 | 4 | Fitting, 45 | |
| 20 | 2752459 | 2 | Hose | |
| 21 | 2220497 | 2 | Fitting, Straight | |
| 22 | 2220609 | 6 | Fitting, Reducer | |
| 23 | 2220873 | 1 | Fitting, Pipe | |
| 24 | 2220428 | 3 | Fitting, Quick Disconnect | |
| 25 | 2220429 | 3 | Cap, Dust | |
| 26 | | Ref | Hose | |
| 26 | 2752619 | 2 | Hose 40electric | |
| 26 | 2753050 | 2 | Hose 45electric | |
| 27 | 2220899 | 4 | Fitting, Tee | |
| 28 | 2752620 | 1 | Hose | |
| 29 | 2752580 | 2 | Hose | |
| 30 | 2220472 | 8 | Fitting, 90 | |
| 31 | 2752614 | 1 | Hose | |
| 32 | 2220635 | 3 | Fitting, Tee | |
| 33 | | Ref | Hose | |
| 33 | 2753115 | 1 | Hose 40electric | |
| 33 | 2753113 | 1 | Hose 45electric | |
| 34 | | Ref | Hose | |
| 34 | 2753116 | 1 | Hose 40electric | |
| 34 | 2753114 | 1 | Hose 45electric | |
| 35 | 2752462 | 1 | Hose | |
| 36 | | Ref | Hose | |
| 36 | 2752621 | 2 | Hose 40electric | |
| 36 | 2752626 | 2 | Hose 45electric | |
| 37 | | Ref | Hose | |
| 37 | 2752579 | 2 | Hose 40electric | |
| 37 | 2752585 | 2 | Hose 45electric | |
| 38 | 2220504 | 2 | Fitting, Tee | |

SECTION 6 - HYDRAULICS

| ITEM | PART NUMBER | QTY | DESCRIPTION | REV |
|------|-------------|-----|--|-----|
| 39 | | Ref | Hose | |
| 39 | 2753005 | 2 | Hose 40electric | |
| 39 | 2752572 | 2 | Hose 45electric | |
| 40 | 2220727 | 2 | Fitting, Pipe | |
| 41 | 2220684 | 2 | Fitting, Tee | |
| 42 | 2752435 | 1 | Hose | |
| 43 | 2752573 | 1 | Hose | |
| 44 | 2220677 | 2 | Fitting, 45 | |
| 45 | 2752574 | 1 | Hose | |
| 49 | 2752575 | 1 | Hose | |
| 50 | 2752581 | 1 | Hose | |
| 51 | 4566188 | 1 | Tube | |
| 52 | | Ref | Tube | |
| 52 | 4566187 | 1 | Tube 40electric | |
| 52 | 4566623 | 1 | Tube 45electric | |
| 53 | 4100026 | 2 | Sleeve, Nylon | |
| 54 | 2752438 | 1 | Hose | |
| 55 | 1702124 | 1 | Tags, Hose (Not Shown) | |
| 56 | | Ref | Fitting, Straight Options: | |
| 56 | 2220935 | 2 | Fitting, Straight (Prior to SN 47049) | |
| 56 | 2221020 | 2 | Fitting, Straight (SN 47049 to Present) | |
| 57 | 2220584 | 2 | Fitting, Tee | |
| 58 | 2220934 | 1 | Fitting, Tee | |
| 59 | 4640861 | 1 | Bleeder Kit | |
| 60 | | Ref | Hose | |
| 60 | 2752441 | 1 | Hose 40electric | |
| 60 | 2752440 | 1 | Hose 45electric | |
| 61 | 2220605 | 1 | Fitting, Tee | |
| 62 | 2752584 | 1 | Hose | |
| 63 | 0100020 | AR | Sealant (Not Shown) | |

SECTION 7 - ELECTRICAL

SECTION 7 - ELECTRICAL

FIGURE 7-1. ELECTRICAL COMPONENTS AND DIAGRAMS LIST - 30ELECTRIC

| ITEM | PART NUMBER | QTY | DESCRIPTION | REV |
|------|-------------|-----|--|-----|
| | | Ref | ELECTRICAL COMPONENTS AND DIAGRAMS LIST - 30ELECTRIC | |
| | | Ref | Note: Numbered colored wiring starts with SN 36544. All other electrical drawings are available from the JLG Service Department upon request. | |
| | 0254745 | Ref | BEACON LIGHT ELECTRICAL DIAGRAM | A |
| | 4932577 | Ref | HORIZONTAL DRIVE CUT-OUT ELECTRICAL DIAGRAM | - |
| | 3740087 | 1 | Relay | |
| | 4120027 | 1 | Base, Relay | |
| | 3740063 | 1 | Spring, Relay | |
| | 4921442 | 1 | Diode Harness | A |
| | 4932617 | Ref | LOW VOLTAGE CUTOOUT ELECTRICAL DIAGRAM | A |
| | | Ref | MOTION ALARM ELECTRICAL DIAGRAMS | |
| | 2901212 | Ref | Motion Alarm Electrical Diagrams (Prior to SN 36544) | - |
| | 1281811 | Ref | Motion Alarm Electrical Diagrams (Prior to SN 36544) | - |
| | 2901560 | Ref | Motion Alarm Electrical Diagrams (SN 36544 to Present) | 1-A |
| | | Ref | PLATFORM ELECTRICAL DIAGRAMS | |
| | 4932674 | Ref | Platform Electrical Diagrams (Prior to SN 33441) | A |
| | 4932936 | Ref | Platform Electrical Diagrams (SN 33441 through 36543) | - |
| | 4933002 | Ref | Platform Electrical Diagrams (SN 36544 to Present) | B-2 |
| | 4932927 | Ref | PLATFORM OVERLOAD ELECTRICAL DIAGRAM (WITH PRESSURE SWITCH UNDER BASKET) | 2 |
| | 2901251 | Ref | PLATFORM WORKLIGHTS ELECTRICAL DIAGRAM (Prior to SN 36544) | B |
| | 1281821 | Ref | PLATFORM WORKLIGHTS ELECTRICAL DIAGRAM (Prior to SN 36544) | c |
| | 2901561 | Ref | PLATFORM WORKLIGHTS ELECTRICAL DIAGRAM (SN 36544 to Present) | 2 |
| | 1282857 | Ref | PLATFORM WORKLIGHTS ELECTRICAL DIAGRAM (SN 36544 to Present) | B |
| | | Ref | SIMULTANEOUS DRIVE/LIFT/STEER ELECTRICAL DIAGRAM (NON-UL MODELS) | |
| | 0257429 | Ref | Simultaneous Drive/Lift/Steer Electrical Diagram (Non-UL Models) (Prior to SN 36544) | B-2 |
| | 0258210 | Ref | Simultaneous Drive/Lift/Steer Electrical Diagram (Non-UL Models) (SN 36544 to Present) | 1 |
| | 4921980 | 1 | Harness Assembly (Prior to SN 36544) | |
| | 4922041 | 1 | Harness Assembly (SN 36544 to Present) | 1-B |
| | 3990001 | 10 | Diode - 3.5 Amp | |
| | 3740063 | 2 | Spring, Relay | |
| | 4120027 | 2 | Socket, Relay | |
| | 3740087 | 2 | Relay, 48 VDC | |
| | | Ref | STANDARD ELECTRICAL DIAGRAM | |
| | 4932675 | Ref | Standard Electrical Diagram (Prior to SN 36544) | A |
| | 4933003 | Ref | Standard Electrical Diagram (SN 36544 to Present) | 2-C |
| | | Ref | STANDARD ELECTRICAL SCHEMATICS | |
| | 1870031 | Ref | Standard Electrical Schematics (Prior to SN 36544) | B |
| | 1870067 | Ref | Standard Electrical Schematics (SN 36544 to Present) | B |
| | | Ref | TILT ALARM ELECTRICAL DIAGRAM | |
| | 4932681 | Ref | Tilt Alarm Electrical Diagram (Prior to SN 36544) | 1 |
| | 4933014 | Ref | Tilt Alarm Electrical Diagram (SN 36544 to Present) | 1 |

SECTION 7 - ELECTRICAL

| ITEM | PART NUMBER | QTY | DESCRIPTION | REV |
|------|-------------|-----|---------------|-----|
| | 4120027 | 1 | Base, Relay | |
| | 3740087 | 1 | Relay - DPDT | |
| | 3740063 | 1 | Spring, Relay | |
| | 0140030 | 1 | Alarm | |

SECTION 7 - ELECTRICAL

**FIGURE 7-2. ELECTRICAL COMPONENTS AND DIAGRAMS LIST -
35ELECTRIC/40ELECTRIC/45ELECTRIC**

| ITEM | PART NUMBER | QTY | DESCRIPTION | REV |
|------|-------------|-----------|--|-----|
| | | Ref | ELECTRICAL COMPONENTS AND DIAGRAMS LIST - 35ELECTRIC/40ELECTRIC/45ELECTRIC | |
| | | Ref | Note: Numbered colored wiring starts with SN 36648. All other electrical drawings are available from the JLG Service Department upon request. | |
| | | Ref | BEACON ELECTRICAL DIAGRAMS | |
| | 0254544 | Ref | Beacon Electrical Diagrams 40electric & 45electric | 7 |
| | 1282417 | Ref | Beacon Electrical Diagrams 40electric & 45electric | G |
| | 0255611 | Ref | Beacon Electrical Diagrams 35electric | 3 |
| | 1282417 | Ref | Beacon Electrical Diagrams 35electric | G |
| | | Ref | CUTOUT ELECTRICAL DIAGRAMS | |
| | | Ref | Drive Cutout Above Elevation | |
| | 4932683 | Ref | Drive Cutout Above Elevation 45electric (Prior to SN 36648) | 1 |
| | 1282199 | Ref | Drive Cutout Above Elevation 45electric (Prior to SN 36648) | 1 |
| | 4933012 | Ref | Drive Cutout Above Elevation 45electric (SN 36648 to Present) | 1 |
| | 1282820 | Ref | Drive Cutout Above Elevation 45electric (SN 36648 to Present) | 1 |
| | 3740087 | 1 | Relay | |
| | 4120027 | 1 | Base, Relay | |
| | 3740063 | 1 | Spring, Relay | |
| | 3990001 | 1 | Diode - 3.5 Amp | |
| | | Ref | Drive/Tilt Cutout Above Elevation | |
| | 4932682 | Ref | Drive/Tilt Cutout Above Elevation 45electric (Prior to SN 36648) | 1 |
| | 1282199 | Ref | Drive/Tilt Cutout Above Elevation 45electric (Prior to SN 36648) | 1 |
| | 4933015 | Ref | Drive/Tilt Cutout Above Elevation 45electric (SN 36648 to Present) | 1 |
| | 1282820 | Ref | Drive/Tilt Cutout Above Elevation 45electric (SN 36648 to Present) | 1 |
| | | Ref | Drive Cutout Eight Meter | |
| | 4932686 | Ref | Drive Cutout Eight Meter 45electric (Prior to SN 36648) | 1 |
| | 1282199 | Ref | Drive Cutout Eight Meter 45electric (Prior to SN 36648) | 1 |
| | 4933013 | Ref | Drive Cutout Eight Meter 45electric (SN 36648 to Present) | 1 |
| | 1282820 | Ref | Drive Cutout Eight Meter 45electric (SN 36648 to Present) | 1 |
| | 3740087 | 1 | Relay | |
| | 4120027 | 1 | Base, Relay | |
| | 3740063 | 1 | Spring, Relay | |
| | 3990001 | 1 | Diode - 3.5 Amp | |
| | 4932927 | Ref | Platform Overload Cutout (Switch under Plat) | --2 |
| | 1060016 | 6 ft/1.8m | Cable, Electrical - 16/3 | |
| | 3990010 | 2 | Diode - 6 Amp | |
| | | Ref | Platform Overload Cutout (Switch at Slave Cyl) | |
| | 4932684 | Ref | Platform Overload Cutout (Switch at Slave Cyl) (With Override) (Prior to SN 36648) | 1 |
| | 1282199 | Ref | Platform Overload Cutout (Switch at Slave Cyl) (With Override) (Prior to SN 36648) | 1 |
| | 4932685 | Ref | Platform Overload Cutout (Switch at Slave Cyl) (Without Override) (Prior to SN 36648) | 1 |

SECTION 7 - ELECTRICAL

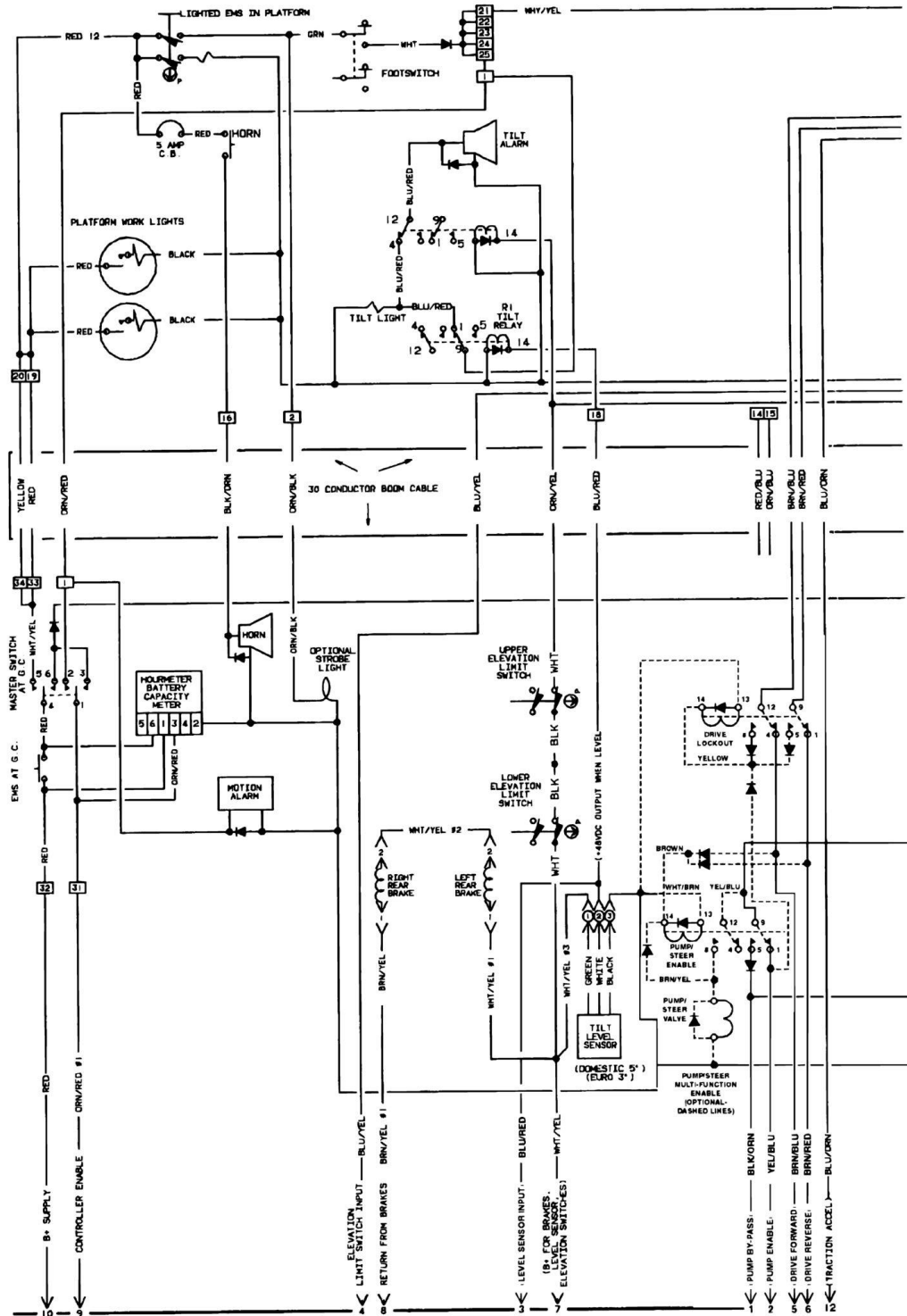
| ITEM | PART NUMBER | QTY | DESCRIPTION | REV |
|------|-------------|-----|--|-----|
| | 1282199 | Ref | Platform Overload Cutout (Switch at Slave Cyl) (Without Override) (Prior to SN 36648) | 1 |
| | 4933010 | Ref | Platform Overload Cutout (Switch at Slave Cyl) (With Override) (SN 36648 to Present) | 1 |
| | 1282820 | Ref | Platform Overload Cutout (Switch at Slave Cyl) (With Override) (SN 36648 to Present) | 1 |
| | 4933011 | Ref | Platform Overload Cutout (Switch at Slave Cyl) (Without Override) (SN 36648 to Present) | 1 |
| | 1282820 | Ref | Platform Overload Cutout (Switch at Slave Cyl) (Without Override) (SN 36648 to Present) | 1 |
| | 3740091 | 1 | Relay | |
| | 4120014 | 1 | Base, Relay | |
| | 4160114 | 1 | Spring, Relay | |
| | 3990001 | 1 | Diode - 3.5 Amp | |
| | 3990010 | 1 | Diode - 6 Amp | |
| | | Ref | LIGHTS ELECTRICAL DIAGRAM | |
| | 4932935 | Ref | Headlights and Taillights | A-1 |
| | 4932970 | Ref | Headlights and Back-up Lights | A-2 |
| | 4360199 | 1 | Switch, Toggle SPST | |
| | 3740087 | AR | Relay, 48V 50/60 HZ | |
| | 4120027 | AR | Socket, Relay | |
| | 3740063 | AR | Relay, Spring | |
| | 3990001 | AR | Semiconductor, Diode | |
| | 4360069 | 1 | Circuit Breaker | |
| | 0257410 | Ref | LOW BATTERY LIFT INTERRUPT ELECTRICAL GRAM DIAGRAM (40/45ELECTRIC - UL MODELS) | B-3 |
| | 0259631 | Ref | LOW BATTERY LIFT INTERRUPT ELECTRICAL GRAM DIAGRAM (35ELECTRIC - UL MODELS) (SN 47049 to Present) | A-2 |
| | 2420049 | 1 | Gauge, Battery Capacity with Relay | |
| | 3252537 | 1 | Nameplate - Low Voltage Interrupt | |
| | 4120027 | 1 | Socket, Relay | |
| | 3740063 | 2 | Relay, Spring | |
| | 3740087 | 1 | Relay 48V 50/60 HZ | |
| | | Ref | MOTION ALARM ELECTRICAL COMPONENTS (OPTIONAL) | |
| | 2901302 | Ref | Motion Alarm Electrical Components (Optional) 35electric (Prior to SN 36648) | A |
| | 2901600 | Ref | Motion Alarm Electrical Components (Optional) 35electric (SN 36648 to Present) | 1 |
| | 2901249 | Ref | Motion Alarm Electrical Components (Optional) 40/45electric (Prior to SN 36648) | A |
| | 2901601 | Ref | Motion Alarm Electrical Components (Optional) 40/45electric (SN 36648 to Present) | 1 |
| | | Ref | PLATFORM ELECTRICAL DIAGRAMS | |
| | 4932659 | Ref | Platform Electrical Diagrams (Prior to SN 33441) | C |
| | 4932937 | Ref | Platform Electrical Diagrams (SN 33441 through 36647) | - |
| | 4932988 | Ref | Platform Electrical Diagrams (SN 36648 to Present) | 2-B |
| | 4932882 | Ref | PLATFORM PROXIMITY SWITCHES ELECTRICAL DIAGRAM | B-2 |
| | 3740087 | 1 | Relay | |
| | 4120027 | 1 | Base, Relay | |
| | 3740063 | 1 | Spring, Relay | |
| | 3990001 | 1 | Diode - 3.5 Amp | |
| | 2901251 | Ref | PLATFORM WORKLIGHTS ELECTRICAL DIAGRAM (Prior to SN 36648) | C |

SECTION 7 - ELECTRICAL

| ITEM | PART NUMBER | QTY | DESCRIPTION | REV |
|------|-------------|-----|---|-----|
| | 1281821 | Ref | PLATFORM WORKLIGHTS ELECTRICAL DIAGRAM (Prior to SN 36648) | C |
| | 2901561 | Ref | PLATFORM WORKLIGHTS ELECTRICAL DIAGRAM (SN 36648 to Present) | 2 |
| | 1282857 | Ref | PLATFORM WORKLIGHTS ELECTRICAL DIAGRAM (SN 36648 to Present) | B |
| | | Ref | SIMULTANEOUS DRIVE/LIFT/STEER ELECTRICAL DIAGRAM (NON-UL MODELS) | |
| | 0257428 | Ref | Simultaneous Drive/Lift/Steer Electrical Diagram (Non-UL Models) 35electric (Prior to SN 36648) | B-2 |
| | 0258211 | Ref | Simultaneous Drive/Lift/Steer Electrical Diagram (Non-UL Models) 35electric (SN 36648 to Present) | A-1 |
| | 0257429 | Ref | Simultaneous Drive/Lift/Steer Electrical Diagram (Non-UL Models) 40electric/45electric (Prior to SN 36648) | B-2 |
| | 0258212 | Ref | Simultaneous Drive/Lift/Steer Electrical Diagram (Non-UL Models) 40electric/45electric (SN 36648 to Present) | A-1 |
| | | Ref | Harness Assembly Options: | |
| | 4921980 | 1 | Harness Assembly (Prior to SN 36648) | |
| | 4922041 | 1 | Harness Assembly (SN 36648 to Present) | 1-B |
| | 3990001 | 10 | Diode - 3.5 Amp | |
| | 3740063 | 2 | Spring, Relay | |
| | 4120027 | 2 | Socket, Relay | |
| | 3740087 | 2 | Relay, 48 VDC | |
| | | Ref | STANDARD ELECTRICAL DIAGRAM | |
| | 4932660 | Ref | Standard Electrical Diagram (Prior to SN 36648) | H |
| | 4932987 | Ref | Standard Electrical Diagram (SN 36648 to Present) | 2-C |
| | | Ref | STANDARD ELECTRICAL SCHEMATIC | |
| | 1870032 | Ref | Standard Electrical Schematic (Prior to SN 36648) | H |
| | 1870066 | Ref | Standard Electrical Schematic (SN 36648 to Present) | B |
| | | Ref | TILT ALARM ELECTRICAL DIAGRAM | |
| | 4932628 | Ref | Tilt Alarm Electrical Diagram (Prior to SN 36648) | 1 |
| | 4932681 | Ref | Tilt Alarm Electrical Diagram (Prior to SN 36648) | 1 |
| | 4933014 | Ref | Tilt Alarm Electrical Diagram (SN 36648 to Present) | 1 |
| | 4120027 | 1 | Base, Relay | |
| | 3740087 | 1 | Relay - DPDT | |
| | 3740063 | 1 | Spring, Relay | |
| | 0140030 | 1 | Alarm | |
| | 3990001 | 2 | Diode - 3.5 Amp | |

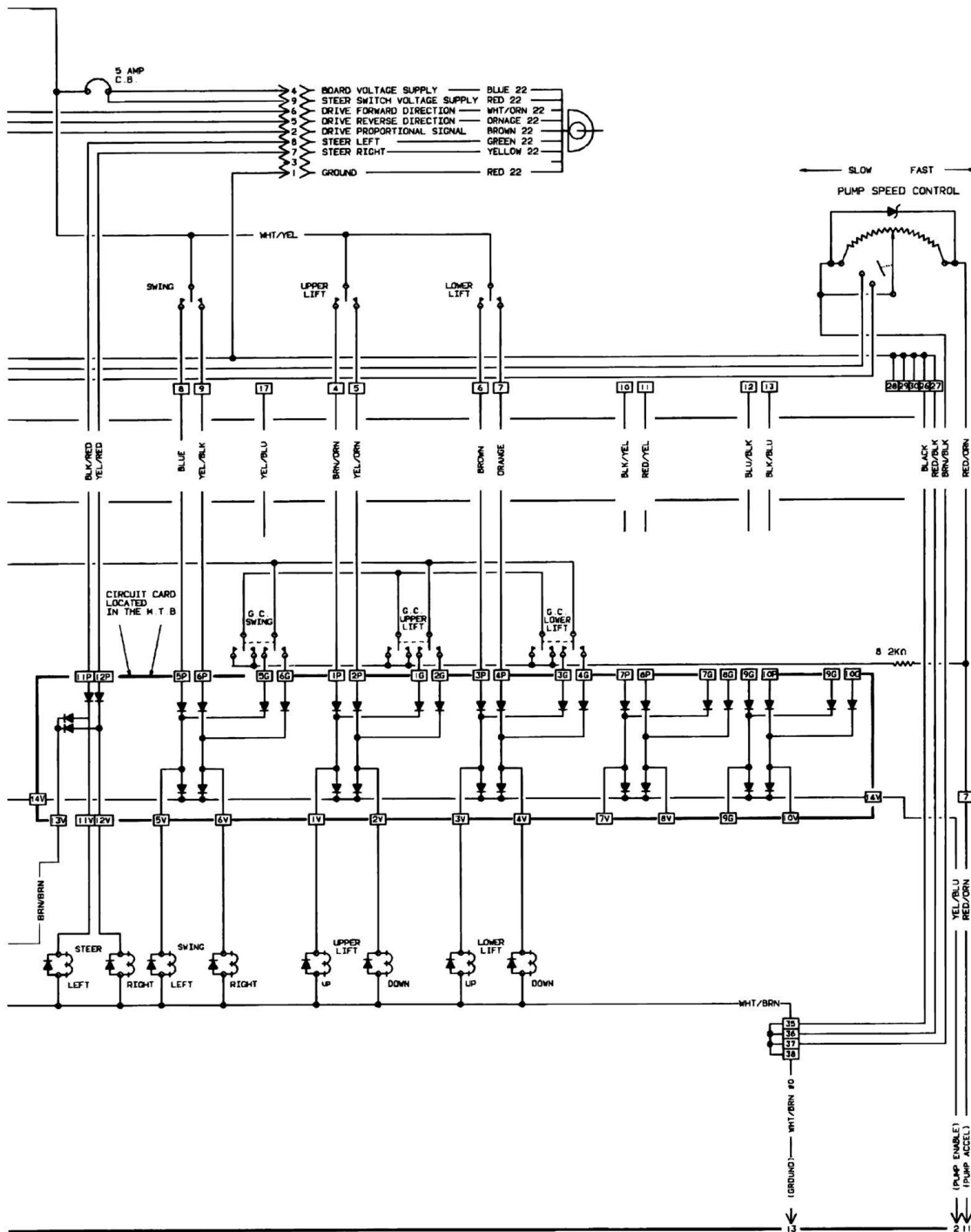
SECTION 7 - ELECTRICAL

FIGURE 7-3. ELECTRICAL SCHEMATIC - 30ELECTRIC WITH COLORED WIRE (SHEET 1 OF 4) (Prior to SN 36544)



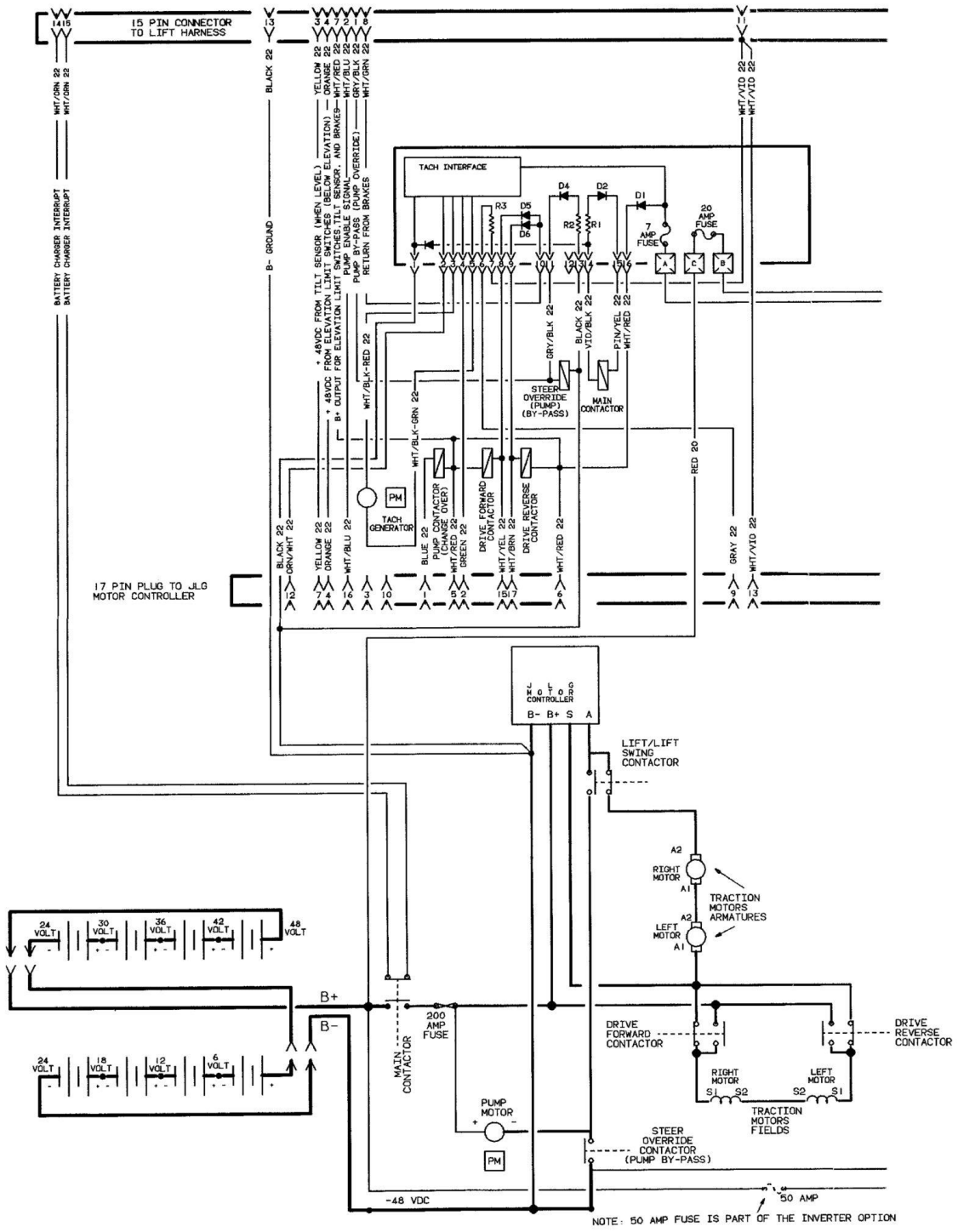
DRIVE/PUMP CONTROLLER 15 PIN PLUG CONNECTOR
SEE SHEET 3 OF 4 FOR DRIVE/PUMP CONTROLLER SCHEMATIC

SECTION 7 - ELECTRICAL

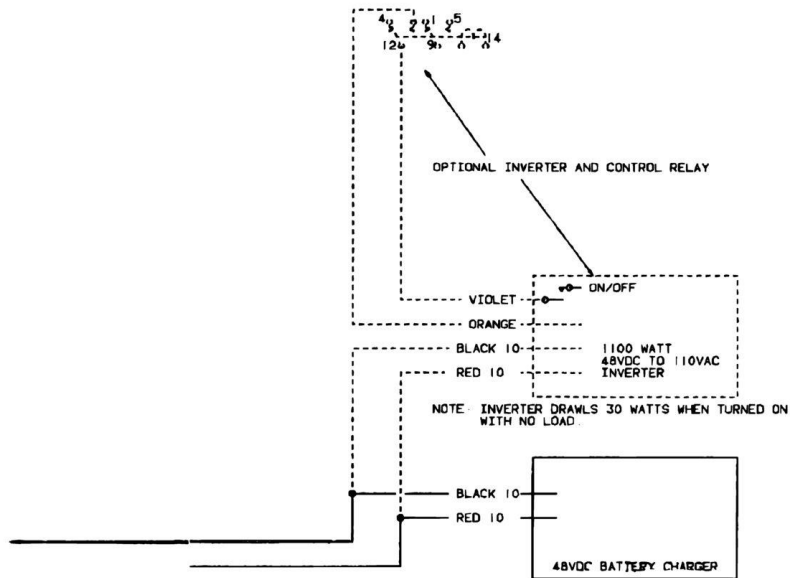
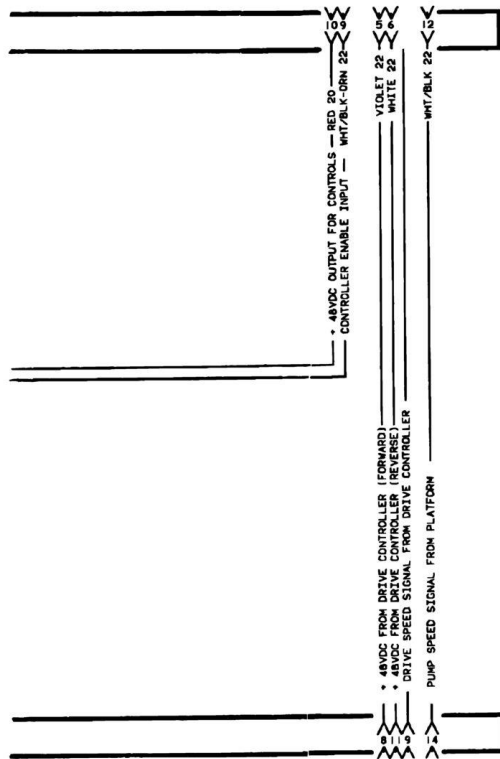


1870031 B

SECTION 7 - ELECTRICAL



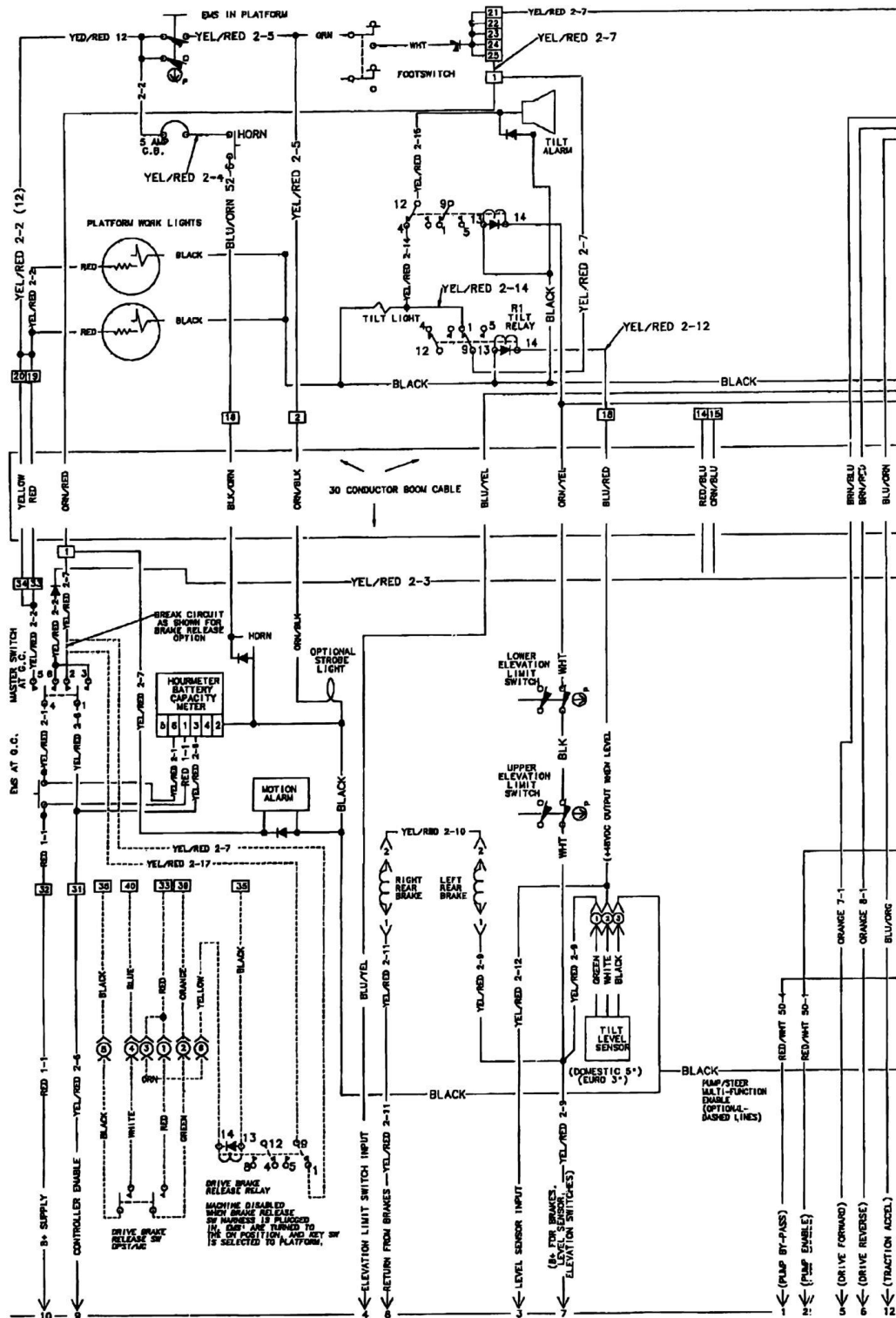
SECTION 7 - ELECTRICAL



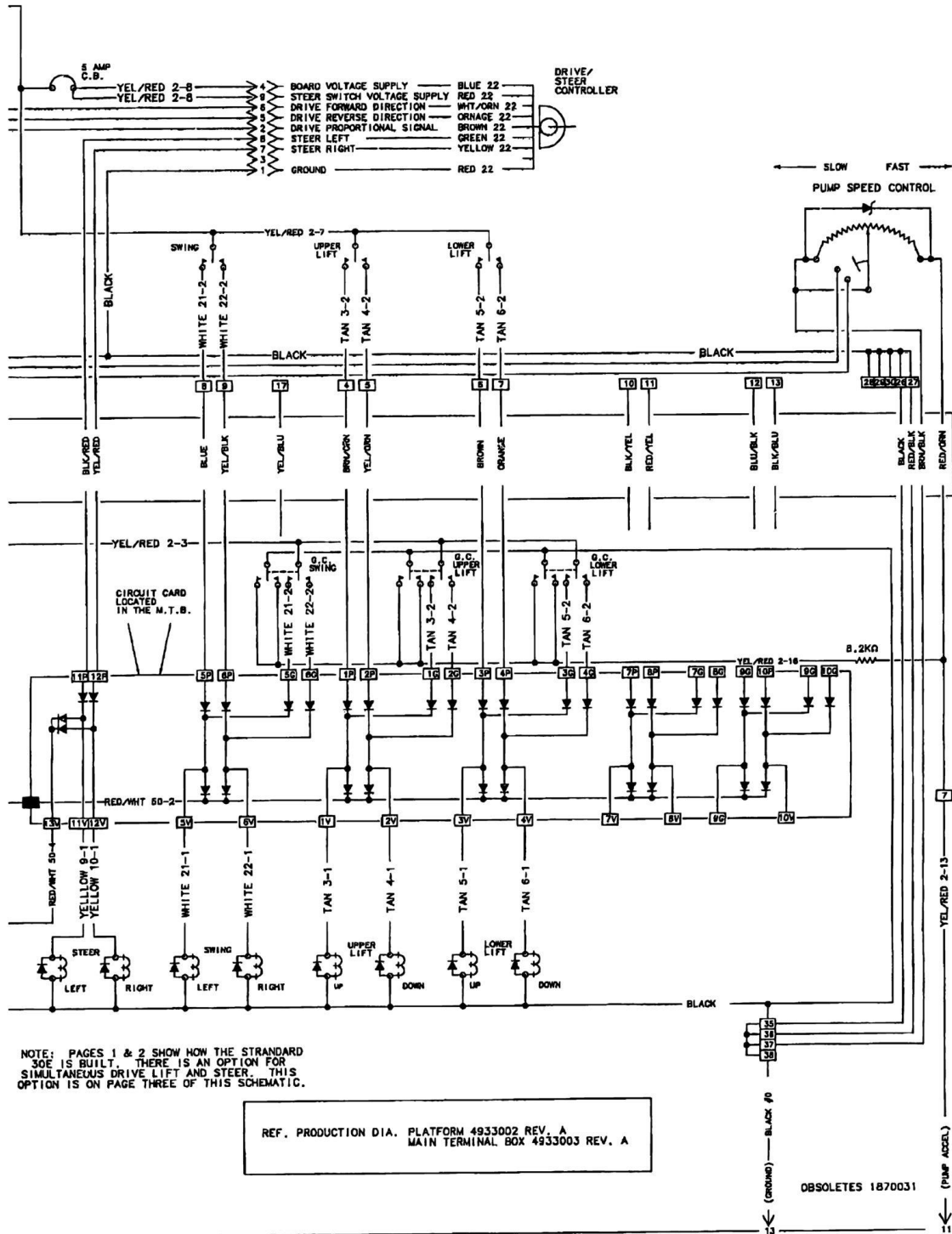
1870031 B

SECTION 7 - ELECTRICAL

FIGURE 7-4. ELECTRICAL SCHEMATIC - 30ELECTRIC WITH NUMBERED COLORED WIRE (SHEET 1 OF 4) (SN 36544 to Present)



SECTION 7 - ELECTRICAL



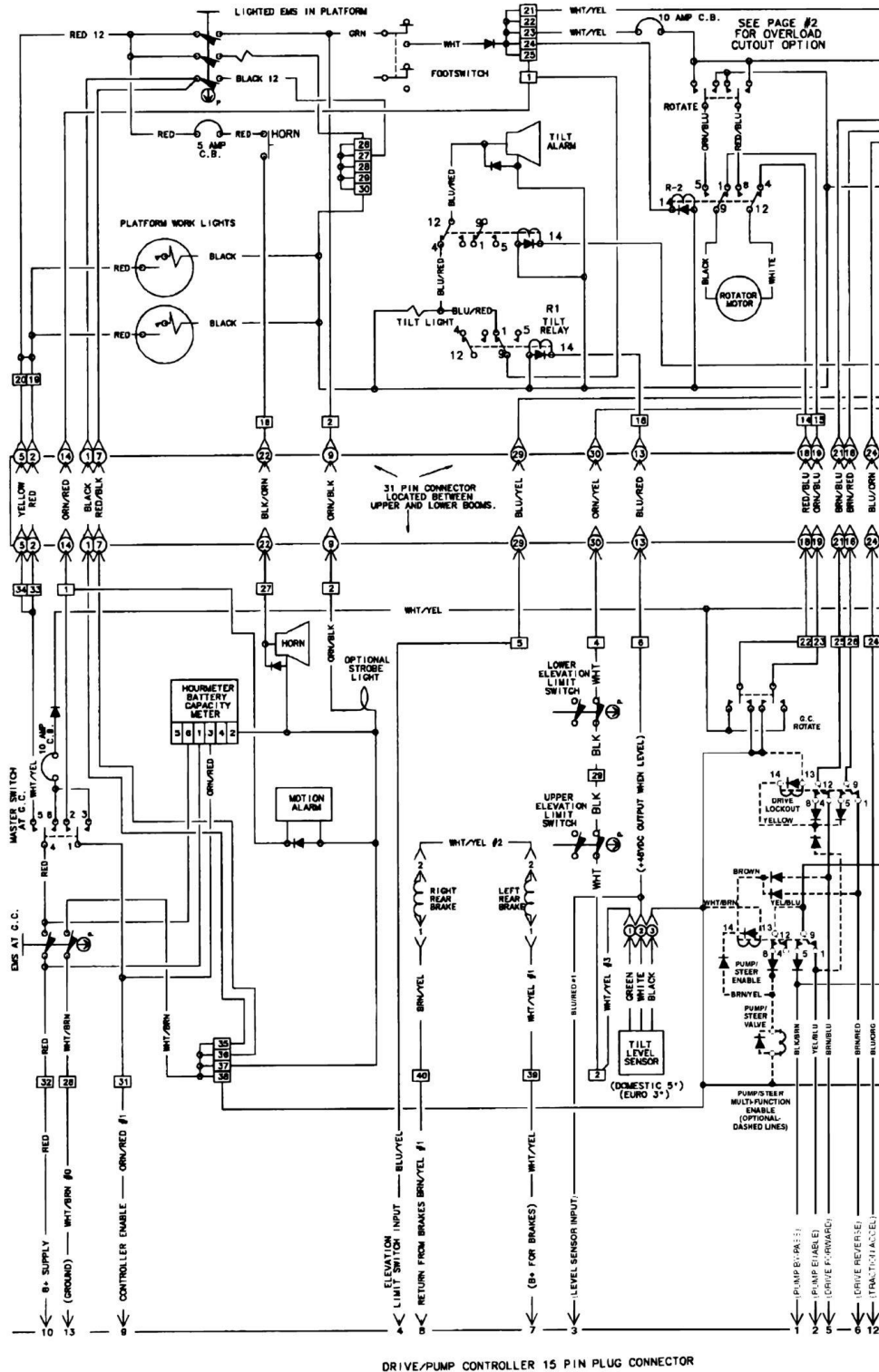
DRIVE/PUMP CONTROLLER 15 PIN PLUG CONNECTOR
 E SHEET 2 OF 2 FOR DRIVE/PUMP CONTROLLER SCHEMATIC

1870067 B

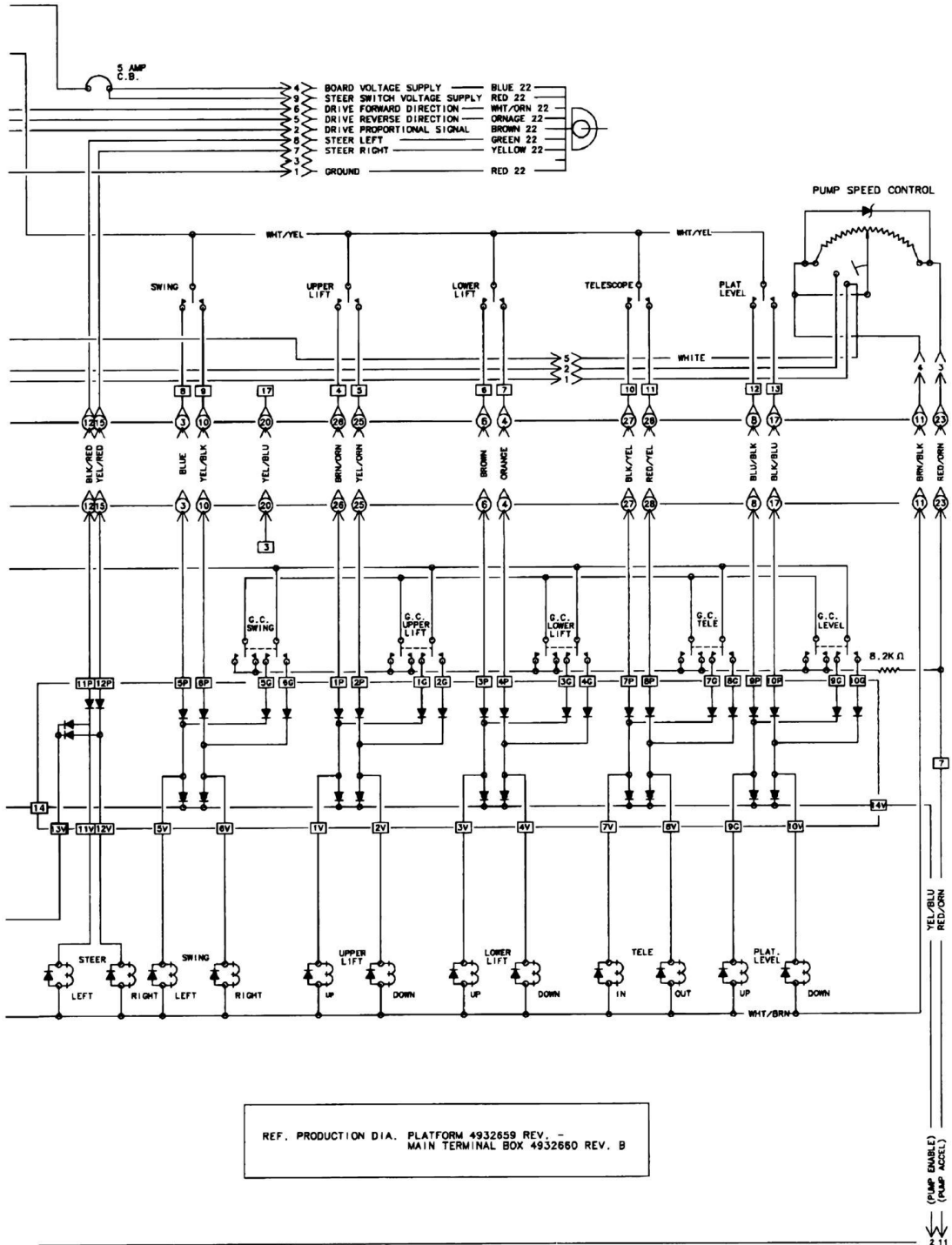
THIS PAGE INTENTIONALLY LEFT BLANK

SECTION 7 - ELECTRICAL

FIGURE 7-5. ELECTRICAL SCHEMATIC - 35ELECTRIC/40ELECTRIC/45ELECTRIC WITH COLORED WIRE (SHEET 1 OF 4) (Prior to SN 36648)



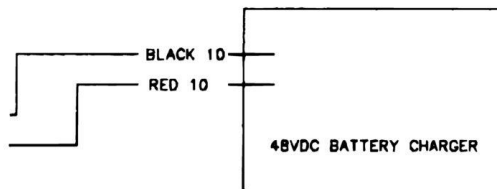
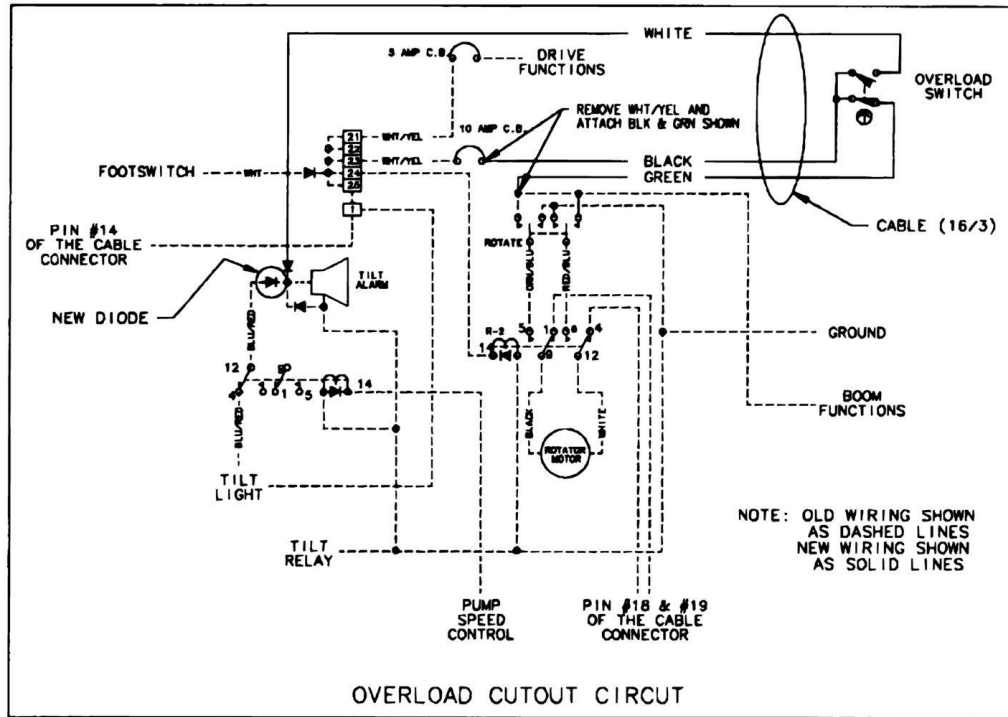
SECTION 7 - ELECTRICAL



REF. PRODUCTION DIA. PLATFORM 4932659 REV. -
MAIN TERMINAL BOX 4932660 REV. B

1870032 H

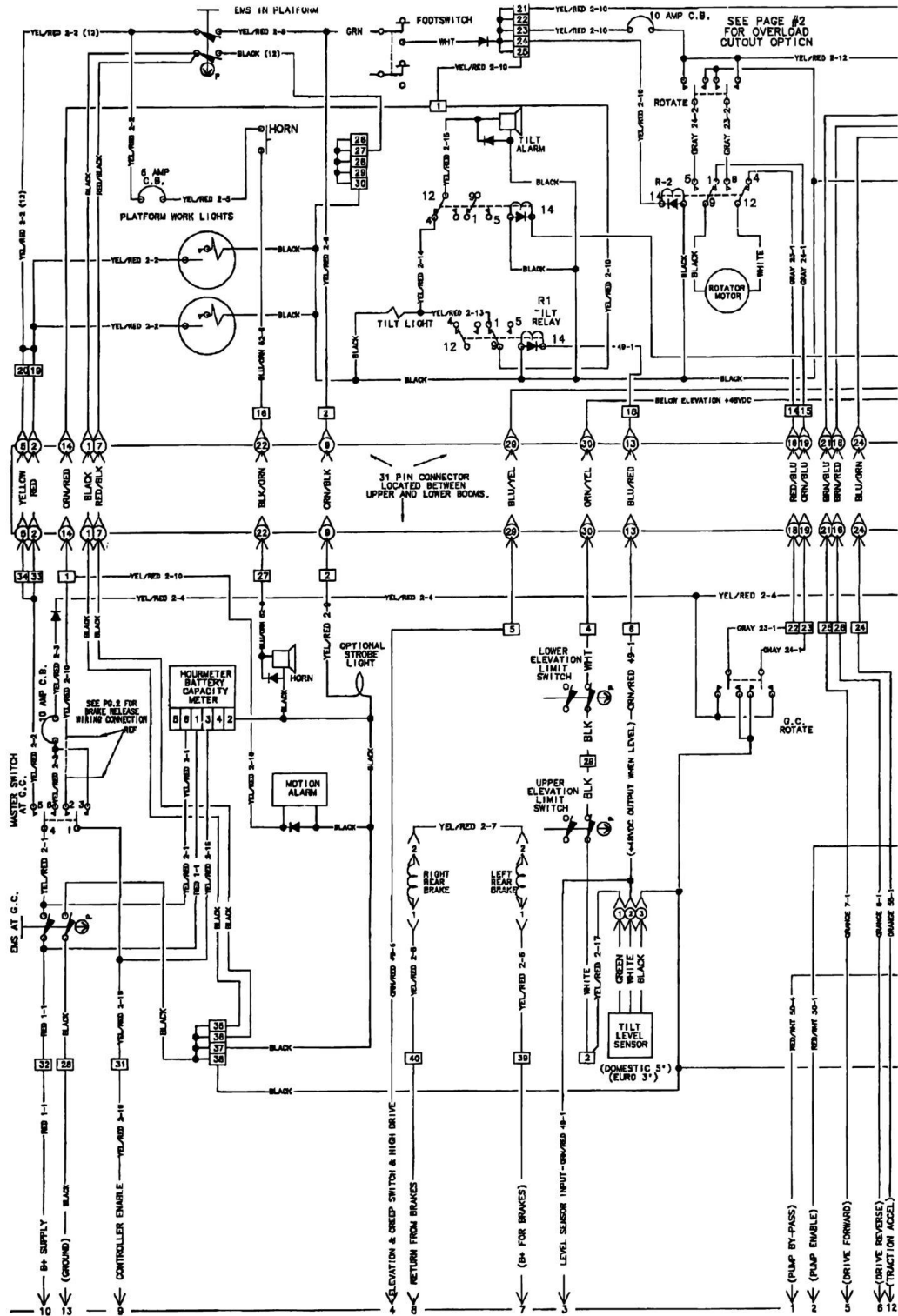
SECTION 7 - ELECTRICAL



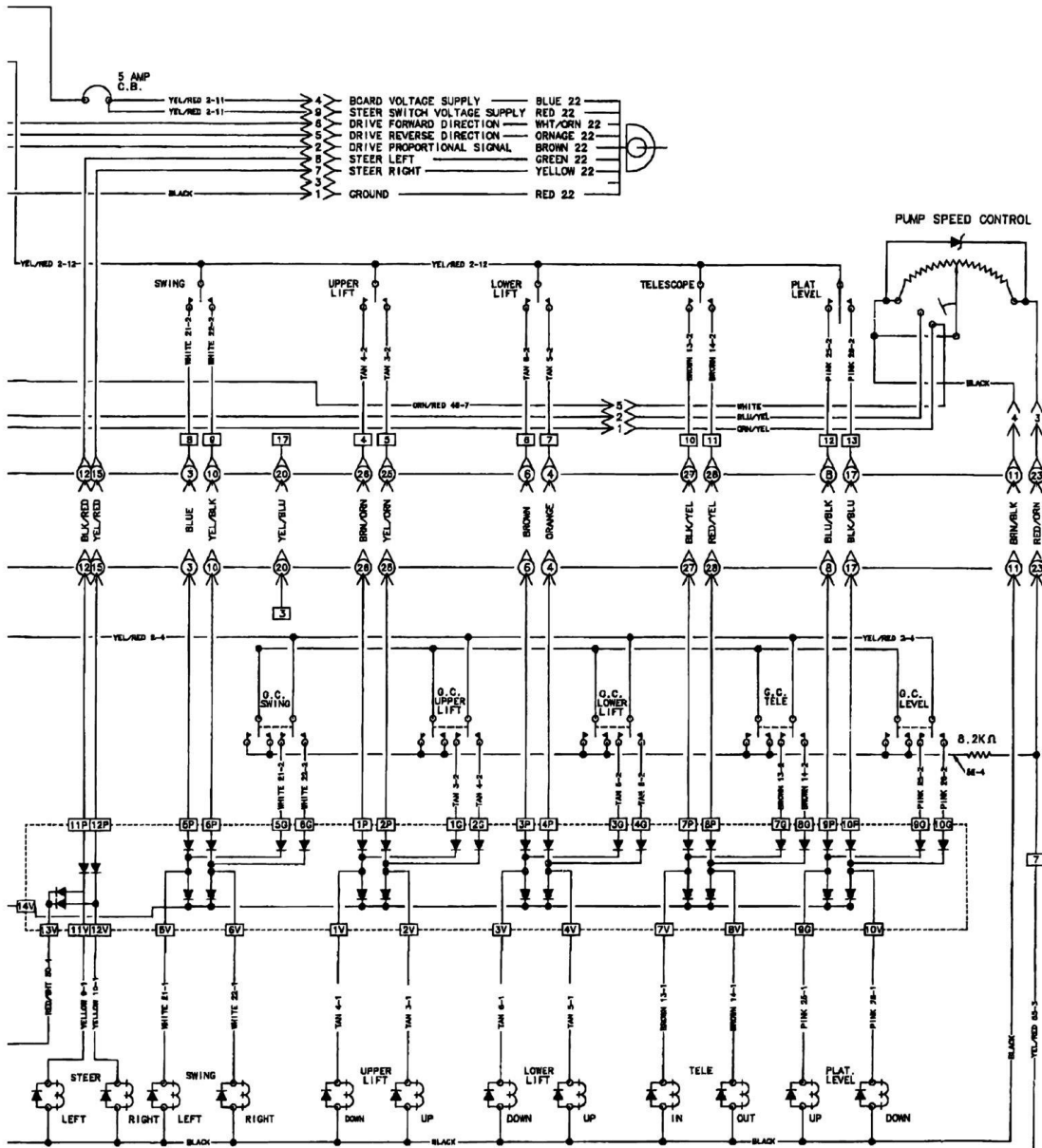
1870032 H

SECTION 7 - ELECTRICAL

FIGURE 7-6. ELECTRICAL SCHEMATIC - 35ELECTRIC/40ELECTRIC/45ELECTRIC WITH NUMBERED COLORED WIRE (SHEET 1 OF 4) (SN 36648 to Present)



SECTION 7 - ELECTRICAL



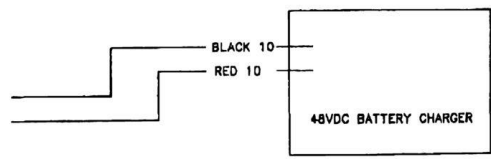
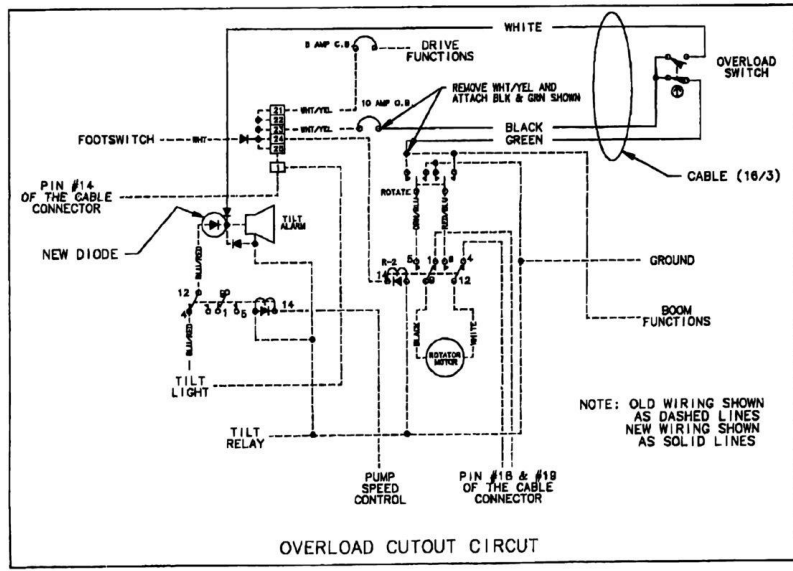
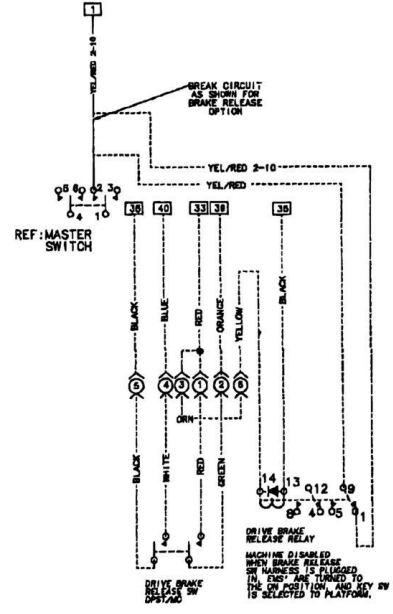
NOTE: PAGES 1 & 2 SHOW HOW THE STANDARD 35E, N35E, 40E, N40E, 45E ARE BUILT. THERE IS AN OPTION FOR SIMULTANEOUS DRIVE LIFT AND STEER. THIS OPTION IS ON PAGE THREE OF THIS SCHEMATIC

REF. PRODUCTION DIA. PLATFORM 4932988 REV. 1
GROUND CONTROL BOX 4932987 REV. 1

DRIVE/PUMP CONTROLLER 15 PIN PLUG CONNECTOR
SHEET 2 OF 2 FOR DRIVE/PUMP CONTROLLER SCHEMATIC

1870066 B

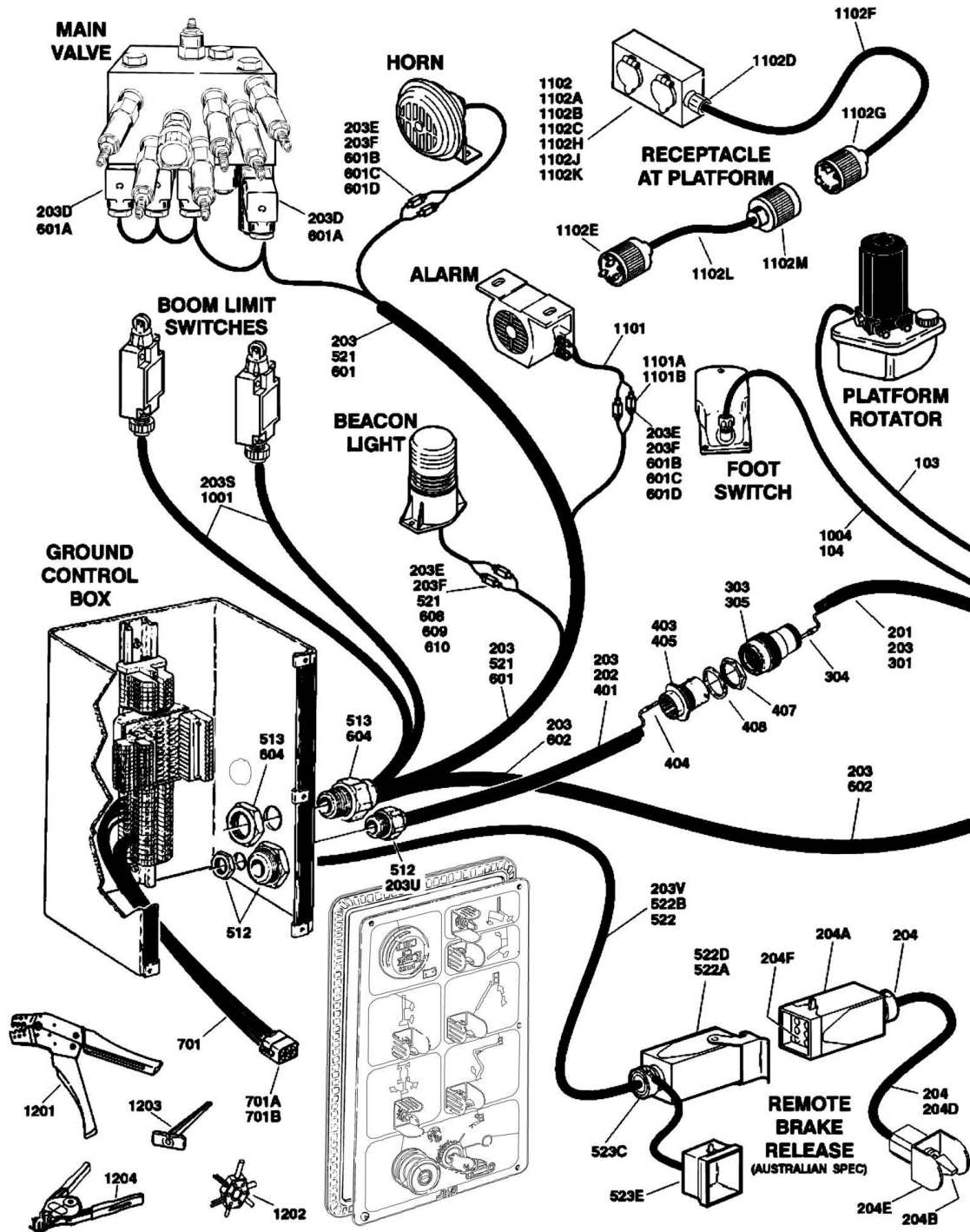
SECTION 7 - ELECTRICAL



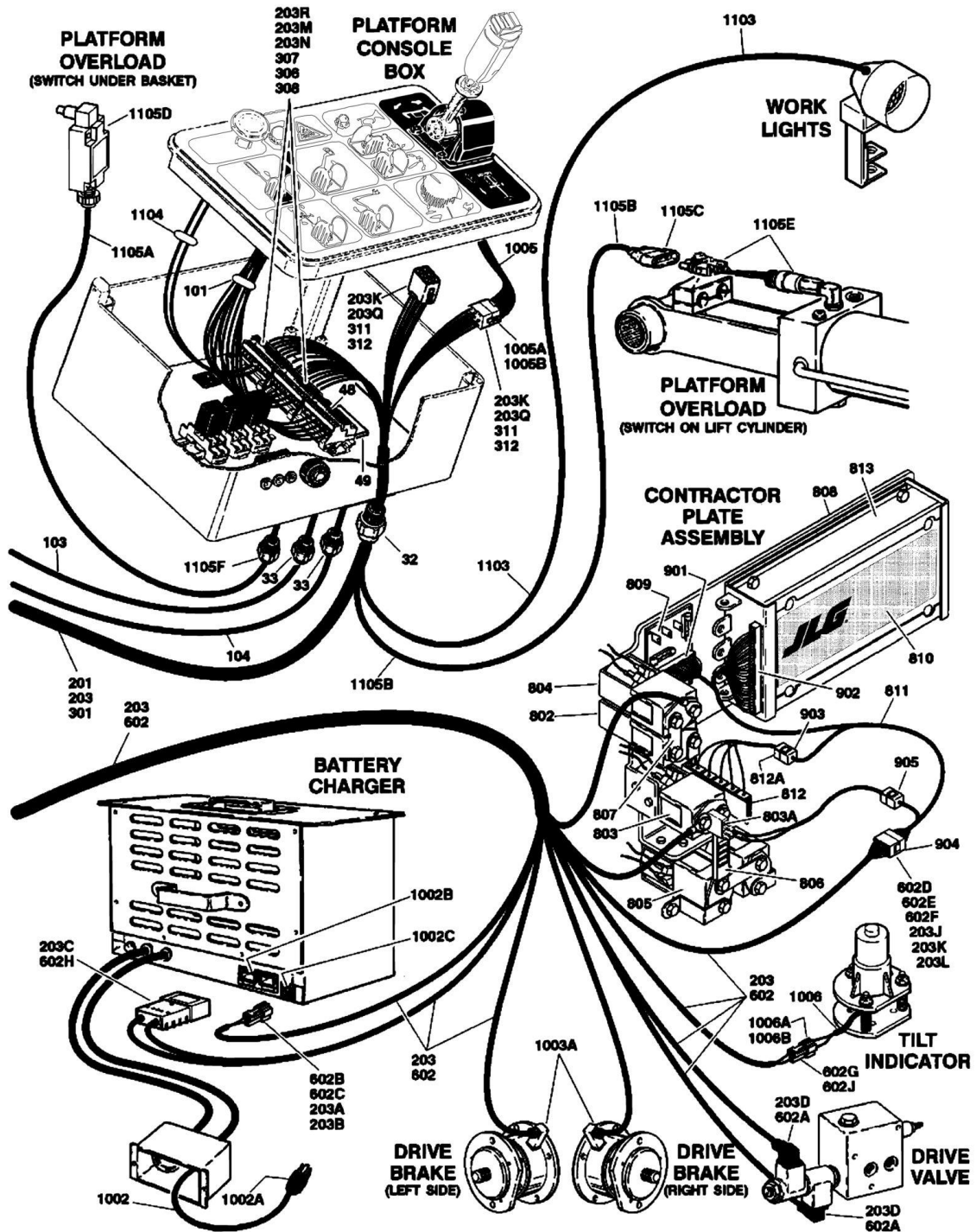
1860066 B

SECTION 7 - ELECTRICAL

FIGURE 7-7. HARNESS COMPONENTS INSTALLATION



SECTION 7 - ELECTRICAL



SECTION 7 - ELECTRICAL

FIGURE 7-7. HARNESS COMPONENTS INSTALLATION

| ITEM | PART NUMBER | QTY | DESCRIPTION | REV |
|------|---------------|-----------|---|-----|
| | | Ref | ELECTRICAL HARNESS AND COMPONENTS INSTALLATION | |
| | | Ref | Note: Numbered colored wire starts with sn 36648 | |
| | | Ref | NOTE: FOR ALL BATTERY AND CONTACTOR CABLES SEE FRAME SECTION. | |
| | | Ref | PLATFORM CONSOLE BOX COMPONENTS | |
| 32 | 4460526 | 1 | Connector, Strain Relief | |
| 33 | 4460428 | AR | Connector, Strain Relief | |
| 48 | | Ref | Plug, Terminal Options: | |
| 48 | Not Required | 0 | Plug, Terminal 30electric | |
| 48 | 4460523 | 1 | Plug, Terminal 35electric/40electric/45electric | |
| 49 | | Ref | Bridge, Insertion | |
| 49 | Not Required | 0 | Bridge, Insertion 30electric | |
| 49 | 4460529 | 2 | Bridge, Insertion 35electric/40electric/45electric | |
| | | Ref | PLATFORM ELECTRICAL DIAGRAMS | |
| | 4932674 | Ref | Platform Electrical Diagrams 30electric (Prior to SN 33441) | A |
| | 4932936 | Ref | Platform Electrical Diagrams 30electric (SN 33441 through 36543) | - |
| | 4933002 | Ref | Platform Electrical Diagrams 30electric (SN 36544 to Present) | 2-B |
| | 4932659 | Ref | Platform Electrical Diagrams 35/40/45electric (Prior to SN 33441) | C |
| | 4932937 | Ref | Platform Electrical Diagrams 35/40/45electric (SN 33441 through 36647) | - |
| | 4932988 | Ref | Platform Electrical Diagrams 35/40/45electric (SN 36648 to Present) | 2-B |
| 101 | | Ref | Harness, Platform Console Box Options: | |
| 101 | Not Available | | Harness, Platform Console Box 30electric (Prior to SN 36544) | |
| 101 | 4922056 | 1 | Harness, Platform Console Box 30electric (SN 36544 to Present) | |
| 101 | Not Available | | Harness, Platform Console Box 35/40/45electric (Prior to SN 36648) | |
| 101 | 4922042 | 1 | Harness, Platform Console Box 35/40/45electric (SN 36648 to Present) | |
| 102 | 3990001 | 2 | Diode - 3.5 Amp (Not Shown) | |
| 103 | 1060341 | 8 ft/2.4m | Cable, Electrical - 16/2 (35/40/45electric only) | |
| 104 | 1060330 | 7 ft/2.2m | Cable, Electrical - 16/3 | |
| 110 | 3990010 | 1 | Diode - 6 Amp (Not Shown) | |
| | | Ref | BOOM CABLES INSTALLATIONS | |
| | 0254738 | Ref | Boom Cables Installations 30electric (Prior to SN 36544) | A |
| | 0258226 | Ref | Boom Cables Installations 30electric (SN 36544 to Present) | 1 |
| | 0254595 | Ref | Boom Cables Installations 35electric (Prior to SN 36648) | D |
| | 0258565 | Ref | Boom Cables Installations 35electric (SN 36648 to Present) | 1 |
| | 0254647 | Ref | Boom Cables Installations 40electric (Prior to SN 36648) | 6 |
| | 0258563 | Ref | Boom Cables Installations 40electric (SN 36648 to Present) | 1 |
| | 0254041 | Ref | Boom Cables Installations 45electric (Prior to SN 36648) | 7 |
| | 0258564 | Ref | Boom Cables Installations 45electric (SN 36648 to Present) | 1 |
| 201 | | Ref | Harness Assembly - Upper Boom (See Items 301-315 for Breakdown) | |
| 201 | 4921644 | 1 | Harness Assembly - Upper Boom 35electric (Prior to SN 36648) | C |

SECTION 7 - ELECTRICAL

| ITEM | PART NUMBER | QTY | DESCRIPTION | REV |
|-------------|--------------|------------------|--|-----|
| 201 | 4922128 | 1 | Harness Assembly - Upper Boom 35electric (SN 36648 to Present) | 2 |
| 201 | 4921644 | 1 | Harness Assembly - Upper Boom 40electric (Prior to SN 36648) | C |
| 201 | 4922128 | 1 | Harness Assembly - Upper Boom 40electric (SN 36648 to Present) | 2 |
| 201 | 4921645 | 1 | Harness Assembly - Upper Boom 45electric (Prior to SN 36648) | D |
| 201 | 4922127 | 1 | Harness Assembly - Upper Boom 45electric (SN 36648 to Present) | 1 |
| 202 | | Ref | Harness Assembly - Lower Boom (See Items 401-419 for Breakdown) | |
| 202 | 4921650 | 1 | Harness Assembly - Lower Boom 35electric | B |
| 202 | 4921581 | 1 | Harness Assembly - Lower Boom 40electric | C |
| 202 | 4921591 | 1 | Harness Assembly - Lower Boom 45electric | C |
| 203 | | Ref | Harness Assembly - Boom/Chassis/Valve | |
| 203 | 4921659 | 1 | Harness Assembly - Boom/Chassis/Valve 30electric (Prior to SN 36544) | A |
| 203 | 4922061 | 1 | Harness Assembly - Boom/Chassis/Valve 30electric (SN 36544 to Present) | 2 |
| 203 | 1060516 | 46.5 ft/14.2m | Cable, Electrical - 16/30 | |
| 203A | 4460320 | 1 | Connector - 2 Position | |
| 203B | 4460268 | 2 | Socket, Female | |
| 203C | 4460444 | 1 | Connector, Anderson | |
| 203D | 4460499 | 8 | Connector, DIN | |
| 203E | 4460454 | AR | Terminal, Female | |
| 203F | 4460453 | AR | Terminal, Male | |
| 203G | 4460539 | 1 | Connector - 3 Position | |
| 203H | 4460465 | 3 | Socket, Female | |
| 203J | 4460434 | 1 | Connector - 15 Position | |
| 203K | 4460267 | 28 | Pin, Male | |
| 203L | 4460446 | 1 | Terminal, Strain Relief | |
| 203M | 4460523 | 2 | Connector - 10 Position | |
| 203N | 4460525 | 1 | Markers, Terminal (1-30) | |
| 203P | 4460527 | 1 | Bridge, Insertion - 2 Position | |
| 203Q | 4460265 | 1 | Connector - 9 Position | |
| 203R | 4460225 | 1 | Connector - 6 Position | |
| 203S | 1060341 | 47.5 ft/14.5m | Cable, Electrical 16/2 | |
| 203T | 3990001 | 3 | Diode - 3.5 Amp | |
| 203U | 4460426 | 1 | Connector, Strain Relief | |
| 203V | Not Required | 0 | Not Required | |
| 204 | Not Required | 0 | Not Required | |
| 204 Ato 204 | Not Required | 0 | Not Required | |
| | | Ref | HARNASS ASSEMBLY - UPPER BOOM (35/40/45electric) (Note: See item 203 for 30electric harness.) | |
| 301 | 1060516 | Ref | Cable, Electrical - 16/30 | |
| 301 | 1060516 | 27.5 ft/8.4m | Cable, Electrical - 16/30 35electric/45electric | |
| 301 | 1060516 | 31 ft/9.5m | Cable, Electrical - 16/30 40electric | |
| 303 | 4460501 | 1 | Connector - 31 Pin (Female) | |
| 304 | 4460464 | 30 | Pin, Male | |
| 305 | 4460466 | 1 | Seal, Terminal | |

SECTION 7 - ELECTRICAL

| ITEM | PART NUMBER | QTY | DESCRIPTION | REV |
|------|--------------|----------------|--|-----|
| 306 | 4460523 | 2 | Connector - 10 Position | |
| 307 | 4460525 | 1 | Markers, Terminal (1-30) | |
| 308 | 4460527 | 1 | Bridge, Insertion - 2 Position | |
| 311 | 4460265 | 1 | Connector - 9 Position | |
| 312 | 4460267 | 13 | Pin, Male | |
| 315 | 4460225 | 1 | Connector - 6 Position | |
| | | Ref | HARNES ASSEMBLY - TOWER BOOM (35/40/45electric) (Note: See item 203 for 30electric harness.) | |
| 401 | 1060516 | AR | Cable, Electrical - 16/30 | |
| 401 | 1060516 | 27 ft/8.3m | Cable, Electrical - 16/30 35electric | |
| 401 | 1060516 | 34 ft/10.4m | Cable, Electrical - 16/30 40electric | |
| 401 | 1060516 | 37 ft/11.3m | Cable, Electrical - 16/30 45electric | |
| 403 | 4460500 | 1 | Receptacle, Connector - 31 Pin (Male) | |
| 404 | 4460465 | 30 | Socket, Female | |
| 405 | 4460466 | 1 | Seal, Terminal | |
| 407 | 4460470 | 1 | Nut, Terminal (Prior to SN October 1995 Only) | |
| 408 | 4460471 | 1 | Washer, Terminal (Prior to SN October 1995 Only) | |
| | | Ref | GROUND CONTROL BOX COMPONENT (35/40/45electric) | |
| 512 | 4460425 | 2 | Connector, Strain Relief | |
| 513 | 4460426 | 1 | Connector, Strain Relief | |
| 521 | | Ref | Harness - Chassis and Valve Options (See Items 601-610 for Breakdown) | |
| 521 | 4921643 | 1 | Harness - Chassis and Valve 35/40/45electric (Prior to SN 36648) | |
| 521 | 4922039 | 1 | Harness - Chassis and Valve 35/40/45electric (SN 36648 to Present) | |
| 522 | Not Required | 0 | Not Required | |
| | | Ref | CHASSIS/VALVE HARNES ASSEMBLY (35/40/45electric) (Note: See item 203 for 30electric harness.) | |
| 601 | | Ref | Valve Harness Options: | |
| 601 | 4921641 | 1 | Valve Harness (Prior to SN 36648) | |
| 601 | 4921882 | 1 | Valve Harness (SN 36648 to Present) | |
| 601A | 4460499 | 10 | Connector, DIN | |
| 601B | 4460454 | 3 | Terminal, Female | |
| 601C | 4460453 | 4 | Terminal, Male | |
| 601D | 3990001 | 2 | Diode 3.5 Amp | |
| 602 | | Ref | Chassis Harness Options: | |
| 602 | 4921642 | 1 | Chassis Harness (Prior to SN 36648) | |
| 602 | 4922040 | 1 | Chassis Harness (SN 36648 to Present) | |
| 602A | 4460499 | 2 | Connector, DIN | |
| 602B | 4460320 | 1 | Connector - 2 Position | |
| 602C | 4460268 | 2 | Socket, Female | |
| 602D | 4460434 | 1 | Connector - 15 Position | |
| 602E | 4460267 | 15 | Pin, Male | |
| 602F | 4460446 | 1 | Terminal, Strain Relief | |
| 602G | 4460539 | 1 | Connector - 3 Position | |
| 602H | 4460444 | 1 | Connector, Anderson | |
| 602J | 4460465 | 3 | Socket, Female | |
| 604 | 4460426 | 1 | Connector, Strain Relief | |
| 608 | 4460454 | 2 | Terminal, Female | |
| 609 | 4460453 | 2 | Terminal, Male | |

SECTION 7 - ELECTRICAL

| ITEM | PART NUMBER | QTY | DESCRIPTION | REV |
|------|---------------|-----|---|-----|
| 610 | 3990001 | 1 | Diode 3.5 Amp | |
| | | Ref | GROUND CONTROL BOX ELECTRICAL DIAGRAMS | |
| | 4932675 | Ref | Ground Control Box Electrical Diagrams 30electric (Prior to SN 36544) | A |
| | 4933003 | Ref | Ground Control Box Electrical Diagrams 30electric (SN 36544 to Present) | B-2 |
| | 4932660 | Ref | Ground Control Box Electrical Diagrams 35/40/45electric (Prior to SN 36648) | H |
| | 4932987 | Ref | Ground Control Box Electrical Diagrams 35/40/45electric (SN 36648 to Present) | 2-C |
| 701 | | Ref | Harness - Ground Control Box Options: | |
| 701 | Not Available | | Harness - Ground Control Box 30electric (Used individual wires and components) (Prior to SN 36544) | |
| 701 | 4922045 | 1 | Harness - Ground Control Box 30electric (SN 36544 to Present) | |
| 701 | Not Available | | Harness - Ground Control Box 35/40/45electric (Used individual wires and components) (Prior to SN 36648) | |
| 701 | 4922043 | 1 | Harness - Ground Control Box 35/40/45electric (SN 36648 to Present) | |
| 701A | 4460418 | 6 | Receptacle, Female - 6 Position | |
| 701B | 4460419 | 36 | Terminal | |
| 701C | 3990010 | 1 | Diode - 6 Amp (Not Shown) | |
| 701D | 3730103 | 1 | Resistor 8.2K (Not Shown) | |
| | | Ref | CONTACTOR PLATE ASSEMBLY | |
| | 0254549 | Ref | Contactactor Plate Assembly 30electric/35electric/40electric | C |
| | 0254597 | Ref | Contactactor Plate Assembly 45electric | C |
| 801 | 2400045 | 1 | Fuse 80 Amp (Not Shown) | |
| 802 | 7013301 | 1 | Contactactor (Changeover) | |
| 802 | 7013316 | 1 | Tip Kit for 7013301 Contactactor | |
| 803 | 7013306 | 1 | Contactactor (Main) | |
| 803 | 7013317 | 1 | Tip Kit for 7013306 Contactactor | |
| 803A | 7013332 | 1 | Micro Switches Kit for 7013306 Contactactor | |
| 804 | 7013303 | 1 | Contactactor (By-Pass) | |
| 804 | 7013318 | 1 | Tip Kit for 7013303 Contactactor | |
| 805 | 7013302 | 1 | Contactactor (Forward/Reverse) | |
| 805 | 7013319 | 1 | Tip Kit for 7013302 Contactactor | |
| 806 | 2400041 | 1 | Fuse, Buss - 200 Amp | |
| 807 | 7013336 | 1 | Bar, Buss | |
| 808 | Not Serviced | 1 | Plate, Mounting | |
| 809 | 7013314 | 1 | Board, PC | |
| 809 | 2400005 | 1 | Fuse, 20Amp | |
| 809 | 7013322 | 1 | Fuse, 7Amp | |
| 810 | Not Serviced | 1 | Decal | |
| 811 | 7013313 | 1 | Harness Assembly (See Items 901 to 906 for Breakdown) | |
| 812 | 7013315 | 1 | Resistor/Bracket Assembly | |
| 812A | 4460224 | 1 | Connector, Female | |
| 812A | 4460268 | 6 | Socket | |
| 813 | | Ref | Control Module Options: | |
| 813 | 7013310-30E | 1 | Control Module Model 30electric | |
| 813 | 7013310-35E | 1 | Control Module Model 35electric | |
| 813 | 7013310-40E | 1 | Control Module Model 40electric | |
| 813 | 7013311 | 1 | Control Module Model 45electric | |
| | 7013313 | Ref | CONTACTOR PLATE HARNESS ASSEMBLY | |

SECTION 7 - ELECTRICAL

| ITEM | PART NUMBER | QTY | DESCRIPTION | REV |
|-------|---------------|----------------|---|-----|
| 901 | 7013325 | 1 | Connector - 16 Position/15 Wire | |
| 901 | 7013320 | 15 | Pin | |
| 902 | 7013326 | 1 | Connector - 17 Position/16 Wire | |
| 902 | 7013320 | 16 | Pin | |
| 903 | 4460225 | 1 | Connector - 6 Position/6 Wire | |
| 903 | 7013331 | 6 | Pin | |
| 904 | 7013327 | 1 | Connector - 15 Position/15 Wire | |
| 904 | 7013329 | 15 | Socket | |
| 905 | 7013328 | | Connector - 4 Position/1 Wire (On Harness But Not Required for Lifts) | |
| 905 | 7013329 | 1 | Socket | |
| 906 | 7016618 | 1 | Tool, Sevcon Pin Removal (Not Shown) | |
| | | Ref | STANDARD HARNESS COMPONENTS | |
| 1001 | Not Available | 1 | Boom Limit Switch Harness | |
| 1001 | 1060341 | AR | Cable, Electrical 16/2 | |
| 1001 | 1060341 | 34 ft/10.4m | Cable, Electrical 16/2 35electric | |
| 1001 | 1060341 | 48 ft/14.6m | Cable, Electrical 16/2 40electric | |
| 1001 | 1060341 | 58 ft/15m | Cable, Electrical 16/2 45electric | |
| 1002 | | Ref | Battery Charger Electrical Components: | |
| 1002A | | Ref | AC Cord - Battery Charger Options: | |
| 1002A | 7011643 | 1 | 110V/60Hz U/L Spec (USA/CSA/Latin America) | |
| 1002A | 7011591 | 1 | 110V/60Hz Non-U/L Spec (USA/CSA/Latin America) | |
| 1002A | 7011677 | 1 | 220V/60Hz U/L Spec (USA/CSA/Latin America/Brazil) | |
| 1002A | 7011572 | 1 | 220V/50Hz U/L Spec (Latin America/Brazil) | |
| 1002B | 7011590 | 1 | Connector, DC | |
| 1002C | 7011621 | 1 | Connector, Enable Switch | |
| 1003 | | Ref | Brake Electrical Components: | |
| 1003A | 7012580 | 2 | Connector, Electrical | |
| 1004 | 4921396 | 1 | Footswitch Harness | |
| 1005 | Not Available | 1 | Controller Harness Assembly | |
| 1005A | 4460266 | 1 | Receptacle Female - 9 Position | |
| 1005B | 4460226 | 9 | Socket, Female | |
| 1006 | Not Available | | Tilt Sensor Harness | |
| 1006A | 4460536 | 1 | Receptacle, Female - 3 Position | |
| 1006B | 4460464 | 3 | Pin, Male | |
| | | Ref | OPTIONAL HARNESS COMPONENTS | |
| 1101 | | Ref | Motion Alarm Harness Options: | |
| 1101 | 4921425 | 1 | Motion Alarm Harness (Prior to SN 36648) | |
| 1101 | 4922076 | 1 | Motion Alarm Harness (SN 36648 to Present) | |
| 1101A | 4460454 | 3 | Terminal, Female | |
| 1101B | 4460453 | 4 | Terminal, Male | |
| 1102 | | Ref | Receptacle Box at Platform Components | |
| 1102 | 0252358 | Ref | Receptacle Box at Platform Components 30electric with 110VAC Receptacle | F |
| 1102 | 0254793 | Ref | Receptacle Box at Platform Components 30electric with 220VAC Receptacle | A |
| 1102 | 0254542 | Ref | Receptacle Box at Platform Components 35electric with 110VAC Receptacle | D |
| 1102 | 0253716 | Ref | Receptacle Box at Platform Components 40electric with 110VAC Receptacle | E |

SECTION 7 - ELECTRICAL

| ITEM | PART NUMBER | QTY | DESCRIPTION | REV |
|-------|----------------|------------|---|-----|
| 1102 | 0254042 | Ref | Receptacle Box at Platform Components 45electric with 110VAC Receptacle | D |
| 1102 | 0257103 | Ref | Receptacle Box at Platform Components 45electric with 220VAC Receptacle | - |
| 1102A | | Ref | Box, Electrical Options: | |
| 1102A | 0860038 | 1 | USA/CSA Spec | |
| 1102A | Supply Locally | 1 | Brazil/Latin American/Japanese Spec | |
| 1102B | | Ref | Receptacle, Electrical Options: | |
| 1102B | 4460347 | 1 | 110VAC USA/CSA Spec | |
| 1102B | 4460125 | 1 | 220VAC USA/CSA Spec | |
| 1102B | Supply Locally | 1 | Brazil/Latin American/Japanese Spec | |
| 1102C | | Ref | Cover, Receptacle Options: | |
| 1102C | 4060092 | 1 | USA/CSA Spec | |
| 1102C | Supply Locally | 1 | Brazil/Latin American/Japanese Spec | |
| 1102D | 4460071 | 1 | Connector, Strain Relief | |
| 1102E | | Ref | Plug | |
| 1102E | 4460205 | 1 | 110VAC USA/CSA Spec | |
| 1102E | 4460233 | 1 | 220VAC USA/CSA Spec | |
| 1102E | Supply Locally | 1 | Brazil/Latin American/Japanese Spec | |
| 1102F | | Ref | Harness Options (Upper Boom): | |
| 1102F | Not Available | | Harness Options (Upper Boom) 30electric | |
| 1102F | 1060330 | 40 ft/12.m | Cable, Electrical - 16/3 | |
| 1102F | 4921647 | 1 | Harness Options (Upper Boom) 35electric | |
| 1102F | 4921569 | 1 | Harness Options (Upper Boom) 40electric | |
| 1102F | 4921593 | 1 | Harness Options (Upper Boom) 45electric | |
| 1102G | 4460205 | 1 | Plug, Male (35/40/45electric Only) | |
| 1102H | | Ref | Screw, Machine Options: | |
| 1102H | 3910606 | 4 | 110VAC (#6-32NC x 3/8in) (USA/CSA Spec) | |
| 1102H | 4460233 | 4 | 220VAC (#10 x 1/2in) (USA/CSA Spec) | |
| 1102H | Supply Locally | 4 | Brazil/Latin American/Japanese Spec | |
| 1102J | 4760600 | 4 | Lockwasher Options: | |
| 1102J | 4460205 | 4 | 110VAC (#6) (USA/CSA Spec) | |
| 1102J | 4460233 | 4 | 220VAC (#10) (USA/CSA Spec) | |
| 1102J | Supply Locally | 4 | Brazil/Latin American/Japanese Spec | |
| 1102K | | Ref | Gasket | |
| 1102K | 3960422 | 1 | USA/CSA Spec | |
| 1102K | Supply Locally | 1 | Brazil/Latin American/Japanese Spec | |
| 1102L | | Ref | Harness Options (Lower Boom): | |
| 1102L | Not Available | | Harness Options (Lower Boom) 30electric | |
| 1102L | 1060330 | 40 ft/12.m | Cable, Electrical - 16/3 | |
| 1102L | 4921646 | 1 | Harness Options (Lower Boom) 35electric | |
| 1102L | 4921568 | 1 | Harness Options (Lower Boom) 40electric | |
| 1102L | 4921592 | 1 | Harness Options (Lower Boom) 45electric | |
| 1102M | 4460134 | 1 | Receptacle (35/40/45electric Only) | |
| 1102N | 4460315 | 1 | Terminal (Not Shown - 220VAC USA/CSA Spec Machines Only) | |
| 1102P | | Ref | Decal Options (Not Shown): | |
| 1102P | 3251243 | 1 | 110VAC | |
| 1102P | 3252507 | 1 | 220VAC/60HZ | |
| 1102P | 3251242 | 1 | 220VAC/50HZ | |
| 1103 | 4921428 | 1 | Platform Worklight Harness | |
| 1104 | | Ref | Platform Options Harness Options: | |

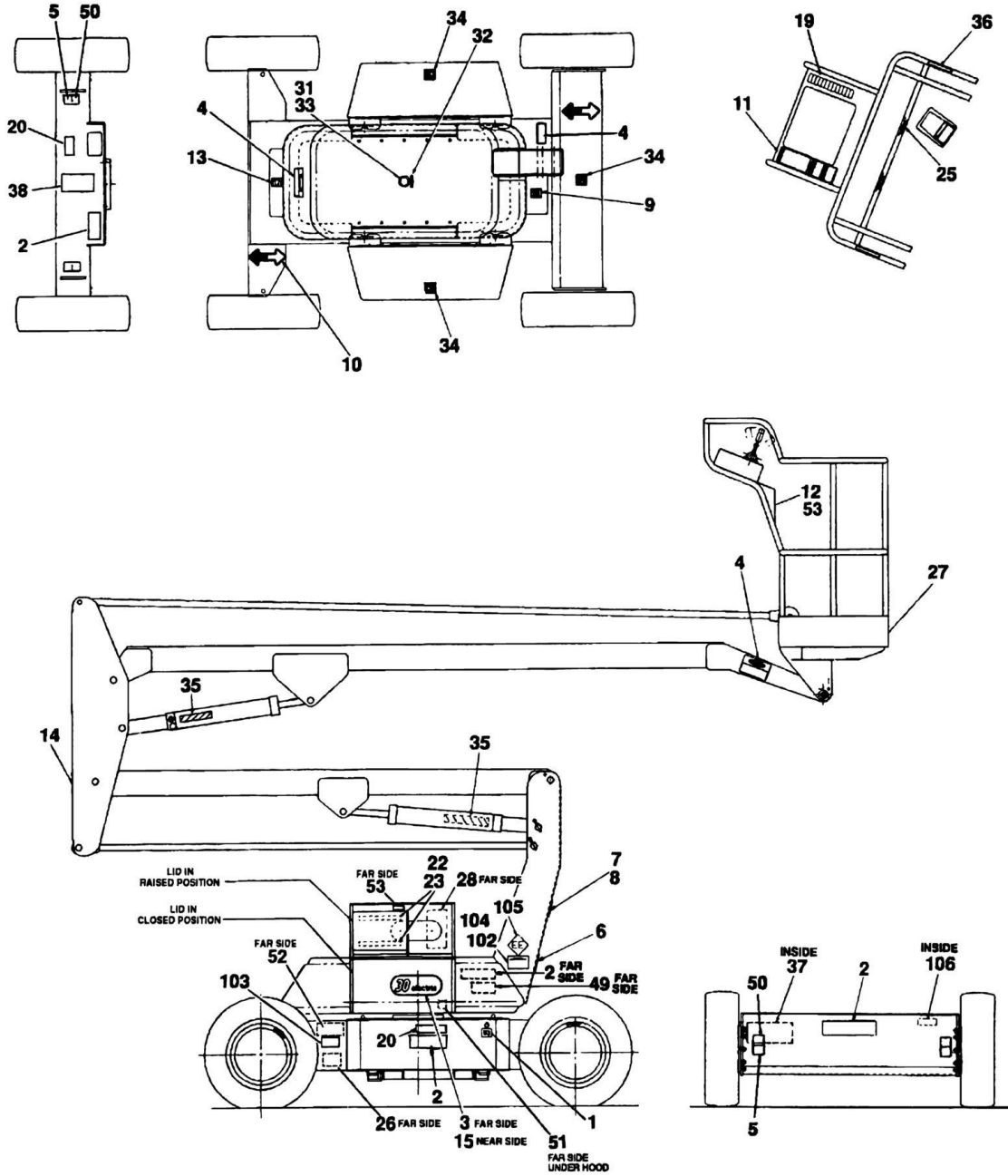
SECTION 7 - ELECTRICAL

| ITEM | PART NUMBER | QTY | DESCRIPTION | REV |
|-------|---------------|-----------|--|-----|
| 1104 | Not Available | | Platform Options Harness (Prior to SN 36648) | |
| 1104 | 4922078 | 1 | Platform Options Harness (SN 36648 to Present) | |
| 1104 | | Ref | Above Elevation Tilt Alarm | |
| 1104 | | Ref | Above Elevation Tilt Alarm and Drive Cutout | |
| 1104 | | Ref | Above Elevation Drive Cutout | |
| 1104 | | Ref | Eight Meter Drive Cutout | |
| 1104 | | Ref | Overload with Override (Switch at Slave Cyl) | |
| 1104 | | Ref | Overload without Override (Switch at Slave Cyl) | |
| 1105 | | Ref | Overload Switch Harness/Components | |
| 1105 | | Ref | Harness Options: | |
| 1105A | Not Available | | Pressure Switch Located Under Basket (35/40/45electric) | |
| 1105A | 1060016 | 6 ft/1.8m | Cable, Electrical - 16/3 | |
| 1105B | 4921521 | 1 | Pressure Switch Located at Slave Cylinder | |
| 1105B | 4921601 | 1 | Pressure Switch Located at Slave Cylinder | |
| 1105C | 4460476 | 1 | Receptacle, Female - 3 Position | |
| 1105C | 4460475 | 3 | Pin | |
| 1105 | | Ref | Pressure Switch Options: | |
| 1105D | 4360451 | 1 | Pressure Switch Located Under Basket | |
| 1105E | 4360344 | 1 | Pressure Switch Located at Slave Cylinder | |
| 1105F | 4460428 | 1 | Connector, Strain Relief | |
| 1106 | | Ref | Low Voltage Interrupt/Cutout Harness (Not Shown) | |
| 1106 | 4921566 | AR | Low Voltage Interrupt/Cutout Harness 30electric Harness | |
| 1106 | 4460489 | 1 | Connector (At Low Voltage Cutout Relay) | |
| 1106 | | Ref | Low Voltage Interrupt/Cutout Harness 35/40/45electric Harness Options: | |
| 1106 | 4921983 | 1 | Harness (Lift Interrupt to MTB) | |
| 1106 | 4921984 | 1 | Harness (Lift Interrupt to Rear Axle) | |
| 1107 | Not Available | AR | Platform Proximity Switch Harness (35/40/45 electric) (Not Shown - Use individual wires) | |
| | | Ref | TOOLS | |
| 1201 | 7002821 | 1 | Crimper (For Wire to Pin/Socket Connections) | |
| 1202 | 7002823 | 1 | Extractor (For Removal of Pin/Socket from Connectors) | |
| 1203 | 4460467 | 1 | Extractor, Pin (Blue 16-18 Gauge) (For Removal of Pin/Socket from Connectors) | |
| 1203 | 4460510 | 1 | Extractor, Pin (Yellow 12-14 Gauge) (For Removal of Pin/Socket from Connectors) | |
| 1204 | 7002828 | 1 | Stripper, Wire | |

SECTION 8 - DECALS

SECTION 8 - DECALS

FIGURE 8-1. DECALS INSTALLATION - 30ELECTRIC



SECTION 8 - DECALS

FIGURE 8-1. DECALS INSTALLATION - 30ELECTRIC

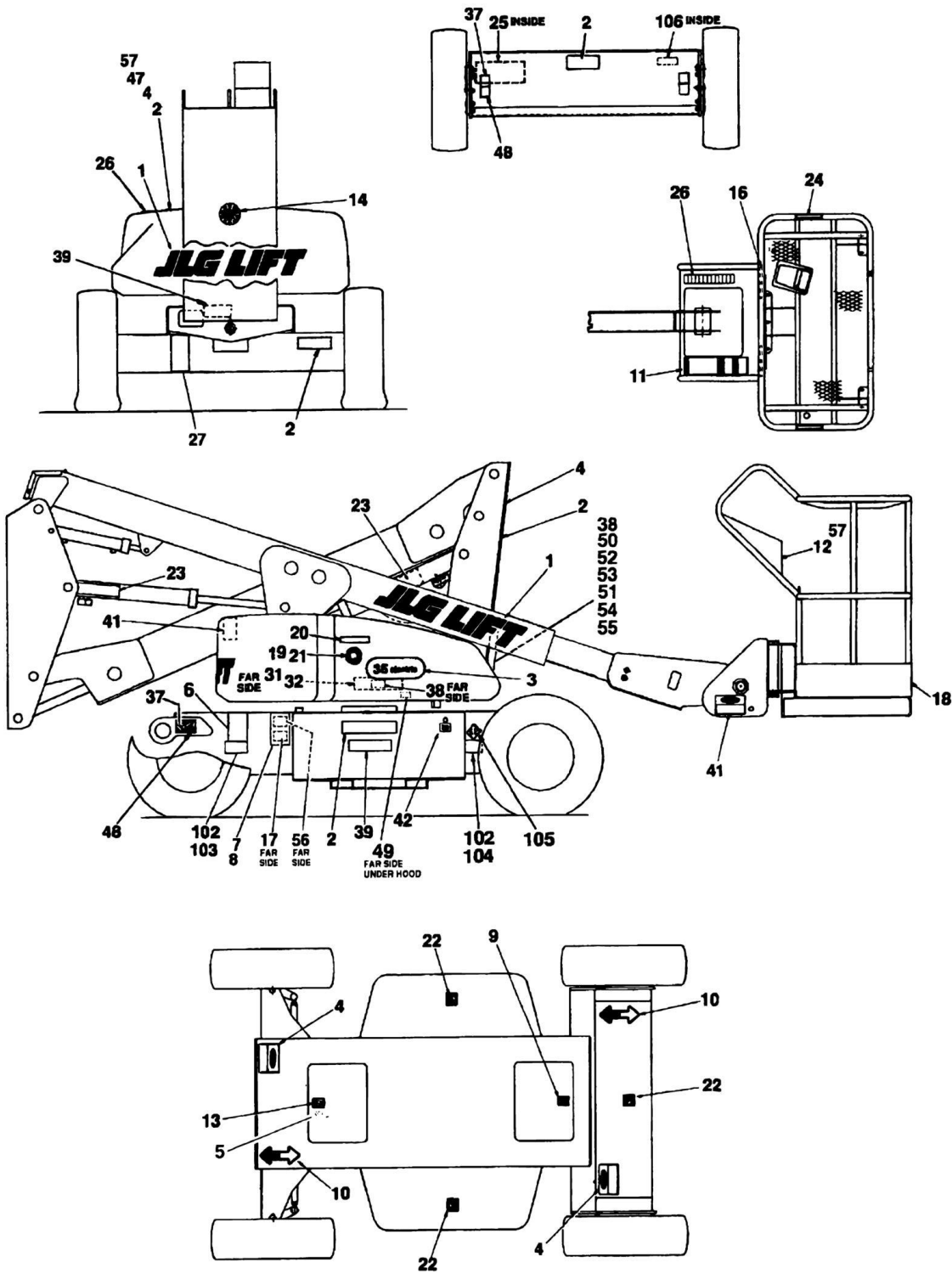
| ITEM | PART NUMBER | QTY | DESCRIPTION | REV |
|------|---------------|---------------|--|-----|
| | 0254703 | Ref | DECALS INSTALLATION | 8 |
| 1 | 1702155 | 2 | Decal - Battery Disconnect | |
| 2 | 1702292 | 5 | Decal - Electrocution | |
| 3 | 1702174 | 1 | Decal - 30electric | |
| 4 | 1702284 | 4 | Decal - Crushing | |
| 5 | 1702300 | 4 | Decal - Tie-Down | |
| 6 | 1700584 | 1 | Decal - Patent | |
| 7 | Not Available | 1 | Nameplate - Manufacturer's Serial Number | |
| 8 | 3820001 | 8 | Rivet | |
| 9 | 1701504 | 1 | Decal - Hydraulic Oil | |
| 10 | 1701642 | 2 | Decal - Arrow | |
| 11 | | Ref | Decal - Caution/Danger Options: | |
| 11 | 1702283 | 1 | Decal - Caution/Danger (Prior to SN 27242) | |
| 11 | 1702935 | 1 | Decal - Caution/Danger (SN 27242 to Present) | |
| 12 | | Ref | Decal - Caution Options: | |
| 12 | 1702281 | 1 | Decal - Caution (Prior to SN 27242) | |
| 12 | 1702936 | 1 | Decal - Caution (SN 27242 to Present) | |
| 13 | 1701644 | 1 | Decal - Charger | |
| 14 | 3251813 | 1 | Decal - USA | |
| 15 | 1702253 | 1 | Decal - 30electric/Manual | |
| 19 | 1702288 | 1 | Decal - Legend | |
| 20 | 1702279 | 3 | Decal - Warning | |
| 22 | 1580008 | 1 | Box, Manual Storage | |
| 23 | 4420054 | 20 in/52cm | Tape, Double Sided | |
| 25 | | Ref | Decal - Attach Belt Options: | |
| 25 | 1702276 | 2 | Decal - Attach Belt (Prior to SN 27246) | |
| 25 | 1702612 | 2 | Decal - Attach Belt (SN 27246 through 61063) | |
| 25 | 1704277 | 2 | Decal - Attach Belt (SN 61064 to Present) | |
| 26 | 1702153 | 1 | Decal - Inspection | |
| 27 | 1701645 | 1 | Decal - 500Lbs Max Cap (Prior to SN 38573) | |
| 28 | 1702278 | 1 | Decal - Crushing | |
| 31 | 0961127 | 1 | Bushing, Snap | |
| 32 | 3251243 | 1 | Nameplate - 120V - 60Hz | |
| 33 | 0100010 | AR | Loctite | |
| 34 | 1701691 | 3 | Decal - No Step | |
| 35 | 1701714 | 2 | Decal - Manual Descent | |
| 36 | 1702294 | 2 | Decal - No Hands | |
| 37 | 1702241 | 1 | Decal - Cable Routing | |
| 38 | 1701695 | 1 | Decal - Charger Instructions | |
| 49 | 1702282 | 1 | Decal - Warning | |
| 50 | 1701500 | 4 | Decal - Lift | |
| 51 | 1702375 | 1 | Decal - Manual Swing | |
| 52 | 1702631 | 1 | Decal - Bar Code (SN 27246 to Present) | |
| 53 | 1702688 | 2 | Decal - 500Lbs Max Capacity (SN 27246 to Present) | |
| 54 | 1701892 | 2 | Decal - JLG Lift (SN 29284 to Present) | |
| | 2900986 | 1 | Decal Kit (Includes Items 2, 3, 4, 5, 6, 9, 11, 12, 13, 14, 15, 19, 25, 26, 28, 32, 34, 35, 37, 49, 50, 51, 52, 53 & 54) | |
| | 0254454 | Ref | U/L DECALS INSTALLATION (Prior to SN 33441) | C |
| | 0257661 | Ref | U/L DECALS INSTALLATION (SN 33441 to Present) | 1 |

SECTION 8 - DECALS

| ITEM | PART NUMBER | QTY | DESCRIPTION | REV |
|------|-------------|-----|-------------------------------|-----|
| 102 | 3820001 | 8 | Rivet | |
| 103 | 3252331 | 1 | Nameplate - Battery Info | |
| 104 | 3251921 | 1 | Nameplate - U/L Certification | |
| 105 | 1702251 | 2 | Nameplate - "EE" | |
| 106 | 1702157 | 1 | Decal - Fuse Replacement | |

SECTION 8 - DECALS

FIGURE 8-2. DECALS INSTALLATION - 35ELECTRIC



SECTION 8 - DECALS

FIGURE 8-2. DECALS INSTALLATION - 35ELECTRIC

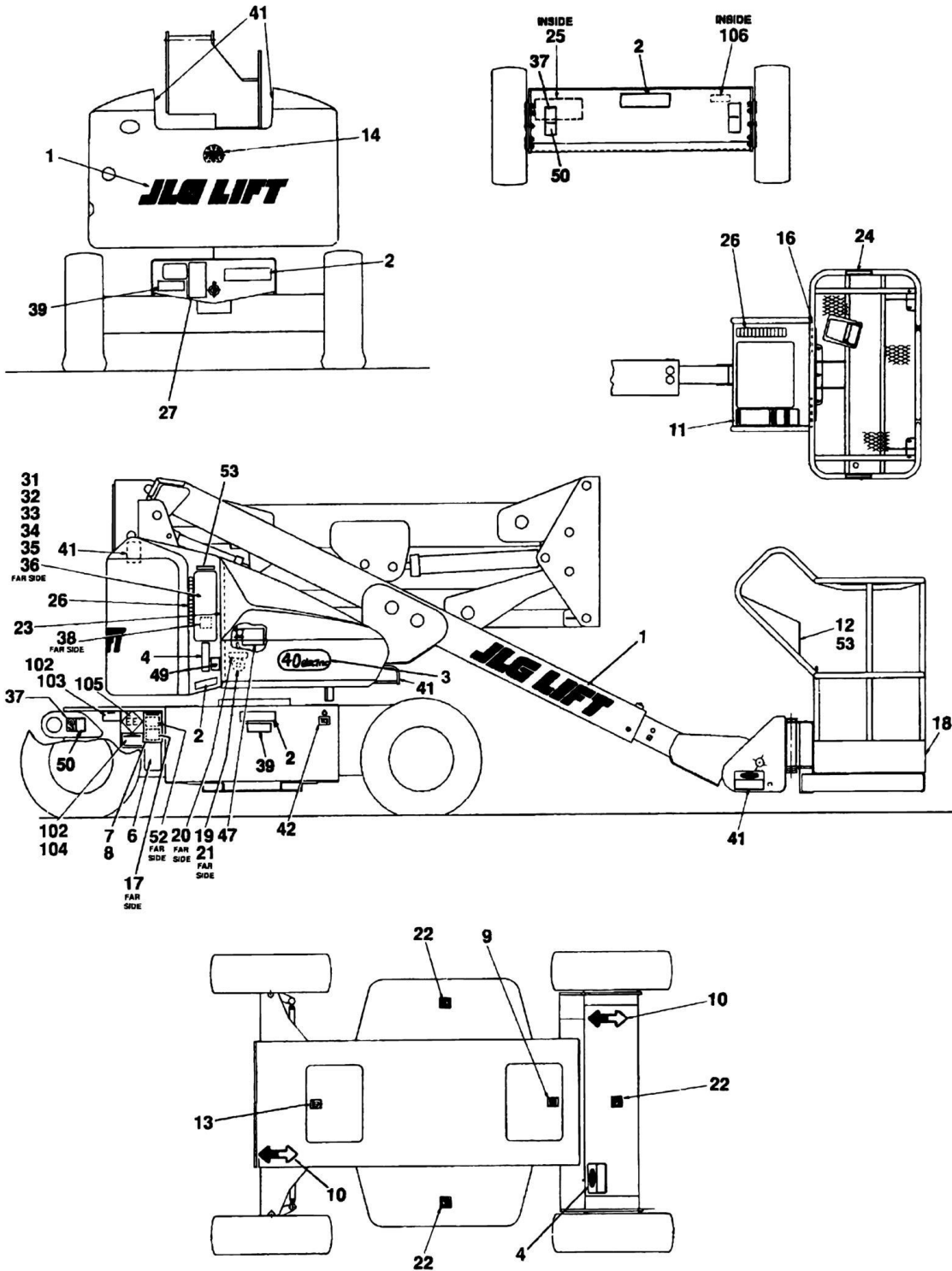
| ITEM | PART NUMBER | QTY | DESCRIPTION | REV |
|------|---------------|---------------|--|-----|
| | | Ref | DECALS INSTALLATION | |
| | 0271037 | Ref | JLG Logo | 1 |
| | 0254706 | Ref | Decals Installation 35electric | 11 |
| | 0254731 | Ref | Decals Installation n35electric | 12 |
| 1 | 1701892 | 3 | Decal - JLG Lift | |
| 2 | 1702292 | 5 | Decal - Electrocutation | |
| 3 | | Ref | Decal - Model Options: | |
| 3 | 1702175 | 2 | Decals Installation JLG 35electric | |
| 3 | 1702176 | 2 | Decals Installation JLG n35electric | |
| 4 | 1702278 | 3 | Decal - Crushing | |
| 5 | 1704412 | 1 | Decal - Hyd Oil | |
| 6 | 1700584 | 1 | Decal - Patent | |
| 7 | Not Available | 1 | Nameplate - Manufacturer's Serial Number | |
| 8 | 3820001 | 8 | Rivet | |
| 9 | 1701504 | 1 | Decal - Hydraulic Oil | |
| 10 | 1701642 | 2 | Decal - Arrow | |
| 11 | | Ref | Decal - Caution/Danger Options: | |
| 11 | 1702283 | 1 | Decal - Caution/Danger (Prior to SN 27242) | |
| 11 | 1702935 | 1 | Decal - Caution/Danger (SN 27242 to Present) | |
| 12 | | Ref | Decal - Caution Options: | |
| 12 | 1702281 | 1 | Decal - Caution (Prior to SN 27242) | |
| 12 | 1702936 | 1 | Decal - Caution (SN 27242 to Present) | |
| 13 | 1701644 | 1 | Decal - Charger | |
| 14 | 3251813 | 1 | Decal - USA | |
| 16 | | Ref | Decal - Attach Belt Options: | |
| 16 | 1702276 | 2 | Decal - Attach Belt (Prior to SN 27246) | |
| 16 | 1702612 | 2 | Decal - Attach Belt (SN 27246 through 61063) | |
| 16 | 1704277 | 2 | Decal - Attach Belt (SN 61064 to Present) | |
| 17 | 1702153 | 1 | Decal - Inspection | |
| 18 | 1701645 | 1 | Decal - 500Lbs Max Cap Only (Prior to SN 38573) | |
| 19 | 0961127 | 1 | Bushing, Snap | |
| 20 | 3251243 | 1 | Nameplate - 120V - 60Hz | |
| 21 | 0100010 | AR | Loctite | |
| 22 | 1701691 | 3 | Decal - No Step | |
| 24 | 1702294 | 2 | Decal - No Hands | |
| 25 | 1702241 | 1 | Decal - Cable Routing | |
| 26 | 1702290 | 2 | Decal - Legend | |
| 27 | 1701695 | 1 | Decal - Charger Instructions | |
| 31 | 1580008 | 1 | Box, Manual Storage (Prior to July 1994) | |
| 32 | 4420054 | 20 in/52cm | Tape, Double Sided (Prior to July 1994) | |
| 37 | 1701500 | 4 | Decal - Lift | |
| 38 | 1701640 | 1 | Decal - Manual | |
| 39 | 1702279 | 3 | Decal - Warning | |
| 41 | 1702284 | 2 | Decal - Crushing Hazard | |
| 42 | 1702155 | 2 | Decal - Battery Disconnect | |
| 47 | 1702282 | 1 | Decal - Warning | |
| 48 | 1702300 | 4 | Decal - Tie Down | |
| 49 | 1702375 | 1 | Decal - Manual Swing (June 1994 to Present) | |
| 50 | 0860520 | 1 | Box, Manual Storage (July 1994 to Present) | |

SECTION 8 - DECALS

| ITEM | PART NUMBER | QTY | DESCRIPTION | REV |
|------|-------------|-----|--|-----|
| 51 | 3941408 | 4 | Screw, Self-Tap 1/4in x 1in | |
| 52 | 4751400 | 6 | Flatwasher 1/4in | |
| 53 | 0641408 | 1 | Bolt 1/4in-20NC x 1in | |
| 54 | 3311405 | 1 | Locknut 1/4in-20NC | |
| 55 | 1060279 | 1 | Lanyard | |
| 56 | 1702631 | 1 | Decal - Bar Code (SN 27246 to Present) | |
| 57 | 1702688 | 2 | Decal - 500Lbs Max Capacity (SN 27246 to Present) | |
| 59 | 1701714 | 2 | Decal - Manual Descent | |
| | | Ref | Decal Kit Options (Includes Items 2, 3, 4, 6, 9, 10, 12, 14, 16, 17, 20, 24, 25, 26, 37, 38, 39, 41, 42, 47, 48, 49 & 57): | |
| | 2910055 | 1 | Decal Kit 35electric | |
| | 2910036 | 1 | Decal Kit n35electric | |
| | 0254454 | Ref | U/L DECALS INSTALLATION (Prior to SN 33402) | C |
| | 0257660 | Ref | U/L DECALS INSTALLATION (SN 33402 to Present) | 1 |
| 102 | 3820001 | 8 | Rivet | |
| 103 | 3252331 | 1 | Nameplate - Battery Info | |
| 104 | 3251921 | 1 | Nameplate - U/L Certification | |
| 105 | 1702251 | 2 | Nameplate - "EE" | |
| 106 | 1702157 | 1 | Decal - Fuse Replacement | |

SECTION 8 - DECALS

FIGURE 8-3. DECALS INSTALLATION - 40ELECTRIC & 45ELECTRIC



SECTION 8 - DECALS

FIGURE 8-3. DECALS INSTALLATION - 40ELECTRIC & 45ELECTRIC

| ITEM | PART NUMBER | QTY | DESCRIPTION | REV |
|------|---------------|-----|---|-----|
| | | Ref | DECALS INSTALLATION | |
| | 0271039 | Ref | JLG Logo | 1 |
| | 0254540 | Ref | Decals Installation 40electric | 14 |
| | 0254733 | Ref | Decals Installation n40electric | 9 |
| | 0254538 | Ref | Decals Installation 45electric | 12 |
| 1 | 1701892 | 3 | Decal - JLG Lift | |
| 2 | 1702292 | 5 | Decal - Electrocution | |
| 3 | | Ref | Decal - Model Options: | |
| 3 | 1702177 | 2 | Decals Installation JLG 40electric | |
| 3 | 1702178 | 2 | Decals Installation JLG n40electric | |
| 3 | 1702179 | 2 | Decals Installation JLG 45electric | |
| 4 | 1702278 | 1 | Decal - Crushing | |
| 6 | 1700584 | 1 | Decal - Patent | |
| 7 | Not Available | 1 | Nameplate - Manufacturer's Serial Number | |
| 8 | 3820001 | 8 | Rivet | |
| 9 | 1701504 | 1 | Decal - Hydraulic Oil | |
| 10 | 1701642 | 2 | Decal - Arrow | |
| 11 | | Ref | Decal - Caution/Danger Options: | |
| 11 | 1702283 | 1 | Decal - Caution/Danger (Prior to SN 27242) | |
| 11 | 1702935 | 1 | Decal - Caution/Danger (SN 27242 to Present) | |
| 12 | | Ref | Decal - Caution Options: | |
| 12 | 1702281 | 1 | Decal - Caution (Prior to SN 27242) | |
| 12 | 1702936 | 1 | Decal - Caution (SN 27242 to Present) | |
| 13 | 1701644 | 1 | Decal - Charger | |
| 14 | 3251813 | 1 | Decal - USA | |
| 16 | | Ref | Decal - Attach Belt Options: | |
| 16 | 1702276 | 2 | Decal - Attach Belt (Prior to SN 27246) | |
| 16 | 1702612 | 2 | Decal - Attach Belt (SN 27246 through 61063) | |
| 16 | 1704277 | 2 | Decal - Attach Belt (SN 61064 to Present) | |
| 17 | 1702153 | 1 | Decal - Inspection | |
| 18 | 1701645 | 1 | Decal - 500Lbs Max Cap (Prior to SN 38573) | |
| 19 | 0961127 | 1 | Bushing, Snap | |
| 20 | | Ref | Nameplate - (Option) | |
| 20 | 3251243 | 1 | Nameplate - 120V - 60Hz | |
| 20 | 3252507 | 1 | Nameplate - 220V - 50/60Hz | |
| 21 | 0100010 | AR | Loctite | |
| 22 | 1701691 | 3 | Decal - No Step | |
| 23 | 1702048 | 2 | Decal - Manual Descent | |
| 24 | 1702294 | 2 | Decal - No Hands | |
| 25 | 1702241 | 1 | Decal - Cable Routing | |
| 26 | 1702288 | 2 | Decal - Legend | |
| 27 | 1701695 | 1 | Decal - Charger Instructions | |
| 31 | 1580008 | 1 | Box, Manual Storage | |
| 32 | 1060279 | 1 | Lanyard | |
| 33 | 3941003 | 1 | Screw, Self-Tapping | |
| 34 | 3911408 | 1 | Screw, Round Head 1/4in-20NC x 1/2in | |
| 35 | 4711400 | 1 | Flatwasher 1/4in | |
| 36 | 3311401 | 1 | Nut 1/4in-20NC | |
| 37 | 1701500 | 4 | Decal - Tie Down/Lift | |
| 38 | 1701640 | 1 | Decal - Manual | |

SECTION 8 - DECALS

| ITEM | PART NUMBER | QTY | DESCRIPTION | REV |
|------|---------------|-----|--|-----|
| 39 | 1702279 | 3 | Decal - Danger | |
| 41 | 1702284 | 5 | Decal - Crushing, Hazard | |
| 42 | 1702155 | 2 | Decal - Battery Disconnect | |
| 47 | 1702265 | 1 | Decal - Important | |
| 49 | 1702282 | 1 | Decal - Warning | |
| 50 | 1702300 | 4 | Decal - Warning | |
| 52 | Not Available | 1 | Decal - Bar Code (SN 27246 to Present) | |
| 53 | 1702688 | 2 | Decal - 500Lbs Max Capacity (SN 27246 to Present) | |
| | | Ref | Decal Kit Options (Includes Items 2, 3, 4, 6, 9, 10, 12, 13, 14, 16, 17, 23, 24, 25 & 26): | |
| | 2900930 | 1 | Decal Kit 40electric | |
| | 2910037 | 1 | Decal Kit n40electric | |
| | 2910010 | 1 | Decal Kit 45electric | |
| | 0254454 | Ref | U/L DECALS INSTALLATION | 4 |
| 102 | 3820001 | 8 | Rivet | |
| 103 | 3252331 | 1 | Nameplate - Battery Info | |
| 104 | 3251921 | 1 | Nameplate - U/L Certification | |
| 105 | 1702251 | 2 | Nameplate - "EE" | |
| 106 | 1702157 | 1 | Decal - Fuse Replacement | |

SECTION 9 - RECOMMENDED SERVICE PARTS STOCK

SECTION 9 - RECOMMENDED SERVICE PARTS STOCK

SECTION 9 - RECOMMENDED SERVICE PARTS STOCK

FIGURE 9-1. 30/35/40/45 ELECTRIC LIFTS STANDARD PARTS

| ITEM | PART NUMBER | QTY | DESCRIPTION | REV |
|------|-------------|-----|---|-----|
| | Note | Ref | Note: The following list will service fleets of machines (built to current production per date on the front cover) with emergency repair parts which can be installed in the field. Parts from the list should be replaced when inventory is depleted to keep service parts stock supplied. For further information, contact your JLG dealer or the JLG Industries Parts Department. | |
| | | Ref | STANDARD PARTS | |
| | 3990053 | 1 | Sensor, Tach, (for fleets of 1 to 4) | |
| | 3990053 | 1 | Sensor, Tach, (for fleets of 5 to 9) | |
| | 3990053 | 1 | Sensor, Tach, (for fleets of 10 or more) | |
| | 2400045 | 2 | Fuse, (for fleets of 1 to 4) | |
| | 2400045 | 2 | Fuse, (for fleets of 5 to 9) | |
| | 2400045 | 2 | Fuse, (for fleets of 10 or more) | |
| | 4360371 | 1 | Sensor, Level, (for fleets of 1 to 4) | |
| | 4360371 | 1 | Sensor, Level, (for fleets of 5 to 9) | |
| | 4360371 | 1 | Sensor, Level, (for fleets of 10 or more) | |
| | 2120072 | 4 | Element, Hydraulic Filter, (for fleets of 1 to 4) | |
| | 2120072 | 8 | Element, Hydraulic Filter, (for fleets of 5 to 9) | |
| | 2120072 | 12 | Element, Hydraulic Filter, (for fleets of 10 or more) | |
| | 7013709 | 1 | Breather/ Dipstick Assembly, (for fleets of 1 to 4) | |
| | 7013709 | 2 | Breather/ Dipstick Assembly, (for fleets of 5 to 9) | |
| | 7013709 | 3 | Breather/ Dipstick Assembly, (for fleets of 10 or more) | |
| | 7010538 | 1 | Coil, (for fleets of 1 to 4) | |
| | 7010538 | 1 | Coil, (for fleets of 5 to 9) | |
| | 7010538 | 1 | Coil, (for fleets of 10 or more) | |
| | 4360473 | 1 | Switch, Key, (for fleets of 1 to 4) | |
| | 4360473 | 1 | Switch, Key, (for fleets of 5 to 9) | |
| | 4360473 | 1 | Switch, Key, (for fleets of 10 or more) | |
| | 2860030 | 1 | Key, Replacement, (for fleets of 1 to 4) | |
| | 2860030 | 1 | Key, Replacement, (for fleets of 5 to 9) | |
| | 2860030 | 1 | Key, Replacement, (for fleets of 10 or more) | |
| | 4360069 | 1 | Breaker, Circuit - 10 Amp, (for fleets of 1 to 4) | |
| | 4360069 | 1 | Breaker, Circuit - 10 Amp, (for fleets of 5 to 9) | |
| | 4360069 | 1 | Breaker, Circuit - 10 Amp, (for fleets of 10 or more) | |
| | 4360475 | 1 | Switch, Emergency Stop, (for fleets of 1 to 4) | |
| | 4360475 | 1 | Switch, Emergency Stop, (for fleets of 5 to 9) | |
| | 4360475 | 1 | Switch, Emergency Stop, (for fleets of 10 or more) | |
| | 4360314 | 1 | Switch, Toggle, (for fleets of 1 to 4) | |
| | 4360314 | 1 | Switch, Toggle, (for fleets of 5 to 9) | |
| | 4360314 | 1 | Switch, Toggle, (for fleets of 10 or more) | |
| | 4360476 | 1 | Contact Block, (for fleets of 1 to 4) | |
| | 4360476 | 1 | Contact Block, (for fleets of 5 to 9) | |
| | 4360476 | 1 | Contact Block, (for fleets of 10 or more) | |
| | 4360031 | 1 | Footswitch, (for fleets of 1 to 4) | |
| | 4360031 | 1 | Footswitch, (for fleets of 5 to 9) | |
| | 4360031 | 1 | Footswitch, (for fleets of 10 or more) | |
| | 4360445 | 1 | Potentiometer, (for fleets of 1 to 4) | |
| | 4360445 | 1 | Potentiometer, (for fleets of 5 to 9) | |
| | 4360445 | 1 | Potentiometer, (for fleets of 10 or more) | |

SECTION 9 - RECOMMENDED SERVICE PARTS STOCK

| ITEM | PART NUMBER | QTY | DESCRIPTION | REV |
|------|-------------|-----|--|-----|
| | 4360328 | 1 | Switch, Toggle, (for fleets of 1 to 4) | |
| | 4360328 | 1 | Switch, Toggle, (for fleets of 5 to 9) | |
| | 4360328 | 1 | Switch, Toggle, (for fleets of 10 or more) | |
| | 4360274 | 1 | Switch, Push Button, (for fleets of 1 to 4) | |
| | 4360274 | 1 | Switch, Push Button, (for fleets of 5 to 9) | |
| | 4360274 | 1 | Switch, Push Button, (for fleets of 10 or more) | |
| | 4360112 | 1 | Breaker, Circuit - 5 Amp, (for fleets of 1 to 4) | |
| | 4360112 | 1 | Breaker, Circuit - 5 Amp, (for fleets of 5 to 9) | |
| | 4360112 | 1 | Breaker, Circuit - 5 Amp, (for fleets of 10 or more) | |
| | 3740087 | 1 | Relay, (for fleets of 1 to 4) | |
| | 3740087 | 1 | Relay, (for fleets of 5 to 9) | |
| | 3740087 | 1 | Relay, (for fleets of 10 or more) | |
| | 1600175 | 1 | Controller, (for fleets of 1 to 4) | |
| | 1600175 | 1 | Controller, (for fleets of 5 to 9) | |
| | 1600175 | 1 | Controller, (for fleets of of 10 or more) | |
| | 7011942 | 1 | Electrical Assembly - 1600175 Controller, (for fleets of 1 to 4) | |
| | 7011942 | 1 | Electrical Assembly - 1600175 Controller, (for fleets of 5 to 9) | |
| | 7011942 | 1 | Electrical Assembly - 1600175 Controller, (for fleets of 10 or more) | |
| | 7003789 | 1 | Switch, Steer - 1600175 Controller, (for fleets of 1 to 4) | |
| | 7003789 | 1 | Switch, Steer - 1600175 Controller, (for fleets of 5 to 9) | |
| | 7003789 | 1 | Switch, Steer - 1600175 Controller, (for fleets of 10 or more) | |
| | 3990001 | 2 | Diode - 3.5AMP, (for fleets of 1 to 4) | |
| | 3990001 | 2 | Diode - 3.5AMP, (for fleets of 5 to 9) | |
| | 3990001 | 2 | Diode - 3.5AMP, (for fleets of 10 or more) | |
| | 3990010 | 2 | Diode - 6 Amp, (for fleets of 1 to 4) | |
| | 3990010 | 2 | Diode - 6 Amp, (for fleets of 5 to 9) | |
| | 3990010 | 2 | Diode - 6 Amp, (for fleets of 10 or more) | |
| | 2400041 | 2 | Fuse, (for fleets of 1 to 4) | |
| | 2400041 | 2 | Fuse, (for fleets of 5 to 9) | |
| | 2400041 | 2 | Fuse, (for fleets of 10 or more) | |
| | 7013314 | 1 | PC Board, (for fleets of 1 to 4) | |
| | 7013314 | 1 | PC Board, (for fleets of 5 to 9) | |
| | 7013314 | 1 | PC Board, (for fleets of 10 or more) | |
| | 7013315 | 1 | Resistor/Bracket Assembly, (for fleets of 1 to 4) | |
| | 7013315 | 1 | Resistor/Bracket Assembly, (for fleets of 5 to 9) | |
| | 7013315 | 1 | Resistor/Bracket Assembly, (for fleets of 10 or more) | |

SECTION 9 - RECOMMENDED SERVICE PARTS STOCK

FIGURE 9-2. 30/35/40/45 ELECTRIC LIFTS VARIABLE PARTS

| ITEM | PART NUMBER | QTY | DESCRIPTION | REV |
|------|-------------|-----|---|-----|
| | Note | Ref | Note: The following list will service fleets of machines (built to current production per date on the front cover) with emergency repair parts which can be installed in the field. Parts from the list should be replaced when inventory is depleted to keep service parts stock supplied. For further information, contact your JLG dealer or the JLG Industries Parts Department. | |
| | | Ref | VARIABLE PARTS | |
| | 7011593 | 2 | Fuse (Machines with 110V Battery), (for fleets of 1 to 4) | |
| | 7011593 | 2 | Fuse (Machines with 110V Battery), (for fleets of 5 to 9) | |
| | 7011593 | 2 | Fuse (Machines with 110V Battery), (for fleets of 10 or more) | |
| | 7011645 | 2 | Fuse (Machines with 110V Battery), (for fleets of 1 to 4) | |
| | 7011645 | 2 | Fuse (Machines with 110V Battery), (for fleets of 5 to 9) | |
| | 7011645 | 2 | Fuse (Machines with 110V Battery), (for fleets of 10 or more) | |
| | 7018570 | 2 | Fuse (Machines with 220V/60Hz Battery), (for fleets of 1 to 4) | |
| | 7018570 | 2 | Fuse (Machines with 220V/60Hz Battery), (for fleets of 5 to 9) | |
| | 7018570 | 2 | Fuse (Machines with 220V/60Hz Battery), (for fleets of 10 or more) | |
| | 7018569 | 2 | Fuse (Machines with 220V/60Hz Battery), (for fleets of 1 to 4) | |
| | 7018569 | 2 | Fuse (Machines with 220V/60Hz Battery), (for fleets of 5 to 9) | |
| | 7018569 | 2 | Fuse (Machines with 220V/60Hz Battery), (for fleets of 10 or more) | |
| | 7011593 | 2 | Fuse (Machines with 220V/50Hz Battery), (for fleets of 1 to 4) | |
| | 7011593 | 2 | Fuse (Machines with 220V/50Hz Battery), (for fleets of 5 to 9) | |
| | 7011593 | 2 | Fuse (Machines with 220V/50Hz Battery), (for fleets of 10 or more) | |
| | 7011508 | 2 | Fuse (Machines with 220V/50Hz Battery), (for fleets of 1 to 4) | |
| | 7011508 | 2 | Fuse (Machines with 220V/50Hz Battery), (for fleets of 5 to 9) | |
| | 7011508 | 2 | Fuse (Machines with 220V/50Hz Battery), (for fleets of 10 or more) | |
| | 4360321 | 1 | Switch, Limit, (for fleets of 1 to 4) | |
| | 4360321 | 1 | Switch, Limit, (for fleets of 5 to 9) | |
| | 4360321 | 1 | Switch, Limit, (for fleets of 10 or more) | |
| | 2940006 | 1 | Latch (30electric), (for fleets of 1 to 4) | |
| | 2940006 | 1 | Latch (30electric), (for fleets of 5 to 9) | |
| | 2940006 | 1 | Latch (30electric), (for fleets of 10 or more) | |
| | 2940074 | 1 | Latch (35/40/45electric), (for fleets of 1 to 4) | |
| | 2940074 | 1 | Latch (35/40/45electric), (for fleets of 5 to 9) | |
| | 2940074 | 1 | Latch (35/40/45electric), (for fleets of 10 or more) | |
| | 7013310-30E | 1 | Module, Sevcon Control (30electric), (for fleets of 1 to 4) | |
| | 7013310-30E | 1 | Module, Sevcon Control (30electric), (for fleets of 5 to 9) | |
| | 7013310-30E | 1 | Module, Sevcon Control (30electric), (for fleets of 10 or more) | |
| | 7013310-40E | 1 | Module, Sevcon Control (40electric), (for fleets of 1 to 4) | |
| | 7013310-40E | 1 | Module, Sevcon Control (40electric), (for fleets of 5 to 9) | |
| | 7013310-40E | 1 | Module, Sevcon Control (40electric), (for fleets of 10 or more) | |
| | 7013311 | 1 | Module, Sevcon Control (45electric), (for fleets of 1 to 4) | |
| | 7013311 | 1 | Module, Sevcon Control (45electric), (for fleets of 5 to 9) | |
| | 7013311 | 1 | Module, Sevcon Control (45electric), (for fleets of 10 or more) | |

SECTION 10 - SPECIAL OPTIONS

SECTION 10 - SPECIAL OPTIONS

FIGURE 10-1. SPECIAL OPTIONS

| ITEM | PART NUMBER | QTY | DESCRIPTION | REV |
|------|-------------|-----|--|-----|
| | Note | Ref | Note: This list is to accommodate machines ordered with special equipment. Options may not be applicable to all models. For more specific parts information contact JLG Parts Department. | |
| | | Ref | MISCELLANEOUS SPECIAL OPTIONS | |
| | | Ref | Airline Installations | |
| | 0255170 | Ref | 1/2in (35electric) | |
| | 1282324 | Ref | 1/2in (35electric) | |
| | 0255027 | Ref | 1/2in (40electric) | |
| | 1282324 | Ref | 1/2in (40electric) | |
| | 0255015 | Ref | 1/2in (45electric) | |
| | 1282324 | Ref | 1/2in (45electric) | |
| | 0256270 | Ref | Aspirator Installation (45electric) | |
| | 0270723 | Ref | Amber Beacon on Platform Installation | |
| | 0257438 | Ref | Battery Installation - Gel-Cell | |
| | 0400159 | 2 | Battery | |
| | 0256617 | Ref | Battery Installation - Less Batteries/Charger | |
| | 0400161 | Ref | Battery Charger Installation - Gel-Cell (220V/60HZ) | |
| | 0400160 | 1 | Battery Charger Assembly | |
| | 0257563 | 1 | Offboard Charger Connector Installation | |
| | 0400172 | Ref | Battery Charger Installation - Gel-Cell (208V/60HZ) | |
| | 0400171 | 1 | Battery Charger Assembly | |
| | 0257563 | 1 | Offboard Charger Connector Installation | |
| | 0253241 | Ref | Battery Charger Installation - Japanese | |
| | 1281899 | Ref | Battery Charger Installation - Japanese | |
| | 0400135 | 1 | Battery Charger Assembly | |
| | 0257735 | Ref | Cables and Clamps Installation (SN 0300033862 Only) | |
| | 0256789 | Ref | Camera Mount Assembly | |
| | 0252927 | Ref | Charger Connection Installation - Offboard | |
| | 0257563 | Ref | Charger Connection Installation - Offboard (Gel-Cell) | |
| | 0255168 | Ref | Charger Extension Cord Installation | |
| | 1702788 | Ref | Decal - Biodegradable Hydraulic Fluid | |
| | 1704174 | Ref | Decal - SYN Biodegradable Hydraulic Fluid (SN 0300046062 to Present) | |
| | 0257500 | Ref | Decal Installation - Brazil (30electric) | |
| | 1282192 | Ref | Decal Installation - Brazil (30electric) | |
| | 2900932 | 1 | Decal Kit | |
| | 0257499 | Ref | Decal Installation - Brazil (35electric) | |
| | 1282191 | Ref | Decal Installation - Brazil (35electric) | |
| | 2900933 | 1 | Decal Kit | |
| | 0257498 | Ref | Decal Installation - Brazil (40/45electric) | |
| | 1282179 | Ref | Decal Installation - Brazil (40/45electric) | |
| | 2900935 | 1 | Decal Kit (45electric) | |
| | 0253550 | Ref | Decal Installation - CSA | |
| | 3252221 | 1 | Nameplate | |
| | 0257195 | Ref | Decal Installation - Government Warranty | |
| | 1703179 | 1 | Decal - Warranty | |
| | 0254725 | Ref | Decals Installation - Japanese (30electric) | |
| | 0254704 | Ref | Decals Installation - Japanese (30electric) | |

SECTION 10 - SPECIAL OPTIONS

| ITEM | PART NUMBER | QTY | DESCRIPTION | REV |
|------|-------------|-----|--|-----|
| | 0254785 | Ref | Decals Installation - Japanese (35electric) | |
| | 0254766 | Ref | Decals Installation - Japanese (40/45electric) | |
| | 0257047 | Ref | Decals Installation - Lanyard (GM Spec) | |
| | 1282704 | Ref | Decals Installation - Lanyard (GM Spec) | |
| | 0255711 | Ref | Decals Installation - Latin America (30electric) | |
| | 0254454 | Ref | Decals Installation - Latin America (30electric) | |
| | 0255713 | Ref | Decals Installation - Latin America (35electric) | |
| | 1282192 | Ref | Decals Installation - Latin America (35electric) | |
| | 0255789 | Ref | Decals Installation - Latin America (n35electric) | |
| | 1282192 | Ref | Decals Installation - Latin America (n35electric) | |
| | 2910119 | 1 | Decal Kit | |
| | 0255715 | Ref | Decals Installation - Latin America (40electric) | |
| | 1282179 | Ref | Decals Installation - Latin America (40electric) | |
| | 2910119 | 1 | Decal Kit | |
| | 0255790 | Ref | Decals Installation - Latin America (n40electric) | |
| | 1282179 | Ref | Decals Installation - Latin America (n40electric) | |
| | 0255717 | Ref | Decals Installation - Latin America (45electric) | |
| | 1282179 | Ref | Decals Installation - Latin America (45electric) | |
| | | Ref | Decals Installation - Simultaneous Drive/Lift/Steer | |
| | 0257452 | Ref | Decals Installation 30electric Domestic (Prior to SN 0300036544) | |
| | 0257837 | Ref | Decals Installation 30electric Domestic (SN 0300036544 to Present) | |
| | 1703520 | 1 | Decal - Domestic (30electric) | |
| | 0257453 | Ref | Decals Installation 30electric Japanese (Prior to SN 0300036544) | |
| | 0257838 | Ref | Decals Installation 30electric Japanese (SN 0300036544 to Present) | |
| | 1703525 | 1 | Decal - Japanese (30electric) | |
| | 0257454 | Ref | Decals Installation 30electric Latin America (Prior to SN 0300036544) | |
| | 0257839 | Ref | Decals Installation 30electric Latin America (SN 0300036544 to Present) | |
| | 1703526 | 1 | Decal - Latin America Spanish (30electric) | |
| | 0257468 | Ref | Decals Installation 35electric Domestic (Prior to SN 0300036648) | |
| | 0258204 | Ref | Decals Installation 35electric Domestic (SN 0300036648 to Present) | |
| | 1703520 | 1 | Decal - Domestic (35electric) | |
| | 0257469 | Ref | Decals Installation 35electric Japanese (Prior to SN 0300036648) | |
| | 0258205 | Ref | Decals Installation 35electric Japanese (SN 0300036648 to Present) | |
| | 1703525 | 1 | Decal - Japanese (35electric) | |
| | 0257470 | Ref | Decals Installation 35electric Latin America (Prior to SN 0300036648) | |
| | 0258206 | Ref | Decals Installation 35electric Latin America (SN 0300036648 to Present) | |
| | 1703526 | 1 | Decal - Latin America Spanish (35electric) | |
| | 0257471 | Ref | Decals Installation 40/45electric Domestic (Prior to SN 0300036648) | |
| | 0258207 | Ref | Decals Installation 40/45electric Domestic (SN 0300036648 to Present) | |
| | 1703520 | 1 | Decal - Domestic (40/45electric) | |

SECTION 10 - SPECIAL OPTIONS

| ITEM | PART NUMBER | QTY | DESCRIPTION | REV |
|------|-------------|-----|--|-----|
| | 0257472 | Ref | Decals Installation 40/45electric Japanese (Prior to SN 0300036648) | |
| | 0258208 | Ref | Decals Installation 40/45electric Japanese (SN 0300036648 to Present) | |
| | 1703525 | 1 | Decal - Japanese (40/45electric) | |
| | 0257473 | Ref | Decals Installation 40/45electric Latin America (Prior to SN 0300036648) | |
| | 0258209 | Ref | Decals Installation 40/45electric Latin America (SN 0300036648 to Present) | |
| | 1703526 | 1 | Decal - Latin America Spanish (40/45electric) | |
| | 0254877 | Ref | Decal Installation - United Airlines | |
| | 3252314 | 1 | Nameplate - United Airlines | |
| | | Ref | Decal Installation - United Rentals | |
| | 0270962 | 1 | Decal Installation - United Rentals 35electric (Prior to SN 0300068199) | |
| | 0271896 | 1 | Decal Installation - United Rentals 35electric (SN 0300068199 to Present) | |
| | 0270954 | 1 | Decal Installation - United Rentals 40/45electric | |
| | | Ref | Decal Installation - Sunbelt Rentals | |
| | 0271109 | 1 | Decal Installation 35electric | |
| | 0271108 | 1 | Decal Installation 40/45electric | |
| | 1282975 | Ref | Decal Chart - Sunbelt | |
| | | Ref | Electrical Connector Kits | |
| | 1001148902 | Ref | Amp/Tyco Electrical Connector Kit | |
| | 1001148903 | Ref | Deutsch DT Electrical Connector Kit | |
| | 1001148904 | Ref | Deutsch HD Electrical Connector Kit | |
| | 1001148905 | Ref | Packard Electrical Connector Kit | |
| | 1001148906 | Ref | Various Electrical Connectors Kit | |
| | 0257399 | Ref | Head and Tail Light Installation (40/45electric) | |
| | 2920150 | 2 | Lamp, Head | |
| | 2920118 | 2 | Light, Tail | |
| | 0257400 | Ref | Head and Back-Up Light Installation (40/45electric) | |
| | 2920150 | 3 | Lamp, Head | |
| | | Ref | Hydraulic Fluids | |
| | 2300014 | AR | Mobil 424 | |
| | 2300027 | AR | Mobil 224H Bio | |
| | 2300029 | AR | Mobil EAL ISO 46 Bio | |
| | 2300021 | AR | Union Carbide Ucon HP5046 Fire Resistant | |
| | 2901888 | Ref | Lift Gate Kit | |
| | 0257410 | Ref | Low Batt Lift Interrupt Installation (40/45electric) | |
| | 0259631 | Ref | Low Batt Lift Interrupt Installation (35electric) | |
| | 0860848 | 1 | Box Assembly | |
| | 3252537 | 1 | Nameplate - Low Voltage Interrupt | |
| | 2420049 | 1 | Gauge - Battery Capacity | |
| | 4460428 | 1 | Connector, Strain Relief | |
| | 0253804 | Ref | Ford Spec Installation (30electric) | |
| | 0253799 | Ref | Low Voltage Cutout Installation (30electric) | |
| | 0860849 | 1 | Box Assembly - Low Voltage Cutout | |
| | 3252256 | 1 | Nameplate - Low Voltage Cutout | |
| | 2420049 | 1 | Gauge - Battery Capacity | |
| | 4360274 | 1 | Switch, Push Button | |
| | 4460052 | 1 | Connector, Strain Relief | |
| | 3300047 | 1 | Nut, Conduit | |

SECTION 10 - SPECIAL OPTIONS

| ITEM | PART NUMBER | QTY | DESCRIPTION | REV |
|------|-------------|-----|---|-----|
| | 0960239 | 1 | Bushing | |
| | 0254788 | Ref | Overload Cutout With Override (30electric) | |
| | 1282201 | Ref | Overload Cutout With Override (30electric) | |
| | 0254790 | Ref | Overload Cutout With Override (35/40/45electric) | |
| | 1282201 | Ref | Overload Cutout With Override (35/40/45electric) | |
| | 0254789 | Ref | Overload Cutout Without Override (30electric) | |
| | 1282201 | Ref | Overload Cutout Without Override (30electric) | |
| | 0254791 | Ref | Overload Cutout Without Override (35/40/45electric) | |
| | 1284791 | Ref | Overload Cutout Without Override (35/40/45electric) | |
| | 0256436 | Ref | Pipe Rack Installation | |
| | 0256829 | Ref | Platform Gate Spring Installation (30/35/40/45electric) | |
| | 4160028 | 1 | Spring, Tension | |
| | 0253411 | Ref | Platform Mesh and Spring Installation (30electric) | |
| | 0480074 | 1 | Belt, Mesh - Gate Top | |
| | 0480075 | 1 | Belt, Mesh - Gate Bottom | |
| | 0480076 | 2 | Belt, Mesh - Sides | |
| | 0480077 | 1 | Belt, Mesh - Back | |
| | 4160028 | 1 | Spring, Tension | |
| | | Ref | Platform Overload (35/40/45electric) | |
| | 0253411 | Ref | Platform Overload Prior to October 1996 | |
| | 0257058 | Ref | Platform Overload October 1996 to Present | |
| | | Ref | Platform Padding Installations (35/40/45electric) | |
| | 0255167 | Ref | 26in x 48in Platform (Prior to SN 0300039214) | |
| | 0258771 | Ref | 26in x 48in Platform (SN 0300039214 to Present) | |
| | 0256563 | Ref | 26in x 60in Platform (Prior to SN 0300039214) | |
| | 0258772 | Ref | 26in x 60in Platform (SN 0300039214 to Present) | |
| | 0256703 | Ref | Platform Proximity Switches Installation | |
| | 4360305 | 4 | Switch, Proximity | |
| | 3539928 | 4 | Plate, Mounting - Proximity Switch | |
| | 4360274 | 1 | Switch, Push Button | |
| | 3251596 | 1 | Decal - Proximity Switch | |
| | 0258918 | Ref | Rack Utility Assembly | |
| | 0257427 | Ref | Simultaneous Drive/Lift/Steer (Model 30electric) (Non-UL Models) (Prior to SN 36544) | |
| | 0258210 | Ref | Simultaneous Drive/Lift/Steer (Model 30electric) (Non-UL Models) (SN 36544 to Present) | |
| | 0257428 | Ref | Simultaneous Drive/Lift/Steer (Model 35 electric) (Non-UL Models) (Prior to SN 36648) | |
| | 0258211 | Ref | Simultaneous Drive/Lift/Steer (Model 35 electric) (Non-UL Models) (SN 36648 to Present) | |
| | 0257429 | Ref | Simultaneous Drive/Lift/Steer (Models 40electric & 45electric) (Non-UL Models) (Prior to SN 36648) | |
| | 0258212 | Ref | Simultaneous Drive/Lift/Steer (Models 40electric & 45electric) (Non-UL Models) (SN 36648 to Present) | |
| | 2901896 | Ref | Steer Cylinder Anti-Rotation Kit | |
| | | Ref | Technical Data Supplements | |
| | 3120348 | Ref | MAC Battery Charger Technical Supplement | |
| | 3120323 | Ref | Operating and Safety Handbook | |
| | 3120351 | Ref | PQ Controller Technical Supplement | |
| | | Ref | Tool For Service: | |
| | 2900832 | 1 | Calibrator Kit | |
| | 8896941 | 1 | Wire Stripper | |
| | 7002821 | 1 | Wire Crimper (To install wire ends to wires) | |

SECTION 10 - SPECIAL OPTIONS

| ITEM | PART NUMBER | QTY | DESCRIPTION | REV |
|------|-------------|-----|--|-----|
| | 7002823 | 1 | Pin/Socket Extractor - Universal (To Remove Pins/Sockets from Connectors) | |
| | 4460467 | 1 | Extractor - 16-18 Gauge (For Removal of Pins/Sockets for Deutsch Connectors) | |
| | 4460510 | 1 | Extractor - 12-14 Gauge (For Removal of Pins/Sockets for Deutsch Connectors) | |
| | 7002822 | 1 | Screwdriver, Potentiometer (To Adjust Drive Controllers) | |
| | 7016654 | 1 | Screwdriver, Magnetic | |
| | 7004275 | 1 | Seal Installation Tool - 1in | |
| | 7004276 | 1 | Seal Installation Tool - 1-1/2in | |
| | 7002826 | 1 | Seal Installation Tool - 2in | |

SECTION 11 - REAR COVER

SECTION 11 - REAR COVER

FIGURE 11-1. REAR COVER



Corporate Office
JLG Industries, Inc.
1 JLG Drive
McConnellsburg, PA 17233-9533 USA
☎ **(717) 485-5161 (Corporate)**
☎ **(877) 554-5438 (Customer Support)**
📠 **(717) 485-6417**

Visit our website for JLG Worldwide Locations.
www.jlg.com



OSHKOSH™

PART NUMBER INDEX

PART NUMBER INDEX

| | | | |
|---|-----------------------------------|-----------------------------------|---------------------------|
| 0100009.....42, 102 | 0254190..... 89 | 0255015..... 210 | 0257660.....200 |
| 0100010.....195, 199, 203 | 0254276..... 30 | 0255027..... 210 | 0257661.....195 |
| 0100011....14, 17, 49, 51, 77, 78, 81, 82, 89, 90, 97, 101, 109, 123, 126, 130, 134, 137, 141, 145 | 0254291..... 42 | 0255111..... 17, 29 | 0257735.....210 |
| 0100019.....9, 57, 61 | 0254292..... 42 | 0255167..... 213 | 0257837.....211 |
| 0100020.....141, 155, 160 | 0254298..... 42, 49 | 0255168..... 210 | 0257838.....211 |
| 0100029.....116 | 0254299..... 41 | 0255170..... 210 | 0257839.....211 |
| 0100035....123, 126, 130, 134, 137, 141, 143 | 0254399..... 72 | 0255561..... 77, 164 | 0258045.....67 |
| 0100038....123, 126, 130, 134, 137, 141 | 0254400..... 72 | 0255711..... 211 | 0258046.....67 |
| 0100048.....31, 72 | 0254454 ... 195, 200, 204, 211 | 0255713..... 211 | 0258061..... 72 |
| 0100051.....31 | 0254481..... 18 | 0255715..... 211 | 0258062.....72 |
| 0100065.....31 | 0254483..... 30 | 0255717..... 211 | 0258063.....72 |
| 0140028.....47, 49, 51 | 0254484..... 18 | 0255743..... 32 | 0258064.....72 |
| 0140030.....117, 163, 166 | 0254485..... 17, 29 | 0255789..... 211 | 0258204.....211 |
| 0140031.....47, 49, 51 | 0254485..... 17, 29 | 0255790..... 211 | 0258205.....211 |
| 0182000.....9 | 0254499..... 30 | 0256121..... 30 | 0258206.....211 |
| 0182002.....9 | 0254536..... 72 | 0256123..... 30 | 0258207.....211 |
| 0252243.....9 | 0254537..... 72 | 0256124..... 30 | 0258208.....212 |
| 0252290.....42, 47 | 0254538..... 203 | 0256125..... 30 | 0258209.....212 |
| 0252303.....86 | 0254540..... 203 | 0256270..... 210 | 0258210..... 162, 213 |
| 0252318.....85 | 0254542..... 110, 190 | 0256436..... 213 | 0258211.... 152, 166, 213 |
| 0252339.....41 | 0254544..... 77, 81, 164 | 0256530..... 30 | 0258212.... 152, 166, 213 |
| 0252349.....17 | 0254549..... 29, 189 | 0256563..... 213 | 0258226..... 85, 186 |
| 0252352.....18 | 0254590..... 19 | 0256617..... 210 | 0258563.....97, 186 |
| 0252358.....105, 190 | 0254595..... 90, 186 | 0256640..... 18 | 0258564..... 97, 186 |
| 0252408.....105, 110 | 0254597..... 29, 189 | 0256642..... 18 | 0258565..... 90, 186 |
| 0252431.....18 | 0254599..... 17, 29 | 0256703..... 213 | 0258771.....213 |
| 0252754.....19 | 0254603..... 32 | 0256789..... 210 | 0258772.....213 |
| 0252927.....210 | 0254605..... 42 | 0256829..... 213 | 0258918.....213 |
| 0252986.....42, 75 | 0254645..... 105 | 0256832..... 19 | 0259631..... 165, 212 |
| 0253028.....147 | 0254646..... 105 | 0256834..... 18 | 0270258.....30 |
| 0253185.....57 | 0254647..... 97, 186 | 0256835..... 18 | 0270291.....9 |
| 0253241.....32, 210 | 0254698..... 77 | 0256836..... 18 | 0270723.....210 |
| 0253347.....17 | 0254703..... 195 | 0256837..... 18 | 0270954.....212 |
| 0253411.....213 | 0254704..... 210 | 0257047..... 211 | 0270962.....212 |
| 0253439.....18 | 0254706..... 199 | 0257058..... 213 | 0271037.....199 |
| 0253455.....93 | 0254708..... 41 | 0257103..... 110, 191 | 0271039.....203 |
| 0253508.....61 | 0254710..... 17, 29 | 0257195..... 210 | 0271108.....212 |
| 0253533.....61 | 0254725..... 210 | 0257399..... 212 | 0271109.....212 |
| 0253550.....210 | 0254731..... 199 | 0257400..... 212 | 0271896.....212 |
| 0253594.....13 | 0254733..... 203 | 0257410..... 165, 212 | 0271913.....41 |
| 0253613.....14 | 0254738..... 85, 186 | 0257427..... 213 | 0400055.....31 |
| 0253650.....42, 51 | 0254739..... 67 | 0257428 ... 152, 166, 213 | 0400069.....31 |
| 0253687.....77, 81 | 0254740..... 67 | 0257429 ... 152, 162, 166, 213 | 0400107.....31 |
| 0253698.....109 | 0254743..... 75 | 0257438..... 210 | 0400112.....31 |
| 0253704.....98 | 0254744..... 75 | 0257452..... 211 | 0400121.....31 |
| 0253708.....51 | 0254745..... 75, 162 | 0257453..... 211 | 0400124..... 32, 35, 37 |
| 0253709.....81 | 0254766..... 211 | 0257454..... 211 | 0400135..... 32, 210 |
| 0253716.....110, 190 | 0254785..... 211 | 0257454..... 211 | 0400136.....31 |
| 0253734.....14 | 0254788..... 213 | 0257468..... 211 | 0400137..... 32, 36 |
| 0253735.....13 | 0254789..... 213 | 0257469..... 211 | 0400158..... 32, 36 |
| 0253784.....18 | 0254790..... 213 | 0257470..... 211 | 0400159.....210 |
| 0253799.....212 | 0254791..... 213 | 0257471..... 211 | 0400160.....210 |
| 0253804.....212 | 0254793..... 190 | 0257472..... 212 | 0400161.....210 |
| 0253864.....19 | 0254801..... 32 | 0257473..... 212 | 0400162..... 32, 35 |
| 0253984.....81 | 0254815..... 90 | 0257479..... 32 | 0400171.....210 |
| 0254028.....149 | 0254830..... 57 | 0257498..... 210 | 0400172.....210 |
| 0254040.....93 | 0254831..... 57 | 0257499..... 210 | 0400198.....39 |
| 0254041.....97, 186 | 0254850..... 149 | 0257500..... 210 | 0440162.....9, 13 |
| 0254042.....110, 191 | 0254851..... 149 | 0257548..... 17, 29 | 0440202.....57 |
| 0254120.....18 | 0254865..... 18 | 0257549..... 17, 29 | 0440203..... 61, 63 |
| 0254121.....18 | 0254866..... 18 | 0257550..... 17, 29 | 0440338.....57, 59 |
| 0254155.....19 | 0254874..... 18 | 0257551..... 17, 29 | 0440339..... 61, 63 |
| | 0254875..... 98 | 0257556..... 30 | 0460096.....147 |
| | 0254877..... 212 | 0257557..... 30 | 0460102..... 147, 149 |
| | 0254955..... 105, 111 | 0257558..... 30 | 0460103..... 147, 149 |
| | 0255011..... 13 | 0257563..... 210 | 0460106.....109 |
| | 0255012..... 13 | 0257564..... 32 | 0460110.....149 |

PART NUMBER INDEX

| | | | | | | | |
|----------|------------------------------|---------|----------------|------------|--------------------------------|---------|---------------|
| 0460111 | 149 | 0641808 | 89 | 0902044 | 77 | 1282324 | 210 |
| 0460112 | 149 | 0641810 | 94, 109 | 0902045 | 77 | 1282417 | 164 |
| 0460113 | 149 | 0641811 | 17 | 0902046 | 77 | 1282704 | 211 |
| 0460114 | 149 | 0641812 | 59, 63, 89, 94 | 0902051 | 51 | 1282820 | 164, 165 |
| 0460115 | 149 | 0641814 | 14 | 0902055 | 77 | 1282857 | 162, 166 |
| 0480074 | 213 | 0641818 | 101 | 0902056 | 77 | 1282975 | 212 |
| 0480075 | 213 | 0642016 | 9, 13 | 0920090 | 17, 23 | 1284791 | 213 |
| 0480076 | 213 | 0681814 | 57, 61 | 0940036 | 42 | 1320017 | 109 |
| 0480077 | 213 | 0682022 | 57 | 0940048 | 14, 94 | 1320031 | 109 |
| 0560995 | 85 | 0682024 | 57 | 0940049 | 77, 81 | 1320033 | 147, 149 |
| 0561076 | 89, 94 | 0682026 | 61 | 0960239 | 213 | 1320037 | 147, 149 |
| 0561090 | 90, 97 | 0682028 | 61 | 0961127 | 195, 199, 203 | 1320040 | 97 |
| 0561091 | 97 | 0682040 | 57 | 0961602 | 85, 123 | 1320043 | 81 |
| 0561157 | 85 | 0682048 | 61 | 0961608 | 85, 109, 137, 141 | 1320050 | 109 |
| 0561158 | 85 | 0720805 | 116 | 0961621 | 10, 14 | 1320051 | 123 |
| 0561173 | 89 | 0721008 | 75, 77, 82 | 0961726 | 89, 90, 93, 101, 125, 129, 133 | 1320159 | 90, 109 |
| 0610107 | 68, 73 | 0731003 | 116 | 0961749 | 109 | 1320172 | 31 |
| 0630016 | 10, 14, 17 | 0741008 | 29 | 1001102354 | 9 | 1320195 | 90, 97, 102 |
| 0630399 | 102 | 0741606 | 77, 82 | 1001139010 | 9 | 1320199 | 90, 97, 102 |
| 0630407 | 31 | 0791004 | 29 | 1001148902 | 212 | 1320205 | 90, 97 |
| 0630448 | 75 | 0800749 | 85 | 1001148903 | 212 | 1380132 | 51 |
| 0630453 | 31 | 0800750 | 85 | 1001148904 | 212 | 1380138 | 42 |
| 0630455 | 19 | 0800831 | 93 | 1001148905 | 212 | 1380139 | 67 |
| 0630457 | 75 | 0800832 | 89, 93, 101 | 1001148906 | 212 | 1580008 | 195, 199, 203 |
| 0630464 | 67, 71, 81 | 0800833 | 101 | 1020005 | 106, 111 | 1600175 | 116, 119, 207 |
| 0630465 | 19 | 0800834 | 101 | 1060016 | 164, 192 | 1670633 | 19 |
| 0630467 | 97 | 0800852 | 93 | 1060092 | 31 | 1670636 | 106, 111 |
| 0630468 | 81 | 0800853 | 93, 101 | 1060279 | 200, 203 | 1670650 | 42 |
| 0630474 | 77 | 0800854 | 101 | 1060329 | 116 | 1670678 | 101 |
| 0630476 | 77 | 0800855 | 101 | 1060330 | 105, 186, 191 | 1670688 | 106, 111 |
| 0630487 | 101 | 0800866 | 89 | 1060341 | 90, 98, 186, 187, 190 | 1670690 | 109 |
| 0630491 | 77, 81 | 0801007 | 89 | 1060404 | 29 | 1670692 | 19 |
| 0630513 | 19 | 0840027 | 29 | 1060405 | 31 | 1670696 | 31 |
| 0641404 | 101 | 0840031 | 31 | 1060435 | 29 | 1670697 | 97 |
| 0641405 | 101 | 0840032 | 31 | 1060464 | 29 | 1670698 | 101 |
| 0641406 | 32, 67 | 0860038 | 105, 110, 191 | 1060465 | 29 | 1670732 | 106, 111 |
| 0641408 | 29, 32, 89, 105, 110, 200 | 0860520 | 199 | 1060466 | 29 | 1670808 | 19 |
| 0641410 | 49, 85, 97 | 0860848 | 212 | 1060467 | 29 | 1670810 | 19 |
| 0641412 | 43 | 0860849 | 212 | 1060468 | 29 | 1670832 | 98 |
| 0641414 | 85, 106, 111 | 0860876 | 115 | 1060469 | 29 | 1670833 | 98 |
| 0641416 | 29 | 0860883 | 72 | 1060491 | 31 | 1670835 | 29 |
| 0641418 | 51 | 0860895 | 115 | 1060492 | 31 | 1681344 | 123, 125, 129 |
| 0641505 | 109 | 0860914 | 67 | 1060516 | 187, 188 | 1682154 | 137, 141 |
| 0641506 | 51, 94 | 0860915 | 67 | 1060534 | 29 | 1682209 | 129, 133 |
| 0641507 | 49 | 0860916 | 71 | 1060535 | 29 | 1682323 | 133 |
| 0641508 | 29, 47, 51, 116 | 0860917 | 71 | 1060584 | 72 | 1682364 | 143 |
| 0641509 | 85, 105 | 0860918 | 71 | 1120094 | 133 | 1682527 | 9, 13, 143 |
| 06415109 | 13, 19, 63, 75, 81 | 0860919 | 71 | 1120108 | 123, 125, 129 | 1682528 | 143 |
| 0641511 | 90 | 0860920 | 115 | 1120110 | 137, 141 | 1682530 | 143 |
| 0641512 | 31, 97, 145 | 0860921 | 115 | 1120305 | 129, 133 | 1682544 | 123 |
| 0641514 | 9, 51, 75, 90, 97 | 0860922 | 115 | 1120387 | 143 | 1682662 | 85, 123 |
| 0641516 | 109 | 0861056 | 115 | 1120457 | 14 | 1682663 | 123 |
| 0641518 | 19, 51 | 0861057 | 115 | 1180302 | 101 | 1682855 | 93, 133 |
| 0641520 | 90, 97, 102 | 0861058 | 115 | 1220038 | 101, 102 | 1682856 | 133 |
| 0641560 | 97 | 0861059 | 115 | 1220039 | 102 | 1682858 | 133 |
| 0641604 | 145 | 0861060 | 115 | 1281811 | 162 | 1682861 | 93, 129 |
| 0641605 | 72, 81, 109 | 0861180 | 67 | 1281821 | 162, 166 | 1682862 | 129 |
| 0641606 | 77, 89, 101 | 0861181 | 67 | 1281899 | 210 | 1682864 | 129 |
| 0641607 | 109 | 0861184 | 115 | 1282179 | 210, 211 | 1682867 | 93, 125 |
| 06416089 | 14, 17, 77, 89, 94, 102, 109 | 0861186 | 115 | 1282191 | 210 | 1682868 | 125 |
| 0641610 | 14, 89, 94, 109 | 0861187 | 115 | 1282192 | 210, 211 | 1682870 | 125 |
| 0641612 | 32 | 0861188 | 71 | 1282199 | 164, 165 | 1682876 | 109, 141 |
| 0641614 | 89 | 0861189 | 71 | 1282201 | 213 | 1682877 | 89, 93, 137 |
| 0641806 | 94 | 0861190 | 71 | | | 1682878 | 141 |
| | | 0861191 | 71 | | | 1682879 | 137 |
| | | 0901921 | 81 | | | 1682881 | 137, 141 |
| | | 0901923 | 81 | | | 1682887 | 101, 145 |

PART NUMBER INDEX

| | | | | | | | |
|--------------|---------------|---------------|---------------|---------------|----------------|--------------|---------------|
| 1682888..... | 145 | 1702179..... | 203 | 2220428 | 155, 157, 159 | 2680405..... | 75 |
| 1682890..... | 145 | 1702241 | 195, 199, 203 | 2220429 | 155, 157, 159 | 2680410..... | 81 |
| 1682892..... | 145 | 1702251 | 196, 200, 204 | 2220466 | 159 | 2680411..... | 81 |
| 1682893..... | 13, 143 | 1702253 | 195 | 2220472 ... | 143, 155, 157, | 2680413..... | 75 |
| 1682894..... | 143 | 1702265 | 204 | 159 | | 2680473..... | 81 |
| 1682930..... | 109, 139 | 1702275 | 19 | 2220473 | 159 | 2680475..... | 81 |
| 1682947..... | 101, 145 | 1702276 | 195, 199, 203 | 2220492 | 155 | 2751473..... | 155 |
| 1682948..... | 145 | 1702278 | 195, 199, 203 | 2220497 | 155, 157, 159 | 2752433..... | 159 |
| 1682950..... | 145 | 1702279 | 195, 199, 204 | 2220502 | 159 | 2752435..... | 157, 160 |
| 1682958..... | 89, 125 | 1702281 | 195, 199, 203 | 2220504 | 157, 159 | 2752438..... | 160 |
| 1682972..... | 125 | 1702282 | 195, 199, 204 | 2220507 | 157 | 2752440..... | 160 |
| 1682980..... | 89, 133 | 1702283 | 195, 199, 203 | 2220515 | 143 | 2752441..... | 160 |
| 1682981..... | 133 | 1702284 | 195, 199, 204 | 2220516 | 145 | 2752443..... | 155 |
| 1682983..... | 133 | 1702285 | 115 | 2220582 | 155, 157, 159 | 2752446..... | 157, 159 |
| 1682988..... | 125 | 1702286 | 115 | 2220584 | 157, 160 | 2752447..... | 157 |
| 1683013..... | 93, 133 | 1702287 | 115 | 2220603 | 157, 159 | 2752453..... | 155 |
| 1683014..... | 133 | 1702288 | 195, 203 | 2220605 | 160 | 2752454..... | 155 |
| 1683016..... | 133 | 1702290 | 199 | 2220606 | 155, 157, 159 | 2752455..... | 155 |
| 1683018..... | 93, 129 | 1702292 | 195, 199, 203 | 2220609 | 155, 157, 159 | 2752459..... | 157, 159 |
| 1683019..... | 129 | 1702294 | 195, 199, 203 | 2220619 | 157 | 2752462..... | 159 |
| 1683021..... | 129 | 1702300 | 195, 199, 204 | 2220628 | 145 | 2752471..... | 157, 159 |
| 1683285..... | 109, 141 | 1702352 | 32 | 2220635 | 159 | 2752484..... | 155, 157, 159 |
| 1683286..... | 137, 141 | 1702375 | 195, 199 | 2220654 | 155 | 2752485..... | 155 |
| 1683325..... | 89, 93, 137 | 1702397 | 157 | 2220657 | 159 | 2752486..... | 155 |
| 1683337..... | 93, 125 | 1702612 | 195, 199, 203 | 2220677 | 157, 160 | 2752487..... | 157, 159 |
| 1683504..... | 125 | 1702631 | 195, 200 | 2220684 | 157, 160 | 2752488..... | 159 |
| 1683505..... | 125 | 1702688 | 195, 200, 204 | 2220727 | 157, 160 | 2752489..... | 157, 159 |
| 1683506..... | 93, 125 | 1702740 | 19 | 2220873 | 155, 157, 159 | 2752572..... | 160 |
| 1683508..... | 125 | 1702788 | 210 | 2220874 | 155, 157, 159 | 2752573..... | 157, 160 |
| 1683509..... | 89, 125 | 1702935 | 195, 199, 203 | 2220883 | 123, 141, 145 | 2752574..... | 157, 160 |
| 1683512..... | 133 | 1702936 | 195, 199, 203 | 2220885 | 126, 129, 134 | 2752575..... | 157, 160 |
| 1683513..... | 129 | 1702949 | 32 | 2220899 | 159 | 2752579..... | 159 |
| 1683514..... | 125 | 1702950 | 32 | 2220934 | 160 | 2752580..... | 157, 159 |
| 1683515..... | 133 | 1703179 | 210 | 2220935 | 157, 160 | 2752581..... | 160 |
| 1683516..... | 129 | 1703520 | 211 | 2221020 | 157, 160 | 2752583..... | 157 |
| 1683518..... | 93, 133 | 1703525 | 211, 212 | 2300014 | 212 | 2752584..... | 160 |
| 1683519..... | 93, 129 | 1703526 | 211, 212 | 2300021 | 212 | 2752585..... | 159 |
| 1683520..... | 93, 125 | 1704174 | 210 | 2300027 | 212 | 2752611..... | 157, 159 |
| 1683521..... | 93, 133 | 1704260 | 72, 116 | 2300029 | 212 | 2752614..... | 159 |
| 1683522..... | 93, 129 | 1704277 | 195, 199, 203 | 2360371 | 13 | 2752619..... | 159 |
| 1683694..... | 143 | 1704412 | 199 | 2360372 | 13 | 2752620..... | 159 |
| 1683695..... | 9, 13, 143 | 1704414 | 115 | 2360373 | 13 | 2752621..... | 159 |
| 1683696..... | 13, 143 | 1704415 | 115 | 2360375 | 13 | 2752623..... | 157 |
| 1700584..... | 195, 199, 203 | 1704416 | 115 | 2360378 | 9 | 2752624..... | 157 |
| 1701500..... | 195, 199, 203 | 1760160 | 101 | 2360379 | 13 | 2752626..... | 159 |
| 1701504..... | 195, 199, 203 | 1780265 | 105, 110 | 2360404 | 13 | 2752627..... | 157 |
| 1701640..... | 199, 203 | 1780289 | 110 | 2360405 | 13 | 2753005..... | 157, 160 |
| 1701642..... | 195, 199, 203 | 1780299 | 105, 110 | 2360406 | 13 | 2753050..... | 159 |
| 1701643..... | 19 | 1780300 | 110 | 2360407 | 13 | 2753113..... | 159 |
| 1701644..... | 195, 199, 203 | 1870031 | 162 | 2360408 | 13 | 2753114..... | 159 |
| 1701645..... | 195, 199, 203 | 1870032 | 166 | 2400005 | 189 | 2753115..... | 159 |
| 1701691..... | 195, 199, 203 | 1870066 | 166 | 2400041 | 189, 207 | 2753116..... | 159 |
| 1701695..... | 32, 195, 199, | 1870067 | 162 | 2400044 | 29 | 2780185..... | 17, 25 |
| 203 | | 2120072 | 42, 206 | 2400045 | 29, 189, 206 | 2780186..... | 9 |
| 1701714..... | 89, 195, 200 | 2120105 | 42 | 2420049 | 165, 212 | 2780198..... | 17, 27 |
| 1701812..... | 19 | 2120158 | 42 | 2420106 | 67, 71 | 2780201..... | 13, 14 |
| 1701892..... | 195, 199, 203 | 2120165 | 42 | 2540016 | 31 | 2780206..... | 17, 27 |
| 1702048..... | 203 | 2160001 | 63 | 2540019 | 29 | 2791887..... | 152 |
| 1702124..... | 160 | 2160003 | 57, 63 | 2540020 | 29 | 2791990..... | 152, 155 |
| 1702153..... | 195, 199, 203 | 2180394 | 143 | 2540023 | 29 | 2792012..... | 152 |
| 1702155..... | 195, 199, 204 | 2180699 | 143 | 2560010 | 105, 110 | 2792017..... | 152, 159 |
| 1702157..... | 196, 200, 204 | 2180819 | 17 | 2560115 | 115 | 2792141..... | 152 |
| 1702174..... | 195 | 2200222 | 141 | 2560136 | 115 | 2792142..... | 152, 157 |
| 1702175..... | 199 | 2220273 | 17 | 2600192 | 75 | 2792144..... | 152, 159 |
| 1702176..... | 199 | 2220366 | 157 | 2680239 | 77 | 2792334..... | 152 |
| 1702177..... | 203 | 2220371 | 155, 157, 159 | 2680240 | 77 | 2792543..... | 152 |
| 1702178..... | 203 | 2220415 | 157, 159 | 2680404 | 75 | 2792546..... | 157 |

PART NUMBER INDEX

| | | | |
|---|--|----------------------------|---|
| 2820035 111 | 3000004 31 | 3313003..... 9, 13 | 3536089 106, 111 |
| 2820036 78, 82 | 3020022 9, 13, 85, 89, 94, 105 | 3321801..... 17 | 3536491 93 |
| 2820063 31 | 3020027 57, 61 | 3321802..... 143 | 3536691 81 |
| 2820065 32 | 3020029 57, 61 | 3322002..... 9, 13 | 3536755 61 |
| 2820066 32 | 3020036 57, 61 | 3322205..... 145 | 3536999 90, 97 |
| 2820067 32 | 3120323 213 | 3322403..... 14 | 3537045 93 |
| 2860030 67, 71, 206 | 3120348 213 | 3340450..... 14 | 3537220 89 |
| 2900034 25, 27 | 3120351 213 | 3340644..... 9, 13 | 3537234 116 |
| 2900371 ... 123, 126, 130 | 3160182 57, 61, 65 | 3340663..... 101 | 3537903 77, 82 |
| 2900661 27 | 3160186 17 | 3340666..... 101 | 3537992 67 |
| 2900708 51 | 3251242 191 | 3340679..... 145 | 3538052 57 |
| 2900770 ... 123, 126, 129, 133, 134, 145 | 3251243 ... 111, 191, 195, 199, 203 | 3340682..... 101 | 3538157 29 |
| 2900779 51 | 3251596 213 | 3340820..... 101 | 3539928 213 |
| 2900792 141 | 3251813 ... 195, 199, 203 | 3420156..... 77, 81 | 3600179 51 |
| 2900804 10 | 3251921 ... 196, 200, 204 | 3421799..... 32 | 3600192 41 |
| 2900811 17 | 3252221 210 | 3421983..... 105 | 3600207 109, 113 |
| 2900813 41 | 3252256 212 | 3421985..... 85 | 3600261 41 |
| 2900832 213 | 3252314 212 | 3421986..... 85 | 3640834 116 |
| 2900842 14 | 3252331 ... 196, 200, 204 | 3421988..... 9, 13 | 3640920 73 |
| 2900859 115 | 3252347 105, 110 | 3422006..... 85 | 3640930 68, 116 |
| 2900930 204 | 3252349 67 | 3422170..... 14 | 3730103 189 |
| 2900932 210 | 3252350 71 | 3422175..... 93 | 3740063 ... 116, 117, 162, 163, 164, 165, 166 |
| 2900933 210 | 3252351 71 | 3422176..... 89, 93, 109 | 3740087 ... 116, 117, 162, 163, 164, 165, 166, 207 |
| 2900935 210 | 3252507 ... 111, 191, 203 | 3422177..... 89, 93 | 3740091 165 |
| 2900986 195 | 3252537 165, 212 | 3422178..... 89, 93 | 3760115 101 |
| 2901147 137, 141 | 3252648 67 | 3422179..... 89, 93 | 3760141 143 |
| 2901154 130, 134 | 3252649 71 | 3422180..... 89, 94, 109 | 3760170 31 |
| 2901170 134 | 3300029 31 | 3422181..... 109 | 3760308 42 |
| 2901178 143 | 3300047 212 | 3422185..... 101 | 3760318 145 |
| 2901212 47, 162 | 3300151 90, 97 | 3422191..... 109 | 3780181 . 85, 89, 94, 105, 109 |
| 2901213 105, 111 | 3300181 32 | 3422263..... 101 | 3780182 9, 13 |
| 2901216 116 | 3300255 10 | 3422901..... 101 | 3780183 85 |
| 2901242 145 | 3300279 ... 123, 125, 129 | 3430816..... 109 | 3780184 89, 94, 109 |
| 2901249 51, 165 | 3300281 129, 133 | 3430840..... 77, 81 | 3790012 116 |
| 2901250 51, 117 | 3300308 137, 141 | 3450405..... 109 | 3790029 123 |
| 2901251 ... 106, 111, 162, 165 | 3300309 137, 141 | 3450506..... 13 | 3790112 119 |
| 2901302 49, 165 | 3300315 125 | 3450810..... 9, 13 | 3790113 145 |
| 2901496 126 | 3300352 115 | 3451210..... 14 | 3790225 23 |
| 2901560 47, 162 | 3300356 20 | 3480102..... 133 | 3790240 17, 23 |
| 2901561 ... 106, 111, 162, 166 | 3300365 72, 81 | 3480113..... 129, 133 | 3820001 ... 195, 196, 199, 200, 203, 204 |
| 2901600 49, 165 | 3300371 42 | 3480115..... 123, 125, 129 | 3841143 ... 14, 85, 89, 94, 105, 109 |
| 2901601 51, 165 | 3300396 72 | 3480123..... 137, 141 | 3841146 9, 13 |
| 2901888 212 | 3300412 72 | 3480153..... 143 | 3841203 89, 94, 109 |
| 2901896 213 | 3300413 72 | 3480170..... 145 | 3860054 143 |
| 2910010 204 | 3310601 67, 72, 116 | 3480217..... 137, 141 | 3860076 143 |
| 2910036 200 | 3311001 110 | 3510434..... 110 | 3860080 143 |
| 2910037 204 | 3311005 ... 29, 75, 77, 82, 86, 90, 98 | 3510458..... 105 | 3900097 98 |
| 2910055 200 | 3311011 72 | 3510459..... 105 | 3900104 98 |
| 2910119 211 | 3311401 ... 42, 47, 51, 75, 81, 86, 90, 97, 101, 110, 203 | 3510460..... 110 | 3900168 86, 90, 98 |
| 2920095 106, 111 | 3311405 ... 29, 31, 32, 43, 47, 49, 51, 67, 85, 89, 97, 105, 106, 111, 200 | 3510498..... 110 | 3900170 ... 123, 126, 129, 134, 137, 141 |
| 2920107 116 | 3311501 ... 20, 51, 75, 77, 81 | 3510502..... 105 | 3900174 42 |
| 2920118 212 | 3311505 9, 14, 29, 49, 51, 75, 85, 90, 94, 97, 102, 105, 109 | 3510503..... 105 | 3900246 98 |
| 2920119 75, 77, 81 | 3311601 81 | 3510504..... 110 | 3910606 ... 105, 111, 191 |
| 2920120 116 | 3311602 101 | 3510507..... 110 | 3910608 67, 72, 116 |
| 2920146 75, 77, 81 | 3311605 .. 32, 89, 94, 109 | 3510513..... 110 | 3910804 68, 72 |
| 2920150 212 | 3311805 ... 14, 31, 89, 94 | 3510584..... 110 | 3911016 110 |
| 2940006 ... 105, 110, 208 | 3312005 9, 13 | 3510596..... 110 | 3911408 203 |
| 2940042 81 | | 3510598..... 110 | 3911410 42 |
| 2940071 77, 81 | | 3510599..... 105 | 3931414 57 |
| 2940073 31 | | 3510600..... 110 | 3931516 41 |
| 2940074 110, 208 | | 3510601..... 110 | 3941003 203 |
| 2940093 31 | | 3520026..... 42 | |
| 2940094 32 | | 3520031..... 116 | |
| 3000003 31 | | 3520034..... 102 | |
| | | 3520054..... 31 | |
| | | 3520084..... 72 | |
| | | 3535959..... 42 | |

PART NUMBER INDEX

| | | | |
|--|--|-----------------------------------|--|
| 3941405.....109 | 4360347 71 | 4460523 ... 116, 186, 187, 188 | 4711400....29, 32, 42, 47, 49, 51, 75, 106, 111, 203 |
| 3941408.....200 | 4360365 115 | 4460524 116 | 4711500..... 31, 51, 75 |
| 3951402.... 123, 126, 129, 145 | 4360371 32, 206 | 4460525 116, 187, 188 | 4711600.....9, 17 |
| 3960422..... 105, 111, 191 | 4360445 115, 206 | 4460526 116, 186 | 4711800..... 17, 77 |
| 3960433.....42, 77 | 4360451 192 | 4460527 187, 188 | 4712400..... 13 |
| 3960438.....71, 81 | 4360473 67, 71, 206 | 4460529 116, 186 | 4740007.....109 |
| 3960447.....42, 71 | 4360474 71 | 4460530 72, 73 | 4740120.....67, 71, 81 |
| 3960453.....77, 81 | 4360475 .67, 71, 115, 206 | 4460536 190 | 4740171.....57, 61 |
| 3990001 ... 117, 162, 164, 165, 166, 186, 187, 188, 189, 207 | 4360476 72, 116, 206 | 4460539 187, 188 | 4740207..... 129, 133 |
| 3990010.... 164, 165, 186, 189, 207 | 4420008 72 | 4460545 67, 68 | 4740247..... 14 |
| 3990053..... 17, 206 | 4420037 67 | 4460598 106, 111 | 4740362.....67 |
| 4060092..... 105, 111, 191 | 4420054 195, 199 | 4520139 19 | 4740393.....61 |
| 4060802.....67, 71, 115 | 4460052 212 | 4520148 19 | 4740394.... 123, 125, 126, 129 |
| 4060803.....90, 105, 110 | 4460071 ... 105, 110, 111, 191 | 4520151 18 | 4740397.....67, 71 |
| 4060804.....85 | 4460125 111, 191 | 4520154 18 | 4740413..... 102 |
| 4060805.....85, 90, 97 | 4460134 111, 191 | 4520155 18 | 4740420..... 116 |
| 4060807.....85, 97 | 4460205 105, 111, 191 | 4520159 18 | 4740453.....9 |
| 4060808..... 14, 90, 97 | 4460224 189 | 4520184 18, 19 | 4750600.....67, 72, 116 |
| 4060854.....51 | 4460225 ... 187, 188, 190 | 4520198 18 | 4750800..... 116 |
| 4060855..... 109 | 4460226 119, 190 | 4520265 19 | 4751000....29, 75, 77, 82, 86, 90, 110, 116 |
| 4060865.....75, 77, 81 | 4460227 119 | 4565275 143 | 4751400.... 42, 47, 51, 67, 75, 81, 85, 86, 89, 90, 97, 101, 105, 109, 110, 200 |
| 4070809.....9, 13 | 4460233 111, 191 | 4565332 123 | 47515009, 13, 29, 49, 51, 77, 81, 90, 97, 109, 116 |
| 4070832..... 14 | 4460234 67, 78, 82 | 4565640 31 | 4751600.... 14, 32, 73, 77, 81, 89, 94, 102, 109 |
| 4070833..... 14 | 4460265 119, 187, 188 | 4565755 42 | 4751800..... 31, 81, 109 |
| 4070834..... 14 | 4460266 119, 190 | 4565992 133 | 476060067, 72, 105, 111, 116, 191 |
| 4070835..... 14 | 4460267 187, 188 | 4565994 129 | 4760800..... 116 |
| 4070853..... 14 | 4460268 187, 188, 189 | 4566009 126 | 4761000..... 110, 116 |
| 4070987.....68, 72 | 4460298 68, 73 | 4566023 137, 141 | 4761400....29, 32, 42, 47, 51, 57, 85, 101, 109 |
| 4070991.....68, 72 | 4460299 68, 73 | 4566027 145 | 4761500.... 19, 32, 47, 75, 77, 116 |
| 4100026..... 157, 160 | 4460300 68, 73 | 4566187 160 | 4761600..17, 72, 81, 101, 145 |
| 4120014..... 165 | 4460301 68, 73 | 4566188 160 | 4761800..... 17, 101 |
| 4120027.... 116, 117, 162, 163, 164, 165, 166 | 4460305 68, 73 | 4566243 97 | 4844026.....85 |
| 4130286.....9, 10 | 4460306 68, 73 | 4566261 133 | 4844027.....85 |
| 4130302..... 13 | 4460307 68, 73 | 4566356 94 | 4844028.....85 |
| 4130319..... 13 | 4460308 68, 73 | 4566427 94 | 4844102..... 105 |
| 4160028.....213 | 4460310 68, 73 | 4566432 133 | 4844182..... 75 |
| 4160114..... 165 | 4460315 111, 191 | 4566435 129 | 4844302..... 93 |
| 4160117..... 75 | 4460320 187, 188 | 4566473 126 | 4844303..... 93 |
| 4220111..... 78 | 4460347 ... 105, 111, 191 | 4566623 160 | 4844304..... 14 |
| 4220162.....77, 82 | 4460418 189 | 4567177 126 | 4844365..... 51 |
| 4240032.....78, 82 | 4460419 189 | 4567180 126 | 4844369..... 14 |
| 4240084.....29 | 4460422 105, 110 | 4620086 75 | 4844404..... 81 |
| 4240099..85, 90, 97, 106, 111 | 4460425 72, 188 | 4620088 81 | 4844424..... 31 |
| 4300106.....51 | 4460426 72, 187, 188 | 4620101 77 | 4844427..... 93 |
| 4300107.....31 | 4460428 .86, 90, 98, 106, 111, 116, 186, 192, 212 | 4640392 19 | 4844465..... 109 |
| 4360031.... 105, 110, 206 | 4460434 187, 188 | 4640509 141 | 4844466..... 109 |
| 4360069....72, 116, 165, 206 | 4460444 187, 188 | 4640634 129, 133 | 4844467..... 94 |
| 4360112..... 116, 207 | 4460446 187, 188 | 4640709 145 | 4844541..... 93 |
| 4360199..... 165 | 4460453 ... 187, 188, 190 | 4640725 47 | 4844576..... 89 |
| 4360274.... 116, 207, 212, 213 | 4460454 ... 187, 188, 190 | 4640726 42 | 4844579..... 101 |
| 4360282.....72, 116 | 4460464 187, 190 | 4640746 134 | 4844588..... 89 |
| 4360289.....67, 71, 115 | 4460465 187, 188 | 4640771 126, 145 | 4844595..... 61 |
| 4360305.....213 | 4460466 187, 188 | 4640797 51, 53 | 4844602..... 42 |
| 4360314.67, 71, 115, 206 | 4460467 187, 188 | 4640799 123, 126, 134 | |
| 4360317..... 115 | 4460467 192, 214 | 4640807 145 | |
| 4360321 ... 86, 90, 98, 208 | 4460470 188 | 4640814 51 | |
| 4360328..... 115, 207 | 4460471 188 | 4640816 129, 133 | |
| 4360344..... 192 | 4460475 192 | 4640843 49, 54 | |
| 4360346.....67, 71 | 4460476 192 | 4640861 160 | |
| | 4460488 116 | 4640866 51 | |
| | 4460489 192 | 4640932 141 | |
| | 4460499 .53, 54, 187, 188 | 4640936 126 | |
| | 4460500 188 | 4641025 51, 53 | |
| | 4460501 187 | 4641026 49, 54 | |
| | 4460510 192, 214 | 4641084 123 | |
| | 4460522 116 | | |

PART NUMBER INDEX

| | | | | | | | |
|---------------|------------------|----------------|----------|---------------|-----------------|---------------|-----------------|
| 4844603 | 42 | 4932927 | 162, 164 | 7003552..... | 113 | 7011507 | 35, 36, 37 |
| 4844632 | 30 | 4932935 | 165 | 7003553..... | 113 | 7011508 | 36, 208 |
| 4844689 | 30 | 4932936 | 162, 186 | 7003554..... | 113 | 7011511 | 35, 36, 37 |
| 4844778 | 42 | 4932937 | 165, 186 | 7003555..... | 113 | 7011517 | 35, 36 |
| 4844797 | 57 | 4932970 | 165 | 7003556..... | 113 | 7011518 | 35, 37 |
| 4845262 | 30 | 4932987 | 166, 189 | 7003557..... | 113 | 7011528 | 35, 36 |
| 4845343 | 31 | 4932988 | 165, 186 | 7003558..... | 113 | 7011529 | 39 |
| 4860136 | 19 | 4933002 | 162, 186 | 7003559..... | 113 | 7011551 | 36 |
| 4860137 | 19 | 4933003 | 162, 189 | 7003560..... | 113 | 7011572 | 36, 190 |
| 4860142 | 19 | 4933010 | 165 | 7003561..... | 113 | 7011573 | 35, 36, 37, 39 |
| 4860169 | 19 | 4933011 | 165 | 7003562..... | 113 | 7011574 | 36 |
| 4891400 | 59 | 4933012 | 164 | 7003702..... | 119 | 7011576 | 35, 36 |
| 4891500 | 63 | 4933013 | 164 | 7003703..... | 119 | 7011584 | 35, 36 |
| 4892000 | 57 | 4933014 | 162, 166 | 7003719..... | 119 | 7011590 ... | 35, 36, 37, 39, |
| 4920140 | 86 | 4933015 | 164 | 7003722..... | 119 | 190 | |
| 4921396 | 110, 190 | 70000864 | 59 | 7003739..... | 119 | 7011591 | 35, 190 |
| 4921425 .. | 47, 49, 51, 190 | 70000865 | 59, 63 | 7003744..... | 119 | 7011593 ... | 35, 36, 39, 208 |
| 4921428 | 191 | 70000866 | 59 | 7003751..... | 119 | 7011594 | 35, 36, 39 |
| 4921442 | 162 | 70000867 | 59 | 7003788..... | 119 | 7011595 | 35 |
| 4921521 | 192 | 70000868 | 63 | 7003789..... | 119, 207 | 7011596 | 37 |
| 4921566 | 192 | 70001677 | 63 | 7003790..... | 119 | 7011598 | 36 |
| 4921568 | 111, 191 | 7000209 | 25, 27 | 7003791..... | 119 | 7011610 | 35 |
| 4921569 | 111, 191 | 7000214 | 25, 27 | 7003792..... | 119 | 7011621 ... | 35, 36, 37, 39, |
| 4921581 | 97, 187 | 7000217 | 25, 27 | 7003793..... | 119 | 190 | |
| 4921591 | 97, 187 | 7000228 | 25, 27 | 7003795..... | 119 | 7011643 | 35, 190 |
| 4921592 | 111, 191 | 7000229 | 25, 27 | 7004275..... | 214 | 7011645 ... | 35, 36, 37, 208 |
| 4921593 | 111, 191 | 7000230 | 25, 27 | 7004276..... | 214 | 7011646 | 35, 36, 37 |
| 4921601 | 192 | 7000232 | 25, 27 | 7005804..... | 65 | 7011662 | 35 |
| 4921641 | 188 | 7000241 | 25, 27 | 7005809..... | 65 | 7011668 | 35, 36, 37 |
| 4921642 | 188 | 70002418 | 41 | 7005811..... | 65 | 7011674 | 36 |
| 4921643 | 72, 188 | 7000242 | 25, 27 | 7005812..... | 65 | 7011677 | 36, 190 |
| 4921644 .. | 90, 97, 186, 187 | 7000246 | 25, 27 | 7005821..... | 65 | 7011904 | 119 |
| 4921645 | 97, 187 | 7000248 | 25, 27 | 7005874..... | 65 | 7011942 | 119, 207 |
| 4921646 | 111, 191 | 7000253 | 25, 27 | 7005876..... | 65 | 7011973 | 119 |
| 4921647 | 111, 191 | 7000255 | 25, 27 | 7005877..... | 65 | 7012517 | 115 |
| 4921650 | 90, 187 | 7000256 | 25, 27 | 7005878..... | 65 | 7012518 | 54 |
| 4921659 | 85, 187 | 7000257 | 25, 27 | 7005879..... | 65 | 7012519 | 9 |
| 4921882 | 188 | 7000258 | 25, 27 | 7005880..... | 65 | 7012520 | 9 |
| 4921980 | 162, 166 | 7000259 | 25, 27 | 7005881..... | 65 | 7012521 | 9 |
| 4921983 | 192 | 7000263 | 25, 27 | 7007642..... | 27 | 7012522 | 9 |
| 4921984 | 192 | 7000269 | 25 | 7009795..... | 53 | 7012523 | 9 |
| 4922039 | 72, 188 | 7000270 | 25 | 7010461..... | 25 | 7012541 | 10 |
| 4922040 | 188 | 70003552 | 29 | 7010463..... | 25 | 7012542 | 10 |
| 4922041 | 162, 166 | 70003553 | 29 | 7010474..... | 27 | 7012543 | 10 |
| 4922042 | 186 | 7000625 | 105, 110 | 7010481..... | 27 | 7012546 | 17 |
| 4922043 | 189 | 7001608 | 139 | 7010482..... | 27 | 7012552 | 23 |
| 4922045 | 189 | 7001609 | 139 | 7010483..... | 27 | 7012554 | 23 |
| 4922056 | 186 | 7001610 | 139 | 7010484..... | 27 | 7012566 | 115 |
| 4922061 | 85, 187 | 7001611 | 139 | 7010485..... | 27 | 7012580 | 23, 190 |
| 4922076 .. | 47, 49, 51, 190 | 7001612 | 139 | 7010486..... | 27 | 7012582 | 23 |
| 4922078 | 192 | 7001613 | 139 | 7010489..... | 27 | 7012583 | 23 |
| 4922127 | 97, 187 | 7001614 | 139 | 7010490..... | 27 | 7012584 | 57 |
| 4922128 | 90, 97, 187 | 7001909 | 25, 27 | 7010491..... | 27 | 7012585 | 57 |
| 4932577 | 162 | 7001911 | 25 | 7010537 | 42, 54 | 7012587 | 67, 71 |
| 4932617 | 162 | 7001912 | 25 | 7010538 | 42, 47, 53, 54, | 7012596 | 61, 63 |
| 4932628 | 166 | 7001913 | 25 | 206 | | | |
| 4932659 | 165, 186 | 7001923 | 27 | 7010539 | 42, 47, 53, 54 | 7012597 | 61, 63 |
| 4932660 | 166, 189 | 7001931 | 25 | 7010540 | 42, 47, 53, 54 | 7012608 | 32 |
| 4932674 | 162, 186 | 7001952 | 25, 27 | 7010541 | 42, 47, 53, 54 | 7012609 | 17 |
| 4932675 | 162, 189 | 7001985 | 25, 27 | 7010542 | 42, 47, 53, 54 | 7012611 | 67, 71, 115 |
| 4932681 | 117, 162, 166 | 7002821 | 192, 213 | 7010543 | 42, 47, 53, 54 | 7012612 | 67, 71, 115 |
| 4932682 | 164 | 7002822 | 214 | 7010544..... | 47 | 7012624 | 77 |
| 4932683 | 164 | 7002823 | 192, 214 | 7010545..... | 47, 53, 123 | 7012654 | 57, 61, 63 |
| 4932684 | 164 | 7002826 | 214 | 7010546..... | 47, 53, 54 | 7012655 | 57, 61, 63 |
| 4932685 | 164 | 7002828 | 192 | 7010652..... | 51 | 7012665 | 71 |
| 4932686 | 164 | 7003550 | 113 | 7011112..... | 141 | 7012689 | 23 |
| 4932882 | 165 | 7003551 | 113 | 7011322..... | 51 | 7012691 | 23 |
| | | | | | | 7012692 | 23 |

PART NUMBER INDEX

| | | | | | | | |
|-------------------|------------|---------------|------------|---------------|-------------|---------------|------------|
| 7012901..... | 53 | 7013331 | 190 | 7016372 | 75, 77, 81 | 7020650..... | 39 |
| 7012903..... | 54 | 7013332 | 189 | 7016417 | 65 | 7020658..... | 39 |
| 7012907..... | 54 | 7013336 | 189 | 7016618 | 190 | 7020659..... | 37, 39 |
| 7012912..... | 42, 53, 54 | 7013700 | 41 | 7016654 | 214 | 7020674..... | 39 |
| 7012914..... | 53, 54 | 7013701 | 41 | 7016676 | 57, 61, 63 | 7020687..... | 37 |
| 7012918..... | 53, 54, 55 | 7013702 | 41 | 7016682 | 57, 63 | 7020691..... | 37 |
| 7012946..... | 53, 54 | 7013703 | 41 | 7016717 | 41 | 7022200..... | 41 |
| 7012947..... | 53 | 7013706 | 41 | 7016725 | 41 | 7022202..... | 41 |
| 7012948..... | 53 | 7013707 | 41 | 7016739 | 41 | 7022904..... | 39 |
| 7012949..... | 53 | 7013708 | 41 | 7016740 | 41 | 7022914..... | 39 |
| 7012951..... | 42, 53, 54 | 7013709 | 41, 206 | 7016766 | 41 | 7022916..... | 39 |
| 7012961..... | 123 | 7013713 | 41 | 7017401 | 53 | 7022938..... | 39 |
| 7012981..... | 53, 54 | 7013715 | 41 | 7017402 | 53, 55 | 7022939..... | 39 |
| 7012997..... | 53 | 7013716 | 41 | 7017403 | 54 | 7022961..... | 37 |
| 7012998..... | 42, 53, 54 | 7013717 | 41 | 7017433 | 53 | 7022962..... | 37 |
| 7012999..... | 53 | 7013719 | 41 | 7017435 | 54 | 7022963..... | 37 |
| 7013301..... | 189 | 7013722 | 41 | 7017438 | 123 | 7023484..... | 57, 63 |
| 7013302..... | 189 | 7013723 | 41 | 7018500 | 35 | 7026042..... | 59, 63 |
| 7013303..... | 189 | 7013727 | 41 | 7018506 | 37 | 7026043..... | 59, 63 |
| 7013306..... | 189 | 7013728 | 41 | 7018525 | 39 | 7026609..... | 23 |
| 7013310-30E | 189, 208 | 7013729 | 41 | 7018538 | 36 | 7027350..... | 59, 63 |
| 7013310-35E | 189 | 7013733 | 41 | 7018539 | 36, 37 | 7027351..... | 59, 63 |
| 7013310-40E | 189, 208 | 7013740 | 42 | 7018563 | 39 | 7027352..... | 59, 63 |
| 7013311..... | 189, 208 | 7013743 | 41 | 7018569 | 36, 208 | 7027353..... | 59, 63 |
| 7013313..... | 189 | 7013744 | 41 | 7018570 | 36, 208 | 7027354..... | 59, 63 |
| 7013314..... | 189, 207 | 7013748 | 41 | 7018571 | 36, 37 | 7027356..... | 59, 63 |
| 7013315..... | 189, 207 | 7013750 | 41 | 7018572 | 35, 36 | 7027358..... | 59, 63 |
| 7013316..... | 189 | 7013770 | 42 | 7018573 | 36 | 7027359..... | 59, 63 |
| 7013317..... | 189 | 7014116 | 23 | 7018574 | 36 | 7027360..... | 59, 63 |
| 7013318..... | 189 | 7014127 | 23 | 7018577 | 39 | 7027361..... | 59, 63 |
| 7013319..... | 189 | 7014128 | 23 | 7019698 | 101 | 7027363..... | 63 |
| 7013320..... | 190 | 7014129 | 23 | 7019699 | 101 | 7027730..... | 57, 61, 63 |
| 7013322..... | 189 | 7014130 | 23 | 7020175 | 67, 71, 115 | 8896941..... | 213 |
| 7013325..... | 190 | 7016319 | 75, 77, 81 | 7020176 | 67, 71, 116 | 90206369..... | 63 |
| 7013326..... | 190 | 7016320 | 75, 77, 81 | 7020511 | 119 | 9983829..... | 13 |
| 7013327..... | 190 | 7016353 | 77 | 7020624 | 35, 36, 37 | 9983833..... | 13 |
| 7013328..... | 190 | 7016356 | 106, 111 | 7020633 | 39 | | |
| 7013329..... | 190 | 7016360 | 10 | 7020649 | 39 | | |