



# Illustrated Parts Manual

***Models***

**30e**

**35e/n35e**

**40e/n40e**

**45e**

P/N

3120862

*October 4, 2012*

CE



An Oshkosh Corporation Company



# REVISION LOG

October 1997 - Original Issue Of Manual (Was originally part of combine manual 3120834)

November 1998 - Revised

October 18, 2000 - Revised (Manual edited to 0010501 Revision 45 - Model 30electric)

(Manual edited to 0010491 Revision 63 - Model 35electric)

(Manual edited to 0010500 Revision 58 - Model 40electric)

(Manual edited to 0010489 Revision 55 - Model 45electric)

April 16, 2003 - Revised (Manual edited to 0010501 Revision 48 - Model 30electric)

(Manual edited to 0010491 Revision 71 - Model 35electric)

(Manual edited to 0010500 Revision 63 - Model 40electric)

(Manual edited to 0010489 Revision 57 - Model 45electric)

December 31, 2006 - Revised Manual

October 29, 2010 - Revised Manual

October 4, 2012 - Revised Manual (Revision 1)



# TABLE OF CONTENTS

SECTION 1 - FRAME.....	7
FIGURE 1-1. FRAME AND STEERING INSTALLATION - MODEL 30ELECTRIC.....	8
FIGURE 1-2. FRAME AND STEERING INSTALLATIONS - MODELS 35ELECTRIC, 40ELECTRIC & 45ELECTRIC .....	12
FIGURE 1-3. TIRE AND WHEEL DRIVE INSTALLATION .....	16
FIGURE 1-4. DRIVE BRAKE ASSEMBLY.....	20
FIGURE 1-5. DRIVE HUB ASSEMBLY - MODEL 30ELECTRIC.....	22
FIGURE 1-6. DRIVE HUB ASSEMBLY - MODELS 35ELECTRIC, 40ELECTRIC, 45ELECTRIC .....	24
FIGURE 1-7. ELECTRICAL COMPONENTS INSTALLATION (FRAME MOUNTED).....	26
FIGURE 1-8. BATTERY CHARGER ASSEMBLY - 220V/50HZ .....	32
FIGURE 1-9. BATTERY CHARGER ASSEMBLY - 220V/50HZ (SERVICE REPLACEMENT - DUTCH/FRENCH/GERMAN/ITALIAN/SPANISH SPECS).....	36
FIGURE 1-10. BATTERY CHARGER ASSEMBLY - 110-220V/50HZ.....	38
FIGURE 1-11. BATTERY CHARGER ASSEMBLY - 110-240V/50HZ.....	40
FIGURE 1-12. HYDRAULIC COMPONENTS AND COVERS INSTALLATION (FRAME MOUNTED).....	42
SECTION 2 - TURNTABLE.....	45
FIGURE 2-1. TURNTABLE MOUNTED COMPONENTS INSTALLATIONS - MODEL 30ELECTRIC.....	46
FIGURE 2-2. TURNTABLE MOUNTED COMPONENTS INSTALLATIONS - MODEL 35ELECTRIC.....	48
FIGURE 2-3. TURNTABLE MOUNTED COMPONENTS INSTALLATIONS - MODEL 40ELECTRIC & 45ELECTRIC.....	50
FIGURE 2-4. CONTROL VALVE ASSEMBLY - MODELS 35ELECTRIC, 40ELECTRIC, & 45ELECTRIC .....	54
FIGURE 2-5. SWING DRIVE AND TURNTABLE BEARING INSTALLATIONS - MODELS 30ELECTRIC & 35ELECTRIC .....	58
FIGURE 2-6. SWING BEARING ASSEMBLY - MODELS 30ELECTRIC & 35ELECTRIC (POST PRODUCTION SERVICE REPLACEMENT).....	60
FIGURE 2-7. SWING DRIVE AND TURNTABLE BEARING INSTALLATIONS - MODELS 40ELECTRIC & 45ELECTRIC .....	62
FIGURE 2-8. SWING BEARING ASSEMBLY - MODELS 40ELECTRIC & 45ELECTRIC (POST PRODUCTION SERVICE REPLACEMENT).....	64
FIGURE 2-9. SWING MOTOR ASSEMBLY .....	66
FIGURE 2-10. GROUND CONTROL COMPONENTS INSTALLATIONS - MODEL 30ELECTRIC.....	68
FIGURE 2-11. GROUND CONTROL COMPONENTS INSTALLATIONS - MODELS 35ELECTRIC, 40ELECTRIC, & 45ELECTRIC .....	72
FIGURE 2-12. TURNTABLE AND HOOD INSTALLATION - MODEL 30ELECTRIC.....	76
FIGURE 2-13. TURNTABLE AND HOOD INSTALLATION - MODEL 35ELECTRIC.....	78
FIGURE 2-14. TURNTABLE AND HOOD INSTALLATION - MODEL 40ELECTRIC & 45ELECTRIC.....	82
SECTION 3 - BOOM.....	85
FIGURE 3-1. BOOMS AND LIMIT SWITCHES INSTALLATION MODEL 30ELECTRIC .....	86
FIGURE 3-2. BOOMS AND LIMIT SWITCHES INSTALLATION MODEL 35ELECTRIC .....	90
FIGURE 3-3. BOOMS INSTALLATION - MODELS 40ELECTRIC & 45ELECTRIC .....	94
FIGURE 3-4. LIMIT SWITCHES, CABLES AND CLAMPS INSTALLATION - MODEL 40ELECTRIC & 45ELECTRIC.....	98
FIGURE 3-5. UPPER BOOM COMPONENTS ASSEMBLY - MODELS 35ELECTRIC, 40ELECTRIC & 45ELECTRIC .....	102
SECTION 4 - PLATFORMS .....	105
FIGURE 4-1. PLATFORM AND COMPONENTS INSTALLATION - MODEL 30ELECTRIC .....	106
FIGURE 4-2. PLATFORM AND COMPONENTS INSTALLATION - MODEL 35ELECTRIC, 40ELECTRIC & 45ELECTRIC.....	110
FIGURE 4-3. ROTATOR MOTOR/PUMP/TANK ASSEMBLY .....	114
FIGURE 4-4. PLATFORM CONSOLE ASSEMBLY.....	116
FIGURE 4-5. CONTROL ASSEMBLY (DRIVE/STEER).....	120

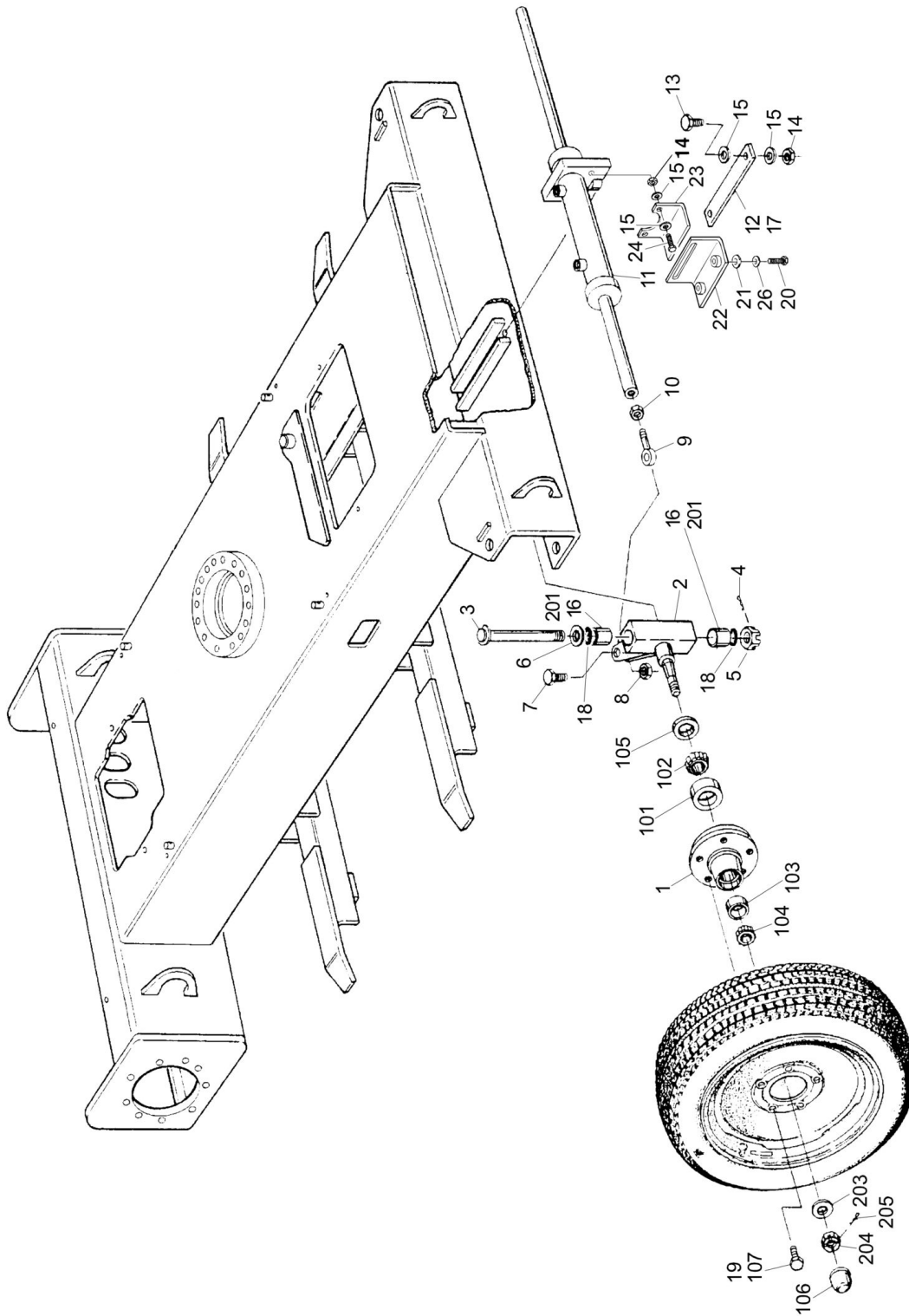
# TABLE OF CONTENTS

SECTION 5 - CYLINDER.....	123
FIGURE 5-1. LIFT CYLINDER ASSEMBLY - MODEL 30ELECTRIC .....	124
FIGURE 5-2. UPPER CYLINDER ASSEMBLIES - MODELS 35ELECTRIC, 40ELECTRIC & 45ELECTRIC .....	126
FIGURE 5-3. MID LIFT CYLINDER ASSEMBLIES - MODELS 40ELECTRIC & 45ELECTRIC .....	130
FIGURE 5-4. LOWER LIFT CYLINDER ASSEMBLIES - MODELS 35ELECTRIC, 40ELECTRIC & 45ELECTRIC .....	134
FIGURE 5-5. MASTER CYLINDER ASSEMBLY - MODELS 35ELECTRIC, 40ELECTRIC & 45ELECTRIC.....	138
FIGURE 5-6. PLATFORM ROTATOR CYLINDER ASSEMBLY - MODELS 35ELECTRIC, 40ELECTRIC & 45ELECTRIC.....	140
FIGURE 5-7. SLAVE CYLINDER ASSEMBLY - MODELS 35ELECTRIC, 40ELECTRIC & 45ELECTRIC .....	142
FIGURE 5-8. STEER CYLINDER ASSEMBLIES.....	144
FIGURE 5-9. TELESCOPE CYLINDER ASSEMBLIES - MODELS 35ELECTRIC, 40ELECTRIC & 45ELECTRIC.....	146
FIGURE 5-10. CYLINDER BELLOWS INSTALLATION - MODEL 30ELECTRIC .....	148
FIGURE 5-11. OPTIONAL CYLINDER BELLOWS INSTALLATION - MODELS 35ELECTRIC, 40ELECTRIC & 45ELECTRIC ..	150
SECTION 6 - HYDRAULICS.....	153
FIGURE 6-1. HYDRAULICS DIAGRAM LIST .....	154
FIGURE 6-2. HYDRAULIC DIAGRAM - 30ELECTRIC .....	156
FIGURE 6-3. HYDRAULIC DIAGRAM - 35ELECTRIC .....	158
FIGURE 6-4. HYDRAULIC DIAGRAM - 40ELECTRIC & 45ELECTRIC .....	160
SECTION 7 - ELECTRICAL.....	163
FIGURE 7-1. ELECTRICAL COMPONENTS AND DIAGRAMS LIST - 30ELECTRIC.....	164
FIGURE 7-2. ELECTRICAL COMPONENTS AND DIAGRAMS LIST - 35ELECTRIC/40ELECTRIC/45ELECTRIC.....	166
FIGURE 7-3. ELECTRICAL SCHEMATIC - 30ELECTRIC WITH COLORED WIRE (SHEET 1 OF 4) (Prior to SN 36544).....	170
FIGURE 7-4. ELECTRICAL SCHEMATIC - 30ELECTRIC WITH NUMBERED COLORED WIRE (SHEET 1 OF 4) (SN 36544 to Present).....	174
FIGURE 7-5. ELECTRICAL SCHEMATIC - 35ELECTRIC/40ELECTRIC/45ELECTRIC WITH COLORED WIRE (SHEET 1 OF 4) (Prior to SN 36648) .....	178
FIGURE 7-6. ELECTRICAL SCHEMATIC - 35ELECTRIC/40ELECTRIC/45ELECTRIC WITH NUMBERED COLORED WIRE (SHEET 1 OF 4) (SN 36648 to Present) .....	182
FIGURE 7-7. HARNESS COMPONENTS INSTALLATION .....	186
SECTION 8 - DECALS .....	195
FIGURE 8-1. DECALS INSTALLATION - 30ELECTRIC .....	196
FIGURE 8-2. DECALS INSTALLATION - 35ELECTRIC .....	200
FIGURE 8-3. DECALS INSTALLATION - 40ELECTRIC & 45ELECTRIC .....	204
SECTION 9 - RECOMMENDED SERVICE PARTS STOCK.....	209
FIGURE 9-1. 30/35/40/45 ELECTRIC LIFTS STANDARD PARTS.....	210
FIGURE 9-2. 30/35/40/45 ELECTRIC LIFTS VARIABLE PARTS.....	212
SECTION 10 - SPECIAL OPTIONS .....	213
FIGURE 10-1. SPECIAL OPTIONS .....	214
SECTION 11 - REAR COVER .....	217
FIGURE 11-1. REAR COVER.....	218
PART NUMBER INDEX.....	219

**SECTION 1 - FRAME**

# SECTION 1 - FRAME

## FIGURE 1-1. FRAME AND STEERING INSTALLATION - MODEL 30ELECTRIC





# SECTION 1 - FRAME

## FIGURE 1-1. FRAME AND STEERING INSTALLATION - MODEL 30ELECTRIC

ITEM	PART NUMBER	QTY	DESCRIPTION	REV
		Ref	<b>FRAME WELDMENT OPTIONS:</b>	
	2360378	1	Frame Weldment	
		Ref	<b>STEERING AND SPINDLES INSTALLATION</b>	
	0252243	Ref	<b>Steering and Spindles Installation (Prior to SN 0300052767)</b>	8
	0270291	Ref	<b>Steering and Spindles Installation (SN 0300052767 to Present)</b>	2
1	1001139010	2	Hub Assembly (Includes Items 101-107) (was p/n 2780186) (Note: Original Equipment Hub p/n 2780186 uses Wheel Bolts. Service Replacement Hub p/n 1001139010 uses pressed in studs - Lugnuts p/n 3300255 must be ordered separately.)	
2	4130286	2	Spindle Weldment (Includes Items 201-205)	
3	3421988	2	Kingpin	
4	3450810	2	Pin, Cotter 1/4in x 2 1/2in	
5	3313003	2	Nut, Slotted 1 1/4in - 7NC	
6	0440162	2	Washer, Thrust	
7	0642016	2	Bolt 5/8in-16NC x 2in	
8	3312005	2	Locknut 5/8in-16NC	
9	3841146	2	Rod-End	
10	3322002	2	Nut, Jam 5/8in-16NC	
11		Ref	Steer Cylinder Assembly (See CYLINDER SECTION for Breakdown)	
11	1682527	1	Steer Cylinder Assembly ( <b>Prior to SN 37950</b> )	
11	1683695	1	Steer Cylinder Assembly ( <b>SN 37950 to Present</b> )	
12	3340644	1	Pad, Wear	
13	0641510	2	Bolt 5/16in-18NC x 1 1/4in	
14	3311505	2	Locknut 5/16in-18NC	
15	4751500	4	Flatwasher 5/16in	
16	3020022	AR	Grease	
17	4070809	AR	Shim	
18	3780182	4	O-Ring	
19	See Note	10	Bolt, Wheel (Note: Refer to Item 107)	
20	0641608	2	Bolt 3/8in-16NC x 1in ( <b>SN 0300052767 through 0300053809</b> )	
21	4740453	2	Flatwasher 3/8 ( <b>SN 0300052767 through 0300053809</b> )	
22	0182002	1	Angle ( <b>SN 0300052767 through 0300053809</b> )	
23	0182000	1	Angle ( <b>SN 0300052767 through 0300053809</b> )	
24	0641514	2	Bolt 5/16in-18NC x 1 3/4in ( <b>SN 0300052767 through 0300053809</b> )	
25	0100019	AR	Loctite (Not Shown) ( <b>SN 0300052767 through 0300053809</b> )	
26	4711600	2	Flatwasher 3/8in (Narrow) ( <b>SN 0300052767 through 0300053809</b> )	
	2780186	Ref	<b>HUB ASSEMBLY (ORIGINAL EQUIPMENT)</b>	C
	1001139010	Ref	<b>HUB ASSEMBLY (SERVICE REPLACEMENT) (Note: Original Equipment Hub p/n 2780186 uses Wheel Bolts. Service Replacement Hub p/n 1001139010 uses pressed in studs - Lugnuts p/n 3300255 must be ordered separately.)</b>	A
101	7012519	2	Cup, Bearing - Inner (1 Per Hub)	
102	7012520	2	Cone, Bearing - Inner (1 Per Hub)	
103	7012521	2	Cup, Bearing - Outer (1 Per Hub)	
104	7012522	2	Cone, Bearing - Outer (1 Per Hub)	
105	7012523	2	Seal (1 Per Hub)	
106	1001102354	2	Cap, Dust (1 Per Hub) (was p/n 7012524)	
107	0630016	10	Bolt, Wheel (5 Per Hub) (was p/n 7012525) (Used on Original Equipment Hub p/n 2780186)	

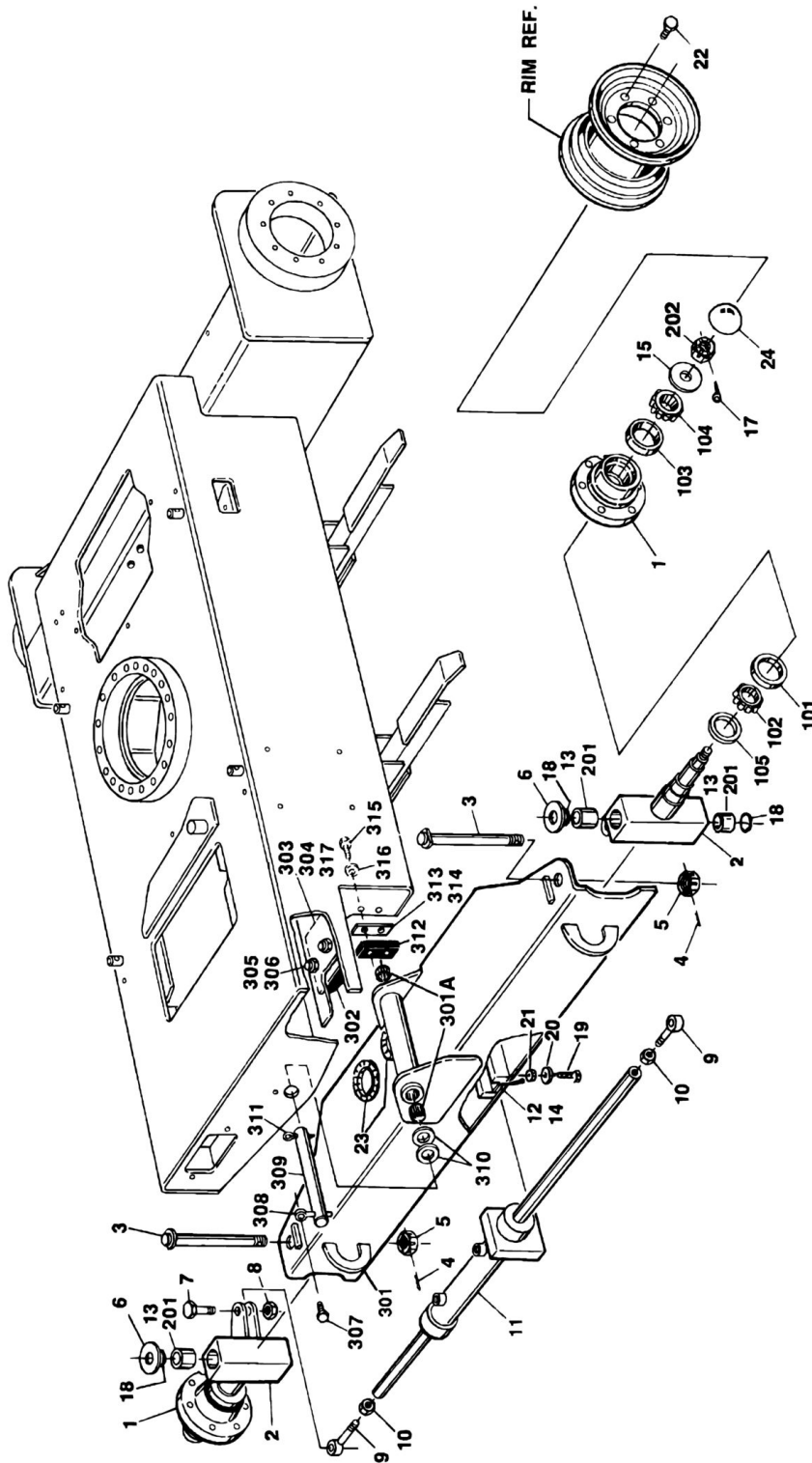
## SECTION 1 - FRAME

ITEM	PART NUMBER	QTY	DESCRIPTION	REV
107	7016360	10	Stud, Wheel (5 Per Hub) (Used on Service Replacement Hub p/n 1001139010) (Not Shown)	
107	3300255	10	Lugnut (5 Per Hub) (Used with Service Replacement Hub p/n 1001139010 - Must be purchased separately) (Not Shown)	
	2900804	2	Bearing and Seal Kit (Includes Qty 1 of Items 101-105)	
	4130286	Ref	<b>SPINDLE WELDMENT</b>	
201	0961621	4	Bushing, Bronze (2 Per Spindle)	
203	7012542	2	Washer (1 Per Spindle)	
204	7012541	2	Nut, Slotted (1 Per Spindle)	
205	7012543	2	Pin, Cotter (1 Per Spindle)	



# SECTION 1 - FRAME

## FIGURE 1-2. FRAME AND STEERING INSTALLATIONS - MODELS 35ELECTRIC, 40ELECTRIC & 45ELECTRIC



## SECTION 1 - FRAME

**FIGURE 1-2. FRAME AND STEERING INSTALLATIONS - MODELS 35ELECTRIC, 40ELECTRIC & 45ELECTRIC**

ITEM	PART NUMBER	QTY	DESCRIPTION	REV
		Ref	<b>FRAME WELDMENT OPTIONS:</b>	
	2360371	1	Frame Weldment Model 35electric <b>(Prior to SN 24526)</b>	
	2360405	1	Frame Weldment Model 35electric <b>(SN 24526 to Present)</b>	
	2360375	1	Frame Weldment Model n35electric <b>(Prior to SN 23550)</b>	
	2360404	1	Frame Weldment Model n35electric <b>(SN 23550 to Present)</b>	
	2360372	1	Frame Weldment Model 40electric <b>(Prior to SN 24233)</b>	
	2360406	1	Frame Weldment Model 40electric <b>(SN 24233 to Present)</b>	
	2360373	1	Frame Weldment Model n40electric <b>(Prior to SN 25492)</b>	
	2360407	1	Frame Weldment Model n40electric <b>(SN 25492 to Present)</b>	
	2360379	1	Frame Weldment Model 45electric <b>(Prior to SN 24324)</b>	
	2360408	1	Frame Weldment Model 45electric <b>(SN 24324 to Present)</b>	
	9983829	2	Lifting Lug Repair Plate (Right) (45electric)	
	9983833	2	Lifting Lug Repair Plate (Left) (45electric)	
		Ref	<b>STEERING AND SPINDLES INSTALLATIONS</b>	
	0253594	Ref	<b>Steering and Spindles Installations Standard 35/40/45electric Prior to June 1994</b>	8-G
	0255011	Ref	<b>Steering and Spindles Installations Standard 35/40/45electric June 1994 to Present</b>	4-C
	0253735	Ref	<b>Steering and Spindles Installations Standard n35/n40electric Prior to June 1994</b>	7-F
	0255012	Ref	<b>Steering and Spindles Installations Standard n35/n40electric June 1994 to Present</b>	4-C
1	2780201	2	Hub Assembly (See Items 101-107 for Breakdown)	
2		Ref	Spindle Weldment Options (See Items 201-202 for Breakdown):	
2	4130302	2	Spindle Weldment Standard Machines Prior to June 1994	
2	4130319	2	Spindle Weldment Standard Machines June 1994 to Present	
3	3421988	2	Kingpin	
4	3450810	2	Pin, Cotter 1/4in x 2 1/4in	
5	3313003	2	Nut, Slotted 1 1/4 -7NC	
6	0440162	2	Washer, Thrust	
7	0642016	2	Bolt 5/8in-11NC x 2in	
8	3312005	2	Locknut 5/8in-11NC	
9	3841146	2	End, Rod	
10	3322002	2	Nut, Jam 5/8in-18NF	
11		Ref	Steer Cylinder Assembly (See CYLINDER SECTION for Breakdown):	
11	1682527		Steer Cylinder Assembly 35/40/45electric <b>(Prior to SN 37950)</b>	
11	1683695		Steer Cylinder Assembly 35/40/45electric <b>(SN 37950 to Present)</b>	
11	1682893		Steer Cylinder Assembly n35/n40electric <b>(Prior to SN 37950)</b>	
11	1683696		Steer Cylinder Assembly n35/n40electric <b>(SN 37950 to Present)</b>	
12	3340644	1	Pad, Wear	
13	3020022	AR	Grease	
14	4070809	AR	Shim	
15	4712400	2	Flatwasher 7/8in	
17	3450506	2	Pin, Cotter	
18	3780182	4	O-Ring	
19	0641510	1	Bolt 5/16in-18NC x 1 1/4in	
20	4751500	1	Flatwasher 5/16in	

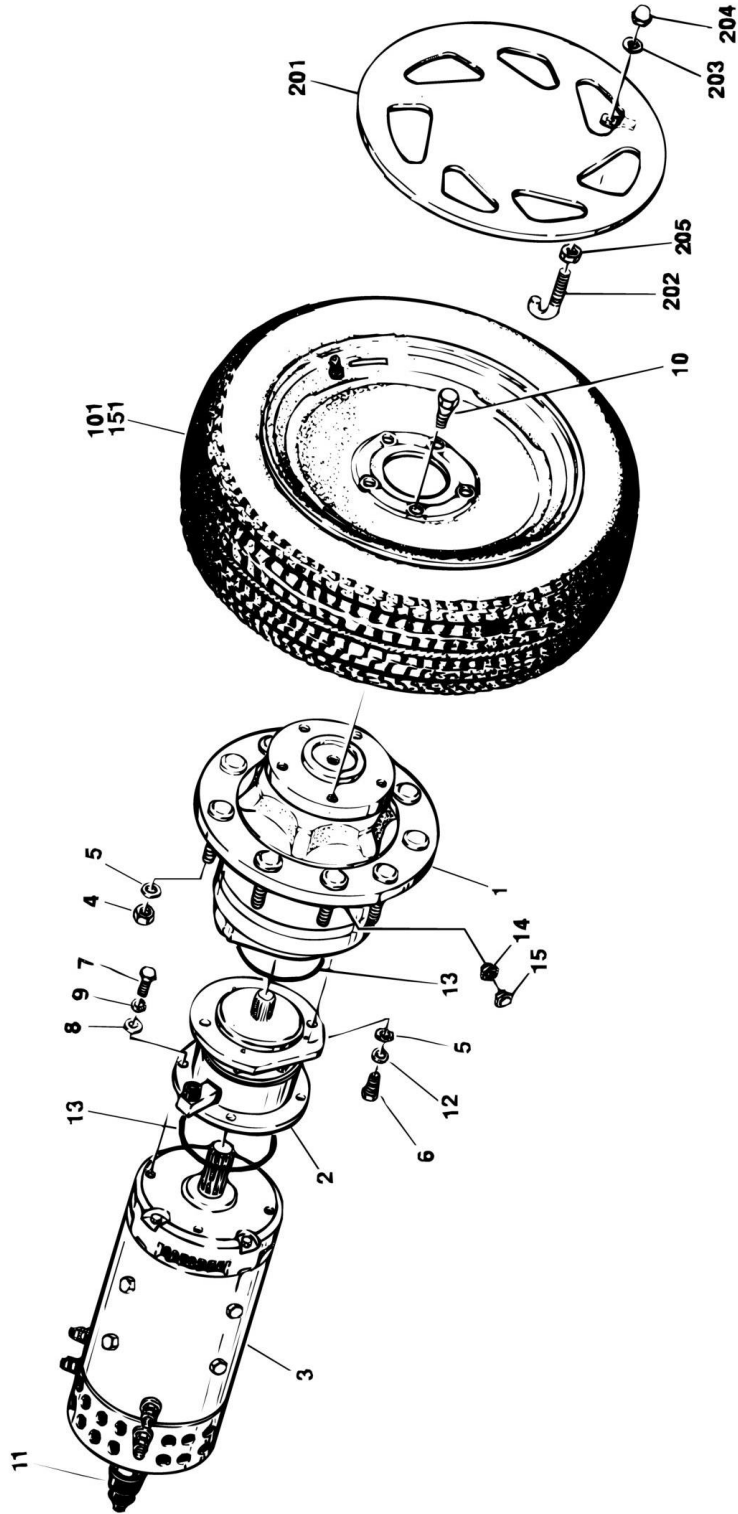
# SECTION 1 - FRAME

ITEM	PART NUMBER	QTY	DESCRIPTION	REV
21	3311505	1	Locknut 5/16in-18NC	
22	0630016	12	Bolt, Wheel 1/2in-20NF x 1in	
23	4060808	2 ft/.61m	Trim	
24	1120457	2	Cap, Dust	
	2780201	Ref	<b>HUB ASSEMBLY</b>	D
101	Kit	2	Cup, Bearing - Inner (1 Per Hub)	
102	Kit	2	Cone, Bearing - Inner (1 Per Hub)	
103	Kit	2	Cup, Bearing - Outer (1 Per Hub)	
104	Kit	2	Cone, Bearing - Outer (1 Per Hub)	
105	Kit	2	Seal (1 Per Hub)	
	2900842	2	Bearing Kit (Includes Qty 1 of Item 101-105)	
		Ref	<b>SPINDLE ASSEMBLY</b>	
201	0961621	4	Bushing (2 Per Spindle)	
202	3322403	2	Nut, Slotted 7/8in-14NF (1 Per Spindle)	
		Ref	<b>AXLE INSTALLATIONS</b>	
	0253613	Ref	<b>Axle Installations 35/40/45electric</b>	D
	0253734	Ref	<b>Axle Installations n35/n40electric</b>	C
301		Ref	Axle Weldment Options:	
301	4844324	1	Axle Weldment 35/40/45electric	
301	4844369	1	Axle Weldment n35/n40electric	
301A	0961621	2	Bushing	
302	0940048	2	Bumper	
303	4070832	AR	Shim 1/2in-13mm	
304	4070833	AR	Shim 1/16in-1.6mm	
305	0641814	4	Bolt 1/2in-13NC x 1 3/4in	
306	3311805	4	Locknut 1/2in-13NC	
307	0641608	1	Bolt 3/8in-16NC x 1in	
308	3841143	1	Pin, Keeper	
309	3422170	1	Pin, Axle	
310	4740247	2	Washer, Thrust	
311	3451210	1	Pin, Cotter 3/8in x 2 1/2in	
312	3340450	2	Pad, Wear	
313	4070834	AR	Shim 1/4in-6.4mm	
314	4070835	AR	Shim 1/16in-1.6mm	
315	0641610	4	Bolt 3/8in-16NC x 1 1/4in	
316	4751600	4	Flatwasher 3/8in	
317	4070853	AR	Shim 1/32in-.8mm	
	0100011	AR	Loctite #242 (Not Shown)	



# SECTION 1 - FRAME

## FIGURE 1-3. TIRE AND WHEEL DRIVE INSTALLATION





## SECTION 1 - FRAME

### FIGURE 1-3. TIRE AND WHEEL DRIVE INSTALLATION

ITEM	PART NUMBER	QTY	DESCRIPTION	REV
		Ref	<b>WHEEL DRIVE INSTALLATIONS</b>	
	0254710	Ref	<b>Wheel Drive Installations 30electric U/L Models</b>	8
	0257551	Ref	<b>Wheel Drive Installations 30electric Non-U/L Models</b>	1
	0254485	Ref	<b>Wheel Drive Installations 35/40electric U/L Models</b>	8
	0257549	Ref	<b>Wheel Drive Installations 35/40electric Non-U/L Models</b>	1
	0254485	Ref	<b>Wheel Drive Installations n35/n40electric U/L Models Prior to October 1994</b>	8
	0255111	Ref	<b>Wheel Drive Installations n35/n40electric U/L Models Oct 1994 to Present</b>	3
	0257548	Ref	<b>Wheel Drive Installations n35/n40electric Non-U/L Models</b>	1
	0254599	Ref	<b>Wheel Drive Installations 45electric U/L Models</b>	7
	0257550	Ref	<b>Wheel Drive Installations 45electric Non-U/L Models</b>	1
1		Ref	Drive Hub Assembly Options:	
1	2780185	1	Drive Hub Assembly 30electric (See DRIVE HUB ASSEMBLY for Breakdown)	
1	2780198	1	Drive Hub Assembly 35/40/45electric (See DRIVE HUB ASSEMBLY for Breakdown)	
1	2780198	1	Drive Hub Assembly n35/n40electric Non-U/L Models (See DRIVE HUB ASSEMBLY for Breakdown)	
1	2780198	1	Drive Hub Assembly n35/n40electric U/L Models Prior to October 1994 (See DRIVE HUB ASSEMBLY or Breakdown)	
1	2780206	1	Drive Hub Assembly n35/n40electric U/L Models October 1994 to Present (See DRIVE HUB ASSEMBLY for Breakdown)	
2	0920090	2	Drive Brake Assy (See DRIVE HUB ASSEMBLY for Breakdown)	
3	3160186	2	Drive Motor Assembly	
3	2900811	2	Repair Kit (Includes All Bearings, Brushes, Springs and Wavy Washer 1 Per Motor)	
3	7012546	2	Field Coil Kit (1 Per Motor)	
4	3321801	18	Nut 1/2in-20NF	
4	0100011	AR	Loctite #242	
5	4711800	22	Flatwasher 1/2in Narrow	
6	0641811	4	Bolt 1/2in-13NC	
7	0641608	8	Bolt 3/8in-16NC x 1in	
8	4711600	8	Flatwasher 3/16in Narrow	
9	4761600	8	Lockwasher 3/16in	
10	0630016	AR	Bolt, Wheel Options:	
10	0630016	10	Bolt, Wheel 30electric	
10	0630016	12	Bolt, Wheel 35/40/45electric	
11	3990053	1	Sensor, Tach Drive	
11	7012609	1	Boot, Rubber	
12	4761800	4	Lockwasher 1/2in	
13	3790240	2	O-Ring	
14	2220273	2	Fitting, Reducer <b>(SN 32280 to Present)</b>	
15	2180819	2	Vent, Breather <b>(SN 32280 to Present)</b>	
		Ref	<b>TIRE AND WHEEL INSTALLATION OPTIONS - MODEL 30electric</b>	
	0252430	Ref	<b>Tire and Wheel Assembly (Foam-Filled)</b>	
	0252349	Ref	<b>Tire and Wheel Assembly (26x7x20 Non-Marking)</b>	A
101	0252431	4	Tire and Wheel Assembly (Foam-Filled) (Sold as an Assembly Only)	
101	4520139	4	Tire, Replacement	

## SECTION 1 - FRAME

ITEM	PART NUMBER	QTY	DESCRIPTION	REV
101	4520151	4	Tire and Wheel Assembly (26x7x20 Non-Marking) (Sold as an Assembly Only) <b>(SN 43598 to Present)</b>	
		Ref	<b>Note: Assemblies may require ballast/foam filling to manufacturer's specifications prior to installing on a machine. Refer to Operation and Safety or Service and Maintenance Manuals.</b>	
		Ref	<b>Purchase individual tire and/or rim only if able to foam fill tire and wheel assembly, otherwise, purchase complete assembly.</b>	
		Ref	<b>TIRE AND WHEEL INSTALLATION OPTIONS - MODEL 35electric, 40electric &amp; 45electric</b>	
	0256837	Ref	<b>Tire and Wheel Assy (G78-15 Foam-Filled/6in Rim)</b>	
	0254866	Ref	<b>Tire and Wheel Assy (LT215/85R16 Foam-Filled/8in Rim)</b>	
	0254120	Ref	<b>Tire and Wheel Assy (22x6x16 Solid)</b>	
	0254874	Ref	<b>Tire and Wheel Assy (6.50x16 Solid Non-Marking)</b>	
	0254121	Ref	<b>Tire and Wheel Assy (22x6x16 Solid Non-Marking)</b>	
151	0256836	4	Tire and Wheel Assy (G78-15 Foam-Filled/6in Rim) (Models 35electric & 40electric)	
151	4520184	4	Tire, Replacement	
151	0254865	2	Tire and Wheel Assy (LT215/85R16 Foam-Filled/8in Rim) (Models 35electric & 40electric)	
151	4520265	4	Tire, Replacement (p/n was 4520156)	
151	0253784	4	Tire and Wheel Assy (ST225/75R15 Foam-Filled/8in Rim) (Models 35electric, 40electric & 45electric)	
151	4520148	4	Tire, Replacement	
151	4520198	4	Tire and Wheel Assy (7.50x15x20 Static Conductive/ 8in Rim) (Model 45electric)	
151	4520154	4	Tire and Wheel Assy (22x6x16 Solid) (Models 35electric & 40electric)	
151	4520155	4	Tire and Wheel Assy (22x6x16 Solid Non-Marking) (Models 35electric & 40electric)	
151	4520159	4	Tire and Wheel Assy (6.50x16 Solid Non-Marking) (Models 35electric, 40electric & 45electric)	
		Ref	<b>Note: Assemblies may require ballast/foam filling to manufacturer's specifications prior to installing on a machine. Refer to Operation and Safety or Service and Maintenance Manuals.</b>	
		Ref	<b>Purchase individual tire and/or rim only if able to foam fill tire and wheel assembly, otherwise, purchase complete assembly.</b>	
		Ref	<b>HUBCAP INSTALLATION (OPTIONAL)</b>	
	0252754	Ref	<b>Use on Model 30electric</b>	B
	0253864	Ref	<b>Use on Model 35electric/40electric with 8in Rim/ Pneumatic and 8in Rim/ Foam-Filled Tires. Use on Model 45electric with 8in Rim /Foam-Filled Tires.</b>	B
	0256832	Ref	<b>Use on Model 35electric/40electric/45electric with 6in Rim.</b>	-
	0254155	Ref	<b>Use on Model 35electric &amp; 40electric with Solid Tires.</b>	B
201		Ref	Hubcap Options:	
201	1670633	4	Hubcap Model 30electric	
201	1670633	4	Hubcap Model 35electric/40electric with 8in Rim/ Pneumatic & 8in Rim/ Foam-Filled Tires. Use on Model 45electric with 8in Rim /Foam-Filled Tires.	
201	1670808	4	Hubcap Model 35electric/40electric/45electric with 6in Rim	
201	1670692	4	Hubcap Model 35electric & 40electric with Solid Tires.	
202		Ref	Bolt Options:	
202	0630455	8	J-Bolt 5/16in-18NC - Model 30electric	

## SECTION 1 - FRAME

ITEM	PART NUMBER	QTY	DESCRIPTION	REV
202	0630465	8	J-Bolt 5/16in-18NC - Model 35electric/40electric with 8in Rim/ Pneumatic and 8in Rim/Foam-Filled Tires. use on Model 45electric with 8in Rim/Foam-Filled Tires.	
202	0630513	8	J-Bolt 5/16in-18NC - Model 35electric/40electric/45electric with 6in Rims	
202	0641518	8	Bolt 5/16in-18NC x 2 1/4in - Model 35electric & 40electric with Solid Tires	
203	4761500	8	Lockwasher 5/16in	
204		Ref	Nut, Acorn 5/16in-18NC Options:	
204	3300356	8	Nut, Acorn 5/16in-18NC Model 30electric	
204	3300356	8	Nut, Acorn 5/16in-18NC Model 35electric/40electric with 8in Rim/ Pneumatic and 8in Rim/Foam-Filled Tires. use on Model 45electric with 8in Rim/Foam-Filled Tires.	
204	3300356	8	Nut, Acorn 5/16in-18NC Model 35electric/40electric/45electric with 6in Rims	
204	Not Required	0	Nut, Acorn 5/16in-18NC Model 35electric & 40electric with Solid Tires	
205		Ref	Nut 5/16in-18NC Options:	
205	3311501	8	Nut 5/16in-18NC Model 30electric	
205	3311501	8	Nut 5/16in-18NC Model 35electric/40electric with 8in Rim/ Pneumatic and 8in Rim/Foam-Filled Tires. use on Model 45electric with 8in Rim/Foam-Filled Tires.	
205	3311501	8	Nut 5/16in-18NC Model 35electric/40electric/45electric with 6in Rims	
205	Not Required	0	Nut 5/16in-18NC Model 35electric & 40electric with Solid Tires	

# SECTION 1 - FRAME

## FIGURE 1-4. DRIVE BRAKE ASSEMBLY

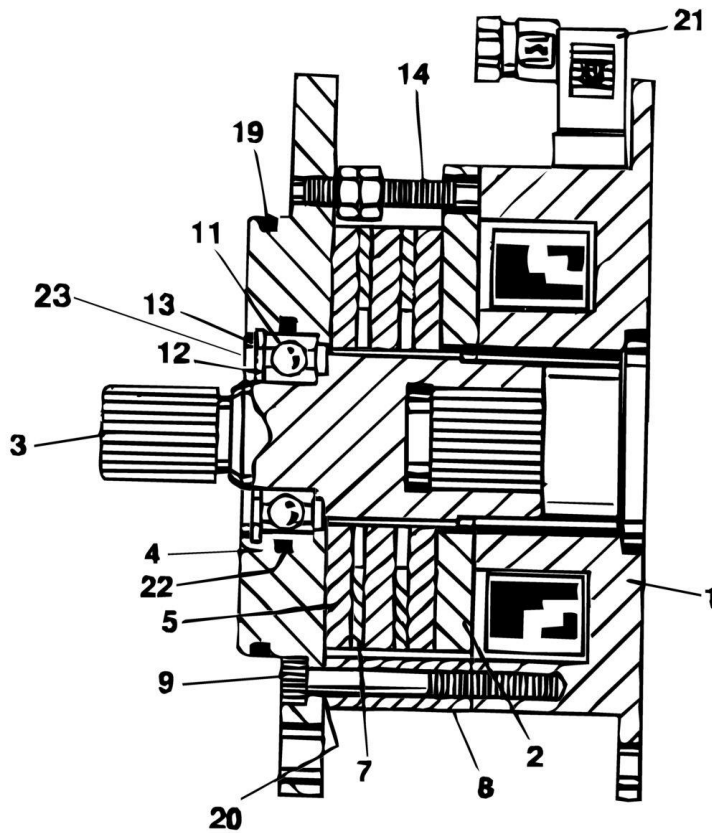
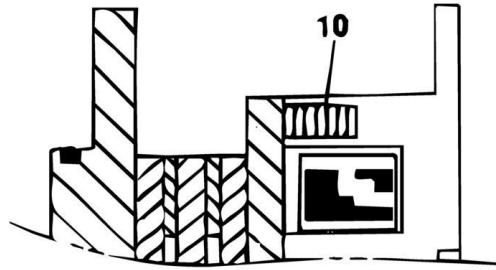
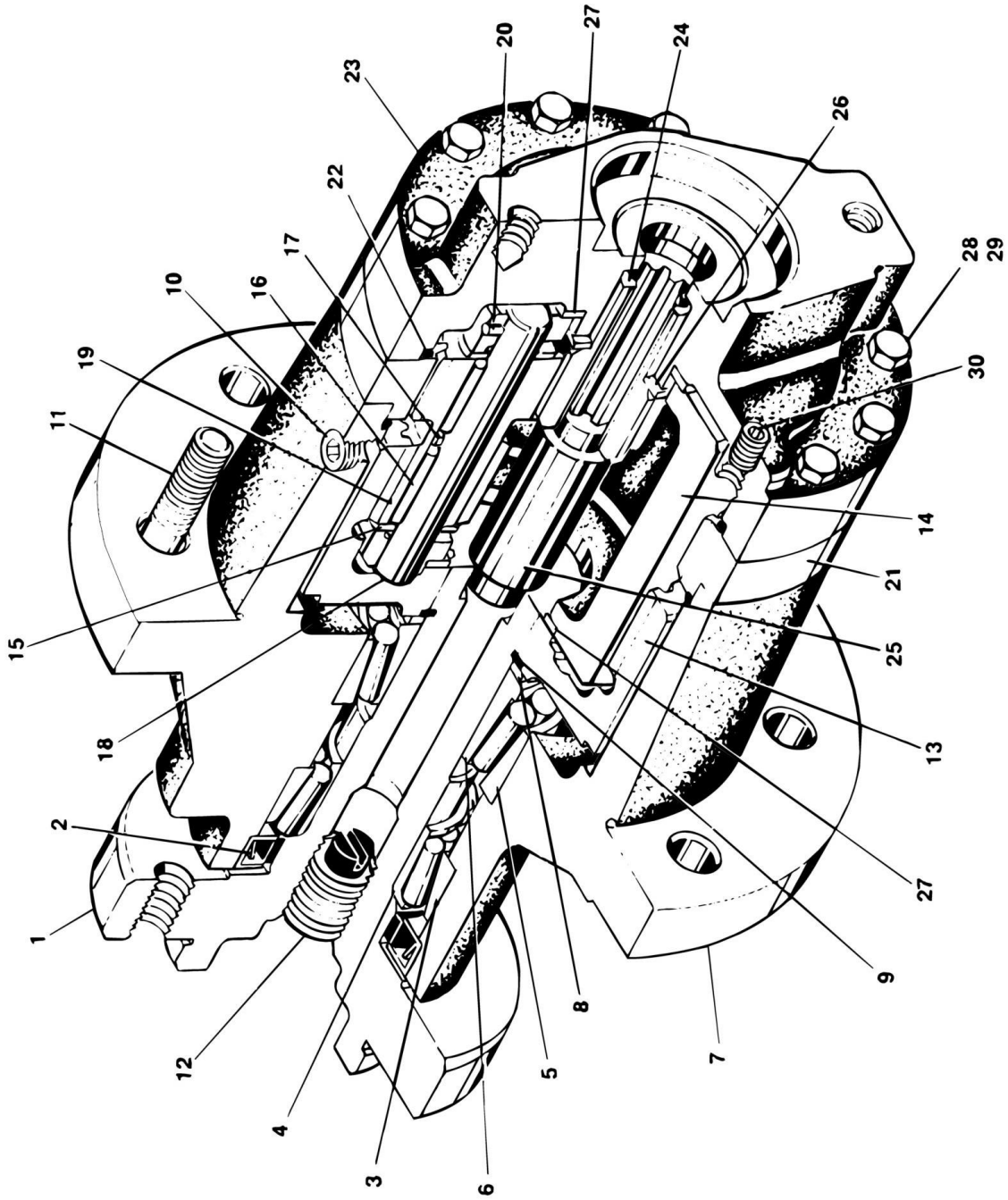


FIGURE 1-4. DRIVE BRAKE ASSEMBLY

ITEM	PART NUMBER	QTY	DESCRIPTION	REV
	0920090	Ref	<b>DRIVE BRAKE ASSEMBLY</b>	B
1	7012552	1	Magnet and Coil Assembly	
2	7012582	1	Armature	
3	7012554	1	Shaft	
4	Not Available	1	Plate, Mounting	
5	Kit	3	Plate, Friction (Solid)	
7	Kit	2	Plate, Outer	
8	7012692	3	Spacer	
9	7014116	3	Bolt, Metric Socket Head	
10	Kit	8	Spring, Compression	
11	7026609	1	Bearing, Ball	
12	7014129	1	Ring, Retainer (External)	
13	7014130	1	Ring, Retainer (Internal)	
14	7012689	3	Manual Release Assembly	
19	3790240	1	O-Ring	
20	7012691	AR	Shim	
21	7012580	1	Connector, Electrical	
21	7014127	1	Plug, Base	
22	3790225	1	O-Ring (January 1995 to Present)	
23	7014128	1	Seal <b>(SN 50521 to Present)</b>	
	7012583	1	Repair Kit (Includes Items 5, 7, 10, 11 & 22)	

# SECTION 1 - FRAME

FIGURE 1-5. DRIVE HUB ASSEMBLY - MODEL 30ELECTRIC



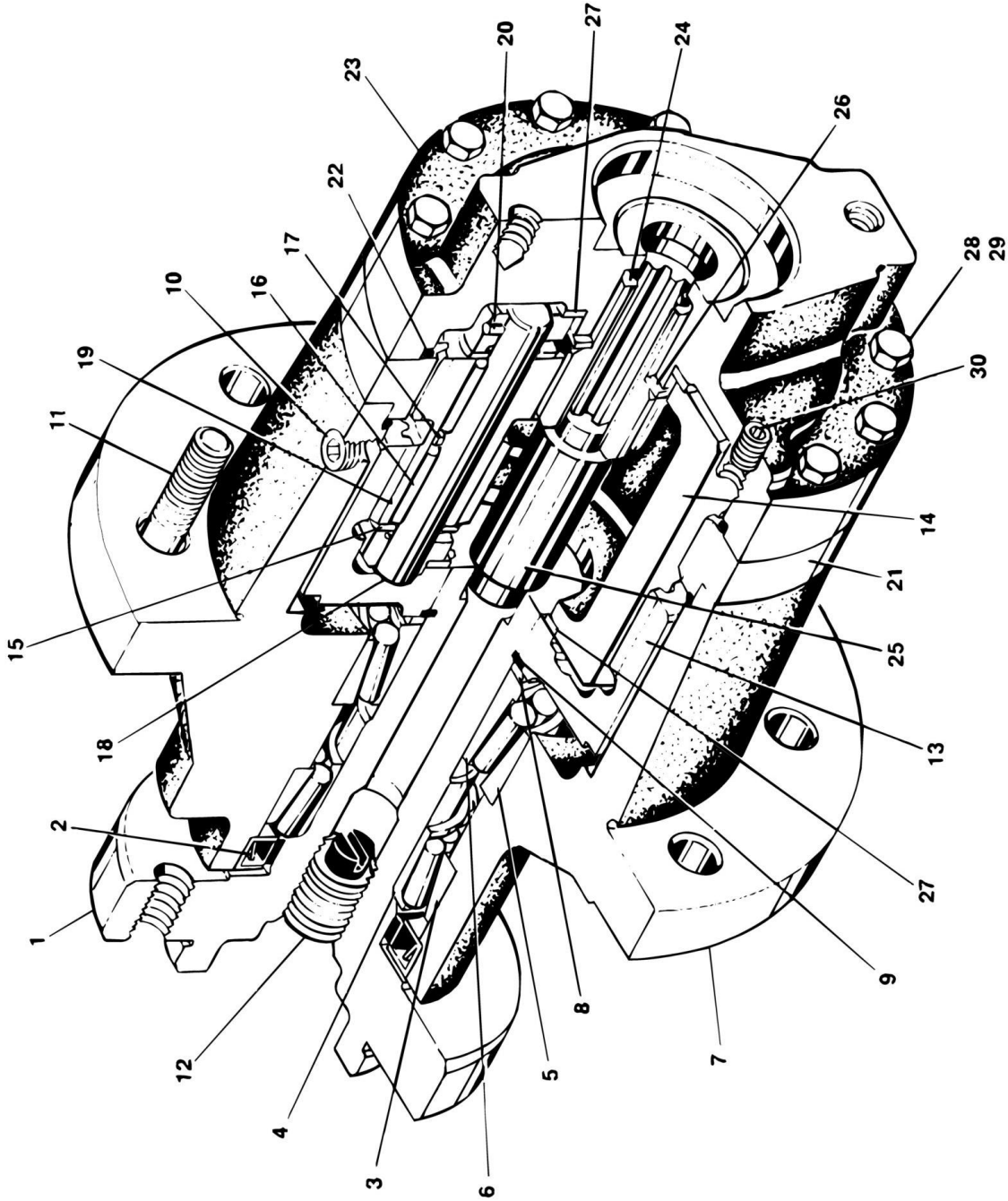
# SECTION 1 - FRAME

**FIGURE 1-5. DRIVE HUB ASSEMBLY - MODEL 30ELECTRIC**

ITEM	PART NUMBER	QTY	DESCRIPTION	REV
	2780185	Ref	<b>DRIVE HUB ASSEMBLY - MODEL 30ELECTRIC</b>	B
		Ref	Hub-Shaft Assembly	
1	7010463	1	Spindle	
2	7000228	1	Seal, Lip (Part of Seal Kit)	
3	7000255	1	Cup, Bearing (Outer)	
4	7000256	1	Cone, Bearing (Outer)	
5	7000257	1	Cup, Bearing (Inner)	
6	7000258	1	Cone, Bearing (Inner)	
7	7000259	1	Housing	
8	7000232	1	Thrustwasher (Part of Seal Kit)	
9	7000229	1	Ring, Retaining (Part of Seal Kit)	
10	7000242	2	Plug, Pipe - 1/4in NPTF	
11	7000241	9	Stud, Wheel 1/2in-20NF	
12	7001952	1	Plug, Pipe 3/4in NPTF	
13	7000246	1	Gear, Internal	
		Ref	Carrier Assembly	
14	7001931	1	Carrier	
15	7001985	6	Thrustwasher, Tanged	
16	7001909	96	Bearing, Needle	
17	7000263	3	Spacer, Thrust	
18	7001911	3	Shaft, Planet	
19	7001912	3	Gear, Cluster	
20	7001913	3	Rollpin	
21	7000248	1	Gear, Ring	
22	7000230	2	O-Ring (Part of Seal Kit)	
23	7000209	1	Cover, Input	
24	7010461	1	Gear, Sun	
25	7000269	1	Spacer, Input	
26	7000270	1	Thrustwasher	
27	7000253	2	Thrustwasher (Part of Seal Kit)	
28	7000217	8	Bolt, Hex	
29	7000214	4	Bolt, Shoulder	
30	7000242	1	Plug, Pipe 1/4in NPTF	
	2900034	1	Seal Kit (Includes Items 2, 8, 9 & 22)	
	2900661	1	Seal Kit (Includes Items 2, 9, 22 & 27)	

# SECTION 1 - FRAME

FIGURE 1-6. DRIVE HUB ASSEMBLY - MODELS 35ELECTRIC, 40ELECTRIC, 45ELECTRIC





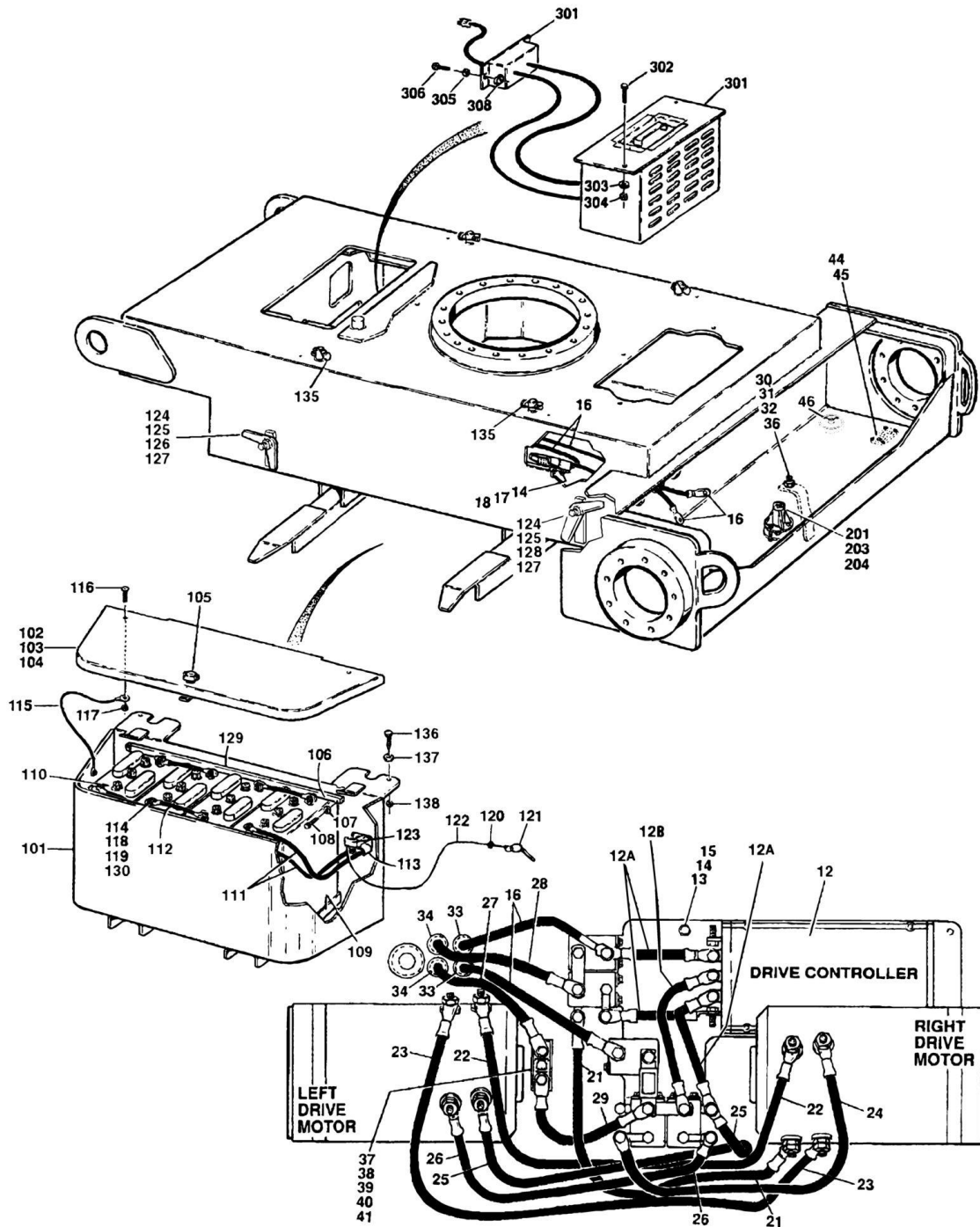
## SECTION 1 - FRAME

**FIGURE 1-6. DRIVE HUB ASSEMBLY - MODELS 35ELECTRIC, 40ELECTRIC, 45ELECTRIC**

ITEM	PART NUMBER	QTY	DESCRIPTION	REV
	2780198	Ref	<b>DRIVE HUB ASSEMBLY - MODEL 35ELECTRIC, 40ELECTRIC &amp; 45ELECTRIC</b>	B
	2780198	Ref	<b>DRIVE HUB ASSEMBLY - MODEL N35ELECTRIC &amp; N40ELECTRIC BUILT PRIOR TO OCTOBER 1994</b>	B
	2780206	Ref	<b>DRIVE HUB ASSEMBLY - MODEL N35ELECTRIC &amp; N40ELECTRIC BUILT OCTOBER 1994 TO PRESENT</b>	-
		Ref	Hub-Shaft Assembly	
1	7010486	1	Spindle	
2	7000228	1	Seal, Lip (Part of Seal Kit)	
3	7000255	1	Cup, Bearing (Outer)	
4	7000256	1	Cone, Bearing (Outer)	
5	7000257	1	Cup, Bearing (Inner)	
6	7000258	1	Cone, Bearing (Inner)	
7	7000259	1	Housing	
8	7000232	1	Thrustwasher (Part of Seal Kit)	
9	7000229	1	Ring, Retaining (Part of Seal Kit)	
10	7000242	2	Plug, Pipe - 1/4in NPTF	
11	7000241	9	Stud, Wheel 1/2in-20NF	
12	7001952	1	Plug, Pipe 3/4in NPTF	
13	7000246	1	Gear, Internal (2780198)	
13	7010491	1	Gear, Internal (2780206)	
		Ref	Carrier Assembly	
14	7010481	1	Carrier (2780198)	
14	7010489	1	Carrier (2780206)	
15	7001985	6	Washer, Tanged Thrust	
16	7001909	96	Bearing, Needle	
17	7000263	3	Spacer, Thrust	
18	7010483	3	Shaft, Planet	
19	7010484	3	Gear, Cluster (2780198 Hub)	
19	7010490	3	Gear, Cluster (2780206 Hub)	
20	7010474	3	Rollpin	
21	7000248	1	Gear, Ring	
22	7000230	2	O-Ring (Part of Seal Kit)	
23	7000209	1	Cover, Input	
24	7010482	1	Gear, Sun	
25	7010485	1	Spacer, Input	
26	7007642	1	Thrustwasher	
27	7000253	2	Thrustwasher (Part of Seal Kit)	
28	7001923	8	Bolt, Hex (2780198)	
28	7000217	8	Bolt, Hex (2780206)	
29	7000214	4	Bolt, Shoulder	
30	7000242	1	Plug, Pipe 1/4in NPTF	
	2900034	1	Seal Kit (Includes Items 2, 8, 9 & 22)	
	2900661	1	Seal Kit (Includes Items 2, 9, 22 & 27)	

# SECTION 1 - FRAME

## FIGURE 1-7. ELECTRICAL COMPONENTS INSTALLATION (FRAME MOUNTED)



## SECTION 1 - FRAME

**FIGURE 1-7. ELECTRICAL COMPONENTS INSTALLATION (FRAME MOUNTED)**

ITEM	PART NUMBER	QTY	DESCRIPTION	REV
		Ref	<b>DRIVE CONTACTOR INSTALLATIONS</b>	
	0254710	Ref	<b>Drive Contactor Installations 30electric U/L</b>	8
	0257551	Ref	<b>Drive Contactor Installations 30electric Non-U/L</b>	1
	0254485	Ref	<b>Drive Contactor Installations 35/40electric U/L</b>	8
	0257549	Ref	<b>Drive Contactor Installations 35/40electric Non-U/L</b>	1
	0254485	Ref	<b>Drive Contactor Installations n35/n40electric U/L Prior to October 1994</b>	8
	0255111	Ref	<b>Drive Contactor Installations n35/n40electric U/L Oct 1994 to Present</b>	3
	0257548	Ref	<b>Drive Contactor Installations n35/n40electric Non-U/L</b>	1
	0254599	Ref	<b>Drive Contactor Installations 45electric U/L</b>	7
	0257550	Ref	<b>Drive Contactor Installations 45electric Non-U/L</b>	1
12		Ref	Contactor Plate Assembly Options (See HYDRAULICS SECTOIN for Breakdown of Additional Components)	
12	0254549	1	Contactor Plate Assembly 30e/35e/n35e/40e/n40e	
12	0254597	1	Contactor Plate Assembly 45e	
12A	70003552	3	Cable, Electrical (8.5in/21.5cm)	
12B	70003553	1	Cable, Electrical (10in/25.4cm)	
13	0641408	3	Bolt 1/4in-20NC x 1in	
14	4711400	7	Flatwasher 1/4in	
15	4761400	3	Lockwasher 1/4in	
16	1060404	1	Cable Assembly	
17	0641416	4	Bolt 1/4in-20NC x 2in	
18	3311405	4	Locknut 1/4in-20NC	
21	1060464	1	Cable - 37in/94cm Length	
22	1060465	1	Cable - 42in/106.7cm Length	
23	1060466	1	Cable - 44in/111.8cm Length	
24	1060467	1	Cable - 27in/68.6cm Length	
25	1060468	1	Cable - 33in/83.8cm Length	
26	1060469	1	Cable - 29in/73.7cm Length	
27	1060535	1	Cable - 36in/91.4cm Length	
28	1060435	1	Cable - 48in/122cm Length	
29	1060534	1	Cable - 12in/30.5cm Length	
30	0641508	1	Bolt 5/16in-18NC x 1in	
31	3311505	1	Locknut 5/16in-18NC	
32	4751500	2	Flatwasher 5/16in	
33	2540020	2	Grommet	
34	2540019	2	Grommet	
35	0840027	2	Cover, Battery Terminal (Not Shown - Located on Motor)	
36	4240084	1	Strap, Static	
37	2400045	1	Fuse	
38	2400044	1	Fuseholder	
39	0741008	2	Screw #10-24NC x 1in	
40	4751000	2	Flatwasher #10	
41	3311005	2	Locknut #10-24NC	
43	2540023	1	Grommet (30electric Non U/L Machines Only)	
44	3538157	2	Plate, Drain	
45	0791004	8	Screw, Lock #110-24NC x 1/2in	
46	1670835	4	Cover, Drain (U/L Machines)	
		Ref	<b>BATTERY BOX INSTALLATIONS</b>	

# SECTION 1 - FRAME

ITEM	PART NUMBER	QTY	DESCRIPTION	REV
		Ref	<b>Note: See SPECIAL OPTIONS SECTION for Gel-Cell Batteries</b>	
	0254499	Ref	<b>Battery Box Installations 30electric U/L with Wet Batteries</b>	7
	0257556	Ref	<b>Battery Box Installations 30electric Non U/L with Wet Batteries</b>	2
	0256123	Ref	<b>Battery Box Installations 30electric U/L with Dry Batteries</b>	-
	0254483	Ref	<b>Battery Box Installations 35electric U/L with Wet Batteries (Prior to SN 0300024526)</b>	6
	0256121	Ref	<b>Battery Box Installations 35electric U/L with Wet Batteries (SN 0300024526 to Present)</b>	9
	0257557	Ref	<b>Battery Box Installations 35electric Non U/L with Wet Batteries</b>	3
	0256125	Ref	<b>Battery Box Installations 35electric U/L with Dry Batteries (Prior to SN 0300024526)</b>	2
	0254483	Ref	<b>Battery Box Installations n35electric U/L with Wet Batteries (Prior to SN 0300023550)</b>	6
	0256121	Ref	<b>Battery Box Installations n35electric U/L with Wet Batteries (SN 0300023550 to Present)</b>	9
	0257557	Ref	<b>Battery Box Installations n35electric Non U/L with Wet Batteries</b>	2
	0256125	Ref	<b>Battery Box Installations n35electric U/L with Dry Batteries</b>	2
	0254276	Ref	<b>Battery Box Installations 40electric U/L with Wet Batteries (Prior to SN 0300024233)</b>	H
	0256530	Ref	<b>Battery Box Installations 40electric U/L with Wet Batteries (SN 0300024233 to Present)</b>	6
	0257558	Ref	<b>Battery Box Installations 40electric Non U/L with Wet Batteries</b>	2
	0256124	Ref	<b>Battery Box Installations 40electric U/L with Dry Batteries (Prior to SN 0300050377)</b>	2
	0270258	Ref	<b>Battery Box Installations 40electric U/L with Dry Batteries (SN 0300050377 to Present)</b>	1
	0254276	Ref	<b>Battery Box Installations n40electric U/L with Wet Batteries (Prior to SN 0300025492)</b>	H
	0257558	Ref	<b>Battery Box Installations n40electric Non U/L with Wet Batteries</b>	1
	0256530	Ref	<b>Battery Box Installations n40electric U/L with Wet Batteries (SN 0300025492 to Present)</b>	6
	0256124	Ref	<b>Battery Box Installations n40electric U/L with Dry Batteries (Prior to SN 0300050377)</b>	A
	0270258	Ref	<b>Battery Box Installations n40electric U/L with Dry Batteries (SN 0300050377 to Present)</b>	1
	0254276	Ref	<b>Battery Box Installations 45electric U/L with Wet Batteries (Prior to SN 0300024324)</b>	H
	0256530	Ref	<b>Battery Box Installations 45electric U/L with Wet Batteries (SN 0300024324 to Present)</b>	6
	0257558	Ref	<b>Battery Box Installations 45electric Non U/L with Wet Batteries</b>	1
	0256124	Ref	<b>Battery Box Installations 45electric U/L with Dry Batteries (Prior to SN 0300050377)</b>	A
	0270258	Ref	<b>Battery Box Installations 45electric U/L with Dry Batteries (SN 0300050377 to Present)</b>	1
101		Ref	Battery Box Weldment Options:	
101	4844689	1	Battery Box Weldment 30electric	
101	4844632	1	Battery Box Weldment 35electric (Prior to SN 0300024526)	
101	4845262	1	Battery Box Weldment 35electric (SN 0300024526 to Present)	
101	4844632	1	Battery Box Weldment n35electric (Prior to SN 0300023550)	
101	4845262	1	Battery Box Weldment n35electric (SN 0300023550 to Present)	

## SECTION 1 - FRAME

ITEM	PART NUMBER	QTY	DESCRIPTION	REV
101	4844424	1	Battery Box Weldment 40electric ( <b>Prior to SN 0300024233</b> )	
101	4845343	1	Battery Box Weldment 40electric ( <b>SN 0300024233 to Present</b> )	
101	4844424	1	Battery Box Weldment n40electric ( <b>Prior to SN 0300025492</b> )	
101	4845343	1	Battery Box Weldment n40electric ( <b>SN 0300025492 to Present</b> )	
101	4844424	1	Battery Box Weldment 45electric ( <b>Prior to SN 0300024324</b> )	
101	4845343	1	Battery Box Weldment 45electric ( <b>SN 0300024324 to Present</b> )	
102	1670696	2	Cover, Battery Box	
103	2820063	2	Insulator, Cover (U/L Machines Only)	
104	0100065	AR	Adhesive (U/L Machines Only)	
105	2940073	2	Latch	
106	4565640	2	Tube	
107		Ref	Hardware Options:	
107	3300029	4	Wingnut 3/8in-16NC (Not Shown) (30electric)	
107	4711500	8	Flatwasher 5/16in Narrow (35electric/40electric/45electric)	
108		Ref	Hardware Options:	
108	0630453	4	Hardware Bolt (30electric)	
108	0641512	4	Hardware Bolt (35electric/40electric/45electric)	
109		Ref	Liner, Box Options:	
109	3000003	2	Liner, Box 30electric/40electric/45electric	
109	3000004	2	Liner, Box 35electric ( <b>Prior to SN 0300044788</b> )	
109	3000003	2	Liner, Box 35electric ( <b>SN 0300044788 to Present</b> )	
110		Ref	Battery Options:	
110	0400069	8	Battery Wet (30electric)	
110	0400112	8	Battery Dry (30electric)	
110	0400121	8	Battery Wet (35electric)	
110	0400136	8	Battery Dry (35electric)	
110	0400055	8	Battery Wet (40electric/45electric)	
110	0400107	8	Battery Dry (40electric/45electric)	
111	1060405	2	Cable, Battery	
112	1060092	6	Cable, Battery	
113	0100048	AR	Silicon Compound	
114	0100051	AR	Grease, Terminal	
115	1060492	4	Lanyard	
116	0630407	8	Screw, Button Head 1/4in x 5/8in	
117	3311405	8	Locknut 1/4in-20NC	
118	0840031	12	Boot, Terminal - "d" shape	
119	0840032	4	Boot, Terminal - "b" shape	
120		Ref	Hardware Options:	
120	2540016	2	Grommet (U/L Machines)	
120	3520054	2	Plug (Non U/L Machines)	
121	3760170	2	Ring	
122	1060491	2	Cable, Lanyard	
123	1320172	2	Handle, Pull	
124	4300107	4	Stud 1/2in-16NC x 2in	
125	4751800	8	Flatwasher 1/2in	
126	2940093	2	Latch (Left Hand)	
127	3311805	4	Locknut 1/2in-13NC	
128	2940094	2	Latch (Right Hand)	
129		Ref	Insulator Options:	
129	Not Required	0	Non U/L Machines	
129	2820065	4	Insulator 30electric/U/L	

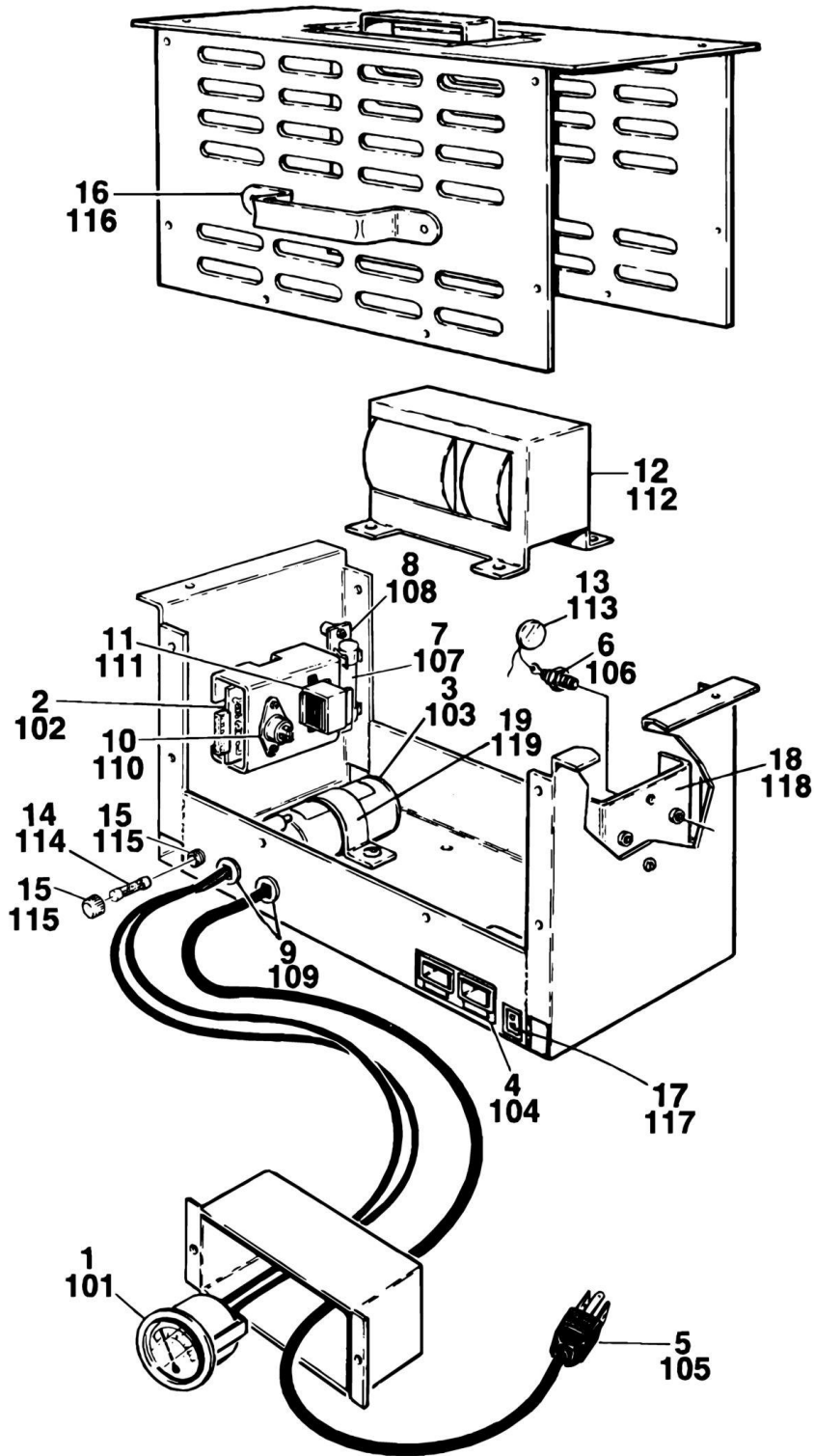
# SECTION 1 - FRAME

ITEM	PART NUMBER	QTY	DESCRIPTION	REV
129	2820066	4	Insulator 35electric U/L	
129	2820067	4	Insulator 40electric/45electric U/L	
130	4761500	16	Lockwasher 5/16in	
135	3421799	4	Pin, Quick Release	
136	0641612	4	Bolt 3/8in-16NC x 1 1/2in	
137	4751600	8	Flatwasher 3/8in	
138	3311605	4	Locknut 3/8in-16NC	
	0254604	Ref	<b>TILT INDICATOR INSTALLATION</b>	-
201	4360372	1	Sensor, Level	
201	7012608	1	Fuse 1.5 Amp (Black Version)	
201	Not Required	0	Fuse (Blue and Orange Version)	
203	0641406	2	Bolt 1/4in-20NC x 3/4in	
204	3311405	2	Locknut 1/4in-20NC	
		Ref	<b>BATTERY CHARGER INSTALLATIONS</b>	
		Ref	<b>Note: See SPECIAL OPTIONS SECTION for Gel-Cell Battery Chargers and Connections.</b>	
	0253224	Ref	<b>220V/50Hz Dutch/ French/ German/ Italian/ Spanish Specs (Prior to August 1995)</b>	C
	0255743	Ref	<b>220V/50Hz Dutch/ French/ German/ Italian/ Spanish Specs (August 1995 to SN 63149)</b>	2
	0255028	Ref	<b>250V/50Hz Australian Spec</b>	2
	0253849	Ref	<b>110-220V/50Hz UK Spec</b>	4
	0270562	Ref	<b>110-240V/50Hz CE Spec (SN 63149 to Present)</b>	2
301		Ref	Battery Charger Assembly Options (See BATTERY CHARGER ASSEMBLY - 220V/50HZ and BATTERY CHARGER ASSEMBLY - 220V/50HZ (SERVICE REPLACEMENT - DUTCH/FRENCH/GERMAN/ITALIAN/SPANISH SPECS) for Breakdown):	
301	0400103	1	220V/50Hz Dutch/French/German/Italian/Spanish Specs (Prior to August 1995)	
301	0400137	1	220V/50Hz Dutch/French/German/Italian/Spanish Specs (August 1995 to SN 03000 63149)	
301	0400130	1	250V/50Hz Australian Specs	
301	0400111	1	110-220V/50Hz UK Spec <b>(Prior to SN 0300036625)</b>	
301	0400182	1	110-220V/50Hz UK Spec <b>(SN 0300036625 to Present)</b>	
301	0400198	1	110-240V/50Hz CE Spec <b>(SN 0300063149 to Present)</b>	
302	0641408	2	Bolt 1/4in-20NC x 1in	
303	4711400	2	Flatwasher 1/4in Narrow	
304	3311405	2	Locknut 1/4in-20NC	
305	4761400	2	Lockwasher 1/4in	
306	0641408	2	Bolt 1/4in-20NC x 1in	
307		Ref	Instructions Decal Options (Not Shown):	
307	1701695	1	110V English Language	
307	1702352	1	220V English Language	
307	1702950	1	110V Spanish Language	
307	1702949	1	220V Spanish Language	
308	3300181	2	Nut, Retainer 1/4in-20NC	
	0255642	Ref	<b>CHASSIS GROUND INSTALLATION (NOT SHOWN)</b>	-
	1060080	1	Cable, Battery	
	4791500	1	Starwasher 5/16in	
	0840041	1	Boot, Terminal	



# SECTION 1 - FRAME

FIGURE 1-8. BATTERY CHARGER ASSEMBLY - 220V/50HZ





# SECTION 1 - FRAME

## FIGURE 1-8. BATTERY CHARGER ASSEMBLY - 220V/50HZ

ITEM	PART NUMBER	QTY	DESCRIPTION	REV
		Ref	<b>Note: Battery charger serial number nameplate located on right side of charger. First line is the charger spec and date code. Prior to mid-February 1996 Example: BA515 (Spec) AP (Date Code).</b>	
		Ref	<b>First letter in the date code indicates month (A - January/B - February/C- March/etc. With exception of letter "I" which is not used). Second letter indicates year (N-1992/O-1993/P-1994/S-1995/T-1996 etc.).</b>	
		Ref	<b>After mid-February 1996 Example: BA515 (Spec) 9631 (Date Code). First and second digits in the date code indicate year. Third and fourth digits indicate the week of manufacture.</b>	
		Ref	<b>BATTERY CHARGER ASSEMBLY - DUTCH/ FRENCH/GERMAN/ITALIAN/SPANISH SPECS (220V/50HZ)</b>	
	0400103	Ref	<b>Battery Charger Assembly Prior to August 1995</b>	-
	0400137	Ref	<b>Battery Charger Assembly August 1995 to Present</b>	B
1	7011573	1	Ammeter	
2		Ref	Circuit Board Options:	
2	7011679	1	Circuit Board Prior to January 1995 (Was p/n 7011629)	
2	7011679	1	Circuit Board January 1995 to August 1995	
2	7018538	1	Circuit Board August 1995 to Present	
3		Ref	Condenser Options:	
3	7011623	1	Condenser Prior to August 1995	
3	7011574	1	Condenser August 1995 to Present	
4	7011590	1	Connector, DC	
5		Ref	Cord, AC Options:	
5	7011544	1	Cord, AC Prior to August 1995	
5	7011572	1	Cord, AC August 1995 to Present	
6	7011576	2	Diode	
7	7011593	1	Fuse, DC (45 Amp)	
8	7011594	1	Holder, Fuse - DC	
9	7011646	2	Relief, Strain (AC Cord)	
9	7011528	1	Relief, Strain (DC Cord)	
10	7011517	1	Triac	
11	7011551	1	Transformer, Control	
12	7011598	1	Transformer, Main	
13	7011584	1	Varistor	
14	7011508	1	Fuse, AC - 15 Amp	
15	7011507	1	Holder, Fuse - AC	
16	Not Available	2	Handle	
17	7011621	1	Connector, Enable Switch	
18	Not Available	1	Heatsink (Includes Items 6 & 13)	
19	7011511	1	Strap, Condenser	
20	Not Required	0	Not Required	
21	Not Required	0	Not Required	
	0400130	Ref	<b>BATTERY CHARGER ASSEMBLY - AUSTRALIAN SPEC (250V/50HZ)</b>	-
1	7011573	1	Ammeter	
2		Ref	Circuit Board Options:	
2	7011679	1	Circuit Board Prior to January 1995 (Was p/n 7011629)	
2	7011679	1	Circuit Board January 1995 to Present	
3	7011574	1	Condenser - 12.5MFD	
4	7011590	1	Connector, DC	

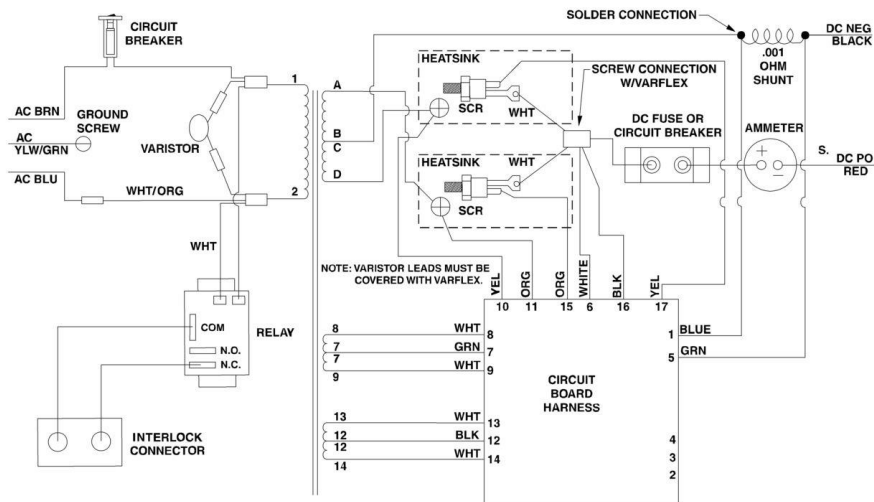
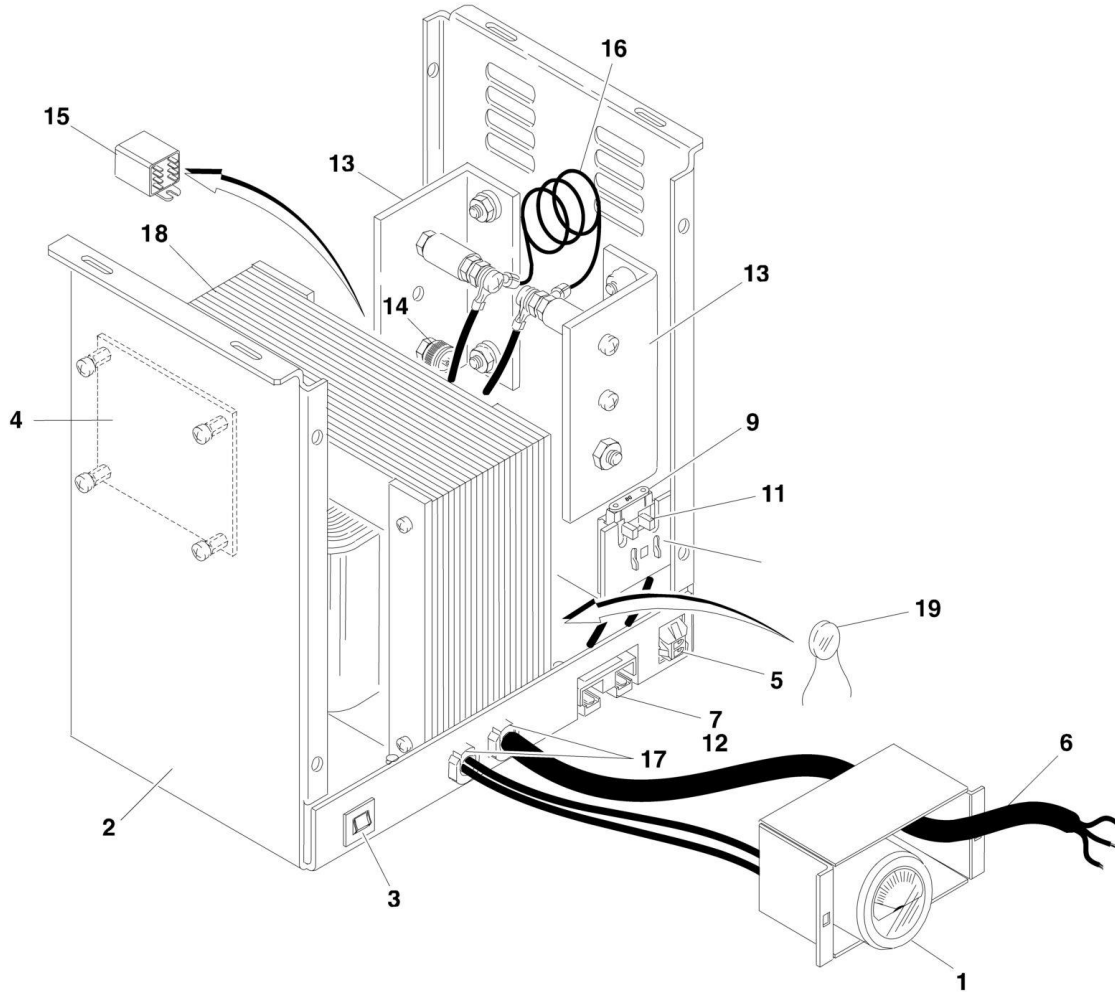
## SECTION 1 - FRAME

ITEM	PART NUMBER	QTY	DESCRIPTION	REV
5	7011672	1	Cord, AC	
5	7011669	1	Socket, AC	
6	7011668	2	Diode	
7	7011593	1	Fuse, DC - 45 Amp	
8	7011594	1	Holder, Fuse - DC	
9	7011646	2	Relief, Strain (AC Cord)	
9	7011528	1	Relief, Strain (DC Cord)	
10	7011517	1	Triac	
11	7011551	1	Transformer, Control	
12	7011669	1	Transformer, Main	
13	7011584	1	Varistor	
14	7011645	1	Fuse, AC - 25 Amp	
15	7011507	1	Holder, Fuse - AC	
16	Not Available	2	Handle	
17	7011621	1	Connector, Enable Switch	
18	7011610	1	Heatsink	
19	7011511	1	Strap, Condenser	
20	Not Required	0	Not Required	
21	Not Required	0	Not Required	
		Ref	<b>BATTERY CHARGER ASSEMBLY - UK SPEC 110-220V/50HZ</b>	
	0400111	Ref	<b>Battery Charger Assembly (Prior to SN 36625)</b>	-
		Ref	<b>Battery Charger Assembly (See BATTERY CHARGER ASSEMBLY - 220V/50HZ) (SN 36625 to Present)</b>	
101	7011573	1	Ammeter	
102	7011647	1	Board, Circuit	
103	7011623	1	Condensor - 15 MFD	
104	7011590	1	Connector, DC	
105	7011674	1	Cord, AC	
106	7011576	2	Diode	
107	7011593	1	Fuse, DC - 45 Amp	
108	7011594	1	Holder, Fuse - DC	
109	7011646	2	Relief, Strain (AC Cord)	
109	7011528	1	Relief, Strain (DC Cord)	
110	Not Required	0	Not Required	
111		Ref	Transformer, Control	
111	Not Required	0	Prior to Date Code BT (February 1996)	
111	7011551	1	Date Code BT (February 1996 to Present)	
112	7011648	1	Transformer, Main	
113	7011584	1	Varistor	
114	7011508	1	Fuse, AC - 15 Amp	
115	7011507	1	Holder, Fuse - AC	
116	Not Available	2	Handle	
117	7011621	1	Connector, Enable Switch	
118	Not Available	1	Heatsink	
119	7011511	1	Strap, Condenser	
120		Ref	Automatic Switching Card Options:	
120	7011644	1	Prior to Date Code BT (February 1996) (Use 7018504 Kit as Replacement)	
120	7018530	1	Date Code BT (February 1996 to Present)	
121	7011649	1	Relay	
	7018504	1	Circuit Isolation Kit (Modification required for chargers built prior to date code "BT")	



# SECTION 1 - FRAME

**FIGURE 1-9. BATTERY CHARGER ASSEMBLY - 220V/50HZ (SERVICE REPLACEMENT - DUTCH/FRENCH/GERMAN/ITALIAN/SPANISH SPECS)**



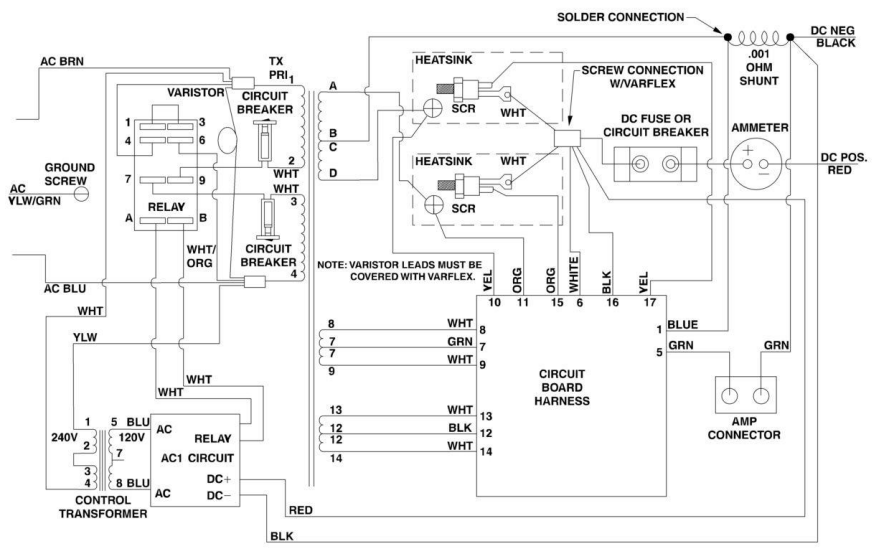
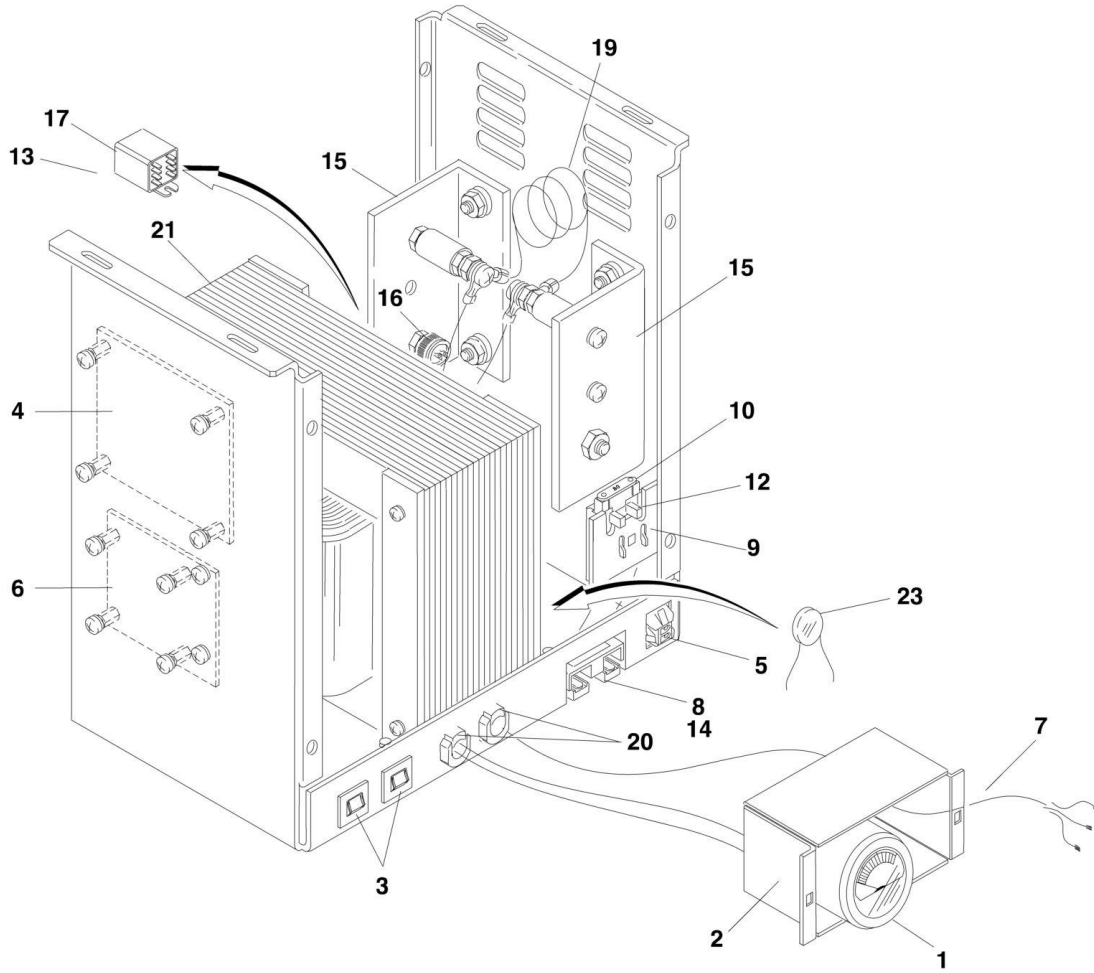
## SECTION 1 - FRAME

**FIGURE 1-9. BATTERY CHARGER ASSEMBLY - 220V/50HZ (SERVICE REPLACEMENT - DUTCH/FRENCH/GERMAN/ITALIAN/SPANISH SPECS)**

ITEM	PART NUMBER	QTY	DESCRIPTION	REV
	0400198	Ref	<b>BATTERY CHARGER ASSEMBLY - DUTCH/ FRENCH/ GERMAN/ ITALIAN/ SPANISH SPECS (SERVICE REPLACEMENT FOR 0400103 &amp; 0400137 BATTERY CHARGERS)</b>	-
1	7011573	1	Ammeter (was p/n 7022915)	
2	7022904	1	Cover Assembly, Case	
3	7018525	1	Breaker, Circuit	
4	7022938	1	Board, Circuit (was p/n 7022934)	
5	7011621	1	Connector	
6	7022914	1	Cord, AC	
7	7022916	1	Cord, DC	
8	7018577	2	Capacitor Assembly (Not Shown)	
9	7011593	1	Fuse, DC - 45 Amp	
10	7020658	1	Harness (Not Shown)	
11	7011594	1	Holder, Fuse - DC	
12	7011590	1	Connector, DC	
13	7020649	2	Recifier Assembly	
14	7020650	1	Recifier (1 Per Assembly)	
15	7018563	1	Relay	
16	7020674	1	Shunt Assembly	
17	7011529	1	Strain Relief	
17	7020659	1	Strain Relief	
18	7022939	1	Transformer (was p/n 7022917)	
19	7020633	1	Varistor Assembly	

# SECTION 1 - FRAME

## FIGURE 1-10. BATTERY CHARGER ASSEMBLY - 110-220V/50HZ



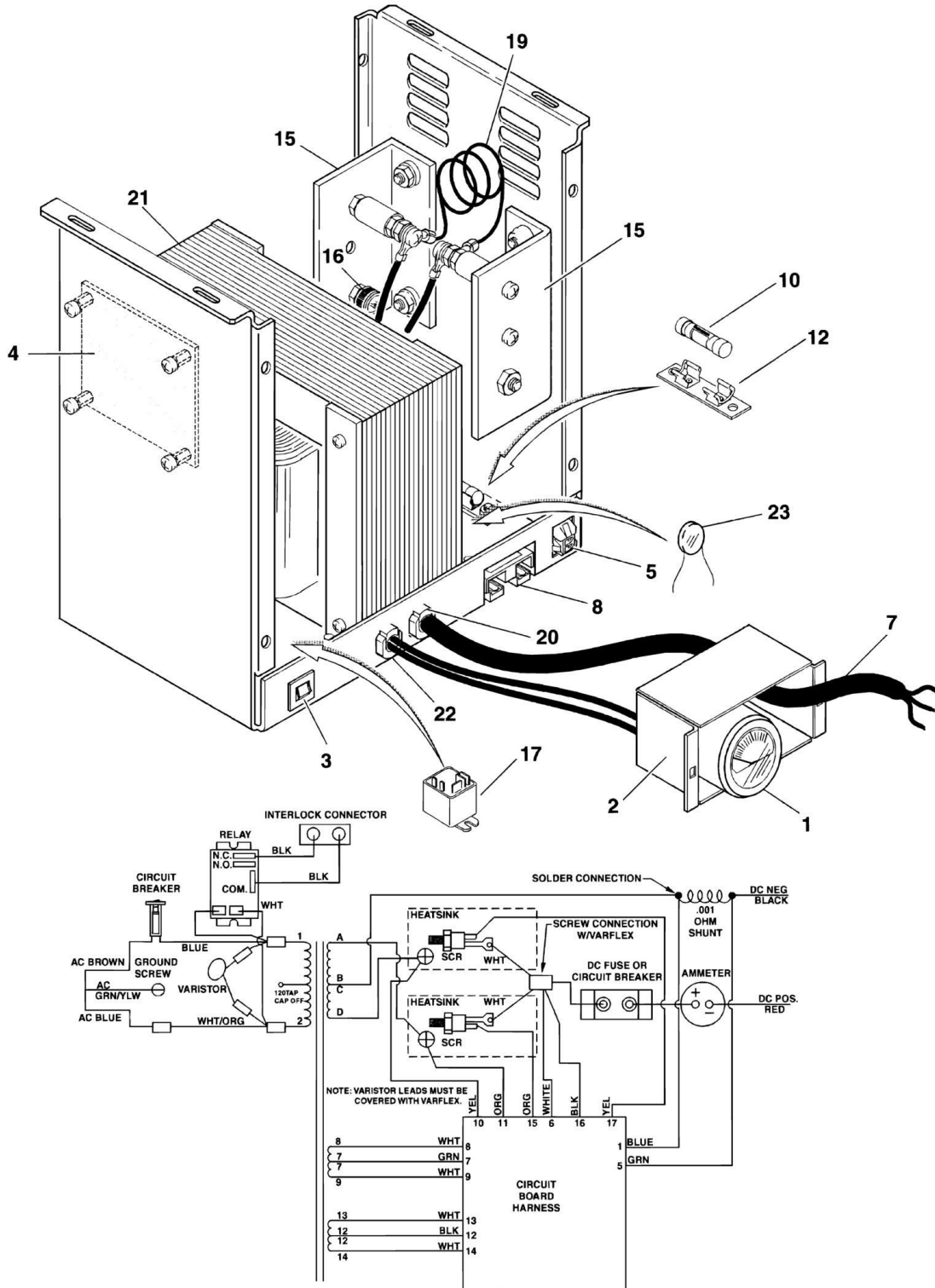
## SECTION 1 - FRAME

**FIGURE 1-10. BATTERY CHARGER ASSEMBLY - 110-220V/50HZ**

ITEM	PART NUMBER	QTY	DESCRIPTION	REV
	0400182	Ref	<b>BATTERY CHARGER ASSEMBLY - UK ONLY (110/220 DUAL VOLTAGE) (SN 36625 to Present)</b>	-
1	7011573	1	Ammeter	
2	7018566	1	Case, Remote Ammeter	
3	7018597	2	Breaker, Circuit	
4	7022940	1	Board, Circuit (p/n was 7020607)	
5	7011621	1	Connector	
6	7020618	1	Control, Circuit	
7	7020608	1	Cord, AC	
8	7020609	1	Cord, DC	
9	7020610	1	Fuse Assembly - DC	
10	7018570	1	Fuse, DC - 80 Amp	
11	7020611	1	Harness (Not Shown)	
12	7018571	1	Holder, Fuse - DC	
13	7020612	1	Insulator, Relay	
14	7011590	1	Connector, DC	
15	7020613	2	Recifier Assembly	
16	7020614	1	Recifier (1 Per Assembly)	
17	7011649	1	Relay	
19	7020605	1	Shunt Assembly	
20	7011528	2	Strain Relief (DC Cord)	
21	7022941	1	Transformer (p/n was 7020616)	
23	7018537	1	Varistor	

# SECTION 1 - FRAME

## FIGURE 1-11. BATTERY CHARGER ASSEMBLY - 110-240V/50HZ





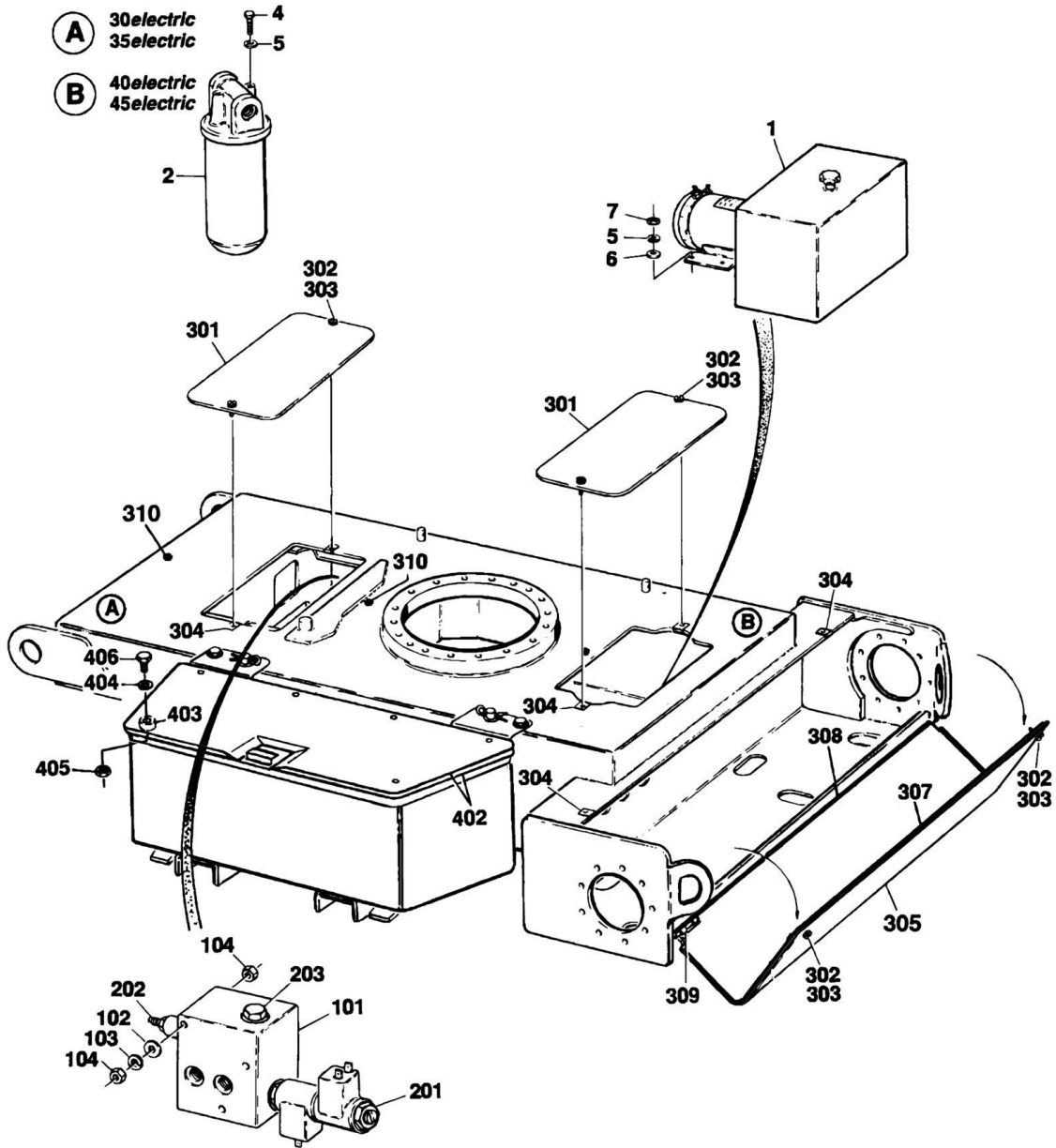
## SECTION 1 - FRAME

**FIGURE 1-11. BATTERY CHARGER ASSEMBLY - 110-240V/50HZ**

ITEM	PART NUMBER	QTY	DESCRIPTION	REV
	0400198	Ref	<b>BATTERY CHARGER ASSEMBLY - UK ONLY (110/240 DUAL VOLTAGE) (SN 63149 to Present)</b>	C
1	7011573	1	Ammeter (was p/n 7022915)	
2	Not Serviced	1	Case, Remote Ammeter	
3	7018597	1	Breaker, Circuit (p/n was 7018525)	
4	7022938	1	Board, Circuit (p/n was 7022934)	
5	7011621	1	Connector	
6	7020618	1	Control, Circuit	
7	7022914	1	Cord, AC	
8	7022916	1	Cord, DC W/Connector	
10	7011593	1	Fuse, DC - NON-50	
11	7020658	1	Harness (Not Shown)	
12	7011594	1	Holder, Fuse - DC	
13	7020612	1	Insulator, Relay	
15	7020649	2	Recifier Assembly	
16	7020650	1	Recifier (1 Per Assembly)	
17	7018563	1	Relay	
19	7020674	1	Shunt Assembly	
20	7011529	1	Strain Relief (DC Cord)	
21	7022939	1	Transformer (p/n was 7022917)	
22	7020659	1	Strain Relief (DC Cord)	
23	7020633	1	Varistor	

# SECTION 1 - FRAME

FIGURE 1-12. HYDRAULIC COMPONENTS AND COVERS INSTALLATION (FRAME MOUNTED)



## SECTION 1 - FRAME

**FIGURE 1-12. HYDRAULIC COMPONENTS AND COVERS INSTALLATION (FRAME MOUNTED)**

ITEM	PART NUMBER	QTY	DESCRIPTION	REV
	0254708	Ref	<b>MOTOR/PUMP/TANK AND FILTER INSTALLATION - MODEL 30ELECTRIC</b>	A
	0252339	Ref	<b>MOTOR/PUMP/TANK AND FILTER INSTALLATION - MODEL 35ELECTRIC</b>	E
	0254299	Ref	<b>MOTOR/PUMP/TANK AND FILTER INSTALLATION - MODEL 40ELECTRIC &amp; 45ELECTRIC</b>	B
1		Ref	Pump/Motor/Tank Assembly Options:	
1		Ref	Pump/Motor/Tank Assembly ( <b>Prior to SN 27665</b> )	
1	3600192	1	Pump/Motor/Tank Assembly	A
1	7013700	1	Pump Assembly	
1	2900813	1	Seal Kit (Includes All O-Rings, Seals and Filters)	
1	7013702	1	Filter	
1	7013703	1	Electric Motor Assembly	
1	7022200	1	Brush Kit (Lessen Motor) (was p/n 7013704)	
1	7016766	1	Brush Kit (Ohio Motor)	
1	7013729	1	Coupling	
1	7013706	1	Reservoir	
1	7013707	1	Relief Cartridge Assembly	
1	7013708	1	Check Valve Assembly	
1	7013709	1	Breather/Dipstick Assembly	
1		Ref	Pump/Motor/Tank Assembly ( <b>SN 27665 to Present</b> )	
1	3600261	1	Pump/Motor/Tank Assy	B
1	7016717	1	Pump Assembly	
1	7013701	1	Seal Kit (Includes all O-Rings, Seals and Filters)	
1	7013723	1	Filter	
1	70002418	1	Fitting, 90, Elbow Suction	
1	7013716	1	Seal, Shaft	
1	7013743	1	O-Ring	
1	7013717	1	Washer	
1	7013727	1	Cover, Suction	
1	7013713	2	Bolt, Torx (Pump to Motor)	
1	7013728	2	Screw M6-10 x 12mm	
1	3931516	1	Screw 5/16in-18 X 1in	
1	7013703	1	Electric Motor Assembly	
1	7022200	1	Brush Kit	
1	7022202	1	Armature	
1	7016740	1	Endhead	
1	7013744	1	Adaptor, Endhead	
1	7016739	4	Lockwasher	
1	7016725	4	Screw 1/4in-20NC x 3/4in	
1	7013748	1	Tag, Caution	
1	7013729	1	Coupling	
1	7013706	1	Reservoir	
1	7013750	1	Relief Cartridge Assy	
1	7013715	1	Ball, Steel	
1	7013733	1	Spring	
1	7013719	1	Plug	
1	7013722	1	Plug, Magnet	
1	7013740	4	Screw 12-24 x .29	
1	7013770	1	Screw, Valve Adjustment	

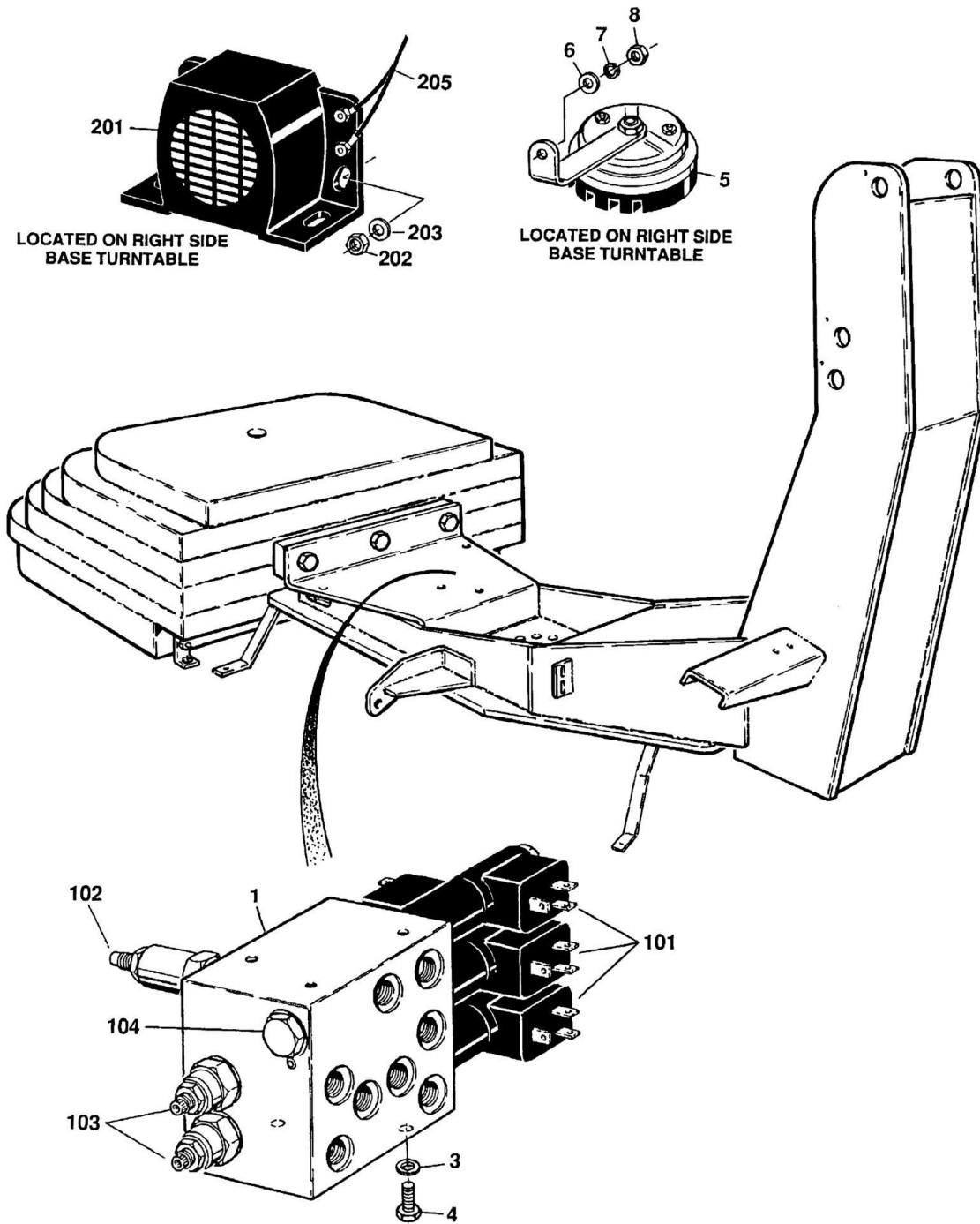
## SECTION 1 - FRAME

ITEM	PART NUMBER	QTY	DESCRIPTION	REV
2	2120105	1	Filter, Return	
2	2120072	1	Element, Filter	
3	0100009	AR	Silicone	
4	3911410	2	Screw, Machine 1/4in-20NC x 5/8in	
5	4761400	6	Lockwasher 1/4in	
6	4751400	4	Flatwasher 1/4in	
7	3311401	4	Nut 1/4in-20NC	
	0252290	Ref	<b>VALVE INSTALLATION - MODEL 30ELECTRIC</b>	B
	0254298	Ref	<b>VALVE INSTALLATION - MODEL 35ELECTRIC</b>	2
	0253650	Ref	<b>VALVE INSTALLATION - MODEL 40ELECTRIC &amp; 45ELECTRIC</b>	8
101	4640726	1	Control Valve Assembly (See Items 201-203 for Breakdown)	
102	4751400	2	Flatwasher 1/4in	
103	4761400	2	Lockwasher 1/4in	
104	3311401		Nut 1/4in-20NC	
	4640726	Ref	<b>CONTROL VALVE ASSEMBLY - HYDRO-AIR (STEER)</b>	G
201	7010537	1	Cartridge - Complete Solenoid (Steer Directional Controls)	
201	7010538	2	Coil	
201	7010539	1	Seal Kit	
201	7012951	1	Weatherproof Kit	
202	7010540	1	Cartridge - Complete (Steer Pressure Relief) <b>(Prior to SN 31641)</b>	
202	7010541	1	Seal Kit	
202	7012912	1	Cartridge - Complete (Steer Pressure Relief) <b>(SN 31641 to Present)</b>	
202	7012998	1	Seal Kit	
203	7010542	1	Cartridge - Complete (Steer Shuttle Valve)	
203	7010543	1	Seal Kit	
		Ref	<b>FRAME COVERS INSTALLATIONS</b>	
	0254605	Ref	<b>Frame Covers Installations 30electric</b>	B-2
	0254291	Ref	<b>Frame Covers Installations 35/40/45electric</b>	A
	0254292	Ref	<b>Frame Covers Installations 35/40/45electric</b>	A
301	3535959	2	Plate, Cover	
302	3900174	6	Screw, Special	
303	3760308	6	Retainer	
304	1380138	6	Clip, Receptacle	
305		Ref	Cover, Rear Axle Options:	
305	4844778	1	Cover, Rear Axle 30electric	
305	4844602	1	Cover, Rear Axle 35/40/45electric	
305	4844603	1	Cover, Rear Axle n35/n40electric	
306	0940036	2	Bumper, Rubber	
307	3960447	8 ft/2.5m	Seal, Self-Grip	
308	3960433	4 ft/1.3m	Seal	
309	3300371	4	Wingnut	
310	3520026	3	Plug, Hole	
	0252986	Ref	<b>OPTIONAL BATTERY BOX COVERS INSTALLATION - MODEL 30ELECTRICAL ONLY</b>	-
402	1670650	2	Cover, Battery Box	
403	4565755	12	Tube	
404	4711400	12	Flatwasher 1/4in	
405	3311405	12	Locknut 1/4in-20NC	
406	0641412	12	Bolt 1/4in-20NC x 1 1/2in	

**SECTION 2 - TURNTABLE**

# SECTION 2 - TURNTABLE

FIGURE 2-1. TURNTABLE MOUNTED COMPONENTS INSTALLATIONS - MODEL 30ELECTRIC



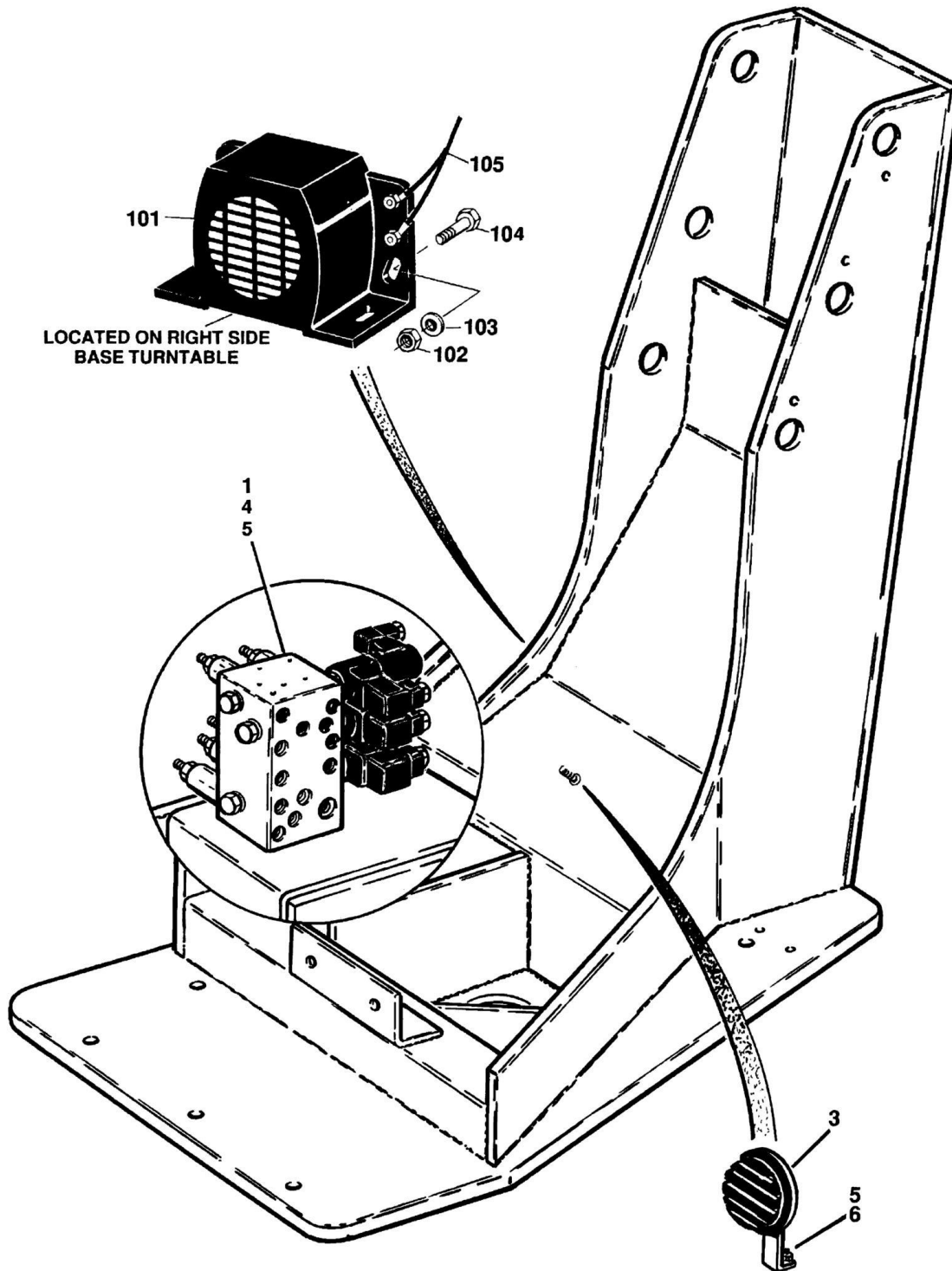
## SECTION 2 - TURNTABLE

**FIGURE 2-1. TURNTABLE MOUNTED COMPONENTS INSTALLATIONS - MODEL 30ELECTRIC**

ITEM	PART NUMBER	QTY	DESCRIPTION	REV
	0252290	Ref	<b>VALVE AND HORN INSTALLATION</b>	B
1	4640725	1	Control Valve Assembly - Hydro-Air (Swing and Lift) (Includes Items 101-104)	
3	4761500	2	Lockwasher 5/16in	
4	0641508	2	Bolt 5/16in-18NC x 1in	
5	0140028	1	Horn	
6	4751400	1	Flatwasher 1/4in	
7	4761400	1	Lockwasher 1/4in	
8	3311401	1	Nut 1/4in-20NC	
	4640725	Ref	<b>CONTROL VALVE ASSEMBLY - HYDRO-AIR (SWING AND LIFT)</b>	A
101	7010546	3	Cartridge - Complete (Direction Control - Swing, Main/Main/Upper Lift Up/Down and Tower/Lower Lift Up/Down)	
101	7010538	6	Coil (2 Per Cartridge)	
101	7010539	3	Seal Kit	
102	7010540	3	Cartridge - Complete (Swing Crossover/Pressure Relief/Lift Down Relief)	
102	7010541	3	Seal Kit	
103	7010544	2	Cartridge - Complete (Lift Down Speed/Flow Control)	
103	7010545	2	Seal Kit	
104	7010542	1	Cartridge - Complete (Swing Shuttle Valve)	
104	7010543	1	Seal Kit	
		Ref	<b>MOTION ALARM KITS (OPTIONAL)</b>	
	2901212	Ref	<b>Motion Alarm Kits without Numbered Colored Wire (Prior to SN 36544)</b>	-
	2901560	Ref	<b>Motion Alarm Kits with Numbered Colored Wire (SN 36544 to Present)</b>	1
201	0140031	1	Alarm, Motion (Remove ground strap before installation)	
202	3311405	2	Locknut 1/4in-20NC	
203	4711400	4	Flatwasher 1/4in	
205		Ref	Harness Options:	
205	4921425	1	Harness without Numbered Colored Wire <b>(Prior to SN 36544)</b>	
205	4922076	1	Harness with Numbered Colored Wire <b>(SN 36544 to Present)</b>	

## SECTION 2 - TURNTABLE

FIGURE 2-2. TURNTABLE MOUNTED COMPONENTS INSTALLATIONS - MODEL 35ELECTRIC





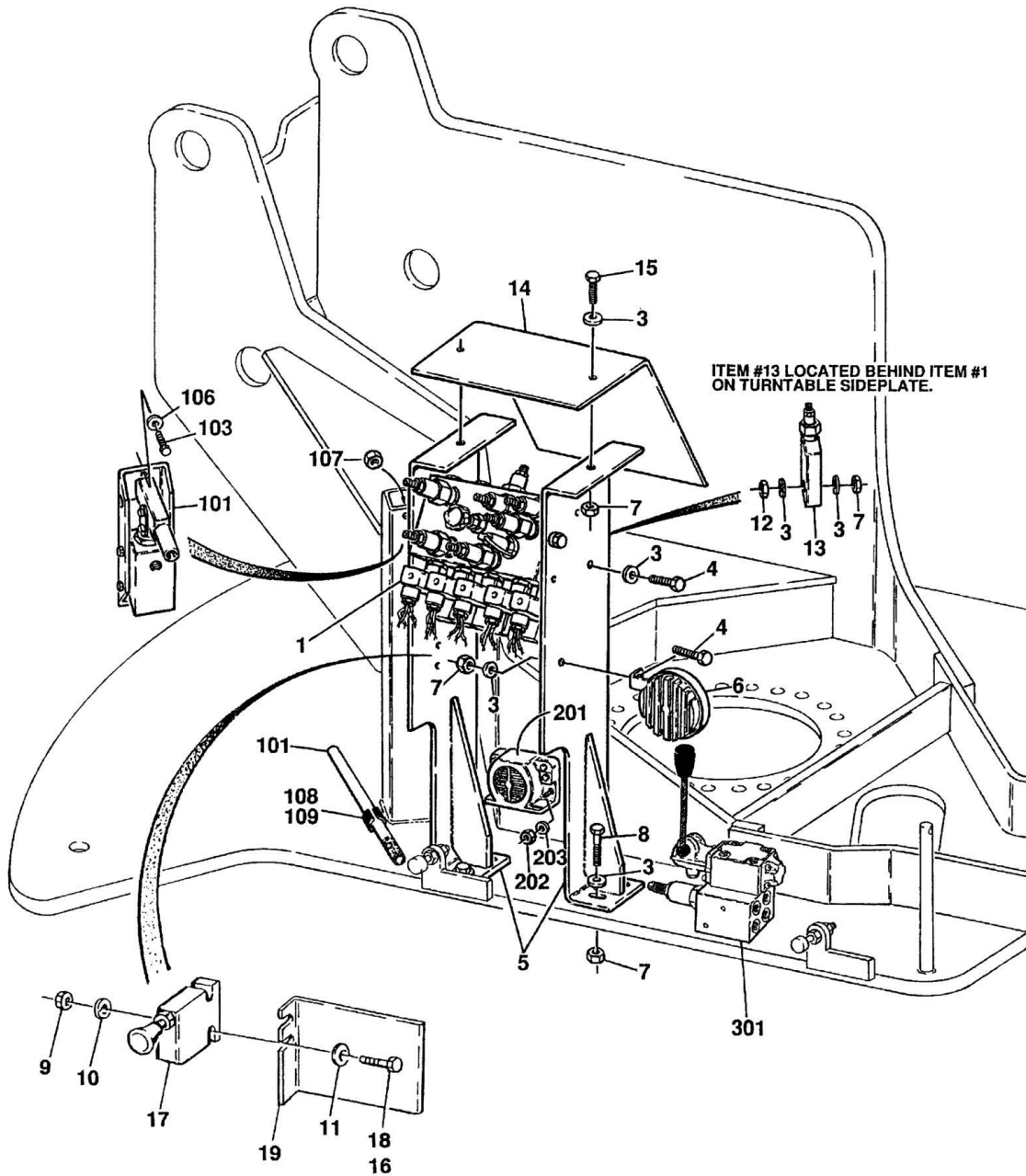
## SECTION 2 - TURNTABLE

**FIGURE 2-2. TURNTABLE MOUNTED COMPONENTS INSTALLATIONS - MODEL 35ELECTRIC**

ITEM	PART NUMBER	QTY	DESCRIPTION	REV
	0254298	Ref	<b>VALVES AND HORN INSTALLATION</b>	2
1		Ref	Control Valve Assembly Options (See CONTROL VALVE ASSEMBLY for Breakdown):	
1	4640843	1	Control Valve Assembly <b>(Prior to SN 34056)</b>	
1	4641026	1	Control Valve Assembly <b>(SN 34056 to Present)</b>	
3	0140028	1	Horn	
4	0641507	2	Bolt 5/16in-18NC x 7/8in	
5	4751500	3	Flatwasher 5/16in	
6	3311505	1	Locknut 5/16in-18NC	
	0100011	AR	Loctite #242	
		Ref	<b>MOTION ALARM KITS</b>	
	2901302	Ref	<b>Motion Alarm Kits without Numbered Colored Wire (Prior to SN 36648)</b>	A
	2901600	Ref	<b>Motion Alarm Kits with Numbered Colored Wire (SN 36648 to Present)</b>	1
101	0140031	1	Alarm, Motion (Remove ground strap before installation)	
102	3311405	2	Locknut 1/4in-20NC	
103	4711400	4	Flatwasher 1/4in	
104	0641410	2	Bolt 1/4in-20NC x 1 1/4in	
105		Ref	Harness Options:	
105	4921425	1	Harness without Numbered Colored Wire <b>(Prior to SN 36648)</b>	
105	4922076	1	Harness with Numbered Colored Wire <b>(SN 36648 to Present)</b>	

## SECTION 2 - TURNTABLE

FIGURE 2-3. TURNTABLE MOUNTED COMPONENTS INSTALLATIONS - MODEL 40ELECTRIC & 45ELECTRIC



## SECTION 2 - TURNTABLE

**FIGURE 2-3. TURNTABLE MOUNTED COMPONENTS INSTALLATIONS - MODEL 40ELECTRIC & 45ELECTRIC**

ITEM	PART NUMBER	QTY	DESCRIPTION	REV
	0253650	Ref	<b>VALVES AND HORN INSTALLATION</b>	8-F
1		Ref	Control Valve Assembly Options (See CONTROL VALVE ASSEMBLY for Breakdown):	
1	4640797	1	Control Valve Assembly ( <b>Prior to SN 0300034056</b> )	
1	4641025	1	Control Valve Assembly ( <b>SN 0300034056 to Present</b> )	
3	4711500	12	Flatwasher 5/16in Thin	
4	0641506	4	Bolt 5/16in-18NC x 3/4in	
5	4844365	1	Bracket, Valve Mounting	
6	0140028	1	Horn	
7	3311505	7	Locknut 5/16in-18NC	
8	0641514	4	Bolt 5/16in-18NC	
9	3311401	6	Nut 1/4in-20NC	
10	4761400	4	Lockwasher 1/4in	
11	4751400	6	Flatwasher 1/4in Regular	
12	3311501	1	Nut 5/16in-18NC	
13	4640814	1	Relief Valve Assembly	
13	7011322	1	Cartridge, Valve	
14	4060854	1	Shield, Valve	
15	0641508	2	Bolt 5/16in-18NC x 1in	
16	0100011	AR	Loctite #242 (Not Shown)	
17	4640866	1	Manual Valve Assembly	
17	2900708	1	Seal Kit - 4640866 Valve	
18	0641418	2	Bolt 1/4in-20NC x 2 1/4in	
19	0902051	1	Bracket, Decal Mounting ( <b>Prior to SN 0300052185</b> )	
	0253708	Ref	<b>MANUAL DESCENT COMPONENTS INSTALLATION</b>	C
101	3600179	1	Pump Assembly	
101	2900779	1	Seal Kit	
101	7010652	1	Handle	
101	3600179	NLA	Pump w/o Handle (was p/n 7016673 - No Longer Available)	
103	0641518	2	Bolt 5/16in-18NC x 2 1/4in	
106	4751500	4	Flatwasher 5/16in Regular	
107	3311501	2	Nut 5/16in-18NC	
108	1380132	1	Clip, Gripper	
109	4300106	1	Stud, Special	
		Ref	<b>ALARM KITS</b>	
	2901249	Ref	<b>Motion Alarm Kit without Numbered Colored Wire (Prior to SN 0300036648)</b>	2
	2901601	Ref	<b>Motion Alarm Kit with Numbered Colored Wire (SN 0300036648 to Present)</b>	1
201	0140031	1	Alarm, Motion (Remove ground strap before installation)	
202	3311405	2	Locknut 1/4in-20NC	
203	4711400	4	Flatwasher 1/4in Thin	
204		Ref	Harness Options (Not Shown):	
204	4921425	1	Harness w/o Numbered Colored Wire ( <b>Prior to SN 0300036648</b> )	
204	4922076	1	Harness with Numbered Colored Wire ( <b>SN 0300036648 to Present</b> )	
	0255522	Ref	<b>MANUAL ASCENT COMPONENTS INSTALLATION (DUTCH SPEC ONLY)</b>	2
301	2752478	2	Hose (To Ports "P" and "T1")	

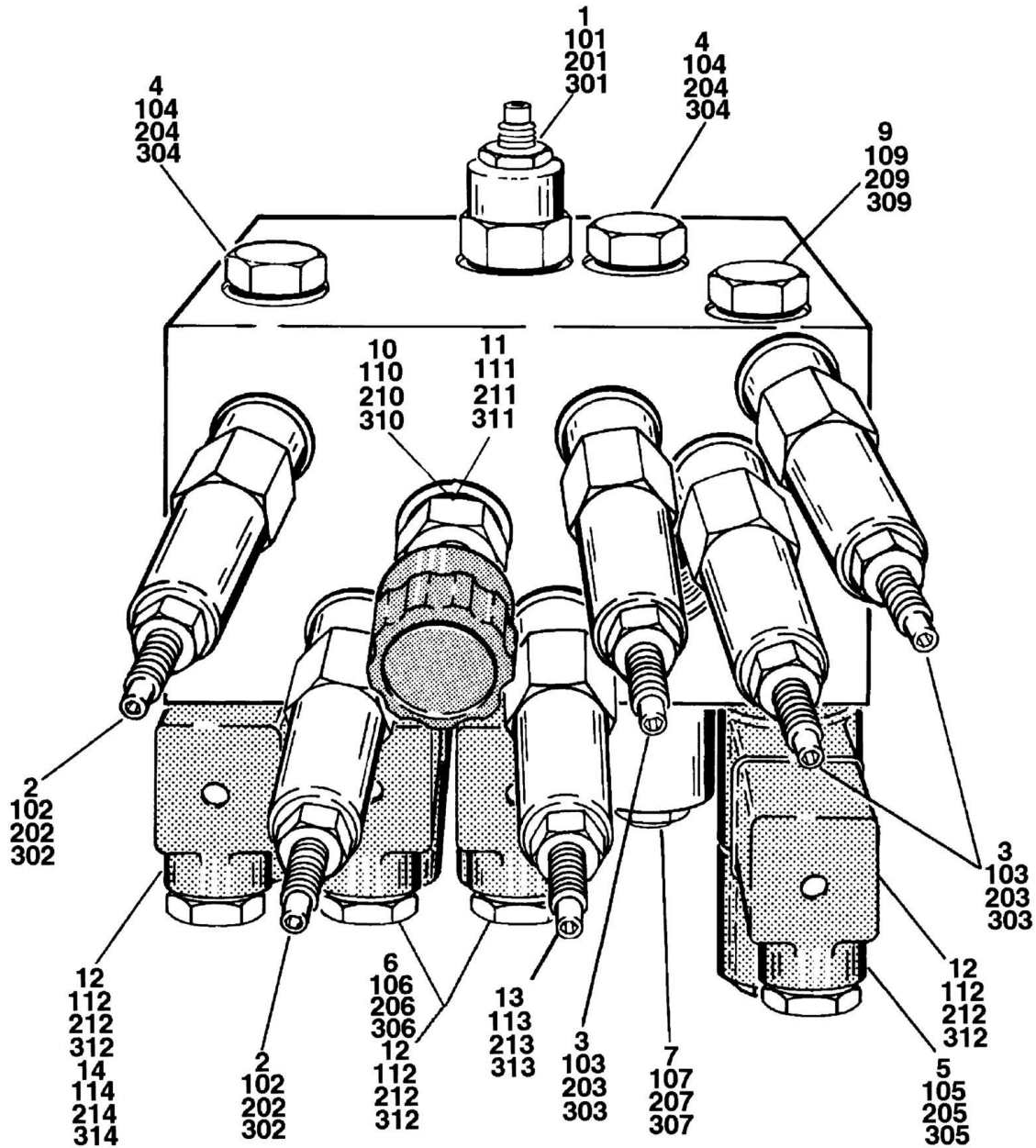
## SECTION 2 - TURNTABLE

ITEM	PART NUMBER	QTY	DESCRIPTION	REV
301	2220603	4	Fitting, Straight	
301	2220775	1	Fitting, 90	
301	2752461	1	Hose (To Port "T2")	
301	2220606	1	Fitting, Tee	
301	4640933	1	Valve Assembly	
301	7012686	1	Valve, Rexroth	
301	7012687	1	Valve, Cartridge	
301	7012953	1	Seal Kit - 7012687 Valve	
301	0641514	2	Bolt 5/16in-18NC x 1 3/4in	
301	4751500	2	Flatwasher 5/16in Regular	
301	4761500	2	Lockwasher 5/16in	
301	1702545	2	Decal - Manual Ascent	



## SECTION 2 - TURNTABLE

FIGURE 2-4. CONTROL VALVE ASSEMBLY - MODELS 35ELECTRIC, 40ELECTRIC, & 45ELECTRIC



## SECTION 2 - TURNTABLE

**FIGURE 2-4. CONTROL VALVE ASSEMBLY - MODELS 35ELECTRIC, 40ELECTRIC, & 45ELECTRIC**

ITEM	PART NUMBER	QTY	DESCRIPTION	REV
		Ref	<b>CONTROL VALVE ASSEMBLY - MODELS 35ELECTRIC, 40ELECTRIC &amp; 45ELECTRIC</b>	
	4640797	Ref	<b>CONTROL VALVE ASSEMBLY - MODELS 45electric &amp; 40electric (Prior to SN 34056)</b>	C
1	7009795	1	Cartridge, Flow Control Valve (Lower Lift Down)	
2	7010540	2	Cartridge, Relief Valve (Upper Lift Down and Swing)	
3	7012912	3	Cartridge, Relief Valve (Platform Level and Telescope)	
4	7010542	2	Cartridge, Shuttle Valve (Swing)	
5	7010546	1	Cartridge, Solenoid Valve (Platform Level)	
5	7010538	2	Coil (2 Per Assembly)	
6	7012948	2	Cartridge, Solenoid Valve (Lift)	
6	7010538	4	Coil (2 Per Assembly)	
7	7012946	2	Cartridge, Solenoid Valve (Telescope)	
7	7010538	2	Coil (1 Per Assembly)	
9	7012914	2	Cartridge, Check Valve (Platform Level)	
10	7012947	1	Cartridge, Valve (Manual Descent)	
11	7012949	1	Knob	
12	4460499	8	Connector, Electrical	
13	7012912	1	Cartridge, Relief Valve (Lower Lift)	
14	7010546	1	Cartridge, Solenoid Valve (Swing)	
14	7010538	2	Coil (2 Per Assembly)	
	7010545	1	Seal Kit (For Item 1)	
	7010541	6	Seal Kit (For Items 2, 3 & 13)	
	7010543	5	Seal Kit (For Items 4, 7 & 10)	
	7010539	4	Seal Kit (For Items 5, 6 & 14)	
	7012918	2	Seal Kit (For Item 9)	
	7012951	6	Weatherproofing Kit (For Items 5, 6, 7 & 14)	
	4641025	Ref	<b>CONTROL VALVE ASSEMBLY - MODELS 45electric &amp; 40electric (SN 34056 to Present)</b>	A
101	7012997	1	Cartridge, Flow Control Valve (Lower Lift Down)	
102	7012981	2	Cartridge, Relief Valve (Upper Lift Down and Swing)	
103	7012912	3	Cartridge, Relief Valve (Platform Level and Telescope)	
104	7010542	2	Cartridge, Shuttle Valve (Swing)	
105	7017401	1	Cartridge, Solenoid Valve (Platform Level)	
105	7010538	2	Coil (2 Per Assembly)	
106	7012948	2	Cartridge, Solenoid Valve (Lift)	
106	7010538	4	Coil (2 Per Assembly)	
107	7012999	2	Cartridge, Solenoid Valve (Telescope)	
107	7010538	2	Coil (1 Per Assembly)	
109	7012914	2	Cartridge, Check Valve (Platform Level)	
110	7012947	1	Cartridge, Valve (Manual Descent)	
111	7012949	1	Knob	
112	4460499	8	Connector, Electrical	
113	7012912	1	Cartridge, Relief Valve (Lower Lift)	
114	7017433	1	Cartridge, Solenoid Valve (Swing)	
114	7010538	2	Coil (2 Per Assembly)	
	7012901	1	Seal Kit (For Item 101)	
	7012998		Seal Kit (For Items 102, 103 & 113)	
	7010543	2	Seal Kit (For Items 104)	
	7017402	2	Seal Kit (For Items 105)	

## SECTION 2 - TURNTABLE

ITEM	PART NUMBER	QTY	DESCRIPTION	REV
	7012903	2	Seal Kit (For Items 106)	
	7012907	2	Seal Kit (For Items 107)	
	7012918	2	Seal Kit (For Item 109)	
	7012518	1	Seal Kit (For Item 110)	
	7017403	2	Weatherproofing Kit (For Items 106)	
	7017435	2	Weatherproofing Kit (For Items 107)	
	7012951	4	Weatherproofing Kit (For Items 105 & 114)	
	4640843	Ref	<b>CONTROL VALVE ASSEMBLY - MODEL 35electric (Prior to SN 34056)</b>	-
201	Not Required	0	Not Required	
202	7010540	2	Cartridge, Flow Control Valve (Upper Lift and Swing)	
203	7012912	3	Cartridge, Relief Valve (Platform Level and Telescope)	
204	7010542	2	Cartridge, Shuttle Valve (Swing)	
205	7010546	1	Cartridge, Solenoid Valve (Platform Level and Swing)	
205	7010538	2	Coil (2 Per Assembly)	
206	7010546	2	Cartridge, Solenoid Valve	
206	7010538	4	Coil (2 Per Assembly)	
207	7012946	2	Cartridge, Solenoid Valve	
207	7010538	2	Coil (1 Per Assembly)	
209	7012914	2	Cartridge, Check Valve (Platform Level)	
210	Not Required	0	Not Required	
211	Not Required	0	Not Required	
212	4460499	8	Connector, Electrical	
213	7010540	1	Cartridge, Relief Valve (Lower Lift)	
214	7010546	1	Cartridge, Solenoid Valve (Swing)	
214	7010538	2	Coil (2 Per Assembly)	
	7010541	6	Seal Kit (For Items 202, 203 & 213)	
	7010543	4	Seal Kit (For Items 204 & 207)	
	7012918	2	Seal Kit (For Item 209)	
	7010539	4	Seal Kit (For Items 205, 206 & 214)	
	7012951	6	Weatherproofing Kit (For Items 205, 206, 207 & 214)	
	4641026	Ref	<b>CONTROL VALVE ASSEMBLY - MODELS 35electric (SN 34056 to Present)</b>	A
301	Not Required	0	Not Required	
302	7012981	2	Cartridge, Relief Valve (Upper Lift Down and Swing)	
303	7012912	3	Cartridge, Relief Valve (Platform Level and Telescope)	
304	7010542	2	Cartridge, Shuttle Valve (Swing)	
305	7010546	1	Cartridge, Solenoid Valve (Platform Level)	
305	7010538	2	Coil (2 Per Assembly)	
306	7010546	2	Cartridge, Solenoid Valve (Lift)	
306	7010538	4	Coil (2 Per Assembly)	
307	7012946	2	Cartridge, Solenoid Valve (Telescope)	
307	7010538	2	Coil (1 Per Assembly)	
309	7012914	2	Cartridge, Check Valve (Platform Level)	
310	Not Required	0	Not Required	
311	Not Required	0	Not Required	
312	4460499	8	Connector, Electrical	
313	7012981	1	Cartridge, Relief Valve (Lower Lift)	
314	7010537	1	Cartridge, Solenoid Valve (Swing)	
314	7010538	2	Coil (2 Per Assembly)	
	7012998	1	Seal Kit (For Items 302, 303 & 313)	
	7010543	2	Seal Kit (For Items 304 & 307)	

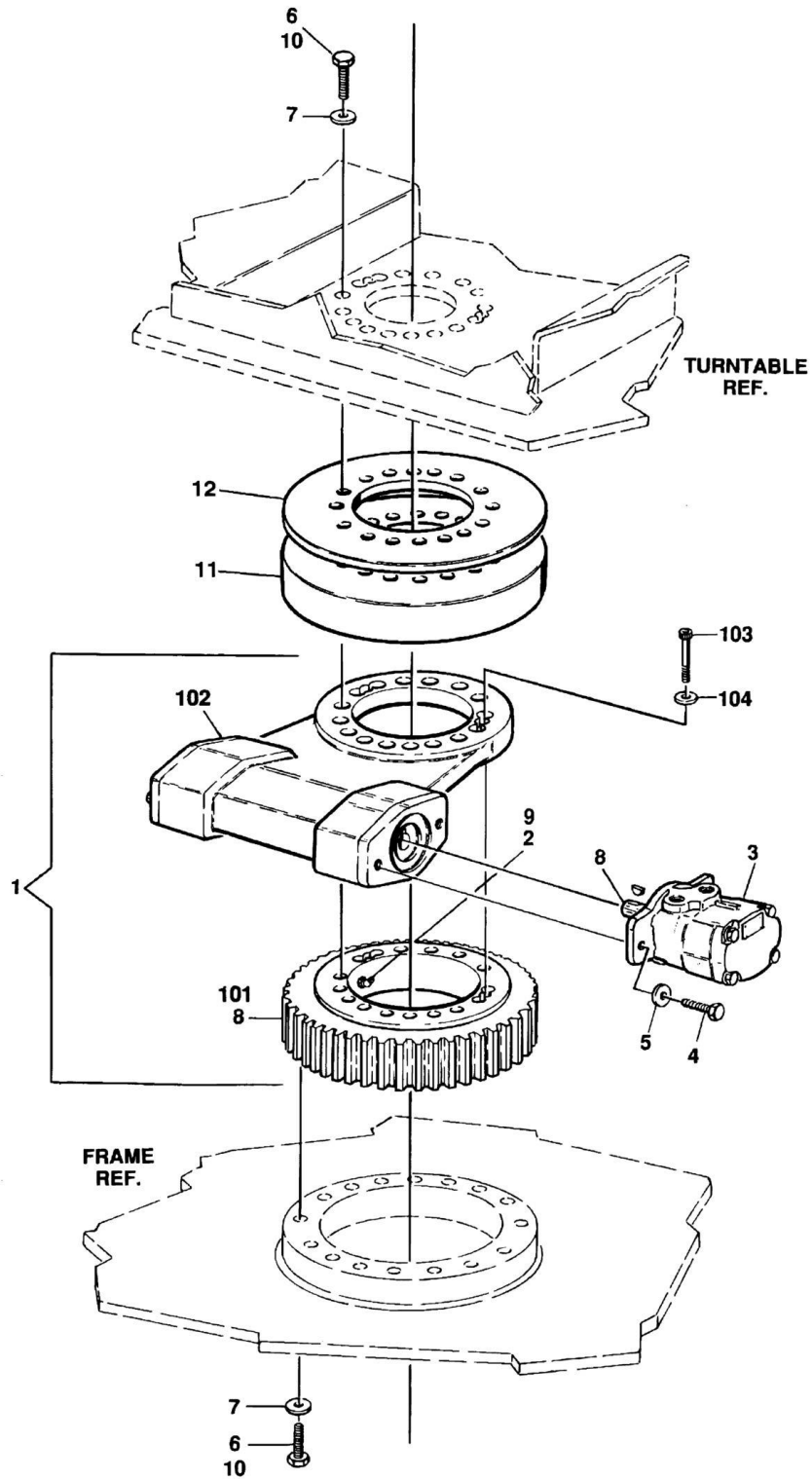


**SECTION 2 - TURNTABLE**

ITEM	PART NUMBER	QTY	DESCRIPTION	REV
	7017402	2	Seal Kit (For Items 305 & 306)	
	7012918	2	Seal Kit (For Item 309)	

## SECTION 2 - TURNTABLE

FIGURE 2-5. SWING DRIVE AND TURNTABLE BEARING INSTALLATIONS - MODELS 30ELECTRIC & 35ELECTRIC



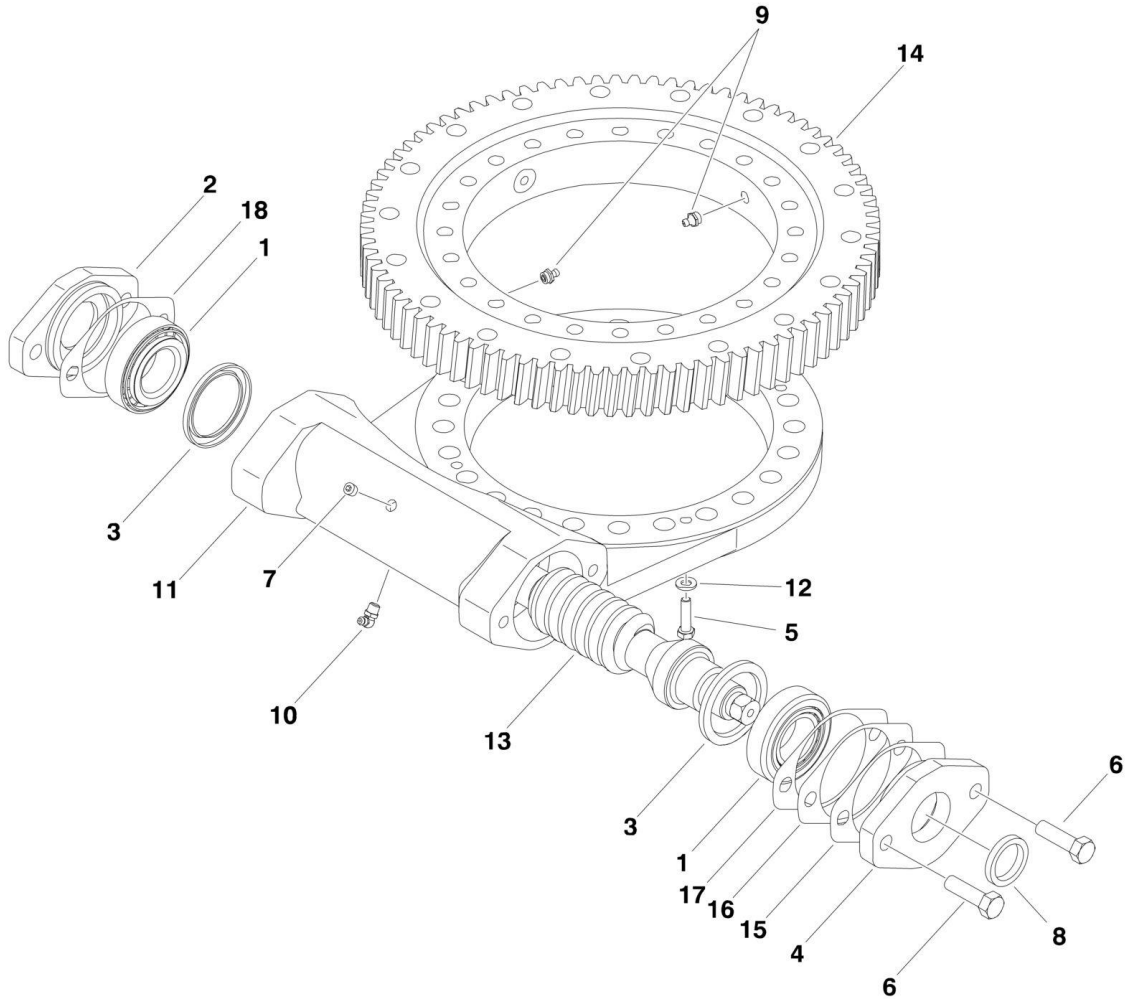
## SECTION 2 - TURNTABLE

**FIGURE 2-5. SWING DRIVE AND TURNTABLE BEARING INSTALLATIONS - MODELS 30ELECTRIC & 35ELECTRIC**

ITEM	PART NUMBER	QTY	DESCRIPTION	REV
		Ref	<b>SWING DRIVE AND TURNTABLE BEARING INSTALLATIONS</b>	
	0253185	Ref	<b>Swing Drive and Turntable Bearing Installations 30electric</b>	4
	0254830	Ref	<b>Swing Drive and Turntable Bearing Installations n35electric</b>	3
	0254831	Ref	<b>Swing Drive and Turntable Bearing Installations 35electric</b>	3
1		Ref	Turntable Bearing and Rotation Box Assembly Options:	
1	0440202	1	Production (See Items 101-104 for Breakdown)	
1	0440338	1	Post Production Service Replacement (See SWING BEARING ASSEMBLY for Breakdown)	
2	2160003	1	Fitting, Grease - 45	
3	3160182	1	Swing Motor Assy (See SWING DRIVE AND TURNTABLE BEARING INSTALLATIONS for Breakdown)	
4	0681814	2	Bolt 1/2in-13NC x 1 3/4in (Grade 8)	
5	4740171	2	Washer, Hardened	
6		Ref	Bolt Options:	
6	0682022	32	Bolt 30electric (5/8in-20NC x 2 3/4in Grade 8)	
6	0682024	16	Bolt n35electric (5/8in-20NC x 3in Grade 8)	
6	0682040	16	Bolt n35electric (5/8in-20NC x 5in Grade 8)	
6	0682024	32	Bolt 35electric (5/8in-20NC x 3in Grade 8)	
7	4892000	32	Washer, Hardened	
8		Ref	Grease, Bearing Options:	
8	3020027	AR	Grease, Bearing (5 Gallon Bucket) <b>(Prior to SN 31641)</b>	
8	3020036	AR	Grease, Bearing <b>(SN 31641 to Present)</b>	
9	3020029	AR	Grease, Bearing	
10	0100019	AR	Loctite #271	
11		Ref	Plate, Counterweight Options:	
11	Not Required	0	Plate, Counterweight 30electric & 35electric	
11	4844797	1	Plate, Counterweight n35electric	
12		Ref	Plate, Spacer Options:	
12	Not Required	0	Plate, Spacer 30electric & 35electric	
12	3538052	1	Plate, Spacer n35electric	
	0440202	Ref	<b>TURNTABLE BEARING AND ROTATION BOX ASSEMBLY (PRODUCTION)</b>	C
101	7012584	1	Bearing, Turntable	
102	7012585	1	Swing Rotation Box Assembly	
102	7012654	1	Seal, Outer - Capped End (1.75 O.D.)	
102	7016676	1	Seal, Outer - Capped End (2.063 O.D.)	
102	7012655	1	Seal, Outer - Motor End	
102	7016682	1	Shims Kit	
102	7023484	1	Cap, End	
102	7027730	2	Seal, Inner	
103	3931414	2	Bolt, Socket Head 1/4in-20NC	
104	4761400	2	Lockwasher 1/4in	

## SECTION 2 - TURNTABLE

FIGURE 2-6. SWING BEARING ASSEMBLY - MODELS 30ELECTRIC & 35ELECTRIC (POST PRODUCTION SERVICE REPLACEMENT)



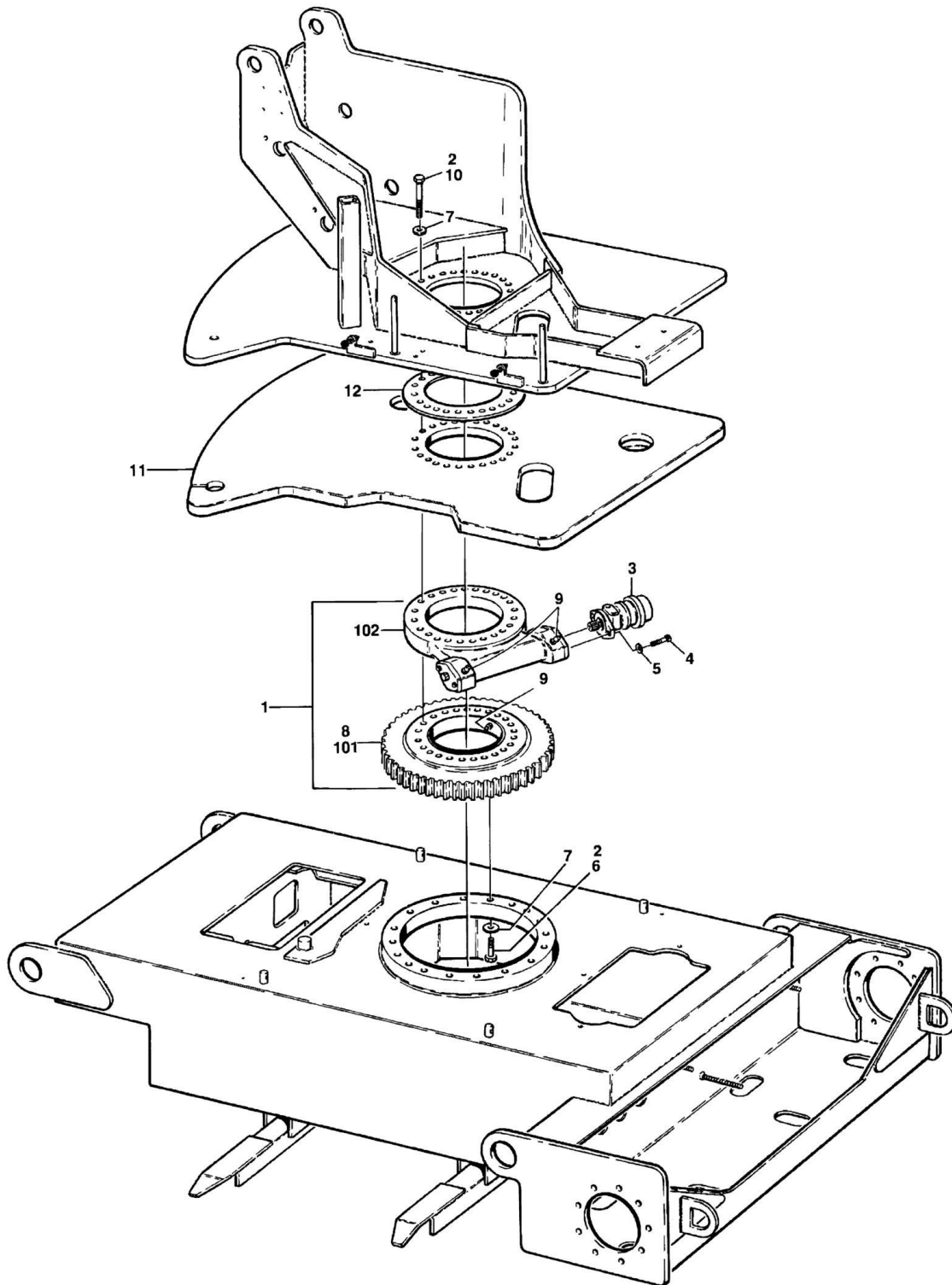
**SECTION 2 - TURNTABLE**

**FIGURE 2-6. SWING BEARING ASSEMBLY - MODELS 30ELECTRIC & 35ELECTRIC (POST PRODUCTION SERVICE REPLACEMENT)**

ITEM	PART NUMBER	QTY	DESCRIPTION	REV
	0440338	Ref	<b>SWING BEARING ASSEMBLY</b>	A
1	7026042	2	Cup, Bearing	
1	7026043	2	Cone, Bearing	
2	7027356	1	Adapter, Motor	
3	7027361	2	Seal	
4	7027354	1	Cap, End	
5	70000864	2	Bolt, 1/4in-20 x 1 1/8in	
6	0641812	2	Bolt, 1/2in-13 x 1 1/2in	
7	70000865	1	Plug	
8	7027360	1	Seal	
9	7027359	1	Fitting, Grease	
10	7027358	2	Fitting, Grease	
11	Not Available	1	Housing	
12	4891400	2	Flatwasher, 1/4in	
13	70000866	1	Gear, Worm	
14	70000867	1	Gear, Ring	
15	7027352	AR	Gasket, .010 (Brown)	
16	7027351	AR	Gasket, .0075 (Clear)	
17	7027350	AR	Gasket, .005 (Blue)	
18	7027353	1	Gasket, .020 (Yellow)	

## SECTION 2 - TURNTABLE

FIGURE 2-7. SWING DRIVE AND TURNTABLE BEARING INSTALLATIONS - MODELS 40ELECTRIC & 45ELECTRIC



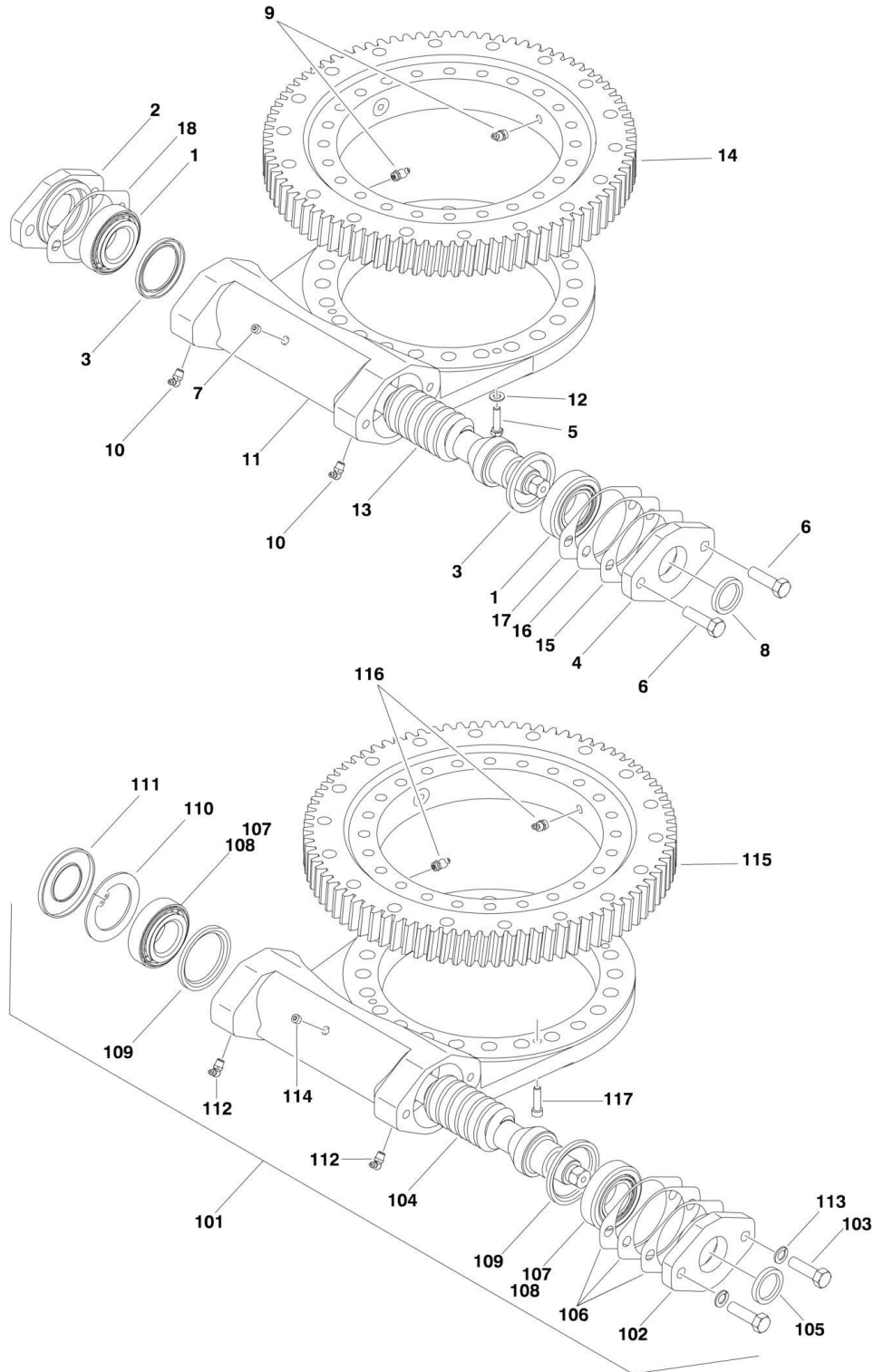
## SECTION 2 - TURNTABLE

**FIGURE 2-7. SWING DRIVE AND TURNTABLE BEARING INSTALLATIONS - MODELS 40ELECTRIC & 45ELECTRIC**

ITEM	PART NUMBER	QTY	DESCRIPTION	REV
		Ref	<b>SWING DRIVE AND TURNTABLE BEARING INSTALLATION</b>	
	0253508	Ref	<b>Swing Drive and Turntable Bearing Installations 40electric</b>	3
	0253533	Ref	<b>Swing Drive and Turntable Bearing Installations n40electric</b>	4
	0253508	Ref	<b>Swing Drive and Turntable Bearing Installations 45electric</b>	3
1		Ref	Turntable Bearing and Rotation Box Assembly Options:	
1	0440203	1	Production (See Items 101-102 for Breakdown)	
1	0440339	1	Post Production Service Replacement (See SWING BEARING ASSEMBLY for Breakdown)	
2	0100019	AR	Loctite	
3	3160182	1	Swing Motor Assy (See SWING DRIVE AND TURNTABLE BEARING INSTALLATIONS for Breakdown)	
4	0681814	2	Bolt 1/2in-13NC x 1 3/4in Grade 8	
5	4740171	2	Washer, Hardened	
6	0682026	18	Bolt 5/8in-11NC x 3 1/4in	
7	4740393	42	Washer, Hardened	
8		Ref	Grease, Bearing Options:	
8	3020027	AR	Grease, Bearing (5 Gallon Bucket) <b>(Prior to SN 31641)</b>	
8	3020036	AR	Grease, Bearing <b>(SN 31641 to Present)</b>	
9	3020029	AR	Grease, Bearing	
10		Ref	Bolt Options:	
10	0682028	24	Bolt 40electric (Bolt 5/8in-11NC x 3 1/2in Grade 8)	
10	0682048	24	Bolt n40electric (Bolt 5/8in-11NC x 6in Grade 8)	
10	0682028	24	Bolt 45electric (Bolt 5/8in-11NC x 3 1/2in Grade 8)	
11		Ref	Plate, Counterweight Options:	
11	Not Required	0	Plate, Counterweight 40electric & 45electric	
11	4844595	1	Plate, Counterweight n40electric	
12		Ref	Plate, Spacer Options:	
12	Not Required	0	Plate, Spacer 40electric & 45electric	
12	3536755	1	Plate, Spacer n40electric	
	0440203	Ref	<b>TURNTABLE BEARING AND ROTATION BOX ASSEMBLY (PRODUCTION)</b>	E
101	7012596	1	Bearing, Turntable	
102	7012597	1	Swing Rotation Box Assembly	
102	7012654	1	Seal, Outer - Capped End (1.75 O.D.)	
102	7016676	1	Seal, Outer - Capped End (2.063 O.D.)	
102	7012655	1	Seal, Outer - Motor End	
102	7027730	2	Seal, Inner	

## SECTION 2 - TURNTABLE

FIGURE 2-8. SWING BEARING ASSEMBLY - MODELS 40ELECTRIC & 45ELECTRIC (POST PRODUCTION SERVICE REPLACEMENT)





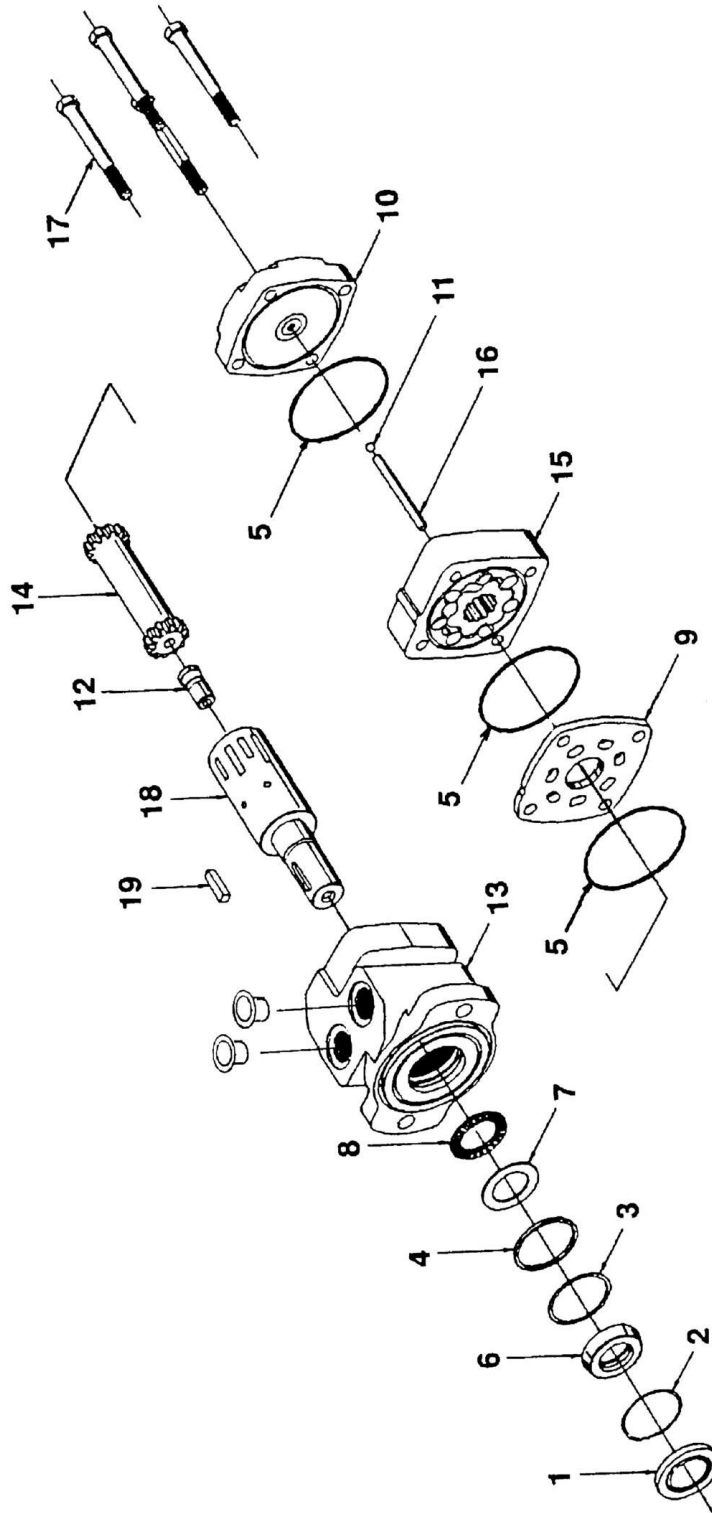
## SECTION 2 - TURNTABLE

**FIGURE 2-8. SWING BEARING ASSEMBLY - MODELS 40ELECTRIC & 45ELECTRIC (POST PRODUCTION SERVICE REPLACEMENT)**

ITEM	PART NUMBER	QTY	DESCRIPTION	REV
		Ref	<b>Note: Visually identify the brand before ordering replacement parts.</b>	
	0440339	Ref	<b>SWING BEARING ASSEMBLY (PERFECTION GEAR) (POST PRODUCTION)</b>	C
1	7026042	2	Bearing, Cup	
1	7026043	2	Bearing, Cone	
2	7027356	1	Adapter, Motor	
3	7027361	2	Seal	
4	7027354	1	Cap, End	
5	0641510	2	Bolt 5/16in-18NC x 1 1/4in	
6	0641812	2	Bolt 1/2in-13NC x 1 1/2in	
7	70000865	1	Plug	
8	7027360	1	Seal	
9	7027359	2	Straight Fitting, Grease	
9	2160003	2	Fitting, Grease - 45	
10	7027358	2	90, Fitting, Grease	
11	Not Available	1	Housing	
12	4891500	2	Flatwasher 5/16in (Hardened)	
13	7027363	1	Gear, Worm	
14	70000868	1	Ring, Bearing	
15	7027352	AR	Gasket (.010 - Brown)	
16	7027351	AR	Gasket (.0075 - Clear)	
17	7027350	AR	Gasket (.005 - Blue)	
18	7027353	1	Gasket (.020 - Yellow)	
	0440203	Ref	<b>SWING BEARING ASSEMBLY (KAYDON) (PRODUCTION)</b>	G
		Ref	<b>Note: When replacing major components, consider replacing with p/n 0440339 Complete Bearing Assembly.</b>	
101	7012597	1	Swing Rotation Box Assembly	
102	7023484	1	Cap, End	
103	Not Available	2	Bolt 1/2in-13NC x 1 1/2in Grade 8	
104	Not Available	1	Gear, Worm	
105	7012654	1	Seal, Outer - Capped End (1.75 O.D.)	
105	7016676	1	Seal, Outer - Capped End (2.063 O.D.)	
106	7016682	1	Shims Kit (Includes Qty 3 each of .005, .0075 & .010 Shims)	
107	70001677	2	Cup, Bearing	
108	90206369	2	Cone, Bearing	
109	7027730	1	Seal, Inner	
110	Not Available	1	Ring, Retaining	
111	7012655	1	Seal, Outer - Motor End	
112	2160001	2	Fitting, Grease - 90	
113	Not Available	2	Lockwasher 1/2in	
114		Ref	Component Options:	
114	Not Available		Plug, Pipe	
114	2160001	1	Fitting, Grease - 45	
115	7012596	1	Bearing, Turntable	
116	2160003	2	Fitting, Grease - 45	
117	Not Available	4	Capscrew, Socket Head 5/16in-18NC	
117	Not Available	4	Washer 5/16in (Not Shown)	

# SECTION 2 - TURNTABLE

## FIGURE 2-9. SWING MOTOR ASSEMBLY



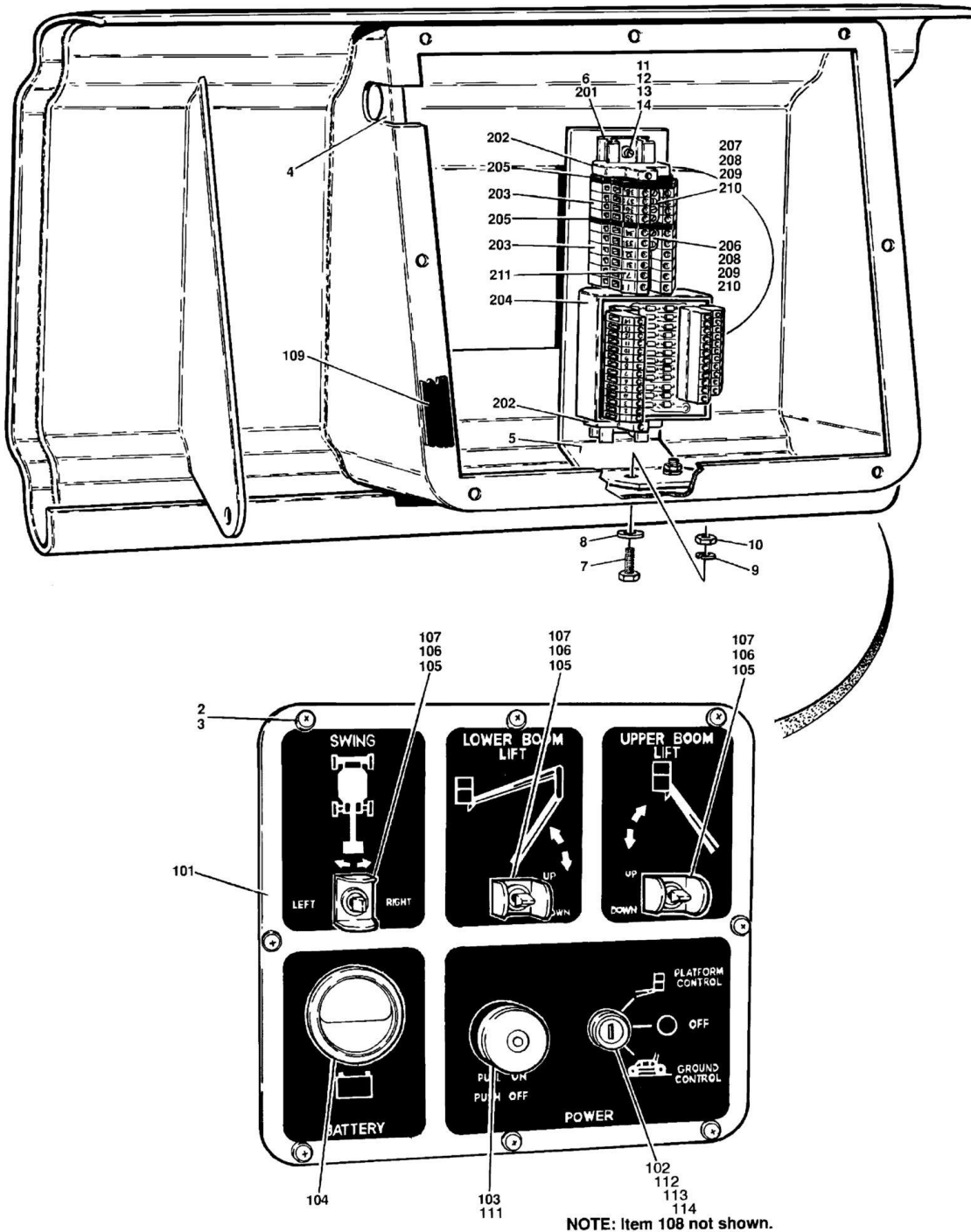
**SECTION 2 - TURNTABLE**

**FIGURE 2-9. SWING MOTOR ASSEMBLY**

ITEM	PART NUMBER	QTY	DESCRIPTION	REV
	3160182	Ref	<b>SWING MOTOR ASSEMBLY</b>	-
1	Kit	1	Seal, Dust	
2	Kit	1	Ring, Retainer	
3	Kit	1	Shim, Back-Up	
4	Kit	1	Seal, Housing	
5	Kit	3	Seal, Body	
6	Kit	1	Seal, Shaft	
6	Kit	1	Ring, Teflon Back-Up	
6	Kit	1	Shim, Back-Up	
7	7016417	1	Washer, Thrust	
8	7005809	1	Bearing, Thrust	
9	7005812	1	Plate, Wear	
10	7005874	1	Cover, End	
11	Not Available	AR	Ball (Part of Item 10)	
12	7005876	1	Plug, Cooling	
13	7005804	1	Housing	
14	7005811	1	Link, Drive	
15	7005877	1	Rotor Set Assembly	
16	7005878	AR	Pin, Drive Link	
17	7005821	4	Bolt	
18	7005879	1	Shaft	
19	7005880	1	Key	
	7005881	1	Seal Kit (Includes Items 1-6)	

# SECTION 2 - TURNTABLE

FIGURE 2-10. GROUND CONTROL COMPONENTS INSTALLATIONS - MODEL 30ELECTRIC



**SECTION 2 - TURNTABLE**

**FIGURE 2-10. GROUND CONTROL COMPONENTS INSTALLATIONS - MODEL 30ELECTRIC**

ITEM	PART NUMBER	QTY	DESCRIPTION	REV
		Ref	<b>GROUND CONTROL BOX INSTALLATION</b>	
	0254740	Ref	<b>Euro and Australian Spec Without Numbered Colored Wire (Prior to SN 36544)</b>	A
	0258045	Ref	<b>Euro and Australian Spec with Numbered Colored Wire (SN 36544 through 36573)</b>	1
	0258045	Ref	<b>Euro Spec with Numbered Colored Wire (SN 36574 to Present)</b>	1
	0258344	Ref	<b>Australian Spec with Numbered Colored Wire (SN 36574 to Present)</b>	3
2	0630464	8	Screw #10-24NC x 1/2in	
3	4740120	8	Washer, Nylon	
4	1380139	1	Clip	
5		Ref	Plate, Mounting Options:	
5	3537992	1	Euro Spec	
5	3537992	1	Australian Spec <b>(Prior to SN 36574)</b>	
5	3570840	1	Australian Spec <b>(SN 36574 through 49076)</b>	
5	3537992	1	Australian Spec <b>(SN 49077 to Present)</b>	
6		Ref	Terminal Strip Assembly Options (See Items 201-219 for Breakdown):	
6	4460545	1	Euro Spec	
6	4460545	1	Australian Spec <b>(Prior to SN 36574)</b>	
6	4460735	1	Australian Spec <b>(SN 36574 to Present)</b>	
7	0641406	2	Bolt 1/4in-20NC x 3/4in	
8	4740362	2	Flatwasher, Special	
9	4751400	2	Flatwasher 1/4in	
10	3311405	2	Locknut 1/4in-20NC	
11	3910608	2	Screw #6-32NC x 1/2in	
12	4760600	2	Lockwasher #6	
13	4750600	2	Flatwasher #6	
14	3310601	2	Nut #6-32NC	
		Ref	<b>GROUND CONTROL BOX ASSEMBLY</b>	
	0860915	Ref	<b>Euro and Australian Spec Without Numbered Colored Wire (Prior to SN 36544)</b>	A
	0861181	Ref	<b>Euro and Australian Spec with Numbered Colored Wire (SN 36544 through 36573)</b>	1
	0861181	Ref	<b>Euro Spec with Numbered Colored Wire (SN 36574 to Present)</b>	2
	0861208	Ref	<b>Australian Spec with Numbered Colored Wire (SN 36574 to Present)</b>	3
101		Ref	Nameplate, Ground Control Options:	
101	3252349	1	Nameplate, Ground Control <b>(Prior to SN 47045)</b>	
101	3252648	1	Nameplate, Ground Control <b>(SN 47045 to Present)</b>	
102	4360346	1	Switch, Master Key (Select) <b>(Prior to SN 47045)</b>	
102	7012587	1	Key, Replacement	
102	4360474	1	Switch, Master Key (Select) - Euro Spec <b>(SN 47045 to Present)</b>	
102	2860030	1	Key, Replacement	
102	4360473	1	Switch, Master Key (Select) - Australian Spec <b>(SN 47045 to Present)</b>	
102	2860030	1	Key, Replacement	
103	4360289	1	Switch, Emergency Stop <b>(Prior to SN 47045)</b>	
103	7012611	1	Head, Mushroom	
103	7012612	1	Boot	
103	4360475	1	Switch, Emergency Stop <b>(SN 47045 to Present)</b>	

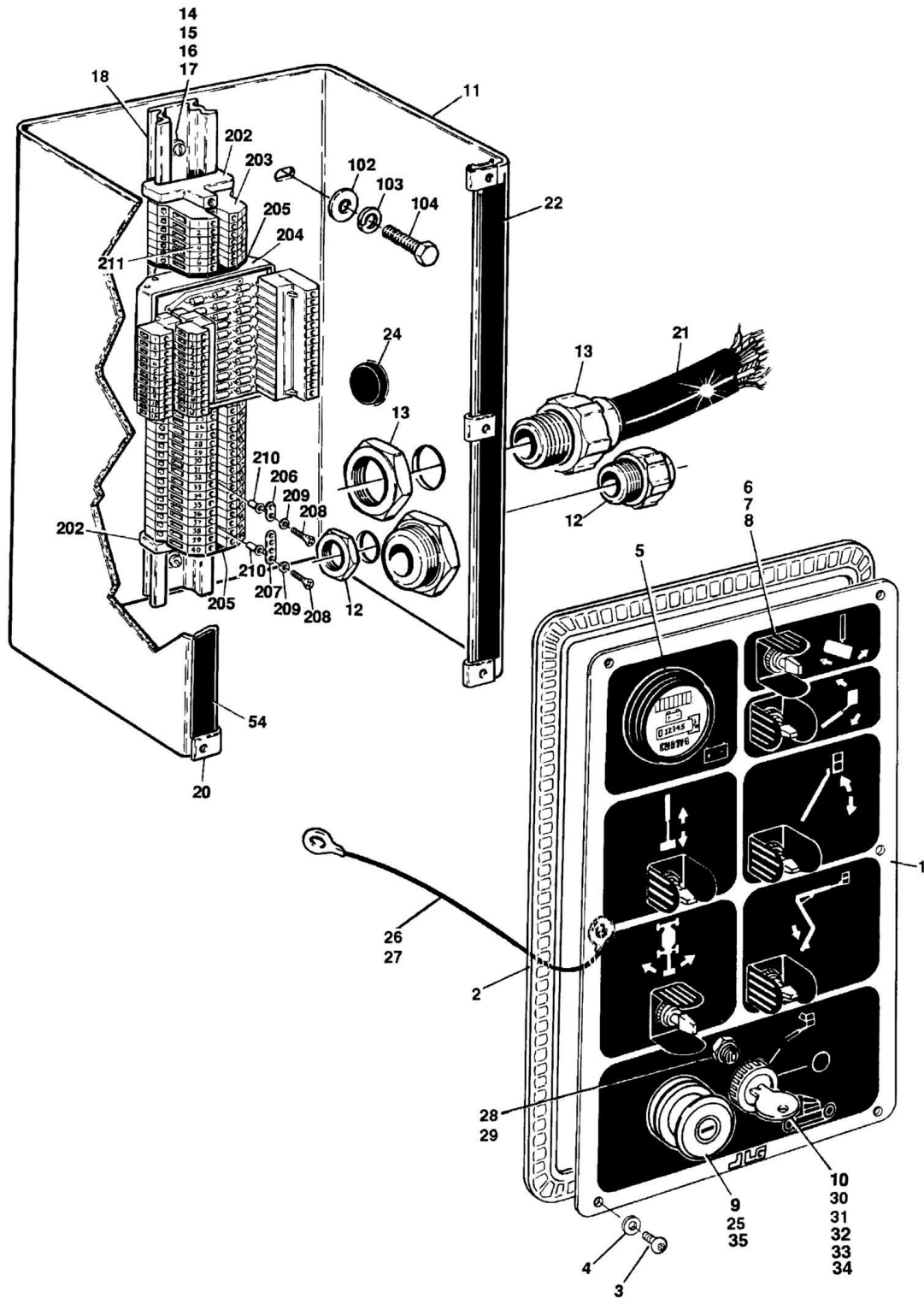
## SECTION 2 - TURNTABLE

ITEM	PART NUMBER	QTY	DESCRIPTION	REV
103	7020175	1	Cap/E-Stop With Sealing Ring	
103	7020176	1	Contact Block With Mount Collar	
104	2420106	1	Meter, Battery Capacity	
105	4360314	3	Switch, Toggle	
106	4060802	3	Shield, Toggle Switch	
107	4740397	3	Washer, Spacer	
108	4460234	3	Mount, Cable Tie (Located on Back of Nameplate)	
109	4420037	4 ft/1.2m	Tape, Insulation	
111		Ref	Decal - EMS Options:	
111	1704260	1	Euro Spec <b>(SN 47045 to Present)</b>	
111	Not Required	0	Australian Spec	
112	4070987	1	Shim, .015 <b>(SN 47045 to Present)</b>	
113	4070991	1	Shim, .125 <b>(SN 47045 to Present)</b>	
114	3910804	6	Screw #8-32NC x 1/4in <b>(SN 47045 to Present)</b>	
		Ref	<b>TERMINAL STRIP ASSEMBLY</b>	
	4460545	Ref	<b>Euro Spec</b>	-
	4460545	Ref	<b>Australian Spec (Prior to SN 36574)</b>	-
	4460735	Ref	<b>Australian Spec (SN 36574 to Present)</b>	2-A
201	3640930	AR	Rail	
202	4460299	AR	Stop, Terminal	
203	4460298	12	Block, Terminal	
204	0610107	1	Card, Circuit	
205	4460300	2	Barrier, Terminal	
206	4460308	1	Bar, Buss - 2 Position	
207	4460310	1	Bar, Buss - 4 Position	
208	4460305	6	Screw	
209	4460306	6	Washer	
210	4460307	6	Sleeve	
211	4460301	2	Strip, Marking	
213	3740087	1	Relay - 48VDC (Not Shown - Australian Spec Only) <b>(SN 36374 to Present)</b>	
214	4120027	1	Relay, Socket (Not Shown - Australian Spec Only) <b>(SN 36374 to Present)</b>	
215	3740063	1	Clip, Relay (Not Shown - Australian Spec Only) <b>(SN 36374 to Present)</b>	
216	3910608	4	Screw #6-32NC x 1/2in (Not Shown)	
217	3310601	4	Nut #6-32NC (Not Shown)	
218	4760600	4	Lockwasher #6 (Not Shown)	
219	4750600	4	Flatwasher #6 (Not Shown)	



# SECTION 2 - TURNTABLE

FIGURE 2-11. GROUND CONTROL COMPONENTS INSTALLATIONS - MODELS 35ELECTRIC, 40ELECTRIC, & 45ELECTRIC





**SECTION 2 - TURNTABLE**

**FIGURE 2-11. GROUND CONTROL COMPONENTS INSTALLATIONS - MODELS 35ELECTRIC, 40ELECTRIC, & 45ELECTRIC**

ITEM	PART NUMBER	QTY	DESCRIPTION	REV
		Ref	<b>GROUND CONTROL BOX ASSEMBLY</b>	
	0860917	Ref	<b>Ground Control Box Assembly 35electric Euro and Australian Spec without Numbered Colored Wire (Prior to SN 36648)</b>	5
	0861189	Ref	<b>Ground Control Box Assembly 35electric Euro Spec with Numbered Colored Wire (SN 36648 to Present)</b>	4
	0861209	Ref	<b>Ground Control Box Assembly 35electric Australian Spec with Numbered Colored Wire (SN 36648 to Present)</b>	4
	0860919	Ref	<b>Ground Control Box Assembly 40electric &amp; 45electric Euro and Australian Spec without Numbered Colored Wire (Prior to SN 36648)</b>	3
	0861191	Ref	<b>Ground Control Box Assembly 40electric &amp; 45electric Euro Spec without Numbered Colored Wire (SN 36648 to Present)</b>	3
	0861210	Ref	<b>Ground Control Box Assembly 40electric &amp; 45electric Australian Spec without Numbered Colored Wire (SN 36648 to Present)</b>	2
1		Ref	Lid Options:	
1	3252350	1	Lid 35electric <b>(Prior to SN 47045)</b>	
1	3252649	1	Lid 35electric <b>(SN 47045 to Present)</b>	
1	3252351	1	Lid 40electric & 45electric <b>(Prior to SN 47045)</b>	
1	3252650	1	Lid 40electric & 45electric <b>(SN 47045 to Present)</b>	
2		Ref	Seal Options:	
2	3960447	50 in/1.3m	Seal 35electric	
2	3960438	50 in/1.3m	Seal 40electric & 45electric	
3	0630464	6	Screw #10-24NC x 1/2in	
4	4740120	6	Washer, Nylon	
5	2420106	1	Voltmeter	
5	7012665	1	Guard, Domed (Optional)	
6	4360314	6	Switch, Toggle	
7	4060802	6	Guard, Switch	
8	4740397	6	Spacer	
9	4360289	1	Switch, Emergency Stop <b>(Prior to SN 47045)</b>	
9	7012611	1	Head, Mushroom	
9	7012612	1	Boot	
9	4360475	1	Switch, Emergency Stop <b>(SN 47045 to Present)</b>	
9	7020175	1	Cap/E-Stop With Sealing Ring	
9	7020176	1	Contact Block With Mount Collar	
10	4360347	1	Switch, Master Key (Select) <b>(Prior to SN 47045)</b>	
10	7012587	1	Key, Replacement	
10	4360474	1	Switch, Master Key (Select) <b>(SN 47045 to Present)</b>	
10	2860030	1	Key, Replacement	
11		Ref	Mounting Options:	
11	3538001	1	Plate, Mounting (35electric) (Not Shown)	
11	0860883	1	Box Weldment (40electric & 45electric)	
12	4460425	2	Connector, Strain Relief	
13	4460426	1	Connector, Strain Relief	
14	3910608	2	Screw, Round Head #6-32NC x 1/2in	
15	4760600	2	Lockwasher #6	
16	4750600	2	Flatwasher #6	
17	3310601	2	Nut #6-32NC	
18		Ref	Terminal Strip Assembly Options (See Items 201-214 for Breakdown):	

## SECTION 2 - TURNTABLE

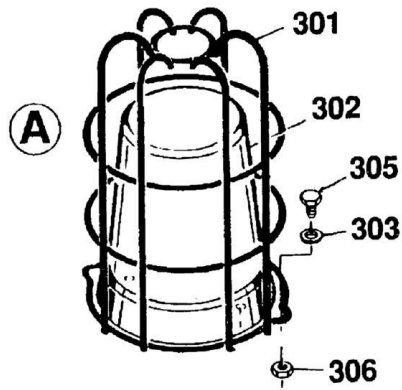
ITEM	PART NUMBER	QTY	DESCRIPTION	REV
18	4460530	1	Euro Spec Machines	
18	4460530	1	Australian Spec Machines <b>(Prior to SN 36648)</b>	
18	4460757	1	Australian Spec Machines <b>(SN 36648 to Present)</b>	
19		Ref	Harness - Brake Release Options (See ELECTRICAL SECTION for Breakdown):	
19	Not Required	0	All Euro Spec Machines	
19	Not Required	0	All Australian Spec Machines <b>(Prior to SN 36648)</b>	
19	4922132	AR	Harness - Brake Release 35electric Australian Spec Machines <b>(SN 36648 through 58843)</b>	
19	4922133	AR	Harness - Brake Release 35electric Australian Spec Machines <b>(SN 58844 to Present)</b>	
19	4922133	AR	Harness - Brake Release 40electric & 45electric Australian Spec Machines <b>(SN 36648 to Present)</b>	
20	3300365	6	Nut, Retainer	
21		Ref	Harness - Chassis and Valve Options (See ELECTRICAL SECTION for Breakdown):	
21	4921643	1	Harness - Chassis and Valve without Numbered Colored Wire <b>(Prior to SN 36648)</b>	
21	4922039	1	Harness - Chassis and Valve with Numbered Colored Wire <b>(SN 36648 to Present)</b>	
22	4420008	4 ft/.3m	Tape, Seal	
23	0100048	AR	Silicone (Not Shown)	
24		Ref	Plug, Hole Options:	
24	Not Required	0	Plug, Hole 35electric	
24	3520084	1	Plug, Hole 40electric & 45electric	
25		Ref	Block, Contact Options:	
25	4360282	1	Block, Contact <b>(Prior to SN 47045)</b>	
25	4360476	1	Block, Contact <b>(SN 47045 to Present)</b>	
26		Ref	Cable, Lanyard Options:	
26	Not Required	0	Cable, Lanyard 35electric	
26	1060584	1	Cable, Lanyard 40electric & 45electric	
27	3311011	AR	Nut, Push #10	
28	4360069	1	Breaker, Circuit - 10 Amp (March 1995 to Present Only)	
29	3300396	1	Nut, Special (March 1995 to Present Only)	
30	3300412	1	Nut, Keyswitch (35electric Only Only) <b>(SN 34783 through 49748)</b>	
31	3300413	1	Nut, Cap (35electric Only Only) <b>(SN 34783 through 49748)</b>	
32	4070987	1	Shim, .015 <b>(SN 47045 to Present)</b>	
33	4070991	1	Shim, .125 <b>(SN 47045 to Present)</b>	
34	3910804	6	Screw #8-32NC x 1/4in <b>(SN 47045 to Present)</b>	
35	1704260	1	Decal - EMS <b>(SN 47045 to Present)</b>	
		Ref	<b>GROUND CONTROL BOX INSTALLATIONS</b>	
	0254537	Ref	<b>Ground Control Box Installations 35electric Euro and Australian Spec without Numbered Colored Wire (Prior to SN 36648)</b>	A
	0258062	Ref	<b>Ground Control Box Installations 35electric Euro Spec with Numbered Colored Wire (SN 36648 to Present)</b>	1
	0258378	Ref	<b>Ground Control Box Installations 35electric Australian Spec with Numbered Colored Wire (SN 36648 to Present)</b>	1
	0254400	Ref	<b>Ground Control Box Installations 40electric &amp; 45electric Euro and Australian Spec without Numbered Colored Wire (Prior to SN 36648)</b>	A
	0258064	Ref	<b>Ground Control Box Installations 40electric &amp; 45electric Euro Spec without Numbered Colored Wire (SN 36648 to Present)</b>	1

## SECTION 2 - TURNTABLE

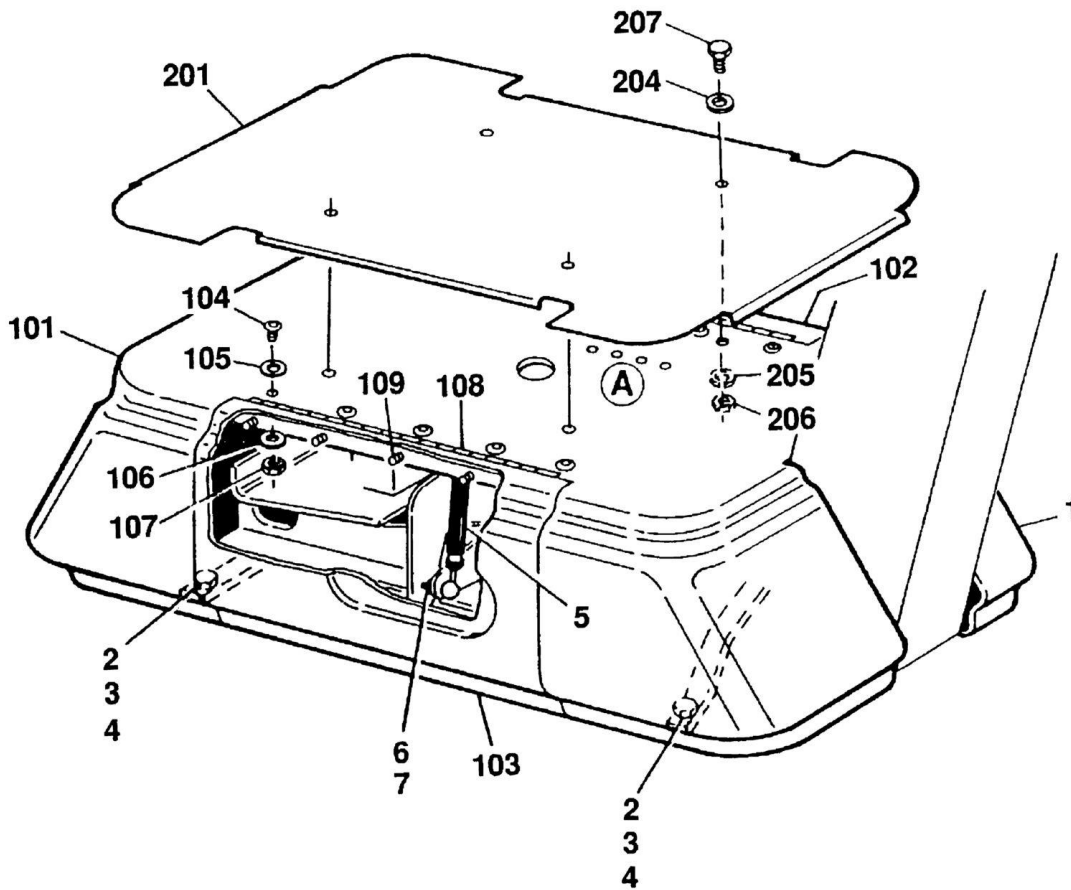
ITEM	PART NUMBER	QTY	DESCRIPTION	REV
	0258379	Ref	<b>Ground Control Box Installations 40electric &amp; 45electric Australian Spec without Numbered Colored Wire (SN 36648 to Present)</b>	1
102	0641605	4	Bolt 3/8in-16NC x 5/8in	
103	4761600	4	Lockwasher 3/8in	
104	4751600	4	Flatwasher 3/8in	
		Ref	<b>TERMINAL STRIP ASSEMBLIES</b>	
	4460530	Ref	<b>Euro Spec Machines</b>	A
	4460530	Ref	<b>Australian Spec Machines (Prior to SN 36648)</b>	1-A
	4460757	Ref	<b>Australian Spec Machines (SN 36648 to Present)</b>	1-A
201	3640920	1	Rail, Mounting	
202	4460299	2	Stop, Terminal	
203	4460298	26	Block, Terminal	
204	0610107	1	Card, Circuit	
205	4460300	3	Barrier, Terminal	
206	4460308	1	Bar, Buss - 2 Position	
207	4460310	1	Bar, Buss - 4 Position	
208	4460305	6	Screw, Terminal	
209	4460306	6	Washer, Terminal	
210	4460307	6	Sleeve, Terminal	
211	4460301	2	Strip, Terminal Numbering	
212	3740087	1	Relay - 48VDC (Not Shown - Australian Spec Only) <b>(SN 36648 to Present)</b>	
213	4120027	1	Relay, Socket (Not Shown - Australian Spec Only) <b>(SN 36648 to Present)</b>	
214	3740063	1	Clip, Relay (Not Shown - Australian Spec Only) <b>(SN 36648 to Present)</b>	

## SECTION 2 - TURNTABLE

FIGURE 2-12. TURNTABLE AND HOOD INSTALLATION - MODEL 30ELECTRIC



LOCATED ON COVER



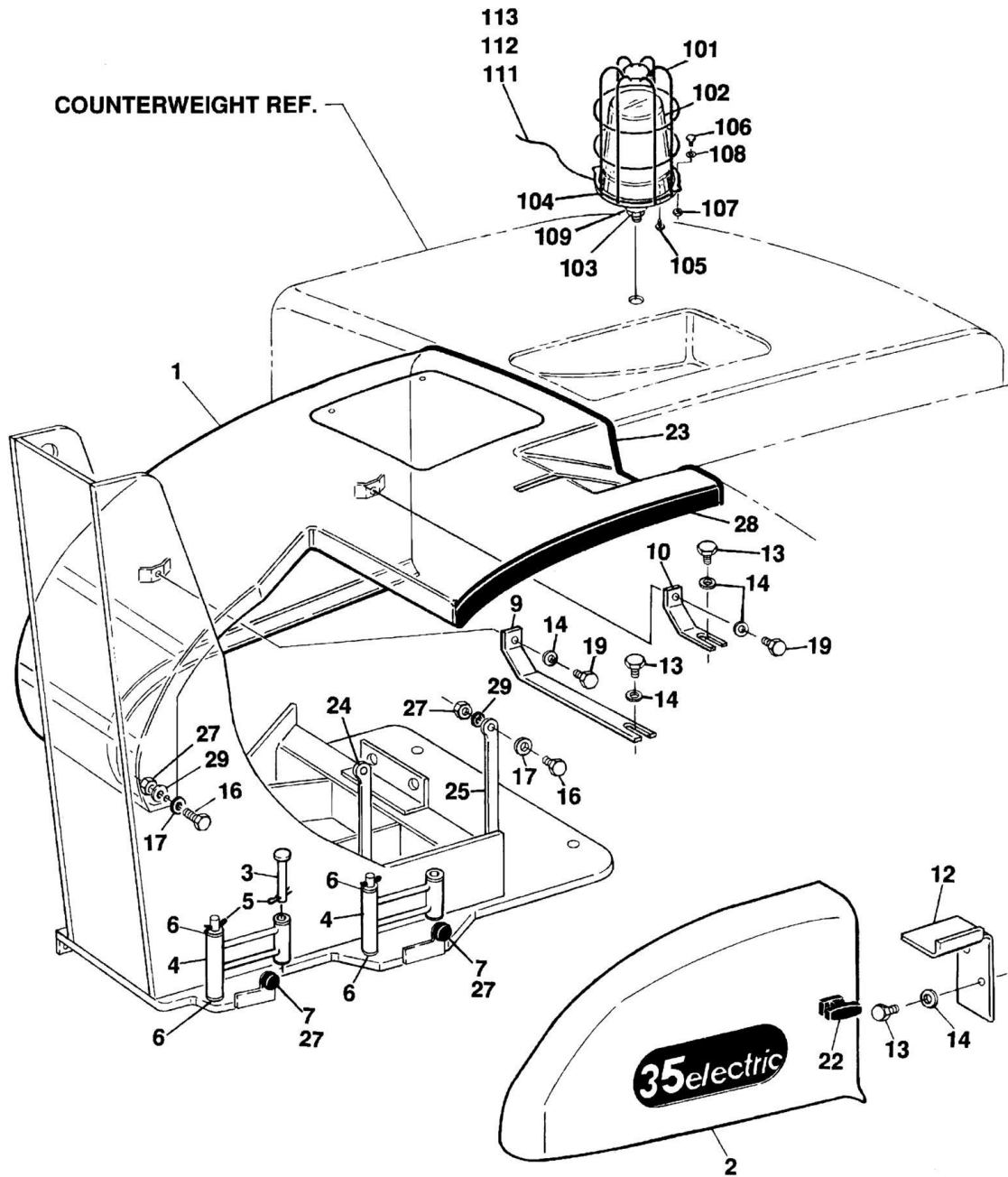
# SECTION 2 - TURNTABLE

**FIGURE 2-12. TURNTABLE AND HOOD INSTALLATION - MODEL 30ELECTRIC**

ITEM	PART NUMBER	QTY	DESCRIPTION	REV
	4620086	1	<b>TURNTABLE</b>	
	0254743	Ref	<b>HOODS INSTALLATION</b>	-
		Ref	<b>Note: Replacement Decals Must be Ordered Separately.</b>	
1	0254744	1	Hood Assembly (Includes Items 101-109)	
2	0641510	4	Bolt 5/16in-18NC x 1 1/4in	
3	4711500	8	Flatwasher 5/16in Narrow	
4	3311505	4	Locknut 5/16in-18NC	
5	4160117	2	Spring, Gas	
6	4761500	4	Lockwasher 5/16in	
7	3311501	4	Nut 5/16in-18NC	
	0254744	Ref	<b>HOOD ASSEMBLY</b>	-
		Ref	<b>Note: Replacement Decals Must be Ordered Separately.</b>	
101	2680404	1	Hood	
102	2680413	1	Door (Ground Control Panel)	
103	2680405	1	Door (Manual Storage Panel)	
104	0630457	10	Bolt, Button	
105	4711400	20	Flatwasher 1/4in Narrow	
106	4751400	10	Flatwasher 1/4in Narrow	
107	3311401	10	Nut 1/4in-20NC	
108	2600192	2	Hinge, Door	
109	0630448	20	Bolt, Button	
	0252986	Ref	<b>COVER INSTALLATION (OPTIONAL)</b>	2
201	4844182	1	Cover	
204	4711500	8	Flatwasher 5/16in Narrow	
205	4761500	4	Lockwasher 5/16in	
206	3311501	4	Nut 5/16in-18NC	
207	0641514	4	Bolt 5/16in-18NC x 1 3/4in	
	0254745	Ref	<b>BEACON KIT (OPTIONAL)</b>	B
301	4060865	1	Guard, Strobe	
302	2920119	1	Light, Strobe (Amber) <b>(Prior to SN 28019)</b>	
302	2920146	1	Light, Strobe (Amber) <b>(SN 28019 to Present)</b>	
302	7016319	1	Bulb, Light	
302		Ref	Amber Lens Options:	
302	7016320	1	Lens - 3 1/8in Height	
302	7016372	1	Lens - 4 1/8in Height	
303	4751000	4	Flatwasher #10	
305	0721008	2	Bolt #10-24NC x 1in	
306	3311005	2	Locknut #10-24NC	

## SECTION 2 - TURNTABLE

FIGURE 2-13. TURNTABLE AND HOOD INSTALLATION - MODEL 35ELECTRIC



**SECTION 2 - TURNTABLE**

**FIGURE 2-13. TURNTABLE AND HOOD INSTALLATION - MODEL 35ELECTRIC**

ITEM	PART NUMBER	QTY	DESCRIPTION	REV
	4620101	1	<b>TURNTABLE</b>	
	0254698	Ref	<b>HOODS INSTALLATION</b>	D
		Ref	<b>Note: Replacement Decals Must be Ordered Separately.</b>	
1	2680239	1	Hood - Left Side	
1	7012624	1	Access Panel Assembly	
1	7016353	2	Access Panel Fastener Kit	
2	2680240	1	Hood - Right Side	
3	3430840	2	Pin, Clevis	
4	0253687	2	Hinge	
5	3420156	4	Hairpin	
6	4711800	AR	Flatwasher 1/2in Narrow	
7	0940049	2	Bumper	
9	0902045	1	Bracket	
10	0902044	1	Bracket	
12	0902046	1	Bracket	
13	0641608	6	Bolt 3/8in-16NC x 1in	
14	4751600	8	Flatwasher 3/8in	
16	0630476	5	Capscrew, Button Head	
17	4751500	5	Flatwasher 5/16in	
18	0100011	AR	Loctite #242 (Not Shown)	
19	0641606	2	Bolt 3/8in-16NC x 3/4in	
22	2940071	1	Latch	
23	3960453	76 in/2m	Seal	
24	0902055	1	Bracket	
25	0902056	1	Bracket	
27	3311501	9	Nut 5/16in-18NC	
28	3960433	20 in/51cm	Seal	
29	4761500	5	Lockwasher 5/16in	
		Ref	<b>OPTIONAL STROBE LIGHT INSTALLATIONS</b>	
	0254544	Ref	<b>Optional Strobe Light Installations (Prior to January 1995)</b>	E
	0255611	Ref	<b>Optional Strobe Light Installations (January 1995 to Present)</b>	3
101	4060865	1	Guard, Light	
102		Ref	Light, Strobe Options (Amber):	
102	2920119	1	Light <b>(Prior to SN 28019)</b>	
102	2920146	1	Light <b>(SN 28019 to Present)</b>	
102	7016319	1	Bulb, Light	
102		Ref	Amber Lens Options:	
102	7016320	1	Lens - 3 1/8in Height	
102	7016372	1	Lens - 4 1/8in Height	
103		Ref	Bolt, Special Options:	
103	0630491	1	Bolt, Special Prior to January 1995	
103	0630474	1	Bolt, Special January 1995 to Present	
104	3537903	1	Plate, Mounting	
105	0741606	1	Screw, Flathead 3/8in-16NC x 3/4in	
106	0721008	2	Bolt #10-24NC x 1in	
107	3311005	2	Locknut #10-24NC	
108	4751000	4	Flatwasher #10	
109		Ref	Spacer Options:	
109	4220162		Spacer Prior to January 1995	

## SECTION 2 - TURNTABLE

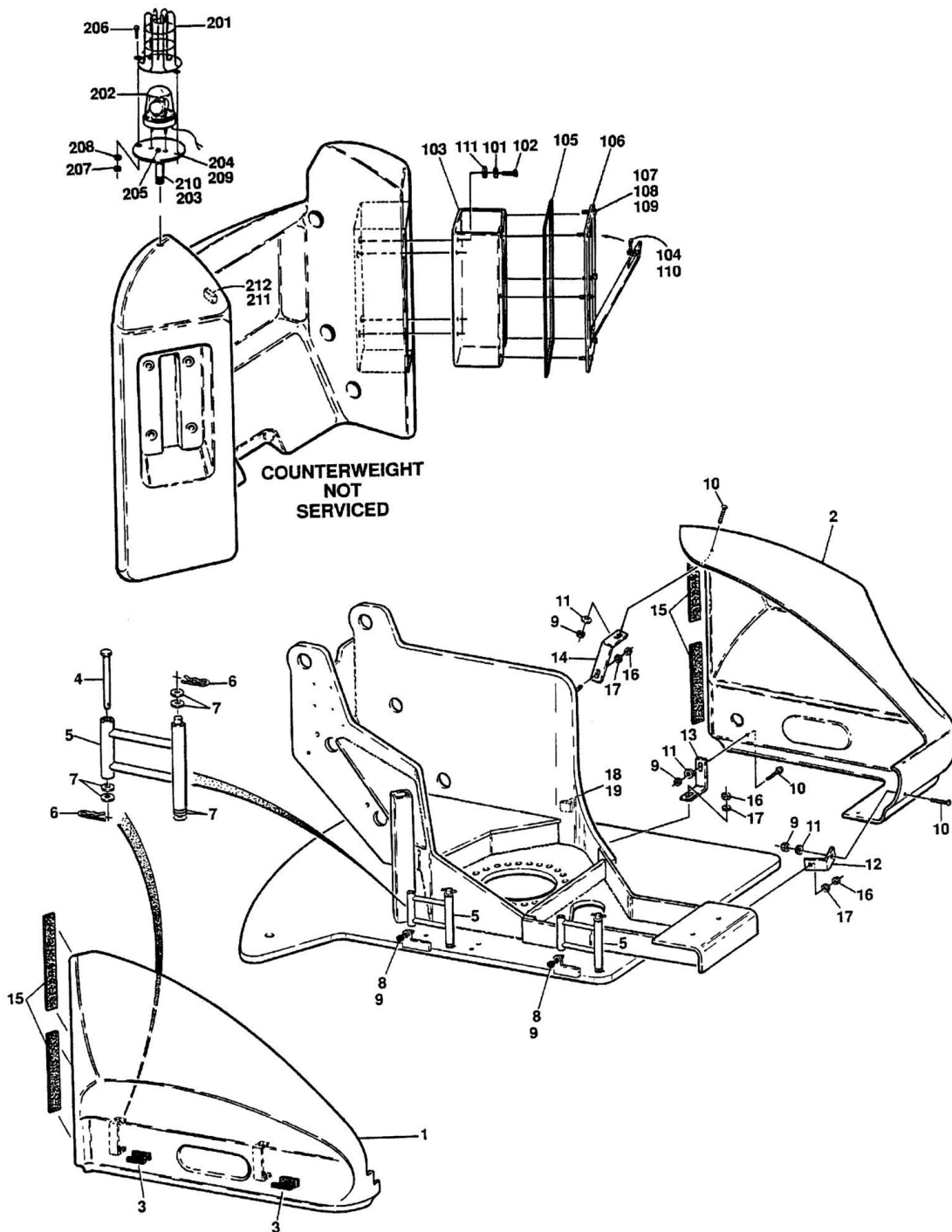
ITEM	PART NUMBER	QTY	DESCRIPTION	REV
109	4220111		Spacer January 1995 to Present	
110	0100011	AR	Loctite #242	
111	4240032	1	Tie-Strap	
112	4460234	1	Clamp	
113	2820036	16 in/41cm	Loom (Not Shown)	





# SECTION 2 - TURNTABLE

FIGURE 2-14. TURNTABLE AND HOOD INSTALLATION - MODEL 40ELECTRIC & 45ELECTRIC



**SECTION 2 - TURNTABLE**

**FIGURE 2-14. TURNTABLE AND HOOD INSTALLATION - MODEL 40ELECTRIC & 45ELECTRIC**

ITEM	PART NUMBER	QTY	DESCRIPTION	REV
	4620088	1	<b>TURNTABLE</b>	
	0253709	Ref	<b>HOODS INSTALLATION</b>	7
		Ref	<b>Note: Replacement Decals Must be Ordered Separately.</b>	
1		Ref	Hood (Left Side) Options:	
1	2680410	1	Hood (Left Side) <b>(Prior to SN 48140)</b>	
1	2680473	1	Hood (Left Side) <b>(SN 48140 to Present)</b>	
2		Ref	Hood (Right Side) Options:	
2	2680411	1	Hood (Right Side) <b>(Prior to SN 48140)</b>	
2	2680475	1	Hood (Right Side) <b>(SN 48140 to Present)</b>	
3	2940071	2	Latch	
4	3430840	2	Pin, Clevis	
5	0253687	2	Swing Hinge Assembly	
6	3420156	4	Hairpin	
7	4751800	AR	Flatwasher 1/2in	
8	0940049	2	<b>Bumper (Prior to SN 48140)</b>	
9	3311501	3	Nut 5/16in-18NC	
10	0630468	3	Screw, Button Head 5/16in-18NC x 1in	
11	4751500	5	Flatwasher 5/16in	
12	0901923	1	Bracket, Mounting - Right Front	
13	0901923	1	Bracket, Mounting - Right Side Bottom	
14	0901921	1	Bracket, Mounting - Right Side Top	
15	3960453	5 ft/1.6m	Seal, Door	
16	3311601	1	Nut 3/8in-16NC	
17	4751600	1	Flatwasher 3/8in	
18	1320043	1	Clamp	
19	0641510	2	Bolt 5/16in-18NC x 1 1/4in	
20	4751400	1	Flatwasher 1/4in	
21	3311401	1	Nut 1/4in-20NC	
21	0100011	AR	Loctite (Not Shown)	
	0253984	Ref	<b>STORAGE COMPARTMENT INSTALLATION</b>	B
101	4761600	4	Lockwasher 3/8in	
102	0641605	4	Bolt 3/8in-16NC x 5/8in	
103	3536691	1	Box, Storage	
104	2940042	1	Latch	
105	3960438	50 in/1.3m	Seal	
106	4844404	1	Door Front Weldment	
107	4740120	6	Washer, Nylon	
108	0630464	6	Screw, Button Head #10-24NC x 1/2in	
109	3300365	6	Retainer, Nut #10-24NC	
110	0100011	AR	Loctite #242	
111	4751600	4	Flatwasher	
	0254544	Ref	<b>OPTIONAL STROBE LIGHT INSTALLATION</b>	7
201	4060865	1	Guard, Light	
202	2920119	1	Light, Strobe (Amber) <b>(Prior to SN 28019)</b>	
202	2920146	1	Light, Strobe (Amber) <b>(SN 28019 to Present)</b>	
202	7016319	1	Bulb, Light	
202		Ref	Amber Lens Options:	
202	7016320	1	Lens - 3 1/8in Height	
202	7016372	1	Lens - 4 1/8in Height	
203	0630491	1	Bolt, Special	

## SECTION 2 - TURNTABLE

ITEM	PART NUMBER	QTY	DESCRIPTION	REV
204	3537903	1	Plate, Mounting	
205	0741606	1	Screw, Flathead 3/8in-16NC x 3/4in	
206	0721008	2	Bolt #10-24NC x 1in	
207	3311005	2	Locknut #10-24NC	
208	4751000	4	Flatwasher #10	
209	4220162	1	Spacer	
210	0100011	AR	Loctite #242	
211	4240032	1	Tie-Strap	
212	4460234	1	Clamp	
213	2820036	AR	Loom (Not Shown)	

**SECTION 3 - BOOM**



## SECTION 3 - BOOM

**FIGURE 3-1. BOOMS AND LIMIT SWITCHES INSTALLATION MODEL 30ELECTRIC**

ITEM	PART NUMBER	QTY	DESCRIPTION	REV
	0254800	Ref	<b>BOOMS INSTALLATIONS</b>	-
1	0800750	1	Main/Upper Boom Assembly (Includes Items 101 & 102)	
2	0800749	1	Tower/Lower Boom Assembly (Includes Items 111)	
3	4844027	1	Main/Upper Level Link Assembly (Includes Item 121)	
4	4844026	1	Tower/Lower Level Link Assy (Includes Item 131)	
5	4844028	1	Upright Weldment	
6	0560995	1	Block, Bumper	
7	1683202	2	Lift Cylinder Assy (See CYLINDER SECTION for Breakdown)	
8	3422006	1	Pin, Attach	
10	3421985	4	Pin, Attach	
11	3421986	5	Pin, Attach	
12	3841143	10	Pin, Keeper	
13	0641509	10	Bolt 5/16in-18NC x 1 1/2in	
14	3311505	10	Locknut 5/16in-18NC	
15	3020022	AR	Grease, Bearing	
16	0641410	2	Bolt 1/4in-20NC x 1 1/4in	
17	4751400	2	Flatwasher 1/4in	
18	3311405	2	Locknut 1/4in-20NC	
19	3780183	18	O-Ring	
20	3780181	2	O-Ring	
	0800750	Ref	<b>MAIN/UPPER BOOM ASSEMBLY</b>	
101	0961602	2	Bushing, Teflon	
102	0961608	2	Bushing, Teflon	
	0800749	Ref	<b>TOWER/LOWER BOOM ASSEMBLY</b>	
111	0961602	4	Bushing, Teflon	
	4844027	Ref	<b>MAIN/UPPER LEVEL LINK ASSEMBLY</b>	
121	0961608	4	Bushing, Teflon	
	4844026	Ref	<b>TOWER/LOWER LEVEL LINK ASSEMBLY</b>	
131	0961602	4	Bushing, Teflon	
		Ref	<b>CLAMPS AND CABLE INSTALLATIONS</b>	
	0254738	Ref	<b>Clamps and Cable Installations w/o Numbered Colored Wire (Prior to SN 36544)</b>	A
	0258226	Ref	<b>Clamps and Cable Installations w/o Numbered Colored Wire (SN 36544 to Present)</b>	1-A
201		Ref	Harness - Main Boom Options (Not Shown - See ELECTRICAL SECTION for Breakdown):	
201	4921659	1	Harness - Main Boom <b>(Prior to SN 36544)</b>	
201	4922061	1	Harness - Main Boom <b>(SN 36544 to Present)</b>	
202	0561157	1	Block, Clamp	
203	0561158	1	Block, Clamp	
204	0641414		Bolt 1/4in-20NC x 1 3/4in	
205	3311405	2	Locknut 1/4in-20NC	
206	0641410	2	Bolt 1/4in-20NC x 1 1/4in	
207	4761400	4	Lockwasher 1/4in	
208	4240099	20	Tie-Strap (Not Shown)	
209	4060804	18	Protector, Edge (3/16in-4.8mm)	
		in/25cm		
210	4060805	40	Protector, Edge (1/4in-6.4mm)	
		in/102cm		
211	4060807	29	Protector, Edge (3/8in-9.5mm)	
		in/73cm		

## SECTION 3 - BOOM

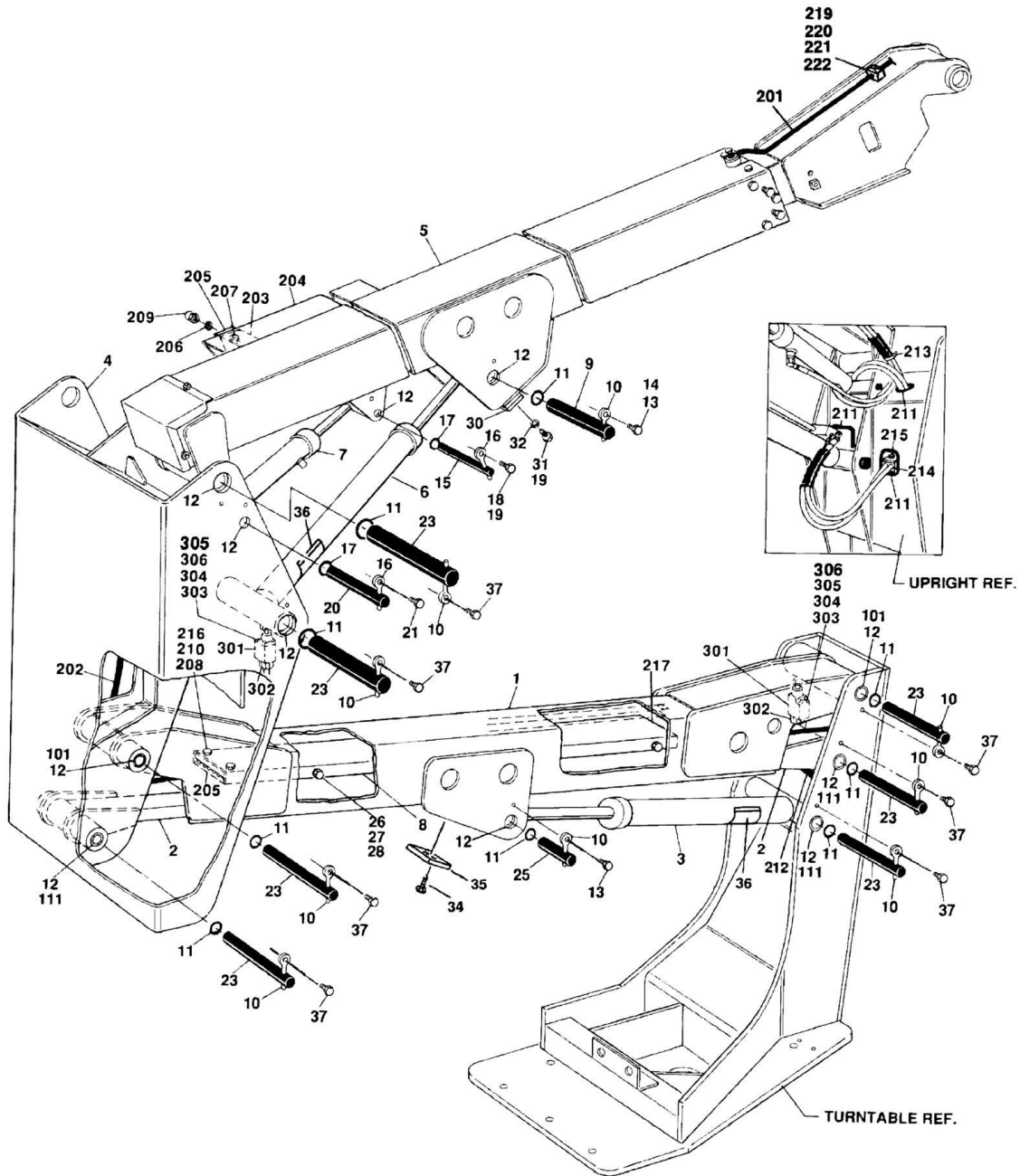
ITEM	PART NUMBER	QTY	DESCRIPTION	REV
212	4751400	2	Flatwasher 1/4in	
213	3311401	2	Nut 1/4in-20NC	
	0252303	Ref	<b>BOOM LIMIT SWITCHES INSTALLATION</b>	D
301	4360321	2	Switch, Limit	
302	3900168	4	Bolt, Special	
303	4751000	4	Flatwasher	
304	3311005	4	Locknut #10-24NC	
305	4920140	AR	Wire, Safety	
306	4460428	2	Connector, Strain Relief	
	0254792	Ref	<b>8 METER CUTOUT INSTALLATION (CE, DUTCH, AUSTRIAN AND GERMAN SPECS)</b>	-
401	4360321	1	Switch, Limit	
401	3900179	2	Screw #10-24NC x 2 3/4in	
401	3311005	2	Locknut #10-24NC	
401	4751000	2	Flatwasher #10	
401	4460428	2	Connector, Strain Relief	
401	1100070	1	Cam	
401	1060341	26 ft/8m	Cable, Electrical - 16/2	





# SECTION 3 - BOOM

## FIGURE 3-2. BOOMS AND LIMIT SWITCHES INSTALLATION MODEL 35ELECTRIC



## SECTION 3 - BOOM

### FIGURE 3-2. BOOMS AND LIMIT SWITCHES INSTALLATION MODEL 35ELECTRIC

ITEM	PART NUMBER	QTY	DESCRIPTION	REV
		Ref	<b>BOOM INSTALLATION</b>	
	0254190	Ref	<b>Boom Installation (Prior to February 1995)</b>	14
	0255586	Ref	<b>Boom Installation (February 1995 to Present)</b>	4
1		Ref	Lower Boom Weldment Options (Includes Item 101)	
1	0800866	1	Lower Boom Weldment (Prior to August 1994)	
1	0801007	1	Lower Boom Weldment (August 1994 to Present)	
2	4844576	1	Lower Link Weldment (Includes Item 111)	
3	1682980	1	Lower Lift Cylinder Assembly (See CYLINDER SECTION for Breakdown)	
4	4844588	1	Upright Weldment	
5	0800832	1	Upper Boom Assembly (See UPPER BOOM COMPONENTS ASSEMBLY for Breakdown)	
6		Ref	Upper Lift Cylinder Assembly Options (See CYLINDER SECTION for Breakdown):	
6	1682958	1	Upper Lift Cylinder Assembly (Prior to February 1995)	
6	1683348	1	Upper Lift Cylinder Assembly (February 1995 to Present)	
7		Ref	Master Cylinder Assembly Options (See CYLINDER SECTION for Breakdown)	
7	1682877	1	Master Cylinder Assembly (Prior to January 1995)	
7	1683325	1	Master Cylinder Assembly (January 1995 to Present)	
8	3537220	1	Plate, Cable	
9	3422178	1	Pin	
10	3841203	9	Keeper, Pin	
11	3780184	18	O-Ring	
12	3020022	AR	Grease	
13	0641812	2	Bolt 1/2in-13NC x 1 1/2in	
14	3311805	2	Locknut 1/2in-13NC	
15	3422180	1	Pin	
16	3841143	2	Keeper, Pin	
17	3780181	4	O-Ring	
18	0641610	1	Bolt 3/8in-16NC x 1 1/4in	
19	3311605	3	Locknut 3/8in-16NC	
20	3422179	1	Pin	
21	0641608	1	Bolt 3/8in-16NC x 1in	
23		Ref	Pin Options:	
23	3422177	7	Pin (Prior to February 1995)	
23	3422480	7	Pin (February 1995 to SN 66087)	
23	3422177	7	Pin ( <b>SN 66088 to Present</b> )	
25	3422176	1	Pin	
26	0641408	4	Bolt 1/4in-20NC x 1in	
27	4751400	4	Flatwasher 1/4in	
28	3311405	4	Locknut 1/4in-20NC	
30	0561076	1	Block, Boom Rest	
31	0641614	2	Bolt 3/8in-16NC x 1 3/4in	
32	4751600	4	Flatwasher 3/8in	
33	0100011	AR	Loctite #242 (Not Shown)	
34	0641606	2	Bolt 3/8in-16NC x 3/4in	
35	0561173	1	Block, Boom Rest	
36		Ref	Decal - Manual Descent	
36	1701717	1	Decal - Manual Descent (Prior to February 1995)	

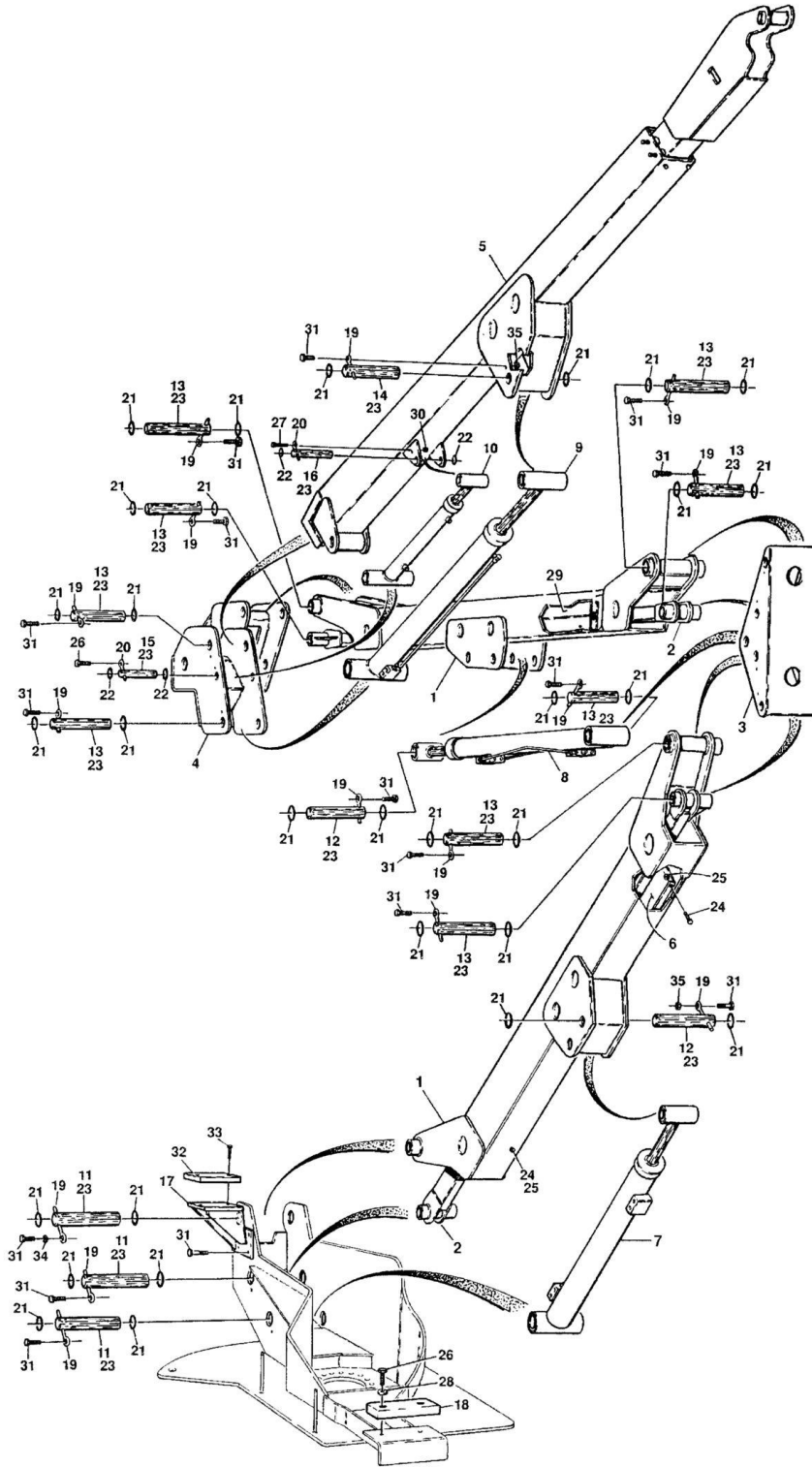
## SECTION 3 - BOOM

ITEM	PART NUMBER	QTY	DESCRIPTION	REV
36	1702561	1	Decal - Manual Descent (February 1995 to Present)	
37	0641808	7	Bolt 1/2in-13NC x 1in	
		Ref	<b>LOWER BOOM WELDMENTS</b>	
	0800866	Ref	<b>Lower Boom Weldments (Prior to August 1994)</b>	-
	0801007	Ref	<b>Lower Boom Weldments (August 1994 to Present)</b>	B-2
101	0961726	4	Bushing, Teflon	
	4844576	Ref	<b>LOWER LINK WELDMENT</b>	-
111	0961726	4	Bushing, Teflon	
		Ref	<b>CABLES AND CLAMPS INSTALLATIONS</b>	
	0254595	Ref	<b>Cables and Clamps Installations w/o Numbered Colored Wire (Prior to SN 36648)</b>	D
	0258565	Ref	<b>Cables and Clamps Installations w/o Numbered Colored Wire (SN 36648 to Present)</b>	1
201		Ref	Harness - Upper Boom Options (See ELECTRICAL SECTION for Breakdown):	
201	4921644	1	Harness - Upper Boom <b>(Prior to SN 36648)</b>	
201	4922128	1	Harness - Upper Boom <b>(SN 36648 to Present)</b>	
202	4921650	1	Harness-Lower Boom (See ELECTRICAL SECTION for Breakdown)	
203	0561090	2	Clamp, Block	
204	3536999	1	Cover	
205	1320205	2	Clamp	
206	4751400	12	Flatwasher 1/4in	
207	3311401	6	Nut 1/4in-20NC	
208	3311505	2	Locknut 5/16in-18NC	
209	3300151	6	Nut, Acorn 1/4in-20NC	
210	0641514	2	Bolt 5/16in-18NC x 1 3/4in	
211	4060805	6 ft/1.8m	Trim 1/4in	
212	4060808	10 in/25cm	Trim 1/2in	
213	4240099	26	Tie-Strap	
214	1320159	1	Clamp	
215	0641511	1	Bolt 5/16in-18NC x 1 3/8in	
216	4751500	4	Flatwasher 5/16in	
217	4060803	6 in/15cm	Trim 1/16in-1/8in	
218	0100011	AR	Loctite #242 (Not Shown)	
219	1320195	1	Cover, Clamp	
220	1320199	1	Clamp	
221	0641520	1	Bolt 5/16in-18NC x 2 1/2in	
222	3311505	1	Locknut 5/16in-18NC	
	0254815	Ref	<b>BOOM LIMIT SWITCHES INSTALLATION</b>	A
301	4360321	2	Switch, Limit	
302	4460428	2	Connector, Strain Relief	
303	3311005	4	Locknut #10-24NC	
304	4751000	4	Flatwasher #10	
305	3900168	2	Bolt #10-24NC x 1 1/2in	
306	1060341	34 ft/10.4m	Cable, Electrical	



# SECTION 3 - BOOM

## FIGURE 3-3. BOOMS INSTALLATION - MODELS 40ELECTRIC & 45ELECTRIC



## SECTION 3 - BOOM

### FIGURE 3-3. BOOMS INSTALLATION - MODELS 40ELECTRIC & 45ELECTRIC

ITEM	PART NUMBER	QTY	DESCRIPTION	REV
		Ref	<b>BOOMS INSTALLATION (STANDARD PARTS)</b>	
	0253455	Ref	<b>Booms Installation (Standard Parts) 40electric</b>	13
	0254040	Ref	<b>Booms Installation (Standard Parts) 45electric (Prior to February 1995)</b>	8
	0255587	Ref	<b>Booms Installation (Standard Parts) 45electric (February 1995 to Present)</b>	3
1		Ref	Tower Boom Weldment Options:	
1	0800831	2	Tower Boom Weldment 40electric	
1	0800852	2	Tower Boom Weldment 45electric	
1	0961726	8	Bushing, Teflon (4 Per Assembly)	
2		Ref	Link, Level Options (Base and Mid):	
2	4844302	2	Link, Level 40electric	
2	4844541	2	Link, Level 45electric	
2	0961726	8	Bushing, Teflon (4 Per Assembly)	
3		Ref	Upright Weldment Options (Bottom):	
3	4844303	1	Upright Weldment 40electric	
3	4844427	1	Upright Weldment 45electric	
4	4844304	1	Upright Weldment (Top)	
5		Ref	Upper Boom Assembly Options (See UPPER BOOM COMPONENTS ASSEMBLY for Breakdown):	
5	0800832	1	Upper Boom Assembly 40electric	
5	0800853	1	Upper Boom Assembly 45electric	
6		Ref	Plate, Hose Guard Options:	
6	3536491	1	Plate, Hose Guard 40electric	
6	3537045	1	Plate, Hose Guard 45electric	
7		Ref	Cylinder Assembly - Lower Lift Options (See CYLINDER SECTION for Breakdown)	
7	1682855	1	Cylinder Assembly - Lower Lift 40electric ( <b>Prior to SN 33111</b> )	
7	1683518	1	Cylinder Assembly - Lower Lift 40electric ( <b>SN 33111 to Present</b> )	
7	1683013	1	Cylinder Assembly - Lower Lift 45electric ( <b>Prior to SN 33090</b> )	
7	1683521	1	Cylinder Assembly - Lower Lift 45electric ( <b>SN 33090 to Present</b> )	
8		Ref	Cylinder Assembly - Mid Lift Options (See CYLINDER SECTION for Breakdown):	
8	1682861	1	Cylinder Assembly - Mid Lift 40electric ( <b>Prior to SN 33111</b> )	
8	1683519	1	Cylinder Assembly - Mid Lift 40electric ( <b>SN 33111 to Present</b> )	
8	1683018	1	Cylinder Assembly - Mid Lift 45electric ( <b>Prior to SN 33090</b> )	
8	1683522	1	Cylinder Assembly - Mid Lift 45electric ( <b>SN 33090 to Present</b> )	
9		Ref	Cylinder Assembly Options - Upper Lift (See CYLINDER SECTION for Breakdown):	
9	1682867	1	Cylinder Assembly Options - Upper Lift (Prior to March 1995)	
9	1683337	1	Cylinder Assembly Options - Upper Lift (March 1995 to SN 29898)	
9	1683506	1	Cylinder Assembly Options - Upper Lift ( <b>SN 29899 through 33089</b> )	
9	1683520	1	Cylinder Assembly Options - Upper Lift ( <b>SN 33090 to Present</b> )	
10		Ref	Cylinder Assembly Options - Master (See CYLINDER SECTION for Breakdown):	
10	1682877	1	Cylinder Assembly Options - Master (Prior to January 1995)	
10	1683325	1	Cylinder Assembly Options - Master (January 1995 to Present)	
11		Ref	Pin, Pivot Options:	

## SECTION 3 - BOOM

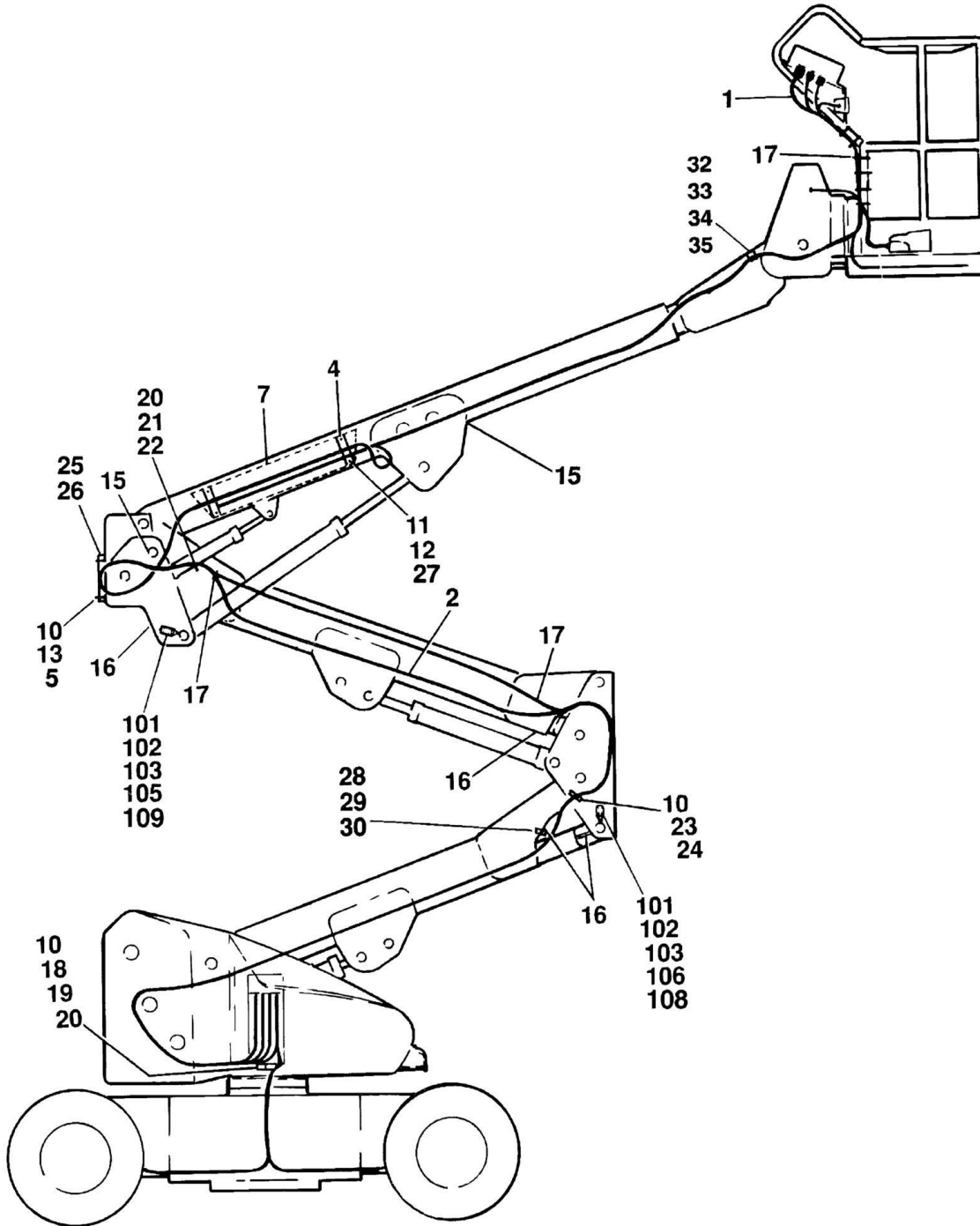
ITEM	PART NUMBER	QTY	DESCRIPTION	REV
11	3422175	3	Pin, Pivot 40electric	
11	3422175	3	Pin, Pivot 45electric (Prior to February 1995)	
11	3422481	3	Pin, Pivot 45electric (February 1995 to Present)	
12	3422176	2	Pin, Pivot	
13		Ref	Pin, Pivot Options:	
13	3422177	9	Pin, Pivot 40electric	
13	3422177	9	Pin, Pivot 45electric (Prior to February 1995)	
13	3422480	9	Pin, Pivot 45electric (February 1995 to Present)	
14	3422178	1	Pin, Pivot	
15	3422179	1	Pin, Pivot	
16	3422180	1	Pin, Pivot	
17	4844467	1	Boom Rest Weldment	
18	0561076	1	Block, Boom Rest	
19	3841203	15	Keeper, Pin - 1/2in	
20	3841143	2	Keeper, Pin - 3/8in	
21	3780184	30	O-Ring - 2in	
22	3780181	4	O-Ring - 1in	
23	3020022	AR	Grease	
24	0641506	4	Bolt 5/16in-18NC x 3/4in	
25	3311505	4	Locknut 5/16in-18NC	
26	0641608	3	Bolt 3/8in-16NC x 1in	
27	0641610	1	Bolt 3/8in-16NC x 1 1/4in	
28	4751600	2	Flatwasher 3/8in	
29		Ref	Tube Options:	
29	4566427	1	Tube 40electric	
29	4566356	1	Tube 45electric	
30	3311605	1	Locknut 3/8in-16NC	
31	0641812	6	Bolt 1/2in-13NC x 1 1/2in	
32	0940048	1	Bumper	
33	0641806	2	Bolt 1/2in-13NC x 3/4in	
34	0641810	12	Bolt 1/2in-13NC x 1 1/4in	
35	3311805	3	Locknut 1/2in-13NC	





# SECTION 3 - BOOM

## FIGURE 3-4. LIMIT SWITCHES, CABLES AND CLAMPS INSTALLATION - MODEL 40ELECTRIC & 45ELECTRIC



## SECTION 3 - BOOM

**FIGURE 3-4. LIMIT SWITCHES, CABLES AND CLAMPS INSTALLATION - MODEL 40ELECTRIC & 45ELECTRIC**

ITEM	PART NUMBER	QTY	DESCRIPTION	REV
		Ref	<b>CLAMPS AND CABLES INSTALLATIONS</b>	
	0254647	Ref	<b>Clamps and Cable Installations 40electric without Numbered Colored Wire (Prior to SN 36648)</b>	6
	0258563	Ref	<b>Clamps and Cable Installations 40electric with Numbered Colored Wire (SN 36648 to Present)</b>	1
	0254041	Ref	<b>Clamps and Cable Installations 45electric without Numbered Colored Wire (Prior to SN 36648)</b>	7
	0258564	Ref	<b>Clamps and Cable Installations 45electric with Numbered Colored Wire (SN 36648 to Present)</b>	1
1		Ref	Harness Assembly - Upper Boom Options (See ELECTRICAL SECTION for Breakdown):	
1	4921644	1	Harness Assembly - Upper Boom 40electric ( <b>Prior to SN 36648</b> )	
1	4922128	1	Harness Assembly - Upper Boom 40electric ( <b>SN 36648 to Present</b> )	
1	4921645	1	Harness Assembly - Upper Boom 45electric ( <b>Prior to SN 36648</b> )	
1	4922127	1	Harness Assembly - Upper Boom 45electric ( <b>SN 36648 to Present</b> )	
2		Ref	Harness Assembly - Tower Boom Options (See ELECTRICAL SECTION for Breakdown):	
2	4921581	1	Harness Assembly - Tower Boom 40electric	
2	4921591	1	Harness Assembly - Tower Boom 45electric	
4	0561090	2	Block, Hose Clamp	
5	0561091	1	Block, Hose Clamp	
7	3536999	1	Shield	
10	4751500	5	Flatwasher 5/16in	
11	4751400	12	Flatwasher 1/4in	
12	3311401	6	Nut 1/4in-20NC	
13	0641514	3	Bolt 5/16in-18NC x 1 3/4in	
15		Ref	Trim Options:	
15	4060807	3.6 ft/1.1m	Trim 40electric (was p/n 4060805)	
15	4060805	3.6 ft/1.1m	Trim 45electric	
16	4060808	8 ft/2.4m	Trim 1/2in	
17	4240099	26	Tie-Strap	
20	3311505	1	Locknut 5/16in-18NC	
21	4566243	1	Roller	
22	0641560	1	Bolt 5/16in-18NC x 7 1/2in	
23	0641512	1	Bolt 5/16in-18NC x 1 1/2in	
24	1320205	1	Clamp, Hose	
25	1670697	1	Cover, Hose	
26	0630467	4	Capscrew, Button 5/16in-18NC x 1/2in	
27	3300151	6	Nut, Acorn 1/4in - 20NC	
28	1320040	1	Clamp, Cable	
29	0641410	1	Bolt 1/4in-20NC x 1 1/4in	
30	3311405	1	Locknut 1/4in-20NC	
31	0100011	AR	Loctite #242 (Not Shown)	
32	1320195	1	Cover, Clamp	
33	1320199	1	Clamp	

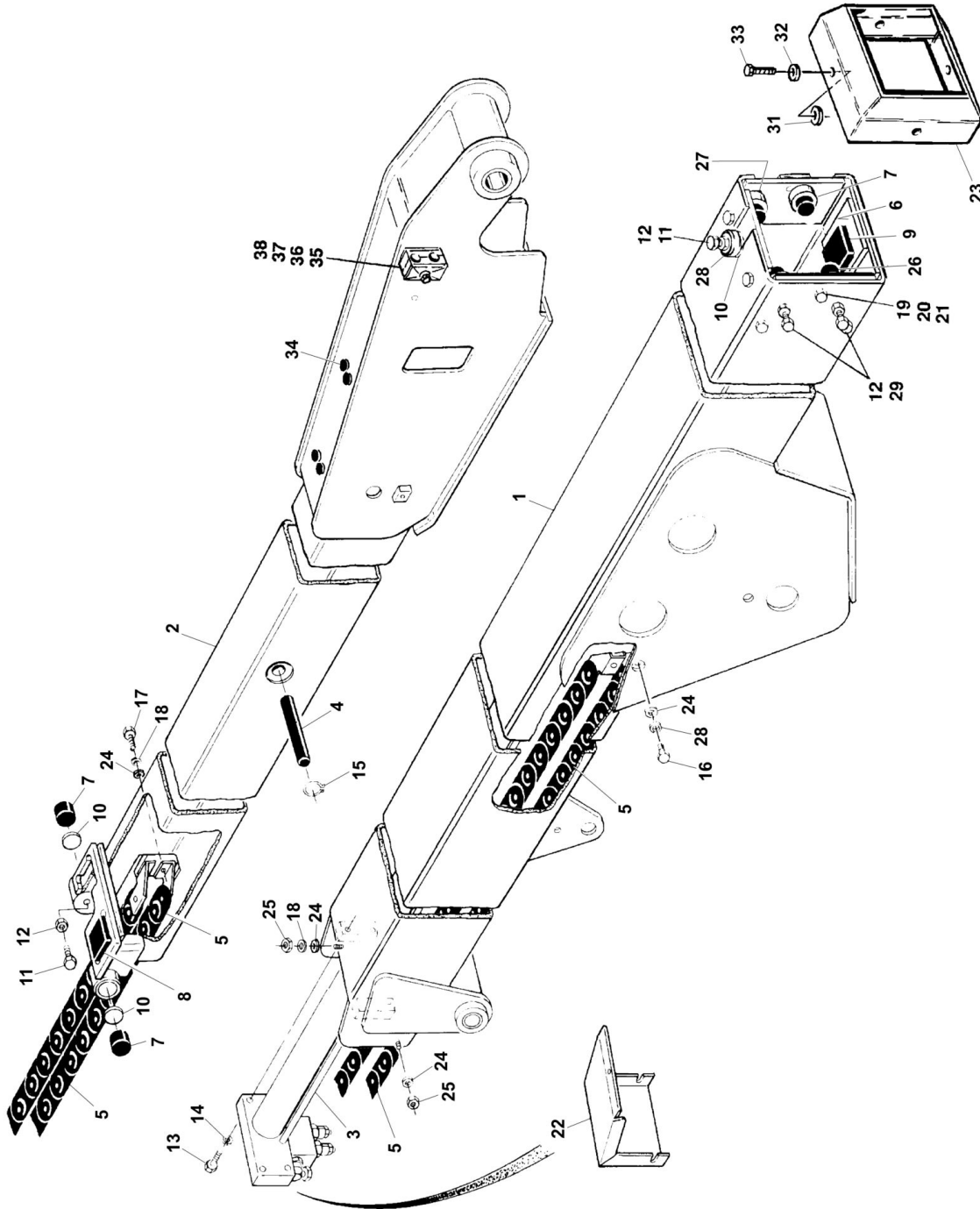
## SECTION 3 - BOOM

ITEM	PART NUMBER	QTY	DESCRIPTION	REV
34	0641520	1	Bolt 5/16in-18NC x 2 1/2in	
35	3311505	1	Locknut 5/16in-18NC	
		Ref	<b>BOOM LIMIT SWITCHES INSTALLATIONS (40ELECTRIC)</b>	
	0253704	Ref	<b>Boom Limit Switches Installations 40electric</b>	5
	0254875	Ref	<b>Boom Limit Switches Installations 45electric</b>	4
101	4360321	2	Switch, Limit	
102	4460428	2	Connector, Strain Relief	
103	3311005	4	Locknut #10-24NC	
105		Ref	Bolt, Socket Head Options: #10-24NC x 1 1/2 ( <b>Prior to SN 33795</b> )	
105	3900168	2	Bolt, Socket Head (#10-24NC x 1 1/2in) ( <b>Prior to SN 33795</b> )	
105	3900246	2	Bolt, Socket Head (#10-24NC x 1 3/4in) ( <b>SN 33795 to Present</b> )	
106		Ref	Bolt, Socket Head Options:	
106	3900097	2	Bolt, Socket Head (#10-24NC x 2 1/8in) ( <b>Prior to SN 33795</b> )	
106	3900104	2	Bolt, Socket Head (#10-24NC x 2 1/4in) ( <b>SN 33795 to Present</b> )	
107	1060341	AR	Cable, Electrical - 16/2	
107	1060341	48 ft/17.7m	Cable, Electrical - 16/2 40electric	
107	1060341	58 ft/15m	Cable, Electrical - 16/2 45electric	
108	1670832	1	Cover, Switch Lower Only ( <b>SN 33795 to Present</b> )	
109	1670833	1	Cover, Switch Upper Only ( <b>SN 33795 to Present</b> )	



# SECTION 3 - BOOM

## FIGURE 3-5. UPPER BOOM COMPONENTS ASSEMBLY - MODELS 35ELECTRIC, 40ELECTRIC & 45ELECTRIC



## SECTION 3 - BOOM

**FIGURE 3-5. UPPER BOOM COMPONENTS ASSEMBLY - MODELS 35ELECTRIC, 40ELECTRIC & 45ELECTRIC**

ITEM	PART NUMBER	QTY	DESCRIPTION	REV
		Ref	<b>UPPER BOOM ASSEMBLIES</b>	
	0800832	Ref	<b>Upper Boom Assemblies 35electric</b>	18-P
	0800832	Ref	<b>Upper Boom Assemblies 40electric</b>	18-P
	0800853	Ref	<b>Upper Boom Assemblies 45electric</b>	13-J
1		Ref	Base Weldment Options:	
1	0800833	1	Base Weldment 35electric & 40electric	
1	0800854	1	Base Weldment 45electric	
1	0961726	2	Bushing, Teflon	
2		Ref	Fly Weldment Options:	
2	0800834	1	Fly Weldment 35electric & 40electric	
2	0800855	1	Fly Weldment 45electric	
2	0961726	2	Bushing, Teflon	
3		Ref	Telescope Cylinder Assembly Options (See CYLINDER SECTION for Breakdown):	
3	1682887	1	Telescope Cylinder Assembly 35electric & 40electric	
3	1682947	1	Telescope Cylinder Assembly 45electric	
4		Ref	Pin, Mounting Options:	
4	3422185	1	Pin, Mounting 35electric & 40electric	
4	3422263	1	Pin, Mounting 45electric (Prior to February 1995)	
4	3422185	1	Pin, Mounting 45electric (February 1995 to SN 57116)	
4	3422901	1	Pin, Mounting 45electric <b>(SN 57117 to Present)</b>	
5	1180302	1	Powertrack	
5	7019698	40	Links, Replacement	
5	7019699	1	Bracket, End	
6	4844579	1	Holder, Wear Pad (Base Front Bottom)	
7	3340663	8	Pad, Wear (Base Front Top and Sides/Fly Rear Sides and Bottom)	
8		Ref	Pad, Wear Options (Fly Rear Top):	
8	3340666	2	Pad, Wear <b>(Prior to SN 31965)</b>	
8	3340820	2	Pad, Wear <b>(SN 31965 to Present)</b>	
9	3340682	1	Pad, Wear (Base Front Bottom)	
10	1760160	8	Disc	
11	0630487	6	Bolt, Special	
12	3311602	8	Nut, Jam 3/8in-16NC	
13	0641818	4	Bolt 1/2in-13NC x 2 1/4in	
14	4761800	4	Lockwasher 1/2in	
15	3760115	2	Ring, Retaining	
16	0641405	2	Bolt 1/4in-20NC x 5/8in	
17	0641404	2	Bolt 1/4in-20NC x 1/2in	
18	4761400	7	Lockwasher 1/4in	
19	0641606	7	Bolt 3/8in-16NC x 3/4in	
20	4761600	7	Lockwasher 3/8in	
21	0100011	AR	Loctite #242	
22	1670678	1	Cover, Boom	
23	1670698	1	Cover, Boom	
24	4751400	7	Flatwasher 1/4in	
25	3311401	3	Nut 1/4in-20NC	
26		Ref	Holder, Wear Pad Options (Base Front Left Side):	
26	1220038	2	Holder, Wear Pad (was p/n 4844383) <b>(Prior to SN 35014)</b>	

## SECTION 3 - BOOM

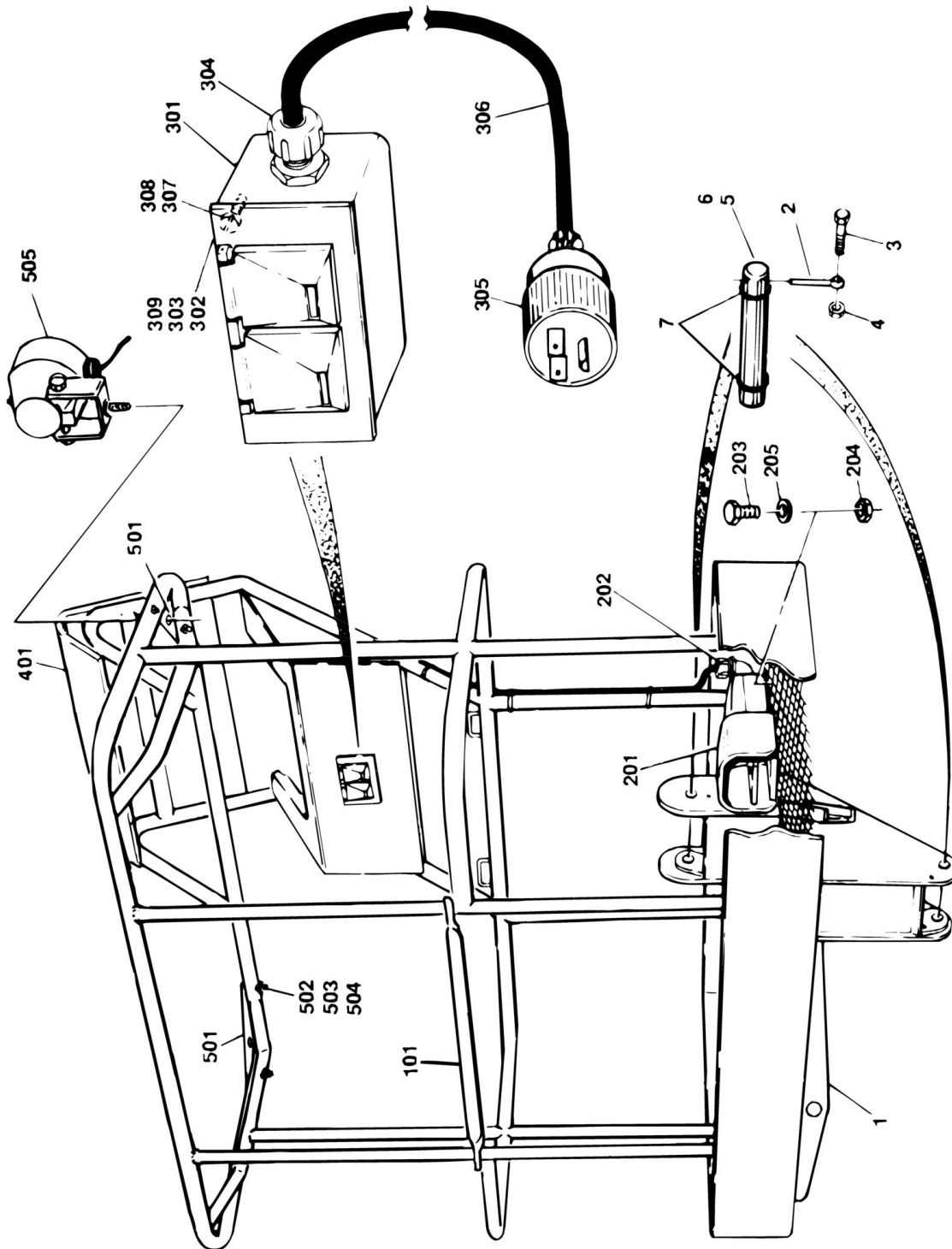
ITEM	PART NUMBER	QTY	DESCRIPTION	REV
26	1220038	2	Holder, Wear Pad <b>(SN 35014 to Present)</b>	
27		Ref	Holder, Wear Pad Options (Base Front Right Side):	
27	1220039	2	Holder, Wear Pad (was p/n 4844384) <b>(Prior to SN 35014)</b>	
27	1220039	2	Holder, Wear Pad <b>(SN 35014 to Present)</b>	
28		Ref	Holder, Wear Pad Options (Base Front Top):	
28	1220040	2	Holder, Wear Pad (was p/n 4844386) <b>(Prior to SN 35014)</b>	
28	1220040	2	Holder, Wear Pad <b>(SN 35014 to Present)</b>	
29	0630399	2	Bolt 3/8in-16NC x 2 1/4in	
30	0100009	AR	Silicone (Not Shown)	
31	4740413	5	Spacer	
32	4751600	5	Flatwasher 3/8in	
33	0641608	5	Bolt 3/8in-16NC x 1in	
34	3520034	4	Plug, Hole	
35	1320195	1	Cover, Clamp (March 1995 to Present Only)	
36	1320199	1	Clamp (March 1995 to Present Only)	
37	0641520	1	Bolt 5/16in-18NC x 2 1/4in (March 1995 to Present) Only)	
38	3311505	1	Locknut 5/16in-18NC (March 1995 to Present Only)	



**SECTION 4 - PLATFORMS**

# SECTION 4 - PLATFORMS

## FIGURE 4-1. PLATFORM AND COMPONENTS INSTALLATION - MODEL 30ELECTRIC



## SECTION 4 - PLATFORMS

**FIGURE 4-1. PLATFORM AND COMPONENTS INSTALLATION - MODEL 30ELECTRIC**

ITEM	PART NUMBER	QTY	DESCRIPTION	REV
	0254645	Ref	<b>PLATFORM INSTALLATION</b>	A
		Ref	<b>Note: Replacement Decals Must be Ordered Separately.</b>	
1		Ref	Platform Assembly Options:	
1	3510458	1	Platform with Lift Gate (Prior to May 1995)	
1	3510502	1	Platform with Lift Gate (May 1995 to Present)	
2	3841143	2	Pin, Keeper	
3	0641509	2	Bolt 5/16in-18NC x 1 1/8in	
4	3311505	2	Locknut 5/16in-18NC	
5	3421983	2	Pin, Attach	
6	3020022	AR	Grease, Bearing	
7	3780181	4	O-Ring	
		Ref	<b>PLATFORM ASSEMBLY COMPONENTS</b>	
101	4844102		Gate, Lift	
	0252408	Ref	<b>FOOTSWITCH INSTALLATION</b>	5
201	4360031	1	Footswitch Assembly	
201	7000625	2	Block, Contact	
201	3252347	1	Decal (English)	
		Ref	<b>Note: Decal for other languages See DECALS SECTION</b>	
202		Ref	Connector, Strain Relief Options:	
202	4460422	1	Connector, Strain Relief - 90 ( <b>Prior to SN 42965</b> )	
202	4460071	1	Connector, Strain Relief - Straight ( <b>SN 42965 to Present</b> )	
203	0641408	3	Bolt 1/4in-20NC x 1in	
204	3311405	3	Locknut 1/4in-20NC	
205	4751400	3	Flatwasher 1/4in	
207	4060803	2 in/5cm	Flex-Trim (Not Shown)	
	0252672	Ref	<b>OPTIONAL 220VAC RECEPTACLE INSTALLATION</b>	F
301	Supply Locally	1	Box, Switch	
302	Supply Locally	1	Receptacle, Electrical	
303	Supply Locally	1	Shield, Cover	
304	Supply Locally	1	Connector, Strain Relief	
305	Supply Locally	1	Plug, Electrical	
306	1060461	40 ft/12.2m	Cable, Electrical 16/3	
307	Supply Locally	4	Screw, Machine #6-32NC x 3/8in	
308	Supply Locally	4	Lockwasher #6	
309	Supply Locally	1	Gasket, Shield	
	2901213	Ref	<b>OPTIONAL CONSOLE COVER KITS</b>	-
401	1670636	1	Cover, Console	
		Ref	<b>OPTIONAL WORK LIGHTS KITS</b>	
	2901251	Ref	<b>Optional Work Lights Kits (Prior to SN 36544)</b>	E
	2901561	Ref	<b>Optional Work Lights Kits (SN 36544 to Present)</b>	2
501	3536089	2	Plate, Mounting	
502	0641414	4	Bolt 1/4in-20NC x 1 3/4in	
503	3311405	4	Locknut 1/4in-20NC	
504	4711400	4	Flatwasher 1/4in Narrow	
505	2920095	2	Light Assembly	
505	7016356	2	Bulb, Replacement (1 per Light)	
506	4240099	10	Tie-Strap (Not Shown)	
511		Ref	Connector, Strain Relief Options (Not Shown - Located at Console Box):	

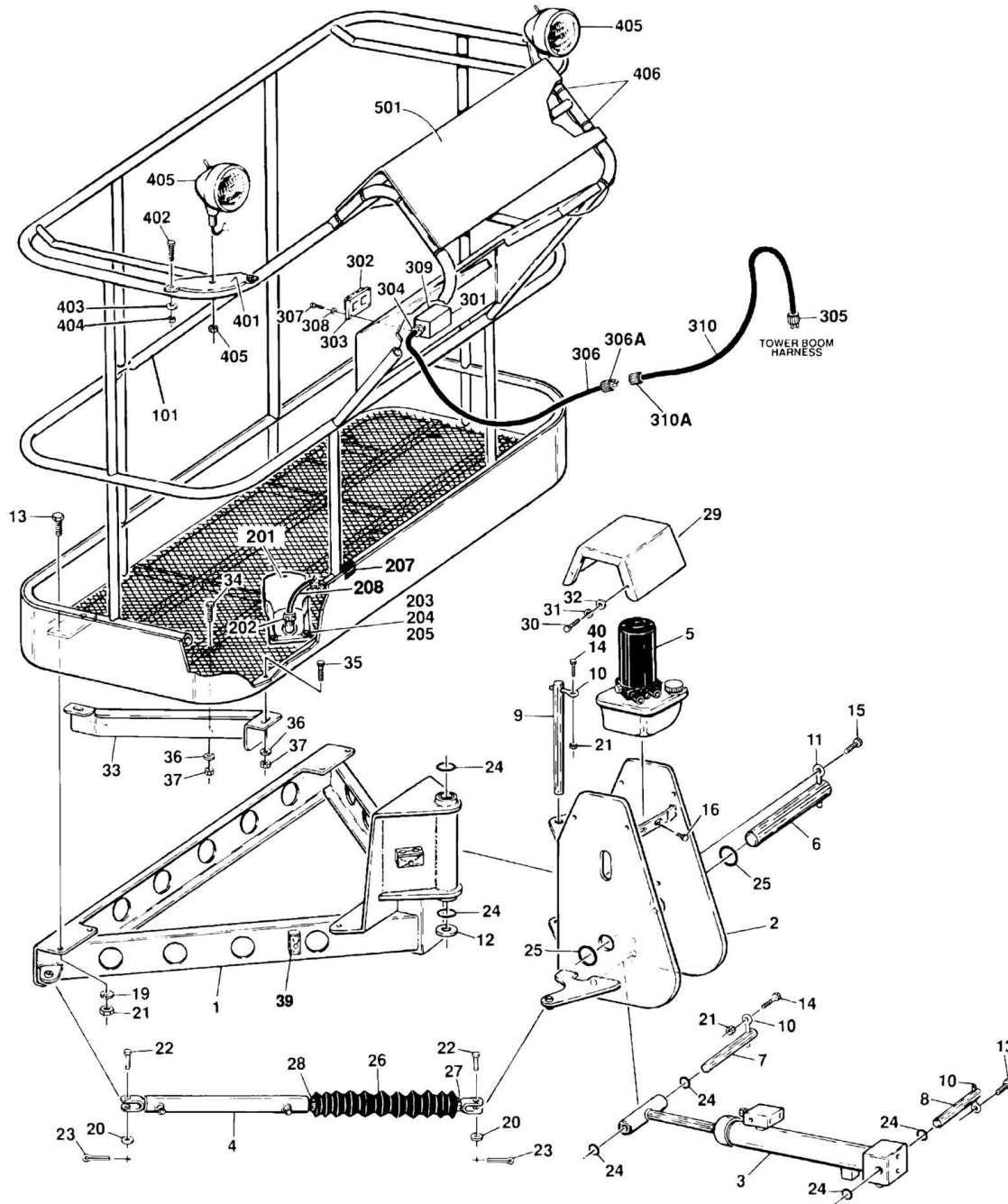
## SECTION 4 - PLATFORMS

ITEM	PART NUMBER	QTY	DESCRIPTION	REV
511	4460598	1	Connector, Strain Relief <b>(Prior to SN 28755)</b>	
511	4460428	1	Connector, Strain Relief <b>(SN 28755 to Present)</b>	



# SECTION 4 - PLATFORMS

## FIGURE 4-2. PLATFORM AND COMPONENTS INSTALLATION - MODEL 35ELECTRIC, 40ELECTRIC & 45ELECTRIC



## SECTION 4 - PLATFORMS

**FIGURE 4-2. PLATFORM AND COMPONENTS INSTALLATION - MODEL 35ELECTRIC, 40ELECTRIC & 45ELECTRIC**

ITEM	PART NUMBER	QTY	DESCRIPTION	REV
	0253698	Ref	<b>ROTATOR AND SUPPORT INSTALLATION</b>	M
1	4844465	1	Support Weldment	
1	0961608	2	Bushing, Bronze (Platform Pivot)	
1	0961749	2	Bushing, Bronze (Rotator Cylinder Pivot)	
1	1320050	2	Clamp, Hose	
2	4844466	1	Pivot Weldment	
2	0961749	2	Bushing, Bronze (Rotator Cylinder Pivot)	
3		Ref	Slave Cylinder Assembly Options (See CYLINDER SECTION for Breakdown):	
3	1682876	1	Slave Cylinder Assembly (Prior to January 1995)	
3	1683285	1	Slave Cylinder Assembly (January 1995 to Present)	
4	1682930	1	Rotator Cylinder Assembly (See CYLINDER SECTION for Breakdown)	
5	3600207	1	Rotator Pump, Motor and Tank Assembly (See ROTATOR MOTOR/PUMP/TANK ASSEMBLY for Breakdown)	
6	3422176	1	Pin, Pivot	
7	3422180	1	Pin, Pivot	
8	3422181	1	Pin, Pivot	
9	3422191	1	Pin, Pivot	
10	3841143	3	Pin, Keeper	
11	3841203	1	Pin, Keeper	
12	4740007	1	Washer, Thrust	
13	0641607	8	Bolt 3/8in-16NC x 7/8in	
14	0641608	1	Bolt 3/8in-16NC x 1in	
15	0641810	1	Bolt 1/2in-13NC x 1 1/4in	
16	0641605	2	Bolt 3/8in-16NC x 5/8in	
19	4751600	9	Flatwasher 3/8in	
20	4751800	2	Flatwasher 1/2in	
21	3311605	9	Locknut 3/8in-16NC	
22	3430816	2	Pin, Clevis 1/2in x 2in	
23	3450405	2	Pin, Cotter	
24	3780181	6	O-Ring	
25	3780184	2	O-Ring	
26	0460106	1	Bellows	
27	1320017	1	Clamp, Hose	
28	1320031	1	Clamp, Hose	
29	1670690	1	Cover, Motor	
30	3941405	4	Screw, Self-Tapping 1/4in x 5/8in	
31	4751400	4	Flatwasher 1/4in	
32	4761400	4	Lockwasher 1/4in	
33	4060855	1	Shield	
34	0641505	1	Bolt 5/16in-18NC x 5/8in	
35	0641516	2	Bolt 5/16in-18NC x 2in	
36	4751500	6	Flatwasher 5/16in	
37	3311505	3	Locknut 5/16in-18NC	
38	0100011	AR	Loctite #242 (Not Shown)	
39	1320159	1	Clamp, Hose	
40	0641610	1	Bolt 3/8in-16NC x 1 1/4in	
		Ref	<b>PLATFORM WELDMENTS</b>	

## SECTION 4 - PLATFORMS

ITEM	PART NUMBER	QTY	DESCRIPTION	REV
	3510435	Ref	26in x 48in/6.6cm x 122cm (Prior to May 1995)	-
	3510505	Ref	26in x 48in/6.6cm x 122cm (May 1995 to SN 33711)	A
	3510597	Ref	26in x 48in/6.6cm x 122cm (SN 33712 to Present)	A-1
	3510461	Ref	26in x 60in/6.6cm x 152cm (Prior to May 1995)	-
	3510501	Ref	26in x 60in/6.6cm x 152cm (May 1995 to SN 33711)	A
	3510595	Ref	26in x 60in/6.6cm x 152cm (SN 33712 to Present)	A-2
		Ref	<b>Note: Replacement Decals Must be Ordered Separately.</b>	
101		Ref	Lift Gate Weldment	
	0252408	Ref	<b>FOOTSWITCH INSTALLATION</b>	5
201	4360031	1	Footswitch Assembly	
201	7000625	2	Block, Contact	
201	3252347	1	Decal (English)	
		Ref	<b>Note: Decal for other languages See DECALS SECTION</b>	
202		Ref	Connector, Strain Relief Options:	
202	4460422	1	Connector, Strain Relief - 90 (Prior to SN 42965)	
202	4460071	1	Connector, Strain Relief - Straight (SN 42965 to Present)	
203	0641408	3	Bolt 1/4in-20NC x 1in	
204	3311401	3	Nut 1/4in-20NC	
205	4751400	3	Flatwasher 1/4in	
207	4060803	2 in/5cm	Flex-Trim	
208	4921396	1	Harness (Console Box to Footswitch)	
		Ref	<b>RECEPTACLE BOX INSTALLATION (OPTIONAL)</b>	
	0254543	Ref	<b>Receptacle Box Installation 35electric with 110VAC Receptacle</b>	A
	0253717	Ref	<b>Receptacle Box Installation 40electric with 110VAC Receptacle</b>	B
	0254043	Ref	<b>Receptacle Box Installation 45electric with 110VAC Receptacle</b>	A
301	Supply Locally	1	Box, Electrical	
302	Supply Locally	1	Receptacle, Electrical	
303	Supply Locally	1	Cover, Receptacle	
304	Supply Locally	1	Connector, Strain Relief	
305	Supply Locally	1	Plug	
306		Ref	Harness Options (Upper Boom):	
306	4921649	1	Harness 35electric	
306	4921571	1	Harness 40electric	
306	4921595	1	Harness 45electric	
306A	4460205	1	Plug, Male	
307	Supply Locally	4	Screw, Machine	
308	Supply Locally	4	Lockwasher	
309	Supply Locally	1	Gasket	
310		Ref	Harness Options (Lower Boom):	
310	4921648	1	Harness 35electric	
310	4921570	1	Harness 40electric	
310	4921594	1	Harness 45electric	
310A	4460134	1	Receptacle	
		Ref	<b>OPTIONAL WORK LIGHTS KITS</b>	
	2901251	Ref	<b>Optional Work Lights Kits (Prior to SN 36544)</b>	E
	2901561	Ref	<b>Optional Work Lights Kits (SN 36544 to Present)</b>	2
401	3536089	2	Plate, Mounting	
402	0641414	4	Bolt 1/4in-20NC x 1 3/4in	
403	3311405	4	Locknut 1/4in-20NC	

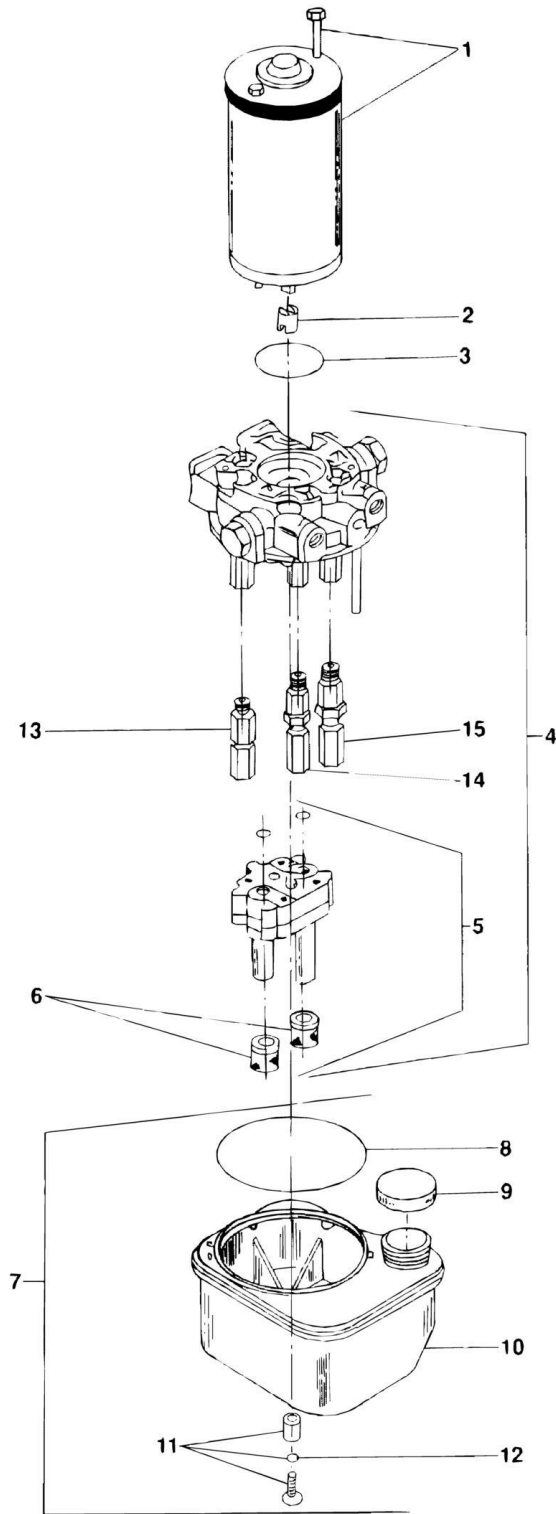


## SECTION 4 - PLATFORMS

ITEM	PART NUMBER	QTY	DESCRIPTION	REV
404	4711400	4	Flatwasher 1/4in Narrow	
405	2920095	2	Floodlight	
405	7016356	2	Bulb, Replacement (1 per Light)	
406	4240099	10	Tie-Strap	
409	2820035	9 ft/2.7m	Loom, Vinyl (Not Shown)	
411		Ref	Connector, Strain Relief Options (Not Shown - Located at Console Box):	
411	4460598	1	Connector, Strain Relief <b>(Prior to SN 28755)</b>	
411	4460428	1	Connector, Strain Relief <b>(SN 28755 to Present)</b>	
	2901213	Ref	<b>OPTIONAL CONSOLE COVER KIT - STANDARD MACHINES</b>	-
501	1670636	1	Cover	

# SECTION 4 - PLATFORMS

## FIGURE 4-3. ROTATOR MOTOR/PUMP/TANK ASSEMBLY



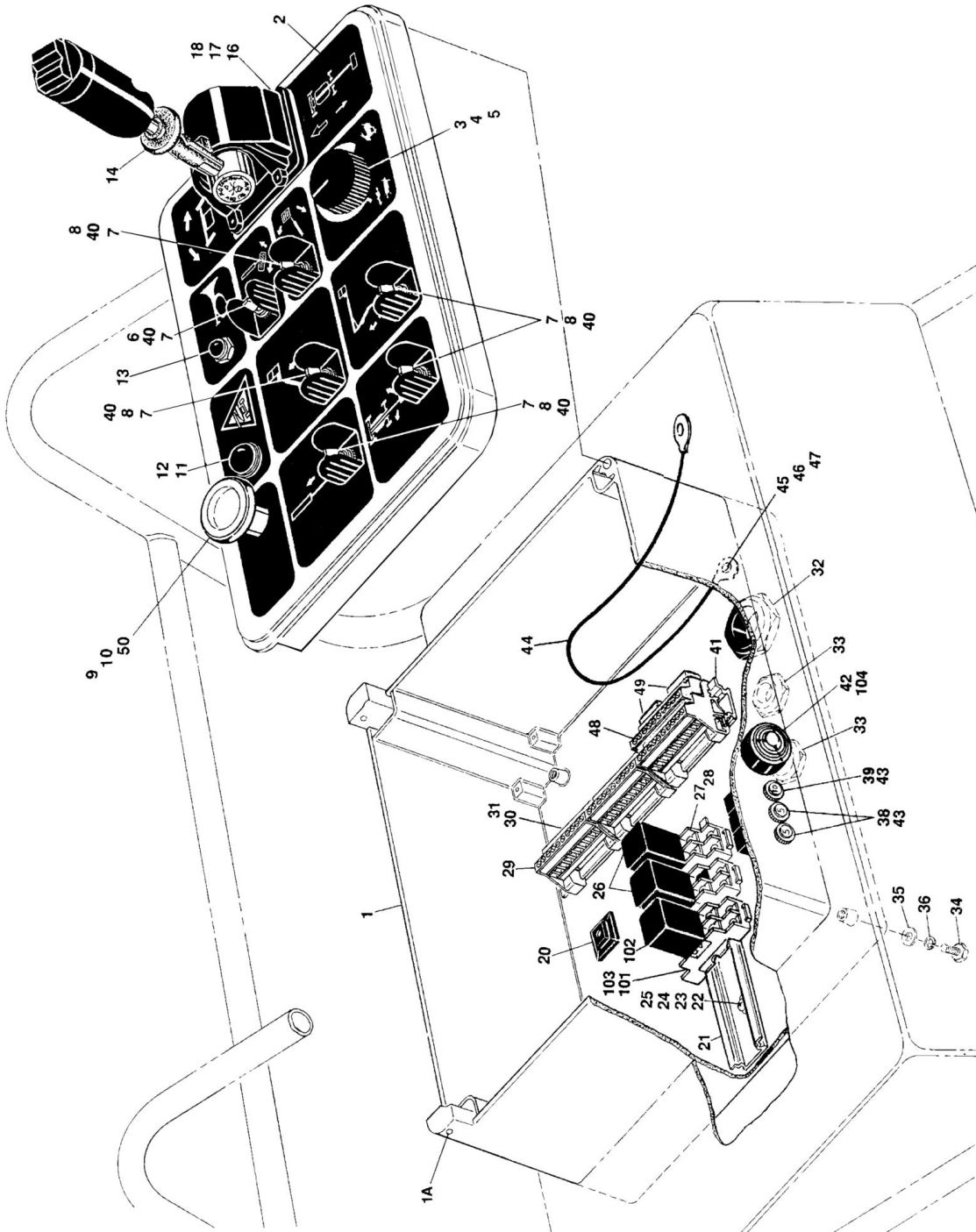
## SECTION 4 - PLATFORMS

**FIGURE 4-3. ROTATOR MOTOR/PUMP/TANK ASSEMBLY**

ITEM	PART NUMBER	QTY	DESCRIPTION	REV
	3600207	Ref	<b>ROTATOR MOTOR/PUMP/TANK ASSEMBLY</b>	-
1	7003550	1	Motor (Includes Mounting Bolts)	
1	Not Available	1	Brush/Spring Kit	
2	7003551	1	Coupling	
3	Kit	1	O-Ring	
4	7003552	1	Pump/Adapter Assembly	
5	7003553	1	Pump Assembly	
6	7003554	1	Filter	
7	7003555	1	Reservoir Assembly	
8	Kit	1	Seal	
9	7003556	1	Cap, Reservoir	
10	7003557	1	Reservoir	
11	7003558	1	Mounting Kit	
12	Kit	4	O-Ring	
13	7003559	1	Cartridge - Thermal Relief Valve	
14	7003560	1	Cartridge - High Pressure Relief Valve	
15	7003561	1	Cartridge - Low Pressure Relief Valve	
	7003562	1	Seal Kit (Includes Items 3, 8, 12 and Pump Seals and O-Rings)	

# SECTION 4 - PLATFORMS

## FIGURE 4-4. PLATFORM CONSOLE ASSEMBLY



## SECTION 4 - PLATFORMS

**FIGURE 4-4. PLATFORM CONSOLE ASSEMBLY**

ITEM	PART NUMBER	QTY	DESCRIPTION	REV
		Ref	<b>PLATFORM CONSOLE ASSEMBLY</b>	
	0860920	Ref	<b>Platform Console Assembly 30electric (Prior to SN 31037)</b>	A
	0861058	Ref	<b>Platform Console Assembly 30electric (SN 31037 through 36543)</b>	A
	0861184	Ref	<b>Platform Console Assembly 30electric (SN 36544 to Present)</b>	3
	0860921	Ref	<b>Platform Console Assembly 35electric (Prior to SN 31037)</b>	D
	0861059	Ref	<b>Platform Console Assembly 35electric (SN 31037 through 36647)</b>	2
	0861186	Ref	<b>Platform Console Assembly 35electric (SN 36648 to Present)</b>	3
	0860922	Ref	<b>Platform Console Assembly 40electric &amp; 45electric (Prior to SN 31037)</b>	C
	0861060	Ref	<b>Platform Console Assembly 40electric &amp; 45electric (SN 31037 through 36647)</b>	A
	0861187	Ref	<b>Platform Console Assembly 40electric &amp; 45electric (SN 36648 to Present)</b>	3
1		Ref	Box Assembly Options:	
1	0860895	1	Box Assembly 30electric <b>(Prior to SN 31037)</b>	
1	0861057	1	Box Assembly 30electric <b>(SN 31037 to Present)</b>	
1	0860876	1	Box Assembly 35electric/40electric/45electric <b>(Prior to SN 31037)</b>	
1	0861056	1	Box Assembly 35electric/40electric/45electric <b>(SN 31037 to Present)</b>	
1A	2900859	1	Hinge Pin/Retainer/Gasket Kit	
2		Ref	Decal Options:	
2	1702287	1	Decal 30electric <b>(Prior to SN 47045)</b>	
2	1704414	1	Decal 30electric <b>(SN 47045 to Present)</b>	
2	1702286	1	Decal 35electric <b>(Prior to SN 47045)</b>	
2	1704415	1	Decal 35electric <b>(SN 47045 to Present)</b>	
2	1702285	1	Decal 40electric/45electric <b>(Prior to SN 47045)</b>	
2	1704416	1	Decal 40electric/45electric <b>(SN 47045 to Present)</b>	
3		Ref	Potentiometer Options (Function Speed):	
3	4360365	1	Potentiometer <b>(Prior to SN 31037)</b>	
3	4360445	1	Potentiometer <b>(SN 31037 to Present)</b>	
4	3300352	1	Nut, Special Only <b>(Prior to SN 31037)</b>	
5		Ref	Knob Options:	
5	2560115	1	Knob <b>(Prior to SN 31037)</b>	
5	2560136	1	Knob <b>(SN 31037 to Present)</b>	
6		Ref	Switch, Toggle Options (Basket Rotate):	
6	Not Required	0	Switch, Toggle 30electric	
6	4360314	1	Switch, Toggle 35electric/40electric/45electric	
7	4060802	AR	Guard, Switch	
8	4360328	5	Switch, Toggle (Swing/Lift/Tele/Level)	
9		Ref	Switch, Push-Pull Options (Emergency Stop):	
9	4360317	1	Switch <b>(Prior to SN 31037)</b>	
9	7012566	1	Lens	
9	7012517	1	Bulb	
9	4360289	1	Switch <b>(SN 31037 through 47044)</b>	
9	7012611	1	Push-Pull Mush Head	
9	7012612	1	Boot	
9	4360475	1	Switch, Emergency Stop <b>(SN 47045 to Present)</b>	
9	7020175	1	Cap/E-Stop With Sealing Ring	

## SECTION 4 - PLATFORMS

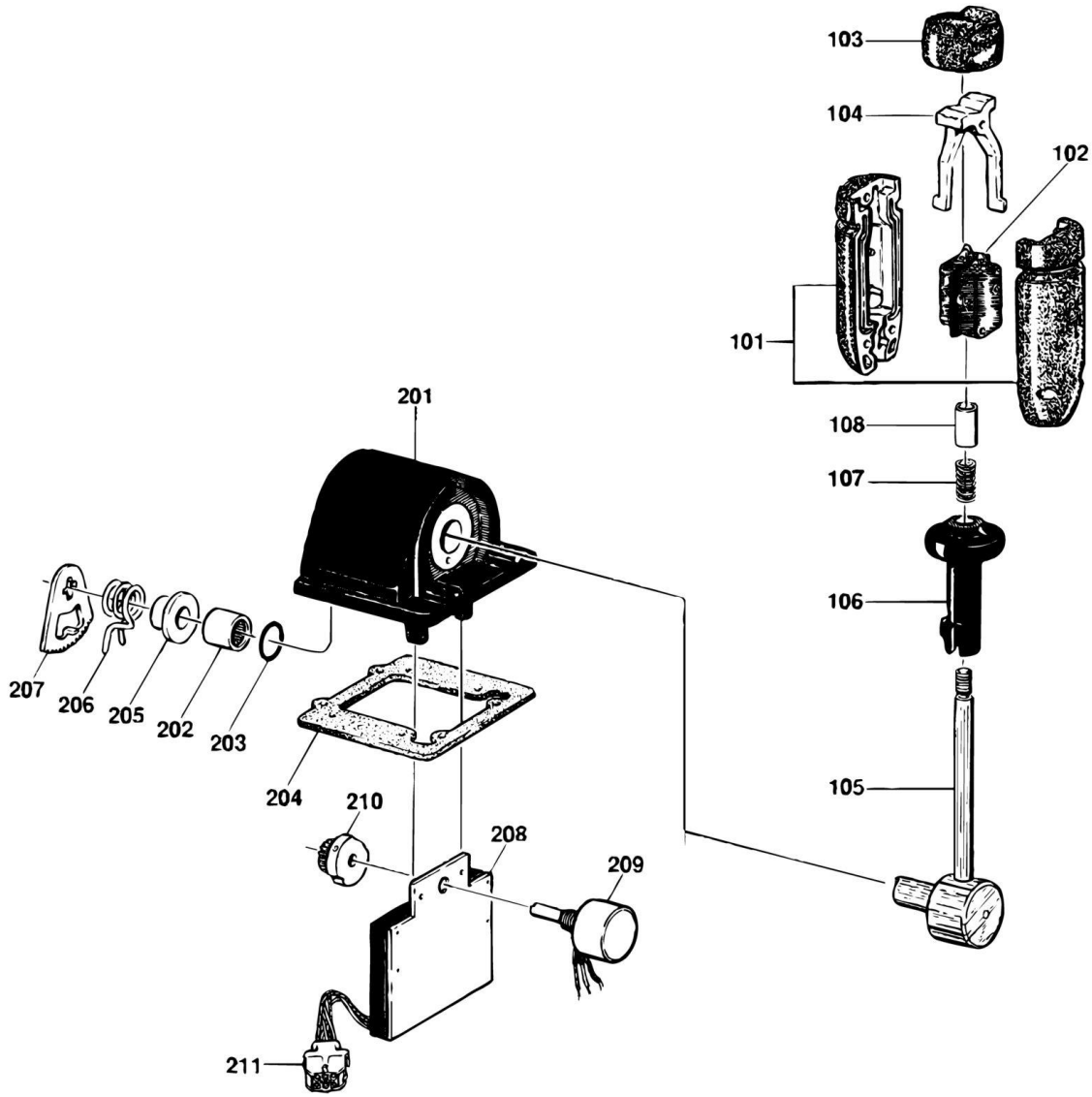
ITEM	PART NUMBER	QTY	DESCRIPTION	REV
9	7020176	1	Contact Block With Mount Collar	
10	4360282	AR	Block, Contact	
11	2920120	1	Light, Indicator	
12	2920107	1	Bulb	
13	4360274	1	Switch, Push Button (Horn)	
14	1600175	1	Controller Assembly (Drive/Steer) (See CONTROL ASSEMBLY (DRIVE/STEER) for Breakdown)	
15	0720805	4	Screw, Machine #8-32NC x 5/8in	
16	4750800	4	Flatwasher #8	
17	4760800	4	Lockwasher #8	
18	3537234	1	Plate, Controller Support	
19	3520031	1	Plug, Hole	
20	4460488	4	Mount, Cable Tie	
21	3640834	AR	Strip, Terminal	
22	3910608	4	Screw #6-32NC x 1 1/2in	
23	4760600	4	Lockwasher #6	
24	4750600	4	Flatwasher #6	
25	3310601	4	Nut #6-32NC	
26	3740087	AR	Relay	
27	4120027	AR	Base, Relay	
28	3740063	AR	Spring, Relay	
29	4460522	3	Block, Terminal	
30	4460525	1	Markers, Terminal	
31	4460524	3	Lock, Terminal	
32	4460526	1	Connector, Strain Relief	
33	4460428	AR	Connector, Strain Relief	
34	0641508	4	Bolt 5/16in-18NC x 1in	
35	4751500	4	Flatwasher 5/16in	
36	4761500	4	Lockwasher 5/16in	
38	4360112	2	Breaker, Circuit - 5 Amp	
39		Ref	Breaker, Circuit - 10 Amp	
39	Not Required	0	Breaker, Circuit - 10 Amp 30electric	
39	4360069	1	Breaker, Circuit - 10 Amp 35electric/40electric/45electric	
40	4740420	6	Washer, Sealing	
41	3640930	1	Rail	
42	0100029	AR	Silicone	
43	3790012	3	O-Ring	
44	1060329	1	Lanyard	
45	0731003	1	Bolt #10-24NC x 3/8in	
46	4751000	1	Flatwasher #10	
47	4761000	1	Lockwasher #10	
48		Ref	Plug, Terminal Options:	
48	Not Required	0	Plug, Terminal 30electric	
48	4460523	1	Plug, Terminal 35electric/40electric/45electric	
49		Ref	Bridge, Insertion Options:	
49	Not Required	0	Bridge, Insertion 30electric	
49	4460529	2	Bridge, Insertion 35electric/40electric/45electric	
50	1704260	1	Decal - EMS (SN 47045 to Present)	
		Ref	<b>OPTIONAL TILT ALARM KIT (OPTIONAL)</b>	
	2901216	Ref	<b>Optional Tilt Alarm Kit 30electric</b>	
	2901250	Ref	<b>Optional Tilt Alarm Kit 35electric</b>	
	4932681	Ref	<b>Optional Tilt Alarm Kit 40electric &amp; 45electric</b>	

## SECTION 4 - PLATFORMS

ITEM	PART NUMBER	QTY	DESCRIPTION	REV
101	4120027	1	Base, Relay	
102	3740087	1	Relay	
103	3740063	1	Spring, Relay	
104	0140030	1	Alarm	
105	3990001	AR	Diode - 3.5 Amp (Not Shown)	

# SECTION 4 - PLATFORMS

## FIGURE 4-5. CONTROL ASSEMBLY (DRIVE/STEER)





## SECTION 4 - PLATFORMS

**FIGURE 4-5. CONTROL ASSEMBLY (DRIVE/STEER)**

ITEM	PART NUMBER	QTY	DESCRIPTION	REV
	1600175	Ref	<b>CONTROLLER ASSEMBLY (DRIVE/STEER)</b>	-
	7003795	Ref	<b>ROCKER SWITCH GRIP HANDLE ASSEMBLY</b>	
101	7003792	2	Half, Handle	
102	7003789	1	Switch, Rocker	
103	7003790	1	Cap, Rubber	
104	7003791	1	Actuator, Switch	
105	7003793	1	Shaft, Handle	
106	Kit	1	Lock, Slide	
107	Kit	1	Spring	
108	Kit	1	Sleeve	
109	7011973	1	Bolt 1/4in-20NC x 3/8in with Hole Drilled in Center (Not Shown)	
	7003722	1	Slide Lock Repair Kit (Includes Items 106-108)	
		Ref	<b>HOUSING AND INTERNAL COMPONENTS</b>	
201	7003702	1	Housing Assembly (Includes Items 202 & 203)	
202	7003739	1	Bushing, Bronze	
203	3790112	1	O-Ring	
204	7003703	1	Gasket	
205	7003744	1	Guide, Spring	
206	7003719	1	Spring, Torsion	
207	7011904	1	Sector, Gear	
208	7011942	1	Electrical Assembly	
209	7003751	1	Potentiometer	
210	7003788	1	Gear, Brass Spur	
210	7020511	1	Set Screw	
211		Ref	Harness Connector Components:	
211	4460266	1	Cap, Female - 9 Pin	
211	4460265	1	Plug, Male	
211	4460226	9	Socket, Female	
211	4460227	9	Pin, Male	



**SECTION 5 - CYLINDER**



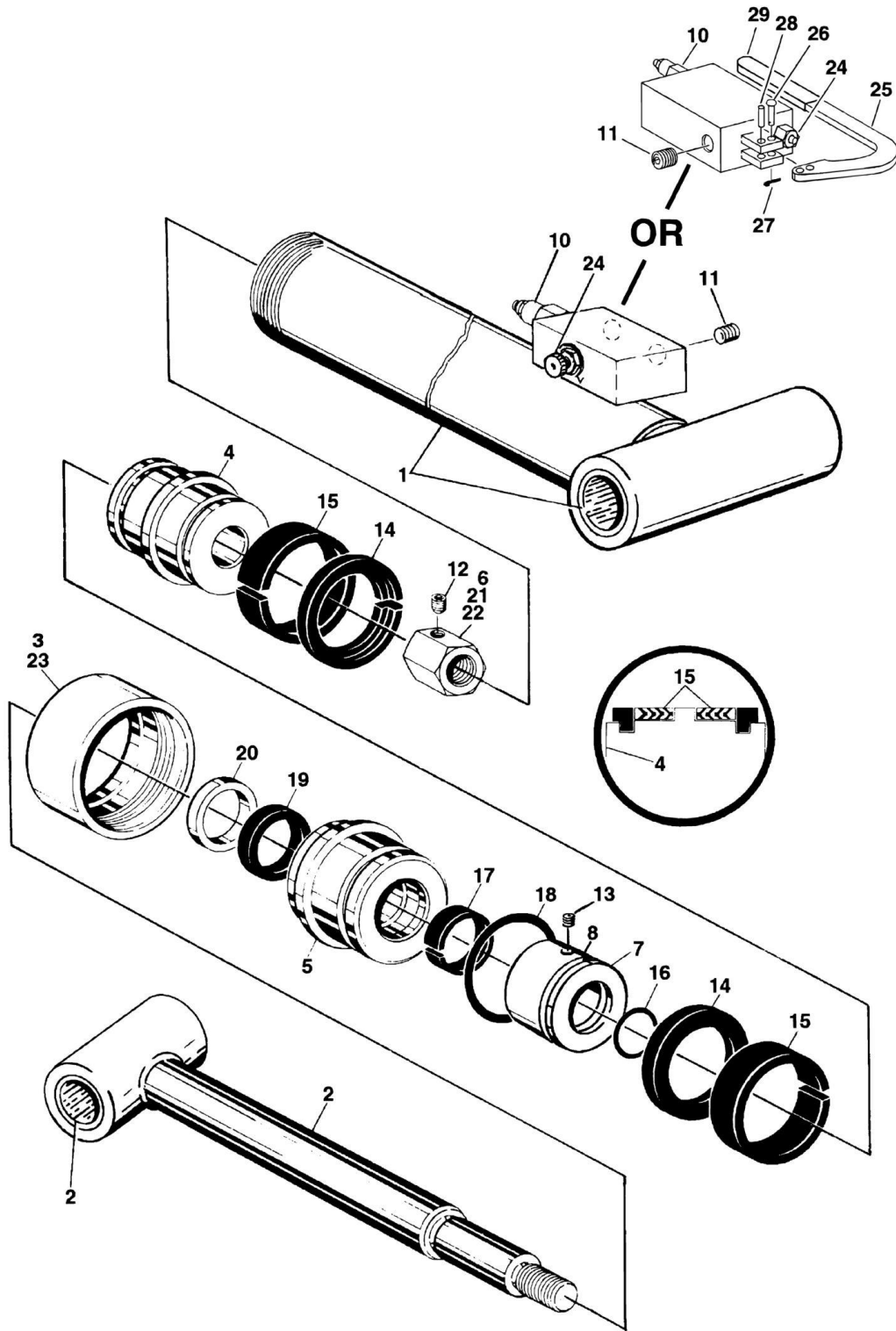
## SECTION 5 - CYLINDER

**FIGURE 5-1. LIFT CYLINDER ASSEMBLY - MODEL 30ELECTRIC**

ITEM	PART NUMBER	QTY	DESCRIPTION	REV
	1683202	Ref	<b>LIFT CYLINDER ASSEMBLY - MODEL 30ELECTRIC</b>	A-1
1	1683203	1	Barrel Assembly (Includes Items 101-103)	
2	1682544	1	Rod Assembly (Includes Items 151-152)	
3	1120108	1	Retainer	
4	3480115	1	Piston	
5	1681344	1	Head	
6	3300279	1	Nut	
7	4565332	1	Spacer, Tube	
8	4740394	1	Washer	
9	4640746	1	Holding Cartridge Valve	
9	2900770	1	Seal Kit - 4640746 Cartridges	
10	4640869	1	Valve, Manual Release Cartridge	
10	7012540	1	Seal Kit - 4640869 Cartridge	
11	3900170	1	Setscrew 3/8in-16NC x 3/8in	
12	3951402	1	Setscrew 1/4in-20NC x 1/4in	
13	Kit	2	Ring, Lock	
14	Kit	2	Seal	
15	Kit	1	O-Ring	
16	Kit	1	Ring, Wear	
17	Kit	1	O-Ring	
18	Kit	1	Seal, Rod	
19	Kit	1	Seal, Wiper	
20	0100011	AR	Loctite #242	
21	0100038	AR	Primer, Locking	
22	0100035	AR	Loctite #222	
23	2220883	2	Plug, O-Ring	
	2900371	1	Seal Kit (Includes Items 13-19)	
	1683203	Ref	<b>BARREL ASSEMBLY</b>	
101	0961602	2	Bushing, Teflon (Includes Item 102)	
102	3790029	2	O-Ring (1 Per Bushing)	
103	1320051	1	Clamp	
	1682544	Ref	<b>ROD ASSEMBLY</b>	
151	0961602	2	Bushing, Teflon (Includes Item 152)	
152	3790029	2	O-Ring (1 Per Bushing)	
	0254789	Ref	<b>OVERLOAD INSTALLATION (FRENCH SPEC)</b>	
201	4360344	1	Switch, Pressure	
204	4460428	1	Connector, Strain Relief	
209	4640495	1	Valve, Cartridge - Holding	
209	2900770	1	Seal Kit - 4640495 Valve	
210	4921521	1	Harness	
211	2220903	1	Fitting	

# SECTION 5 - CYLINDER

FIGURE 5-2. UPPER CYLINDER ASSEMBLIES - MODELS 35ELECTRIC, 40ELECTRIC & 45ELECTRIC



## SECTION 5 - CYLINDER

**FIGURE 5-2. UPPER CYLINDER ASSEMBLIES - MODELS 35ELECTRIC, 40ELECTRIC & 45ELECTRIC**

ITEM	PART NUMBER	QTY	DESCRIPTION	REV
		Ref	<b>UPPER LIFT CYLINDER ASSEMBLIES</b>	
	1682867	Ref	<b>Upper Lift Cylinder Assemblies 40electric &amp; 45electric (Prior to March 1995)</b>	E
	1683337	Ref	<b>Upper Lift Cylinder Assemblies 40electric &amp; 45electric (March 1995 to SN 29898)</b>	-
	1683506	Ref	<b>Upper Lift Cylinder Assemblies 40electric &amp; 45electric (SN 29899 through 33089)</b>	-
	1683520	Ref	<b>Upper Lift Cylinder Assemblies 40electric &amp; 45electric (SN 33090 to Present)</b>	A-1
	1682958	Ref	<b>Upper Lift Cylinder Assemblies 35electric (Prior to February 1995)</b>	D
	1683348	Ref	<b>Upper Lift Cylinder Assemblies 35electric (February 1995 to Present)</b>	2
1		Ref	Barrel Weldment Options:	
1		Ref	Barrel Weldment 40electric & 45electric	
1	1682868	1	Barrel Weldment 1682867 Cylinder (Prior to March 1995)	
1	1682868	1	Barrel Weldment 1683337 Cylinder (March 1995 to SN 29898)	
1	1682868	1	Barrel Weldment 1683506 Cylinder ( <b>SN 29899 through 33089</b> )	
1	1683514	1	Barrel Weldment 1683520 Cylinder ( <b>SN 33090 to Present</b> )	
1	1682988	1	Barrel Weldment 35electric (Prior to February 1995)	
1	1683347	1	Barrel Weldment 35electric (February 1995 to Present)	
1	0961726	2	Bushing, Teflon	
2		Ref	Rod Weldment Options:	
2		Ref	Rod Weldment 40electric & 45electric	
2	1682870	1	Rod Weldment 1682867 Cylinder (Prior to March 1995)	
2	1682870	1	Rod Weldment 1683337 Cylinder (March 1995 to SN 29898)	
2	1683505	1	Rod Weldment 1683506 Cylinder ( <b>SN 29899 through 33089</b> )	
2	1683505	1	Rod Weldment 1683520 Cylinder ( <b>SN 33090 to Present</b> )	
2	1682972	1	Rod Weldment 35electric	
2	0961726	2	Bushing, Teflon	
3	1120108	1	Retainer	
4	3480115	1	Piston	
5		Ref	Head Options:	
5		Ref	Head 40electric & 45electric	
5	1681344	1	Head 1682867 Cylinder (Prior to March 1995)	
5	1681344	1	Head 1683337 Cylinder (March 1995 to SN 29898)	
5	1683504	1	Head 1683506 Cylinder ( <b>SN 29899 through 33089</b> )	
5	1683504	1	Head 1683520 Cylinder ( <b>SN 33090 to Present</b> )	
5	1681344	1	Head 35electric	
6		Ref	Nut, Hex Options:	
6	3300279	1	Nut, Hex 40electric & 45electric	
6	3300315	1	Nut, Hex 35electric	
7		Ref	Washer Options:	
7		Ref	Washer 40electric & 45electric	
7	4740394	1	Washer 1682867 Cylinder (Prior to March 1995)	
7	4740394	1	Washer 1683337 Cylinder (March 1995 to SN 29898)	
7	Not Required	0	Washer 1683506 Cylinder ( <b>SN 29899 through 33089</b> )	
7	Not Required	0	Washer 1683520 Cylinder ( <b>SN 33090 to Present</b> )	
7		Ref	Washer 35electric	
7	4740394	1	Washer 1682958 Cylinder ( <b>Prior to SN 29899</b> )	

## SECTION 5 - CYLINDER

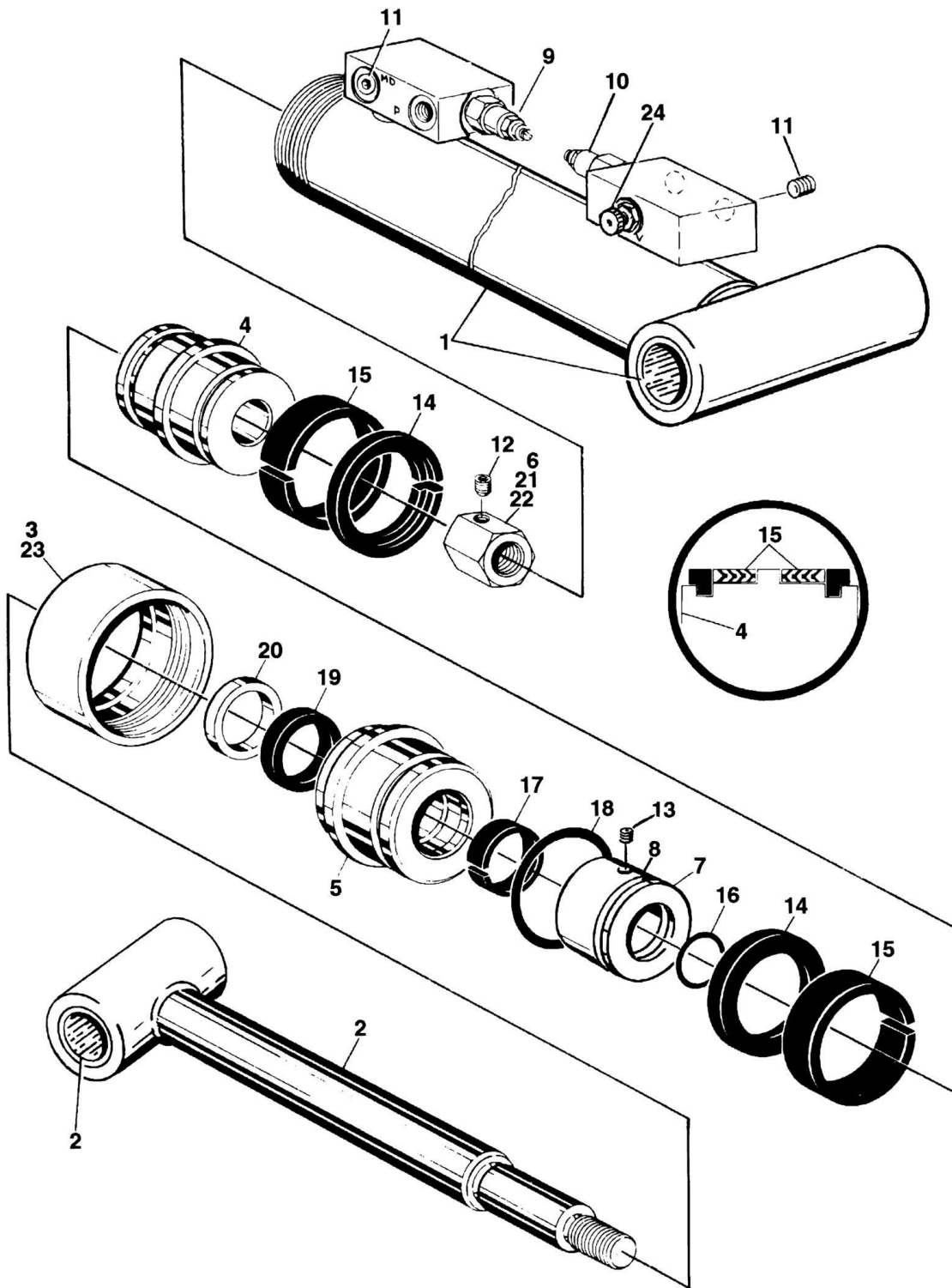
ITEM	PART NUMBER	QTY	DESCRIPTION	REV
7	Not Required	0	Washer 1683509 Cylinder <b>(SN 29899 to Present)</b>	
8		Ref	Spacer Options:	
8		Ref	Spacer 40electric & 45electric	
8	4566009	1	Spacer 1682867 Cylinder (Prior to March 1995)	
8	4566009	1	Spacer 1683337 Cylinder (March 1995 to SN 29898)	
8	4567177	1	Spacer 1683506 Cylinder <b>(SN 29899 through 33089)</b>	
8	4567177	1	Spacer 1683520 Cylinder <b>(SN 33090 to Present)</b>	
8	4566473	1	Spacer 35electric	
9	Not Required	0	Not Required	
10		Ref	Cartridge, Holding Options:	
10		Ref	Cartridge, Holding 40electric & 45electric	
10	4640771	1	Cartridge (Prior to March 1995)	
10	4640936	1	Cartridge (March 1995 to Present)	
10	2900770	1	Seal Kit - 4640771 & 4640936 Valves	
10		Ref	Cartridge, Holding 35electric	
10	4640771	1	Cartridge, Holding Valve	
10	2900770	1	Seal Kit - 4640771 Valve	
11		Ref	Plug Options:	
11	2220885	1	Plug 40electric & 45electric	
11	Not Required	0	Plug 35electric (Prior to February 1995)	
11	2220883	1	Plug 35electric (February 1995 to Present)	
12	3900170	1	Setscrew 3/8in-16NC x 3/8in	
13	3951402	1	Setscrew 1/4in-20NC x 1/4in	
14	Kit	2	Ring, Lock	
15	Kit	2	Seal, Piston	
16	Kit	1	O-Ring	
17	Kit	1	Ring, Wear	
18	Kit	1	O-Ring	
19	Kit	1	Seal, Rod	
20	Kit	1	Wiper Rod	
21	0100011	AR	Loctite #242	
22	0100038	AR	Primer, Locking	
23	0100035	AR	Loctite #222	
24		Ref	Valve Options:	
24	Not Required	0	Valve 40electric & 45electric	
24	4640799	1	Valve 35electric - Cartridge, Needle Valve (Prior to February 1995)	
24	4640869	1	Valve 35electric - Valve Manual Release (February 1995 to Present)	
25	2980121	1	Lever (February 1995 to Present)	
26	3430408	1	Pin, Clevis (February 1995 to Present)	
27	3450202	1	Pin, Cotter (February 1995 to Present)	
28	3440413	1	Pin, Roll (February 1995 to Present)	
29	1120459	1	Cap, Lever (February 1995 to Present)	
		Ref	Seal Kit Options (Includes Items 14-20):	
		Ref	Seal Kit 40electric & 45electric	
	2900371	1	Seal Kit 1682867 & 1683337 Cylinders <b>(Prior to SN 29899)</b>	
	2901496	1	Seal Kit 1683506 & 1683520 Cylinder <b>(SN 29899 to Present)</b>	
	2900371	1	Seal Kit 35electric	





# SECTION 5 - CYLINDER

FIGURE 5-3. MID LIFT CYLINDER ASSEMBLIES - MODELS 40ELECTRIC & 45ELECTRIC



## SECTION 5 - CYLINDER

**FIGURE 5-3. MID LIFT CYLINDER ASSEMBLIES - MODELS 40ELECTRIC & 45ELECTRIC**

ITEM	PART NUMBER	QTY	DESCRIPTION	REV
		Ref	<b>MID LIFT CYLINDER ASSEMBLY</b>	
	1683018	Ref	<b>Mid Lift Cylinder Assembly 45electric (Prior to SN 33090)</b>	D-4
	1683522	Ref	<b>Mid Lift Cylinder Assembly 45electric (SN 33090 to Present)</b>	A-1
	1682861	Ref	<b>Mid Lift Cylinder Assembly 40electric (Prior to SN 33111)</b>	C-3
	1683519	Ref	<b>Mid Lift Cylinder Assembly 40electric (SN 33111 to Present)</b>	A-1
1		Ref	Barrel Weldment Options:	
1		Ref	Barrel Weldment 45electric	
1	1683019	1	Barrel Weldment 1683018 Cylinder <b>(Prior to SN 33090)</b>	
1	1683516	1	Barrel Weldment 1683522 Cylinder <b>(SN 33090 to Present)</b>	
1		Ref	Barrel Weldment 40electric	
1	1682862	1	Barrel Weldment 1682861 Cylinder <b>(Prior to SN 33111)</b>	
1	1683513	1	Barrel Weldment 1683519 Cylinder <b>(SN 33111 to Present)</b>	
1	0961726	2	Bushing, Teflon	
2		Ref	Rod Weldment Options:	
2	1683021	1	Rod Weldment 45electric	
2	1682864	1	Rod Weldment 40electric	
2	0961726	2	Bushing, Teflon	
3		Ref	Retainer Options:	
3	1120305	1	Retainer 45electric	
3	1120108	1	Retainer 40electric	
4		Ref	Piston Options:	
4	3480113	1	Piston 45electric	
4	3480115	1	Piston 40electric	
5		Ref	Head Options:	
5	1682209	1	Head 45electric	
5	1681344	1	Head 40electric	
6		Ref	Nut, Hex Options:	
6	3300281	1	Nut, Hex 45electric	
6	3300279	1	Nut, Hex 40electric	
7		Ref	Washer Options:	
7	4740207	1	Washer 45electric	
7	4740394	1	Washer 40electric	
8		Ref	Spacer Options:	
8	4566435	1	Spacer 45electric	
8	4565994	1	Spacer 40electric	
9	4640634	1	Cartridge, Holding Valve	
9	2900770	1	Seal Kit - 4640634	
10	4640816	1	Cartridge, Holding Valve	
10	2900770	1	Seal Kit - 4640771 Valve	
11	2220885	2	Plug	
12	3900170	1	Setscrew 3/8in-16NC x 3/8in	
13		Ref	Setscrew 1/4in-20NC x 1/4in Options:	
13	Not Required	0	Setscrew 1/4in-20NC x 1/4in 45electric	
13	3951402	1	Setscrew 1/4in-20NC x 1/4in 40electric	
14	Kit	2	Ring, Lock	
15	Kit	2	Seal, Piston	
16	Kit	1	O-Ring	
17	Kit	1	Ring, Wear	
18	Kit	1	O-Ring	
19	Kit	1	Seal, Rod	

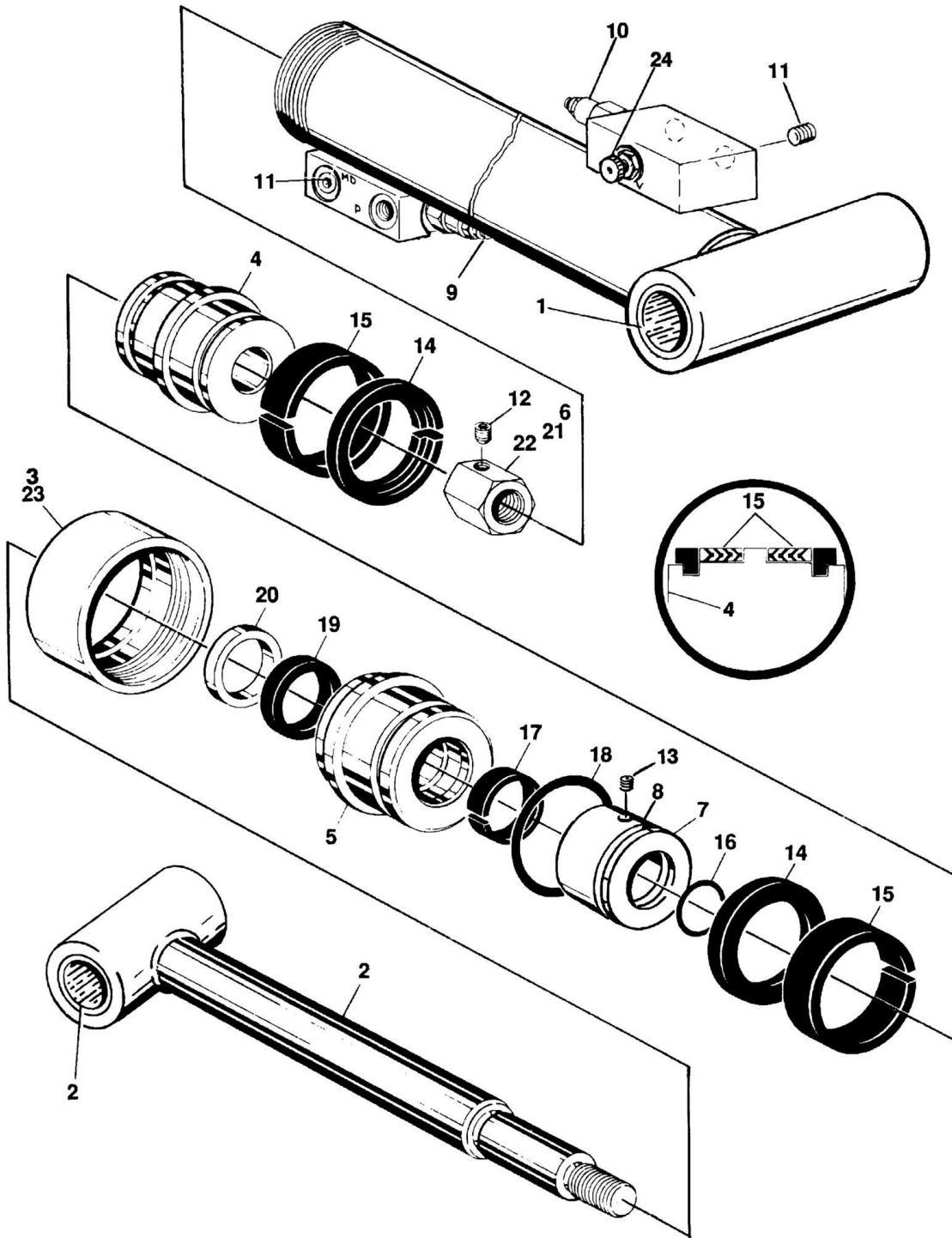
## SECTION 5 - CYLINDER

ITEM	PART NUMBER	QTY	DESCRIPTION	REV
20	Kit	1	Wiper Rod	
21	0100011	AR	Loctite #242	
22	0100038	AR	Primer, Locking	
23	0100035	AR	Loctite #222	
24	Not Required	0	Not Required	
		Ref	Mid Lift Cylinder Assembly 45electric	
	2901154	1	Seal Kit - 1683018 & 1683522 Mid Lift Cylinder (Includes Items 14-20)	
		Ref	Mid Lift Cylinder Assembly 40electric	
	2900371	1	Seal Kit - 1682861 & 1683519 Mid Lift Cylinder (Includes Items 64-70)	



# SECTION 5 - CYLINDER

FIGURE 5-4. LOWER LIFT CYLINDER ASSEMBLIES - MODELS 35ELECTRIC, 40ELECTRIC & 45ELECTRIC



## SECTION 5 - CYLINDER

**FIGURE 5-4. LOWER LIFT CYLINDER ASSEMBLIES - MODELS 35ELECTRIC, 40ELECTRIC & 45ELECTRIC**

ITEM	PART NUMBER	QTY	DESCRIPTION	REV
		Ref	<b>LOWER LIFT CYLINDER ASSEMBLY</b>	
	1683013	Ref	<b>Lower Lift Cylinder Assembly 45electric (Prior to SN 33090)</b>	4
	1683521	Ref	<b>Lower Lift Cylinder Assembly 45electric (SN 33090 to Present)</b>	A-1
	1682855	Ref	<b>Lower Lift Cylinder Assembly 40electric (Prior to SN 33111)</b>	D-4
	1683518	Ref	<b>Lower Lift Cylinder Assembly 40electric (SN 33111 to Present)</b>	A-1
	1682980	Ref	<b>Lower Lift Cylinder Assembly 35electric</b>	4
1		Ref	Barrel Weldment Options:	
1		Ref	Barrel Weldment 45electric	
1	1683014	1	Barrel Weldment 1683013 Cylinder <b>(Prior to SN 33090)</b>	
1	1683515	1	Barrel Weldment 1683521 Cylinder <b>(SN 33090 to Present)</b>	
1		Ref	Barrel Weldment 40electric	
1	1682856	1	Barrel Weldment 1682855 Cylinder <b>(Prior to SN 33111)</b>	
1	1683512	1	Barrel Weldment 1683518 Cylinder <b>(SN 33111 to Present)</b>	
1	1682981	1	Barrel Weldment 35electric	
1	0961726	2	Bushing, Teflon	
2		Ref	Rod Weldment Options:	
2	1683016	1	Rod Weldment 45electric	
2	1682858	1	Rod Weldment 40electric	
2	1682983	1	Rod Weldment 35electric	
2	0961726	2	Bushing, Teflon	
3		Ref	Retainer Options:	
3	1120094	1	Retainer 45electric	
3	1120305	1	Retainer 40electric	
3	1120305	1	Retainer 35electric	
4		Ref	Piston Options:	
4	3480102	1	Piston 45electric	
4	3480113	1	Piston 40electric	
4	3480113	1	Piston 35electric	
5		Ref	Head Options:	
5	1682323	1	Head 45electric	
5	1682209	1	Head 40electric	
5	1682209	1	Head 35electric	
6	3300281	1	Nut, Hex	
7		Ref	Washer Options:	
7	Not Required	0	Washer 45electric	
7	4740207	1	Washer 40electric	
7	4740207	1	Washer 35electric	
8		Ref	Spacer Options:	
8	4566432	1	Spacer 45electric	
8	4565992	1	Spacer 40electric	
8	4566261	1	Spacer 35electric	
9		Ref	Cartridge, Holding Valve Options:	
9		Ref	Cartridge, Holding Valve 40/45electric	
9	4640634	1	Cartridge, Holding Valve	
9	2900770	1	Seal Kit - 4640634 Valve	
9	Not Required	0	Cartridge, Holding Valve 35electric	
10		Ref	Cartridge, Holding Valve Options:	
10		Ref	Cartridge, Holding Valve 40/45electric	
10	4640816	1	Cartridge, Holding Valve	

## SECTION 5 - CYLINDER

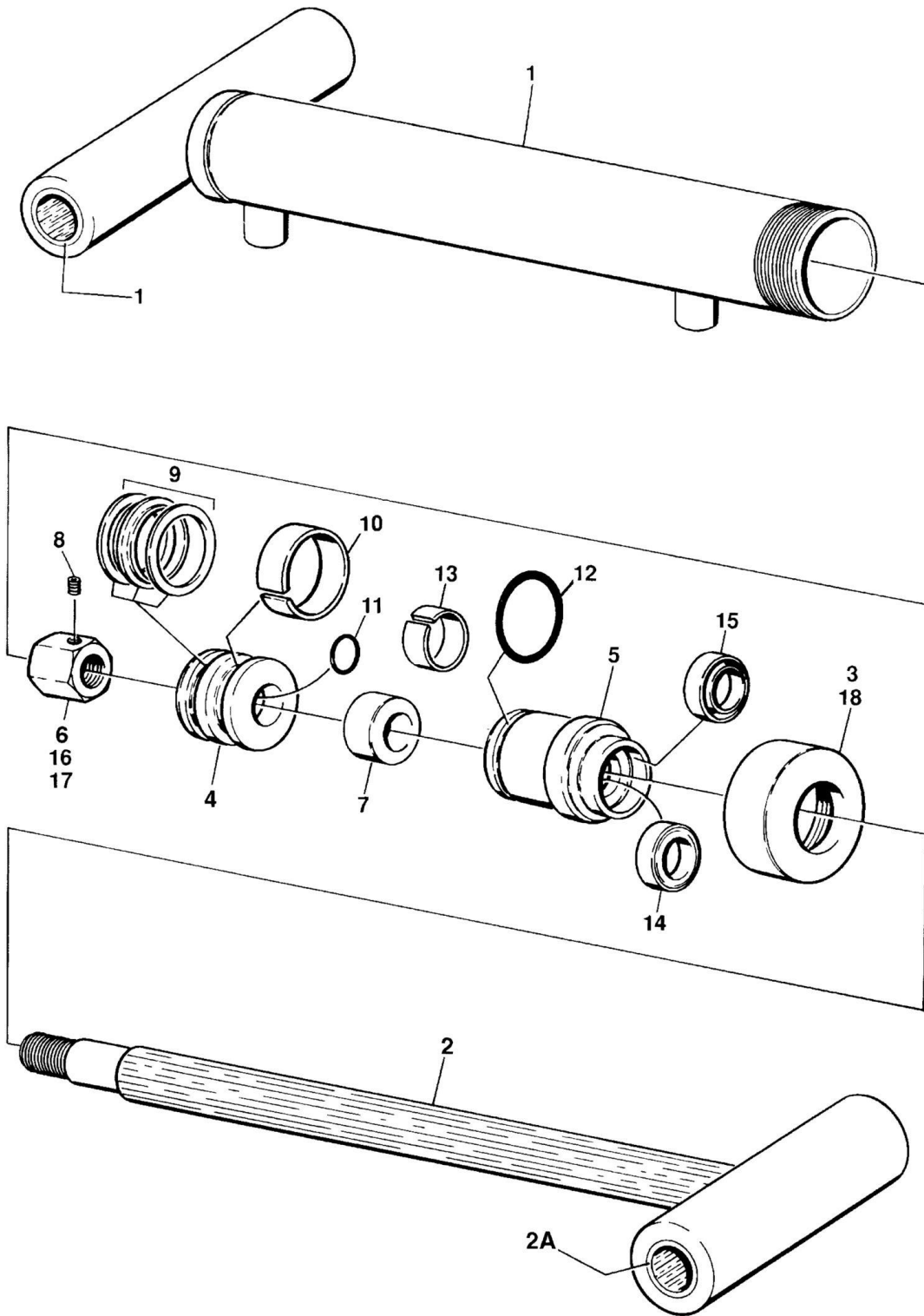
ITEM	PART NUMBER	QTY	DESCRIPTION	REV
10	2900770	1	Seal Kit - 4640816 Valve	
10		Ref	Cartridge, Holding Valve 35electric	
10	4640746	1	Cartridge, Holding Valve	
10	2900770	1	Seal Kit - 4640634 Valve	
11	2220885	2	Plug	
12	3900170	1	Setscrew 3/8in-16NC x 3/8in	
13	Not Required	0	Not Required	
14	Kit	2	Ring, Lock	
15	Kit	2	Seal, Piston	
16	Kit	1	O-Ring	
17	Kit	1	Ring, Wear	
18	Kit	1	O-Ring	
19	Kit	1	Seal, Rod	
20	Kit	1	Wiper, Rod	
21	0100011	AR	Loctite #242	
22	0100038	AR	Primer, Locking	
23	0100035	AR	Loctite #222	
24		Ref	Cartridge, Needle Valve Options:	
24	Not Required	0	Cartridge, Needle Valve 40/45electric	
24	4640799	1	Cartridge, Needle Valve 35electric	
		Ref	Cartridge, Needle Valve 45electric	
	2901170	1	Seal Kit - 1683013 & 1683521 Lower Lift Cylinders (Includes Items 14-20)	
		Ref	Lower Lift Cylinder Assembly 40electric	
	2901154	1	Seal Kit - 1682855 & 1683518 Tower Lift Cylinders (Includes Items 14-20)	
		Ref	Lower Lift Cylinder Assembly 35electric	
	2901154	1	Seal Kit - 1682980 Lower Lift Cylinder (Includes Items 14-20)	





# SECTION 5 - CYLINDER

FIGURE 5-5. MASTER CYLINDER ASSEMBLY - MODELS 35ELECTRIC, 40ELECTRIC & 45ELECTRIC



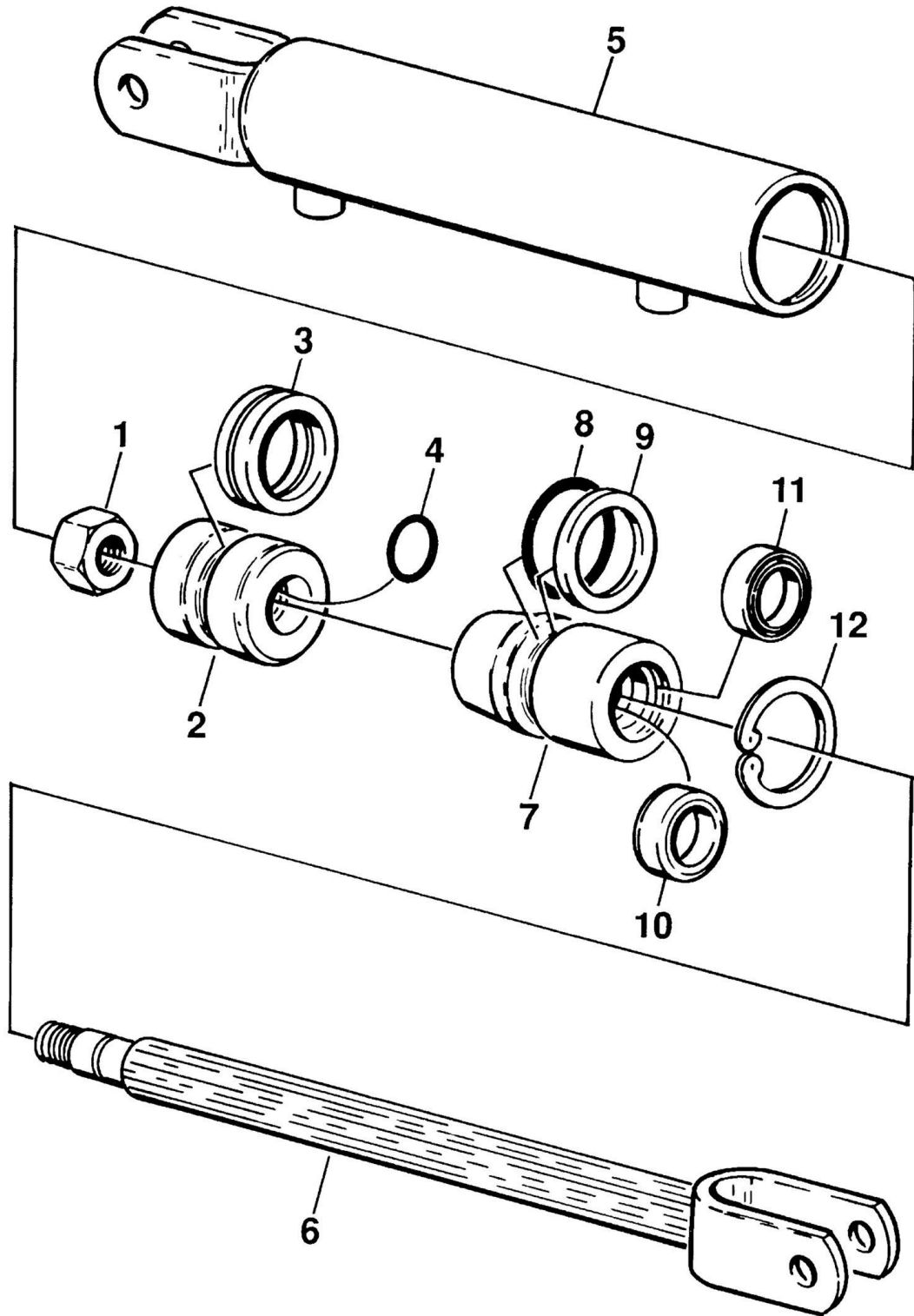
## SECTION 5 - CYLINDER

**FIGURE 5-5. MASTER CYLINDER ASSEMBLY - MODELS 35ELECTRIC, 40ELECTRIC & 45ELECTRIC**

ITEM	PART NUMBER	QTY	DESCRIPTION	REV
		Ref	<b>MASTER CYLINDER ASSEMBLY - MODELS</b>	
	1682877	Ref	<b>Master Cylinder Assembly 40electric &amp; 45electric (Prior to January 1995)</b>	A
	1683325	Ref	<b>Master Cylinder Assembly 40electric &amp; 45electric (January 1995 to Present)</b>	1-A
1	1682879	1	Barrel Weldment	
1	0961608	2	Bushing, Teflon	
2		Ref	Rod Weldment Options:	
2	1682881	1	Rod Weldment 1682877 Cylinder (Prior to January 1995)	
2	1683286	1	Rod Weldment 1683325 Cylinder (January 1995 to Present)	
2A	0961608	2	Bushing, Teflon	
3	1120110	1	Retainer	
4		Ref	Piston Options:	
4	3480123	1	Piston 1682877 Cylinder (Prior to January 1995)	
4	3480217	1	Piston 1683325 Cylinder (January 1995 to Present)	
5	1682154	1	Head	
6		Ref	Nut, Hex Options:	
6	3300309	1	Nut, Hex 1682877 Cylinder (Prior to January 1995)	
6	3300308	1	Nut, Hex 1683325 Cylinder (January 1995 to Present)	
7	4566023	1	Spacer, Tube	
8	3900170	1	Setscrew 3/8in-16NC x 3/8in	
9	Kit	1	T-Seal	
10	Kit	1	Ring, Wear	
11	Kit	1	O-Ring	
12	Kit	1	O-Ring	
13	Kit	1	Ring, Wear	
14	Kit	1	Seal, Rod	
15	Kit	1	Wiper, Rod	
16	0100038	AR	Primer, Locking	
17	0100011	AR	Loctite #242	
18	0100035	AR	Loctite #222	
	2901147	1	Seal Kit (Includes Items 9-15)	

# SECTION 5 - CYLINDER

FIGURE 5-6. PLATFORM ROTATOR CYLINDER ASSEMBLY - MODELS 35ELECTRIC, 40ELECTRIC & 45ELECTRIC



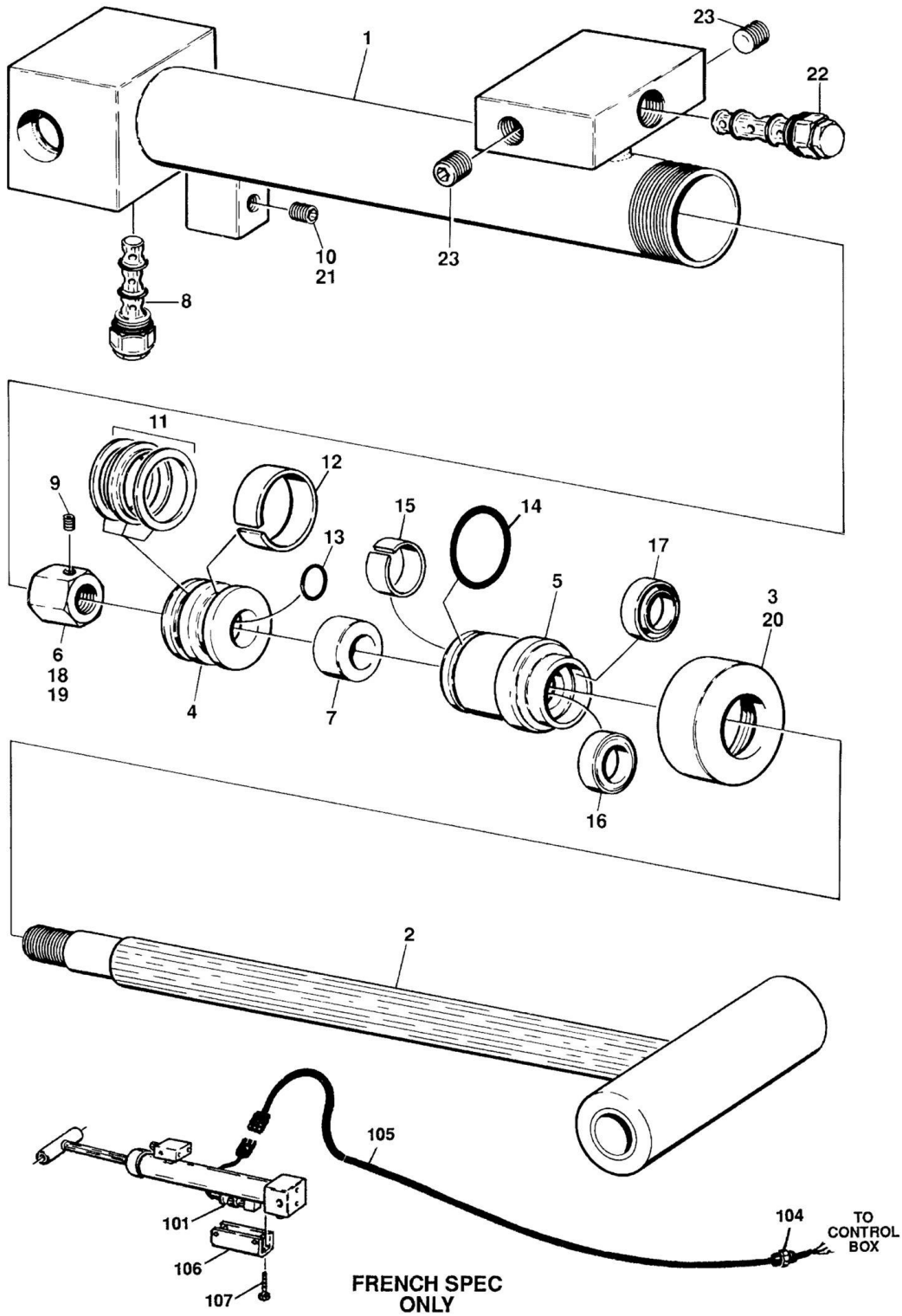
## SECTION 5 - CYLINDER

**FIGURE 5-6. PLATFORM ROTATOR CYLINDER ASSEMBLY - MODELS 35ELECTRIC, 40ELECTRIC & 45ELECTRIC**

ITEM	PART NUMBER	QTY	DESCRIPTION	REV
	1682930	Ref	<b>PLATFORM ROTATOR CYLINDER ASSEMBLY - MODELS 35electric, 40electric &amp; 45electric</b>	B
1	7001609	1	Nut, Hex	
2	7001610	1	Piston	
3	Kit	1	Seal	
4	Kit	1	O-Ring	
5	7001611	1	Barrel Weldment	
6	7001612	1	Rod	
7	7001613	1	Head	
8	Kit	1	O-Ring	
9	Kit	1	Ring, Back-up	
10	Kit	1	Seal	
11	Kit	1	Wiper	
12	7001614	1	Ring, Retainer	
	7001608	1	Seal Kit - 1682930 Cylinder (Includes Items 3, 4 & 8-11)	

# SECTION 5 - CYLINDER

FIGURE 5-7. SLAVE CYLINDER ASSEMBLY - MODELS 35ELECTRIC, 40ELECTRIC & 45ELECTRIC



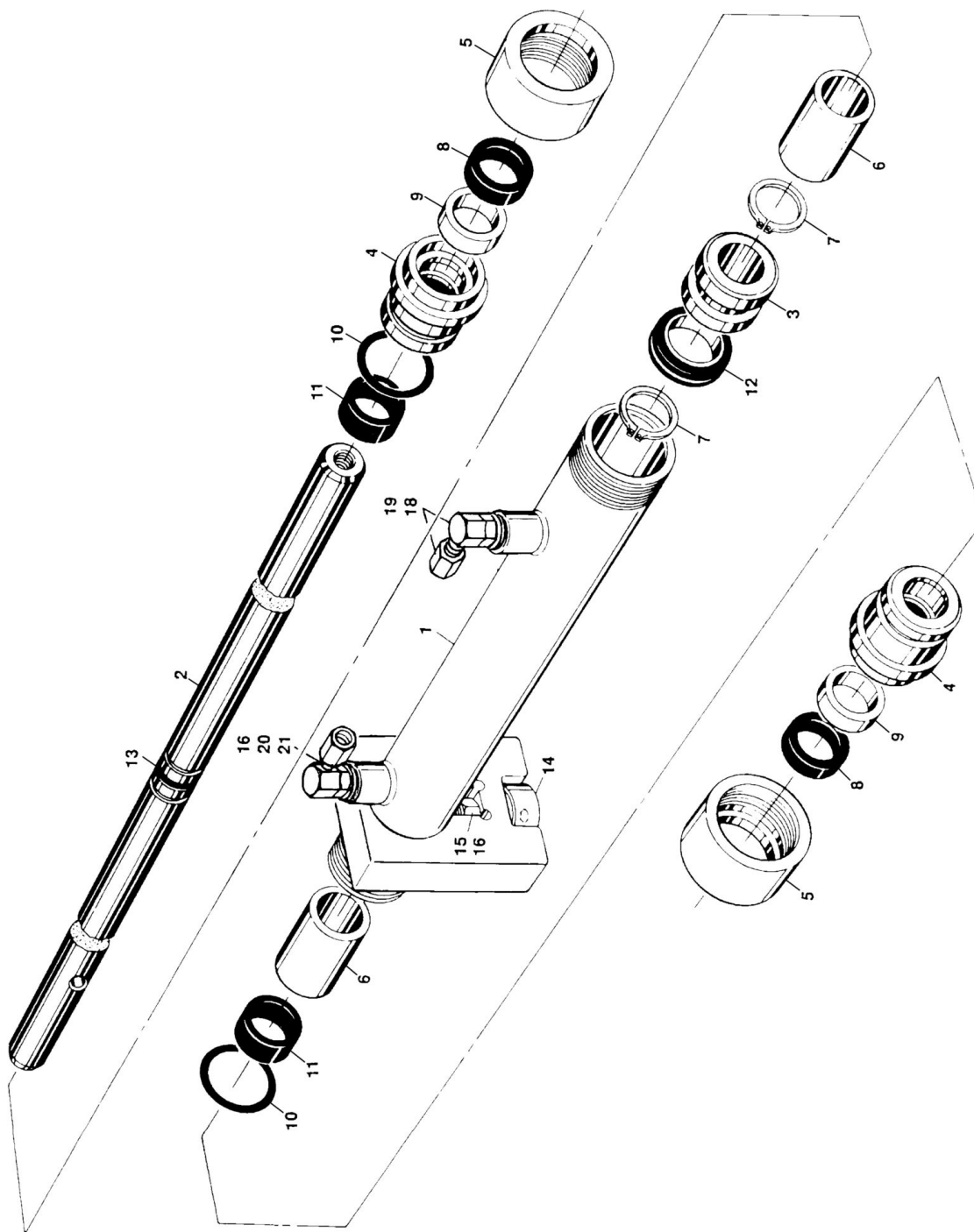
## SECTION 5 - CYLINDER

**FIGURE 5-7. SLAVE CYLINDER ASSEMBLY - MODELS 35ELECTRIC, 40ELECTRIC & 45ELECTRIC**

ITEM	PART NUMBER	QTY	DESCRIPTION	REV
		Ref	<b>SLAVE CYLINDER ASSEMBLY</b>	
	1682876	Ref	<b>Slave Cylinder Assembly (Prior to January 1995)</b>	C
	1683285	Ref	<b>Slave Cylinder Assembly (January 1995 to Present)</b>	A
1	1682878	1	Barrel Weldment	
1	0961608	2	Bushing, Teflon	
2		Ref	Rod Weldment Options:	
2	1682881	1	Rod Weldment 1682876 Cylinder (Prior to January 1995)	
2	1683286	1	Rod Weldment 1683285 Cylinder (January 1995 to Present)	
2	0961608	2	Bushing, Teflon	
3	1120110	1	Retainer	
4		Ref	Piston Options:	
4	3480123	1	Piston 1682876 Cylinder (Prior to January 1995)	
4	3480217	1	Piston 1683285 Cylinder (January 1995 to Present)	
5	1682154	1	Head	
6		Ref	Nut, Hex Options:	
6	3300309	1	Nut, Hex 1682876 Cylinder (Prior to January 1995)	
6	3300308	1	Nut, Hex 1683285 Cylinder (January 1995 to Present)	
7	4566023	1	Spacer, Tube	
8	4640509	1	Valve, Holding	
9	3900170	1	Setscrew 3/8in-16NC x 3/8in	
10	2200222	1	Plug, Pipe	
11	Kit	1	T-Seal	
12	Kit	1	Ring, Wear	
13	Kit	1	O-Ring	
14	Kit	1	O-Ring	
15	Kit	1	Ring, Wear	
16	Kit	1	Seal, Rod	
17	Kit	1	Wiper, Rod	
18	0100038	AR	Primer, Locking	
19	0100011	AR	Loctite #242	
20	0100035	AR	Loctite #222	
21	0100020	AR	Sealant, Pipe	
22		Ref	Cartridge, Holding Valve Options:	
22	4640509	1	Cartridge (1682876 Cylinder-Prior to Jan 1995)	
22	2900792	1	Seal Kit - 4640509 Valve	
22	4640932	1	Cartridge (1683285 Cylinder-Jan 1995 to Present)	
22	7011112	1	Seal Kit - 4640932 Valve	
23	2220883	2	Plug, Socket Hex	
	2901147	1	Seal Kit - 1682876 & 1683285 Cylinder (Includes Items 11-17)	
	0254791	Ref	<b>OVERLOAD INSTALLATION (FRENCH SPEC)</b>	-
101	4360344	1	Switch, Pressure	
104	4460428	1	Connector, Strain Relief	
105	4921601	1	Harness	
106	4844570	1	Shield	
107	0641404	1	Bolt 1/4in-20NC x 1/2in	
108	0100011	AR	Loctite #242 (Not Shown)	

# SECTION 5 - CYLINDER

## FIGURE 5-8. STEER CYLINDER ASSEMBLIES





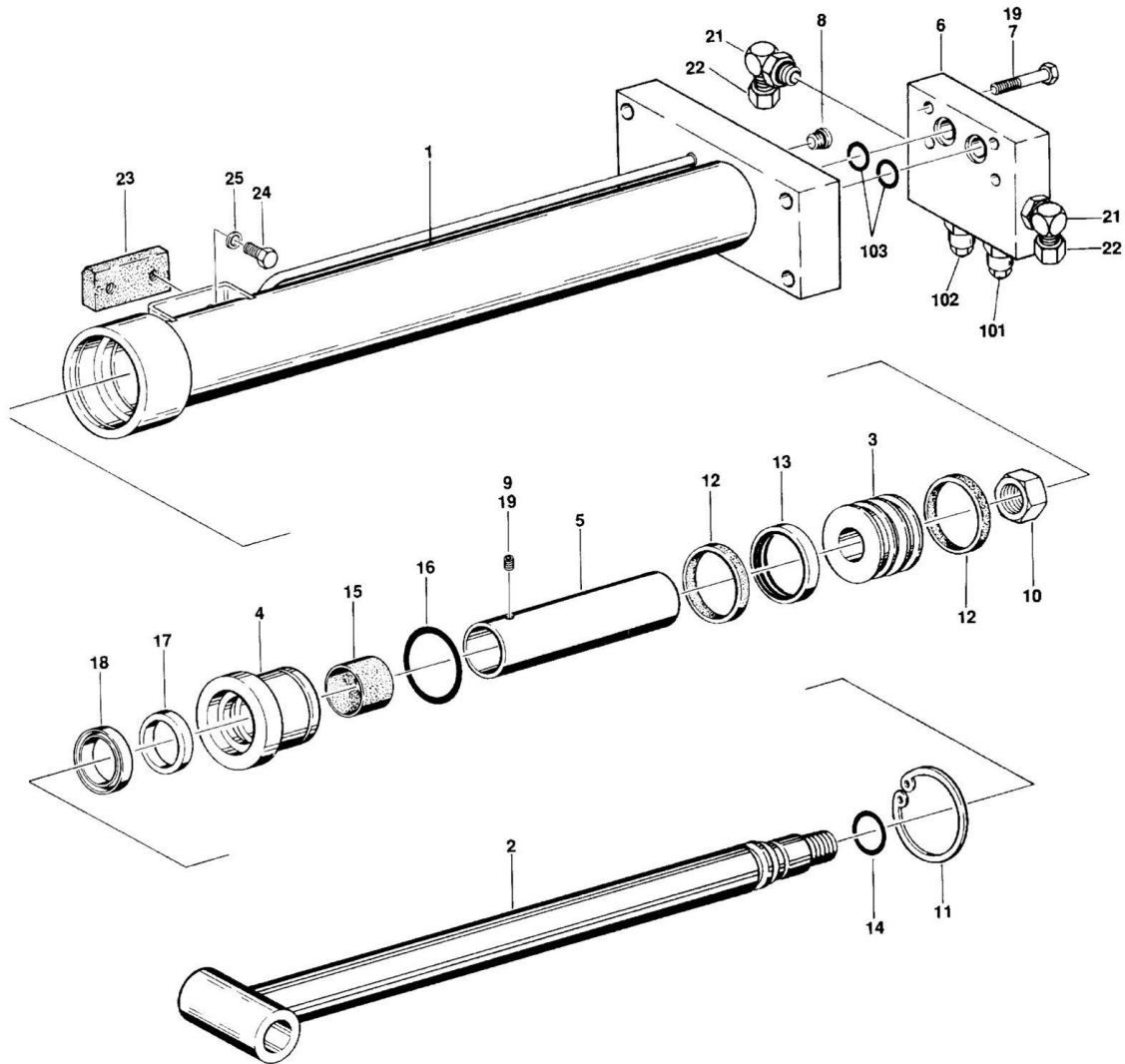
## SECTION 5 - CYLINDER

### FIGURE 5-8. STEER CYLINDER ASSEMBLIES

ITEM	PART NUMBER	QTY	DESCRIPTION	REV
		Ref	<b>STEER CYLINDER ASSEMBLIES</b>	
	1682527	Ref	<b>Steer Cylinder Assemblies 35electric/40electric/45electric (Prior to SN 37950)</b>	C-5
	1683695	Ref	<b>Steer Cylinder Assemblies 35electric/40electric/45electric (SN 37950 to Present)</b>	A-2
	1682893	Ref	<b>Steer Cylinder Assemblies n35electric/n40electric (Prior to SN 37950)</b>	B-3
	1683696	Ref	<b>Steer Cylinder Assemblies n35electric/n40electric (SN 37950 to Present)</b>	A-2
1		Ref	Barrel Weldment Options:	
1	1682528	1	Barrel Weldment 1682527 & 1682893 Cyls <b>(Prior to SN 37950)</b>	
1	1683694	1	Barrel Weldment 1683695 & 1683696 Cyls <b>(SN 37950 to Present)</b>	
2		Ref	Rod Weldment Options:	
2	1682530	1	Rod Weldment 35electric/40electric/45electric	
2	1682894	1	Rod Weldment n35electric/n40electric	
3	3480153	1	Piston	
4	1682364	2	Head	
5	1120387	2	Retainer	
6	4565275	2	Spacer	
7	3760141	2	Ring, Retaining	
8	Kit	2	Seal, Wiper	
9	Kit	2	Seal, Rod	
10	Kit	2	O-Ring	
11	Kit	2	Ring, Wear	
12	Kit	1	T-Seal	
13	Kit	1	O-Ring	
14		Ref	Follower, Cam Options:	
14	3860054	1	Follower, Cam <b>(Prior to SN 31331)</b>	
14	3860076	1	Follower, Cam <b>(SN 31331 through 37949)</b>	
14	3860080	1	Follower, Cam <b>(SN 37950 to Present)</b>	
15	3321802	1	Nut, Jam 1/2in-20NF	
16	0100035	AR	Loctite #222	
18	2220472	1	Fitting, 90	
19	2220515	2	Fitting, Cap	
20	2180699	1	Fitting, Modified	
21	2180394	1	Orifice	
	2901178	1	Seal Kit (Includes Items 8-13)	

# SECTION 5 - CYLINDER

FIGURE 5-9. TELESCOPE CYLINDER ASSEMBLIES - MODELS 35ELECTRIC, 40ELECTRIC & 45ELECTRIC



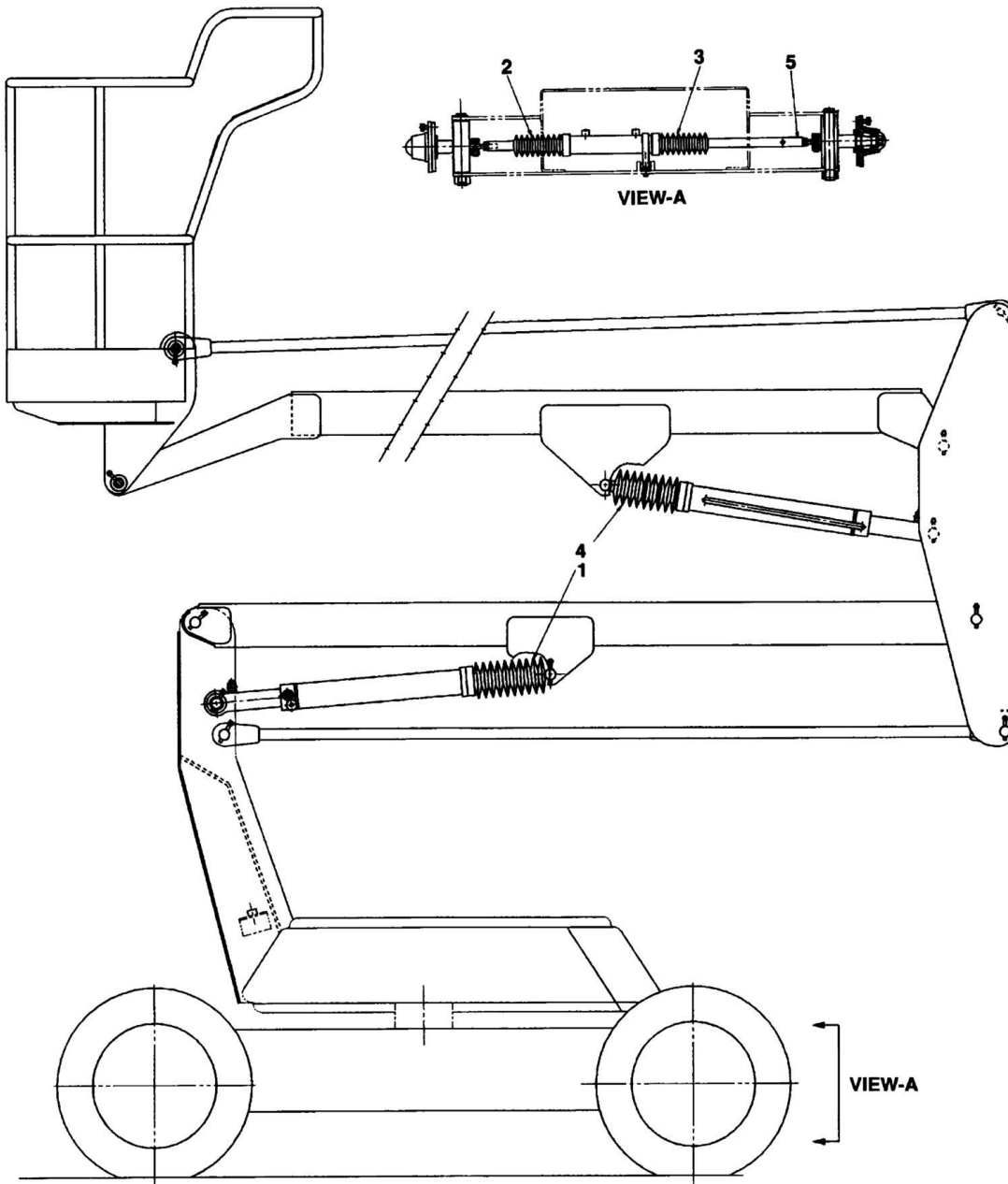
## SECTION 5 - CYLINDER

**FIGURE 5-9. TELESCOPE CYLINDER ASSEMBLIES - MODELS 35ELECTRIC, 40ELECTRIC & 45ELECTRIC**

ITEM	PART NUMBER	QTY	DESCRIPTION	REV
		Ref	<b>TELESCOPE CYLINDER ASSEMBLIES</b>	
	1682947	Ref	<b>Telescope Cylinder Assemblies 45electric</b>	B-2
	1682887	Ref	<b>Telescope Cylinder Assemblies 35electric/40electric</b>	E-5
1		Ref	Barrel Weldment Options:	
1	1682948	1	Barrel Weldment 45electric	
1	1682888	1	Barrel Weldment 35electric/40electric	
2		Ref	Rod Weldment Options:	
2	1682950	1	Rod Weldment 45electric	
2	1682890	1	Rod Weldment 35electric/40electric	
3	3480170	1	Piston	
4	1682892	1	Head	
5	4566027	1	Spacer, Tube	
6	4640807	1	Counterbalance Valve Assembly (See Items 101-103 for Breakdown)	
7	0641512	4	Bolt 5/16in-18NC x 1 1/2in	
8	2220883	2	Plug, O-Ring	
9	3951402	1	Setscrew 1/4in-20NC x 1/4in	
10	3322205	1	Locknut	
11	3760318	1	Ring, Retaining	
12	Kit	2	Ring, Wear	
13	Kit	1	Seal, Cap	
14	Kit	1	O-Ring	
15	Kit	1	Ring, Wear	
16	Kit	1	O-Ring	
17	Kit	1	Seal, Rod	
18	Kit	1	Wiper	
19	0100011	AR	Loctite #242	
21	2220628	2	Fitting, 90	
22	2220516	2	Fitting, Cap	
23	3340679	1	Wear Pad Assembly	
24	0641604	2	Bolt 3/8in-16NC x 1/2in	
25	4761600	2	Lockwasher 3/8in	
26	0100011	AR	Loctite #242	
	2901242	1	Seal Kit (Includes Items 12-18)	
	4640807	Ref	<b>COUNTERBALANCE VALVE ASSEMBLY</b>	B
101	4640771	1	Cartridge, Counterbalance	
102	4640709	1	Cartridge, Vented Counterbalance	
103	3790113	2	O-Ring (Between Valve and Cylinder Block)	
	2900770		Seal Kit (1 Per Cartridge)	

# SECTION 5 - CYLINDER

FIGURE 5-10. CYLINDER BELLOWS INSTALLATION - MODEL 30ELECTRIC



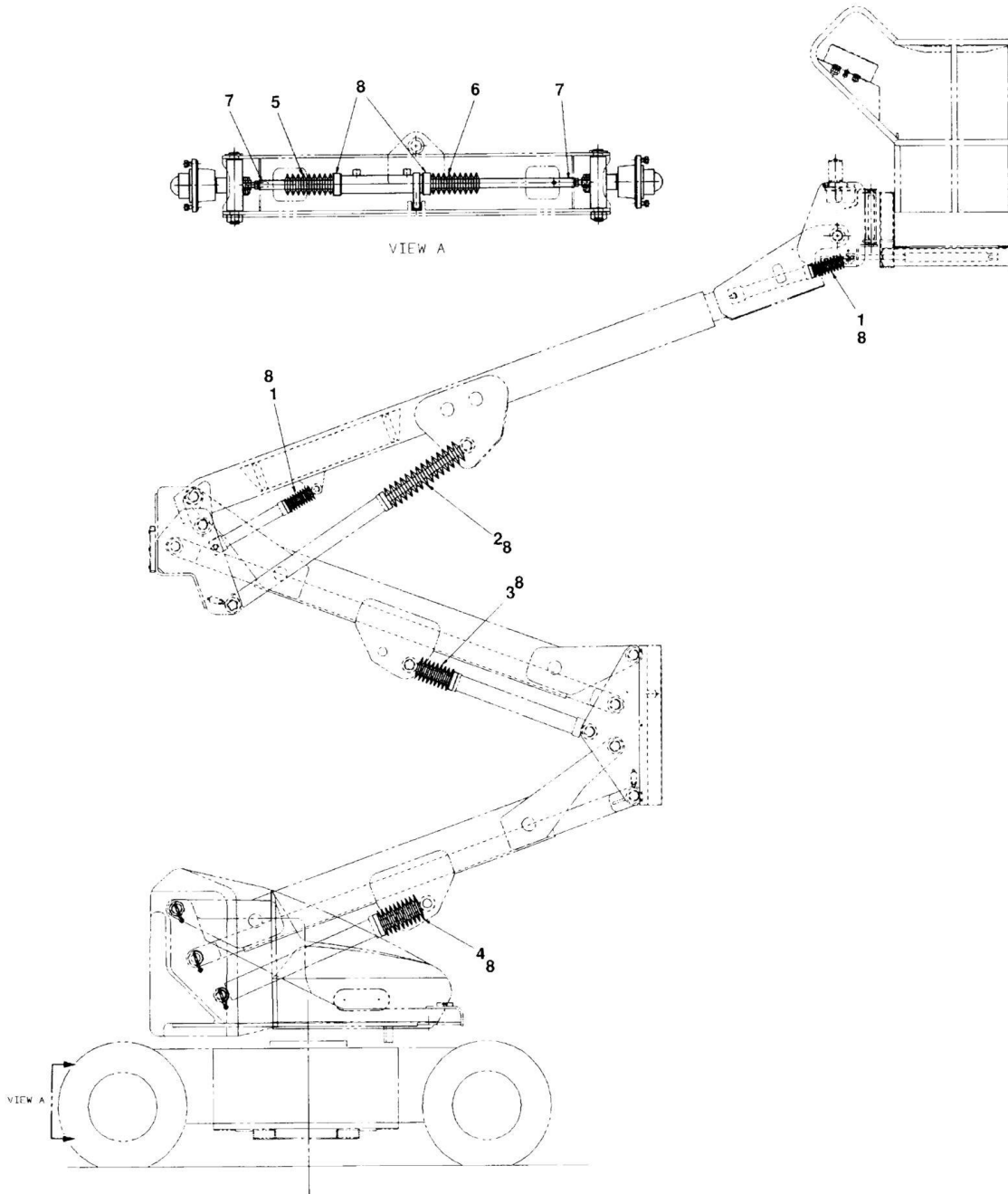
## SECTION 5 - CYLINDER

**FIGURE 5-10. CYLINDER BELLOWS INSTALLATION - MODEL 30ELECTRIC**

ITEM	PART NUMBER	QTY	DESCRIPTION	REV
	0253028	Ref	<b>CYLINDER BELLOWS INSTALLATION - MODEL 30electric</b>	-
1	0460096	2	Bellow (Lift Cylinder)	
2	0460102	1	Bellow (Steer Cylinder - Right Side)	
3	0460103	1	Bellow (Steer Cylinder - Left Side)	
4	1320037	4	Clamp	
5	1320033	2	Clamp	

# SECTION 5 - CYLINDER

## FIGURE 5-11. OPTIONAL CYLINDER BELLOWS INSTALLATION - MODELS 35ELECTRIC, 40ELECTRIC & 45ELECTRIC



## SECTION 5 - CYLINDER

**FIGURE 5-11. OPTIONAL CYLINDER BELLOWS INSTALLATION - MODELS 35ELECTRIC,  
40ELECTRIC & 45ELECTRIC**

ITEM	PART NUMBER	QTY	DESCRIPTION	REV
	0254851	Ref	<b>OPTIONAL CYLINDER BELLOWS INSTALLATION - MODEL 45electric</b>	A
	0254028	Ref	<b>OPTIONAL CYLINDER BELLOWS INSTALLATION - MODEL 40electric</b>	A
	0254850	Ref	<b>OPTIONAL CYLINDER BELLOWS INSTALLATION - MODEL 35electric</b>	A
1	0460110	2	Bellows, Cylinders (Slave and Master Cylinders)	
2	0460111	1	Bellows, Cylinders (Upper Lift Cylinder) <b>(Prior to SN 29899)</b>	
2	0460115	1	Bellows, Cylinders (Upper Lift Cylinder) <b>(SN 29899 to Present)</b>	
3		Ref	Bellows, Cylinders (Mid Lift Cylinder) Options:	
3	0460113	1	Bellows, Cylinders (Mid Lift Cylinder) 45electric	
3	0460112	1	Bellows, Cylinders (Mid Lift Cylinder) 40electric	
3	Not Required	0	Bellows, Cylinders (Mid Lift Cylinder) 35electric	
4		Ref	Bellows, Cylinders (Tower Lift Cylinder) Options:	
4	0460114	1	Bellows, Cylinders (Tower Lift Cylinder) 45electric	
4	0460113	1	Bellows, Cylinders (Tower Lift Cylinder) 40electric	
4	0460113	1	Bellows, Cylinders (Tower Lift Cylinder) 35electric	
5	0460102	1	Bellows, Cylinders (Steer Cylinder - Right Side)	
6	0460103	1	Bellows, Cylinders (Steer Cylinder - Left Side)	
7	1320033	2	Clamp	
8	1320037	AR	Clamp	





**SECTION 6 - HYDRAULICS**

## SECTION 6 - HYDRAULICS

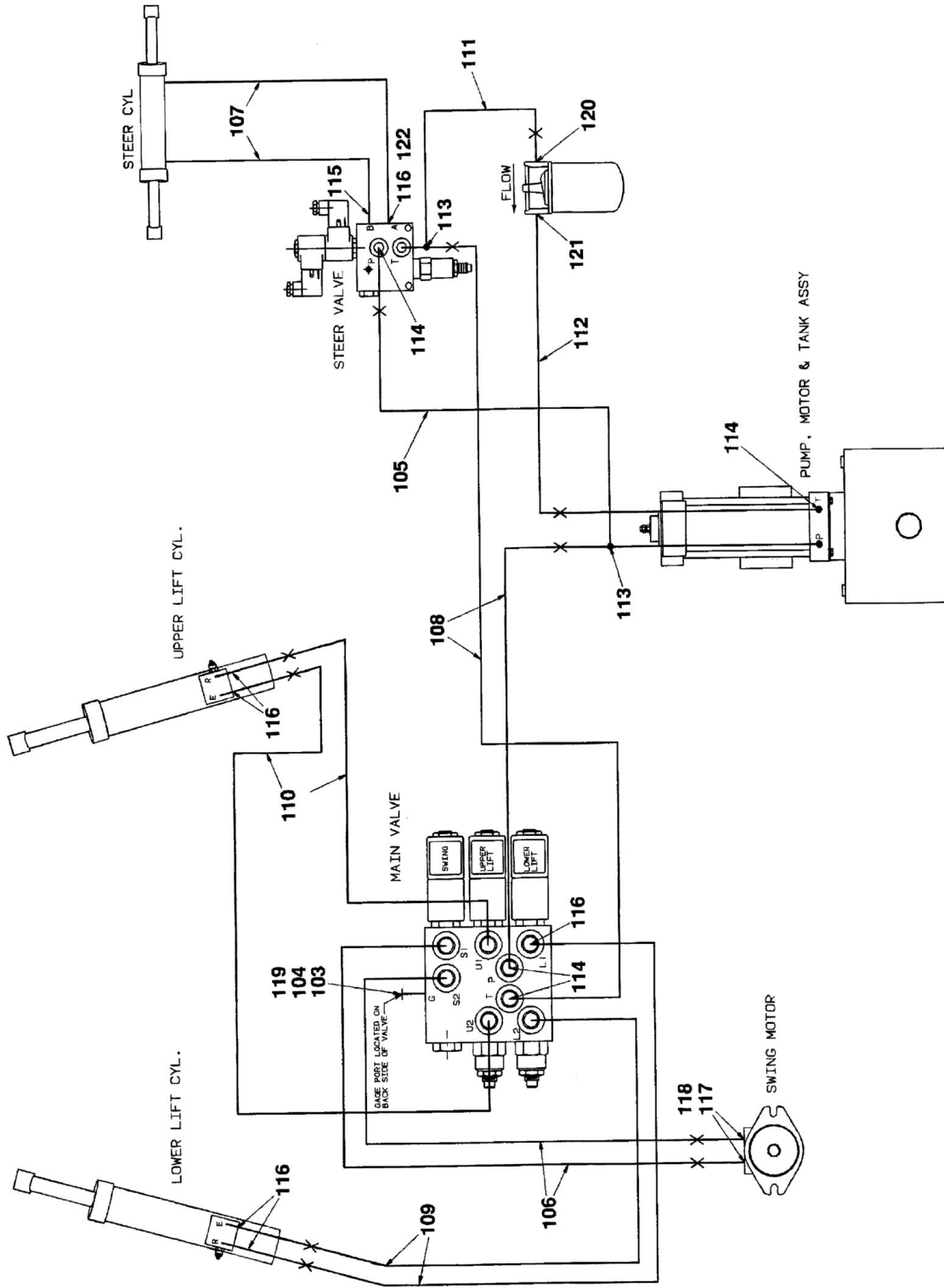
FIGURE 6-1. HYDRAULICS DIAGRAM LIST

ITEM	PART NUMBER	QTY	DESCRIPTION	REV
		Ref	<b>HYDRAULICS DIAGRAM LIST</b>	
		Ref	<b>Note: Information on diagrams not shown is available from the JLG Service/Parts Departments.</b>	
	0255522		Ascent Hydraulic Diagram - 40electric & 45electric (Dutch Spec Only)	
	2791990		Standard Hydraulic Diagram - 30electric	
	2792142		Standard Hydraulic Diagram - 35electric (Prior to April 1995)	
	2792208		Standard Hydraulic Diagram - 35electric (April 1995 to Present)	
	2792017		Standard Hydraulic Diagram - 40electric	
	2792144		Standard Hydraulic Diagram - 45electric	
	2791887		Hydraulic Schematic - 30electric	
	2792141		Hydraulic Schematic - 35electric	
	2792012		Hydraulic Schematic - 40electric & 45electric	



# SECTION 6 - HYDRAULICS

## FIGURE 6-2. HYDRAULIC DIAGRAM - 30ELECTRIC



## SECTION 6 - HYDRAULICS

**FIGURE 6-2. HYDRAULIC DIAGRAM - 30ELECTRIC**

ITEM	PART NUMBER	QTY	DESCRIPTION	REV
	2791990	Ref	<b>HYDRAULIC DIAGRAM - 30ELECTRIC</b>	B
103	2220428	1	Fitting, Quick Disconnect	
104	2220429	1	Cap, Dust	
105	2752484	1	Hose	
106	2752453	2	Hose	
107	2752443	2	Hose	
108	2751473	2	Hose	
109	2752454	2	Hose	
110	2752455	2	Hose	
111	2752485	1	Hose	
112	2752486	1	Hose	
113	2220606	2	Fitting, Tee	
114	2220371	4	Fitting, Straight	
115	2220472	1	Fitting, 90	
116	2220582	11	Fitting, Straight	
117	2220497	2	Fitting, Straight	
118	2220609	2	Fitting, Reducer	
119	2220873	1	Fitting	
120	2220492	1	Fitting	
121	2220874	1	Fitting, 90	
122	2220654	1	Fitting, 90	
123	0100020	AR	Sealant, Thread (Not Shown)	



## SECTION 6 - HYDRAULICS

### FIGURE 6-3. HYDRAULIC DIAGRAM - 35ELECTRIC

ITEM	PART NUMBER	QTY	DESCRIPTION	REV
	2792208	Ref	<b>HYDRAULIC DIAGRAM - 35ELECTRIC</b>	3
1	2220606	2	Fitting, Tee	
2	2752484	1	Hose	
3	2752487	1	Hose	
4	2752471	1	Hose	
5	2220874	2	Fitting, 90	
7	2220371	5	Fitting, Straight	
8	2220603	8	Fitting, Straight	
9	2220473	1	Fitting, 90	
10	2752489	1	Hose	
11	2752611	1	Hose	
12	2752446	2	Hose	
13	2220582	2	Fitting, Straight	
14	2220415	4	Fitting, Straight	
15	2752459	2	Hose	
16	2220497	2	Fitting, Straight	
18	2220873	1	Fitting, Pipe	
19	2220428	3	Fitting, Quick Disconnect	
20	2220429	3	Cap, Dust	
21	2752623	2	Hose	
23	2752627	2	Hose	
24	2752580	2	Hose	
25	2220472	6	Fitting, 90	
26	2752624	2	Hose	
27	2752583	2	Hose	
28	2220504	2	Fitting, Tee	
29	2753005	2	Hose	
30	2220727	2	Fitting, Pipe	
31	2220684	2	Fitting, Tee	
32	2752435	1	Hose	
33	2752573	1	Hose	
34	2752574	1	Hose	
35	2752575	1	Hose	
36	4100026	4	Sleeve, Nylon	
37	1702397	1	Tags, Hose (Not Shown)	
38	2220507	1	Fitting, 90	
39	2220584	2	Fitting, Tee	
40		Ref	Fitting, Straight Options:	
40	2220935	2	Fitting, Straight ( <b>Prior to SN 47049</b> )	
40	2221020	2	Fitting, Straight ( <b>SN 47049 to Present</b> )	
42	2220677	2	Fitting, 45	





## SECTION 6 - HYDRAULICS

**FIGURE 6-4. HYDRAULIC DIAGRAM - 40ELECTRIC & 45ELECTRIC**

ITEM	PART NUMBER	QTY	DESCRIPTION	REV
		Ref	<b>HYDRAULIC DIAGRAM</b>	
	2792017	Ref	<b>Hydraulic Diagram 40electric</b>	15-L
	2792144	Ref	<b>Hydraulic Diagram 45electric</b>	8-H
1	2220606	4	Fitting, Tee	
2	2752484	1	Hose	
3	2752487	1	Hose	
4	2752471	1	Hose	
5	2752488	1	Hose	
6	2220603	8	Fitting, Straight	
7	2220371	2	Fitting, Straight	
8	2220874	2	Fitting, 90	
9	2220473	4	Fitting, 90	
11	2752489	1	Hose	
12	2752611	1	Hose	
13	2220657	5	Fitting, 45	
14	2752446	2	Hose	
15	2220582	3	Fitting, Straight	
16	2220466	1	Fitting, 90	
17	2752433	2	Hose	
18	2220415	1	Fitting, Straight	
19	2220502	4	Fitting, 45	
20	2752459	2	Hose	
21	2220497	2	Fitting, Straight	
22	2220609	6	Fitting, Reducer	
23	2220873	1	Fitting, Pipe	
24	2220428	3	Fitting, Quick Disconnect	
25	2220429	3	Cap, Dust	
26		Ref	Hose	
26	2752619	2	Hose 40electric	
26	2753050	2	Hose 45electric	
27	2220899	4	Fitting, Tee	
28	2752620	1	Hose	
29	2752580	2	Hose	
30	2220472	8	Fitting, 90	
31	2752614	1	Hose	
32	2220635	3	Fitting, Tee	
33		Ref	Hose	
33	2753115	1	Hose 40electric	
33	2753113	1	Hose 45electric	
34		Ref	Hose	
34	2753116	1	Hose 40electric	
34	2753114	1	Hose 45electric	
35	2752462	1	Hose	
36		Ref	Hose	
36	2752621	2	Hose 40electric	
36	2752626	2	Hose 45electric	
37		Ref	Hose	
37	2752579	2	Hose 40electric	
37	2752585	2	Hose 45electric	
38	2220504	2	Fitting, Tee	

## SECTION 6 - HYDRAULICS

ITEM	PART NUMBER	QTY	DESCRIPTION	REV
39		Ref	Hose	
39	2753005	2	Hose 40electric	
39	2752572	2	Hose 45electric	
40	2220727	2	Fitting, Pipe	
41	2220684	2	Fitting, Tee	
42	2752435	1	Hose	
43	2752573	1	Hose	
44	2220677	2	Fitting, 45	
45	2752574	1	Hose	
49	2752575	1	Hose	
50	2752581	1	Hose	
51	4566188	1	Tube	
52		Ref	Tube	
52	4566187	1	Tube 40electric	
52	4566623	1	Tube 45electric	
53	4100026	2	Sleeve, Nylon	
54	2752438	1	Hose	
55	1702124	1	Tags, Hose (Not Shown)	
56		Ref	Fitting, Straight Options:	
56	2220935	2	Fitting, Straight <b>(Prior to SN 47049)</b>	
56	2221020	2	Fitting, Straight <b>(SN 47049 to Present)</b>	
57	2220584	2	Fitting, Tee	
58	2220934	1	Fitting, Tee	
59	4640861	1	Bleeder Kit	
60		Ref	Hose	
60	2752441	1	Hose 40electric	
60	2752440	1	Hose 45electric	
61	2220605	1	Fitting, Tee	
62	2752584	1	Hose	
63	0100020	AR	Sealant (Not Shown)	

**SECTION 7 - ELECTRICAL**

# SECTION 7 - ELECTRICAL

FIGURE 7-1. ELECTRICAL COMPONENTS AND DIAGRAMS LIST - 30ELECTRIC

ITEM	PART NUMBER	QTY	DESCRIPTION	REV
		Ref	<b>ELECTRICAL COMPONENTS AND DIAGRAMS LIST - 30ELECTRIC</b>	
		Ref	<b>Note: Numbered colored wiring starts with SN 36544. All other electrical drawings are available from the JLG Service Department upon request.</b>	
	4932845	Ref	<b>BATTERY CHARGER CUTOUT ELECTRICAL DIAGRAM (AUSTRALIAN SPEC ONLY)</b>	A
	0254745	Ref	<b>BEACON LIGHT ELECTRICAL DIAGRAM</b>	A
		Ref	<b>DRIVE CUTOUT ELECTRICAL DIAGRAMS</b>	
	4932682	Ref	<b>Above Elevation (French Spec)</b>	-/C
	1282199	Ref	<b>Above Elevation (French Spec)</b>	-/C
	4932683	Ref	<b>Above Elevation (Italian Spec)</b>	-/C
	1282199	Ref	<b>Above Elevation (Italian Spec)</b>	-/C
	3740087	1	Relay	
	4120027	1	Base, Relay	
	3740063	1	Spring, Relay	
	3990001	1	Diode 3.5	
	4932687	Ref	<b>Eight Meter (Dutch/Austrian/German Spec)</b>	-
	4932686	Ref	<b>Eight Meter (CE Spec)</b>	-/-
	1282199	Ref	<b>Eight Meter (CE Spec)</b>	-/-
	4932577	Ref	<b>Horizontal</b>	-
	3740087	1	Relay	
	4120027	1	Base, Relay	
	3740063	1	Spring, Relay	
	4921442	1	Diode Harness	
	4932617	Ref	<b>LOW VOLTAGE CUTOUT ELECTRICAL DIAGRAM</b>	A
		Ref	<b>MOTION ALARM ELECTRICAL DIAGRAMS</b>	
	2901212	Ref	<b>Motion Alarm Electrical Diagrams (Prior to SN 36544)</b>	-
	2901560	Ref	<b>Motion Alarm Electrical Diagrams (SN 36544 to Present)</b>	1-A
		Ref	<b>PLATFORM ELECTRICAL DIAGRAMS</b>	
	4932674	Ref	<b>Platform Electrical Diagrams (Prior to SN 33441)</b>	A
	4932936	Ref	<b>Platform Electrical Diagrams (SN 33441 through 36543)</b>	-
	4933002	Ref	<b>Platform Electrical Diagrams (SN 36544 to Present)</b>	B-2
	4932927	Ref	<b>PLATFORM OVERLOAD ELECTRICAL DIAGRAM (WITH PRESSURE SWITCH UNDER BASKET)</b>	2
	2901251	Ref	<b>PLATFORM WORKLIGHTS ELECTRICAL DIAGRAM (Prior to SN 36544)</b>	B-C
	1281821	Ref	<b>PLATFORM WORKLIGHTS ELECTRICAL DIAGRAM (Prior to SN 36544)</b>	B-C
	2901561	Ref	<b>PLATFORM WORKLIGHTS ELECTRICAL DIAGRAM (SN 36544 to Present)</b>	2-B
	1282857	Ref	<b>PLATFORM WORKLIGHTS ELECTRICAL DIAGRAM (SN 36544 to Present)</b>	2-B
		Ref	<b>STANDARD ELECTRICAL DIAGRAM</b>	
	4932675	Ref	<b>Standard Electrical Diagram (Prior to SN 36544)</b>	A
	4933003	Ref	<b>Standard Electrical Diagram (SN 36544 to Present)</b>	2-C
		Ref	<b>STANDARD ELECTRICAL SCHEMATICS</b>	
	1870031	Ref	<b>Standard Electrical Schematics (Prior to SN 36544)</b>	B
	1870067	Ref	<b>Standard Electrical Schematics (SN 36544 to Present)</b>	B
		Ref	<b>TILT ALARM ELECTRICAL DIAGRAM</b>	

## SECTION 7 - ELECTRICAL

ITEM	PART NUMBER	QTY	DESCRIPTION	REV
	4932681	Ref	<b>Tilt Alarm Electrical Diagram (Prior to SN 36544)</b>	1
	4933014	Ref	<b>Tilt Alarm Electrical Diagram (SN 36544 to Present)</b>	1
	4120027	1	Base, Relay	
	3740087	1	Relay - DPDT	
	3740063	1	Spring, Relay	
	0140030	1	Alarm	

# SECTION 7 - ELECTRICAL

**FIGURE 7-2. ELECTRICAL COMPONENTS AND DIAGRAMS LIST -  
35ELECTRIC/40ELECTRIC/45ELECTRIC**

ITEM	PART NUMBER	QTY	DESCRIPTION	REV
		Ref	<b>ELECTRICAL COMPONENTS AND DIAGRAMS LIST - 35electric/40electric/45electric</b>	
		Ref	<b>Note: Numbered colored wiring starts with SN 36648. All other electrical drawings are available from the JLG Service Department upon request.</b>	
	4932845	Ref	<b>BATTERY CHARGER CUTOUT ELECTRICAL DIAGRAM (AUSTRALIAN SPEC ONLY)</b>	2-C
		Ref	<b>BEACON ELECTRICAL DIAGRAMS</b>	
	0254544	Ref	<b>Beacon Electrical Diagrams 40electric &amp; 45electric</b>	7-G
	1282417	Ref	<b>Beacon Electrical Diagrams 40electric &amp; 45electric</b>	7-G
	0255611	Ref	<b>Beacon Electrical Diagrams 35electric</b>	3-G
	1282417	Ref	<b>Beacon Electrical Diagrams 35electric</b>	3-G
		Ref	<b>CUTOUT ELECTRICAL DIAGRAMS</b>	
		Ref	<b>Drive Cutout Above Elevation</b>	
	4932683	Ref	<b>Drive Cutout Above Elevation (Prior to SN 36648)</b>	1
	1282199	Ref	<b>Drive Cutout Above Elevation (Prior to SN 36648)</b>	1
	4933012	Ref	<b>Drive Cutout Above Elevation (SN 36648 to Present)</b>	1
	1282820	Ref	<b>Drive Cutout Above Elevation (SN 36648 to Present)</b>	1
	3740087	1	Relay	
	4120027	1	Base, Relay	
	3740063	1	Spring, Relay	
	3990001	1	Diode - 3.5 Amp	
		Ref	<b>Drive/Tilt Cutout Above Elevation</b>	
	4932682	Ref	<b>Drive/Tilt Cutout Above Elevation (Prior to SN 36648)</b>	1
	1282199	Ref	<b>Drive/Tilt Cutout Above Elevation (Prior to SN 36648)</b>	1
	4933015	Ref	<b>Drive/Tilt Cutout Above Elevation (SN 36648 to Present)</b>	1
	1282820	Ref	<b>Drive/Tilt Cutout Above Elevation (SN 36648 to Present)</b>	1
		Ref	<b>Drive Cutout Eight Meter</b>	
	4932686	Ref	<b>Drive Cutout Eight Meter (Prior to SN 36648)</b>	1
	1282199	Ref	<b>Drive Cutout Eight Meter (Prior to SN 36648)</b>	1
	4933013	Ref	<b>Drive Cutout Eight Meter (SN 36648 to Present)</b>	1
	1282820	Ref	<b>Drive Cutout Eight Meter (SN 36648 to Present)</b>	1
	3740087	1	Relay	
	4120027	1	Base, Relay	
	3740063	1	Spring, Relay	
	3990001	1	Diode - 3.5 Amp	
	4932927	Ref	Platform Overload Cutout (Switch under Plat)	-/2
	1060016	6 ft/1.8m	Cable, Electrical - 16/3	
	3990010	2	Diode - 6 Amp	
		Ref	<b>Platform Overload Cutout (Switch at Slave Cyl)</b>	
	4932684	Ref	<b>Platform Overload Cutout (Switch at Slave Cyl) (With Override) (Prior to SN 36648)</b>	1
	1282199	Ref	<b>Platform Overload Cutout (Switch at Slave Cyl) (With Override) (Prior to SN 36648)</b>	1
	4932685	Ref	<b>Platform Overload Cutout (Switch at Slave Cyl) (Without Override) (Prior to SN 36648)</b>	1
	1282199	Ref	<b>Platform Overload Cutout (Switch at Slave Cyl) (Without Override) (Prior to SN 36648)</b>	1

## SECTION 7 - ELECTRICAL

ITEM	PART NUMBER	QTY	DESCRIPTION	REV
	4933010	Ref	Platform Overload Cutout (Switch at Slave Cyl) (With Override) (SN 36648 to Present)	1
	1282820	Ref	Platform Overload Cutout (Switch at Slave Cyl) (With Override) (SN 36648 to Present)	1
	4933011	Ref	Platform Overload Cutout (Switch at Slave Cyl) (Without Override) (SN 36648 to Present)	1
	1282820	Ref	Platform Overload Cutout (Switch at Slave Cyl) (Without Override) (SN 36648 to Present)	1
	3740091	1	Relay	
	4120014	1	Base, Relay	
	4160114	1	Spring, Relay	
	3990001	1	Diode - 3.5 Amp	
	3990010	1	Diode - 6 Amp	
	4932935		<b>LIGHTS ELECTRICAL DIAGRAM</b>	
	4932935	Ref	<b>Headlights and Taillights</b>	A-1
	4932970	Ref	<b>Headlights and Back-up Lights</b>	A-2
	4360199	1	Switch, Toggle SPST	
	3740087	AR	Relay, 48V 50/60 HZ	
	4120027	AR	Socket, Relay	
	3740063	AR	Relay, Spring	
	3990001	AR	Semiconductor, Diode	
	4360069	1	Circuit Breaker	
	0257410	Ref	<b>LOW BATTERY LIFT INTERRUPT ELECTRICAL DIAGRAM (UL MODELS)</b>	B-3
	0259631	Ref	<b>LOW BATTERY LIFT INTERRUPT ELECTRICAL GRAM DIAGRAM (35electric - UL MODELS) (SN 47049 to Present)</b>	A-2
	2420049	1	Gauge, Battery Capacity with Relay	
	3252537	1	Nameplate - Low Voltage Interrupt	
	4120027	1	Socket, Relay	
	3740063	2	Relay, Spring	
	3740087	1	Relay 48V 50/60 HZ	
	0255522	Ref	<b>MANUAL ASCENT ELECTRICAL DIAGRAM (DUTCH SPEC)</b>	2
		Ref	<b>MOTION ALARM ELECTRICAL COMPONENTS (OPTIONAL)</b>	
	2901302	Ref	<b>Motion Alarm Electrical Components 35electric (Prior to SN 36648)</b>	A
	2901600	Ref	<b>Motion Alarm Electrical Components 35electric (SN 36648 to Present)</b>	1
	2901249	Ref	<b>Motion Alarm Electrical Components 40/45electric (Prior to SN 36648)</b>	A
	2901601	Ref	<b>Motion Alarm Electrical Components 40/45electric (SN 36648 to Present)</b>	1
		Ref	<b>PLATFORM ELECTRICAL DIAGRAMS</b>	
	4932659	Ref	<b>Platform Electrical Diagrams (Prior to SN 33441)</b>	C
	4932937	Ref	<b>Platform Electrical Diagrams (SN 33441 through 36647)</b>	-
	4932988	Ref	<b>Platform Electrical Diagrams (SN 36648 to Present)</b>	2-B
	4932882	Ref	<b>PLATFORM PROXIMITY SWITCHES ELECTRICAL DIAGRAM</b>	B-2
	3740087	1	Relay	
	4120027	1	Base, Relay	
	3740063	1	Spring, Relay	
	3990001	1	Diode - 3.5 Amp	
	2901251	Ref	<b>PLATFORM WORKLIGHTS ELECTRICAL DIAGRAM (Prior to SN 36648)</b>	C-C
	1281821	Ref	<b>PLATFORM WORKLIGHTS ELECTRICAL DIAGRAM (Prior to SN 36648)</b>	C-C

## SECTION 7 - ELECTRICAL

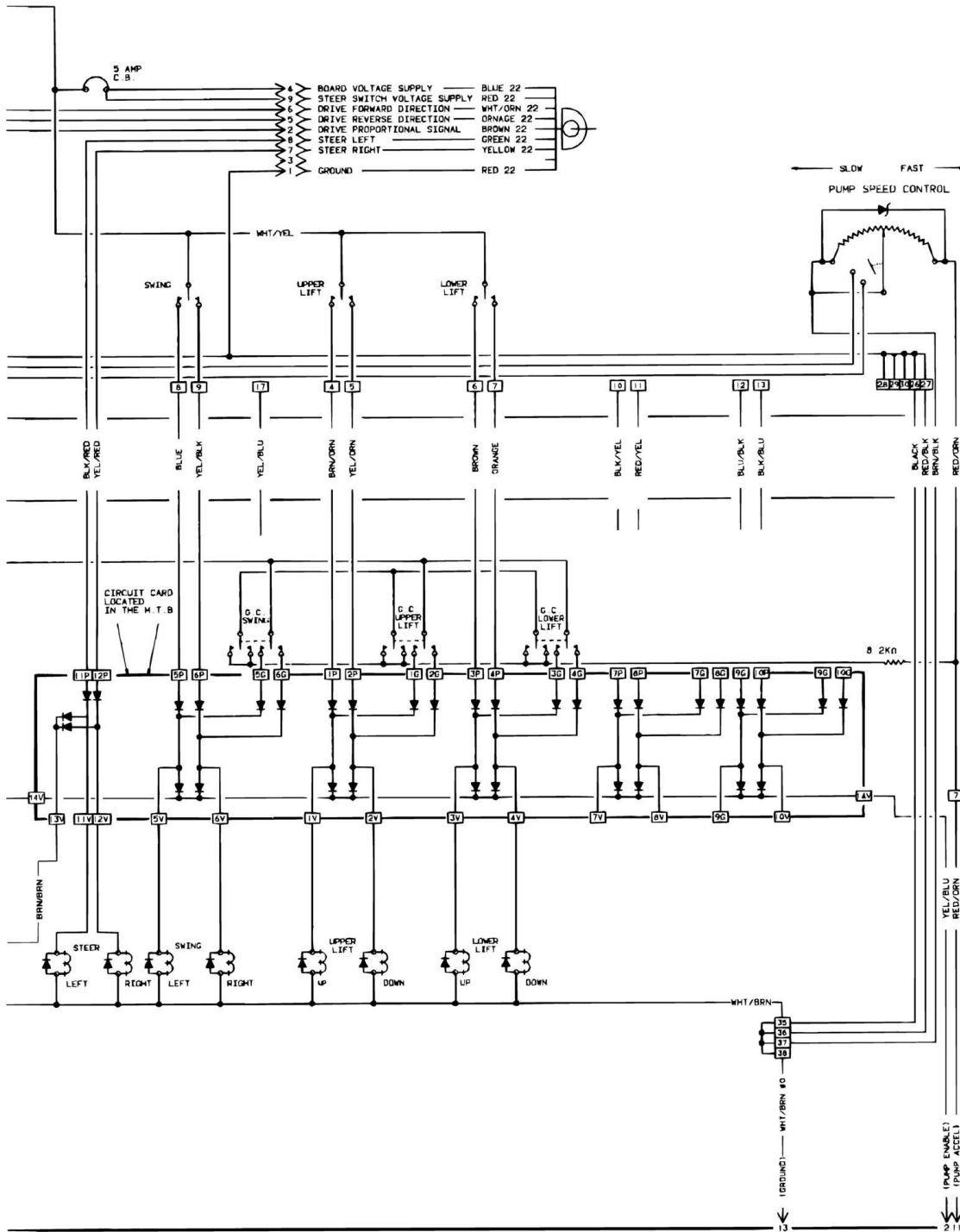
ITEM	PART NUMBER	QTY	DESCRIPTION	REV
	2901561	Ref	<b>PLATFORM WORKLIGHTS ELECTRICAL DIAGRAM (SN 36648 to Present)</b>	2-B
	1282857	Ref	<b>PLATFORM WORKLIGHTS ELECTRICAL DIAGRAM (SN 36648 to Present)</b>	2-B
		Ref	<b>STANDARD ELECTRICAL DIAGRAM</b>	
	4932660	Ref	<b>Standard Electrical Diagram (Prior to SN 36648)</b>	H
	4932987	Ref	<b>Standard Electrical Diagram (SN 36648 to Present)</b>	2-C
		Ref	<b>STANDARD ELECTRICAL SCHEMATIC</b>	
	1870032	Ref	<b>Standard Electrical Schematic (Prior to SN 36648)</b>	H
	1870066	Ref	<b>Standard Electrical Schematic (SN 36648 to Present)</b>	B
		Ref	<b>TILT ALARM ELECTRICAL DIAGRAM</b>	
	4932628	Ref	<b>Tilt Alarm Electrical Diagram (Prior to SN 36648)</b>	1
	4932681	Ref	<b>Tilt Alarm Electrical Diagram (Prior to SN 36648)</b>	1
	4933014	Ref	<b>Tilt Alarm Electrical Diagram (SN 36648 to Present)</b>	1
	4120027	1	Base, Relay	
	3740087	1	Relay - DPDT	
	3740063	1	Spring, Relay	
	0140030	1	Alarm	
	3990001	2	Diode - 3.5Amp	





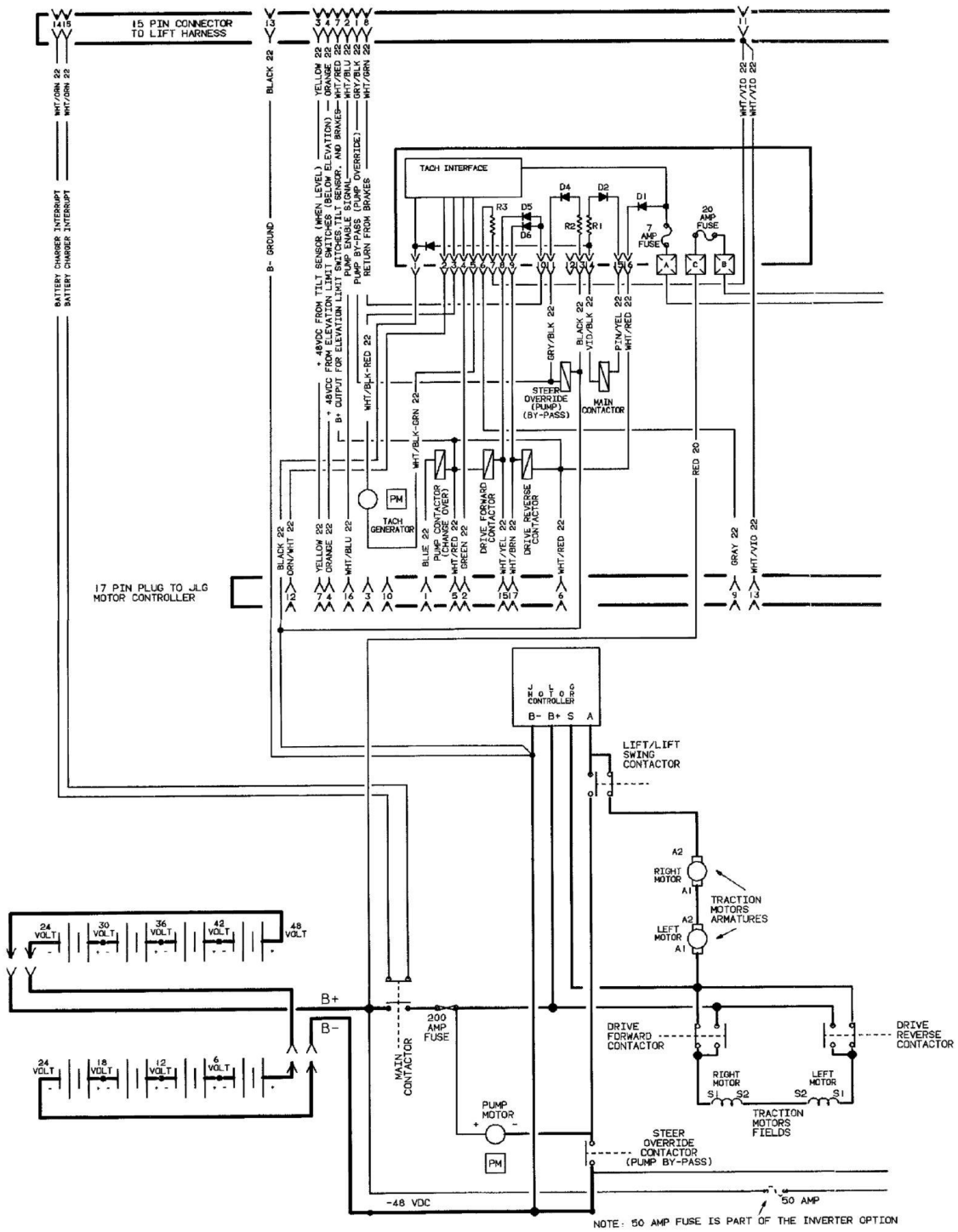


# SECTION 7 - ELECTRICAL



1870031 B

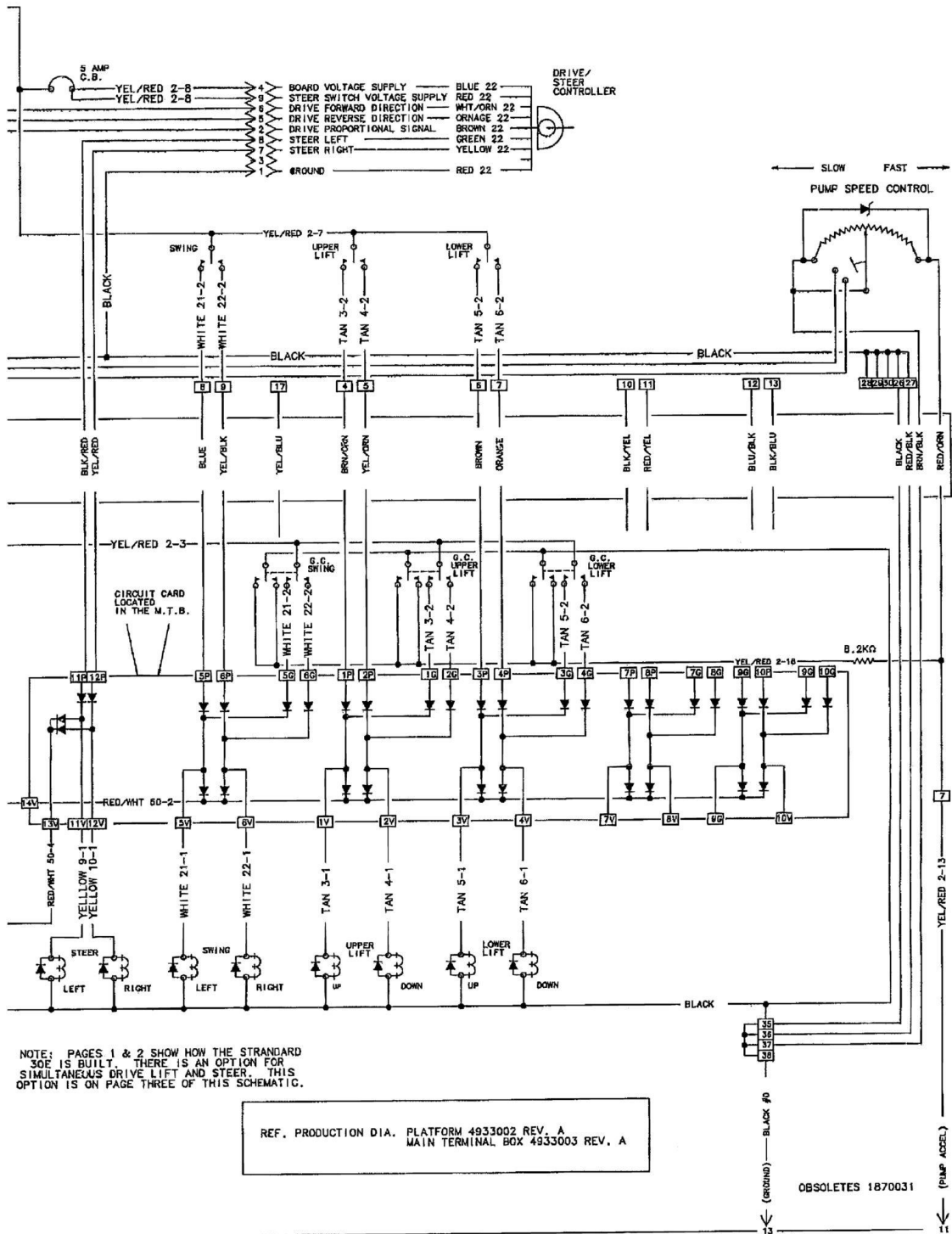
# SECTION 7 - ELECTRICAL







# SECTION 7 - ELECTRICAL



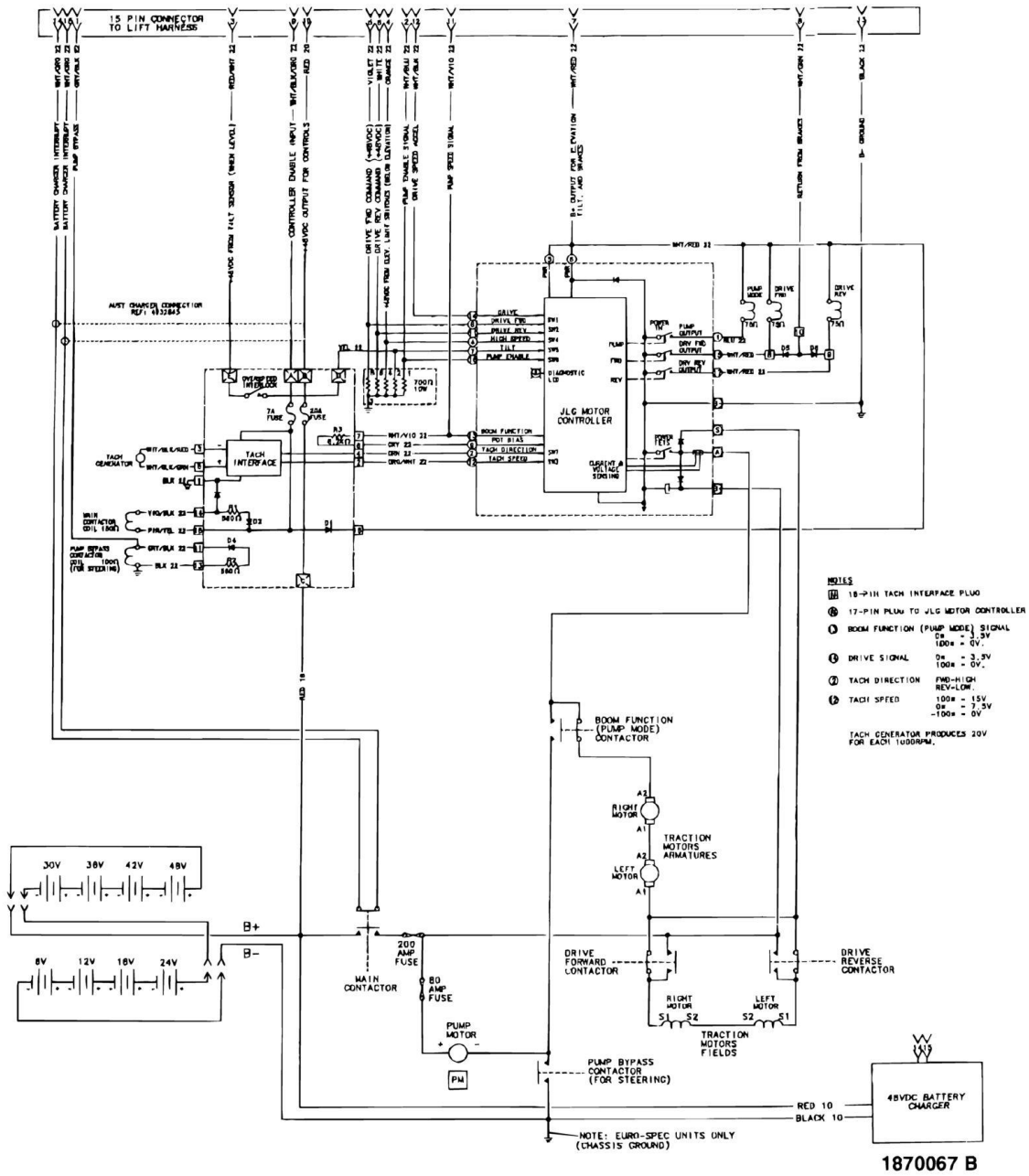
NOTE: PAGES 1 & 2 SHOW HOW THE STANDARD 30E IS BUILT. THERE IS AN OPTION FOR SIMULTANEOUS DRIVE LIFT AND STEER. THIS OPTION IS ON PAGE THREE OF THIS SCHEMATIC.

REF. PRODUCTION DIA. PLATFORM 4933002 REV. A  
 MAIN TERMINAL BOX 4933003 REV. A

DRIVE/PUMP CONTROLLER 15 PIN PLUG CONNECTOR  
 E SHEET 2 OF 2 FOR DRIVE/PUMP CONTROLLER SCHEMATIC

1870067 B

# SECTION 7 - ELECTRICAL



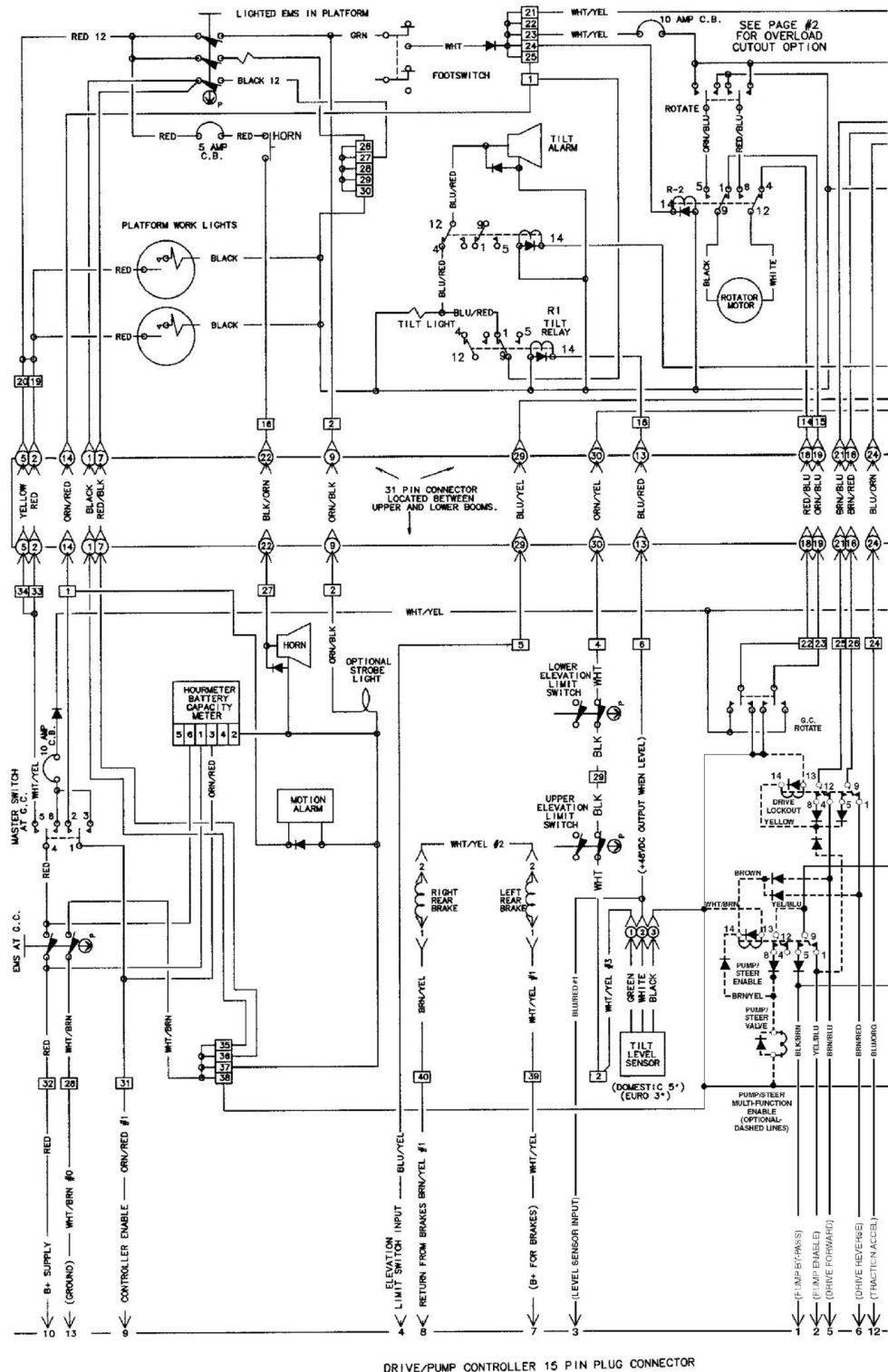
- NOTES**
- 18-PIH TACH INTERFACE PLUG
  - 17-PIH PLUG TO JLG MOTOR CONTROLLER
  - ROOM FUNCTION (PUMP MODE) SIGNAL ON = 3.3V 100K = 0V
  - DRIVE SIGNAL ON = 3.3V 100K = 0V
  - TACH DIRECTION FWD-HIGH REV-LOW
  - TACH SPEED 100K = 15V 0K = 7.5V -100K = 0V
- TACH GENERATOR PRODUCES 20V FOR EACH 1000RPM.



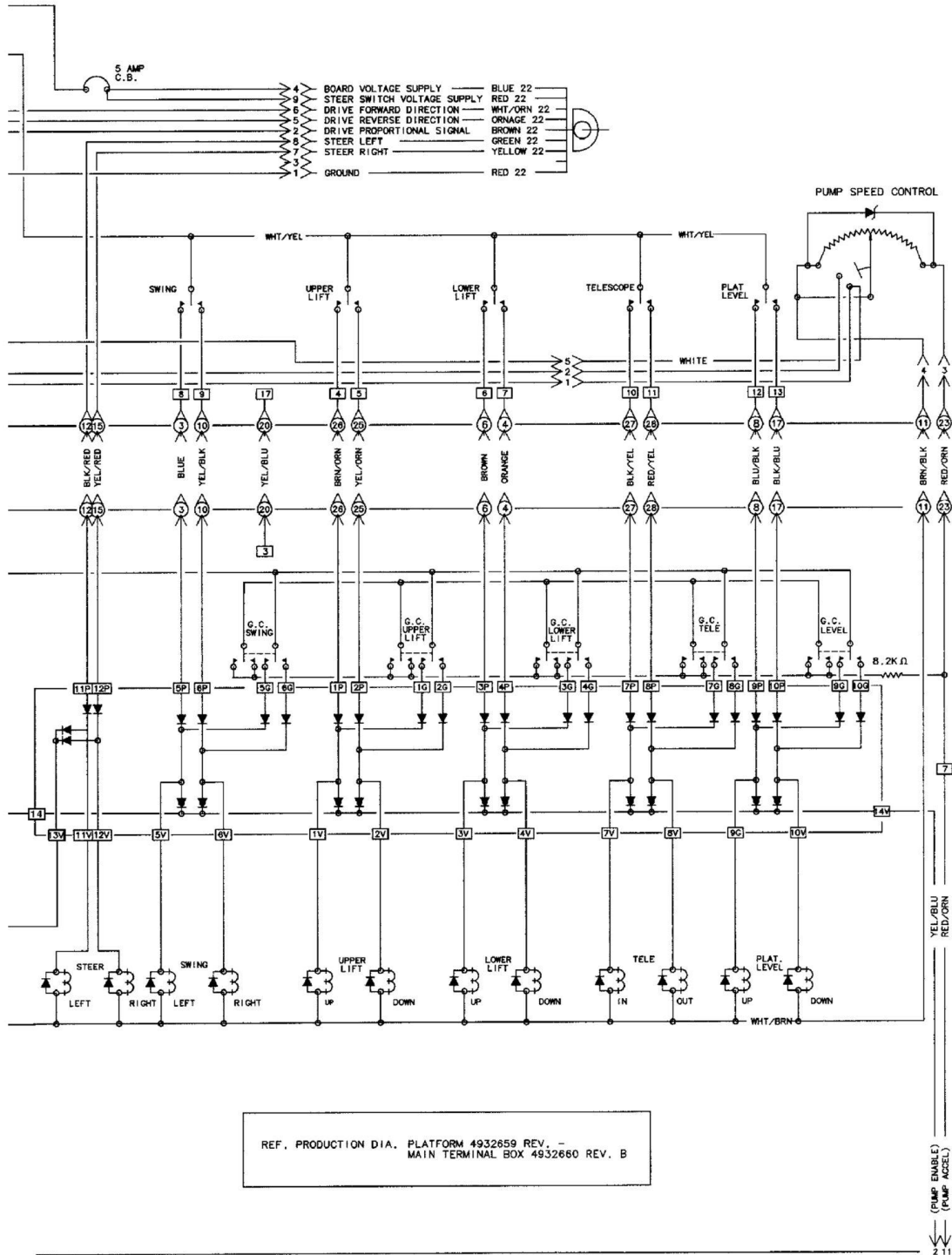
**THIS PAGE INTENTIONALLY LEFT BLANK**

# SECTION 7 - ELECTRICAL

## FIGURE 7-5. ELECTRICAL SCHEMATIC - 35ELECTRIC/40ELECTRIC/45ELECTRIC WITH COLORED WIRE (SHEET 1 OF 4) (Prior to SN 36648)



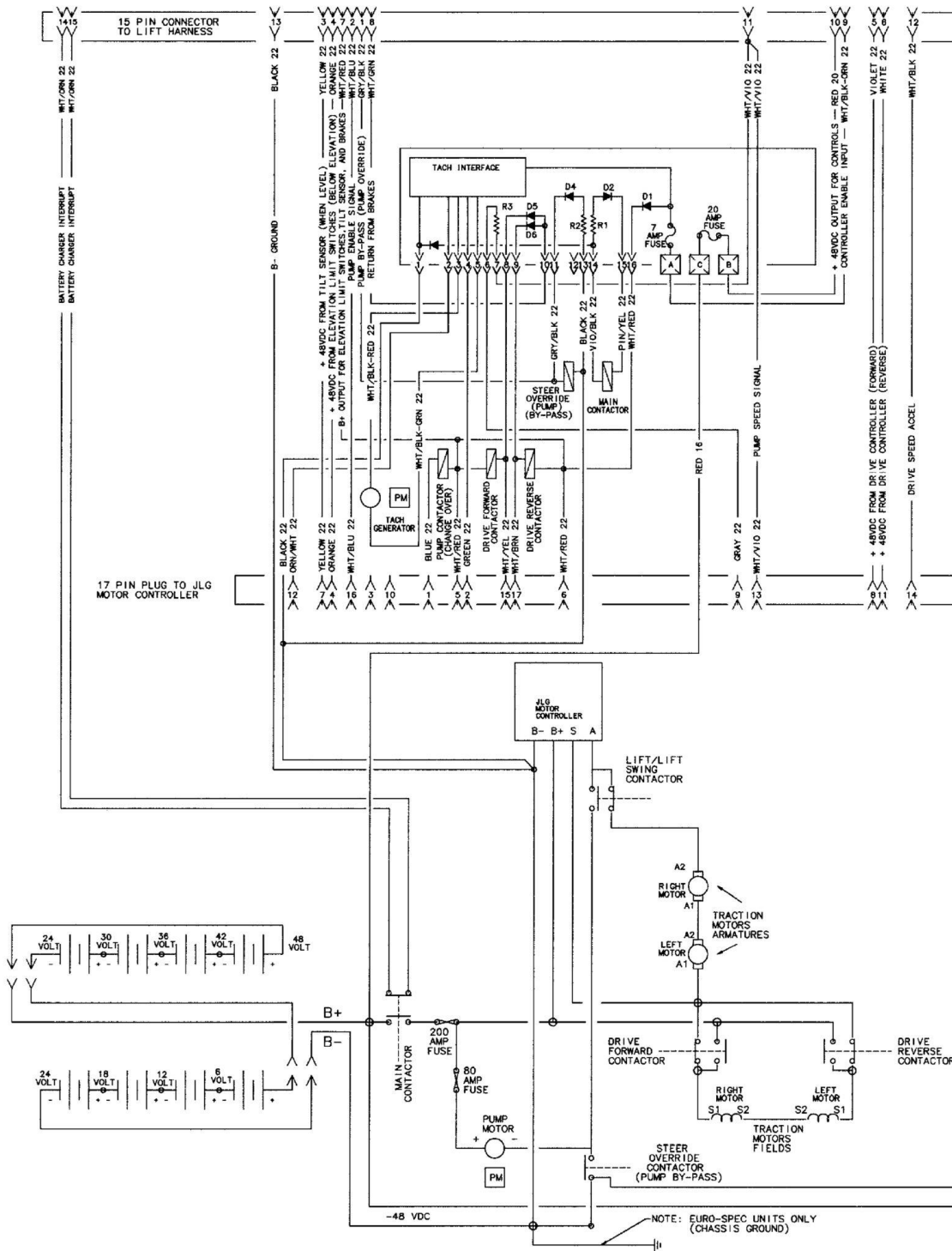
# SECTION 7 - ELECTRICAL



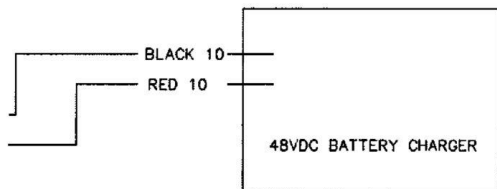
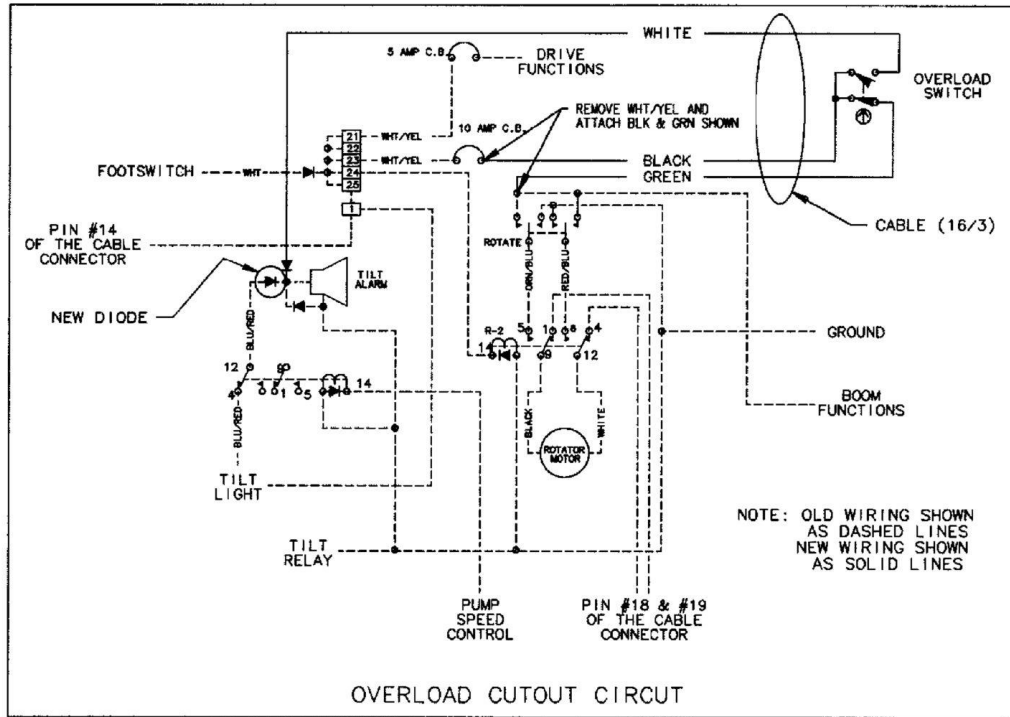
REF. PRODUCTION DIA. PLATFORM 4932659 REV. -  
 MAIN TERMINAL BOX 4932660 REV. B

1870032 H

# SECTION 7 - ELECTRICAL



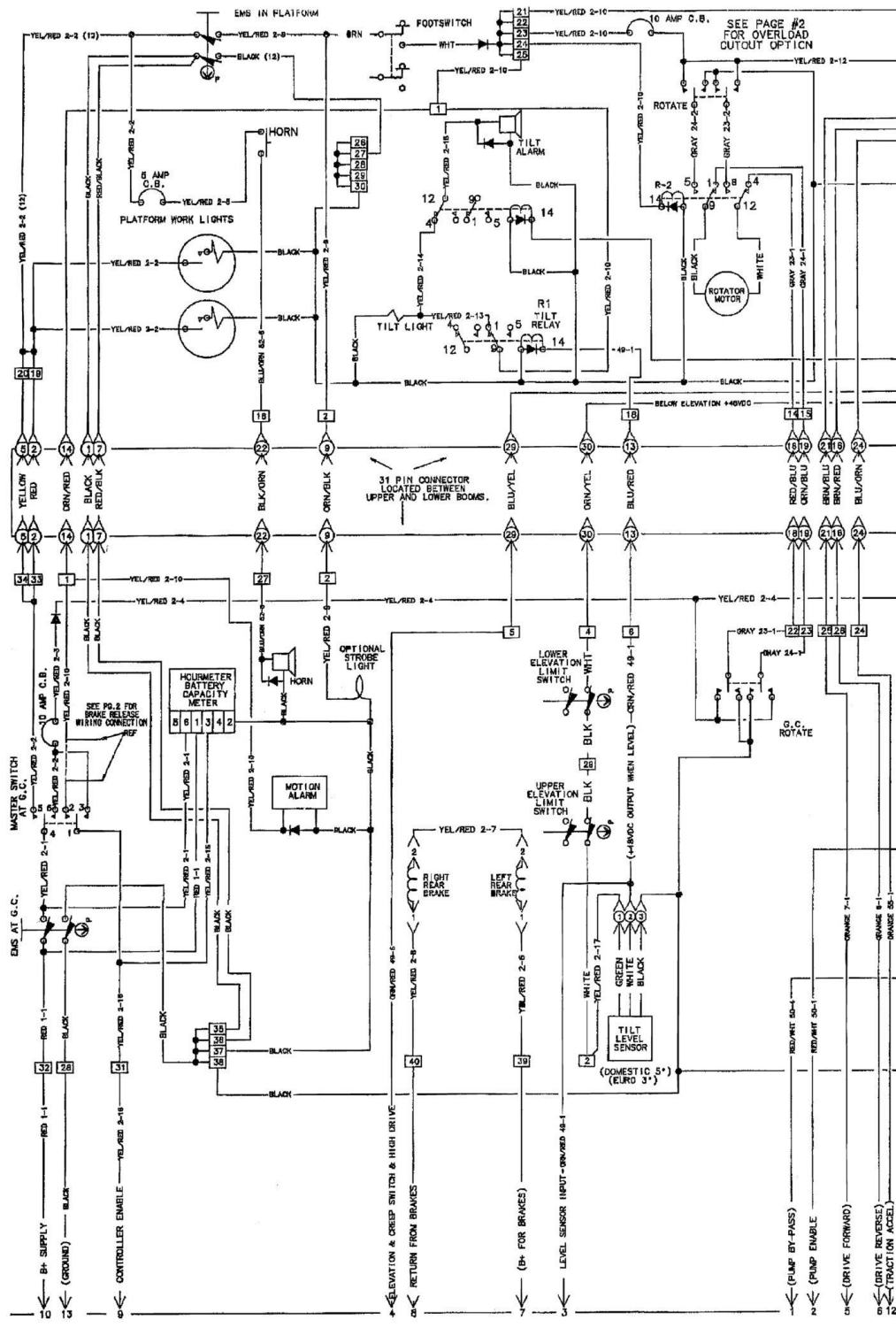
# SECTION 7 - ELECTRICAL



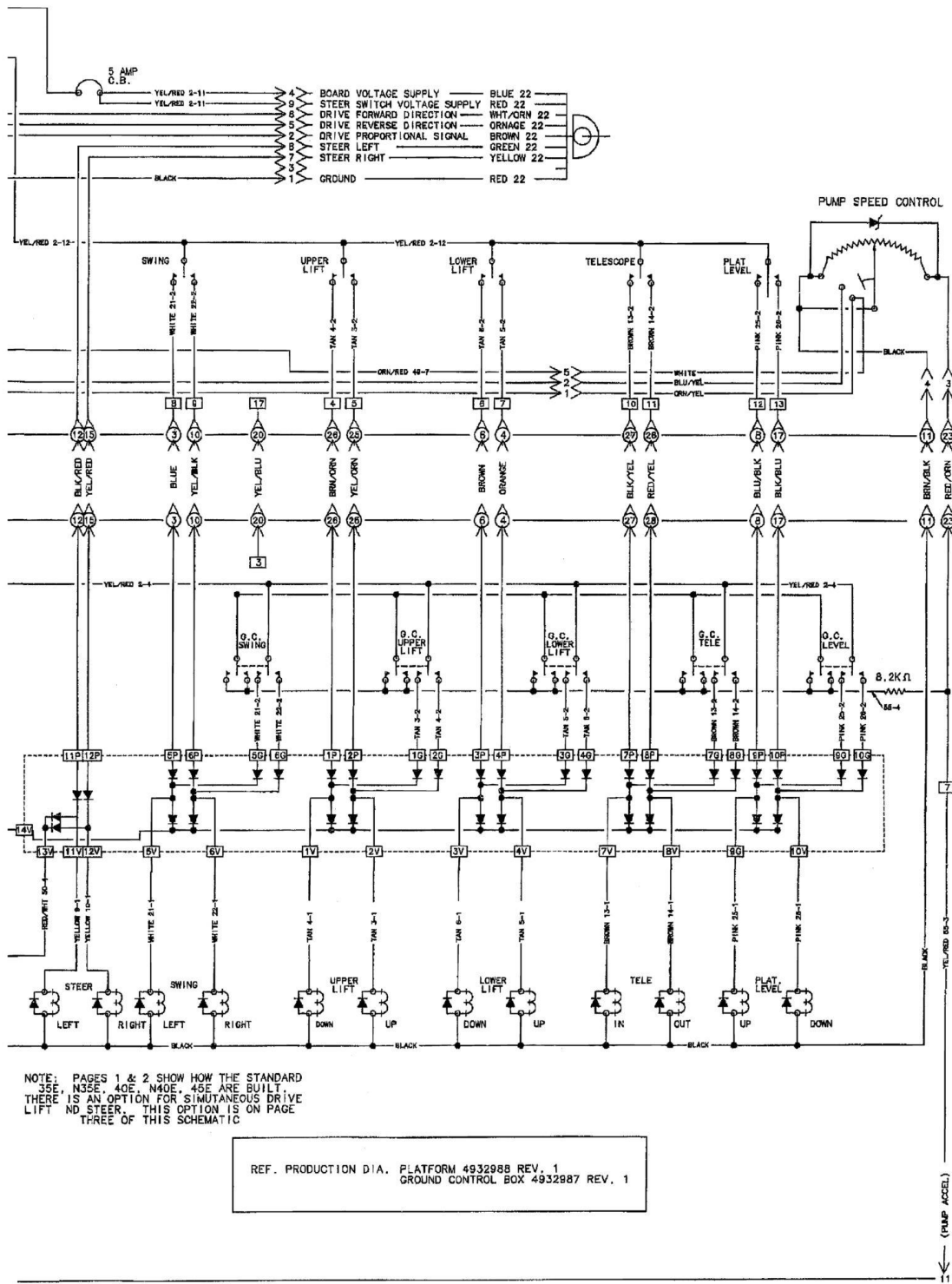
1870032 H

# SECTION 7 - ELECTRICAL

FIGURE 7-6. ELECTRICAL SCHEMATIC - 35ELECTRIC/40ELECTRIC/45ELECTRIC WITH NUMBERED COLORED WIRE (SHEET 1 OF 4) (SN 36648 to Present)



# SECTION 7 - ELECTRICAL



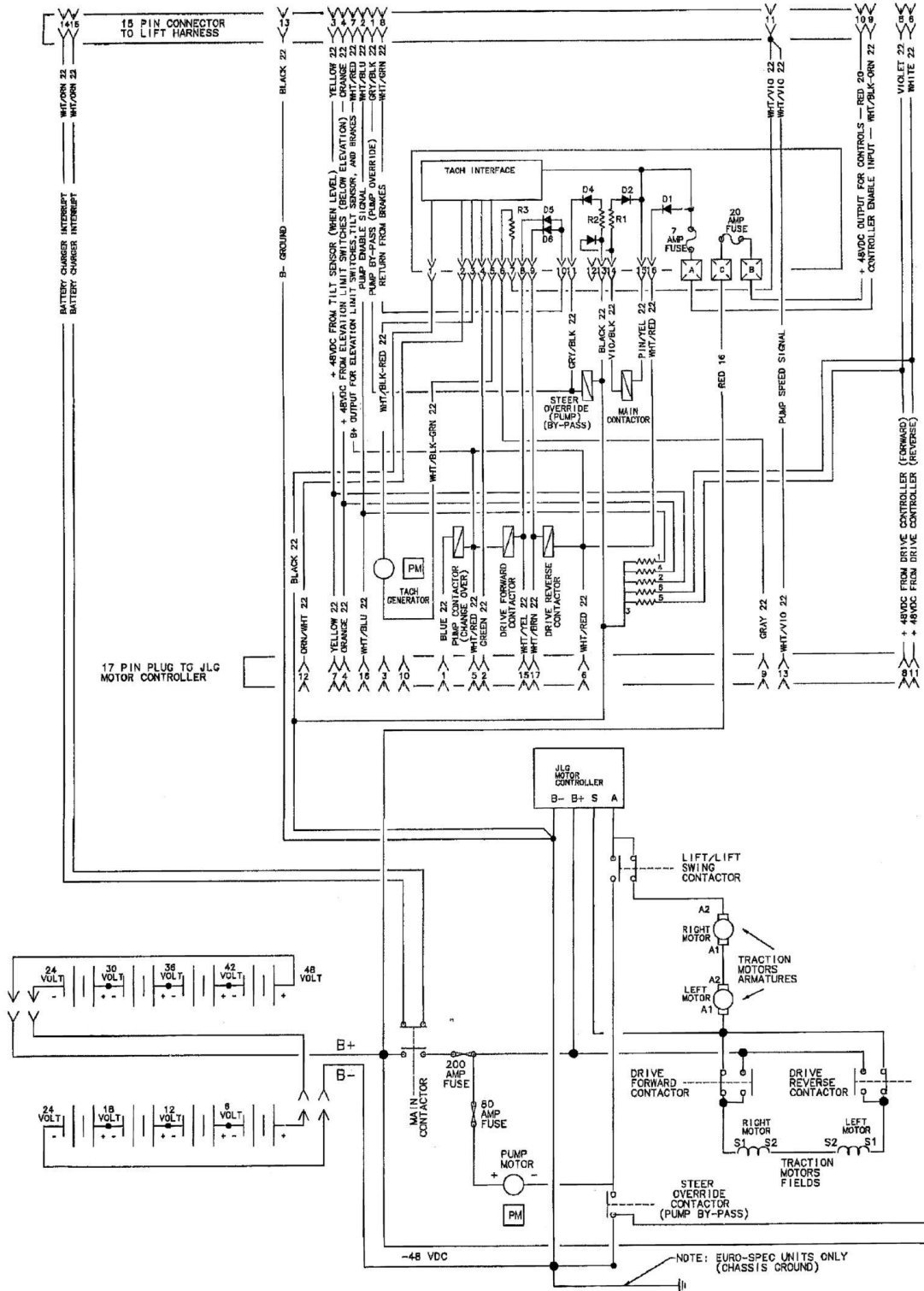
NOTE: PAGES 1 & 2 SHOW HOW THE STANDARD 35E, N35E, 40E, N40E, 45E ARE BUILT. THERE IS AN OPTION FOR SIMULTANEOUS DRIVE LIFT AND STEER. THIS OPTION IS ON PAGE THREE OF THIS SCHEMATIC

REF. PRODUCTION DIA. PLATFORM 4932988 REV. 1  
GROUND CONTROL BOX 4932987 REV. 1

DRIVE/PUMP CONTROLLER 15 PIN PLUG CONNECTOR  
SHEET 2 OF 2 FOR DRIVE/PUMP CONTROLLER SCHEMATIC

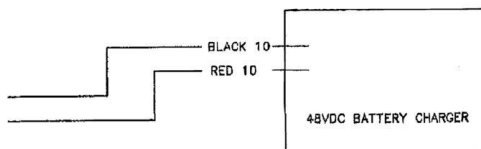
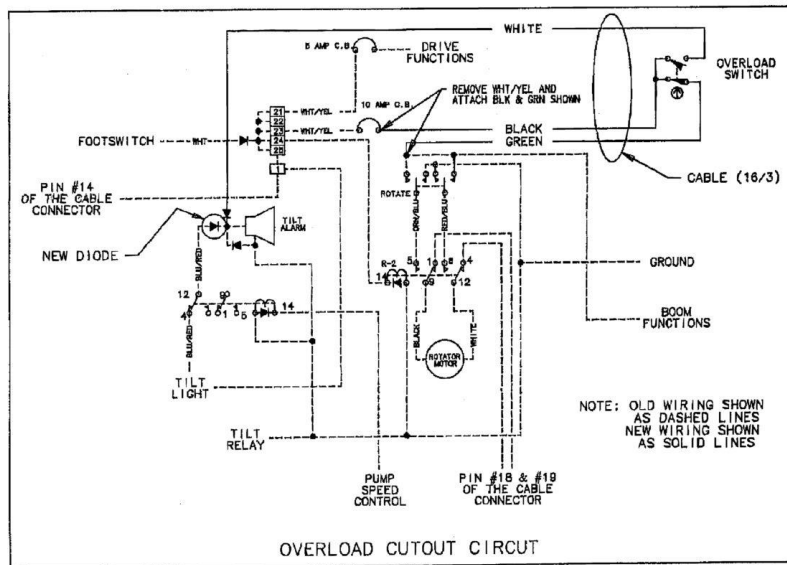
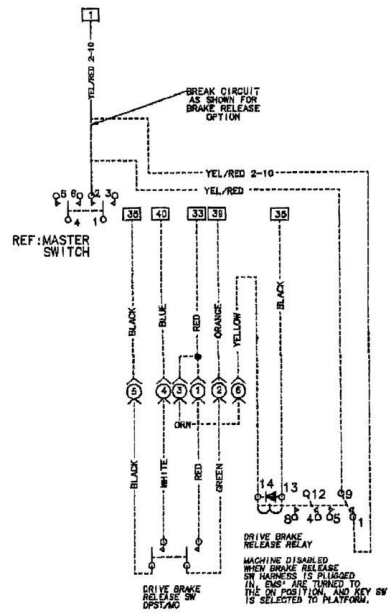
1870066 B

# SECTION 7 - ELECTRICAL





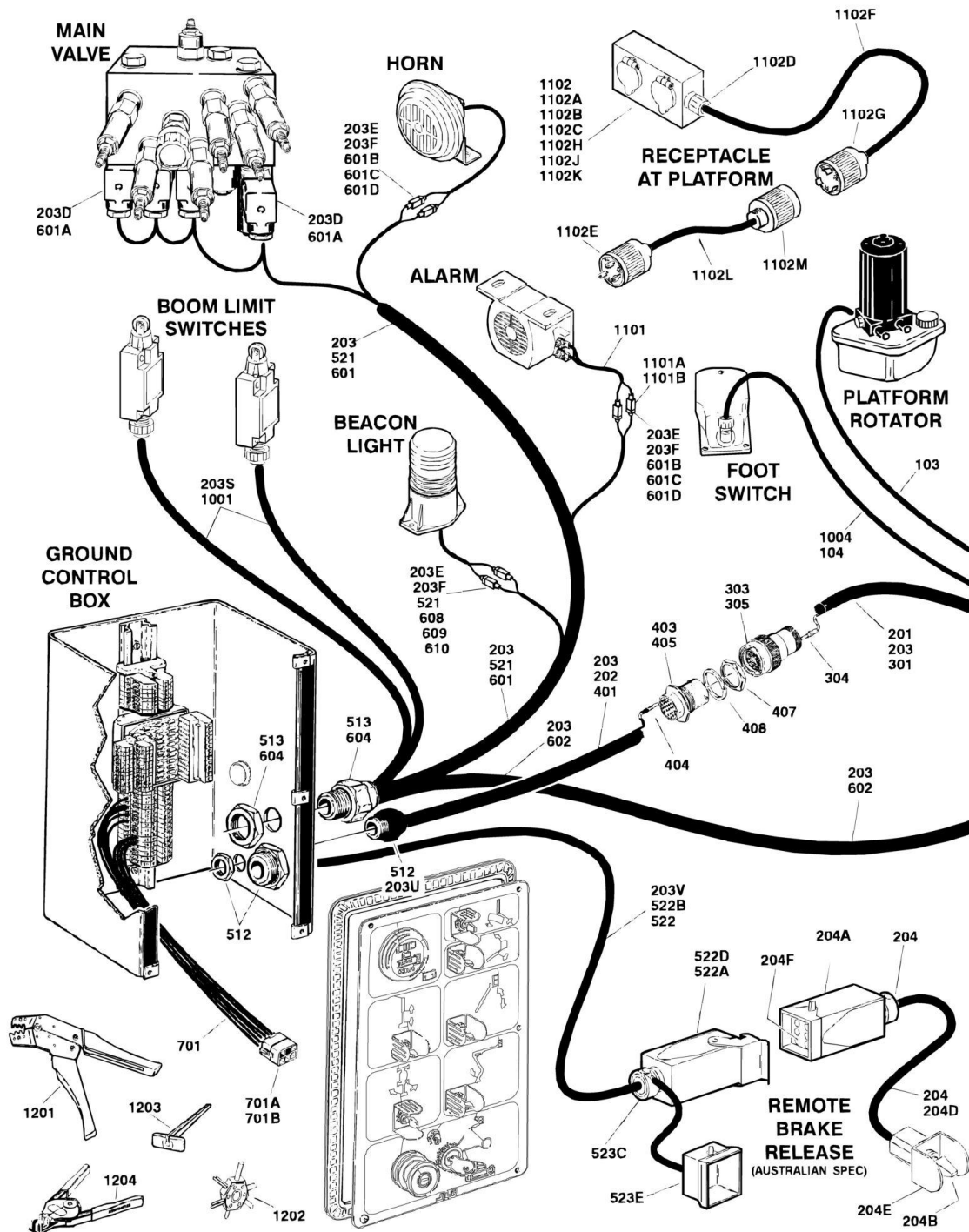
# SECTION 7 - ELECTRICAL



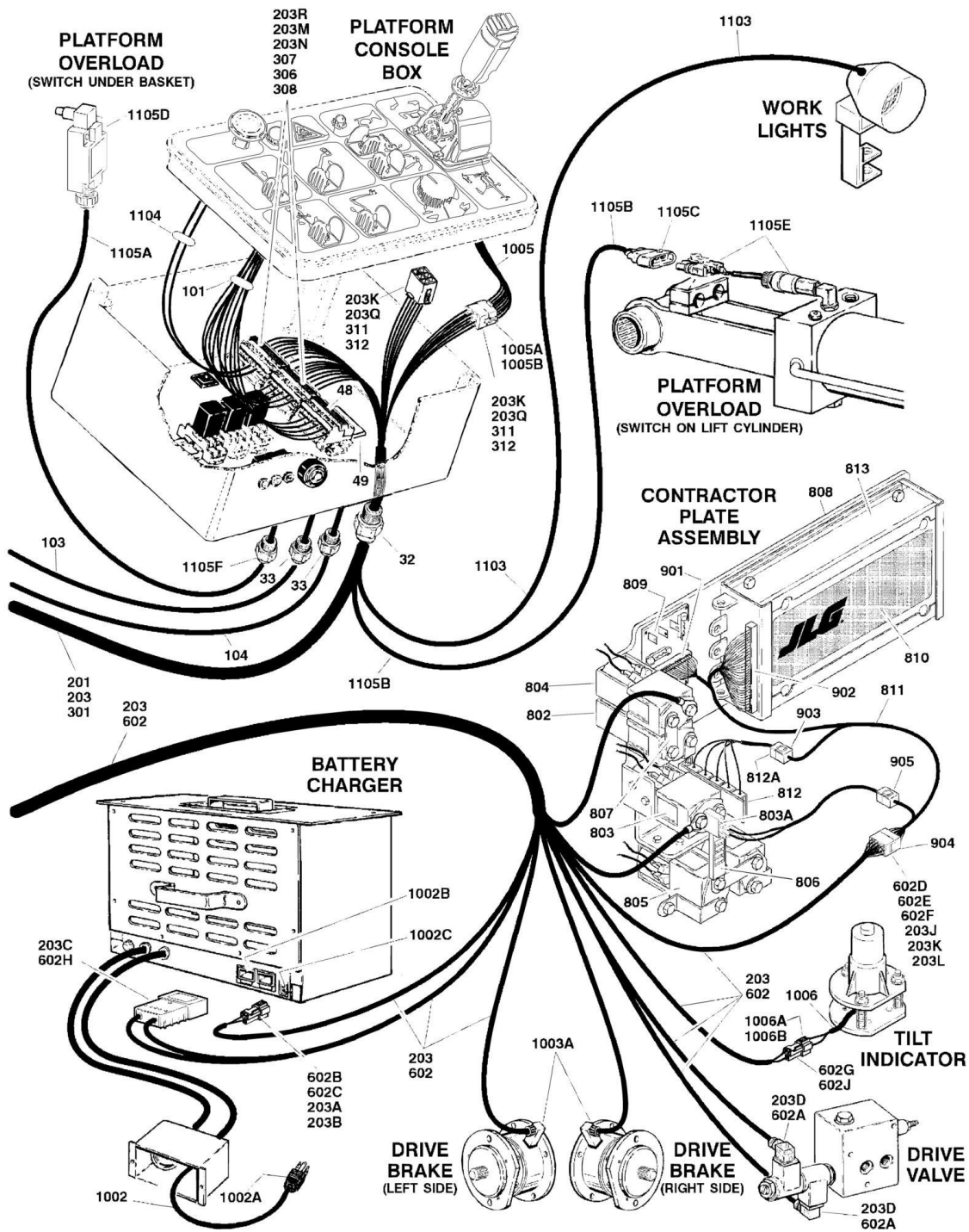
1860066 B

# SECTION 7 - ELECTRICAL

## FIGURE 7-7. HARNESS COMPONENTS INSTALLATION



# SECTION 7 - ELECTRICAL



# SECTION 7 - ELECTRICAL

## FIGURE 7-7. HARNESS COMPONENTS INSTALLATION

ITEM	PART NUMBER	QTY	DESCRIPTION	REV
		Ref	<b>ELECTRICAL HARNESS AND COMPONENTS INSTALLATION</b>	
		Ref	<b>NOTE: NUMBERED COLORED WIRE STARTS WITH SN 36648</b>	
		Ref	<b>NOTE: FOR ALL BATTERY AND CONTACTOR CABLES See FRAME SECTION.</b>	
		Ref	<b>PLATFORM CONSOLE BOX COMPONENTS</b>	
32	4460526	1	Connector, Strain Relief	
33	4460428	AR	Connector, Strain Relief	
48		Ref	Plug, Terminal Options:	
48	Not Required	0	Plug, Terminal 30electric	
48	4460523	1	Plug, Terminal 35electric/40electric/45electric	
49		Ref	Bridge, Insertion	
49	Not Required	0	Bridge, Insertion 30electric	
49	4460529	2	Bridge, Insertion 35electric/40electric/45electric	
		Ref	<b>PLATFORM ELECTRICAL DIAGRAMS</b>	
	4932674	Ref	<b>Platform Electrical Diagrams 30electric (Prior to SN 33441)</b>	A
	4932936	Ref	<b>Platform Electrical Diagrams 30electric (SN 33441 through 36543)</b>	-
	4933002	Ref	<b>Platform Electrical Diagrams 30electric (SN 36544 to Present)</b>	2-B
	4932659	Ref	<b>Platform Electrical Diagrams 35/40/45electric (Prior to SN 33441)</b>	C
	4932937	Ref	<b>Platform Electrical Diagrams 35/40/45electric (SN 33441 through 36647)</b>	-
	4932988	Ref	<b>Platform Electrical Diagrams 35/40/45electric (SN 36648 to Present)</b>	2-B
101		Ref	Harness, Platform Console Box Options:	
101	Not Available		Harness, Platform Console Box 30electric ( <b>Prior to SN 36544</b> )	
101	4922056	1	Harness, Platform Console Box 30electric ( <b>SN 36544 to Present</b> )	
101	Not Available		Harness, Platform Console Box 35/40/45electric ( <b>Prior to SN 36648</b> )	
101	4922042	1	Harness, Platform Console Box 35/40/45electric ( <b>SN 36648 to Present</b> )	
102	3990001	2	Diode - 3.5 Amp (Not Shown)	
103	1060341	8 ft/2.4m	Cable, Electrical - 16/2 (35/40/45electric only)	
104	1060330	7 ft/2.2m	Cable, Electrical - 16/3	
110	3990010	1	Diode - 6 Amp (Not Shown)	
		Ref	<b>BOOM CABLES INSTALLATIONS</b>	
	0254738	Ref	Boom Cables Installations 30electric Euro and Australian Spec ( <b>Prior to SN 36544</b> )	A
	0258226	Ref	Boom Cables Installations 30electric Euro Spec ( <b>SN 36544 to Present</b> )	1
	0258345	Ref	Boom Cables Installations 30electric Australian Spec ( <b>SN 36544 to Present</b> )	1
	0254595	Ref	Boom Cables Installations 35electric ( <b>Prior to SN 36648</b> )	D
	0258565	Ref	Boom Cables Installations 35electric ( <b>SN 36648 to Present</b> )	1
	0254647	Ref	Boom Cables Installations 40electric ( <b>Prior to SN 36648</b> )	6
	0258563	Ref	Boom Cables Installations 40electric ( <b>SN 36648 to Present</b> )	1
	0254041	Ref	Boom Cables Installations 45electric ( <b>Prior to SN 36648</b> )	7
	0258564	Ref	Boom Cables Installations 45electric ( <b>SN 36648 to Present</b> )	1
201		Ref	Harness Assembly - Upper Boom (See Items 301- 315 for Breakdown)	

## SECTION 7 - ELECTRICAL

ITEM	PART NUMBER	QTY	DESCRIPTION	REV
201	4921644	1	Harness Assembly - Upper Boom 35electric ( <b>Prior to SN 36648</b> )	C
201	4922128	1	Harness Assembly - Upper Boom 35electric ( <b>SN 36648 to Present</b> )	2
201	4921644	1	Harness Assembly - Upper Boom 40electric ( <b>Prior to SN 36648</b> )	C
201	4922128	1	Harness Assembly - Upper Boom 40electric ( <b>SN 36648 to Present</b> )	2
201	4921645	1	Harness Assembly - Upper Boom 45electric ( <b>Prior to SN 36648</b> )	D
201	4922127	1	Harness Assembly - Upper Boom 45electric ( <b>SN 36648 to Present</b> )	1
202		Ref	Harness Assembly - Lower Boom (See Items 401- 419 for Breakdown)	
202	4921650	1	Harness Assembly - Lower Boom 35electric	B
202	4921581	1	Harness Assembly - Lower Boom 40electric	C
202	4921591	1	Harness Assembly - Lower Boom 45electric	C
203		Ref	Harness Assembly - Boom/Chassis/Valve	
203	4921659	1	Harness Assembly - Boom/Chassis/Valve 30electric Euro and Australian Specs ( <b>Prior to SN 36544</b> )	A
203	4922061	1	Harness Assembly - Boom/Chassis/Valve 30electric Euro Spec ( <b>SN 36544 to Present</b> )	2
203	4922129	1	Harness Assembly - Boom/Chassis/Valve 30electric Australian Spec ( <b>SN 36544 to Present</b> )	2
203	1060516	46.5 ft/14.2m	Cable, Electrical - 16/30	
203A	4460320	1	Connector - 2 Position	
203B	4460268	2	Socket, Female	
203C	4460444	1	Connector, Anderson	
203D	4460499	8	Connector, DIN	
203E	4460454	AR	Terminal, Female	
203F	4460453	AR	Terminal, Male	
203G	4460539	1	Connector - 3 Position	
203H	4460465	3	Socket, Female	
203J	4460434	1	Connector, Male - 15 Position	
203K	4460267	28	Pin, Male	
203L	4460446	1	Terminal, Strain Relief	
203M	4460523	2	Connector - 10 Position	
203N	4460525	1	Markers, Terminal (1-30)	
203P	4460527	1	Bridge, Insertion - 2 Position	
203Q	4460265	1	Connector - 9 Position	
203R	4460225	1	Connector - 6 Position	
203S	1060341	47.5 ft/14.5m	Cable, Electrical 16/2	
203T	3990001	3	Diode - 3.5 Amp	
203U	4460426	1	Connector, Strain Relief	
203V	4922119	1	Harness, Brake Disconnect (Australian Spec Only) (See Items 522A-522E for Breakdown)	
204		Ref	Harness Assembly - Brake Release Options:	
204	Not Required	0	Euro and Australian Specs ( <b>Prior to SN 36544</b> )	A
204	Not Required	0	Euro Spec ( <b>SN 36544 to Present</b> )	1
204	4922065	1	Australian Spec ( <b>SN 36544 to Present</b> )	1
204A	4460731	1	Coupler, Electrical	
204B	4360204	1	Switch, Toggle	

## SECTION 7 - ELECTRICAL

ITEM	PART NUMBER	QTY	DESCRIPTION	REV
204C	4460734	1	Clamp, Terminal	
204D	1060042	25 ft/7.6m	Cable, Electrical - 16/5	
204E	4060802	1	Guard, Switch	
204F	4460729	1	Terminal, Male Insert	
		Ref	<b>HARNES ASSEMBLY - UPPER BOOM (35/40/45electric)</b> <b>(Note: See item 203 for 30electric harness.)</b>	
301	1060516	AR	Cable, Electrical - 16/30	
301	1060516	27.5 ft/8.4m	Cable, Electrical - 16/30 35electric/45electric	
301	1060516	31 ft/9.5m	Cable, Electrical - 16/30 40electric	
303	4460501	1	Connector - 31 Pin (Female)	
304	4460464	30	Pin, Male	
305	4460466	1	Seal, Terminal	
306	4460523	2	Connector - 10 Position	
307	4460525	1	Markers, Terminal (1-30)	
308	4460527	1	Bridge, Insertion - 2 Position	
311	4460265	1	Connector - 9 Position	
312	4460267	13	Pin, Male	
315	4460225	1	Connector - 6 Position	
		Ref	<b>HARNES ASSEMBLY - TOWER BOOM (35/40/45electric)</b> <b>(Note: See item 203 for 30electric harness.)</b>	
401	1060516	AR	Cable, Electrical - 16/30	
401	1060516	27 ft/8.3m	Cable, Electrical - 16/30 35electric	
401	1060516	34 ft/10.4m	Cable, Electrical - 16/30 40electric	
401	1060516	37 ft/11.3m	Cable, Electrical - 16/30 45electric	
403	4460500	1	Connector - 31 Pin (Male)	
404	4460465	30	Socket, Female	
405	4460466	1	Seal, Terminal	
407	4460470	1	Nut, Terminal (Prior to SN October 1995 Only)	
408	4460471	1	Washer, Terminal (Prior to SN October 1995 Only)	
		Ref	<b>GROUND CONTROL BOX COMPONENT (35/40/45electric)</b>	
512	4460425	2	Connector, Strain Relief	
513	4460426	1	Connector, Strain Relief	
521		Ref	Harness - Chassis and Valve Options (See Items 601-610 for Breakdown)	
521	4921643	1	Harness - Chassis and Valve 35/40/45electric <b>(Prior to SN 36648)</b>	
521	4922039	1	Harness - Chassis and Valve 35/40/45electric <b>(SN 36648 to Present)</b>	
522		Ref	Harness - Brake Disconnect Options 601-610 for Breakdown	
522	Not Required	0	Harness - Brake Disconnect 35electric Euro and Australian <b>(Prior to SN 36648)</b>	
522	Not Required	0	Harness - Brake Disconnect 35electric Euro Spec <b>(SN 36648 to Present)</b>	
522	4922132	1	Harness - Brake Disconnect 35electric Australian Spec <b>(SN 36648 through 58843)</b>	
522	492213	1	Harness - Brake Disconnect 35electric Australian Spec <b>(SN 58844 to Present)</b>	
522	Not Required	0	Harness - Brake Disconnect 40/45electric Euro and Australian Spec <b>(Prior to SN 36648)</b>	
522	Not Required	0	Harness - Brake Disconnect 40/45electric Euro Spec <b>(Prior to SN 36648)</b>	

## SECTION 7 - ELECTRICAL

ITEM	PART NUMBER	QTY	DESCRIPTION	REV
522	4922133	1	Harness - Brake Disconnect 40/45electric Australian Spec (SN 36648 to Present)	
522A	4460736	1	Coupler, Electrical	
522B	1060042	4 ft/1.2m	Cable, Electrical - 16/5	
522C	4460734	1	Clamp, Terminal	
522D	4460730	1	Terminal, Male Insert	
522E	4460733	1	Cover, Terminal	
		Ref	<b>CHASSIS/VALVE HARNESS ASSEMBLY (35/40/45electric)</b> <b>(Note: See item 203 for 30electric harness.)</b>	
601		Ref	Valve Harness Options:	
601	4921641	1	Valve Harness (Prior to SN 36648)	
601	4921882	1	Valve Harness (SN 36648 to Present)	
601A	4460499	10	Connector, DIN	
601B	4460454	3	Terminal, Female	
601C	4460453	4	Terminal, Male	
601D	3990001	2	Diode 3.5 Amp	
602		Ref	Chassis Harness Options:	
602	4921642	1	Chassis Harness (Prior to SN 36648)	
602	4922040	1	Chassis Harness (SN 36648 to Present)	
602A	4460499	2	Connector, DIN	
602B	4460320	1	Connector - 2 Position	
602C	4460268	2	Socket, Female	
602D	4460434	1	Connector - 15 Position	
602E	4460267	15	Pin, Male	
602F	4460446	1	Terminal, Strain Relief	
602G	4460539	1	Connector - 3 Position	
602H	4460444	1	Connector, Anderson	
602J	4460465	3	Socket, Female	
604	4460426	1	Connector, Strain Relief	
608	4460454	2	Terminal, Female	
609	4460453	2	Terminal, Male	
610	3990001	1	Diode 3.5 Amp	
		Ref	<b>GROUND CONTROL BOX ELECTRICAL DIAGRAMS</b>	
	4932675	Ref	<b>Ground Control Box Electrical Diagrams 30electric Euro and Australian Spec (Prior to SN 36544)</b>	A
	4933003	Ref	<b>Ground Control Box Electrical Diagrams 30electric Euro Spec (SN 36544 to Present)</b>	C-2
	4933024	Ref	<b>Ground Control Box Electrical Diagrams 30electric Australian Spec (SN 36544 to Present)</b>	1-C
	4932660	Ref	<b>Ground Control Box Electrical Diagrams 35/40/45electric Euro and Australian Spec (Prior to SN 36648)</b>	H
	4932987	Ref	<b>Ground Control Box Electrical Diagrams 35/40/45electric Euro Spec (SN 36648 to Present)</b>	2-C
	4933028	Ref	<b>Ground Control Box Electrical Diagrams 35/40/45electric Australian Spec (SN 36648 to Present)</b>	1-B
701		Ref	Harness - Ground Control Box Options:	
701	Not Available		Harness - Ground Control Box 30electric (Used individual wires and components) (Prior to SN 36544)	
701	4922045	1	Harness - Ground Control Box 30electric Euro Spec (SN 36544 to Present)	
701	4922122	1	Harness - Ground Control Box 30electric Australian Spec (SN 36544 to Present)	
701	Not Available		Harness - Ground Control Box 35/40/45electric (Used individual wires and components) (Prior to SN 36648)	

## SECTION 7 - ELECTRICAL

ITEM	PART NUMBER	QTY	DESCRIPTION	REV
701	4922043	1	Harness - Ground Control Box 35/40/45electric Euro and Australian Spec <b>(SN 36648 to Present)</b>	
701B	4460419	36	Terminal	
701C	3990010	1	Diode - 6 Amp (Not Shown)	
701D	3730103	1	Resistor 8.2K (Not Shown)	
		Ref	<b>CONTACTOR PLATE ASSEMBLY</b>	
	0254549	Ref	<b>Contactor Plate Assembly 30electric/35electric/40electric</b>	C
	0254597	Ref	<b>Contactor Plate Assembly 45electric</b>	C
801	2400045	1	Fuse 80 Amp (Not Shown)	
802	7013301	1	Contactor (Changeover)	
802	7013316	1	Tip Kit for 7013301 Contactor	
803	7013306	1	Contactor (Main)	
803	7013317	1	Tip Kit for 7013306 Contactor	
803A	7013332	1	Micro Switches Kit for 7013306 Contactor	
804	7013303	1	Contactor (By-Pass)	
804	7013318	1	Tip Kit for 7013303 Contactor	
805	7013302	1	Contactor (Forward/Reverse)	
805	7013319	1	Tip Kit for 7013302 Contactor	
806	2400041	1	Fuse, Buss - 200 Amp	
807	7013336	1	Bar, Buss	
808	Not Serviced	1	Plate, Mounting	
809	7013314	1	Board, PC	
809	2400005	1	Fuse, 20Amp	
809	7013322	1	Fuse, 7Amp	
810	Not Serviced	1	Decal	
811	7013313	1	Harness Assembly (See Items 901 to 906 for Breakdown)	
812	7013315	1	Resistor/Bracket Assembly	
812A	4460224	1	Connector, Female	
812A	4460268	6	Socket	
813		Ref	Control Module Options:	
813	7013310-30E	1	Control Module Model 30electric	
813	7013310-35E	1	Control Module Model 35electric	
813	7013310-40E	1	Control Module Model 40electric	
813	7013311	1	Control Module Model 45electric	
	7013313	Ref	<b>CONTACTOR PLATE HARNESS ASSEMBLY</b>	
901	7013325	1	Connector - 16 Position/15 Wire	
901	7013320	15	Pin	
902	7013326	1	Connector - 17 Position/16 Wire	
902	7013320	16	Pin	
903	4460225	1	Connector - 6 Position/6 Wire	
903	7013331	6	Pin	
904	7013327	1	Connector, Female - 15 Position/15 Wire	
904	7013329	15	Socket	
905	7013328	1	Connector, Female - 4 Position/1 Wire (On Harness But Not Required for Lifts)	
905	7013329	1	Socket	
906	7016618	1	Tool, Sevcon Pin Removal (Not Shown)	
		Ref	<b>STANDARD HARNESS COMPONENTS</b>	
1001	Not Available	1	Boom Limit Switch Harness	
1001	1060341	AR	Cable, Electrical 16/2	
1001	1060341	34	Cable, Electrical 16/2 35electric	
		ft/10.4m		



## SECTION 7 - ELECTRICAL

ITEM	PART NUMBER	QTY	DESCRIPTION	REV
1001	1060341	48 ft/14.6m	Cable, Electrical 16/2 40electric	
1001	1060341	58 ft/15m	Cable, Electrical 16/2 45electric	
1002		Ref	Battery Charger Electrical Components:	
1002A		Ref	AC Cord - Battery Charger Options:	
1002A	7011672	1	Australian Spec	
1002A	7011544	1	Dutch/ French/ German/ Italian/ Spanish Spec (Prior to August 1995)	
1002A	7011572	1	Dutch/ French/ German/ Italian/ Spanish Spec (August 1995 to Present)	
1002A	7011674	1	UK Spec ( <b>Prior to SN 36625</b> )	
1002A	7020608	1	UK Spec ( <b>SN 36625 to Present</b> )	
1002B	7011590	1	Connector, DC	
1002C	7011621	1	Connector, Enable Switch	
1002D	7011669	1	Connector, AC (Australian Spec Only - Not Shown)	
1003		Ref	Brake Electrical Components:	
1003A	7012580	2	Connector, Electrical	
1004	4921396	1	Footswitch Harness	
1005	Not Available	1	Controller Harness Assembly	
1005A	4460266	1	Receptacle Female - 9 Position	
1005B	4460226	9	Socket, Female	
1006	Not Available		Tilt Sensor Harness	
1006A	4460536	1	Receptacle, Female - 3 Position	
1006B	4460464	3	Pin, Male	
		Ref	<b>OPTIONAL HARNESS COMPONENTS</b>	
1101		Ref	Motion Alarm Harness Options:	
1101	4921425	1	Motion Alarm Harness ( <b>Prior to SN 36648</b> )	
1101	4922076	1	Motion Alarm Harness ( <b>SN 36648 to Present</b> )	
1101A	4460454	3	Terminal, Female	
1101B	4460453	4	Terminal, Male	
1102		Ref	Receptacle Box at Platform Components	
1102	0252672	Ref	Receptacle Box at Platform Components 30electric	B
1102	0254543	Ref	Receptacle Box at Platform Components 35electric	A
1102	0253717	Ref	Receptacle Box at Platform Components 40electric	B
1102	0254043	Ref	Receptacle Box at Platform Components 45electric	A
1102A	Supply Locally	1	Box, Electrical	
1102B	Supply Locally	1	Receptacle, Electrical	
1102C	Supply Locally	1	Cover, Receptacle	
1102D	Supply Locally	1	Connector, Strain Relief	
1102E	Supply Locally	1	Plug	
1102F		Ref	Harness Options (Upper Boom):	
1102F	Not Available		Harness 30electric	
1102F	1060461	40 ft/12.m	Cable, Electrical - 16/3	
1102F	4921649	1	Harness 35electric	
1102F	4921571	1	Harness 40electric	
1102F	4921595	1	Harness 45electric	
1102G		Ref	Plug, Male (35/40/45electric Only) Options:	
1102G	4460205	1	Plug, Male 35/40electric	
1102G	4460205	1	Plug, Male 45electric ( <b>Prior to SN 45331</b> )	
1102G	4460709	1	Plug, Male 45electric ( <b>SN 45331 to Present</b> )	
1102H	Supply Locally	4	Screw, Machine	
1102J	Supply Locally	4	Lockwasher	

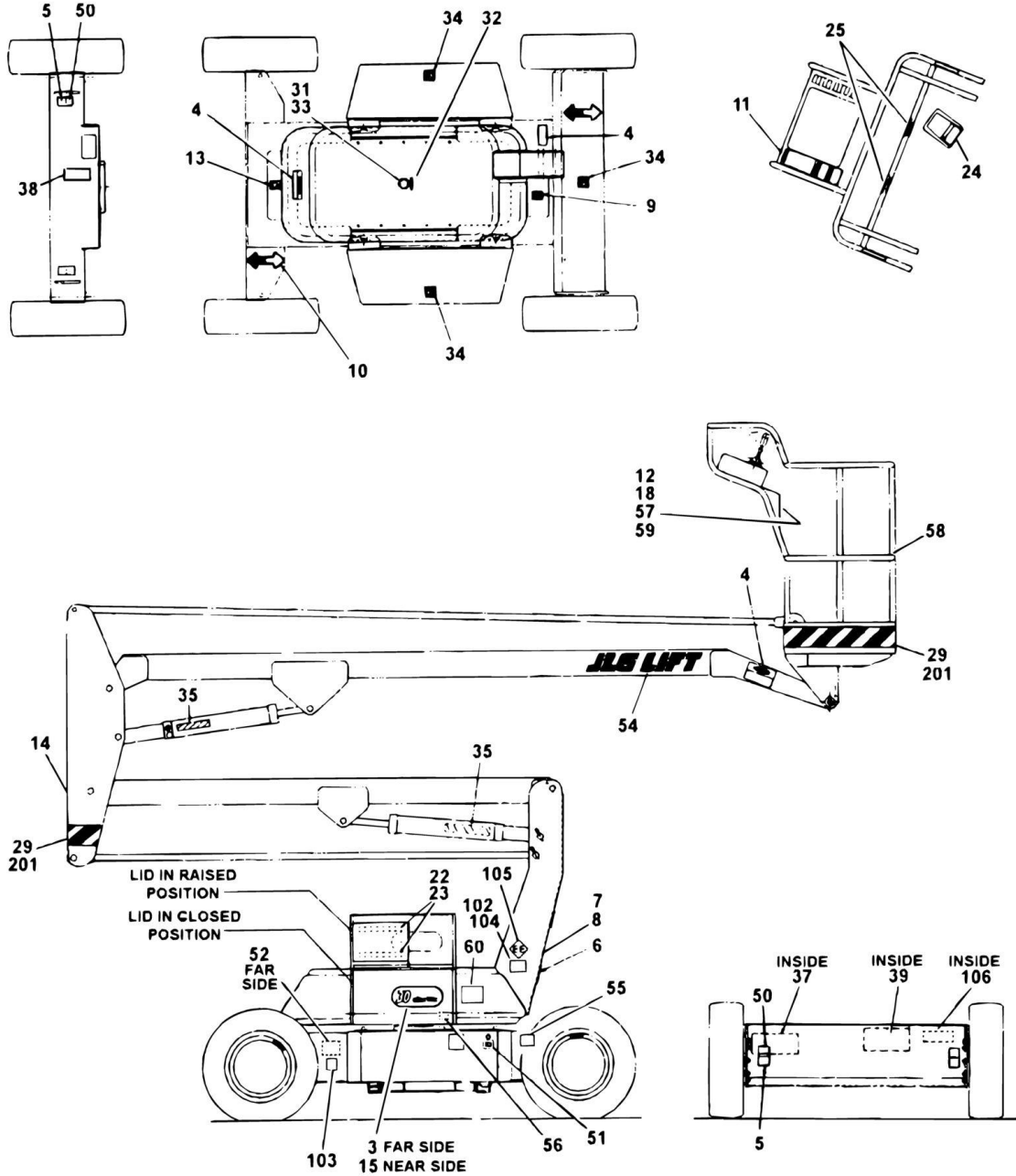
## SECTION 7 - ELECTRICAL

ITEM	PART NUMBER	QTY	DESCRIPTION	REV
1102K	Supply Locally	1	Gasket	
1102L		Ref	Harness Options (Lower Boom):	
1102L	Not Available		Harness 30electric	
1102L	1060461	40 ft/12.m	Cable, Electrical - 16/3	
1102L	4921649	1	Harness 35electric	
1102L	4921570	1	Harness 40electric	
1102L	4921594	1	Harness 45electric	
1102M		Ref	Receptacle (35/40/45electric Only) Options:	
1102M	4460134	1	Receptacle 35/40electric	
1102M	4460134	1	Receptacle 45electric ( <b>Prior to SN 45331</b> )	
1102M	4460710	1	Receptacle 45electric ( <b>SN 45331 to Present</b> )	
1103	4921428	1	Platform Worklight Harness	
1104		Ref	Platform Options Harness Options:	
1104	Not Available		Platform Options Harness ( <b>Prior to SN 36648</b> )	
1104	4922078	1	Platform Options Harness ( <b>SN 36648 to Present</b> )	
1104		Ref	Above Elevation Tilt Alarm	
1104		Ref	Above Elevation Tilt Alarm and Drive Cutout	
1104		Ref	Above Elevation Drive Cutout	
1104		Ref	Eight Meter Drive Cutout	
1104		Ref	Overload with Override (Switch at Slave Cyl)	
1104		Ref	Overload without Override (Switch at Slave Cyl)	
1105		Ref	Overload Switch Harness/Components	
1105		Ref	Harness Options:	
1105A	Not Available		Pressure Switch Located Under Basket (35/40/45electric)	
1105A	1060016	6 ft/1.8m	Cable, Electrical - 16/3	
1105B	4921521	1	Pressure Switch Located at Slave Cylinder	
1105B	4921601	1	Pressure Switch Located at Slave Cylinder	
1105C	4460476	1	Receptacle, Female - 3 Position	
1105C	4460475	3	Pin	
1105C		Ref	Pressure Switch Options:	
1105D	4360451	1	Pressure Switch Located Under Basket	
1105E	4360344	1	Pressure Switch Located at Slave Cylinder	
1105F	4460428	1	Connector, Strain Relief	
1106		Ref	Low Voltage Interrupt/Cutout Harness (Not Shown)	
1106	4921566	AR	Low Voltage Interrupt/Cutout Harness 30electric Harness	
1106	4460489	1	Connector (At Low Voltage Cutout Relay)	
1106		Ref	Low Voltage Interrupt/Cutout Harness 35/40/45electric Harness Options:	
1106	4921983	1	Harness (Lift Interrupt to MTB)	
1106	4921984	1	Harness (Lift Interrupt to Rear Axle)	
1107	Not Available	AR	Platform Proximity Switch Harness (35/40/45electric) (Not Shown - Use individual wires)	
		Ref	<b>TOOLS</b>	
1201	7002821	1	Crimper (For Wire to Pin/Socket Connections)	
1202	7002823	1	Extractor (For Removal of Pin/Socket from Connectors)	
1203	4460467	1	Extractor, Pin (Blue 16-18 Gauge) (For Removal of Pin/Socket from Connectors)	
1203	4460510	1	Extractor, Pin (Yellow 12-14 Gauge) (For Removal of Pin/Socket from Connectors)	
1204	7002828	1	Stripper, Wire	

**SECTION 8 - DECALS**

# SECTION 8 - DECALS

## FIGURE 8-1. DECALS INSTALLATION - 30ELECTRIC



## SECTION 8 - DECALS

### FIGURE 8-1. DECALS INSTALLATION - 30ELECTRIC

ITEM	PART NUMBER	QTY	DESCRIPTION	REV
		Ref	<b>DECALS INSTALLATIONS</b>	
	0254704	Ref	<b>Standard Decals</b>	12
	0254727	Ref	<b>Australian Spec</b>	7
	0254719	Ref	<b>Dutch Spec</b>	4
	0254715	Ref	<b>French Spec (EN280 Spec)</b>	-
	0256215	Ref	<b>French Spec (CE Spec)</b>	3
	0254721	Ref	<b>German and Austrian Spec</b>	3
	0254799	Ref	<b>German and Austrian Spec With TUV Cylinders</b>	4
	0254717	Ref	<b>Italian Spec</b>	3
	0254723	Ref	<b>Spanish Spec</b>	3
	0254713	Ref	<b>UK Spec</b>	4
1	1702155	2	Decal - Battery Disconnect ( <b>SN 37058 to Present</b> )	
3		Ref	Decal-30electric/Ground Control (Right Side) Option	
3	1702174	1	Australian/UK Spec (30electric/Ground Control)	
3	1702182	1	Dutch Spec (30electric/Ground Bediening)	
3	1702181	1	French Spec (30electric/Commandes Sol)	
3	1702183	1	German/Austrian Spec (30electric/Bodenkontrolle)	
3	1702222	1	Italian Spec (30electric/Commando A Terra)	
3	1702223	1	Spanish Spec (30electric/Control De Tiera)	
4	1701518	4	Decal - Crushing	
5	1702300	4	Decal - Tie-Down	
6	1700584	1	Decal - Patent	
7	Not Available	1	Nameplate - Manufacturer's Serial Number	
8	3820001	8	Rivet	
9	1701504	1	Decal - Hydraulic Oil	
10	1701642	2	Decal - Arrow	
11		Ref	Decal - Caution Options:	
11	1702258	1	Australian/UK Spec (Caution)	
11	1701906	1	Dutch Spec (Belangrijk)	
11	1702259	1	French Spec (Attention)	
11	1702262	1	German/Austrian Spec (Actung)	
11	1702260	1	Italian Spec (Attenzione)	
11	1702263	1	Spanish Spec (Precaucion)	
12		Ref	Decal - Capacity Options:	
12	1701649	1	Australian/UK Spec (Capacity)	
12	1702261	1	Dutch Spec (Belasting)	
12	1701650	1	French Spec (Capacity) (EN280 Spec)	
12	1701649	1	French Spec (Capacity) (CE Spec)	
12	1701649	1	German/Austrian Spec (Capacity)	
12	1701649	1	Italian Spec (Capacity)	
12	1701649	1	Spanish Spec (Capacity)	
13	1701644	1	Decal - Charger	
14	3251813	1	Decal - USA ( <b>Prior to SN 27246</b> )	
15	1702253	1	Decal - 30electric/Manual (Left Side)	
18		Ref	Decal - Access Forbidden Options:	
18	1701818	1	Australian Spec (Prior to January 1997)	
18	Not Required	0	Australian Spec (January 1997 to Present)	
18	Not Required	0	Dutch/ French/ German/ Italian/ Spanish/ UK Spec	
22	1580008	1	Box, Manual Storage	

## SECTION 8 - DECALS

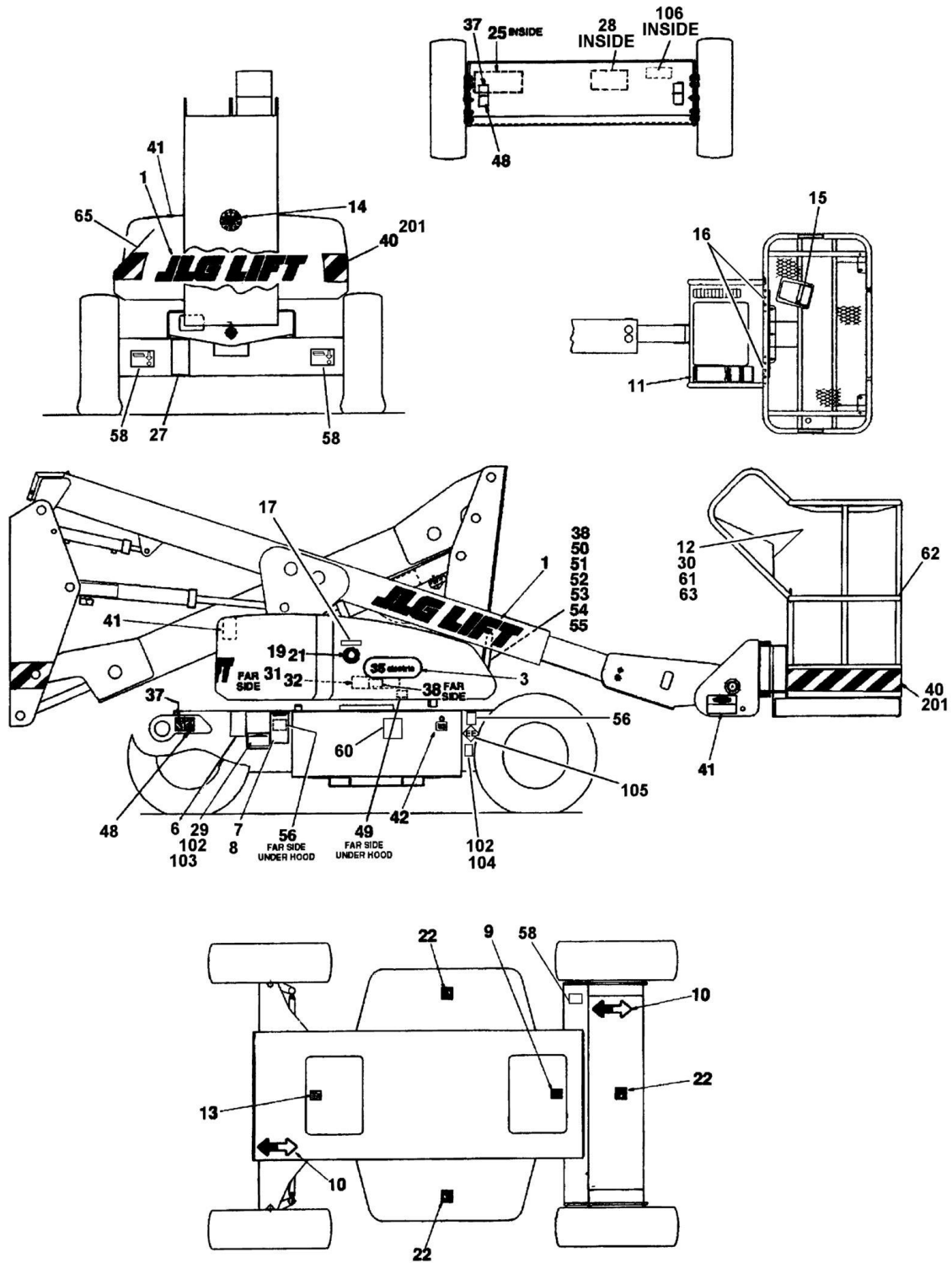
ITEM	PART NUMBER	QTY	DESCRIPTION	REV
23	4420054	20 in/52cm	Tape, Double Sided	
24		Ref	Nameplate - Footswitch Options:	
24	3252347	1	Australian/UK Spec (Caution)	
24	1703518	1	Dutch Spec (Waarschuwing)	
24	1693292	1	French Spec (Attention)	
24	1693294	1	German/Austrian Spec (Actung)	
24	1701600	1	Italian Spec (Attenzione)	
24	1701791	1	Spanish Spec (Precaucion)	
25		Ref	Decal - Lanyard Attach Options:	
25	1702612	2	Australian Spec <b>(Prior to SN 61064)</b>	
25	1704277	2	Australian Spec <b>(SN 61064 to Present)</b>	
25	Not Required	0	Dutch/ French/ German/ Italian/ Spanish/ UK Spec	
29	4420052	18 ft/5.4m	Tape, Safety <b>(Prior to SN 34208)</b>	
31	0961127	1	Bushing, Snap	
32		Ref	Nameplate Options:	
32	3251242	1	Australian Spec (240V-50HZ)	
32	Not Required	0	Dutch/ French/ German/ Italian/ Spanish/ UK Spec	
33	0100010	AR	Loctite	
34	1701691	3	Decal - No Step	
35		Ref	Decal - Manual Descent Options:	
35	1701717	1	Australian Spec	
35	1701717	1	German Spec without TUV Cylinders	
35	1702274	1	German Spec with TUV Cylinders	
35	1702274	1	Dutch/ French/ Italian/ Spanish/ UK Spec <b>(SN 31456 to Present)</b>	
37	1702241	1	Decal - Cable Routing	
38		Ref	Decal - Charger Instructions Options:	
38	1702352	1	Australian Spec (Charger Instructions)	
38	1701770	1	Dutch Spec (Instructies Laden Accu)	
38	1701767	1	French Spec (Instructions de Charge Des Batteries)	
38	1701768	1	German/Austrian Spec (Batterie Instruktionen)	
38	1701771	1	Italian Spec (Istruzioni Per La Carica)	
38	1702949	1	Spanish Spec (Instrucciones De Carga De Las Baterias)	
38	1701965	1	UK Spec (Charger Instructions)	
39		Ref	Decal - DC Motor Options:	
39	1701760	1	Australian/UK Spec (DC Motor)	
39	1701764	1	Dutch Spec (DC Motorbediening)	
39	1701761	1	French Spec (Variateur De Vitesse Moteur)	
39	1701762	1	German/Austrian Spec (Motor Kontrolle)	
39	1701763	1	Italian Spec (Controllore Di Motore A Corrente Continua)	
39	1701765	1	Spanish Spec (Controlador Motor CC)	
50	1701500	4	Decal - Lift	
51	1702375	1	Decal - Manual Swing	
52	Not Available	1	Decal - Bar Code <b>(SN 27246 to Present)</b>	
54	1701892	2	Decal - JLG Lift <b>(SN 29284 to Present)</b>	
55	1703492	4	Decal - Max Tire Load <b>(SN 31456 to Present)</b>	
56		Ref	Decal - Check Battery Water Options:	
56	Not Required	0	Australian Spec <b>(Prior to SN 34921)</b>	
56	1703155	2	Australian Spec <b>(SN 34921 to Present)</b>	
56	Not Required	0	Dutch/ French/ German/ Italian/ Spanish/ UK Spec	
57		Ref	Decal - Danger (Electric Hazard) Options:	

## SECTION 8 - DECALS

ITEM	PART NUMBER	QTY	DESCRIPTION	REV
57	Not Required	0	Australian Spec <b>(Prior to SN 34921)</b>	
57	1703665	1	Australian Spec <b>(SN 34921 to Present)</b>	
57	Not Required	0	Dutch/ French/ German/ Italian/ Spanish/ UK Spec	
58		Ref	Decal - Caution Safety Belt Options:	
58	Not Required	0	Australian Spec <b>(Prior to SN 34921)</b>	
58	1703664	1	Australian Spec <b>(SN 34921 to Present)</b>	
58	Not Required	0	Dutch/ French/ German/ Italian/ Spanish/ UK Spec	
59		Ref	Decal - Maintenance Options:	
59	Not Required	0	Australian Spec <b>(Prior to SN 34921)</b>	
59	1703663	1	Australian Spec <b>(SN 34921 to Present)</b>	
59	Not Required	0	Dutch/ French/ German/ Italian/ Spanish/ UK Spec	
60		Ref	Decal - Warning (Electric Brake) Options: <b>(SN 39126 to Present)</b>	
60	1703693	1	Australian/UK Spec	
60	1703977	1	Dutch Spec	
60	1703975	1	French Spec	
60	1703976	1	German/Austrian Spec	
60	1703978	1	Italian Spec	
60	1703979	1	Spanish Spec	
		Ref	Decal Kits Options:	
	2910014	1	Australian Spec (Includes items 1, 3-6, 9-13, 15, 25, 32, 34, 35, 37, 38, 50, 51, 54 & 56-60)	
	2900990	1	Dutch/ French/ German/ Italian/ Spanish/ UK Specs (Includes items 1, 3-6, 9, 10, 12, 13, 15, 34, 35, 37, 38, 50, 51, 54, 55 & 60)	
	0256162	Ref	<b>CE NAMEPLATE INSTALLATION (NOT SHOWN)</b>	A
	1702928	2	Nameplate - CE	
	0254454	Ref	<b>U/L DECALS INSTALLATION (Prior to SN 33441)</b>	C
	0257661	Ref	<b>U/L DECALS INSTALLATION (SN 33441 to Present)</b>	1
102	3820001	8	Rivet	
103	3252331	1	Nameplate - Battery Info	
104	3251921	1	Nameplate - U/L Certification	
105	1702251	2	Nameplate - "EE"	
106	1702157	1	Decal - Fuse Replacement	
	0257736	Ref	<b>WARNING STRIPES INSTALLATION</b>	1
201	4420052	18 ft/5.4cm	Decal - Stripes	

# SECTION 8 - DECALS

## FIGURE 8-2. DECALS INSTALLATION - 35ELECTRIC





## SECTION 8 - DECALS

**FIGURE 8-2. DECALS INSTALLATION - 35ELECTRIC**

ITEM	PART NUMBER	QTY	DESCRIPTION	REV
		Ref	<b>DECALS INSTALLATION</b>	
	0254707	Ref	<b>Decals Installation 35electric Standard Decals</b>	10
	0254732	Ref	<b>Decals Installation n35electric Standard Decals</b>	10
	0254787	Ref	<b>Australian Spec</b>	8
	0254779	Ref	<b>Dutch Spec</b>	4
	0254775	Ref	<b>French Spec (EN280 Spec)</b>	-
	0256224	Ref	<b>French Spec (CE Spec)</b>	3
	0254781	Ref	<b>German and Austrian Spec</b>	4
	0254777	Ref	<b>Italian Spec</b>	3
	0254783	Ref	<b>Spanish Spec</b>	4
	0254773	Ref	<b>UK Spec</b>	3
1	1701892	3	Decal - JLG Lift	
3		Ref	Decal - Model Options:	
3	1702175	2	JLG 35electric	
3	1702176	2	JLG n35electric	
6	1700584	1	Decal - Patent	
7	Not Available	1	Nameplate - Manufacturer's Serial Number	
8	3820001	4	Rivet	
9	1701504	1	Decal - Hydraulic Oil	
10	1701642	2	Decal - Arrow	
11		Ref	Decal - Caution/Danger Options:	
11	1702258	1	Australian/UK Spec	
11	1702261	1	Dutch Spec	
11	1702259	1	French Spec	
11	1702262	1	German Spec	
11	1702260	1	Italian Spec	
11	1702263	1	Spanish Spec	
12		Ref	Decal - Caution/Capacity Options:	
12	1701649	1	Australian/ German/ Italian/ Spanish/ UK Spec	
12	1701906	1	Dutch Spec	
12	1701650	1	French Spec (EN280 Spec)	
12	1701649	1	French Spec (CE Spec)	
13	1701644	1	Decal - Charger	
14	3251813	1	Decal - USA <b>(Prior to SN 27246)</b>	
15		Ref	Decal - Footswitch Options:	
15	3252347	1	Australian/UK Spec	
15	1703518	1	Dutch Spec	
15	1693292	1	French Spec	
15	1693294	1	German/Austrian Spec	
15	1701600	1	Italian Spec	
15	1701791	1	Spanish Spec	
16		Ref	Decal - Attach Belt Options:	
16	1702612	2	Australian Spec Only <b>(SN 27246 through 61063)</b>	
16	1704277	2	Australian Spec Only <b>(SN 61064 to Present)</b>	
16	Not Required	0	Dutch/ French/ German/ Italian/ Spanish/ UK Spec	
17		Ref	Decal - 240V-50HZ Options:	
17	3251242	1	Australian Spec Only <b>(SN 27246 to Present)</b>	
17	Not Required	0	Dutch/ French/ German/ Italian/ Spanish/ UK Spec	
19	0961127	1	Bushing, Snap	
21	0100010	AR	Loctite	

## SECTION 8 - DECALS

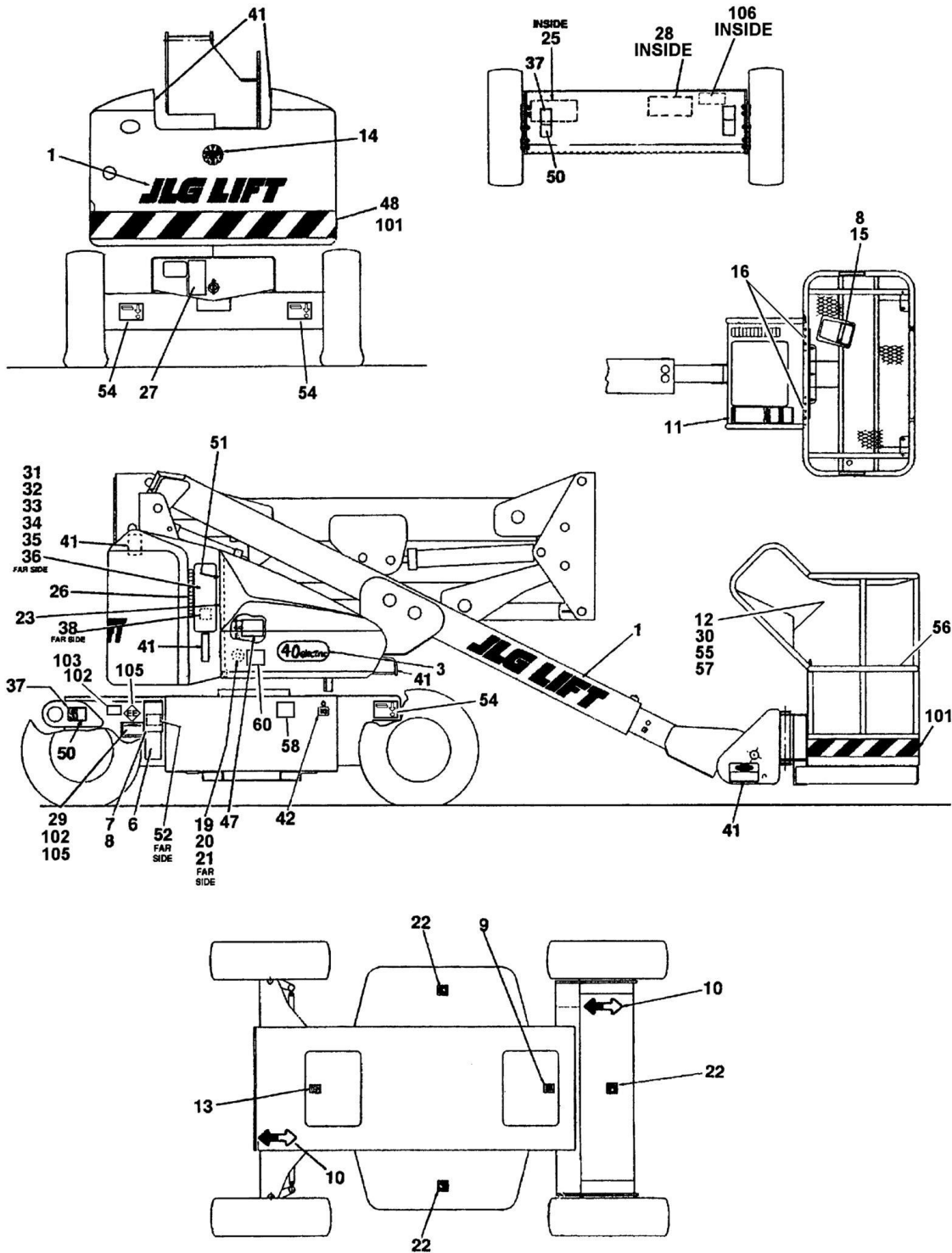
ITEM	PART NUMBER	QTY	DESCRIPTION	REV
22	1701691	3	Decal - No Step	
25	1702241	1	Decal - Cable Routing	
27		Ref	Decal - Charger Instructions Options:	
27	1702352	1	Australian Spec	
27	1702357	1	Dutch Spec	
27	1701953	1	French Spec	
27	1702356	1	German Spec	
27	1702358	1	Italian Spec	
27	1702949	1	Spanish Spec	
27	1701966	1	UK Spec	
28		Ref	Decal - DC Motor Options:	
28	1701760	1	Australian/UK Spec	
28	1701764	1	Dutch Spec	
28	1701761	1	French Spec	
28	1701762	1	German Spec	
28	1701763	1	Italian Spec	
28	1701765	1	Spanish Spec	
29		Ref	Decal - Important Options:	
29	3252197	1	Australian Spec <b>(Prior to SN 27305)</b>	
29	1702958	1	Australian Spec <b>(SN 27305 through 32279)</b>	
29	Not Required	0	Australian Spec <b>(SN 32280 to Present)</b>	
29	Not Required	0	Dutch/ French/ German/ Italian/ Spanish/ UK Spec	
30		Ref	Decal - Access Forbidden Options:	
30	1701818	1	Australian Spec Only <b>(Prior to SN 32473)</b>	
30	Not Required	0	Dutch/ French/ German/ Italian/ Spanish/ UK Spec	
31	1580008	1	Box, Manual Storage (Prior to July 1994)	
32	4420054	20 in/52cm	Tape, Double Sided (Prior to July 1994)	
37	1701500	4	Decal - Lift	
38	1701640	1	Decal - Manual	
40	4420052	AR	Tape, Safety <b>(Prior to SN 30324)</b>	
41	1701518	5	Decal - Crushing Hazard	
42	1702155	2	Decal - Battery Disconnect Only <b>(Prior to SN 39583)</b>	
48	1702300	4	Decal - Tie Down	
49	1702375	1	Decal - Manual Swing (June 1994 to Present)	
50	0860520	1	Box, Manual Storage (July 1994 to Present)	
51	3941408	4	Screw, Self-Tap 1/4in x 1in	
52	4751400	6	Flatwasher 1/4in	
53	0641408	1	Bolt 1/4in-20NC x 1in	
54	3311405	1	Locknut 1/4in-20NC	
55	1060279	1	Lanyard	
56	Not Available	1	Decal - Bar Code <b>(SN 27246 to Present)</b>	
58	1703493		Decal - Max. Wheel Load <b>(SN 31456 to Present)</b>	
60		Ref	Decal - Check Battery Water Options:	
60	1703155	2	Australian Spec Only <b>(Prior to SN 34921)</b>	
60	Not Required	0	Dutch/ French/ German/ Italian/ Spanish/ UK Spec	
61		Ref	Decal - Electric Hazard Options:	
61	1703665	1	Australian Spec <b>(SN 34921 to Present)</b>	
61	Not Required	0	Dutch/ French/ German/ Italian/ Spanish/ UK Spec	
62		Ref	Decal - Caution Safety Belt Options:	
62	1703664	1	Australian Spec <b>(SN 34921 to Present)</b>	
62	Not Required	0	Dutch/ French/ German/ Italian/ Spanish/ UK Spec	

## SECTION 8 - DECALS

ITEM	PART NUMBER	QTY	DESCRIPTION	REV
63		Ref	Decal - Maintenance Options:	
63	1703663	1	Australian Spec <b>(SN 34921 to Present)</b>	
63	Not Required	0	Dutch/ French/ German/ Italian/ Spanish/ UK Spec	
65		Ref	Decal - Electric Brake Options: <b>(SN 39126 to Present)</b>	
65	1703693	AR	Australian/UK Spec	
65	1703977	AR	Dutch Spec	
65	1703975	AR	French Spec	
65	1703976	AR	German Spec	
65	1703978	AR	Italian Spec	
65	1703979	AR	Spanish Spec	
		Ref	Decal Kit Options:	
	2900991	1	Australian Spec (Includes Items 1, 3, 9-13, 16, 17, 22, 25, 27, 37, 38, 41, 42, 48, 49, 58, 60, 61, 62, 63 & 65)	
	Not Available		Dutch/ French/ German/ Italian/ Spanish/ UK Spec	
	0256162	Ref	<b>CE NAMEPLATE INSTALLATION (NOT SHOWN)</b>	A
	1702928	2	Nameplate - CE	
	0254454	Ref	<b>U/L DECALS INSTALLATION (Prior to SN 33402)</b>	C
	0257660	Ref	<b>U/L DECALS INSTALLATION (SN 33402 to Present)</b>	1
102	3820001	8	Rivet	
103	3252331	1	Nameplate - Battery Info	
104	3251921	1	Nameplate - U/L Certification	
105	1702251	2	Nameplate - "EE"	
106	1702157	1	Decal - Fuse Replacement	
	0257737	Ref	<b>WARNING STRIPES INSTALLATION</b>	1
201	4420052	15.5 ft/4.7m	Decal - Stripes	

# SECTION 8 - DECALS

## FIGURE 8-3. DECALS INSTALLATION - 40ELECTRIC & 45ELECTRIC



## SECTION 8 - DECALS

**FIGURE 8-3. DECALS INSTALLATION - 40ELECTRIC & 45ELECTRIC**

ITEM	PART NUMBER	QTY	DESCRIPTION	REV
		Ref	<b>DECALS INSTALLATION</b>	
	0254541	Ref	<b>Decals Installation 40electric</b>	10
	0254734	Ref	<b>Decals Installation n40electric</b>	8
	0254539	Ref	<b>Decals Installation 45electric</b>	10
	0254768	Ref	<b>Australian Spec</b>	8
	0254760	Ref	<b>Dutch Spec</b>	6
	0254756	Ref	<b>French Spec (EN280 Spec)</b>	-
	0256233	Ref	<b>French Spec (CE Spec)</b>	3
	0254762	Ref	<b>German/Austrian Spec</b>	3
	0254758	Ref	<b>Italian Spec</b>	3
	0254764	Ref	<b>Spanish Spec</b>	3
	0254754	Ref	<b>UK Spec</b>	5
1	1701892	3	Decal - JLG Lift	
3		Ref	Decal - Model Options:	
3	1702177	2	JLG 40electric	
3	1702178	2	JLG n40electric	
3	1702179	2	JLG 45electric	
6	1700584	1	Decal - Patent	
7	Not Available	1	Nameplate - Manufacturer's Serial Number	
8	3820001	8	Rivet	
9	1701504	1	Decal - Hydraulic Oil	
10	1701642	2	Decal - Arrow	
11		Ref	Decal - Caution Options:	
11	1702258	1	Australian/UK Spec	
11	1702261	1	Dutch Spec	
11	1702259	1	French Spec	
11	1702262	1	German Spec	
11	1702260	1	Italian Spec	
11	1702263	1	Spanish Spec	
12		Ref	Decal - Caution Options:	
12	1701649	1	Australian/ German/ Italian/ Spanish/ UK Spec	
12	1701906	1	Dutch Spec	
12	1701650	1	French Spec (EN280 Spec)	
12	1701649	1	French Spec (CE Spec)	
13	1701644	1	Decal - Charger	
14	3251813	1	Decal - USA <b>(Prior to SN 27246)</b>	
15		Ref	Decal - Footswitch Options:	
15	3252347	1	Australian/UK Spec	
15	1703518	1	Dutch Spec	
15	1693292	1	French Spec	
15	1693294	1	German/Austrian Spec	
15	1701600	1	Italian Spec	
15	1701791	1	Spanish Spec	
16		Ref	Decal - Attach Belt Options:	
16	1702612	2	Australian Spec Only <b>(SN 34921 through 61063)</b>	
16	1704277	2	Australian Spec Only <b>(SN 61064 to Present)</b>	
16	Not Required	0	Dutch/ French/ German/ Italian/ Spanish/ UK Spec	
19	0961127	1	Bushing, Snap	
20		Ref	Nameplate - 240V - 50Hz (Option)	
20	3251242	1	Australian Spec Only <b>(SN 34921 to Present)</b>	

## SECTION 8 - DECALS

ITEM	PART NUMBER	QTY	DESCRIPTION	REV
20	Not Required	0	Dutch/ French/ German/ Italian/ Spanish/ UK Spec	
21	0100010	AR	Loctite	
22	1701691	3	Decal - No Step	
23	1702049	2	Decal - Manual Descent	
25	1702241	1	Decal - Cable Routing	
27		Ref	Decal - Charger Instructions Options:	
27	1702352	1	Australian Spec	
27	1701951	1	Dutch Spec	
27	1701953	1	French Spec	
27	1701950	1	German Spec	
27	1701952	1	Italian Spec	
27	1702949	1	Spanish Spec	
27	1701966	1	UK Spec	
28		Ref	Decal - DC Motor Options:	
28	1701760	1	Australian/UK Spec	
28	1701764	1	Dutch Spec	
28	1701761	1	French Spec	
28	1701762	1	German Spec	
28	1701763	1	Italian Spec	
28	1701765	1	Spanish Spec	
29		Ref	Decal - Important Options:	
29	3252197	1	Australian Spec <b>(Prior to SN 27305)</b>	
29	1702958	1	Australian Spec <b>(SN 27305 through 32279)</b>	
29	Not Required	0	Australian Spec <b>(SN 32280 to Present)</b>	
29	Not Required	0	Dutch/ French/ German/ Italian/ Spanish/ UK Spec	
30		Ref	Decal - Access Forbidden Options:	
30	1701818	1	Australian Spec Only <b>(Prior to SN 32473)</b>	
30	Not Required	0	Dutch/ French/ German/ Italian/ Spanish/ UK Spec	
31	1580008	1	Box, Manual Storage	
32	1060279	1	Lanyard	
33	3941003	1	Screw, Self-Tapping	
34	3911408	1	Screw, Round Head 1/4in-20NC x 1/2in	
35	4711400	1	Flatwasher 1/4in	
36	3311401	1	Nut 1/4in-20NC	
37	1701500	4	Decal - Tie Down/Lift	
38	1701640	1	Decal - Manual	
41	1701518	5	Decal - Crushing, Hazard	
42	1702155	2	Decal - Battery Disconnect Only <b>(Prior to SN 39583)</b>	
47		Ref	Decal - Important Options:	
47	1702265	1	Australian/UK Spec	
47	1702268	1	Dutch Spec	
47	1702270	1	French Spec	
47	1702267	1	German Spec	
47	1702269	1	Italian Spec	
47	1702266	1	Spanish Spec	
48	4420052	16.5 ft/5m	Tape, Safety <b>(Prior to SN 34208)</b>	
49	1702282	1	Decal - Warning	
50	1702300	4	Decal - Warning	
51		Ref	Decal - Manual Ascent Options:	
51	1702545	1	Dutch Spec (Prior to December 1996 Only)	
51	Not Required	0	Australian/ French/ German/ Italian/ Spanish/ UK	

## SECTION 8 - DECALS

ITEM	PART NUMBER	QTY	DESCRIPTION	REV
52	Not Available	1	Decal - Bar Code <b>(SN 27246 to Present)</b>	
53	Not Required	0	Not Required	
54		Ref	Decal - Max Wheel Load Options: <b>(SN 31456 to Present)</b>	
54	1703247		Decal - Max Wheel Load n40electric	
54	1703495		Decal - Max Wheel Load 40electric/45electric	
55		Ref	Decal - Electric Hazard Options:	
55	1703665	1	Australian Spec <b>(SN 34921 to Present)</b>	
55	Not Required	0	Dutch/ French/ German/ Italian/ Spanish/ UK Spec	
56		Ref	Decal - Caution Safety Belt Options:	
56	1703664	1	Australian Spec <b>(SN 34921 to Present)</b>	
56	Not Required	0	Dutch/ French/ German/ Italian/ Spanish/ UK Spec	
57		Ref	Decal - Maintenance Options:	
57	1703663	1	Australian Spec <b>(SN 34921 to Present)</b>	
57	Not Required	0	Dutch/ French/ German/ Italian/ Spanish/ UK Spec	
58		Ref	Decal - Check Battery Water Options:	
58	1703155	2	Australian Spec Only <b>(Prior to SN 34921)</b>	
58	Not Required	0	Dutch/ French/ German/ Italian/ Spanish/ UK Spec	
60		Ref	Decal - Electric Brake Options: <b>(SN 39126 to Present)</b>	
60	1703693	AR	Australian/UK Spec	
60	1703977	AR	Dutch Spec	
60	1703975	AR	French Spec	
60	1703976	AR	German Spec	
60	1703978	AR	Italian Spec	
60	1703979	AR	Spanish Spec	
		Ref	Decal Kit Options:	
	Not Available		Decal Kit 40/n40electric Australian Spec	
	2900992	1	Decal Kit 45electric Australian Spec (Includes Items 1, 3, 6, 9-13, 16, 20, 22, 23, 25, 27, 37, 38, 41, 42, 47, 50, 54, 55-58 & 60)	
	Not Available		Dutch/ French/ German/ Italian/ Spanish/ UK Spec	
	0256162	Ref	<b>CE NAMEPLATE INSTALLATION (NOT SHOWN)</b>	A
	1702928	2	Nameplate - CE	
	0254454	Ref	<b>U/L DECALS INSTALLATION</b>	4
102	3820001	8	Rivet	
103	3252331	1	Nameplate - Battery Info	
104	3251921	1	Nameplate - U/L Certification	
105	1702251	2	Nameplate - "EE"	
106	1702157	1	Decal - Fuse Replacement	
	0257738	Ref	<b>WARNING STRIPES INSTALLATION</b>	1
101	4420052	16.5 ft/5m	Decal - Stripes	





**SECTION 9 - RECOMMENDED SERVICE PARTS STOCK**

**SECTION 9 - RECOMMENDED SERVICE PARTS STOCK**

## SECTION 9 - RECOMMENDED SERVICE PARTS STOCK

FIGURE 9-1. 30/35/40/45 ELECTRIC LIFTS STANDARD PARTS

ITEM	PART NUMBER	QTY	DESCRIPTION	REV
	Note	Ref	<b>Note: The following list will service fleets of machines (built to current production per date on the front cover) with emergency repair parts which can be installed in the field. Parts from the list should be replaced when inventory is depleted to keep service parts stock supplied. For further information, contact your JLG dealer or the JLG Industries Parts Department.</b>	
		Ref	<b>STANDARD PARTS</b>	
	3990053	1	Sensor, Tach, (for fleets of 1 to 4)	
	3990053	1	Sensor, Tach, (for fleets of 5 to 9)	
	3990053	1	Sensor, Tach, (for fleets of 10 or more)	
	2400045	2	Fuse, (for fleets of 1 to 4)	
	2400045	2	Fuse, (for fleets of 5 to 9)	
	2400045	2	Fuse, (for fleets of 10 or more)	
	4360372	1	Sensor, Level, (for fleets of 1 to 4)	
	4360372	1	Sensor, Level, (for fleets of 5 to 9)	
	4360372	1	Sensor, Level, (for fleets of 10 or more)	
	2120072	4	Element, Hydraulic Filter, (for fleets of 1 to 4)	
	2120072	8	Element, Hydraulic Filter, (for fleets of 5 to 9)	
	2120072	12	Element, Hydraulic Filter, (for fleets of 10 or more)	
	7013709	1	Breather/ Dipstick Assembly, (for fleets of 1 to 4)	
	7013709	2	Breather/ Dipstick Assembly, (for fleets of 5 to 9)	
	7013709	3	Breather/ Dipstick Assembly, (for fleets of 10 or more)	
	7010538	1	Coil, (for fleets of 1 to 4)	
	7010538	1	Coil, (for fleets of 5 to 9)	
	7010538	1	Coil, (for fleets of 10 or more)	
	4360474	1	Switch, Key, (for fleets of 1 to 4)	
	4360474	1	Switch, Key, (for fleets of 5 to 9)	
	4360474	1	Switch, Key, (for fleets of 10 or more)	
	2860030	1	Key, Replacement, (for fleets of 1 to 4)	
	2860030	1	Key, Replacement, (for fleets of 5 to 9)	
	2860030	1	Key, Replacement, (for fleets of 10 or more)	
	4360475	1	Switch, Emergency Stop, (for fleets of 1 to 4)	
	4360475	1	Switch, Emergency Stop, (for fleets of 5 to 9)	
	4360475	1	Switch, Emergency Stop, (for fleets of 10 or more)	
	4360314	1	Switch, Toggle, (for fleets of 1 to 4)	
	4360314	1	Switch, Toggle, (for fleets of 5 to 9)	
	4360314	1	Switch, Toggle, (for fleets of 10 or more)	
	4360069	1	Breaker, Circuit - 10Amp, (for fleets of 1 to 4)	
	4360069	1	Breaker, Circuit - 10Amp, (for fleets of 5 to 9)	
	4360069	1	Breaker, Circuit - 10Amp, (for fleets of 10 or more)	
	4360476	1	Contact Block, (for fleets of 1 to 4)	
	4360476	1	Contact Block, (for fleets of 5 to 9)	
	4360476	1	Contact Block, (for fleets of 10 or more)	
	4360031	1	Footswitch, (for fleets of 1 to 4)	
	4360031	1	Footswitch, (for fleets of 5 to 9)	
	4360031	1	Footswitch, (for fleets of 10 or more)	
	4360445	1	Potentiometer, (for fleets of 1 to 4)	
	4360445	1	Potentiometer, (for fleets of 5 to 9)	
	4360445	1	Potentiometer, (for fleets of 10 or more)	

## SECTION 9 - RECOMMENDED SERVICE PARTS STOCK

ITEM	PART NUMBER	QTY	DESCRIPTION	REV
	4360328	1	Switch, Toggle, (for fleets of 1 to 4)	
	4360328	1	Switch, Toggle, (for fleets of 5 to 9)	
	4360328	1	Switch, Toggle, (for fleets of 10 or more)	
	4360274	1	Switch, Push Button, (for fleets of 1 to 4)	
	4360274	1	Switch, Push Button, (for fleets of 5 to 9)	
	4360274	1	Switch, Push Button, (for fleets of 10 or more)	
	4360112	1	Breaker, Circuit - 5Amp, (for fleets of 1 to 4)	
	4360112	1	Breaker, Circuit - 5Amp, (for fleets of 5 to 9)	
	4360112	1	Breaker, Circuit - 5Amp, (for fleets of 10 or more)	
	3740087	1	Relay, (for fleets of 1 to 4)	
	3740087	1	Relay, (for fleets of 5 to 9)	
	3740087	1	Relay, (for fleets of 10 or more)	
	1600175	1	Controller, (for fleets of 1 to 4)	
	1600175	1	Controller, (for fleets of 5 to 9)	
	1600175	1	Controller, (for fleets of 10 or more)	
	7011942	1	Electrical Assembly - 1600175 Controller, (for fleets of 1 to 4)	
	7011942	1	Electrical Assembly - 1600175 Controller, (for fleets of 5 to 9)	
	7011942	1	Electrical Assembly - 1600175 Controller, (for fleets of 10 or more)	
	7003789	1	Switch, Steer - 1600175 Controller, (for fleets of 1 to 4)	
	7003789	1	Switch, Steer - 1600175 Controller, (for fleets of 5 to 9)	
	7003789	1	Switch, Steer - 1600175 Controller, (for fleets of 10 or more)	
	3990001	2	Diode - 3.5Amp, (for fleets of 1 to 4)	
	3990001	2	Diode - 3.5Amp, (for fleets of 5 to 9)	
	3990001	2	Diode - 3.5Amp, (for fleets of 10 or more)	
	3990010	2	Diode - 6Amp, (for fleets of 1 to 4)	
	3990010	2	Diode - 6Amp, (for fleets of 5 to 9)	
	3990010	2	Diode - 6Amp, (for fleets of 10 or more)	
	2400041	2	Fuse, (for fleets of 1 to 4)	
	2400041	2	Fuse, (for fleets of 5 to 9)	
	2400041	2	Fuse, (for fleets of 10 or more)	
	7013314	1	PC Board, (for fleets of 1 to 4)	
	7013314	1	PC Board, (for fleets of 5 to 9)	
	7013314	1	PC Board, (for fleets of 10 or more)	
	7013315	1	Resistor/Bracket Assembly, (for fleets of 1 to 4)	
	7013315	1	Resistor/Bracket Assembly, (for fleets of 5 to 9)	
	7013315	1	Resistor/Bracket Assembly, (for fleets of 10 or more)	

## SECTION 9 - RECOMMENDED SERVICE PARTS STOCK

FIGURE 9-2. 30/35/40/45 ELECTRIC LIFTS VARIABLE PARTS

ITEM	PART NUMBER	QTY	DESCRIPTION	REV
	Note	Ref	<b>Note: The following list will service fleets of machines (built to current production per date on the front cover) with emergency repair parts which can be installed in the field. Parts from the list should be replaced when inventory is depleted to keep service parts stock supplied. For further information, contact your JLG dealer or the JLG Industries Parts Department.</b>	
		Ref	<b>VARIABLE PARTS</b>	
	7011593	2	Fuse (Machines with 110V Battery), (for fleets of 1 to 4)	
	7011593	2	Fuse (Machines with 110V Battery), (for fleets of 5 to 9)	
	7011593	2	Fuse (Machines with 110V Battery), (for fleets of 10 or more)	
	7011645	2	Fuse (Machines with 110V Battery), (for fleets of 1 to 4)	
	7011645	2	Fuse (Machines with 110V Battery), (for fleets of 5 to 9)	
	7011645	2	Fuse (Machines with 110V Battery), (for fleets of 10 or more)	
	7018569	2	Fuse (Machines with 220V/60Hz Battery), (for fleets of 1 to 4)	
	7018569	2	Fuse (Machines with 220V/60Hz Battery), (for fleets of 5 to 9)	
	7018569	2	Fuse (Machines with 220V/60Hz Battery), (for fleets of 10 or more)	
	7011593	2	Fuse (Machines with 220V/50Hz Battery), (for fleets of 1 to 4)	
	7011593	2	Fuse (Machines with 220V/50Hz Battery), (for fleets of 5 to 9)	
	7011593	2	Fuse (Machines with 220V/50Hz Battery), (for fleets of 10 or more)	
	7011508	2	Fuse (Machines with 220V/50Hz Battery), (for fleets of 1 to 4)	
	7011508	2	Fuse (Machines with 220V/50Hz Battery), (for fleets of 5 to 9)	
	7011508	2	Fuse (Machines with 220V/50Hz Battery), (for fleets of 10 or more)	
	7018570	2	Fuse (Machines with 110-220V/50Hz Battery), (for fleets of 1 to 4)	
	7018570	2	Fuse (Machines with 110-220V/50Hz Battery), (for fleets of 5 to 9)	
	7018570	2	Fuse (Machines with 110-220V/50Hz Battery), (for fleets of 10 or more)	
	4360321	1	Switch, Limit, (for fleets of 1 to 4)	
	4360321	1	Switch, Limit, (for fleets of 5 to 9)	
	4360321	1	Switch, Limit, (for fleets of 10 or more)	
	7013310-30E	1	Module, Sevcon Control (30electric), (for fleets of 1 to 4)	
	7013310-30E	1	Module, Sevcon Control (30electric), (for fleets of 5 to 9)	
	7013310-30E	1	Module, Sevcon Control (30electric), (for fleets of 10 or more)	
	7013310-35E	1	Module, Sevcon Control (35electric), (for fleets of 1 to 4)	
	7013310-35E	1	Module, Sevcon Control (35electric), (for fleets of 5 to 9)	
	7013310-35E	1	Module, Sevcon Control (35electric), (for fleets of 10 or more)	
	7013310-40E	1	Module, Sevcon Control (40electric), (for fleets of 1 to 4)	
	7013310-40E	1	Module, Sevcon Control (40electric), (for fleets of 5 to 9)	
	7013310-40E	1	Module, Sevcon Control (40electric), (for fleets of 10 or more)	
	7013311	1	Module, Sevcon Control (45electric), (for fleets of 1 to 4)	
	7013311	1	Module, Sevcon Control (45electric), (for fleets of 5 to 9)	
	7013311	1	Module, Sevcon Control (45electric), (for fleets of 10 or more)	

**SECTION 10 - SPECIAL OPTIONS**

# SECTION 10 - SPECIAL OPTIONS

## FIGURE 10-1. SPECIAL OPTIONS

ITEM	PART NUMBER	QTY	DESCRIPTION	REV
	Note	Ref	<b>Note: This list is to accommodate machines ordered with special equipment. Options may not be applicable to all models. For more specific parts information contact JLG Parts Department.</b>	
		Ref	<b>MISCELLANEOUS SPECIAL OPTIONS</b>	
		Ref	<b>Airline Installation</b>	
	0255170	Ref	<b>1/2in (35electric)</b>	
	1282324	Ref	<b>1/2in (35electric)</b>	
	0255027	Ref	<b>1/2in (40electric)</b>	
	1282324	Ref	<b>1/2in (40electric)</b>	
	0255015	Ref	<b>1/2in (45electric)</b>	
	1282324	Ref	<b>1/2in (45electric)</b>	
	0270723	Ref	<b>Amber Beacon on Platform Installation</b>	
	0257735	Ref	<b>Cables and Clamps Installation (Including 0300033862)</b>	
	0256789	Ref	<b>Camera Mount Assembly</b>	
	0252927	Ref	<b>Charger Connection Installation - Offboard</b>	
	0257563	Ref	<b>Charger Connection Installation - Offboard (Gel-Cell)</b>	
	0255168	Ref	<b>Charger Extension Cord Installation</b>	
	1702788	Ref	<b>Decal - Biodegradable Hydraulic Fluid</b>	
	1703479	Ref	<b>Decal - Biodegradable Hydraulic Fluid (German)</b>	
	1704175	Ref	<b>Decal - Syn Biodegradable Hydraulic Fluid (German)</b>	
		Ref	<b>Electrical Connector Kits</b>	
	1001148902	Ref	Amp/Tyco Electrical Connector Kit	
	1001148903	Ref	Deutsch DT Electrical Connector Kit	
	1001148904	Ref	Deutsch HD Electrical Connector Kit	
	1001148905	Ref	Packard Electrical Connector Kit	
	1001148906	Ref	Various Electrical Connectors Kit	
	2900838	Ref	<b>Hardware Kit (U.S.A. Standards)</b>	
	0257399	Ref	<b>Head and Tail Light Installation (40/45electric)</b>	
	2920150	2	Lamp, Head	
	2920118	2	Light, Tail	
	0257400	Ref	<b>Head and Back-Up Light Installation (40/45electric)</b>	
	2920150	3	Lamp, Head	
		Ref	<b>Hydraulic Fluids</b>	
	2300014	AR	Mobil 424	
	2300027	AR	Mobil 224H Bio	
	2300029	AR	Mobil EAL ISO 46 Bio	
	2300021	AR	Union Carbide Ucon HP5046 Fire Resistant	
	2901888	Ref	<b>Lift Gate Kit</b>	
	0257410	Ref	<b>Low Batt Lift Interrupt Installation (40/45electric)</b>	
	0259631	Ref	<b>Low Batt Lift Interrupt Installation (35electric)</b>	
	0860848	1	Box Assembly	
	3252537	1	Nameplate - Low Voltage Interrupt	
	2420049	1	Gauge - Battery Capacity	
	4460428	1	Connector, Strain Relief	
	0253799	Ref	<b>Low Voltage Cutout Installation (30electric)</b>	
	0860849	1	Box Assembly - Low Voltage Cutout	
	3252256	1	Nameplate - Low Voltage Cutout	
	2420049	1	Gauge - Battery Capacity	

## SECTION 10 - SPECIAL OPTIONS

ITEM	PART NUMBER	QTY	DESCRIPTION	REV
	4360274	1	Switch, Push Button	
	4460052	1	Connector, Strain Relief	
	3300047	1	Nut, Conduit	
	0960239	1	Bushing	
	0254788	Ref	<b>Overload Cutout With Override (30electric)</b>	
	1282201	Ref	<b>Overload Cutout With Override (30electric)</b>	
	0254790	Ref	<b>Overload Cutout With Override (35/40/45electric)</b>	
	1282201	Ref	<b>Overload Cutout With Override (35/40/45electric)</b>	
	0254789	Ref	<b>Overload Cutout Without Override (30electric)</b>	
	1282201	Ref	<b>Overload Cutout Without Override (30electric)</b>	
	0254791	Ref	<b>Overload Cutout Without Override (35/40/45electric)</b>	
	1284791	Ref	<b>Overload Cutout Without Override (35/40/45electric)</b>	
	0256436	Ref	<b>Pipe Rack Installation</b>	
	0256829	Ref	<b>Platform Gate Spring Installation (30/35/40/45electric)</b>	
	4160028	1	Spring, Tension	
	0253411	Ref	<b>Platform Mesh and Spring Installation (30electric)</b>	
	0480074	1	Belt, Mesh - Gate Top	
	0480075	1	Belt, Mesh - Gate Bottom	
	0480076	2	Belt, Mesh - Sides	
	0480077	1	Belt, Mesh - Back	
	4160028	1	Spring, Tension	
		Ref	<b>Platform Padding Installations (35/40/45electric)</b>	
	0255167	Ref	<b>26in x 48in Platform (Prior to SN 0300039214)</b>	
	0258771	Ref	<b>26in x 48in Platform (SN 0300039214 to Present)</b>	
	0256563	Ref	<b>26in x 60in Platform (Prior to SN 0300039214)</b>	
	0258772	Ref	<b>26in x 60in Platform (SN 0300039214 to Present)</b>	
	0256703	Ref	<b>Platform Proximity Switches Installation</b>	
	4360305	4	Switch, Proximity	
	3539928	4	Plate, Mounting - Proximity Switch	
	4360274	1	Switch, Push Button	
	3251596	1	Decal - Proximity Switch	
	0258918	Ref	<b>Rack Utility Assembly</b>	
	2901896	Ref	<b>Steer Cylinder Anti-Rotation Kit</b>	
		Ref	<b>Technical Data Supplements</b>	
	3120348	Ref	<b>MAC Battery Charger Technical Supplement</b>	
	3120323	Ref	<b>Operating and Safety Handbook</b>	
	3120351	Ref	<b>PQ Controller Technical Supplement</b>	
		Ref	<b>Tool For Service:</b>	
	2900832	1	Calibrator Kit	
	8896941	1	Wire Stripper	
	8896941	1	Wire Stripper	
	7002821	1	Wire Crimper (To install wire ends to wires)	
	7002823	1	Pin/Socket Extractor - Universal (To Remove Pins/Sockets from Connectors)	
	4460467	1	Extractor - 16-18 Gauge (For Removal of Pins/Sockets for Deutsch Connectors)	
	4460510	1	Extractor - 12-14 Gauge (For Removal of Pins/Sockets for Deutsch Connectors)	
	7002822	1	Screwdriver, Potentiometer (To Adjust Drive Controllers)	
	7016654	1	Screwdriver, Magnetic	
	7004275	1	Seal Installation Tool - 1in	
	7004276	1	Seal Installation Tool - 1-1/2in	

## SECTION 10 - SPECIAL OPTIONS

ITEM	PART NUMBER	QTY	DESCRIPTION	REV
	7002826	1	Seal Installation Tool - 2in	



**SECTION 11 - REAR COVER**

## SECTION 11 - REAR COVER

FIGURE 11-1. REAR COVER



**Corporate Office**  
**JLG Industries, Inc.**  
**1 JLG Drive**  
**McConnellsburg, PA 17233-9533 USA**  
☎ **(717) 485-5161 (Corporate)**  
☎ **(877) 554-5438 (Customer Support)**  
☎ **(717) 485-6417**

**Visit our website for JLG Worldwide Locations.**  
**[www.jlg.com](http://www.jlg.com)**



**OSHKOSH™**

**PART NUMBER INDEX**

# PART NUMBER INDEX

0100009.....44, 104	0254298 ..... 44, 49	0254874 ..... 18	0270291.....9
0100010.....198, 201, 206	0254299 ..... 43	0254875 ..... 100	0270562.....30
0100011....14, 17, 49, 51, 79, 80, 83, 84, 91, 92, 99, 103, 111, 125, 128, 132, 136, 139, 143, 147	0254400 ..... 74	0255011 ..... 13	0270723.....214
0100019.....9, 59, 63	0254454 .... 199, 203, 207	0255012 ..... 13	0400055.....29
0100020.....143, 157, 162	0254483 ..... 28	0255015 ..... 214	0400069.....29
0100029.....118	0254485 ..... 17, 27	0255027 ..... 214	0400103.....30, 33
0100035....125, 128, 132, 136, 139, 143, 145	0254499 ..... 28	0255028 ..... 30	0400107.....29
0100038....125, 128, 132, 136, 139, 143	0254537 ..... 74	0255111 ..... 17, 27	0400111.....30, 34
0100048.....29, 74	0254539 ..... 205	0255167 ..... 215	0400112.....29
0100051.....29	0254541 ..... 205	0255168 ..... 214	0400121.....29
0100065.....29	0254543 ..... 112, 193	0255170 ..... 214	0400130.....30, 33
0140028.....47, 49, 51	0254544 ..... 79, 83, 166	0255522 ..... 51, 154, 167	0400136.....29
0140030.....119, 165, 168	0254549 ..... 27, 192	0255586 ..... 91	0400137.....30, 33
0140031.....47, 49, 51	0254595 ..... 92, 188	0255587 ..... 95	0400182.....30, 39
0182000.....9	0254597 ..... 27, 192	0255611 ..... 79, 166	0400198.....30, 37, 41
0182002.....9	0254599 ..... 17, 27	0255642 ..... 30	0440162.....9, 13
0252243.....9	0254604 ..... 30	0255743 ..... 30	0440202.....59
0252290.....44, 47	0254605 ..... 44	0256121 ..... 28	0440203.....63, 65
0252303.....88	0254645 ..... 107	0256123 ..... 28	0440338.....59, 61
0252339.....43	0254647 ..... 99, 188	0256124 ..... 28	0440339.....63, 65
0252349.....17	0254698 ..... 79	0256125 ..... 28	0460096.....149
0252408.....107, 112	0254704 ..... 197	0256162 ... 199, 203, 207	0460102.....149, 151
0252430.....17	0254707 ..... 201	0256215 ..... 197	0460103.....149, 151
0252431.....17	0254708 ..... 43	0256224 ..... 201	0460106.....111
0252672.....107, 193	0254710 ..... 17, 27	0256233 ..... 205	0460110.....151
0252754.....18	0254713 ..... 197	0256436 ..... 215	0460111.....151
0252927.....214	0254715 ..... 197	0256530 ..... 28	0460112.....151
0252986.....44, 77	0254717 ..... 197	0256563 ..... 215	0460113.....151
0253028.....149	0254719 ..... 197	0256703 ..... 215	0460114.....151
0253185.....59	0254721 ..... 197	0256789 ..... 214	0460115.....151
0253224.....30	0254723 ..... 197	0256829 ..... 215	0480074.....215
0253411.....215	0254727 ..... 197	0256832 ..... 18	0480075.....215
0253455.....95	0254732 ..... 201	0256836 ..... 18	0480076.....215
0253508.....63	0254734 ..... 205	0256837 ..... 18	0480077.....215
0253533.....63	0254738 ..... 87, 188	0257399 ..... 214	0560995.....87
0253594.....13	0254740 ..... 69	0257400 ..... 214	0561076.....91, 96
0253613.....14	0254743 ..... 77	0257410 ..... 167, 214	0561090.....92, 99
0253650.....44, 51	0254744 ..... 77	0257548 ..... 17, 27	0561091.....99
0253687.....79, 83	0254745 ..... 77, 164	0257549 ..... 17, 27	0561157.....87
0253698.....111	0254754 ..... 205	0257550 ..... 17, 27	0561158.....87
0253704.....100	0254756 ..... 205	0257551 ..... 17, 27	0561173.....91
0253708.....51	0254758 ..... 205	0257556 ..... 28	0610107.....70, 75
0253709.....83	0254760 ..... 205	0257557 ..... 28	0630016.....9, 14, 17
0253717.....112, 193	0254762 ..... 205	0257558 ..... 28	0630399.....104
0253734.....14	0254764 ..... 205	0257563 ..... 214	0630407.....29
0253735.....13	0254768 ..... 205	0257660 ..... 203	0630448.....77
0253784.....18	0254773 ..... 201	0257661 ..... 199	0630453.....29
0253799.....214	0254775 ..... 201	0257735 ..... 214	0630455.....18
0253849.....30	0254777 ..... 201	0257736 ..... 199	0630457.....77
0253864.....18	0254779 ..... 201	0257737 ..... 203	0630464.....69, 73, 83
0253984.....83	0254781 ..... 201	0257738 ..... 207	0630465.....19
0254028.....151	0254783 ..... 201	0258045 ..... 69	0630467.....99
0254040.....95	0254787 ..... 201	0258062 ..... 74	0630468.....83
0254041.....99, 188	0254788 ..... 215	0258064 ..... 74	0630474.....79
0254043.....112, 193	0254789 ..... 125, 215	0258226 ..... 87, 188	0630476.....79
0254120.....18	0254790 ..... 215	0258344 ..... 69	0630487.....103
0254121.....18	0254791 ..... 143, 215	0258345 ..... 188	0630491.....79, 83
0254155.....18	0254792 ..... 88	0258378 ..... 74	0630513.....19
0254190.....91	0254799 ..... 197	0258379 ..... 75	0641404.....103, 143
0254276.....28	0254800 ..... 87	0258563 ..... 99, 188	0641405.....103
0254291.....44	0254815 ..... 92	0258564 ..... 99, 188	0641406.....30, 69
0254292.....44	0254830 ..... 59	0258565 ..... 92, 188	0641408..27, 30, 91, 107, 112, 202
	0254831 ..... 59	0258771 ..... 215	0641410.....49, 87, 99
	0254850 ..... 151	0258772 ..... 215	0641412.....44
	0254851 ..... 151	0258918 ..... 215	0641414.....87, 107, 112
	0254865 ..... 18	0259631 ..... 167, 214	0641416.....27
	0254866 ..... 18	0270258 ..... 28	

## PART NUMBER INDEX

0641418 .....	51	0860915 .....	69	1060491 .....	29	1682856 .....	135
0641505 .....	111	0860917 .....	73	1060492 .....	29	1682858 .....	135
0641506 .....	51, 96	0860919 .....	73	1060516 .....	189, 190	1682861 .....	95, 131
0641507 .....	49	0860920 .....	117	1060534 .....	27	1682862 .....	131
0641508 .....	27, 47, 51, 118	0860921 .....	117	1060535 .....	27	1682864 .....	131
0641509 .....	87, 107	0860922 .....	117	1060584 .....	74	1682867 .....	95, 127
0641510 .....	9, 13, 65, 77, 83	0861056 .....	117	1100070 .....	88	1682868 .....	127
0641511 .....	92	0861057 .....	117	1120094 .....	135	1682870 .....	127
0641512 .....	29, 99, 147	0861058 .....	117	1120108 .....	125, 127, 131	1682876 .....	111, 143
06415149, 51, 52, 77, 92, 99		0861059 .....	117	1120110 .....	139, 143	1682877 .....	91, 95, 139
0641516 .....	111	0861060 .....	117	1120305 .....	131, 135	1682878 .....	143
0641518 .....	19, 51	0861181 .....	69	1120387 .....	145	1682879 .....	139
0641520 .....	92, 100, 104	0861184 .....	117	1120457 .....	14	1682881 .....	139, 143
0641560 .....	99	0861186 .....	117	1120459 .....	128	1682887 .....	103, 147
0641604 .....	147	0861187 .....	117	1180302 .....	103	1682888 .....	147
0641605 .....	75, 83, 111	0861189 .....	73	1220038 .....	103, 104	1682890 .....	147
0641606 .....	79, 91, 103	0861191 .....	73	1220039 .....	104	1682892 .....	147
0641607 .....	111	0861208 .....	69	1220040 .....	104	1682893 .....	13, 145
06416089, 14, 17, 79, 91, 96, 104, 111		0861209 .....	73	1281821 .....	164, 167	1682894 .....	145
0641610 .....	14, 91, 96, 111	0861210 .....	73	1282199 .....	164, 166	1682930 .....	111, 141
0641612 .....	30	0901921 .....	83	1282201 .....	215	1682947 .....	103, 147
0641614 .....	91	0901923 .....	83	1282324 .....	214	1682948 .....	147
0641806 .....	96	0902044 .....	79	1282417 .....	166	1682950 .....	147
0641808 .....	92	0902045 .....	79	1282820 .....	166, 167	1682958 .....	91, 127
0641810 .....	96, 111	0902046 .....	79	1282857 .....	164, 168	1682972 .....	127
0641811 .....	17	0902051 .....	51	1284791 .....	215	1682980 .....	91, 135
0641812 .....	61, 65, 91, 96	0902055 .....	79	1320017 .....	111	1682981 .....	135
0641814 .....	14	0902056 .....	79	1320031 .....	111	1682983 .....	135
0641818 .....	103	0920090 .....	17, 21	1320033 .....	149, 151	1682988 .....	127
0642016 .....	9, 13	0940036 .....	44	1320037 .....	149, 151	1683013 .....	95, 135
0681814 .....	59, 63	0940048 .....	14, 96	1320040 .....	99	1683014 .....	135
0682022 .....	59	0940049 .....	79, 83	1320043 .....	83	1683016 .....	135
0682024 .....	59	0960239 .....	215	1320050 .....	111	1683018 .....	95, 131
0682026 .....	63	0961127 .....	198, 201, 205	1320051 .....	125	1683019 .....	131
0682028 .....	63	0961602 .....	87, 125	1320159 .....	92, 111	1683021 .....	131
0682040 .....	59	0961608 .....	87, 111, 139, 143	1320172 .....	29	1683202 .....	87, 125
0682048 .....	63	0961621 .....	10, 14	1320195 .....	92, 99, 104	1683203 .....	125
0720805 .....	118	096172692, 95, 103, 127, 131, 135		1320199 .....	92, 99, 104	1683285 .....	111, 143
0721008 .....	77, 79, 84	0961749 .....	111	1320205 .....	92, 99	1683286 .....	139, 143
0731003 .....	118	1001102354 .....	9	1380132 .....	51	1683325 .....	91, 95, 139
0741008 .....	27	1001139010 .....	9	1380138 .....	44	1683337 .....	95, 127
0741606 .....	79, 84	1001148902 .....	214	1380139 .....	69	1683347 .....	127
0791004 .....	27	1001148903 .....	214	1580008 .....	197, 202, 206	1683348 .....	91, 127
0800749 .....	87	1001148904 .....	214	1600175 .....	118, 121, 211	1683504 .....	127
0800750 .....	87	1001148905 .....	214	1670633 .....	18	1683505 .....	127
0800831 .....	95	1001148906 .....	214	1670636 .....	107, 113	1683506 .....	95, 127
0800832 .....	91, 95, 103	1060016 .....	166, 194	1670650 .....	44	1683512 .....	135
0800833 .....	103	1060042 .....	190, 191	1670678 .....	103	1683513 .....	131
0800834 .....	103	1060080 .....	30	1670690 .....	111	1683514 .....	127
0800852 .....	95	1060092 .....	29	1670692 .....	18	1683515 .....	135
0800853 .....	95, 103	1060279 .....	202, 206	1670696 .....	29	1683516 .....	131
0800854 .....	103	1060329 .....	118	1670697 .....	99	1683518 .....	95, 135
0800855 .....	103	1060330 .....	188	1670698 .....	103	1683519 .....	95, 131
0800866 .....	91, 92	106034188, 92, 100, 188, 189, 192, 193		1670808 .....	18	1683520 .....	95, 127
0801007 .....	91, 92	1060404 .....	27	1670832 .....	100	1683521 .....	95, 135
0840027 .....	27	1060405 .....	29	1670833 .....	100	1683522 .....	95, 131
0840031 .....	29	1060435 .....	27	1670835 .....	27	1683694 .....	145
0840032 .....	29	1060461 .....	107, 193, 194	1681344 .....	125, 127, 131	1683695 .....	9, 13, 145
0840041 .....	30	1060464 .....	27	1682154 .....	139, 143	1683696 .....	13, 145
0860520 .....	202	1060465 .....	27	1682209 .....	131, 135	1693292 .....	198, 201, 205
0860848 .....	214	1060466 .....	27	1682323 .....	135	1693294 .....	198, 201, 205
0860849 .....	214	1060467 .....	27	1682364 .....	145	1700584 .....	197, 201, 205
0860876 .....	117	1060468 .....	27	1682527 .....	9, 13, 145	1701500 .....	198, 202, 206
0860883 .....	73	1060469 .....	27	1682528 .....	145	1701504 .....	197, 201, 205
0860895 .....	117			1682530 .....	145	1701518 .....	197, 202, 206
				1682544 .....	125	1701600 .....	198, 201, 205
				1682855 .....	95, 135	1701640 .....	202, 206

# PART NUMBER INDEX

1701642.....	197, 201, 205	1702358.....	202	2220606.....	52, 157, 159, 161	2752454.....	157
1701644.....	197, 201, 205	1702375.....	198, 202	2220609.....	157, 161	2752455.....	157
1701649.....	197, 201, 205	1702397.....	159	2220628.....	147	2752459.....	159, 161
1701650.....	197, 201, 205	1702545.....	52, 206	2220635.....	161	2752461.....	52
1701691.....	198, 202, 206	1702561.....	92	2220654.....	157	2752462.....	161
1701695.....	30	1702612.....	198, 201, 205	2220657.....	161	2752471.....	159, 161
1701717.....	91, 198	1702788.....	214	2220677.....	159, 162	2752478.....	51
1701760.....	198, 202, 206	1702928.....	199, 203, 207	2220684.....	159, 162	2752484.....	157, 159, 161
1701761.....	198, 202, 206	1702949.....	30, 198, 202, 206	2220727.....	159, 162	2752485.....	157
1701762.....	198, 202, 206	1702950.....	30	2220775.....	52	2752486.....	157
1701763.....	198, 202, 206	1702958.....	202, 206	2220873.....	157, 159, 161	2752487.....	159, 161
1701764.....	198, 202, 206	1703155.....	198, 202, 207	2220874.....	157, 159, 161	2752488.....	161
1701765.....	198, 202, 206	1703247.....	207	2220883.....	125, 128, 143, 147	2752489.....	159, 161
1701767.....	198	1703479.....	214	2220885.....	128, 131, 136	2752572.....	162
1701768.....	198	1703492.....	198	2220899.....	161	2752573.....	159, 162
1701770.....	198	1703493.....	202	2220903.....	125	2752574.....	159, 162
1701771.....	198	1703495.....	207	2220934.....	162	2752575.....	159, 162
1701791.....	198, 201, 205	1703518.....	198, 201, 205	2220935.....	159, 162	2752579.....	161
1701818.....	197, 202, 206	1703663.....	199, 203, 207	2221020.....	159, 162	2752580.....	159, 161
1701892.....	198, 201, 205	1703664.....	199, 202, 207	2300014.....	214	2752581.....	162
1701906.....	197, 201, 205	1703665.....	199, 202, 207	2300021.....	214	2752583.....	159
1701950.....	206	1703693.....	199, 203, 207	2300027.....	214	2752584.....	162
1701951.....	206	1703975.....	199, 203, 207	2300029.....	214	2752585.....	161
1701952.....	206	1703976.....	199, 203, 207	2360371.....	13	2752611.....	159, 161
1701953.....	202, 206	1703977.....	199, 203, 207	2360372.....	13	2752614.....	161
1701965.....	198	1703978.....	199, 203, 207	2360373.....	13	2752619.....	161
1701966.....	202, 206	1703979.....	199, 203, 207	2360375.....	13	2752620.....	161
1702049.....	206	1704175.....	214	2360378.....	9	2752621.....	161
1702124.....	162	1704260.....	70, 74, 118	2360379.....	13	2752623.....	159
1702155.....	197, 202, 206	1704277.....	198, 201, 205	2360404.....	13	2752624.....	159
1702157.....	199, 203, 207	1704414.....	117	2360405.....	13	2752626.....	161
1702174.....	197	1704415.....	117	2360406.....	13	2752627.....	159
1702175.....	201	1704416.....	117	2360407.....	13	2753005.....	159, 162
1702176.....	201	1760160.....	103	2360408.....	13	2753050.....	161
1702177.....	205	1870031.....	164	2400005.....	192	2753113.....	161
1702178.....	205	1870032.....	168	2400041.....	192, 211	2753114.....	161
1702179.....	205	1870066.....	168	2400044.....	27	2753115.....	161
1702181.....	197	1870067.....	164	2400045.....	27, 192, 210	2780185.....	17, 23
1702182.....	197	2120072.....	44, 210	2420049.....	167, 214	2780186.....	9
1702183.....	197	2120105.....	44	2420106.....	70, 73	2780198.....	17, 25
1702222.....	197	2160001.....	65	2540016.....	29	2780201.....	13, 14
1702223.....	197	2160003.....	59, 65	2540019.....	27	2780206.....	17, 25
1702241.....	198, 202, 206	2180394.....	145	2540020.....	27	2791887.....	154
1702251.....	199, 203, 207	2180699.....	145	2540023.....	27	2791990.....	154, 157
1702253.....	197	2180819.....	17	2560115.....	117	2792012.....	154
1702258.....	197, 201, 205	2200222.....	143	2560136.....	117	2792017.....	154, 161
1702259.....	197, 201, 205	2220273.....	17	2600192.....	77	2792141.....	154
1702260.....	197, 201, 205	2220371.....	157, 159, 161	2680239.....	79	2792142.....	154
1702261.....	197, 201, 205	2220415.....	159, 161	2680240.....	79	2792144.....	154, 161
1702262.....	197, 201, 205	2220428.....	157, 159, 161	2680404.....	77	2792208.....	154, 159
1702263.....	197, 201, 205	2220429.....	157, 159, 161	2680405.....	77	2820035.....	113
1702265.....	206	2220466.....	161	2680410.....	83	2820036.....	80, 84
1702266.....	206	2220472.....	145, 157, 159, 161	2680411.....	83	2820063.....	29
1702267.....	206	2220473.....	159, 161	2680413.....	77	2820065.....	29
1702268.....	206	2220492.....	157	2680473.....	83	2820066.....	30
1702269.....	206	2220497.....	157, 159, 161	2680475.....	83	2820067.....	30
1702270.....	206	2220502.....	161	2751473.....	157	2860030.....	69, 73, 210
1702274.....	198	2220504.....	159, 161	2752433.....	161	2900034.....	23, 25
1702282.....	206	2220507.....	159	2752435.....	159, 162	2900371.....	125, 128, 132
1702285.....	117	2220515.....	145	2752438.....	162	2900661.....	23, 25
1702286.....	117	2220516.....	147	2752440.....	162	2900708.....	51
1702287.....	117	2220582.....	157, 159, 161	2752441.....	162	2900770.....	125, 128, 131, 135, 136, 147
1702300.....	197, 202, 206	2220584.....	159, 162	2752443.....	157	2900779.....	51
1702352.....	30, 198, 202, 206	2220603.....	52, 159, 161	2752446.....	159, 161	2900792.....	143
1702356.....	202	2220605.....	162	2752453.....	157	2900804.....	10
1702357.....	202						

## PART NUMBER INDEX

2900811 .....	17	3252351 .....	73	3422179.....	91, 96	3740091 .....	167
2900813 .....	43	3252537 .....	167, 214	3422180.....	91, 96, 111	3760115 .....	103
2900832 .....	215	3252648 .....	69	3422181.....	111	3760141 .....	145
2900838 .....	214	3252649 .....	73	3422185.....	103	3760170 .....	29
2900842 .....	14	3252650 .....	73	3422191.....	111	3760308 .....	44
2900859 .....	117	3300029 .....	29	3422263.....	103	3760318 .....	147
2900990 .....	199	3300047 .....	215	3422480.....	91, 96	3780181 .. 87, 91, 96, 107,	
2900991 .....	203	3300151 .....	92, 99	3422481.....	96	111	
2900992 .....	207	3300181 .....	30	3422901.....	103	3780182 .....	9, 13
2901147 .....	139, 143	3300255 .....	10	3430408.....	128	3780183 .....	87
2901154 .....	132, 136	3300279 .....	125, 127, 131	3430816.....	111	3780184 .....	91, 96, 111
2901170 .....	136	3300281 .....	131, 135	3430840.....	79, 83	3790012 .....	118
2901178 .....	145	3300308 .....	139, 143	3440413.....	128	3790029 .....	125
2901212 .....	47, 164	3300309 .....	139, 143	3450202.....	128	3790112 .....	121
2901213 .....	107, 113	3300315 .....	127	3450405.....	111	3790113 .....	147
2901216 .....	118	3300352 .....	117	3450506.....	13	3790225 .....	21
2901242 .....	147	3300356 .....	19	3450810.....	9, 13	3790240 .....	17, 21
2901249 .....	51, 167	3300365 .....	74, 83	3451210.....	14	3820001 .. 197, 199, 201,	
2901250 .....	118	3300371 .....	44	3480102.....	135	203, 205, 207	
2901251 ... 107, 112, 164,		3300396 .....	74	3480113.....	131, 135	3841143 ... 14, 87, 91, 96,	
167		3300412 .....	74	3480115.....	125, 127, 131	107, 111	
2901302 .....	49, 167	3300413 .....	74	3480123.....	139, 143	3841146 .....	9, 13
2901496 .....	128	3310601 .. 69, 70, 73, 118		3480153.....	145	3841203 .....	91, 96, 111
2901560 .....	47, 164	3311005 ... 27, 77, 79, 84,		3480170.....	147	3860054 .....	145
2901561 ... 107, 112, 164,		88, 92, 100		3480217.....	139, 143	3860076 .....	145
168		3311011 .....	74	3510435.....	112	3860080 .....	145
2901600 .....	49, 167	3311401 ... 44, 47, 51, 77,		3510458.....	107	3900097 .....	100
2901601 .....	51, 167	83, 88, 92, 99, 103,		3510461.....	112	3900104 .....	100
2901888 .....	214	112, 206		3510501.....	112	3900168 .....	88, 92, 100
2901896 .....	215	3311405 ... 27, 29, 30, 44,		3510502.....	107	3900170 ... 125, 128, 131,	
2910014 .....	199	47, 49, 51, 69, 87, 91,		3510505.....	112	136, 139, 143	
2920095 .....	107, 113	99, 107, 112, 202		3510595.....	112	3900174 .....	44
2920107 .....	118	3311501 ... 19, 51, 77, 79,		3510597.....	112	3900179 .....	88
2920118 .....	214	83		3520026.....	44	3900246 .....	100
2920119 .....	77, 79, 83	3311505 9, 14, 27, 49, 51,		3520031.....	118	3910608 ... 69, 70, 73, 118	
2920120 .....	118	77, 87, 92, 96, 99, 100,		3520034.....	104	3910804 .....	70, 74
2920146 .....	77, 79, 83	104, 107, 111		3520054.....	29	3911408 .....	206
2920150 .....	214	3311601 .....	83	3520084.....	74	3911410 .....	44
2940042 .....	83	3311602 .....	103	3535959.....	44	3931414 .....	59
2940071 .....	79, 83	3311605 .. 30, 91, 96, 111		3536089.....	107, 112	3931516 .....	43
2940073 .....	29	3311805 ... 14, 29, 91, 96		3536491.....	95	3941003 .....	206
2940093 .....	29	3312005 .....	9, 13	3536691.....	83	3941405 .....	111
2940094 .....	29	3313003 .....	9, 13	3536755.....	63	3941408 .....	202
2980121 .....	128	3321801 .....	17	3536999.....	92, 99	3951402 ... 125, 128, 131,	
3000003 .....	29	3321802 .....	145	3537045.....	95	147	
3000004 .....	29	3322002 .....	9, 13	3537220.....	91	3960433 .....	44, 79
3020022 9, 13, 87, 91, 96,		3322205 .....	147	3537234.....	118	3960438 .....	73, 83
107		3322403 .....	14	3537903.....	79, 84	3960447 .....	44, 73
3020027 .....	59, 63	3340450 .....	14	3537992.....	69	3960453 .....	79, 83
3020029 .....	59, 63	3340644 .....	9, 13	3538001.....	73	3990001 ... 119, 164, 166,	
3020036 .....	59, 63	3340663 .....	103	3538052.....	59	167, 168, 188, 189,	
3120323 .....	215	3340666 .....	103	3538157.....	27	191, 211	
3120348 .....	215	3340679 .....	147	3539928.....	215	3990010 ... 166, 167, 188,	
3120351 .....	215	3340682 .....	103	3570840.....	69	192, 211	
3160182 .....	59, 63, 67	3340820 .....	103	3600179.....	51	3990053 .....	17, 210
3160186 .....	17	3420156 .....	79, 83	3600192.....	43	4060802 70, 73, 117, 190	
3251242 ... 198, 201, 205		3421799 .....	30	3600207.....	111, 115	4060803 .....	92, 107, 112
3251596 .....	215	3421983 .....	107	3600261.....	43	4060804 .....	87
3251813 ... 197, 201, 205		3421985 .....	87	3640834.....	118	4060805 .....	87, 92, 99
3251921 ... 199, 203, 207		3421986 .....	87	3640920.....	75	4060807 .....	87, 99
3252197 .....	202, 206	3421988 .....	9, 13	3640930.....	70, 118	4060808 .....	14, 92, 99
3252256 .....	214	3422006 .....	87	3730103.....	192	4060854 .....	51
3252331 ... 199, 203, 207		3422170 .....	14	3740063 70, 75, 118, 119,		4060855 .....	111
3252347 ... 107, 112, 198,		3422175 .....	96	164, 165, 166, 167, 168		4060865 .....	77, 79, 83
201, 205		3422176 .....	91, 96, 111	3740087 70, 75, 118, 119,		4070809 .....	9, 13
3252349 .....	69	3422177 .....	91, 96	164, 165, 166, 167,		4070832 .....	14
3252350 .....	73	3422178 .....	91, 96	168, 211		4070833 .....	14

# PART NUMBER INDEX

4070834.....14	4460299..... 70, 75	4520265..... 18	4751000....27, 77, 79, 84,
4070835.....14	4460300..... 70, 75	4565275..... 145	88, 92, 118
4070853.....14	4460301..... 70, 75	4565332..... 125	4751400....44, 47, 51, 69,
4070987.....70, 74	4460305..... 70, 75	4565640..... 29	77, 83, 87, 88, 91, 92,
4070991.....70, 74	4460306..... 70, 75	4565755..... 44	99, 103, 107, 111, 112,
4100026..... 159, 162	4460307..... 70, 75	4565992..... 135	202
4120014..... 167	4460308..... 70, 75	4565994..... 131	47515009, 13, 27, 49, 51,
4120027 70, 75, 118, 119,	4460310..... 70, 75	4566009..... 128	52, 79, 83, 92, 99, 111,
164, 165, 166, 167, 168	4460320..... 189, 191	4566023..... 139, 143	118
4130286.....9, 10	4460419..... 192	4566027..... 147	4751600.... 14, 30, 75, 79,
4130302.....13	4460422..... 107, 112	4566187..... 162	83, 91, 96, 104, 111
4130319.....13	4460425..... 73, 190	4566188..... 162	4751800.....29, 83, 111
4160028.....215	4460426.... 73, 189, 190,	4566243..... 99	4760600...69, 70, 73, 118
4160114..... 167	191	4566261..... 135	4760800..... 118
4160117.....77	4460428 88, 92, 100, 108,	4566356..... 96	4761000..... 118
4220111.....80	113, 118, 125, 143,	4566427..... 96	4761400....27, 30, 44, 47,
4220162.....79, 84	188, 194, 214	4566432..... 135	51, 59, 87, 103, 111
4240032.....80, 84	4460434..... 189, 191	4566435..... 131	4761500.... 19, 30, 47, 52,
4240084.....27	4460444..... 189, 191	4566473..... 128	77, 79, 118
4240099..87, 92, 99, 107,	4460446..... 189, 191	4566623..... 162	4761600..17, 75, 83, 103,
113	4460453.... 189, 191, 193	4567177..... 128	147
4300106.....51	4460454... 189, 191, 193	4620086..... 77	4761800..... 17, 103
4300107.....29	4460464..... 190, 193	4620088..... 83	4791500.....30
4360031.... 107, 112, 210	4460465.... 189, 190, 191	4620101..... 79	4844026.....87
4360069.....74, 118, 167,	4460466..... 190	4640495..... 125	4844027.....87
210	4460467..... 194, 215	4640509..... 143	4844028.....87
4360112..... 118, 211	4460470..... 190	4640634..... 131, 135	4844102.....107
4360199..... 167	4460471..... 190	4640709..... 147	4844182.....77
4360204..... 189	4460475..... 194	4640725..... 47	4844302.....95
4360274.... 118, 211, 215	4460476..... 194	4640726..... 44	4844303.....95
4360282.....74, 118	4460488..... 118	4640746..... 125, 136	4844304.....95
4360289..... 69, 73, 117	4460489..... 194	4640771..... 128, 147	4844324..... 14
4360305.....215	4460499.55, 56, 189, 191	4640797..... 51, 55	4844365.....51
4360314.70, 73, 117, 210	4460500..... 190	4640799..... 128, 136	4844369..... 14
4360317.....117	4460501..... 190	4640807..... 147	4844404.....83
4360321.88, 92, 100, 212	4460510..... 194, 215	4640814..... 51	4844424.....29
4360328..... 117, 211	4460522..... 118	4640816..... 131, 135	4844427.....95
4360344.... 125, 143, 194	4460523... 118, 188, 189,	4640843..... 49, 56	4844465.....111
4360346.....69	190	4640861..... 162	4844466.....111
4360347.....73	4460524..... 118	4640866..... 51	4844467.....96
4360365.....117	4460525... 118, 189, 190	4640869..... 125, 128	4844541.....95
4360372.....30, 210	4460526..... 118, 188	4640932..... 143	4844570.....143
4360445..... 117, 210	4460527..... 189, 190	4640933..... 52	4844576.....91, 92
4360451..... 194	4460529..... 118, 188	4640936..... 128	4844579.....103
4360473.....69	4460530..... 74, 75	4641025..... 51, 55	4844588.....91
4360474.....69, 73, 210	4460536..... 193	4641026..... 49, 56	4844595.....63
4360475.69, 73, 117, 210	4460539..... 189, 191	4711400... 27, 30, 44, 47,	4844602.....44
4360476.....74, 210	4460545..... 69, 70	49, 51, 77, 107, 113,	4844603.....44
4420008.....74	4460598..... 108, 113	206	4844632.....28
4420037.....70	4460709..... 193	4711500..... 29, 51, 77	4844689.....28
4420052.... 198, 199, 202,	4460710..... 194	4711600..... 9, 17	4844778.....44
203, 206, 207	4460729..... 190	4711800..... 17, 79	4844797.....59
4420054..... 198, 202	4460730..... 191	4712400..... 13	4845262.....28
4460052.....215	4460731..... 189	4740007..... 111	4845343.....29
4460071..... 107, 112	4460733..... 191	4740120..... 69, 73, 83	4891400.....61
4460134..... 112, 194	4460734..... 190, 191	4740171..... 59, 63	4891500.....65
4460205..... 112, 193	4460735..... 69, 70	4740207..... 131, 135	4892000.....59
4460224..... 192	4460736..... 191	4740247..... 14	4920140.....88
4460225.... 189, 190, 192	4460757..... 74, 75	4740362..... 69	4921396..... 112, 193
4460226..... 121, 193	4520139..... 17	4740393..... 63	4921425...47, 49, 51, 193
4460227..... 121	4520148..... 18	4740394.... 125, 127, 131	4921428..... 194
4460234..... 70, 80, 84	4520151..... 18	4740397..... 70, 73	4921442..... 164
4460265.... 121, 189, 190	4520154..... 18	4740413..... 104	4921521..... 125, 194
4460266..... 121, 193	4520155..... 18	4740420..... 118	4921566..... 194
4460267.... 189, 190, 191	4520159..... 18	4740453..... 9	4921570..... 112, 194
4460268.... 189, 191, 192	4520184..... 18	4750600.. 69, 70, 73, 118	4921571..... 112, 193
4460298.....70, 75	4520198..... 18	4750800..... 118	4921581.....99, 189



## PART NUMBER INDEX

4921591 .....	99, 189	70000864 .....	61	7003739.....	121	7011590 ...	33, 34, 37, 39, 193
4921594 .....	112, 194	70000865 .....	61, 65	7003744.....	121	7011593... ..	33, 34, 37, 41, 212
4921595 .....	112, 193	70000866 .....	61	7003751.....	121	7011594 ....	33, 34, 37, 41
4921601 .....	143, 194	70000867 .....	61	7003788.....	121	7011598 .....	33
4921641 .....	191	70000868 .....	65	7003789.....	121, 211	7011610 .....	34
4921642 .....	191	70001677 .....	65	7003790.....	121	7011621 ... ..	33, 34, 37, 39, 41, 193
4921643 .....	74, 190	7000209 .....	23, 25	7003791.....	121	7011623 .....	33, 34
4921644 .....	92, 99, 189	7000214 .....	23, 25	7003792.....	121	7011644 .....	34
4921645 .....	99, 189	7000217 .....	23, 25	7003793.....	121	7011645 .....	34, 212
4921648 .....	112	7000228 .....	23, 25	7003795.....	121	7011646 .....	33, 34
4921649 ... ..	112, 193, 194	7000229 .....	23, 25	7004275.....	215	7011647 .....	34
4921650 .....	92, 189	7000230 .....	23, 25	7004276.....	215	7011648 .....	34
4921659 .....	87, 189	7000232 .....	23, 25	7005804.....	67	7011649 .....	34, 39
4921882 .....	191	7000241 .....	23, 25	7005809.....	67	7011668 .....	34
4921983 .....	194	70002418 .....	43	7005811.....	67	7011669 .....	34, 193
4921984 .....	194	7000242 .....	23, 25	7005812.....	67	7011672 .....	34, 193
4922039 .....	74, 190	7000246 .....	23, 25	7005821.....	67	7011674 .....	34, 193
4922040 .....	191	7000248 .....	23, 25	7005874.....	67	7011679 .....	33
4922042 .....	188	7000253 .....	23, 25	7005876.....	67	7011904 .....	121
4922043 .....	192	7000255 .....	23, 25	7005877.....	67	7011942 .....	121, 211
4922045 .....	191	7000256 .....	23, 25	7005878.....	67	7011973 .....	121
4922056 .....	188	7000257 .....	23, 25	7005879.....	67	7012517 .....	117
4922061 .....	87, 189	7000258 .....	23, 25	7005880.....	67	7012518 .....	56
4922065 .....	189	7000259 .....	23, 25	7005881.....	67	7012519 .....	9
4922076 .. ..	47, 49, 51, 193	7000263 .....	23, 25	7007642.....	25	7012520 .....	9
4922078 .....	194	7000269 .....	23	7009795.....	55	7012521 .....	9
4922119 .....	189	7000270 .....	23	7010461.....	23	7012522 .....	9
4922122 .....	191	70003552 .....	27	7010463.....	23	7012523 .....	9
4922127 .....	99, 189	70003553 .....	27	7010474.....	25	7012540 .....	125
4922128 .....	92, 99, 189	7000625 .....	107, 112	7010481.....	25	7012541 .....	10
4922129 .....	189	7001608 .....	141	7010482.....	25	7012542 .....	10
492213 .....	190	7001609 .....	141	7010483.....	25	7012543 .....	10
4922132 .....	74, 190	7001610 .....	141	7010484.....	25	7012546 .....	17
4922133 .....	74, 191	7001611 .....	141	7010485.....	25	7012552 .....	21
4932577 .....	164	7001612 .....	141	7010486.....	25	7012554 .....	21
4932617 .....	164	7001613 .....	141	7010489.....	25	7012566 .....	117
4932628 .....	168	7001614 .....	141	7010490.....	25	7012580 .....	21, 193
4932659 .....	167, 188	7001909 .....	23, 25	7010491.....	25	7012582 .....	21
4932660 .....	168, 191	7001911 .....	23	7010537.....	44, 56	7012583 .....	21
4932674 .....	164, 188	7001912 .....	23	7010538....	44, 47, 55, 56, 210	7012584 .....	59
4932675 .....	164, 191	7001913 .....	23	7010539 ....	44, 47, 55, 56	7012585 .....	59
4932681 ... ..	118, 165, 168	7001923 .....	25	7010540 ....	44, 47, 55, 56	7012587 .....	69, 73
4932682 .....	164, 166	7001931 .....	23	7010541 ....	44, 47, 55, 56	7012596 .....	63, 65
4932683 .....	164, 166	7001952 .....	23, 25	7010542 ....	44, 47, 55, 56	7012597 .....	63, 65
4932684 .....	166	7001985 .....	23, 25	7010543 ....	44, 47, 55, 56	7012608 .....	30
4932685 .....	166	7002821 .....	194, 215	7010544.....	47	7012609 .....	17
4932686 .....	164, 166	7002822 .....	215	7010545.....	47, 55	7012611 .....	69, 73, 117
4932687 .....	164	7002823 .....	194, 215	7010546.....	47, 55, 56	7012612 .....	69, 73, 117
4932845 .....	164, 166	7002826 .....	216	7010652.....	51	7012624 .....	79
4932882 .....	167	7002828 .....	194	7011112.....	143	7012654 .....	59, 63, 65
4932927 .....	164, 166	7003550 .....	115	7011322.....	51	7012655 .....	59, 63, 65
4932935 .....	167	7003551 .....	115	7011507.....	33, 34	7012665 .....	73
4932936 .....	164, 188	7003552 .....	115	7011508.....	33, 34, 212	7012686 .....	52
4932937 .....	167, 188	7003553 .....	115	7011511.....	33, 34	7012687 .....	52
4932970 .....	167	7003554 .....	115	7011517.....	33, 34	7012689 .....	21
4932987 .....	168, 191	7003555 .....	115	7011528.....	33, 34, 39	7012691 .....	21
4932988 .....	167, 188	7003556 .....	115	7011529.....	37, 41	7012692 .....	21
4933002 .....	164, 188	7003557 .....	115	7011544.....	33, 193	7012901 .....	55
4933003 .....	164, 191	7003558 .....	115	7011551.....	33, 34	7012903 .....	56
4933010 .....	167	7003559 .....	115	7011572.....	33, 193	7012907 .....	56
4933011 .....	167	7003560 .....	115	7011573....	33, 34, 37, 39, 41	7012912 .....	44, 55, 56
4933012 .....	166	7003561 .....	115	7011574.....	33	7012914 .....	55, 56
4933013 .....	166	7003562 .....	115	7011576.....	33, 34	7012918 .....	55, 56, 57
4933014 .....	165, 168	7003702 .....	121	7011584.....	33, 34	7012946 .....	55, 56
4933015 .....	166	7003703 .....	121				
4933024 .....	191	7003719 .....	121				
4933028 .....	191	7003722 .....	121				

## PART NUMBER INDEX

7012947.....55	7013703.....43	7016682.....59, 65	7020633.....37, 41
7012948.....55	7013706.....43	7016717.....43	7020649.....37, 41
7012949.....55	7013707.....43	7016725.....43	7020650.....37, 41
7012951.....44, 55, 56	7013708.....43	7016739.....43	7020658.....37, 41
7012953.....52	7013709.....43, 210	7016740.....43	7020659.....37, 41
7012981.....55, 56	7013713.....43	7016766.....43	7020674.....37, 41
7012997.....55	7013715.....43	7017401.....55	7022200.....43
7012998.....44, 55, 56	7013716.....43	7017402.....55, 57	7022202.....43
7012999.....55	7013717.....43	7017403.....56	7022904.....37
7013301.....192	7013719.....43	7017433.....55	7022914.....37, 41
7013302.....192	7013722.....43	7017435.....56	7022916.....37, 41
7013303.....192	7013723.....43	7018504.....34	7022938.....37, 41
7013306.....192	7013727.....43	7018525.....37	7022939.....37, 41
7013310-30E.....192, 212	7013728.....43	7018530.....34	7022940.....39
7013310-35E.....192, 212	7013729.....43	7018537.....39	7022941.....39
7013310-40E.....192, 212	7013733.....43	7018538.....33	7023484.....59, 65
7013311.....192, 212	7013740.....43	7018563.....37, 41	7026042.....61, 65
7013313.....192	7013743.....43	7018566.....39	7026043.....61, 65
7013314.....192, 211	7013744.....43	7018569.....212	7026609.....21
7013315.....192, 211	7013748.....43	7018570.....39, 212	7027350.....61, 65
7013316.....192	7013750.....43	7018571.....39	7027351.....61, 65
7013317.....192	7013770.....43	7018577.....37	7027352.....61, 65
7013318.....192	7014116.....21	7018597.....39, 41	7027353.....61, 65
7013319.....192	7014127.....21	7019698.....103	7027354.....61, 65
7013320.....192	7014128.....21	7019699.....103	7027356.....61, 65
7013322.....192	7014129.....21	7020175.....70, 73, 117	7027358.....61, 65
7013325.....192	7014130.....21	7020176.....70, 73, 118	7027359.....61, 65
7013326.....192	7016319.....77, 79, 83	7020511.....121	7027360.....61, 65
7013327.....192	7016320.....77, 79, 83	7020605.....39	7027361.....61, 65
7013328.....192	7016353.....79	7020608.....39, 193	7027363.....65
7013329.....192	7016356.....107, 113	7020609.....39	7027730.....59, 63, 65
7013331.....192	7016360.....10	7020610.....39	8896941.....215
7013332.....192	7016372.....77, 79, 83	7020611.....39	90206369.....65
7013336.....192	7016417.....67	7020612.....39, 41	9983829.....13
7013700.....43	7016618.....192	7020613.....39	9983833.....13
7013701.....43	7016654.....215	7020614.....39	
7013702.....43	7016676.....59, 63, 65	7020618.....39, 41	