



Illustrated Parts Manual

**Model
150HAX**

P/N
3120680

January 4, 2013

ANSI



An Oshkosh Corporation Company

REVISION LOG

October 31, 1991 - Original Issue Of Manual
Revised January 5, 1999
Revised October 30, 2000 (Edited to P/N 0010433 Revision 20)
September 12, 2002 - Revised (Manual edited to P/N 0010433 Revision 26)
December 12, 2002 - Revised (Manual edited to P/N 0010433 Revision 27)
August 19, 2004 - Revised (Manual edited to P/N 0010433 Revision 33)
February 15, 2005 - Revised (Manual edited to P/N 0010433 Revision 36)
February 27, 2007 - Revised (Manual edited to P/N 0010433 Revision 38)
October 1, 2007 - Revised (Manual edited to P/N 0010433 Revision 38)
October 6, 2008 - Revised (Manual edited to P/N 0010433 Revision 38)
April 10, 2009 - Revised (Manual edited to P/N 0010433 Revision 39)
July 26, 2010 - Revised (Manual edited to P/N 0010433 Revision 42)
March 1, 2011 - Revised (Manual edited to P/N 0010433 Revision 42)
September 11, 2011 - Revised (Manual edited to P/N 0010433 Revision 43)
January 13, 2012 - Revised (Manual edited to P/N 0010433 Revision 43)
June 22, 2012 - Revised (Manual edited to P/N 0010433 Revision 43)
August 20, 2012 - Revised (Manual edited to P/N 0010433 Revision 43)
January 4, 2013 - Revised (Manual edited to P/N 0010433 Revision 43)

TABLE OF CONTENTS

SECTION 1 - FRAME.....	7
FIGURE 1-1. AXLE AND STEERING INSTALLATION.....	8
FIGURE 1-2. TIRE AND WHEEL DRIVE INSTALLATIONS.....	12
FIGURE 1-3. DRIVE HUB ASSEMBLY (Prior to SN 141512).....	14
FIGURE 1-4. DRIVE HUB ASSEMBLY (SN 141512 to Present).....	18
FIGURE 1-5. DRIVE BRAKE ASSEMBLY.....	22
FIGURE 1-6. DRIVE MOTOR ASSEMBLY (Prior to SN 137333).....	26
FIGURE 1-7. DRIVE MOTOR ASSEMBLY (SN 137333 to Present).....	28
FIGURE 1-8. FRAME MOUNTED COMPONENTS INSTALLATIONS.....	30
FIGURE 1-9. CONTROL VALVE ASSEMBLY - 4 SECTION BANG-BANG.....	34
FIGURE 1-10. CONTROL VALVE ASSEMBLY - 3 SECTION BANG-BANG.....	36
SECTION 2 - TURNTABLE.....	39
FIGURE 2-1. CONTROL VALVE INSTALLATIONS.....	40
FIGURE 2-2. CONTROL VALVE ASSEMBLY 2 SECTION BANG-BANG.....	44
FIGURE 2-3. CONTROL VALVE ASSEMBLY 2 SECTION BANG-BANG.....	48
FIGURE 2-4. CONTROL VALVE ASSEMBLY - 5 SECTION VICKERS.....	50
FIGURE 2-5. CONTROL VALVE ASSEMBLY - 1 SECTION VICKERS (CMX160).....	54
FIGURE 2-6. SWING DRIVE AND TURNTABLE BEARING INSTALLATIONS.....	58
FIGURE 2-7. SWING MOTOR ASSEMBLY.....	62
FIGURE 2-8. SWING BRAKE ASSEMBLIES (PRIOR TO MAY 1992).....	64
FIGURE 2-9. SWING BRAKE ASSEMBLIES (MAY 1992 TO PRESENT).....	68
FIGURE 2-10. SWING HUB ASSEMBLY.....	72
FIGURE 2-11. ROTARY COUPLING AND COLLECTOR RING INSTALLATION.....	76
FIGURE 2-12. ENGINE INSTALLATION - CUMMINS 4B3.9 DIESEL (Prior to SN 80240).....	78
FIGURE 2-13. ENGINE INSTALLATION - CUMMINS TIER II DIESEL (SN 80240 to Present).....	82
FIGURE 2-14. PUMP COUPLING INSTALLATIONS.....	86
FIGURE 2-15. MAIN PUMP ASSEMBLY - GEAR.....	88
FIGURE 2-16. AUXILIARY PUMP ASSEMBLY.....	90
FIGURE 2-17. TANKS INSTALLATION.....	92
FIGURE 2-18. MAIN TERMINAL BOX ASSEMBLY.....	96
FIGURE 2-19. REMOTE CONTROL BOX ASSEMBLY.....	100
FIGURE 2-20. HOOD COMPONENTS INSTALLATION.....	104
SECTION 3 - BOOM.....	107
FIGURE 3-1. BOOMS AND TURNTABLE INSTALLATION.....	108
FIGURE 3-2. MAIN BOOM ASSEMBLY.....	112
FIGURE 3-3. TOWER BOOM ASSEMBLY II.....	118
FIGURE 3-4. JUNCTION BOX ASSEMBLY (TOWER BOOM MOUNTED).....	122
FIGURE 3-5. LIMIT SWITCHES AND VALVES INSTALLATION (BOOM MOUNTED).....	124
SECTION 4 - PLATFORM.....	127
FIGURE 4-1. PLATFORM AND ROTATOR INSTALLATION (Prior to SN 76169).....	128
FIGURE 4-2. PLATFORM AND ROTATOR INSTALLATION (SN 76169 to Present).....	132
FIGURE 4-3. ROTATOR MOTOR ASSEMBLY.....	136

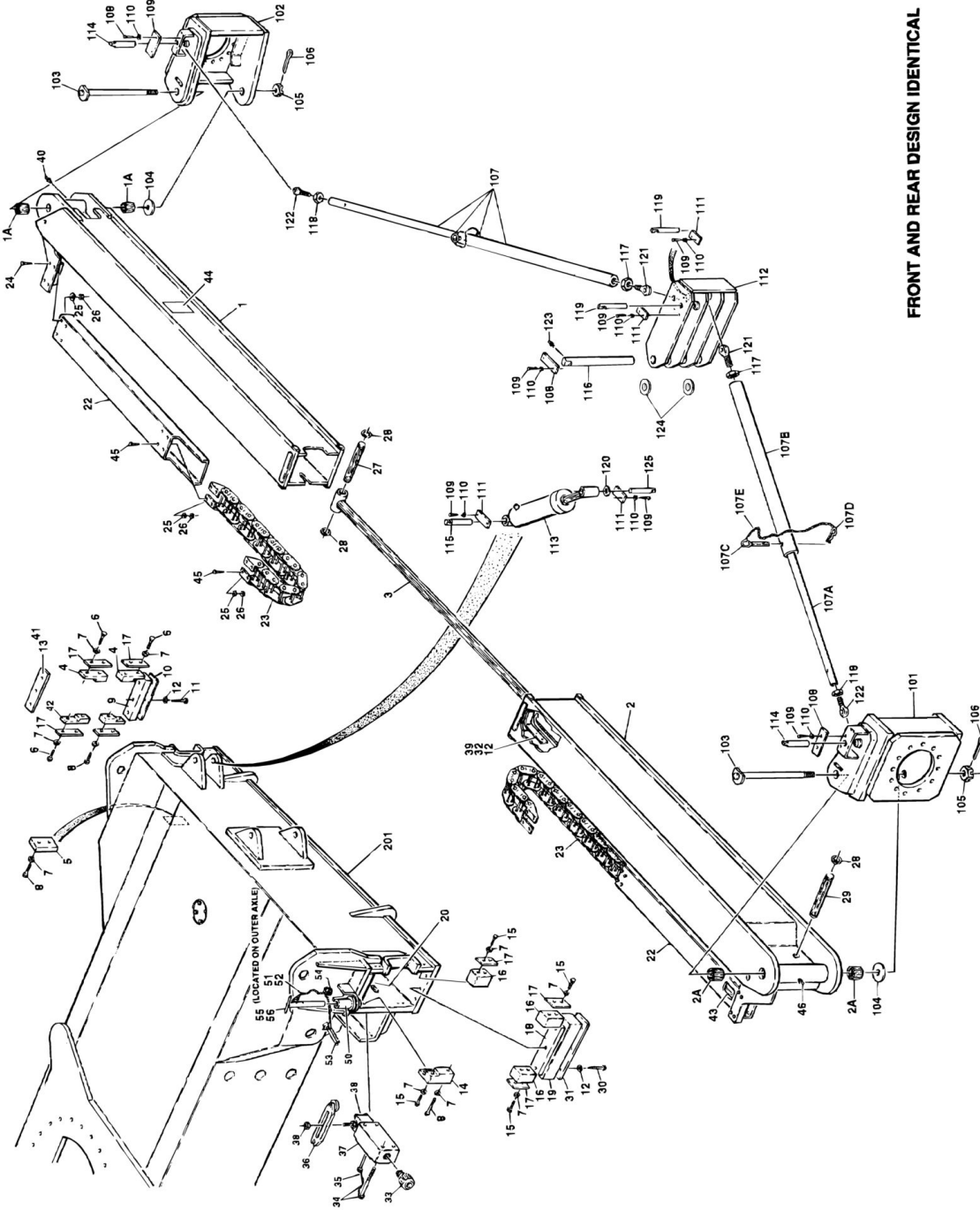
TABLE OF CONTENTS

FIGURE 4-4. PLATFORM COMPONENTS INSTALLATION	138
FIGURE 4-5. PLATFORM CONSOLE ASSEMBLY	142
FIGURE 4-6. CONTROLLER ASSEMBLY (Prior to SN 74463)	146
FIGURE 4-7. CONTROLLER ASSEMBLY (SN 74463 to Present)	150
SECTION 5 - CYLINDER.....	153
FIGURE 5-1. AXLE EXTENSION CYLINDER ASSEMBLY	154
FIGURE 5-2. JACK CYLINDER ASSEMBLY	158
FIGURE 5-3. PLATFORM LEVEL CYLINDER ASSEMBLY (Prior to SN 27450)	160
FIGURE 5-4. PLATFORM LEVEL CYLINDER ASSEMBLY (SN 27450 to Present)	162
FIGURE 5-5. LIFT CYLINDER ASSEMBLY - MAIN.....	164
FIGURE 5-6. LIFT CYLINDER ASSEMBLY - TOWER	166
FIGURE 5-7. MASTER CYLINDER ASSEMBLY	168
FIGURE 5-8. STEER CYLINDER ASSEMBLY	170
FIGURE 5-9. TELESCOPE CYLINDER ASSEMBLY - MAIN.....	172
FIGURE 5-10. TELESCOPE CYLINDER ASSEMBLY - TOWER	176
SECTION 6 - HYDRAULIC	179
FIGURE 6-1. STANDARD HYDRAULIC DIAGRAM (Prior to SN 137333).....	180
FIGURE 6-2. STANDARD HYDRAULIC DIAGRAM (SN 137333 to Present)	188
FIGURE 6-3. HYDRAULIC DIAGRAM LIST.....	196
SECTION 7 - ELECTRICAL.....	197
FIGURE 7-1. ELECTRICAL DIAGRAM LIST	198
FIGURE 7-2. ELECTRICAL SCHEMATIC (SN 61811 through 103757)	202
FIGURE 7-3. ELECTRICAL SCHEMATIC (SN 103758 to Present)	204
SECTION 8 - DECALS	209
FIGURE 8-1. DECALS INSTALLATION (Prior to SN 103758)	210
FIGURE 8-2. DECALS INSTALLATION (SN 103758 to Present)	214
SECTION 9 - RECOMMENDED SERVICE PARTS STOCK.....	217
FIGURE 9-1. MODEL 150HAX STANDARD PARTS	218
FIGURE 9-2. MODEL 150HAX VARIABLE PARTS	220
SECTION 10 - SPECIAL OPTIONS	221
FIGURE 10-1. SPECIAL OPTIONS	222
PART NUMBER INDEX.....	225

SECTION 1 - FRAME

SECTION 1 - FRAME

FIGURE 1-1. AXLE AND STEERING INSTALLATION



FRONT AND REAR DESIGN IDENTICAL

SECTION 1 - FRAME

FIGURE 1-1. AXLE AND STEERING INSTALLATION

ITEM	PART NUMBER	QTY	DESCRIPTION	REV
		Ref	EXTENDABLE AXLES INSTALLATIONS	
	0251875	Ref	Extendable Axles Installations Prior to February 1993	A
	0253827	Ref	Extendable Axles Installations February 1993 to Present (Standard)	9
	0254401	Ref	Extendable Axles Installations February 1993 to Present (Hostile Environment)	7
1		Ref	Axle Weldment - Outer (Right Side Rear/Left Side Front)	
1	4843943	2	Axle Weldment - Outer (Right Side Rear/Left Side Front) Prior to February 1993	
1	4844478	2	Axle Weldment - Outer (Right Side Rear/Left Side Front) February 1993 to Present	
1A	0960821	4	Bushing, Bronze (2 per Weldment)	
2		Ref	Axle Weldment - Inner (Left Side Rear/Right Side Front)	
2	4843942	2	Axle Weldment - Inner (Left Side Rear/Right Side Front) Prior to February 1993	
2	4844477	2	Axle Weldment - Inner (Left Side Rear/Right Side Front) February 1993 to Present	
2A	0960821	4	Bushing, Bronze (2 per Weldment)	
3		Ref	Extension Cylinder Assembly (See CYLINDER SECTION for Breakdown)	
3	1682522	2	Extension Cylinder Assembly Prior to February 1993	
3	1682905	2	Extension Cylinder Assembly February 1993 to Present (Standard)	
3	1683045	2	Extension Cylinder Assembly February 1993 to Present (Hostile Environment)	
4	0560975	6	Block, Wear (Outer Side) (Right Side Rear/Left Side Front)	
5	0560973	2	Block, Stop (Outer Side) (Right Side Rear/Left Side Front)	
6	0641807	1	Bolt 1/2in-13NC x 7/8in	
7	4711800	44	Flatwasher 1/2in	
8	0641808	20	Bolt 1/2in-13NC x 1in	
9	3340595	2	Pad, Wear (Outer Bottom) (Right Side Rear/Left Side Front)	
10	4070792	AR	Shim	
11	0641607	6	Bolt 3/8in-16NC x 7/8in	
12	4761600	16	Lockwasher 3/8in	
13	0362051	AR	Bar, Wear	
14	0560972	2	Block, Stop (Inner) (Left Side Rear/Right Side Front)	
15	0641812	16	Bolt 1/2in-13 x 1 1/2in	
16	0560974	6	Block, Wear (Inner Side) (Left Side Rear/Right Side Front)	
17	4070790	AR	Shim	
18	3340596	2	Pad, Wear (Inner Bottom) (Left Side Rear/Right Side Front)	
19	3534389	2	Block	
20	0362050	2	Bar, Wear	
21	4070791	AR	Shim	
22	4565314	4	Tube, Carrier	
23		Ref	Power Track Assembly Options:	
		Ref	Note: Original Equipment Power Track may have been replaced with Service Replacement. Visually identify component before ordering replacement parts.	
23	1001099841	4	Gemco Brand Power Track (was p/n 1180278) (Prior to SN 0300135500)	
23	7006140	AR	1ft Repair Section - Used on p/n 1180278	
23	7006148	2 Per	Feet, Mounting - Used on p/n 1180278	

SECTION 1 - FRAME

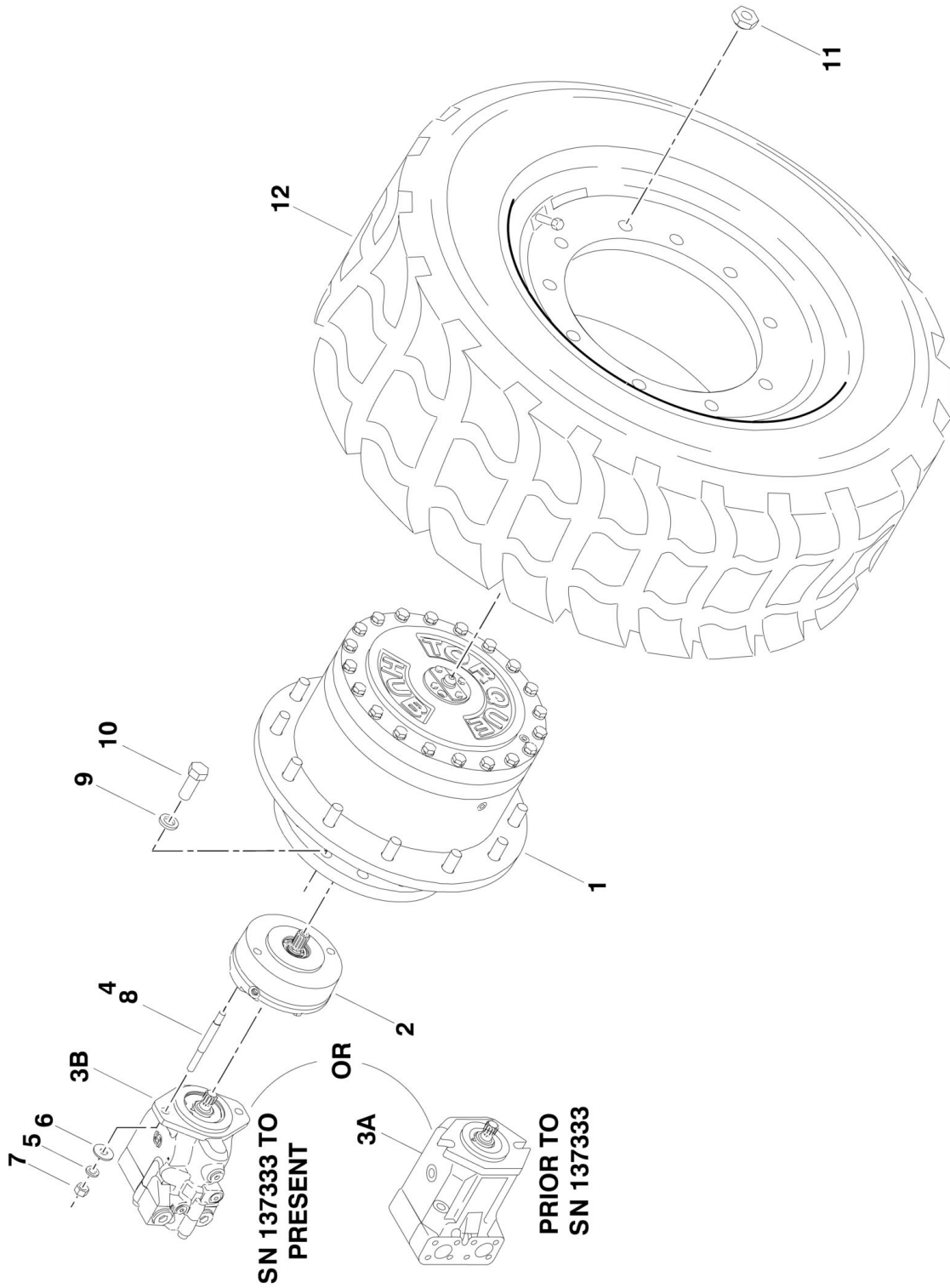
ITEM	PART NUMBER	QTY	DESCRIPTION	REV
23	7006152	1 Per	Pin Kit - Used on p/n 1180278	
23	1001099841	1	Gortrac Brand Power Track (SN 0300135500 to Present)	
23	70001996	AR	1ft Repair Section	
23	70001997	1 Per	Bracket Kit (Includes 1 set of mounting brackets and hardware)	
24	0641408	32	Bolt 1/4in-20NC x 1in	
25	4751400	96	Flatwasher 1/4in	
26	3311405	52	Locknut 1/4in-20NC	
27	3421952	2	Pin (Rod End)	
28	3760133	8	Ring, Retaining	
29	3421953	2	Pin (Barrel End)	
30	0641617	6	Bolt 3/8in-16NC x 2 18in	
31	4070789	AR	Shim	
32	0362048	2	Bar, Cylinder Retainer	
33	4460049	4	Connector, Strain Relief	
34	3900168	8	Screw, Special	
35	4920140	4	Lockwire	
36	4360237	4	Arm and Roller, Switch	
37	4360277	4	Switch, Limit	
38	4360236	4	Head, Actuator	
39	0641608	4	Bolt 3/8in-16NC x 1in	
40	2160002	4	Fitting, Grease	
41	4070808	AR	Shim (Prior to SN 56632)	
42	0561117	2	Block, Axle Stop (July 1993 to Present Only)	
43	4060804	6 ft/18.3m	Flex - Trim (January 1994 to Present Only)	
44	4420044	2 ft/.6m	Tape (White) (March 1994 to Present Only)	
45	0641406	16	Bolt 1/4in-20NC x 3/4in	
50	4843793	4	Bushing, Lock Pin (Welded on Part) (Prior to February 1993 Only)	
51	4843979	2	Pin, Lock (Inner Axle) (Left Side Rear/Right Side Front) (Prior to February 1993 Only)	
52	4843794	2	Pin, Lock (Outer Axle) (Right Side Rear/Left Side Front) (Prior to February 1993 Only)	
53	3421565	4	Pin, Snap (Prior to February 1993 Only)	
54	3760170	4	Ring, Quick Release (Prior to February 1993 Only)	
55	1260017	2.3 ft/.7m	Chain - #3 (6.9in/17.5cm per Lock) (Prior to February 1993 Only)	
56	3760106	4	D-Ring (Prior to February 1993 Only)	
		Ref	STEERING INSTALLATIONS	
	0251874	Ref	ANSI Spec (Prior to SN 39139)	4
	0258964	Ref	ANSI Spec (SN 39139 to Present)	3
	0270343	Ref	CSA Spec (Prior to SN 69948)	1
101	4130260	2	Spindle (Inner Axle) (Left Side Rear/Right Side Front)	
102	4130261	2	Spindle (Outer Axle) (Right Side Rear/Left Side Front)	
103		Ref	Kingpin Options:	
103	3421948	4	ANSI Spec	
103	3422881	4	CSA Spec (Prior to SN 69948)	
104	4740314	4	Washer, Thrust	
105	3324203	4	Nut, Slotted	
106	3451012	4	Pin, Cotter	
107	0252268	4	Tie Rod Assembly	2
107A	3841140	4	Rod, Inner	
107B	3841139	1	Tube, Outer	

SECTION 1 - FRAME

ITEM	PART NUMBER	QTY	DESCRIPTION	REV
107C	3421990	1	Pin, Extension Lock	
107D	3420372	1	Pin, Hair (was p/n 3420592) (Prior to SN 45152)	2
107E	1260017	1	Chain #3	
		ft/30.5cm		
108	3532054	8	Plate, Retaining	
109	0641506	28	Bolt 5/16in-18NC x 3/4in	
110	4761500	28	Lockwasher 5/16in	
111	3531946	6	Plate, Retaining	
112	4843825	2	Yoke, Steering	
113	1682531	2	Steer Cylinder Assembly (See CYLINDER SECTION for Breakdown)	
114	3421972	4	Pin	
115	3421493	2	Pin (Frame Attach)	
116	3421686	2	Pin	
117	3323002	4	Nut, Jam 1/4in-12NF	
118	3300229	4	Nut, Jam 1 1/4in-12NF (Left Hand Thread)	
119		Ref	Pin (Steer Yoke Attach) Options:	
119	3421973	6	Pin (Steer Yoke Attach) (5 3/8in Length) (Prior to SN 136324)	
119	3421972	6	Pin (Steer Yoke Attach) (5 1/2in Length) (SN 136324 to Present)	
120	0440162	4	Washer, Thrust	
121	1660202	4	End, Rod (At Steer Yoke)	
122	1660203	4	End, Rod (At Spindle)	
123	2160002	2	Fitting, Grease	
124	0440183	4	Bearing, Thrust	
125	3421972	2	Pin	
201	2360339	Ref	FRAME WELDMENT	

SECTION 1 - FRAME

FIGURE 1-2. TIRE AND WHEEL DRIVE INSTALLATIONS



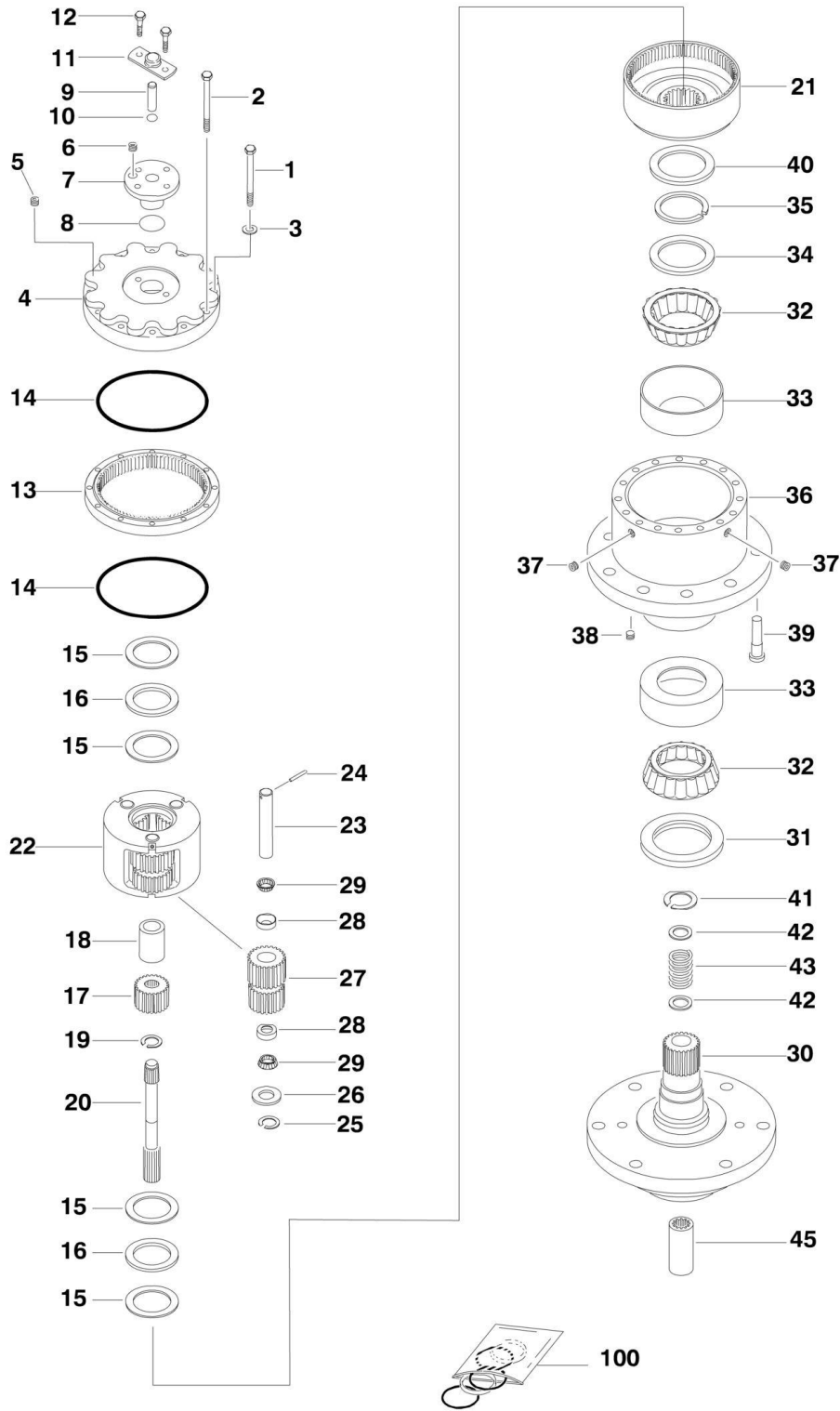
SECTION 1 - FRAME

FIGURE 1-2. TIRE AND WHEEL DRIVE INSTALLATIONS

ITEM	PART NUMBER	QTY	DESCRIPTION	REV
		Ref	WHEEL DRIVE INSTALLATION	
	0251946	Ref	Wheel Drive Installation (Prior to SN 0300057155)	7-E
	0270229	Ref	Wheel Drive Installation (SN 0300057155 through 0300137332)	3-A
	1001107574	Ref	Wheel Drive Installation (SN 0300137333 to Present)	B
1		Ref	Drive Hub Assembly Options:	
1	1001116796	4	Drive Hub Assembly (was p/n 2780155) (See DRIVE HUB ASSEMBLY for Breakdown) (Prior to SN 141512)	
1	1001116796	4	Drive Hub Assembly (See DRIVE HUB ASSEMBLY for Breakdown) (SN 141512 to Present)	
2		Ref	Brake Assembly Options (See DRIVE BRAKE ASSEMBLY for Breakdown):	
2	0920084	4	Brake Assembly (Prior to SN 33476)	
2	0920110	4	Brake Assembly (SN 33476 through 57154)	
2	0920119	4	Brake Assembly (SN 57155 to Present)	
3		Ref	Motor Assembly Options:	
3A	See Note	4	Motor Assembly (Prior to September 1995) (was p/n 3160176) (See DRIVE MOTOR ASSEMBLY for Breakdown) (Note: Use p/n 3160213 Motor Plus p/n 2900869 Conversion Kit as Replacement.)	
3A	3160204	4	Motor Assembly (September 1995 through SN 0300027449) (was p/n 3160213) (See DRIVE MOTOR ASSEMBLY for Breakdown)	
3A	3160204	4	Motor Assembly (See DRIVE MOTOR ASSEMBLY for Breakdown) (SN 0300027450 through 0300137332)	
3B	1001107852	4	Motor Assembly (See DRIVE MOTOR ASSEMBLY for Breakdown) (SN 0300137333 to Present)	
4		Ref	Stud Options:	
4	4300092	8	1/2in-13NC x 5 1/2in (Prior to SN 0300137333)	
4	4300097	8	1/2in-13NC x 5 1/8in (SN 0300137333 to Present)	
5	4761800	8	Lockwasher 1/2in	
6	4751800	8	Flatwasher 1/2in	
7	3311801	8	Nut 1/2in-13NC	
8	0100011	AR	Compound, Locking	
9	0642216	48	Bolt 3/4in-10NC x 2in	
10	4762200	48	Lockwasher 3/4in	
11	3300007	48	Lugnut 3/4in-16NF	
	0251590	Ref	TIRE AND WHEEL INSTALLATION	2
12	0251589	4	Tire and Wheel Assembly - Foam Filled 445/65R 22.5	
		Ref	Note: Assemblies may require ballast/foam filling to manufacturer's specifications prior to installing on a machine. Refer to Operation and Safety or Service and Maintenance Manuals. Purchase individual tire and/or rim only if able to foam fill tire and wheel assembly, otherwise, purchase complete assembly.	
12	4520136	4	Tire, Replacement	

SECTION 1 - FRAME

FIGURE 1-3. DRIVE HUB ASSEMBLY (Prior to SN 141512)



SECTION 1 - FRAME

FIGURE 1-3. DRIVE HUB ASSEMBLY (Prior to SN 141512)

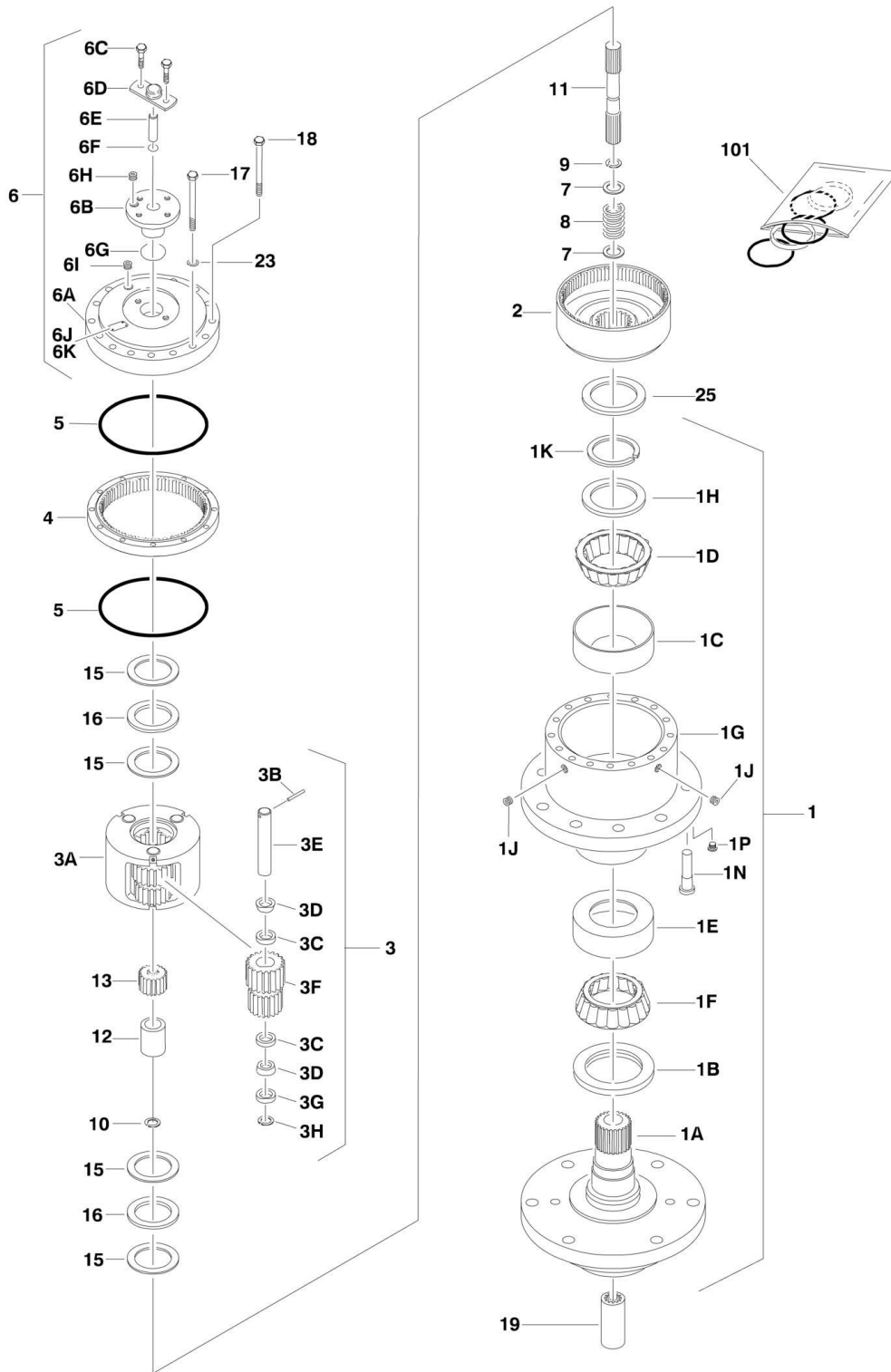
ITEM	PART NUMBER	QTY	DESCRIPTION	REV
	2780155	Ref	DRIVE HUB ASSEMBLY	-
		Ref		Note: For Machines Prior to SN 0300141512, Original Equipment Assembly p/n 2780155 may have been replaced with p/n 1001116796 as Service Replacement Assembly. Identify P/N before ordering replacement components. If equipped with p/n 1001116796 refer to next illustration.
1	7001974	16	Bolt, Hex Head	
2	7001975	4	Bolt, Hex Head, Shoulder	
3	7001976	20	Lockwasher	
	7001965	1	Cover Sub Assembly	
4	7001966	1	Cover	
5	7001928	1	Plug, Pipe	
6	7000243	1	Plug, Pipe	
7	7001967	1	Cap, Cover	
8	Item 100	1	O-Ring	
9	7001968	1	Rod, Disconnect	
10	Item 100	1	O-Ring	
11	7000231	1	Cap, Disconnect	
12	7000220	4	Bolt, Hex Head	
13	7001963	1	Gear, Ring	
14	Item 100	2	O-Ring	
15	7001972	4	Washer, Thrust	
16	7001973	2	Bearing, Thrust	
17	7001971	1	Gear, Input (Sun)	
18	7001970	1	Spacer, Thrust	
19	7000285	1	Ring, Retaining	
20	7001919	1	Shaft, Input	
21	7007657	1	Gear, Internal	
	7001910	1	Carrier Sub Assembly	
22	7001955	1	Carrier	
23	7001959	3	Shaft, Planet	
24	7001956	3	Pin, Roll	
25	7001962	3	Ring, Retaining	
26	7001961	3	Spacer	
27	7017003	1	Gear Kit, Planet	
28	7001957	6	Cup, Bearing	
29	7001958	6	Cone, Bearing	
	7007698	1	Hub and Spindle Sub Assembly	
30	7007699	1	Spindle	
31	Item 100	1	Seal	
32	7001948	2	Cone, Bearing	
33	7001947	2	Cup, Bearing	
34	7001949	1	Shim, Bearing	
35	7001950	1	Ring, Retaining	
36	7001951	1	Hub	
37	7001928	2	Plug, Pipe	
38	7001952	1	Plug, Magnetic	
39	7000265	12	Stud	
40	7001977	1	Ring, Keeper	
41	7000284	1	Ring, Retaining	

SECTION 1 - FRAME

ITEM	PART NUMBER	QTY	DESCRIPTION	REV
42	7000282	2	Washer	
43	7000283	1	Spring	
45	7000290	1	Coupling, Input	
100	2900560	1	Seal Kit (Includes 8, 10, 14 & 31)	

SECTION 1 - FRAME

FIGURE 1-4. DRIVE HUB ASSEMBLY (SN 141512 to Present)



SECTION 1 - FRAME

FIGURE 1-4. DRIVE HUB ASSEMBLY (SN 141512 to Present)

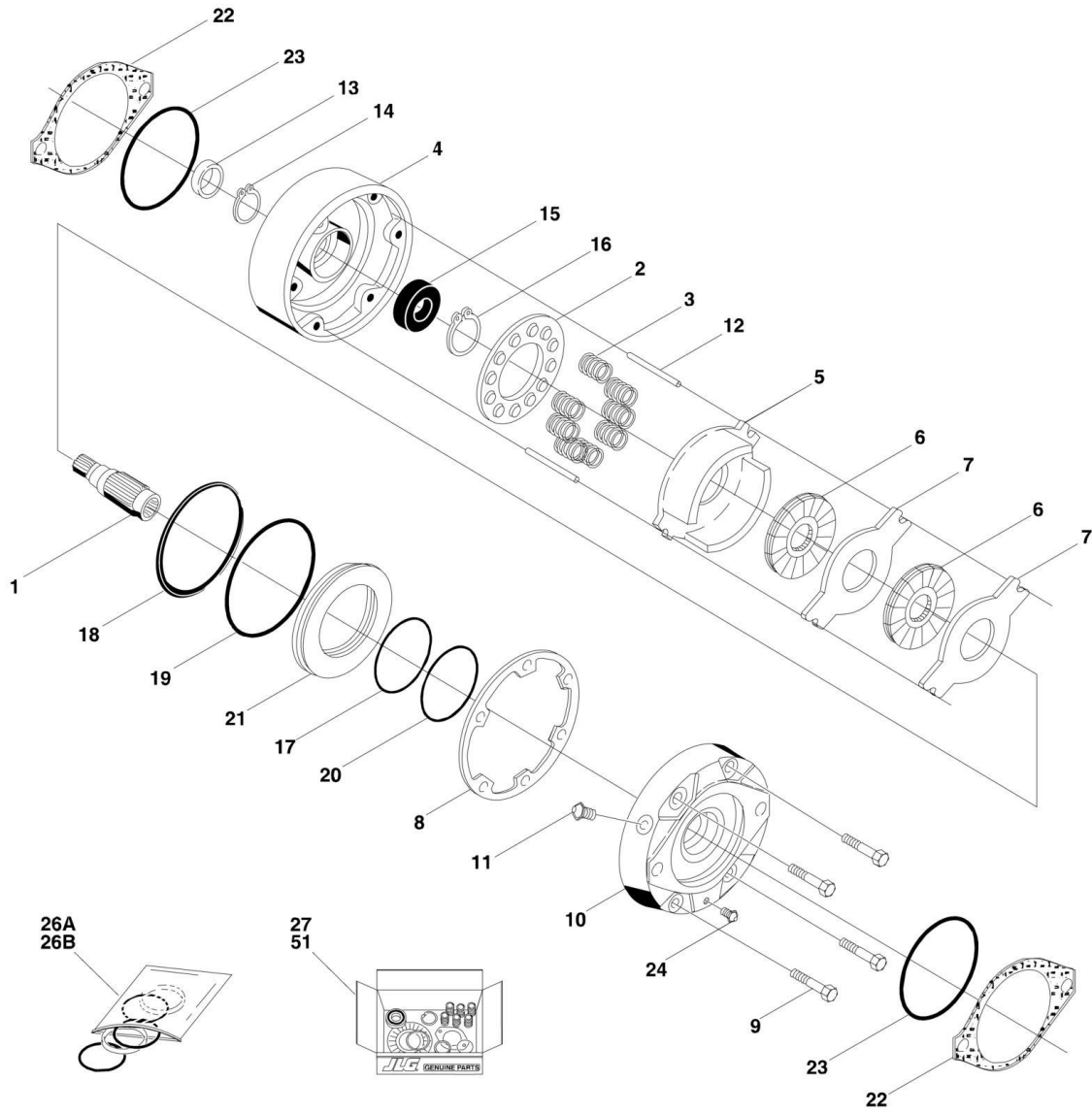
ITEM	PART NUMBER	QTY	DESCRIPTION	REV
	1001116796	Ref	DRIVE HUB/BRAKE ASSEMBLY	A
1	Not Available	1	Spindle/Housing Assembly	
1A	70002684	1	Spindle	
1B	7024140	1	Seal	
1C	7001947	1	Cone, Bearing	
1D	7001947	1	Cup, Bearing	
1E	7024143	1	Cone, Bearing	
1F	7024143	1	Cup, Bearing	
1G	Not Available	1	Housing	
1H	7001949	1	Washer, Thrust	
1J	70002685	2	Plug, Pipe	
1K	7001950	1	Ring, Retaining	
1N	7000265	12	Stud, Wheel	
1P	70002686	2	Plug, O-ring	
2	7007657	1	Gear, Ring	
3	Not Available	1	Carrier Assembly	
3A	7001955	1	Carrier	
3B	7001956	3	Rollpin	
3C	7001957	6	Cup, Bearing	
3D	7001958	6	Cone, Bearing	
3E	7001959	3	Shaft, Planet	
3F	7017003	3	Gear, Cluster	
3G	70002687	3	Thrustwasher, Spacer	
3H	7001962	3	Ring, Retaining	
4	7001963	1	Gear, Internal	
5	7001964	2	O-Ring	
6	Not Available	1	Cover Assembly	
6A	7001966	1	Cover	
6B	7001967	1	Cap	
6C	7000220	4	Bolt 1/4in-20NC x 3/4in	
6D	7000231	1	Cap, Disengage	
6E	7001968	1	Rod, Disengage	
6F	7000213	1	O-Ring	
6G	7000238	1	O-Ring	
6H	7017048	1	Plug, Pipe	
6I	7001928	1	Plug, Pipe	
6J	Not Available	1	Plate, ID	
6K	7000281	2	Screw	
7	7000282	2	Thrustwasher	
8	7000283	1	Spring	
9	7000284	1	Ring, Retaining	
10	7000285	1	Ring, Retaining	
11	7001919	1	Shaft, Input	
12	7001970	1	Shaft, Input	
13	7001971	1	Gear, Sun	
15	7001972	4	Thrustwasher	
16	7001973	2	Thrustwasher	
17	7001974	16	Bolt 1/2in-13NC x 3 3/4in (Grade 8)	
18	7001975	4	Bolt 3/8in-16NC x 3 1/2in	
19	7000290	1	Coupling	

SECTION 1 - FRAME

ITEM	PART NUMBER	QTY	DESCRIPTION	REV
23	7001976	20	Lockwasher	
25	7001977	1	Flatwasher	
101	70002688	1	Seal Kit - Hub (Includes Items 1B, 1H, 1K, 5, 6F, 6G, 15, 16 & 25)	

SECTION 1 - FRAME

FIGURE 1-5. DRIVE BRAKE ASSEMBLY



SECTION 1 - FRAME

FIGURE 1-5. DRIVE BRAKE ASSEMBLY

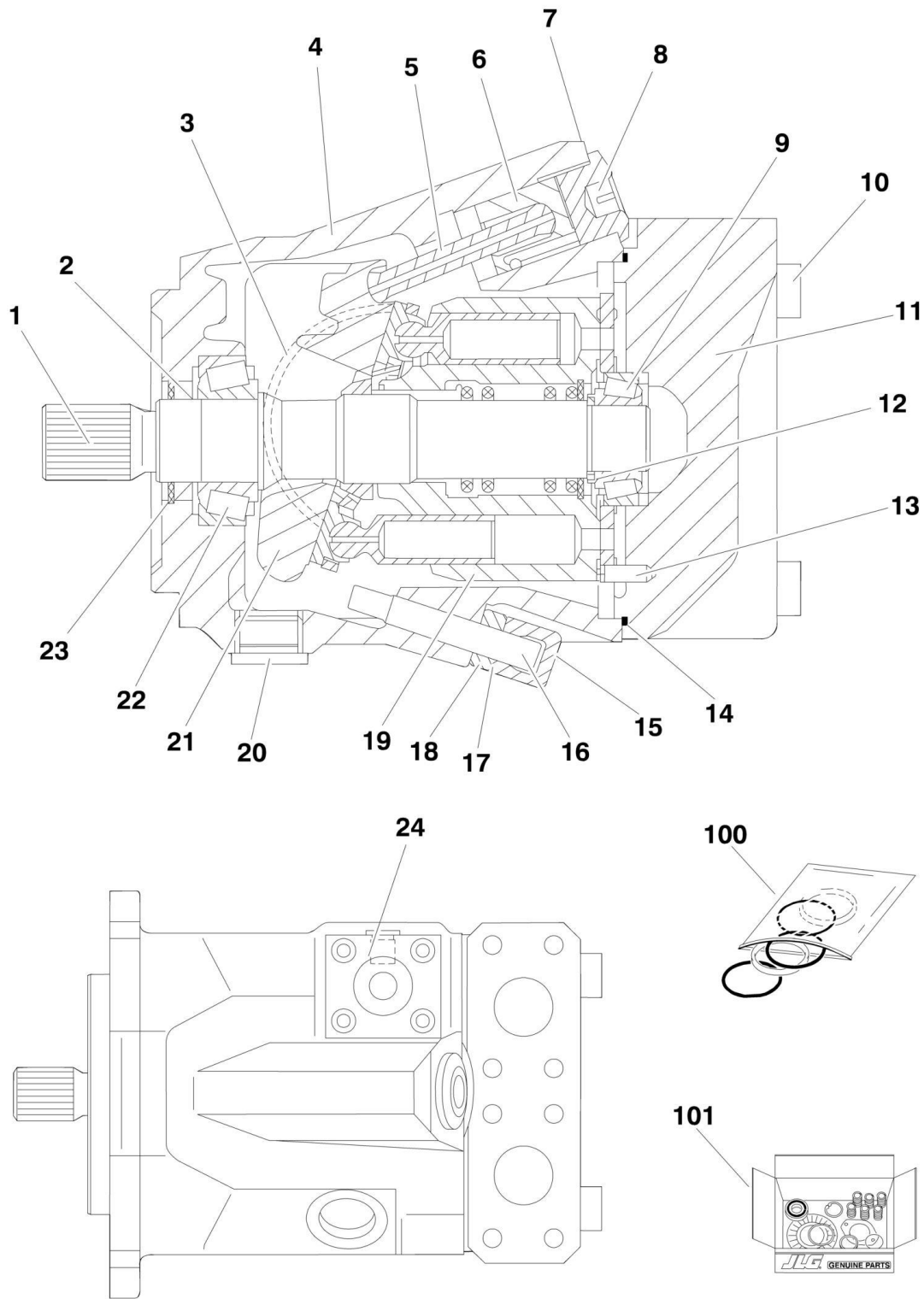
ITEM	PART NUMBER	QTY	DESCRIPTION	REV
		Ref	DRIVE BRAKE ASSEMBLY OPTIONS:	
	0920084	Ref	Drive Brake Assembly (Prior to SN 33476)	A
	0920110	Ref	Drive Brake Assembly (SN 33476 through 57154)	C
1	7011712	1	Shaft Options:	
2		Ref	Guide, Spring Options:	
2	7011717	1	0920084 Brake (Prior to SN 33476)	
2	7018606	1	0920110 Brake (SN 33476 through 57155)	
3		Ref	Spring Options:	
3	7007979	6	0920084 Brake (Inner) (Prior to SN 33476)	
3	7007980	6	0920084 Brake (Outer) (Prior to SN 33476)	
3	7007970	6	0920110 Brake (Red) (SN 33476 through 57155)	
3	7018602	3	0920110 Brake (Blue) (SN 33476 through 57155)	
4		Ref	Housing Options:	
4	7011713	1	0920084 Brake (Prior to SN 33476)	
4	7018605	1	0920110 Brake (SN 33476 through 57155)	
5		Ref	Return Plate and Separator Assembly Options:	
5	Item 27	1	Return, Plate - 0920084 Brake (Prior to SN 33476)	
5	7011715	2	Separator Assy - 0920084 Brake (Prior to SN 33476)	
5	7011714	4	Pin	
5	7007983	2	Separator	
5	Item 27	1	Return Plate and Separator - 0920110 Brake (SN 33476 through 57155)	
6	Item 27	2	Rotor	
7	Item 27	2	Stator	
8	See Note	1	Seal, Case (Note: Use Item 26A, 26B or 27)	
9		Ref	Bolt, Washer Head Options:	
9	7007985	4	0920084 Brake (Prior to SN 33476)	
9	7018607	4	0920110 Brake (SN 33476 through 57155)	
10	7007986	1	Cover	
11		Ref	Hardware Options:	
11	7000796	1	Screw, Bleeder (Prior to SN 33906)	
11	7018609	1	Plug, Pipe (SN 33906 through 57155)	
12	7007987	2	Pin, Dowel	
13	See Note	1	Seal, Oil (Note: Use Item 26A or 26B)	
14	7011716	1	Ring, Retaining	
15	Item 26B	1	Bearing	
16	7007977	1	Ring, Retaining	
17	Item 26A	1	Ring, Back-Up	
18	Item 26A	1	Ring, Back-Up	
19	Item 26A	1	O-Ring	
20	Item 26A	1	O-Ring	
21		Ref	Piston Options:	
21	7007923	1	0920084 Brake (Prior to SN 33476)	
21	7018603	1	0920110 Brake (SN 33476 through 57155)	
22	7007933	2	Gasket	
23	See Note	2	O-Ring (Note: Use Item 26A, 26B or 27)	
24	7007924	1	Plug, Pipe	
26		Ref	Seal Kit Options:	
26A	2900766	1	Seal Kit (Includes Items 8, 13, 17, 18, 19, 20, 22 & 23)	
26B	2900768	1	Seal Kit (Includes Items 8, 13, 15, 22 & 23)	

SECTION 1 - FRAME

ITEM	PART NUMBER	QTY	DESCRIPTION	REV
27		Ref	Lining Kit Options: (Includes Items 5, 6, 7, 8, 22 & 23)	
27	2900767	1	0920084 Brake (Prior to SN 33476)	
27	7018608	1	0920110 Brake (SN 33476 through 57154)	
	0920119	Ref	Drive Brake Assembly (Not Shown) (SN 57155 to Present)	B
51	7018612	1	Kit, Repair	
51	7000731	2	Gasket, Mounting Face	
		Ref	Note: No other Service Parts Available.	

SECTION 1 - FRAME

FIGURE 1-6. DRIVE MOTOR ASSEMBLY (Prior to SN 137333)



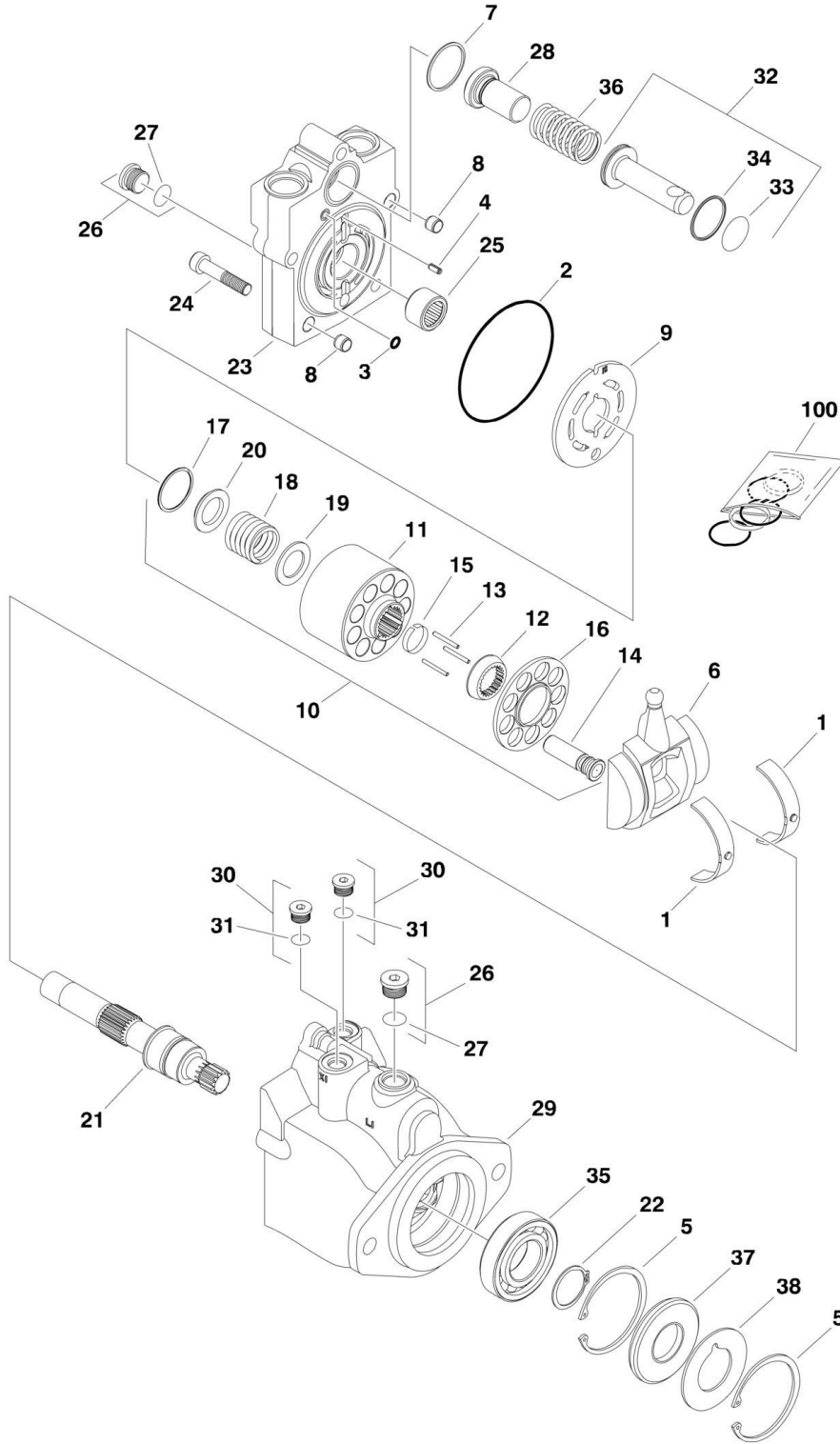
SECTION 1 - FRAME

FIGURE 1-6. DRIVE MOTOR ASSEMBLY (Prior to SN 137333)

ITEM	PART NUMBER	QTY	DESCRIPTION	REV
		Ref	DRIVE MOTOR ASSEMBLIES	
	3160176	Ref	Drive Motor Assemblies (Prior to September 1995)	-
	3160213	Ref	Drive Motor Assemblies (September 1995 through SN 27449)	-
	3160204	Ref	Drive Motor Assemblies (SN 27450 through 137333)	-
1	7012701	1	Shaft - 13 Teeth	
2	Item 100	1	Seal, Shaft	
3	7012702	2	Bearing, Cradle	
4	Not Available	1	Housing	
5	7012703	1	Rod, Piston	
6	7012704	1	Piston, Stroking	
7	Item 100	1	O-Ring	
8	7012705	1	Nut, Adapter	
9	7012706	1	Bearing, Roller	
10	7012707	4	Bolt, Metric Socket Head M12 x 65	
11	7012708	1	Block, Port	
12	7012709	1	Shim	
13	7012710	1	Pin, Dowel M6 x 18	
14	Item 100	1	O-Ring	
15	7012711	1	Nut, Cap M10 x 1	
16		Ref	Screw, Adjusting Options:	
16	7012712	1	Screw, Adjusting (Prior to SN 36331)	
16	7018990	1	Screw, Adjusting (SN 36331 to Present)	
17	Item 100	2	O-Ring	
18	7012713	1	Nut, Jam M10 x 1	
19	Item 101	1	Rotary Group Assembly	
20	Not Available	1	Plug	
21	Item 101	1	Plate, Swash	
22	7012714	1	Bearing, Roller	
23	7012715	1	V-Ring	
24	7012700	1	Control Plate Assembly	
		Ref	Kit Options:	
100	2900788	1	Seal Kit (Includes Items 2, 7, 14, 17 and O-Rings under Item 24)	
101	7012716	1	Rotary Group Kit (Includes Items 19 & 21)	

SECTION 1 - FRAME

FIGURE 1-7. DRIVE MOTOR ASSEMBLY (SN 137333 to Present)



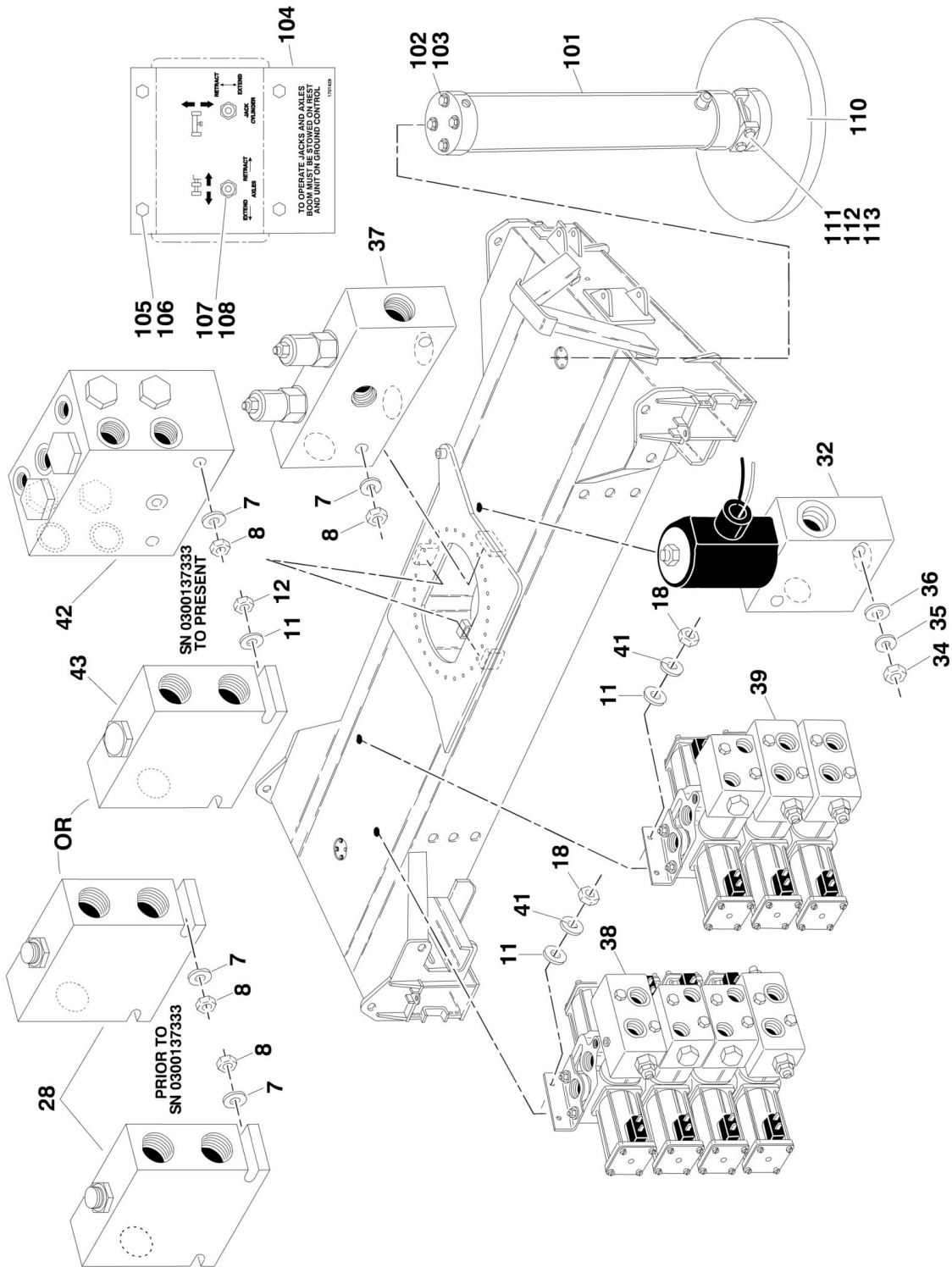
SECTION 1 - FRAME

FIGURE 1-7. DRIVE MOTOR ASSEMBLY (SN 137333 to Present)

ITEM	PART NUMBER	QTY	DESCRIPTION	REV
	1001107852	Ref	DRIVE MOTOR ASSEMBLY (SN 137333 to Present)	A
1	7022302	2	Bearing, Journal	
2	7022303	1	O-Ring	
3	70002283	1	O-Ring	
4	7007446	1	Pin	
5	7007438	2	Ring, Retaining	
6	70000794	1	Swashplate	
7	70002284	1	O-Ring	
8	7007435	2	Pin	
9	7024862	1	Plate, Valve	
10	Not Available	1	Cylinder Block Kit (Includes Items 11-20)	
11	7024863	1	Block, Cylinder	
12	7024864	1	Guide, Slipper Retainer	
13	7021275	3	Pin, Slipper Hold Down	
14	7024865	9	Piston Assembly	
15	7021276	1	Retainer, Hold Down Pin	
16	7024866	1	Retainer, Slipper	
17	7022311	1	Ring, Retaining	
18	7024867	1	Spring	
19	7024868	1	Washer	
20	7022314	1	Retainer, Spring	
21	7023910	1	Shaft	
22	7007439	1	Ring, Retaining	
23	70002286	1	Cap, End - Radial	
24	7022368	5	Screw	
25	7021249	1	Bearing, Needle	
26	7022321	2	Plug	
27	7022322	2	O-Ring	
28	70002287	1	Seat, Spring	
29	7024870	1	Housing	
30	7027420	2	Plug	
31	7021256	2	O-Ring	
32	7024854	1	Piston Assembly, Servo	
33	7022324	1	O-Ring	
34	7022325	1	Ring, Seal	
35	7007437	1	Bearing	
36	7022326	1	Spring	
37	7007459	1	Seal, Lip	
38	7022371	1	Washer, Support	
100	7022328	1	Seal Kit (Includes Items 2, 3, 7, 27, 31, 33, 34 & 37)	

SECTION 1 - FRAME

FIGURE 1-8. FRAME MOUNTED COMPONENTS INSTALLATIONS



SECTION 1 - FRAME

FIGURE 1-8. FRAME MOUNTED COMPONENTS INSTALLATIONS

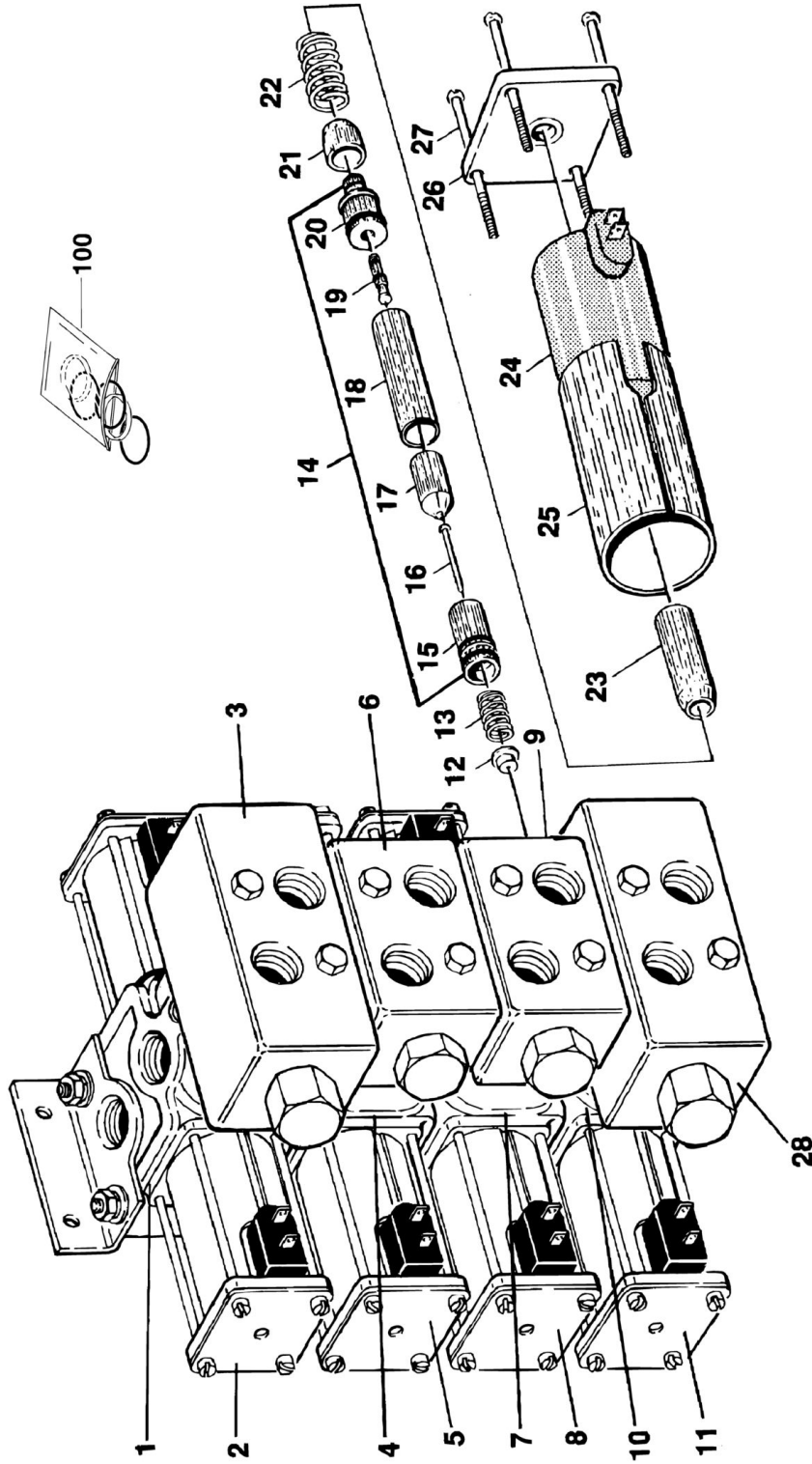
ITEM	PART NUMBER	QTY	DESCRIPTION	REV
		Ref	FRAME MOUNTED VALVES AND JACK CYLINDER INSTALLATIONS	A
		Ref	VALVES INSTALLATION (FRAME MOUNTED)	
	0251955	Ref	Valves Installation (Frame Mounted) (Prior to SN 0300137333)	15
	1001110031	Ref	Valves Installation (Frame Mounted) (SN 0300137333 to Present)	1
7	4751600	AR	Flatwasher 3/8in	
8	3311605	AR	Locknut 3/8in-16NC	
11	4751500	AR	Flatwasher 5/16in	
12	3311505	2	Locknut 5/16in-18NC (SN 0300137333 to Present)	
18	3311501	8	Nut 5/16in-18NC	
28	4640260	2	Valve, Flow Divider (Prior to SN 0300137333)	
28	4640260	1	Cartridge (Vickers/Modular Controls Version)	
28	7009739	1	Seal Kit (Vickers/Modular Controls Version)	
28	7007321	1	Cartridge (Fluid Controls Version)	
28	7007323	1	Seal Kit (Fluid Controls Version)	
28	7020045	1	Cartridge (Logic Hydraulic Controls Version)	
28	7020051	1	Seal Kit (Logic Hydraulic Controls Version)	
29	4300076	6	Stud 3/8in-16NC x 3in (Not Shown) (Prior to SN 80240)	
32	4640123	1	Valve, Solenoid (2 Speed)	
32	7004368	1	Coil (Hydraforce Version)	
32	7012518	1	Seal Kit (Hydraforce Version)	
32	7000558	1	Coil (FPS Version)	
32	7006075	1	Seal Kit (FPS Version)	
33	4300042	2	Stud 1/4in-20NC x 1 3/4in (Not Shown) (Prior to SN 80240)	
34	3311401	2	Nut 1/4in-20NC	
35	4761400	2	Lockwasher 1/4in	
36	4751400	2	Flatwasher 1/4in	
37		Ref	Valve, Counterbalance Options:	
37	4640700	1	Valve, Counterbalance (Prior to SN 0300137333)	
37	7011316	2	Cartridge	
37	7011317	2	Seal Kit	
37	1001109985	1	Valve, Counterbalance (SN 0300137333 to Present)	
37	70002279	2	Cartridge	
37	7011317	2	Seal Kit	
38	4640701	1	Control Valve Assembly - 4 Section Bang-Bang (See CONTROL VALVE ASSEMBLY - 4 SECTION BANG-BANGCONTROL VALVE ASSEMBLY - 4 SECTION BANG-BANG for Breakdown)	
39	4640702	1	Control Valve Assembly - 3 Section Bang-Bang (See CONTROL VALVE ASSEMBLY - 3 SECTION BANG-BANG for Breakdown)	
40	4300038	8	Stud 5/16in-18NC x 1in (Not Shown) (Prior to SN 80240)	
41	4761500	8	Lockwasher 5/16in	
42	4641183	1	Valve, Flow Divider (SN 0300137333 to Present)	
42	7023917	2	Cartridge	
42	7021625	2	Seal Kit	
42	4641193	4	Cartridge	
42	7017496	4	Seal Kit	
43	1001109984	1	Valve, Hot Oil Shuttle (SN 0300137333 to Present)	

SECTION 1 - FRAME

ITEM	PART NUMBER	QTY	DESCRIPTION	REV
43	70002280	1	Cartridge	3
43	70002281	1	Seal Kit	
	0251881	Ref	JACK CYLINDERS INSTALLATIONS	
101	1682511	2	Jack Cylinder Assembly (See CYLINDER SECTION for Breakdown)	
102	0641814	8	Bolt 1/4in-13NC x 1 3/4in	
103	4761800	8	Lockwasher 1/2in	
104		Ref	Nameplate - Jack/Axle Switches	
104	3252141	2	Standard Spec	
104	3252142	2	Japanese Spec	
105	0641406	8	Bolt 1/4in-20 x 3/4in	
106	4761400	8	Lockwasher 1/4in	
107	4360202	4	Switch, Toggle	
108	3790012	4	O-Ring	
110	3340630	1	Jack Pad Weldment	
111	0641852	2	Bolt 1/2in-13NC x 6 1/2in	
112	3311801	2	Nut 1/2in-13NC	
113	0100011	AR	Compound, Locking	

SECTION 1 - FRAME

FIGURE 1-9. CONTROL VALVE ASSEMBLY - 4 SECTION BANG-BANG



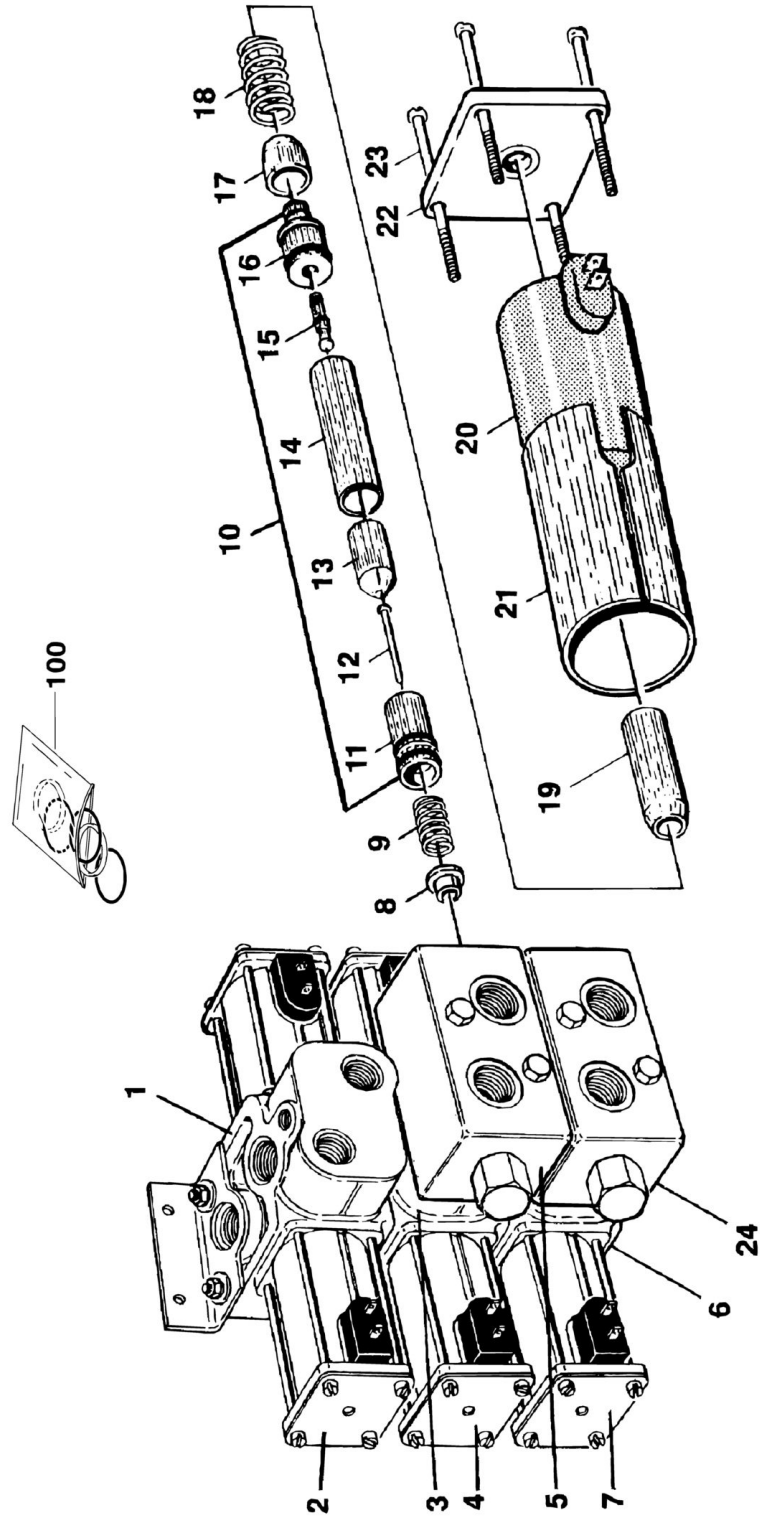
SECTION 1 - FRAME

FIGURE 1-9. CONTROL VALVE ASSEMBLY - 4 SECTION BANG-BANG

ITEM	PART NUMBER	QTY	DESCRIPTION	REV
	4640701	Ref	CONTROL VALVE ASSEMBLY - 4 SECTION BANG-BANG	-
1	7002315	1	Working Section - Complete (Front Axle Extension)	
2	7004859	2	Solenoid Assembly (Refer to Items 12-72 for Serviced Parts)	
3	7000468	1	Cross Over Relief Valve Block Assembly (No Longer Field Serviceable)	
4	7002316	1	Working Section - Complete (Front Jack)	
5	7004859	1	Solenoid Assembly (Refer to Items 12-72 for Serviced Parts)	
6	7002262	1	Dual Pilot Check Valve Block Assembly (No Longer Field Serviceable)	
7	7002316	1	Working Section - Complete (Rear Jack)	
8	7004859	2	Solenoid Assembly (Refer to Items 12-27 for Serviced Parts)	
9	7002262	1	Dual Pilot Check Valve Block Assembly (No Longer Field Serviceable)	
10	7002315	1	Working Section - Complete (Rear Axle Extension)	
11	7004859	2	Solenoid Assembly (Refer to Items 12-27 for Serviced Parts)	
12	7002825	1	Washer	
13	7002348	1	Spring	
14	7002305	1	Guide Tube Assembly	
15	7002345	1	Cone, Female	
15	Item 100	1	O-Ring	
15	Item 100	1	O-Ring	
16	7002346	1	Pin, Push	
17	7002344	1	Plunger	
18	7000470	1	Tube, Guide	
19	7002341	1	Pin, Actuator	
20	7002340	1	Guide, External Push Pin	
20	Item 100	1	O-Ring	
21	7002333	1	Sleeve, Inner Flux	
22	7002334	1	Spring	
23	7002336	1	Sleeve, Outer Flux	
24	7000418	1	Coil	
25	7002335	1	Case, Solenoid	
26	7002338	1	Plate, End	
27	7002339	4	Screw	
28	7000468	1	Cross Over Relief Valve Block Assembly (No Longer Field Serviceable)	
100	7000414	4	Seal Kit - Working Section	

SECTION 1 - FRAME

FIGURE 1-10. CONTROL VALVE ASSEMBLY - 3 SECTION BANG-BANG



SECTION 1 - FRAME

FIGURE 1-10. CONTROL VALVE ASSEMBLY - 3 SECTION BANG-BANG

ITEM	PART NUMBER	QTY	DESCRIPTION	REV
	4640702	Ref	CONTROL VALVE ASSEMBLY - 3 SECTION BANG-BANG	-
1	7002317	1	Working Section - Complete	
2	7004859	2	Solenoid Assembly (Refer to Items 8-23 for Serviced Parts)	
3	7002315	1	Working Section - Complete (Front Steer)	
4	7004859	2	Solenoid Assembly (Refer to Items 8-23 for Serviced Parts)	
5	7000468	1	Relief Valve Block Assembly (No Longer Field Serviceable)	
6	7002315	1	Working Section - Complete (Rear Steer)	
7	7004859	2	Solenoid Assembly (Refer to Items 8-23 for Serviced Parts)	
8	7003825	1	Washer	
9	7002348	1	Spring	
10	7002305	1	Guide Tube Assembly	
11	7002345	1	Cone, Female	
11	Item 100	1	O-Ring	
11	Item 100	1	O-Ring	
12	7002346	1	Pin, Push	
13	7002344	1	Plunger	
14	7000470	1	Tube, Guide	
15	7002341	1	Pin, Actuator	
15	Item 100	1	Ring, Quade	
16	7002340	1	Guide, External Push Pln	
16	Item 100	1	O-Ring	
17	7002333	1	Sleeve, Inner Flux	
18	7002334	1	Spring	
19	7002336	1	Sleeve, Outer Flux	
20	7000418	1	Coil	
21	7002335	1	Case, Solenoid	
22	7002338	1	Plate, End	
23	7002339	4	Screw	
24	7000468	1	Cross Over Relief Valve Block Assembly (No Longer Field Serviceable)	
100	7000414	3	Seal Kit - Working Section	

SECTION 2 - TURNTABLE

SECTION 2 - TURNTABLE

FIGURE 2-1. CONTROL VALVE INSTALLATIONS

ITEM	PART NUMBER	QTY	DESCRIPTION	REV
		Ref	VALVES INSTALLATIONS	
	0251955	Ref	Valves Installations (Prior to SN 0300137333)	15
	1001110031	Ref	Valves Installations (SN 0300137333 to Present)	1
1	3535344	1	Plate, Valve	
2	0641812	4	Bolt 1/2in-13NC x 1 1/2in	
3	4751800	11	Flatwasher 1/2in	
4	3311805	4	Locknut 1/2in-13NC	
5		Ref	Valve Assembly - 2 Section Bang-Bang Options:	
5	4640462	1	Valve Assembly - 2 Section Bang-Bang Prior to September 1995 (See CONTROL VALVE ASSEMBLY 2 SECTION BANG-BANG for Breakdown)	
5	4640947	1	Valve Assembly - 2 Section Bang-Bang September 1995 to Present (See CONTROL VALVE ASSEMBLY 2 SECTION BANG-BANG for Breakdown)	
6	0641608	4	Bolt 3/8in-16NC x 1in	
7	4751600	8	Flatwasher 3/8in	
8	3311605	4	Locknut 3/8in-16NC	
9	4640136	1	Relief Valve Assembly	
9	7000552	1	Cartridge with Coil	
9	7000548	1	Coil	
9	7001507	1	Seal Kit	
9	7007320	1	Cartridge, Adjustable	
9	7001507	1	Seal Kit	
10	0641522	6	Bolt 5/16in-18NC x 2 3/4in	
11	4751500	AR	Flatwasher 5/16in	
12	3311505	AR	Locknut 5/16in-18NC	
13		Ref	Relief Valve Assembly Options:	
13A	4640603	1	Valve (Prior to May 1993)	
13A	7011311	1	Cartridge, Adjustable	
13A	2900770	1	Seal Kit	
13B	4640814	1	Valve (May 1993 to October 1994)	
13B	7011322	1	Cartridge, Adjustable	
13B	2900770	1	Seal Kit	
13C	4640839	1	Valve (October 1994 to Present)	
13C	7012945	2	Cartridge, Adjustable	
14	0641518	AR	Bolt 5/16in-18NC x 2 1/4in	
15	4640363	2	Solenoid Valve Assembly Options:	
15	7000558	2	Coil (FPS Version)	
15	7001506	2	Seal Kit (FPS Version)	
15	7004368	2	Coil (Hydraforce Version)	
15	2900795	2	Seal Kit (Hydraforce Version)	
16	4640661	1	Dual Counter Balance Valve Assembly	
16	7011320	2	Cartridge, Adjustable	
16	2900770	2	Seal Kit	
17	0641516	2	Bolt 5/16in-18NC x 2in	
18	3311501	2	Nut 5/16in-18NC	
19		Ref	Valve Assembly - 5-Stack Vickers Options (See CONTROL VALVE ASSEMBLY - 5 SECTION VICKERS for Breakdown):	
19	4640705	1	Valve Assembly - 5-Stack Vickers Prior to October 1994	
19	4640916	1	Valve Assembly - 5-Stack Vickers October 1994 to SN 31000	

SECTION 2 - TURNTABLE

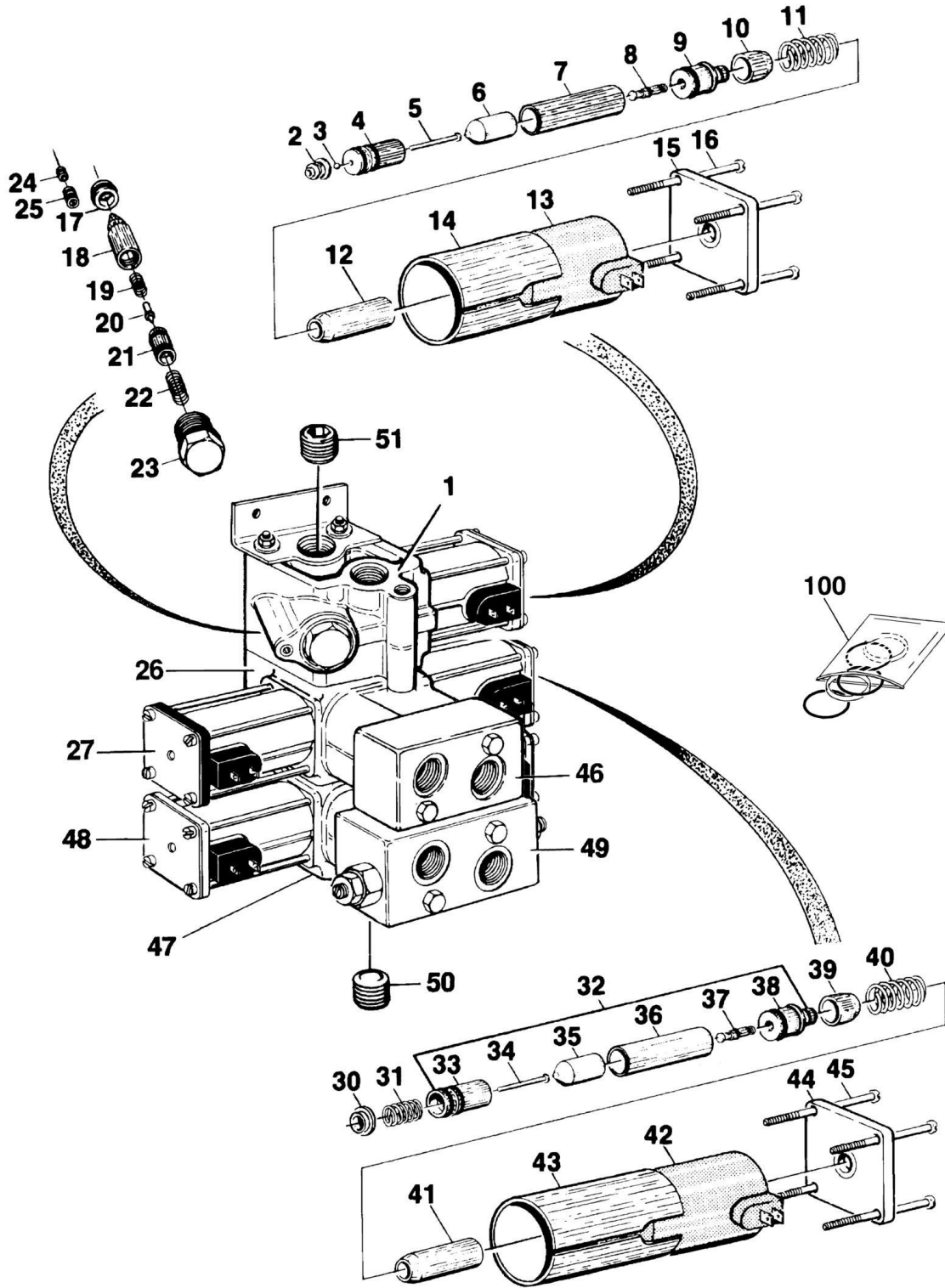
ITEM	PART NUMBER	QTY	DESCRIPTION	REV
19	4641006	1	Valve Assembly - 5-Stack Vickers (was p/n 4640916) (Prior to SN 31000)	
19	4641006	1	Valve Assembly - 5-Stack Vickers (SN 31000 to Present)	
20	0641714	3	Bolt 7/16in-14NC x 1 3/4in	
21	4751700	3	Flatwasher 7/16in	
22		Ref	Valve Assembly - 1-Stack Vickers CMX160 Options (See CONTROL VALVE ASSEMBLY - 1 SECTION VICKERS (CMX160) for Breakdown):	
22	4640704	1	Valve Assembly - 1-Stack Vickers CMX160 Prior to October 1994	
22	4640872	1	Valve Assembly - 1-Stack Vickers CMX160 October 1994 to Present	
23	0641814	3	Bolt 1/2in-13NC x 1 3/4in	
24	0140001	1	Horn	
25	0641508	1	Bolt 5/16in-18NC x 1in	
26	4761700	3	Lockwasher 7/16in	
27	4761800	3	Lockwasher 1/2in	
30		Ref	Holding Valve Assembly	
30	Not Required	0	Valve (Prior to SN 29301)	
30	4641008	1	Valve (SN 29302 to Present)	
30	7011340	1	Cartridge, Adjustable	
30	2900789	1	Seal Kit	
42	0641511	1	Bolt 5/16in-18NC x 1 3/8in	
43	1320187	3	Clamp, Twin 5/8in	
44	1320188	2	Clamp, Stacking Bolt	
45	1320189	2	Clamp, Lockwasher	
46	1320190	1	Clamp, Coverplate	
	0252043	Ref	TILT INDICATOR INSTALLATION	B
101	4360306	1	Switch, Level Sensor 5	
102	2820022	6 in/15cm	Vinyl Tubing (Not Shown)	
103	0641412	2	Bolt 1/4in-20NC x 1 1/2in	
104	3311405	2	Locknut 1/4in	
	0251981	Ref	MANUAL DESCENT COMPONENTS INSTALLATION	-
201	3600179	1	Pump Assembly	
201	2900779	1	Seal Kit - 3600179 Pump	
201A	7010652	1	Handle, Pump	
202	0641608	2	Bolt 3/8in-16NC x 1in	
203	4751600	2	Flatwasher 3/8in	
204	3311605	2	Locknut 3/8in-16NC	
205	1380136	2	Clip, Gripper	
206	0721006	2	Screw #10-24NC x 3/4in	
207	4751000	2	Flatwasher #10	
208	3311001	2	Nut #10	
209	4640005	3	Needle Valve	
210	2900062	3	Valve Kit	
211	4761000		Lockwasher #10	
	0252773	Ref	ALARM INSTALLATION (OPTIONAL)	B
301	0140032	1	Alarm	
302	0641408	2	Bolt 1/4in-20NC x 1in	
303	4751400	2	Flatwasher 1/4in	
304	4761400	2	Lockwasher 1/4in	
305	3311404	2	Nut 1/4in-20NC	

SECTION 2 - TURNTABLE

ITEM	PART NUMBER	QTY	DESCRIPTION	REV
306	2540018	1	Grommet (Not Shown)	

SECTION 2 - TURNTABLE

FIGURE 2-2. CONTROL VALVE ASSEMBLY 2 SECTION BANG-BANG



SECTION 2 - TURNTABLE

FIGURE 2-2. CONTROL VALVE ASSEMBLY 2 SECTION BANG-BANG

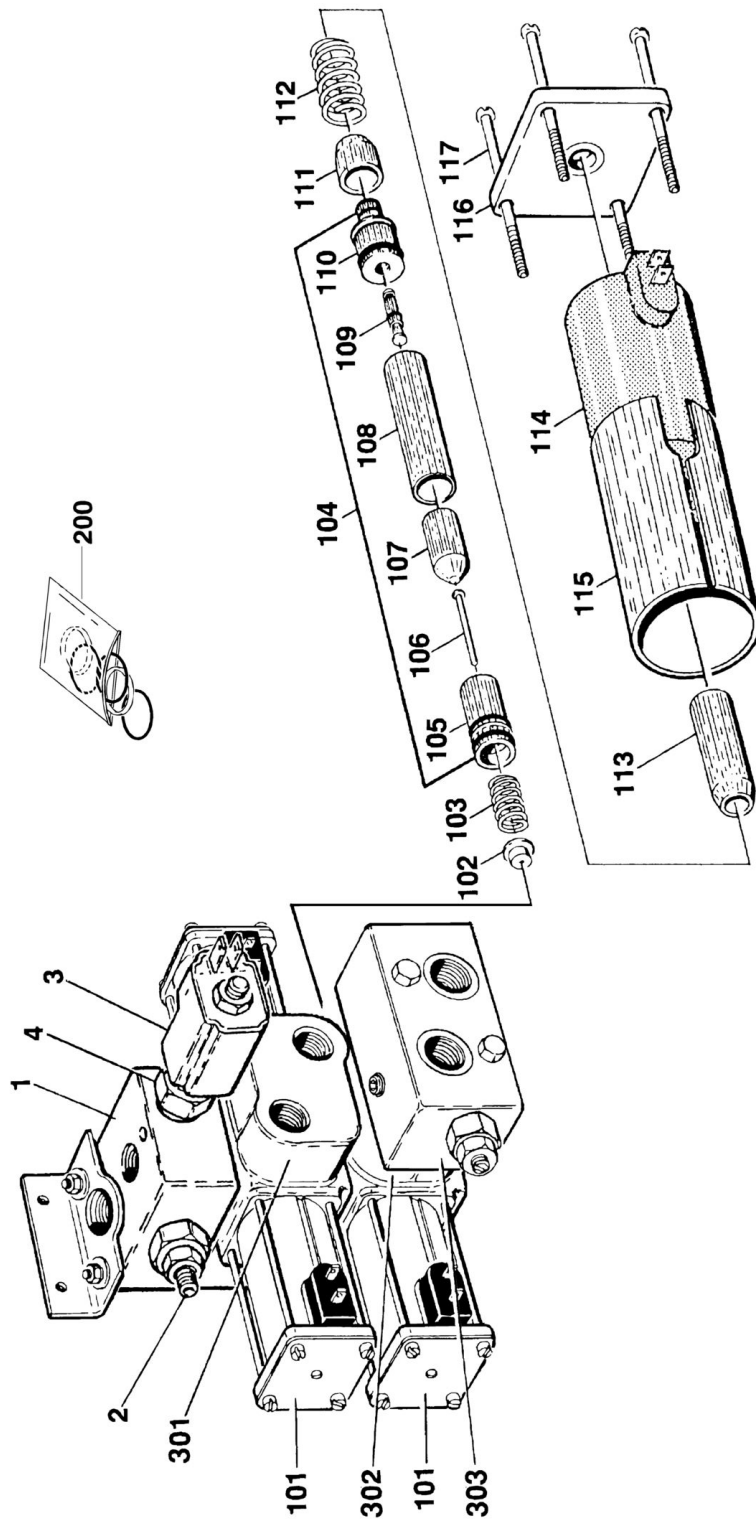
ITEM	PART NUMBER	QTY	DESCRIPTION	REV
	4640462	Ref	CONTROL VALVE ASSEMBLY - 2 SECTION BANG-BANG	B
1	7002304	1	Dump Section - Complete	
1		Ref	Solenoid Assembly	
2	7004823	1	Seat	
2	7002378	1	O-Ring	
3	7002229	1	Ball	
3		Ref	Guide Tube Assembly	
4	7004822	1	Cone, Female	
4	Item 101	1	O-Ring	
5	7002346	1	Pin, Push	
6	7004839	1	Plunger	
7	7004838	1	Tube, Guide	
8	7004841	1	Pin, Push	
8	Item 101	1	O-Ring	
9	7002340	1	Guide, External Push Pln	
9	Item 101	1	O-Ring	
10	7004834	1	Sleeve, Inner Flux	
11	7002334	1	Spring	
12	7004835	1	Sleeve, Outer Flux	
13	7000417	1	Coil	
14	7004836	1	Case, Solenoid	
15	7002338	1	Plate, End	
16	7004837	4	Screw	
17	7002322	1	Seat	
17	Item 101	1	O-Ring	
17		Ref	Main Relief (Poppet) Valve	
18	7002321	1	Case, Poppet	
19	7002328	1	Spring	
20	7002294	1	Poppet	
21	7002320	1	Seat, Adjustable	
21	Item 101	1	O-Ring	
22	7002329	1	Spring	
23	7002323	1	Plug	
23	Item 101	1	O-Ring	
24	7002326	1	Orifice	
25	7002324	1	Plug	
26	7002316	1	Working Section - Complete (Level)	
27	7004859	2	Solenoid Assembly	
30	7003825	1	Washer, Hat	
31	7002348	1	Spring	
32	7002305	1	Guide Tube Assembly	
33	7002345	1	Cone, Female	
33	Item 100	1	O-Ring	
33	Item 100	1	O-Ring	
34	7002346	1	Pin, Push	
35	7002344	1	Plunger	
36	7000470	1	Tube, Guide	
37	7002341	1	Pin, Actuator	
37	Item 100	1	Ring, Quade	
38	7002340	1	Guide, External Push Pln	

SECTION 2 - TURNTABLE

ITEM	PART NUMBER	QTY	DESCRIPTION	REV
38	Item 100	1	O-Ring	
39	7002333	1	Sleeve, Inner Flux	
40	7002334	1	Spring	
41	7002336	1	Sleeve, Outer Flux	
42	7000418	1	Coil	
43	7002335	1	Case, Solenoid	
44	7002338	1	Plate, End	
45	7002339	4	Screw	
46	7002262	1	Dual Pilot Check Valve Block Assembly (No Longer Field Serviceable)	
47	7002315	1	Working Section - Complete (Telescope)	
48	7004859	2	Solenoid Assembly (Refer to Items 30-45 for Serviced Parts)	
49	7000468	1	Cross Over Relief Valve Block Assembly (No Longer Field Serviceable)	
50	2220237	1	Plug	
51	2220238	1	Plug	
		Ref	Kit Options:	
100	7000414	3	Seal Kit - Working Section	
101	7000413	1	Seal Kit - Dump Section	

SECTION 2 - TURNTABLE

FIGURE 2-3. CONTROL VALVE ASSEMBLY 2 SECTION BANG-BANG



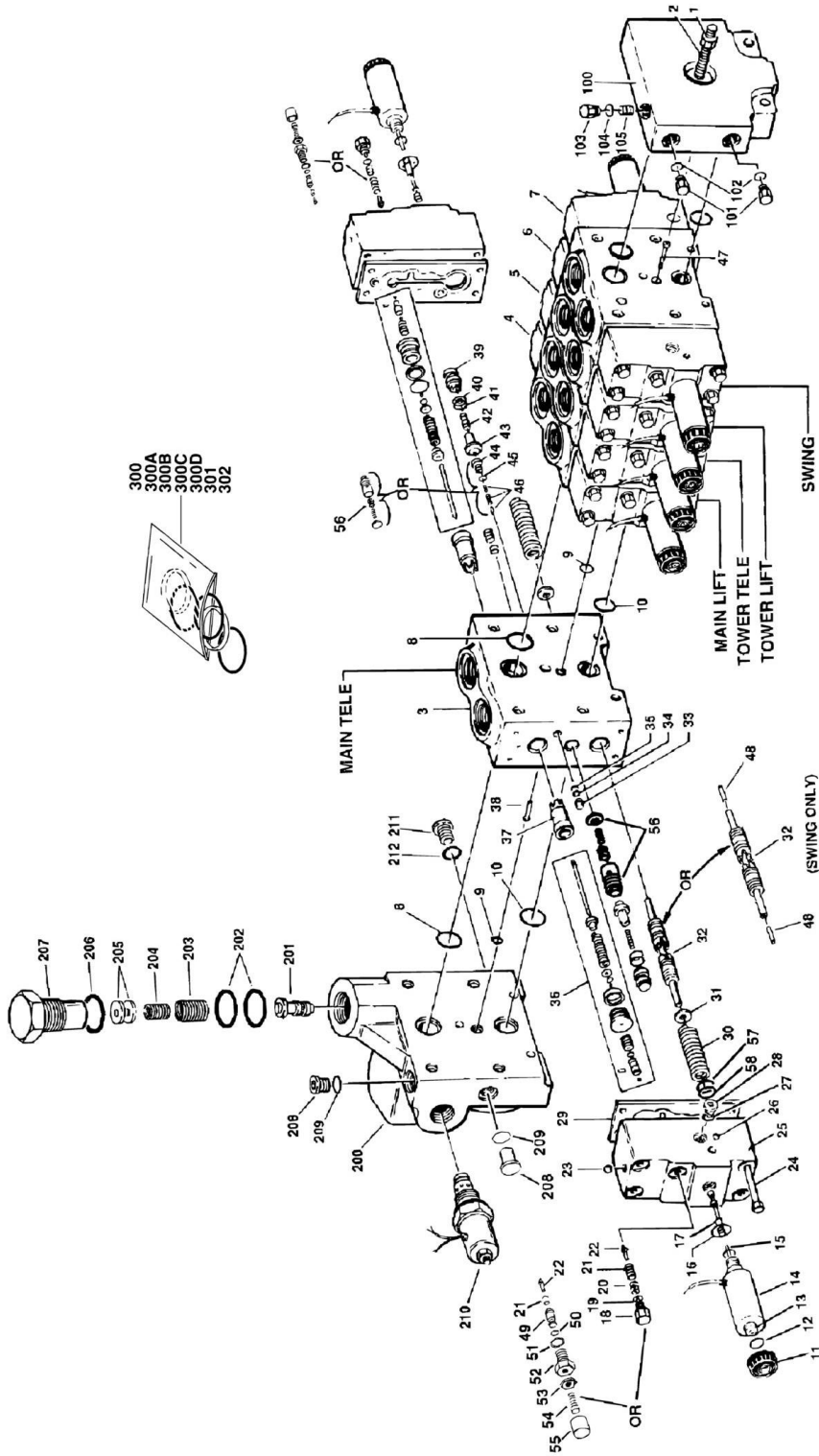
SECTION 2 - TURNTABLE

FIGURE 2-3. CONTROL VALVE ASSEMBLY 2 SECTION BANG-BANG

ITEM	PART NUMBER	QTY	DESCRIPTION	REV
		Ref	CONTROL VALVE ASSEMBLY - BANG-BANG	
	4640947	Ref	VALVE ASSEMBLY - 2 SECTION	B
		Ref	DUMP SECTION ASSEMBLY	
1	7002447	1	Dump Section - Complete	
2	7002448	1	Cartridge	
2	7002449	1	Seal Kit - 7002448 Cartridge	
3	7002450	1	Coil	
4	7002451	1	Cartridge without Coil	
4	7011118	1	Seal Kit - 7002451 Cartridge	
	7000448	2	O-Ring (Between Sections)	
		Ref	WORKING SECTIONS (STANDARD PARTS)	
101	7004859	2	Solenoid Assembly	A
102	7003825	1	Washer	
103	7002348	1	Spring	
104	7002305	1	Guide Tube Assembly	
105	7002345	1	Cone, Female	
105	Item 200	1	O-Ring	
105	Item 200	1	O-Ring	
106	7002346	1	Pin, Push	
107	7002344	1	Plunger	
108	7000470	1	Tube, Guide	
109	7002341	1	Pin Actuator	
109	Item 200	1	Ring, Quade	
110	7002340	1	Guide, External Push Pln	
110	Item 200	1	O-Ring	
111	7002333	1	Sleeve, Inner Flux	
112	7002334	1	Spring	
113	7002336	1	Sleeve, Outer Flux	
114	7000418	1	Coil	
115	7002335	1	Case, Solenoid	
116	7002338	1	Plate, End	
116	7002327	1	Nameplate	
117	7002339	4	Screw	
200	7000414	2	Seal Kit - Working Section (1 Per Section)	
		Ref	WORKING SECTIONS - COMPLETE (INCLUDES ITEMS 101-117 AND RELIEF VALVE ASSEMBLY WHEN EQUIPPED)	
301	7002316	1	Level Section	
302	7002315	1	Rotate Section	
303	7000468	1	Cross Over Relief Valve Assembly (Due to Various Suppliers - Internal Components Are No Longer Field Serviceable)	

SECTION 2 - TURNTABLE

FIGURE 2-4. CONTROL VALVE ASSEMBLY - 5 SECTION VICKERS



SECTION 2 - TURNTABLE

FIGURE 2-4. CONTROL VALVE ASSEMBLY - 5 SECTION VICKERS

ITEM	PART NUMBER	QTY	DESCRIPTION	REV
		Ref	CONTROL VALVE ASSEMBLY OPTIONS:	
	4640705	Ref	Control Valve Assembly (Prior to October 1994)	-
	4640916	Ref	Control Valve Assembly (October 1994 to SN 30999)	A
	4641006	Ref	Control Valve Assembly (SN 31000 to Present)	B
		Ref	Note: Original Equipment Assembly p/n's 4640705 or 4640916 may have been replaced with Service Replacement Assembly. Identify P/N before ordering replacement components.	
1	7006782	6	Nut	
2		Ref	Rod, Tie Options:	
2	7009394	3	Rod, Tie Prior to October 1994	
2	7012384	3	Rod, Tie October 1994 to Present	
3		Ref	Working Section - Complete (Main Tele)	
3	7009388	1	Working Section - Complete (Main Tele) Prior to October 1994	
3	7012372	1	Working Section - Complete (Main Tele) October 1994 to Present	
4		Ref	Working Section - Complete (Main Lift)	
4	7009389	1	Working Section - Complete (Main Lift) Prior to October 1994	
4	7012378	1	Working Section - Complete (Main Lift) October 1994 to SN 30999	
4	7020367	1	Working Section - Complete (Main Lift) (SN 31000 to Present)	
5		Ref	Working Section - Complete (Tower Tele)	
5	7009390	1	Working Section - Complete (Tower Tele) Prior to October 1994	
5	7012380	1	Working Section - Complete (Tower Tele) October 1994 to Present	
6		Ref	Working Section - Complete (Tower Lift)	
6	7009391	1	Working Section - Complete (Tower Lift) Prior to October 1994	
6	7012381	1	Working Section - Complete (Tower Lift) October 1994 to Present	
7		Ref	Working Section - Complete (Swing)	
7	7009392	1	Working Section - Complete (Swing) Prior to October 1994	
7	7012382	1	Working Section - Complete (Swing) October 1994 to Present	
8	See Note	1	O-Ring (Note: Use Items 300A-300D & 301)	
9	See Note	5	O-Ring (Note: Use Items 300A-300D & 301)	
10	See Note	1	O-Ring (Note: Use Items 300A-300D & 301)	
11		Ref	Nut, Retaining Options:	
11	7012325 & 7020361	2	Nut, Retaining (Was P/N 7009317) Prior to October 1994	
11	7012325 & 7020361	2	Nut, Retaining October 1994 to Present	
12	See Note	2	O-Ring (Prior to October 1994 Only) (Note: Use Items 300A-300D)	
13		Ref	Core Tube (Includes O-Ring) Options:	
13	7009316	2	Core Tube (Includes O-Ring) Prior to October 1994	
13	7012326	2	Core Tube (Includes O-Ring) October 1994 to Present	
14		Ref	Coil and Frame	
14	7009315	2	Coil and Frame Prior to October 1994	
14	7012339	2	Coil and Frame October 1994 to Present	
15	7009319	2	Pin	
16	See Note	2	O-Ring (Note: Use Items 300A-300D)	

SECTION 2 - TURNTABLE

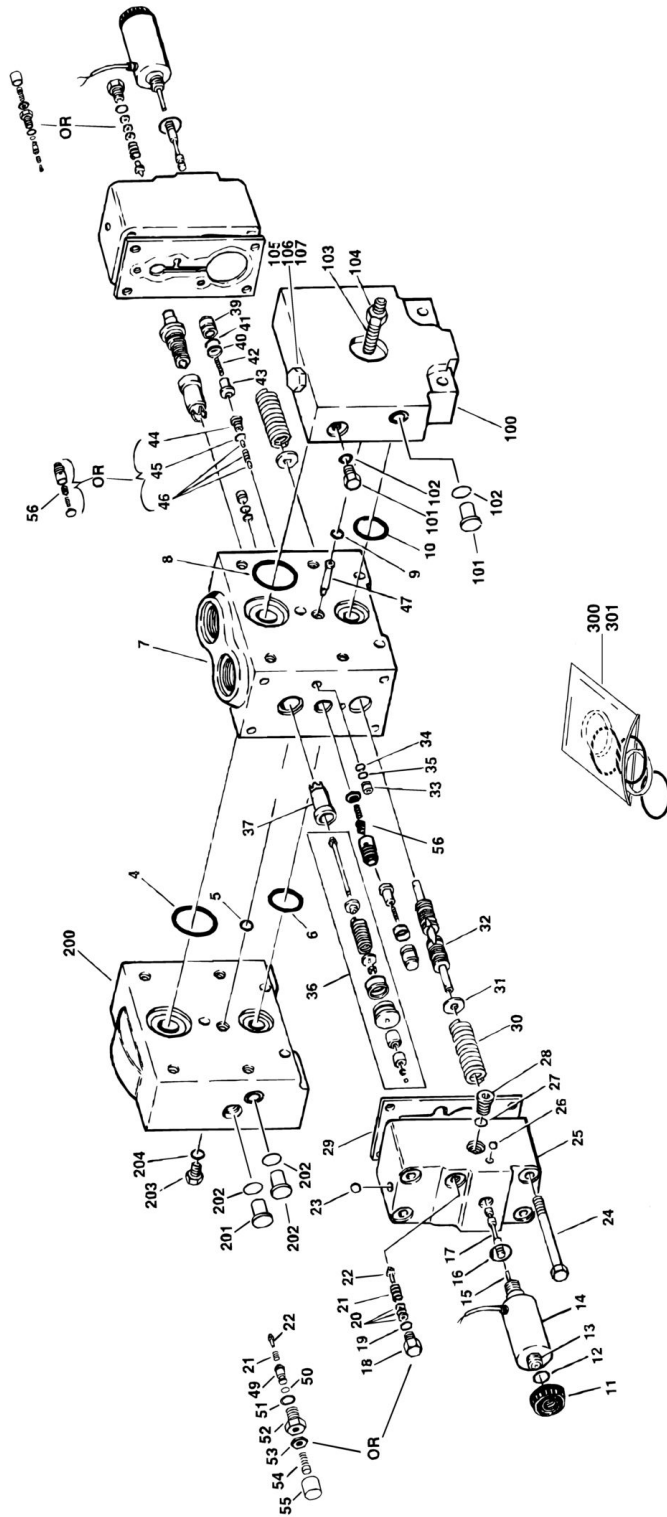
ITEM	PART NUMBER	QTY	DESCRIPTION	REV
17		Ref	Spool	
17	7006744	2	Spool Prior to October 1994	
17	7012327	2	Spool October 1994 to Present	
18	7006726	2	Plug, Torque (Prior to October 1994 Only)	
19	See Note	2	O-Ring (Prior to October 1994 Only) (Note: Use Items 300A-300D)	
20	7009381	2	Shim Kit (Prior to October 1994 Only)	
21		Ref	Spring Options:	
21	7006729	2	Spring Prior to October 1994	
21	7012324	2	Spring October 1994 to Present	
22	7006730	2	Poppet	
23	7006731	2	Ball	
24	7006745	2	Screw	
25	Not Available	2	Cap, End	
26	7006746	2	Ball	
27	See Note	2	O-Ring (Note: Use Items 300A-300D)	
28	7009323	2	Spring	
29	See Note	2	Gasket (Note: Use Items 300A-300D)	
30	7009324	2	Spring	
31		Ref	Retainer Options:	
31	7009325	2	Retainer Prior to October 1994	
31	7012329	2	Retainer October 1994 to Present	
32	Not Available	2	Spool	
33	7006757	2	Seat	
34	See Note	2	Ring, Back-up (Note: Use Items 300A-300D)	
35	See Note	2	O-Ring (Note: Use Items 300A-300D)	
36		Ref	Servo Stem Assembly	
36	7006732	2	Servo Stem Assembly Prior to October 1994	
36	7009320	2	Servo Stem Assembly October 1994 to Present	
37	7006737	2	Poppet	
39	7009398	2	Retainer	
40	See Note	2	Ring, Back-up (Note: Use Items 300A-300D)	
41	See Note	2	O-Ring (Note: Use Items 300A-300D)	
42	7006773	2	Spring	
43	7009397	2	Poppet	
44	7006771	1	Plug, Torque (Prior to October 1994 Only)	
45	See Note	1	O-Ring (Prior to October 1994 Only) (Note: Use Items 300A-300D)	
46	7009368	1	Spring (Prior to October 1994 Only)	
46	7009369	2	Poppet (Prior to October 1994 Only)	
48	7012300	2	Piston, Load (Swing Section Only)	
49	7012323	1	Piston (October 1994 to Present Only)	
50	7012322	1	O-Ring (October 1994 to Present Only)	
51	See Note	1	O-Ring (October 1994 to Present Only) (Note: Use Items 300A-300D)	
52	7012321	1	Plug (October 1994 to Present Only)	
53	7012318	1	Nut (October 1994 to Present Only)	
54	7012319	1	Screw (October 1994 to Present Only)	
55	7012320	1	Cap (October 1994 to Present Only)	
56	7012333	2	Load Sense Check Assembly (October 1994 to Present Only)	
57	7012328	AR	Shim (October 1994 to Present Only)	

SECTION 2 - TURNTABLE

ITEM	PART NUMBER	QTY	DESCRIPTION	REV
58	7012330	AR	Shim (October 1994 to Present Only)	
		Ref	END COVER ASSEMBLY	
100		Ref	Cover, End Options:	
100	7006780	1	Cover, End Prior to October 1994	
100	7012337	1	Cover, End October 1994 to Present	
101	7006778	AR	Plug, Torque	
102	See Note	AR	O-Ring (Note: Use Items 300A-300D)	
103	7012336	1	Plug (October 1994 to Present Only)	
104	See Note	1	O-Ring (October 1994 to Present Only) (Note: Use Items 300A-300D)	
105	7012338	1	Orifice (October 1994 to Present Only)	
		Ref	INLET ASSEMBLY	
200	7009393	1	Inlet Assembly - Complete	
201	7012301	1	Valve, Load Sensing Relief	
202	Item 302	2	O-Ring	
203	7012370	1	Spring, Outer	
204	7012371	1	Spring, Inner	
205	7012367	AR	Shim	
206	Item 302	1	O-Ring	
207	7012366	1	Retainer, Valve	
208		Ref	Plug Options:	
208	7012385	1	Plug Prior to October 1994	
208	7006778	1	Plug October 1994 to Present	
209	Item 302	1	O-Ring	
210	7012303	1	Valve, Solenoid Check	
210	Not Available	1	Seal Kit - Solenoid Check Valve	
210	7003647	1	Coil	
211	7009323	1	Plug	
212	See Note	1	O-Ring (Note: Use Items 300A-300D & 302)	
		Ref	Kit Options:	
300		Ref	Seal Kit Options: (Includes Items 8, 9, 10, 12, 16, 19, 27, 29, 34, 35, 40, 41, 45, 51, 102, 104, 212 and Servo Stem Seal)	
300A	7009396	5	Kit Prior to October 1994	
300B	7009330	5	Kit October 1994 to SN 31000	
300C	7020365	4	Except BOOM Section (Tower Tele) (SN 31000 to Present)	
300D	7020366	1	BOOM Section (Tower Tele Only) (SN 31000 to Present)	
301	7009395	6	Seal Kit - Valve Face Options: (Includes Items 8, 9 & 10)	
302	7012302	1	Seal Kit - Inlet (Includes Items 202, 206, 209, 212 and Solenoid Valve Seals)	

SECTION 2 - TURNTABLE

FIGURE 2-5. CONTROL VALVE ASSEMBLY - 1 SECTION VICKERS (CMX160)



SECTION 2 - TURNTABLE

FIGURE 2-5. CONTROL VALVE ASSEMBLY - 1 SECTION VICKERS (CMX160)

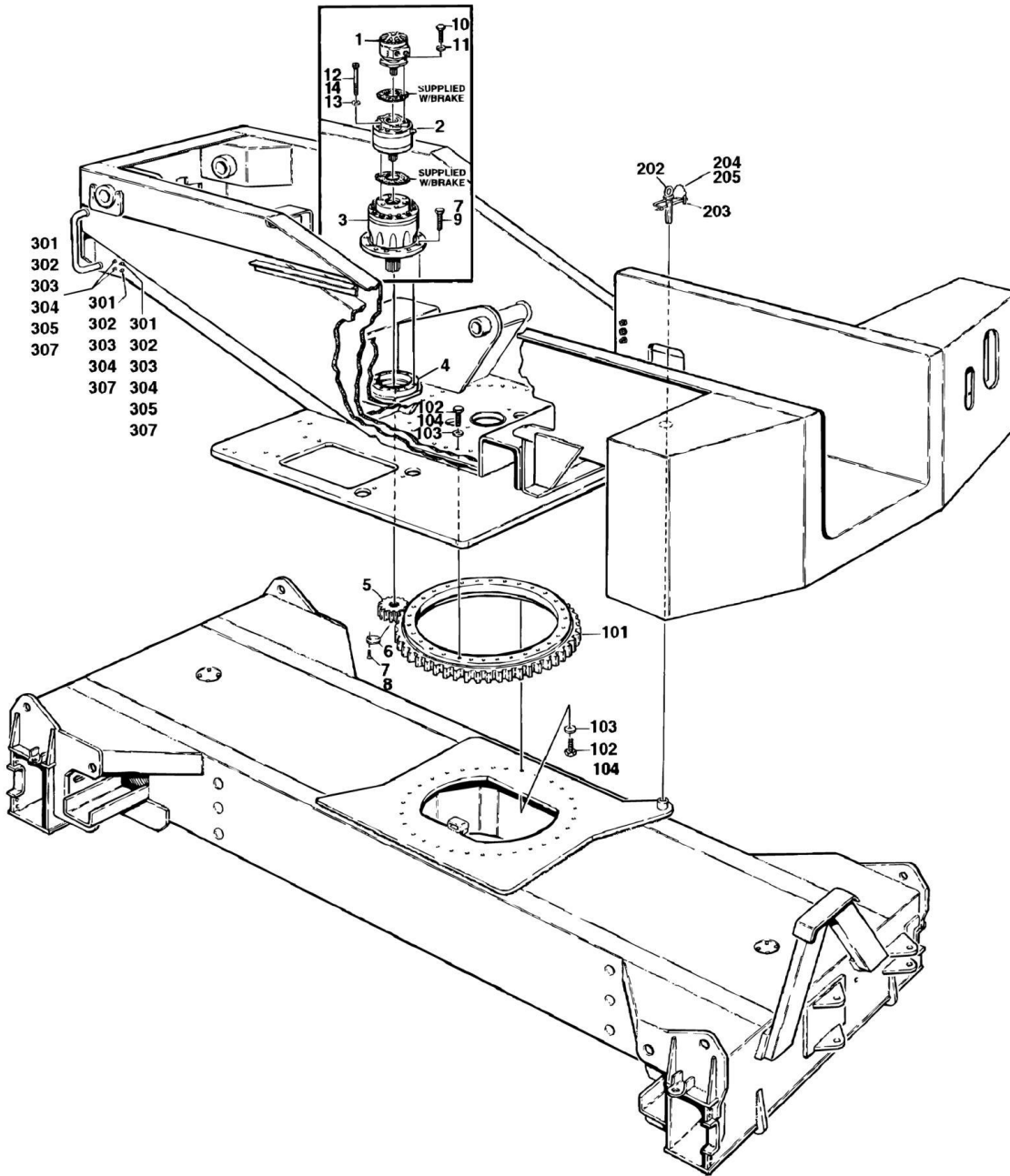
ITEM	PART NUMBER	QTY	DESCRIPTION	REV
		Ref	CONTROL VALVE ASSEMBLY - 1 SECTION VICKERS (CMX160)	
	4640704	Ref	Control Valve Assembly (Prior to October 1994)	-
	4640872	Ref	Control Valve Assembly (October 1994 to Present)	-
4	See Note	1	O-Ring (Note: Use Items 300 & 301)	
5	See Note	5	O-Ring (Note: Use Items 300 & 301)	
6	See Note	1	O-Ring (Note: Use Items 300 & 301)	
7		Ref	Working Section - Complete Option (Drive):	
7	7009382	1	Working Section - Complete (Prior to October 1994)	
7	7012363	1	Working Section - Complete (October 1994 to Present)	
8	See Note	1	O-Ring (Note: Use Items 300 & 301)	
9	See Note	5	O-Ring (Note: Use Items 300 & 301)	
10	See Note	1	O-Ring (Note: Use Items 300 & 301)	
11		Ref	Nut, Retaining Options:	
11	7012325 & 7020361	2	Nut, Retaining (Prior to October 1994) (Was P/N 7009317)	
11	7012325 & 7020361	2	Nut, Retaining (October 1994 to SN 31000)	
12	Item 300	2	O-Ring	
13		Ref	Core Tube (Includes O-Ring) Options:	
13	7009316	2	Core Tube (Includes O-Ring) Prior to October 1994	
13	7012326	2	Core Tube (Includes O-Ring) October 1994 to Present	
14		Ref	Coil and Frame Options:	
14	7009315	2	Coil and Frame (Prior to October 1994)	
14	7012339	2	Coil and Frame (October 1994 to Present)	
15	7009319	2	Pin	
16	Item 300	2	O-Ring	
17		Ref	Spool Options:	
17	7006744	2	Spool (Prior to October 1994)	
17	7012327	2	Spool (October 1994 to Present)	
18	7006726	2	Plug, Torque (Prior to October 1994)	
19	Item 300	2	O-Ring (Prior to October 1994)	
20	7009381	2	Shim Kit (Prior to October 1994)	
21		Ref	Spring Options:	
21	7006729	2	Spring (Prior to October 1994)	
21	7012324	2	Spring (October 1994 to Present)	
22	7006730	2	Poppet	
23	7006731	2	Ball	
24	7009367	8	Screw	
25		Ref	Cap, End (Not Sold Separately)	
26	7006746	2	Ball	
27	Item 300	2	O-Ring	
28	7009323	2	Plug	
29	Item 300	2	Gasket	
30	7009372	2	Spring	
31	7009373	2	Retainer	
32	Not Available	1	Spool (Not Sold Separately)	
33		Ref	Seat Options:	
33	7006757	2	Seat (Prior to October 1994)	
33	7012350	2	Seat (October 1994 to Present)	
34	Item 300	2	Ring, Back-up	

SECTION 2 - TURNTABLE

ITEM	PART NUMBER	QTY	DESCRIPTION	REV
35	Item 300	2	O-Ring	
36	7009371	2	Servo Stem Assembly	
37	7009370	2	Poppet	
39		Ref	Retainer Options:	
39	7009375	2	Retainer (Prior to October 1994)	
39	7012360	2	Retainer (October 1994 to Present)	
40	Item 300	2	Ring, Back-up	
41	Item 300	2	O-Ring	
42	7009376	2	Spring	
43		Ref	Poppet Options:	
43	7009374	2	Poppet (Prior to October 1994)	
43	7012361	2	Poppet (October 1994 to Present)	
44	7006771	1	Plug, Torque	
45	Item 300	1	O-Ring	
46	7009368	1	Spring	
46	7009364	2	Poppet	
49	7012323	2	Piston (October 1994 to Present Only)	
50	7012322	2	O-Ring (October 1994 to Present Only)	
51	Item 300	2	O-Ring (October 1994 to Present Only)	
52	7012321	2	Plug (October 1994 to Present Only)	
53	7012318	2	Nut (October 1994 to Present Only)	
54	7012319	2	Screw (October 1994 to Present Only)	
55	7012320	2	Cap (October 1994 to Present Only)	
56	7012333	2	Check Cartridge (October 1994 to Present Only)	
100		Ref	Cover End	
100	7009386	1	Cover End (Prior to October 1994)	
100	7012365	1	Cover End (October 1994 to Present)	
101	7006778	2	Plug, Torque	
102	Item 300	2	O-Ring	
103	7009385	3	Rod, Tie	
104	7009384	6	Nut	
105	7012338	1	Orifice	
106	Item 300	1	O-Ring	
107	7012364	1	Plug	
200	7009383	1	Inlet Body	
201	7006778	2	Plug, Torque	
202	Item 300	2	O-Ring	
203	7009323	1	Plug, Torque	
204	Item 300	1	O-Ring	
		Ref	Kit Options:	
300	7009380	1	Seal Kit (Include Items 4, 5, 6, 8, 9, 10, 12, 16, 19, 27, 29, 34, 35, 40, 41, 45, 51, 102, 106, 202, 204 and Servo Stem O-Rings	
301	7009387	2	Seal Kit - Valve Face (Includes Items 4, 5 & 6 or 8, 9 & 10)	

SECTION 2 - TURNTABLE

FIGURE 2-6. SWING DRIVE AND TURNTABLE BEARING INSTALLATIONS



SECTION 2 - TURNTABLE

FIGURE 2-6. SWING DRIVE AND TURNTABLE BEARING INSTALLATIONS

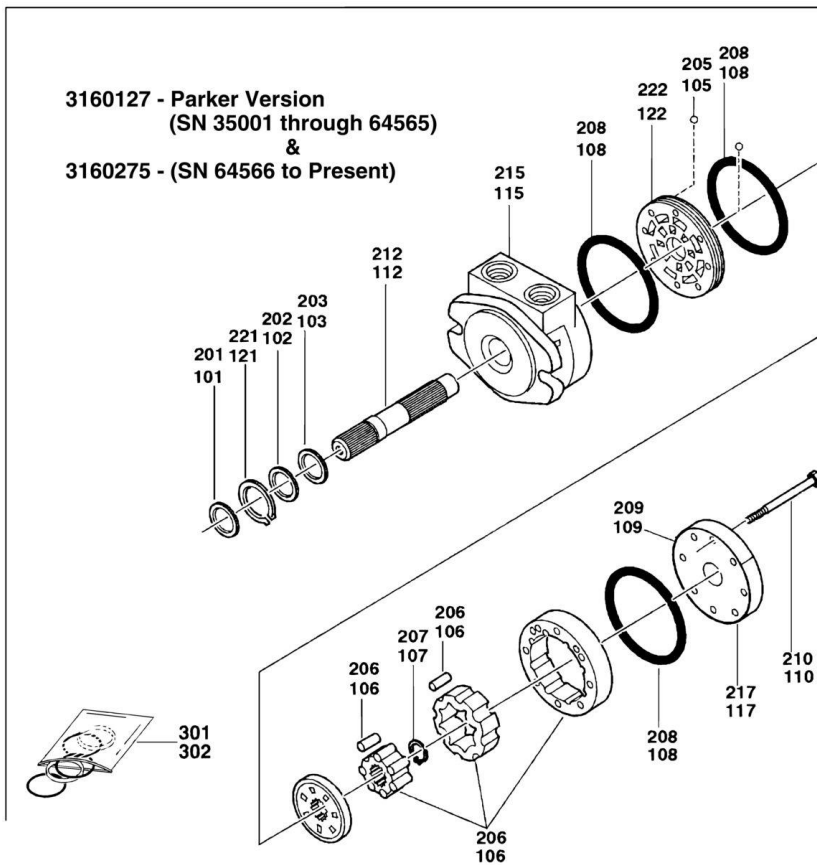
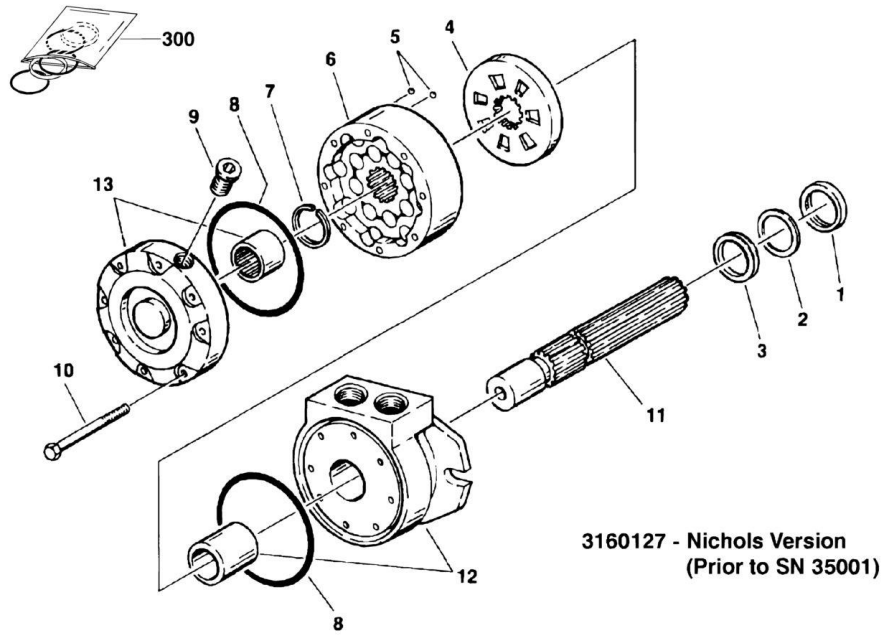
ITEM	PART NUMBER	QTY	DESCRIPTION	REV
		Ref	SWING DRIVE INSTALLATION OPTIONS:	
	0251626	Ref	Swing Drive Installation (Prior to SN 64566)	7
	0270328	Ref	Swing Drive Installation (SN 64566 to Present)	2-A
1		Ref	Swing Motor Assembly Options (See SWING MOTOR ASSEMBLY for Breakdown):	
1	3160127	1	Swing Motor Assembly (Nichols Version) (Prior to SN 35001)	
1	3160127	1	Swing Motor Assembly (Parker Version) (SN 35001 through 64565)	
1	3160275	1	Swing Motor Assembly (Parker Version) (SN 64566 to Present)	
2		Ref	Swing Brake Assembly Options:	
2	0920032	1	Swing Brake Assembly (Prior to May 1992) (See SWING BRAKE ASSEMBLIES for Breakdown)	
2	0920083	1	Swing Brake Assembly (May 1992 through SN 33475) (See SWING BRAKE ASSEMBLIES for Breakdown)	
2	0920109	1	Swing Brake Assembly (See SWING BRAKE ASSEMBLIES for Breakdown) (SN 33476 through 64565)	
2	0920119	1	Swing Brake Assembly (See SWING BRAKE ASSEMBLIES for Breakdown) (SN 64566 to Present)	
3		Ref	Swing Hub Assembly Options (See SWING HUB ASSEMBLY for Breakdown):	
3	2780278	1	Swing Hub Assembly (Was p/n 2780181) (Prior to SN 81679)	
3	2780278	1	Swing Hub Assembly (SN 81679 to Present)	
4	4843673	1	Mounting, Drive	
5	2440061	1	Pinion	
6	3533337	1	Plate, Retainer	
7	0100019	AR	Compound, Locking	
8	3900159	2	Screw, Countersunk 1/2in-13NC x 3/4in	
9	0642016	12	Bolt 3/4in-10NC x 2in	
10	0641810	2	Bolt 1/2in-13NC x 1 1/4 (Prior to SN 64566)	
11		Ref	Washer Options:	
11	4740171	2	Washer (Prior to SN 64566)	
11	4891800	2	Washer (SN 64566 to Present)	
12		Ref	Bolt Options:	
12	3931864	2	Bolt (Socket Head Capscrew 1/2in-13NC x 4in) (Prior to SN 64566)	
12	0681832	2	Bolt (Hex Bolt 1/2in-13NC x 4in Grade 8) (SN 64566 to Present)	
13	4740189	2	Washer, Special (Prior to SN 64566)	
14		Ref	Sealant Options:	
14	0100009	AR	RTV #738 (Prior to SN 64566)	
14	0100011	AR	Compound, Locking (Prior to SN 64566)	
	0252036	Ref	TURNTABLE BEARING INSTALLATION	3
101	0440198	1	Bearing, Turntable	
102	0682418	60	Bolt 7/8in-9NC x 2 1/4in (Grade 8)	
103	4892400	60	Washer, Hardened	
104	0100019	AR	Compound, Locking	
	0251549	Ref	TURNTABLE LOCK INSTALLATION	2
201	4843816	1	Weldment, Bushing (Not Shown)	
202	3421853	1	Pin, Turntable Lock	
203	3421854	1	Pin, Snap	
204	3760170	2	Ring, Quick Release	
205	1260017	9 in/23cm	Chain	

SECTION 2 - TURNTABLE

ITEM	PART NUMBER	QTY	DESCRIPTION	REV
	0252040	Ref	LUBE LINES INSTALLATION	B
301	2180344	4	Fitting, Bulkhead	
302	2220063	6	Fitting, 90	
303	2200261	4	Fitting, Coupling	
304	2751032	5	Hose, Grease	
305	2750527	2	Hose, Grease	
306	2750528	1	Hose, Grease	
307	2160002	4	Fitting, Grease	

SECTION 2 - TURNTABLE

FIGURE 2-7. SWING MOTOR ASSEMBLY



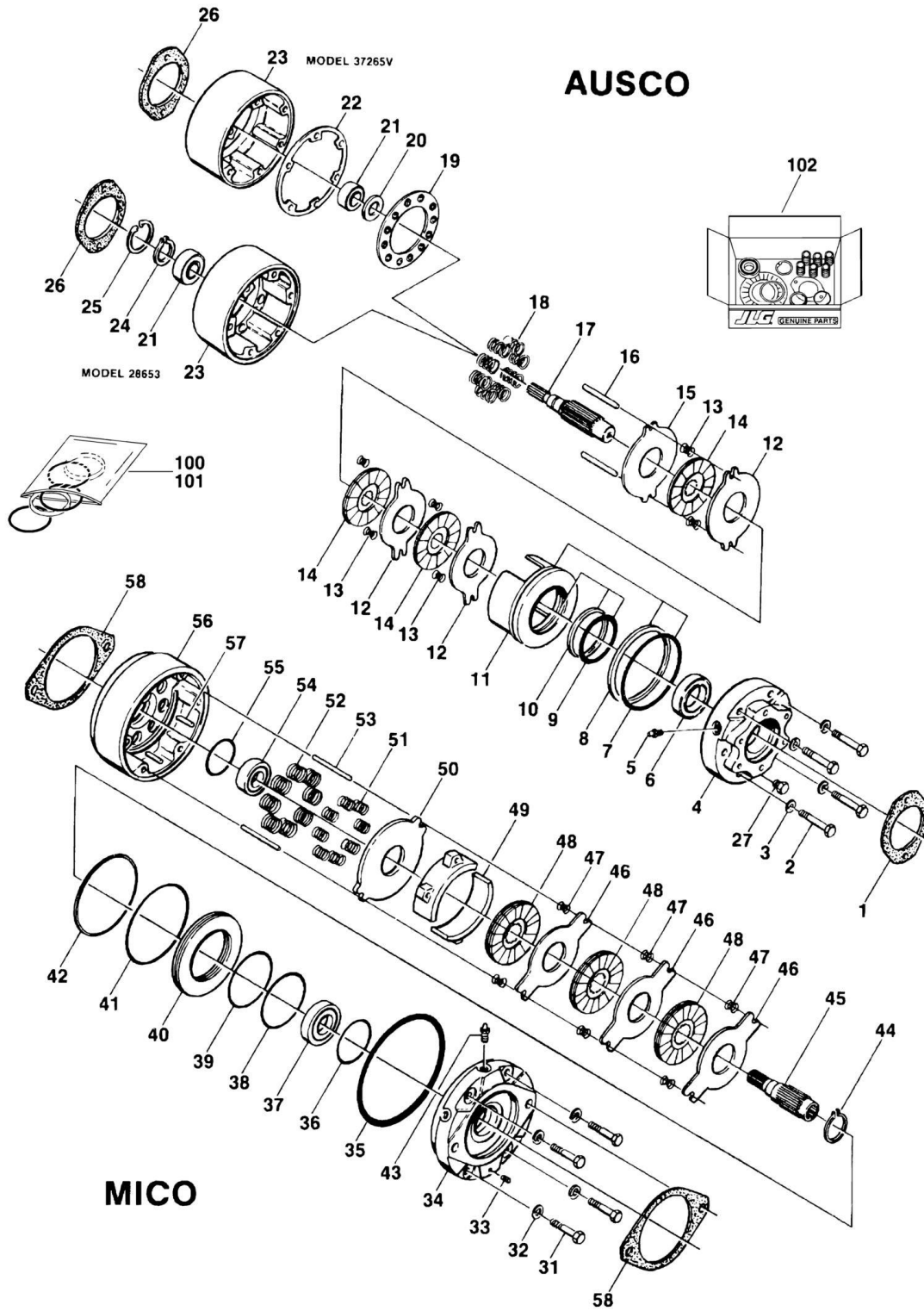
SECTION 2 - TURNTABLE

FIGURE 2-7. SWING MOTOR ASSEMBLY

ITEM	PART NUMBER	QTY	DESCRIPTION	REV
		Ref	SWING MOTOR ASSEMBLY OPTIONS:	
	3160127	Ref	Nichols Version (Prior to SN 35001)	B
1	Item 300	1	Seal, Dust	
2	Item 300	1	Ring, Back-up	
3	Item 300	1	Seal, Quad Ring	
4	7004196	1	Valve, Rotary	
5	7004167	2	Ball, Check Valve	
6	7004179	1	IGR Assembly	
7	Item 300	1	Ring, Snap	
8	Item 300	2	Seal, Ring	
9	7004171	1	Plug, Vent (Includes O-Ring)	
10	7004197	8	Bolt	
11	7010700	1	Shaft, Spline	
12	7004198	1	Body/Bearing Assembly	
13	7004192	1	Cover/Bearing Assembly	
	3160127	Ref	Parker Version (SN 35001 through 64565)	D
101	Item 301	1	Seal, Dust	
102	7010775	1	Ring, Back-Up	
103	Item 301	1	Seal, Lip	
105	7004167	2	Ball, Check Valve	
106	7010791	1	IGR Assembly	
107	Item 301	1	Ring, Snap	
108	Item 301	3	Seal, Square Ring	
109	7010795	1	Plug, Case Drain (W/ O-Ring)	
110	7010792	8	Bolt	
112	7010793	1	Shaft, Spline	
115	7010794	1	Body/Bearing Assembly	
117	7004192	1	Cover/Bearing Assembly	
121	Item 301	1	Ring, Snap	
122	7010776	1	Plate, Commutator	
	3160275	Ref	Parker Version (SN 64566 to Present)	A
201	Item 302	1	Seal, Dust	
202	Item 302	1	Ring, Back-Up	
203	Item 302	1	Seal, Lip	
205	7004167	2	Ball, Check Valve	
206	7010791	1	IGR Assembly	
207	Item 302	1	Ring, Snap	
208	Item 302	3	Seal, Square Ring	
209	7010795	1	Plug, Case Drain (W/ O-Ring)	
210	7010792	8	Bolt	
212	7023432	1	Shaft, Spline	
215	7023443	1	Body/Bearing Assembly	
217	7004192	1	Cover/Bearing Assembly	
221	Item 302	1	Ring, Snap	
222	7010776	1	Plate, Commutator	
		Ref	Kit Options:	
300	7004177	1	Seal Kit (Includes Items 1, 2, 3, 7 & 8)	
301	7010790	1	Seal Kit (Includes Items 101, 103, 107, 108 & 121)	
302	2900798	1	Seal Kit (Includes Items 201 to 203, 207, 208 & 221)	

SECTION 2 - TURNTABLE

FIGURE 2-8. SWING BRAKE ASSEMBLIES (PRIOR TO MAY 1992)



SECTION 2 - TURNTABLE

FIGURE 2-8. SWING BRAKE ASSEMBLIES (PRIOR TO MAY 1992)

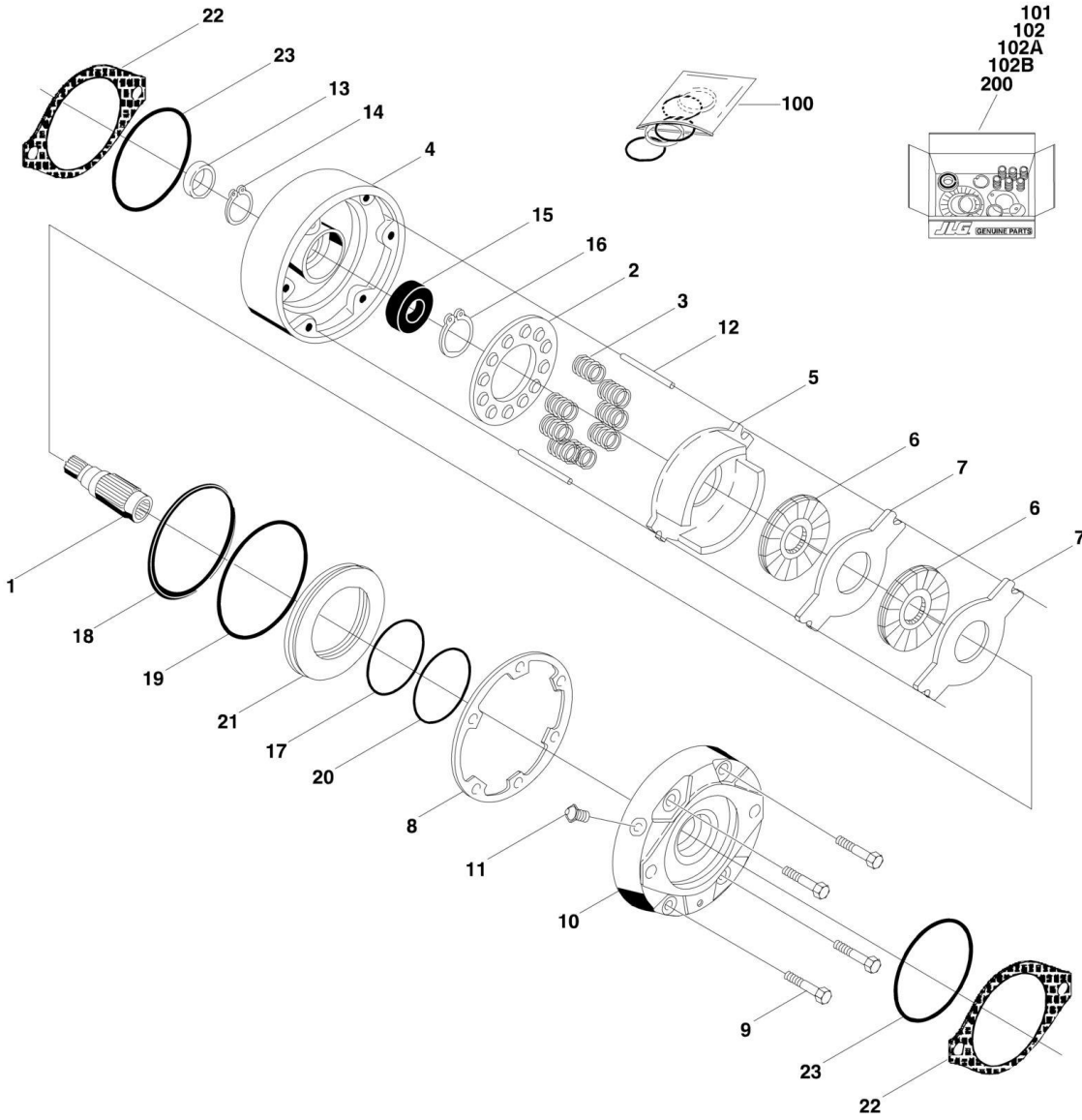
ITEM	PART NUMBER	QTY	DESCRIPTION	REV
	0920032	Ref	SWING BRAKE ASSEMBLY - AUSCO (MODEL 28653)	—
	0920032	Ref	SWING BRAKE ASSEMBLY - AUSCO (MODEL 37265V)	—
		Ref	Note: Refer to Model Number stamped on the front of the Housing item 23.	
1	Item 100	1	Gasket	
2	7000730	4	Bolt (Model 28653)	
2	7003007	4	Bolt, Flanged (Model 37265V)	
3	7000729	4	Lockwasher (Model 28653 Only)	
4	7003012	1	Plate, Power (Model 28653)	
4	7003091	1	Plate, Power (Model 37265V)	
5	7000796	1	Bleeder	
6	7000760	1	Bearing, Ball (Model 37265V Only)	
7	Item 100	1	O-Ring	
8	Item 100	1	Ring, Back-up	
9	Item 100	1	O-Ring	
10	Item 100	1	Ring, Back-up	
11	7000721	1	Piston (Model 28653)	
11	7003057	1	Piston (Model 37265V)	
12	7000720	3	Disc, Stationary (Model 28653)	
12	7003056	3	Disc, Stationary (Model 37265V)	
13	7003006	6	Spring, Compression	
14	7000732	3	Disc, Rotating (Model 28653)	
14	7003055	3	Disc, Rotating (Model 37265V)	
15	7000718	1	Disc, Primary (Model 28653)	
15	7003054	1	Disc, Primary (Model 37265V)	
16	7000717	2	Pin, Torque	
17	7003013	1	Shaft, Splined (Model 28653)	
17	7003053	1	Shaft, Splined (Model 37265V)	
18	7000798	8	Spring, Compression (Model 28653)	
18	7003052	8	Spring, Compression (Model 37265V)	
19	7003051	1	Retainer, Spring (Model 37265V Only)	
20	Item 100	1	Seal, Oil	
21	7000713	1	Bearing, Ball (Model 28653)	A
21	7003049	1	Bearing, Ball (Model 37265V)	
22	Item 100	1	Gasket (Model 37265V Only)	
23	7000714	1	Housing (Model 28653)	
23	7003090	1	Housing (Model 37265V)	
24	7000712	1	Ring, Retaining (Model 28653 Only)	
25	7000711	1	Ring, Retaining (Model 28653 Only)	
26	Item 100	1	Gasket	
27	7003059	1	Valve, Pressure Relief (Model 37265V Only)	
	0920032	Ref	SWING BRAKE ASSEMBLY - MICO	B
31	7007913	4	Capscrew	
32	7007312	4	Lockwasher	
33	7007924	1	Plug	
34	7007928	1	Cover	
35	Item 101	1	Ring, Square	
36	See Note	1	O-Ring (Note: Use Items 101 & 102)	
37	Item 102	1	Bearing	
38	Item 101	1	O-Ring	

SECTION 2 - TURNTABLE

ITEM	PART NUMBER	QTY	DESCRIPTION	REV
39	Item 101	1	Ring, Back-Up	
40	7007923	1	Piston	
41	Item 101	1	O-Ring	
42	Item 101	1	Ring, Back-Up	
43	7007914	1	Bleeder	
44	Item 102	1	Ring, Retaining	
45	7007926	1	Shaft	
46	7007908	3	Disc	
47	7007916	6	Spring	
48	7007909	3	Disc, Friction	
49	7007902	2	Separator	
50	7007907	1	Disc	
51	7007906	8	Spring	
52	7007905	8	Spring	
53	7007915	2	Pin, Dowel	
54	Item 102	1	Bearing	
55	See Note	1	O-Ring (Note: Use Items 101 & 102)	
56	7007930	1	Housing	
57	7007901	4	Pin, Spiral	
58	7007933	1	Gasket	
58	7007934	1	Gasket	
		Ref	Kit Options:	
100	2900131		Seal Kit (Includes Items 1, 7, 8, 9, 10, 20, 22 & 26)	
101	2900642	1	Seal Kit (Includes Items 35, 36, 38, 39, 41, 42, 55 & 58 Gaskets)	
102	7007927	1	Bearing Kit (Includes Items 36, 37, 44, 54, 55 & 58 Gasket)	

SECTION 2 - TURNTABLE

FIGURE 2-9. SWING BRAKE ASSEMBLIES (MAY 1992 TO PRESENT)



SECTION 2 - TURNTABLE

FIGURE 2-9. SWING BRAKE ASSEMBLIES (MAY 1992 TO PRESENT)

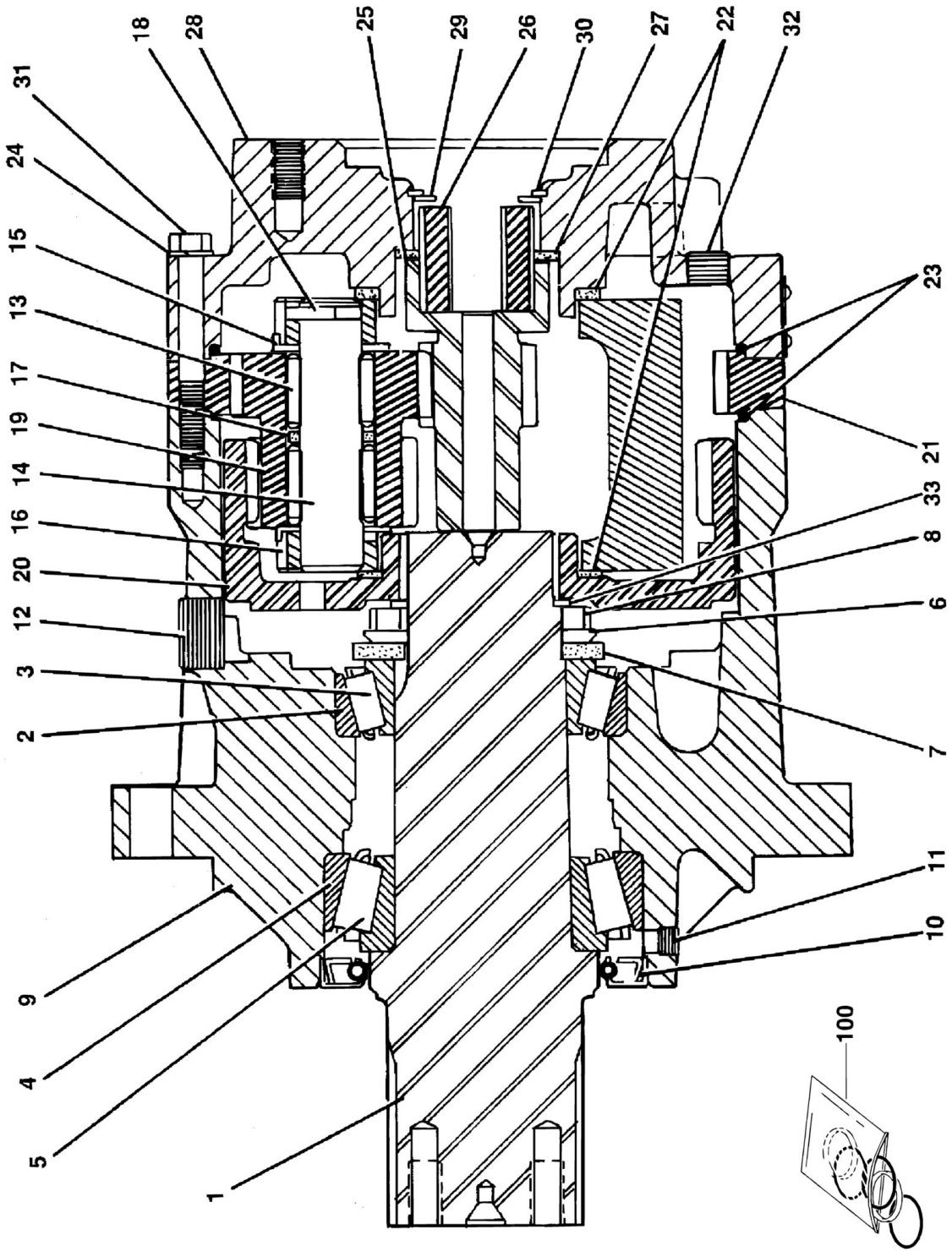
ITEM	PART NUMBER	QTY	DESCRIPTION	REV
		Ref	SWING BRAKE ASSEMBLY OPTIONS:	
	0920083	Ref	Swing Brake Assembly (May 1992 through SN 33475)	A
	0920109	Ref	Swing Brake Assembly (SN 33476 through 64565)	B
1	7011720	1	Shaft	
2		Ref	Guide, Spring Options:	
2	7011717	1	0920083 Brake (Prior to SN 33476)	
2	7018606	1	0920109 Brake (SN 33476 through 64565)	
3		Ref	Spring Options:	
3	7007979	6	0920083 Brake (Inner) (Prior to SN 33476)	
3	7007980	6	0920083 Brake (Outer) (Prior to SN 33476)	
3	7007970	6	0920109 Brake (Red) (SN 33476 through 64565)	
3	7018602	3	0920109 Brake (Blue) (SN 33476 through 64565)	
4		Ref	Housing Options:	
4	7011713	1	0920083 Brake (Prior to SN 33476)	
4	7018605	1	0920109 Brake (SN 33476 through 64565)	
5		Ref	Return Plate and Separator Assembly Options:	
5	Item 102A	1	Plate, Return - 0920083 Brake (Prior to SN 33476)	
5	7011715	2	Separator Assy - 0920083 Brake (Prior to SN 33476)	
5	7011714	4	Pin	
5	7007983	2	Separator	
5	Item 102B	AR	Return Plate/ Separator - 0920109 Brake (SN 33476 through 64565)	
6	See Note	2	Rotor (Note: Use Items 102A & 102B)	
7	See Note	2	Stator (Note: Use Items 102A & 102B)	
8	See Note	1	Seal, Oil (Note: Use Items 100, 101, 102A & 102B)	
9		Ref	Bolt, Washer Head Options:	
9	7007985	4	0920083 Brake (Prior to SN 33476)	
9	7018607	4	0920109 Brake (SN 33476 through 64565)	
10	7011719	1	Cover	
11	7007914	1	Screw, Bleeder (Prior to SN 33476)	
11	7018609	1	Plug, Pipe (SN 33476 through 64565)	
12	7007987	2	Pin, Dowel	
13	See Note	1	Seal, Oil (Note Use Items 100 & 101)	
14	7011716	1	Ring, Retaining	
15	Item 101	1	Bearing	
16	7007977	1	Ring, Retaining	
17	Item 100	1	Ring, Back-up	
18	Item 100	1	Ring, Back-up	
19	Item 100	1	O-Ring	
20	Item 100	1	O-Ring	
21		Ref	Piston Options:	
21	7007923	1	0290083 Brake (Prior to SN 33476)	
21	7018603	1	0920109 Brake (SN 33476 through 64565)	
22	See Note	1	Gasket (Note: Use Items 100, 101, 102A & 102B)	
23	See Note	2	O-Ring (Note: Use Items 100, 101, 102A & 102B)	
		Ref	Kit Options:	
100	2900766	1	Seal Kit (Includes Items 8, 13, 17-20, 22 & 23)	
101	2900768	1	Bearing Kit (Includes Items 8, 13, 15, 22 & 23)	
102		Ref	Lining Kit Options (Includes Items 5-8, 22 & 23):	
102A	2900767	1	0920083 Brake (Prior to SN 33476)	

SECTION 2 - TURNTABLE

ITEM	PART NUMBER	QTY	DESCRIPTION	REV
102B	7018608	1	0920109 Brake (SN 33476 through 64565)	B
	0920119	Ref	SWING BRAKE ASSEMBLY (SN 64566 to Present)	
200	7018612	1	Repair Kit (Repair Kit is the Only Serviceable Item. No Other Service Parts Available)	

SECTION 2 - TURNTABLE

FIGURE 2-10. SWING HUB ASSEMBLY



SECTION 2 - TURNTABLE

FIGURE 2-10. SWING HUB ASSEMBLY

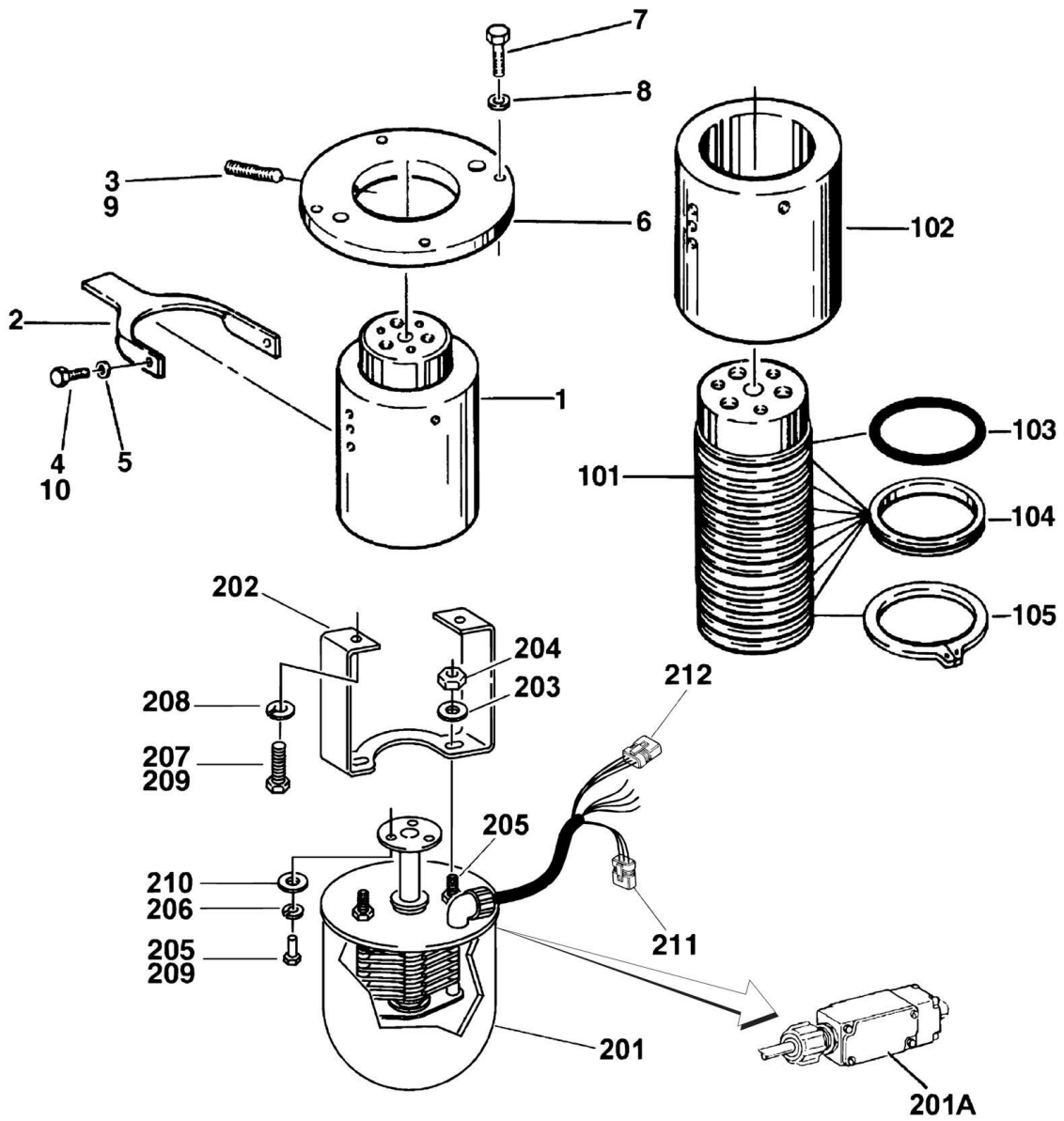
ITEM	PART NUMBER	QTY	DESCRIPTION	REV
		Ref	SWING HUB ASSEMBLY	
	2780181	Ref	Swing Hub Assembly (Prior to SN 81679)	—
	2780278	Ref	Swing Hub Assembly (SN 81679 to Present)	A
		Ref	Note: For Machines Prior to SN 0300081679, Original Equipment Assembly p/n 2780181 may have been replaced with p/n 2780278 as Service Replacement Assembly. Identify P/N before ordering replacement components.	
1		Ref	Shaft, Output Options:	
1	7024778	1	Shaft, Output (2780191 Hub Assy) (was p/n 7010430) (Prior to SN 81679)	
1	7024778	1	Shaft, Output (2780278 Hub Assy) (Includes Qty 1 of Items 6,7,8,23 & 33) (SN 81679 to Present)	
2	7010408	1	Cup, Bearing - Outer	
3	7010409	1	Cone, Bearing - Outer	
4	7010431	1	Cup, Bearing - Inner	
5	7010432	1	Cone, Bearing - Inner	
6	7007689	1	Lockwasher (Part of Item 1)	
7		Ref	Flatwasher Options:	
7	7010411	1	Flatwasher (2780191 Hub Assy) (Prior to SN 81679)	
7	7007688	1	Flatwasher (2780278 Hub Assy) (Part of Item 1) (SN 81679 to Present)	
8	7010412	1	Nut, Bearing (Part of Item 1)	
9		Ref	Housing Options:	
9	7010434	1	Housing (2780191 Hub Assy) (Prior to SN 81679)	
9	Not Available		Housing (2780278 Hub Assy) (SN 81679 to Present)	
10	Item 100	1	Seal, Lip	
11		Ref	Plug, Pipe Options:	
11	7000243	1	Plug, Pipe (2780191 Hub Assy) (Prior to SN 81679)	
11	7017048	1	Plug, Pipe (2780278 Hub Assy) (SN 81679 to Present)	
12	7001952	3	Plug, Pipe	
13		Ref	Bearing, Needle Options:	
13	7001909	114	Bearing, Needle (2780191 Hub Assy) (Prior to SN 81679)	
13	Not Available		Bearing, Needle (2780278 Hub Assy) (SN 81679 to Present)	
14		Ref	Shaft, Planet Options:	
14	7010413	3	Shaft, Planet (2780191 Hub Assy) (Prior to SN 81679)	
14	Not Available		Shaft, Planet (2780278 Hub Assy) (SN 81679 to Present)	
15		Ref	Washer, Thrust Options:	
15	7010414	6	Washer, Thrust (2780191 Hub Assy) (Prior to SN 81679)	
15	Not Available		Washer, Thrust (2780278 Hub Assy) (SN 81679 to Present)	
16		Ref	Carrier Options:	
16	7010415	1	Carrier (2780191 Hub Assy) (Prior to SN 81679)	
16	Not Available		Carrier (2780278 Hub Assy) (SN 81679 to Present)	
17		Ref	Spacer, Thrust Options:	
17	7010416	3	Spacer, Thrust (2780191 Hub Assy) (Prior to SN 81679)	
17	Not Available		Spacer, Thrust (2780278 Hub Assy) (SN 81679 to Present)	
18		Ref	Rollpin Options:	
18	7001913	3	Rollpin (2780191 Hub Assy) (Prior to SN 81679)	
18	Not Available		Rollpin (2780278 Hub Assy) (SN 81679 to Present)	
19		Ref	Gear, Cluster Options:	
19	7010418	3	Gear, Cluster (2780191 Hub Assy) (Prior to SN 81679)	
19	Not Available		Gear, Cluster (2780278 Hub Assy) (SN 81679 to Present)	

SECTION 2 - TURNTABLE

ITEM	PART NUMBER	QTY	DESCRIPTION	REV
20		Ref	Gear, Internal Options:	
20	7010419	1	Gear, Internal (2780191 Hub Assy) (Prior to SN 81679)	
20	Not Available		Gear, Internal (2780278 Hub Assy) (SN 81679 to Present)	
21	7010420	1	Gear, Ring	
22	7007673	2	Washer, Thrust	
23	Item 100	2	O-Ring (Part of Item 1)	
24	7010403	20	Lockwasher	
25	7010436	1	Gear, Sun	
26	7010456	1	Coupling, Adapter	
27	7010457	1	Washer, Thrust	
28	7010458	1	Cover, Input	
29	7001922	1	Washer, Thrust	
30	7010459	20	Ring, Retaining	
31	7010460	3	Bolt 3/8in-16NC x 3 1/4in	
32	7001928	3	Plug, Pipe	
33	91414020	1	Ring, Retaining (2780278 Hub Assembly Only) (Part of Item 1)	
100	2900796	1	Seal Kit (Includes Items 10 & 23)	

SECTION 2 - TURNTABLE

FIGURE 2-11. ROTARY COUPLING AND COLLECTOR RING INSTALLATION



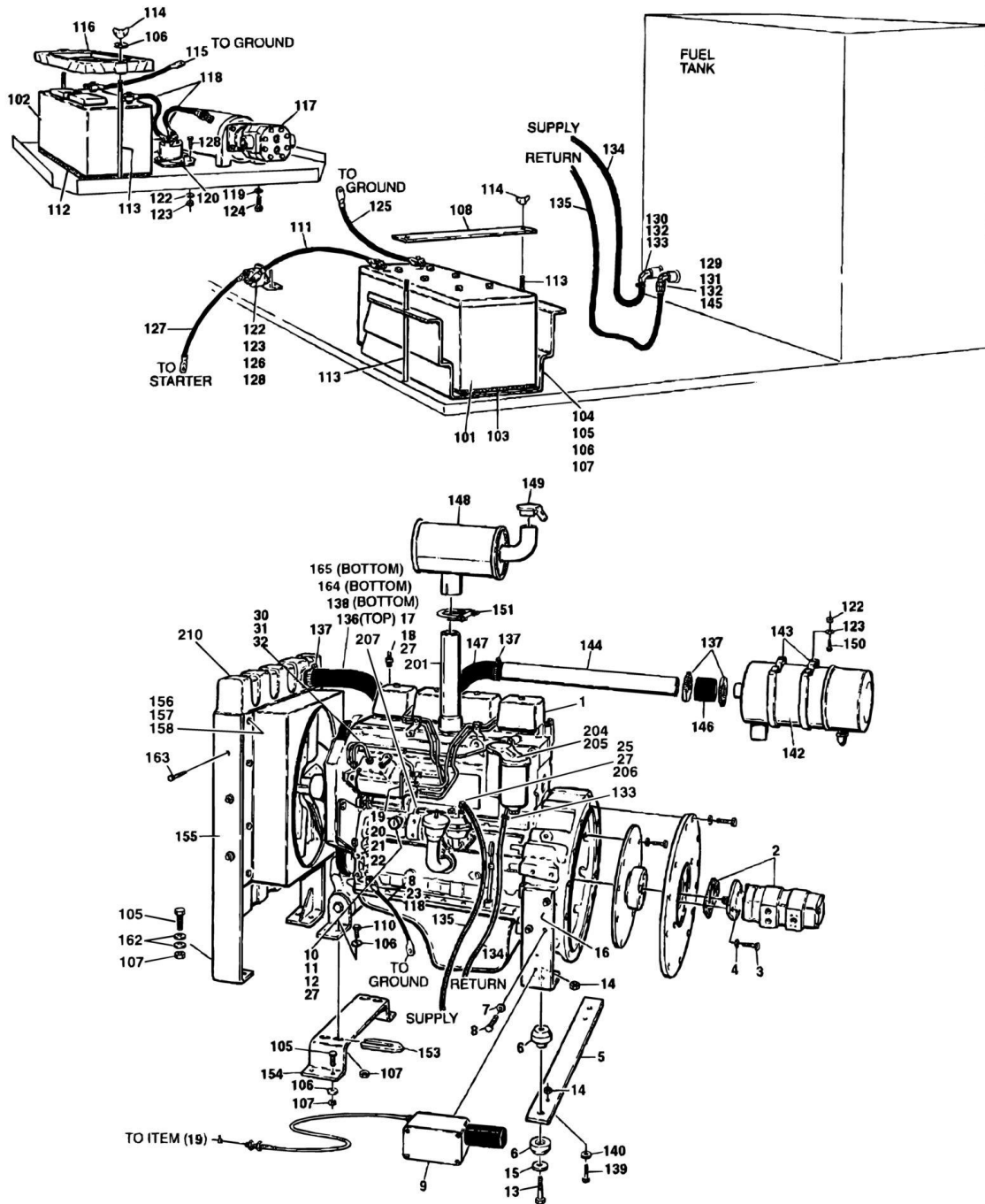
SECTION 2 - TURNTABLE

FIGURE 2-11. ROTARY COUPLING AND COLLECTOR RING INSTALLATION

ITEM	PART NUMBER	QTY	DESCRIPTION	REV
	0250611	Ref	ROTARY COUPLING INSTALLATION	C
1	1660185	1	Rotary Coupling Assembly (Includes Items 101-105)	
2	3530403	1	Plate, Retaining	
3	3951820	2	Setscrew, Socket 1/2in-13NC x 2 1/2in	
4	0641807	2	Bolt 1/2in-13NC x 7/8in	
5	4761800	2	Lockwasher 1/2in	
6	1440154	1	Collar	
7	0641512	4	Bolt 5/16in-18NC x 1 1/2in	
8	4761500	4	Lockwasher 5/16in	
9	0100011	AR	Compound, Locking	
10	0100019	AR	Compound, Locking	
	1660185	Ref	ROTARY COUPLING ASSEMBLY	-
101	0620106	1	Body, Swivel (6 Port)	
102	2760091	1	Housing, Swivel (6 Port)	
103	Item 300	1	O-Ring	
104	Item 300	7	Seal	
105	3760004	1	Ring, Retaining	
	0251612	Ref	COLLECTOR RING INSTALLATION	A
201	3760297	1	Collector Ring Assembly	
201A	7016394	2	Switch, Limit	
		Ref	Note: Brushes and holders are not serviceable. Purchase complete assembly.	
202	0901803	1	Bracket, Mounting	
203	4751500	2	Flatwasher 5/16in	
204	3311501	2	Nut 5/16in-18NC	
205	0641608	3	Bolt 3/8in-16NC x 1in	
206	4761600	5	Lockwasher 3/8in	
207	0641406	2	Bolt 1/4in-20NC x 3/4in	
208	4761400	2	Lockwasher 1/4in	
209	0100011	AR	Compound, Locking	
210	4751600	3	Flatwasher 3/8in	
211	4460476	1	Plug, Male - 3 Position	
212	4460844	1	Plug, Male - 4 Position	
213	4461113	AR	Seal (Not Shown)	
300	2901146	1	Seal Kit (Includes Items 103 & 104)	

SECTION 2 - TURNTABLE

FIGURE 2-12. ENGINE INSTALLATION - CUMMINS 4B3.9 DIESEL (Prior to SN 80240)



SECTION 2 - TURNTABLE

FIGURE 2-12. ENGINE INSTALLATION - CUMMINS 4B3.9 DIESEL (Prior to SN 80240)

ITEM	PART NUMBER	QTY	DESCRIPTION	REV
	0251905	Ref	ENGINE ASSEMBLY	6-G
1	2000116	1	Engine - Cummins 4B3.9 Diesel	
2	3600183	1	Pump Assembly (See MAIN PUMP ASSEMBLY - GEAR for Breakdown)	
3	0641810	2	Bolt 1/2in-13NC x 1 1/4in	
4	4761800	2	Lockwasher 1/2in	
5	3200306	1	Mount, Engine (Rear)	
6	3200183	2	Mount, Rubber Engine	
7	0701215	8	Bolt 12mm x 35mm	
8	4832100	10	Lockwasher 12mm	
9	0060023	1	Actuator	
9	7008804	1	Bellows	
9	7008829	1	P.C. Board	
9	7008821	1	Motor	
9	7008828	1	Cable	
10	2420110	1	Sender, Oil Pressure	
11	2180537	1	Fitting, Nipple	
12	2200261	1	Fitting, Pipe Coupling	
13	0642032	2	Bolt 5/8in-11NC x 4in	
14	3312005	2	Locknut 5/8in-11NC	
15	4740242	2	Flatwasher	
16	3200311	2	Mount, Rear Engine	
17	2220274	1	Fitting, Reducer	
18	2420130	1	Sender, Water Temperature	
19		Ref	Bracket, Adeco Cable Options:	
19	0901554	1	Bracket, Adeco Cable Prior to January 2000	
19	0902582	1	Bracket, Adeco Cable January 2000 to Present	
20	0641406	2	Bolt 1/4in-20NC x 3/4in	
21	4751400	2	Flatwasher 1/4in	
22	3311405	2	Locknut 1/4in-20NC	
23	0701214	2	Bolt, Metric 12mm x 30mm	
24	1060221	1	Cable, Battery	
25	2180467	1	Fitting, 90, Elbow	
27	0100020	AR	Loctite	
28	1320060	1	Clamp, Hose	
29	4751700	2	Flatwasher 7/16in	
30	4460302	1	Clamp, Cable	
31	4711400	2	Flatwasher 1/4in Narrow	
32	3450303	1	Pin, Cotter	
	0251906	Ref	ENGINE INSTALLATION	8
101	0400020	1	Battery	
102	0400003	1	Battery	
103	3980006	1	Masonite	
104	3509770	1	Tray, Battery	
105	0641616	11	Bolt 3/8in-16NC x 1 7/8in	
106	4751600	26	Flatwasher 3/8in	
107	3311605	16	Locknut 3/8in-16NC	
108	0361027	1	Bar	
109	0630003	2	Tie Down	
110	0641612	4	Bolt 3/8in-16NC 1 1/2in	

SECTION 2 - TURNTABLE

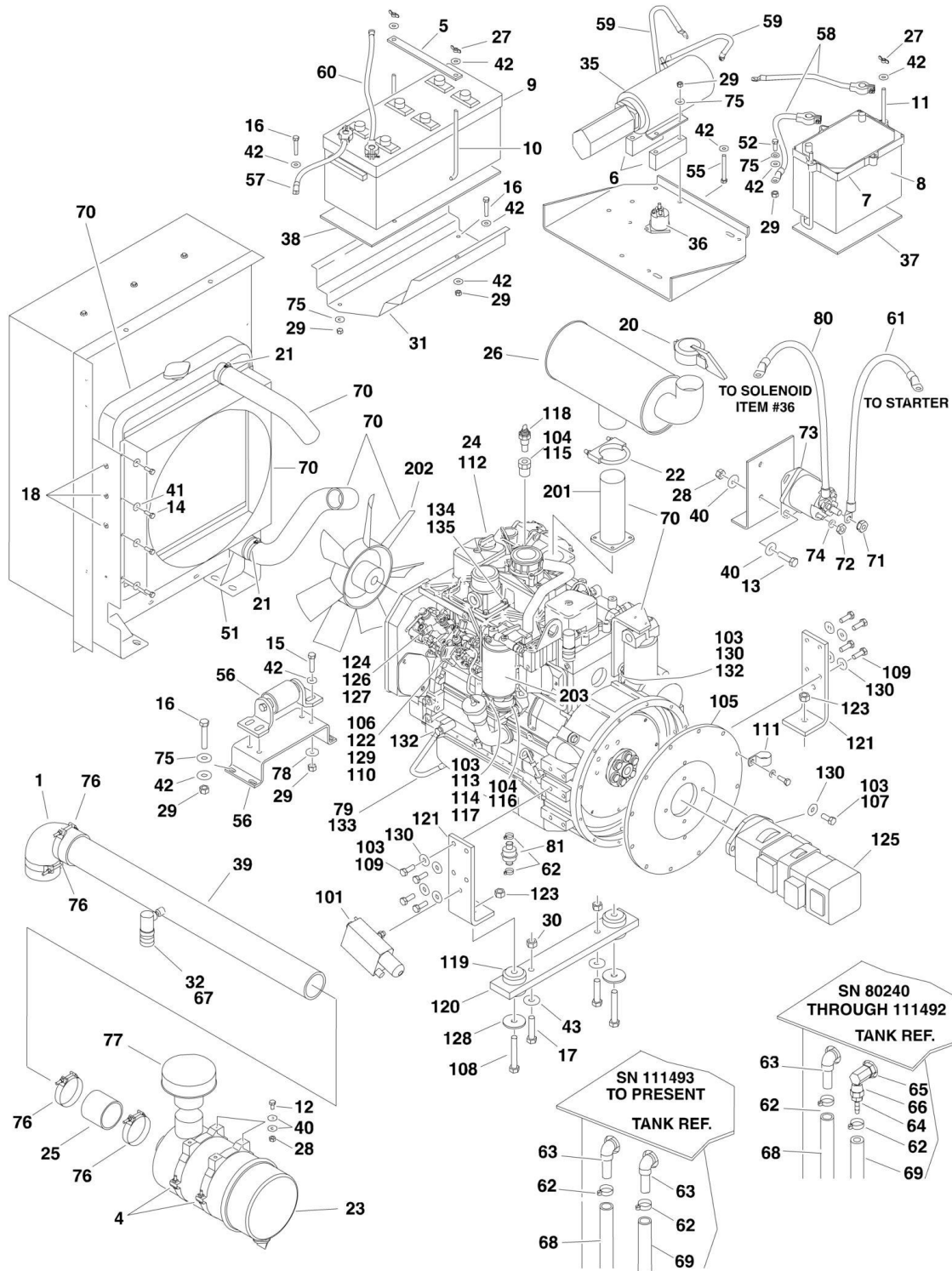
ITEM	PART NUMBER	QTY	DESCRIPTION	REV
111		Ref	Cable, Battery Options:	
111	1060031	1	Cable, Battery (Prior to SN 64579)	
111	1060931	1	Cable, Battery (SN 64579 to Present)	
112	3980003	1	Masonite	
113	0630370	2	Bolt, Tie Down	
114	3300029	4	Wingnut 3/8in-16NC	
115	1060146	2	Cable, Battery	
116	0400002	1	Battery, Hold Down	
116	2910479	1	Hold-Down Repair Kit	
117		Ref	Pump Auxiliary Options:	
117	3600071	1	Pump - Prior to November 1993	
117	7004247	1	Pump	
117	Not Available		Pump Seal Kit	
117	7004248	1	Motor	
117	7004249	1	Coupling	
117	7012576	1	Bracket, Pump	
117	3600196	1	Pump - November 1993 to Present	
117	7013711	1	Coupling	
117	7013772	1	Motor	
117	7013773	1	Pump	
117	7013774	1	Seal, Shaft	
118	1060221	2	Cable, Battery	
119	4761600	4	Lockwasher 3/8in	
120	3740067	1	Relay	
122	4751400	12	Flatwasher 1/4in	
123	3311405	8	Nut 1/4in-20NC	
124	0641608	1	Bolt 3/8in-16NC x 1in	
125	1060046	1	Cable, Battery	
126	3740059	1	Relay	
127		Ref	Cable, Battery Options:	
127	1060198	1	Cable, Battery (Prior to SN 64579)	
127	1060932	1	Cable, Battery (SN 64579 to Present)	
128	0641408	4	Bolt 1/4in-20NC x 1in	
129	2220273	1	Reducer, Bushing	
130	2180467	1	Fitting, 90, Elbow	
131	2180536	1	Fitting	
132	0100020	AR	Sealant, Pipe	
133	1320022	4	Clamp	
134	2720271	13	Hose, Fuel (Return)	
135	2750532	13	Hose, Low Pressure	
136	2720333	1	Hose, Radiator Top	
137	1320058	10	Clamp	
138		Ref	Hose, Radiator Bottom (Long) Options:	
138	2720371	1	Hose, Radiator Bottom (Long) (Prior to SN 36510)	
138	2720445	1	Hose, Radiator Bottom (Long) (SN 36510 to Present)	
139	0642022	2	Bolt 5/8in-11NC x 2 3/4in	
140	4752000	2	Flatwasher 5/8in	
141	3312005	2	Locknut 5/8in-11NC	
142	1340007	1	Air Cleaner Assembly	
142	7003655	1	Element, Air Cleaner	
143	0340003	2	Band, Mounting	

SECTION 2 - TURNTABLE

ITEM	PART NUMBER	QTY	DESCRIPTION	REV
144	4565284	1	Tube, Air Cleaner	
145	2220063	1	Fitting, 90, Elbow	
146	2720125		Hose, Air Cleaner	
147	0080115	1	Adapter, Molded 90	
148	3220079	1	Muffler	
149	1120408	1	Cap, Rain	
150	0641404	4	Bolt 1/4in-20NC x 1/2in	
151	1320103	1	Clamp, Muffler	
152	1701505	1	Decal, Diesel (Not Shown - Located on Hood)	
153	4070672	2	Shim	
154	0901785	1	Bracket, Engine Mounting	
155	4843957	2	Mounting Weldment, Radiator	
156	0641507	8	Bolt 5/16in-18NC x 7/8in	
157	4751500	8	Flatwasher 5/16in	
158	4761500	8	Lockwasher 5/16in	
159	3311601	4	Nut 3/8in-16NC	
160	0362206	2	Bar, Spacer	
161	0641626	4	Bolt 3/8in x 3 1/4in	
162	4740275	4	Washer, Hardened	
163	0741504	6	Bolt 5/16in-18NC x 1/2in	
164	2720446	1	Hose, Radiator (Short) (SN 36510 to Present)	
165	4565571	1	Tube (SN 36510 to Present)	
	2000116	Ref	ENGINE - CUMMINS 4B3.9 DIESEL COMPONENTS	
201	7027737	1	Tube, Exhaust	
202	7023475	1	Alternator (Not Shown)	
203	7023476	1	Starter (Not Shown)	
204	7019675	1	Filter, Fuel	
205	7019674	1	Separator, Fuel	
206	7023477	1	Pump, Fuel	
207	7023478	1	Solenoid, Fuel Shut-Down (Not Shown)	
208	7020009	1	Filter, Oil (Not Shown)	
209	7024593	1	Hose, Cover In/Filter Out (1-90, End/1-Straight End) (Not Shown)	
209	7024594	1	Hose, Cover In/Filter Out (2-Straight Ends) (Not Shown)	
210	7023230	1	Radiator	

SECTION 2 - TURNTABLE

FIGURE 2-13. ENGINE INSTALLATION - CUMMINS TIER II DIESEL (SN 80240 to Present)



SECTION 2 - TURNTABLE

FIGURE 2-13. ENGINE INSTALLATION - CUMMINS TIER II DIESEL (SN 80240 to Present)

ITEM	PART NUMBER	QTY	DESCRIPTION	REV
	0273688	Ref	ENGINE INSTALLATION	D
1	0080115	1	Adapter, Rubber	
4	0340003	2	Band, Mounting	
5	0361027	1	Bar, Battery Hold-Down	
6	0362206	2	Bar, Spacer	
7	0400002	1	Hold-Down, Battery	
8	0400003	1	Battery	
9	0400020	1	Battery	
10	0630003	2	Bolt, Hold-down	
11	0630370	2	Bolt, Hold-Down	
12	0641404	4	Bolt 1/4in-20NC x 1/2in	
13	0641408	2	Bolt 1/4in-20NC x 1in	
14	0641507	8	Bolt 5/16in-18NC x 7/8in	
15	0641612	4	Bolt 3/8in-16NC x 1 1/2in	
16	0641616	7	Bolt 3/8in-16NC x 2in	
17	0642022	2	Bolt 5/8in-11NC x 2 3/4in	
18	0741504	6	Screw, Countersunk 5/16in-18NC x 1/2in	
20	1120408	1	Cap, Rain	
21	1320058	4	Clamp, Hose	
22	1320103	1	Clamp, Muffler	
23	1340007	1	Air Cleaner Assembly	
23	7003655	1	Element, Air Cleaner	
24	2000241	1	Engine Assembly (See Items 101-135 for Breakdown)	
25	2720125	1	Hose, Air Cleaner	
26	3220079	1	Muffler	
27	3300029	4	Wingnut 3/8in-16NC	
28	3311405	8	Locknut 1/4in-20NC	
29	3311605	16	Locknut 3/8in-16NC	
30	3312005	2	Locknut 5/8in-11NC	
31	3509770	1	Plate, Battery Tray	
32	0100020	AR	Sealant, Pipe	
35		Ref	Pump Auxiliary Options (See AUXILIARY PUMP ASSEMBLY for Breakdown):	
35	3600459	1	Pump Auxiliary Options (was p/n 3600196) (Prior to SN 103758)	
35	3600459	1	Pump Auxiliary Options	
36	3740067	1	Relay, Aux Power	
37	3980003	1	Masonite	
38	3980006	1	Masonite	
39	4565284	1	Tube, Air Cleaner	
40	4751400	16	Flatwasher 1/4in Wide	
41	4751500	8	Flatwasher 5/16in Wide	
42	4751600	31	Flatwasher 3/8in Wide	
43	4752000	2	Flatwasher 5/8in Wide	
51	4843957	2	Mount, Radiator	
52	0641608	1	Bolt 3/8in-16NC x 1in	
55	0641626	4	Bolt 3/8in-16NC x 3 1/4in	
56	0903015	1	Bracket, Front Engine Mount	
57	1060046	3	Cable, Battery (Small Battery + to Relay and Small Battery to Grd and Large Battery to Grd)	
58	1060146	2	Cable, Battery (Aux Power to Relay and Aux Power to Grd)	

SECTION 2 - TURNTABLE

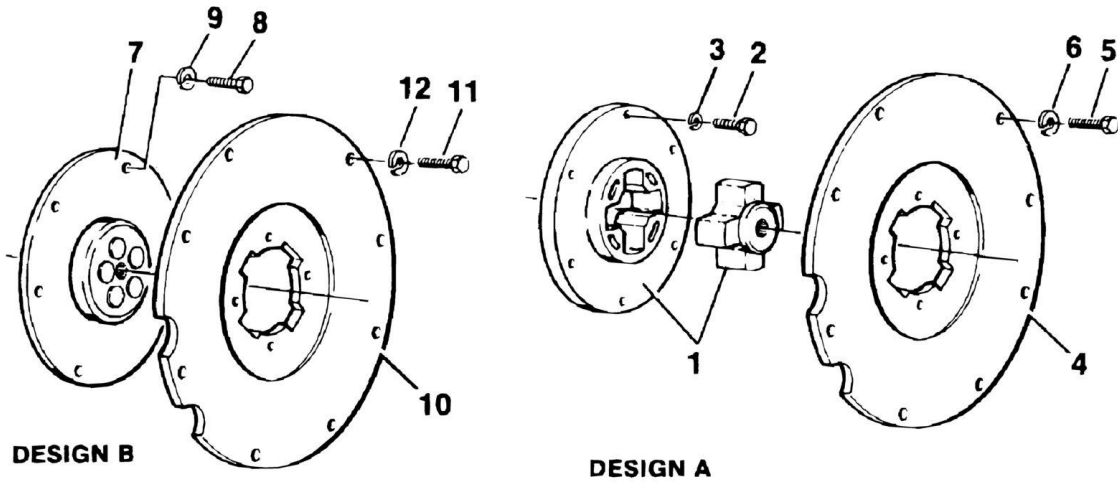
ITEM	PART NUMBER	QTY	DESCRIPTION	REV
59	1060221	1	Cable, Battery (Large Battery to Solenoid)	
60	1060931	1	Cable, Battery (Solenoid to Starter)	
61	1060392	1	Cable, Battery (Engine to Grd)	
62	1320022	6	Clamp	
63	2180467	2	Fitting, Barbed	
64	2180536	1	Fitting, Barbed Only (SN 80240 through 111493)	
65	2220063	1	Fitting, Adapter Only (SN 80240 through 111493)	
66	2220273	1	Fitting, Reducer Only (SN 80240 through 111493)	
67	2420047	1	Gauge, Service Indicator	1
68		Ref	Hose Options:	
68	2720271	13 ft/4m	Hose 3/16in Diameter (SN 80240 through 111492)	
68	2750532	13 ft/4m	Hose 3/8in Diameter (SN 111493 to Present)	
69	2750532	13 ft/4m	Hose 3/8in Diameter	
70	2902344	1	Engine Prep Kit (Includes Filter Mounting Bracket, Fan, Exhaust Outlet Tube, Radiator, Radiator Shroud, Radiator Draincock, Upper Radiator Hose and Alternator Harness)	
71	3300220	2	Nut, Washer Flange	
72	3321001	2	Nut #10-32NF	
73	3740059	1	Relay, Start	
74	4761000	2	Lockwasher #10	
75	4791600	6	Starwasher 3/8in	
76	91163129	4	Clamp, Band	
77	1120194	1	Cap, Filter	
78	4891600	4	Flatwasher 3/8in Hardened	
79	4923249	1	Cable, Engine Ground	
80	1001091309	1	Cable, Battery (SN 103758 to Present)	D
81	8274022	1	Filter/Strainer, Fuel (SN 111493 to Present)	
	2000241	Ref	ENGINE ASSEMBLY	
101	0060023	1	Actuator	
101	7008804	1	Bellows	
101	7008829	1	P.C. Board	
101	7008821	1	Motor	
101	7008828	1	Cable	
103	0100011	AR	Compound, Locking	
104	0100020	AR	Sealant	
105	0252061	1	Pump Coupling Installation (See PUMP COUPLING INSTALLATIONS for Breakdown)	
106	0641606	2	Bolt 3/8in-16NC x 3/4in	
107	0641810	2	Bolt 1/2in-13NC x 1 1/4in	
108	0642032	2	Bolt 5/8in-11NC x 4in	
109	0701215	8	Bolt 12mm x 35mm	
110	0903211	1	Bracket, Throttle Controller	
111	1320060	1	Clamp	
112	2000206	1	Engine, Cummins	
113	2180537	1	Fitting, Nipple	
114	2200261	1	Fitting, Coupling	
115	2220274	1	Fitting, Reducer	
116	2180467	1	Fitting, Barbed	
117	2420110	1	Sender, Oil Pressure	
118	2420130	1	Sender, Temperature	
119	3200183	2	Mount, Motor	
120	3200306	1	Plate, Engine Mounting (Rear)	

SECTION 2 - TURNTABLE

ITEM	PART NUMBER	QTY	DESCRIPTION	REV
121	3200311	2	Bracket, Engine Mounting (Rear)	
122	3311405	2	Locknut 1/4in-20NC	
123	3312005	2	Locknut 5/8in-11NC	
124	3450303	1	Pin, Cotter 3/32in x 3/4in	
125	3600183	1	Pump Assembly (See MAIN PUMP ASSEMBLY - GEAR for Breakdown)	
126	4460302	1	Terminal, Cable Pivot	
127	4711400	1	Flatwasher 1/4in Narrow	
128	4740242	2	Washer, Snubbing	
129	4751400	2	Flatwasher 1/4in Wide	
130	4751800	11	Flatwasher 1/2in Wide	
132	0701214	2	Bolt 12mm x 30mm	
133	1060221	1	Cable, Battery (Engine to Grd)	
134	0760815	4	Bolt 8mm x 5mm	
135	4711500	4	Flatwasher 5/16in Narrow	
	2000206	Ref	CUMMINS ENGINE COMPONENTS	
201	7027737	1	Tube, Exhaust (Part of Item 70)	
202	70002090	1	Fan (Part of Item 70)	
203	8033493	1	Gasket, Exhaust Pipe (Part of 70)	
204	8320275	1	Filter, Oil (Part of 70)	
205	7023230	1	Radiator (Part of 70)	
206	7028838	1	Element, Fuel Filter	
207	70002520	1	Pressure Regulator Valve (Not Shown)	
208	70002828	1	V-Belt (Not Shown)	

SECTION 2 - TURNTABLE

FIGURE 2-14. PUMP COUPLING INSTALLATIONS



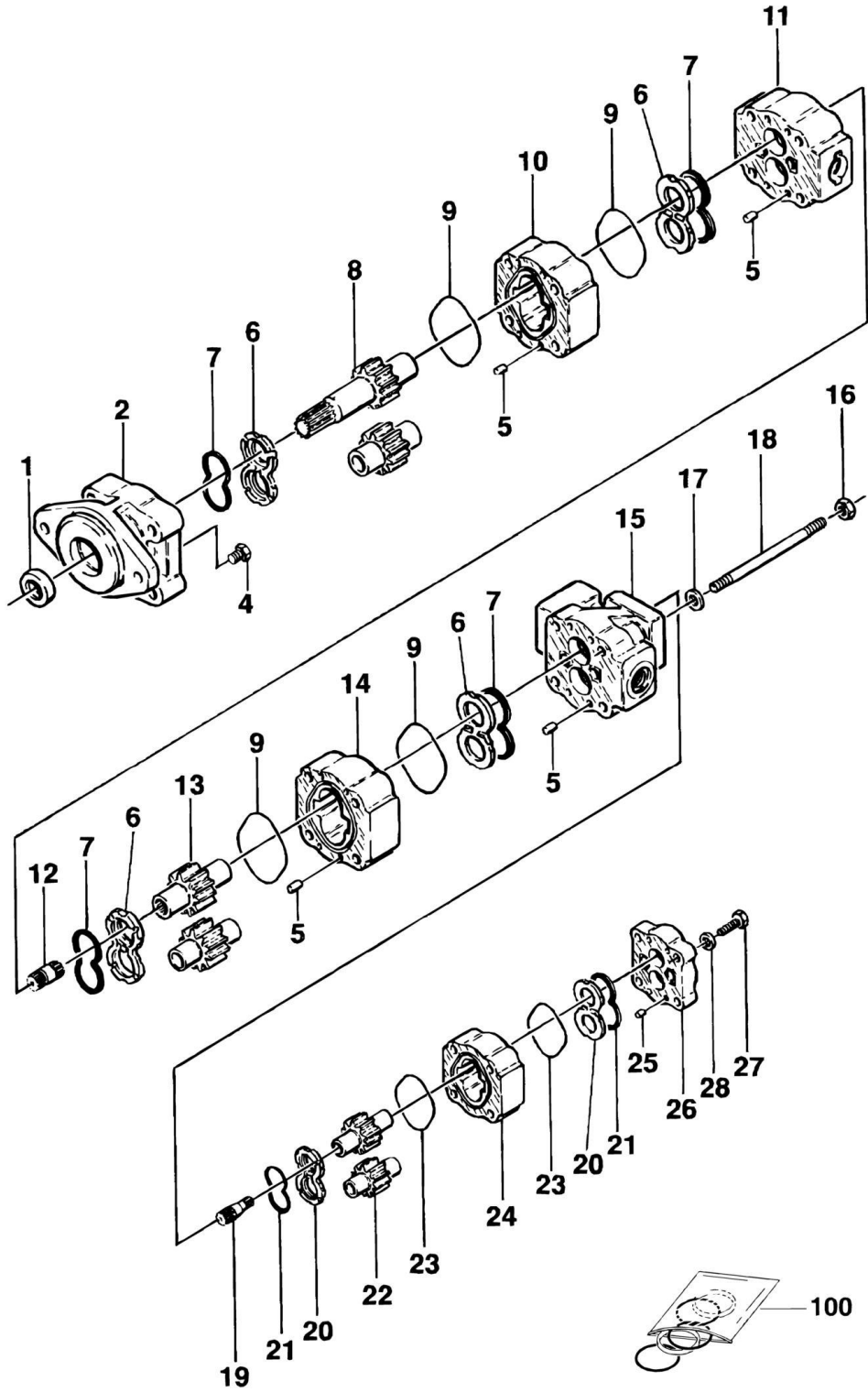
SECTION 2 - TURNTABLE

FIGURE 2-14. PUMP COUPLING INSTALLATIONS

ITEM	PART NUMBER	QTY	DESCRIPTION	REV
	0252060	Ref	LOVEJOY COUPLING INSTALLATION (DESIGN A)	-
1	1660191	1	Coupling - Lovejoy	
2	0641608	8	Bolt 3/8in-16NC x 1in	
3	4761600	8	Lockwasher 3/8in	
3	1660193	1	Disc, Coupling	
3	1660192	1	Hub, Coupling	
4	0080164	1	Adapter, Pump	
5	0701014	12	Bolt, Metric 10mm x 30mm	
6	4832000	12	Lockwasher 10mm	
	0252061	Ref	HAYES COUPLING INSTALLATION (DESIGN B)	-
7	1660198	1	Coupling - Hayes	
8	0641605	8	Bolt 3/8in-16NC x 5/8in	
9	4761600	8	Lockwasher 3/8in	
10	0080164	1	Adapter, Pump	
11	0701014	12	Bolt, Metric 10mm x 30mm	
12	4832000	12	Lockwasher 10mm	

SECTION 2 - TURNTABLE

FIGURE 2-15. MAIN PUMP ASSEMBLY - GEAR



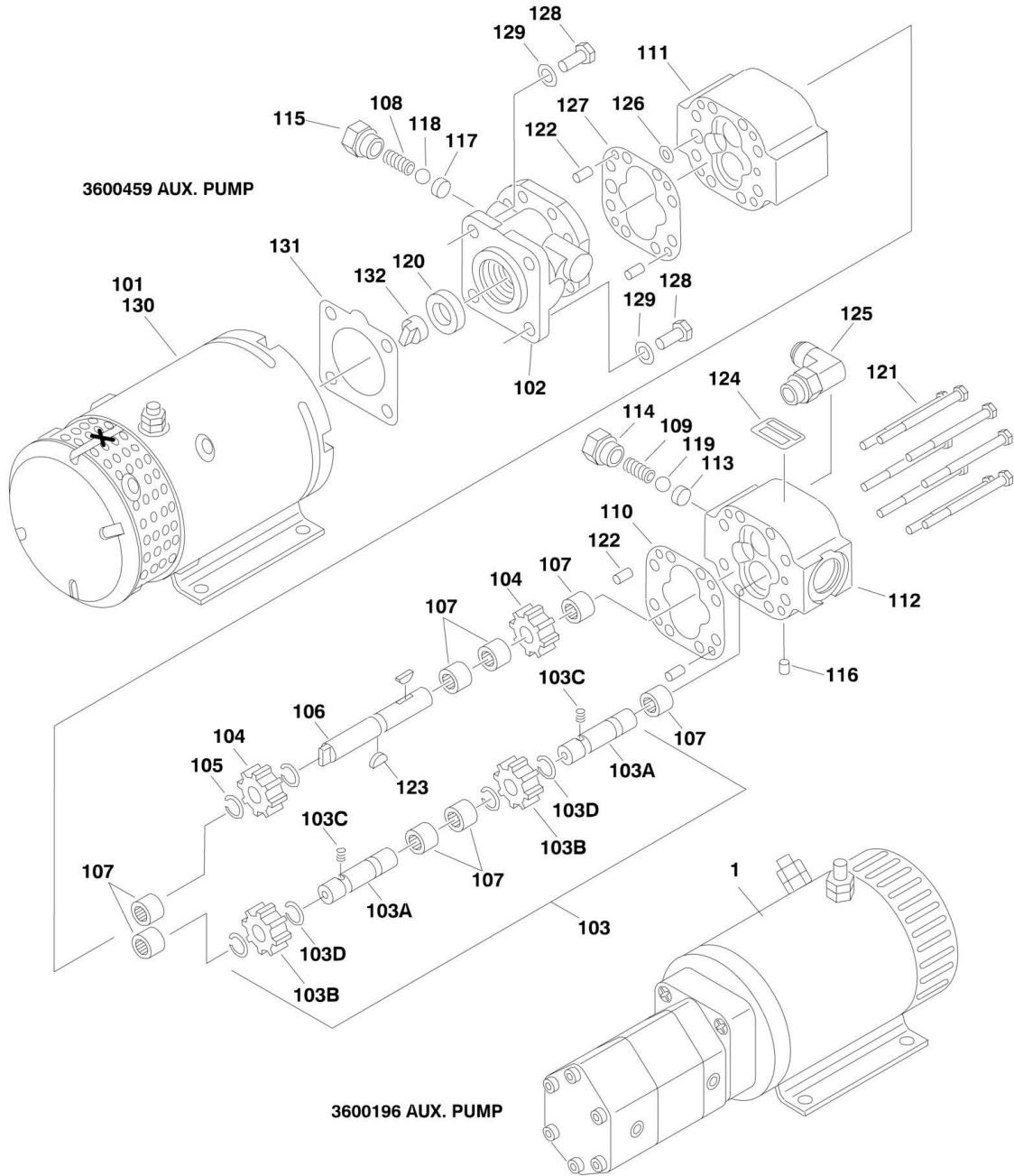
SECTION 2 - TURNTABLE

FIGURE 2-15. MAIN PUMP ASSEMBLY - GEAR

ITEM	PART NUMBER	QTY	DESCRIPTION	REV
	3600183	Ref	MAIN PUMP ASSEMBLY - GEAR	
1	Item 100	1	Seal, Lip	
2	7009594	1	End, Mounting (With Bushing)	
4	7003103	2	Plug	
5	7005447	8	Pin, Dowel	
6	Item 100	4	Plate, Thrust	
7	Item 100	4	Seal, Channel	
8	7009598	1	Set, Drive Gear	
9	Item 100	4	Seal, Square	
10	7005474	1	Housing, Gear	
11	7009596	1	Housing, Bearing Carrier (With Bushings)	
12	7005476	1	Shaft, Connector	
13	7009599	1	Set, Gear	
14	7009597	1	Housing, Gear	
15	7009595	1	Housing, Piggyback (With Bushings)	
16	7003114	4	Nut	
17	7001293	4	Flatwasher	
18	7014300	4	Stud	
19	7014306	1	Shaft, Connector	
20	Item 100	2	Plate, Thrust	
21	Item 100	2	Seal, Channel	
22	7014303	1	Set, Gear	
23	Item 100	2	Seal, Square	
24	7014302	1	Housing, Gear	
25	7014308	4	Pin, Dowel	
26	7014301	1	Cover, End	
27	7014304	4	Bolt	
28	7005597	4	Flatwasher	
100	2900797	1	Seal Kit (Includes Items 1, 6, 7, 9, 20, 21 & 23)	

SECTION 2 - TURNTABLE

FIGURE 2-16. AUXILIARY PUMP ASSEMBLY



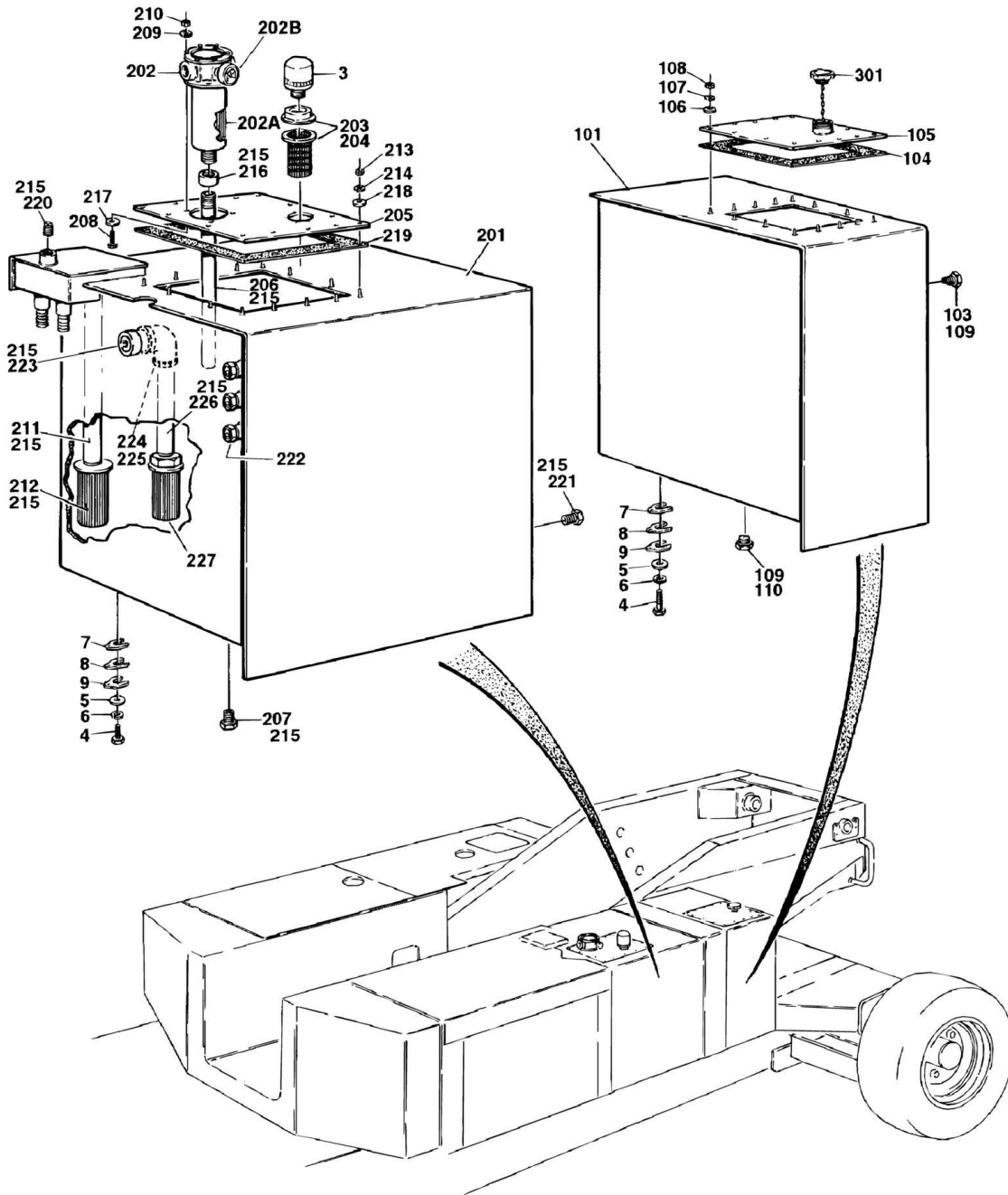
SECTION 2 - TURNTABLE

FIGURE 2-16. AUXILIARY PUMP ASSEMBLY

ITEM	PART NUMBER	QTY	DESCRIPTION	REV
		Ref	AUXILIARY PUMP ASSEMBLIES	
	3600196	Ref	Auxiliary Pump Assemblies (Prior to SN 103758)	
	3600459	Ref	Auxiliary Pump Assemblies (SN 103758 to Present)	
	3600196	Ref	AUXILIARY PUMP ASSEMBLY	B
1	3600196	1	Pump Auxiliary	
1	7013711	1	Coupling	
1	7013772	1	Motor	
1	7013773	1	Pump	
1	7013774	1	Seal, Shaft	
	3600459	Ref	AUXILIARY PUMP ASSEMBLY	A
101	7011071	1	Motor and Adapter	
102	Not Available	1	Stator	
103	70001072	1	Shaft, Idler Assembly	
103A	Not Available	2	Shaft, Idler	
103B	Not Available	2	Gear	
103C	70001065	2	Pin, Drive	
103D	70000970	2	Ring, Retaining	
104	70001073	2	Gear	
105	70000970	2	Ring, Retaining	
106	70001074	1	Shaft, Drive	
107	70000976	8	Bearing, Needle	
108	70001075	1	Spring	
109	70001076	1	Spring	
110	70001061	1	Gasket	
111	Not Available	1	Housing, Gear	
112	Not Available	1	Housing, Gear	
113	70001077	1	Seat	
114	70001078	1	Cap Assembly	
115	70001079	1	Cap Assembly	
116	Not Available	1	Plug	
117	70001080	1	Seat	
118	70001081	1	Ball	
119	70001082	1	Ball	
120	70000969	1	Seal, Shaft	
121	70001060	8	Screw	
122	7010911	4	Pin, Dowel	
123	70001083	2	Key	
124	Not Available	1	Label	
125	70001084	1	Fitting	
126	7011024	1	O-Ring	
127	70001085	1	Gasket	
128	7011043	4	Screw	
129	7011048	4	Washer	
130	7010924	1	Motor	
131	7011044	1	Gasket, Mounting	
132	7011016	1	Coupling	

SECTION 2 - TURNTABLE

FIGURE 2-17. TANKS INSTALLATION



SECTION 2 - TURNTABLE

FIGURE 2-17. TANKS INSTALLATION

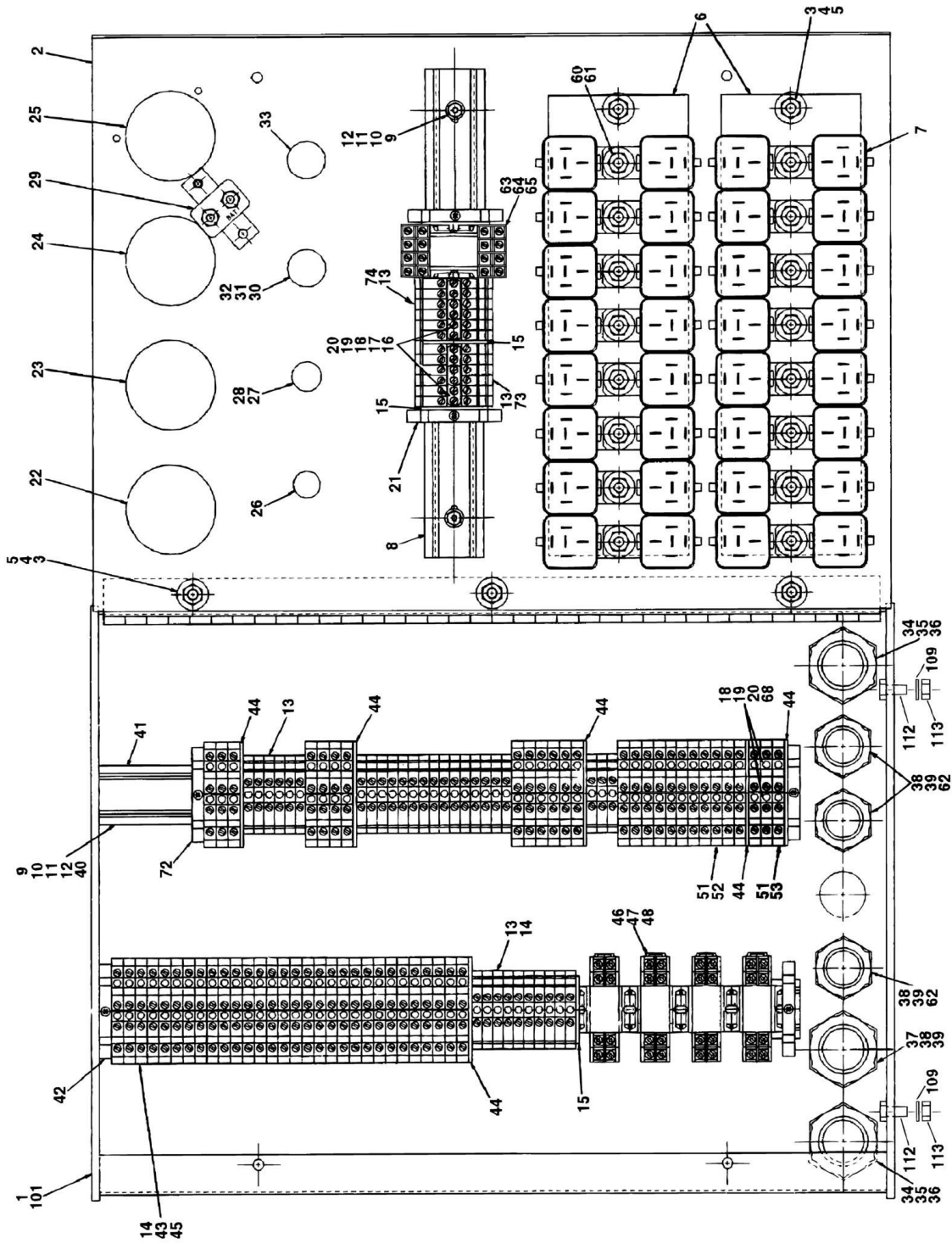
ITEM	PART NUMBER	QTY	DESCRIPTION	REV
	0251919	Ref	TANKS INSTALLATION	3
1	4400333	1	Fuel Tank Assembly (Includes Items 101-110)	
2		Ref	Oil Tank Assembly Options (Includes Items 201-227):	
2	4400335	1	Oil Tank Assembly (Prior to November 1993)	
2	4400357	1	Oil Tank Assembly (November 1993 to Present)	
3	1340046	1	Breather	
4	0641814	8	Bolt 1/2in-13NC x 1 3/4in	
5	4751800	8	Flatwasher 1/2in	
6	4761800	8	Lockwasher 1/2in	
7	4070410	AR	Shim (1/16in - 1.6mm Thick)	
8	4070411	AR	Shim (1/8in - 3.2mm Thick)	
9	4070412	AR	Shim (3/16in - 4.8mm Thick)	
	4400333	Ref	FUEL TANK ASSEMBLY	A
101	4400332	1	Fuel Tank Weldment	
103	2420115	5	Gauge, Sight	
104	3960371	1	Gasket	
105	4843919	1	Lid	
106	4751400	14	Flatwasher 1/4in	
107	4761400	14	Lockwasher 1/4in	
108	3311401	14	Nut 1/4in-20NC	
109	0100020	AR	Sealant, Pipe	
110	2200204	1	Fitting, Pipe Plug	
		Ref	OIL TANK ASSEMBLY OPTIONS:	
	4400335	Ref	Oil Tank Assembly (Prior to November 1993)	A
	4400357	Ref	Oil Tank Assembly (November 1993 to Present)	A
201	4400334	1	Oil Tank Weldment	
202	2120103	1	Filter (Return)	
202	2120107	1	Element, Filter	
202	7004244	1	Gauge, Sight	
202	7016333	1	O-Ring (Not Shown)	
203	4740338	6	Washer, Sealing	
204	1340045	1	Flange and Strainer	
205	1670468	1	Lid	
206	2180649	1	Nipple, Pipe	
207	3520022	1	Plug, Magnetic	
208	0641612	4	Bolt 3/8in-16NC x 1 1/2in	
209	4751600	4	Flatwasher 3/8in	
210	3311605	4	Locknut 3/8in-16NC	
211	2180628	1	Nipple, Pipe	
212	2120104	1	Filter, Tank	
213	3311401	14	Nut 1/4in-20NC	
214	4761400	14	Lockwasher 1/4in	
215	0100020	AR	Sealant, Pipe	
216	2200268	1	Fitting, Coupling	
217	4740322	4	Washer, Sealing	
218	4751400	14	Flatwasher 1/4in	
219	3960371	1	Gasket	
220	2200204	2	Plug, Pipe - 3/4in NPT	
221	2200205	4	Plug, Pipe - 1in NPT	
222	2420115	3	Gauge	

SECTION 2 - TURNTABLE

ITEM	PART NUMBER	QTY	DESCRIPTION	REV
223	2200107	1	Plug, Pipe - 1 1/4in NPT	
224	2220341	1	Fitting, Nipple 1 1/4in (November 1993 to Present)	
225	2200347	1	Fitting, Elbow 90, 1 1/4in (November 1993 to Present)	
226	2180534	1	Fitting, Nipple 1 1/4in x 12in (November 1993 to Present)	
227	2120098	1	Filter, Strainer (November 1993 to Present)	
		Ref	FUEL CAP INSTALLATIONS	
	0251919	Ref	Standard Cap (Prior to SN 30382)	3
	0257365	Ref	Standard Cap (SN 30382 to Present)	1
	0258626	Ref	Protectoseal Blue Cap (SN 30382 to Present)	1
	0257366	Ref	Protectoseal Red Cap (SN 30382 to Present)	2
301		Ref	Cap Options:	
301	1120314	1	Standard Cap	
301	1120512	1	Protectoseal Blue Cap	
301	1120367	1	Protectoseal Red Cap	

SECTION 2 - TURNTABLE

FIGURE 2-18. MAIN TERMINAL BOX ASSEMBLY



SECTION 2 - TURNTABLE

FIGURE 2-18. MAIN TERMINAL BOX ASSEMBLY

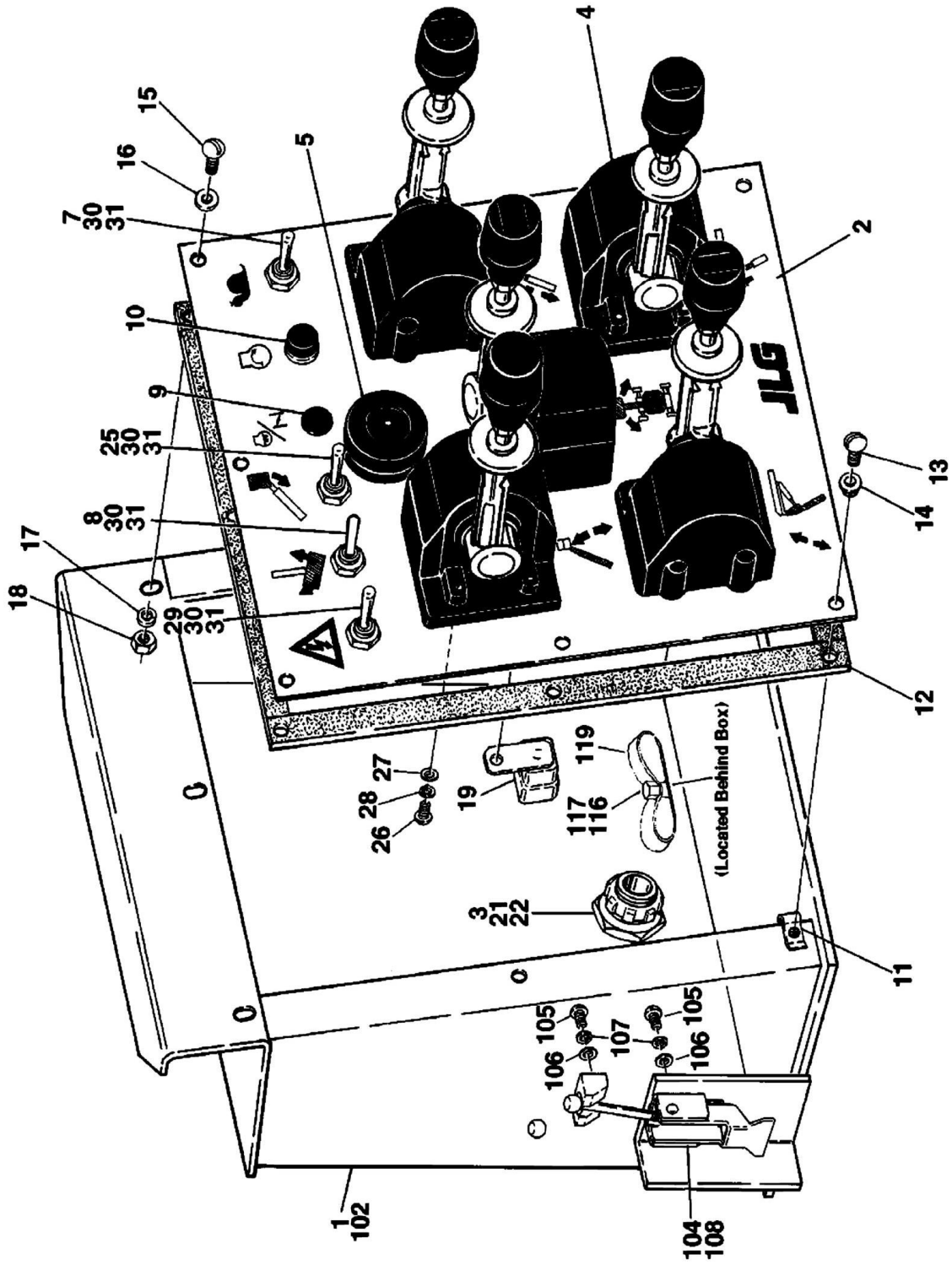
ITEM	PART NUMBER	QTY	DESCRIPTION	REV
		Ref	MAIN TERMINAL BOX ASSEMBLY OPTIONS:	
	0860731	Ref	Main Terminal Box Assembly (Prior to SN 61098)	3
	0861429	Ref	Main Terminal Box Assembly (SN 61098 to Present)	4
1	0860703	1	Box	
2		Ref	Lid Options:	
2	3252071	1	Lid (Prior to SN 46291)	
2	3252660	1	Lid (SN 46291 through 61097)	
2	3252765	1	Lid (SN 61098 to Present)	
3	3911412	7	Screw, Machine 1/4in-20NC x 3/4in	
4	4751400	7	Flatwasher 1/4in	
5	3311405	7	Locknut 1/4in-20NC	
6	4843827	2	Plate, Mounting - Relay	
7	3740049	25	Relay, Bosch	
8	3640536	1	Track	
9	3310601	6	Nut #6-32NC	
10	3910608	6	Screw, Machine #6-32NC x 1/2in	
11	4750600	12	Flatwasher #6	
12	4760600	6	Lockwasher #6	
13	4460298	46	Block, Terminal	
14	4460301	1	Marker, Terminal #1 - #50	
15	4460300	3	Barrier, Terminal	
16	4460309	4	Bar, Buss - 3 Position	
17	4460308	2	Bar, Buss - 2 Position	
18	4460305	12	Screw	
19	4460306	12	Washer	
20	4460307	12	Sleeve	
21	4460299	2	Stop, Terminal	
22	2420127	1	Gauge, Water Temperature	
23		Ref	Gauge, Oil Pressure Options:	
23	2420128	1	Gauge, Oil Pressure (Prior to July 1993)	
23	2420111	1	Gauge, Oil Pressure (July 1993 to Present)	
24	2420129	1	Gauge, Voltmeter	
25	2420009	1	Hourmeter	
26	4360212	1	Breaker, Circuit	
27	2920027	1	Light, Indicator - Green	
28	2920029	1	Light, Bulb	
29	4360216	1	Breaker, Circuit - 30 Amp	
30		Ref	Switch - 3 Position Options:	
30	4360275	1	Switch - 3 Position (Prior to SN 46291)	
30	4360469	1	Switch - 3 Position (SN 46291 to Present)	
30		Ref	Key, Replacement Options:	
30	7010698	1	Key, Replacement (Prior to SN 46291)	
30	2860030	1	Key, Replacement (SN 46291 to Present)	
31	4360267	1	Block, Contact - SPST/N.O. (Prior to SN 46291)	
32	4360281	3	Block, Contact - N.O. (Prior to SN 46291)	
33	4360003	1	Keyswitch (Prior to SN 46291)	
33	2860002	1	Key, Replacement (Prior to SN 46291)	
34	4460386	2	Connector, Strain Relief	
35	3300147	2	Nut, Conduit	
36	0960905	2	Bushing	

SECTION 2 - TURNTABLE

ITEM	PART NUMBER	QTY	DESCRIPTION	REV
37	4460244	1	Connector, Strain Relief	
38	3300048	4	Nut, Conduit	
39	0960238	4	Bushing	
40	3640764	2	Rail, Mounting	
41	4220038	2 in/5cm	Tape, Insulation	
42	4460299	1	Stop, Terminal	
43	4460387	57	Block, Terminal - 2 Level	
44	4460388	6	End Barrier, Terminal,	
45	4460391	2	Marker, Terminal - #101 - #150	
46	4120012	3	Socket, Relay - 2 PDT	
47	3740057	3	Relay - 2 PDT	
48	3740066	3	Spring, Relay	
49	4420038	3.5 ft/1.1m	Tape, Insulation	
50	0100001	AR	Adhesive (Not Shown)	
51	4460414	42	Marker, Terminal #4	
52	4460411	24	Marker, Terminal #1	
53	4460412	20	Marker, Terminal #2	
54	4460409	2	Marker, Terminal #201 - #300	
55	4460410	10	Marker, Terminal #0	
56	4460413	64	Marker, Terminal #3	
57	4460415	2	Marker, Terminal #5	
58	4460416	2	Marker, Terminal #6	
60	4761400	13	Lockwasher 1/4in	
61	3311401	13	Nut 1/4in-20NC	
62	4460051	3	Connector, Strain Relief	
63	4120013	1	Relay, Socket 4 PDT	
64	3740058	1	Relay 4 PDT	
65	3740063	1	Spring, Relay	
66	4460404	2	Marker, Terminal #8	
67	4460405	4	Marker, Terminal #9	
68	4460390	4	Bar, Buss - 3 Position	
69	0750806	2	Screw, #8 x 3/4in	
70	3300177	2	Nut, Tinnerman #8	
71	4740120	2	Washer	
72	4460442	3	Stop, Terminal - 2 Level	
73	4460455	24	Marker, Terminal #41	
74	4460456	24	Marker, Terminal #42	
75	4070987	5	Shim, .015 (Not Shown)	
76	3910804	6	Screw, 8/32 X .25 LG (Not Shown)	
		Ref	GROUND CONTROLS INSTALLATIONS	
	0251911	Ref	Ground Controls Installations (Prior to SN 61098)	3
	0271057	Ref	Ground Controls Installations (SN 61098 to Present)	2
101		Ref	Ground Control Box Assembly Options:	
101	0860731	1	Ground Control Box Assembly (Prior to SN 61098)	
101	0861429	1	Ground Control Box Assembly (SN 61098 to Present)	
109	4740185	4	Washer 3/4in	
112	3311405	14	Locknut 1/4in-20NC	
113	4751400	14	Flatwasher 1/4in	

SECTION 2 - TURNTABLE

FIGURE 2-19. REMOTE CONTROL BOX ASSEMBLY



SECTION 2 - TURNTABLE

FIGURE 2-19. REMOTE CONTROL BOX ASSEMBLY

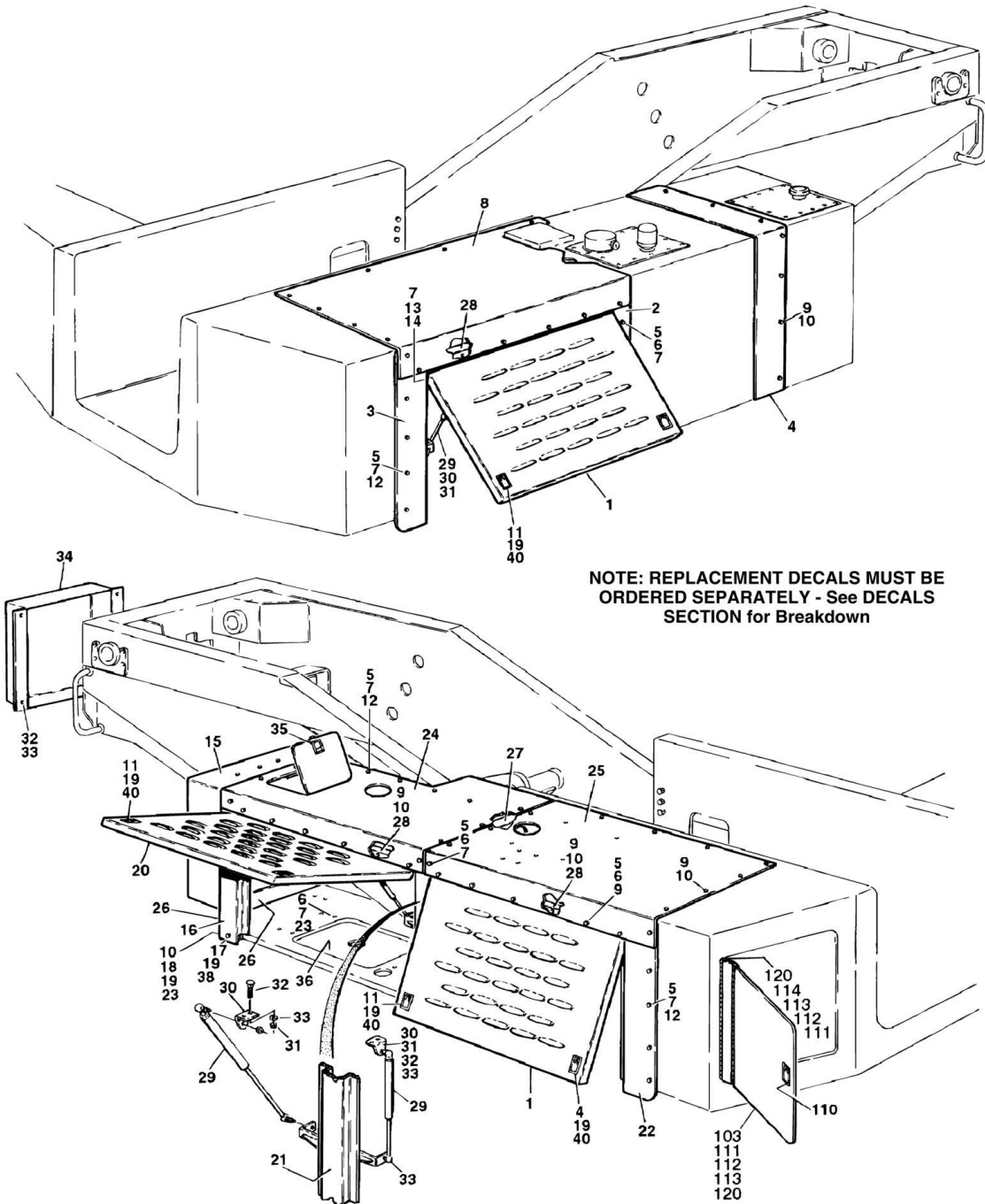
ITEM	PART NUMBER	QTY	DESCRIPTION	REV
		Ref	REMOTE CONTROL BOX ASSEMBLY OPTIONS:	
	0860733	Ref	Remote Control Box Assembly (Prior to SN 44398)	2-B
	0861301	Ref	Remote Control Box Assembly (SN 44398 through 103757)	4
	1810145	Ref	Remote Control Box Assembly (SN 103758 to Present)	A
1		Ref	Box Weldment Options:	
1	0860702	1	Box Weldment (Prior to SN 44398)	
1	0861299	1	Box Weldment (SN 44398 to Present)	
2		Ref	Lid Options:	
2	3252072	1	Lid Prior to May 1994	
2	3252376	1	Lid (May 1994 to SN 103757)	
2	1707112	1	Lid (SN 103758 to Present)	
3	4460386	1	Connector, Strain Relief	
4		Ref	Controller Assembly - PQ Options:	
4	1600141	5	Controller Assembly - PQ (See PLATFORM SECTION For Breakdown) (Prior to SN 74463)	
4	1600353	5	Controller Assembly - PQ (See PLATFORM SECTION For Breakdown) (SN 74463 to Present)	
5		Ref	Switch, Emergency Stop Options:	
5	4360289	1	Switch, Emergency Stop (Prior to SN 46291)	
5	4360475	1	Switch, Emergency Stop (SN 46291 to Present)	
5	7012611	1	Head, Mushroom (Use with 4360289)	
5	7012612	1	Boot (Use with 4360289)	
5	7020175	1	Cap (Use with 4360475)	
5	7020176	1	Contact, Block (Use with 4360475)	
6		Ref	Contact, Block - N.C. Options:	
6	4360282	1	Contact, Block - N.C. (Prior to SN 46291)	
6	4360476	1	Contact, Block - N.C. (SN 46291 to Present)	
7	4360199	1	Switch, Toggle	
8	4360202	1	Switch, Toggle	
9	3520026	1	Plug, Hole (Prior to SN 103758)	
10	4360274	1	Switch, Push Button (Start)	
11	3300177	4	Nut, Tinnerman	
12	4420037	3.5 ft/1m	Weatherstrip	
13	0750806	4	Screw, Self Tapping #8 x 3/4in	
14	4740120	7	Washer, Nylon	
15	0721006	3	Screw #10-24NC x 3/4in	
16	4751000	3	Flatwasher #10	
17	4761000	3	Lockwasher #10	
18	3311001	3	Nut #10-24NC	
19	3740049	2	Relay, Bosch - SPDT	
21	3300147	1	Nut, Conduit	
22	0960905	1	Bushing	
24	2560112	5	Knob	
25	4360202	1	Switch, Toggle	
26	0720803	20	Screw, Machine #8-32NC x 3/8in	
27	4750800	20	Flatwasher #8	
28	4760800	20	Lockwasher #8	
29	4360200	1	Switch, Toggle	
30	3790012	4	O-Ring	
31	4060229	5	Shield, Toggle Switch (SN 103758 to Present)	

SECTION 2 - TURNTABLE

ITEM	PART NUMBER	QTY	DESCRIPTION	REV
	0251911	Ref	GROUND CONTROLS INSTALLATIONS	5
102		Ref	Remote Box Assembly Options (See Items 1-30 for Breakdown):	
102	0860733	1	Remote Box Assembly (Prior to SN 44398)	
102	0861301	1	Remote Box Assembly (SN 44398 to Present)	
104		Ref	Latch, Adjustable Draw Options:	
104	2940066	1	Latch, Adjustable Draw (Prior to SN 44398)	
104	2940115	1	Latch, Adjustable Draw (SN 44398 to Present)	
105	0731003	2	Bolt #10-32NF x 3/8in	
106	4751000	2	Flatwasher #10	
107	4761000	2	Lockwasher #10	
108	3820019		Pop-Rivet 3/16in (Prior to SN 44398)	
116	4751600	5	Flatwasher 3/8in	
117	3311605	5	Locknut 3/8in-16NC	
118	1320131	4	Clamp (Not Shown)	
119	1320060	3	Clamp	

SECTION 2 - TURNTABLE

FIGURE 2-20. HOOD COMPONENTS INSTALLATION



SECTION 2 - TURNTABLE

FIGURE 2-20. HOOD COMPONENTS INSTALLATION

ITEM	PART NUMBER	QTY	DESCRIPTION	REV
	0251920	Ref	HOODS INSTALLATION	7
1	4843879	2	Hood, Door Weldment	
2	3535300	1	Plate, Door	
3	4843920	1	Door Weldment	
4	3534643	1	Plate, Filler	
5	0641406	59	Bolt 1/4in-20NC x 3/4in	
6	4751400	48	Flatwasher 1/4in	
7	3311405	66	Locknut 1/4in-20NC	
8	3535325	1	Hood (Top Tank Side)	
9	3941406	36	Screw, Self Tapping 1/4in-14NC x 3/4in	
10	4761400	40	Lockwasher 1/4in	
11		Ref	Latch, Flush Mount Options:	
11	2940042	6	Latch, Flush Mount (Prior to SN 39139)	
11	2940113	6	Latch, Flush Mount (SN 39139 to Present)	
12	4740362	15	Washer, Fender	
13	0641410	6	Bolt 1/4in-20NC x 1 1/4in	
14	4711400	12	Flatwasher 1/4in	
15	0251941	1	Inlet Box Assembly	
16	4843927	1	Door Support Weldment	
17	0641622	3	Screw 3/8in-16NC x 2 3/4in	
18	3300151	4	Nut, Acorn 1/4in-20NC	
19	0100011	AR	Compound, Locking	
20	4843878	1	Hood Door Weldment	
21	4843926	1	Door Support Weldment	
22	3535328	1	Plate, Door Support	
23	4300031	12	Stud 1/4in-20NC x 5/8in	
24	4843931	1	Hood Top Weldment (Engine)	
25	4843932	1	Hood Top Weldment (Valve)	
26	4843933	1	Hood Weldment (Front)	
27	4843930	1	Hood Bracket Weldment	
28	4843925	3	Hood Reinforcement Weldment	
29	4160081	3	Spring, Gas	
30	3200222	3	Bracket, Gas Spring Mounting	
31	3311505	9	Locknut 5/16in-18NC	
32	0630383	6	Bolt Carriage 5/16in-18NC x 3/4in	
33	4751500	6	Flatwasher 5/16in	
34	3535133	1	Cover, Tower Boom	
35	2940045	1	Latch, Flush Mounting (Paddle)	
36	3535345	1	Plate, Cover	
37	4300034	2	Stud Weldment 3/4in16Nc x 1in	
38	4751600	2	Flatwasher 3/8in	
39	3311605	5	Locknut 3/8in-16NC	
40	2940070	6	Latch, Straight Pawl (Prior to SN 39139)	
	0251911	Ref	GROUND CONTROLS DOOR INSTALLATION	5
103		Ref	Door - Ground Control Options:	
103	4843729	1	Door - Ground Control (Prior to SN 53798)	
103	1780320	1	Door - Ground Control (SN 53798 to Present)	
110	2940042	1	Latch	
111	0100011	AR	Compound, Locking	
112	3311405	9	Locknut 1/4in-20NC	

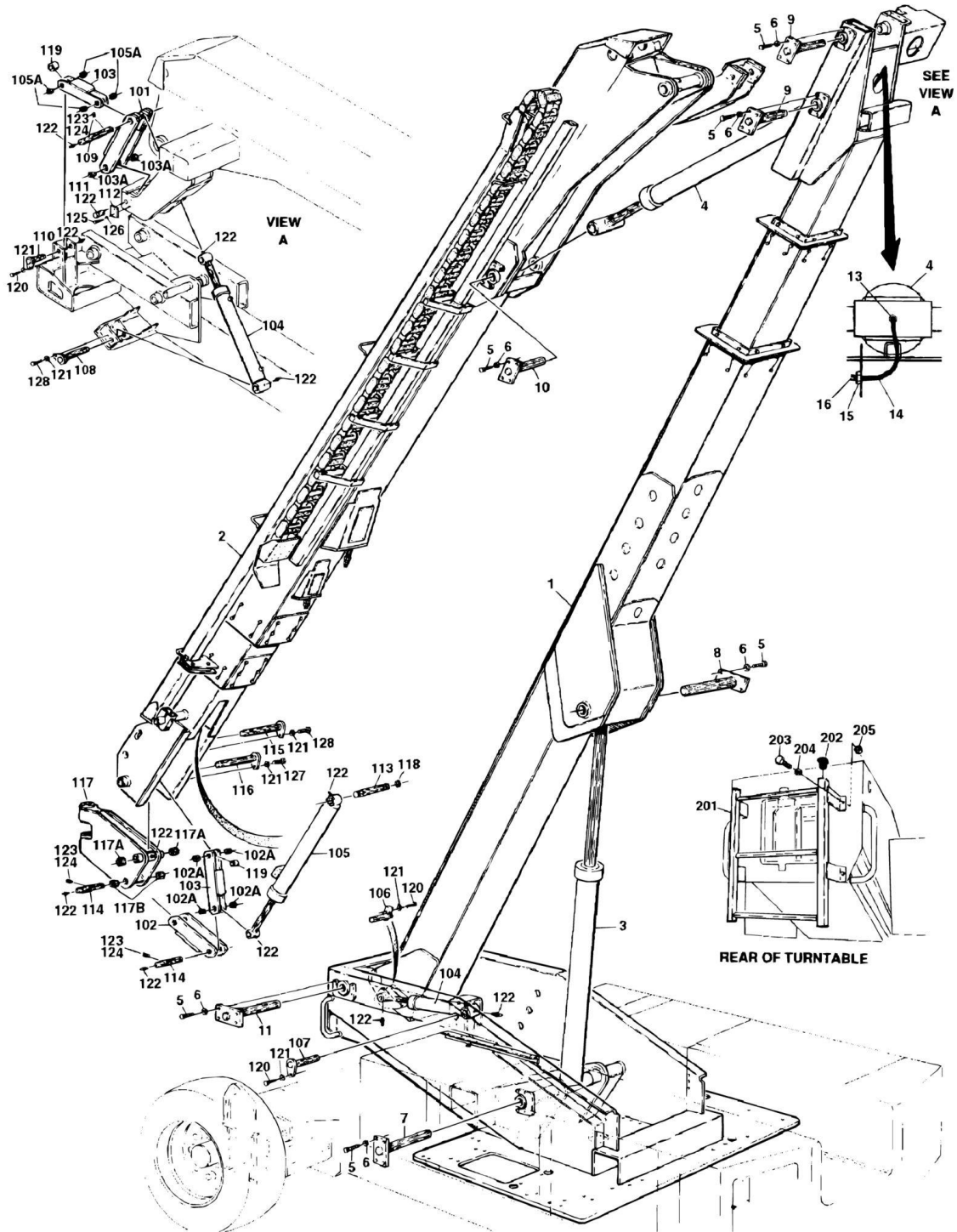
SECTION 2 - TURNTABLE

ITEM	PART NUMBER	QTY	DESCRIPTION	REV
113	4751400	19	Flatwasher 1/4in	
114	2600094	1	Hinge	
120	0641405	10	Bolt 1/4in-20NC x 5/8in	

SECTION 3 - BOOM

SECTION 3 - BOOM

FIGURE 3-1. BOOMS AND TURNTABLE INSTALLATION



SECTION 3 - BOOM

FIGURE 3-1. BOOMS AND TURNTABLE INSTALLATION

ITEM	PART NUMBER	QTY	DESCRIPTION	REV
		Ref	BOOMS AND CYLINDERS INSTALLATIONS	
	0251885	Ref	ANSI Spec Machines Built Through 1992	A
	0253809	Ref	ANSI Spec Machines Built (1993 through SN 34993)	2
	0257416	Ref	ANSI Spec Machines Built (SN 34994 to Present)	4
	0270342	Ref	CSA Spec Machines Built (Prior to SN 69948)	3
1	0800718	1	Tower Boom Assembly (See TOWER BOOM ASSEMBLY II for Breakdown)	
2		Ref	Main Boom Assembly Options (See MAIN BOOM ASSEMBLY for Breakdown):	
2	0800722	1	Machines Built Through 1992	
2	0800840	1	Machines Built (1993 through SN 34993)	
2	0801109	1	Machines Built (SN 34994 to Present)	
3	1682519	1	Tower Lift Cylinder Assembly (See CYLINDER SECTION For Breakdown)	
4		Ref	Main Lift Cylinder Assembly Options (See CYLINDER SECTION for Breakdown):	
4	1683702	1	Main Lift Cylinder Assembly (Was P/N 1682516) (Prior to SN 36519)	
4	1683702	1	Main Lift Cylinder Assembly (SN 36519 to Present)	
5	0682214	24	Bolt 3/4in-10NC x 1 3/4in	
6	4762200	24	Clevis 3/4in	
7		Ref	Pin Weldment Options:	
7	3422090	1	ANSI Spec	
7	3422880	1	CSA Spec (Prior to SN 69948)	
8		Ref	Pin Weldment Options:	
8	3421917	1	ANSI Spec	
8	3422879	1	CSA Spec (Prior to SN 69948)	
9		Ref	Pin Weldment Options:	
9	3421918	2	ANSI Spec	
9	3422878	2	CSA Spec (Prior to SN 69948)	
10		Ref	Pin Weldment Options:	
10	3421919	1	ANSI Spec	
10	3422877	1	CSA Spec (Prior to SN 69948)	
11	3421920	1	Pin Weldment	
12	0901851	1	Bracket, Boom Rest (Not Shown) (Prior to SN 57155)	
13	2220063	1	Fitting 90, (July 1993 to Present)	
14	2751032	1	Hose, Fitting Grease (July 1993 to Present)	
15	2180344	1	Fitting, Bulkhead (July 1993 to Present)	
16	2160001	1	Fitting, Grease (July 1993 to Present)	
		Ref	LEVEL LINKS INSTALLATION	
	0251883	Ref	ANSI Spec	D
	0270341	Ref	CSA Spec (Prior to SN 69948)	
101	3010103	1	Link, Weldment	
101	0961578	2	Bushing, Bronze	
102	3010102	1	Link, Weldment	
102	0961578	2	Bushing, Bronze	
103	3010101	2	Link, Weldment	
103	0961578	2	Bushing, Bronze	
104	1682332	2	Master Cylinder Assembly (See CYLINDER SECTION for Breakdown)	

SECTION 3 - BOOM

ITEM	PART NUMBER	QTY	DESCRIPTION	REV
105		Ref	Platform Level, Cylinder Assembly Options (See CYLINDER SECTION for Breakdown):	
105	1682330	1	Platform Level, Cylinder Assembly (Prior to SN 27450)	
105	1683476	1	Platform Level, Cylinder Assembly (SN 27450 to Present)	
106	3421850	1	Pin, Weldment	
107	3421931	1	Pin, Weldment	
108	3421932	1	Pin, Weldment	
109		Ref	Pin Options:	
109	3421933	1	ANSI Spec	
109	3422870	1	CSA Spec (Prior to SN 69948)	
110	3421934	1	Pin, Weldment	
111	3421930	2	Pin	
112	3435285	2	Plate, Keeper	
113	3421935	1	Pin	
114		Ref	Pin Options:	
114	3421912	2	ANSI Spec	
114	3422869	2	CSA Spec (Prior to SN 69948)	
115		Ref	Pin, Weldment Options:	
115	3421910	1	ANSI Spec	
115	3422876	1	CSA Spec (Prior to SN 69948)	
116	3421942	1	Pin, Weldment	
117	4843890	1	Pivot Weldment	
117	0961024	2	Bushing, Bronze	
117	0961559	2	Bushing, Bronze	
118	3760133	2	Ring, Retaining	
119	0961579	2	Bushing, Spacer	
120	0641608	3	Bolt 3/8in-16NC x 1in	
121	4761600	6	Lockwasher 3/8in	
122		Ref	Grease Fitting Options:	
122	2160003	14	ANSI Spec	
122	2160002	14	CSA Spec (Prior to SN 69948)	
123	3971606	6	Set Screw 3/8in-16NC x 3/4in	
124	0100011	AR	Compound, Locking	
125	0641506	4	Bolt 5/16in-18NC x 3/4in	
126	4761500	4	Lockwasher 5/16in	
127	0641609	1	Bolt 3/8in-16NC x 1 1/8in	
128	0641606	2	Bolt 3/8in-16NC x 3/4in	
129	4240104	1	Tie Strap	
	0251606	Ref	LADDER INSTALLATION	3
201		Ref	Ladder Options:	
201	4843828	1	Ladder (Prior to SN 115930)	
201	1001096779	1	Ladder (SN 115930 to Present)	
202	3520071	4	Plug, Cap	
203	0641612	4	Bolt 3/8in-16NC x 1 1/2in	
204	4751600	8	Flatwasher 3/8in	
205	3311605	4	Locknut 3/8in-16NC	
206	4071003	1	Shim, Boom Rest (Not Shown)	
207	0362957	1	Bar, Boom Rest (Not Shown)	

SECTION 3 - BOOM

FIGURE 3-2. MAIN BOOM ASSEMBLY

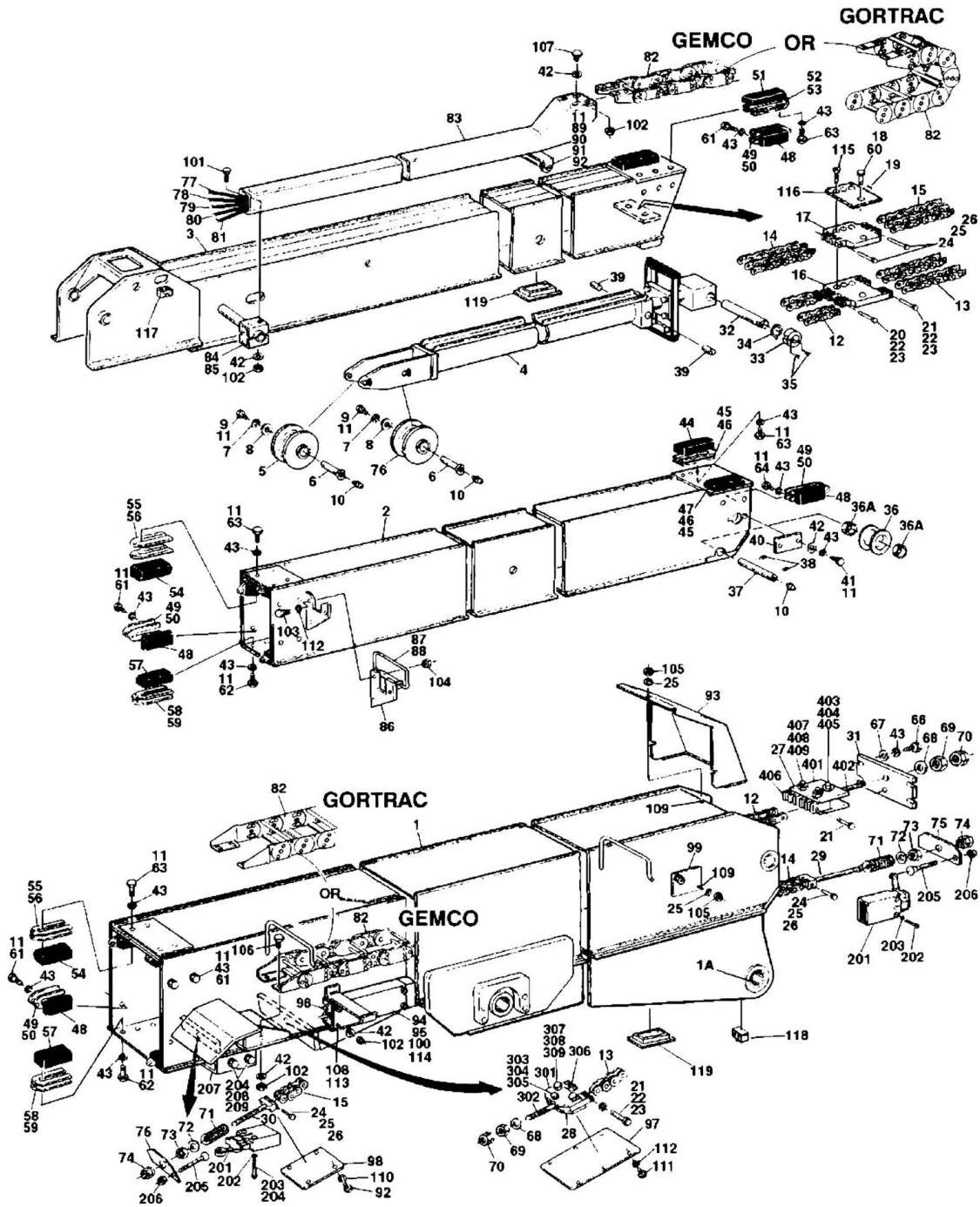


FIGURE 3-2. MAIN BOOM ASSEMBLY

ITEM	PART NUMBER	QTY	DESCRIPTION	REV
		Ref	MAIN BOOM ASSEMBLY	
	0800722	Ref	Machines Built Through 1992	B
	0800840	Ref	Machines Built (1993 through SN 34993)	4
	0801109	Ref	Machines Built (SN 34994 to Present)	9
1	0800723	1	Main Base Boom	
1A	0961557	2	Bushing, Bronze	
2	0800724	1	Main Mid Boom	
3		Ref	Main Fly Boom Options:	
3	0800725	1	Main Fly Boom (Prior to SN 34994)	
3	0801111	1	Main Fly Boom (SN 34994 to Present)	
4		Ref	Telescope Cylinder Assembly Options (See CYLINDER SECTION for Breakdown):	
4	1682490	1	Telescope Cylinder Assembly (Prior to January 1993)	
4	1682901	1	Telescope Cylinder Assembly (January 1993 to Present)	
5	3580177	1	Sheave, Extend	
6	3421350	2	Pin, Sheave	
7	4761800	2	Lockwasher	
8	4740003	2	Washer, Special	
9	0641808	2	Bolt 1/2in-13NC x 1in	
10	2160002	2	Grease Fitting	
11	0100011	AR	Compound, Locking	
12		Ref	Chain, Fly Extend Options:	
12	1260168	1	Chain, Fly Extend (Prior to January 1993)	
12	1260290	1	Chain, Fly Extend (January 1993 to Present)	
13	1260263	1	Chain, Fly Retract	
16	1360232	1	Clevis, Extend and Retract	
17		Ref	Block, Spacer Options:	
17	0560980	1	Block, Spacer (Prior to January 1993)	
17	0561273	1	Block, Spacer (January 1993 to Present)	
18	3421885	1	Pin, Clevis Attach	
19	3450505	2	Pin, Cotter	
20	3421206	1	Pin, Clevis	
21	3421205	6	Pin, Clevis	
22	4751500	13	Flatwasher 5/16in	
23	3450303	7	Pin, Cotter	
25	4751400	11	Flatwasher 1/4in	
27	0236758	1	Adjustment, Chain Assembly (See Items 401 to 409 for Breakdown)	
28	0251804	1	Adjustment, Chain Assembly (See Items 301 to 309 for Breakdown)	
31		Ref	Adjustment Mounting Plate Weldment Options:	
31	3535410	1	Adjustment Mounting Plate Weldment (Prior to January 1993)	
31	4844382	1	Adjustment Mounting Plate Weldment (January 1993 to Present)	
32	3421209	1	Pin, Telescope Cylinder	B
33	3760233	2	Ring, Retaining	
34	0960979	2	Bushing, Eccentric	
35	3951603	2	Screw 3/8in-16NC x 3/8in	
36		Ref	Sheave Assembly Options:	
36	3580311	1	Sheave Assembly (Was P/N 3580176) (Prior to SN 69948)	

SECTION 3 - BOOM

ITEM	PART NUMBER	QTY	DESCRIPTION	REV
36	3580311	1	Sheave Assembly (SN 69948 to Present)	
36A	0960372	2	Bushing, Bronze	
37		Ref	Pin Sheave Options:	
37	3423019	1	Pin Sheave (Was P/N 3421911) (Prior to SN 69948)	
37	3423019	1	Pin Sheave (SN 69948 to Present)	
38	3951604	2	Screw 3/8in-16NC x 1/2in	
39	3420410	2	Pin, Trunion	
40	0360372	2	Bar	
41	0641605	4	Bolt 3/8in-16NC x 5/8in	
42	4751600	14	Flatwasher 3/8in	
43	4761600	64	Lockwasher 3/8in	
44	3340462	1	Wear Pad	
45	4070556	AR	Shim	
46	4070555	AR	Shim	
47	3340460	1	Wear Pad	
48	3340394	12	Wear Pad	
49	4070502	AR	Shim	
50	4070501	AR	Shim	
51	3340401	2	Wear Pad	
52	4070504	AR	Shim	
53	4070503	AR	Shim	
54	3340399	4	Wear Pad	
55	4070498	AR	Shim	
56	4070497	AR	Shim	
57	3340403	4	Wear Pad	
58	4070508		Shim - Service Only	
59	4070507		Shim - Service Only	
60		Ref	Pin, Clevis Options:	
60	3421885	1	Pin, Clevis (Prior to SN 34994)	
60	3422640	1	Pin, Clevis (SN 34994 to Present)	
61	0641606	20	Bolt 3/8in-16NC x 3/4in	
62	0641612	12	Bolt 3/8in-16NC x 1 1/2in	
63	0641610	20	Bolt 3/8in-16NC x 1 1/4in	
64	0641614	4	Bolt 3/8in-16NC x 1 3/4in	
65		Ref	Wire, Safety (Not Shown)	
65	4920385	48	Wire, Safety (Prior to July 1995)	
		ft/14.6m		
65	Not Required	0	Wire, Safety (SN 34994 to Present)	
66	0641616	4	Bolt 3/8in-16NC x 2in	
67	4740185	4	Washer, Special 3/8in	
68	4740057	2	Washer, Special 3/4in	
69	3312202	2	Jam Nut 3/4in-10NC	
70	3300241	2	Locknut, Nylon Collar 3/4in-10NC	
77	1060392	108	Cable, Electrical - 16/36 (Control Cable)	
		ft/32.9m		
78	1060393	108	Cable, Electrical - 10/3 (A/C Cable)	
		ft/32.9m		
79	1060394	108	Cable, Electrical - 10/4 (Power Feed Cable)	
		ft/32.9m		
80	1060395	108	Cable, Electrical - 16/4 (Intercom Cable)	
		ft/32.9m		
82		Ref	Power Track Assembly Options:	

SECTION 3 - BOOM

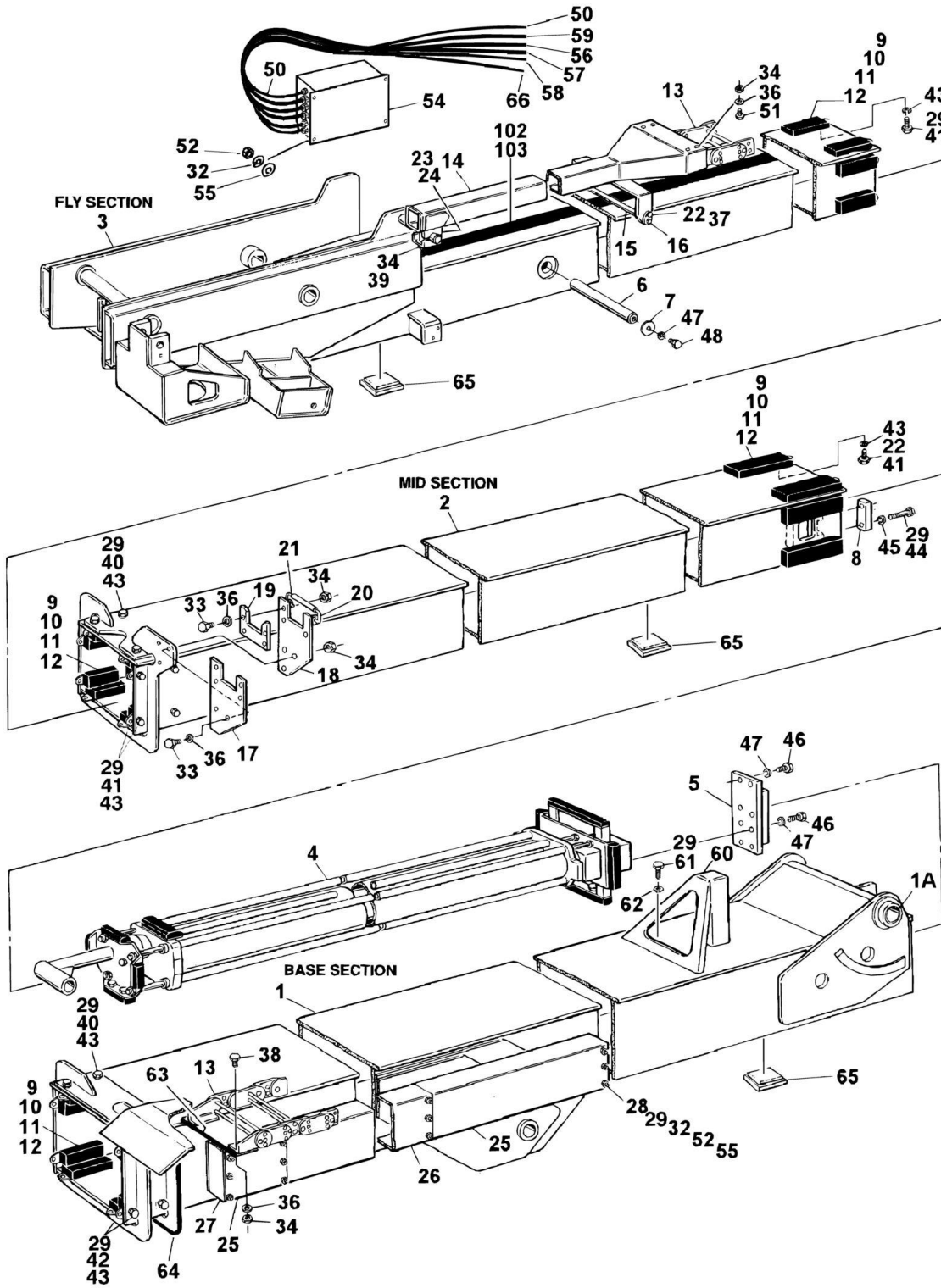
ITEM	PART NUMBER	QTY	DESCRIPTION	REV
		Ref	Note: Original Equipment Power Track may have been replaced with Service Replacement. Visually identify component before ordering replacement parts.	
82	1001099842	1	Gemco Brand Power Track (was p/n 1180236) (Prior to SN 0300135500)	
82	7006153	AR	1ft Repair Section - Used on p/n 1180236	
82	7006179	2 pr	Feet, Mounting - Used on p/n 1180236	
82	7006180	AR	Pin Kit - Used on p/n 1180236	
82	1001099842	1	Gortrac Brand Power Track (SN 0300135500 to Present)	
82	70002008	AR	1ft Repair Section	
82	70002009	2 pr	Bracket Kit (Includes 1 set of mounting brackets and hardware)	
83	1180254	1	Carrier Weldment	
84	1320121	2	Clamp (Note: SN 51528 to Present, Part of Item 3)	
85	4280242	1	Strip, Reinforcing	
86	4340453	1	Support, Powertrack	
87	3841126	1	Rod, Tube Retainer	
88	4562516	4 in/10cm	Tube	
89	3860050	1	Roller, Powertrack	
90	3841013	1	Rod, Roller	
91	3450806	1	Pin, Cotter	
92	0641404	5	Bolt 1/4in x 1/2in	
93	4060780	1	Boom Cover Weldment	
94	4060685	1	Cover, Hydraulic and Electrical Lines	
95	4060789	1	Cover, Hydraulic and Electrical Lines	
96	4340632	6	Support, Hydraulic and Electrical Lines	
97	3535128	1	Plate, Cover	
98	3535129	1	Plate, Cover	
99	1670321	2	Plate, Cover	
100	4060790	1	Cover, Hydraulic and Electrical Lines	
101	0641636	2	Bolt 3/8in-16NC x 4 1/2in	
102	3311605	10	Locknut 3/8in-16NC	
103	0641510	3	Bolt 5/16in-18NC x 1 1/4in	
104	3311505	3	Locknut 5/16in-18NC	
105	3311405	15	Locknut 1/4in-20NC	
106	0641608	4	Bolt 3/8in-16NC x 1in	
107	0630446	4	Bolt, Carriage 3/8in-16NC x 1in	
108	4300098	8	Stud 1/4in-20NC x 2 1/2in (Welded on Part) (Prior to SN 66768)	
109	4300031	7	Stud 1/4in-20NC x 1in (Welded on Part) (Prior to SN 66768)	
110	4761400	4	Lockwasher 1/4in	
111	0641504	6	Bolt 5/16in-18NC x 1 1/2in	
112	4761500	6	Lockwasher 5/16in	
113	0960740	2	Spacer	
114	4240033	54	Tie Strap	
115	0741605	2	Capscrew, Flathead 3/8in-16NC x 5/8in	
116	3340819	1	Wear Pad	
117	1320051	1	Clamp	
118	1320052	1	Clamp	
119	1670836	6	Cover, Boom (Prior to SN 0300134807)	
		Ref	BOOM TAPE INSTALLATIONS	
	0252066	Ref	Boom Tape Installations (Prior to SN 27450)	B
	0256695	Ref	ANSI / CSA Spec Machines Built (SN 27450 to Present)	3

SECTION 3 - BOOM

ITEM	PART NUMBER	QTY	DESCRIPTION	REV
230	4420017	6 ft	Tape (Red)	
231	4420018	16.42 ft	Tape (Blue)	
232	3580183	1	Pulley, Cap. Indicator (Not Shown)	
	0251804	Ref	CHAIN ADJUSTER ASSEMBLY (RETRACT)	
301	3535075	2	Plate	
302	0630374	1	Eyebolt	
303	3421142	1	Pin, Clevis	
304	4712200	1	Flatwasher 3/4in	
305	3450505	1	Pin, Cotter	
306	0560644	2	Block, Chain Attach	
307	0630347	1	Bolt, Special	
308	3311803	1	Nut, Slotted 1/2in-13NC	
309	3450405	1	Pin, Cotter	
	0236758	Ref	CHAIN ADJUSTER ASSEMBLY (EXTEND)	
401	3509182	2	Plate	
402	0630374	1	Eyebolt	
403	3421142	1	Pin, Clevis	
404	4740276	1	Washer, Special	
405	3450505	1	Pin, Cotter	
406	0560644	2	Block, Chain Attach	
407	0630347	1	Bolt, Special	
408	3311803	1	Nut, Slotted 1/2in-13NC	
409	3450405	1	Pin, Cotter	

SECTION 3 - BOOM

FIGURE 3-3. TOWER BOOM ASSEMBLY II



SECTION 3 - BOOM

FIGURE 3-3. TOWER BOOM ASSEMBLY II

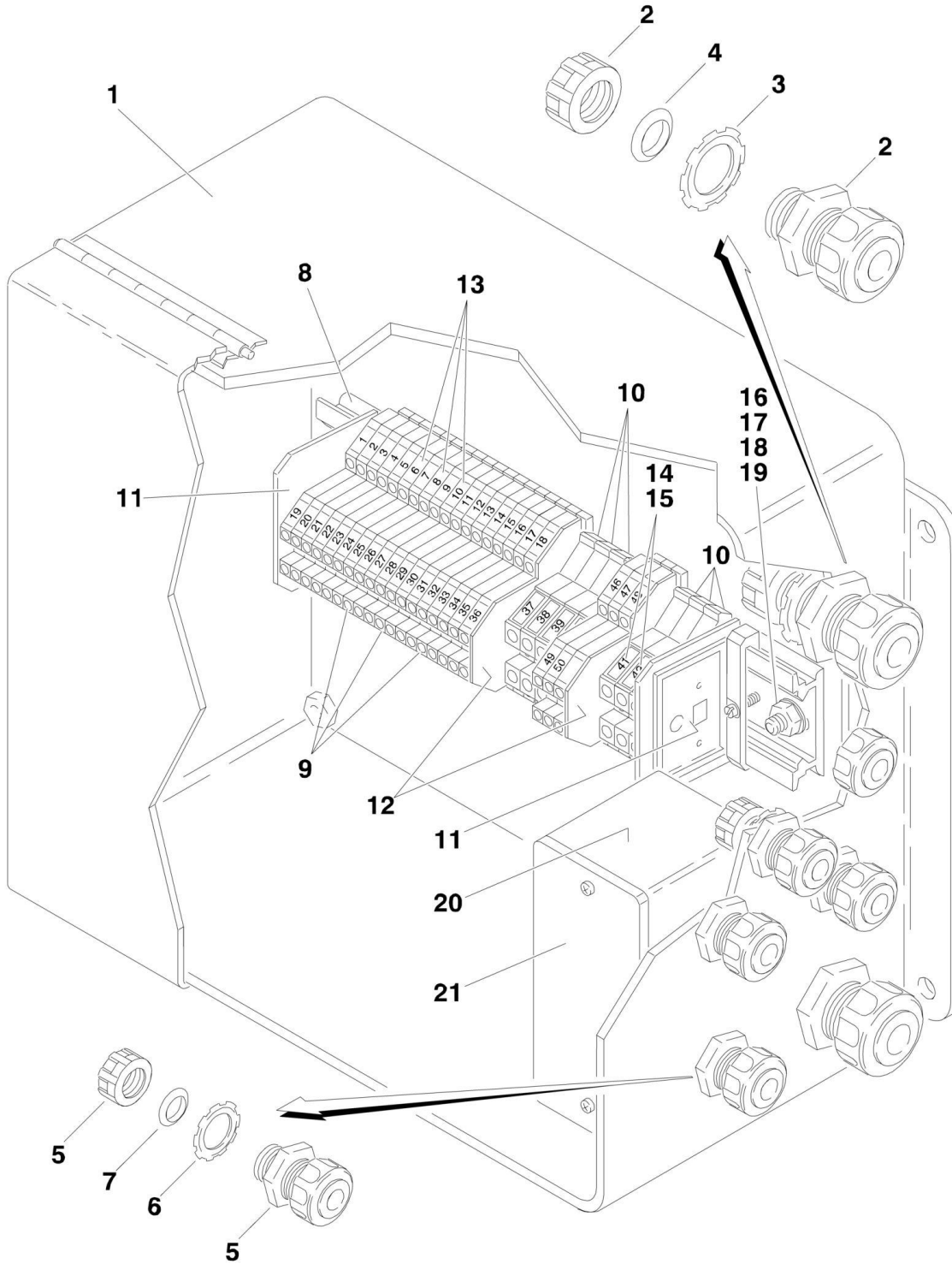
ITEM	PART NUMBER	QTY	DESCRIPTION	REV
	0800718	Ref	TOWER BOOM ASSEMBLY	14
1	0800719	1	Base, Boom	
1A	0961554	2	Bushing, Bronze	
2	0800720	1	Mid, Boom	
3	0800721	1	Fly, Boom	
4	1682289	1	Telescope Cylinder Assembly (See CYLINDER SECTION for Breakdown)	
5	4843929	1	Cylinder Mounting Plate Weldment	
6	3421944	1	Pin	
7	3535334	2	Plate, Pin Cap	
8	0560962	2	Block, Trunion	
9	3340593	32	Pad, Wear	
10	3534505	AR	Shim (1/16in)	
11	3534506	AR	Shim (1/8in)	
12	3534507	AR	Shim (3/16in)	
13		Ref	Power Track Assembly Options:	
		Ref	Note: Original Equipment Power Track may have been replaced with Service Replacement. Visually identify component before ordering replacement parts.	
13	1001099843	1	Gemco Brand Power Track (was p/n 1180276) (Prior to SN 0300135500)	
13	7006191	AR	1ft Repair Section - Used on p/n 1180276	
13	7006179	2 pr	Feet, Mounting - Used on p/n 1180276	
13	7006180	AR	Pin Kit - Used on p/n 1180276	
13	1001099843	1	Gortrac Brand Power Track (SN 0300135500 to Present)	
13	70002010	AR	1ft Repair Section	
13	70002009	2 pr	Bracket Kit (Includes 1 set of mounting brackets and hardware)	
14	1180277	1	Carrier Weldment	
15	3860053	1	Roller	
16	3841120	1	Rod, Roller	
17	4340616	1	Plate, Support	
18	4843928	1	Support Plate Weldment	
19	4340622	1	Tube, Support	
20	3841012	1	Rod, Tube Retainer	
21	4562516	6 in/15cm	Tube	
22	3450806	1	Pin, Cotter 1/4in x 1 1/2in	
23	1320121	2	Clamp (Note: SN 0300051528 to Present, Part of Item 3)	
24	4280242	1	Strip, Reinforcement	
25	4060782	2	Shield, Line (Front and Rear)	
26	4060783	1	Shield, Line (Center)	
27	0560971	4	Clamp, Block	
28	4300099	12	Stud	
29	0100011	AR	Compound, Locking	
32	4751400	27	Flatwasher 1/4in	
33	0641612	7	Bolt 3/8in-16NC x 1 1/2in	
34	3311605	17	Locknut 3/8in-16NC	
36	4751600	30	Flatwasher 3/8in	
37	0641404	1	Bolt 1/4in-20NC x 1/2in	
38	0641610	4	Bolt 3/8in-16NC x 1 1/4in	
39	0641636	2	Bolt 3/8in-16NC x 4 1/2in	

SECTION 3 - BOOM

ITEM	PART NUMBER	QTY	DESCRIPTION	REV
40	0641814	12	Bolt 1/2in-13NC x 1 3/4in	
41	0641810	66	Bolt 1/2in-13NC x 1 1/4in	
42	0641809	18	Bolt 1/2in-13NC x 1 1/8in	
43	4761800	98	Lockwasher 1/2in	
44	0642020	4	Bolt 5/8in-11NC x 2 1/2in	
45	4762000	4	Lockwasher 5/8in	
46	0642218	8	Bolt 3/4in-10NC x 2 1/4in	
47	4762200	8	Lockwasher 3/4in	
48	0641812	2	Bolt 1/2in-13NC x 1 1/2in	
50	1060016	111 ft/34m	Cable, Electrical - 16/3 (End of Travel)	
51	0641608	4	Bolt 1/4in-20NC x 1in	
52	3311401	31	Nut 1/4in-20NC	
53	1320142	36	Clamp (Not Shown - Located in Powertrack) (May 1992 to Present)	
54	0860888	1	Junction Box Assembly (See JUNCTION BOX ASSEMBLY (TOWER BOOM MOUNTED) for Breakdown)	
55	4761400	15	Lockwasher 1/4in	
56	1060392	103 ft/31.4m	Cable, Electrical - 16/36 (April 1994 to Present)	
57	1060393	103 ft/31.4m	Cable, Electrical - 10/3 (AC) (April 1994 to Present)	
58	1060394	103 ft/31.4m	Cable, Electrical - 10/3 (Powerfeed) (April 1994 to Present)	
59	1060395	103 ft/31.4m	Cable, Electrical - 16/4 (Intercom) (April 1994 to Present)	
60	4844832	1	Boom Rest Weldment (July 1994 to Present)	
61	0641810	5	Bolt 1/2in-13NC x 1 1/4in	
62	4891800	5	Washer, Hardened	
63	4060807	1 ft/31cm	Shield, Flex-Trim 3/8 (SN 34994 to Present)	
64	4060808	1 ft/31cm	Shield, Flex-Trim 1/2 (SN 34994 to Present)	
65	1670836	6	Cover, Boom (SN 34994 to Present)	
66	1060079	111 ft	Cable - 16/4	
		Ref	BOOM TAPE INSTALLATIONS	
	0252066	Ref	Boom Tape Installations (Prior to SN 27450)	B
	0256695	Ref	Boom Tape Installations (SN 27450 to Present)	3
102	4420017	72 in/1.83m	Tape, Plastic (Red)	
103	4420018	197 in/5m	Tape, Plastic (Blue)	
104	3580183	1	Pulley, Cap Indicator (Not Shown)	

SECTION 3 - BOOM

FIGURE 3-4. JUNCTION BOX ASSEMBLY (TOWER BOOM MOUNTED)



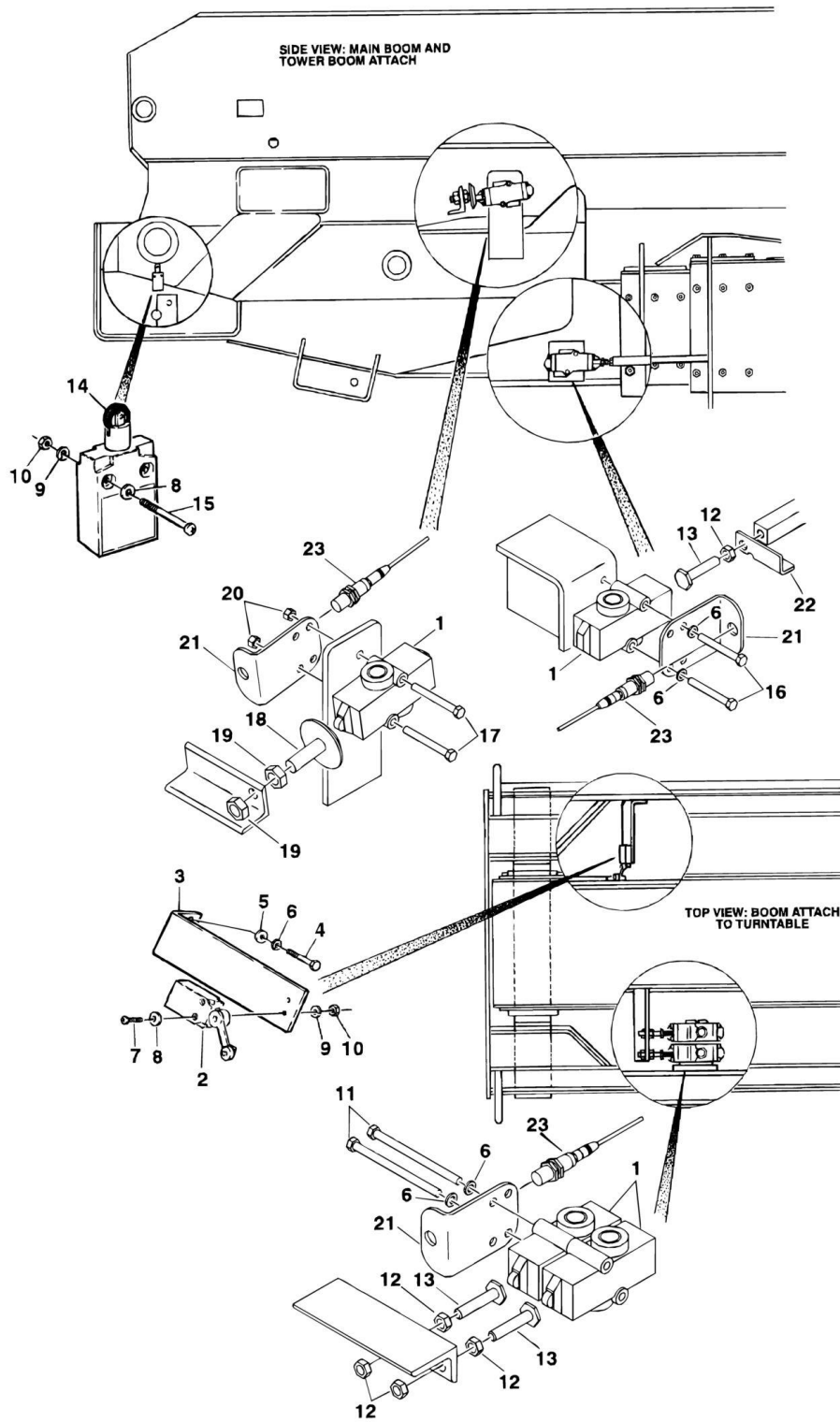
SECTION 3 - BOOM

FIGURE 3-4. JUNCTION BOX ASSEMBLY (TOWER BOOM MOUNTED)

ITEM	PART NUMBER	QTY	DESCRIPTION	REV
	0860888	Ref	JUNCTION BOX ASSEMBLY	3
1	0860887	1	Box, Junction	
2	4460244	2	Connector, Strain Relief	
3	3300048	2	Nut, Conduit	
4	0960238	2	Bushing	
5	4460052	8	Connector, Strain Relief	
6	3300047	10	Nut, Conduit	
7	0960239	8	Bushing	
8	3640536	1	Rail	
9	4460387	21	Block, Terminal	
10	4460398	7	Block, Terminal	
11	4460442	1	Stop, Terminal End	
12	4460388	2	Barrier, Terminal	
13	4460301	1	Marker, Terminal 1-50	
14	4460413	4	Marker, Terminal #3	
15	4460414	8	Marker, Terminal #4	
16	3910606	2	Screw, Machine #6-32NC x 3/8in	
17	4750600	2	Flatwasher #6	
18	4760600	2	Lockwasher #6	
19	3310601	2	Nut #6-32NC	
20	0860785	1	Box, Electrical	
21	1670739	1	Cover, Receptacle	
22	4460299	1	Stop, Terminal End (Not Shown)	

SECTION 3 - BOOM

FIGURE 3-5. LIMIT SWITCHES AND VALVES INSTALLATION (BOOM MOUNTED)



SECTION 3 - BOOM

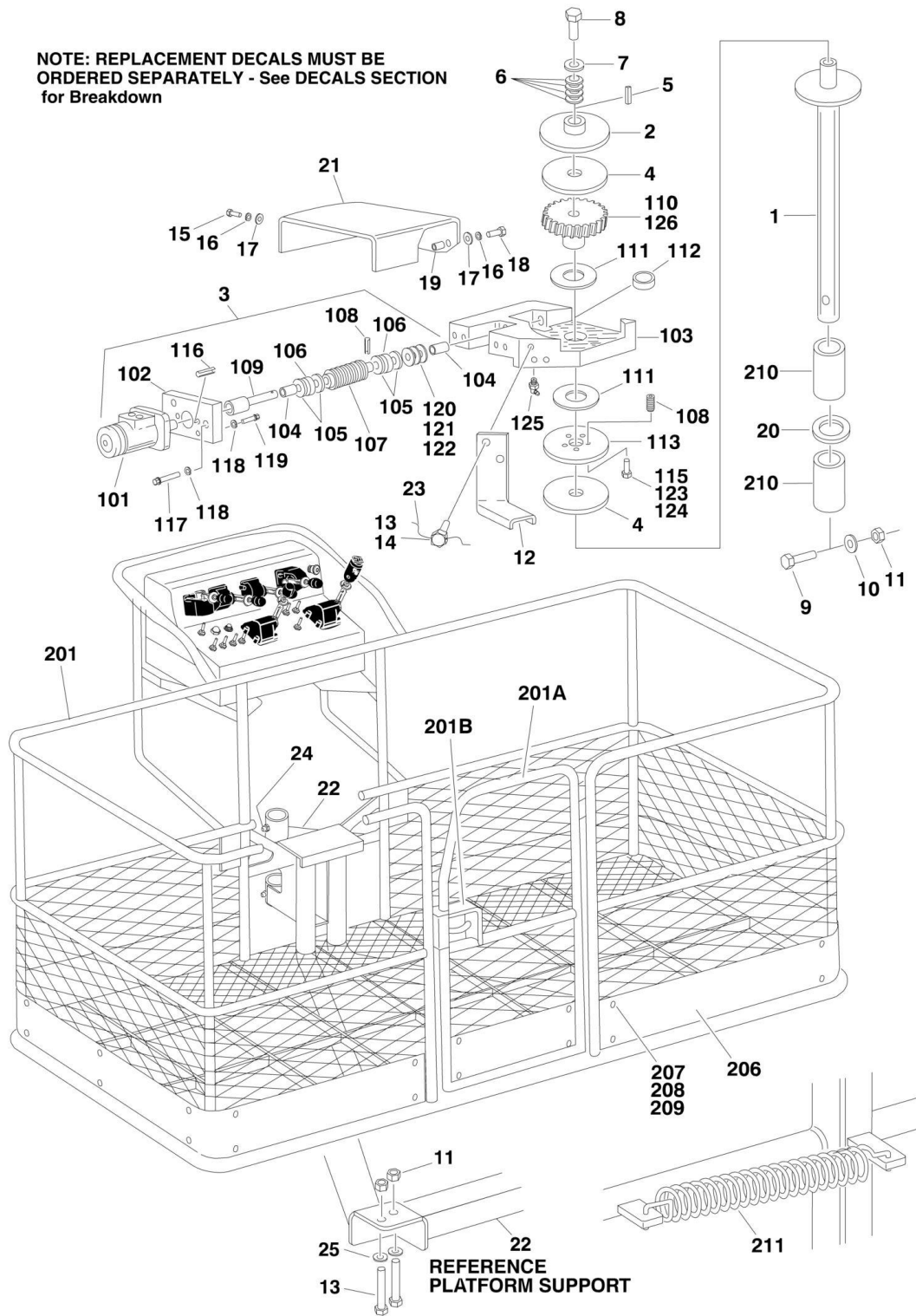
FIGURE 3-5. LIMIT SWITCHES AND VALVES INSTALLATION (BOOM MOUNTED)

ITEM	PART NUMBER	QTY	DESCRIPTION	REV
	0251884	Ref	LIMIT SWITCHES AND VALVES INSTALLATIONS	C
1	4640696	4	Valve Assembly	
1	2900791	4	Seal Kit - 4640696 Valve (Includes Roller and Seals) (1 per Assy)	
2	4360301	1	Switch, Limit	
3	0901780	1	Bracket, Mounting	
4	0641610	2	Bolt 3/8in-16NC x 1 1/4in	
5	4751600	2	Flatwasher 3/8in	
6	4761600	6	Lockwasher 3/8in	
7	3910624	2	Screw, Machine #6-32NC x 1 1/2in	
8	4750600	4	Flatwasher #6	
9	4760600	4	Lockwasher #6	
10	3310601	4	Nut #6-32NC	
11	0641644	2	Bolt 3/8in-16NC x 5 1/2in	
12	3311802	5	Nut, Jam 1/2in-18NC	
13	0630427	3	Bolt, Special	
14	4360266	1	Switch, Limit	
15	3910620	2	Screw, Machine #6-32NC x 1 1/4in	
16	0641624	2	Bolt 3/8in-16NC x 2 3/4in	
17	0641626	2	Bolt 3/8in-16NC x 3 1/4in	
18	1100065	1	Disk, Cam	
19	3312202	2	Nut, Jam 3/4in-10NC	
20	3311605	2	Locknut 3/8in-16NC	
21	3572686	3	Bracket, Switch Mount	
22	3572687	1	Tripper	
23	4360498	3	Switch, Proximity	

SECTION 4 - PLATFORM

SECTION 4 - PLATFORM

FIGURE 4-1. PLATFORM AND ROTATOR INSTALLATION (Prior to SN 76169)



SECTION 4 - PLATFORM

FIGURE 4-1. PLATFORM AND ROTATOR INSTALLATION (Prior to SN 76169)

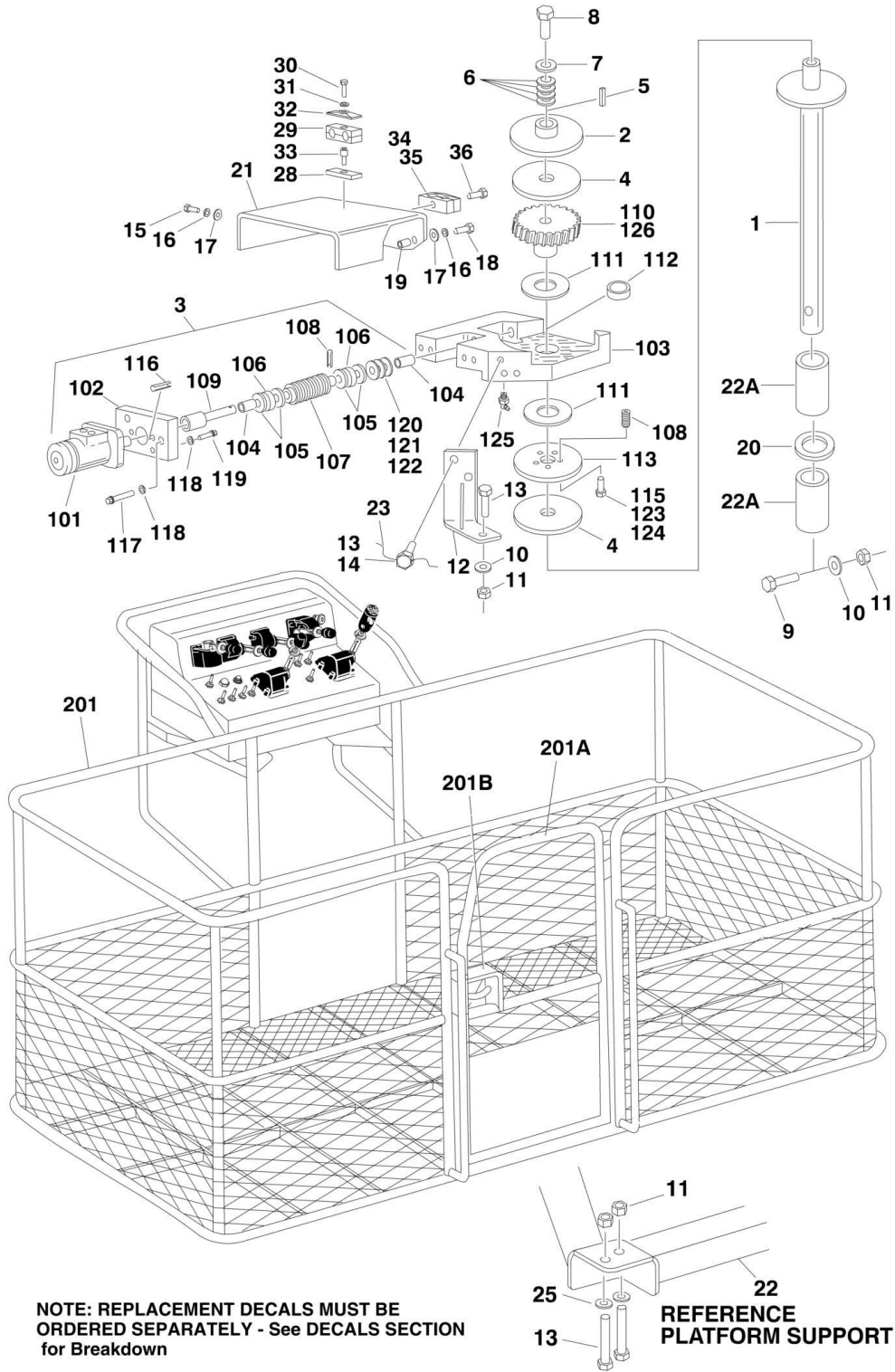
ITEM	PART NUMBER	QTY	DESCRIPTION	REV
		Ref	PLATFORM ROTATOR INSTALLATIONS	
	0252037	Ref	Platform Rotator Installations (Prior to SN 65552)	4
	0272937	Ref	Platform Rotator Installations (SN 65552 through 76169)	1
1	4842046	1	Shaft Weldment	
2	1120299	1	Cap	
3	0235238	1	Rotator Assembly (See Items 101-126 for Breakdown)	
4	3340454	2	Pad, Brake	
5	2880404	1	Keystock	
6	4160026	8	Washer, Belleville	
7	4752000	1	Flatwasher 5/8in	
8	0652014	1	Bolt 5/8ft-18NC x 1 3/4in	
9	0641836	1	Bolt 1/2in-13NC x 4 1/2in	
10	4751800	1	Flatwasher 1/2in	
11	3311805	AR	Locknut 1/2in-13NC	
12		Ref	Bracket Options:	
12	0901721	1	Bracket (Prior to SN 36560)	
12	0902414	1	Bracket (SN 36560 through 65551)	
12	0902896	1	Bracket (SN 65552 through 76169)	
13	0641811	AR	Bolt 1/2in-13NC x 1 3/8in	
14	1380137	2	Clip, Retainer	
15	0641404	1	Bolt 1/4in-20NC x 1/2in	
16	4761400	2	Lockwasher 1/4in	
17	4751400	2	Flatwasher 1/4in	
18	0641408	1	Bolt 1/4in-20NC x 1in	
19	4562083	1	Tube, Spacer	
20	4740158	1	Washer, Thrust	
21	1670630	1	Cover	
22	4846823	1	Support, Platform (SN 65552 through 76169)	
23	4920986	1 ft/31cm	Wire, Safety	
24	2160002	2	Fitting, Grease	
25	4891800	8	Flatwasher 1/2in Hardened (SN 65552 through 76169)	
26	4100033	66 in 1/7m	Sleeve, Hose Protector (Not Shown - Used to Wrap Boom Cables and Hoses) (SN 27450 through 76169)	
27	4240033	10	Tie-Strap (Not Shown) (SN 27450 through 76169)	
	0235238	Ref	ROTATOR ASSEMBLY	
101	3160083	1	Rotator Motor Assembly (See ROTATOR MOTOR ASSEMBLY for Breakdown)	
102	0080099	1	Adapter, Motor	
103	2760064	1	Housing, Gear	
104	0440134	2	Bearing, Sleeve	
105	4740199	4	Washer, Thrust	
106	0440120	2	Bearing, Thrust	
107	2440043	1	Gear, Worm	
108	3440816	4	Rollpin 1/4in x 1in	
109	0080098	1	Adapter, Motor to Worm Gear	
110	2440044	1	Gear, Worm	
111	4740256	2	Washer, Thrust	
112	0440135	1	Bearing, Sleeve	
113	1760068	1	Disc, Brake	
115	3931010	5	Bolt, Socket Head #10-24NC x 5/8in	

SECTION 4 - PLATFORM

ITEM	PART NUMBER	QTY	DESCRIPTION	REV
116	3441228	2	Rollpin 3/8in x 1 3/4in	
117	3931620	2	Bolt, Socket Head 3/8in-16NC x 1 1/4in	
118	4761600	6	Lockwasher 3/8in	
119	3931612	4	Bolt, Socket Head 3/8in-16NC x 3/4in	
120	4070585	AR	Shim .010	
121	4070586	AR	Shim .005	
122	4070587	AR	Shim .002	
123	0100019	AR	Compound, Locking	
124	0100021	AR	Primer	
125	2160001	1	Fitting, Grease - 90	
126	3020025	AR	Grease	
		Ref	PLATFORM (SWING GATE) ASSEMBLIES	
	3510329	Ref	36in x 96in (.9m x 2.44m) without Bumper and Without Door Kickplate) (ANSI/JPN/CSA) (SN 53798 through 76169)	3
	3510333	Ref	36in x 96in (.9m x 2.44m) without Bumper and With Door Kickplate (Prior to SN 53798)	3
	3510445	Ref	30in x 96in (.7m x 2.44m) with Bumper and Without Door Kickplate) (ANSI /JPN /CSA) (SN 53798 through 76169)	2
	3510447	Ref	30in x 96in (.7m x 2.44m) with Bumper and With Door Kickplate (Prior to SN 53798)	2
201		Ref	Platform Weldment Options:	
201	3510445	1	30in x 96in (.7m x 2.4m) without Bumper	
201	3510329	1	36in x 96in (.9m x 2.4m) with Bumper	
201A	1780253	1	Door Weldment	
201B	2940006	1	Latch, Door	
201B	2560010	1	Handle, Latch	
201C	2160006	2	Fitting, Grease	
206	3534144	2	Kickplate, Ends Only (Prior to SN 53798)	
207	0721003	36	Screw, Machine #10-24NC x 3/8in	
208	4740371	72	Washer, Special	
209	3311005	36	Locknut #10-24NC	
210	0960564	2	Bushing, Bronze	
211	4160028	1	Spring (When Equipped)	

SECTION 4 - PLATFORM

FIGURE 4-2. PLATFORM AND ROTATOR INSTALLATION (SN 76169 to Present)



SECTION 4 - PLATFORM

FIGURE 4-2. PLATFORM AND ROTATOR INSTALLATION (SN 76169 to Present)

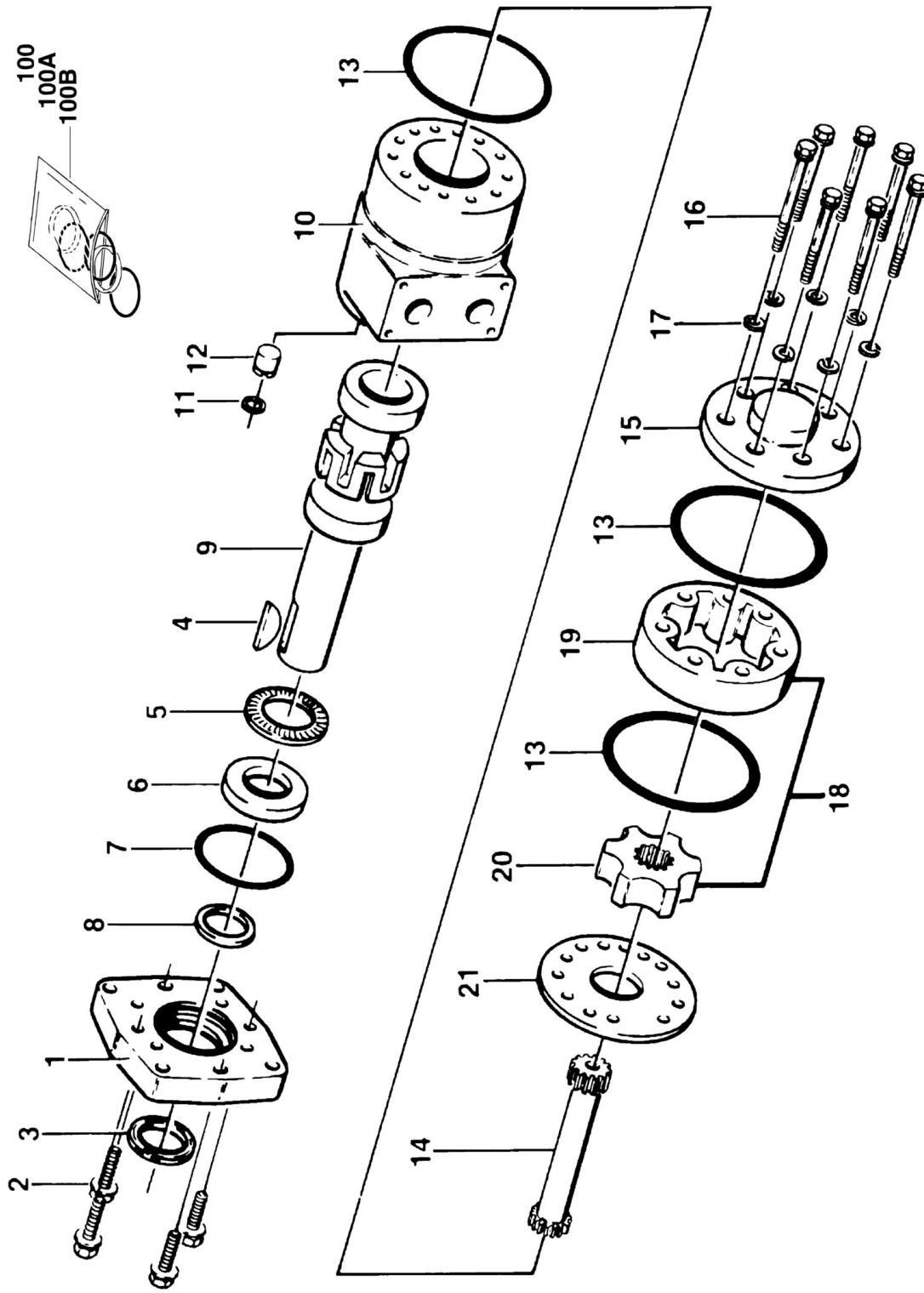
ITEM	PART NUMBER	QTY	DESCRIPTION	REV
	0272937	Ref	PLATFORM ROTATOR INSTALLATIONS	2-B
1	4842046	1	Shaft Weldment	
2	1120299	1	Cap	
3	0235238	1	Rotator Assembly (See Items 101-126 for Breakdown)	
4	3340454	2	Pad, Brake	
5	2880404	1	Keystock	
6	4160026	8	Washer, Belleville	
7	4752000	1	Flatwasher 5/8in	
8	0652014	1	Bolt 5/8in-18NC x 1 3/4in	
9	0641836	1	Bolt 1/2in-13NC x 4 1/2in	
10	4751800	1	Flatwasher 1/2in	
11	3311805	10	Locknut 1/2in-13NC	
12	0902896	1	Bracket	
13	0641811	11	Bolt 1/2in-13NC x 1 3/8in	
14	1380137	2	Clip, Retainer	
15	0641404	1	Bolt 1/4in-20NC x 1/2in	
16	4761400	2	Lockwasher 1/4in	
17	4751400	2	Flatwasher 1/4in	
18	0641408	1	Bolt 1/4in-20NC x 1in	
19	4562083	1	Tube, Spacer	
20	4740158	1	Washer, Thrust	
21		Ref	Cover Options:	
21	1670630	1	Cover (Prior to SN 0300143325)	
21	1001114851	1	Cover (SN 0300143325 to Present)	
22	4846823	1	Support, Platform	
22A	0960564	2	Bushing	
23	4920986	1 ft/31cm	Wire, Safety	
24	2160002	2	Fitting, Grease (Not Shown)	
25	4891800	8	Flatwasher 1/2in Hardened	
26	4100033	66 in 1/7m	Sleeve, Hose Protector (Not Shown - Used to Wrap Boom Cables and Hoses)	
27	4240033	10	Tie-Strap (Not Shown)	
28	1001080394	1	Spacer, Clamp (SN 0300143325 to Present)	
29	1320187	1	Clamp, Twin (SN 0300143325 to Present)	
30	1320488	1	Bolt, Stacking (SN 0300143325 to Present)	
31	1320189	1	Lockwasher (SN 0300143325 to Present)	
32	1320190	1	Cover, Clamp (SN 0300143325 to Present)	
33	0641511	1	Bolt 5/16in-18NC x 1 3/8 (SN 0300143325 to Present)	
34	80966123	1	Clamp, Twin (SN 0300143325 to Present)	
35	77133137	1	Cover, Clamp (SN 0300143325 to Present)	
36	0641514	1	Bolt 5/16in-18NC x 1 3/4 (SN 0300143325 to Present)	
	0235238	Ref	ROTATOR ASSEMBLY	
101	3160083	1	Rotator Motor Assembly (See ROTATOR MOTOR ASSEMBLY for Breakdown)	
102	0080099	1	Adapter, Motor	
103	2760064	1	Housing, Gear	
104	0440134	2	Bearing, Sleeve	
105	4740199	4	Washer, Thrust	
106	0440120	2	Bearing, Thrust	
107	2440043	1	Gear, Worm	

SECTION 4 - PLATFORM

ITEM	PART NUMBER	QTY	DESCRIPTION	REV
108	3440816	4	Rollpin 1/4in x 1in	
109	0080098	1	Adapter, Motor to Worm Gear	
110	2440044	1	Gear, Worm	
111	4740256	2	Washer, Thrust	
112	0440135	1	Bearing, Sleeve	
113	1760068	1	Disc, Brake	
115	3931010	5	Bolt, Socket Head #10-24NC x 5/8in	
116	3441228	2	Rollpin 3/8in x 1 3/4in	
117	3931620	2	Bolt, Socket Head 3/8in-16NC x 1 1/4in	
118	4761600	6	Lockwasher 3/8in	
119	3931612	4	Bolt, Socket Head 3/8in-16NC x 3/4in	
120	4070585	AR	Shim .010	
121	4070586	AR	Shim .005	
122	4070587	AR	Shim .002	
123	0100019	AR	Compound, Locking	
124	0100021	AR	Primer	
125	2160001	1	Fitting, Grease - 90	
126	3020025	AR	Grease	
	3510839	Ref	PLATFORM ASSEMBLY - 36in X 96in (.9m X 2.44m)	1
201	3510839	1	Platform Weldment - 30in x 96in (.7m x 2.4m)	
201A	1780253	1	Door Weldment	
201B	2940006	1	Latch, Door	
201B	2560010	1	Handle, Latch	
201C	2160006	2	Fitting, Grease	

SECTION 4 - PLATFORM

FIGURE 4-3. ROTATOR MOTOR ASSEMBLY



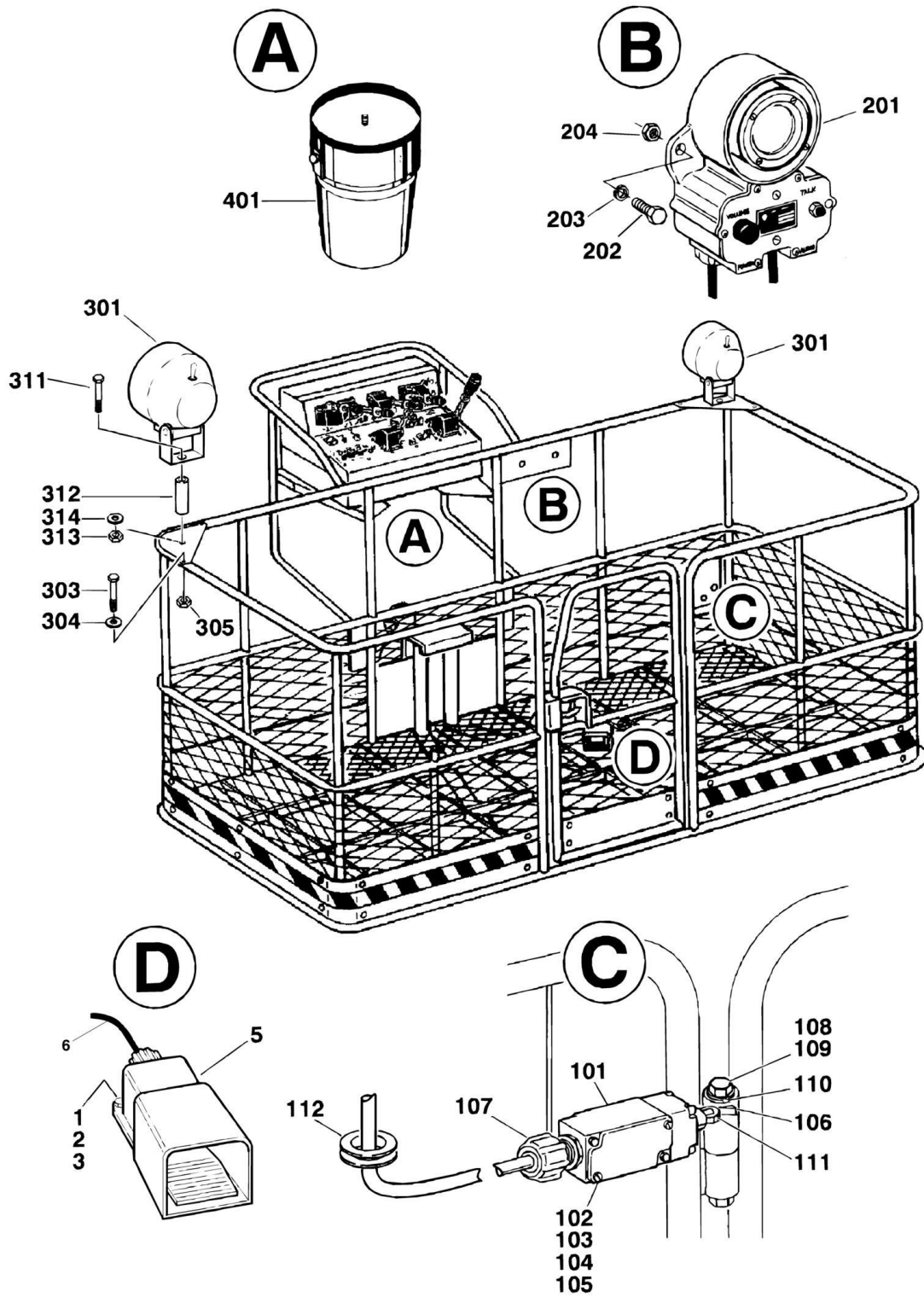
SECTION 4 - PLATFORM

FIGURE 4-3. ROTATOR MOTOR ASSEMBLY

ITEM	PART NUMBER	QTY	DESCRIPTION	REV
	3160083	Ref	ROTATOR MOTOR ASSEMBLY	C
1	7002105	1	Flange, Mounting	
2	7002123	4	Screw, Cap	
3	See Note	1	Seal, Dust (Note: Use Items 100A & 100B)	
4	7002104	1	Key, Woodruff	
5	7002111	1	Bearing, Thrust Needle	
6	7002117	1	Thrust, Bearing Race	
7	See Note	1	Seal, O-Ring (Note: Use Items 100A & 100B)	
8	See Note	1	Seal, Pressure (Note: Use Items 100A & 100B)	
9	7002116	1	Shaft, Output	
10	7002103	1	Housing	
11	See Note	1	Seal (Note: Use Items 100A & 100B)	
12	7009992	1	Plug, Housing	
13	See Note	3	Seal, O-Ring (Note: Use Items 100A & 100B)	
14	7002112	1	Drive	
15	7002107	1	Cap, End	
16	7002100	7	Screw, Cap	
17	7000166	7	Lockwasher	
18	7002125	1	Gerotor Sub-Assembly	
19	7002110	1	Plate, Spacer	
100		Ref	Seal Kit Options (Includes Items 3, 7, 8, 11 & 13):	
		Ref	Note: Identify by P/N stamped on nameplate located on Item 10.	
100A	2900455	1	Seal Kit (P/N 1011009007)	
100B	2900733	1	Seal Kit (P/N's 1011009008 & 1011009009)	

SECTION 4 - PLATFORM

FIGURE 4-4. PLATFORM COMPONENTS INSTALLATION



SECTION 4 - PLATFORM

FIGURE 4-4. PLATFORM COMPONENTS INSTALLATION

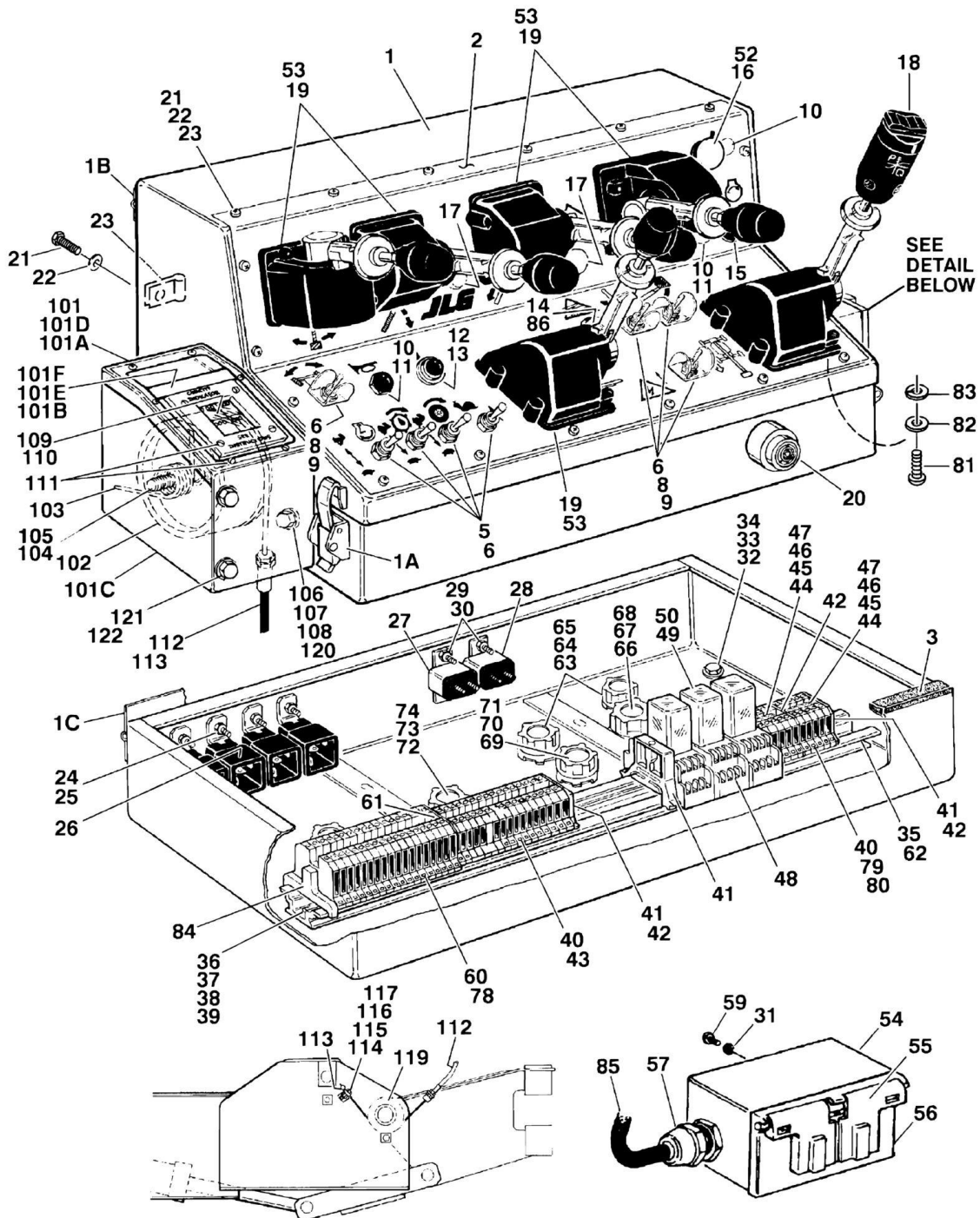
ITEM	PART NUMBER	QTY	DESCRIPTION	REV
	0237963	Ref	FOOTSWITCH INSTALLATION	7
1	0641408	3	Bolt 1/4in-20NC x 1in	
2	3311405	3	Locknut 1/4in-20NC	
3	4740362	3	Washer, Fender	
5	4360031	1	Footswitch	
5	7000625	2	Block, Contact	
6	4460071	1	Terminal, Strain Relief	
	0252044	Ref	PLATFORM DOOR INTERLOCK SWITCH INSTALLATION	3
101	4360277	1	Switch, Limit	
102	0721016	2	Screw, Machine #10-24NCx 2in	
103	3311001	2	Nut #10-24NC	
104	4751000	2	Flatwasher #10	
105	4761000	2	Lockwasher #10	
106	1100066	1	Cam, Switch	
107	4460049	1	Connector, Strain Relief	
108	4761600	1	Lockwasher 3/8in	
109	0641608	1	Bolt 3/8in-16NC x1in	
110	3440418	1	Rollpin 1/8in x 1 1/8in	
111	4360307	1	Roller, Switch	
112	2540016	2	Grommet	
	0252039	Ref	PLATFORM INTERCOM SYSTEM INSTALLATION	4
201	3630008	1 Set	Intercom Set (2 Units)	
202	0641612	4	Bolt 3/8in-16NC x 1 1/2in	
203	4751600	4	Flatwasher 3/8in	
204	3311605	4	Locknut 3/8in-16NC	
206	4240033	4	Tie-Strap (Not Shown)	
207	0961127	1	Grommet, Plastic (Located below Ground Intercom - Not Shown)	
		Ref	WORKLIGHTS INSTALLATIONS (optional)	
		Ref	Platform Without Bumper Options:	
	0253987	Ref	Platform Without Bumper (Prior to SN 55775)	4
	0271329	Ref	Platform Without Bumper (SN 55775 to Present)	2
	0254748	Ref	Platform With Bumper	3
301		Ref	Worklight Options:	
301	2920111	2	Worklight (Prior to SN 137869)	
301	2920140	2	Worklight (SN 137869 to Present)	
302	3536089	2	Plate, Mounting	
303	0641414	4	Bolt 1/4in-20NC x 1 3/4in	
304	4711400	8	Flatwasher 1/4in Narrow	
305	3311405	4	Locknut 1/4in-20NC	
306	2540016	AR	Grommet	
307	4920019	12 ft/3.7m	Wire (Red) (Not Shown)	
308	2820022	9	Loom, Vinyl (Not Shown)	
309	4460185	1	Terminal (Not Shown)	
310	4460206	1	Terminal (Not Shown)	
311		Ref	Bolt Options (Platforms with Bumper): (Prior to SN 137869)	
311	See Note	1	Platforms without Bumper (Note: Use existing bolt)	
311	0641624	2	Platforms with Bumper (3/8in-16NC x 3in)	
312		Ref	Spacer, Tube Options (Platforms with Bumper): (Prior to SN 137869)	
312	Not Required	0	Platforms without Bumper	

SECTION 4 - PLATFORM

ITEM	PART NUMBER	QTY	DESCRIPTION	REV
312	4566493	2	Platforms with Bumper	
313	3311605	2	Locknut 3/8in-16NC (Platforms with Bumper) (Prior to SN 137869)	
314	4751600	2	Flatwasher 3/8in (Platforms with Bumper) (Prior to SN 137869)	
315	4920039	2 ft/.61m	Wire (Red) (Not Shown)	
316	4360232	1	Circuit Breaker 15Amp (Not Shown)	
		Ref	BEACON LIGHT INSTALLATIONS (OPTIONAL)	
	0252210	Ref	Amber	
	0252211	Ref	Red	
401		Ref	Light, Beacon Options:	
401	2920018	1	Amber	
401	2920009	1	Red	
401	3520034	1	Lug	

SECTION 4 - PLATFORM

FIGURE 4-5. PLATFORM CONSOLE ASSEMBLY



SECTION 4 - PLATFORM

FIGURE 4-5. PLATFORM CONSOLE ASSEMBLY

ITEM	PART NUMBER	QTY	DESCRIPTION	REV
	0860729	Ref	CONSOLE BOX ASSEMBLY (ANSI/JPN/CSA SPEC)	9
	0253077	Ref	TILT ALARM INSTALLATION (OPTIONAL - ANSI/JPN /CSA SPEC)	5-C
	0254436	Ref	AC RECEPTACLE INSTALLATION (ANSI/JPN/CSA SPEC)	4
1	0860538	1	Box, Console	
1A	2940052	1	Latch	
1B	2600105	1	Hinge (Access Door)	
1C	2600132	1	Hinge (Lid)	
2		Ref	Nameplate Options:	
2	3252073	1	Nameplate (Prior to May 1994)	
2	3252371	1	Nameplate (May 1994 to Present)	
3	4420038	39 in/1m	Tape, Insulation	
4	0100001	AR	Adhesive (Not Shown)	
5	4360092	4	Switch, Toggle	
6	3790012	8	O-Ring	
7	4360200	1	Switch, Toggle	
8	4060229	4	Guard, Switch	
9	4360202	3	Switch, Toggle	
10	3790015	2	O-Ring	
11	4360274	2	Switch, Push Button	
12	2920027	1	Light, Indicator - Green	
13	2920029	1	Bulb, Light	
14		Ref	Lamp, Indicator Options:	
14	2920015	1	Lamp, Indicator (Prior to SN 137532)	
14	2920120	1	Lamp, Indicator (SN 137532 to Present)	
15	3520030	1	Plug	
16		Ref	Switch, Emergency Stop Options:	
16	4360289	1	Switch, Emergency Stop (Prior to SN 46291)	
16	4360475	1	Switch, Emergency Stop (SN 46291 to Present)	
16	7012611	1	Head, Mushroom (Use with 4360289)	
16	7012612	1	Boot (Use with 4360289)	
16	7020175	1	Cap (Use with 4360475)	
16	7020176	1	Contact, Block (Use with 4360475)	
17	3520030	1	Plug	
18		Ref	Controller Assembly Options:	
18	1600140	1	Controller Assembly (Prior to SN 74463)	
18	1600352	1	Controller Assembly (SN 74463 to Present)	
19		Ref	Controller Assembly Options:	
19	1600141	5	Controller Assembly (Prior to SN 74463)	
19	1600353	5	Controller Assembly (SN 74463 to Present)	
20		Ref	Alarm Options:	
20	0140019	1	Standard Spec	
20	0140026	1	Japanese Spec	
21	0751006	21	Screw	
22	4740120	21	Washer, Nylon	
23	3300177	21	Nut, Tinnerman	
24	4761000	4	Lockwasher #10	
25	3311001	4	Nut #10-24NC	
26	3740049	4	Relay	
27	4360209	1	Breaker, Circuit - 20 Amp	

SECTION 4 - PLATFORM

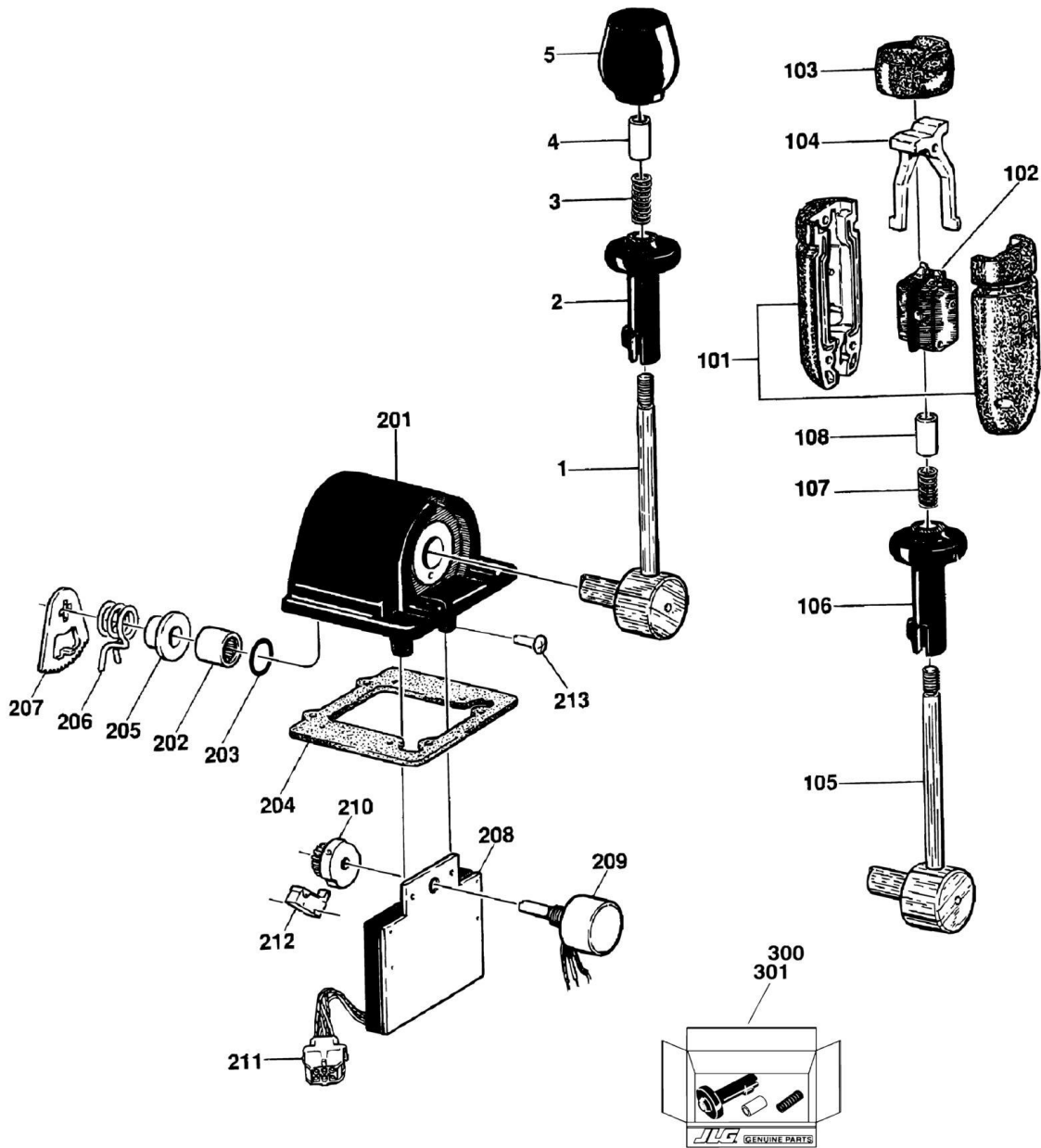
ITEM	PART NUMBER	QTY	DESCRIPTION	REV
28	4360232	1	Breaker, Circuit - 15 Amp	
29	4761000	2	Lockwasher #10	
30	3311001	2	Nut #10-24NC	
31	4761000	4	Lockwasher #10	
32	0641508	4	Bolt 5/16in-18NC x 1in	
33	4751500	8	Flatwasher 5/16in	
34	3311505	4	Locknut 5/16in-18NC	
35	3640752	1	Rail	
36	3310601	2	Nut #6-32NC	
37	3910608	2	Screw #6-32NC x 1/2in	
38	4750600	2	Flatwasher #6	
39	4760600	2	Lockwasher #6	
40	4460298	33	Block, Terminal	
41	4460299	3	Stop, Terminal	
42	4460300	3	Barrier, Terminal	
43	4460301	1	Marker, Terminal	
44	4460311	2	Bar, Buss - 5 Position	
45	4460305	10	Screw, Terminal Block	
46	4460306	10	Washer, Terminal Block	
47	4460307	10	Sleeve, Terminal Block	
48	4120013	3	Socket, Relay	
49	3740058	3	Relay	
50	3740063	3	Spring, Relay	
52		Ref	Contact, Block - N.C. Options:	
52	4360282	1	Contact, Block - N.C. (Prior to SN 46291)	
52	4360476	1	Contact, Block - N.C. (SN 46291 to Present)	
53	2560112	5	Knob - Controller	
54	0860038	1	Box, Switch	
55	4460190	1	Receptacle, Electrical	
56	4060092	1	Cover, Receptacle	
57	4460071	1	Connector, Strain Relief	
59	3900294	4	Hex Self Drilling Screw #10-16 X 1 LG	
60	4460387	18	Block, Terminal	
61	4460388	1	Barrier, Terminal	
62	4220038	1.5 in/4cm	Tape, Insulation	
63	4460071	2	Connector, Strain Relief	
64	3300048	2	Nut, Conduit	
65	0960238	2	Bushing	
66	4460386	1	Connector, Strain Relief	
67	3300147	1	Nut, Conduit	
68	0960905	1	Bushing	
69	4460051	1	Connector, Strain Relief	
70	3300048	1	Nut, Conduit	
71	0960238	1	Bushing	
72	4460051	1	Connector, Strain Relief	
73	3300048	1	Nut, Conduit	
74	0960238	1	Bushing	
78	4460406	1	Marker, Terminal	
79	4460451	10	Marker, Terminal #98	
80	4460452	10	Marker, Terminal #99	
81	0720803	20	Screw, Machine #8-32NC x 3/8in	

SECTION 4 - PLATFORM

ITEM	PART NUMBER	QTY	DESCRIPTION	REV
82	4750800	20	Flatwasher #8	
83	4760800	20	Lockwasher #8	
84	4460442	1	Stop, Terminal	
85	1060393	195 ft/59.4m	Cable, Electrical - 10/3 (Prior to SN 74463)	
86	2920108	1	Bulb (SN 137532 to Present)	
		Ref	CAPACITY INDICATOR INSTALLATIONS	
	0252066	Ref	Capacity Indicator Installations (Prior to SN 27450)	B
	0256695	Ref	Capacity Indicator Installations (SN 27450 to Present)	3
		Ref	Indicator Assembly Options:	
	Not Available		Indicator Assembly (Prior to SN 27450)	
	0256693	1	Indicator Assembly (SN 27450 to Present)	
101		Ref	Box Component Options:	
101A	4843851	1	Box Weldment (Prior to SN 27450)	
101B	3252346	1	Nameplate (Prior to SN 27450)	
101C	4843852	1	Plate, Side (Prior to SN 27450)	
101D	4845039	1	Box Assembly (SN 27450 to Present)	
101E	7012662	1	Nameplate - Instructions	
101F	7012672	1	Nameplate - Caution	
102	2420138	1	Gauge, Indicator	
103	4160058	1	Spring	
104	3900111	1	Bolt, Shoulder 3/8in-16NC x 1 3/4in	
105	0100011	AR	Compound, Locking	
106	4751400	2	Flatwasher 1/4in	
107	3321601	2	Nut 3/8in-24NF	
108	4740362	2	Washer, Fender	
109	3960251	1	Gasket	
110	2960006	1	Lens, Indicator	
111		Ref	Hardware Options:	
111	3911014	4	Screw, Round Head #10-32NC x 7/8in (Prior to SN 27450)	
111	4771000	4	Starwasher #10 (Prior to SN 27450)	
111	3311001	4	Nut #10-32NC (Prior to SN 27450)	
111	0751006	6	Screw, Round Head #10-32NC x 3/4in (Prior to SN 27450)	
111	3300177	6	Nut, Tinnerman (Prior to SN 27450)	
111	0100001	AR	Adhesive (Prior to SN 27450)	
111	4420008	2 ft/.63m	Tape, Insulation	
111	3910812	10	Screw, Round Head #8-32NC x 3/4in (SN 27450 to Present)	
112	1060369	1	Cable	
113	4220044	2	Stop, Throttle	
114	1320109	1	Clamp	
115	4751600	3	Flatwasher 3/8in	
116	4761600	1	Lockwasher 3/8in	
117	3321601	1	Nut 3/8in-24NC	
119	3580183	1	Pulley	
120	0641408	2	Bolt 1/4in-20NC x 1 (Prior to SN 27450)	
121	0641404	4	Bolt 1/4in-20NC x 1/2 (Prior to SN 27450)	
122	4761400	4	Lockwasher 1/4 (Prior to SN 27450)	
	0253550	Ref	DECAL INSTALLATION - CSA SPEC (Prior to SN 69948)	
201	1705514	1	Decal, CSA (Booms) (Not Shown)	

SECTION 4 - PLATFORM

FIGURE 4-6. CONTROLLER ASSEMBLY (Prior to SN 74463)



SECTION 4 - PLATFORM

FIGURE 4-6. CONTROLLER ASSEMBLY (Prior to SN 74463)

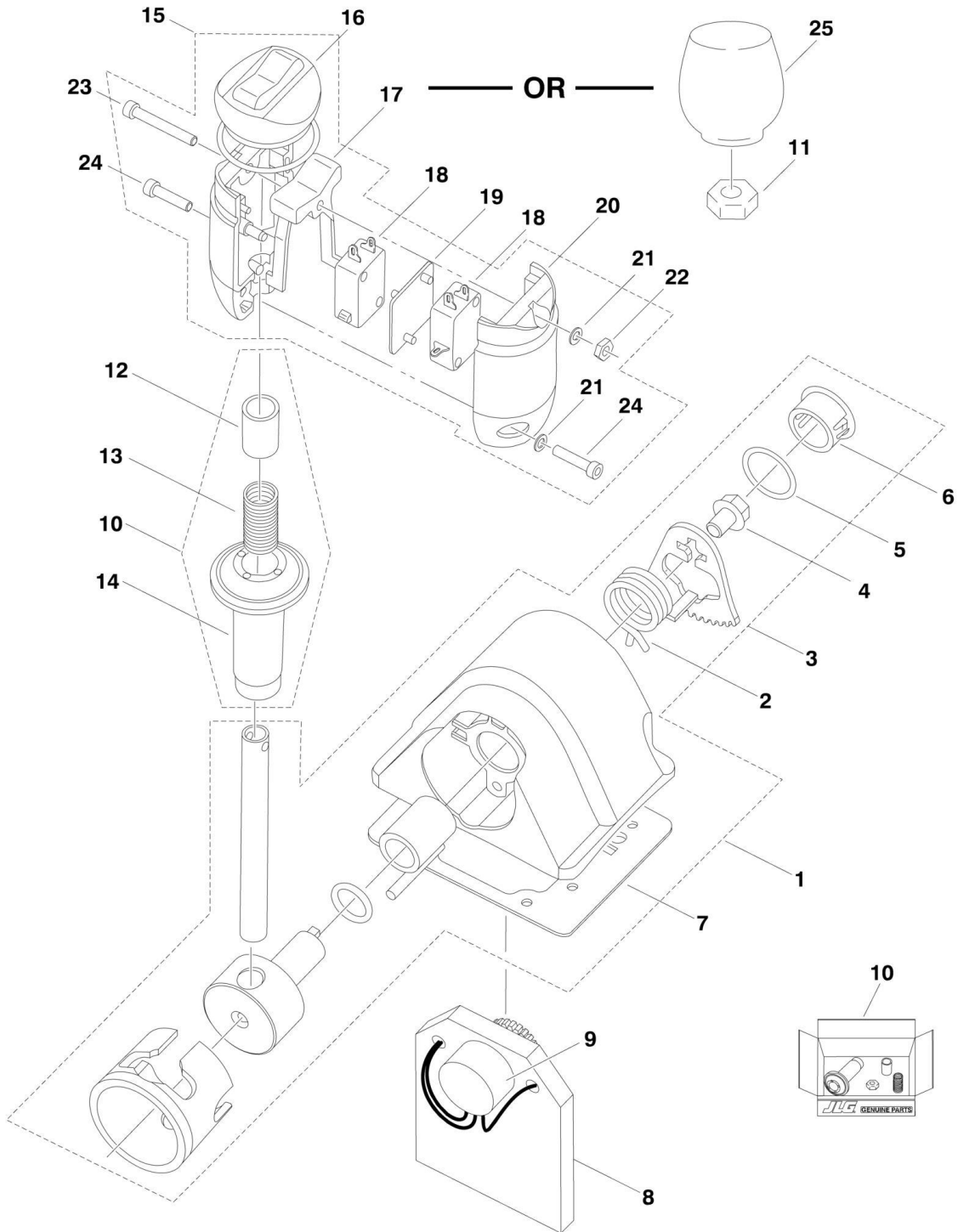
ITEM	PART NUMBER	QTY	DESCRIPTION	REV
		Ref	SLIDE LOCK HANDLE CONTROLLER ASSEMBLIES - 90	
		Ref	HANDLE COMPONENTS - STANDARD KNOB	
	1600140	Ref	Controller Assembly	A
	1600141	Ref	Controller Assembly	A
1	7003700	1	Handle Assembly	
2	Item 300	1	Slide, Locking	
3	Item 300	1	Spring	
4	Item 300	1	Sleeve, Black Plastic	
5		Ref	Knob Options:	
5	2560040	AR	Swing Knob	
5	2560041	AR	Drive Knob	
5	2560038	AR	Lift Knob	
5	2560039	AR	Tele Knob	
		Ref	HANDLE COMPONENTS - ROCKER SWITCH GRIP	
	1600140	Ref	Controller Assembly	A
	7003795	1	Handle Assembly	
101	7003792	2	Half, Grip Knob (Requires 2 for Complete Handle)	
102	7003789	1	Switch, Rocker	
103	7003790	1	Cap, Rubber	
104	7003791	1	Actuator, Switch	
105	7003793	1	Handle	
106	Item 301	1	Slide, Lock	
107	Item 301	1	Spring	
108	Item 301	1	Sleeve	
		Ref	HOUSING AND INTERNAL COMPONENTS	
201	7003702	1	Housing Assembly	
202	7003739	1	Bushing, Bronze	
203	3790112	1	O-Ring	
204	7003703	1	Gasket	
205	7003744	1	Guide, Spring	
206	7003719	1	Spring, Torsion	
207		Ref	Gear Sector Options:	
207	7003740	1	Without Thumb Rocker	
207	7003740	1	With Thumb Rocker (Was p/n 7011904)	
208		Ref	Electrical Assembly Options (Includes Potentiometer, Switches, Terminal Blocks, Spur Gear, PC Board, Wiring Harness and Electrical Connectors):	
208	7011903	1	1600140 Controller	
208	7011907	1	1600141 Controller	
209	7003751	1	Potentiometer 500K Ohm	
210	7003788	1	Gear, Brass Spur	
210	7020511		Setscrew #6-32NC x 1/8in for Spur and Pinion Gears	
210	7011983		Setscrew #4-40NC x 1/4in for Microswitch Cams	
211		Ref	Electrical Connector Options:	
211		Ref	Connector, Female	
211	4460224	1	6 Pin Connector	
211	4460266	1	9 Pin Connector	
211		Ref	Plug, Male (Part of Console Box Wiring Harness)	
211	4460225	1	6 Pin Plug	
211	4460265	1	9 Pin Plug	

SECTION 4 - PLATFORM

ITEM	PART NUMBER	QTY	DESCRIPTION	REV
211	4460226	AR	Socket, Female	
211	4460227	AR	Pin, Male	
213	7020542	2	Screw	
		Ref	Repair Kit Options:	
300	7011941	1	Slide Lock Repair Kit (Includes Items 2-4)	
301	7003722	1	Slide Lock Repair Kit (Includes Items 106-108)	
		Ref	TOOLS	
		Ref	Test Harness Options:	
	4920487	1	6 Pin Connector	
	4921299	1	9 Pin Connector	

SECTION 4 - PLATFORM

FIGURE 4-7. CONTROLLER ASSEMBLY (SN 74463 to Present)



SECTION 4 - PLATFORM

FIGURE 4-7. CONTROLLER ASSEMBLY (SN 74463 to Present)

ITEM	PART NUMBER	QTY	DESCRIPTION	REV
		Ref	CONTROLLER ASSEMBLIES	
	1600352	Ref	Drive and Steer Controller	
	1600353	Ref	Lift and Swing Controller	
		Ref	HOUSING AND INTERNAL COMPONENTS	
1		Ref	Housing Assembly Options:	
1	7020544	1	Drive and Steer Controller p/n 1600352	
1	7020562	1	Lift and Swing Controller p/n 1600353	
2	7020546	1	Spring, Torsion	
3	Not Serviceable	1	Gear Sector	
4	Not Serviceable	1	Bolt	
5	Not Serviceable	1	O-Ring	
6	7020549	1	Plug, Hole	
7	7020547	1	Gasket	
8		Ref	Electrical Assembly Options:	
8	7020559	1	Controller p/n 1600352	
8	7020561	1	Controller p/n 1600353	
9	7003751	1	Potentiometer	
		Ref	SLIDELOCK COMPONENTS	
10	7020545	1	Slidelock Kit	
11	Item 10	1	Nut 5/16in-18NC (Controller p/n 1600353 Only)	
12	Item 10		Sleeve, Slidelock	
13	Item 10		Spring, Slidelock	
14	Item 10		Slidelock	
		Ref	HANDLE COMPONENTS - ROCKER SWITCH GRIP	
15	7020560	1	Handle Assembly	
16	7003790	1	Cap, Rubber	
17	7003791	1	Actuator, Switch	
18	7020500	2	Switch	
19	Not Serviceable	1	Switch, Separator	
20	Not Serviceable	2	Half, Grip Knob (Requires 2 for Complete Handle)	
21	Not Serviceable	3	Lockwasher #6	
22	Not Serviceable	1	Nut #6	
23	Not Serviceable	1	Bolt #6-32NC x 1in	
24	Not Serviceable	2	Bolt #6-32NC x 5/8in	
25	2560112	1	Knob (Controller p/n 1600353 Only)	

SECTION 5 - CYLINDER

SECTION 5 - CYLINDER

FIGURE 5-1. AXLE EXTENSION CYLINDER ASSEMBLY

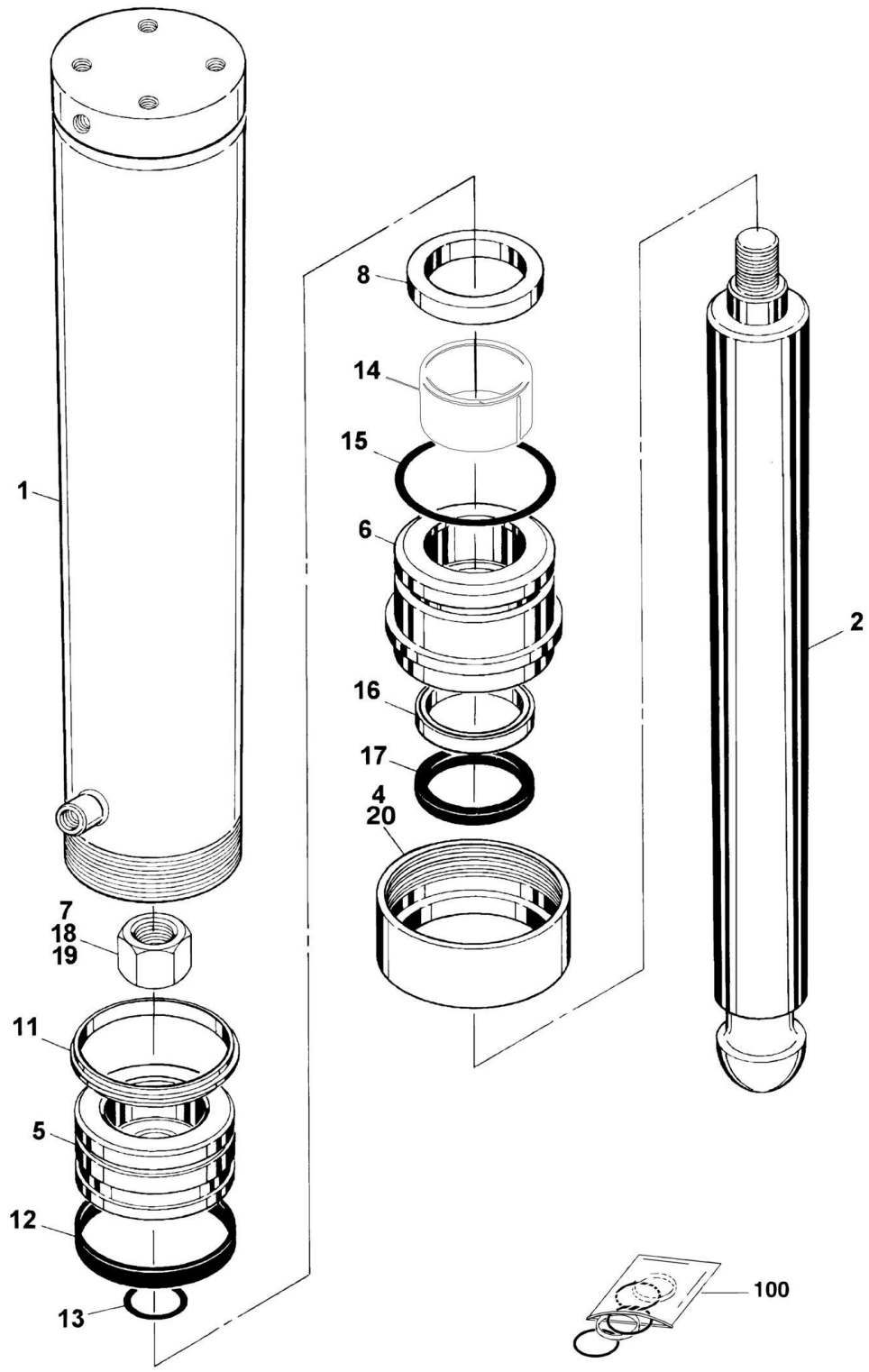
ITEM	PART NUMBER	QTY	DESCRIPTION	REV
		Ref	AXLE EXTENSION CYLINDER ASSEMBLIES	
	1682522	Ref	Axle Extension Cylinder Assemblies (Prior to February 1993)	
	1682905	Ref	Axle Extension Cylinder Assemblies (February 1993 to Present) (Standard Machines)	B
	1683045	Ref	Axle Extension Cylinder Assemblies (February 1993 to Present) (Hostile Environment Machines)	A
	1682214	Ref	Axle Extension Cylinder Assemblies (Not Shown) (Including 3455 and 4275)	
1		Ref	Barrel Weldment Options:	
1	1682523	1	Barrel Weldment (Prior to February 1993)	
1	1682906	1	Barrel Weldment (February 1993 to Present)	
1	1682215	1	Barrel Weldment (Including 3455 and 4275)	
2		Ref	Rod Weldment Options:	
2	1682525	1	Standard	
2	1683046	1	Hostile Environment	
2	1682217	1	Rod Weldment (Including 3455 and 4275)	
3		Ref	Cap Options:	
3	1120108	1	Standard	
3	1120286	1	Cap (Including 3455 and 4275)	
4		Ref	Head Options:	
4	1681283	1	Standard	
4	1681294	1	Head (Including 3455 and 4275)	
5		Ref	Nut, Hex Options:	
5	3300280	1	Standard	
5	3300190	1	Nut, Hex (Including 3455 and 4275)	
6		Ref	Piston Options:	
6	3480122	1	Standard	
6	3480102	1	Piston (Including 3455 and 4275)	
7		Ref	Spacer Options:	
7	4565099	1	Standard	
7	4563930	1	Spacer (Including 3455 and 4275)	
8		Ref	Setscrew Options:	
8	3900170	1	Standard (3/8in-16NC x3/8in)	
8	3951404	1	Setscrew (1/4in-20NC x 1/2in) (Including 3455 and 4275)	
9	See Note	1	T-Seal (Note: Use Items 100 & 101)	
10	See Note	1	Ring, Wear (Note: Use Items 100 & 101)	
11	See Note	1	O-Ring (Note: Use Items 100 & 101)	
12	See Note	1	O-Ring (Note: Use Items 100 & 101)	
13	See Note	1	Ring, Wear (Note: Use Items 100 & 101)	
14	See Note	1	Seal (Note: Use Items 100 & 101)	
15	See Note	1	Wiper (Note: Use Items 100 & 101)	
16	0100035	AR	Compound, Locking	
17	0100011	AR	Compound, Locking	
18	0100038	AR	Primer, Locking	
19		Ref	Cartridge, Holding Valve Options:	
19	Not Required	0	Cartridge, Holding Valve Prior to February 1993	
19	4640509	2	Cartridge, Holding Valve February 1993 to Present	
19	2900792	2	Seal Kit - 4640509 Valve	
19	Not Required	0	Cartridge, Holding Valve (Including 3455 and 4275)	
20	2200221	2	Plug, Pipe	

SECTION 5 - CYLINDER

ITEM	PART NUMBER	QTY	DESCRIPTION	REV
21	0100020	AR	Sealant, Pipe	
		Ref	Seal Kit (Includes Items 9-15)	
100	2900383		Standard	
101	2900340		Cartridge, Holding Valve (Including 3455 and 4275)	

SECTION 5 - CYLINDER

FIGURE 5-2. JACK CYLINDER ASSEMBLY



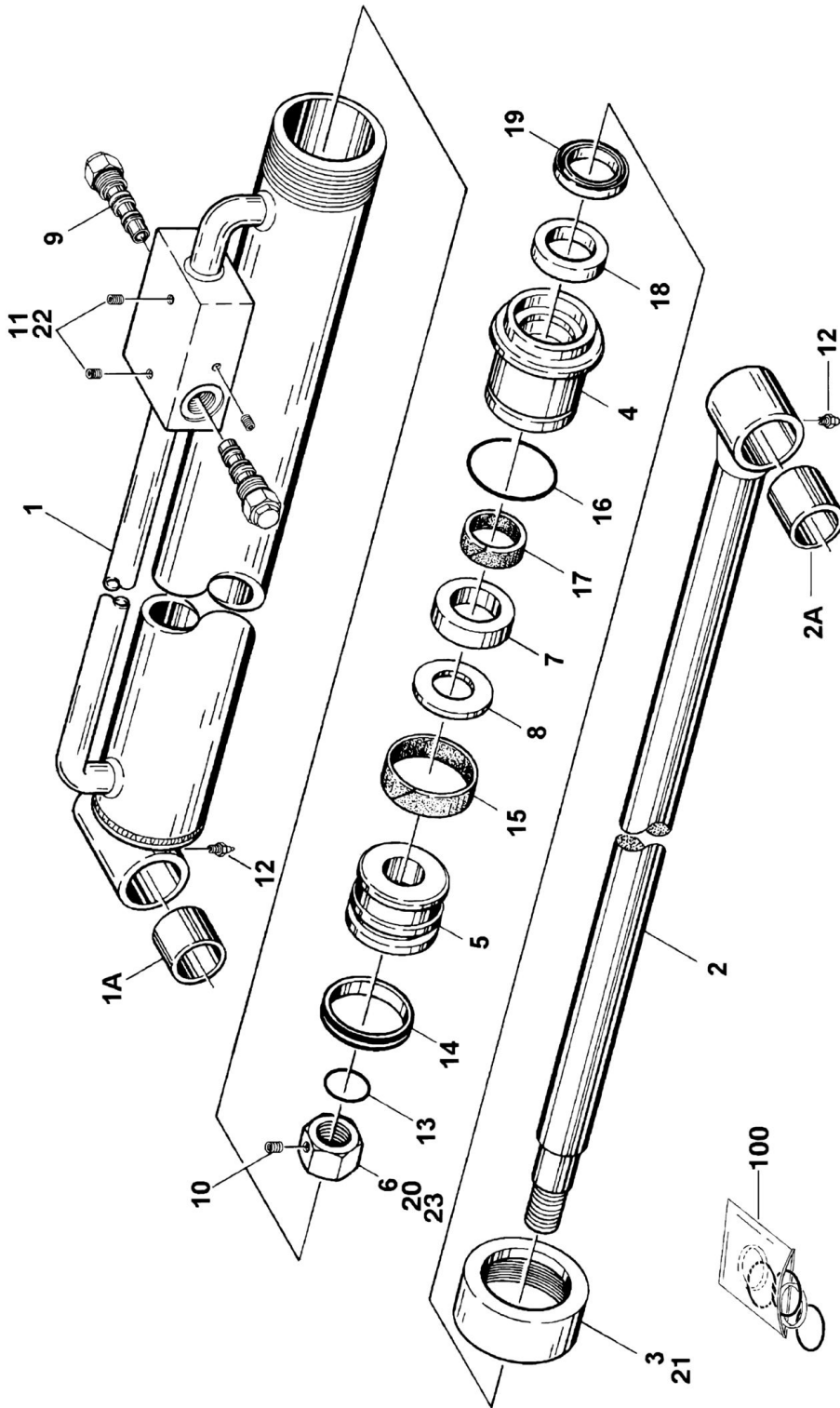
SECTION 5 - CYLINDER

FIGURE 5-2. JACK CYLINDER ASSEMBLY

ITEM	PART NUMBER	QTY	DESCRIPTION	REV
		Ref	JACK CYLINDER ASSEMBLIES	
	1682511	Ref	Standard	A
	1682250	Ref	Jack Cylinder Assemblies (Not Shown) (Including 3455 and 4275)	
1		Ref	Barrel Weldment Options:	
1	1682512	1	Standard	
1	1682251	1	Barrel Weldment (Including 3455 and 4275)	
2		Ref	Rod Weldment Options:	
2	1682514	1	Standard	
2	1682252	1	Rod Weldment (Including 3455 and 4275)	
4		Ref	Cap Options:	
4	1120358		Standard	
4	1120340		Cap (Including 3455 and 4275)	
5		Ref	Piston Options:	
5	3480137	1	Standard	
5	3480102	1	Piston (Including 3455 and 4275)	
6		Ref	Head Options:	
6	1682098	1	Standard	
6	1681843	1	Head (Including 3455 and 4275)	
7		Ref	Nut Options:	
7	3760281	1	Standard	
7	3760190	1	Nut (Including 3455 and 4275)	
8		Ref	Spacer Options:	
8	4565225	1	Standard	
8	4563930	1	Spacer (Including 3455 and 4275)	
11	Item 100	1	T-Seal	
12	Item 100	1	Ring, Wear	
13	Item 100	1	O-Ring	
14	Item 100	1	Ring, Wear	
15	Item 100	1	O-Ring	
16	Item 100	1	Seal	
17	Item 100	1	Wiper	
18	0100011	AR	Compound, Locking	
19	0100038	AR	Primer, Locking	
20	0100035	AR	Compound, Locking	
100	2901115	1	Seal Kit (Includes Items 11-17)	

SECTION 5 - CYLINDER

FIGURE 5-3. PLATFORM LEVEL CYLINDER ASSEMBLY (Prior to SN 27450)



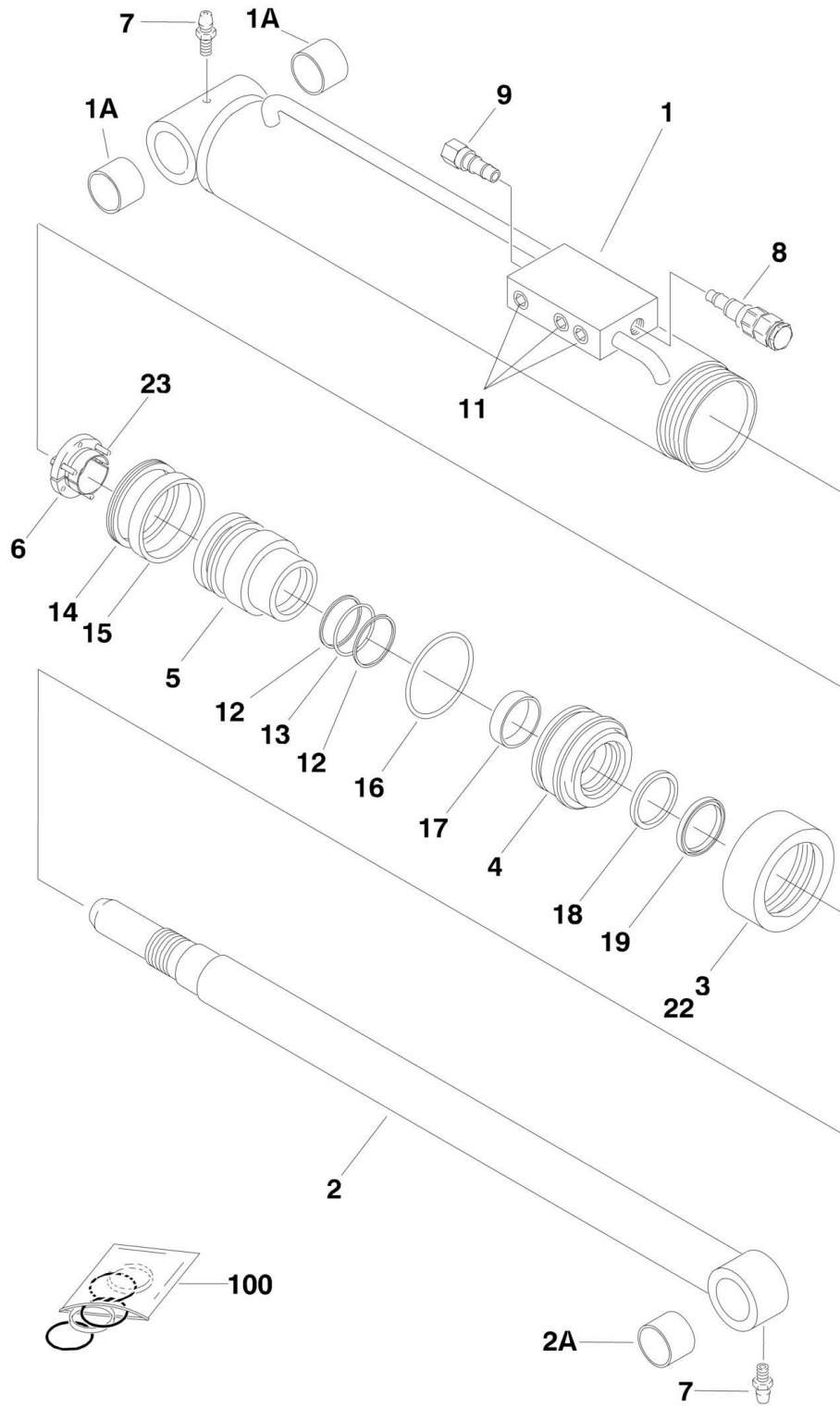
SECTION 5 - CYLINDER

FIGURE 5-3. PLATFORM LEVEL CYLINDER ASSEMBLY (Prior to SN 27450)

ITEM	PART NUMBER	QTY	DESCRIPTION	REV
	1682330	Ref	PLATFORM LEVEL CYLINDER ASSEMBLY	A
1	1682331	1	Barrel Weldment	
1A	0961369	2	Bushing	
2	1682335	1	Rod Weldment	
2A	0961501	1	Bushing	
3	1120108	1	Cap	
4	1681322	1	Head	
5	3480134	1	Piston	
6	3300273	1	Nut, Hex	
7	4565266	1	Spacer	
8	4740377	1	Washer	
9	4640509	2	Cartridge, Valve (Counterbalance Non-Vented)	
9	2900792	2	Seal Kit - 4640509 Valve	
10	3900170	1	Setscrew 3/8in-16NC x 3/8in	
11	2200221	4	Plug, Pipe	
12	2160002	2	Fitting, Grease	
13	Item 100	1	O-Ring	
14	Item 100	1	T-Seal	
15	Item 100	1	Ring, Wear	
16	Item 100	1	O-Ring	
17	Item 100	1	Ring, Wear	
18	Item 100	1	Seal, Rod	
19	Item 100	1	Wiper	
20	0100011	AR	Compound, Locking	
21	0100035	AR	Compound, Locking	
22	0100020	AR	Sealant, Pipe	
23	0100038	AR	Primer, Locking	
100	2901148	1	Seal Kit (Includes Items 13-19)	

SECTION 5 - CYLINDER

FIGURE 5-4. PLATFORM LEVEL CYLINDER ASSEMBLY (SN 27450 to Present)



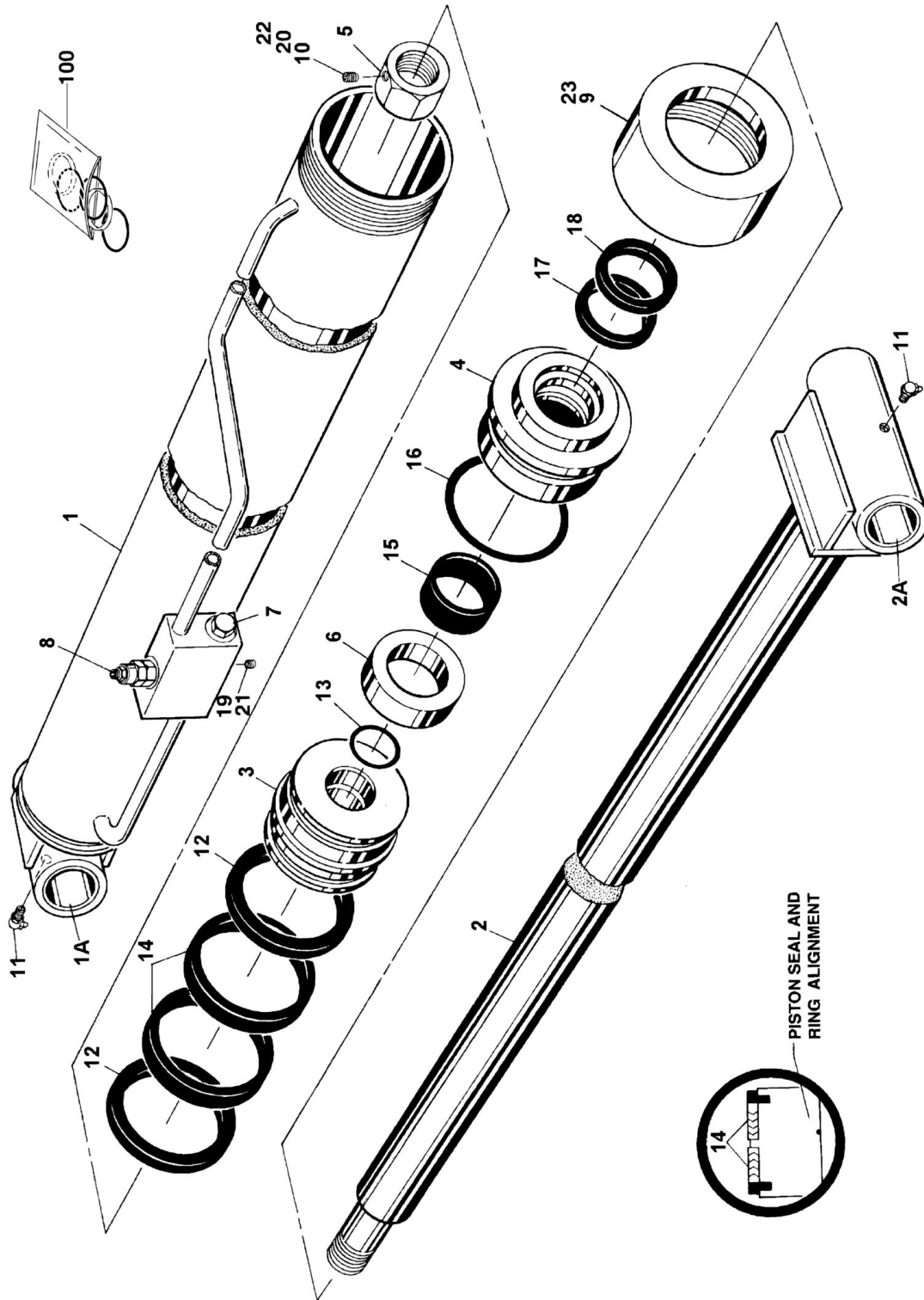
SECTION 5 - CYLINDER

FIGURE 5-4. PLATFORM LEVEL CYLINDER ASSEMBLY (SN 27450 to Present)

ITEM	PART NUMBER	QTY	DESCRIPTION	REV
	1683476	Ref	PLATFORM LEVEL CYLINDER ASSEMBLY	3-C
1	1683477	1	Barrel Weldment	
1A	0961369	2	Bushing	
2	1683479	1	Rod Weldment	
2A	0961501	1	Bushing	
3	1120108	1	Cap	
4	1681322	1	Head	
5	3480221	1	Piston	
6		Ref	Bushing, Tapered	
6	0962185	1	Bushing, Tapered (Was P/N 0961900) (SN 27450 through 53799)	
6	0962185	1	Bushing, Tapered (SN 53800 to Present)	
7	2160002	2	Fitting, Grease	
8	4640932	1	Cartridge, Valve (Counterbalance Vented)	
8	7011112	1	Seal Kit - 4640932 Valve	
9	4640509	1	Cartridge, Valve (Counterbalance Non-Vented)	
9	2900792	1	Seal Kit - 4640509 Valve	
11	2220883	6	Plug, O-Ring Hex Socket	
12	Item 100	2	Ring, Back-up	
13	Item 100	1	O-Ring	
14	Item 100	1	T-Seal	
15	Item 100	1	Ring, Wear	
16	Item 100	1	O-Ring	
17	Item 100	1	Ring, Wear	
18	Item 100	1	Seal, Rod	
19	Item 100	1	Wiper	
22	0100035	AR	Compound, Locking	
23	0630534	3	Capscrew (Grip) #10-24NC X 1in	
100	2901461	1	Seal Kit (Includes Items 12-19)	

SECTION 5 - CYLINDER

FIGURE 5-5. LIFT CYLINDER ASSEMBLY - MAIN



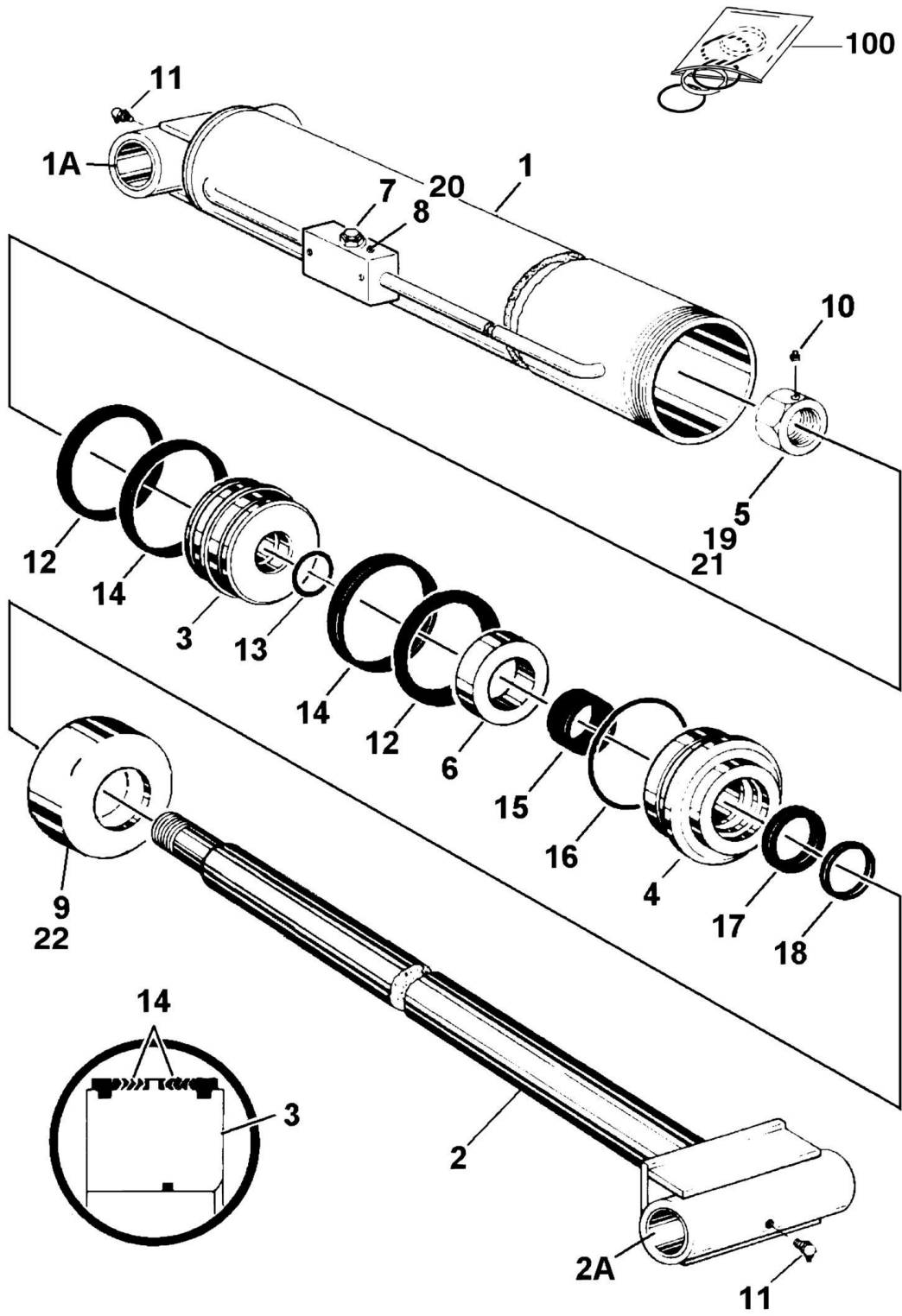
SECTION 5 - CYLINDER

FIGURE 5-5. LIFT CYLINDER ASSEMBLY - MAIN

ITEM	PART NUMBER	QTY	DESCRIPTION	REV
		Ref	MAIN LIFT CYLINDER ASSEMBLY:	
	1682516	Ref	Main Lift Cylinder Assembly (Prior to SN 36519)	5-E
	1683702	Ref	Main Lift Cylinder Assembly (SN 36519 to Present)	1-B
		Ref	Note: Original Equipment Cylinder p/n 1682516 may have been replaced with Service Replacement Cylinder p/n 1683702. Identify p/n stamped on cylinder before ordering parts.	
1	1682238	1	Barrel Weldment	
1A	0961458	2	Bushing	
2	1682517	1	Rod Weldment	
2A	0961458	2	Bushing	
3	3480142	1	Piston	
4	1682193	1	Head	
5		Ref	Nut, Hex	
5	3300322	1	Nut, Hex (Prior to SN 36519)	
5	3300297	1	Nut, Hex (SN 36519 to Present)	
6	4565231	1	Spacer	
7	4640647	1	Cartridge, Valve (Pilot-Operated)	
7	Consult Factory	1	Seal Kit - 4640647 Valve	
8		Ref	Cartridge, Valve (Counterbalance)	
8	4640938	1	Cartridge, Valve (Counterbalance) Prior to January 1994 (Was p/n 4640634)	
8	4640938	1	Cartridge, Valve (Counterbalance) January 1994 to February 1996 (Was p/n 4640771)	
8	4640938	1	Cartridge, Valve (Counterbalance) February 1996 to Present	
8	2900770	1	Seal Kit - 4640938 Valve	
9	1120369	1	Cap	
10	3900171	1	Setscrew	
11	2160001	2	Fitting, Grease	
12	Item 100	2	Ring, Lock	
13	Item 100	1	O-Ring	
14	Item 100	2	Seal	
15	Item 100	1	Ring, Wear	
16	Item 100	1	O-Ring	
17	Item 100	1	Seal, Rod	
18	Item 100	1	Wiper	
19	2180527	1	Plug, Pipe	
20	0100011	AR	Compound, Locking	
21	0100020	AR	Sealant, Pipe	
22	0100038	AR	Primer, Locking	
23	0100035	AR	Compound, Locking	
100	2901156	1	Seal Kit (Includes Items 12-18)	

SECTION 5 - CYLINDER

FIGURE 5-6. LIFT CYLINDER ASSEMBLY - TOWER



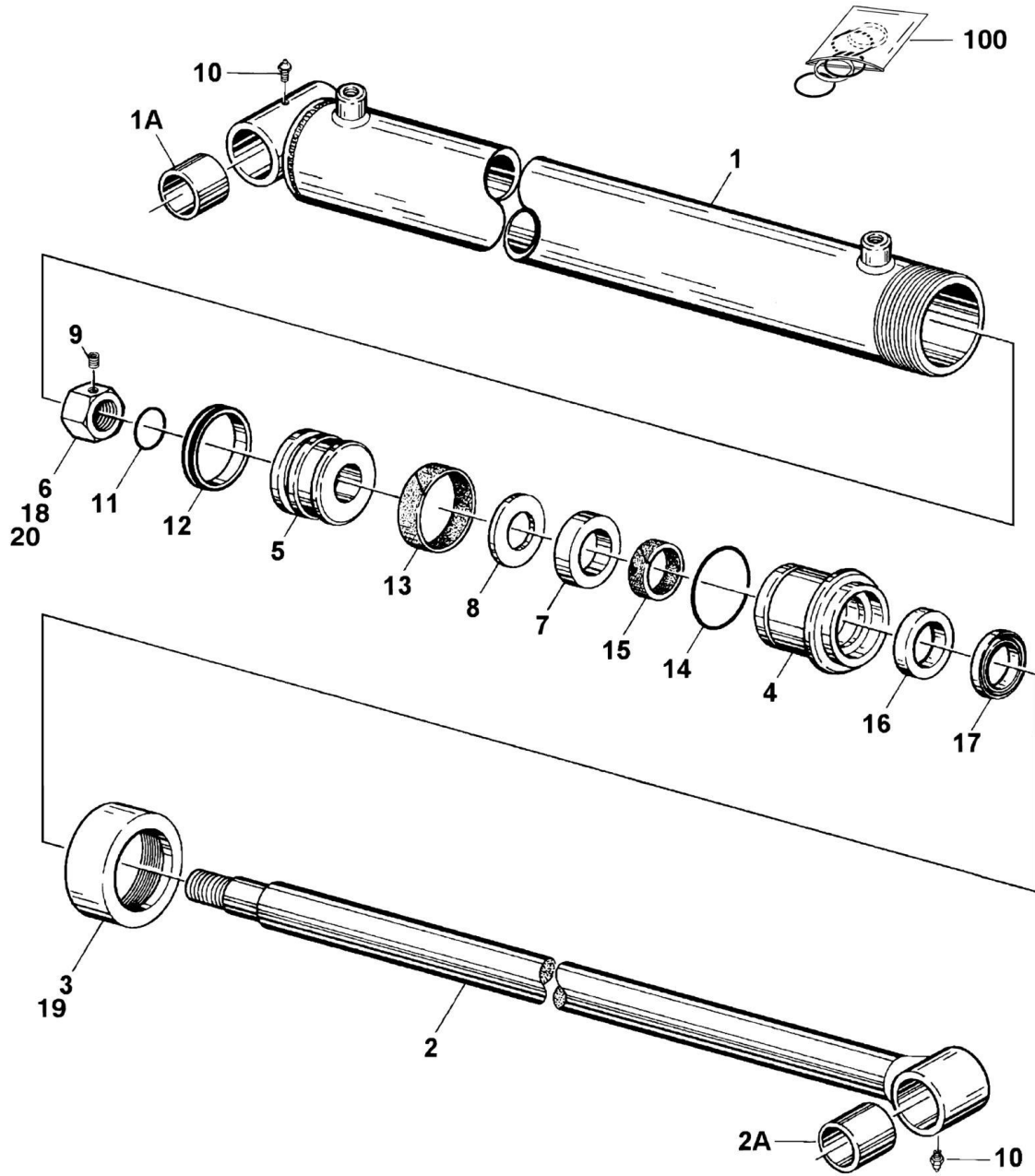
SECTION 5 - CYLINDER

FIGURE 5-6. LIFT CYLINDER ASSEMBLY - TOWER

ITEM	PART NUMBER	QTY	DESCRIPTION	REV
	1682519	Ref	TOWER LIFT CYLINDER ASSEMBLY	C
1	1682233	1	Barrel Weldment	
1A	0961458	2	Bushing	
2		Ref	Rod Weldment	
2	1682520	1	Standard	
2	1682235	1	Rod Weldment (Including 3455 and 4275)	
2A	0961458	2	Bushing	
3	3480142	1	Piston	
4	1682193	1	Head	
5	3300297	1	Nut, Hex	
6		Ref	Spacer, Tube	
6	4565253	1	Standard	
6	4564701	1	Spacer, Tube (Including 3455 and 4275)	
7	4640509	2	Cartridge, Valve (Counterbalance Non-Vented)	
7	2900792	2	Seal Kit - 4640509 Valve	
8	2200221	4	Plug, Pipe	
9	1120369	1	Cap	
10	3900171	1	Setscrew 1/2in-13NC x 1/2in	
11	2160001	2	Fitting, Grease	
12	Item 100	2	Ring, Lock	
13	Item 100	1	O-Ring	
14	Item 100	2	Seal	
15	Item 100	1	Ring, Wear	
16	Item 100	1	O-Ring	
17	Item 100	1	Seal, Rod	
18	Item 100	1	Wiper	
19	0100011	AR	Compound, Locking	
20	0100020	AR	Sealant, Pipe	
21	0100038	AR	Primer, Locking	
22	0100035	AR	Compound, Locking	
100	2901156	1	Seal Kit (Includes Items 12-18)	

SECTION 5 - CYLINDER

FIGURE 5-7. MASTER CYLINDER ASSEMBLY



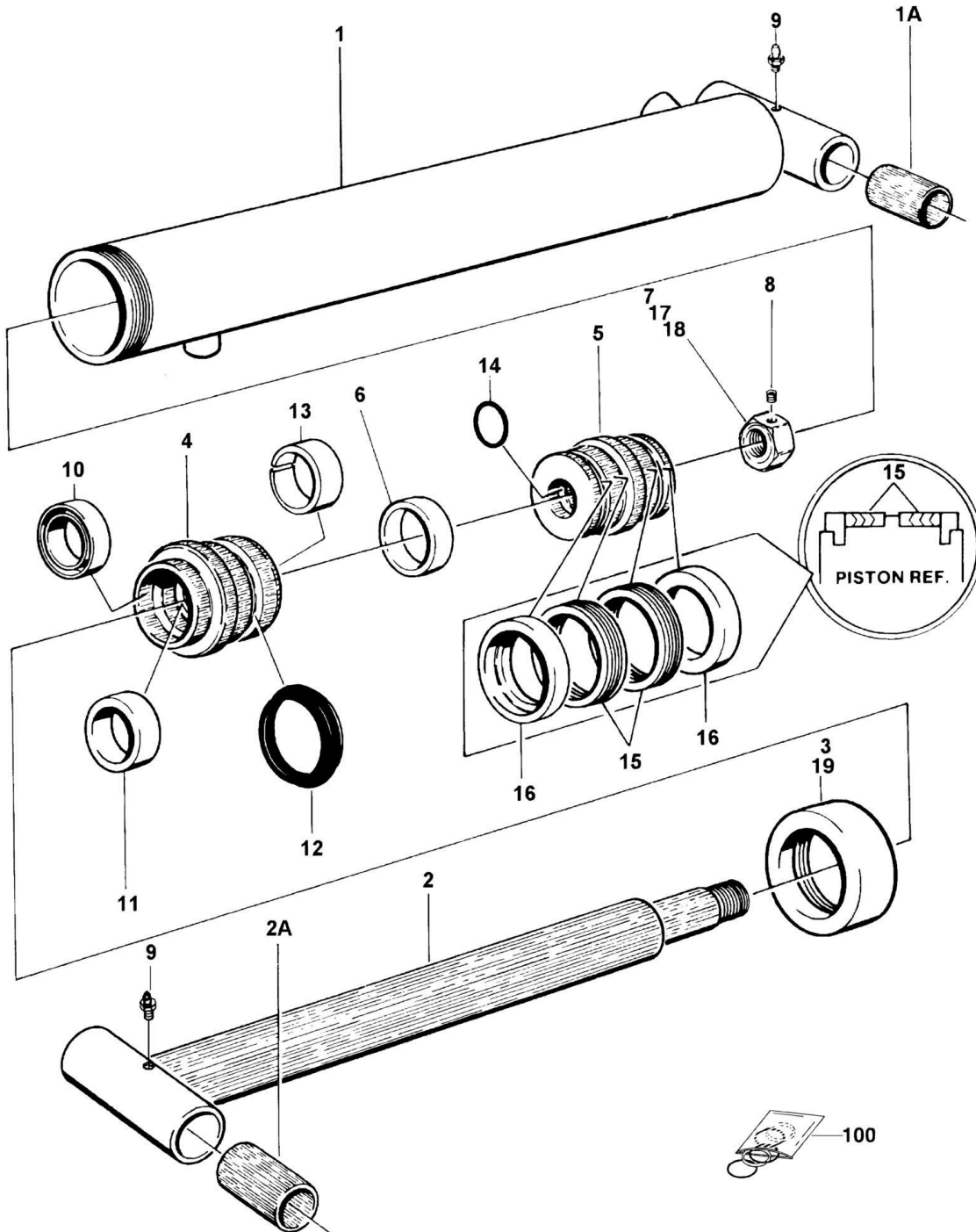
SECTION 5 - CYLINDER

FIGURE 5-7. MASTER CYLINDER ASSEMBLY

ITEM	PART NUMBER	QTY	DESCRIPTION	REV
	1682332	Ref	MASTER CYLINDER ASSEMBLY	-
1	1682333	1	Barrel Weldment	
1A	0961369	2	Bushing	
2	1682335	1	Rod Weldment	
2A	0961501	1	Bushing	
3	1120108	1	Cap	
4	1681322	1	Head	
5	3480134	1	Piston	
6	3300273	1	Nut, Hex	
7	1440142	1	Collar	
8	4740377	1	Washer	
9	3900170	1	Setscrew 3/8in-16NC x 3/8in	
10	2160002	2	Fitting, Grease	
11	Item 100	1	O-Ring	
12	Item 100	1	T-Seal	
13	Item 100	1	Ring, Wear	
14	Item 100	1	O-Ring	
15	Item 100	1	Ring, Wear	
16	Item 100	1	Seal, Rod	
17	Item 100	1	Wiper	
18	0100011	AR	Compound, Locking	
19	0100035	AR	Compound, Locking	
20	0100038	AR	Primer, Locking	
100	2901148	1	Seal Kit (Includes Items 11-17)	

SECTION 5 - CYLINDER

FIGURE 5-8. STEER CYLINDER ASSEMBLY



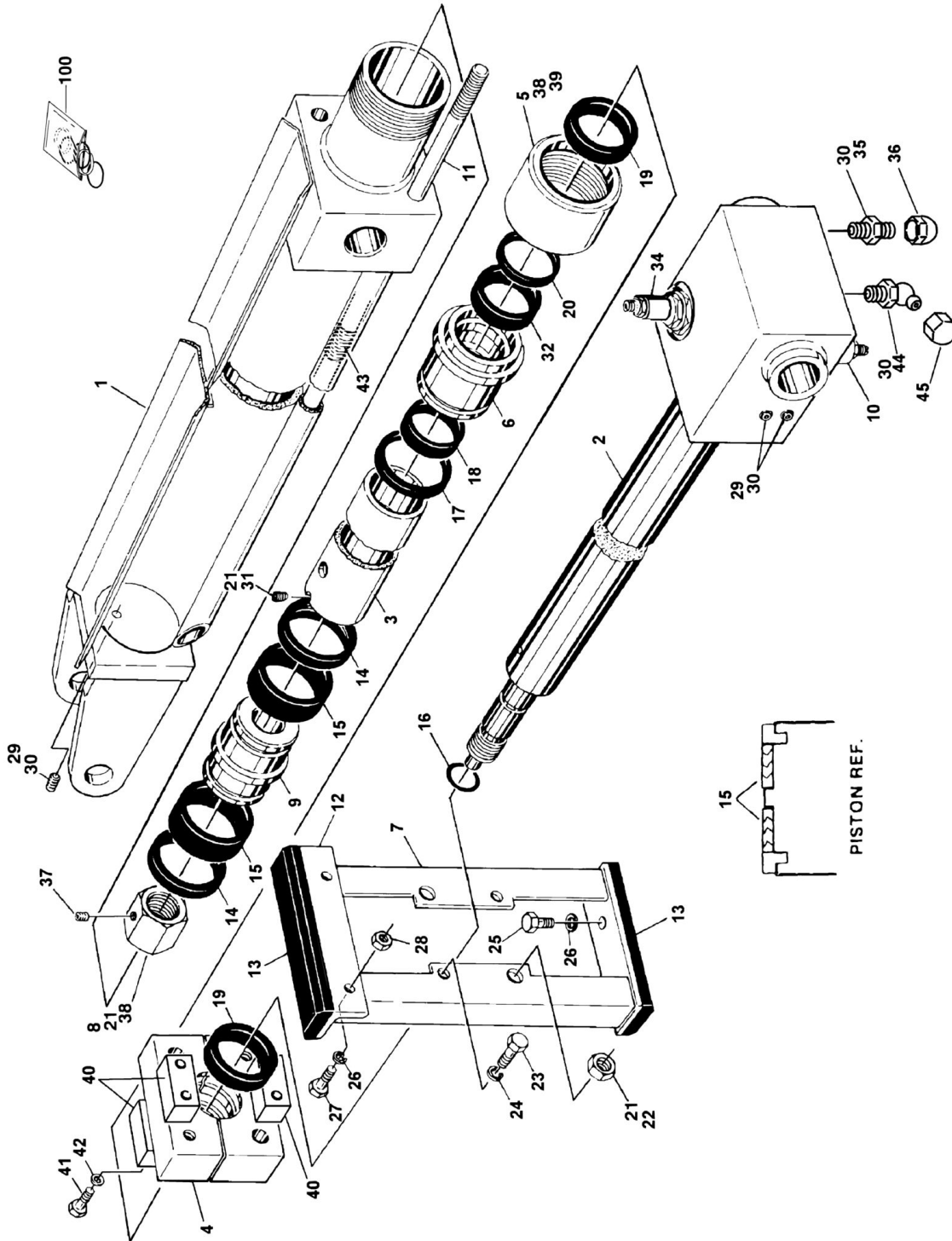
SECTION 5 - CYLINDER

FIGURE 5-8. STEER CYLINDER ASSEMBLY

ITEM	PART NUMBER	QTY	DESCRIPTION	REV
		Ref	STEER CYLINDER ASSEMBLY	
	1682531	Ref	Standard	A
	1682246	Ref	Steer Cylinder Assembly (Not Shown) (Including 3455 and 4275)	-
1		Ref	Barrel Weldment	
1	1682532	1	Standard	
1	1682247	1	Barrel Weldment (Including 3455 and 4275)	
1A		Ref	Bushing	
1A	0961132	2	Standard	
1A	0961476	2	Bushing (Including 3455 and 4275)	
2		Ref	Rod Weldment	
2	1682534	1	Standard	
2	1682248	1	Rod Weldment (Including 3455 and 4275)	
2A		Ref	Bushing	
2A	0961369	2	Standard	
2A	0960808	2	Bushing (Including 3455 and 4275)	
3	1120336	1	Cap	
4	1681847	1	Head	
5	3480130	1	Piston	
6		Ref	Spacer	
6	4565810	1	Standard	
6	4564717	1	Spacer (Including 3455 and 4275)	
7		Ref	Nut, Hex	
7	3300288	1	Standard	
7	3300245	1	Nut, Hex (Including 3455 and 4275)	
8		Ref	Setscrew	
8	3900170	1	Standard (3/8in-16NC x 3/8in)	
8	3951404	1	Setscrew (1/4in-20NC x 1/2in) (Including 3455 and 4275)	
9	2160002	2	Fitting, Grease	
10	Item 100	1	Wiper	
11	Item 100	1	Seal, Rod	
12	Item 100	1	T-Seal	
13	Item 100	1	Ring, Wear	
14	Item 100	1	O-Ring	
15	Item 100	2	Seal	
16	Item 100	2	Ring, Lock	
17	0100038	AR	Primer, Locking	
18	0100011	AR	Compound, Locking	
19	0100035	AR	Compound, Locking	
100	2901103	1	Seal Kit (Includes Items 10-16)	

SECTION 5 - CYLINDER

FIGURE 5-9. TELESCOPE CYLINDER ASSEMBLY - MAIN



SECTION 5 - CYLINDER

FIGURE 5-9. TELESCOPE CYLINDER ASSEMBLY - MAIN

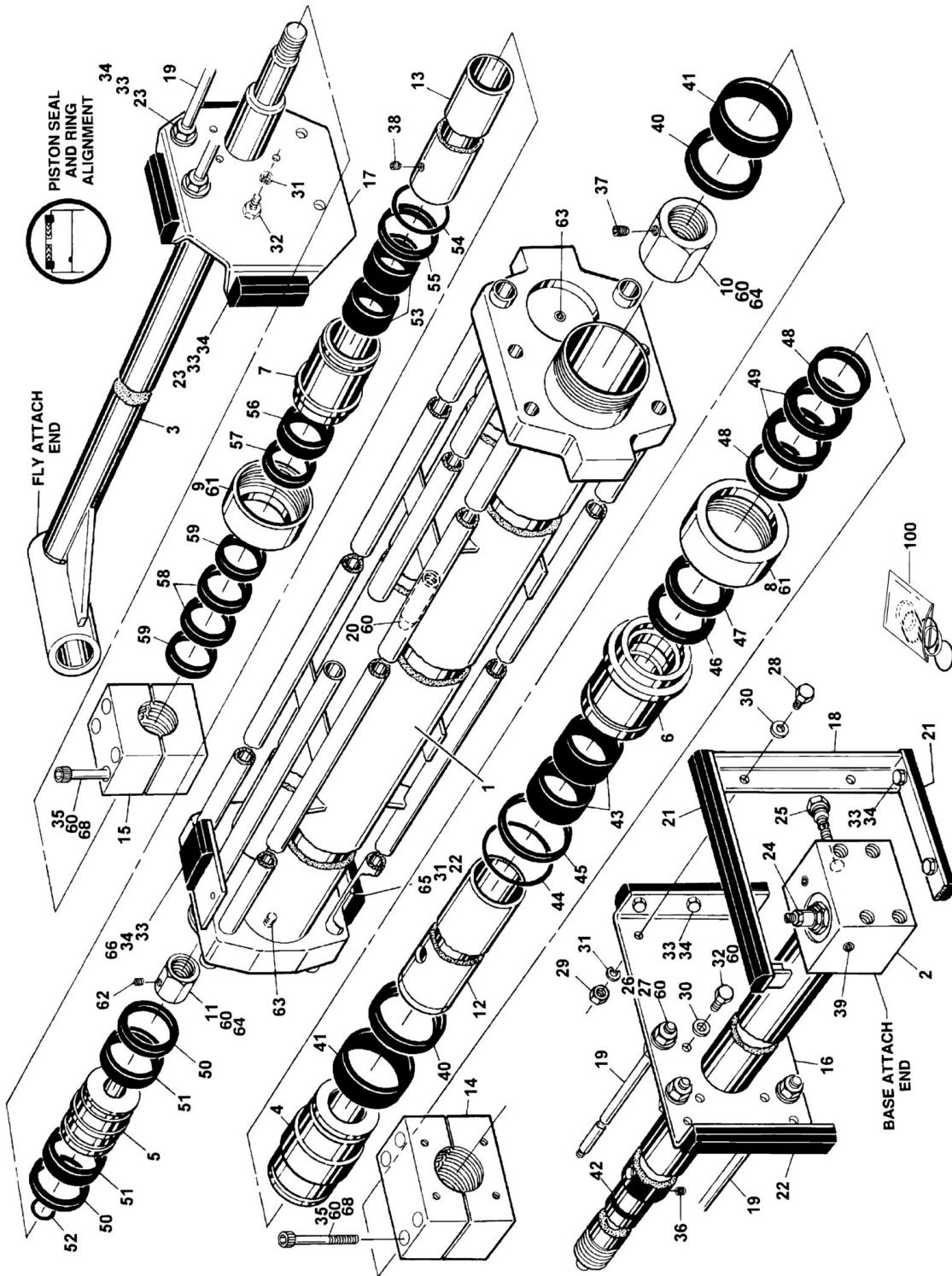
ITEM	PART NUMBER	QTY	DESCRIPTION	REV
		Ref	TELESCOPE CYLINDER ASSEMBLY	
	1682490	Ref	Telescope Cylinder Assembly (Prior to January 1993)	A
	1682901	Ref	Telescope Cylinder Assembly (January 1993 to Present)	2-C
1		Ref	Barrel Weldment Options:	
1	1682491	1	Barrel Weldment (Prior to January 1993)	
1	1682902	1	Barrel Weldment (January 1993 to Present)	
2	1682259	1	Rod Weldment	
3	4562877	1	Spacer, Tube	
4	0560650	1	Block, Rod Support	
5	1120305	1	Cap	
6	1681423	1	Head	
7	4842207	1	Support, Rod	
8	3300294	1	Nut, Hex	
9	3480113	1	Piston	
10	4640212	1	Valve, Counterbalance	
10	2900793	1	Seal Kit - 4640212 Valve	
11	3840800	2	Rod, Guide	
12	0181615	1	Angle	
13	3340383	2	Pad, Wear	
14	Item 100	2	Ring, Lock	
15	Item 100	2	Seal	
16	Item 100	1	T-Seal	
17	Item 100	1	Seal	
18	Item 100	1	Ring, Wear	
19	Item 100	2	Seal	
20	Item 100	1	Wiper	
21	0100011	AR	Compound, Locking	
22	3312202	2	Nut, Jam 3/4in-10NC	
23	0641812	2	Bolt 1/2in-13NC x 1 1/2in	
24	4761800	2	Lockwasher 1/2in	
25	0641605	4	Bolt 3/8in-16NC x 5/8in	
26	4761600	6	Lockwasher 3/8in	
27	0641607	2	Bolt 3/8in-16NC x 7/8in	
28	3311601	2	Nut 3/8in-16NC	
29	2200221	6	Plug, Pipe	
30	0100020	AR	Sealant, Pipe	
31	3951405	1	Setscrew 1/4in-20NC x 5/8in	
32	Item 100	1	Seal, Rod	
34	4640210	1	Valve, Counterbalance	
34	2900793	1	Seal Kit - 4640210 Valve	
35	2220414	2	Fitting, Straight	
36	2220515	2	Fitting, Cap	
37	3900170	1	Setscrew 3/8in-16NC x3/8in	
38	0100038	AR	Primer, Locking	
39	0100035	AR	Compound, Locking	
40	0940047	4	Bumper, Rubber (September 1992 to Present)	
41	0641408	8	Bolt 1/4in-20NC x 1in (September 1992 to Present)	
42	4751400	8	Flatwasher 1/4in (September 1992 to Present)	
43	4160115	2	Spring, Compression (September 1992 to Present)	
44	2220354	2	Fitting, 45 (SN 34994 to Present)	

SECTION 5 - CYLINDER

ITEM	PART NUMBER	QTY	DESCRIPTION	REV
45	2220517	2	Cap, Fitting (SN 34994 to Present)	
100	2900365	1	Seal Kit (Includes Items 14-20 & 32)	

SECTION 5 - CYLINDER

FIGURE 5-10. TELESCOPE CYLINDER ASSEMBLY - TOWER



SECTION 5 - CYLINDER

FIGURE 5-10. TELESCOPE CYLINDER ASSEMBLY - TOWER

ITEM	PART NUMBER	QTY	DESCRIPTION	REV
	1682289	Ref	TELESCOPE CYLINDER ASSEMBLY	C
1	1682290	1	Barrel Weldment	
2	1682293	1	Rod Weldment (Base End)	
3	1682295	1	Rod Weldment (Fly End)	
4	3480133	1	Piston (Base End)	
5	3480102	1	Piston (Fly End)	
6	1682298	1	Head (Base End)	
7	1682299	1	Head (Fly End)	
8		Ref	Cap Options: (Base End)	
8	1120358	1	Cap (Was P/N 1120345) (Prior to SN 59434)	
8	1120358	1	Cap (SN 59434 to Present)	
9	1120340	1	Cap (Fly End)	
10		Ref	Nut Options (Base End):	
10	3300299	1	Nut (Prior to March 1992) (Was P/N 3300249)	
10	3300299	1	Nut (March 1992 to Present)	
11		Ref	Nut Options (Fly End):	
11	3300286	1	Nut (Prior to March 1992) (Was P/N 3300254)	
11	3300286	1	Nut (March 1992 to Present)	
12	1682297	1	Spacer, Tube (Base End)	
13	4564893	1	Spacer, Tube (Fly End)	
14	0560907	1	Block, Rod Support (Base End)	
15	0560908	1	Block, Rod Support (Fly End)	
16	3534550	1	Support, Rod (Base End)	
17	3534551	1	Support, Rod (Fly End)	
18	4340603	1	Support Weldment (Base End)	
19	3841073	8	Rod, Guide	
20	4220078	8	Stop	
21	3340604	2	Pad, Wear (Base End Top and Bottom)	
22	3340606	2	Pad, Wear (Base End Sides)	
23	3340608	4	Pad, Wear (Fly End Sides, Top and Bottom)	
24	4640210	1	Valve, Counterbalance	
24	2900793	1	Seal Kit - 4640210 Valve	
25	4640647	1	Valve, Pilot Operated	
25	2900770	1	Seal Kit - 4640647 Valve	
26	3312202	16	Nut, Jam 3/4in-10NC	
27	4752200	32	Flatwasher 3/4in	
28	0641811	4	Bolt 1/2in-13NC x 1 3/8in	
29	3311801	4	Nut 1/2in-13NC	
30	4751800	12	Flatwasher 1/2in	
31	4761800	6	Lockwasher 1/2in	
32	0641809	10	Bolt 1/2in-13NC x 1 1/8in	
33	0641605	22	Bolt 3/8in-16NC x 5/8in	
34	4761600	22	Lockwasher 3/8in	
35	3931660	8	Capscrew 3/8in-16NC x 3 3/4in	
36	3951405	1	Setscrew 1/4in-20NC x 5/8in	
37	3900171	1	Setscrew 1/2in-13NC x 1/2in	
38	3951402	2	Setscrew 1/4in-20NC x 1/4in	
39	2200221	3	Plug, Pipe	
40	Item 100	2	Ring, Lock	
41	Item 100	2	Seal	

SECTION 5 - CYLINDER

ITEM	PART NUMBER	QTY	DESCRIPTION	REV
42	Item 100	1	T-Seal	
43	Item 100	2	Ring, Wear	
44	Item 100	1	O-Ring	
45	Item 100	1	Ring, Back-up	
46	Item 100	1	Seal, Rod	
47	Item 100	1	Wiper	
48	Item 100	2	Ring, Wear	
49	Item 100	2	Seal, Friction	
50	Item 100	2	Ring, Lock	
51	Item 100	2	Seal	
52	Item 100	1	O-Ring	
53	Item 100	2	Ring, Wear	
54	Item 100	1	O-Ring	
55	Item 100	1	Ring, Back-up	
56	Item 100	1	Seal, Rod	
57	Item 100	1	Wiper	
58	Item 100	2	Seal, Friction	
59	Item 100	2	Ring, Wear	
60	0100011	AR	Compound, Locking	
61	0100035	AR	Compound, Locking	
62	3900170	1	Setscrew 3/8in-16NC x 3/8in	
63	2220222	2	Plug, Pipe	
64	0100038	AR	Primer, Locking	
65	3340632	1	Pad, Wear (Barrel Bottom)	
66	3340633	1	Pad, Wear (Barrel Top)	
68	4751600	8	Flatwasher (SN 0300122313 to Present)	
100	2901161	1	Seal Kit (Includes Items 40 -59)	

SECTION 6 - HYDRAULIC

SECTION 6 - HYDRAULIC

FIGURE 6-1. STANDARD HYDRAULIC DIAGRAM (Prior to SN 137333)

ITEM	PART NUMBER	QTY	DESCRIPTION	REV
	2791841	Ref	STANDARD HYDRAULIC DIAGRAM	23-R
1	2720366	2	Hose, Suction (87in/221cm Length)	
2	1320031	8	Clamp	
3	2220763	2	Fitting, 45	
4	2220377	3	Fitting, Straight	
5	2752328	1	Hose	
6	2220478	1	Flange Kit	
7	2220630	1	Fitting, 90	
8	2220642	3	Fitting, Tee	
9	2220710	3	Fitting, Reducer	
10	2752246	2	Hose	
11	2220681	1	Fitting, Straight	
12	2220834	2	Fitting, Straight	
13	4640033	1	Valve, Check	
14	2220590	1	Fitting, Straight	
15	2220270	2	Fitting, Reducer	
16	2220820	2	Fitting, 90	
17	4640197	2	Valve, Check	
18	2220415	1	Fitting, Straight	
19	2220428	6	Fitting, Quick Disconnect	
20	2220429	6	Cap, Dust	
21	2751443	1	Hose	
22	2220582	2	Fitting, Straight	
23	2220347	2	Fitting, Straight	
24	2220261	5	Fitting, Straight	
25	2220749	1	Fitting, Tee	
27	2220700	5	Fitting, Tee	
28	2220695	1	Fitting, Tee	
29	2751017	1	Hose	
30	4640575	2	Valve, Check	
31	2220550	1	Fitting Reducer	
34	2220473	1	Fitting, 90	
35	2751616	1	Hose	
36	2220626	1	Fitting, Reducer	
37	2220731	1	Fitting, 90	
38	2220414	6	Fitting, Straight	
39	2751011	1	Hose	
40	2220493	1	Fitting, 90	
41	2751625	1	Hose	
42	2220669	1	Flange Kit	
43	2220467	1	Fitting, 90	
44	2751932	1	Hose	
45	2220465	1	Fitting, 90	
46	2220682	1	Fitting, Tee	
47	2220622	7	Fitting, Straight	
48	2751637	1	Hose	
49	2220385	7	Fitting, Tee	
51	2220619	5	Fitting, Straight	
53	2750899	5	Hose	
54	2220618	6	Fitting, Straight	

SECTION 6 - HYDRAULIC

ITEM	PART NUMBER	QTY	DESCRIPTION	REV
57	2220416	12	Fitting, 90	
58	2750977	1	Hose	
63	2220345	1	Fitting, Straight	
64	2751852	1	Hose	
65	2220446	1	Fitting, Straight	
66	2751466	1	Hose	
67	2220468	10	Fitting, Straight	
68	4640512	1	Valve Assembly - Fluid Controls	
68	7009756	1	Cartridge	
69	2750759	2	Hose	
70	2750771	2	Hose	
71	2220600	3	Fitting, Straight	
72	2220342	4	Fitting, Straight	
73	2220593	1	Fitting, Straight	
74	2220635	1	Fitting, Tee	
75	2220354	2	Fitting, 45	
76	2750932	2	Hose	
77	2220609	9	Fitting, Reducer	
78	4565220	5	Tube	
79	4565290	1	Tube	
80	4565289	1	Tube	
81	4565291	1	Tube	
82	2220396	7	Fitting, Straight	
85	2752338	2	Hose	
86	2220348	4	Fitting, Straight	
87	2751142	4	Hose	
88	2220591	2	Fitting, Straight	
89	2180379	2	Fitting, Modified Tee	
90	2751506	2	Hose	
91	2750989	2	Hose	
92	2751457	1	Hose	
93	2180615	2	Orifice	
94	0100020	AR	Sealant, Pipe	
97	8760268	4	Fitting, 90 (was p/n 2220507)	
98	2751520	2	Hose	
99	2220659	3	Fitting, 90	
100	2750905	1	Hose	
101	2220605	5	Fitting, Tee	
102	2220466	11	Fitting, 90	
103	2751013	1	Hose	
104	2750902	2	Hose	
105	2751114	2	Hose	
106	2220740	3	Fitting, Tee	
107	2220375	6	Fitting, Straight	
108	2220512	10	Fitting, Union	
109	2220282	4	Fitting, Reducer	
110	2220497	2	Fitting, Straight	
111	2750929	1	Hose	
112	4565292	1	Tube	
113	4565218	1	Tube	
114	4565217	1	Tube	

SECTION 6 - HYDRAULIC

ITEM	PART NUMBER	QTY	DESCRIPTION	REV
115	2220865	8	Fitting, Straight	
117	2751489	4	Hose	
118	4565216	5	Tube	
119	4565215	10	Tube	
120	2750931	1	Hose	
122	2220470	6	Fitting, 90	
123	2220654	1	Fitting, 90	
124	2750933	1	Hose	
125	2751465	2	Hose	
127	2751483	1	Hose	
128	4565294	1	Tube	
129	4565293	1	Tube	
130	4565295	1	Tube	
131	4565296	1	Tube	
132	4565288	1	Tube	
133	4565287	1	Tube	
134	2750976	1	Hose	
135	2220679	3	Fitting, Tee	
136	2751493	4	Hose	
137	4640009	2	Valve, Check	
138	2220665	3	Fitting, Tee	
139	2751498	2	Hose	
140	4100026	50 ft/16m	Sleeve, Hose Protection	
141	2751872	1	Hose	
142	2752170	1	Hose	
143	2751827	1	Hose	
144	4563167	4	Tube	
145	2751838	2	Hose	
146	2220603	2	Fitting, Straight	
147	2220511	6	Fitting, Union	
148	2751913	2	Hose	
149	2751462	2	Hose	
150	2752586	2	Hose	
151	4640383	2	Valve, Restrictor	
152	2220816	2	Fitting, Straight	
153	2751421	2	Hose	
155	2220496	1	Fitting, 45	
158	1320051	4	Clamp	
160	2220435	4	Fitting, Straight	
161	2752240	2	Hose	
162	2220481	2	Fitting, Tee	
163	2752236	1	Hose	
164	2220646	2	Fitting, 90	
167	2220407	2	Fitting, 90	
168	2752242	1	Hose	
169	2752249	1	Hose	
170	2220250	1	Fitting, Reducer Only (Prior to SN 56632)	
171	2220235	2	Fitting, Plug	
172	2220711	1	Fitting, Tee	
173	2751010	2	Hose	
174	2220673	2	Fitting, 90	

SECTION 6 - HYDRAULIC

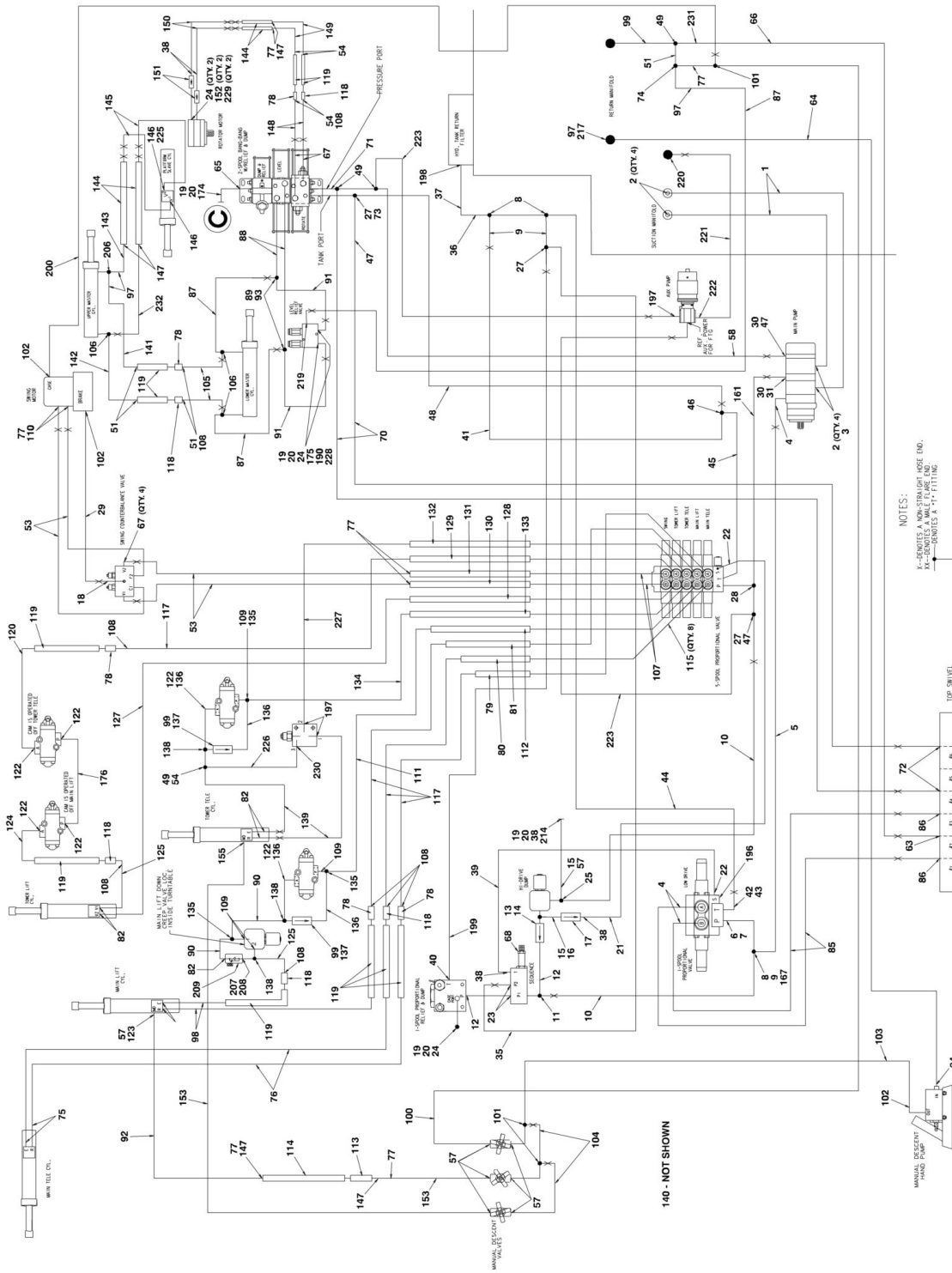
ITEM	PART NUMBER	QTY	DESCRIPTION	REV
175	2220727	3	Fitting, Straight	
176	2750773	1	Hose	
177	2751899	1	Hose	
178	2220596	9	Fitting, 90	
179	2751494	1	Hose	
180	2220238	1	Fitting, Plug	
181	2752376	4	Hose	
182	2752377	4	Hose	
183	2752933	4	Hose	
184	2220362	2	Fitting, Tee	
185	2751439	10	Hose	
186	2220504	4	Fitting, Tee	
187	2751406	2	Hose	
188	2751123	2	Hose	
189	2751150	2	Hose	
190	2220399	10	Fitting, Straight	
191	2220372	6	Fitting, Straight	
192	2751111	2	Hose	
193	2751162	2	Hose	
194	2220417	1	Fitting, Straight	
195	2220374	4	Fitting, Straight	
196	2220237	1	Fitting, Plug	
197	2220373	AR	Fitting, Straight	
198	2220733	1	Fitting, Straight	
199	2751638	1	Hose	
200	2751893	1	Hose	
201	2752331	2	Hose	
202	2750766	1	Hose	
203	2750776	1	Hose	
204	2750891	1	Hose	
205	2751398	1	Hose	
206	2220702	1	Fitting, Tee	
207	2220670	1	Fitting, Straight	
208	2220400	1	Fitting, Straight	
209	4640216	1	Valve, Flow Control	
210	2180479	2	Fitting, Modified	
211	2180752	2	Orifice (.125)	
212		Ref	Orifice (.15)	
212	2220909	1	Orifice (.15) (was p/n 2180217) (Prior to SN 56632)	
212	2220909	1	Orifice (.15) (SN 56632 to Present)	
213		Ref	Fitting, Modified	
213	2220414	1	Fitting, Modified (was p/n 2180651) (Prior to SN 56632)	
213	2220417	1	Fitting, Modified (SN 56632 to Present)	
214	2750900	1	Hose	
215	4100026	60 ft/19m	Sleeve, Hose Protection	
216	2220355	1	Fitting, 45	
217	2220344	1	Fitting, Straight	
218	2750928	1	Hose	
219	2220371	1	Fitting, Straight	
220	2220491	1	Fitting, Straight	
221	2752721	1	Hose, Suction (36in/91.5cm Length)	

SECTION 6 - HYDRAULIC

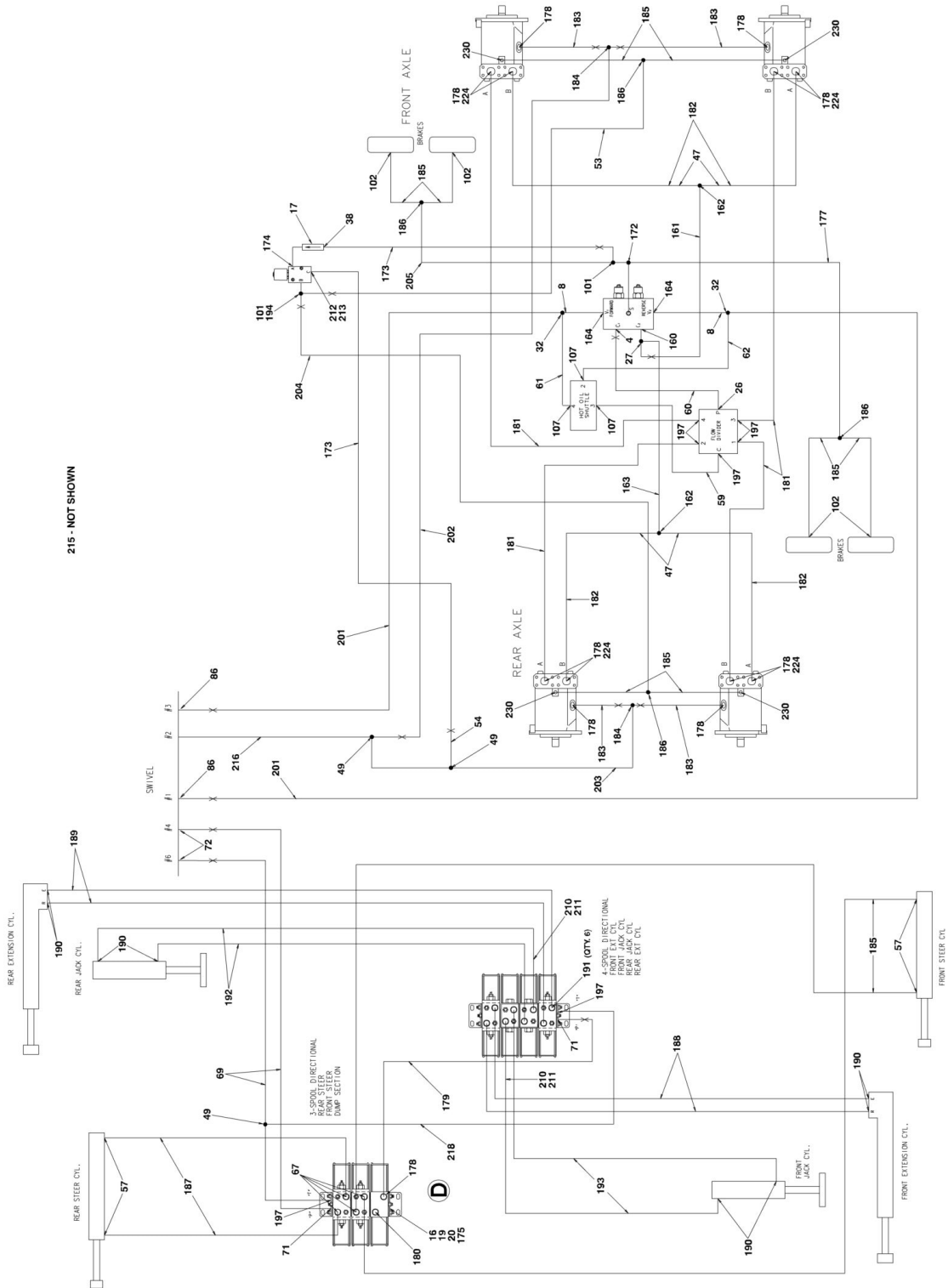
ITEM	PART NUMBER	QTY	DESCRIPTION	REV
222		Ref	Fitting, Straight Options:	
222	2220376	1	Fitting, Straight (Prior to SN 0300122313)	
222	2221025	1	Fitting, Straight (SN 0300122313 to Present)	
223	2751499	2	Hose	
224	2220833	8	Fitting, Reducer	
225	4567139	1	Tube	
226	2752435	1	Hose	
227	2750968	1	Hose	
228	2220290	2	Fitting, Pipe Tee	
229	2220064	2	Fitting, Pipe Swivel 90	
230	2220472	1	Fitting, O-ring 90	
231	2220386	1	Fitting, Add on 90	

SECTION 6 - HYDRAULIC

FIGURE 6-2. STANDARD HYDRAULIC DIAGRAM (SN 137333 to Present)



SECTION 6 - HYDRAULIC



SECTION 6 - HYDRAULIC

FIGURE 6-2. STANDARD HYDRAULIC DIAGRAM (SN 137333 to Present)

ITEM	PART NUMBER	QTY	DESCRIPTION	REV
	1001107587	Ref	STANDARD HYDRAULIC DIAGRAM	3-B
1	2720366	2	Hose, Suction (87in/221cm Length)	
2	1320031	8	Clamp	
3	2220763	2	Fitting, 45	
4	2220377	4	Fitting, Straight	
5	2752328	1	Hose	
6	2220478	1	Flange Kit	
7	2220630	1	Fitting, 90	
8	2220642	5	Fitting, Tee	
9	2220710	3	Fitting, Reducer	
10	2752246	2	Hose	
11	2220681	1	Fitting, Straight	
12	2220834	2	Fitting, Straight	
13	4640033	1	Valve, Check	
14	2220590	1	Fitting, Straight	
15	2220270	2	Fitting, Reducer	
16	2220820	2	Fitting, 90	
17	4640197	2	Valve, Check	
18	2220415	1	Fitting, Straight	
19	2220428	6	Fitting, Quick Disconnect	
20	2220429	6	Cap, Dust	
21	2751443	1	Hose	
22	2220582	2	Fitting, Straight	
23	2220347	2	Fitting, Straight	
24	2220261	5	Fitting, Straight	
25	2220749	1	Fitting, Tee	
26	2220365	1	Fitting, 45	
27	2220700	4	Fitting, Tee	
28	2220695	1	Fitting, Tee	
29	2751017	1	Hose	
30	4640575	2	Valve, Check	
31	2220550	1	Fitting Reducer	
32	2220624	2	Fitting, Straight	
34	2220473	1	Fitting, 90	
35	2751616	1	Hose	
36	2220626	1	Fitting, Reducer	
37	2220731	1	Fitting, 90	
38	2220414	6	Fitting, Straight	
39	2751011	1	Hose	
40	2220493	1	Fitting, 90	
41	2751625	1	Hose	
42	2220669	1	Flange Kit	
43	2220467	1	Fitting, 90	
44	2751932	1	Hose	
45	2220465	1	Fitting, 90	
46	2220682	1	Fitting, Tee	
47	2220622	7	Fitting, Straight	
48	2751617	1	Hose	
49	2220385	7	Fitting, Tee	
51	2220619	5	Fitting, Straight	

SECTION 6 - HYDRAULIC

ITEM	PART NUMBER	QTY	DESCRIPTION	REV
53	2750899	5	Hose	
54	2220618	6	Fitting, Straight	
57	2220416	12	Fitting, 90	
58	2750977	1	Hose	
59	1001110118	1	Hose	
60	1001110121	1	Hose	
61	2751517	1	Hose	
62	2750763	1	Hose	
63	2220345	1	Fitting, Straight	
64	2751852	1	Hose	
65	2220446	1	Fitting, Straight	
66	2751466	1	Hose	
67	2220468	10	Fitting, Straight	
68	4640512	1	Valve Assembly - Fluid Controls	
68	7009756	1	Cartridge	
69	2750759	2	Hose	
70	2750771	2	Hose	
71	2220600	3	Fitting, Straight	
72	2220342	4	Fitting, Straight	
73	2220593	1	Fitting, Straight	
74	2220635	1	Fitting, Tee	
75	2220354	2	Fitting, 45	
76	2750932	2	Hose	
77	2220609	9	Fitting, Reducer	
78	4565220	5	Tube	
79	4565290	1	Tube	
80	4565289	1	Tube	
81	4565291	1	Tube	
82	2220396	7	Fitting, Straight	
85	2752338	2	Hose	
86	2220348	4	Fitting, Straight	
87	2751142	3	Hose	
88	2220591	2	Fitting, Straight	
89	2180379	2	Fitting, Modified Tee	
90	2751506	2	Hose	
91	2750989	2	Hose	
92	2751457	1	Hose	
93	2180615	2	Orifice	
94	0100020	AR	Sealant, Pipe	
97	8760268	4	Fitting, 90	
98	2751520	2	Hose	
99	2220659	3	Fitting, 90	
100	2750905	1	Hose	
101	2220605	5	Fitting, Tee	
102	2220466	7	Fitting, 90	
103	2751013	1	Hose	
104	2750902	2	Hose	
105	2751114	2	Hose	
106	2220740	3	Fitting, Tee	
107	2220375	5	Fitting, Straight	
108	2220512	10	Fitting, Union	

SECTION 6 - HYDRAULIC

ITEM	PART NUMBER	QTY	DESCRIPTION	REV
109	2220282	4	Fitting, Reducer	
110	2220497	2	Fitting, Straight	
111	2750929	1	Hose	
112	4565292	1	Tube	
113	4565218	1	Tube	
114	4565217	1	Tube	
115	2220865	8	Fitting, Straight	
117	2751489	4	Hose	
118	4565216	5	Tube	
119	4565215	10	Tube	
120	2750931	1	Hose	
122	2220470	6	Fitting, 90	
123	2220654	1	Fitting, 90	
124	2750933	1	Hose	
125	2751465	2	Hose	
127	2751483	1	Hose	
128	4565294	1	Tube	
129	4565293	1	Tube	
130	4565295	1	Tube	
131	4565296	1	Tube	
132	4565288	1	Tube	
133	4565287	1	Tube	
134	2750976	1	Hose	
135	2220679	3	Fitting, Tee	
136	2751493	4	Hose	
137	4640009	2	Valve, Check	
138	2220665	3	Fitting, Tee	
139	2751498	2	Hose	
140	4100026	50 ft/16m	Sleeve, Hose Protection	
141	2751872	1	Hose	
142	2752170	1	Hose	
143	2751827	1	Hose	
144	4563167	4	Tube	
145	2751838	2	Hose	
146	2220603	2	Fitting, Straight	
147	2220511	6	Fitting, Union	
148	2751913	2	Hose	
149	2751462	2	Hose	
150	2752586	2	Hose	
151	4640383	2	Valve, Restrictor	
152	2220816	2	Fitting, Straight	
153	2751421	2	Hose	
155	2220496	1	Fitting, 45	
160	2220435	1	Fitting, Straight	
161	2752240	2	Hose	
162	2220481	2	Fitting, Tee	
163	2752236	1	Hose	
164	2220646	2	Fitting, 90	
167	2220407	1	Fitting, 90	
172	2220711	1	Fitting, Tee	
173	2751010	2	Hose	

SECTION 6 - HYDRAULIC

ITEM	PART NUMBER	QTY	DESCRIPTION	REV
174	2220673	2	Fitting, 90	
175	86561326	3	Fitting, Straight	
176	2750773	1	Hose	
177	2751899	1	Hose	
178	2220596	13	Fitting, 90	
179	2751494	1	Hose	
180	2220238	1	Fitting, Plug	
181	2752376	4	Hose	
182	2752377	4	Hose	
183	2752933	4	Hose	
184	2220362	2	Fitting, Tee	
185	2751439	10	Hose	
186	2220504	4	Fitting, Tee	
187	2751406	2	Hose	
188	2751123	2	Hose	
189	2751150	2	Hose	
190	2220399	10	Fitting, Straight	
191	2220372	6	Fitting, Straight	
192	2751111	2	Hose	
193	2751162	2	Hose	
194	2220417	1	Fitting, Straight	
196	2220237	1	Fitting, Plug	
197	2220373	10	Fitting, Straight	
198	2220733	1	Fitting, Straight	
199	2751638	1	Hose	
200	2751893	1	Hose	
201	2752331	2	Hose	
202	2750766	1	Hose	
203	2750776	1	Hose	
204	2750891	1	Hose	
205	2751398	1	Hose	
206	2220702	1	Fitting, Tee	
207	2220670	1	Fitting, Straight	
208	2220400	1	Fitting, Straight	
209	4640216	1	Valve, Flow Control	
210	2180479	2	Fitting, Modified	
211	2180752	2	Orifice (.125)	
212	2220909	1	Orifice (.150)	
213	2220417	1	Fitting, Modified	
214	2750900	1	Hose	
215	4100026	60 ft/19m	Sleeve, Hose Protection	
216	2220355	1	Fitting, 45	
217	2220344	1	Fitting, Straight	
218	2750928	1	Hose	
219	2220371	1	Fitting, Straight	
220	2220491	1	Fitting, Straight	
221	2752721	1	Hose, Suction (36in/91.5cm Length)	
222	2221025	1	Fitting, Straight	
223	2751499	2	Hose	
224	2220811	8	Fitting, Reducer	
225	4567139	1	Tube	

SECTION 6 - HYDRAULIC

ITEM	PART NUMBER	QTY	DESCRIPTION	REV
226	2752435	1	Hose	
227	2750968	1	Hose	
228	2220290	2	Fitting, Pipe Tee	
229	2220064	2	Fitting, Pipe Swivel 90	
230	2220472	5	Fitting, O-ring 90	
231	2220386	1	Fitting, Add on 90	
232	2751104	1	Hose	

SECTION 6 - HYDRAULIC

FIGURE 6-3. HYDRAULIC DIAGRAM LIST

ITEM	PART NUMBER	QTY	DESCRIPTION	REV
	Note	Ref	Note: Information on Diagrams not shown are available from JLG Service/Parts Departments.	
	0252744	Ref	Power Tool Hydraulic Diagram	
		Ref	Standard Hydraulic Diagram	
	2791841	Ref	Standard Hydraulic Diagram (Prior to SN 0300137333)	
	1001107587	Ref	Standard Hydraulic Diagram (SN 0300137333 to Present)	
		Ref	Standard Hydraulic Schematic	
	2791845	Ref	Standard Hydraulic Schematic (Prior to SN 0300137333)	
	1001110253	Ref	Standard Hydraulic Schematic (SN 0300137333 to Present)	

SECTION 7 - ELECTRICAL

SECTION 7 - ELECTRICAL

FIGURE 7-1. ELECTRICAL DIAGRAM LIST

ITEM	PART NUMBER	QTY	DESCRIPTION	REV
		Ref	Note: Diagrams not shown are available from the JLG Service Department.	
		Ref	ALARM ELECTRICAL DIAGRAMS	
	4932638	Ref	Back-up Alarm	
	1282091	Ref	Back-up Alarm	
	3740049	1	Relay	
	3990010	1	Diode 6 Amp	
	1060341	11 ft/3.4m	Cable, Electrical - 16/2	
	4932640	Ref	Motion Alarm	
	1282091	Ref	Motion Alarm	
	3740049	1	Relay	
	3990010	3	Diode 6 Amp	
	1060341	8 ft/2.5m	Cable, Electrical - 16/2	
	0253077	Ref	Tilt Alarm (Japanese / ANSI / CSA Spec)	
	4932638	Ref	Travel Alarm	
	1282091	Ref	Travel Alarm	
	3740049	1	Relay	
	3990010	1	Diode 6 Amp	
	1060341	11 ft/3.4m	Cable, Electrical - 16/2	
	4931740	Ref	BEACON ELECTRICAL DIAGRAM	
		Ref	BOOM ELECTRICAL COMPONENTS	
		Ref	Main Boom	
	1060392	95 ft/29.3m	Cable, Electrical - 16/36	
	1060393	95 ft/29.3m	Cable, Electrical - 10/3 (AC Power)	
	1060394	95 ft/29.3m	Cable, Electrical - 10/4 (Power Feed)	
	1060395	95 ft/29.3m	Cable, Electrical - 16/4 (Intercom)	
		Ref	Tower Boom	
	1060392	103 ft/31.4m	Cable, Electrical - 16/36	
	1060393	103 ft/31.4m	Cable, Electrical - 10/3 (AC Power)	
	1060394	103 ft/31.4m	Cable, Electrical - 10/4 (Power Feed)	
	1060395	103 ft/31.4m	Cable, Electrical - 16/4 (Intercom)	
	1060016	111 ft/34m	Cable, Electrical - 16/3 (End of Travel)	
	0270815	Ref	BRAKE LIGHTS ELECTRICAL DIAGRAM	
	2920110	2	Head Light	
	2920113	2	Stop/Tail Light	
	3250585	1	Nameplate, Switch	
	4360199	1	Switch, Toggle	
	4460374	1	Plug, Bosch Relay	
	3740080	1	Relay	
	4360287	1	Fuse - 15 Amp	
	3990010	1	Diode, 6 Amp	
	4932510	Ref	DRIVE/STEER CUTOUT ELECTRICAL DIAGRAM (OPTIONAL)	

SECTION 7 - ELECTRICAL

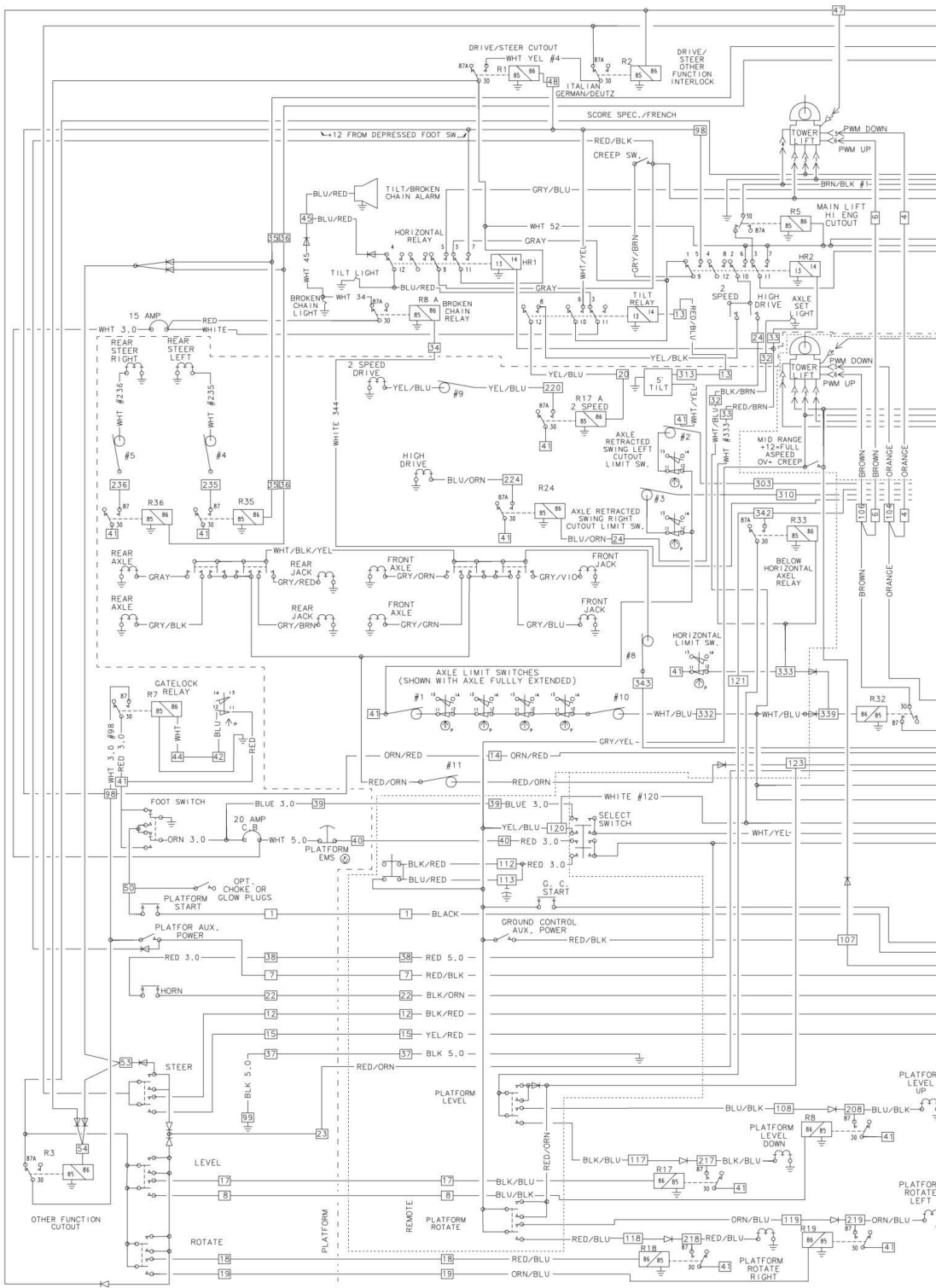
ITEM	PART NUMBER	QTY	DESCRIPTION	REV
	1281846	Ref	DRIVE/STEER CUTOUT ELECTRICAL DIAGRAM (OPTIONAL)	
	4921429	1	Harness Assembly - Drive/Steer Cutout	
	4921430	1	Harness Assembly - Other Function Cutout	
	4921431	1	Harness Assembly - Drive/Steer Cutout	
	4921433	1	Harness Assembly - Function Enable	
		Ref	ENGINE DISTRESS ELECTRICAL DIAGRAM OPTIONS:	
	0258227	Ref	Engine Distress Electrical Diagram (Prior to SN 61098)	
	2920026	1	Lamp, Indicator - Red	
	2920029	1	Bulb, Light	
	4360157	1	Switch, Temperature	
	4360065	1	Switch, Oil Pressure	
	3740049	1	Relay	
	1060341	15 ft/4.6m	Cable, Electrical - 16/2	
	0270856	Ref	Engine Distress Electrical Diagram (SN 61098 to Present)	
	4360157	1	Switch, Water Temperature	
	4360182	1	Switch, Oil Pressure	
	3740049	1	Relay	
	3990010	1	Diode, 6 Amp	
	4932407	Ref	FRAME ELECTRICAL DIAGRAMS	
	4921347	1	Harness Assembly - Axle/Jacks/Steer	
	4460418	4	Connector 6 Position	
	4460419	24	Socket, Female	
	4460461	1	Connector, Male - 6 Position	
	4460459	1	Connector, Male - 3 Position	
	4460460	1	Connector, Male - 4 Position	
	4460458	13	Seal, Terminal	
	4460457	13	Sleeve, Terminal	
	0255068	Ref	HEADLIGHT/TAILLIGHT ELECTRICAL DIAGRAMS	
	2920110	2	Headlight	
	2920113	2	Taillight	
	3250585	1	Nameplate, Switch	
	4360199	1	Switch, Toggle	
	4460374	1	Plug, Bosch Relay	
	3740080	1	Relay	
	4360287	1	Fuse - 15 Amp	
	1060330	50 ft/15.3m	Cable, Electrical - 16/3	
		Ref	INTERCOM ELECTRICAL DIAGRAM OPTIONS:	
	4932420	Ref	Intercom Electrical Diagram (Prior to SN 69948)	
	4933271	Ref	Intercom Electrical Diagram (SN 69948 to Present)	
	1060341	12 ft/3.7m	Cable, Electrical - 16/2	
	4932635	Ref	JAPANESE MODIFICATION ELECTRICAL DIAGRAM (BOOM MOUNTED)	
		Ref	JUNCTION BOX ELECTRICAL DIAGRAM OPTIONS: (BOOM MOUNTED)	
	4932405	Ref	Junction Box Electrical Diagram (Prior to SN 61098)	
	4933173	Ref	Junction Box Electrical Diagram (SN 61098 to Present)	
	4932404	Ref	PLATFORM ELECTRICAL DIAGRAM	
	3990010	5	Diode - 6 Amp	
		Ref	Cable, Electrical - 16/3	
	1060016	15 ft/4.6m	Platform Electrical Diagram (Was P/N 1060300) (Prior to SN 54965)	

SECTION 7 - ELECTRICAL

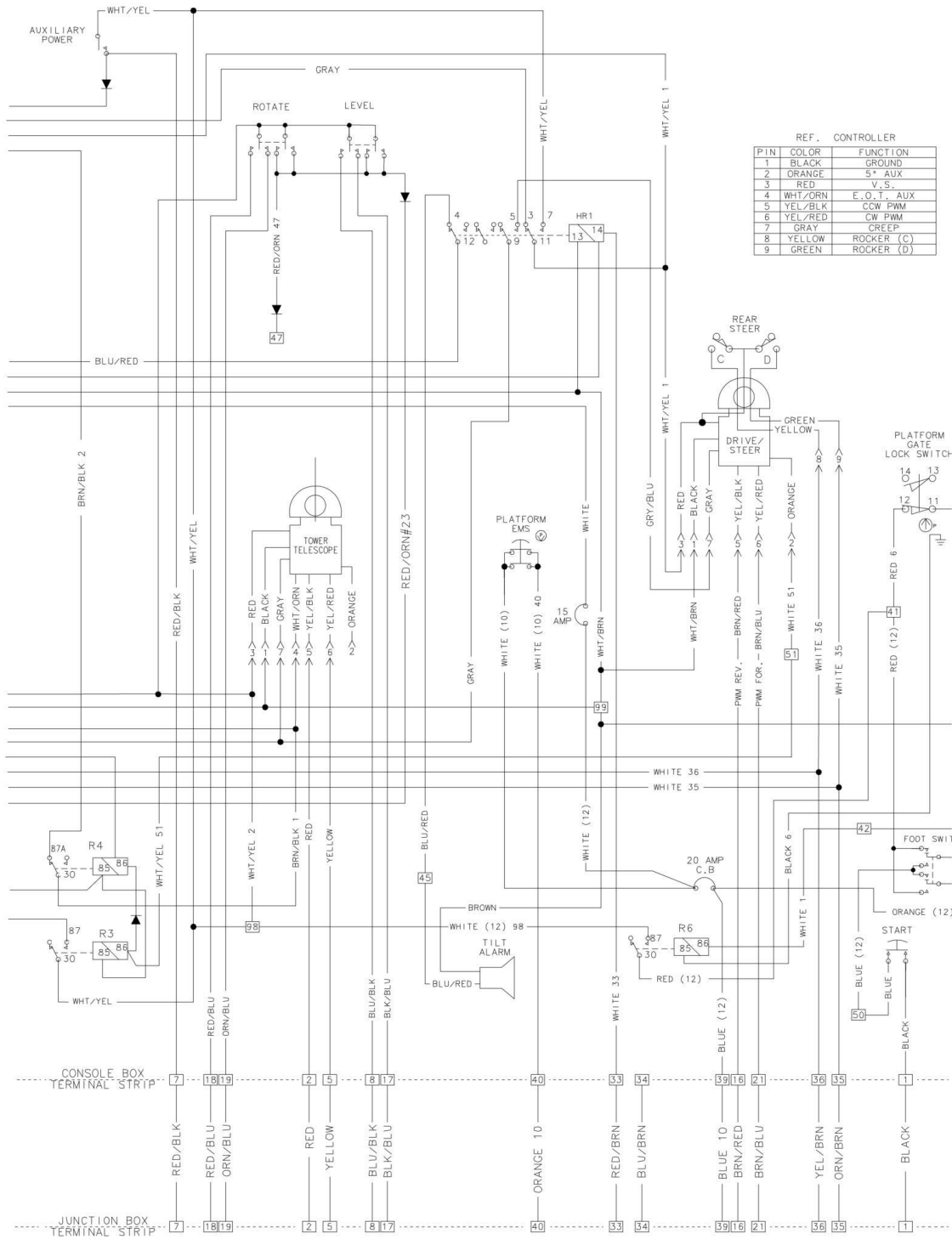
ITEM	PART NUMBER	QTY	DESCRIPTION	REV
	1060016	15 ft/4.6m	Platform Electrical Diagram (SN 54965 to Present)	
	1060012	8 ft/2.4m	Cable, Electrical - 12/4	
	0252744	Ref	PLATFORM HYDRAULIC TOOL CIRCUIT ELECTRICAL DIAGRAM	
	4932668	Ref	PLATFORM SOFT BOUNCE ELECTRICAL DIAGRAM	
	0140031	1	Alarm	
	4360164	1	Breaker, Circuit - 5 Amp	
		Ref	REMOTE CONTROL BOX ELECTRICAL DIAGRAM	
	4932406	Ref	Remote Control Box Electrical Diagram (Prior to SN 103758)	
	4933390	Ref	Remote Control Box Electrical Diagram (SN 103758 to Present)	
	1060516	25 ft/7.6 m	Cable, Electrical - 16/30	
	4460265	5	Plug, Connector - 6 Position	
	4460227	32	Pin, Male	
	3990010	2	Diode 6 Amp	
	1540002	1	Condenser	
	4932405	Ref	STANDARD ELECTRICAL DIAGRAM (Prior to SN 61098)	
	3990010	8	Diode - 6 Amp	
	4921348	1	Harness Assembly	
	4921350	1	Harness Assembly - Bang-Bang Valve	
	4921351	1	Harness Assembly - Prop and Drive Valve	
		Ref	Harness Assembly - Engine Options:	
	4921352	1	Harness Assembly - Engine Prior to January 2000	
	4922368	1	Harness Assembly - Engine January 2000 to SN 103757	
	4923480	1	Harness Assembly - Engine (SN 103758 to Present)	
	3730003	1	Resistor	
	3990010	1	Diode 6 Amp	
	4921353	1	Harness Assembly - Relay and Battery	
	1060016	26 ft/8m	Cable, Electrical - 16/3	
	4933174	Ref	STANDARD ELECTRICAL DIAGRAM (SN 61098 to Present)	
		Ref	STANDARD ELECTRICAL SCHEMATIC	
	1870014	Ref	All Machines except Japanese Spec (Prior to SN 55775)	
	1870012	Ref	Japanese Spec Machines Only (Prior to SN 55775)	
	1870136	Ref	All Machines (SN 55775 through 103757)	
	1870233	Ref	All Machines (SN 103758 to Present)	
		Ref	WORKLIGHTS ELECTRICAL DIAGRAMS	
		Ref	Without Platform Bumpers Options:	
	0253987	Ref	Without Platform Bumpers (Prior to SN 55775)	
	0271329	Ref	Without Platform Bumpers (SN 55775 to Present)	
	0254748	Ref	With Platform Bumpers	

SECTION 7 - ELECTRICAL

FIGURE 7-2. ELECTRICAL SCHEMATIC (SN 61811 through 103757)



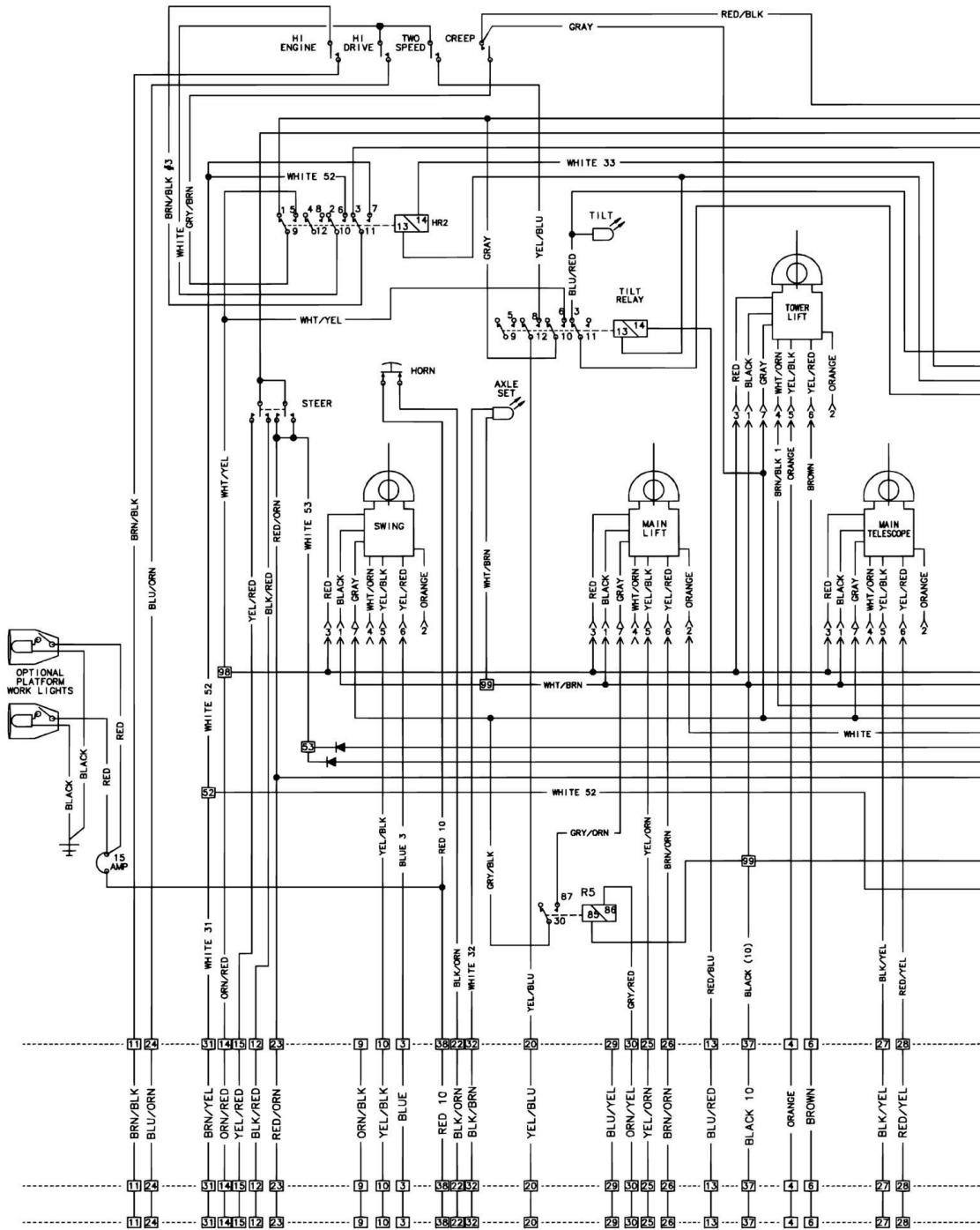
SECTION 7 - ELECTRICAL



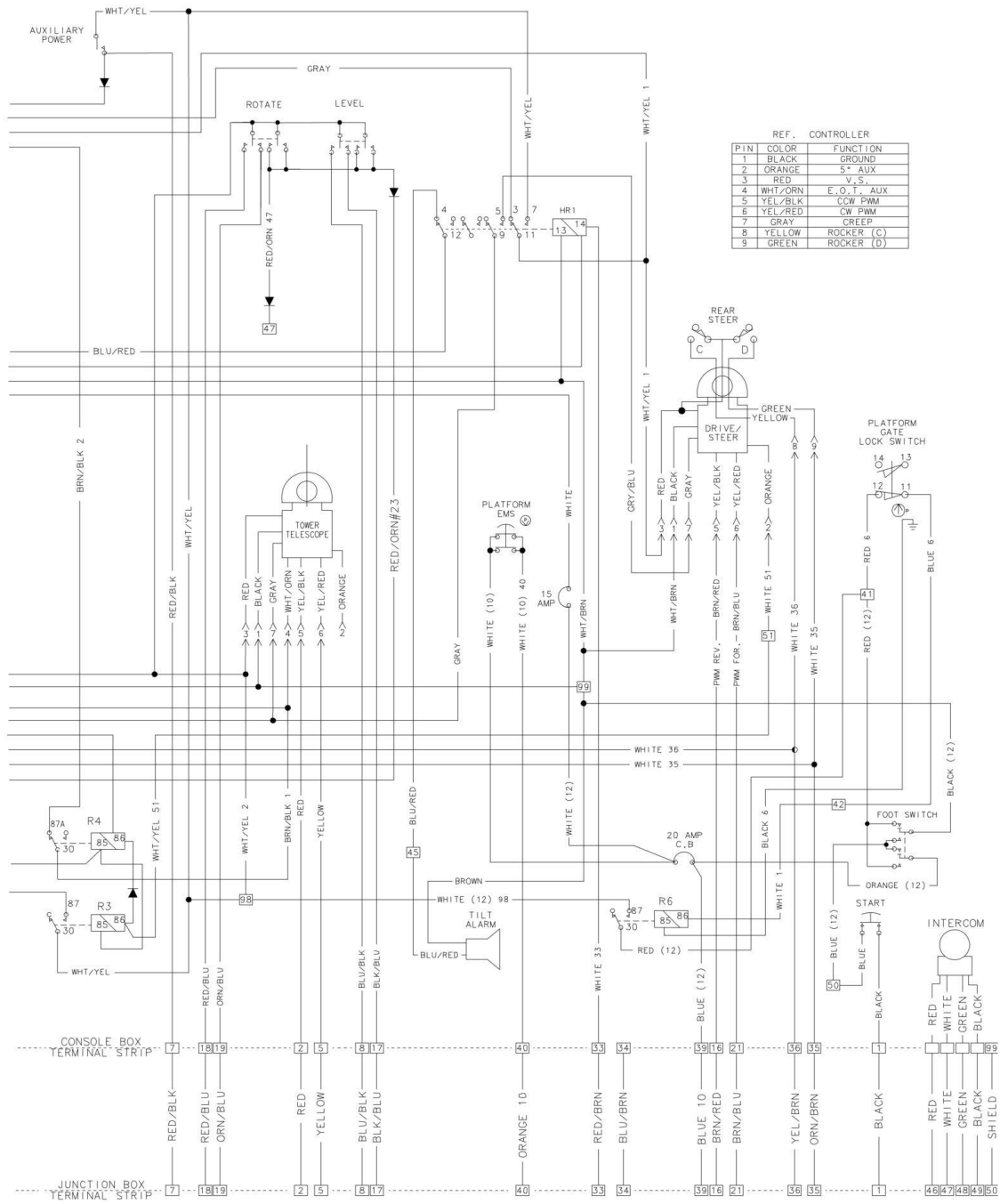
1870233 B

SECTION 7 - ELECTRICAL

FIGURE 7-3. ELECTRICAL SCHEMATIC (SN 103758 to Present)

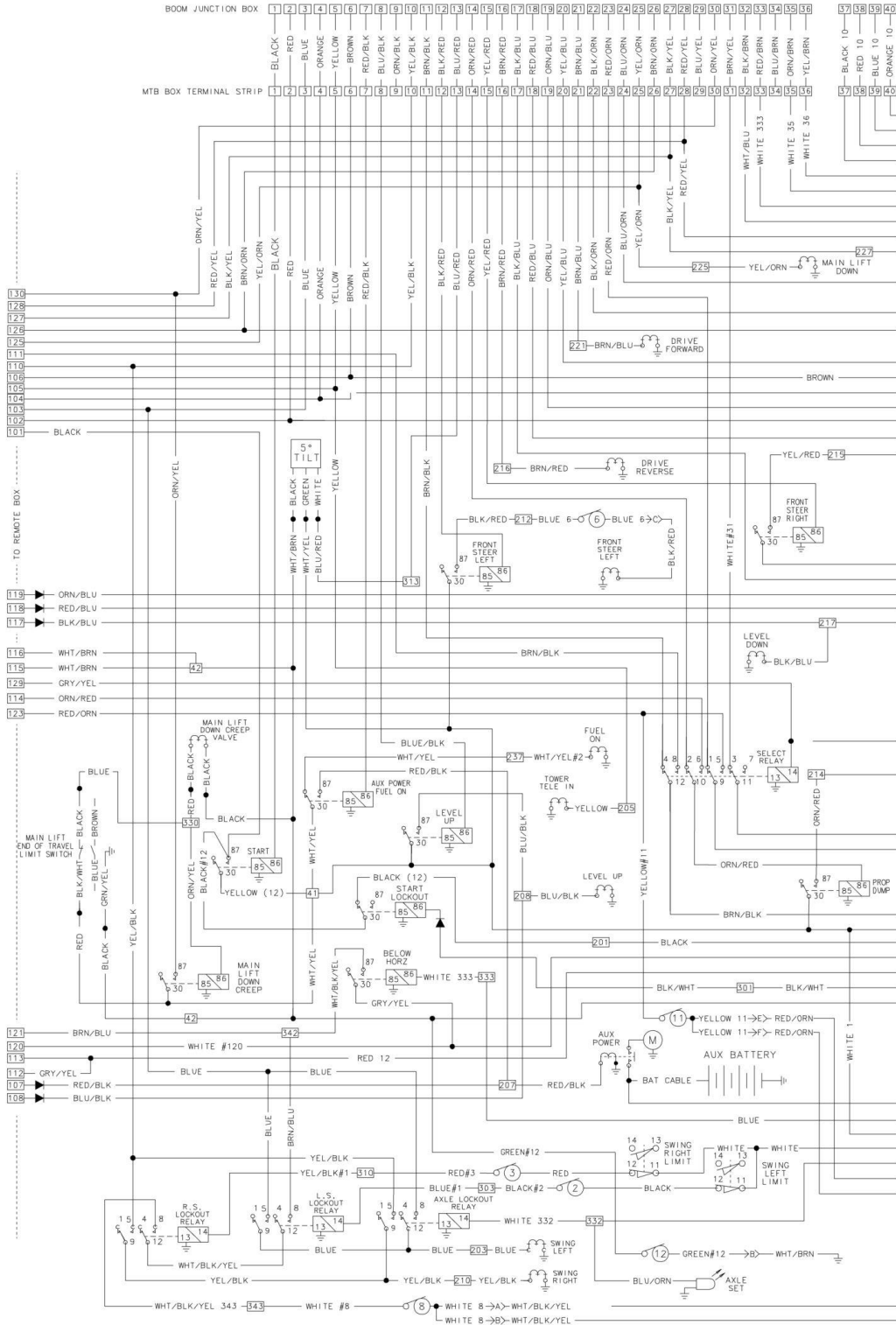


SECTION 7 - ELECTRICAL

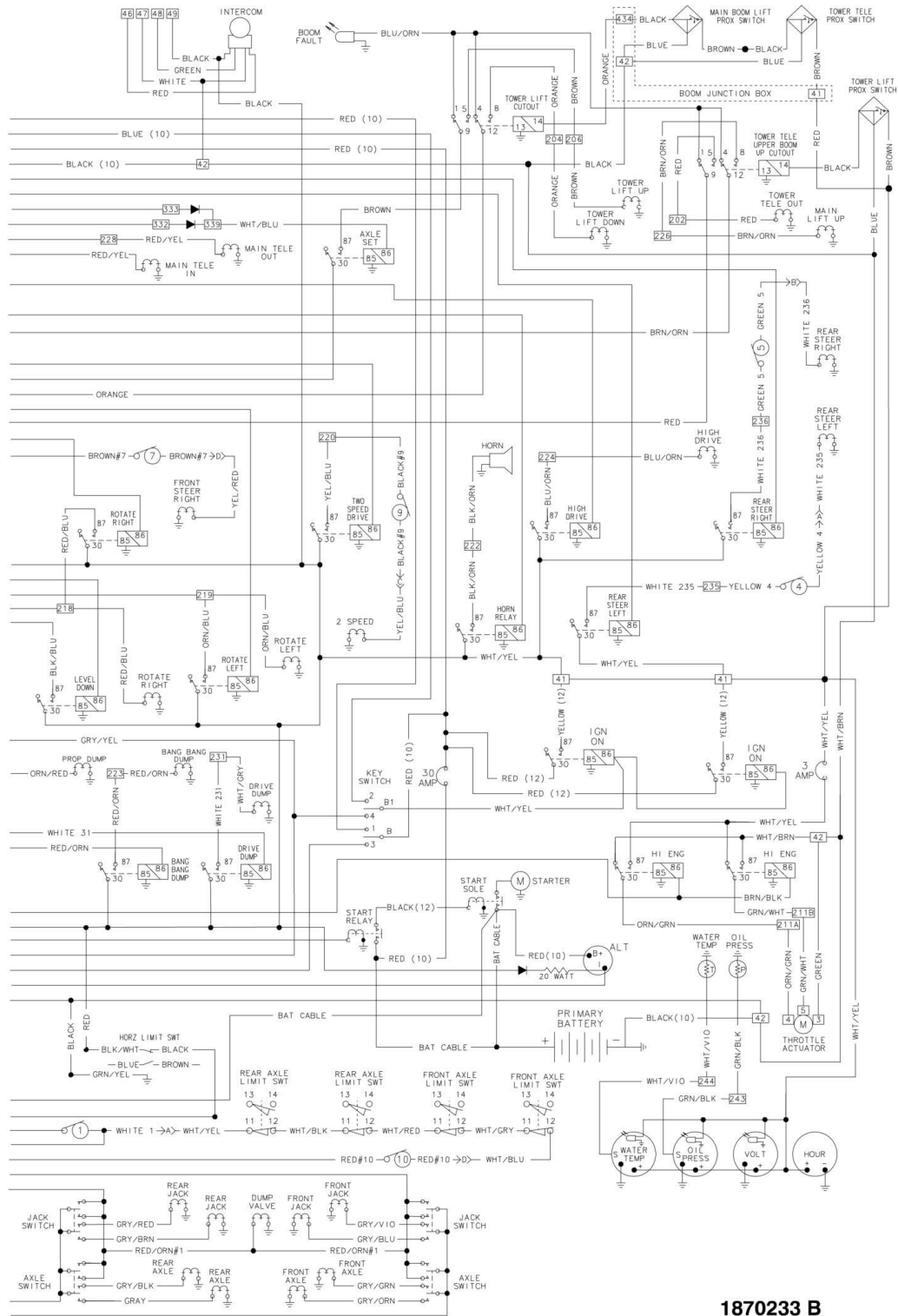


1870233 B

SECTION 7 - ELECTRICAL

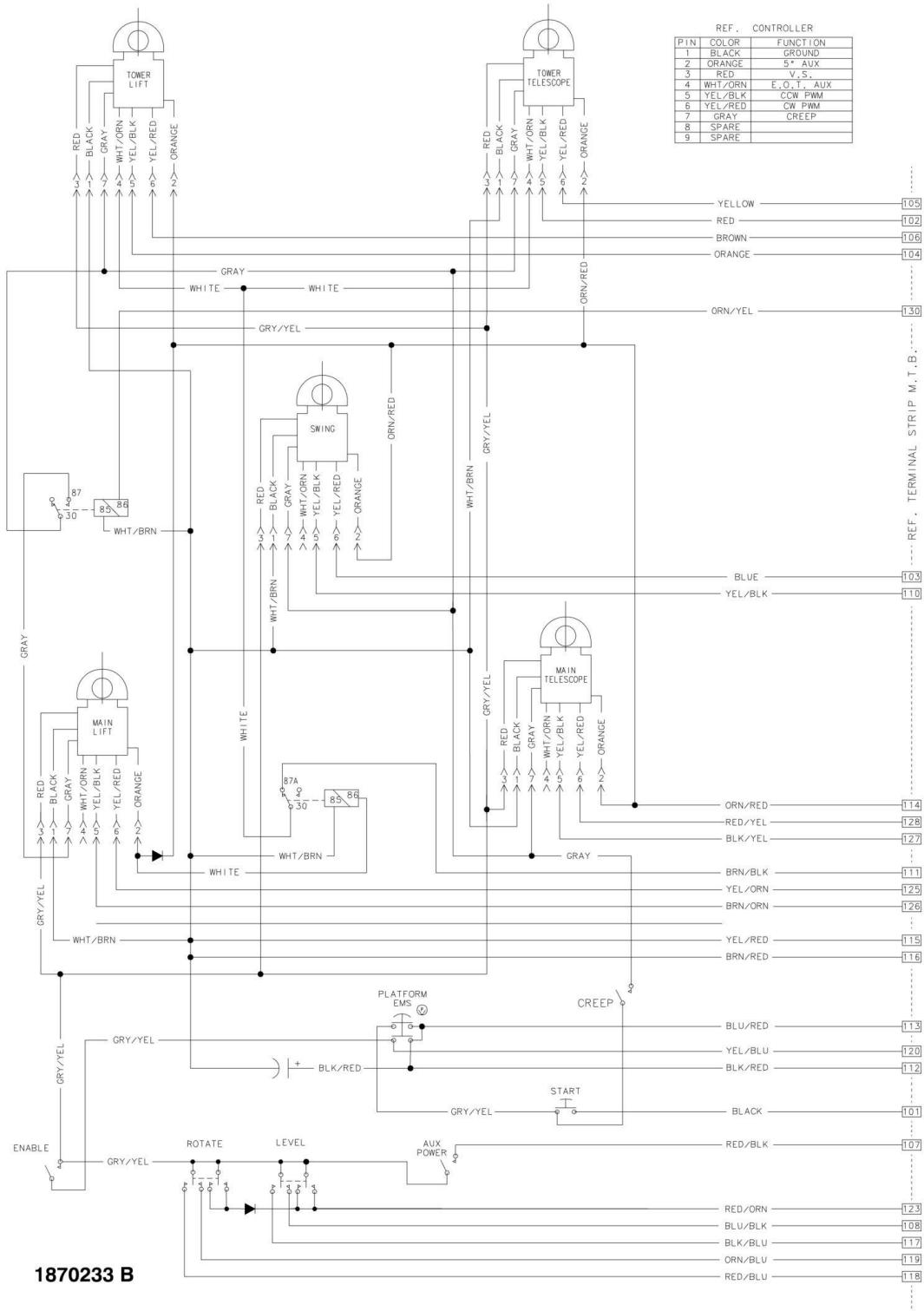


SECTION 7 - ELECTRICAL



1870233 B

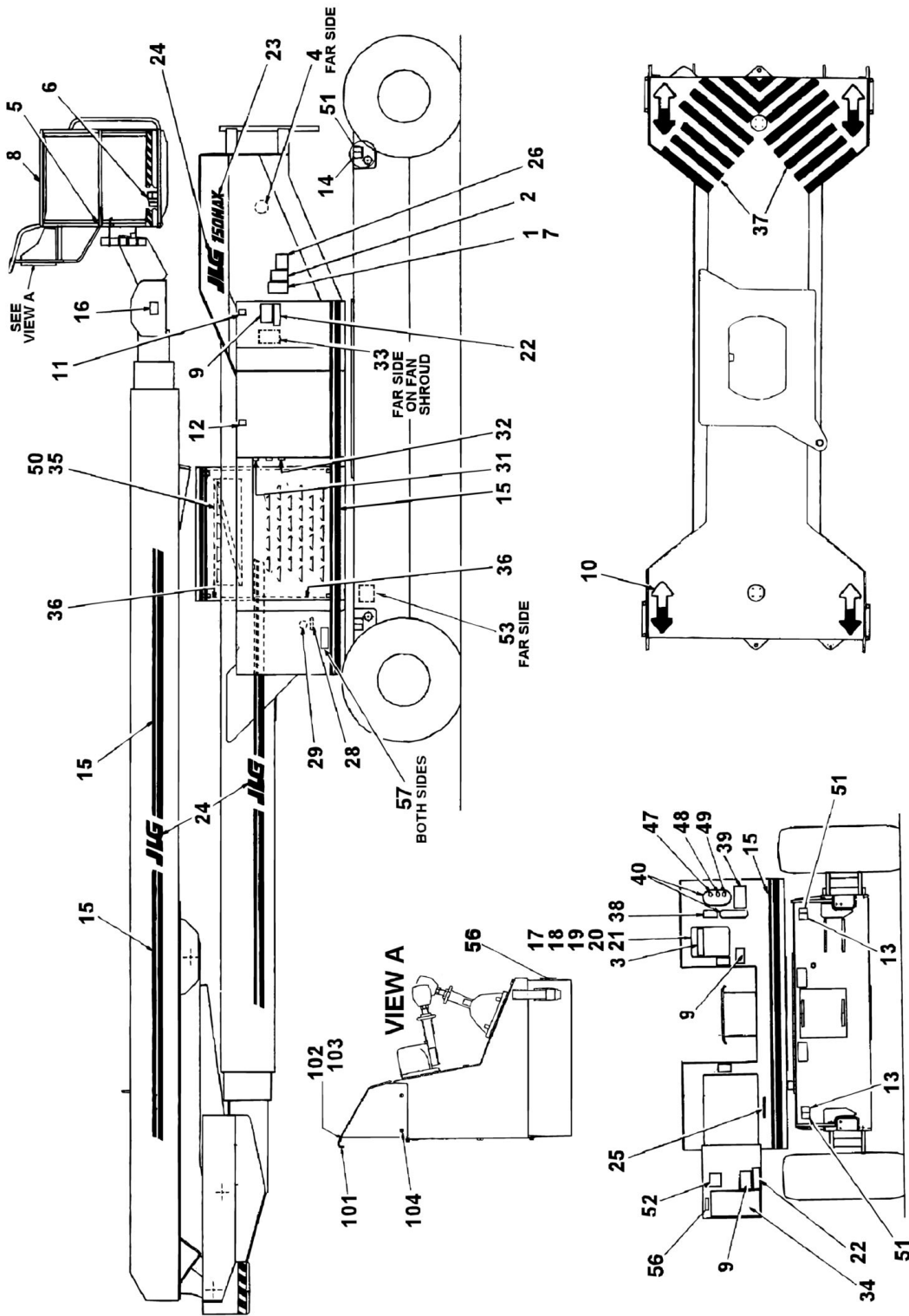
SECTION 7 - ELECTRICAL



SECTION 8 - DECALS

SECTION 8 - DECALS

FIGURE 8-1. DECALS INSTALLATION (Prior to SN 103758)



SECTION 8 - DECALS

FIGURE 8-1. DECALS INSTALLATION (Prior to SN 103758)

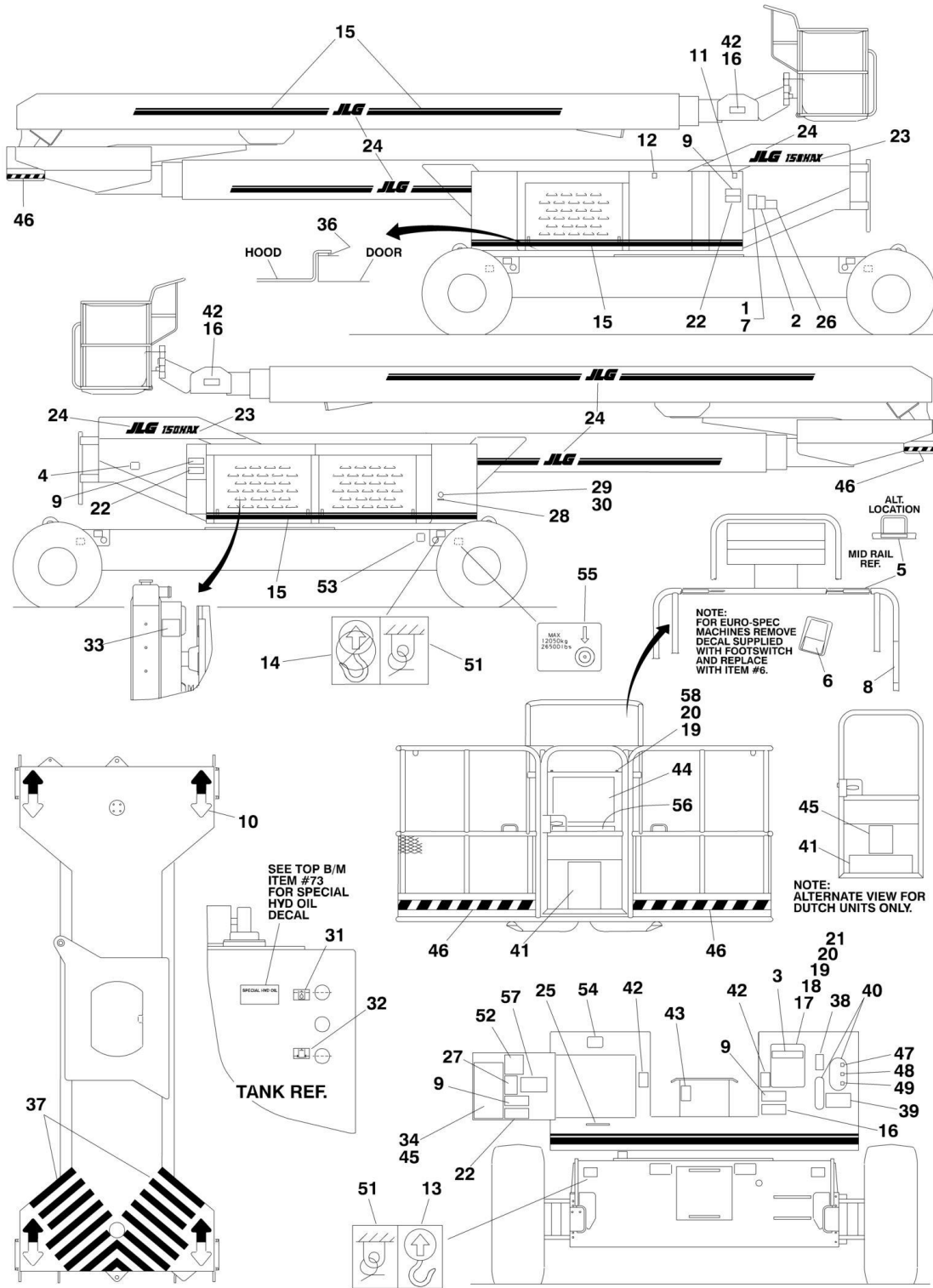
ITEM	PART NUMBER	QTY	DESCRIPTION	REV
	0257251	Ref	STANDARD DECAL INSTALLATIONS	1
	0252041	Ref	Common Decals	11
	0257267	Ref	ANSI Spec	2
	0271082	Ref	Decal Installation - JLG	1
1	Not Available	1	Nameplate - Serial Number	
2	1700584	1	Decal - Patent	
3	1701509	1	Decal - Manual	
4	3251813	1	Decal - USA (Located on Right Side)	
5		Ref	Decal - Attach Lanyard Options:	
5	1702612	2	Decal - Attach Lanyard Prior to May 1994 (was p/n 1700477)	
5	1702612	2	Decal - Attach Lanyard May 1994 to August 1995 (was p/n 1702776)	
5	1702612	2	Decal - Attach Lanyard August 1995 to SN 29301	
5	Not Required	0	Decal - Attach Lanyard (SN 29302 through 103758)	
6	3252347	1	Nameplate - Footswitch (Part of Footswitch Assy)	
7	3820001	4	Rivet	
8		Ref	Decal - No Hands Options:	
8	1702294	2	Decal - No Hands Prior to May 1994 (was p/n 1700476)	
8	1702294	2	Decal - No Hands May 1994 to SN 103758	
9		Ref	Decal - Crushing Options:	
9	1702277	4	Decal - Crushing Prior to May 1994 (was p/n 1700585)	
9	1702277	4	Decal - Crushing May 1994 to SN 103758	
10	1701501	4	Decal - Arrow	
11	1701505	1	Decal - Fuel	
12	1701504	1	Decal - Hydraulic Oil	
13	1701500	4	Decal - Tie Down /Lift Up	
14	1701499	4	Decal - Don't Tie Down /Lift Up	
15	1701703	94	Decal, Stripe	
		ft/28.7m		
16		Ref	Decal - Crushing Options:	
16	1702284	2	Decal - Crushing Prior to May 1994 (was p/n 1700640)	
16	1702284	2	Decal - Crushing May 1994 to SN 103758	
17	0641408	1	Bolt 1/4in-20NC x 1in	
18	1060279	1	Cable, Lanyard	
19	3311405	AR	Locknut 1/4in-20NC	
20	4751400	AR	Flatwasher 1/4in	
21	0860520	1	Box, Manual Storage	
22		Ref	Decal - Electrocutation Options:	
22	1702292	3	Decal - Electrocutation Prior to May 1994 (was p/n 1700580)	
22	1702292	3	Decal - Electrocutation May 1994 to SN 103758	
23	1701488	2	Decal - 150HAX	
24	Not Required	0	Decal - JLG	
25	1700037	1	Decal - Ground Control	
26		Ref	Decal - Inspection Options:	
26	1702153	1	Decal - Inspection Prior to May 1994 (was p/n 1700593)	
26	1702153	1	Decal - Inspection May 1994 to SN 103758	
28	3251243	1	Nameplate - 120V (Located on Right Side)	
29	0961127	1	Bushing (Located on Right Side)	
30	0100010	AR	Adhesive (Not Shown)	
31	1701502	1	Decal - High Oil Level	

SECTION 8 - DECALS

ITEM	PART NUMBER	QTY	DESCRIPTION	REV
32	1701503	1	Decal - Low Oil Level	
33	1701522	1	Decal - Fan (Located on Right Side Inside Door)	
34	1701527	1	Decal - Reach Diagram	
35	3380396	2	Panel, Dampening Material (Located on Right Side) (Prior to May 1995 Only)	
36	3960417	17 ft/5.2m	Seal, Door	
37	4420039	36 ft/11m	Tape, Safety Tread	
38	1701436	1	Decal - Hydraulic Hand Pump	
39		Ref	Decal - Manual Descent Options:	
39	1701895	1	Decal - Manual Descent Prior to December 1992 (was p/n 1701467)	
39	1701895	1	Decal - Manual Descent December 1992 to SN 103758	
40	4060805	4 ft/1.2m	Flex-Trim	
47	1701428	1	Decal - #1 (May 1992 to SN 103758)	
48	1701427	1	Decal - #2 (May 1992 to SN 103758)	
49	1701426	1	Decal - #3 (May 1992 to SN 103758)	
50	3380403	2	Panel, Dampening Material (Located on Right Side) (May 1992 to May 1995 Only)	
51	1702300	8	Decal - Tie Down (May 1994 to SN 103758)	
52	1702282	1	Decal - Warning (May 1994 to SN 103758)	
53	Not Available	1	Decal - Bar Code (August 1995 to SN 103758) (Located on Right Side)	
56	1702966	1	Decal - Unrestricted Capacity (SN 36511 through 103758)	
57	3252762	2	Decal - Lifting Diagram (SN 55775 through 103758)	
	2900802	1	Decal Kit (Includes Items 9, 16, 22, 25, 26, 28, 38, 39, 52, 56 & 102)	
	0252312	Ref	CAUTION/DANGER PLACARD INSTALLATION	C
101		Ref	Plate, Placard Mounting	
101	3536671	1	Plate, Placard Mounting Prior to March 1993 (was p/n 530997 & 3534468)	
101	3536671	1	Plate, Placard Mounting March 1993 to SN 103758	
102		Ref	Nameplate - Caution/Danger	
102	3252144	1	Nameplate - Caution/Danger Prior to May 1994	
102	3252369	1	Nameplate - Caution/Danger May 1994 to SN 103758	
103	3820001	6	Rivet (Prior to May 1994 Only)	
104	3820019	4	Rivet	

SECTION 8 - DECALS

FIGURE 8-2. DECALS INSTALLATION (SN 103758 to Present)



SECTION 8 - DECALS

FIGURE 8-2. DECALS INSTALLATION (SN 103758 to Present)

ITEM	PART NUMBER	QTY	DESCRIPTION	REV
	0257251	Ref	STANDARD DECAL INSTALLATIONS	2
	0252041	Ref	Common Decals	12
	0275915	Ref	ANSI Spec	1
	0271082	Ref	DECAL INSTALLATION - JLG	2
1	Not Available	1	Nameplate - Serial Number	
2	1700584	1	Decal - Patent	
3	1701509	1	Decal - Manual	
4	3251813	1	Decal - USA (Located on Right Side)	
5	1704277	2	Decal - Attach Lanyard	
6	3252347	1	Nameplate - Footswitch (Part of Footswitch Assy)	
7	3820001	4	Rivet	
8	1702868	2	Decal - No Hands	
9	1703953	4	Decal - Crushing	
10	1701501	4	Decal - Arrow	
11	1701505	1	Decal - Fuel	
12	1701504	1	Decal - Hydraulic Oil	
13	1701500	4	Decal - Tie Down /Lift Up	
14	1701499	4	Decal - Don't Tie Down /Lift Up	
15	1701703	94 ft/28.7m	Decal, Stripe	
16	1703804	3	Decal - Crushing	
17	0641408	1	Bolt 1/4in-20NC x 1in	
18	1060279	1	Cable, Lanyard	
19	3311405	7	Locknut 1/4in-20NC	
20	4751400	10	Flatwasher 1/4in	
21	0860520	1	Box, Manual Storage	
22	1703805	3	Decal - Electrocution	
23	1701488	2	Decal - 150HAX	
24	1700981	6	Decal - JLG	
25	1700037	1	Decal - Ground Control	
26	1702153	1	Decal - Inspection	
28	3251243	1	Nameplate - 120V (Located on Right Side)	
29	0961127	1	Bushing (Located on Right Side)	
30	0100010	AR	Adhesive (Not Shown)	
31	1701502	1	Decal - High Oil Level	
32	1701503	1	Decal - Low Oil Level	
33	1703162	1	Decal - Fan (Located on Right Side Inside Door)	
34	1701527	1	Decal - Reach Diagram	
36	3960417	11 ft/3.4m	Seal, Door	
37	4420039	36 ft/11m	Tape, Safety Tread	
38	1701436	1	Decal - Hydraulic Hand Pump	
39	1701895	1	Decal - Manual Descent	
40	4060805	4 ft/1.2m	Flex-Trim	
44	1703797	1	Decal - Warning/Danger Platform	
47	1701428	1	Decal - #1	
48	1701427	1	Decal - #2	
49	1701426	1	Decal - #3	
51	1702300	8	Decal - Tie Down	
52	1705336	1	Decal - Warning Inspection	
53	Not Available	1	Decal - Bar Code (Located on Right Side)	

SECTION 8 - DECALS

ITEM	PART NUMBER	QTY	DESCRIPTION	REV
55	1703456	4	Decal - Wheel Load	
56	1704096	1	Decal - Warning Dual Capacity	
57	1707014	1	Decal - Warning Dual Capacity	
58	0641406	2	Bolt 1/4in-20NC x 3/4in	
59	3577143	1	Plate, Decal	

SECTION 9 - RECOMMENDED SERVICE PARTS STOCK

SECTION 9 - RECOMMENDED SERVICE PARTS STOCK

SECTION 9 - RECOMMENDED SERVICE PARTS STOCK

FIGURE 9-1. MODEL 150HAX STANDARD PARTS

ITEM	PART NUMBER	QTY	DESCRIPTION	REV
	Note	Ref	Note: The following list will service one machine (built to current production per date on the front cover) with emergency repair parts which can be installed in the field. Parts from the list should be replaced when inventory is depleted to keep service parts stock supplied. For further information, contact your JLG dealer or the JLG Industries Parts Department.	
		Ref	STANDARD PARTS	
	4360202	1	Switch, Toggle	
	7000418	1	Coil	
	7000548	1	Coil	
	4360306	1	Sensor, Level	
	7000417	1	Coil	
	7002450	1	Coil	
	7012339	1	Coil	
	7003647	1	Coil	
	7008829	1	PC Board, Adeco	
	7008828	1	Cable, Throttle	
	3740067	1	Relay	
	3740059	1	Relay	
	7003655	1 dz	Element, Air Cleaner	
	8274022	1 dz	Filter/Strainer, Fuel	
	1660198	1	Coupling, Pump	
	1340046	1	Breather, Hydraulic Tank	
	2120104	4	Element, Filter	
	2120107	4	Element Filter	
	3740049	1	Relay	
	4360212	1	Breaker, Circuit	
	4360216	1	Breaker, Circuit	
	4360469	1	Switch, Toggle	
	2860030	1	Key, Replacement	
	3740057	1	Relay	
	3740058	1	Relay	
	1600353	1	Controller	
	4360475	1	Switch, Mushroom	
	4360199	1	Switch, Toggle	
	4360274	1	Switch, Push Button	
	4360476	1	Contact, Switch Block	
	7006153	1	Powertrack 1ft Section (Gemco)	
	70002008	1	Powertrack 1ft Section (Gortrac)	
	7006180	1	Pin Kit - Powertrack	
	7006191	1	Powertrack 1ft Section (Gemco)	
	70002010	1	Powertrack 1ft Section (Gortrac)	
	2940006	1	Latch	
	4360092	1	Switch, Toggle	
	4360200	1	Switch, Toggle	
	1600352	1	Controller	
	4360209	1	Breaker, Circuit	
	4360232	1	Breaker, Circuit	
	3990010	2	Diode	

SECTION 9 - RECOMMENDED SERVICE PARTS STOCK

FIGURE 9-2. MODEL 150HAX VARIABLE PARTS

ITEM	PART NUMBER	QTY	DESCRIPTION	REV
	Note	Ref	Note: The following list will service one machine (built to current production per date on the front cover) with emergency repair parts which can be installed in the field. Parts from the list should be replaced when inventory is depleted to keep service parts stock supplied. For further information, contact your JLG dealer or the JLG Industries Parts Department.	
		Ref	VARIABLE PARTS	
	4360277	1	Switch, Limit	
	7004368	1	Coil (Hydraforce Version)	
	7000558	1	Coil (FPS Version)	
	4360301	1	Switch, Limit	
	4360266	1	Switch, Limit	
	4360031	1	Footswitch	

SECTION 10 - SPECIAL OPTIONS

SECTION 10 - SPECIAL OPTIONS

FIGURE 10-1. SPECIAL OPTIONS

ITEM	PART NUMBER	QTY	DESCRIPTION	REV
	Note	Ref	Note: This list is to accommodate machines ordered with special equipment. Options may not be applicable to all models. For more specific parts information contact JLG Parts Department.	
		Ref	MISCELLANEOUS SPECIAL OPTIONS	
	1001116652	Ref	1/2in - Airline to Platform Installation	
	0255067	Ref	Boom Wipers Installation	
	0270815	Ref	Brake Lights Installation	
	0256789	Ref	Camera Mount Assembly	
	0254403	Ref	Cylinder Bellows Installation	
		Ref	Decal Installations Options:	
	1702788	1	Decal - Biodegradable Hydraulic Fluid (All except German Spec)	
	1703479	1	Decal - Biodegradable Hydraulic Fluid (German Spec Only)	
	0274542	Ref	Decals - Head and Engquist Equipment L.L.C (H and E)	
	0253268	Ref	Decals - Japanese Spec	
	0252042	Ref	Decals - Japanese Spec	
	1281638	Ref	Decals - Japanese Spec	
	1703175	1	Decal - Lanyard Attach (GM K-1 Spec)	
	1702962	1	Decal - Prop 65 Warning (California Spec)	
	0271087	Ref	Decals - Sunbelt Spec	
		Ref	Decal - Telematics (ClearSky) Options:	
	1001116641	Ref	ANSI Spec (Prior to SN 147773)	
	1001116642	Ref	CSA Spec (Prior to SN 147773)	
	1001134414	Ref	ANSI, Australian, and CSA Spec (SN 147773 to Present)	
		Ref	Electrical Connector Kits	
	1001148902	Ref	Amp/Tyco Electrical Connector Kit	
	1001148903	Ref	Deutsch DT Electrical Connector Kit	
	1001148904	Ref	Deutsch HD Electrical Connector Kit	
	1001148905	Ref	Packard Electrical Connector Kit	
	1001148906	Ref	Various Electrical Connectors Kit	
		Ref	Filter Kits	
	1001110985	Ref	Combined Filter Kit (Includes p/ns 1001109674 & 1001110135)	
	1001109674	Ref	Boom Hydraulic and Air Filter Kit	
	1001110135	Ref	Engine Fuel and Oil Filter Kit	
	0255068	Ref	Headlight and Taillight Installation	
		Ref	Hydraulic Fluids Options:	
	2300014	Ref	Mobil 424	
	2300027	Ref	Mobil 224H Bio	
	2300021	Ref	Union Carbide Ucon HP5046 Fire Resistant	
	2300029	Ref	Mobil EAL ISO 46 Bio	
	0258227	Ref	Engine Distress System Installation	
	0270723	Ref	Platform Amber Beacon Installation	
		Ref	Platform Console Cover Installations	
	0251203	Ref	Yellow	
	0252054	Ref	Black	
	0272963	Ref	Platform Load Sensing Installation	
	0254462	Ref	Platform Soft Bounce System Installation	
	4360057	1	Switch, Limit	
	0254950	Ref	Platform Soft Touch System	

SECTION 10 - SPECIAL OPTIONS

ITEM	PART NUMBER	QTY	DESCRIPTION	REV
	0252744	Ref	Power Tool (Hydraulic) Circuit Installation	
		Ref	Telematic (ClearSky) Installation	
		Ref	Note: Refer to Manual Supplement p/n 3128499 for available replacement parts.	
	1001114663	Ref	ANSI Spec	
	1001132731	Ref	Australian Spec	
	1001114665	Ref	CSA Spec	
	0257728	Ref	Tube Rack	
	1001116653	Ref	Single Weld Lead Installation	
	1001116654	Ref	Single Weld Lead / 1/2in - Airline Installation	

PART NUMBER INDEX

SECTION 10 - SPECIAL OPTIONS

0060023.....79, 84	0252061 84, 87	044019859	0641809.....120, 177
0080098.....129, 134	0252066 115, 120, 145	0560644 116	0641810...59, 79, 84, 120
0080099.....129, 133	0252210 140	0560650 173	0641811.... 129, 133, 177
0080115.....81, 83	0252211 140	0560907 177	0641812...9, 41, 120, 173
0080164.....87	0252268 10	0560908 177	0641814...32, 42, 93, 120
0100001.....98, 143, 145	0252312 212	0560962 119	0641836.....129, 133
0100009.....59	0252744 196, 200, 223	0560971 119	0641852.....32
0100010.....211, 215	0252773 42	05609729	0642016.....59
0100011....13, 32, 59, 77, 84, 105, 110, 113, 119, 145, 155, 159, 161, 165, 167, 169, 171, 173, 178	0253077 143, 198	0560973 9	0642020.....120
0100019.59, 77, 130, 134	0253268 222	0560974 9	0642022.....80, 83
0100020....79, 80, 83, 84, 93, 156, 161, 165, 167, 173, 183, 191	0253550 145	0560975 9	0642032.....79, 84
0100021 130, 134	0253809 109	0560980 113	0642216.....13
0100035....155, 159, 161, 163, 165, 167, 169, 171, 173, 178	0253827 9	0561117 10	0642218.....120
0100038....155, 159, 161, 165, 167, 169, 171, 173, 178	0253987 139, 200	0561273 113	0652014.....129, 133
0140001.....42	0254401 9	0620106 77	0681832.....59
0140019.....143	0254403 222	0630003 79, 83	0682214.....109
0140026.....143	0254436 143	0630347 116	0682418.....59
0140031.....200	0254462 222	0630370 80, 83	0701014.....87
0140032.....42	0254748 139, 200	0630374 116	0701214.....79, 85
0181615 173	0254950 222	0630383 105	0701215.....79, 84
0235238.....129, 133	0255067 222	0630427 125	0720803.....101, 144
0236758.....113, 116	0255068 199, 222	0630446 115	0721003.....130
0237963.....139	0255693 145	0630534 163	0721006.....42, 101
0250611 77	0256695 115, 120, 145	064140481, 83, 115, 119, 129, 133, 145	0721016.....139
0251203.....222	0256789 222	0641405 106	0731003.....102
0251549.....59	0257251 211, 215	0641406 ... 10, 32, 77, 79, 105, 216	0741504.....81, 83
0251589.....13	0257267 211	0641408 ... 10, 42, 80, 83, 129, 133, 139, 145, 173, 211, 215	0741605.....115
0251590.....13	0257365 94	0641410 105	0750806.....98, 101
0251606.....110	0257366 94	0641412 42	0751006.....143, 145
0251612.....77	0257416 109	0641414 139	0760815.....85
0251626.....59	0257728 223	0641504 115	0800718.....109, 119
0251804.....113, 116	0258227 199, 222	0641506 11, 110	0800719.....119
0251874.....10	0258626 94	0641507 81, 83	0800720.....119
0251875.....9	0258964 10	0641508 42, 144	0800721.....119
0251881.....32	0270229 13	0641510 115	0800722.....109, 113
0251883.....109	0270328 59	0641511 42, 133	0800723.....113
0251884.....125	0270341 109	0641512 77	0800725.....113
0251885.....109	0270342 109	0641514 133	0800840.....109, 113
0251905.....79	0270343 10	0641516 41	0801109.....109, 113
0251906.....79	0270723 222	0641518 41	0801111.....113
0251911.....98, 102, 105	0270815 198, 222	0641522 41	0860038.....144
0251919.....93, 94	0270856 199	0641605 87, 114, 173, 177	0860520.....211, 215
0251920.....105	0271057 98	0641606 84, 110, 114	0860538.....143
0251941.....105	0271082 211, 215	0641607 9, 173	0860702.....101
0251946.....13	0271087 222	0641608 ... 10, 41, 42, 77, 80, 83, 87, 110, 115, 120, 139	0860703.....97
0251955.....31, 41	0271329 139, 200	0641609 110	0860729.....143
0251981.....42	0272937 129, 133	0641610 114, 119, 125	0860731.....97, 98
0252036.....59	0272963 222	0641612 .79, 83, 93, 110, 114, 119, 139	0860733.....101, 102
0252037.....129	0272963 222	0641614 114	0860785.....123
0252039.....139	0273688 83	0641616 79, 83, 114	0860887.....123
0252040.....60	0274542 222	0641617 10	0860888.....120, 123
0252041.....211, 215	0275915 215	0641622 105	0861299.....101
0252042.....222	0340003 80, 83	0641624 125, 139	0861301.....101, 102
0252043.....42	0340003 79, 83	0641626 81, 83, 125	0861429.....97, 98
0252044.....139	0340003 79, 83	0641636 115, 119	0901554.....79
0252054.....222	0400002 80, 83	0641644 125	0901721.....129
0252060.....87	0400003 79, 83	0641714 42	0901780.....125
	0400020 79, 83	0641807 9, 77	0901785.....81
	0440120 129, 133	0641808 9, 113	0901803.....77
	0440134 129, 133		0901851.....109
	0440135 129, 134		0902414.....129
	0440162 11		0902582.....79
	0440183 11		0902896.....129, 133
			0903015.....83
			0903211.....84
			0920032.....59, 65

SECTION 10 - SPECIAL OPTIONS

0920083	59, 69	1060046	80, 83	1540002.....	200	1682902.....	173
0920084	13, 23	1060079	120	1600140.....	143, 147	1682905.....	9, 155
0920109	59, 69	1060146	80, 83	1600141.....	101, 143, 147	1682906.....	155
0920110	13, 23	1060198	80	1600352.....	143, 151, 218	1683045.....	9, 155
0920119	13, 24, 59, 70	1060221	79, 80, 84, 85	1600353.....	101, 143, 151, 218	1683046.....	155
0940047	173	1060279	211, 215	1660185.....	77	1683476.....	110, 163
0960238	98, 123, 144	1060330	199	1660191.....	87	1683477.....	163
0960239	123	1060341	198, 199	1660192.....	87	1683479.....	163
0960372	114	1060369	145	1660193.....	87	1683702.....	109, 165
0960564	130, 133	1060392	84, 114, 120, 198	1660198.....	87, 218	1700037.....	211, 215
0960740	115	1060393 ...	114, 120, 145, 198	1660202.....	11	1700584.....	211, 215
0960808	171	1060394	114, 120, 198	1660203.....	11	1700981.....	215
0960821	9	1060395	114, 120, 198	1660203.....	11	1701426.....	212, 215
0960905	97, 101, 144	1060516	200	1670321.....	115	1701427.....	212, 215
0960979	113	1060931	80, 84	1670468.....	93	1701428.....	212, 215
0961024	110	1060932	80	1670630.....	129, 133	1701436.....	212, 215
0961127	139, 211, 215	1100065	125	1670739.....	123	1701488.....	211, 215
0961132	171	1100066	139	1670836.....	115, 120	1701499.....	211, 215
0961369 ...	161, 163, 169, 171	1120108 ...	155, 161, 163, 169	1681283.....	155	1701500.....	211, 215
0961458	165, 167	1120194	84	1681294.....	155	1701501.....	211, 215
0961476	171	1120286	155	1681322.....	161, 163, 169	1701502.....	211, 215
0961501	161, 163, 169	1120299	129, 133	1681423.....	173	1701503.....	212, 215
0961554	119	1120305	173	1681843.....	159	1701504.....	211, 215
0961557	113	1120314	94	1681847.....	171	1701505.....	81, 211, 215
0961559	110	1120336	171	1682098.....	159	1701509.....	211, 215
0961578	109	1120340	159, 177	1682193.....	165, 167	1701522.....	212
0961579	110	1120358	159, 177	1682214.....	155	1701527.....	212, 215
0962185	163	1120367	94	1682215.....	155	1701703.....	211, 215
1001080394	133	1120369	165, 167	1682217.....	155	1701895.....	212, 215
1001091309	84	1120408	81, 83	1682233.....	167	1702153.....	211, 215
1001096779	110	1120512	94	1682235.....	167	1702277.....	211
1001099841	9, 10	1180254	115	1682238.....	165	1702282.....	212
1001099842	115	1180277	119	1682246.....	171	1702284.....	211
1001099843	119	1260017	10, 11, 59	1682247.....	171	1702292.....	211
1001107574	13	1260168	113	1682248.....	171	1702294.....	211
1001107587	190, 196	1260263	113	1682250.....	159	1702300.....	212, 215
1001107852	13, 29	1260290	113	1682251.....	159	1702612.....	211
1001109674	222	1281638	222	1682252.....	159	1702788.....	222
1001109984	31	1281846	199	1682259.....	173	1702868.....	215
1001109985	31	1282091	198	1682289.....	119, 177	1702962.....	222
1001110031	31, 41	1320022	80, 84	1682290.....	177	1702966.....	212
1001110118	191	1320031	182, 190	1682293.....	177	1703162.....	215
1001110121	191	1320051	115, 184	1682295.....	177	1703175.....	222
1001110135	222	1320052	115	1682297.....	177	1703456.....	216
1001110253	196	1320058	80, 83	1682298.....	177	1703479.....	222
1001110985	222	1320060	79, 84, 102	1682299.....	177	1703797.....	215
1001114663	223	1320103	81, 83	1682300.....	110, 161	1703804.....	215
1001114665	223	1320109	145	1682331.....	161	1703805.....	215
1001114851	133	1320121	115, 119	1682332.....	109, 169	1703953.....	215
1001116641	222	1320131	102	1682333.....	169	1704096.....	216
1001116642	222	1320142	120	1682335.....	161, 169	1704277.....	215
1001116653	223	1320187	42, 133	1682490.....	113, 173	1705336.....	215
1001116654	223	1320188	42	1682491.....	173	1705514.....	145
1001116796	13, 19	1320189	42, 133	1682511.....	32, 159	1707014.....	216
1001132731	223	1320190	42, 133	1682512.....	159	1707112.....	101
1001134414	222	1320198	42	1682514.....	159	1760068.....	129, 134
1001148902	222	1320189	42, 133	1682516.....	165	1780253.....	130, 134
1001148903	222	1320190	42, 133	1682517.....	165	1780320.....	105
1001148904	222	1320488	133	1682519.....	109, 167	1810145.....	101
1001148905	222	1340007	80, 83	1682520.....	167	1870012.....	200
1001148906	222	1340045	93	1682522.....	9, 155	1870014.....	200
1060012	200	1340046	93, 218	1682523.....	155	1870136.....	200
1060016 ...	120, 198, 199, 200	1360232	113	1682525.....	155	1870233.....	200
1060031	80	1380136	42	1682531.....	11, 171	2000116.....	79, 81
		1380137	129, 133	1682532.....	171	2000206.....	84, 85
		1440142	169	1682534.....	171	2000241.....	83, 84
		1440154	77	1682901.....	113, 173	2120098.....	94

SECTION 10 - SPECIAL OPTIONS

2120103.....93	2220414 ... 173, 182, 185, 190	2220816 184, 192	2751010..... 184, 192
2120104.....93, 218	2220415 182, 190	2220820 182, 190	2751011..... 182, 190
2120107.....93, 218	2220416 183, 191	2220833 186	2751013..... 183, 191
2160001.... 109, 130, 134, 165, 167	2220417 185, 193	2220834 182, 190	2751017..... 182, 190
2160002..10, 11, 60, 110, 113, 129, 133, 161, 163, 169, 171	2220428 182, 190	2220865 184, 192	2751032..... 60, 109
2160003.....110	2220429 182, 190	2220883 163	2751104..... 194
2160006..... 130, 134	2220435 184, 192	2220909 185, 193	2751111..... 185, 193
2180344.....60, 109	2220446 183, 191	2221025 186, 193	2751114..... 183, 191
2180379..... 183, 191	2220465 182, 190	2300014 222	2751123..... 185, 193
2180467.....79, 80, 84	2220466 183, 191	2300021 222	2751142..... 183, 191
2180479..... 185, 193	2220467 182, 190	2300027 222	2751150..... 185, 193
2180527..... 165	2220468 183, 191	2300029 222	2751162..... 185, 193
2180534.....94	2220470 184, 192	2360339 11	2751398..... 185, 193
2180536.....80, 84	2220472 186, 194	2420009 97	2751406..... 185, 193
2180537.....79, 84	2220473 182, 190	2420047 84	2751421..... 184, 192
2180615..... 183, 191	2220478 182, 190	2420110 79, 84	2751439..... 185, 193
2180628.....93	2220481 184, 192	2420111 97	2751443..... 182, 190
2180649.....93	2220481 184, 192	2420115 93	2751457..... 183, 191
2180752..... 185, 193	2220491 185, 193	2420127 97	2751462..... 184, 192
2200107.....94	2220493 182, 190	2420128 97	2751465..... 184, 192
2200204.....93	2220496 184, 192	2420129 97	2751466..... 183, 191
2200205.....93	2220497 183, 192	2420130 79, 84	2751483..... 184, 192
2200221.... 155, 161, 167, 173, 177	2220504 185, 193	2420138 145	2751489..... 184, 192
2200261.....60, 79, 84	2220511 184, 192	2440043 129, 133	2751493..... 184, 192
2200268.....93	2220512 183, 191	2440044 129, 134	2751494..... 185, 193
2200347.....94	2220515 173	2440061 59	2751498..... 184, 192
2220063...60, 81, 84, 109	2220517 174	2540016 139	2751499..... 186, 193
2220064..... 186, 194	2220550 182, 190	2540018 43	2751506..... 183, 191
2220222..... 178	2220582 182, 190	2560010 130, 134	2751517..... 191
2220235..... 184	2220590 182, 190	2560038 147	2751520..... 183, 191
2220237.....46, 185, 193	2220591 183, 191	2560039 147	2751616..... 182, 190
2220238.....46, 185, 193	2220593 183, 191	2560040 147	2751617..... 190
2220250..... 184	2220596 185, 193	2560041 147	2751625..... 182, 190
2220261..... 182, 190	2220600 183, 191	2560112 ... 101, 144, 151	2751637..... 182
2220270..... 182, 190	2220603 184, 192	2600094 106	2751638..... 185, 193
2220273.....80, 84	2220605 183, 191	2600105 143	2751827..... 184, 192
2220274.....79, 84	2220609 183, 191	2600132 143	2751838..... 184, 192
2220282..... 183, 192	2220618 182, 191	2720125 81, 83	2751852..... 183, 191
2220290..... 186, 194	2220619 182, 190	2720271 80, 84	2751872..... 184, 192
2220341.....94	2220622 182, 190	2720333 80	2751893..... 185, 193
2220342..... 183, 191	2220624 190	2720366 182, 190	2751899..... 185, 193
2220344..... 185, 193	2220626 182, 190	2720371 80	2751913..... 184, 192
2220345..... 183, 191	2220630 182, 190	2720445 80	2751932..... 182, 190
2220347..... 182, 190	2220635 183, 191	2720446 81	2752170..... 184, 192
2220348..... 183, 191	2220642 182, 190	2750527 60	2752236..... 184, 192
2220354.... 173, 183, 191	2220646 184, 192	2750528 60	2752240..... 184, 192
2220355..... 185, 193	2220654 184, 192	2750532 80, 84	2752242..... 184
2220362..... 185, 193	2220659 183, 191	2750759 183, 191	2752246..... 182, 190
2220365..... 190	2220665 184, 192	2750763 191	2752249..... 184
2220371..... 185, 193	2220669 182, 190	2750766 185, 193	2752328..... 182, 190
2220372..... 185, 193	2220670 185, 193	2750771 183, 191	2752331..... 185, 193
2220373..... 185, 193	2220673 184, 193	2750773 185, 193	2752338..... 183, 191
2220374..... 185	2220679 184, 192	2750776 185, 193	2752376..... 185, 193
2220375..... 183, 191	2220681 182, 190	2750891 185, 193	2752377..... 185, 193
2220376..... 186	2220682 182, 190	2750899 182, 191	2752435..... 186, 194
2220377..... 182, 190	2220682 182, 190	2750900 185, 193	2752586..... 184, 192
2220385..... 182, 190	2220695 182, 190	2750902 183, 191	2752721..... 185, 193
2220386..... 186, 194	2220700 182, 190	2750905 183, 191	2752933..... 185, 193
2220396..... 183, 191	2220702 185, 193	2750928 185, 193	2760064..... 129, 133
2220399..... 185, 193	2220710 182, 190	2750929 183, 192	2760091..... 77
2220400..... 185, 193	2220711 184, 192	2750931 184, 192	2780155..... 15
2220407..... 184, 192	2220727 185	2750932 183, 191	2780181..... 73
	2220731 182, 190	2750933 184, 192	2780278..... 59, 73
	2220733 185, 193	2750968 186, 194	2791841..... 182, 196
	2220740 183, 191	2750976 184, 192	2791845..... 196
	2220749 182, 190	2750977 183, 191	2820022..... 42, 139
	2220763 182, 190	2750989 183, 191	2860002..... 97
	2220811 193		

SECTION 10 - SPECIAL OPTIONS

2860030	97, 218	3200183	79, 84	3321001	84	3422881	10
2880404	129, 133	3200222	105	3321601	145	3423019	114
2900062	42	3200306	79, 84	3323002	11	3435285	110
2900131	66	3200311	79, 85	3324203	10	3440418	139
2900340	156	3220079	81, 83	3340383	173	3440816	129, 134
2900365	174	3250585	198, 199	3340394	114	3441228	130, 134
2900383	156	3251243	211, 215	3340399	114	3450303	79, 85, 113
2900455	137	3251813	211, 215	3340401	114	3450405	116
2900560	16	3252071	97	3340403	114	3450505	113, 116
2900642	66	3252072	101	3340454	129, 133	3450806	115, 119
2900733	137	3252073	143	3340460	114	3451012	10
2900766	23, 69	3252141	32	3340462	114	3480102	155, 159, 177
2900767	24, 69	3252142	32	3340593	119	3480113	173
2900768	23, 69	3252144	212	3340595	9	3480122	155
2900770	41, 165, 177	3252346	145	3340596	9	3480130	171
2900779	42	3252347	211, 215	3340604	177	3480133	177
2900788	27	3252369	212	3340606	177	3480134	161, 169
2900789	42	3252371	143	3340608	177	3480137	159
2900791	125	3252376	101	3340630	32	3480142	165, 167
2900792	155, 161, 163, 167	3252660	97	3340632	178	3480221	163
2900793	173, 177	3252762	212	3340633	178	3509182	116
2900795	41	3252765	97	3340819	115	3509770	79, 83
2900796	74	3300007	13	3380396	212	3510329	130
2900797	89	3300029	80, 83	3380403	212	3510333	130
2900798	63	3300047	123	3420372	11	3510445	130
2900802	212	3300048	98, 123, 144	3420410	114	3510447	130
2901103	171	3300147	97, 101, 144	3421142	116	3510839	134
2901115	159	3300151	105	3421205	113	3520022	93
2901146	77	3300177	98, 101, 143, 145	3421206	113	3520026	101
2901148	161, 169	3300190	155	3421209	113	3520030	143
2901156	165, 167	3300220	84	3421350	113	3520034	140
2901161	178	3300229	11	3421493	11	3520071	110
2901461	163	3300241	114	3421565	10	3530403	77
2902344	84	3300245	171	3421686	11	3531946	11
2910479	80	3300273	161, 169	3421850	110	3532054	11
2920009	140	3300280	155	3421853	59	3533337	59
2920015	143	3300286	177	3421854	59	3534144	130
2920018	140	3300288	171	3421885	113, 114	3534389	9
2920026	199	3300294	173	3421910	110	3534505	119
2920027	97, 143	3300297	165, 167	3421912	110	3534506	119
2920029	97, 143, 199	3300299	177	3421917	109	3534507	119
2920108	145	3300322	165	3421918	109	3534550	177
2920110	198, 199	3310601	97, 123, 125, 144	3421919	109	3534551	177
2920111	139	3311001	42, 101, 139, 143, 144, 145	3421920	109	3534643	105
2920113	198, 199	3311005	130	3421930	110	3535075	116
2920120	143	3311401	31, 93, 98, 120	3421931	110	3535128	115
2920140	139	3311404	42	3421932	110	3535129	115
2940006	130, 134, 218	3311405	10, 42, 79, 80, 83, 85, 97, 98, 105, 115, 139, 211, 215	3421933	110	3535133	105
2940042	105	3311501	31, 41, 77	3421934	110	3535300	105
2940045	105	3311505	31, 41, 105, 115, 144	3421935	110	3535325	105
2940052	143	3311601	81, 173	3421942	110	3535328	105
2940066	102	3311605	31, 41, 42, 79, 83, 93, 102, 105, 110, 115, 119, 125, 139, 140	3421944	119	3535334	119
2940070	105	3311801	13, 32, 177	3421948	10	3535344	41
2940113	105	3311802	125	3421952	10	3535345	105
2940115	102	3311803	116	3421953	10	3535410	113
2960006	145	3311805	41, 129, 133	3421972	11	3536089	139
3010101	109	3312005	79, 80, 83, 85	3421973	11	3536671	212
3010102	109	3312202	114, 125, 173, 177	3421990	11	3572686	125
3010103	109			3422090	109	3572687	125
3020025	130, 134			3422640	114	3577143	216
3160083	129, 133, 137			3422869	110	3580177	113
3160127	59, 63			3422870	110	3580183	116, 120, 145
3160176	27			3422876	110	3580311	113, 114
3160204	13, 27			3422877	109	3600071	80
3160213	27			3422878	109	3600179	42
3160275	59, 63			3422879	109	3600183	79, 85, 89
				3422880	109	3600196	80, 91

SECTION 10 - SPECIAL OPTIONS

3600459.....83, 91	3960417 212, 215	4300097 13	4460265..... 147, 200
3630008.....139	3971606 110	4300098 115	4460266.....147
3640536.....97, 123	3980003 80, 83	4300099 119	4460298.....97, 144
3640752.....144	3980006 79, 83	4340453 115	4460299.97, 98, 123, 144
3640764.....98	3990010 ... 198, 199, 200,	4340603 177	4460300.....97, 144
3730003.....200	218	4340616 119	4460301.....97, 123, 144
3740049.....97, 101, 143,	4060092 144	4340622 119	4460302.....79, 85
198, 199, 218	4060229 101, 143	4340632 115	4460305.....97, 144
3740057.....98, 218	4060685 115	4360003 97	4460306.....97, 144
3740058.....98, 144, 218	4060780 115	4360031 139, 220	4460307.....97, 144
3740059.....80, 84, 218	4060782 119	4360057 222	4460308.....97
3740063.....98, 144	4060783 119	4360065 199	4460309.....97
3740066.....98	4060789 115	4360092 143, 218	4460311.....144
3740067.....80, 83, 218	4060790 115	4360157 199	4460374.....198, 199
3740080.....198, 199	4060804 10	4360164 200	4460386.....97, 101, 144
3760004.....77	4060805 212, 215	4360182 199	4460387.....98, 123, 144
3760106.....10	4060807 120	4360199 ... 101, 198, 199,	4460388.....98, 123, 144
3760133.....10, 110	4060808 120	218	4460390.....98
3760170.....10, 59	4070410 93	4360200 101, 143, 218	4460391.....98
3760190.....159	4070411 93	4360202 32, 101, 143,	4460398.....123
3760233.....113	4070412 93	218	4460404.....98
3760281.....159	4070497 114	4360209 143, 218	4460405.....98
3760297.....77	4070498 114	4360212 97, 218	4460406.....144
3790012.....32, 101, 143	4070501 114	4360216 97, 218	4460409.....98
3790015.....143	4070502 114	4360232 ... 140, 144, 218	4460410.....98
3790112.....147	4070503 114	4360236 10	4460411.....98
3820001.....211, 212, 215	4070504 114	4360237 10	4460412.....98
3820019.....102, 212	4070507 114	4360266 125, 220	4460413.....98, 123
3840800.....173	4070508 114	4360267 97	4460414.....98, 123
3841012.....119	4070555 114	4360274 ... 101, 143, 218	4460415.....98
3841013.....115	4070556 114	4360275 97	4460416.....98
3841073.....177	4070585 130, 134	4360277 10, 139, 220	4460418.....199
3841120.....119	4070586 130, 134	4360281 97	4460419.....199
3841126.....115	4070587 130, 134	4360282 101, 144	4460442.....98, 123, 145
3841139.....10	4070672 81	4360287 198, 199	4460451.....144
3841140.....10	4070789 10	4360289 101, 143	4460452.....144
3860050.....115	4070790 9	4360301 125, 220	4460455.....98
3860053.....119	4070791 9	4360306 42, 218	4460456.....98
3900111.....145	4070792 9	4360307 139	4460457.....199
3900159.....59	4070808 10	4360469 97, 218	4460458.....199
3900168.....10	4070987 98	4360475 ... 101, 143, 218	4460459.....199
3900170....155, 161, 169,	4071003 110	4360476 ... 101, 144, 218	4460460.....199
171, 173, 178	4100026 ... 184, 185, 192,	4360498 125	4460461.....199
3900171....165, 167, 177	193	4400332 93	4460476.....77
3900294.....144	4100033 129, 133	4400333 93	4460844.....77
3910606.....123	4120012 98	4400334 93	4461113.....77
3910608.....97, 144	4120013 98, 144	4400335 93	4520136.....13
3910620.....125	4130260 10	4400357 93	4562083.....129, 133
3910624.....125	4130261 10	4420008 145	4562516.....115, 119
3910804.....98	4160026 129, 133	4420017 116, 120	4562877.....173
3910812.....145	4160028 130	4420018 116, 120	4563167.....184, 192
3911014.....145	4160058 145	4420037 101	4563930.....155, 159
3911412.....97	4160081 105	4420038 98, 143	4564701.....167
3931010.....129, 134	4160115 173	4420039 212, 215	4564717.....171
3931612.....130, 134	4220038 98, 144	4420044 10	4564893.....177
3931620.....130, 134	4220044 145	4460049 10, 139	4565099.....155
3931660.....177	4220078 177	4460051 98, 144	4565215.....184, 192
3931864.....59	4240033 ... 115, 129, 133,	4460052 123	4565216.....184, 192
3941406.....105	139	4460071 139, 144	4565217.....183, 192
3951402.....177	4240104 110	4460185 139	4565218.....183, 192
3951404.....155, 171	4280242 115, 119	4460190 144	4565220.....183, 191
3951405.....173, 177	4300031 105, 115	4460206 139	4565225.....159
3951603.....113	4300034 105	4460224 147	4565231.....165
3951604.....114	4300038 31	4460225 147	4565253.....167
3951820.....77	4300042 31	4460226 148	4565266.....161
3960251.....145	4300076 31	4460227 148, 200	4565284.....81, 83
3960371.....93	4300092 13	4460244 98, 123	4565287.....184, 192

SECTION 10 - SPECIAL OPTIONS

4565288	184, 192	4740314	10	4843925	105	70001074	91
4565289	183, 191	4740322	93	4843926	105	70001075	91
4565290	183, 191	4740338	93	4843927	105	70001076	91
4565291	183, 191	4740362	105, 139, 145	4843928	119	70001077	91
4565292	183, 192	4740371	130	4843929	119	70001078	91
4565293	184, 192	4740377	161, 169	4843930	105	70001079	91
4565294	184, 192	4750600	97, 123, 125, 144	4843931	105	70001080	91
4565295	184, 192	4750800	101, 145	4843932	105	70001081	91
4565296	184, 192	4751000	42, 101, 102, 139	4843933	105	70001082	91
4565314	9	4751400	10, 31, 42, 79, 80, 83, 85, 93, 97, 98, 105, 106, 113, 119, 129, 133, 145, 173, 211, 215	4843942	9	70001083	91
4565571	81	4751500	31, 41, 77, 81, 83, 105, 113, 144	4843943	9	70001084	91
4565810	171	4751600	31, 41, 42, 77, 79, 83, 93, 102, 105, 110, 114, 119, 125, 139, 140, 145, 178	4843957	81, 83	70001085	91
4566493	140	4751700	42, 79	4843979	10	7000166	137
4567139	186, 193	4751800	13, 41, 85, 93, 129, 133, 177	4844382	113	70001996	10
4640005	42	4752000	80, 83, 129, 133	4844477	9	70001997	10
4640009	184, 192	4752200	177	4844478	9	70002008	115, 218
4640033	182, 190	4760600	97, 123, 125, 144	4844832	120	70002009	115, 119
4640123	31	4760800	101, 145	4845039	145	70002010	119, 218
4640136	41	4761000	42, 84, 101, 102, 139, 143, 144	4846823	129, 133	70002090	85
4640197	182, 190	4761400	31, 32, 42, 77, 93, 98, 105, 115, 120, 129, 133, 145	4891600	84	7000213	19
4640210	173, 177	4761500	11, 31, 77, 81, 110, 115	4891800	59, 120, 129, 133	7000220	15, 19
4640212	173	4761600	9, 77, 80, 87, 110, 114, 125, 130, 134, 139, 145, 173, 177	4892400	59	70002279	31
4640216	185, 193	4761700	42	4921299	148	70002280	32
4640260	31	4761800	13, 32, 42, 77, 79, 93, 113, 120, 173, 177	4920019	139	70002281	32
4640363	41	4762000	120	4920039	140	70002283	29
4640383	184, 192	4762200	13, 109, 120	4920140	10	70002284	29
4640462	41, 45	4771000	145	4920385	114	70002286	29
4640509	155, 161, 163, 167	4791600	84	4920487	148	70002287	29
4640512	183, 191	4832000	87	4920986	129, 133	7000231	15, 19
4640575	182, 190	4832100	79	4921299	148	7000238	19
4640603	41	4842046	129, 133	4921347	199	7000243	15, 73
4640647	165, 177	4842207	173	4921348	200	70002520	85
4640661	41	4843673	59	4921350	200	7000265	15, 19
4640696	125	4843729	105	4921351	200	70002684	19
4640700	31	4843793	10	4921352	200	70002685	19
4640701	31, 35	4843794	10	4921353	200	70002686	19
4640702	31, 37	4843816	59	4921429	199	70002687	19
4640704	42, 55	4843825	11	4921430	199	70002688	20
4640705	41, 51	4843827	97	4921431	199	7000281	19
4640814	41	4843828	110	4921433	199	7000282	16, 19
4640839	41	4843851	145	4922368	200	70002828	85
4640872	42, 55	4843852	145	4923249	84	7000283	16, 19
4640916	41, 51	4843878	105	4923480	200	7000284	15, 19
4640932	163	4843879	105	4931740	198	7000285	15, 19
4640938	165	4843890	110	4932404	199	7000290	16, 19
4640947	41, 49	4843919	93	4932405	199, 200	7000413	46
4641006	42, 51	4843920	105	4932406	200	7000414	35, 37, 46, 49
4641008	42			4932407	199	7000417	45, 218
4641183	31			4932420	199	7000418	35, 37, 46, 49, 218
4641193	31			4932510	198	7000448	49
4711400	79, 85, 105, 139			4932635	199	7000468	35, 37, 46, 49
4711500	85			4932638	198	7000470	35, 37, 45, 49
4711800	9			4932640	198	7000548	41, 218
4712200	116			4932668	200	7000552	41
4740003	113			4933173	199	7000558	31, 41, 220
4740057	114			4933174	200	7000625	139
4740120	98, 101, 143			4933271	199	7000711	65
4740158	129, 133			4933390	200	7000712	65
4740171	59			70000794	29	7000713	65
4740185	98, 114			70000969	91	7000714	65
4740189	59			70000970	91	7000717	65
4740199	129, 133			70000976	91	7000718	65
4740242	79, 85			70001060	91	7000720	65
4740256	129, 134			70001061	91	7000721	65
4740275	81			70001065	91	7000729	65
4740276	116			70001072	91	7000730	65
				70001073	91		

SECTION 10 - SPECIAL OPTIONS

7000731.....	24	7002327.....	49	7004198.....	63	7007913.....	65
7000732.....	65	7002328.....	45	7004244.....	93	7007914.....	66, 69
7000760.....	65	7002329.....	45	7004247.....	80	7007915.....	66
7000796.....	23, 65	7002333....	35, 37, 46, 49	7004248.....	80	7007916.....	66
7000798.....	65	7002334... 35, 37, 45, 46,		7004249.....	80	7007923.....	23, 66, 69
7001293.....	89	49		7004368.....	31, 41, 220	7007924.....	23, 65
7001506.....	41	7002335....	35, 37, 46, 49	7004822.....	45	7007926.....	66
7001507.....	41	7002336....	35, 37, 46, 49	7004823.....	45	7007927.....	66
7001909.....	73	7002338... 35, 37, 45, 46,		7004834.....	45	7007928.....	65
7001910.....	15	49		7004835.....	45	7007930.....	66
7001913.....	73	7002339....	35, 37, 46, 49	7004836.....	45	7007933.....	23, 66
7001919.....	15, 19	7002340....	35, 37, 45, 49	7004837.....	45	7007934.....	66
7001922.....	74	7002341....	35, 37, 45, 49	7004838.....	45	7007970.....	23, 69
7001928.....	15, 19, 74	7002344....	35, 37, 45, 49	7004839.....	45	7007977.....	23, 69
7001947.....	15, 19	7002345....	35, 37, 45, 49	7004841.....	45	7007979.....	23, 69
7001948.....	15	7002346....	35, 37, 45, 49	7004859... 35, 37, 45, 46,		7007980.....	23, 69
7001949.....	15, 19	7002348....	35, 37, 45, 49	49		7007983.....	23, 69
7001950.....	15, 19	7002378.....	45	7005447.....	89	7007985.....	23, 69
7001951.....	15	7002447.....	49	7005474.....	89	7007986.....	23
7001952.....	15, 73	7002448.....	49	7005476.....	89	7007987.....	23, 69
7001955.....	15, 19	7002449.....	49	7005597.....	89	7008804.....	79, 84
7001956.....	15, 19	7002450.....	49, 218	7006075.....	31	7008821.....	79, 84
7001957.....	15, 19	7002451.....	49	7006140.....	9	7008828.....	79, 84, 218
7001958.....	15, 19	7002825.....	35	7006148.....	9	7008829.....	79, 84, 218
7001959.....	15, 19	7003006.....	65	7006152.....	10	7009315.....	51, 55
7001961.....	15	7003007.....	65	7006153.....	115, 218	7009316.....	51, 55
7001962.....	15, 19	7003012.....	65	7006179.....	115, 119	7009319.....	51, 55
7001963.....	15, 19	7003013.....	65	7006180.... 115, 119, 218		7009320.....	52
7001964.....	19	7003049.....	65	7006191.....	119, 218	7009323.....	52, 53, 55, 56
7001965.....	15	7003051.....	65	7006726.....	52, 55	7009324.....	52
7001966.....	15, 19	7003052.....	65	7006729.....	52, 55	7009325.....	52
7001967.....	15, 19	7003053.....	65	7006730.....	52, 55	7009330.....	53
7001968.....	15, 19	7003054.....	65	7006731.....	52, 55	7009364.....	56
7001970.....	15, 19	7003055.....	65	7006732.....	52	7009367.....	55
7001971.....	15, 19	7003056.....	65	7006737.....	52	7009368.....	52, 56
7001972.....	15, 19	7003057.....	65	7006744.....	52, 55	7009369.....	52
7001973.....	15, 19	7003059.....	65	7006745.....	52	7009370.....	56
7001974.....	15, 19	7003090.....	65	7006746.....	52, 55	7009371.....	56
7001975.....	15, 19	7003091.....	65	7006757.....	52, 55	7009372.....	55
7001976.....	15, 20	7003103.....	89	7006771.....	52, 56	7009373.....	55
7001977.....	15, 20	7003114.....	89	7006773.....	52	7009374.....	56
7002100.....	137	7003647.....	53, 218	7006778.....	53, 56	7009375.....	56
7002103.....	137	7003655.....	80, 83, 218	7006780.....	53	7009376.....	56
7002104.....	137	7003700.....	147	7006782.....	51	7009380.....	56
7002105.....	137	7003702.....	147	7007312.....	65	7009381.....	52, 55
7002107.....	137	7003703.....	147	7007320.....	41	7009382.....	55
7002110.....	137	7003719.....	147	7007321.....	31	7009383.....	56
7002111.....	137	7003722.....	148	7007323.....	31	7009384.....	56
7002112.....	137	7003739.....	147	7007435.....	29	7009385.....	56
7002116.....	137	7003740.....	147	7007437.....	29	7009386.....	56
7002117.....	137	7003744.....	147	7007438.....	29	7009387.....	56
7002123.....	137	7003751.....	147, 151	7007439.....	29	7009388.....	51
7002125.....	137	7003788.....	147	7007446.....	29	7009389.....	51
7002229.....	45	7003789.....	147	7007459.....	29	7009390.....	51
7002262.....	35, 46	7003790.....	147, 151	7007657.....	15, 19	7009391.....	51
7002294.....	45	7003791.....	147, 151	7007673.....	74	7009392.....	51
7002304.....	45	7003792.....	147	7007688.....	73	7009393.....	53
7002305....	35, 37, 45, 49	7003793.....	147	7007689.....	73	7009394.....	51
7002315....	35, 37, 46, 49	7003795.....	147	7007698.....	15	7009395.....	53
7002316....	35, 45, 49	7003825.....	37, 45, 49	7007699.....	15	7009396.....	53
7002317.....	37	7004167.....	63	7007901.....	66	7009397.....	52
7002320.....	45	7004171.....	63	7007902.....	66	7009398.....	52
7002321.....	45	7004177.....	63	7007905.....	66	7009594.....	89
7002322.....	45	7004179.....	63	7007906.....	66	7009595.....	89
7002323.....	45	7004192.....	63	7007907.....	66	7009596.....	89
7002324.....	45	7004196.....	63	7007908.....	66	7009597.....	89
7002326.....	45	7004197.....	63	7007909.....	66	7009598.....	89

SECTION 10 - SPECIAL OPTIONS

7009599.....	89	7011717.....	23, 69	7012706.....	27	7020561.....	151
7009739.....	31	7011719.....	69	7012707.....	27	7020562.....	151
7009756.....	183, 191	7011720.....	69	7012708.....	27	7021249.....	29
7009992.....	137	7011903.....	147	7012709.....	27	7021256.....	29
7010403.....	74	7011907.....	147	7012710.....	27	7021275.....	29
7010408.....	73	7011941.....	148	7012711.....	27	7021276.....	29
7010409.....	73	7011983.....	147	7012712.....	27	7021625.....	31
7010411.....	73	7012300.....	52	7012713.....	27	7022302.....	29
7010412.....	73	7012301.....	53	7012714.....	27	7022303.....	29
7010413.....	73	7012302.....	53	7012715.....	27	7022311.....	29
7010414.....	73	7012303.....	53	7012716.....	27	7022314.....	29
7010415.....	73	7012318.....	52, 56	7012945.....	41	7022321.....	29
7010416.....	73	7012319.....	52, 56	7013711.....	80, 91	7022322.....	29
7010418.....	73	7012320.....	52, 56	7013772.....	80, 91	7022324.....	29
7010419.....	74	7012321.....	52, 56	7013773.....	80, 91	7022325.....	29
7010420.....	74	7012322.....	52, 56	7013774.....	80, 91	7022326.....	29
7010431.....	73	7012323.....	52, 56	7014300.....	89	7022328.....	29
7010432.....	73	7012324.....	52, 55	7014301.....	89	7022368.....	29
7010434.....	73	7012326.....	51, 55	7014302.....	89	7022371.....	29
7010436.....	74	7012327.....	52, 55	7014303.....	89	7023230.....	81, 85
7010456.....	74	7012328.....	52	7014304.....	89	7023432.....	63
7010457.....	74	7012329.....	52	7014306.....	89	7023443.....	63
7010458.....	74	7012330.....	53	7014308.....	89	7023475.....	81
7010459.....	74	7012333.....	52, 56	7016333.....	93	7023476.....	81
7010460.....	74	7012336.....	53	7016394.....	77	7023477.....	81
7010652.....	42	7012337.....	53	7017003.....	15, 19	7023478.....	81
7010698.....	97	7012338.....	53, 56	7017048.....	19, 73	7023910.....	29
7010700.....	63	7012339.....	51, 55, 218	7017496.....	31	7023917.....	31
7010775.....	63	7012350.....	55	7018602.....	23, 69	7024140.....	19
7010776.....	63	7012360.....	56	7018603.....	23, 69	7024143.....	19
7010790.....	63	7012361.....	56	7018605.....	23, 69	7024593.....	81
7010791.....	63	7012363.....	55	7018606.....	23, 69	7024594.....	81
7010792.....	63	7012364.....	56	7018607.....	23, 69	7024778.....	73
7010793.....	63	7012365.....	56	7018608.....	24, 70	7024854.....	29
7010794.....	63	7012366.....	53	7018609.....	23, 69	7024862.....	29
7010795.....	63	7012367.....	53	7018612.....	24, 70	7024863.....	29
7010911.....	91	7012370.....	53	7018990.....	27	7024864.....	29
7010924.....	91	7012371.....	53	7019674.....	81	7024865.....	29
7011016.....	91	7012372.....	51	7019675.....	81	7024866.....	29
7011024.....	91	7012378.....	51	7020009.....	81	7024867.....	29
7011043.....	91	7012380.....	51	7020045.....	31	7024868.....	29
7011044.....	91	7012381.....	51	7020051.....	31	7024870.....	29
7011048.....	91	7012382.....	51	7020175.....	101, 143	7027420.....	29
7011071.....	91	7012384.....	51	7020176.....	101, 143	7027737.....	81, 85
7011112.....	163	7012385.....	53	7020365.....	53	7028838.....	85
7011118.....	49	7012518.....	31	7020366.....	53	77133137.....	133
7011311.....	41	7012576.....	80	7020367.....	51	8033493.....	85
7011316.....	31	7012611.....	101, 143	7020500.....	151	80966123.....	133
7011317.....	31	7012612.....	101, 143	7020511.....	147	8274022.....	84, 218
7011320.....	41	7012662.....	145	7020542.....	148	8320275.....	85
7011322.....	41	7012672.....	145	7020544.....	151	86561326.....	193
7011340.....	42	7012700.....	27	7020545.....	151	8760268.....	183, 191
7011712.....	23	7012701.....	27	7020546.....	151	91163129.....	84
7011713.....	23, 69	7012702.....	27	7020547.....	151	91414020.....	74
7011714.....	23, 69	7012703.....	27	7020549.....	151		
7011715.....	23, 69	7012704.....	27	7020559.....	151		
7011716.....	23, 69	7012705.....	27	7020560.....	151		



**Corporate Office
JLG Industries, Inc.
1 JLG Drive
McConnellsburg, PA 17233-9533 USA
☎ (717) 485-5161 (Corporate)
☎ (877) 554-5438 (Customer Support)
📠 (717) 485-6417**

**Visit our website for JLG Worldwide Locations.
www.jlg.com**



OSHKOSH™