



---

# Illustrated Parts Manual

***Models***  
***80HX***  
***80HX+6***

**P/N**  
**3120800**

*February 3, 2012*



---

An Oshkosh Corporation Company



## REVISION LOG

February 1991 - Original Issue Of Manual  
July 1995 - Revised (New Format)  
July 1996 - Revised (Added Oscillating Axle Parts)  
June 1997 - Revised (Added CE Spec)  
September 30, 1999 - Revised (Manual edited to 0010334 Revision 87)  
June 30, 2000 - Revised (Manual edited to 0010334 Revision 89)  
November 30, 2000 - Revised (Manual edited to 0010334 Revision 94)  
April 16, 2003 - Revised (Manual edited to 0010334 Revision 101)  
July 31, 2006 - Revised (Manual edited to 0010334 Revision 101)  
March 5, 2009 - Revised  
February 3, 2012 - Revised (**Revision 2**)



# TABLE OF CONTENTS

SECTION 1 - FRAME.....	9
FIGURE 1-1. FRAME, STEERING AND AXLE INSTALLATIONS - 2WD FIXED AXLE MACHINES .....	10
FIGURE 1-2. FRAME, STEERING AND AXLE INSTALLATIONS - 4WD FIXED AXLE MACHINES .....	14
FIGURE 1-3. FRAME, STEERING AND AXLE INSTALLATIONS - 2WD AND 4WD OSCILLATING AXLE MACHINES.....	18
FIGURE 1-4. REAR, STEERING AND AXLE INSTALLATIONS - 4WS MACHINES.....	22
FIGURE 1-5. TIRE AND WHEEL DRIVE INSTALLATIONS - 80HX.....	26
FIGURE 1-6. DRIVE MOTOR ASSEMBLY - VICKERS (2WD/2WS FIXED FRONT AXLE MACHINES).....	32
FIGURE 1-7. DRIVE MOTOR ASSEMBLY - SAUER-DANFOSS (2WD/2WS FIXED FRONT AXLE MACHINES).....	36
FIGURE 1-8. DRIVE MOTOR ASSEMBLY - 2WD/4WS, 4WD/2WS AND 4WD/4WS FIXED FRONT AXLE MACHINES .....	38
FIGURE 1-9. DRIVE MOTOR ASSEMBLY - 2WD/2WS, 2WD/4WS, 4WD/2WS AND 4WD/4WS OSCILLATING FRONT AXLE MACHINES.....	42
FIGURE 1-10. BRAKE ASSEMBLY - AUSCO (2WD PRIOR TO JANUARY 1992) .....	44
FIGURE 1-11. BRAKE ASSEMBLY - MICO (4WD PRIOR TO JULY 1991).....	46
FIGURE 1-12. BRAKE ASSEMBLY - MICO (2WD JANUARY 1992 TO PRESENT AND 4WD JULY 1991 TO PRESENT) .....	48
FIGURE 1-13. GEAR REDUCER ASSEMBLY 2WD/2WS WITH FIXED FRONT AXLE AND ALL 2WD WITH OSCILLATING FRONT AXLE .....	52
FIGURE 1-14. DRIVE HUB ASSEMBLIES.....	54
FIGURE 1-15. VALVES AND SWITCHES INSTALLATIONS (FRAME MOUNTED) .....	58
FIGURE 1-16. AXLE LIFT CYLINDER INSTALLATIONS.....	62
FIGURE 1-17. TOW PACKAGE INSTALLATION .....	66
SECTION 2 - TURNTABLE .....	69
FIGURE 2-1. BOOM, TURNTABLE AND BEARING LUBE INSTALLATION .....	70
FIGURE 2-2. CONTROL VALVE INSTALLATION - VICKERS PROPORTIONAL .....	74
FIGURE 2-3. CONTROL VALVE ASSEMBLY (VICKERS) (PRIOR TO OCTOBER 1994) .....	78
FIGURE 2-4. CONTROL VALVE ASSEMBLY (VICKERS) (OCTOBER 1994 TO PRESENT).....	82
FIGURE 2-5. CONTROL VALVE ASSEMBLY - RACINE BANG-BANG WITH DUMP SECTION .....	86
FIGURE 2-6. CONTROL VALVE ASSEMBLY - BANG-BANG WITH DUMP SECTION.....	90
FIGURE 2-7. CONTROL VALVE ASSEMBLY - BANG-BANG WITH INLET RELIEF .....	94
FIGURE 2-8. CONTROL VALVE ASSEMBLY - 1 SECTION BANG-BANG (80HX+6 ONLY) .....	96
FIGURE 2-9. SWING DRIVE, BEARING AND LOCK INSTALLATIONS.....	98
FIGURE 2-10. SWING MOTOR ASSEMBLY - CHAR-LYNN .....	100
FIGURE 2-11. SWING MOTOR ASSEMBLY - EATON.....	102
FIGURE 2-12. SWING BRAKE ASSEMBLIES (PRIOR TO APRIL 1992) .....	104
FIGURE 2-13. SWING BRAKE ASSEMBLIES (APRIL 1992 TO PRESENT).....	108
FIGURE 2-14. SWING HUB ASSEMBLY .....	112
FIGURE 2-15. ROTARY COUPLING AND COLLECTOR RING ASSEMBLY AND INSTALLATION .....	114
FIGURE 2-16. DEUTZ ENGINE INSTALLATION WITHOUT NOISE REDUCTION (BUILT PRIOR TO DECEMBER 1992) .....	118
FIGURE 2-17. DEUTZ ENGINE INSTALLATION WITH NOISE REDUCTION (BUILT DECEMBER 1992 TO PRESENT) .....	124
FIGURE 2-18. ADECO THROTTLE COMPONENTS INSTALLATION - DEUTZ ENGINE MACHINES.....	130
FIGURE 2-19. GENERATOR INSTALLATION - DEUTZ ENGINE MACHINES .....	134
FIGURE 2-20. FORD LSG-423 ENGINE INSTALLATIONS (PRIOR MARCH TO 1995) .....	136
FIGURE 2-21. PRECISION GOVERNOR INSTALLATION - FORD ENGINE MACHINES BUILT PRIOR TO MARCH 1995.....	142
FIGURE 2-22. GENERATOR INSTALLATION - FORD ENGINE MACHINES BUILT PRIOR TO MARCH 1995 (OPTIONAL) ...	144
FIGURE 2-23. FORD LRG423/LRG425 ENGINE INSTALLATION (MARCH 1995 TO PRESENT).....	148
FIGURE 2-24. GENERATOR INSTALLATION - FORD MACHINES BUILT MARCH 1995 TO PRESENT .....	156
FIGURE 2-25. DUAL FUEL INSTALLATION - FORD ENGINE MACHINES .....	160
FIGURE 2-26. PUMP COUPLING INSTALLATIONS .....	164
FIGURE 2-27. MAIN PUMP ASSEMBLY .....	168
FIGURE 2-28. TANKS INSTALLATION.....	170
FIGURE 2-29. LP TANKS INSTALLATION .....	174
FIGURE 2-30. GROUND CONTROL COMPONENTS INSTALLATION (MACHINES BUILT PRIOR TO MAY 1994) .....	176
FIGURE 2-31. GROUND CONTROL COMPONENTS INSTALLATION (MACHINES BUILT MAY 1994 TO SN 25608).....	180
FIGURE 2-32. GROUND CONTROL COMPONENTS INSTALLATION (MACHINE BUILT) (SN 25609 to Present) .....	184
FIGURE 2-33. ELECTRICAL COMPONENTS INSTALLATION (TURNTABLE MOUNTED) .....	188
FIGURE 2-34. HOODS INSTALLATION (PRIOR TO DECEMBER 1992).....	192
FIGURE 2-35. HOODS INSTALLATION (MACHINES BUILT DECEMBER 1992 TO PRESENT) .....	196
SECTION 3 - BOOM .....	199
FIGURE 3-1. BOOM ASSEMBLIES .....	200
FIGURE 3-2. BOOM WIPERS INSTALLATION .....	208
FIGURE 3-3. EXTEND-A-REACH INSTALLATIONS .....	210

# TABLE OF CONTENTS

SECTION 4 - PLATFORMS.....	213
FIGURE 4-1. STANDARD PLATFORM AND FOOTSWITCH INSTALLATION .....	214
FIGURE 4-2. LOW MOUNT PLATFORM AND FOOTSWITCH INSTALLATION .....	220
FIGURE 4-3. ROTATOR MOTOR ASSEMBLY .....	224
FIGURE 4-4. CONSOLE BOX ASSEMBLIES (PRIOR TO SEPTEMBER 1991) .....	226
FIGURE 4-5. CONSOLE BOX ASSEMBLIES (SEPTEMBER 1991 TO PRESENT).....	230
FIGURE 4-6. OPTIONAL COMMON PLATFORM MOUNTED COMPONENTS.....	236
SECTION 5 - CYLINDER.....	239
FIGURE 5-1. AXLE EXTENSION CYLINDER ASSEMBLIES - 80HX WITH FIXED AXLE .....	240
FIGURE 5-2. AXLE EXTENSION CYLINDER ASSEMBLIES - 80HX WITH OSCILLATING AXLE .....	242
FIGURE 5-3. AXLE LIFT CYLINDER ASSEMBLY.....	244
FIGURE 5-4. AXLE LOCKOUT CYLINDER ASSEMBLY.....	246
FIGURE 5-5. PLATFORM LEVEL CYLINDER ASSEMBLIES (MODEL 80HX BUILT PRIOR TO APRIL 1992).....	248
FIGURE 5-6. PLATFORM LEVEL CYLINDER ASSEMBLIES (MODEL 80HX BUILT APRIL 1992 TO PRESENT) .....	250
FIGURE 5-7. SLAVE LEVEL CYLINDER ASSEMBLIES (80HX+6 EXTEND-A-REACH) (Prior to SN 29914) .....	252
FIGURE 5-8. SLAVE LEVEL CYLINDER ASSEMBLIES (80HX+6 EXTEND-A-REACH) (SN 29914 to Present).....	254
FIGURE 5-9. LIFT CYLINDER ASSEMBLIES - BOOM .....	256
FIGURE 5-10. LIFT CYLINDER ASSEMBLY - EXTEND-A-REACH (80HX+6/86HX ONLY) .....	260
FIGURE 5-11. MASTER CYLINDER ASSEMBLY .....	262
FIGURE 5-12. STEER CYLINDER ASSEMBLIES (WITH FIXED AXLE).....	264
FIGURE 5-13. STEER CYLINDER ASSEMBLIES (WITH OSCILLATING AXLE).....	266
FIGURE 5-14. TELESCOPE CYLINDER ASSEMBLIES .....	268
FIGURE 5-15. TIE-ROD CYLINDER ASSEMBLY (WITH OSCILLATING AXLE ONLY).....	272
FIGURE 5-16. CYLINDER BELLOWS INSTALLATION.....	274
SECTION 6 - HYDRAULICS.....	277
FIGURE 6-1. HYDRAULIC DIAGRAM LIST.....	278
FIGURE 6-2. HYDRAULIC DIAGRAM - AXLE EXTENSION AND STEER (2WS FIXED AXLE WITHOUT TOW PACKAGE).....	280
FIGURE 6-3. HYDRAULIC DIAGRAM - AXLE EXTENSION AND STEER (2WS OSCILLATING AXLE WITHOUT TOW PACKAGE).....	282
FIGURE 6-4. HYDRAULIC DIAGRAM - BRAKE WITH PRESSURE REDUCING VALVE (USED WITH AUSCO DRIVE BRAKES) .....	284
FIGURE 6-5. HYDRAULIC DIAGRAM - DRIVE (2WD/2WS).....	286
FIGURE 6-6. HYDRAULIC DIAGRAM - DRIVE (4WD/2WS).....	290
FIGURE 6-7. HYDRAULIC DIAGRAM - LEVEL (80HX).....	294
FIGURE 6-8. HYDRAULIC DIAGRAM - LEVEL (80HX+6) .....	296
FIGURE 6-9. HYDRAULIC DIAGRAM - LIFT.....	298
FIGURE 6-10. HYDRAULIC DIAGRAM - MANUAL DESCENT (Prior to SN 25609) .....	300
FIGURE 6-11. HYDRAULIC DIAGRAM - MANUAL DESCENT (SN 25609 to Present).....	302
FIGURE 6-12. HYDRAULIC DIAGRAM - OSCILLATING AXLE (80HX/80HX+6).....	304
FIGURE 6-13. HYDRAULIC DIAGRAM - PUMP.....	306
FIGURE 6-14. HYDRAULIC DIAGRAM - ROTATE (80HX) .....	310
FIGURE 6-15. HYDRAULIC DIAGRAM - SEQUENCE LINE .....	312
FIGURE 6-16. HYDRAULIC DIAGRAM - SWING.....	314
FIGURE 6-17. HYDRAULIC DIAGRAM - TELESCOPE.....	316
SECTION 7 - ELECTRICAL.....	319
FIGURE 7-1. ELECTRICAL DIAGRAM LIST .....	320
FIGURE 7-2. ELECTRICAL SCHEMATIC - PLATFORM (SHEET 1 OF 2).....	328
FIGURE 7-3. ELECTRICAL SCHEMATIC - GROUND (SHEET 1 OF 2) .....	330
SECTION 8 - DECALS .....	333
FIGURE 8-1. DECALS INSTALLATION.....	334
SECTION 9 - RECOMMENDED SERVICE PARTS STOCK.....	341
FIGURE 9-1. MODELS 80HX/80HX+6 (WITH DEUTZ ENGINE) STANDARD PARTS.....	342
FIGURE 9-2. MODELS 80HX/80HX+6 (WITH DEUTZ ENGINE) VARIABLE PARTS.....	346
SECTION 10 - SPECIAL OPTIONS .....	347

# TABLE OF CONTENTS

FIGURE 10-1. SPECIAL OPTIONS.....	348
PART NUMBER INDEX.....	351

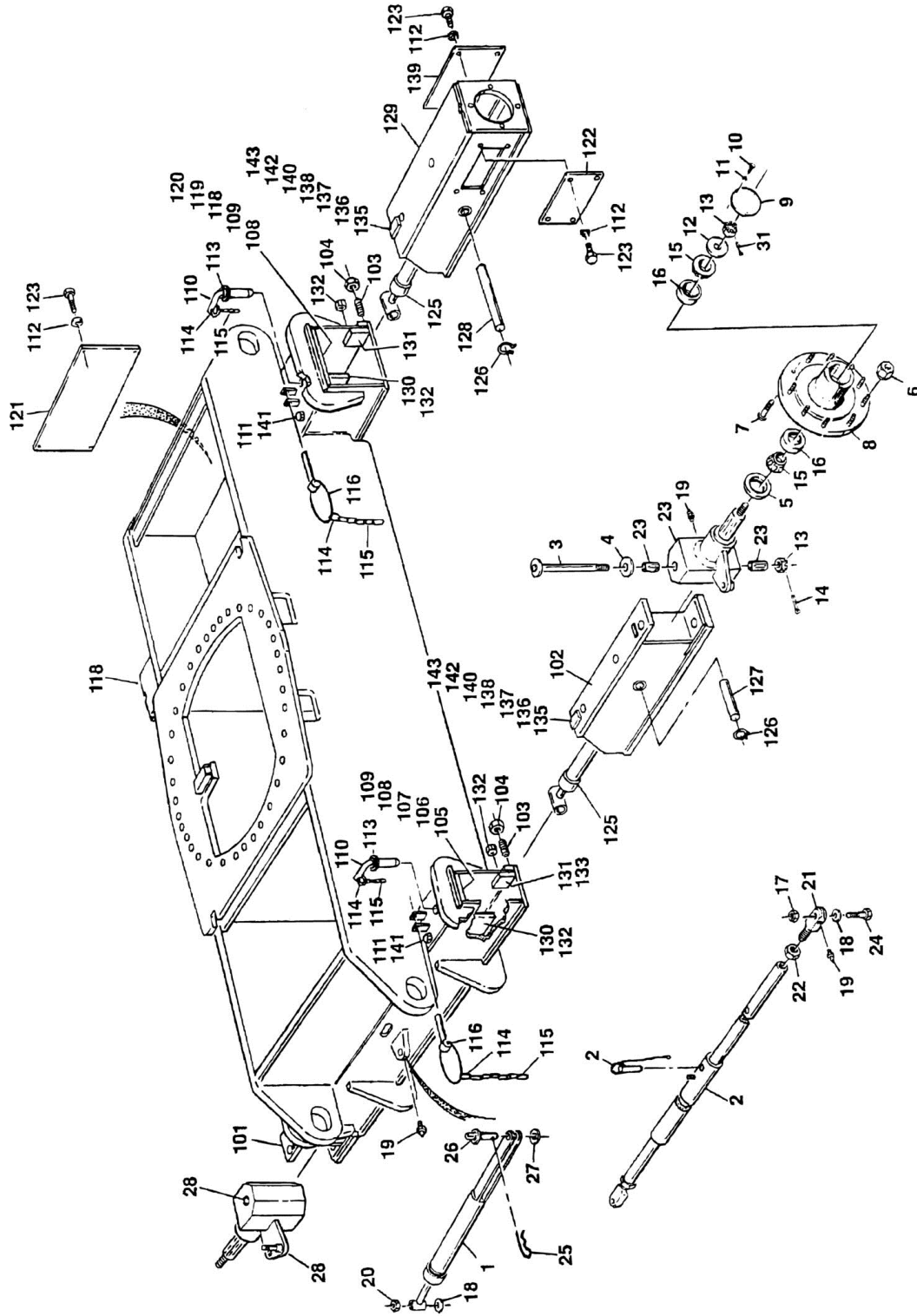




**SECTION 1 - FRAME**

# SECTION 1 - FRAME

## FIGURE 1-1. FRAME, STEERING AND AXLE INSTALLATIONS - 2WD FIXED AXLE MACHINES



## SECTION 1 - FRAME

**FIGURE 1-1. FRAME, STEERING AND AXLE INSTALLATIONS - 2WD FIXED AXLE MACHINES**

ITEM	PART NUMBER	QTY	DESCRIPTION	REV
		Ref	<b>FRAME WELDMENT OPTIONS:</b>	
	2360256	Ref	<b>2WS Machines without 4in T/T Bearing Spacer</b>	
	2360543	Ref	<b>2WS Machines with 4in T/T Bearing Spacer Used (SN 52839 to Present)</b>	
	2360341	Ref	<b>4WS Machines</b>	
		Ref	<b>STEERING INSTALLATION</b>	
	0236838	Ref	<b>2WD/2WS</b>	G
	0253170	Ref	<b>2WD/4WS (Front Axle Only)</b>	
	0253169	Ref	<b>2WD/4WS (Front Axle Only)</b>	
1	1681564	1	Steer Cylinder Assembly (See CYLINDER SECTION for Breakdown) (Note: For Machines with Two Package See TOW PACKAGE INSTALLATION for Breakdown)	
2	4842183	1	Tie-Rod Assembly	
2	3420620	1	Pin, Quick Release	
3	3421818	2	Kingpin	
4	0440161	4	Bearing, Thrust	
5	3960343	2	Seal, Hub	
6	3300007	20	Nut, Wheel	
7	0630078	20	Stud, Wheel	
8	2780109	2	Hub Assembly (Includes Item 7)	
9	1120304	2	Cap, Hub	
10	0721003	6	Bolt #10-24NC x 3/8in	
11	4761000	6	Lockwasher #10	
12	4740283	2	Washer, Hardened	
13	3322403	4	Nut, Slotted 1 1/2in-12NF	
14	3451012	2	Pin, Cotter 5/16in x 3in	
15	0440171	4	Cone, Bearing	
16	0440170	4	Cup, Bearing	
17	3312602	2	Nut, Jam 1in-8NC	
18	4740111	3	Washer, Thrust	
19	2160002	5	Fitting, Grease	
20	3300175	1	Locknut	
21	0560605	2	Block	
22	3323002	2	Nut, Jam 1 1/4in-12NF	
23	4130235	1	Spindle (Left Side)	
23	0960523	2	Bushing, Bronze	
24	0642630	2	Bolt 1in-8NC x 3 3/4in	
25	3420158	1	Hairpin	
26	3421330	1	Pin, Clevis (For Machines with Tow Package See TOW PACKAGE INSTALLATION for Breakdown)	
27	4712600	1	Flatwasher 1in	
28	4130234	1	Spindle (Right Side)	
28	0960523	2	Bushing, Bronze	
30	0100011	AR	Loctite #242 (Not Shown)	
31	3450810	2	Pin, Cotter 1/4in x 2 1/2in	
	0238089	Ref	<b>AXLE INSTALLATION - VICKERS VALVES</b>	8
101	4842214	1	Axle Weldment (Right Side - Inner)	
102	4842186	1	Axle Weldment (Left Side - Outer)	
103	3972218	16	Setscrew 3/4in-10NC x 2 1/4in	
104	3312202	16	Nut, Jam 3/4in-10NC	

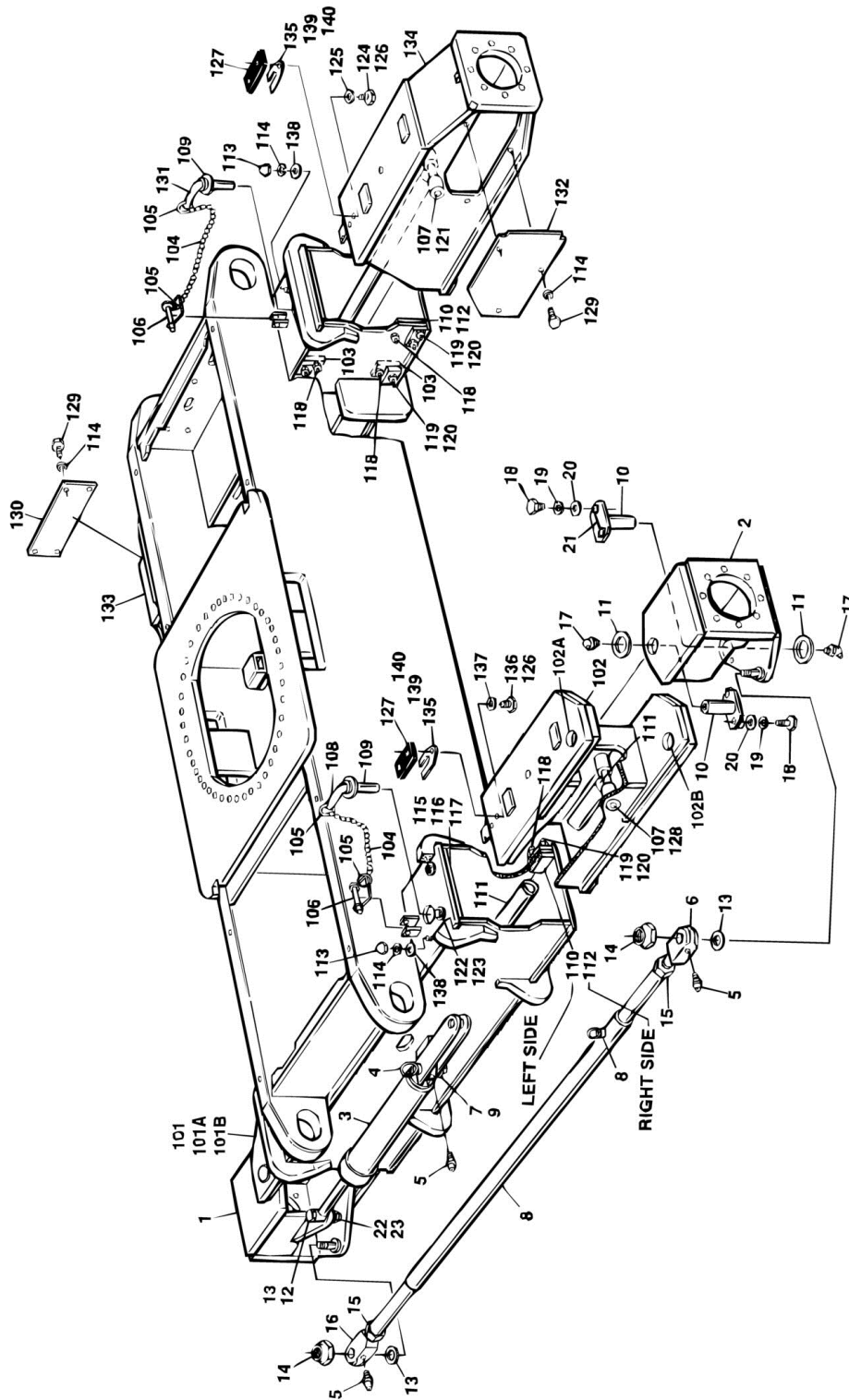
## SECTION 1 - FRAME

ITEM	PART NUMBER	QTY	DESCRIPTION	REV
105	0361195	2	Bar	
106	4070576	2	Shim 1/32in	
107	4070577	2	Shim 1/16in	
108	0642008	8	Bolt 5/8in-11NC x 1in	
109	4712000	8	Flatwasher 5/8in	
110	3421275	4	Pin, Axle Lock	
111	3300151	4	Nut, Acorn	
111	4300032	4	Stud (Weldment on Part)	
112	4761400	20	Lockwasher 1/4in	
113	4842191	4	Bushing, Weldment	
114	3760106	4	D-Ring	
115	1260017	3 ft/.9m	Chain #3	
116	3421565	4	Snap-Pin	
117	4842642	1	Axle Weldment (Right Side - Inner)	
118	4070574	2	Shim 1/16in	
119	4070575	2	Shim 1/32in	
120	0560654	2	Block	
121	3530381	1	Plate, Cover	
122	3530380	2	Plate, Cover	
123	0641404	20	Bolt 1/4in-20NC x 1/2in	
125	1681581	2	Axle Extension Cylinder Assembly (See CYLINDER SECTION for Breakdown)	
126	3760140	8	Ring, Retaining	
127	3421203	2	Pin	
128	3421204	2	Pin	
129	4842644	1	Axle Weldment (Left Side - Outer)	
130	0560673	8	Block, Axle Shim	
131	0560675	2	Block, Axle Shim - Inner Axles	
132	3311505	12	Locknut 5/16in-18NC	
133	0560674	2	Block, Axle Shim - Outer Axles	
135	0641609	8	Bolt 3/8in-16NC x 1 1/8in	
136	4751600	8	Flatwasher 3/8in	
137	0100011	AR	Loctite #242	
138	3340251	4	Wear Pad	
139	3531715	2	Plate, Cover	
140	4070674	AR	Shim 1/16in	
141	4751400	4	Flatwasher 1/4in	
142	4070670	AR	Shim 1/8in	
143	4070672	AR	Shim 1/32in	



# SECTION 1 - FRAME

## FIGURE 1-2. FRAME, STEERING AND AXLE INSTALLATIONS - 4WD FIXED AXLE MACHINES



## SECTION 1 - FRAME

**FIGURE 1-2. FRAME, STEERING AND AXLE INSTALLATIONS - 4WD FIXED AXLE MACHINES**

ITEM	PART NUMBER	QTY	DESCRIPTION	REV
		Ref	<b>FRAME WELDMENT OPTIONS:</b>	
	2360302	Ref	<b>Machines Built Prior to August 1991</b>	
	2360341	Ref	<b>Machines Built August 1991 to Present</b>	
		Ref	<b>STEERING INSTALLATION</b>	
	0250202	Ref	<b>4WD/2WS</b>	F
	0252178	Ref	<b>4WD/4WS (Front Axle Only)</b>	B
1	4130153	1	Spindle (Right Side)	
2	4130154	1	Spindle (Left Side)	
3	1682268	1	Steer Cylinder Assembly (See CYLINDER SECTION for Breakdown)	
4	3421330	1	Pin, Clevis	
5	2160002	3	Fitting, Grease	
6		Ref	Tie-Rod Block (Left Side) Options:	
6	0560714	1	Tie-Rod Block (Prior to May 1991)	
6	0560605	1	Tie-Rod Block (May 1991 to Present)	
7	4712600	1	Flatwasher 1in	
8	4843415	1	Tie-Rod Weldment	
8	3420620	1	Pin, Quick Release	
8	1260017	6 in/.9m	Chain, Tenso #3	
9	3420158	1	Hairpin	
10	3421713	4	Kingpin	
11	4740082	AR	Washer, Thrust	
12	0642634	1	Bolt 1in-8NC x 4 1/4in	
13	0440091	3	Washer, Thrust	
14	3300175	2	Locknut 1in-14NF	
15	3323002	2	Nut, Jam 1 1/4in-12NF	
16	0560605	1	Block, Tie-Rod (Right Side)	
17	2160001	4	Fitting, Grease 90	
18	0630449	8	Bolt 3/8in-16NC x 1in (Special)	
19	4761600	8	Lockwasher 3/8in	
20	4751600	8	Flatwasher 3/8in	
21	4920096	AR	Wire, Safety (4 Lengths of 16in/35cm)	
22	3312602	1	Nut, Jam 1in-8NC	
23	0100011	AR	Loctite #242 (Not Shown)	
		Ref	<b>AXLE INSTALLATION</b>	
	0250163	Ref	<b>Axle Installation (Prior to October 1991)</b>	D
	0252176	Ref	<b>Axle Installation (October 1991 to Present)</b>	D
101	4843389	1	Axle Weldment (Left Side)	
101A	0961417	1	Bushing, Bronze (Bottom)	
101B	0961416	1	Bushing, Bronze (Top)	
102	4843390	1	Axle Weldment (Right Side)	
102A	0961416	1	Bushing, Bronze (Top)	
102B	0961417	1	Bushing, Bronze (Bottom)	
103	0560673	8	Block, Axle Shim	
104	1260017	3 ft/.9m	Chain #3	
105	3760106	8	D-Ring	
106	3421565	4	Snap-Pin	
107	3760140	8	Ring, Retaining	
108	3421710	2	Pin, Axle Lock	
109	4842191	4	Bushing, Weldment	

## SECTION 1 - FRAME

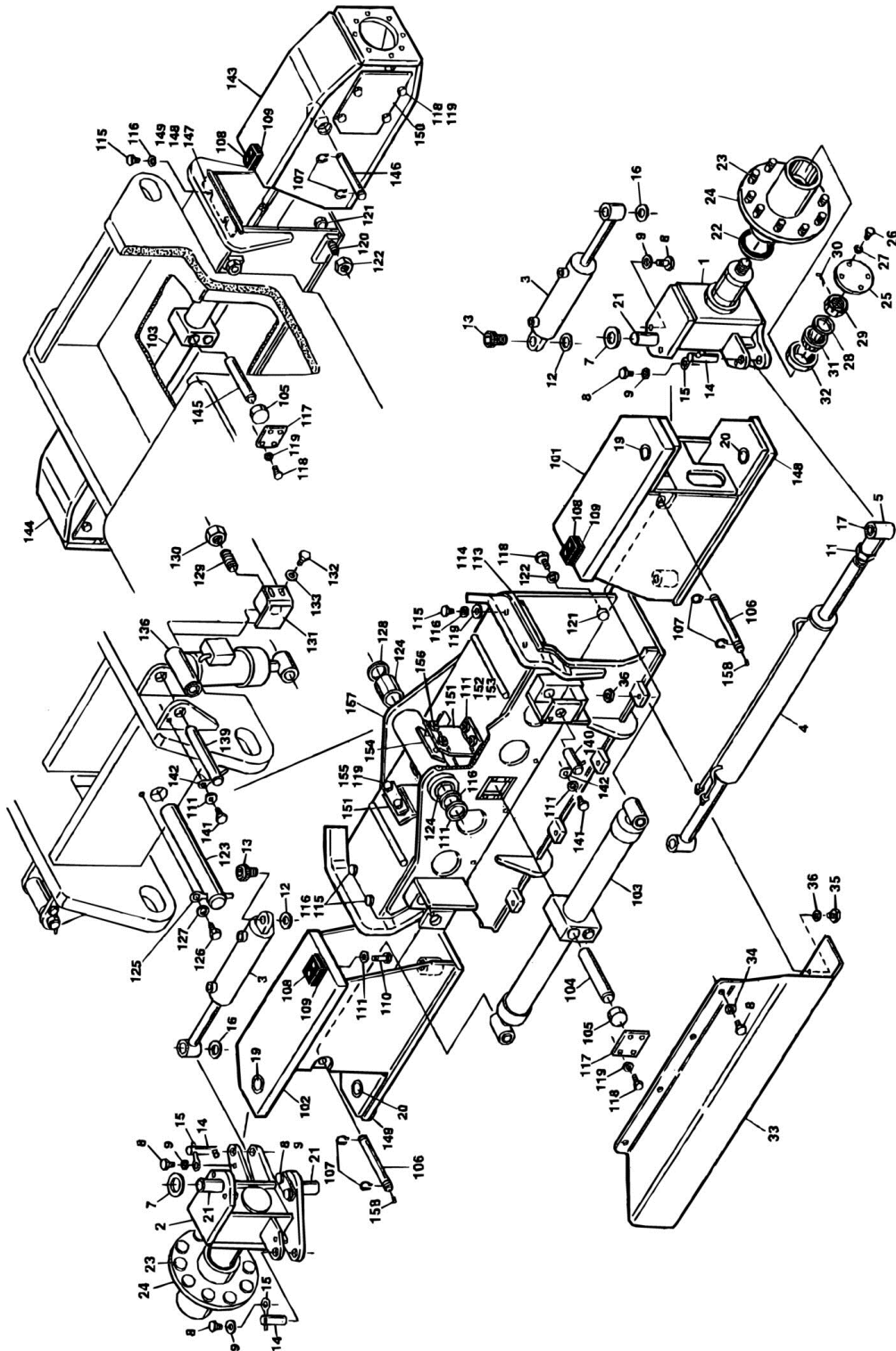
ITEM	PART NUMBER	QTY	DESCRIPTION	REV
110	0560675	2	Block, Axle Shim	
111	1682260	2	Axle Extension Cylinder Assembly (See CYLINDER SECTION for Breakdown)	
112	0560674	2	Block, Axle Shim	
113	3300151	4	Nut, Acorn	
113	4300032	4	Stud (Weldment on Part)	
114	4761400	20	Lockwasher 1/4in	
115	4070574	2	Shim 1/16in	
116	4070575	2	Shim 1/32in	
117	0560654	4	Block	
118	3311505	12	Locknut 5/16in-18NC	
119	3972218	16	Setscrew 3/4in-10NC x 2 1/4in	
120	3312202	16	Nut, Jam 3/4in-10NC	
121	3421204	2	Pin	
122	0642008	8	Bolt 5/8in-11NC x 1in	
123	4712000	8	Flatwasher 5/8in (Narrow)	
124	0641609	4	Bolt 3/8in-16NC x 1 1/8in	
125	4751600	4	Flatwasher 3/8in	
126	0100011	AR	Loctite #242	
127		Ref	Wear Pad Options:	
127	3340527	4	Wear Pad (Prior to October 1990)	
127	3340251	4	Wear Pad (October 1990 to Present)	
128	3421709	2	Pin	
129	0641404	20	Bolt 1/4in-20NC x 1/2in	
130	3530380	2	Plate, Cover	
131	3421275	2	Pin, Axle Lock	
132	3531715	2	Plate, Cover	
133		Ref	Axle Weldment (Right Side) Options:	
133	4843349	1	Axle Weldment (Prior to October 1991)	
133	4843972	1	Axle Weldment (October 1991 to Present)	
134		Ref	Axle Weldment (Left Side) Options:	
134	4843350	1	Axle Weldment (Prior to October 1991)	
134	4843971	1	Axle Weldment (October 1991 to Present)	
135	4070674	AR	Shim 1/16in	
136	0641615	4	Bolt 3/8in-16NC x 1 7/8in	
137	4711600	4	Flatwasher 3/8in (Narrow)	
138	4751400	4	Flatwasher 1/4in (Narrow)	
139	4070670	AR	Shim 1/8in	
140	4070672	AR	Shim 1/32in	





# SECTION 1 - FRAME

## FIGURE 1-3. FRAME, STEERING AND AXLE INSTALLATIONS - 2WD AND 4WD OSCILLATING AXLE MACHINES



## SECTION 1 - FRAME

**FIGURE 1-3. FRAME, STEERING AND AXLE INSTALLATIONS - 2WD AND 4WD OSCILLATING AXLE MACHINES**

ITEM	PART NUMBER	QTY	DESCRIPTION	REV
	2360398	Ref	<b>FRAME WELDMENT</b>	
		Ref	<b>STEERING INSTALLATION</b>	
	0256107	Ref	<b>2WD</b>	A
	0255795	Ref	<b>4WD</b>	2
1		Ref	Spindle (Left Side) Options:	
1	4130338	1	2WD	
1	4130333	1	4WD (Not Shown)	
2		Ref	Spindle (Right Side) Options:	
2	4130337	1	2WD	
2	4130334	1	4WD (Not Shown)	
3	1683389	2	Steer Cylinder Assembly (See CYLINDER SECTION for Breakdown)	
4	1683395	1	Tie-Rod Cylinder Assembly (See CYLINDER SECTION for Breakdown)	
5	4845141	1	End, Tie-Rod	
7	4740451	4	Washer, Thrust	
8	0641608	20	Bolt 3/8in-16NC x 1in	
9	4891600	20	Flatwasher, Hardened 3/8in	
10	0100019	AR	Loctite #271 (Not Shown)	
11	3323002	1	Nut, Jam 1 1/4in-12NF	
12	4740154	2	Washer, Thrust	
13	3900223	2	Bolt, Shoulder	
14	3422520	4	Pin	
15	3841143	4	Keeper, Pin	
16	4740446	4	Washer, Oilite Thrust	
17	0961890	2	Bushing, Gar-Max	
18	0100063	AR	Loctite #609 (Not Shown)	
19	0962035	2	Bushing, Gar-Max	
20	0962036	2	Bushing, Gar-Max	
21	3422522	4	Kingpin	
22		Ref	Seal, Hub Options:	
22	3960343	2	2WD	
22	Not Required	2	4WD	
23		Ref	Lugnut 3/4in-16NC Options:	
23	3300007	20	2WD	
23	Not Required	20	4WD	
24		Ref	Hub Assembly Options:	
24	2780109	2	2WD	
24	Not Required	2	4WD	
25		Ref	Cap, Hub Options:	
25	1120304	2	2WD	
25	Not Required	2	4WD	
26		Ref	Bolt #10-24NC x 3/8in Options:	
26	0641003	6	2WD	
26	Not Required	6	4WD	
27		Ref	Lockwasher #10 Options:	
27	4761000	6	2WD	
27	Not Required	6	4WD	
28		Ref	Washer, Hardened Options:	

# SECTION 1 - FRAME

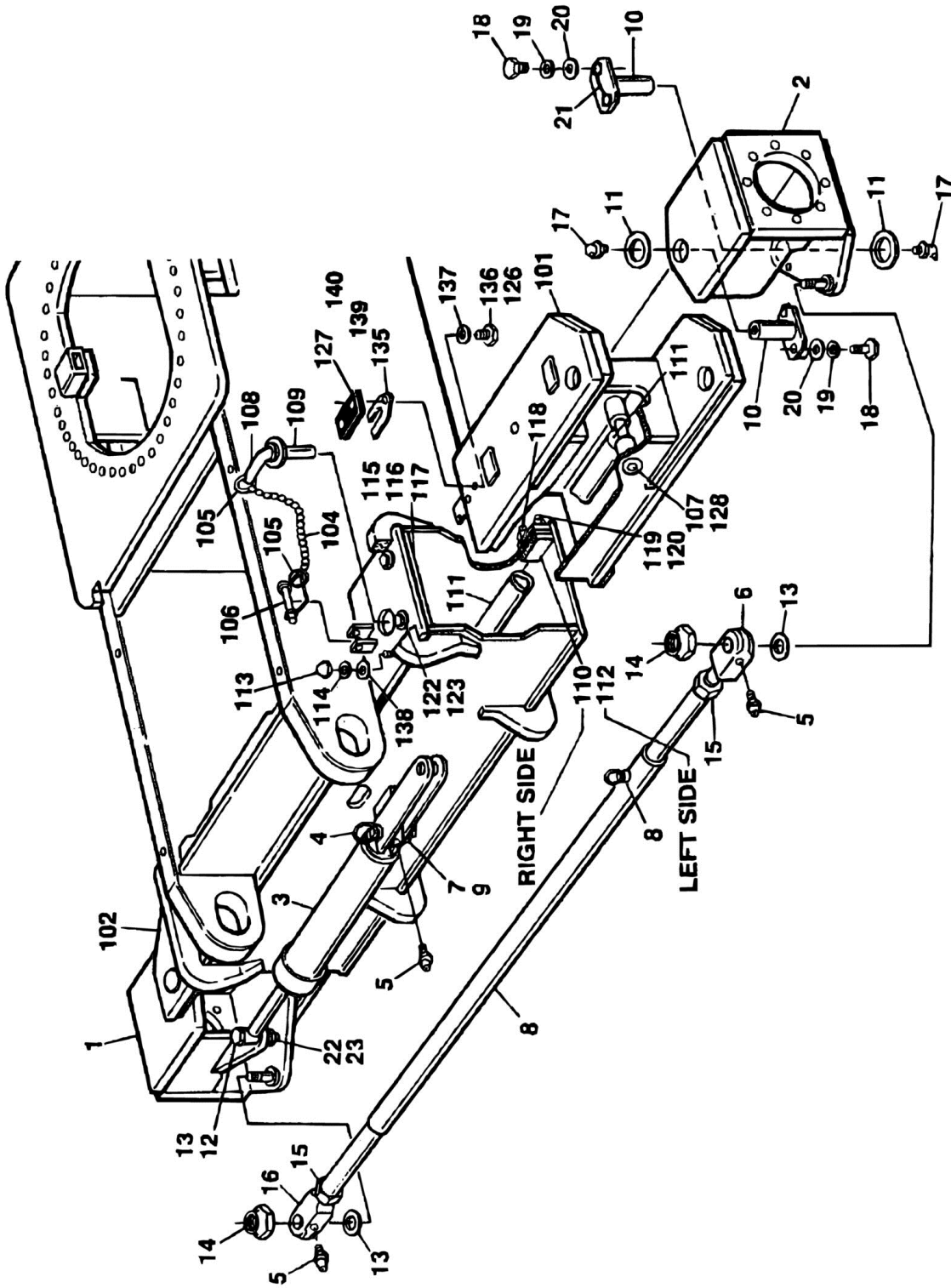
ITEM	PART NUMBER	QTY	DESCRIPTION	REV
28	4740283	2	2WD	
28	Not Required	2	4WD	
29		Ref	Nut, Slotted 1 1/2in-12NF Options:	
29	3300208	2	2WD	
29	Not Required	2	4WD	
30		Ref	Pin, Cotter 5/16in x 3in Options:	
30	3451012	2	2WD	
30	Not Required	2	4WD	
31		Ref	Cone, Bearing Options:	
31	0440171	4	2WD	
31	Not Required	4	4WD	
32		Ref	Cup, Bearing Options:	
32	0440170	4	2WD	
32	Not Required	4	4WD	
33	3539634	1	Plate, Cylinder Guard	
34	4751600	4	Flatwasher 3/8in	
35	0641814	4	Bolt 1/2in-13NC x 1 3/4in	
36	4751800	4	Flatwasher 1/2in	
37	3311805	4	Locknut 1/2in-13NC	
38	0100019	AR	Loctite #242 (Not Shown)	
	0255794	Ref	<b>AXLE INSTALLATION</b>	6
101	4845048	1	Axle Weldment (Left Side)	
102	4845049	1	Axle Weldment (Right Side)	
103	1683241	2	Axle Extension Cylinder Assembly (See CYLINDER SECTION for Breakdown)	
104	3422509	1	Pin, Axle Extension Cylinder (Front)	
105	0561227	4	Block, Pivot	
106	3422510	2	Pin, Axle (Front)	
107	3760140	8	Ring, Retaining	
108	3340251	4	Pad, Wear	
109	4070674	10	Shim 1/16in	
110	0641615	4	Bolt 3/8in-16NC x 1 7/8in	
111	4711600	12	Flatwasher 3/8in (Narrow)	
112	0100011	AR	Loctite #242	
113	3539244	2	Plate	
114	4070923	8	Shim	
115	0642008	8	Bolt 5/8in-11NC x 1in	
116	4712000	8	Flatwasher 5/8in (Narrow)	
117	3539240	4	Plate, Cover	
118	0641406	32	Bolt 1/4in-20NC x 3/4in	
119	4751400	36	Flatwasher 1/4in (Narrow)	
120	3900219	12	Setscrew 1in-8NC x 2 1/4in	
121	1120465	12	Cap	
122	3312602	12	Nut, Jam 1in-8NC	
123	3422512	1	Pin, Axle Pivot	
124	0962033	2	Bushing, Gar-Max	
125	3841287	1	Pin, Keeper	
126	0642216	1	Bolt 3/4in-10NC x 2in	
127	4712200	1	Flatwasher 3/4in (Narrow)	
128		Ref	Washer, Thrust Options:	
128	4740356	2	Washer, Thrust (Prior to SN 33913)	
128	4740461	2	Washer, Thrust (SN 33913 to Present)	

## SECTION 1 - FRAME

ITEM	PART NUMBER	QTY	DESCRIPTION	REV
129	3900220	2	Setscrew 1 1/4in-7NC x 5in	
130	3313002	2	Nut, Jam 1 1/4in-7NC	
131	3539103	2	Plate	
132	0641812	4	Bolt 1/2in-13NC x 1 1/2in	
133	4891800	4	Washer, Hardened 1/2in	
136	1683390	2	Oscillating Axle Cylinder Assembly (See CYLINDER SECTION for Breakdown)	
139	3422422	2	Pin (Top)	
140	3422511	2	Pin (Bottom)	
141	0641610	8	Bolt 3/8in-16NC x 1 1/4in	
142	3841143	4	Pin, Keeper	
143	4845050	1	Inner Axle Weldment (Left Side - Rear)	
144	4845051	1	Inner Axle Weldment (Right Side - Rear)	
145	3422507	1	Pin, Axle Extension Cylinder (Rear)	
146	3422508	2	Pin, Axle (Rear)	
147	0560654	2	Block, Pivot	
148	4070574	2	Shim 1/16in	
149	4070575	4	Shim 1/32in	
150	3539241	4	Plate, Cover	
151	3539579	2	Plate, Hose Support	
152	3311601	4	Nut 3/8in-16NC	
153	4761600	4	Lockwasher 3/8in	
154	3539580	2	Plate, Hose Holddown	
155	0641412	4	Bolt 1/4in-20NC x 1 1/2in	
156	3311405	4	Locknut 1/4in-20NC	
157	4845052	1	Outer Axle Weldment (Front)	
158	3900263	4	Setscrew 1/4in-20NC <b>(SN 38698 to Present)</b>	

# SECTION 1 - FRAME

## FIGURE 1-4. REAR, STEERING AND AXLE INSTALLATIONS - 4WS MACHINES



# SECTION 1 - FRAME

## FIGURE 1-4. REAR, STEERING AND AXLE INSTALLATIONS - 4WS MACHINES

ITEM	PART NUMBER	QTY	DESCRIPTION	REV
		Ref	<b>NOTE: REFER TO FRAME, STEERING AND AXLE INSTALLATIONS FOR FRONT AXLE.</b>	
		Ref	<b>STEERING INSTALLATION</b>	
	0250202	Ref	<b>2WD/4WS</b>	F
	0252178	Ref	<b>4WD/4WS</b>	B
1	4130153	1	Spindle (Left Side)	
2	4130154	1	Spindle (Right Side)	
3	1682268	1	Steer Cylinder Assembly (See CYLINDER SECTION for Breakdown)	
4	3421330	1	Pin, Clevis	
5	2160002	3	Fitting, Grease	
6		Ref	Tie-Rod Block (Left Side) Options:	
6	0560714	1	Tie-Rod Block (Prior to May 1991)	
6	0560605	1	Tie-Rod Block (May 1991 to Present)	
7	4712600	1	Flatwasher 1in	
8	4843415	1	Tie-Rod Weldment	
8	3420620	1	Pin, Quick Release	
8	1260017	6 in/9cm	Chain, Tenso #3	
9	3420158	1	Hairpin	
10	3421713	4	Kingpin	
11	4740082	4	Washer, Thrust	
12	0642634	1	Bolt 1in-8NC x 4 1/4in	
13	0440091	3	Washer, Thrust	
14	3300175	2	Locknut 1in-14NF	
15	3323002	2	Nut, Jam 1 1/4in-12NF	
16	0560605	1	Block, Tie-Rod (Right Side)	
17	2160001	4	Fitting, Grease 90	
18	0630449	8	Bolt 3/8in-16NC x 1in (Special)	
19	4761600	8	Lockwasher 3/8in	
20	4751600	8	Flatwasher 3/8in	
21	4920096	AR	Wire, Safety (4 Lengths of 16in/35cm)	
22	3312602	1	Nut, Jam 1in-8NC	
23	0100011	AR	Loctite #242 (Not Shown)	
	0252177	Ref	<b>AXLE INSTALLATION - REAR</b>	D
101	4843389	1	Axle Weldment (Left Side)	
101	0961417	1	Bushing, Bronze	
102	4843390	1	Axle Weldment (Right Side)	
102	0961416	1	Bushing, Bronze	
103	0560673	4	Block, Axle Shim	
104	1260017	18 in	Chain #3	
105	3760106	4	D-Ring	
106	3421565	2	Snap-Pin	
107	3760140	4	Ring, Retaining	
108	3421710	2	Pin, Axle Lock	
109	4842191	2	Bushing, Weldment	
110	0560675	1	Block, Axle Shim	
111	1682260	1	Axle Extension Cylinder Assembly (See CYLINDER SECTION for Breakdown)	
112	0560674	1	Block, Axle Shim	
113	3300151	2	Nut, Acorn	

## SECTION 1 - FRAME

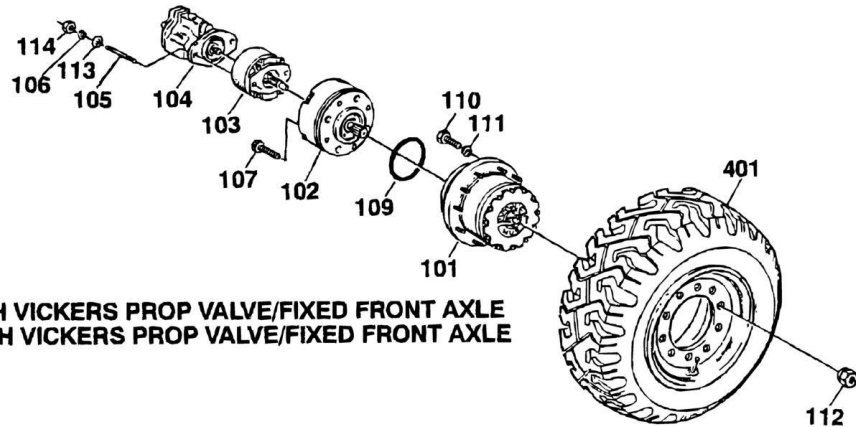
ITEM	PART NUMBER	QTY	DESCRIPTION	REV
113	4300032	2	Stud (Weldment on Part)	
115	4070574	2	Shim 1/16in	
116	4070575	2	Shim 1/32in	
117	0560654	4	Block	
118	3311505	6	Locknut 5/16in-18NC	
119	3972218	8	Setscrew 3/4in-10NC x 2 1/4in	
120	3312202	8	Nut, Jam 3/4in-10NC	
121	3421709	2	Pin	
122	0642008	4	Bolt 5/8in-11NC x 1in	
123	4712000	4	Flatwasher 5/8in (Narrow)	
126	0100011	AR	Loctite #242	
127	3340251	2	Wear Pad	
135	4070674	AR	Shim 1/16in	
136	0641615	4	Bolt 3/8in-16NC x 1 7/8in	
137	4711600	4	Flatwasher 3/8in (Narrow)	
138	4751400	4	Flatwasher 1/4in (Narrow)	
139	4070670	AR	Shim 1/8in	
140	4070672	AR	Shim 1/32in	



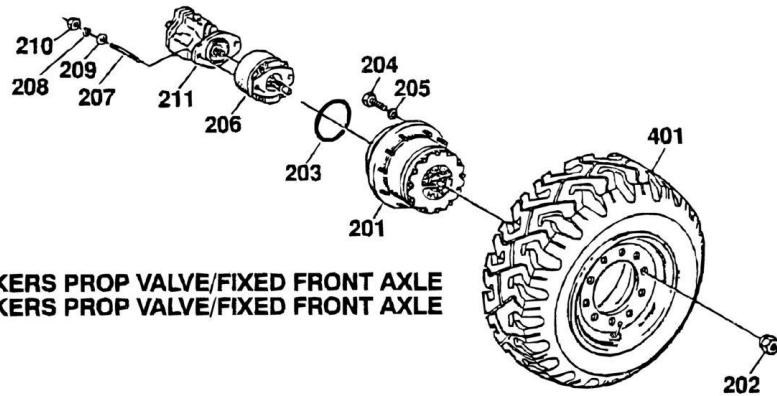


# SECTION 1 - FRAME

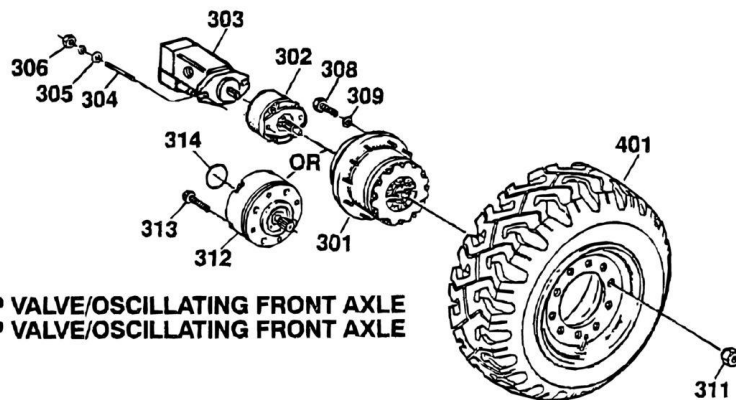
## FIGURE 1-5. TIRE AND WHEEL DRIVE INSTALLATIONS - 80HX



**80HX 2WD/2WS WITH VICKERS PROP VALVE/FIXED FRONT AXLE**  
**80HX 2WD/4WS WITH VICKERS PROP VALVE/FIXED FRONT AXLE**



**80HX 4WD/2WS WITH VICKERS PROP VALVE/FIXED FRONT AXLE**  
**80HX 4WD/4WS WITH VICKERS PROP VALVE/FIXED FRONT AXLE**



**80HX 2WD WITH VICKERS PROP VALVE/OSCILLATING FRONT AXLE**  
**80HX 4WD WITH VICKERS PROP VALVE/OSCILLATING FRONT AXLE**

## SECTION 1 - FRAME

**FIGURE 1-5. TIRE AND WHEEL DRIVE INSTALLATIONS - 80HX**

ITEM	PART NUMBER	QTY	DESCRIPTION	REV
		Ref	<b>WHEEL DRIVE INSTALLATION - 2WD/2WS FIXED FRONT AXLE/VICKERS PROP VALVES MACHINES</b>	
	0238093	Ref	<b>Wheel Drive Installation - 2wd/2ws Fixed Front Axle/Vickers Prop Valves Machines (Prior to SN 51532)</b>	3
	0270220	Ref	<b>Wheel Drive Installation - 2wd/2ws Fixed Front Axle/Vickers Prop Valves Machines (SN 51532 to Present)</b>	1
101	2780142	2	Hub Assembly (See DRIVE HUB ASSEMBLIES for Breakdown)	
102	2780138	2	Reducer Assembly (See GEAR REDUCER ASSEMBLY 2WD/2WS WITH FIXED FRONT AXLE AND ALL 2WD WITH OSCILLATING FRONT AXLE for Breakdown)	
103		Ref	Brake Assembly Options:	
103	0920072	2	Brake Assembly (Prior to January 1992) (See BRAKE ASSEMBLY - AUSCO for Breakdown)	
103	0920084	2	Brake Assembly (January 1992 to SN 33475) (See BRAKE ASSEMBLY - MICO for Breakdown)	
103	0920110	2	Brake Assembly (See BRAKE ASSEMBLY - MICO for Breakdown) <b>(SN 33476 through 51531)</b>	
103	0920119	2	Brake Assembly (Was p/n 0920117) (See BRAKE ASSEMBLY - MICO for Breakdown) <b>(SN 51532 through 57511)</b>	
103	0920119	2	Brake Assembly (See BRAKE ASSEMBLY - MICO for Breakdown) <b>(SN 57512 to Present)</b>	
104	1001096405	2	Motor Assembly - Vickers (See DRIVE MOTOR ASSEMBLY - VICKERS for Breakdown) (was p/n 3160132)	
104	1001096405	2	Motor Assembly - Sauer-Danfoss (See DRIVE MOTOR ASSEMBLY - SAUER-DANFOSS for Breakdown)	
105	4300092	4	Stud 1/2in-13NC x 5 1/2in <b>(Prior to SN 51532)</b>	
105	4300097	4	Stud 1/2in-13NC x 5 1/8in <b>(SN 51532 to Present)</b>	
106	4761800	4	Lockwasher 1/2in	
107	3931852	8	Bolt, Socket Head 1/2in-13NC x 3 1/4in	
108	0100011	AR	Loctite #242	
109	3790159	2	O-Ring	
110	0642016	16	Bolt 5/8in-11NC x 2in	
111	4762000	16	Lockwasher 5/8in	
112	3300007	20	Lugnut 3/4in-16NF	
113	4751800	4	Flatwasher 1/2in	
114	3311801	4	Nut 1/2in-13NC	
		Ref	<b>WHEEL DRIVE INSTALLATION - 80HX 2WD/4WS, 4WD/2WS &amp; 4WD/4WS FIXED FRONT AXLE/ VICKERS PROP VALVE MACHINES</b>	
	0253696	Ref	<b>Wheel Drive Installation 80HX 2WD/4WS Fixed Axle/Vickers Prop Valve Machines Built (Prior to SN 51532)</b>	2
	0270225	Ref	<b>Wheel Drive Installation 80HX 2WD/4WS Fixed Axle/Vickers Prop Valve Machines Built (SN 51532 to Present)</b>	2
	0250287	Ref	<b>Wheel Drive Installation 80HX 4WD/2WS &amp; 4WD/4WS Fixed Axle/Vickers Prop Valve Machines Built (Prior to SN 51532)</b>	7
	0270224	Ref	<b>Wheel Drive Installation 80HX 4WD/2WS &amp; 4WD/4WS Fixed Axle/Vickers Prop Valve Machines (SN 51532 to Present)</b>	2
201		Ref	Hub Assembly (See DRIVE HUB ASSEMBLIES for Breakdown)	
201	2780187	2	Hub Assembly 80HX 2WD/4WS Fixed Front Axle/Vickers Prop Valves Machines	
201	2780144	4	Hub Assembly 80HX 4WD/2WS & 4WD/4WS Fixed Front Axle/Vickers Prop Valves Machines Built (Prior to June 1995)	
201	2780114	4	Hub Assembly 80HX 4WD/2WS & 4WD/4WS Fixed Front Axle/Vickers Prop Valves Machines Built (June 1995 to	

## SECTION 1 - FRAME

ITEM	PART NUMBER	QTY	DESCRIPTION	REV
			Present)	
202	3300007	Ref	Lugnut 3/4in-16NF	
202	3300007	20	2WD Machines	
202	3300007	40	4WD Machines	
203	3790159	Ref	O-Ring	
203	3790159	2	2WD Machines	
203	3790159	4	4WD Machines	
204	0642016	AR	Bolt 5/8in-11NC x 2in	
205	4762000	AR	Lockwasher 5/8in	
206		Ref	Brake Assembly Options:	
206	0920084	2	Brake Assembly 80HX 2WD/4WS Fixed Front Axle/Vickers Prop Valves Machines Built (See BRAKE ASSEMBLY - MICO for Breakdown) <b>(Prior to SN 33476)</b>	
206	0920110	2	Brake Assembly 80HX 2WD/4WS Fixed Front Axle/Vickers Prop Valves Machines Built (See BRAKE ASSEMBLY - MICO for Breakdown) <b>(SN 33476 through 51531)</b>	
206	0920119	2	Brake Assembly 80HX 2WD/4WS Fixed Front Axle/Vickers Prop Valves Machines Built (Was p/n 0920117) (See BRAKE ASSEMBLY - MICO for Breakdown) <b>(SN 51532 through 57511)</b>	
206	0920119	2	Brake Assembly 80HX 2WD/4WS Fixed Front Axle/Vickers Prop Valves Machines Built (See BRAKE ASSEMBLY - MICO for Breakdown) <b>(SN 57512 to Present)</b>	
206	0920072	4	Brake Assembly 80HX 4WD/2WS & 4WD/4WS Fixed Front Axle/Vickers Prop Valves Machines Built (Prior to February 1991) (See BRAKE ASSEMBLY - AUSCO for Breakdown)	
206	0920081	4	Brake Assembly 80HX 4WD/2WS & 4WD/4WS Fixed Front Axle/Vickers Prop Valves Machines Built (February 1991 to July 1991) (See BRAKE ASSEMBLY - MICO for Breakdown)	
206	0920084	4	Brake Assembly 80HX 4WD/2WS & 4WD/4WS Fixed Front Axle/Vickers Prop Valves Machines Built (July 1991 to SN 33475) (See BRAKE ASSEMBLY - MICO for Breakdown)	
206	0920110	4	Brake Assembly 80HX 4WD/2WS & 4WD/4WS Fixed Front Axle/Vickers Prop Valves Machines Built (See BRAKE ASSEMBLY - MICO for Breakdown) <b>(SN 33476 through 51531)</b>	
206	0920119	4	Brake Assembly 80HX 4WD/2WS & 4WD/4WS Fixed Front Axle/Vickers Prop Valves Machines Built (Was p/n 0920117) (See BRAKE ASSEMBLY - MICO for Breakdown) <b>(SN 51532 through 57511)</b>	
206	0920119	2	Brake Assembly 80HX 4WD/2WS & 4WD/4WS Fixed Front Axle/Vickers Prop Valves Machines Built (See BRAKE ASSEMBLY - MICO for Breakdown) <b>(SN 57512 to Present)</b>	
207		Ref	Stud Options:	
207	4300092	AR	Stud 1/2in-13NC x 5 1/2in <b>(Prior to SN 51532)</b>	
207	4300097	AR	Stud 1/2in-13NC x 5 1/8in <b>(SN 51532 to Present)</b>	
208	4761800	AR	Lockwasher 1/2in	
209	4751800	AR	Flatwasher 1/2in	
210	3311801	AR	Nut 1/2in-13NC	
211		Ref	Motor Assembly - Cessna Options (See DRIVE MOTOR ASSEMBLY - 2WD/4WS, 4WD/2WS & 4WD/4WS FIXED FRONT AXLE MACHINES for Breakdown):	
211	3160342	2	Motor Assembly - Cessna 80HX 2WD/4WS Fixed Front Axle/Vickers Prop Valves Machines Built (Prior to February 1995) (was p/n 3160179)	
211	3160343	2	Motor Assembly - Cessna 80HX 2WD/4WS Fixed Front Axle/Vickers Prop Valves Machines Built (February 1995 to Present) (was p/n 3160189)	

## SECTION 1 - FRAME

ITEM	PART NUMBER	QTY	DESCRIPTION	REV
211	3160129	4	Motor Assembly - Cessna 80HX 4WD/2WS & 4WD/4WS Fixed Front Axle/Vickers Machines Prop Valves Built (Prior to September 1991)	
211	3160342	4	Motor Assembly - Cessna 80HX 4WD/2WS & 4WD/4WS Fixed Front Axle/Vickers Prop Valves Machines Built (September 1991 to Present) (was p/n 3160179)	
		Ref	<b>WHEEL DRIVE INSTALLATION - 80HX 2WD OSCILLATING FRONT AXLE/VICKERS PROP VALVE MACHINES</b>	
	0256298	Ref	<b>Wheel Drive Installation 80HX 2WD Oscillating Front Axle/Vickers Prop Valve Machine Built (Prior to SN 51532)</b>	2
	0270226	Ref	<b>Wheel Drive Installation 80HX 2WD Oscillating Front Axle/Vickers Prop Valve Machine Built (SN 51532 to Present)</b>	2
	0255983	Ref	<b>Wheel Drive Installation 80HX 4WD Oscillating Front Axle/Vickers Prop Valve Machine Built (Prior to SN 51532)</b>	2
	0270227	Ref	<b>Wheel Drive Installation 80HX 4WD Oscillating Front Axle/Vickers Prop Valve Machine Built (SN 51532 to Present)</b>	2
301		Ref	Hub Assembly Options (See DRIVE HUB ASSEMBLIES for Breakdown):	
301	2780142	2	Hub Assembly 80HX 2WD Oscillating Front Axle/Vickers Prop Valve Machine	
301	2780114	4	Hub Assembly 80HX 4WD Oscillating Front Axle/Vickers Prop Valve Machine	
302		Ref	Brake Assembly Options (Qty 2 Required for 2WD/Qty 4 Required for 4WD):	
302	0920084	AR	Brake Assembly (See BRAKE ASSEMBLY - MICO for Breakdown) <b>(Prior to SN 33476)</b>	
302	0920110	AR	Brake Assembly (See BRAKE ASSEMBLY - MICO for Breakdown) <b>(SN 33476 through 51531)</b>	
302	0920119	AR	Brake Assembly (Was p/n 0920117) (See BRAKE ASSEMBLY - MICO for Breakdown) <b>(SN 51532 through 57511)</b>	
302	0920119	AR	Brake Assembly (See BRAKE ASSEMBLY - MICO for Breakdown) <b>(SN 57512 to Present)</b>	
303	3160204	AR	Motor Assembly (Qty 2 Required for 2WD/Qty 4 Required for 4WD) (See DRIVE MOTOR ASSEMBLY - 2WD/4WS, 4WD/2WS & 4WD/4WS FIXED FRONT AXLE MACHINES for Breakdown)	
304		Ref	Stud Options:	
304	4300092	AR	Stud 1/2in-13NC x 5 1/2in <b>(Prior to SN 51532)</b>	
304	4300097	AR	Stud 1/2in-13NC x 5 1/8in <b>(SN 51532 to Present)</b>	
305	4751800	AR	Flatwasher 1/2in	
306	3311801	AR	Nut 1/2in-13NC	
307	0100011	AR	Loctite #242 (Not Shown)	
308	0642016	AR	Bolt 5/8in-11NC x 2in	
309	4712000	AR	Flatwasher 5/8in (Narrow)	
310	0100019	AR	Loctite #271 (Not Shown)	
311	3300007	Ref	Lugnut 3/4in-16NF	
311	3300007	20	2WD Machines	
311	3300007	40	4WD Machines	
312		Ref	Reducer Assembly (See GEAR REDUCER ASSEMBLY 2WD/2WS WITH FIXED FRONT AXLE AND ALL 2WD WITH OSCILLATING FRONT AXLE for Breakdown)	
312	2780138	2	2WD Machines	
312	Not Required	0	4WD Machines	
313	3931852	AR	Bolt, Socket Head 1/2in-13NC x 3 1/4in	
314	3790159	AR	O-Ring	
401		Ref	<b>TIRE AND WHEEL INSTALLATIONS 2WD MACHINES:</b>	
401	0236524	Ref	<b>Tire and Wheel Installation - 15 x 19.5 Foam-Filled (Firestone</b>	B

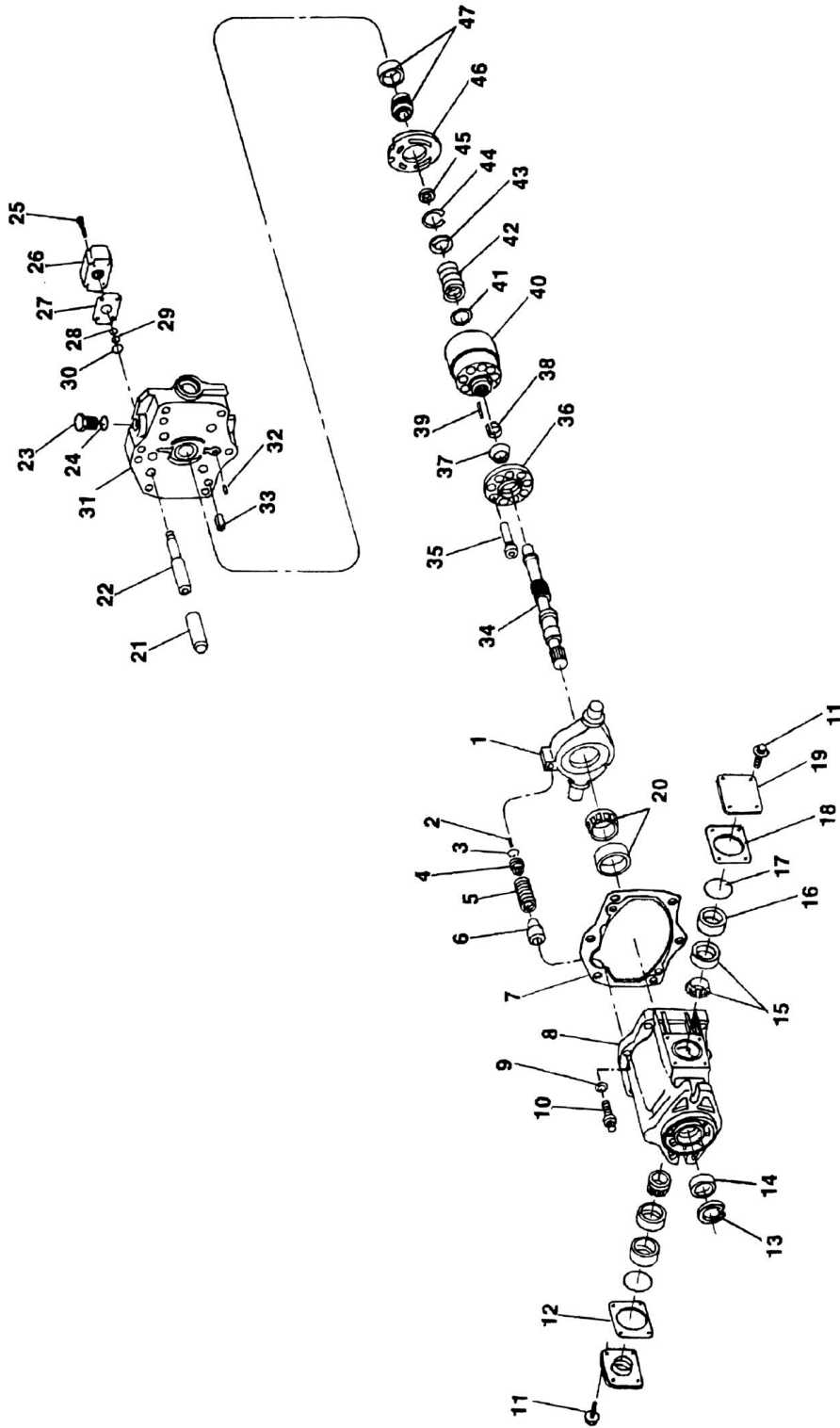
## SECTION 1 - FRAME

ITEM	PART NUMBER	QTY	DESCRIPTION	REV
401	0257045	Ref	Transport) Tire and Wheel Installation - 38 x 12-20 Non-Marking (Monarch)	-
401	0257046	Ref	Tire and Wheel Installation - Solid	-
401		Ref	<b>4WD MACHINES:</b>	
401	0251514	Ref	Tire and Wheel Installation - 15 x 19.5 Foam-Filled (Standard)	A
401	0253572	Ref	Tire and Wheel Installation - 15 x 19.5 Foam-Filled (Lug NHS) (Prior to SN 64484)	-
401	0271619	Ref	Tire and Wheel Installation - 15 x 19.5 Foam-Filled (Lug NHS) (SN 64484 to Present)	-
401	0257045	Ref	Tire and Wheel Installation - 38 x 12-20 Non-Marking (Monarch)	-
401	0257046	Ref	Tire and Wheel Installation - Solid	-
		Ref	<b>Note: Assemblies may require ballast/foam filling to manufacture's specifications prior to installing on a machine. Refer to Operation and Safety or Service and Maintenance Manuals. Purchase individual tire and/ or rim only if able to foam fill tire and wheel assembly, otherwise, purchase complete assembly</b>	-
401	0234744	2	Tire and Wheel Assembly - 15 x 19.5 Foam-Filled Firestone Transport (2WD Front Only)	
401	0234746	AR	Tire and Wheel Assembly - 15 x 19.5 Foam-Filled Firestone All Traction Duplex or General Jumbo (Right Side Drive Wheel)	
401	0234745	AR	Tire and Wheel Assembly - 15 x 19.5 Foam-Filled Firestone All Traction Duplex or General Jumbo (Left Side Drive Wheel)	
401	0271616	2	Tire and Wheel Assembly - 15 x 19.5 Foam-Filled 14 Ply Galaxy Loader Lug (Right Side Drive Wheel) Options) (Was P/N 0253570) (Prior to SN 64484)	
401	0271616	2	Tire and Wheel Assembly - IN385/65D x 19.5 Foam-Filled 14 Ply OTR Hauler (Right Side Drive Wheel) Options) (SN 64484 to Present)	
401	0271617	2	Tire and Wheel Assembly - 15 x 19.5 Foam-Filled 14 Ply Galaxy Loader Lug (Left Side Drive Wheel) Options) (Was P/N 0253571) (Prior to SN 64484)	
401	0271617	2	Tire and Wheel Assembly - IN385/65D x 19.5 Foam-Filled 14 Ply OTR Hauler (Left Side Drive Wheel) (SN 64484 to Present)	
401	4520178	AR	Tire and Wheel Assembly - 30 x 12 x 20 Non-Marking	
401	4520126	AR	Tire and Wheel Assembly - Solid	



# SECTION 1 - FRAME

FIGURE 1-6. DRIVE MOTOR ASSEMBLY - VICKERS (2WD/2WS FIXED FRONT AXLE MACHINES)





## SECTION 1 - FRAME

**FIGURE 1-6. DRIVE MOTOR ASSEMBLY - VICKERS (2WD/2WS FIXED FRONT AXLE MACHINES)**

ITEM	PART NUMBER	QTY	DESCRIPTION	REV
	1001096405	Ref	<b>DRIVE MOTOR ASSEMBLY - VICKERS</b>	B
		Ref	<b>Note: (was p/n 3160132) Drive Motor Assembly p/n 3160132 is no longer available. As replacement, order Drive Motor Kit p/n 1001096405.</b>	
1	7006766	1	Yoke	
2	7006767	1	Pin, Roll	
3	7006768	1	Spherical Seat	
4	7006769	1	Spring, Seat	
5	7006774	1	Spring, Yoke	
6	7006776	1	Stop, Yoke	
7	Kit	1	Gasket	
8	7006786	1	Housing	
9	7006787	6	Washer	
10	7006788	6	Screw	
11	7006789	4	Screw	
12	Kit	1	Shim (Included with Item 18)	
13	7006721	1	Ring, Retaining	
14	7006796	1	Shaft	
15	7006791	2	Bearing	
16	7006792	2	Bearing, Pintle	
17	Kit	2	O-Ring	
18	7006794	1	Shim Kit (Includes Item 12)	
19	7006795	2	Cover	
20	7006719	1	Bearing	
21	7006797	1	Piston	
22	7006798	1	Piston Rod	
23	7006703	1	Plug	
24	Kit	1	O-Ring	
25	7009300	4	Screw	
26	7009301	1	Control Block	
27	Kit	1	Gasket	
28	Kit	1	O-Ring	
29	Kit	1	Back-Up Ring	
30	7009305	1	Ring, Retaining	
31	7009306	1	Valve Block	
32	7006706	1	Pin	
33	7009307	2	Pin	
34	7009308	1	Shaft	
35	7006717	9	Piston and Shoes	
36	7006716	1	Shoe Plate	
37	7006715	1	Spherical Washer	
38	7006714	1	Pin, Retainer	
39	7006713	3	Pin	
40	7006712	1	Cylinder, Block	
41	7006711	1	Washer, Spring	
42	7006710	1	Spring	
43	7006709	1	Washer, Spring	
44	7009309	1	Ring, Retaining	
45	7006707	1	Bearing Spacer Kit	
46	7009310	1	Plate, Wafer	

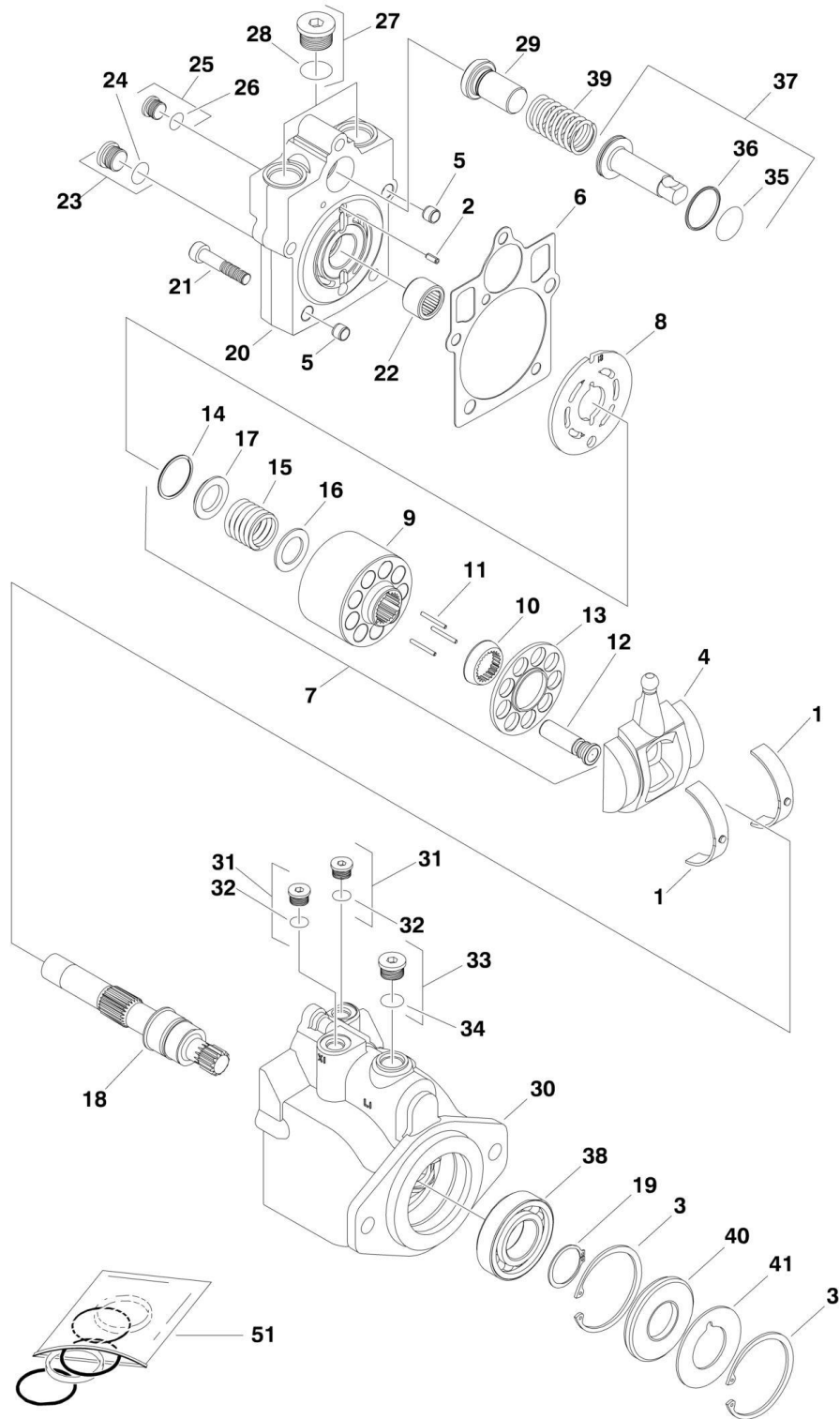
## SECTION 1 - FRAME

ITEM	PART NUMBER	QTY	DESCRIPTION	REV
47	7006704		Bearing S/A	
	2900659	1	Seal Kit (Includes Items 7, 14, 17, 24, 27, 28 & 29)	



# SECTION 1 - FRAME

## FIGURE 1-7. DRIVE MOTOR ASSEMBLY - SAUER-DANFOSS (2WD/2WS FIXED FRONT AXLE MACHINES)



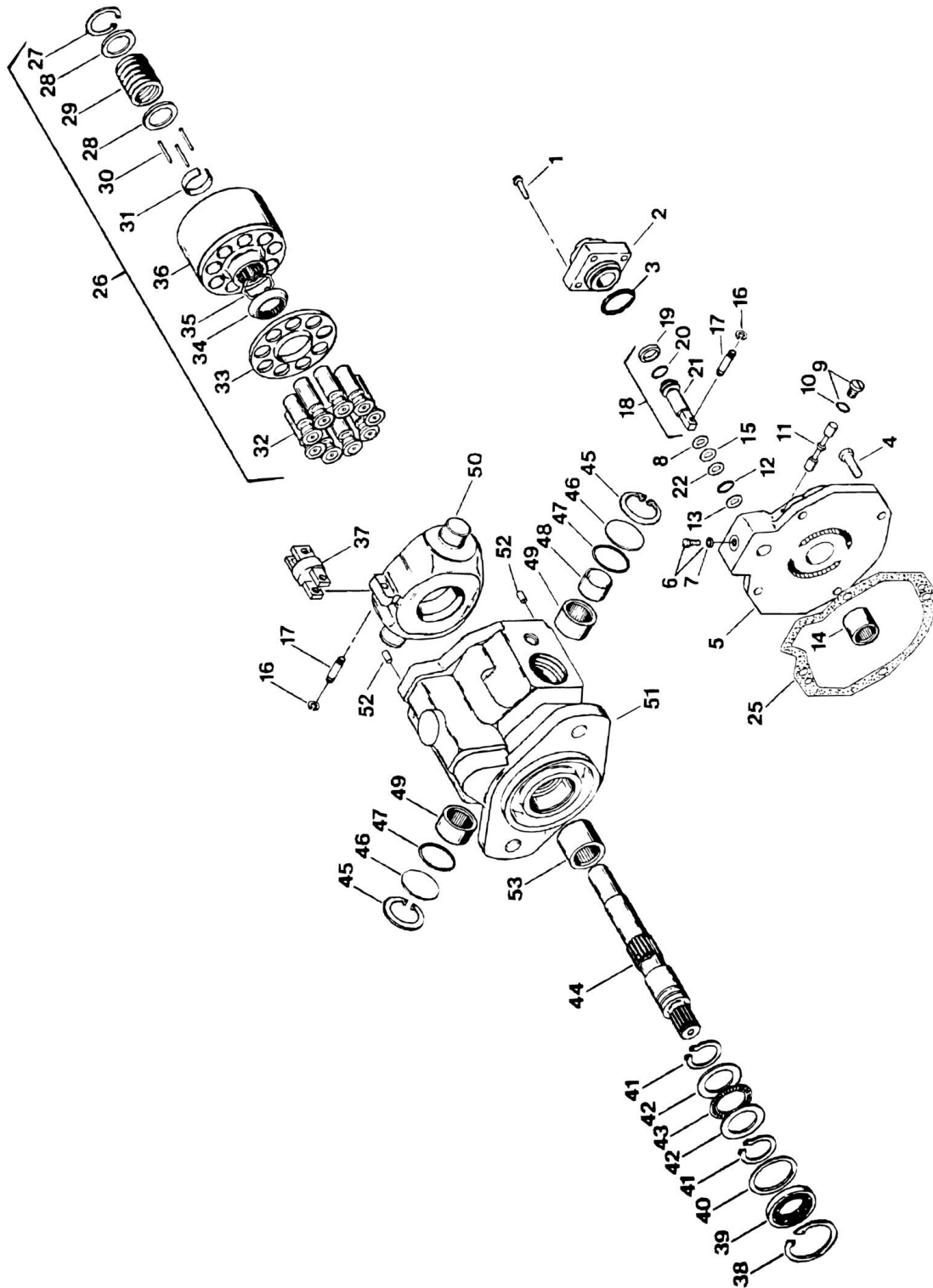
## SECTION 1 - FRAME

**FIGURE 1-7. DRIVE MOTOR ASSEMBLY - SAUER-DANFOSS (2WD/2WS FIXED FRONT AXLE MACHINES)**

ITEM	PART NUMBER	QTY	DESCRIPTION	REV
	1001096405	Ref	<b>DRIVE MOTOR KIT - SAUER-DANFOSS</b>	2
	1001096406	Ref	<b>DRIVE MOTOR ASSEMBLY - SAUER-DANFOSS</b>	A
1	7022302	2	Bearing	
2	7007446	1	Pin	
3	7007438	2	Ring, Retaining	
4	70000794	1	Swashplate	
5	See Note	2	Dowel Locator (Note: Not Available for Purchase).	
6	Item 51	1	Gasket	
7	7027740	1	Cylinder Block Kit (Includes Items 10-17)	
8	7024862	1	Plate, Valve	
9	7027740		Cylinder Block	
10	70000856	1	Guide, Slipper Retainer	
11	7021275	3	Pin, Slipper Hold Down	
12	7024865	9	Piston Assembly	
13	70000857	1	Retainer, Slipper	
14	7022311	1	Ring, Retaining	
15	7024867	1	Spring	
16	7024868	1	Washer	
17	7022314	1	Retainer, Spring	
18	7023910	1	Shaft	
19	7007439	1	Ring, Retaining	
20	70000795	1	Cap, End - Axial	
21	7022368	5	Screw	
22	7021249	1	Bearing, Needle	
23	7022321	1	Plug (Includes Item 24)	
24	7022322	1	O-Ring	
25	7007420	1	Plug (Includes Item 26)	
26	7021256	1	O-Ring	
27	7007419	2	Plug (Includes Item 28)	
28	7007418	2	O-Ring	
29	Not Available	1	Seat, Spring	
30	See Note	1	Housing (Note: Not Available - Purchase p/n 1001096406).	
31	7007420	2	Plug (Items Item 32)	
32	7021256	2	O-Ring	
33	7022321	1	Plug (Items Item 34)	
34	7022322	1	O-Ring	
35	7022324	1	O-Ring	
36	7022325	1	Ring, Seal	
37	7024871	1	Piston, Servo	
38	7007437	1	Bearing	
39	7022326	1	Spring	
40	7007459	1	Seal, Lip	
41	7022371	1	Washer, Support	
51	7022328	1	Seal Kit (Includes Items 6, 24, 26, 28, 32, 34, 35, 36 & 40)	

# SECTION 1 - FRAME

FIGURE 1-8. DRIVE MOTOR ASSEMBLY - 2WD/4WS, 4WD/2WS AND 4WD/4WS FIXED FRONT AXLE MACHINES



## SECTION 1 - FRAME

**FIGURE 1-8. DRIVE MOTOR ASSEMBLY - 2WD/4WS, 4WD/2WS AND 4WD/4WS FIXED FRONT AXLE MACHINES**

ITEM	PART NUMBER	QTY	DESCRIPTION	REV
		Ref	<b>DRIVE MOTOR ASSEMBLIES</b>	
	3160179	Ref	<b>2WD/4WS with Fixed Front Axle (Prior to February 1995) (Original Equipment)</b>	A
	3160342	Ref	<b>2WD/4WS with Fixed Front Axle (Prior to February 1995) (Service Replacement)</b>	B
	3160189	Ref	<b>2WD/4WS with Fixed Front Axle (February 1995 to Present) (Original Equipment)</b>	A
	3160434	Ref	<b>2WD/4WS with Fixed Front Axle (February 1995 to Present) (Service Replacement)</b>	B
	3160129	Ref	<b>4WD with Fixed Front Axle (Prior to September 1991)</b>	A
	3160179	Ref	<b>4WD with Fixed Front Axle (September 1991 to Present) (Original Equipment)</b>	A
	3160342	Ref	<b>4WD with Fixed Front Axle (September 1991 to Present) (Service Replacement)</b>	B
1	7004938	4	Screw, Cap Socket Head	
2	7004939	1	Control Piston Housing Assembly (Includes Item 3)	
3	Kit	1	O-Ring	
4		Ref	Screw, Cap Hex Head Options:	
4	7004933	4	all Motors except Motor p/n 3120342/3160343	
4	7020323	4	Motor p/n 3120342/3160343	
5		Ref	Backplate Assembly (Includes Items 5-15) Options:	
5	7004941	1	all Motors except Motor p/n 3120342/3160343	
5	Not Available		Motor p/n 3120342/3160343	
6	7004942	1	Plug Assembly (Includes Item 7)	
7	Kit	1	O-Ring	
8	4100027	3	Spacer, Piston -.092in (Used on Motor p/n 3160179 Only)	
9	7004944	2	Plug Assembly (Shuttle Spool) (Includes Items 8 & 9)	
10	Kit	1	O-Ring (1 Per Plug)	
11	7004946	1	Spool, Shuttle	
12	Kit	1	O-Ring	
13	7004918	1	Washer, Back-up	
14	7004917	1	Bearing, Needle	
15	4100028	1	Spacer, Piston -.105in (Used on Motor p/n 3160129 Only)	
16	7004937	4	Ring, Retaining	
17	7004929	2	Pin, Connector	
18		Ref	Control Piston Assembly (Includes Items 19-21) Options:	
18	7004948	1	all Motors except Motor p/n 3120342/3160343	
18	Not Available		Motor p/n 3120342/3160343	
19	Kit	1	Ring, Slippery	
20	Kit	1	O-Ring	
21	Not Available	1	Piston, Control	
22	4100029	4	Spacer, Piston -.110in (Used on Motor p/n 3160189 Only)	
25	Kit	1	Gasket, Housing	
26	7004916	1	Rotating Kit Assembly (Includes Items 27-36)	
27	7004936	1	Ring, Retaining	
28	7004950	2	Washer, Machined	
29	7004951	1	Spring, Compression	
30	7004952	3	Pin, Loading	
31	7004953	1	Keeper, Pin	
32	7004954	9	Piston, Assembly	

## SECTION 1 - FRAME

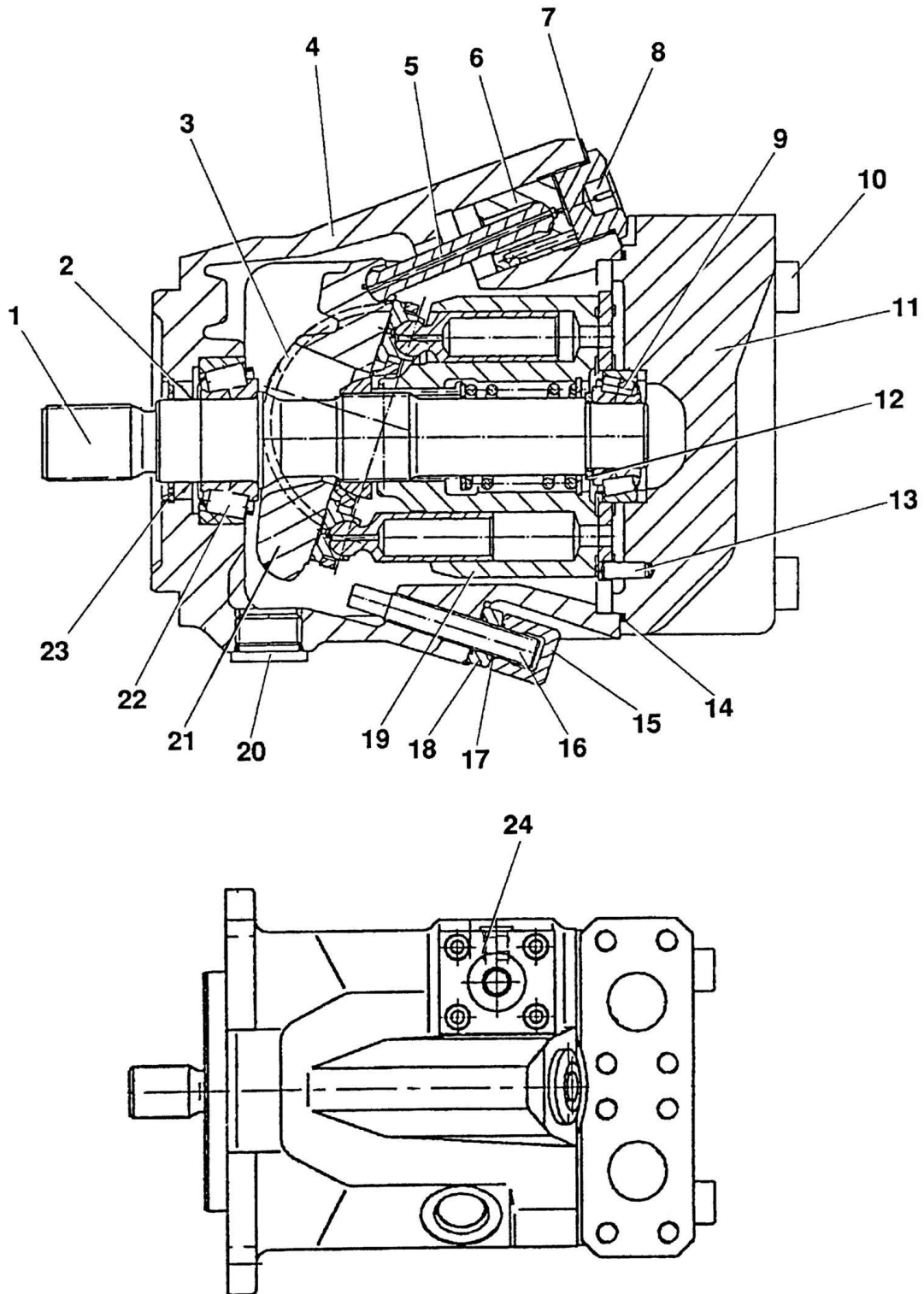
ITEM	PART NUMBER	QTY	DESCRIPTION	REV
33	7004955	1	Spider	
34	7004956	1	Pivot	
35	7004957	1	Washer, Wave	
36	Not Available	1	Block, Piston	
37	7004928	1	Connector, Camplate	
38	Kit	1	Ring, Retaining	
39	Kit	1	Seal, Shaft	
40	7004906	1	Washer	
41	Kit	2	Ring, Retaining	
42	7004907	2	Race, Thrust	
43	7004908	1	Bearing, Thrust	
44	7004912	1	Shaft, Drive	
45	Kit	2	Ring, Retaining	
46		Ref	Cover, Trunnion Options:	
46	7004913	2	all Motors except Motor p/n 3120342/3160343	
46	Not Available		Motor p/n 3120342/3160343	
47	Kit	2	O-Ring	
48	7004911	1	Race, Inner	
49	7004914	2	Bearing	
50		Ref	Camplate Options:	
50	7004927	1	all Motors except Motor p/n 3120342/3160343	
50	Not Available		Motor p/n 3120342/3160343	
51		Ref	Housing Assembly (Includes Items 52 & 53) Options:	
51	7004959	1	all Motors except Motor p/n 3120342/3160343	
51	Not Available		Motor p/n 3120342/3160343	
52	7004960	2	Pin, Roll (1/4in Dia x 1/2in Long)	
53	7004910		Bearing	
	2900449	1	Seal Repair Kit (Includes Items 3, 7, 10, 12, 19, 20, 25, 38, 39, 41, 45 & 47) (all Motors except Motor p/n 3120342/3160343)	
	7020347	1	Seal Repair Kit (Includes Items 3, 12, 13, 16, 19, 20, 22, 25, 38, 39, 40, 41, 45 & 47) (Motor p/n 3120342/3160343)	





# SECTION 1 - FRAME

FIGURE 1-9. DRIVE MOTOR ASSEMBLY - 2WD/2WS, 2WD/4WS, 4WD/2WS AND 4WD/4WS  
OSCILLATING FRONT AXLE MACHINES



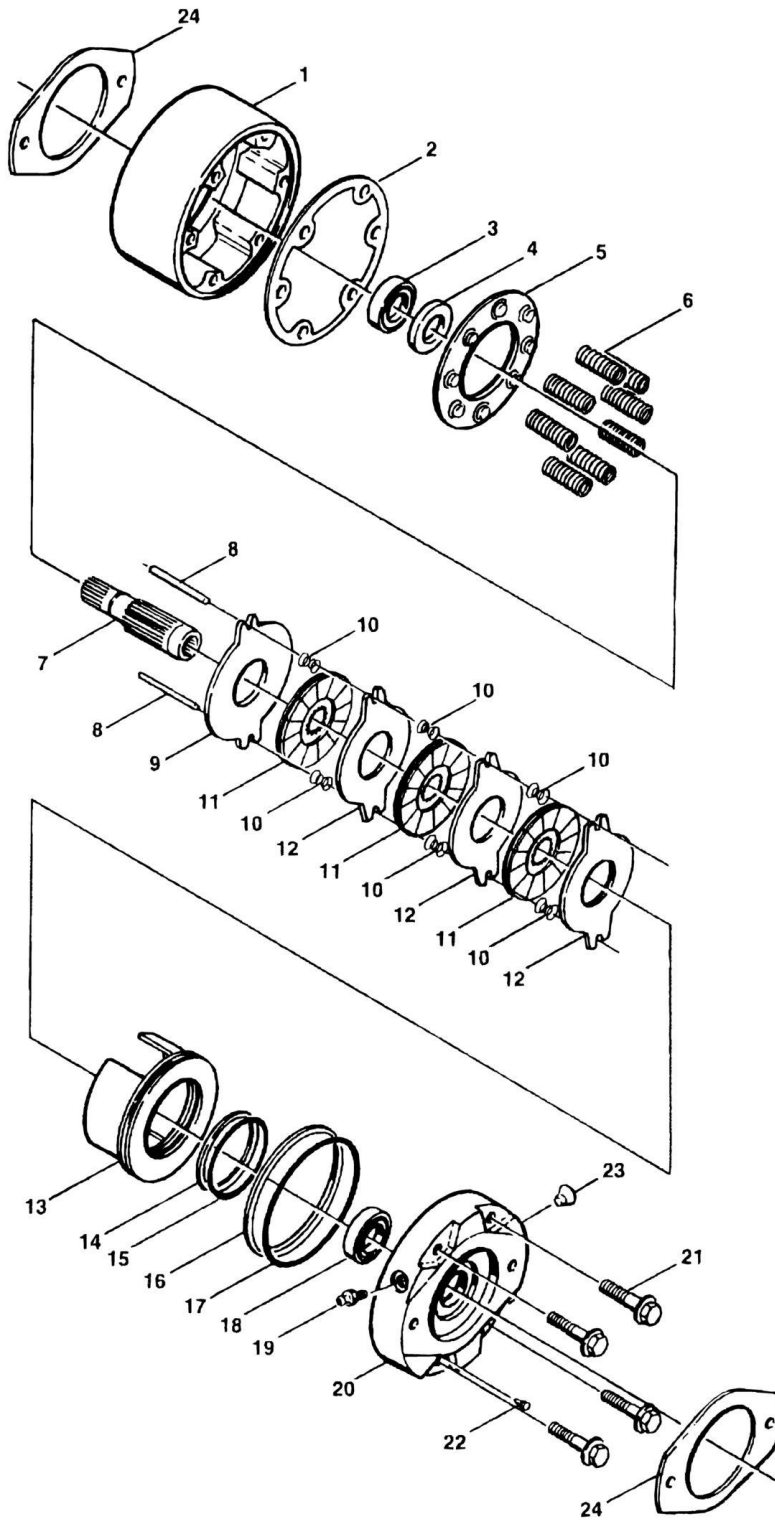
## SECTION 1 - FRAME

**FIGURE 1-9. DRIVE MOTOR ASSEMBLY - 2WD/2WS, 2WD/4WS, 4WD/2WS AND 4WD/4WS  
OSCILLATING FRONT AXLE MACHINES**

ITEM	PART NUMBER	QTY	DESCRIPTION	REV
	3160204	Ref	<b>DRIVE MOTOR ASSEMBLY - REXROTH</b>	A
1	7012701	1	Shaft	
2	Kit	1	Seal, Shaft	
3	7012702	2	Bearing, Cradle	
4	Not Serviced	1	Housing	
5	7012703	1	Rod, Piston	
6	7012704	1	Piston, Stroking	
7	Kit	1	O-Ring	
8	7012705	1	Nut, Adapter	
9	7012706	1	Bearing, Roller	
10	7012707	4	Bolt, Metric Socket Head M12 x 65mm	
11	7012708	1	Block, Port	
12	7012709	1	Shim	
13	7012710	1	Pin, Dowel M6 x 18mm	
14	Kit	2	O-Ring	
15	7012711	1	Nut, Cap M10	
16	7012712	1	Screw, Adjusting	
17	Kit	2	O-Ring	
18	7012713	1	Nut, Jam M10	
19	Kit	1	Rotary Group Assembly	
20	Not Serviced	1	Plug	
21	Kit	1	Plate, Swash	
22	7012714	1	Bearing, Roller	
23	7012715	1	V-Ring	
24	7012700	1	Control Plate Assembly Only (Note: On SN 29852 to Present #24 is incorporated into housing #4.) <b>(Prior to SN 29852)</b>	
	2900788	1	Seal Kit (Includes Items 2, 7, 14, 17 and O-Rings under #24)	
	7012716	1	Rotary Group Kit (Includes Items 19 & 21)	

# SECTION 1 - FRAME

FIGURE 1-10. BRAKE ASSEMBLY - AUSCO (2WD PRIOR TO JANUARY 1992)



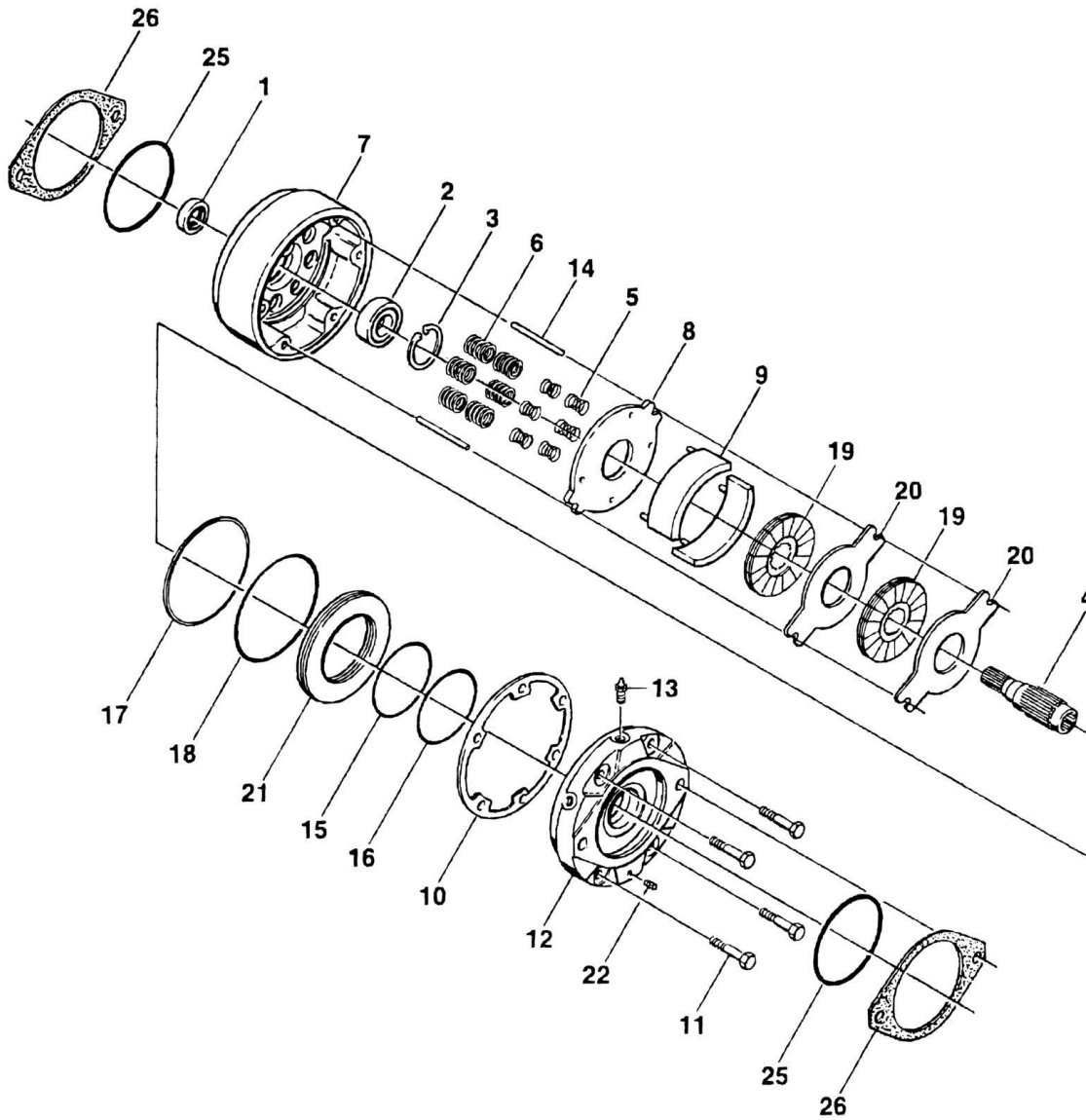
## SECTION 1 - FRAME

**FIGURE 1-10. BRAKE ASSEMBLY - AUSCO (2WD PRIOR TO JANUARY 1992)**

ITEM	PART NUMBER	QTY	DESCRIPTION	REV
	0920072	Ref	<b>BRAKE ASSEMBLY - AUSCO</b>	D
1	7003047	1	Housing	
2	Kit	1	Gasket	
3	7003049	1	Bearing	
4	Kit	1	Seal, Oil	
5	7003051	1	Spring, Retainer	
6	7003052	8	Spring, Compression	
7	7003070	1	Shaft, Splined	
8	7000717	2	Pin, Torque	
9	7003054	1	Disc, Primary	
10	7003006	6	Spring, Separator	
11	7003055	3	Disc, Rotating	
12	7003056	3	Disc, Stationary	
13	7003057	1	Piston	
14	Kit	1	Ring, Back-up	
15	Kit	1	O-Ring	
16	Kit	1	Ring, Back-up	
17	Kit	1	O-Ring	
18	7000760	1	Bearing	
19	7000796	1	Screw, Bleeder	
20	7003071	1	Plate, Power	
21	7003007	4	Screw	
22	7003059	1	Valve, Pressure	
23	7000728	1	Plug	
24	Kit	2	Gasket	
	2900662	1	Seal Kit (Includes Items 2, 4, 14, 15, 16, 17 & 24)	
	7003069	1	Gasket Kit (Includes Item 24)	

# SECTION 1 - FRAME

FIGURE 1-11. BRAKE ASSEMBLY - MICO (4WD PRIOR TO JULY 1991)



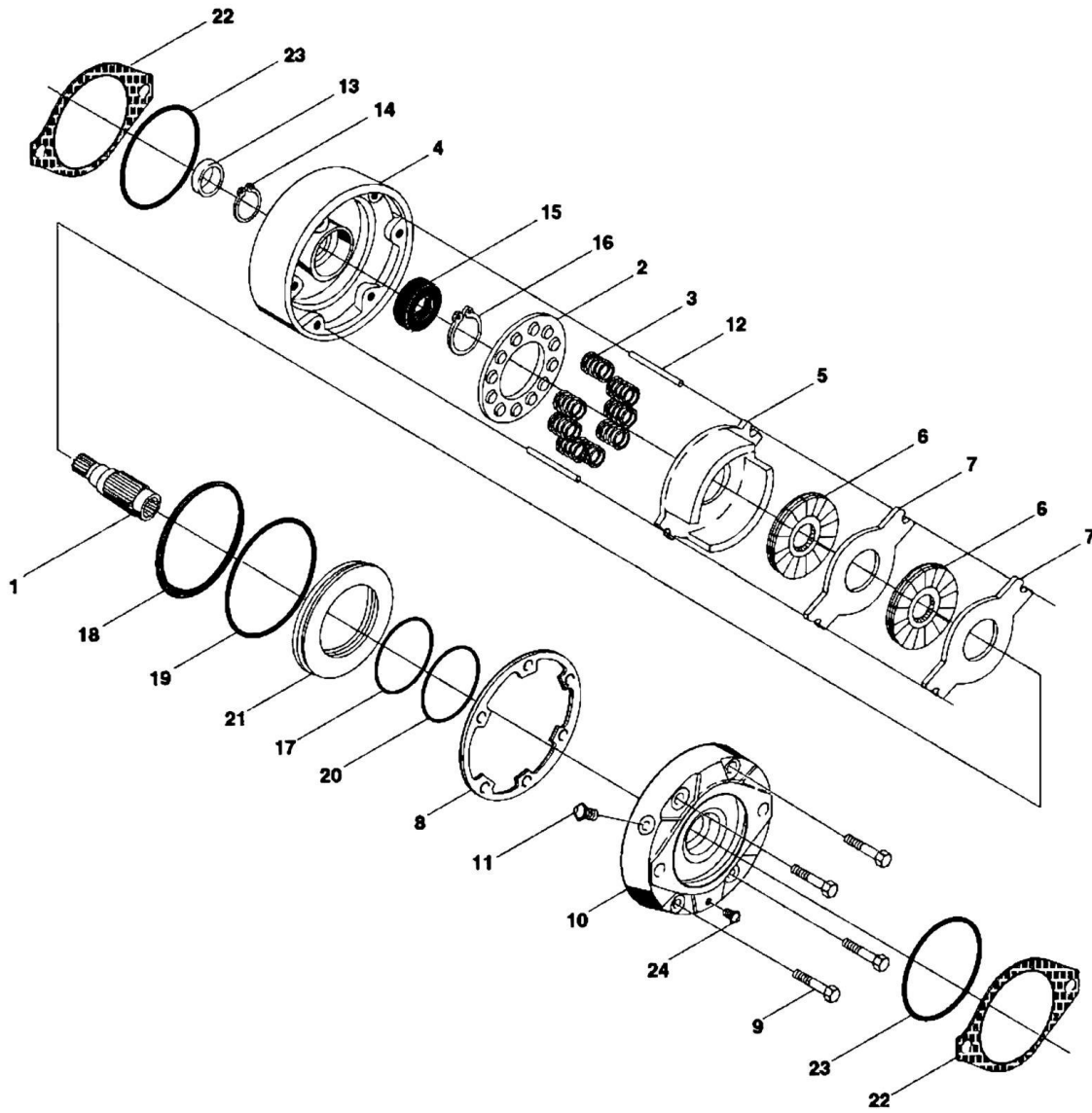
## SECTION 1 - FRAME

**FIGURE 1-11. BRAKE ASSEMBLY - MICO (4WD PRIOR TO JULY 1991)**

ITEM	PART NUMBER	QTY	DESCRIPTION	REV
	0920081	Ref	<b>BRAKE ASSEMBLY - MICO</b>	-
1	Kit	1	Seal, Oil	
2	Kit	1	Bearing	
3	7007977	1	Ring, Retaining	
4	7007978	1	Shaft	
5	7007979	6	Spring (Inner)	
6	7007980	6	Spring (Outer)	
7	7007981	1	Housing	
8	Kit	1	Plate, Return	
9	7007983	2	Separator	
10	Kit	1	Seal, Case	
11	7007985	4	Bolt, Washer Head	
12	7007986	1	Cover	
13	7007914	1	Screw, Bleeder	
14	7007987	2	Pin, Dowel	
15	Kit	1	Ring, Back-up (Inner)	
16	Kit	1	O-Ring (Inner)	
17	Kit	1	Ring, Back-up (Outer)	
18	Kit	1	O-Ring (Outer)	
19	Kit	2	Rotor	
20	Kit	2	Stator	
21	7007989	1	Piston	
22	7007924	1	Plug, Pipe	
25	Kit	1	O-Ring	
26	7007933	2	Gasket	
	2900767	1	Lining Kit (Includes Items 8, 10, 19, 20, 25 & 26)	
	2900766	1	Seal Kit (Includes Items 1, 10, 15, 16, 17, 18, 25 & 26)	
	2900768	1	Bearing Kit (Includes Items 1, 2, 10, 25 & 26)	

# SECTION 1 - FRAME

FIGURE 1-12. BRAKE ASSEMBLY - MICO (2WD JANUARY 1992 TO PRESENT AND 4WD JULY 1991 TO PRESENT)





## SECTION 1 - FRAME

**FIGURE 1-12. BRAKE ASSEMBLY - MICO (2WD JANUARY 1992 TO PRESENT AND 4WD JULY 1991 TO PRESENT)**

ITEM	PART NUMBER	QTY	DESCRIPTION	REV
		Ref	<b>DRIVE BRAKE ASSEMBLY OPTIONS:</b>	
	0920084	Ref	<b>Drive Brake Assembly (Prior to SN 33476)</b>	A
	0920110	Ref	<b>Drive Brake Assembly (SN 33476 through 51531)</b>	B
	0920117	Ref	<b>Drive Brake Assembly (Seal kit is the only part available) (Replace complete unit with p/n 0920119) (SN 51532 through 57511)</b>	B
	0920119	Ref	<b>Drive Brake Assembly (SN 57512 to Present)</b>	A
1		Ref	Shaft Options:	
1	7011712	1	0920084 Brake <b>(Prior to SN 33476)</b>	
1	7011712	1	0920110 Brake <b>(SN 33476 through 51532)</b>	
1	Not Available		0920119 Brake <b>(SN 57512 to Present)</b>	
2		Ref	Guide, Spring Options:	
2	7011717	1	0920084 Brake <b>(Prior to SN 33476)</b>	
2	7018606	1	0920110 Brake <b>(SN 33476 through 51532)</b>	
2	Not Available		0920119 Brake <b>(SN 57512 to Present)</b>	
3		Ref	Spring Options:	
3	7007979	6	0920084 Brake (Inner) <b>(Prior to SN 33476)</b>	
3	7007980	6	0920084 Brake (Outer) <b>(Prior to SN 33476)</b>	
3	7007970	6	0920110 Brake (Red) <b>(SN 33476 through 51532)</b>	
3	7018602	3	0920110 Brake (Blue) <b>(SN 33476 through 51532)</b>	
3	Kit	4	0920119 Brake (Red) <b>(SN 57512 to Present)</b>	
3	Kit	2	0920119 Brake (Blue) <b>(SN 57512 to Present)</b>	
4		Ref	Housing Options:	
4	7011713	1	0920084 Brake <b>(Prior to SN 33476)</b>	
4	7018605	1	0920110 Brake <b>(SN 33476 through 51532)</b>	
4	Not Available		0920119 Brake <b>(SN 57512 to Present)</b>	
5		Ref	Return Plate and Separator Assembly Options:	
5	Kit	1	Return, Plate - 0920084 Brake <b>(Prior to SN 33476)</b>	
5	7011715	2	Separator Assy - 0920084 Brake <b>(Prior to SN 33476)</b>	
5	7011714	4	Pin	
5	7007983	2	Separator	
5	Kit	1	Return Plate and Separator - 0920110 Brake <b>(SN 33476 through 51532)</b>	
5	Kit	AR	Return Plate and Separator - 0920119 Brake <b>(SN 57512 to Present)</b>	
6	Kit	2	Rotor	
7	Kit	2	Stator	
8	Kit	1	Seal, Case	
9		Ref	Bolt, Washer Head Options:	
9	7007985	4	0920084 Brake <b>(Prior to SN 33476)</b>	
9	7018607	4	0920110 Brake <b>(SN 33476 through 51532)</b>	
9	7018614	2	0920119 Brake <b>(SN 57512 to Present)</b>	
10		Ref	Cover Options:	
10	7007986	1	0920084 Brake <b>(Prior to SN 33476)</b>	
10	7007986	1	0920110 Brake <b>(SN 33476 through 51532)</b>	
10	Not Available		0920119 Brake <b>(SN 57512 to Present)</b>	
11		Ref	Hardware Options:	
11	7000796	1	Screw, Bleeder <b>(Prior to SN 33906)</b>	
11	7018609	1	Plug, Pipe <b>(SN 33906 through 51532)</b>	
11	Not Required	0	Hardware <b>(SN 57512 to Present)</b>	

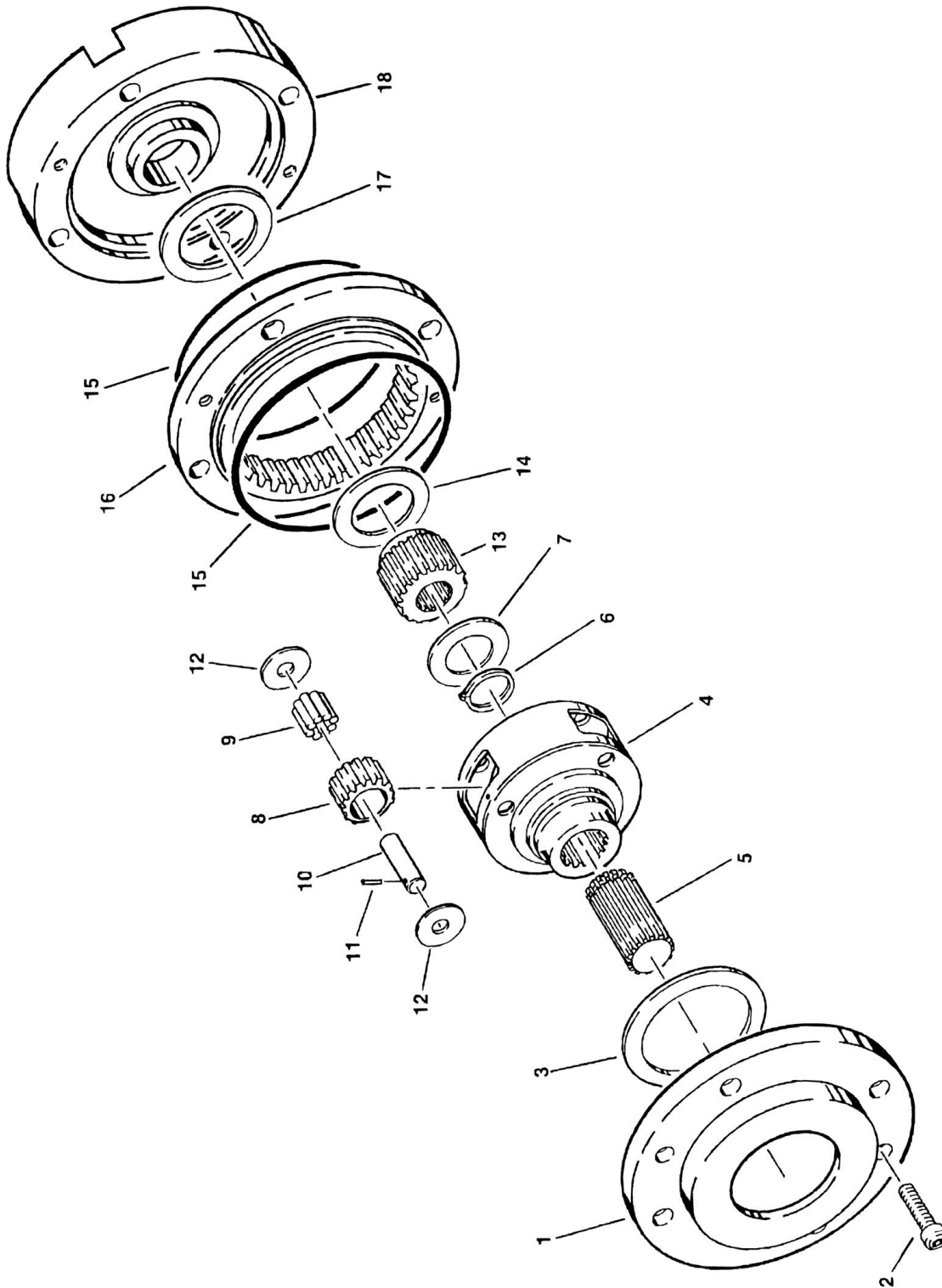
## SECTION 1 - FRAME

ITEM	PART NUMBER	QTY	DESCRIPTION	REV
12		Ref	Pin, Dowel Options:	
12	7007987	2	0920084 Brake <b>(Prior to SN 33476)</b>	
12	7007987	2	0920110 Brake <b>(SN 33476 through 51532)</b>	
12	Not Available		0920119 Brake <b>(SN 57512 to Present)</b>	
13	Kit	1	Seal, Oil	
14		Ref	Ring, Retaining Options:	
14	7011716	1	0920084 Brake <b>(Prior to SN 33476)</b>	
14	7011716	1	0920110 Brake <b>(SN 33476 through 51532)</b>	
14	Kit	1	0920119 Brake <b>(SN 57512 to Present)</b>	
15	Kit	1	Bearing	
16		Ref	Ring, Retaining	
16	7007977	1	0920084 Brake <b>(Prior to SN 33476)</b>	
16	7007977	1	0920110 Brake <b>(SN 33476 through 51532)</b>	
16	Kit	1	0920119 Brake <b>(SN 57512 to Present)</b>	
17	Kit	1	Ring, Back-up	
18	Kit	1	Ring, Back-up	
19	Kit	1	O-Ring	
20	Kit	1	O-Ring	
21		Ref	Piston Options:	
21	7007923	1	0920084 Brake <b>(Prior to SN 33476)</b>	
21	7018603	1	0920110 Brake <b>(SN 33476 through 51532)</b>	
21	Not Available		0920119 Brake <b>(SN 57512 to Present)</b>	
22	7007933	2	Gasket	
23	7007990	2	O-Ring	
24	7007924	1	Plug, Pipe	
		Ref	Repair Kits:	
		Ref	0920084 Brake <b>(Prior to SN 33476)</b>	
	2900766	1	Seal Kit (Includes Items 8, 13, 17, 18, 19, 20, 22 & 23)	
	2900768	1	Seal Kit (Includes Items 8, 13, 15, 22 & 23)	
	2900767	1	Lining Kit Options: (Includes Items 5, 6, 7, 8, 22 & 23)	
		Ref	0920110 Brake <b>(SN 33476 through 51531)</b>	
	2900766	1	Seal Kit (Includes Items 8, 13, 17, 18, 19, 20, 22 & 23)	
	2900768	1	Seal Kit (Includes Items 8, 13, 15, 22 & 23)	
	7018608	1	Lining Kit Options: (Includes Items 5, 6, 7, 8, 22 & 23)	
		Ref	Lining Kit 0920117 <b>(SN 51532 through 57511)</b>	
	7018612	1	Complete Repair Kit (Includes Items 5, 6, 7, 8, 13, 17, 18, 19, 20, 22 & 23)	
		Ref	Lining Kit 0920119 <b>(SN 57512 to Present)</b>	
	7018612	1	Complete Repair Kit (Includes Items 5, 6, 7, 8, 13, 17, 18, 19, 20, 22 & 23)	



# SECTION 1 - FRAME

FIGURE 1-13. GEAR REDUCER ASSEMBLY 2WD/2WS WITH FIXED FRONT AXLE AND ALL 2WD WITH OSCILLATING FRONT AXLE



## SECTION 1 - FRAME

**FIGURE 1-13. GEAR REDUCER ASSEMBLY 2WD/2WS WITH FIXED FRONT AXLE AND ALL 2WD WITH OSCILLATING FRONT AXLE**

ITEM	PART NUMBER	QTY	DESCRIPTION	REV
	2780138	Ref	<b>GEAR REDUCER ASSEMBLY</b>	G
1	7007663	1	Hub	
2	7007678	2	Bolt	
3	7007673	1	Washer, Thrust	
		Ref	Carrier Sub-Assembly Options:	
	7007665	1	Carrier Sub-Assembly (Prior to Mid 1989)	
	Not Available		Carrier Sub-Assembly (Mid 1989 to Present)	
4		Ref	Carrier Options:	
4	7007666	1	Carrier (Prior to Mid 1989)	
4	7010498	1	Carrier (Mid 1989 to Present)	
5		Ref	Shaft (Output) Options:	
5	7007672	1	Shaft (Prior to Mid 1989)	
5	7010497	1	Shaft (Mid 1989 to Present)	
6	7000285	1	Ring, Retaining	
7	7000270	1	Washer, Thrust	
8	7007671	3	Gear, Planet	
9	7007668	57	Roller, Needle	
10	7007670	3	Shaft, Planet	
11	7007669	3	Pin, Spring	
12	7007667	6	Washer, Thrust	
13	7007676	1	Gear, Input	
14	7007675	1	Washer, Thrust	
15	7007677	2	O-Ring	
16	7007664	1	Gear, Ring	
17	7000253	1	Washer, Thrust	
18	7007674	1	Cover	
19	7007679	3	Plug, Pipe (Not Shown)	

# SECTION 1 - FRAME

## FIGURE 1-14. DRIVE HUB ASSEMBLIES

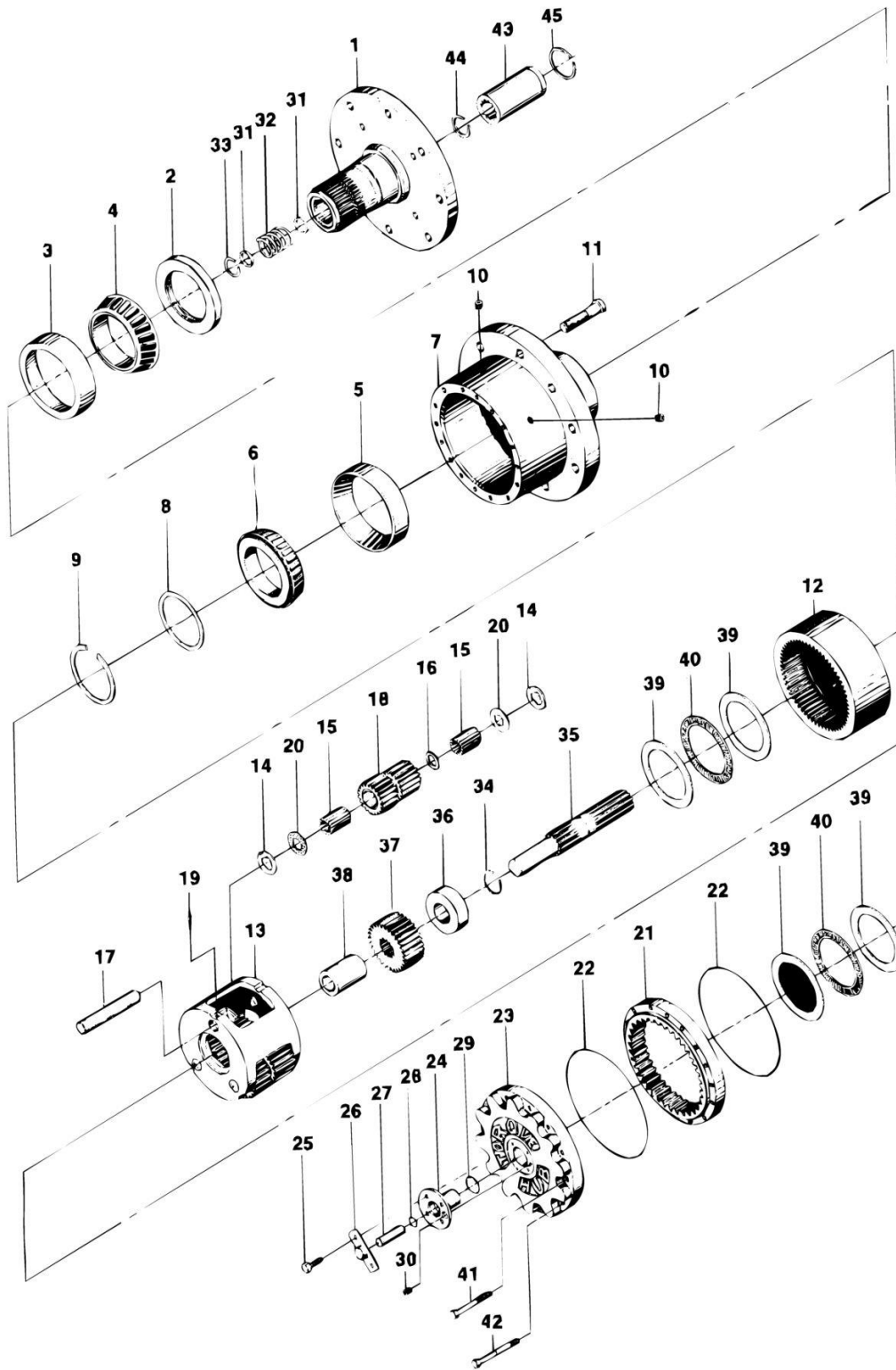


FIGURE 1-14. DRIVE HUB ASSEMBLIES

ITEM	PART NUMBER	QTY	DESCRIPTION	REV
		Ref	<b>DRIVE HUB ASSEMBLIES</b>	
	2780142	Ref	<b>Drive Hub Assembly - 24:1 Ratio</b>	-
	2780187	Ref	<b>Drive Hub Assembly - 73:1 Ratio</b>	A
	2780144	Ref	<b>Drive Hub Assembly - 54:1 Ratio</b>	-
	2780114	Ref	<b>Drive Hub Assembly - 53.58:1 Ratio</b>	-
	7001943	1	Hub and Spindle Assembly (2780114 Hub)	
	7007665	1	Hub and Spindle Assembly (2780142 Hub)	
	7007662	1	Hub and Spindle Assembly (2780144 Hub)	
	Not Serviced	1	Hub and Spindle Assembly (2780187 Hub)	
1	7001937	1	Spindle (2780114 Hub)	
1	7007644	1	Spindle (2780144 Hub)	
1	7007656	1	Spindle (2780142 Hub)	
1	7010464	1	Spindle (2780187 Hub)	
2	Kit	1	Seal	
3	7000272	1	Cup, Bearing	
4	7000273	1	Cone, Bearing	
5	7000274	1	Cup, Bearing	
6	7000275	1	Cone, Bearing	
7	7000276	1	Hub	
8	Kit	1	Spacer	
9	Kit	1	Ring, Retaining	
10	7001928	2	Plug, Pipe	
11	7000265	10	Bolt	
12	7001917	1	Gear, Internal (2780144 & 2780114 Hubs)	
12	7000277	1	Gear, Internal (2780142 Hub)	
12	7010466	1	Gear, Internal (2780187 Hub)	
	7001918	1	Carrier Assembly (2780144 & 2780114 Hubs)	
	7007659	1	Carrier Assembly (2780142 Hub)	
	Not Serviced	1	Carrier Assembly (2780187 Hub)	
13	7001900	1	Carrier	
14	7001901	6	Washer, Thrust (2780114 Hub)	
14	7007645	6	Washer, Thrust (2780142 & 2780187 Hubs)	
15	7001902	84	Roller, Needle	
16	7001903	3	Spacer (2780114 Hub)	
16	7007646	3	Spacer (2780142, 2780144 & 2780187 Hubs)	
17	7001904	3	Shaft, Pinion	
18	7001927	3	Gear, Cluster (2780114 Hub)	
18	7007647	3	Gear, Cluster (2780144 Hub)	
18	7007660	3	Gear, Cluster (2780142 Hub)	
18	7010465	3	Gear, Cluster (2780187 Hub)	
19	7001906	3	Pin, Roll	
20	7007648	6	Washer, Thrust (2780144 & 2780187 Hubs)	
20	7007661	6	Washer, Thrust (2780142 Hub)	
21	7000279	1	Gear, Ring	
22	Kit	2	O-Ring	
23	7000280	1	Cover Assembly	
23	7000218	1	Cover	
24	7000219	1	Cap, Cover	
25	7000220	4	Bolt	
26	Kit	1	Cap, Disconnect	

## SECTION 1 - FRAME

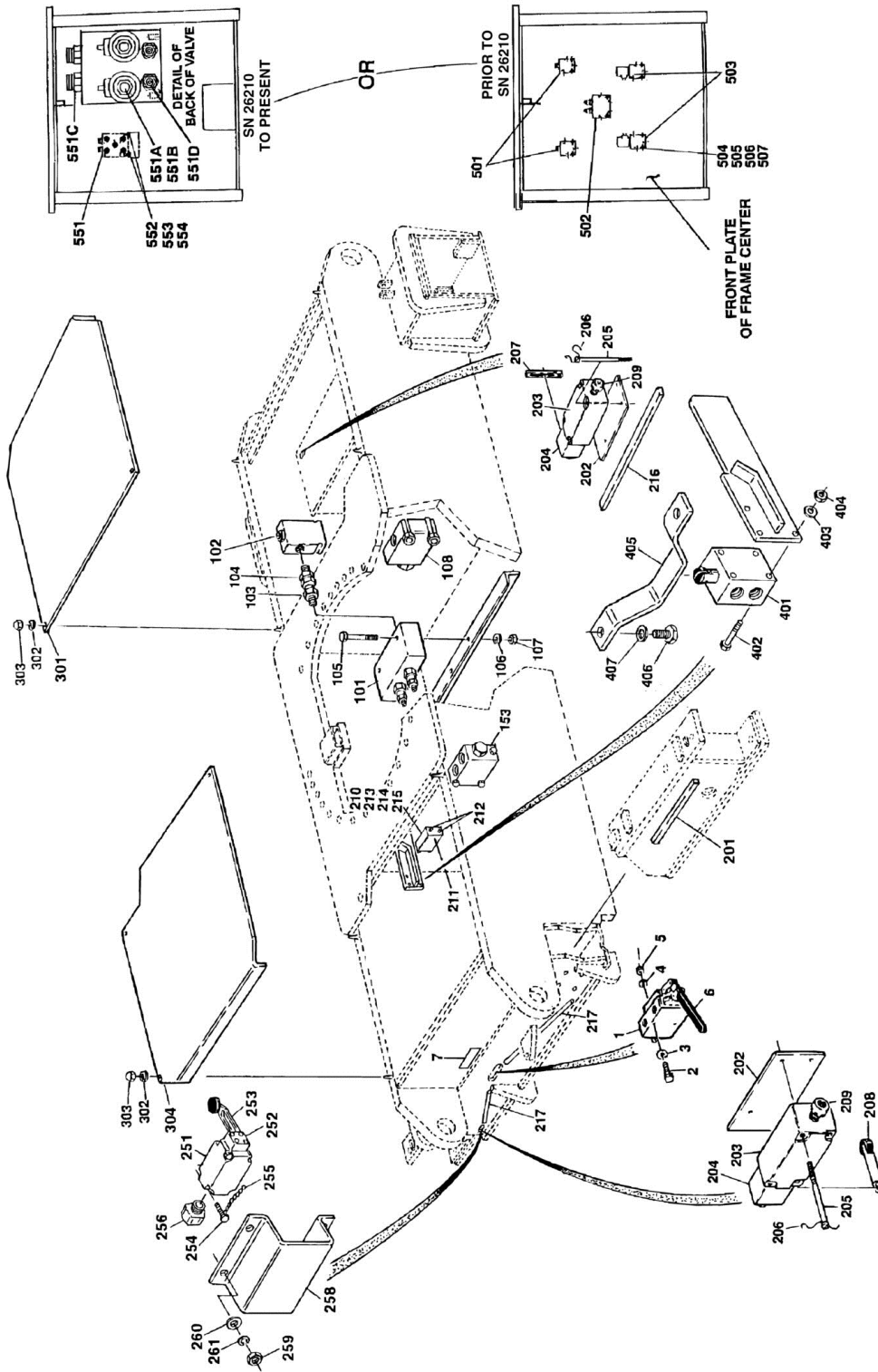
ITEM	PART NUMBER	QTY	DESCRIPTION	REV
27	Kit	1	Rod, Disconnect	
28	Kit	1	O-Ring	
29	Kit	1	O-Ring	
30	7000243	1	Plug, Pipe	
31	7000282	2	Washer	
32	7000283	1	Spring	
33	7000284	1	Ring, Retaining	
34	7000285	1	Ring, Retaining	
35	7000222	1	Shaft, Input (2780144 & 2780114 Hubs)	
35	7000292	1	Shaft, Input (2780142 Hub)	
36	7000293	1	Spacer, Thrust (2780142 Hub)	
36	7000286	1	Spacer, Thrust (2780144 & 2780114 Hubs)	
36	7000468	1	Spacer, Thrust (2780187 Hub)	
37	7000294	1	Gear, Input (2780142 Hub)	
37	7000221	1	Gear, Input (2780187, 2780144 & 2780114 Hubs)	
38	7000295	1	Spacer, Thrust (2780142 Hub)	
39	7000287	4	Washer, Thrust	
40	7000288	2	Bearing, Thrust	
41	7000289	8	Bolt	
42	7000225	4	Bolt, Shoulder	
43	7000290	1	Coupling (2780187, 2780144 & 2780114 Hubs)	
43	7000296	1	Coupling (2780142 Hub)	
44	7000297	1	Ring, Retaining (2780142 Hub)	
45	7000298	1	Ring, Retaining (2780142 Hub)	
	2900202	1	Seal Kit (Includes Items 2, 8, 9 & 22)	
	2900138	1	Disconnect Kit (Includes Items 2, 22, 26, 27, 28 & 29)	





# SECTION 1 - FRAME

## FIGURE 1-15. VALVES AND SWITCHES INSTALLATIONS (FRAME MOUNTED)



# SECTION 1 - FRAME

## FIGURE 1-15. VALVES AND SWITCHES INSTALLATIONS (FRAME MOUNTED)

ITEM	PART NUMBER	QTY	DESCRIPTION	REV
	0236851	Ref	<b>SELECTOR VALVE INSTALLATION</b>	4
1	4640039	1	Valve, Selector	
1	7006851	2	O-Ring (Valve Seals)	
2	0641632	2	Bolt 3/8in-16NC x 4in	
3	4751600	2	Flatwasher 3/8in	
4	4761600	2	Lockwasher 3/8in	
5	3311601	2	Nut 3/8in-16NC	
5	4565166	1	Spacer (Not Shown)	
6	2980089	1	Lever (Part of Item #1)	
7	3251870	1	Nameplate - Selector Valve	
		Ref	<b>VALVE INSTALLATIONS</b>	
	0238014	Ref	<b>2WD/2WS - Vickers Prop Valves (Mid 1987 to March 1991)</b>	-
	0253697	Ref	<b>2WD/4WS - Vickers Prop Valves</b>	-
	0251823	Ref	<b>2WD/2WS (March 1991 to Present)</b>	A
	0238785	Ref	<b>4WD/2WS &amp; 4WD/4WS</b>	E
101		Ref	Valve, Counterbalance Options:	
101	4640451	1	Used with Installations - 0238014 & 0253697	
101	7010630	2	Cartridge	
101	7011317	2	Seal Kit - 7010630 Cartridge	
101	4640700	1	Used with Installation - 0251823	
101	7011316	1	Cartridge	
101	7011317	2	Seal Kit - 7011316 Cartridge	
101	4640682	1	Used with Installation - 0238785	
101	7011316	1	Cartridge	
101	7011317	2	Seal Kit - 7011316 Cartridge	
102		Ref	Valve, Flow Divider Options:	
102	4640260	1	Used with Installations - 0238014, 0253697, 0251823 & 0238785	
102	Not Available	1	Cartridge (Vickers/Modular Control Version)	
102	7009739	1	Seal Kit (Vickers/Modular Control Version)	
102	7007321	1	Cartridge (Fluid Control Version)	
102	7007323	1	Seal Kit (Fluid Control Version)	
103	2180134	1	Fitting, Straight	
104	2220061	1	Fitting, Adapter	
105	0641626	2	Bolt 3/8in-16NC x 3 1/4in	
106	4761600	2	Lockwasher 3/8in	
107	3311601	2	Nut 3/8in-16NC	
108	4640671	2	Valve, Flow Divider (Used with installation 0238785 Only)	
108	70003445	1	Cartridge (was p/n 7007322)	
109	0641520	4	Bolt 5/16in-18NC x 2 1/2in	
110	4761500	4	Lockwasher 5/16in	
111	4751500	4	Flatwasher 5/16in	
	0251115	Ref	<b>AXLE LIMIT SWITCH INSTALLATION (2WD FIXED FRONT AXLE)</b>	D
	0251177	Ref	<b>AXLE LIMIT SWITCH INSTALLATION (4WD FIXED FRONT AXLE)</b>	D
201		Ref	Switch, Limit Options:	
201	4360049	4	2WD	
201	4360053	4	4WD	
202	3534395	4	Plate, Switch Mounting	

## SECTION 1 - FRAME

ITEM	PART NUMBER	QTY	DESCRIPTION	REV
203	4360277	4	Switch, Limit	
204	4360236	4	Head, Switch	
205	3900168	8	Screw, Special	
206	4920140	4	Lock Wire	
207	4360237	2	Arm, Switch	
208	4360278	2	Roller and Arm	
209	4460052	4	Connector, Strain Relief	
210	0860037	1	Box, Electrical	
211	3500812	1	Cover	
212	4460023	5	Connector, Terminal	
213	4300031	2	Stud (Welded on Part)	
214	3311401	2	Nut 1/4in-20NC	
215	4761400	2	Lockwasher 1/4in	
216	1100053	2	Cam	
217	4564973	8	Tube, Cable	
	0255989	Ref	<b>AXLE LIMIT SWITCH INSTALLATION (80HX OSCILLATING FRONT AXLE)</b>	-
251	4360277	4	Switch, Limit	
252	4360236	4	Head, Switch	
253	4360237	4	Arm, Switch	
254	3900168	8	Bolt #10-24NC x 1 1/2in	
255	4920140	4	Lockwire	
256	4460049	4	Connector, Strain Relief	
258	3500812	1	Cover	
259	3311401	8	Nut 1/4in-20NC	
260	4751400	8	Flatwasher 1/4in	
261	4761400	8	Lockwasher 1/4in	
		Ref	<b>FRAME SHIELDS INSTALLATIONS</b>	
	0236876	Ref	<b>Frame Shields Installations 80HX - 2WD Fixed Front Axle</b>	A
	0250220	Ref	<b>Frame Shields Installations 80HX - 4WD Fixed Front Axle (Prior to August 1991)</b>	-
	0252234	Ref	<b>Frame Shields Installations 80HX - 4WD Fixed Front Axle (August 1991 to Present)</b>	A
	0255986	Ref	<b>Frame Shields Installations 80HX - 2WD &amp; 4WD Oscillating Front Axle</b>	-
301		Ref	Shield - Rear Options:	
301	4060431	1	Used with Installations - 0236876 & 0250220	
301	4060702	1	Used with Installation - 0252234 & 0255986	
302	4761400	8	Lockwasher 1/4in	
303	3300151	8	Nut, Acorn 1/4in-20NC	
304		Ref	Shield - Front Options:	
304	4060432	1	Used with Installation - 0236876	
304	4060702	1	Used with Installations - 0250220 & 0252234	
304	4060908	1	Used with Installation - 0255986	
	0255987	Ref	<b>AXLE LOCKOUT VALVE INSTALLATION - REQUIRED FOR OSCILLATING AXLE</b>	3
401	4640871	1	Valve, Axle Lockout	
401	7012693	1	Seal Kit	
402	0641416	4	Bolt 1/4in-20NC x 2in	
403	4751400	4	Flatwasher 1/4in	
404	3311405	4	Locknut 1/4in-20NC	
405	1100099	1	Cam Assembly	

## SECTION 1 - FRAME

ITEM	PART NUMBER	QTY	DESCRIPTION	REV
406	0641810	2	Bolt 1/2in-13NC x 1 1/4in	
407	4751800	2	Flatwasher 1/2in	
408	0100019	AR	Loctite #271 (Not Shown)	
	0256601	Ref	<b>STEER/AXLE SELECT VALVES INSTALLATION - REQUIRED FOR OSCILLATING AXLE (Prior to SN 26210)</b>	-
501	4640968	2	Valve, 2 Way	
501	7012996	2	Cartridge (1 Per Assembly)	
501	7012518	2	Seal Kit - 7012996 Cartridge (1 Per Assembly)	
502	4640479	1	Valve, Holding	
502	7011320	1	Cartridge	
502	2900770	1	Seal Kit	
503	4640967	2	Valve, 3 Way	
503	7012995	2	Cartridge Less Coil (1 Per Assembly)	
503	7012518	2	Seal Kit - 7012995 Cartridge (1 Per Assembly)	
503	7000645	2	Coil (1 Per Assembly)	
504	3311401	10	Nut 1/4in-20NC	
505	4751500	10	Flatwasher 5/16in	
506	4761500	10	Lockwasher 5/16in	
507	4560927	4	Spacer	
508	4921854	1	Harness - Extendable Axle (Not Shown)	
	0256611	Ref	<b>STEER/AXLE SELECT VALVES INSTALLATION - REQUIRED FOR OSCILLATING AXLE (SN 26210 to Present)</b>	2
551	4640986	1	Valve Assembly	
551A	7012995	2	Cartridge Less Coil	
551A	7012518	2	Seal Kit - 7012995 Cartridge (1 Per Assembly)	
551B	7000645	2	Coil	
551C	7017409	2	Cartridge, Directional	
551C	7012518	2	Seal Kit - 7017409 Cartridge (1 Per Assembly)	
551D	7011336	2	Cartridge	
551D	2900770	2	Seal Kit - 7011336 Cartridge (1 Per Assembly)	
552	0641506	2	Bolt 5/16in-18NC x 3/4in	
553	4751500	2	Flatwasher 5/16in	
554	0100011	AR	Loctite #242 (Not Shown)	
555	4921871	1	Harness - Extendable Axle (Not Shown)	



# SECTION 1 - FRAME

## FIGURE 1-16. AXLE LIFT CYLINDER INSTALLATIONS

ITEM	PART NUMBER	QTY	DESCRIPTION	REV
		Ref	<b>AXLE LIFT CYLINDER INSTALLATION (STANDARD PARTS - WHEN EQUIPPED)</b>	
1	4843122	AR	Bracket Weldment (Part of Frame Weldment July 2000 to present)	
2		Ref	Axle Lift Cylinder Assembly Options (See CYLINDER SECTION for Breakdown):	
2	1681991	AR	Axle Lift Cylinder Assembly ( <b>Prior to SN 34133</b> )	
2	1683596	AR	Axle Lift Cylinder Assembly ( <b>SN 34133 to Present</b> )	
3	3421584	AR	Pin	
4	3450508	AR	Pin, Cotter	
5		Ref	Bolt Options:	
5	0641809	AR	Bolt 1/2in-13NC x 1 1/8in ( <b>Prior to SN 34133</b> )	
5	0641844	AR	Bolt 1/2in-13NC x 5 1/2in ( <b>SN 34133 to Present</b> )	
6		Ref	Hardware Options:	
6	4761800	AR	Lockwasher 1/2 ( <b>Prior to SN 34133</b> )	
6	3311805	AR	Locknut 1/2in-13NC ( <b>SN 34133 to Present</b> )	
7		Ref	Plate, Base Options:	
7	3532839	AR	Plate, Base ( <b>Prior to SN 34133</b> )	
7	3340831	AR	Plate, Base ( <b>SN 34133 to Present</b> )	
8	4713400	AR	Flatwasher 1 1/2in Narrow	
9	0100011	AR	Loctite #242 (Not Shown) ( <b>Prior to SN 34133</b> )	
		Ref	<b>AXLE LIFT CYLINDER INSTALLATION (VARIABLE PARTS)</b>	
	0250926	Ref	<b>Axle Lift Cylinder Installation 80HX with Fixed Front Axle/Single Axle Lift Cylinder</b>	9
50	4640039	1	Valve, Control Options	
51	0641632	2	Bolt 3/8in-16NC x 4in	
52	4761600	2	Lockwasher 3/8in	
53	3311601	2	Nut 3/8in-16NC	
54	3252453	1	Nameplate	
55	2980089	AR	Lever Options	
55	4751400	6	Flatwasher 1/4in (Used with Lever when Required)	
56	4565166	AR	Tube, Spacer	
	0256666	Ref	<b>Axle Lift Cylinder Installation 80HX 2WS with Fixed Front Axle/Dual Axle Lift Cylinders</b>	3
	0256131	Ref	<b>Axle Lift Cylinder Installation 80HX 4WS with Fixed Front Axle/Dual Axle Lift Cylinders</b>	2
	0256580	Ref	<b>Axle Lift Cylinder Installation 80HX 2WD with Oscillating Front Axle/Single Axle Lift Cylinder</b>	4
	0256619	Ref	<b>Axle Lift Cylinder Installation 80HX with Oscillating Front Axle/Dual Axle Lift Cylinders (Euro Spec)</b>	3
	0256579	Ref	<b>Axle Lift Cylinder Installation 80HX with Oscillating Front Axle/Dual Axle Lift Cylinders (Australian Spec)</b>	4
57		Ref	Plate, Valve Mounting Options (Part of Frame July 2000 to present When Required):	
57	3539843	1	Plate, Valve Mounting 80HX 2WS with Fixed Front Axle/Dual Axle Lift Cylinders	
57	Not Required	0	Plate, Valve Mounting 80HX 4WS with Fixed Front Axle/Dual Axle Lift Cylinders	
57	3539843	1	Plate, Valve Mounting 80HX 2WD with Oscillating Front Axle/Single Axle Lift Cylinder	
57	3539843	1	Plate, Valve Mounting 80HX with Oscillating Front Axle/Dual Axle Lift Cylinder	
58		Ref	Select Valve Assembly Options (See Items 201-205):	

## SECTION 1 - FRAME

ITEM	PART NUMBER	QTY	DESCRIPTION	REV
58	4640987	1	Select Valve Assembly 80HX 2WS with Fixed Front Axle/Dual Axle Lift Cylinders	
58	Not Required	0	Select Valve Assembly 80HX 4WS with Fixed Front Axle/Dual Axle Lift Cylinders	
58	4640987	1	Select Valve Assembly 80HX 2WD with Oscillating Front Axle/Single Axle Lift Cylinder	
58	4640987	1	Select Valve Assembly 80HX with Oscillating Front Axle/Dual Axle Lift Cylinder	
59		Ref	3 Way Valve Assembly Options (See Items 301-302):	
59	4640967	2	3 Way Valve Assembly 80HX 2WS with Fixed Front Axle/Dual Axle Lift Cylinders	
59	Not Required	0	3 Way Valve Assembly 80HX 4WS with Fixed Front Axle/Dual Axle Lift Cylinders	
59	Not Required	0	3 Way Valve Assembly 80HX 2WD with Oscillating Front Axle/Single Axle Lift Cylinder	
59	4640967	2	3 Way Valve Assembly 80HX with Oscillating Front Axle/Dual Axle Lift Cylinder	
60	0641414	AR	Bolt 1/4in-20NC x 1 3/4in	
61	4711400	AR	Flatwasher 1/4in (Narrow)	
62	3311405	AR	Locknut 1/4in-20NC	
63	0641506	AR	Bolt 5/16in-18NC x 3/4in	
64	4751500	AR	Flatwasher 5/16in	
65		Ref	Plate, Switch Mounting Options:	
65	3539631	2	Plate, Switch Mounting 80HX 2WS with Fixed Front Axle/Dual Axle Lift Cylinders	
65	3539631	2	Plate, Switch Mounting 80HX 4WS with Fixed Front Axle/Dual Axle Lift Cylinders	
65	Not Required	0	Plate, Switch Mounting 80HX 2WD with Oscillating Front Axle/Single Axle Lift Cylinder	
65	Not Required	0	Plate, Switch Mounting 80HX with Oscillating Front Axle/Dual Axle Lift Cylinder	
66		Ref	Switch, Toggle - DPDT/MC/CO Options:	
66	4360314	4	Switch, Toggle 80HX 2WS with Fixed Front Axle/Dual Axle Lift Cylinders	
66	4360314	4	Switch, Toggle 80HX 4WS with Fixed Front Axle/Dual Axle Lift Cylinders	
66	Not Required	0	Switch, Toggle 80HX 2WD with Oscillating Front Axle/Single Axle Lift Cylinder	
66	Not Required	0	Switch, Toggle 80HX with Oscillating Front Axle/Dual Axle Lift Cylinder	
67	0641409	AR	Bolt 1/4in-20NC x 1 1/8in	
68	4761400	AR	Lockwasher 1/4in	
69	3311401	AR	Nut 1/4in-20NC	
70		Ref	Decal Options:	
70	1703083	2	Decal 80HX 2WS with Fixed Front Axle/Dual Axle Lift Cylinders	
70	1703083	2	Decal 80HX 4WS with Fixed Front Axle/Dual Axle Lift Cylinders	
70	Not Required	0	Decal 80HX 2WD with Oscillating Front Axle/Single Axle Lift Cylinder	
70	Not Required	0	Decal 80HX with Oscillating Front Axle/Dual Axle Lift Cylinder	
71		Ref	Bracket Weldment (Rear) Options:	
71	4845381	1	Bracket Weldment 80HX 2WS with Fixed Front Axle/Dual Axle Lift Cylinders	
71	4845381	1	Bracket Weldment 80HX 4WS with Fixed Front Axle/Dual Axle Lift Cylinders	
71	Not Required	0	Bracket Weldment 80HX 2WD with Oscillating Front Axle/Single Axle Lift Cylinder	

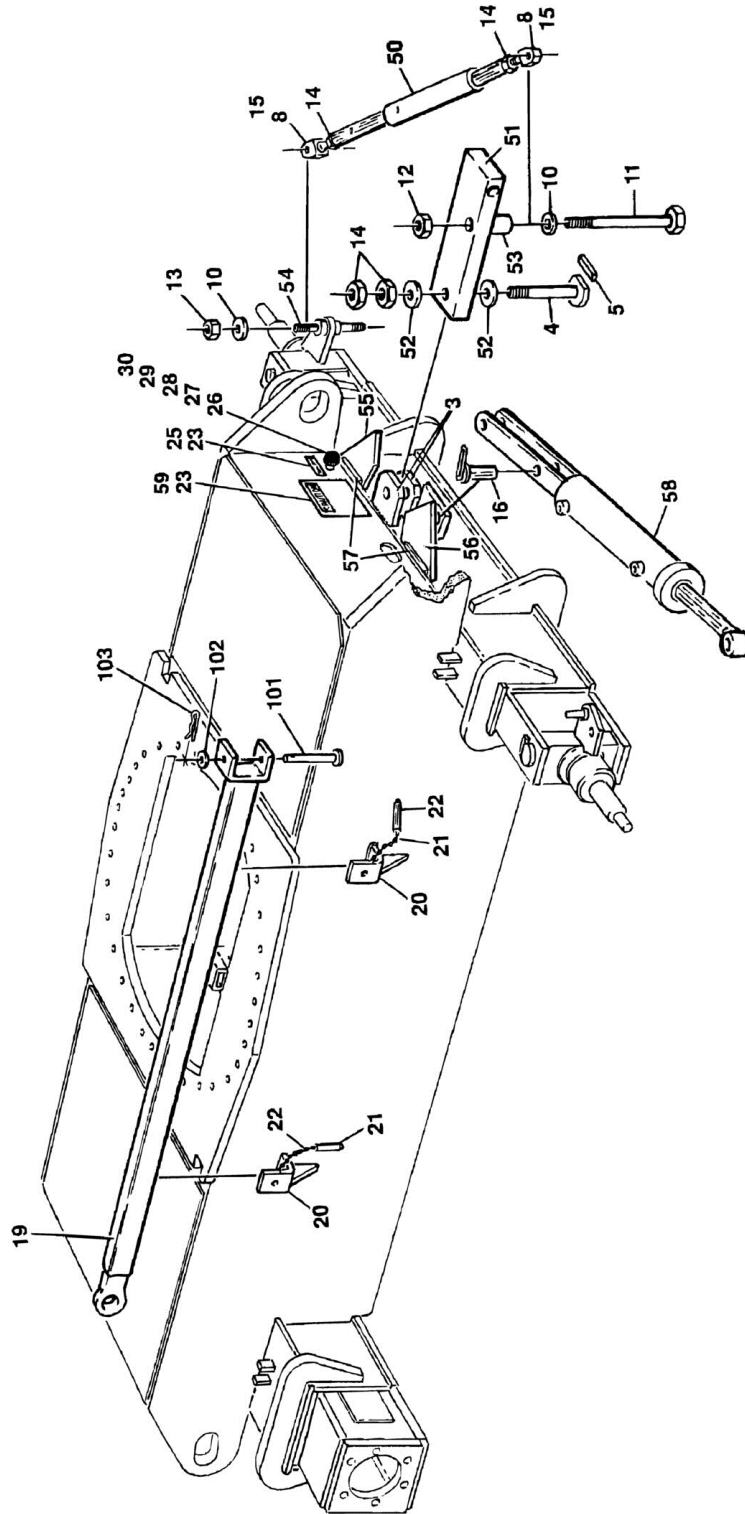


## SECTION 1 - FRAME

ITEM	PART NUMBER	QTY	DESCRIPTION	REV
71	4845381	1	Bracket Weldment 80HX with Oscillating Front Axle/Dual Axle Lift Cylinder (Australian Spec)	
71	Not Required	0	Bracket Weldment 80HX with Oscillating Front Axle/Dual Axle Lift Cylinder (Euro Spec)	
		Ref	<b>CONTROL VALVES INSTALLATIONS</b>	
	0256159	Ref	<b>Machines without Prop Tele/without Rotate/with 4WS/with Jacks on Both Ends</b>	-
	0256158	Ref	<b>Machines without Prop Tele/with Rotate/with 4WS/with Jacks on Both Ends</b>	-
	0256302	Ref	<b>Machines with Prop Tele/without Rotate/with 4WS/with Jacks on Both Ends</b>	2
	0256301	Ref	<b>Machines with Prop Tele/with Rotate/with 4WS/with Jacks on Both Ends</b>	2
101	4640973	1	Valve Assembly - 5 Stack Racine Bang-Bang	A
101	7002315	3	Valve Section with Crossover Relief Valve	
101	7000468	3	Crossover Relief Valve Block Assembly	
101	7004894	2	Valve Section	
101	7004859	10	Solenoid Assembly - Complete (2 per Section)	
101	7000418	10	Solenoid (1 per Assembly)	
101	7000414	5	Seal Kit - 7002315 & 7004894 Sections	
102	4300038	4	Stud (Welded on Part)	
103	3311501	4	Nut 5/16in-18NC	
104	4751500	4	Flatwasher 5/16in	
105	4761500	4	Lockwasher 5/16in	
	4640987	Ref	<b>SELECT VALVE ASSEMBLY</b>	
201	7012995	2	Cartridge Less Coil	
201	7012518	2	Seal Kit (1 Per Assembly)	
202	7000645	2	Coil (1 Per Assembly)	
203	7017408	2	Cartridge Less Coil	
203	7012967	2	Seal Kit (1 Per Assembly)	
204	7012539	2	Coil (1 Per Assembly)	
205	7012912	2	Cartridge, Relief	
205	7012998	2	Seal Kit (1 Per Assembly)	
	4640967	Ref	<b>3 WAY VALVE ASSEMBLY</b>	
301	7012995	1	Cartridge Less Coil	
301	7012518	1	Seal Kit (1 Per Assembly)	
302	7000645	1	Coil (1 Per Assembly)	

# SECTION 1 - FRAME

## FIGURE 1-17. TOW PACKAGE INSTALLATION



# SECTION 1 - FRAME

## FIGURE 1-17. TOW PACKAGE INSTALLATION

ITEM	PART NUMBER	QTY	DESCRIPTION	REV
		Ref	<b>TOW PACKAGE INSTALLATION (STANDARD PARTS)</b>	
3	3040145	2	Lug, Hitch	
4	3420860	1	Pin, Steer Pivot	
5	2880410	1	Key	
8	0560605	2	Block, Tie-Rod	
10	0440091	2	Washer, Bronze	
11	3900146	1	Bolt 1in- 8NC x 7 1/2in (Grade 8)	
12	3312601	1	Nut 1in- 8NC	
13	3312605	2	Locknut 1in- 8NC	
14	3323002	4	Nut, Jam 1 1/4in- 12NF	
15	2166003	3	Fitting, Grease	
16	3421892	1	Pin, Clevis	
19	0251221	1	Tow Bar Assembly (Includes Items 101-103)	
20	4841055	2	Mount, Tow Bar	
21	3420292	2	Pin, Quick Release	
22	1260017	16	Chain	
		in/41cm		
23	3820001	4	Rivet	
25	3250872	1	Nameplate - Tow Select	
26	4640261	1	Valve, Select	
27	0641507	2	Bolt 5/16in-18NC x 7/8in	
28	4751500	2	Flatwasher 5/16in	
29	4761500	2	Lockwasher 5/16in	
30	0900479	1	Bracket	
		Ref	<b>TOW PACKAGE INSTALLATION (VARIABLE PARTS)</b>	
	0237358	Ref	<b>Tow Package Installation 80HX 2WD without Stops Includes:</b>	A
	0237357	Ref	<b>Tow Bar and Valve Installation</b>	A
	0237355	Ref	<b>Hitch and Tie-Rod Installation</b>	5
	0251185	Ref	<b>Tow Package Installation 80HX 2WD with Stops</b>	5
	0255073	Ref	<b>Tow Package Installation 80HX 4WD with Stops (Not Shown)</b>	2
50		Ref	Link, Steer Options:	
50	4842759	1	Link, Steer 80HX 2WD	
50	4842759	1	Link, Steer 80HX 4WD (Prior to May 1995)	
50	4845128	1	Link, Steer 80HX 4WD (May 1995 to Present)	
51		Ref	Hitch, Steer Options:	
51	2620022	1	Hitch, Steer 80HX 2WD <b>(Prior to SN 29425)</b>	
51	2620041	1	Hitch, Steer 80HX 2WD <b>(SN 29425 to Present)</b>	
52		Ref	Washer, Bronze Options:	
52	4740311	2	Washer, Bronze 80HX 2WD without Stops	
52	4740274	2	Washer, Bronze 80HX 2WD with Stops	
52	4740311	2	Washer, Bronze 80HX 4WD with Stops	
53		Ref	Bushing Options:	
53	0960071	1	Bushing 80HX 2WD <b>(Prior to SN 29425)</b>	
53	Not Required	0	Bushing 80HX 2WD <b>(SN 29425 to Present)</b>	
53	Not Required	0	Bushing 80HX 4WD	
54		Ref	Hardware Options:	
54	3421325	1	Pin - 80HX 2WD	
54	0642630	2	Bolt 1in-8NC x 3 3/4in - 80HX 4WD	
55		Ref	Stop (Left Side) Options:	
55	Not Required	0	Stop (Left Side) 80HX 2WD without Stops	

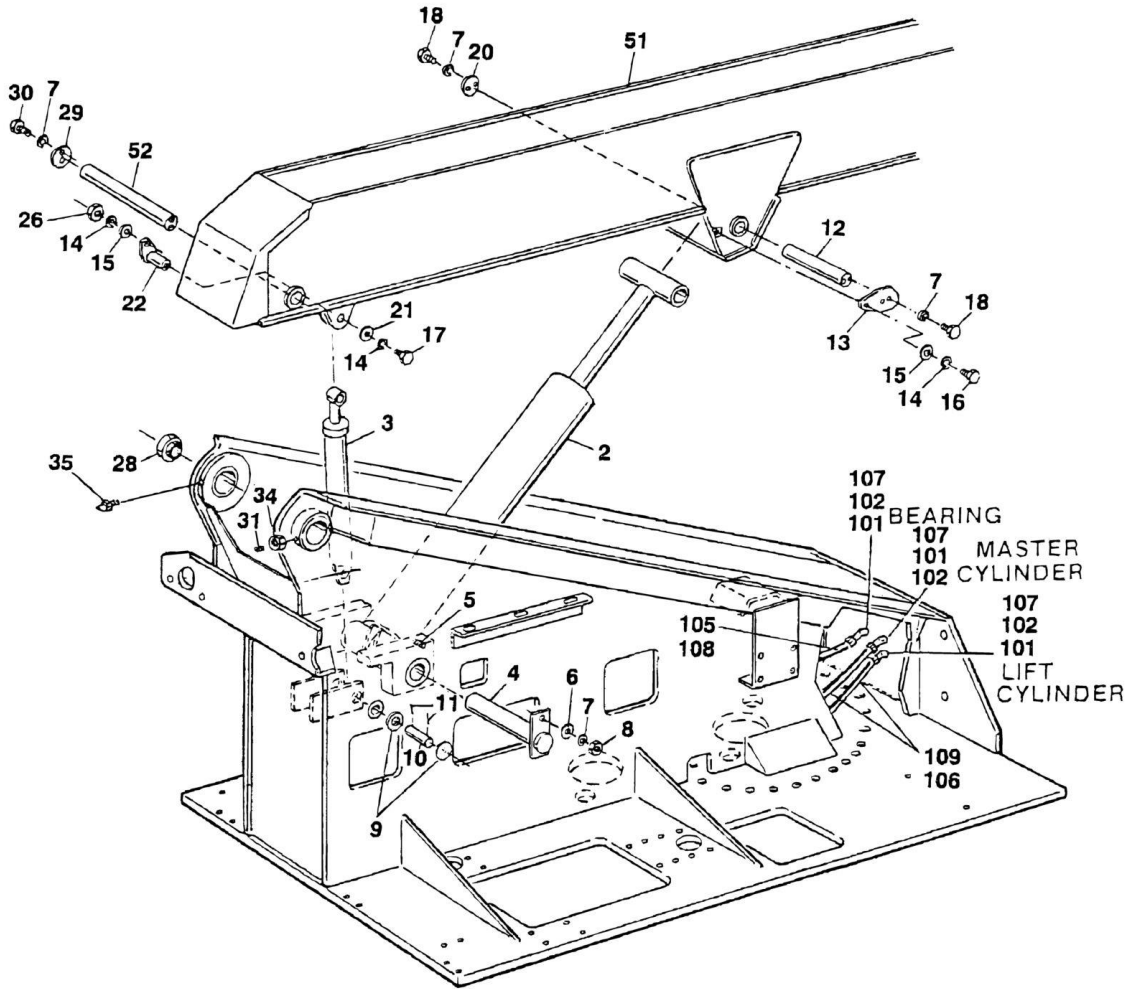
## SECTION 1 - FRAME

ITEM	PART NUMBER	QTY	DESCRIPTION	REV
55	3534605	1	Stop (Left Side) 80HX 2WD with Stops	
55	0561175	1	Stop (Left Side) 80HX 4WD with Stops	
56		Ref	Stop (Right Side) Options:	
56	Not Required	0	Stop (Right Side) 80HX 2WD without Stops	
56	3534606	1	Stop (Right Side) 80HX 2WD with Stops	
56	0561176	1	Stop (Right Side) 80HX 4WD with Stops	
57		Ref	Bar Options:	
57	Not Required	0	Bar 80HX 2WD without Stops	
57	0361922	2	Bar 80HX 2WD with Stops	
57	Not Required	0	Bar 80HX 4WD with Stops	
58		Ref	Steer Cylinder Assembly Options (See CYLINDER SECTION for Breakdown):	
58	1681564	1	Steer Cylinder Assembly 80HX 2WD without Stops	
58	1682500	1	Steer Cylinder Assembly 80HX 2WD with Stops	
58	1682268	1	Steer Cylinder Assembly 80HX 4WD with Stops	
59		Ref	Decal - Caution Options:	
59	3250840	1	Decal - Caution (Prior to May 1994)	
59	1702305	1	Decal - Caution (May 1994 to SN 39227)	
59	1702305	1	Decal - Caution 80HX 2WD without Stops ( <b>SN 39228 to Present</b> )	
59	1702968	1	Decal - Caution 80HX 4WD & 80HX 2WD with Stops ( <b>SN 39228 to Present</b> )	
	0232121	Ref	<b>TOW BAR ASSEMBLY</b>	7
101	3420447	1	Pin, Tow	
102	4740036	1	Flatwasher, Special	
103	3420372	1	Pin, Cotter	

**SECTION 2 - TURNTABLE**

# SECTION 2 - TURNTABLE

## FIGURE 2-1. BOOM, TURNTABLE AND BEARING LUBE INSTALLATION



## SECTION 2 - TURNTABLE

**FIGURE 2-1. BOOM, TURNTABLE AND BEARING LUBE INSTALLATION**

ITEM	PART NUMBER	QTY	DESCRIPTION	REV
		Ref	<b>TURNTABLE OPTIONS:</b>	
	4620022	1	Turntable (Vickers Prop Valve - Prior to December 1992)	
	4620083	1	Turntable (Vickers Prop Valve - December 1992 to Present)	
		Ref	<b>BOOM INSTALLATIONS</b>	
		Ref	<b>Australian Spec Booms:</b>	
	0236816	Ref	Boom Installations 80HX Built Prior to May 1992	L
	0253034	Ref	Boom Installations 80HX Built May 1992	B
	0253051	Ref	Boom Installations 80HX With Chip Covers	B
	0255182	Ref	Boom Installations 80HX With Inverted Power Track	-
	0238153	Ref	Boom Installations 80HX+6 Built Prior to May 1992	H
	0253038	Ref	Boom Installations 80HX+6 Built May 1992 to Present	B
	0253053	Ref	Boom Installations 80HX+6 With Chip Covers	B
	0258376	Ref	Boom Installations 80HX Modified	1
		Ref	<b>CE Spec Booms:</b>	
	0250934	Ref	Boom Installations 80HX Built Prior to May 1992	B
	0253036	Ref	Boom Installations 80HX Built May 1992 to Present	B
	0253052	Ref	Boom Installations 80HX With Chip Covers	B
	0250935	Ref	Boom Installations 80HX+6 Built Prior to May 1992	
	0253039	Ref	Boom Installations 80HX+6 Built May 1992 to Present	B
	0253054	Ref	Boom Installations 80HX+6 With Chip Covers	B
2		Ref	Lift Cylinder Assembly Options (See CYLINDER SECTION for Breakdown):	
2	1681559	1	Lift Cylinder Assembly (Prior to May 1992)	
2	1682691	1	Lift Cylinder Assembly (May 1992 to Present) (TUV Style)	
3	1681580	1	Master Level Cylinder Assembly (See CYLINDER SECTION for Breakdown)	
4	4040126	1	Shaft	
5	4300045	2	Stud	
6	4751800	2	Flatwasher 1/2in	
7	4761800	10	Lockwasher 1/2in	
8	3311805	2	Locknut 1/2in-13NC	
9	4740040	2	Flatwasher	
10	3420085	1	Pin, Clevis 1 1/4in x 5/16in	
11	3450610	2	Pin, Cotter 3/16in x 2 1/2in	
12	3421520	1	Pin, Cross	
13	3530120	1	Plate, Retainer	
14	4761600	3	Lockwasher 3/8in	
15	4751600	2	Flatwasher 3/8in	
16	0641606	1	Bolt 3/8in-16NC x 3/4in	
17	0651608	1	Bolt 3/8in-24NF x 1in	
18	0641811	4	Bolt 1/2in-13NC x 1 3/8in	
19	0100019	AR	Loctite #271 (Not Shown)	
20	4740277	1	Flatwasher	
21	4740006	1	Flatwasher	
22	0236548	1	Pin	
23	4300034	1	Stud (Not Shown)	
26	3311601	1	Nut 3/8in-16NC	
28	0960562	2	Bushing, Self-Aligning (Part of Turntable Weldment)	
29	1120192	2	Cap, Boom Pivot	
30	0681808	4	Bolt 1/2in-13NC x 1in (Grade 8)	

## SECTION 2 - TURNTABLE

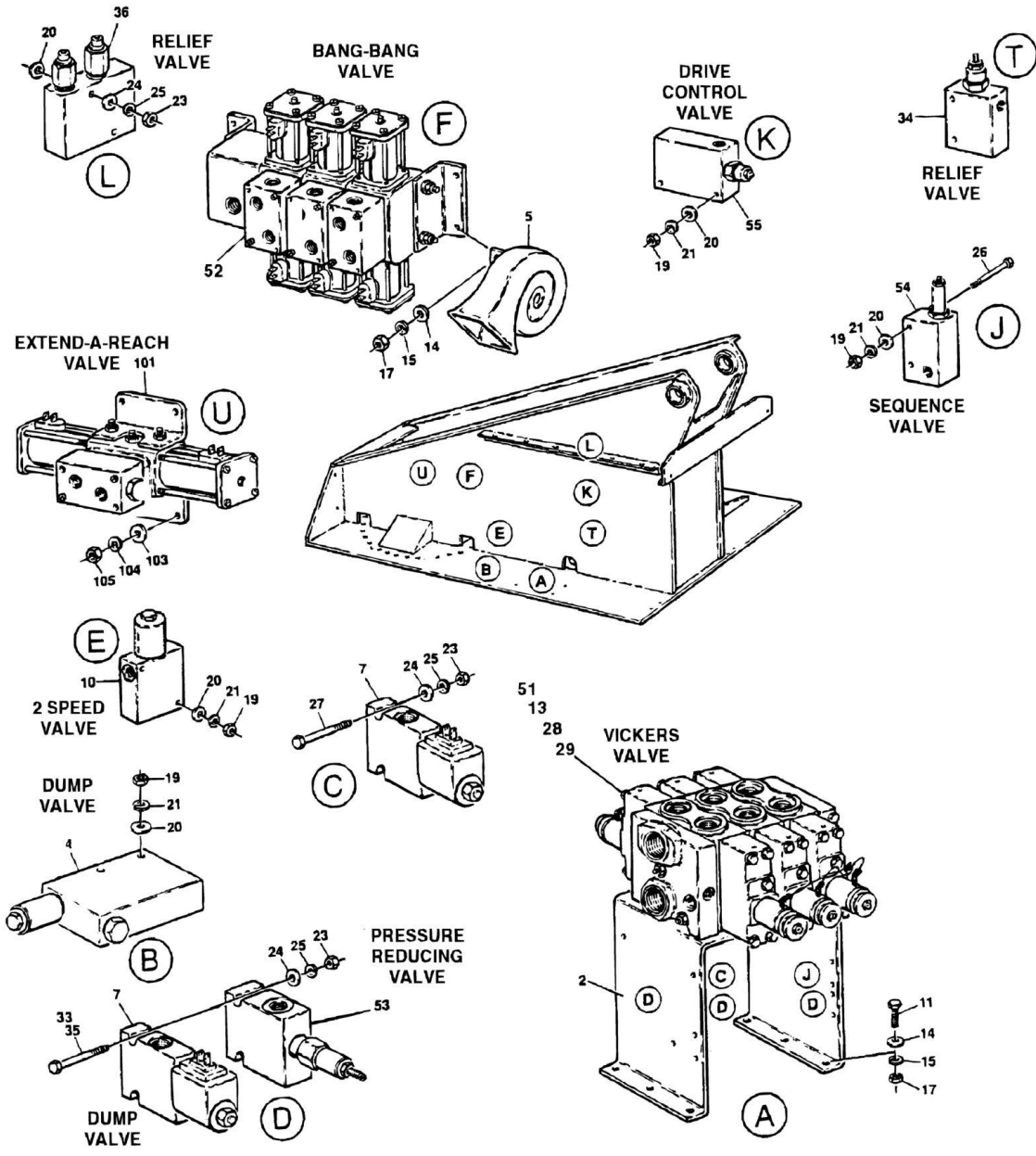
ITEM	PART NUMBER	QTY	DESCRIPTION	REV
31	3952016	2	Setscrew 5/8in-11NC x 2in	
34	3312002	2	Nut, Jam 5/8in-11NC	
35	2160006	2	Fitting, Grease	
51		Ref	Boom Assembly Options:	
51		Ref	Australian Spec	
51	0800662	1	Boom Assembly 80HX Built Prior to May 1992	
51	0800807	1	Boom Assembly 80HX Built May 1992	
51	0800814	1	Boom Assembly 80HX With Chip Covers	
51	0801016	1	Boom Assembly 80HX With Inverted Power Track	
51	0800810	1	Boom Assembly 80HX+6 Built May 1992 to Present	
51	0800816	1	Boom Assembly 80HX+6 With Chip Covers	
51	0801151	1	Boom Assembly 80HX (Modified)	
51		Ref	CE Spec	
51	0800677	1	Boom Assembly 80HX Built Prior to May 1992	
51	0800809	1	Boom Assembly 80HX Built May 1992 to Present	
51	0800815	1	Boom Assembly 80HX With Chip Covers	
51	0800663	1	Boom Assembly 80HX+6 Built Prior to May 1992	
51	0800681	1	Boom Assembly 80HX+6 Built Prior to May 1992	
51	0800811	1	Boom Assembly 80HX+6 Built May 1992 to Present	
51	0800817	1	Boom Assembly 80HX+6 With Chip Covers	
52		Ref	Pin Options (Boom Pivot):	
52	4040129	1	Australian Spec 80HX	
52	3421815	1	Australian Spec 80HX with Inverted Power Track	
52	3421815	1	Australian Spec 80HX+6 Built Prior to May 1992	
52	4040129	1	Australian Spec 80HX+6 Built May 1992 to Present	
52	3421815	1	CE Spec 80HX	
52	4040129	1	CE Spec 80HX+6	
52	4040129	1	CE Spec with Chip Covers	
	0237546	Ref	<b>BEARING LUBE INSTALLATION</b>	D
101	2160002	3	Fitting, Grease	
102	2220124	3	Fitting	
105	2750528	1	Hose (60in Length)	
106	2220063	2	Fitting, 90	
107	2180344	3	Fitting, Bulkhead	
108	2220063	1	Fitting, 90	
109	2752427	2	Hose	





# SECTION 2 - TURNTABLE

## FIGURE 2-2. CONTROL VALVE INSTALLATION - VICKERS PROPORTIONAL



## SECTION 2 - TURNTABLE

**FIGURE 2-2. CONTROL VALVE INSTALLATION - VICKERS PROPORTIONAL**

ITEM	PART NUMBER	QTY	DESCRIPTION	REV
		Ref	<b>CONTROL VALVES INSTALLATIONS (STANDARD PARTS)</b>	
2	0901399	1	Bracket, Mounting	
4	4640360	1	Dump Valve Assembly	
4	7009745	1	Coil (Vickers/Modular Controls Version)	
4	7004289	1	Solenoid Cartridge Less Coil (Vickers/Modular Controls Version)	
4	7003635	1	Check Valve Cartridge (Vickers/Modular Controls Version)	
4	7004368	1	Coil (Hydraforce Version)	
4	7012910	1	Solenoid Cartridge Less Coil (Hydraforce Version)	
4	7009798	1	Check Valve Cartridge (Hydraforce Version)	
5	0140001	1	Horn	
7	4640513	AR	Dump Valve Assembly	
7	7003640	AR	Coil (Modular Controls Version)	
7	7004289	AR	Cartridge Less Coil (Modular Controls Version)	
7	2900503	AR	Seal Kit (Modular Controls Version)	
7	7000645	AR	Coil (Hydraforce Version)	
7	7012910	AR	Cartridge Less Coil (Hydraforce Version)	
7	2900756	AR	Seal Kit (Hydraforce Version)	
7	7022390	AR	Nut (Holds Coil on Cartridge)	
10	4640123	1	Solenoid Valve Assembly	
10	7004368	1	Coil (Hydraforce Version)	
10	7012518	1	Seal Kit (Hydraforce Version)	
10	7000558	1	Coil (FPS Version)	
10	7006075	1	Seal Kit (FPS Version)	
11	0641614	AR	Bolt 3/8in-16NC x 1 3/4in	
12	4060808	AR	Shield	
13	0641708	AR	Bolt 7/16in-14NC x 1in	
14	4751600	AR	Flatwasher 3/8in	
15	4761600	AR	Lockwasher 3/8in	
16	4300034	AR	Stud (Welded on Part - Not Shown)	
17	3311601	AR	Nut 3/8in-16NC	
18	4300033	AR	Stud (Welded on Part)	
19	3311501	AR	Nut 5/16in-18NC	
20	4751500	AR	Flatwasher 5/16in	
21	4761500	AR	Lockwasher 5/16in	
23	3311401	AR	Nut 1/4in-20NC	
24	4751400	AR	Flatwasher 1/4in	
25	4761400	AR	Lockwasher 1/4in	
26	0641528	AR	Bolt 5/16in-18NC x 3 1/2in	
27	0641416	AR	Bolt 1/4in-20NC x 2in	
28	4751700	AR	Flatwasher 7/16in	
29	4761700	AR	Lockwasher 7/16in	
30	0641606	AR	Bolt 3/8in-16NC x 3/4in	
31	0641608	AR	Bolt 3/8in-16NC x 1in	
32	0641424	AR	Bolt 1/4in-20NC x 3in	
33	0641430	AR	Bolt 1/4in-20NC x 3 3/4in	
34	4640520	1	Valve, Relief - Not Mounted is Called out on Pump Circuit	
35	0641426	AR	Bolt 1/4in-20NC x 3 1/4in	
36	4640839	1	Relief Valve Assembly (Machines Built May 1993 to Present)	
36	7012945	1	Cartridge, Relief	

## SECTION 2 - TURNTABLE

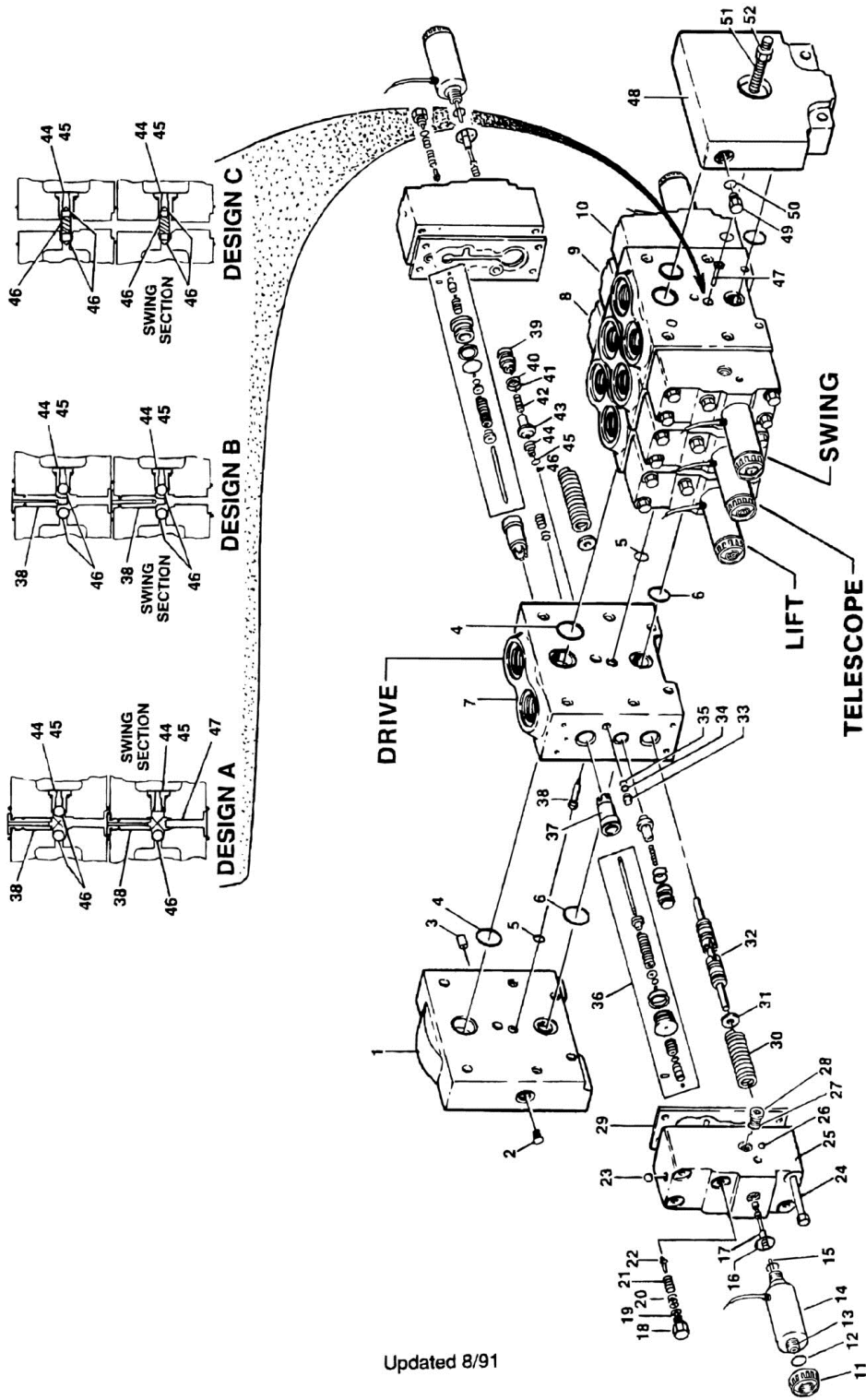
ITEM	PART NUMBER	QTY	DESCRIPTION	REV
36	7010542	1	Cartridge, Shuttle	
		Ref	<b>CONTROL VALVES INSTALLATION (VARIABLE PARTS)</b>	
	0251312	Ref	<b>CONTROL VALVES INSTALLATION - WITHOUT PROP TELE/WITHOUT ROTATE/WITHOUT 4WS</b>	8
	0231311	Ref	<b>CONTROL VALVES INSTALLATION - WITHOUT PROP TELE/WITH ROTATE/WITHOUT 4WS</b>	9
	0252184	Ref	<b>CONTROL VALVES INSTALLATION - WITHOUT PROP TELE/WITHOUT ROTATE/WITH 4WS</b>	6
	0252185	Ref	<b>CONTROL VALVES INSTALLATION - WITHOUT PROP TELE/WITH ROTATE/WITH 4WS</b>	6
	0256159	Ref	<b>CONTROL VALVES INSTALLATION - WITHOUT PROP TELE/WITHOUT ROTATE/WITH 4WS/WITH JACKS ON BOTH ENDS</b>	2
	0256158	Ref	<b>CONTROL VALVES INSTALLATION - WITHOUT PROP TELE/WITH ROTATE/WITH 4WS/WITH JACKS ON BOTH ENDS</b>	2
	0238206	Ref	<b>CONTROL VALVES INSTALLATION - WITH PROP TELE/WITHOUT ROTATE/WITHOUT 4WS</b>	5
	0238207	Ref	<b>CONTROL VALVES INSTALLATION - WITH PROP TELE/WITH ROTATE/WITHOUT 4WS</b>	6
	0252186	Ref	<b>CONTROL VALVES INSTALLATION - WITH PROP TELE/WITHOUT ROTATE WITH 4WS</b>	5
	0252187	Ref	<b>CONTROL VALVES INSTALLATION - WITH PROP TELE/WITH ROTATE WITH 4WS</b>	5
	0256302	Ref	<b>CONTROL VALVES INSTALLATION - WITH PROP TELE/WITHOUT ROTATE/WITH 4WS/WITH JACKS ON BOTH ENDS</b>	2
	0256301	Ref	<b>CONTROL VALVES INSTALLATION - WITH PROP TELE/WITH ROTATE/WITH 4WS/WITH JACKS ON BOTH ENDS</b>	2
51		Ref	Control Valve Assembly (Vickers) Options:	
51	4640514	1	3 Section - (Prior to October 1994) (Without Prop Tele) (See CONTROL VALVE ASSEMBLY - 1 SECTION BANG-BANG for Breakdown)	
51	4640913	1	3 Section - (October 1994 to Present) (Without Tele) (See SWING DRIVE, BEARING AND LOCK INSTALLATIONS for Breakdown)	
51	4640524	1	4 Section - (Prior to October 1994) (With Prop Tele) (See CONTROL VALVE ASSEMBLY - 1 SECTION BANG-BANG for Breakdown)	
51	4640914	1	4 Section - (October 1994 to Present) (See SWING DRIVE, BEARING AND LOCK INSTALLATIONS for Breakdown)	
52		Ref	Control Valve Assembly (Bang-Bang) Options:	
52	4640711	1	1 Section (0252186 Installation) (See SWING MOTOR ASSEMBLY - EATON for Breakdown)	
52	4640710	1	2 Section (0252184 Installation) (See SWING MOTOR ASSEMBLY - EATON for Breakdown)	
52	4640447	1	2 Section (0238206 Installation Prior to May 1993) (See SWING BRAKE ASSEMBLIES for Breakdown)	
52	4640734	1	2 Section (0238206 Installation May 1993 to Present) (See SWING MOTOR ASSEMBLY - EATON for Breakdown)	
52	4640730	1	2 Section (0252187 Installation) (See SWING MOTOR ASSEMBLY - EATON for Breakdown)	
52	4640246	1	3 Section (0238207 - Prior to June 1995 Installation) (See SWING MOTOR ASSEMBLY - EATON for Breakdown)	
52	4640941	1	3 Section (0238207 - June 1995 to Present) (See FRAME SECTION for Breakdown)	
52	4640646	1	3 Section (0251312 Installation) (See SWING MOTOR ASSEMBLY - EATON for Breakdown)	
52	4640692	1	3 Section (0252185 Installation) (See SWING MOTOR ASSEMBLY - EATON for Breakdown)	

## SECTION 2 - TURNTABLE

ITEM	PART NUMBER	QTY	DESCRIPTION	REV
52	4640645	1	4 Section (0251311 Installation - November 1990 to January 1995) (See SWING MOTOR ASSEMBLY - EATON for Breakdown)	
52	4640909	1	4 Section (0251311 Installation - January 1995 to Present) (See SWING BRAKE ASSEMBLIES for Breakdown)	
53	4640522	1	Pressure Reducing Valve Assembly	
53	4640523	1	Cartridge	
53	2900698	1	Seal Kit	
54	4640512	1	Sequence Valve Assembly	
54	7009756	1	Cartridge	
54		Ref	Not Seal Kit Available - Use:	
54	3790118	1	O-Ring	
54	3790211	1	O-Ring	
54	3790016	1	O-Ring	
55		Ref	Control Valve Assembly Options:	
55	4640521	AR	Valve (2WS Without Prop Tele Prior to November 1990)	
55	4640771	1	Cartridge	
55	2900770	1	Seal Kit	
55	Not Required	0	Valve (All Other Applications)	
56	4640929	1	Relief Valve Assembly (Machines without Prop Tele Built Only) <b>(SN 48272 to Present)</b>	
56	7012970	1	Cartridge, Relief	
56	7012953	1	Seal Kit - 7012970 Cartridge	
	0238140	Ref	<b>EXTEND-A-REACH VALVE INSTALLATION (80HX+6/86HX ONLY)</b>	-
101	4640519	1	Control Valve Assembly (See SWING HUB ASSEMBLY for Breakdown)	
102	4300038	4	Stud (Welded on Part)	
103	4751500	4	Flatwasher 5/16in	
104	4761500	4	Lockwasher 5/16in	
105	3311501	4	Nut 5/16in-18NC	

# SECTION 2 - TURNTABLE

FIGURE 2-3. CONTROL VALVE ASSEMBLY (VICKERS) (PRIOR TO OCTOBER 1994)



## SECTION 2 - TURNTABLE

**FIGURE 2-3. CONTROL VALVE ASSEMBLY (VICKERS) (PRIOR TO OCTOBER 1994)**

ITEM	PART NUMBER	QTY	DESCRIPTION	REV
	4640524	Ref	<b>CONTROL VALVE ASSEMBLY (VICKERS 4 SECTION) (STANDARD) (PRIOR TO OCTOBER 1994)</b>	-
	4640514	Ref	<b>CONTROL VALVE ASSEMBLY (VICKERS 3 SECTION) (PRIOR TO OCTOBER 1994)</b>	-
1	7006747	1	Inlet Body (Standard)	
1	Not Available	1	Inlet Body (Hydraulic Controls)	
2	7006725	1	Setscrew (Standard Only)	
3	7006733	1	Plug	
4	Kit	5	O-Ring	
5	Kit	5	O-Ring	
6	Kit	5	O-Ring	
7	7009350	1	Working Section - Complete (Drive) (4 Section)	
7	7006760	1	Working Section - Complete (Drive) (3 Section)	
8	7006762	1	Working Section - Complete (Lift) (Standard)	
9	7009351	1	Working Section - Complete (Telescope) (4 Section Only)	
10	7006763	1	Working Section - Complete (Swing)	
11	7009317	2	Nut, Retaining	
12	Kit	2	O-Ring	
13	7009316	2	Core Tube (Includes O-Ring)	
14	7009315	2	Coil and Frame	
15	7009319	2	Pin	
16	Kit	2	O-Ring	
17	7006744	2	Spool	
18	7006726	2	Plug, Torque	
19	Kit	2	O-Ring	
20	7006728	2	Shim Kit	
21	7006729	2	Spring	
22	7006730	2	Poppet	
23	7006731	2	Ball	
24	7006745	8	Screw	
25		Ref	Cap, End (Not Sold Separately)	
26	7006746	2	Ball	
27	Kit	2	O-Ring	
28	7009323	2	Plug	
29	Kit	2	Gasket	
30	7009324	2	Spring	
31	7009325	2	Retainer	
32		Ref	Spool (Not Sold Separately)	
33	7006757	2	Seat	
34	Kit	2	Ring, Back-up	
35	Kit	2	O-Ring	
36	7006732	2	Servo Stem Assembly	
37	7006737	2	Poppet	
38	7009321	1	Retainer (13/16in-2.1cm Length) (Design A)	
38	7009363	1	Retainer (1 3/16in-3cm Length) (Design B)	
38	Not Required	0	Retainer (Design C)	
38	Kit	1	O-Ring	
39	7006752	2	Retainer	
40	Kit	2	Ring, Back-up	
41	Kit	2	O-Ring	

## SECTION 2 - TURNTABLE

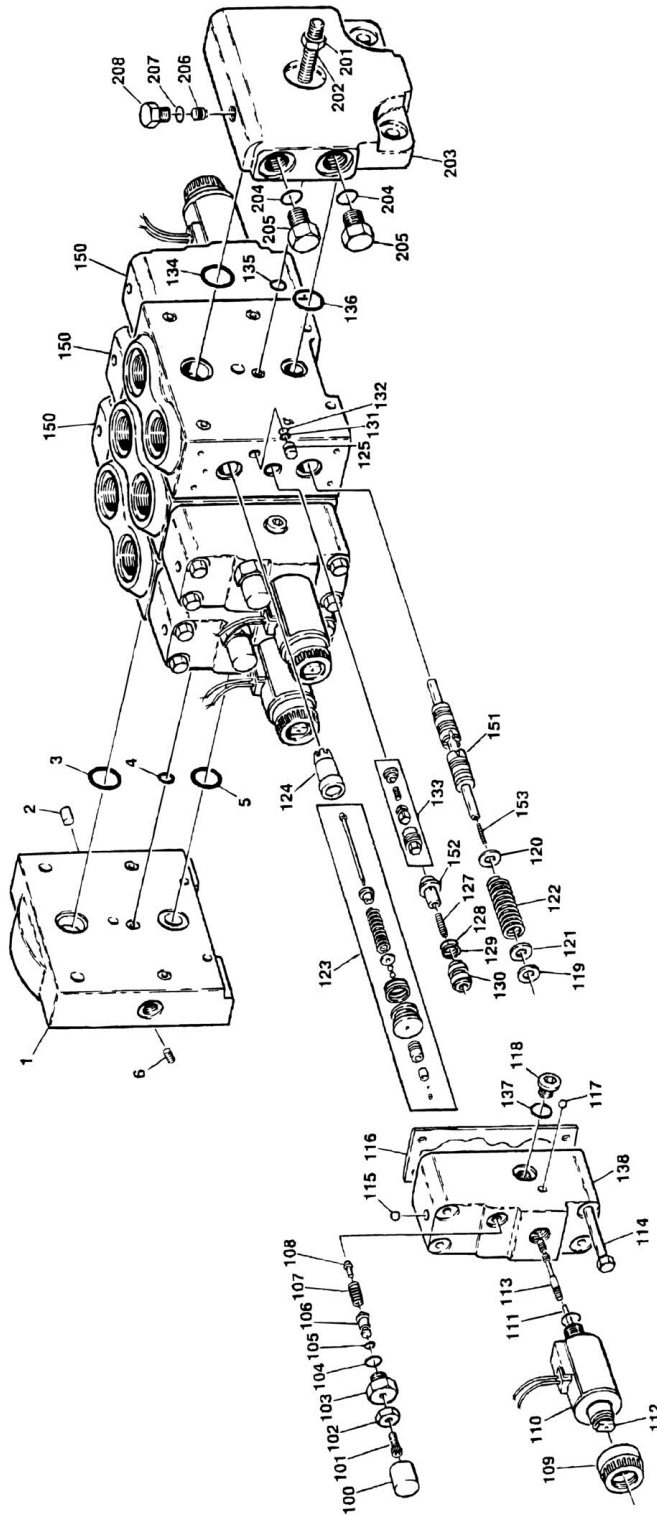
ITEM	PART NUMBER	QTY	DESCRIPTION	REV
42	7006773	2	Spring	
43	7006756	2	Poppet	
44	7006771	1	Plug, Torque	
45	Kit	1	O-Ring	
46	7006761	2	Ball (Design A - All Sections Except Swing)	
46	7006761	1	Ball (Design A - Swing Section)	
46	7006761	2	Ball (Design B - All Sections)	
46	7009369	2	Poppet (Design C - All Sections)	
46	7009368	1	Spring (Design C - All Sections)	
47	7006777	1	Pin, Solid (Design A - Swing Section Only)	
47	Not Required	0	Pin, Solid (Design B and Design C)	
48	7006780	1	Cover End	
49	7006778	1	Plug, Torque	
50	Kit	1	O-Ring	
51	7009329	3	Rod, Tie	
52	7006782	6	Nut	
	7009330	4	Seal Kit (Includes Items 4, 5, 6, 12, 16, 27, 29, 34, 35, 38, 40, 41, 45, 50 and Servo Stem O-Rings)	
	7009395	5	Seal Kit - Valve Face (Includes Items 4, 5 & 6)	





# SECTION 2 - TURNTABLE

## FIGURE 2-4. CONTROL VALVE ASSEMBLY (VICKERS) (OCTOBER 1994 TO PRESENT)



## SECTION 2 - TURNTABLE

**FIGURE 2-4. CONTROL VALVE ASSEMBLY (VICKERS) (OCTOBER 1994 TO PRESENT)**

ITEM	PART NUMBER	QTY	DESCRIPTION	REV
	4640913	Ref	<b>VICKERS VALVE ASSEMBLY - 3 SECTION</b>	-
	4640914	Ref	<b>VICKERS VALVE ASSEMBLY - 4 SECTION</b>	-
		Ref	<b>Inlet Section</b>	
1	7006724	1	Inlet Body	
2	7006733	1	Plug	
3	Kit	1	O-Ring	
4	Kit	1	O-Ring	
5	Kit	1	O-Ring	
6	7006725	1	Setscrew	
		Ref	<b>Working Sections (Standard Parts)</b>	
100	Kit	AR	Cap (2 Per Section)	
101	7012319	AR	Screw (2 Per Section)	
102	Kit	AR	Nut (2 Per Section)	
103	Kit	AR	Plug (2 Per Section)	
104	Kit	AR	Packing (2 Per Section)	
105	7012322	AR	Packing (2 Per Section)	
106	Kit	AR	Piston (2 Per Section)	
107	Kit	AR	Spring (2 Per Section)	
108	7006730	AR	Poppet (2 Per Section)	
109	7012325	AR	Nut, Retaining (2 Per Section)	
110	7012339	AR	Coil (2 Per Section)	
111	7009319	AR	Pin (2 Per Section)	
112	7012326	AR	Core Tube Sub Assembly (2 Per Section)	
113	7012327	AR	Spool	
114	7006745	AR	Screw (8 Per Section)	
115	7006731	AR	Ball	
116	7006748	AR	Gasket	
117	7006746	AR	Ball	
118	7009323	AR	Plug (2 Per Section)	
119	7012330	AR	Shim (AR Per Section)	
120	7012329	AR	Retainer (2 Per Section)	
121	7012328	AR	Shim (AR Per Section)	
122	7009324	AR	Spring (2 Per Section)	
123	7009320	AR	Stem Servo Sub Assembly (2 Per Section)	
124	7006737	AR	Poppet (2 Per Section)	
125	7006757	AR	Seat (2 Per Section)	
127	7006773	AR	Spring (2 Per Section)	
128	Kit	AR	O-Ring (2 Per Section)	
129	Kit	AR	Back-up (2 Per Section)	
130	7009398	AR	Retainer (2 Per Section)	
131	Kit	AR	Back-up Ring (2 Per Section)	
132	Kit	AR	O-Ring (2 Per Section)	
133	7012333	AR	Load Sense (2 Per Section)	
134	Kit	AR	O-Ring (2 Per Section)	
135	Kit	AR	O-Ring (2 Per Section)	
136	Kit	AR	O-Ring (5 Per Section)	
137	Kit	AR	O-Ring (2 Per Section)	
138	Not Serviced	AR	Cap, End (2 Per Section)	
	7009330	AR	Seal Kit (1 Per Section)	
	7012383	AR	Piston/Spring Kit (Includes 1 each of 100, 102, 103, 106 & 107)	

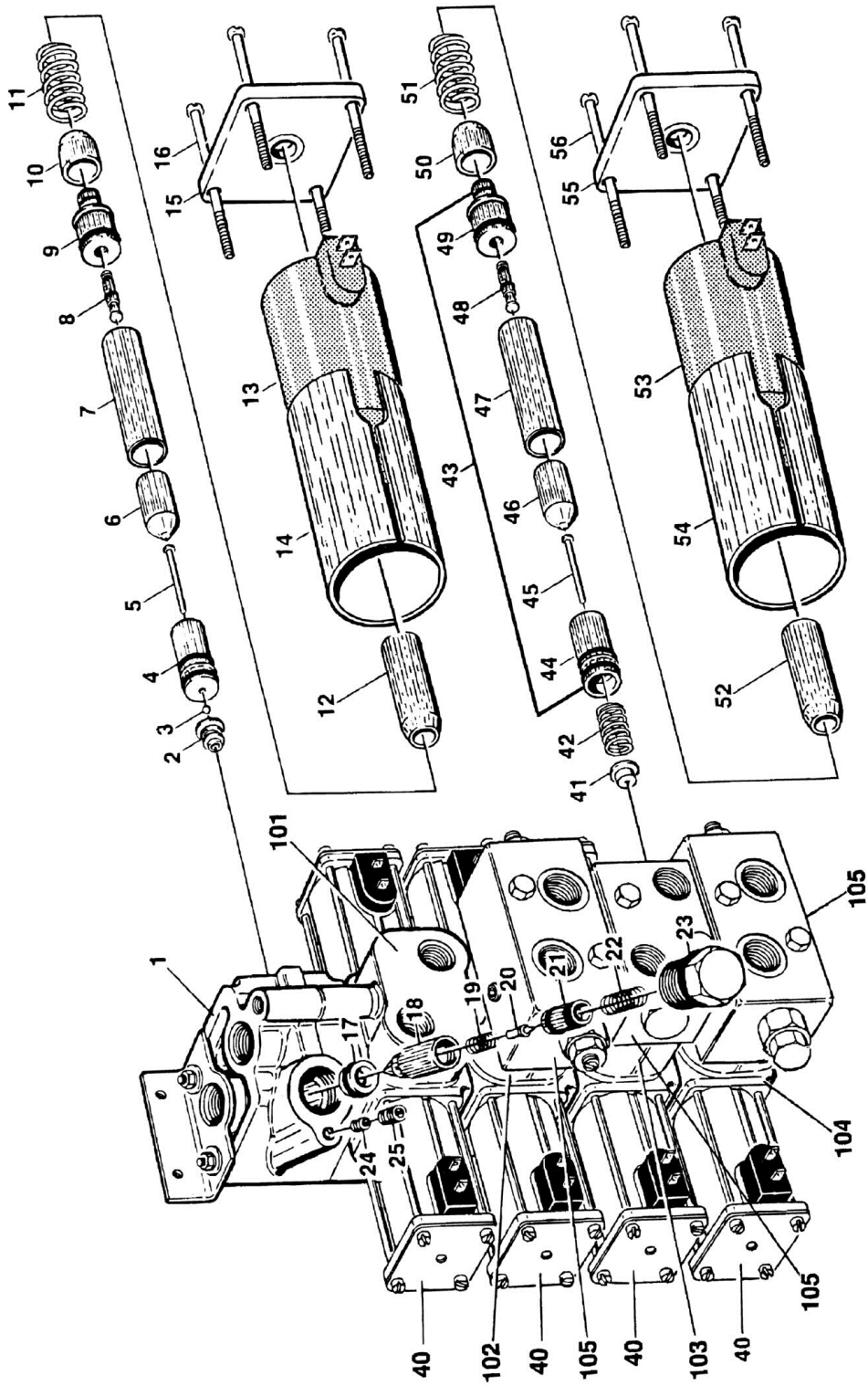
## SECTION 2 - TURNTABLE

ITEM	PART NUMBER	QTY	DESCRIPTION	REV
			(2 per Section)	
150		Ref	<b>WORKING SECTION (VARIABLE PARTS)</b>	
150	7012332	Ref	<b>Drive Section</b>	
150	7012334	Ref	<b>Lift Section</b>	
150	7012334	Ref	<b>Telescope Section (With Prop Tele)</b>	
150	7012335	Ref	<b>Swing Section</b>	
151		Ref	Spool Options:	
151	7012331	1	Drive, Lift and Telescope Sections	
151	7012340	1	Swing Section	
152		Ref	Poppet Options:	
152	7009399	2	Drive Section	
152	7009397	2	Lift and Telescope Sections	
152	7009399	2	Swing Section	
153		Ref	Piston Options:	
153	Not Required	0	Drive, Lift and Telescope Sections	
153	7012300	1	Swing Section	
		Ref	<b>OUTLET SECTION</b>	
201	7006782	6	Nut	
202	7009361	3	Rod, Tie	
203	7012337	1	Cover End	
204	Kit	2	O-Ring	
205	7006778	2	Plug	
206	7012338	1	Setscrew Orifice Sub-Assembly	
207	Kit	1	O-Ring	
208	7012336	1	Plug	



# SECTION 2 - TURNTABLE

## FIGURE 2-5. CONTROL VALVE ASSEMBLY - RACINE BANG-BANG WITH DUMP SECTION



# SECTION 2 - TURNTABLE

**FIGURE 2-5. CONTROL VALVE ASSEMBLY - RACINE BANG-BANG WITH DUMP SECTION**

ITEM	PART NUMBER	QTY	DESCRIPTION	REV
		Ref	<b>CONTROL VALVE ASSEMBLY - BANG-BANG WITH DUMP SECTION</b>	
	4640711	Ref	<b>Valve Assembly - 1 Section</b>	-
	4640710	Ref	<b>Valve Assembly - 2 Section</b>	-
	4640734	Ref	<b>Valve Assembly - 2 Section</b>	-
	4640730	Ref	<b>Valve Assembly - 2 Section</b>	-
	4640246	Ref	<b>Valve Assembly - 3 Section</b>	A
	4640646	Ref	<b>Valve Assembly - 3 Section</b>	-
	4640692	Ref	<b>Valve Assembly - 3 Section</b>	-
	4640645	Ref	<b>Valve Assembly - 4 Section</b>	-
1	7002304	Ref	<b>DUMP SECTION</b>	
		Ref	Solenoid Assembly	
2	7004823	1	Seat	
2	7002378	1	O-Ring	
3	7002229	1	Ball	
3		Ref	Guide Tube Assembly	
4	7004822	1	Cone, Female	
4	7004840	1	O-Ring	
5	7002346	1	Pin, Push	
6	7004839	1	Plunger	
7	7004838	1	Tube, Guide	
8	7004841	1	Pin, Push	
8	7002342	1	O-Ring	
9	7002340	1	Guide, External Push Pin	
9	7002337	1	O-Ring	
10	7004834	1	Sleeve, Inner Flux	
11	7002334	1	Spring	
12	7004835	1	Sleeve, Outer Flux	
13	7000417	1	Coil	
14	7004836	1	Case, Solenoid	
15	7002338	1	Plate, End	
15	7002327	1	Nameplate	
16	7004837	4	Screw	
17	7002322	1	Seat	
17	7004826	1	O-Ring	
17		Ref	Main Relief (Poppet) Valve	
18	7002321	1	Case, Poppet	
19	7002328	1	Spring	
20	7002294	1	Poppet	
21	7002320	1	Seat, Adjustable	
21	7004842	1	O-Ring	
22	7002329	1	Spring	
23	7002323	1	Plug	
23	7000102	1	O-Ring	
24	7002326	1	Orifice	
25	7002324	1	Plug	
		Ref	<b>WORKING SECTIONS (STANDARD PARTS)</b>	
40	7004859	AR	Solenoid Assembly (2 Per Section) (Includes Items 43-56)	
41	7002274	AR	Washer (7002315,7002316,7002317 Sections) (2 Per Section)	

## SECTION 2 - TURNTABLE

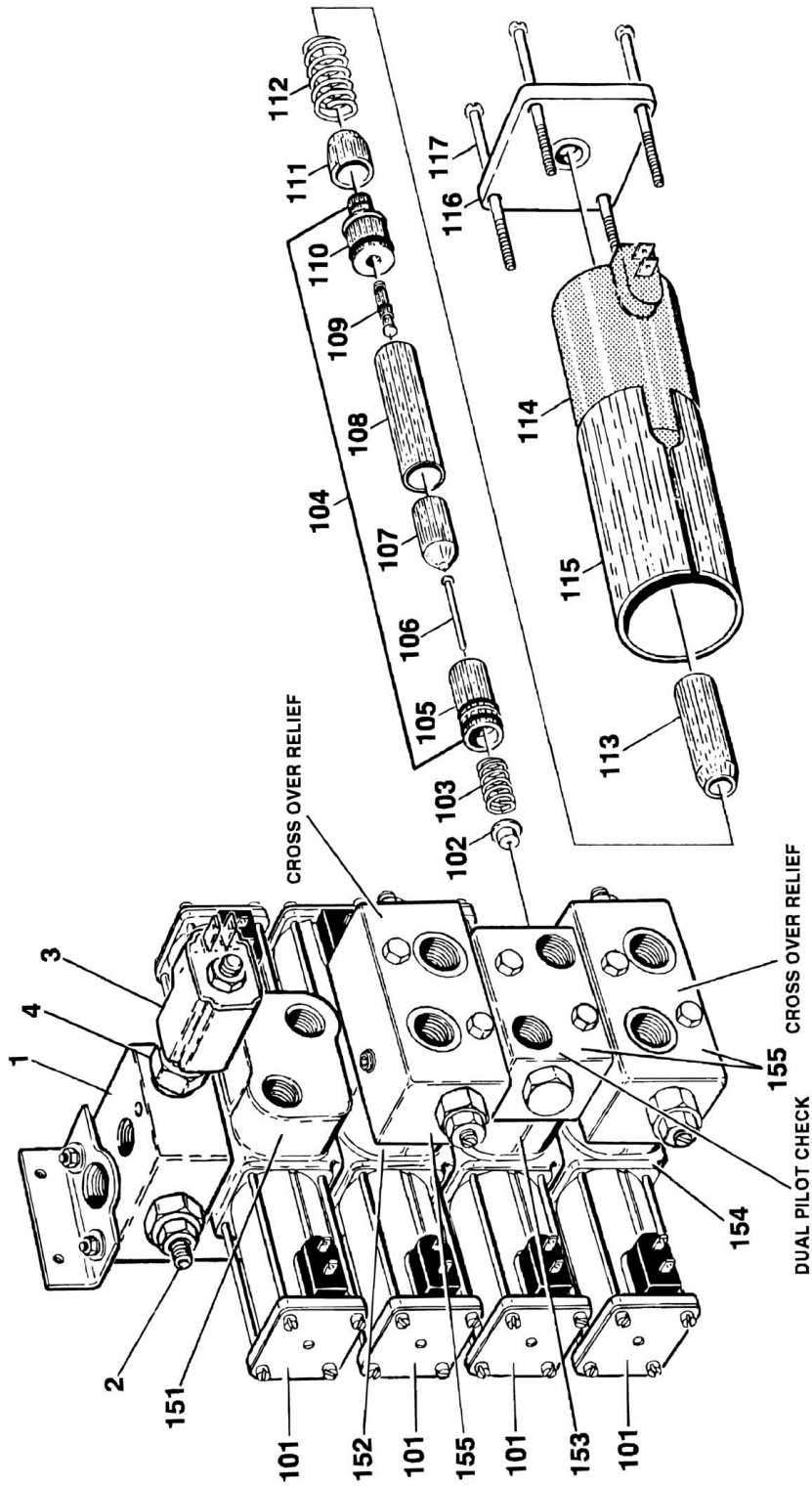
ITEM	PART NUMBER	QTY	DESCRIPTION	REV
41	7003825	AR	Washer (7003855 Sections) (2 Per Section)	
42	7002348	AR	Spring (2 Per Section)	
43	7002305	AR	Guide Tube Assembly (1 Per Solenoid Assembly)	
44	7002345	AR	Cone, Female (1 Per Solenoid Assembly)	
44	Kit	AR	O-Ring (1 Per Solenoid Assembly)	
44	Kit	AR	O-Ring (1 Per Solenoid Assembly)	
45	7002346	AR	Pin, Push (1 Per Solenoid Assembly)	
46	7002344	AR	Plunger (1 Per Solenoid Assembly)	
47	7000470	AR	Tube, Guide (1 Per Solenoid Assembly)	
48	7002341	AR	Pin, Actuator (1 Per Solenoid Assembly)	
48	Kit	AR	Ring, Quad (1 Per Solenoid Assembly)	
49	7002340	AR	Guide, External Push Pin (1 Per Solenoid Assembly)	
49	Kit	AR	O-Ring (1 Per Solenoid Assembly)	
50	7002333	AR	Sleeve, Inner Flux (1 Per Solenoid Assembly)	
51	7002334	AR	Spring (1 Per Solenoid Assembly)	
52	7002336	AR	Sleeve, Outer Flux (1 Per Solenoid Assembly)	
53	7000418	AR	Coil (1 Per Solenoid Assembly)	
54	7002335	AR	Case, Solenoid (1 Per Solenoid Assembly)	
55	7002338	AR	Plate, End (1 Per Solenoid Assembly)	
56	7002339	AR	Screw (4 Per Solenoid Assembly)	
		Ref	<b>WORKING SECTION (VARIABLE PARTS)</b>	
		Ref	<b>Note: Complete Sections listed below include items 40-56 and relief valve assembly when equipped.</b>	
101		Ref	Section #1 Options:	
101	7002316	1	Level Section (4640711, 4640710 & 4640734 Valves)	
101	7002317	1	Rotate Section (4640730, 4640692 & 4640645	
101	7002315	1	Steer/Tele Section (4640246 & 4640646 Valves)	
102		Ref	Section #2 Options:	
102	Not Required	1	(4640711 Valves)	
102	7002315	1	Steer/Tele Section (4640734 & 4640645 Valves)	
102	7003855	1	Tele Section (4640710)	
102	7002316	1	Level Section (4640730, 4640246, 4640646 & 4640692 Valves)	
103		Ref	Section #3 Options:	
103	Not Required	1	(4640711, 4640710, 4640734 & 4640730 Valves)	
103	7002315	1	Steer/Tele Section (4640246 & 4640692 Valves)	
103	7002316	1	Level Section (4640645 & 4640646 Valves)	
103	7003855	1	Tele Section (4640646 Valves)	
104		Ref	Section #4 Options:	
104	Not Required	1	(All except 4640645 Valves)	
104	7003855	1	Tele Section (4640645 Valve Only)	
105		Ref	Relief Valve Options:	
105	7000468	AR	Crossover Relief Valve Assembly - 7002315 Steer/Tele and 7003855 Tele Sections (Due to various suppliers - internal components are no longer field serviceable)	
105	7002262	AR	Dual Pilot Check Valve Assembly - 7002316 Level Sections (Due to various suppliers - internal components are no longer field serviceable)	
	7000414	4	Seal Kit - Working Section	
	7000413	1	Seal Kit - Dump Section	





# SECTION 2 - TURNTABLE

## FIGURE 2-6. CONTROL VALVE ASSEMBLY - BANG-BANG WITH DUMP SECTION



# SECTION 2 - TURNTABLE

**FIGURE 2-6. CONTROL VALVE ASSEMBLY - BANG-BANG WITH DUMP SECTION**

ITEM	PART NUMBER	QTY	DESCRIPTION	REV
		Ref	<b>CONTROL VALVE ASSEMBLY - BANG-BANG</b>	
	4640941	Ref	<b>VALVE ASSEMBLY - 3 SECTION</b>	B
	4640909	Ref	<b>VALVE ASSEMBLY - 4 SECTION</b>	A
		Ref	<b>DUMP SECTION ASSEMBLY</b>	
1	7002447	1	Dump Section - Complete	
2	7002448	1	Cartridge	
2	7002449	1	Seal Kit - 7002448 Cartridge	
3	7002450	1	Coil	
4	7002451	1	Cartridge without Coil	
4	7011118	1	Seal Kit - 7002451 Cartridge	
	7000448	2	O-Ring (Square Cut) (Between Sections)	
		Ref	<b>WORKING SECTIONS (STANDARD PARTS)</b>	
101	7004859	2	Solenoid Assembly	
102	7003825	1	Washer	
103	7002348	1	Spring	
104	7002305	1	Guide Tube Assembly	
105	7002345	1	Cone, Female	
105	Kit	1	O-Ring	
105	Kit	1	O-Ring	
106	7002346	1	Pin, Push	
107	7002344	1	Plunger	
108	7000470	1	Tube, Guide	
109	7002341	1	Pin Actuator	
109	Kit	1	Ring, Quad	
110	7002340	1	Guide, External Push Pin	
110	Kit	1	O-Ring	
111	7002333	1	Sleeve, Inner Flux	
112	7002334	1	Spring	
113	7002336	1	Sleeve, Outer Flux	
114	7000418	1	Coil	
115	7002335	1	Case, Solenoid	
116	7002338	1	Plate, End	
116	7002327	1	Nameplate	
117	7002339	4	Screw	
	7000414	2	Seal Kit - Working Section (1 Per Section)	
		Ref	<b>WORKING SECTIONS - COMPLETE (INCLUDES ITEMS 101-117 AND BLOCK VALVE ASSEMBLY WHEN EQUIPPED)</b>	
151		Ref	Section #1 Options:	
151	7002315	1	Steer Section (4640941 Valve)	
151	7002317	1	Rotate Section (4640909 Valve)	
152		Ref	Section #2 Options:	
152	7002316	1	Level Section (4640941 Valve) <b>(Prior to SN 27357)</b>	
152	7011183	1	Level Section (4640941 Valve) <b>(SN 27357 to Present)</b>	
152	7002315	1	Steer Section (4640909 Valve)	
153		Ref	Section #3 Options:	
153	7002315	1	Tele Section (4640941 Valve)	
153	7002316	1	Level Section (4640909 Valve) <b>(Prior to SN 27357)</b>	
153	7011183	1	Level Section (4640909 Valve) <b>(SN 27357 to Present)</b>	
154		Ref	Section #4 Options:	
154	7003855	1	Tele Section (4640909 Valve Only)	

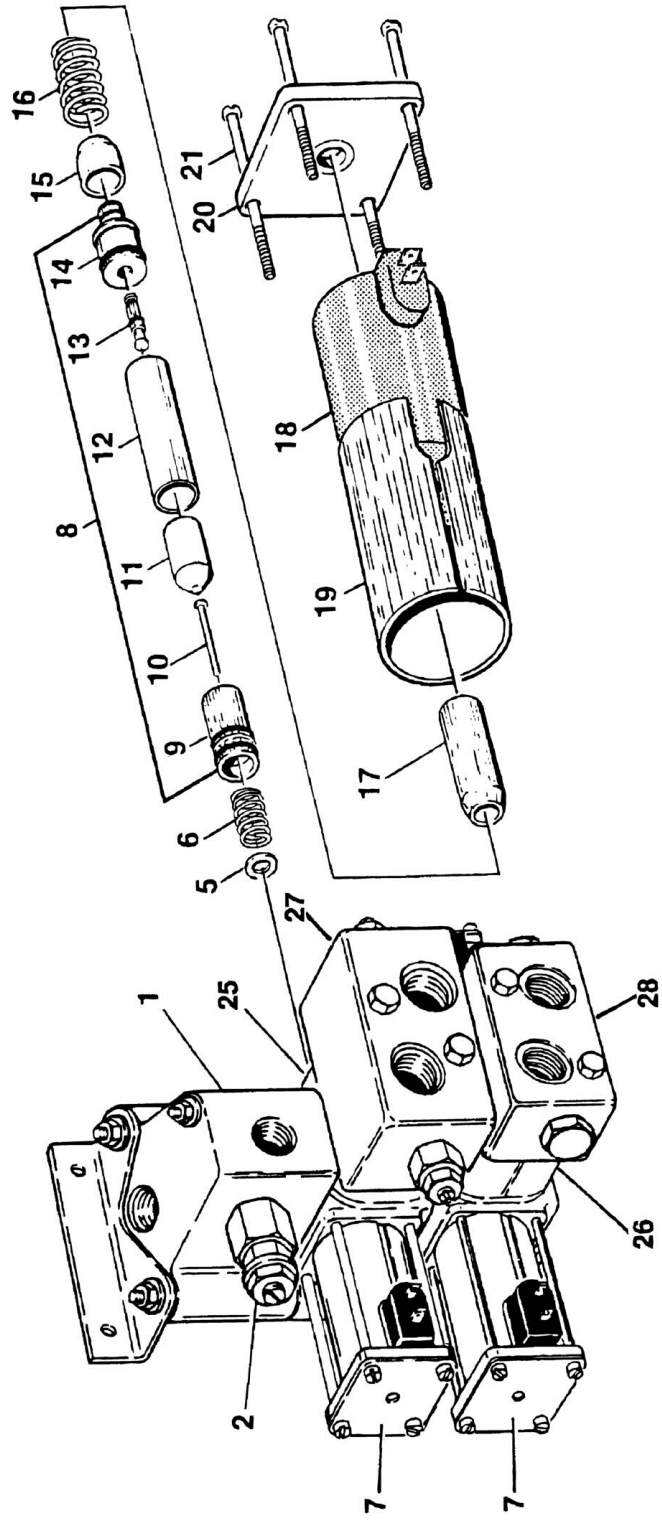
## SECTION 2 - TURNTABLE

ITEM	PART NUMBER	QTY	DESCRIPTION	REV
155		Ref	Relief Valve Options:	
155	7000468	AR	Crossover Relief Valve Assembly - 7002315 Steer/Tele and 7003855 Tele Sections (Due to various suppliers - internal components are no longer field serviceable)	
155	7002262	AR	Dual Pilot Check Valve Assembly - 7002316 Level Sections (Due to various suppliers - internal components are no longer field serviceable) <b>(Prior to SN 27357)</b>	
155	7011183	AR	Dual Pilot Check Valve Assembly - 7011182 Level Sections (Due to various suppliers - internal components are no longer field serviceable) <b>(SN 27357 to Present)</b>	



# SECTION 2 - TURNTABLE

FIGURE 2-7. CONTROL VALVE ASSEMBLY - BANG-BANG WITH INLET RELIEF



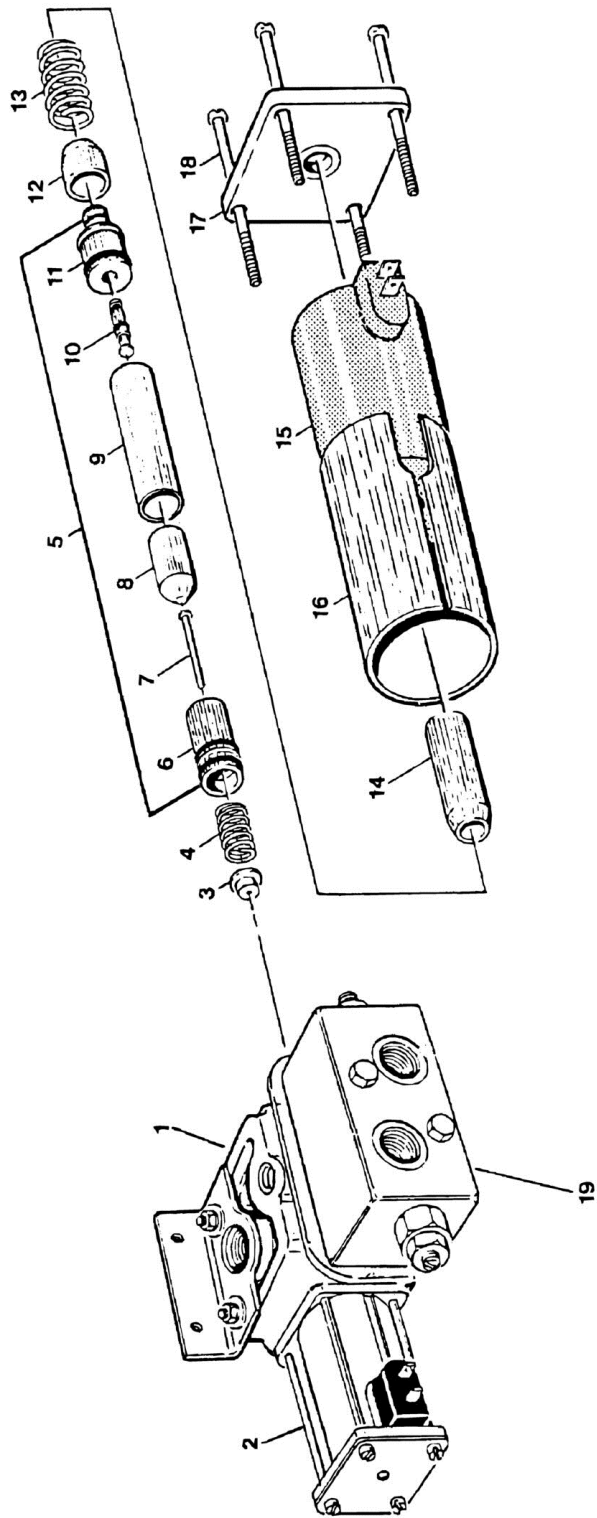
# SECTION 2 - TURNTABLE

**FIGURE 2-7. CONTROL VALVE ASSEMBLY - BANG-BANG WITH INLET RELIEF**

ITEM	PART NUMBER	QTY	DESCRIPTION	REV
		Ref	<b>CONTROL VALVE ASSEMBLY - BANG-BANG WITH INLET RELIEF</b>	
	4640461	Ref	<b>VALVE ASSEMBLY - 1 SECTION</b>	A
	4640447	Ref	<b>VALVE ASSEMBLY - 2 SECTION</b>	A
1	4640820	Ref	<b>INLET RELIEF SECTION ASSEMBLY</b>	
2	7000447	1	Cartridge	
2	7000413	1	Seal Kit - 7002254 Section	
		Ref	<b>WORKING SECTIONS ASSEMBLY (STANDARD PARTS)</b>	
5	7002274	AR	Washer (2 Per Section)	
6	7002273	AR	Spring (2 Per Section)	
7	7004859	AR	Solenoid Assembly (2 Per Section)	
8	7002305	AR	Guide Tube Assembly (1 Per Solenoid Assembly)	
9	7002345	AR	Female Cone/O-Ring Assembly (1 Per Solenoid Assembly)	
10	7002346	AR	Pin, Push (1 Per Solenoid Assembly)	
11	7002344	AR	Plunger (1 Per Solenoid Assembly)	
12	7000470	AR	Tube, Guide (1 Per Solenoid Assembly)	
13	7002341	AR	Actuator Pin/Quad Ring Assembly (1 Per Solenoid Assembly)	
14	7002340	AR	Pin Guide/O-Ring Assembly (1 Per Solenoid Assembly)	
15	7002333	AR	Sleeve, Inner Flux (1 Per Solenoid Assembly)	
16	7002334	AR	Spring (1 Per Solenoid Assembly)	
17	7002336	AR	Sleeve, Outer Flux (1 Per Solenoid Assembly)	
18	7000418	AR	Coil (1 Per Solenoid Assembly)	
19	7002335	AR	Case, Solenoid (1 Per Solenoid Assembly)	
20	7002338	AR	Plate, End (1 Per Solenoid Assembly)	
21	7002339	AR	Screw (4 Per Solenoid Assembly)	
	7000414	AR	Seal Kit - Working Section (1 Per Section)	
		Ref	<b>WORKING SECTIONS (VARIABLE PARTS)</b>	
25		Ref	Section #1 Options:	
25	Not Required	1	4640461 Valve	
25	7000466	1	4640447 Valve (Includes Item 27)	
26		Ref	Section #2 Options:	
26	7002257	1	4640461 & 4640447 Valves (Includes Item 28)	
		Ref	Relief Valve Options:	
27	7000468	1	Crossover Relief Valve Assembly - 7000466 Section (Due to various suppliers - internal components are no longer field serviceable)	
28	7002262	1	Dual Pilot Check Valve Assembly 7002257 Section (Due to various suppliers - internal components are no longer field serviceable)	

# SECTION 2 - TURNTABLE

FIGURE 2-8. CONTROL VALVE ASSEMBLY - 1 SECTION BANG-BANG (80HX+6 ONLY)





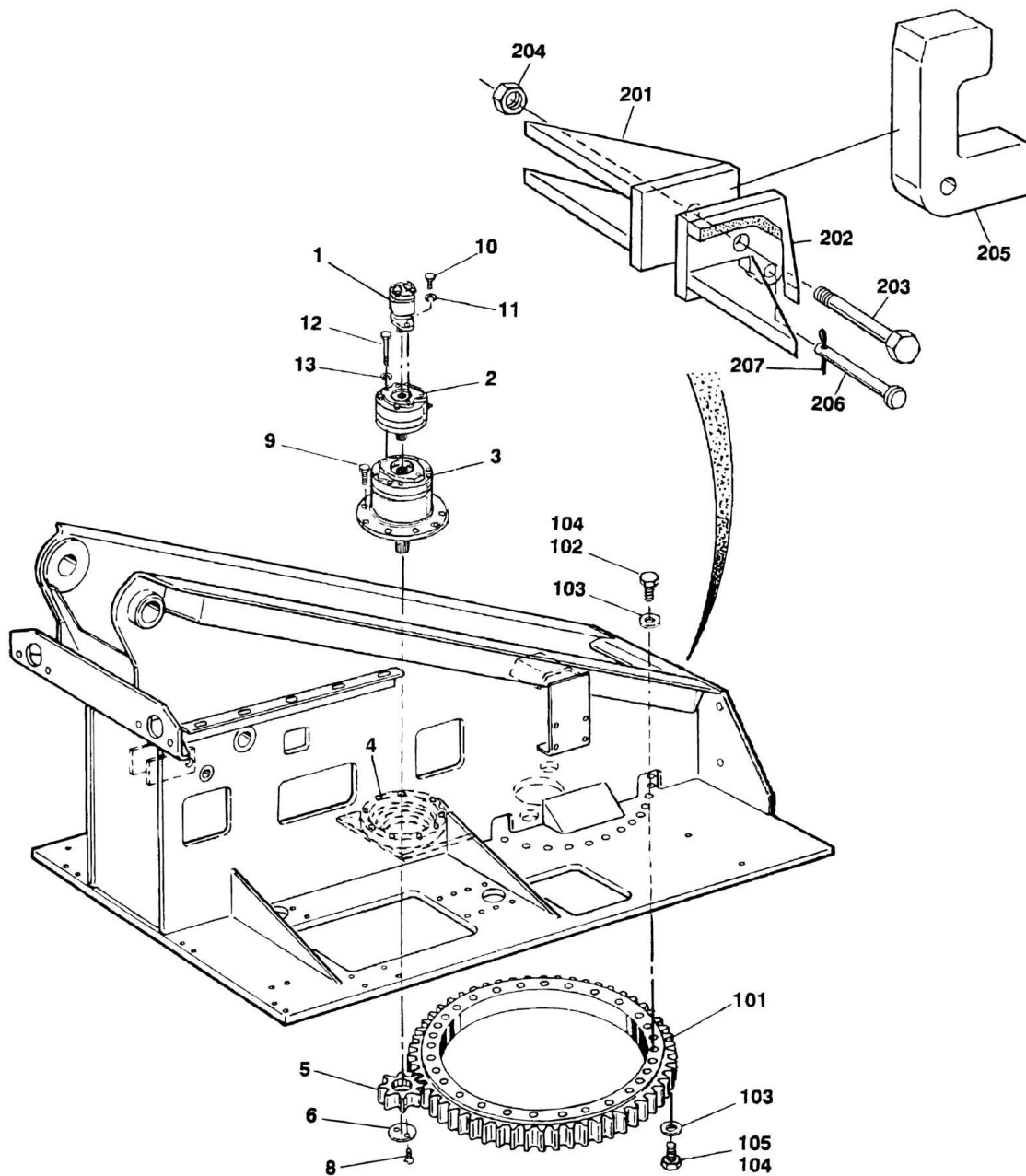
# SECTION 2 - TURNTABLE

**FIGURE 2-8. CONTROL VALVE ASSEMBLY - 1 SECTION BANG-BANG (80HX+6 ONLY)**

ITEM	PART NUMBER	QTY	DESCRIPTION	REV
	4640519	Ref	<b>CONTROL VALVE ASSEMBLY - 1 SECTION BANG-BANG (80HX+6 ONLY)</b>	-
1	7002315	1	Telescope Section - Complete	
2	7004859	2	Solenoid Assembly	
3	7002274	1	Washer	
4	7002348	1	Spring	
5	7002305	1	Guide Tube Assembly	
6	7002345	1	Cone, Female	
6	Kit	1	O-Ring	
6	Kit	1	O-Ring	
7	7002346	1	Pin, Push	
8	7002344	1	Plunger	
9	7000470	1	Tube, Guide	
10	7002341	1	Pin, Actuator	
10	Kit	1	Ring, Quad	
11	7002340	1	Guide, External Push Pin	
11	Kit	1	O-Ring	
12	7002333	1	Sleeve, Inner Flux	
13	7002334	1	Spring	
14	7002336	1	Sleeve, Outer Flux	
15	7000418	1	Coil	
16	7002335	1	Case, Solenoid	
17	7002338	1	Plate, End	
17	7002327	1	Nameplate	
18	7002339	4	Screw	
19	7000468	1	Crossover Relief Valve Block Assembly (Internal Components No Longer Field Serviceable)	
	7000414	1	Seal Kit - Working Section	

# SECTION 2 - TURNTABLE

## FIGURE 2-9. SWING DRIVE, BEARING AND LOCK INSTALLATIONS



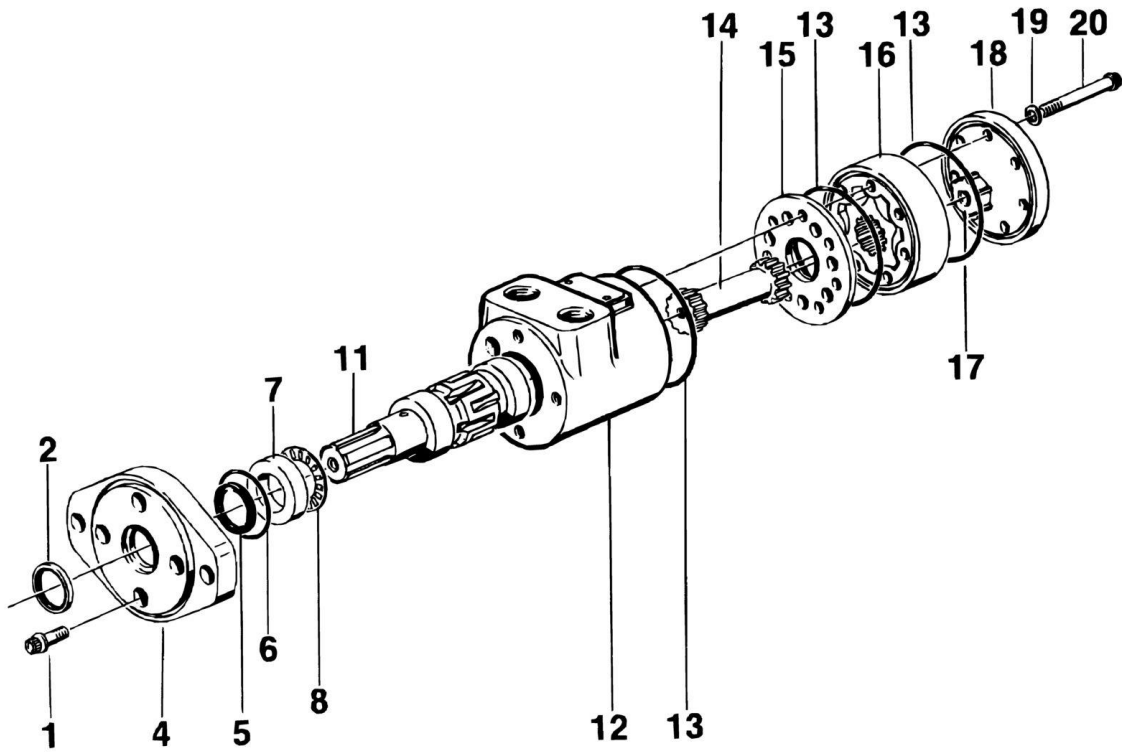
## SECTION 2 - TURNTABLE

**FIGURE 2-9. SWING DRIVE, BEARING AND LOCK INSTALLATIONS**

ITEM	PART NUMBER	QTY	DESCRIPTION	REV
		Ref	<b>SWING DRIVE INSTALLATION OPTIONS:</b>	
	0238630	Ref	<b>Swing Drive Installation (Prior to SN 64566)</b>	7
	0270325	Ref	<b>Swing Drive Installation (SN 64566 to Present)</b>	1
1		Ref	Swing Motor Assembly Options:	
1	3160138	1	Motor - (October 1987 to SN 64565) (See SWING MOTOR ASSEMBLY - CHAR-LYNN for Breakdown)	
1	3160274		Motor (See SWING MOTOR ASSEMBLY - EATON for Breakdown) <b>(SN 64566 to Present)</b>	
2		Ref	Swing Brake Options:	
2	0920032	1	Swing Brake (Prior to April 1992) (See SWING BRAKE ASSEMBLIES for Breakdown)	
2	0920083	1	Swing Brake (April 1992 to SN 33475) (See SWING BRAKE ASSEMBLIES for Breakdown)	
2	0920109	1	Swing Brake (See SWING BRAKE ASSEMBLIES for Breakdown) <b>(SN 33476 to Present)</b>	
3	2780055	1	Swing Hub Assembly (See SWING HUB ASSEMBLY for Breakdown)	
4	1001120496	1	Plate, Mounting (was p/n 0236421)	
5	2440054	1	Gear, Pinion	
6	3501916	1	Plate, Retaining	
7	0100019	AR	Loctite #271 (Not Shown)	
8	0741606	2	Screw, Countersunk 3/8in-16NC x 3/4in	
9	0641912	9	Bolt 9/16in-12NC x 1 1/2in	
10	0641810	2	Bolt 1/2in-13NC x 1 1/4in	
11	4761800	2	Lockwasher 1/2in	
12	3931864	2	Bolt, Socket 1/2in-13NC x 4in (Grade 8)	
12	0681836	2	Bolt, Hex 1/2in-13NC x 4 1/2in (Grade 8)	
13	4740189	2	Washer, Special (Use with Socket Head Bolt)	
13	4740171	2	Washer, Special (Use with Hex Bolt)	
14	0100009	AR	Sealant RTB #738 (Not Shown)	
15	3790155	1	O-Ring 4in (Not Shown)	
	0238921	Ref	<b>TURNTABLE BEARING INSTALLATION</b>	7
101	0440193	1	Bearing, Turntable	
102	0682015	40	Bolt 5/8in-11NC x 1 7/8in (Grade 8)	
102	0682014	40	Bolt 5/8in-11NC x 1 3/4in (Grade 8)	
103		Ref	Washer, Special Options:	
103	4740104	60	Washer, Special (Prior to April 1986)	
103	4740004	80	Washer, Special (April 1986 to SN 64401)	
103	4892000	80	Washer, Special <b>(SN 64402 to Present)</b>	
104	0100019	AR	Loctite #271	
105	0682016	40	Bolt 5/8in-11NC x 2in (Grade 8)	
105	0682024	40	Bolt 5/8in-11NC x 3in (Grade 8)	
106	0100004	AR	Devcon (Required Prior to December 1992)	
	0236106	Ref	<b>TURNTABLE LOCK INSTALLATION</b>	D
201	4340398	1	Support Weldment (Right)	
202	4340397	1	Support Weldment (Left)	
203	0642022	1	Bolt 5/8in-11NC x 2 3/4in	
204	3312005	1	Locknut 5/8in-11NC	
205	3420761	1	Pin, Locking	
206	3420120	1	Pin, Clevis	
207	3420182	1	Pin, Cotter	

## SECTION 2 - TURNTABLE

FIGURE 2-10. SWING MOTOR ASSEMBLY - CHAR-LYNN



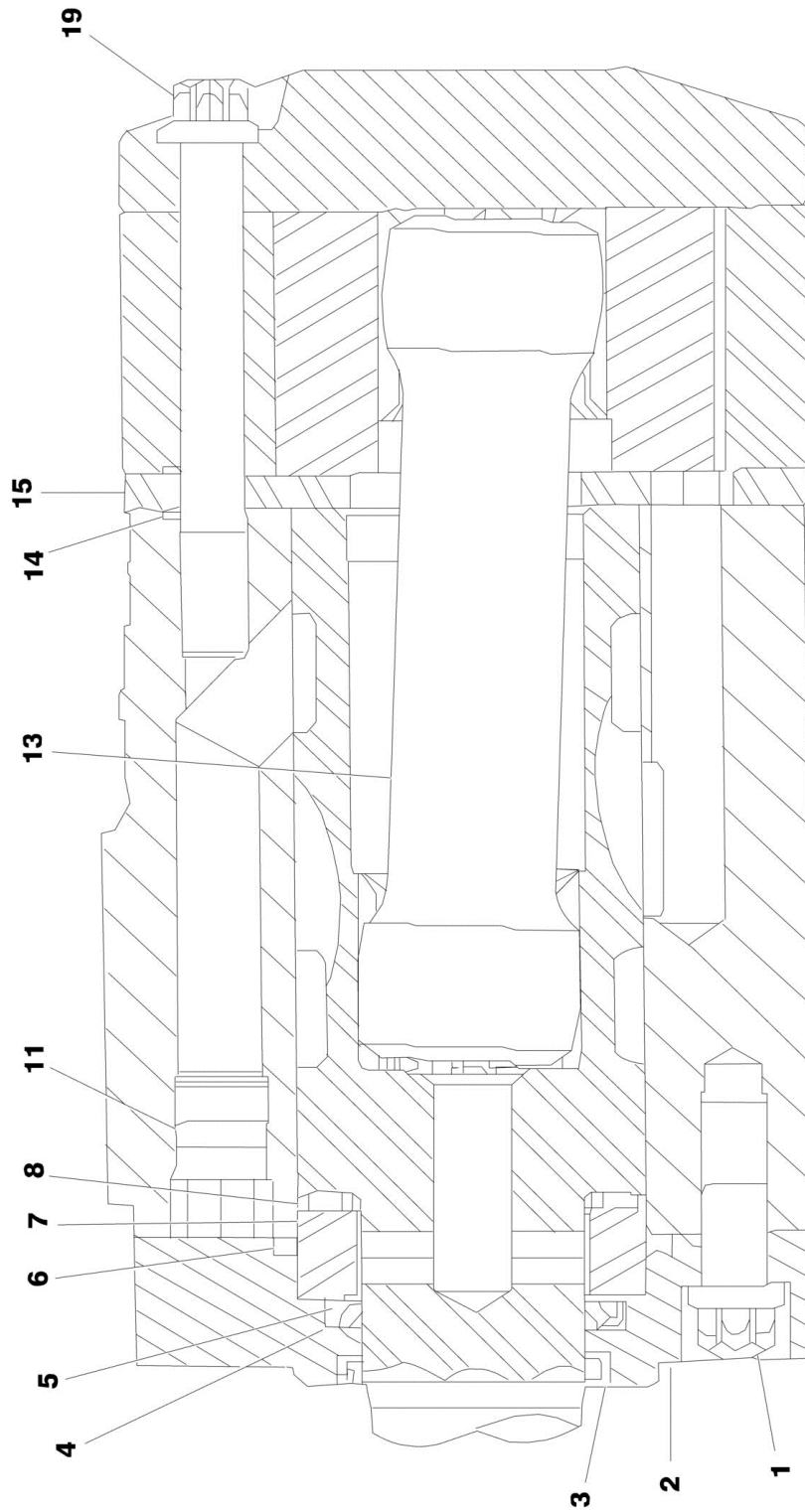
**SECTION 2 - TURNTABLE**

**FIGURE 2-10. SWING MOTOR ASSEMBLY - CHAR-LYNN**

ITEM	PART NUMBER	QTY	DESCRIPTION	REV
	3160138	Ref	<b>SWING MOTOR ASSEMBLY - CHAR-LYNN</b>	-
1	7002123	4	Capscrew	
2	Kit	1	Seal, Dust	
4	7002121	1	Flange, Mounting	
5	Kit	1	Seal, Pressure	
6	Kit	1	Seal	
7	7002117	1	Race, Bearing	
8	7002111	1	Bearing, Thrust Needle	
11	7002116	1	Shaft, Output	
12	7002103	1	Housing	
13	Kit	3	Seal	
14	7002189	1	Shaft, Drive	
15	7002110	1	Plate, Spacer	
16	7002130	2	Gerator Set	
17	7002193	1	Spacer	
18	7002107	1	Cap, End	
19	Kit	7	Seal, Washer	
20	7002200	7	Capscrew	
	2900455	1	Seal Kit (Includes Items 2, 5, 6, 13 & 19)	

# SECTION 2 - TURNTABLE

## FIGURE 2-11. SWING MOTOR ASSEMBLY - EATON



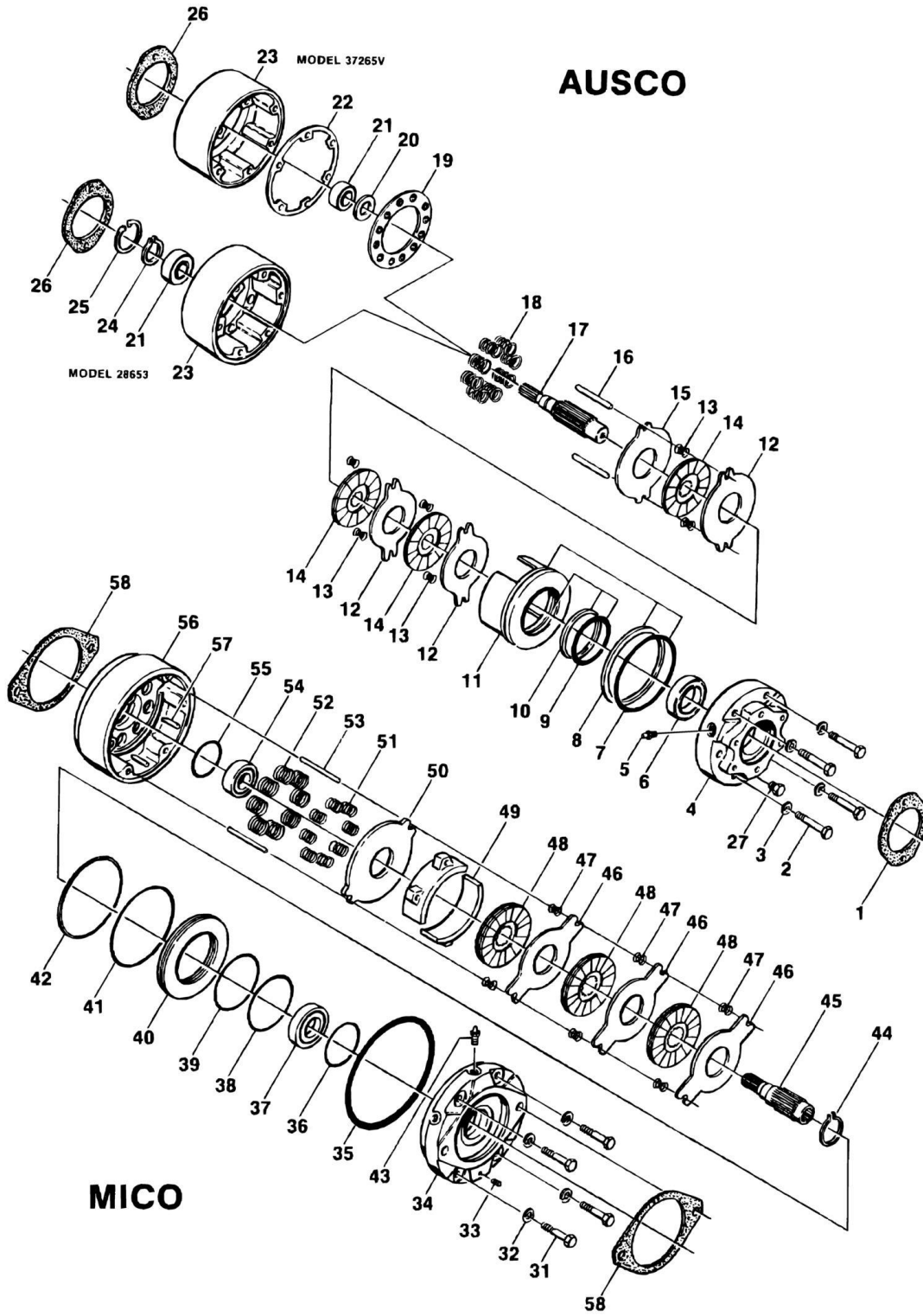
**SECTION 2 - TURNTABLE**

**FIGURE 2-11. SWING MOTOR ASSEMBLY - EATON**

ITEM	PART NUMBER	QTY	DESCRIPTION	REV
	3160274	Ref	<b>SWING MOTOR ASSEMBLY - EATON</b>	B
1	7002123	4	Capscrew	
2	7009974	1	Flange, Mounting	
3	Kit	1	Exclusion Seal	
4	7009975	1	Washer, Backup	
5	Kit	1	Seal, Pressure	
6	Kit	1	Seal	
7	7002117	1	Race, Bearing	
8	7002111	1	Bearing, Thrust Needle	
9	Not Required	0	Shaft, Output	
10	7009991	1	Housing	
11	Kit	1	O-Ring	
12	Not Serviced		Plug Housing	
13	7002112	3	Drive	
14	Kit	1	Seal	
15	7002110	1	Plate, Spacer	
16	Not Serviced		Gerator Set	
17	Not Serviced		Cap, End	
19	7014900	1	Cap,Screw	
20	Not Serviced		Plug Assembly	
22	Not Available		Nameplate	
23	Not Serviced		Rivet	
	2900733	1	Seal Kit (Includes Items 3, 5, 6, 11 & 14)	

# SECTION 2 - TURNTABLE

## FIGURE 2-12. SWING BRAKE ASSEMBLIES (PRIOR TO APRIL 1992)





## SECTION 2 - TURNTABLE

**FIGURE 2-12. SWING BRAKE ASSEMBLIES (PRIOR TO APRIL 1992)**

ITEM	PART NUMBER	QTY	DESCRIPTION	REV
		Ref	<b>SWING BRAKE ASSEMBLIES:</b>	
	0920032	Ref	<b>SWING BRAKE ASSEMBLY - AUSCO (MODEL 28653)</b>	-
	0920032	Ref	<b>SWING BRAKE ASSEMBLY - AUSCO (MODEL 37265V)</b>	C
		Ref	<b>Note: Refer to Model Number stamped on the front of the Housing item 23.</b>	
1	7000731	1	Gasket	
2	7000730	4	Bolt (Model 38653)	
2	7003007	4	Bolt, Flanged (Model 37265V)	
3	7000729	4	Lockwasher (Model 28653 Only)	
4	7003012	1	Plate, Power (Model 38653)	
4	7003091	1	Plate, Power (Model 37265V)	
5	7000796	1	Bleeder	
6	7000760	1	Bearing, Ball (Model 37265V Only)	
7	Kit	1	O-Ring	
8	Kit	1	Ring, Back-up	
9	Kit	1	O-Ring	
10	Kit	1	Ring, Back-up	
11	7000721	1	Piston (Model 28653)	
11	7003057	1	Piston (Model 37265V)	
12	7000720	3	Disc, Stationary (Model 28653)	
12	7003056	3	Disc, Stationary (Model 37265V)	
13	7003006	6	Spring, Compression	
14	7000732	3	Disc, Rotating (Model 28653)	
14	7003055	3	Disc, Rotating (Model 37265V)	
15	7000718	1	Disc, Primary (Model 28653)	
15	7003054	1	Disc, Primary (Model 37265V)	
16	7000717	2	Pin, Torque	
17	7003013	1	Shaft, Splined (Model 28653)	
17	7003053	1	Shaft, Splined (Model 37265V)	
18	7000798	8	Spring, Compression (Model 28653)	
18	7003052	8	Spring, Compression (Model 37265V)	
19	7003051	1	Retainer, Spring (Model 37265V Only)	
20	Kit	1	Seal, Oil	
21	7000713	1	Bearing, Ball (Model 28653)	
21	7003049	1	Bearing, Ball (Model 37265V)	
22	Kit	1	Gasket (Model 37265V Only)	
23	7000714	1	Housing (Model 28653)	
23	7003090	1	Housing (Model 37265V)	
24	7000712	1	Ring, Retaining (Model 28653 Only)	
25	7000711	1	Ring, Retaining (Model 28653 Only)	
26	7000742	1	Gasket	
27	7003059	1	Valve, Pressure Relief (Model 37265V Only)	
	2900131		Seal Kit (Includes Items 1, 7, 8, 9, 10, 20, 22 & 26)	
	0920032	Ref	<b>SWING BRAKE ASSEMBLY - MICO</b>	B
31	7007913	4	Capscrew	
32	7007912	4	Lockwasher	
33	7007924	1	Plug	
34	7007928	1	Cover	
35	Kit	1	Ring, Square	
36	Kit	1	O-Ring	

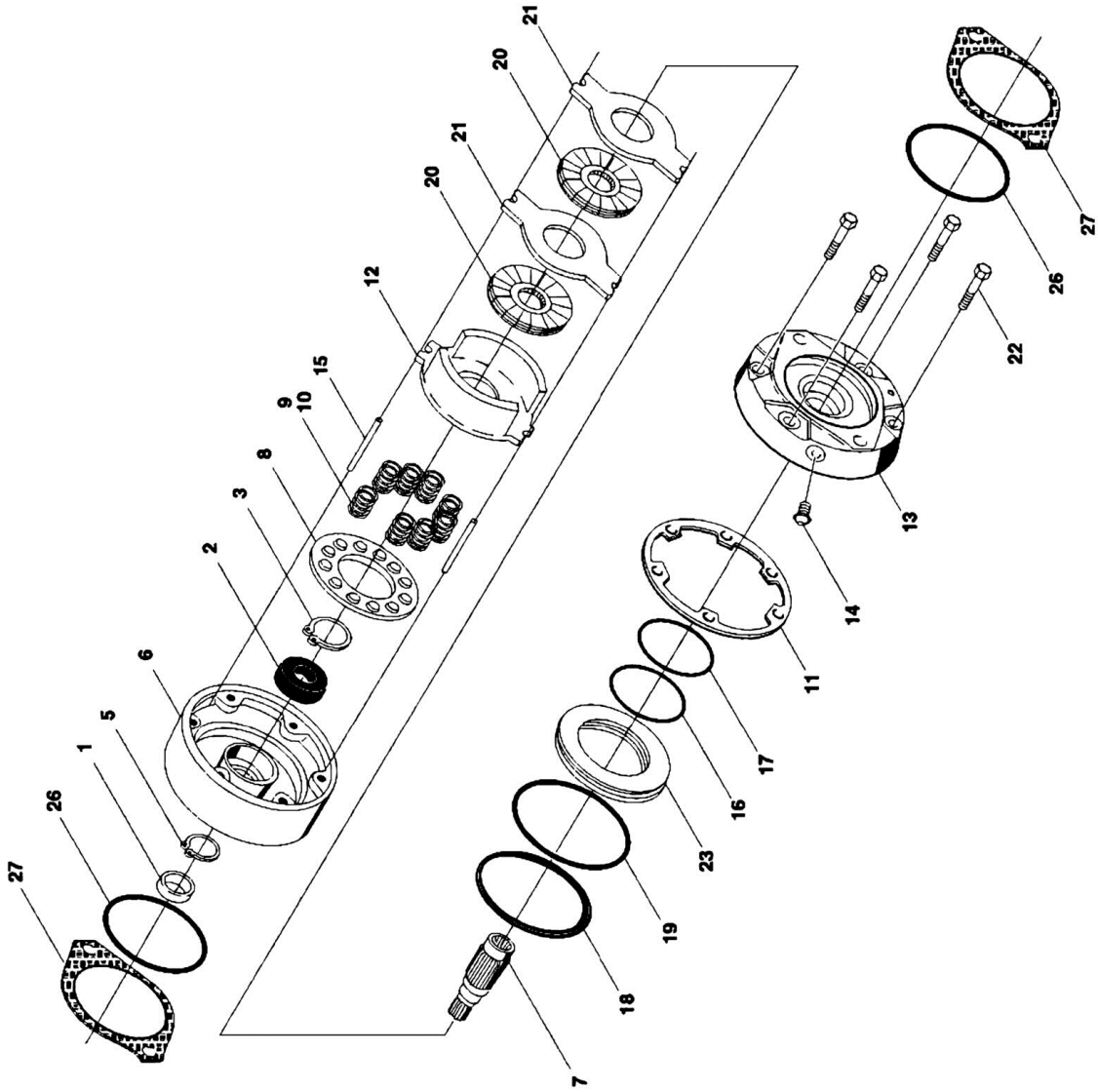
## SECTION 2 - TURNTABLE

ITEM	PART NUMBER	QTY	DESCRIPTION	REV
37	Kit	1	Bearing	
38	Kit	1	O-Ring	
39	Kit	1	Ring, Back-up	
40	7007923	1	Piston	
41	Kit	1	O-Ring	
42	Kit	1	Ring, Back-up	
43	7007914	1	Bleeder	
44	Kit	1	Ring, Retaining	
45	7007926	1	Shaft	
46	7007908	3	Disc	
47	7007916	6	Spring	
48	7007909	3	Disc, Friction	
49	7007902	2	Separator	
50	7007907	1	Disc	
51	7007906	8	Spring	
52	7007905	8	Spring	
53	7007915	2	Pin, Dowel	
54	Kit	1	Bearing	
55	Kit	1	O-Ring	
56	7007930	1	Housing	
57	7007901	4	Pin, Spiral	
58	7007933	1	Gasket	
58	7007934	1	Gasket	
	2900642	1	Seal Kit (Includes Items 35, 36, 38, 39, 41, 42, 55 & 58 Gaskets)	
	7007927	1	Bearing Kit (Includes Items 36, 37, 44, 54, 55 & 58 Gasket)	



# SECTION 2 - TURNTABLE

FIGURE 2-13. SWING BRAKE ASSEMBLIES (APRIL 1992 TO PRESENT)



## SECTION 2 - TURNTABLE

**FIGURE 2-13. SWING BRAKE ASSEMBLIES (APRIL 1992 TO PRESENT)**

ITEM	PART NUMBER	QTY	DESCRIPTION	REV
		Ref	<b>SWING BRAKE ASSEMBLIES:</b>	
	0920083	Ref	<b>Machines Built Through 1992</b>	-
	0920083	Ref	<b>Machines Built 1993 to SN 33475</b>	A
	0920109	Ref	<b>Machines Built (SN 33476 to Present)</b>	-
1	Kit	1	Seal, Oil	
2	Kit	1	Bearing	
3	7007977	1	Ring, Retaining	
5		Ref	Ring, Retaining Options:	
5	Not Required	1	Machines Built Through 1992	
5	7011716	1	Machines Built 1993 to Present	
6		Ref	Housing Options:	
6	7007981	1	Machines Built Through 1992	
6	7011713	1	Machines Built 1993 to SN 33475	
6	7018605	1	Machines Built <b>(SN 33476 to Present)</b>	
7		Ref	Shaft Options:	
7	7011718	1	Machines Built Through 1992	
7	7011720	1	Machines Built 1993 to Present	
8		Ref	Guide, Spring Options:	
8	Not Required	1	Machines Built Through 1992	
8	7011717	1	Machines Built 1993 to SN 33475	
8	7018606	1	Machines Built <b>(SN 33476 to Present)</b>	
9		Ref	Spring Options:	
9	7007979	6	Spring, (Small) Machines Built <b>(Prior to SN 33476)</b>	
9	7007970	6	Spring, (Red) Machines Built <b>(SN 33476 to Present)</b>	
10		Ref	Spring Options:	
10	7007980	6	Spring, (Large) Machines Built <b>(Prior to SN 33476)</b>	
10	7018602	3	Spring, (Blue) Machines Built <b>(SN 33476 to Present)</b>	
11	Kit	1	Seal, Case	
12		Ref	Plate Options:	
12		Ref	Machines Built <b>(Prior to SN 33476)</b>	
12	Kit	1	Plate, Return	
12	7011715	2	Separator Assembly	
12	7011714	4	Pin	
12	7007983	2	Separator	
12		Ref	Machines Built <b>(SN 33476 to Present)</b>	
12	Kit	1	Plate, Separator	
13	7011719	1	Cover	
14	7007914	1	Screw, Bleeder <b>(Prior to SN 33906)</b>	-
15	7007987	2	Pin, Dowel	
16	Kit	1	Ring, Back-up (Inner)	
17	Kit	1	O-Ring (Inner)	
18	Kit	1	Ring, Back-up (Outer)	
19	Kit	1	O-Ring (Outer)	
20	Kit	2	Rotor	
21	Kit	2	Stator	
22		Ref	Bolt, Washer Head Options:	
22	7007985	4	Machines Built <b>(Prior to SN 33476)</b>	A
22	7018607	4	Machines Built <b>(SN 33476 to Present)</b>	
23		Ref	Piston Options:	
23	7007923	1	Machines Built <b>(Prior to SN 33476)</b>	

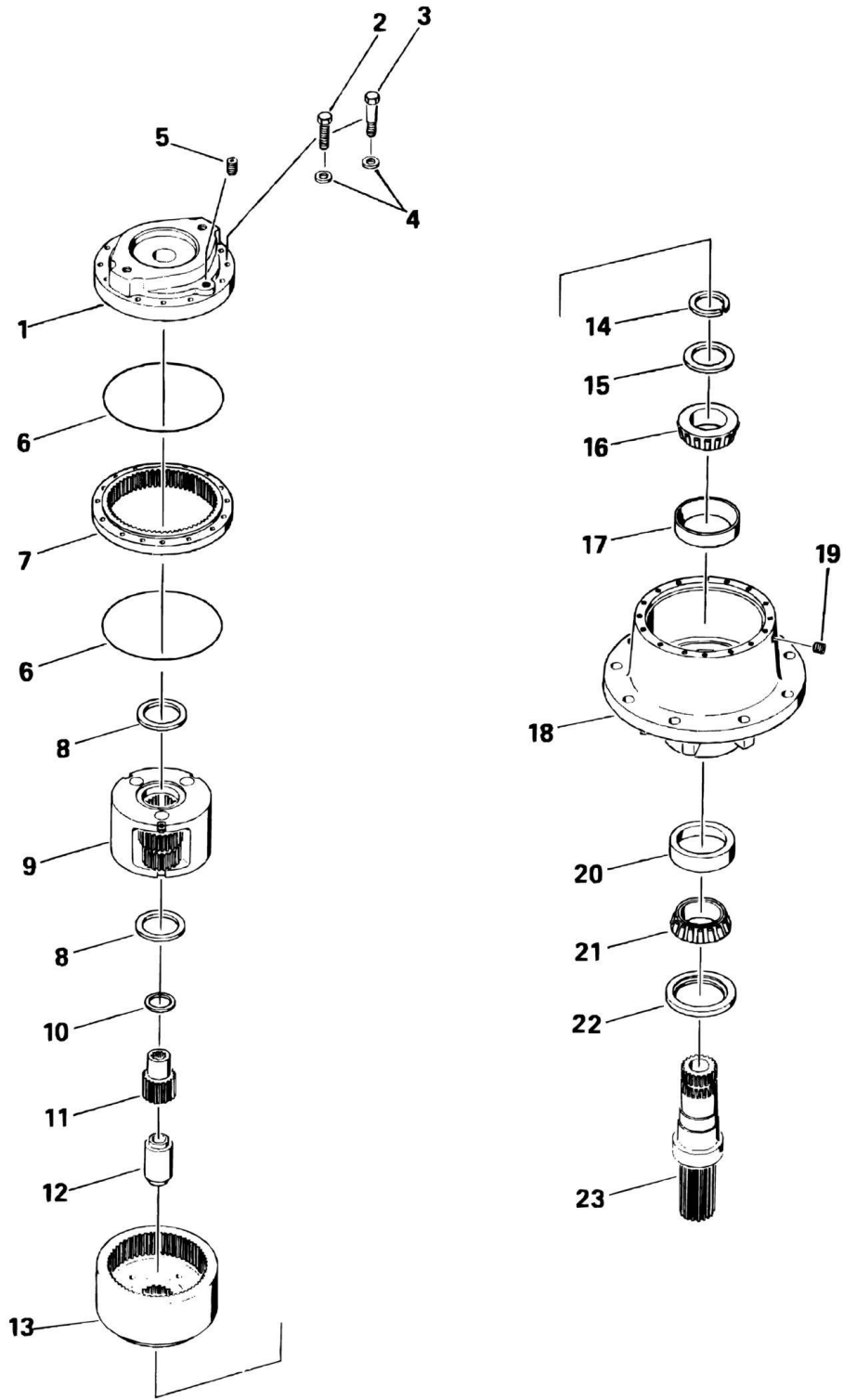
## SECTION 2 - TURNTABLE

ITEM	PART NUMBER	QTY	DESCRIPTION	REV
23	7018603	1	Machines Built <b>(SN 33476 to Present)</b>	
26	Kit	2	O-Ring	
27	7007934	2	Gasket	
	2900766	1	Seal Kit (Includes Items 1, 11, 16, 17, 18, 19, 26 & 27)	
	2900768	1	Bearing Kit (Includes Items 1, 2, 11, 26 & 27)	
		Ref	Lining Kit Options:	
	2900767		Machines Built - Lining Kit (Includes Items 11, 12, 20, 21, 26 & 27) <b>(Prior to SN 33476)</b>	
	7018608	1	Machines Built - Lining Kit (Includes Items 11, 12, 20, 21, 26 & 27) <b>(SN 33476 to Present)</b>	



# SECTION 2 - TURNTABLE

## FIGURE 2-14. SWING HUB ASSEMBLY





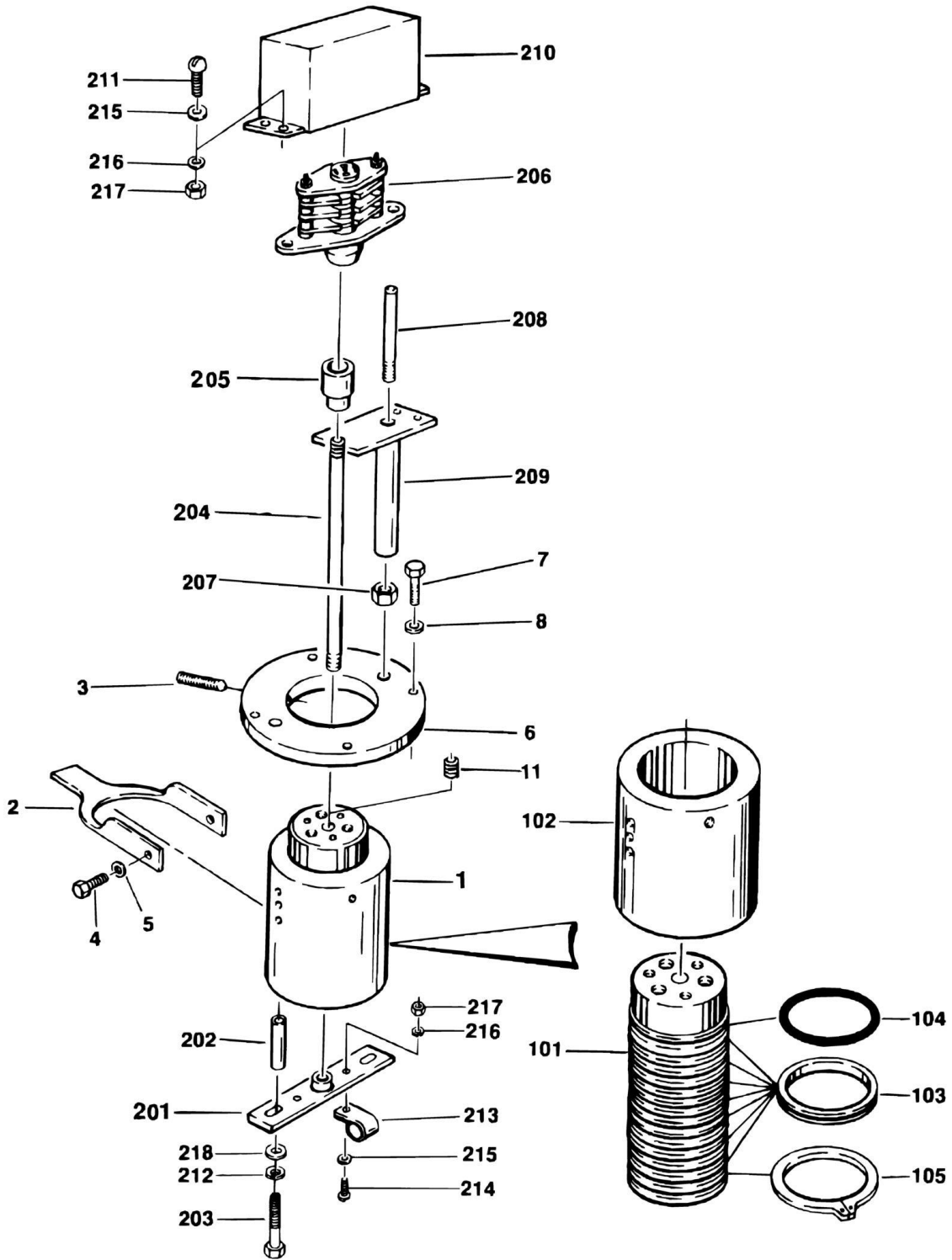
**SECTION 2 - TURNTABLE**

**FIGURE 2-14. SWING HUB ASSEMBLY**

ITEM	PART NUMBER	QTY	DESCRIPTION	REV
	2780055	Ref	<b>SWING HUB ASSEMBLY</b>	-
1	7000209	1	Cover	
2	7000217	8	Bolt, Hex Head	
3	7000214	4	Bolt, Hex Head, Shoulder	
4	4751500	12	Flatwasher	
5	7000242	1	Plug, Pipe	
6	Kit	2	O-Ring	
7	7000208	1	Gear, Ring	
8	7000253	2	Washer, Thrust	
9	7000207	1	Planet Carrier Assembly (No Service Breakdown Parts Purchase Entire Assembly)	
10	7000270	1	Washer, Thrust	
11	7000268	1	Gear, Sun-Input	
12	7000269	1	Spacer, Sun Gear	
13	7000246	1	Gear, Internal	
13	7000271	1	Hub Assembly	
14	Kit	1	Ring, Retaining	
15	Kit	1	Spacer	
16	7000258	1	Bearing, Tapered Roller	
17	7000257	1	Cup, Bearing	
18	7000210	1	Hub	
19	7000242	1	Plug, Pipe	
20	7000255	1	Cup, Bearing	
21	7000256	1	Bearing, Tapered Roller	
22	Kit	1	Seal	
23	7000233	1	Shaft, Output	
	2900034	1	Kit, Repair (Includes Items 6, 14, 15 & 22)	

## SECTION 2 - TURNTABLE

FIGURE 2-15. ROTARY COUPLING AND COLLECTOR RING ASSEMBLY AND INSTALLATION



**SECTION 2 - TURNTABLE**

**FIGURE 2-15. ROTARY COUPLING AND COLLECTOR RING ASSEMBLY AND INSTALLATION**

ITEM	PART NUMBER	QTY	DESCRIPTION	REV
		Ref	<b>ROTARY OIL COUPLING INSTALLATIONS</b>	
	0250611	Ref	<b>Rotary Oil Coupling Installations (Prior to September 1994)</b>	C
	0254882	Ref	<b>Rotary Oil Coupling Installations (September 1994 to Present)</b>	-
1		Ref	Rotary Oil Coupling Assembly (6 Port) (See Items 101-105 for Breakdown) Options:	
1	1660185	1	Rotary Oil Coupling Assembly (Prior to September 1994)	
1	1660213	1	Rotary Oil Coupling Assembly (September 1994 to Present)	
2	3530403	1	Plate, Retaining	
3	3951820	2	Setscrew 1/2in-13NC x 2 1/2in	
4	0641807	2	Bolt 1/2in-13NC x 7/8in	
5	4761800	2	Lockwasher 1/2in	
6		Ref	Collar	
6	1440154	1	Collar (Prior to September 1994)	
6	7019610	1	Collar (September 1994 to Present)	
7	0641512	4	Bolt 5/16in-18NC x 1 1/2in	
8	4761500	4	Lockwasher 5/16in	
9	0100011	AR	Loctite #242 (Not Shown)	
10	0100019	AR	Loctite #271 (Not Shown)	
11	Not Required	0	Not Required	
		Ref	<b>ROTARY OIL COUPLING ASSEMBLIES</b>	
101		Ref	Swivel Body Options:	
101	0620106	1	Body for 1660185 Coupling	
101	Not Available		Body for 1660213 Coupling	
102		Ref	Swivel Housing Options:	
102	2760091	1	Housing for 1660185 Coupling	
102	Not Available		Housing for 1660213 Coupling	
103	Kit	7	T-Seal	
104	3760004	1	Ring, Retaining (1660185 Coupling)	
105	Kit	1	O-Ring	
		Ref	Seal Kit Options:	
	2901146	1	1660154, 1660160 & 1660185 Couplings (Includes Items 103 & 105) 1660213 Couplings (was p/n 7013175)	
	1660213EX	1	Note: Due to complexity of repair, seal kit no longer available. Use rebuilt unit as replacement.	
		Ref	<b>OPTIONAL COLLECTOR RING INSTALLATIONS:</b>	
	0232123	Ref	<b>Machines With 2WS Fixed Axle and Single Or No Jack Only</b>	7
	0255988	Ref	<b>Machines With 2WS Oscillating Axle and No Jacks Only</b>	-
	0252284	Ref	<b>Machines With All Other Configurations</b>	3
201		Ref	Bracket Weldment Options:	
201	0230470	1	Machines with 2WS Fixed Axle	
201	4843822	1	Machines with 2WS Oscillating Axle	
201	4843822	1	Machines with all other Configurations	
202	0960224	2	Bushing	
203	0641418	2	Bolt 1/4in-20NC x 2 1/4in	
204		Ref	Pipe Options:	
204	3460065	1	Machines with 2WS Fixed Axle	
204	2180763	1	Machines with 2WS Oscillating Axle	
204	2180763	1	Machines with all other Configurations	
205		Ref	Bushing Options:	
205	0230435	1	Machines with 2WS Fixed Axle	

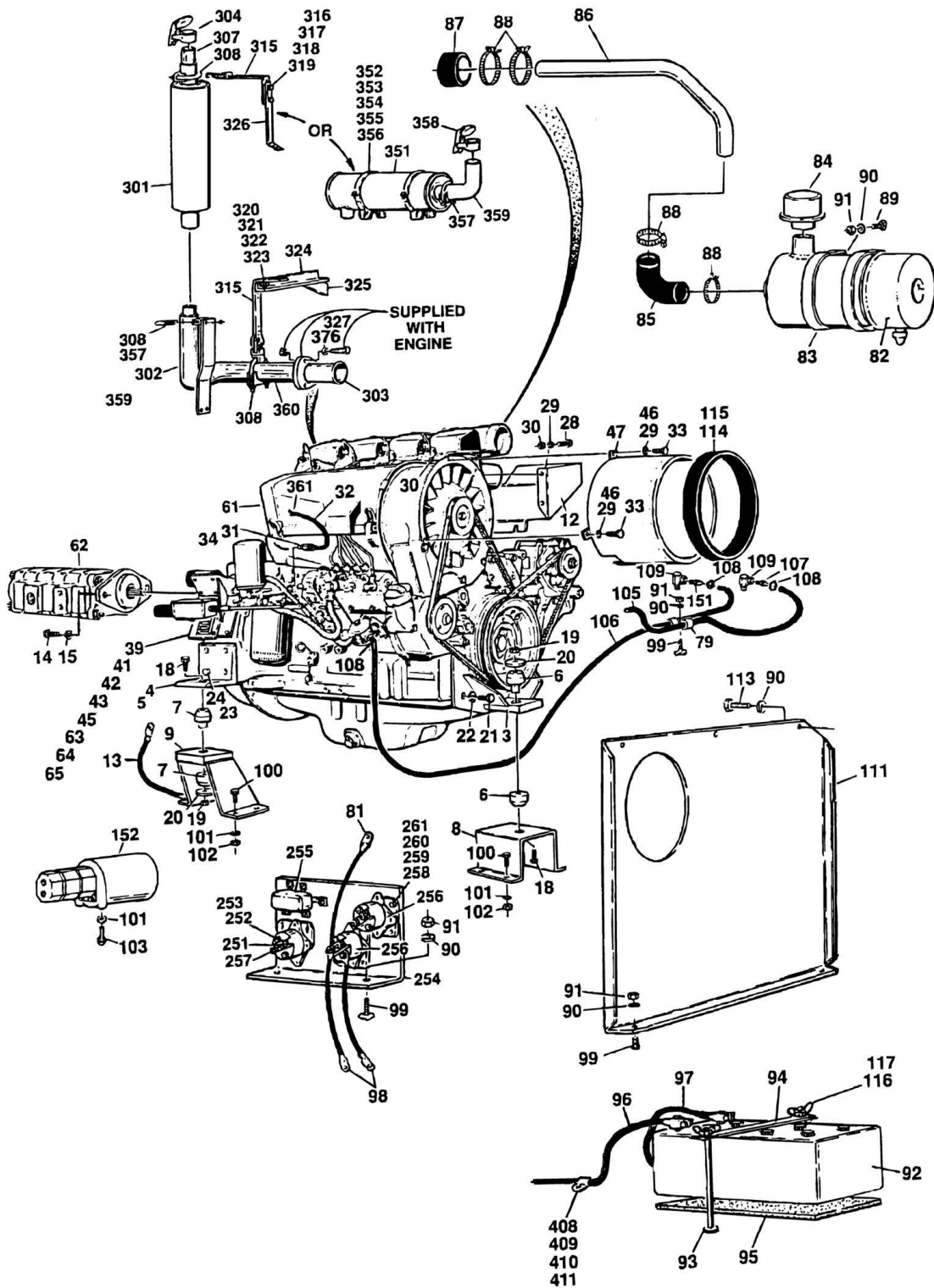
## SECTION 2 - TURNTABLE

ITEM	PART NUMBER	QTY	DESCRIPTION	REV
205	0961531	1	Machines with 2WS Oscillating Axle	
205	0961531	1	Machines with all other Configurations	
206		Ref	Collector Ring Assembly Options:	
206	3760036	1	Machines with 2WS Fixed Axle	
206	3760053	1	Machines with 2WS Oscillating Axle	
206	3760108	1	Machines with all other Configurations	
207	3311801	2	Nut 1/2in-13NC	
208	3420290	2	Pin, Drive	
209	0231047	2	Guide, Drive	
210		Ref	Cover Options:	
210	1670594	1	Machines with 2WS Fixed Axle	
210	1670594	1	Machines with 2WS Oscillating Axle	
210	0234721	1	Machines with All Other Configurations	
211	0721005	4	Screw, Machine #10-24NC x 5/8in	
212	4761400	2	Lockwasher 1/4in	
213	1320040	2	Clamp, Cable	
214	3911012	1	Screw, Machine	
215	4751000	6	Flatwasher #10	
216	4761000	5	Lockwasher #10	
217	3311001	5	Nut #10-24NC	
218	4751400	2	Flatwasher 1/4in	



# SECTION 2 - TURNTABLE

FIGURE 2-16. DEUTZ ENGINE INSTALLATION WITHOUT NOISE REDUCTION (BUILT PRIOR TO DECEMBER 1992)



## SECTION 2 - TURNTABLE

**FIGURE 2-16. DEUTZ ENGINE INSTALLATION WITHOUT NOISE REDUCTION (BUILT PRIOR TO DECEMBER 1992)**

ITEM	PART NUMBER	QTY	DESCRIPTION	REV
		Ref	<b>DEUTZ ENGINE ASSEMBLY (STANDARD PARTS)</b>	
3	4842079	1	Support, Motor (Front)	
4	0181158	1	Support, Motor (Rear Left Side)	
5	0181159	1	Support, Motor (Rear Right Side)	
6	3200133	1	Mount, Engine (Front)	
7	3200183	2	Mount, Engine (Rear)	
8	3200206	1	Bracket, Mounting (Front)	
9	4842167	2	Bracket, Mounting (Rear)	
12	Not Required	0	Not Required	
13	1060044	1	Cable, Battery (Start Solenoid to Ground)	
14	0641810	2	Bolt 1/2in-18NC x 1 1/4in	
15	4761800	2	Lockwasher 1/2in	
18	0642032	3	Bolt 5/8in-20NC x 4in	
19	3312005	3	Locknut 5/8in-20NC	
20	4740242	3	Flatwasher, Special	
21	0701427	4	Bolt, Metric 14mm x 100mm	
22	4740191	4	Lockwasher, Metric 14mm	
23	0701215	8	Bolt, Metric 12mm x 35mm	
24	4832100	8	Lockwasher, Metric 12mm	
28	0641406	3	Bolt 1/4in-20NC x 3/4in	
29	4761400	3	Lockwasher 1/4in	
30	3311401	2	Nut 1/4in-20NC	
31	2220001	1	Fitting	
32	2750527	AR	Hose, Oil Pressure Gauge	
33	0700617	1	Bolt, Metric 6mm x 45mm	
34	4420001	AR	Tape, Sealant	
39	1320070	1	Clamp	
41	3910812	2	Screw, Machine #8-32NC x 3/4in	
42	4770800	2	Starwasher #8	
43	3310801	2	Nut #8-32NC	
45	4751800	2	Flatwasher 1/2in	
46	4751400	3	Flatwasher 1/4in	
47	4843384	1	Tube, Air Intake	
52	0641416	2	Bolt 1/4in-20NC x 2in	
54	4921389	1	Harness, Engine (Not Shown)	
		Ref	<b>DEUTZ ENGINE ASSEMBLY (VARIABLE PARTS)</b>	
	0252511	Ref	<b>Deutz Clean Burn Engine</b>	B
	0252507	Ref	<b>Deutz Standard Engine</b>	B
61		Ref	Engine Assembly Options:	
61	2000115	1	F4L912W Cleanburn Engine	
61	2000083	1	F4L912 Standard Engine	
62	3600139	1	Pump Assembly (See MAIN PUMP ASSEMBLY for Breakdown)	
63	0901402	1	Bracket, Terminal Strip Mounting	
64	1670414	1	Cover, Terminal Strip	
65	1700821	1	Decal - Wire Identification	
		Ref	<b>DEUTZ ENGINE INSTALLATION (STANDARD PARTS)</b>	
78	2200261	1	Fitting (Not Shown - Located at Oil Pressure Gauge)	
79	1320041	2	Clamp	
80	2220001	1	Fitting (Not Shown - Located at Oil Pressure Gauge)	

## SECTION 2 - TURNTABLE

ITEM	PART NUMBER	QTY	DESCRIPTION	REV
81	1060045	1	Cable, Battery (Aux Relay to Start Relay)	
82	1340020	1	Air Cleaner/Filter	
82	7004214	1	Filter - 1340020 Air Cleaner	
83	0340002	2	Band, Mounting	
84	1120161	1	Bonnet	
85	0080039	1	Elbow	
86	4562928	1	Tube, Air Intake	
87	2720224	1	Hose	
88	1320058	4	Clamp	
89	0641408	4	Bolt 1/4in-20NC x 1in	
90	4761400	4	Lockwasher 1/4in	
91	3311401	4	Nut 1/4in-20NC	
92	0400020	1	Battery	
93	0236768	2	Rod, Tie-Down	
94	0361027	1	Strap	
95	3980006	1	Seat, battery	
96	1060147	1	Cable, Battery (+ Battery to Starter)	
97	1060046	1	Cable, Battery (- Battery to Ground)	
98	1060149	2	Cable, Battery (Aux Relay to Starter and Aux Relay to Aux Power)	
99	4300032	AR	Stud (Welded on Part)	
100	0641612	12	Bolt 3/8in - 16NC x 1 1/2in	
101	4761600	14	Lockwasher 3/8in	
102	3311601	12	Nut 3/8in-16NC	
103	0641610	2	Bolt 3/8in-16NC x 1 1/4in	
105		Ref	Fuel Return Line Options:	
105	2720366	8 ft	Hose - 1/4in	
105	2720271	10.5 ft	Hose - 3/16in	
106		Ref	Fuel Supply Line Options:	
106	2750532	8.5 ft	Hose - 1/4in	
107	2220317	1	Fitting, Barbed	
108	1320022	4	Clamp	
109	2220302	2	Fitting, Adaptor	
110	4420001	AR	Tape, Sealant (Not Shown)	
111	3380320	1	Baffle	
112	2420030	1	Gauge, Oil Pressure (Not Shown - Located at Ground Control)	
113	3900022	3	Screw, Self-Tap 1/4in x 7/8in	
114	4280002	30	Strip, Neoprene	
		in/76cm		
115	1320059	1	Clamp	
116	4711600	2	Flatwasher 3/8in	
117	3300029	2	Wingnut 3/8in-16NC	
		Ref	<b>DEUTZ F4L912 ENGINE INSTALLATION (VARIABLE PARTS)</b>	
	0252508	Ref	<b>Deutz Standard Engine</b>	B
	0252512	Ref	<b>Deutz Clean Burn Engine</b>	A
151		Ref	Supply Line Fitting Options:	
151	2220720	1	Fitting	
152		Ref	Auxiliary Pump Assembly Options:	
152	3600071	1	Barnes Pump	
152	7004248	1	Replacement Motor Only	
152	7004436	1	Replacement Motor with Bracket	
152	7012576	1	Replacement Mounting Bracket Only	
152	7004249	1	Replacement Coupling	



## SECTION 2 - TURNTABLE

ITEM	PART NUMBER	QTY	DESCRIPTION	REV
152	7004247	1	Replacement Pump	
152	Not Available	1	Pump Seal Kit	
	0237627	Ref	<b>ELECTRICAL PANEL ASSEMBLY</b>	F
251	3740059	1	Relay	
252	3321001	3	Nut #10-32NF	
253	3310801	1	Nut #8-32NC	
254	3530425	1	Plate, Mounting	
255		Ref	Relay Options:	
255	3740030	1	Relay, Adlo (Used Prior to April 1991)	
255	3740080	1	Relay, Sealed (Used April 1991 to December 1992)	
256	3740067	2	Relay	
257	3300220	6	Nut, Special	
258	0641405	7	Bolt 1/4in-20NC x 5/8in	
259	4761400	7	Lockwasher 1/4in	
260	3311401	7	Nut 1/4in-20NC	
261	4711400	6	Flatwasher 1/4in Narrow	
	0236388	Ref	<b>EXHAUST INSTALLATION - VICKERS PROPORTIONAL MACHINES BUILT PRIOR TO DECEMBER 1991 (SEE SPECIAL OPTIONS SECTION FOR NON-STANDARD EXHAUST SYSTEMS)</b>	I
301	3220077	1	Muffler	
302	4562664	1	Pipe, Exhaust	
303	0080117	1	Adaptor	
304	1120169	1	Rain Cap	
307	0960960	1	Tube	
308	1320019	4	Clamp	
314	4100025	15.6 in	Sleeve, Fiberglass (Not Shown)	
315	0901387	2	Bracket, Hanger	
316	0641507	2	Bolt 5/16in-18NC x 7/8in	
317	4751500	2	Flatwasher 5/16in	
318	4761500	2	Lockwasher 5/16in	
319	3311501	2	Nut 5/16in-18NC	
320	0641607	1	Bolt 3/8in-16NC x 7/8in	
321	4751600	1	Flatwasher 3/8in	
322	4761600	1	Lockwasher 3/8in	
323	3311601	1	Nut 3/8in-16NC	
324	0181286	1	Angle, Support	
325	2551030	1	Gusset	
326	0901719	1	Bracket, Support	
327	4740252	3	Flatwasher, Special	
	0252050	Ref	<b>EXHAUST INSTALLATION - VICKERS PROPORTIONAL MACHINES BUILT DECEMBER 1991 TO DECEMBER 1992 (SEE SPECIAL OPTIONS SECTION FOR NON-STANDARD EXHAUST SYSTEMS)</b>	A
351	3220080	1	Muffler	
352	0340041	2	Band, Muffler	
353	0641406	4	Bolt 1/4in-20NC x 3/4in	
354	4751400	4	Flatwasher 1/4in	
355	4761400	4	Lockwasher 1/4in	
356	3311401	4	Nut 1/4in-20NC	
357	1320011	4	Clamp	
358	1120406	1	Rain-Cap	
359	4565267	2	Tube, Exhaust	

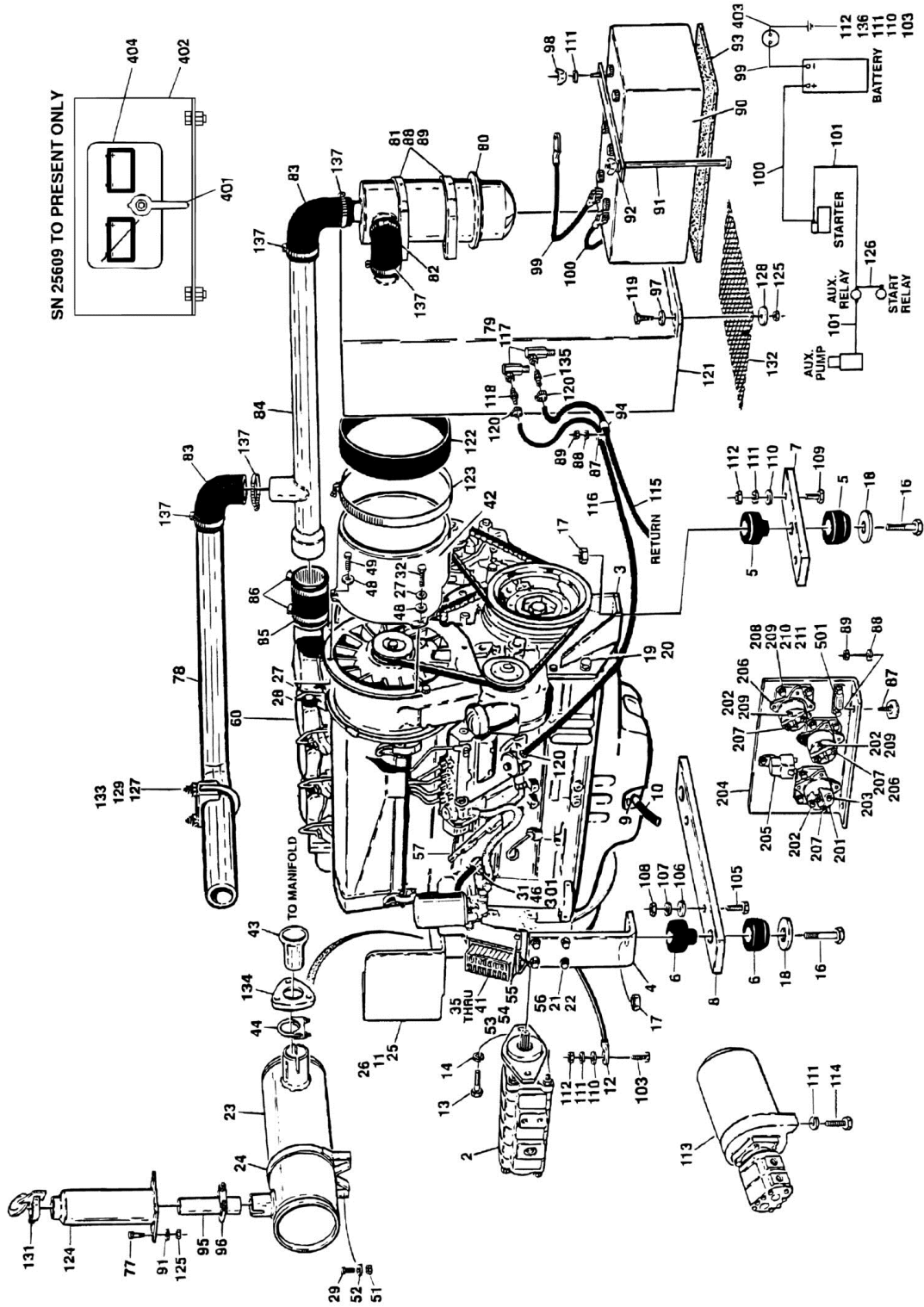
## SECTION 2 - TURNTABLE

ITEM	PART NUMBER	QTY	DESCRIPTION	REV
360	4565268	1	Tube, Flex Exhaust	
361	4565269	1	Adaptor, Exhaust	
		Ref	<b>ENGINE COMPONENTS (NOT SHOWN)</b>	
	2000083	Ref	<b>Deutz F4L912 Standard Engine</b>	
	2000115	Ref	<b>Deutz F4L912W Clean Burn Engine</b>	
	7014686	1	Gasket and Filter Kit - Deutz F4L912 (Includes 3 different Fuel Line Washers - 12 of each, 1 Oil Plug Washer, 1 Fuel Filter, 1 Oil Filter and 1 Gasket Set)	
	7029274	1	Filter, Fuel (was p/n 7000649)	
	7029276	1	Filter, Engine Oil (was p/n 7000648)	
	7000661	1	Starter	
	7000697	1	Belt, Blower	
	7000698	1	Belt, Alternator	
	7000699	1	Gasket, Doughnut	
	70001361	4	Pump, Fuel Injection	
	70001927	1	Manifold, Exhaust	
	70001928	1	Gasket, Exhaust Manifold	
	70002252	4	Ring, Head	
	70002253	1	Complete Engine Gasket Set	
	70002254	4	Piston/Cylinder Kit	
	70002258	4	Cylinder Head Bolt	
	70002259	4	Washer, Cylinder Head Bolt	
	7016309	1	Washer, Copper Sealing	
	7016330	1	Switch, Oil Pressure	
	7019607	1	Switch, Solenoid (was p/n 7016341)	
	7016364	2	Pump, Fuel Lift	
	7020407	1	Gasket, Lift Pump	
	7020432	1	Lift Pump Repair Kit	
	7019607	1	Solenoid, Fuel Shutdown	
	7020208	1	Ring Gear (Flywheel)	
	7020400	1	Washer, Fuel Line	
	7020401	1	Washer	
	7020402	1	Washer, Fuel Line	
	7020403	1	Washer, Fuel Line	
	7020405	1	Washer/Oil Plug	
	7020409	1	Dipstick	
	7000663	1	Alternator (was p/n 7020410)	
	7020410	1	Alternator (Remanufactured) (was p/n 7020436)	
	7020413	1	Starter	
	7020420	1	Starter (Remanufactured)	
	7020421	1	Nozzle, Injector	
	7020422	1	Injector	
	7020423	1	Gasket, Injector Tip	
	7020433	1	Gasket	
	7020498	1	Fan	
	7026125	1	Flange, Exhaust	
	7026173	1	Switch, Broken Belt	
	7027250	1	Spring, Tension (Actuator)	



# SECTION 2 - TURNTABLE

FIGURE 2-17. DEUTZ ENGINE INSTALLATION WITH NOISE REDUCTION (BUILT DECEMBER 1992 TO PRESENT)



## SECTION 2 - TURNTABLE

**FIGURE 2-17. DEUTZ ENGINE INSTALLATION WITH NOISE REDUCTION (BUILT DECEMBER 1992 TO PRESENT)**

ITEM	PART NUMBER	QTY	DESCRIPTION	REV
	1281913	Ref	<b>DEUTZ ENGINE ASSEMBLY (STANDARD PARTS)</b>	F
	0254243	Ref	<b>EXHAUST INSTALLATION (STANDARD PARTS)</b>	A
2	3600139	1	Pump Assembly (See MAIN PUMP ASSEMBLY for Breakdown)	
3	3200229	1	Support, Motor (Front)	
4	3200228	2	Support, Motor (Rear)	
5	3200133	1	Mount, Motor (Front)	
6	3200183	2	Mount, Motor (Rear)	
7	3200227	1	Plate, Mounting (Front)	
8	3200306	1	Plate, Mounting (Rear)	
9	4640742	1	Valve, Drain	
10	2720042	6 in/15cm	Hose, Heater	
11	4832000	2	Lockwasher, Metric 10mm	
12	1060044	1	Cable, Battery (Engine to Ground)	
13	0641810	2	Bolt 1/2in-13NC x 1 1/4in	
14	4761800	2	Lockwasher 1/2in	
16	0642032	3	Bolt 5/8in-11NC x 4in	
17	3312005	3	Locknut 5/8in-11NC	
18	4740242	3	Flatwasher, Special	
19	0701427	4	Bolt, Metric 14mm x 100mm	
20	4740191	4	Lockwasher, Metric 14mm	
21	0701215	4	Bolt, Metric 12mm x 35mm	
22	4832100	8	Lockwasher 12mm	
23	3220082	1	Muffler	
24	0340041	1	Band, Muffler	
25	0901849	1	Bracket, Muffler	
26	0701015	2	Bolt, Metric 10mm x 35mm	
27	4761400	3	Lockwasher 1/4in	
28	3311405	2	Locknut 1/4in-20NC	
29	0641508	2	Bolt 5/16in-18NC x 1in	
31	4420001	AR	Tape, Sealing	
32	0700617	1	Bolt, Metric 6mm x 45mm	
35	0901402	1	Bracket, Terminal Strip	
36	1320060	1	Clamp	
37	1670414	1	Cover, Terminal Strip	
38	3910812	2	Screw, Machine #8-32NC x 3/4in	
39	4770800	2	Starwasher #8	
40	3310801	2	Nut #8-32NC	
41	1700821	1	Decal - Wire Identification	
42	4843384	1	Air Intake Weldment	
43	4565269	1	Adapter, Exhaust	
44	1320011	1	Clamp, Exhaust	
45	4921389	1	Engine Harness (Not Shown)	
46	2750527	1	Hose, Oil Pressure Gauge	
48	4751400	3	Flatwasher 1/4in	
49	0641416	2	Bolt 1/4in-20NC x 2in	
51	3311505	2	Locknut 5/16in-18NC	
52	4751500	4	Flatwasher 5/16in	
53	0700810	2	Bolt, Metric 8mm x 20mm	
54	4751500	2	Flatwasher 5/16in	

## SECTION 2 - TURNTABLE

ITEM	PART NUMBER	QTY	DESCRIPTION	REV
55	4761500	2	Lockwasher 5/16in	
56	0701217	4	Bolt, Metric 12mm x 45mm	
57	1320222	1	Clamp <b>(SN 38256 to Present)</b>	
		Ref	<b>DEUTZ ENGINE ASSEMBLY (VARIABLE PARTS)</b>	
	0253331	Ref	<b>Deutz F4L912 Standard Engine</b>	6
	0253333	Ref	<b>Deutz F4L912W Clean Burn Engine</b>	7
60		Ref	Deutz Engine Options:	
60	2000083	1	Deutz F4L912 Standard Engine	
60	2000115	1	Deutz F4L912W Cleanburn Engine	
	0253332	Ref	<b>STANDARD ENGINE INSTALLATION</b>	6
	0253334	Ref	<b>CLEAN BURN ENGINE INSTALLATION</b>	6
	0254243	Ref	<b>EXHAUST INSTALLATION (STANDARD PARTS)</b>	A
77	0641408	4	Bolt 1/4in-20NC x 1in	
78	4844238	1	Tube	
79	4420001	AR	Tape, Sealant	
80	1340020	1	Air Cleaner Assembly	
80	7004214	1	Filter	
81	0340002	2	Band, Mounting	
82	0080046	1	Elbow	
83	0080039	AR	Elbow	
84	4565655	1	Tube	
85	2720224	1	Hose	
86	1320058	2	Clamp	
87	4300032	8	Stud (Welded on Part)	
88	4761400	12	Lockwasher 1/4in	
89	3311401	12	Nut 1/4in-20NC	
90	0400020	1	Battery	
91	0236768	2	Rod, Tie-Down	
92	0361027	1	Strap, Tie-Down	
93	3980006	1	Seat, Masonite	
94	1320041	6	Clamp	
95	4565751	1	Pipe, Exhaust	
96	1320011	1	Clamp, Exhaust	
97	4751400	6	Flatwasher 1/4in	
98	3300029	2	Wingnut 3/8in-16NC	
99	1060046	1	Cable, Battery (- Batt to Ground)	
100	1060147	1	Cable, Battery (+ Batt to Start Solenoid)	
101	1060149	2	Cable, Battery (Start Solenoid to Aux Relay and Aux Relay to Aux Pump)	
102	2200261	1	Fitting, Coupling (Not Shown - Located at Ground Control with Item 130)	
103	4300034	1	Stud (Welded on Part)	
104	2220001	1	Fitting, Swivel (Not Shown - Located at Ground Control with Item 130)	
105	0642020	2	Bolt 5/8in-20NC x 2 1/2in	
106	4752000	2	Flatwasher 5/8in	
107	4762000	2	Lockwasher 5/8in	
108	3312001	2	Nut 5/8in-20NC	
109	0641620	2	Bolt 3/8in-16NC x 2 1/2in	
110	4751600	4	Flatwasher 3/8in	
111	4761600	8	Lockwasher 3/8in	
112	3311601	4	Nut 3/8in-16NC	

**SECTION 2 - TURNTABLE**

ITEM	PART NUMBER	QTY	DESCRIPTION	REV
113	3600071	1	Auxiliary Pump Assembly - Barnes	
113	7004248	1	Motor Assembly	
113	7004436	1	Motor Assembly With Mounting Bracket	
113	7012576	1	Bracket Only	
113	7004249	1	Coupling	
113	7004247	1	Pump Assembly	
113	Not Available	1	Seal Kit - 7004247 Pump	
114	0641614	3	Bolt 3/8in-16NC x 1 3/4in	
115	2720271	6.5 ft/2m	Hose, Fuel (Return)	
116	2750532	8 ft/2.4m	Hose, Fuel (Supply)	
117	2220063	2	Fitting, Swivel Adapter	
118	2220720	1	Fitting, Barbed	
119	0641410	6	Bolt 1/4in-20NC x 1 1/4in	
120	1320022	4	Clamp, Hose	
121	0253194	1	Inlet Box Assembly	
122	4280002	30 in/76cm	Neoprene	
123	1320059	1	Clamp	
124	4844235	1	Snorkel	
125	3311405	6	Locknut 1/4in-20NC	
126	1060045	1	Cable, Battery (Aux Relay to Start Relay)	
127	4751500	2	Flatwasher 5/16in	
128	4740362	6	Washer, Fender	
129	4761500	2	Lockwasher 5/16in	
130	2420030	1	Gauge, Oil Pressure (Not Shown - Locate at Ground Control)	
131	1120423	1	Raincap	
132	3536008	1	Plate, Cover	
133	1320021	1	Clamp, Muffler	
134	7026125	1	Flange, Exhaust	
135	2180536	1	Fitting, Barbed	
136	4791600	2	Starwasher 3/8in	
137	1320016	6	Clamp (SN 36946 to Present)	
	0237627	Ref	<b>ELECTRICAL PANEL ASSEMBLY</b>	7
201	3740059	1	Relay	
202	3321001	3	Nut #10-32NF	
203	3310801	1	Nut #8-32NC	
204	3530425	1	Plate, Mounting	
205	3740080	1	Relay, Sealed	
206	3740067	2	Relay	
207	3300220	6	Nut, Special	
208	0641405	7	Bolt 1/4in-20NC x 5/8in	
209	4761400	7	Lockwasher 1/4in	
210	3311401	7	Nut 1/4in-20NC	
211	4711400	6	Flatwasher 1/4in Narrow	
		Ref	<b>SWITCH INSTALLATIONS (OPTIONAL)</b>	
	0255152	Ref	<b>Engine Distress Installation</b>	3
	0251683	Ref	<b>Engine Run Light Installation</b>	B
	0255274	Ref	<b>Low Oil Pressure Shutdown Installation</b>	4
	0251422	Ref	<b>Generator Installation (October 1990 to November 1990)</b>	H
	0251562	Ref	<b>Generator Installation (November 1990 to Present)</b>	F
301	2180360	1	Fitting, Tee	
301		Ref	Switch, Oil Pressure Options:	

## SECTION 2 - TURNTABLE

ITEM	PART NUMBER	QTY	DESCRIPTION	REV
301	4360065	1	Engine Distress Installation	
301	4360037	1	Engine Run Light Installation	
301	4360037	1	Generator Installation (October 1990 to Present)	
301	4360065	1	Low Oil Pressure Shutdown Installation	
301	4360179	1	Switch, Temperature (Engine Distress Installation Only) (Not Shown- Located in Head Under Shroud)	
301	2180749	1	Fitting, 45 (Low Oil Pressure Shutdown Installation Only)	
301	2180730	1	Fitting, Adaptor (Generator Installation Only)	
	0257178	Ref	<b>BATTERY DISCONNECT SWITCH INSTALLATION (SN 25609 to Present)</b>	1-A
401	4360155	1	Switch, Disconnect	
402	0902373	1	Bracket	
403	1060044	1	Cable, Battery	
404	1703476	1	Decal - Battery Connect and Disconnect	
	0257158	Ref	<b>FUSE INSTALLATION (SN 25609 to Present)</b>	1-A
501	2400054	1	Fuse - 35 Amp	
501	2400044	1	Fuse, Holder	
501	0741008	2	Screw #10-24 NC x 1in	
501	4751000	2	Flatwasher #10	
501	3311005	2	Locknut #10-24 NC	
501	4920946	1	Harness	
		Ref	<b>ENGINE COMPONENTS (NOT SHOWN)</b>	
	2000083	Ref	<b>Deutz F4L912 Standard Engine</b>	
	2000115	Ref	<b>Deutz F4L912W Clean Burn Engine</b>	
	7014686	1	Gasket and Filter Kit - Deutz F4L912 (Includes 3 different Fuel Line Washers - 12 of each, 1 Oil Plug Washer, 1 Fuel Filter, 1 Oil Filter and 1 Gasket Set)	
	7029274	1	Filter, Fuel (was p/n 7000649)	
	7029276	1	Filter, Engine Oil (was p/n 7000648)	
	7000661	1	Starter	
	7000697	1	Belt, Blower	
	7000698	1	Belt, Alternator	
	7000699	1	Gasket, Doughnut	
	70001361	4	Pump, Fuel Injection	
	70001927	1	Manifold, Exhaust	
	70001928	1	Gasket, Exhaust Manifold	
	70002252	4	Ring, Head	
	70002253	1	Complete Engine Gasket Set	
	70002254	4	Piston/Cylinder Kit	
	70002258	4	Cylinder Head Bolt	
	70002259	4	Washer, Cylinder Head Bolt	
	7016309	1	Washer, Copper Sealing	
	7016330	1	Switch, Oil Pressure	
	7019607	1	Switch, Solenoid (was p/n 7016341)	
	7016364	2	Pump, Fuel Lift	
	7020407	1	Gasket, Lift Pump	
	7020432	1	Lift Pump Repair Kit	
	7019607	1	Solenoid, Fuel Shutdown	
	7020208	1	Ring Gear (Flywheel)	
	7020400	1	Washer, Fuel Line	
	7020401	1	Washer	
	7020402	1	Washer, Fuel Line	

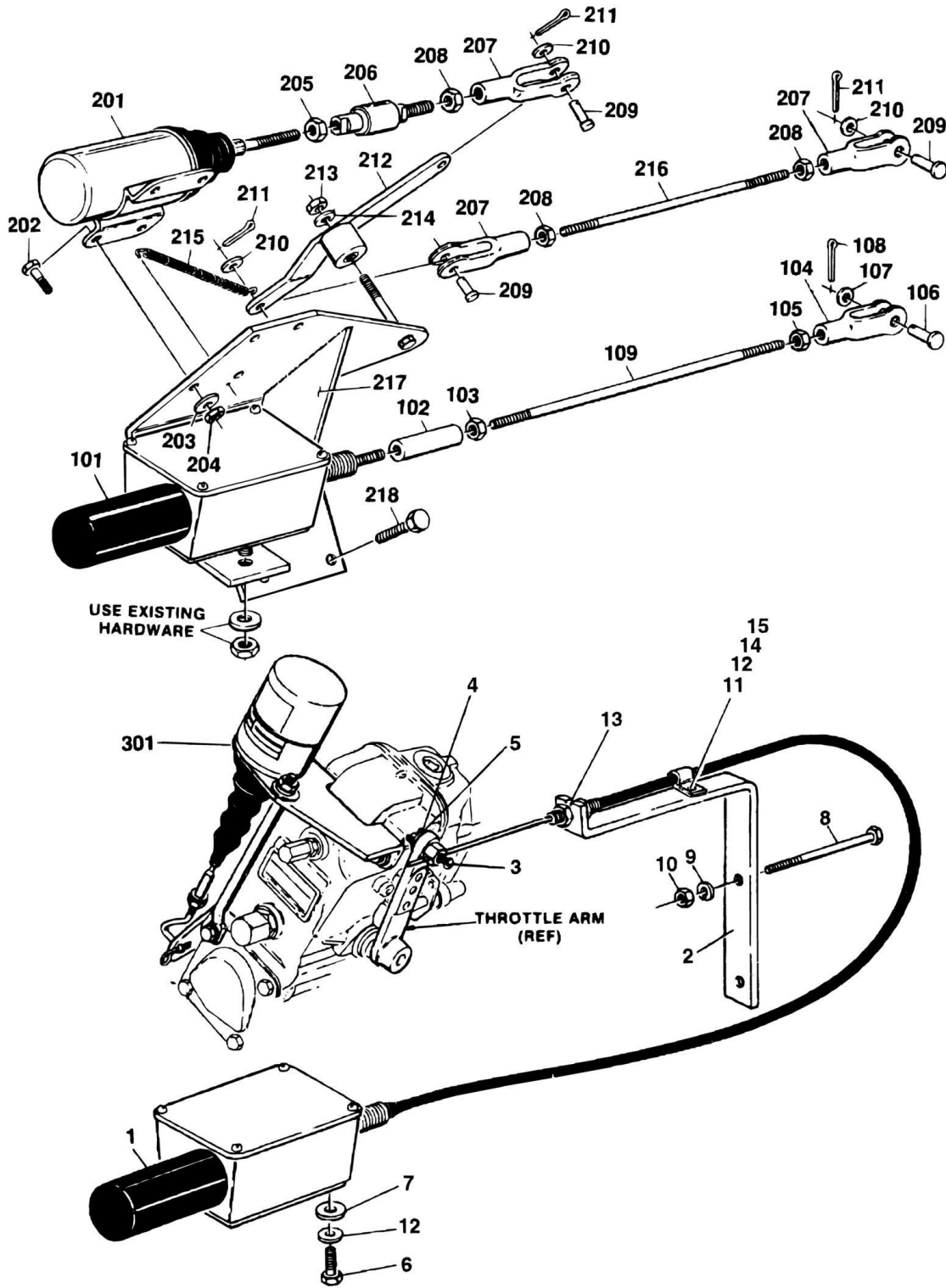


## SECTION 2 - TURNTABLE

ITEM	PART NUMBER	QTY	DESCRIPTION	REV
	7020403	1	Washer, Fuel Line	
	7020405	1	Washer/Oil Plug	
	7020409	1	Dipstick	
	7000663	1	Alternator (was p/n 7020410)	
	7020410	1	Alternator (Remanufactured) (was p/n 7020436)	
	7020413	1	Starter	
	7020420	1	Starter (Remanufactured)	
	7020421	1	Nozzle, Injector	
	7020422	1	Injector	
	7020423	1	Gasket, Injector Tip	
	7020433	1	Gasket	
	7020498	1	Fan	
	7026125	1	Flange, Exhaust	
	7026173	1	Switch, Broken Belt	
	7027250	1	Spring, Tension (Actuator)	

# SECTION 2 - TURNTABLE

FIGURE 2-18. ADECO THROTTLE COMPONENTS INSTALLATION - DEUTZ ENGINE MACHINES



## SECTION 2 - TURNTABLE

**FIGURE 2-18. ADECO THROTTLE COMPONENTS INSTALLATION - DEUTZ ENGINE MACHINES**

ITEM	PART NUMBER	QTY	DESCRIPTION	REV
	0237635	Ref	<b>THROTTLE ACTUATOR INSTALLATION (TURNTABLE MOUNTED ACTUATOR)</b>	4
1	0060023	1	Actuator	
1	7008804	1	Bellows, Rubber	
1	7008829	1	Board, Circuit	
1	7008821	1	Motor, Drive	
1	7008828	1	Cable, Throttle	
2	0901389	1	Bracket, Cable	
3	4460302	1	Stop, Cable	
4	3450203	1	Pin, Cotter 1/16in x 3/4in	
5	4711400	1	Flatwasher 1/4in Narrow	
6	0641409	2	Bolt 1/4in-20NC x 1 1/8in	
7	4751400	2	Flatwasher 1/4in	
8	0630400	2	Bolt, Metric M8-1.25 x 90mm	
9	4831900	2	Lockwasher, Metric 8mm	
10	3290801	2	Nut, Metric M8-1.25	
11	1320041	1	Clamp, Cable	
12	4761400	3	Lockwasher 1/4in	
13	4751600	1	Flatwasher 3/8in	
14	0641406	1	Bolt, 1/4in-20NC x 3/4in	
15	3311401	1	Nut 1/4in-20NC	
	0236953	Ref	<b>THROTTLE ACTUATOR INSTALLATION (ENGINE BRACKET MOUNTED ACTUATOR)</b>	A
101	0060020	1	Actuator (Use Existing Hardware)	
101	7008804	1	Bellows, Rubber	
101	7008807	1	Board, Circuit	
101	7008821	1	Motor, Drive	
102	3300218	1	Connector	
103	3321401	1	Nut 1/4in-28NF	
104	1360112	1	Clevis	
105	3321401	1	Nut 1/4in-28NF	
106	3430406	1	Pin, Clevis	
107	4751400	1	Flatwasher 1/4in	
108	3450203	1	Pin, Cotter 1/16in x 3/4in	
109	3840819	1	Rod	
	0237630	Ref	<b>STOP-RUN SOLENOID INSTALLATION (TURNTABLE MOUNTED ACTUATOR)</b>	-
	0236953	Ref	<b>STOP-RUN SOLENOID INSTALLATION (ENGINE BRACKET MOUNTED ACTUATOR)</b>	A
201	3740055	1	Solenoid	
202	0641406	4	Bolt 1/4in-20NC x 3/4in	
203	4751400	4	Flatwasher 1/4in	
204	3311401	4	Nut 1/4in-20NC	
205	3321401	1	Nut 1/4in-28NF	
206	4160086	1	Spring, Swivel	
207	1360112	3	Clevis	
208	3321401	1	Nut 1/4in-28NF	
209	3430406	1	Pin, Clevis	
210	4751400	1	Flatwasher 1/4in	
211	3450203	1	Pin, Cotter 1/16in x 3/4in	

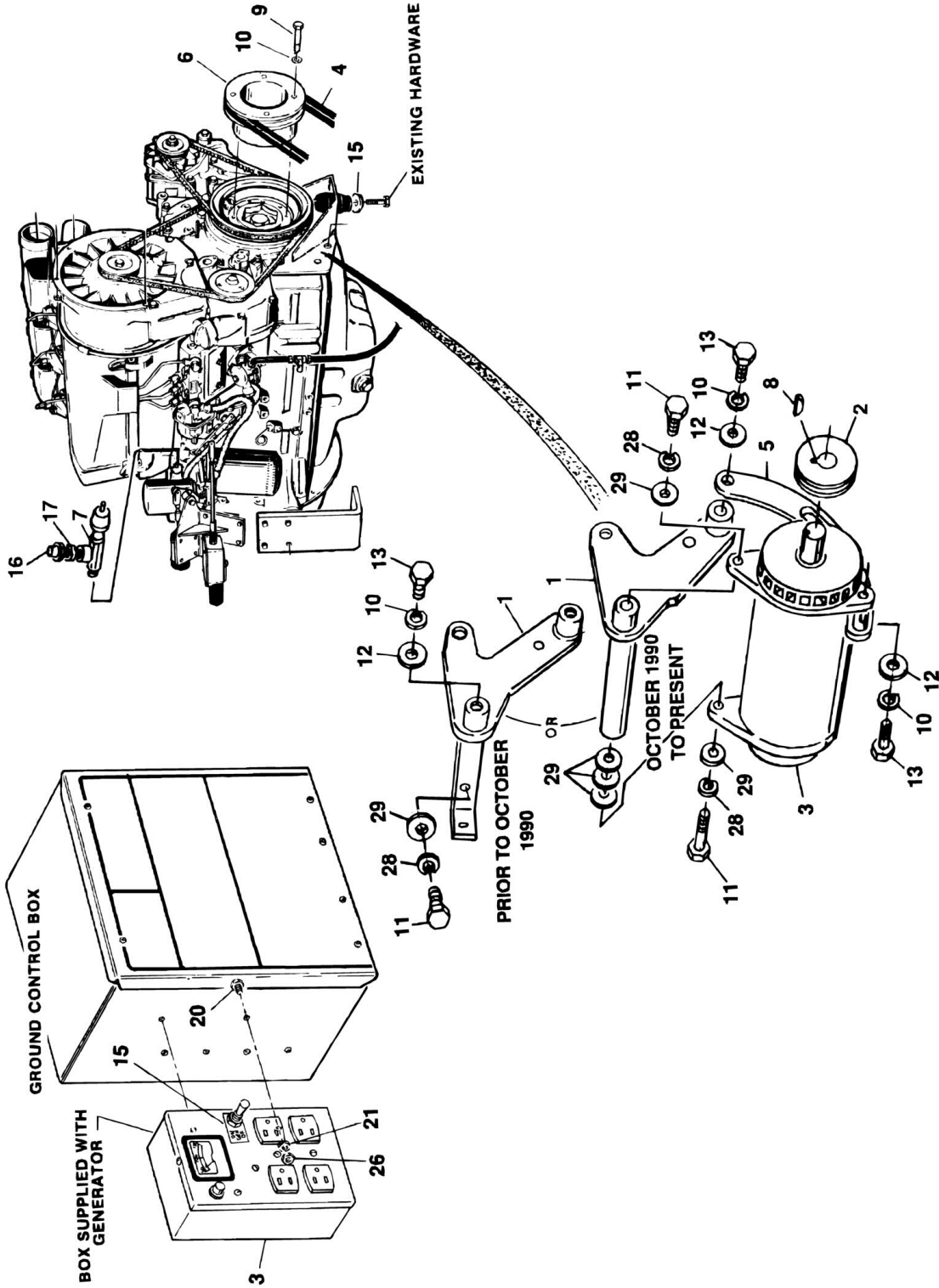
## SECTION 2 - TURNTABLE

ITEM	PART NUMBER	QTY	DESCRIPTION	REV
212	4842269	1	Arm	
213	3311605	1	Locknut 3/8in-16NC	
214	4751600	1	Flatwasher 3/8in	
215	4160024	1	Spring	
216	3840818	1	Rod	
217		Ref	Mounting Bracket Options:	
217	4842476	1	Bracket (Not Shown - Turntable Mounted Actuator)	
217	4842270	1	Bracket (Engine Bracket Mounted Actuator)	
218	0630136	4	Bolt, Metric 8mm x 24mm	
		Ref	<b>STOP-RUN SOLENOID INSTALLATION (GOVERNOR MOUNTED)</b>	-
301	0250069	1	Fuel Shutdown Kit (Includes Mounting Hardware)	



# SECTION 2 - TURNTABLE

## FIGURE 2-19. GENERATOR INSTALLATION - DEUTZ ENGINE MACHINES



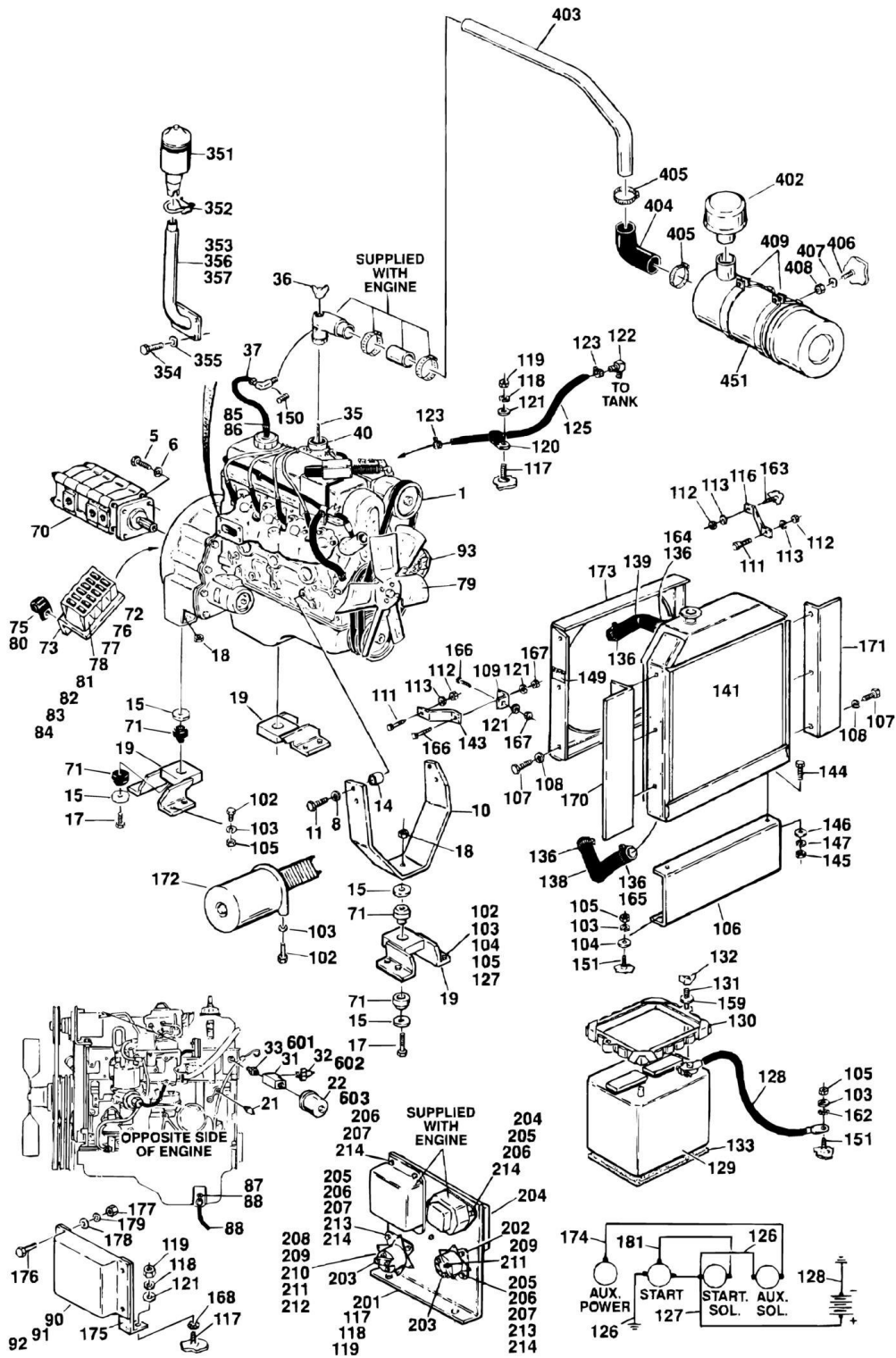
## SECTION 2 - TURNTABLE

### FIGURE 2-19. GENERATOR INSTALLATION - DEUTZ ENGINE MACHINES

ITEM	PART NUMBER	QTY	DESCRIPTION	REV
	0251562	Ref	<b>110V GENERATOR INSTALLATION</b>	F
1	4843133	1	Bracket, Support	
2	3580134	1	Pulley	
3	2460011	1	Generator and Control Box Assembly	
3	7012558	1	Generator Assembly	
3	7020193	1	Cable, Generator (Generator to Control Box)	
3	7026199	1	Armature	
3	7020108	4	Brush	
3	7020109	4	Holder, Brush	
3	7012513	4	Cap, Brush Holder	
3	7012514	1	Fan	
3	7020110	1	Bell, Front	
3	7020111	1	Bell Rear	
3	7020190	2	Bearing	
3	7003657	1	Control Box Assembly	
		Ref	<b>Note: Replacement 110V Control Box comes with 2 std Receptacles p/n 4460190. Optional Industrial Twist Lock Receptacles p/n 4460027 must be ordered separately.</b>	
3	4360542	1	Breaker, Circuit	
3	2420203	1	Voltmeter 110V (was p/n 7010699)	
3		Ref	Receptacle Options:	
3	4460190	AR	Receptacle, Standard 110V	
3	4460027	1	Receptacle, Twistlock 110V	
3	2920162	1	Lamp	
3	7020191	1	Switch, Toggle	
3	3520028	1	Plug, Hole	
4		Ref	V-Belt Options:	
4	0480043	1	Used (Prior to June 1992)	
4	0480050	1	Used (June 1992 to Present)	
5	4340511	1	Support, Adjustable	
6	3580109		Pulley	
7	2180360	1	Fitting, Tee	
8	2860012	1	Key, Woodruff	
9	0700821	4	Bolt, Metric 8mm x 65mm	
10	4761500	6	Lockwasher 5/16in	
11	0681510	2	Bolt 5/16in-18NC x 1 1/4in (Grade 8)	
12	4751500	AR	Flatwasher 5/16in	
13	0641507	2	Bolt 5/16in- 18NC x 7/8in	
14	3251476	1	Decal - On/Off	
15	4460023	1	Connector, Terminal	
16	4360037	1	Switch, Pressure	
17	2180730	1	Fitting, Adaptor	
19	4920039	12 ft	Wire - Red (Not Shown)	
20	0641406	2	Bolt 1/4in-20NC x 3/4in	
21	4761400	2	Lockwasher 1/4in	
26	3311401	2	Nut 1/4in-20NC	
28	4761600	2	Lockwasher 3/8in	
29	4751600	4	Flatwasher 3/8in	

# SECTION 2 - TURNTABLE

FIGURE 2-20. FORD LSG-423 ENGINE INSTALLATIONS (PRIOR MARCH TO 1995)





## SECTION 2 - TURNTABLE

**FIGURE 2-20. FORD LSG-423 ENGINE INSTALLATIONS (PRIOR MARCH TO 1995)**

ITEM	PART NUMBER	QTY	DESCRIPTION	REV
		Ref	<b>FORD ENGINE ASSEMBLY (STANDARD PARTS)</b>	
1	2000088	1	Engine, Ford LSG-423	
5	0641812	AR	Bolt 1/2in-13NC x 1 1/2in	
6	4761800	AR	Lockwasher 1/2in	
8	4761600	4	Lockwasher 3/16in	
10	3200198	1	Support, Engine (Front)	
11	0711014	3	Bolt, Metric 10mm x 30mm (Grade 8)	
13	0711020	1	Bolt, Metric 10mm x 60mm (Grade 8)	
14	4562637	1	Spacer	
15	4740242	5	Flatwasher, Special	
17	0642034	3	Bolt 5/8in-11NC x 4 1/4in	
18	3312005	3	Locknut 5/8in-11NC	
19	4842168	3	Support Weldment	
21	2420024	1	Sender, Temperature	
22	2420033	1	Sender, Oil Pressure	
30	0100020	AR	Sealant, Pipe (Not Shown)	
31	2180360	1	Fitting, Tee	
32	4360037	1	Switch, Oil Pressure	
33	2220273	1	Fitting, Reducer	
35	4300056	1	Stud, Carburetor	
36	3300202	1	Wingnut 1/4in-20NC	
37	2720160	18 in	Hose	
40	0080091	1	Adapter, Choke - Standard (See Dual Fuel Installation for Dual Fuel/LP Gas Units)	
		Ref	<b>FORD ENGINE ASSEMBLY (VARIABLE PARTS)</b>	
	0237936	Ref	<b>Standard Machines</b>	I
	0237938	Ref	<b>Dual Fuel Machines</b>	K
	0254971	Ref	<b>LP Gas Only Machines</b>	B
70	3600139	1	Pump Assembly (See MAIN PUMP ASSEMBLY for Breakdown)	
71	3200183	3	Mount, Motor	
72	0901401	1	Bracket, Terminal Strip	
73	1700901	1	Decal - Terminal Strip Label	
74	1670414	1	Cover, Terminal Strip	
75	1320070	2	Clamp	
76	3910812	2	Screw, Round Head #8-32NC x 3/4in	
77	4770800	2	Starwasher #8	
78	3310801	2	Nut #8-32NC	
79	2060016	1	Fan - 16 5/8in	
80	4751800	2	Flatwasher 1/2in	
81	0641406	1	Bolt 1/4in-20NC x 3/4in	
82	3311401	1	Nut 1/4in-20NC	
83	4751400	1	Flatwasher 1/4in	
84	4761400	1	Lockwasher 1/4in	
85	4562516	1 in	Tube, Plastic	
86	1320022	1	Clamp	
87	4640750	1	Valve, Oil Drain	
88	2750532	9 in	Hose	
89	1320032	1	Clamp	
90	1600098	1	Controller, Precision Governor	
91 to 92	Not Required	0	Not Required	

## SECTION 2 - TURNTABLE

ITEM	PART NUMBER	QTY	DESCRIPTION	REV
93	See Note		Alternator (Note: See Ford Engine Manual)	
		Ref	<b>FORD ENGINE INSTALLATION (STANDARD PARTS)</b>	
102	0641612	AR	Bolt 3/8in-16NC x 1 1/2in	
103	4761600	AR	Lockwasher 3/8in	
104	4751600	AR	Flatwasher 3/8in	
105	3311601	AR	Nut 3/8in-16NC	
106	4340343	1	Support, Radiator	
107	3941804	12	Screw, Self-Tapping #8-24NC x 1/2in	
108	4761800	12	Lockwasher #8	
109	0181234	1	Angle, Mounting	
111	0630360	2	Bolt, Carriage 5/16in-18NC x 1 1/4in	
112	3311501	4	Nut 5/16in-18NC	
113	4761500	4	Lockwasher 5/16in	
116	0880076	1	Brace	
117	4300032	AR	Stud (Welded on Part)	
118	4761400	AR	Lockwasher 1/4in	
119	3311401	AR	Nut 1/4in-20NC	
120	1320041	3	Clamp	
121	4751400	AR	Flatwasher 1/4in	
122	2220317	1	Fitting, Barbed 90	
123	1320022	2	Clamp	
124	2200051	1	Plug, Pipe (Not Shown Located at Fuel Tank)	
125	2720015	75 in	Hose, Fuel Line	
126	1060045	2	Cable, Battery (Starter to Ground and Start Relay to Aux Relay)	
127	1060147	1	Cable, Battery (+ Battery to Start Relay)	
128	1060046	1	Cable, Battery (- Battery to Ground)	
129	0400003	1	Battery	
130	0400002	1	Hold-Down, Battery	
131	0236768	2	Rod, Tie-Down	
132	3300029	2	Wingnut 3/8in-16NC	
133	3980003	1	Seat, Battery	
134		Ref	Gauge, Oil Pressure Options (Not Shown - Located at Ground Control Box):	
134	2420035	1	Gauge, Oil Pressure (Prior to August 1994)	
134	2420164	1	Gauge, Oil Pressure (August 1994 to March 1995)	
135	2420019	1	Gauge, Temperature Options (Not Shown - Located at Ground Control Box):	
135	2420019	1	Gauge, Temperature (Prior to August 1994)	
135	2420159	1	Gauge, Temperature (August 1994 to March 1995)	
136	1320012	4	Clamp	
138	2720232	1	Hose, Radiator (Bottom)	
139	2720254	1	Hose, Radiator (Top)	
141	3620026	1	Radiator	
143	4340525	1	Support, Radiator	
144	0630375	2	Bolt, Carriage 7/16in-14NC x 1in	
145	3311701	2	Nut 1/16in-14NC x 1in	
146	4751700	2	Flatwasher 7/16in	
147	4761700	2	Lockwasher 7/16in	
149	3250914	1	Nameplate - Caution: Fan Blade	
150	2200053	1	Fitting, Plug	
151	4300034	4	Stud (Welded on Part)	
152	0641614	AR	Bolt 3/8in-16NC x 1 3/4in	

**SECTION 2 - TURNTABLE**

ITEM	PART NUMBER	QTY	DESCRIPTION	REV
159	4711600	2	Flatwasher 3/8in Narrow	
162	4791600	4	Starwasher 3/8in	
163	4300038	1	Stud (Welded on Part)	
164	1320014	1	Clamp	
165	1320031	1	Clamp	
166	0641406	2	Bolt 1/4in-20NC x 3/4in	
167	3311405	2	Locknut 1/4in-20NC	
168	4791400	2	Starwasher 1/4in	
		Ref	<b>FORD ENGINE INSTALLATION (VARIABLE PARTS)</b>	
	0237937	Ref	<b>Standard Machines Built Prior to December 1992</b>	F
	0237939	Ref	<b>Dual Fuel Machines Built Prior to December 1992</b>	F
	0253596	Ref	<b>Standard Machines Built December 1992 to March 1995</b>	D
	0253597	Ref	<b>Dual Fuel Machines Built December 1992 to March 1995</b>	D
170		Ref	Baffle Options:	
170	3536244	1	Baffle (Prior to December 1992)	
170	3536549	1	Baffle (December 1992 to March 1995)	
171		Ref	Baffle Options:	
171	3380319	1	Baffle (Prior to December 1992)	
171	3536549	1	Baffle (December 1992 to March 1995)	
172	3600071	1	Auxiliary Pump Assembly	
172	7004436	1	Replacement Motor and Bracket Assembly	
172	7004248	1	Replacement Motor Only	
172	7012576	1	Replacement Bracket Only	
172	7004249	1	Replacement Coupling	
172	7004247	1	Replacement Pump	
172	Not Available	1	Seal Kit - 7004247 Pump	
173	2680386	1	Shroud, Hood	
174	1060149	1	Cable, Battery (Aux Relay to Aux Pump)	
175	0901419	2	Bracket, Controller	
176	3911012	4	Screw #10-24NC x 3/4in	
177	3311001	4	Nut #10-24NC	
178	4751000	4	Flatwasher #10	
179	4761000	4	Lockwasher #10	
180	1060093	1	Cable, Battery (Start Relay to Starter)	
181	4920961	1	Cable, Battery (Start Relay to Starter)	
	0237859	Ref	<b>ELECTRICAL PANEL ASSEMBLY</b>	E
201	3509714	1	Plate, Mounting	
202	3740067	1	Relay, Prestolite	
203	3300220	4	Nut, Special	
204	3740061	1	Solenoid, Start Lockout	
205	3311401	7	Nut 1/4in-20NC	
206	0641405	10	Bolt 1/4in-20NC x 5/8in	
207	4761400	10	Lockwasher 1/4in	
208	3740059	1	Relay, Motorcraft	
209	3311001	2	Nut #10-24NC	
210	3310801	1	Nut #8-32NC	
211	4761000	2	Lockwasher #10	
212	4760800	1	Lockwasher #8	
213	4711400	4	Flatwasher 1/4in	
214	4791400	9	Starwasher 1/4in	
		Ref	<b>EXHAUST INSTALLATION</b>	

## SECTION 2 - TURNTABLE

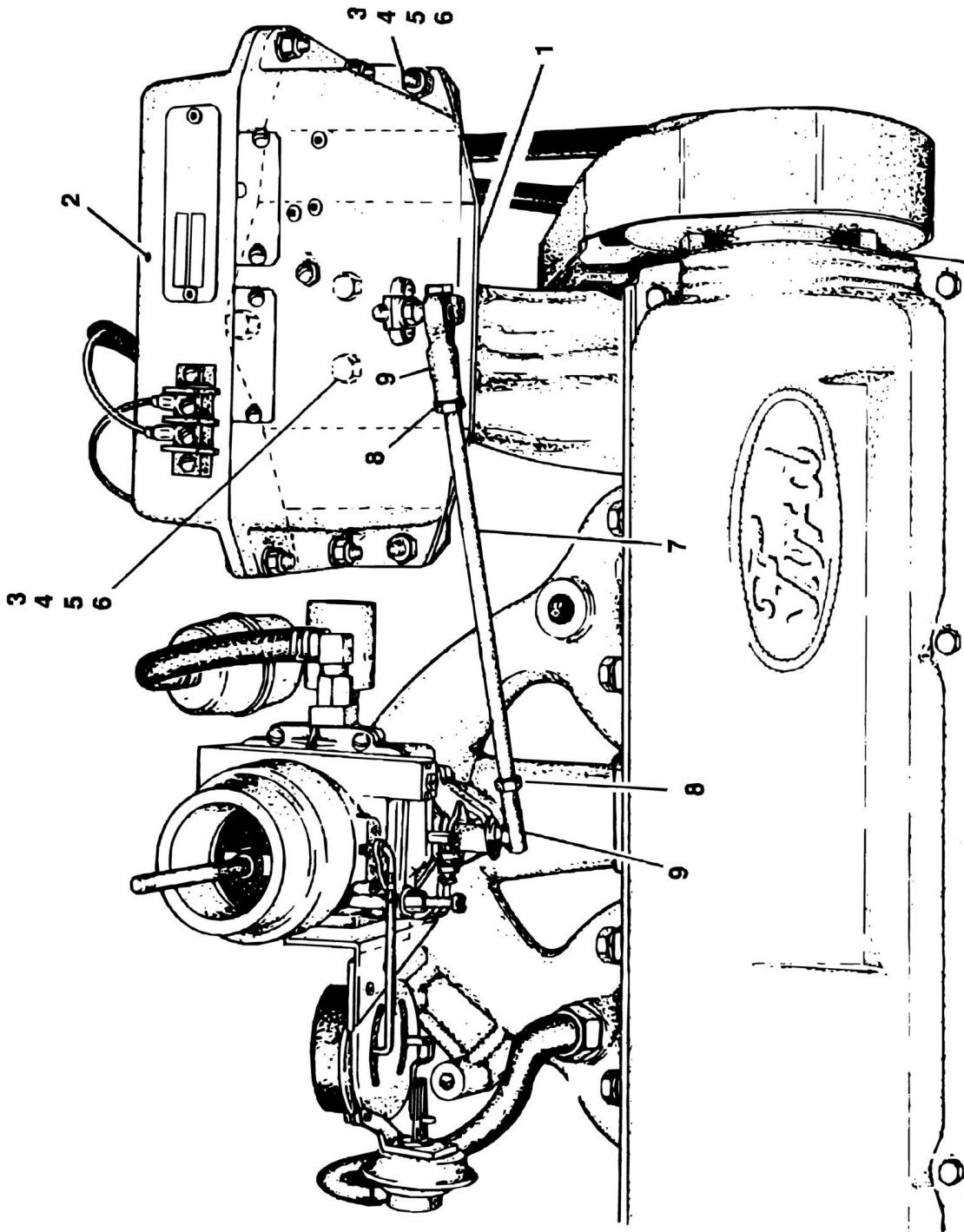
ITEM	PART NUMBER	QTY	DESCRIPTION	REV
	0237497	Ref	<b>Exhaust Installation (Prior to December 1992)</b>	-
	0253595	Ref	<b>Exhaust Installation (December 1992 to March 1995)</b>	A
		Ref	<b>Note: See SPECIAL OPTIONS SECTION for Non-Standard Exhaust Systems.</b>	
351		Ref	Muffler Options:	
351	3220043	1	Muffler (Prior to December 1992)	
351	3220052	1	Muffler (December 1992 to March 1995)	
352	1320019	1	Clamp	
353	4842226	1	Tube, Exhaust	
354	0701010	4	Bolt 10mm x 20mm	
355	4832000	4	Lockwasher 10mm	
356	4920096	2 ft	Wire, Safety	
357	4100025	3 ft	Sleeve, Fiberglass	
		Ref	<b>AIR CLEANER INSTALLATION (STANDARD PARTS)</b>	
	0236398	Ref	<b>Air Cleaner Installation (Prior to September 1991)</b>	F
	0252239	Ref	<b>Air Cleaner Installation (September 1991 to March 1995)</b>	-
402	1120161	1	Bonnet	
403	4842362	1	Tube, Air Intake	
404	0080039	1	Elbow, Rubber	
405	1320016	2	Clamp	
406	0641406	4	Bolt 1/4in-20NC x 3/4in	
407	4761400	4	Lockwasher 1/4in	
408	3311401	4	Nut 1/4in-20NC	
409	0340002	2	Bands	
451	1340020	1	Air Cleaner Assembly	
451	7004214	1	Element, Air Cleaner	
		Ref	<b>ENGINE DISTRESS INSTALLATION</b>	
	4931589	Ref	<b>Engine Distress Installation (Prior to July 1994)</b>	B
	0255058	Ref	<b>Engine Distress Installation (July 1994 to March 1995)</b>	A
601	2180360	1	Fitting, Tee	
602	4360182	1	Switch, Oil Pressure	
603	4360157	1	Switch, Water Temperature	
		Ref	<b>ENGINE COMPONENTS</b>	
	9982700	1	Carburetor (Standard Gas) Without Built-in Choke (Machines Built through 1989)	
	7000643	1	Carburetor (Standard Gas) With Built-in Choke (Machines Built 1990 to March 1995)	
	7000646	1	Gasket, Carburetor	
	7024321	1	Gasket, Carburetor (Top)	
	7000878	1	Rebuilt Kit - 9982700 & 7000643 Carburetor	
	7000895	1	Choke Assembly	
	1140009	1	Carburetor - LP Gas	
	7000877	1	Fuel Shut-Off (With Wire)	
	7000884	1	Fuel Shut-Off (With Terminal Post)	
	7012577	1	Vacuum Line Fitting	
	7012578	1	Vacuum Line Tube Assembly	
	7000867	1	Engine Harness	
	7010633	1	Fuel Pump Assembly	
	7019932	4	Spark Plug (was p/n 7012595)	
	7019931	1	Wire Set - Spark Plug	
	7014677	1	Major Components Kit (Includes 1 each of Standard Gas Carburetor, Water Pump, Fuel Pump, Starter and Standard	

## SECTION 2 - TURNTABLE

ITEM	PART NUMBER	QTY	DESCRIPTION	REV
	7010633	1	Alternator)	
			Pump, Fuel	
	7012679	1	Starter (was p/n 7000868)	
	7000874	1	Alternator	
	7014678	1	Gasket/Electrical Kit (Includes Upper and Lower Gasket Kits, 1 each of Thermostat, Ring Gear, Belt, Coil, Ignition Module, Voltage Regulator, Starter Solenoid and Hose)	
	7000871	1	Coil	
	7000869	1	Module, Ignition	
	7000870	1	Regulator, Voltage	
	7014679	1	Tune-up Kit (Includes 4 Spark Plugs and 1 each of Oil Filter, Fuel Filter, Cap, Rotor and ignition Wire Set)	
	7022153	4	Water Pump Assembly	
	7021869	1	Filter, Engine Oil (Case of 12) (was p/n 7014501)	
	7022180	1	Ring Gear (Flywheel) (Not Shown)	
	7023667	1	Fitting, Tee (Water By-Pass) (Not Shown)	

## SECTION 2 - TURNTABLE

FIGURE 2-21. PRECISION GOVERNOR INSTALLATION - FORD ENGINE MACHINES BUILT PRIOR TO MARCH 1995



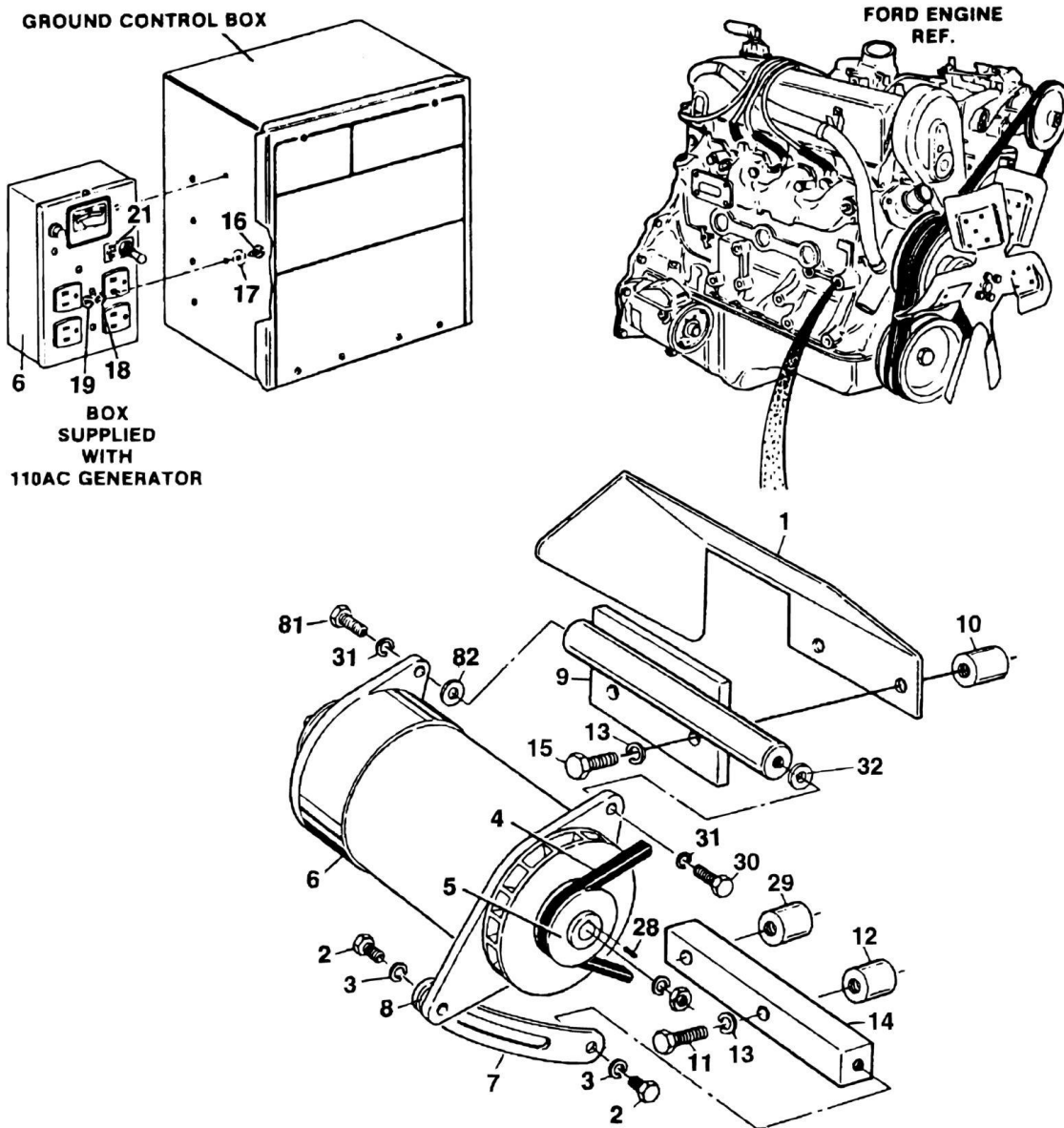
**SECTION 2 - TURNTABLE**

**FIGURE 2-21. PRECISION GOVERNOR INSTALLATION - FORD ENGINE MACHINES BUILT PRIOR TO MARCH 1995**

<b>ITEM</b>	<b>PART NUMBER</b>	<b>QTY</b>	<b>DESCRIPTION</b>	<b>REV</b>
	0238044	Ref	<b>PRECISION GOVERNOR INSTALLATION</b>	A
1	0901373	1	Bracket, Governor	
2	2500004	1	Governor	
3	0641408	7	Bolt 1/4in-20NC x 1in	
4	3311401	7	Nut 1/4in-20NC	
5	4751400	7	Flatwasher 1/4in	
6	4761400	7	Lockwasher 1/4in	
7	3840898	1	Rod	
8	3321401	2	Nut 1/4in-28NF	
9	1660157	2	Coupling, Ball - Joint	

## SECTION 2 - TURNTABLE

FIGURE 2-22. GENERATOR INSTALLATION - FORD ENGINE MACHINES BUILT PRIOR TO MARCH 1995 (OPTIONAL)





## SECTION 2 - TURNTABLE

**FIGURE 2-22. GENERATOR INSTALLATION - FORD ENGINE MACHINES BUILT PRIOR TO MARCH 1995 (OPTIONAL)**

ITEM	PART NUMBER	QTY	DESCRIPTION	REV
		Ref	<b>GENERATOR INSTALLATION</b>	
	0239244	Ref	<b>Generator Installation (Prior to May 1991)</b>	I
	0251947	Ref	<b>Generator Installation (May 1991 to March 1995)</b>	C
1	4060696	1	Shield, Heat	
2	0641508	3	Bolt 5/16in-18NC x 1in	
3	4761500	4	Lockwasher 5/8in	
4		Ref	V-Belt Options:	
4	0480037	1	V-Belt (Prior to May 1987)	
4	0480048	1	V-Belt (May 1987 to March 1995)	
5	3580134	1	Pulley (Part of Item 6)	
6	2460011	1	Generator and Control Box Assembly	
6	7012558	1	Generator Assembly	
6	7020193	1	Cable, Generator (Generator to Control Box)	
6	7026199	1	Armature	
6	7020108	4	Brush	
6	7020109	4	Holder, Brush	
6	7012513	4	Cap, Brush Holder	
6	7012514	1	Fan	
6	7020110	1	Bell, Front	
6	7020111	1	Bell Rear	
6	7020190	2	Bearing	
6	7003657	1	Control Box Assembly	
		Ref	<b>Note: Replacement 110V Control Box comes with 2 std Receptacles p/n 4460190. Optional Industrial Twist Lock Receptacles p/n 4460027 must be ordered separately.</b>	
6	4360542	1	Breaker, Circuit	
6	2420203	1	Voltmeter 110V (was p/n 7010699)	
6		Ref	Receptacle Options:	
6	4460190	AR	Receptacle, Standard 110V	
6	4460027	1	Receptacle, Twistlock 110V	
6	2920162	1	Lamp	
6	7020191	1	Switch, Toggle	
6	3520028	1	Plug, Hole	
7	4340565	1	Support, Adjustable	
8	4751500	1	Flatwasher 5/16in	
9	4843156	1	Support Weldment	
10	4564123	AR	Tube, Spacer	
11	0701021	2	Bolt, Metric 10mm x 65mm	
12	4564329	1	Tube, Spacer	
13	4740116	4	Lockwasher, Metric 10mm	
14	0361704	1	Bar, Mounting	
15	0701023	4	Bolt, Metric 10mm x 70mm	
16	0721004	2	Screw, Machine #10-24NC x 1/2in	
17	4751000	4	Flatwasher #10	
18	4761000	2	Lockwasher #10	
19	3311001	2	Nut #10-24NC	
21	3251476	1	Decal - On/Off	
22	1060012	AR	Cable, Electrical - 12/4	
23	4460134	1	Connector (Not Shown - Located at Generator)	

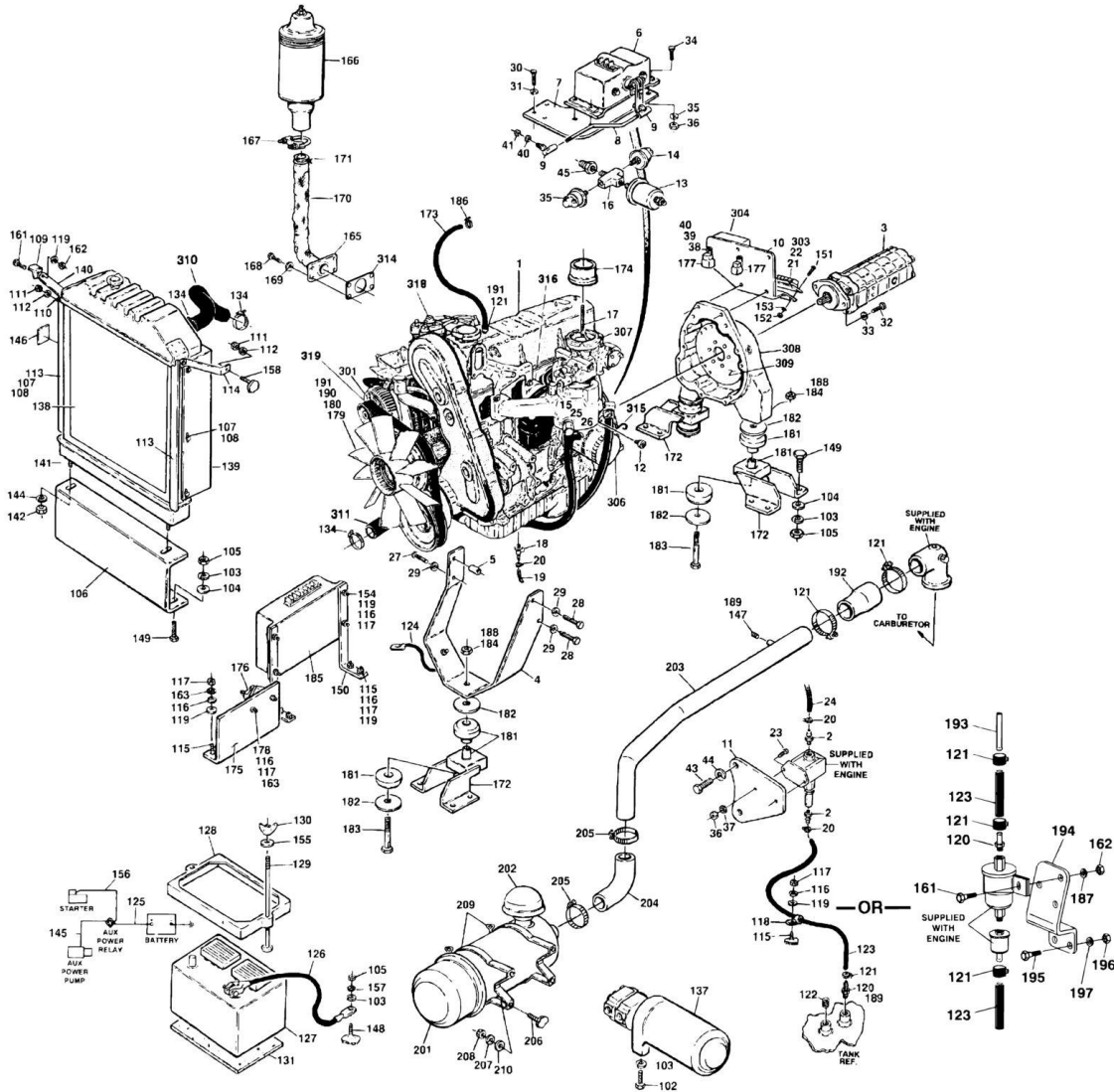
## SECTION 2 - TURNTABLE

ITEM	PART NUMBER	QTY	DESCRIPTION	REV
24	4460071	1	Connector (Not Shown - Located at Ground Control Box)	
25	3300048	1	Locknut, Conduit (Not Shown - Located at Ground Control Box)	
26	0960238	1	Bushing (Not Shown - Located at Ground Control Box)	
27	4460023	1	Connector, Terminal (Not Shown - Located at Generator Control Box)	
28	2860012	1	Key	
29	4564328	1	Tube, Spacer	
30	0681610	2	Bolt 3/8in-16NC x 1 1/4in (Grade 8)	
31	4761600	AR	Lockwasher 3/8in	
32	4751600	3	Flatwasher 3/8in	



# SECTION 2 - TURNTABLE

## FIGURE 2-23. FORD LRG423/LRG425 ENGINE INSTALLATION (MARCH 1995 TO PRESENT)



## SECTION 2 - TURNTABLE

**FIGURE 2-23. FORD LRG423/LRG425 ENGINE INSTALLATION (MARCH 1995 TO PRESENT)**

ITEM	PART NUMBER	QTY	DESCRIPTION	REV
		Ref	<b>FORD ENGINE ASSEMBLY</b>	
	0255120	Ref	<b>Ford LRG423 Engine Assembly - Standard Gas (March 1995 to SN 36818)</b>	D
	0256177	Ref	<b>Ford LRG423 Engine Assembly - Standard Gas (March 1995 to SN 36818)</b>	A
	0257888	Ref	<b>Ford LRG425 Engine Assembly - Standard Gas (SN 36819 to Present)</b>	4
	0257890	Ref	<b>Ford LRG425 Engine Assembly - Standard Gas (SN 36819 to Present)</b>	4
	0255121	Ref	<b>Ford LRG423 Engine Assembly - Dual Fuel (March 1995 to SN 36818)</b>	D
	0257889	Ref	<b>Ford LRG425 Engine Assembly - Dual Fuel (SN 36819 to Present)</b>	6
1		Ref	Engine Options:	
1	2000126	1	Engine ( <b>Prior to SN 36819</b> )	
1	2000153	1	Engine ( <b>SN 36819 through 37615</b> )	
1	2000157	1	Engine ( <b>SN 37616 through 39225</b> )	
1	2000159	1	Engine ( <b>SN 39226 to Present</b> )	
2	2220315	1	Fitting, Barbed ( <b>Prior to SN 36819</b> )	
3	3600139	1	Pump Assembly - Main (See MAIN PUMP ASSEMBLY for Breakdown)	
4	3200377	1	Mount, Engine (Front)	
5	4566605	1	Tube, Spacer	
6	2500005	1	Precision Governor Actuator	
7	0902088	1	Bracket, Governor Mounting	
8	3841255	1	Rod, Throttle	
9	1660157	2	Coupling, Ball joint	
10		Ref	Bracket, Terminal Strip Mounting Options:	
10	0902089	1	Bracket, Terminal Strip Mounting ( <b>Prior to SN 36819</b> )	
10	0902447	1	Bracket, Terminal Strip Mounting ( <b>SN 36819 to Present</b> )	
11	0902087	1	Bracket, Fuel Pump Mounting	
12	2420024	1	Sender, Water Temperature	
13	2420033	1	Sender, Oil Pressure	
14	4360037	1	Switch, Oil Pressure	
15	2220273	1	Fitting, Reducer	
16		Ref	Fitting Options:	
16	2180360	1	Fitting, Tee (Prior to June 1995)	
16	2220994	1	Fitting, Cross (June 1995 to Present)	
17	4300056	1	Stud, Carburetor	
18		Ref	Valve, Oil Drain Options:	
18	4640750	1	Valve, Oil Drain (14mm) (March 1995 to March 1996)	
18	4640989	1	Valve, Oil Drain (12mm) (March 1996 to Present)	
19	2750532	30	Hose	
		in/76cm		
20	1320022	3	Clamp, Hose	
21	1700901	1	Decal, Terminal Strip	
22	1670414	1	Cover, Terminal	
23	0641404	2	Bolt 1/4in-20NC x 1/2in	
24	2720058	18	Fuel Line	
		in/46cm		
25	2180536	1	Fitting, Straight Pipe	
26	2720271	30	Hose, Vacuum	

## SECTION 2 - TURNTABLE

ITEM	PART NUMBER	QTY	DESCRIPTION	REV
		in/76cm		
27	0701022	2	Bolt 10mm x 70mm	
28	0701014	2	Bolt 10mm x 30mm	
29	4832000	4	Lockwasher 10mm	
30	0700810	3	Bolt 8mm x 20mm	
31	4831900	3	Lockwasher 8mm	
32	0641812	2	Bolt 1/2in-13NC x 1 1/2in	
33	4761800	2	Lockwasher 1/2in	
34	0641408	4	Bolt 1/4in-20NC x 1in	
35	4360405	1	Switch, Oil Pressure	
36	3311405	6	Locknut 1/4in-20NC	
37	4791400	2	Starwasher 1/4in	
38	0721014	2	Bolt #10-24NC	
39	3311001	2	Nut #10-24NC	
40	4761000	AR	Lockwasher #10	
41	3321401	1	Nut 1/4in-28NF	
42	0100020	AR	Sealant, Pipe (Not Shown)	
43	0701015	1	Bolt, Metric 10mm x 35mm <b>(Prior to SN 36819)</b>	
44	4791600	2	Starwasher 3/8in <b>(Prior to SN 36819)</b>	
45	2220437	1	Fitting, Reducer	
46	0100011	AR	Loctite #242 (Not Shown)	
		Ref	<b>FORD ENGINE INSTALLATION</b>	
	0255123	Ref	<b>Standard Gas With Fixed Axle (March 1995 to SN 36818)</b>	C
	0257947	Ref	<b>Standard Gas With Fixed Axle (SN 36819 to Present)</b>	5
	0256178	Ref	<b>Standard Gas With Oscillating Axle (March 1995 to SN 36818)</b>	B
	0257948	Ref	<b>Standard Gas With Oscillating Axle (SN 36819 to Present)</b>	5
	0255125	Ref	<b>Dual Fuel With Fixed Axle (March 1995 to SN 36818)</b>	C
	0257922	Ref	<b>Dual Fuel With Fixed Axle (SN 36819 to Present)</b>	6
	0256675	Ref	<b>Dual Fuel With Oscillating Axle (Prior to SN 36819)</b>	-
	0257923	Ref	<b>Dual Fuel With Oscillating Axle (SN 36819 to Present)</b>	6
102	0641612	2	Bolt 3/8in-16NC x 1 1/2in	
103	4751600	18	Flatwasher 3/8in	
104	4761600	14	Lockwasher 3/8in	
105	3311601	16	Nut 3/8in-16NC	
106	4340343	1	Support, Radiator	
107	3940804	12	Screw, Self-Tapping #10-24NC x 1/2in	
108	4750800	12	Lockwasher 3/16in	
109	0181234	1	Angle	
110	0630360	2	Bolt, Carriage 5/16in-18NC x 1 1/4in	
111	3311501	3	Nut 5/16in-18NC	
112	4761500	3	Lockwasher 5/16in	
113	3536549	2	Baffle	
114	0880076	1	Brace	
115	4300032	11	Stud (Welded on Part)	
116	4761400	17	Lockwasher 1/4in	
117	3311401	17	Nut 1/4in-20NC	
118	1320041	3	Clamp	
119	4751400	11	Flatwasher 1/4in	
120	2220315	AR	Fitting, Barbed	
121	1320022	AR	Clamp 1/4in	
122	2200051	1	Plug, Pipe	

## SECTION 2 - TURNTABLE

ITEM	PART NUMBER	QTY	DESCRIPTION	REV
123		Ref	Hose, Fuel Line Options:	
123	2720015	AR	Hose, Fuel Line <b>(Prior to SN 36819)</b>	
123	2720058	AR	Hose, Fuel Line <b>(SN 36819 to Present)</b>	
124	1060045	1	Cable, Battery (Engine to Ground)	
125	1060147	1	Cable, Battery (+ Battery to Aux Relay)	
126	1060046	1	Cable, Battery (- Battery to Ground)	
127		Ref	Battery Options:	
127	0400003	1	Battery <b>(Prior to SN 36819)</b>	
127	0400075	1	Battery <b>(SN 36819 to Present)</b>	
128		Ref	Hold-Down, Battery Options:	
128	0400002	1	Hold-Down, Battery <b>(Prior to SN 36819)</b>	
128	0400002	1	Hold-Down, Battery <b>(SN 36819 to Present)</b>	
129	0236768	2	Rod, Hold-down	
130	3300029	2	Wingnut 3/8in-16NC	
131		Ref	Seat, Battery Options:	
131	3980003	1	Seat, Battery <b>(Prior to SN 36819)</b>	
131	3980007	1	Seat, Battery <b>(SN 36819 to Present)</b>	
132	2420035	1	Gauge, Oil Pressure (Not Shown - Located at Ground Controls)	
133	2420019	1	Gauge, Temperature (Not Shown - Located at Ground Controls)	
134	1320012	4	Clamp	
137	3600071	1	Auxiliary Pump Assembly	
137	7004436	1	Motor with Bracket	
137	7004248	1	Motor	
137	7012576	1	Bracket	
137	7004249	1	Coupling	
137	7004247	1	Pump	
138	3620026	1	Radiator	
139	2680386	1	Hood, Fan Shroud	
140	4340525	1	Support, Radiator	
141	0630375	2	Bolt, Carriage 7/16in-14NC x 1in	
142	3311701	2	Nut 7/16in-14NC	
144	4761700	2	Lockwasher 7/16in	
145	1060149	1	Cable, Battery (Aux Relay to Aux Power)	
146	3250914	1	Decal, Caution	
147	2200053	1	Fitting, Plug - 3/8in NPT	
148	4300034	1	Stud (Welded on Part)	
149	0641614	14	Bolt 3/8in-16NC x 1 3/4in	
150	0901419	2	Bracket, Controller	
151	3910812	2	Screw, Machine #8-32NC x 3/4in	
152	3310801	2	Nut #8-32NC	
153	4770800	2	Starwasher #8	
154	0641408	4	Bolt 1/4in-20NC x 1in	
155	4711600	2	Flatwasher 3/8in Narrow	
156	1060093	1	Cable, Battery (Aux Relay to Starter)	
157	4791600	4	Starwasher 3/8in	
158	4300038	1	Stud (Welded on Part)	
161	0641406	5	Bolt 1/4in-20NC x 3/4in	
162	3311405	3	Locknut 1/4in-20NC	
163	4771400	4	Starwasher 1/4in	
164	0641608	1	Bolt 3/8in-16NC x 1in	
165	4842226	1	Tube	

## SECTION 2 - TURNTABLE

ITEM	PART NUMBER	QTY	DESCRIPTION	REV
166	3220052	1	Muffler <b>(Prior to SN 39228)</b>	
167	1320019	1	Clamp <b>(Prior to SN 39228)</b>	
168	0701010	4	Bolt, Metric M10 x 1.5 x 20mm	
169	4832000	4	Lockwasher, Metric M10	
170	4100025	3 ft/.9m	Sock, Fiberglass	
171	4920096	2 ft/l.6m	Wire, Safety	
172	4842168	3	Support	
173	2720160	18 in/46cm	Hose 1/2in	
174	0080091	1	Adapter, Choke	
175	3538387	1	Panel, Electrical	
176	3740067	1	Relay, Auxiliary	
177	3740080	2	Relay, Bosch	
178	0641406	2	Bolt 1/4in-20NC x 3/4in	
179	0080210	1	Adaptor, Fan Spacer	
180	2060025	1	Fan, Suction	
181	3200183	3	Mount, Rubber	
182	4740242	5	Flatwasher, Special	
183	0642032	3	Bolt 5/8in-11NC x 4in	
184	3312005	3	Locknut 5/8in-11NC	
185	1600211	1	Controller, Precision Governor	
186	1320032	1	Clamp	
187	4791400	3	Lockwasher 1/4in <b>(SN 36819 to Present)</b>	
188	0100011	AR	Loctite #242	
189	0100020	AR	Sealant, Thread	
190	0630400	4	Bolt, Metric 8mm x 1.25 x 90mm	
191	4831900	4	Lockwasher 8mm	
192	4562516	1 in/2.5cm	Tube, Hose	
193	4567169	1	Tube, Fuel Line <b>(SN 36819 to Present)</b>	
194	3570697	1	Plate, Fuel Pump Mounting <b>(SN 36819 to Present)</b>	
195	0641507	2	Bolt 5/16in-18NC x 7/8in <b>(SN 36819 to Present)</b>	
196	3311505	2	Locknut 5/16in-18NC <b>(SN 36819 to Present)</b>	
197	4791500	2	Lockwasher 5/16in <b>(SN 36819 to Present)</b>	
	0255541	Ref	<b>AIR CLEANER INSTALLATION</b>	
201	1340020	1	Air Cleaner Assembly	
201	7004214	1	Element, Air Cleaner	
202	1120161	1	Cap	
203	4844996	1	Tube	
204	0080039	1	Elbow, Rubber	
205	1320016	2	Clamp	
206	4300032	4	Stud (Welded on Part)	
207	4761400	4	Lockwasher 1/4in	
208	3311401	4	Nut 1/4in-20NC	
209	0340002	2	Band, Mounting	
210	4751400	4	Flatwasher 1/4in	
		Ref	<b>ENGINE COMPONENTS</b>	
		Ref	<b>Ford LRG-423 Engine</b>	
	2000126	Ref	<b>Engine (Prior to SN 36819)</b>	
		Ref	<b>Ford LRG-425 Engine</b>	
	2000153	Ref	<b>Engine (SN 36819 through 37615)</b>	
	2000157	Ref	<b>Engine (SN 37616 through 39225)</b>	
	2000159	Ref	<b>Engine (SN 39226 to Present)</b>	



## SECTION 2 - TURNTABLE

ITEM	PART NUMBER	QTY	DESCRIPTION	REV
301		Ref	Alternator Options:	
301	7012680	1	LRG-423 Engine	
301	7019977	1	LRG-425 Engine	
301	7019997	1	Regulator	
302		Ref	Fuel Pump - Electric (Facet) Options:	
302	7016600	1	Engine - 2000126, 2000153 & 2000157	
302	7019983	1	Engines - 2000159	
302		Ref	Filter, Fuel (Used with Facet Pump) Options:	
302	7016601	1	Engine - 2000126, 2000153 & 2000157	
302	7027972	1	Engines - 2000159 (was p/n 7019928)	
303		Ref	Harness, Engine Options:	
303	7012682	1	LRG-423 Engine	
303	7019980	1	LRG-425 Engine	
304		Ref	Module, Ignition Options:	
304	7012681	1	LRG-423 Engine	
304	7023687	1	LRG-425 Engine (was p/n 7019961)	
305	7012679	1	Starter (Far Side - Not Shown)	
305	7025145	1	Solenoid, Start	
306	7021869	1	Filter, Oil (Case of 12) (was p/n 7014501)	
307		Ref	Carburetor Options:	
307	7012690	1	Engine - 2000126	
307	7000646	1	Gasket, Carburetor	
307	7024321	1	Gasket, Carburetor (Top)	
307	7000884	1	Solenoid, Fuel	
307	7012683	1	Spring	
307	7016605	1	Choke, Automatic	
307	7019933	1	Rebuilt Kit - Carburetor	
307	7023471	1	Float Assembly	
307	7019988	1	Engines - 2000153 & 2000157 (was p/n 7019974)	
307	7019988	1	Engine - 2000159	
307	7024321	1	Gasket, Carburetor (Top)	
307	70000163	1	Needle, Spring Loaded	
307	7016605	1	Choke, Automatic	
307	7019933	1	Rebuilt Kit - Carburetor	
307	70000646	1	Gasket, Carburetor (was p/n 7019975)	
307	7025122	1	Base, Carburetor	
307	7027292	1	Float Assembly	
308	7019976	1	Flywheel Housing and Coupling Assembly	
308	7022180	1	Ring Gear (Not Shown)	
308	7020120	1	Housing, Bell (Engine - 2000126)	
309	1660249	1	Coupling (was p/n 7012656)	
310	7019926	1	Hose, Radiator (Top) (was p/n 7016375)	
311	7019927	1	Hose, Radiator (Bottom) (was p/n 7016376)	
312		Ref	Water Pump Assembly Options (Not Shown):	
312	7022153	1	LRG-423 Engine (was p/n 7016638)	
312	7022153	1	LRG-425 Engine	
312	7019985	1	Pulley, Water Pump (LRG-425 Engine) (Not Shown)	
312	7019982	1	Inlet, Water Pump (Not Shown) (Engines - 2000153, 2000157, 2000159)	
312	7022156	1	Thermostat Assembly (Not Shown) (Engine - 2000159)	
313	7022143	1	Exhaust Manifold to Head Gasket (Engine - 2000126) (Not Shown - Located on opposite side of engine)	

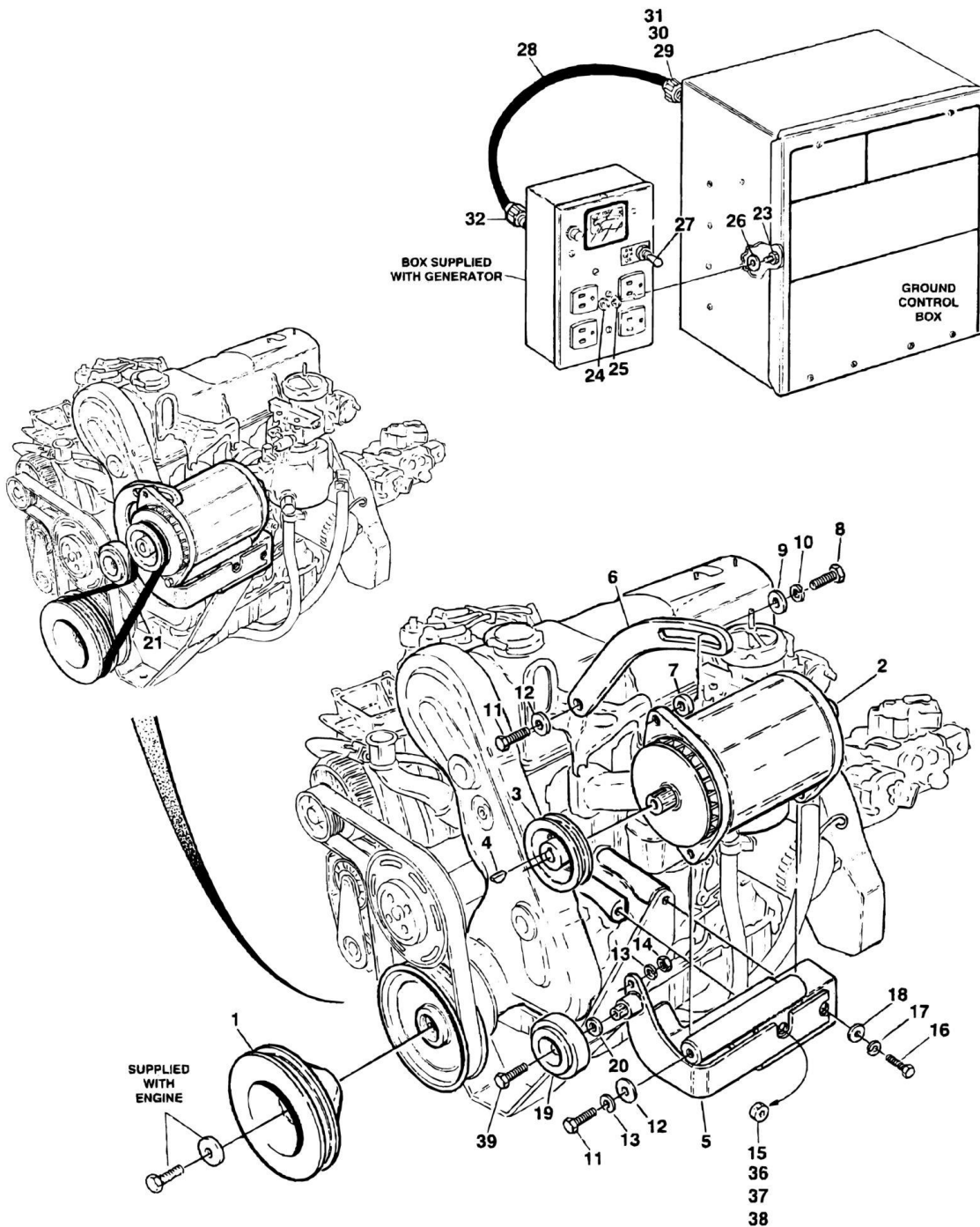
## SECTION 2 - TURNTABLE

ITEM	PART NUMBER	QTY	DESCRIPTION	REV
314	70002307	1	Exhaust Manifold to Exhaust Pipe	
315	2420109	1	Dipstick (Engine - 2000159)	
315	4564281	1	Tube, Dipstick	
316	7025126	1	Manifold, Intake (was p/n 7019923)	
317	7019924	1	Manifold, Exhaust (Not Shown)	
318	7019930	1	Coil, Ignition (Engines - 2000126 & 2000159)	
318	7019931	1	Wire Set - Spark Plug	
318	7019932	4	Plug, Spark	
319		Ref	Belt, Drive Options:	
319	7019921	1	Engine - 2000126	
319	7027402	1	Engines - 2000153, 2000157 & 2000159 (was p/n 7019979)	
319		Ref	Tensioner, Belt Options (Not Shown):	
319	7019929	1	Engine - 2000126	
319	7019978	1	Engines - 2000153, 2000157 & 2000159	
320	7022139	1	Sensor, MAP (Not Shown) (Engine - 2000159)	
321	7022178	1	Sensor, Crank Shaft (Not Shown) (Engines - 2000126 & 2000159)	
322	7025134	1	Gasket, Water Outlet Connector (Not Shown) (Engine - 2000159)	
323	7019925	1	PCV Valve (Not Shown) (Engine - 2000126)	
		Ref	<b>SWITCH INSTALLATIONS</b>	
	0255058	Ref	<b>Engine Distress Installation</b>	B
	0255227	Ref	<b>Generator Installation</b>	6-F
401	2180360	1	Fitting, Tee	
401		Ref	Switch, Oil Pressure Options:	
401	4360182	1	Engine Distress Installation	
401	4360037	1	Generator Installation	
401	4360157	1	Switch, Water Temperature (Engine Distress Installation Only)	
		Ref	<b>MUFFLER INSTALLATION OPTIONS:</b>	
	0258793	Ref	<b>Muffler Standard (SN 39228 to Present)</b>	1
	0258794	Ref	<b>Muffler Oxy/Cat Purifier (SN 39228 to Present)</b>	1
501		Ref	Muffler Options:	
501	3220043	1	Standard	
501	3220115	1	Oxy/Cat Purifier <b>(SN 39228 to Present)</b>	
502	1320019	1	Clamp	
503	0641406	2	Bolt 1/4in-20NC x 3/4in (Oxy/Cat Purifier Only) (Not Shown)	
504	4751400	2	Flatwasher 1/4in (Oxy/Cat Purifier Only) (Not Shown)	
505	3311405	2	Locknut 1/4in-20NC (Oxy/Cat Purifier Only) (Not Shown)	



## SECTION 2 - TURNTABLE

FIGURE 2-24. GENERATOR INSTALLATION - FORD MACHINES BUILT MARCH 1995 TO PRESENT



## SECTION 2 - TURNTABLE

**FIGURE 2-24. GENERATOR INSTALLATION - FORD MACHINES BUILT MARCH 1995 TO PRESENT**

ITEM	PART NUMBER	QTY	DESCRIPTION	REV
	0255227	Ref	<b>GENERATOR INSTALLATION</b>	8-G
1	3580250	1	Pulley, Crankshaft	
2	2460011	1	Generator and Control Box Assembly	
2	7012558	1	Generator Assembly	
2	7020193	1	Cable, Generator (Generator to Control Box)	
2	7026199	1	Armature	
2	7020108	4	Brush	
2	7020109	4	Holder, Brush	
2	7012513	4	Cap, Brush Holder	
2	7012514	1	Fan	
2	7020110	1	Bell, Front	
2	7020111	1	Bell Rear	
2	7020190	2	Bearing	
2	7003657	1	Control Box Assembly	
		Ref	<b>Note: Replacement 110V Control Box comes with 2 std Receptacles p/n 4460190. Optional Industrial Twist Lock Receptacles p/n 4460027 must be ordered separately.</b>	
2	4360542	1	Breaker, Circuit	
2	2420203	1	Voltmeter 110V (was p/n 7010699)	
2		Ref	Receptacle Options:	
2	4460190	AR	Receptacle, Standard 110V	
2	4460027	1	Receptacle, Twistlock 110V	
2	2920162	1	Lamp	
2	7020191	1	Switch, Toggle	
2	3520028	1	Plug, Hole	
3	3580134	1	Pulley	
4	2860012	1	Key, Woodruff	
5	0902104	1	Bracket, Generator Mounting	
6	0200530	1	Arm, Adjusting	
7	4564417	1	Tube, Spacer	
8	0641508	1	Bolt 5/16in-18NC x 1in	
9	4751500	1	Flatwasher 5/16in	
10	4761500	1	Lockwasher 5/16in	
11	0641612	3	Bolt 3/8in-16NC x 1 1/2in	
12	4751600	3	Flatwasher 3/8in	
13	4761600	3	Lockwasher 3/8in	
14	3311601	1	Nut 3/8in-16NC	
15	4566650	1	Tube, Spacer	
16	0701015	2	Bolt 10mm - 1.5 x 35mm	
17	4812000	2	Flatwasher 10mm	
18	4832000	2	Lockwasher	
19	3580239	1	Pulley, Idler	
20	4740275	1	Washer	
21	0480090	1	Belt, Generator	
22	0100011	AR	Loctite (Not Shown)	
23	0721004	2	Bolt #10-24NC x 1/2in	
24	3311001	2	Nut #10-24NC	
25	4751000	6	Flatwasher #10	
26	4761000	2	Lockwasher #10	
27	3251476	1	Nameplate, Generator	

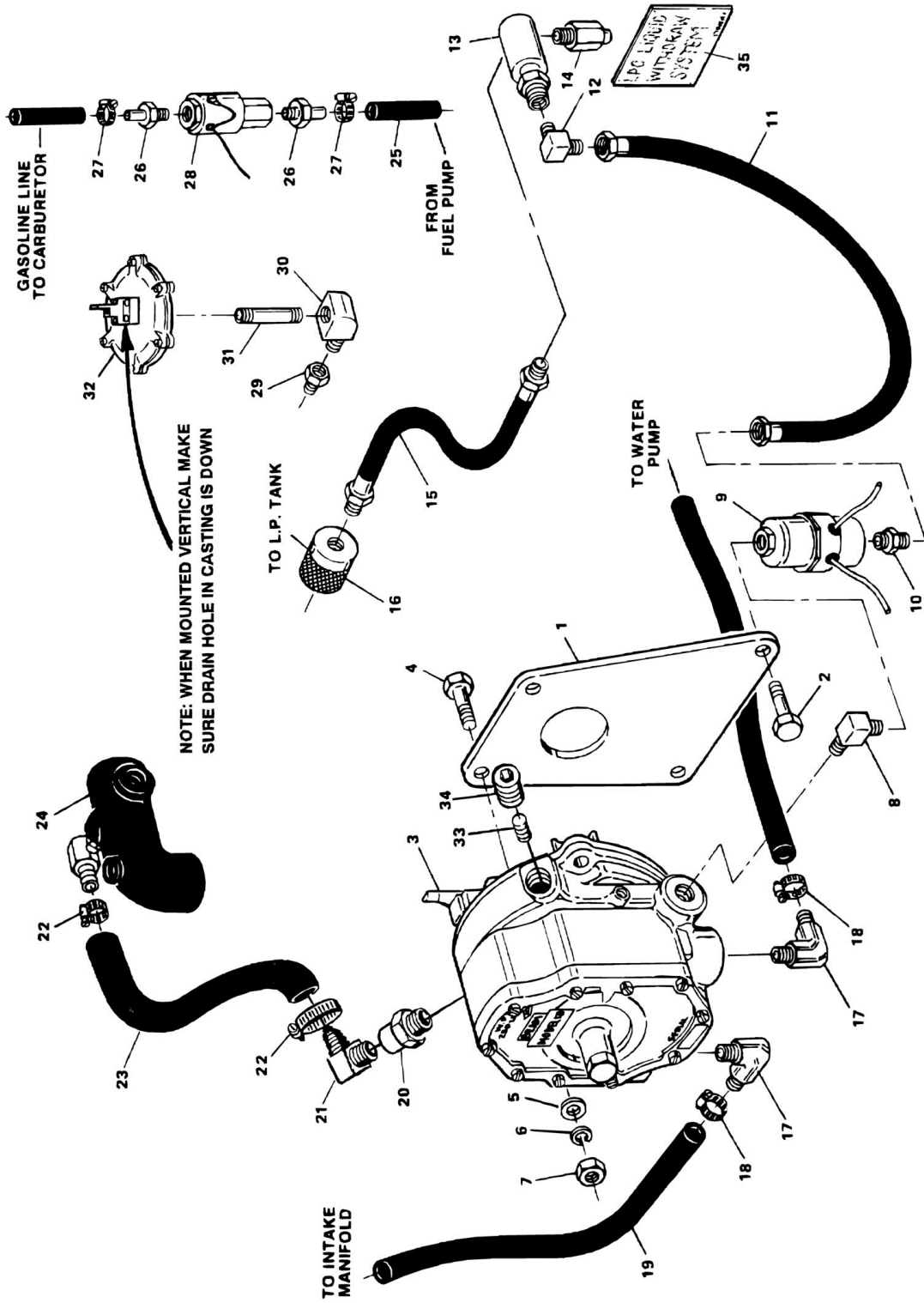
## SECTION 2 - TURNTABLE

ITEM	PART NUMBER	QTY	DESCRIPTION	REV
28		Ref	Cable, Electrical -12/4 Options:	
28	1060012	3 ft/.9m	Cable, Electrical -12/4 <b>(Prior to SN 60653)</b>	
28	1060515	3 ft/.9m	Cable, Electrical -12/4 <b>(SN 60653 to Present)</b>	
29	4460071	1	Connector, Strain Relief	
30	0960238	1	Bushing	
31	3300048	1	Nut, Conduit	
32	4460023	1	Connector, Strain Relief	
36	4070585	AR	Shim (.010)	
37	4070586	AR	Shim (.005)	
38	4070587	AR	Shim (.002)	
39	0641608	1	Bolt 3/8in-16NC x 1in	



# SECTION 2 - TURNTABLE

## FIGURE 2-25. DUAL FUEL INSTALLATION - FORD ENGINE MACHINES





## SECTION 2 - TURNTABLE

**FIGURE 2-25. DUAL FUEL INSTALLATION - FORD ENGINE MACHINES**

ITEM	PART NUMBER	QTY	DESCRIPTION	REV
		Ref	<b>DUAL FUEL INSTALLATION - FORD ENGINE MACHINES</b>	
1		Ref	Plate, Regulator Mounting Options:	
1	3530210	1	Plate, Regulator Mounting (Prior to March 1995)	
1	0902089	1	Not Shown - (March 1995 to SN 36818)	
1	0902447	1	Not Shown <b>(SN 36819 to Present)</b>	
2	0641711	2	Bolt 7/16in-14NC x 1 3/8in	
3	4700005	1	Regulator	
3	7017515	1	Repair Kit	
4	0641416	2	Bolt 1/4in-20NC x 2in	
5	4751400	2	Flatwasher 1/4in <b>(Prior to SN 36819)</b>	
6	4761400	2	Lockwasher 1/4in <b>(Prior to SN 36819)</b>	
7		Ref	Nut Options:	
7	3311401	2	Nut 1/4in-20NC <b>(Prior to SN 36819)</b>	
7	3311405	2	Locknut 1/4in-20NC <b>(SN 36819 to Present)</b>	
8	2220082	1	Fitting, 90	
9	2120077	1	L.P. Filter Lock	
10	2180418	1	Fitting	
11	2720149	1	Hose	
12	2180504	1	Fitting, 90	
13	2180388	1	Filter	
14	2180389	1	Valve, Relief	
15	2720117	1	Hose	
16	2180387	1	Fitting, L.P. Tank	
17		Ref	Fitting, 90 Options:	
17	2220313	2	Fitting (Prior to March 1995)	
17	2220675	2	Fitting (March 1995 to Present)	
18	1320022	2	Clamp, Hose	
19	2750532	24 in	Hose	
20	2220251	1	Fitting, Reducer	
21		Ref	Fitting Options:	
21	2220675	1	Fitting, 90 <b>(Prior to SN 36819)</b>	
21	2210016	1	Fitting, Nipple <b>(SN 36819 to Present)</b>	
22	1320030	2	Clamp, Hose	
23	2720112	24 in	Hose	
24	0080124	1	Adapter, Carburetor	
25	2720058	9 in	Hose	
26	2220315	AR	Fitting, Barbed	
26	2220648	1	Fitting, 90 (Located at Fuel Pump - March 1995 to May 1995)	
26	2220437	1	Fitting, Reducer (Located at Fuel Pump - March 1995 to May 1995)	
27	1320022	2	Clamp, Hose (Prior to May 1995)	
28	4640391	1	Valve, Fuel Lock (Prior to May 1995)	
28	1320060	1	Clamp, Mounting (Not Shown)	
29		Ref	Fitting, Reducer Options:	
29	2220430	1	Fitting, Reducer (Prior to March 1995)	
29	2220273	1	Fitting, Reducer (March 1995 to Present)	
30	2200461	1	Fitting, 90 (Prior to March 1985)	
30	2180360	1	Fitting, Tee (March 1995 to Present)	
30	2720271	AR	Hose, Vacuum (March 1995 to Present)	
30	2180536	1	Fitting, Barbed	

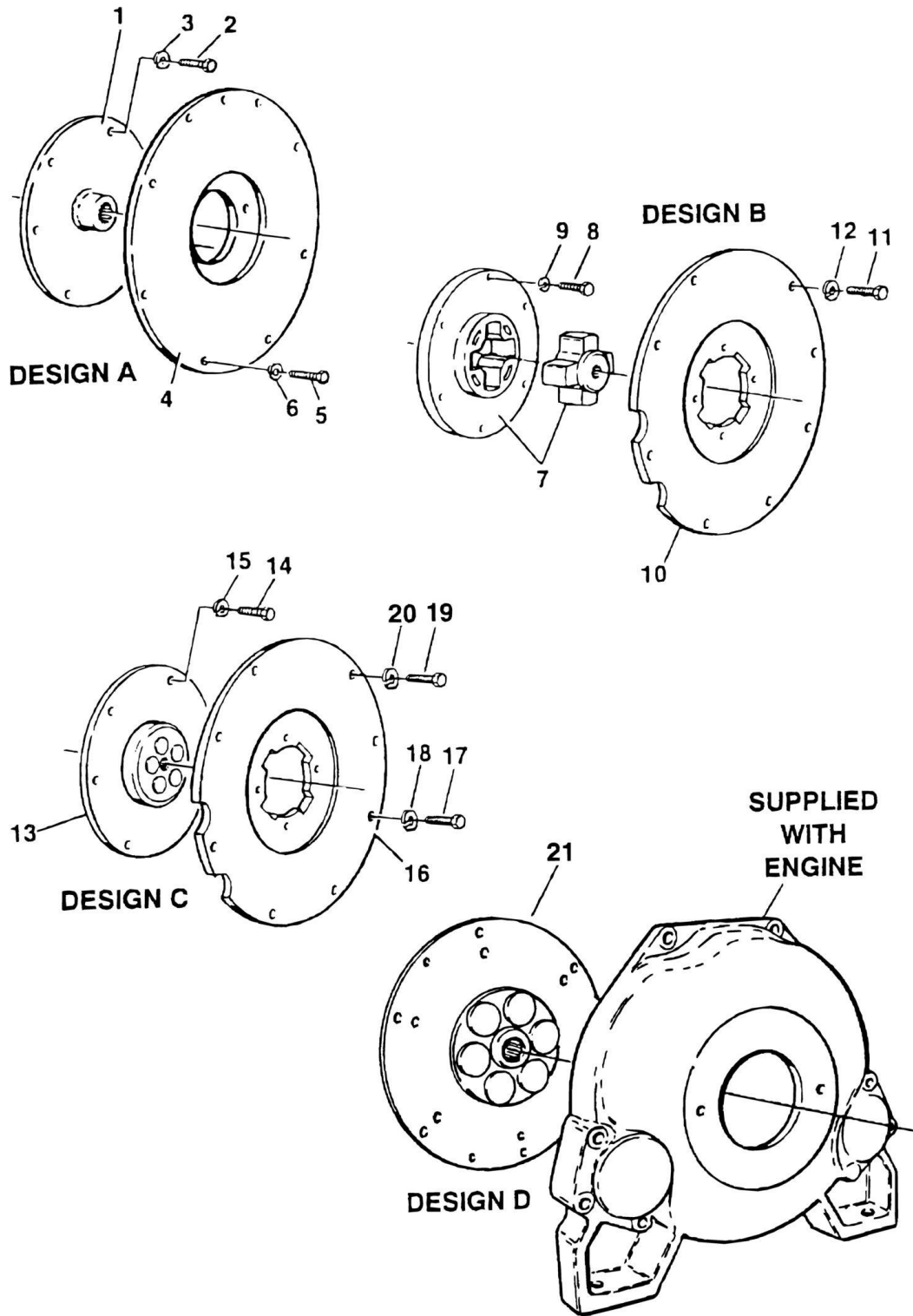
## SECTION 2 - TURNTABLE

ITEM	PART NUMBER	QTY	DESCRIPTION	REV
31	2180420	1	Fitting, Nipple (Prior to March 1995)	
31	2180104	1	Fitting, Nipple (March 1995 to Present)	
32	4360188	1	Switch, Vacuum	
33	2200221	1	Plug, 1/8in	
34	2200204	1	Plug, 3/4in	
35	1700818	1	Decal - LPG Liquid Withdraw System (Located on Hood Next to Item #14)	



# SECTION 2 - TURNTABLE

## FIGURE 2-26. PUMP COUPLING INSTALLATIONS



**SECTION 2 - TURNTABLE**

**FIGURE 2-26. PUMP COUPLING INSTALLATIONS**

ITEM	PART NUMBER	QTY	DESCRIPTION	REV
		Ref	<b>PUMP COUPLING INSTALLATIONS</b>	
		Ref	<b>JLG DISC INSTALLATION (DESIGN A)</b>	
1	1760019	1	Disc Assembly (Machines with 4 Bolt Mount Pump)	
1	1760106	1	Disc Assembly (Machines with 2 Bolt Mount Pump)	
2		Ref	Bolt Options:	
2	0641606	6	Bolt 3/8in-16NC x 3/4in (Ford Engines)	
2	0701010	6	Bolt, Metric 10mm x 20mm (Deutz Engines)	
3		Ref	Lockwasher Options:	
3	4761600	6	Lockwasher 3/8in (Ford Engines)	
3	4832000	6	Lockwasher 10mm (Deutz Engines)	
4		Ref	Adapter, Pump Options:	
4	0080121	1	Ford Engine Machines with 4 Bolt Mount Pump	
4	0080119	1	Ford Engine Machines with 2 Bolt Mount Pump	
4	0080029	1	Deutz Engine Machines with 4 Bolt Mounted Pump	
4	0080087	1	Deutz Engine Machines with 2 Bolt Mounted Pump	
5		Ref	Bolt Options:	
5	0641608	8	Bolt 3/8in-16NC x 1in (Ford Engines)	
5	0701014	12	Bolt, Metric 10mm x 30mm (Deutz Engines)	
6		Ref	Lockwasher Options:	
6	4761600	8	Lockwasher 3/8in (Ford Engines)	
6	4832000	12	Lockwasher 10mm (Deutz Engines)	
		Ref	<b>LOVEJOY COUPLING INSTALLATION (DESIGN B)</b>	
	0239962	Ref	<b>Ford Engine Machines</b>	-
	0239954	Ref	<b>Deutz Engine Machines</b>	-
7	1660170	1	Coupling - Lovejoy	
7	1660174	1	Disc, Coupling	
7	1660175	1	Hub, Coupling	
8		Ref	Bolt Options:	
8	0641610	6	Bolt 3/8in-16NC x 1 1/4in (Ford Engines)	
8	0701014	6	Bolt, Metric 10mm x 30mm (Deutz Engines)	
9		Ref	Lockwasher Options:	
9	4761600	6	Lockwasher 3/8in (Ford Engines)	
9	4832000	6	Lockwasher 10mm (Deutz Engines)	
10		Ref	Adapter, Pump Options:	
10	0080163	1	Ford Engines	
10	0080164	1	Deutz Engines	
11		Ref	Bolt Options:	
11	0641610	8	Bolt 3/8in-16NC x 1 1/4in (Ford Engines)	
11	0701014	12	Bolt, Metric 10mm x 30mm (Deutz Engines)	
12		Ref	Lockwasher Options:	
12	4761600	8	Lockwasher 3/8in (Ford Engines)	
12	4832000	12	Lockwasher 10mm (Deutz Engines)	
		Ref	<b>HAYES COUPLING INSTALLATION (DESIGN C)</b>	
	0250599	Ref	<b>Ford Engine Machines</b>	-
	0250600	Ref	<b>Deutz Engine Machines</b>	2
13	1660183	1	Coupling (Design C)	
14		Ref	Bolt 3/8in-16NC	
14	0641607	6	Bolt 3/8in-16NC x 7/8in (Ford Engines)	
14	0701014	10	Bolt, Metric 10mm x 30mm (Deutz Engines)	
15		Ref	Lockwasher Options:	

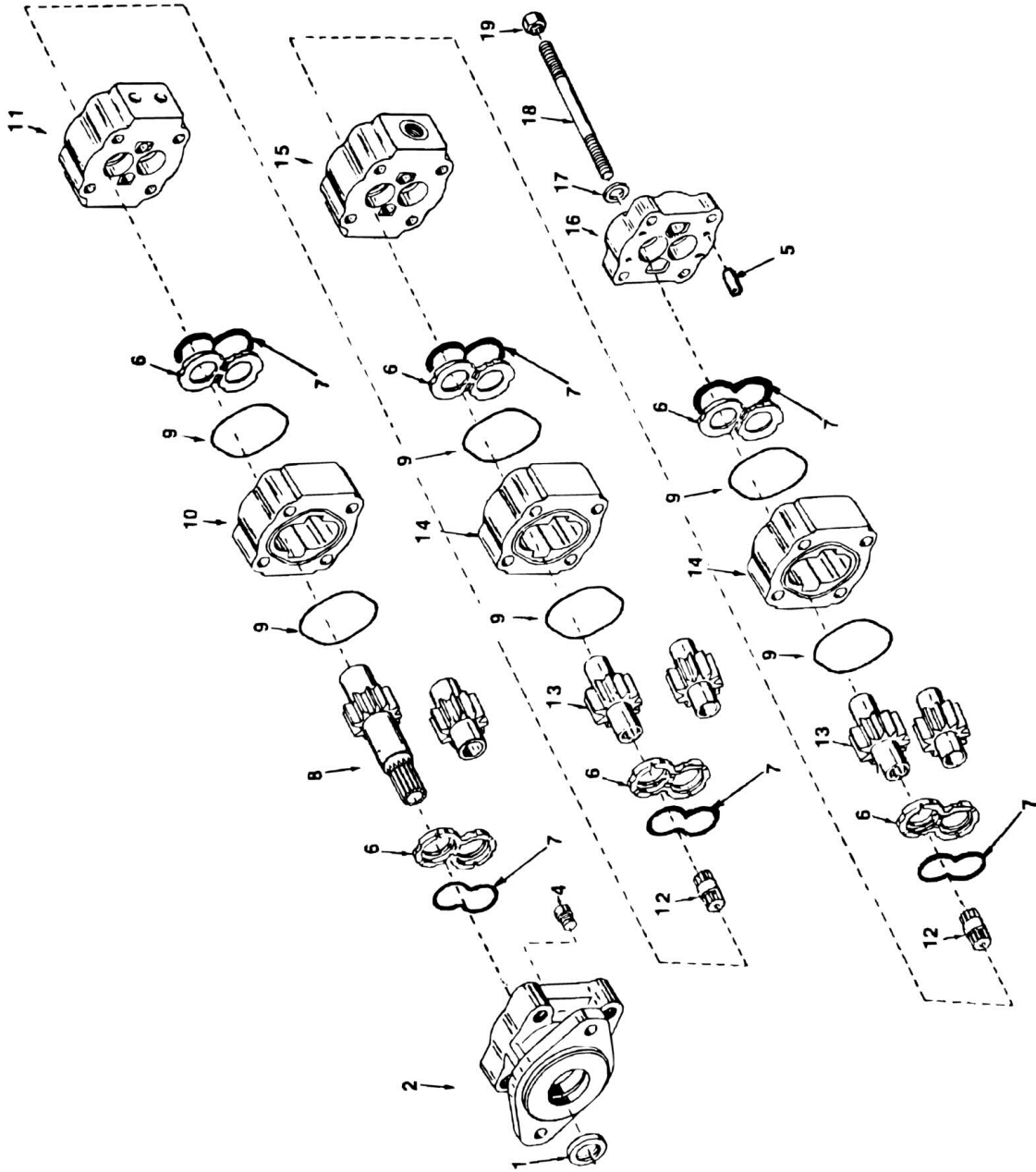
## SECTION 2 - TURNTABLE

ITEM	PART NUMBER	QTY	DESCRIPTION	REV
15	4761600	6	Lockwasher 3/8in (Ford Engines)	
15	4832000	10	Lockwasher 10mm (Deutz Engines)	
16		Ref	Adapter, Pump Mounting Options (Design C):	
16	0080163	1	Ford Engines	
16	0080164	1	Deutz Engines	
17		Ref	Bolt Options:	
17	0641610	8	Bolt 3/8in-16NC x 1 1/4in (Ford Engines)	
17	0701010	10	Bolt, Metric 10mm x 20mm (Deutz Engines)	
18		Ref	Lockwasher Options:	
18	4761600	8	Lockwasher 3/8in (Ford Engines)	
18	Not Required	0	Lockwasher 10mm (Deutz Engines)	
19		Ref	Bolt Options:	
19	Not Required	0	Bolt 3/8in-16NC x 1 1/4in (Ford Engines)	
19	0701015	2	Bolt, Metric 10mm x 35mm (Deutz Engines Built) <b>(SN 36536 to Present)</b>	
20		Ref	Flatwasher Options:	
20	Not Required	0	Ford Engines	
20	4751600	2	Deutz Engines Built <b>(SN 36536 to Present)</b>	
20	3020021	AR	Grease	
		Ref	<b>HAYES COUPLING INSTALLATION (DESIGN D)</b>	
	1660218	Ref	<b>Ford Engine Machines</b>	-
	Not Available	Ref	<b>Deutz Engine Machines</b>	
21		Ref	Coupling (Design D)	
21	7012656	1	Ford Engine Machines	
21	Not Available		Deutz Engine Machines	



# SECTION 2 - TURNTABLE

## FIGURE 2-27. MAIN PUMP ASSEMBLY





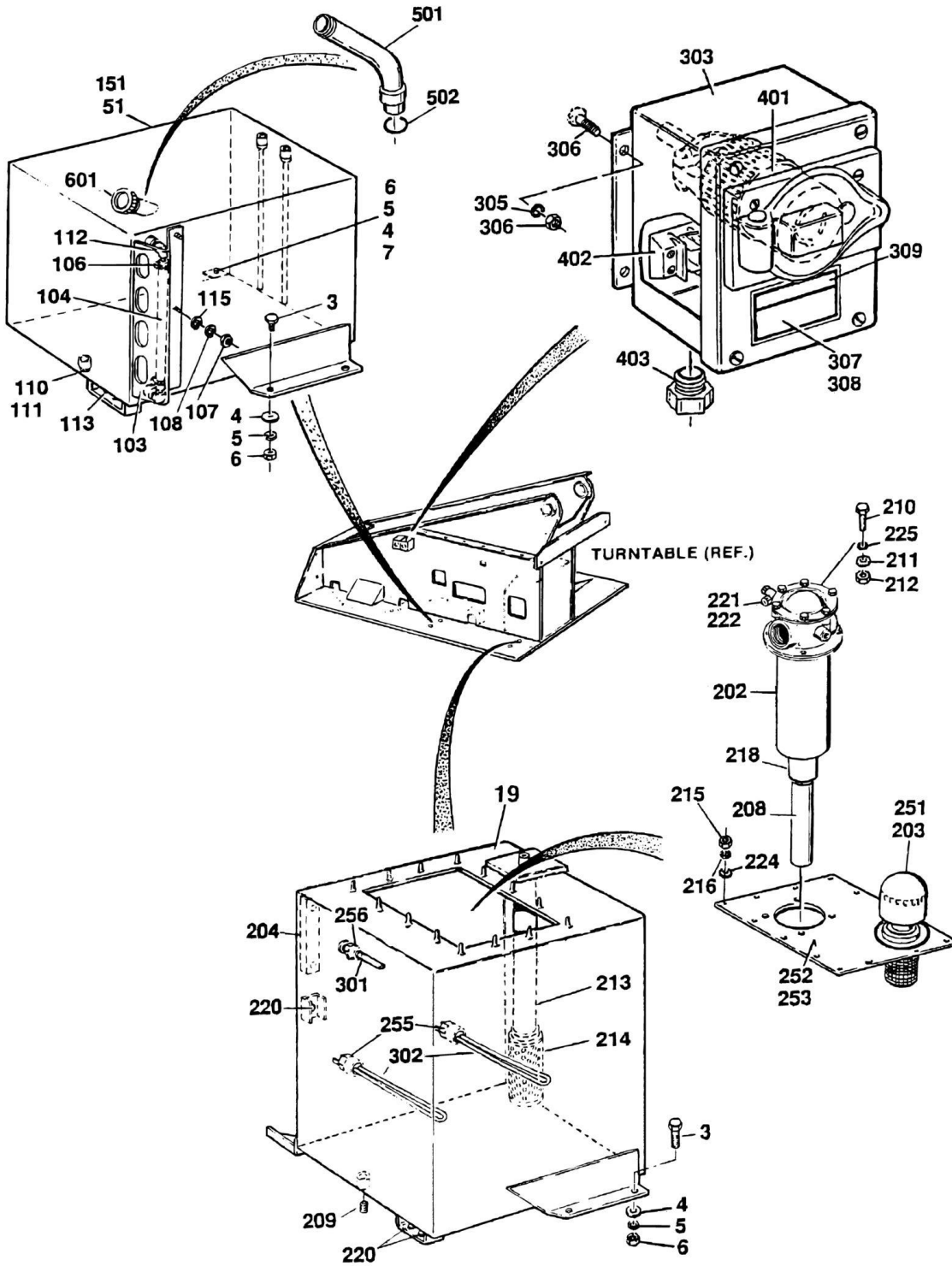
**SECTION 2 - TURNTABLE**

**FIGURE 2-27. MAIN PUMP ASSEMBLY**

ITEM	PART NUMBER	QTY	DESCRIPTION	REV
	3600139	Ref	<b>MAIN PUMP ASSEMBLY</b>	B
1	Kit	1	Seal, Lip	
2	7009513	1	Cover, End with Bushings	
4	7003103	1	Plug	
5	7009500	12	Dowel	
6	7009503	6	Plate, Thrust	
7	Kit	6	Seal, Channel	
8	7009509	1 st	Shaft and Gear	
9	Kit	6	Seal, Gasket	
10	7009510	1	Housing, Gear	
11	7009508	1	Carrier, Bearing with Bushings	
12	7005599	2	Shaft, Connecting	
13	7005598	2	Gear Set	
14	7009504	1	Housing, Gear	
15	7009505	1	Carrier, Bearing with Bushings	
16	7009511	1	Cover, Rear with Bushings	
17	7005597	4	Washer	
18	7005562	4	Stud	
19	7005595	4	Nut	
	7016913	1	Kit, Seal (Includes Items 1, 7 & 9)	

# SECTION 2 - TURNTABLE

## FIGURE 2-28. TANKS INSTALLATION



## SECTION 2 - TURNTABLE

### FIGURE 2-28. TANKS INSTALLATION

ITEM	PART NUMBER	QTY	DESCRIPTION	REV
		Ref	<b>FUEL AND HYDRAULIC TANKS INSTALLATIONS</b>	
	0236811	Ref	<b>Standard Machines</b>	D
	0254193	Ref	<b>Machines With Heaters</b>	B
	0251339	Ref	<b>LP Only Machines (Hood Bracket and Hydraulic Tank Installation)</b>	B
3	0641614	6	Bolt 3/8in-16NC x 1 3/4in	
4	4751600	8	Flatwasher 3/8in	
5	4761600	8	Lockwasher 3/8in	
6	3311601	8	Nut 3/8in-16NC	
7	4300034	2	Stud (Welded on Part)	
8	1340046	1	Breather	
51		Ref	Fuel Tank Assembly Options:	
51	0236285	1	Standard Machines Built Prior to June 1995 (See Items 101-151 for Breakdown)	
51	0255823	1	Standard Machines Built June 1995 to Present (See Items 101-151 for Breakdown)	
51	0901188	1	LP Only (Not Shown - Located in place of Fuel Tank)	
52		Ref	Hydraulic Tank Assembly (See Items 201-257 for Breakdown):	
52	4400216	1	Standard Machines	
52	4400267	1	Machines with Heaters Built Prior to July 1993 (Was p/n 4400216)	
52	4400267	1	Machines with Heaters Built July 1993 to Present	
52	4400216	1	LP Only	
		Ref	<b>FUEL TANK ASSEMBLY</b>	
	0236285	Ref	<b>Fuel Tank Assembly (Prior to June 1995)</b>	5-E
	0255823	Ref	<b>Fuel Tank Assembly (June 1995 To Present)</b>	2-B
	4400389	Ref	<b>Oversize (52 Gallon) Tank</b>	-
103	4060574	1	Protector, Gauge	
104	4562516	15	Tube, Sight	
		in/38cm		
106	1320022	2	Clamp, Hose	
107	3311401	3	Nut 1/4in-20NC	
108	4761400	3	Lockwasher 1/4in	
110	2200052	1	Plug, Pipe	
111	0100020	AR	Sealant, Pipe	
112	2180467	2	Fitting, Barbed 90	
113	3300205	3	Nut, Retainer	
115	4751400	3	Flatwasher 1/4in	
151		Ref	Tank, Fuel Options:	
151	4841917	1	Tank, Fuel (Prior to June 1995)	
151	4400385	1	Tank, Fuel (June 1995 to Present)	
151	4400390	1	Oversize (52 Gallon) Tank	
		Ref	<b>HYDRAULIC TANK ASSEMBLY</b>	
	4400216	Ref	<b>Machines Without Heaters</b>	C
	4400267	Ref	<b>Machines With Heaters</b>	C
202	2120103	1	Filter Assembly	
202	2120107	1	Element, Filter	
202	7004244	1	Indicator, Pressure	
202	7012559	1	Gasket - Between Filter and Tank	
202	7016333	1	O-Ring - Under Cap	
203	4740338	6	Washer, Sealing	

## SECTION 2 - TURNTABLE

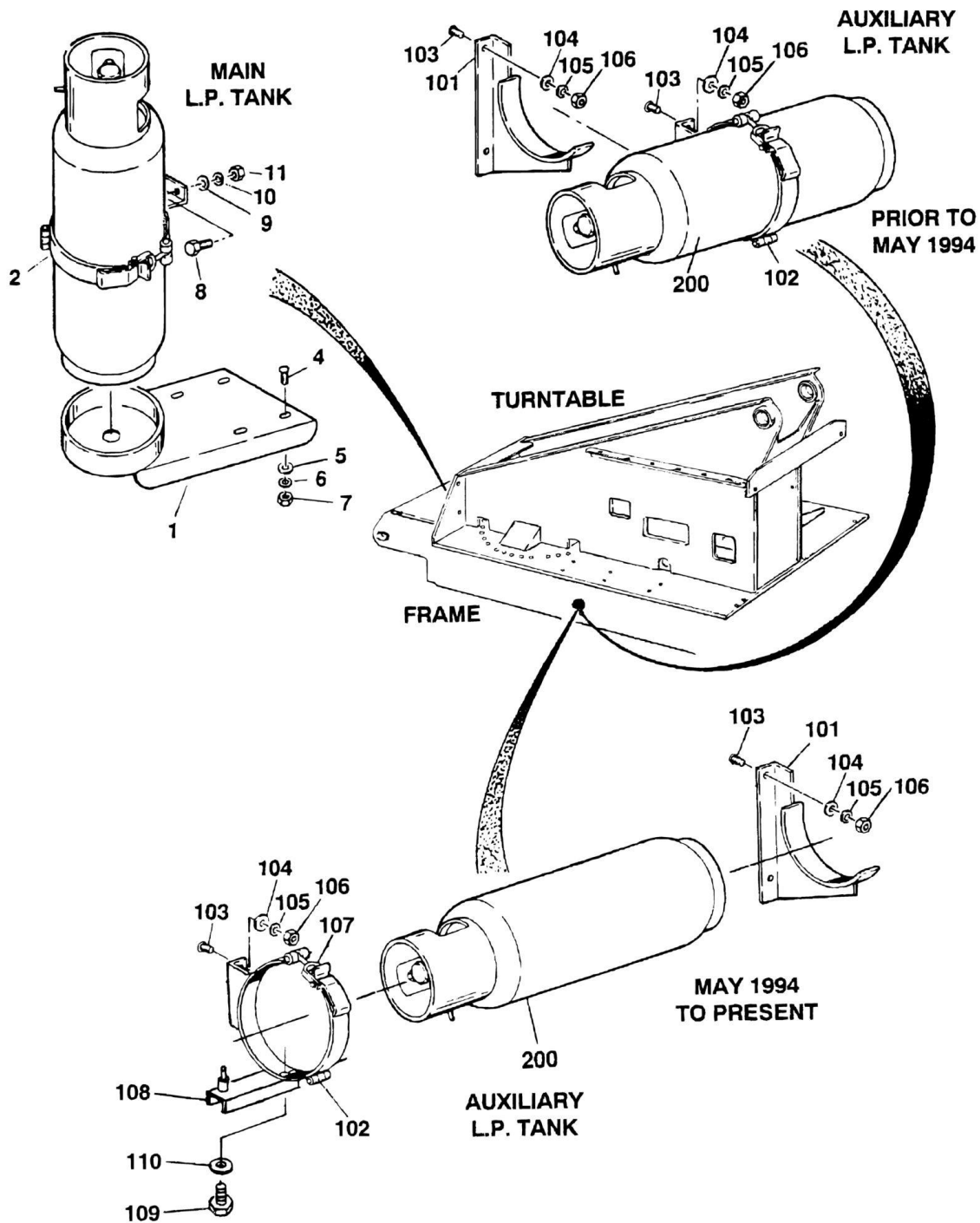
ITEM	PART NUMBER	QTY	DESCRIPTION	REV
204	2420080	1	Gauge, Level	
204	7016664	1	Washer, Sealing	
208	2180605	1	Pipe	
209	3520022	1	Plug, Magnetic	
210	0641612	4	Bolt 3/8in-16NC x 1 1/2in	
211	4761600	4	Lockwasher 3/8in	
212	3311601	4	Nut 3/8in-16NC	
213	2180606	1	Nipple, Pipe	
214	2120104	1	Filter	
215	3311401	12	Nut 1/4in-20NC	
216	4761400	12	Lockwasher 1/4in	
217	0100020	AR	Sealant, Pipe	
218	2200268	1	Fitting, Coupling	
219	2200203	1	Plug, Pipe 1/2in	
220	3300205	3	Nut, Retainer 5/16in-18NC	
221	2180614	1	Fitting, Straight	
222	2220728	1	Fitting, Tee	
224	4751400	12	Flatwasher 1/4in	
225	4740322	4	Washer, Sealing	
250	4842179	1	Tank Weldment	
251	1340045	1	Cap and Breather	
252	1670468	1	Lid	
253	3960371	1	Gasket	
255	2180399	2	Fitting, Coupling (Machines with Heaters Only)	
256	2180398	1	Fitting, Coupling (Machines with Heaters Only)	
257	Not Required	0	Not Required	
	0238777	Ref	<b>HEATERS AND CONTROLS INSTALLATION</b>	D
301	1600043	1	Control, Thermostat	
302	2580018	2	Heater, Immersion	
303	0231756	2	Junction Box Assembly (See Items 401-403 for Breakdown)	
304	3311401	4	Nut 1/4in-20NC	
305	4761400	4	Lockwasher	
306	4300031	4	Stud (Welded on Part)	
307	3251836	1	Nameplate - Engine/Battery Manifold Heater (Left Box)	
308	3251272	1	Nameplate - Hydraulic Oil Tank Heater (Right Box)	
309	3251243	2	Nameplate - 120V-60Hz	
	0231756	Ref	<b>JUNCTION BOX ASSEMBLY</b>	C
401	4460137	1	Receptacle, Female (1 Per Assembly)	
401	4460082	1	Receptacle, Male (1 Per Assembly)	
402	4460007	1	Strip, Terminal (1 Per Assembly)	
403	4460049	3	Connector, Strain Relief (3 Per Assembly)	
	0255869	Ref	<b>FUEL FILL EXTENSION KIT</b>	A
		Ref	<b>Note: For use on fuel tanks built prior to June 1995. Tanks built June 1995 to present are already equipped with extension.</b>	
501	4845158	1	Fill Tube Extension Weldment	
502	3960465	1	Seal	
		Ref	<b>FUEL CAP ASSEMBLY</b>	
	0236285	Ref	<b>Standard Non-Locking (Prior to June 1995)</b>	5-E
	0255823	Ref	<b>Standard Non-Locking (June 1995 to SN 30381)</b>	2-B
	0257365	Ref	<b>Standard Non-Locking (SN 30382 to Present)</b>	1
	0257366	Ref	<b>Locking Protectoseal (Red)</b>	2

**SECTION 2 - TURNTABLE**

ITEM	PART NUMBER	QTY	DESCRIPTION	REV
	0258626	Ref	<b>Locking Protectoseal (Blue)</b>	1
601		Ref	Cap, Fill Options:	
601	1120314	1	Standard Non-Locking Cap	
601	1120367	1	Locking Protectoseal (Red)	
601	1120512	1	Locking Protectoseal (Blue)	

# SECTION 2 - TURNTABLE

## FIGURE 2-29. LP TANKS INSTALLATION



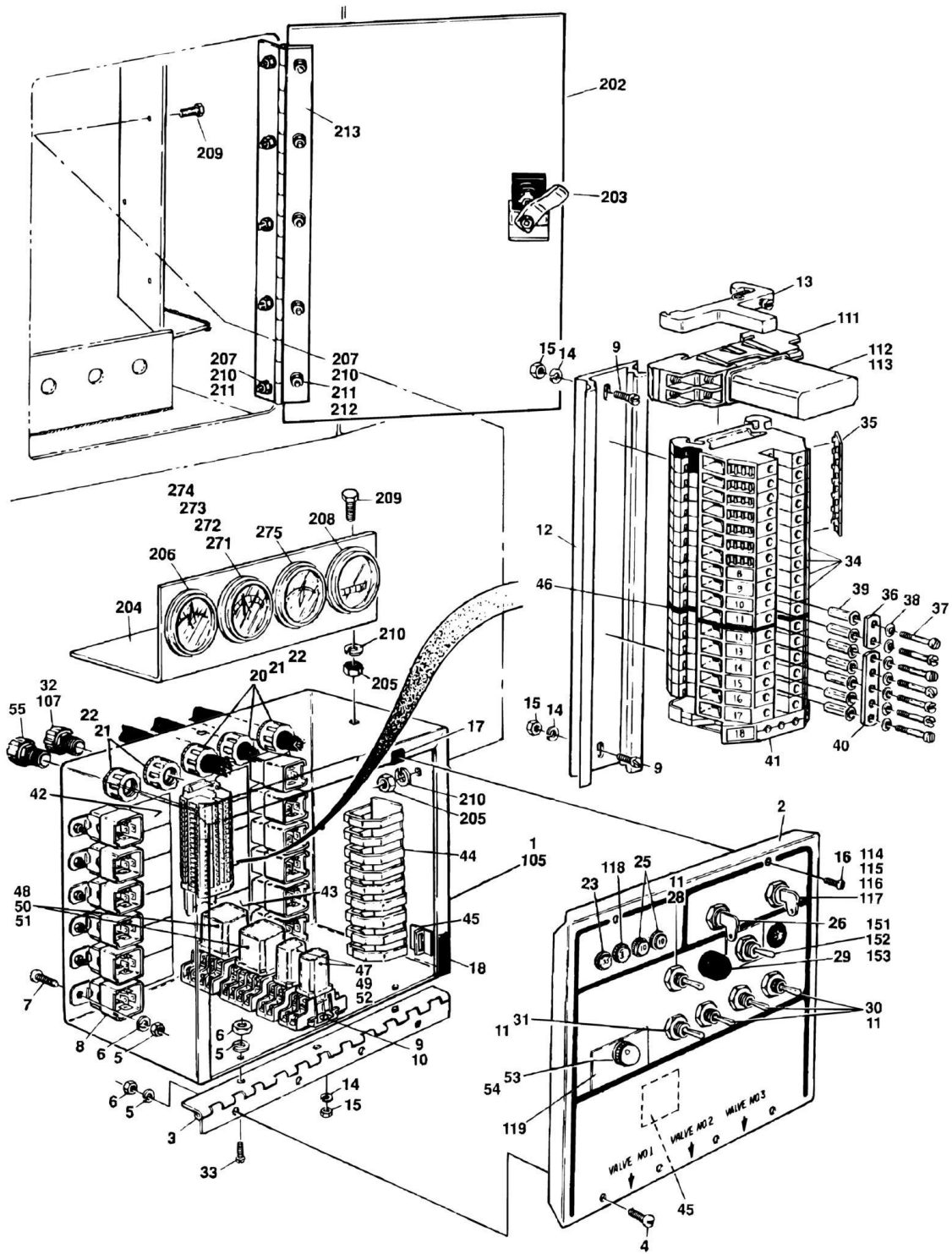
## SECTION 2 - TURNTABLE

### FIGURE 2-29. LP TANKS INSTALLATION

ITEM	PART NUMBER	QTY	DESCRIPTION	REV
		Ref	<b>LP TANKS INSTALLATIONS</b>	
	0236674	Ref	<b>LP TANKS INSTALLATION - TURNTABLE MOUNTED</b>	F
1	0901345	1	Bracket	
2		Ref	Clamp Options:	
2	1320023	1	Clamp (Prior to May 1994)	
2	1320126	1	Clamp (May 1994 to Present)	
4	4300045	4	Stud (Welded on Part)	
5	4751800	8	Flatwasher 1/2in	
6	4761800	4	Lockwasher 1/2in	
7	3311801	4	Nut 1/2in-13NC	
8	0641508	2	Bolt 5/16in-18NC x 1in	
9	4751500	2	Flatwasher 5/16in	
10	4761500	2	Lockwasher 5/16in	
11	3311501	2	Nut 5/16in-18NC	
14	2540003	4 in/10cm	Grommet (Not Shown - Located in Hood)	
15	0100001	AR	Adhesive (Use with Item 14)	
	0238916	Ref	<b>LP TANKS INSTALLATION - FRAME MOUNTED</b>	D
101	0900935	1	Bracket	
102	1320023	1	Clamp	
103	4300034	4	Stud (Welded on Part)	
104	4751600	4	Flatwasher 3/8in	
105	4761600	4	Lockwasher 3/8in	
106	3311601	4	Nut 3/8in-16NC	
107	1320127	1	Toggle and Nut Clamp	
108	3200332	1	Mount, LP Tank	
109	0641403	2	Bolt 1/4in-20NC x 3/8in	
110	4761400	2	Lockwasher 1/4in	
		Ref	<b>LP TANK OPTIONS:</b>	
200	4400275	2	Tank - 43.5 Lb Liquid Withdrawal (Alum)	
200	4400420	2	Tank - 43.5 Lb Liquid Withdrawal (Steel)	
200	4400038	2	Tank - 43.5 Lb Vapor Withdrawal	

# SECTION 2 - TURNTABLE

FIGURE 2-30. GROUND CONTROL COMPONENTS INSTALLATION (MACHINES BUILT PRIOR TO MAY 1994)





**SECTION 2 - TURNTABLE**

**FIGURE 2-30. GROUND CONTROL COMPONENTS INSTALLATION (MACHINES BUILT PRIOR TO MAY 1994)**

ITEM	PART NUMBER	QTY	DESCRIPTION	REV
	0251932	Ref	<b>GROUND CONTROL BOX ASSEMBLY</b>	B
1	0860547	1	Box	
2	3251650	1	Lid	
3	2600093	1	Hinge	
4	3911006	4	Screw, Round Head #10-24NC x 3/8in	
5	4761000	21	Lockwasher #10	
6	3311001	25	Nut #10-24NC	
7	3911008	16	Screw, Round Head #10-24NC x 1/2in	
8	3740049	12	Relay	
9	3910606	4	Screw, Round Head #6-32NC x 3/8in	
10	3640493	1	Rail, Mounting	
11	3790012	5	O-Ring	
12	3640492	1	Rail	
13	4460299	1	Stop, Terminal	
14	4760600	8	Lockwasher #6	
15	3310601	8	Nut #6-32NC	
16	0750806	2	Screw #8 x 3/4in	
17	3300177	2	Nut, Tinnerman	
18	4420037	33 in	Strip, Rubber	
20	4460051	3	Connector, Strain Relief	
21	3300048	5	Nut, Conduit	
22	0960238	5	Bushing	
23	4360186	1	Breaker, Circuit - 35 Amp	
25	4360069	2	Breaker, Circuit - 10 Amp	
26	4360003	1	Switch, Key	
26	2860002	1	Key, Replacement	
28	4360199	1	Switch, Toggle	
29	4360274	1	Switch, Push Button	
30	4360202	3	Switch, Toggle	
31	4360200	1	Switch, Toggle	
32	4460071	1	Connector, Strain Relief	
33	3911016	1	Screw, Round Head #10-24NC x 1in	
34	4460298	17	Strip, Terminal	
35	4460301	1	Marker, Terminal	
36	4460308	1	Bar, Buss (2 Position)	
37	4460305	7	Screw, Terminal	
38	4460306	7	Washer, Terminal	
39	4460307	7	Sleeve, Terminal	
40	4460311	1	Bar, Buss (5 Position)	
41	4460303	1	Block, Ground	
42	1700788	1	Decal, Relay Functions	
43	1700789	1	Decal, Relay Functions	
44	1840002	11 in/28cm	Duct	
45	4460234	5	Clamp, Cable Tie Down	
46	4460300	1	Barrier, Terminal	
47	4120012	2	Socket, Relay - 2PST	
48	4120013	2	Socket, Relay - 4PDT	
49	3740057	2	Relay - 2PST	

## SECTION 2 - TURNTABLE

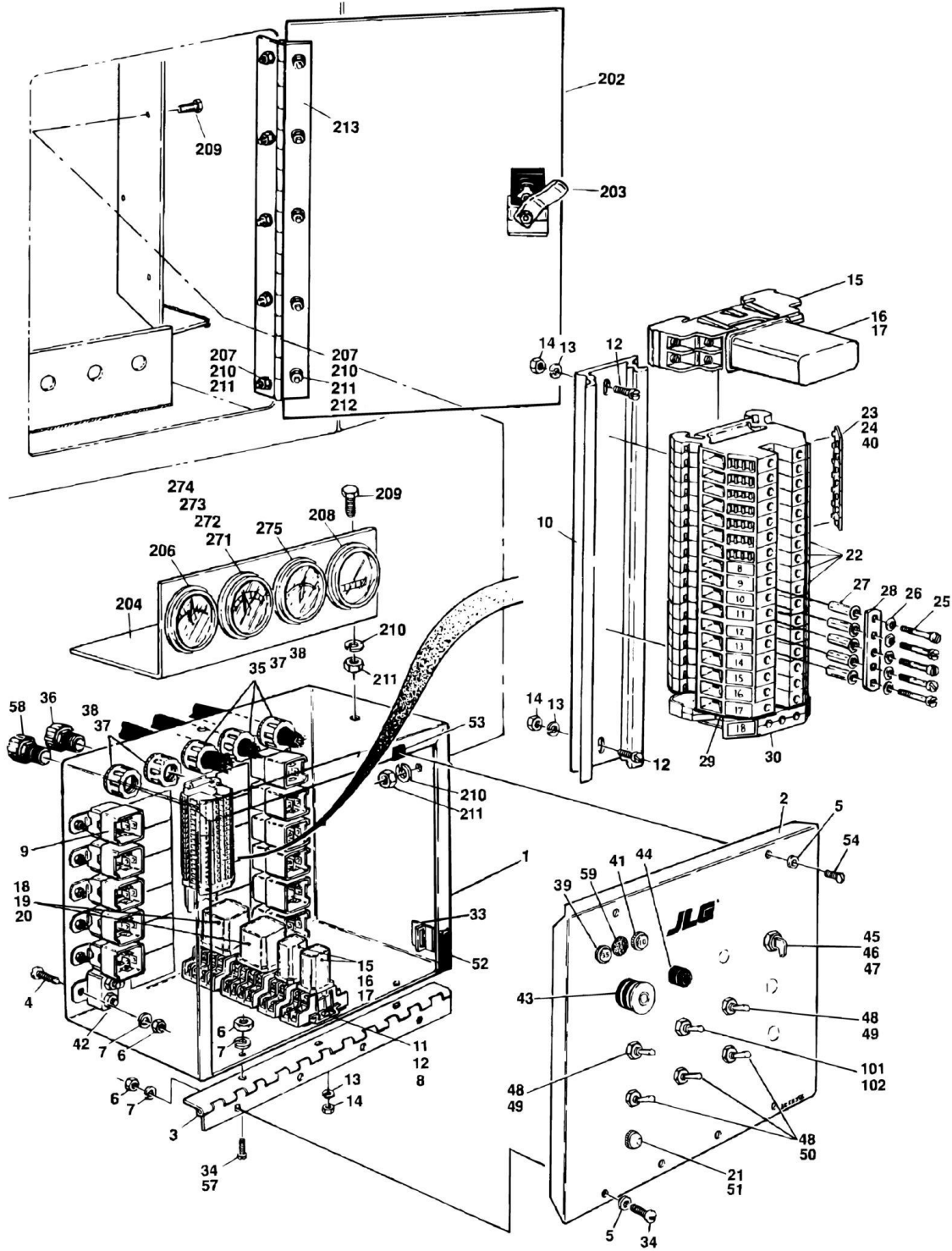
ITEM	PART NUMBER	QTY	DESCRIPTION	REV
50	3740058	2	Relay - 4PDT	
51	3740063	1	Spring, Relay - 4 Pole	
52	3740066	1	Spring, Relay - 2 Pole	
53	2920027	1	Lamp, Indicator	
54	2920029	1	Bulb, Light	
55	4460244	1	Connector, Strain Relief	
		Ref	<b>BOX SUBASSEMBLY</b>	
	0860682	Ref	<b>Box Subassembly 80HX</b>	B
	0860684	Ref	<b>Box Subassembly 80HX+6</b>	B
105	0251932	1	Ground Control Box Assembly (See Items 1-55 for Breakdown)	
107	4460051	1	Connector, Strain Relief	
111	4120012	1	Socket, Relay	
112	3740066	1	Spring, Relay	
113	3740057	1	Relay	
114	4360275	1	Switch, Key	
114	7010698	1	Key Replacement	
115	4360267	1	Block, Contact	
116	4350281	1	Block, Contact	
117	4360282	2	Block, Contact	
118	4360212	1	Breaker, Circuit - 3 Amp	
119	1670585	1	Cover	
151		Ref	Nameplate - Extend-A-Reach Options:	
151	Not Required	0	Nameplate - Extend-A-Reach 80HX	
151	3251746	1	Nameplate - Extend-A-Reach 80HX+6	
152		Ref	O-Ring	
152	Not Required	0	O-Ring 80HX	
152	3790012	1	O-Ring 80HX+6	
153		Ref	Switch, Toggle	
153	Not Required	0	Switch, Toggle 80HX	
153	4360202	1	Switch, Toggle 80HX+6	
		Ref	<b>GROUND CONTROL INSTALLATIONS</b>	
	0250191	Ref	<b>Ground Control Installations 80HX</b>	B
	0251208	Ref	<b>Ground Control Installations 80HX+6</b>	B
202		Ref	Door Options:	
202	1780184	1	Door 14inW x 20 1/2inH (Prior to March 1991)	
202	1780234	1	Door 17 5/8in W x 2 1/2inH (March 1991 to May 1994)	
203	2940042	1	Latch	
204	3380309	1	Panel, Gauge	
205	3300182	3	Nut, Retainer	
206	2420091	1	Volt Meter	
207	4751400	10	Flatwasher 1/4in	
208	2420009	1	Hourmeter	
209	0641408	6	Bolt 1/4in-20NC x 1in	
210	4761400	16	Lockwasher 1/4in	
211	3311401	13	Nut 1/4in-20NC	
212	4300031	5	Stud (Welded on Part)	
213	2600094	1	Hinge	
214	0100011	AR	Loctite #242 (Not Shown)	
		Ref	<b>GAUGES INSTALLATION (FROM ENGINE INSTALLATION)</b>	
271		Ref	Oil Pressure Gauge Options:	
271	2420030	1	Deutz Powered Machines	

**SECTION 2 - TURNTABLE**

ITEM	PART NUMBER	QTY	DESCRIPTION	REV
271	2420035	1	Ford Powered Machines - (Prior to August 1994 and March 1995 to Present)	
271	2420164	1	Ford Powered Machines - (August 1994 to March 1995)	
272	2420001	1	Fitting, Swivel	
273	2200261	1	Fitting, Coupling	
274		Ref	Hose Options:	
274	Not Available		Ford and Deutz Powered Machines	
275		Ref	Temperature Gauge Options:	
275	Not Required	0	Deutz Powered Machines	
275	2420019	AR	Ford Powered Machines - (Prior to August 1994 and March 1995 to Present)	

# SECTION 2 - TURNTABLE

FIGURE 2-31. GROUND CONTROL COMPONENTS INSTALLATION (MACHINES BUILT MAY 1994 TO SN 25608)



## SECTION 2 - TURNTABLE

**FIGURE 2-31. GROUND CONTROL COMPONENTS INSTALLATION (MACHINES BUILT MAY 1994 TO SN 25608)**

ITEM	PART NUMBER	QTY	DESCRIPTION	REV
		Ref	<b>GROUND CONTROL BOX ASSEMBLY (STANDARD PARTS)</b>	
1	0860547	1	Box	
2	3252355	1	Lid	
3	2600093	1	Hinge	
4	3911008	12	Screw, Machine #10-24NC x 1/2in	
5	4740120	6	Washer, Nylon #10	
6	3311001	19	Nut, Hex #10-24NC	
7	4761000	20	Lockwasher #10	
8	4750600	8	Flatwasher #6	
9	3740049	11	Relay (SPDT)	
10	3640555	1	Rail, Mounting	
11	3640493	1	Rail, Mounting	
12	3910606	4	Screw, Machine #6-32NC x 3/8in	
13	4760600	4	Lockwasher #6	
14	3310601	4	Nut, Hex #6-32NC	
15	4120012	3	Socket, Relay	
16	3740057	3	Relay	
17	3740066	3	Spring, Relay	
18	4120013	2	Socket, Relay	
19	3740058	2	Relay	
20	3740063	2	Spring, Relay	
21	2920027	1	Lamp, Green	
22	4460298	20	Block, Terminal	
23	4460301	1	Marker, Terminal	
24	4460404	10	Marker, Terminal	
25	4460305	5	Screw, Terminal Strip	
26	4460306	5	Washer, Terminal Strip	
27	4460307	5	Sleeve, Terminal Strip	
28	4460311	1	Bar, Buss (5 Position)	
29	4460300	1	Barrier, Terminal	
30	4460303	1	Block, Ground	
33	4460488	7	Clamp, Tie Down	
34	3911006	6	Screw, Round Head	
35	4460051	3	Connector, Strain Relief	
36	4460071	1	Connector, Strain Relief	
37	3300048	5	Nut, Conduit	
38	0960238	5	Bushing	
39	4360186	1	Breaker, Circuit 35 Amp	
40	4460405	10	Marker, Terminal	
41	4360069	1	Breaker, Circuit 10 Amp	
42	4360232	1	Breaker, Circuit 15 Amp	
43	4360289	1	Switch, Emergency Stop	
43	7012611	1	Head, Mushroom	
43	7012612	1	Boot	
44	4360274	1	Switch, Pushbutton	
45	4360284	1	Switch, Key	
45	7010698	1	Key, Replacement	
46	4360267	1	Block, Contact SPST N.O.	
47	4360281	3	Block, Contact SPST N.O.	

## SECTION 2 - TURNTABLE

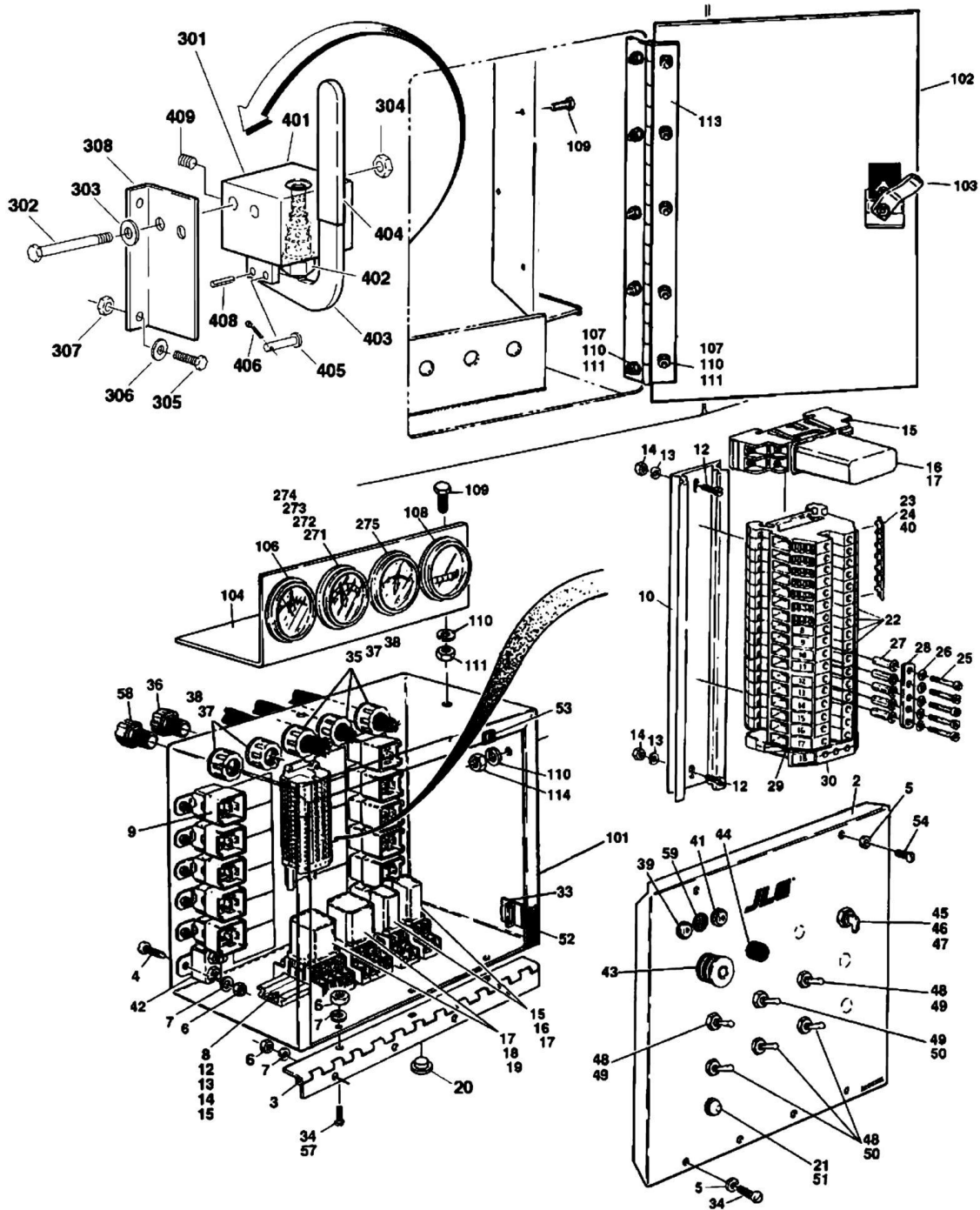
ITEM	PART NUMBER	QTY	DESCRIPTION	REV
48	3790012	5	O-Ring	
49	4360200	1	Switch, Toggle	
50	4360202	4	Switch, Toggle	
51	2920029	1	Light, Bulb	
52	4420037	33 in/7.6cm	Strip, Rubber	
53	3300177	2	Nut, Tinnerman	
54	0750806	2	Screw #8 x 3/4in	
57	3911016	1	Screw, Machine #10-24NC x 1in	
58	4460244	1	Connector, Strain Relief	
59	4360212	1	Breaker, Circuit - 3 Amp (When Equipped)	
		Ref	<b>GROUND CONTROL BOX ASSEMBLY (VARIABLE PARTS)</b>	
	0860761	Ref	Ground Control Box Assembly 80HX With Deutz Engine	C
	0861007	Ref	Ground Control Box Assembly 80HX With Ford Engine (May 1994 to SN 26531)	-
	0861055	Ref	Ground Control Box Assembly 80HX With Ford Engine (SN 26532 to Present)	-
	0860762	Ref	Ground Control Box Assembly 80HX+6 With Deutz Engine	C
101		Ref	Switch, Toggle	
101	Not Required	0	Ground Control Box Assembly 80HX	
101	4360202	1	Ground Control Box Assembly 80HX+6	
102		Ref	O-RING	
102	Not Required	0	Ground Control Box Assembly 80HX	
102	3790012	1	Ground Control Box Assembly 80HX+6	
		Ref	<b>GROUND CONTROL INSTALLATION</b>	
	0252488	Ref	Ground Control Installation 80HX With Deutz Engine	D
	0255551	Ref	Ground Control Installation 80HX With Ford Engine (May 1994 to SN 26531)	-
	0256676	Ref	Ground Control Installation 80HX With Ford Engine (SN 26532 to Present)	-
	0252489	Ref	Ground Control Installation 80HX+6 With Deutz Engine	D
202	1780234	1	Door	
203	2940042	1	Latch	
204	3380309	1	Panel, Gauge	
205	0100011	AR	Loctite #242 (Not Shown)	
206	2420091	1	Voltmeter	
207	4751400	10	Flatwasher 1/4in	
208	2420009	1	Hourmeter	
209	0641406	6	Bolt 1/4in-20NC x 3/4in	
210	4761400	16	Lockwasher 1/4in	
211	3311401	13	Nut 1/4in-20NC	
212	4300031	5	Stud (Welded on Part)	
213	2600094	1	Hinge	
214	3300182	3	Nut, Retainer	
		Ref	<b>GAUGES INSTALLATION (FROM ENGINE INSTALLATION)</b>	
271		Ref	Oil Pressure Gauge Options:	
271	2420030	1	Deutz Powered Machines	
271	2420035	1	Ford Powered Machines - (Prior to August 1994 and February 1995 to Present)	
271	2420164	1	Ford Powered Machines - (August 1994 to February 1995)	
272	2420001	1	Fitting, Swivel	
273	2200261	1	Fitting, Coupling	
274		Ref	Hose Options:	

**SECTION 2 - TURNTABLE**

<b>ITEM</b>	<b>PART NUMBER</b>	<b>QTY</b>	<b>DESCRIPTION</b>	<b>REV</b>
274	Not Available		Ford and Deutz Powered Machines	
275		Ref	Temperature Gauge Options:	
275	Not Required	0	Deutz Powered Machines	
275	2420019	AR	Ford Powered Machines - (Prior to August 1994 and February 1995 to Present)	
275	2420159	AR	Ford Powered Machines - (August 1994 to February 1995)	

# SECTION 2 - TURNTABLE

FIGURE 2-32. GROUND CONTROL COMPONENTS INSTALLATION (MACHINE BUILT) (SN 25609 to Present)





## SECTION 2 - TURNTABLE

**FIGURE 2-32. GROUND CONTROL COMPONENTS INSTALLATION (MACHINE BUILT) (SN 25609 to Present)**

ITEM	PART NUMBER	QTY	DESCRIPTION	REV
	0861085	Ref	<b>GROUND CONTROL BOX ASSEMBLY</b>	6-D
1	0860547	1	Box	
2		Ref	Lid Options:	
2	3252355	1	Lid <b>(Prior to SN 44643)</b>	
2	3252639	1	Lid <b>(SN 44643 to Present)</b>	
3	2600093	1	Hinge	
4	3911008	12	Screw, Machine #10-24NC x 1/2in	
5	4740120	6	Washer, Nylon #10	
6	3311001	19	Nut, Hex #10-24NC	
7	4761000	20	Lockwasher #10	
8	4750600	8	Flatwasher #6	
9	3740049	11	Relay (SPDT)	
10	3640555	1	Rail, Mounting	
11	3640834	1	Rail, Mounting	
12	3910606	4	Screw, Machine #6-32NC x 3/8in	
13	4760600	4	Lockwasher #6	
14	3310601	4	Nut, Hex #6-32NC	
15	4120036	3	Socket, Relay	
16	3740122	3	Relay	
17	3740124	10	Spring, Relay	
18	4120037	2	Socket, Relay	
19	3740123	2	Relay	
20	3520168	9	Plug	
21	2920027	1	Lamp, Green	
22	4460298	20	Block, Terminal	
23	4460301	1	Marker, Terminal	
24	4460404	10	Marker, Terminal	
25	4460305	5	Screw, Terminal Strip	
26	4460306	5	Washer, Terminal Strip	
27	4460307	5	Sleeve, Terminal Strip	
28	4460311	1	Bar, Buss (5 Position)	
29	4460300	1	Barrier, Terminal	
30	4460303	1	Block, Ground	
33	4460488	7	Clamp, Tie Down	
34	3911006	6	Duct	
35	4460051	4	Connector, Strain Relief	
36	4460071	1	Connector, Strain Relief <b>(Prior to SN 63336)</b>	
37	3300048	5	Nut, Conduit	
38	0960238	5	Bushing	
39	4360069	1	Breaker, Circuit 10 Amp	
40	4460405	10	Marker, Terminal	
41	4360069	1	Breaker, Circuit 10 Amp	
42	4360232	1	Breaker, Circuit 15 Amp	
43		Ref	Switch, Emergency Stop Options:	
43	4360289	1	Switch, Emergency Stop <b>(Prior to SN 44643)</b>	
43	4360475	1	Switch, Emergency Stop <b>(SN 44643 to Present)</b>	
43		Ref	Cap Options:	
43	7012611	1	Cap, Mushroom Head (Used on Switch p/n 4360289)	
43	7012612	1	Boot (Used on Switch p/n 4360289)	

## SECTION 2 - TURNTABLE

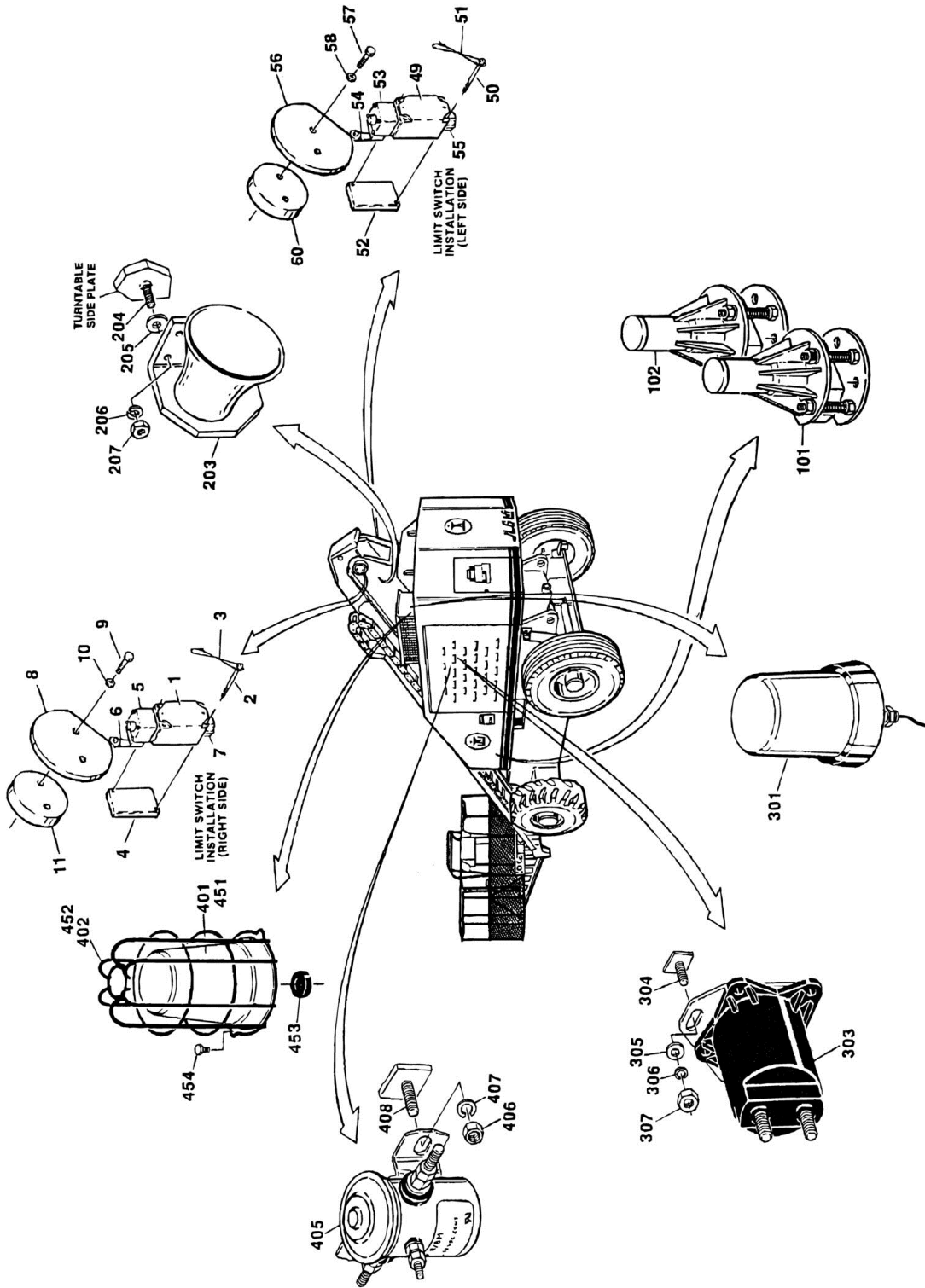
ITEM	PART NUMBER	QTY	DESCRIPTION	REV
43	7020175	1	Cap, Red (Used on Switch p/n 4360475)	
43	7020176	1	Contact Block (Used on Switch p/n 4360475)	
44	4360274	1	Switch, Pushbutton	
45	4360284	1	Switch, Key <b>(Prior to SN 44643)</b>	
45	7010698	1	Key, Replacement	
45	4360468	1	Switch, Key <b>(SN 44643 to Present)</b>	
45	2860030	1	Key, Replacement	
46		Ref	Block, Contact SPST N.O. Options:	
46	4360267	AR	Block, Contact SPST N.O. <b>(Prior to SN 49405)</b>	
46	Not Required	0	Block, Contact SPST N.O. <b>(SN 49405 to Present)</b>	
47		Ref	Block, Contact SPST N.O. Options:	
47	4360281	AR	Block, Contact SPST N.O. <b>(Prior to SN 49405)</b>	
47	Not Required	0	Block, Contact SPST N.O. <b>(SN 49405 to Present)</b>	
48	3790012	5	O-Ring	
49	4360200	1	Switch, Toggle	
50	4360202	4	Switch, Toggle	
51	2920029	1	Light, Bulb	
52	4420037	33	Strip, Rubber	
		in/7.6cm		
53	3300177	2	Nut, Tinnerman	
54	0750806	2	Screw #8 x 3/4in	
57	3911016	1	Screw, Machine #10-24NC x 1in	
58	4460244	1	Connector, Strain Relief	
59	4360212	1	Breaker, Circuit - 3 Amp (When Equipped)	
60	1704260	1	Decal, EMS (Not Shown)	
		Ref	<b>GROUND CONTROL INSTALLATION</b>	
	0252489	Ref	<b>Ground Control Installation (Prior to March 1995)</b>	2
	0257163	Ref	<b>Ground Control Installation (March 1995 to Present)</b>	2
101	0861085	1	Ground Control Box Assembly (Includes Items 1 - 59)	
102	1780234	1	Door	
103	2940042	1	Latch	
104	3380309	1	Panel, Gauge	
105	0100011	AR	Loctite #242 (Not Shown)	
106	2420091	1	Voltmeter	
107	4751400	10	Flatwasher 1/4in	
108	2420009	1	Hourmeter	
109	0641406	6	Bolt 1/4in-20NC x 3/4in	
110	4761400	16	Lockwasher 1/4in	
111	3311401	13	Nut 1/4in-20NC	
113	2600094	1	Hinge	
114	3300182	3	Nut, Retainer	
		Ref	<b>GAUGES INSTALLATION (FROM ENGINE INSTALLATION)</b>	
271		Ref	Oil Pressure Gauge Options:	
271	2420030	1	Deutz Powered Machines	
271	2420035	1	Ford Powered Machines	
272	2220001	1	Fitting, Swivel	
273	2200261	1	Fitting, Coupling	
274		Ref	Hose Options:	
274	Not Available		Ford and Deutz Powered Machines	
275		Ref	Temperature Gauge Options:	
275	Not Required	0	Deutz Powered Machines	
275	2420019	AR	Ford Powered Machines	

## SECTION 2 - TURNTABLE

ITEM	PART NUMBER	QTY	DESCRIPTION	REV
	0257187	Ref	<b>MANUAL DESCENT VALVE INSTALLATION</b>	1-A
301	4641009	1	Valve Assembly (Includes 104 - 108)	
302	0641416	2	Bolt 1/4in-20 NC x 2in	
303	4751400	2	Flatwasher 1/4in	
304	3311405	2	Locknut 1/4in-20 NC	
305	0641508	2	Bolt 5/16in - 18 NC x 1in	
306	4751500	2	Flatwasher 5/16in	
307	3311505	2	Locknut 5/16in - 18 NC	
308	3570161	1	Plate, Mounting	
	4641009	Ref	<b>MANUAL DESCENT VALVE ASSEMBLY</b>	1
401	0561270	1	Port, Block	
402	4640869	1	Valve, Manual Release	
402	7012540	1	Seal Kit - 4640869 Valve	
403	2980121	1	Lever	
404	1120459	1	Lever, Cap	
405	3430408	1	Pin, Clevis	
406	3450202	1	Pin, Cotter	
407	3440413	1	Pin, Roll	
408	2180527	1	Plug	

# SECTION 2 - TURNTABLE

## FIGURE 2-33. ELECTRICAL COMPONENTS INSTALLATION (TURNTABLE MOUNTED)



## SECTION 2 - TURNTABLE

**FIGURE 2-33. ELECTRICAL COMPONENTS INSTALLATION (TURNTABLE MOUNTED)**

ITEM	PART NUMBER	QTY	DESCRIPTION	REV
	0251114	Ref	<b>HORIZONTAL CUTOFF LIMIT SWITCH INSTALLATION (MOUNTED ON RIGHT SIDE)</b>	2-B
1	4360277	1	Switch, Limit	
2	3900168	2	Screw, Special	
3	4920140	AR	Lockwire	
4	3534395	1	Plate, Mounting	
5	4360236	1	Head, Switch Activator	
6	4360278	1	Roller and Arm-Switch Activator	
7	4460052	1	Connector, Strain Relief	
8	1100051	1	Cam	
9	0681816	2	Bolt 1/2in-13NC x 2in (Grade 8)	
10	4740171	2	Washer, Hardened	
10	0100019	AR	Loctite	
11	1120374	1	Cap, Boom Pivot	
	0251113	Ref	<b>8M DRIVE CUTOFF SWITCH INSTALLATION (MOUNTED ON LEFT SIDE) (AUSTRIAN, DUTCH, AND GERMAN SPECS)</b>	A
49	4360277	1	Switch, Limit	
50	3900168	2	Screw, Special	
51	4920140	AR	Lockwire	
52	3534395	1	Plate, Mounting	
53	4360236	1	Head, Switch Activator	
54	4360278	1	Roller and Arm - Switch Activator	
55	4460052	1	Connector, Strain Relief	
56	1100050	1	Cam	
57	0681816	2	Bolt 1/2in-13NC x 2in (Grade 8)	
58	4740171	2	Washer, Hardened	
58	0100019	AR	Loctite	
59	1120374	1	Cap, Boom Pivot	
	0251092	Ref	<b>TILT INDICATOR INSTALLATION</b>	C
101	4360280	1	Indicator, Tilt - 3	
102	4360171	1	Indicator, Tilt - 5	
102	4350106	2	Stud, Grooved	
		Ref	<b>ALARMS INSTALLATION (OPTIONAL ON STANDARD MACHINES BUILT PRIOR TO APRIL 1992)</b>	
	0237054	Ref	<b>BACK-UP ALARM</b>	B
	0237056	Ref	<b>DESCENT ALARM</b>	B
	0239055	Ref	<b>MOTION ALARM</b>	A
	0237055	Ref	<b>TILT ALARM</b>	B
	0237012	Ref	<b>TRAVEL ALARM</b>	A
203	0140024	1	Alarm	
204	4300031	4	Stud (Welded on Part)	
205	4751400	4	Flatwasher 1/4in	
206	4761400	4	Lockwasher 1/4in	
207	3311401	4	Nut 1/4in-20NC	
	0251543	Ref	<b>ALARMS INSTALLATION (OPTIONAL ON STANDARD MACHINES BUILT APRIL 1992 TO PRESENT)</b>	2
251	0140032	1	Alarm	
252	0641406	2	Bolt 1/4in-20NC x 3/4in	
253	4751400	4	Flatwasher 1/4in	
254	3311405	2	Locknut 1/4in-20NC	

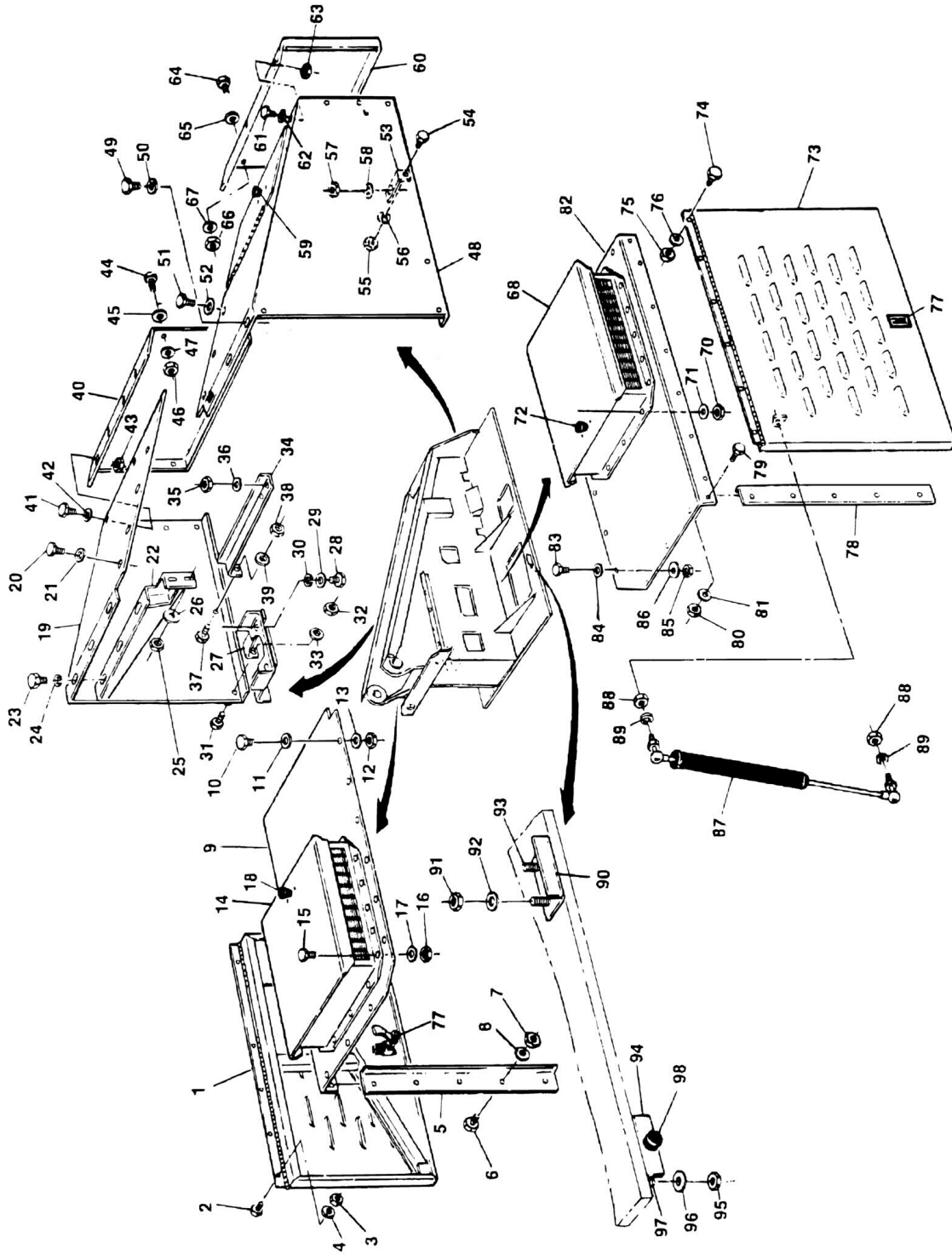
## SECTION 2 - TURNTABLE

ITEM	PART NUMBER	QTY	DESCRIPTION	REV
	0237010	Ref	<b>BEACON LIGHT INSTALLATION - AMBER (OPTIONAL)</b>	B
	0237011	Ref	<b>BEACON LIGHT INSTALLATION - RED (OPTIONAL)</b>	B
	0254186	Ref	<b>BEACON LIGHT INSTALLATION - DUAL (OPTIONAL)</b>	-
301		Ref	Beacon Light Options:	
301	2920018	1	Amber (Single)	
301	2920018	2	Amber (Duals)	
301	2920019	1	Red (Single)	
302		Ref	Bracket Options (Not Shown)	
302	Not Required	0	(Single Beacons)	
302	0901973	1	(Dual Beacons)	
303	3740067	1	Relay	
304	4300031	2	Stud (Welded on Part)	
305	4751400	2	Flatwasher 1/4in	
306	4761400	2	Lockwasher 1/4in	
307	3311401		Nut 1/4in-20NC	
	0250584	Ref	<b>STROBE LIGHT INSTALLATIONS (OPTIONAL ON MACHINES BUILT PRIOR TO FEBRUARY 1994)</b>	-
	0250584	Ref	<b>STROBE LIGHT INSTALLATIONS (OPTIONAL ON MACHINES BUILT PRIOR TO FEBRUARY 1994)</b>	-
401	2920081	1	Light, Strobe - Amber	
402	2920082	1	Guard, Light	
405	3740002	1	Relay	
406	3311401	2	Nut 1/4in-20NC	
407	4761400	2	Lockwasher	
408	4300031	2	Stud (Welded on Part)	
	0254457	Ref	<b>STROBE LIGHT INSTALLATIONS (OPTIONAL ON MACHINES BUILT FEBRUARY 1994 TO PRESENT)</b>	-
	0254699	Ref	<b>STROBE LIGHT INSTALLATIONS (OPTIONAL ON MACHINES BUILT FEBRUARY 1994 TO PRESENT)</b>	-
451		Ref	Strobe Light Options:	
451	2920105	1	Amber	
451	2920109	1	Red	
452	4060829	1	Guard, Light	
453	2540016	1	Grommet	
454	3941404	4	Screw, Self-Tapping 1/4in x 1/2in	



# SECTION 2 - TURNTABLE

## FIGURE 2-34. HOODS INSTALLATION (PRIOR TO DECEMBER 1992)





## SECTION 2 - TURNTABLE

**FIGURE 2-34. HOODS INSTALLATION (PRIOR TO DECEMBER 1992)**

ITEM	PART NUMBER	QTY	DESCRIPTION	REV
		Ref	<b>HOOD INSTALLATIONS</b>	
	0236815	Ref	<b>Deutz Engine Machines</b>	H
	0237246	Ref	<b>Ford Engine Machines</b>	H
		Ref	<b>Note: Replacement Decals Must Be Ordered Separately- See DECALS SECTION</b>	
1	4842227	1	Door, Hood, Valve Side	
2	0641406	6	Bolt, 1/4in-20NC x 3/4in	
3	3311405	6	Locknut 1/4in-20NC	
4	4751400	6	Flatwasher 1/4in	
5	1780172	1	Panel, Door (R.H.)	
6	0641408	5	Bolt 1/4in-20NC x 1in	
7	3311405	5	Locknut 1/4in-20NC	
8	4751400	5	Flatwasher 1/4in	
9	1780219	1	Panel, Hood Top, Valve Side	
10	0641408	6	Bolt 1/4in-20NC x 1in	
11	4751500	6	Flatwasher 5/16in	
12	3311405	6	Locknut 1/4in-20NC	
13	4751400	6	Flatwasher 1/4in	
14	4842979	1	Hood Vent	
15	0641406	16	Bolt 1/4in-20NC x 3/4in	
16	3311405	16	Locknut 1/4in-20NC	
17	4751400	32	Flatwasher 1/4in	
18	2940050	1	Latch	
18	3820012	2	Pop Rivet	
19		Ref	Hood Panel, Fuel Tank Side (R.H.) Options:	
19	4841983	1	With Welded on Steel Manual Storage Box	
19	1780174	1	With Bolt on Plastic Manual Storage Box - Not Included	
20	3941405	5	Screw, Self Tap 1/4in-20NC x 5/8in	
21	4761400	5	Lockwasher 1/4in	
22	0901296	1	Bracket, Hood (R.H.)	
22	0900801	1	Bracket, Hood (L.H.)	
23	3941405	6	Screw, Self Tap 1/4in-20NC x 5/8in	
24	4761400	6	Lockwasher 1/4in	
25	3311605	2	Locknut 3/8in-16NC	
26	4751600	2	Flatwasher 3/8in	
26	4300034	2	Stud (Welded on Part) (Not Shown)	
27	0901199	2	Bracket, Hood Attachment, Valve Side	
28	0641508	3	Bolt 5/16in-18NC x 1in	
29	4761500	3	Lockwasher 5/16in	
30	4751500	3	Flatwasher 5/16in	
31	0641406	4	Bolt 1/4in-20NC x 3/4in	
32	3311405	4	Locknut 1/4in-20NC	
33	4751400	4	Flatwasher 1/4in	
34		Ref	Bracket, Hood Mounting Options:	
34	0901188	2	Gas and Diesel Machines	
34	0901188	3	LP Only Machines	
35	3311505	2	Locknut 5/16in-18NC	
36	4751500	2	Flatwasher 5/16in	
36	4430038	2	Stud (Welded on Part) (Not Shown)	
37	0641406	1	Bolt 1/4in-20NC x 3/4in	

## SECTION 2 - TURNTABLE

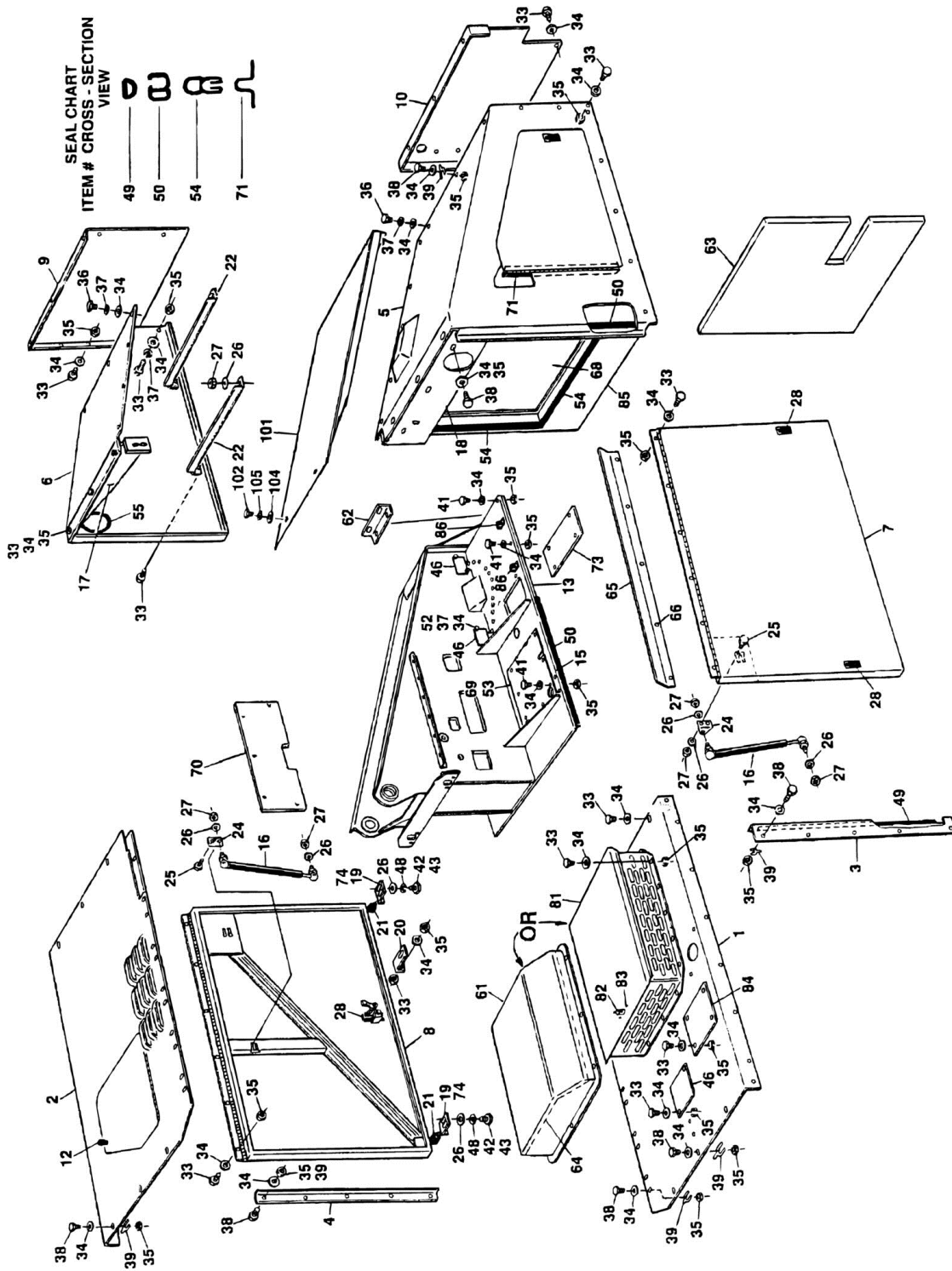
ITEM	PART NUMBER	QTY	DESCRIPTION	REV
38	3311405	1	Locknut 1/4in-20NC	
39	4751400	1	Flatwasher 1/4in	
40	1780147	1	Panel, End, Valve Side	
41	0641406	2	Bolt 1/4in-20NC x 3/4in	
42	4751400	2	Flatwasher 1/4in	
43	3311405	2	Locknut 1/4in-20NC	
44	0641510	2	Bolt 5/16in-18NC x 1 1/4in	
45	4751500	2	Flatwasher 5/16in	
46	3311505	2	Locknut 5/16in-18NC	
47	4751600	2	Flatwasher 3/8in	
48	4841974	1	Hood Panel, Hydraulic Tank Side (L.H.)	
49	3941405	6	Screw, Self Tap 1/4in-20NC x 5/8in	
50	4761400	6	Lockwasher 1/4in	
51	3941405	6	Screw, Self Tap 1/4in-20NC x 5/8in	
52	4761400	6	Lockwasher 1/4in	
53	0901199	2	Bracket, Hood Assembly, Hydraulic Tank Side	
54	0641406	3	Bolt 1/4in-20NC x 3/4in	
55	3311405	3	Locknut 1/4in-20NC	
56	4751400	3	Flatwasher 1/4in	
57	3311508	3	Nut, Hex 5/16in-18NC	
58	4751500	3	Flatwasher 5/16in	
58	4300038	3	Stud (Welded on Part) (Not Shown)	
59	2940050	1	Latch	
59	3820012	2	Pop Rivet	
60	1780148	1	Panel - End Engine Side	
61	0641406	2	Bolt 1/4in-20NC x 3/4in	
62	4751400	2	Flatwasher 1/4in	
63	3311405	2	Locknut 1/4in-20NC	
64	0641510	2	Bolt 5/16in-18NC x 1 1/4in	
65	4751500	2	Flatwasher 5/16in	
66	3311505	2	Locknut 5/16in-18NC	
67	4751600	2	Flatwasher 3/8in	
68	4842979	1	Hood Vent	
69	0641406	16	Bolt 1/4in-20NC x 3/4in	
70	3311405	16	Locknut 1/4in-20NC	
71	4751400	32	Flatwasher 1/4in	
72	2940050	1	Latch	
72	3820012	2	Pop Rivet	
73	4842227	1	Door Weldment, Engine Side	
74	0641406	6	Bolt 1/4in-20NC x 3/4in	
75	3311405	6	Locknut 1/4in-20NC	
76	4751400	6	Flatwasher 1/4in	
77	2940042	1	Latch	
78	1780171	1	Panel, Door	
79	0641408	5	Bolt 1/4in-20NC x 1in	
80	3311405	5	Locknut 1/4in-20NC	
81	4751400	5	Flatwasher 1/4in	
82	1780239	1	Panel, Hood Top, Engine Side	
83	0641408	6	Bolt 1/4in-20NC x 1in	
84	4751500	6	Flatwasher 5/16in	
85	3311405	6	Locknut 1/4in-20NC	

**SECTION 2 - TURNTABLE**

<b>ITEM</b>	<b>PART NUMBER</b>	<b>QTY</b>	<b>DESCRIPTION</b>	<b>REV</b>
86	4751400	6	Flatwasher 1/4in	
87	4160081	1	Gas Spring	
88	3311505	2	Locknut 5/16in-18NC	
89	4761500	2	Lockwasher 5/16in	
90	0901235	1	Bracket, Door Stop	
91	3311505	2	Locknut 5/16in-18NC	
92	4751500	2	Flatwasher 5/16in	
93	4300038	2	Stud (Welded on Part)	
94	0901198	2	Bracket, Door Stop (Engine Side)	
94	0901197	2	Bracket, Door Stop (Valve Side - Not Shown)	
95	3311505	2	Locknut 5/16in-18NC	
96	4751500	2	Flatwasher 5/16in	
97	4300038	2	Stud (Welded on Part)	
98	0940036	4	Bumper, Door	

# SECTION 2 - TURNTABLE

FIGURE 2-35. HOODS INSTALLATION (MACHINES BUILT DECEMBER 1992 TO PRESENT)



## SECTION 2 - TURNTABLE

**FIGURE 2-35. HOODS INSTALLATION (MACHINES BUILT DECEMBER 1992 TO PRESENT)**

ITEM	PART NUMBER	QTY	DESCRIPTION	REV
		Ref	<b>HOODS INSTALLATION (STANDARD PARTS)</b>	
		Ref	<b>Note: Replacement Decals Must Be Ordered Separately - See DECALS SECTION.</b>	
1	1780270	1	Panel - Hood Top (Engine Side)	
2	4844391	1	Panel - Hood Top (Valve Side)	
3	1780271	1	Panel - Filler (Engine Side)	
4	1780172	1	Panel - Filler (Valve Side)	
5	4844180	1	Hood (Engine Side)	
6		Ref	Hood Options (Tank Side):	
6	1780174	1	Hood - Prior to June 1995 without Fill Extension Kit	
6	3380418	1	Hood - Prior to June 1995 with Fill Extension Kit	
6	3380418	1	Hood - (June 1995 to Present)	
7	4844074	1	Door (Engine Side)	
8	4844113	1	Door (Tank Side)	
9	4844252	1	Panel, End (Valve Side)	
10	1780148	1	Panel, End (Engine Side)	
12	2940051	1	Latch	
13	0901850	1	Bracket, Hood	
15	3536088	1	Plate, Stop	
16	4160081	2	Gas Spring	
17	0901296	1	Bracket, Support - Top (Tank Side)	
18	0901871	1	Bracket, Support - Top (Tank Side)	
19	0901197	2	Bracket, Door Stop	
20	0901199	1	Bracket, Hood Mounting	
21	0940036	2	Bumper, Door	
22	0901188	1	Bracket, Support - Bottom (Tank Side)	
24	3200222	2	Bracket, Gas Spring Mounting	
25	0630383	4	Bolt, Carriage 5/16in-18NC x 3/4in	
26	4751500	AR	Flatwasher 5/16in	
27	3311505	8	Locknut 5/16in-18NC	
28	2940042	4	Latch	
29	4300034	4	Stud (Welded on Part)	
30	4751600	12	Flatwasher 3/8in	
31	3311605	8	Locknut 3/8in-16NC	
32	4300038	4	Stud (Welded on Part)	
33	0641406	AR	Bolt 1/4in-20NC x 3/4in	
34	4751400	AR	Flatwasher 1/4in	
35	3311405	AR	Locknut 1/4in-20NC	
36	3941406	10	Screw, Self-Tapping 1/4in x 3/4in	
37	4761400	AR	Lockwasher 1/4in	
38	0641408	AR	Bolt 1/4in-20NC x 1in	
39	4740362	32	Washer, Fender	
40	0641610	4	Bolt 3/8in-16NC x 1 1/4in	
41	0641412	AR	Bolt 1/4in-20NC x 1 1/2in	
42	0641508	5	Bolt 5/16in-18NC x 1in	
43	0100011	AR	Loctite #242 (Not Shown)	
46	1670321	AR	Cover	
47	4300031	AR	Stud (Welded on Part) (Not Shown)	
48	4761500	5	Lockwasher	
49	3960433	69 in	Seal	

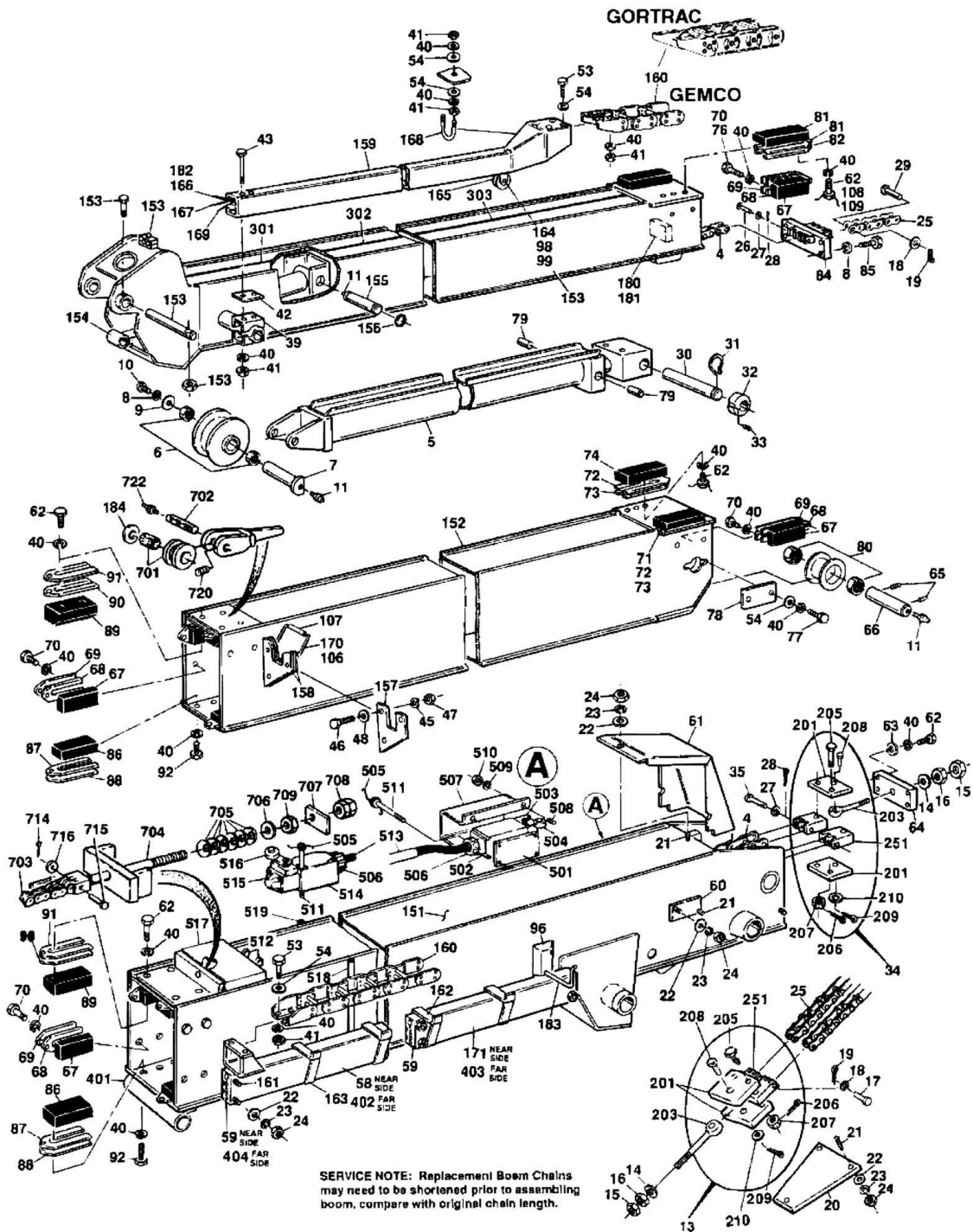
## SECTION 2 - TURNTABLE

ITEM	PART NUMBER	QTY	DESCRIPTION	REV
50	3960418	AR	Seal	
52	3311401	AR	Nut 14in-20NC	
53	1670644	1	Cover, Base Plate	
54	3960389	AR	Seal	
55	4060803	2 ft	Flex-Trim (June 1995 to Present)	
	0253372	Ref	<b>HOODS INSTALLATION - DEUTZ ENGINE MACHINES (VARIABLE PARTS)</b>	6
61	4844236	1	Duct Weldment	
62	3536282	1	Panel, Filler	
63	2820056	1	Foam, Acoustical	
64	2820057	1	Foam Acoustical	
65	3535951	1	Plate, Shield	
66	3820018	5	Rivet	
67	2820053	1	Foam, Acoustical	
68	2820058	1	Foam, Acoustical	
70	1670647	1	Cover, Side Sheet	
71	3960429	21 in	Seal (With Self-Stick Tape)	
73	1670668	1	Cover, Base Plate	
74	4070671	AR	Shim (0.08)	
	0253374	Ref	<b>HOODS INSTALLATION - FORD ENGINE MACHINES (VARIABLE PARTS)</b>	G
81	4680015	1	Ventilator	
82	2940050	1	Latch	
83	3820012	2	Rivet	
84	1670656	1	Cover, Hood	
85	4844323	1	Baffle	
86	1320041	1	Clamp	
	0253338	Ref	<b>TURNTABLE SHIELD INSTALLATION</b>	A
101	4060841	1	Shield	
102	3941406	6	Screw, Self-Tapping 1/4in x 3/4in	

**SECTION 3 - BOOM**

# SECTION 3 - BOOM

## FIGURE 3-1. BOOM ASSEMBLIES



SERVICE NOTE: Replacement Boom Chains may need to be shortened prior to assembling boom, compare with original chain length.



## SECTION 3 - BOOM

### FIGURE 3-1. BOOM ASSEMBLIES

ITEM	PART NUMBER	QTY	DESCRIPTION	REV
		Ref	<b>BOOM ASSEMBLY (STANDARD PARTS)</b>	
4	1260168	1 st	Chain, Extend	
5	1682258	1	Telescope Cylinder Assembly Options (See CYLINDER SECTION for Breakdown)	
6	0237558	1	Sheave Assembly	
6	0960406	2	Bushing	
7	3421350	1	Pin	
8	4761800	5	Lockwasher 1/2in	
9	4740003	1	Washer, Hardened	
10	0641808	1	Bolt 1/2in-13NC x 1in	
11	2160002	3	Fitting, Grease	
12	0100011	AR	Loctite #242 (Not Shown)	
13	0236294	1	Chain Adjuster Assembly (Retract) (See Items 201-251 for Breakdown)	
14	4740057	2	Washer, Hardened <b>(Prior to SN 36919)</b>	
15	3312202	2	Nut, Jam 3/4in-10NC	
16	3300241	2	Locknut 3/4in-10NC (Grade 8)	
17	3420414	2	Pin, Clevis	
18	4751000	3	Flatwasher #10	
19	3450203	3	Pin, Cotter 1/16in x 3/4in	
20	1670335	1	Cover, Plate	
21	4300031	11	Stud (Welded on Part)	
22	4751400	27	Flatwasher 1/4in	
23	4761400	21	Lockwasher 1/4in	
24	3311401	19	Nut 1/4in-20NC	
25	1260319	1 st	Retract Chain	
26	3421206	1	Pin, Clevis	
27	4751500	3	Flatwasher 5/16in	
28	3450303	3	Pin, Cotter 3/32in x 3/4in	
29	3421029	1	Pin, Clevis	
30	3421209	1	Pin, Tele	
31	3760233	2	Ring, Retaining	
32	0960979	2	Bushing, Eccentric	
33	3951603	2	Setscrew 3/8in-16NC x 3/8in	
34	0236758	1	Chain Adjuster Assembly (Extend) (See Items 201-251 for Breakdown)	
35	3421205	2	Pin, Clevis	
39	1320121	2	Clamp, Power Track becomes part of Item 153 Fly Weldment <b>(SN 75115 to Present)</b>	
40	4761600	62	Lockwasher 3/8in	
41	3311601	12	Nut, Jam 3/8in-16NC	
42	4280242	1	Strip, Reinforcement	
43	0641634	2	Bolt 3/8in-16NC x 4 1/4in	
45	4761500	3	Lockwasher 5/16in	
46	0641512	3	Bolt 5/16in-18NC x 1 1/2in	
47	3311501	3	Nut 5/16in-18NC	
48	4751500	6	Flatwasher 5/16in	
53	0641608	30	Bolt 3/8in-16NC x 1in	
54	4751600	16	Flatwasher 3/8in	
58	4060568	2	Shield (Without Notches)	

## SECTION 3 - BOOM

ITEM	PART NUMBER	QTY	DESCRIPTION	REV
59	4340413	4	Support, Line	
60	1670321	2	Cover, Boom Base	
61	4060603	1	Shield, Boom End	
62	0641612	24	Bolt 3/8in-16NC x 1 1/2in	
63	4740185	4	Washer, Hardened	
64	0236766	1	Chain Attach Assembly	
65	3951608	2	Setscrew 3/8in-16NC x 1in	
66	3421349	1	Sheave Pin	
67	3340394	12	Pad, Wear	
68	4070502	AR	Shim 1/16in	
69	4070501	AR	Shim 1/8in	
70	0641606	22	Bolt 3/8in-16NC x 3/4 <b>(Prior to SN 36919)</b>	
71	3340462	1	Pad, Wear	
72	4070556	AR	Shim 1/16in	
73	4070555	AR	Shim 1/8in	
74	3340460	1	Pad, Wear	
76	0641614	2	Bolt 3/8in-16NC x 1 3/4in	
77	0641605	4	Bolt 3/8in-16NC x 5/8in	
78	0360372	2	Bar	
79	3420410	2	Pin, Trunion	
80	0237557	1	Sheave Assembly	
80	0961857	2	Bushing	
81	3340401	2	Pad, Wear	
82	4070504	AR	Shim 1/16in	
83	4070503	AR	Shim 1/8in	
84	4845095		Chain Attach Assembly	
85	0641816	4	Bolt 1/2in-13NC x 2in	
86	3340403	4	Pad, Wear	
87	4070508	AR	Shim 1/16in	
88	4070507	AR	Shim 1/8in	
89	3340399	4	Pad, Wear	
90	4070498	AR	Shim 1/16in	
91	4070497	AR	Shim 1/8in	
92	0641612	12	Bolt 3/8in-16NC x 1 1/2in	
96	2660042	1	Holder, Rod	
98	3450806	1	Pin, Cotter	
99	0641405	1	Bolt 1/4in-20NC x 5/8in	
106	0181175	2	Angle, Cable Guide	
107	4562516	AR	Tube, Poly	
108	1380121	12	Clip, Retainer (Prior to June 1995 Only)	
109	4920986	63 in/1.6m	Wire, Safety (Prior to June 1995 Only)	
		Ref	<b>BOOM ASSEMBLY (VARIABLE PARTS)</b>	
	0800662	Ref	<b>Australian Spec 80HX (Prior to May 1992)</b>	C
	0800807	Ref	<b>Australian Spec 80HX (May 1992 to Present)</b>	13
	0800814	Ref	<b>Australian Spec 80HX With Chip Covers</b>	14
	0801016	Ref	<b>Australian Spec 80HX With Inverted Power</b>	7
	0801005	Ref	<b>Australian Spec 80HX With Waterline</b>	9
	0800663	Ref	<b>Australian Spec 80HX+6 (Prior to May 1992)</b>	A
	0800810	Ref	<b>Australian Spec 80HX+6 (May 1992 to Present)</b>	10
	0800816	Ref	<b>Australian Spec 80HX+6 With Chip Covers</b>	11
	0800677	Ref	<b>Euro Spec 80HX (Prior to May 1992)</b>	F

## SECTION 3 - BOOM

ITEM	PART NUMBER	QTY	DESCRIPTION	REV
	0800809	Ref	<b>Euro Spec 80HX (May 1992 to Present)</b>	11
	0800815	Ref	<b>Euro Spec 80HX With Chip Covers</b>	14
	0800681	Ref	<b>Euro Spec 80HX+6 (Prior to May 1992)</b>	B
	0800811	Ref	<b>Euro Spec 80HX+6 (May 1992 to Present)</b>	7
	0800817	Ref	<b>Euro Spec 80HX+6 With Chip Covers</b>	11
151		Ref	Base Weldment Options:	
151	0800669	1	Australian Spec (Prior to May 1992)	
151	0800806	1	Australian Spec (May 1992 to Present)	
151	0801006	1	Australian Spec 80HX With Waterline	
151	0800678	1	Euro Spec (Prior to May 1992)	
151	0800806	1	Euro Spec (May 1992 to Present)	
152		Ref	Mid Weldment Options:	
152	0800413	1	Mid Weldment (Prior to May 1992)	
152	0800679	1	Mid Weldment (May 1992 to Present)	
153		Ref	Fly Weldment Options:	
153	0800412	1	Australian Spec 80HX (Prior to May 1992)	
153	0801015	1	Australian Spec 80HX (May 1992 to Present)	
153	0800517	1	Australian Spec 80HX+6 (Prior to May 1992)	
153	0800682	1	Australian Spec 80HX+6 (May 1992 to Present)	
153	0800680	1	Euro Spec 80HX (Prior to May 1992)	
153	0801015	1	Euro Spec 80HX (May 1992 to Present)	
153	0800682	1	Euro Spec 80HX+6	
153	1320052	1	Clamp	
153	3421816	1	Pin, Nose	
153	0641622	1	Bolt 3/8in-16NC	
153	3311605	1	Locknut 3/8in-16NC	
154		Ref	Platform Level Cylinder Assembly Options (See CYLINDER SECTION for Breakdown):	
154	1681722	1	Platform Level Cylinder Assembly 80HX (Prior 1990 to April 1992)	
154	1682602	1	Platform Level Cylinder Assembly 80HX (April 1992 to SN 33110)	
154	1683534	1	Platform Level Cylinder Assembly 80HX <b>(SN 33111 to Present)</b>	
154	Not Required	1	Platform Level Cylinder Assembly 80HX+6	
155		Ref	Pin Options:	
155	3421207	1	Pin 80HX	
155	Not Required	0	Pin 80HX+6	
156		Ref	Ring, Retaining Options:	
156	3760133	2	Ring, Retaining 80HX	
156	Not Required	0	Ring, Retaining 80HX+6	
157		Ref	Bracket, Support Options:	
157	4340453	1	Bracket, Support (Prior to May 1992)	
157	4340635	1	Bracket, Support (May 1992 to Present)	
158		Ref	Support, Mid Boom Options:	
158	4340520	2	Support, Mid Boom (Prior to May 1992)	
158	4340576	2	Support, Mid Boom (May 1992 to Present)	
159	1180254	1	Tube, Carrier	
160		Ref	Power Track Options:	
160	1001099842	1	Without Chip Covers (was p/n 1180236)	
160	1180258	1	With Chip Covers	
160		Ref	Gemco Replacement Parts:	
160		Ref	1 Foot Repair Section Options:	

## SECTION 3 - BOOM

ITEM	PART NUMBER	QTY	DESCRIPTION	REV
160	7006153	AR	Without Chip Covers	
160	7006145	AR	With Chip Covers	
160	7006133	2 pr	Feet, Mounting	
160	7006180	AR	Pin Kit	
160	7006165	AR	Rod Carrier Kit	
160		Ref	Gortrac Replacement Parts (1001099842 Power Track):	
160	70002008	AR	Power Track - 1 Section Repair Kit Options	
160	70002009	2 pr	Power Track - Bracket Kit Options	
161		Ref	Stud Options:	
161	4300036	8	Australian Spec (Prior to May 1992)	
161	4300042	8	Australian Spec (May 1992 to Present)	
161	4300098	8	Euro Spec 80HX	
161	4300036	8	Euro Spec 80HX+6 (Prior to May 1992)	
161	4300042	8	Euro Spec 80HX+6 (May 1992 to Present)	
162	4340519	4	Support, Power Track	
163	0880090	4	Brace	
164	3841013	1	Rod, Roller	
165	3860050	1	Roller, Power Track	
166		Ref	Cable, Electrical - 16/30 Options:	
166	1060229	95 ft/29m	Australian Spec 80HX & 80HX+6 (Prior to May 1992)	
166	1060516	97 ft/29.6m	Australian Spec 80HX (May 1992 to Present)	
166	1060516	104 ft/31.7m	Australian Spec 80HX+6 (May 1992 to Present)	
166	1060229	97 ft/29.6m	Euro Spec 80HX	
166	1060229	104 ft/31.7m	Euro Spec 80HX+6	
166	1060229	97 ft/29.6m	Euro Spec 80HX & 80HX+6 with Chip Covers ( <b>Prior to SN 54598</b> )	
166	1060516	97 ft/29.6m	Euro Spec 80HX & 80HX+6 with Chip Covers ( <b>SN 54598 to Present</b> )	
167		Ref	Cable, Electrical - 12/4 Options:	
167	1060012	96 ft/29.3m	Australian Spec 80HX & 80HX+6 (Prior to May 1992)	
167	1060515	97 ft/29.6m	Australian Spec 80HX (May 1992 to Present)	
167	1060515	104 ft/31.7m	Australian Spec 80HX+6 (May 1992 to Present)	
167	1060012	97 ft/29.6m	Euro Spec 80HX	
167	1060012	97 ft/29.6m	Euro Spec 80HX+6 (Prior to May 1992)	
167	1060012	104 ft/31.7m	Euro Spec 80HX+6 (May 1992 to Present)	
168	1320155	1	Clamp, U-Bolt	
169		Ref	Harness Options - 110V:	
169	4920617	1	Harness 80HX (Prior to August 1994)	
169	1060268	96 ft/29.3m	Cable, Electrical 80HX (August 1994 to Present)	
169	4921052	1	Harness (80HX+6 without Chip Covers Prior to August 1994)	
169	4921211	1	Harness (80HX+6 with Chip Covers Prior to August 1994)	
169	1060268	108 ft/33m	Cable, Electrical (80HX+6 August 1994 to Present)	

## SECTION 3 - BOOM

ITEM	PART NUMBER	QTY	DESCRIPTION	REV
170		Ref	Rod, Tube Retainer Options:	
170	3840858	1	Australian Spec Machines Without Chip Covers	
170	3841012	1	Euro Spec Machines Without Chip Covers	
170	3841012	1	With Chip Covers	
170	3841012	1	With Inverted Power Track	
170	3841252	1	With Waterline	
171		Ref	Shield Options (With Notches):	
171	4060673	1	Australian Spec 80HX	
171	4060833	1	Australian Spec 80HX With Chip Covers	
171	4060833	1	Australian Spec 80HX With Inverted Power	
171	4060833	1	Australian Spec 80HX With Waterline	
171	4060673	1	Australian Spec 80HX+6 (Prior to May 1992)	
171	4060833	1	Australian Spec 80HX+6 (May 1992 to Present)	
171	4060777	1	Euro Spec 80HX (Prior to May 1992)	
171	4060834	1	Euro Spec 80HX (May 1992 to Present)	
171	4060673	1	Euro Spec 80HX+6 (Prior to May 1992)	
171	4060833	1	Euro Spec 80HX+6 (May 1992 to Present)	
172 to 179	Not Required	0	Not Required	
180	0641610	2	Bolt 3/8in-16NC x 1 1/4in (August 1995 to Present)	
181	3340788	1	Pad, Wear (August 1995 to Present)	
182	4100026	30	Sleeve, Hose (August 1995 to Present)	
		in/76cm		
183	3840844	1	Rod, Hanger	
184	4740304	AR	Washer, Spacer	
185	1670836	6	Cover, Boom (Located on Bottom of Boom Sections) (Not Shown) <b>(SN 34105 to Present)</b>	
		Ref	<b>CHAIN ADJUSTER ASSEMBLIES</b>	
	0236758	Ref	<b>Extend Chain</b>	-
	0236294	Ref	<b>Retract Chain</b>	D
201	3509182	2	Plate	
203	0630374	1	Eyebolt	
205	0630347	2	Bolt 1/2in-13NC x 2 1/4in (Grade 8)	
206	3450405	2	Pin, Cotter 1/8in x 1 1/4in	
207	3311803	2	Nut, Slotted 1/2in-13NC	
208	3421142	1	Pin, Clevis 3/4in x 2in	
209	3450505	1	Pin, Cotter 5/32in x 1 1/4in	
210	4712200	1	Flatwasher 3/4in Narrow	
251		Ref	Block, Chain Attach Options:	
251	0560644	2	Extend Chain	
251	0560588	2	Retract Chain	
	0237241	Ref	<b>BOOM TAPE INSTALLATION - STANDARD</b>	A
301	4420018	194.4 in	Tape - Blue	
302	4420016	33.6 in	Tape - Yellow	
303	4420017	39.6 in	Tape - Red	
	0238692	Ref	<b>BOOM HOSE COVERS INSTALLATION (80HX+6 &amp; 86HX ONLY)</b>	2
401	4842968	1	Tube Weldment	
402	4060568	2	Shield (Without Notches)	
403	4060673	1	Shield (With Notches)	
404		Ref	Support, Line Options:	
404	4340413	4	Support, Line <b>(Prior to SN 34105)</b>	
404	4340636	4	Support, Line <b>(SN 34105 to Present)</b>	
405		Ref	Stud (Welded on Part - Not Shown) Options:	

## SECTION 3 - BOOM

ITEM	PART NUMBER	QTY	DESCRIPTION	REV
405	4300036	8	Stud ( <b>Prior to SN 34105</b> )	
405	4300042	8	Stud ( <b>SN 34105 to Present</b> )	
406	4751400	8	Flatwasher 1/4in (Not Shown)	
407	4761400	8	Lockwasher 1/4in (Not Shown)	
408	3311401	8	Nut 1/4in-20NC (Not Shown)	
		Ref	<b>BOOM LIMIT SWITCHES INSTALLATION</b>	
	0237192	Ref	<b>Australian Spec (Prior to May 1995)</b>	G
	0255748	Ref	<b>Australian Spec (May 1995 to Present)</b>	2
	0251128	Ref	<b>Euro Spec</b>	4-D
501		Ref	Plate, Mounting Options:	
501	3530138	1	Australian Spec (Prior to May 1995)	
501	3534395	1	Australian Spec (May 1995 to Present)	
501	3534395	1	Euro Spec	
502		Ref	Switch, Limit Options:	
502	4360057	1	Australian Spec (Prior to May 1995)	
502	4360277	1	Australian Spec (May 1995 to Present)	
502	4360277	1	Euro Spec	
503		Ref	Head, Switch Options:	
503	Part of 502	1	Australian Spec (Prior to May 1995)	
503	4360236	1	Australian Spec (May 1995 to Present)	
503	4360236	1	Euro Spec	
504		Ref	Actuator, Switch Options:	
504	0200048	1	Australian Spec (Prior to May 1995)	
504	4360278	1	Australian Spec (May 1995 to Present)	
504	4360278	1	Euro Spec	
505		Ref	Wire, Safety Options:	
505	Not Required	0	Australian Spec (Prior to May 1995)	
505	4920140	1	Australian Spec (May 1995 to Present)	
505	4920140	1	Euro Spec	
506		Ref	Connector, Strain Relief Options:	
506	4460049	1	Australian Spec (Prior to May 1995)	
506	4460052	1	Australian Spec (May 1995 to Present)	
506	4460052	2	Euro Spec	
507		Ref	Cover Options:	
507	1670367	1	Australian Spec (Prior to May 1995)	
507	1670579	1	Australian Spec (May 1995 to Present)	
507	1670579	1	Euro Spec	
508		Ref	Stud (Welded on Part)	
508	4300032	4	Australian Spec (Prior to May 1995)	
508	4300031	4	Australian Spec (May 1995 to Present)	
508	4300031	4	Euro Spec	
509	4761400	4	Lockwasher 1/4in	
510	3311401	4	Nut 1/4in-20NC	
511		Ref	Bolt Options:	
511	0721014	2	Australian Spec (Prior to May 1995) (#10-24NC x 1 3/4in)	
511	3900168	2	Australian Spec (May 1995 to Present) (Special)	
511	3900168	4	Euro Spec (Special)	
512	1320040	AR	Clamp, Cable	
513		Ref	Component Options:	
513	4561061	1	Tube (Australian Spec Prior to May 1995)	
513	1060016	50	Cable, Electrical (Australian Spec May 1995 to Present)	
		ft/15.3m		

## SECTION 3 - BOOM

ITEM	PART NUMBER	QTY	DESCRIPTION	REV
513	1060016	100 ft/3m	Cable, Electrical (Euro Spec)	
514		Ref	Switch, Limit Options:	
514	Not Required	0	Australian Spec (Prior to May 1995)	
514	Not Required	0	Australian Spec (May 1995 to Present)	
514	4360277	1	Euro Spec	
515		Ref	Head, Switch Options:	
515	Not Required	0	Australian Spec (Prior to May 1995)	
515	Not Required	0	Australian Spec (May 1995 to Present)	
515	4360236	1	Euro Spec	
516		Ref	Actuator, Switch Options:	
516	Not Required	0	Australian Spec (Prior to May 1995)	
516	Not Required	0	Australian Spec (May 1995 to Present)	
516	4360278	1	Euro Spec	
517		Ref	Cover Options:	
517	Not Required	0	Australian Spec (Prior to May 1995)	
517	Not Required	0	Australian Spec (May 1995 to Present)	
517	3534316	1	Euro Spec	
518		Ref	Tube Options:	
518	Not Required	0	Australian Spec ( <b>Prior to SN 33391</b> )	
518	4564880	1	Australian Spec ( <b>SN 33391 to Present</b> )	
518	Not Required	0	Euro Spec	
519		Ref	Tube Options:	
519	Not Required	0	Australian Spec ( <b>Prior to SN 33391</b> )	
519	4564999	1	Australian Spec ( <b>SN 33391 to Present</b> )	
519	Not Required	0	Euro Spec	
	0253417	Ref	<b>POWER TRACK CLAMPS INSTALLATION (MAY 1992 TO PRESENT)</b>	2
601	1320182	2	Bar, Clamp	
602	0630458	2	U-Bolt	
603	4751400	4	Flatwasher 1/4in	
604	3311405	4	Locknut 1/4in-20NC	
605	4240018	34	Tie-Strap (Not Shown)	
	0250855	Ref	<b>SAFETY CHAIN INSTALLATION - EURO SPEC</b>	D
701	0239607	1	Sheave Assembly	
701	0961370	2	Bushing, Bronze	
702	3421632	1	Pin	
703	1260260	1	Chain	
704	1360234	1	Clevis	
705	4160098	75	Washer, Belleville	
706	4712000	1	Flatwasher 5/8in Narrow	
707	0361727	1	Bar	
708	3300240	1	Locknut, Nylon 5/8in-11NC Grade 8	
709	3312002	1	Nut, Jam 5/8in-11NC	
714	3450203	2	Pin, Cotter 1/16in x 3/4in	
715	3421628	2	Pin	
716	4751400	2	Flatwasher 1/4in Regular	
720	3951606	1	Setscrew 3/8in-16NC x 3/4in	
721	0100019	AR	Loctite #271 (Not Shown)	
722	2160002	1	Fitting, Grease	

# SECTION 3 - BOOM

## FIGURE 3-2. BOOM WIPERS INSTALLATION

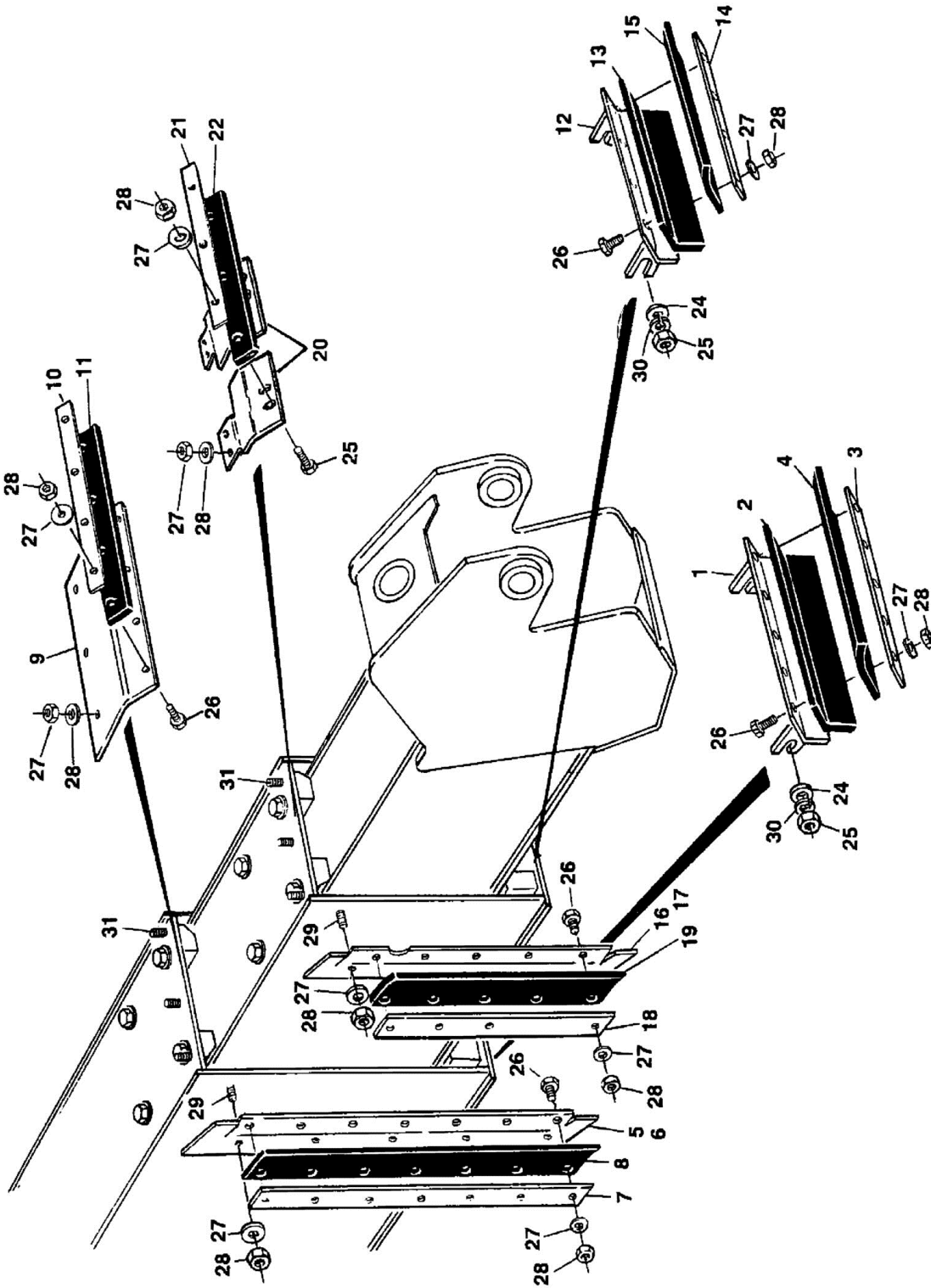




FIGURE 3-2. BOOM WIPERS INSTALLATION

ITEM	PART NUMBER	QTY	DESCRIPTION	REV
	0253208	Ref	<b>BOOM WIPERS INSTALLATION</b>	-
1	2660047	1	Holder (Base Bottom)	
2	3960357	1	Seal (Base Bottom)	
3	4280255	1	Retainer (Base Bottom)	
4	0540065	1	Wiper (Base Bottom)	
5	2660048	1	Holder (Base Right Side)	
6	2660049	1	Holder (Base Left Side)	
7	4280256	2	Retainer (Base Side)	
8	0540066	2	Wiper (Base Side)	
9	2660050	1	Holder (Base Top)	
10	4280197	1	Retainer (Base Top)	
11	0540047	1	Wiper (Base Top)	
12	2660054	1	Holder (Mid Bottom)	
13	3960356	1	Seal (Mid Bottom)	
14	4280258	1	Retainer (Mid Bottom)	
15	0540068	1	Wiper (Mid Bottom)	
16	2660052	1	Holder (Mid Right Side)	
17	2660051	1	Holder (Mid Left Side)	
18	4280257	2	Retainer (Mid Side)	
19	0540067	2	Wiper (Mid Side)	
20	2660083	1	Holder (Mid Left Top)	
21	4280281	2	Retainer (Mid Top)	
22	0540087	2	Wiper (Mid Top)	
23	4300034	8	Stud (Welded on Part) (Not Shown)	
24	4751600	8	Flatwasher 3/8in	
25	3311601	8	Nut 3/8in-16NC	
26	0641408	39	Bolt 1/4in-20NC x 1in	
27	4761400	68	Lockwasher 1/4in	
28	3311401	68	Nut 1/4in-20NC	
29	4300031	22	Stud (Welded on Part)	
30	4761600	8	Lockwasher 3/8in	
31	4300032	7	Stud (Welded on Part)	
32	2660084	1	Holder (Mid Right Top)	

# SECTION 3 - BOOM

## FIGURE 3-3. EXTEND-A-REACH INSTALLATIONS

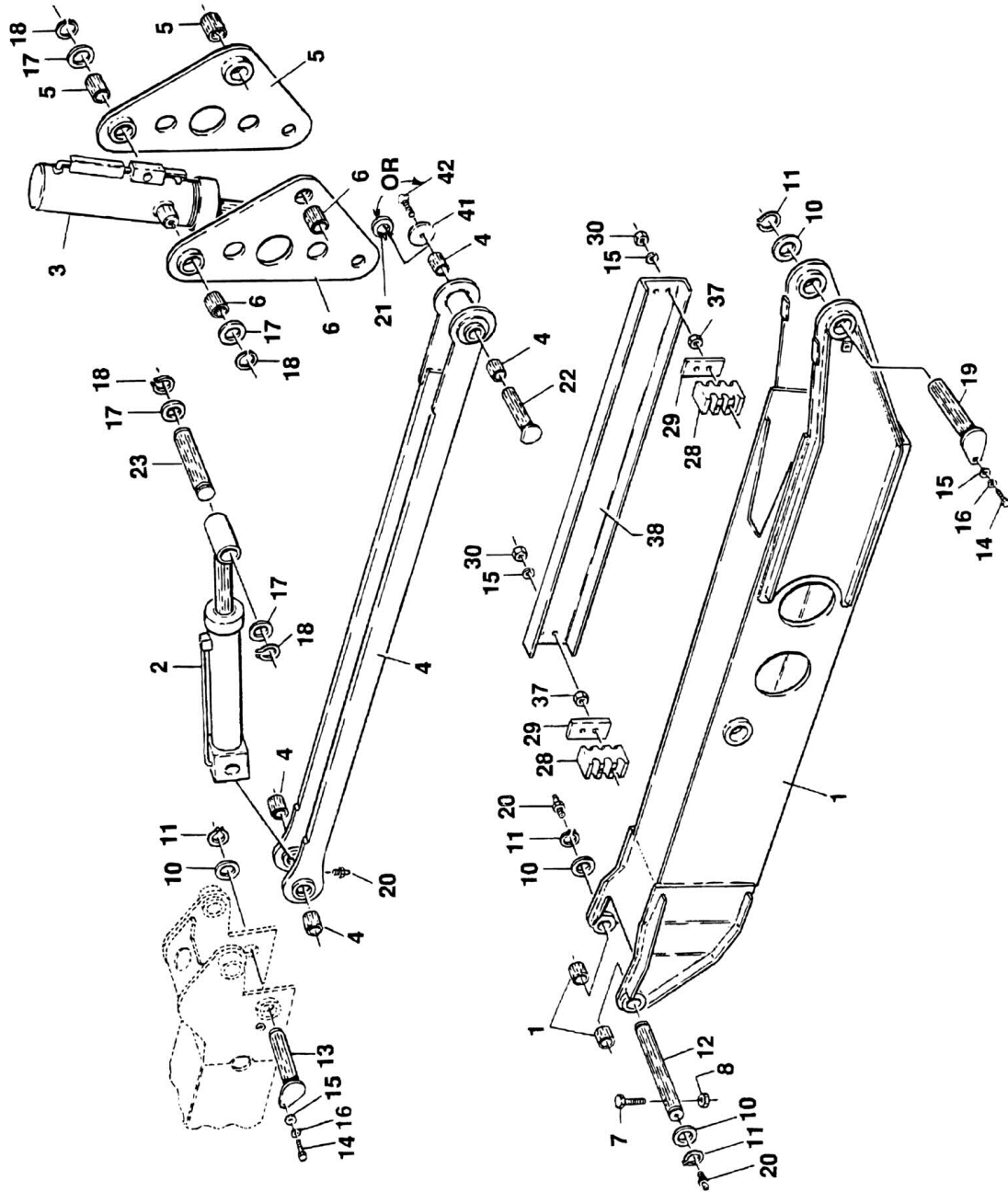


FIGURE 3-3. EXTEND-A-REACH INSTALLATIONS

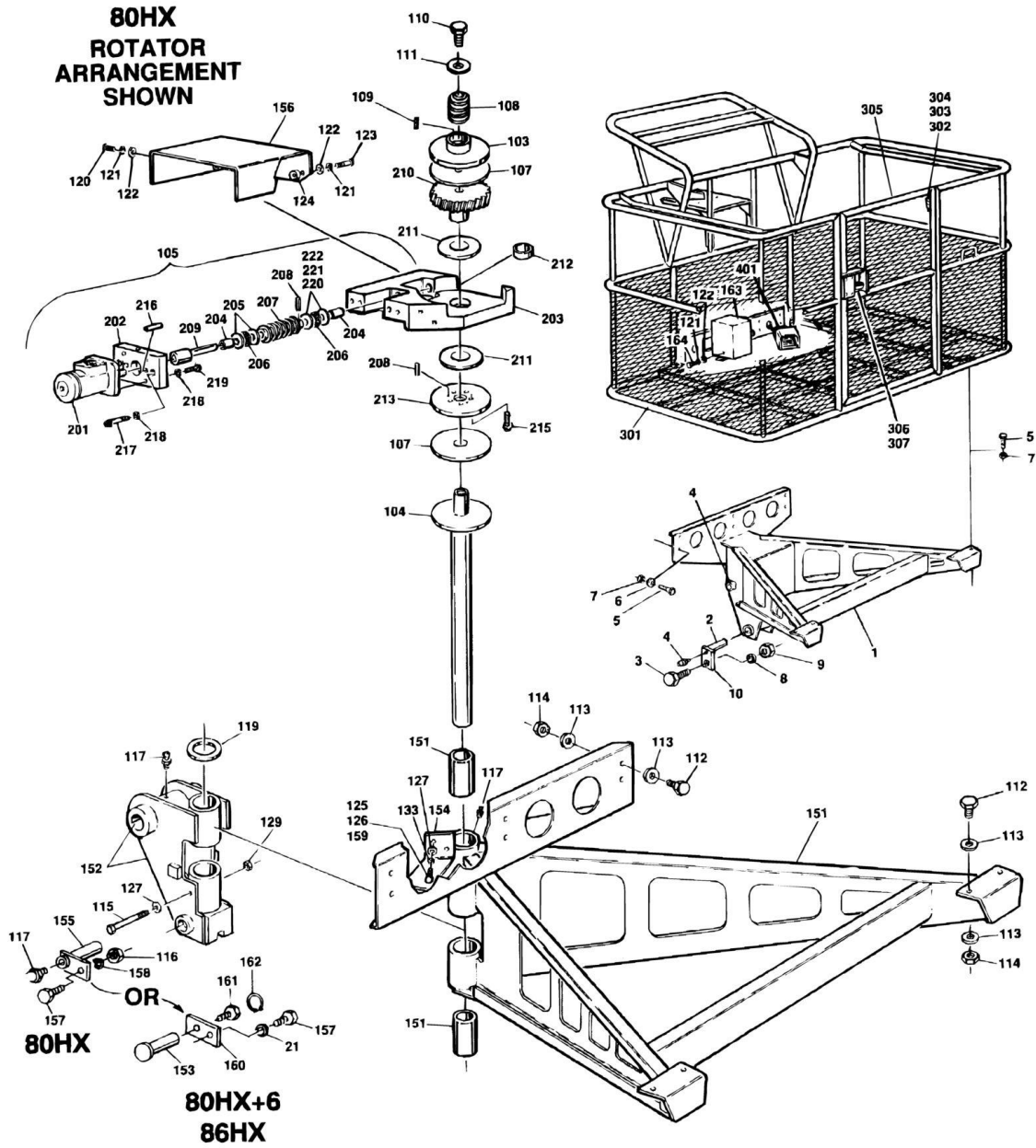
ITEM	PART NUMBER	QTY	DESCRIPTION	REV
		Ref	<b>EXTEND-A-REACH INSTALLATION</b>	
	0251632	Ref	<b>Extend-A-Reach Installation (Prior to SN 40677)</b>	3
	0258949	Ref	<b>Extend-A-Reach Installation (SN 40677 to Present)</b>	1
1	4842579	1	Snoot Weldment ( <b>Prior to SN 40677</b> )	
1	0961528	2	Bushing, Bronze	
1	4845930	1	Snoot Weldment ( <b>SN 40677 to Present</b> )	
1	0961654	2	Bushing, Bronze	
2	1681730	1	Extend-A-Reach Lift Cylinder Assembly (See CYLINDER SECTION for Breakdown)	
3		Ref	Extend-A-Reach Slave Level Cylinder Assembly Options (See CYLINDER SECTION for Breakdown)	
3	1682459	1	Extend-A-Reach Slave Level Cylinder Assembly ( <b>Prior to SN 29914</b> )	
3	1683494	1	Extend-A-Reach Slave Level Cylinder Assembly ( <b>SN 29914 to Present</b> )	
4	4842601	1	Link Weldment	
4	0961185	2	Bushing, Bronze (Boom Attach End)	
4	0961098	2	Bushing, Bronze (Pivot Plate Attach End)	
5	4842606	1	Plate, Pivot (Right Side)	
5	0961200	1	Bushing, Bronze (Front Center)	
5	0961201	1	Bushing, Bronze (Top)	
6	4842605	1	Plate, Pivot (Left Side)	
6	0961200	1	Bushing, Bronze (Front Center)	
6	0961201	1	Bushing, Bronze (Top)	
7	0641622	1	Bolt 3/8in-16NC x 2 3/4in	
8	3311605	1	Locknut 3/8in-16NC	
9	0100011	AR	Loctite #242 (Not Shown)	
10	4740332	4	Washer, Special	
11	3760233	4	Ring, Retaining	
12	3421823	1	Pin	
13	3421511	1	Pin	
14	0641606	2	Bolt 3/8in-16NC x 3/4in	
15	4751600	6	Flatwasher 3/8in	
16	4761600	2	Lockwasher 3/8in	
17	4740333	4	Washer, Special	
18	3760237	4	Ring, Retainer	
19		Ref	Pin Options:	
19	3421513	1	Standard ( <b>Prior to SN 40677</b> )	
19	3422768	1	Standard ( <b>SN 40677 to Present</b> )	
20	2160002	6	Fitting, Grease	
22	3421950	1	Pin	
23	3421376	1	Pin	
28	1320145	2	Clamp	
29	0361524	2	Bar	
30	3311605	4	Locknut 3/8in-16NC	
36	4300076	4	Stud 3/8in-16NC x 3 (Welded on Parts) (Not Shown)	
37	3311602	4	Nut, Jam 3/8in-16NC	
38	1670456	1	Cover, Hose	
41	4740390	1	Washer	
42	0741606	1	Screw, Countersunk 3/8in-16NC x 3/4in	



**SECTION 4 - PLATFORMS**

# SECTION 4 - PLATFORMS

## FIGURE 4-1. STANDARD PLATFORM AND FOOTSWTICH INSTALLATION



## SECTION 4 - PLATFORMS

**FIGURE 4-1. STANDARD PLATFORM AND FOOTSWTICH INSTALLATION**

ITEM	PART NUMBER	QTY	DESCRIPTION	REV
		Ref	<b>FIXED SUPPORT INSTALLATION</b>	
	0236830	Ref	<b>Fixed Support Installation 80HX</b>	A
	0238154	Ref	<b>Fixed Support Installation 80HX+6 &amp; 86HX</b>	B
1		Ref	Support Weldment Options:	
1	4842403	1	Support Weldment 80HX	
1	4842817	1	Support Weldment 80HX+6 & 86HX (Not Shown)	
1		Ref	Bushing Options:	
1	0961024	2	Bushing 80HX	
1	0961185	2	Bushing 80HX+6 & 86HX	
2		Ref	Pin Options:	
2	3421176	1	Pin 80HX	
2	3421426	1	Pin 80HX+6 & 86HX (Prior to January 1991)	
2	3421825	1	Pin 80HX+6 & 86HX (January 1991 to November 1991)	
2	3422019	1	Pin 80HX+6 & 86HX (November 1991 to Present)	
3		Ref	Bolt Options:	
3	0641608	1	Bolt 80HX (Bolt 3/8in-16NC x 1in)	
3	Not Required	0	Bolt 80HX+6 & 86HX (Prior to November 1991)	
3	0641405	1	Bolt 80HX+6 & 86HX (November 1991 to Present) (Bolt 1/4in-20NC x 5/8in)	
4	2160002	AR	Fitting, Grease	
5	0681610	10	Bolt 3/8in-16NC x 1 1/4in	
6	4751600	AR	Flatwasher 3/8in	
7	3311605	10	Locknut 3/8in-16NC	
8	4761600	1	Lockwasher 3/8in	
9		Ref	Nut 3/8in-16NC Options:	
9	3311601	1	Nut 3/8in-16NC 80HX	
9	Not Required	0	Nut 3/8in-16NC 80HX+6 & 86HX	
10		Ref	Retainer Options:	
10	Part of 2	1	Retainer 80HX	
10	Not Required	0	Retainer 80HX+6 & 86HX (Prior to January 1991)	
10	4740385	2	Retainer 80HX+6 & 86HX J(anuary 1991 to November 1991) (Washer)	
10	0362079	1	Retainer 80HX+6 & 86HX (November 1991 to Present) (Bar)	
10	3900159	1	Retainer 80HX+6 & 86HX Used (January 1991 to Present) (Screw, Countersunk 1/2in-13NC x 3/4in - Not Shown)	
10	3760237	1	Retainer 80HX+6 & 86HX Used (Prior to January 1991) (Ring, Retaining - Not Shown)	
		Ref	<b>ROTATOR AND SUPPORT INSTALLATION</b>	
	0236831	Ref	<b>Rotator and Support Installation 80HX</b>	F
	0237672	Ref	<b>Rotator and Support Installation 80HX+6/86HX Except French Spec</b>	5
	0256112	Ref	<b>Rotator and Support Installation 80HX+6/86HX French Spec</b>	1
103	1120299	1	Cap	
104	4842046	1	Rotator Shaft	
105	0235238	1	Rotator Assembly (See Items 201-226 for Breakdown)	
107	3340454	2	Pad, Brake	
108	4160026	8	Washer, Belleville	
109	2880404	1	Key	
110	0652014	1	Bolt 5/8in-18NF x 1 3/4in	
111	4752000	1	Flatwasher 5/8in	
112	0681610	10	Bolt 3/8in-16NC x 1 1/4in (Grade 8)	

## SECTION 4 - PLATFORMS

ITEM	PART NUMBER	QTY	DESCRIPTION	REV
113	4751600	21	Flatwasher 3/8in	
114	3300143	10	Locknut 3/8in-16NC	
115	0641836	1	Bolt 1/2in-13NC x 4 1/2in	
116	3311601	1	Nut 3/8in-16NC	
117	2160002	4	Fitting, Grease	
119	4740158	1	Washer, Thrust	
120	0641404	1	Bolt 1/4in-20NC x 1/2in	
121	4761400	AR	Lockwasher 1/4in	
122	4751400	AR	Flatwasher 1/4in	
123	0641408	1	Bolt 1/4in-20NC x 1in	
124	4562083	1	Spacer	
125	0641811	2	Bolt 1/2in-13NC x 1 3/8in	
126	1380137	2	Clip, Retainer	
127	4751800	1	Flatwasher 1/2in	
129	3311805	1	Locknut 1/2in-13NC	
133	4761800	2	Lockwasher 1/2in	
151		Ref	Support Weldment Options:	
151	0236261	1	Support Weldment 80HX	
151	4842609	1	Support Weldment 80HX+6 & 86HX Standard	
151	4845257	1	Support Weldment 80HX+6 & 86HX French Spec Only	
151	0960564	2	Bushing, Bronze	
152		Ref	Pivot Weldment Options:	
152	0236741	1	Pivot Weldment 80HX	
152	0251512	1	Pivot Weldment 80HX+6 & 86HX	
152		Ref	Bushing, Bronze Options:	
152	0961024	2	Bushing, Bronze 80HX	
152	0961185	2	Bushing, Bronze 80HX+6 & 86HX	
153		Ref	Pin Options:	
153	Not Required	0	Pin 80HX	
153	3421825	1	Pin 80HX+6 & 86HX (Prior to November 1991)	
153	3422019	1	Pin 80HX+6 & 86HX (November 1991 to Present)	
154		Ref	Mount Options:	
154	3200194	1	Mount 80HX	
154	0901411	1	Mount 80HX+6 & 86HX (Not Shown) <b>(Prior to SN 36975)</b>	
154	Not Required	0	Mount 80HX+6 & 86HX <b>(SN 36975 to Present)</b>	
155		Ref	Pin Options:	
155	3421176	1	Pin 80HX	
155	Not Required	0	Pin 80HX+6 & 86HX	
156		Ref	Cover, Rotator Options:	
156	1670322	1	Cover, Rotator 80HX	
156	1670421	1	Cover, Rotator 80HX+6 & 86HX	
157		Ref	Bolt Options:	
157	0641612	1	Bolt 80HX (Bolt 3/8in-16NC x 1 1/2in)	
157	0641405	1	Bolt 80HX+6 & 86HX (Bolt 1/4in-20NC x 5/8in)	
157	0100011	AR	Loctite #242	
158	4761600	AR	Lockwasher 3/8in	
159		Ref	Wire, Mechanics Options:	
159	4920986	AR	Wire, Mechanics 80HX & 80H	
159	4920385	AR	Wire, Mechanics 80HX+6 & 86HX	
160		Ref	Retainer Options:	
160	Not Required	0	Retainer 80HX	



## SECTION 4 - PLATFORMS

ITEM	PART NUMBER	QTY	DESCRIPTION	REV
160	4740385	2	Retainer 80HX+6 & 86HX (Prior to November 1991) (Washer)	
160	0362079	1	Retainer 80HX+6 & 86HX (November 1991 to Present) (Bar)	
161		Ref	Screw, Countersunk 1/2in-13NC x 3/4in Options:	
161	Not Required	0	Screw, Countersunk 1/2in-13NC x 3/4in 80HX	
161	3900159	1	Screw, Countersunk 1/2in-13NC x 3/4in 80HX+6 & 86HX	
162	Not Required	0	Ring, Retaining	
163		Ref	Cover, Motor Options:	
163	Not Required	0	Cover, Motor 80HX	
163	1670422	1	Cover, Motor 80HX+6 & 86HX	
164	0641406	AR	Bolt 1/4in-20NC x 3/4in	
	0235238	Ref	<b>ROTATOR ASSEMBLY</b>	E
201	3160083	1	Rotator Motor Assembly (See ROTATOR MOTOR ASSEMBLY for Breakdown)	
202	0080099	1	Adapter, Motor	
203	2760064	1	Housing, Gear	
204	0440134	2	Bearing, Sleeve	
205	4740199	4	Washer, Thrust	
206	0440120	2	Bearing, Thrust	
207	2440043	1	Gear, Worm	
208	3440816	4	Rollpin 1/4in x 1in	
209	0080098	1	Adapter, Motor to Worm Gear	
210	2440044	1	Gear, Worm	
211	4740256	2	Washer, Thrust	
212	0440135	1	Bearing, Sleeve	
213	1760068	1	Disc, Brake (Note: Bolt Holes Not Drilled In Replacement Disc)	
215	3931010	5	Bolt, Socket Head #10-24NC x 5/8in	
216	3441228	2	Rollpin 3/8in x 1 3/4in	
217	3931620	2	Bolt, Socket Head 3/8in-16NC x 1 1/4in	
218	4761600	6	Lockwasher 3/8in	
219	3931612	4	Bolt, Socket Head 3/8in-16NC x 3/4in	
220	4070585	AR	Shim .010	
221	4070586	AR	Shim.005	
222	4070587	AR	Shim.002	
223	0100019	AR	Loctite #271 (Not Shown)	
224	0100021	AR	Primer (Not Shown)	
225	2160001	1	Fitting, Grease - 90	
226	3020025	AR	Grease (Not Shown)	
		Ref	<b>PLATFORM WELDMENTS</b>	
		Ref	<b>Note: Replacement Decals Must Be Ordered Separately - See DECALS SECTION.</b>	
301		Ref	Standard Platform Options:	
301		Ref	3ft X 5ft (91.5cm x 152.5cm):	
301	3510296	1	Standard Platform 80HX:	
301	3510299	1	Standard Platform 80HX+6/86HX:	
301		Ref	3ft X 6ft (91.5cm x 183cm):	
301	3510297	1	Standard Platform 80HX:	
301	3510300	1	Standard Platform 80HX+6/86HX:	
301		Ref	3ft x 8ft (91.5cm x 244cm):	
301	3510298	1	Standard Platform 80HX:	
301		Ref	Standard Platform Components:	
302	2600095	2	Pin, Hinge	
303	3311805	2	Locknut 1/2in-13NC	

## SECTION 4 - PLATFORMS

ITEM	PART NUMBER	QTY	DESCRIPTION	REV
304	2160006	2	Fitting, Grease	7
305	1780253	1	Door	
306	2940006	1	Latch, Door	
307	2560010	1	Handle	
	0237963	Ref	<b>FOOTSWITCH INSTALLATION</b>	
401	0641408	3	Bolt 1/4in-20NC x 1in	
401	3311405	3	Locknut 1/4in-20NC	
401	4740362	3	Washer, Fender	
401	4360031	1	Footswitch	
401	7000625	2	Block, Contact	
401	4460071	1	Connector, Strain Relief	





## SECTION 4 - PLATFORMS

**FIGURE 4-2. LOW MOUNT PLATFORM AND FOOTSWITCH INSTALLATION**

ITEM	PART NUMBER	QTY	DESCRIPTION	REV
	0250248	Ref	<b>FIXED SUPPORT INSTALLATION</b>	A
1	3322601	1	Nut 3/8in-16NC	
2	0641609	1	Bolt 3/8in-16NC x 1 1/8in	
3	4761600	1	Lockwasher 3/8in	
4	3421176	1	Pin Weldment	
		Ref	<b>ROTATOR AND SUPPORT INSTALLATIONS</b>	
	0239341	Ref	<b>Rotator and Support Installations 80HX</b>	8
	0239342	Ref	<b>Rotator and Support Installations 80HX+6 &amp; 86HX</b>	G
5	1120299	1	Cap	
6	4842046	1	Shaft	
7	0235238	1	Rotator Assembly (See Items 101-126 for Breakdown)	
8	3340454	2	Pad, Brake	
9	2880404	1	Key	
10	4160026	8	Washer, Belleville	
11	4752000	1	Flatwasher 5/8in	
12	0652014	1	Bolt 5/8in-18NF x 1 3/4in	
13	0641836	1	Bolt 1/2in-13NC x 4 1/2in	
14	4751800	1	Flatwasher 1/2in	
15	3311805	1	Locknut 1/2in-13NC	
19	2160002	AR	Fitting, Grease	
23	0641404	1	Bolt 1/4in-20NC x 1/2in	
24	4761400	2	Lockwasher 1/4in	
25	4751400	2	Flatwasher 1/4in	
26	0641408	1	Bolt 1/4in-20NC x 1in	
27	4562083	1	Spacer, Tube	
30	0641811	2	Bolt 1/2in-13NC x 1 3/8in	
31	1380137	2	Clip, Retainer	
33	4920986	AR	Wire, Mechanics	
51		Ref	Pivot Weldment Options:	
51	0236741	1	Pivot Weldment 80HX	
51	0961024	2	Bushing, Bronze	
51	0237975	1	Pivot Weldment 80HX+6 & 86HX (Prior to March 1991) (Not Shown)	
51	0251512	1	Pivot Weldment 80HX+6 & 86HX (March 1991 to Present) (Not Shown)	
51	0961185	2	Bushing, Bronze	
52		Ref	Mount Options:	
52	0901721	1	Mount 80HX	
52	0902414	1	Mount 80HX & 80H <b>(SN 34229 to Present)</b>	
52	0901524	1	Mount 80HX+6 & 86HX	
53		Ref	Nut 3/8in-16NC Options:	
53	3311601	1	Nut 3/8in-16NC 80HX	
53	Not Required	0	Nut 3/8in-16NC 80HX+6 & 86HX	
54		Ref	Bolt 3/8in-16NC x 1in Options:	
54	0641608	1	Bolt 3/8in-16NC x 1in 80HX	
54	Not Required	0	Bolt 3/8in-16NC x 1in 80HX+6 & 86HX	
55		Ref	Lockwasher 3/8in Options:	
55	4761600	1	Lockwasher 3/8in 80HX	
55	Not Required	0	Lockwasher 3/8in 80HX+6 & 86HX	
56		Ref	Pin Options:	

## SECTION 4 - PLATFORMS

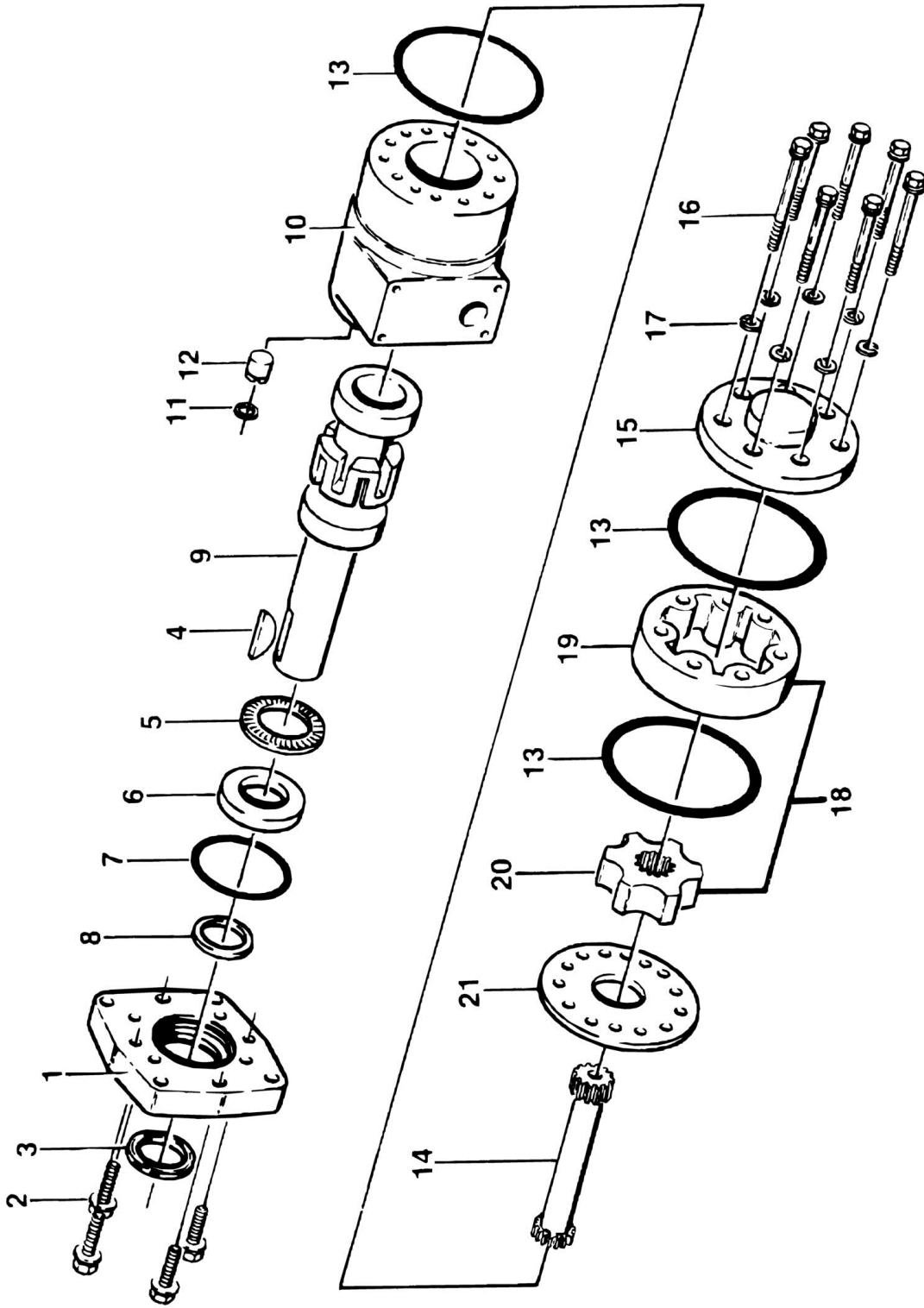
ITEM	PART NUMBER	QTY	DESCRIPTION	REV
56	Not Required	0	Pin 80HX	
56	3421426	1	Pin 80HX+6 & 86HX (Prior to March 1991)	
56	3421825	1	Pin 80HX+6 & 86HX (March 1991 to November 1991)	
56	3422019	1	Pin 80HX+6 & 86HX (November 1991 to Present)	
57		Ref	Pin Options:	
57	3421176	1	Pin 80HX	
57	Not Required	0	Pin 80HX+6 & 86HX	
58		Ref	Retainer Options:	
58	Not Required	0	Retainer 80HX	
58	Not Required	0	Retainer 80HX+6 & 86HX (Prior to March 1991)	
58	4740385	1	Retainer 80HX+6 & 86HX (March 1991 to November 1991)	
58	0362079	1	Retainer 80HX+6 & 86HX (November 1991 to Present)	
59		Ref	Screw, Countersunk 1/2in-13NC x 3/4in Options:	
59	Not Required	0	Screw, Countersunk 1/2in-13NC x 3/4in 80HX & 80H	
59	3900159	1	Screw, Countersunk 1/2in-13NC x 3/4in 80HX+6 & 86HX Used (March 1991 to Present)	
59	0100011	AR	Loctite #242	
60		Ref	Bolt 1/4in-20NC x 5/8in Options:	
60	Not Required	0	Bolt 1/4in-20NC x 5/8in 80HX	
60	0641405	1	Bolt 1/4in-20NC x 5/8in 80HX+6 & 86HX	
61		Ref	Ring, Retainer Options:	
61	Not Required	0	Ring, Retainer 80HX	
61	3760237	1	Ring, Retainer 80HX+6 & 86HX Used (Prior to March 1991)	
61	Not Required	0	Ring, Retainer 80HX+6 & 86HX Used (March 1991 to Present)	
62		Ref	Cover Options:	
62	1670519	1	Cover 80HX (Prior to April 1992)	
62	1670630	1	Cover 80HX (April 1992 to Present)	
62	1670421	1	Cover 80HX+6 & 86HX (Prior to November 1992)	
62	1670630	1	Cover 80HX+6 & 86HX (November 1992 to Present)	
	0235238	Ref	<b>ROTATOR ASSEMBLY</b>	E
101	3160083	1	Rotator Motor Assembly (See ROTATOR MOTOR ASSEMBLY for Breakdown)	
102	0080099	1	Adapter, Motor	
103	2760064	1	Housing, Gear	
104	0440134	2	Bearing, Sleeve	
105	4740199	4	Washer, Thrust	
106	0440120	2	Bearing, Thrust	
107	2440043	1	Gear, Worm	
108	3440816	4	Rollpin 1/4in x 1in	
109	0080098	1	Adapter, Motor to Worm Gear	
110	2440044	1	Gear, Worm	
111	4740256	2	Washer, Thrust	
112	0440135	1	Bearing, Sleeve	
113	1760068	1	Disc, Brake (Note: Bolt Holes Not Drilled In Replacement Disc)	
115	3931010	5	Bolt, Socket Head #10-24NC x 5/8in	
116	3441228	2	Rollpin 3/8in x 1 3/4in	
117	3931620	2	Bolt, Socket Head 3/8in-16NC x 1 1/4in	
118	4761600	6	Lockwasher 3/8in	
119	3931612	4	Bolt, Socket Head 3/8in-16NC x 3/4in	
120	4070585	AR	Shim .010	
121	4070586	AR	Shim .005	
122	4070587	AR	Shim .002	

## SECTION 4 - PLATFORMS

ITEM	PART NUMBER	QTY	DESCRIPTION	REV
123	0100019	AR	Loctite #271	
124	0100021	AR	Primer	
125	2160001	1	Fitting, Grease - 90	
126	3020025	AR	Grease	
		Ref	<b>PLATFORM WELDMENTS</b>	
		Ref	<b>Note: Replacement Decals Must Be Ordered Separately - See DECALS SECTION.</b>	
201		Ref	Low Mount Platform Options:	
201	3510304	1	3ft x 5ft (91.5cm x 152.5cm)	
201	3510305	1	3ft x 6ft (91.5cm x 183cm)	
201	3510306	1	3ft x 8ft (91.5cm x 244cm)	
201		Ref	Standard Platform Components	
202	2600143	2	Pin, Hinge	
203	3311805	2	Locknut 1/2in-13NC	
204	2160006	2	Fitting, Grease	
205	1780253	1	Door Weldment	
206	2940006	1	Latch, Door	
207	2560010	1	Handle	
208	0960564	2	Bushing, Bronze	
	0237963	Ref	<b>FOOTSWITCH INSTALLATION</b>	F
301	0641408	3	Bolt 1/4in-20NC x 1in	
301	3311405	3	Locknut 1/4in-20NC	
301	4740362	3	Washer, Fender	
301	4360031	1	Footswitch	
301	7000625	2	Block, Contact	
301	4460071	1	Connector, Strain Relief	

# SECTION 4 - PLATFORMS

## FIGURE 4-3. ROTATOR MOTOR ASSEMBLY





## SECTION 4 - PLATFORMS

### FIGURE 4-3. ROTATOR MOTOR ASSEMBLY

ITEM	PART NUMBER	QTY	DESCRIPTION	REV
	3160083	Ref	<b>ROTATOR MOTOR ASSEMBLY</b>	A
1	7002105	1	Flange, Mounting	
2	7002123	4	Screw, Cap	
3	Kit	1	Seal, Dust	
4	7002104	1	Key, Woodruff	
5	7002111	1	Bearing, Thrust Needle	
6	7002117	1	Thrust, Bearing Race	
7	Kit	1	Seal, O-Ring	
8	Kit	1	Seal, Pressure	
9	7002116	1	Shaft, Output	
10	7002103	1	Housing	
11	Kit	1	Seal	
12	7009992	1	Plug, Housing	
13	Kit	3	Seal, O-Ring	
14	7002112	1	Drive	
15	7002107	1	Cap, End	
16	7002100	7	Screw, Cap	
17	7000166	7	Lockwasher	
18	7002125	1	Gerotor Sub-Assembly	
19	7002110	1	Plate, Spacer	
	2900455	1	Seal Kit (Includes Items 3, 7, 8, 11 & 13) (P/N 1011009007)	
	2900733	1	Seal Kit (Includes Items 3, 7, 8, 11 & 13) (P/N's 1011009008 & 1011009009)	
		Ref	<b>Note: Identify by P/N stamped on nameplate located on Item 10.</b>	



## SECTION 4 - PLATFORMS

**FIGURE 4-4. CONSOLE BOX ASSEMBLIES (PRIOR TO SEPTEMBER 1991)**

ITEM	PART NUMBER	QTY	DESCRIPTION	REV
	0860681	Ref	<b>CONSOLE BOX ASSEMBLY (80HX)</b>	A
	0860685	Ref	<b>CONSOLE BOX ASSEMBLY (80HX+6/86HX)</b>	A
1	0860472	1	Box, Console	
2	4420038	AR	Tape, Insulation	
3	3251741	1	Decal, Console	
4	0751006	13	Screw, Pan Head #10 x 3/4in	
5	3300177	13	Nut, Tinnerman	
6	3960250	1	Weatherstrip	
6	0100001	AR	Adhesive	
7	3509858	1	Plate	
8	0751006	5	Screw, Pan Head #10 x 3/4in	
8	3300177	5	Nut, Tinnerman	
9	1600094	3	Controller, PQ (Swing, Drive and Lift)	
9	7003737	3	Electrical Assembly (1 Per Controller)	
9	7003751	3	Potentiometer (1 Per Controller)	
9	0720803	8	Bolt #8-32NC x 3/8in	
9	4760800	8	Lockwasher #8	
10	2560040	1	Knob, Swing	
11	2560038	1	Knob, Lift	
12	2560041	1	Knob, Drive	
13	4360202	1	Switch, Toggle (Extend-A-Reach) (80HX+6/86HX Only)	
13	3790012	1	O-Ring	
13	4060087	1	Shield	
14	2920024	2	Lights, Panel (Optional)	
15	4360132	1	Switch, Push/Pull (Emergency Stop)	
15	4360108	1	Block, Contact	
15	4360131	1	Lens, Red	
15	4060087	1	Shield, Toggle Switch	
16	4360274	1	Switch, Push Button (Horn)	
17	4360200	1	Switch, Toggle (Auxiliary Power)	
17	3790012	1	O-Ring	
17	4060087	1	Guard, Toggle Switch	
18	4360199	1	Switch, Toggle (Engine Speed)	
18	3790012	1	O-Ring	
18	4060087	1	Guard, Toggle Switch	
19	4360199	1	Switch, Toggle (Drive Speed)	
19	3790012	1	O-Ring	
19	4060087	1	Guard, Toggle Switch	
20	4360199	1	Switch, Toggle (Wheel Motor Speed)	
20	3790012	1	O-Ring	
20	4060087	1	Guard, Toggle Switch	
21	4360274	1	Switch, Push Button (Start)	
22	2920015	1	Lamp (Chassis Out of Level)	
23	4360202	1	Switch, Toggle (Rotate)	
23	3790012	1	O-Ring	
23	4060087	1	Guard, Toggle Switch	
24	4360202	1	Switch, Toggle (Steer and Axle)	
24	3790012	1	O-Ring	
24	4060087	1	Guard, Toggle Switch	
25	4360202	1	Switch, Toggle (Telescope)	

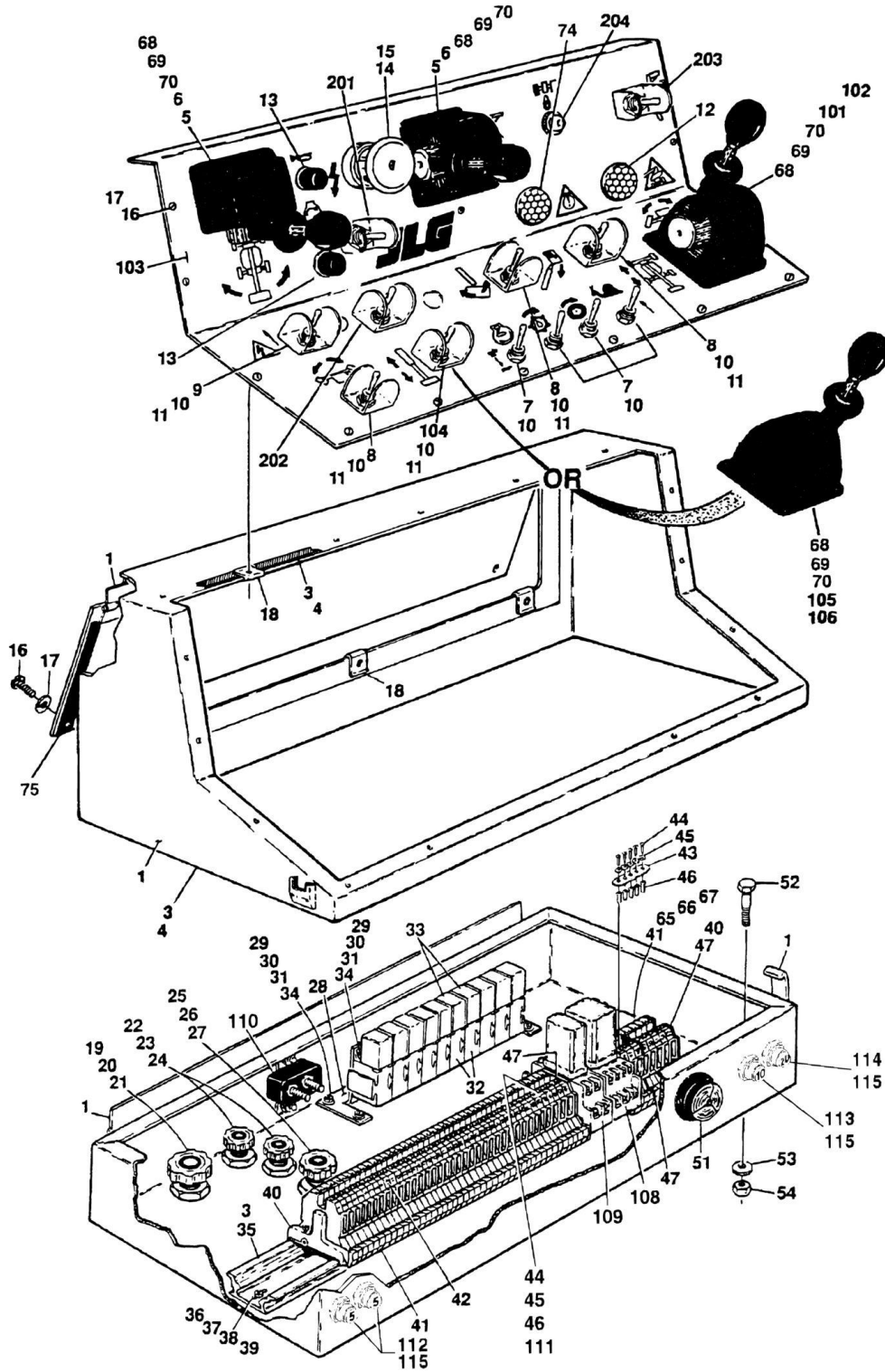
## SECTION 4 - PLATFORMS

ITEM	PART NUMBER	QTY	DESCRIPTION	REV
25	3790012	1	O-Ring	
25	4060087	1	Guard, Toggle Switch	
26	4360202	1	Switch, Toggle (Platform Level)	
26	3790012	1	O-Ring	
26	4060087	1	Guard, Toggle Switch	
27	3251551	1	Decal - 500 Lbs	
27	3960251	4	Gasket	
27	3911014	4	Screw, Round Head #10-24NC	
27	4771000	4	Lockwasher #10	
27	3311001	4	Nut #10-24NC	
28	3251607	1	Decal, Caution (80HX)	
28	3251548	1	Decal, Caution (80HX+6)	
29	3251780	1	Decal, Danger (80HX)	
29	3251549	1	Decal, Danger (86HX & 80HX+6)	
30	4761400	4	Lockwasher 1/4in	
31	3311401	4	Nut 1/4in-20NC	
32	0641407	4	Bolt 1/4in-20NC x 7/8in	
32	4751400	8	Flatwasher 1/4in	
32	3311405	4	Nut, Lock 1/4in-20NC	
33	4460071	1	Connector	
33	3300048	1	Nut	
34	4460051	1	Connector	
34	3300048	1	Nut	
35	4460052	1	Connector	
35	3300047	1	Nut	
36	4460263	1	Terminal Strip	
37	4360209	1	Circuit Breaker	
38	2921016	2	Screw #10-24NC x 1in	
39	4761000	2	Lockwasher #10	
40	3311001	2	Nut #10-24	
41	3740049	6	Relay, Bosch - SPDT	
42	3311001	3	Nut #10-24NC	
43	4761000	3	Lockwasher #10	
43	4300082	3	Stud (Welded on Part)	
44	0140019	1	Alarm	
45	3252058	1	Nameplate - Axle Set	
46	2920026	1	Light - Red	
46	2920029	1	Bulb	
46	3252025	1	Nameplate - Broke Chain	
47	4360199	1	Switch, Toggle (2WD/4WD)	
47	3790012	1	O-Ring	
47	4060087	1	Shield	
48	4360071	1	Switch, ToggleT (Beacon Light)	
48	3790012	1	O-Ring	
48	4060087	1	Shield	
49	4360199	1	Switch, Toggle (Lights)	
49	3790012	1	O-Ring	
49	4060087	1	Shield	
	0251948	Ref	<b>AXLE SET LIGHT INSTALLATION</b>	-
50	2920027	1	Light, Red (Axle Set)	
50	2920029	1	Bulb	



# SECTION 4 - PLATFORMS

## FIGURE 4-5. CONSOLE BOX ASSEMBLIES (SEPTEMBER 1991 TO PRESENT)



## SECTION 4 - PLATFORMS

**FIGURE 4-5. CONSOLE BOX ASSEMBLIES (SEPTEMBER 1991 TO PRESENT)**

ITEM	PART NUMBER	QTY	DESCRIPTION	REV
		Ref	<b>CONSOLE BOX ASSEMBLY (STANDARD PARTS)</b>	
1	0860739	1	Box Weldment	
1	2940052	2	Latch	
1	2600105	1	Hinge (Top)	
1	2600132	1	Hinge (Bottom)	
1	3531023	1	Rear Access Door	
3	4420008	69 ft/1.75c	Tape, Insulation	
4	0100001	AR	Adhesive	
5	1600141	2	Controller, PQ	
5	7011907	2	Electrical Assembly	
5	7003751	2	Potentiometer	
6	2560112	2	Knob	
7	4360199	4	Switch, Toggle	
8	4360202	3	Switch, Toggle	
9	4360200	1	Switch, Toggle	
10	3790012	AR	O-Ring	
11	4060229	5	Shield	
12	2920015	1	Lamp	
13	4360274	2	Switch, Push Button	
14		Ref	Switch, Emergency Stop Options:	
14	4360289	1	Switch, Emergency Stop <b>(Prior to SN 44643)</b>	
14	4360475	1	Switch, Emergency Stop <b>(SN 44643 to Present)</b>	
14		Ref	Cap Options:	
14	7012611	1	Cap, Mushroom Head (Used on Switch p/n 4360289)	
14	7012612	1	Boot (Used on Switch p/n 4360289)	
14	7020175	1	Cap, Red (Used on Switch p/n 4360475)	
14	7020176	1	Contact Block (Used on Switch p/n 4360475)	
15		Ref	Block, Contact Options:	
15	4360282	1	Block, Contact <b>(Prior to SN 44643)</b>	
15	4360476	1	Block, Contact <b>(SN 44643 to Present)</b>	
16	0751006	21	Screw #10-24NC x 3/4in	
17	4740120	21	Washer, Nylon	
18	3300177	21	Nut, Tinnerman	
19	4460386	1	Connector, Strain Relief	
20	3300147	1	Nut, Conduit	
21	0960905	1	Bushing	
22	4460052	2	Connector, Strain Relief	
23	3300047	2	Nut, Conduit	
24	0960239	2	Bushing	
28	0901796	1	Bracket, Relay	
29	4751000	8	Flatwasher #10	
30	4761000	12	Lockwasher #10	
31	3311001	8	Nut #10-24NC	
32	3740085	AR	Socket, Micro - Bosch	
33	3740086	AR	Relay, Micro - Bosch	
34	3911012	8	Bolt #10-24NC x 3/4in	
35	3640752	1	Track	
36	3910608	2	Screw #6-32NC x 1/2in	
37	4750600	2	Flatwasher #6	
38	4760600	2	Lockwasher #6	

## SECTION 4 - PLATFORMS

ITEM	PART NUMBER	QTY	DESCRIPTION	REV
39	3310601	2	Nut #6-32NC	
40	4460299	2	Stop, Terminal	
41	4460298	54	Block, Terminal	
42	4460301	1	Strip, Marking	
43	4460311	AR	Bar, Buss	
44	4460305	AR	Screw, Terminal	
45	4460306	AR	Washer, Terminal	
46	4460307	AR	Sleeve, Terminal	
47	4460300	4	Barrier, Terminal	
51	0140019	1	Alarm	
52	0641508	4	Bolt 5/16in-18NC x 1in	
53	4751500	8	Flatwasher 5/16in	
54	3311505	4	Locknut 5/16in-18NC	
65	4460404	10	Strip, Marking #8	
66	4460405	32	Strip, Marking #9	
67	4460423	2	Strip, Marking #7	
68	0720803	12	Screw, Machine #8-32NC x 3/8in	
69	4750800	12	Flatwasher #8	
70	4760800	12	Lockwasher #8	
74	2920015	1	Lamp	
75	4420037	13	Tape	
		in/32cm		
76	3520034	8	Plug (Not Shown)	
		Ref	<b>CONSOLE BOX ASSEMBLY (VARIABLE PARTS)</b>	
	0860763	Ref	<b>2WS Machines Without Prop Tele Built September 1991 to SN 25608</b>	C
	0861078	Ref	<b>2WS Machines Without Prop Tele Built (SN 25609 to Present)</b>	1
	0860820	Ref	<b>2WS Machines With Prop Tele Built September 1991 to SN 25608</b>	A
	0861079	Ref	<b>2WS Machines With Prop Tele Built (SN 25609 to Present)</b>	1
	0860816	Ref	<b>4WS Machines Without Prop Tele Built September 1991 to SN 25608</b>	B
	0861080	Ref	<b>4WS Machines Without Prop Tele Built (SN 25609 to Present)</b>	1
	0860821	Ref	<b>4WS Machines With Prop Tele Built September 1991 to SN 25608</b>	B
	0861081	Ref	<b>4WS Machines With Prop Tele Built (SN 25609 to Present)</b>	1
101		Ref	Controller, PQ Options:	
101	1600141	1	2WS	
101	1600140	1	4WS	
101		Ref	Controller Replacement Parts (Also Refer top/n 3120351 PQ Controller Supplement):	
101		Ref	Electrical Assembly Options:	
101	7011903	1	1600140 Controller	
101	7011907	1	1600141 Controller	
101	7003751	1	Potentiometer	
101		Ref	Switch, Rocker Options:	
101	7003789	1	1600140 Controller	
101	Not Required	1	1600141 Controller	
102		Ref	Knob Options:	
102	2560112	1	2WS	
102	Not Required	0	4WS	
103		Ref	Lid Options:	
103	3252099	AR	Machines Without Prop Tele Built September 1991 to May 1994	



## SECTION 4 - PLATFORMS

ITEM	PART NUMBER	QTY	DESCRIPTION	REV
103	3252362	AR	Machines Without Prop Tele Built May 1994 to Present	
103	3252199	AR	Machines With Prop Tele Built September 1991 to May 1994	
103	3252363	AR	Machines With Prop Tele Built May 1994 to Present	
104		Ref	Switch, Toggle Options:	
104	4360202	1	Without Prop Tele	
104	Not Required	0	With Prop Tele	
105		Ref	Controller, PQ Options:	
105	Not Required	0	Without Prop Tele	
105	1600141	1	With Prop Tele	
105		Ref	Controller Replacement Parts (Also Refer top/n 3120351 PQ Controller Supplement):	
105	7011907	1	Electrical Assembly	
105	7003751	1	Potentiometer	
106		Ref	Knob Options:	
106	Not Required	0	Without Prop Tele	
106	2560112	1	With Prop Tele	
107		Ref	Relay Options:	
107	Not Required	0	2WS	
107	3740049	1	4WS	
108		Ref	4PDT Relay Components Options:	
108		Ref	4PDT Relay Components : <b>(Prior to SN 25609)</b>	
108	4120013	1	Socket, Relay - 4PDT	
108	3740058	1	Relay - 4PDT	
108	3740063	1	Spring, Relay	
108		Ref	4PDT Relay Components : <b>(SN 25609 to Present)</b>	
108	4120037	1	Socket, Relay - 4PDT	
108	3740123	1	Relay - 4PDT	
108	3740124	1	Spring, Relay	
109		Ref	2PDT Relay Components Options:	
109		Ref	2PDT Relay Components : <b>(Prior to SN 25609)</b>	
109	4120012	1	Socket, Relay - 2PDT	
109	3740057	1	Relay - 2PDT	
109	3740066	1	Spring, Relay	
109		Ref	2PDT Relay Components : <b>(SN 25609 to Present)</b>	
109	4120036	1	Socket, Relay - 2PDT	
109	3740122	1	Relay - 2PDT	
109	3740124	1	Spring, Relay	
110	4360232	1	Breaker, Circuit - 15 Amp <b>(Prior to SN 25609)</b>	
110	4761000	1	Lockwasher #10 <b>(Prior to SN 25609)</b>	
110	3311001	1	Nut #10-24NC <b>(Prior to SN 25609)</b>	
111	4460308	1	Bar, Buss - 2 Position <b>(SN 25609 to Present)</b>	
112	4360112	2	Breaker, Circuit - 5 Amp <b>(SN 25609 to Present)</b>	
113	4360069	1	Breaker, Circuit - 10 Amp <b>(SN 25609 to Present)</b>	
114	4360161	1	Breaker, Circuit - 20 Amp <b>(SN 25609 to Present)</b>	
115	3300396	3	Cap, Seal <b>(SN 25609 to Present)</b>	
		Ref	<b>OPTIONAL INSTALLATIONS</b>	
201		Ref	Choke/Glow Plug Components	
201	4360200	1	Switch, Toggle	
201	3790012	1	O-Ring	
201	4060229	1	Shield	
202		Ref	Lights Components	
202	4360199	1	Switch, Toggle	

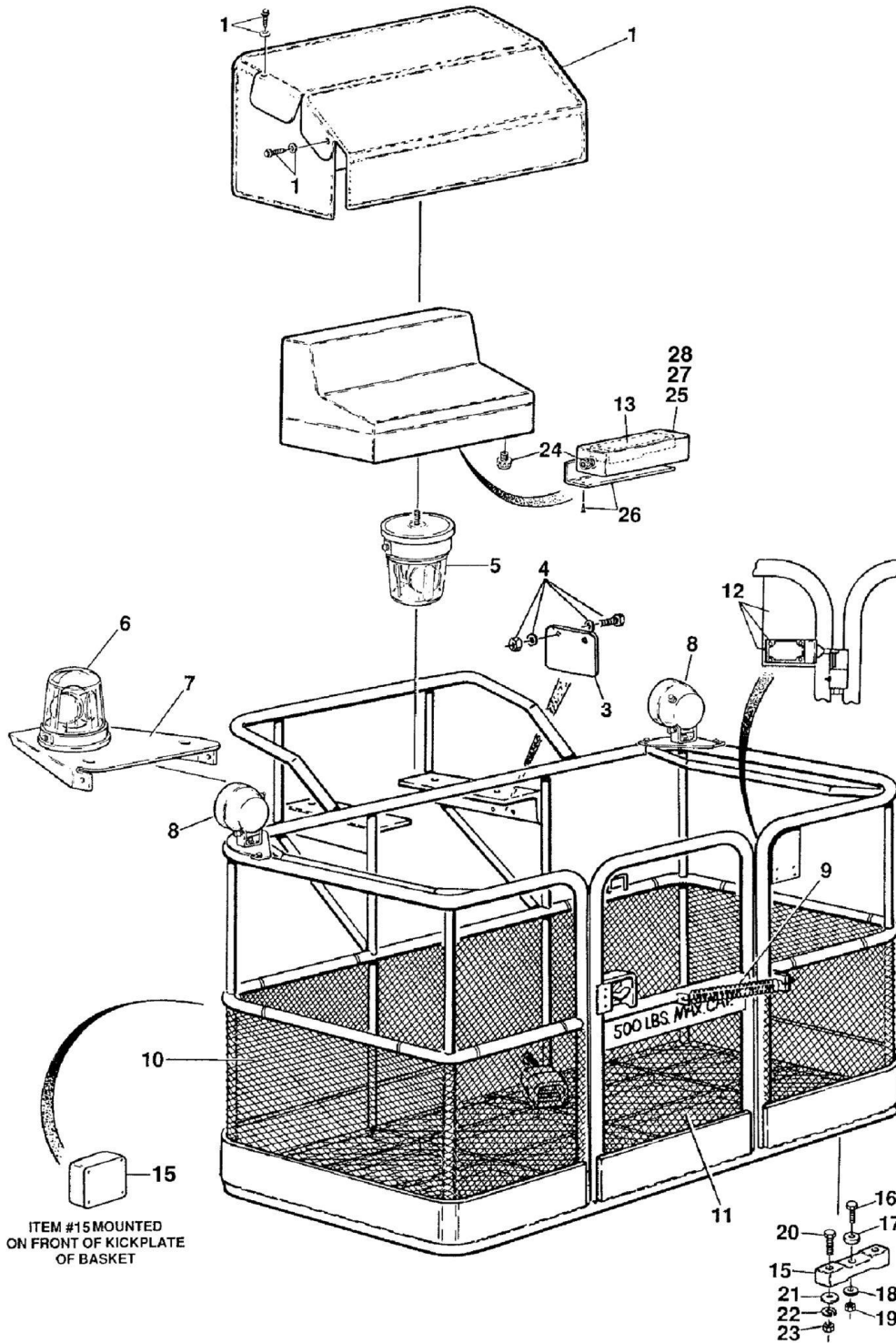
## SECTION 4 - PLATFORMS

ITEM	PART NUMBER	QTY	DESCRIPTION	REV
202	3790012	1	O-Ring	
202	4060229	1	Shield	
203		Ref	Extend-A-Reach Components	
203	4360202	1	Switch, Toggle	
203	3790012	1	O-Ring	
203	4060229	1	Shield	
204	0251948		Axle Set Light Components	-
204	2920027	1	Lamp, Indicator	
204	2920029	1	Bulb, Light	



# SECTION 4 - PLATFORMS

## FIGURE 4-6. OPTIONAL COMMON PLATFORM MOUNTED COMPONENTS



## SECTION 4 - PLATFORMS

**FIGURE 4-6. OPTIONAL COMMON PLATFORM MOUNTED COMPONENTS**

ITEM	PART NUMBER	QTY	DESCRIPTION	REV
		Ref	<b>CONSOLE BOX COVER INSTALLATION</b>	
	0252054	Ref	<b>BLACK</b>	2
	0251203	Ref	<b>YELLOW</b>	2
	0252848	Ref	<b>CLEAR PLEXI-GLASS</b>	-
		Ref	<b>Note: See SPECIAL OPTIONS for Metal Console Covers.</b>	
1	1670607	1	Cover (Black)	
1	1670526	1	Cover (Yellow)	
1	3941406	4	Screw, Self-Tapping	
1	4751400	4	Flatwasher 1/4in	
		Ref	<b>RECEPTACLE PLATE INSTALLATION (AUSTRALIAN SPEC)</b>	
	0253558	Ref	<b>Receptacle Plate Installation (Prior to January 1994)</b>	-
	0254793	Ref	<b>Receptacle Plate Installation (January 1994 to Present)</b>	A
3		Ref	Plate, Mounting Options:	
3	3536566	1	Plate, Mounting (Prior to January 1994)	
3	3538039	1	Plate, Mounting (January 1994 to Present)	
4	0641406	2	Bolt 1/4in-20NC x 3/4in	
4	4751400	4	Flatwasher 1/4in	
4	3311405	2	Locknut 1/4in-20NC	
4	3251242	1	Nameplate (Not Shown) (January 1994 to Present)	
		Ref	<b>BEACON LIGHT OPTIONS:</b>	
5	0252210	Ref	<b>Mounted Under Console (September 1991 to Present)</b>	3
5	0252211	Ref	<b>Mounted Under Console (September 1991 to Present)</b>	3
6	0235980	Ref	<b>Mounted in Front of Console (Prior to September 1991)</b>	A
6	0235981	Ref	<b>Mounted in Front of Console (Prior to September 1991)</b>	A
		Ref	Beacon Options:	
	2920009	1	Red Beacon	
	2920018	1	Amber Beacon	
		Ref	Len, Replacement Options:	
	7004238	1	2920018 Light	
	Not Available		2920009 Light	
7	0901449	1	Bracket, Mounting (Prior to September 1991)	
		Ref	<b>WORKLIGHT OPTIONS</b>	
	2900068	Ref	<b>Worklight (Prior To November 1992)</b>	F
	0253686	Ref	<b>Worklight (November 1992 to May 1995)</b>	-
	0253987	Ref	<b>Worklight (May 1995 to Present)</b>	4
	0254748	Ref	<b>With Padded Platform</b>	2
8		Ref	Light Options:	
8	2920013	2	Floodlight (Prior to November 1992)	
8	7004392	2	Bulb, Replacement for p/n 2920013 Light	
8	2920111	2	Halogen Light (November 1992 to Present) (Uses P/N 3536089 Mounting Plate)	
8	7006627	2	Bulb, Replacement for p/n 2920111 Light	
	0250143	Ref	<b>SELF-CLOSING GATE INSTALLATION</b>	A
9	4160028	1	Spring	
9	0900232	1	Bracket (Door Mounted)	
9	0901056	1	Bracket (Platform Mounted)	
9	4220007	1	Stop, Door	
	0251180	Ref	<b>PLATFORM INTERLOCK SWITCH INSTALLATION (FRENCH SPEC)</b>	-
12	4360263	1	Switch, Limit	

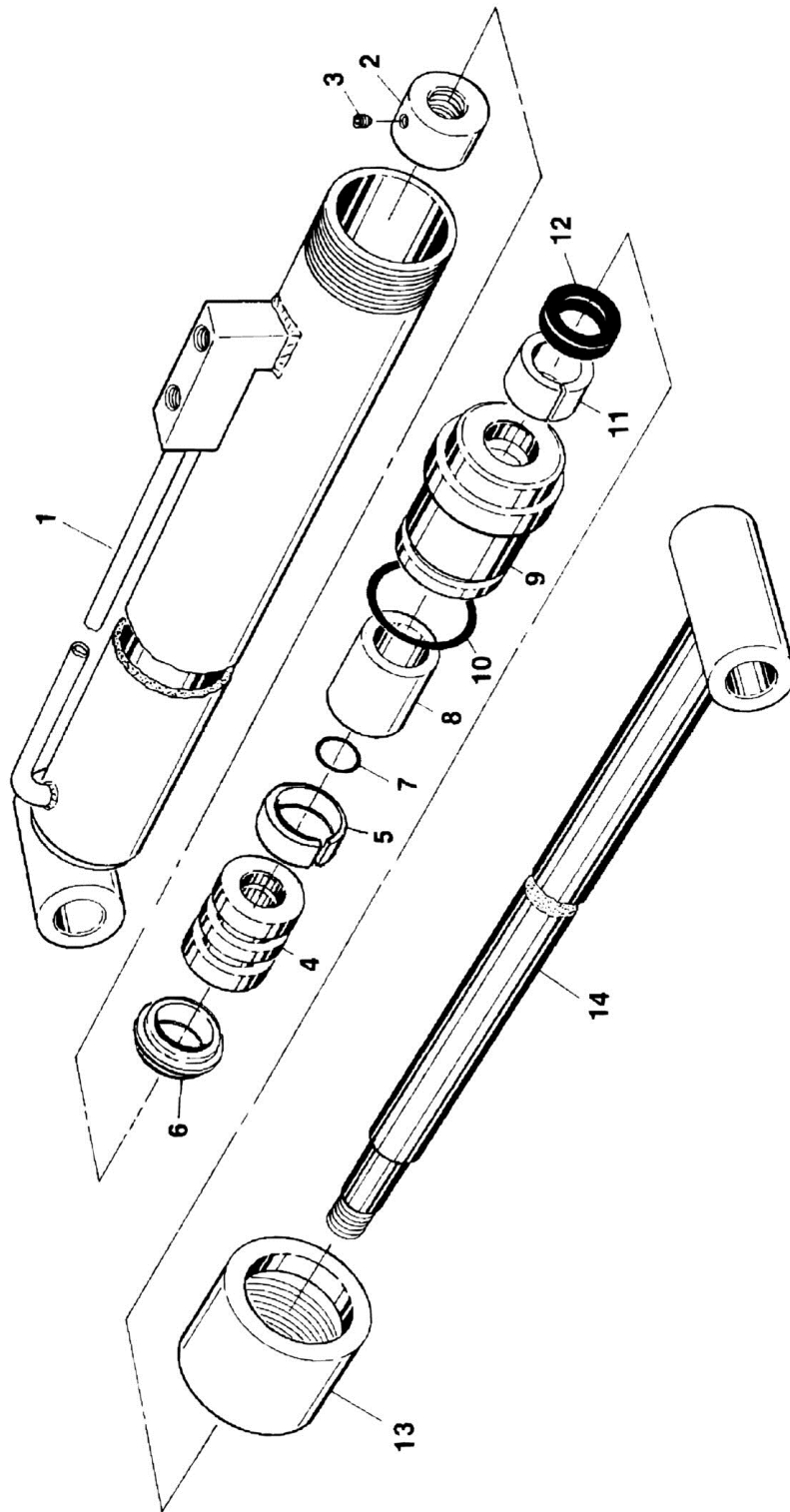
## SECTION 4 - PLATFORMS

ITEM	PART NUMBER	QTY	DESCRIPTION	REV
12	0721016	2	Screw, Machine #10-24NC x 2in	
12	4751000	2	Flatwasher #10	
12	4761000	2	Lockwasher #10	
12	3311001	2	Nut #10-24NC	
12	3534494	1	Plate, Mounting	
12	1100054	1	Cam, Activator	
		Ref	<b>SAFE LOAD INDICATOR SYSTEM INSTALLATION (FRENCH SPEC)</b>	
	0253747	Ref	<b>Safe Load Indicator System Installation (Prior to SN 36621)</b>	C
	0258039	Ref	<b>Safe Load Indicator System Installation (SN 36621 to Present)</b>	3
		Ref	Safe Load Indicator System Options:	
	1692405	1	Safe Load Indicator System <b>(Prior to SN 36621)</b>	
	2901557	1	Safe Load Indicator System <b>(SN 36621 to Present)</b>	
13		Ref	Amplifier	
14		Ref	Box, Junction Options:	
14		Ref	Located Under Console Box <b>(Prior to SN 24448)</b>	
14		Ref	Located Inside Console Box <b>(SN 24448 through 36620)</b>	
14		Ref	Located Under Platform on Platform Support <b>(SN 36621 to Present)</b>	
15		Ref	Cell, Load (Front of Basket)	
15	1692959	2	Spacer (Rear of Basket)	
16	0641818	2	Bolt 1/2in-13NC x 2 1/4in	
17	1692980	2	Spacer	
18	4751800	2	Flatwasher 1/2in	
19	3311805	2	Locknut 1/2in-13NC	
20	0641616	AR	Bolt 3/8in-16NC x 2in	
21	4751600	AR	Flatwasher 3/8in	
22	4761600	AR	Lockwasher 3/8in <b>(Prior to SN 36621)</b>	
23	3300143	AR	Locknut 3/8in-16NC	
24	4460071	1	Connector, Strain Relief <b>(Prior to SN 24448)</b>	
24	0960238	1	Bushing	
24	3300048	1	Nut, Conduit	
25	0860619	AR	Box <b>(Prior to SN 24448)</b>	
25	3911012	AR	Screw, Round Head #10-24NC	
25	4751000	AR	Flatwasher #10	
25	4761000	AR	Lockwasher #10	
25	3311001	AR	Nut #10-24NC	
26	3533904	AR	Lid <b>(Prior to SN 24448)</b>	
26	0750806	AR	Screw, Self-Tapping, #8 x 3/4in	
26	4740120	AR	Washer, Nylon	
26	3300177	AR	Nut, Tinnerman	
26	4420008	75.8cm	Tape, Insulating <b>(Prior to SN 36621)</b>	
27	1703791	1	Decal - Instruction Load Sensing System <b>(SN 36621 to Present)</b>	
28	1703801	1	Decal - Load Sensing Device Light <b>(SN 36621 to Present)</b>	
29	3124025	1	Manual Supplement (Not Shown) <b>(SN 36621 to Present)</b>	

**SECTION 5 - CYLINDER**

# SECTION 5 - CYLINDER

FIGURE 5-1. AXLE EXTENSION CYLINDER ASSEMBLIES - 80HX WITH FIXED AXLE





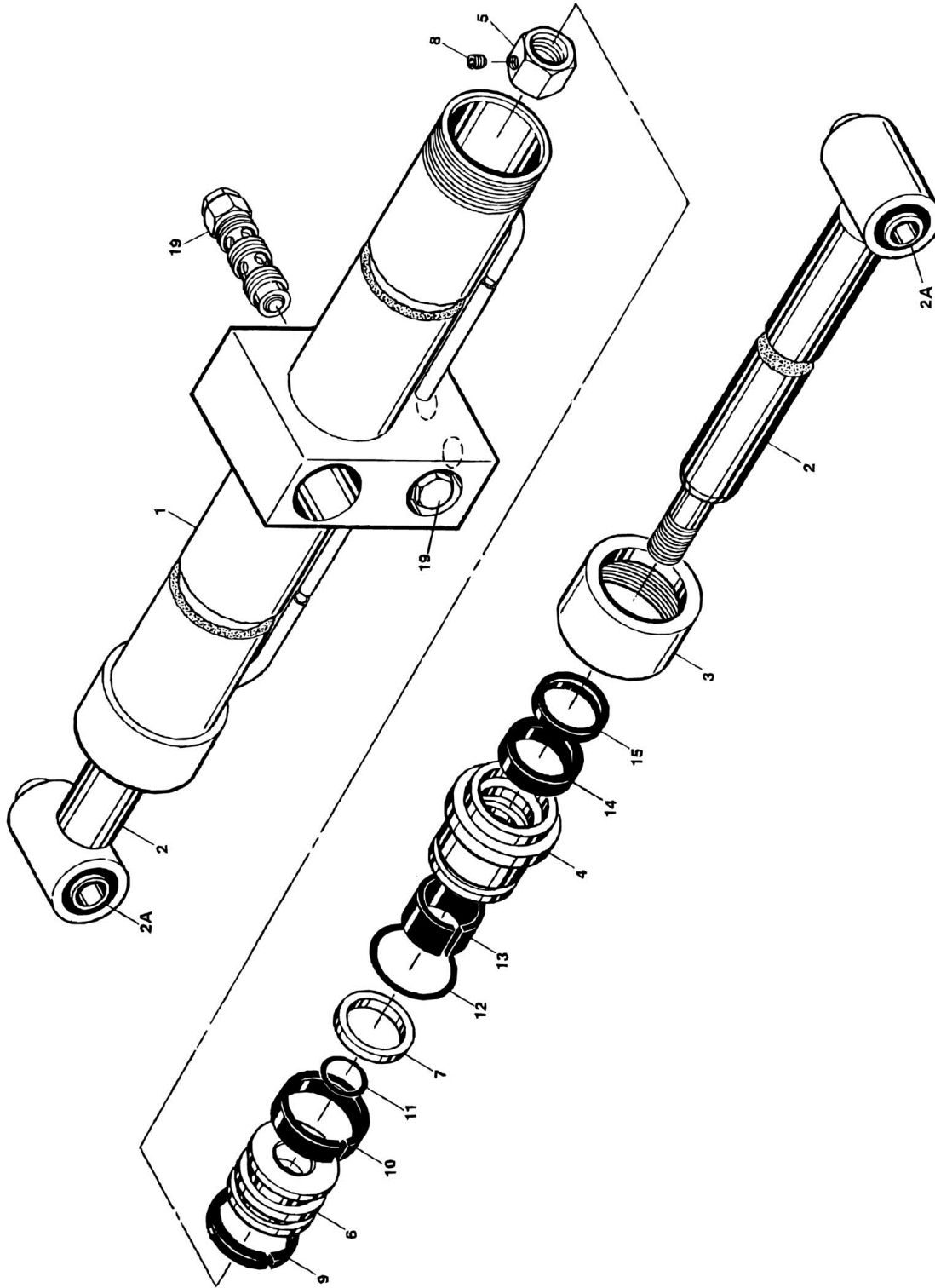
## SECTION 5 - CYLINDER

**FIGURE 5-1. AXLE EXTENSION CYLINDER ASSEMBLIES - 80HX WITH FIXED AXLE**

ITEM	PART NUMBER	QTY	DESCRIPTION	REV
	1681581	Ref	<b>AXLE EXTENSION CYLINDER ASSEMBLY (2WD)</b>	E
	1682260	Ref	<b>AXLE EXTENSION CYLINDER ASSEMBLY (4WD)</b>	B
		Ref	<b>Note: Refer to P/N stamped on barrel for identification.</b>	
1	1681491	1	Barrel	
2	3300184	1	Nut, Special (1/4in Dia Setscrew)	
2	3300270	1	Nut, Special Hex (3/8in Dia Setscrew)	
2	0100011	AR	Loctite	
2	0100038	AR	Primer	
3	3951403	1	Setscrew 1/4in-20NC x 3/8in	
3	3900170	1	Setscrew 3/8in-16NC x 3/8in	
3	0100011	AR	Loctite	
4	3480123	1	Piston	
5	Kit	1	Ring, Wear	
6	Kit	1	Seal, Piston	
7	Kit	1	O-Ring	
8	4565351	1	Spacer, Tube (1681581 Cylinder)	
8	4564745	1	Spacer, Tube (1682260 Cylinder)	
9	1680899	1	Head	
10	Kit	1	O-Ring	
11	Kit	1	Seal, Rod	
12	Kit	1	Wiper, Rod	
13	1120110	1	Cap	
13	0100035	AR	Locking Compound	
14	1681492	1	Rod Assembly (1681581 Cylinder)	
14	1682261	1	Rod Assembly (1682260 Cylinder)	
	2901121	1	Seal Kit (Includes Items 5, 6, 7, 10, 11 & 12)	

# SECTION 5 - CYLINDER

FIGURE 5-2. AXLE EXTENSION CYLINDER ASSEMBLIES - 80HX WITH OSCILLATING AXLE



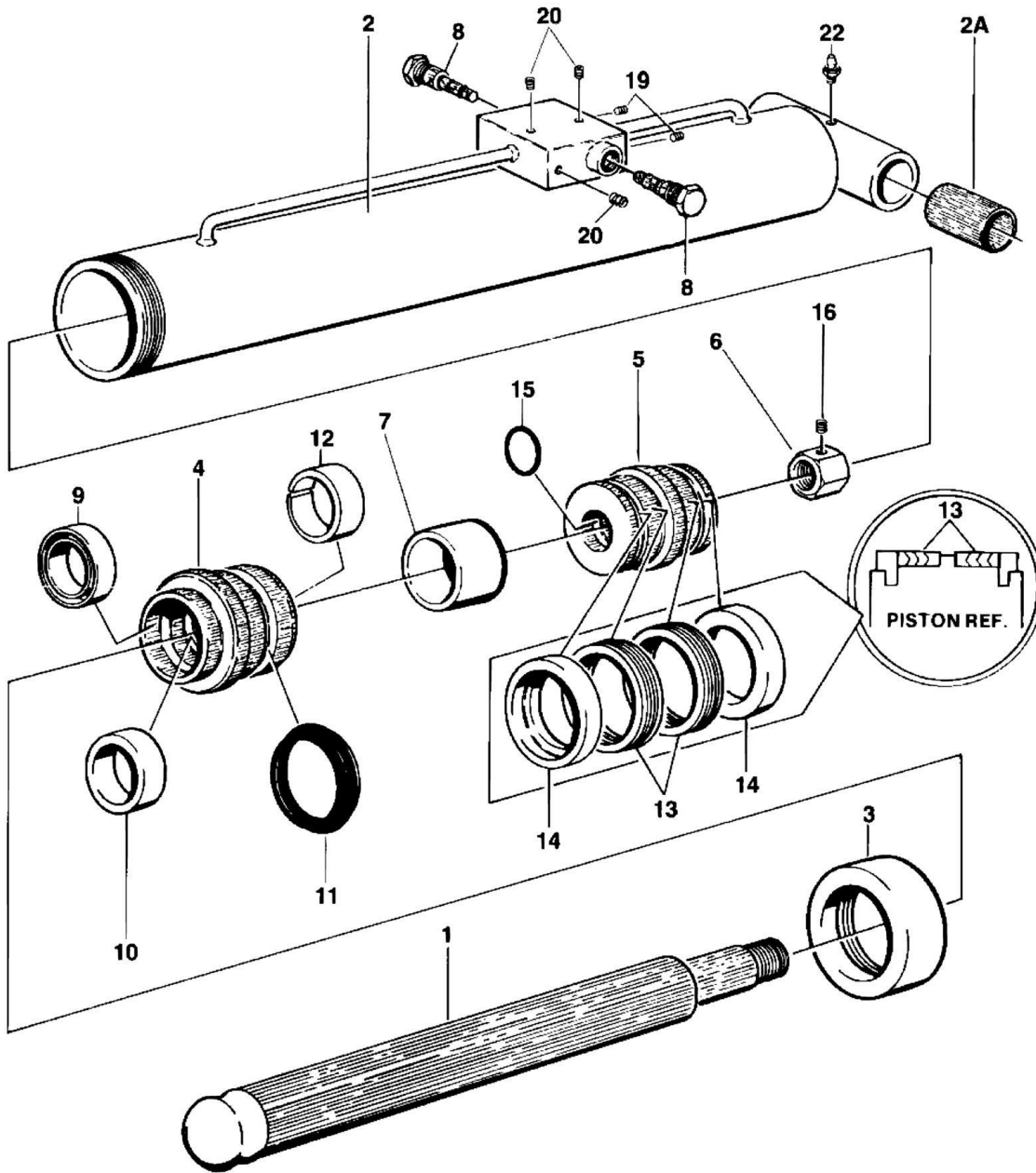
## SECTION 5 - CYLINDER

**FIGURE 5-2. AXLE EXTENSION CYLINDER ASSEMBLIES - 80HX WITH OSCILLATING AXLE**

ITEM	PART NUMBER	QTY	DESCRIPTION	REV
	1683241	Ref	<b>AXLE EXTENSION CYLINDER ASSEMBLIES - 80HX WITH OSCILLATING AXLE</b>	2
1	1683242	1	Barrel Weldment	
2	1683243	2	Rod Weldment	
2A	0962039	2	Bushing, Steel Cased Rubber (1 Per Rod)	
3	1120108	2	Retainer	
4	1681283	2	Head	
5	3300280	2	Nut, Hex	
6	3480122	2	Piston	
7	4565099	2	Spacer	
8	3900170	2	Setscrew 3/8in-16NC x 3/8in	
9	Kit	2	T-Seal (1 Per Kit)	
10	Kit	2	Ring, Wear (1 Per Kit)	
11	Kit	2	O-Ring (1 Per Kit)	
12	Kit	2	O-Ring (1 Per Kit)	
13	Kit	2	Ring, Wear (1 Per Kit)	
14	Kit	2	Seal, Rod (1 Per Kit)	
15	Kit	2	Wiper, Rod (1 Per Kit)	
16	0100035	AR	Loctite #222 (Not Shown)	
17	0100011	AR	Loctite #242 (Not Shown)	
18	0100038	AR	Primer, Locking (Not Shown)	
19	4640509	2	Cartridge, Valve	
19	2900792	2	Seal Kit - 4640509 Valve (1 Per Cartridge)	
	2900383	2	Seal Kit - 1683241 Cylinder (Includes Items 9-15)	

# SECTION 5 - CYLINDER

## FIGURE 5-3. AXLE LIFT CYLINDER ASSEMBLY



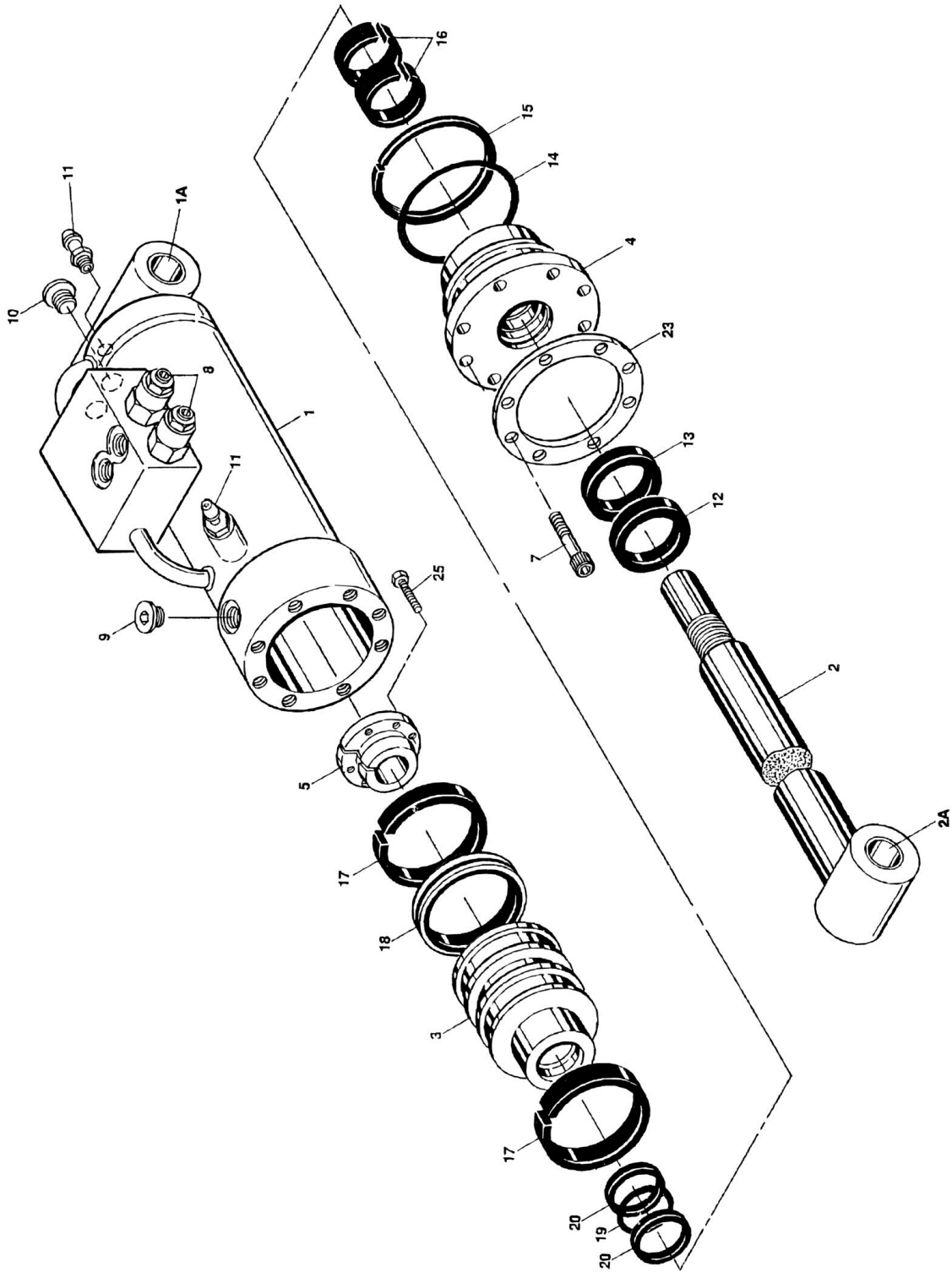
## SECTION 5 - CYLINDER

**FIGURE 5-3. AXLE LIFT CYLINDER ASSEMBLY**

ITEM	PART NUMBER	QTY	DESCRIPTION	REV
		Ref	<b>AXLE LIFT CYLINDER ASSEMBLIES</b>	
	1681991	Ref	<b>AXLE LIFT CYLINDER ASSEMBLY (Prior to SN 34133)</b>	B
	1683596	Ref	<b>AXLE LIFT CYLINDER ASSEMBLY (SN 34133 to Present)</b>	2
1		Ref	Rod Assembly Options:	
1	1681992	1	Rod Assembly <b>(Prior to SN 34133)</b>	
1	1683597	1	Rod Assembly <b>(SN 34133 to Present)</b>	
2	1681963	1	Barrel Assembly	
2A	0960946	2	Bushing, Bronze	
3	1120336	1	Cap	
3	0100035	AR	Loctite #222	
4	1681843	1	Head	
5	3480102	1	Piston	
6	3300281	1	Nut, Special	
6	0100011	AR	Loctite #242	
6	0100038	AR	Primer	
7	4564128	1	Spacer	
8	4640509	2	Valve	
9	Kit	1	Ring, Wiper	
10	Kit	1	Seal	
11	Kit	1	T-Seal	
12	Kit	1	Ring, Wear	
13	Kit	2	Seal	
14	Kit	2	Ring, Guidelock	
15	Kit	1	O-Ring	
16	3900170	1	Setscrew 3/8in-16NC x 3/8in	
19		Ref	Plug 1/4in Options:	
19	2200202	2	Plug 1/4in <b>(Prior to SN 34133)</b>	
19	2200222	2	Plug 1/4in <b>(SN 34133 to Present)</b>	
19	0100020	AR	Loctite	
20		Ref	Plug 1/8in Options:	
20	2200201	4	Plug 1/8in <b>(Prior to SN 34133)</b>	
20	2200221	4	Plug 1/8in <b>(SN 34133 to Present)</b>	
20	0100020	AR	Loctite	
22	2160002	1	Fitting, Grease	
	2901102	1	Seal Kit (Includes Items 9 - 15)	

# SECTION 5 - CYLINDER

## FIGURE 5-4. AXLE LOCKOUT CYLINDER ASSEMBLY



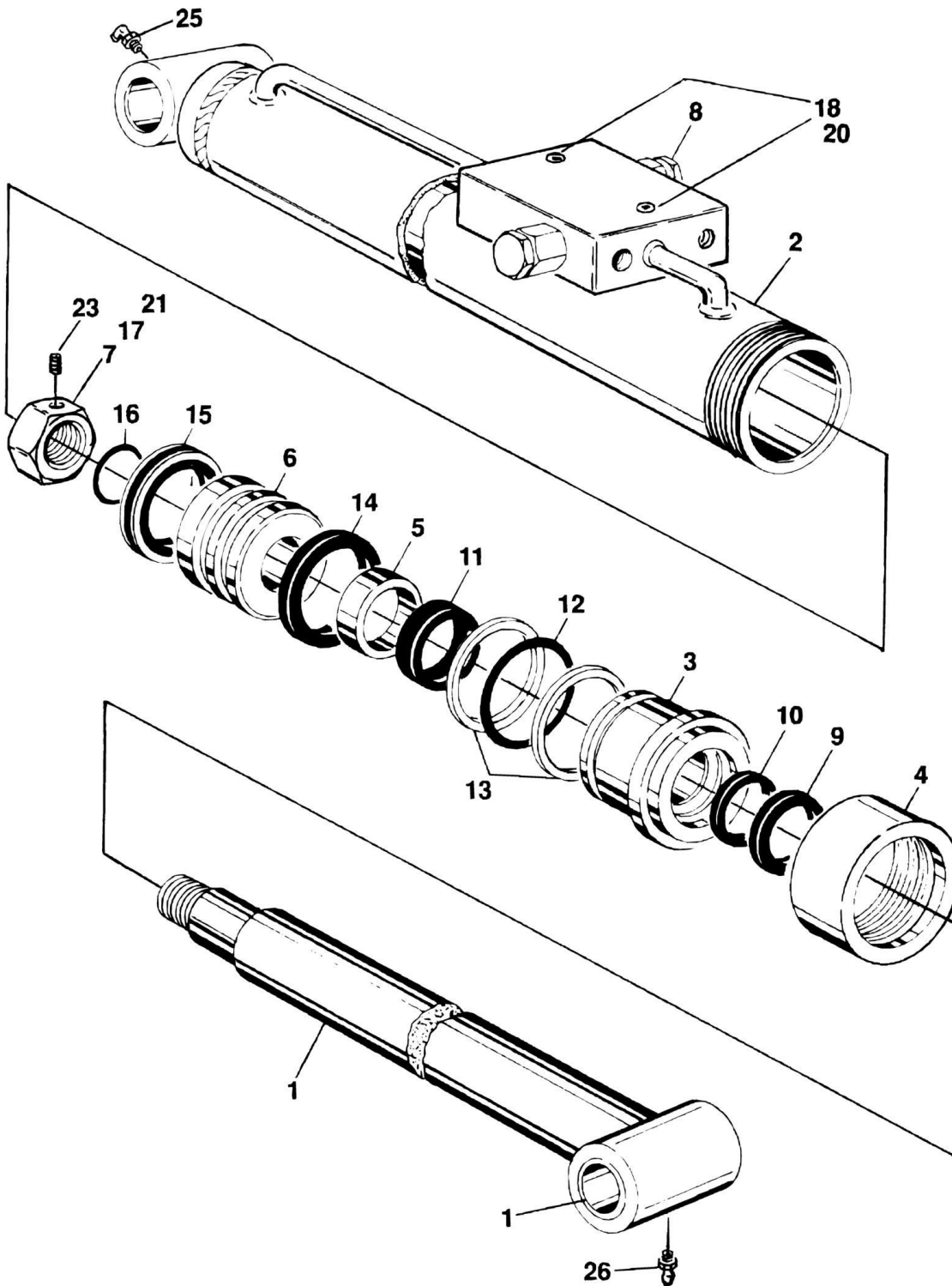
## SECTION 5 - CYLINDER

### FIGURE 5-4. AXLE LOCKOUT CYLINDER ASSEMBLY

ITEM	PART NUMBER	QTY	DESCRIPTION	REV
	1683390	Ref	<b>AXLE LOCKOUT CYLINDER ASSEMBLY</b>	F
1		Ref	Barrel Weldment Options:	
1	1683391	1	Barrel Weldment <b>(Prior to SN 56910)</b>	
1	1683991	1	Barrel Weldment <b>(SN 56910 to Present)</b>	
1A	0961816	2	Bushing, Garmax	
2		Ref	Rod Weldment Options:	
2	1683392	1	Rod Weldment <b>(Prior to SN 56910)</b>	
2	1683992	1	Rod Weldment <b>(SN 56910 to Present)</b>	
2A	0961816	2	Bushing, Garmax	
3	3480176	1	Piston	
4	1683059	1	Head	
5	0961895	1	Bushing, Tapered	
7	3931720	8	Capscrew, Socket Head 7/16in-14NC x 1 1/4in	
8		Ref	Cartridge, Valve	
8	4640525	2	Cartridge, Valve <b>(Prior to SN 56910)</b>	
8	4641162	2	Cartridge, Valve <b>(SN 56910 to Present)</b>	
8	2900770	2	Seal Kit - Cartridge (1 Per Cartridge)	
9	2220886	1	Plug, O-Ring	
10	2220885	2	Plug, O-Ring	
11	4640858	3	Valve, Bleeder	
12	Kit	1	Wiper, Rod	
13	Kit	1	Seal, Rod	
14	Kit	1	O-Ring	
15	Kit	1	Ring, Back-up	
16	Kit	2	Ring, Wear	
17	Kit	2	Ring, Wear	
18	Kit	1	T-Seal	
19	Kit	1	O-Ring	
20	Kit	2	Ring, Back-up	
21	0100011	AR	Loctite #242 (Not Shown)	
22	0100038	AR	Primer, Locking (Not Shown)	
23	3760370	1	Ring, Washer	
25		Ref	Bolt Options:	
25	0641409	3	Bolt 1/4in-20NC x 1 1/8in	
25	0630535	3	Screw, Socket Head 1/4in-20NC x 1 1/8in	
	2901271	1	Seal Kit (Includes Items 12-20)	

# SECTION 5 - CYLINDER

FIGURE 5-5. PLATFORM LEVEL CYLINDER ASSEMBLIES (MODEL 80HX BUILT PRIOR TO APRIL 1992)





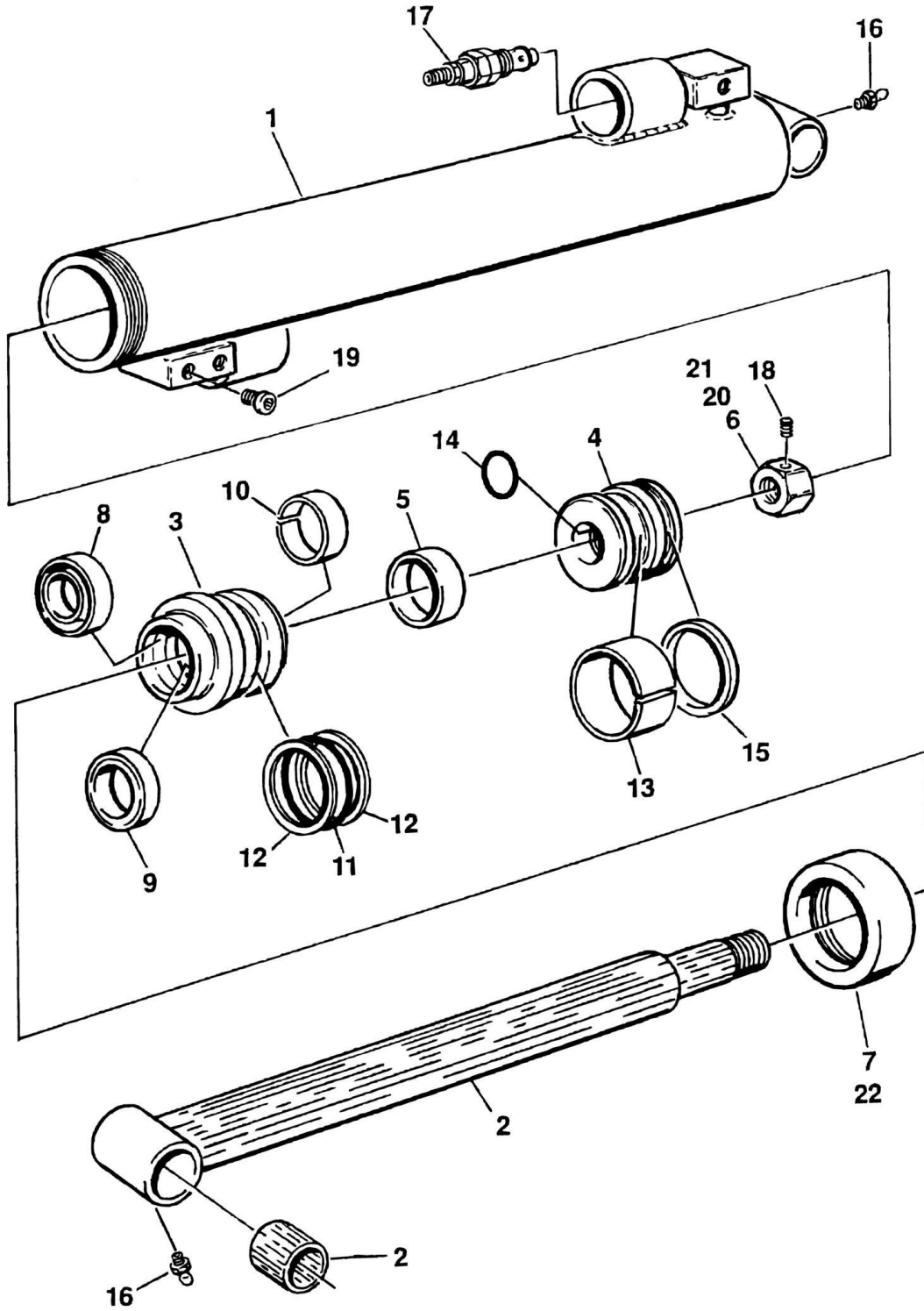
## SECTION 5 - CYLINDER

**FIGURE 5-5. PLATFORM LEVEL CYLINDER ASSEMBLIES (MODEL 80HX BUILT PRIOR TO APRIL 1992)**

ITEM	PART NUMBER	QTY	DESCRIPTION	REV
	1681722	Ref	<b>PLATFORM LEVEL CYLINDER ASSEMBLY</b>	D
1	1681331	1	Rod Assembly	
1	0960097	1	Bushing, Bronze	
2	1681721	1	Barrel Assembly	
3	1680892	1	Head	
4	1120179	1	Retainer	
5	1440142	1	Spacer	
6	3480120	1	Piston	
7	3300272	1	Nut	
8	4640509	2	Valve, Cartridge	
8	2900792	2	Seal Kit - 4640509 Valve	
9	Kit	1	Seal, Wiper	
10	Kit	1	Seal, Rod	
11	Kit	1	Ring, Wear	
12	Kit	1	O-Ring	
13	Kit	2	Ring, Back-up	
14	Kit	1	Ring, Wear	
15	Kit	1	Seal, Piston	
16	Kit	1	O-Ring	
17	0100011	AR	Loctite #242	
18	2200201	2	Plug 1/8in	
19	2200202	2	Plug 1/4in	
20	0100020	AR	Sealant, Thread	
21	0100038	AR	Primer, Locking	
23	3900170	1	Setscrew 3/8in-16NC x 3/8in	
24	0100035	AR	Locking Compound	
25	2160001	1	Fitting, Grease - 90	
26	2160002	1	Fitting, Grease	
	2900381	1	Seal Kit - 1681722 Cylinder (Includes Items 9-16)	

# SECTION 5 - CYLINDER

FIGURE 5-6. PLATFORM LEVEL CYLINDER ASSEMBLIES (MODEL 80HX BUILT APRIL 1992 TO PRESENT)



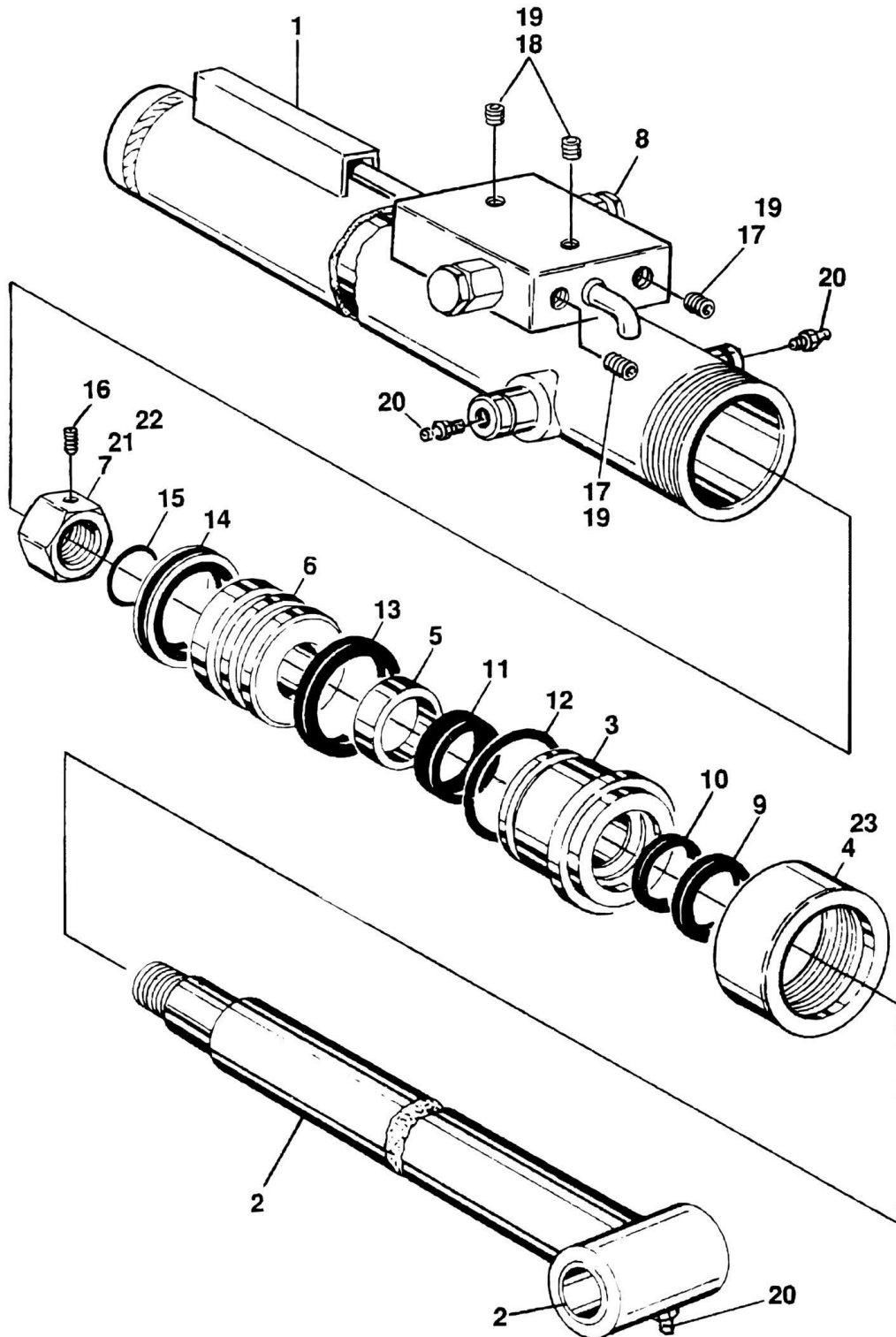
## SECTION 5 - CYLINDER

**FIGURE 5-6. PLATFORM LEVEL CYLINDER ASSEMBLIES (MODEL 80HX BUILT APRIL 1992 TO PRESENT)**

ITEM	PART NUMBER	QTY	DESCRIPTION	REV
		Ref	<b>PLATFORM LEVEL CYLINDER ASSEMBLIES</b>	
	1682602	Ref	<b>Platform Level Cylinder Assemblies (Prior to SN 33111)</b>	B
	1683534	Ref	<b>Platform Level Cylinder Assemblies (SN 33111 to Present)</b>	2
1		Ref	Barrel Assembly Options:	
1	1682603	1	Barrel Assembly <b>(Prior to SN 33111)</b>	
1	1683533	1	Barrel Assembly <b>(SN 33111 to Present)</b>	
2	1681331	1	Rod Assembly	
2	0960097	1	Bushing	
3	1680892	1	Head	
4	3480120	1	Piston	
5	4564046	1	Spacer	
6	3300272	1	Nut	
7	1120179	1	Retainer	
8	Kit	1	Seal, Wiper	
9	Kit	1	Seal, Rod	
10	Kit	1	Ring, Wear	
11	Kit	1	O-Ring	
12	Kit	2	Ring, Back-up	
13	Kit	1	Ring, Wear	
14	Kit	1	O-Ring	
15	Kit	1	Seal, Piston	
16	2160002	2	Fitting, Grease	
17	4640634	2	Valve, Cartridge - Holding	
17	2900770	1	Seal Kit - 4640634 Valve (1 Per Assembly)	
18	3900170	1	Setscrew 3/8in-16NC x 3/8in	
19	2220885	2	Plug, Socket head #6	
20	0100011	AR	Loctite #242	
21	0100038	AR	Primer, Locking	
22	0100035	AR	Loctite #222	
	2900381	1	Seal Kit - 1682602 Cylinder (Includes Items 8-14)	

# SECTION 5 - CYLINDER

FIGURE 5-7. SLAVE LEVEL CYLINDER ASSEMBLIES (80HX+6 EXTEND-A-REACH) (Prior to SN 29914)



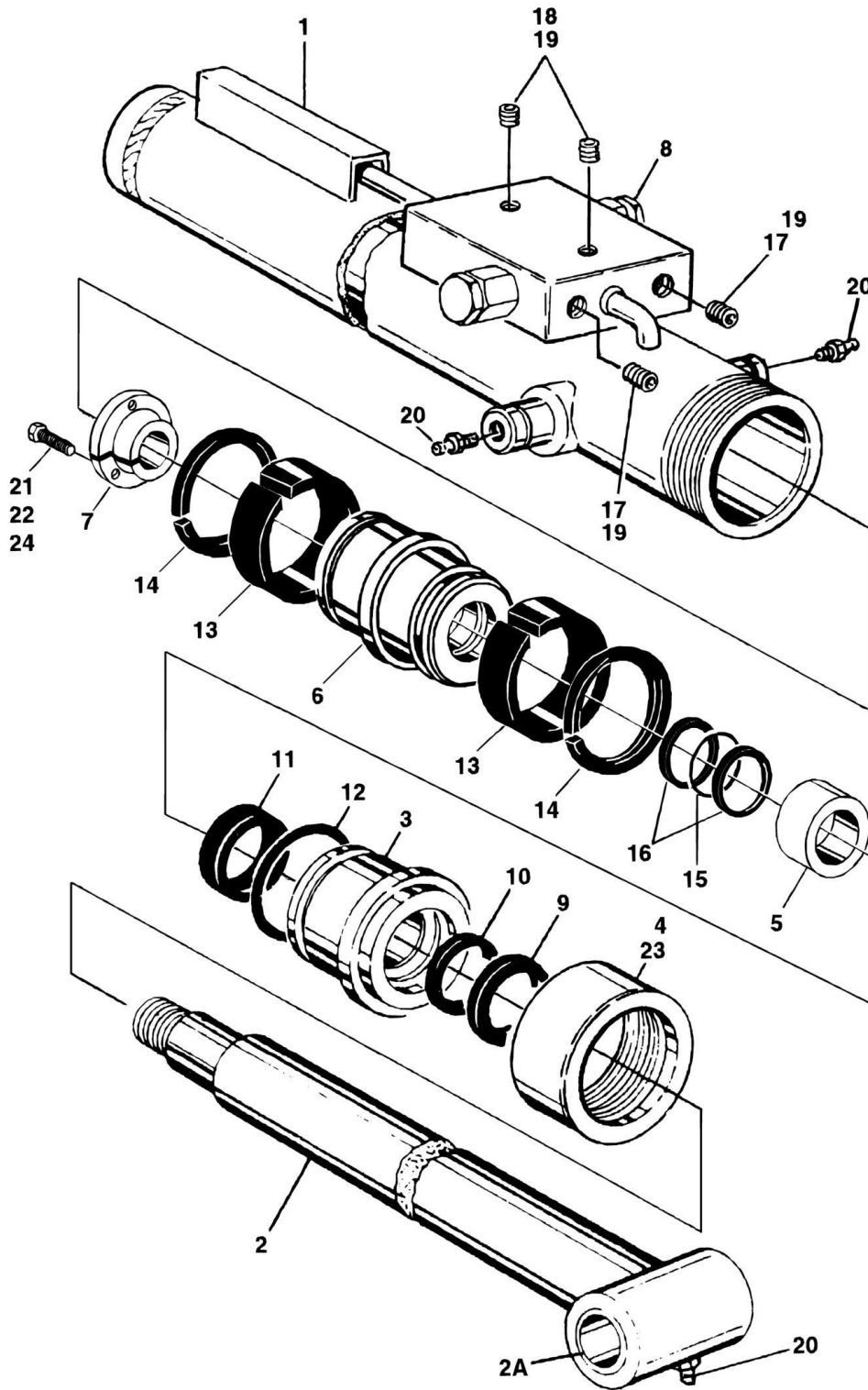
## SECTION 5 - CYLINDER

**FIGURE 5-7. SLAVE LEVEL CYLINDER ASSEMBLIES (80HX+6 EXTEND-A-REACH) (Prior to SN 29914)**

ITEM	PART NUMBER	QTY	DESCRIPTION	REV
	1682459	Ref	<b>SLAVE LEVEL CYLINDER ASSEMBLY</b>	2
1	1682460	1	Barrel Assembly	
2	1681797	1	Rod Assembly	
2	0961182	2	Bushing, Bronze	
3	1681792	1	Head	
4	1120305	1	Retainer	
5	4563657	1	Spacer	
6	3480124	1	Piston	
7	3300276	1	Nut Options:	
8	4640509	2	Valve, Cartridge - Holding	
8	2900792	2	Seal Kit - 4640509 Valve (1 Per Cartridge)	
9	Kit	1	Seal, Wiper	
10	Kit	1	Seal, Rod	
11	Kit	1	Ring, Wear	
12	Kit	1	O-Ring	
13	Kit	1	Ring, Wear	
14	Kit	1	T-Seal	
15	Kit	1	O-Ring	
16		Ref	Setscrew Options:	
16	3951403	2	Setscrew 1/4in-20NC x 3/8in	
16	3900170	1	Setscrew 3/8in-16NC x 3/8in	
17		Ref	Plug, Pipe 1/4in Options:	
17	2200213	2	Plug, Pipe 1/4in <b>(Prior to SN 39439)</b>	
17	2200233	2	Plug, Pipe 1/4in <b>(SN 39439 through 29914)</b>	
18		Ref	Plug, Pipe 1/8in Options:	
18	2200201	2	Plug, Pipe 1/8in <b>(Prior to SN 39439)</b>	
18	2200221	2	Plug, Pipe 1/8in <b>(SN 39439 to Present)</b>	
19	0100020	AR	Sealant, Thread	
20	2160002	3	Fitting, Grease	
21	0100011	AR	Loctite #242	
22	0100038	AR	Primer, Locking	
23	0100035	AR	Loctite #222	
	2900394	1	Seal Kit - Cylinder (Includes Items 9-15)	

# SECTION 5 - CYLINDER

FIGURE 5-8. SLAVE LEVEL CYLINDER ASSEMBLIES (80HX+6 EXTEND-A-REACH) (SN 29914 to Present)



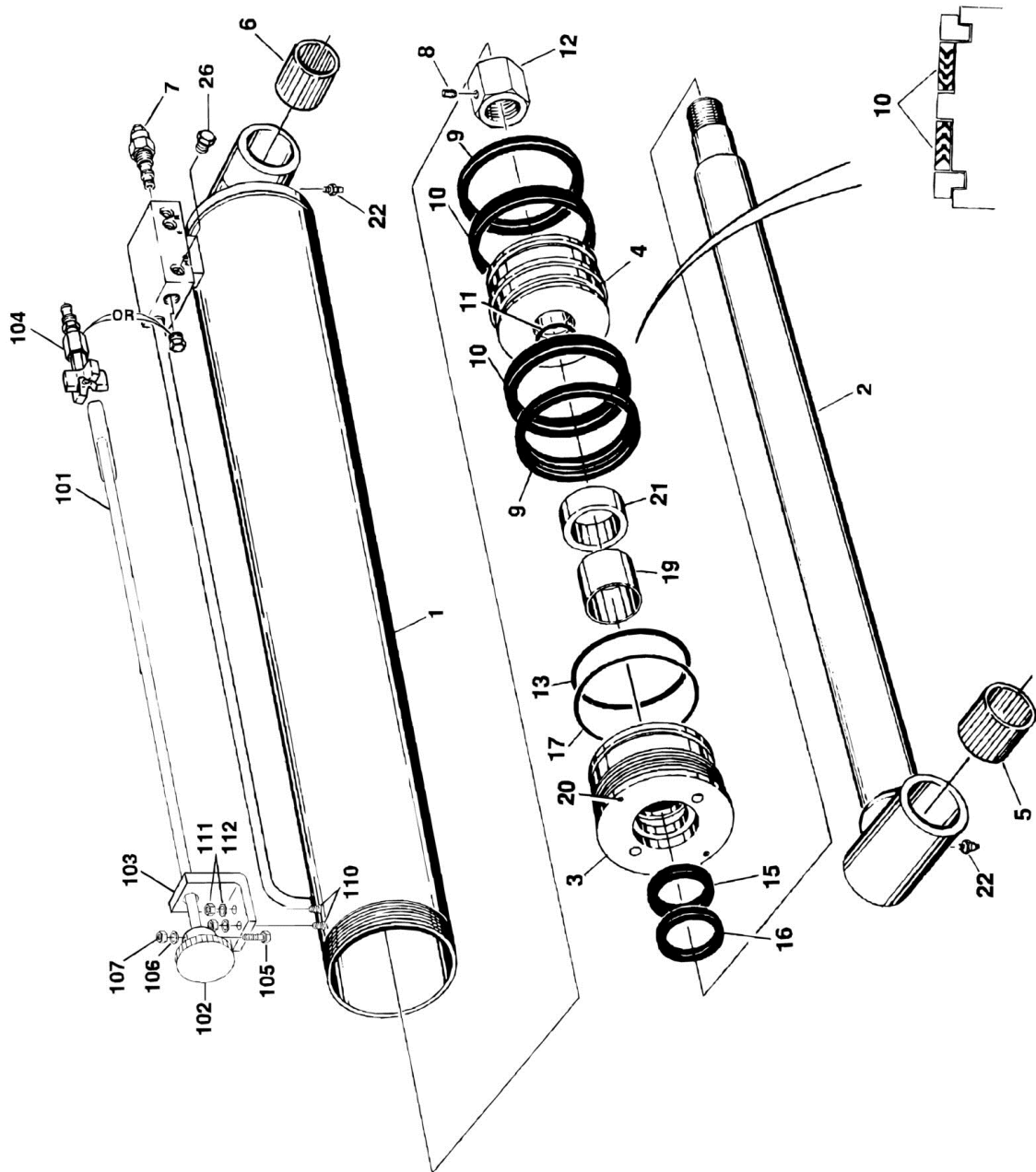
## SECTION 5 - CYLINDER

**FIGURE 5-8. SLAVE LEVEL CYLINDER ASSEMBLIES (80HX+6 EXTEND-A-REACH) (SN 29914 to Present)**

ITEM	PART NUMBER	QTY	DESCRIPTION	REV
	1683494	Ref	<b>SLAVE LEVEL CYLINDER ASSEMBLY</b>	2
1	1683495	1	Barrel Assembly	
2	1683497	1	Rod Assembly	
2A	0961182	2	Bushing, Bronze	
3	1681792	1	Head	
4	1120305	1	Retainer	
5	4563657	1	Spacer	
6	3480188	1	Piston	
7	0961894	1	Bushing, Tapered	
8	4640509	2	Valve, Cartridge - Holding	
8	2900792	2	Seal Kit - 4640509 Valve (1 Per Cartridge)	
9	Kit	1	Seal, Wiper	
10	Kit	1	Seal, Rod	
11	Kit	1	Ring, Wear	
12	Kit	1	O-Ring	
13	Kit	1	Ring, Wear	
14	Kit	1	T-Seal	
15	Kit	1	O-Ring	
16	Kit	1	Ring Back-up	
17	2200213	2	Plug, Pipe 1/4in	
18	2200201	2	Plug, Pipe 1/8in	
19	0100020	AR	Sealant, Thread	
20	2160002	3	Fitting, Grease	
21	0100011	AR	Loctite #242 <b>(Prior to SN 44769)</b>	
22	0100038	AR	Primer, Locking <b>(Prior to SN 44769)</b>	
23	0100035	AR	Loctite #222	
24		Ref	Bolt Options:	
24	0641408	3	Bolt 1/4-20 NC x 1in <b>(Prior to SN 44769)</b>	
24	0630535	3	Screw, Socket Head 1/4in-20NC x 1 1/8in <b>(SN 44769 to Present)</b>	
	2901480	1	Seal Kit - Cylinder (Includes Items 9-16)	

# SECTION 5 - CYLINDER

## FIGURE 5-9. LIFT CYLINDER ASSEMBLIES - BOOM





## SECTION 5 - CYLINDER

### FIGURE 5-9. LIFT CYLINDER ASSEMBLIES - BOOM

ITEM	PART NUMBER	QTY	DESCRIPTION	REV
		Ref	<b>LIFT CYLINDER ASSEMBLIES - BOOM</b>	
	1681559	Ref	<b>LIFT CYLINDER ASSEMBLY (PRIOR TO MAY 1992)</b>	C
	1682691	Ref	<b>LIFT CYLINDER ASSEMBLY (MAY 1992 TO PRESENT)</b>	A
1		Ref	Barrel Assembly Options:	
1	1681420	1	Barrel Assembly (Prior to May 1992)	
1	1682692	1	Barrel Assembly (May 1992 to Present) (Includes Item 6)	
2		Ref	Rod Assembly Options:	
2	1681421	1	Rod Assembly (Prior to May 1992)	
2	1682694	1	Rod Assembly (May 1992 to Present) (Includes Item 5)	
3	1680898	1	Head	
4	3480093	1	Piston	
5	0960911	2	Bushing, Bronze	
6	0960705	2	Bushing, Bronze	
7	4640210	1	Cartridge, Valve (Prior to May 1992)	
7	2900793	1	Seal Kit - 4640210 Cartridge	
7	4640495	1	Cartridge, Valve (May 1992 to Present)	
7	2900770	1	Seal Kit - 4640495 Cartridge	
8		Ref	Setscrew Options:	
8	3900139	1	Setscrew (Prior to January 1991)	
8	3900172	1	Setscrew (January 1991 to Present)	
9	Kit	2	Ring	
10	Kit	2	Seal, Piston	
11	Kit	1	O-Ring	
12		Ref	Nut Options:	
12	3300207	1	Nut, Special (Prior to January 1991)	
12	3300295	1	Nut, Hex (January 1991 to Present)	
13	Kit	1	O-Ring	
15	Kit	1	O-Ring	
16	Kit	1	Wiper	
17	Kit	1	O-Ring	
18	0100011	AR	Loctite #242 (Not Shown)	
19	Kit	1	Ring	
20	3900140	2	Setscrew 1/4in-20NC x 3/8in	
21	4562902	1	Spacer	
22	2160002	2	Fitting, Grease	
23	0100038	AR	Primer, Locking (Not Shown)	
24	0100035	AR	Loctite	
25		Ref	Plug, O-Ring #10 Options:	
25	Not Required	1	Plug, O-Ring #10 (Prior to May 1992)	
25	2220887	1	Plug, O-Ring #10 (May 1992 to Present)	
26		Ref	Plug, O-Ring #4 Options:	
26	Not Required	1	Plug, O-Ring #10 (Prior to May 1992)	
26	2220883	1	Plug, O-Ring #10 (May 1992 to Present)	
	2900088	1	Seal Kit (Includes Items 9, 10, 11, 13, 15, 16 & 17)	
	0257194	Ref	<b>MANUAL DESCENT INSTALLATION (SN 25609 to Present)</b>	1
		Ref	<b>For machines built prior to sn 25609 See HYDRAULICS SECTION.</b>	
101	1690745	1	Rod	
102	2560020	1	Handle	
103	0901882	1	Bracket	

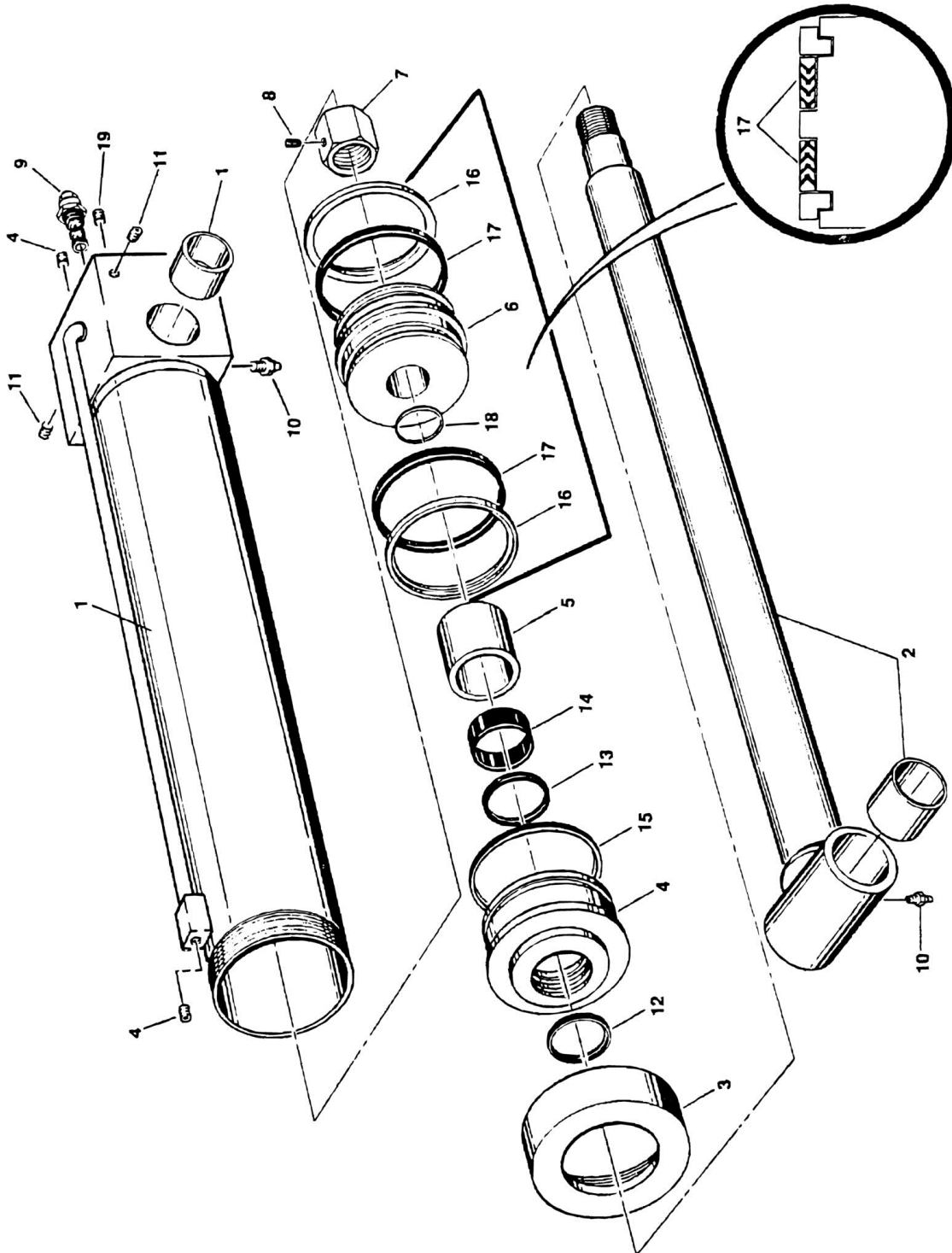
## SECTION 5 - CYLINDER

ITEM	PART NUMBER	QTY	DESCRIPTION	REV
104	4640731	1	Valve, Needle	
104		Ref	Seal Kit - 4640731 Valve	
105	0721014	1	Bolt 10-24 NC x 1 3/4in	
106	4761000	1	Lockwasher #10	
107	3311001	1	Nut #10-24 NC	
110	4300031	2	Stud (Welded on Part)	
111	4761400	2	Lockwasher 1/4in	
112	3311401	2	Nut 1/4in-20 NC	



# SECTION 5 - CYLINDER

FIGURE 5-10. LIFT CYLINDER ASSEMBLY - EXTEND-A-REACH (80HX+6/86HX ONLY)



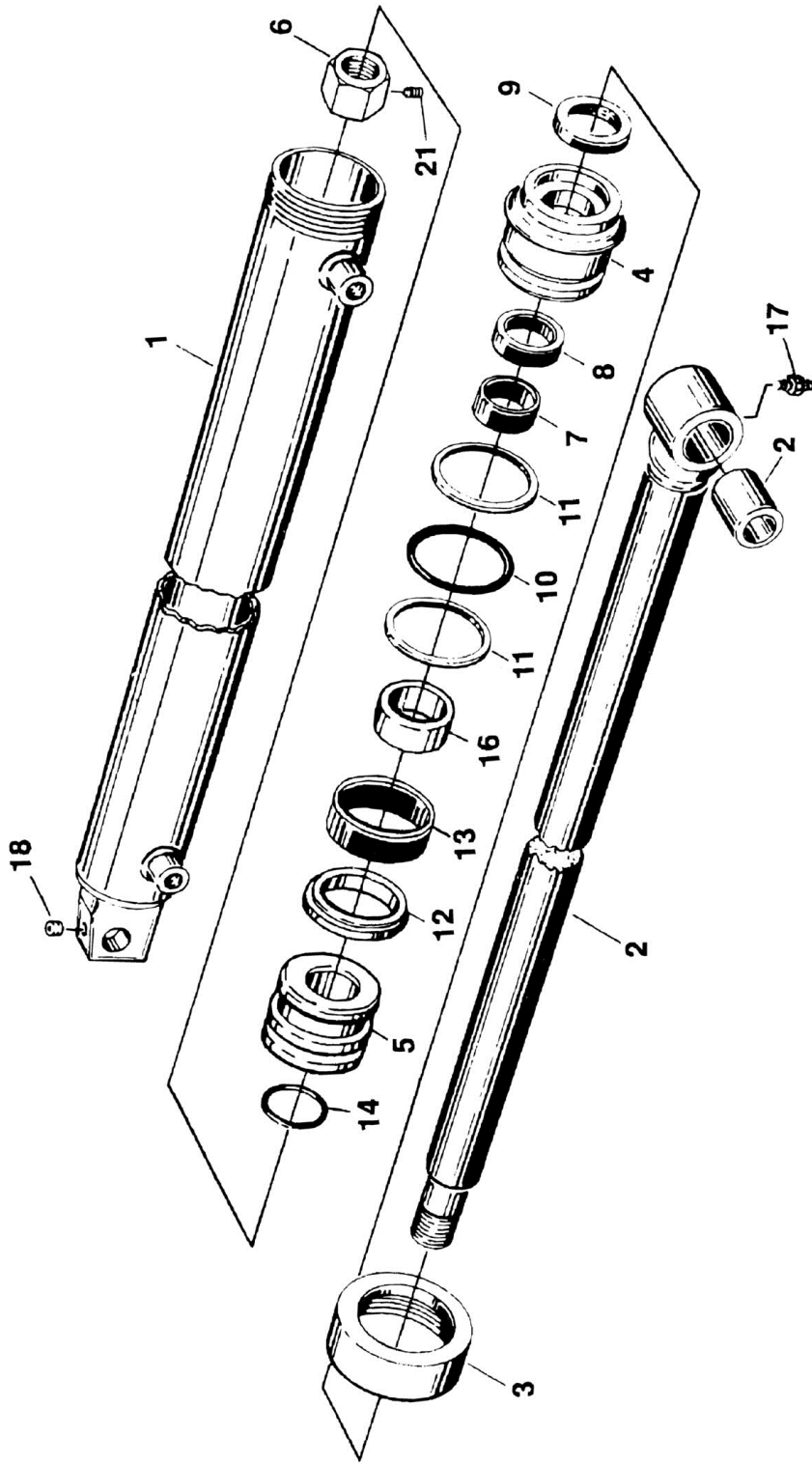
## SECTION 5 - CYLINDER

**FIGURE 5-10. LIFT CYLINDER ASSEMBLY - EXTEND-A-REACH (80HX+6/86HX ONLY)**

ITEM	PART NUMBER	QTY	DESCRIPTION	REV
	1681730	Ref	<b>LIFT CYLINDER ASSEMBLY - EXTEND-A-REACH (80HX+6/86HX ONLY)</b>	E
1	1681731	1	Barrel Weldment	
1	0961185	2	Bushing, Bronze	
2	1681732	1	Rod Weldment	
2	0961024	2	Bushing, Bronze	
3	1120108	1	Retainer	
4	1681283	1	Head	
5	4563577	1	Spacer	
6	3480126	1	Piston	
7	3300278	1	Nut	
8	3900170	1	Setscrew 3/8in-16NC x 3/8in	
9	4640495	1	Cartridge, Holding Valve	
9	2900770	1	Seal Kit - 4640495	
10	2160002	2	Fitting, Grease	
11	2200201	4	Plug, Pipe 1/8in NPT	
12	Kit	1	Wiper, Rod	
13	Kit	1	Seal, Rod	
14	Kit	1	Ring, Wear	
15	Kit	1	O-Ring	
16	Kit	2	Ring, Guide	
17	Kit	2	Ring, Lock	
18	Kit	1	O-Ring	
19	2200222	2	Plug, Pipe 1/4in NPT	
	0100020	AR	Sealant, Pipe	
	0100011	AR	Loctite #242	
	0100038	AR	Primer, Locking	
	0100035	AR	Loctite #222	
	2901113	1	Seal Kit (Includes Items 12-18)	

# SECTION 5 - CYLINDER

## FIGURE 5-11. MASTER CYLINDER ASSEMBLY



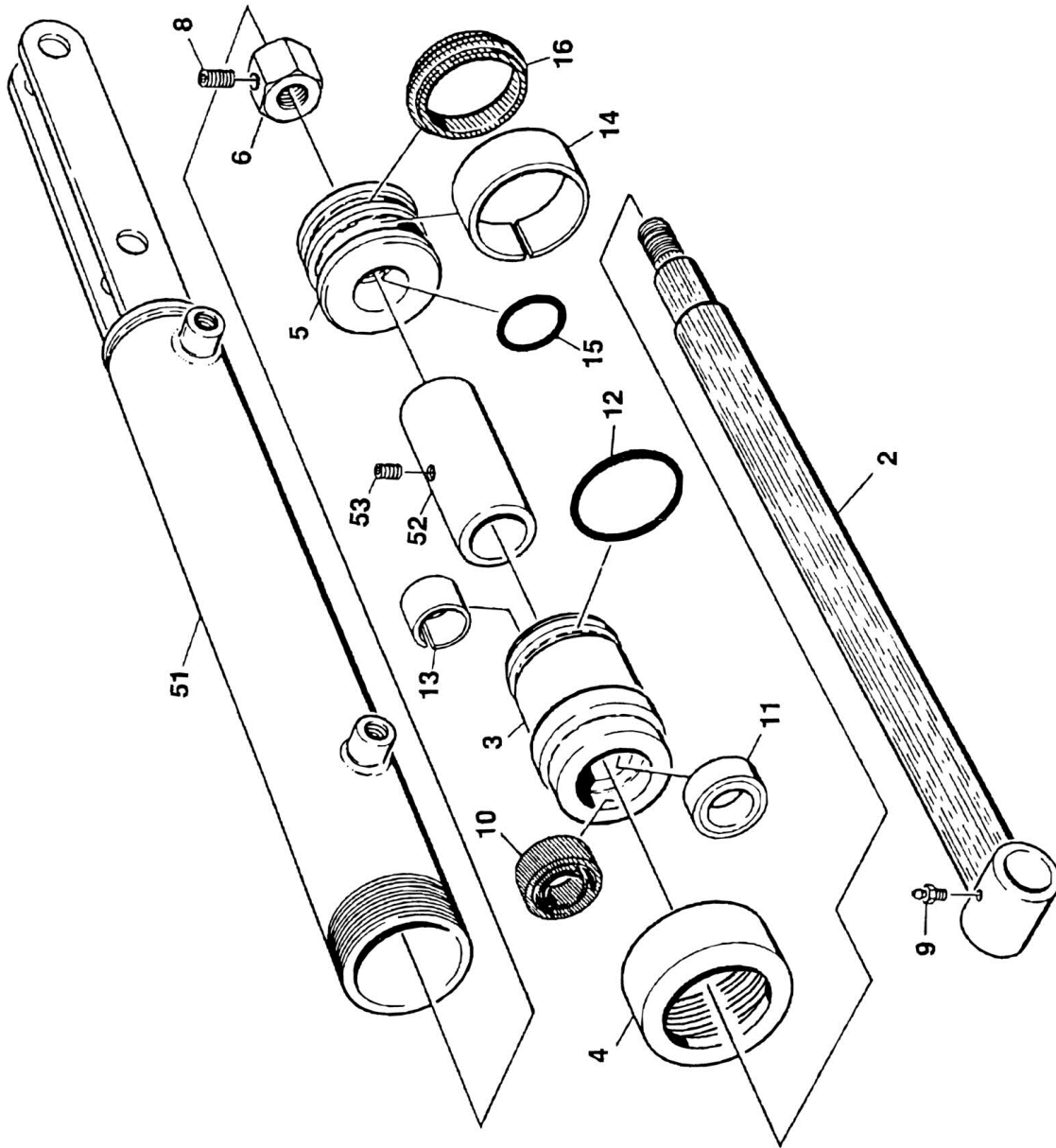
## SECTION 5 - CYLINDER

**FIGURE 5-11. MASTER CYLINDER ASSEMBLY**

ITEM	PART NUMBER	QTY	DESCRIPTION	REV
	1681580	Ref	<b>MASTER CYLINDER ASSEMBLY</b>	F
1	1681490	1	Barrel Weldment	
2	1681488	1	Rod Weldment	
2	0960097	1	Bushing, Bronze	
3	1120179	1	Retainer	
4	1680892	1	Head	
5	3480120	1	Piston	
6	3300272	1	Nut	
7	Kit	1	Ring, Wear	
8	Kit	1	Z-Seal	
9	Kit	1	Wiper, Rod	
10	Kit	1	O-Ring	
11	Kit	2	Ring, Back-up	
12	Kit	1	Seal, Piston	
13	Kit	1	Ring, Wear	
14	Kit	1	O-Ring	
16	4563031	1	Tube, Spacer	
17	2160002	1	Fitting, Grease	
18	2200201	1	Plug, Pipe 1/8in NPT	
21	3900170	1	Setscrew 3/8in-16NC x 3/8in	
	0100011	AR	Loctite #242	
	0100038	AR	Primer, Locking	
	0100035	AR	Loctite #222	
	2900381	1	Seal Kit (Includes Items 7-14)	

# SECTION 5 - CYLINDER

FIGURE 5-12. STEER CYLINDER ASSEMBLIES (WITH FIXED AXLE)





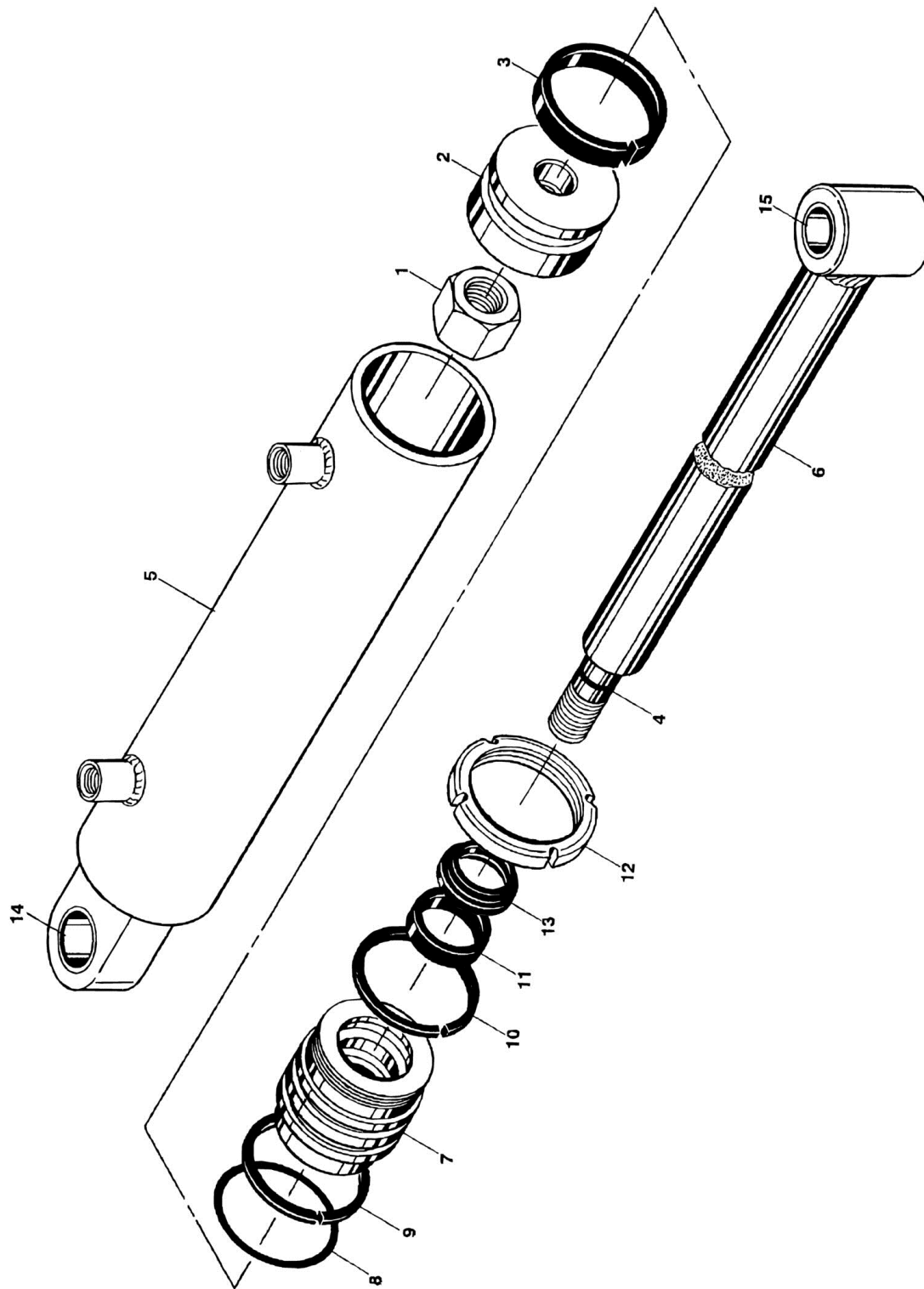
## SECTION 5 - CYLINDER

**FIGURE 5-12. STEER CYLINDER ASSEMBLIES (WITH FIXED AXLE)**

ITEM	PART NUMBER	QTY	DESCRIPTION	REV
		Ref	<b>STEER CYLINDER ASSEMBLIES (WITH FIXED AXLE)</b>	
		Ref	<b>USAGE CHART:</b>	
	1681564		2WD Front Without Tow Package	
	1681564		2WD Front With Tow Package Without Tow Stops	
	1682500		2WD Front With Tow Package With Tow Stops	
	1682268		4WD Front	
	1682268		2WD/4WD Rear (4WS Option)	
		Ref	<b>STEER CYLINDER ASSEMBLY (STANDARD PARTS)</b>	
2	1681411	1	Rod Weldment	
3	1681344	1	Head	
4	1120108	1	Retainer	
5	3480134	1	Piston	
6		Ref	Nut Options (Changed January 1991 on 2WD Models and August 1992 on 4WD Models):	
6	3300187	1	Nut, Special	
6	3300301	1	Nut, Hex	
8		Ref	Setscrew Options (Changed January 1991 on 2WD Models and August 1992 on 4WD Models):	
8	3900141	2	Setscrew 1/4in-20NC x 3/8in	
8	3900170	1	Setscrew 3/8in-16NC x 3/8in	
9	2160002	1	Fitting, Grease	
10	Kit	1	Wiper, Rod	
11	Kit	1	Seal, Rod	
12	Kit	1	O-Ring	
13	Kit	1	Ring, Wear	
14	Kit	1	Ring, Wear	
15	Kit	1	O-Ring	
16	Kit	1	T-Seal	
18	0100011	AR	Loctite #242 (Not Shown)	
19	0100038	AR	Primer, Locking (Not Shown)	
20	0100035	AR	Loctite #272 (not Shown)	
	2901123	1	Seal Kit (Includes Items 10-16)	
	1681564	Ref	<b>STEER CYLINDER ASSEMBLY (VARIABLE PARTS)</b>	D
51	1681437	1	Barrel Assembly	
52	4563004	1	Spacer	
53	3900141	1	Setscrew	
	1682500	Ref	<b>STEER CYLINDER ASSEMBLY (VARIABLE PARTS)</b>	B
51	1682439	1	Barrel Assembly	
52	4563004	1	Spacer	
53	Not Required	0	Not Required	
	1682268	Ref	<b>STEER CYLINDER ASSEMBLY (VARIABLE PARTS)</b>	B
51	1682269	1	Barrel Assembly	
52	4564757	1	Spacer	
53	Not Required	0	Not Required	

# SECTION 5 - CYLINDER

FIGURE 5-13. STEER CYLINDER ASSEMBLIES (WITH OSCILLATING AXLE)



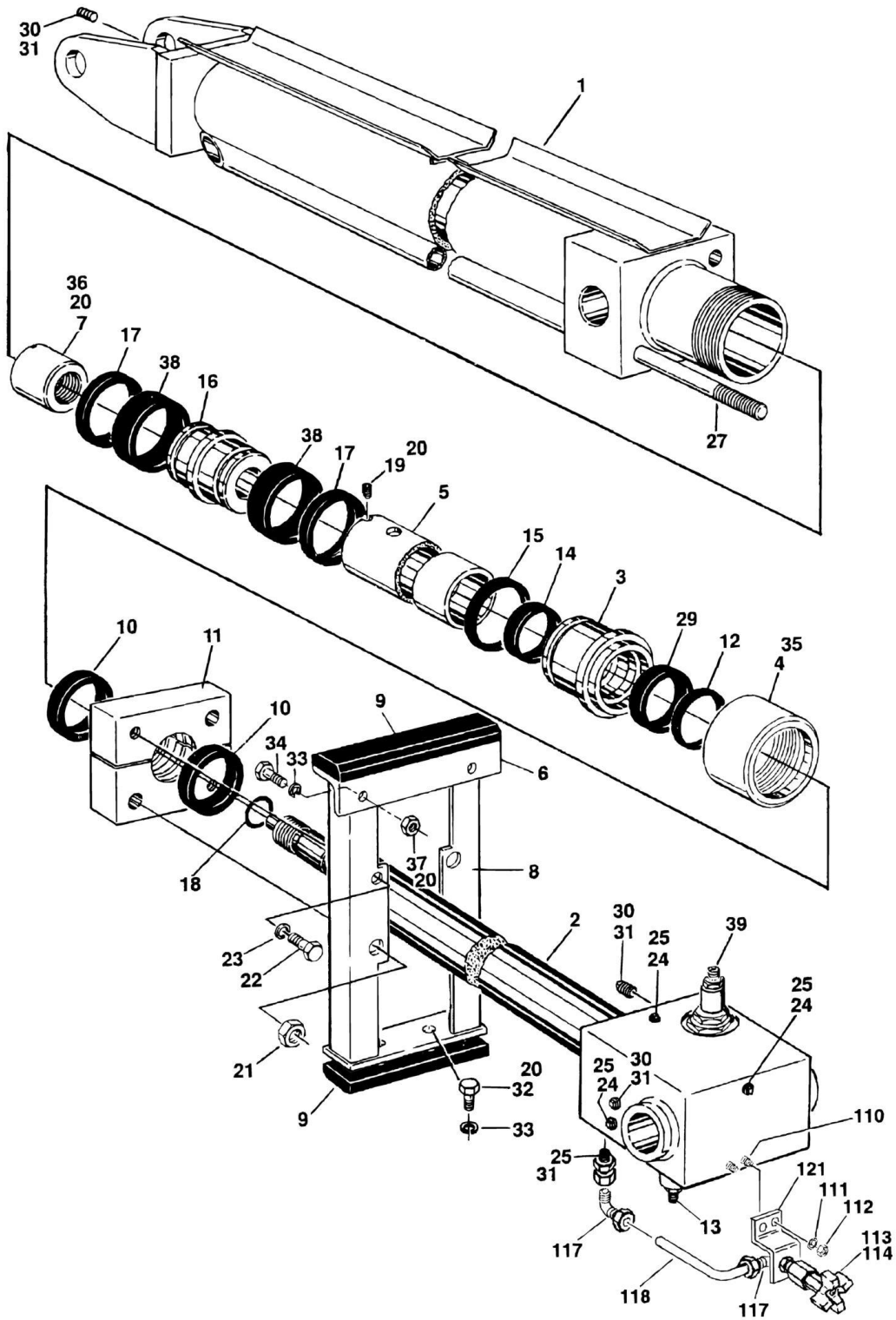
## SECTION 5 - CYLINDER

**FIGURE 5-13. STEER CYLINDER ASSEMBLIES (WITH OSCILLATING AXLE)**

ITEM	PART NUMBER	QTY	DESCRIPTION	REV
	1683389	Ref	<b>STEER CYLINDER ASSEMBLY (WITH OSCILLATING AXLE)</b>	-
1	7017210	1	Locknut	
2	7017211	1	Piston	
3	Kit	1	Seal, Piston	
4	Kit	1	O-Ring	
5	Not Serviced	1	Barrel	
6	7017212	1	Rod	
7	7017213	1	Guide	
8	Kit	1	O-Ring	
9	Kit	1	Ring, Back-up	
10	Kit	1	Ring, Retaining	
11	Kit	1	U-Cup	
12	7017214	1	Nut, Spanner	
13	Kit	1	Ring, Wiper	
14	0961816	1	Bushing	
15	0961890	2	Bushing	
	7017215	1	Seal Kit - 1683389 Cylinder (Includes Items 3, 4, 8-11 & 13)	

# SECTION 5 - CYLINDER

## FIGURE 5-14. TELESCOPE CYLINDER ASSEMBLIES



## SECTION 5 - CYLINDER

**FIGURE 5-14. TELESCOPE CYLINDER ASSEMBLIES**

ITEM	PART NUMBER	QTY	DESCRIPTION	REV
	1682258	Ref	<b>TELESCOPE CYLINDER ASSEMBLY (STANDARD PARTS)</b>	F
1	1681427	1	Barrel Assembly	
2	1682259	1	Rod Assembly	
3	1681423	1	Head	
4	1120305	1	Retainer	
5	4562877	1	Spacer	
6	0181218	1	Angle, Rod	
7		Ref	Nut Options:	
7	3300194	1	Nut (Prior to April 1991)	
7	3300294	1	Nut, Hex (April 1991 to Present)	
8	4842207	1	Support, Rod	
9	3340383	2	Pad, Wear	
10	Kit	2	Seal, Rod	
11	0560650	1	Block	
12	Kit	1	Seal, Wiper	
13	4640212	1	Valve, Cartridge - Holding	
13	2900793	1	Seal Kit - 4640212 Valve	
14	Kit	1	Ring, Wear	
15	Kit	1	Seal	
16	3480113	1	Piston	
17	Kit	2	Ring, Lock	
18	Kit	1	T-Seal	
19	3951405	1	Setscrew 1/4in-20NC x 5/8in	
20	0100011	AR	Loctite #242	
21	3312202	2	Nut, Jam 3/4in-10NC	
22	0641812	2	Bolt 1/2in-13NC x 1 1/2in	
23	4761800	2	Lockwasher 1/2in	
24	2200102	5	Plug, Pipe 1/4in	
25	0100020	AR	Sealant, Pipe	
26		Ref	Setscrew Options:	
26	Not Required	0	Setscrew (Prior to April 1991)	
26	3900170	1	Setscrew 1/2in-13NC x 1/2in (April 1991 to Present)	
27	3840800	2	Rod, Guide	
28	2200414	2	Fitting	
28	2220515	2	Cap, Fitting	
29	Kit	1	Seal, Rod	
30	2200221	1	Plug, Pipe 1/8in	
31	0100020	AR	Sealant, Pipe	
32	0641605	4	Bolt 3/8in-16NC x 5/8in	
33	4761600	6	Lockwasher 3/8in	
34	0641607	2	Bolt 3/8in-16NC x 7/8in	
35	0100035	AR	Loctite #222	
36	0100038	AR	Primer, Locking	
37	3311601	2	Nut 3/8in-16NC	
38	Kit	2	Seal	
39	4640210	1	Valve, Cartridge	
39	2900793	1	Seal Kit - 4640210 Valve	
	2900365	1	Seal Kit - 1682258 Cylinder (Includes Items 10, 12, 14, 15, 17, 18, 29 & 38)	
	0257194	Ref	<b>MANUAL DESCENT INSTALLATION (SN 25609 to Present)</b>	1

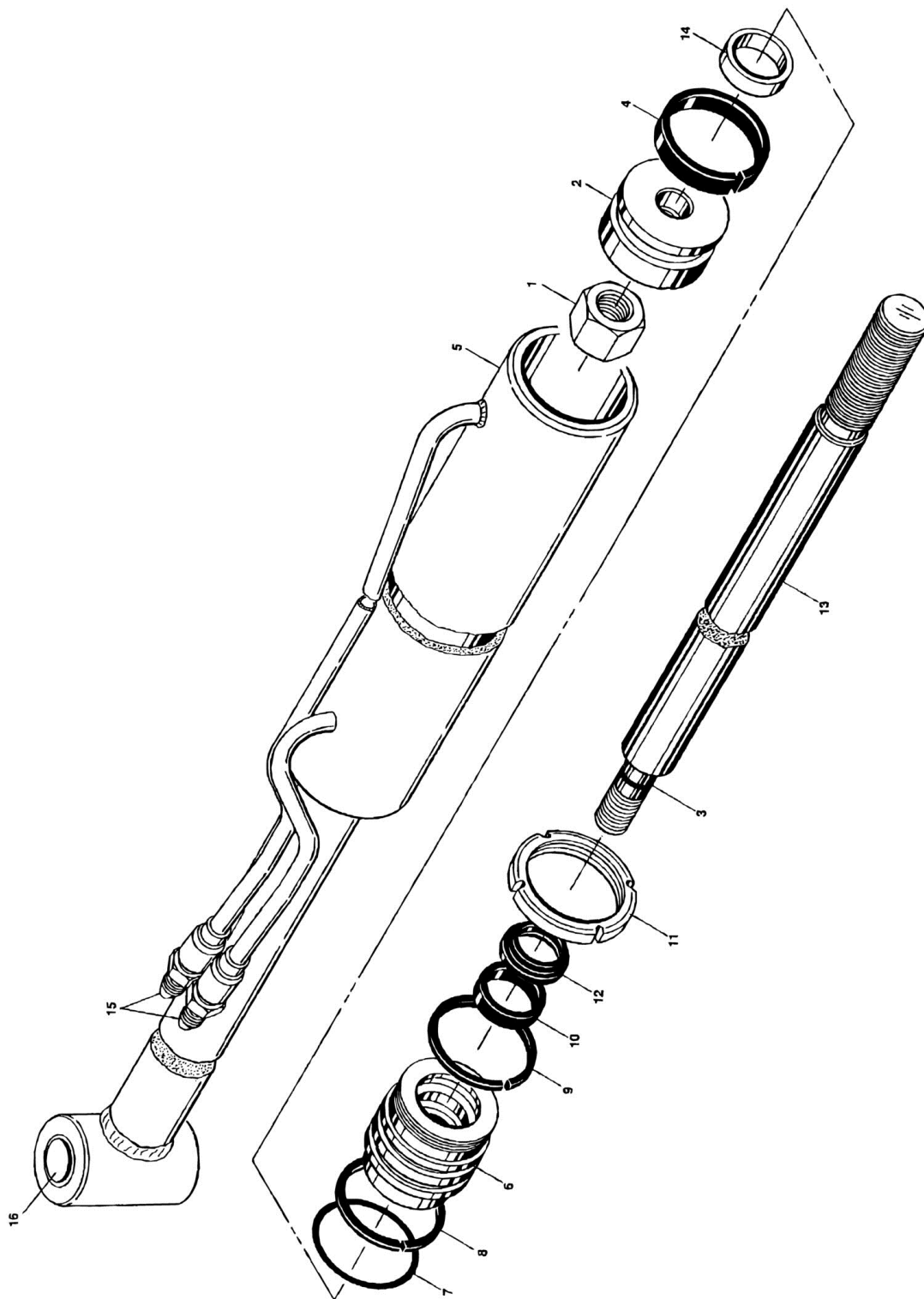
## SECTION 5 - CYLINDER

ITEM	PART NUMBER	QTY	DESCRIPTION	REV
		Ref	<b>Note: For machines built prior to sn 25609 See HYDRAULICS SECTION.</b>	
110	4300031	2	Stud (Welded on Part)	
111	4761400	2	Lockwasher 1/4in	
112	3311401	2	Nut 1/4in-20 NC	
113	4640005	1	Valve, Needle	
113	Not Available	1	Seal Kit - 4640005 Valve	
114	2900062	1	Valve Mounting Kit	
117	2220487	2	Fitting, 90	
118	4565004	1	Tube	
121	1690744	1	Bracket	



# SECTION 5 - CYLINDER

FIGURE 5-15. TIE-ROD CYLINDER ASSEMBLY (WITH OSCILLATING AXLE ONLY)





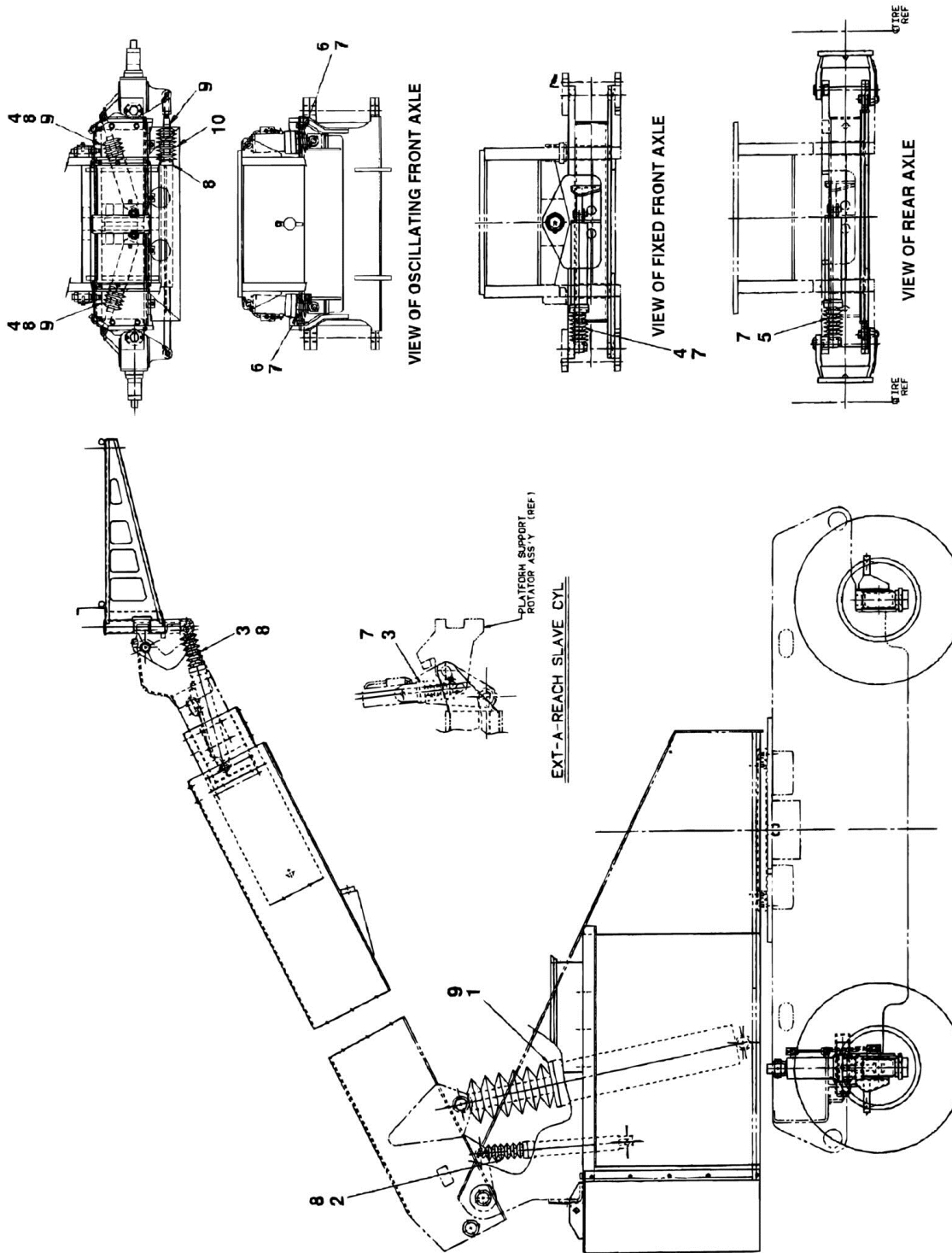
## SECTION 5 - CYLINDER

**FIGURE 5-15. TIE-ROD CYLINDER ASSEMBLY (WITH OSCILLATING AXLE ONLY)**

ITEM	PART NUMBER	QTY	DESCRIPTION	REV
	1683395	Ref	<b>TIE-ROD CYLINDER ASSEMBLY (WITH OSCILLATING AXLE ONLY)</b>	B
1	7001626	1	Locknut	
2	7001627	1	Piston	
3	Kit	1	O-Ring	
4	Kit	1	Seal, Piston	
5	Not Serviced	1	Barrel	
6	7017216	1	Guide	
7	Kit	1	O-Ring	
8	Kit	1	Ring, Back-up	
9	Kit	1	Ring, Retaining	
10	Kit	1	U-Cup	
11	7001630	1	Nut, Spanner	
12	Kit	1	Ring, Wiper	
13	7017217	1	Rod	
14	7017218	1	Tube	
15	7010788	2	Fitting	
16	0961890	2	Bushing	
	7017219	1	Seal Kit - 1683395 Cylinder (Includes Items 3, 4, 7-10 & 12)	

# SECTION 5 - CYLINDER

## FIGURE 5-16. CYLINDER BELLOWS INSTALLATION



## SECTION 5 - CYLINDER

**FIGURE 5-16. CYLINDER BELLOWS INSTALLATION**

ITEM	PART NUMBER	QTY	DESCRIPTION	REV
		Ref	<b>CYLINDER BELLOWS INSTALLATION</b>	
	0237182	Ref	<b>CYLINDER BELLOWS INSTALLATION - 80HX WITHOUT OSCILLATING AXLE</b>	E
	0257093	Ref	<b>CYLINDER BELLOWS INSTALLATION - 80HX WITH OSCILLATING AXLE</b>	-
	0238726	Ref	<b>CYLINDER BELLOWS INSTALLATION - 80HX+6 &amp; 86HX WITHOUT OSCILLATING AXLE</b>	D
	0257094	Ref	<b>CYLINDER BELLOWS INSTALLATION - 80HX+6 &amp; 86HX WITH OSCILLATING AXLE</b>	-
1	0460095	1	Bellows with Zipper (Lift Cylinder)	
2	0460071	1	Bellows with Zipper (Master Cylinder)	
3		Ref	Bellows with Zipper Options (Slave Cylinder):	
3	0460101	1	Bellows with Zipper 80HX	
3	0460081	1	Bellows with Zipper 80HX+6 & 86HX	
4		Ref	Bellows with Zipper Options (Front Steer Cylinder)	
4	0460075	1	Bellows with Zipper 80HX & 80HX+6 Without Oscillating Axle	
4	0460170	1	Bellows with Zipper 80HX & 80HX+6 With Oscillating Axle	
5	0460075	1	Bellows with Zipper (Rear Steer Cylinder)	
6	0460171	2	Bellows with Zipper (Axle Lockout Cylinders) (With Oscillating Axle Only)	
7	1320122	AR	Clamp, Worm Gear 5 1/8in- 6in Dia	
8	1320037	AR	Clamp, Worm Gear 3in - 4 1/8in Dia	
9	1320059	AR	Clamp, Worm Gear 2 1/2in - 12 1/4in	
10	0460172	1	Bellows with Zipper (Tie Rod Cylinder) (With Oscillating Axle Only)	



**SECTION 6 - HYDRAULICS**

# SECTION 6 - HYDRAULICS

## FIGURE 6-1. HYDRAULIC DIAGRAM LIST

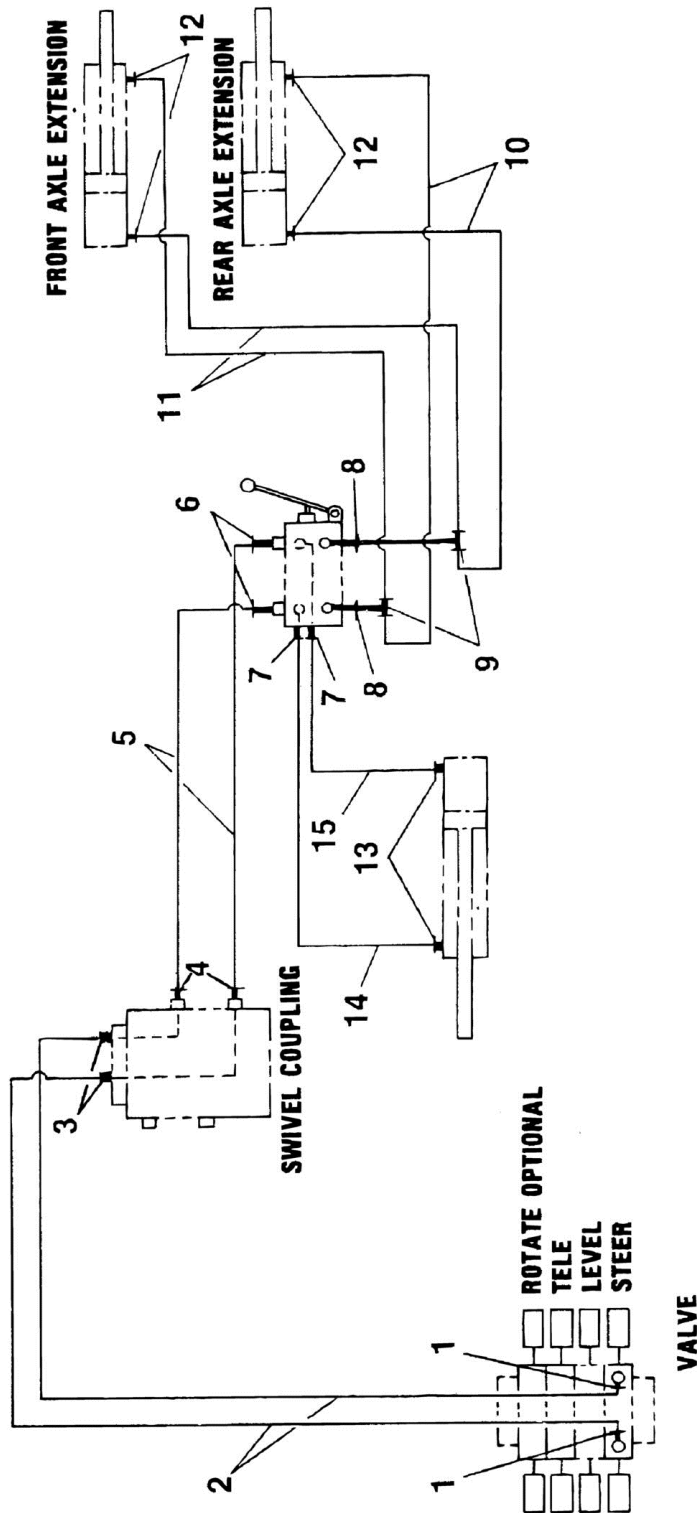
ITEM	PART NUMBER	QTY	DESCRIPTION	REV
		Ref	<b>HYDRAULIC DIAGRAM LIST</b>	
		Ref	<b>Note: Information on diagrams not shown is available from JLG Service/Parts Departments.</b>	
	2791684		<b>Axle Lift Hydraulic Diagram (Single Jack with Fixed Axle) (For other options See Axle Extension Hydraulic Diagrams)</b>	
		Ref	<b>Axle Extension/Steering/Jack/Tow Hydraulic Diagrams:</b>	
	2791055		2WS Fixed Axle without Tow Package	
	2792293		2WS Fixed Axle without Tow Package and with Dual Axle Jacks	
	2791099		2WS Fixed Axle with Tow Package	
	2792261		2WS Oscillating Axle with Tow Package <b>(Prior to SN 26210)</b>	
	2792282		2WS Oscillating Axle with Tow Package <b>(SN 26210 to Present)</b>	
	2792274		2WS Oscillating Axle with Tow Package and with Single Axle Jack	
	2792280		2WS Oscillating Axle with Tow Package and with Single Axle Jack	
	2792281		2WS Oscillating Axle with Tow Package and with Dual Axle Jacks	
	2791871		4WS Fixed Axle without Tow Package	
	2792267		4WS Fixed Axle with Tow Package and with Dual Axle Jacks	
	2791873		4WS Fixed Axle with Tow Package	
	2791553		<b>Brake with Pressure Reducing Valve (Used with Ausco Drive Brakes)</b>	
		Ref	<b>Drive Hydraulic Diagrams:</b>	
		Ref	<b>Vickers Proportional Valve Machines:</b>	
	2791239		2WD/2WS with Fixed Axle	
	2792263		2WD/2WS with Oscillating Axle	
	2791955		2WD/4WS	
	2791725		4WD/2WS with Fixed Axle	
	2792262		4WD/2WS with Oscillating Axle	
	2791870		4WD/4WS	
		Ref	<b>Level Hydraulic Diagrams:</b>	
		Ref	<b>Level Hydraulic Diagrams 80HX</b>	
	2791060		Standard (Prior to June 1993)	
	2792067		Standard (June 1993 to present)	
		Ref	<b>Level Hydraulic Diagrams 80HX+6/86HX:</b>	
	2791234		Fixed Platform (Prior to June 1993)	
	2792069		Fixed Platform (June 1993 to Present)	
	2791233		Rotating Platform (Prior to June 1993)	
	2792068		Rotating Platform (June 1993 to Present)	
	2791249		<b>Lift Hydraulic Diagram</b>	
	0251199		<b>Manual Descent Hydraulic Diagram (Prior to SN 25609)</b>	
	0254093		Lift Descent (March 1993 to Present)	
	1693933		Lift Descent (Prior to March 1993)	
	1693940		Tele Descent	
	0257194		<b>Manual Descent Hydraulic Diagram (SN 25609 to Present)</b>	
		Ref	<b>Oil Cooler Hydraulic Diagrams:</b>	
	2791448		Oil Cooler at Rear of T/T	
	0254853		Oil Cooler Inside T/T	
	2792264		<b>Oscillating Axle Hydraulic Diagram</b>	
	2791816		<b>Pump Hydraulic Diagram</b>	

**SECTION 6 - HYDRAULICS**

ITEM	PART NUMBER	QTY	DESCRIPTION	REV
		Ref	<b>Rotate Hydraulic Diagrams (See Level Hydraulic Diagrams for 80HX+6 &amp; 86HX):</b>	
	2791061		Rotate Hydraulic Diagrams 80HX with Standard Tubing	
	1281353		<b>Sequence Hydraulic Diagrams:</b>	
	2791698		Standard Controls	
		Ref	<b>Steer Hydraulic Diagrams (See Axle Extension Hydraulic Diagrams)</b>	
	2791285		<b>Swing Hydraulic Diagram</b>	
		Ref	<b>Telescope Hydraulic Diagrams:</b>	
	2791758		Machines without Prop Tele	
	2791254		Machines with Prop Tele (Prior to November 1992)	
	2791991		Machines with Prop Tele (Vickers Proportional Valves) (November 1992 to Present)	
		Ref	<b>Tow Hydraulic Diagram (See Axle Extension Hydraulic Diagrams)</b>	

# SECTION 6 - HYDRAULICS

FIGURE 6-2. HYDRAULIC DIAGRAM - AXLE EXTENSION AND STEER (2WS FIXED AXLE WITHOUT TOW PACKAGE)





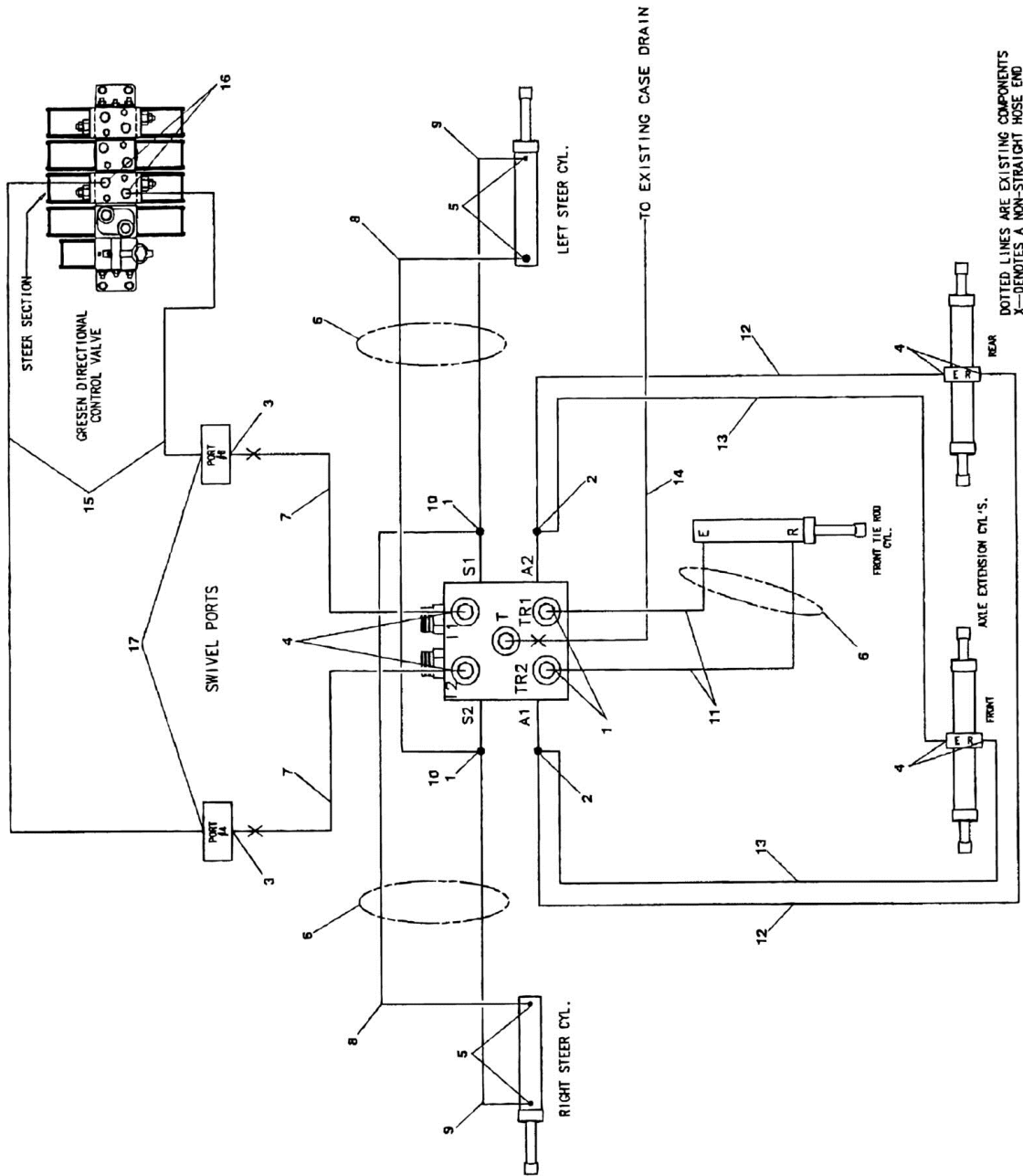
**SECTION 6 - HYDRAULICS**

**FIGURE 6-2. HYDRAULIC DIAGRAM - AXLE EXTENSION AND STEER (2WS FIXED AXLE WITHOUT TOW PACKAGE)**

ITEM	PART NUMBER	QTY	DESCRIPTION	REV
	2791055	Ref	<b>HYDRAULIC DIAGRAM - AXLE EXTENSION AND STEER (2WS FIXED AXLE WITHOUT TOW PACKAGE)</b>	F
1	2220372	2	Fitting	
2	2750916	2	Hose	
3	2220501	2	Fitting, 45	
4	2220371	2	Fitting, Straight	
5	2751114	2	Hose	
6	2220492	2	Fitting, Straight	
7	2220416	2	Fitting, 90	
8	2220416	2	Fitting, 90	
8	2220270	2	Fitting, Reducer	
9	2220605	2	Fitting, Tee	
10	2750784	2	Hose	
11	2751391	2	Hose	
12	2220416	4	Fitting, 90	
13	2220414	2	Fitting, Straight	
14	2750894	1	Hose	
15	2750891	1	Hose	
	0100020	AR	Sealant, Pipe	

# SECTION 6 - HYDRAULICS

FIGURE 6-3. HYDRAULIC DIAGRAM - AXLE EXTENSION AND STEER (2WS OSCILLATING AXLE WITHOUT TOW PACKAGE)



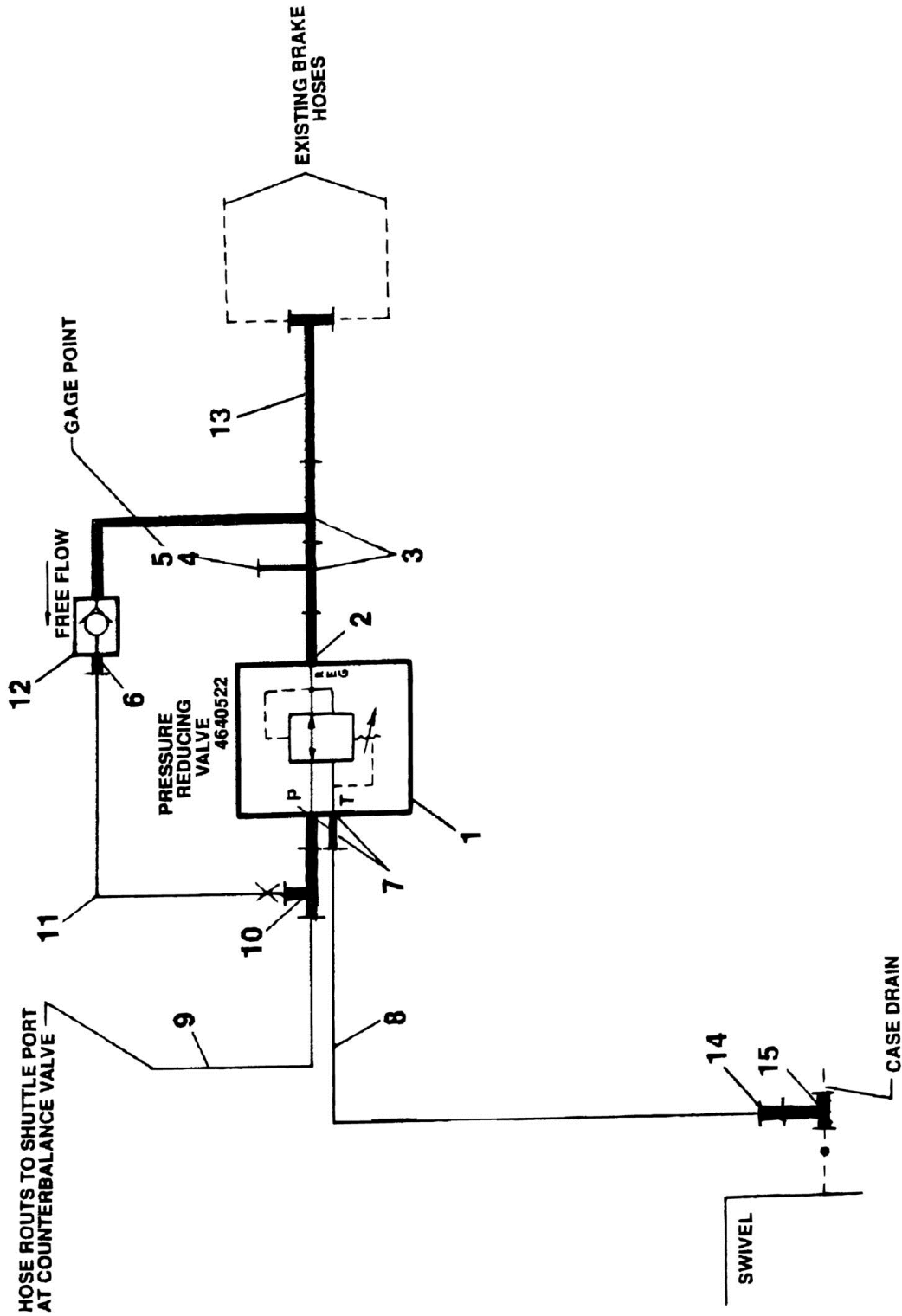
## SECTION 6 - HYDRAULICS

**FIGURE 6-3. HYDRAULIC DIAGRAM - AXLE EXTENSION AND STEER (2WS OSCILLATING AXLE WITHOUT TOW PACKAGE)**

ITEM	PART NUMBER	QTY	DESCRIPTION	REV
	2792282	Ref	<b>HYDRAULIC DIAGRAM - AXLE EXTENSION AND STEER (2WS OSCILLATING AXLE WITHOUT TOW PACKAGE)</b>	B
1	2220582	4	Fitting, Straight	
2	2220606	2	Fitting, Tee	
3	2220371	3	Fitting, Straight	
4	2220473	6	Fitting, 90	
5	2220472	4	Fitting, 90	
6	4100026	3	Sleeve, Nylon	
7	2751834	2	Hose	
8	2751404	2	Hose	
9	2751406	2	Hose	
10	2220605	2	Fitting, Tee	
11	2752979	2	Hose	
12	2751129	2	Hose	
13	2752480	2	Hose	
14	2752471	2	Hose	
15	2750916	2	Hose	
16	2220372	2	Fitting, Straight	
17	2220501	2	Fitting, 49	

# SECTION 6 - HYDRAULICS

FIGURE 6-4. HYDRAULIC DIAGRAM - BRAKE WITH PRESSURE REDUCING VALVE (USED WITH AUSCO DRIVE BRAKES)



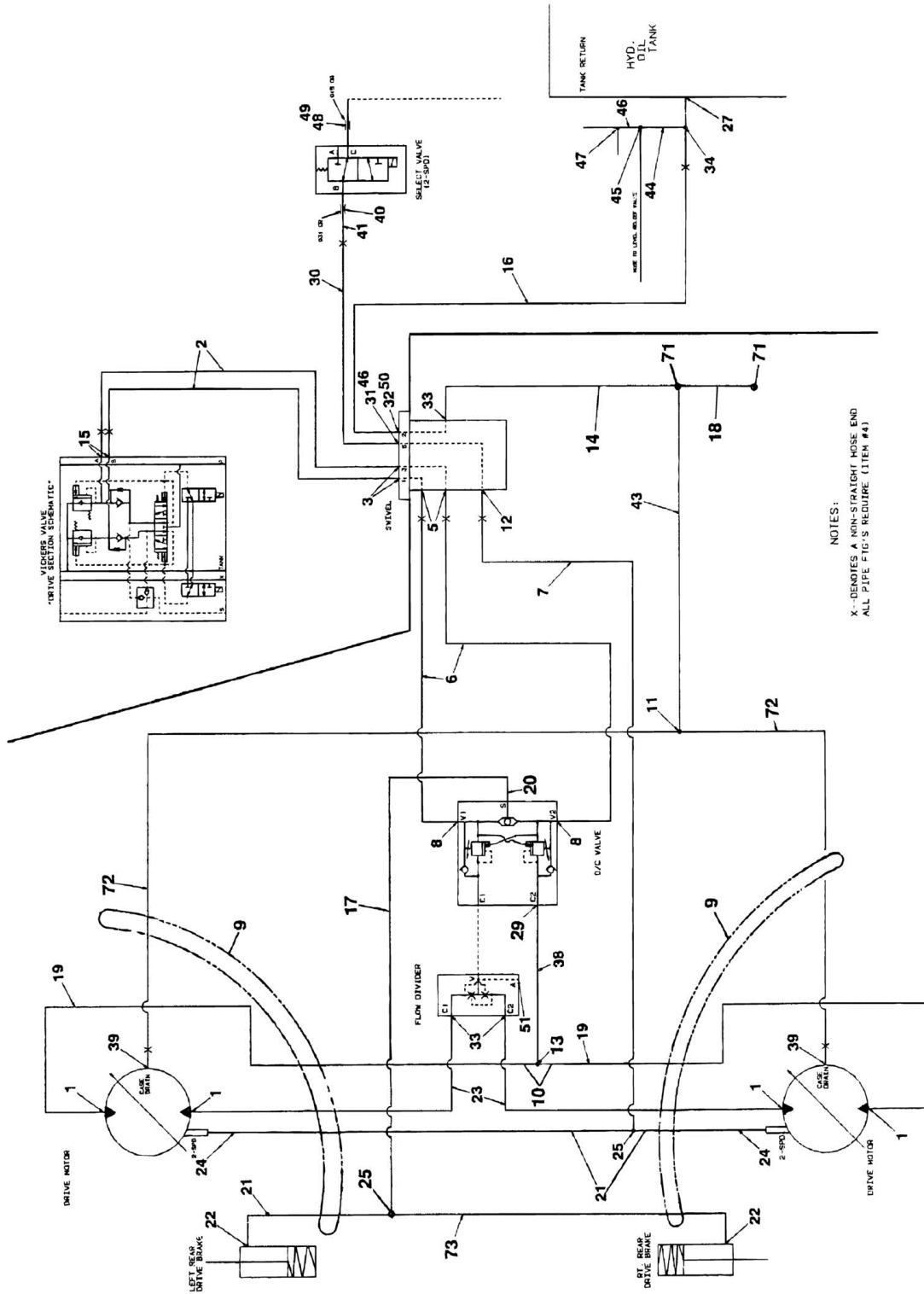
## SECTION 6 - HYDRAULICS

**FIGURE 6-4. HYDRAULIC DIAGRAM - BRAKE WITH PRESSURE REDUCING VALVE (USED WITH AUSCO DRIVE BRAKES)**

ITEM	PART NUMBER	QTY	DESCRIPTION	REV
	2791553	Ref	<b>HYDRAULIC DIAGRAM - BRAKE WITH PRESSURE REDUCING VALVE (USED WITH AUSCO DRIVE BRAKES)</b>	B
1	4640522	1	Valve, Pressure Reducing	
1	3311401	2	Nut 1/4in-20NC	
1	4761400	2	Lockwasher 1/4in	
1	4751400	2	Flatwasher 1/4in	
1	4300036	2	Stud (Welded on Part)	
2	2220250	1	Fitting, Reducer	
3	2220752	2	Fitting, Tee	
4	2220428	1	Fitting, Quick Disconnect	
5	2220429	1	Cap, Dust	
6	2220414	1	Fitting	
7	2220585	2	Fitting, 90	
8	2751010	1	Hose	
9	2751397	1	Hose	
10	2220605	1	Fitting, Tee	
11	2751018	1	Hose	
12	4640197	1	Valve, Check	
13	2220584	1	Fitting	
14	2220618	1	Fitting, Reducer	
15	2220679	1	Fitting, Tee	

# SECTION 6 - HYDRAULICS

## FIGURE 6-5. HYDRAULIC DIAGRAM - DRIVE (2WD/2WS)



## SECTION 6 - HYDRAULICS

**FIGURE 6-5. HYDRAULIC DIAGRAM - DRIVE (2WD/2WS)**

ITEM	PART NUMBER	QTY	DESCRIPTION	REV
	2791239	Ref	<b>HYDRAULIC DIAGRAM - DRIVE (2WD/2WS FIXED AXLE)</b>	H
	2792263	Ref	<b>HYDRAULIC DIAGRAM - DRIVE (2WD/2WS OSCILLATING AXLE)</b>	A
1	2220800	5	Fitting, Straight (Fixed Axle)	
1	2220833	4	Fitting, Straight (Oscillating Axle)	
2	2751321	2	Hose	
3	2220568	2	Fitting, 45	
4	0100020	AR	Sealant, Thread (Not Shown)	
5	2220435	2	Fitting	
6	2751339	2	Hose	
7	2750760	1	Hose (Fixed Axle)	
7	2752454	1	Hose (Oscillating Axle)	
8	2220465	2	Fitting, 90	
9	4100051	2	Sleeve, Nylon (Oscillating Axle Only)	
10	2220622	2	Fitting, Reducer (Oscillating Axle Only)	
11	2220362	1	Fitting, Tee	
12	2220582	1	Fitting, Straight	
13	2220481	1	Fitting, Tee (Oscillating Axle)	
13	2220362	1	Fitting, Tee (Fixed Axle)	
14	2750762	1	Hose (Oscillating Axle Only)	
15	2220451	2	Fitting, Straight	
16	2752500	1	Hose	
17	2751013	1	Hose (Fixed Axle)	
17	2751398	1	Hose (Oscillating Axle)	
18	2750791	1	Hose (Oscillating Axle Only)	
19	2750977	2	Hose (Fixed Axle)	
19	2750777	2	Hose (Oscillating Axle)	
20	2220466	1	Fitting, 90 (Fixed Axle)	
20	2220711	1	Fitting, Tee (Oscillating Axle)	
21	2750891	4	Hose (Fixed Axle)	
21	2750894	4	Hose (Oscillating Axle)	
22	2220466	2	Fitting, 90	
23	2751472	2	Hose (Fixed Axle)	
23	2751465	2	Hose (Oscillating Axle)	
24	2220415	2	Fitting, Straight (Fixed Axle)	
24	2220466	2	Fitting, 90 (Oscillating Axle)	
25	2220504	2	Fitting, Tee	
27	2220868	1	Fitting	
29	2220800	1	Fitting, Straight	
30	2751026	1	Hose	
31	2220501	1	Fitting, 45	
32	2220500	1	Fitting, 45	
33	2220375	3	Fitting, Straight (Fixed Axle)	
33	2220366	3	Fitting, 90 (Oscillating Axle)	
34	2220362	1	Fitting, Tee	
38	2750774	1	Hose (Fixed Axle)	
38	2752247	1	Hose (Oscillating Axle)	
39	2220374	2	Fitting, Straight (Fixed Axle)	
39	2220596	2	Fitting, Tee (Oscillating Axle)	
40	2220822	1	Fitting, Restrictor	

## SECTION 6 - HYDRAULICS

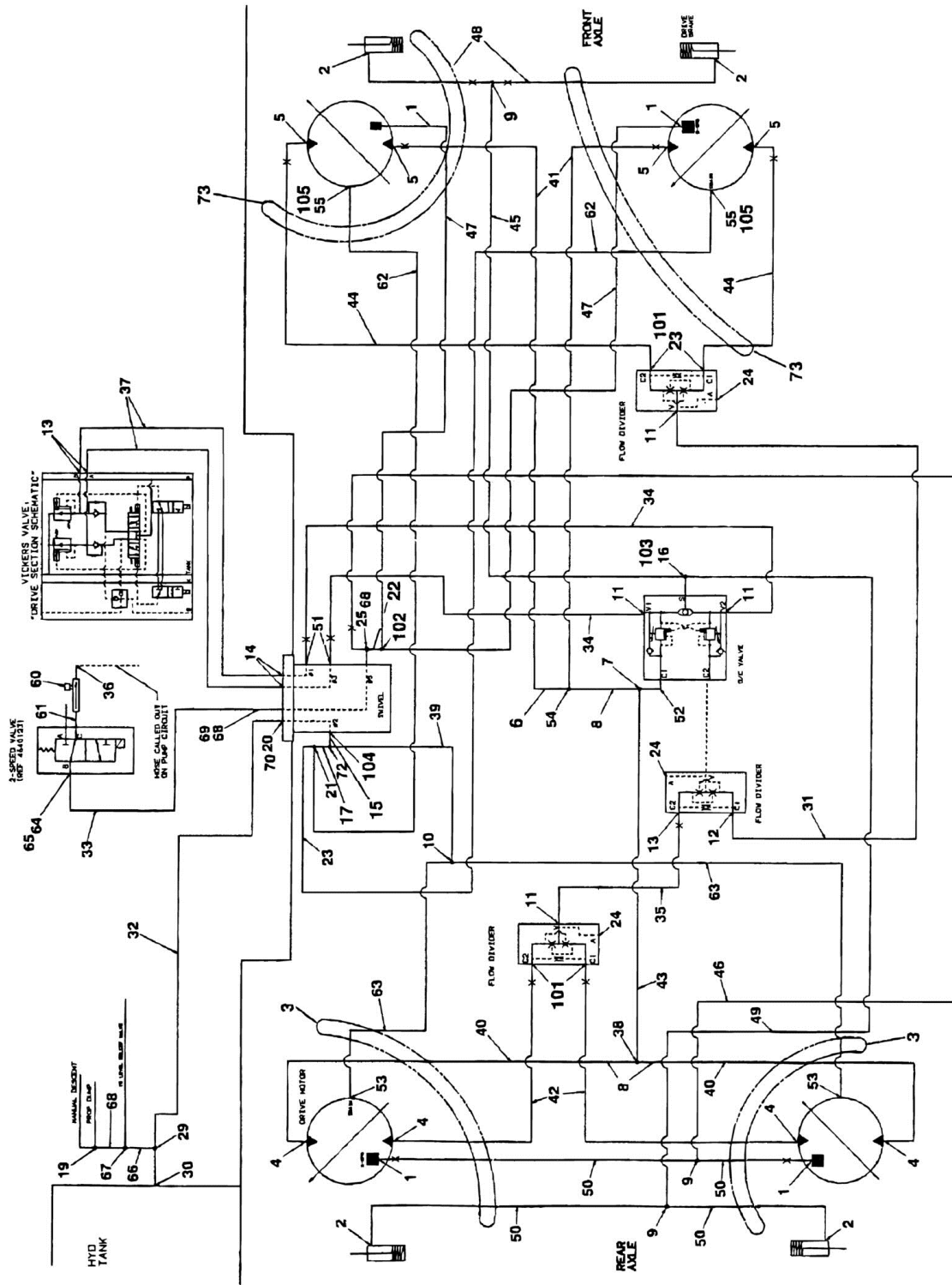
ITEM	PART NUMBER	QTY	DESCRIPTION	REV
41	2220585	1	Fitting, 90	
43	2752503	1	Hose (Fixed Axle)	
43	2750776	1	Hose (Oscillating Axle)	
44	2220619	1	Fitting	
45	2220635	1	Fitting, Tee	
46	2220609	2	Fitting	
47	2220605	1	Fitting, Tee	
48	2220909	1	Orifice (.015)	
49	2220417	1	Fitting, Straight	
50	2220819	1	Fitting, Reducer (Fixed Axle)	
50	2220811	1	Fitting, Reducer (Oscillating Axle)	
51	Not Available	1	Fitting, Plug	
71	2220362	2	Fitting, Tee (Oscillating Axle Only)	
72	2752503	2	Hose (Fixed Axle)	
72	2750777	2	Hose (Oscillating Axle)	





# SECTION 6 - HYDRAULICS

## FIGURE 6-6. HYDRAULIC DIAGRAM - DRIVE (4WD/2WS)



## SECTION 6 - HYDRAULICS

**FIGURE 6-6. HYDRAULIC DIAGRAM - DRIVE (4WD/2WS)**

ITEM	PART NUMBER	QTY	DESCRIPTION	REV
	2791725	Ref	<b>HYDRAULIC DIAGRAM - DRIVE (4WD/2WS FIXED AXLE)</b>	11-J
	2792262	Ref	<b>HYDRAULIC DIAGRAM - DRIVE (4WD/2WS OSCILLATING AXLE)</b>	3-B
1	2220415	4	Fitting, Straight (Fixed Axle)	
1	2220466	4	Fitting, 90 (Oscillating Axle)	
2	2220466	4	Fitting, 90	
3	4100051	2	Sleeve, Nylon (Oscillating Axle Only)	
4	2220375	4	Fitting, Straight (Fixed Axle)	
4	2220833	4	Fitting, 90 (Oscillating Axle)	
4	2220596	4	Fitting, Reducer (Oscillating Axle Only)	
5	2220366	4	Fitting, 90 (Fixed Axle)	
5	2220833	4	Fitting, 90 (Oscillating Axle)	
5	2220596	4	Fitting, Reducer (Oscillating Axle Only)	
6	2220386	1	Fitting, 90 (Oscillating Axle Only)	
7	2220700	1	Fitting, Tee	
8	2220622	3	Fitting, Reducer	
9	2220504	3	Fitting, Tee	
10	2220362	1	Fitting, Tee	
11	2220465	4	Fitting, 90	
12	2220578	1	Fitting, 90	
13	2220451	3	Fitting, Straight	
14	2220568	2	Fitting, 45	
15	2750762	1	Hose (Oscillating Axle Only)	
16	2220711	1	Fitting, Tee	
17	2750791	1	Hose (Oscillating Axle Only)	
19	2220605	1	Fitting, Tee	
20	2220500	1	Fitting, 45	
21	2220385	1	Fitting, Tee (Fixed Axle)	
21	2220469	1	Fitting, 4-Way (Oscillating Axle)	
22	2752574	1	Hose (Oscillating Axle Only)	
23	2220386	3	Fitting, 90 (Fixed Axle Only)	
24	2220235	3	Orifice	
25	2220606	1	Fitting, Tee	
29	2220362	1	Fitting, Tee	
30	2220868	1	Fitting	
31	2750874	1	Hose	
32	2752500	1	Hose	
33	2751026	1	Hose	
34	2751339	2	Hose	
35	2750872	1	Hose	
36	2220414	1	Fitting, Straight	
37	2751321	2	Hose	
38	2220481	1	Fitting, Tee	
39	2750927	1	Hose (Fixed Axle)	
39	2750766	1	Hose (Oscillating Axle)	
40	2750977	2	Hose (Fixed Axle)	
40	2750777	2	Hose (Oscillating Axle)	
41	2751468	2	Hose (Fixed Axle)	
41	2752401	2	Hose (Oscillating Axle)	
42	2750759	2	Hose (Fixed Axle)	

## SECTION 6 - HYDRAULICS

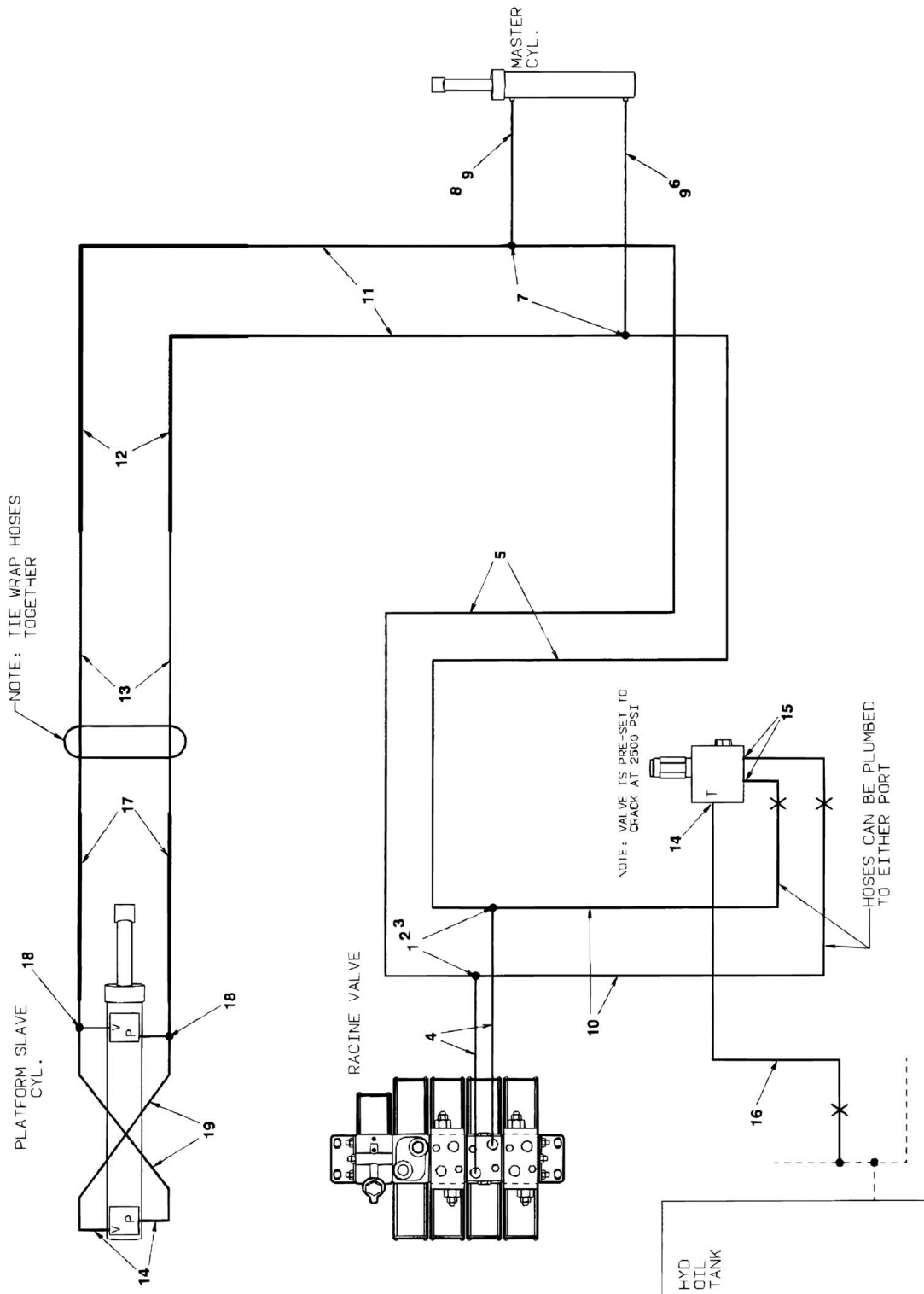
ITEM	PART NUMBER	QTY	DESCRIPTION	REV
42	2751465	2	Hose (Oscillating Axle)	
43	2751345	1	Hose (Fixed Axle)	
43	2752247	1	Hose (Oscillating Axle)	
44	2750792	2	Hose (Fixed Axle)	
44	2752402	2	Hose (Oscillating Axle)	
45	2751014	1	Hose (Fixed Axle)	
45	2752592	1	Hose (Oscillating Axle)	
46	2750760	1	Hose (Fixed Axle)	
46	2752454	1	Hose (Oscillating Axle)	
47	2751395	2	Hose (Fixed Axle)	
47	2751404	2	Hose (Oscillating Axle)	
48	2750894	2	Hose (Fixed Axle)	
48	2751404	2	Hose (Oscillating Axle)	
49	2751013	1	Hose (Fixed Axle)	
49	2751398	1	Hose (Oscillating Axle)	
50	2750891	4	Hose (Fixed Axle)	
50	2750894	2	Hose (Oscillating Axle)	
51	2220435	2	Fitting, Straight	
52	2220435	1	Fitting, Straight	
53	2220596	2	Fitting, 90 (Fixed Axle)	
53	2220671	2	Fitting, 90 (Oscillating Axle)	
54	2220383	1	Fitting, Tee (Fixed Axle)	
54	2220383	1	Fitting, Tee (Oscillating Axle)	
55	2220373	2	Fitting, Straight (Fixed Axle)	
55	2220671	2	Fitting, 90 (Oscillating Axle)	
60	4640128	1	Valve	
61	2220438	1	Fitting, Reducer	
62	2752501	2	Hose (Fixed Axle)	
62	2752402	2	Hose (Oscillating Axle)	
63	2752503	2	Hose (Fixed Axle)	
63	2750777	2	Hose (Oscillating Axle)	
64	2220585	1	Fitting, 90	
65	2220914	1	Orifice (.043)	
66	2220619	1	Fitting, Reducer	
67	2220635	1	Fitting, Tee	
68	2220609	4	Fitting, Reducer	
69	2220501	1	Fitting, 45	
70	2220811	2	Fitting, Reducer	
71	0100020	AR	Sealant, Thread	
72	2220602	1	Fitting, Tee (Fixed Axle)	
72	2220362	1	Fitting, Tee (Oscillating Axle)	
73	4100026	5	Sleeve, Nylon (Fixed Axle)	
73	4100052	2	Sleeve, Nylon (Oscillating Axle)	
74	2820031	8 ft/2.4m	Heatshrink (Not Shown - Use with #73 at Front Motors)	
101	2220375	4	Fitting, Straight (Fixed Axle)	
101	2220366	4	Fitting, 90 (Oscillating Axle)	
102	2220504	1	Fitting, Tee (Fixed Axle)	
102	2220605	1	Fitting, Tee (Oscillating Axle)	
103	2220605	1	Fitting, Tee (Oscillating Axle Only)	
104	2220811	1	Fitting, Reducer (Fixed Axle)	
104	2220366	1	Fitting, 90 (Oscillating Axle)	

**SECTION 6 - HYDRAULICS**

ITEM	PART NUMBER	QTY	DESCRIPTION	REV
105	Not Required	0	Fitting	

# SECTION 6 - HYDRAULICS

## FIGURE 6-7. HYDRAULIC DIAGRAM - LEVEL (80HX)



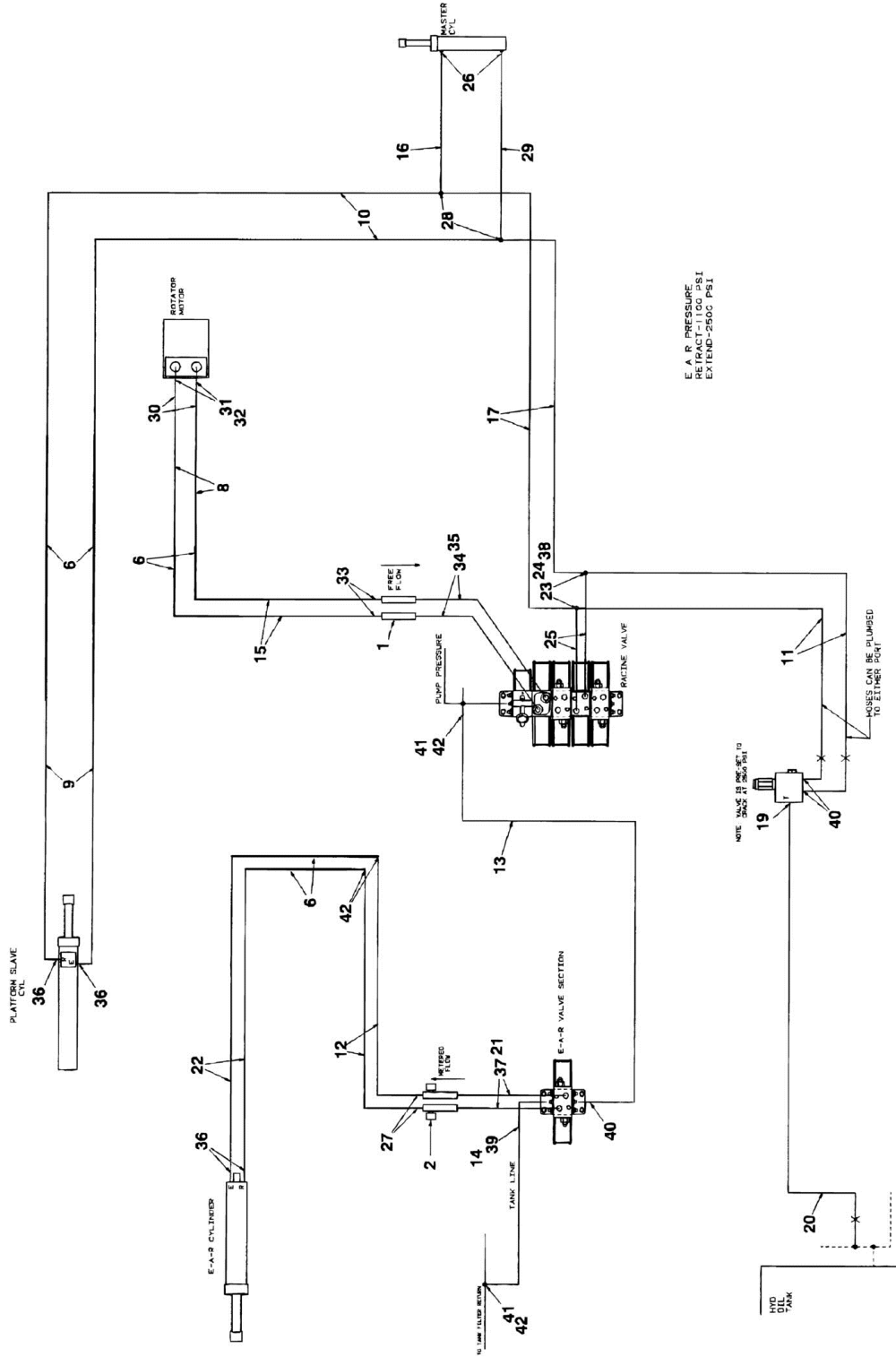
## SECTION 6 - HYDRAULICS

**FIGURE 6-7. HYDRAULIC DIAGRAM - LEVEL (80HX)**

ITEM	PART NUMBER	QTY	DESCRIPTION	REV
	2792067	Ref	<b>HYDRAULIC DIAGRAM - LEVEL (80HX)</b>	-
1	2180379	2	Fitting, Tee Modified	
2	2180615	2	Orifice (.047)	
3	0100011	AR	Loctite	
4	2220591	2	Fitting, 90	
5	2750998	2	Hose	
6	2750779	1	Hose	
7	2220490	2	Fitting, Tee	
8	2750785	1	Hose	
9	2220353	2	Fitting, 90	
10	2750990	2	Hose	
11	2751151	2	Hose	
12	4563167	2	Tube	
13	2751838	2	Hose	
14	2220473	3	Fitting, 90	
15	2220371	2	Fitting, Straight	
16	2750910	1	Hose	
17	4565873	2	Tube	
18	2220399	2	Fitting, Tee	
19	2750918	2	Hose	

# SECTION 6 - HYDRAULICS

## FIGURE 6-8. HYDRAULIC DIAGRAM - LEVEL (80HX+6)





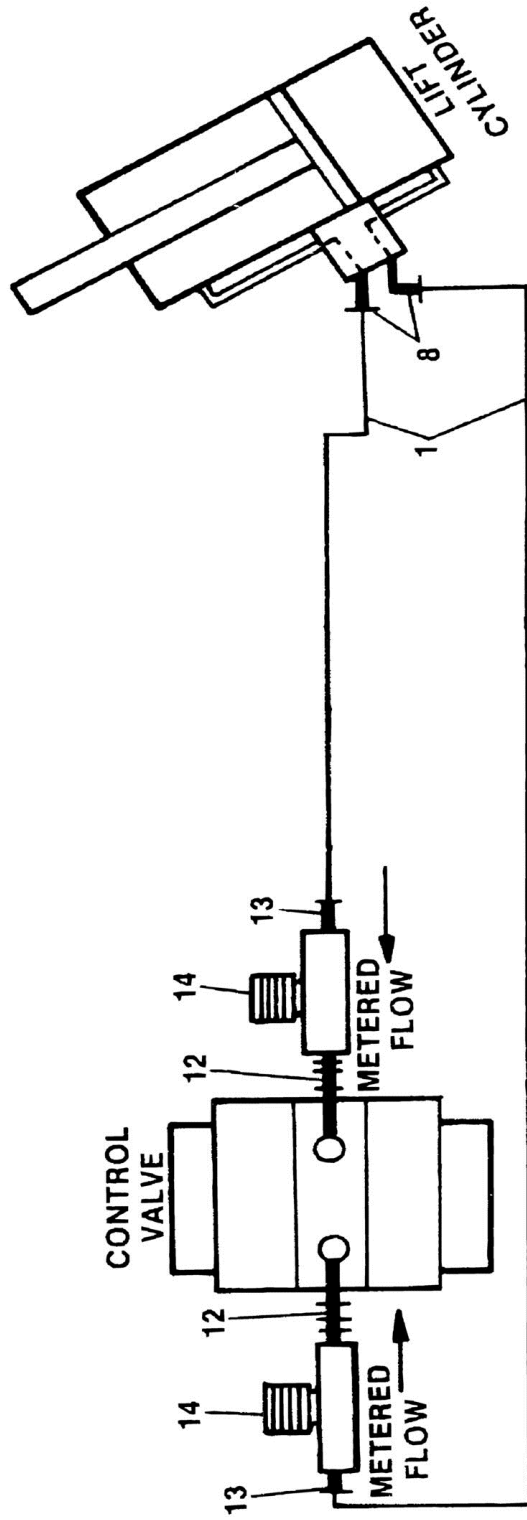
## SECTION 6 - HYDRAULICS

**FIGURE 6-8. HYDRAULIC DIAGRAM - LEVEL (80HX+6)**

ITEM	PART NUMBER	QTY	DESCRIPTION	REV
	2792068	Ref	<b>HYDRAULIC DIAGRAM - LEVEL (80HX+6)</b>	A
1	4640383	2	Valve	
2	4640216	2	Valve	
6	4563167	6	Tube	
8	2751905	2	Hose	
9	2751857	2	Hose	
10	2751151	2	Hose	
11	2750990	2	Hose	
12	2751833	2	Hose	
13	2750919	1	Hose	
14	2750997	1	Hose	
15	2751455	2	Hose	
16	2750785	1	Hose	
17	2750998	2	Hose	
19	2220473	1	Fitting, 90	
20	2750910	1	Hose	
21	2220280	2	Fitting, 90	
22	2751869	2	Hose	
23	2180379	2	Fitting, Tee Modified	
24	2180615	2	Orifice (.047)	
25	2220591	2	Fitting, 90	
26	2220353	2	Fitting	
27	2220343	2	Fitting, Straight	
28	2220490	2	Fitting, Tee	
29	2750779	1	Hose	
30	2220507	2	Fitting, 90	
31	2220609	2	Fitting, Reducer	
32	2220497	2	Fitting, Straight	
33	2220414	2	Fitting, Straight	
34	2220446	2	Fitting	
35	2220438	2	Fitting, Nipple	
36	2220399	4	Fitting, Straight	
37	2220113	2	Fitting, 90	
38	0100011	AR	Loctite	
39	2220372	1	Fitting, Straight	
40	2220371	3	Fitting, Straight	
41	2220385	2	Fitting, Tee	
42	2220619	4	Fitting, Reducer	

# SECTION 6 - HYDRAULICS

FIGURE 6-9. HYDRAULIC DIAGRAM - LIFT



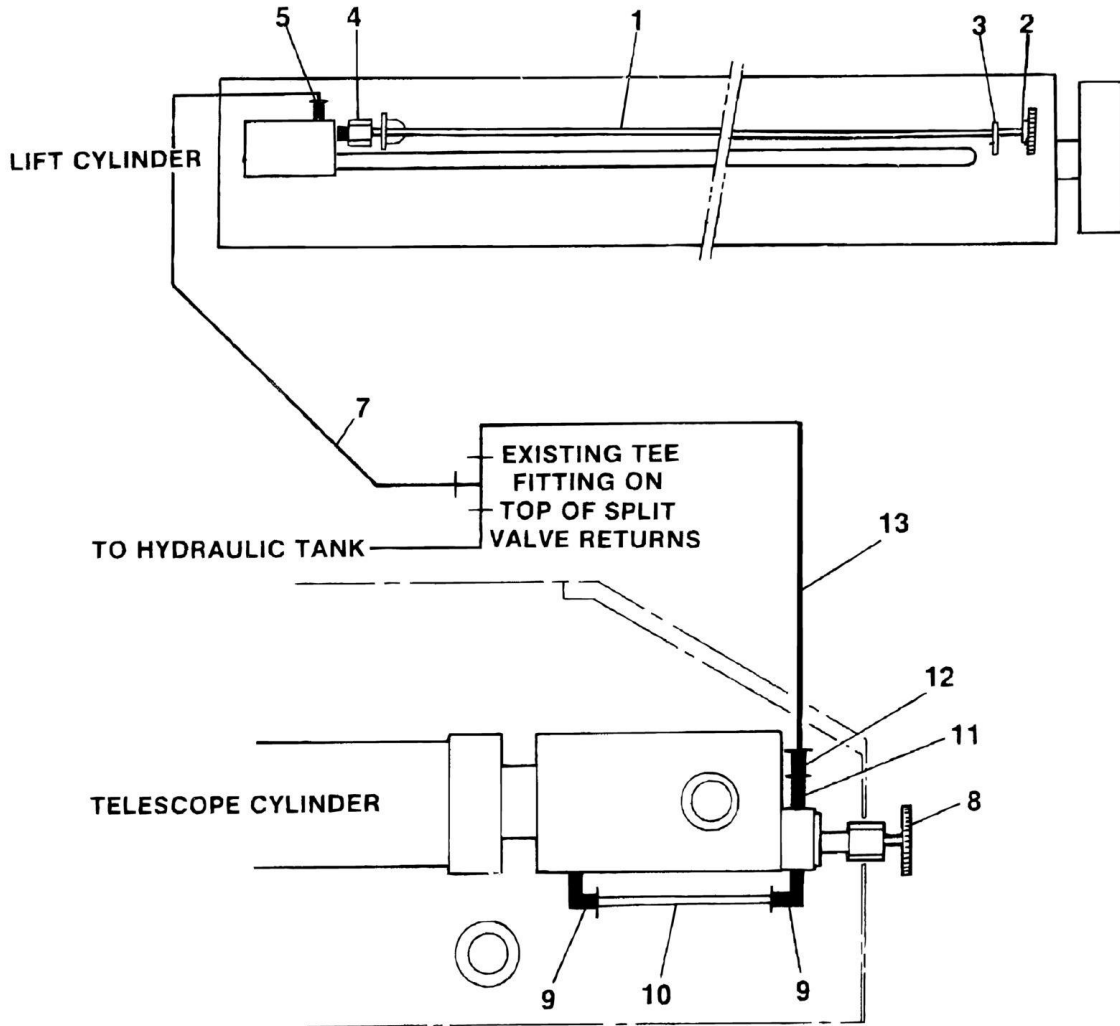
**SECTION 6 - HYDRAULICS**

**FIGURE 6-9. HYDRAULIC DIAGRAM - LIFT**

ITEM	PART NUMBER	QTY	DESCRIPTION	REV
	2791249	Ref	<b>HYDRAULIC DIAGRAM - LIFT</b>	D
1	2750766	2	Hose	
8	2220371	3	Fitting, 90	
12	2220221	2	Fitting	
12	2220758	2	Fitting, Union	
12	2220396	2	Fitting, Straight	
13	2220396	2	Fitting, Straight	
14	4640216	2	Valve	
	0100020	AR	Sealant	

# SECTION 6 - HYDRAULICS

FIGURE 6-10. HYDRAULIC DIAGRAM - MANUAL DESCENT (Prior to SN 25609)



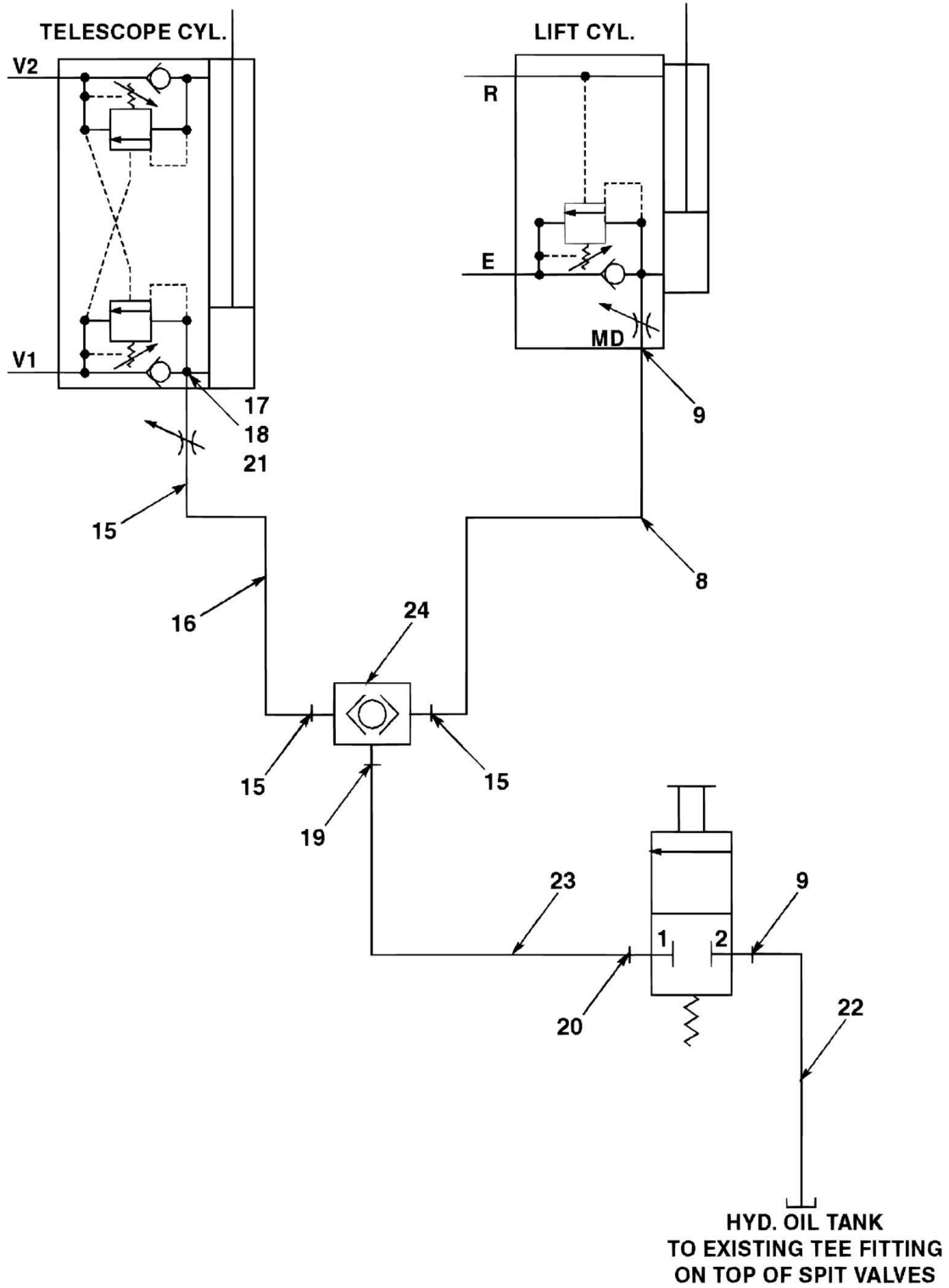
**SECTION 6 - HYDRAULICS**

**FIGURE 6-10. HYDRAULIC DIAGRAM - MANUAL DESCENT (Prior to SN 25609)**

ITEM	PART NUMBER	QTY	DESCRIPTION	REV
	0251199	Ref	<b>HYDRAULIC DIAGRAM - MANUAL DESCENT (Prior to SN 25609)</b>	B
	0254093	Ref	<b>HYDRAULIC DIAGRAM - MANUAL DESCENT (LIFT CYLINDER)</b>	-
1	1690745	1	Rod	
2	2560020	1	Handle	
3	0901882	1	Bracket	
4	4640731	1	Valve	
5	2220415	1	Fitting	
7	2751410	1	Hose	
	1693940	Ref	<b>HYDRAULIC DIAGRAM - MANUAL DESCENT (TELESCOPE CYLINDER)</b>	B
8	4640005	1	Valve	
8	1690744	1	Bracket	
8	3311405	2	Locknut 1/4in-20NC	
8	4751400	2	Flatwasher 1/4in	
8	4300031	2	Stud (Welded on Part)	
8	2900062	1	Mounting Kit	
9	2220487	2	Fitting	
10	4565004	1	Tube	
11	2220438	1	Fitting	
12	2220416	1	Fitting, 90	
13	2750896	1	Hose	

# SECTION 6 - HYDRAULICS

FIGURE 6-11. HYDRAULIC DIAGRAM - MANUAL DESCENT (SN 25609 to Present)



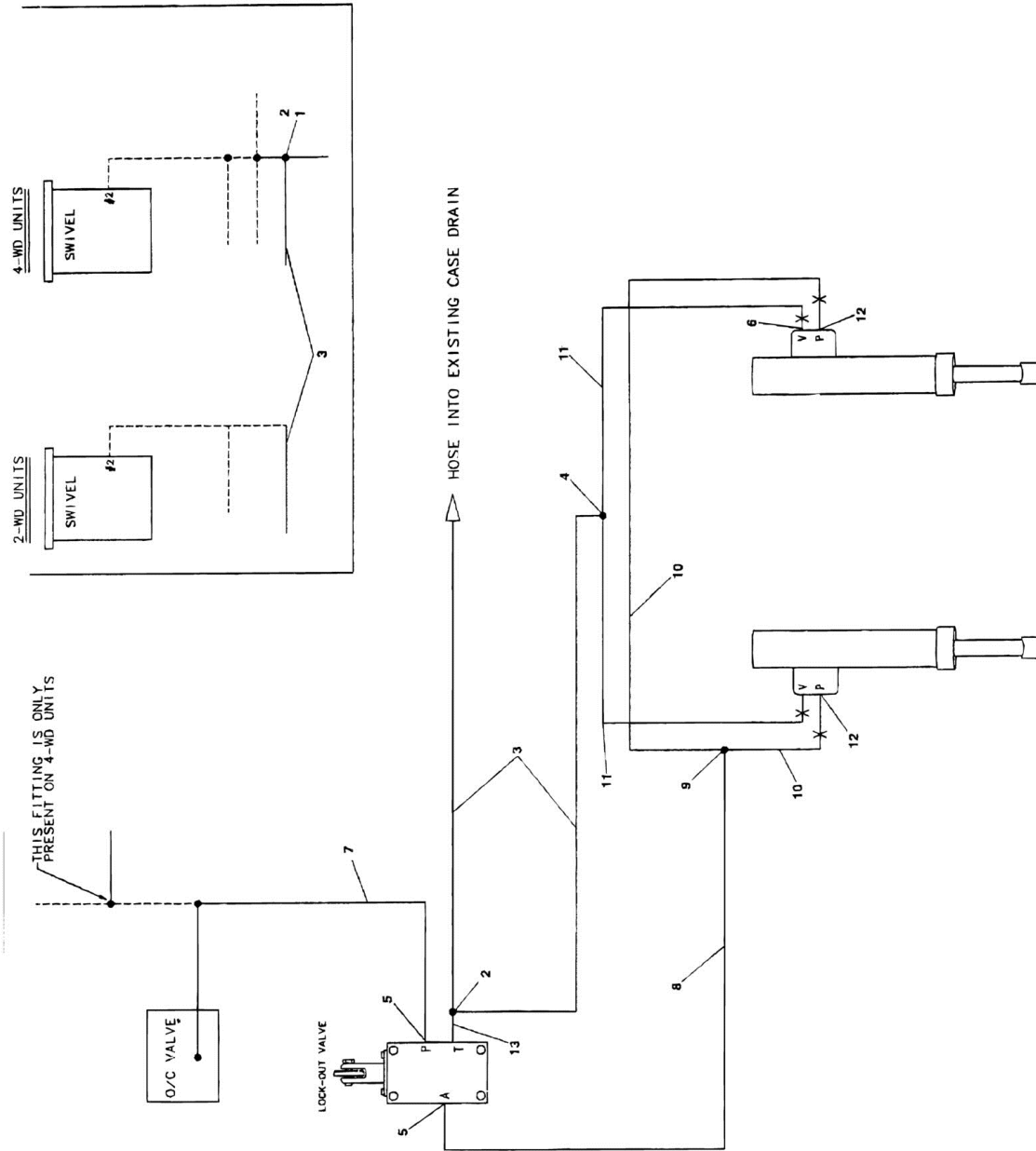
**SECTION 6 - HYDRAULICS**

**FIGURE 6-11. HYDRAULIC DIAGRAM - MANUAL DESCENT (SN 25609 to Present)**

ITEM	PART NUMBER	QTY	DESCRIPTION	REV
	0257194	Ref	<b>HYDRAULIC DIAGRAM - MANUAL DESCENT (SN 25609 to Present)</b>	1
8	2751410	1	Hose	
9	2220415	2	Fitting, Straight	
15	2220416	3	Fitting, 90	
16	2750896	1	Hose	
17	2220487	2	Fitting	
18	4565004	1	Tube	
19	2220414	1	Fitting, Straight	
20	2220466	1	Fitting, 90	
21	1690744	1	Bracket	
22	2750895	1	Hose	
23	2752444	1	Hose	
24	4640013	1	Valve, Shuttle	

# SECTION 6 - HYDRAULICS

FIGURE 6-12. HYDRAULIC DIAGRAM - OSCILLATING AXLE (80HX/80HX+6)





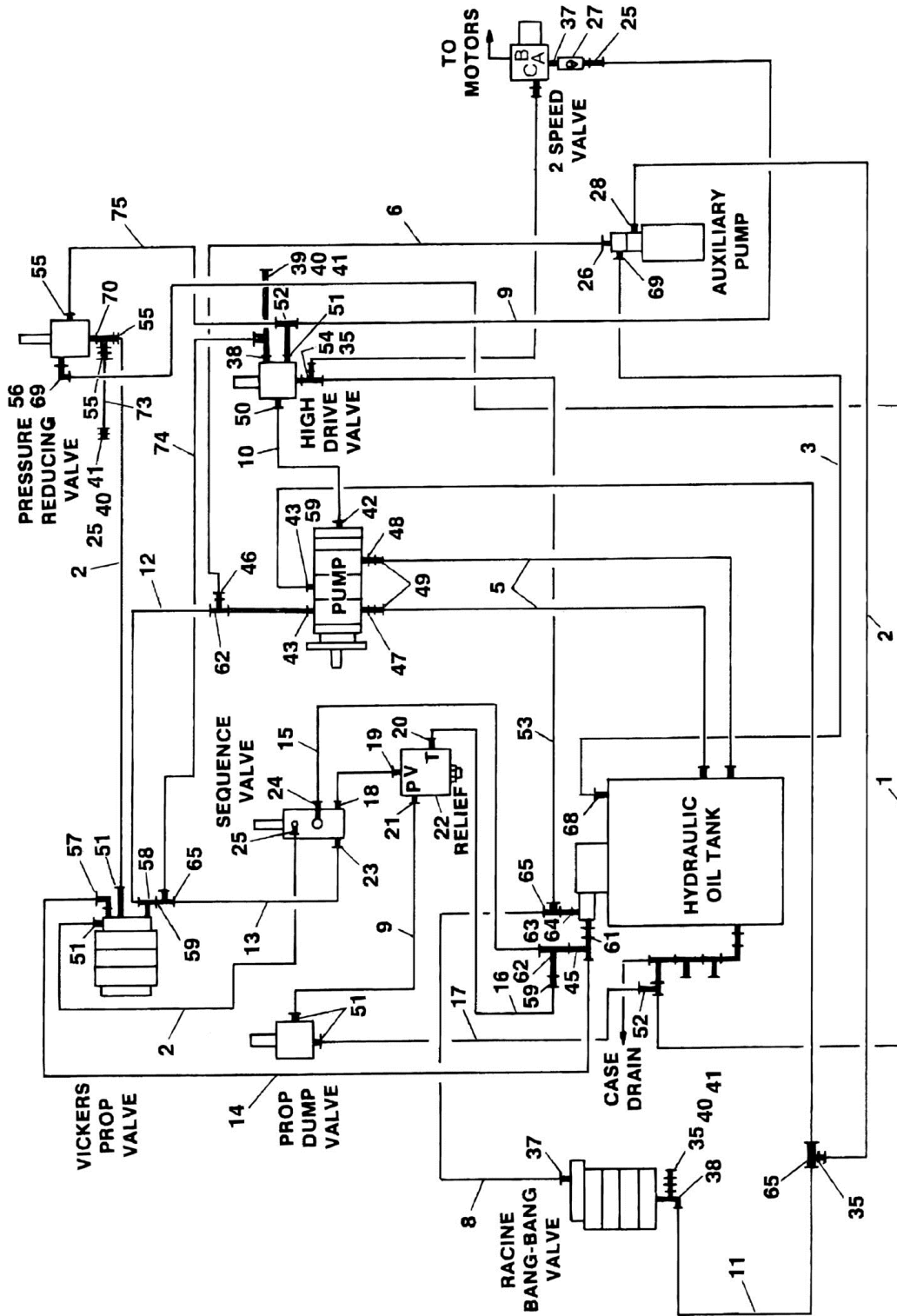
## SECTION 6 - HYDRAULICS

**FIGURE 6-12. HYDRAULIC DIAGRAM - OSCILLATING AXLE (80HX/80HX+6)**

ITEM	PART NUMBER	QTY	DESCRIPTION	REV
	2792264	Ref	<b>HYDRAULIC DIAGRAM - OSCILLATING AXLE (80HX/ 80HX+6)</b>	B
1	2220619	1	Fitting, Reducer	
2	2220635	2	Fitting, Tee	
3	2752480	2	Hose	
4	2220490	1	Fitting, Tee	
5	2220466	2	Fitting, 90	
6	2220371	2	Fitting, Straight	
7	2752584	1	Hose	
8	2751398	1	Hose	
9	2220504	1	Fitting, Tee	
10	2751435	2	Hose	
11	2752630	2	Hose	
12	2220582	2	Fitting, Straight	
13	2220603	1	Fitting, Straight	

# SECTION 6 - HYDRAULICS

## FIGURE 6-13. HYDRAULIC DIAGRAM - PUMP



## SECTION 6 - HYDRAULICS

**FIGURE 6-13. HYDRAULIC DIAGRAM - PUMP**

ITEM	PART NUMBER	QTY	DESCRIPTION	REV
	2791816	Ref	<b>HYDRAULIC DIAGRAM - PUMP</b>	G
1	2751015	1	Hose	
2	2750889	3	Hose	
3	2750127	1	Hose	
5	2720244	2	Hose, Suction	
6	2751004	1	Hose	
8	2751482	1	Hose	
9	2750902	3	Hose	
10	2751467	1	Hose	
11	2751484	1	Hose	
12	2751337	1	Hose	
13	2751494	1	Hose	
14	2751359	1	Hose	
15	2750874	1	Hose	
16	2750970	1	Hose	
17	2751017	1	Hose	
18	2220847	1	Fitting, 90	
19	2220898	1	Fitting, Swivel	
20	2220374	1	Fitting, Straight	
21	2220472	1	Fitting, 90	
22	4640520	1	Valve, Relief	
23	2220346	1	Fitting, Straight	
24	2220347	1	Fitting, Straight	
25	2220414	3	Fitting, Straight	
26	2220371	1	Fitting, Straight	
27	4640197	1	Valve, Check	
28	2220415	1	Fitting, Straight	
29	2220673	1	Fitting, 90	
35	2220618	2	Fitting, Reducer	
37	2220373	1	Fitting, Straight	
38	2180491	2	Fitting, 90 Modified	
39	2220820	2	Fitting, Nipple	
40	2220428	3	Fitting	
41	2220429	3	Cap, Dust	
42	2220375	2	Fitting, Straight	
43	4640575	2	Valve, Check	
45	2220681	1	Fitting, Tee	
46	2220621	1	Fitting, Reducer	
47	2220809	1	Fitting, 45	
48	2220808	1	Fitting, 45	
49	1320031	8	Clamp	
50	2220596	1	Fitting, 90	
51	2220582	5	Fitting, Straight	
52	2220605	2	Fitting, Tee	
53	2750977	1	Hose	
54	2220602	1	Fitting, Tee	
55	2220417	3	Fitting, Straight	
56	2220585	1	Fitting, 90	
57	2220465	1	Fitting, 90	
58	2220695	1	Fitting, Tee	

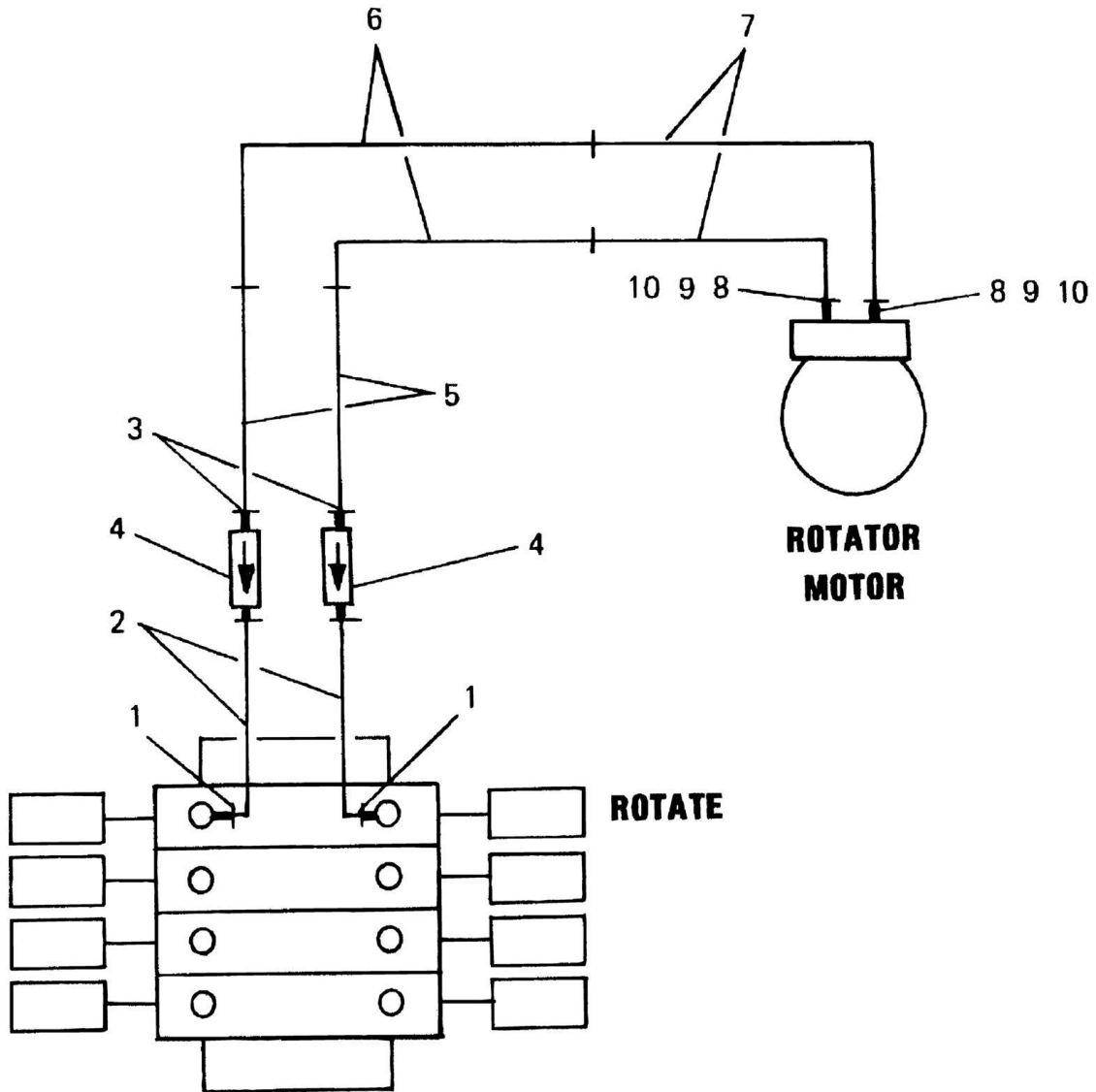
## SECTION 6 - HYDRAULICS

ITEM	PART NUMBER	QTY	DESCRIPTION	REV
59	2220622	3	Fitting, Reducer	
61	2220696	1	Fitting, Reducer	
62	2220700	2	Fitting, Tee	
63	2220491	1	Fitting, Straight	
64	2220624	1	Fitting, Reducer	
65	2220385	3	Fitting, Tee	
67	0100020	AR	Sealant	
68	2220070	1	Fitting	
69	2220114	1	Fitting, 90	
70	2220444	1	Fitting, Tee	
73	2751397	1	Hose	
74	2751506	1	Hose	
75	2751018	1	Hose	



# SECTION 6 - HYDRAULICS

FIGURE 6-14. HYDRAULIC DIAGRAM - ROTATE (80HX)



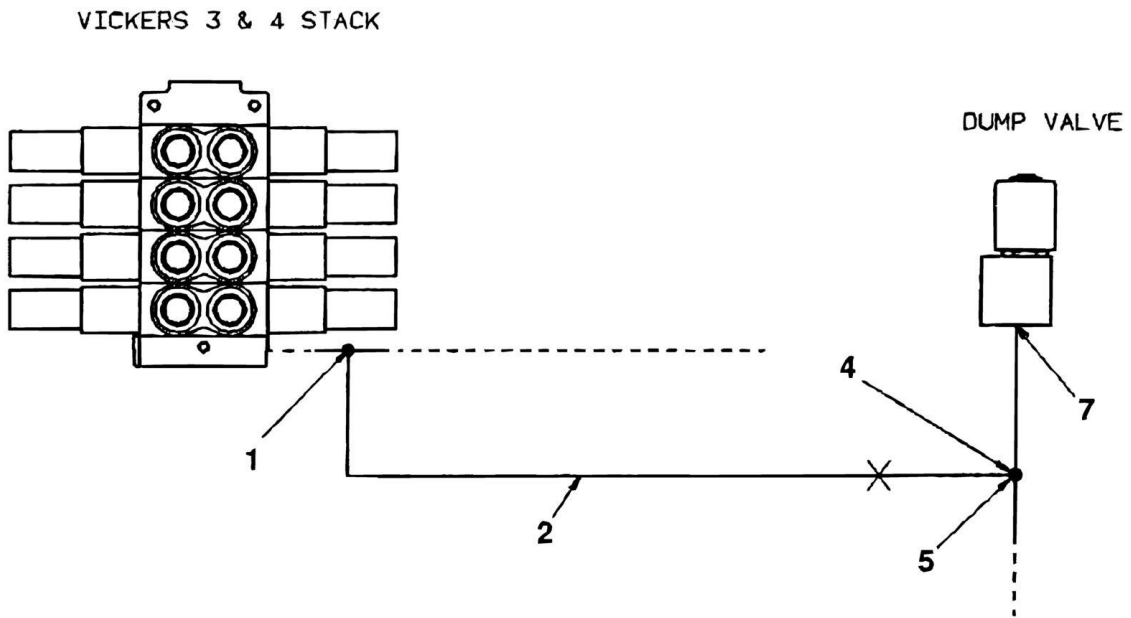
## SECTION 6 - HYDRAULICS

**FIGURE 6-14. HYDRAULIC DIAGRAM - ROTATE (80HX)**

ITEM	PART NUMBER	QTY	DESCRIPTION	REV
	2791061	Ref	<b>HYDRAULIC DIAGRAM - ROTATE (80HX)</b>	E
1	2220446	2	Fitting	
2	2220438	2	Fitting, Nipple	
3	2220414	2	Fitting, Straight	
4	4640383	2	Valve, Restrictor	
5	2751455	2	Hose	
6	4563167	2	Tube	
7	2751887	2	Hose	
8	2220609	2	Fitting, Reducer	
9	2220507	2	Fitting, 90	
10	2220497	2	Fitting, Straight	
	0100020	AR	Sealant	

# SECTION 6 - HYDRAULICS

FIGURE 6-15. HYDRAULIC DIAGRAM - SEQUENCE LINE





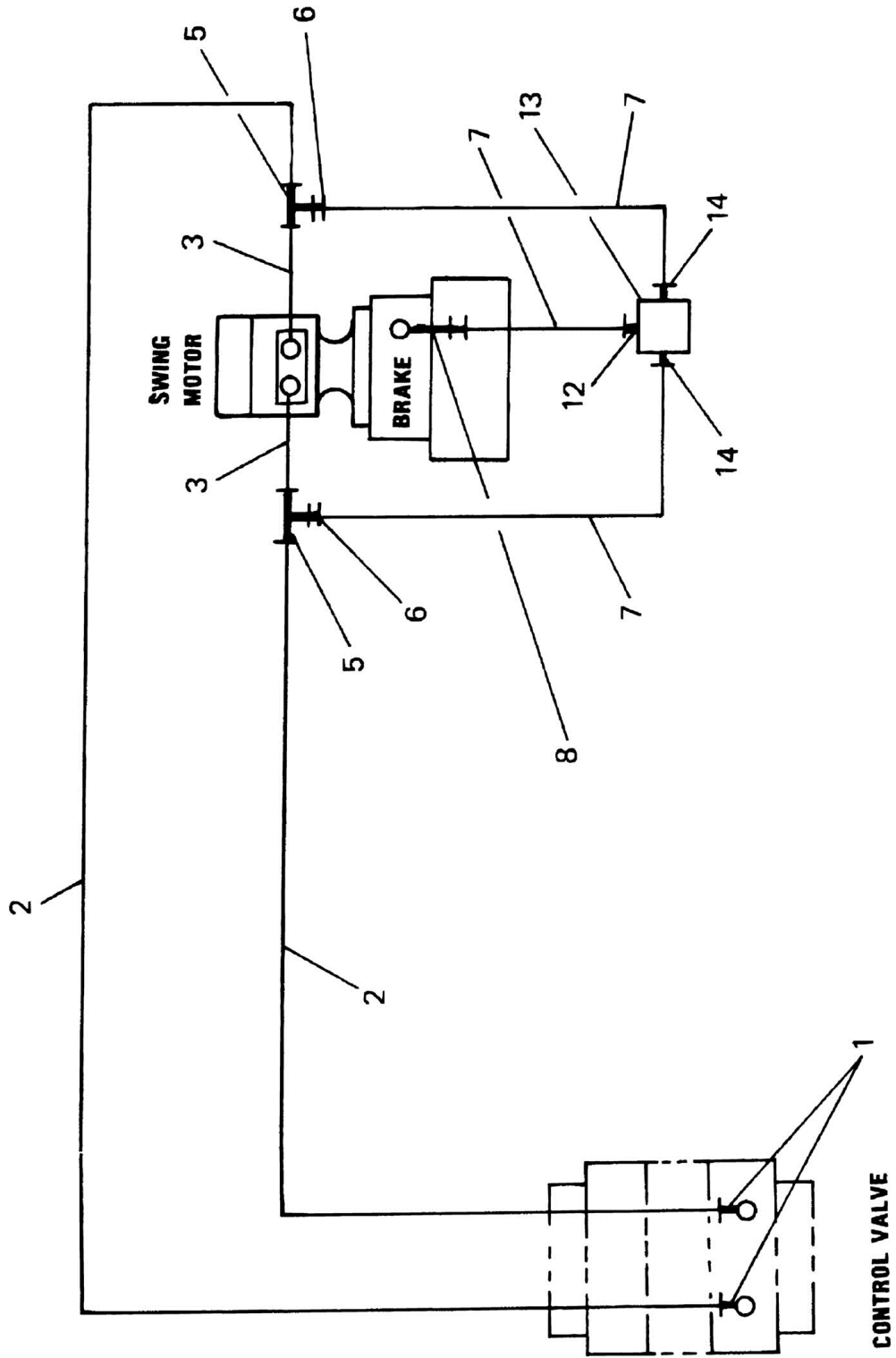
## SECTION 6 - HYDRAULICS

**FIGURE 6-15. HYDRAULIC DIAGRAM - SEQUENCE LINE**

ITEM	PART NUMBER	QTY	DESCRIPTION	REV
	2791698	Ref	<b>HYDRAULIC DIAGRAM - SEQUENCE LINE</b>	A
1	2220605	1	Fitting, Tee	
2	2750889	1	Hose	
4	2220909	1	Orifice (.015)	
5	2220605	1	Fitting, Tee	
7	2220582	1	Fitting, Straight	

# SECTION 6 - HYDRAULICS

FIGURE 6-16. HYDRAULIC DIAGRAM - SWING



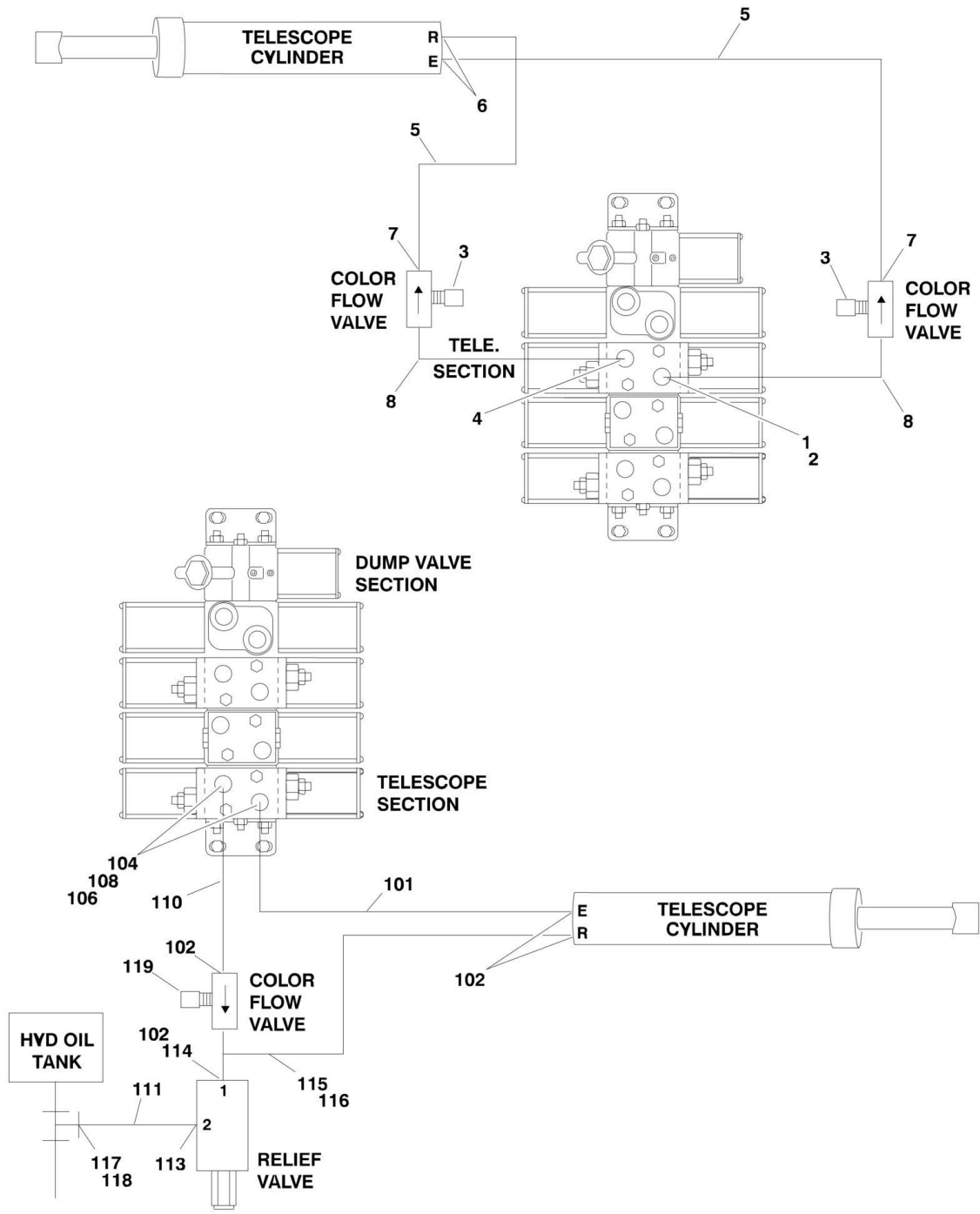
**SECTION 6 - HYDRAULICS**

**FIGURE 6-16. HYDRAULIC DIAGRAM - SWING**

ITEM	PART NUMBER	QTY	DESCRIPTION	REV
	2791285	Ref	<b>HYDRAULIC DIAGRAM - SWING</b>	B
1	2220577	2	Fitting, Straight	
2	2750785	2	Hose	
3	2220497	2	Fitting	
5	2220635	2	Fitting, Tee	
6	2220609	2	Fitting, Reducer	
7	2750900	3	Hose	
8	2220466	1	Fitting, 90	
12	2220414	2	Fitting, Straight	
13	4640013	1	Valve, Shuttle	
14	2220416	2	Fitting, 90	
	0100011	AR	Loctite	
	0100020	AR	Sealant	

# SECTION 6 - HYDRAULICS

FIGURE 6-17. HYDRAULIC DIAGRAM - TELESCOPE



## SECTION 6 - HYDRAULICS

**FIGURE 6-17. HYDRAULIC DIAGRAM - TELESCOPE**

ITEM	PART NUMBER	QTY	DESCRIPTION	REV
	2791991	Ref	<b>HYDRAULIC DIAGRAM - WITH PROP TELE (STANDARD CONTROLS)</b>	A
1	2220221	1	Fitting, Reducer	
2	2220758	1	Fitting	
3	4640216	2	Valve, Flow Control	
4	2220221	1	Fitting, Reducer	
4	2220758	1	Fitting	
5	2751114	2	Hose	
6	2220343	2	Fitting, Straight	
7	2220343	2	Fitting, Straight	
8	2220396	2	Fitting	
	2791758	Ref	<b>HYDRAULIC DIAGRAM - WITHOUT PROP TELE (STANDARD CONTROLS)</b>	6
101	2751114	2	Hose	
102	2220343	4	Fitting, Straight	
104	2180479	2	Fitting, Straight Modified	
106	0100011	AR	Sealant	
108	2180776	2	Orifice (.015)	
109	2751104	1	Hose <b>(Prior to SN 61842)</b>	
110	2751003	1	Hose	
111	2753327	1	Hose	
113	2220372	1	Fitting, Straight	
114	2220651	1	Fitting	
115	2220444	1	Fitting, Tee	
116	2220396	1	Fitting, Pipe	
117	220619	1	Fitting, Reducer	
118	220385	1	Fitting, Tee	
119	4640216	1	Valve, Colorflow	



**SECTION 7 - ELECTRICAL**

# SECTION 7 - ELECTRICAL

## FIGURE 7-1. ELECTRICAL DIAGRAM LIST

ITEM	PART NUMBER	QTY	DESCRIPTION	REV
		Ref	<b>ELECTRICAL DIAGRAM LIST</b>	
		Ref	<b>Note: Diagrams not shown are available from the JLG Service Department.</b>	
		Ref	<b>Alarm Wiring Diagrams</b>	
		Ref	<b>Standard and Hydraulic Controls (Prior to April 1992)</b>	
	4931472	Ref	<b>Back-up Alarm Wiring Diagram</b>	A
	1280555	Ref	<b>Back-up Alarm Wiring Diagram</b>	B
	4931468	Ref	<b>Descent Alarm Wiring Diagram</b>	A
	1280555	Ref	<b>Descent Alarm Wiring Diagram</b>	B
	0239055	Ref	<b>Motion Alarm Wiring Diagram</b>	A
	4931520	Ref	<b>Swing Alarm Wiring Diagram</b>	A
	1280555	Ref	<b>Swing Alarm Wiring Diagram</b>	B
	4931470	Ref	<b>Tilt Alarm Wiring Diagram</b>	A
	1280555	Ref	<b>Tilt Alarm Wiring Diagram</b>	B
	4931399	Ref	<b>Travel Alarm Wiring Diagram</b>	B
	1280555	Ref	<b>Travel Alarm Wiring Diagram</b>	B
	3990010	AR	Diode - 6 Amp	
	3740049	1	Relay - SPST	
		Ref	<b>Standard Controls (April 1992 to April 1993)</b>	
	4932507	Ref	<b>Back-up Alarm Wiring Diagram</b>	-
	1281840	Ref	<b>Back-up Alarm Wiring Diagram</b>	-
	4932507	Ref	<b>Descent Alarm Wiring Diagram</b>	-
	1281840	Ref	<b>Descent Alarm Wiring Diagram</b>	-
	4932508	Ref	<b>Motion Alarm Wiring Diagram</b>	-
	1281840	Ref	<b>Motion Alarm Wiring Diagram</b>	-
	4932507	Ref	<b>Swing Alarm Wiring Diagram</b>	-
	1281840	Ref	<b>Swing Alarm Wiring Diagram</b>	-
	0253077	Ref	<b>Tilt Alarm Wiring Diagram</b>	-
	4932507	Ref	<b>Travel Alarm Wiring Diagram</b>	-
	1281840	Ref	<b>Travel Alarm Wiring Diagram</b>	-
	0610091	1	Card, Circuit	
	3740049	1	Relay	
	3990010	AR	Diode - 6 Amp	
	0140026	AR	Alarm (Tilt Only - Located at Console)	
		Ref	<b>Standard Controls (April 1993 to Present)</b>	
	4932638	Ref	<b>Back-up Alarm Wiring Diagram</b>	2
	1282091	Ref	<b>Back-up Alarm Wiring Diagram</b>	C
	4932637	Ref	<b>Descent Alarm Wiring Diagram</b>	2
	1282091	Ref	<b>Descent Alarm Wiring Diagram</b>	C
	4932639	Ref	<b>Motion Alarm Wiring Diagram</b>	2
	1282091	Ref	<b>Motion Alarm Wiring Diagram</b>	C
	4932637	Ref	<b>Swing Alarm Wiring Diagram</b>	2
	1282091	Ref	<b>Swing Alarm Wiring Diagram</b>	C
	0253077	Ref	<b>Tilt Alarm Without Cutout Wiring Diagram</b>	5
	0254203	Ref	<b>Tilt Alarm With Cutout Wiring Diagram</b>	B
	4932638	Ref	<b>Travel Alarm Wiring Diagram</b>	2
	1282091	Ref	<b>Travel Alarm Wiring Diagram</b>	C
	3740049	1	Relay	
	3990010	AR	Diode - 6 Amp	



## SECTION 7 - ELECTRICAL

ITEM	PART NUMBER	QTY	DESCRIPTION	REV
	0610104	AR	Card, Circuit	
	0140026	AR	Alarm (Tilt Alarm Only - Located at Console)	
	1540002	1	Capacitor (Tilt Alarm Only - Located at Console)	
	4360274	1	Switch, Push Button (Tilt Alarm Only - Located at Console)	
	3252321	1	Nameplate - Override (Tilt Alarm Only - Located at Console)	
	4932667	Ref	<b>Australian Modification Wiring Diagram</b>	C
	4932840	Ref	<b>Axle Extend From Platform Wiring Diagram</b>	2
	4921818	1	Harness, Switch (Located at Platform Box)	
	4931463	Ref	<b>Axle Limit Switch Wiring Diagram (Fixed Axle)</b>	D
	1060079	11.6 m	Cable, Electrical - 16/4	
	1060016	7 m	Cable, Electrical - 16/3	
	4932843	Ref	<b>Axle Limit Switch Wiring Diagram (Oscillating Axle)</b>	-
	1060016	14 m	Cable, Electrical - 16/3	
		Ref	<b>Beacon/Strobe Light Wiring Diagrams</b>	
	4931085	Ref	<b>Beacon Light - Platform Mounted (Prior to September 1991)</b>	-
	4931740	Ref	<b>Beacon Light - Platform Mounted (September 1991 to Present)</b>	A
	4931674	Ref	<b>Beacon/Strobe Light - Turntable Mounted (Prior to February 1994)</b>	-
	4932673	Ref	<b>Beacon/Strobe Light - Turntable Mounted (February 1994 to Present)</b>	3-B
		Ref	<b>Drive Cut-out Wiring Diagrams</b>	
	4932097	Ref	<b>8 Meter (Dutch Spec)</b>	
	3740049	1	Relay, Bosch	
	1060300	4.6 m	Cable, Electrical - 16/3	
	4932337	Ref	<b>Horizontal (Italian Spec)</b>	
	4120012	1	Relay - 2PDT	
	4931444	Ref	<b>Dual Fuel Wiring Diagram (Prior to March 1995)</b>	F
	1281738	Ref	<b>Dual Fuel Wiring Diagram (Prior to March 1995)</b>	G
	4921305	1	Harness	
	4360201	1	Switch, Toggle (Located at Ground Control Box)	
	4932813	Ref	<b>Dual Fuel Wiring Diagram (March 1995 to Present)</b>	-
	4921763	1	Harness	
	4360201	1	Switch, Harness	
	4931671	Ref	<b>Engine Distress Wiring Diagram - Deutz Engines (Prior to September 1994)</b>	B
	4360179	1	Switch, Temperature	
	4360089	1	Flasher	
	3740013	1	Relay	
	4360065	1	Switch, Pressure	
	2920034	1	Lamp (Located at Platform Console)	
	3251695	1	Nameplate - Engine Distress	
	0255152	Ref	<b>Engine Distress Wiring Diagram - Deutz Engines (September 1994 to Present)</b>	3
	2920026	1	Lamp, Indicator	
	2920029	1	Bulb, Light	
	4360065	1	Switch, Oil Pressure	
	4360179	1	Switch, Temperature	
	3740099	1	Relay	
	4931598	Ref	<b>Engine Distress Wiring Diagram - Ford Engines (Prior to July 1994)</b>	B
	3740013	1	Relay	
	4360089	1	Flasher	

## SECTION 7 - ELECTRICAL

ITEM	PART NUMBER	QTY	DESCRIPTION	REV
	2920034	1	Lamp (Located at Platform Console)	
	3251695	1	Nameplate - Engine Distress	
	4360182	1	Switch, Oil Pressure	
	4360157	1	Switch, Water Temperature	
	0255058	Ref	<b>Engine Distress Wiring Diagram - Ford Engines (July 1994 to Present)</b>	B
	2920026	1	Lamp, Indicator	
	2920029	1	Bulb, Light	
	4360182	1	Switch, Oil Pressure	
	4360157	1	Switch, Water Temperature	
	3740044	1	Relay	
	0251683	Ref	<b>Engine Run Light Wiring Diagram - Deutz Engines</b>	B
	2920027	1	Lamp, Indicator	
	2920029	1	Bulb, Light	
	4360037	1	Switch, Pressure	
	1702528	1	Decal - Engine Run	
	4932892	Ref	<b>Engine Shut-Down Wiring Diagram - Deutz Engines</b>	-
	4931640	Ref	<b>Extend-A-Reach Wiring Diagram</b>	C
	4360202	2	Switch, Toggle - DPDT/MC (Located at Both Control Boxes)	
	3251747	2	Nameplate - Articulate (When Required)	
	1693714	Ref	<b>Extend-A-Reach Overload Wiring Diagram (Prior to July 1992)</b>	-
	3740049	1	Relay, Bosch - SPDT	
	1690251	1	Alarm, Tilt	
	3990010	2	Diode - 6 Amp	
	1690249	1	Relay - Timer	
	4932564	Ref	<b>Extend-A-Reach Overload Wiring Diagram (July 1992 to Present)</b>	B
	4932434	Ref	<b>4WS Wiring Diagram (Without Axle Jacks)</b>	-
	1281684	Ref	<b>4WS Wiring Diagram (Without Axle Jacks)</b>	A
	1060042	4.6 m	Cable, Electrical - 16/5	
	4932847	Ref	<b>4WS Wiring Diagram (With Dual Axle Jacks)</b>	B
	1060341	6.1 m	Cable, Electrical - 16/2	
	4932492	Ref	<b>French Modification Wiring Diagram</b>	C
	4931693	Ref	<b>Generator Wiring Diagram - 110V (Deutz)</b>	E
	3990001	1	Diode - 3.5 Amp	
	3740049	1	Relay	
	4360294	1	Breaker, Circuit - 30 Amp	
	4931314	Ref	<b>Generator Wiring Diagram - 110V (Ford) (Prior to March 1995)</b>	C
	4931692	Ref	<b>Generator Wiring Diagram - 110V (Ford) (Prior to March 1995)</b>	D
	3990001	2	Diode - 3.5 Amp	
	3740049	1	Relay	
	4360294	1	Breaker, Circuit - 30 Amp	
	4932806	Ref	<b>Generator Wiring Diagram - 110V (Ford) (March 1995 to Present)</b>	3-B
	3990010	3	Diode - 6 Amp	
	4360294	1	Breaker, Circuit - 30 Amp	
	4931691	Ref	<b>Heaters Wiring Diagram (Deutz) (Prior to January 1992)</b>	D
	1060300	50 ft	Cable, Electrical - 16/3	
	1060515	20 ft	Cable, Electrical - 12/4	
	4932467	Ref	<b>Heaters Wiring Diagram (Deutz) (January 1992 to Present)</b>	A
	1060016	40 ft	Cable, Electrical - 16/3	
	1060268	10 ft	Cable, Electrical - 12/3	

## SECTION 7 - ELECTRICAL

ITEM	PART NUMBER	QTY	DESCRIPTION	REV
	4931411	Ref	<b>Heaters Wiring Diagram (Ford)</b>	A
	1060016	30 ft	Cable, Electrical - 16/3	
	1060515	10 ft	Cable, Electrical - 12/4	
	4932879	Ref	<b>Jack (Axle) Wiring Diagram (With 2WD Fixed Axle Dual Jacks)</b>	-
	1060042	15 ft	Cable, Electrical - 16/5	
	3740049	1	Relay	
	4921877	1	Harness - Lift	
	4921873	1	Harness - Negative Circuit	
	4921876	1	Harness - Ground Circuit	
	4932847	Ref	<b>Jack (Axle) Wiring Diagram (With Fixed Axle 4WS Dual Jacks)</b>	B
	1060341	20 ft	Cable, Electrical - 16/2	
	4932875	Ref	<b>Jack (Axle) Wiring Diagram (With Oscillating Axle Single Jack)</b>	2
	4921851	1	Harness - Switch	
	3740049	1	Relay	
	4921872	1	Harness - Lift	
	4921873	1	Harness - Negative Circuit	
	4932873	Ref	<b>Jack (Axle) Wiring Diagram (With Oscillating Axle Dual Jack) (80HX)</b>	-
	4921875	1	Harness - Switch	
	3740049	2	Relay	
	4921874	1	Harness - Lift	
	4921873	1	Harness - Negative Circuit	
	4932876	Ref	<b>Jack (Axle) Wiring Diagram (With Oscillating Axle Dual Jack) (80HX+6)</b>	2-B
	4921875	1	Harness - Switch (Prior to SN 34309)	
	3740049	1	Relay	
	4921874	1	Harness - Lift	
	4921873	1	Harness - Negative Circuit	
	1060016	30 m	Cable, Electrical - 16/3	
	4360199	1	Switch (SN 34309 to Present)	
	4360198	1	Switch (SN 34309 to Present)	
		Ref	<b>Lights Wiring Diagram Options</b>	
	4931680	Ref	Headlight and Taillights (Prior to March 1993)	D
	4932651	Ref	Headlights and Taillights (March 1993 to April 1994)	-
	0254084	Ref	Headlights and Taillights (April 1994 to Present)	A
	1282112	Ref	Headlights and Taillights (April 1994 to Present)	D
	4932080	Ref	Headlights and Taillights - Front and Rear	-
	4360199	1	Switch, Toggle - SPST	
	2920110	AR	Headlight	
	2920113	AR	Light, Stop/Turn/Tail	
	3740080	1	Relay	
	0255274	Ref	<b>Low Oil Pressure Shutdown Wiring Diagram - Deutz Engines</b>	A
	2920026	1	Lamp, Indicator	
	2920029	1	Bulb, Light	
	4360065	1	Switch, Oil Pressure	
	3740049	1	Relay (In Platform Console Box)	
	3990010	1	Diode - 6 Amp	
	3740080	1	Relay (In Platform Console Box)	
	4931269	Ref	<b>Oil Cooler Wiring Diagram - Rear of Turntable</b>	2-B
	0254853	Ref	<b>Oil Cooler Wiring Diagram - Inside Turntable</b>	5
	2400005	1	Fuse - 20 Amp	
	3740080	1	Relay	

## SECTION 7 - ELECTRICAL

ITEM	PART NUMBER	QTY	DESCRIPTION	REV
		Ref	<b>Platform Wiring Diagrams</b>	
		Ref	<b>Platform Wiring (Prior to July 1992)</b>	
	4932091	Ref	<b>Platform Wiring 80HX</b>	B
	4932096	Ref	<b>Platform Wiring 80HX+6/86HX</b>	B
	3990010	6	Diode - 6 Amp	
	1060012	2.75 m	Cable, Electrical - 12/4	
		Ref	<b>Platform Wiring (July 1992 to SN 29184)</b>	
	1281929	Ref	<b>2WS Without Prop Tele</b>	A
	4932454	Ref	<b>2WS Without Prop Tele</b>	C
	1281929	Ref	<b>4WS Without Prop Tele</b>	A
	4932571	Ref	<b>4WS Without Prop Tele</b>	A
	1281945	Ref	<b>2WS With Prop Tele</b>	A
	4932575	Ref	<b>2WS With Prop Tele</b>	C
	1281945	Ref	<b>4WS With Prop Tele</b>	A
	4932576	Ref	<b>4WS With Prop Tele</b>	C
	3990010	AR	Diode - 6 Amp	
	1060012	8 ft/2.4m	Cable, Electrical - 12/4	
		Ref	<b>Platform Wiring (SN 29185 to Present)</b>	
	1282721	Ref	<b>2WS Without Prop Tele</b>	B
	4932931	Ref	<b>2WS Without Prop Tele</b>	2
	1282721	Ref	<b>4WS Without Prop Tele</b>	B
	4932933	Ref	<b>4WS Without Prop Tele</b>	2
	1282722	Ref	<b>2WS With Prop Tele</b>	C
	4932932	Ref	<b>2WS With Prop Tele</b>	1
	1282722	Ref	<b>4WS With Prop Tele</b>	C
	4932934	Ref	<b>4WS With Prop Tele</b>	1
	3990010	AR	Diode - 6 Amp	
	1060012	8 ft/2.4m	Cable, Electrical - 12/4	
		Ref	<b>Platform Bumper Wiring Diagram</b>	
	1282197	Ref	Wiring Diagram - Chain Mounted (Soft-Touch) Bumper	-
	4932059	Ref	Wiring Diagram - Welded on Bumper	A
	4932089	Ref	<b>Platform Gate Interlock Wiring Diagram (French Spec)</b>	G
	3740049	1	Relay, Bosch - SPDT	
	4460049	2	Connector, Strain Relief	
	0960239	2	Bushing	
	3300047	2	Nut, Conduit	
	1060300	4.6 m	Cable - 16/3	
		Ref	<b>Platform Safe Load Indicator Wiring Diagram (French Spec)</b>	
	4932340	Ref	<b>Platform Safe Load Indicator Wiring Diagram (Prior to SN 26826)</b>	B
	4932898	Ref	<b>Platform Safe Load Indicator Wiring Diagram (SN 26826 through 36621)</b>	-
	3740049	2	Relay, Bosch - SPDT	
	3990010	1	Diode - 6 Amp	
	1692927	1	Socket, Relay	
	1693405	1	Relay,Timer	
	1693406	1	Clip, Relay	
	4933007	Ref	<b>Platform Safe Load Indicator Wiring Diagram (SN 36621 to Present)</b>	1
		Ref	<b>Platform Work Lights Wiring Diagram</b>	
	2900068	Ref	<b>Wiring Diagram (Prior to November 1992)</b>	F
	2920013	2	Worklight	

## SECTION 7 - ELECTRICAL

ITEM	PART NUMBER	QTY	DESCRIPTION	REV
	0253686	Ref	<b>Wiring Diagram (November 1992 to May 1995)</b>	-
	0253987	Ref	<b>Wiring Diagram (May 1995 to Present)</b>	4
	0254748	Ref	<b>Wiring Diagram With Padded Platform</b>	2
	2920111	2	Worklight	
		Ref	<b>Standard Wiring Diagrams</b>	
		Ref	<b>Wiring Diagrams - Deutz (Prior to May 1994)</b>	
	4932094	Ref	<b>Standard Wiring Diagrams 80HX</b>	D
	4932095	Ref	<b>Standard Wiring Diagrams 80HX+6/86HX</b>	E
	4920852	1	Harness, Engine (From Engine)	
	4920845	1	Harness, Engine (From Ground Control Box)	
	4920842	1	Harness, Valve	
	3990010	AR	Diode - 6 Amp	
	1060016	89	Cable, Electrical - 16/3	
		ft/27.2m		
		Ref	<b>Wiring Diagrams - Deutz (May 1994 to SN 29184)</b>	
	4932450	Ref	<b>Standard Wiring Diagrams 80HX</b>	G
	4932453	Ref	<b>Standard Wiring Diagrams 80HX+6/86HX</b>	B
	3990010	AR	Diode - 6 Amp	
	3730095	1	Resistor 7.50 Ohms	
	4921388	1	Harness, Engine (From Ground Control Box)	
	4921389	1	Harness, Engine (From Engine)	
	4921390	1	Harness, Valve	
	1060016	89	Cable, Electrical - 16/3	
		ft/27.2m		
	1060042	15 ft/4.6m	Cable, Electrical - 16/5	
		Ref	<b>Wiring Diagrams - Deutz (SN 29185 to Present)</b>	
	4932938	Ref	<b>Standard Wiring Diagrams 80HX</b>	2-D
	Not Available	Ref	<b>Standard Wiring Diagrams 80HX+6/86HX</b>	
	3990010	8	Diode - 6 Amp	
	3730095	1	Resistor 7.50 Ohms	
	4921388	1	Harness, Engine (From Ground Control Box)	
	4921389	1	Harness, Engine (From Engine)	
	4921390	1	Harness, Valve	
	1060016	141	Cable, Electrical - 16/3	
		ft/43m		
	1060042	15 ft/4.6m	Cable, Electrical - 16/5	
		Ref	<b>Wiring Diagrams - Ford:</b>	
	4932803	Ref	<b>Standard Wiring Diagrams 80HX (Prior to March 1995)</b>	A
	4360228	1	Switch, Remote Speed Set	
	4921388	1	Harness, Engine (From Ground Control Box)	
	4921309	1	Harness, Engine (From Engine)	
	4921390	1	Harness, Valve	
	1060016	89	Cable, Electrical - 16/3	
		ft/27.2m		
		Ref	<b>Wiring Diagrams - Ford:</b>	
	4932881	Ref	<b>Standard Wiring Diagrams 80HX (March 1995 to Present)</b>	
	4921388	1	Harness, Engine (From Ground Control Box)	
	4921390	1	Harness, Valve	
	1060016	43	Cable, Electrical - 16/3	
		ft/13.1m		
		Ref	<b>Wiring Diagram:</b>	
	4932978	Ref	<b>Proportional Telescope Wiring Diagram</b>	A

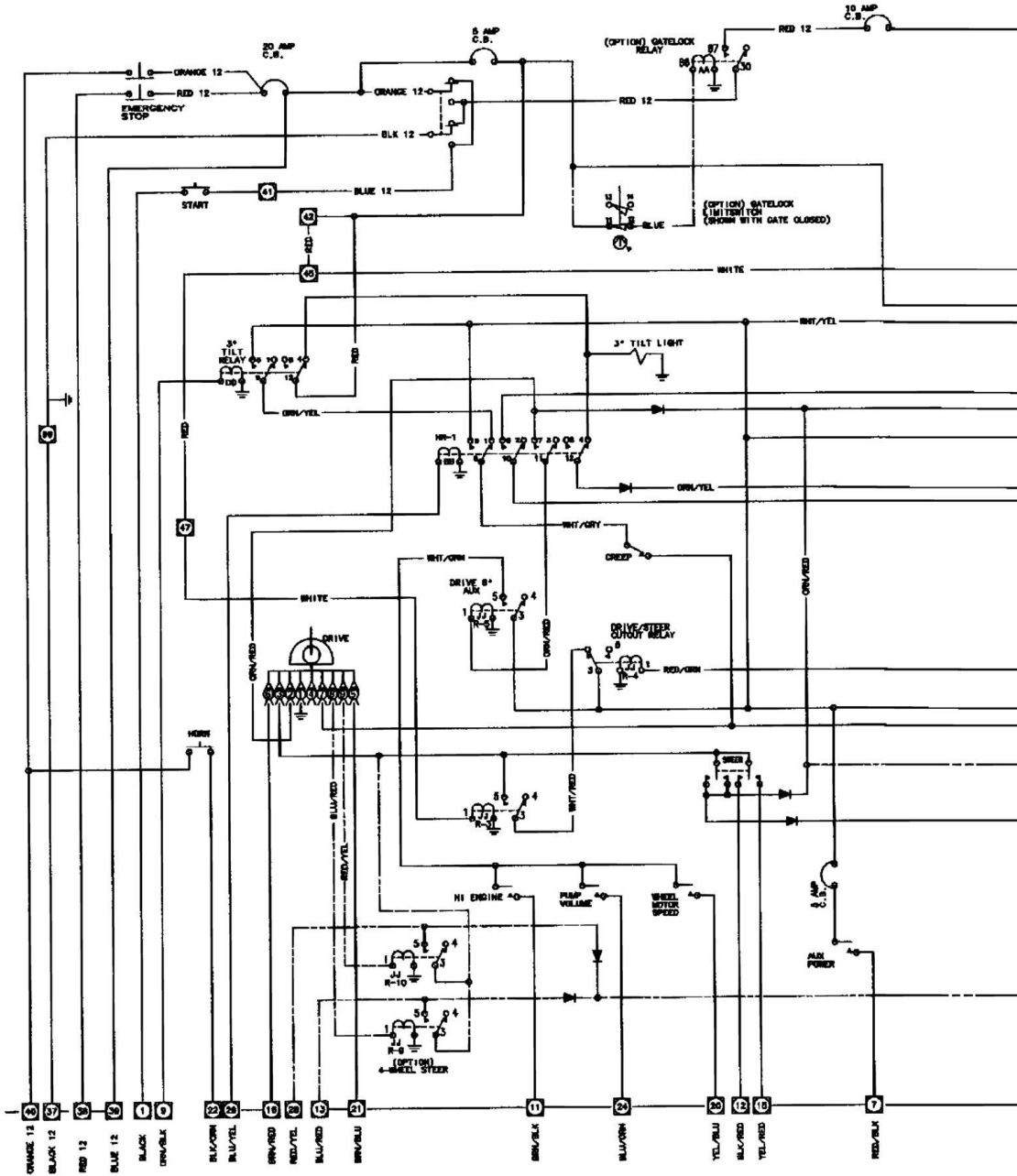
## SECTION 7 - ELECTRICAL

ITEM	PART NUMBER	QTY	DESCRIPTION	REV
	1870003	Ref	<b>Standard Electrical Schematic</b>	A
	0239194	Ref	<b>Winterization Wiring Diagram (Deutz)</b>	B



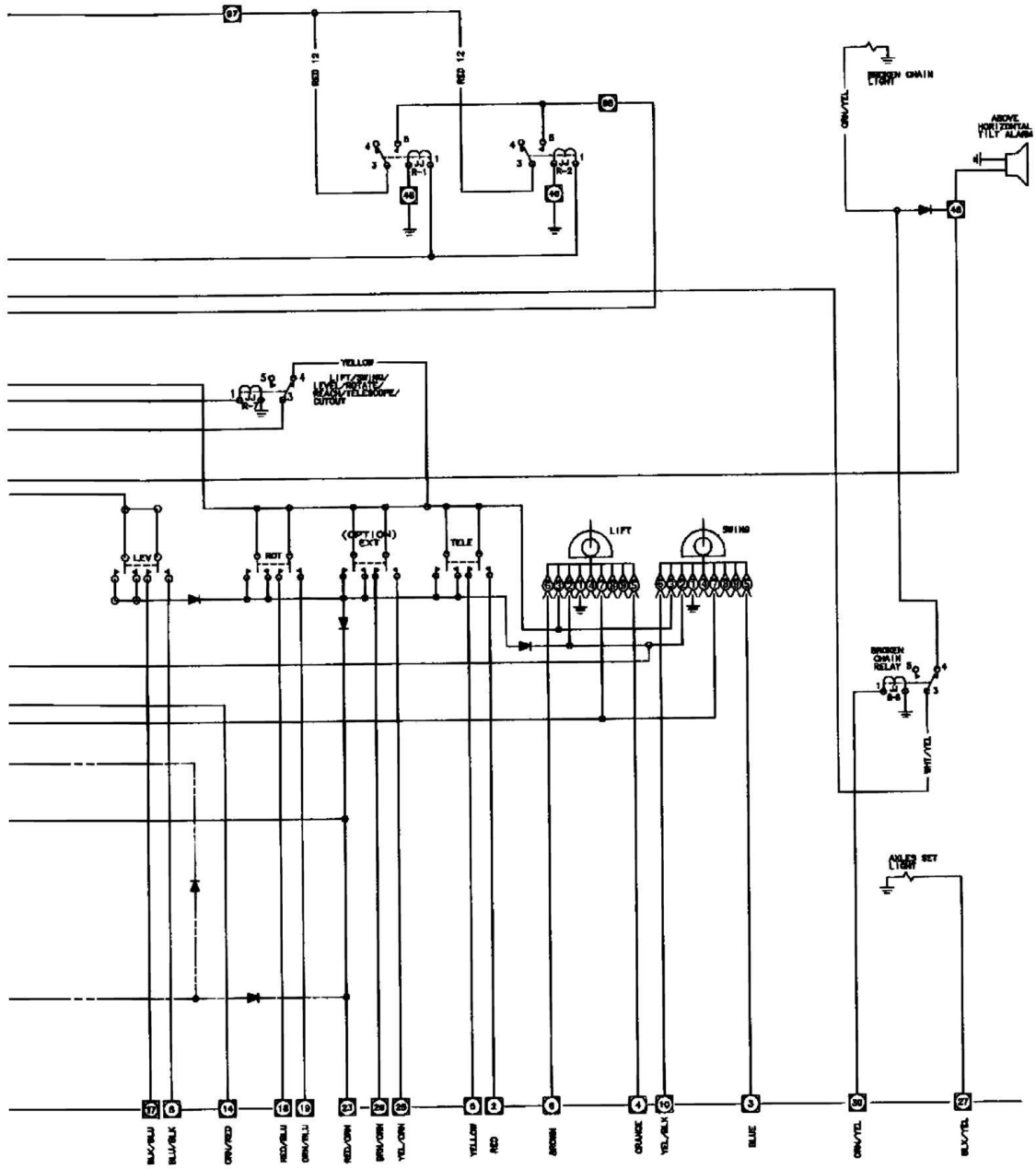
# SECTION 7 - ELECTRICAL

## FIGURE 7-2. ELECTRICAL SCHEMATIC - PLATFORM (SHEET 1 OF 2)





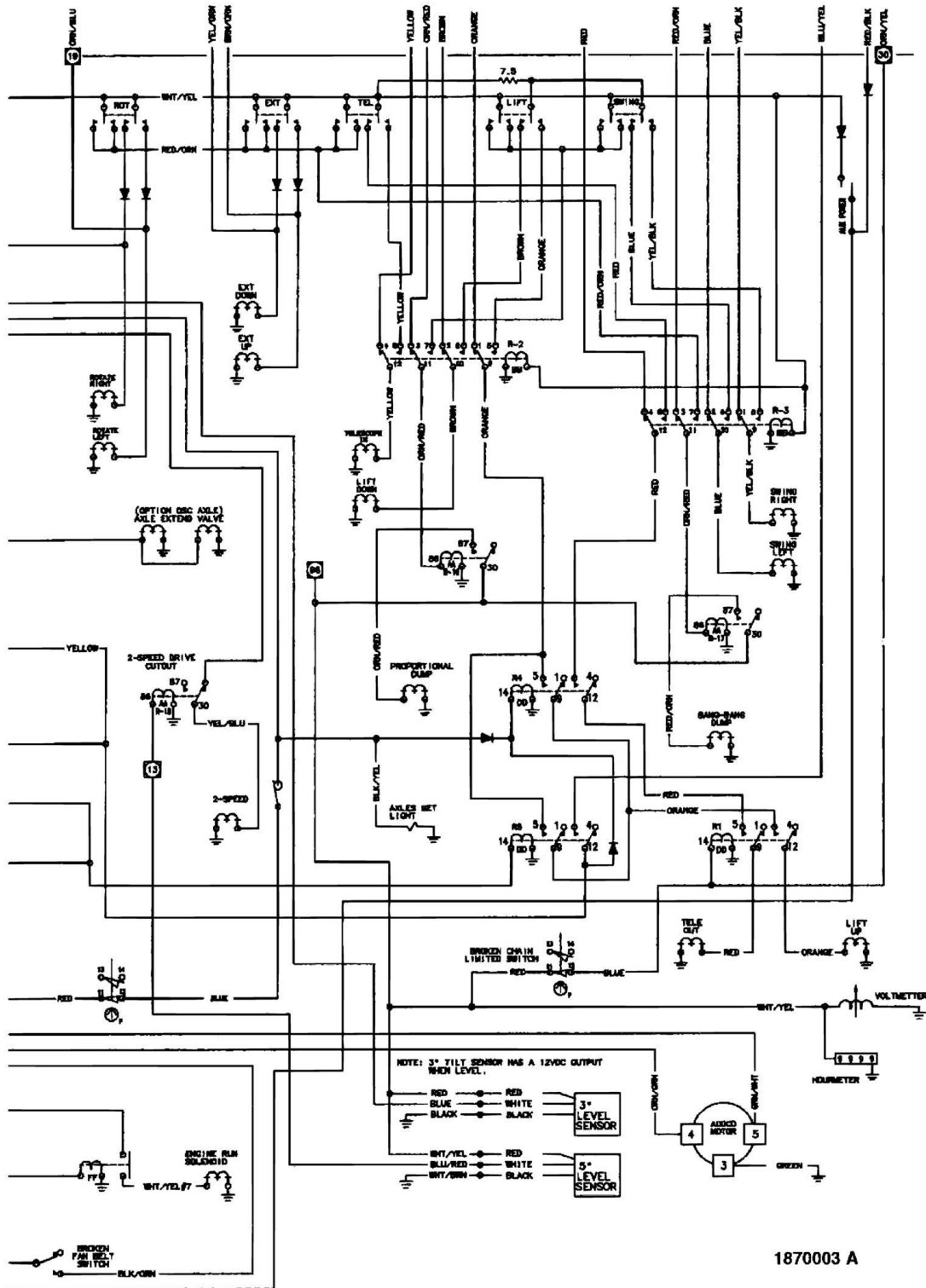
# SECTION 7 - ELECTRICAL



1870003 A



# SECTION 7 - ELECTRICAL





**SECTION 8 - DECALS**



FIGURE 8-1. DECALS INSTALLATION

ITEM	PART NUMBER	QTY	DESCRIPTION	REV
		Ref	<b>COMMON DECALS INSTALLATION</b>	
	0257201	Ref	<b>Australian Spec 80HX With Brown Decals</b>	7-4
	0257200	Ref	<b>Australian Spec 80HX With Black Decals</b>	7-4
	0257203	Ref	<b>Australian Spec 80HX+6 With Brown Decals</b>	8-4
	0257202	Ref	<b>Australian Spec 80HX+6 With Black Decals</b>	8-3
	0252146	Ref	<b>CE Spec 80HX With Brown Decals</b>	8-3
	0252147	Ref	<b>CE Spec 80HX With Black Decals</b>	8-3
	0252140	Ref	<b>CE Spec 80HX+6 With Brown Decals</b>	9-1
	0252138	Ref	<b>CE Spec 80HX+6 With Black Decals</b>	9-3
1	Not Available	1	Nameplate - Serial Number	
2	1700584	1	Decal - Patent	
3	1701509	1	Decal - Manual	
4		Ref	Decal - Manual Descent Options:	
4	1701745	1	Decal - Manual Descent <b>(Prior to SN 25609)</b>	
4	1703480	1	Decal - Manual Descent <b>(SN 25609 to Present)</b>	
12		Ref	Decal - Extend-A-Reach Options:	
12	Not Required	0	Decal - Extend-A-Reach 80HX	
12	1701375	2	Decal - Extend-A-Reach 80HX+6/86HX Brown	
12	1701431	2	Decal - Extend-A-Reach 80HX+6/86HX Black	
13	1701518	AR	Decal - Crushing	
14	1701501	4	Decal - Arrow	
16		Ref	Decal - Fuel Options:	
16	1701542	1	Gas	
16	1701505	1	Diesel	
17	1701504	1	Decal - Hydraulic	
18	1701500	8	Decal - Tie-Down/Lid-up	
19		Ref	Decal - Fuel LP Gas Options:	
19	Not Required	0	Without Dual Fuel	
19	1701543	1	With Dual Fuel	
20		Ref	Stripe Options:	
20		Ref	Stripe 80HX:	
20	1700431	40 ft/12.2m	Brown (Prior to August 1995)	
20	1701703	40 ft/12.2m	Brown (August 1995 to Present)	
20	1701334	40 ft/12.2m	Black	
20		Ref	Stripe 80HX+6/86HX	
20	1700431	41 ft/12.5m	Brown (Prior to August 1995)	
20	1701703	41 ft/12.5m	Brown (August 1995 to Present)	
20	1701334	41 ft/12.5m	Black	
22	3820001	AR	Rivet	
27		Ref	Decal - Model Designation Options:	
27	1700639	2	Decal - Model Designation 80HX Brown (Prior to March 1992)	
27	1701741	2	Decal - Model Designation 80HX Brown (March 1992 to Present)	
27	1701026	2	Decal - Model Designation 80HX Black (Prior to March 1992)	
27	1701747	2	Decal - Model Designation 80HX Black (March 1992 to Present)	

## SECTION 8 - DECALS

ITEM	PART NUMBER	QTY	DESCRIPTION	REV
27	1701379	2	Decal - Model Designation 80HX+6 Black	
28		Ref	Decal - JLG Lift or JLG Options:	
28	1700422	1	JLG Lift - 80HX Brown (Prior to April 1992)	
28	1701684	1	JLG Lift - 80HX Brown (April 1992 to Present)	
28	1700349	1	JLG Lift - 80HX Black (Prior to April 1992)	
28	1701685	1	JLG Lift - 80HX Black (April 1992 to Present)	
28	1701376	1	JLG - 80HX+6/86HX Brown	
28	1701548	1	JLG - 80HX+6/86HX Black	
29		Ref	Decal - JLG Lift or JLG Options:	
29	1700422	2	JLG Lift - 80HX Brown (Prior to April 1992)	
29	1701684	2	JLG Lift - 80HX Brown (April 1992 to Present)	
29	1700349	2	JLG Lift - 80HX Black (Prior to April 1992)	
29	1701685	2	JLG Lift - 80HX Black (April 1992 to Present)	
29	Not Required	0	Decal - JLG Lift or JLG 80HX+6/86HX Brown	
31		Ref	Decal - LP Gas Caution Options:	
31	Not Required	0	Without Dual Fuel	
31	3252345	1	With Dual Fuel	
33	0961127	1	Bushing, Snap	
34	0100010	AR	Loctite, Adhesive (Not Shown)	
35	1701502	1	Decal - Hydraulic Oil High	
36	0860520	1	Box, Manual Storage	
37	3311405	5	Locknut 1/4in-20NC	
38	4751400	6	Flatwasher 1/4in	
39	1060279	1	Cable, Lanyard	
40	0641408	1	Bolt 1/4in-20NC x 1in	
43	3251813	1	Decal - USA (Prior to August 1995 Only)	
44		Ref	Decal - JLG Options:	
44	1700981	1	Decal - JLG (Brown)	
44	1701321	1	Decal - JLG (Black)	
46		Ref	Decal - JLG Options:	
46	Not Required	0	Decal - JLG 80HX	
46	1701110	2	Decal - JLG 80HX+6/86HX Brown	
46	1701433	2	Decal - JLG 80HX+6/86HX Black	
47	1701503	1	Decal - Hydraulic Oil Low	
48	1701499	2	Decal - Lift Here/Tiedown	
49	1701555	4	Decal - Tire Pressure (Prior to August 1995 Only)	
54	4420052	6.1 ft/1.9m	Tape, Safety	
57	Not Available	1	Decal - Bar Code (August 1995 to Present)	
	0251685	Ref	<b>LIFTING DIAGRAM INSTALLATION</b>	-
101	3252095	2	Decal - Lifting Diagram	
101	3820001	8	Rivet	
		Ref	<b>DECAL INSTALLATION (VARIABLE PARTS)</b>	
	0252150	Ref	<b>Decal Installation 80HX Australian Spec (Prior to SN 25609)</b>	6
	0257200	Ref	<b>Decal Installation 80HX Australian Spec (SN 25609 to Present)</b>	3
	0257201	Ref	<b>Decal Installation 80HX Australian Spec (SN 25609 to Present)</b>	3
	0252156	Ref	<b>Decal Installation 80HX+6/86HX Australian Spec (Prior to SN 25609)</b>	7
	0257202	Ref	<b>Decal Installation 80HX+6/86HX Australian Spec (SN 25609 to Present)</b>	1
	0257203	Ref	<b>Decal Installation 80HX+6/86HX Australian Spec (SN 25609 to Present)</b>	3



## SECTION 8 - DECALS

ITEM	PART NUMBER	QTY	DESCRIPTION	REV
	0254406	Ref	<b>Australian Spec Only (Prior to SN 25609)</b>	A
	0252908	Ref	<b>Decal Installation 80HX Dutch Spec</b>	4
	0252912	Ref	<b>Decal Installation 80HX+6/86HX Dutch Spec</b>	3
	0252151	Ref	<b>Decal Installation 80HX French Spec</b>	3
	0252155	Ref	<b>Decal Installation 80HX+6/86HX French Spec</b>	3
	0252148	Ref	<b>Decal Installation 80HX German and Austrian Spec</b>	3
	0252139	Ref	<b>Decal Installation 80HX+6/86HX German and Austrian Spec</b>	4
	0252907	Ref	<b>Decal Installation 80HX Italian Spec</b>	2
	0252911	Ref	<b>Decal Installation 80HX+6/86HX Italian Spec</b>	3
	0253249	Ref	<b>Decal Installation 80HX Spanish Spec</b>	2
	0253275	Ref	<b>Decal Installation 80HX+6/86HX Spanish Spec</b>	3
	0252150	Ref	<b>Decal Installation 80HX UK English Spec</b>	6
	0252156	Ref	<b>Decal Installation 80HX+6/86HX UK English Spec</b>	7
201		Ref	Nameplate - Footswitch Warning Options:	
201	3252347	1	Australian Spec	
201	1703518	1	Dutch Spec	
201	1693292	1	French Spec	
201	1693294	1	German and Austrian Spec	
201	1701600	1	Italian Spec	
201	1701791	1	Spanish Spec	
201	3252347	1	UK English Spec	
202		Ref	Decal - Ground Control Location Options:	
202	1700037	1	Australian Spec	
202	1701616	1	Dutch Spec	
202	1701515	1	French Spec	
202	1693285	1	German and Austrian Spec	
202	1701599	1	Italian Spec	
202	1701789	1	Spanish Spec	
202	1700037	1	UK English Spec	
203		Ref	Nameplate - Axle Extend/Retract Options:	
203	3251637	1	Australian Spec (Prior to May 1994)	
203	1702301	1	Australian Spec (May 1994 to October 1995)	
203	1702888	1	Australian Spec (October 1995 to Present)	
203	1701533	1	Dutch Spec	
203	1701534	1	French Spec	
203	1701564	1	German and Austrian Spec	
203	1701698	1	Italian Spec	
203	1701797	1	Spanish Spec	
203	3251637	1	UK English Spec (Prior to May 1994)	
203	1702301	1	UK English Spec (May 1994 to October 1995)	
203	1702888	1	UK English Spec (October 1995 to Present)	
204		Ref	Decal - Steer/Axle Select Options:	
204	3251870	1	Australian Spec	
204	1701531	1	Dutch Spec	
204	1701506	1	French Spec	
204	1701562	1	German and Austrian Spec	
204	1701696	1	Italian Spec	
204	1701795	1	Spanish Spec	
204	3251870	1	UK English Spec	
205		Ref	Decal - Caution Options:	
205	1690696	1	Australian Spec	

## SECTION 8 - DECALS

ITEM	PART NUMBER	QTY	DESCRIPTION	REV
205	Not Required	1	Dutch Spec	
205	1693286	1	French Spec	
205	1693288	1	German and Austrian Spec	
205	1701601	1	Italian Spec	
205	1701794	1	Spanish Spec	
205	Not Required	1	UK English Spec	
206		Ref	Decal - Caution Options:	
206	1690697	1	Australian Spec	
206	1701567	1	Dutch Spec	
206	1701577	1	French Spec	
206	1690697	1	German and Austrian Spec	
206	1690697	1	Italian Spec	
206	1690697	1	Spanish Spec	
206	Not Required	1	UK English Spec	
207		Ref	Decal - Caution Options:	
207	1691483	1	Australian Spec	
207	1701596	1	Dutch Spec	
207	1693289	1	French Spec	
207	1693291	1	German and Austrian Spec	
207	1701602	1	Italian Spec	
207	1701798	1	Spanish Spec	
207	Not Required	1	UK English Spec	
208		Ref	Decal Options:	
208	1701818	1	Australian Spec	
208	1701596	1	Dutch Spec	
208	Not Required	1	French Spec	
208	Not Required	1	German and Austrian Spec	
208	Not Required	1	Italian Spec	
208	Not Required	1	Spanish Spec	
208	Not Required	1	UK English Spec	
209		Ref	Nameplate Options (Australian Spec Only):	
209	3252197	1	Australian Spec <b>(Prior to SN 27326)</b>	
209	1702958	1	Australian Spec <b>(SN 27326 to Present)</b>	
209	Not Required	1	Dutch, French, German, Austrian, Italian, Spanish and UK English Specs	
210		Ref	Decal - Max Tire Load <b>(SN 25609 to Present)</b>	
210	Not Required	1	Australian Spec	
210	1703477		Dutch, French, German, Austrian Italian, Spanish and UK English Specs	
211		Ref	Nameplate - CE <b>(SN 25609 to Present)</b>	
211	Not Required	0	Australian Spec	
211	1702928		Dutch, French, German, Austrian, Italian, Spanish and UK English Specs	
212		Ref	Tape, Safety	
212	4420052	14.7 ft/4.5	Australian Spec	
212	4420052	14.7 ft/4.5	Dutch, French, German, Austrian, Italian, Spanish and UK English Specs <b>(Prior to SN 25609)</b>	
212	4420051	14.7 ft/4.5	Dutch, French, German, Austrian, Italian, Spanish and UK English Specs <b>(SN 25609 to Present)</b>	
213		Ref	Decal - Safe Working Load Options	
213	Not Required	0	Australian Spec <b>(Prior to SN 34839)</b>	
213	1703677	1	Australian Spec <b>(SN 34839 to Present)</b>	

## SECTION 8 - DECALS

ITEM	PART NUMBER	QTY	DESCRIPTION	REV
213	Not Required	0	Dutch, French, German, Austrian, Italian, Spanish and UK English Specs <b>(Prior to SN 25609)</b>	
214		Ref	Decal - Danger (Electrical Hazard) Options:	
214	Not Required	0	Australian Spec <b>(Prior to SN 34839)</b>	
214	1703665	2	Australian Spec <b>(SN 34839 to Present)</b>	
214	Not Required	0	Dutch, French, German, Austrian, Italian, Spanish and UK English Specs <b>(Prior to SN 25609)</b>	
215		Ref	Decal - Maintenance Options:	
215	Not Required	0	Australian Spec <b>(Prior to SN 34839)</b>	
215	1703663	1	Australian Spec <b>(SN 34839 to Present)</b>	
215	Not Required	0	Dutch, French, German, Austrian, Italian, Spanish and UK English Specs <b>(Prior to SN 25609)</b>	
216		Ref	Decal - Caution (Safety Harness)	
216	Not Required	0	Australian Spec <b>(Prior to SN 34839)</b>	
216	1703664	1	Australian Spec <b>(SN 34839 to Present)</b>	
216	Not Required	0	Dutch, French, German, Austrian, Italian, Spanish and UK English Specs <b>(Prior to SN 25609)</b>	
		Ref	Decal Kit Options:	
	2900994	1	Decal Kit 80HX Australian Spec with Brown Decals (Includes Items 2, 3, 13, 14, 17, 18, 27, 28, 29, 35, 44, 48, 54 & 202-206)	
	2900995	1	Decal Kit 80HX+6 Australian Spec with Brown Decals (Includes Items 2, 3, 4, 12, 13, 14, 17, 18, 27, 28, 35, 44, 46-49, 54 & 202-207)	
	2900981	1	Decal Kit 80HX Dutch Spec (Brown Decals) (Includes Items 2-4, 13, 15, 17, 18, 35, 47, 48, 81, 82, 86, 87, 201-204, 206-208, 210 & 211)	
	2900982	1	Decal Kit 80HX+6 Dutch Spec (Brown Decals) (Includes Items 2-4, 13, 15, 17, 18, 35, 47, 48, 82-84, 87, 201-204, 206-208, 210 & 211)	
	Not Available	Ref	<b>Note: All other specs and colors are not available.</b>	



## **SECTION 9 - RECOMMENDED SERVICE PARTS STOCK**

## **SECTION 9 - RECOMMENDED SERVICE PARTS STOCK**

## SECTION 9 - RECOMMENDED SERVICE PARTS STOCK

FIGURE 9-1. MODELS 80HX/80HX+6 (WITH DEUTZ ENGINE) STANDARD PARTS

ITEM	PART NUMBER	QTY	DESCRIPTION	REV
	Note	Ref	<b>Note: The following list will service fleets of machines (built to current production per date on the front cover) with emergency repair parts which can be installed in the field. Parts from the list should be replaced when inventory is depleted to keep service parts stock supplied. For further information, contact your JLG dealer or the JLG Industries Parts Department.</b>	
		Ref	<b>STANDARD PARTS</b>	
	4360277	1	Switch, Limit, (for fleets of 1 to 10)	
	4360277	1	Switch, Limit, (for fleets of 10 to 20)	
	4360277	2	Switch, Limit, (for fleets of 20 or more)	
	7012339	1	Coil - Vickers Valve, (for fleets of 1 to 10)	
	7012339	2	Coil - Vickers Valve, (for fleets of 10 to 20)	
	7012339	2	Coil - Vickers Valve, (for fleets of 20 or more)	
	7000417	1	Coil - Bang-Bang Valve (Dump), (for fleets of 1 to 10)	
	7000417	2	Coil - Bang-Bang Valve (Dump), (for fleets of 10 to 20)	
	7000417	2	Coil - Bang-Bang Valve (Dump), (for fleets of 20 or more)	
	7002450	1	Coil - Bang-Bang Valve (Dump), (for fleets of 1 to 10)	
	7002450	2	Coil - Bang-Bang Valve (Dump), (for fleets of 10 to 20)	
	7002450	2	Coil - Bang-Bang Valve (Dump), (for fleets of 20 or more)	
	7000418	1	Coil - Bang-Bang Valve (Working), (for fleets of 1 to 10)	
	7000418	2	Coil - Bang-Bang Valve (Working), (for fleets of 10 to 20)	
	7000418	2	Coil - Bang-Bang Valve (Working), (for fleets of 20 or more)	
	7004214	1 Dozen	Element, Air Filter, (for fleets of 1 to 10)	
	7004214	1 Dozen	Element, Air Filter, (for fleets of 10 to 20)	
	7004214	1 Dozen	Element, Air Filter, (for fleets of 20 or more)	
	3740067	1	Relay, (for fleets of 1 to 10)	
	3740067	1	Relay, (for fleets of 10 to 20)	
	3740067	1	Relay, (for fleets of 20 or more)	
	3740059	1	Relay (Deutz), (for fleets of 1 to 10)	
	3740059	1	Relay (Deutz), (for fleets of 10 to 20)	
	3740059	1	Relay (Deutz), (for fleets of 20 or more)	
	7029276	1 Case	Filter, Oil (Deutz Engine Machines), (for fleets of 1 to 10)	
	7029276	1 Case	Filter, Oil (Deutz Engine Machines), (for fleets of 10 to 20)	
	7029276	1 Case	Filter, Oil (Deutz Engine Machines), (for fleets of 20 or more)	
	4360155	1	Switch, Disconnect, (for fleets of 1 to 10)	
	4360155	1	Switch, Disconnect, (for fleets of 10 to 20)	
	4360155	1	Switch, Disconnect, (for fleets of 20 or more)	
	2400054	1	Fuse - 35 Amp, (for fleets of 1 to 10)	
	2400054	1	Fuse - 35 Amp, (for fleets of 10 to 20)	
	2400054	1	Fuse - 35 Amp, (for fleets of 20 or more)	
	7008828	1	Cable, Throttle (Deutz), (for fleets of 1 to 10)	
	7008828	1	Cable, Throttle (Deutz), (for fleets of 10 to 20)	
	7008828	1	Cable, Throttle (Deutz), (for fleets of 20 or more)	
	7008829	1	Board, PC (Deutz), (for fleets of 1 to 10)	
	7008829	1	Board, PC (Deutz), (for fleets of 10 to 20)	
	7008829	1	Board, PC (Deutz), (for fleets of 20 or more)	
	1660183	1	Coupling, Pump (Deutz Engine Machines), (for fleets of 1 to 10)	
	1660183	1	Coupling, Pump (Deutz Engine Machines), (for fleets of 10 to 20)	
	1660183	1	Coupling, Pump (Deutz Engine Machines), (for fleets of 20 or more)	

## SECTION 9 - RECOMMENDED SERVICE PARTS STOCK

ITEM	PART NUMBER	QTY	DESCRIPTION	REV
	1340046	2 per machine	Breather, Hydraulic Tank, (for fleets of 1 to 10)	
	1340046	2 per machine	Breather, Hydraulic Tank, (for fleets of 10 to 20)	
	1340046	2 per machine	Breather, Hydraulic Tank, (for fleets of 20 or more)	
	2120107	2 per machine	Element, Hydraulic Oil Filter, (for fleets of 1 to 10)	
	2120107	2 per machine	Element, Hydraulic Oil Filter, (for fleets of 10 to 20)	
	2120107	2 per machine	Element, Hydraulic Oil Filter, (for fleets of 20 or more)	
	3740049	1	Relay - SPDT, (for fleets of 1 to 10)	
	3740049	1	Relay - SPDT, (for fleets of 10 to 20)	
	3740049	2	Relay - SPDT, (for fleets of 20 or more)	
	3740122	1	Relay - SPDT, (for fleets of 1 to 10)	
	3740122	1	Relay - SPDT, (for fleets of 10 to 20)	
	3740122	2	Relay - SPDT, (for fleets of 20 or more)	
	3740123	1	Relay - SPDT, (for fleets of 1 to 10)	
	3740123	1	Relay - SPDT, (for fleets of 10 to 20)	
	3740123	2	Relay - SPDT, (for fleets of 20 or more)	
	4360069	1	Breaker, Circuit - 10 Amp, (for fleets of 1 to 10)	
	4360069	1	Breaker, Circuit - 10 Amp, (for fleets of 10 to 20)	
	4360069	2	Breaker, Circuit - 10 Amp, (for fleets of 20 or more)	
	4360232	1	Breaker, Circuit - 15 Amp, (for fleets of 1 to 10)	
	4360232	1	Breaker, Circuit - 15 Amp, (for fleets of 10 to 20)	
	4360232	2	Breaker, Circuit - 15 Amp, (for fleets of 20 or more)	
	4360475	1	Switch, Mushroom, (for fleets of 1 to 10)	
	4360475	1	Switch, Mushroom, (for fleets of 10 to 20)	
	4360475	1	Switch, Mushroom, (for fleets of 20 or more)	
	4360274	1	Switch, Push Button - SPST/MC, (for fleets of 1 to 10)	
	4360274	1	Switch, Push Button - SPST/MC, (for fleets of 10 to 20)	
	4360274	2	Switch, Push Button - SPST/MC, (for fleets of 20 or more)	
	4360468	1	Switch, Key, (for fleets of 1 to 10)	
	4360468	1	Switch, Key, (for fleets of 10 to 20)	
	4360468	2	Switch, Key, (for fleets of 20 or more)	
	2860030	2	Key, (for fleets of 1 to 10)	
	2860030	4	Key, (for fleets of 10 to 20)	
	2860030	6	Key, (for fleets of 20 or more)	
	4360200	1	Switch, Toggle, (for fleets of 1 to 10)	
	4360200	1	Switch, Toggle, (for fleets of 10 to 20)	
	4360200	2	Switch, Toggle, (for fleets of 20 or more)	
	4360202	1	Switch, Toggle, (for fleets of 1 to 10)	
	4360202	1	Switch, Toggle, (for fleets of 10 to 20)	
	4360202	2	Switch, Toggle, (for fleets of 20 or more)	
	4360212	1	Breaker, Circuit - 3 Amp, (for fleets of 1 to 10)	
	4360212	1	BreBreaker, Circuit - 3 Amp, (for fleets of 10 to 20)	
	4360212	1	Breaker, Circuit - 3 Amp, (for fleets of 20 or more)	
	4360171	1	Switch, Tilt Indicator, (for fleets of 1 to 10)	
	4360171	1	Switch, Tilt Indicator, (for fleets of 10 to 20)	
	4360171	2	Switch, Tilt Indicator, (for fleets of 20 or more)	
	4360280	1	Switch, Tilt Indicator, (for fleets of 1 to 10)	
	4360280	1	Switch, Tilt Indicator, (for fleets of 10 to 20)	

## SECTION 9 - RECOMMENDED SERVICE PARTS STOCK

ITEM	PART NUMBER	QTY	DESCRIPTION	REV
	4360280	2	Switch, Tilt Indicator, (for fleets of 20 or more)	
	70002008	2	Power Track - 1 Foot Section, (for fleets of 1 to 10)	
	70002008	2	Power Track - 1 Foot Section, (for fleets of 10 to 20)	
	70002008	2	Power Track - 1 Foot Section, (for fleets of 20 or more)	
	2940006	1	Latch, Platform Door, (for fleets of 1 to 10)	
	2940006	1	Latch, Platform Door, (for fleets of 10 to 20)	
	2940006	1	Latch, Platform Door, (for fleets of 20 or more)	
	4360031	1	Footswitch, (for fleets of 1 to 10)	
	4360031	1	Footswitch, (for fleets of 10 to 20)	
	4360031	1	Footswitch, (for fleets of 20 or more)	
	1600141	1	Controller, PQ, (for fleets of 1 to 10)	
	1600141	1	Controller, PQ, (for fleets of 10 to 20)	
	1600141	1	Controller, PQ, (for fleets of 20 or more)	
	7011907	1	Electrical Assembly - 1600141 Controller, (for fleets of 1 to 10)	
	7011907	2	Electrical Assembly - 1600141 Controller, (for fleets of 10 to 20)	
	7011907	2	Electrical Assembly - 1600141 Controller, (for fleets of 20 or more)	
	4360199	1	Switch, Toggle - SPDT, (for fleets of 1 to 10)	
	4360199	1	Switch, Toggle - SPDT, (for fleets of 10 to 20)	
	4360199	2	Switch, Toggle - SPDT, (for fleets of 20 or more)	
	4360476	1	Contact, Switch Block, (for fleets of 1 to 10)	
	4360476	1	Contact, Switch Block, (for fleets of 10 to 20)	
	4360476	2	Contact, Switch Block, (for fleets of 20 or more)	
	3740086	1	Relay, Mico, (for fleets of 1 to 10)	
	3740086	1	Relay, Mico, (for fleets of 10 to 20)	
	3740086	2	Relay, Mico, (for fleets of 20 or more)	
	4360112	1	Breaker, Circuit - 5 Amp, (for fleets of 1 to 10)	
	4360112	1	Breaker, Circuit - 5 Amp, (for fleets of 10 to 20)	
	4360112	2	Breaker, Circuit - 5 Amp, (for fleets of 20 or more)	
	4360069	1	Breaker, Circuit - 10 Amp, (for fleets of 1 to 10)	
	4360069	1	Breaker, Circuit - 10 Amp, (for fleets of 10 to 20)	
	4360069	2	Breaker, Circuit - 10 Amp, (for fleets of 20 or more)	
	4360161	1	Breaker, Circuit - 20 Amp, (for fleets of 1 to 10)	
	4360161	1	Breaker, Circuit - 20 Amp, (for fleets of 10 to 20)	
	4360161	2	Breaker, Circuit - 20 Amp, (for fleets of 20 or more)	
	3990010	4	Diode - 6 Amp, (for fleets of 1 to 10)	
	3990010	6	Diode - 6 Amp, (for fleets of 10 to 20)	
	3990010	8	Diode - 6 Amp, (for fleets of 20 or more)	
	3740099	1	Relay, (for fleets of 1 to 10)	
	3740099	1	Relay, (for fleets of 10 to 20)	
	3740099	2	Relay, (for fleets of 20 or more)	





## SECTION 9 - RECOMMENDED SERVICE PARTS STOCK

FIGURE 9-2. MODELS 80HX/80HX+6 (WITH DEUTZ ENGINE) VARIABLE PARTS

ITEM	PART NUMBER	QTY	DESCRIPTION	REV
	Note	Ref	<b>Note: The following list will service fleets of machines (built to current production per date on the front cover) with emergency repair parts which can be installed in the field. Parts from the list should be replaced when inventory is depleted to keep service parts stock supplied. For further information, contact your JLG dealer or the JLG Industries Parts Department.</b>	
		Ref	<b>VARIABLE PARTS</b>	
	4360049	1	Switch, Limit, (for fleets of 1 to 10)	
	4360049	1	Switch, Limit, (for fleets of 10 to 20)	
	4360049	1	Switch, Limit, (for fleets of 20 or more)	
	4360053	1	Switch, Limit, (for fleets of 1 to 10)	
	4360053	1	Switch, Limit, (for fleets of 10 to 20)	
	4360053	1	Switch, Limit, (for fleets of 20 or more)	
	4360277	1	Switch, Limit, (for fleets of 1 to 10)	
	4360277	1	Switch, Limit, (for fleets of 10 to 20)	
	4360277	1	Switch, Limit, (for fleets of 20 or more)	
	4360057	1	Switch, Limit, (for fleets of 1 to 10)	
	4360057	1	Switch, Limit, (for fleets of 10 to 20)	
	4360057	1	Switch, Limit, (for fleets of 20 or more)	
	4360263	1	Switch, Limit (French Spec), (for fleets of 1 to 10)	
	4360263	1	Switch, Limit (French Spec), (for fleets of 10 to 20)	
	4360263	2	Switch, Limit (French Spec), (for fleets of 20 or more)	
	4120012	1	Relay - 2PST (Italian Spec), (for fleets of 1 to 10)	
	4120012	1	Relay - 2PST (Italian Spec), (for fleets of 10 to 20)	
	4120012	2	Relay - 2PST (Italian Spec), (for fleets of 20 or more)	
	1693405	1	Relay, Timer (French Spec), (for fleets of 1 to 10)	
	1693405	1	Relay, Timer (French Spec), (for fleets of 10 to 20)	
	1693405	2	Relay, Timer (French Spec), (for fleets of 20 or more)	
	7011903	1	Electrical Assembly - 1600140 Controller (4WS), (for fleets of 1 to 10)	
	7011903	1	Electrical Assembly - 1600140 Controller (4WS), (for fleets of 10 to 20)	
	7011903	1	Electrical Assembly - 1600140 Controller (4WS), (for fleets of 20 or more)	
	7003789	1	Switch, Steer - 1600140 Controller (4WS), (for fleets of 1 to 10)	
	7003789	1	Switch, Steer - 1600140 Controller (4WS), (for fleets of 10 to 20)	
	7003789	1	Switch, Steer - 1600140 Controller (4WS), (for fleets of 20 or more)	
	2900838	1	U.S. Standards Fastener Kit, (for fleets of 1 to 10)	
	2900838	1	U.S. Standards Fastener Kit, (for fleets of 10 to 20)	
	2900838	2	U.S. Standards Fastener Kit, (for fleets of 20 or more)	
	7014676	1	U.S. Standards Tool Kit, (for fleets of 1 to 10)	
	7014676	1	U.S. Standards Tool Kit, (for fleets of 10 to 20)	
	7014676	2	U.S. Standards Tool Kit, (for fleets of 20 or more)	

**SECTION 10 - SPECIAL OPTIONS**

# SECTION 10 - SPECIAL OPTIONS

FIGURE 10-1. SPECIAL OPTIONS

ITEM	PART NUMBER	QTY	DESCRIPTION	REV
	Note	Ref	<b>Note: This list is to accommodate machines ordered with special equipment. Options may not be applicable to all models. For more specific parts information contact JLG Parts Department.</b>	
	0237063	Ref	<b>AIR CLEANER SERVICE INDICATOR INSTALLATION</b>	
		Ref	<b>AIRLINE TO PLATFORM INSTALLATIONS</b>	
	0237142	Ref	<b>1/2in Airline Installation - 80HX</b>	
	0250330	Ref	<b>1/2in Airline Installation - 80HX+6 &amp; 86HX</b>	
	0237143	Ref	<b>3/4in Airline Installation - 80HX</b>	
	0239121	Ref	<b>BRUSH INSTALLATION - T/T BEARING (SN 11028)</b>	
	0270723	Ref	<b>BEACON MOUNTED UNDER PLATFORM INSTALLATION</b>	
		Ref	<b>BIODEGRADABLE HYDRAULIC FLUID DECALS</b>	
	1702788	1	<b>USE WITH #072D (UK ENGLISH)</b>	
	1703479	1	<b>USE WITH #072D (GERMAN)</b>	
	1704174	1	<b>USE WITH #072E (UK ENGLISH)</b>	
	1704175	1	<b>USE WITH #072E (GERMAN)</b>	
	0258376	Ref	<b>BOOM INSTALLATION - SPECIAL MODIFIED</b>	
	0801151	Ref	<b>Boom Assembly</b>	
	0239121	Ref	<b>BRUSH INSTALLATION - T/T BEARING</b>	
	0254834	Ref	<b>4in SPACER INSTALLATION - T/T BEARING</b>	
	0256789	Ref	<b>CAMERA MOUNTING INSTALLATION</b>	
	0254161	Ref	<b>CHIP COVERS INSTALLATION - POWER TRACK</b>	
	0253634	Ref	<b>COVER INSTALLATION - METAL CONSOLE (80HX)</b>	
	0256620	Ref	<b>COVER INSTALLATION - METAL CONSOLE (80HX+6)</b>	
		Ref	<b>EXHAUST INSTALLATIONS - SPECIALS</b>	
		Ref	<b>Deutz Engines:</b>	
	0250632	Ref	<b>Exhaust Purifier Installation (Prior to April 1993)</b>	
	0254109	Ref	<b>Exhaust Purifier Installation (April 1993 to Present)</b>	
	0235110	Ref	<b>Spark Arrester Installation (Prior to January 1992)</b>	
	0252736	Ref	<b>Spark Arrester Installation (January 1992 to Present)</b>	
		Ref	<b>Filter Kits:</b>	
	1001110984	1	Combined Filter Kit (Hydraulic/Air and Fuel/Engine Oil)	
	1001109671	1	Hydraulic/Air Filter	
	1001110131	1	Engine - Fuel/Engine Oil Filter	
		Ref	<b>HEATERS INSTALLATION</b>	
	0238779	Ref	<b>Deutz Engines:</b>	
	0238784	Ref	<b>Oil Heater Installation (Prior to January 1992)</b>	
	0252654	Ref	<b>Oil Heater Installation (January 1992 to Present)</b>	
	2580024	Ref	<b>Battery Heater Installation</b>	
	0239194	Ref	<b>Cold Weather Start Kit Installation</b>	
	4360295	Ref	<b>IGNITION SWITCH WITH INDIVIDUAL CODED KEYS</b>	
		Ref	<b>LIGHTS INSTALLATION - SPECIAL</b>	
	0254097	Ref	<b>Brake Lights Installation</b>	
	0236662	Ref	<b>Headlights and Taillights Installation (Prior to March 1993)</b>	
	0254084	Ref	<b>Headlights and Taillights Installation (March 1993 to Present)</b>	
	0257591	Ref	<b>Forward and Reverse Installation (SN 33000 to Present)</b>	
	0237064	Ref	<b>Panel Lights Installation (On Ground and Platform Control Boxes)</b>	
	0254096	Ref	<b>Turn Signals Installation</b>	

## SECTION 10 - SPECIAL OPTIONS

ITEM	PART NUMBER	QTY	DESCRIPTION	REV
	0251509	Ref	<b>LOCKS INSTALLATION - TURNTABLE (90) (SN 11028 &amp; SN 13487)</b>	
		Ref	<b>OIL COOLER INSTALLATIONS</b>	
	0236610	Ref	Oil Cooler Installation - Mounted at Rear of T/T	
	0254853	Ref	Oil Cooler Installation - Mounted Inside of T/T	
	0252126	Ref	<b>OVERLOAD SYSTEM FOR EXTEND-A-REACH INSTALLATION (80HX+6 OPTION) (LOCATED ON EAR LEVEL CYLINDER)</b>	
	0258039	Ref	<b>OVERLOAD SENSING SYSTEM INSTALLATION (FRENCH SPEC)</b>	
	0251080	Ref	<b>OXY-ACETYLENE LINES INSTALLATION - 80HX</b>	
	0252649	Ref	<b>OXY-ACETYLENE LINES INSTALLATION - 80HX+6 &amp; 86HX</b>	
	0256436	Ref	<b>PIPE RACK INSTALLATION (PRIOR TO NOVEMBER 1997)</b>	
	0257728	Ref	<b>PIPE RACK INSTALLATION (NOVEMBER 1997 TO PRESENT)</b>	
		Ref	<b>PLATFORM (WELDED-ON) KICKPLATES INSTALLATION - LOW MOUNT PLATFORM</b>	
	0250257	Ref	3ft x 5ft Platform	
	0250261	Ref	3ft x 6ft Platform	
	0250262	Ref	3ft x 8ft Platform	
		Ref	<b>PLATFORM (BOLT-ON) KICKPLATES INSTALLATION</b>	
	0250707	Ref	3ft x 5ft Standard Platform	
	0250708	Ref	3ft x 6ft Standard Platform	
	0250709	Ref	3ft x 8ft Standard Platform	
	0250731	Ref	3ft x 5ft Low Mount Platform	
	0250730	Ref	3ft x 6ft Low Mount Platform	
	0250732	Ref	3ft x 8ft Low Mount Platform	
	0238442	Ref	<b>PLATFORM STEP INSTALLATION</b>	
		Ref	<b>RECEPTACLE AT PLATFORM INSTALLATION</b>	
	0254429	Ref	Receptacle At Platform Installation 80HX	
	0254431	Ref	Receptacle At Platform Installation 80HX+6 & 86HX	
	0254793	Ref	<b>RECEPTACLE MOUNTING PLATE INSTALLATION - ARGENTINA</b>	A
		Ref	<b>TANK INSTALLATIONS - FUEL AND OIL (SPECIAL)</b>	
	0255937	Ref	52 Gallon Tank Fuel Installation	
	4400389	1	Tank - 52 Gallon	
	0239511	Ref	60 Gallon Tank Fuel Installation	
	4843197	1	Tank - 60 Gallon	
		Ref	<b>TOOLS FOR SERVICE:</b>	
	7002821	Ref	Crimper, Wire	
	2900838	Ref	Fastener Kit - U.S. Standards	
	7002823	Ref	Pin Extractor - Universal (For Electrical Connectors with Pins and Sockets)	
	7016654	Ref	Screwdriver, Magnetic	
	7002822	Ref	Screwdriver, Pontimeter	
	7004275	Ref	Seal Tool 1in (For Cylinders)	
	7004276	Ref	Seal Tool 1 1/2in (For Cylinders)	
	7002828	Ref	Stripper, Wire	
	7014676	Ref	Tool Kit - U.S. Standards	
	9900443	Ref	Tool Box and Tools	
		Ref	<b>TURBO PRE-AIR CLEANER INSTALLATIONS</b>	
	0270487		<b>Deutz Engines</b>	
	1340064	1	Turbo, Pre-Cleaner	
	1340063	1	Air Cleaner Assembly	
	7015009	1	Element, Primary	

## SECTION 10 - SPECIAL OPTIONS

ITEM	PART NUMBER	QTY	DESCRIPTION	REV
	7015010	1	Element, Secondary	
	0254709	Ref	<b>TURNTABLE PINION SHIELD INSTALLATION</b>	
	0250123	Ref	<b>WATERLINE TO PLATFORM INSTALLATION (SN 12452) (80HX)</b>	
	0251078	Ref	<b>WELD CABLES INSTALLATION - 80HX</b>	
	0252648	Ref	<b>WELD CABLES INSTALLATION - 80HX+6 &amp; 86HX</b>	
		Ref	<b>WHEEL DRIVE INSTALLATION - 4.5MPH</b>	
	0238313	Ref	<b>Wheel Drive Installation - 4.5MPH (Prior to SN 51532)</b>	
	0270221	Ref	<b>Wheel Drive Installation - 4.5MPH (SN 51532 to Present)</b>	

**PART NUMBER INDEX**

# PART NUMBER INDEX

0060020.....131	0232123.....115	0237975.....221	0251177.....59
0060023.....131	0234721.....116	0238014.....59	0251180.....237
0080029.....165	0234744.....30	0238044.....143	0251185.....67
0080039....120, 126, 140, 152	0234745.....30	0238089.....11	0251199.....278, 301
0080046.....126	0234746.....30	0238093.....27	0251203.....237
0080087.....165	0235110.....348	0238140.....77	0251208.....178
0080091.....137, 152	0235238...215, 217, 221, 222	0238153.....71	0251221.....67
0080098.....217, 222	0235980.....237	0238154.....215	0251312.....76
0080099.....217, 222	0235981.....237	0238206.....76	0251339.....171
0080117.....121	0236106.....99	0238207.....76	0251422.....127
0080119.....165	0236261.....216	0238313.....350	0251509.....349
0080121.....165	0236285.....171, 172	0238442.....349	0251512.....216, 221
0080124.....161	0236294.....201, 205	0238630.....99	0251514.....30
0080163.....165, 166	0236388.....121	0238692.....205	0251543.....189
0080164.....165, 166	0236398.....140	0238726.....275	0251562.....127, 135
0080210.....152	0236524.....29	0238777.....172	0251632.....211
0100001....175, 227, 231	0236548.....71	0238779.....348	0251683.....127, 322
0100004.....99	0236610.....349	0238784.....348	0251685.....336
0100009.....99	0236662.....348	0238785.....59	0251823.....59
0100010.....336	0236674.....175	0238916.....175	0251932.....177, 178
0100011....11, 12, 15, 16, 20, 23, 24, 27, 29, 61, 63, 115, 150, 152, 157, 178, 182, 186, 197, 201, 211, 216, 222, 241, 243, 245, 247, 249, 251, 253, 255, 257, 261, 263, 265, 269, 295, 297, 315, 317	0236741.....216, 221	0238921.....99	0251947.....145
0100019....19, 20, 29, 61, 71, 99, 115, 189, 207, 217, 223	0236758.....201, 205	0239055.....189, 320	0251948.....228, 234
0100020....137, 150, 152, 171, 172, 245, 249, 253, 255, 261, 269, 281, 287, 292, 299, 308, 311, 315	0236766.....202	0239121.....348	0252050.....121
0100021.....217, 223	0236768...120, 126, 138, 151	0239194.....326, 348	0252054.....237
0100035....241, 243, 245, 249, 251, 253, 255, 257, 261, 263, 265, 269	0236811.....171	0239244.....145	0252126.....349
0100038....241, 243, 245, 247, 249, 251, 253, 255, 257, 261, 263, 265, 269	0236815.....193	0239341.....221	0252138.....335
0100063.....19	0236816.....71	0239342.....221	0252139.....337
0140001.....75	0236830.....215	0239511.....349	0252140.....335
0140019.....228, 232	0236831.....215	0239607.....207	0252146.....335
0140024.....189	0236838.....11	0239954.....165	0252147.....335
0140026.....320, 321	0236851.....59	0239962.....165	0252148.....337
0140032.....189	0236876.....60	0250069.....132	0252150.....336, 337
0181158.....119	0236953.....131	0250123.....350	0252151.....337
0181159.....119	0237010.....190	0250143.....237	0252155.....337
0181175.....202	0237011.....190	0250163.....15	0252156.....336, 337
0181218.....269	0237012.....189	0250191.....178	0252176.....15
0181234.....138, 150	0237054.....189	0250202.....15, 23	0252177.....23
0181286.....121	0237055.....189	0250220.....60	0252178.....15, 23
0200048.....206	0237056.....189	0250248.....221	0252184.....76
0200530.....157	0237063.....348	0250257.....349	0252185.....76
0230435.....115	0237064.....348	0250261.....349	0252186.....76
0230470.....115	0237142.....348	0250262.....349	0252187.....76
0231047.....116	0237142.....348	0250287.....27	0252210.....237
0231311.....76	0237143.....348	0250330.....348	0252211.....237
0231756.....172	0237182.....275	0250584.....190	0252234.....60
0232121.....68	0237192.....206	0250599.....165	0252239.....140
	0237241.....205	0250600.....165	0252284.....115
	0237246.....193	0250611.....115	0252488.....182
	0237355.....67	0250632.....348	0252489.....182, 186
	0237357.....67	0250707.....349	0252507.....119
	0237358.....67	0250708.....349	0252508.....120
	0237497.....140	0250709.....349	0252511.....119
	0237546.....72	0250730.....349	0252512.....120
	0237557.....202	0250731.....349	0252512.....120
	0237558.....201	0250732.....349	0252648.....350
	0237627.....121, 127	0250732.....349	0252649.....349
	0237630.....131	0250855.....207	0252654.....348
	0237635.....131	0250926.....63	0252736.....348
	0237672.....215	0250934.....71	0252848.....237
	0237859.....139	0250935.....71	0252907.....337
	0237936.....137	0251078.....350	0252908.....337
	0237937.....139	0251080.....349	0252911.....337
	0237938.....137	0251092.....189	0252912.....337
	0237939.....139	0251113.....189	0253034.....71
	0237963.....218, 223	0251114.....189	0253036.....71
		0251115.....59	0253038.....71
		0251128.....206	0253039.....71



## PART NUMBER INDEX

0253051 .....	71	0255823 .....	171, 172	0270487 .....	349	0630374 .....	205
0253052 .....	71	0255869 .....	172	0270723 .....	348	0630375 .....	138, 151
0253053 .....	71	0255937 .....	349	0271616 .....	30	0630383 .....	197
0253054 .....	71	0255983 .....	29	0271617 .....	30	0630400 .....	131, 152
0253077 .....	320	0255986 .....	60	0271619 .....	30	0630449 .....	15, 23
0253169 .....	11	0255987 .....	60	0340002 .....	120, 126, 140, 152	0630458 .....	207
0253170 .....	11	0255988 .....	115	0340041 .....	121, 125	0630535 .....	247, 255
0253194 .....	127	0255989 .....	60	0360372 .....	202	0641003 .....	19
0253208 .....	209	0256107 .....	19	0361027 .....	120, 126	0641403 .....	175
0253249 .....	337	0256112 .....	215	0361195 .....	12	0641404 12, 16, 149, 216, 221	
0253275 .....	337	0256131 .....	63	0361524 .....	211	0641405 ... 121, 127, 139, 202, 215, 216, 222	
0253331 .....	126	0256158 .....	65, 76	0361704 .....	145	0641406 .... 20, 119, 121, 131, 135, 137, 139, 140, 151, 152, 154, 182, 186, 189, 193, 194, 197, 217, 237	
0253332 .....	126	0256159 .....	65, 76	0361727 .....	207	0641407 .....	228
0253333 .....	126	0256177 .....	149	0361922 .....	68	0641408 ... 120, 126, 143, 150, 151, 178, 193, 194, 197, 209, 216, 218, 221, 223, 255, 336	
0253334 .....	126	0256178 .....	150	0362079 .....	215, 217, 222	0641409 .....	64, 131, 247
0253338 .....	198	0256298 .....	29	0400002 .....	138, 151	0641410 .....	127
0253372 .....	198	0256301 .....	65, 76	0400003 .....	138, 151	0641412 .....	21, 197
0253374 .....	198	0256302 .....	65, 76	0400020 .....	120, 126	0641414 .....	64
0253417 .....	207	0256436 .....	349	0400075 .....	151	0641416 60, 75, 119, 125, 161, 187	
0253558 .....	237	0256579 .....	63	0440091 .....	15, 23, 67	0641418 .....	115
0253572 .....	30	0256580 .....	63	0440120 .....	217, 222	0641424 .....	75
0253595 .....	140	0256601 .....	61	0440134 .....	217, 222	0641426 .....	75
0253596 .....	139	0256611 .....	61	0440135 .....	217, 222	0641430 .....	75
0253597 .....	139	0256619 .....	63	0440161 .....	11	0641506 .....	61, 64
0253634 .....	348	0256620 .....	348	0440170 .....	11, 20	0641507 .... 67, 121, 135, 152	
0253686 .....	237, 325	0256666 .....	63	0440171 .....	11, 20	0641508 ... 125, 145, 157, 175, 187, 193, 197, 232	
0253696 .....	27	0256675 .....	150	0440193 .....	99	0641510 .....	194
0253697 .....	59	0256676 .....	182	0460071 .....	275	0641512 .....	115, 201
0253747 .....	238	0256789 .....	348	0460075 .....	275	0641520 .....	59
0253987 .....	237, 325	0257045 .....	30	0460081 .....	275	0641528 .....	75
0254084 .....	323, 348	0257046 .....	30	0460095 .....	275	0641605 .....	202, 269
0254093 .....	278, 301	0257093 .....	275	0460101 .....	275	0641606 71, 75, 165, 202, 211	
0254096 .....	348	0257094 .....	275	0460170 .....	275	0641607 .... 121, 165, 269	
0254097 .....	348	0257158 .....	128	0460171 .....	275	0641608 19, 75, 151, 158, 165, 201, 215, 221	
0254109 .....	348	0257163 .....	186	0460172 .....	275	0641609 .....	12, 16, 221
0254161 .....	348	0257178 .....	128	0480037 .....	145	0641610 .... 21, 120, 165, 166, 197, 205	
0254186 .....	190	0257187 .....	187	0480043 .....	135	0641612 ... 120, 138, 150, 157, 172, 202, 216	
0254193 .....	171	0257194 ... 257, 269, 278, 303					
0254203 .....	320	0257200 .....	335, 336	0480048 .....	145	0641614 .... 75, 127, 138, 151, 171, 202	
0254243 .....	125, 126	0257201 .....	335, 336	0480050 .....	135	0641615 .....	16, 20, 24
0254406 .....	337	0257202 .....	335, 336	0480090 .....	157	0641616 .....	238
0254429 .....	349	0257203 .....	335, 336	0540047 .....	209	0641620 .....	126
0254431 .....	349	0257203 .....	335, 336	0540065 .....	209	0641622 .....	203, 211
0254457 .....	190	0257365 .....	172	0540066 .....	209	0641626 .....	59
0254699 .....	190	0257366 .....	172	0540067 .....	209	0641632 .....	59, 63
0254709 .....	350	0257591 .....	348	0540068 .....	209	0641634 .....	201
0254748 .....	237, 325	0257728 .....	349	0540087 .....	209	0641708 .....	75
0254793 .....	237, 349	0257888 .....	149	0560588 .....	205	0641711 .....	161
0254834 .....	348	0257889 .....	149	0560605 .... 11, 15, 23, 67			
0254853 .... 278, 323, 349							
0254882 .....	115	0257890 .....	149	0560644 .....	205	0641807 .....	115
0254971 .....	137	0257922 .....	150	0560650 .....	269	0641808 .....	201
0255058 .... 140, 154, 322							
0255073 .....	67	0257923 .....	150	0560654 .... 12, 16, 21, 24			
0255120 .....	149	0257947 .....	150	0560673 .....	12, 15, 23	0641809 .....	63
0255121 .....	149	0257948 .....	150	0560674 .....	12, 16, 23		
0255123 .....	150	0258039 .....	238, 349	0560675 .....	12, 16, 23		
0255125 .....	150	0258376 .....	71, 348	0560714 .....	15, 23		
0255152 .....	127, 321	0258626 .....	173	0561175 .....	68		
0255182 .....	71	0258793 .....	154	0561176 .....	68		
0255227 .....	154, 157	0258794 .....	154	0561227 .....	20		
0255274 .....	127, 323	0258949 .....	211	0561270 .....	187		
0255541 .....	152	0270220 .....	27	0610091 .....	320		
0255551 .....	182	0270221 .....	350	0610104 .....	321		
0255748 .....	206	0270224 .....	27	0620106 .....	115		
0255794 .....	20	0270225 .....	27	0630078 .....	11		
0255795 .....	19	0270226 .....	29	0630136 .....	132		
		0270227 .....	29	0630347 .....	205		
		0270325 .....	99	0630360 .....	138, 150		

# PART NUMBER INDEX

0641810.61, 99, 119, 125	0800681 ..... 72, 203	0901850 ..... 197	1001120496..... 99
0641811 ..... 71, 216, 221	0800682 ..... 203	0901871 ..... 197	1060012..... 145, 158, 204, 324
0641812..... 21, 137, 150, 269	0800806 ..... 203	0901882 ..... 257, 301	1060016..... 206, 207, 321, 322, 323, 325
0641814..... 20	0800807 ..... 72, 202	0901973 ..... 190	1060042..... 322, 323, 325
0641816..... 202	0800809 ..... 72, 203	0902087 ..... 149	1060044..... 119, 125, 128
0641818..... 238	0800810 ..... 72, 202	0902088 ..... 149	1060045..... 120, 127, 138, 151
0641836..... 216, 221	0800811 ..... 72, 203	0902089 ..... 149, 161	1060046..... 120, 126, 138, 151
0641844..... 63	0800814 ..... 72, 202	0902104 ..... 157	1060079..... 321
0641912..... 99	0800815 ..... 72, 203	0902373 ..... 128	1060093..... 139, 151
0642008..... 12, 16, 20, 24	0800816 ..... 72, 202	0902414 ..... 221	1060147..... 120, 126, 138, 151
0642016..... 27, 28, 29	0800817 ..... 72, 203	0902447 ..... 149, 161	1060149..... 120, 126, 139, 151
0642020..... 126	0801005 ..... 202	0920032 ..... 99, 105	1060229..... 204
0642022..... 99	0801006 ..... 203	0920072 ..... 27, 28, 45	1060268..... 204, 322
0642032..... 119, 125, 152	0801015 ..... 203	0920081 ..... 28, 47	1060279..... 336
0642034..... 137	0801016 ..... 72, 202	0920083 ..... 99, 109	1060300..... 321, 322, 324
0642216..... 20	0801151 ..... 72, 348	0920084 ... 27, 28, 29, 49	1060341..... 322, 323
0642630..... 11, 67	0860037 ..... 60	0920109 ..... 99, 109	1060515..... 158, 204, 322, 323
0642634..... 15, 23	0860472 ..... 227	0920110 ... 27, 28, 29, 49	1060516..... 204
0651608..... 71	0860520 ..... 336	0920117 ..... 49	1100050..... 189
0652014..... 215, 221	0860547 ... 177, 181, 185	0920119 ... 27, 28, 29, 49	1100051..... 189
0681510..... 135	0860619 ..... 238	0940036 ..... 195, 197	1100053..... 60
0681610..... 146, 215	0860681 ..... 227	0960071 ..... 67	1100054..... 238
0681808..... 71	0860682 ..... 178	0960097 ... 249, 251, 263	1100099..... 60
0681816..... 189	0860684 ..... 178	0960224 ..... 115	1120108..... 243, 261, 265
0681836..... 99	0860685 ..... 227	0960238 ... 146, 158, 177, 181, 185, 238	1120110..... 241
0682014..... 99	0860739 ..... 231	0960239 ..... 231, 324	1120161..... 120, 140, 152
0682015..... 99	0860761 ..... 182	0960406 ..... 201	1120169..... 121
0682016..... 99	0860762 ..... 182	0960523 ..... 11	1120179..... 249, 251, 263
0682024..... 99	0860763 ..... 232	0960562 ..... 71	1120192..... 71
0700617..... 119, 125	0860816 ..... 232	0960564 ..... 216, 223	1120299..... 215, 221
0700810..... 125, 150	0860820 ..... 232	0960705 ..... 257	1120304 ... 215, 216, 221, 261
0700821..... 135	0861007 ..... 182	0960905 ..... 231	1120305..... 253, 255, 269
0701010.... 140, 152, 165, 166	0861055 ..... 182	0960909 ..... 231	1120314..... 173
0701014..... 150, 165	0861078 ..... 232	0960911 ..... 257	1120336..... 245
0701015.... 125, 150, 157, 166	0861079 ..... 232	0960946 ..... 245	1120367..... 173
0701021..... 145	0861080 ..... 232	0960960 ..... 121	1120374..... 189
0701022..... 150	0861081 ..... 232	0960979 ..... 201	1120406..... 121
0701023..... 145	0861085 ..... 185, 186	0961024 ... 215, 216, 221, 261	1120423..... 127
0701215..... 119, 125	0880076 ..... 138, 150	0961098 ..... 211	1120459..... 187
0701217..... 126	0880090 ..... 204	0961127 ..... 336	1120465..... 20
0701427..... 119, 125	0900232 ..... 237	0961182 ..... 253, 255	1120512..... 173
0711014..... 137	0900479 ..... 67	0961185 ... 211, 215, 216, 221, 261	1140009..... 140
0711020..... 137	0900801 ..... 193	0961200 ..... 211	1180254..... 203
0720803..... 227, 232	0900935 ..... 175	0961201 ..... 211	1180258..... 203
0721003..... 11	0901056 ..... 237	0961370 ..... 207	1260017..... 12, 15, 23, 67
0721004..... 145, 157	0901188 ... 171, 193, 197	0961416 ..... 15, 23	1260168..... 201
0721005..... 116	0901197 ..... 195, 197	0961417 ..... 15, 23	1260260..... 207
0721014..... 150, 206, 258	0901198 ..... 195	0961528 ..... 211	1260319..... 201
0721016..... 238	0901199 ... 193, 194, 197	0961531 ..... 116	1280555..... 320
0741008..... 128	0901235 ..... 195	0961654 ..... 211	1281353..... 279
0741606..... 99, 211	0901296 ..... 193, 197	0961816 ..... 247, 267	1281684..... 322
0750806.... 177, 182, 186, 238	0901345 ..... 175	0961857 ..... 202	1281738..... 321
0751006..... 227, 231	0901373 ..... 143	0961890 ..... 19, 267, 273	1281840..... 320
0800412..... 203	0901387 ..... 121	0961894 ..... 255	1281913..... 125
0800413..... 203	0901389 ..... 131	0961895 ..... 247	1281929..... 324
0800517..... 203	0901399 ..... 75	0962033 ..... 20	1281945..... 324
0800662..... 72, 202	0901401 ..... 137	0962035 ..... 19	1282091..... 320
0800663..... 72, 202	0901402 ..... 119, 125	0962036 ..... 19	1282112..... 323
0800669..... 203	0901411 ..... 216	0962039 ..... 243	1282197..... 324
0800677..... 72, 202	0901419 ..... 139, 151	1001096405 ... 27, 33, 37	1282721..... 324
0800678..... 203	0901449 ..... 237	1001096406 ..... 37	
0800679..... 203	0901524 ..... 221	1001099842 ..... 203	
0800680..... 203	0901719 ..... 121	1001109671 ..... 348	
	0901721 ..... 221	1001110131 ..... 348	
	0901796 ..... 231	1001110984 ..... 348	
	0901849 ..... 125		

## PART NUMBER INDEX

1282722 .....	324	1670421 .....	216, 222	1683390.....	21, 247	1701518.....	335
1320011 ....	121, 125, 126	1670422 .....	217	1683391.....	247	1701531.....	337
1320012 .....	138, 151	1670456 .....	211	1683392.....	247	1701533.....	337
1320014 .....	139	1670468 .....	172	1683395.....	19, 273	1701534.....	337
1320016 ....	127, 140, 152	1670519 .....	222	1683494.....	211, 255	1701542.....	335
1320019 ...	121, 140, 152, 154	1670526 .....	237	1683495.....	255	1701543.....	335
1320021 .....	127	1670579 .....	206	1683497.....	255	1701548.....	336
1320022 ...	120, 127, 137, 138, 149, 150, 161, 171	1670585 .....	178	1683533.....	251	1701555.....	336
1320023 .....	175	1670594 .....	116	1683534.....	203, 251	1701562.....	337
1320030 .....	161	1670607 .....	237	1683596.....	63, 245	1701564.....	337
1320031 .....	139, 307	1670630 .....	222	1683597.....	245	1701567.....	338
1320032 .....	137, 152	1670644 .....	198	1683991.....	247	1701577.....	338
1320037 .....	275	1670647 .....	198	1683992.....	247	1701596.....	338
1320040 .....	116, 206	1670656 .....	198	1690249.....	322	1701599.....	337
1320041 ...	119, 126, 131, 138, 150, 198	1670668 .....	198	1690251.....	322	1701600.....	337
1320052 .....	203	1670836 .....	205	1690696.....	337	1701601.....	338
1320058 .....	120, 126	1680892 ....	249, 251, 263	1690697.....	338	1701602.....	338
1320059 ....	120, 127, 275	1680898 .....	257	1690744.....	270, 301, 303	1701616.....	337
1320060 .....	125, 161	1680899 .....	241	1690745.....	257, 301	1701684.....	336
1320070 .....	119, 137	1681283 .....	243, 261	1691483.....	338	1701685.....	336
1320121 .....	201	1681331 .....	249, 251	1692405.....	238	1701696.....	337
1320122 .....	275	1681344 .....	265	1692927.....	324	1701698.....	337
1320126 .....	175	1681411 .....	265	1692959.....	238	1701703.....	335
1320127 .....	175	1681420 .....	257	1692980.....	238	1701741.....	335
1320145 .....	211	1681421 .....	257	1693285.....	337	1701745.....	335
1320155 .....	204	1681423 .....	269	1693286.....	338	1701747.....	335
1320182 .....	207	1681427 .....	269	1693288.....	338	1701789.....	337
1320222 .....	126	1681437 .....	265	1693289.....	338	1701791.....	337
1340020 ...	120, 126, 140, 152	1681488 .....	263	1693291.....	338	1701794.....	338
1340045 .....	172	1681490 .....	263	1693292.....	337	1701795.....	337
1340046 .....	171, 343	1681491 .....	241	1693294.....	337	1701797.....	337
1340063 .....	349	1681492 .....	241	1693405.....	324, 346	1701798.....	338
1340064 .....	349	1681559 .....	71, 257	1693406.....	324	1701818.....	338
1360112 .....	131	1681564 .....	11, 68, 265	1693714.....	322	1702301.....	337
1360234 .....	207	1681580 .....	71, 263	1693933.....	278	1702305.....	68
1380121 .....	202	1681581 .....	12, 241	1693940.....	278, 301	1702528.....	322
1380137 .....	216, 221	1681721 .....	249	1700037.....	337	1702788.....	348
1440142 .....	249	1681722 .....	203, 249	1700349.....	336	1702888.....	337
1440154 .....	115	1681730 .....	211, 261	1700422.....	336	1702928.....	338
1540002 .....	321	1681731 .....	261	1700431.....	335	1702958.....	338
1600043 .....	172	1681732 .....	261	1700584.....	335	1702968.....	68
1600094 .....	227	1681792 .....	253, 255	1700639.....	335	1703083.....	64
1600098 .....	137	1681797 .....	253	1700788.....	177	1703476.....	128
1600140 .....	232	1681843 .....	245	1700789.....	177	1703477.....	338
1600141 ...	231, 232, 233, 344	1681963 .....	245	1700818.....	162	1703479.....	348
1600211 .....	152	1681991 .....	63, 245	1700821.....	119, 125	1703480.....	335
1660157 .....	143, 149	1681992 .....	245	1700901.....	137, 149	1703518.....	337
1660170 .....	165	1682258 .....	201, 269	1700981.....	336	1703663.....	339
1660174 .....	165	1682259 .....	269	1701026.....	335	1703664.....	339
1660175 .....	165	1682260 .....	16, 23, 241	1701110.....	336	1703665.....	339
1660183 .....	165, 342	1682261 .....	241	1701321.....	336	1703677.....	338
1660185 .....	115	1682268 ..	15, 23, 68, 265	1701334.....	335	1703791.....	238
1660213 .....	115	1682269 .....	265	1701375.....	335	1703801.....	238
1660213EX .....	115	1682439 .....	265	1701376.....	336	1704174.....	348
1660218 .....	166	1682459 .....	211, 253	1701379.....	336	1704175.....	348
1660249 .....	153	1682460 .....	253	1701431.....	335	1704260.....	186
1670321 .....	197, 202	1682500 .....	68, 265	1701433.....	336	1760019.....	165
1670322 .....	216	1682602 .....	203, 251	1701499.....	336	1760068.....	217, 222
1670335 .....	201	1682603 .....	251	1701500.....	335	1760106.....	165
1670367 .....	206	1682691 .....	71, 257	1701501.....	335	1780147.....	194
1670414 ...	119, 125, 137, 149	1682692 .....	257	1701502.....	336	1780148.....	194, 197
		1682694 .....	257	1701503.....	336	1780171.....	194
		1683059 .....	247	1701504.....	335	1780172.....	193, 197
		1683241 .....	20, 243	1701505.....	335	1780174.....	193, 197
		1683242 .....	243	1701506.....	337	1780184.....	178
		1683243 .....	243	1701509.....	335	1780219.....	193
		1683389 .....	19, 267	1701515.....	337	1780234 ....	178, 182, 186

# PART NUMBER INDEX

1780239.....194	2200221 ... 162, 245, 253, 269	2220451 ..... 287, 291	2220822.....287
1780253.....218, 223	2200222 ..... 245, 261	2220465 .... 287, 291, 307	2220833.....287, 291
1780270.....197	2200233 ..... 253	2220466 ... 287, 291, 303, 305, 315	2220847.....307
1780271.....197	2200261 ... 119, 126, 179, 182, 186	2220469 ..... 291	2220868.....287, 291
1840002.....177	2200268 ..... 172	2220472 ..... 283, 307	2220883.....257
1870003.....326	2200414 ..... 269	2220473 .... 283, 295, 297	2220885.....247, 251
2000083.... 119, 122, 126, 128	2200461 ..... 161	2220481 ..... 287, 291	2220886.....247
2000088.....137	220385 ..... 317	2220487 .... 270, 301, 303	2220887.....257
2000115.... 119, 122, 126, 128	220619 ..... 317	2220490 .... 295, 297, 305	2220898.....307
2000126.....149, 152	2210016 ..... 161	2220491 ..... 308	2220909.....288, 313
2000153.....149, 152	2220001 ... 119, 126, 186	2220492 ..... 281	2220914.....292
2000157.....149, 152	2220061 ..... 59	2220497 .... 297, 311, 315	2220994.....149
2000159.....149, 152	2220063 ..... 72, 127	2220500 ..... 287, 291	2360256.....11
2060016.....137	2220070 ..... 308	2220501 ... 281, 283, 287, 292	2360302.....15
2060025.....152	2220082 ..... 161	2220504 ... 287, 291, 292, 305	2360341..... 11, 15
2120077.....161	2220113 ..... 297	2220507 ..... 297, 311	2360398.....19
2120103.....171	2220114 ..... 308	2220515 ..... 269	2360543.....11
2120104.....172	2220124 ..... 72	2220568 ..... 287, 291	2400005.....323
2120107..... 171, 343	2220221 ..... 299, 317	2220577 ..... 315	2400044.....128
2160001 15, 23, 217, 223, 249	2220235 ..... 291	2220578 ..... 291	2400054..... 128, 342
2160002.... 11, 15, 23, 72, 201, 207, 211, 215, 216, 221, 245, 249, 251, 253, 255, 257, 261, 263, 265	2220250 ..... 285	2220582 ... 283, 287, 305, 307, 313	2420001..... 179, 182
2160006.....72, 218, 223	2220251 ..... 161	2220584 ..... 285	2420009.... 178, 182, 186
2166003.....67	2220270 ..... 281	2220585 ... 285, 288, 292, 307	2420019.... 138, 151, 179, 183, 186
2180104.....162	2220273 ... 137, 149, 161	2220591 ..... 295, 297	2420024..... 137, 149
2180134.....59	2220280 ..... 297	2220596 ... 287, 291, 292, 307	2420030.... 120, 127, 178, 182, 186
2180344.....72	2220302 ..... 120	2220602 ..... 292, 307	2420033..... 137, 149
2180360.... 127, 135, 137, 140, 149, 154, 161	2220313 ..... 161	2220603 ..... 305	2420035.... 138, 151, 179, 182, 186
2180379.....295, 297	2220315 ... 149, 150, 161	2220605 ... 281, 283, 285, 288, 291, 292, 307, 313	2420080.....172
2180387.....161	2220317 ..... 120, 138	2220606 ..... 283, 291	2420091.... 178, 182, 186
2180388.....161	2220343 ..... 297, 317	2220609 ... 288, 292, 297, 311, 315	2420109.....154
2180389.....161	2220346 ..... 307	2220618 ..... 285, 307	2420159..... 138, 183
2180398.....172	2220347 ..... 307	2220619 ... 288, 292, 297, 305	2420164.... 138, 179, 182
2180399.....172	2220353 ..... 295, 297	2220621 ..... 307	2420203.... 135, 145, 157
2180418.....161	2220362 ... 287, 288, 291, 292	2220622 .... 287, 291, 308	2440043.....217, 222
2180420.....162	2220366 .... 287, 291, 292	2220624 ..... 308	2440044.....217, 222
2180467.....171	2220371 ... 281, 283, 295, 297, 299, 305, 307	2220625 ... 288, 292, 305, 315	2440054.....99
2180479.....317	2220372 ... 281, 283, 297, 317	2220635 ... 288, 292, 305, 315	2460011.... 135, 145, 157
2180491.....307	2220373 ..... 292, 307	2220648 ..... 161	2500004.....143
2180504.....161	2220374 ..... 287, 307	2220651 ..... 317	2500005.....149
2180527.....187	2220375 ... 287, 291, 292, 307	2220671 ..... 292	2540003.....175
2180536.... 127, 149, 161	2220383 ..... 292	2220673 ..... 307	2540016.....190
2180605.....172	2220385 ... 291, 297, 308	2220675 ..... 161	2551030.....121
2180606.....172	2220386 ..... 291	2220679 ..... 285	2560010.....218, 223
2180614.....172	2220396 ..... 299, 317	2220681 ..... 307	2560020.....257, 301
2180615.....295, 297	2220399 ... 295, 297	2220695 ..... 307	2560038.....227
2180730..... 128, 135	2220414 ... 281, 285, 291, 297, 303, 307, 311, 315	2220696 ..... 308	2560040.....227
2180749.....128	2220415 ... 287, 291, 301, 303, 307	2220700 ..... 291, 308	2560041.....227
2180763.....115	2220416 ... 281, 301, 303, 315	2220711 ..... 287, 291	2560112.... 231, 232, 233
2180776.....317	2220417 ..... 288, 307	2220720 ..... 120, 127	2580018.....172
2200051..... 138, 150	2220428 ..... 285, 307	2220728 ..... 172	2580024.....348
2200052.....171	2220429 ..... 285, 307	2220752 ..... 285	2600093.... 177, 181, 185
2200053..... 138, 151	2220430 ..... 161	2220758 ..... 299, 317	2600094.... 178, 182, 186
2200102.....269	2220435 ..... 287, 292	2220800 ..... 287	2600095.....217
2200201.... 245, 249, 253, 255, 261, 263	2220437 ..... 150, 161	2220808 ..... 307	2600105.....231
2200202.....245, 249	2220438 ... 292, 297, 301, 311	2220809 ..... 307	2600132.....231
2200203.....172	2220444 ..... 308, 317	2220811 ..... 288, 292	2600143.....223
2200204.....162	2220446 ..... 297, 311	2220819 ..... 288	2620022.....67
2200213.....253, 255		2220820 ..... 307	2620041.....67

## PART NUMBER INDEX

2660052 ..... 209	2751129 ..... 283	2791448 ..... 278	2900994 ..... 339
2660054 ..... 209	2751151 ..... 295, 297	2791553 ..... 278, 285	2900995 ..... 339
2660083 ..... 209	2751321 ..... 287, 291	2791684 ..... 278	2901102 ..... 245
2660084 ..... 209	2751337 ..... 307	2791698 ..... 279, 313	2901113 ..... 261
2680386 ..... 139, 151	2751339 ..... 287, 291	2791725 ..... 278, 291	2901121 ..... 241
2720015 ..... 138, 151	2751345 ..... 292	2791758 ..... 279, 317	2901123 ..... 265
2720042 ..... 125	2751359 ..... 307	2791816 ..... 278, 307	2901146 ..... 115
2720058 .... 149, 151, 161	2751391 ..... 281	2791870 ..... 278	2901271 ..... 247
2720112 ..... 161	2751395 ..... 292	2791871 ..... 278	2901480 ..... 255
2720117 ..... 161	2751397 ..... 285, 308	2791873 ..... 278	2901557 ..... 238
2720149 ..... 161	2751398 .... 287, 292, 305	2791955 ..... 278	2920009 ..... 237
2720160 ..... 137, 152	2751404 ..... 283, 292	2791991 ..... 279, 317	2920013 ..... 237, 324
2720224 ..... 120, 126	2751406 ..... 283	2792067 ..... 278, 295	2920015 ... 227, 231, 232
2720232 ..... 138	2751410 ..... 301, 303	2792068 ..... 278, 297	2920018 ..... 190, 237
2720244 ..... 307	2751435 ..... 305	2792069 ..... 278	2920019 ..... 190
2720254 ..... 138	2751455 ..... 297, 311	2792261 ..... 278	2920024 ..... 227
2720271 ... 120, 127, 149, 161	2751465 ..... 287, 292	2792262 ..... 278, 291	2920026 ... 228, 321, 322, 323
2720366 ..... 120	2751467 ..... 307	2792263 ..... 278, 287	2920027 ... 178, 181, 185, 228, 234, 322
2750127 ..... 307	2751468 ..... 291	2792264 ..... 278, 305	2920029 ... 178, 182, 186, 228, 234, 321, 322, 323
2750527 ..... 119, 125	2751472 ..... 287	2792267 ..... 278	2920034 ..... 321, 322
2750528 ..... 72	2751482 ..... 307	2792274 ..... 278	2920081 ..... 190
2750532 ... 120, 127, 137, 149, 161	2751484 ..... 307	2792280 ..... 278	2920082 ..... 190
2750759 ..... 291	2751494 ..... 307	2792281 ..... 278	2920105 ..... 190
2750760 ..... 287, 292	2751506 ..... 308	2792282 ..... 278, 283	2920109 ..... 190
2750762 ..... 287, 291	2751833 ..... 297	2792293 ..... 278	2920110 ..... 323
2750766 ..... 291, 299	2751834 ..... 283	2820031 ..... 292	2920111 ..... 237, 325
2750774 ..... 287	2751838 ..... 295	2820053 ..... 198	2920113 ..... 323
2750776 ..... 288	2751857 ..... 297	2820056 ..... 198	2920162 ... 135, 145, 157
2750777 ... 287, 288, 291, 292	2751869 ..... 297	2820057 ..... 198	2921016 ..... 228
2750779 ..... 295, 297	2751887 ..... 311	2820058 ..... 198	2940006 ... 218, 223, 344
2750784 ..... 281	2751905 ..... 297	2860002 ..... 177	2940042 ... 178, 182, 186, 194, 197
2750785 ... 295, 297, 315	2752247 ..... 287, 292	2860012 ... 135, 146, 157	2940050 ... 193, 194, 198
2750791 ..... 287, 291	2752401 ..... 291	2860030 ..... 186, 343	2940051 ..... 197
2750792 ..... 292	2752402 ..... 292	2880404 ..... 215, 221	2940052 ..... 231
2750872 ..... 291	2752427 ..... 72	2880410 ..... 67	2980089 ..... 59, 63
2750874 ..... 291, 307	2752444 ..... 303	2900034 ..... 113	2980121 ..... 187
2750889 ..... 307, 313	2752454 ..... 287, 292	2900062 ..... 270, 301	3020021 ..... 166
2750891 ... 281, 287, 292	2752471 ..... 283	2900068 ..... 237, 324	3020025 ..... 217, 223
2750894 ... 281, 287, 292	2752480 ..... 283, 305	2900088 ..... 257	3040145 ..... 67
2750895 ..... 303	2752500 ..... 287, 291	2900131 ..... 105	3124025 ..... 238
2750896 ..... 301, 303	2752501 ..... 292	2900138 ..... 56	3160083 ... 217, 222, 225
2750900 ..... 315	2752503 ..... 288, 292	2900202 ..... 56	3160129 ..... 29, 39
2750902 ..... 307	2752574 ..... 291	2900365 ..... 269	3160138 ..... 99, 101
2750910 ..... 295, 297	2752584 ..... 305	2900381 ... 249, 251, 263	3160179 ..... 39
2750916 ..... 281, 283	2752592 ..... 292	2900383 ..... 243	3160189 ..... 39
2750918 ..... 295	2752630 ..... 305	2900394 ..... 253	3160204 ..... 29, 43
2750919 ..... 297	2752979 ..... 283	2900449 ..... 40	3160274 ..... 99, 103
2750927 ..... 291	2753327 ..... 317	2900455 ..... 101, 225	3160342 ..... 28, 29, 39
2750970 ..... 307	2760064 ..... 217, 222	2900503 ..... 75	3160343 ..... 28
2750977 ... 287, 291, 307	2760091 ..... 115	2900642 ..... 106	3160434 ..... 39
2750990 ..... 295, 297	2780055 ..... 99, 113	2900659 ..... 34	3200133 ..... 119, 125
2750997 ..... 297	2780109 ..... 11, 19	2900662 ..... 45	3200183 ... 119, 125, 137, 152
2750998 ..... 295, 297	2780114 ..... 27, 29, 55	2900698 ..... 77	3200194 ..... 216
2751003 ..... 317	2780138 ..... 27, 29, 53	2900733 ..... 103, 225	3200198 ..... 137
2751004 ..... 307	2780142 ..... 27, 29, 55	2900756 ..... 75	3200206 ..... 119
2751010 ..... 285	2780144 ..... 27, 55	2900766 ..... 47, 50, 110	3200222 ..... 197
2751013 ..... 287, 292	2780187 ..... 27, 55	2900776 ..... 47, 50, 110	3200227 ..... 125
2751014 ..... 292	2791055 ..... 278, 281	2900768 ..... 47, 50, 110	3200228 ..... 125
2751015 ..... 307	2791060 ..... 278	2900770 61, 77, 247, 251, 257, 261	3200229 ..... 125
2751017 ..... 307	2791061 ..... 279, 311	2900788 ..... 43	3200306 ..... 125
2751018 ..... 285, 308	2791099 ..... 278	2900792 ... 243, 249, 253, 255	3200332 ..... 175
2751026 ..... 287, 291	2791233 ..... 278	2900793 ..... 257, 269	3200377 ..... 149
2751104 ..... 317	2791234 ..... 278	2900838 ..... 346, 349	
2751114 ..... 281, 317	2791239 ..... 278, 287	2900981 ..... 339	
	2791249 ..... 278, 299	2900982 ..... 339	
	2791254 ..... 279		
	2791285 ..... 279, 315		

# PART NUMBER INDEX

3220043.....	140, 154	3300270.....	241	3322601.....	221	3422422.....	21
3220052.....	140, 152	3300272....	249, 251, 263	3323002 ...	11, 15, 19, 23,	3422507.....	21
3220077.....	121	3300276.....	253	67		3422508.....	21
3220080.....	121	3300278.....	261	3340251 ....	12, 16, 20, 24	3422509.....	20
3220082.....	125	3300280.....	243	3340383.....	269	3422510.....	20
3220115.....	154	3300281.....	245	3340394.....	202	3422511.....	21
3250840.....	68	3300294.....	269	3340399.....	202	3422512.....	20
3250872.....	67	3300295.....	257	3340401.....	202	3422520.....	19
3250914.....	138, 151	3300301.....	265	3340403.....	202	3422522.....	19
3251242.....	237	3300396.....	233	3340454.....	215, 221	3422768.....	211
3251243.....	172	3310601 ...	177, 181, 185,	3340460.....	202	3430406.....	131
3251272.....	172	232		3340462.....	202	3430408.....	187
3251476.....	135, 145, 157	3310801 ...	119, 121, 125,	3340527.....	16	3440413.....	187
3251548.....	228	127, 137, 139, 151		3340788.....	205	3440816.....	217, 222
3251549.....	228	3311001 ...	116, 139, 145,	3340831.....	63	3441228.....	217, 222
3251551.....	228	150, 157, 177, 181,		3380309 ....	178, 182, 186	3450202.....	187
3251607.....	228	185, 228, 231, 233,		3380319.....	139	3450203....	131, 201, 207
3251637.....	337	238, 258		3380320.....	120	3450303.....	201
3251650.....	177	3311005.....	128	3380418.....	197	3450405.....	205
3251695.....	321, 322	3311401 ...	60, 61, 64, 75,	3420085.....	71	3450505.....	205
3251741.....	227	119, 120, 121, 126,		3420120.....	99	3450508.....	63
3251746.....	178	127, 131, 135, 137,		3420158.....	11, 15, 23	3450610.....	71
3251747.....	322	138, 139, 140, 143,		3420182.....	99	3450806.....	202
3251780.....	228	150, 152, 161, 171,		3420290.....	116	3450810.....	11
3251813.....	336	172, 178, 182, 186,		3420292.....	67	3451012.....	11, 20
3251836.....	172	189, 190, 198, 201,		3420372.....	68	3460065.....	115
3251870.....	59, 337	206, 209, 228, 258,		3420410.....	202	3480093.....	257
3252025.....	228	270, 285		3420414.....	201	3480102.....	245
3252058.....	228	3311405 .	21, 60, 64, 125,	3420447.....	68	3480113.....	269
3252095.....	336	127, 139, 150, 151,		3420620.....	11, 15, 23	3480120....	249, 251, 263
3252099.....	232	154, 161, 187, 189,		3420761.....	99	3480122.....	243
3252197.....	338	193, 194, 197, 207,		3420860.....	67	3480123.....	241
3252199.....	233	218, 223, 228, 237,		3421029.....	201	3480124.....	253
3252321.....	321	301, 336		3421142.....	205	3480126.....	261
3252345.....	336	3311501 .	65, 75, 77, 121,	3421176 ...	215, 216, 221,	3480134.....	265
3252347.....	337	138, 150, 175, 201		222		3480176.....	247
3252355.....	181, 185	3311505 .	12, 16, 24, 125,	3421203.....	12	3480188.....	255
3252362.....	233	152, 187, 193, 194,		3421204.....	12, 16	3500812.....	60
3252363.....	233	195, 197, 232		3421205.....	201	3501916.....	99
3252453.....	63	3311508.....	194	3421206.....	201	3509182.....	205
3252639.....	185	3311601 ...	21, 59, 63, 71,	3421207.....	203	3509714.....	139
3290801.....	131	75, 120, 121, 126, 138,		3421209.....	201	3509858.....	227
3300007....	11, 19, 27, 28,	150, 157, 171, 172,		3421275.....	12, 16	3510296.....	217
29		175, 201, 209, 215,		3421325.....	67	3510297.....	217
3300029....	120, 126, 138,	216, 221, 269		3421330.....	11, 15, 23	3510298.....	217
151		3311602.....	211	3421349.....	202	3510299.....	217
3300047....	228, 231, 324	3311605 ...	132, 193, 197,	3421350.....	201	3510300.....	217
3300048....	146, 158, 177,	203, 211, 215		3421376.....	211	3510304.....	223
181, 185, 228, 238		3311701.....	138, 151	3421426.....	215, 222	3510305.....	223
3300143.....	216, 238	175		3421511.....	211	3510306.....	223
3300147.....	231	3311803.....	205	3421513.....	211	3520022.....	172
3300151....	12, 16, 23, 60	3311805 .	20, 63, 71, 216,	3421520.....	71	3520028....	135, 145, 157
3300175.....	11, 15, 23	217, 221, 223, 238		3421565.....	12, 15, 23	3520034.....	232
3300177....	177, 182, 186,	3312001.....	126	3421584.....	63	3520168.....	185
227, 231, 238		3312002.....	72, 207	3421628.....	207	3530120.....	71
3300182....	178, 182, 186	3312005....	99, 119, 125,	3421632.....	207	3530138.....	206
3300184.....	241	137, 152		3421709.....	16, 24	3530210.....	161
3300187.....	265	3312202 .	11, 16, 24, 201,	3421710.....	15, 23	3530380.....	12, 16
3300194.....	269	269		3421713.....	15, 23	3530381.....	12
3300202.....	137	3312601.....	67	3421815.....	72	3530403.....	115
3300205.....	171, 172	3312602 ...	11, 15, 20, 23	3421816.....	203	3530425.....	121, 127
3300207.....	257	3312605.....	67	3421818.....	11	3531023.....	231
3300208.....	20	3313002.....	21	3421823.....	211	3531715.....	12, 16
3300218.....	131	3321001.....	121, 127	3421825 ...	215, 216, 222	3532839.....	63
3300220....	121, 127, 139	3321401 ...	131, 143, 150	3421892.....	67	3533904.....	238
3300240.....	207	3322403.....	11	3421950.....	211	3534316.....	207
3300241.....	201			3422019 ...	215, 216, 222	3534395....	59, 189, 206

# PART NUMBER INDEX

3534494 ..... 238	3760106 ..... 12, 15, 23	3951403 ..... 241, 253	4100025 .... 121, 140, 152
3534605 ..... 68	3760108 ..... 116	3951405 ..... 269	4100026 .... 205, 283, 292
3534606 ..... 68	3760133 ..... 203	3951603 ..... 201	4100027 ..... 39
3535951 ..... 198	3760140 .... 12, 15, 20, 23	3951606 ..... 207	4100028 ..... 39
3536008 ..... 127	3760233 ..... 201, 211	3951608 ..... 202	4100029 ..... 39
3536088 ..... 197	3760237 .... 211, 215, 222	3951820 ..... 115	4100051 ..... 287, 291
3536244 ..... 139	3760370 ..... 247	3952016 ..... 72	4100052 ..... 292
3536282 ..... 198	3790012 ... 177, 178, 182, 186, 227, 228, 231, 233, 234	3960250 ..... 227	4120012 ... 177, 178, 181, 233, 321, 346
3536549 ..... 139, 150	3790016 ..... 77	3960251 ..... 228	4120013 .... 177, 181, 233
3536566 ..... 237	3790118 ..... 77	3960343 ..... 11, 19	4120036 ..... 185, 233
3538039 ..... 237	3790155 ..... 99	3960356 ..... 209	4120037 ..... 185, 233
3538387 ..... 152	3790159 ..... 27, 28, 29	3960357 ..... 209	4130153 ..... 15, 23
3539103 ..... 21	3790211 ..... 77	3960371 ..... 172	4130154 ..... 15, 23
3539240 ..... 20	3820001 .... 67, 335, 336	3960389 ..... 198	4130234 ..... 11
3539241 ..... 21	3820012 .... 193, 194, 198	3960418 ..... 198	4130235 ..... 11
3539244 ..... 20	3820018 ..... 198	3960429 ..... 198	4130333 ..... 19
3539579 ..... 21	3840800 ..... 269	3960433 ..... 197	4130334 ..... 19
3539580 ..... 21	3840818 ..... 132	3960465 ..... 172	4130337 ..... 19
3539631 ..... 64	3840819 ..... 131	3972218 ..... 11, 16, 24	4130338 ..... 19
3539634 ..... 20	3840844 ..... 205	3980003 ..... 138, 151	4160024 ..... 132
3539843 ..... 63	3840858 ..... 205	3980006 ..... 120, 126	4160026 ..... 215, 221
3570161 ..... 187	3840898 ..... 143	3980007 ..... 151	4160028 ..... 237
3570697 ..... 152	3841012 ..... 205	3990001 ..... 322	4160081 ..... 195, 197
3580109 ..... 135	3841013 ..... 204	3990010 .... 320, 322, 323, 324, 325, 344	4160086 ..... 131
3580134 .... 135, 145, 157	3841143 ..... 19, 21	4040126 ..... 71	4160098 ..... 207
3580239 ..... 157	3841252 ..... 205	4040129 ..... 72	4220007 ..... 237
3580250 ..... 157	3841255 ..... 149	4060087 ..... 227, 228	4240018 ..... 207
3600071 ... 120, 127, 139, 151	3841287 ..... 20	4060229 .... 231, 233, 234	4280002 ..... 120, 127
3600139 ... 119, 125, 137, 149, 169	3860050 ..... 204	4060431 ..... 60	4280197 ..... 209
3620026 ..... 138, 151	3900022 ..... 120	4060432 ..... 60	4280242 ..... 201
3640492 ..... 177	3900139 ..... 257	4060568 ..... 201, 205	4280255 ..... 209
3640493 ..... 177, 181	3900140 ..... 257	4060574 ..... 171	4280256 ..... 209
3640555 ..... 181, 185	3900141 ..... 265	4060603 ..... 202	4280257 ..... 209
3640752 ..... 231	3900146 ..... 67	4060673 ..... 205	4280258 ..... 209
3640834 ..... 185	3900159 .... 215, 217, 222	4060696 ..... 145	4280281 ..... 209
3640834 ..... 185	3900168 .... 60, 189, 206	4060702 ..... 60	4300031 .... 60, 172, 178, 182, 189, 190, 197, 201, 206, 209, 258, 270, 301
3730095 ..... 325	3900170 ... 241, 243, 245, 249, 251, 253, 261, 263, 265, 269	4060777 ..... 205	4300032. 12, 16, 24, 120, 126, 138, 150, 152, 206, 209
3740002 ..... 190	3900172 ..... 257	4060803 ..... 198	4300033 ..... 75
3740013 ..... 321	3900219 ..... 20	4060808 ..... 75	4300034 71, 75, 126, 138, 151, 171, 175, 193, 197, 209
3740030 ..... 121	3900220 ..... 21	4060829 ..... 190	4300036 .... 204, 206, 285
3740044 ..... 322	3900223 ..... 19	4060833 ..... 205	4300038 65, 77, 139, 151, 194, 195, 197
3740049 ... 177, 181, 185, 228, 233, 320, 321, 322, 323, 324, 343	3900263 ..... 21	4060834 ..... 205	4300042 ..... 204, 206
3740055 ..... 131	3910606 .... 177, 181, 185	4060841 ..... 198	4300045 ..... 71, 175
3740057 ... 177, 178, 181, 233	3910608 ..... 231	4060908 ..... 60	4300056 ..... 137, 149
3740058 .... 178, 181, 233	3910812 ... 119, 125, 137, 151	4070497 ..... 202	4300076 ..... 211
3740059 ... 121, 127, 139, 342	3911006 .... 177, 181, 185	4070498 ..... 202	4300082 ..... 228
3740061 ..... 139	3911008 .... 177, 181, 185	4070501 ..... 202	4300092 ..... 27, 28, 29
3740063 .... 178, 181, 233	3911012 ... 116, 139, 231, 238	4070502 ..... 202	4300097 ..... 27, 28, 29
3740066 .... 178, 181, 233	3911014 ..... 228	4070503 ..... 202	4300098 ..... 204
3740067 ... 121, 127, 139, 152, 190, 342	3911016 .... 177, 182, 186	4070504 ..... 202	4340343 ..... 138, 150
3740080 ... 121, 127, 152, 323	3931010 ..... 217, 222	4070507 ..... 202	4340397 ..... 99
3740085 ..... 231	3931612 ..... 217, 222	4070508 ..... 202	4340398 ..... 99
3740086 ..... 231, 344	3931720 ..... 247	4070555 ..... 202	4340413 ..... 202, 205
3740099 ..... 321, 344	3931852 ..... 27, 29	4070556 ..... 202	4340453 ..... 203
3740122 .... 185, 233, 343	3931864 ..... 99	4070574 .... 12, 16, 21, 24	4340511 ..... 135
3740123 .... 185, 233, 343	3940804 ..... 150	4070575 .... 12, 16, 21, 24	4340519 ..... 204
3740124 ..... 185, 233	3941404 ..... 190	4070576 ..... 12	4340520 ..... 203
3760004 ..... 115	3941405 ..... 193, 194	4070577 ..... 12	4340525 ..... 138, 151
3760036 ..... 116	3941406 .... 197, 198, 237	4070585 .... 158, 217, 222	
3760053 ..... 116	3941804 ..... 138	4070586 .... 158, 217, 222	
		4070587 .... 158, 217, 222	
		4070670 ..... 12, 16, 24	
		4070671 ..... 198	
		4070672 ..... 12, 16, 24	
		4070674 .... 12, 16, 20, 24	
		4070923 ..... 20	

# PART NUMBER INDEX

4340565.....	145	4360475 ....	185, 231, 343	4520178 .....	30	4640514.....	76, 79
4340576.....	203	4360476 .....	231, 344	4560927 .....	61	4640519.....	77, 97
4340635.....	203	4360542 ....	135, 145, 157	4561061 .....	206	4640520.....	75, 307
4340636.....	205	4400038 .....	175	4562083 .....	216, 221	4640521.....	77
4350106.....	189	4400216 .....	171	4562516 ...	137, 152, 171, 202	4640522.....	77, 285
4350281 .....	178	4400267 .....	171	4562637 .....	137	4640523.....	77
4360003.....	177	4400275 .....	175	4562664 .....	121	4640524.....	76, 79
4360031.....	218, 223, 344	4400385 .....	171	4562877 .....	269	4640525.....	247
4360037.....	128, 135, 137, 149, 154, 322	4400389 .....	171, 349	4562902 .....	257	4640575.....	307
4360049.....	59, 346	4400390 .....	171	4562928 .....	120	4640634.....	251
4360053.....	59, 346	4400420 .....	175	4563004 .....	265	4640645.....	77, 87
4360057.....	206, 346	4420001 ...	119, 120, 125, 126	4563004 .....	265	4640646.....	76, 87
4360065.....	128, 321, 323	4420008 .....	231, 238	4563031 .....	263	4640671.....	59
4360069.....	177, 181, 185, 233, 343, 344	4420016 .....	205	4563167 ....	295, 297, 311	4640682.....	59
4360071.....	228	4420017 .....	205	4563577 .....	261	4640692.....	76, 87
4360089.....	321	4420018 .....	205	4563657 .....	253, 255	4640700.....	59
4360108.....	227	4420018 .....	205	4564046 .....	251	4640710.....	76, 87
4360112.....	233, 344	4420037 ...	177, 182, 186, 232	4564123 .....	145	4640711.....	76, 87
4360131.....	227	4420038 .....	227	4564128 .....	245	4640730.....	76, 87
4360132.....	227	4420051 .....	338	4564281 .....	154	4640731.....	258, 301
4360155.....	128, 342	4420052 .....	336, 338	4564328 .....	146	4640734.....	76, 87
4360157.....	140, 154, 322	4430038 .....	193	4564329 .....	145	4640742.....	125
4360161.....	233, 344	4460007 .....	172	4564417 .....	157	4640750.....	137, 149
4360171.....	189, 343	4460023 .....	60, 135, 146, 158	4564745 .....	241	4640771.....	77
4360179.....	128, 321	4460027 ...	135, 145, 157	4564757 .....	265	4640820.....	95
4360182.....	140, 154, 322	4460049 .....	60, 172, 206, 324	4564880 .....	207	4640839.....	75
4360186.....	177, 181	4460051 ...	177, 178, 181, 185, 228	4564973 .....	60	4640858.....	247
4360188.....	162	4460052 .....	60, 189, 206, 228, 231	4564999 .....	207	4640869.....	187
4360198.....	323	4460071 ...	146, 158, 177, 181, 185, 218, 223, 228, 238	4565004 ....	270, 301, 303	4640871.....	60
4360199.....	177, 227, 228, 231, 233, 323, 344	4460082 .....	172	4565099 .....	243	4640909.....	77, 91
4360200.....	177, 182, 186, 227, 231, 233, 343	4460134 .....	145	4565166 .....	59, 63	4640913.....	76, 83
4360201.....	321	4460137 .....	172	4565267 .....	121	4640914.....	76, 83
4360202.....	177, 178, 182, 186, 227, 228, 231, 233, 234, 322, 343	4460190 ...	135, 145, 157	4565268 .....	122	4640929.....	77
4360209.....	228	4460234 .....	177	4565269 .....	122, 125	4640941.....	76, 91
4360212.....	178, 182, 186, 343	4460244 ...	178, 182, 186	4565351 .....	241	4640967.....	61, 64, 65
4360228.....	325	4460263 .....	228	4565655 .....	126	4640968.....	61
4360232.....	181, 185, 233, 343	4460298 ...	177, 181, 185, 232	4565751 .....	126	4640973.....	65
4360236.....	60, 189, 206, 207	4460299 .....	177, 232	4565873 .....	295	4640986.....	61
4360237.....	60	4460300 ...	177, 181, 185, 232	4566605 .....	149	4640987.....	64, 65
4360263.....	237, 346	4460301 ...	177, 181, 185, 232	4566650 .....	157	4640989.....	149
4360267.....	178, 181, 186	4460302 .....	131	4567169 .....	152	4641009.....	187
4360274.....	177, 181, 186, 227, 231, 321, 343	4460303 ....	177, 181, 185	4620022 .....	71	4641162.....	247
4360275.....	178	4460305 ...	177, 181, 185, 232	4620083 .....	71	4680015.....	198
4360277.....	60, 189, 206, 207, 342, 346	4460306 ...	177, 181, 185, 232	4640005 .....	270, 301	4700005.....	161
4360278.....	60, 189, 206, 207	4460307 ...	177, 181, 185, 232	4640013 .....	303, 315	4711400.....	64, 121, 127, 131, 139
4360280.....	189, 343, 344	4460308 .....	177, 233	4640039 .....	59, 63	4711600..	16, 20, 24, 120, 139, 151
4360281.....	181, 186	4460311 ...	177, 181, 185, 232	4640123 .....	75	4712000....	12, 16, 20, 24, 29, 207
4360282.....	178, 231	4460386 .....	231	4640128 .....	292	4712200.....	20, 205
4360284.....	181, 186	4460404 ...	181, 185, 232	4640197 .....	285, 307	4712600.....	11, 15, 23
4360289.....	181, 185, 231	4460405 ....	181, 185, 232	4640210 .....	257, 269	4713400.....	63
4360294.....	322	4460423 .....	232	4640212 .....	269	4740003.....	201
4360295.....	348	4460488 .....	181, 185	4640216 ....	297, 299, 317	4740004.....	99
4360314.....	64	4520126 .....	30	4640246 .....	76, 87	4740006.....	71
4360405.....	150			4640260 .....	59	4740036.....	68
4360468.....	186, 343			4640261 .....	67	4740040.....	71
				4640360 .....	75	4740057.....	201
				4640383 .....	297, 311	4740082.....	15, 23
				4640391 .....	161	4740104.....	99
				4640447 .....	76, 95	4740111.....	11
				4640451 .....	59	4740116.....	145
				4640461 .....	95	4740120....	181, 185, 231, 238
				4640479 .....	61	4740154.....	19
				4640495 .....	257, 261	4740158.....	216
				4640509 ...	243, 245, 249, 253, 255		
				4640512 .....	77		
				4640513 .....	75		



## PART NUMBER INDEX

4740171 ..... 99, 189	125, 126, 127, 131,	4842644 ..... 12	4921873 ..... 323
4740185 ..... 202	135, 137, 138, 139,	4842759 ..... 67	4921874 ..... 323
4740189 ..... 99	140, 143, 150, 152,	4842817 ..... 215	4921875 ..... 323
4740191 ..... 119, 125	161, 171, 172, 175,	4842968 ..... 205	4921876 ..... 323
4740199 ..... 217, 222	178, 182, 186, 189,	4842979 ..... 193, 194	4921877 ..... 323
4740242 ... 119, 125, 137,	190, 193, 194, 197,	4843122 ..... 63	4931085 ..... 321
152	201, 206, 209, 216,	4843133 ..... 135	4931269 ..... 323
4740252 ..... 121	221, 228, 258, 270, 285	4843156 ..... 145	4931314 ..... 322
4740256 ..... 217, 222	4761500 ... 59, 61, 65, 67,	4843197 ..... 349	4931399 ..... 320
4740274 ..... 67	75, 77, 115, 121, 126,	4843349 ..... 16	4931411 ..... 323
4740275 ..... 157	127, 135, 138, 145,	4843350 ..... 16	4931444 ..... 321
4740277 ..... 71	150, 157, 175, 193,	4843384 ..... 119, 125	4931463 ..... 321
4740283 ..... 11, 20	195, 197, 201	4843389 ..... 15, 23	4931468 ..... 320
4740304 ..... 205	4761600 ... 15, 21, 23, 59,	4843390 ..... 15, 23	4931470 ..... 320
4740311 ..... 67	63, 71, 75, 120, 121,	4843415 ..... 15, 23	4931472 ..... 320
4740322 ..... 172	126, 135, 137, 138,	4843822 ..... 115	4931520 ..... 320
4740332 ..... 211	146, 150, 157, 165,	4843971 ..... 16	4931589 ..... 140
4740333 ..... 211	166, 171, 172, 175,	4843972 ..... 16	4931598 ..... 321
4740338 ..... 171	201, 209, 211, 215,	4844074 ..... 197	4931640 ..... 322
4740356 ..... 20	216, 217, 221, 222,	4844113 ..... 197	4931671 ..... 321
4740362 ... 127, 197, 218,	238, 269	4844180 ..... 197	4931674 ..... 321
223	4761700 ..... 75, 138, 151	4844235 ..... 127	4931680 ..... 323
4740385 .... 215, 217, 222	4761800 ... 27, 28, 63, 71,	4844236 ..... 198	4931691 ..... 322
4740390 ..... 211	99, 115, 119, 125, 137,	4844238 ..... 126	4931692 ..... 322
4740446 ..... 19	138, 150, 175, 201,	4844252 ..... 197	4931693 ..... 322
4740451 ..... 19	216, 269	4844323 ..... 198	4931740 ..... 321
4740461 ..... 20	4762000 ..... 27, 28, 126	4844391 ..... 197	4932059 ..... 324
4750600 .... 181, 185, 231	4770800 ... 119, 125, 137,	4844996 ..... 152	4932080 ..... 323
4750800 ..... 150, 232	151	4845048 ..... 20	4932089 ..... 324
4751000 ... 116, 128, 139,	4771000 ..... 228	4845049 ..... 20	4932091 ..... 324
145, 157, 201, 231, 238	4771400 ..... 151	4845050 ..... 21	4932094 ..... 325
4751400 ... 12, 16, 20, 24,	4791400 .... 139, 150, 152	4845051 ..... 21	4932095 ..... 325
60, 63, 75, 116, 119,	4791500 ..... 152	4845052 ..... 21	4932096 ..... 324
121, 125, 126, 131,	4791600 ... 127, 139, 150,	4845095 ..... 202	4932097 ..... 321
137, 138, 143, 150,	151	4845128 ..... 67	4932337 ..... 321
152, 154, 161, 171,	4812000 ..... 157	4845141 ..... 19	4932340 ..... 324
172, 178, 182, 186,	4831900 .... 131, 150, 152	4845158 ..... 172	4932434 ..... 322
187, 189, 190, 193,	4832000 ... 125, 140, 150,	4845257 ..... 216	4932450 ..... 325
194, 195, 197, 201,	152, 157, 165, 166	4845381 ..... 64, 65	4932453 ..... 325
206, 207, 216, 221,	4832100 ..... 119, 125	4845930 ..... 211	4932454 ..... 324
228, 237, 285, 301, 336	4841055 ..... 67	4891600 ..... 19	4932467 ..... 322
4751500 ... 59, 61, 64, 65,	4841917 ..... 171	4891800 ..... 21	4932492 ..... 322
67, 75, 77, 113, 121,	4841974 ..... 194	4892000 ..... 99	4932507 ..... 320
125, 127, 135, 145,	4841983 ..... 193	4920039 ..... 135	4932508 ..... 320
157, 175, 187, 193,	4842046 ..... 215, 221	4920096.15, 23, 140, 152	4932564 ..... 322
194, 195, 197, 201, 232	4842079 ..... 119	4920140 ..... 60, 189, 206	4932571 ..... 324
4751600 ... 12, 15, 16, 20,	4842167 ..... 119	4920385 ..... 216	4932575 ..... 324
23, 59, 71, 75, 121,	4842168 ..... 137, 152	4920617 ..... 204	4932576 ..... 324
126, 131, 132, 135,	4842179 ..... 172	4920842 ..... 325	4932637 ..... 320
138, 146, 150, 157,	4842183 ..... 11	4920845 ..... 325	4932638 ..... 320
166, 171, 175, 193,	4842186 ..... 11	4920852 ..... 325	4932639 ..... 320
194, 197, 201, 209,	4842191 ..... 12, 15, 23	4920946 ..... 128	4932651 ..... 323
211, 215, 216, 238	4842207 ..... 269	4920961 ..... 139	4932667 ..... 321
4751700 ..... 75, 138	4842214 ..... 11	4920986 ..... 202, 216, 221	4932673 ..... 321
4751800 ... 20, 27, 28, 29,	4842226 ..... 140, 151	4921052 ..... 204	4932803 ..... 325
61, 71, 119, 137, 175,	4842227 ..... 193, 194	4921211 ..... 204	4932806 ..... 322
216, 221, 238	4842269 ..... 132	4921305 ..... 321	4932813 ..... 321
4752000 .... 126, 215, 221	4842270 ..... 132	4921309 ..... 325	4932840 ..... 321
4760600 ... 177, 181, 185,	4842362 ..... 140	4921388 ..... 325	4932843 ..... 321
231	4842403 ..... 215	4921389 ..... 119, 125, 325	4932847 ..... 322, 323
4760800 .... 139, 227, 232	4842476 ..... 132	4921390 ..... 325	4932873 ..... 323
4761000.11, 19, 116, 139,	4842579 ..... 211	4921763 ..... 321	4932875 ..... 323
145, 150, 157, 177,	4842601 ..... 211	4921818 ..... 321	4932876 ..... 323
181, 185, 228, 231,	4842605 ..... 211	4921851 ..... 323	4932879 ..... 323
233, 238, 258	4842606 ..... 211	4921854 ..... 61	4932881 ..... 325
4761400 ... 12, 16, 60, 64,	4842609 ..... 216	4921871 ..... 61	4932892 ..... 322
75, 116, 119, 120, 121,	4842642 ..... 12	4921872 ..... 323	4932898 ..... 324

# PART NUMBER INDEX

4932931.....	324	7000289.....	56	7001917.....	55	7002821.....	349
4932932.....	324	7000290.....	56	7001918.....	55	7002822.....	349
4932933.....	324	7000292.....	56	7001927.....	55	7002823.....	349
4932934.....	324	7000293.....	56	7001928.....	55	7002828.....	349
4932938.....	325	7000294.....	56	7001937.....	55	7003006.....	45, 105
4932978.....	325	7000295.....	56	7001943.....	55	7003007.....	45, 105
4933007.....	324	7000296.....	56	7002100.....	225	7003012.....	105
70000163.....	153	7000297.....	56	7002103.....	101, 225	7003013.....	105
70000646.....	153	7000298.....	56	7002104.....	225	7003047.....	45
70000794.....	37	70003445.....	59	7002105.....	225	7003049.....	45, 105
70000795.....	37	7000413.....	88, 95	7002107.....	101, 225	7003051.....	45, 105
70000856.....	37	7000414 ...	65, 88, 91, 95, 97	7002110 ...	101, 103, 225	7003052.....	45, 105
70000857.....	37	7000417.....	87, 342	7002111 ...	101, 103, 225	7003053.....	105
7000102.....	87	7000418 ...	65, 88, 91, 95, 97, 342	7002112.....	103, 225	7003054.....	45, 105
70001361.....	122, 128	7000447.....	95	7002116.....	101, 225	7003055.....	45, 105
7000166.....	225	7000448.....	91	7002117 ...	101, 103, 225	7003056.....	45, 105
70001927.....	122, 128	7000466.....	95	7002121.....	101	7003057.....	45, 105
70001928.....	122, 128	7000468 ...	56, 65, 88, 92, 95, 97	7002123 ...	101, 103, 225	7003059.....	45, 105
70002008.....	204, 344	7000470 ...	88, 91, 95, 97	7002125.....	225	7003069.....	45
70002009.....	204	7000558.....	75	7002130.....	101	7003070.....	45
7000207.....	113	7000625.....	218, 223	7002189.....	101	7003071.....	45
7000208.....	113	7000643.....	140	7002193.....	101	7003090.....	105
7000209.....	113	7000645.....	61, 65, 75	7002200.....	101	7003091.....	105
7000210.....	113	7000646.....	140, 153	7002229.....	87	7003103.....	169
7000214.....	113	7000661.....	122, 128	7002257.....	95	7003635.....	75
7000217.....	113	7000663.....	122, 129	7002262.....	88, 92, 95	7003640.....	75
7000218.....	55	7000697.....	122, 128	7002273.....	95	7003657.....	135, 145, 157
7000219.....	55	7000698.....	122, 128	7002274.....	87, 95, 97	7003737.....	227
7000220.....	55	7000699.....	122, 128	7002294.....	87	7003751.....	227, 231, 232, 233
7000221.....	56	7000711.....	105	7002304.....	87	7003789.....	232, 346
7000222.....	56	7000712.....	105	7002305 ...	88, 91, 95, 97	7003825.....	88, 91
7000225.....	56	7000713.....	105	7002315 ...	65, 88, 91, 97	7003855.....	88, 91
70002252.....	122, 128	7000714.....	105	7002316.....	88, 91	7004214.....	120, 126, 140, 152, 342
70002253.....	122, 128	7000717.....	45, 105	7002317.....	88, 91	7004238.....	237
70002254.....	122, 128	7000718.....	105	7002320.....	87	7004244.....	171
70002258.....	122, 128	7000720.....	105	7002321.....	87	7004247.....	121, 127, 139, 151
70002259.....	122, 128	7000721.....	105	7002322.....	87	7004248.....	120, 127, 139, 151
70002307.....	154	7000728.....	45	7002323.....	87	7004249.....	120, 127, 139, 151
7000233.....	113	7000729.....	105	7002324.....	87	7004275.....	349
7000242.....	113	7000730.....	105	7002326.....	87	7004276.....	349
7000243.....	56	7000731.....	105	7002327.....	87, 91, 97	7004289.....	75
7000246.....	113	7000732.....	105	7002328.....	87	7004368.....	75
7000253.....	53, 113	7000742.....	105	7002329.....	87	7004392.....	237
7000255.....	113	7000760.....	45, 105	7002333 ...	88, 91, 95, 97	7004436.....	120, 127, 139, 151
7000256.....	113	7000796.....	45, 49, 105	7002334 ...	87, 88, 91, 95, 97	7004822.....	87
7000257.....	113	7000798.....	105	7002335 ...	88, 91, 95, 97	7004823.....	87
7000258.....	113	7000867.....	140	7002336 ...	88, 91, 95, 97	7004826.....	87
7000265.....	55	7000869.....	141	7002337.....	87	7004834.....	87
7000268.....	113	7000870.....	141	7002338 ...	87, 88, 91, 95, 97	7004835.....	87
7000269.....	113	7000871.....	141	7002341 ...	88, 91, 95, 97	7004836.....	87
7000270.....	53, 113	7000874.....	141	7002342.....	87	7004837.....	87
7000271.....	113	7000877.....	140	7002344 ...	88, 91, 95, 97	7004838.....	87
7000272.....	55	7000878.....	140	7002345 ...	88, 91, 95, 97	7004839.....	87
7000273.....	55	7000884.....	140, 153	7002346 ...	87, 88, 91, 95, 97	7004840.....	87
7000274.....	55	7000895.....	140	7002348.....	88, 91, 97	7004841.....	87
7000275.....	55	7001626.....	273	7002378.....	87	7004842.....	87
7000276.....	55	7001627.....	273	7002447.....	91	7004859.....	65, 87, 91, 95, 97
7000277.....	55	7001630.....	273	7002448.....	91	7004894.....	65
7000279.....	55	7001900.....	55	7002449.....	91	7004906.....	40
7000280.....	55	7001901.....	55	7002450.....	91, 342	7004907.....	40
7000282.....	56	7001902.....	55	7002451.....	91		
7000283.....	56	7001903.....	55				
7000284.....	56	7001904.....	55				
7000285.....	53, 56	7001906.....	55				
7000286.....	56						
7000287.....	56						
7000288.....	56						

## PART NUMBER INDEX

7004908.....	40	7006733.....	79, 83	7007672.....	53	7009363.....	79
7004910.....	40	7006737.....	79, 83	7007673.....	53	7009368.....	80
7004911.....	40	7006744.....	79	7007674.....	53	7009369.....	80
7004912.....	40	7006745.....	79, 83	7007675.....	53	7009395.....	80
7004913.....	40	7006746.....	79, 83	7007676.....	53	7009397.....	84
7004914.....	40	7006747.....	79	7007677.....	53	7009398.....	83
7004916.....	39	7006748.....	83	7007678.....	53	7009399.....	84
7004917.....	39	7006752.....	79	7007679.....	53	7009500.....	169
7004918.....	39	7006756.....	80	7007901.....	106	7009503.....	169
7004927.....	40	7006757.....	79, 83	7007902.....	106	7009504.....	169
7004928.....	40	7006760.....	79	7007905.....	106	7009505.....	169
7004929.....	39	7006761.....	80	7007906.....	106	7009508.....	169
7004933.....	39	7006762.....	79	7007907.....	106	7009509.....	169
7004936.....	39	7006763.....	79	7007908.....	106	7009510.....	169
7004937.....	39	7006766.....	33	7007909.....	106	7009511.....	169
7004938.....	39	7006767.....	33	7007912.....	105	7009513.....	169
7004939.....	39	7006768.....	33	7007913.....	105	7009739.....	59
7004941.....	39	7006769.....	33	7007914.....	47, 106, 109	7009745.....	75
7004942.....	39	7006771.....	80	7007915.....	106	7009756.....	77
7004944.....	39	7006773.....	80, 83	7007916.....	106	7009798.....	75
7004946.....	39	7006774.....	33	7007923.....	50, 106, 109	7009974.....	103
7004948.....	39	7006776.....	33	7007924.....	47, 50, 105	7009975.....	103
7004950.....	39	7006777.....	80	7007926.....	106	7009991.....	103
7004951.....	39	7006778.....	80, 84	7007927.....	106	7009992.....	225
7004952.....	39	7006780.....	80	7007928.....	105	7010464.....	55
7004953.....	39	7006782.....	80, 84	7007930.....	106	7010465.....	55
7004954.....	39	7006786.....	33	7007933.....	47, 50, 106	7010466.....	55
7004955.....	40	7006787.....	33	7007934.....	106, 110	7010497.....	53
7004956.....	40	7006788.....	33	7007970.....	49, 109	7010498.....	53
7004957.....	40	7006789.....	33	7007977.....	47, 50, 109	7010542.....	76
7004959.....	40	7006791.....	33	7007978.....	47	7010630.....	59
7004960.....	40	7006792.....	33	7007979.....	47, 49, 109	7010633.....	140, 141
7005562.....	169	7006794.....	33	7007980.....	47, 49, 109	7010698....	178, 181, 186
7005595.....	169	7006795.....	33	7007981.....	47, 109	7010788.....	273
7005597.....	169	7006796.....	33	7007983.....	47, 49, 109	7011118.....	91
7005598.....	169	7006797.....	33	7007985.....	47, 49, 109	7011183.....	91, 92
7005599.....	169	7006798.....	33	7007986.....	47, 49	7011316.....	59
7006075.....	75	7006851.....	59	7007987.....	47, 50, 109	7011317.....	59
7006133.....	204	7007321.....	59	7007989.....	47	7011320.....	61
7006145.....	204	7007323.....	59	7007990.....	50	7011336.....	61
7006153.....	204	7007418.....	37	7008804.....	131	7011712.....	49
7006165.....	204	7007419.....	37	7008807.....	131	7011713.....	49, 109
7006180.....	204	7007420.....	37	7008821.....	131	7011714.....	49, 109
7006627.....	237	7007437.....	37	7008828.....	131, 342	7011715.....	49, 109
7006703.....	33	7007438.....	37	7008829.....	131, 342	7011716.....	50, 109
7006704.....	34	7007439.....	37	7009300.....	33	7011717.....	49, 109
7006706.....	33	7007446.....	37	7009301.....	33	7011718.....	109
7006707.....	33	7007459.....	37	7009305.....	33	7011719.....	109
7006709.....	33	7007644.....	55	7009306.....	33	7011720.....	109
7006710.....	33	7007645.....	55	7009307.....	33	7011903.....	232, 346
7006711.....	33	7007646.....	55	7009308.....	33	7011907... 231, 232, 233,	
7006712.....	33	7007647.....	55	7009309.....	33	344	
7006713.....	33	7007648.....	55	7009310.....	33	7012300.....	84
7006714.....	33	7007656.....	55	7009315.....	79	7012319.....	83
7006715.....	33	7007659.....	55	7009316.....	79	7012322.....	83
7006716.....	33	7007660.....	55	7009317.....	79	7012325.....	83
7006717.....	33	7007661.....	55	7009319.....	79, 83	7012326.....	83
7006719.....	33	7007662.....	55	7009320.....	83	7012327.....	83
7006721.....	33	7007663.....	53	7009321.....	79	7012328.....	83
7006724.....	83	7007664.....	53	7009323.....	79, 83	7012329.....	83
7006725.....	79, 83	7007665.....	53, 55	7009324.....	79, 83	7012330.....	83
7006726.....	79	7007666.....	53	7009325.....	79	7012331.....	84
7006728.....	79	7007667.....	53	7009329.....	80	7012332.....	84
7006729.....	79	7007668.....	53	7009330.....	80, 83	7012333.....	83
7006730.....	79, 83	7007669.....	53	7009350.....	79	7012334.....	84
7006731.....	79, 83	7007670.....	53	7009351.....	79	7012335.....	84
7006732.....	79	7007671.....	53	7009361.....	84	7012336.....	84

## PART NUMBER INDEX

7012337.....84	7012970..... 77	7019925..... 154	7021275.....37
7012338.....84	7012995..... 61, 65	7019926..... 153	7021869..... 141, 153
7012339..... 83, 342	7012996..... 61	7019927..... 153	7022139..... 154
7012340.....84	7012998..... 65	7019929..... 154	7022143..... 153
7012383.....83	7014676..... 346, 349	7019930..... 154	7022153..... 141, 153
7012513..... 135, 145, 157	7014677..... 140	7019931..... 140, 154	7022156..... 153
7012514..... 135, 145, 157	7014678..... 141	7019932..... 140, 154	7022178..... 154
7012518..... 61, 65, 75	7014679..... 141	7019933..... 153	7022180..... 141, 153
7012539.....65	7014686..... 122, 128	7019976..... 153	7022302..... 37
7012540..... 187	7014900..... 103	7019977..... 153	7022311..... 37
7012558..... 135, 145, 157	7015009..... 349	7019978..... 154	7022314..... 37
7012559..... 171	7015010..... 350	7019980..... 153	7022321..... 37
7012576..... 120, 127, 139, 151	7016309..... 122, 128	7019982..... 153	7022322..... 37
7012577..... 140	7016330..... 122, 128	7019983..... 153	7022324..... 37
7012578..... 140	7016333..... 171	7019985..... 153	7022325..... 37
7012611..... 181, 185, 231	7016364..... 122, 128	7019988..... 153	7022326..... 37
7012612..... 181, 185, 231	7016600..... 153	7019997..... 153	7022328..... 37
7012656..... 166	7016601..... 153	7020108 .... 135, 145, 157	7022368..... 37
7012679..... 141, 153	7016605..... 153	7020109 .... 135, 145, 157	7022371..... 37
7012680..... 153	7016654..... 349	7020110 .... 135, 145, 157	7022390..... 75
7012681..... 153	7016664..... 172	7020111 .... 135, 145, 157	7023471..... 153
7012682..... 153	7016913..... 169	7020120..... 153	7023667..... 141
7012683..... 153	7017210..... 267	7020175..... 186, 231	7023687..... 153
7012690..... 153	7017211..... 267	7020176..... 186, 231	7023910..... 37
7012693..... 60	7017212..... 267	7020190 .... 135, 145, 157	7024321..... 140, 153
7012700..... 43	7017213..... 267	7020191 .... 135, 145, 157	7024862..... 37
7012701..... 43	7017214..... 267	7020193 .... 135, 145, 157	7024865..... 37
7012702..... 43	7017215..... 267	7020208..... 122, 128	7024867..... 37
7012703..... 43	7017216..... 273	7020323..... 39	7024868..... 37
7012704..... 43	7017217..... 273	7020347..... 40	7024871..... 37
7012705..... 43	7017218..... 273	7020400..... 122, 128	7025122..... 153
7012706..... 43	7017219..... 273	7020401..... 122, 128	7025126..... 154
7012707..... 43	7017408..... 65	7020402..... 122, 128	7025134..... 154
7012708..... 43	7017409..... 61	7020403..... 122, 129	7025145..... 153
7012709..... 43	7017515..... 161	7020405..... 122, 129	7026125..... 122, 127, 129
7012710..... 43	7018602..... 49, 109	7020407..... 122, 128	7026173..... 122, 129
7012711..... 43	7018603..... 50, 110	7020409..... 122, 129	7026199..... 135, 145, 157
7012712..... 43	7018605..... 49, 109	7020410..... 122, 129	7027250..... 122, 129
7012713..... 43	7018606..... 49, 109	7020413..... 122, 129	7027292..... 153
7012714..... 43	7018607..... 49, 109	7020420..... 122, 129	7027402..... 154
7012715..... 43	7018608..... 50, 110	7020421..... 122, 129	7027740..... 37
7012716..... 43	7018609..... 49	7020422..... 122, 129	7027972..... 153
7012910..... 75	7018612..... 50	7020423..... 122, 129	7029274..... 122, 128
7012912..... 65	7018614..... 49	7020432..... 122, 128	7029276..... 122, 128, 342
7012945..... 75	7019607..... 122, 128	7020433..... 122, 129	9900443..... 349
7012953..... 77	7019610..... 115	7020498..... 122, 129	9982700..... 140
7012967..... 65	7019921..... 154	7021249..... 37	
	7019924..... 154	7021256..... 37	





3120800



An Oshkosh Corporation Company

**Corporate Office**  
**JLG Industries, Inc.**  
**1 JLG Drive**  
**McConnellsburg, PA 17233-9533 USA**  
**☎ (717) 485-5161 (Corporate)**  
**☎ (877) 554-5438 (Customer Support)**  
**📠 (717) 485-6417**

**Visit our website for JLG Worldwide Locations.**  
**[www.jlg.com](http://www.jlg.com)**