



# Illustrated Parts Manual

**Model  
150HAX**

**P/N  
3120812**

*January 4, 2013*



An Oshkosh Corporation Company



## REVISION LOG

October 31, 1991 - Original Issue Of Manual  
Revised January 5, 1999  
Revised October 30, 2000 (Edited to P/N 0010433 Revision 20)  
September 12, 2002 - Revised (Manual edited to P/N 0010433 Revision 26)  
December 12, 2002 - Revised (Manual edited to P/N 0010433 Revision 27)  
August 19, 2004 - Revised (Manual edited to P/N 0010433 Revision 33)  
February 15, 2005 - Revised (Manual edited to P/N 0010433 Revision 36)  
February 27, 2007 - Revised (Manual edited to P/N 0010433 Revision 38)  
October 1, 2007 - Revised (Manual edited to P/N 0010433 Revision 38)  
October 6, 2008 - Revised (Manual edited to P/N 0010433 Revision 38)  
April 10, 2009 - Revised (Manual edited to P/N 0010433 Revision 39)  
July 26, 2010 - Revised (Manual edited to P/N 0010433 Revision 42)  
March 1, 2011 - Revised (Manual edited to P/N 0010433 Revision 42)  
September 12, 2011 - Revised (Manual edited to P/N 0010433 Revision 43)  
January 13, 2012 - Revised (Manual edited to P/N 0010433 Revision 43)  
June 22, 2012 - Revised (Manual edited to P/N 0010433 Revision 43)  
August 20, 2012 - Revised (Manual edited to P/N 0010433 Revision 43)  
January 4, 2013 - Revised (Manual edited to P/N 0010433 Revision 43)





# TABLE OF CONTENTS

SECTION 1 - FRAME.....	7
FIGURE 1-1. AXLE AND STEERING INSTALLATION.....	8
FIGURE 1-2. TIRE AND WHEEL DRIVE INSTALLATIONS.....	12
FIGURE 1-3. DRIVE HUB ASSEMBLY (Prior to SN 141512).....	14
FIGURE 1-4. DRIVE HUB ASSEMBLY (SN 141512 to Present).....	18
FIGURE 1-5. DRIVE BRAKE ASSEMBLY.....	22
FIGURE 1-6. DRIVE MOTOR ASSEMBLY (Prior to SN 137333).....	26
FIGURE 1-7. DRIVE MOTOR ASSEMBLY (SN 137333 to Present).....	28
FIGURE 1-8. FRAME MOUNTED COMPONENTS INSTALLATIONS.....	30
FIGURE 1-9. CONTROL VALVE ASSEMBLY - 4 SECTION BANG-BANG.....	34
FIGURE 1-10. CONTROL VALVE ASSEMBLY - 3 SECTION BANG-BANG.....	36
SECTION 2 - TURNTABLE.....	39
FIGURE 2-1. CONTROL VALVE INSTALLATIONS.....	40
FIGURE 2-2. CONTROL VALVE ASSEMBLY 2 SECTION BANG-BANG.....	44
FIGURE 2-3. CONTROL VALVE ASSEMBLY 2 SECTION BANG-BANG.....	48
FIGURE 2-4. CONTROL VALVE ASSEMBLY - 5 SECTION VICKERS.....	50
FIGURE 2-5. CONTROL VALVE ASSEMBLY - 1 SECTION VICKERS (CMX160).....	54
FIGURE 2-6. SWING DRIVE AND TURNTABLE BEARING INSTALLATIONS.....	58
FIGURE 2-7. SWING MOTOR ASSEMBLY.....	62
FIGURE 2-8. SWING BRAKE ASSEMBLIES (PRIOR TO MAY 1992).....	64
FIGURE 2-9. SWING BRAKE ASSEMBLIES (MAY 1992 TO PRESENT).....	68
FIGURE 2-10. SWING HUB ASSEMBLY.....	72
FIGURE 2-11. ROTARY COUPLING AND COLLECTOR RING INSTALLATION.....	76
FIGURE 2-12. ENGINE INSTALLATION - CUMMINS 4B3.9 DIESEL (Prior to SN 80240).....	78
FIGURE 2-13. ENGINE INSTALLATION - CUMMINS TIER II DIESEL (SN 80240 to Present).....	82
FIGURE 2-14. PUMP COUPLING INSTALLATIONS.....	86
FIGURE 2-15. MAIN PUMP ASSEMBLY - GEAR.....	88
FIGURE 2-16. AUXILIARY PUMP ASSEMBLY.....	90
FIGURE 2-17. TANKS INSTALLATION.....	92
FIGURE 2-18. MAIN TERMINAL BOX ASSEMBLY.....	96
FIGURE 2-19. REMOTE CONTROL BOX ASSEMBLY.....	100
FIGURE 2-20. HOOD COMPONENTS INSTALLATION.....	104
SECTION 3 - BOOM.....	107
FIGURE 3-1. BOOMS AND TURNTABLE INSTALLATION.....	108
FIGURE 3-2. MAIN BOOM ASSEMBLY.....	112
FIGURE 3-3. TOWER BOOM ASSEMBLY II.....	118
FIGURE 3-4. JUNCTION BOX ASSEMBLY (TOWER BOOM MOUNTED).....	122
FIGURE 3-5. LIMIT SWITCHES AND VALVES INSTALLATION (BOOM MOUNTED).....	124
SECTION 4 - PLATFORM.....	127
FIGURE 4-1. PLATFORM AND ROTATOR INSTALLATION (Prior to SN 76169).....	128
FIGURE 4-2. PLATFORM AND ROTATOR INSTALLATION (SN 76169 to Present).....	132
FIGURE 4-3. ROTATOR MOTOR ASSEMBLY.....	138

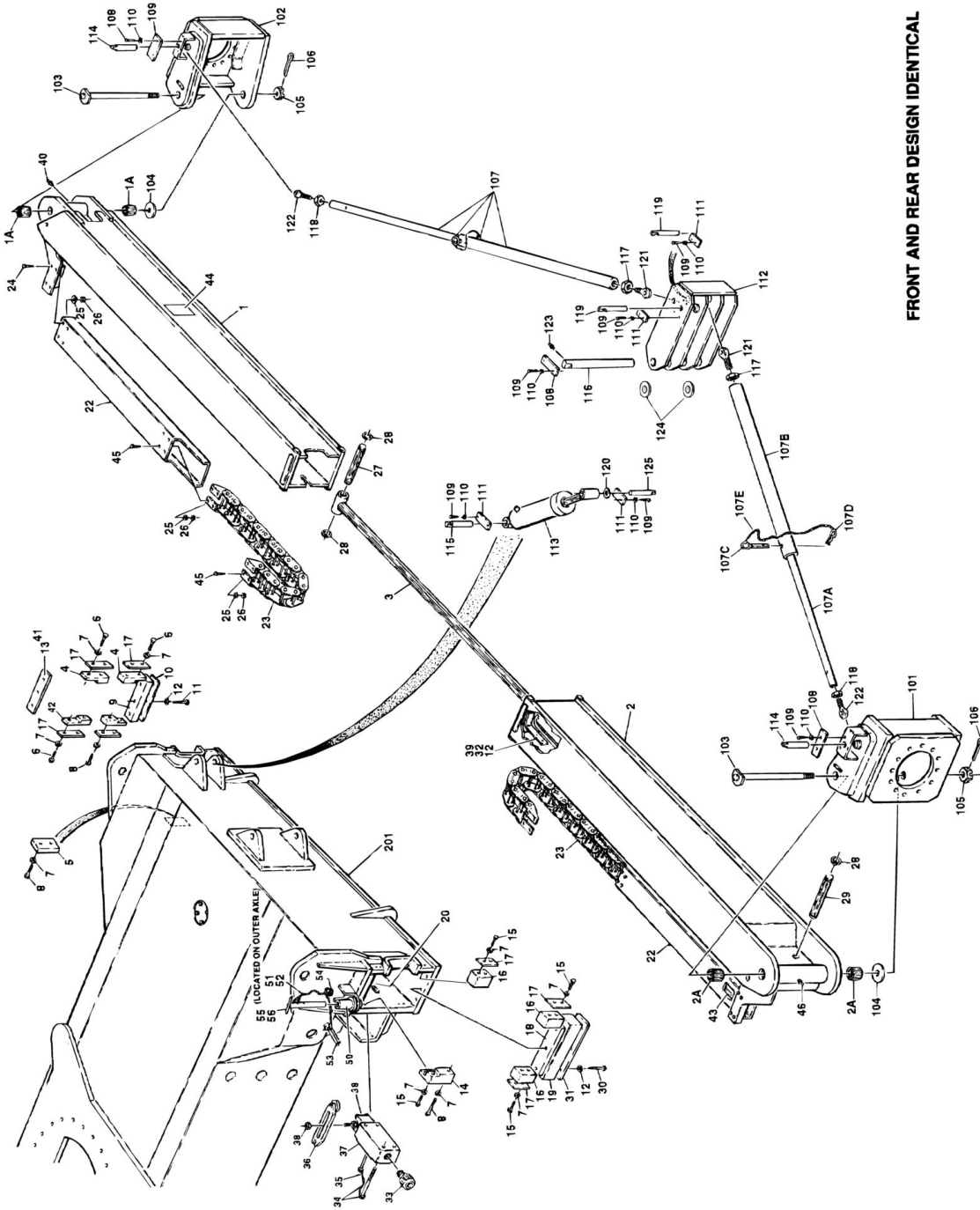
# TABLE OF CONTENTS

FIGURE 4-4. PLATFORM COMPONENTS INSTALLATION .....	140
FIGURE 4-5. PLATFORM CONSOLE ASSEMBLY .....	144
FIGURE 4-6. CONTROLLER ASSEMBLY .....	148
SECTION 5 - CYLINDER.....	151
FIGURE 5-1. AXLE EXTENSION CYLINDER ASSEMBLY .....	152
FIGURE 5-2. JACK CYLINDER ASSEMBLY .....	156
FIGURE 5-3. PLATFORM LEVEL CYLINDER ASSEMBLY (Prior to SN 27450) .....	158
FIGURE 5-4. PLATFORM LEVEL CYLINDER ASSEMBLY (SN 27450 to Present) .....	160
FIGURE 5-5. LIFT CYLINDER ASSEMBLY - MAIN.....	162
FIGURE 5-6. LIFT CYLINDER ASSEMBLY - TOWER .....	164
FIGURE 5-7. MASTER CYLINDER ASSEMBLY .....	166
FIGURE 5-8. STEER CYLINDER ASSEMBLY .....	168
FIGURE 5-9. TELESCOPE CYLINDER ASSEMBLY - MAIN.....	170
FIGURE 5-10. TELESCOPE CYLINDER ASSEMBLY - TOWER .....	174
SECTION 6 - HYDRAULIC .....	177
FIGURE 6-1. STANDARD HYDRAULIC DIAGRAM (Prior to SN 137333).....	178
FIGURE 6-2. STANDARD HYDRAULIC DIAGRAM (SN 137333 to Present) .....	186
FIGURE 6-3. HYDRAULIC DIAGRAM LIST.....	194
SECTION 7 - ELECTRICAL.....	195
FIGURE 7-1. ELECTRICAL DIAGRAM LIST .....	196
FIGURE 7-2. ELECTRICAL SCHEMATIC (SN 61811 through 103757) .....	200
FIGURE 7-3. ELECTRICAL SCHEMATIC (WITH LOAD SENSING) (Prior to SN 103758) .....	202
FIGURE 7-4. ELECTRICAL SCHEMATIC (SN 103758 to Present).....	204
SECTION 8 - DECALS .....	207
FIGURE 8-1. DECALS INSTALLATION.....	208
SECTION 9 - RECOMMENDED SERVICE PARTS STOCK.....	213
FIGURE 9-1. MODEL 150HAX STANDARD PARTS .....	214
FIGURE 9-2. MODEL 150HAX VARIABLE PARTS .....	216
SECTION 10 - SPECIAL OPTIONS .....	217
FIGURE 10-1. SPECIAL OPTIONS .....	218
PART NUMBER INDEX.....	219

**SECTION 1 - FRAME**

# SECTION 1 - FRAME

## FIGURE 1-1. AXLE AND STEERING INSTALLATION



FRONT AND REAR DESIGN IDENTICAL

# SECTION 1 - FRAME

## FIGURE 1-1. AXLE AND STEERING INSTALLATION

ITEM	PART NUMBER	QTY	DESCRIPTION	REV
		Ref	<b>EXTENDABLE AXLES INSTALLATIONS</b>	
	0251875	Ref	<b>Extendable Axles Installations (Prior to February 1993)</b>	A
	0253827	Ref	<b>Extendable Axles Installations (February 1993 to Present) (Standard)</b>	9
	0254401	Ref	<b>Extendable Axles Installations (February 1993 to Present) (Hostile Environment)</b>	7
1		Ref	Axle Weldment - Outer (Right Side Rear/Left Side Front)	
1	4843943	2	Axle Weldment - Outer (Prior to February 1993)	
1	4844478	2	Axle Weldment - Outer (February 1993 to Present)	
1A	0960821	4	Bushing, Bronze (2 per Weldment)	
2		Ref	Axle Weldment - Inner (Left Side Rear/Right Side Front)	
2	4843942	2	Axle Weldment - Inner (Prior to February 1993)	
2	4844477	2	Axle Weldment - Inner (February 1993 to Present)	
2A	0960821	4	Bushing, Bronze (2 per Weldment)	
3		Ref	Extension Cylinder Assembly (See CYLINDER SECTION for Breakdown)	
3	1682522	2	Extension Cylinder Assembly (Prior to February 1993)	
3	1682905	2	Extension Cylinder Assembly (February 1993 to Present) (Standard)	
3	1683045	2	Extension Cylinder Assembly (February 1993 to Present) (Hostile Environment)	
4	0560975	6	Block, Wear (Outer Side) (Right Side Rear/Left Side Front)	
5	0560973	2	Block, Stop (Outer Side) (Right Side Rear/Left Side Front)	
6	0641807	1	Bolt 1/2in-13NC x 7/8in	
7	4711800	44	Flatwasher 1/2in	
8	0641808	20	Bolt 1/2in-13NC x 1in	
9	3340595	2	Pad, Wear (Outer Bottom) (Right Side Rear/Left Side Front)	
10	4070792	AR	Shim	
11	0641607	6	Bolt 3/8in-16NC x 7/8in	
12	4761600	16	Lockwasher 3/8in	
13	0362051	AR	Bar, Wear	
14	0560972	2	Block, Stop (Inner) (Left Side Rear/Right Side Front)	
15	0641812	16	Bolt 1/2in-13 x 1 1/2in	
16	0560974	6	Block, Wear (Inner Side) (Left Side Rear/Right Side Front)	
17	4070790	AR	Shim	
18	3340596	2	Pad, Wear (Inner Bottom) (Left Side Rear/Right Side Front)	
19	3534389	2	Block	
20	0362050	2	Bar, Wear	
21	4070791	AR	Shim	
22	4565314	4	Tube, Carrier	
23		Ref	Power Track Assembly Options:	
		Ref	<b>Note: Original Equipment Power Track may have been replaced with Service Replacement. Visually identify component before ordering replacement parts.</b>	
23	1001099841	4	Gemco Brand Power Track (was p/n 1180278) <b>(Prior to SN 0300135500)</b>	
23	7006140	AR	1ft Repair Section - Used on p/n 1180278	
23	7006148	2 Per	Feet, Mounting - Used on p/n 1180278	
23	7006152	1 Per	Pin Kit - Used on p/n 1180278	
23	1001099841	1	Gotrac Brand Power Track <b>(SN 0300135500 to Present)</b>	
23	70001996	AR	1ft Repair Section	

# SECTION 1 - FRAME

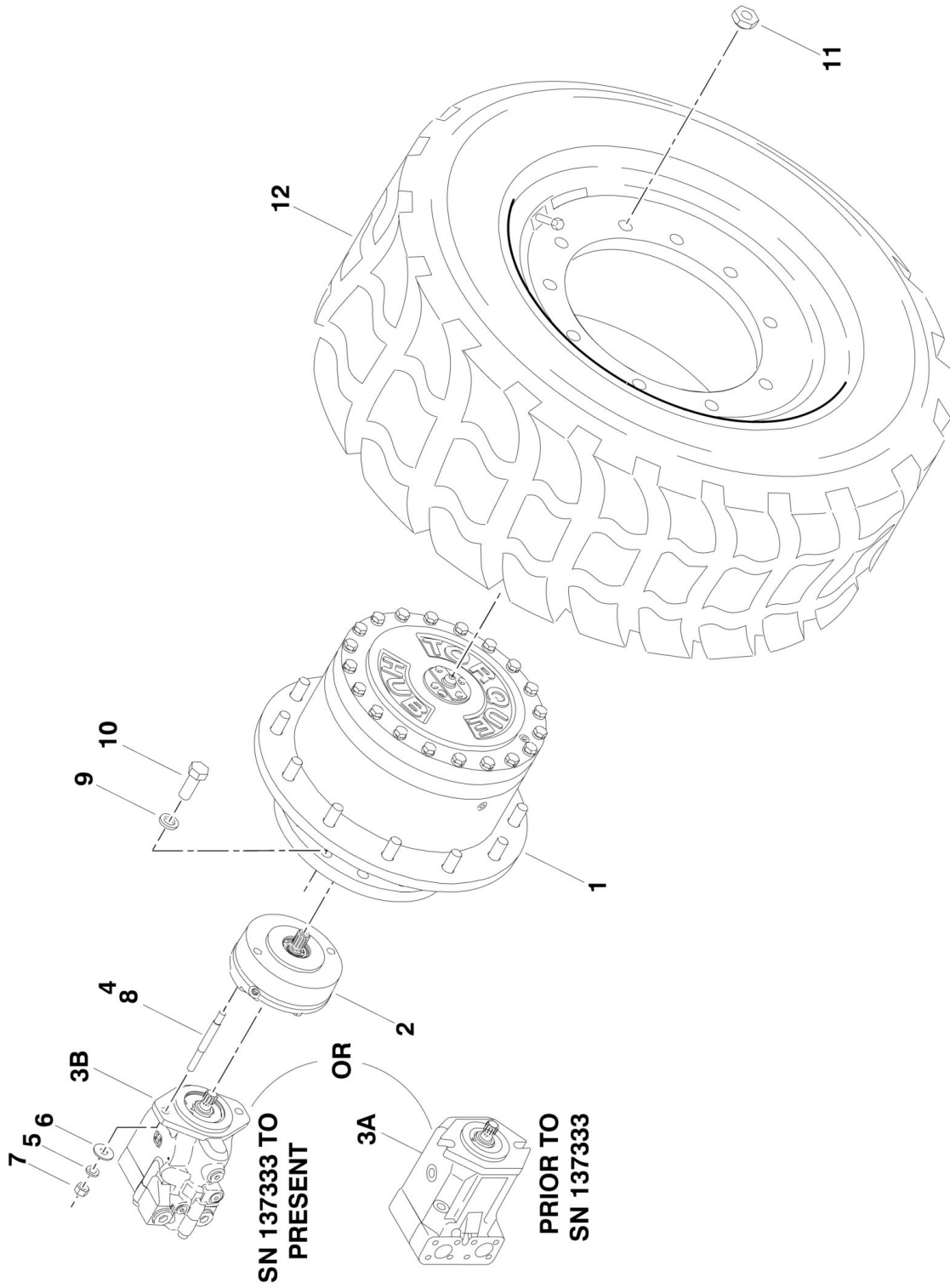
ITEM	PART NUMBER	QTY	DESCRIPTION	REV
23	70001997	1 Per	Bracket Kit (Includes 1 set of mounting brackets and hardware)	
24	0641408	32	Bolt 1/4in-20NC x 1in	
25	4751400	96	Flatwasher 1/4in	
26	3311405	52	Locknut 1/4in-20NC	
27	3421952	2	Pin (Rod End)	
28	3760133	8	Ring, Retaining	
29	3421953	2	Pin (Barrel End)	
30	0641617	6	Bolt 3/8in-16NC x 2 18in	
31	4070789	AR	Shim	
32	0362048	2	Bar, Cylinder Retainer	
33	4460049	4	Connector, Strain Relief	
34	3900168	8	Screw, Special	
35	4920140	4	Lockwire	
36	4360237	4	Arm and Roller, Switch	
37	4360277	4	Switch, Limit	
38	4360236	4	Head, Actuator	
39	0641608	4	Bolt 3/8in-16NC x 1in	
40	2160002	4	Fitting, Grease	
41	4070808	AR	Shim <b>(Prior to SN 56632)</b>	
42	0561117	2	Block, Axle Stop (July 1993 to Present)	
43	4060804	6 ft/18.3m	Flex - Trim (January 1994 to Present)	
44	4420044	2 ft/.6m	Tape (White) (March 1994 to Present)	
45	0641406	16	Bolt 1/4in-20NC x 3/4in	
50	4843793	4	Bushing, Lock Pin (Welded on Part) (Prior to February 1993)	
51	4843979	2	Pin, Lock (Inner Axle) (Left Side Rear/Right Side Front) (Prior to February 1993)	
52	4843794	2	Pin, Lock (Outer Axle) (Right Side Rear/Left Side Front) (Prior to February 1993)	
53	3421565	4	Pin, Snap (Prior to February 1993)	
54	3760170	4	Ring, Quick Release (Prior to February 1993)	
55	1260017	2.3 ft/.7m	Chain - #3 (6.9in/17.5cm per Lock) (Prior to February 1993)	
56	3760106	4	D-Ring (Prior to February 1993)	
		Ref	<b>STEERING INSTALLATIONS</b>	
	0251874	Ref	<b>Steering Installations (Prior to SN 39139)</b>	4
	0258964	Ref	<b>Steering Installations (SN 39139 to Present)</b>	
101	4130260	2	Spindle (Inner Axle) (Left Side Rear/Right Side Front)	
102	4130261	2	Spindle (Outer Axle) (Right Side Rear/Left Side Front)	
103	3421948	4	Kingpin	
104	4740314	4	Washer, Thrust	
105	3324203	4	Nut, Slotted	
106	3451012	4	Pin, Cotter	
107	0252268	4	Tie Rod Assembly	2
107A	3841140	4	Rod, Inner	
107B	3841139	1	Tube, Outer	
107C	3421990	1	Pin, Extension Lock	
107D	3420372	1	Pin, Hair (was p/n 3420592) <b>(Prior to SN 45152)</b>	2
107E	1260017	1	Chain #3	
		ft/30.5cm		
108	3532054	8	Plate, Retaining	
109	0641506	28	Bolt 5/16in-18NC x 3/4in	
110	4761500	28	Lockwasher 5/16in	

## SECTION 1 - FRAME

ITEM	PART NUMBER	QTY	DESCRIPTION	REV
111	3531946	6	Plate, Retaining	
112	4843825	2	Yoke, Steering	
113	1682531	2	Steer Cylinder Assembly (See CYLINDER SECTION for Breakdown)	
114	3421972	4	Pin	
115	3421493	2	Pin (Frame Attach)	
116	3421686	2	Pin	
117	3323002	4	Nut, Jam 1/4in-12NF	
118	3300229	4	Nut, Jam 1 1/4in-12NF (Left Hand Thread)	
119		Ref	Pin (Steer Yoke Attach) Options:	
119	3421973	6	Pin (5 3/8in Length) <b>(Prior to SN 136324)</b>	
119	3421972	6	Pin (5 1/2in Length) <b>(SN 136324 to Present)</b>	
120	0440162	4	Washer, Thrust	
121	1660202	4	End, Rod (At Steer Yoke)	
122	1660203	4	End, Rod (At Spindle)	
123	2160002	2	Fitting, Grease	
124	0440183	4	Bearing, Thrust	
125	3421972	2	Pin	
201	2360339	Ref	<b>FRAME WELDMENT</b>	

# SECTION 1 - FRAME

## FIGURE 1-2. TIRE AND WHEEL DRIVE INSTALLATIONS





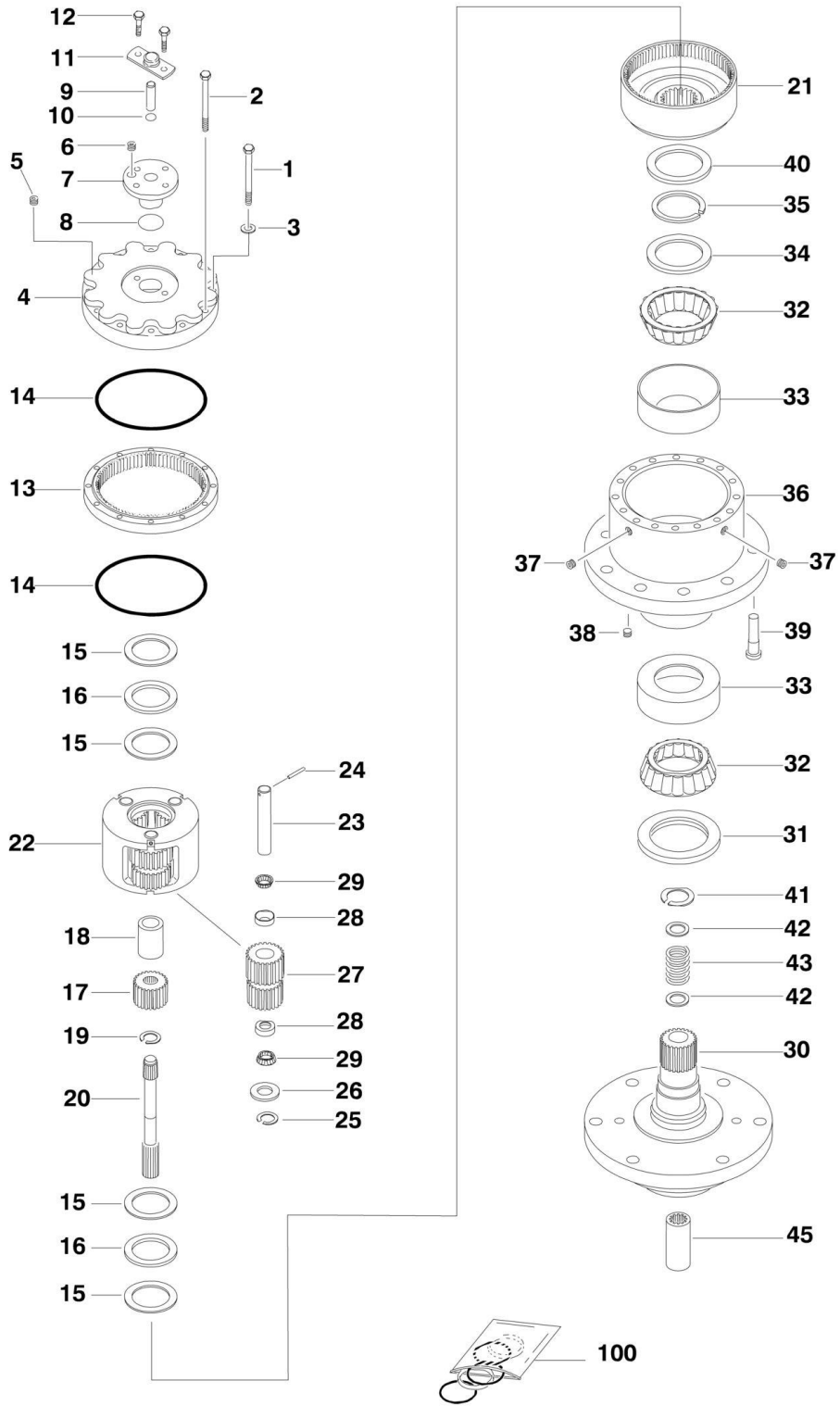
# SECTION 1 - FRAME

## FIGURE 1-2. TIRE AND WHEEL DRIVE INSTALLATIONS

ITEM	PART NUMBER	QTY	DESCRIPTION	REV
		Ref	<b>WHEEL DRIVE INSTALLATION</b>	
	0251946	Ref	Wheel Drive Installation ( <b>Prior to SN 0300057155</b> )	7-E
	0270229	Ref	Wheel Drive Installation ( <b>SN 0300057155 through 0300137332</b> )	3-A
	1001107574	Ref	Wheel Drive Installation ( <b>SN 0300137333 to Present</b> )	B
1		Ref	Drive Hub Assembly Options:	
1	1001116796	4	Drive Hub Assembly (was p/n 2780155) (See DRIVE HUB ASSEMBLY (PRIOR TO SN 141512) for Breakdown)	
1	1001116796	4	Drive Hub Assembly (See DRIVE HUB ASSEMBLY (SN 141512 TO PRESENT) for Breakdown) ( <b>SN 141512 to Present</b> )	
2		Ref	Brake Assembly Options (See DRIVE BRAKE ASSEMBLY for breakdown):	
2	0920084	4	Brake Assembly ( <b>Prior to SN 33476</b> )	
2	0920110	4	Brake Assembly ( <b>SN 33476 through 57154</b> )	
2	0920119	4	Brake Assembly ( <b>SN 57155 to Present</b> )	
3		Ref	Motor Assembly Options:	
3A	See Note	4	Motor Assembly (Prior to September 1995) (was p/n 3160176) (See DRIVE MOTOR ASSEMBLY (PRIOR TO SN 137333) for Breakdown) (Note: Use p/n 3160213 Motor Plus p/n 2900869 Conversion Kit as Replacement)	
3A	3160204	4	Motor Assembly (September 1995 to SN 0300027450) (was p/n 3160213) (See DRIVE MOTOR ASSEMBLY (PRIOR TO SN 137333) for Breakdown)	
3B	3160204	4	Motor Assembly (See DRIVE MOTOR ASSEMBLY (PRIOR TO SN 137333) for Breakdown) ( <b>SN 0300027450 through 0300137332</b> )	
3B	1001107852	4	Motor Assembly (See DRIVE MOTOR ASSEMBLY (SN 137333 TO PRESENT) for Breakdown) ( <b>SN 0300137333 to Present</b> )	
4		Ref	Stud Options:	
4	4300092	8	Stud 1/2in-13NC x 5 1/2in ( <b>Prior to SN 0300137333</b> )	
4	4300097	8	Stud 1/2in-13NC x 5 1/8in ( <b>SN 0300137333 to Present</b> )	
5	4761800	8	Lockwasher 1/2in	
6	4751800	8	Flatwasher 1/2in	
7	3311801	8	Nut 1/2in-13NC	
8	0100011	AR	Compound, Locking	
9	0642216	48	Bolt 3/4in-10NC x 2in	
10	4762200	48	Lockwasher 3/4in	
11	3300007	48	Lugnut 3/4in-16NF	
	0251590	Ref	<b>TIRE AND WHEEL INSTALLATION</b>	2
12	0251589	4	Tire and Wheel Assembly - Foam Filled 445/65R 22.5	
		Ref	<b>Note: Assemblies may require ballast/foam filling to manufacturer's specifications prior to installing on a machine. Refer to Operation and Safety or Service and Maintenance Manuals. Purchase individual tire and/or rim only if able to foam fill tire and wheel assembly, otherwise, purchase complete assembly.</b>	
12	4520136	4	Tire, Replacement	

# SECTION 1 - FRAME

## FIGURE 1-3. DRIVE HUB ASSEMBLY (Prior to SN 141512)



# SECTION 1 - FRAME

**FIGURE 1-3. DRIVE HUB ASSEMBLY (Prior to SN 141512)**

ITEM	PART NUMBER	QTY	DESCRIPTION	REV
	2780155	Ref	<b>DRIVE HUB ASSEMBLY</b>	-
		Ref		<b>Note: For Machines Prior to SN 0300141512, Original Equipment Assembly p/n 2780155 may have been replaced with p/n 1001116796 as Service Replacement Assembly. Identify P/N before ordering replacement components. If equipped with p/n 1001116796 refer to Drive Hub Assembly.</b>
1	7001974	16	Bolt, Hex Head	
2	7001975	4	Bolt, Hex Head, Shoulder	
3	7001976	20	Lockwasher	
	7001965	1	Cover Sub Assembly	
4	7001966	1	Cover	
5	7001928	1	Plug, Pipe	
6	7000243	1	Plug, Pipe	
7	7001967	1	Cap, Cover	
8	Item 100	1	O-Ring	
9	7001968	1	Rod, Disconnect	
10	Item 100	1	O-Ring	
11	7000231	1	Cap, Disconnect	
12	7000220	4	Bolt, Hex Head	
13	7001963	1	Gear, Ring	
14	Item 100	2	O-Ring	
15	7001972	4	Washer, Thrust	
16	7001973	2	Bearing, Thrust	
17	7001971	1	Gear, Input (Sun)	
18	7001970	1	Spacer, Thrust	
19	7000285	1	Ring, Retaining	
20	7001919	1	Shaft, Input	
21	7007657	1	Gear, Internal	
	7001910	1	Carrier Sub Assembly	
22	7001955	1	Carrier	
23	7001959	3	Shaft, Planet	
24	7001956	3	Pin, Roll	
25	7001962	3	Ring, Retaining	
26	7001961	3	Spacer	
27	7017003	1	Gear Kit, Planet	
28	7001957	6	Cup, Bearing	
29	7001958	6	Cone, Bearing	
	7007698	1	Hub and Spindle Sub Assembly	
30	7007699	1	Spindle	
31	Item 100	1	Seal	
32	7001948	2	Cone, Bearing	
33	7001947	2	Cup, Bearing	
34	7001949	1	Shim, Bearing	
35	7001950	1	Ring, Retaining	
36	7001951	1	Hub	
37	7001928	2	Plug, Pipe	
38	7001952	1	Plug, Magnetic	
39	7000265	12	Stud	
40	7001977	1	Ring, Keeper	
41	7000284	1	Ring, Retaining	

## SECTION 1 - FRAME

ITEM	PART NUMBER	QTY	DESCRIPTION	REV
42	7000282	2	Washer	
43	7000283	1	Spring	
45	7000290	1	Coupling, Input	
100	2900560	1	Seal Kit (Includes 8, 10, 14 & 31)	





# SECTION 1 - FRAME

**FIGURE 1-4. DRIVE HUB ASSEMBLY (SN 141512 to Present)**

ITEM	PART NUMBER	QTY	DESCRIPTION	REV
	1001116796	Ref	<b>DRIVE HUB/BRAKE ASSEMBLY</b>	A
1	Not Available	1	Spindle/Housing Assembly	
1A	70002684	1	Spindle	
1B	7024140	1	Seal	
1C	7001947	1	Cone, Bearing	
1D	7001947	1	Cup, Bearing	
1E	7024143	1	Cone, Bearing	
1F	7024143	1	Cup, Bearing	
1G	Not Available	1	Housing	
1H	7001949	1	Washer, Thrust	
1J	70002685	2	Plug, Pipe	
1K	7001950	1	Ring, Retaining	
1N	7000265	12	Stud, Wheel	
1P	70002686	2	Plug, O-ring	
2	7007657	1	Gear, Ring	
3	Not Available	1	Carrier Assembly	
3A	7001955	1	Carrier	
3B	7001956	3	Rollpin	
3C	7001957	6	Cup, Bearing	
3D	7001958	6	Cone, Bearing	
3E	7001959	3	Shaft, Planet	
3F	7017003	3	Gear, Cluster	
3G	70002687	3	Thrustwasher, Spacer	
3H	7001962	3	Ring, Retaining	
4	7001963	1	Gear, Internal	
5	7001964	2	O-Ring	
6	Not Available	1	Cover Assembly	
6A	7001966	1	Cover	
6B	7001967	1	Cap	
6C	7000220	4	Bolt 1/4in-20NC x 3/4in	
6D	7000231	1	Cap, Disengage	
6E	7001968	1	Rod, Disengage	
6F	7000213	1	O-Ring	
6G	7000238	1	O-Ring	
6H	7017048	1	Plug, Pipe	
6I	7001928	1	Plug, Pipe	
6J	Not Available	1	Plate, ID	
6K	7000281	2	Screw	
7	7000282	2	Thrustwasher	
8	7000283	1	Spring	
9	7000284	1	Ring, Retaining	
10	7000285	1	Ring, Retaining	
11	7001919	1	Shaft, Input	
12	7001970	1	Spacer, Input	
13	7001971	1	Gear, Sun	
15	7001972	4	Thrustwasher	
16	7001973	2	Thrustwasher	
17	7001974	16	Bolt 1/2in-13NC X 3 3/4in (Grade 8)	
18	7001975	4	Bolt 3/8in-16NC X 3 1/2in	
19	7000290	1	Coupling	

## SECTION 1 - FRAME

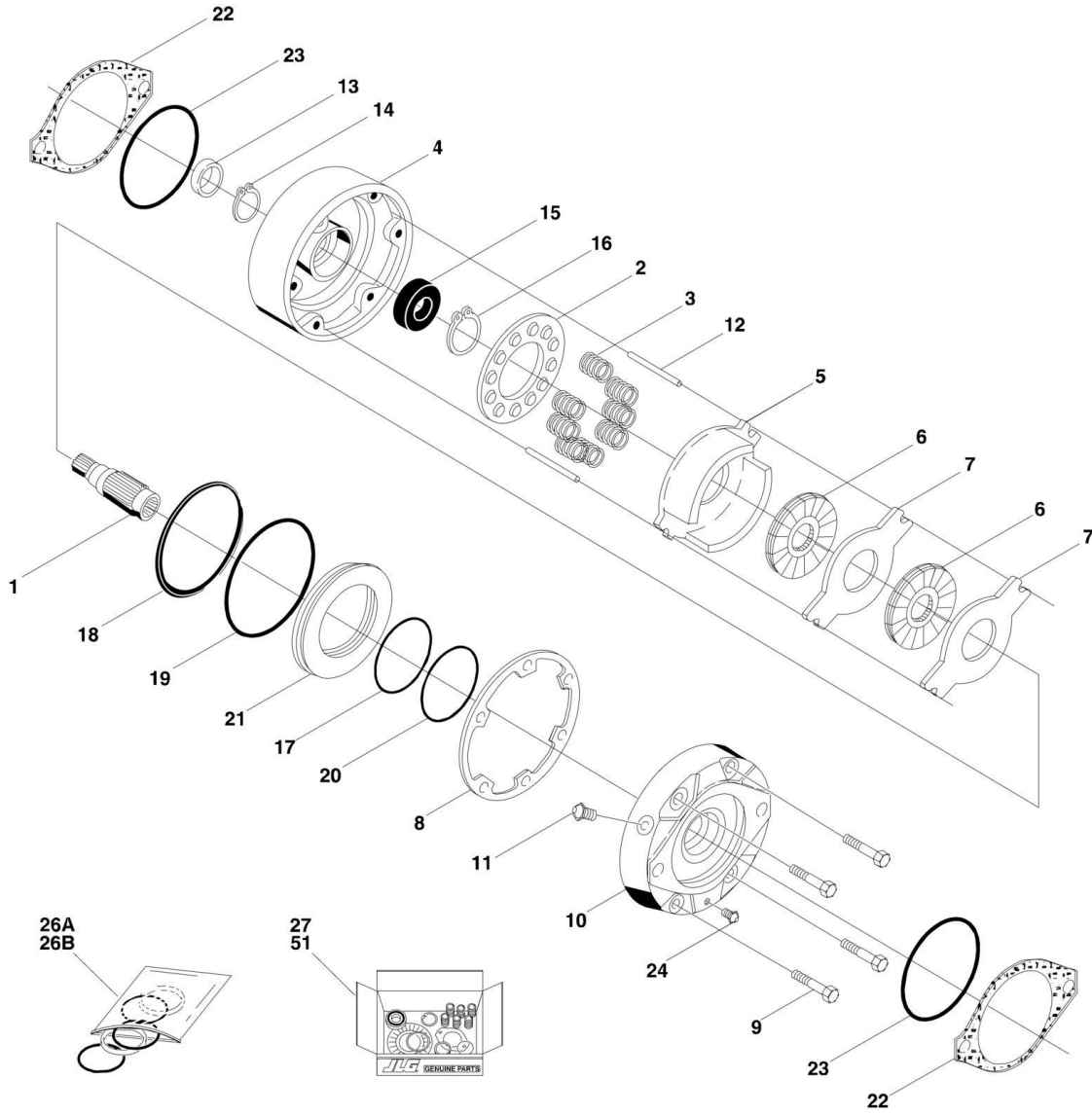
ITEM	PART NUMBER	QTY	DESCRIPTION	REV
23	7001976	20	Lockwasher	
25	7001977	1	Flatwasher	
101	70002688	1	Seal Kit - Hub (Includes Items 1B, 1H, 1K, 5, 6F, 6G, 15, 16 & 25)	





# SECTION 1 - FRAME

## FIGURE 1-5. DRIVE BRAKE ASSEMBLY



# SECTION 1 - FRAME

## FIGURE 1-5. DRIVE BRAKE ASSEMBLY

ITEM	PART NUMBER	QTY	DESCRIPTION	REV
		Ref	<b>DRIVE BRAKE ASSEMBLY OPTIONS:</b>	
	0920084	Ref	<b>Drive Brake Assembly (Prior to SN 33476)</b>	A
	0920110	Ref	<b>Drive Brake Assembly (SN 33476 through 57154)</b>	C
1	7011712	1	Shaft Options:	
2		Ref	Guide, Spring Options:	
2	7011717	1	0920084 Brake ( <b>Prior to SN 33476</b> )	
2	7018606	1	0920110 Brake ( <b>SN 33476 through 57155</b> )	
3		Ref	Spring Options:	
3	7007979	6	0920084 Brake (Inner) ( <b>Prior to SN 33476</b> )	
3	7007980	6	0920084 Brake (Outer) ( <b>Prior to SN 33476</b> )	
3	7007970	6	0920110 Brake (Red) ( <b>SN 33476 through 57155</b> )	
3	7018602	3	0920110 Brake (Blue) ( <b>SN 33476 through 57155</b> )	
4		Ref	Housing Options:	
4	7011713	1	0920084 Brake ( <b>Prior to SN 33476</b> )	
4	7018605	1	0920110 Brake ( <b>SN 33476 through 57155</b> )	
5		Ref	Return Plate and Separator Assembly Options:	
5	Item 27	1	Return, Plate - 0920084 Brake ( <b>Prior to SN 33476</b> )	
5	7011715	2	Separator Assy - 0920084 Brake ( <b>Prior to SN 33476</b> )	
5	7011714	4	Pin	
5	7007983	2	Separator	
5	Item 27	1	Return Plate and Separator - 0920110 Brake ( <b>SN 33476 through 57155</b> )	
6	Item 27	2	Rotor	
7	Item 27	2	Stator	
8	See Note	1	Seal, Case (Note: Use Item 26A, 26B or 27)	
9		Ref	Bolt, Washer Head Options:	
9	7007985	4	0920084 Brake ( <b>Prior to SN 33476</b> )	
9	7018607	4	0920110 Brake ( <b>SN 33476 through 57155</b> )	
10	7007986	1	Cover	
11		Ref	Hardware Options:	
11	7000796	1	Screw, Bleeder ( <b>Prior to SN 33906</b> )	
11	7018609	1	Plug, Pipe ( <b>SN 33906 through 57155</b> )	
12	7007987	2	Pin, Dowel	
13	See Note	1	Seal, Oil (Note: Use Item 26A or 26B)	
14	7011716	1	Ring, Retaining	
15	Item 26B	1	Bearing	
16	7007977	1	Ring, Retaining	
17	Item 26A	1	Ring, Back-Up	
18	Item 26A	1	Ring, Back-Up	
19	Item 26A	1	O-Ring	
20	Item 26A	1	O-Ring	
21		Ref	Piston Options:	
21	7007923	1	0920084 Brake ( <b>Prior to SN 33476</b> )	
21	7018603	1	0920110 Brake ( <b>SN 33476 through 57155</b> )	
22	7007933	2	Gasket	
23	See Note	2	O-Ring (Note: Use Item 26A, 26B or 27)	
24	7007924	1	Plug, Pipe	
26		Ref	Seal Kit Options:	
26A	2900766	1	Seal Kit (Includes Items 8, 13, 17, 18, 19, 20, 22 & 23)	
26B	2900768	1	Seal Kit (Includes Items 8, 13, 15, 22 & 23)	

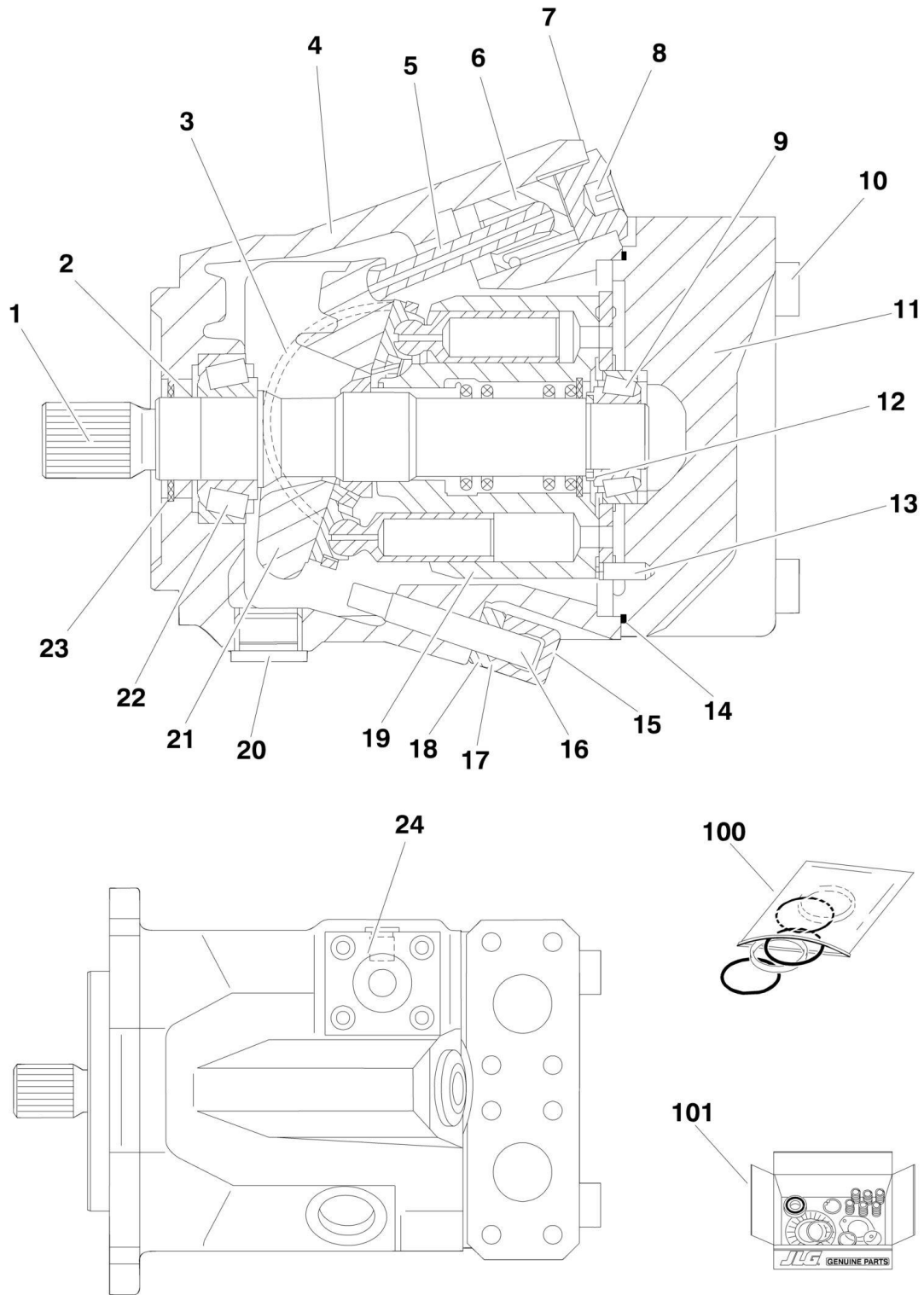
## SECTION 1 - FRAME

ITEM	PART NUMBER	QTY	DESCRIPTION	REV
27		Ref	Lining Kit Options: (Includes Items 5, 6, 7, 8, 22 & 23)	
27	2900767	1	0920084 Brake <b>(Prior to SN 33476)</b>	
27	7018608	1	0920110 Brake <b>(SN 33476 through 57155)</b>	
	0920119	Ref	<b>Drive Brake Assembly (Not Shown) (SN 57155 to Present)</b>	B
51	7018612	1	Kit, Repair	
51	7000731	2	Gasket, Mounting Face	
		Ref	<b>Note: No other Service Parts Available.</b>	



# SECTION 1 - FRAME

FIGURE 1-6. DRIVE MOTOR ASSEMBLY (Prior to SN 137333)



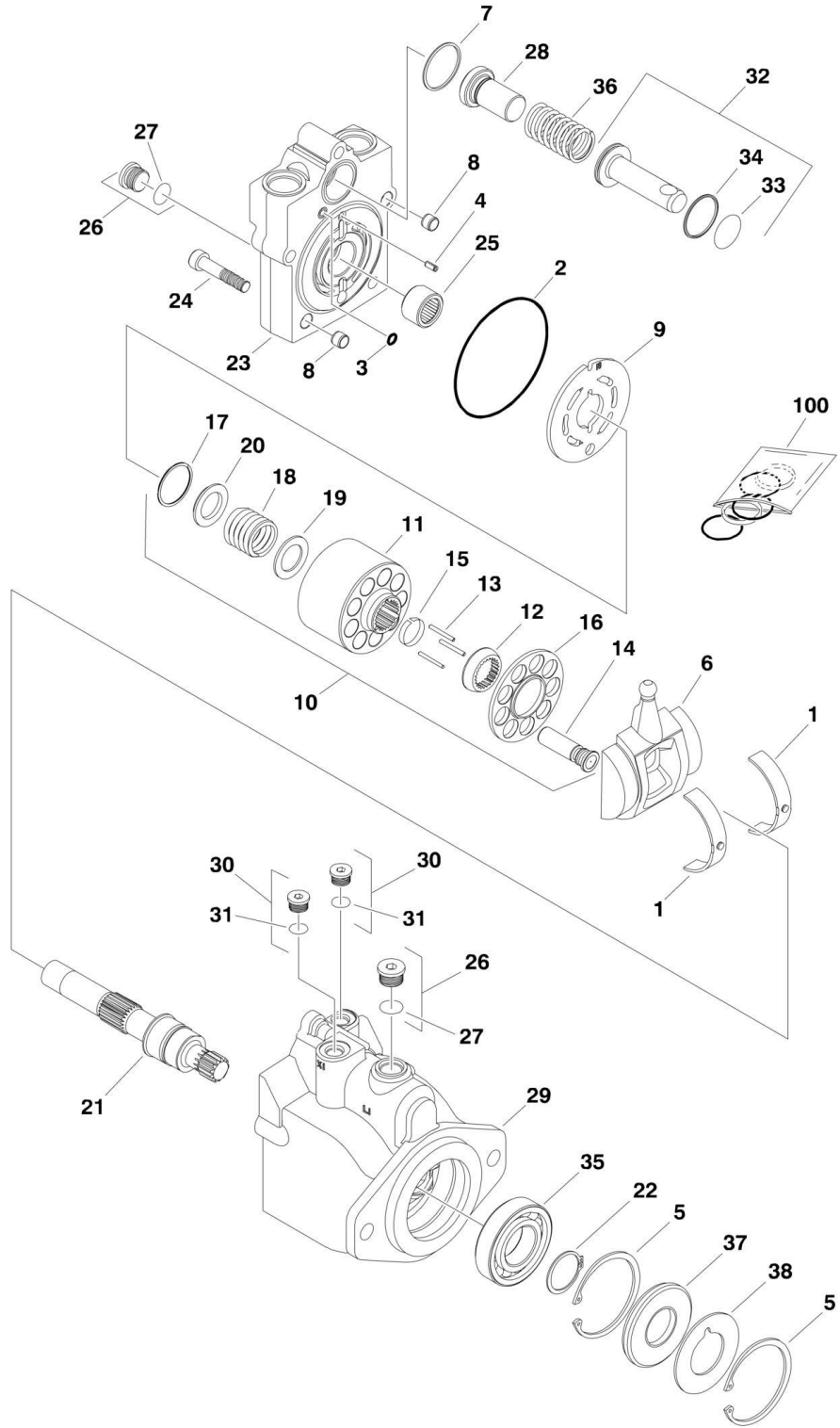
## SECTION 1 - FRAME

**FIGURE 1-6. DRIVE MOTOR ASSEMBLY (Prior to SN 137333)**

ITEM	PART NUMBER	QTY	DESCRIPTION	REV
		Ref	<b>DRIVE MOTOR ASSEMBLIES</b>	
	3160176	Ref	<b>Drive Motor Assemblies (Prior to September 1995)</b>	-
	3160213	Ref	<b>Drive Motor Assemblies (September 1995 to SN 27449)</b>	-
	3160204	Ref	<b>Drive Motor Assemblies (SN 27450 through 137333)</b>	-
1	7012701	1	Shaft - 13 Teeth	
2	Item 100	1	Seal, Shaft	
3	7012702	2	Bearing, Cradle	
4	Not Available	1	Housing	
5	7012703	1	Rod, Piston	
6	7012704	1	Piston, Stroking	
7	Item 100	1	O-Ring	
8	7012705	1	Nut, Adapter	
9	7012706	1	Bearing, Roller	
10	7012707	4	Bolt, Metric Socket Head M12 x 65	
11	7012708	1	Block, Port	
12	7012709	1	Shim	
13	7012710	1	Pin, Dowel M6 x 18	
14	Item 100	1	O-Ring	
15	7012711	1	Nut, Cap M10 x 1	
16		Ref	Screw, Adjusting Options:	
16	7012712	1	Screw, Adjusting <b>(Prior to SN 36331)</b>	
16	7018990	1	Screw, Adjusting <b>(SN 36331 to Present)</b>	
17	Item 100	2	O-Ring	
18	7012713	1	Nut, Jam M10 x 1	
19	Item 101	1	Rotary Group Assembly	
20	Not Available	1	Plug	
21	Item 101	1	Plate, Swash	
22	7012714	1	Bearing, Roller	
23	7012715	1	V-Ring	
24	7012700	1	Control Plate Assembly	
		Ref	Kit Options:	
100	2900788	1	Seal Kit (Includes Items 2, 7, 14, 17 and O-Rings under Item 24)	
101	7012716	1	Rotary Group Kit (Includes Items 19 & 21)	

# SECTION 1 - FRAME

FIGURE 1-7. DRIVE MOTOR ASSEMBLY (SN 137333 to Present)





## SECTION 1 - FRAME

**FIGURE 1-7. DRIVE MOTOR ASSEMBLY (SN 137333 to Present)**

ITEM	PART NUMBER	QTY	DESCRIPTION	REV
	1001107852	Ref	<b>DRIVE MOTOR ASSEMBLY (SN 137333 to Present)</b>	A
1	7022302	2	Bearing, Journal	
2	7022303	1	O-Ring	
3	70002283	1	O-Ring	
4	7007446	1	Pin	
5	7007438	2	Ring, Retaining	
6	70000794	1	Swashplate	
7	70002284	1	O-Ring	
8	7007435	2	Pin	
9	7024862	1	Plate, Valve	
10	Not Available	1	Cylinder Block Kit (Includes Items 11-20)	
11	7024863	1	Block, Cylinder	
12	7024864	1	Guide, Slipper Retainer	
13	7021275	3	Pin, Slipper Hold Down	
14	7024865	9	Piston Assembly	
15	7021276	1	Retainer, Hold Down Pin	
16	7024866	1	Retainer, Slipper	
17	7022311	1	Ring, Retaining	
18	7024867	1	Spring	
19	7024868	1	Washer	
20	7022314	1	Retainer, Spring	
21	7023910	1	Shaft	
22	7007439	1	Ring, Retaining	
23	70002286	1	Cap, End - Radial	
24	7022368	5	Screw	
25	7021249	1	Bearing, Needle	
26	7022321	2	Plug	
27	7022322	2	O-Ring	
28	70002287	1	Seat, Spring	
29	7024870	1	Housing	
30	7027420	2	Plug	
31	7021256	2	O-Ring	
32	7024854	1	Piston Assembly, Servo	
33	7022324	1	O-Ring	
34	7022325	1	Ring, Seal	
35	7007437	1	Bearing	
36	7022326	1	Spring	
37	7007459	1	Seal, Lip	
38	7022371	1	Washer, Support	
100	7022328	1	Seal Kit (Includes Items 2, 3, 7, 27, 31, 33, 34 & 37)	



# SECTION 1 - FRAME

## FIGURE 1-8. FRAME MOUNTED COMPONENTS INSTALLATIONS

ITEM	PART NUMBER	QTY	DESCRIPTION	REV
		Ref	<b>FRAME MOUNTED VALVES AND JACK CYLINDER INSTALLATIONS</b>	A
		Ref	<b>VALVES INSTALLATION (FRAME MOUNTED)</b>	
	0251955	Ref	<b>Valves Installation (Frame Mounted) (Prior to SN 0300137333)</b>	15
	1001110031	Ref	<b>Valves Installation (Frame Mounted) (SN 0300137333 to Present)</b>	1
7	4751600	AR	Flatwasher 3/8in	
8	3311605	AR	Locknut 3/8in-16NC	
11	4751500	AR	Flatwasher 5/16in	
12	3311505	2	Locknut 5/16in-18NC <b>(SN 0300137333 to Present)</b>	
18	3311501	8	Nut 5/16in-18NC	
28	4640260	2	Valve, Flow Divider <b>(Prior to SN 0300137333)</b>	
28	4640260	1	Cartridge (Vickers/Modular Controls Version)	
28	7009739	1	Seal Kit (Vickers/Modular Controls Version)	
28	7007321	1	Cartridge (Fluid Controls Version)	
28	7007323	1	Seal Kit (Fluid Controls Version)	
28	7020045	1	Cartridge (Logic Hydraulic Controls Version)	
28	7020051	1	Seal Kit (Logic Hydraulic Controls Version)	
29	4300076	6	Stud 3/8in-16NC x 3in (Not Shown) <b>(Prior to SN 80240)</b>	
32	4640123	1	Valve, Solenoid (2 Speed)	
32	7004368	1	Coil (Hydraforce Version)	
32	7012518	1	Seal Kit (Hydraforce Version)	
32	7000558	1	Coil (FPS Version)	
32	7006075	1	Seal Kit (FPS Version)	
33	4300042	2	Stud 1/4in-20NC x 1 3/4in (Not Shown) <b>(Prior to SN 80240)</b>	
34	3311401	2	Nut 1/4in-20NC	
35	4761400	2	Lockwasher 1/4in	
36	4751400	2	Flatwasher 1/4in	
37		Ref	Valve, Counterbalance Options:	
37	4640700	1	Valve, Counterbalance <b>(Prior to SN 0300137333)</b>	
37	7011316	2	Cartridge	
37	7011317	2	Seal Kit	
37	1001109985	1	Valve, Counterbalance <b>(SN 0300137333 to Present)</b>	
37	70002279	2	Cartridge	
37	7011317	2	Seal Kit	
38	4640701	1	Control Valve Assembly - 4 Section Bang-Bang (See CONTROL VALVE ASSEMBLY - 4 SECTION BANG-BANG for Breakdown)	
39	4640702	1	Control Valve Assembly - 3 Section Bang-Bang (See CONTROL VALVE ASSEMBLY - 3 SECTION BANG-BANG for Breakdown)	
40	4300038	8	Stud 5/16in-18NC x 1in (Not Shown) <b>(Prior to SN 80240)</b>	
41	4761500	8	Lockwasher 5/16in	
42	4641183	1	Valve, Flow Divider <b>(SN 0300137333 to Present)</b>	
42	7023917	2	Cartridge	
42	7021625	2	Seal Kit	
42	4641193	4	Cartridge	
42	7017496	4	Seal Kit	
43	1001109984	1	Valve, Hot Oil Shuttle <b>(SN 0300137333 to Present)</b>	
43	70002280	1	Cartridge	

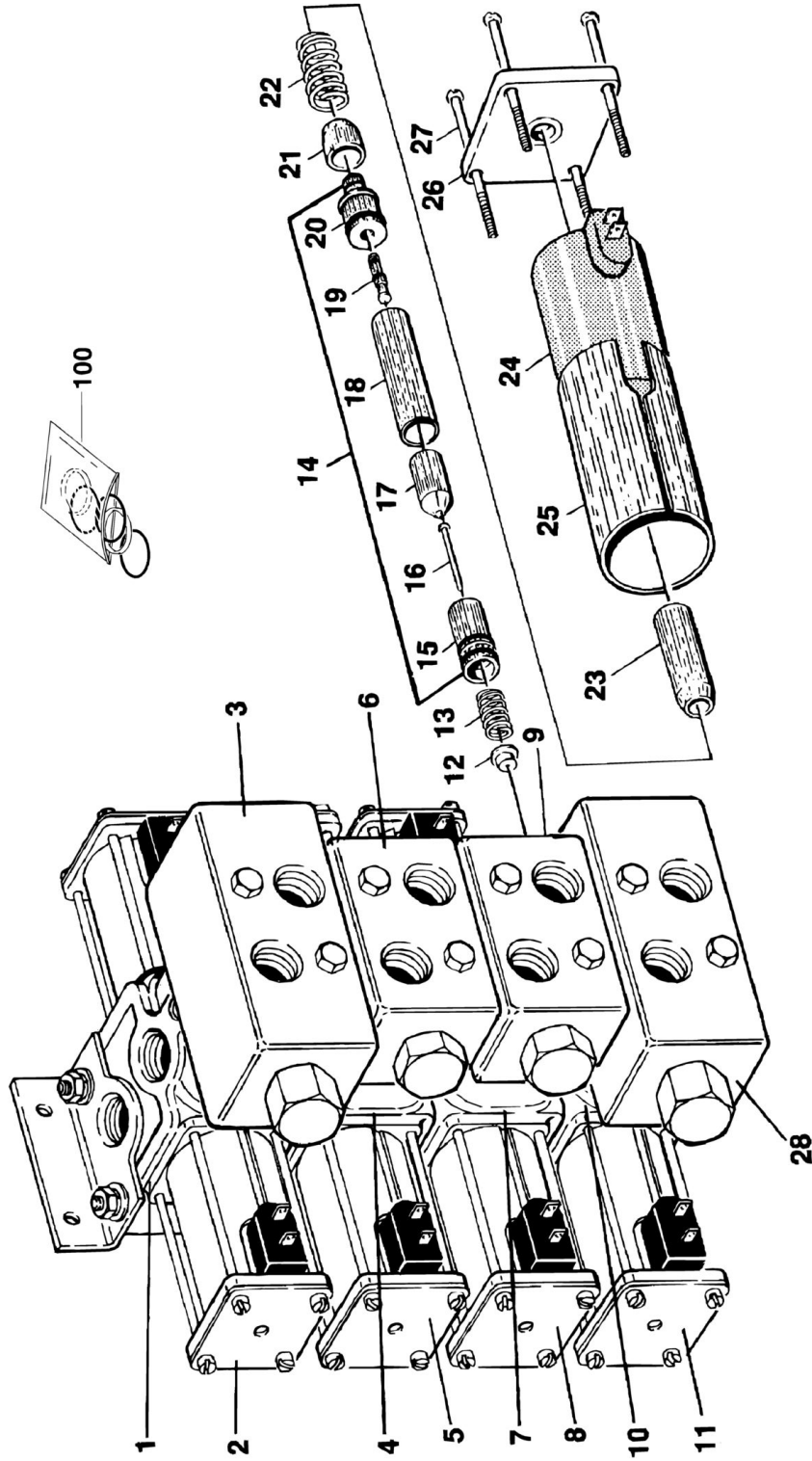
## SECTION 1 - FRAME

ITEM	PART NUMBER	QTY	DESCRIPTION	REV
43	70002281	1	Seal Kit	3
	0252270	Ref	<b>JACK CYLINDERS INSTALLATIONS</b>	
101	1682511	2	Jack Cylinder Assembly (See CYLINDER SECTION for Breakdown)	
102	0641814	8	Bolt 1/4in-13NC x 1 3/4in	
103	4761800	8	Lockwasher 1/2in	
104	3252142	2	Nameplate - Jack/Axle Switches	
105	0641406	8	Bolt 1/4in-20 x 3/4in	
106	4761400	8	Lockwasher 1/4in	
107	4360202	4	Switch, Toggle	
108	3790012	4	O-Ring	
110	3340630	1	Jack Pad Weldment	
111	0641852	2	Bolt 1/2in-13NC x 6 1/2in	
112	3311801	2	Nut 1/2in-13NC	
113	0100011	AR	Compound, Locking	



# SECTION 1 - FRAME

FIGURE 1-9. CONTROL VALVE ASSEMBLY - 4 SECTION BANG-BANG



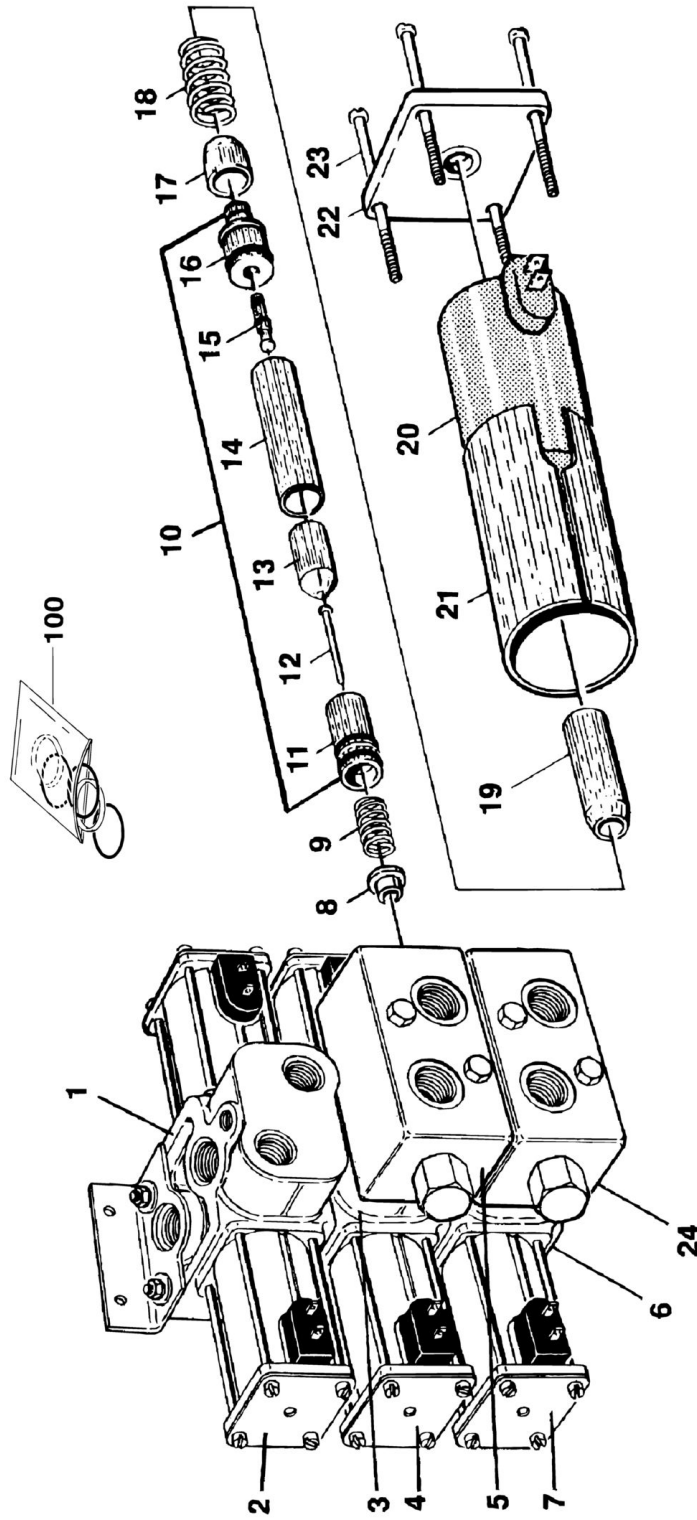
## SECTION 1 - FRAME

**FIGURE 1-9. CONTROL VALVE ASSEMBLY - 4 SECTION BANG-BANG**

ITEM	PART NUMBER	QTY	DESCRIPTION	REV
	4640701	Ref	<b>CONTROL VALVE ASSEMBLY - 4 SECTION BANG-BANG</b>	-
1	7002315	1	Working Section - Complete (Front Axle Extension)	
2	7004859	2	Solenoid Assembly (Refer to Items 12-72 for Serviced Parts)	
3	7000468	1	Cross Over Relief Valve Block Assembly (No Longer Field Serviceable)	
4	7002316	1	Working Section - Complete (Front Jack)	
5	7004859	1	Solenoid Assembly (Refer to Items 12-72 for Serviced Parts)	
6	7002262	1	Dual Pilot Check Valve Block Assembly (No Longer Field Serviceable)	
7	7002316	1	Working Section - Complete (Rear Jack)	
8	7004859	2	Solenoid Assembly (Refer to Items 12-27 for Serviced Parts)	
9	7002262	1	Dual Pilot Check Valve Block Assembly (No Longer Field Serviceable)	
10	7002315	1	Working Section - Complete (Rear Axle Extension)	
11	7004859	2	Solenoid Assembly (Refer to Items 12-27 for Serviced Parts)	
12	7002825	1	Washer	
13	7002348	1	Spring	
14	7002305	1	Guide Tube Assembly	
15	7002345	1	Cone, Female	
15	Item 100	1	O-Ring	
15	Item 100	1	O-Ring	
16	7002346	1	Pin, Push	
17	7002344	1	Plunger	
18	7000470	1	Tube, Guide	
19	7002341	1	Pin, Actuator	
20	7002340	1	Guide, External Push Pin	
20	Item 100	1	O-Ring	
21	7002333	1	Sleeve, Inner Flux	
22	7002334	1	Spring	
23	7002336	1	Sleeve, Outer Flux	
24	7000418	1	Coil	
25	7002335	1	Case, Solenoid	
26	7002338	1	Plate, End	
27	7002339	4	Screw	
28	7000468	1	Cross Over Relief Valve Block Assembly (No Longer Field Serviceable)	
100	7000414	4	Seal Kit - Working Section	

# SECTION 1 - FRAME

FIGURE 1-10. CONTROL VALVE ASSEMBLY - 3 SECTION BANG-BANG





## SECTION 1 - FRAME

**FIGURE 1-10. CONTROL VALVE ASSEMBLY - 3 SECTION BANG-BANG**

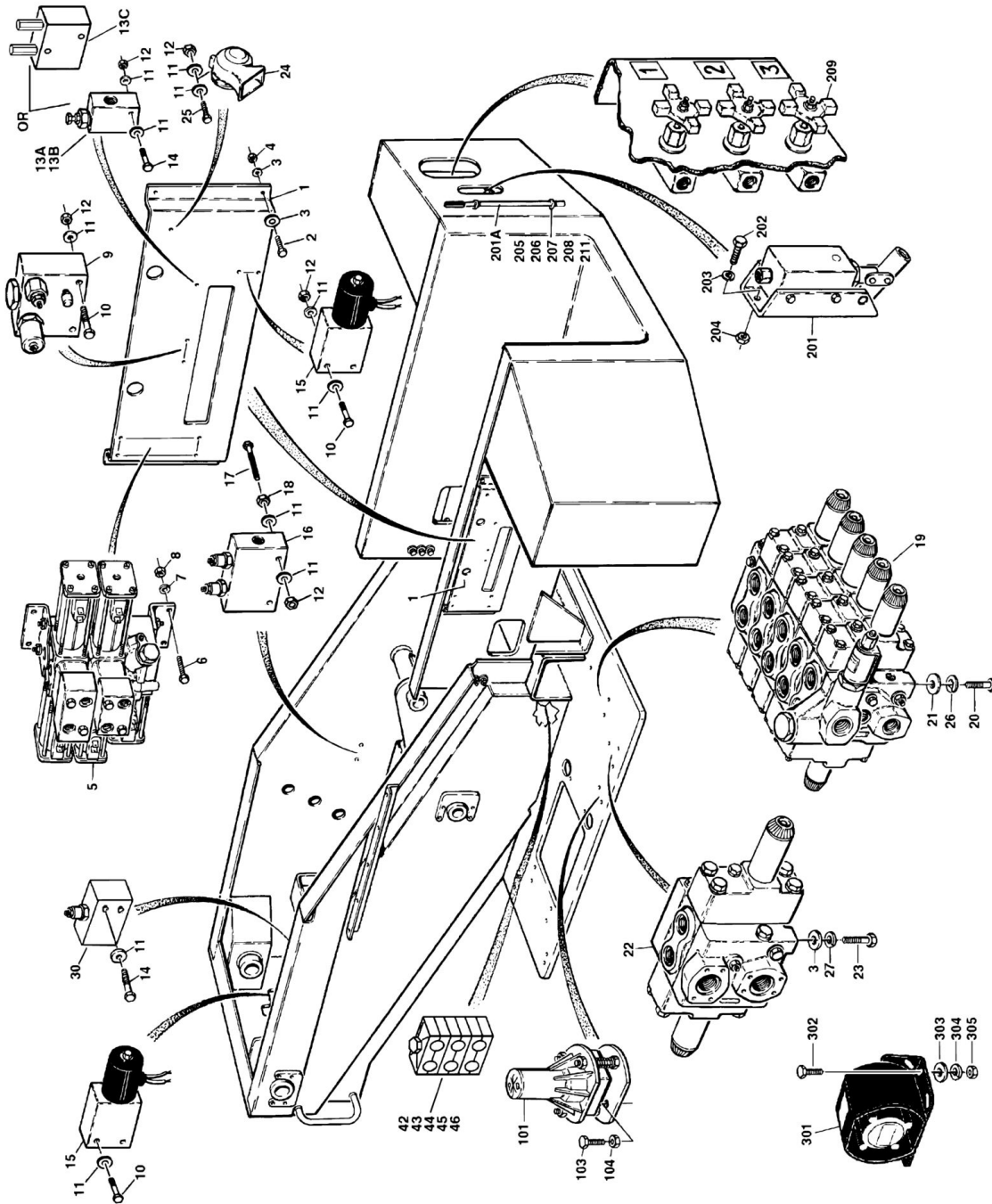
ITEM	PART NUMBER	QTY	DESCRIPTION	REV
	4640702	Ref	<b>CONTROL VALVE ASSEMBLY - 3 SECTION BANG-BANG</b>	-
1	7002317	1	Working Section - Complete	
2	7004859	2	Solenoid Assembly (Refer to Items 8-23 for Serviced Parts)	
3	7002315	1	Working Section - Complete (Front Steer)	
4	7004859	2	Solenoid Assembly (Refer to Items 8-23 for Serviced Parts)	
5	7000468	1	Relief Valve Block Assembly (No Longer Field Serviceable)	
6	7002315	1	Working Section - Complete (Rear Steer)	
7	7004859	2	Solenoid Assembly (Refer to Items 8-23 for Serviced Parts)	
8	7003825	1	Washer	
9	7002348	1	Spring	
10	7002305	1	Guide Tube Assembly	
11	7002345	1	Cone, Female	
11	Item 100	1	O-Ring	
11	Item 100	1	O-Ring	
12	7002346	1	Pin, Push	
13	7002344	1	Plunger	
14	7000470	1	Tube, Guide	
15	7002341	1	Pin, Actuator	
15	Item 100	1	Ring, Quade	
16	7002340	1	Guide, External Push Pln	
16	Item 100	1	O-Ring	
17	7002333	1	Sleeve, Inner Flux	
18	7002334	1	Spring	
19	7002336	1	Sleeve, Outer Flux	
20	7000418	1	Coil	
21	7002335	1	Case, Solenoid	
22	7002338	1	Plate, End	
23	7002339	4	Screw	
24	7000468	1	Cross Over Relief Valve Block Assembly (No Longer Field Serviceable)	
100	7000414	3	Seal Kit - Working Section	



**SECTION 2 - TURNTABLE**

# SECTION 2 - TURNTABLE

## FIGURE 2-1. CONTROL VALVE INSTALLATIONS



## SECTION 2 - TURNTABLE

### FIGURE 2-1. CONTROL VALVE INSTALLATIONS

ITEM	PART NUMBER	QTY	DESCRIPTION	REV
		Ref	<b>VALVES INSTALLATIONS</b>	
	0251955	Ref	<b>Valves Installations (Prior to SN 0300137333)</b>	15
	1001110031	Ref	<b>Valves Installations (SN 0300137333 to Present)</b>	1
1	3535344	1	Plate, Valve	
2	0641812	4	Bolt 1/2in-13NC x 1 1/2in	
3	4751800	11	Flatwasher 1/2in	
4	3311805	4	Locknut 1/2in-13NC	
5		Ref	Valve Assembly - 2 Section Bang-Bang Options:	
5	4640462	1	Valve Assembly (Prior to September 1995) (See CONTROL VALVE ASSEMBLY 2 SECTION BANG-BANG for Breakdown)	
5	4640947	1	Valve Assembly (September 1995 to Present) (See CONTROL VALVE ASSEMBLY 2 SECTION BANG-BANG for Breakdown)	
6	0641608	4	Bolt 3/8in-16NC x 1in	
7	4751600	8	Flatwasher 3/8in	
8	3311605	4	Locknut 3/8in-16NC	
9	4640136	1	Relief Valve Assembly	
9	7000552	1	Cartridge with Coil	
9	7000548	1	Coil	
9	7001507	1	Seal Kit	
9	7007320	1	Cartridge, Adjustable	
9	7001507	1	Seal Kit	
10	0641522	6	Bolt 5/16in-18NC x 2 3/4in	
11	4751500	AR	Flatwasher 5/16in	
12	3311505	AR	Locknut 5/16in-18NC	
13		Ref	Relief Valve Assembly Options:	
13A	4640603	1	Valve (Prior to May 1993)	
13A	7011311	1	Cartridge, Adjustable	
13A	2900770	1	Seal Kit	
13B	4640814	1	Valve (May 1993 through October 1994)	
13B	7011322	1	Cartridge, Adjustable	
13B	2900770	1	Seal Kit	
13C	4640839	1	Valve (October 1994 to Present)	
13C	7012945	2	Cartridge, Adjustable	
14	0641518	AR	Bolt 5/16in-18NC x 2 1/4in	
15	4640363	2	Solenoid Valve Assembly Options:	
15	7000558	2	Coil (FPS Version)	
15	7001506	2	Seal Kit (FPS Version)	
15	7004368	2	Coil (Hydraforce Version)	
15	2900795	2	Seal Kit (Hydraforce Version)	
16	4640661	1	Dual Counter Balance Valve Assembly	
16	7011320	2	Cartridge, Adjustable	
16	2900770	2	Seal Kit	
17	0641516	2	Bolt 5/16in-18NC x 2in	
18	3311501	2	Nut 5/16in-18NC	
19		Ref	Valve Assembly - 5-Stack Vickers Options (See CONTROL VALVE ASSEMBLY - 5 SECTION VICKERS for Breakdown):	
19	4640705	1	Valve Assembly - 5-Stack Vickers (Prior to October 1994)	
19	4640916	1	Valve Assembly - 5-Stack Vickers (October 1994 through SN 31000)	
19	4641006	1	Valve Assembly - 5-Stack Vickers (was p/n 4640916) <b>(Prior to SN 31000)</b>	

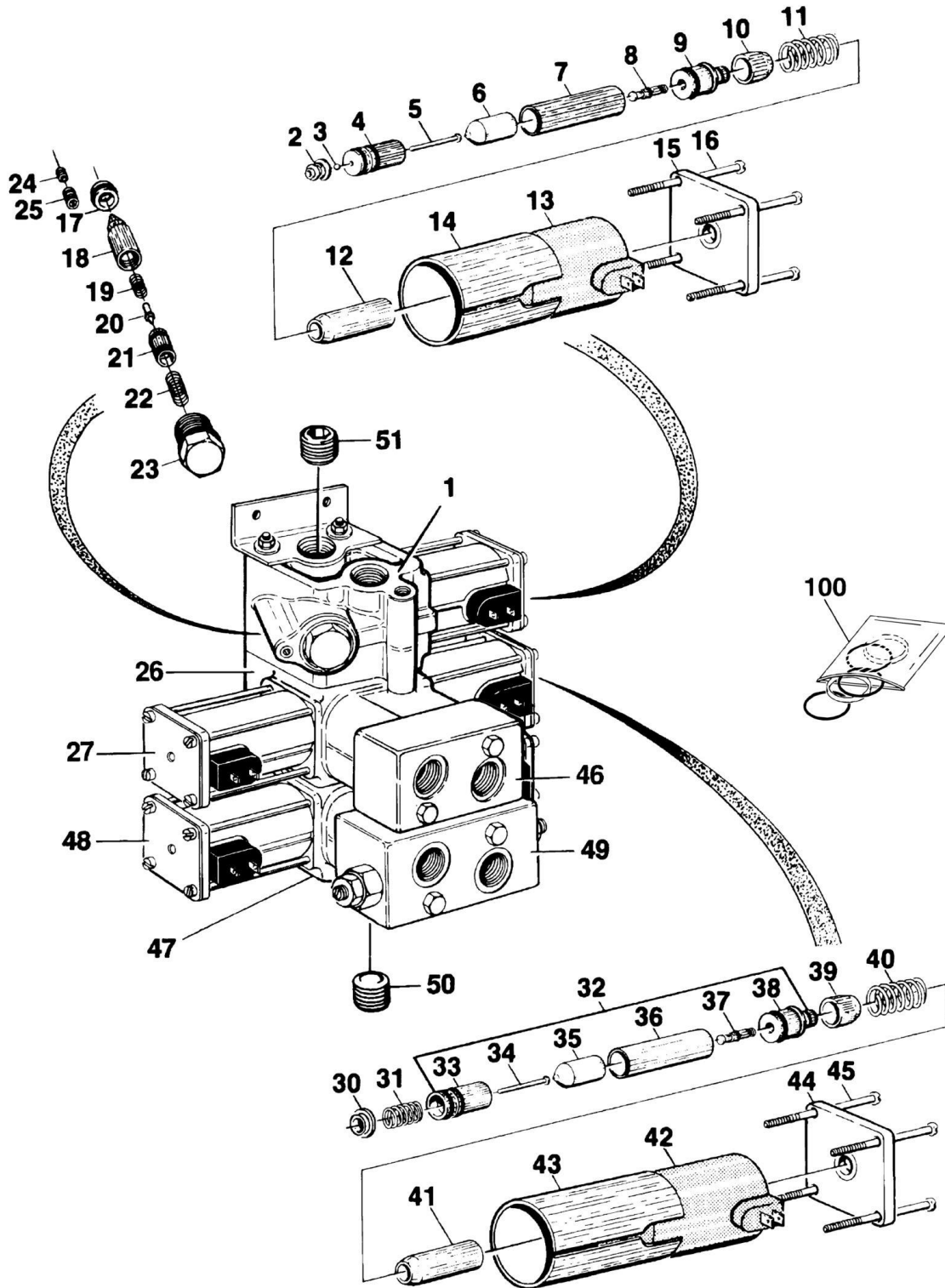
## SECTION 2 - TURNTABLE

ITEM	PART NUMBER	QTY	DESCRIPTION	REV
19	4641006	1	Valve Assembly - 5-Stack Vickers <b>(SN 31000 to Present)</b>	
20	0641714	3	Bolt 7/16in-14NC x 1 3/4in	
21	4751700	3	Flatwasher 7/16in	
22		Ref	Valve Assembly - 1-Stack Vickers CMX160 Options (See CONTROL VALVE ASSEMBLY - 1 SECTION VICKERS (CMX160) for Breakdown):	
22	4640704	1	Valve Assembly - 1-Stack Vickers CMX160 (Prior to October 1994)	
22	4640872	1	Valve Assembly - 1-Stack Vickers CMX160 (October 1994 to Present)	
23	0641814	3	Bolt 1/2in-13NC x 1 3/4in	
24	0140001	1	Horn	
25	0641508	1	Bolt 5/16in-18NC x 1in	
26	4761700	3	Lockwasher 7/16in	
27	4761800	3	Lockwasher 1/2in	
30		Ref	Holding Valve Assembly	
30	Not Required	0	Valve <b>(Prior to SN 29301)</b>	
30	4641008	1	Valve <b>(SN 29302 to Present)</b>	
30	7011340	1	Cartridge, Adjustable	
30	2900789	1	Seal Kit	
42	0641511	1	Bolt 5/16in-18NC x 1 3/8in	
43	1320187	3	Clamp, Twin 5/8in	
44	1320188	2	Clamp, Stacking Bolt	
45	1320189	2	Clamp, Lockwasher	
46	1320190	1	Clamp, Coverplate	
	0252043	Ref	<b>TILT INDICATOR INSTALLATION</b>	B
101	4360306	1	Switch, Level Sensor 5	
102	2820022	6 in/15cm	Vinyl Tubing (Not Shown)	
103	0641412	2	Bolt 1/4in-20NC x 1 1/2in	
104	3311405	2	Locknut 1/4in	
	0251981	Ref	<b>MANUAL DESCENT COMPONENTS INSTALLATION</b>	-
201	3600179	1	Pump Assembly	
201	2900779	1	Seal Kit - 3600179 Pump	
201A	7010652	1	Handle, Pump	
202	0641608	2	Bolt 3/8in-16NC x 1in	
203	4751600	2	Flatwasher 3/8in	
204	3311605	2	Locknut 3/8in-16NC	
205	1380136	2	Clip, Gripper	
206	0721006	2	Screw #10-24NC x 3/4in	
207	4751000	2	Flatwasher #10	
208	3311001	2	Nut #10	
209	4640005	3	Needle Valve	
210	2900062	3	Valve Kit	
211	4761000		Lockwasher #10	
	0252773	Ref	<b>ALARM INSTALLATION (OPTIONAL)</b>	B
301	0140032	1	Alarm	
302	0641408	2	Bolt 1/4in-20NC x 1in	
303	4751400	2	Flatwasher 1/4in	
304	4761400	2	Lockwasher 1/4in	
305	3311404	2	Nut 1/4in-20NC	
306	2540018	1	Grommet (Not Shown)	



# SECTION 2 - TURNTABLE

## FIGURE 2-2. CONTROL VALVE ASSEMBLY 2 SECTION BANG-BANG





## SECTION 2 - TURNTABLE

**FIGURE 2-2. CONTROL VALVE ASSEMBLY 2 SECTION BANG-BANG**

ITEM	PART NUMBER	QTY	DESCRIPTION	REV
	4640462	Ref	<b>CONTROL VALVE ASSEMBLY - 2 SECTION BANG-BANG</b>	B
1	7002304	1	Dump Section - Complete	
1		Ref	Solenoid Assembly	
2	7004823	1	Seat	
2	7002378	1	O-Ring	
3	7002229	1	Ball	
3		Ref	Guide Tube Assembly	
4	7004822	1	Cone, Female	
4	Item 101	1	O-Ring	
5	7002346	1	Pin, Push	
6	7004839	1	Plunger	
7	7004838	1	Tube, Guide	
8	7004841	1	Pin, Push	
8	Item 101	1	O-Ring	
9	7002340	1	Guide, External Push Pln	
9	Item 101	1	O-Ring	
10	7004834	1	Sleeve, Inner Flux	
11	7002334	1	Spring	
12	7004835	1	Sleeve, Outer Flux	
13	7000417	1	Coil	
14	7004836	1	Case, Solenoid	
15	7002338	1	Plate, End	
16	7004837	4	Screw	
17	7002322	1	Seat	
17	Item 101	1	O-Ring	
17		Ref	Main Relief (Poppet) Valve	
18	7002321	1	Case, Poppet	
19	7002328	1	Spring	
20	7002294	1	Poppet	
21	7002320	1	Seat, Adjustable	
21	Item 101	1	O-Ring	
22	7002329	1	Spring	
23	7002323	1	Plug	
23	Item 101	1	O-Ring	
24	7002326	1	Orifice	
25	7002324	1	Plug	
26	7002316	1	Working Section - Complete (Level)	
27	7004859	2	Solenoid Assembly	
30	7003825	1	Washer, Hat	
31	7002348	1	Spring	
32	7002305	1	Guide Tube Assembly	
33	7002345	1	Cone, Female	
33	Item 100	1	O-Ring	
33	Item 100	1	O-Ring	
34	7002346	1	Pin, Push	
35	7002344	1	Plunger	
36	7000470	1	Tube, Guide	
37	7002341	1	Pin, Actuator	
37	Item 100	1	Ring, Quade	
38	7002340	1	Guide, External Push Pln	

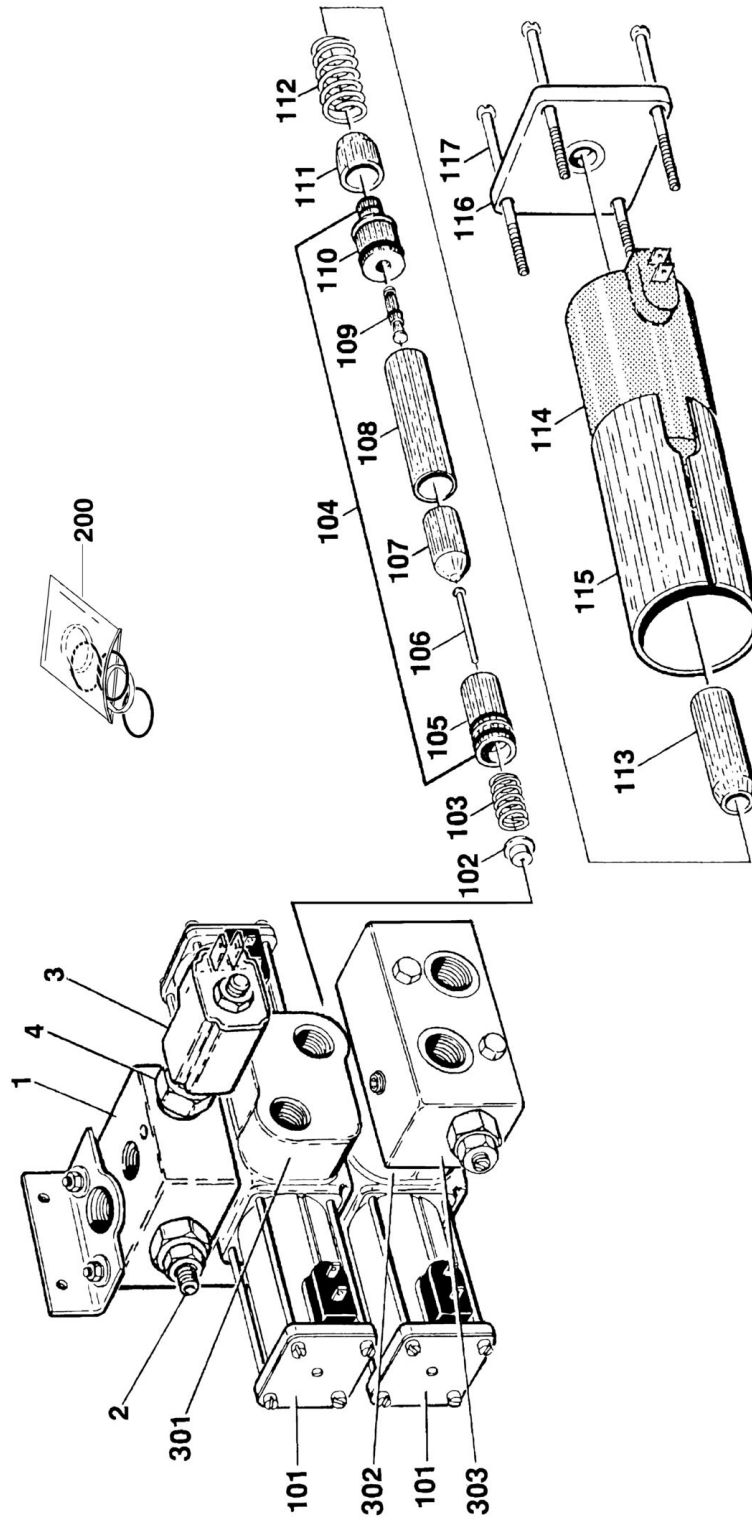
## SECTION 2 - TURNTABLE

ITEM	PART NUMBER	QTY	DESCRIPTION	REV
38	Item 100	1	O-Ring	
39	7002333	1	Sleeve, Inner Flux	
40	7002334	1	Spring	
41	7002336	1	Sleeve, Outer Flux	
42	7000418	1	Coil	
43	7002335	1	Case, Solenoid	
44	7002338	1	Plate, End	
45	7002339	4	Screw	
46	7002262	1	Dual Pilot Check Valve Block Assembly (No Longer Field Serviceable)	
47	7002315	1	Working Section - Complete (Telescope)	
48	7004859	2	Solenoid Assembly (Refer to Items 30-45 for Serviced Parts)	
49	7000468	1	Cross Over Relief Valve Block Assembly (No Longer Field Serviceable)	
50	2220237	1	Plug	
51	2220238	1	Plug	
		Ref	Kit Options:	
100	7000414	3	Seal Kit - Working Section	
101	7000413	1	Seal Kit - Dump Section	



# SECTION 2 - TURNTABLE

FIGURE 2-3. CONTROL VALVE ASSEMBLY 2 SECTION BANG-BANG



# SECTION 2 - TURNTABLE

**FIGURE 2-3. CONTROL VALVE ASSEMBLY 2 SECTION BANG-BANG**

ITEM	PART NUMBER	QTY	DESCRIPTION	REV
		Ref	<b>CONTROL VALVE ASSEMBLY - BANG-BANG</b>	
	4640947	Ref	<b>VALVE ASSEMBLY - 2 SECTION</b>	B
		Ref	<b>DUMP SECTION ASSEMBLY</b>	
1	7002447	1	Dump Section - Complete	
2	7002448	1	Cartridge	
2	7002449	1	Seal Kit - 7002448 Cartridge	
3	7002450	1	Coil	
4	7002451	1	Cartridge without Coil	
4	7011118	1	Seal Kit - 7002451 Cartridge	
	7000448	2	O-Ring (Between Sections)	
		Ref	<b>WORKING SECTIONS (STANDARD PARTS)</b>	
101	7004859	2	Solenoid Assembly	A
102	7003825	1	Washer	
103	7002348	1	Spring	
104	7002305	1	Guide Tube Assembly	
105	7002345	1	Cone, Female	
105	Item 200	1	O-Ring	
105	Item 200	1	O-Ring	
106	7002346	1	Pin, Push	
107	7002344	1	Plunger	
108	7000470	1	Tube, Guide	
109	7002341	1	Pin Actuator	
109	Item 200	1	Ring, Quade	
110	7002340	1	Guide, External Push Pln	
110	Item 200	1	O-Ring	
111	7002333	1	Sleeve, Inner Flux	
112	7002334	1	Spring	
113	7002336	1	Sleeve, Outer Flux	
114	7000418	1	Coil	
115	7002335	1	Case, Solenoid	
116	7002338	1	Plate, End	
116	7002327	1	Nameplate	
117	7002339	4	Screw	
200	7000414	2	Seal Kit - Working Section (1 Per Section)	
		Ref	<b>WORKING SECTIONS - COMPLETE (INCLUDES ITEMS 101-117 AND RELIEF VALVE ASSEMBLY WHEN EQUIPPED)</b>	
301	7002316	1	Level Section	
302	7002315	1	Rotate Section	
303	7000468	1	Cross Over Relief Valve Assembly (Due to Various Suppliers - Internal Components Are No Longer Field Serviceable)	



## SECTION 2 - TURNTABLE

**FIGURE 2-4. CONTROL VALVE ASSEMBLY - 5 SECTION VICKERS**

ITEM	PART NUMBER	QTY	DESCRIPTION	REV
		Ref	<b>CONTROL VALVE ASSEMBLY OPTIONS:</b>	
	4640705	Ref	<b>Control Valve Assembly (Prior to October 1994)</b>	-
	4640916	Ref	<b>Control Valve Assembly (October 1994 to SN 30999)</b>	A
	4641006	Ref	<b>Control Valve Assembly (SN 31000 to Present)</b>	B
		Ref	<b>Note: Original Equipment Assembly p/n's 4640705 or 4640916 may have been replaced with Service Replacement Assembly. Identify P/N before ordering replacement components.</b>	
1	7006782	6	Nut	
2		Ref	Rod, Tie Options:	
2	7009394	3	Rod, Tie (Prior to October 1994)	
2	7012384	3	Rod, Tie (October 1994 to Present)	
3		Ref	Working Section - Complete (Main Tele)	
3	7009388	1	Working Section - Complete (Main Tele) (Prior to October 1994)	
3	7012372	1	Working Section - Complete (Main Tele) (October 1994 to Present)	
4		Ref	Working Section - Complete (Main Lift)	
4	7009389	1	Working Section - Complete (Main Lift) (Prior to October 1994)	
4	7012378	1	Working Section - Complete (Main Lift) (October 1994 to SN 30999)	
4	7020367	1	Working Section - Complete (Main Lift) <b>(SN 31000 to Present)</b>	
5		Ref	Working Section - Complete (Tower Tele)	
5	7009390	1	Working Section - Complete (Tower Tele) (Prior to October 1994)	
5	7012380	1	Working Section - Complete (Tower Tele) (October 1994 to Present)	
6		Ref	Working Section - Complete (Tower Lift)	
6	7009391	1	Working Section - Complete (Tower Lift) (Prior to October 1994)	
6	7012381	1	Working Section - Complete (Tower Lift) (October 1994 to Present)	
7		Ref	Working Section - Complete (Swing)	
7	7009392	1	Working Section - Complete (Swing) (Prior to October 1994)	
7	7012382	1	Working Section - Complete (Swing) (October 1994 to Present)	
8	See Note	1	O-Ring (Note: Use Items 300A-300D & 301)	
9	See Note	5	O-Ring (Note: Use Items 300A-300D & 301)	
10	See Note	1	O-Ring (Note: Use Items 300A-300D & 301)	
11		Ref	Nut, Retaining Options:	
11	7012325 & 7020361	2	Nut, Retaining (Was P/N 7009317) (Prior to October 1994)	
11	7012325 & 7020361	2	Nut, Retaining October 1994 to Present	
12	See Note	2	O-Ring (Prior to October 1994) (Note: Use Items 300A-300D)	
13		Ref	Core Tube (Includes O-Ring) Options:	
13	7009316	2	Core Tube (Includes O-Ring) (Prior to October 1994)	
13	7012326	2	Core Tube (Includes O-Ring) (October 1994 to Present)	
14		Ref	Coil and Frame	
14	7009315	2	Coil and Frame (Prior to October 1994)	

## SECTION 2 - TURNTABLE

ITEM	PART NUMBER	QTY	DESCRIPTION	REV
14	7012339	2	Coil and Frame (October 1994 to Present)	
15	7009319	2	Pin	
16	See Note	2	O-Ring (Note: Use Items 300A-300D)	
17		Ref	Spool	
17	7006744	2	Spool (Prior to October 1994)	
17	7012327	2	Spool October 1994 to Present	
18	7006726	2	Plug, Torque (Prior to October 1994)	
19	See Note	2	O-Ring (Prior to October 1994) (Note: Use Items 300A-300D)	
20	7009381	2	Shim Kit (Prior to October 1994)	
21		Ref	Spring Options:	
21	7006729	2	Spring (Prior to October 1994)	
21	7012324	2	Spring (October 1994 to Present)	
22	7006730	2	Poppet	
23	7006731	2	Ball	
24	7006745	2	Screw	
25	Not Available	2	Cap, End	
26	7006746	2	Ball	
27	See Note	2	O-Ring (Note: Use Items 300A-300D)	
28	7009323	2	Spring	
29	See Note	2	Gasket (Note: Use Items 300A-300D)	
30	7009324	2	Spring	
31		Ref	Retainer Options:	
31	7009325	2	Retainer (Prior to October 1994)	
31	7012329	2	Retainer (October 1994 to Present)	
32	Not Available	2	Spool	
33	7006757	2	Seat	
34	See Note	2	Ring, Back-up (Note: Use Items 300A-300D)	
35	See Note	2	O-Ring (Note: Use Items 300A-300D)	
36		Ref	Servo Stem Assembly	
36	7006732	2	Servo Stem Assembly (Prior to October 1994)	
36	7009320	2	Servo Stem Assembly (October 1994 to Present)	
37	7006737	2	Poppet	
39	7009398	2	Retainer	
40	See Note	2	Ring, Back-up (Note: Use Items 300A-300D)	
41	See Note	2	O-Ring (Note: Use Items 300A-300D)	
42	7006773	2	Spring	
43	7009397	2	Poppet	
44	7006771	1	Plug, Torque (Prior to October 1994)	
45	See Note	1	O-Ring (Prior to October 1994) (Note: Use Items 300A-300D)	
46	7009368	1	Spring (Prior to October 1994)	
46	7009369	2	Poppet (Prior to October 1994)	
48	7012300	2	Piston, Load (Swing Section Only)	
49	7012323	1	Piston (October 1994 to Present)	
50	7012322	1	O-Ring (October 1994 to Present)	
51	See Note	1	O-Ring (October 1994 to Present) (Note: Use Items 300A-300D)	
52	7012321	1	Plug (October 1994 to Present)	
53	7012318	1	Nut (October 1994 to Present)	
54	7012319	1	Screw (October 1994 to Present)	
55	7012320	1	Cap (October 1994 to Present)	

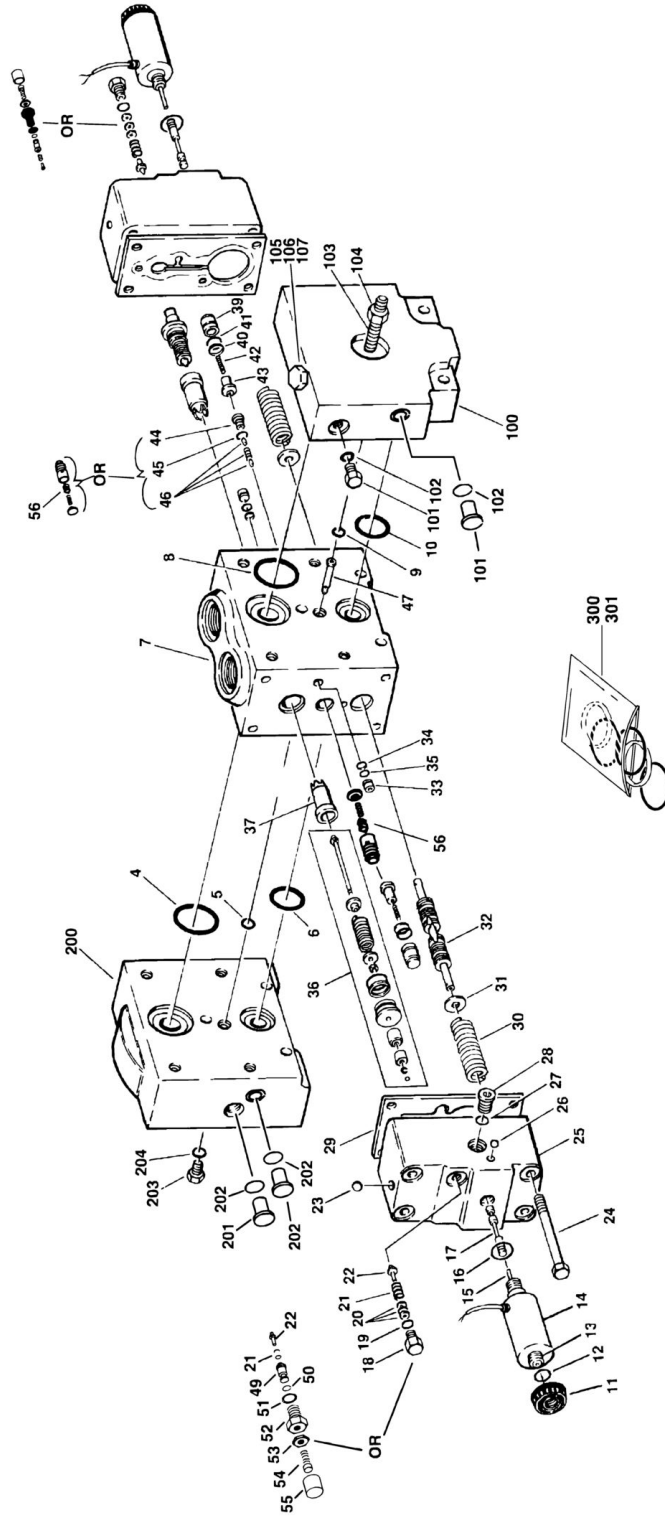


## SECTION 2 - TURNTABLE

ITEM	PART NUMBER	QTY	DESCRIPTION	REV
56	7012333	2	Load Sense Check Assembly (October 1994 to Present)	
57	7012328	AR	Shim (October 1994 to Present)	
58	7012330	AR	Shim (October 1994 to Present)	
		Ref	<b>END COVER ASSEMBLY</b>	
100		Ref	Cover, End Options:	
100	7006780	1	Cover, End (Prior to October 1994)	
100	7012337	1	Cover, End (October 1994 to Present)	
101	7006778	AR	Plug, Torque	
102	See Note	AR	O-Ring (Note: Use Items 300A-300D)	
103	7012336	1	Plug (October 1994 to Present)	
104	See Note	1	O-Ring (October 1994 to Present) (Note: Use Items 300A-300D)	
105	7012338	1	Orifice (October 1994 to Present)	
		Ref	<b>INLET ASSEMBLY</b>	
200	7009393	1	Inlet Assembly - Complete	
201	7012301	1	Valve, Load Sensing Relief	
202	Item 302	2	O-Ring	
203	7012370	1	Spring, Outer	
204	7012371	1	Spring, Inner	
205	7012367	AR	Shim	
206	Item 302	1	O-Ring	
207	7012366	1	Retainer, Valve	
208		Ref	Plug Options:	
208	7012385	1	Plug (Prior to October 1994)	
208	7006778	1	Plug (October 1994 to Present)	
209	Item 302	1	O-Ring	
210	7012303	1	Valve, Solenoid Check	
210	Not Available	1	Seal Kit - Solenoid Check Valve	
210	7003647	1	Coil	
211	7009323	1	Plug	
212	See Note	1	O-Ring (Note: Use Items 300A-300D & 302)	
		Ref	Kit Options:	
300		Ref	Seal Kit Options: (Includes Items 8, 9, 10, 12, 16, 19, 27, 29, 34, 35, 40, 41, 45, 51, 102, 104, 212 and Servo Stem Seal)	
300A	7009396	5	Kit (Prior to October 1994)	
300B	7009330	5	Kit (October 1994 to SN 30999)	
300C	7020365	4	Except Section 3 (Tower Tele) <b>(SN 31000 to Present)</b>	
300D	7020366	1	Section 3 (Tower Tele Only) <b>(SN 31000 to Present)</b>	
301	7009395	6	Seal Kit - Valve Face Options: (Includes Items 8, 9 & 10)	
302	7012302	1	Seal Kit - Inlet (Includes Items 202, 206, 209, 212 and Solenoid Valve Seals)	

# SECTION 2 - TURNTABLE

## FIGURE 2-5. CONTROL VALVE ASSEMBLY - 1 SECTION VICKERS (CMX160)



## SECTION 2 - TURNTABLE

**FIGURE 2-5. CONTROL VALVE ASSEMBLY - 1 SECTION VICKERS (CMX160)**

ITEM	PART NUMBER	QTY	DESCRIPTION	REV
		Ref	<b>CONTROL VALVE ASSEMBLY - 1 SECTION VICKERS (CMX160)</b>	
	4640704	Ref	<b>Control Valve Assembly - 1 Section Vickers (CMX160) (Prior to October 1994)</b>	-
	4640872	Ref	<b>Control Valve Assembly - 1 Section Vickers (CMX160) (October 1994 to Present)</b>	-
4	See Note	1	O-Ring (Note: Use Items 300 & 301)	
5	See Note	5	O-Ring (Note: Use Items 300 & 301)	
6	See Note	1	O-Ring (Note: Use Items 300 & 301)	
7		Ref	Working Section - Complete Option (Drive):	
7	7009382	1	Working Section - Complete (Prior to October 1994)	
7	7012363	1	Working Section - Complete (October 1994 to Present)	
8	See Note	1	O-Ring (Note: Use Items 300 & 301)	
9	See Note	5	O-Ring (Note: Use Items 300 & 301)	
10	See Note	1	O-Ring (Note: Use Items 300 & 301)	
11		Ref	Nut, Retaining Options:	
11	7012325 & 7020361	2	Nut, Retaining (Prior to October 1994) (Was P/N 7009317)	
11	7012325 & 7020361	2	Nut, Retaining (October 1994 to SN 31000)	
12	Item 300	2	O-Ring	
13		Ref	Core Tube (Includes O-Ring) Options:	
13	7009316	2	Core Tube (Includes O-Ring) (Prior to October 1994)	
13	7012326	2	Core Tube (Includes O-Ring) (October 1994 to Present)	
14		Ref	Coil and Frame Options:	
14	7009315	2	Coil and Frame (Prior to October 1994)	
14	7012339	2	Coil and Frame (October 1994 to Present)	
15	7009319	2	Pin	
16	Item 300	2	O-Ring	
17		Ref	Spool Options:	
17	7006744	2	Spool (Prior to October 1994)	
17	7012327	2	Spool (October 1994 to Present)	
18	7006726	2	Plug, Torque (Prior to October 1994)	
19	Item 300	2	O-Ring (Prior to October 1994)	
20	7009381	2	Shim Kit (Prior to October 1994)	
21		Ref	Spring Options:	
21	7006729	2	Spring (Prior to October 1994)	
21	7012324	2	Spring (October 1994 to Present)	
22	7006730	2	Poppet	
23	7006731	2	Ball	
24	7009367	8	Screw	
25		Ref	Cap, End (Not Sold Separately)	
26	7006746	2	Ball	
27	Item 300	2	O-Ring	
28	7009323	2	Plug	
29	Item 300	2	Gasket	
30	7009372	2	Spring	
31	7009373	2	Retainer	
32	Not Available	1	Spool (Not Sold Separately)	
33		Ref	Seat Options:	
33	7006757	2	Seat (Prior to October 1994)	

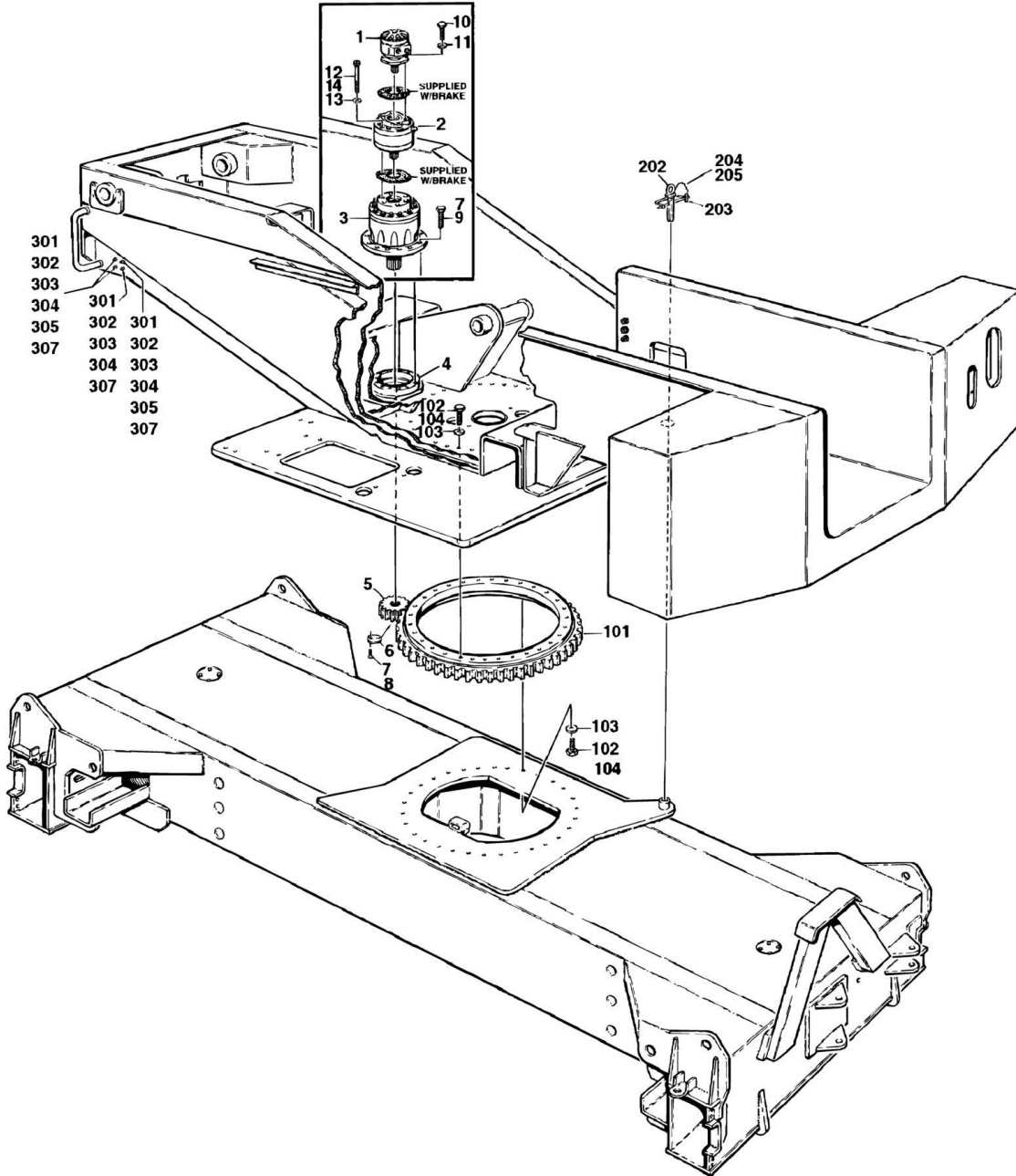
## SECTION 2 - TURNTABLE

ITEM	PART NUMBER	QTY	DESCRIPTION	REV
33	7012350	2	Seat (October 1994 to Present)	
34	Item 300	2	Ring, Back-up	
35	Item 300	2	O-Ring	
36	7009371	2	Servo Stem Assembly	
37	7009370	2	Poppet	
39		Ref	Retainer Options:	
39	7009375	2	Retainer (Prior to October 1994)	
39	7012360	2	Retainer (October 1994 to Present)	
40	Item 300	2	Ring, Back-up	
41	Item 300	2	O-Ring	
42	7009376	2	Spring	
43		Ref	Poppet Options:	
43	7009374	2	Poppet (Prior to October 1994)	
43	7012361	2	Poppet (October 1994 to Present)	
44	7006771	1	Plug, Torque	
45	Item 300	1	O-Ring	
46	7009368	1	Spring	
46	7009364	2	Poppet	
49	7012323	2	Piston (October 1994 to Present)	
50	7012322	2	O-Ring (October 1994 to Present)	
51	Item 300	2	O-Ring (October 1994 to Present)	
52	7012321	2	Plug (October 1994 to Present)	
53	7012318	2	Nut (October 1994 to Present)	
54	7012319	2	Screw (October 1994 to Present)	
55	7012320	2	Cap (October 1994 to Present)	
56	7012333	2	Check Cartridge (October 1994 to Present)	
100		Ref	Cover End	
100	7009386	1	Cover End (Prior to October 1994)	
100	7012365	1	Cover End (October 1994 to Present)	
101	7006778	2	Plug, Torque	
102	Item 300	2	O-Ring	
103	7009385	3	Rod, Tie	
104	7009384	6	Nut	
105	7012338	1	Orifice	
106	Item 300	1	O-Ring	
107	7012364	1	Plug	
200	7009383	1	Inlet Body	
201	7006778	2	Plug, Torque	
202	Item 300	2	O-Ring	
203	7009323	1	Plug, Torque	
204	Item 300	1	O-Ring	
		Ref	Kit Options:	
300	7009380	1	Seal Kit (Include Items 4, 5, 6, 8, 9, 10, 12, 16, 19, 27, 29, 34, 35, 40, 41, 45, 51, 102, 106, 202, 204 and Servo Stem O-Rings)	
301	7009387	2	Seal Kit - Valve Face (Includes Items 4, 5 & 6 or 8, 9 & 10)	



# SECTION 2 - TURNTABLE

## FIGURE 2-6. SWING DRIVE AND TURNTABLE BEARING INSTALLATIONS



## SECTION 2 - TURNTABLE

**FIGURE 2-6. SWING DRIVE AND TURNTABLE BEARING INSTALLATIONS**

ITEM	PART NUMBER	QTY	DESCRIPTION	REV
		Ref	<b>SWING DRIVE INSTALLATION OPTIONS:</b>	
	0251626	Ref	<b>Swing Drive Installation (Prior to SN 64566)</b>	7
	0270328	Ref	<b>Swing Drive Installation (SN 64566 to Present)</b>	2-A
1		Ref	Swing Motor Assembly Options (See SWING MOTOR ASSEMBLY for Breakdown):	
1	3160127	1	Swing Motor Assembly (Nichols Version) <b>(Prior to SN 35001)</b>	
1	3160127	1	Swing Motor Assembly (Parker Version) <b>(SN 35001 through 64565)</b>	
1	3160275	1	Swing Motor Assembly (Parker Version) <b>(SN 64566 to Present)</b>	
2		Ref	<b>SWING BRAKE ASSEMBLY OPTIONS:</b>	
2	0920032	1	Swing Brake Assembly (Prior to May 1992) (See SWING BRAKE ASSEMBLIES (PRIOR TO MAY 1992) for Breakdown)	
2	0920083	1	Swing Brake Assembly (May 1992 to SN 33475) (See SWING BRAKE ASSEMBLIES (MAY 1992 TO PRESENT) for Breakdown)	
2	0920109	1	Swing Brake Assembly (See SWING BRAKE ASSEMBLIES (MAY 1992 TO PRESENT) for Breakdown) <b>(SN 33476 through 64565)</b>	
2	0920119	1	Swing Brake Assembly (See SWING BRAKE ASSEMBLIES (MAY 1992 TO PRESENT) for Breakdown) <b>(SN 64566 to Present)</b>	
3		Ref	Swing Hub Assembly Options (See SWING HUB ASSEMBLY for Breakdown):	
3	2780278	1	Swing Hub Assembly (Was p/n 2780181) <b>(Prior to SN 81679)</b>	
3	2780278	1	Swing Hub Assembly <b>(SN 81679 to Present)</b>	
4	4843673	1	Mounting, Drive	
5	2440061	1	Pinion	
6	3533337	1	Plate, Retainer	
7	0100019	AR	Compound, Locking	
8	3900159	2	Screw, Countersunk 1/2in-13NC x 3/4in	
9	0642016	12	Bolt 3/4in-10NC x 2in	
10	0641810	2	Bolt 1/2in-13NC x 1 1/4in <b>(Prior to SN 64566)</b>	
11		Ref	Washer Options:	
11	4740171	2	Washer <b>(Prior to SN 64566)</b>	
11	4891800	2	Washer <b>(SN 64566 to Present)</b>	
12		Ref	Bolt Options:	
12	3931864	2	Bolt (Socket Head Capscrew 1/2in-13NC x 4in) <b>(Prior to SN 64566)</b>	
12	0681832	2	Bolt (Hex Bolt 1/2in-13NC x 4in Grade 8) <b>(SN 64566 to Present)</b>	
13	4740189	2	Washer, Special <b>(Prior to SN 64566)</b>	
14		Ref	Sealant Options:	
14	0100009	AR	RTV #738 <b>(Prior to SN 64566)</b>	
14	0100011	AR	Compound, Locking <b>(Prior to SN 64566)</b>	
	0252036	Ref	<b>TURNTABLE BEARING INSTALLATION</b>	3
101	0440198	1	Bearing, Turntable	
102	0682418	60	Bolt 7/8in-9NC x 2 1/4in (Grade 8)	
103	4892400	60	Washer, Hardened	
104	0100019	AR	Compound, Locking	
	0251549	Ref	<b>TURNTABLE LOCK INSTALLATION</b>	2
201	4843816	1	Weldment, Bushing (Not Shown)	
202	3421853	1	Pin, Turntable Lock	

## SECTION 2 - TURNTABLE

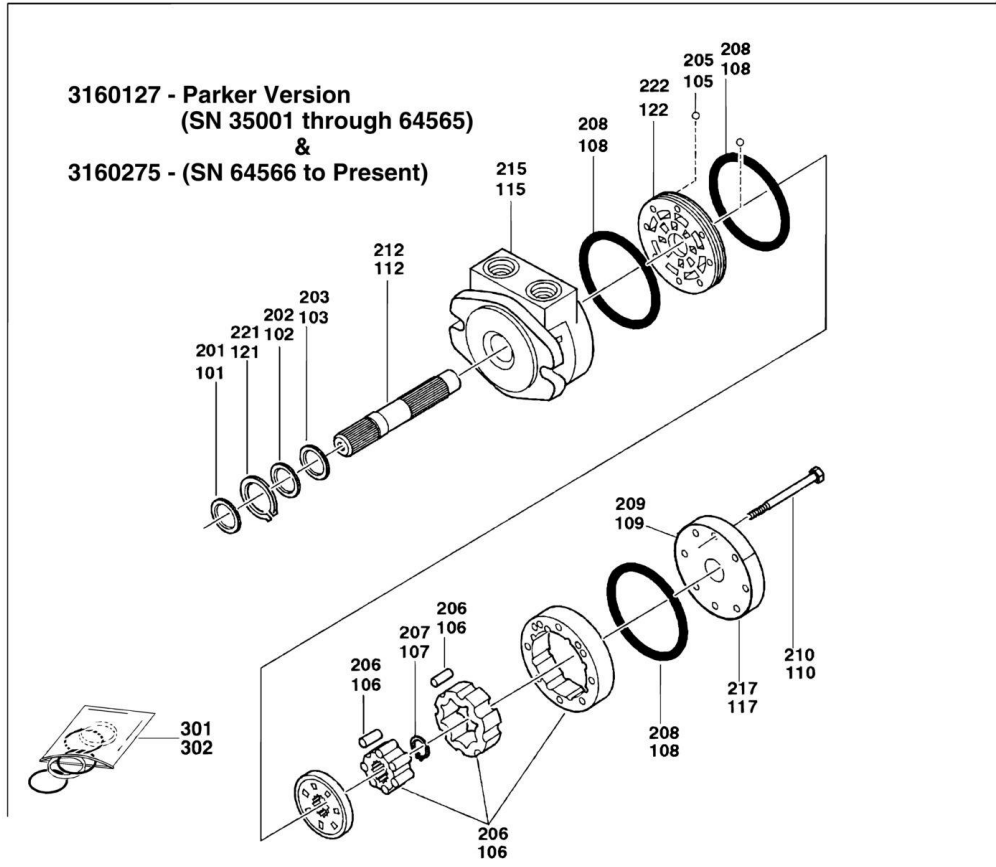
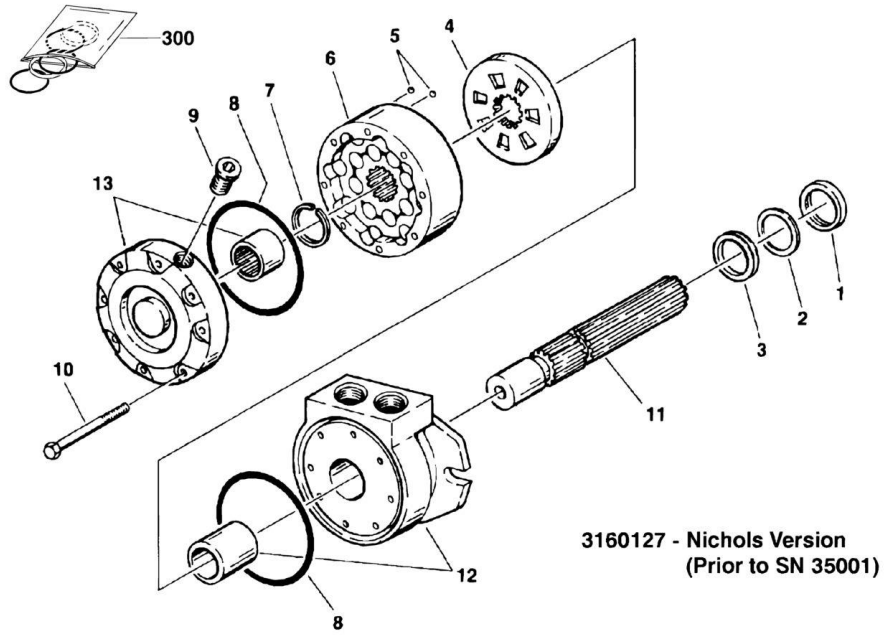
ITEM	PART NUMBER	QTY	DESCRIPTION	REV
203	3421854	1	Pin, Snap	B
204	3760170	2	Ring, Quick Release	
205	1260017	9 in/23cm	Chain	
	0252040	Ref	<b>LUBE LINES INSTALLATION</b>	
301	2180344	4	Fitting, Bulkhead	
302	2220063	6	Fitting, 90	
303	2200261	4	Fitting, Coupling	
304	2751032	5	Hose, Grease	
305	2750527	2	Hose, Grease	
306	2750528	1	Hose, Grease	
307	2160002	4	Fitting, Grease	





# SECTION 2 - TURNTABLE

## FIGURE 2-7. SWING MOTOR ASSEMBLY



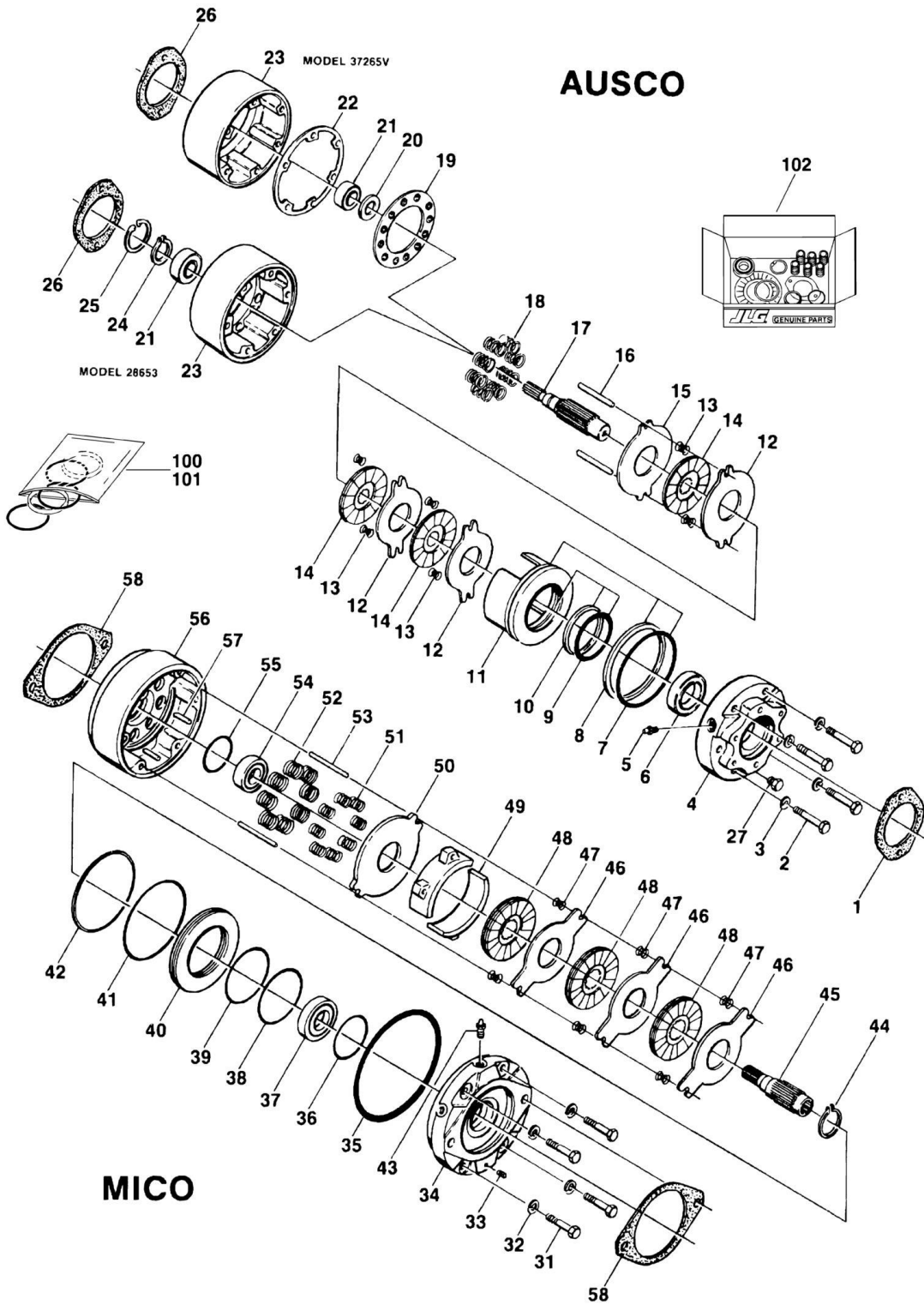
**SECTION 2 - TURNTABLE**

**FIGURE 2-7. SWING MOTOR ASSEMBLY**

ITEM	PART NUMBER	QTY	DESCRIPTION	REV
		Ref	<b>Swing Motor Assembly Options:</b>	
	3160127	Ref	<b>Nichols Version (Prior to SN 35001)</b>	B
1	Item 300	1	Seal, Dust	
2	Item 300	1	Ring, Back-up	
3	Item 300	1	Seal, Quad Ring	
4	7004196	1	Valve, Rotary	
5	7004167	2	Ball, Check Valve	
6	7004179	1	IGR Assembly	
7	Item 300	1	Ring, Snap	
8	Item 300	2	Seal, Ring	
9	7004171	1	Plug, Vent (Includes O-Ring)	
10	7004197	8	Bolt	
11	7010700	1	Shaft, Spline	
12	7004198	1	Body/Bearing Assembly	
13	7004192	1	Cover/Bearing Assembly	
	3160127	Ref	<b>Parker Version (SN 35001 through 64565)</b>	D
101	Item 301	1	Seal, Dust	
102	7010775	1	Ring, Back-Up	
103	Item 301	1	Seal, Lip	
105	7004167	2	Ball, Check Valve	
106	7010791	1	IGR Assembly	
107	Item 301	1	Ring, Snap	
108	Item 301	3	Seal, Square Ring	
109	7010795	1	Plug, Case Drain (W/ O-Ring)	
110	7010792	8	Bolt	
112	7010793	1	Shaft, Spline	
115	7010794	1	Body/Bearing Assembly	
117	7004192	1	Cover/Bearing Assembly	
121	Item 301	1	Ring, Snap	
122	7010776	1	Plate, Commutator	
	3160275	Ref	<b>Parker Version (SN 64566 to Present)</b>	A
201	Item 302	1	Seal, Dust	
202	Item 302	1	Ring, Back-Up	
203	Item 302	1	Seal, Lip	
205	7004167	2	Ball, Check Valve	
206	7010791	1	IGR Assembly	
207	Item 302	1	Ring, Snap	
208	Item 302	3	Seal, Square Ring	
209	7010795	1	Plug, Case Drain (W/ O-Ring)	
210	7010792	8	Bolt	
212	7023432	1	Shaft, Spline	
215	7023443	1	Body/Bearing Assembly	
217	7004192	1	Cover/Bearing Assembly	
221	Item 302	1	Ring, Snap	
222	7010776	1	Plate, Commutator	
		Ref	<b>Kit Options:</b>	
300	7004177	1	Seal Kit (Includes Items 1, 2, 3, 7 & 8)	
301	7010790	1	Seal Kit (Includes Items 101, 103, 107, 108 & 121)	
302	2900798	1	Seal Kit (Includes Items 201 to 203, 207 & 208, & 221)	

# SECTION 2 - TURNTABLE

## FIGURE 2-8. SWING BRAKE ASSEMBLIES (PRIOR TO MAY 1992)



## SECTION 2 - TURNTABLE

**FIGURE 2-8. SWING BRAKE ASSEMBLIES (PRIOR TO MAY 1992)**

ITEM	PART NUMBER	QTY	DESCRIPTION	REV
	0920032	Ref	<b>SWING BRAKE ASSEMBLY - AUSCO (MODEL 28653)</b>	-
	0920032	Ref	<b>SWING BRAKE ASSEMBLY - AUSCO (MODEL 37265V)</b>	-
		Ref	<b>Note: Refer to Model Number stamped on the front of the Housing item 23</b>	
1	Item 100	1	Gasket	
2	7000730	4	Bolt (Model 28653)	
2	7003007	4	Bolt, Flanged (Model 37265V)	
3	7000729	4	Lockwasher (Model 28653 Only)	
4	7003012	1	Plate, Power (Model 28653)	
4	7003091	1	Plate, Power (Model 37265V)	
5	7000796	1	Bleeder	
6	7000760	1	Bearing, Ball (Model 37265V Only)	
7	Item 100	1	O-Ring	
8	Item 100	1	Ring, Back-up	
9	Item 100	1	O-Ring	
10	Item 100	1	Ring, Back-up	
11	7000721	1	Piston (Model 28653)	
11	7003057	1	Piston (Model 37265V)	
12	7000720	3	Disc, Stationary (Model 28653)	
12	7003056	3	Disc, Stationary (Model 37265V)	
13	7003006	6	Spring, Compression	
14	7000732	3	Disc, Rotating (Model 28653)	
14	7003055	3	Disc, Rotating (Model 37265V)	
15	7000718	1	Disc, Primary (Model 28653)	
15	7003054	1	Disc, Primary (Model 37265V)	
16	7000717	2	Pin, Torque	
17	7003013	1	Shaft, Splined (Model 28653)	
17	7003053	1	Shaft, Splined (Model 37265V)	
18	7000798	8	Spring, Compression (Model 28653)	
18	7003052	8	Spring, Compression (Model 37265V)	
19	7003051	1	Retainer, Spring (Model 37265V Only)	
20	Item 100	1	Seal, Oil	
21	7000713	1	Bearing, Ball (Model 28653)	A
21	7003049	1	Bearing, Ball (Model 37265V)	
22	Item 100	1	Gasket (Model 37265V Only)	
23	7000714	1	Housing (Model 28653)	
23	7003090	1	Housing (Model 37265V)	
24	7000712	1	Ring, Retaining (Model 28653 Only)	
25	7000711	1	Ring, Retaining (Model 28653 Only)	
26	Item 100	1	Gasket	
27	7003059	1	Valve, Pressure Relief (Model 37265V Only)	
	0920032	Ref	<b>SWING BRAKE ASSEMBLY - MICO</b>	B
31	7007913	4	Capscrew	
32	7007312	4	Lockwasher	
33	7007924	1	Plug	
34	7007928	1	Cover	
35	Item 101	1	Ring, Square	
36	See Note	1	O-Ring (Note: Use Items 101 & 102)	
37	Item 102	1	Bearing	
38	Item 101	1	O-Ring	

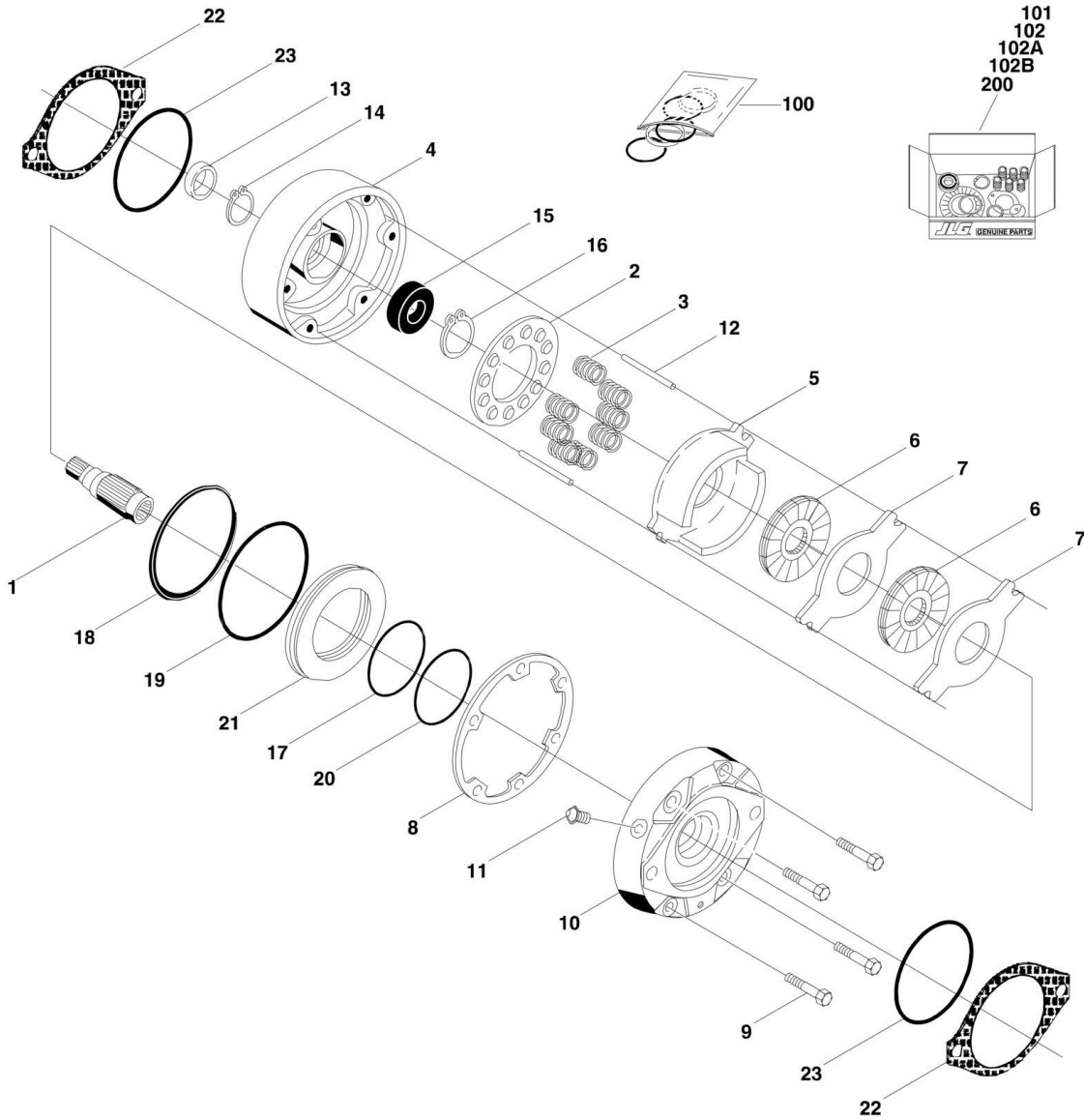
## SECTION 2 - TURNTABLE

ITEM	PART NUMBER	QTY	DESCRIPTION	REV
39	Item 101	1	Ring, Back-Up	
40	7007923	1	Piston	
41	Item 101	1	O-Ring	
42	Item 101	1	Ring, Back-Up	
43	7007914	1	Bleeder	
44	Item 102	1	Ring, Retaining	
45	7007926	1	Shaft	
46	7007908	3	Disc	
47	7007916	6	Spring	
48	7007909	3	Disc, Friction	
49	7007902	2	Separator	
50	7007907	1	Disc	
51	7007906	8	Spring	
52	7007905	8	Spring	
53	7007915	2	Pin, Dowel	
54	Item 102	1	Bearing	
55	See Note	1	O-Ring (Note: Use Items 101 & 102)	
56	7007930	1	Housing	
57	7007901	4	Pin, Spiral	
58	7007933	1	Gasket	
58	7007934	1	Gasket	
		Ref	Kit Options:	
100	2900131		Seal Kit (Includes Items 1, 7, 8, 9, 10, 20, 22 & 26)	
101	2900642	1	Seal Kit (Includes Items 35, 36, 38, 39, 41, 42, 55 & 58 Gaskets)	
102	7007927	1	Bearing Kit (Includes Items 36, 37, 44, 54, 55 & 58 Gasket)	



# SECTION 2 - TURNTABLE

## FIGURE 2-9. SWING BRAKE ASSEMBLIES (MAY 1992 TO PRESENT)





## SECTION 2 - TURNTABLE

**FIGURE 2-9. SWING BRAKE ASSEMBLIES (MAY 1992 TO PRESENT)**

ITEM	PART NUMBER	QTY	DESCRIPTION	REV
		Ref	<b>SWING BRAKE ASSEMBLY OPTIONS:</b>	
	0920083	Ref	<b>Swing Brake Assembly (May 1992 through SN 33476)</b>	A
	0920109	Ref	<b>Swing Brake Assembly (SN 33476 through 64566)</b>	B
1	7011720	1	Shaft	
2		Ref	Guide, Spring Options:	
2	7011717	1	0920083 Brake ( <b>Prior to SN 33476</b> )	
2	7018606	1	0920109 Brake ( <b>SN 33476 through 64566</b> )	
3		Ref	Spring Options:	
3	7007979	6	0920083 Brake (Inner) ( <b>Prior to SN 33476</b> )	
3	7007980	6	0920083 Brake (Outer) ( <b>Prior to SN 33476</b> )	
3	7007970	6	0920109 Brake (Red) ( <b>SN 33476 through 64566</b> )	
3	7018602	3	0920109 Brake (Blue) ( <b>SN 33476 through 64566</b> )	
4		Ref	Housing Options:	
4	7011713	1	0920083 Brake ( <b>Prior to SN 33476</b> )	
4	7018605	1	0920109 Brake ( <b>SN 33476 through 64566</b> )	
5		Ref	Return Plate and Separator Assembly Options:	
5	Item 102A	1	Plate, Return - 0920083 Brake ( <b>Prior to SN 33476</b> )	
5	7011715	2	Separator Assy - 0920083 Brake ( <b>Prior to SN 33476</b> )	
5	7011714	4	Pin	
5	7007983	2	Separator	
5	Item 102B	AR	Return Plate/Separator - 0920109 Brake ( <b>SN 33476 through 64566</b> )	
6	See Note	2	Rotor (Note: Use Items 102A & 102B)	
7	See Note	2	Stator (Note: Use Items 102A & 102B)	
8	See Note	1	Seal, Oil (Note: Use Items 100, 101, 102A & 102B)	
9		Ref	Bolt, Washer Head Options:	
9	7007985	4	0920083 Brake ( <b>Prior to SN 33476</b> )	
9	7018607	4	0920109 Brake ( <b>SN 33476 through 64566</b> )	
10	7011719	1	Cover	
11	7007914	1	Screw, Bleeder ( <b>Prior to SN 33476</b> )	
11	7018609	1	Plug, Pipe ( <b>SN 33476 through 64566</b> )	
12	7007987	2	Pin, Dowel	
13	See Note	1	Seal, Oil (Note Use Items 100 & 101)	
14	7011716	1	Ring, Retaining	
15	Item 101	1	Bearing	
16	7007977	1	Ring, Retaining	
17	Item 100	1	Ring, Back-up	
18	Item 100	1	Ring, Back-up	
19	Item 100	1	O-Ring	
20	Item 100	1	O-Ring	
21		Ref	Piston Options:	
21	7007923	1	0290083 Brake ( <b>Prior to SN 33476</b> )	
21	7018603	1	0920109 Brake ( <b>SN 33476 through 64566</b> )	
22	See Note	1	Gasket (Note: Use Items 100, 101, 102A & 102B)	
23	See Note	2	O-Ring (Note: Use Items 100, 101, 102A & 102B)	
		Ref	<b>Kit Options:</b>	
100	2900766	1	Seal Kit (Includes Items 8, 13, 17-20, 22 & 23)	
101	2900768	1	Bearing Kit (Includes Items 8, 13, 15, 22 & 23)	
102		Ref	Lining Kit Options (Includes Items 5-8, 22 & 23)	
102A	2900767	1	0920083 Brake ( <b>Prior to SN 33476</b> )	

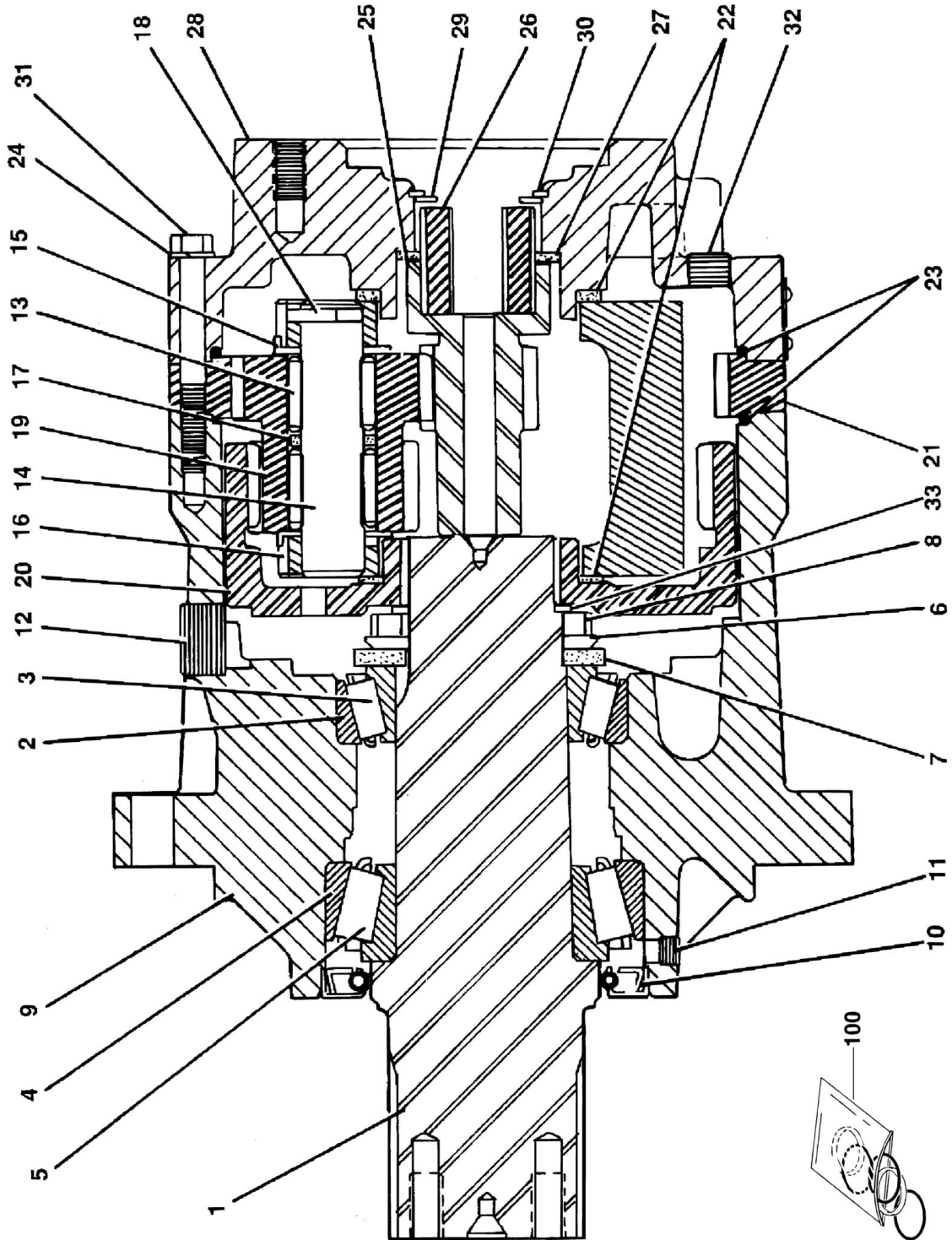
## SECTION 2 - TURNTABLE

ITEM	PART NUMBER	QTY	DESCRIPTION	REV
102B	7018608	1	0920109 Brake (SN 33476 through 64566)	B
	0920119	Ref	<b>SWING BRAKE ASSEMBLY (SN 64566 to Present)</b>	
200	7018612	1	Repair Kit (Repair Kit is the Only Serviceable Item. No Other Service Parts Available)	



# SECTION 2 - TURNTABLE

## FIGURE 2-10. SWING HUB ASSEMBLY



## SECTION 2 - TURNTABLE

### FIGURE 2-10. SWING HUB ASSEMBLY

ITEM	PART NUMBER	QTY	DESCRIPTION	REV
		Ref	<b>SWING HUB ASSEMBLY</b>	
	2780181	Ref	<b>Swing Hub Assembly (Prior to SN 81679)</b>	-
	2780278	Ref	<b>Swing Hub Assembly (SN 81679 to Present)</b>	A
		Ref	<b>Note: For Machines Prior to SN 0300081679, Original Equipment Assembly p/n 2780181 may have been replaced with p/n 2780278 as Service Replacement Assembly. Identify P/N before ordering replacement components.</b>	
1		Ref	Shaft, Output Options:	
1	7024778	1	Shaft, Output (2780191 Hub Assy) (was p/n 7010430) <b>(Prior to SN 81679)</b>	
1	7024778	1	Shaft, Output (2780278 Hub Assy) (Includes Qty 1 of Items 6, 7, 8, 23 & 33) <b>(SN 81679 to Present)</b>	
2	7010408	1	Cup, Bearing - Outer	
3	7010409	1	Cone, Bearing - Outer	
4	7010431	1	Cup, Bearing - Inner	
5	7010432	1	Cone, Bearing - Inner	
6	7007689	1	Lockwasher (Part of Item 1)	
7		Ref	Flatwasher Options:	
7	7010411	1	Flatwasher (2780191 Hub Assy) <b>(Prior to SN 81679)</b>	
7	7007688	1	Flatwasher (2780278 Hub Assy) (Part of Item 1) <b>(SN 81679 to Present)</b>	
8	7010412	1	Nut, Bearing (Part of Item 1)	
9		Ref	Housing Options:	
9	7010434	1	Housing (2780191 Hub Assy) <b>(Prior to SN 81679)</b>	
9	Not Available		Housing (2780278 Hub Assy) <b>(SN 81679 to Present)</b>	
10	Item 100	1	Seal, Lip	
11		Ref	Plug, Pipe Options:	
11	7000243	1	Plug, Pipe (2780191 Hub Assy) <b>(Prior to SN 81679)</b>	
11	7017048	1	Plug, Pipe (2780278 Hub Assy) <b>(SN 81679 to Present)</b>	
12	7001952	3	Plug, Pipe	
13		Ref	Bearing, Needle Options:	
13	7001909	114	Bearing, Needle (2780191 Hub Assy) <b>(Prior to SN 81679)</b>	
13	Not Available		Bearing, Needle (2780278 Hub Assy) <b>(SN 81679 to Present)</b>	
14		Ref	Shaft, Planet Options:	
14	7010413	3	Shaft, Planet (2780191 Hub Assy) <b>(Prior to SN 81679)</b>	
14	Not Available		Shaft, Planet (2780278 Hub Assy) <b>(SN 81679 to Present)</b>	
15		Ref	Washer, Thrust Options:	
15	7010414	6	Washer, Thrust (2780191 Hub Assy) <b>(Prior to SN 81679)</b>	
15	Not Available		Washer, Thrust (2780278 Hub Assy) <b>(SN 81679 to Present)</b>	
16		Ref	Carrier Options:	
16	7010415	1	Carrier (2780191 Hub Assy) <b>(Prior to SN 81679)</b>	
16	Not Available		Carrier (2780278 Hub Assy) <b>(SN 81679 to Present)</b>	
17		Ref	Spacer, Thrust Options:	
17	7010416	3	Spacer, Thrust (2780191 Hub Assy) <b>(Prior to SN 81679)</b>	
17	Not Available		Spacer, Thrust (2780278 Hub Assy) <b>(SN 81679 to Present)</b>	
18		Ref	Rollpin Options:	
18	7001913	3	Rollpin (2780191 Hub Assy) <b>(Prior to SN 81679)</b>	
18	Not Available		Rollpin (2780278 Hub Assy) <b>(SN 81679 to Present)</b>	
19		Ref	Gear, Cluster Options:	
19	7010418	3	Gear, Cluster (2780191 Hub Assy) <b>(Prior to SN 81679)</b>	
19	Not Available		Gear, Cluster (2780278 Hub Assy) <b>(SN 81679 to Present)</b>	

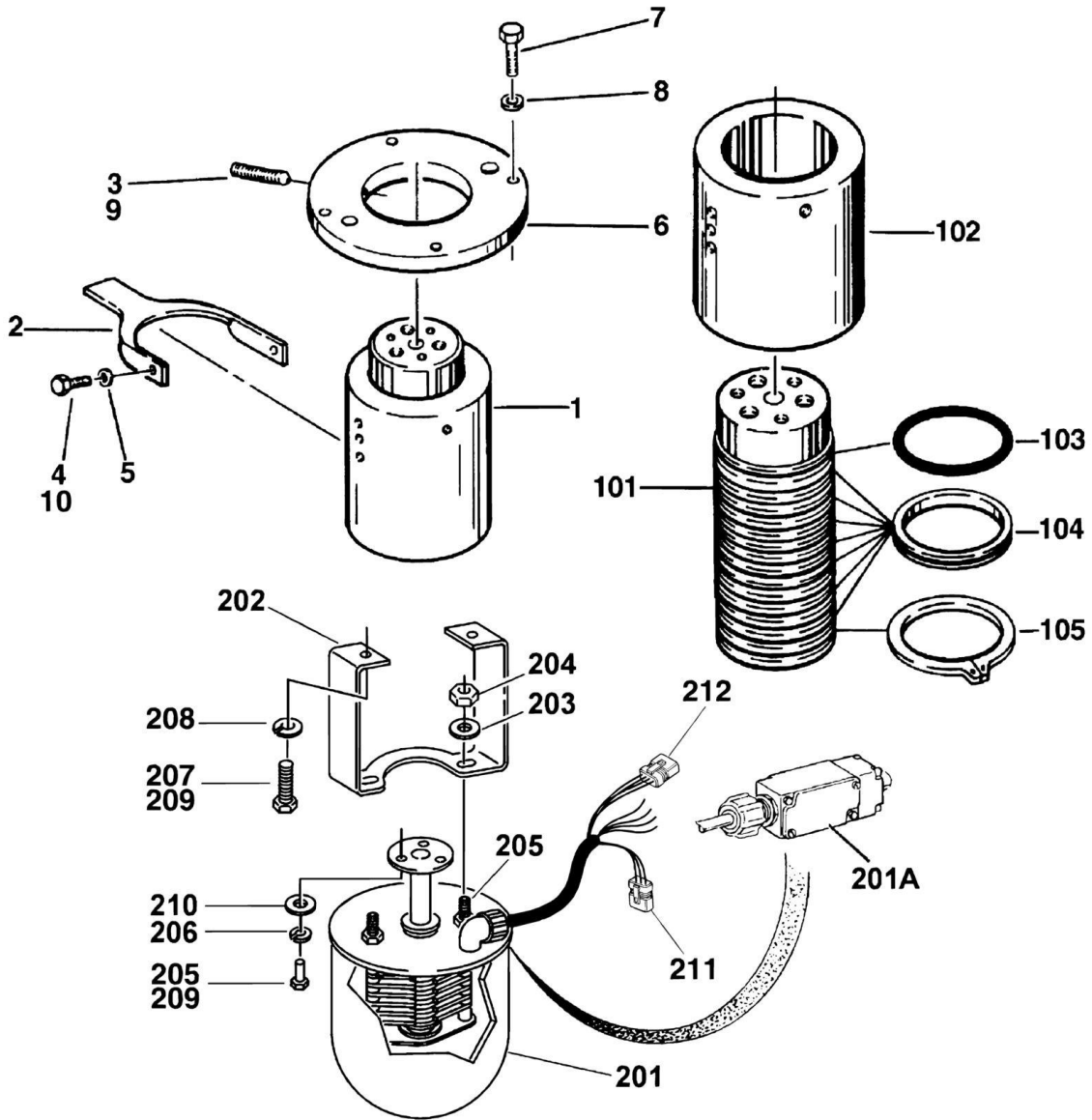
## SECTION 2 - TURNTABLE

ITEM	PART NUMBER	QTY	DESCRIPTION	REV
20		Ref	Gear, Internal Options:	
20	7010419	1	Gear, Internal (2780191 Hub Assy) <b>(Prior to SN 81679)</b>	
20	Not Available		Gear, Internal (2780278 Hub Assy) <b>(SN 81679 to Present)</b>	
21	7010420	1	Gear, Ring	
22	7007673	2	Washer, Thrust	
23	Item 100	2	O-Ring (Part of Item 1)	
24	7010403	20	Lockwasher	
25	7010436	1	Gear, Sun	
26	7010456	1	Coupling, Adapter	
27	7010457	1	Washer, Thrust	
28	7010458	1	Cover, Input	
29	7001922	1	Washer, Thrust	
30	7010459	20	Ring, Retaining	
31	7010460	3	Bolt 3/8in-16NC x 3 1/4in	
32	7001928	3	Plug, Pipe	
33	91414020	1	Ring, Retaining (2780278 Hub Assembly Only) (Part of Item 1)	
100	2900796	1	Seal Kit (Includes Items 10 & 23)	



## SECTION 2 - TURNTABLE

FIGURE 2-11. ROTARY COUPLING AND COLLECTOR RING INSTALLATION





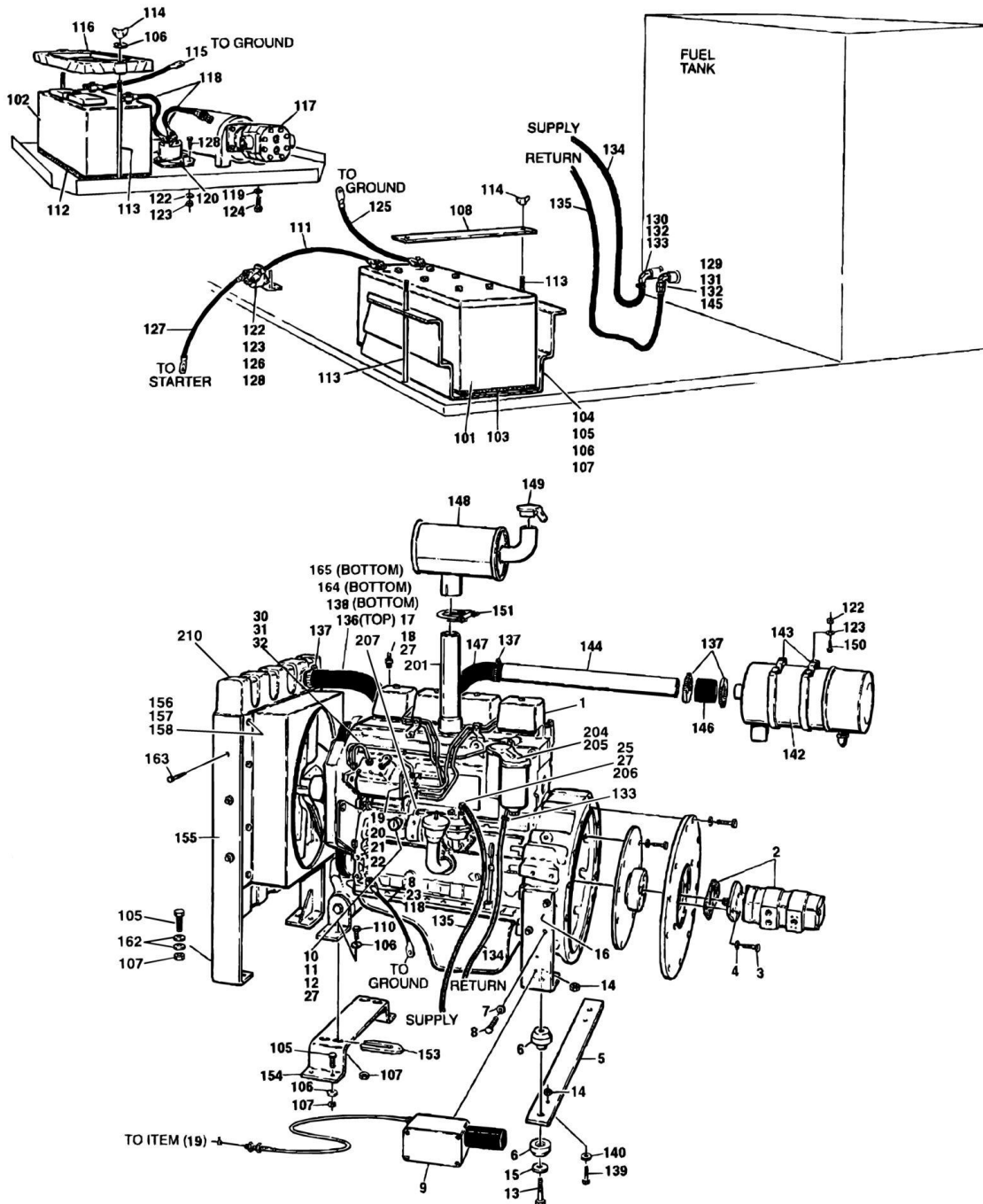
# SECTION 2 - TURNTABLE

**FIGURE 2-11. ROTARY COUPLING AND COLLECTOR RING INSTALLATION**

ITEM	PART NUMBER	QTY	DESCRIPTION	REV
	0250611	Ref	<b>ROTARY COUPLING INSTALLATION</b>	C
1	1660185	1	Rotary Coupling Assembly (Includes Items 101-105)	
2	3530403	1	Plate, Retaining	
3	3951820	2	Setscrew, Socket 1/2in-13NC x 2 1/2in	
4	0641807	2	Bolt 1/2in-13NC x 7/8in	
5	4761800	2	Lockwasher 1/2in	
6	1440154	1	Collar	
7	0641512	4	Bolt 5/16in-18NC x 1 1/2in	
8	4761500	4	Lockwasher 5/16in	
9	0100011	AR	Compound, Locking	
10	0100019	AR	Compound, Locking	
	1660185	Ref	<b>ROTARY COUPLING ASSEMBLY</b>	-
101	0620106	1	Body, Swivel (6 Port)	
102	2760091	1	Housing, Swivel (6 Port)	
103	Item 300	1	O-Ring	
104	Item 300	7	Seal	
105	3760004	1	Ring, Retaining	
	0251612	Ref	<b>COLLECTOR RING INSTALLATION</b>	A
201	3760297	1	Collector Ring Assembly	
201A	7016394	2	Switch, Limit	
		Ref	<b>Note: Brushes and holders are not serviceable. Purchase complete assembly.</b>	
202	0901803	1	Bracket, Mounting	
203	4751500	2	Flatwasher 5/16in	
204	3311501	2	Nut 5/16in-18NC	
205	0641608	3	Bolt 3/8in-16NC x 1in	
206	4761600	5	Lockwasher 3/8in	
207	0641406	2	Bolt 1/4in-20NC x 3/4in	
208	4761400	2	Lockwasher 1/4in	
209	0100011	AR	Compound, Locking	
210	4751600	3	Flatwasher 3/8in	
211	4460476	1	Plug, Male - 3 Position	
212	4460844	1	Plug, Male - 4 Position	
213	4461113	AR	Seal (Not Shown)	
300	2901146	1	Seal Kit (Includes Items 103 & 104)	

# SECTION 2 - TURNTABLE

FIGURE 2-12. ENGINE INSTALLATION - CUMMINS 4B3.9 DIESEL (Prior to SN 80240)



## SECTION 2 - TURNTABLE

**FIGURE 2-12. ENGINE INSTALLATION - CUMMINS 4B3.9 DIESEL (Prior to SN 80240)**

ITEM	PART NUMBER	QTY	DESCRIPTION	REV
	0251905	Ref	<b>ENGINE ASSEMBLY</b>	6-G
1	2000116	1	Engine - Cummins 4B3.9 Diesel	
2	3600183	1	Pump Assembly (See MAIN PUMP ASSEMBLY - GEAR for Breakdown)	
3	0641810	2	Bolt 1/2in-13NC x 1 1/4in	
4	4761800	2	Lockwasher 1/2in	
5	3200306	1	Mount, Engine (Rear)	
6	3200183	2	Mount, Rubber Engine	
7	0701215	8	Bolt 12mm x 35mm	
8	4832100	10	Lockwasher 12mm	
9	0060023	1	Actuator	
9	7008804	1	Bellows	
9	7008829	1	P.C. Board	
9	7008821	1	Motor	
9	7008828	1	Cable	
10	2420110	1	Sender, Oil Pressure	
11	2180537	1	Fitting, Nipple	
12	2200261	1	Fitting, Pipe Coupling	
13	0642032	2	Bolt 5/8in-11NC x 4in	
14	3312005	2	Locknut 5/8in-11NC	
15	4740242	2	Flatwasher	
16	3200311	2	Mount, Rear Engine	
17	2220274	1	Fitting, Reducer	
18	2420130	1	Sender, Water Temperature	
19		Ref	Bracket, Adeco Cable Options:	
19	0901554	1	Bracket, Adeco Cable (Prior to January 2000)	
19	0902582	1	Bracket, Adeco Cable (January 2000 to Present)	
20	0641406	2	Bolt 1/4in-20NC x 3/4in	
21	4751400	2	Flatwasher 1/4in	
22	3311405	2	Locknut 1/4in-20NC	
23	0701214	2	Bolt, Metric 12mm x 30mm	
24	1060221	1	Cable, Battery	
25	2180467	1	Fitting, 90, Elbow	
27	0100020	AR	Loctite	
28	1320060	1	Clamp, Hose	
29	4751700	2	Flatwasher 7/16in	
30	4460302	1	Clamp, Cable	
31	4711400	2	Flatwasher 1/4in Narrow	
32	3450303	1	Pin, Cotter	
	0251906	Ref	<b>ENGINE INSTALLATION</b>	8
101	0400020	1	Battery	
102	0400003	1	Battery	
103	3980006	1	Masonite	
104	3509770	1	Tray, Battery	
105	0641616	11	Bolt 3/8in-16NC x 1 7/8in	
106	4751600	26	Flatwasher 3/8in	
107	3311605	16	Locknut 3/8in-16NC	
108	0361027	1	Bar	
109	0630003	2	Tie Down	
110	0641612	4	Bolt 3/8in-16NC 1 1/2in	

## SECTION 2 - TURNTABLE

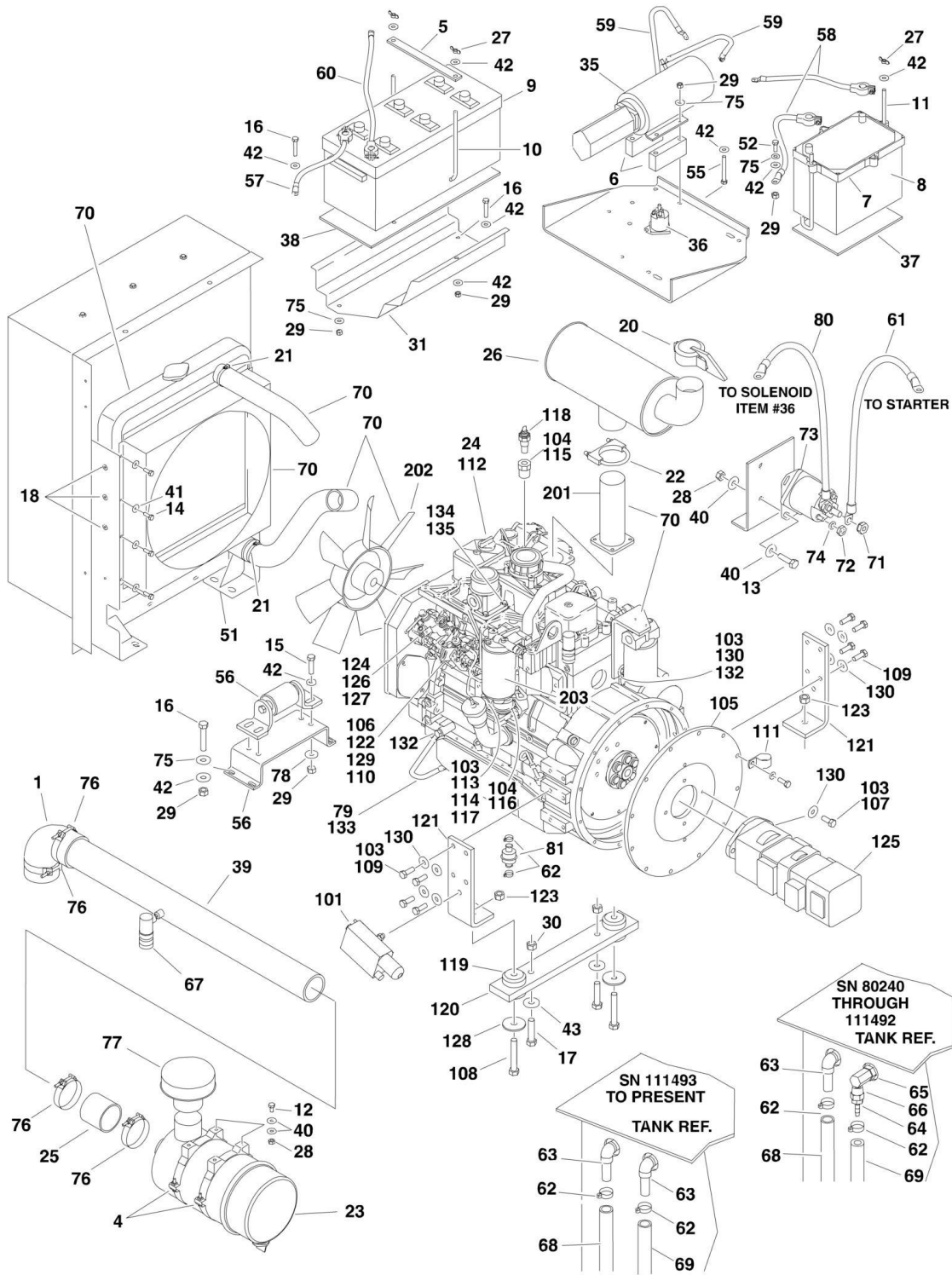
ITEM	PART NUMBER	QTY	DESCRIPTION	REV
111		Ref	Cable, Battery Options:	
111	1060031	1	Cable, Battery <b>(Prior to SN 64579)</b>	
111	1060931	1	Cable, Battery <b>(SN 64579 to Present)</b>	
112	3980003	1	Masonite	
113	0630370	2	Bolt, Tie Down	
114	3300029	4	Wingnut 3/8in-16NC	
115	1060146	2	Cable, Battery	
116	0400002	1	Battery, Hold Down	
116	2910479	1	Hold-Down Repair Kit	
117		Ref	Pump Auxiliary Options:	
117	3600071	1	Pump - (Prior to November 1993)	
117	7004247	1	Pump	
117	Not Available		Pump Seal Kit	
117	7004248	1	Motor	
117	7004249	1	Coupling	
117	7012576	1	Bracket, Pump	
117	3600196	1	Pump - (November 1993 to Present)	
117	7013711	1	Coupling	
117	7013772	1	Motor	
117	7013773	1	Pump	
117	7013774	1	Seal, Shaft	
118	1060221	2	Cable, Battery	
119	4761600	4	Lockwasher 3/8in	
120	3740067	1	Relay	
122	4751400	12	Flatwasher 1/4in	
123	3311405	8	Nut 1/4in-20NC	
124	0641608	1	Bolt 3/8in-16NC x 1in	
125	1060046	1	Cable, Battery	
126	3740059	1	Relay	
127		Ref	Cable, Battery Options:	
127	1060198	1	Cable, Battery <b>(Prior to SN 64579)</b>	
127	1060932	1	Cable, Battery <b>(SN 64579 to Present)</b>	
128	0641408	4	Bolt 1/4in-20NC x 1in	
129	2220273	1	Reducer, Bushing	
130	2180467	1	Fitting, 90, Elbow	
131	2180536	1	Fitting	
132	0100020	AR	Sealant, Pipe	
133	1320022	4	Clamp	
134	2720271	13	Hose, Fuel (Return)	
135	2750532	13	Hose, Low Pressure	
136	2720333	1	Hose, Radiator Top	
137	1320058	10	Clamp	
138		Ref	Hose, Radiator Bottom (Long) Options:	
138	2720371	1	Hose, Radiator Bottom (Long) <b>(Prior to SN 36510)</b>	
138	2720445	1	Hose, Radiator Bottom (Long) <b>(SN 36510 to Present)</b>	
139	0642022	2	Bolt 5/8in-11NC x 2 3/4in	
140	4752000	2	Flatwasher 5/8in	
141	3312005	2	Locknut 5/8in-11NC	
142	1340007	1	Air Cleaner Assembly	
142	7003655	1	Element, Air Cleaner	
143	0340003	2	Band, Mounting	

## SECTION 2 - TURNTABLE

ITEM	PART NUMBER	QTY	DESCRIPTION	REV
144	4565284	1	Tube, Air Cleaner	
145	2220063	1	Fitting, 90, Elbow	
146	2720125		Hose, Air Cleaner	
147	0080115	1	Adapter, Molded 90	
148	3220079	1	Muffler	
149	1120408	1	Cap, Rain	
150	0641404	4	Bolt 1/4in-20NC x 1/2in	
151	1320103	1	Clamp, Muffler	
152	1701505	1	Decal, Diesel (Not Shown - Located on Hood)	
153	4070672	2	Shim	
154	0901785	1	Bracket, Engine Mounting	
155	4843957	2	Mounting Weldment, Radiator	
156	0641507	8	Bolt 5/16in-18NC x 7/8in	
157	4751500	8	Flatwasher 5/16in	
158	4761500	8	Lockwasher 5/16in	
159	3311601	4	Nut 3/8in-16NC	
160	0362206	2	Bar, Spacer	
161	0641626	4	Bolt 3/8in x 3 1/4in	
162	4740275	4	Washer, Hardened	
163	0741504	6	Bolt 5/16in-18NC x 1/2in	
164	2720446	1	Hose, Radiator (Short) <b>(SN 36510 to Present)</b>	
165	4565571	1	Tube <b>(SN 36510 to Present)</b>	
	2000116	Ref	<b>ENGINE - CUMMINS 4B3.9 DIESEL COMPONENTS</b>	
201	7027737	1	Tube, Exhaust	
202	7023475	1	Alternator (Not Shown)	
203	7023476	1	Starter (Not Shown)	
204	7019675	1	Filter, Fuel	
205	7019674	1	Separator, Fuel	
206	7023477	1	Pump, Fuel	
207	7023478	1	Solenoid, Fuel Shut-Down (Not Shown)	
208	7020009	1	Filter, Oil (Not Shown)	
209	7024593	1	Hose, Cover In/Filter Out (1-90, End/1-Straight End) (Not Shown)	
209	7024594	1	Hose, Cover In/Filter Out (2-Straight Ends) (Not Shown)	
210	7023230	1	Radiator	

# SECTION 2 - TURNTABLE

FIGURE 2-13. ENGINE INSTALLATION - CUMMINS TIER II DIESEL (SN 80240 to Present)



## SECTION 2 - TURNTABLE

**FIGURE 2-13. ENGINE INSTALLATION - CUMMINS TIER II DIESEL (SN 80240 to Present)**

ITEM	PART NUMBER	QTY	DESCRIPTION	REV
	0273688	Ref	<b>ENGINE INSTALLATION</b>	E
1	0080115	1	Adapter, Rubber	
4	0340003	2	Band, Mounting	
5	0361027	1	Bar, Battery Hold-Down	
6	0362206	2	Bar, Spacer	
7	0400002	1	Hold-Down, Battery	
8	0400003	1	Battery	
9	0400020	1	Battery	
10	0630003	2	Bolt, Hold-down	
11	0630370	2	Bolt, Hold-Down	
12	0641404	4	Bolt 1/4in-20NC x 1/2in	
13	0641408	2	Bolt 1/4in-20NC x 1in	
14	0641507	8	Bolt 5/16in-18NC x 7/8in	
15	0641612	4	Bolt 3/8in-16NC x 1 1/2in	
16	0641616	7	Bolt 3/8in-16NC x 2in	
17	0642022	2	Bolt 5/8in-11NC x 2 3/4in	
18	0741504	6	Screw, Countersunk 5/16in-18NC x 1/2in	
20	1120408	1	Cap, Rain	
21	1320058	4	Clamp, Hose	
22	1320103	1	Clamp, Muffler	
23	1340007	1	Air Cleaner Assembly	
23	7003655	1	Element, Air Cleaner	
24	2000241	1	Engine Assembly (See Items 101-135 for Breakdown)	
25	2720125	1	Hose, Air Cleaner	
26	3220079	1	Muffler	
27	3300029	4	Wingnut 3/8in-16NC	
28	3311405	8	Locknut 1/4in-20NC	
29	3311605	16	Locknut 3/8in-16NC	
30	3312005	2	Locknut 5/8in-11NC	
31	3509770	1	Plate, Battery Tray	
32	0100020	AR	Sealant, Pipe	
35		Ref	Pump Auxiliary Options (See AUXILIARY PUMP ASSEMBLY for Breakdown):	
35	3600459	1	Pump Auxiliary (was p/n 3600196) <b>(Prior to SN 103758)</b>	
35	3600459	1	Pump Auxiliary Options:	
36	3740067	1	Relay, Aux Power	
37	3980003	1	Masonite	
38	3980006	1	Masonite	
39	4565284	1	Tube, Air Cleaner	
40	4751400	16	Flatwasher 1/4in Wide	
41	4751500	8	Flatwasher 5/16in Wide	
42	4751600	31	Flatwasher 3/8in Wide	
43	4752000	2	Flatwasher 5/8in Wide	
51	4843957	2	Mount, Radiator	
52	0641608	1	Bolt 3/8in-16NC x 1in	
55	0641626	4	Bolt 3/8in-16NC x 3 1/4in	
56	0903015	1	Bracket, Front Engine Mount	
57	1060046	3	Cable, Battery (Small Battery + to Relay and Small Battery to Grd and Large Battery to Grd)	
58	1060146	2	Cable, Battery (Aux Power to Relay and Aux Power to Grd)	

## SECTION 2 - TURNTABLE

ITEM	PART NUMBER	QTY	DESCRIPTION	REV
59	1060221	1	Cable, Battery (Large Battery to Solenoid)	
60	1060931	1	Cable, Battery (Solenoid to Starter)	
61	1060392	1	Cable, Battery (Engine to Grd)	
62	1320022	6	Clamp	
63	2180467	2	Fitting, Barbed	
64	2180536	1	Fitting, Barbed <b>(SN 80240 through 111493)</b>	
65	2220063	1	Fitting, Adapter <b>(SN 80240 through 111493)</b>	
66	2220273	1	Fitting, Reducer <b>(SN 80240 through 111493)</b>	
67	2420047	1	Gauge, Service Indicator	1
68		Ref	Hose Options:	
68	2720271	13 ft/4m	Hose 3/16in Diameter <b>(SN 80240 through 111492)</b>	
68	2750532	13 ft/4m	Hose 3/8in Diameter <b>(SN 111493 to Present)</b>	
69	2750532	13 ft/4m	Hose 3/8in Diameter	
70	2902344	1	Engine Prep Kit (Includes Filter Mounting Bracket, Fan, Exhaust Outlet Tube, Radiator, Radiator Shroud, Radiator Draincock, Upper Radiator Hose and Alternator Harness)	
71	3300220	2	Nut, Washer Flange	
72	3321001	2	Nut #10-32NF	
73	3740059	1	Relay, Start	
74	4761000	2	Lockwasher #10	
75	4791600	6	Starwasher 3/8in	
76	91163129	4	Clamp, Band	
77	1120194	1	Cap, Filter	
78	4891600	4	Flatwasher 3/8in Hardened	
79	4923249	1	Cable, Engine Ground	
80	1001091309	1	Cable, Battery <b>(SN 103758 to Present)</b>	
81	8274022	1	Filter/Strainer, Fuel <b>(SN 111493 to Present)</b>	
	2000241	Ref	<b>ENGINE ASSEMBLY</b>	E
101	0060023	1	Actuator	
101	7008804	1	Bellows	
101	7008829	1	P.C. Board	
101	7008821	1	Motor	
101	7008828	1	Cable	
103	0100011	AR	Compound, Locking	
104	0100020	AR	Sealant	
105	0252061	1	Pump Coupling Installation (See PUMP COUPLING INSTALLATIONS for Breakdown)	
106	0641606	2	Bolt 3/8in-16NC x 3/4in	
107	0641810	2	Bolt 1/2in-13NC x 1 1/4in	
108	0642032	2	Bolt 5/8in-11NC x 4in	
109	0701215	8	Bolt 12mm x 35mm	
110	0903211	1	Bracket, Throttle Controller	
111	1320060	1	Clamp	
112	2000206	1	Engine, Cummins	
113	2180537	1	Fitting, Nipple	
114	2200261	1	Fitting, Coupling	
115	2220274	1	Fitting, Reducer	
116	2180467	1	Fitting, Barbed	
117	2420110	1	Sender, Oil Pressure	
118	2420130	1	Sender, Temperature	
119	3200183	2	Mount, Motor	
120	3200306	1	Plate, Engine Mounting (Rear)	

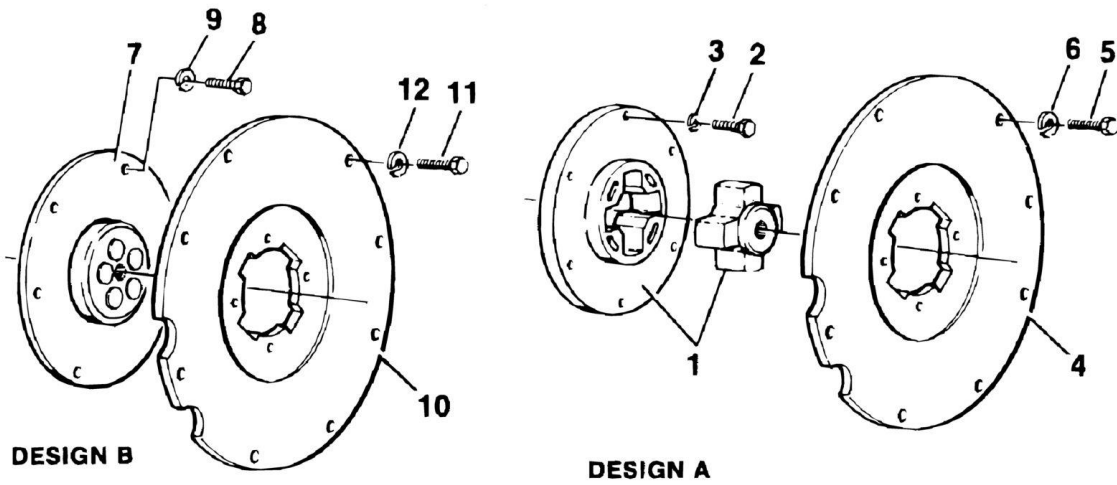


## SECTION 2 - TURNTABLE

ITEM	PART NUMBER	QTY	DESCRIPTION	REV
121	3200311	2	Bracket, Engine Mounting (Rear)	
122	3311405	2	Locknut 1/4in-20NC	
123	3312005	2	Locknut 5/8in-11NC	
124	3450303	1	Pin, Cotter 3/32in x 3/4in	
125	3600183	1	Pump Assembly (See MAIN PUMP ASSEMBLY - GEAR for Breakdown)	
126	4460302	1	Terminal, Cable Pivot	
127	4711400	1	Flatwasher 1/4in Narrow	
128	4740242	2	Washer, Snubbing	
129	4751400	2	Flatwasher 1/4in Wide	
130	4751800	11	Flatwasher 1/2in Wide	
132	0701214	2	Bolt 12mm x 30mm	
133	1060221	1	Cable, Battery (Engine to Grd)	
134	0760815	4	Bolt 8mm x 5mm	
135	4711500	4	Flatwasher 5/16in Narrow	
	2000206	Ref	<b>CUMMINS ENGINE COMPONENTS</b>	
201	7027737	1	Tube, Exhaust (Part of Item 70)	
202	70002090	1	Fan (Part of Item 70)	
203	8033493	1	Gasket, Exhaust Pipe (Part of 70)	
205	7023230	1	Radiator (Part of 70)	
206	7028838	1	Element, Fuel Filter	
207	70002520	1	Pressure Regulator Valve (Not Shown)	
208	70002828	1	V-Belt (Not Shown)	

# SECTION 2 - TURNTABLE

## FIGURE 2-14. PUMP COUPLING INSTALLATIONS



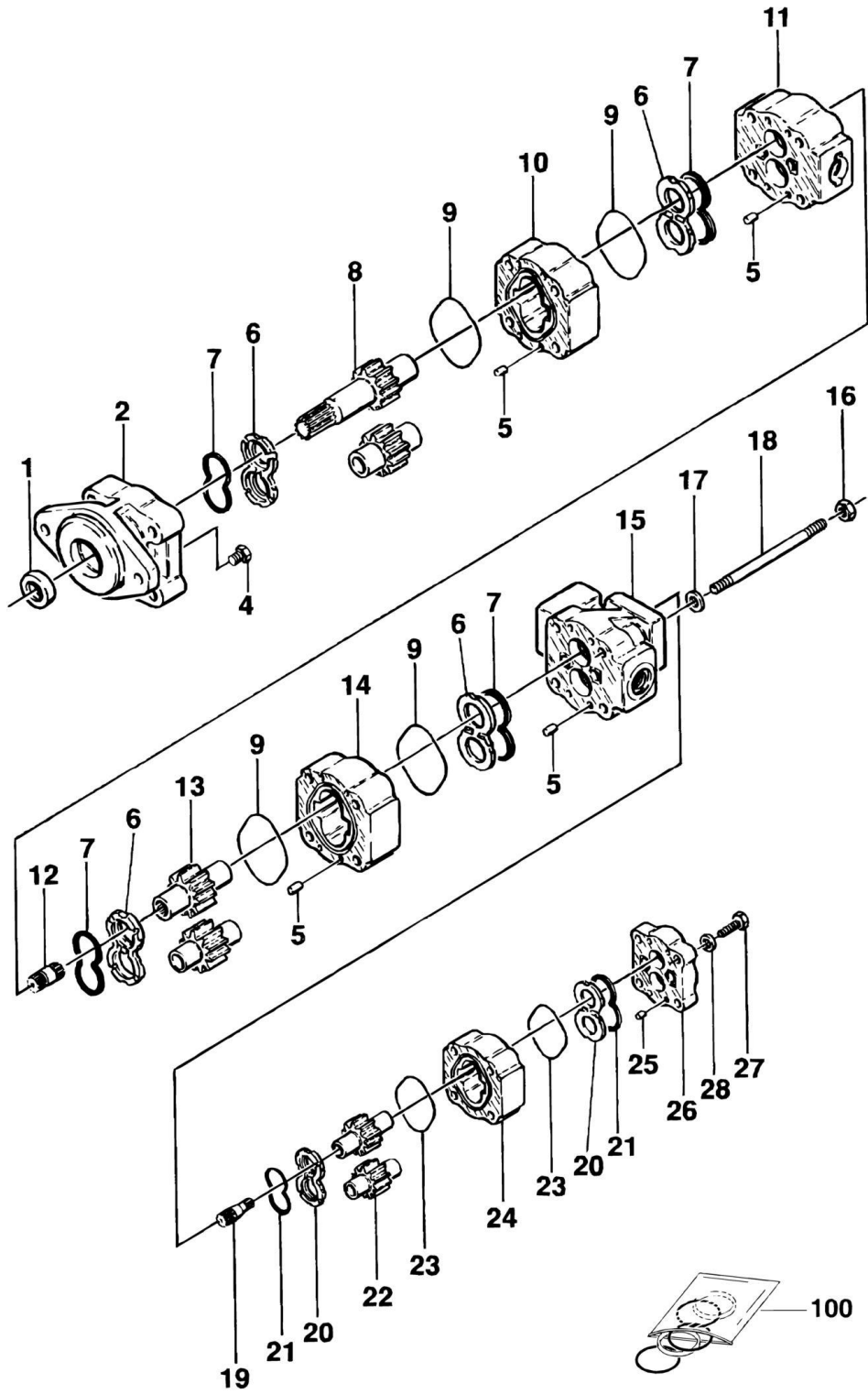
**SECTION 2 - TURNTABLE**

**FIGURE 2-14. PUMP COUPLING INSTALLATIONS**

ITEM	PART NUMBER	QTY	DESCRIPTION	REV
	0252060	Ref	<b>LOVEJOY COUPLING INSTALLATION (DESIGN A)</b>	-
1	1660191	1	Coupling - Lovejoy	
2	0641608	8	Bolt 3/8in-16NC x 1in	
3	4761600	8	Lockwasher 3/8in	
3	1660193	1	Disc, Coupling	
3	1660192	1	Hub, Coupling	
4	0080164	1	Adapter, Pump	
5	0701014	12	Bolt, Metric 10mm x 30mm	
6	4832000	12	Lockwasher 10mm	
	0252061	Ref	<b>HAYES COUPLING INSTALLATION (DESIGN B)</b>	-
7	1660198	1	Coupling - Hayes	
8	0641605	8	Bolt 3/8in-16NC x 5/8in	
9	4761600	8	Lockwasher 3/8in	
10	0080164	1	Adapter, Pump	
11	0701014	12	Bolt, Metric 10mm x 30mm	
12	4832000	12	Lockwasher 10mm	

# SECTION 2 - TURNTABLE

## FIGURE 2-15. MAIN PUMP ASSEMBLY - GEAR



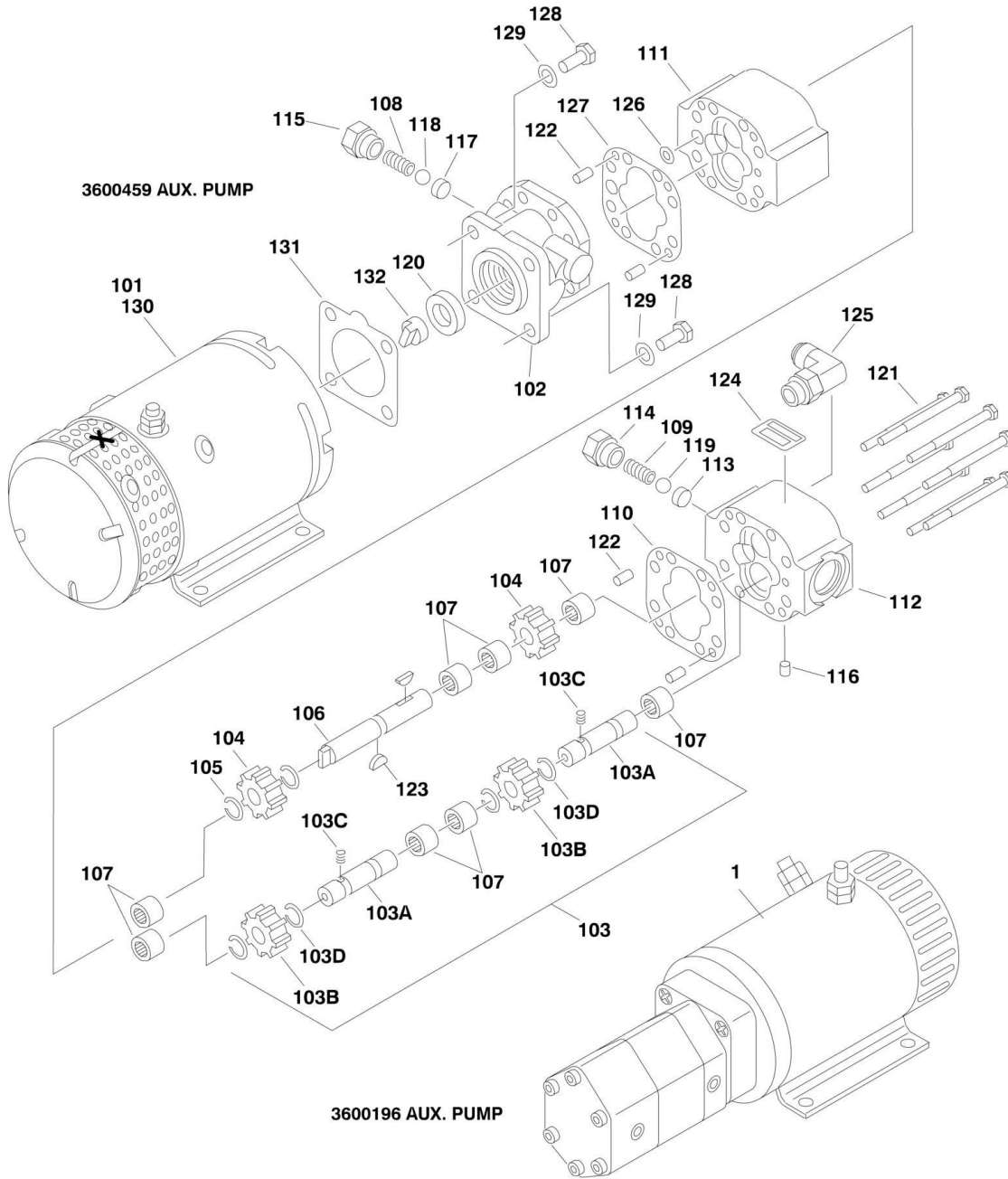
**SECTION 2 - TURNTABLE**

**FIGURE 2-15. MAIN PUMP ASSEMBLY - GEAR**

ITEM	PART NUMBER	QTY	DESCRIPTION	REV
	3600183	Ref	<b>MAIN PUMP ASSEMBLY - GEAR</b>	-
1	Item 100	1	Seal, Lip	
2	7009594	1	End, Mounting (With Bushing)	
4	7003103	2	Plug	
5	7005447	8	Pin, Dowel	
6	Item 100	4	Plate, Thrust	
7	Item 100	4	Seal, Channel	
8	7009598	1	Set, Drive Gear	
9	Item 100	4	Seal, Square	
10	7005474	1	Housing, Gear	
11	7009596	1	Housing, Bearing Carrier (With Bushings)	
12	7005476	1	Shaft, Connector	
13	7009599	1	Set, Gear	
14	7009597	1	Housing, Gear	
15	7009595	1	Housing, Piggyback (With Bushings)	
16	7003114	4	Nut	
17	7001293	4	Flatwasher	
18	7014300	4	Stud	
19	7014306	1	Shaft, Connector	
20	Item 100	2	Plate, Thrust	
21	Item 100	2	Seal, Channel	
22	7014303	1	Set, Gear	
23	Item 100	2	Seal, Square	
24	7014302	1	Housing, Gear	
25	7014308	4	Pin, Dowel	
26	7014301	1	Cover, End	
27	7014304	4	Bolt	
28	7005597	4	Flatwasher	
100	2900797	1	Seal Kit (Includes Items 1, 6, 7, 9, 20, 21 & 23)	

# SECTION 2 - TURNTABLE

## FIGURE 2-16. AUXILIARY PUMP ASSEMBLY



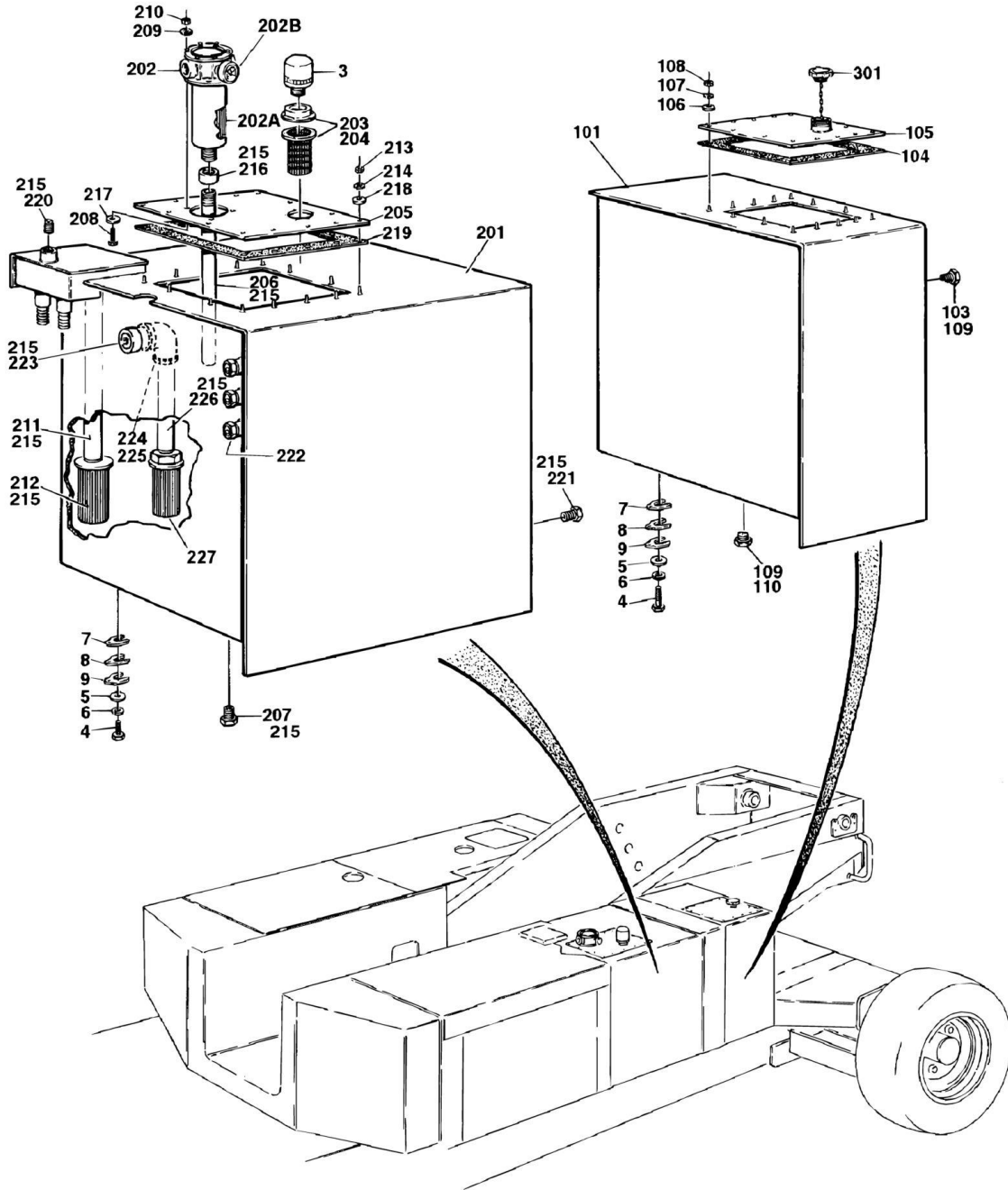
## SECTION 2 - TURNTABLE

### FIGURE 2-16. AUXILIARY PUMP ASSEMBLY

ITEM	PART NUMBER	QTY	DESCRIPTION	REV
		Ref	<b>AUXILIARY PUMP ASSEMBLIES</b>	
	3600196	Ref	<b>Auxiliary Pump Assemblies (Prior to SN 103758)</b>	
	3600459	Ref	<b>Auxiliary Pump Assemblies (SN 103758 to Present)</b>	
	3600196	Ref	<b>AUXILIARY PUMP ASSEMBLY</b>	B
1	3600196	1	Pump Auxiliary	
1	7013711	1	Coupling	
1	7013772	1	Motor	
1	7013773	1	Pump	
1	7013774	1	Seal, Shaft	
	3600459	Ref	<b>AUXILIARY PUMP ASSEMBLY</b>	A
101	7011071	1	Motor and Adapter	
102	Not Available	1	Stator	
103	70001072	1	Shaft, Idler Assembly	
103A	Not Available	2	Shaft, Idler	
103B	Not Available	2	Gear	
103C	70001065	2	Pin, Drive	
103D	70000970	2	Ring, Retaining	
104	70001073	2	Gear	
105	70000970	2	Ring, Retaining	
106	70001074	1	Shaft, Drive	
107	70000976	8	Bearing, Needle	
108	70001075	1	Spring	
109	70001076	1	Spring	
110	70001061	1	Gasket	
111	Not Available	1	Housing, Gear	
112	Not Available	1	Housing, Gear	
113	70001077	1	Seat	
114	70001078	1	Cap Assembly	
115	70001079	1	Cap Assembly	
116	Not Available	1	Plug	
117	70001080	1	Seat	
118	70001081	1	Ball	
119	70001082	1	Ball	
120	70000969	1	Seal, Shaft	
121	70001060	8	Screw	
122	7010911	4	Pin, Dowel	
123	70001083	2	Key	
124	Not Available	1	Label	
125	70001084	1	Fitting	
126	7011024	1	O-Ring	
127	70001085	1	Gasket	
128	7011043	4	Screw	
129	7011048	4	Washer	
130	7010924	1	Motor	
131	7011044	1	Gasket, Mounting	
132	7011016	1	Coupling	

# SECTION 2 - TURNTABLE

## FIGURE 2-17. TANKS INSTALLATION





## SECTION 2 - TURNTABLE

### FIGURE 2-17. TANKS INSTALLATION

ITEM	PART NUMBER	QTY	DESCRIPTION	REV
	0251919	Ref	<b>TANKS INSTALLATION</b>	3
1	4400333	1	Fuel Tank Assembly (Includes Items 101-110)	
2		Ref	Oil Tank Assembly Options (Includes Items 201-227):	
2	4400335	1	Oil Tank Assembly (Prior to November 1993)	
2	4400357	1	Oil Tank Assembly (November 1993 to Present)	
3	1340046	1	Breather	
4	0641814	8	Bolt 1/2in-13NC x 1 3/4in	
5	4751800	8	Flatwasher 1/2in	
6	4761800	8	Lockwasher 1/2in	
7	4070410	AR	Shim (1/16in - 1.6mm Thick)	
8	4070411	AR	Shim (1/8in - 3.2mm Thick)	
9	4070412	AR	Shim (3/16in - 4.8mm Thick)	
	4400333	Ref	<b>FUEL TANK ASSEMBLY</b>	A
101	4400332	1	Fuel Tank Weldment	
103	2420115	5	Gauge, Sight	
104	3960371	1	Gasket	
105	4843919	1	Lid	
106	4751400	14	Flatwasher 1/4in	
107	4761400	14	Lockwasher 1/4in	
108	3311401	14	Nut 1/4in-20NC	
109	0100020	AR	Sealant, Pipe	
110	2200204	1	Fitting, Pipe Plug	
		Ref	<b>OIL TANK ASSEMBLY OPTIONS:</b>	
	4400335	Ref	<b>Oil Tank Assembly (Prior to November 1993)</b>	A
	4400357	Ref	<b>Oil Tank Assembly (November 1993 to Present)</b>	A
201	4400334	1	Oil Tank Weldment	
202	2120103	1	Filter (Return)	
202	2120107	1	Element, Filter	
202	7004244	1	Gauge, Sight	
202	7016333	1	O-Ring (Not Shown)	
203	4740338	6	Washer, Sealing	
204	1340045	1	Flange and Strainer	
205	1670468	1	Lid	
206	2180649	1	Nipple, Pipe	
207	3520022	1	Plug, Magnetic	
208	0641612	4	Bolt 3/8in-16NC x 1 1/2in	
209	4751600	4	Flatwasher 3/8in	
210	3311605	4	Locknut 3/8in-16NC	
211	2180628	1	Nipple, Pipe	
212	2120104	1	Filter, Tank	
213	3311401	14	Nut 1/4in-20NC	
214	4761400	14	Lockwasher 1/4in	
215	0100020	AR	Sealant, Pipe	
216	2200268	1	Fitting, Coupling	
217	4740322	4	Washer, Sealing	
218	4751400	14	Flatwasher 1/4in	
219	3960371	1	Gasket	
220	2200204	2	Plug, Pipe - 3/4inNPT	
221	2200205	4	Plug, Pipe - 1inNPT	
222	2420115	3	Gauge	

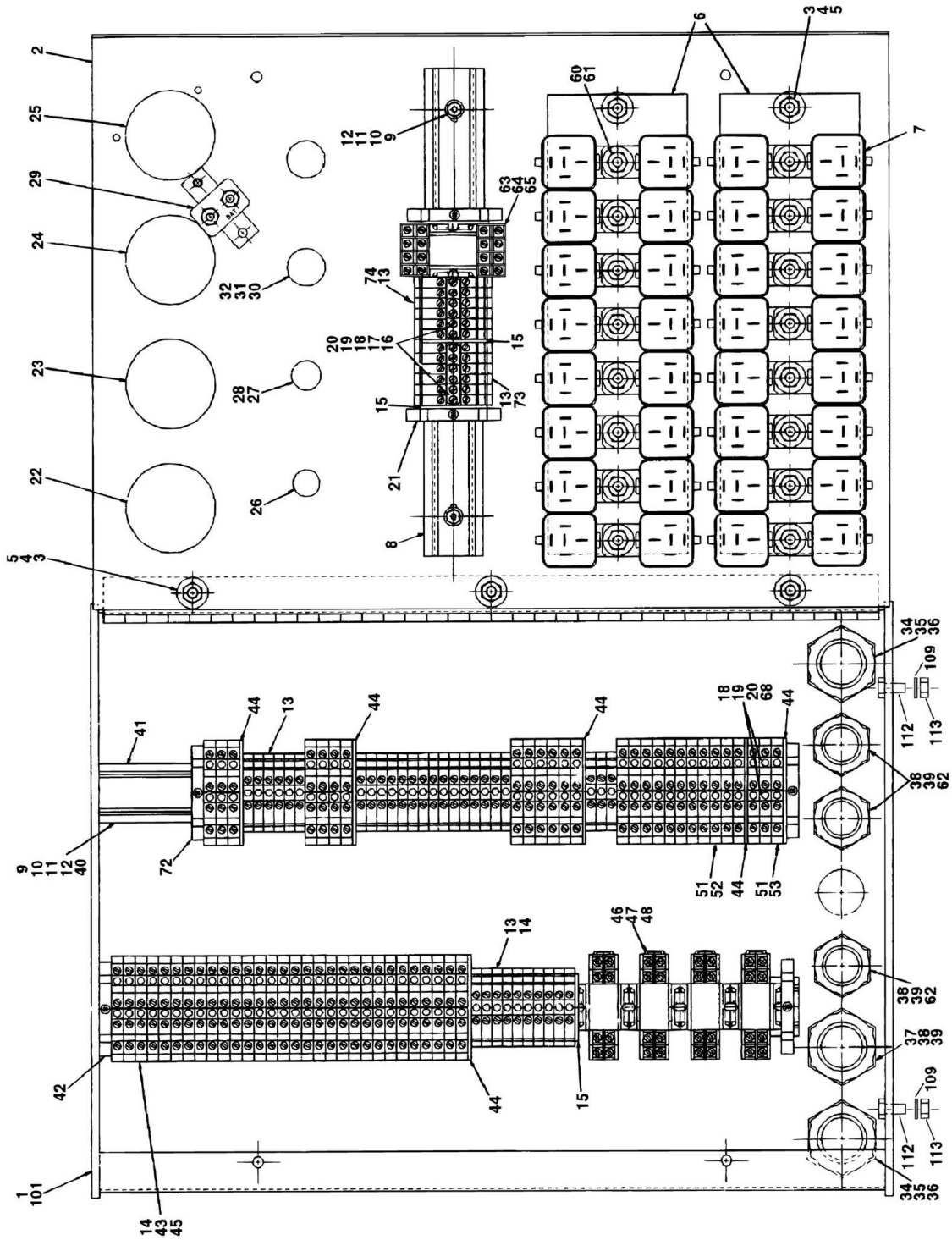
## SECTION 2 - TURNTABLE

ITEM	PART NUMBER	QTY	DESCRIPTION	REV
223	2200107	1	Plug, Pipe - 1 1/4inNPT	
224	2220341	1	Fitting, Nipple 1 1/4in (November 1993 to Present)	
225	2200347	1	Fitting, Elbow 90, 1 1/4in (November 1993 to Present)	
226	2180534	1	Fitting, Nipple 1 1/4in x 12in (November 1993 to Present)	
227	2120098	1	Filter, Strainer (November 1993 to Present)	
		Ref	<b>FUEL CAP INSTALLATIONS</b>	
	0251919	Ref	<b>Standard Cap (Prior to SN 30382)</b>	3
	0257365	Ref	<b>Standard Cap (SN 30382 to Present)</b>	1
	0258626	Ref	<b>Protectoseal Blue Cap (SN 30382 to Present)</b>	1
	0257366	Ref	<b>Protectoseal Red Cap (SN 30382 to Present)</b>	2
301		Ref	Cap Options:	
301	1120314	1	Standard Cap	
301	1120512	1	Protectoseal Blue Cap	
301	1120367	1	Protectoseal Red Cap	



# SECTION 2 - TURNTABLE

## FIGURE 2-18. MAIN TERMINAL BOX ASSEMBLY



**SECTION 2 - TURNTABLE**

**FIGURE 2-18. MAIN TERMINAL BOX ASSEMBLY**

ITEM	PART NUMBER	QTY	DESCRIPTION	REV
		Ref	<b>MAIN TERMINAL BOX ASSEMBLY OPTIONS:</b>	
	0860730	Ref	<b>Main Terminal Box Assembly (Prior to SN 61098)</b>	4
	0861430	Ref	<b>Main Terminal Box Assembly (SN 61098 to Present)</b>	4
1	0860703	1	Box	
2		Ref	Lid Options:	
2	3252103	1	Lid <b>(Prior to SN 46291)</b>	
2	3252660	1	Lid <b>(SN 46291 through 61097)</b>	
2	3252765	1	Lid <b>(SN 61098 to Present)</b>	
3	3911412	7	Screw, Machine 1/4in-20NC x 3/4in	
4	4751400	7	Flatwasher 1/4in	
5	3311405	7	Locknut 1/4in-20NC	
6	4843827	2	Plate, Mounting - Relay	
7	3740049	25	Relay, Bosch	
8	3640536	1	Track	
9	3310601	6	Nut #6-32NC	
10	3910608	6	Screw, Machine #6-32NC x 1/2in	
11	4750600	12	Flatwasher #6	
12	4760600	6	Lockwasher #6	
13	4460298	46	Block, Terminal	
14	4460301	1	Marker, Terminal #1 - #50	
15	4460300	3	Barrier, Terminal	
16	4460309	4	Bar, Buss - 3 Position	
17	4460308	2	Bar, Buss - 2 Position	
18	4460305	12	Screw	
19	4460306	12	Washer	
20	4460307	12	Sleeve	
21	4460299	2	Stop, Terminal	
22	2420127	1	Gauge, Water Temperature	
23		Ref	Gauge, Oil Pressure Options:	
23	2420128	1	Gauge, Oil Pressure (Prior to July 1993)	
23	2420111	1	Gauge, Oil Pressure (July 1993 to Present)	
24	2420129	1	Gauge, Voltmeter	
25	2420009	1	Hourmeter	
26	4360212	1	Breaker, Circuit	
27	2920027	1	Light, Indicator - Green	
28	2920029	1	Light, Bulb	
29	4360216	1	Breaker, Circuit - 30 Amp	
30		Ref	Keyswitch Options:	
30	4360284	1	Keyswitch <b>(Prior to SN 46291)</b>	
30	4360468	1	Keyswitch <b>(SN 46291 to Present)</b>	
30		Ref	Key, Replacement Options:	
30	2860002	1	Key, Replacement <b>(Prior to SN 46291)</b>	
30	2860030	1	Key, Replacement <b>(SN 46291 to Present)</b>	
31	4360267	1	Block, Contact - SPST/N.O. <b>(Prior to SN 46291)</b>	
32	4360281	3	Block, Contact - N.O. <b>(Prior to SN 46291)</b>	
34	4460386	2	Connector, Strain Relief	
35	3300147	2	Nut, Conduit	
36	0960905	2	Bushing	
37	4460244	1	Connector, Strain Relief	
38	3300048	4	Nut, Conduit	

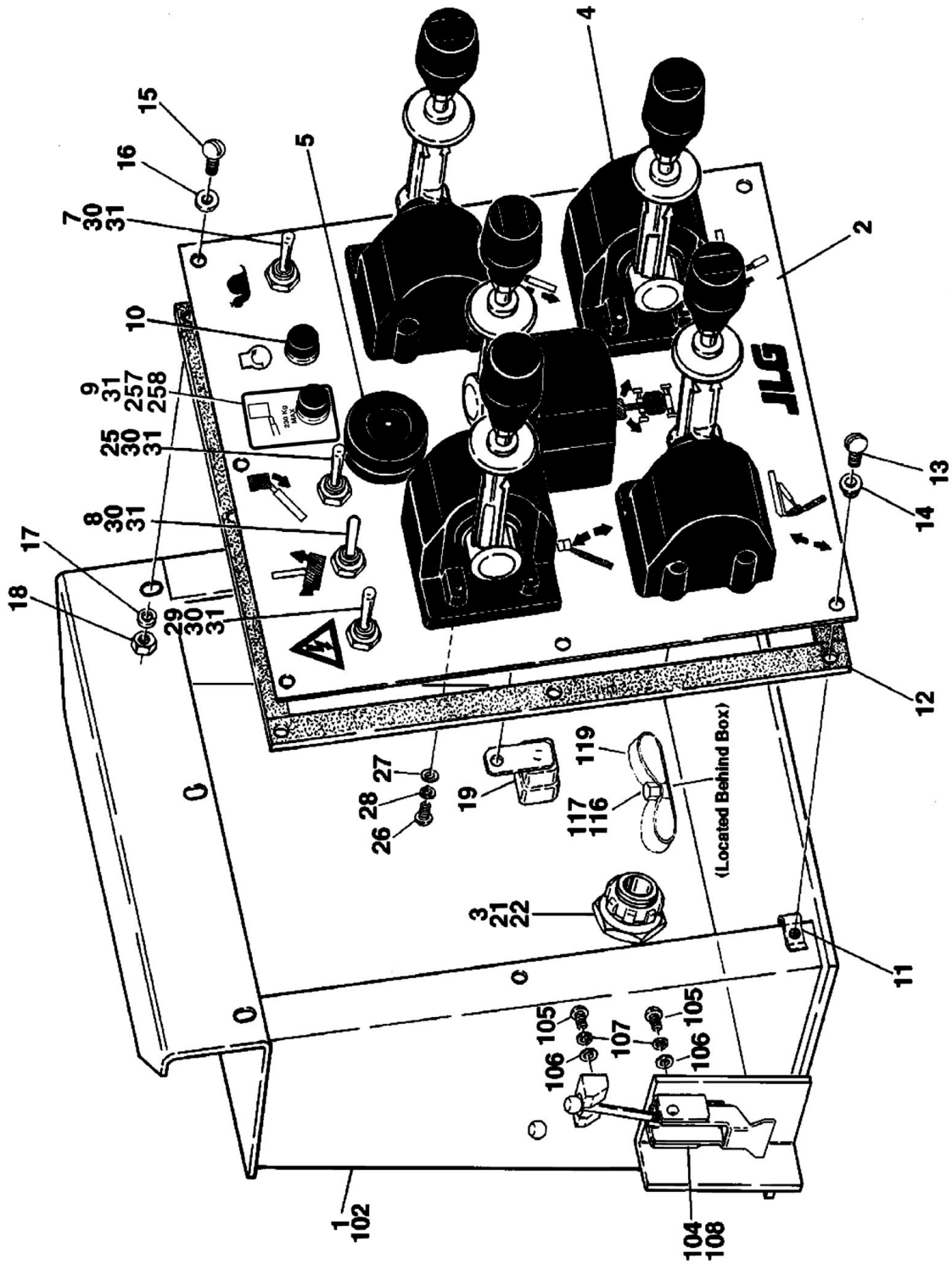
## SECTION 2 - TURNTABLE

ITEM	PART NUMBER	QTY	DESCRIPTION	REV
39	0960238	4	Bushing	
40	3640764	2	Rail, Mounting	
41	4220038	2 in/5cm	Tape, Insulation	
42	4460299	1	Stop, Terminal	
43	4460387	57	Block, Terminal - 2 Level	
44	4460388	6	End Barrier, Terminal	
45	4460391	2	Marker, Terminal - #101 - #150	
46	4120012	4	Socket, Relay - 2 PDT	
47	3740057	4	Relay - 2 PDT	
48	3740066	4	Spring, Relay	
49	4420038	3.5 ft/1.1m	Tape, Insulation	
50	0100001	AR	Adhesive (Not Shown)	
51	4460414	42	Marker, Terminal #4	
52	4460411	24	Marker, Terminal #1	
53	4460412	20	Marker, Terminal #2	
54	4460409	2	Marker, Terminal #201 - #300	
55	4460410	10	Marker, Terminal #0	
56	4460413	64	Marker, Terminal #3	
57	4460415	2	Marker, Terminal #5	
58	4460416	2	Marker, Terminal #6	
60	4761400	13	Lockwasher 1/4in	
61	3311401	13	Nut 1/4in-20NC	
62	4460051	3	Connector, Strain Relief	
63	4120013	1	Relay, Socket 4 PDT	
64	3740058	1	Relay 4 PDT	
65	3740063	1	Spring, Relay	
66	4460404	2	Marker, Terminal #8	
67	4460405	4	Marker, Terminal #9	
68	4460390	4	Bar, Buss - 3 Position	
69	0750806	2	Screw, #8 x 3/4in	
70	3300177	2	Nut, Tinnerman #8	
71	4740120	2	Washer	
72	4460442	3	Stop, Terminal - 2 Level	
73	4460455	24	Marker, Terminal #41	
74	4460456	24	Marker, Terminal #42	
75	4070987	5	Shim, .015 (Not Shown)	
76	3910804	6	Screw, 8/32 X .25 LG (Not Shown)	
		Ref	<b>GROUND CONTROLS INSTALLATIONS</b>	
	0251912	Ref	<b>Ground Controls Installations (Prior to SN 61098)</b>	3
	0271058	Ref	<b>Ground Controls Installations (SN 61098 to Present)</b>	2
101		Ref	Ground Control Box Assembly Options:	
101	0860730	1	Ground Control Box Assembly (Prior to SN 61098)	
101	0861430	1	Ground Control Box Assembly (SN 61098 to Present)	
109	4740185	4	Washer 3/4in	
112	3311405	14	Locknut 1/4in-20NC	
113	4751400	14	Flatwasher 1/4in	
	0272963	Ref	<b>PLATFORM SUPPORT AND ROTATOR INSTALLATIONS</b>	4-D
201	3740049	1	Relay, Alarm (Not Shown)	



# SECTION 2 - TURNTABLE

## FIGURE 2-19. REMOTE CONTROL BOX ASSEMBLY





**SECTION 2 - TURNTABLE**

**FIGURE 2-19. REMOTE CONTROL BOX ASSEMBLY**

ITEM	PART NUMBER	QTY	DESCRIPTION	REV
		Ref	<b>REMOTE CONTROL BOX ASSEMBLY OPTIONS:</b>	
	0860732	Ref	<b>Remote Control Box Assembly (Prior to SN 44398)</b>	2-B
	0861300	Ref	<b>Remote Control Box Assembly (SN 44398 through 103757)</b>	3
	1810146	Ref	<b>Remote Control Box Assembly (SN 103758 to Present)</b>	A
1		Ref	Box Weldment Options:	
1	0860702	1	Box Weldment <b>(Prior to SN 44398)</b>	
1	0861299	1	Box Weldment <b>(SN 44398 to Present)</b>	
2		Ref	Lid Options:	
2	3252072	1	Lid (Prior to May 1994)	
2	3252376	1	Lid (May 1994 through SN 103757)	
2	1707123	1	Lid <b>(SN 103758 to Present)</b>	
3	4460386	1	Connector, Strain Relief	
4	1600141	5	Controller Assembly - PQ (See PLATFORM SECTION for Breakdown)	
5		Ref	Switch, Emergency Stop Options:	
5	4360289	1	Switch, Emergency Stop <b>(Prior to SN 46291)</b>	
5	4360475	1	Switch, Emergency Stop <b>(SN 46291 to Present)</b>	
5	7012611	1	Head, Mushroom (Use with 4360289)	
5	7012612	1	Boot (Use with 4360289)	
5	7020175	1	Cap (Use with 4360475)	
5	7020176	1	Contact, Block (Use with 4360475)	
6		Ref	Contact, Block - N.C. Options:	
6	4360282	1	Contact, Block - N.C. <b>(Prior to SN 46291)</b>	
6	4360476	1	Contact, Block - N.C. <b>(SN 46291 to Present)</b>	
7	4360199	1	Switch, Toggle	
8	4360202	1	Switch, Toggle	
9		Ref	Hardware Options:	
9	3520026	1	Plug, Hole <b>(Prior to SN 103758)</b>	
9	4360202	1	Switch, Toggle <b>(SN 103758 to Present)</b>	
10	4360274	1	Switch, Push Button (Start)	
11	3300177	4	Nut, Tinnerman	
12	4420037	3.5 ft/1m	Weatherstrip	
13	0750806	4	Screw, Self Tapping #8 x 3/4in	A
14	4740120	7	Washer, Nylon	
15	0721006	3	Screw #10-24NC x 3/4in	
16	4751000	3	Flatwasher #10	
17	4761000	3	Lockwasher #10	
18	3311001	3	Nut #10-24NC	
19	3740049	2	Relay, Bosch - SPDT	
21	3300147	1	Nut, Conduit	
22	0960905	1	Bushing	
24	2560112	5	Knob	
25	4360202	1	Switch, Toggle	
26	0720803	20	Screw, Machine #8-32NC x 3/8in	
27	4750800	20	Flatwasher #8	
28	4760800	20	Lockwasher #8	
29		Ref	Switch, Toggle Options:	
29	4360200	1	Switch, Toggle <b>(Prior to SN 103758)</b>	
29	4360204	1	Switch, Toggle <b>(SN 103758 to Present)</b>	
30	3790012	4	O-Ring	

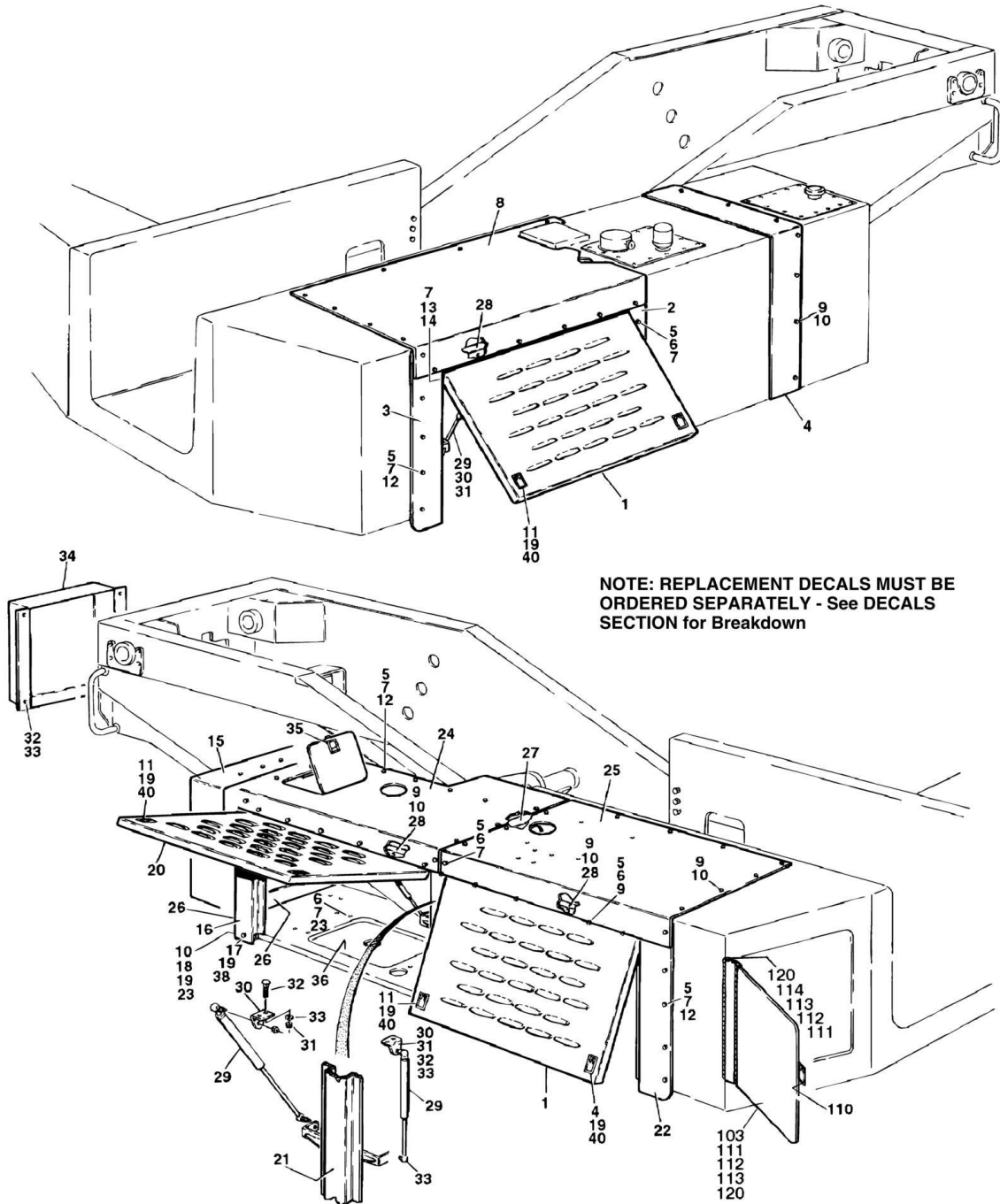
## SECTION 2 - TURNTABLE

ITEM	PART NUMBER	QTY	DESCRIPTION	REV	
31	4060229	5	Shield, Toggle Switch <b>(SN 103758 to Present)</b>	5	
	0251912	Ref	<b>GROUND CONTROLS INSTALLATIONS</b>		
102		Ref	Remote Box Assembly Options (See Items 1-30 for Breakdown):		
102	0860732	1	Remote Box Assembly <b>(Prior to SN 44398)</b>		
102	0861300	1	Remote Box Assembly <b>(SN 44398 to Present)</b>		
104		Ref	Latch, Adjustable Draw Options:		
104	2940066	1	Latch, Adjustable Draw <b>(Prior to SN 44398)</b>		
104	2940115	1	Latch, Adjustable Draw <b>(SN 44398 to Present)</b>		
105	0731003	2	Bolt #10-32NF x 3/8in		
106	4751000	2	Flatwasher #10		
107	4761000	2	Lockwasher #10		
108	3820019		Pop-Rivet 3/16in <b>(Prior to SN 44398)</b>		
116	4751600	5	Flatwasher 3/8in		
117	3311605	5	Locknut 3/8in-16NC		
118	1320131	4	Clamp (Not Shown)		
119	1320060	3	Clamp		
	0272963	Ref	<b>PLATFORM SUPPORT AND ROTATOR INSTALLATIONS</b>		
257	1705852	1	Decal - Capacity Light		4-D
258	2920151	1	Light 12V LED		



# SECTION 2 - TURNTABLE

## FIGURE 2-20. HOOD COMPONENTS INSTALLATION



## SECTION 2 - TURNTABLE

### FIGURE 2-20. HOOD COMPONENTS INSTALLATION

ITEM	PART NUMBER	QTY	DESCRIPTION	REV
	0251920	Ref	<b>HOODS INSTALLATION</b>	7
1	4843879	2	Hood, Door Weldment	
2	3535300	1	Plate, Door	
3	4843920	1	Door Weldment	
4	3534643	1	Plate, Filler	
5	0641406	59	Bolt 1/4in-20NC x 3/4in	
6	4751400	48	Flatwasher 1/4in	
7	3311405	66	Locknut 1/4in-20NC	
8	3535325	1	Hood (Top Tank Side)	
9	3941406	36	Screw, Self Tapping 1/4in-14NC x 3/4in	
10	4761400	40	Lockwasher 1/4in	
11		Ref	Latch, Flush Mount Options:	
11	2940042	6	Latch, Flush Mount <b>(Prior to SN 39139)</b>	
11	2940113	6	Latch, Flush Mount <b>(SN 39139 to Present)</b>	
12	4740362	15	Washer, Fender	
13	0641410	6	Bolt 1/4in-20NC x 1 1/4in	
14	4711400	12	Flatwasher 1/4in	
15	0251941	1	Inlet Box Assembly	
16	4843927	1	Door Support Weldment	
17	0641622	3	Screw 3/8in-16NC x 2 3/4in	
18	3300151	4	Nut, Acorn 1/4in-20NC	
19	0100011	AR	Compound, Locking	
20	4843878	1	Hood Door Weldment	
21	4843926	1	Door Support Weldment	
22	3535328	1	Plate, Door Support	
23	4300031	12	Stud 1/4in-20NC x 5/8in	
24	4843931	1	Hood Top Weldment (Engine)	
25	4843932	1	Hood Top Weldment (Valve)	
26	4843933	1	Hood Weldment (Front)	
27	4843930	1	Hood Bracket Weldment	
28	4843925	3	Hood Reinforcement Weldment	
29	4160081	3	Spring, Gas	
30	3200222	3	Bracket, Gas Spring Mounting	
31	3311505	9	Locknut 5/16in-18NC	
32	0630383	6	Bolt Carriage 5/16in-18NC x 3/4in	
33	4751500	6	Flatwasher 5/16in	
34	3535133	1	Cover, Tower Boom	
35	2940045	1	Latch, Flush Mounting (Paddle)	
36	3535345	1	Plate, Cover	
37	4300034	2	Stud Weldment 3/4in16Nc x 1in	
38	4751600	2	Flatwasher 3/8in	
39	3311605	5	Locknut 3/8in-16NC	
40	2940070	6	Latch, Straight Pawl <b>(Prior to SN 39139)</b>	
	0251911	Ref	<b>GROUND CONTROLS DOOR INSTALLATION</b>	5
103		Ref	Door - Ground Control Options:	
103	4843729	1	Door - Ground Control <b>(Prior to SN 53798)</b>	
103	1780320	1	Door - Ground Control <b>(SN 53798 to Present)</b>	
110	2940042	1	Latch	
111	0100011	AR	Compound, Locking	
112	3311405	9	Locknut 1/4in-20NC	

## SECTION 2 - TURNTABLE

ITEM	PART NUMBER	QTY	DESCRIPTION	REV
113	4751400	19	Flatwasher 1/4in	
114	2600094	1	Hinge	
120	0641405	10	Bolt 1/4in-20NC x 5/8in	

**SECTION 3 - BOOM**

# SECTION 3 - BOOM

## FIGURE 3-1. BOOMS AND TURNTABLE INSTALLATION

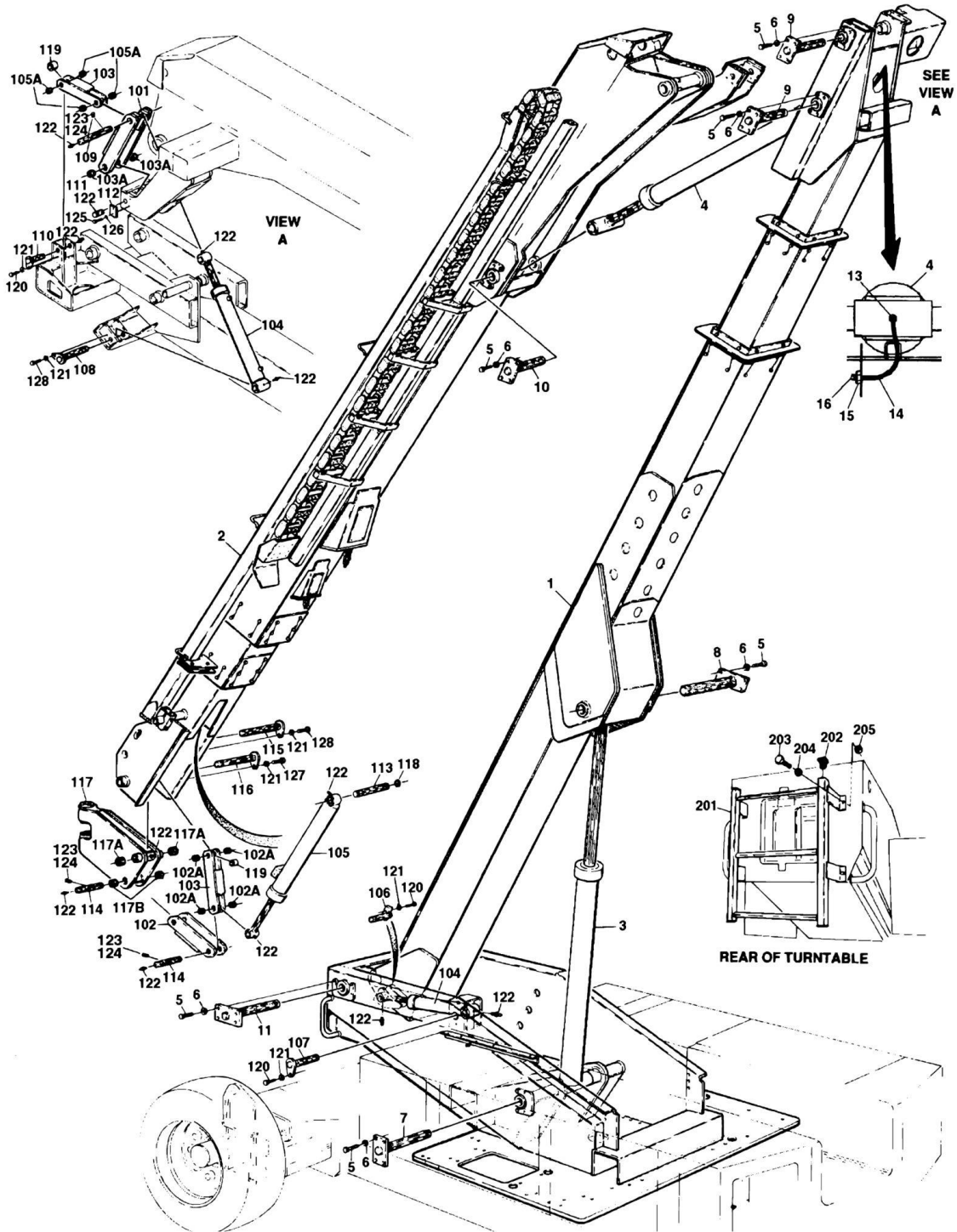




FIGURE 3-1. BOOMS AND TURNTABLE INSTALLATION

ITEM	PART NUMBER	QTY	DESCRIPTION	REV
		Ref	<b>BOOMS AND CYLINDERS INSTALLATIONS</b>	
	0251886	Ref	<b>Machines Built Through 1992</b>	A
	0253810	Ref	<b>Machines Built (1993 through SN 34993)</b>	2
	0257417	Ref	<b>Machines Built (SN 34994 to Present)</b>	5
1		Ref	Tower Boom Assembly Options (See TOWER BOOM ASSEMBLY II for Breakdown):	
1	0800718	1	Tower Boom Assembly ( <b>Prior to SN 0300135500</b> )	
1	1001107880	1	Tower Boom Assembly ( <b>SN 0300135500 to Present</b> )	
2		Ref	Main Boom Assembly Options (See MAIN BOOM ASSEMBLY for Breakdown):	
2	0800741	1	Machines Built Through 1992	
2	0800841	1	Machines Built (1993 through SN 34993)	
2	0801110	1	Machines Built ( <b>SN 34994 to Present</b> )	
3	1682519	1	Tower Lift Cylinder Assembly (See CYLINDER SECTION For Breakdown)	
4		Ref	Main Lift Cylinder Assembly Options (See CYLINDER SECTION for Breakdown):	
4	1683702	1	Main Lift Cylinder Assembly (Was P/N 1682516) ( <b>Prior to SN 36519</b> )	
4	1683702	1	Main Lift Cylinder Assembly ( <b>SN 36519 to Present</b> )	
5	0682214	24	Bolt 3/4in-10NC x 1 3/4in	
6	4762200	24	Lockwasher 3/4in	
7	3422090	1	Pin Weldment	
8	3421917	1	Pin Weldment	
9	3421918	2	Pin Weldment	
10	3421919	1	Pin Weldment	
11	3421920	1	Pin Weldment	
12	0901851	1	Bracket, Boom Rest (Not Shown) ( <b>Prior to SN 57155</b> )	
13	2220063	1	Fitting 90, (July 1993 to Present)	
14	2751032	1	Hose, Fitting Grease (July 1993 to Present)	
15	2180344	1	Fitting, Bulkhead (July 1993 to Present)	
16	2160001	1	Fitting, Grease (July 1993 to Present)	
	0251883	Ref	<b>LEVEL LINKS INSTALLATION</b>	D
101	3010103	1	Link, Weldment	
101	0961578	2	Bushing, Bronze	
102	3010102	1	Link, Weldment	
102	0961578	2	Bushing, Bronze	
103	3010101	2	Link, Weldment	
103	0961578	2	Bushing, Bronze	
104	1682332	2	Master Cylinder Assembly (See CYLINDER SECTION for Breakdown)	
105		Ref	Platform Level Cylinder Assembly Options (See CYLINDER SECTION for Breakdown):	
105	1682330	1	Platform Level Cylinder Assembly ( <b>Prior to SN 27450</b> )	
105	1683476	1	Platform Level Cylinder Assembly ( <b>SN 27450 to Present</b> )	
106	3421850	1	Pin, Weldment	
107	3421931	1	Pin, Weldment	
108	3421932	1	Pin, Weldment	
109	3421933	1	Pin	
110	3421934	1	Pin, Weldment	
111	3421930	2	Pin	

## SECTION 3 - BOOM

ITEM	PART NUMBER	QTY	DESCRIPTION	REV
112	3435285	2	Plate, Keeper	
113	3421935	1	Pin	
114	3421912	2	Pin	
115	3421910	1	Pin, Weldment	
116	3421942	1	Pin, Weldment	
117	4843890	1	Pivot Weldment	
117	0961024	2	Bushing, Bronze	
117	0961559	2	Bushing, Bronze	
118	3760133	2	Ring, Retaining	
119	0961579	2	Bushing, Spacer	
120	0641608	3	Bolt 3/8in-16NC x 1in	
121	4761600	6	Lockwasher 3/8in	
122	2160003	14	Grease Fitting	
123	3971606	6	Set Screw 3/8in-16NC x 3/4in	
124	0100011	AR	Compound, Locking	
125	0641506	4	Bolt 5/16in-18NC x 3/4in	
126	4761500	4	Lockwasher 5/16in	
127	0641609	1	Bolt 3/8in-16NC x 1 1/8in	
128	0641606	2	Bolt 3/8in-16NC x 3/4in	
129	4240104	1	Tie Strap	
	0251606	Ref	<b>LADDER INSTALLATION</b>	3
201		Ref	Ladder Options:	
201	4843828	1	Ladder <b>(Prior to SN 115930)</b>	
201	1001096779	1	Ladder <b>(SN 115930 to Present)</b>	
202	3520071	4	Plug, Cap	
203	0641612	4	Bolt 3/8in-16NC x 1 1/2in	
204	4751600	8	Flatwasher 3/8in	
205	3311605	4	Locknut 3/8in-16NC	
206	4071003	1	Shim, Boom Rest (Not Shown)	
207	0362957	1	Bar, Boom Rest (Not Shown)	



# SECTION 3 - BOOM

## FIGURE 3-2. MAIN BOOM ASSEMBLY

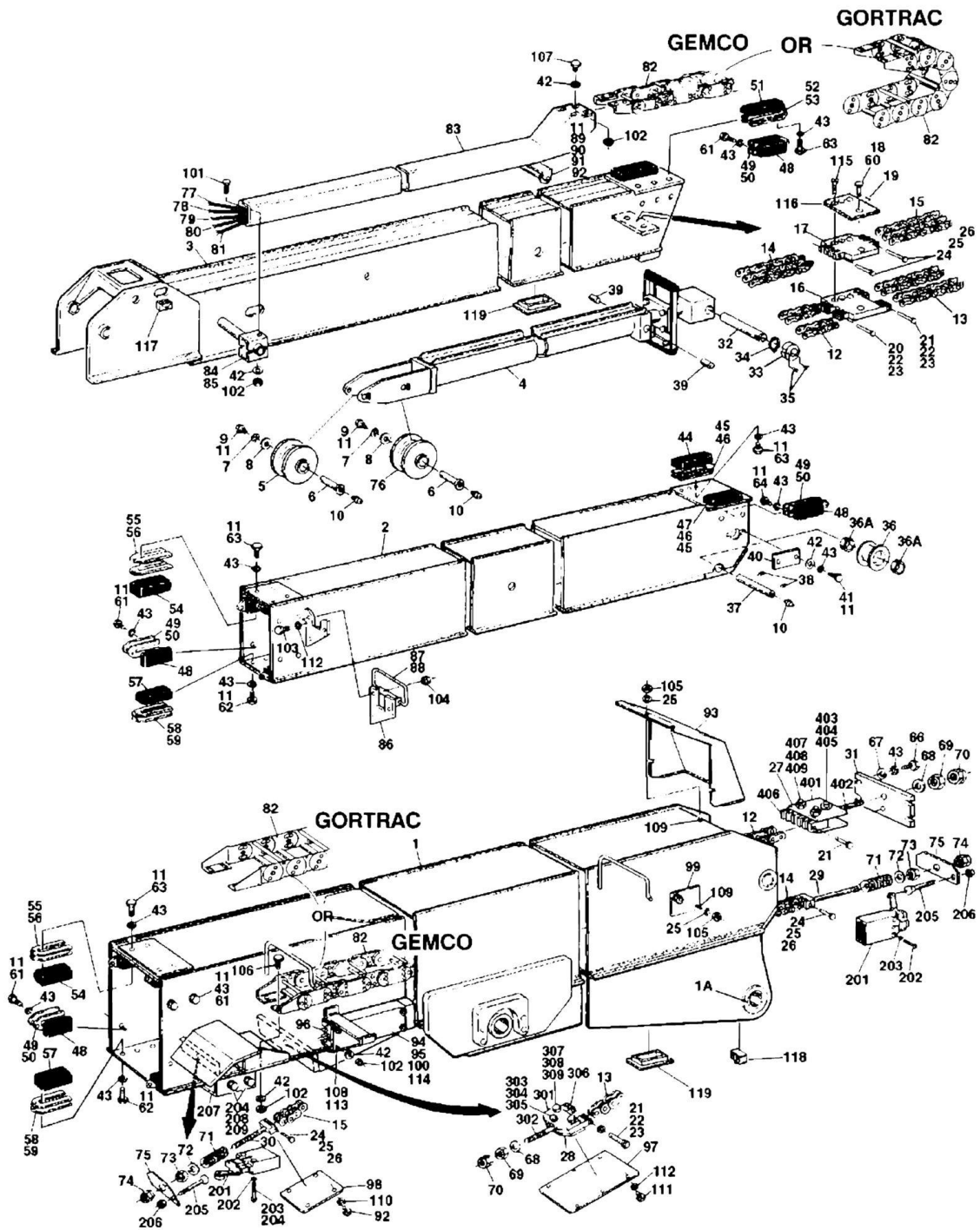


FIGURE 3-2. MAIN BOOM ASSEMBLY

ITEM	PART NUMBER	QTY	DESCRIPTION	REV
		Ref	<b>MAIN BOOM ASSEMBLY</b>	
	0800741	Ref	<b>Machines Built Through 1992</b>	C
	0800841	Ref	<b>Machines Built (1993 through SN 34993)</b>	5
	0801110	Ref	<b>Machines Built (SN 34994 to Present)</b>	11
1	0800723	1	Main Base Boom	
1A	0961557	2	Bushing, Bronze	
2	0800724	1	Main Mid Boom	
3		Ref	Main Fly Boom Options:	
3	0800725	1	Main Fly Boom <b>(Prior to SN 34994)</b>	
3	0801111	1	Main Fly Boom <b>(SN 34994 to Present)</b>	
4		Ref	Telescope Cylinder Assembly Options (See CYLINDER SECTION for Breakdown):	
4	1682490	1	Telescope Cylinder Assembly (Prior to January 1993)	
4	1682901	1	Telescope Cylinder Assembly (January 1993 to Present)	
5	3580177	1	Sheave, Extend	
6	3421350	2	Pin, Sheave	
7	4761800	2	Lockwasher	
8	4740003	2	Washer, Special	
9	0641808	2	Bolt 1/2in-13NC x 1in	
10	2160002	2	Grease Fitting	
11	0100011	AR	Compound, Locking	
12		Ref	Chain, Fly Extend Options:	
12	1260168	1	Chain, Fly Extend (Prior to January 1993)	
12	1260290	1	Chain, Fly Extend (January 1993 to Present)	
13	1260263	1	Chain, Fly Retract	
14		Ref	Chain, Fly Safety Extend Options:	
14	1260264	1	Chain, Fly Safety Extend (Prior to January 1993)	
14	1260291	1	Chain, Fly Safety Extend (January 1993 to Present)	
15	1260265	1	Chain, Fly Safety Retract Chain	
16	1360232	1	Clevis, Extend and Retract	
17		Ref	Clevis, Safety Extend and Retract Options:	
17	1360233	1	Clevis, Safety Extend and Retract (Prior to January 1993)	
17	1360271	1	Clevis, Safety Extend and Retract (January 1993 to Present)	
18	3421885	1	Pin, Clevis Attach	
19	3450505	2	Pin, Cotter	
20	3421206	1	Pin, Clevis	
21	3421205	6	Pin, Clevis	
22	4751500	13	Flatwasher 5/16in	
23	3450303	7	Pin, Cotter	
24	3421628	4	Pin, Clevis	
25	4751400	19	Flatwasher 1/4in	
26	3450203	4	Pin, Cotter	
27	0236758	1	Adjustment, Chain Assembly (See Items 401-409 for Breakdown)	
28	0251804	1	Adjustment, Chain Assembly (See Items 301-309 for Breakdown)	
29		Ref	Clevis, Safety Chain Options (Fly Extend):	
29	1360236	1	Clevis, Safety Chain (Prior to January 1993)	
29	1360254	1	Clevis, Safety Chain (January 1993 to Present)	
30	1360234	1	Clevis, Safety Chain (Fly Retract)	
31		Ref	Adjustment Mounting Plate Weldment Options:	
31	3535410	1	Adjustment Mounting Plate Weldment (Prior to January 1993)	

## SECTION 3 - BOOM

ITEM	PART NUMBER	QTY	DESCRIPTION	REV
31	4844382	1	Adjustment Mounting Plate Weldment (January 1993 to Present)	
32	3421209	1	Pin, Telescope Cylinder	
33	3760233	2	Ring, Retaining	
34	0960979	2	Bushing, Eccentric	
35	3951603	2	Screw 3/8in-16NC x 3/8in	
36		Ref	Sheave Assembly Options:	
36	3580311	1	Sheave Assembly (Was P/N 3580176) <b>(Prior to SN 69948)</b>	
36	3580311	1	Sheave Assembly <b>(SN 69948 to Present)</b>	
36A	0960372	2	Bushing, Bronze	
37		Ref	Pin Sheave Options:	
37	3423019	1	Pin Sheave (Was P/N 3421911) <b>(Prior to SN 69948)</b>	
37	3423019	1	Pin Sheave <b>(SN 69948 to Present)</b>	
38	3951604	2	Screw 3/8in-16NC x 1/2in	
39	3420410	2	Pin, Trunion	
40	0360372	2	Bar	
41	0641605	4	Bolt 3/8in-16NC x 5/8in	
42	4751600	14	Flatwasher 3/8in	
43	4761600	64	Lockwasher 3/8in	
44	3340462	1	Wear Pad	
45	4070556	AR	Shim	
46	4070555	AR	Shim	
47	3340460	1	Wear Pad	
48	3340394	12	Wear Pad	
49	4070502	AR	Shim	
50	4070501	AR	Shim	
51	3340401	2	Wear Pad	
52	4070504	AR	Shim	
53	4070503	AR	Shim	
54	3340399	4	Wear Pad	
55	4070498	AR	Shim	
56	4070497	AR	Shim	
57	3340403	4	Wear Pad	
58	4070508		Shim - Service Only	
59	4070507		Shim - Service Only	
60		Ref	Pin, Clevis Options:	
60	3421885	1	Pin, Clevis <b>(Prior to SN 34994)</b>	
60	3422640	1	Pin, Clevis <b>(SN 34994 to Present)</b>	
61	0641606	20	Bolt 3/8in-16NC x 3/4in	
62	0641612	12	Bolt 3/8in-16NC x 1 1/2in	
63	0641610	20	Bolt 3/8in-16NC x 1 1/4in	
64	0641614	4	Bolt 3/8in-16NC x 1 3/4in	
65		Ref	Wire, Safety (Not Shown)	
65	4920385	48	Wire, Safety (Prior to July 1995)	
65	Not Required	0	Wire, Safety <b>(SN 34994 to Present)</b>	
66	0641616	4	Bolt 3/8in-16NC x 2in	
67	4740185	4	Washer, Special 3/8in	
68	4740057	2	Washer, Special 3/4in	
69	3312202	2	Jam Nut 3/4in-10NC	
70	3300241	2	Locknut, Nylon Collar 3/4in-10NC	
71	4160098	150	Washer, Belleville	

## SECTION 3 - BOOM

ITEM	PART NUMBER	QTY	DESCRIPTION	REV
72	4712000	2	Flatwasher 5/8in Narrow	
73	3312202	2	Nut, Jam 5/8in-11NC	
74	3300240	2	Locknut 5/8in-11NC	
75	0362659	2	Bar, Switch	
76	3580212	1	Sheave, Safety Extend Chain	
77	1060392	108 ft/32.9m	Cable, Electrical - 16/36 (Control Cable)	
78	1060393	108 ft/32.9m	Cable, Electrical - 10/3 (A/C Cable)	
79	1060394	108 ft/32.9m	Cable, Electrical - 10/4 (Power Feed Cable)	
80	1060395	108 ft/32.9m	Cable, Electrical - 16/4 (Intercom Cable)	
81	1060016	50 ft/15.24m	Cable, Electrical - 16/3 (Broken Chain Cable)	
82		Ref	Power Track Assembly Options:	
		Ref	<b>Note: Original Equipment Power Track may have been replaced with Service Replacement. Visually identify component before ordering replacement parts.</b>	
82	1001099842	1	Gemco Brand Power Track (was p/n 1180236) <b>(Prior to SN 0300135500)</b>	
82	7006153	AR	1ft Repair Section - Used on p/n 1180236	
82	7006179	2 pr	Feet, Mounting - Used on p/n 1180236	
82	7006180	AR	Pin Kit - Used on p/n 1180236	
82	1001099842	1	Gortrac Brand Power Track <b>(SN 0300135500 to Present)</b>	
82	70002008	AR	1ft Repair Section	
82	70002009	2 pr	Bracket Kit (Includes 1 set of mounting brackets and hardware)	
83	1180254	1	Carrier Weldment	
84	1320121	2	Clamp (Note: SN 51528 to Present, Part of Item 3)	
85	4280242	1	Strip, Reinforcing	
86	4340453	1	Support, Powertrack	
87	3841126	1	Rod, Tube Retainer	
88	4562516	4 in/10cm	Tube	
89	3860050	1	Roller, Power Track	
90	3841013	1	Rod, Roller	
91	3450806	1	Pin, Cotter	
92	0641404	5	Bolt 1/4in-20NC x 1/2in	
93	4060780	1	Boom Cover Weldment	
94	4060685	1	Cover, Hydraulic and Electrical Lines	
95	4060789	1	Cover, Hydraulic and Electrical Lines	
96	4340632	6	Support, Hydraulic and Electrical Lines	
97	3535128	1	Plate, Cover	
98	3535129	1	Plate, Cover	
99	1670321	2	Plate, Cover	
100	4060790	1	Cover, Hydraulic and Electrical Lines	
101	0641636	2	Bolt 3/8in-16NC x 4 1/2in	
102	3311605	10	Locknut 3/8in-16NC	
103	0641510	3	Bolt 5/16in-18NC x 1 1/4in	
104	3311505	3	Locknut 5/16in-18NC	
105	3311405	15	Locknut 1/4in-20NC	
106	0641608	4	Bolt 3/8in-16NC x 1in	
107	0630446	4	Bolt, Carriage 3/8in-16NC x 1in	

## SECTION 3 - BOOM

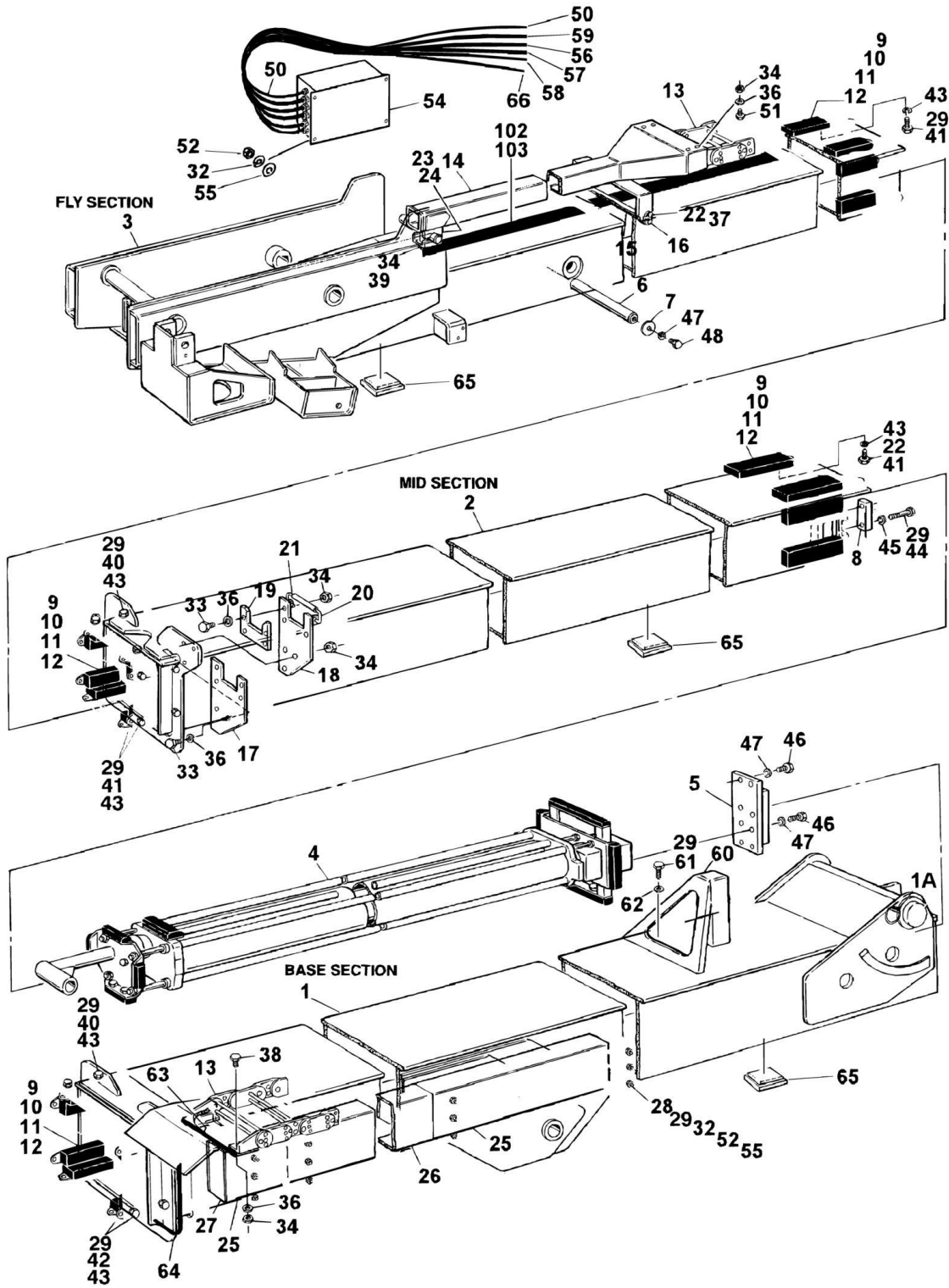
ITEM	PART NUMBER	QTY	DESCRIPTION	REV
108	4300098	8	Stud 1/4in-20NC x 2 1/2in (Welded on Part) <b>(Prior to SN 66768)</b>	
109	4300031	7	Stud 1/4in-20NC x 1in (Welded on Part) <b>(Prior to SN 66768)</b>	
110	4761400	4	Lockwasher 1/4in	
111	0641504	6	Bolt 5/16in-18NC x 1 1/2in	
112	4761500	6	Lockwasher 5/16in	
113	0960740	2	Spacer	
114	4240033	54	Tie Strap	
115	0741605	2	Capscrew, Flathead 3/8in-16NC x 5/8in	
116	3340819	1	Wear Pad	
117	1320051	1	Clamp	
118	1320052	1	Clamp	
119	1670836	6	Cover, Boom <b>(Prior to SN 0300134807)</b>	
	0251980	Ref	<b>BROKEN CHAIN LIMIT SWITCHES INSTALLATION</b>	B
201	4360301	2	Switch, Limit	
202	3910612	4	Screw #6-32NC x 1 1/2in	
203	4760600	4	Lockwasher #6	
204	0100011	AR	Compound, Locking	
205	0630517	2	Bolt, Leveler	
206	3321401	2	Nut 1/4in-20NC	
207	3570216	1	Plate, Cover	
208	0641808	4	Bolt 1/2in-13NC x 1in	
209	4751800	4	Flatwasher 1/2in	
	0251804	Ref	<b>CHAIN ADJUSTER ASSEMBLY (RETRACT)</b>	3-C
301	3535075	2	Plate	
302	0630374	1	Eyebolt	
303	3421142	1	Pin, Clevis	
304	4712200	1	Flatwasher 3/4in	
305	3450505	1	Pin, Cotter	
306	0560644	2	Block, Chain Attach	
307	0630347	1	Bolt, Special	
308	3311803	1	Nut, Slotted 1/2in-13NC	
309	3450405	1	Pin, Cotter	
	0236758	Ref	<b>CHAIN ADJUSTER ASSEMBLY (EXTEND)</b>	
401	3509182	2	Plate	
402	0630374	1	Eyebolt	
403	3421142	1	Pin, Clevis	
404	4740276	1	Washer, Special	
405	3450505	1	Pin, Cotter	
406	0560644	2	Block, Chain Attach	
407	0630347	1	Bolt, Special	
408	3311803	1	Nut, Slotted 1/2in-13NC	
409	3450405	1	Pin, Cotter	





# SECTION 3 - BOOM

## FIGURE 3-3. TOWER BOOM ASSEMBLY II



**SECTION 3 - BOOM**

**FIGURE 3-3. TOWER BOOM ASSEMBLY II**

ITEM	PART NUMBER	QTY	DESCRIPTION	REV
		Ref	<b>TOWER BOOM ASSEMBLY OPTIONS:</b>	
	0800718	Ref	<b>Tower Boom Assembly (Prior to SN 0300135500)</b>	14
	1001107880	Ref	<b>Tower Boom Assembly (SN 0300135500 to Present)</b>	1-A
1	0800719	1	Base, Boom	
1A	0961554	2	Bushing, Bronze	
2	0800720	1	Mid, Boom	
3	0800721	1	Fly, Boom	
4	1682289	1	Telescope Cylinder Assembly (See CYLINDER SECTION for Breakdown)	
5	4843929	1	Cylinder Mounting Plate Weldment	
6	3421944	1	Pin	
7	3535334	2	Plate, Pin Cap	
8	0560962	2	Block, Trunion	
9	3340593	32	Pad, Wear	
10	3534505	AR	Shim (1/16in)	
11	3534506	AR	Shim (1/8in)	
12	3534507	AR	Shim (3/16in)	
13		Ref	Power Track Assembly Options:	
		Ref	<b>Note: Original Equipment Power Track may have been replaced with Service Replacement. Visually identify component before ordering replacement parts.</b>	
13	1001099843	1	Gemco Brand Power Track (was p/n 1180276) <b>(Prior to SN 0300135500)</b>	
13	7006191	AR	1ft Repair Section - Used on p/n 1180276	
13	7006179	2 pr	Feet, Mounting - Used on p/n 1180276	
13	7006180	AR	Pin Kit - Used on p/n 1180276	
13	1001099843	1	Gortrac Brand Power Track <b>(SN 0300135500 to Present)</b>	
13	70002010	AR	1ft Repair Section	
13	70002009	2 pr	Bracket Kit (Includes 1 set of mounting brackets and hardware)	
14	1180277	1	Carrier Weldment	
15	3860053	1	Roller	
16	3841120	1	Rod, Roller	
17	4340616	1	Plate, Support	
18	4843928	1	Support Plate Weldment	
19	4340622	1	Tube, Support	
20	3841012	1	Rod, Tube Retainer	
21	4562516	6 in/15cm	Tube	
22	3450806	1	Pin, Cotter 1/4in x 1 1/2in	
23	1320121	2	Clamp (Note: SN 51528 to Present, Part of Item 3)	
24	4280242	1	Strip, Reinforcement	
25	4060782	2	Shield, Line (Front and Rear)	
26	4060783	1	Shield, Line (Center)	
27	0560971	4	Clamp, Block	
28	4300099	12	Stud	
29	0100011	AR	Compound, Locking	
32	4751400	27	Flatwasher 1/4in	
33	0641612	7	Bolt 3/8in-16NC x 1 1/2in	
34	3311605	17	Locknut 3/8in-16NC	
36	4751600	30	Flatwasher 3/8in	
37	0641404	1	Bolt 1/4in-20NC x 1/2in	

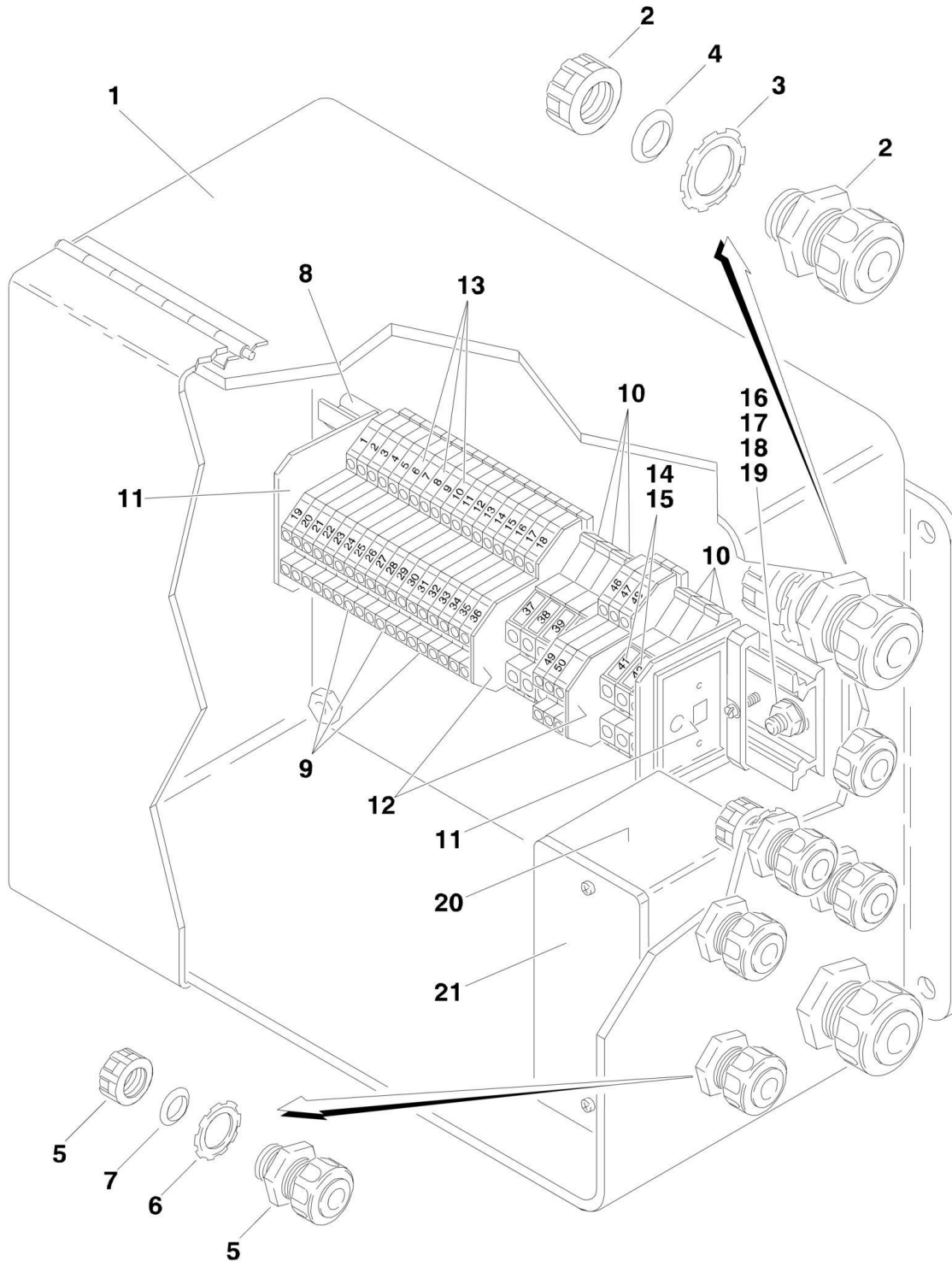
## SECTION 3 - BOOM

ITEM	PART NUMBER	QTY	DESCRIPTION	REV
38	0641610	4	Bolt 3/8in-16NC x 1 1/4in	
39	0641636	2	Bolt 3/8in-16NC x 4 1/2in	
40	0641814	12	Bolt 1/2in-13NC x 1 3/4in	
41	0641810	66	Bolt 1/2in-13NC x 1 1/4in	
42	0641809	18	Bolt 1/2in-13NC x 1 1/8in	
43	4761800	98	Lockwasher 1/2in	
44	0642020	4	Bolt 5/8in-11NC x 2 1/2in	
45	4762000	4	Lockwasher 5/8in	
46	0642218	8	Bolt 3/4in-10NC x 2 1/4in	
47	4762200	8	Lockwasher 3/4in	
48	0641812	2	Bolt 1/2in-13NC x 1 1/2in	
50	1060016	111 ft/34m	Cable, Electrical - 16/3 (End of Travel)	
51	0641608	4	Bolt 1/4in-20NC x 1in	
52	3311401	31	Nut 1/4in-20NC	
53	1320142	36	Clamp (Not Shown - Located in Powertrack) (May 1992 to Present)	
54	0860888	1	Junction Box Assembly (See JUNCTION BOX ASSEMBLY (TOWER BOOM MOUNTED) for Breakdown)	
55	4761400	15	Lockwasher 1/4in	
56	1060392	111 ft/34m	Cable, Electrical - 16/36 (April 1994 to Present)	
57		Ref	Cable, Electrical - 10/3 (AC) Options:	
57	1060393	111 ft/34m	Cable, Electrical - 10/3 (AC) (April 1994 through SN 0300135499)	
57	1060545	111 ft/34m	Cable, Electrical - 10/3 (AC) <b>(SN 0300135500 to Present)</b>	
58	1060394	111 ft/34m	Cable, Electrical - 10/3 (Powerfeed) (April 1994 to Present)	
59	1060395	111 ft/34m	Cable, Electrical - 16/4 (Intercom) (April 1994 to Present)	
60	4844832	1	Boom Rest Weldment (July 1994 to Present)	
61	0641810	5	Bolt 1/2in-13NC x 1 1/4in	
62	4891800	5	Washer, Hardened	
63	4060807	1 ft/31cm	Shield, Flex-Trim 3/8in <b>(SN 34994 to Present)</b>	
64	4060808	1 ft/31cm	Shield, Flex-Trim 1/2in <b>(SN 34994 to Present)</b>	
65	1670836	6	Cover, Boom <b>(SN 34994 through 0300135500)</b>	
66	1060079	111 ft/34m	Cable - 16/4	
		Ref	<b>BOOM TAPE INSTALLATIONS</b>	
	0252066	Ref	<b>Boom Tape Installations (Prior to SN 27450)</b>	B
	0256695	Ref	<b>Boom Tape Installations (SN 27450 to Present)</b>	3
102	4420017	72 in/1.83m	Tape, Plastic (Red)	
103	4420018	197 in/5m	Tape, Plastic (Blue)	
104	3580183	1	Pulley, Cap Indicator (Not Shown)	



# SECTION 3 - BOOM

## FIGURE 3-4. JUNCTION BOX ASSEMBLY (TOWER BOOM MOUNTED)



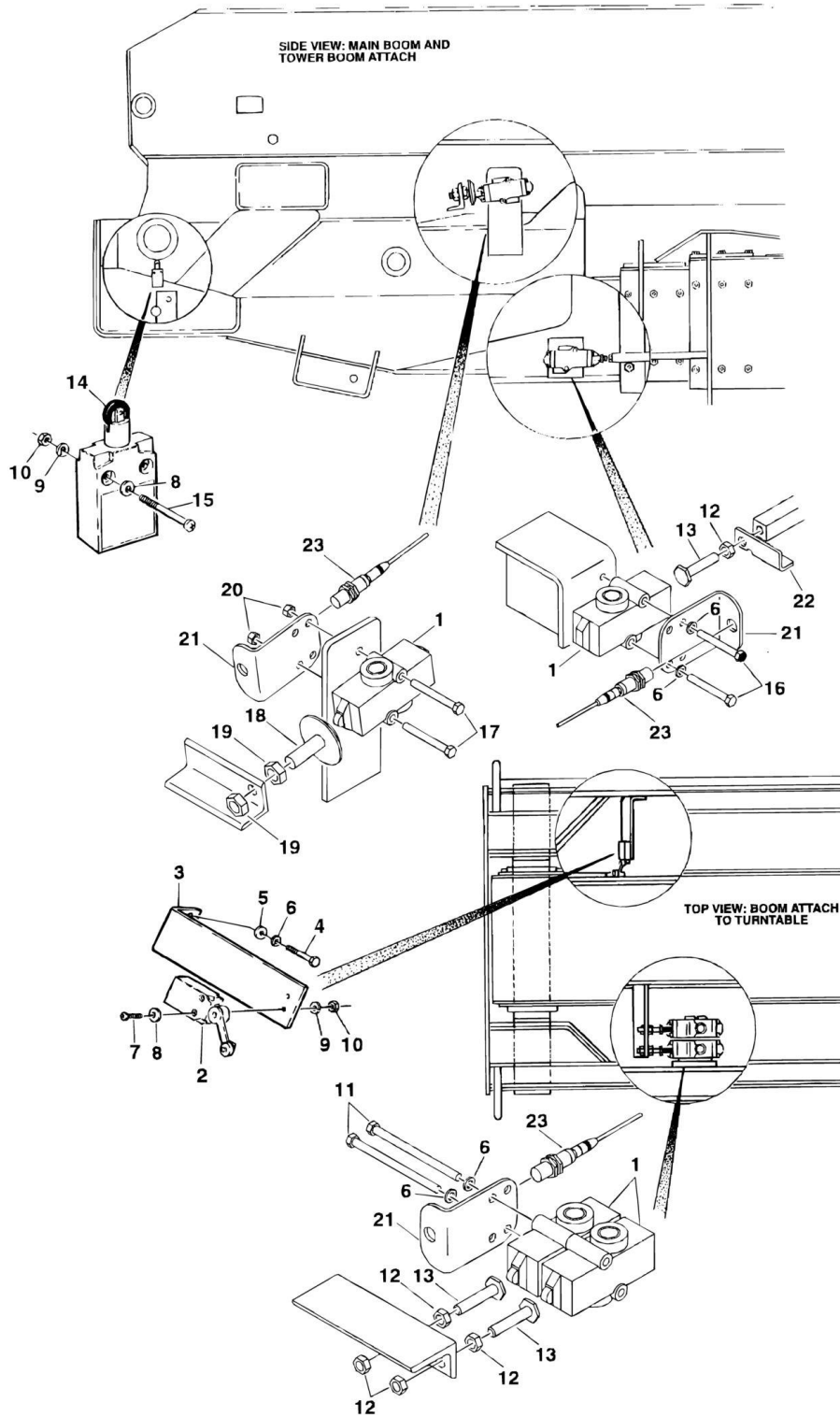
**SECTION 3 - BOOM**

**FIGURE 3-4. JUNCTION BOX ASSEMBLY (TOWER BOOM MOUNTED)**

ITEM	PART NUMBER	QTY	DESCRIPTION	REV
	0860888	Ref	<b>JUNCTION BOX ASSEMBLY</b>	3
1	0860887	1	Box, Junction	
2	4460244	2	Connector, Strain Relief	
3	3300048	2	Nut, Conduit	
4	0960238	2	Bushing	
5	4460052	8	Connector, Strain Relief	
6	3300047	10	Nut, Conduit	
7	0960239	8	Bushing	
8	3640536	1	Rail	
9	4460387	21	Block, Terminal	
10	4460398	7	Block, Terminal	
11	4460442	1	Stop, Terminal End	
12	4460388	2	Barrier, Terminal	
13	4460301	1	Marker, Terminal 1-50	
14	4460413	4	Marker, Terminal #3	
15	4460414	8	Marker, Terminal #4	
16	3910606	2	Screw, Machine #6-32NC x 3/8in	
17	4750600	2	Flatwasher #6	
18	4760600	2	Lockwasher #6	
19	3310601	2	Nut #6-32NC	
20	0860785	1	Box, Electrical	
21	1670739	1	Cover, Receptacle	
22	4460299	1	Stop, Terminal End (Not Shown)	

# SECTION 3 - BOOM

## FIGURE 3-5. LIMIT SWITCHES AND VALVES INSTALLATION (BOOM MOUNTED)





## SECTION 3 - BOOM

**FIGURE 3-5. LIMIT SWITCHES AND VALVES INSTALLATION (BOOM MOUNTED)**

ITEM	PART NUMBER	QTY	DESCRIPTION	REV
	0251884	Ref	<b>LIMIT SWITCHES AND VALVES INSTALLATIONS</b>	C
1	4640696	4	Valve Assembly	
1	2900791	4	Seal Kit - 4640696 Valve (Includes Roller and Seals) (1 per Assy)	
2	4360301	1	Switch, Limit	
3	0901780	1	Bracket, Mounting	
4	0641610	2	Bolt 3/8in-16NC x 1 1/4in	
5	4751600	2	Flatwasher 3/8in	
6	4761600	6	Lockwasher 3/8in	
7	3910624	2	Screw, Machine #6-32NC x 1 1/2in	
8	4750600	4	Flatwasher #6	
9	4760600	4	Lockwasher #6	
10	3310601	4	Nut #6-32NC	
11	0641644	2	Bolt 3/8in-16NC x 5 1/2in	
12	3311802	5	Nut, Jam 1/2in-18NC	
13	0630427	3	Bolt, Special	
14	4360266	1	Switch, Limit	
15	3910620	2	Screw, Machine #6-32NC x 1 1/4in	
16	0641624	2	Bolt 3/8in-16NC x 2 3/4in	
17	0641626	2	Bolt 3/8in-16NC x 3 1/4in	
18	1100065	1	Disk, Cam	
19	3312202	2	Nut, Jam 3/4in-10NC	
20	3311605	2	Locknut 3/8in-16NC	
21	3572686	3	Bracket, Switch Mount	
22	3572687	1	Tripper	
23	4360498	3	Switch, Proximity	

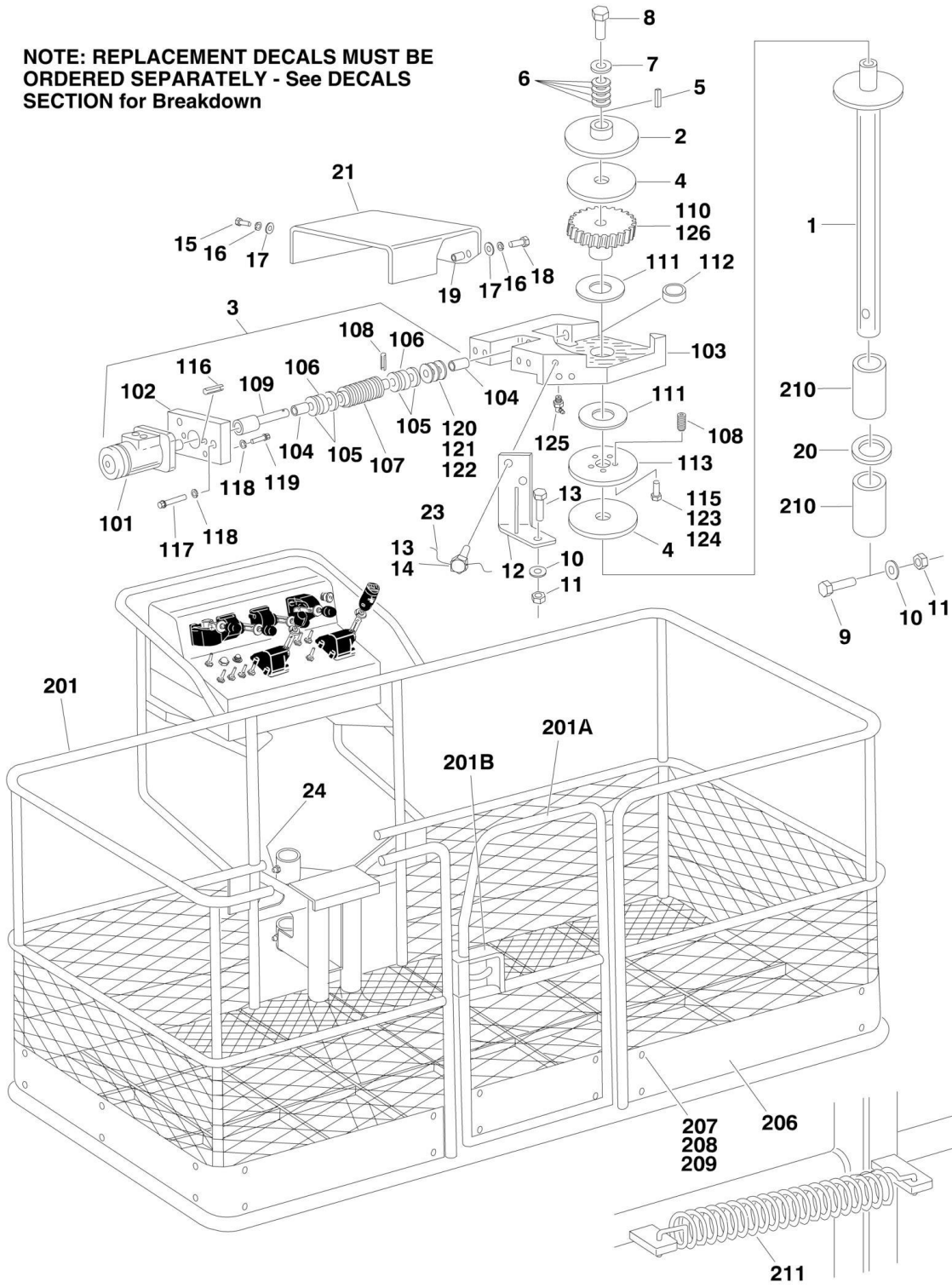


**SECTION 4 - PLATFORM**

# SECTION 4 - PLATFORM

FIGURE 4-1. PLATFORM AND ROTATOR INSTALLATION (Prior to SN 76169)

NOTE: REPLACEMENT DECALS MUST BE ORDERED SEPARATELY - See DECALS SECTION for Breakdown



## SECTION 4 - PLATFORM

**FIGURE 4-1. PLATFORM AND ROTATOR INSTALLATION (Prior to SN 76169)**

ITEM	PART NUMBER	QTY	DESCRIPTION	REV
	0252037	Ref	<b>PLATFORM ROTATOR INSTALLATIONS</b>	4
1	4842046	1	Shaft Weldment	
2	1120299	1	Cap	
3	0235238	1	Rotator Assembly (See Items 101-126 for Breakdown)	
4	3340454	2	Pad, Brake	
5	2880404	1	Keystock	
6	4160026	8	Washer, Belleville	
7	4752000	1	Flatwasher 5/8in	
8	0652014	1	Bolt 5/8in-18NC x 1 3/4in	
9	0641836	1	Bolt 1/2in-13NC x 4 1/2in	
10	4751800	1	Flatwasher 1/2in	
11	3311805	1	Locknut 1/2in-13NC	
12		Ref	Bracket Options:	
12	0901721	1	Bracket ( <b>Prior to SN 36560</b> )	
12	0902414	1	Bracket ( <b>SN 36560 through 76169</b> )	
13	0641811	2	Bolt 1/2in-13NC x 1 3/8in	
14	1380137	2	Clip, Retainer	
15	0641404	1	Bolt 1/4in-20NC x 1/2in	
16	4761400	2	Lockwasher 1/4in	
17	4751400	2	Flatwasher 1/4in	
18	0641408	1	Bolt 1/4in-20NC x 1in	
19	4562083	1	Tube, Spacer	
20	4740158	1	Washer, Thrust	
21	1670630	1	Cover	
23	4920986	1 ft/31cm	Wire, Safety	
24	2160002	2	Fitting, Grease	
26	4100033	66 in 1/7m	Sleeve, Hose Protector (Not Shown - Used to Wrap Boom Cables and Hoses) ( <b>SN 27450 through 76169</b> )	
27	4240033	10	Tie-Strap (Not Shown) ( <b>SN 27450 through 76169</b> )	
	0235238	Ref	<b>ROTATOR ASSEMBLY</b>	
101	3160083	1	Rotator Motor Assembly (See ROTATOR MOTOR ASSEMBLY for Breakdown)	
102	0080099	1	Adapter, Motor	
103	2760064	1	Housing, Gear	
104	0440134	2	Bearing, Sleeve	
105	4740199	4	Washer, Thrust	
106	0440120	2	Bearing, Thrust	
107	2440043	1	Gear, Worm	
108	3440816	4	Rollpin 1/4in x 1in	
109	0080098	1	Adapter, Motor to Worm Gear	
110	2440044	1	Gear, Worm	
111	4740256	2	Washer, Thrust	
112	0440135	1	Bearing, Sleeve	
113	1760068	1	Disc, Brake	
115	3931010	5	Bolt, Socket Head #10-24NC x 5/8in	
116	3441228	2	Rollpin 3/8in x 1 3/4in	
117	3931620	2	Bolt, Socket Head 3/8in-16NC x 1 1/4in	
118	4761600	6	Lockwasher 3/8in	
119	3931612	4	Bolt, Socket Head 3/8in-16NC x 3/4in	
120	4070585	AR	Shim .010	

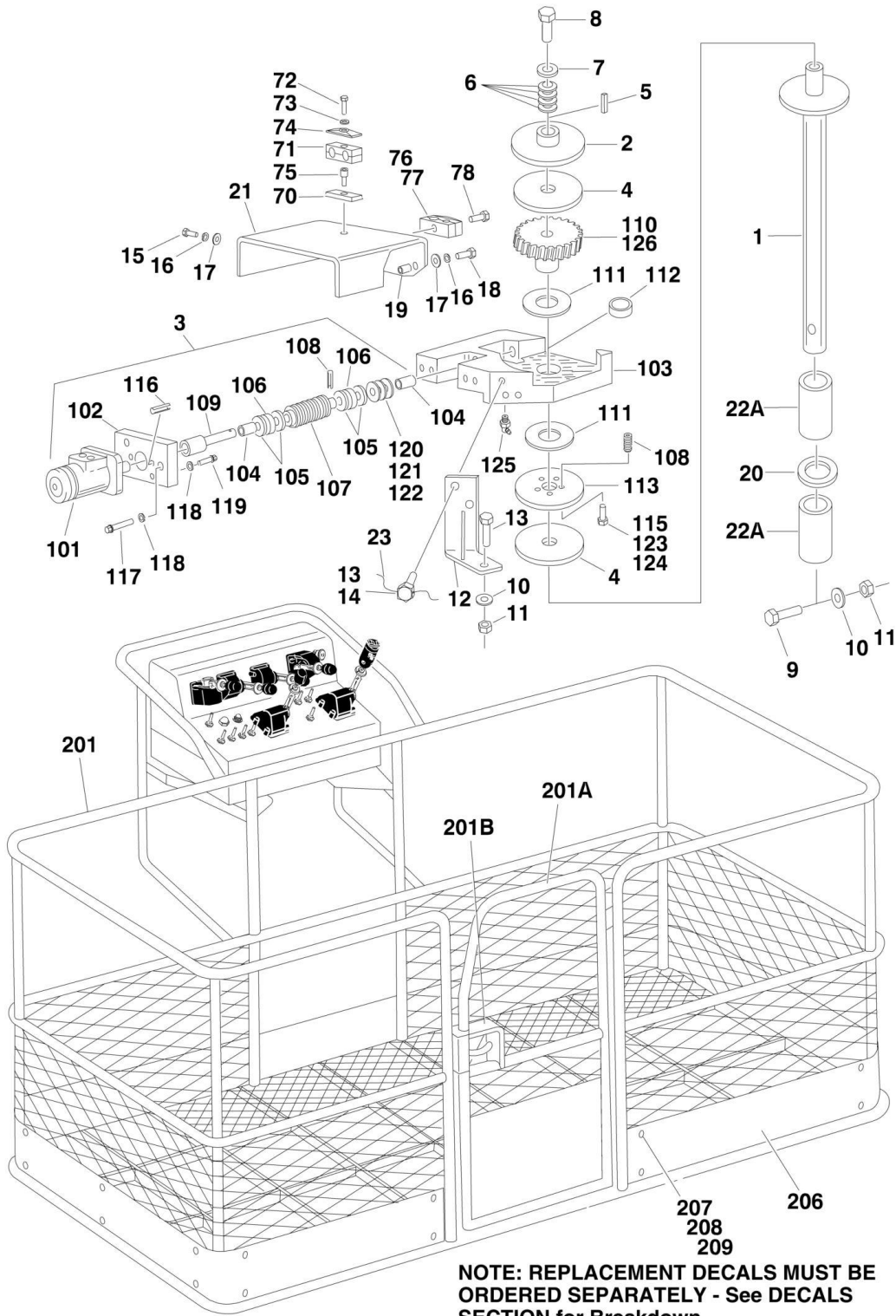
## SECTION 4 - PLATFORM

ITEM	PART NUMBER	QTY	DESCRIPTION	REV
121	4070586	AR	Shim .005	
122	4070587	AR	Shim .002	
123	0100019	AR	Compound, Locking	
124	0100021	AR	Primer	
125	2160001	1	Fitting, Grease - 90	
126	3020025	AR	Grease	
		Ref	<b>PLATFORM (SWING GATE) ASSEMBLIES</b>	
	3510329	Ref	<b>36in x 96in (.9m x 2.44m) without Bumper and Without Door Kickplate) (ANSI / JPN / CSA) (SN 53798 through 76169)</b>	3
	3510333	Ref	<b>36in x 96in (.9m x 2.44m) without Bumper and With Door Kickplate (Prior to SN 53798)</b>	3
	3510445	Ref	<b>30in x 96in (.7m x 2.44m) with Bumper and Without Door Kickplate) (ANSI / JPN / CSA) (SN 53798 through 76169)</b>	2
	3510447	Ref	<b>30in x 96in (.7m x 2.44m) with Bumper and With Door Kickplate (Prior to SN 53798)</b>	2
201		Ref	Platform Weldment Options:	
201	3510445	1	30in x 96in (.7m x 2.4m) without Bumper	
201	3510329	1	36in x 96in (.9m x 2.4m) with Bumper	
201A	1780253	1	Door Weldment	
201B	2940006	1	Latch, Door	
201B	2560010	1	Handle, Latch	
201C	2160006	2	Fitting, Grease	
206	3534144	2	Kickplate (Ends)	
207	0721003	36	Screw, Machine #10-24NC x 3/8in	
208	4740371	72	Washer, Special	
209	3311005	36	Locknut #10-24NC	
210	0960564	2	Bushing, Bronze	
211	4160028	1	Spring (When Equipped)	



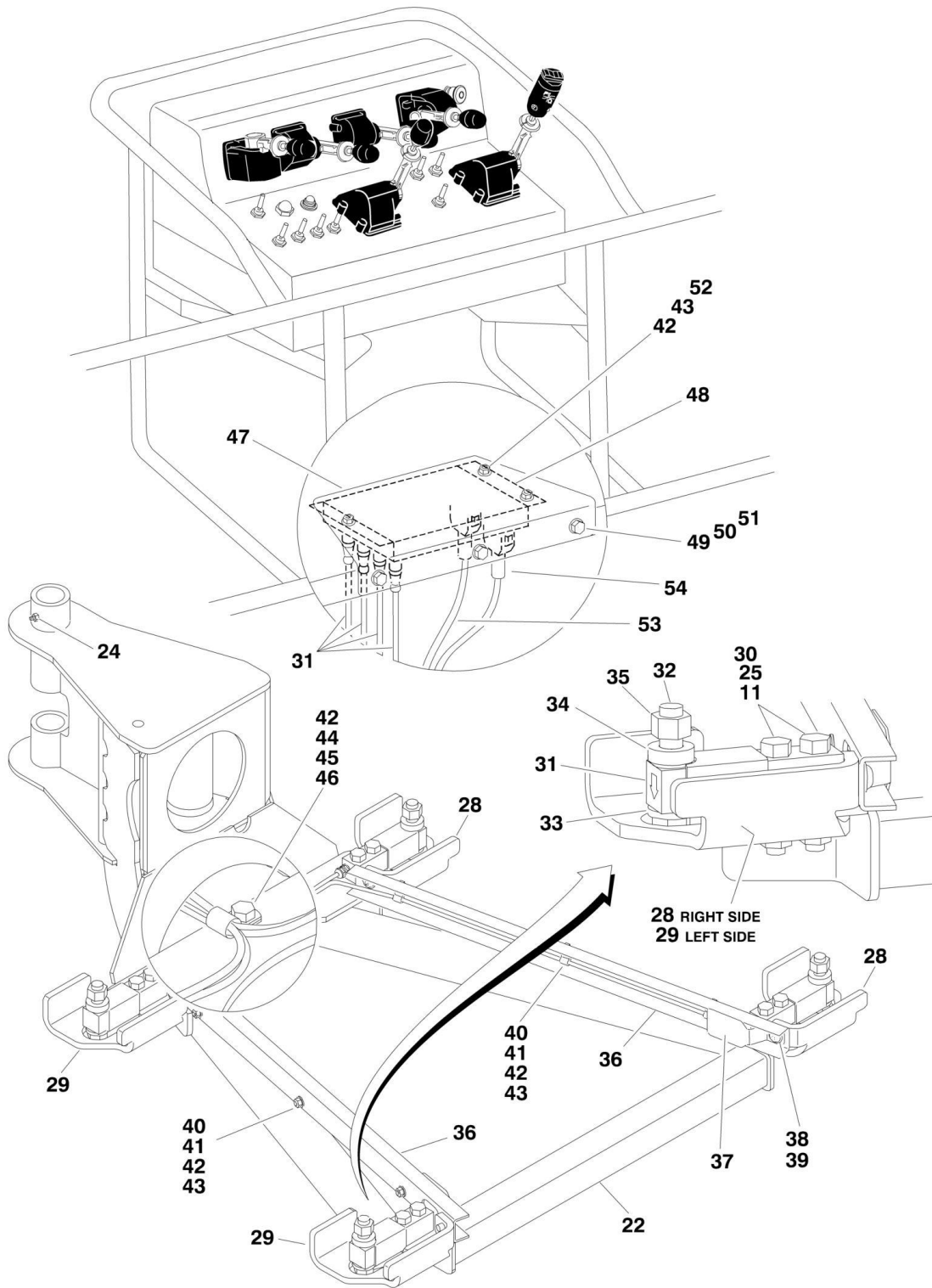
# SECTION 4 - PLATFORM

FIGURE 4-2. PLATFORM AND ROTATOR INSTALLATION (SN 76169 to Present)





# SECTION 4 - PLATFORM



## SECTION 4 - PLATFORM

FIGURE 4-2. PLATFORM AND ROTATOR INSTALLATION (SN 76169 to Present)

ITEM	PART NUMBER	QTY	DESCRIPTION	REV
	0272963	Ref	<b>PLATFORM ROTATOR INSTALLATIONS</b>	6-F
1	4842046	1	Shaft Weldment	
2	1120299	1	Cap	
3	0235238	1	Rotator Assembly (See Items 101-126 for Breakdown)	
4	3340454	2	Pad, Brake	
5	2880404	1	Keystock	
6	4160026	8	Washer, Belleville	
7	4752000	1	Flatwasher 5/8in	
8	0652014	1	Bolt 5/8in-18NC x 1 3/4in	
9	0641836	1	Bolt 1/2in-13NC x 4 1/2in	
10	4751800	1	Flatwasher 1/2in	
11	3311805	1	Locknut 1/2in-13NC	
12	0902896	1	Bracket	
13	0641811	3	Bolt 1/2in-13NC x 1 3/8in	
14	1380137	2	Clip, Retainer	
15	0641404	1	Bolt 1/4in-20NC x 1/2in	
16	4761400	2	Lockwasher 1/4in	
17	4751400	2	Flatwasher 1/4in	
18	0641408	1	Bolt 1/4in-20NC x 1in	
19	4562083	1	Tube, Spacer	
20	4740158	1	Washer, Thrust	
21		Ref	Cover Options:	
21	1670630	1	Cover <b>(Prior to SN 0300143325)</b>	
21	1001114851	1	Cover <b>(SN 0300143325 to Present)</b>	
22	4846823	1	Support, Platform	
22A	0960564	2	Bushing	
23	4920986	1 ft/31cm	Wire, Safety	
24	2160002	2	Fitting, Grease	
25	4891800	8	Flatwasher 1/2in (Hardened)	
26	4100033	66 in 1/7m	Sleeve, Hose Protector (Not Shown - Used to Wrap Boom Cables and Hoses)	
27	4240033	10	Tie-Strap (Not Shown)	
28	0902919	2	Bracket, Load Cell Guard	
29	0902920	2	Bracket, Load Cell Guard	
30	0641822	8	Bolt 1/2in-13NC x 2 3/4in	
31	2420202	4	Gauge	
32	0642024	4	Bolt 5/8in-11NC x 3in	
33	4892000	4	Flatwasher 5/8in (Hardened)	
34	0962450	4	Bushing	
35	3312005	4	Locknut 5/8in-11NC	
36	1271538	2	Channel	
37	4061054	2	Shield	
38	3900283	4	Screw 3/8in-16NC x 3/4in (Button Head)	
39	4711600	4	Flatwasher 3/8in	
40	1320136	6	Clamp	
41	0630407	6	Screw 1/4-20NC x 5/8in (Button Head)	
42	3311405	10	Locknut 1/4-20NC	
43	4711400	12	Flatwasher 1/4in (Narrow)	
44	1320224	1	Clamp	
45	0641407	1	Bolt 1/4-20NC x 7/8in	

## SECTION 4 - PLATFORM

ITEM	PART NUMBER	QTY	DESCRIPTION	REV
46	4751400	1	Flatwasher 1/4in	
47	0902902	1	Bracket, Mounting	
48	1600387	1	Controller, Load Sense	
49	0641516	3	Bolt 5/16-18NC x 2in	
50	4751500	3	Flatwasher 5/16in (Wide)	
51	3311508	3	Nut 5/16-18NC	
52	0641416	3	Bolt 1/4-20NC x 2in	
53	4922976	1	Harness, Load Cell Power	2-B
53	4460933	1	Plug, 12 Position (Gray)	
53	0840055	1	Boot, Deutsch 12 Position	
53	4460465	4	Socket, Female	
53	4460466	8	Connector, Hole Plug	
54	4922917	1	Harness, Analyzer	3-B
54	4460836	1	Plug, 12 Position (Black)	
54	0840055	1	Boot, Deutsch 12 Position	
54	4460465	4	Socket, Female	
54	4460466	8	Connector, Hole Plug	
54	4460761	1	Plug, 4 Position	
54	4460227	4	Pin, Male	
55	0100048	AR	Grease, Dielectric (Not Shown)	
59	3990010	1	Diode 6 Amp (Not Shown)	
64	3740049	Ref	Relay (Not Shown)	
64	3740049	2	Relay <b>(Prior to SN 0300143325)</b>	
64	3740049	3	Relay <b>(SN 0300143325 to Present)</b>	
70	1001080394	1	Spacer, Clamp <b>(SN 0300143325 to Present)</b>	
71	1320187	1	Clamp, Twin <b>(SN 0300143325 to Present)</b>	
72	1320488	1	Bolt, Stacking <b>(SN 0300143325 to Present)</b>	
73	1320189	1	Lockwasher <b>(SN 0300143325 to Present)</b>	
74	1320190	1	Cover, Clamp <b>(SN 0300143325 to Present)</b>	
75	0641511	1	Bolt 5/16in-18NC x 1 3/8in <b>(SN 0300143325 to Present)</b>	
76	80966123	1	Clamp, Twin <b>(SN 0300143325 to Present)</b>	
77	77133137	1	Cover, Clamp <b>(SN 0300143325 to Present)</b>	
78	0641514	1	Bolt 5/16in-18NC x 1 3/4in <b>(SN 0300143325 to Present)</b>	
	0235238	Ref	<b>ROTATOR ASSEMBLY</b>	
101	3160083	1	Rotator Motor Assembly (See ROTATOR MOTOR ASSEMBLY for Breakdown)	
102	0080099	1	Adapter, Motor	
103	2760064	1	Housing, Gear	
104	0440134	2	Bearing, Sleeve	
105	4740199	4	Washer, Thrust	
106	0440120	2	Bearing, Thrust	
107	2440043	1	Gear, Worm	
108	3440816	4	Rollpin 1/4in x 1in	
109	0080098	1	Adapter, Motor to Worm Gear	
110	2440044	1	Gear, Worm	
111	4740256	2	Washer, Thrust	
112	0440135	1	Bearing, Sleeve	
113	1760068	1	Disc, Brake	
115	3931010	5	Bolt, Socket Head #10-24NC x 5/8in	
116	3441228	2	Rollpin 3/8in x 1 3/4in	
117	3931620	2	Bolt, Socket Head 3/8in-16NC x 1 1/4in	
118	4761600	6	Lockwasher 3/8in	

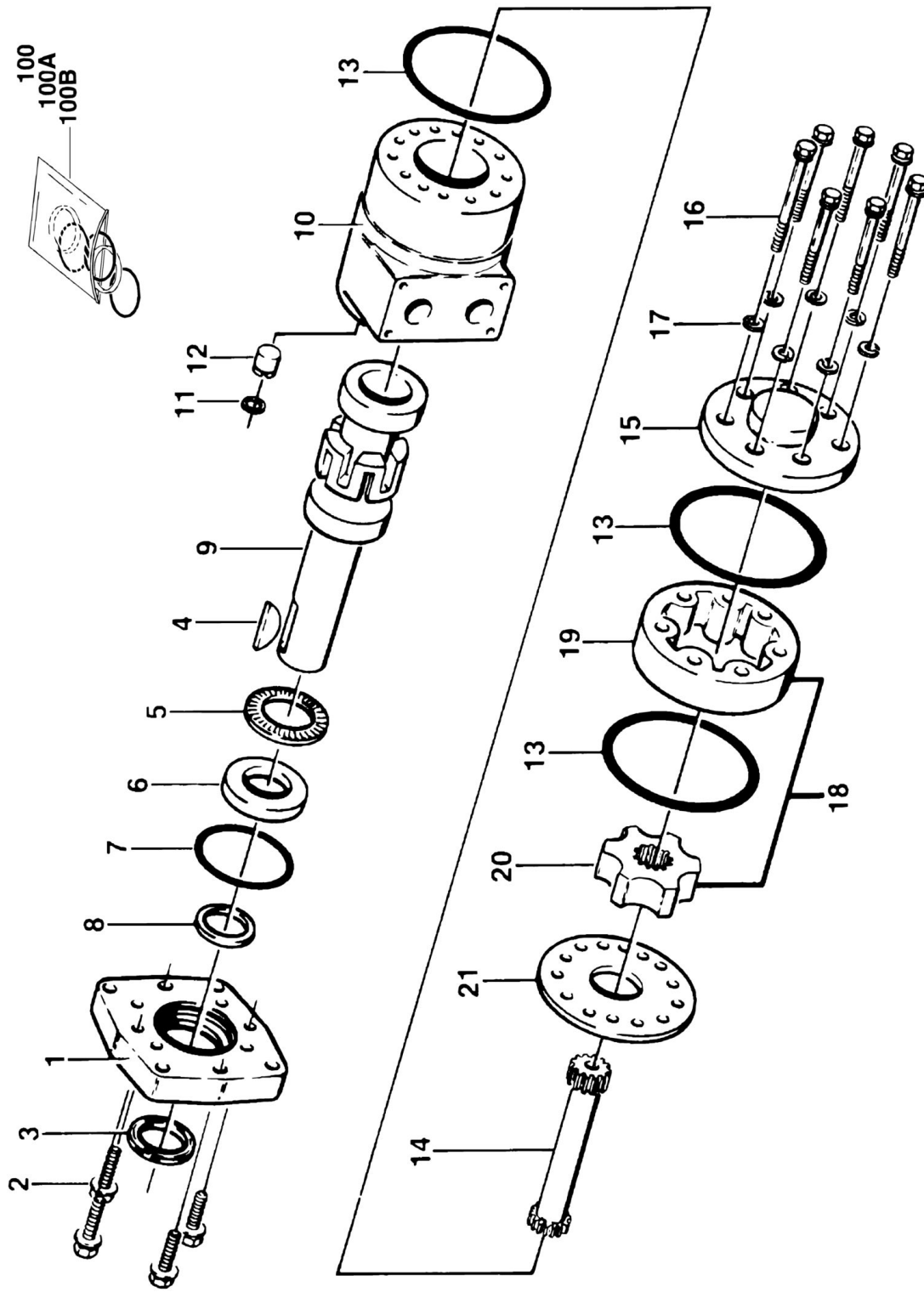
## SECTION 4 - PLATFORM

ITEM	PART NUMBER	QTY	DESCRIPTION	REV
119	3931612	4	Bolt, Socket Head 3/8in-16NC x 3/4in	
120	4070585	AR	Shim .010	
121	3311005	AR	Shim .005	
122	4070587	AR	Shim .002	
123	0100019	AR	Compound, Locking	
124	0100021	AR	Primer	
125	2160001	1	Fitting, Grease - 90	
126	3020025	AR	Grease	
	3510841	Ref	<b>PLATFORM ASSEMBLY - 36in X 96in (.9m X 2.44m)</b>	3
201	3510839	1	Platform Weldment - 30in x 96in (.7m x 2.4m)	
201A	1780253	1	Door Weldment	
201B	2940006	1	Latch, Door	
201B	2560010	1	Handle, Latch	
201C	2160006	2	Fitting, Grease	
206	3534144	2	Kickplate (Ends)	
207	0721003	36	Screw, Machine #10-24NC x 3/8in	
208	4740371	72	Washer, Special	
209	3311005	36	Locknut #10-24NC	



# SECTION 4 - PLATFORM

## FIGURE 4-3. ROTATOR MOTOR ASSEMBLY



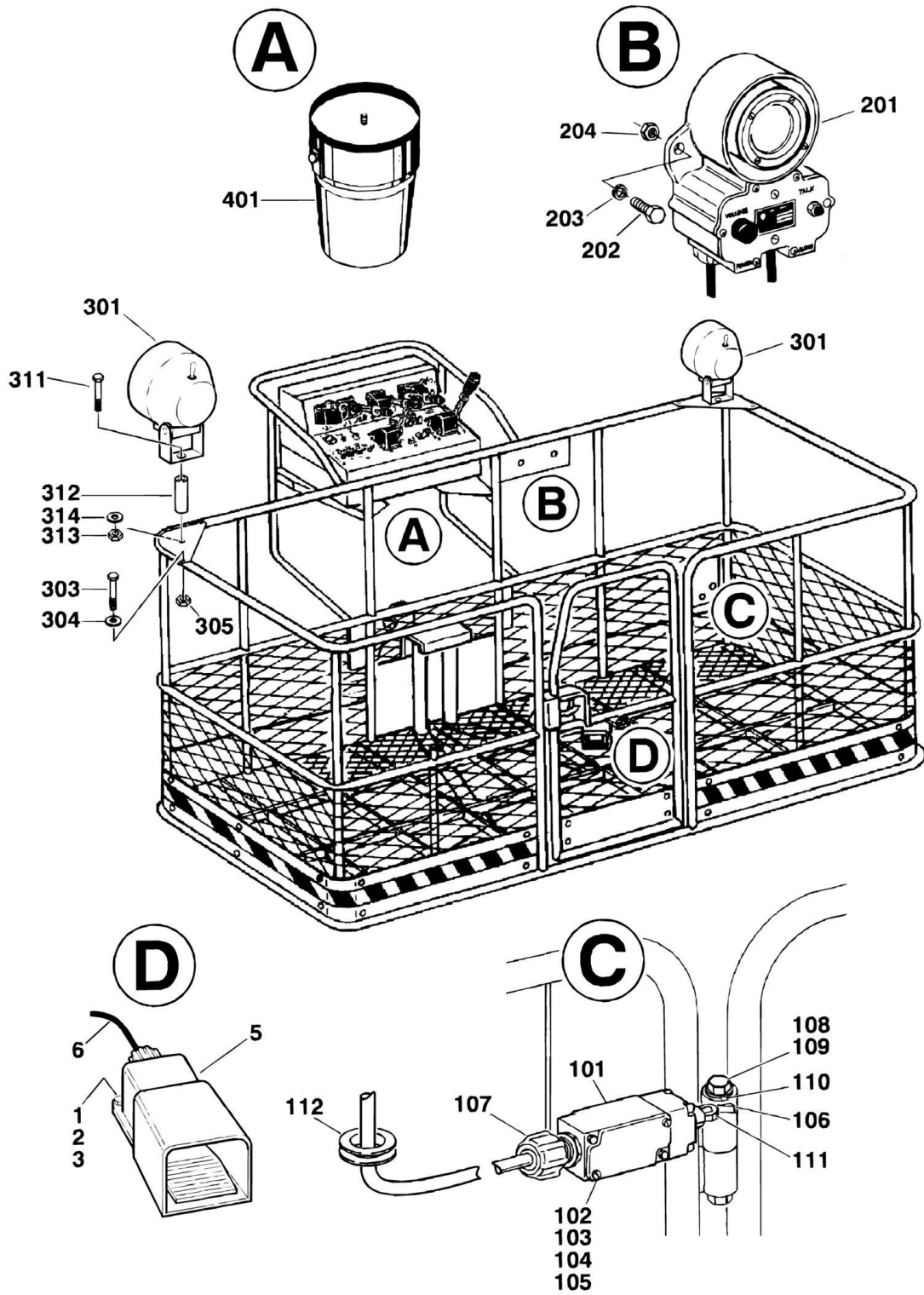
## SECTION 4 - PLATFORM

### FIGURE 4-3. ROTATOR MOTOR ASSEMBLY

ITEM	PART NUMBER	QTY	DESCRIPTION	REV
	3160083	Ref	<b>ROTATOR MOTOR ASSEMBLY</b>	C
1	7002105	1	Flange, Mounting	
2	7002123	4	Screw, Cap	
3	See Note	1	Seal, Dust (Note: Use Items 100A & 100B)	
4	7002104	1	Key, Woodruff	
5	7002111	1	Bearing, Thrust Needle	
6	7002117	1	Thrust, Bearing Race	
7	See Note	1	Seal, O-Ring (Note: Use Items 100A & 100B)	
8	See Note	1	Seal, Pressure (Note: Use Items 100A & 100B)	
9	7002116	1	Shaft, Output	
10	7002103	1	Housing	
11	See Note	1	Seal (Note: Use Items 100A & 100B)	
12	7009992	1	Plug, Housing	
13	See Note	3	Seal, O-Ring (Note: Use Items 100A & 100B)	
14	7002112	1	Drive	
15	7002107	1	Cap, End	
16	7002100	7	Screw, Cap	
17	7000166	7	Lockwasher	
18	7002125	1	Gerotor Sub-Assembly	
19	7002110	1	Plate, Spacer	
100		Ref	Seal Kit Options (Includes Items 3, 7, 8, 11 & 13):	
		Ref	<b>Note: Identify by P/N stamped on nameplate located on Item 10.</b>	
100A	2900455	1	Seal Kit (P/N 1011009007)	
100B	2900733	1	Seal Kit (P/N's 1011009008 & 1011009009)	

# SECTION 4 - PLATFORM

## FIGURE 4-4. PLATFORM COMPONENTS INSTALLATION





## SECTION 4 - PLATFORM

**FIGURE 4-4. PLATFORM COMPONENTS INSTALLATION**

ITEM	PART NUMBER	QTY	DESCRIPTION	REV
	0237963	Ref	<b>FOOTSWITCH INSTALLATION</b>	
1	0641408	3	Bolt 1/4in-20NC x 1in	
2	3311405	3	Locknut 1/4in-20NC	
3	4740362	3	Washer, Fender	
5	4360031	1	Footswitch	
5	7000625	2	Block, Contact	
6	4460071	1	Terminal, Strain Relief	
	0252044	Ref	<b>PLATFORM DOOR INTERLOCK SWITCH INSTALLATION</b>	3
101	4360277	1	Switch, Limit	
102	0721016	2	Screw, Machine #10-24NCx 2in	
103	3311001	2	Nut #10-24NC	
104	4751000	2	Flatwasher #10	
105	4761000	2	Lockwasher #10	
106	1100066	1	Cam, Switch	
107	4460049	1	Connector, Strain Relief	
108	4761600	1	Lockwasher 3/8in	
109	0641608	1	Bolt 3/8in-16NC x1in	
110	3440418	1	Rollpin 1/8in x 1 1/8in	
111	4360307	1	Roller, Switch	
112	2540016	2	Grommet	
	0252039	Ref	<b>PLATFORM INTERCOM SYSTEM INSTALLATION</b>	4
201	3630008	1 st	Intercom Set (2 Units)	
202	0641612	4	Bolt 3/8in-16NC x 1 1/2in	
203	4751600	4	Flatwasher 3/8in	
204	3311605	4	Locknut 3/8in-16NC	
206	4240033	4	Tie-Strap (Not Shown)	
207	0961127	1	Grommet, Plastic (Located below Ground Intercom - Not Shown)	
		Ref	<b>WORKLIGHTS INSTALLATIONS (optional)</b>	
		Ref	<b>Platform Without Bumper Options:</b>	
	0253987	Ref	<b>Platform Without Bumper (Prior to SN 55775)</b>	4
	0271329	Ref	<b>Platform Without Bumper (SN 55775 to Present)</b>	2
	0254748	Ref	<b>Platform With Bumper</b>	3
301		Ref	<b>WORKLIGHT OPTIONS:</b>	
301	2920111	2	Worklight <b>(Prior to SN 137869)</b>	
301	2920140	2	Worklight <b>(SN 137869 to Present)</b>	
302	3536089	2	Plate, Mounting	
303	0641414	4	Bolt 1/4in-20NC x 1 3/4in	
304	4711400	8	Flatwasher 1/4in Narrow	
305	3311405	4	Locknut 1/4in-20NC	
306	2540016	AR	Grommet	
307	4920019	12 ft/3.7m	Wire (Red) (Not Shown)	
308	2820022	9	Loom, Vinyl (Not Shown)	
309	4460185	1	Terminal (Not Shown)	
310	4460206	1	Terminal (Not Shown)	
311		Ref	<b>Bolt Options (Platforms with Bumper): (Prior to SN 137869)</b>	
311	See Note	1	Platforms without Bumper (Note: Use existing bolt)	
311	0641624	2	Platforms with Bumper (3/8in-16NC x 3in)	
312		Ref	<b>Spacer, Tube Options (Platforms with Bumper): (Prior to SN 137869)</b>	
312	Not Required	0	Platforms without Bumper	

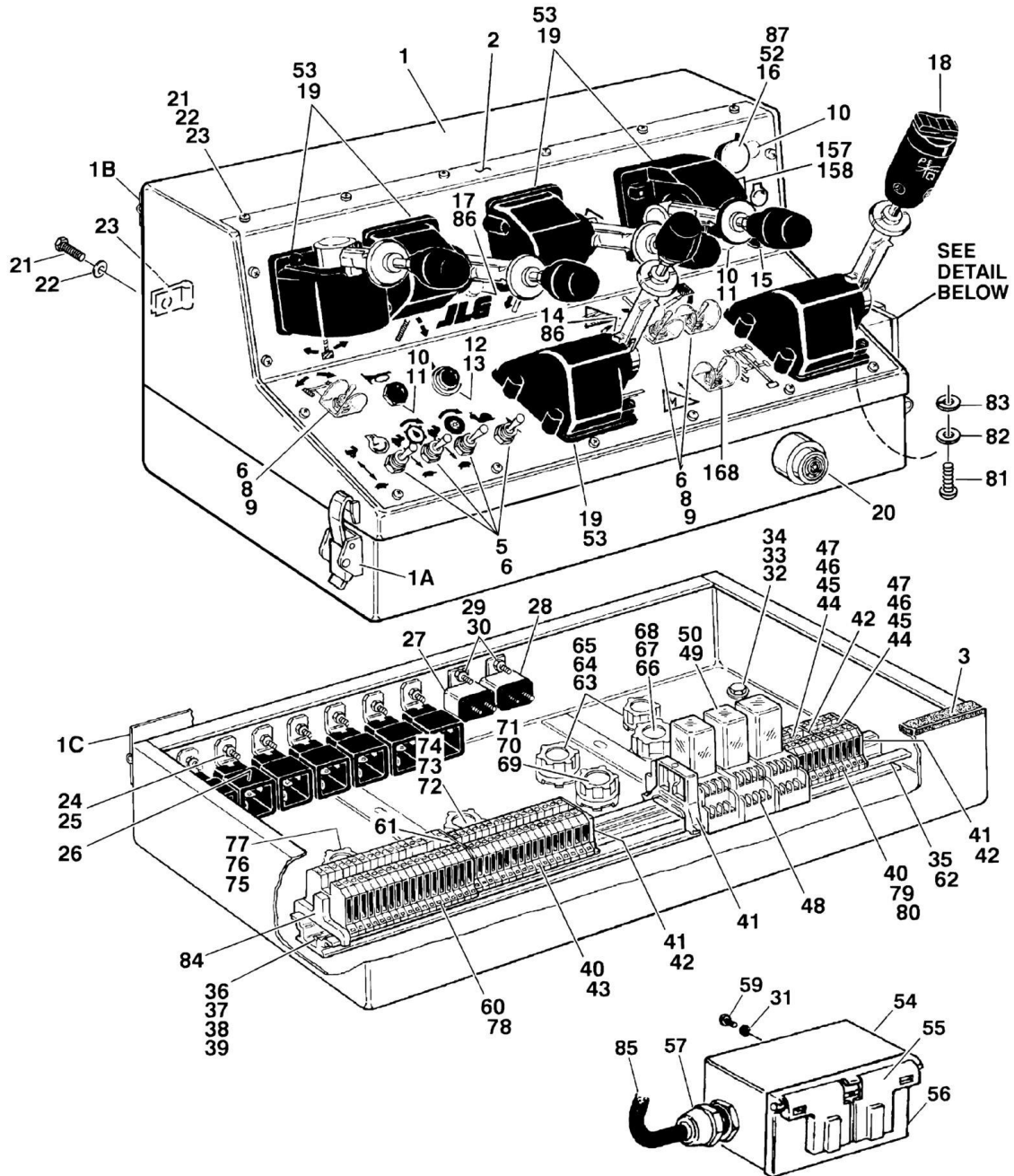
## SECTION 4 - PLATFORM

ITEM	PART NUMBER	QTY	DESCRIPTION	REV
312	4566493	2	Platforms with Bumper	
313	3311605	2	Locknut 3/8in-16NC (Platforms with Bumper) <b>(Prior to SN 137869)</b>	
314	4751600	2	Flatwasher 3/8in (Platforms with Bumper) <b>(Prior to SN 137869)</b>	
315	4920039	2 ft/.61m	Wire (Red) (Not Shown)	
316	4360232	1	Circuit Breaker 15AMP (Not Shown)	
		Ref	<b>BEACON LIGHT INSTALLATIONS (OPTIONAL)</b>	
	0252210	Ref	<b>Amber</b>	
	0252211	Ref	<b>Red</b>	
401		Ref	Light, Beacon Options:	
401	2920018	1	Amber	
401	2920009	1	Red	
401	3520034	1	Lug	



# SECTION 4 - PLATFORM

## FIGURE 4-5. PLATFORM CONSOLE ASSEMBLY



## SECTION 4 - PLATFORM

**FIGURE 4-5. PLATFORM CONSOLE ASSEMBLY**

ITEM	PART NUMBER	QTY	DESCRIPTION	REV
	0860728	Ref	<b>CONSOLE BOX ASSEMBLY</b>	6
	0254437	Ref	<b>AC RECEPTACLE INSTALLATION</b>	2
1	0860538	1	Box, Console	
1A	2940052	1	Latch	
1B	2600105	1	Hinge (Access Door)	
1C	2600132	1	Hinge (Lid)	
2		Ref	Nameplate Options:	
2	3252105	1	Nameplate Prior to May 1994	
2	3252378	1	Nameplate May 1994 to Present	
3	4420038	39 in/1m	Tape, Insulation	
4	0100001	AR	Adhesive (Not Shown)	
5	4360092	4	Switch, Toggle	
6	3790012	8	O-Ring	
7	4360200	1	Switch, Toggle	
8	4060229	4	Guard, Switch	
9	4360202	3	Switch, Toggle	
10	3790015	2	O-Ring	
11	4360274	2	Switch, Push Button	
12	2920027	1	Light, Indicator - Green	
13	2920029	1	Bulb, Light	
14		Ref	Lamp, Indicator Options:	
14	2920015	1	Lamp, Indicator <b>(Prior to SN 137532)</b>	
14	2920120	1	Lamp, Indicator <b>(SN 137532 to Present)</b>	
15	3520026	1	Plug	
16		Ref	Switch, Emergency Stop Options:	
16	4360289	1	Switch, Emergency Stop <b>(Prior to SN 46291)</b>	
16	4360475	1	Switch, Emergency Stop <b>(SN 46291 to Present)</b>	
16	7012611	1	Head, Mushroom (Use with 4360289)	
16	7012612	1	Boot (Use with 4360289)	
16	7020175	1	Cap (Use with 4360475)	
16	7020176	1	Contact, Block (Use with 4360475)	
17		Ref	Lamp, Indicator Options:	
17	2920015	1	Lamp, Indicator <b>(Prior to SN 137532)</b>	
17	2920120	1	Lamp, Indicator <b>(SN 137532 to Present)</b>	
18		Ref	<b>CONTROLLER ASSEMBLY OPTIONS:</b>	
18	1600140	1	Controller Assembly <b>(Prior to SN 74463)</b>	
18	1600352	1	Controller Assembly <b>(SN 74463 to Present)</b>	
19		Ref	<b>CONTROLLER ASSEMBLY OPTIONS:</b>	
19	1600141	5	Controller Assembly (See <b>CONTROLLER ASSEMBLY</b> For Breakdown) <b>(Prior to SN 74463)</b>	
19	1600353	5	Controller Assembly (See <b>CONTROLLER ASSEMBLY</b> For Breakdown) <b>(SN 74463 to Present)</b>	
20	0140019	1	Alarm	
21	0751006	21	Screw	
22	4740120	21	Washer, Nylon	
23	3300177	21	Nut, Tinnerman	
24	4761000	8	Lockwasher #10	
25	3311001	8	Nut #10-24NC	
26	3740049	8	Relay	
27	4360209	1	Breaker, Circuit - 20 Amp	

## SECTION 4 - PLATFORM

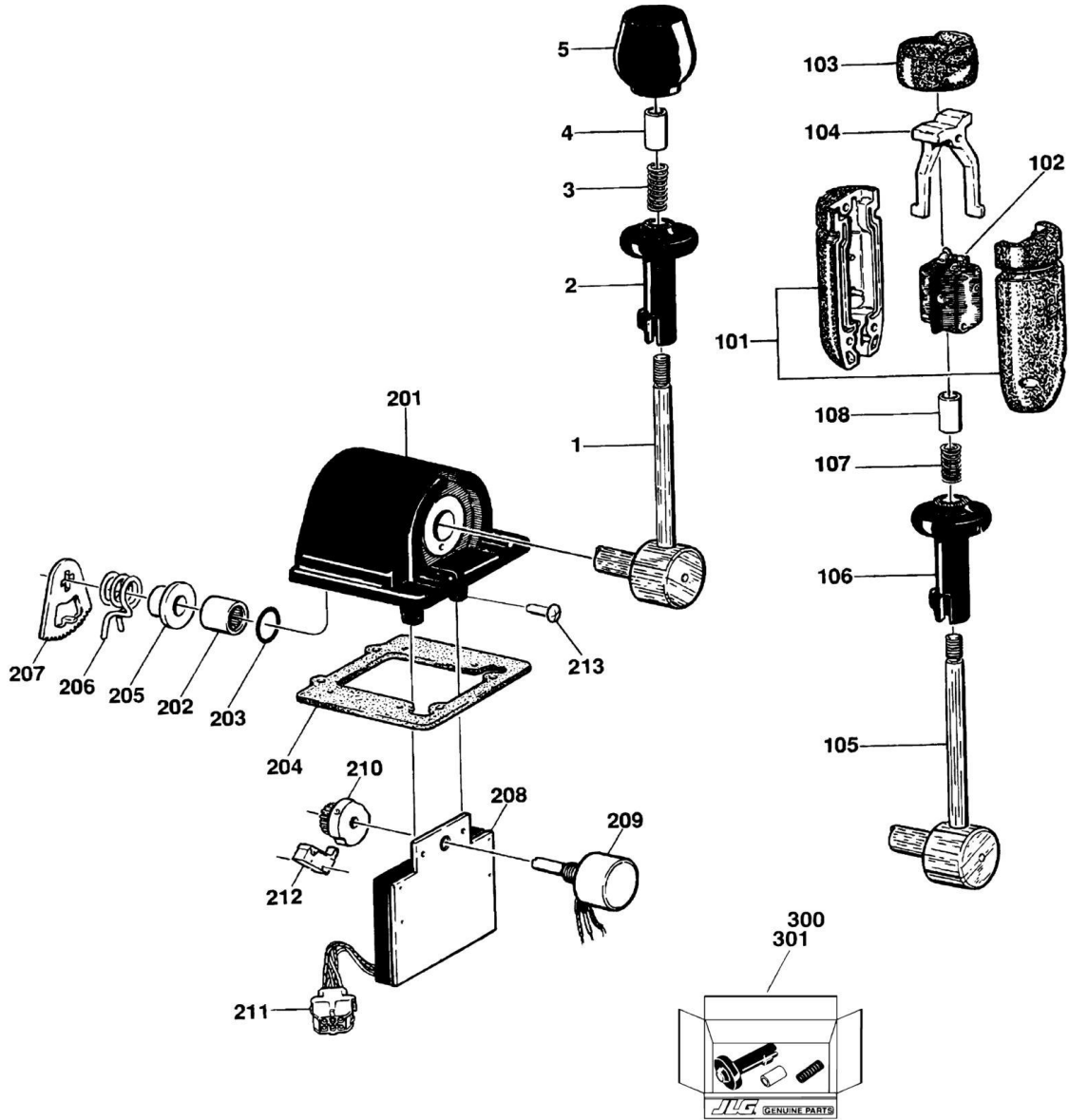
ITEM	PART NUMBER	QTY	DESCRIPTION	REV
28	4360232	1	Breaker, Circuit - 15 Amp	
29	4761000	2	Lockwasher #10	
30	3311001	2	Nut #10-24NC	
31	4761000	4	Lockwasher #10	
32	0641508	4	Bolt 5/16in-18NC x 1in	
33	4751500	8	Flatwasher 5/16in	
34	3311505	4	Locknut 5/16in-18NC	
35	3640752	1	Rail	
36	3310601	2	Nut #6-32NC	
37	3910608	2	Screw #6-32NC x 1/2in	
38	4750600	2	Flatwasher #6	
39	4760600	2	Lockwasher #6	
40	4460298	33	Block, Terminal	
41	4460299	3	Stop, Terminal	
42	4460300	3	Barrier, Terminal	
43	4460301	1	Marker, Terminal	
44	4460311	2	Bar, Buss - 5 Position	
45	4460305	10	Screw, Terminal Block	
46	4460306	10	Washer, Terminal Block	
47	4460307	10	Sleeve, Terminal Block	
48	4120013	3	Socket, Relay	
49	3740058	3	Relay	
50	3740063	3	Spring, Relay	
52		Ref	Contact, Block - NC Options:	
52	4360282	1	Contact, Block - NC (Prior to SN 46291)	
52	4360476	1	Contact, Block - NC (SN 46291 to Present)	
53	2560112	5	Knob - Controller	
54	0860038	1	Box, Switch	
55	Not Available	1	Receptacle, Electrical	
56	Not Available	1	Cover, Receptacle	
57	4460071	1	Connector, Strain Relief	
59	3900294	4	Hex Self Drilling Screw #10-16 X 1 LG	
60	4460387	18	Block, Terminal	
61	4460388	1	Barrier, Terminal	
62	4220038	1.5 in/4cm	Tape, Insulation	
63	4460071	2	Connector, Strain Relief	
64	3300048	2	Nut, Conduit	
65	0960238	2	Bushing	
66	4460386	1	Connector, Strain Relief	
67	3300147	1	Nut, Conduit	
68	0960905	1	Bushing	
69	4460051	1	Connector, Strain Relief	
70	3300048	1	Nut, Conduit	
71	0960238	1	Bushing	
72	4460051	1	Connector, Strain Relief	
73	3300048	1	Nut, Conduit	
74	0960238	1	Bushing	
75	4460049	1	Connector, Strain Relief	
76	3300047	1	Nut, Conduit	
77	0960239	1	Bushing	
78	4460406	1	Marker, Terminal	

## SECTION 4 - PLATFORM

ITEM	PART NUMBER	QTY	DESCRIPTION	REV
79	4460451	10	Marker, Terminal #98	
80	4460452	10	Marker, Terminal #99	
81	0720803	20	Screw, Machine #8-32NC x 3/8in	
82	4750800	20	Flatwasher #8	
83	4760800	20	Lockwasher #8	
84	4460442	1	Stop, Terminal	
85	1060545	195 ft/59.4m	Cable, Electrical - 10/3	
86	2920108	2	Bulb (SN 137532 to Present)	
87	1704260	1	Decal - EMS (SN 59434 to Present)	
	0272963	Ref	<b>PLATFORM SUPPORT AND ROTATOR INSTALLATIONS</b>	6-F
157	1705852	1	Decal - Capacity Light	
158	2920151	1	Light, 12V LED	
168	4360204	1	Switch, Toggle	

# SECTION 4 - PLATFORM

## FIGURE 4-6. CONTROLLER ASSEMBLY





# SECTION 4 - PLATFORM

## FIGURE 4-6. CONTROLLER ASSEMBLY

ITEM	PART NUMBER	QTY	DESCRIPTION	REV
		Ref	<b>SLIDE LOCK HANDLE CONTROLLER ASSEMBLIES - 90</b>	
		Ref	<b>HANDLE COMPONENTS - STANDARD KNOB</b>	
	1600140	Ref	<b>Controller Assembly</b>	A
	1600141	Ref	<b>Controller Assembly</b>	A
1	7003700	1	Handle Assembly	
2	Item 300	1	Slide, Locking	
3	Item 300	1	Spring	
4	Item 300	1	Sleeve, Black Plastic	
5		Ref	Knob Options:	
5	2560040	AR	Swing Knob	
5	2560041	AR	Drive Knob	
5	2560038	AR	Lift Knob	
5	2560039	AR	Tele Knob	
		Ref	<b>HANDLE COMPONENTS - ROCKER SWITCH GRIP</b>	
	1600140	Ref	<b>Controller Assembly</b>	A
	7003795	1	Handle Assembly	
101	7003792	2	Half, Grip Knob (Requires 2 for Complete Handle)	
102	7003789	1	Switch, Rocker	
103	7003790	1	Cap, Rubber	
104	7003791	1	Actuator, Switch	
105	7003793	1	Handle	
106	Item 301	1	Slide, Lock	
107	Item 301	1	Spring	
108	Item 301	1	Sleeve	
		Ref	<b>HOUSING AND INTERNAL COMPONENTS</b>	
201	7003702	1	Housing Assembly	
202	7003739	1	Bushing, Bronze	
203	3790112	1	O-Ring	
204	7003703	1	Gasket	
205	7003744	1	Guide, Spring	
206	7003719	1	Spring, Torsion	
207		Ref	Gear Sector Options:	
207	7003740	1	Without Thumb Rocker	
207	7003740	1	With Thumb Rocker (Was p/n 7011904)	
208		Ref	Electrical Assembly Options (Includes Potentiometer, Switches, Terminal Blocks, Spur Gear, PC Board, Wiring Harness and Electrical Connectors):	
208	7011903	1	1600140 Controller	
208	7011907	1	1600141 Controller	
209	7003751	1	Potentiometer 500K Ohm	
210	7003788	1	Gear, Brass Spur	
210	7020511	1	Setscrew #6-32NC x 1/8in for Spur and Pinion Gears	
210	7011983	1	Setscrew #4-40NC x 1/4in for Microswitch Cams	
211		Ref	Electrical Connector Options:	
211		Ref	Connector, Female	
211	4460224	1	6 Pin Connector	
211	4460266	1	9 Pin Connector	
211		Ref	Plug, Male (Part of Console Box Wiring Harness)	
211	4460225	1	6 Pin Plug	
211	4460265	1	9 Pin Plug	

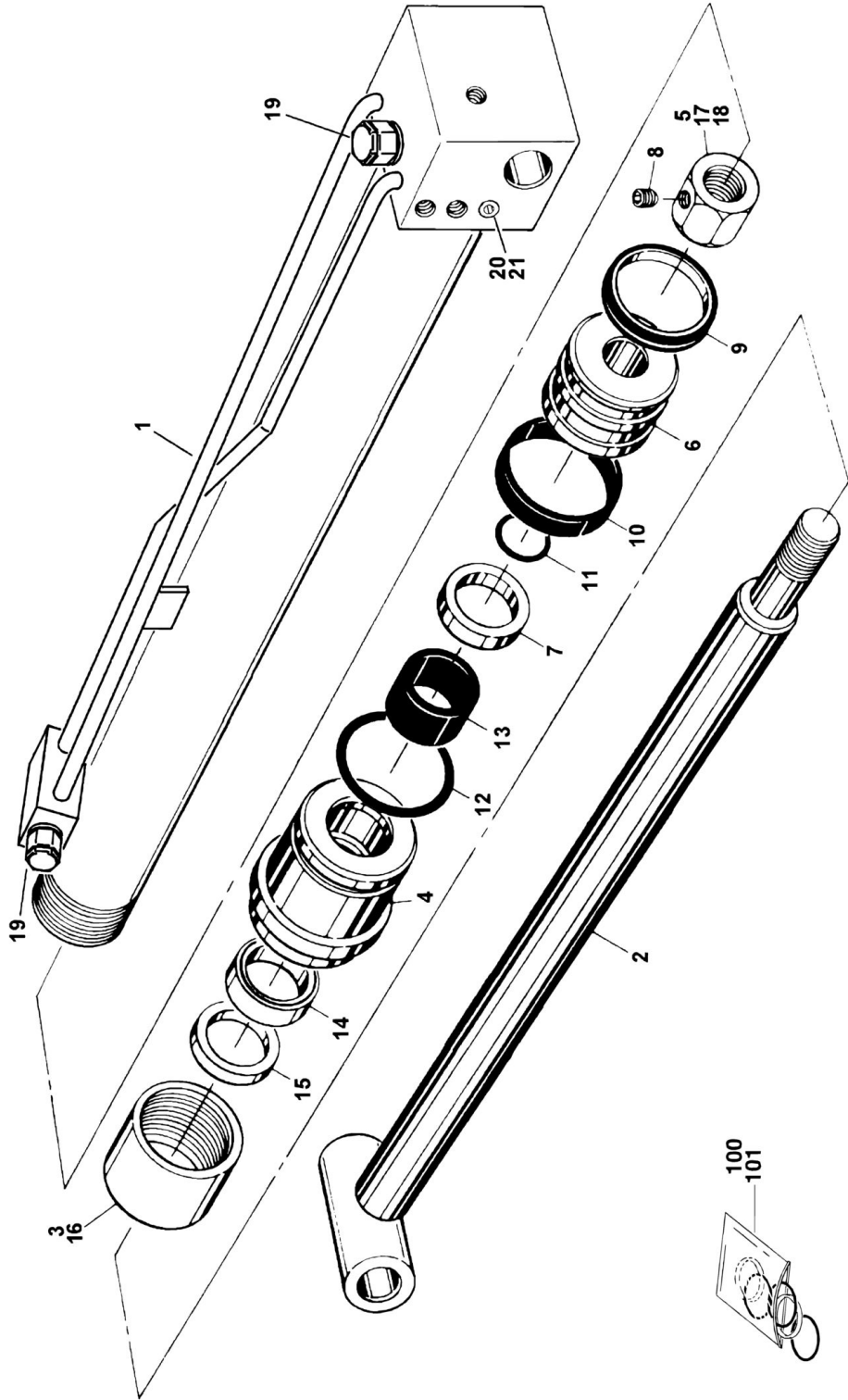
## SECTION 4 - PLATFORM

ITEM	PART NUMBER	QTY	DESCRIPTION	REV
211	4460226	AR	Socket, Female	
211	4460227	AR	Pin, Male	
213	7020542	2	Screw	
		Ref	<b>Repair Kit Options:</b>	
300	7011941	1	Slide Lock Repair Kit (Includes Items 2-4)	
301	7003722	1	Slide Lock Repair Kit (Includes Items 106-108)	
		Ref	<b>TOOLS</b>	
		Ref	Test Harness Options:	
	4920487	1	6 Pin Connector	
	4921299	1	9 Pin Connector	

**SECTION 5 - CYLINDER**

# SECTION 5 - CYLINDER

## FIGURE 5-1. AXLE EXTENSION CYLINDER ASSEMBLY



## SECTION 5 - CYLINDER

### FIGURE 5-1. AXLE EXTENSION CYLINDER ASSEMBLY

ITEM	PART NUMBER	QTY	DESCRIPTION	REV
		Ref	<b>AXLE EXTENSION CYLINDER ASSEMBLIES</b>	
	1682522	Ref	<b>Axle Extension Cylinder Assemblies (Prior to February 1993)</b>	
	1682905	Ref	<b>Axle Extension Cylinder Assemblies (February 1993 to Present) (Standard Machines)</b>	B
	1683045	Ref	<b>Axle Extension Cylinder Assemblies (February 1993 to Present) (Hostile Environment Machines)</b>	A
	1682214	Ref	<b>Axle Extension Cylinder Assemblies (Not Shown) (Including 3455 and 4275 )</b>	
1		Ref	Barrel Weldment Options:	
1	1682523	1	Barrel Weldment (Prior to February 1993)	
1	1682906	1	Barrel Weldment (February 1993 to Present)	
1	1682215	1	Barrel Weldment <b>(Including 3455 and 4275)</b>	
2		Ref	Rod Weldment Options:	
2	1682525	1	Standard	
2	1683046	1	Hostile Environment	
2	1682217	1	Rod Weldment <b>(Including 3455 and 4275)</b>	
3		Ref	Cap Options:	
3	1120108	1	Standard	
3	1120286	1	Cap <b>(Including 3455 and 4275)</b>	
4		Ref	Head Options:	
4	1681283	1	Standard	
4	1681294	1	Head <b>(Including 3455 and 4275)</b>	
5		Ref	Nut, Hex Options:	
5	3300280	1	Standard	
5	3300190	1	Nut, Hex <b>(Including 3455 and 4275)</b>	
6		Ref	Piston Options:	
6	3480122	1	Standard	
6	3480102	1	Piston <b>(Including 3455 and 4275)</b>	
7		Ref	Spacer Options:	
7	4565099	1	Standard	
7	4563930	1	Spacer <b>(Including 3455 and 4275)</b>	
8		Ref	Setscrew Options:	
8	3900170	1	Standard (3/8in-16NC x3/8in)	
8	3951404	1	Setscrew (1/4in-20NC x 1/2in) <b>(Including 3455 and 4275)</b>	
9	See Note	1	T-Seal (Note: Use Items 100 & 101)	
10	See Note	1	Ring, Wear (Note: Use Items 100 & 101)	
11	See Note	1	O-Ring (Note: Use Items 100 & 101)	
12	See Note	1	O-Ring (Note: Use Items 100 & 101)	
13	See Note	1	Ring, Wear (Note: Use Items 100 & 101)	
14	See Note	1	Seal (Note: Use Items 100 & 101)	
15	See Note	1	Wiper (Note: Use Items 100 & 101)	
16	0100035	AR	Compound, Locking	
17	0100011	AR	Compound, Locking	
18	0100038	AR	Primer, Locking	
19		Ref	Cartridge, Holding Valve Options:	
19	Not Required	0	Cartridge, Holding Valve (Prior to February 1993)	
19	4640509	2	Cartridge, Holding Valve (February 1993 to Present)	
19	2900792	2	Seal Kit - 4640509 Valve	
19	Not Required	0	Cartridge, Holding Valve <b>(Including 3455 and 4275)</b>	
20	2200221	2	Plug, Pipe	

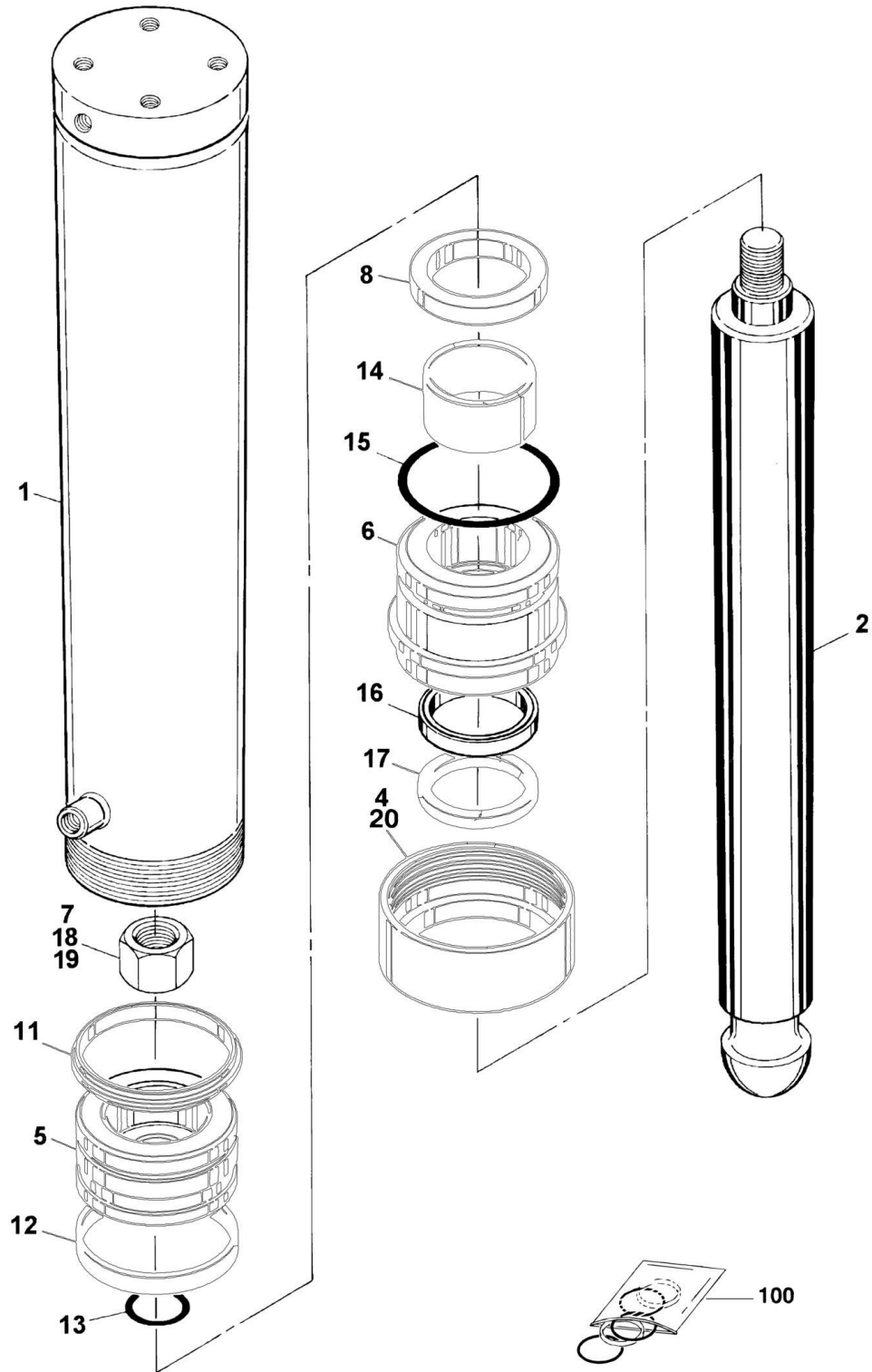
## SECTION 5 - CYLINDER

ITEM	PART NUMBER	QTY	DESCRIPTION	REV
21	0100020	AR	Sealant, Pipe	
		Ref	Seal Kit (Includes Items 9-15)	
100	2900383	1	Standard	
101	2900340	1	Seal Kit <b>(Including 3455 and 4275)</b>	



# SECTION 5 - CYLINDER

## FIGURE 5-2. JACK CYLINDER ASSEMBLY





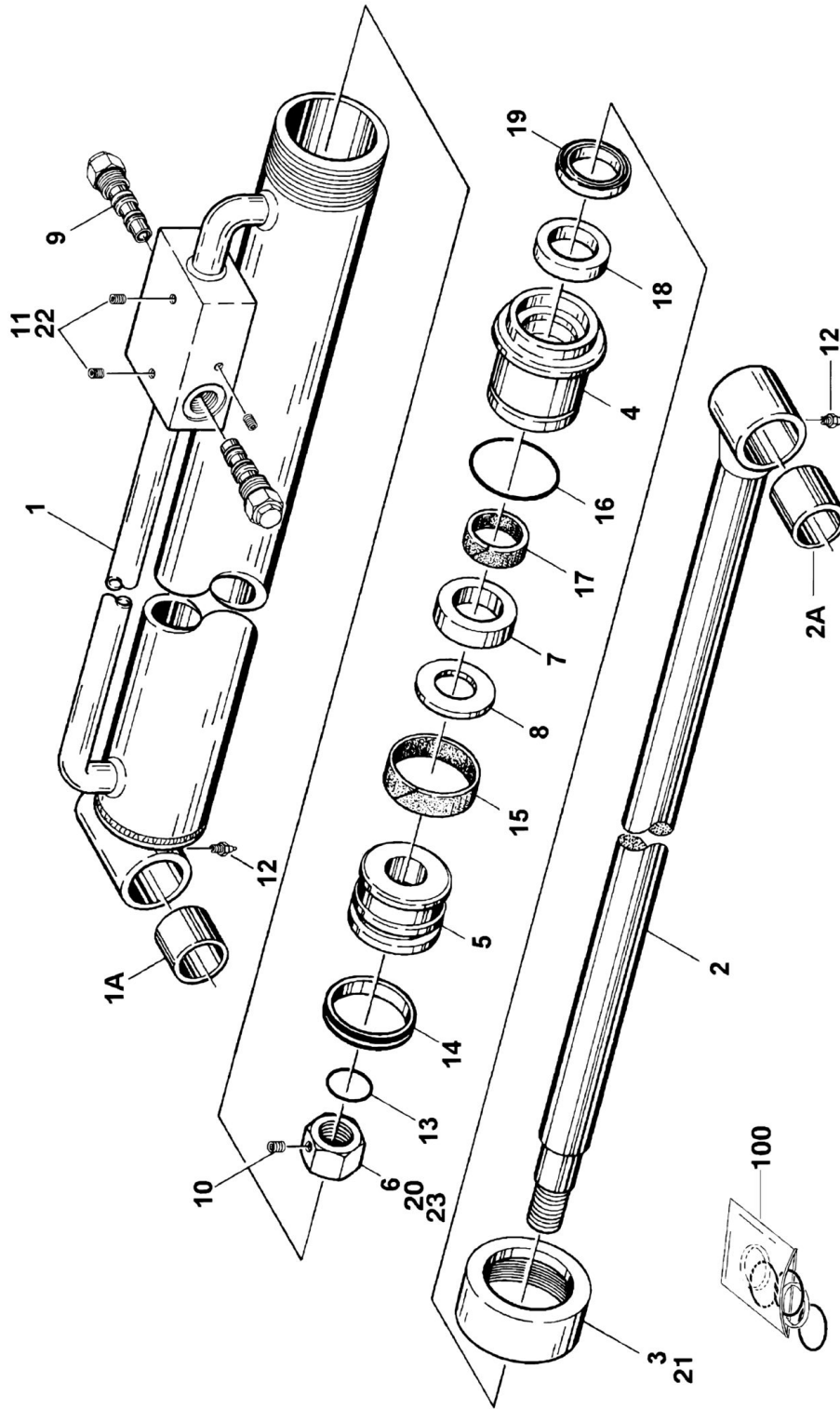
## SECTION 5 - CYLINDER

### FIGURE 5-2. JACK CYLINDER ASSEMBLY

ITEM	PART NUMBER	QTY	DESCRIPTION	REV
		Ref	<b>JACK CYLINDER ASSEMBLIES</b>	
	1682511	Ref	<b>Standard</b>	A
	1682250	Ref	<b>Jack Cylinder Assemblies Only (Not Shown) (Including 3455 and 4275)</b>	
1		Ref	Barrel Weldment Options:	
1	1682512	1	Standard	
1	1682251	1	Barrel Weldment <b>(Including 3455 and 4275)</b>	
2		Ref	Rod Weldment Options:	
2	1682514	1	Standard	
2	1682252	1	Rod Weldment <b>(Including 3455 and 4275)</b>	
4		Ref	Cap Options:	
4	1120358		Standard	
4	1120340		Cap <b>(Including 3455 and 4275)</b>	
5		Ref	Piston Options:	
5	3480137	1	Standard	
5	3480102	1	Piston <b>(Including 3455 and 4275)</b>	
6		Ref	Head Options:	
6	1682098	1	Standard	
6	1681843	1	Head <b>(Including 3455 and 4275)</b>	
7		Ref	Nut Options:	
7	3760281	1	Standard	
7	3760190	1	Nut <b>(Including 3455 and 4275)</b>	
8		Ref	Spacer Options:	
8	4565225	1	Standard	
8	4563930	1	Spacer <b>(Including 3455 and 4275)</b>	
11	Item 100	1	T-Seal	
12	Item 100	1	Ring, Wear	
13	Item 100	1	O-Ring	
14	Item 100	1	Ring, Wear	
15	Item 100	1	O-Ring	
16	Item 100	1	Seal	
17	Item 100	1	Wiper	
18	0100011	AR	Compound, Locking	
19	0100038	AR	Primer, Locking	
20	0100035	AR	Compound, Locking	
100	2901115	1	Seal Kit (Includes Items 11-17)	

# SECTION 5 - CYLINDER

FIGURE 5-3. PLATFORM LEVEL CYLINDER ASSEMBLY (Prior to SN 27450)



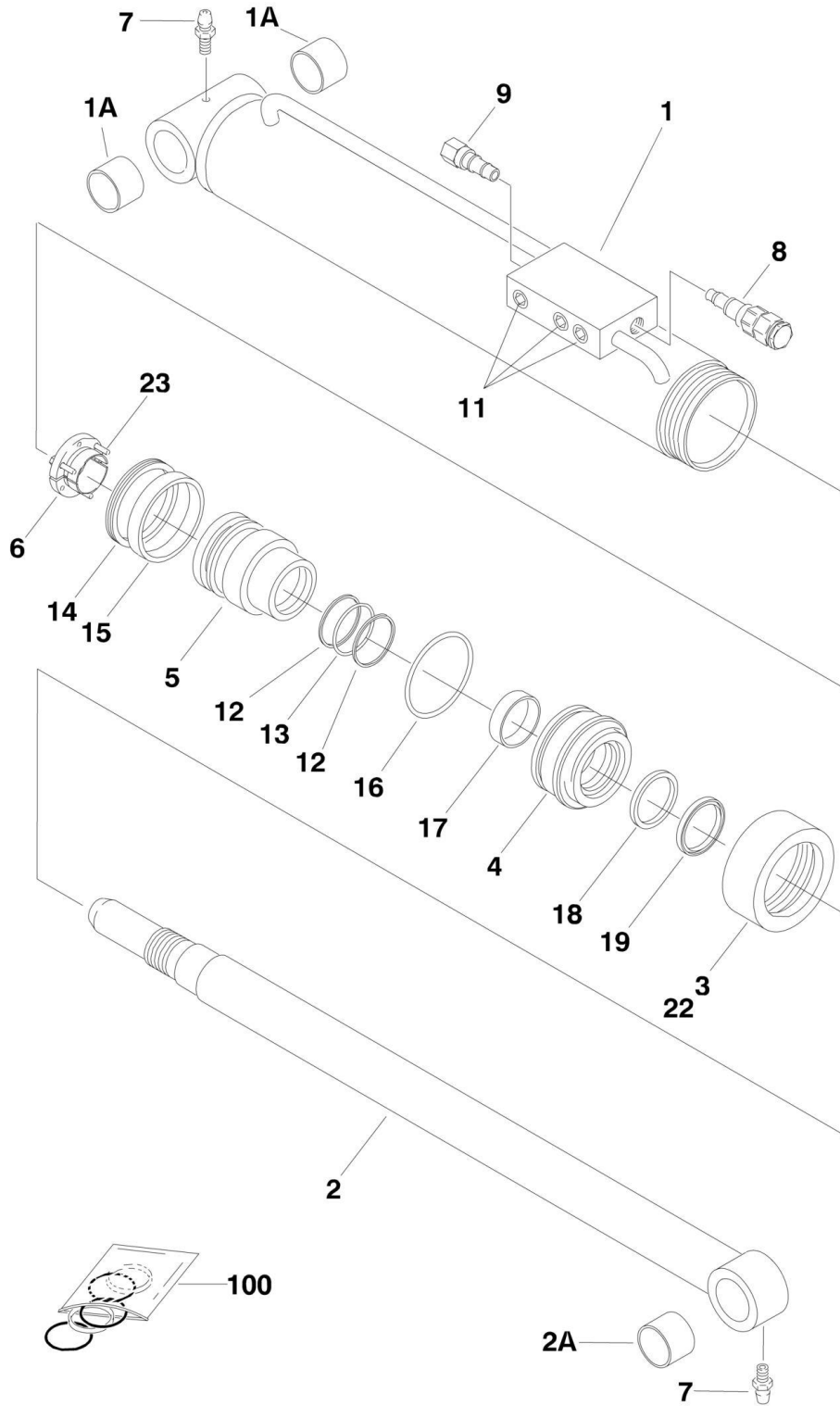
## SECTION 5 - CYLINDER

**FIGURE 5-3. PLATFORM LEVEL CYLINDER ASSEMBLY (Prior to SN 27450)**

ITEM	PART NUMBER	QTY	DESCRIPTION	REV
	1682330	Ref	<b>PLATFORM LEVEL CYLINDER ASSEMBLY</b>	A
1	1682331	1	Barrel Weldment	
1A	0961369	2	Bushing	
2	1682335	1	Rod Weldment	
2A	0961501	1	Bushing	
3	1120108	1	Cap	
4	1681322	1	Head	
5	3480134	1	Piston	
6	3300273	1	Nut, Hex	
7	4565266	1	Spacer	
8	4740377	1	Washer	
9	4640509	2	Cartridge, Valve (Counterbalance Non-Vented)	
9	2900792	2	Seal Kit - 4640509 Valve	
10	3900170	1	Setscrew 3/8in-16NC x 3/8in	
11	2200221	4	Plug, Pipe	
12	2160002	2	Fitting, Grease	
13	Item 100	1	O-Ring	
14	Item 100	1	T-Seal	
15	Item 100	1	Ring, Wear	
16	Item 100	1	O-Ring	
17	Item 100	1	Ring, Wear	
18	Item 100	1	Seal, Rod	
19	Item 100	1	Wiper	
20	0100011	AR	Compound, Locking	
21	0100035	AR	Compound, Locking	
22	0100020	AR	Sealant, Pipe	
23	0100038	AR	Primer, Locking	
100	2901148	1	Seal Kit (Includes Items 13-19)	

# SECTION 5 - CYLINDER

FIGURE 5-4. PLATFORM LEVEL CYLINDER ASSEMBLY (SN 27450 to Present)



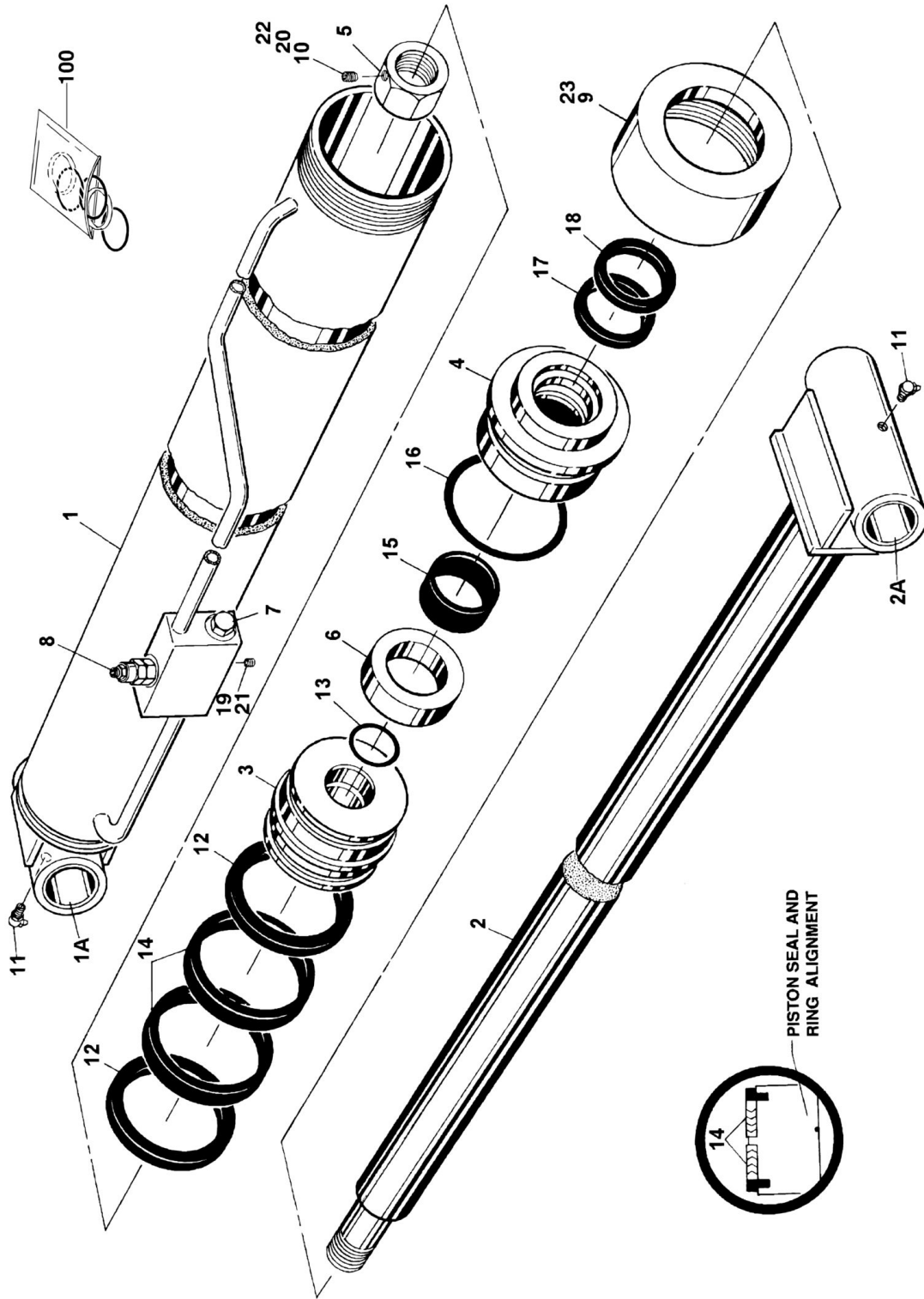
## SECTION 5 - CYLINDER

**FIGURE 5-4. PLATFORM LEVEL CYLINDER ASSEMBLY (SN 27450 to Present)**

ITEM	PART NUMBER	QTY	DESCRIPTION	REV
	1683476	Ref	<b>PLATFORM LEVEL CYLINDER ASSEMBLY</b>	3-C
1	1683477	1	Barrel Weldment	
1A	0961369	2	Bushing	
2	1683479	1	Rod Weldment	
2A	0961501	1	Bushing	
3	1120108	1	Cap	
4	1681322	1	Head	
5	3480221	1	Piston	
6		Ref	Bushing, Tapered	
6	0962185	1	Bushing, Tapered (Was P/N 0961900) <b>(SN 27450 through 53799)</b>	
6	0962185	1	Bushing, Tapered <b>(SN 53800 to Present)</b>	
7	2160002	2	Fitting, Grease	
8	4640932	1	Cartridge, Valve (Counterbalance Vented)	
8	7011112	1	Seal Kit - 4640932 Valve	
9	4640509	1	Cartridge, Valve (Counterbalance Non-Vented)	
9	2900792	1	Seal Kit - 4640509 Valve	
11	2220883	6	Plug, O-Ring Hex Socket	
12	Item 100	2	Ring, Back-up	
13	Item 100	1	O-Ring	
14	Item 100	1	T-Seal	
15	Item 100	1	Ring, Wear	
16	Item 100	1	O-Ring	
17	Item 100	1	Ring, Wear	
18	Item 100	1	Seal, Rod	
19	Item 100	1	Wiper	
22	0100035	AR	Compound, Locking	
23	0630534	3	Capscrew (Grip) #10-24NC X 1in	
100	2901461	1	Seal Kit (Includes Items 12-19)	

# SECTION 5 - CYLINDER

## FIGURE 5-5. LIFT CYLINDER ASSEMBLY - MAIN



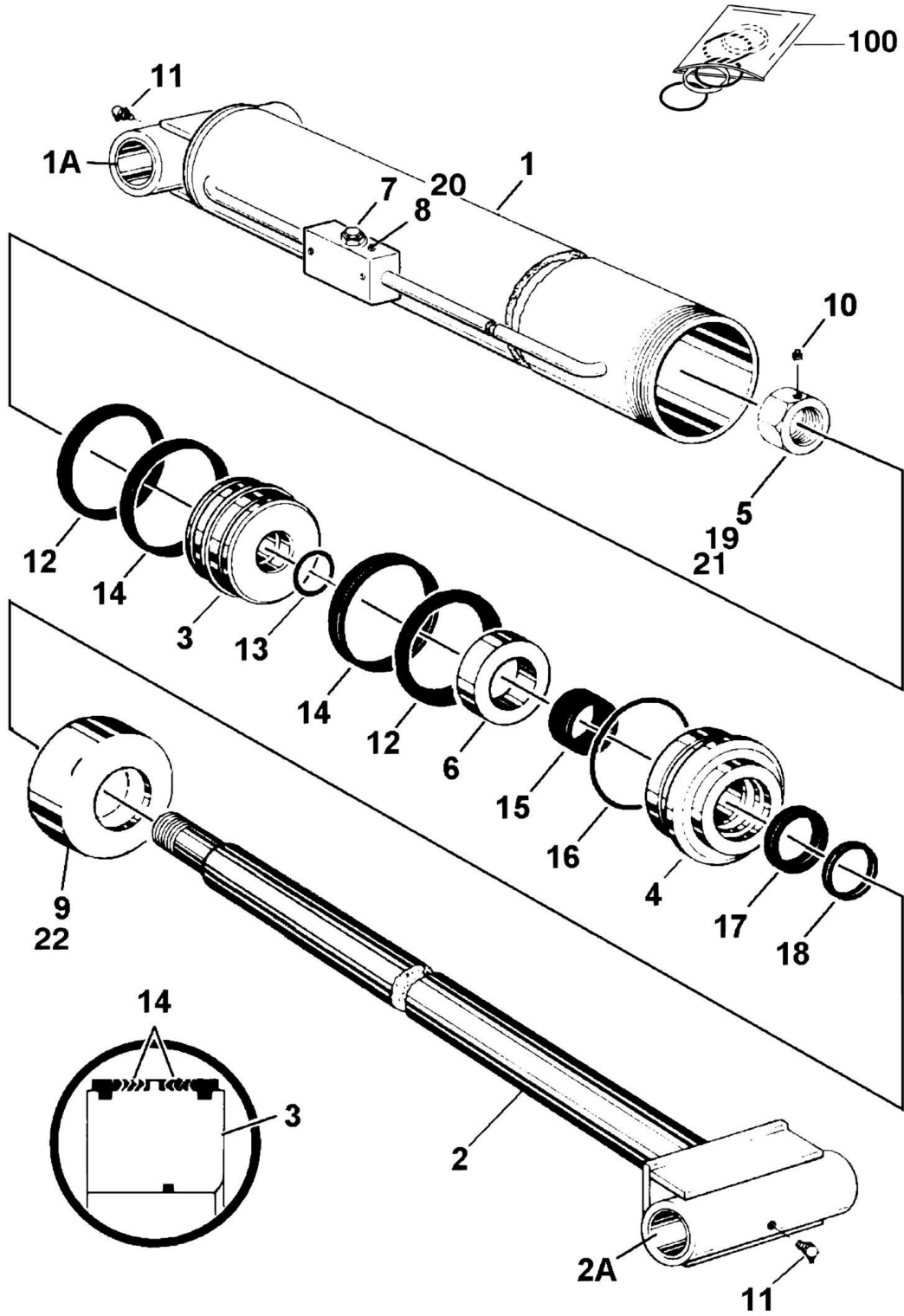
## SECTION 5 - CYLINDER

### FIGURE 5-5. LIFT CYLINDER ASSEMBLY - MAIN

ITEM	PART NUMBER	QTY	DESCRIPTION	REV
		Ref	<b>MAIN LIFT CYLINDER ASSEMBLY:</b>	
	1682516	Ref	<b>Main Lift Cylinder Assembly (Prior to SN 36519)</b>	5-E
	1683702	Ref	<b>Main Lift Cylinder Assembly (SN 36519 to Present)</b>	1-B
		Ref	<b>Note: Original Equipment Cylinder p/n 1682516 may have been replaced with Service Replacement Cylinder p/n 1683702. Identify p/n stamped on cylinder before ordering parts.</b>	
1	1682238	1	Barrel Weldment	
1A	0961458	2	Bushing	
2	1682517	1	Rod Weldment	
2A	0961458	2	Bushing	
3	3480142	1	Piston	
4	1682193	1	Head	
5		Ref	Nut, Hex	
5	3300322	1	Nut, Hex <b>(Prior to SN 36519)</b>	
5	3300297	1	Nut, Hex <b>(SN 36519 to Present)</b>	
6	4565231	1	Spacer	
7	4640647	1	Cartridge, Valve (Pilot-Operated)	
7	Consult Factory	1	Seal Kit - 4640647 Valve	
8		Ref	Cartridge, Valve (Counterbalance)	
8	4640938	1	Cartridge, Valve (Counterbalance) (Prior to January 1994) (Was p/n 4640634)	
8	4640938	1	Cartridge, Valve (Counterbalance) (January 1994 to February 1996) (Was p/n 4640771)	
8	4640938	1	Cartridge, Valve (Counterbalance) (February 1996 to Present)	
8	2900770	1	Seal Kit - 4640938 Valve	
9	1120369	1	Cap	
10	3900171	1	Setscrew	
11	2160001	2	Fitting, Grease	
12	Item 100	2	Ring, Lock	
13	Item 100	1	O-Ring	
14	Item 100	2	Seal	
15	Item 100	1	Ring, Wear	
16	Item 100	1	O-Ring	
17	Item 100	1	Seal, Rod	
18	Item 100	1	Wiper	
19	2180527	1	Plug, Pipe	
20	0100011	AR	Compound, Locking	
21	0100020	AR	Sealant, Pipe	
22	0100038	AR	Primer, Locking	
23	0100035	AR	Compound, Locking	
100	2901156	1	Seal Kit (Includes Items 12-18)	

# SECTION 5 - CYLINDER

## FIGURE 5-6. LIFT CYLINDER ASSEMBLY - TOWER





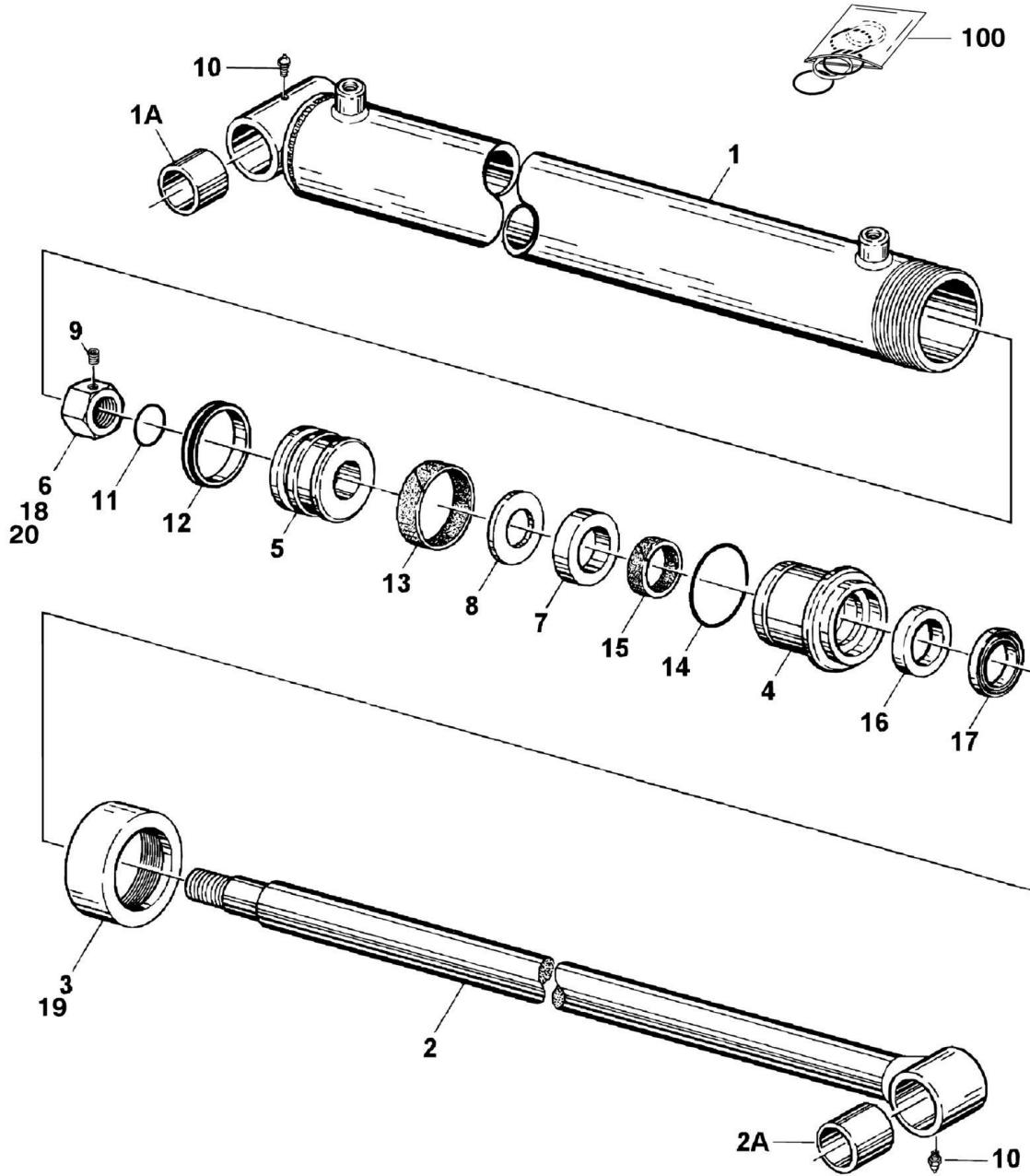
## SECTION 5 - CYLINDER

**FIGURE 5-6. LIFT CYLINDER ASSEMBLY - TOWER**

ITEM	PART NUMBER	QTY	DESCRIPTION	REV
	1682519	Ref	<b>TOWER LIFT CYLINDER ASSEMBLY</b>	C
1	1682233	1	Barrel Weldment	
1A	0961458	2	Bushing	
2		Ref	Rod Weldment	
2	1682520	1	Standard	
2	1682235	1	Rod Weldment <b>(Including 3455 and 4275)</b>	
2A	0961458	2	Bushing	
3	3480142	1	Piston	
4	1682193	1	Head	
5	3300297	1	Nut, Hex	
6		Ref	Spacer, Tube	
6	4565253	1	Standard	
6	4564701	1	Spacer, Tube <b>(Including 3455 and 4275)</b>	
7	4640509	2	Cartridge, Valve (Counterbalance Non-Vented)	
7	2900792	2	Seal Kit - 4640509 Valve	
8	2200221	4	Plug, Pipe	
9	1120369	1	Cap	
10	3900171	1	Setscrew 1/2in-13NC x 1/2in	
11	2160001	2	Fitting, Grease	
12	Item 100	2	Ring, Lock	
13	Item 100	1	O-Ring	
14	Item 100	2	Seal	
15	Item 100	1	Ring, Wear	
16	Item 100	1	O-Ring	
17	Item 100	1	Seal, Rod	
18	Item 100	1	Wiper	
19	0100011	AR	Compound, Locking	
20	0100020	AR	Sealant, Pipe	
21	0100038	AR	Primer, Locking	
22	0100035	AR	Compound, Locking	
100	2901156	1	Seal Kit (Includes Items 12-18)	

# SECTION 5 - CYLINDER

## FIGURE 5-7. MASTER CYLINDER ASSEMBLY



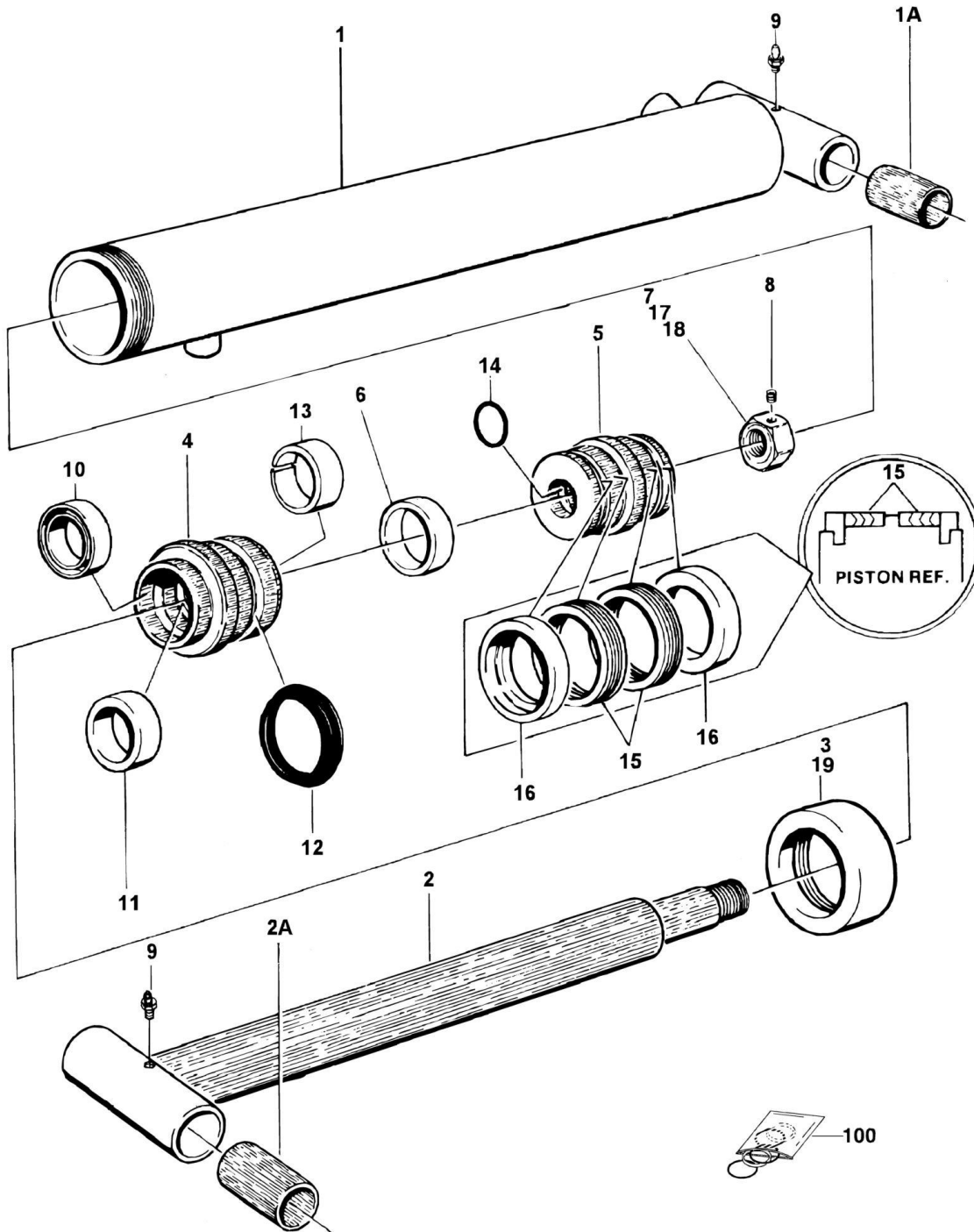
## SECTION 5 - CYLINDER

**FIGURE 5-7. MASTER CYLINDER ASSEMBLY**

ITEM	PART NUMBER	QTY	DESCRIPTION	REV
	1682332	Ref	<b>MASTER CYLINDER ASSEMBLY</b>	-
1	1682333	1	Barrel Weldment	
1A	0961369	2	Bushing	
2	1682335	1	Rod Weldment	
2A	0961501	1	Bushing	
3	1120108	1	Cap	
4	1681322	1	Head	
5	3480134	1	Piston	
6	3300273	1	Nut, Hex	
7	1440142	1	Collar	
8	4740377	1	Washer	
9	3900170	1	Setscrew 3/8in-16NC x 3/8in	
10	2160002	2	Fitting, Grease	
11	Item 100	1	O-Ring	
12	Item 100	1	T-Seal	
13	Item 100	1	Ring, Wear	
14	Item 100	1	O-Ring	
15	Item 100	1	Ring, Wear	
16	Item 100	1	Seal, Rod	
17	Item 100	1	Wiper	
18	0100011	AR	Compound, Locking	
19	0100035	AR	Compound, Locking	
20	0100038	AR	Primer, Locking	
100	2901148	1	Seal Kit (Includes Items 11-17)	

# SECTION 5 - CYLINDER

## FIGURE 5-8. STEER CYLINDER ASSEMBLY



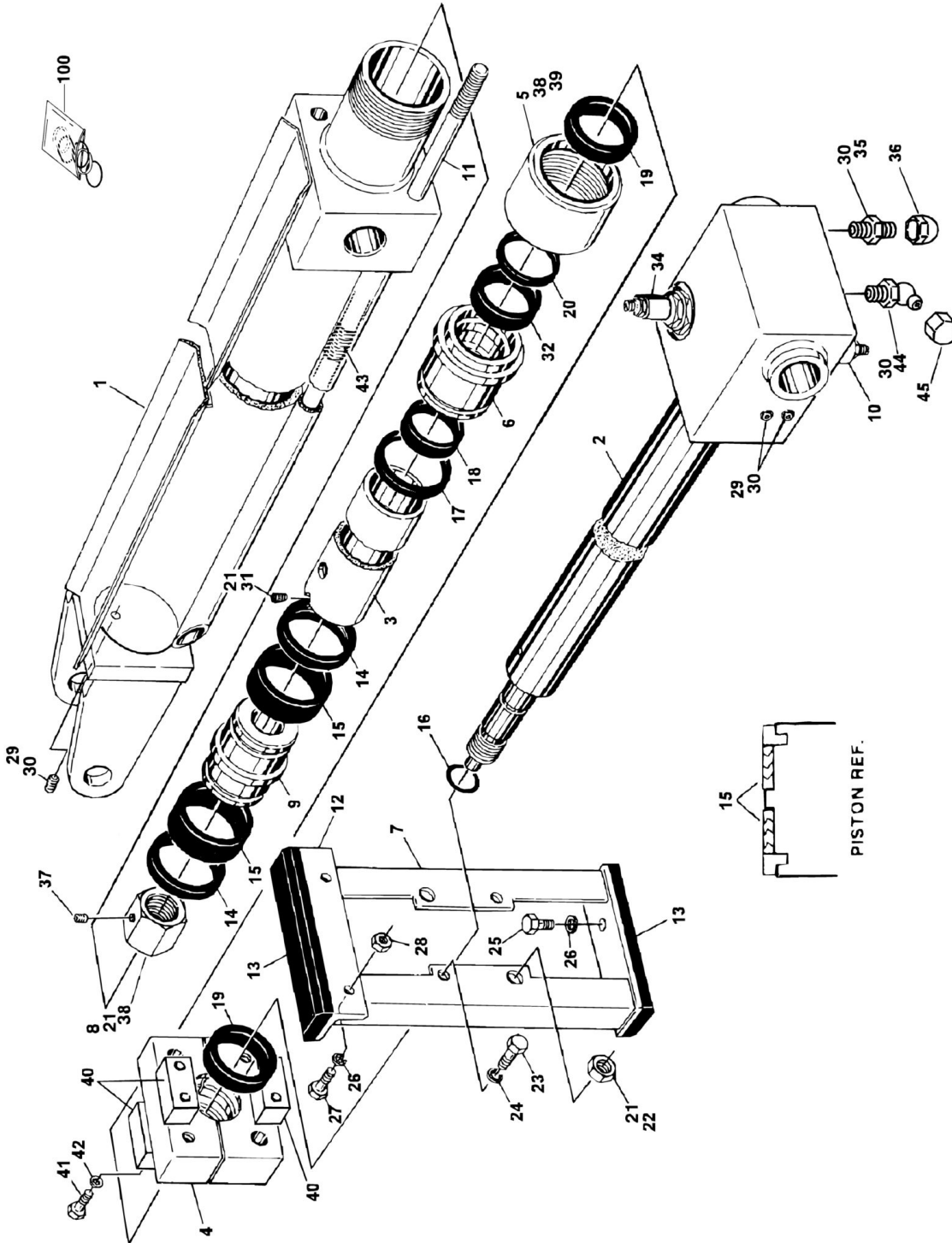
## SECTION 5 - CYLINDER

### FIGURE 5-8. STEER CYLINDER ASSEMBLY

ITEM	PART NUMBER	QTY	DESCRIPTION	REV
		Ref	<b>STEER CYLINDER ASSEMBLY</b>	
	1682531	Ref	<b>Standard</b>	A
	1682246	Ref	<b>Steer Cylinder Assembly (Not Shown) (Including 3455 and 4275)</b>	-
1		Ref	Barrel Weldment	
1	1682532	1	Standard	
1	1682247	1	Barrel Weldment <b>(Including 3455 and 4275)</b>	
1A		Ref	Bushing	
1A	0961132	2	Standard	
1A	0961476	2	Bushing <b>(Including 3455 and 4275)</b>	
2		Ref	Rod Weldment	
2	1682534	1	Standard	
2	1682248	1	Rod Weldment <b>(Including 3455 and 4275)</b>	
2A		Ref	Bushing	
2A	0961369	2	Standard	
2A	0960808	2	Bushing <b>(Including 3455 and 4275)</b>	
3	1120336	1	Cap	
4	1681847	1	Head	
5	3480130	1	Piston	
6		Ref	Spacer	
6	4565810	1	Standard	
6	4564717	1	Spacer <b>(Including 3455 and 4275)</b>	
7		Ref	Nut, Hex	
7	3300288	1	Standard	
7	3300245	1	Nut, Hex <b>(Including 3455 and 4275)</b>	
8		Ref	Setscrew	
8	3900170	1	Standard (3/8in-16NC x 3/8in)	
8	3951404	1	Setscrew (1/4in-20NC x 1/2in) <b>(Including 3455 and 4275)</b>	
9	2160002	2	Fitting, Grease	
10	Item 100	1	Wiper	
11	Item 100	1	Seal, Rod	
12	Item 100	1	T-Seal	
13	Item 100	1	Ring, Wear	
14	Item 100	1	O-Ring	
15	Item 100	2	Seal	
16	Item 100	2	Ring, Lock	
17	0100038	AR	Primer, Locking	
18	0100011	AR	Compound, Locking	
19	0100035	AR	Compound, Locking	
100	2901103	1	Seal Kit (Includes Items 10-16)	

# SECTION 5 - CYLINDER

## FIGURE 5-9. TELESCOPE CYLINDER ASSEMBLY - MAIN



## SECTION 5 - CYLINDER

### FIGURE 5-9. TELESCOPE CYLINDER ASSEMBLY - MAIN

ITEM	PART NUMBER	QTY	DESCRIPTION	REV
		Ref	<b>TELESCOPE CYLINDER ASSEMBLY</b>	
	1682490	Ref	<b>Telescope Cylinder Assembly (Prior to January 1993)</b>	A
	1682901	Ref	<b>Telescope Cylinder Assembly (January 1993 to Present)</b>	2-C
1		Ref	Barrel Weldment Options:	
1	1682491	1	Barrel Weldment (Prior to January 1993)	
1	1682902	1	Barrel Weldment (January 1993 to Present)	
2	1682259	1	Rod Weldment	
3	4562877	1	Spacer, Tube	
4	0560650	1	Block, Rod Support	
5	1120305	1	Cap	
6	1681423	1	Head	
7	4842207	1	Support, Rod	
8	3300294	1	Nut, Hex	
9	3480113	1	Piston	
10	4640212	1	Valve, Counterbalance	
10	2900793	1	Seal Kit - 4640212 Valve	
11	3840800	2	Rod, Guide	
12	0181615	1	Angle	
13	3340383	2	Pad, Wear	
14	Item 100	2	Ring, Lock	
15	Item 100	2	Seal	
16	Item 100	1	T-Seal	
17	Item 100	1	Seal	
18	Item 100	1	Ring, Wear	
19	Item 100	2	Seal	
20	Item 100	1	Wiper	
21	0100011	AR	Compound, Locking	
22	3312202	2	Nut, Jam 3/4in-10NC	
23	0641812	2	Bolt 1/2in-13NC x 1 1/2in	
24	4761800	2	Lockwasher 1/2in	
25	0641605	4	Bolt 3/8in-16NC x 5/8in	
26	4761600	6	Lockwasher 3/8in	
27	0641607	2	Bolt 3/8in-16NC x 7/8in	
28	3311601	2	Nut 3/8in-16NC	
29	2200221	6	Plug, Pipe	
30	0100020	AR	Sealant, Pipe	
31	3951405	1	Setscrew 1/4in-20NC x 5/8in	
32	Item 100	1	Seal, Rod	
34	4640210	1	Valve, Counterbalance	
34	2900793	1	Seal Kit - 4640210 Valve	
35	2220414	2	Fitting, Straight	
36	2220515	2	Fitting, Cap	
37	3900170	1	Setscrew 3/8in-16NC x 3/8in	
38	0100038	AR	Primer, Locking	
39	0100035	AR	Compound, Locking	
40	0940047	4	Bumper, Rubber (September 1992 to Present)	
41	0641408	8	Bolt 1/4in-20NC x 1in (September 1992 to Present)	
42	4751400	8	Flatwasher 1/4in (September 1992 to Present)	
43	4160115	2	Spring, Compression (September 1992 to Present)	
44	2220354	2	Fitting, 45, (SN 34994 to Present)	

## SECTION 5 - CYLINDER

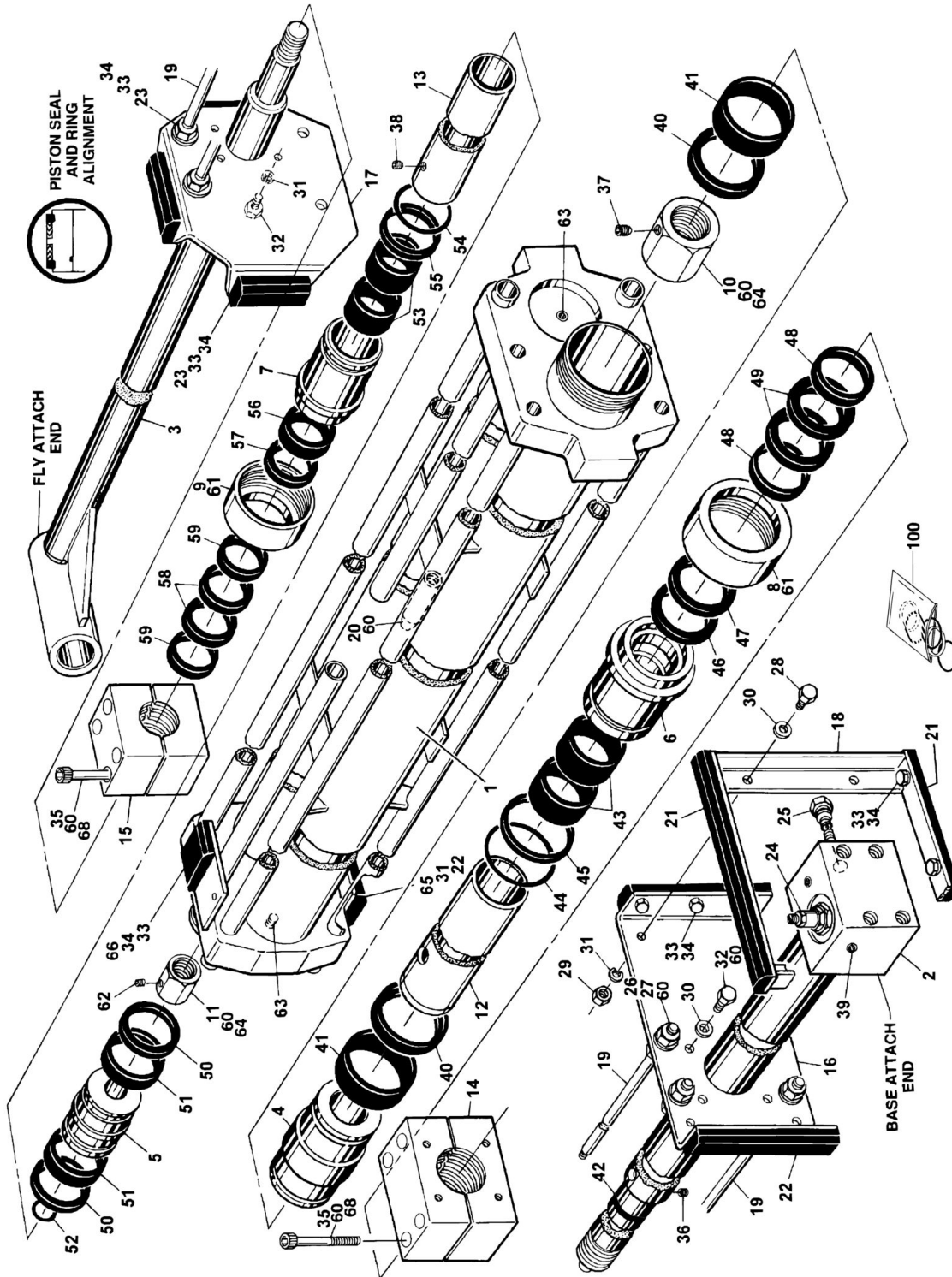
ITEM	PART NUMBER	QTY	DESCRIPTION	REV
45	2220517	2	Cap, Fitting (SN 34994 to Present)	
100	2900365	1	Seal Kit (Includes Items 14-20 & 32)	





# SECTION 5 - CYLINDER

## FIGURE 5-10. TELESCOPE CYLINDER ASSEMBLY - TOWER



## SECTION 5 - CYLINDER

### FIGURE 5-10. TELESCOPE CYLINDER ASSEMBLY - TOWER

ITEM	PART NUMBER	QTY	DESCRIPTION	REV
	1682289	Ref	<b>TELESCOPE CYLINDER ASSEMBLY</b>	C
1	1682290	1	Barrel Weldment	
2	1682293	1	Rod Weldment (Base End)	
3	1682295	1	Rod Weldment (Fly End)	
4	3480133	1	Piston (Base End)	
5	3480102	1	Piston (Fly End)	
6	1682298	1	Head (Base End)	
7	1682299	1	Head (Fly End)	
8		Ref	Cap Options: (Base End)	
8	1120358	1	Cap (Was P/N 1120345) <b>(Prior to SN 59434)</b>	
8	1120358	1	Cap <b>(SN 59434 to Present)</b>	
9	1120340	1	Cap (Fly End)	
10		Ref	Nut Options (Base End):	
10	3300299	1	Nut (Prior to March 1992) (Was P/N 3300249)	
10	3300299	1	Nut (March 1992 to Present)	
11		Ref	Nut Options (Fly End):	
11	3300286	1	Nut (Prior to March 1992) (Was P/N 3300254)	
11	3300286	1	Nut (March 1992 to Present)	
12	1682297	1	Spacer, Tube (Base End)	
13	4564893	1	Spacer, Tube (Fly End)	
14	0560907	1	Block, Rod Support (Base End)	
15	0560908	1	Block, Rod Support (Fly End)	
16	3534550	1	Support, Rod (Base End)	
17	3534551	1	Support, Rod (Fly End)	
18	4340603	1	Support Weldment (Base End)	
19	3841073	8	Rod, Guide	
20	4220078	8	Stop	
21	3340604	2	Pad, Wear (Base End Top and Bottom)	
22	3340606	2	Pad, Wear (Base End Sides)	
23	3340608	4	Pad, Wear (Fly End Sides, Top and Bottom)	
24	4640210	1	Valve, Counterbalance	
24	2900793	1	Seal Kit - 4640210 Valve	
25	4640647	1	Valve, Pilot Operated	
25	2900770	1	Seal Kit - 4640647 Valve	
26	3312202	16	Nut, Jam 3/4in-10NC	
27	4752200	32	Flatwasher 3/4in	
28	0641811	4	Bolt 1/2in-13NC x 1 3/8in	
29	3311801	4	Nut 1/2in-13NC	
30	4751800	12	Flatwasher 1/2in	
31	4761800	6	Lockwasher 1/2in	
32	0641809	10	Bolt 1/2in-13NC x 1 1/8in	
33	0641605	22	Bolt 3/8in-16NC x 5/8in	
34	4761600	22	Lockwasher 3/8in	
35	3931660	8	Capscrew 3/8in-16NC x 3 3/4in	
36	3951405	1	Setscrew 1/4in-20NC x 5/8in	
37	3900171	1	Setscrew 1/2in-13NC x 1/2in	
38	3951402	2	Setscrew 1/4in-20NC x 1/4in	
39	2200221	3	Plug, Pipe	
40	Item 100	2	Ring, Lock	
41	Item 100	2	Seal	

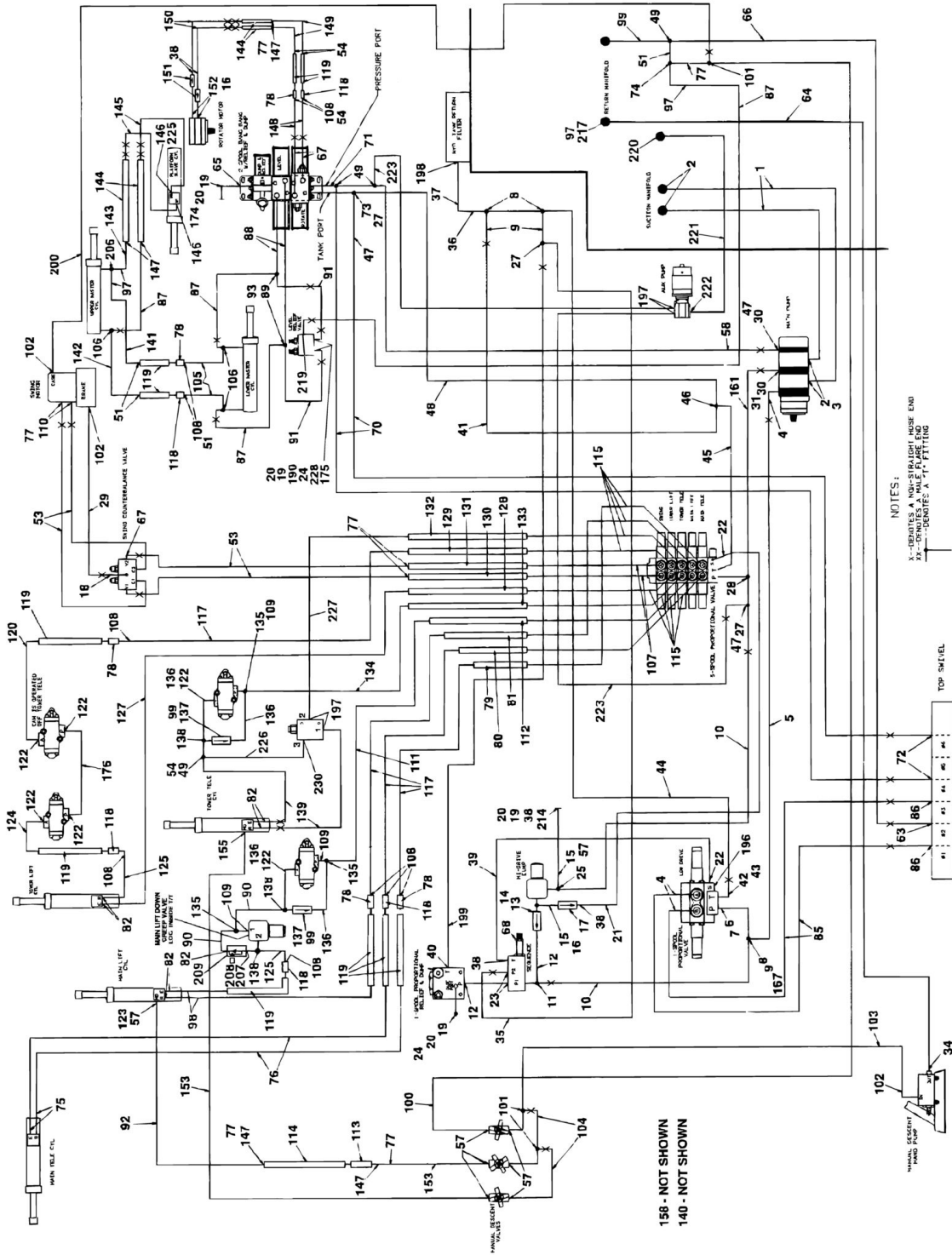
## SECTION 5 - CYLINDER

ITEM	PART NUMBER	QTY	DESCRIPTION	REV
42	Item 100	1	T-Seal	
43	Item 100	2	Ring, Wear	
44	Item 100	1	O-Ring	
45	Item 100	1	Ring, Back-up	
46	Item 100	1	Seal, Rod	
47	Item 100	1	Wiper	
48	Item 100	2	Ring, Wear	
49	Item 100	2	Seal, Friction	
50	Item 100	2	Ring, Lock	
51	Item 100	2	Seal	
52	Item 100	1	O-Ring	
53	Item 100	2	Ring, Wear	
54	Item 100	1	O-Ring	
55	Item 100	1	Ring, Back-up	
56	Item 100	1	Seal, Rod	
57	Item 100	1	Wiper	
58	Item 100	2	Seal, Friction	
59	Item 100	2	Ring, Wear	
60	0100011	AR	Compound, Locking	
61	0100035	AR	Compound, Locking	
62	3900170	1	Setscrew 3/8in-16NC x 3/8in	
63	2220222	2	Plug, Pipe	
64	0100038	AR	Primer, Locking	
65	3340632	1	Pad, Wear (Barrel Bottom)	
66	3340633	1	Pad, Wear (Barrel Top)	
68	4751600	8	Flatwasher <b>(SN 0300122313 to Present)</b>	
100	2901161	1	Seal Kit (Includes Items 40-59)	

**SECTION 6 - HYDRAULIC**

# SECTION 6 - HYDRAULIC

## FIGURE 6-1. STANDARD HYDRAULIC DIAGRAM (Prior to SN 137333)





# SECTION 6 - HYDRAULIC

**FIGURE 6-1. STANDARD HYDRAULIC DIAGRAM (Prior to SN 137333)**

ITEM	PART NUMBER	QTY	DESCRIPTION	REV
	2791841	Ref	<b>STANDARD HYDRAULIC DIAGRAM</b>	
1	2720366	2	Hose, Suction (87in/221cm Length)	23-R
2	1320031	8	Clamp	
3	2220763	2	Fitting, 45	
4	2220377	3	Fitting, Straight	
5	2752328	1	Hose	
6	2220478	1	Flange Kit	
7	2220630	1	Fitting, 90	
8	2220642	3	Fitting, Tee	
9	2220710	3	Fitting, Reducer	
10	2752246	2	Hose	
11	2220681	1	Fitting, Straight	
12	2220834	2	Fitting, Straight	
13	4640033	1	Valve, Check	
14	2220590	1	Fitting, Straight	
15	2220270	2	Fitting, Reducer	
16	2220820	2	Fitting, 90	
17	4640197	2	Valve, Check	
18	2220415	1	Fitting, Straight	
19	2220428	6	Fitting, Quick Disconnect	
20	2220429	6	Cap, Dust	
21	2751443	1	Hose	
22	2220582	2	Fitting, Straight	
23	2220347	2	Fitting, Straight	
24	2220261	5	Fitting, Straight	
25	2220749	1	Fitting, Tee	
27	2220700	5	Fitting, Tee	
28	2220695	1	Fitting, Tee	
29	2751017	1	Hose	
30	4640575	2	Valve, Check	
31	2220550	1	Fitting Reducer	
34	2220473	1	Fitting, 90	
35	2751616	1	Hose	
36	2220626	1	Fitting, Reducer	
37	2220731	1	Fitting, 90	
38	2220414	6	Fitting, Straight	
39	2751011	1	Hose	
40	2220493	1	Fitting, 90	
41	2751625	1	Hose	
42	2220669	1	Flange Kit	
43	2220467	1	Fitting, 90	
44	2751932	1	Hose	
45	2220465	1	Fitting, 90	
46	2220682	1	Fitting, Tee	
47	2220622	7	Fitting, Straight	
48	2751637	1	Hose	
49	2220385	7	Fitting, Tee	
51	2220619	5	Fitting, Straight	
53	2750899	5	Hose	
54	2220618	6	Fitting, Straight	



## SECTION 6 - HYDRAULIC

ITEM	PART NUMBER	QTY	DESCRIPTION	REV
57	2220416	12	Fitting, 90	
58	2750977	1	Hose	
63	2220345	1	Fitting, Straight	
64	2751852	1	Hose	
65	2220446	1	Fitting, Straight	
66	2751466	1	Hose	
67	2220468	10	Fitting, Straight	
68	4640512	1	Valve Assembly - Fluid Controls	
68	7009756	1	Cartridge	
69	2750759	2	Hose	
70	2750771	2	Hose	
71	2220600	3	Fitting, Straight	
72	2220342	4	Fitting, Straight	
73	2220593	1	Fitting, Straight	
74	2220635	1	Fitting, Tee	
75	2220354	2	Fitting, 45	
76	2750932	2	Hose	
77	2220609	9	Fitting, Reducer	
78	4565220	5	Tube	
79	4565290	1	Tube	
80	4565289	1	Tube	
81	4565291	1	Tube	
82	2220396	7	Fitting, Straight	
85	2752338	2	Hose	
86	2220348	4	Fitting, Straight	
87	2751142	4	Hose	
88	2220591	2	Fitting, Straight	
89	2180379	2	Fitting, Modified Tee	
90	2751506	2	Hose	
91	2750989	2	Hose	
92	2751457	1	Hose	
93	2180615	2	Orifice	
94	0100020	AR	Sealant, Pipe	
97	8760268	4	Fitting, 90, (was p/n 2220507)	
98	2751520	2	Hose	
99	2220659	3	Fitting, 90	
100	2750905	1	Hose	
101	2220605	5	Fitting, Tee	
102	2220466	11	Fitting, 90	
103	2751013	1	Hose	
104	2750902	2	Hose	
105	2751114	2	Hose	
106	2220740	3	Fitting, Tee	
107	2220375	6	Fitting, Straight	
108	2220512	10	Fitting, Union	
109	2220282	4	Fitting, Reducer	
110	2220497	2	Fitting, Straight	
111	2750929	1	Hose	
112	4565292	1	Tube	
113	4565218	1	Tube	
114	4565217	1	Tube	

## SECTION 6 - HYDRAULIC

ITEM	PART NUMBER	QTY	DESCRIPTION	REV
115	2220865	8	Fitting, Straight	
117	2751489	4	Hose	
118	4565216	5	Tube	
119	4565215	10	Tube	
120	2750931	1	Hose	
122	2220470	6	Fitting, 90	
123	2220654	1	Fitting, 90	
124	2750933	1	Hose	
125	2751465	2	Hose	
127	2751483	1	Hose	
128	4565294	1	Tube	
129	4565293	1	Tube	
130	4565295	1	Tube	
131	4565296	1	Tube	
132	4565288	1	Tube	
133	4565287	1	Tube	
134	2750976	1	Hose	
135	2220679	3	Fitting, Tee	
136	2751493	4	Hose	
137	4640009	2	Valve, Check	
138	2220665	3	Fitting, Tee	
139	2751498	2	Hose	
140	4100026	50 ft/16m	Sleeve, Hose Protection	
141	2751872	1	Hose	
142	2752170	1	Hose	
143	2751827	1	Hose	
144	4563167	4	Tube	
145	2751838	2	Hose	
146	2220603	2	Fitting, Straight	
147	2220511	6	Fitting, Union	
148	2751913	2	Hose	
149	2751462	2	Hose	
150	2752586	2	Hose	
151	4640383	2	Valve, Restrictor	
152	2220816	2	Fitting, Straight	
153	2751421	2	Hose	
155	2220496	1	Fitting, 45	
158	1320051	4	Clamp	
160	2220435	4	Fitting, Straight	
161	2752240	2	Hose	
162	2220481	2	Fitting, Tee	
163	2752236	1	Hose	
164	2220646	2	Fitting, 90	
167	2220407	2	Fitting, 90	
168	2752242	1	Hose	
169	2752249	1	Hose	
170	2220250	1	Fitting, Reducer (Prior to SN 56632)	
171	2220235	2	Fitting, Plug	
172	2220711	1	Fitting, Tee	
173	2751010	2	Hose	
174	2220673	2	Fitting, 90	

## SECTION 6 - HYDRAULIC

ITEM	PART NUMBER	QTY	DESCRIPTION	REV
175	2220727	3	Fitting, Straight	
176	2750773	1	Hose	
177	2751899	1	Hose	
178	2220596	9	Fitting, 90	
179	2751494	1	Hose	
180	2220238	1	Fitting, Plug	
181	2752376	4	Hose	
182	2752377	4	Hose	
183	2752933	4	Hose	
184	2220362	2	Fitting, Tee	
185	2751439	10	Hose	
186	2220504	4	Fitting, Tee	
187	2751406	2	Hose	
188	2751123	2	Hose	
189	2751150	2	Hose	
190	2220399	10	Fitting, Straight	
191	2220372	6	Fitting, Straight	
192	2751111	2	Hose	
193	2751162	2	Hose	
194	2220417	1	Fitting, Straight	
195	2220374	4	Fitting, Straight	
196	2220237	1	Fitting, Plug	
197	2220373	AR	Fitting, Straight	
198	2220733	1	Fitting, Straight	
199	2751638	1	Hose	
200	2751893	1	Hose	
201	2752331	2	Hose	
202	2750766	1	Hose	
203	2750776	1	Hose	
204	2750891	1	Hose	
205	2751398	1	Hose	
206	2220702	1	Fitting, Tee	
207	2220670	1	Fitting, Straight	
208	2220400	1	Fitting, Straight	
209	4640216	1	Valve, Flow Control	
210	2180479	2	Fitting, Modified	
211	2180752	2	Orifice (.125)	
212		Ref	Orifice (.15)	
212	2220909	1	Orifice (.15) (was p/n 2180217) <b>(Prior to SN 56632)</b>	
212	2220909	1	Orifice (.15) <b>(SN 56632 to Present)</b>	
213		Ref	Fitting, Modified	
213	2220414	1	Fitting, Modified (was p/n 2180651) <b>(Prior to SN 56632)</b>	
213	2220417	1	Fitting, Modified <b>(SN 56632 to Present)</b>	
214	2750900	1	Hose	
215	4100026	60 ft/19m	Sleeve, Hose Protection	
216	2220355	1	Fitting, 45	
217	2220344	1	Fitting, Straight	
218	2750928	1	Hose	
219	2220371	1	Fitting, Straight	
220	2220491	1	Fitting, Straight	
221	2752721	1	Hose, Suction (36in/91.5cm Length)	

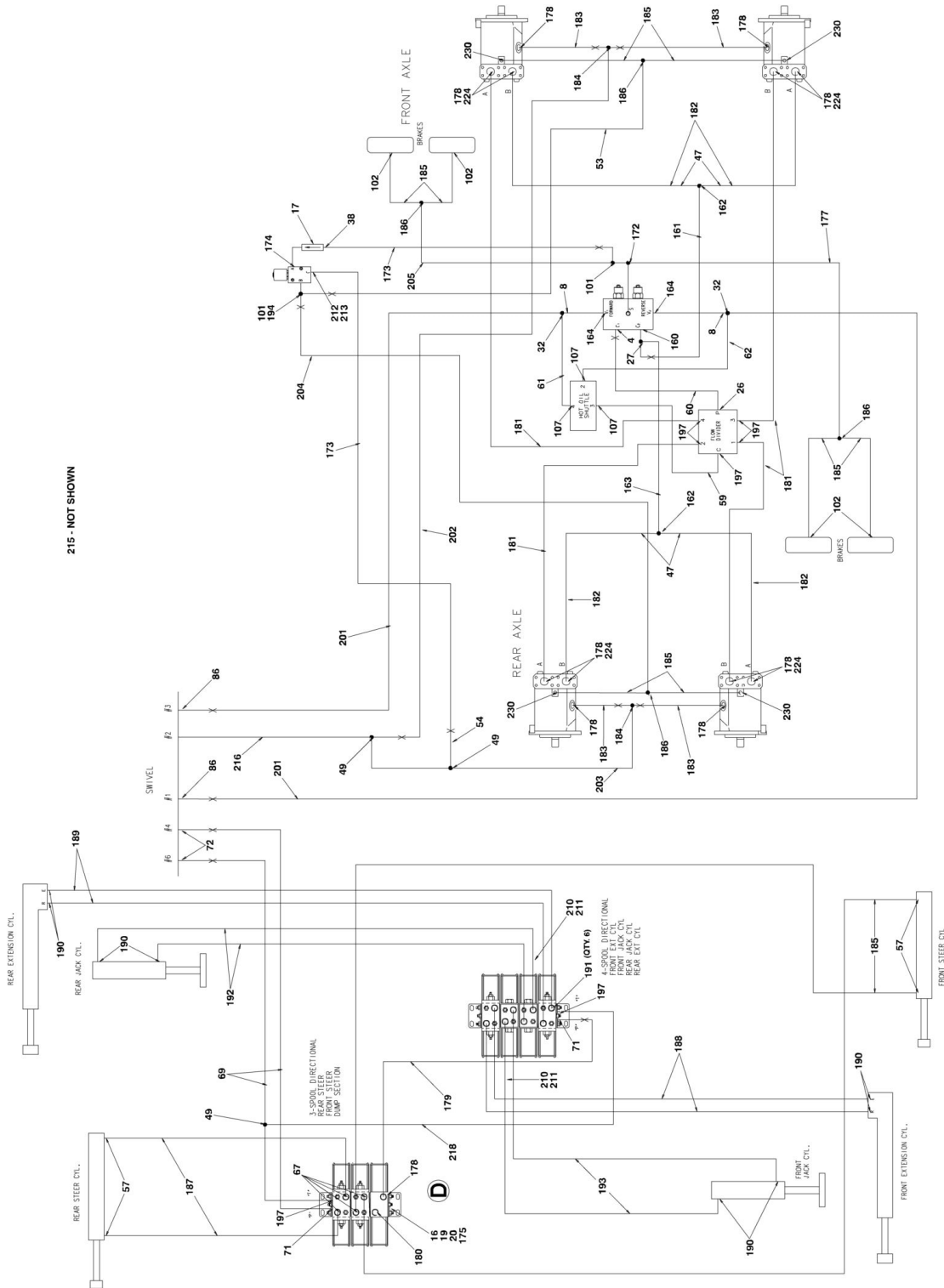
## SECTION 6 - HYDRAULIC

ITEM	PART NUMBER	QTY	DESCRIPTION	REV
222		Ref	Fitting, Straight Options:	
222	2220376	1	Fitting, Straight <b>(Prior to SN 0300122313)</b>	
222	2221025	1	Fitting, Straight <b>(SN 0300122313 to Present)</b>	
223	2751499	2	Hose	
224	2220833	8	Fitting, Reducer	
225	4567139	1	Tube	
226	2752435	1	Hose	
227	2750968	1	Hose	
228	2220290	2	Fitting, Pipe Tee	
229	2220064	2	Fitting, Pipe Swivel 90	
230	2220472	1	Fitting, O-ring 90	
231	2220386	1	Fitting, Add on 90	





# SECTION 6 - HYDRAULIC



## SECTION 6 - HYDRAULIC

FIGURE 6-2. STANDARD HYDRAULIC DIAGRAM (SN 137333 to Present)

ITEM	PART NUMBER	QTY	DESCRIPTION	REV
	1001107587	Ref	<b>STANDARD HYDRAULIC DIAGRAM</b>	3-B
1	2720366	2	Hose, Suction (87in/221cm Length)	
2	1320031	8	Clamp	
3	2220763	2	Fitting, 45	
4	2220377	4	Fitting, Straight	
5	2752328	1	Hose	
6	2220478	1	Flange Kit	
7	2220630	1	Fitting, 90	
8	2220642	5	Fitting, Tee	
9	2220710	3	Fitting, Reducer	
10	2752246	2	Hose	
11	2220681	1	Fitting, Straight	
12	2220834	2	Fitting, Straight	
13	4640033	1	Valve, Check	
14	2220590	1	Fitting, Straight	
15	2220270	2	Fitting, Reducer	
16	2220820	2	Fitting, 90	
17	4640197	2	Valve, Check	
18	2220415	1	Fitting, Straight	
19	2220428	6	Fitting, Quick Disconnect	
20	2220429	6	Cap, Dust	
21	2751443	1	Hose	
22	2220582	2	Fitting, Straight	
23	2220347	2	Fitting, Straight	
24	2220261	5	Fitting, Straight	
25	2220749	1	Fitting, Tee	
26	2220365	1	Fitting, 45	
27	2220700	4	Fitting, Tee	
28	2220695	1	Fitting, Tee	
29	2751017	1	Hose	
30	4640575	2	Valve, Check	
31	2220550	1	Fitting Reducer	
32	2220624	2	Fitting, Straight	
34	2220473	1	Fitting, 90	
35	2751616	1	Hose	
36	2220626	1	Fitting, Reducer	
37	2220731	1	Fitting, 90	
38	2220414	6	Fitting, Straight	
39	2751011	1	Hose	
40	2220493	1	Fitting, 90	
41	2751625	1	Hose	
42	2220669	1	Flange Kit	
43	2220467	1	Fitting, 90	
44	2751932	1	Hose	
45	2220465	1	Fitting, 90	
46	2220682	1	Fitting, Tee	
47	2220622	7	Fitting, Straight	
48	2751617	1	Hose	
49	2220385	7	Fitting, Tee	
51	2220619	5	Fitting, Straight	



## SECTION 6 - HYDRAULIC

ITEM	PART NUMBER	QTY	DESCRIPTION	REV
53	2750899	5	Hose	
54	2220618	6	Fitting, Straight	
57	2220416	12	Fitting, 90	
58	2750977	1	Hose	
59	1001110118	1	Hose	
60	1001110121	1	Hose	
61	2751517	1	Hose	
62	2750763	1	Hose	
63	2220345	1	Fitting, Straight	
64	2751852	1	Hose	
65	2220446	1	Fitting, Straight	
66	2751466	1	Hose	
67	2220468	10	Fitting, Straight	
68	4640512	1	Valve Assembly - Fluid Controls	
68	7009756	1	Cartridge	
69	2750759	2	Hose	
70	2750771	2	Hose	
71	2220600	3	Fitting, Straight	
72	2220342	4	Fitting, Straight	
73	2220593	1	Fitting, Straight	
74	2220635	1	Fitting, Tee	
75	2220354	2	Fitting, 45	
76	2750932	2	Hose	
77	2220609	9	Fitting, Reducer	
78	4565220	5	Tube	
79	4565290	1	Tube	
80	4565289	1	Tube	
81	4565291	1	Tube	
82	2220396	7	Fitting, Straight	
85	2752338	2	Hose	
86	2220348	4	Fitting, Straight	
87	2751142	3	Hose	
88	2220591	2	Fitting, Straight	
89	2180379	2	Fitting, Modified Tee	
90	2751506	2	Hose	
91	2750989	2	Hose	
92	2751457	1	Hose	
93	2180615	2	Orifice	
94	0100020	AR	Sealant, Pipe	
97	8760268	4	Fitting, 90	
98	2751520	2	Hose	
99	2220659	3	Fitting, 90	
100	2750905	1	Hose	
101	2220605	5	Fitting, Tee	
102	2220466	7	Fitting, 90	
103	2751013	1	Hose	
104	2750902	2	Hose	
105	2751114	2	Hose	
106	2220740	3	Fitting, Tee	
107	2220375	5	Fitting, Straight	
108	2220512	10	Fitting, Union	

## SECTION 6 - HYDRAULIC

ITEM	PART NUMBER	QTY	DESCRIPTION	REV
109	2220282	4	Fitting, Reducer	
110	2220497	2	Fitting, Straight	
111	2750929	1	Hose	
112	4565292	1	Tube	
113	4565218	1	Tube	
114	4565217	1	Tube	
115	2220865	8	Fitting, Straight	
117	2751489	4	Hose	
118	4565216	5	Tube	
119	4565215	10	Tube	
120	2750931	1	Hose	
122	2220470	6	Fitting, 90	
123	2220654	1	Fitting, 90	
124	2750933	1	Hose	
125	2751465	2	Hose	
127	2751483	1	Hose	
128	4565294	1	Tube	
129	4565293	1	Tube	
130	4565295	1	Tube	
131	4565296	1	Tube	
132	4565288	1	Tube	
133	4565287	1	Tube	
134	2750976	1	Hose	
135	2220679	3	Fitting, Tee	
136	2751493	4	Hose	
137	4640009	2	Valve, Check	
138	2220665	3	Fitting, Tee	
139	2751498	2	Hose	
140	4100026	50 ft/16m	Sleeve, Hose Protection	
141	2751872	1	Hose	
142	2752170	1	Hose	
143	2751827	1	Hose	
144	4563167	4	Tube	
145	2751838	2	Hose	
146	2220603	2	Fitting, Straight	
147	2220511	6	Fitting, Union	
148	2751913	2	Hose	
149	2751462	2	Hose	
150	2752586	2	Hose	
151	4640383	2	Valve, Restrictor	
152	2220816	2	Fitting, Straight	
153	2751421	2	Hose	
155	2220496	1	Fitting, 45	
160	2220435	1	Fitting, Straight	
161	2752240	2	Hose	
162	2220481	2	Fitting, Tee	
163	2752236	1	Hose	
164	2220646	2	Fitting, 90	
167	2220407	1	Fitting, 90	
172	2220711	1	Fitting, Tee	
173	2751010	2	Hose	

## SECTION 6 - HYDRAULIC

ITEM	PART NUMBER	QTY	DESCRIPTION	REV
174	2220673	2	Fitting, 90	
175	86561326	3	Fitting, Straight	
176	2750773	1	Hose	
177	2751899	1	Hose	
178	2220596	13	Fitting, 90	
179	2751494	1	Hose	
180	2220238	1	Fitting, Plug	
181	2752376	4	Hose	
182	2752377	4	Hose	
183	2752933	4	Hose	
184	2220362	2	Fitting, Tee	
185	2751439	10	Hose	
186	2220504	4	Fitting, Tee	
187	2751406	2	Hose	
188	2751123	2	Hose	
189	2751150	2	Hose	
190	2220399	10	Fitting, Straight	
191	2220372	6	Fitting, Straight	
192	2751111	2	Hose	
193	2751162	2	Hose	
194	2220417	1	Fitting, Straight	
196	2220237	1	Fitting, Plug	
197	2220373	10	Fitting, Straight	
198	2220733	1	Fitting, Straight	
199	2751638	1	Hose	
200	2751893	1	Hose	
201	2752331	2	Hose	
202	2750766	1	Hose	
203	2750776	1	Hose	
204	2750891	1	Hose	
205	2751398	1	Hose	
206	2220702	1	Fitting, Tee	
207	2220670	1	Fitting, Straight	
208	2220400	1	Fitting, Straight	
209	4640216	1	Valve, Flow Control	
210	2180479	2	Fitting, Modified	
211	2180752	2	Orifice (.125)	
212	2220909	1	Orifice (.150)	
213	2220417	1	Fitting, Modified	
214	2750900	1	Hose	
215	4100026	60 ft/19m	Sleeve, Hose Protection	
216	2220355	1	Fitting, 45	
217	2220344	1	Fitting, Straight	
218	2750928	1	Hose	
219	2220371	1	Fitting, Straight	
220	2220491	1	Fitting, Straight	
221	2752721	1	Hose, Suction (36in/91.5cm Length)	
222	2221025	1	Fitting, Straight	
223	2751499	2	Hose	
224	2220811	8	Fitting, Reducer	
225	4567139	1	Tube	

## SECTION 6 - HYDRAULIC

ITEM	PART NUMBER	QTY	DESCRIPTION	REV
226	2752435	1	Hose	
227	2750968	1	Hose	
228	2220290	2	Fitting, Pipe Tee	
229	2220064	2	Fitting, Pipe Swivel 90	
230	2220472	5	Fitting, O-ring 90	
231	2220386	1	Fitting, Add on 90	
232	2751104	1	Hose	



## SECTION 6 - HYDRAULIC

FIGURE 6-3. HYDRAULIC DIAGRAM LIST

ITEM	PART NUMBER	QTY	DESCRIPTION	REV
		Ref	<b>Note: Diagrams not shown in manual are available from JLG Service/Parts Departments.</b>	
	0252744	Ref	<b>Power Tool Hydraulic Diagram</b>	
		Ref	<b>Standard Hydraulic Diagram</b>	
	2791841	Ref	<b>Standard Hydraulic Diagram (Prior to SN 0300137333)</b>	
	1001107587	Ref	<b>Standard Hydraulic Diagram (SN 0300137333 to Present)</b>	
		Ref	<b>Standard Hydraulic Schematic</b>	
	2791845	Ref	<b>Standard Hydraulic Schematic (Prior to SN 0300137333)</b>	
	1001110253	Ref	<b>Standard Hydraulic Schematic (SN 0300137333 to Present)</b>	

**SECTION 7 - ELECTRICAL**

# SECTION 7 - ELECTRICAL

## FIGURE 7-1. ELECTRICAL DIAGRAM LIST

ITEM	PART NUMBER	QTY	DESCRIPTION	REV
		Ref	<b>Note: Diagrams not shown are available from the JLG Service Department.</b>	
		Ref	<b>ALARM ELECTRICAL DIAGRAMS</b>	
	4932638	Ref	<b>Back-up Alarm</b>	
	1282091	Ref	<b>Back-up Alarm</b>	
	3740049	1	Relay	
	3990010	1	Diode 6 Amp	
	1060341	11 ft/3.4m	Cable, Electrical - 16/2	
	4932640	Ref	<b>Motion Alarm</b>	
	1282091	Ref	<b>Motion Alarm</b>	
	3740049	1	Relay	
	3990010	3	Diode 6 Amp	
	1060341	8 ft/2.5m	Cable, Electrical - 16/2	
	0253077	Ref	<b>Tilt Alarm (Japanese / ANSI / CSA Spec)</b>	
	4932638	Ref	<b>Travel Alarm</b>	
	1282091	Ref	<b>Travel Alarm</b>	
	3740049	1	Relay	
	3990010	1	Diode 6 Amp	
	1060341	11 ft/3.4m	Cable, Electrical - 16/2	
	4931740	Ref	<b>BEACON ELECTRICAL DIAGRAM</b>	
		Ref	<b>BOOM ELECTRICAL COMPONENTS</b>	
		Ref	<b>Main Boom</b>	
	1060392	95 ft/29.3m	Cable, Electrical - 16/36	
	1060393	95 ft/29.3m	Cable, Electrical - 10/3 (AC Power)	
	1060394	95 ft/29.3m	Cable, Electrical - 10/4 (Power Feed)	
	1060395	95 ft/29.3m	Cable, Electrical - 16/4 (Intercom)	
	1060016	155 ft/47.3m	Cable, Electrical - 16/3 (Broken Chain Limit Switches)	
		Ref	<b>Tower Boom</b>	
	1060392	103 ft/31.4m	Cable, Electrical - 16/36	
	1060393	103 ft/31.4m	Cable, Electrical - 10/3 (AC Power)	
	1060394	103 ft/31.4m	Cable, Electrical - 10/4 (Power Feed)	
	1060395	103 ft/31.4m	Cable, Electrical - 16/4 (Intercom)	
	1060016	111 ft/34m	Cable, Electrical - 16/3 (End of Travel)	
	0270815	Ref	<b>BRAKE LIGHTS ELECTRICAL DIAGRAM</b>	
	2920110	2	Head Light	
	2920113	2	Stop/Tail Light	
	3250585	1	Nameplate, Switch	
	4360199	1	Switch, Toggle	
	4460374	1	Plug, Bosch Relay	
	3740080	1	Relay	
	4360287	1	Fuse - 15 Amp	



## SECTION 7 - ELECTRICAL

ITEM	PART NUMBER	QTY	DESCRIPTION	REV
	3990010	1	Diode, 6 Amp	
	4932509	Ref	<b>DRIVE/STEER CUTOUT ELECTRICAL DIAGRAM (OPTIONAL)</b>	
	1281846	Ref	<b>DRIVE/STEER CUTOUT ELECTRICAL DIAGRAM (OPTIONAL)</b>	
	4921429	1	Harness Assembly - Drive/Steer Cutout	
	4921430	1	Harness Assembly - Other Function Cutout	
	4921432	1	Harness Assembly - Drive Enable Cutout	
	4921433	1	Harness Assembly - Function Enable	
	4932512	Ref	<b>DUTCH MODIFICATIONS ELECTRICAL DIAGRAM (PRIOR TO DECEMBER 1996)</b>	
	1281846	Ref	<b>DUTCH MODIFICATIONS ELECTRICAL DIAGRAM (PRIOR TO DECEMBER 1996)</b>	
	4921429	1	Harness Assembly - Drive/Steer Cutout	
	4921430	1	Harness Assembly - Other Function Cutout	
	4921431	1	Harness Assembly - Drive Lockout	
	4921433	1	Harness Assembly - Function Enable	
	0258227	Ref	<b>ENGINE DISTRESS ELECTRICAL DIAGRAM</b>	
	2920026	1	Lamp, Indicator - Red	
	2920029	1	Bulb, Light	
	4360157	1	Switch, Temperature	
	4360065	1	Switch, Oil Pressure	
	3740049	1	Relay	
	1060341	15 ft/4.6m	Cable, Electrical - 16/2	
	4932407	Ref	<b>FRAME ELECTRICAL DIAGRAMS</b>	
	4921347	1	Harness Assembly - Axle/Jacks/Steer	
	4460418	4	Connector 6 Position	
	4460419	24	Socket, Female	
	4460461	1	Connector, Male - 6 Position	
	4460459	1	Connector, Male - 3 Position	
	4460460	1	Connector, Male - 4 Position	
	4460458	13	Seal, Terminal	
	4460457	13	Sleeve, Terminal	
	4932514	Ref	<b>FRENCH MODIFICATIONS ELECTRICAL DIAGRAM (PRIOR TO DECEMBER 1996)</b>	
	1281846	Ref	<b>FRENCH MODIFICATIONS ELECTRICAL DIAGRAM (PRIOR TO DECEMBER 1996)</b>	
	4921429	1	Harness Assembly - Drive/Steer Cutout	
	4921430	1	Harness Assembly - Other Function Cutout	
	4921432	1	Harness Assembly - Drive Enable Cutout	
	4921433	1	Harness Assembly - Function Enable	
	4932311	Ref	<b>GERMAN MODIFICATIONS ELECTRICAL DIAGRAM (PRIOR TO DECEMBER 1996)</b>	
	0255068	Ref	<b>HEADLIGHT/TAILLIGHT ELECTRICAL DIAGRAMS</b>	
	2920110	2	Headlight	
	2920113	2	Taillight	
	3250585	1	Nameplate, Switch	
	4360199	1	Switch, Toggle	
	4460374	1	Plug, Bosch Relay	
	3740080	1	Relay	
	4360287	1	Fuse - 15 Amp	
	1060330	50	Cable, Electrical - 16/3	
		ft/15.3m		
		Ref	<b>INTERCOM ELECTRICAL DIAGRAM OPTIONS:</b>	
	4932420	Ref	<b>Intercom Electrical Diagram (Prior to SN 69948)</b>	

## SECTION 7 - ELECTRICAL

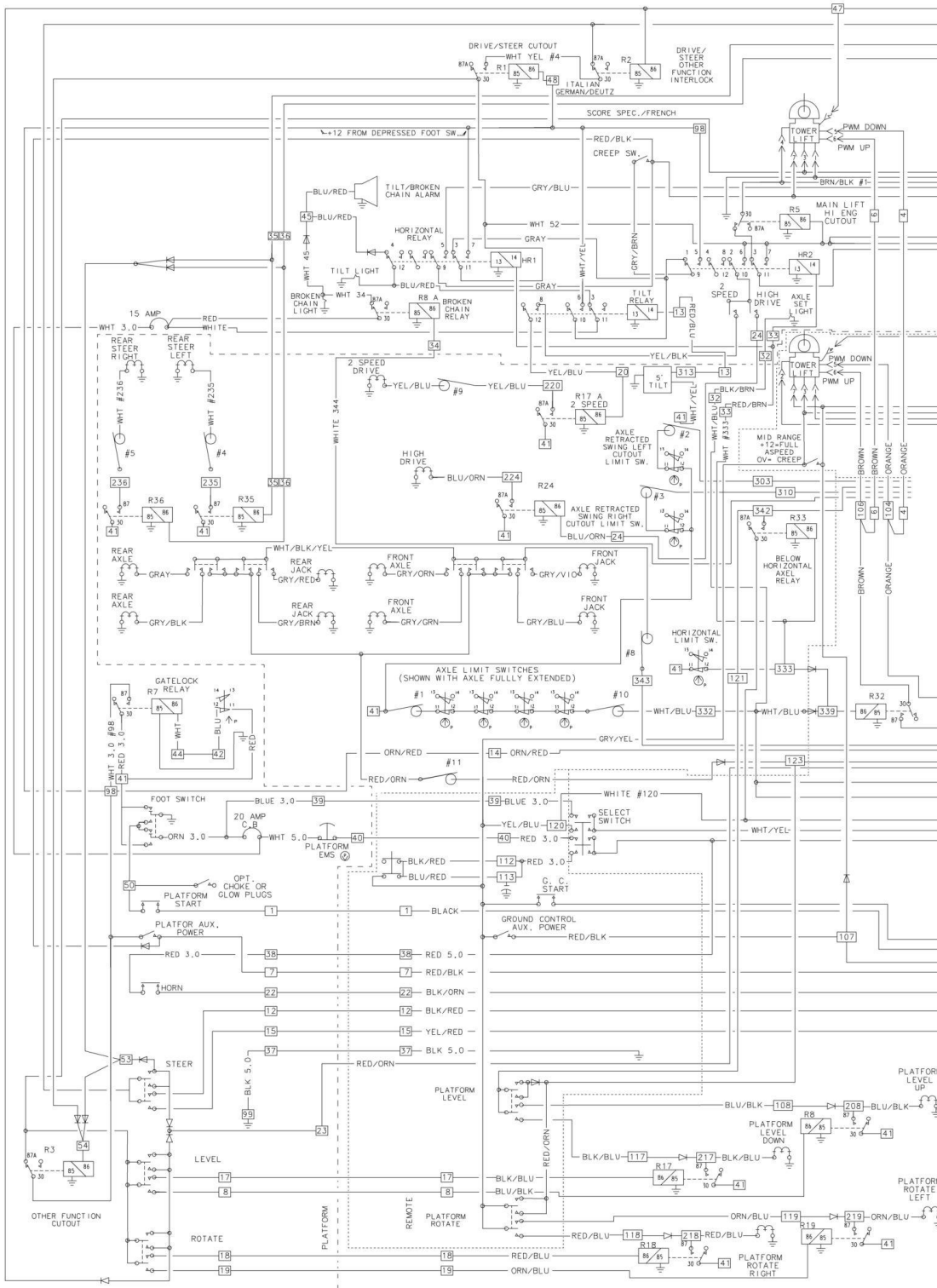
ITEM	PART NUMBER	QTY	DESCRIPTION	REV
	4933271	Ref	<b>Intercom Electrical Diagram (SN 69948 to Present)</b>	
	1060341	12 ft/3.7m	Cable, Electrical - 16/2	
	4932510	Ref	<b>ITALIAN MODIFICATIONS ELECTRICAL DIAGRAM (PRIOR TO DECEMBER 1996)</b>	
	1281846	Ref	<b>ITALIAN MODIFICATIONS ELECTRICAL DIAGRAM (PRIOR TO DECEMBER 1996)</b>	
	4921429	1	Harness Assembly - Drive/Steer Cutout	
	4921430	1	Harness Assembly - Other Function Cutout	
	4921431	1	Harness Assembly - Drive Lockout	
	4921433	1	Harness Assembly - Function Enable	
		Ref	<b>JUNCTION BOX ELECTRICAL DIAGRAM OPTIONS: (BOOM MOUNTED)</b>	
	4932405	Ref	<b>Junction Box Electrical Diagram (Prior to SN 61098)</b>	
	4933173	Ref	<b>Junction Box Electrical Diagram (SN 61098 to Present)</b>	
	0270856	Ref	<b>LOW OIL PRESSURE AND HIGH WATER TEMPERATURE CUTOUT (CUMMINS)</b>	
	4360157	1	Switch, Water Temperature	
	4360182	1	Switch, Oil Pressure	
	3740049	1	Relay	
	3990010	1	Diode, 6 Amp	
	4932668	Ref	<b>PLATFORM SOFT BOUNCE ELECTRICAL DIAGRAM</b>	
	0140031	1	Alarm	
	4360164	1	Breaker, Circuit - 5 Amp	
	4932413	Ref	<b>PLATFORM ELECTRICAL DIAGRAM</b>	
	3990010	5	Diode - 6 Amp	
		Ref	Cable, Electrical - 16/3	
	1060016	15 ft/4.6m	Cable, Electrical - 16/3 (Was P/N 1060300) (Prior to SN 54965)	
	1060016	15 ft/4.6m	Cable, Electrical - 16/3 (SN 54965 to Present)	
	1060012	8 ft/2.4m	Cable, Electrical - 12/4	
	0252744	Ref	<b>PLATFORM HYDRAULIC TOOL CIRCUIT ELECTRICAL DIAGRAM</b>	
	4932668	Ref	<b>PLATFORM SOFT BOUNCE ELECTRICAL DIAGRAM</b>	
	0140031	1	Alarm	
	4360164	1	Breaker, Circuit - 5 Amp	
	0272963	Ref	<b>PLATFORM SUPPORT AND LOAD SENSING ELECTRICAL DIAGRAM</b>	
	4933303	1	Load Cell Electrical Diagram	
		Ref	<b>REMOTE CONTROL BOX ELECTRICAL DIAGRAM OPTIONS:</b>	
	4932415	Ref	<b>Remote Control Box Electrical Diagram (Prior to SN 103758)</b>	
	4933391	Ref	<b>Remote Control Box Electrical Diagram (SN 103758 to Present)</b>	
	1060516	25 ft/7.6 m	Cable, Electrical - 16/30	
	4460265	5	Plug, Connector - 6 Position	
	4460227	32	Pin, Male	
	3990010	2	Diode 6 Amp	
	1540002	1	Condenser	
	4932509	Ref	<b>SPANISH MODIFICATIONS ELECTRICAL DIAGRAM (PRIOR TO DECEMBER 1996)</b>	
	1281846	Ref	<b>SPANISH MODIFICATIONS ELECTRICAL DIAGRAM (PRIOR TO DECEMBER 1996)</b>	
	4921429	1	Harness Assembly - Drive/Steer Cutout	
	4921430	1	Harness Assembly - Other Function Cutout	

## SECTION 7 - ELECTRICAL

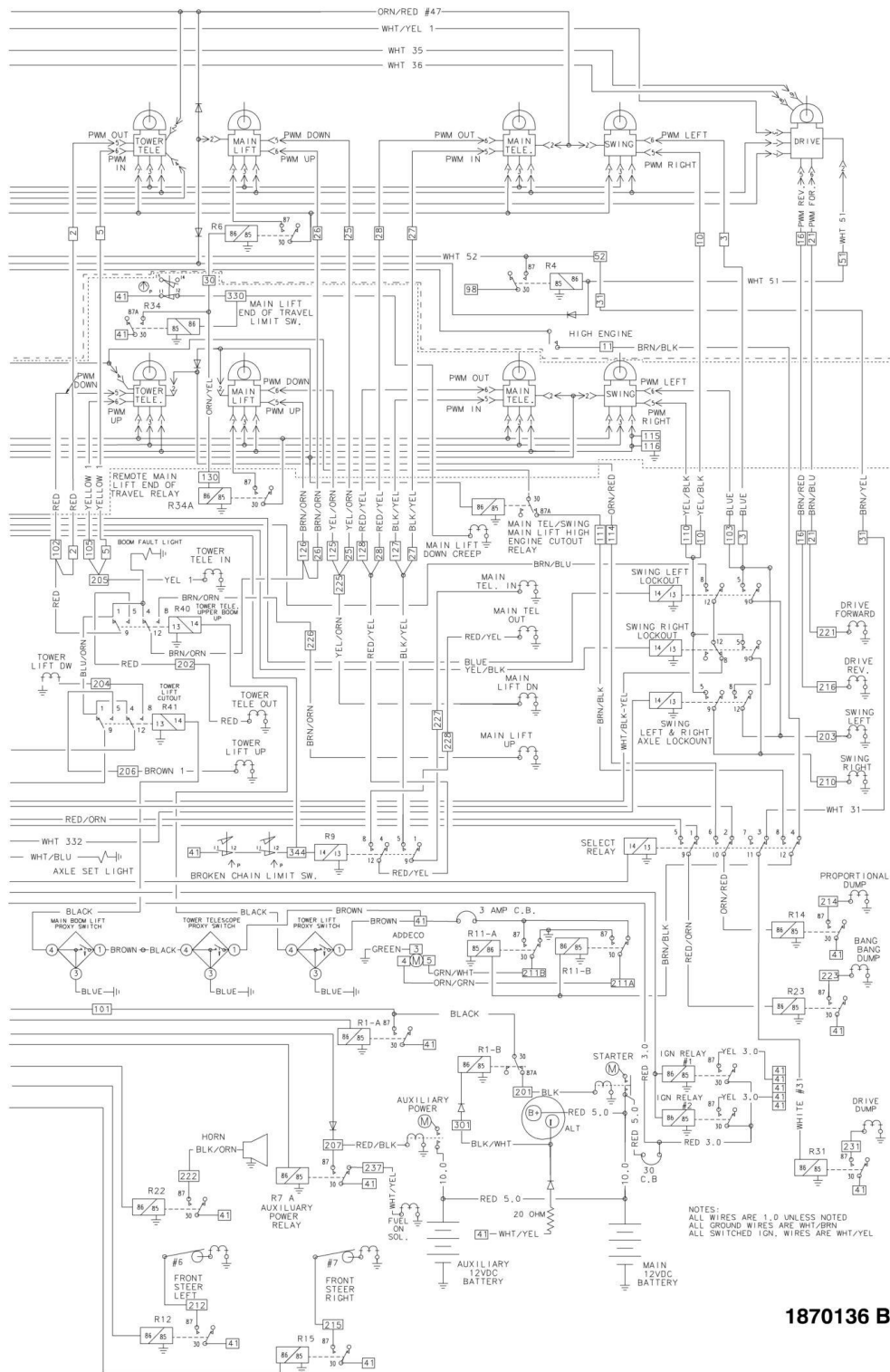
ITEM	PART NUMBER	QTY	DESCRIPTION	REV
	4921432	1	Harness Assembly - Drive Enable Cutout	
	4921433	1	Harness Assembly - Function Enable	
	4932414	Ref	<b>STANDARD ELECTRICAL DIAGRAM (Prior to SN 61098)</b>	
	3990010	8	Diode - 6 Amp	
	4921348	1	Harness Assembly	
	4921350	1	Harness Assembly - Bang-Bang Valve	
	4921351	1	Harness Assembly - Prop and Drive Valve	
		Ref	Harness Assembly - Engine Options:	
	4921352	1	Harness Assembly - Engine (Prior to January 2000)	
	4922368	1	Harness Assembly - Engine (January 2000 to SN 61098)	
	3730003	1	Resistor	
	3990010	1	Diode 6 Amp	
	4921353	1	Harness Assembly - Relay and Battery	
	1060016	26 ft/8m	Cable, Electrical - 16/3	
	4933174	Ref	<b>STANDARD ELECTRICAL DIAGRAM (SN 61098 to Present)</b>	
		Ref	<b>STANDARD ELECTRICAL SCHEMATIC</b>	
	1870012	Ref	EN280 Spec <b>(Prior to SN 61811)</b>	
	1870136	Ref	CE Spec <b>(SN 61811 through 103757)</b>	
	1870173	Ref	CE Spec (With Load Sensing Platform) <b>(Prior to SN 103758)</b>	
	1870232	Ref	CE Spec <b>(SN 103758 to Present)</b>	
	4932514	Ref	<b>UK MODIFICATIONS ELECTRICAL DIAGRAM (PRIOR TO DECEMBER 1996)</b>	
	1281846	Ref	<b>UK MODIFICATIONS ELECTRICAL DIAGRAM (PRIOR TO DECEMBER 1996)</b>	
	4921429	1	Harness Assembly - Drive/Steer Cutout	
	4921430	1	Harness Assembly - Other Function Cutout	
	4921432	1	Harness Assembly - Drive Enable Cutout	
	4921433	1	Harness Assembly - Function Enable	
		Ref	<b>WORKLIGHTS ELECTRICAL DIAGRAMS</b>	
		Ref	<b>Without Platform Bumpers Options:</b>	
	0253987	Ref	<b>Without Platform Bumpers (Prior to SN 55775)</b>	
	0271329	Ref	<b>Without Platform Bumpers (SN 55775 to Present)</b>	
	0254748	Ref	<b>With Platform Bumpers</b>	

# SECTION 7 - ELECTRICAL

## FIGURE 7-2. ELECTRICAL SCHEMATIC (SN 61811 through 103757)



# SECTION 7 - ELECTRICAL



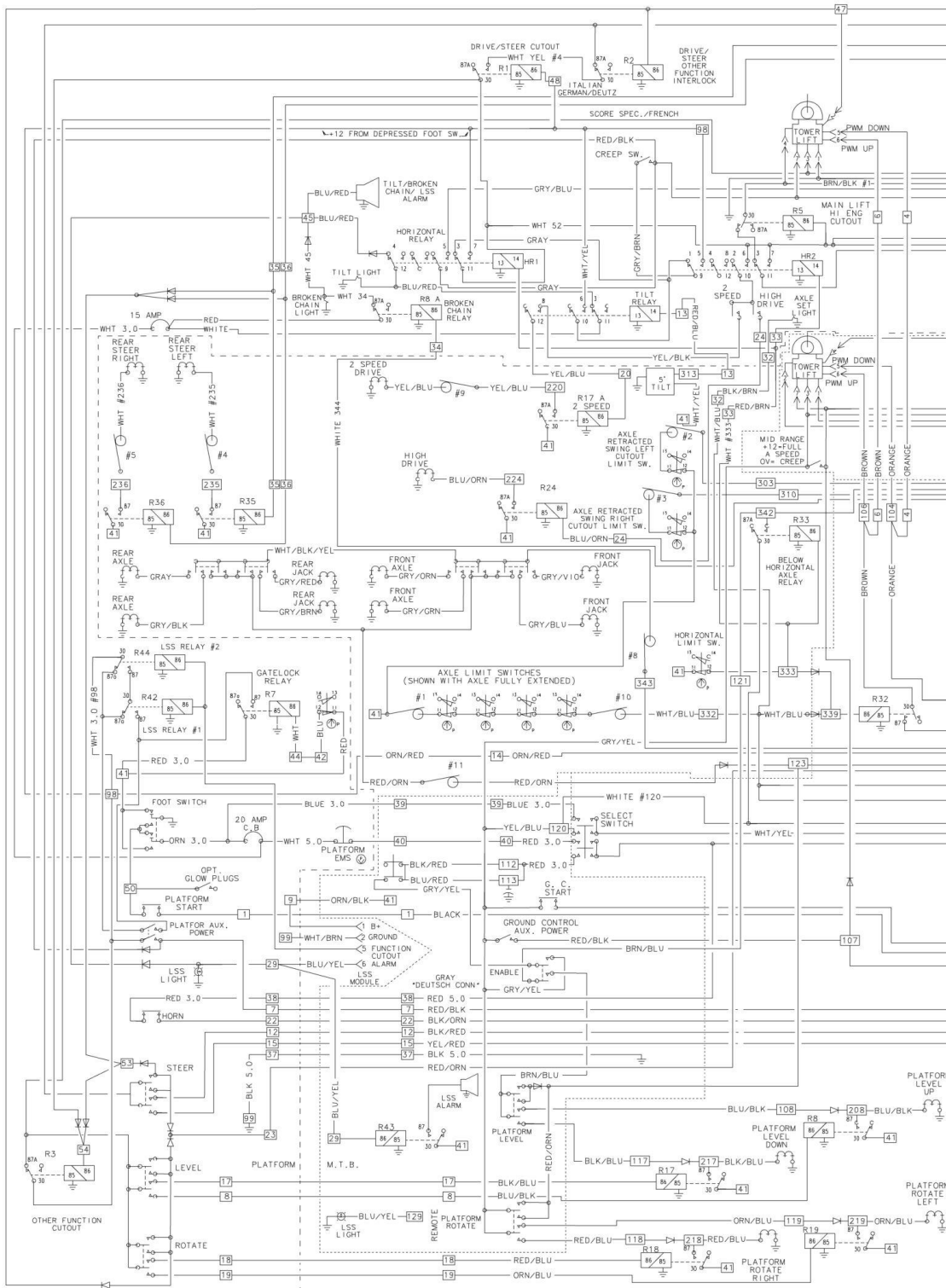
1870136 B





# SECTION 7 - ELECTRICAL

## FIGURE 7-4. ELECTRICAL SCHEMATIC (SN 103758 to Present)





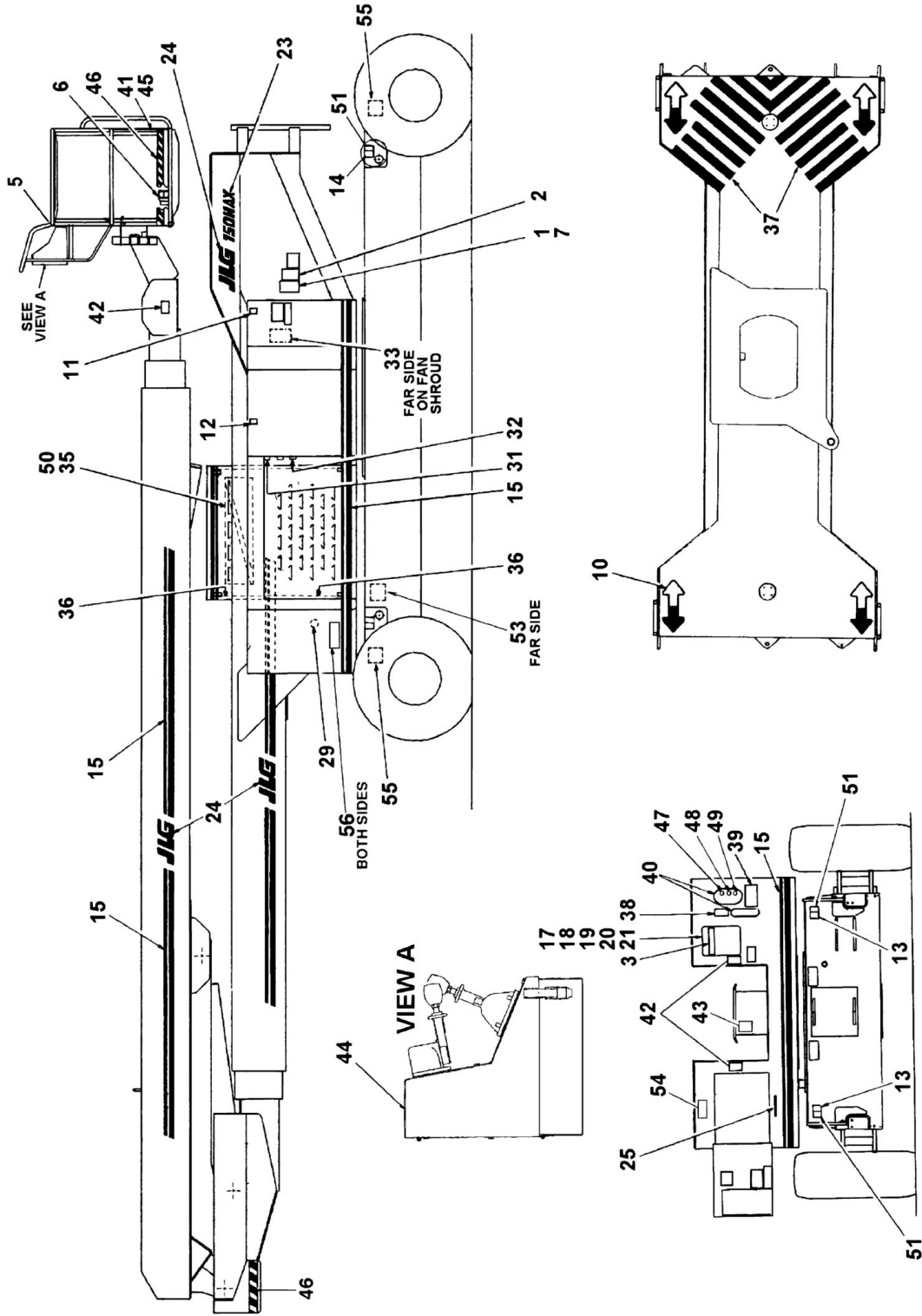




**SECTION 8 - DECALS**

# SECTION 8 - DECALS

## FIGURE 8-1. DECALS INSTALLATION



## SECTION 8 - DECALS

### FIGURE 8-1. DECALS INSTALLATION

ITEM	PART NUMBER	QTY	DESCRIPTION	REV
	0252861	Ref	<b>DUTCH DECAL INSTALLATION</b>	2
	0272807	Ref	<b>FINNISH DECAL INSTALLATION</b>	1
	0252087	Ref	<b>FRENCH DECAL INSTALLATION</b>	2
	0252859	Ref	<b>GERMAN/AUSTRIAN DECAL INSTALLATION</b>	3
	0252860	Ref	<b>ITALIAN DECAL INSTALLATION</b>	2
	0273190	Ref	<b>NORWEGIAN DECAL INSTALLATION</b>	1
	0253266	Ref	<b>SPANISH DECAL INSTALLATION</b>	1
	0252086	Ref	<b>UK DECAL INSTALLATION</b>	2
	0252042	Ref	<b>Common Decals</b>	14
	0257166	Ref	<b>CE Spec</b>	2
	0252864	Ref	<b>Dutch Spec</b>	2
	0272808	Ref	<b>Finnish Spec</b>	1
	0252079	Ref	<b>French Spec</b>	2
	0252862	Ref	<b>German/Austrian Spec</b>	2
	0273214	Ref	<b>Norwegian Spec</b>	1
	0252863	Ref	<b>Italian Spec</b>	2
	0253267	Ref	<b>Spanish Spec</b>	2
	0252078	Ref	<b>UK Spec</b>	4
1	Not Available	1	Nameplate - Serial Number	
2	1700584	1	Decal - Patent	
3	1701509	1	Decal - Manual	
5	1704277	2	Decal - Attach Lanyard	
6		Ref	Nameplate - Footswitch Options:	
6	1703518	1	Dutch Spec	
6	1705616	1	Finnish Spec	
6	1693292	1	French Spec	
6	1693294	1	German/Austrian Spec	
6	1701600	1	Italian Spec	
6	1701791	1	Spanish Spec	
6	3252347	1	UK Spec	
7	3820001	4	Rivet	
10	1701501	4	Decal - Arrow	
11	1701505	1	Decal - Fuel	
12	1701504	1	Decal - Hydraulic Oil	
13	1701500	4	Decal - Tie Down /Lift Up	
14	1701499	4	Decal - Don't Tie Down /Lift Up	
15		Ref	Decal, Stripe	
15	1701703	95 ft/29m	Decal, Stripe (Prior to September 1995) (was p/n 1700431)	
15	1701703	95 ft/29m	Decal, Stripe (September 1995 to Present)	
17	0641408	1	Bolt 1/4in-20NC x 1in	
18	1060279	1	Cable, Lanyard	
19	3311405	5	Locknut 1/4in-20NC	
20	4751400	6	Flatwasher 1/4in	
21	0860520	1	Box, Manual Storage	
23	1701488	2	Decal - 150HAX	
24	1700981	6	Decal - JLG	
25		Ref	Decal - Ground Control Options:	
25	1701616	1	Dutch Spec	
25	1705613	1	Finnish Spec	
25	1701515	1	French Spec	

## SECTION 8 - DECALS

ITEM	PART NUMBER	QTY	DESCRIPTION	REV
25	1693285	1	German/Austrian Spec	
25	1701599	1	Italian Spec	
25	1705233	1	Norwegian Spec	
25	1701789	1	Spanish Spec	
25	1700037	1	UK Spec	
29	0961127	1	Bushing (Located on Right Side)	
30	0100010	AR	Adhesive (Not Shown)	
31	1701502	2	Decal - High Oil Level	
32	1701503	2	Decal - Low Oil Level	
33		Ref	Decal - Fan Options (Located on Right Side Inside Door):	
33	1701522	1	Decal - Fan <b>(Prior to SN 103758)</b>	
33	1703162	1	Decal - Fan <b>(SN 103758 to Present)</b>	
35	3380396	2	Panel, Dampening Material (Located on Right Side) (Prior to May 1995)	
36	3960417	17 ft/5.2m	Seal, Door	
37	4420039	36 ft/11m	Tape, Safety Tread	
38	1701484	1	Decal - Hydraulic Hand Pump	
39	1701483	1	Decal - Manual Descent	
40	4060805	4 ft/1.2m	Flex-Trim	
41		Ref	Decal - Capacity Options:	
41	1701567	1	Dutch Spec	
41	1701514	1	French Spec	
41	1701726	1	German/ Austrian/ Italian/ Spanish/ UK/ Finnish Spec/ Norwegian Spec	
42	1701518	4	Decal - Crushing	
43	1701517	1	Decal - Crushing	
44		Ref	Decal - Caution Options:	
44	Not Required	0	Dutch Spec	
44	1705614	1	Finnish Spec	
44	1703511	1	French Spec	
44	1703508	1	German/Austrian Spec	
44	1703514	1	Italian Spec	
44	1705251	1	Norwegian Spec	
44	1703509	1	Spanish Spec	
44	1703513	1	UK Spec	
45		Ref	Decal - Caution Options:	
45	1701596	1	Dutch Spec	
45	1705615	1	Finnish Spec	
45	1703510	1	French Spec	
45	1703507	1	German/Austrian Spec	
45	1703515	1	Italian Spec	
45	1705252	1	Norwegian Spec	
45	1703512	1	Spanish Spec	
45	1703516	1	UK Spec	
46		Ref	Decal - Black and Yellow Stripe - 2in	
46	4420051	13 ft/4m	Decal - Black and Yellow Stripe - 2in (was p/n 4420052) <b>(Prior to SN 48012)</b>	
46	4420051	13 ft/4m	Decal - Black and Yellow Stripe - 2in <b>(SN 48012 to Present)</b>	
47	1701428	1	Decal - #1 (August 1992 to Present)	
48	1701427	1	Decal - #2 (August 1992 to Present)	
49	1701426	1	Decal - #3 (August 1992 to Present)	

## SECTION 8 - DECALS

ITEM	PART NUMBER	QTY	DESCRIPTION	REV
50	3380403	2	Panel, Dampening Material (Located on Right Side) (August 1992 to June 1995)	
51	1702300	8	Decal - Tie Down (June 1995 to Present)	
53	Not Available	1	Decal - Bar Code (August 1995 to Present) (Located on Right Side)	
54		Ref	Decal - CE Options:	
54	1702928	1	Decal - CE <b>(SN 30021 through 68590)</b>	
54	1705368	1	Decal - CE <b>(SN 68591 to Present)</b>	
55	1703456	4	Decal - Max Wheel Load <b>(SN 30021 to Present)</b>	
56	3252762	2	Decal - Lifting Diagram <b>(SN 55775 to Present)</b>	
	2900803	1	Decal Kit	





## **SECTION 9 - RECOMMENDED SERVICE PARTS STOCK**

## **SECTION 9 - RECOMMENDED SERVICE PARTS STOCK**

# SECTION 9 - RECOMMENDED SERVICE PARTS STOCK

FIGURE 9-1. MODEL 150HAX STANDARD PARTS

ITEM	PART NUMBER	QTY	DESCRIPTION	REV
	Note	Ref	<b>The following list will service one machine (built to current production per date on the front cover) with emergency repair parts which can be installed in the field. Parts from the list should be replaced when inventory is depleted to keep service parts stock supplied. For further information, contact your JLG dealer or the JLG Industries Parts Department.</b>	
		Ref	<b>STANDARD PARTS</b>	
	4360202	1	Switch, Toggle	
	7000418	1	Coil	
	7000548	1	Coil	
	4360306	1	Sensor, Level	
	7000417	1	Coil	
	7002450	1	Coil	
	7012329	1	Coil	
	7003647	1	Coil	
	7012339	1	Coil	
	7008829	1	PC Board, Adeco	
	7008828	1	Cable, Throttle	
	3740067	1	Relay	
	3740059	1	Relay	
	7003655	1 dz	Element, Air Cleaner	
	8274022	1 dz	Filter/Strainer, Fuel	
	1660198	1	Coupling, Pump	
	1340046	1	Breather, Hydraulic Tank	
	2120104	4	Element, Filter	
	2120107	4	Element Filter	
	3740049	1	Relay	
	4360212	1	Breaker, Circuit	
	4360216	1	Breaker, Circuit	
	4360468	1	Switch, Key	
	2860030	1	Key, Replacement	
	4360281	1	Contact, Switch Block	
	4360267	1	Contact, Switch Block	
	3740057	1	Relay	
	3740058	1	Relay	
	1600353	1	Controller	
	4360475	1	Switch, Mushroom	
	4360199	1	Switch, Toggle	
	4360274	1	Switch, Push Button	
	4360476	1	Contact, Switch Block	
	7006153	1	Powertrack 1ft Section (Gemco)	
	70002008	1	Powertrack 1ft Section (Gortrac)	
	7006180	1	Pin Kit - Powertrack	
	7006191	1	Powertrack 1ft Section (Gemco)	
	70002010	1	Powertrack 1ft Section (Gortrac)	
	2940006	1	Latch	
	4360092	1	Switch, Toggle	
	4360200	1	Switch, Toggle	
	1600352	1	Controller	

## SECTION 9 - RECOMMENDED SERVICE PARTS STOCK

ITEM	PART NUMBER	QTY	DESCRIPTION	REV
	4360209	1	Breaker, Circuit	
	4360232	1	Breaker, Circuit	
	3990010	2	Diode	

## SECTION 9 - RECOMMENDED SERVICE PARTS STOCK

FIGURE 9-2. MODEL 150HAX VARIABLE PARTS

ITEM	PART NUMBER	QTY	DESCRIPTION	REV
	Note	Ref	<b>The following list will service one machine (built to current production per date on the front cover) with emergency repair parts which can be installed in the field. Parts from the list should be replaced when inventory is depleted to keep service parts stock supplied. For further information, contact your JLG dealer or the JLG Industries Parts Department.</b>	
		Ref	<b>VARIABLE PARTS</b>	
	4360277	1	Switch, Limit	
	7004368	1	Coil (Hydraforce Version)	
	7000558	1	Coil (FPS Version)	
	4360301	1	Switch, Limit	
	4360266	1	Switch, Limit	
	4360031	1	Footswitch	

**SECTION 10 - SPECIAL OPTIONS**

## SECTION 10 - SPECIAL OPTIONS

FIGURE 10-1. SPECIAL OPTIONS

ITEM	PART NUMBER	QTY	DESCRIPTION	REV
	Note	Ref	<b>Note: This list is to accommodate machines ordered with special equipment. Options may not be applicable to all models. For more specific parts information contact JLG Parts Department.</b>	
		Ref	<b>MISCELLANEOUS SPECIAL OPTIONS</b>	
	0255067	Ref	<b>Boom Wipers Installation</b>	
	0270815	Ref	<b>Brake Lights Installation</b>	
	0256789	Ref	<b>Camera Mount Assembly</b>	
	0254403	Ref	<b>Cylinder Bellows Installation</b>	
		Ref	<b>Decal Installations Options:</b>	
	1702788	1	Decal - Biodegradable Hydraulic Fluid (All except German Spec)	
	1703479	1	Decal - Biodegradable Hydraulic Fluid (German Spec Only)	
	0255068	Ref	<b>Headlight and Taillight Installation</b>	
		Ref	<b>Hydraulic Fluids Options:</b>	
	2300014	Ref	Mobil 424	
	2300027	Ref	Mobil 224H Bio	
	2300021	Ref	Union Carbide Ucon HP5046 Fire Resistant	
	2300029	Ref	Mobil EAL ISO 46 Bio	
		Ref	<b>Electrical Connector Kits</b>	
	1001148902	Ref	Amp/Tyco Electrical Connector Kit	
	1001148903	Ref	Deutsch DT Electrical Connector Kit	
	1001148904	Ref	Deutsch HD Electrical Connector Kit	
	1001148905	Ref	Packard Electrical Connector Kit	
	1001148906	Ref	Various Electrical Connectors Kit	
	0258227	Ref	<b>Engine Distress System Installation</b>	
		Ref	<b>Filter Kits</b>	
	1001110985	Ref	Combined Filter Kit (Includes p/ns 1001109674 & 1001110135)	
	1001109674	Ref	Boom Hydraulic and Air Filter Kit	
	1001110135	Ref	Engine Fuel and Oil Filter Kit	
		Ref	<b>Pinion Shield Installations</b>	
	0253050	Ref	Pinion Shield Installations <b>(Prior to SN 57155)</b>	
	0270794	Ref	Pinion Shield Installations <b>(SN 57155 to Present)</b>	
	0270723	Ref	<b>Platform Amber Beacon Installation</b>	
		Ref	<b>Platform Console Cover Installations</b>	
	0251203	Ref	Yellow	
	0252054	Ref	Black	
	0254462	Ref	<b>Platform Soft Bounce System Installation</b>	
	4360057	1	Switch, Limit	
	0254950	Ref	<b>Platform Soft Touch System</b>	
	0252744	Ref	<b>Power Tool (Hydraulic) Circuit Installation</b>	
	0257728	Ref	<b>Tube Rack</b>	
	2900838	Ref	<b>U.S. Standards Fastener (Hardware Kit)</b>	
	7014676	Ref	<b>U.S. Standards Tool Kit</b>	

**PART NUMBER INDEX**

## SECTION 10 - SPECIAL OPTIONS

0060023.....79, 84	0252061 ..... 84, 87	0400002 ..... 80, 83	0641617.....10
0080098.....129, 135	0252066 ..... 120	0400003 ..... 79, 83	0641622.....105
0080099.....129, 135	0252078 ..... 209	0400020 ..... 79, 83	0641624.....125, 141
0080115.....81, 83	0252079 ..... 209	0440120 ..... 129, 135	0641626.....81, 83, 125
0080164.....87	0252086 ..... 209	0440134 ..... 129, 135	0641636.....115, 120
0100001.....98, 145	0252087 ..... 209	0440135 ..... 129, 135	0641644.....125
0100009.....59	0252210 ..... 142	0440162 ..... 11	0641714.....42
0100010.....210	0252211 ..... 142	0440183 ..... 11	0641807.....9, 77
0100011....13, 32, 59, 77, 84, 105, 110, 113, 116, 119, 153, 157, 159, 163, 165, 167, 169, 171, 176	0252268 ..... 10	0440198 ..... 59	0641808.....9, 113, 116
0100019.59, 77, 130, 136	0252270 ..... 32	0560644 ..... 116	0641809.....120, 175
0100020....79, 80, 83, 84, 93, 154, 159, 163, 165, 171, 181, 189	0252744....194, 198, 218	0560650 ..... 171	0641810...59, 79, 84, 120
0100021.....130, 136	0252773 ..... 42	0560907 ..... 175	0641811....129, 134, 175
0100035....153, 157, 159, 161, 163, 165, 167, 169, 171, 176	0252859 ..... 209	0560908 ..... 175	0641812...9, 41, 120, 171
0100038....153, 157, 159, 163, 165, 167, 169, 171, 176	0252860 ..... 209	0560962 ..... 119	0641814...32, 42, 93, 120
0100048.....135	0252861 ..... 209	0560971 ..... 119	0641822.....134
0140001.....42	0252862 ..... 209	0560972 ..... 9	0641836.....129, 134
0140019.....145	0252863 ..... 209	0560973 ..... 9	0641852.....32
0140031.....198	0252864 ..... 209	0560974 ..... 9	0642016.....59
0140032.....42	0253050 ..... 218	0560975 ..... 9	0642020.....120
0181615.....171	0253077 ..... 196	0561117 ..... 10	0642022.....80, 83
0235238....129, 134, 135	0253266 ..... 209	0620106 ..... 77	0642024.....134
0236758.....113, 116	0253267 ..... 209	0630003 ..... 79, 83	0642032.....79, 84
0237963.....141	0253810 ..... 109	0630347 ..... 116	0642216.....13
0250611.....77	0253827 ..... 9	0630370 ..... 80, 83	0642218.....120
0251203.....218	0253987 ..... 141, 199	0630374 ..... 116	0652014.....129, 134
0251549.....59	0254401 ..... 9	0630383 ..... 105	0681832.....59
0251589.....13	0254403 ..... 218	0630407 ..... 134	0682214.....109
0251590.....13	0254437 ..... 145	0630427 ..... 125	0682418.....59
0251606.....110	0254462 ..... 218	0630446 ..... 115	0701014.....87
0251612.....77	0254748 ..... 141, 199	0630517 ..... 116	0701214.....79, 85
0251626.....59	0254950 ..... 218	0630534 ..... 161	0701215.....79, 84
0251804.....113, 116	0255067 ..... 218	064140481, 83, 115, 119, 129, 134	0720803.....101, 147
0251874.....10	0255068 ..... 197, 218	0641405 ..... 106	0721003.....130, 136
0251875.....9	0256695 ..... 120	0641406 ... 10, 32, 77, 79, 105	0721006.....42, 101
0251883.....109	0256789 ..... 218	0641407 ..... 134	0721016.....141
0251884.....125	0257166 ..... 209	0641408 ... 10, 42, 80, 83, 129, 134, 141, 171, 209	0731003.....102
0251886.....109	0257365 ..... 94	0641408 ... 10, 42, 80, 83, 129, 134, 141, 171, 209	0741504.....81, 83
0251905.....79	0257366 ..... 94	0641410 ..... 105	0741605.....116
0251906.....79	0257417 ..... 109	0641411 ..... 105	0750806.....98, 101
0251911.....105	0257728 ..... 218	0641412 ..... 42	0751006.....145
0251912.....98, 102	0258227 ..... 197, 218	0641414 ..... 141	0760815.....85
0251919.....93, 94	0258626 ..... 94	0641416 ..... 135	0800718.....109, 119
0251920.....105	0258964 ..... 10	0641417 ..... 116	0800719.....119
0251941.....105	0270229 ..... 13	0641504 ..... 116	0800720.....119
0251946.....13	0270328 ..... 59	0641506 ..... 10, 110	0800721.....119
0251955.....31, 41	0270723 ..... 218	0641507 ..... 81, 83	0800723.....113
0251980.....116	0270794 ..... 218	0641508 ..... 42, 146	0800724.....113
0251981.....42	0270815 ..... 196, 218	0641510 ..... 115	0800725.....113
0252036.....59	0270856 ..... 198	0641511 ..... 42, 135	0800741.....109, 113
0252037.....129	0271058 ..... 98	0641512 ..... 77	0800841.....109, 113
0252039.....141	0271329 ..... 141, 199	0641514 ..... 135	0801110.....109, 113
0252040.....60	0272807 ..... 209	0641516 ..... 41, 135	0801111.....113
0252042.....209	0272808 ..... 209	0641518 ..... 41	0840055.....135
0252043.....42	0272963 .... 98, 102, 134, 147, 198	0641522 ..... 41	0860038.....146
0252044.....141	0273190 ..... 209	0641605 .... 87, 114, 171, 175	0860520.....209
0252054.....218	0273214 ..... 209	0641606 .... 84, 110, 114	0860538.....145
0252060.....87	0273688 ..... 83	0641607 ..... 9, 171	0860702.....101
	0340003 ..... 80, 83	0641608 ... 10, 41, 42, 77, 80, 83, 87, 110, 115, 120, 141	0860703.....97
	0360372 ..... 114	0641609 ..... 110	0860728.....145
	0361027 ..... 79, 83	0641610 .... 114, 120, 125	0860730.....97, 98
	0362048 ..... 10	0641612 . 79, 83, 93, 110, 114, 119, 141	0860732.....101, 102
	0362050 ..... 9	0641614 ..... 114	0860785.....123
	0362051 ..... 9	0641616 ..... 79, 83, 114	0860887.....123
	0362206 ..... 81, 83		0860888.....120, 123
	0362659 ..... 115		0861299.....101
	0362957 ..... 110		0861300.....101, 102
			0861430.....97, 98



## SECTION 10 - SPECIAL OPTIONS

0901554.....	79	1001148903.....	218	1320190.....	42, 135	1682490.....	113, 171
0901721.....	129	1001148904.....	218	1320224.....	134	1682491.....	171
0901780.....	125	1001148905.....	218	1320488.....	135	1682511.....	32, 157
0901785.....	81	1001148906.....	218	1340007.....	80, 83	1682512.....	157
0901803.....	77	1060012.....	198	1340045.....	93	1682514.....	157
0901851.....	109	1060016 ...	115, 120, 196, 198, 199	1340046.....	93, 214	1682516.....	163
0902414.....	129	1060031.....	80	1360232.....	113	1682517.....	163
0902582.....	79	1060046.....	80, 83	1360233.....	113	1682519.....	109, 165
0902896.....	134	1060079.....	120	1360234.....	113	1682520.....	165
0902902.....	135	1060146.....	80, 83	1360236.....	113	1682522.....	9, 153
0902919.....	134	1060198.....	80	1360254.....	113	1682523.....	153
0902920.....	134	1060221 ...	79, 80, 84, 85	1360271.....	113	1682525.....	153
0903015.....	83	1060279.....	209	1380136.....	42	1682531.....	11, 169
0903211.....	84	1060330.....	197	1380137.....	129, 134	1682532.....	169
0920032.....	59, 65	1060341 ...	196, 197, 198	1440142.....	167	1682534.....	169
0920083.....	59, 69	1060392 ...	84, 115, 120, 196	1440154.....	77	1682901.....	113, 171
0920084.....	13, 23	1060393 ...	115, 120, 196	1540002.....	198	1682902.....	171
0920109.....	59, 69	1060394 ...	115, 120, 196	1600140.....	145, 149	1682905.....	9, 153
0920110.....	13, 23	1060395 ...	115, 120, 196	1600141.....	101, 145, 149	1682906.....	153
0920119 ...	13, 24, 59, 70	1060516.....	198	1600352.....	145, 214	1683045.....	9, 153
0940047.....	171	1060545.....	120, 147	1600353.....	145, 214	1683046.....	153
0960238.....	98, 123, 146	1060931.....	80, 84	1600387.....	135	1683476.....	109, 161
0960239.....	123, 146	1060932.....	80	1660185.....	77	1683477.....	161
0960372.....	114	1100065.....	125	1660191.....	87	1683479.....	161
0960564.....	130, 134	1100066.....	141	1660192.....	87	1683702.....	109, 163
0960740.....	116	1120108 ...	153, 159, 161, 167	1660193.....	87	1693285.....	210
0960808.....	169	1120194.....	84	1660198.....	87, 214	1693292.....	209
0960821.....	9	1120286.....	153	1660202.....	11	1693294.....	209
0960905.....	97, 101, 146	1120299.....	129, 134	1660203.....	11	1700037.....	210
0960979.....	114	1120305.....	171	1670321.....	115	1700584.....	209
0961024.....	110	1120314.....	94	1670468.....	93	1700981.....	209
0961127.....	141, 210	1120336.....	169	1670630.....	129, 134	1701426.....	210
0961132.....	169	1120340.....	157, 175	1670739.....	123	1701427.....	210
0961369 ...	159, 161, 167, 169	1120358.....	157, 175	1670836.....	116, 120	1701428.....	210
0961458.....	163, 165	1120367.....	94	1681283.....	153	1701483.....	210
0961476.....	169	1120369.....	163, 165	1681294.....	153	1701484.....	210
0961501 ...	159, 161, 167	1120408.....	81, 83	1681322.....	159, 161, 167	1701488.....	209
0961554.....	119	1120512.....	94	1681423.....	171	1701499.....	209
0961557.....	113	1180254.....	115	1681843.....	157	1701500.....	209
0961559.....	110	1180277.....	119	1681847.....	169	1701501.....	209
0961578.....	109	1260017.....	10, 60	1682098.....	157	1701502.....	210
0961579.....	110	1260168.....	113	1682193.....	163, 165	1701503.....	210
0962185.....	161	1260263.....	113	1682214.....	153	1701504.....	209
0962450.....	134	1260264.....	113	1682215.....	153	1701505.....	81, 209
1001080394.....	135	1260265.....	113	1682217.....	153	1701509.....	209
1001091309.....	84	1260290.....	113	1682233.....	165	1701514.....	210
1001096779.....	110	1260291.....	113	1682235.....	165	1701515.....	209
1001099841.....	9	1271538.....	134	1682238.....	163	1701517.....	210
1001099842.....	115	1281846 ...	197, 198, 199	1682246.....	169	1701518.....	210
1001099843.....	119	1282091.....	196	1682247.....	169	1701522.....	210
1001107574.....	13	1320022.....	80, 84	1682248.....	169	1701567.....	210
1001107587.....	188, 194	1320031.....	180, 188	1682250.....	157	1701596.....	210
1001107852.....	13, 29	1320051.....	116, 182	1682251.....	157	1701599.....	210
1001107880.....	109, 119	1320052.....	116	1682252.....	157	1701600.....	209
1001109674.....	218	1320058.....	80, 83	1682259.....	171	1701616.....	209
1001109984.....	31	1320060.....	79, 84, 102	1682289.....	119, 175	1701703.....	209
1001109985.....	31	1320103.....	81, 83	1682290.....	175	1701726.....	210
1001110031.....	31, 41	1320121.....	115, 119	1682293.....	175	1701789.....	210
1001110118.....	189	1320131.....	102	1682295.....	175	1701791.....	209
1001110121.....	189	1320136.....	134	1682297.....	175	1702300.....	211
1001110135.....	218	1320142.....	120	1682298.....	175	1702788.....	218
1001110253.....	194	1320187.....	42, 135	1682299.....	175	1702928.....	211
1001110985.....	218	1320188.....	42	1682330.....	109, 159	1703162.....	210
1001114851.....	134	1320189 ...	42, 135	1682331.....	159	1703456.....	211
1001116796.....	13, 19			1682332.....	109, 167	1703479.....	218
1001148902.....	218			1682333.....	167	1703507.....	210
				1682335.....	159, 167	1703508.....	210

## SECTION 10 - SPECIAL OPTIONS

1703509.....210	2220237 ..... 46, 183, 191	2220605 ..... 181, 189	2600105.....145
1703510.....210	2220238 ..... 46, 183, 191	2220609 ..... 181, 189	2600132.....145
1703511.....210	2220250 ..... 182	2220618 ..... 180, 189	2720125.....81, 83
1703512.....210	2220261 ..... 180, 188	2220619 ..... 180, 188	2720271.....80, 84
1703513.....210	2220270 ..... 180, 188	2220622 ..... 180, 188	2720333.....80
1703514.....210	2220273 ..... 80, 84	2220624 ..... 188	2720366.....180, 188
1703515.....210	2220274 ..... 79, 84	2220626 ..... 180, 188	2720371.....80
1703516.....210	2220282 ..... 181, 190	2220630 ..... 180, 188	2720445.....80
1703518.....209	2220290 ..... 184, 192	2220635 ..... 181, 189	2720446.....81
1704260.....147	2220341 ..... 94	2220642 ..... 180, 188	2750527.....60
1704277.....209	2220342 ..... 181, 189	2220646 ..... 182, 190	2750528.....60
1705233.....210	2220344 ..... 183, 191	2220654 ..... 182, 190	2750532.....80, 84
1705251.....210	2220345 ..... 181, 189	2220659 ..... 181, 189	2750759.....181, 189
1705252.....210	2220347 ..... 180, 188	2220665 ..... 182, 190	2750763.....189
1705368.....211	2220348 ..... 181, 189	2220669 ..... 180, 188	2750766.....183, 191
1705613.....209	2220354 .... 171, 181, 189	2220670 ..... 183, 191	2750771.....181, 189
1705614.....210	2220355 ..... 183, 191	2220673 ..... 182, 191	2750773.....183, 191
1705615.....210	2220362 ..... 183, 191	2220679 ..... 182, 190	2750776.....183, 191
1705616.....209	2220365 ..... 188	2220681 ..... 180, 188	2750891.....183, 191
1705852.....102, 147	2220371 ..... 183, 191	2220682 ..... 180, 188	2750899.....180, 189
1707123.....101	2220372 ..... 183, 191	2220695 ..... 180, 188	2750900.....183, 191
1760068.....129, 135	2220373 ..... 183, 191	2220700 ..... 180, 188	2750902.....181, 189
1780253.....130, 136	2220374 ..... 183	2220702 ..... 183, 191	2750905.....181, 189
1780320.....105	2220375 ..... 181, 189	2220710 ..... 180, 188	2750928.....183, 191
1810146.....101	2220376 ..... 184	2220711 ..... 182, 190	2750929.....181, 190
1870012.....199	2220377 ..... 180, 188	2220727 ..... 183	2750931.....182, 190
1870136.....199	2220385 ..... 180, 188	2220731 ..... 180, 188	2750932.....181, 189
1870173.....199	2220386 ..... 184, 192	2220733 ..... 183, 191	2750933.....182, 190
1870232.....199	2220396 ..... 181, 189	2220740 ..... 181, 189	2750968.....184, 192
2000116.....79, 81	2220399 ..... 183, 191	2220749 ..... 180, 188	2750976.....182, 190
2000206.....84, 85	2220400 ..... 183, 191	2220763 ..... 180, 188	2750977.....181, 189
2000241.....83, 84	2220407 ..... 182, 190	2220811 ..... 191	2750989.....181, 189
2120098.....94	2220414 ... 171, 180, 183, 188	2220816 ..... 182, 190	2751010.....182, 190
2120103.....93	2220415 ..... 180, 188	2220820 ..... 180, 188	2751011.....180, 188
2120104.....93, 214	2220416 ..... 181, 189	2220833 ..... 184	2751013.....181, 189
2120107.....93, 214	2220417 ..... 183, 191	2220834 ..... 180, 188	2751017.....180, 188
2160001....109, 130, 136, 163, 165	2220428 ..... 180, 188	2220865 ..... 182, 190	2751032.....60, 109
2160002...10, 11, 60, 113, 129, 134, 159, 161, 167, 169	2220429 ..... 180, 188	2220883 ..... 161	2751104.....192
2160003.....110	2220435 ..... 182, 190	2220909 ..... 183, 191	2751111.....183, 191
2160006.....130, 136	2220446 ..... 181, 189	2221025 ..... 184, 191	2751114.....181, 189
2180344.....60, 109	2220465 ..... 180, 188	2300014 ..... 218	2751123.....183, 191
2180379.....181, 189	2220466 ..... 181, 189	2300021 ..... 218	2751142.....181, 189
2180467.....79, 80, 84	2220467 ..... 180, 188	2300027 ..... 218	2751150.....183, 191
2180479.....183, 191	2220468 ..... 181, 189	2300029 ..... 218	2751162.....183, 191
2180527.....163	2220470 ..... 182, 190	2360339 ..... 11	2751398.....183, 191
2180534.....94	2220472 ..... 184, 192	2420009 ..... 97	2751406.....183, 191
2180536.....80, 84	2220473 ..... 180, 188	2420047 ..... 84	2751421.....182, 190
2180537.....79, 84	2220477 ..... 180, 188	2420110 ..... 79, 84	2751439.....183, 191
2180615.....181, 189	2220478 ..... 180, 188	2420111 ..... 97	2751443.....180, 188
2180628.....93	2220481 ..... 182, 190	2420115 ..... 93	2751457.....181, 189
2180649.....93	2220491 ..... 183, 191	2420127 ..... 97	2751462.....182, 190
2180752.....183, 191	2220493 ..... 180, 188	2420128 ..... 97	2751465.....182, 190
2200107.....94	2220496 ..... 182, 190	2420129 ..... 97	2751466.....181, 189
2200204.....93	2220497 ..... 181, 190	2420130 ..... 79, 84	2751483.....182, 190
2200205.....93	2220504 ..... 183, 191	2420202 ..... 134	2751489.....182, 190
2200221....153, 159, 165, 171, 175	2220511 ..... 182, 190	2440043 ..... 129, 135	2751493.....182, 190
2200261.....60, 79, 84	2220512 ..... 181, 189	2440044 ..... 129, 135	2751494.....183, 191
2200268.....93	2220515 ..... 171	2440061 ..... 59	2751498.....182, 190
2200347.....94	2220517 ..... 172	2540016 ..... 141	2751499.....184, 191
2220063...60, 81, 84, 109	2220550 ..... 180, 188	2540018 ..... 42	2751506.....181, 189
2220064.....184, 192	2220582 ..... 180, 188	2560010 ..... 130, 136	2751517.....189
2220222.....176	2220590 ..... 180, 188	2560038 ..... 149	2751520.....181, 189
2220235.....182	2220591 ..... 181, 189	2560039 ..... 149	2751616.....180, 188
	2220593 ..... 181, 189	2560040 ..... 149	2751617.....188
	2220596 ..... 183, 191	2560041 ..... 149	2751625.....180, 188
	2220600 ..... 181, 189	2560112 ..... 101, 146	2751637.....180
	2220603 ..... 182, 190	2600094 ..... 106	2751638.....183, 191

## SECTION 10 - SPECIAL OPTIONS

2751827	182, 190	2902344	84	3300297	163, 165	3421885	113, 114
2751838	182, 190	2910479	80	3300299	175	3421910	110
2751852	181, 189	2920009	142	3300322	163	3421912	110
2751872	182, 190	2920015	145	3310601	97, 123, 125, 146	3421917	109
2751893	183, 191	2920018	142	3311001	42, 101, 141, 145, 146	3421918	109
2751899	183, 191	2920026	197	3311005	130, 136	3421919	109
2751913	182, 190	2920027	97, 145	3311401	31, 93, 98, 120	3421920	109
2751932	180, 188	2920029	97, 145, 197	3311404	42	3421930	109
2752170	182, 190	2920108	147	3311405	10, 42, 79, 80, 83, 85, 97, 98, 105, 115, 134, 141, 209	3421931	109
2752236	182, 190	2920110	196, 197	3311501	31, 41, 77	3421932	109
2752240	182, 190	2920111	141	3311505	31, 41, 105, 115, 146	3421933	109
2752242	182	2920113	196, 197	3311508	135	3421934	109
2752246	180, 188	2920120	145	3311601	81, 171	3421935	110
2752249	182	2920140	141	3311605	31, 41, 42, 79, 83, 93, 102, 105, 110, 115, 119, 125, 141, 142	3421942	110
2752328	180, 188	2920151	102, 147	3311801	13, 32, 175	3421944	119
2752331	183, 191	2940006	130, 136, 214	3311802	125	3421948	10
2752338	181, 189	2940042	105	3311803	116	3421952	10
2752376	183, 191	2940045	105	3311805	41, 129, 134	3421953	10
2752377	183, 191	2940052	145	3312005	79, 80, 83, 85, 134	3421972	11
2752435	184, 192	2940066	102	3312202	114, 115, 125, 171, 175	3421973	11
2752586	182, 190	2940070	105	3321001	84	3421990	10
2752721	183, 191	2940113	105	3321401	116	3422090	109
2752933	183, 191	2940115	102	3323002	11	3422640	114
2760064	129, 135	3010101	109	3324203	10	3423019	114
2760091	77	3010102	109	3340383	171	3435285	110
2780155	15	3010103	109	3340394	114	3440418	141
2780181	73	3020025	130, 136	3340399	114	3440816	129, 135
2780278	59, 73	3160083	129, 135, 139	3340401	114	3441228	129, 135
2791841	180, 194	3160127	59, 63	3340403	114	3450203	113
2791845	194	3160176	27	3340454	129, 134	3450303	79, 85, 113
2820022	42, 141	3160204	13, 27	3340460	114	3450405	116
2860002	97	3160213	27	3340462	114	3450505	113, 116
2860030	97, 214	3160275	59, 63	3340493	119	3450806	115, 119
2880404	129, 134	3200183	79, 84	3340595	9	3451012	10
2900062	42	3200222	105	3340596	9	3480102	153, 157, 175
2900131	66	3200306	79, 84	3340604	175	3480113	171
2900340	154	3200311	79, 85	3340606	175	3480122	153
2900365	172	3220079	81, 83	3340608	175	3480130	169
2900383	154	3250585	196, 197	3340630	32	3480133	175
2900455	139	3252072	101	3340632	176	3480134	159, 167
2900560	16	3252103	97	3340633	176	3480137	157
2900642	66	3252105	145	3340819	116	3480142	163, 165
2900733	139	3252142	32	3380396	210	3480221	161
2900766	23, 69	3252347	209	3380403	211	3509182	116
2900767	24, 69	3252376	101	3420372	10	3509770	79, 83
2900768	23, 69	3252378	145	3420410	114	3510329	130
2900770	41, 163, 175	3252660	97	3421142	116	3510333	130
2900779	42	3252762	211	3421205	113	3510445	130
2900788	27	3252765	97	3421206	113	3510447	130
2900789	42	3300007	13	3421209	114	3510839	136
2900791	125	3300029	80, 83	3421350	113	3510841	136
2900792	153, 159, 161, 165	3300047	123, 146	3421493	11	3520022	93
2900793	171, 175	3300048	97, 123, 146	3421565	10	3520026	101, 145
2900795	41	3300147	97, 101, 146	3421628	113	3520034	142
2900796	74	3300151	105	3421686	11	3520071	110
2900797	89	3300177	98, 101, 145	3421850	109	3530403	77
2900798	63	3300190	153	3421853	59	3531946	11
2900803	211	3300220	84	3421854	60	3532054	10
2900838	218	3300229	11			3533337	59
2901103	169	3300240	115			3534144	130, 136
2901115	157	3300241	114			3534389	9
2901146	77	3300245	169			3534505	119
2901148	159, 167	3300273	159, 167			3534506	119
2901156	163, 165	3300280	153			3534507	119
2901161	176	3300286	175			3534550	175
2901461	161	3300288	169			3534551	175
		3300294	171			3534643	105

## SECTION 10 - SPECIAL OPTIONS

3535075.....	116	3900294.....	146	4120013.....	98, 146	4400357.....	93
3535128.....	115	3910606.....	123	4130260.....	10	4420017.....	120
3535129.....	115	3910608.....	97, 146	4130261.....	10	4420018.....	120
3535133.....	105	3910612.....	116	4160026.....	129, 134	4420037.....	101
3535300.....	105	3910620.....	125	4160028.....	130	4420038.....	98, 145
3535325.....	105	3910624.....	125	4160081.....	105	4420039.....	210
3535328.....	105	3910804.....	98	4160098.....	114	4420044.....	10
3535334.....	119	3911412.....	97	4160115.....	171	4420051.....	210
3535344.....	41	3931010.....	129, 135	4220038.....	98, 146	4460049.....	10, 141, 146
3535345.....	105	3931612.....	129, 136	4220078.....	175	4460051.....	98, 146
3535410.....	113	3931620.....	129, 135	4240033 ...	116, 129, 134,	4460052.....	123
3536089.....	141	3931660.....	175	141		4460071.....	141, 146
3570216.....	116	3931864.....	59	4240104.....	110	4460185.....	141
3572686.....	125	3941406.....	105	4280242.....	115, 119	4460206.....	141
3572687.....	125	3951402.....	175	4300031.....	105, 116	4460224.....	149
3580177.....	113	3951404.....	153, 169	4300034.....	105	4460225.....	149
3580183.....	120	3951405.....	171, 175	4300038.....	31	4460226.....	150
3580212.....	115	3951603.....	114	4300042.....	31	4460227.....	135, 150, 198
3580311.....	114	3951604.....	114	4300076.....	31	4460244.....	97, 123
3600071.....	80	3951820.....	77	4300092.....	13	4460265.....	149, 198
3600179.....	42	3960371.....	93	4300097.....	13	4460266.....	149
3600183.....	79, 85, 89	3960417.....	210	4300098.....	116	4460298.....	97, 146
3600196.....	80, 91	3971606.....	110	4300099.....	119	4460299.....	97, 98, 123, 146
3600459.....	83, 91	3980003.....	80, 83	4340453.....	115	4460300.....	97, 146
3630008.....	141	3980006.....	79, 83	4340603.....	175	4460301.....	97, 123, 146
3640536.....	97, 123	3990010 ...	135, 196, 197,	4340616.....	119	4460302.....	79, 85
3640752.....	146	198, 199, 215		4340622.....	119	4460305.....	97, 146
3640764.....	98	4060229.....	102, 145	4340632.....	115	4460306.....	97, 146
3730003.....	199	4060685.....	115	4360031.....	141, 216	4460307.....	97, 146
374004997, 98, 101, 135,		4060780.....	115	4360057.....	218	4460308.....	97
145, 196, 197, 198, 214,		4060782.....	119	4360065.....	197	4460309.....	97
3740057.....	98, 214	4060783.....	119	4360092.....	145, 214	4460311.....	146
3740058.....	98, 146, 214	4060789.....	115	4360157.....	197, 198	4460374.....	196, 197
3740059.....	80, 84, 214	4060790.....	115	4360164.....	198	4460386.....	97, 101, 146
3740063.....	98, 146	4060804.....	10	4360182.....	198	4460387.....	98, 123, 146
3740066.....	98	4060805.....	210	4360199 ...	101, 196, 197,	4460388.....	98, 123, 146
3740067.....	80, 83, 214	4060807.....	120	214		4460390.....	98
3740080.....	196, 197	4060808.....	120	4360200 ...	101, 145, 214	4460391.....	98
3760004.....	77	4061054.....	134	4360202 ....	32, 101, 145,	4460398.....	123
3760106.....	10	4070410.....	93	214		4460404.....	98
3760133.....	10, 110	4070411.....	93	4360204.....	101, 147	4460405.....	98
3760170.....	10, 60	4070412.....	93	4360209.....	145, 215	4460406.....	146
3760190.....	157	4070497.....	114	4360212.....	97, 214	4460409.....	98
3760233.....	114	4070498.....	114	4360216.....	97, 214	4460410.....	98
3760281.....	157	4070501.....	114	4360232 ...	142, 146, 215	4460411.....	98
3760297.....	77	4070502.....	114	4360236.....	10	4460412.....	98
3790012.....	32, 101, 145	4070503.....	114	4360237.....	10	4460413.....	98, 123
3790015.....	145	4070504.....	114	4360266.....	125, 216	4460414.....	98, 123
3790112.....	149	4070507.....	114	4360267.....	97, 214	4460415.....	98
3820001.....	209	4070508.....	114	4360274 ....	101, 145, 214	4460416.....	98
3820019.....	102	4070555.....	114	4360277 ....	10, 141, 216	4460418.....	197
3840800.....	171	4070556.....	114	4360281.....	97, 214	4460419.....	197
3841012.....	119	4070585.....	129, 136	4360282.....	101, 146	4460442.....	98, 123, 147
3841013.....	115	4070586.....	130	4360284.....	97	4460451.....	147
3841073.....	175	4070587.....	130, 136	4360287.....	196, 197	4460452.....	147
3841120.....	119	4070672.....	81	4360289.....	101, 145	4460455.....	98
3841126.....	115	4070789.....	10	4360301 ....	116, 125, 216	4460456.....	98
3841139.....	10	4070790.....	9	4360306.....	42, 214	4460457.....	197
3841140.....	10	4070791.....	9	4360307.....	141	4460458.....	197
3860050.....	115	4070792.....	9	4360468.....	97, 214	4460459.....	197
3860053.....	119	4070808.....	10	4360475 ....	101, 145, 214	4460460.....	197
3900159.....	59	4070987.....	98	4360476 ....	101, 146, 214	4460461.....	197
3900168.....	10	4071003.....	110	4360498.....	125	4460465.....	135
3900170.....	153, 159, 167,	4100026 ...	182, 183, 190,	4400332.....	93	4460466.....	135
169, 171, 176		191		4400333.....	93	4460476.....	77
3900171.....	163, 165, 175	4100033.....	129, 134	4400334.....	93	4460761.....	135
3900283.....	134	4120012.....	98	4400335.....	93	4460836.....	135

## SECTION 10 - SPECIAL OPTIONS

4460844.....	77	4640916.....	41, 51	4761800.....	13, 32, 42, 77,	4931740.....	196
4460933.....	135	4640932.....	161	79, 93, 113, 120, 171,		4932311.....	197
4461113.....	77	4640938.....	163	175		4932405.....	198
4520136.....	13	4640947.....	41, 49	4762000.....	120	4932407.....	197
4562083.....	129, 134	4641006.....	41, 42, 51	4762200.....	13, 109, 120	4932413.....	198
4562516.....	115, 119	4641008.....	42	4791600.....	84	4932414.....	199
4562877.....	171	4641183.....	31	4832000.....	87	4932415.....	198
4563167.....	182, 190	4641193.....	31	4832100.....	79	4932420.....	197
4563930.....	153, 157	4711400 79, 85, 105, 134,		4842046.....	129, 134	4932509.....	197, 198
4564701.....	165	141		4842207.....	171	4932510.....	198
4564717.....	169	4711500.....	85	4843673.....	59	4932512.....	197
4564893.....	175	4711600.....	134	4843729.....	105	4932514.....	197, 199
4565099.....	153	4711800.....	9	4843793.....	10	4932638.....	196
4565215.....	182, 190	4712000.....	115	4843794.....	10	4932640.....	196
4565216.....	182, 190	4712200.....	116	4843816.....	59	4932668.....	198
4565217.....	181, 190	4740003.....	113	4843825.....	11	4933173.....	198
4565218.....	181, 190	4740057.....	114	4843827.....	97	4933174.....	199
4565220.....	181, 189	4740120.....	98, 101, 145	4843828.....	110	4933271.....	198
4565225.....	157	4740158.....	129, 134	4843878.....	105	4933303.....	198
4565231.....	163	4740171.....	59	4843879.....	105	4933391.....	198
4565253.....	165	4740185.....	98, 114	4843890.....	110	70000794.....	29
4565266.....	159	4740189.....	59	4843919.....	93	70000969.....	91
4565284.....	81, 83	4740199.....	129, 135	4843920.....	105	70000970.....	91
4565287.....	182, 190	4740242.....	79, 85	4843925.....	105	70000976.....	91
4565288.....	182, 190	4740256.....	129, 135	4843926.....	105	70001060.....	91
4565289.....	181, 189	4740275.....	81	4843927.....	105	70001061.....	91
4565290.....	181, 189	4740276.....	116	4843928.....	119	70001065.....	91
4565291.....	181, 189	4740314.....	10	4843929.....	119	70001072.....	91
4565292.....	181, 190	4740322.....	93	4843930.....	105	70001073.....	91
4565293.....	182, 190	4740338.....	93	4843931.....	105	70001074.....	91
4565294.....	182, 190	4740362.....	105, 141	4843932.....	105	70001075.....	91
4565295.....	182, 190	4740371.....	130, 136	4843933.....	105	70001076.....	91
4565296.....	182, 190	4740377.....	159, 167	4843942.....	9	70001077.....	91
4565314.....	9	4750600.....	97, 123, 125,	4843943.....	9	70001078.....	91
4565571.....	81	146		4843957.....	81, 83	70001079.....	91
4565810.....	169	4750800.....	101, 147	4843979.....	10	70001080.....	91
4566493.....	142	4751000.....	42, 101, 102,	4844382.....	114	70001081.....	91
4567139.....	184, 191	141		4844477.....	9	70001082.....	91
4640005.....	42	4751400 ...	10, 31, 42, 79,	4844478.....	9	70001083.....	91
4640009.....	182, 190	80, 83, 85, 93, 97, 98,		4844832.....	120	70001084.....	91
4640033.....	180, 188	105, 106, 113, 119,		4846823.....	134	70001085.....	91
4640123.....	31	129, 134, 135, 171, 209		4891600.....	84	7000166.....	139
4640136.....	41	4751500 ...	31, 41, 77, 81,	4891800.....	59, 120, 134	70001996.....	9
4640197.....	180, 188	83, 105, 113, 135, 146		4892000.....	134	70001997.....	10
4640210.....	171, 175	4751600 ...	31, 41, 42, 77,	4892400.....	59	70002008.....	115, 214
4640212.....	171	79, 83, 93, 102, 105,		4920019.....	141	70002009.....	115, 119
4640216.....	183, 191	110, 114, 119, 125,		4920039.....	142	70002010.....	119, 214
4640260.....	31	141, 142, 176		4920140.....	10	70002090.....	85
4640363.....	41	4751700.....	42, 79	4920385.....	114	7000213.....	19
4640383.....	182, 190	4751800 ...	13, 41, 85, 93,	4920487.....	150	7000220.....	15, 19
4640462.....	41, 45	116, 129, 134, 175		4920986.....	129, 134	70002279.....	31
4640509 ...	153, 159, 161,	4752000 80, 83, 129, 134		4921299.....	150	70002280.....	31
165		4752200.....	175	4921347.....	197	70002281.....	32
4640512.....	181, 189	4760600.....	97, 116, 123,	4921348.....	199	70002283.....	29
4640575.....	180, 188	125, 146		4921350.....	199	70002284.....	29
4640603.....	41	4760800.....	101, 147	4921351.....	199	70002286.....	29
4640647.....	163, 175	4761000 42, 84, 101, 102,		4921352.....	199	70002287.....	29
4640661.....	41	141, 145, 146		4921353.....	199	7000231.....	15, 19
4640696.....	125	4761400 ...	31, 32, 42, 77,	4921429.....	197, 198, 199	7000238.....	19
4640700.....	31	93, 98, 105, 116, 120,		4921430.....	197, 198, 199	7000243.....	15, 73
4640701.....	31, 35	129, 134		4921431.....	197, 198	70002520.....	85
4640702.....	31, 37	4761500 ...	10, 31, 77, 81,	4921432.....	197, 199	7000265.....	15, 19
4640704.....	42, 55	110, 116		4921433.....	197, 198, 199	70002684.....	19
4640705.....	41, 51	4761600.....	9, 77, 80, 87,	4922368.....	199	70002685.....	19
4640814.....	41	110, 114, 125, 129,		4922917.....	135	70002686.....	19
4640839.....	41	135, 141, 171, 175		4922976.....	135	70002687.....	19
4640872.....	42, 55	4761700.....	42	4923249.....	84	70002688.....	20

## SECTION 10 - SPECIAL OPTIONS

7000281.....	19	7001975.....	15, 19	7003091.....	65	7006757.....	52, 55
7000282.....	16, 19	7001976.....	15, 20	7003103.....	89	7006771.....	52, 56
70002828.....	85	7001977.....	15, 20	7003114.....	89	7006773.....	52
7000283.....	16, 19	7002100.....	139	7003647.....	53, 214	7006778.....	53, 56
7000284.....	15, 19	7002103.....	139	7003655.....	80, 83, 214	7006780.....	53
7000285.....	15, 19	7002104.....	139	7003700.....	149	7006782.....	51
7000290.....	16, 19	7002105.....	139	7003702.....	149	7007312.....	65
7000413.....	46	7002107.....	139	7003703.....	149	7007320.....	41
7000414.....	35, 37, 46, 49	7002110.....	139	7003719.....	149	7007321.....	31
7000417.....	45, 214	7002111.....	139	7003722.....	150	7007323.....	31
7000418.....	35, 37, 46, 49, 214	7002112.....	139	7003739.....	149	7007435.....	29
7000448.....	49	7002116.....	139	7003740.....	149	7007437.....	29
7000468.....	35, 37, 46, 49	7002117.....	139	7003744.....	149	7007438.....	29
7000470.....	35, 37, 45, 49	7002123.....	139	7003751.....	149	7007439.....	29
7000548.....	41, 214	7002125.....	139	7003788.....	149	7007446.....	29
7000552.....	41	7002229.....	45	7003789.....	149	7007459.....	29
7000558.....	31, 41, 216	7002262.....	35, 46	7003790.....	149	7007657.....	15, 19
7000625.....	141	7002294.....	45	7003791.....	149	7007673.....	74
7000711.....	65	7002304.....	45	7003792.....	149	7007688.....	73
7000712.....	65	7002305.....	35, 37, 45, 49	7003793.....	149	7007689.....	73
7000713.....	65	7002315.....	35, 37, 46, 49	7003795.....	149	7007698.....	15
7000714.....	65	7002316.....	35, 45, 49	7003825.....	37, 45, 49	7007699.....	15
7000717.....	65	7002317.....	37	7004167.....	63	7007901.....	66
7000718.....	65	7002320.....	45	7004171.....	63	7007902.....	66
7000720.....	65	7002321.....	45	7004177.....	63	7007905.....	66
7000721.....	65	7002322.....	45	7004179.....	63	7007906.....	66
7000729.....	65	7002323.....	45	7004192.....	63	7007907.....	66
7000730.....	65	7002324.....	45	7004196.....	63	7007908.....	66
7000731.....	24	7002326.....	45	7004197.....	63	7007909.....	66
7000732.....	65	7002327.....	49	7004198.....	63	7007913.....	65
7000760.....	65	7002328.....	45	7004244.....	93	7007914.....	66, 69
7000796.....	23, 65	7002329.....	45	7004247.....	80	7007915.....	66
7000798.....	65	7002333.....	35, 37, 46, 49	7004248.....	80	7007916.....	66
7001293.....	89	7002334.....	35, 37, 45, 46, 49	7004249.....	80	7007923.....	23, 66, 69
7001506.....	41	7002335.....	35, 37, 46, 49	7004368.....	31, 41, 216	7007924.....	23, 65
7001507.....	41	7002336.....	35, 37, 46, 49	7004822.....	45	7007926.....	66
7001909.....	73	7002338.....	35, 37, 45, 46, 49	7004823.....	45	7007927.....	66
7001910.....	15	7002339.....	35, 37, 46, 49	7004834.....	45	7007928.....	65
7001913.....	73	7002340.....	35, 37, 46, 49	7004835.....	45	7007930.....	66
7001919.....	15, 19	7002341.....	35, 37, 45, 49	7004836.....	45	7007933.....	23, 66
7001922.....	74	7002344.....	35, 37, 45, 49	7004837.....	45	7007934.....	66
7001928.....	15, 19, 74	7002345.....	35, 37, 45, 49	7004838.....	45	7007970.....	23, 69
7001947.....	15, 19	7002346.....	35, 37, 45, 49	7004839.....	45	7007977.....	23, 69
7001948.....	15	7002348.....	35, 37, 45, 49	7004841.....	45	7007979.....	23, 69
7001949.....	15, 19	7002378.....	35, 37, 45, 49	7004859.....	35, 37, 45, 46, 49	7007980.....	23, 69
7001950.....	15, 19	7002378.....	45	7005447.....	89	7007983.....	23, 69
7001951.....	15	7002447.....	49	7005474.....	89	7007985.....	23, 69
7001952.....	15, 73	7002448.....	49	7005476.....	89	7007986.....	23
7001955.....	15, 19	7002449.....	49	7005597.....	89	7007987.....	23, 69
7001956.....	15, 19	7002450.....	49, 214	7006075.....	31	7008804.....	79, 84
7001957.....	15, 19	7002451.....	49	7006140.....	9	7008821.....	79, 84
7001958.....	15, 19	7002825.....	35	7006148.....	9	7008828.....	79, 84, 214
7001959.....	15, 19	7003006.....	65	7006152.....	9	7008829.....	79, 84, 214
7001961.....	15	7003007.....	65	7006153.....	115, 214	7009315.....	51, 55
7001962.....	15, 19	7003012.....	65	7006179.....	115, 119	7009316.....	51, 55
7001963.....	15, 19	7003013.....	65	7006180.....	115, 119, 214	7009319.....	52, 55
7001964.....	19	7003049.....	65	7006191.....	119, 214	7009320.....	52
7001965.....	15	7003051.....	65	7006726.....	52, 55	7009323.....	52, 53, 55, 56
7001966.....	15, 19	7003052.....	65	7006729.....	52, 55	7009324.....	52
7001967.....	15, 19	7003053.....	65	7006730.....	52, 55	7009325.....	52
7001968.....	15, 19	7003054.....	65	7006731.....	52, 55	7009330.....	53
7001970.....	15, 19	7003055.....	65	7006732.....	52	7009364.....	56
7001971.....	15, 19	7003056.....	65	7006737.....	52	7009367.....	55
7001972.....	15, 19	7003057.....	65	7006744.....	52, 55	7009368.....	52, 56
7001973.....	15, 19	7003059.....	65	7006745.....	52	7009369.....	52
7001974.....	15, 19	7003090.....	65	7006746.....	52, 55	7009370.....	56
						7009371.....	56

## SECTION 10 - SPECIAL OPTIONS

7009372.....	55	7010793.....	63	7012371.....	53	7020175.....	101, 145
7009373.....	55	7010794.....	63	7012372.....	51	7020176.....	101, 145
7009374.....	56	7010795.....	63	7012378.....	51	7020365.....	53
7009375.....	56	7010911.....	91	7012380.....	51	7020366.....	53
7009376.....	56	7010924.....	91	7012381.....	51	7020367.....	51
7009380.....	56	7011016.....	91	7012382.....	51	7020511.....	149
7009381.....	52, 55	7011024.....	91	7012384.....	51	7020542.....	150
7009382.....	55	7011043.....	91	7012385.....	53	7021249.....	29
7009383.....	56	7011044.....	91	7012518.....	31	7021256.....	29
7009384.....	56	7011048.....	91	7012576.....	80	7021275.....	29
7009385.....	56	7011071.....	91	7012611.....	101, 145	7021276.....	29
7009386.....	56	7011112.....	161	7012612.....	101, 145	7021625.....	31
7009387.....	56	7011118.....	49	7012700.....	27	7022302.....	29
7009388.....	51	7011311.....	41	7012701.....	27	7022303.....	29
7009389.....	51	7011316.....	31	7012702.....	27	7022311.....	29
7009390.....	51	7011317.....	31	7012703.....	27	7022314.....	29
7009391.....	51	7011320.....	41	7012704.....	27	7022321.....	29
7009392.....	51	7011322.....	41	7012705.....	27	7022322.....	29
7009393.....	53	7011340.....	42	7012706.....	27	7022324.....	29
7009394.....	51	7011712.....	23	7012707.....	27	7022325.....	29
7009395.....	53	7011713.....	23, 69	7012708.....	27	7022326.....	29
7009396.....	53	7011714.....	23, 69	7012709.....	27	7022328.....	29
7009397.....	52	7011715.....	23, 69	7012710.....	27	7022368.....	29
7009398.....	52	7011716.....	23, 69	7012711.....	27	7022371.....	29
7009594.....	89	7011717.....	23, 69	7012712.....	27	7023230.....	81, 85
7009595.....	89	7011719.....	69	7012713.....	27	7023432.....	63
7009596.....	89	7011720.....	69	7012714.....	27	7023443.....	63
7009597.....	89	7011903.....	149	7012715.....	27	7023475.....	81
7009598.....	89	7011907.....	149	7012716.....	27	7023476.....	81
7009599.....	89	7011941.....	150	7012945.....	41	7023477.....	81
7009739.....	31	7011983.....	149	7013711.....	80, 91	7023478.....	81
7009756.....	181, 189	7012300.....	52	7013772.....	80, 91	7023910.....	29
7009992.....	139	7012301.....	53	7013773.....	80, 91	7023917.....	31
7010403.....	74	7012302.....	53	7013774.....	80, 91	7024140.....	19
7010408.....	73	7012303.....	53	7014300.....	89	7024143.....	19
7010409.....	73	7012318.....	52, 56	7014301.....	89	7024593.....	81
7010411.....	73	7012319.....	52, 56	7014302.....	89	7024594.....	81
7010412.....	73	7012320.....	52, 56	7014303.....	89	7024778.....	73
7010413.....	73	7012321.....	52, 56	7014304.....	89	7024854.....	29
7010414.....	73	7012322.....	52, 56	7014306.....	89	7024862.....	29
7010415.....	73	7012323.....	52, 56	7014308.....	89	7024863.....	29
7010416.....	73	7012324.....	52, 55	7014676.....	218	7024864.....	29
7010418.....	73	7012326.....	51, 55	7016333.....	93	7024865.....	29
7010419.....	74	7012327.....	52, 55	7016394.....	77	7024866.....	29
7010420.....	74	7012328.....	53	7017003.....	15, 19	7024867.....	29
7010431.....	73	7012329.....	52, 214	7017048.....	19, 73	7024868.....	29
7010432.....	73	7012330.....	53	7017496.....	31	7024870.....	29
7010434.....	73	7012333.....	53, 56	7018602.....	23, 69	7027420.....	29
7010436.....	74	7012336.....	53	7018603.....	23, 69	7027737.....	81, 85
7010456.....	74	7012337.....	53	7018605.....	23, 69	7028838.....	85
7010457.....	74	7012338.....	53, 56	7018606.....	23, 69	77133137.....	135
7010458.....	74	7012339.....	52, 55, 214	7018607.....	23, 69	8033493.....	85
7010459.....	74	7012350.....	56	7018608.....	24, 70	80966123.....	135
7010460.....	74	7012360.....	56	7018609.....	23, 69	8274022.....	84, 214
7010652.....	42	7012361.....	56	7018612.....	24, 70	86561326.....	191
7010700.....	63	7012363.....	55	7018990.....	27	8760268.....	181, 189
7010775.....	63	7012364.....	56	7019674.....	81	91163129.....	84
7010776.....	63	7012365.....	56	7019675.....	81	91414020.....	74
7010790.....	63	7012366.....	53	7020009.....	81		
7010791.....	63	7012367.....	53	7020045.....	31		
7010792.....	63	7012370.....	53	7020051.....	31		



**Corporate Office  
JLG Industries, Inc.  
1 JLG Drive  
McConnellsburg, PA 17233-9533 USA  
☎ (717) 485-5161 (Corporate)  
☎ (877) 554-5438 (Customer Support)  
📠 (717) 485-6417**

**Visit our website for JLG Worldwide Locations.  
[www.jlg.com](http://www.jlg.com)**



**OSHKOSH™**