



# Illustrated Parts Manual

**Models**  
**100SX**  
**110SX**  
**110SXJ**  
**120SXJ**

P/N  
3121106

*January 2, 2012*

**ANSI**



An Oshkosh Corporation Company



## REVISION LOG

June 1, 2000 - Original Issue Of Manual

August 2, 2000 - Revised (Manual edited to 0010569 Revision 3 Models 100SX/110SX/110SXJ & 0010570 Revision 2 Model 120SXJ)

November 9, 2000 - Revised (Manual edited to 0010569 Revision 5 Models 100SX/110SX/110SXJ & 0010570 Revision 5 Model 120SXJ)

June 18, 2001 - Revised (Manual edited to 0010569 Revision 9 Models 100SX/110SX/110SXJ & 0010570 Revision 9 Model 120SXJ)

August 22, 2002 - Revised (Manual edited to 0010569 Revision 17 Models 100SX/110SX/110SXJ & 0010570 Revision 14 Model 120SXJ)

September 30, 2003 - Revised (Manual edited to 0010569 Revision 18 Models 100SX/110SX/110SXJ & 0010570 Revision 15 Model 120SXJ)

November 15, 2006 - Revised (Manual edited to 0010569 Revision 18 Models 100SX/110SX/110SXJ & 0010570 Revision 15 Model 120SXJ)

January 2, 2012 - Revised Manual



# TABLE OF CONTENTS

|   |     |
|---|-----|
| SECTION 1 - FRAME.....  | 7   |
| FIGURE 1-1. FRAME, VALVES AND SHIELDS INSTALLATION .....                      | 8   |
| FIGURE 1-2. VALVE ASSEMBLY - HYDRO AIR .....                                  | 12  |
| FIGURE 1-3. STEERING AND AXLES INSTALLATION .....                             | 14  |
| FIGURE 1-4. TIRE AND WHEEL DRIVE INSTALLATIONS.....                           | 18  |
| FIGURE 1-5. DRIVE HUB ASSEMBLY .....  | 20  |
| FIGURE 1-6. DRIVE MOTOR ASSEMBLY - REXROTH.....                               | 24  |
| FIGURE 1-7. JACK CYLINDER INSTALLATION .....                                  | 26  |
| FIGURE 1-8. JACK VALVE ASSEMBLY - HYDRO AIR.....                              | 28  |
| SECTION 2 - TURNTABLE.....  | 31  |
| FIGURE 2-1. TURNTABLE, BOOM AND SWITCHES INSTALLATION .....                   | 32  |
| FIGURE 2-2. VALVES INSTALLATION - TURNTABLE MOUNTED .....                     | 36  |
| FIGURE 2-3. VALVE ASSEMBLY - HYDRO AIR .....                                  | 38  |
| FIGURE 2-4. ROTARY COUPLING AND COLLECTOR RING ASSEMBLY AND INSTALLATION..... | 42  |
| FIGURE 2-5. SWING DRIVE AND BEARING INSTALLATION.....                         | 44  |
| FIGURE 2-6. SWING MOTOR ASSEMBLY .....  | 46  |
| FIGURE 2-7. SWING BRAKE ASSEMBLY .....  | 48  |
| FIGURE 2-8. SWING HUB ASSEMBLY .....  | 50  |
| FIGURE 2-9. LOAD MANAGEMENT INSTALLATION .....                                | 52  |
| FIGURE 2-10. GROUND CONTROLS INSTALLATION.....                                | 54  |
| FIGURE 2-11. REMOTE DRIVE CONTROL BOX ASSEMBLY .....                          | 58  |
| FIGURE 2-12. DEUTZ F4L-912 ENGINE INSTALLATION.....                           | 60  |
| FIGURE 2-13. GENERATOR INSTALLATION- DEUTZ (OPTION).....                      | 66  |
| FIGURE 2-14. FORD LRG-425EFI DUAL FUEL ENGINE INSTALLATION .....              | 70  |
| FIGURE 2-15. DUAL FUEL INSTALLATIONS (FORD MACHINE OPTION).....               | 76  |
| FIGURE 2-16. GENERATOR INSTALLATION - FORD (OPTIONAL) .....                   | 80  |
| FIGURE 2-17. PUMP COUPLING INSTALLATION.....                                  | 84  |
| FIGURE 2-18. PUMP ASSEMBLY .....  | 86  |
| FIGURE 2-19. PUMP ASSEMBLY - HYDRO-AIR .....                                  | 90  |
| FIGURE 2-20. TANKS INSTALLATION.....  | 92  |
| FIGURE 2-21. HOOD INSTALLATION (Prior to SN 55762) .....                      | 96  |
| FIGURE 2-22. HOOD INSTALLATION (SN 55762 to Present) .....                    | 100 |
| FIGURE 2-23. OIL COOLER INSTALLATION.....                                     | 104 |
| SECTION 3 - BOOM.....   | 107 |
| FIGURE 3-1. BOOM ASSEMBLY COMPONENTS INSTALLATION.....                        | 108 |
| FIGURE 3-2. CHAIN ADJUSTER ASSEMBLIES .....                                   | 116 |
| FIGURE 3-3. JIB BOOM INSTALLATION .....                                       | 118 |
| FIGURE 3-4. EXTEND-A-REACH INSTALLATION (110SXJ/120SXJ) .....                 | 120 |
| FIGURE 3-5. BOOM LENGTH INDICATOR AND LIMIT SWITCHES INSTALLATION.....        | 124 |
| FIGURE 3-6. BOOM WIPERS INSTALLATION .....                                    | 126 |
| SECTION 4 - PLATFORMS .....   | 129 |
| FIGURE 4-1. PLATFORM COMPONENTS INSTALLATION .....                            | 130 |

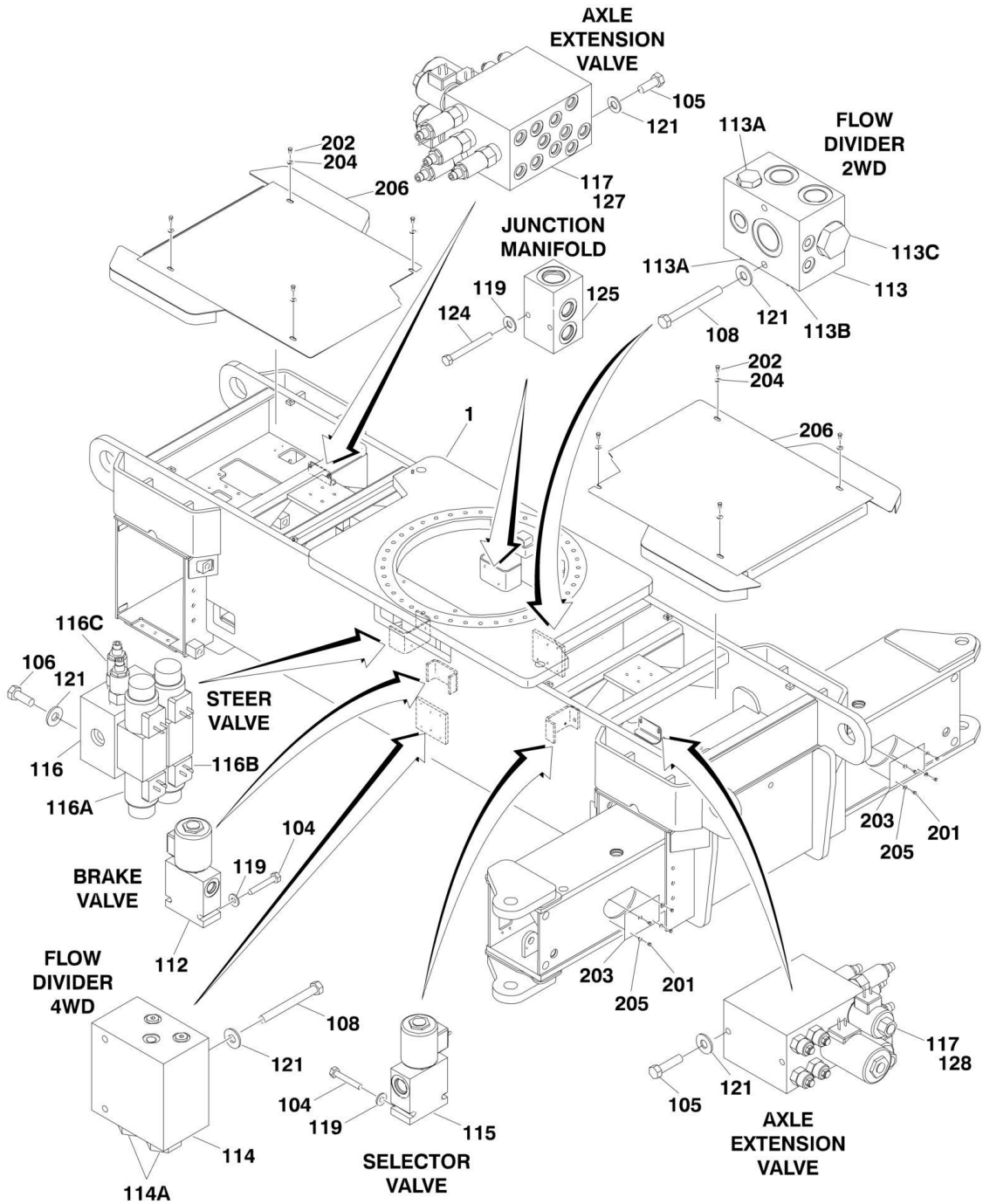
# TABLE OF CONTENTS

|   |     |
|---|-----|
| FIGURE 4-2. PLATFORM SUPPORT AND ROTATOR INSTALLATION (100SX/110SX).....    | 134 |
| FIGURE 4-3. PLATFORM SUPPORT AND ROTATOR INSTALLATION (110SXJ/120SXJ) ..... | 138 |
| FIGURE 4-4. ROTATOR MOTOR ASSEMBLY .....                                    | 140 |
| FIGURE 4-5. PLATFORM CONSOLE ASSEMBLY .....                                 | 142 |
| FIGURE 4-6. CONTROLLER ASSEMBLY (LIFT AND SWING) .....                      | 146 |
| FIGURE 4-7. CONTROLLER ASSEMBLY (DRIVE AND STEER) .....                     | 148 |
| FIGURE 4-8. CONTROLLER ASSEMBLY (SPEED) .....                               | 150 |
| FIGURE 4-9. SOFT TOUCH SYSTEM INSTALLATION .....                            | 152 |
| SECTION 5 - CYLINDERS .....   | 155 |
| FIGURE 5-1. AXLE EXTENSION CYLINDER ASSEMBLY .....                          | 156 |
| FIGURE 5-2. PLATFORM LEVEL CYLINDER ASSEMBLY.....                           | 158 |
| FIGURE 5-3. BOOM LIFT CYLINDER ASSEMBLY (110SX/110SXJ/120SXJ).....          | 160 |
| FIGURE 5-4. EXTEND-A-REACH LEVEL CYLINDER ASSEMBLY .....                    | 162 |
| FIGURE 5-5. EXTEND-A-REACH LIFT CYLINDER ASSEMBLY .....                     | 164 |
| FIGURE 5-6. JACK CYLINDER ASSEMBLY .....                                    | 166 |
| FIGURE 5-7. MASTER CYLINDER ASSEMBLY .....                                  | 168 |
| FIGURE 5-8. STEER CYLINDER ASSEMBLY .....                                   | 170 |
| FIGURE 5-9. TIE ROD CYLINDER ASSEMBLY.....                                  | 172 |
| FIGURE 5-10. TELESCOPE CYLINDER ASSEMBLY .....                              | 174 |
| SECTION 6 - HYDRAULICS.....   | 177 |
| FIGURE 6-1. HYDRAULIC DIAGRAM - DRIVE (4WD / DEUTZ / FORD ENGINE) .....     | 178 |
| FIGURE 6-2. HYDRAULIC DIAGRAM - T/T AND BOOM .....                          | 182 |
| FIGURE 6-3. HYDRAULIC DIAGRAM - STEER .....                                 | 186 |
| FIGURE 6-4. HYDRAULIC DIAGRAM - LIFTING JACKS.....                          | 188 |
| FIGURE 6-5. HYDRAULICS DIAGRAM LIST .....                                   | 190 |
| SECTION 7 - ELECTRICAL.....   | 191 |
| FIGURE 7-1. ELECTRICAL DIAGRAM LIST .....                                   | 192 |
| FIGURE 7-2. ELECTRICAL SCHEMATIC - 100SX/110SX.....                         | 194 |
| FIGURE 7-3. ELECTRICAL SCHEMATIC - 110SXJ.....                              | 198 |
| FIGURE 7-4. ELECTRICAL SCHEMATIC - 120SXJ.....                              | 202 |
| FIGURE 7-5. HARNESS COMPONENTS INSTALLATION .....                           | 206 |
| SECTION 8 - DECALS .....  | 213 |
| FIGURE 8-1. DECALS INSTALLATION - ANSI .....                                | 214 |
| FIGURE 8-2. DECALS INSTALLATION - ANSI EXPORT.....                          | 218 |
| SECTION 9 - RECOMMENDED SERVICE PARTS STOCK.....                            | 223 |
| FIGURE 9-1. MODELS 100SX/110SX/110SXJ/120SXJ STANDARD PARTS .....           | 224 |
| FIGURE 9-2. MODELS 100SX/110SX/110SXJ/120SXJ VARIABLE PARTS.....            | 228 |
| SECTION 10 - SPECIAL OPTIONS .....  | 229 |
| FIGURE 10-1. SPECIAL OPTIONS .....  | 230 |
| PART NUMBER INDEX.....  | 233 |

**SECTION 1 - FRAME**

# SECTION 1 - FRAME

## FIGURE 1-1. FRAME, VALVES AND SHIELDS INSTALLATION





# SECTION 1 - FRAME

## FIGURE 1-1. FRAME, VALVES AND SHIELDS INSTALLATION

| ITEM | PART NUMBER | QTY | DESCRIPTION  | REV |
|------|-------------|-----|--|-----|
|      |             | Ref | <b>FRAME, VALVES AND SHIELDS INSTALLATION</b>  |     |
| 1    | 2360535     | 1   | Frame Weldment   |     |
|      | 0270353     | Ref | <b>VALVES INSTALLATION - FRAME MOUNTED (100SX/110SX)</b>   | B   |
|      | 0259923     | Ref | <b>VALVES INSTALLATION - FRAME MOUNTED (110SXJ/120SXJ)</b>                                       | E   |
| 104  | 0641418     | 4   | Bolt 1/4in-20NC x 2 1/4in  |     |
| 105  | 0641607     | 4   | Bolt 3/8in-16NC x 7/8in  |     |
| 106  | 0641608     | 2   | Bolt 3/8in-16NC x 1in  |     |
| 108  | 0641628     | 4   | Bolt 3/8in-16NC x 3 1/2in  |     |
| 112  | 4641154     | 1   | Valve Assembly - Hydro Air Selector  |     |
| 112  | 7012943     | 1   | Coil   |     |
| 112  | 7017480     | 1   | Cartridge  |     |
| 112  | 7012973     | 1   | Seal Kit - 7017480 Cartridge   |     |
| 113  | 4641041     | 1   | Valve Assembly - Flow Divider (2WD)  |     |
| 113A | 7022397     | 2   | Cartridge, Check Valves  |     |
| 113A | 7022399     | 2   | Seal Kit - 7022397 Cartridge   |     |
| 113B | 7022398     | 1   | Cartridge, Load Shuttle  |     |
| 113B | 7023900     | 1   | Seal Kit - 7022398 Cartridge   |     |
| 113C | 7022396     | 1   | Cartridge, Flow Divider  |     |
| 113C | 7021625     | 1   | Seal Kit - 7022396 Cartridge   |     |
| 114  | 4641042     | 1   | Valve Assembly - Flow Divider (4WD)  |     |
| 114A | 7012978     | 2   | Cartridge  |     |
| 114A | 7012980     | 2   | Seal Kit   |     |
| 115  | 4641153     | 1   | Valve Assembly - Solenoid  |     |
| 115  | 7012944     | 1   | Coil, Solenoid   |     |
| 115  | 7012941     | 1   | Cartridge  |     |
| 115  | 7010543     | 1   | Seal Kit - 7012941 Cartridge   |     |
| 116  | 4641132     | 1   | Valve Assembly - Steer   |     |
| 116A | 7017490     | 1   | Bosch Valve Section - Complete (Directional Control)   |     |
| 116A | 7021400     | 1   | Spool  |     |
| 116A | 7021401     | 2   | Coil   |     |
| 116A | 7021402     | 2   | Seal Kit   |     |
| 116A | 7021403     | 2   | Cap, End   |     |
| 116B | 7021407     | 1   | Bosch Valve Section - Complete (Directional Control)   |     |
| 116B | 7021408     | 1   | Spool  |     |
| 116B | 7021401     | 2   | Coil   |     |
| 116B | 7021402     | 2   | Seal Kit   |     |
| 116B | 7021403     | 2   | Cap, End   |     |
| 116B | 7021409     | 2   | Spring, Centering  |     |
| 116C | 7021644     | 2   | Cartridge, Valve   |     |
| 116C | 7021645     | 2   | Seal Kit - 7021644 Cartridge   |     |
| 117  | 4641134     | 2   | Valve Assembly - Hydro Air (See VALVE ASSEMBLY - HYDRO AIR for Breakdown) (100SX & 110SX Only)   |     |
| 119  | 4711400     | 7   | Flatwasher 1/4in (Narrow)  |     |
| 121  | 4751600     | 10  | Flatwasher 3/8in (Wide)  |     |
| 124  | 0641420     | 2   | Bolt 1/4in-20NC x 2 1/2in  |     |
| 125  | 4641155     | 1   | Valve, Junction Manifold   |     |
| 127  | 4641165     | 1   | Valve Assembly - Hydro Air (See VALVE ASSEMBLY - HYDRO AIR for Breakdown) (110SXJ & 120SXJ Only) |     |

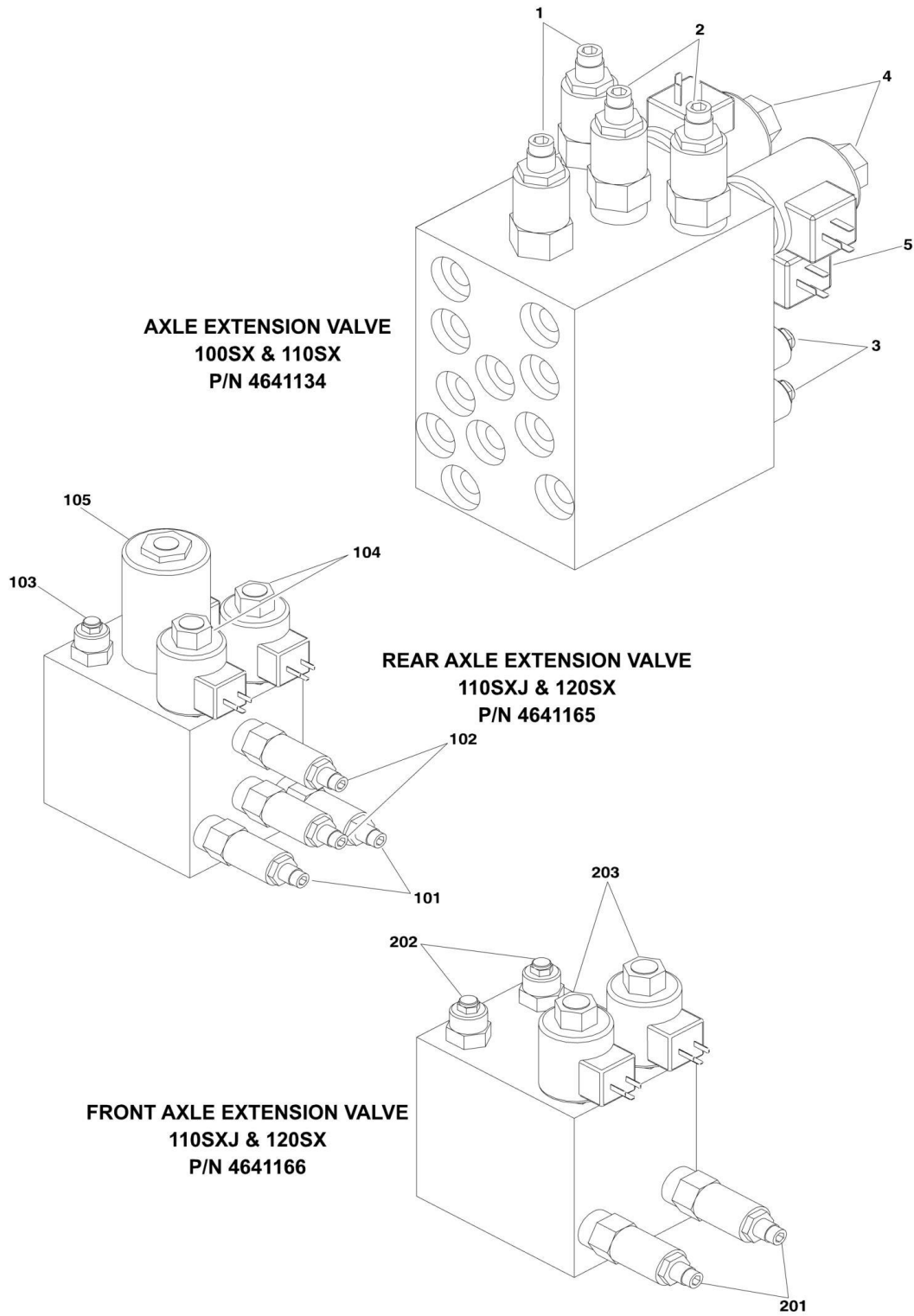
## SECTION 1 - FRAME

| ITEM | PART NUMBER | QTY | DESCRIPTION  | REV |
|------|-------------|-----|--|-----|
| 128  | 4641166     | 1   | Valve Assembly - Hydro Air (See VALVE ASSEMBLY - HYDRO AIR for Breakdown) (110SXJ & 120SXJ Only) |     |
|      |             | Ref | <b>FRAME SHIELDS INSTALLATION OPTIONS:</b>   |     |
|      | 0270200     | Ref | <b>2W/D</b>  | B   |
|      | 0259925     | Ref | <b>4W/D</b>  | B   |
| 201  | 0641404     | AR  | Bolt 1/4in-20NC x 1/2in  |     |
| 202  | 0641606     | 8   | Bolt 3/8in-16NC x 3/4in  |     |
| 203  | 3572315     | AR  | Plate, Cover   |     |
| 204  | 4751600     | 8   | Flatwasher 3/8in   |     |
| 205  | 4751400     | AR  | Flatwasher 1/4in   |     |
| 206  | 4846247     | 2   | Shield   |     |
|      | 0100011     | AR  | Loctite #242   |     |



# SECTION 1 - FRAME

## FIGURE 1-2. VALVE ASSEMBLY - HYDRO AIR



# SECTION 1 - FRAME

## FIGURE 1-2. VALVE ASSEMBLY - HYDRO AIR

| ITEM | PART NUMBER | QTY | DESCRIPTION  | REV |
|------|-------------|-----|--|-----|
|      | 4641134     | Ref | <b>AXLE EXTENSION VALVE ASSEMBLY - HYDRO AIR (100SX &amp; 110SX)</b>         | A   |
| 1    | 7012913     | 2   | Cartridge, Valve   |     |
| 1    | 7017496     | 2   | Seal Kit - 7012913 Cartridge (1 Per Cartridge)                               |     |
| 2    | 7021634     | 2   | Cartridge, Valve   |     |
| 2    | 7010545     | 2   | Seal Kit - 7021634 Cartridge (1 Per Cartridge)                               |     |
| 3    | 7011336     | 4   | Cartridge, Check Valve   |     |
| 4    | 7012995     | 2   | Cartridge, Valve - Hydraforce  |     |
| 4    | 7012518     | 2   | Seal Kit - 7012995 Cartridge (1 Per Cartridge)                               |     |
| 4    | 7012943     | 2   | Coil - 12V (1 Per Cartridge)   |     |
| 5    | 7021635     | 1   | Cartridge, Valve - Hydraforce  |     |
| 5    | 7012942     | 1   | Seal Kit - 7021635 Cartridge   |     |
| 5    | 7012943     | 1   | Coil - 12V   |     |
|      | 4641165     | Ref | <b>FRONT AXLE EXTENSION VALVE ASSEMBLY - HYDRO AIR (110SXJ &amp; 120SXJ)</b> | A   |
| 101  | 7012913     | 2   | Cartridge, Valve   |     |
| 101  | 7017496     | 2   | Seal Kit - 7012913 Cartridge (1 Per Cartridge)                               |     |
| 102  | 7021634     | 2   | Cartridge, Valve   |     |
| 102  | 7010545     | 2   | Seal Kit - 7021634 Cartridge (1 Per Cartridge)                               |     |
| 103  | 7011336     | 2   | Cartridge, Check Valve   |     |
| 103  | 2900770     | 2   | Seal Kit - 7011336 Cartridge (1 Per Cartridge)                               |     |
| 104  | 7012995     | 2   | Cartridge, Valve - Hydraforce  |     |
| 104  | 7012518     | 2   | Seal Kit - 7012995 Cartridge (1 Per Cartridge)                               |     |
| 104  | 7012943     | 2   | Coil - 12V (1 Per Cartridge)   |     |
| 105  | 7021635     | 1   | Cartridge, Valve - Hydraforce  |     |
| 105  | 7012942     | 1   | Seal Kit - 7021635 Cartridge   |     |
| 105  | 7023994     | 1   | Coil - 12V   |     |
|      | 4641166     | Ref | <b>REAR AXLE EXTENSION VALVE ASSEMBLY - HYDRO AIR (110SXJ &amp; 120SXJ)</b>  | A   |
| 201  | 7012913     | 2   | Cartridge, Valve   |     |
| 201  | 7017496     | 2   | Seal Kit - 7012913 Cartridge (1 Per Cartridge)                               |     |
| 202  | 7011336     | 2   | Cartridge, Check Valve   |     |
| 202  | 2900770     | 2   | Seal Kit - 7011336 Cartridge (1 Per Cartridge)                               |     |
| 203  | 7012995     | 2   | Cartridge, Valve - Hydraforce  |     |
| 203  | 7012518     | 2   | Seal Kit - 7012995 Cartridge (1 Per Cartridge)                               |     |
| 203  | 7012943     | 2   | Coil - 12V (1 Per Cartridge)   |     |



# SECTION 1 - FRAME

## FIGURE 1-3. STEERING AND AXLES INSTALLATION

| ITEM | PART NUMBER | QTY | DESCRIPTION   | REV |
|------|-------------|-----|---|-----|
|      |             | Ref | <b>STEERING INSTALLATIONS</b>   |     |
|      | 0259920     | Ref | <b>2WS</b>  | D   |
|      | 0259919     | Ref | <b>4WS</b>  | F   |
| 2    | 0641612     | 3   | Bolt 3/8in-16NC x 1 1/2in   |     |
| 3    | 0641810     | 16  | Bolt 1/2in-13NC x 1 1/4in   |     |
| 4    | 1683921     | 1   | Cylinder, Tie-Rod (See CYLINDER SECTION for Breakdown)                |     |
| 5    |             | Ref | Steer Cylinder Assembly Options (See CYLINDER SECTION for Breakdown): |     |
| 5    | 1683935     | 2   | Steer Cylinder Assembly (2WS)   |     |
| 5    | 1683958     | 2   | Steer Cylinder Assembly (4WS)   |     |
| 6    | 3311605     | 3   | Locknut 3/8in-16NC  |     |
| 7    | 0641430     | 1   | Bolt 1/4in-20NC x 3 3/4in   |     |
| 8    | 3422688     | 1   | Pin (Steer Cylinder)  |     |
| 9    | 3422764     | 2   | Pin (Steer Cylinder)  |     |
| 10   | 3422856     | 1   | Pin, Weldment (Steer Cylinder)  |     |
| 11   | 3422972     | 4   | Kingpin (was p/n 3422849)   |     |
| 12   | 3841143     | 3   | Keeper 3/8in  |     |
| 13   | 4130374     | AR  | Spindle Weldment (LF, RR)   |     |
| 14   | 4130375     | AR  | Spindle Weldment (RF, LR)   |     |
| 15   |             | Ref | Washer, Thrust Options:   |     |
| 15   | 4740517     | 2   | Washer, Thrust (was p/n 4740314 & 4740463) <b>(Prior to SN 67242)</b> |     |
| 15   | 4740517     | 2   | Washer, Thrust <b>(SN 67242 to Present)</b>                           |     |
| 16   | 4846204     | 1   | Weldment, Tie-Rod   |     |
| 17   | 3311405     | 1   | Locknut 1/4in-20NC  |     |
| 18   | 3520181     | 2   | Plug  |     |
| 19   |             | Ref | Stop Options:   |     |
| 19   | 0561404     | 2   | (2WS)   |     |
| 19   | 0561403     | 2   | (4WS)   |     |
| 20   | 0641814     | 4   | Bolt 1/2in-13NC x 1 3/4in   |     |
| 21   | 4711800     | 4   | Flatwasher 1/2in (Narrow)   |     |
| 22   | 3313002     | 1   | Nut, Jam 1 1/4in-7NC  |     |
|      | 0100011     | AR  | Loctite #242  |     |
|      |             | Ref | <b>EXTENDABLE AXLES INSTALLATION</b>                                  |     |
|      | 0259922     | Ref | <b>4WD/2WS</b>  | B   |
|      | 0259921     | Ref | <b>4WD/4WS</b>  | C   |
| 103  | 0561391     | 2   | Block, Axle Stop (Side)   |     |
| 104  | 0561392     | 2   | Block, Axle Stop (Side)   |     |
| 105  | 0561394     | 2   | Block, Axle Stop (Top)  |     |
| 106  | 0561400     | 2   | Block, Axle Stop (Top)  |     |
| 107  | 0561401     | 4   | Block, Axle Stop (Bottom)   |     |
| 108  | 0561402     | 2   | Plate, Spacer   |     |
| 109  | 0641408     | 8   | Bolt 1/4in-20NC x 1in   |     |
| 110  | 0641436     | 4   | Bolt 1/4in-20NC x 4 1/2in   |     |
| 111  | 0641607     | 16  | Bolt 3/8in-16NC x 7/8in   |     |
| 112  | 0641612     | 4   | Bolt 3/8in-16NC x 1 1/2in   |     |
| 113  | 0641808     | 26  | Bolt 1/2in-13NC x 1in   |     |
| 114  | 0641812     | 6   | Bolt 1/2in-13NC x 1 1/2in   |     |
| 115  | 0641816     | 6   | Bolt 1/2in-13NC x 2in   |     |
| 116  | 0641820     | 6   | Bolt 1/2in-13NC x 2 1/2in   |     |

## SECTION 1 - FRAME

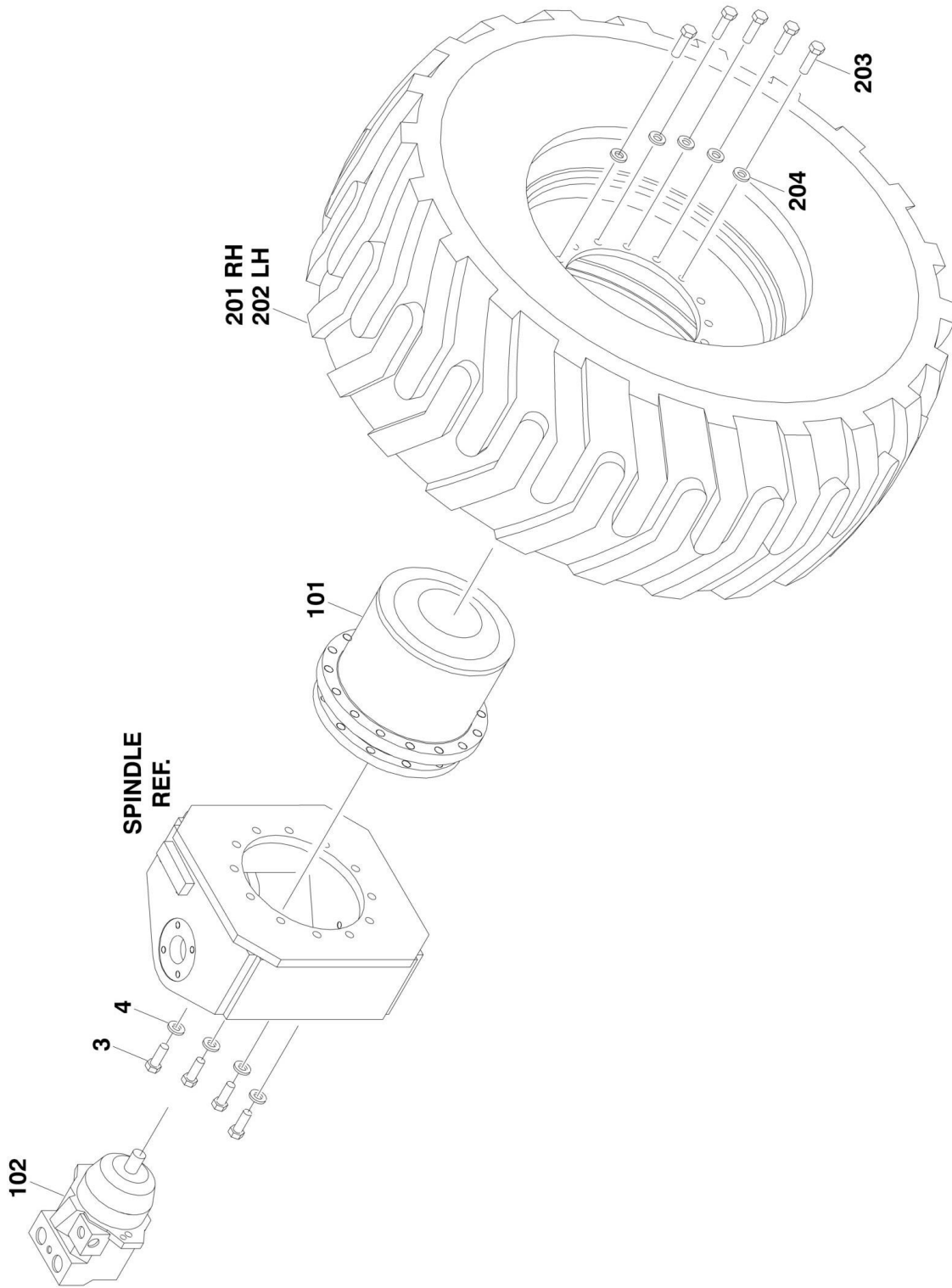
| ITEM | PART NUMBER | QTY | DESCRIPTION   | REV |
|------|-------------|-----|---|-----|
| 117  | 0642014     | 4   | Bolt 5/8in-11NC x 1 3/4in   |     |
| 118  | 0642010     | 18  | Bolt 5/8in-11NC x 1 1/4in   |     |
| 119  | 0961950     | 4   | Bearing   |     |
| 120  | 1120465     | 16  | Cap   |     |
| 121  | 1683920     | 2   | Axle Extension Cylinder Assembly (See CYLINDER SECTION for Breakdown) |     |
| 122  | 3310805     | 8   | Locknut #8-32NC   |     |
| 123  | 3311405     | 12  | Locknut 1/4in-20NC  |     |
| 124  | 3311605     | 28  | Locknut 3/8in-16NC  |     |
| 125  | 3312002     | 4   | Nut, Jam 5/8in-11NC   |     |
| 126  | 3312602     | 16  | Nut, Jam 1in-8NC  |     |
| 127  | 3340888     | 8   | Wear, Pad Assembly  |     |
| 128  | 3422689     | 2   | Pin   |     |
| 129  | 3422818     | 2   | Pin   |     |
| 130  | 3572340     | 2   | Plate   |     |
| 131  | 3572346     | 4   | Plate, Switch Mount   |     |
| 132  | 3572347     | 4   | Angle, Switch Mount   |     |
| 133  | 3841143     | 4   | Keeper, 3/8in   |     |
| 134  | 3900219     | 4   | Set Screw   |     |
| 135  | 3900292     | 12  | Set Screw   |     |
| 136  | 3930820     | 8   | Bolt #8-32NC x 1 1/4in  |     |
| 137  | 4070772     | 12  | Shim  |     |
| 138  | 4071001     | 7   | Shim, Axle Stop   |     |
| 139  | 4360322     | 4   | Switch, Limit   |     |
| 140  | 4711800     | 38  | Flatwasher 1/2in (Narrow)   |     |
| 141  | 4751400     | 8   | Flatwasher 1/4in (Wide)   |     |
| 142  | 4751600     | 8   | Flatwasher 3/8in (Wide)   |     |
| 143  | 4752000     | 18  | Flatwasher 5/8in (Wide)   |     |
| 144  | 4846176     | AR  | Outer Axle Weldment   |     |
| 145  | 4846177     | AR  | Inner Axle Weldment   |     |
| 146  | 4846219     | 1   | Inner Axle Weldment (100SX/110SX/110SXJ 4WD/2WS Rear Only)            |     |
| 147  | 4846220     | 1   | Outer Axle Weldment (100SX/110SX/110SXJ 4WD/2WS Rear Only)            |     |
| 148  | 4846226     | 2   | Hose Carrier Weldment (LF, RR)  |     |
| 149  | 4846227     | 2   | Hose Carrier Weldment (RF, LR)  |     |
| 151  | 4460428     | 4   | Connector, Strain Relief (100SX/110SX/110SXJ 4WD/2WS Only)            |     |
| 152  | 3951804     | 2   | Set Screw, Knurled Cup Point 1/2in x 1/2in                            |     |
|      | 0100011     | AR  | Loctite #242  |     |
|      | 0100079     | AR  | Sealant, Pipe   |     |





# SECTION 1 - FRAME

## FIGURE 1-4. TIRE AND WHEEL DRIVE INSTALLATIONS



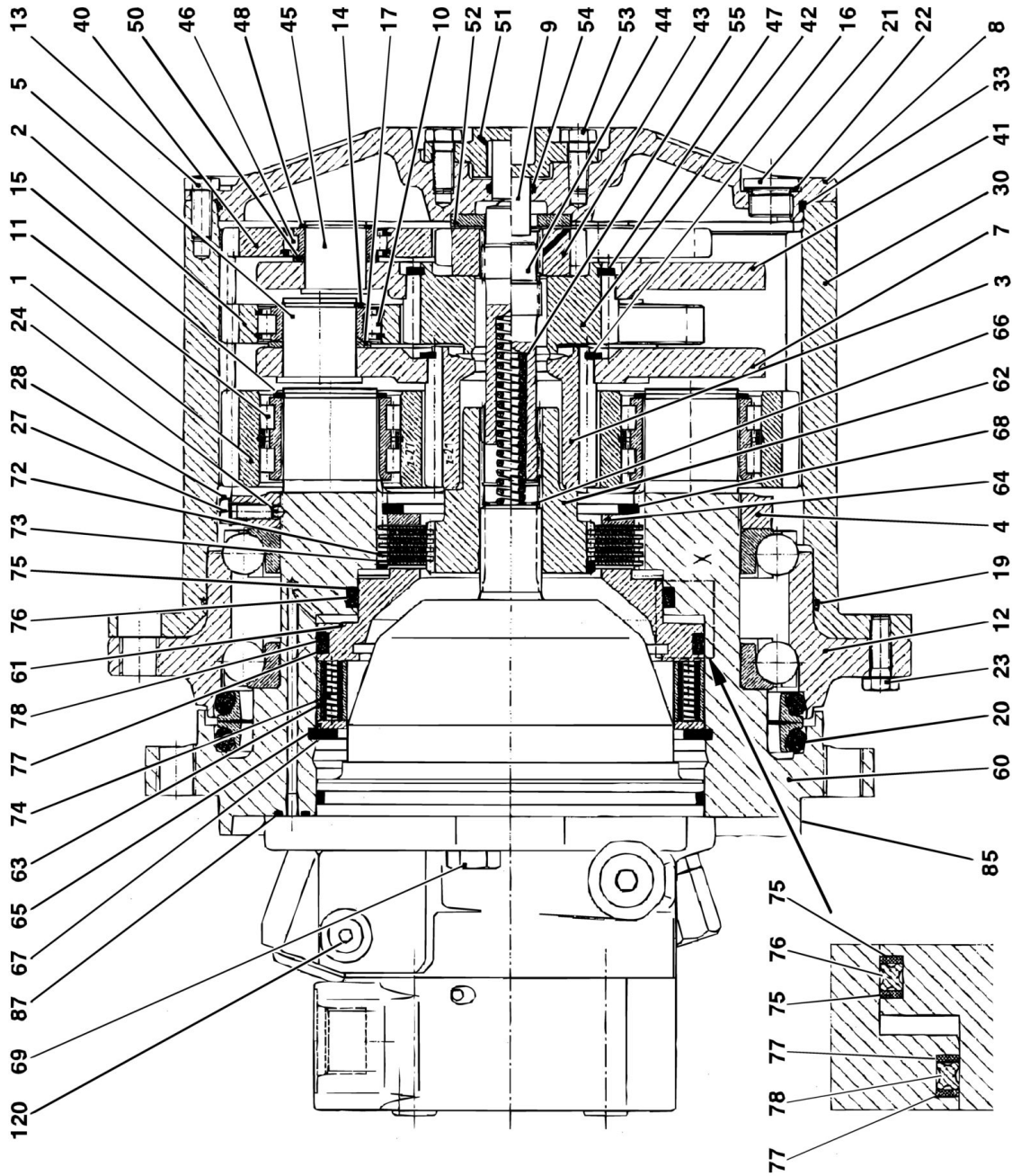
# SECTION 1 - FRAME

## FIGURE 1-4. TIRE AND WHEEL DRIVE INSTALLATIONS

| ITEM | PART NUMBER | QTY | DESCRIPTION   | REV |
|------|-------------|-----|---|-----|
|      |             | Ref | <b>TIRE AND WHEEL DRIVE INSTALLATIONS</b>   |     |
|      | 0259895     | Ref | <b>WHEEL DRIVE INSTALLATION</b>   | B   |
| 3    | 0701617     | 48  | Bolt (Metric)16mm x 45mm (12 Per Wheel)   |     |
| 4    | 4892000     | 48  | Washer Hardened 5/8in (12 Per Wheel)  |     |
|      | 0100019     | AR  | Loctite #271  |     |
|      | 0259878     | Ref | <b>HUB AND MOTOR ASSEMBLY</b>   | C   |
| 101  | 2780248     | 4   | Drive Hub Assembly (See DRIVE HUB ASSEMBLY for Breakdown)   |     |
| 102  | 3160248     | 4   | Drive Motor Assembly (See DRIVE MOTOR ASSEMBLY - REXROTH for Breakdown)   |     |
|      |             | Ref | <b>TIRE AND WHEEL INSTALLATIONS (FOAM-FILLED)</b>   |     |
|      | 0259909     | Ref | <b>Tire and Wheel Installations (100SX/110SX &amp; 110SXJ)</b>  | A   |
|      | 0259906     | Ref | <b>Tire and Wheel Installations (120SXJ)</b>  | A   |
| 201  |             | Ref | Tire and Wheel Assembly (Foam-Filled) Options:  |     |
| 201  | 0259907     | 2   | Right Side (100SX/110SX & 110SXJ)   |     |
| 201  | 0259904     | 2   | Right Side (120SXJ)   |     |
| 202  |             | Ref | Tire and Wheel Assembly (Foam-Filled) Options:  |     |
| 202  | 0259908     | 2   | Left Side (100SX/110SX & 110SXJ)  |     |
| 202  | 0259905     | 2   | Left Side (120SXJ)  |     |
| 202  | 4520215     | 2   | Tire 385/65 x 22.5  |     |
| 202  | 4640113     | 2   | Valve   |     |
|      | Note        |     | <b>Note: Assemblies may require ballast/foam filling to manufacturer's specifications prior to installing on a machine. Refer to Operation and Safety or Service and Maintenance Manuals. Purchase individual tire and/or rim only if able to foam fill tire and wheel assembly, otherwise, purchase complete assembly.</b> |     |
| 203  | 0701619     | 64  | Bolt (Metric)16mm x 55mm (16 Per Wheel)   |     |
| 204  | 4892000     | 64  | Washer Hardened 5/8in (16 Per Wheel)  |     |

# SECTION 1 - FRAME

## FIGURE 1-5. DRIVE HUB ASSEMBLY



# SECTION 1 - FRAME

## FIGURE 1-5. DRIVE HUB ASSEMBLY

| ITEM | PART NUMBER   | QTY | DESCRIPTION   | REV |
|------|---------------|-----|---|-----|
|      | 2780248       | Ref | <b>DRIVE HUB ASSEMBLY</b>   | C   |
|      |               | Ref | <b>Note: Unless there is capability to torque shaft (item 4) to 626 ft/lbs (850Nm) Repair beyond this level is NOT advised.</b> |     |
| 1    | Kit 1         | 1   | Gear, Planet  |     |
| 2    | Kit 2         | 1   | Gear, Planet  |     |
| 3    | 7022535       | 1   | Gear, Sun   |     |
| 4    | Kit 3         | 1   | Nut, Shaft  |     |
| 5    | 7021388       | 3   | Pin, Planet   |     |
| 7    | 7022537       | 1   | Carrier, Planet   |     |
| 8    | 7022538       | 1   | Cover   |     |
| 9    | 7024967       | 1   | Button, Thrust  |     |
| 10   | Kit 2         | 3   | Bearing, Roller   |     |
| 11   | 7022541       | 4   | Bearing, Roller   |     |
| 12   | Kit 3         | 1   | Bearing, Ball   |     |
| 13   | 7022543       | 12  | Bolt, Hex   |     |
| 14   | Kit 2         | 3   | Ring, Retaining   |     |
| 15   | Kit 1         | 4   | Ring, Retaining   |     |
| 16   | 7022546       | 1   | Ring, Retaining   |     |
| 17   | Kit 2         | 3   | Ring, Stay  |     |
| 19   | 7024966       | 1   | O-Ring  |     |
| 20   | 7024968       | 1   | Seal, Face  |     |
| 21   | 7022550       | 2   | Plug  |     |
| 22   | Kit 4         | 2   | Seal, Ring  |     |
| 23   | Kit 3         | 2   | Bolt  |     |
| 24   | Not Available | 2   | Ball  |     |
| 27   | Not Available | 2   | Bolt  |     |
| 28   | 7025555       | 2   | Washer  |     |
| 30   | 7022556       | 1   | Gear, Ring  |     |
| 33   | Kit 4         | 1   | O-Ring  |     |
| 41   | 7022559       |     | Carrier   |     |
| 42   | 7022560       |     | Gear, Sun   |     |
| 43   | Kit 4         | 1   | Gear, Sun   |     |
| 44   | Kit 4         | 1   | Shaft, Input  |     |
| 45   | 7011326       | 3   | Pin, Planet   |     |
| 47   | 7022564       | 1   | Ring, Retaining   |     |
| 51   | 7022567       | 1   | Cover   |     |
| 52   | 7022568       | 1   | Washer Thrust   |     |
| 53   | Kit 3         | 2   | Bolt  |     |
| 54   | Kit 4         | 1   | O-Ring  |     |
| 55   | Kit 4         | 1   | Spring, Pressure  |     |
| 60   | 7022572       | 1   | Spindle   |     |
| 61   | 7022573       | 1   | Piston  |     |
| 62   | 7022574       | 1   | Coupler   |     |
| 63   | 7022575       | 1   | Ring, Locator   |     |
| 64   | 7021354       | 1   | Plate, Back-up  |     |
| 65   | 7022576       | 1   | Plate, Back-up  |     |
| 66   | 7022577       | 1   | Ring, Retaining   |     |
| 67   | 7022578       | 1   | Ring, Retaining   |     |
| 68   | 7022509       | 1   | Ring, Retaining   |     |
| 69   | 7022579       | 2   | Bolt  |     |

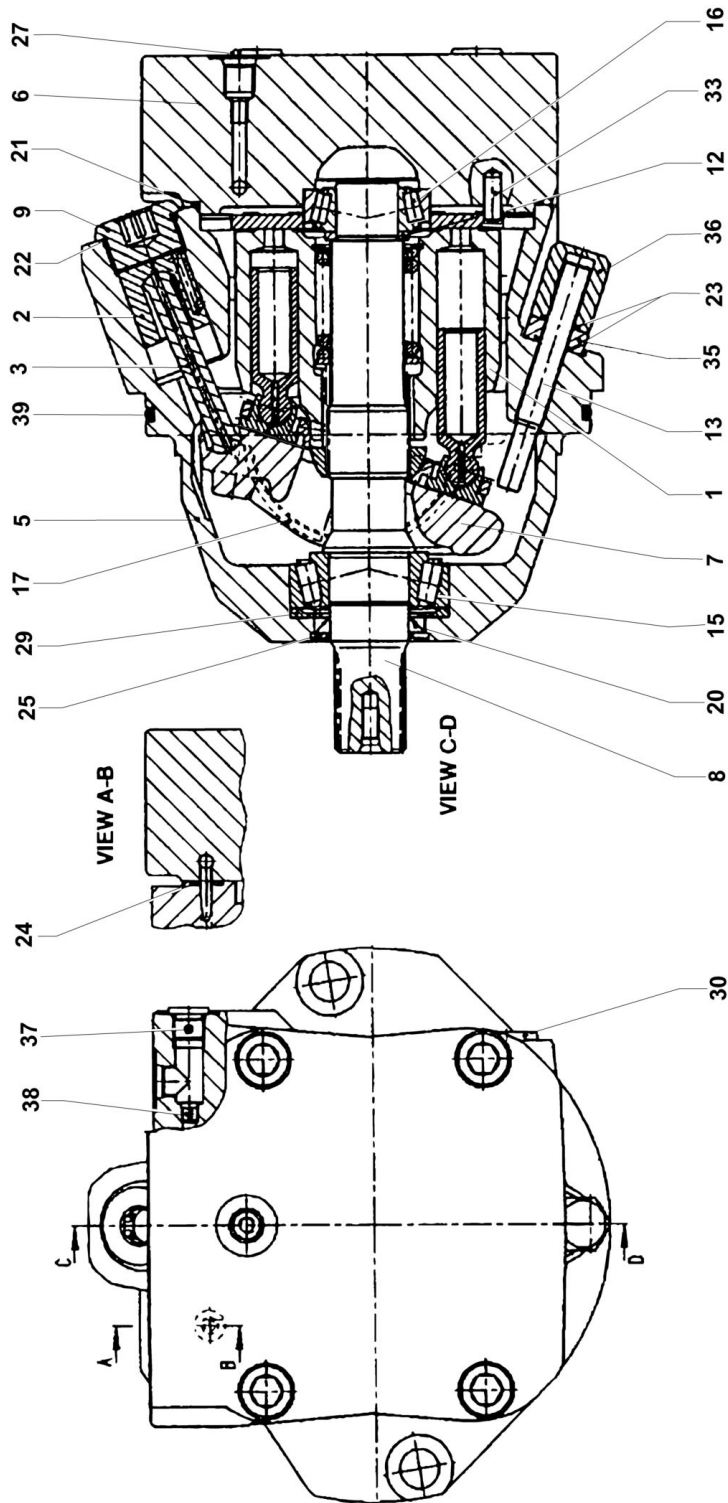
## SECTION 1 - FRAME

| ITEM | PART NUMBER | QTY | DESCRIPTION  | REV |
|------|-------------|-----|--|-----|
| 72   | Kit 5       | 4   | Disc, Brake  |     |
| 73   | Kit 5       | 5   | Disc, Brake  |     |
| 74   | Kit 5       | AR  | Spring   |     |
| 75   | Kit 6       | 2   | Ring, Back-up  |     |
| 76   | Kit 6       | 1   | Seal   |     |
| 77   | Kit 6       | 2   | Ring, Back-up  |     |
| 78   | Kit 6       | 1   | Seal   |     |
| 85   | 7024031     | 1   | O-Ring   |     |
| 87   | 7024032     | 1   | O-Ring   |     |
| 120  | 3160248     | 1   | Motor, Hydraulic   |     |
|      | 7024028     | 1   | Kit 1 - Planet Bearing Kit (Includes Items 1, 11 & 15)                         |     |
|      | 7024029     | 1   | Kit 2 - Planet Bearing Kit (Includes Items 2, 10, 14 & 17)                     |     |
|      | 7022536     | 1   | Kit 3 - Bearing Kit (Includes Items 4, 12, 23 & 53)                            |     |
|      | 7022540     | 1   | Kit 4 - Mechanical Disconnect Kit (Includes Items 13, 22, 33, 43, 44, 54 & 55) |     |
|      | 7022580     | 1   | Kit 5 - Brake Disc Kit (Includes Items 72-74)                                  |     |
|      | 7022581     | 1   | Kit 6 - Brake Seal Kit (Includes Items 75-78)                                  |     |
|      | 7024030     | 1   | Kit 7 - Planet Gear Kit (Includes Items 40, 46, 48 & 50)                       |     |



# SECTION 1 - FRAME

FIGURE 1-6. DRIVE MOTOR ASSEMBLY - REXROTH





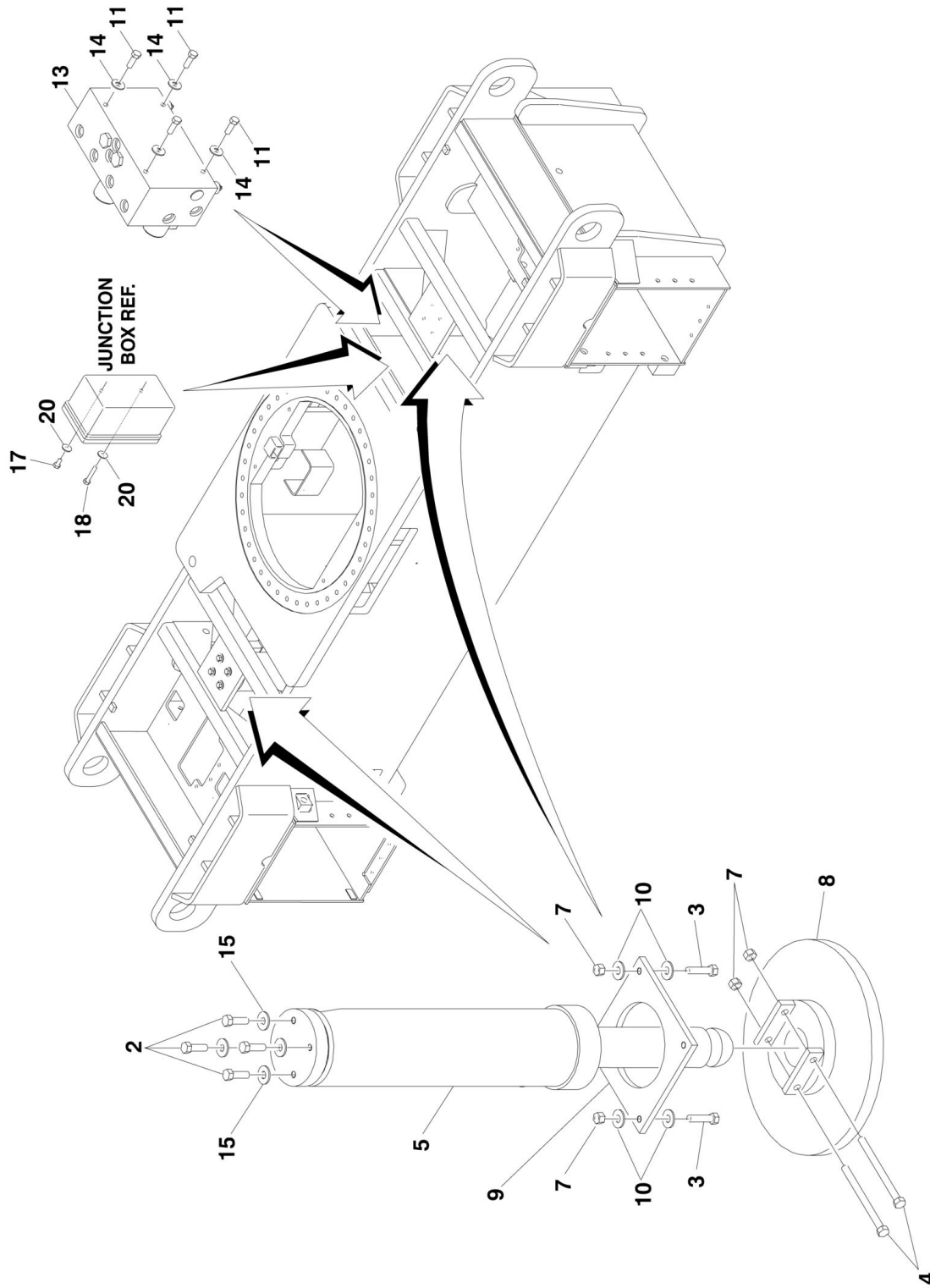
## SECTION 1 - FRAME

**FIGURE 1-6. DRIVE MOTOR ASSEMBLY - REXROTH**

| ITEM | PART NUMBER   | QTY | DESCRIPTION                              | REV |
|------|---------------|-----|--|-----|
|      | 3160248       | Ref | <b>DRIVE MOTOR ASSEMBLY</b>              | D   |
| 1    | 7012716       | 1   | Rotary Group Assembly                    |     |
| 2    | Not Available | 1   | Piston, Control                          |     |
| 3    | Not Available | 1   | Rod, Piston                              |     |
| 5    | Not Available | 1   | Housing                                  |     |
| 6    | Not Available | 1   | Plate, Port                              |     |
| 7    | 7024036       | 1   | Plate, Swash                             |     |
| 8    | 7024037       | 1   | Driveshaft                               |     |
| 9    | Not Available | 1   | Plug, Screw                              |     |
| 12   | 7012709       | 1   | Shim                                     |     |
| 13   | Not Available | 1   | Stop Screw                               |     |
| 15   | 7024038       | 1   | Bearing                                  |     |
| 16   | 7012706       | 1   | Bearing                                  |     |
| 17   | 7024039       | 2   | Shell, Cradle                            |     |
| 20   | Kit           | 1   | Seal, Shaft                              |     |
| 21   | Kit           | 1   | O-Ring                                   |     |
| 22   | Kit           | 1   | O-Ring                                   |     |
| 23   | Kit           | 2   | O-Ring                                   |     |
| 24   | Kit           | 1   | Seal                                     |     |
| 25   | 7012715       | 1   | V-Ring                                   |     |
| 27   | 7024040       | 4   | Screw, Socket head M12 x 60              |     |
| 29   | Not Available | 1   | Ring, Stop                               |     |
| 30   | Not Available | 1   | Plug                                     |     |
| 33   | Not Available | 1   | Pin, Dowel                               |     |
| 35   | Not Available | 1   | Nut M10                                  |     |
| 36   | Not Available | 1   | Nut, Cap M10                             |     |
| 37   | Kit           | 1   | Plug                                     |     |
| 38   | 7024041       | 1   | Orifice                                  |     |
| 39   | Kit           | 1   | O-Ring                                   |     |
|      | 7024034       | 1   | Seal Kit (Includes Items 20-24, 37 & 39) |     |

# SECTION 1 - FRAME

## FIGURE 1-7. JACK CYLINDER INSTALLATION



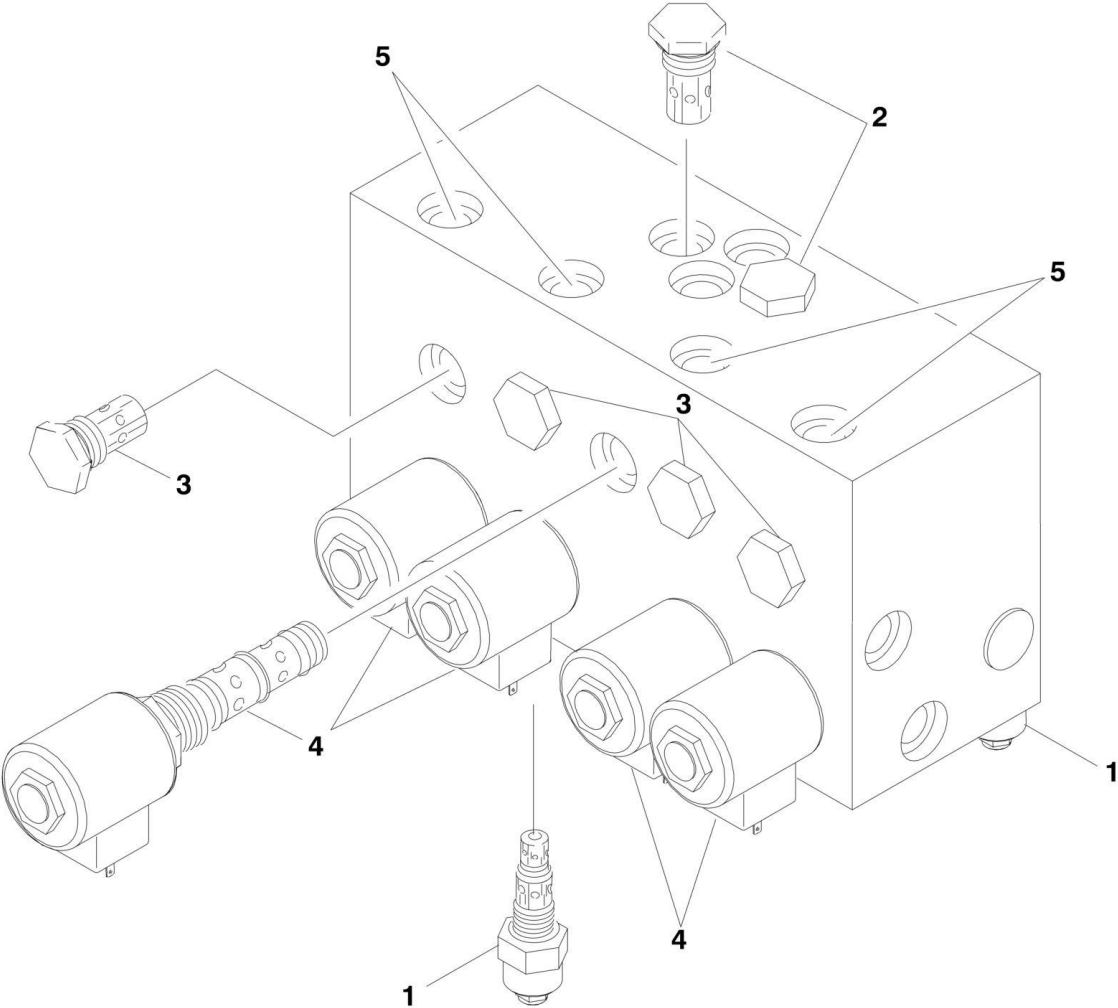
# SECTION 1 - FRAME

## FIGURE 1-7. JACK CYLINDER INSTALLATION

| ITEM | PART NUMBER | QTY | DESCRIPTION   | REV |
|------|-------------|-----|---|-----|
|      |             | Ref | <b>JACK CYLINDER INSTALLATIONS</b>                              |     |
|      | 0259936     | Ref | <b>ANSI</b>   | D   |
|      | 0270268     | Ref | <b>ANSI EXPORT</b>  | C   |
| 2    | 0641812     | 8   | Bolt 1/2in-13NC X 1 1/2in (4 Per Cylinder)                      |     |
| 3    | 0641816     | 8   | Bolt 1/2in-13NC x 2in (4 Per Cylinder)                          |     |
| 4    | 0641852     | 4   | Bolt 1/2in -13 NC x 6 1/2in                                     |     |
| 5    | 1683965     | 2   | Jack Cylinder Assembly (See CYLINDER SECTION for Breakdown)     |     |
| 7    | 3311805     | 12  | Locknut 1/2in-13NC (4 Per Cylinder)                             |     |
| 8    | 3340630     | 2   | Jack Pad Weldment   |     |
| 9    | 3535906     | 2   | Plate, Mounting (1 Per Cylinder)                                |     |
| 10   | 4711800     | 8   | Flatwasher 1/2in Narrow (4 Per Cylinder)                        |     |
| 11   | 0641609     | 4   | Bolt 3/8in-16NC x 1 1/8in                                       |     |
| 12   | 1704544     | 1   | Decal- Lifting Instructions (Not Shown)                         |     |
| 13   | 4641133     | 1   | Valve, Jack (See JACK VALVE ASSEMBLY - HYDRO AIR for Breakdown) |     |
| 14   | 4751600     | 4   | Flatwasher 3/8in (Wide)   |     |
| 15   | 4751800     | 8   | Flatwasher 1/2in (Wide)   |     |
| 17   | 0641404     | 1   | Bolt 1/4in-20NC x 1/2in   |     |
| 18   | 0641412     | 1   | Bolt 1/4in-20NC x 1 1/2in                                       |     |
| 20   | 4751400     | 2   | Flatwasher 1/4in (Wide)   |     |
|      | 0100011     | AR  | Loctite   |     |

**SECTION 1 - FRAME**

**FIGURE 1-8. JACK VALVE ASSEMBLY - HYDRO AIR**



## SECTION 1 - FRAME

**FIGURE 1-8. JACK VALVE ASSEMBLY - HYDRO AIR**

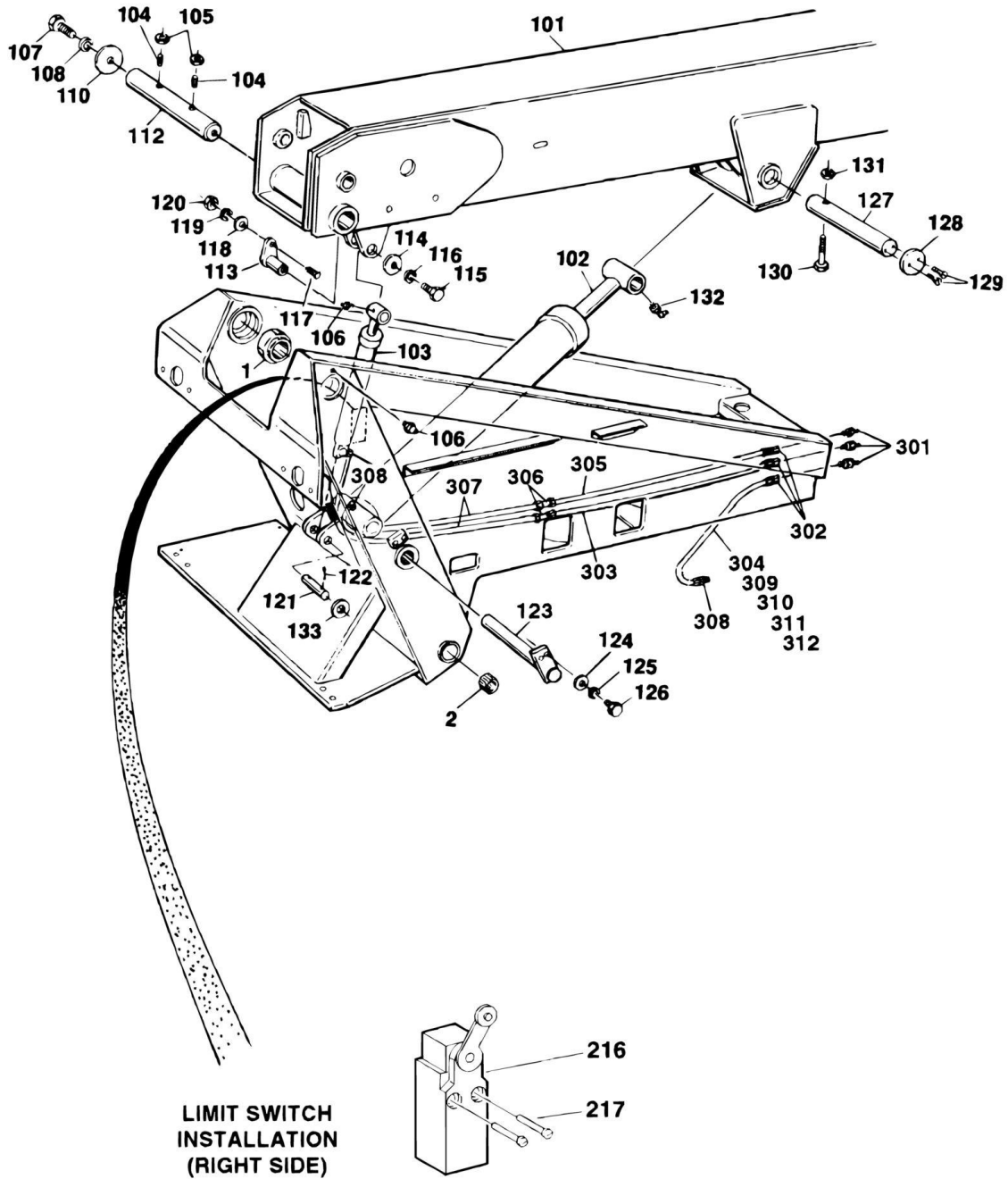
| ITEM | PART NUMBER | QTY | DESCRIPTION                                    | REV |
|------|-------------|-----|--|-----|
|      | 4641133     | Ref | <b>VALVE ASSEMBLY - HYDRO AIR</b>              | A   |
| 1    | 7011336     | 2   | Cartridge, Check Valve                         |     |
| 2    | 7012955     | 2   | Cartridge, Valve                               |     |
| 2    | 7012967     | 2   | Seal Kit - 7012955 Cartridge (1 Per Cartridge) |     |
| 3    | 7021631     | 4   | Cartridge, Valve                               |     |
| 3    | 7021632     | 4   | Seal Kit - 7021631 Cartridge (1 Per Cartridge) |     |
| 4    | 7012995     | 5   | Cartridge, Valve - Hydraforce                  |     |
| 4    | 7012518     | 5   | Seal Kit - 7012995 Cartridge (1 Per Cartridge) |     |
| 4    | 7012943     | 5   | Coil - 12V (1 Per Cartridge)                   |     |
| 5    | 7021633     | 4   | Orifice  |     |



**SECTION 2 - TURNTABLE**

# SECTION 2 - TURNTABLE

## FIGURE 2-1. TURNTABLE, BOOM AND SWITCHES INSTALLATION





## SECTION 2 - TURNTABLE

**FIGURE 2-1. TURNTABLE, BOOM AND SWITCHES INSTALLATION**

| ITEM | PART NUMBER | QTY | DESCRIPTION   | REV |
|------|-------------|-----|---|-----|
|      |             | Ref | <b>TURNTABLE, BOOM AND SWITCHES INSTALLATION</b>                              |     |
|      | 4620078     | Ref | <b>TURNTABLE ASSEMBLY</b>   | F-6 |
| 1    | 0252852     | 2   | Boom Pivot Assembly   |     |
| 1    | 0960594     | 2   | Bushing, Self-Aligning (1 Per Assembly)                                       |     |
| 2    | 0961392     | 2   | Bushing, Bronze (Base Pivot)  |     |
|      |             | Ref | <b>BOOM AND CYLINDERS INSTALLATIONS</b>                                       |     |
|      | 0259902     | Ref | <b>Boom and Cylinders Installations 100SX - DOMESTIC/CSA</b>                  | 1   |
|      | 0259900     | Ref | <b>Boom and Cylinders Installations 110SX - DOMESTIC</b>                      | 2   |
|      | 0259917     | Ref | <b>Boom and Cylinders Installations 110SX - CSA WITH INVERTED TRACK</b>       | 2   |
|      | 0259912     | Ref | <b>Boom and Cylinders Installations 110SXJ - DOMESTIC</b>                     | 3   |
|      | 0259918     | Ref | <b>Boom and Cylinders Installations 110SXJ - DOMESTIC WITH INVERTED TRACK</b> | 3   |
|      | 0259916     | Ref | <b>Boom and Cylinders Installations 110SXJ - CSA</b>                          | 3   |
|      | 0259890     | Ref | <b>Boom and Cylinders Installations 120SXJ - DOMESTIC</b>                     | 2   |
|      | 0259899     | Ref | <b>Boom and Cylinders Installations 120SXJ - CSA</b>                          | 2   |
| 101  |             | Ref | Boom Assembly (See BOOM SECTION for Breakdown)                                |     |
| 102  |             | Ref | Lift Cylinder Assembly Options: (See CYLINDER SECTION for Breakdown)          |     |
| 102  | 1682895     | 1   | Lift Cylinder Assembly 100SX/110SX/110SXJ/120SXJ - Standard                   |     |
| 102  | 1682895     | 1   | Lift Cylinder Assembly 110SX - With Inverted Track - CSA                      |     |
| 102  | 1682630     | 1   | Lift Cylinder Assembly 110SXJ - With Inverted Track - Domestic                |     |
| 103  |             | Ref | Master Cylinder Assembly Options: (See CYLINDER SECTION for Breakdown)        |     |
| 103  | 1681978     | 1   | Master Cylinder Assembly 100SX/110SX - Standard                               |     |
| 103  | 1681978     | 1   | Master Cylinder Assembly 110SX - With Inverted Track - CSA                    |     |
| 103  | 1681580     | 1   | Master Cylinder Assembly 110SXJ/120SXJ - Standard                             |     |
| 103  | 1681580     | 1   | Master Cylinder Assembly 110SXJ - With Inverted Track - Domestic              |     |
| 104  | 3952014     | 2   | Setscrew 5/8in-11NC x 1 3/4in   |     |
| 105  | 3312002     | 2   | Nut, Jam 5/8in-11NC   |     |
| 106  | 2160002     | 3   | Fitting, Grease   |     |
| 107  | 0681812     | 4   | Bolt 1/2in-13NC   |     |
| 108  | 4740171     | 4   | Washer, Special Hardened  |     |
| 110  | 1120368     | 2   | Cap, Boom Pivot   |     |
| 112  | 3422151     | 1   | Pin, Boom Pivot   |     |
| 113  |             | Ref | Pin, Top Master Cylinder Options:   |     |
| 113  | 3421586     | 1   | Pin, Top Master Cylinder 110SX - Standard                                     |     |
| 113  | 0236548     | 1   | Pin, Top Master Cylinder 110SXJ/120SXJ - Standard                             |     |
| 114  | 4740006     | 1   | Washer, Special (Not Required on 100SX/110SX)                                 |     |
| 115  | 0651608     | 1   | Bolt 3/8in-24NF x 1in (Not Required on 100SX/110SX)                           |     |
| 116  | 4761600     | 1   | Lockwasher 3/8in (Not Required on 100SX/110SX)                                |     |
| 117  | 4300034     | AR  | Stud (Welded on Part)   |     |
| 118  | 4751600     | AR  | Flatwasher 3/8in  |     |
| 119  | 4761600     | AR  | Lockwasher 3/8in  |     |
| 120  | 3311601     | AR  | Nut 3/8in-16NC  |     |
| 121  |             | Ref | Pin, Bottom Master Cylinder Options:  |     |
| 121  | 3422068     | 1   | Pin, Bottom Master Cylinder 100SX/110SX - Standard                            |     |
| 121  | 3420085     | 1   | Pin, Bottom Master Cylinder 110SXJ/120SXJ - Standard                          |     |
| 122  | 3450610     | 2   | Pin, Cotter 3/16in x 2 1/2in (Not Required on 100SX/110SX)                    |     |

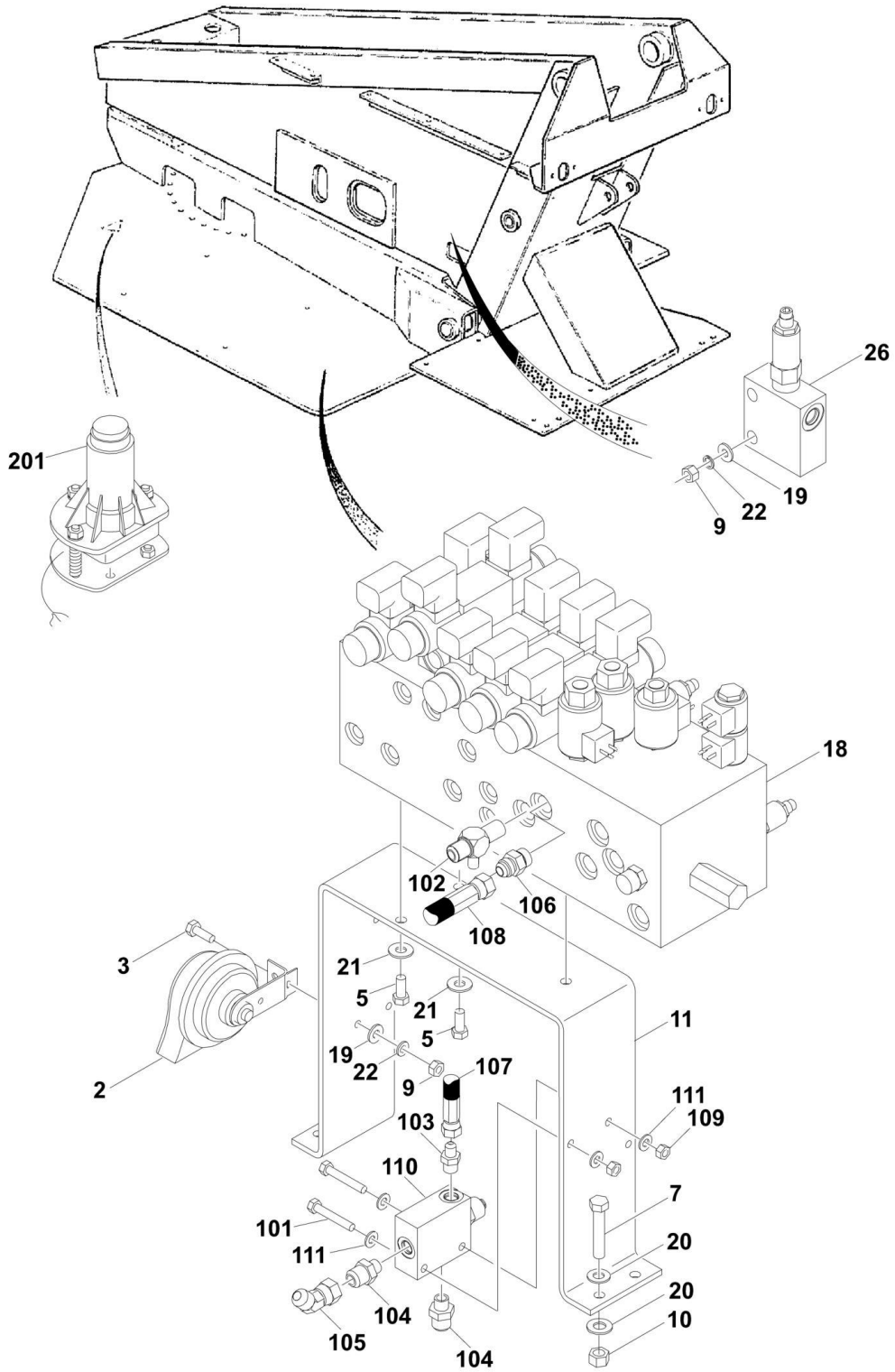
## SECTION 2 - TURNTABLE

| ITEM | PART NUMBER | QTY | DESCRIPTION  | REV |
|------|-------------|-----|--|-----|
| 123  |             | Ref | Pin, Bottom Lift Cylinder Options:   |     |
| 123  | 3421676     | 1   | Pin, Bottom Lift Cylinder 100SX/110SX/110SXJ/120SXJ - Domestic                               |     |
| 123  | 3421676     | 1   | Pin, Bottom Lift Cylinder 110SX - With Inverted Track - CSA                                  |     |
| 123  | 3422149     | 1   | Pin, Bottom Lift Cylinder 110SXJ - Domestic With Inverted Track                              |     |
| 123  | 3422149     | 1   | Pin, Bottom Lift Cylinder 110SXJ/120SXJ - CSA  |     |
| 124  | 4712200     | 2   | Flatwasher 3/4in   |     |
| 125  | 4762200     | 2   | Lockwasher 3/4in   |     |
| 126  | 0682213     | 2   | Bolt 3/4in-10NC x 1 5/8in (Grade 8)  |     |
| 127  |             | Ref | Pin, Top Lift Cylinder Options:  |     |
| 127  | 3421678     | 1   | Pin, Top Lift Cylinder 100SX/110SX/110SXJ - Domestic   |     |
| 127  | 3421678     | 1   | Pin, Top Lift Cylinder 110SX - With Inverted Track - CSA                                     |     |
| 127  | 3421678     | 1   | Pin, Top Lift Cylinder 110SXJ - Domestic With Inverted Track<br><b>(Prior to SN 55965)</b>   |     |
| 127  | 3422150     | 1   | Pin, Top Lift Cylinder 110SXJ - Domestic With Inverted Track<br><b>(SN 55965 to Present)</b> |     |
| 127  | 3421678     | 1   | Pin, Top Lift Cylinder 120SXJ - Domestic   |     |
| 127  | 3422150     | 1   | Pin, Top Lift Cylinder 110SXJ/120SXJ - CSA   |     |
| 128  | 4740361     | 2   | Washer, Special  |     |
| 129  | 3900159     | 4   | Screw, Countersunk 1/2in-13NC x 3/4in  |     |
| 130  | 0641840     | 1   | Bolt 1/2in-13NC x 5in  |     |
| 131  | 3311805     | 1   | Locknut 1/2in-13NC   |     |
| 132  | 2160001     | 1   | Fitting, Grease - 90   |     |
| 133  | 4740040     | 2   | Flatwasher, Special (Not Required on 100SX/110SX)  |     |
|      | 0100019     | AR  | Loctite #271   |     |
|      | 0270234     | Ref | <b>HORIZONTAL CUTOUT LIMIT SWITCH INSTALLATION (RIGHT SIDE)</b>                              | 3   |
| 216  | 4360301     | 1   | Switch, Limit  |     |
| 217  | 3910812     | 2   | Screw #8-32NC x 3/4in  |     |
|      | 0100011     | AR  | Loctite #242   |     |
|      | 0239843     | Ref | <b>LUBE LINES INSTALLATION (110SX)</b>   | A   |
|      | 0239844     | Ref | <b>LUBE LINES INSTALLATION (110SXJ/120SXJ)</b>   | 3   |
| 301  | 2160002     | 3   | Fitting, Grease  |     |
| 302  | 2220001     | 3   | Fitting  |     |
| 303  |             | Ref | Hose Options:  |     |
| 303  | 2750528     | 1   | Hose 110SX   |     |
| 303  | 2751032     | 1   | Hose 110SXJ/120SXJ   |     |
| 304  |             | Ref | Hose Options:  |     |
| 304  | 2750529     | 1   | Hose 110SX   |     |
| 304  | 2750528     | 1   | Hose 110SXJ/120SXJ   |     |
| 305  | 2750807     | 1   | Hose   |     |
| 306  | 2200261     | 2   | Fitting, Nipple  |     |
| 307  | 2750527     | 2   | Hose   |     |
| 308  | 2220063     | 3   | Fitting  |     |
| 309  | 4300031     | 1   | Stud (Welded on Part)  |     |
| 310  | 4761400     | 1   | Lockwasher 1/4in   |     |
| 311  | 3311401     | 1   | Nut 1/4in-20NC   |     |
| 312  | 1320040     | 1   | Clamp, Insulated   |     |



# SECTION 2 - TURNTABLE

## FIGURE 2-2. VALVES INSTALLATION - TURNTABLE MOUNTED



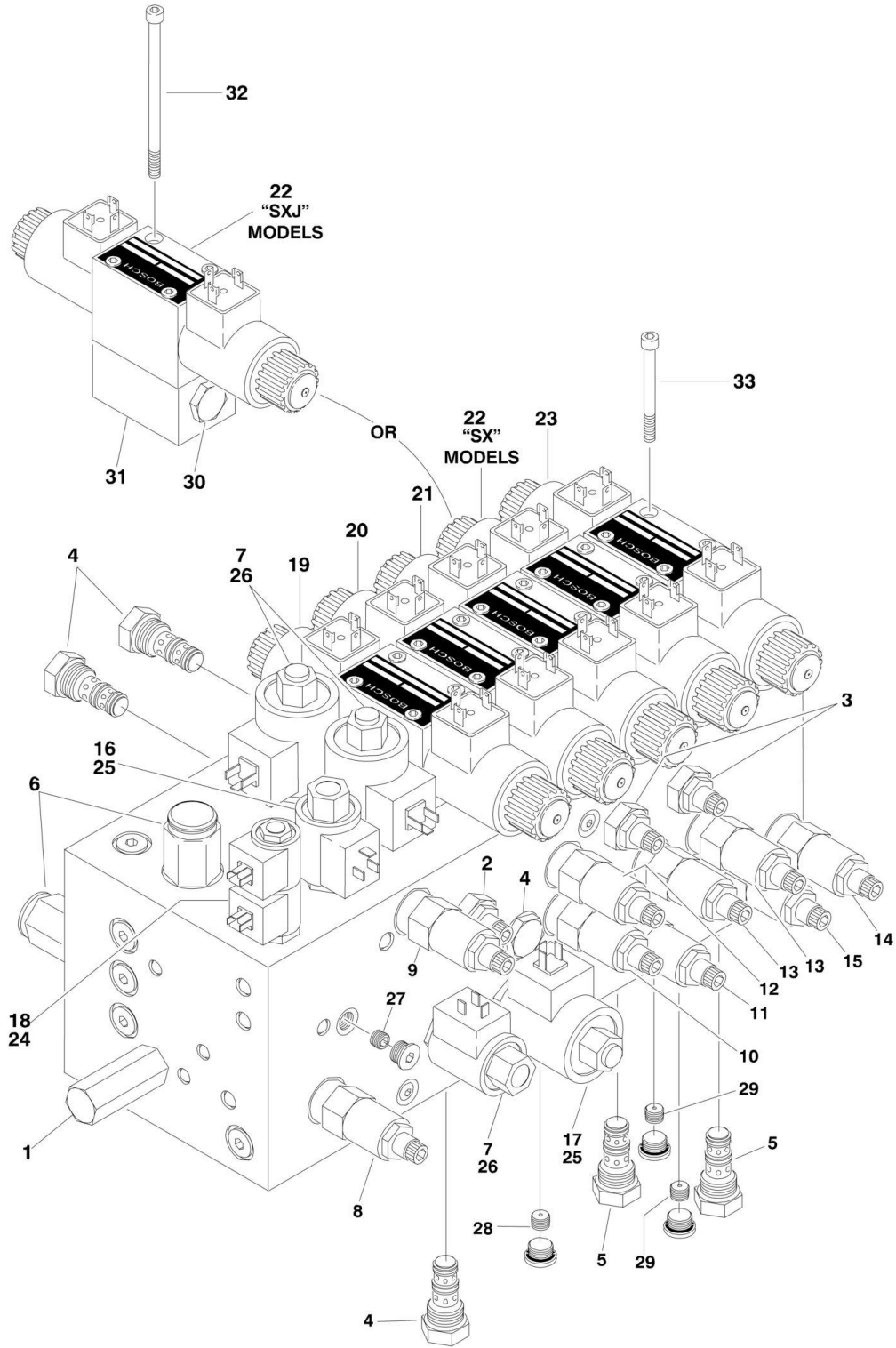
## SECTION 2 - TURNTABLE

### FIGURE 2-2. VALVES INSTALLATION - TURNTABLE MOUNTED

| ITEM | PART NUMBER | QTY | DESCRIPTION  | REV |
|------|-------------|-----|--|-----|
|      |             | Ref | <b>VALVES INSTALLATION - TURNTABLE MOUNTED</b>                                       |     |
|      | 0270353     | Ref | <b>VALVES INSTALLATION - 100SX/110SX</b>   | D   |
|      | 0259923     | Ref | <b>VALVES INSTALLATION - 110SXJ/120SXJ</b>   | F   |
| 2    | 0140001     | 1   | Horn   |     |
| 3    | 0641406     | 1   | Bolt 1/4in-20NC x 3/4in  |     |
| 5    | 0641607     | 3   | Bolt 3/8in-16NC x 7/8in  |     |
| 7    | 0641616     | 4   | Bolt 3/8in-16NC x 2in  |     |
| 9    | 3311401     | 3   | Nut 1/4in-20NC   |     |
| 10   | 3311605     | 4   | Nut 3/8in-16NC   |     |
| 11   | 3535942     | 1   | Plate, Valve Mounting  |     |
| 18   |             | Ref | Valve Assembly - Hydro-Air (See VALVE ASSEMBLY - HYDRO AIR for Breakdown)            |     |
| 18   | 4641065     | 1   | Valve Assembly - Hydro-Air (100SX/110SX) <b>(Prior to SN 62271)</b>                  |     |
| 18   | 4641181     | 1   | Valve Assembly - Hydro-Air (100SX/110SX) <b>(SN 62271 to Present)</b>                |     |
| 18   | 4641137     | 1   | Valve Assembly - Hydro-Air (110SXJ/120SXJ) <b>(Prior to SN 62270)</b>                |     |
| 18   | 4641180     | 1   | Valve Assembly - Hydro-Air (110SXJ/120SXJ) <b>(SN 62270 to Present)</b>              |     |
| 19   | 4711400     | 5   | Flatwasher 1/4in (Narrow)  |     |
| 20   | 4711600     | 8   | Flatwasher 3/8in (Narrow)  |     |
| 21   | 4751600     | 3   | Flatwasher 3/8in (Wide)  |     |
| 22   | 4761400     | 3   | Lockwasher 1/4in   |     |
| 26   | 4641079     | 1   | Valve, Counterbalance  |     |
| 26   | 7010123     | 1   | Cartridge  |     |
| 26   | 2900770     | 1   | Seal Kit   |     |
|      | 0270397     | Ref | <b>LIFT DOWN HOLDING VALVE INSTALLATION (100SX/110SX/110SXJ WITH OUT JACKS ONLY)</b> | B   |
| 101  | 0641516     | 2   | Bolt 5/16in-18NC x 2in   |     |
| 102  | 2220373     | 1   | Fitting, Straight  |     |
| 103  | 2220582     | 1   | Fitting, Straight  |     |
| 104  | 2220600     | 2   | Fitting, Straight  |     |
| 105  | 2220683     | 1   | Fitting, 45  |     |
| 106  | 2221061     | 1   | Fitting, Tee   |     |
| 107  | 2752435     | 1   | Hose   |     |
| 108  | 2752498     | 1   | Hose   |     |
| 109  | 3311505     | 2   | Locknut 5/16in-18NC  |     |
| 110  | 4640521     | 1   | Valve, Control   |     |
| 110  | 7004281     | 1   | Cartridge  |     |
| 110  | 7004282     | 1   | Seal Kit   |     |
| 111  | 4711500     | 4   | Flatwasher 5/16in (Narrow)   |     |
| 112  | 4922448     | 1   | Harness, Plug Assembly (Not Shown)   |     |
|      | 0253159     | Ref | <b>TILT INDICATOR INSTALLATION</b>   | 2   |
| 201  | 4360362     | 1   | Switch, Level Sensor - 5   |     |

# SECTION 2 - TURNTABLE

## FIGURE 2-3. VALVE ASSEMBLY - HYDRO AIR



## SECTION 2 - TURNTABLE

### FIGURE 2-3. VALVE ASSEMBLY - HYDRO AIR

| ITEM | PART NUMBER   | QTY | DESCRIPTION  | REV |
|------|---------------|-----|--|-----|
|      |               | Ref | <b>VALVE ASSEMBLY OPTIONS:</b>   |     |
|      | 4641065       | Ref | <b>Valve Assembly 100SX/110SX (Prior to SN 62271)</b>                            | E   |
|      | 4641181       | Ref | <b>Valve Assembly 100SX/110SX (SN 62271 to Present)</b>                          | B   |
|      | 4641137       | Ref | <b>Valve Assembly 110SXJ/120SXJ (Prior to SN 62271)</b>                          | B   |
|      | 4641180       | Ref | <b>Valve Assembly 110SXJ/120SXJ (SN 62271 to Present)</b>                        | B   |
| 1    | 7017482       | 1   | Cartridge, Valve   |     |
| 1    | 7012518       | 1   | Seal Kit - 7017482 Cartridge   |     |
| 2    | 7012997       | 1   | Cartridge, Flow Control (Lift Down Speed Control)                                |     |
| 2    | 7010545       | 1   | Seal Kit - 7012997 Cartridge   |     |
| 3    |               | Ref | Cartridge, Needle Valve/Flow Control Options:                                    |     |
| 3    | 7017483       | 2   | SX Models uses Cartridge, Flow Control (Not Shown - Looks Similar to Item 4)     |     |
| 3    | 7012953       | 2   | Seal Kit - 7017483 Cartridge   |     |
| 3    | 7021638       | 2   | SXJ Models Uses Cartridge, Needle Valve (Shown)                                  |     |
| 3    | 7012953       | 2   | Seal Kit - 7021638 Cartridge   |     |
| 4    | 7010542       | 4   | Cartridge, Load Shuttle  |     |
| 4    | 7010543       | 4   | Seal Kit - 7010542 Cartridge (1 Per Cartridge)                                   |     |
| 5    | 7012914       | 2   | Cartridge, Pilot Check   |     |
| 5    | 7012918       | 2   | Seal Kit - 7012914 Cartridge (1 Per Cartridge)                                   |     |
| 6    | 7017484       | 2   | Cartridge, Pilot Directional   |     |
| 6    | 7012942       | 2   | Seal Kit - 7017484 Cartridge (1 Per Cartridge)                                   |     |
| 7    |               | Ref | Cartridge, Proportional Valve (Without Coil) (Lift, Swing, Tele, EAR and Rotate) |     |
| 7    | 7017485       | 3   | SX Models Cartridge (Without Coil)   |     |
| 7    | Not Available | 3   | Seal Kit - 7017485 Cartridge   |     |
| 7    | 7021636       | 3   | SXJ Models Cartridge (Without Coil)  |     |
| 7    | 7017495       | 3   | Seal Kit - 7021636 Cartridge   |     |
| 8    | 7021637       | 1   | Cartridge, Relief Valve (Main Pressure Adjustment)                               |     |
| 8    | 7012972       | 1   | Seal Kit - 7021637 Cartridge   |     |
| 9    | 7017487       | 1   | Cartridge, Relief Valve (Lift Down Pressure)                                     |     |
| 9    | 7017496       | 1   | Seal Kit - 7017487 Cartridge   |     |
| 10   | 7017421       | 1   | Cartridge, Relief Valve (Swing Pressure)   |     |
| 10   | 7012998       | 1   | Seal Kit - 7017421 Cartridge   |     |
| 11   | 7017418       | 1   | Cartridge, Relief Valve (EAR Up Pressure)  |     |
| 11   | 7012998       | 1   | Seal Kit - 7017418 Cartridge   |     |
| 12   | 7017488       | 1   | Cartridge, Relief Valve (EAR Down Pressure)                                      |     |
| 12   | 7012998       | 1   | Seal Kit - 7017488 Cartridge   |     |
| 13   | 7017422       | 2   | Cartridge, Relief Valve (Rotate Right, Rotate Left)                              |     |
| 13   | 7012998       | 2   | Seal Kit - 7017422 Cartridge   |     |
| 14   | 7017489       | 1   | Cartridge, Relief Valve (Level Down Pressure)                                    |     |
| 14   | 7012998       | 1   | Seal Kit - 7017489 Cartridge   |     |
| 15   | 7017422       | 1   | Cartridge, Relief Valve (Level Up Pressure)                                      |     |
| 15   | 7012998       | 1   | Seal Kit - 7017489 Cartridge   |     |
| 16   | 7012910       | 1   | Cartridge, Solenoid Valve (Without Coil) (Main Dump)                             |     |
| 16   | 2900708       | 1   | Seal Kit - 7012910 Cartridge   |     |
| 17   | 7010635       | 1   | Cartridge, Solenoid Valve (Without Coil) (Lift Down)                             |     |
| 17   | 2900708       | 1   | Seal Kit - 7010635 Cartridge   |     |
| 18   | 7017452       | 1   | Cartridge, Solenoid Valve (Without Coil) (Telescope)                             |     |
| 18   | 7017402       | 1   | Seal Kit - 7017452 Cartridge   |     |
| 18   | 7012944       | 2   | Coil - 12V   |     |

## SECTION 2 - TURNTABLE

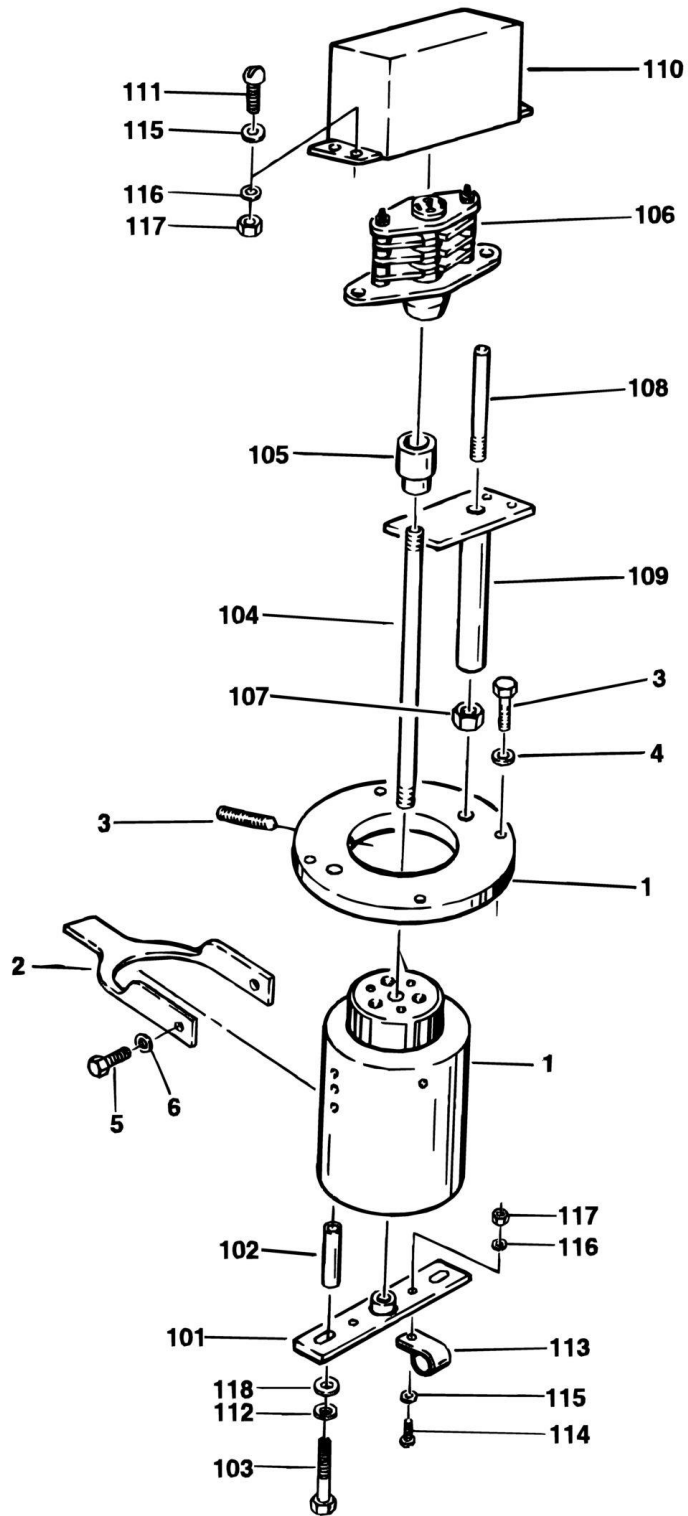
| ITEM | PART NUMBER   | QTY | DESCRIPTION                                    | REV |
|------|---------------|-----|--|-----|
| 19   |               | Ref | Bosch Valve Section - Complete (Lift) Options: |     |
| 19   | 7021622       | 1   | SX Models Valve Section - Complete             |     |
| 19   | 7021405       | 1   | Spool (2 Per Section)                          |     |
| 19   | 7021401       | 1   | Coil (2 Per Section)                           |     |
| 19   | 7021402       | 1   | Seal Kit (2 Per Section)                       |     |
| 19   | 7021406       | 1   | Cap, End (2 Per Section)                       |     |
| 19   | 7017491       | 1   | SXJ Models Valve Section - Complete            |     |
| 19   | 7021404       | 1   | Spool (2 Per Section)                          |     |
| 19   | 7021401       | 1   | Coil (2 Per Section)                           |     |
| 19   | 7021402       | 1   | Seal Kit (2 Per Section)                       |     |
| 19   | 7021403       | 1   | Cap, End (2 Per Section)                       |     |
| 20   | 7017491       | 1   | Bosch Valve Section - Complete (Swing)         |     |
| 20   | 7021404       | 1   | Spool (2 Per Section)                          |     |
| 20   | 7021401       | 1   | Coil (2 Per Section)                           |     |
| 20   | 7021402       | 1   | Seal Kit (2 Per Section)                       |     |
| 20   | 7021403       | 1   | Cap, End (2 Per Section)                       |     |
| 21   | 7017491       | 1   | Bosch Valve Section - Complete (EAR)           |     |
| 21   | 7021404       | 1   | Spool (2 Per Section)                          |     |
| 21   | 7021401       | 1   | Coil (2 Per Section)                           |     |
| 21   | 7021402       | 1   | Seal Kit (2 Per Section)                       |     |
| 21   | 7021403       | 1   | Cap, End (2 Per Section)                       |     |
| 22   | 7017490       | 1   | Bosch Valve Section - Complete (Rotate)        |     |
| 22   | 7021400       | 1   | Spool (2 Per Section)                          |     |
| 22   | 7021401       | 1   | Coil (2 Per Section)                           |     |
| 22   | 7021402       | 1   | Seal Kit (2 Per Section)                       |     |
| 22   | 7021403       | 1   | Cap, End (2 Per Section)                       |     |
| 23   | 7017491       | 1   | Bosch Valve Section - Complete (Level)         |     |
| 23   | 7021404       | 1   | Spool (2 Per Section)                          |     |
| 23   | 7021401       | 1   | Coil (2 Per Section)                           |     |
| 23   | 7021402       | 1   | Seal Kit (2 Per Section)                       |     |
| 23   | 7021403       | 1   | Cap, End (2 Per Section)                       |     |
| 24   | 7012944       | 2   | Coil   |     |
| 25   | 7012943       | 2   | Coil   |     |
| 26   | 7017451       | 3   | Coil   |     |
| 27   | 7017492       | 1   | Orifice  |     |
| 28   | 7017493       | 1   | Orifice  |     |
| 29   | 7017494       | 2   | Orifice  |     |
| 30   |               | Ref | Cartridge, Check Valve Option:                 |     |
| 30   | Not Required  | 0   | SX Models                                      |     |
| 30   | 7021639       | 1   | SXJ Models Uses Check Valve                    |     |
| 30   | 2900756       | 1   | Seal Kit - 7021639 Cartridge                   |     |
| 31   |               | Ref | Block, Manifold                                |     |
| 31   | Not Required  | 0   | SX Models                                      |     |
| 31   | Not Available | 1   | SXJ Models Uses Manifold                       |     |
| 31   | 7021640       | 1   | Seal Kit - Manifold Mounting                   |     |
| 32   | 7024827       | AR  | Screw (SXJ Rotate Section Only)                |     |
| 33   | 7024826       | AR  | Screw  |     |





## SECTION 2 - TURNTABLE

FIGURE 2-4. ROTARY COUPLING AND COLLECTOR RING ASSEMBLY AND INSTALLATION



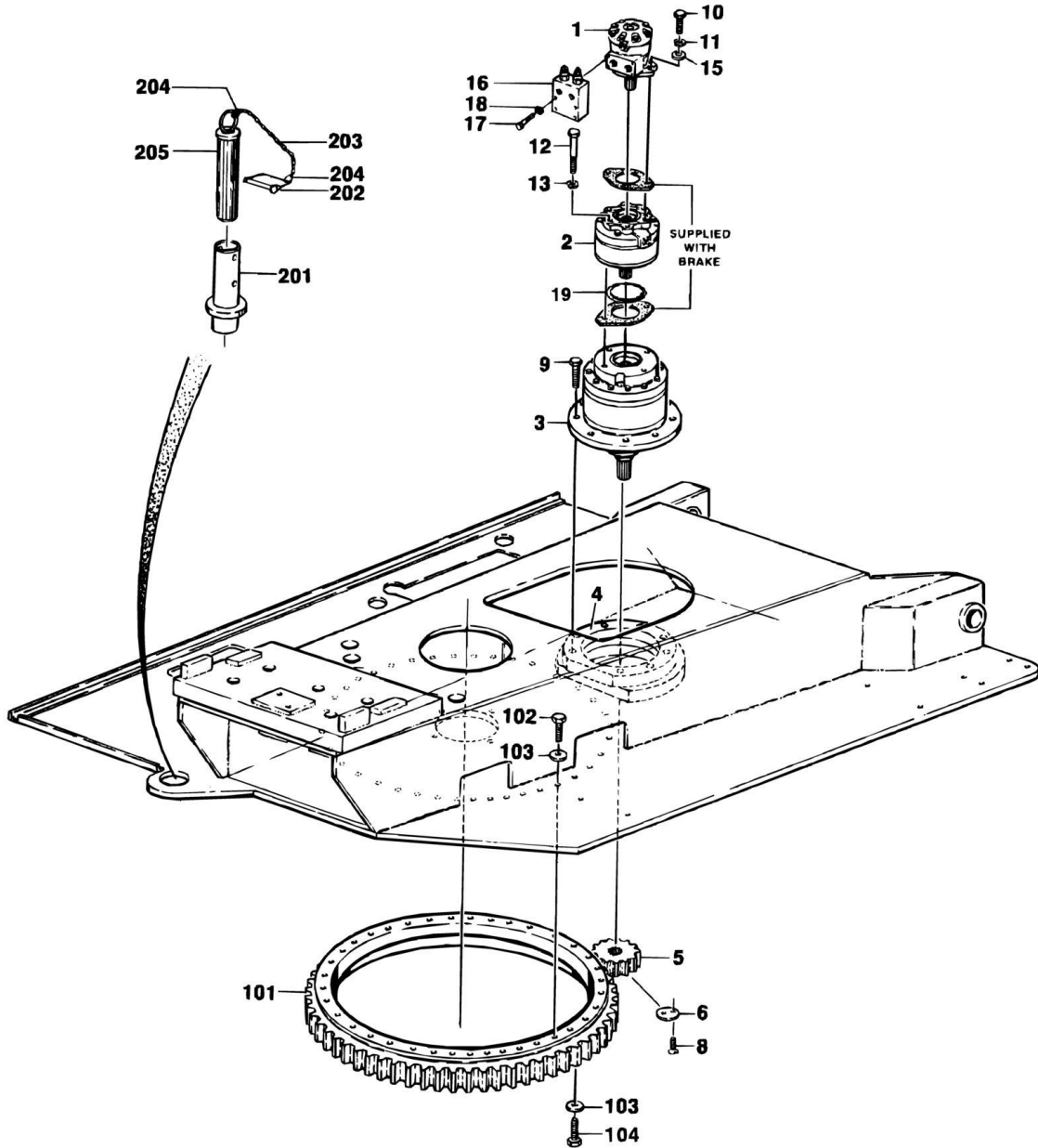
# SECTION 2 - TURNTABLE

**FIGURE 2-4. ROTARY COUPLING AND COLLECTOR RING ASSEMBLY AND INSTALLATION**

| ITEM | PART NUMBER | QTY | DESCRIPTION   | REV |
|------|-------------|-----|---|-----|
|      | 0254882     | Ref | <b>ROTARY COUPLING AND COLLECTOR RING ASSEMBLY AND INSTALLATION</b>   | 3   |
|      |             | Ref | <b>ROTARY OIL COUPLING INSTALLATIONS</b>  |     |
| 1    | 1660213     |     | Rotary Oil Coupling Assembly  |     |
| 1    | 7019610     | 1   | Collar  |     |
| 1    | 1660213EX   | 1   | Rebuilt Couplings (Was P/N 7013175) (Note: Due to complexity of repair, seal kit no longer available. Use rebuilt unit as replacement.) |     |
| 2    | 3530403     | 1   | Plate, Retaining  |     |
| 3    | 0641514     | 4   | Bolt 5/16in-18NC x 1 3/4in  |     |
| 4    | 4761500     | 4   | Lockwasher 5/16in   |     |
| 5    | 0641807     | 2   | Bolt 1/2in-13NC x 7/8in   |     |
| 6    | 4761800     | 2   | Lockwasher 1/2in  |     |
|      | 0100019     | AR  | Loctite #271  |     |
|      | 0270130     | Ref | <b>COLLECTOR RING INSTALLATION</b>  | 1   |
| 101  | 4843822     | 1   | Bracket Weldment  |     |
| 102  | 0960224     | 2   | Bushing   |     |
| 103  | 0641418     | 2   | Bolt 1/4in-20NC x 2 1/4in   |     |
| 104  | 2180763     | 1   | Pipe  |     |
| 105  | 0961531     | 1   | Bushing   |     |
| 106  | 3760446     | 1   | Collector Ring Assembly   |     |
| 107  | 3311801     | 2   | Nut 1/2in-13NC  |     |
| 108  | 3420290     | 2   | Pin, Drive  |     |
| 109  | 0231047     | 2   | Guide, Drive  |     |
| 110  | 0234721     | 1   | Cover   |     |
| 111  | 0721004     | 4   | Screw, Machine #10-24NC x 1/2in   |     |
| 112  | 4761400     | 2   | Lockwasher 1/4in  |     |
| 113  | 1320040     | 2   | Clamp, Cable  |     |
| 114  | 3911012     | 2   | Screw, Machine  |     |
| 115  | 4751000     | 6   | Flatwasher #10  |     |
| 116  | 4761000     | 6   | Lockwasher #10  |     |
| 117  | 3311001     | 6   | Nut #10-24NC  |     |
| 118  | 4751400     | 2   | Flatwasher 1/4in  |     |

# SECTION 2 - TURNTABLE

## FIGURE 2-5. SWING DRIVE AND BEARING INSTALLATION



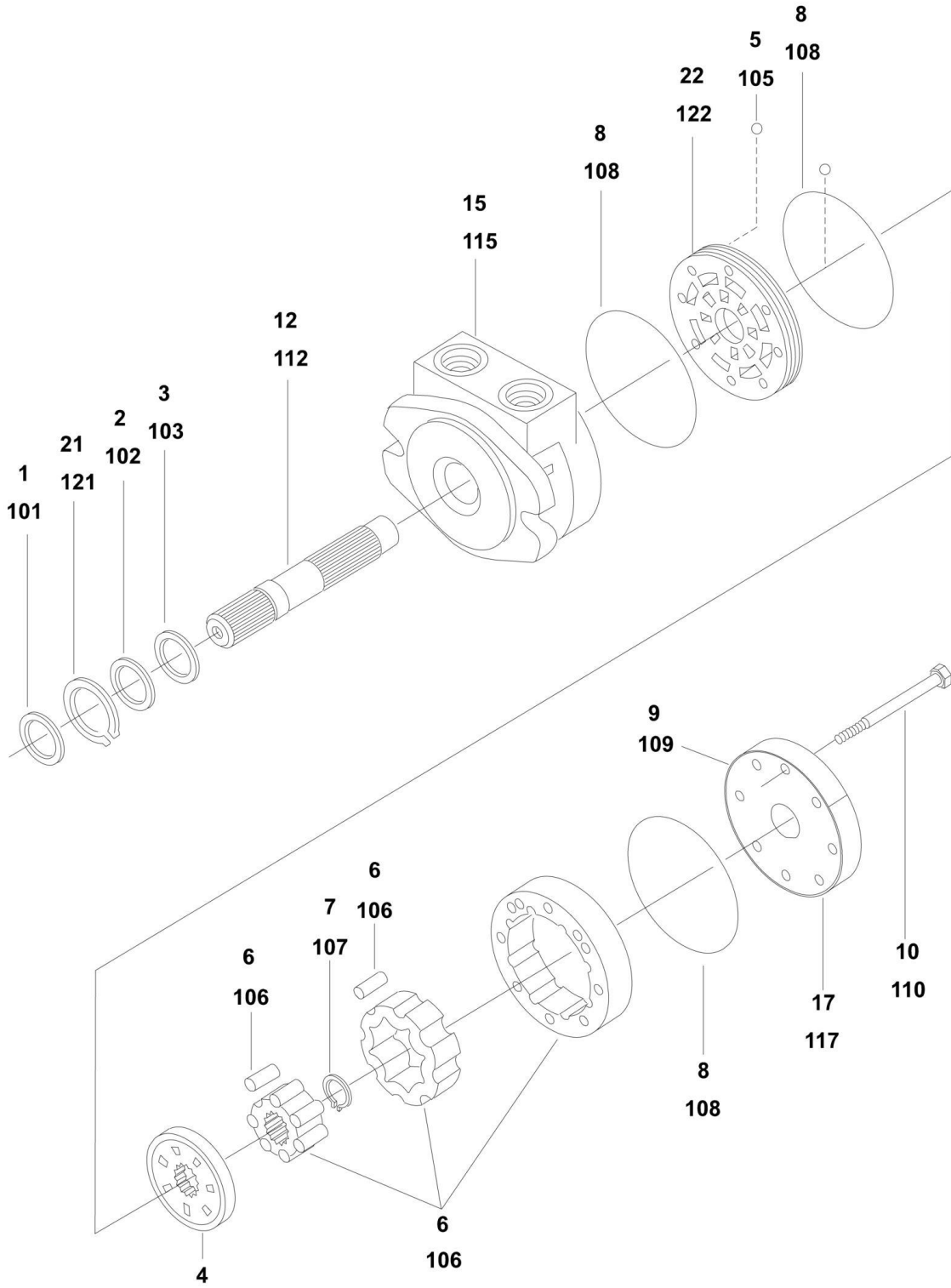
## SECTION 2 - TURNTABLE

### FIGURE 2-5. SWING DRIVE AND BEARING INSTALLATION

| ITEM | PART NUMBER | QTY       | DESCRIPTION   | REV |
|------|-------------|-----------|---|-----|
|      |             | Ref       | <b>SWING DRIVE INSTALLATION OPTIONS:</b>                                |     |
|      | 0252675     | Ref       | <b>Swing Drive Installation (Prior to SN 64566)</b>                     | 5   |
|      | 0270327     | Ref       | <b>Swing Drive Installation (SN 64566 to Present)</b>                   | 1-A |
| 1    |             | Ref       | Swing Motor Assembly Options: (See SWING MOTOR ASSEMBLY for Breakdown)  |     |
| 1    | 3160184     | 1         | Swing Motor Assembly <b>(Prior to SN 64566)</b>                         |     |
| 1    | 3160276     | 1         | Swing Motor Assembly <b>(SN 64566 to Present)</b>                       |     |
| 2    |             | Ref       | Swing Brake Assembly Options: (See SWING BRAKE ASSEMBLY for Breakdown)  |     |
| 2    | 0920109     | 1         | Swing Brake Assembly <b>(Prior to SN 64566)</b>                         |     |
| 2    | 0920119     | 1         | Swing Brake Assembly <b>(SN 64566 to Present)</b>                       |     |
| 3    | 2780116     | 1         | Swing Hub Assembly (See SWING HUB ASSEMBLY for Breakdown)               |     |
| 4    | 4844109     | 1         | Mounting Weldment - Swing Drive   |     |
| 5    | 2440058     | 1         | Gear, Pinion  |     |
| 6    | 3533337     | 1         | Plate, Retaining  |     |
| 8    | 3900164     | 2         | Screw, Countersunk 1/2in-20NF x 1in                                     |     |
| 9    | 0642216     | 8         | Bolt 3/4in-10NC x 2in   |     |
| 10   |             | Ref       | Bolt/Screw Options:   |     |
| 10   | 0641810     | 2         | Bolt (1/2in-13NC x 1 1/4in) <b>(Prior to SN 64566)</b>                  |     |
| 10   | 0681832     | 2         | Screw (1/2in- 13NC x 4in) <b>(SN 64566 to Present)</b>                  |     |
| 11   | 4761800     | 2         | Lockwasher 1/2in  |     |
| 12   | 3931864     | 2         | Bolt, Socket Head 1/2in-13NC x 4in (Grade 8) <b>(Prior to SN 64566)</b> |     |
| 13   | 4740189     | 2         | Washer, Special <b>(Prior to SN 64566)</b>                              |     |
| 15   | 4740171     | 2         | Washer, Special Hardened <b>(Prior to SN 64566)</b>                     |     |
| 16   | 4640741     | 1         | Motor Control Valve Assembly  |     |
| 16   | 7011320     | 2         | Cartridge   |     |
| 16   | 2900770     | 2         | Seal Kit  |     |
| 17   | 0641520     | 4         | Bolt 5/16in-18NC x 2 1/2in  |     |
| 18   | 4761500     | 4         | Lockwasher 5/16in   |     |
| 19   | 3790155     | 1         | O-Ring  |     |
|      | 0100019     | AR        | Loctite #271 <b>(Prior to SN 64566)</b>                                 |     |
|      | 0100009     | AR        | Sealant, Pipe <b>(Prior to SN 64566)</b>                                |     |
|      | 0100011     | AR        | Loctite #242 <b>(SN 64566 to Present)</b>                               |     |
|      | 0270062     | Ref       | <b>TURNTABLE BEARING INSTALLATION</b>                                   | 3   |
| 101  | 0440193     | 1         | Bearing   |     |
| 102  | 0682016     | 40        | Bolt 5/8in-11NC x 3 1/4in   |     |
| 103  | 4892000     | 80        | Washer, Special Hardened  |     |
| 104  | 0682024     | 40        | Bolt 5/8in-11NC x 3in   |     |
|      | 0100019     | AR        | Loctite #271  |     |
|      | 0239842     | Ref       | <b>TURNTABLE LOCK INSTALLATION</b>                                      | B   |
| 201  | 4843318     | 1         | Bushing Weldment  |     |
| 202  | 3421565     | 1         | Pin, Snap   |     |
| 203  | 1260017     | 9 in/23cm | Chain - #3  |     |
| 204  | 3760170     | 2         | Ring, Quick Release   |     |
| 205  | 3421563     | 1         | Pin, Turntable Lock   |     |

# SECTION 2 - TURNTABLE

## FIGURE 2-6. SWING MOTOR ASSEMBLY



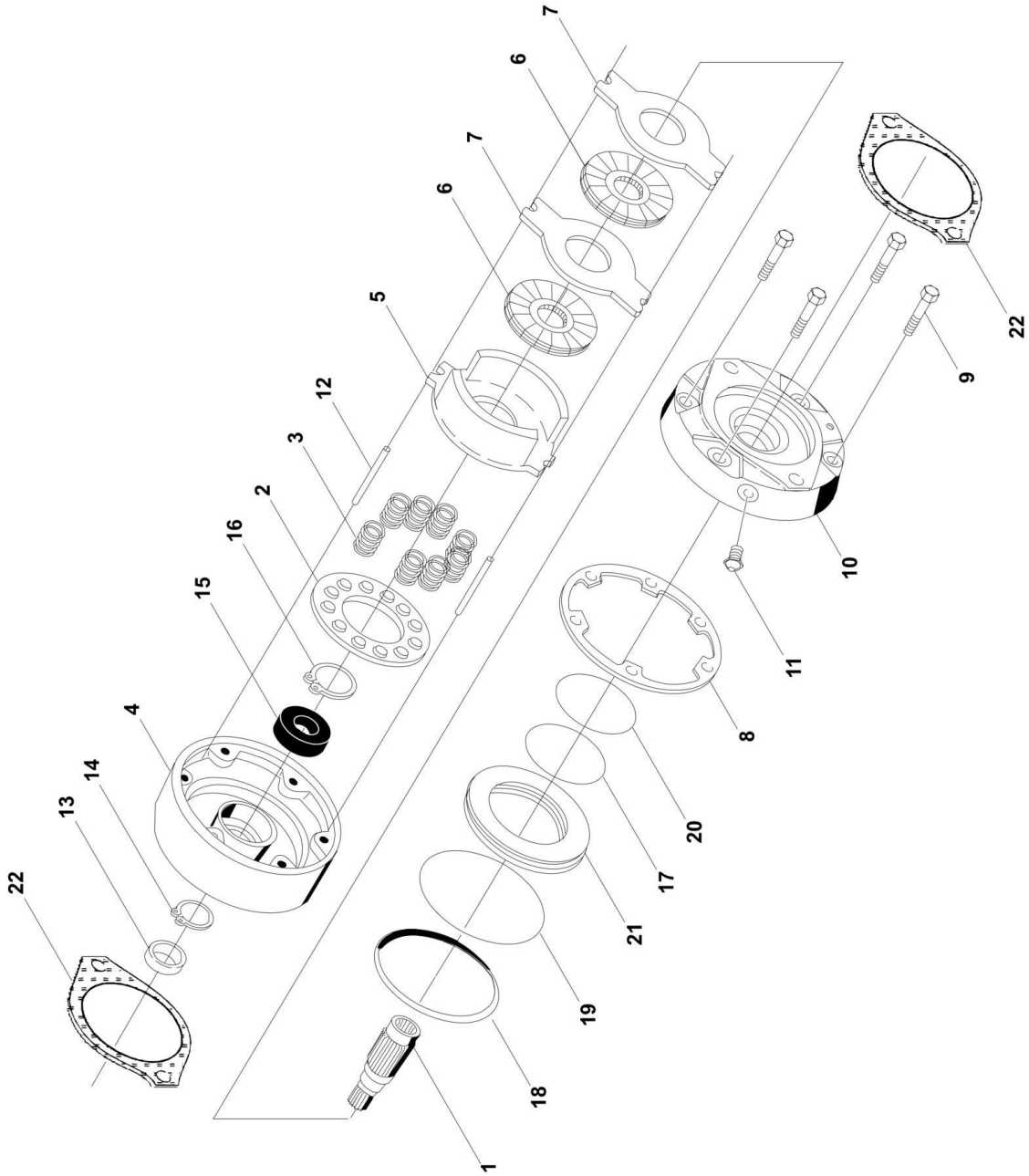
**SECTION 2 - TURNTABLE**

**FIGURE 2-6. SWING MOTOR ASSEMBLY**

| ITEM | PART NUMBER | QTY | DESCRIPTION   | REV |
|------|-------------|-----|---|-----|
|      | 3160184     | Ref | <b>SWING MOTOR ASSEMBLY (Prior to SN 64566)</b>         | B   |
| 1    | Kit         | 1   | Seal, Dust  |     |
| 2    | Kit         | 1   | Ring, Back-up   |     |
| 3    | Kit         | 1   | Seal, Lip   |     |
| 4    | 7004196     | 1   | Valve, Rotary   |     |
| 5    | 7004167     | 2   | Ball, Check Valve                                       |     |
| 6    | 7004179     | 1   | IGR Assembly  |     |
| 7    | Kit         | 1   | Ring, Snap  |     |
| 8    | Kit         | 3   | Seal, Ring  |     |
| 9    | 7004171     | 1   | Plug, Vent (Includes O-Ring)                            |     |
| 10   | 7010780     | 8   | Bolt  |     |
| 12   | 7010781     | 1   | Shaft, Spline   |     |
| 15   | 7010782     | 1   | Body/Bearing Assembly                                   |     |
| 17   | 7004192     | 1   | Cover/Bearing Assembly                                  |     |
| 21   | Kit         | 1   | Ring, Retaining   |     |
| 22   | 7010776     | 1   | Plate, Commutator                                       |     |
|      | 2900798     | 1   | Seal Kit (Includes Items 1, 2, 3, 7, 8 & 21)            |     |
|      | 3160276     | Ref | <b>SWING MOTOR ASSEMBLY (SN 64566 to Present)</b>       | A   |
| 101  | Kit         | 1   | Seal, Dust  |     |
| 102  | Kit         | 1   | Ring, Back-up   |     |
| 103  | Kit         | 1   | Seal, Lip   |     |
| 105  | 7004167     | 2   | Ball, Check Valve                                       |     |
| 106  | 7010791     | 1   | IGR Assembly  |     |
| 107  | Kit         | 1   | Ring, Snap  |     |
| 108  | Kit         | 3   | Seal, Ring  |     |
| 109  | 7010795     | 1   | Plug, Vent (Includes O-Ring)                            |     |
| 110  | 7010792     | 8   | Bolt  |     |
| 112  | 7023432     | 1   | Shaft, Spline   |     |
| 115  | 7023443     | 1   | Body/Bearing Assembly                                   |     |
| 117  | 7004192     | 1   | Cover/Bearing Assembly                                  |     |
| 121  | Kit         | 1   | Ring, Retaining   |     |
| 122  | 7010776     | 1   | Plate, Commutator                                       |     |
|      | 2900798     | 1   | Seal Kit (Includes Items 101, 102, 103, 107, 108 & 121) |     |

# SECTION 2 - TURNTABLE

## FIGURE 2-7. SWING BRAKE ASSEMBLY





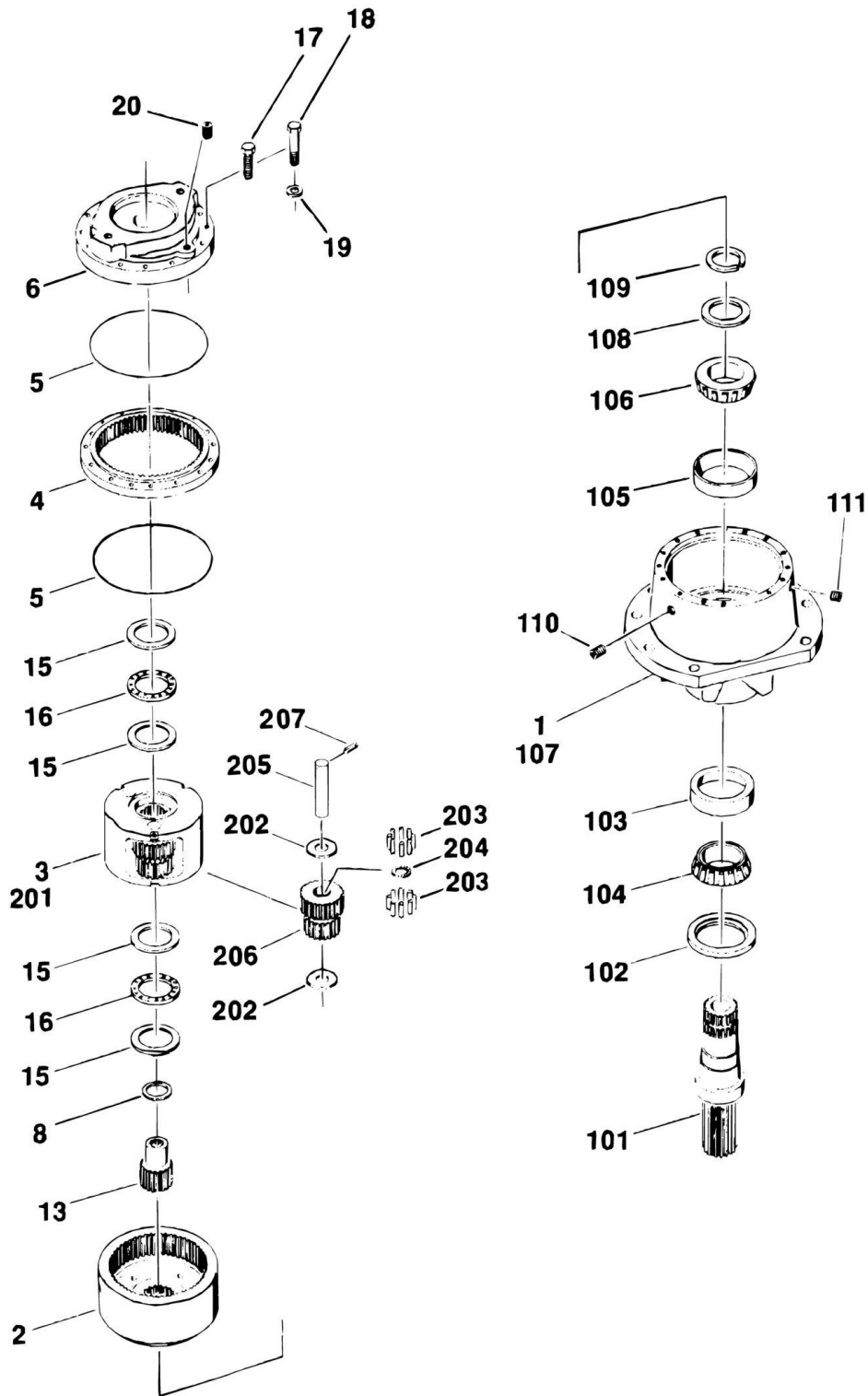
**SECTION 2 - TURNTABLE**

**FIGURE 2-7. SWING BRAKE ASSEMBLY**

| ITEM | PART NUMBER | QTY | DESCRIPTION  | REV |
|------|-------------|-----|--|-----|
|      | 0920109     | Ref | <b>SWING BRAKE ASSEMBLY (Prior to SN 64566)</b>      | B   |
| 1    | 7011720     | 1   | Shaft  |     |
| 2    | 7018606     | 1   | Guide, Spring  |     |
| 3    | 7007970     | 6   | Spring (Red)   |     |
| 4    | 7018605     | 1   | Housing  |     |
| 5    | Kit         | 1   | Plate, Separator                                     |     |
| 6    | Kit         | 2   | Rotor  |     |
| 7    | Kit         | 2   | Stator   |     |
| 8    | Kit         | 1   | Seal, Case   |     |
| 9    | 7018607     | 4   | Bolt, Washer Head                                    |     |
| 10   | 7011719     | 1   | Cover  |     |
| 11   | 7018609     | 1   | Plug   |     |
| 12   | 7007987     | 2   | Pin, Dowel   |     |
| 13   | Kit         | 1   | Seal, Oil  |     |
| 14   | 7011716     | 1   | Ring, Retaining                                      |     |
| 15   | Kit         | 1   | Bearing  |     |
| 16   | 7007977     | 1   | Ring, Retaining                                      |     |
| 17   | Kit         | 1   | Ring, Back-up (Inner)                                |     |
| 18   | Kit         | 1   | Ring, Back-up (Outer)                                |     |
| 19   | Kit         | 1   | O-Ring (Outer)                                       |     |
| 20   | Kit         | 1   | O-Ring (Inner)                                       |     |
| 21   | 7018603     | 1   | Piston   |     |
| 22   | 7007934     | 2   | Gasket   |     |
|      | 7018608     | 1   | Lining Kit (Includes Items 5, 6, 7, 8 & 22)          |     |
|      | 2900766     | 1   | Seal Kit (Includes items 8, 13, 17, 18, 19, 20 & 22) |     |
|      | 2900768     | 1   | Bearing Kit (Includes Items 8, 13, 14, 15, 16 & 22)  |     |
|      | 0920119     | Ref | <b>SWING BRAKE ASSEMBLY (SN 64566 to Present)</b>    | A   |
|      | 7018612     | 1   | Kit, Repair  |     |
|      | Note        | Ref | <b>Note: Repair Kit Only</b>                         |     |

# SECTION 2 - TURNTABLE

## FIGURE 2-8. SWING HUB ASSEMBLY



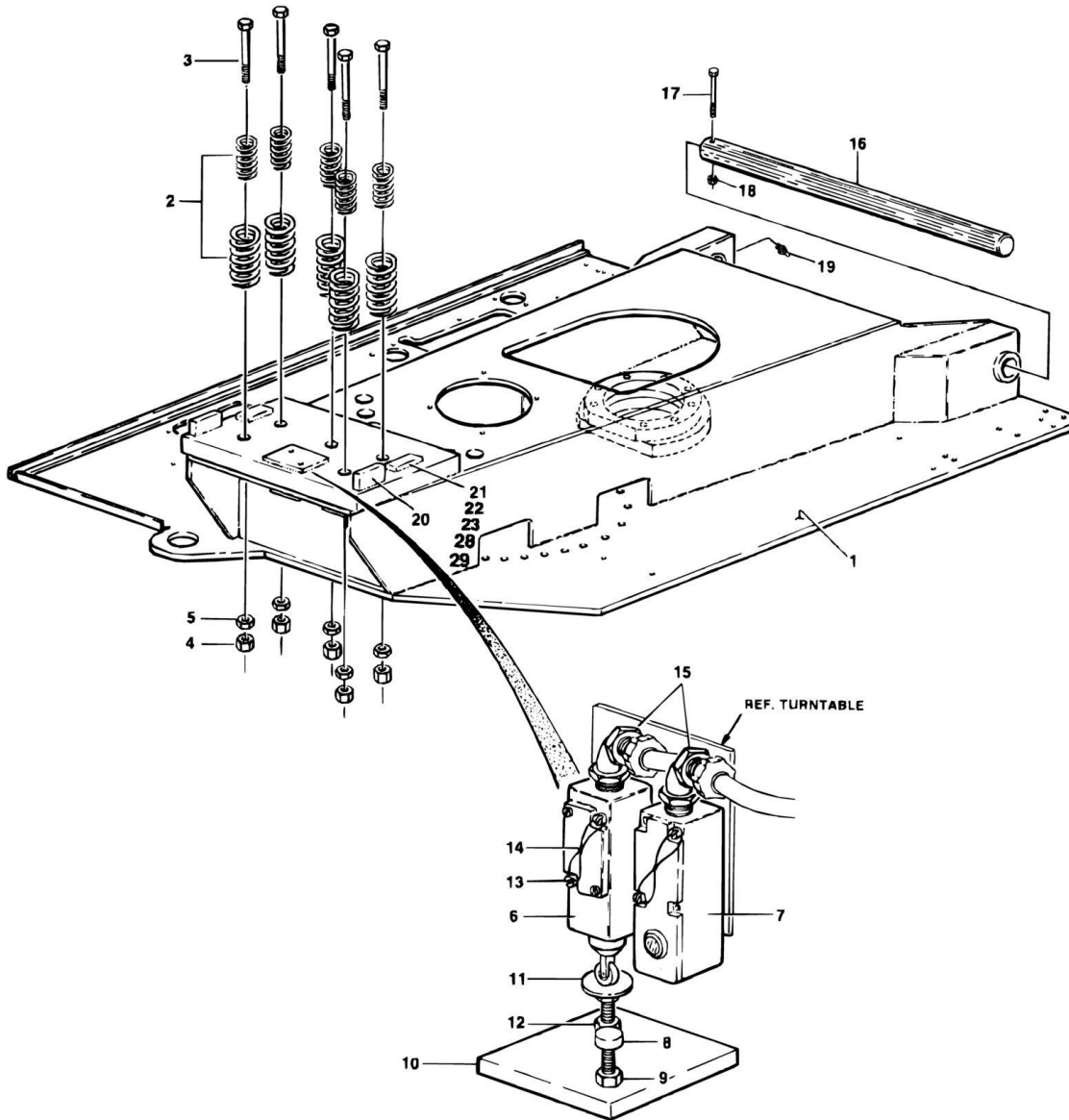
## SECTION 2 - TURNTABLE

### FIGURE 2-8. SWING HUB ASSEMBLY

| ITEM | PART NUMBER   | QTY | DESCRIPTION  | REV |
|------|---------------|-----|--|-----|
|      | 2780116       | Ref | <b>SWING HUB ASSEMBLY</b>                                  | —   |
| 1    | 7001916       | 1   | Hub and Spindle Assembly (See Items 101-111 for Breakdown) |     |
| 2    | 7001917       | 1   | Gear, Internal   |     |
| 3    | 7001918       | 1   | Carrier Assembly (See items 201-207 for Breakdown)         |     |
| 4    | 7000279       | 1   | Gear, Ring   |     |
| 5    | Kit           | 2   | O-Ring   |     |
| 6    | 7001920       | 1   | Cover  |     |
| 8    | 7001922       | 1   | Washer, Thrust   |     |
| 13   | 7001921       | 1   | Gear, Input  |     |
| 15   | 7000287       | 4   | Washer, Thrust   |     |
| 16   | 7000288       | 2   | Bearing, Thrust  |     |
| 17   | 7001923       | 8   | Bolt   |     |
| 18   | 7001924       | 4   | Bolt, Shoulder   |     |
| 19   | 7001929       | 4   | Lockwasher   |     |
| 20   | 7001926       | 1   | Plug, Pipe   |     |
|      | 7001916       | Ref | <b>HUB AND SPINDLE ASSEMBLY</b>                            |     |
| 101  | 7001982       | 1   | Shaft, Output  |     |
| 102  | Kit           | 1   | Seal, Lip  |     |
| 103  | 7000272       | 1   | Cup, Bearing   |     |
| 104  | 7000273       | 1   | Cone, Bearing  |     |
| 105  | 7000274       | 1   | Cup, Bearing   |     |
| 106  | 7000275       | 1   | Cone, Bearing  |     |
| 107  | Not Available | 1   | Hub  |     |
| 108  | Kit           | 1   | Spacer   |     |
| 109  | Kit           | 1   | Ring, Retaining  |     |
| 110  | 7001928       | 1   | Plug, Pipe   |     |
| 111  | 7001926       | 2   | Plug, Pipe   |     |
|      | 7001918       | Ref | <b>CARRIER ASSEMBLY</b>                                    |     |
| 201  | Not Available | 1   | Housing, Carrier   |     |
| 202  | Kit           | 6   | Washer, Thrust   |     |
| 203  | 7001902       | 84  | Bearing, Needle  |     |
| 204  | Kit           | 3   | Spacer   |     |
| 205  | 7001904       | 3   | Shaft, Planet  |     |
| 206  | Kit           | 3   | Gear, Cluster  |     |
| 207  | Kit           | 3   | Rollpin  |     |
|      | 2900202       | 1   | Seal Kit (Includes Items 5, 102, 108 & 109)                |     |
|      | 7001927       | 1   | Cluster Gear Kit (Includes Items 202, 204, 206 & 207)      |     |

# SECTION 2 - TURNTABLE

## FIGURE 2-9. LOAD MANAGEMENT INSTALLATION



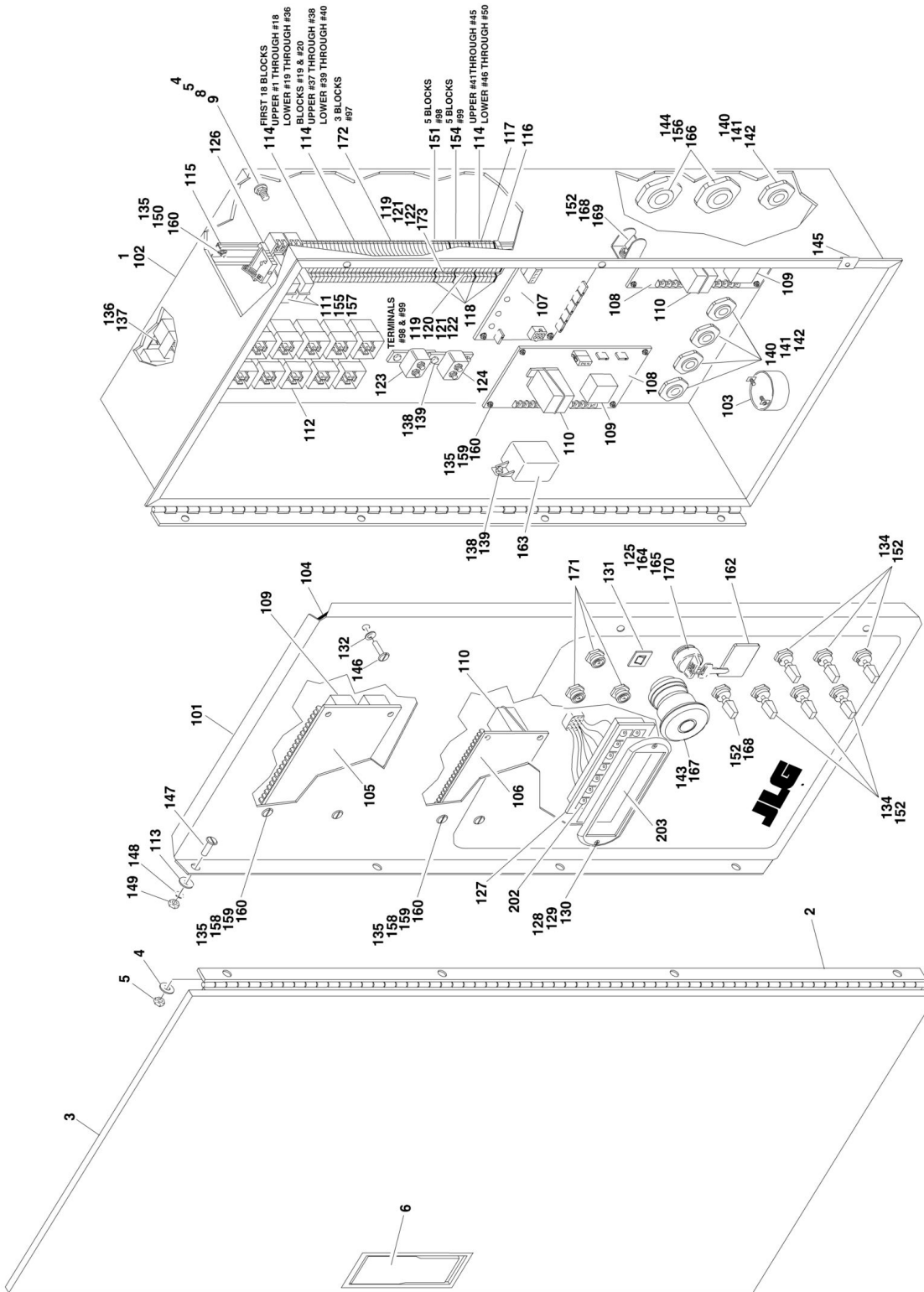
# SECTION 2 - TURNTABLE

**FIGURE 2-9. LOAD MANAGEMENT INSTALLATION**

| ITEM | PART NUMBER | QTY | DESCRIPTION                            | REV |
|------|-------------|-----|--|-----|
|      | 0239868     | Ref | <b>LOAD MANAGEMENT INSTALLATION</b>    | 7   |
| 1    | 4844272     | 1   | Base Weldment                          |     |
| 2    | 4160099     | 5   | Spring                                 |     |
| 3    | 0630422     | 5   | Bolt 1 1/4in- and NC x 14in            |     |
| 4    | 3313002     | 5   | Nut, Jam 1 1/4in-7NC                   |     |
| 5    | 3273001     | 5   | Nut 1 1/4in-7NC (Grade 8)              |     |
| 6    | 4360263     | 1   | Switch, Limit                          |     |
| 7    | 4360259     | 1   | Switch, Proximity                      |     |
| 8    | 3841004     | 1   | Rod, Actuator                          |     |
| 9    | 3321501     | 1   | Nut 5/16in-18                          |     |
| 10   | 3533414     | 1   | Plate, Actuator Mounting               |     |
| 11   | 0630510     | 1   | Bolt, Leveler                          |     |
| 12   | 3321405     | 1   | Locknut 1/4in-28NF                     |     |
| 13   | 3900104     | 4   | Screw, Drilled Head #10-24NC x 2 1/4in |     |
| 14   | 4920140     | 2   | Lockwire                               |     |
| 15   | 4460342     | 2   | Connector, Strain Relief               |     |
| 16   | 3421677     | 1   | Pin, Load Moment Pivot                 |     |
| 17   | 0642252     | 1   | Bolt 3/4in-10NC x 6 1/2in              |     |
| 18   | 3312205     | 1   | Locknut 3/4in-10NC                     |     |
| 19   | 2160002     | 2   | Fitting, Grease                        |     |
| 20   | 4220120     | 2   | Stop, Turntable                        |     |
| 21   | 4220121     | AR  | Stop, Turntable                        |     |
| 22   | 4070729     | AR  | Shim 11 GA x 1 1/2in x 4in             |     |
| 23   | 4070728     | AR  | Shim 16 GA x 1 1/2in x 4in             |     |
| 28   | 4220157     | AR  | Stop, Turntable 1/2in x 1 1/2in x 4in  |     |
| 29   | 4220158     | AR  | Stop, Turntable 1/4in x 1 1/2in x 4in  |     |
|      | 0100019     | AR  | Loctite                                |     |

# SECTION 2 - TURNTABLE

## FIGURE 2-10. GROUND CONTROLS INSTALLATION



**SECTION 2 - TURNTABLE**

**FIGURE 2-10. GROUND CONTROLS INSTALLATION**

| ITEM | PART NUMBER | QTY        | DESCRIPTION  | REV |
|------|-------------|------------|--|-----|
|      |             | Ref        | <b>GROUND CONTROLS INSTALLATION - DEUTZ</b>                                    |     |
|      | 0259883     | Ref        | <b>GROUND CONTROL BOX INSTALLATION (100SX/110SX)</b>                           | 1   |
|      | 0270280     | Ref        | <b>GROUND CONTROL BOX INSTALLATION (110SXJ)</b>                                | 1   |
|      | 0259881     | Ref        | <b>GROUND CONTROL BOX INSTALLATION (120SXJ)</b>                                | 1   |
|      |             | Ref        | <b>GROUND CONTROLS INSTALLATION - FORD</b>                                     |     |
|      | 0271396     | Ref        | <b>GROUND CONTROL BOX INSTALLATION (100SX/110SX)</b>                           | 1   |
|      | 0271397     | Ref        | <b>GROUND CONTROL BOX INSTALLATION (110SXJ)</b>                                | 1   |
| 1    |             | Ref        | Ground Control Box Assembly - Deutz Options: (See Items 101-173 for Breakdown) |     |
| 1    | 0861349     | 1          | Ground Control Box Assembly - Deutz 100SX/110SX                                |     |
| 1    | 0861364     | 1          | Ground Control Box Assembly - Deutz 110SXJ                                     |     |
| 1    | 0861346     | 1          | Ground Control Box Assembly - Deutz 120SXJ                                     |     |
| 1    |             | Ref        | Ground Control Box Assembly - Ford Options: (See Items 101-173 for Breakdown)  |     |
| 1    | 0861460     | 1          | Ground Control Box Assembly - Ford 100SX/110SX                                 |     |
| 1    | 0861461     | 1          | Ground Control Box Assembly - Ford 110SXJ                                      |     |
| 2    | 2600148     | 1          | Hinge  |     |
| 3    | 1780227     | 1          | Door, Ground Control   |     |
| 4    | 4751400     | 14         | Flatwasher 1/4in   |     |
| 5    | 3311401     | 14         | Nut 1/4in-20NC   |     |
| 6    | 2940042     | 1          | Latch  |     |
| 8    | 4300032     | 4          | Stud (Welded on Part)  |     |
| 9    | 4751500     | 8          | Flatwasher 5/16in  |     |
|      | 0100011     | AR         | Loctite #242   |     |
|      | 0861349     | Ref        | <b>GROUND CONTROL BOX ASSEMBLY (100SX/110SX) - DEUTZ</b>                       | 1   |
|      | 0861364     | Ref        | <b>GROUND CONTROL BOX ASSEMBLY (110SXJ) - DEUTZ</b>                            | 1   |
|      | 0861346     | Ref        | <b>GROUND CONTROL BOX ASSEMBLY (120SXJ) - DEUTZ</b>                            | 1   |
|      | 0861460     | Ref        | <b>GROUND CONTROL BOX ASSEMBLY (100SX/110SX) - FORD</b>                        | 1   |
|      | 0861461     | Ref        | <b>GROUND CONTROL BOX ASSEMBLY (110SXJ) - FORD</b>                             | 1   |
| 101  | 3252670     | 1          | Lid/Nameplate  |     |
| 102  | 0860562     | 1          | Box  |     |
| 103  | 0140019     | 1          | Alarm  |     |
| 104  | 4420037     | 15 ft/4.5m | Gasket   |     |
| 105  | 0610084     | 1          | Card, Circuit (Engine Relay)   |     |
| 106  | 0610080     | 1          | Card, Circuit (Select)   |     |
| 107  | 0610130     | 1          | Card, Circuit (Load Radius)  |     |
| 108  | 0610100     | 2          | Card, Circuit (Overload)   |     |
| 109  | 3740070     | 16         | Relay - SPDT   |     |
| 110  | 3740016     | 6          | Relay - 3PDT   |     |
| 111  | 3740122     | AR         | Relay - 2PDT   |     |
| 112  | 3740049     | 16         | Relay - 5PDT (With Skirt)  |     |
| 113  | 4750800     | 6          | Flatwasher #8  |     |
| 114  | 4460301     | 1          | Marker, Terminal (1-50)  |     |
| 115  | 3640686     | 1          | Rail   |     |
| 116  | 4460442     | 1          | Stop, Terminal   |     |
| 117  | 4460387     | 36         | Block, Terminal  |     |
| 118  | 4460388     | 5          | Barrier, Terminal  |     |
| 119  | 4460307     | 22         | Sleeve, Terminal   |     |
| 120  | 4460441     | 2          | Bar, Buss - 5 Position   |     |
| 121  | 4460306     | 22         | Washer, Terminal   |     |

## SECTION 2 - TURNTABLE

| ITEM | PART NUMBER | QTY | DESCRIPTION   | REV |
|------|-------------|-----|---|-----|
| 122  | 4460305     | 22  | Screw, Terminal   |     |
| 123  | 4360216     | 1   | Breaker, Circuit - 30 Amp   |     |
| 124  | 4360232     | 1   | Breaker, Circuit - 15 Amp   |     |
| 125  | 4360469     | 1   | Switch, Key (Master Select)   |     |
| 125  | 2860030     | 1   | Key, Replacement  |     |
| 126  | 4460299     | 1   | Stop, Terminal  |     |
| 127  | 2760105     | 1   | Housing, Display Light  |     |
| 128  | 1670829     | 1   | Bezel   |     |
| 129  | 0630518     | 2   | Screw   |     |
| 130  | 3300408     | 2   | Locknut, Plastic Inserted   |     |
| 131  | 4360212     | 1   | Breaker, Circuit - 3 Amp  |     |
| 132  | 4740120     | 3   | Washer, Nylon   |     |
| 134  | 4360314     | AR  | Switch, Toggle (Extend-A-Reach, Lift, Swing, Level, Telescope and Rotate) |     |
| 135  | 4760600     | 24  | Lockwasher #6   |     |
| 136  | 4751400     | 8   | Flatwasher 1/4in  |     |
| 137  | 3311401     | 8   | Nut 1/4in-20NC  |     |
| 138  | 4751000     | 3   | Flatwasher #10  |     |
| 139  | 3311001     | 3   | Nut #10-24NC  |     |
| 140  | 4460051     | AR  | Connector, Strain Relief  |     |
| 141  | 3300048     | 5   | Nut, Conduit  |     |
| 142  | 0960238     | AR  | Bushing, Reducer  |     |
| 143  | 4360475     | 1   | Switch, Emergency Stop  |     |
| 143  | 7020175     | 1   | Cap, Red  |     |
| 143  | 7020176     | 1   | Contact Block   |     |
| 144  | 4460386     | 2   | Connector, Strain Relief  |     |
| 145  | 3300177     | 3   | Nut, Tinnerman  |     |
| 146  | 0750806     | 3   | Screw, Self-Tapping #8 x 3/4in  |     |
| 147  | 0720804     | 6   | Screw, Hex #8-32NC x 1/2in  |     |
| 148  | 4760800     | 6   | Lockwasher #8   |     |
| 149  | 3310801     | 6   | Nut #8-32NC   |     |
| 150  | 3910606     | 2   | Screw, Hex #6-32NC x 3/8in  |     |
| 151  | 4460451     | 12  | Strip, Terminal Marking - #98   |     |
| 152  | 3790012     | AR  | O-Ring  |     |
| 153  | 4460234     | 10  | Clamp, Cable (Not Shown)  |     |
| 154  | 4460452     | 20  | Strip, Terminal marking - #99   |     |
| 155  | 4120036     | AR  | Base, Relay   |     |
| 156  | 3300147     | 2   | Nut, Conduit  |     |
| 157  | 3740124     | AR  | Spring, Relay   |     |
| 158  | 3910616     | 10  | Screw, Hex #6-32NC x 1in  |     |
| 159  | 4564088     | 22  | Stand-Off #6-32NC x 1/4in   |     |
| 160  | 3310601     | 24  | Nut #6-32NC   |     |
| 162  | 2420172     | 1   | Hourmeter   |     |
| 163  | 3740112     | 1   | Relay, Ignition   |     |
| 164  | 4070991     | 1   | Shim .125   |     |
| 165  | 4070987     | 1   | Shim .015   |     |
| 166  | 0960905     | 2   | Bushing   |     |
| 167  | 4360476     | 1   | Block, Contact  |     |
| 168  | 4360328     | 2   | Switch, Toggle (Proximity Manual Test)                                    |     |
| 169  | 4060229     | 1   | Guard, Switch   |     |
| 170  | 3910804     | 6   | Screw #8-32NC x 1/4in   |     |
| 171  | 4360069     | 3   | Breaker, Circuit - 10Amp  |     |

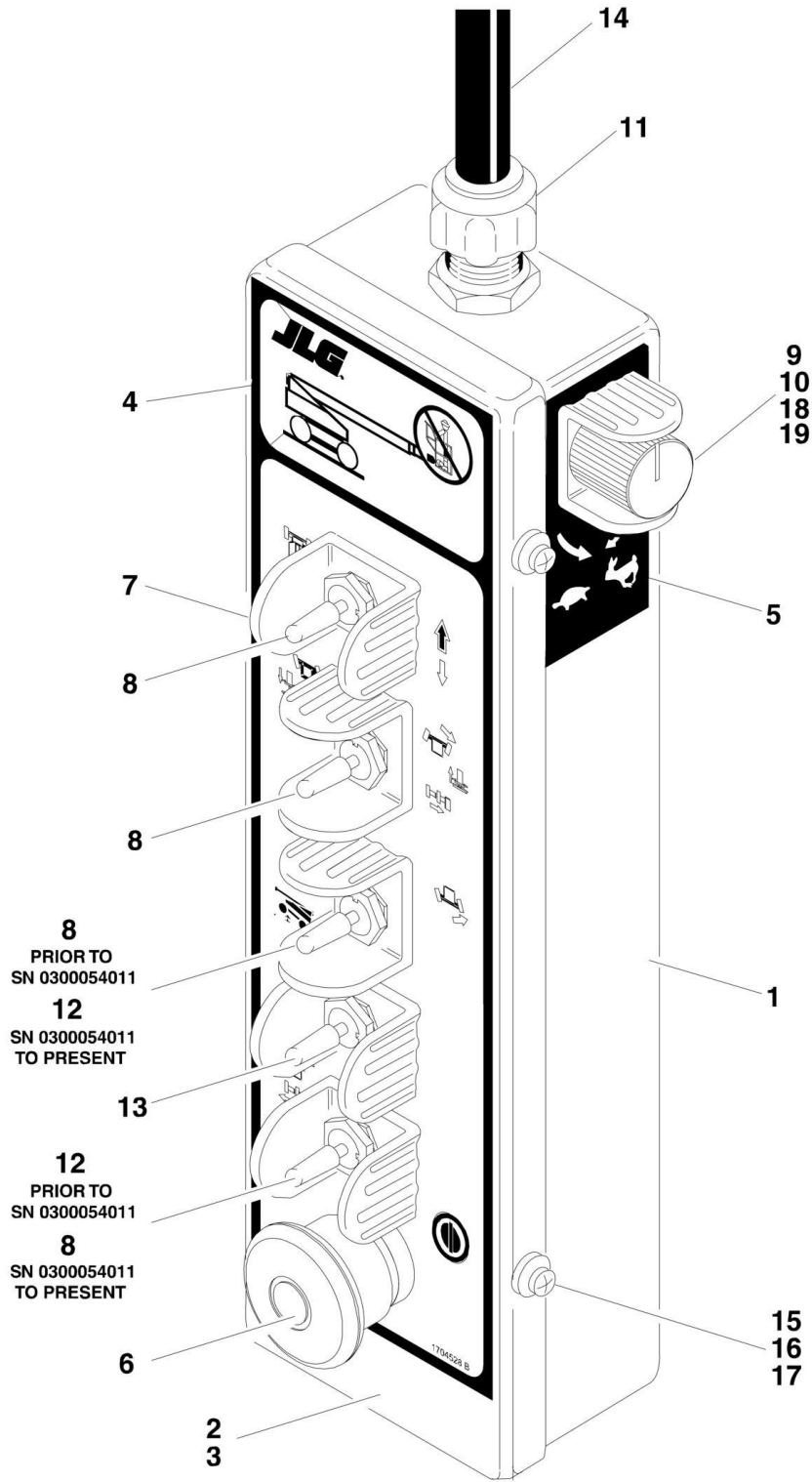


**SECTION 2 - TURNTABLE**

| ITEM | PART NUMBER | QTY | DESCRIPTION  | REV |
|------|-------------|-----|--|-----|
| 172  | 4460704     | 12  | Strip, Terminal marking - #97                                    |     |
| 173  | 4460390     | 4   | Buss Bar, Terminal   |     |
|      |             | Ref | <b>LIGHT PANEL DECAL INSTALLATIONS</b>                           |     |
|      | 0270046     | Ref | <b>Light Panel Decal Installations 100SX/110SX - ANSI</b>        | 1   |
|      | 0259885     | Ref | <b>Light Panel Decal Installations 100SX/110SX - ANSI Export</b> | 1   |
|      | 0259887     | Ref | <b>Light Panel Decal Installations 110SXJ/120SXJ</b>             | 1   |
| 202  | 2920129     | AR  | Bulb, Light  |     |
| 203  |             | Ref | Decal - Light Panel Display Options:                             |     |
| 203  | 1704519     | 1   | Decal - Light Panel Display 100SX/110SX - ANSI                   |     |
| 203  | 1704518     | 1   | Decal - Light Panel Display 100SX/110SX - ANSI Export            |     |
| 203  | 1704516     | 1   | Decal - Light Panel Display 110SXJ/120SXJ                        |     |

# SECTION 2 - TURNTABLE

FIGURE 2-11. REMOTE DRIVE CONTROL BOX ASSEMBLY



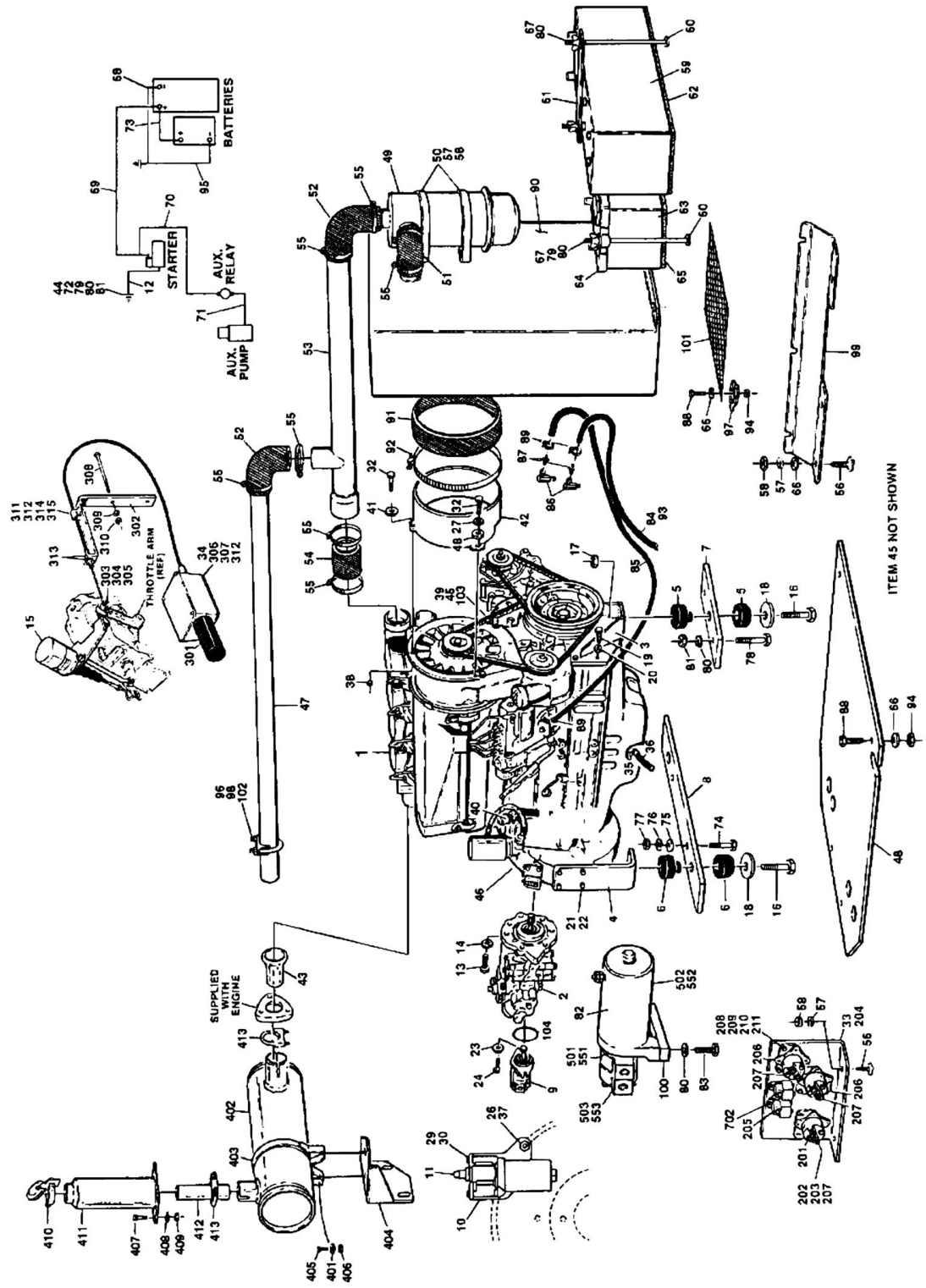
**SECTION 2 - TURNTABLE**

**FIGURE 2-11. REMOTE DRIVE CONTROL BOX ASSEMBLY**

| ITEM | PART NUMBER | QTY   | DESCRIPTION                              | REV |
|------|-------------|-------|--|-----|
|      | 0270048     | Ref   | <b>REMOTE DRIVE CONTROL BOX ASSEMBLY</b> | 2-C |
| 1    | 0861354     | 1     | Box, Remote                              |     |
| 2    | 3572216     | 1     | Plate, Remote Box Lid                    |     |
| 3    | 4420037     | AR    | Tape, Insulation                         |     |
| 4    | 1704528     | 1     | Decal, Remote Box                        |     |
| 5    | 1701775     | 1     | Decal, Potentiometer                     |     |
| 6    | 4360475     | 1     | Switch, Emergency Stop                   |     |
| 7    | 4060802     | 6     | Shield, Toggle                           |     |
| 8    | 4360314     | 3     | Switch, Toggle                           |     |
| 9    | 4360340     | 1     | Switch, Potentiometer                    |     |
| 10   | 3300352     | 1     | Nut, Special                             |     |
| 11   | 4460425     | 1     | Connector, Strain                        |     |
| 12   | 4360331     | 1     | Switch, Toggle                           |     |
| 13   | 4360345     | 1     | Switch, Toggle                           |     |
| 14   | 1060306     | 25 ft | Cable, Control 16/16                     |     |
| 15   | 4740120     | 4     | Washer, Nylon                            |     |
| 16   | 3300177     | 4     | Nut, Tinnerman #8                        |     |
| 17   | 0750804     | 4     | Screw #8 x 1/2 Lg                        |     |
| 18   | 2560116     | 1     | Knob, Speed Control (Black)              |     |
| 19   | 4711600     | 1     | Flatwasher 3/8in                         |     |
|      | 3730091     | 1     | Resistor (Not Shown)                     |     |
|      | 3990001     | 10    | Diode (Not Shown)                        |     |

# SECTION 2 - TURNTABLE

## FIGURE 2-12. DEUTZ F4L-912 ENGINE INSTALLATION



## SECTION 2 - TURNTABLE

### FIGURE 2-12. DEUTZ F4L-912 ENGINE INSTALLATION

| ITEM | PART NUMBER | QTY       | DESCRIPTION  | REV |
|------|-------------|-----------|--|-----|
|      |             | Ref       | <b>DEUTZ F4L-912 ENGINE INSTALLATION OPTIONS:</b>                    |     |
|      | 0270272     | Ref       | <b>Standard</b>  | 2   |
|      | 0271829     | Ref       | <b>W / Turntable Mounted Welder (Not Shown)</b>                      | 1   |
| 1    | 2000083     | 1         | Engine - Deutz Diesel F4L-912  |     |
| 1    | 2000115     | 1         | Engine - Deutz Diesel F4L-912 - Clean Burn                           |     |
| 2    |             | Ref       | Pump Assembly Options: (See PUMP ASSEMBLY for Breakdown)             |     |
| 2    | 3600260     | 1         | Standard   |     |
| 2    | 3600333     | 1         | W / Turntable Mounted Welder (Not Shown)                             |     |
| 3    | 3200229     | 1         | Motor Support Weldment (Front)                                       |     |
| 4    | 3200228     | 2         | Motor Support Weldment (Rear)  |     |
| 5    | 3200133     | 1         | Mount, Rubber Motor (Front)  |     |
| 6    | 3200183     | 2         | Mount, Rubber Motor (Rear)   |     |
| 7    | 3200227     | 1         | Plate, Engine Mounting (Front)                                       |     |
| 8    | 3200306     | 1         | Plate, Engine Mounting (Rear)  |     |
| 9    |             | Ref       | Pump Assembly Options: (See PUMP ASSEMBLY - HYDRO-AIR For Breakdown) |     |
| 9    | 3600286     | 1         | Standard   |     |
| 9    | 3600334     | 1         | W / Turntable Mounted Welder (Not Shown)                             |     |
| 10   | 0901829     | 1         | Bracket, Filter  |     |
| 11   | 2120135     | 1         | Filter - Charge Pump   |     |
| 11   | 2120136     | 1         | Element  |     |
| 12   | 1060044     | 1         | Cable, Battery (Starter to Ground)                                   |     |
| 13   | 0641812     | 2         | Bolt 1/2in-13NC x 1 1/2in  |     |
| 14   | 4761800     | 2         | Lockwasher 1/2in   |     |
| 15   | 0250069     | 1         | Fuel Shutdown Kit (Includes Mounting Hardware)                       |     |
| 16   | 0642032     | 3         | Bolt 5/8in-11NC x 4in  |     |
| 17   | 3312005     | 3         | Locknut 5/8in-11NC   |     |
| 18   | 4740242     | 3         | Flatwasher, Special  |     |
| 19   | 0701427     | 4         | Bolt, Metric 14mm x 100mm  |     |
| 20   | 4740191     | 4         | Lockwasher, Metric 14.2mm  |     |
| 21   | 0701215     | 8         | Bolt, Metric 12mm x 35mm   |     |
| 22   | 4832100     | 8         | Lockwasher 12mm  |     |
| 23   | 4891600     | 2         | Flatwasher 3/8in   |     |
| 24   | 0641620     | 2         | Bolt 3/8in-16NC x 1 1/4in  |     |
| 25   | 0100011     | AR        | Loctite #242 (Not Shown)   |     |
| 26   | 0701015     | 2         | Bolt, Metric 10mm x 35mm   |     |
| 27   | 4831700     | 1         | Lockwasher 6mm   |     |
| 28   | 3311401     | 3         | Nut 1/4in-20NC   |     |
| 29   | 0641405     | 4         | Bolt 1/4in-20NC x 5/8in  |     |
| 30   | 4761400     | 4         | Lockwasher #1/4in  |     |
| 32   | 0700617     | 5         | Bolt, Metric 6mm x 45mm  |     |
| 33   | 0237627     | 1         | Electrical Panel Assembly (See Items 201-211 for Breakdown)          |     |
| 34   | 0237635     | 1         | Throttle Cable Installation (See Items 301-315 for Breakdown)        |     |
| 35   | 4640742     | 1         | Valve, Oil Drain   |     |
| 36   | 2720042     | 6 in/15cm | Hose, Heater   |     |
| 37   | 4832000     | 2         | Lockwasher, Metric 10mm  |     |
| 38   | 3290607     | 4         | Locknut, Metric 6mm  |     |
| 39   | 1320222     | 3         | Clamp (Not Shown)  |     |
| 40   | 4360490     | 1         | Switch, Oil Pressure   |     |

## SECTION 2 - TURNTABLE

| ITEM | PART NUMBER | QTY       | DESCRIPTION   | REV |
|------|-------------|-----------|---|-----|
| 41   | 4811700     | 9         | Flatwasher 6mm  |     |
| 42   | 4843384     | 1         | Air Intake Weldment   |     |
| 43   | 4565269     | 1         | Adapter, Exhaust  |     |
| 44   | 4751700     | 1         | Flatwasher 7/16in   |     |
| 45   | 0700810     | 1         | Bolt, Metric 8-1.25mm x 20mm  |     |
| 46   |             | Ref       | Coupling Installations (See PUMP COUPLING INSTALLATION for Breakdown)       |     |
| 47   | 4844238     | 1         | Tube Weldment   |     |
| 48   | 1670627     | 1         | Cover, Base Plate   |     |
| 49   | 1340020     | 1         | Air Cleaner Assembly  |     |
| 49   | 7004214     | 1         | Element   |     |
| 50   | 0340002     | 2         | Band, Mounting  |     |
| 51   | 0080046     | 1         | Elbow   |     |
| 52   | 0080039     | 2         | Elbow   |     |
| 53   | 4565655     | 1         | Tube  |     |
| 54   | 2720224     | 1         | Hose 2 3/4in ID x 3in Lg  |     |
| 55   | 1320058     | 8         | Clamp   |     |
| 56   | 4300031     | 8         | Stud (Welded on Part)   |     |
| 57   | 4761400     | 6         | Lockwasher 1/4in  |     |
| 58   | 3311401     | 12        | Nut 1/4in-20NC  |     |
| 59   | 0400020     | 1         | Battery (Large)   |     |
| 60   | 0236768     | 4         | Rod, Tie-Down   |     |
| 61   | 0361027     | 1         | Bar, Hold-Down  |     |
| 62   | 3980006     | 1         | Seat, battery   |     |
| 63   | 0400003     | 1         | Battery (Small)   |     |
| 64   | 0400002     | 1         | Hold-Down   |     |
| 64   | 2910479     | 4         | Clips   |     |
| 65   | 3980003     | 1         | Seat, Battery   |     |
| 66   | 4751400     | 23        | Flatwasher 1/4in  |     |
| 67   | 3300029     | 4         | Wingnut 1/4in-20NC  |     |
| 68   | 1060031     | 1         | Cable, Battery (Large Battery to Ground)                                    |     |
| 69   | 1060109     | 1         | Cable, Battery (Large Battery to Starter)                                   |     |
| 70   | 1060149     | 1         | Cable, Battery (Starter to Aux Relay)                                       |     |
| 71   | 1060132     | 1         | Cable, Battery (Aux Relay to Aux Pump)                                      |     |
| 72   | 4300034     | 3         | Stud (Welded on Part)   |     |
| 73   | 4921139     | 1         | Cable, Battery (Positive to Positive - Batteries)                           |     |
| 73   | 3990048     | 1         | Diode (Soldered to Cable)   |     |
| 74   | 0642022     | 2         | Bolt 5/8in-11NC x 2 3/4in   |     |
| 75   | 4752000     | 2         | Flatwasher 5/8in  |     |
| 76   | 4762000     | 2         | Lockwasher 5/8in  |     |
| 77   | 3312001     | 2         | Nut 5/8in-11NC  |     |
| 78   | 0641622     | 2         | Bolt 3/8in-16NC x 2 3/4in   |     |
| 79   | 4751600     | 3         | Flatwasher 3/8in  |     |
| 80   | 4761600     | 11        | Lockwasher 3/8in  |     |
| 81   | 3311601     | 5         | Nut 3/8in-16NC  |     |
| 82   |             | Ref       | Auxiliary Pump Assembly Options:  |     |
| 82   | 3600468     | 1         | Auxiliary Pump Assembly (See Items 501-503 for Breakdown) (was p/n 3600208) |     |
| 82   | 3600468     | 1         | Auxiliary Pump Assembly (See Items 551-553 for Breakdown)                   |     |
| 83   | 0641620     | 2         | Bolt 3/8in-16NC x 2 1/2in   |     |
| 84   | 2720271     | 8 ft/2.4m | Fuel Line (Return)  |     |
| 85   | 2750532     | 10 ft/3m  | Fuel Line (Supply)  |     |

## SECTION 2 - TURNTABLE

| ITEM | PART NUMBER | QTY     | DESCRIPTION                              | REV |
|------|-------------|---------|--|-----|
| 86   | 2220063     | 2       | Fitting, 90                              |     |
| 87   | 2220720     | 2       | Fitting, Barbed                          |     |
| 88   | 0641414     | 13      | Bolt 1/4in-20NC x 1 3/4in                |     |
| 89   | 1320022     | 4       | Clamp                                    |     |
| 90   | 0253194     | 1       | Air Inlet Box Assembly                   |     |
| 91   | 4280002     | 30      | Neoprene 1/8in x 2in                     |     |
|      |             | in/76cm |  |     |
| 92   | 1320059     | 1       | Clamp                                    |     |
| 93   | 2180536     | 1       | Fitting, Coupling                        |     |
| 94   | 3311405     | 13      | Locknut 1/4in-20NC                       |     |
| 95   | 1060031     | 1       | Cable, Battery (Small Battery to Ground) |     |
| 96   | 4751500     | 2       | Flatwasher 5/16in                        |     |
| 97   | 4740362     | 6       | Washer, Fender                           |     |
| 98   | 4761500     | 2       | Lockwasher 5/16in                        |     |
| 99   | 3535949     | 1       | Plate, Hose Cover                        |     |
| 100  | 0362101     | 1       | Bar, Spacer                              |     |
| 101  | 3536008     | 1       | Plate, Shield                            |     |
| 102  | 1320021     | 1       | Clamp, Muffler                           |     |
| 103  | 4831900     | 1       | Flatwasher 8mm                           |     |
| 104  | 3790152     | 1       | "O" Ring                                 |     |
| 105  | 1701505     | 1       | Decal, Fuel (Not Shown)                  |     |
|      | 0237627     | Ref     | <b>ELECTRICAL PANEL ASSEMBLY</b>         | 7   |
| 201  | 3740059     | 1       | Relay                                    |     |
| 202  | 3321001     | 3       | Nut #10-32NF                             |     |
| 203  | 3310801     | 1       | Nut #8-32NC                              |     |
| 204  | 3530425     | 1       | Plate, Mounting                          |     |
| 205  | 3740080     | 1       | Relay                                    |     |
| 206  | 3740067     | 2       | Relay                                    |     |
| 207  | 3300220     | 6       | Nut, Special                             |     |
| 208  | 0641405     | 7       | Bolt 1/4in-20NC x 5/8in                  |     |
| 209  | 4791400     | 7       | Starwasher 1/4in                         |     |
| 210  | 3311401     | 7       | Nut 1/4in-20NC                           |     |
| 211  | 4711400     | 6       | Flatwasher 1/4in                         |     |
|      | 0237635     | Ref     | <b>THROTTLE CABLE INSTALLATION</b>       | 4   |
| 301  | 0060023     | 1       | Actuator                                 |     |
| 301  | 7008804     | 1       | Bellows, Rubber                          |     |
| 301  | 7008829     | 1       | Board, Circuit                           |     |
| 301  | 7008821     | 1       | Motor, Drive                             |     |
| 301  | 7008828     | 1       | Cable, Throttle                          |     |
| 302  | 0901389     | 1       | Bracket, Throttle Cable                  |     |
| 303  | 4460302     | 1       | Stop, Terminal                           |     |
| 304  | 3450203     | 1       | Pin, Cotter 1/16in x 3/4in               |     |
| 305  | 4711400     | 1       | Flatwasher 1/4in Narrow                  |     |
| 306  | 0641409     | 2       | Bolt 1/4in-20NC x 1 1/8in                |     |
| 307  | 4751400     | 2       | Flatwasher 1/4in                         |     |
| 308  | 0630400     | 2       | Bolt, Metric 8mm - 1.25 x 90mm           |     |
| 309  | 4831900     | 2       | Lockwasher 8mm                           |     |
| 310  | 3290801     | 2       | Nut, Metric 8mm - 1.25                   |     |
| 311  | 1320041     | 1       | Clamp                                    |     |
| 312  | 4761400     | 3       | Lockwasher 1/4in                         |     |
| 313  | 4751600     | 2       | Flatwasher 3/8in                         |     |
| 314  | 0641406     | 1       | Bolt 1/4in-20NC x 3/4in                  |     |

## SECTION 2 - TURNTABLE

| ITEM       | PART NUMBER   | QTY | DESCRIPTION  | REV |
|------------|---------------|-----|--|-----|
| 315        | 3311401       | 1   | Nut 1/4in-20NC   |     |
|            | 0270271       | Ref | <b>EXHAUST INSTALLATION</b>                                    | 1   |
| 401        | 4751400       | 4   | Flatwasher 1/4in   |     |
| 402        | 3220082       | 1   | Muffler  |     |
| 403        | 0340041       | 1   | Band, Mounting   |     |
| 404        | 0901849       | 1   | Bracket, Exhaust Mounting                                      |     |
| 405        | 0641408       | 2   | Bolt 1/4in-20NC x 1in  |     |
| 406        | 3311405       | 2   | Locknut 1/4in-20NC   |     |
| 407        | 0641408       | 4   | Bolt 1/4in-20NC x 1in  |     |
| 408        | 4751400       | 4   | Flatwasher 1/4in   |     |
| 409        | 3311405       | 4   | Locknut 1/4in-20NC   |     |
| 410        | 1120423       | 1   | Cap, Rain  |     |
| 411        | 4844235       | 1   | Stack, Exhaust   |     |
| 412        | 4565751       | 1   | Tube, Exhaust  |     |
| 413        | 1320011       | 2   | Clamp, Muffler   |     |
|            | 3600208       | Ref | <b>AUXILIARY PUMP ASSEMBLY</b>                                 | A   |
| 501        | 7013711       | 1   | Coupling   |     |
| 502        | 7013710       | 1   | Motor 12VDC  |     |
| 502        | 7013753       | 1   | Brush Kit  |     |
| 503        | 7013712       | 1   | Pump   |     |
|            | 3600468       | Ref | <b>AUXILIARY PUMP ASSEMBLY</b>                                 | A   |
| 551        | 7011016       | 1   | Coupling   |     |
| 552        | 7011003       | 1   | Motor 12VDC  |     |
| 553        | 70001108      | 1   | Replacement Pump Kit (Includes all Items Below)                |     |
| 553        | 7012576       |     | Bracket, Mounting  |     |
| 553        | 7011044       |     | Gasket, Mounting   |     |
| 553        | 7011016       |     | Coupling   |     |
| 553        | 70000969      |     | Seal, Shaft  |     |
| 553        | Item 553      |     | Stator   |     |
| 553        | 70001079      |     | Cap Assembly   |     |
| 553        | 70001076      |     | Spring   |     |
| 553        | 70001081      |     | Ball   |     |
| 553        | 70001080      |     | Seat   |     |
| 553        | 7011024       |     | Seal   |     |
| 553        | 7011048       |     | Washer   |     |
| 553        | 7011043       |     | Screw  |     |
| 553        | 70000970      |     | Ring, Retaining  |     |
| 553        | 70000971      |     | Gear   |     |
| 553        | 70001112      |     | Shaft, Idler   |     |
| 553        | 70001065      |     | Pin, Drive   |     |
| 553        | 70000976      |     | Bearing, Needle  |     |
| 553        | 7010911       |     | Pin, Dowel   |     |
| 553        | 70001085      |     | Gasket   |     |
| 553        | Item 553      |     | Housing, Gear  |     |
| 553        | Not Available |     | Label  |     |
| 553        | 70001106      |     | Screw  |     |
| 553        | 70001107      |     | Shaft, Drive   |     |
| 553        | Item 200B     |     | Plug   |     |
|            | 0270293       | Ref | <b>ENGINE DISTRESS INSTALLATION</b>                            | 1-A |
| 601        | 4360179       | 1   | Switch, Temp Head (Not Shown) (Located Under Top Engine Cover) |     |
| 602 to 604 | Not Required  | 0   | Not Required   |     |

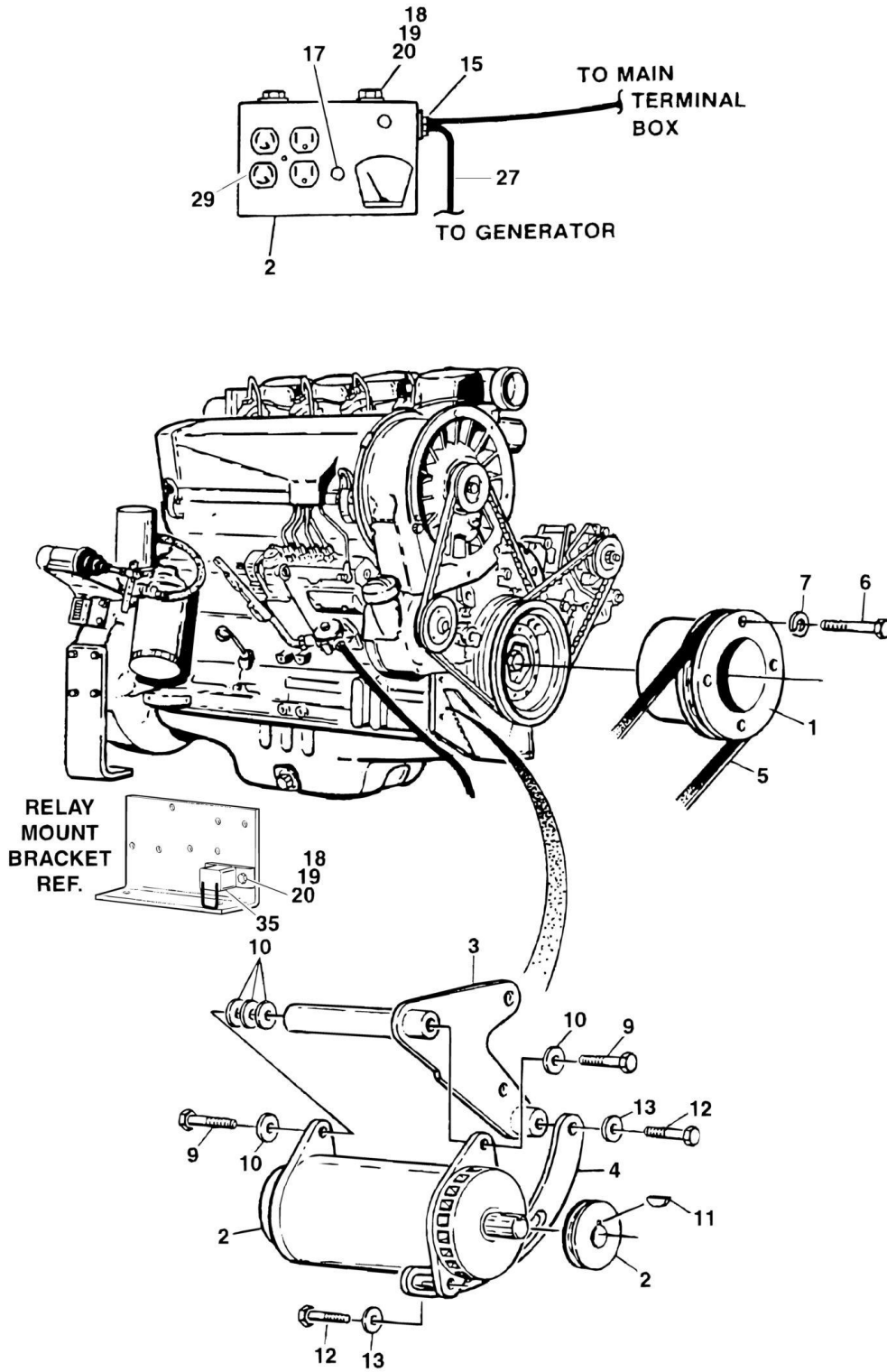


## SECTION 2 - TURNTABLE

| ITEM | PART NUMBER | QTY | DESCRIPTION   | REV |
|------|-------------|-----|---|-----|
|      | 0270834     | Ref | <b>LOW OIL PRESSURE SHUTDOWN INSTALLATION</b>   | 1   |
| 702  | 3740080     | 1   | Relay   |     |
|      |             | Ref | <b>ENGINE COMPONENTS</b>  |     |
|      | 7000663     | 1   | Alternator (Bosch)  |     |
|      | 7000872     | 1   | Alternator (Delco-Remy)   |     |
|      | 7000661     | 1   | Starter   |     |
|      | 7000700     | 1   | Manifold, Exhaust   |     |
|      | 7000697     | 1   | Belt, Blower  |     |
|      | 7000698     | 1   | Belt, Alternator  |     |
|      | 7000699     | 1   | Gasket, Doughnut Exhaust  |     |
|      | 7026125     | 1   | Counter/Exhaust Flange (3 Hole)   |     |
|      | 7014686     |     | Engine Kit (includes 12 each of 3 Different Fuel Line Washers, 1 each of Oil Plug Washer, Oil Filter and Fuel Filter) |     |
|      | 7029274     | 1   | Filter, Fuel (was p/n 7000649)  |     |
|      | 7029276     | 1   | Filter, Oil (was p/n 7000648)   |     |
|      | 7014503     | 1   | Filter, Oil (Case of 12)  |     |
|      | 70002252    | 4   | Ring, Head Fire   |     |
|      | 70002253    | 1   | Gasket Set (Complete Engine)  |     |
|      | 70002254    | 4   | Kit, Piston/Cylinder  |     |
|      | 70002258    | 4   | Bolt, Cylinder Head   |     |
|      | 70002259    | 4   | Washer, Cylinder Head Bolt  |     |
|      | 70001361    | 4   | Pump, Fuel Injection  |     |
|      | 70001927    | 1   | Manifold, Exhaust   |     |
|      | 70001928    | 4   | Gasket, Exhaust Manifold  |     |
|      | 7016330     | 1   | Switch, Oil Pressure  |     |
|      | 7019607     | 1   | Solenoid, Fuel Shutdown   |     |
|      | 7016364     | 2   | Pump, Fuel Lift   |     |
|      | 7020208     | 1   | Gear, Ring  |     |
|      | 7020400     | 1   | Washer/Fuel Line  |     |
|      | 7020401     | 1   | Washer  |     |
|      | 7020402     | 1   | Washer/Fuel Line  |     |
|      | 7020403     | 1   | Washer/Fuel Line  |     |
|      | 7020405     | 1   | Washer/Oil Plug   |     |
|      | 7020407     | 1   | Gasket, Lift Pump   |     |
|      | 7020409     | 1   | Dipstick  |     |
|      | 7000663     | 1   | Alternator (was p/n 7020410)  |     |
|      | 7020413     | 1   | Starter   |     |
|      | 7020420     | 1   | Starter, Remanufactured   |     |
|      | 7020421     | 1   | Nozzle, Injector  |     |
|      | 7020422     | 1   | Injector  |     |
|      | 7020423     | 1   | Gasket, Injector Tip  |     |
|      | 7020432     | 1   | Kit, Lift Pump Repair   |     |
|      | 7020433     | 1   | Gasket  |     |
|      | 7020498     | 1   | Fan   |     |
|      | 7026125     | 1   | Flange, Exhaust   |     |
|      | 7026173     | 1   | Switch, Broken Belt   |     |
|      | 7027250     | 1   | Spring, Tension (Actuator)  |     |

# SECTION 2 - TURNTABLE

## FIGURE 2-13. GENERATOR INSTALLATION- DEUTZ (OPTION)



## SECTION 2 - TURNTABLE

### FIGURE 2-13. GENERATOR INSTALLATION- DEUTZ (OPTION)

| ITEM | PART NUMBER | QTY | DESCRIPTION  | REV |
|------|-------------|-----|--|-----|
|      | 0270345     | Ref | <b>GENERATOR INSTALLATION - DEUTZ</b>  | 2-C |
| 1    | 3580109     | 1   | Pulley   |     |
| 2    | 2460011     | 1   | Generator and Control Box Assembly   |     |
| 2    | 7012558     | 1   | Generator  |     |
|      | Note        | Ref | <b>Note: Replacement 110V Control Box comes with 2 std Receptacles p/n 4460190. Optional Industrial Twist Lock Receptacles p/n 4460027 must be ordered separately.</b> |     |
| 2    | 7020109     | 4   | Holder, Brush  |     |
| 2    | 7020108     | 4   | Brush  |     |
| 2    | 7012513     | 4   | Cap, Brush Holder  |     |
| 2    | 7026199     | 1   | Armature with Slip Rings   |     |
| 2    | 7020193     | 1   | Harness, Generator   |     |
| 2    | 7012514     | 1   | Fan  |     |
| 2    | 7020110     | 1   | End Bell, Front  |     |
| 2    | 7020111     | 1   | End Bell, Rear   |     |
| 2    | 7020190     | 2   | Bearing  |     |
| 2    | 7003657     | 1   | Box, Control   |     |
| 2    | 4360542     | 1   | Breaker, Circuit   |     |
| 2    | 4460190     | 2   | Receptacle, Double (110V Box)  |     |
| 2    | 2920162     | 1   | Lamp   |     |
| 2    | 7020191     | 1   | Switch, Toggle   |     |
| 2    | 7010699     | 1   | Voltmeter  |     |
| 3    | 4843133     | 1   | Bracket, Generator Mounting (Note: When Replacing, Use Item 9 - 7/16in Bolt Option)  |     |
| 4    | 4340511     | 1   | Support, Adjustment  |     |
| 5    | 0480050     | 1   | V-Belt   |     |
| 6    | 0700821     | 4   | Bolt, Metric 8m x 65mm   |     |
| 7    | 4761500     | 4   | Lockwasher 5/16in  |     |
| 8    | 0100011     | AR  | Loctite #242 (Not Shown)   |     |
| 9    |             | Ref | Bolt Options:  |     |
| 9    | 0681612     | 2   | 3/8in-16NC x 1 1/2in (Grade 8) <b>(Prior to SN 67704)</b>  |     |
| 9    | 0641718     | 2   | 7/16in-14NC x 2 1/2in (Grade 5) <b>(SN 67704 to Present)</b>   |     |
| 10   |             | Ref | Flatwasher Options:  |     |
| 10   | 4751600     | 4   | 3/8in <b>(Prior to SN 67704)</b>   |     |
| 10   | 4711700     | 4   | 7/16in <b>(SN 67704 to Present)</b>  |     |
| 11   | 2860012     | 1   | Key, Woodruff  |     |
| 12   | 0641508     | 2   | Bolt 5/16in-18NC x 1in   |     |
| 13   | 4751500     | 2   | Flatwasher 5/16in  |     |
| 14   | 3740049     | 2   | Relay (Not Shown Located at Ground Control)  |     |
| 15   | 4460023     | 1   | Connector  |     |
| 16   | 4751400     | 2   | Flatwasher 1/4in (Not Shown Located at Grd Control)  |     |
| 17   | 3520028     | 1   | Plug   |     |
| 18   | 0721006     | 3   | Bolt #10-24NC x 3/4in  |     |
| 19   | 3311005     | 3   | Locknut #10-24NC   |     |
| 20   | 4751000     | 5   | Flatwasher #10   |     |
| 21   | 4360336     | 1   | Switch, Toggle (Not Shown Located at Platform)   |     |
| 22   | 4740397     | 1   | Bushing (Not Shown Located at Platform)  |     |
| 23   | 4060802     | 1   | Switch, Guard (Not Shown Located at Platform)  |     |
| 24   | 2820031     | AR  | Heat Shrink (Not Shown Located at Platform)  |     |
| 25   | 3251102     | 1   | Decal - Gen. On/Off (Not Shown Located at Platform)  |     |

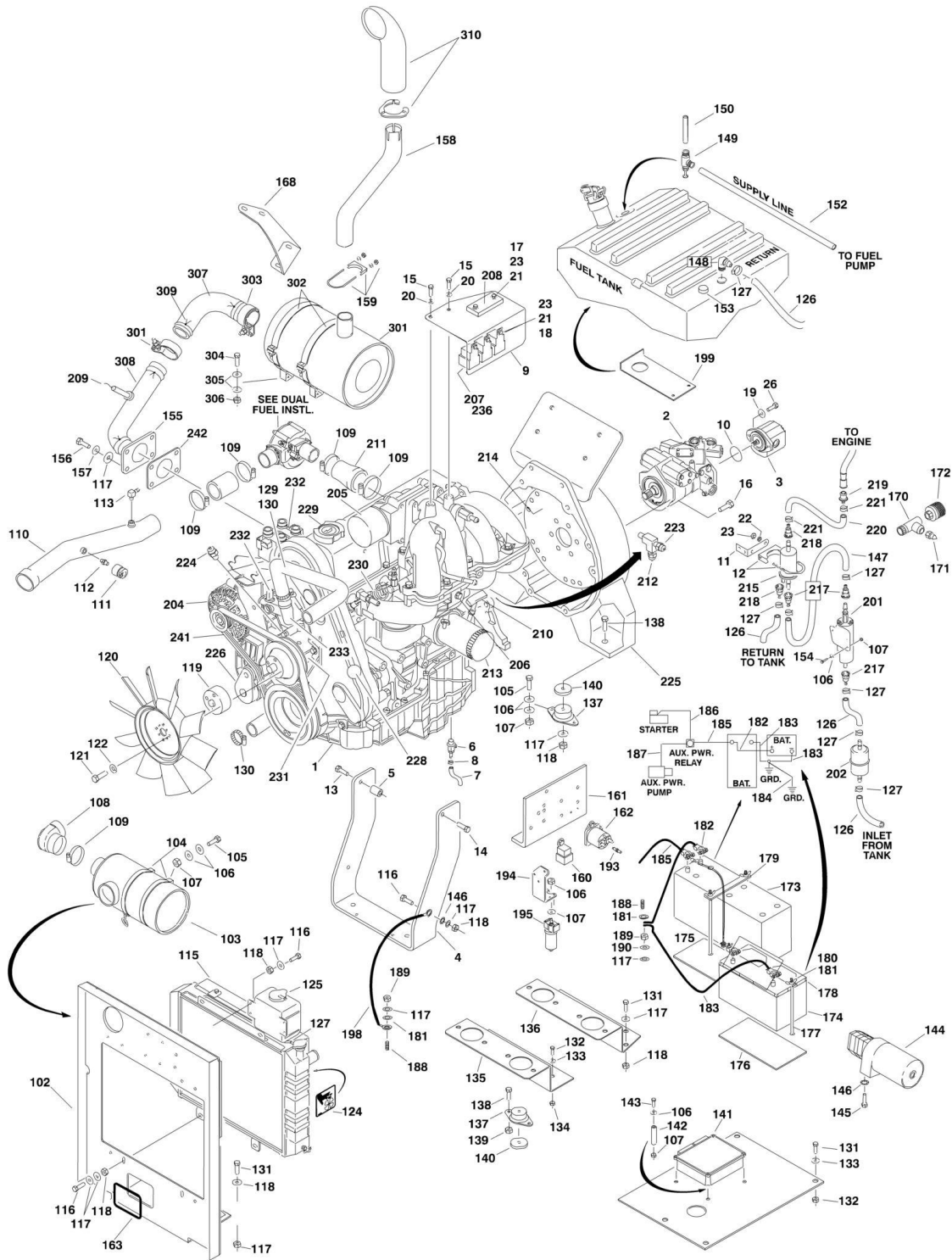
## SECTION 2 - TURNTABLE

| ITEM | PART NUMBER | QTY | DESCRIPTION   | REV |
|------|-------------|-----|---|-----|
| 26   | 3311405     | 2   | Locknut 1/4in-20NC (Not Shown Located at Grd Control)         |     |
| 27   | 4922423     |     | Harness   |     |
| 27   | 4460741     | 2   | Terminal, Plug  |     |
| 27   | 4460420     | 8   | Terminal  |     |
| 28   | 0641404     | 2   | Bolt 1/4in-20NC x 1/2in (Not Shown Located at Ground Control) |     |
| 29   | 4460027     | 1   | Receptacle  |     |
| 32   | 3990010     | 1   | Diode - 6Amp (Not Shown)                                      |     |
| 34   | 4921938     | 1   | Harness On/Off (Not Shown Located at Platform)                |     |
| 34   | 4460424     | 1   | Terminal Housing, Female                                      |     |
| 34   | 4460320     | 1   | Terminal Housing, Male  |     |
| 34   | 4460268     | 2   | Socket, Female  |     |
| 34   | 4460267     | 2   | Pin, Male   |     |
| 35   | 4360294     | 1   | Breaker, Circuit - 30Amp                                      |     |



# SECTION 2 - TURNTABLE

## FIGURE 2-14. FORD LRG-425EFI DUAL FUEL ENGINE INSTALLATION



## SECTION 2 - TURNTABLE

**FIGURE 2-14. FORD LRG-425EFI DUAL FUEL ENGINE INSTALLATION**

| ITEM | PART NUMBER | QTY              | DESCRIPTION  | REV |
|------|-------------|------------------|--|-----|
|      |             | Ref              | <b>ENGINE ASSEMBLIES</b>   |     |
|      | 0271334     | Ref              | Dual Fuel  | 1   |
| 1    | 2000166     | 1                | Engine - Ford LRG - 425  |     |
| 2    | 3600260     | 1                | Piston Pump Assembly (See PUMP ASSEMBLY for Breakdown)           |     |
| 3    | 3600286     | 1                | Gear Pump Assembly (See PUMP ASSEMBLY - HYDRO-AIR for Breakdown) |     |
| 4    | 3539972     | 1                | Plate, Engine Mount (Front)                                      |     |
| 5    | 4566605     | 1                | Tube, Spacer   |     |
| 6    | 4640989     | 1                | Valve, Oil Drain   |     |
| 7    | 2750532     | 0.5<br>ft/15.2cm | Hose   |     |
| 8    | 1320022     | 1                | Clamp, Hose  |     |
| 9    | 3571498     | 1                | Plate, Module Mounting   |     |
| 10   | 3790152     | 1                | O-Ring   |     |
| 11   | 0902539     | 1                | Bracket, Fuel Filter / Pressure Regulator                        |     |
| 12   | 1320019     | 1                | Clamp, Muffler   |     |
| 13   | 0701022     | 2                | Bolt, Metric 10mm-1.5 x 70mm                                     |     |
| 14   | 0701014     | 2                | Bolt, Metric 10mm-1.5 x 30mm                                     |     |
| 15   | 0700810     | 3                | Bolt, Metric 8mm-1.25 x 20mm                                     |     |
| 16   | 0641812     | 4                | Bolt 1/2in - 13NC x 1 1/2in                                      |     |
| 17   | 0721014     | 2                | Screw 10-24 x 1 3/4in  |     |
| 18   | 0721006     | 3                | Screw 10-24 x 3/4in  |     |
| 19   | 4891600     | 2                | Washer, Hardened 3/8in   |     |
| 20   | 4751500     | 2                | Flatwasher 5/16in  |     |
| 21   | 4751000     | 2                | Flatwasher #10   |     |
| 22   | 4761500     | 2                | Lockwasher 5/16in  |     |
| 23   | 3311005     | 5                | Locknut # 10-24  |     |
| 24   | 0100011     | AR               | Loctite #242 (Not Shown)   |     |
| 25   | 0100020     | AR               | Loctite #56747 (Not Shown)                                       |     |
| 26   | 0641620     | 2                | Bolt 3/8in - 16NC x 1 1/4in                                      |     |
|      |             | Ref              | <b>ENGINE INSTALLATIONS</b>                                      |     |
|      | 0271335     | Ref              | <b>Dual Fuel</b>   | 1   |
| 102  | 4846412     | 1                | Radiator Mounting Plate  |     |
| 103  | 1340060     | 1                | Air Cleaner  |     |
| 104  | 0340041     | 2                | Band, Air Cleaner  |     |
| 105  | 0641406     | 8                | Bolt 1/4in -20NC 3/4in   |     |
| 106  | 4751400     | 22               | Flatwasher 1/4in   |     |
| 107  | 3311405     | 18               | Locknut 1/4in x 20NC   |     |
| 108  | 0080201     | 1                | Elbow 90 Reducing  |     |
| 109  | 1320016     | 4                | Clamp, Worm Gear   |     |
| 110  | 4846415     | 1                | Weldment, Air Intake Tube  |     |
| 111  | 4360392     | 1                | Restriction Indicator Switch                                     |     |
| 112  | 2180798     | 1                | Restriction Indicator Fitting                                    |     |
| 113  | 2180467     | 1                | Fitting, 90 1/4in NPT - 3/8in Hose Barb                          |     |
| 114  | 0100020     | AR               | Loctite #56747 (Not Shown)                                       |     |
| 115  | 3620040     | 1                | Radiator   |     |
| 115  | 7019656     | 1                | Radiator Cap   |     |
| 116  | 0641608     | 19               | Bolt 3/8in-16NC x 1in  |     |
| 117  | 4751600     | 64               | Flatwasher 3/8in   |     |
| 118  | 3311605     | 32               | Nut, Centerlock 3/8in - 16NC                                     |     |

## SECTION 2 - TURNTABLE

| ITEM | PART NUMBER | QTY        | DESCRIPTION   | REV |
|------|-------------|------------|---|-----|
| 119  | 0080214     | 1          | Fan Spacer Adapter  |     |
| 120  | 2060025     | 1          | Fan Suction   |     |
| 121  | 0700819     | 4          | Bolt, Metric 8mm x 1.25 x 55mm                                    |     |
| 122  | 4831900     | 4          | Lockwasher, Metric 8mm  |     |
| 123  | 0100011     | AR         | Loctite #242 (Not Shown)  |     |
| 124  | 1703162     | 1          | Decal, Fan Blade  |     |
| 125  | 1580011     | 1          | Tank, Coolant Recovery  |     |
| 126  | 2720058     | 12 ft/3.7m | Hose, Coolant Recovery  |     |
| 127  | 1320022     | 9          | Clamp   |     |
| 128  | 2720435     | 1          | Lower Radiator Hose (Not Shown)                                   |     |
| 129  | 2720436     | 1          | Upper Radiator Hose   |     |
| 130  | 1320012     | 4          | Clamp, Radiator Hose  |     |
| 131  | 0641616     | 16         | Bolt 3/8in -16NC x 2in  |     |
| 132  | 0642018     | 2          | Bolt 5/8in - 11NC x 2 1/4in                                       |     |
| 133  | 4752000     | 4          | Flatwasher 5/8in  |     |
| 134  | 3312005     | 2          | Locknut, 5/8in x 11NC   |     |
| 135  | 3572978     | 1          | Plate, Engine Mount (Front)                                       |     |
| 136  | 3570133     | 1          | Plate, Engine Mount (Rear)  |     |
| 137  | 3200362     | 4          | Rubber Mount  |     |
| 138  | 0641828     | 4          | Bolt 1/2in - 13NC x 3 1/2in                                       |     |
| 139  | 3311805     | 4          | Nut 1/2in x 13NC  |     |
| 140  | 4740274     | 4          | Flatwasher, Snubbing  |     |
| 141  | 1600298     | 1          | Controller, ECM   |     |
| 142  | 4568158     | 4          | Standoff, 1/4in - 2in ECM   |     |
| 143  | 0641424     | 4          | Bolt 1/4in -20NC x 3in  |     |
| 144  | 3600208     | 1          | Pump, Auxiliary   |     |
| 145  | 0641612     | 2          | Bolt 3/8in - 16NC x 1 1/2in                                       |     |
| 146  | 4791600     | 3          | Starwasher 3/8in  |     |
| 147  | 2720472     | 1          | Hose, Fuel  |     |
| 148  | 2220805     | 1          | Fitting, 90 1/8in NPT x 5/16 Hose Barb                            |     |
| 149  | 4641022     | 1          | Valve Needle  |     |
| 150  | 4568119     | 1          | Tube, Fuel  |     |
| 151  | 0100062     | 4          | Retaining Compound (Not Shown)                                    |     |
| 152  | 4568259     | 1          | Tube, Fuel  |     |
| 153  | 2200221     | 1          | Plug, Pipe (Not Shown)  |     |
| 154  | 0641416     | 3          | Bolt 1/4in - 20 x 2in   |     |
| 155  | 4567879     | 1          | Tube, Exhaust   |     |
| 156  | 0701012     | 4          | Bolt, Metric 10mm x 1.5 x 25mm                                    |     |
| 157  | 4832000     | 4          | Lockwasher, Metric 10mm   |     |
| 158  | 4568258     | 1          | Pipe, Exhaust   |     |
| 159  | 1320019     | 1          | Clamp, Exhaust  |     |
| 160  | 3740080     | 1          | Relay, Bosch  |     |
| 161  | 3530425     | 1          | Plate, Mounting   |     |
| 162  | 3740067     | 1          | Relay, Auxiliary Power  |     |
| 163  | 4060804     | 3 ft/.9m   | Shield, Flexible Trim 3/16in                                      |     |
| 164  | 0271414     | 1          | Dual Fuel Switch (Not Shown) (See PLATFORM SECTION for Breakdown) |     |
| 165  | 3572985     | 1          | Plate, ECM Mounting   |     |
| 166  | 1701543     | 2          | Decal, LPG (Not Shown)  |     |
| 167  | 1700818     | 2          | Decal, Liquid Withdrawal System (Not Shown)                       |     |
| 168  | 0902572     | 1          | Bracket, LP Regulator Mounting                                    |     |
| 169  | 2720170     | 1          | Hose, 5/16 x 82in (Not Shown)                                     |     |



## SECTION 2 - TURNTABLE

| ITEM | PART NUMBER | QTY | DESCRIPTION   | REV |
|------|-------------|-----|---|-----|
| 170  | 2220290     | 1   | Fitting, Tee  |     |
| 171  | 2180389     | 1   | Fitting, Relief                                     |     |
| 172  | 2180387     | 1   | Fitting, LPG Tank                                   |     |
| 173  | 0400020     | 1   | Battery   |     |
| 174  | 0400003     | 1   | Battery   |     |
| 175  | 3980003     | 1   | Masonite, 1/4in x 7 x 10in                          |     |
| 176  | 3980006     | 1   | Masonite, 1/4in x 8 x 20in                          |     |
| 177  | 0236768     | 4   | Tie Down Rod  |     |
| 178  | 0400002     | 1   | Tie Down  |     |
| 179  | 0361027     | 1   | Tie Down Strap                                      |     |
| 180  | 3300029     | 4   | Wing Nut 3/8in - 16NC                               |     |
| 181  | 4761600     | 5   | Lockwasher 3/8in                                    |     |
| 182  | 4921139     | 1   | Assembly - Battery Terminal                         |     |
| 183  | 1060031     | 2   | Battery Cable                                       |     |
| 184  | 4920967     | 1   | Harness, Ground                                     |     |
| 185  | 1060109     | 1   | Battery Cable                                       |     |
| 186  | 1060129     | 1   | Battery Cable                                       |     |
| 187  | 1060132     | 1   | Battery Cable                                       |     |
| 188  | 4300034     | 3   | Weld Stud, 3/8in x 16NC x 1in                       |     |
| 189  | 3311601     | 3   | Nut, 3/8 - 16NC                                     |     |
| 190  | 4751700     | 2   | Flatwasher 7/16in                                   |     |
| 191  | 1701542     | 1   | Decal, Gasoline (Not Shown)                         |     |
| 192  | 4300068     | 3   | Weld Stud, 1/4 - 20NC x 3/4in                       |     |
| 193  | 2180418     | 1   | Fitting, 1/4in Pipe - 3/8 Tube, 45 Flare            |     |
| 194  | 0901829     | 1   | Bracket, Filter                                     |     |
| 195  | 2120135     | 1   | Filter  |     |
| 196  | 0641405     | 4   | Bolt 1/4in - 20NC x 5/8in                           |     |
| 197  | 4761400     | 4   | Lockwasher 1/4in                                    |     |
| 198  | 1060044     | 1   | Cable   |     |
| 199  | 3573055     | 1   | Plate, Fuel Valve Guard                             |     |
|      |             | Ref | <b>ENGINE COMPONENTS</b>                            |     |
| 201  | 3600377     | 1   | Fuel Pump and Isolator Assembly (was p/n 7022133)   |     |
| 201  | 7022134     | 1   | Harness, Fuel Pump Wiring                           |     |
| 202  | 91083218    | 1   | Filter, Fuel (was p/n 7022135)                      |     |
| 203  | 7019986     | 1   | Starter (Not Shown)                                 |     |
| 204  | 7019977     | 1   | Alternator  |     |
| 205  | 7022136     | 1   | Actuator, Throttle                                  |     |
| 206  | 7019996     | 1   | Sensor, Air Temperature                             |     |
| 207  | 7023663     | 1   | Harness, Engine Control Processor (was p/n 7022137) |     |
| 208  | 7022139     | 1   | Sensor, MAP   |     |
| 209  | 7019994     | 1   | Sensor, EGR   |     |
| 210  | 2420187     | 1   | Dipstick  |     |
| 210  | 4564281     | 1   | Tube, Dipstick                                      |     |
| 211  | 2720341     | 1   | Horn, Rubber Air                                    |     |
| 212  | 7022142     | 1   | Switch, Oil Pressure (Black)                        |     |
| 213  | 7021868     | 1   | Filter, Oil (was p/n 7022147)                       |     |
| 214  | 7016662     | 1   | Coupling, Pump                                      |     |
| 215  | 7019993     | 1   | Pressure Regulator and Filter Assembly              |     |
| 217  | 7022158     | 3   | Connector   |     |
| 218  | 7022159     | 2   | Connector   |     |
| 219  | 7022160     | 1   | Connector   |     |

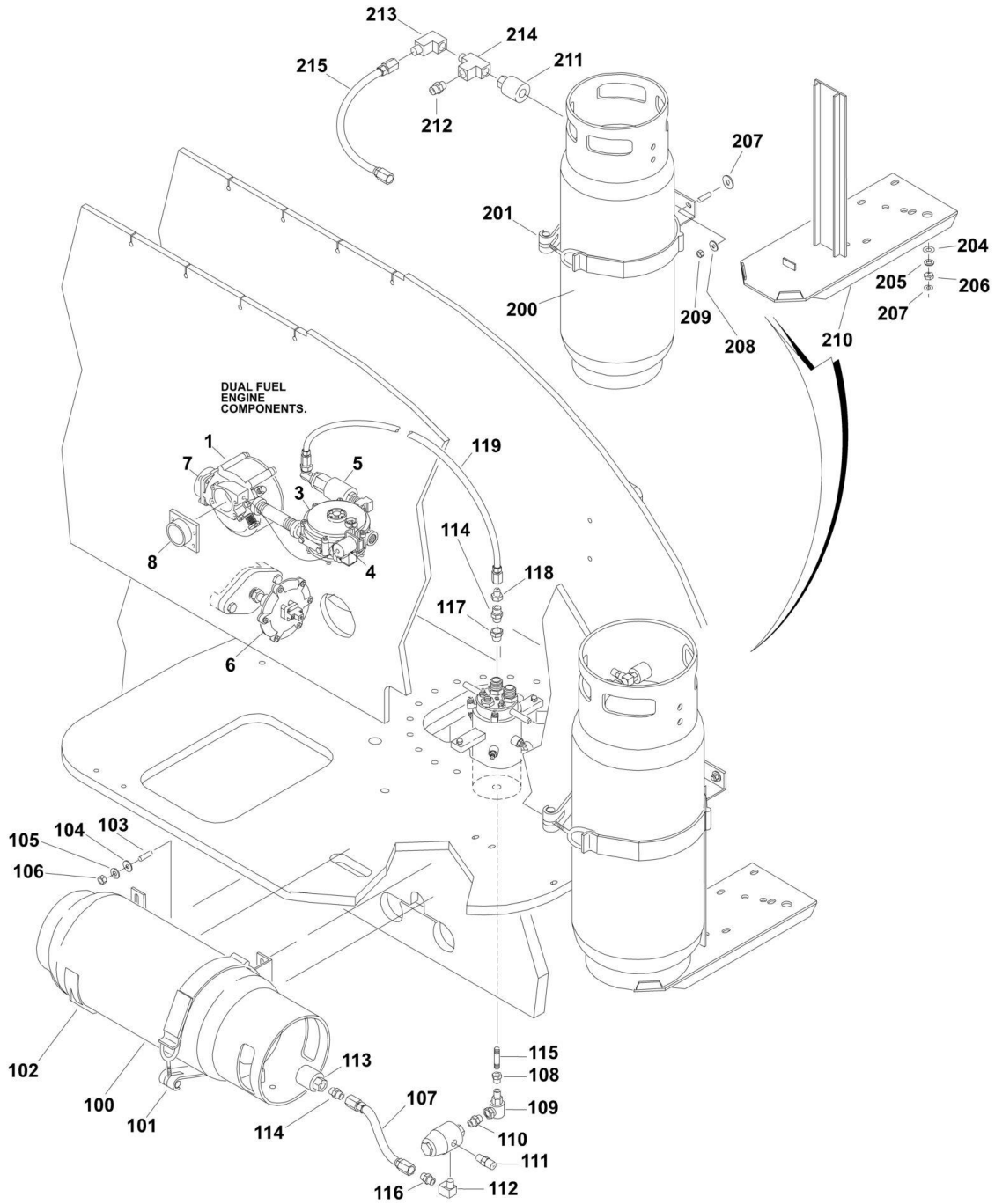
## SECTION 2 - TURNTABLE

| ITEM | PART NUMBER | QTY     | DESCRIPTION                                      | REV |
|------|-------------|---------|--|-----|
| 220  | 7022161     | AR      | Tube, Supply                                     |     |
| 221  | 7022162     | 2       | Clamp  |     |
| 222  | 3124114     | 1       | EFI System Diagnostic Service Manual (Not Shown) |     |
| 223  | 7023637     | 1       | Switch, Oil Shutdown (White)                     |     |
| 224  | 7022178     | 1       | Sensor, Crank Shaft                              |     |
| 225  | 7020120     | 1       | Housing, Bell                                    |     |
| 226  | 70002567    | 1       | Tensioner, Timing Belt                           |     |
| 227  |             | Ref     | Gasket Options: (Not Shown)                      |     |
| 227  | 7025124     | 1       | Kit, Gasket Upper (was p/n 7022148)              |     |
| 227  | 7022149     | 1       | Kit, Gasket Lower                                |     |
| 227  | 7025134     | 1       | Gasket, Water Outlet                             |     |
| 227  | 7022143     | 1       | Gasket, Exhaust (Manifold to Cylinder Head)      |     |
| 227  | 7022144     |         | Gasket, Upper Manifold Throttle                  |     |
| 228  | 7022150     | 1       | Belt, Timing                                     |     |
| 229  | 7022151     | 1       | Cap, Oil Filler                                  |     |
| 230  | 7022152     | 4       | Injector, Fuel                                   |     |
| 231  | 7022153     | 1       | Water Pump Assembly                              |     |
| 231  | 7022154     | 1       | Gasket, Water Pump                               |     |
| 232  | 7022155     | 1       | Sensor, Water Temperature                        |     |
| 233  | 7022156     | 1       | Thermostat, Assy                                 |     |
| 234  | 7019930     |         | Coil, Ignition                                   |     |
| 234  | 7022157     | 1       | Wire Set, Spark Plug (Not Shown)                 |     |
| 234  | 7019932     | 4       | Spark Plug (Not Shown) (was p/n 7012595)         |     |
| 235  | 7019925     | 1       | PCV Valve (Not Shown)                            |     |
| 236  | 7023613     | 3       | Relay  |     |
| 237  | 7022179     | 1       | Sensor, Camshaft (Not Shown)                     |     |
| 238  | 7019976     | 1       | Flywheel Assembly (Not Shown)                    |     |
| 238  | 7022180     | 1       | Gear, Ring (Not Shown)                           |     |
| 239  | 7022164     | 1       | Switch, High Coolant Temperature (Not Shown)     |     |
| 240  | 7023644     | 1       | Hose, Water Pump (By-Pass) (Not Shown)           |     |
| 241  | 7027402     | 1       | Belt, Drive (was p/n 7019979)                    |     |
| 241  | 70002567    | 1       | Tensioner, Belt                                  |     |
| 242  | 70002307    | 1       | Gasket, Exhaust (Manifold to Pipe)               |     |
|      |             | Ref     | <b>MUFFLER INSTALLATIONS</b>                     |     |
|      | 0258390     | Ref     | <b>Standard Spark Arresting</b>                  |     |
|      | 0258391     | Ref     | <b>Optional Catalytic</b>                        |     |
| 301  |             | Ref     | Muffler Options:                                 |     |
| 301  | 3220113     | 1       | Standard Spark Arresting                         |     |
| 301  | 3220114     | 1       | Optional Catalytic                               |     |
| 302  | 0340046     | 2       | Band   |     |
| 303  | 0902309     | 1       | Bracket, Muffler                                 |     |
| 304  | 0641508     | 4       | Bolt 5/16in-18NC x 1in                           |     |
| 305  | 4711500     | 8       | Flatwasher 5/16in Narrow                         |     |
| 306  | 3311505     | 4       | Locknut 5/16in-18NC                              |     |
| 307  | 4567073     | 1       | Tube, Exhaust                                    |     |
| 308  | 4100025     | 21      | Sleeve, Fiberglass                               |     |
|      |             | in/53cm |  |     |
| 309  | 4920385     | 16      | Wire, Mechanics                                  |     |
|      |             | in/41cm |  |     |
| 310  | 4846434     | 1       | Weldment, Exhaust Tube                           |     |



# SECTION 2 - TURNTABLE

## FIGURE 2-15. DUAL FUEL INSTALLATIONS (FORD MACHINE OPTION)



**SECTION 2 - TURNTABLE**

**FIGURE 2-15. DUAL FUEL INSTALLATIONS (FORD MACHINE OPTION)**

| ITEM | PART NUMBER                          | QTY | DESCRIPTION  | REV |
|------|--------------------------------------|-----|--|-----|
|      | 2000166                              | Ref | <b>DUAL FUEL ENGINE COMPONENTS</b>   | C   |
|      | Not Available - See Your Ford Dealer | 1   | Dual Fuel Conversion Kit (Note: Includes hose, fittings, clamps and items indented below. For replacement hose, fittings and clamps supply locally.) |     |
| 1    | 7022165                              | 1   | Mixer  |     |
| 1    | 7022171                              | 1   | Repair Kit - 7022165 Mixer   |     |
| 1    | 7023645                              | 1   | Gasket, Mixer  |     |
| 3    | 7022167                              | 1   | Convertor  |     |
| 3    | 7022170                              | 1   | Repair Kit - 7022167 Convertor   |     |
| 4    | 7023680                              | 1   | Filter, LP Shut-Off (Was p/n 7022169)  |     |
| 5    | 7022168                              | 1   | Valve, Solenoid  |     |
| 6    | 4360188                              | 1   | Switch, Vacuum   |     |
| 7    | 7023603                              | 1   | Adaptor  |     |
| 8    | 7022166                              | 1   | Adaptor  |     |
|      | 0271405                              | Ref | <b>LP TANK AND BRACKETS INSTALLATION - FRAME MOUNTED</b>   | 1   |
| 100  |                                      | Ref | Tank, LP Options:  |     |
| 100  | 4400275                              | 1   | Aluminum   |     |
| 100  | 4400420                              | 1   | Steel  |     |
| 101  | 1320023                              | 1   | Clamp, LP Tank   |     |
| 102  | 0900935                              | 1   | Bracket, LP Tank   |     |
| 103  | 4300030                              | 4   | Weld Stud 3/8in  |     |
| 104  | 4751600                              | 4   | Flat Washer 3/8in  |     |
| 105  | 4761600                              | 4   | Lock Washer 3/8in  |     |
| 106  | 3311601                              | 4   | Nut 3/8/13NC   |     |
| 107  | 2720144                              | 1   | Hose   |     |
| 108  | 2221019                              | 1   | Fitting, Reducer   |     |
| 109  | 2180125                              | 1   | Fitting, 90  |     |
| 110  | 2220261                              | 1   | Fitting, Nipple  |     |
| 111  | 2180389                              | 1   | Valve, Relief  |     |
| 112  | 2220648                              | 1   | Fitting, 90  |     |
| 113  | 2180387                              | 1   | Fitting, LP  |     |
| 114  | 2180418                              | 2   | Fitting, Straight  |     |
| 115  | 2221018                              | 1   | Fitting, Nipple  |     |
| 116  | 2221024                              | 1   | Fitting, Union   |     |
| 117  | 2220005                              | 1   | Fitting, Reducer   |     |
| 118  | 2220082                              | 1   | Fitting  |     |
| 119  | 2720392                              | 1   | Hose   |     |
|      | 0271405                              | Ref | <b>LP TANK AND BRACKETS INSTALLATION - TURNTABLE MOUNTED</b>   | 1   |
| 200  |                                      | Ref | Tank, LP Options:  |     |
| 200  | 4400275                              | 1   | Aluminum   |     |
| 200  | 4400420                              | 1   | Steel  |     |
| 201  | 1320023                              | 1   | Clamp, LP Tank   |     |
| 202  | 0961127                              | 1   | Bushing, Snap (Not Shown)  |     |
| 203  | 4300045                              | 4   | Weld Stud, 1/2-13NC x 1 1/2 LG (Not Shown)   |     |
| 204  | 4751800                              | 4   | Flatwasher 1/2in   |     |
| 205  | 4761800                              | 4   | Lockwasher 1/2in   |     |
| 206  | 3311801                              | 4   | Nut, 1/2-13NC  |     |
| 207  | 4751500                              | 2   | Flatwasher 5/16in  |     |
| 208  | 4761500                              | 2   | Lockwasher 5/16in  |     |

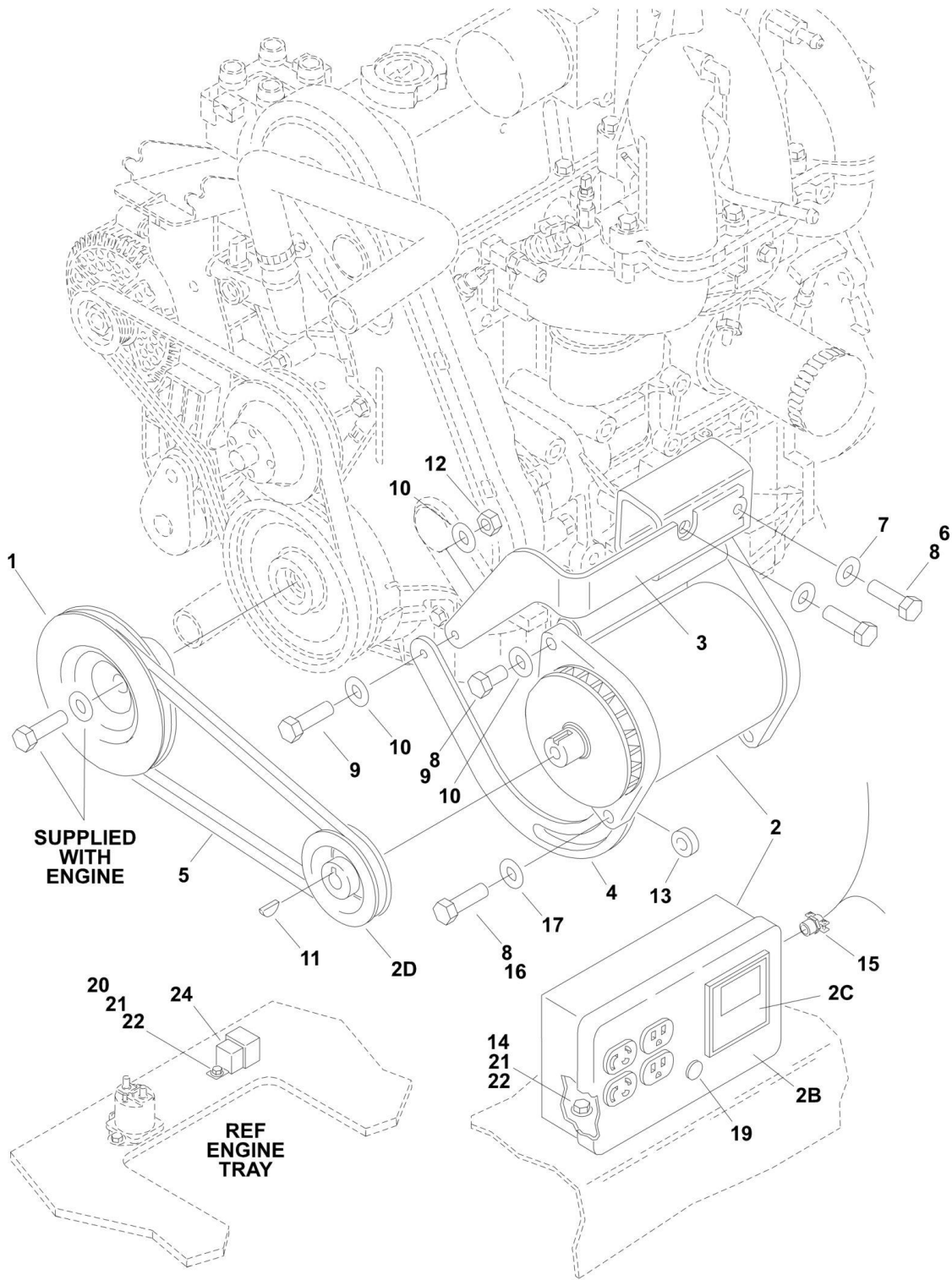
## SECTION 2 - TURNTABLE

| ITEM | PART NUMBER | QTY | DESCRIPTION               | REV |
|------|-------------|-----|---------------------------|-----|
| 209  | 3311501     | 2   | Nut 5/16-18NC             |     |
| 210  | 4846425     | 1   | Weldment, LP Tank Bracket |     |
| 211  | 2180387     | 1   | Fitting                   |     |
| 212  | 2180389     | 1   | Fitting, Relief Valve     |     |
| 213  | 2180504     | 1   | Fitting, 90               |     |
| 214  | 2220290     | 1   | Fitting, Tee              |     |
| 215  | 2720149     | 1   | Hose                      |     |



# SECTION 2 - TURNTABLE

## FIGURE 2-16. GENERATOR INSTALLATION - FORD (OPTIONAL)





# SECTION 2 - TURNTABLE

**FIGURE 2-16. GENERATOR INSTALLATION - FORD (OPTIONAL)**

| ITEM | PART NUMBER   | QTY | DESCRIPTION  | REV |
|------|---------------|-----|--|-----|
|      |               | Ref | <b>GENERATOR INSTALLATION OPTIONS:</b>   |     |
|      | 0270496       | Ref | <b>110V Generator</b>  | 3-A |
|      | 0270497       | Ref | <b>220V Generator</b>  | 3-A |
| 1    | 3580250       | 1   | Pulley   |     |
| 2    |               | Ref | Generator and Control Box Assembly Options:  |     |
| 2    | 2460011       |     | 110Volt Assembly   |     |
| 2A   | 7012558       | 1   | Generator - 110V   |     |
| 2A   | 7020109       | 4   | Holder, Brush  |     |
| 2A   | 7020108       | 4   | Brush  |     |
| 2A   | 7012513       | 4   | Cap, Brush Holder  |     |
| 2A   | 7026199       | 1   | Armature with Slip Rings   |     |
| 2A   | 7020193       | 1   | Harness, Generator   |     |
| 2A   | 7012514       | 1   | Fan  |     |
| 2A   | 7020110       | 1   | End Bell, Front  |     |
| 2A   | 7020111       | 1   | End Bell, Rear   |     |
| 2A   | 7020190       | 2   | Bearing  |     |
| 2B   | 7003657       | 1   | Box, Control   |     |
|      | Note          | Ref | <b>Note: Replacement 110V Control Box comes with 2 std Receptacles p/n 4460190. Optional Industrial Twist Lock Receptacles p/n 4460027 must be ordered separately.</b> |     |
| 2B   | 4360542       | 1   | Breaker, Circuit   |     |
| 2B   | 4460190       | 2   | Receptacle, Double (110V Box)  |     |
| 2B   | 2920162       | 1   | Lamp   |     |
| 2B   | 7020191       | 1   | Switch, Toggle   |     |
| 2C   | 7010699       | 1   | Voltmeter  |     |
| 2D   | 3580134       | 1   | Pulley   |     |
| 2    | 2460013       |     | 220Volt Assembly   |     |
| 2A   | 7019679       | 1   | Generator - 220V   |     |
| 2A   | Not Available | 4   | Holder, Brush  |     |
| 2A   | Not Available | 4   | Brush  |     |
| 2A   | Not Available | 4   | Cap, Brush Holder  |     |
| 2A   | Not Available | 2   | Bearing  |     |
| 2B   | 7019680       | 1   | Box, Control   |     |
| 2C   | 2420203       | 1   | Voltmeter  |     |
| 2D   | Not Available | 1   | Pulley   |     |
| 3    | 0902210       | 1   | Bracket, Generator Mounting  |     |
| 4    | 0200632       | 1   | Arm, Adjusting   |     |
| 5    | 0480118       | 1   | V-Belt   |     |
| 6    | 0701015       | 2   | Bolt, Metric 10mm-1.5 x 35mm   |     |
| 7    | 4812000       | 2   | Flatwasher 10mm  |     |
| 8    | 0100011       | AR  | Loctite #242 (Not Shown)   |     |
| 9    | 0681612       | 3   | Bolt 3/8in-16NC x 1 1/2in (Grade 8)  |     |
| 10   | 4751600       | 6   | Flatwasher 3/8in   |     |
| 11   | 2860012       | 1   | Key, Woodruff  |     |
| 12   | 3311605       | 1   | Locknut 3/8in-16NC   |     |
| 13   | 4564417       | 1   | Spacer, Tube   |     |
| 15   | 4460023       | 1   | Connector, Strain Relief   |     |
| 16   | 0641508       | 1   | Bolt 5/16in-18NC x 1in   |     |
| 17   | 4751500       | 2   | Flatwasher 5/16in  |     |
| 19   | 3520028       | 1   | Plug, Hole   |     |

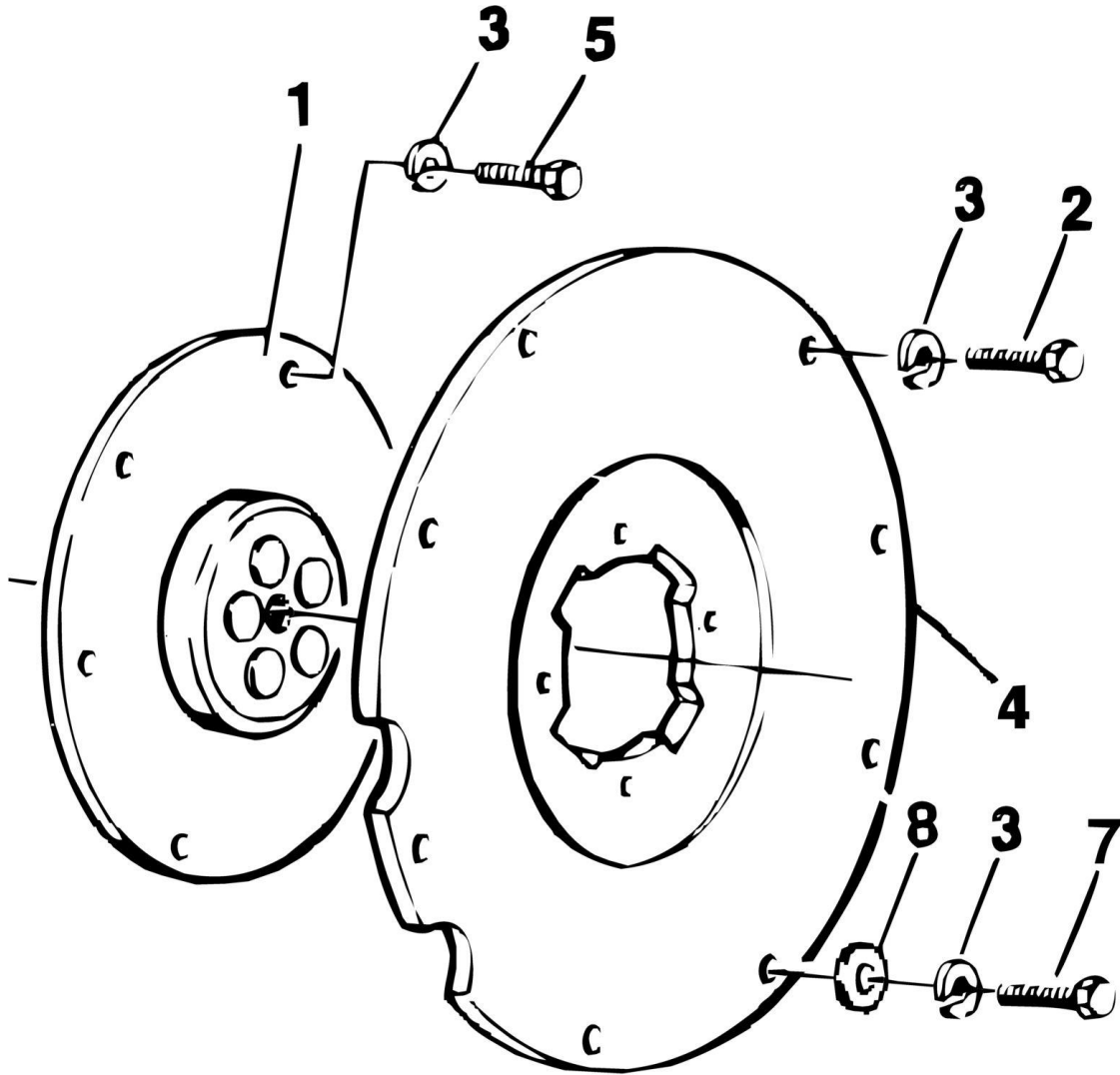
## SECTION 2 - TURNTABLE

| ITEM | PART NUMBER | QTY | DESCRIPTION   | REV |
|------|-------------|-----|---|-----|
| 20   | 0721006     | 2   | Bolt #10-24NC x 3/4in                                   |     |
| 21   | 3311005     | 4   | Locknut #10-24NC  |     |
| 22   | 4751000     | 9   | Flatwasher #10  |     |
| 23   | 4360294     | 1   | Breaker, Circuit - 30 Amp                               |     |
| 24   | 3740080     | 1   | Relay, Bosch  |     |
| 25   | 4360336     | 1   | Switch, Toggle - SPST (Not Shown - Located at Platform) |     |
| 26   | 4740397     | 1   | Washer (Not Shown - Located at Platform)                |     |
| 27   | 4060802     | 1   | Guard, Switch (Not Shown - Located at Platform)         |     |
| 29   | 2820031     | 1   | Heatshrink (Not Shown - Located at Platform)            |     |
| 30   | 3251102     | 1   | Decal (Not Shown - Located at Platform)                 |     |
| 31   | 0721008     | 2   | Bolt #10-24NC x 1in                                     |     |



# SECTION 2 - TURNTABLE

## FIGURE 2-17. PUMP COUPLING INSTALLATION



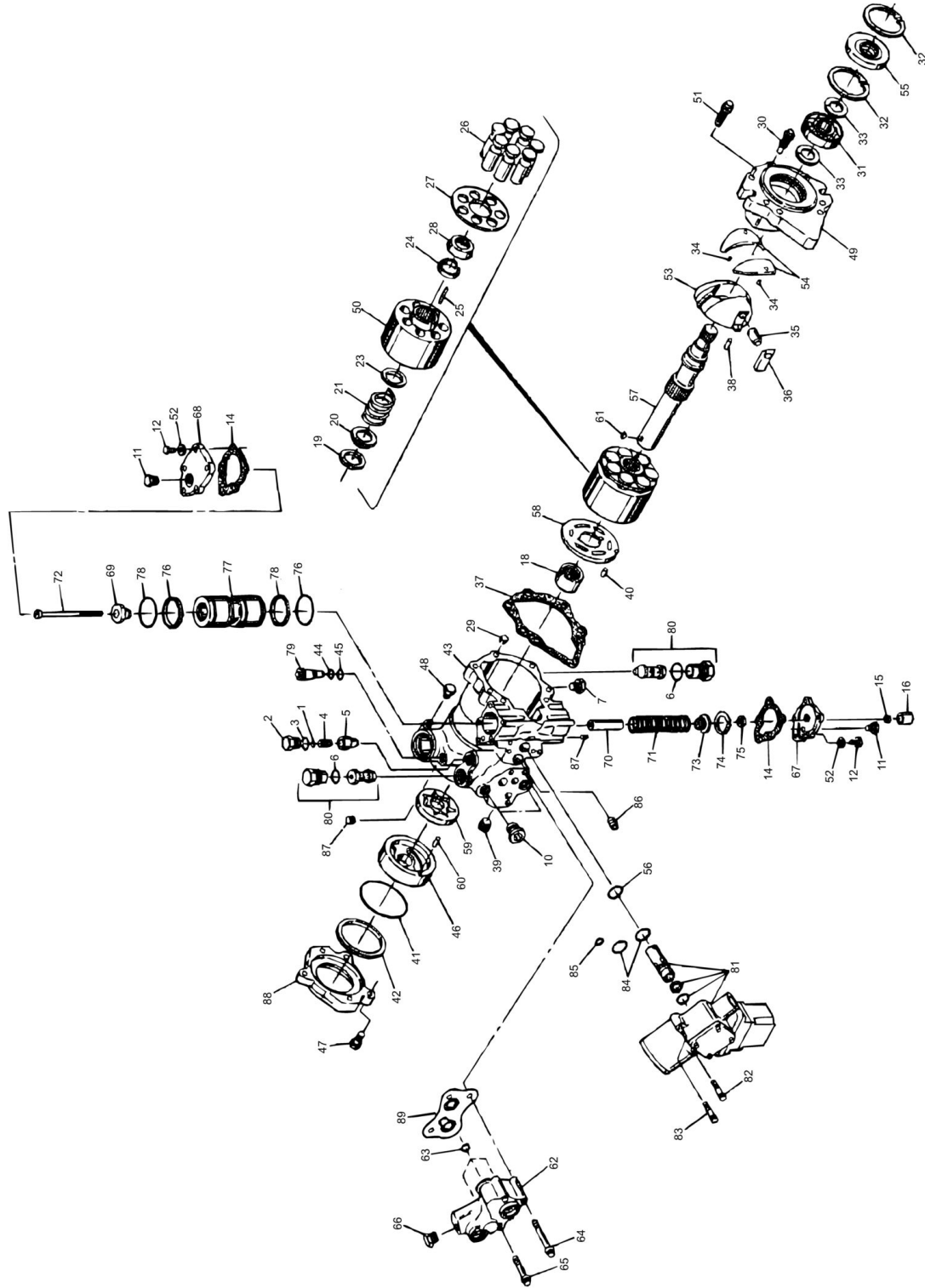
**SECTION 2 - TURNTABLE**

**FIGURE 2-17. PUMP COUPLING INSTALLATION**

| ITEM | PART NUMBER | QTY | DESCRIPTION                               | REV |
|------|-------------|-----|---|-----|
|      | 0256849     | Ref | <b>PUMP COUPLING INSTALLATION - HAYES</b> | 2   |
| 1    | 1660233     | 1   | Coupling, Pump - Hayes                    |     |
| 2    | 0701014     | 10  | Bolt, Metric 10mm x 30mm                  |     |
| 3    | 4832000     | 18  | Lockwasher 10mm                           |     |
| 4    | 0080164     | 1   | Plate, Adaptor                            |     |
| 5    | 0701010     | 6   | Bolt, Metric 10mm x 20mm                  |     |
| 7    | 0701015     | 2   | Bolt, Metric 10mm x 35mm                  |     |
| 8    | 4751600     | 2   | Flatwasher 3/8in                          |     |
|      | 3020021     | AR  | Grease                                    |     |

# SECTION 2 - TURNTABLE

## FIGURE 2-18. PUMP ASSEMBLY



## SECTION 2 - TURNTABLE

### FIGURE 2-18. PUMP ASSEMBLY

| ITEM | PART NUMBER | QTY | DESCRIPTION                                     | REV |
|------|-------------|-----|---|-----|
|      |             | Ref | <b>Piston Pump Assembly Options:</b>            |     |
|      | 3600260     | Ref | <b>Standard</b>                                 | B   |
|      | 3600333     | Ref | <b>W / Turntable Mounted Welder (Not Shown)</b> | A   |
| 1    | 7007413     | 1   | Shim Kit - Relief Valve                         |     |
| 2    | 7007414     | 1   | Plug  |     |
| 3    | Kit         | 1   | O-Ring  |     |
| 4    | 7007416     | 1   | Spring, Relief Valve                            |     |
| 5    | 7007417     | 1   | Valve, Relief                                   |     |
| 6    | Kit         | 2   | O-Ring  |     |
| 7    | 7007419     | 2   | Plug  |     |
| 10   | 7007420     | 2   | Plug  |     |
| 11   | 7007208     | 2   | Plug  |     |
| 12   | 7007421     | 10  | Screw   |     |
| 14   | 7007422     | 2   | Gasket, Servo Cover                             |     |
| 15   | 7007423     | 1   | Nut, Special                                    |     |
| 16   | 7007424     | 1   | Cover, Adjustment                               |     |
| 18   | 7007425     | 1   | Bearing, Needle                                 |     |
| 19   | Kit         | 1   | Ring, Retaining                                 |     |
| 20   | Kit         | 1   | Washer  |     |
| 21   | Kit         | 1   | Spring  |     |
| 23   | Kit         | 1   | Washer  |     |
| 24   | Kit         | 1   | Retainer  |     |
| 25   | Kit         | 3   | Pin, Slipper Holddown                           |     |
| 26   | Kit         | 7   | Piston Assembly                                 |     |
| 27   | Kit         | 1   | Guide, Slipper                                  |     |
| 28   | Kit         | 1   | Guide, Retainer                                 |     |
| 29   | 7007435     | 1   | Pin, Spring                                     |     |
| 30   | 7007436     | 1   | Screw - 12 Point Head                           |     |
| 31   | 7007437     | 1   | Bearing, Ball                                   |     |
| 32   | 7007438     | 2   | Ring  |     |
| 33   | 7007439     | 2   | Ring  |     |
| 34   | 7007440     | 2   | Pin, Spring                                     |     |
| 35   | 7007441     | 1   | Handle, Pin                                     |     |
| 36   | 7007442     | 1   | Sleeve, Bearing                                 |     |
| 37   | Kit         | 1   | Gasket, Front Cover                             |     |
| 38   | 7007444     | 1   | Pin   |     |
| 39   | 7007445     | 1   | Plug, Expansion                                 |     |
| 40   | Kit         | 1   | Pin   |     |
| 41   | Kit         | 1   | O-Ring  |     |
| 42   | Kit         | 1   | Ring, Load Temper                               |     |
| 43   | 7007449     | 1   | Housing, Pump                                   |     |
| 44   | Kit         | 1   | Ring, Back-up                                   |     |
| 45   | Kit         | 1   | O-Ring  |     |
| 46   | Kit         | 1   | Cover, Gerotor                                  |     |
| 47   | 7007453     | 3   | Bolt, Hex                                       |     |
| 48   | 7007208     | 1   | Plug  |     |
| 49   | 7007454     | 1   | Cover, Front                                    |     |
| 50   | Kit         | 1   | Block, Cylinder                                 |     |
| 51   | 7007456     | 6   | Screw - 12 Point Head                           |     |
| 52   | 7001438     | 10  | Washer  |     |

## SECTION 2 - TURNTABLE

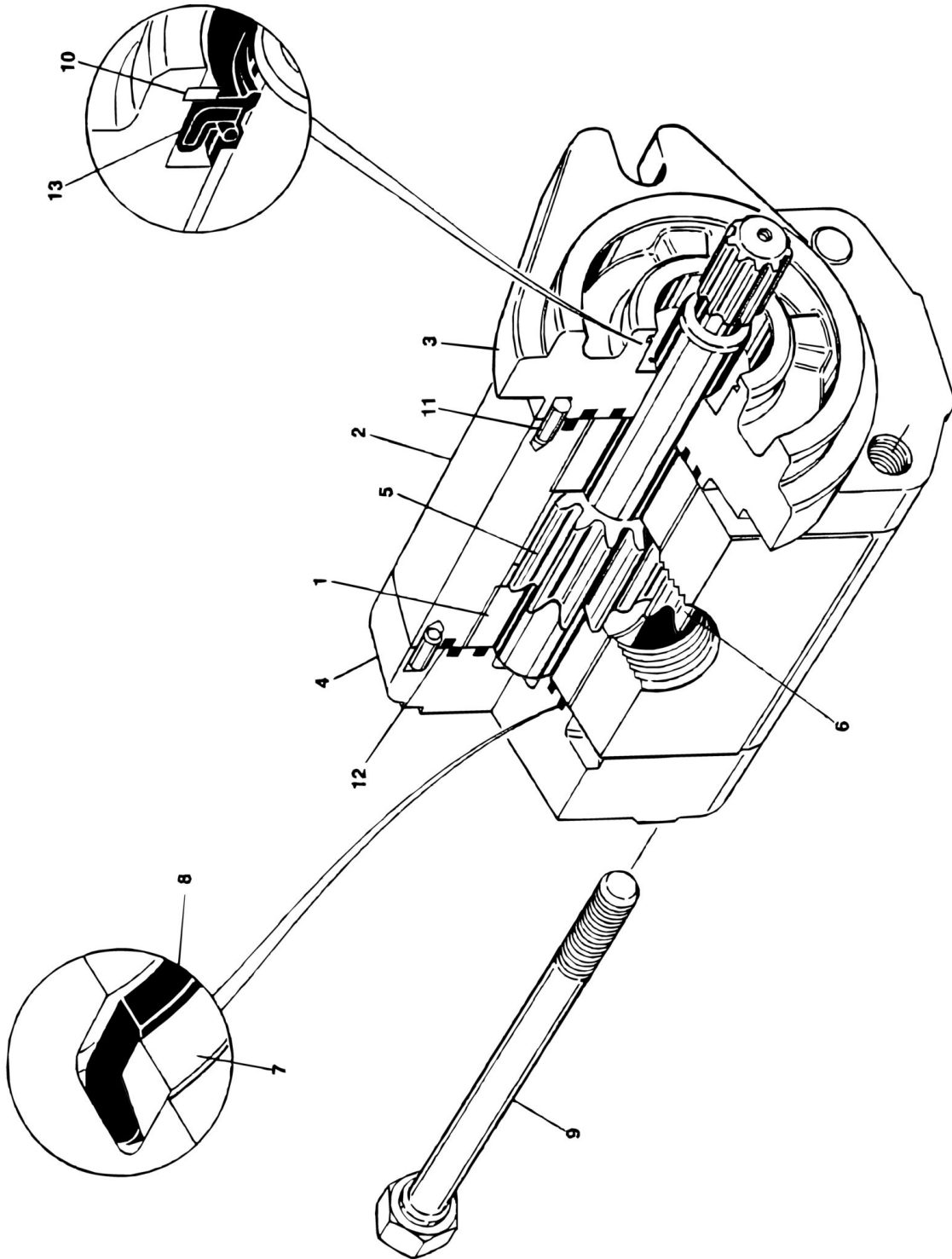
| ITEM | PART NUMBER | QTY | DESCRIPTION  | REV |
|------|-------------|-----|--|-----|
| 53   | Kit         | 1   | Swashplate   |     |
| 54   | 7007458     | 1   | Journal, Bearing   |     |
| 55   | Kit         | 1   | Seal, Lip  |     |
| 56   | Kit         | 1   | O-Ring   |     |
| 57   | 7010121     | 1   | Shaft, Main Pump   |     |
| 58   | Kit         | 1   | Plate, Valve   |     |
| 59   | Kit         | 1   | Gerotor Assembly   |     |
| 60   | Kit         | 1   | Pin  |     |
| 61   | Kit         | 1   | Key, Woodruff  |     |
| 62   | 7007466     | 1   | Adaptor, Remote Filtration (Without Bypass)  |     |
| 63   | Kit         | 3   | O-Ring   |     |
| 64   | 7007468     | 2   | Screw  |     |
| 65   | 7007469     | 2   | Screw  |     |
| 66   | 7007470     | 1   | Plug   |     |
| 67   | 7007471     | 1   | Cover, Servo (With Adjuster)   |     |
| 67   | 7007490     | 2   | Stop, Servo (Not Shown)  |     |
| 67   | 7007491     | 2   | Nut, Special (Not Shown)   |     |
| 67   | 7007492     | 2   | Ring, External (Not Shown)   |     |
| 68   | 7007482     | 1   | Cover, Servo (Without Adjuster)  |     |
| 69   | 7007483     | 1   | Guide, Spring  |     |
| 70   | 7007484     | 1   | Stop, Servo  |     |
| 71   | 7007485     | 1   | Spring   |     |
| 72   | 7007486     | 1   | Screw  |     |
| 73   | 7007487     | 1   | Guide, Spring  |     |
| 74   | 7007488     | 1   | Ring, Retaining  |     |
| 75   | 7007499     | 1   | Locknut  |     |
| 76   | Kit         | 2   | Ring, Piston   |     |
| 77   | 7007494     | 1   | Piston, Servo  |     |
| 78   | Kit         | 2   | O-Ring   |     |
| 79   | 7007472     | 1   | Valve, By-Pass   |     |
| 80   | 7010122     | 2   | Valve, Pressure Release (Includes Item 6) (Was P/N 7007473)  |     |
| 81   | 7007474     | 1   | Control, Dual Oil-Filled   |     |
| 81   | 7007496     | 1   | Coil Assembly (Pilot)  |     |
| 81   | 7007497     | 1   | Plug (Pump)  |     |
| 81   | 7007498     | 1   | Plug (Valve Harness)   |     |
| 82   | 7007478     | 2   | Screw  |     |
| 83   | 7001498     | 2   | Screw  |     |
| 84   | Kit         | 2   | O-Ring   |     |
| 85   | Kit         | 1   | O-Ring   |     |
| 86   | 7007475     | 1   | Plug, Orifice/Screen -.156   |     |
| 87   | 7007477     | 2   | Plug, Orifice -.37   |     |
| 88   | 7007476     | 1   | Adapter, Auxiliary Pump  |     |
| 89   | 7010120     | 1   | Spacer/Gasket  |     |
|      | 2900752     | 1   | Seal Kit - Complete (Includes Items 3, 6, 14, 15, 37, 41, 42, 44, 45, 55, 56, 63, 76, 78, 84 & 85) |     |
|      | 7007412     | 1   | Seal Kit - Servo Piston (Includes Items 76 & 78)   |     |
|      | 2900826     | 1   | Charge Pump Kit (Includes Items 41, 42, 46, 59, 60, 61)  |     |
|      | 2900827     | 1   | Cylinder Block Kit (Includes Items 19-28, 40, 50, 53, 55, 58)                                      |     |





# SECTION 2 - TURNTABLE

## FIGURE 2-19. PUMP ASSEMBLY - HYDRO-AIR



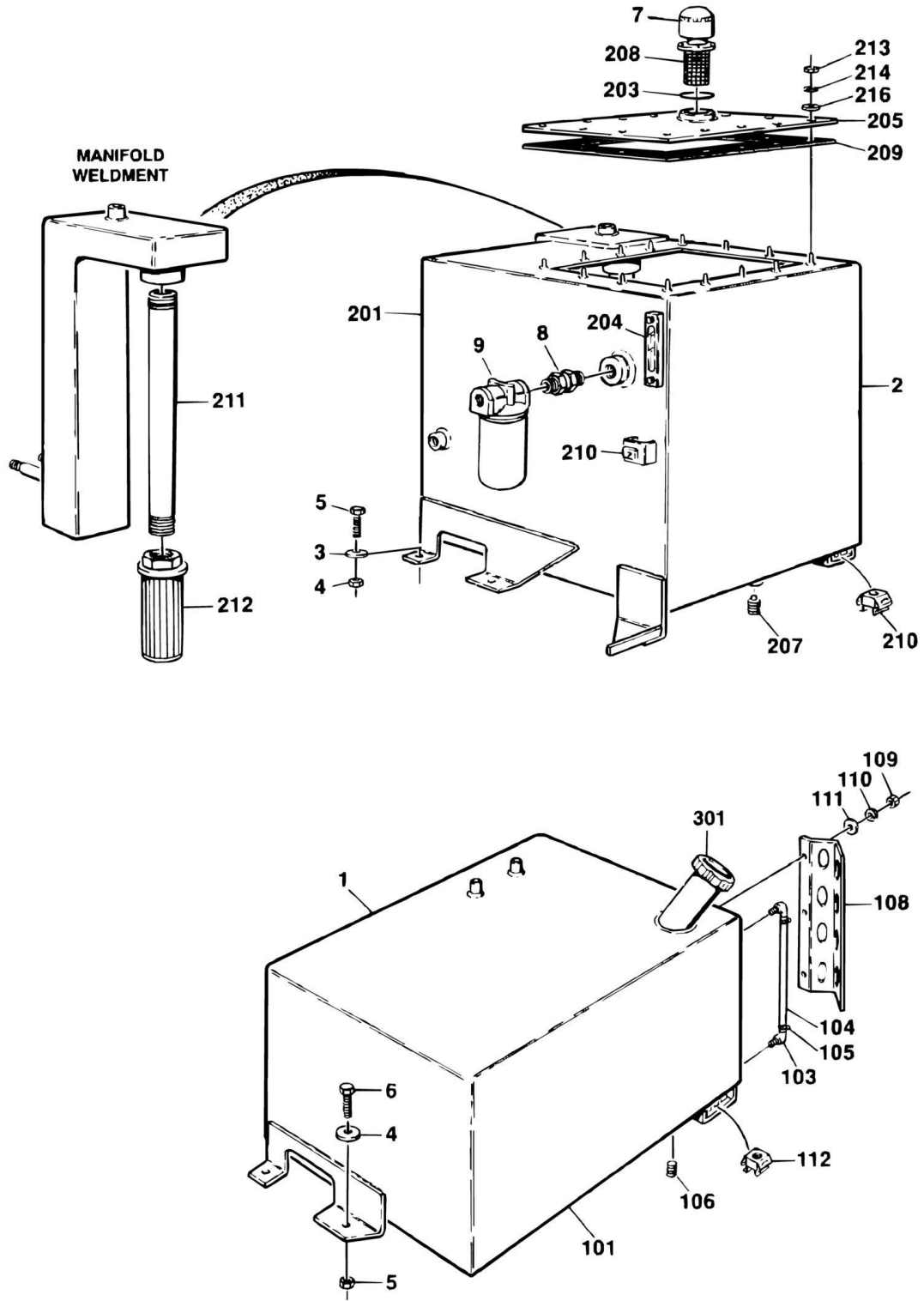
**SECTION 2 - TURNTABLE**

**FIGURE 2-19. PUMP ASSEMBLY - HYDRO-AIR**

| ITEM | PART NUMBER  | QTY | DESCRIPTION   | REV |
|------|--------------|-----|---|-----|
|      |              | Ref | <b>PUMP ASSEMBLY - HYDRO-AIR OPTIONS:</b>   | -   |
|      | 3600286      | Ref | <b>Standard</b>   | 1   |
|      | 3600334      | Ref | <b>W / Turntable Mounted Welder (Not Shown)</b>   | 1   |
| 1    | 7010105      | 2   | Bearing/Bushing   |     |
| 2    | Not Serviced | 1   | Housing   |     |
| 3    | Not Serviced | 1   | Flange, Mounting  |     |
| 4    | 7010103      | 1   | Cover, End  |     |
| 5    | 7010126      | 1   | Gear, Drive   |     |
| 6    | 7010125      | 1   | Gear, Idler   |     |
| 7    | Kit          | 2   | Ring, Anti-Extrusion  |     |
| 8    | Kit          | 2   | Seal  |     |
| 9    | 7010124      | 4   | Bolt  |     |
| 10   | 7010104      | 1   | Ring, Retaining   |     |
| 11   | 7010127      | 4   | Pin, Dowel  |     |
| 12   | Kit          | 2   | Seal, O-Ring  |     |
| 13   | Kit          | 1   | Seal, Shaft   |     |
|      | 7007489      | 1   | Seal Kit (Includes Items 7, 8, 12 & 13)   |     |
|      | 7023992      |     | <b>Note: There are no other serviceable parts for Pump Assembly W / Turntable Mounted Welder.</b> |     |

# SECTION 2 - TURNTABLE

## FIGURE 2-20. TANKS INSTALLATION



**SECTION 2 - TURNTABLE**

**FIGURE 2-20. TANKS INSTALLATION**

| ITEM | PART NUMBER | QTY           | DESCRIPTION  | REV |
|------|-------------|---------------|--|-----|
|      |             | Ref           | <b>TANKS INSTALLATION OPTIONS:</b>                                     |     |
|      | 0252524     | Ref           | <b>Standard Tank</b>   | 5   |
|      | 0271824     | Ref           | <b>Tank w/ Welder</b>  | 1   |
| 1    | 4400386     | 1             | Fuel Tank Assembly (See Items 101-112 for Breakdown)                   |     |
| 2    |             | Ref           | Hydraulic Oil Tank Assembly Options: (See Items 201-216 for Breakdown) |     |
| 2    | 4400340     | 1             | Standard Tank  |     |
| 2    | 4400444     | 1             | Tank w/ Welder   |     |
| 3    | 0641614     | 4             | Bolt 3/8in-16NC x 1 3/4in  |     |
| 4    | 4711600     | 15            | Flatwasher 3in   |     |
| 5    | 3311605     | 8             | Locknut 3/8in-16NC   |     |
| 6    | 0641616     | 3             | Bolt 3/8in-16NC x 2in  |     |
| 7    | 1340046     | 1             | Breather   |     |
| 8    | 2220893     | 1             | Fitting  |     |
| 9    | 2120134     | 1             | Filter, Hydraulic  |     |
| 9    | 2120129     | 1             | Element  |     |
|      | 4300034     | 4             | Stud, Weld   |     |
|      | 4400386     | Ref           | <b>FUEL TANK ASSEMBLY</b>  | 2   |
| 101  | 4400387     | 1             | Tank Weldment  |     |
| 103  | 2180467     | 2             | Fitting, 90  |     |
| 104  | 4562516     | 15<br>in/38cm | Tube, Sight  |     |
| 105  | 1320022     | 2             | Clamp  |     |
| 106  | 2200052     | 1             | Plug, Pipe - 1/4in   |     |
| 107  | 0100020     | AR            | Sealant, Thread (Not Shown)  |     |
| 108  | 4060574     | 1             | Protector, Gage  |     |
| 109  | 3311401     | 3             | Nut 1/4in-20NC   |     |
| 110  | 4761400     | 3             | Lockwasher 1/4in   |     |
| 111  | 4751400     | 3             | Flatwasher 1/4in   |     |
| 112  | 3300205     | 3             | Nut, Retainer 5/16in-18NC  |     |
|      |             | Ref           | <b>HYDRAULIC OIL TANK ASSEMBLY OPTIONS:</b>                            |     |
|      | 4400340     | Ref           | <b>Standard Tank</b>   | B   |
|      | 4400444     | Ref           | <b>Tank w/ Welder</b>  | 1   |
| 201  |             | Ref           | Tank Weldment Options:   |     |
| 201  | 4400341     | 1             | Standard Tank  |     |
| 201  | 4400443     | 1             | Tank w/ Welder   |     |
| 203  | 4740338     | 6             | Washer, Sealing  |     |
| 204  | 2420080     | 1             | Gage, Level  |     |
| 204  | 7016664     | 2             | Washer, Sealing  |     |
| 205  | 1670625     | 1             | Lid  |     |
| 207  | 3520022     | 1             | Plug, Magnetic   |     |
| 208  | 1340045     | 1             | Basket, Strainer   |     |
| 209  | 3960371     | 1             | Gasket   |     |
| 210  | 3300205     | 3             | Nut, Retainer 5/16in-18NC  |     |
| 211  | 2180606     | 1             | Nipple, Pipe   |     |
| 212  | 2120104     | 1             | Filter   |     |
| 213  | 3311401     | 14            | Nut 1/4in-20NC   |     |
| 214  | 4761400     | 14            | Lockwasher 1/4in   |     |
| 215  | 0100020     | AR            | Sealant, Thread (Not Shown)  |     |
| 216  | 4751400     | 14            | Flatwasher 1/4in   |     |

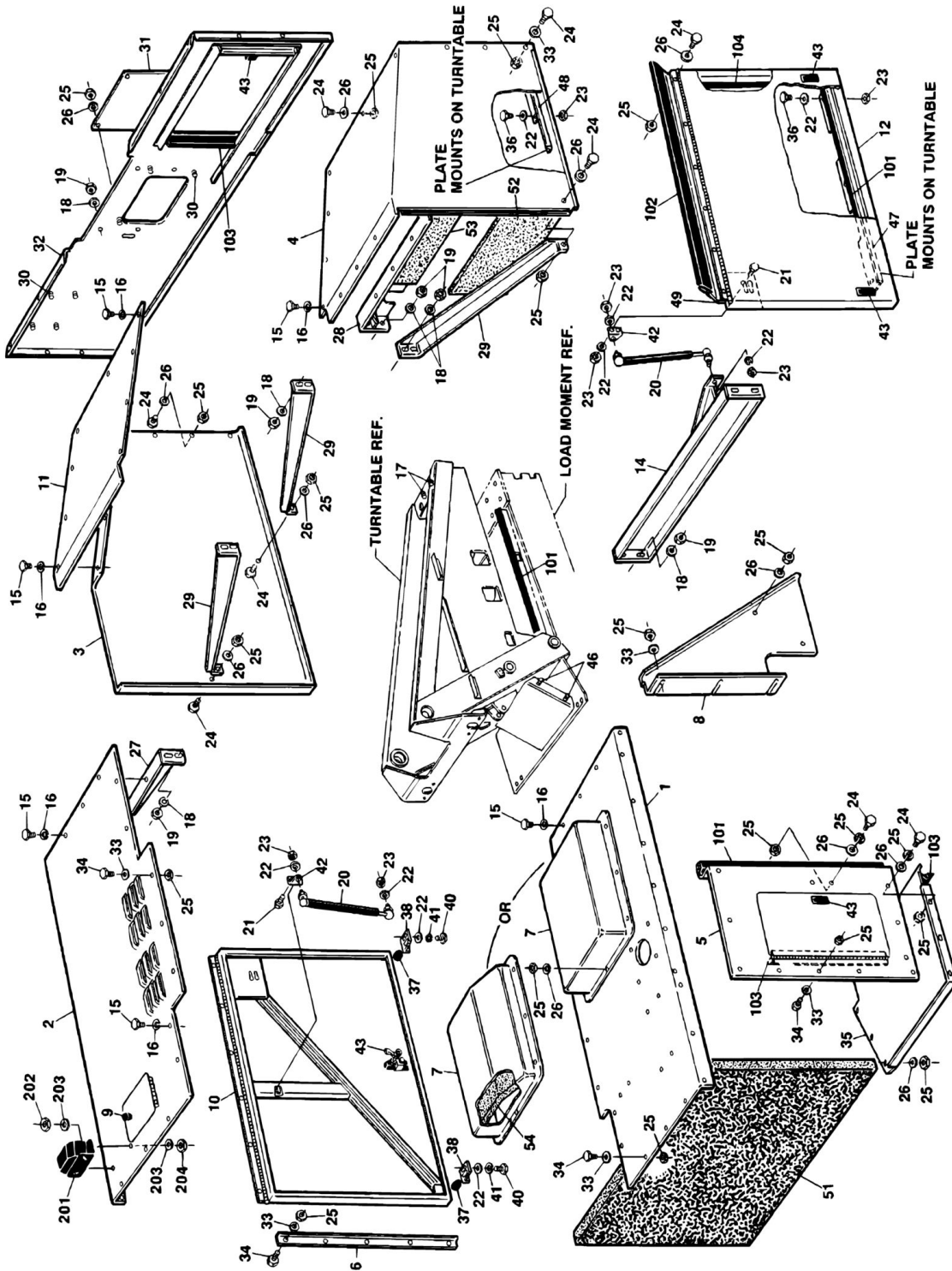
## SECTION 2 - TURNTABLE

| ITEM | PART NUMBER | QTY | DESCRIPTION                       | REV |
|------|-------------|-----|-----------------------------------|-----|
|      |             | Ref | <b>FUEL CAP ASSEMBLY OPTIONS:</b> |     |
|      | 0257365     | Ref | <b>STANDARD</b>                   | 1   |
|      | 0257366     | Ref | <b>"RED" - PROTECTOSEAL</b>       | 2   |
|      | 0258626     | Ref | <b>"BLUE" - PROTECTOSEAL</b>      | 1   |
| 301  |             | Ref | Cap, Fill Options:                |     |
| 301  | 1120314     | 1   | Cap, Fill - Standard              |     |
| 301  | 1120367     | 1   | Cap, Fill - "Red" Protectoseal    |     |
| 301  | 1120512     | 1   | Cap, Fill - "Blue" Protectoseal   |     |



# SECTION 2 - TURNTABLE

FIGURE 2-21. HOOD INSTALLATION (Prior to SN 55762)





## SECTION 2 - TURNTABLE

**FIGURE 2-21. HOOD INSTALLATION (Prior to SN 55762)**

| ITEM | PART NUMBER | QTY | DESCRIPTION  | REV |
|------|-------------|-----|--|-----|
|      | 0253362     | Ref | <b>HOOD INSTALLATION - NOISE REDUCTION</b>                                       | 5   |
|      | Note        |     | <b>Note: Replacement decals must be ordered separately - See DECALS SECTION.</b> |     |
| 1    | 3536417     | 1   | Panel - Hood Top (Engine Side)   |     |
| 2    | 4844390     | 1   | Panel - Hood Top (Valve Side)  |     |
| 3    | 3380419     | 1   | Panel - Hood (Valve Side)  |     |
| 4    | 3380400     | 1   | Panel - Hood (Engine Side)   |     |
| 5    | 4844087     | 1   | Panel - Door (Engine Side)   |     |
| 6    | 1780172     | 1   | Door (Valve Side)  |     |
| 7    | 4844236     | 1   | Duct, Discharge (Engine Side)  |     |
| 8    | 3535948     | 1   | Plate, Baffle (Engine Side)  |     |
| 9    | 2940051     | 1   | Latch  |     |
| 10   | 4844113     | 1   | Door (Valve Side)  |     |
| 11   | 3380379     | 1   | Panel - Hood Top (Valve Side)  |     |
| 12   | 4844074     | 1   | Door (Engine Side)   |     |
| 14   | 4843334     | 1   | Mounting, Gas Spring   |     |
| 15   | 3941405     | 8   | Screw, Self-Tap 1/4in x 5/8in  |     |
| 16   | 4761400     | 8   | Lockwasher 1/4in   |     |
| 17   | 4300034     | 16  | Stud (Welded on Part)  |     |
| 18   | 4751600     | 16  | Flatwasher 3/8in   |     |
| 19   | 3311605     | 16  | Locknut 3/8in-16NC   |     |
| 20   | 4160081     | 2   | Spring, Gas  |     |
| 21   | 0630383     | 4   | Bolt, Carriage 5/16in-18NC x 3/4in   |     |
| 22   | 4751500     | 10  | Flatwasher 5/16in  |     |
| 23   | 3311505     | 6   | Locknut 5/16in-18NC  |     |
| 24   | 0641406     | 40  | Bolt 1/4in-20NC x 3/4in  |     |
| 25   | 3311405     | 70  | Locknut 1/4in-20NC   |     |
| 26   | 4751400     | 48  | Flatwasher 1/4in   |     |
| 27   | 0901500     | 1   | Bracket, Mounting - Hood   |     |
| 28   | 4843324     | 1   | Bracket, Mounting - Hood   |     |
| 29   | 0901502     | 3   | Bracket, Mounting - Hood   |     |
| 31   | 1670516     | 1   | Cover, Front   |     |
| 32   | 4844083     | 1   | Hood (Front)   |     |
| 33   | 4740362     | 41  | Washer, Fender   |     |
| 34   | 0641408     | 22  | Bolt 1/4in-20NC x 1in  |     |
| 35   | 3537819     | 1   | Plate, Extension - Base  |     |
| 36   | 0641512     | 5   | Bolt 5/16in-18NC x 1 1/2in   |     |
| 37   | 0940036     | 2   | Bumper, Door   |     |
| 38   | 0901197     | 2   | Bracket, Door Stop   |     |
| 40   | 0641508     | 4   | Bolt 5/16in-18NC x 1in   |     |
| 41   | 4761500     | 4   | Lockwasher 5/16in  |     |
| 42   | 3200222     | 2   | Mounting, Gas Spring   |     |
| 43   | 2940042     | 5   | Mounting, Latch  |     |
| 46   | 4300032     | 5   | Stud (Welded on Part)  |     |
| 47   | 3536414     | 1   | Plate, Seal  |     |
| 48   | 3536415     | 1   | Plate, Seal  |     |
| 49   | 3535951     | 1   | Plate, Hinge Shield  |     |
| 50   | 3820018     | 10  | Rivet  |     |
| 51   | 2820059     | 1   | Acoustical Foam - 33 x 20  |     |
| 52   | 2820058     | 1   | Acoustical Foam - 20 x 17  |     |

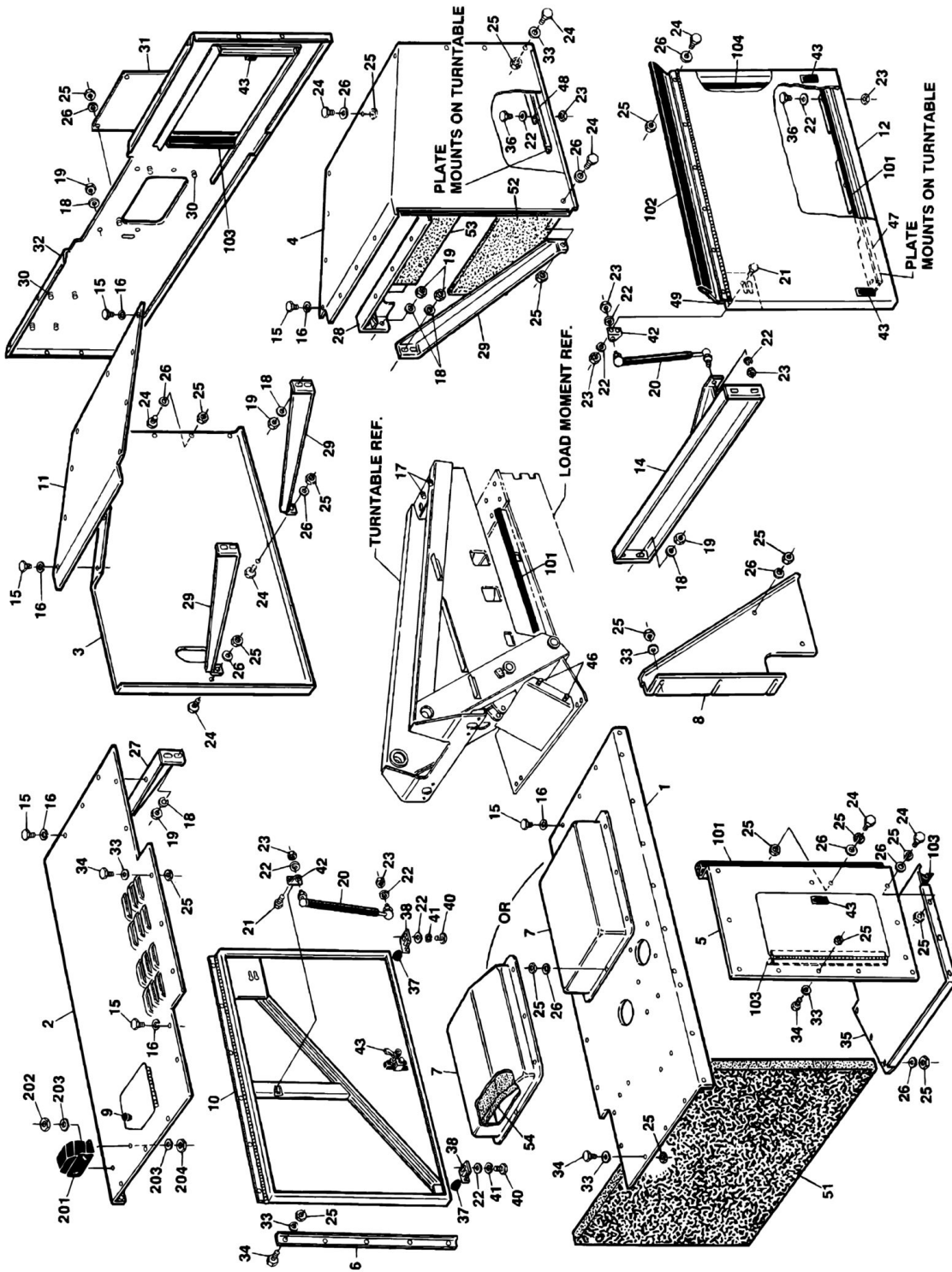
## SECTION 2 - TURNTABLE

| ITEM | PART NUMBER | QTY       | DESCRIPTION  | REV |
|------|-------------|-----------|--|-----|
| 53   | 2820053     | 1         | Acoustical Foam - 6 3/4in x 14 3/4in               |     |
| 54   | 2820057     | 1         | Acoustical Foam - 24in x 16 3/4in                  |     |
| 55   | 4060803     | 2 ft/0.6m | Shield, Flex Trim (Not Shown Located on Turntable) |     |
|      | 0100011     | AR        | Loctite #242                                       |     |
|      | 0252652     | Ref       | <b>HOOD SEALS INSTALLATION</b>                     | A   |
| 101  | 3960418     | 13 ft/4m  | Seal   |     |
| 102  | 3960389     | 8 ft/2.4m | Seal, Door   |     |
| 103  | 3960429     | 7 ft/2.1m | Tape, Sealant                                      |     |
| 104  | 3960433     | 6 ft/1.8m | Seal   |     |
|      | 0251543     | Ref       | <b>ALARM INSTALLATION (OPTIONAL)</b>               | 2   |
| 201  | 0140032     | 1         | Alarm  |     |
| 202  | 0641406     | 2         | Bolt 1/4in-20NC x 3/4in                            |     |
| 203  | 4751400     | 4         | Flatwasher 1/4in                                   |     |
| 204  | 3311405     | 2         | Locknut 1/4in-20NC                                 |     |



# SECTION 2 - TURNTABLE

## FIGURE 2-22. HOOD INSTALLATION (SN 55762 to Present)



## SECTION 2 - TURNTABLE

**FIGURE 2-22. HOOD INSTALLATION (SN 55762 to Present)**

| ITEM | PART NUMBER | QTY | DESCRIPTION  | REV |
|------|-------------|-----|--|-----|
|      |             | Ref | <b>HOOD INSTALLATION OPTIONS:</b>  |     |
|      |             | Ref | <b>Noise Reduction</b>   | 1   |
|      |             | Ref | <b>W / Hydraulic Welder</b>  | 1   |
|      | Note        |     | <b>Note: Replacement decals must be ordered separately - See DECALS SECTION.</b> |     |
| 1    | 3572552     | 1   | Panel - Hood Top (Engine Side)   |     |
| 2    | 4846311     | 1   | Panel - Hood Top (Valve Side)  |     |
| 3    |             | Ref | Panel - Hood (Valve Side) Options:   |     |
| 3    | 3380455     | 1   | Noise Reduction  |     |
| 3    | 4846597     | 1   | W / Hydraulic Welder   |     |
| 4    | 3380456     | 1   | Panel - Hood (Engine Side)   |     |
| 5    | 4846312     | 1   | Panel - Door (Engine Side)   |     |
| 6    | 1780321     | 1   | Door (Valve Side)  |     |
| 7    | 4846313     | 1   | Duct, Discharge (Engine Side)  |     |
| 8    | 3535948     | 1   | Plate, Baffle (Engine Side)  |     |
| 9    | 2940051     | 1   | Latch  |     |
| 10   | 4846314     | 1   | Door (Valve Side)  |     |
| 11   | 3380457     | 1   | Panel - Hood Top (Valve Side)  |     |
| 12   | 4846315     | 1   | Door (Engine Side)   |     |
| 14   | 4843334     | 1   | Mounting, Gas Spring   |     |
| 15   | 3941405     | 8   | Screw, Self-Tap 1/4in x 5/8in  |     |
| 16   | 4761400     | 8   | Lockwasher 1/4in   |     |
| 17   | 4300034     | 16  | Stud (Welded on Part)  |     |
| 18   | 4751600     | 16  | Flatwasher 3/8in   |     |
| 19   | 3311605     | 16  | Locknut 3/8in-16NC   |     |
| 20   | 4160081     | 2   | Spring, Gas  |     |
| 21   | 0630383     | 4   | Bolt, Carriage 5/16in-18NC x 3/4in   |     |
| 22   | 4751500     | 10  | Flatwasher 5/16in  |     |
| 23   | 3311505     | 6   | Locknut 5/16in-18NC  |     |
| 24   | 0641406     | 40  | Bolt 1/4in-20NC x 3/4in  |     |
| 25   | 3311405     | 70  | Locknut 1/4in-20NC   |     |
| 26   | 4751400     | 48  | Flatwasher 1/4in   |     |
| 27   | 0901500     | 1   | Bracket, Mounting - Hood   |     |
| 28   | 4843324     | 1   | Bracket, Mounting - Hood   |     |
| 29   | 0901502     | 3   | Bracket, Mounting - Hood   |     |
| 31   | 1670975     | 1   | Cover, Front   |     |
| 32   | 4846316     | 1   | Hood (Front)   |     |
| 33   | 4740362     | 41  | Washer, Fender   |     |
| 34   | 0641408     | 22  | Bolt 1/4in-20NC x 1in  |     |
| 35   | 3537819     | 1   | Plate, Extension - Base  |     |
| 36   | 0641512     | 5   | Bolt 5/16in-18NC x 1 1/2in   |     |
| 37   | 0940036     | 2   | Bumper, Door   |     |
| 38   | 0901197     | 2   | Bracket, Door Stop   |     |
| 40   | 0641508     | 4   | Bolt 5/16in-18NC x 1in   |     |
| 41   | 4761500     | 4   | Lockwasher 5/16in  |     |
| 42   | 3200222     | 2   | Mounting, Gas Spring   |     |
| 43   | 2940042     | 5   | Mounting, Latch  |     |
| 46   | 4300032     | 5   | Stud (Welded on Part)  |     |
| 47   | 3536414     | 1   | Plate, Seal  |     |
| 48   | 3536415     | 1   | Plate, Seal  |     |

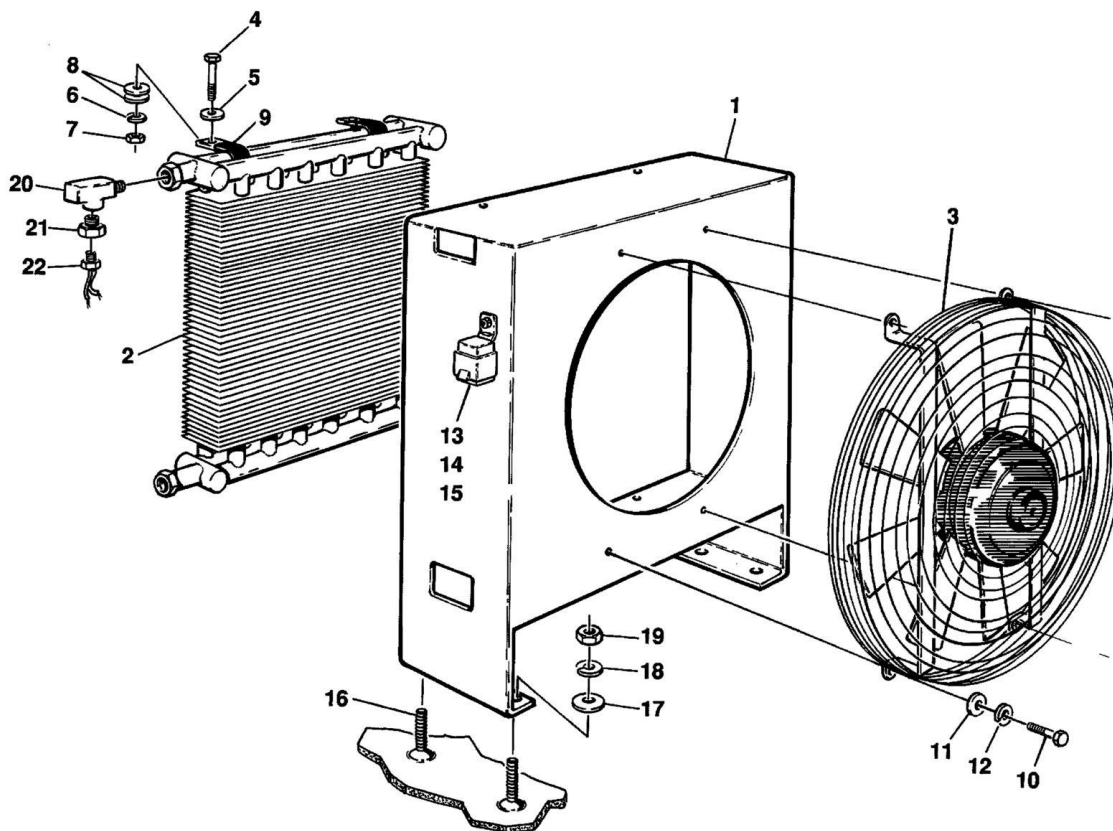
## SECTION 2 - TURNTABLE

| ITEM | PART NUMBER | QTY       | DESCRIPTION  | REV |
|------|-------------|-----------|--|-----|
| 49   | 3535951     | 1         | Plate, Hinge Shield                                |     |
| 50   | 3820018     | 10        | Rivet  |     |
| 51   | 2820059     | 1         | Acoustical Foam - 33 x 20                          |     |
| 52   | 2820058     | 1         | Acoustical Foam - 20 x 17                          |     |
| 53   | 2820053     | 1         | Acoustical Foam - 6 3/4in x 14 3/4in               |     |
| 54   | 2820057     | 1         | Acoustical Foam - 24in x 16 3/4in                  |     |
| 55   | 4060803     | 2 ft/0.6m | Shield, Flex Trim (Not Shown Located on Turntable) |     |
|      | 0100011     | AR        | Loctite #242                                       |     |
|      | 0252652     | Ref       | <b>HOOD SEALS INSTALLATION</b>                     | A   |
| 101  | 3960418     | 13 ft/4m  | Seal   |     |
| 102  | 3960389     | 8 ft/2.4m | Seal, Door   |     |
| 103  | 3960429     | 7 ft/2.1m | Tape, Sealant                                      |     |
| 104  | 3960433     | 6 ft/1.8m | Seal   |     |
|      | 0251543     | Ref       | <b>ALARM INSTALLATION (OPTIONAL)</b>               | 2   |
| 201  | 0140032     | 1         | Alarm  |     |
| 202  | 0641406     | 2         | Bolt 1/4in-20NC x 3/4in                            |     |
| 203  | 4751400     | 4         | Flatwasher 1/4in                                   |     |
| 204  | 3311405     | 2         | Locknut 1/4in-20NC                                 |     |



## SECTION 2 - TURNTABLE

FIGURE 2-23. OIL COOLER INSTALLATION





**SECTION 2 - TURNTABLE**

**FIGURE 2-23. OIL COOLER INSTALLATION**

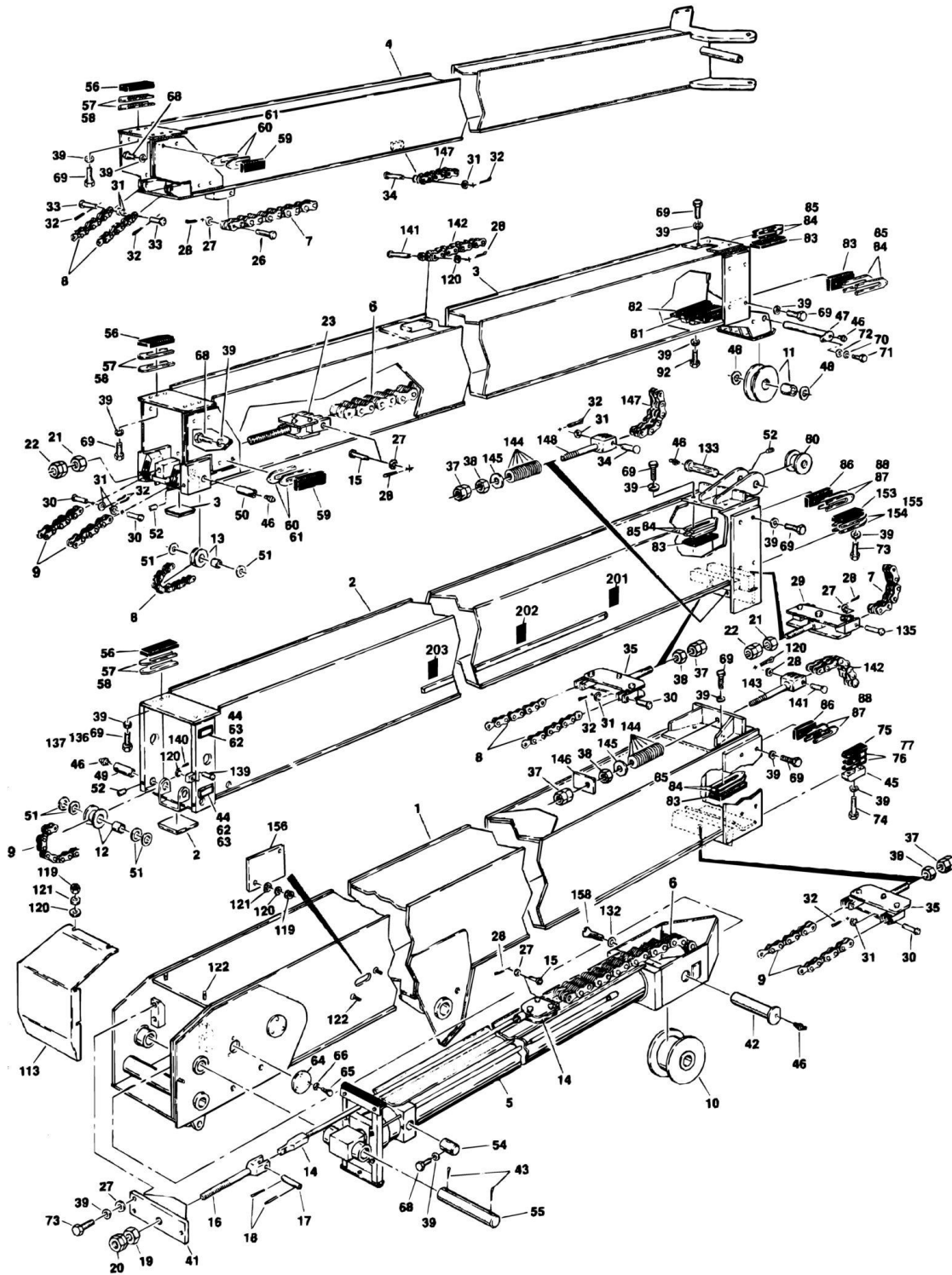
| ITEM | PART NUMBER | QTY | DESCRIPTION                               | REV |
|------|-------------|-----|---|-----|
|      | 0252906     | Ref | <b>OIL COOLER INSTALLATION (OPTIONAL)</b> | 3   |
| 1    | 4844177     | 1   | Bracket, Oil Cooler                       |     |
| 2    | 3620003     | 1   | Oil Cooler Assembly                       |     |
| 3    | 2060012     | 1   | Fan, Oil Cooler                           |     |
| 4    | 0641508     | 4   | Bolt 5/16in-18NC x 1in                    |     |
| 5    | 4751500     | 4   | Flatwasher 5/16in                         |     |
| 6    | 4761500     | 4   | Lockwasher 5/16in                         |     |
| 7    | 3311501     | 4   | Nut 5/16in-18NC                           |     |
| 8    | 4751600     | 8   | Flatwasher 3/8in                          |     |
| 9    | 1320060     | 4   | Clamp                                     |     |
| 10   | 0731006     | 5   | Bolt #10-32NF x 3/4in                     |     |
| 11   | 4751000     | 5   | Flatwasher #10                            |     |
| 12   | 4761000     | 5   | Lockwasher #10                            |     |
| 13   | 3740080     | 1   | Relay                                     |     |
| 14   | 4460374     | 1   | Plug                                      |     |
| 15   | 4460375     | 4   | Terminal                                  |     |
| 16   | 4300048     | 4   | Stud (Welded on Part)                     |     |
| 17   | 4751800     | 4   | Flatwasher 1/2in                          |     |
| 18   | 4761800     | 4   | Lockwasher 1/2in                          |     |
| 19   | 3311801     | 4   | Nut 1/2in-13NC                            |     |
| 20   | 2220369     | 1   | Fitting, Tee                              |     |
| 21   | 2220282     | 1   | Fitting, Reducer                          |     |
| 22   | 4360181     | 1   | Switch, Temperature                       |     |



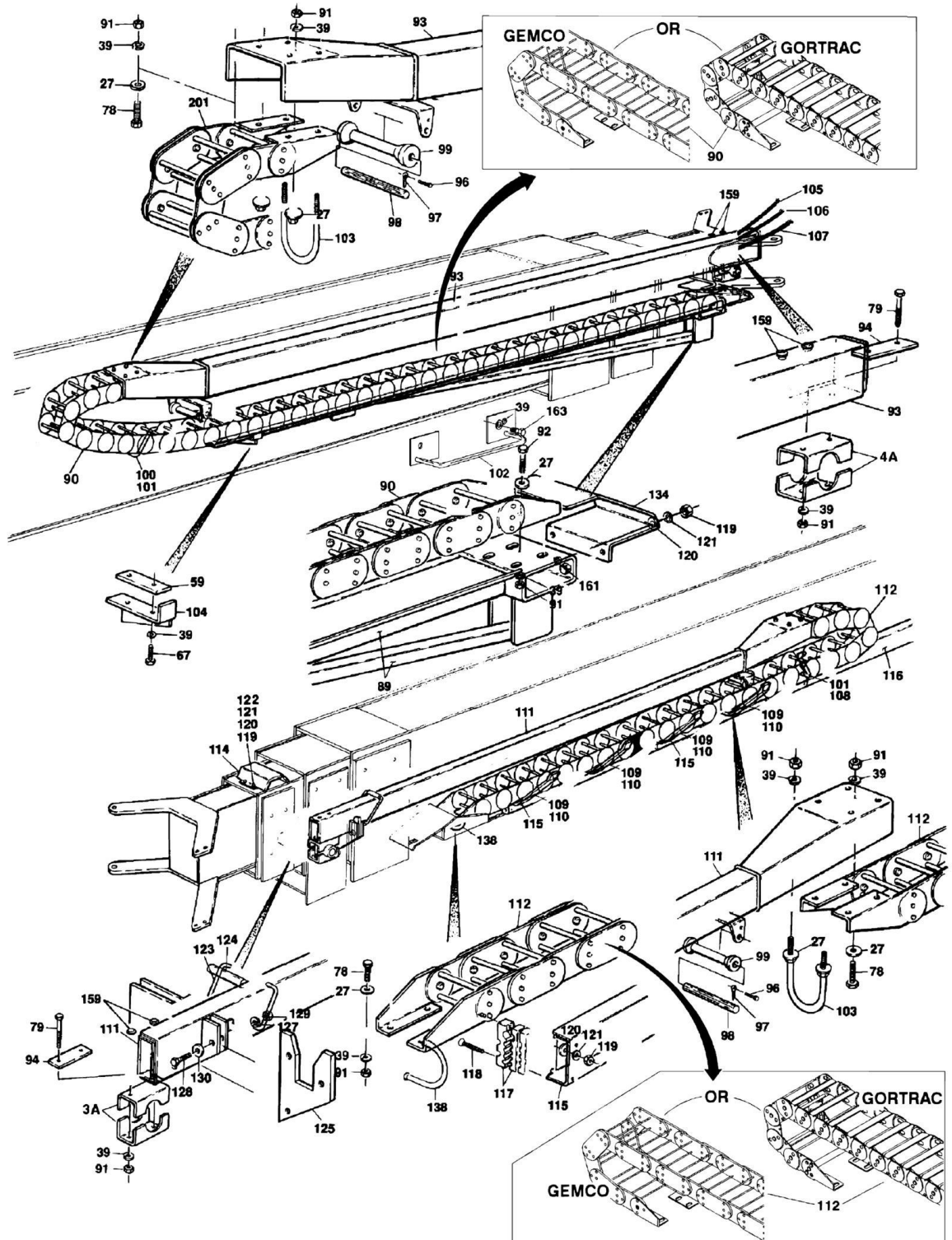
**SECTION 3 - BOOM**

# SECTION 3 - BOOM

## FIGURE 3-1. BOOM ASSEMBLY COMPONENTS INSTALLATION



# SECTION 3 - BOOM



## SECTION 3 - BOOM

**FIGURE 3-1. BOOM ASSEMBLY COMPONENTS INSTALLATION**

| ITEM | PART NUMBER | QTY  | DESCRIPTION  | REV |
|------|-------------|------|--|-----|
|      |             | Ref  | <b>BOOM ASSEMBLY COMPONENTS INSTALLATION</b>                               |     |
|      |             | Ref  | <b>BOOM ASSEMBLIES</b>   |     |
|      | 0801266     | Ref  | <b>Boom Assemblies 100SX</b>   | 3   |
|      | 0801231     | Ref  | <b>Boom Assemblies 110SX</b>   | 3   |
|      | 0801243     | Ref  | <b>Boom Assemblies 110SX - WITH INVERTED POWER TRACK</b>                   | 2   |
|      | 0801230     | Ref  | <b>Boom Assemblies 110SXJ</b>  | 3   |
|      | 0801236     | Ref  | <b>Boom Assemblies 110SXJ - WITH INVERTED POWER TRACK</b>                  | 4   |
|      | 0801232     | Ref  | <b>Boom Assemblies 120SXJ</b>  | 3   |
| 1    |             | Ref  | Base Weldment Options:   |     |
| 1    | 0800802     | 1    | Base Weldment 100SX  | 7   |
| 1    | 0800649     | 1    | Base Weldment 110SX  | 9   |
| 1    | 0800603     | 1    | Base Weldment 110SXJ   | 9   |
| 1    | 0800649     | 1    | Base Weldment 110SX/110SXJ - With Inverted Power Track                     | 9   |
| 1    | 0800765     | 1    | Base Weldment 120SXJ   | 7   |
| 2    |             | Ref  | Inner Mid Weldment Options:  |     |
| 2    | 0800766     | 1    | Inner Mid Weldment 110SX/120SXJ  | 6   |
| 2    | 0800785     | 1    | Inner Mid Weldment 100SX/110SXJ  | 6   |
| 2    | 0800766     | 1    | Inner Mid Weldment 110SX/110SXJ - With Inverted Power Track                | 6   |
| 2    | 3532549     | 1    | Plate, Skid (Rear Bottom)  |     |
| 3    |             | Ref  | Outer Mid Weldment Options:  |     |
| 3    | 0800767     | 1    | Outer Mid Weldment 110SX/120SXJ  |     |
| 3    | 0800786     | 1    | Outer Mid Weldment 100SX/110SXJ  |     |
| 3    | 0800767     | 1    | Outer Mid Weldment 110SX/110SXJ - With Inverted Power Track                |     |
| 3    | 3532549     | 1    | Plate, Skid (Rear Bottom)  |     |
| 3A   | 1320121     | 1    | Clamp  |     |
| 4    |             | Ref  | Fly Weldment Options:  |     |
| 4    | 0800804     | 1    | Fly Weldment 100SX   |     |
| 4    | 0800796     | 1    | Fly Weldment 110SX   |     |
| 4    | 0800787     | 1    | Fly Weldment 110SXJ  |     |
| 4    | 0800796     | 1    | Fly Weldment 110SX/110SXJ - With Inverted Power Track                      |     |
| 4    | 0801155     | 1    | Fly Weldment 120SXJ  |     |
| 4A   | 1320121     | 1    | Clamp  |     |
| 5    |             | Ref  | Telescope Cylinder Assembly Options: (See CYLINDERS SECTION for Breakdown) |     |
| 5    | 1682820     | 1    | Telescope Cylinder Assembly 110SX  |     |
| 5    | 1682821     | 1    | Telescope Cylinder Assembly 100SX/110SXJ - With Inverted Power Track       |     |
| 5    | 1682820     | 1    | Telescope Cylinder Assembly 110SX - With Inverted Power Track              |     |
| 5    | 1683701     | 1    | Telescope Cylinder Assembly 120SXJ   |     |
| 6    |             | Ref  | Chain, Extend - Outer Mid BL866 Options:                                   |     |
| 6    | 1260239     | 1 st | Chain, Extend - Outer Mid BL866 100SX/110SXJ                               |     |
| 6    | 1260235     | 1 st | Chain, Extend - Outer Mid BL866 110SX/120SXJ                               |     |
| 6    | 1260235     | 1 st | Chain, Extend - Outer Mid BL866 110SX/110SXJ - With Inverted Power Track   |     |
| 7    |             | Ref  | Chain, Extend - Fly BL823 Options:   |     |
| 7    | 1260238     | 1 st | Chain, Extend - Fly BL823 100SX/110SXJ                                     |     |
| 7    | 1260234     | 1 st | Chain, Extend - Fly BL823 110SX/120SXJ                                     |     |

## SECTION 3 - BOOM

| ITEM | PART NUMBER | QTY  | DESCRIPTION  | REV |
|------|-------------|------|--|-----|
| 7    | 1260234     | 1 st | Chain, Extend - Fly BL823 110SX/110SXJ - With Inverted Power Track   |     |
| 8    |             | Ref  | Chain, Retract - Fly BL446 Options:  |     |
| 8    | 1260282     | 1    | Chain, Retract - Fly BL446 100SX/110SXJ  |     |
| 8    | 1260275     | 1    | Chain, Retract - Fly BL446 110SX/120SXJ  |     |
| 8    | 1260275     | 1    | Chain, Retract - Fly BL446 110SX/110SXJ - With Inverted Power Track  |     |
| 9    |             | Ref  | Chain, Retract - Outer Mid BL446 Options:  |     |
| 9    | 1260237     | 1    | Chain, Retract - Outer Mid BL446 100SX/110SXJ  |     |
| 9    | 1260233     | 1    | Chain, Retract - Outer Mid BL446 110SX/120SXJ  |     |
| 9    | 1260233     | 1    | Chain, Retract - Outer Mid BL446 110SX/110SXJ - With Inverted Power Track                                      |     |
| 10   | 3580139     | 1    | Sheave - Outer Mid Extend Chain  |     |
| 11   | 0238927     | 2    | Sheave Assembly - Fly Extend Chain   | B   |
| 11   | 0961293     | 2    | Bushing, Bronze (1 Per Sheave)   |     |
| 12   | 0237151     | 2    | Sheave Assembly - Outer Mid Extend Chain   | B   |
| 12   | 0961353     | 2    | Bushing, Bronze (1 Per Sheave)   |     |
| 13   | 0239606     | 2    | Sheave Assembly - Fly Retract Chain  | -   |
| 13   | 0961369     | 2    | Bushing, Bronze (1 Per Sheave)   |     |
| 14   |             | Ref  | Adjustable Clevis Assembly - Outer Mid Retract Chain Options:<br>(See CHAIN ADJUSTER ASSEMBLIES for Breakdown) |     |
| 14   | 0239267     | 1    | Adjustable Clevis Assembly - Outer Mid Retract Chain 100SX/110SXJ  |     |
| 14   | 0239268     | 1    | Adjustable Clevis Assembly - Outer Mid Retract Chain 110SX/120SXJ  |     |
| 14   | 0239268     | 1    | Adjustable Clevis Assembly - Outer Mid Retract Chain 110SX/110SXJ - With Inverted Power Track                  |     |
| 15   | 3421286     | 4    | Pin, Attach  |     |
| 16   | 1360171     | 1    | Clevis   |     |
| 17   | 3421279     | 1    | Pin, Attach  |     |
| 18   | 3450408     | 2    | Pin, Cotter 1/8in x 2in  |     |
| 19   | 3313002     | 1    | Nut, Jam 1 1/4in-7NC   |     |
| 20   | 3300244     | 1    | Locknut, Nylon 1 1/4in-7NC Grade 8   |     |
| 21   | 3312602     | 2    | Nut, Jam 1in-8NC   |     |
| 22   | 3300243     | 2    | Locknut, Nylon 1in-8NC Grade 8   |     |
| 23   | 0238901     | 1    | Adjustable Clevis Assembly - Outer Mid Retract Chain (See CHAIN ADJUSTER ASSEMBLIES for Breakdown)             |     |
| 26   | 3421570     | 2    | Pin, Attach  |     |
| 27   | 4751600     | 35   | Flatwasher 3/8in   |     |
| 28   | 3450303     | 8    | Pin, Cotter 3/22in x 3/4in   |     |
| 29   | 0238919     | 1    | Adjustable Clevis Assembly - Fly Extend Chain (See CHAIN ADJUSTER ASSEMBLIES for Breakdown)                    |     |
| 30   | 3421280     | 6    | Pin, Attach  |     |
| 31   | 4751000     | 10   | Flatwasher #10   |     |
| 32   | 3450202     | 8    | Pin, Cotter 1/16in x 1/2in   |     |
| 33   | 3421629     | 2    | Pin, Attach  |     |
| 35   | 0238945     | 2    | Adjustable Clevis Assembly - Outer Mid and Fly Retract Chain (See CHAIN ADJUSTER ASSEMBLIES for Breakdown)     |     |
| 37   | 3300240     | 2    | Locknut, Nylon 5/8in-11NC (Grade 8)  |     |
| 38   | 3312002     | 2    | Nut, Jam 5/8in-11NC  |     |
| 39   | 4761600     | 100  | Lockwasher 3/8in   |     |
| 41   | 4843105     | 1    | Mount, End - Chain   |     |
| 42   | 3421539     | 1    | Pin, Sheave  |     |
| 43   | 3450814     | 2    | Pin, Cotter 1/4in x 3 1/2in  |     |

## SECTION 3 - BOOM

| ITEM | PART NUMBER | QTY | DESCRIPTION   | REV |
|------|-------------|-----|---|-----|
| 44   | 4070616     | 4   | Shim 1/32in/.8mm  |     |
| 45   | 0560689     | 2   | Block, Mounting - Wear Pad  |     |
| 46   | 2160002     | 5   | Fitting, Grease   |     |
| 47   | 3421538     | 2   | Pin, Sheave   |     |
| 48   | 4740307     | 4   | Washer, Thrust  |     |
| 49   | 3421290     | 2   | Pin, Sheave   |     |
| 50   | 3422040     | 2   | Pin, Sheave   |     |
| 51   | 4740311     | 12  | Washer, Thrust  |     |
| 52   | 3951606     | 4   | Setscrew 3/8in-16NC x 3/4in   |     |
| 54   | 3421497     | 2   | Pin, Trunion  |     |
| 55   | 3421293     | 1   | Pin, Cylinder   |     |
| 56   | 3340475     | 6   | Pad, Wear (Fly Rear Top, Inner Mid Rear Top and Outer Mid Rear Top)               |     |
| 57   | 4070535     | AR  | Shim 1/8in/3.2mm  |     |
| 58   | 4070536     | AR  | Shim 1/16in/1.6mm   |     |
| 59   | 3340263     | 9   | Pad, Wear (Carrier Support - Left Side, Fly Rear Sides and Outer Mid Rear Sides)  |     |
| 60   | 4070544     | AR  | Shim 1/16in/1.6mm   |     |
| 61   | 4070545     | AR  | Shim 1/8in/3.2mm  |     |
| 62   | 3340563     | 4   | Pad, Skid   |     |
| 63   | 4070615     | AR  | Shim 1/16in/1.6mm   |     |
| 64   | 1120019     | 4   | Cap   |     |
| 65   | 0721003     | 12  | Bolt #10-24NC x 3/8in   |     |
| 66   | 4761000     | 12  | Lockwasher #10  |     |
| 67   | 0641605     | 2   | Bolt 3/8in-16NC x 5/8in   |     |
| 68   | 0641607     | 18  | Bolt 3/8in-16NC x 7/8in   |     |
| 69   | 0641609     | 52  | Bolt 3/8in-16NC x 1 1/8in   |     |
| 70   | 4761800     | 1   | Lockwasher 1/2in  |     |
| 71   | 0641808     | 1   | Bolt 1/2in-13NC x 1in   |     |
| 72   | 4751800     | 2   | Flatwasher 1/2in  |     |
| 73   | 0641614     | 7   | Bolt 3/8in-16NC x 1 3/4in   |     |
| 74   | 0641630     | 6   | Bolt 3/8in-16NC x 3 3/4in   |     |
| 75   | 3340496     | 2   | Pad, Wear (Base Front Bottom)   |     |
| 76   | 4070602     | AR  | Shim 1/8in/3.2mm  |     |
| 77   | 4070603     | 2   | Shim 1/16in/1.6mm   |     |
| 78   | 0641608     | 8   | Bolt 3/8in-16NC x 1in   |     |
| 79   | 0641636     | 4   | Bolt 3/8in-16NC x 4 1/2in   |     |
| 81   | 0901700     | 1   | Bracket, Wear Pad   |     |
| 82   | 3340506     | 2   | Pad, Wear (Outer Mid Front Bottom)  |     |
| 83   | 3340500     | 10  | Pad, Wear (Outer Mid Front Sides and Top, Inner Mid Front Top and Base Front Top) |     |
| 84   | 4070708     | AR  | Shim 1/16in/1.6mm   |     |
| 85   | 4070709     | AR  | Shim 1/8in/3.2mm  |     |
| 86   | 3340502     | 8   | Pad, Wear (Inner Mid Front Sides and Base Front Sides)                            |     |
| 87   | 4070710     | 8   | Shim 1/16in/1.6mm   |     |
| 88   | 4070711     | 8   | Shim 1/8in/3.2mm  |     |
| 89   | 4844126     | 1   | Tube, Hose and Cable (Left Side)  |     |
| 90   |             | Ref | Carrier Without Covers (Left Side) Options:                                       |     |
| 90   | 1001119696  | 1   | Carrier Without Covers (Left Side) - 100SX/110SX/120SXJ (was p/n 1180286)         |     |
| 90   |             | Ref | Gemco Replacement Parts:  |     |
| 90   | 7006193     | AR  | Repair Section - 1 Foot   |     |



## SECTION 3 - BOOM

| ITEM | PART NUMBER | QTY           | DESCRIPTION  | REV |
|------|-------------|---------------|--|-----|
| 90   | 7006133     | 2             | Feet, Mounting (1 Pair)  |     |
| 90   | 7006138     | AR            | Pin Kit  |     |
| 90   |             | Ref           | Gortrac Replacement Parts:   |     |
| 90   | 70003143    | AR            | Repair Section - 1 Foot  |     |
| 90   | 70003144    | 2             | Feet, Mounting (1 Pair)  |     |
| 90   | 1180292     | 1             | Carrier Without Covers (Left Side) - 110SXJ                                |     |
| 90   | 7006193     | AR            | Repair Section - 1 Foot  |     |
| 90   | 7006133     | 2             | Feet, Mounting (1 Pair)  |     |
| 90   | 7006138     | AR            | Pin Kit  |     |
| 90   | 1180334     | 1             | Carrier With Covers (Left Side) - 110SX/110SXJ - With Inverted Power Track |     |
| 90   | 7006503     | AR            | Repair Section - 1 Foot  |     |
| 90   | 7006133     | 2             | Feet, Mounting (1 Pair)  |     |
| 90   | 7006138     | AR            | Pin Kit  |     |
| 91   | 3311601     | 20            | Nut 3/8in-16NC   |     |
| 92   | 0641610     | 6             | Bolt 3/8in-16NC x 1 1/4in  |     |
| 93   |             | Ref           | Carrier Tube Weldment (Left Side) Options:                                 |     |
| 93   | 1180297     | 1             | Carrier Tube Weldment (Left Side) 100SX/110SX                              |     |
| 93   | 1180293     | 1             | Carrier Tube Weldment (Left Side) 110SXJ                                   |     |
| 93   | 1180297     | 1             | Carrier Tube Weldment (Left Side) 110SX/110SXJ - With Inverted Power Track |     |
| 93   | 1180287     | 1             | Carrier Tube Weldment (Left Side) 120SXJ                                   |     |
| 94   | 4280242     | 2             | Strip, Reinforcing   |     |
| 96   | 0641404     | 2             | Bolt 1/4in-20NC x 1/2in  |     |
| 97   | 3450806     | 2             | Pin, Cotter 1/4in x 1 1/2in  |     |
| 98   | 3841013     | 2             | Rod, Roller  |     |
| 99   | 3860050     | 2             | Roller   |     |
| 100  | 3840956     | 1             | Hanger (Left Side)   |     |
| 101  | 2660042     | 1             | Holder   |     |
| 102  | 0902470     | 1             | Rod, Hose Retainer (Left Side)   |     |
| 103  | 1320155     | 2             | Clamp, U-Bolt  |     |
| 104  | 4843080     | 1             | Bracket, Support - Carrier Wear Pad (Left Side)                            |     |
| 105  |             | Ref           | Cable, Electrical - 10/4 + 18/16 Options:                                  |     |
| 105  | 4922403     | 1             | Cable, Electrical - 10/4 + 18/16 100SX                                     |     |
| 105  | 4922401     | 1             | Cable, Electrical - 10/4 + 18/16 110SX/110SXJ - With Inverted Power Track  |     |
| 105  | 4922402     | 1             | Cable, Electrical - 10/4 + 18/16 120SXJ                                    |     |
| 106  |             | Ref           | Cable, Electrical 10/3 Options:  |     |
| 106  | 1060545     | 131<br>ft/40m | Cable, Electrical 10/3 100SX   |     |
| 106  | 1060393     | 131<br>ft/40m | Cable, Electrical 10/3 110SX/110SXJ - With Inverted Power Track            |     |
| 106  | 1060393     | 128<br>ft/39m | Cable, Electrical 10/3 110SXJ  |     |
| 106  | 1060393     | 149<br>ft/45m | Cable, Electrical 10/3 120SXJ  |     |
| 107  |             | Ref           | Cable, Electrical - 16/30  |     |
| 107  | 4922406     | 1             | Cable, Electrical - 16/30 100SX  |     |
| 107  | 4922404     | 1             | Cable, Electrical - 16/30 110SX/110SXJ - With Inverted Power Track         |     |
| 107  | 4922405     | 1             | Cable, Electrical - 16/30 120SXJ   |     |
| 108  |             | Ref           | Cable, Electrical 16/4 Options:  |     |

## SECTION 3 - BOOM

| ITEM | PART NUMBER  | QTY       | DESCRIPTION  | REV |
|------|--------------|-----------|--|-----|
| 108  | 1060079      | 50 ft/15m | Cable, Electrical 16/4 110SXJ - With Inverted Power Track Only<br><b>(Prior to SN 60361)</b>     |     |
| 108  | Not Required | 0         | Cable, Electrical 16/4 100SX/110SX - With Inverted Power Track                                   |     |
| 111  | 1180254      | 1         | Carrier Tube Weldment (Right Side)   |     |
| 112  |              | Ref       | Carrier (Right Side) Options:  |     |
| 112  | 1180236      | 1         | Carrier Without Covers (Right Side) - 100SX/110SX/110SXJ/120SXJ                                  |     |
| 112  | 7006153      | AR        | Repair Section - 1 Foot  |     |
| 112  | 7006133      | 2         | Feet, Mounting (1 Pair)  |     |
| 112  | 7006138      | AR        | Pin Kit  |     |
| 112  | 1001119697   | 1         | Carrier Without Covers (Right Side) - 110SX/110SXJ - With Inverted Power Track (was p/n 1180289) |     |
| 112  |              | Ref       | Gemco Replacement Parts:   |     |
| 112  | 7016503      | AR        | Repair Section - 1 Foot  |     |
| 112  | 7006133      | 2         | Feet, Mounting (1 Pair)  |     |
| 112  | 7006138      | AR        | Pin Kit  |     |
| 112  |              | Ref       | Gortrac Replacement Parts:   |     |
| 112  | 70003145     | AR        | Repair Section - 1 Foot  |     |
| 112  | 70003146     | 2         | Feet, Mounting (1 Pair)  |     |
| 113  |              | Ref       | Cover, Boom End Options:   |     |
| 113  | 4843107      | 1         | Cover, Boom End 100SX/110SX  |     |
| 113  | 4843087      | 1         | Cover, Boom End 110SXJ   |     |
| 113  | 4843107      | 1         | Cover, Boom End 110SX/110SXJ - With Inverted Power Track   |     |
| 113  | 4843087      | 1         | Cover, Boom End 120SXJ   |     |
| 114  | 3532793      | 1         | Plate, Hose Cover  |     |
| 115  | 4060685      | 2         | Shield, Hose and Cable (Right Side)  |     |
| 116  | 4060684      | 1         | Shield, Hose and Cable (Right Side)  |     |
| 117  |              | Ref       | Support, Hydraulic Line Options:   |     |
| 117  | 1320279      | 4         | Support, Hydraulic Line 100SX/110SX/110SXJ/120SXJ  |     |
| 117  | 4340413      | 4         | Support, Hydraulic Line 110SX - With Inverted Power Track  |     |
| 117  | 1320279      | 4         | Support, Hydraulic Line 110SXJ - With Inverted Power Track                                       |     |
| 118  | 4300098      | 8         | Stud (Welded on Part)  |     |
| 119  | 3311401      | 16        | Nut 1/4in-20NC   |     |
| 120  | 4751400      | 17        | Flatwasher 1/4in   |     |
| 121  | 4761400      | 16        | Lockwasher 1/4in   |     |
| 122  | 4300032      | 6         | Stud (Welded on Part)  |     |
| 123  | 3840858      | 1         | Rod, Tube Retainer   |     |
| 124  | 4562516      | 1         | Tube   |     |
| 125  | 4340453      | 1         | Support, Bracket   |     |
| 127  | 4761500      | 3         | Lockwasher 5/16in  |     |
| 128  | 0641510      | 3         | Bolt 5/16in-18NC x 1 1/4in   |     |
| 129  | 3311501      | 3         | Nut 5/16in-18NC  |     |
| 130  | 4751500      | 6         | Flatwasher 5/16in  |     |
| 132  | 4740349      | 1         | Washer, Special  |     |
| 134  | 3536001      | 1         | Plate, Ramp (Left Side)  |     |
| 135  | 3421571      | 2         | Pin, Attach  |     |
| 139  | 3430408      | 1         | Pin, Clevis 1/4in x 1in  |     |
| 140  | 3450203      | 1         | Pin, Cotter 1/16in x 3/4in   |     |
| 149  |              | Ref       | Cable 16/3 Options:  |     |
| 149  | Not Required | 0         | Cable 16/3 100SX/110SX - With Inverted Power Track   |     |
| 149  | 1060016      | 50 ft/15m | Cable 16/3 110SXJ/120SXJ   |     |

## SECTION 3 - BOOM

| ITEM | PART NUMBER  | QTY            | DESCRIPTION   | REV |
|------|--------------|----------------|---|-----|
| 149  | 1060016      | 50 ft/15m      | Cable 16/3 110SXJ - With Inverted Power Track                         |     |
| 152  |              | Ref            | Fitting, Grease Options:  |     |
| 152  | Not Required | 0              | Fitting, Grease 110SX - With Inverted Power Track                     |     |
| 152  | 2160001      | 2              | Fitting, Grease 100SX/110SX/110SXJ/120SXJ                             |     |
| 153  | 3340494      | 2              | Pad, Wear (Inner Mid Front Bottom)                                    |     |
| 154  | 4070600      | AR             | Shim 1/8in/3.2mm  |     |
| 155  | 4070601      | AR             | Shim 1/16in/1.6mm   |     |
| 156  | Not Required | 0              | Not Required  |     |
| 158  | 0741608      | 1              | Screw, Countersunk 3/8in-16NC x 1in                                   |     |
| 161  | 0641407      | 2              | Bolt 1/4in-20 NC x 7/8in  |     |
| 162  | 1670836      | 8              | Cover (Not Shown) Located on Bottom of Boom Sections)                 |     |
| 163  | 0641611      | 2              | Bolt 3/8in-16NC x 1 3/8in   |     |
|      | 0100011      | AR             | Loctite #242  |     |
|      |              | Ref            | <b>RADIUS LIMIT TAPE INSTALLATIONS</b>                                |     |
|      | 0239878      | Ref            | <b>Radius Limit Tape Installations 100SX - 50ft Reach</b>             | 3   |
|      | 1282060      | Ref            | <b>Radius Limit Tape Installations 100SX - 50ft Reach</b>             | F   |
|      | 0252764      | Ref            | <b>Radius Limit Tape Installations 110SX - 55ft Reach</b>             | 3   |
|      | 1282060      | Ref            | <b>Radius Limit Tape Installations 110SX - 55ft Reach</b>             | F   |
|      | 0239878      | Ref            | <b>Radius Limit Tape Installations 110SX - 60ft Reach</b>             | 3   |
|      | 1282060      | Ref            | <b>Radius Limit Tape Installations 110SX - 60ft Reach</b>             | F   |
|      | 0251100      | Ref            | <b>Radius Limit Tape Installations 110SXJ - 55ft &amp; 60ft Reach</b> | 4   |
|      | 1282060      | Ref            | <b>Radius Limit Tape Installations 110SXJ - 55ft &amp; 60ft Reach</b> | F   |
|      | 0252764      | Ref            | <b>Radius Limit Tape Installations 120SXJ - 55ft &amp; 60ft Reach</b> | 3   |
|      | 1282060      | Ref            | <b>Radius Limit Tape Installations 120SXJ - 55ft &amp; 60ft Reach</b> | F   |
| 201  |              | Ref            | Tape Options:   |     |
| 201  | 4420016      | 6<br>in/15.3cm | Tape - Yellow (100SX - 50ft Reach/110SX - 60ft Reach)                 |     |
| 201  | 4420018      | 6<br>in/15.3cm | Tape - Blue (110SXJ - 55ft & 60ft Reach)                              |     |
| 201  | Not Required | 0              | Tape 110SX - 55ft Reach   |     |
| 201  | Not Required | 0              | Tape 120SXJ - 55ft & 60ft Reach                                       |     |
| 202  | 4420017      | 6<br>in/15.3cm | Tape - Red  |     |
| 203  | 4420015      | 6<br>in/15.3cm | Tape - White  |     |

# SECTION 3 - BOOM

## FIGURE 3-2. CHAIN ADJUSTER ASSEMBLIES

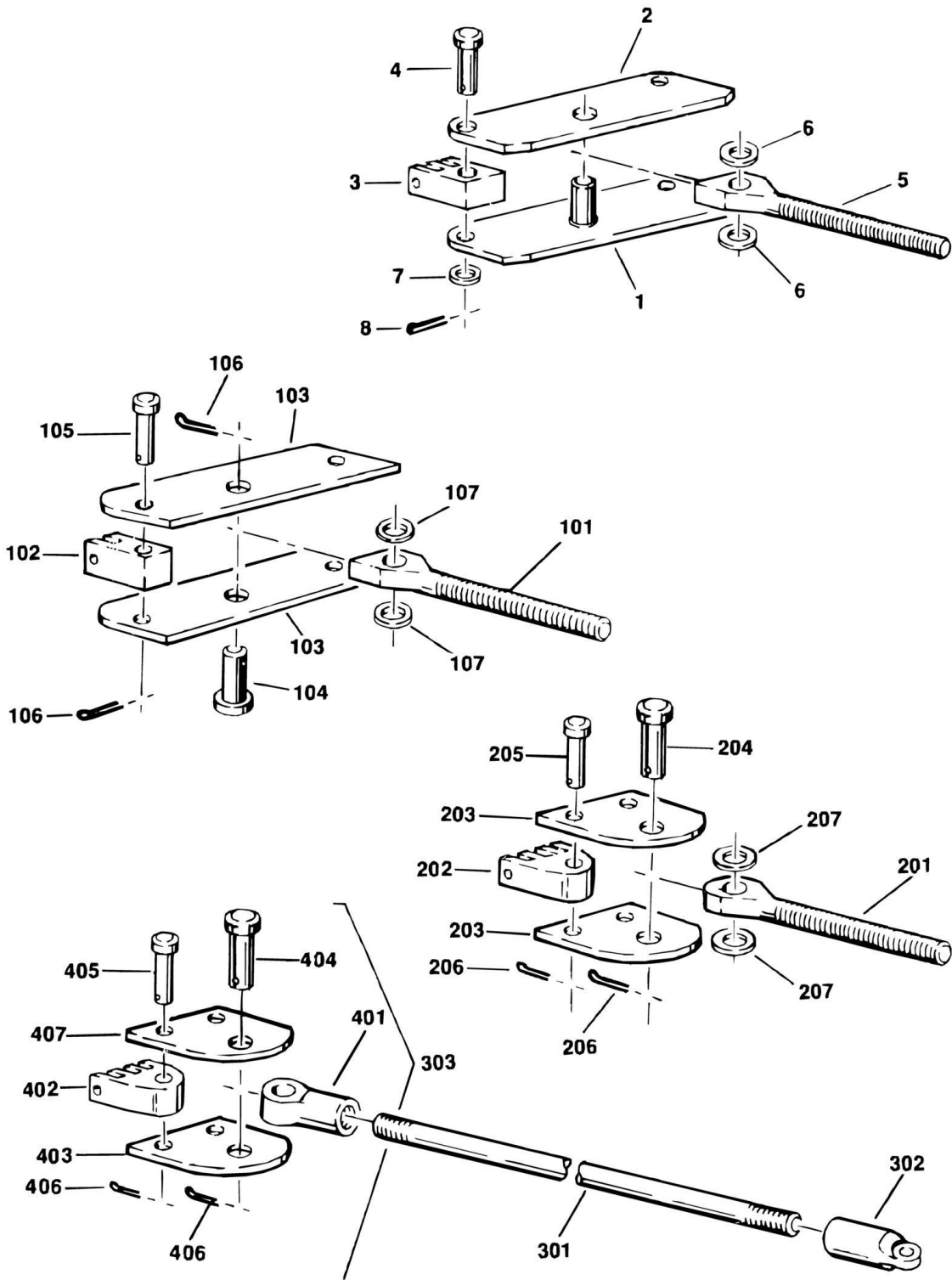
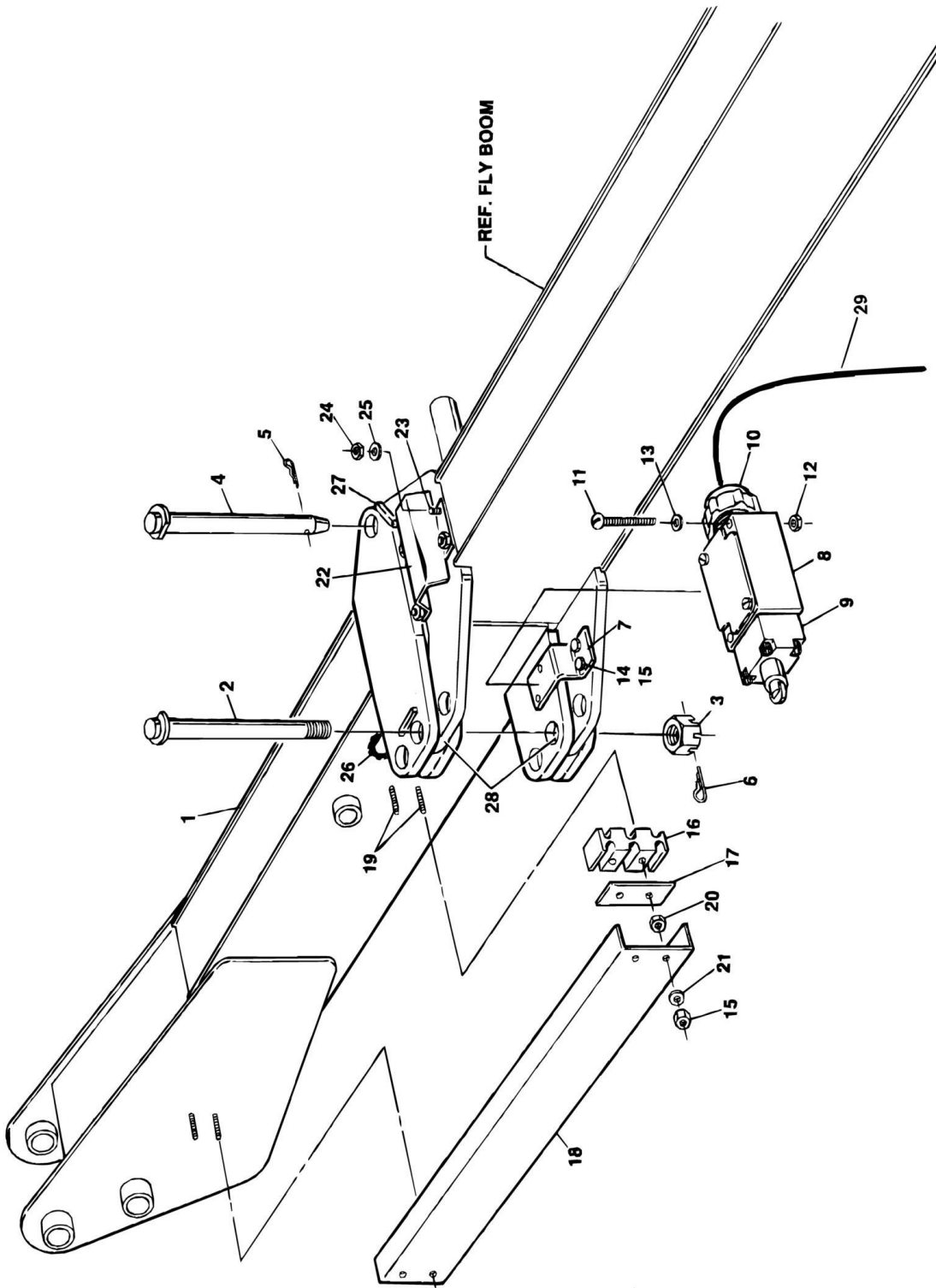


FIGURE 3-2. CHAIN ADJUSTER ASSEMBLIES

| ITEM | PART NUMBER | QTY | DESCRIPTION   | REV |
|------|-------------|-----|---|-----|
|      |             | Ref | <b>CHAIN ADJUSTER ASSEMBLIES</b>  |     |
|      | 0238945     | Ref | <b>CHAIN ADJUSTER ASSEMBLY (OUTER MID AND FLY RETRACT)</b>                | -   |
| 1    | 4843026     | 1   | Chain Plate Weldment  |     |
| 2    | 3532466     | 1   | Plate, Top  |     |
| 3    | 1360175     | 2   | Clevis  |     |
| 4    | 3420552     | 2   | Pin, Clevis   |     |
| 5    | 0630197     | 1   | Eyebolt   |     |
| 6    | 4740156     | 2   | Washer, Thrust  |     |
| 7    | 4740270     | 2   | Washer, Special   |     |
| 8    | 3450504     | 2   | Pin, Cotter 5/32in x 1in  |     |
|      | 0238919     | Ref | <b>CHAIN ADJUSTER ASSEMBLY (FLY EXTEND)</b>                               | -   |
| 101  | 0630410     | 1   | Eyebolt   |     |
| 102  | 1360209     | 2   | Clevis  |     |
| 103  | 3532425     | 2   | Plate   |     |
| 104  | 3421535     | 1   | Pin, Adjuster Plate   |     |
| 105  | 3421534     | 2   | Pin, Clevis   |     |
| 106  | 3450506     | 3   | Pin, Cotter 3/32in x 1 1/2in  |     |
| 107  | 4740111     | 2   | Washer, Thrust  |     |
|      | 0238901     | Ref | <b>CHAIN ADJUSTER ASSEMBLY (OUTER MID RETRACT)</b>                        | -   |
| 201  | 0630409     | 1   | Eyebolt   |     |
| 202  | 1360206     | 2   | Clevis  |     |
| 203  | 3532410     | 2   | Plate   |     |
| 204  | 3421535     | 1   | Pin, Adjuster Plate   |     |
| 205  | 3421534     | 2   | Pin, Clevis   |     |
| 206  | 3450506     | 3   | Pin, Cotter 3/32in x 1 1/2in  |     |
| 207  | 4740111     | 2   | Washer, Thrust  |     |
|      | 0239267     | Ref | <b>CHAIN ADJUSTER AND ROD ASSEMBLY (OUTER MID RETRACT) (100SX)</b>        | B   |
|      | 0239268     | Ref | <b>CHAIN ADJUSTER AND ROD ASSEMBLY (OUTER MID RETRACT) (110SX/120SXJ)</b> | 3   |
| 301  |             | Ref | Rod Options:  |     |
| 301  | 3840955     | 1   | Rod 100SX   |     |
| 301  | 3840945     | 1   | Rod 110SX/120SXJ (Production)   |     |
| 301  | 0273588     | 1   | Rod 110SX/120SXJ (Post Production Alternative)                            |     |
| 301  | 3841651     | 1   | Rod 110SX/120SXJ (Post Production Alternative)                            |     |
| 302  |             | Ref | Clevis, Rod Options:  |     |
| 302  | 1360208     | 1   | Clevis, Rod (Production)  |     |
| 302  | 1360274     | 1   | Clevis, Rod (Post Production Alternative)                                 |     |
| 303  | 0238900     | 1   | Chain Adjuster Assembly (See Items 401-407 for Breakdown)                 |     |
|      | 0100003     | AR  | Loctite #277  |     |
|      | 0238900     | Ref | <b>CHAIN ADJUSTER ASSEMBLY (OUTER MID RETRACT)</b>                        | B   |
| 401  | 1360207     | 1   | Clevis, Rod   |     |
| 402  | 1360206     | 2   | Clevis, Chain   |     |
| 403  | 3532410     | 1   | Plate, Chain Adjuster (Top)   |     |
| 404  | 3421535     | 1   | Pin, Adjuster Plate   |     |
| 405  | 3421534     | 2   | Pin, Clevis   |     |
| 406  | 3450506     | 3   | Pin, Cotter 3/32in x 1 1/2in  |     |
| 407  | 3534436     | 1   | Plate, Chain Adjuster Plate (Bottom)                                      |     |

# SECTION 3 - BOOM

## FIGURE 3-3. JIB BOOM INSTALLATION



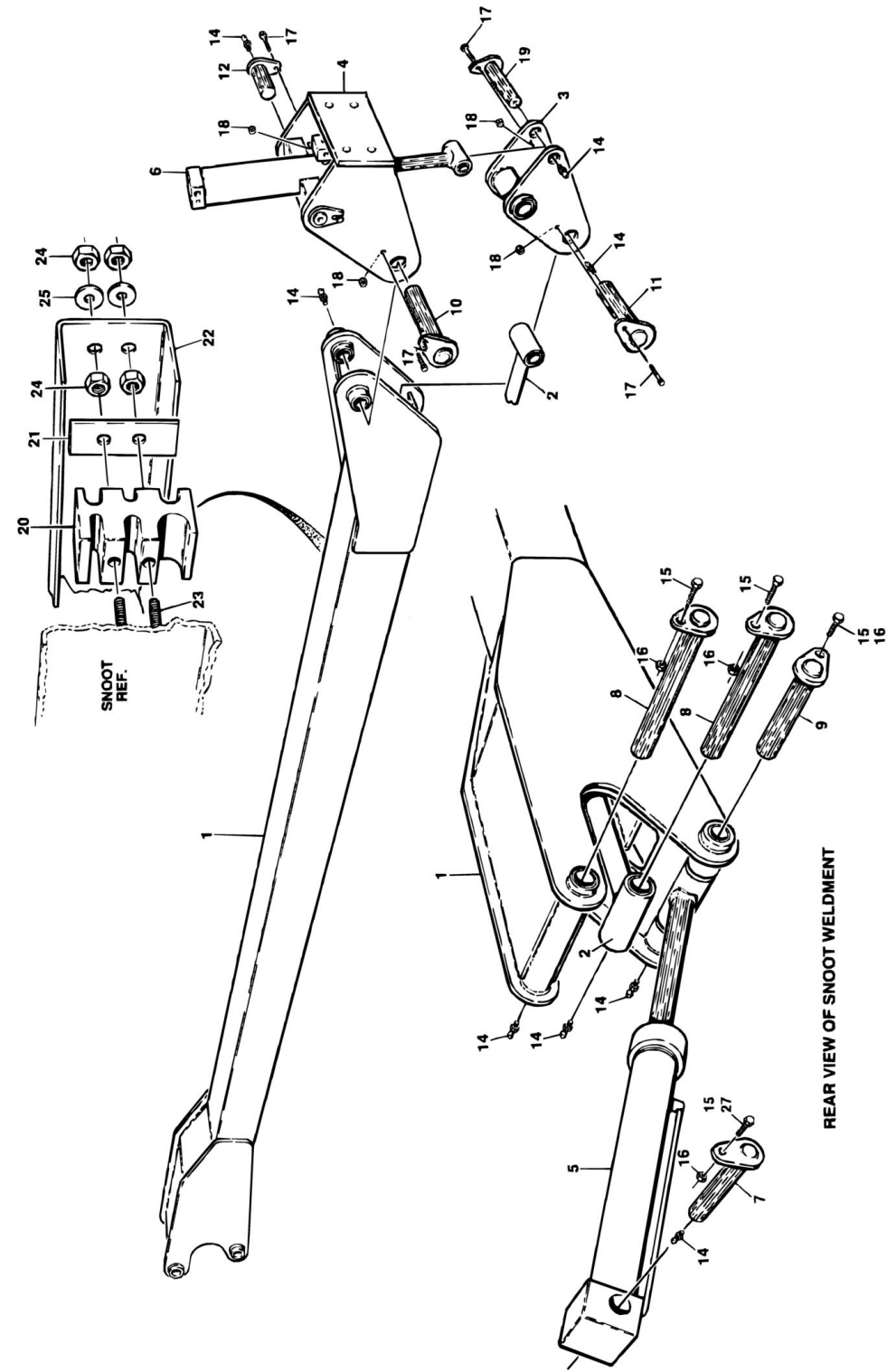
## SECTION 3 - BOOM

### FIGURE 3-3. JIB BOOM INSTALLATION

| ITEM | PART NUMBER | QTY   | DESCRIPTION                             | REV |
|------|-------------|-------|---|-----|
|      | 0258414     | Ref   | <b>JIB BOOM INSTALLATION OPTIONS:</b>   | 1   |
| 1    | 0801156     | 1     | Boom, Jib                               |     |
| 2    | 3422727     | 1     | Pin (Left Side Attach)                  |     |
| 3    | 3323403     | 1     | Nut, Slotted 1 1/2in x 12NF             |     |
| 4    | 3422679     | 1     | Pin (Right Side Attach)                 |     |
| 5    | 3420592     | 1     | Hairpin                                 |     |
| 6    | 3451012     | 1     | Pin, Cotter 5/16in x 3in                |     |
| 7    | 0901835     | 1     | Bracket, Limit Switch                   |     |
| 8    | 4360277     | 1     | Switch, Limit                           |     |
| 9    | 4360307     | 1     | Head, Switch                            |     |
| 10   | 4460049     | 1     | Connector, Strain Relief                |     |
| 11   | 0721016     | 2     | Screw, Machine #10-24NC x 2in           |     |
| 12   | 3311005     | 2     | Locknut #10-24NC                        |     |
| 13   | 4751000     | 2     | Flatwasher #10                          |     |
| 14   | 0641615     | 2     | Bolt 3/8in-16NC x 1 7/8in               |     |
| 15   | 3311605     | 6     | Locknut                                 |     |
| 16   | 1320184     | 2     | Clamp, Hose and Cable                   |     |
| 17   | 3535978     | 2     | Plate                                   |     |
| 18   | 1670635     | 1     | Cover, Hose and Cable                   |     |
| 19   | 4300076     | 4     | Stud (Welded on Part)                   |     |
| 20   | 3311602     | 4     | Nut, Jam 3/8in-16NC                     |     |
| 21   | 4751600     | 4     | Flatwasher 3/8in                        |     |
| 22   | 3532793     | 1     | Plate, Hose Cover                       |     |
| 23   | 4300032     | 4     | Stud (Welded on Part)                   |     |
| 24   | 3311405     | 4     | Locknut 1/4in-20NC                      |     |
| 25   | 4751400     | 4     | Flatwasher 1/4in                        |     |
| 26   | 4060803     | 10 in | Trim, Flexible                          |     |
| 27   | 2880814     | 2     | Keystock (Welded on Part)               |     |
| 28   | 0962181     | 2     | Bushing, Garmax                         |     |
| 29   | 1060016     | 50 ft | Cable 16/3 <b>(SN 60361 to Present)</b> |     |

# SECTION 3 - BOOM

## FIGURE 3-4. EXTEND-A-REACH INSTALLATION (110SXJ/120SXJ)





## SECTION 3 - BOOM

**FIGURE 3-4. EXTEND-A-REACH INSTALLATION (110SXJ/120SXJ)**

| ITEM | PART NUMBER | QTY | DESCRIPTION   | REV |
|------|-------------|-----|---|-----|
|      |             | Ref | <b>EXTEND-A-REACH INSTALLATIONS</b>   |     |
|      | 0270287     | Ref | <b>Extend-A-Reach Installations 110SXJ (ANSI/ANSI EXPORT and CSA)</b>                             | 3   |
|      | 0270287     | Ref | <b>Extend-A-Reach Installations 110SXJ (WITH INVERTED POWER TRACK) (ANSI/ANSI EXPORT and CSA)</b> | 3   |
|      | 0270289     | Ref | <b>Extend-A-Reach Installations 120SXJ (ANSI/ANSI EXPORT and CSA)</b>                             | 4   |
| 1    |             | Ref | Snoot Weldment Options:   |     |
| 1    | 4844166     | 1   | Snoot Weldment 110SXJ   |     |
| 1    | 4844092     | 1   | Snoot Weldment 120SXJ   |     |
| 1    | 0960565     | 4   | Bushing, Bronze   |     |
| 2    |             | Ref | Level Link Weldment Options:  |     |
| 2    | 4844167     | 1   | Level Link Weldment 110SXJ  |     |
| 2    | 4844093     | 1   | Level Link Weldment 120SXJ  |     |
| 2    | 0961654     | 2   | Bushing, Bronze (Platform End)  |     |
| 2    | 0960565     | 2   | Bushing, Bronze (Jib End)   |     |
| 3    | 4844094     | 1   | Level Plate Weldment  |     |
| 3    | 0961654     | 2   | Bushing, Bronze   |     |
| 4    | 4846193     | 1   | Pivot Attach Weldment   |     |
| 4    | 1320051     | 1   | Clamp, Hose   |     |
| 5    |             | Ref | Extend-A-Reach Lift Cylinder Assembly Options: (See CYLINDERS SECTION for Breakdown)              |     |
| 5    | 1683725     | 1   | Extend-A-Reach Lift Cylinder Assembly <b>(Prior to SN 64012)</b>                                  |     |
| 5    | 1684164     | 1   | Extend-A-Reach Lift Cylinder Assembly <b>(SN 64012 to Present)</b>                                |     |
| 6    | 1683530     | 1   | Extend-A-Reach Level Cylinder Assembly (See CYLINDERS SECTION for Breakdown)                      |     |
| 7    |             | Ref | Pin, Attach (Lift Cylinder - Barrel End) Options:   |     |
| 7    | 3422062     | 1   | Pin, Attach (Lift Cylinder - Barrel End) 110SXJ (ANSI and ANSI EXPORT)                            |     |
| 7    | 3422594     | 1   | Pin, Attach (Lift Cylinder - Barrel End) 110SXJ (CSA) <b>(Prior to SN 55965)</b>                  |     |
| 7    | 3422891     | 1   | Pin, Attach (Lift Cylinder - Barrel End) 110SXJ (CSA) <b>(SN 55965 to Present)</b>                |     |
| 7    | 3422087     | 1   | Pin, Attach (Lift Cylinder - Barrel End) 120SXJ (ANSI and ANSI EXPORT)                            |     |
| 7    | 3422164     | 1   | Pin, Attach (Lift Cylinder - Barrel End) 120SXJ (CSA) <b>(Prior to SN 55965)</b>                  |     |
| 7    | 3422887     | 1   | Pin, Attach (Lift Cylinder - Barrel End) 120SXJ (CSA) <b>(SN 55965 to Present)</b>                |     |
| 8    | 3422077     | 2   | Pin, Attach (Snoot and Level Link to Jib)   |     |
| 9    |             | Ref | Pin, Attach (Lift Cylinder - Rod End) Options:  |     |
| 9    | 3422079     | 1   | ANSI and ANSI EXPORT  |     |
| 9    | 3422166     | 1   | CSA <b>(Prior to SN 55965)</b>  |     |
| 9    | 3422889     | 1   | CSA <b>(SN 55965 to Present)</b>  |     |
| 10   | 3422081     | 1   | Pin, Attach (Snoot to Pivot)  |     |
| 11   | 3422083     | 1   | Pin, Attach (Level Link to Level Plate)   |     |
| 12   | 3422037     | 2   | Pin, Attach (Level Cylinder - Barrel End)   |     |
| 14   | 2160002     | 9   | Fitting, Grease   |     |
| 15   | 0641608     | AR  | Bolt 3/8in-16NC x 1in   |     |
| 16   | 4761600     | 3   | Lockwasher 3/8in  |     |
| 17   | 0641610     | 6   | Bolt 3/8in-16NC x 1 1/4in   |     |
| 18   | 3311605     | 10  | Locknut 3/8in-16NC  |     |

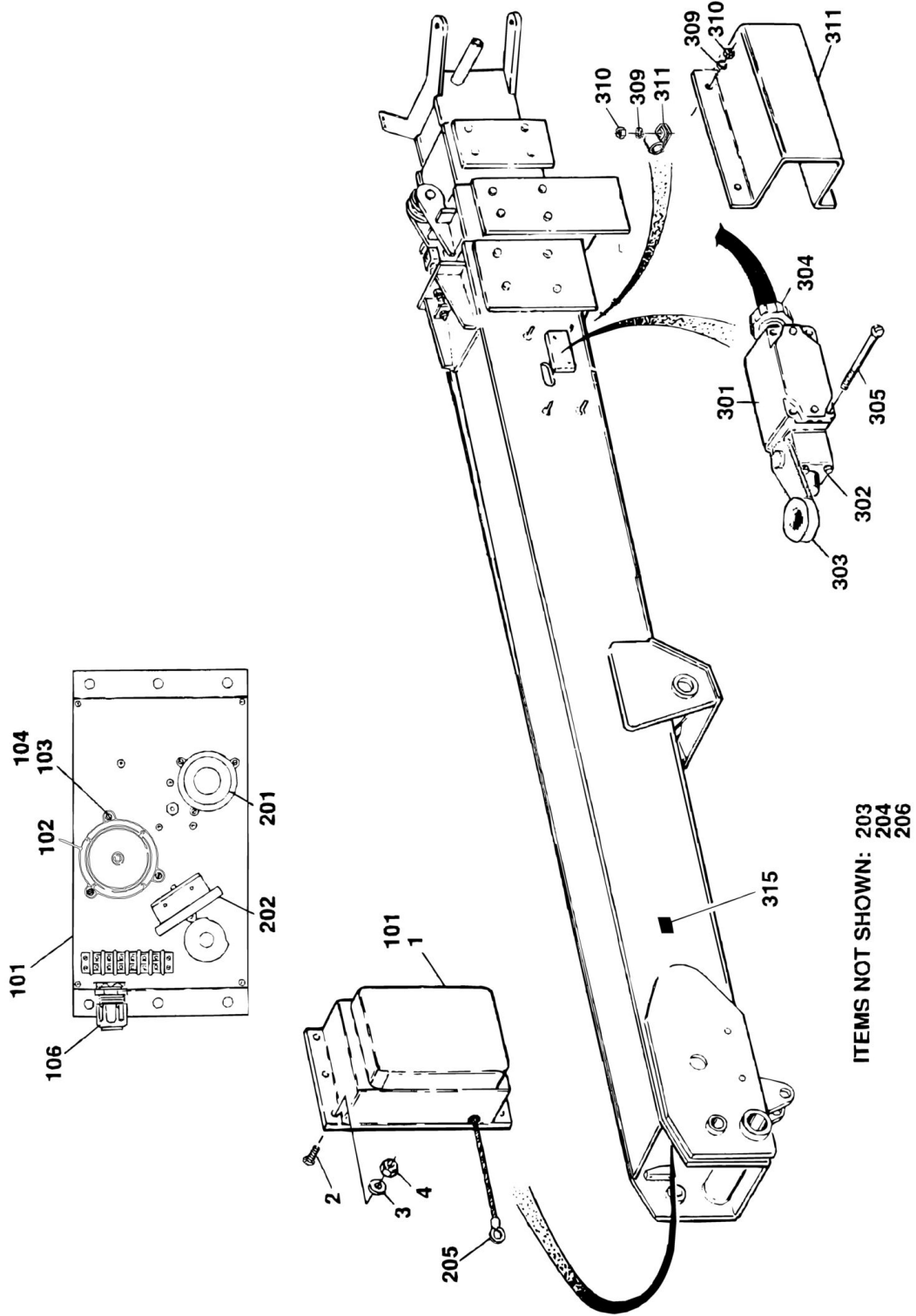
## SECTION 3 - BOOM

| ITEM | PART NUMBER | QTY | DESCRIPTION                                    | REV |
|------|-------------|-----|--|-----|
| 19   | 3422085     | 1   | Pin, Attach (Level Cylinder - Rod End)         |     |
| 20   | 1320278     | 2   | Clamp, Hose and Cable                          |     |
| 21   | 3535978     | 2   | Plate  |     |
| 22   |             | Ref | Cover, Hose and Cable Options:                 |     |
| 22   | 1670642     | 1   | Cover, Hose and Cable 110SXJ                   |     |
| 22   | 1670634     | 1   | Cover, Hose and Cable 120SXJ                   |     |
| 23   | 4300076     | 4   | Stud (Welded on Part)                          |     |
| 24   | 3311602     | 4   | Nut, Jam 3/8in-16NC                            |     |
| 25   | 4751600     | 4   | Flatwasher 3/8in                               |     |
| 27   | 0641606     | 1   | Bolt 3/8in-16NC x 3/4in (110SX/110SXJ Only)    |     |
| 28   | 4060803     | AR  | Trim, Flexible (Not Shown) (110SX/110SXJ Only) |     |
|      | 0100011     | AR  | Loctite #242                                   |     |



# SECTION 3 - BOOM

## FIGURE 3-5. BOOM LENGTH INDICATOR AND LIMIT SWITCHES INSTALLATION



## SECTION 3 - BOOM

**FIGURE 3-5. BOOM LENGTH INDICATOR AND LIMIT SWITCHES INSTALLATION**

| ITEM | PART NUMBER | QTY | DESCRIPTION   | REV |
|------|-------------|-----|---|-----|
|      | 0250119     | Ref | <b>BOOM LENGTH/INDICATOR INSTALLATION</b>                       | 2   |
| 1    | 0239485     | 1   | Boom Length Indicator Assembly (See Item 101-104 for Breakdown) |     |
| 2    | 4300032     | 4   | Stud (Welded on Part)   |     |
| 3    | 4761400     | 4   | Lockwasher 1/4in  |     |
| 4    | 3311401     | 4   | Nut 1/4in-20NC  |     |
|      | 0239485     | Ref | <b>BOOM LENGTH INDICATOR SUBASSEMBLY</b>                        | D   |
| 101  | 0860575     | 1   | Indicator Box Assembly (See Items 201-206 for Breakdown)        |     |
| 102  | 4360153     | 1   | Pendulum  |     |
| 103  | 3910408     | 4   | Screw #4NC x 1/2in  |     |
| 104  | 4770400     | 4   | Starwasher #4   |     |
| 106  | 4460428     | 1   | Strain Relief   |     |
|      | 0860575     | Ref | <b>INDICATOR BOX ASSEMBLY</b>                                   | E   |
| 201  | 7000637     | 1   | Potentiometer   |     |
| 201  | 70002305    | 1   | Holder, Potentiometer   |     |
| 202  | 7000638     | 1   | Switch  |     |
| 203  | 7000639     | 1   | Spring, Reel  |     |
| 204  | 7012526     | 1   | Spring, Extension   |     |
| 205  | 7000647     | 1   | Cable   |     |
| 206  | 3730024     | 1   | Resistor - 100 Ohms   |     |
|      | 0270234     | Ref | <b>BOOM LIMIT SWITCHES INSTALLATION</b>                         | 3   |
| 301  | 4360277     | 1   | Switch, Limit   |     |
| 302  | 4360236     | 1   | Switch, Head  |     |
| 303  | 4360278     | 1   | Switch, Roller Arm  |     |
| 304  |             | Ref | Connector, Strain Relief Options:                               |     |
| 304  | 4460052     | 1   | Connector, Strain Relief <b>(Prior to SN 56617)</b>             |     |
| 304  | 4460049     | 1   | Connector, Strain Relief <b>(SN 56617 to Present)</b>           |     |
| 305  | 3900168     | 2   | Screw #10-24NC x 1 1/2in  |     |
| 306  | 4920140     | 1   | Wire, Safety  |     |
| 309  | 4761400     | 4   | Lockwasher 1/4in  |     |
| 310  | 3311401     | 4   | Nut 1/4in-20NC  |     |
| 311  | 1670579     | 1   | Cover   |     |
| 313  | 1320040     | 2   | Clamp, Cable  |     |
| 315  | 1670836     | 1   | Cover, Boom   |     |

# SECTION 3 - BOOM

## FIGURE 3-6. BOOM WIPERS INSTALLATION

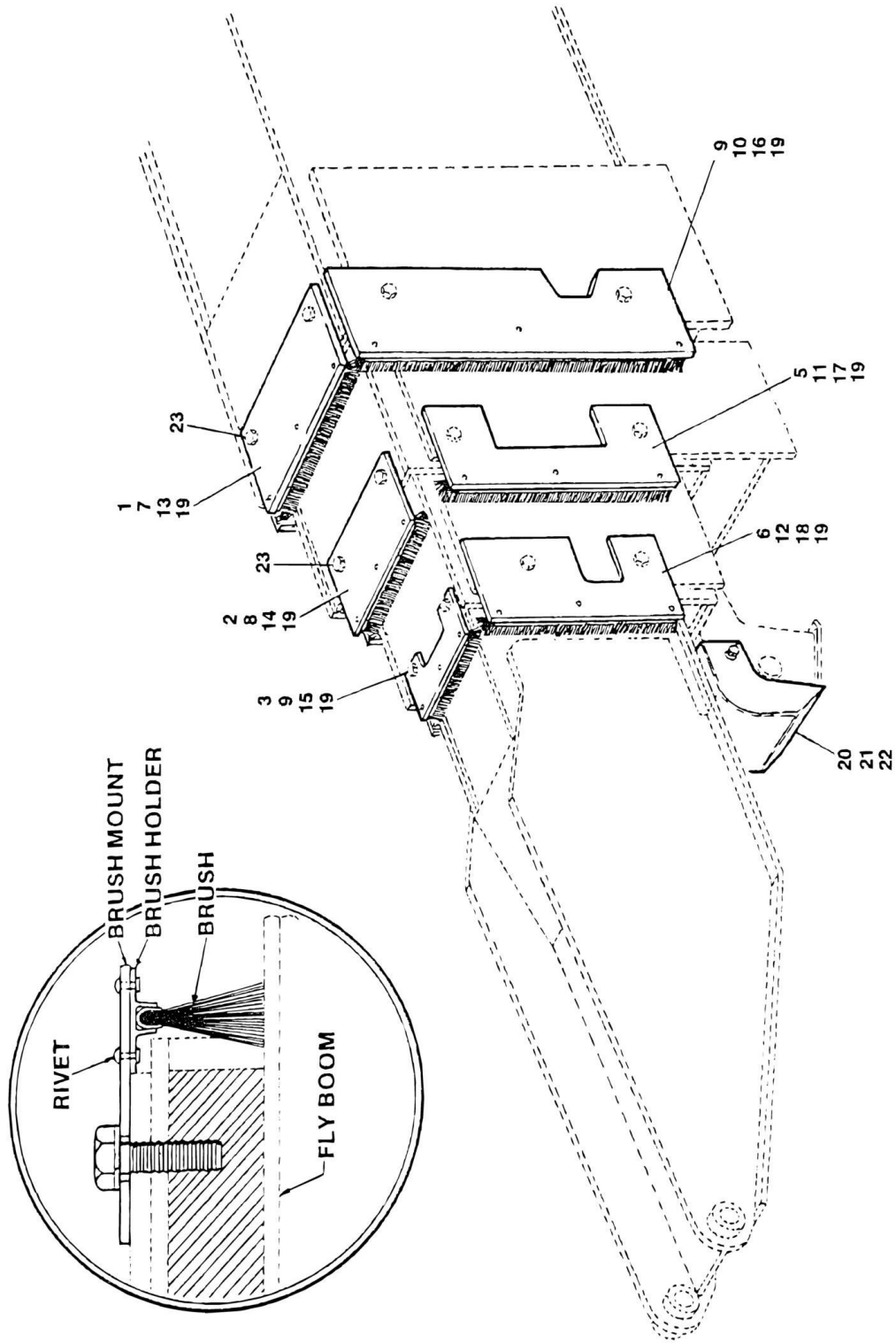


FIGURE 3-6. BOOM WIPERS INSTALLATION

| ITEM | PART NUMBER | QTY | DESCRIPTION                        | REV |
|------|-------------|-----|------------------------------------|-----|
|      | 0253303     | Ref | <b>BOOM WIPERS INSTALLATION</b>    | 2   |
| 1    | 3200344     | 1   | Mount, Boom Wiper (Base/Top)       |     |
| 2    | 3200346     | 2   | Mount, Boom, Wiper (Inner Mid/Top) |     |
| 3    | 3200348     | 1   | Mount, Boom, Wiper (Outer Mid/Top) |     |
| 4    | 3200345     | 2   | Mount, Boom, Wiper (Base/Side)     |     |
| 5    | 3200347     | 2   | Mount, Boom Wiper (Inner Mid/Side) |     |
| 6    | 3200349     | 2   | Mount, Boom Wiper (Outer Mid/Side) |     |
| 7    | 0540074     | 1   | Blade, Boom Wiper (Base/Top)       |     |
| 8    | 0540089     | 2   | Blade, Boom Wiper (Inner Mid/Top)  |     |
| 9    | 0540078     | 1   | Blade, Boom Wiper (Outer Mid/Top)  |     |
| 10   | 0540075     | 2   | Blade, Boom Wiper (Base/Side)      |     |
| 11   | 0540077     | 2   | Blade, Boom Wiper (Inner Mid/Side) |     |
| 12   | 0540079     | 2   | Blade, Boom Wiper (Outer Mid/Side) |     |
| 13   | 2660067     | 1   | Holder, Brush (Base/Top)           |     |
| 14   | 2660085     | 2   | Holder, Brush (Inner Mid/Top)      |     |
| 15   | 2660071     | 1   | Holder, Brush (Outer Mid/Top)      |     |
| 16   | 2660068     | 2   | Holder, Brush (Base/Side)          |     |
| 17   | 2660070     | 2   | Holder, Brush (Inner Mid/Side)     |     |
| 18   | 2660072     | 2   | Holder, Brush (Outer Mid/Side)     |     |
| 19   | 3820001     | 30  | Rivet, Pop                         |     |
| 20   | 1670491     | 1   | Cover Weldment                     |     |
| 21   | 0641404     | 4   | Bolt 1/4in -20NC x 1/2in           |     |
| 22   | 4761400     | 4   | Lockwasher                         |     |
| 23   | 4711600     | 4   | Flatwasher                         |     |

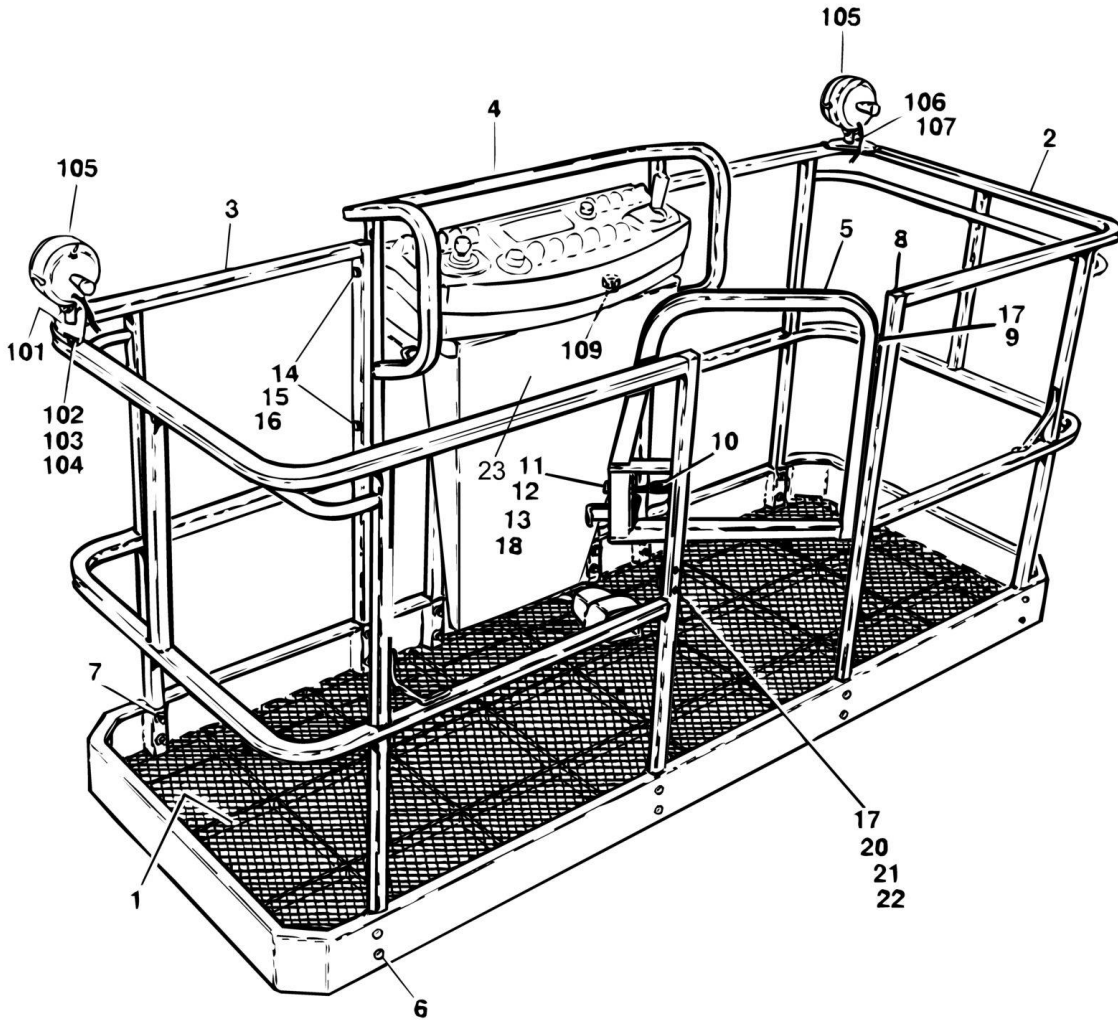




**SECTION 4 - PLATFORMS**

# SECTION 4 - PLATFORMS

## FIGURE 4-1. PLATFORM COMPONENTS INSTALLATION



## SECTION 4 - PLATFORMS

### FIGURE 4-1. PLATFORM COMPONENTS INSTALLATION

| ITEM | PART NUMBER | QTY | DESCRIPTION  | REV |
|------|-------------|-----|--|-----|
|      |             | Ref | <b>PLATFORM ASSEMBLIES:</b>  |     |
|      | 3510728     | Ref | <b>5ft (1.52m) With Self-Closing Gate</b>  | 2   |
|      | 3510497     | Ref | <b>6ft (1.83m) Swing Gate</b>  | 8   |
|      | 3510542     | Ref | <b>6ft (1.83m) with Self-Closing Gate</b>  | 3   |
|      | 3510545     | Ref | <b>6ft (1.83m) Swing Gate - With Mesh Top (Model 120SXJ Only)</b>  | -   |
|      | 3510565     | Ref | <b>6ft (1.83m) With Self-Closing Gate - With Mesh Top (Model 120SXJ Only)</b>  | 3   |
|      | 3510488     | Ref | <b>8ft (2.44m) Swing Gate</b>  | 8   |
|      | 3510543     | Ref | <b>8ft (2.44m) with Self-Closing Gate</b>  | 3   |
|      | 3510546     | Ref | <b>8ft (2.44m) Swing Gate - With Mesh Top (Model 120SXJ Only)</b>  | -   |
|      | 3510566     | Ref | <b>8ft (2.44m) With Self-Closing Gate - With Mesh Top (Model 120SXJ Only)</b>  | 4   |
|      | Note        |     | <b>Note: Replacement decals must be ordered separately - See DECALS SECTION.</b>   |     |
| 1    |             | Ref | Floor Weldment Options:  |     |
| 1    | 4846101     | 1   | 5ft Platform   |     |
| 1    | 4844954     | 1   | 6ft Platform   |     |
| 1    | 4844928     | 1   | 8ft Platform   |     |
| 2    |             | Ref | Rail Weldment - Right Side Options:  |     |
| 2    | 4846102     | 1   | 5ft Platform Standard  |     |
| 2    | 4844955     | 1   | 6ft Platform Standard  |     |
| 2    | 4845408     | 1   | 6ft Platform With Mesh Top   |     |
| 2    | 4844924     | 1   | 8ft Platform Standard  |     |
| 2    | 4845412     | 1   | 8ft Platform With Mesh Top   |     |
| 3    |             | Ref | Rail Weldment - Left Side Options:   |     |
| 3    | 4846103     | 1   | 5ft Platform Standard  |     |
| 3    | 4844956     | 1   | 6ft Platform Standard  |     |
| 3    | 4845409     | 1   | 6ft Platform With Mesh Top   |     |
| 3    | 4844925     | 1   | 8ft Platform Standard  |     |
| 3    | 4845413     | 1   | 8ft Platform With Mesh Top   |     |
| 4    | 4845328     | 1   | Rail Weldment - Back   |     |
| 5    |             | Ref | Gate Weldment Options:   |     |
| 5    | 4845327     | 1   | Swing Gate   |     |
| 5    | 4845410     | 1   | Swing Gate - With Mesh Top   |     |
| 5    | 4845426     | 1   | Self-Closing Gate  |     |
| 5    | 4845469     | 1   | Self-Closing Gate - With Mesh Top  |     |
| 6    | 3900207     | AR  | Fastener   |     |
|      |             | Ref | <b>(Note: P/N 3900207 Fastener may be replaced with P/N 0641416 Bolt, P/N 4751400 Flatwasher, P/N 3311405 Locknut and P/N3300151 Acorn Type Nut. Acorn type nut is required to meet industry safety requirements.)</b> |     |
| 7    | 3300393     | AR  | Collar   |     |
| 8    | 3520072     | AR  | Plug, Cap  |     |
| 9    |             | Ref | Hinge Options:   |     |
| 9    | 2600216     | 2   | Swing Gate   |     |
| 9    | 2600287     | 2   | Self-Closing Gate  |     |
| 9    | 2600219     | 2   | Hinge <b>(Prior to SN 68368)</b>   |     |
| 9    | 2600287     | 2   | Hinge <b>(SN 68368 to Present)</b>   |     |
| 10   | 2940074     | 1   | Latch  |     |
| 11   | 3911008     | 4   | Screw #10-24NC x 1/2in   |     |
| 12   | 4751000     | 4   | Flatwasher #10   |     |

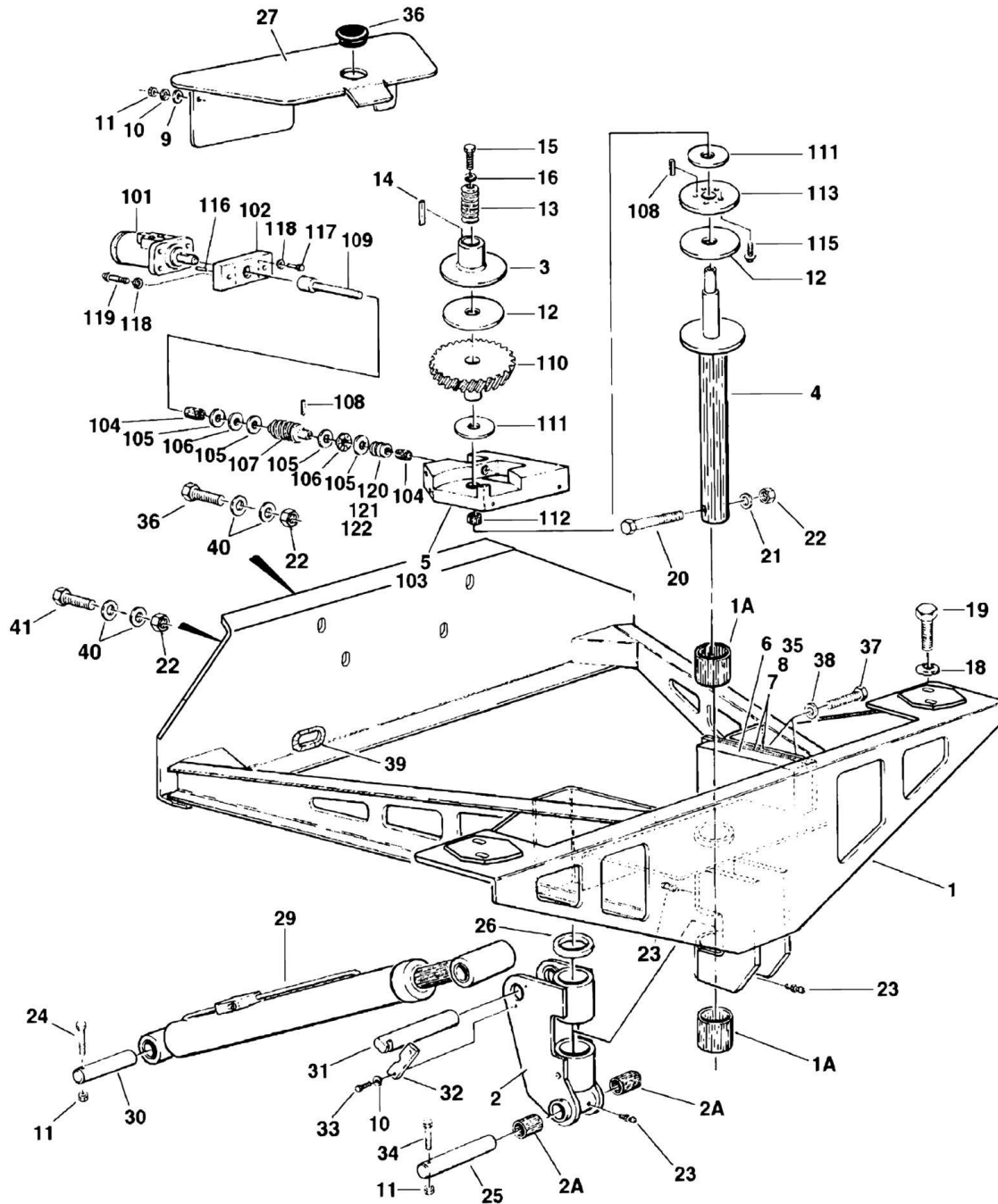
## SECTION 4 - PLATFORMS

| ITEM | PART NUMBER | QTY       | DESCRIPTION   | REV |
|------|-------------|-----------|---|-----|
| 13   | 3311005     | 4         | Locknut #10-24NC  |     |
| 14   | 0641524     | 4         | Bolt 5/16in-18NC x 3in  |     |
| 15   | 3311505     | 4         | Locknut 5/16in-18NC   |     |
| 16   | 4751500     | 4         | Flatwasher 5/16in   |     |
| 17   | 2080040     | 13        | Fastener  |     |
| 18   | 4761000     | 4         | Lockwasher 3/8in <b>(Prior to SN 68368)</b>                   |     |
| 20   | 3539685     | 1         | Plate, Latch  |     |
| 21   | 4220165     | 1         | Stop, Gate  |     |
| 22   | 4060803     | 6 ft/1.8m | Trim  |     |
| 23   | 3380434     | 1         | Panel, Pedestal   |     |
|      |             | Ref       | <b>WORKLIGHTS INSTALLATIONS (OPTIONAL)</b>                    |     |
|      | 0258048     | Ref       | <b>Worklights Installations (Prior to SN 64504)</b>           | 2-E |
|      | 0271629     | Ref       | <b>Worklights Installations (SN 64504 to Present)</b>         | 1-A |
| 101  | 3536089     | 2         | Plate, Mounting   |     |
| 102  | 0641414     | 4         | Bolt 1/4in-20NC x 1 3/4in                                     |     |
| 103  | 3311405     | 4         | Locknut 1/4in-20NC  |     |
| 104  | 4711400     | 8         | Flatwasher 1/4in Narrow                                       |     |
| 105  | 2920140     | 2         | Worklight   |     |
| 105  | 7016399     | 2         | Bulb, Replacement (1 Per Worklight)                           |     |
| 106  | 4240099     | 10        | Tie-Strap (Not Shown)   |     |
| 107  | 2820035     | 9         | Loom, Vinyl (Not Shown)                                       |     |
| 109  | 4460598     | 1         | Connector, Strain Relief (Not Shown - Located at Console Box) |     |
| 110  | 4920018     | AR        | Wire (Not Shown) <b>(Prior to SN 64504)</b>                   |     |



# SECTION 4 - PLATFORMS

## FIGURE 4-2. PLATFORM SUPPORT AND ROTATOR INSTALLATION (100SX/110SX)



## SECTION 4 - PLATFORMS

**FIGURE 4-2. PLATFORM SUPPORT AND ROTATOR INSTALLATION (100SX/110SX)**

| ITEM | PART NUMBER | QTY             | DESCRIPTION  | REV |
|------|-------------|-----------------|--|-----|
|      | 0270276     | Ref             | <b>PLATFORM SUPPORT AND ROTATOR INSTALLATION (100SX/110SX)</b>                 | 4-B |
| 1    | 4846196     | 1               | Weldment, Support  |     |
| 1A   | 0961259     | 2               | Bushing  |     |
| 2    | 0239182     | 1               | Pivot Weldment   |     |
| 2A   | 0960565     | 2               | Bushing, Bronze  |     |
| 3    | 1120299     | 1               | Cap  |     |
| 4    |             | Ref             | Rotator Shaft Options:   |     |
| 4    | 4040220     | 1               | Rotator Shaft <b>(Prior to SN 67889)</b>                                       |     |
| 4    | 4842915     | 1               | Rotator Shaft <b>(SN 67889 to Present)</b>                                     |     |
| 5    | 0235238     | 1               | Rotator Assembly (See Items 101-126 for Breakdown)                             |     |
| 6    | 0361675     | 1               | Bar, Stop  |     |
| 7    | 4070705     | AR              | Shim 1/8in   |     |
| 8    | 4070706     | AR              | Shim 1/16in  |     |
| 9    | 4751500     | 2               | Flatwasher 5/16in  |     |
| 10   | 4761500     | 4               | Lockwasher 5/16in  |     |
| 11   | 3311501     | 4               | Nut 5/16in-18NC  |     |
| 12   | 3340454     | 2               | Pad, Brake   |     |
| 13   | 4160026     | 8               | Washer, Belleville   |     |
| 14   | 2880404     | 1               | Key  |     |
| 15   | 0652014     | 1               | Bolt 5/8in-18NF x 1 3/4in  |     |
| 16   | 4752000     | 1               | Flatwasher 5/8in   |     |
| 18   | 4711600     | 4               | Flatwasher 3/8in   |     |
| 19   | 0681610     | 4               | Bolt 3/8in-16NC x 1 1/4in (Grade 8)  |     |
| 20   | 0641840     | 1               | Bolt 1/2in-13NC x 5in  |     |
| 21   | 4751800     | 1               | Flatwasher 1/2in   |     |
| 22   | 3311805     | 5               | Locknut 1/2in-13NC   |     |
| 23   | 2160002     | 3               | Fitting, Grease  |     |
| 24   | 0641520     | 1               | Bolt 5/16in-18NC x 2 1/2in   |     |
| 25   | 3422147     | 1               | Pin  |     |
| 26   | 4740158     | 1               | Washer, Thrust   |     |
| 27   | 1670451     | 1               | Cover  |     |
| 28   | 4300038     | 2               | Stud (Welded on part - Not Shown)  |     |
| 29   |             | Ref             | Platform Level Cylinder Assembly Options: (See CYLINDER SECTION for Breakdown) |     |
| 29   | 1682590     |                 | Platform Level Cylinder Assembly <b>(Prior to SN 56302)</b>                    |     |
| 29   | 1683536     |                 | Platform Level Cylinder Assembly <b>(SN 56302 to Present)</b>                  |     |
| 30   | 3421582     | 1               | Pin  |     |
| 31   | 3421577     | 1               | Pin  |     |
| 32   | 3532054     | 1               | Plate, Retainer  |     |
| 33   | 0641506     | 2               | Bolt 5/16in-18NC x 3/4in   |     |
| 34   | 0641524     | 1               | Bolt 5/16in-18NC x 3in   |     |
| 35   | 4070707     | 2               | Shim 1/32in  |     |
| 36   | 0641818     | 2               | Bolt 1/2in-13NC x 2 1/4in  |     |
| 37   | 0641816     | 2               | Bolt 1/2in-13NC x 2in  |     |
| 38   | 4761800     | 2               | Lockwasher 1/2in   |     |
| 39   | 4060804     | 10.5<br>in/27cm | Flexguard  |     |
| 40   | 4711600     | 8               | Flatwasher 1/2in   |     |
| 41   | 0641820     | 2               | Bolt 3/8in-16NC x 2 1/2in  |     |

## SECTION 4 - PLATFORMS

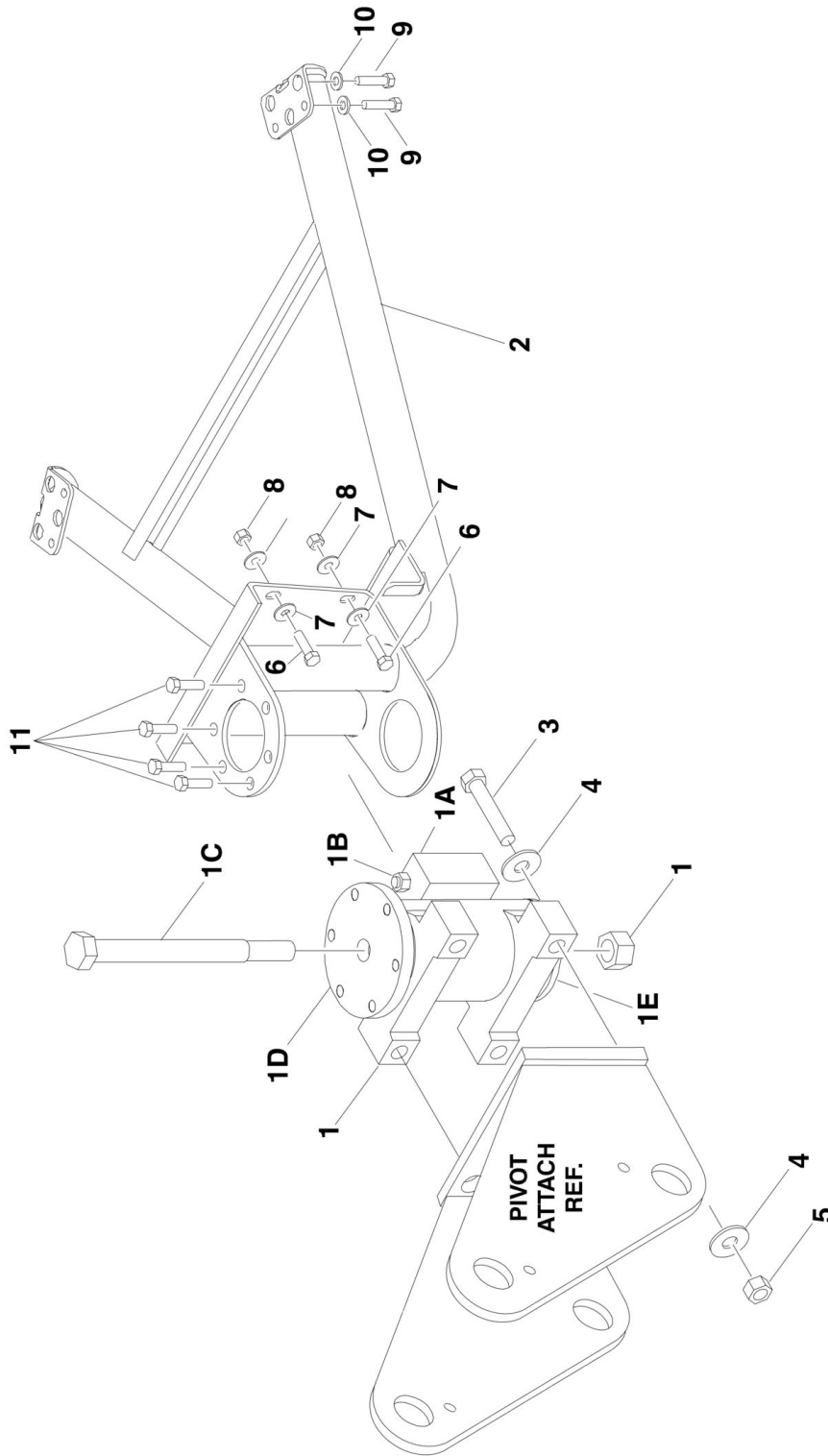
| ITEM | PART NUMBER | QTY | DESCRIPTION   | REV |
|------|-------------|-----|---|-----|
|      | 0235238     | Ref | <b>ROTATOR ASSEMBLY</b>   | E   |
| 101  | 3160083     | 1   | Rotator Motor Assembly (See ROTATOR MOTOR ASSEMBLY for Breakdown) |     |
| 102  | 0080099     | 1   | Adapter, Motor  |     |
| 103  | 2760064     | 1   | Housing, Gear   |     |
| 104  | 0440134     | 2   | Bearing, Sleeve   |     |
| 105  | 4740199     | 4   | Washer, Thrust  |     |
| 106  | 0440120     | 2   | Bearing, Thrust   |     |
| 107  | 2440043     | 1   | Gear, Worm  |     |
| 108  | 3440816     | 4   | Rollpin 1/4in x 1in   |     |
| 109  | 0080098     | 1   | Adapter, Motor to Worm Gear                                       |     |
| 110  | 2440044     | 1   | Gear, Worm  |     |
| 111  | 4740256     | 2   | Washer, Thrust  |     |
| 112  | 0440135     | 1   | Bearing, Sleeve   |     |
| 113  | 1760068     | 1   | Disc, Brake   |     |
| 115  | 3931010     | 5   | Bolt, Socket Head #10-24NC x 5/8in                                |     |
| 116  | 3441228     | 2   | Rollpin 3/8in x 1 3/4in   |     |
| 117  | 3931620     | 2   | Bolt, Socket Head 3/8in-16NC x 1 1/4in                            |     |
| 118  | 4761600     | 6   | Lockwasher 3/8in  |     |
| 119  | 3931612     | 4   | Bolt, Socket Head 3/8in-16NC x 3/4in                              |     |
| 120  | 4070585     | AR  | Shim.010  |     |
| 121  | 4070586     | AR  | Shim.005  |     |
| 122  | 4070587     | AR  | Shim.002  |     |
| 123  | 0100019     | AR  | Loctite #271 (Not Shown)  |     |
| 124  | 0100021     | AR  | Primer (Not Shown)  |     |
| 125  | 2160001     | 1   | Fitting, Grease - 90 (Not Shown)                                  |     |
| 126  | 3020025     | AR  | Grease (Not Shown)  |     |





# SECTION 4 - PLATFORMS

FIGURE 4-3. PLATFORM SUPPORT AND ROTATOR INSTALLATION (110SXJ/120SXJ)



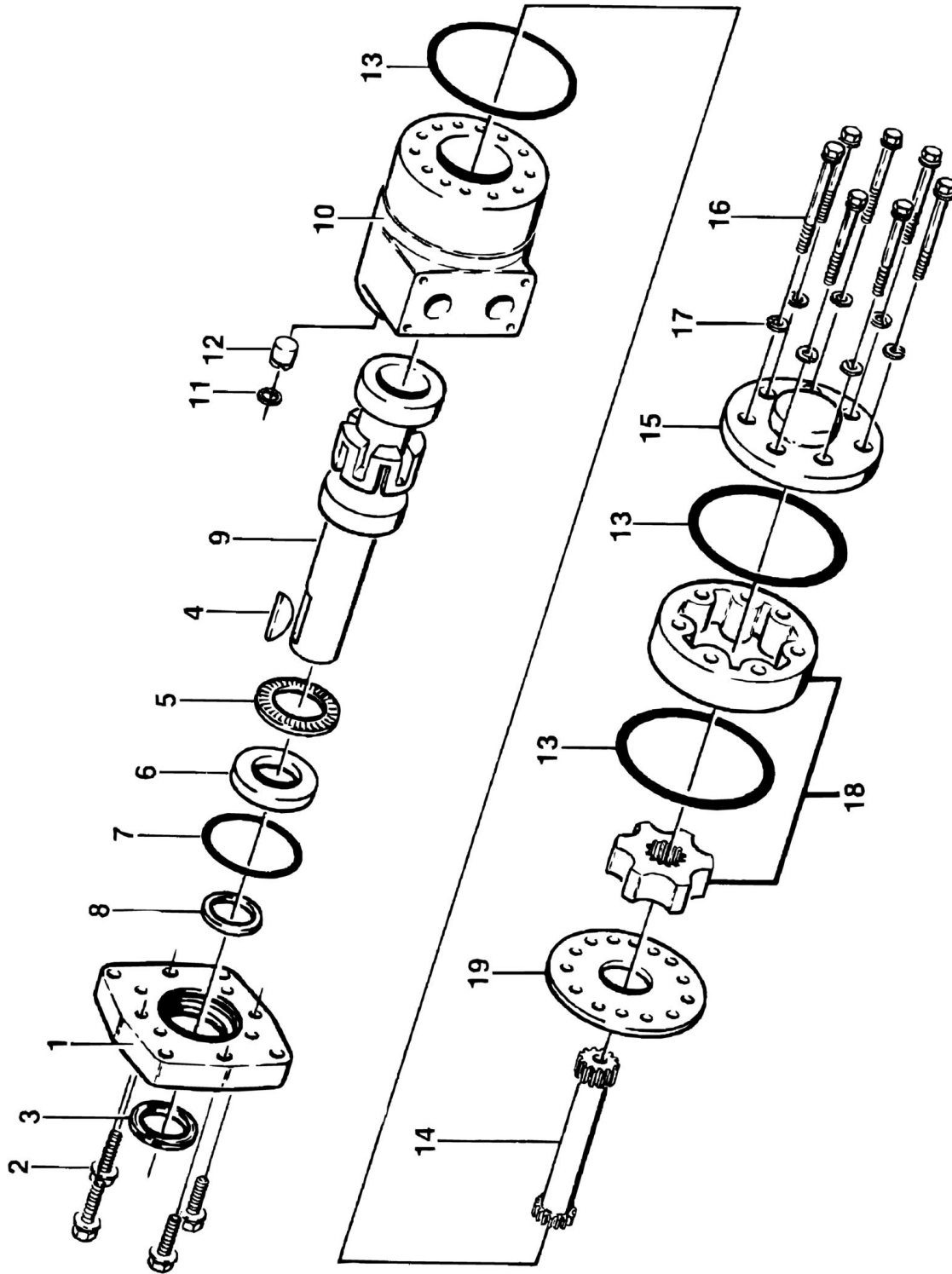
## SECTION 4 - PLATFORMS

**FIGURE 4-3. PLATFORM SUPPORT AND ROTATOR INSTALLATION (110SXJ/120SXJ)**

| ITEM | PART NUMBER | QTY | DESCRIPTION  | REV |
|------|-------------|-----|--|-----|
|      | 0259974     | Ref | <b>PLATFORM SUPPORT AND ROTATOR INSTALLATION<br/>(110SXJ/120SXJ)</b> | 4-B |
| 1    | 0060053     | 1   | Actuator   |     |
| 1A   | 7017183     | 1   | Block Valve Assembly (was p/n 7017101)                               |     |
| 1B   | 7017193     | 2   | Cartridge  |     |
| 1C   | 7017119     | 1   | Bolt 1in-8NC x 11in  |     |
| 1D   | 7017177     | 1   | Shaft Weldment   |     |
| 1E   | 7017174     | 1   | Cap, End   |     |
| 1F   | 7017142     | 1   | Kit, Hardware (Not Shown)  |     |
| 1G   | 7017156     | 1   | Kit, Bearing (Not Shown)   |     |
| 1H   | 7017157     | 1   | Kit, Seal (Not Shown)  |     |
| 2    | 4844790     | 1   | Weldment, Platform Support   |     |
| 3    | 0682234     | 4   | Bolt 3/4in-10NC x 4 1/4in (Grade 8)                                  |     |
| 4    | 4892200     | 8   | Washer, Hardened 3/4in   |     |
| 5    | 3272201     | 4   | Nut 3/4in-10NC (Grade 8)   |     |
| 6    | 0641820     | 4   | Bolt 1/2in-13NC x 2 1/2in  |     |
| 7    | 4711800     | 8   | Flatwasher 1/2in   |     |
| 8    | 3311805     | 4   | Locknut 1/2in-13NC   |     |
| 9    | 0681610     | 4   | Bolt 3/8in-16NC x 1 1/4in (Grade 8)                                  |     |
| 10   | 4711600     | 4   | Flatwasher 3/8in   |     |
| 11   | 0641808     | 6   | Bolt 1/2in-13NC x 1in  |     |
| 12   | 7017119     | 1   | Bolt 1in-8NC x 11in  |     |
|      | 0100019     | AR  | Loctite #271   |     |
|      | 0100011     | AR  | Loctite #242   |     |

# SECTION 4 - PLATFORMS

## FIGURE 4-4. ROTATOR MOTOR ASSEMBLY



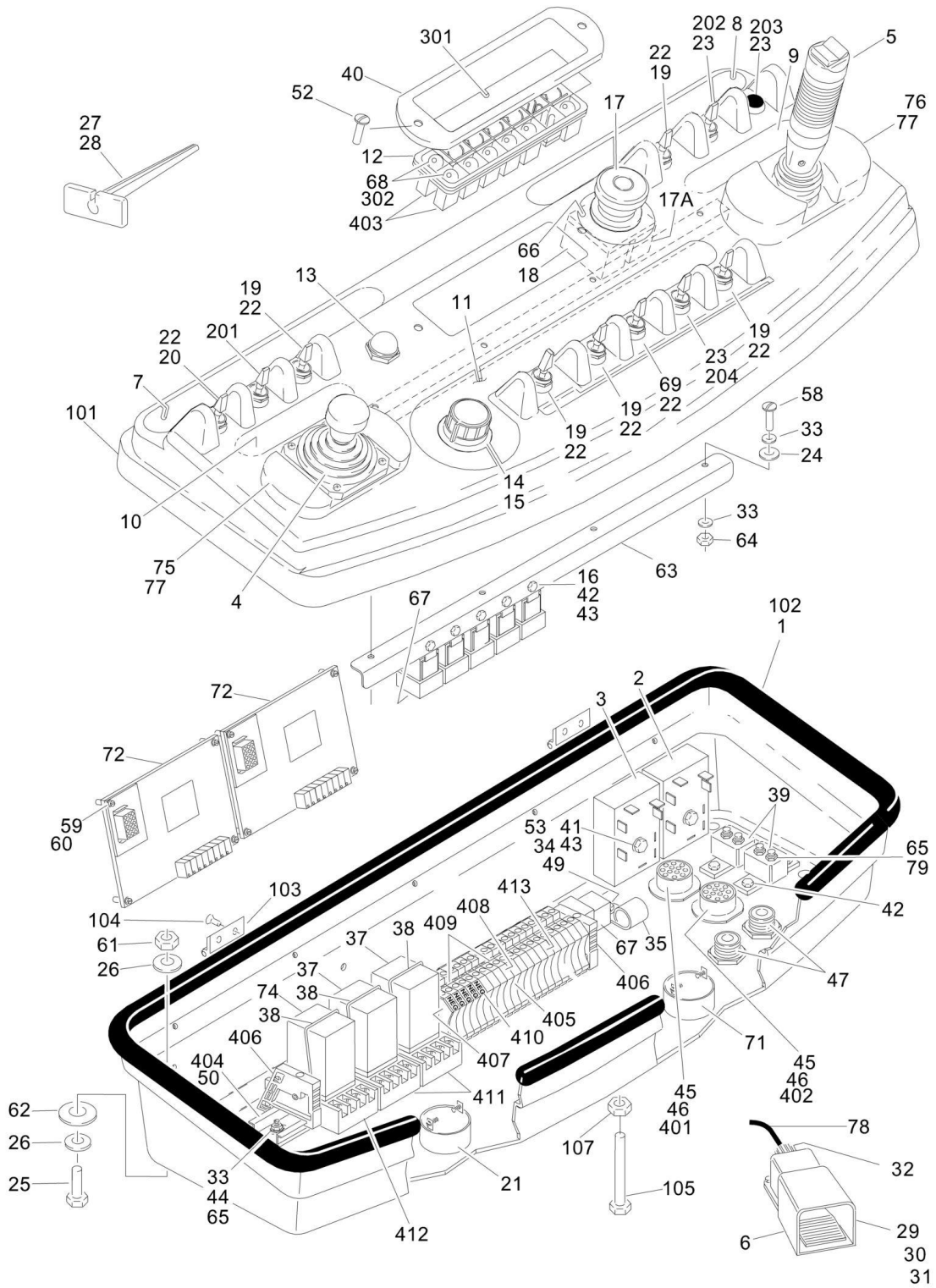
## SECTION 4 - PLATFORMS

### FIGURE 4-4. ROTATOR MOTOR ASSEMBLY

| ITEM | PART NUMBER | QTY | DESCRIPTION   | REV |
|------|-------------|-----|---|-----|
|      | 3160083     | Ref | <b>ROTATOR MOTOR ASSEMBLY</b>   | A   |
| 1    | 7002105     | 1   | Flange, Mounting  |     |
| 2    | 7002123     | 4   | Screw, Cap  |     |
| 3    | Kit         | 1   | Seal, Dust  |     |
| 4    | 7002104     | 1   | Key, Woodruff   |     |
| 5    | 7002111     | 1   | Bearing, Thrust Needle  |     |
| 6    | 7002117     | 1   | Thrust, Bearing Race  |     |
| 7    | Kit         | 1   | Seal, O-Ring  |     |
| 8    | Kit         | 1   | Seal, Pressure  |     |
| 9    | 7002116     | 1   | Shaft, Output   |     |
| 10   | 7002103     | 1   | Housing   |     |
| 11   | Kit         | 1   | Seal  |     |
| 12   | Kit         | 1   | Plug, Housing   |     |
| 13   | 7002115     | 3   | Seal, O-Ring  |     |
| 14   | 7002112     | 1   | Drive   |     |
| 15   | 7002107     | 1   | Cap, End  |     |
| 16   | 7002100     | 7   | Screw, Cap  |     |
| 17   | 7000166     | 7   | Lockwasher  |     |
| 18   | 7002125     | 1   | Gerotor Sub-Assembly  |     |
| 19   | 7002110     | 1   | Plate, Spacer   |     |
|      | 2900455     | 1   | Seal Kit (Includes Items 3,7,8,11 & 12) (P/N 1011009007)                |     |
|      | 2900733     | 1   | Seal Kit (Includes Items 3,7,8,11 & 12) (P/N's 1011009008 & 1011009009) |     |
|      | Note        | Ref | <b>Note: Identify by P/N stamped on nameplate located on Item 10.</b>   |     |

# SECTION 4 - PLATFORMS

## FIGURE 4-5. PLATFORM CONSOLE ASSEMBLY



## SECTION 4 - PLATFORMS

### FIGURE 4-5. PLATFORM CONSOLE ASSEMBLY

| ITEM | PART NUMBER | QTY | DESCRIPTION   | REV |
|------|-------------|-----|---|-----|
|      |             | Ref | <b>CONSOLE BOX ASSEMBLIES</b>   |     |
|      | 0861366     | Ref | <b>Console Box Assemblies 100SX/110SX - 2W/S</b>  | 6   |
|      | 0861347     | Ref | <b>Console Box Assemblies 100SX/110SX - 4W/S</b>  | 6   |
|      | 0861365     | Ref | <b>Console Box Assemblies 110SXJ - 2W/S</b>   | 6   |
|      | 0861348     | Ref | <b>Console Box Assemblies 110SXJ - 4W/S</b>   | 6   |
|      | 0861344     | Ref | <b>Console Box Assemblies 120SXJ - 4W/S</b>   | 7   |
| 1    | 0861640     | 1   | Box, Console Assembly (was p/n 0861353) (See Items 101-107 for Breakdown)                       |     |
| 2    | 3740113     | 1   | Relay, Time Delay   |     |
| 3    | 3740115     | 1   | Relay, Time Delay   |     |
| 4    | 1600306     | 1   | Controller Assembly (Lift and Swing) (See CONTROLLER ASSEMBLY (LIFT AND SWING) for Breakdown)   |     |
| 5    | 1600287     | 1   | Controller Assembly (Drive and Steer) (See CONTROLLER ASSEMBLY (DRIVE AND STEER) for Breakdown) |     |
| 6    | 4360031     | 1   | Footswitch  |     |
| 6    | 7000625     | 2   | Block, Contact  |     |
| 7    | 1702676     | 1   | Decal (Horn/Drive Speed/Level)  |     |
| 8    | 1702564     | 1   | Decal (Stop)  |     |
| 9    | 1704520     | 1   | Decal (Drive and Steer)   |     |
| 10   | 1702566     | 1   | Decal (Lift and Swing)  |     |
| 11   | 1704511     | 1   | Decal (Speed/Lower Lift/Tele/Rotate/Jib)  |     |
| 12   | 2760105     | 1   | Housing, Display Light  |     |
| 13   | 4360387     | 1   | Switch, Pushbutton  |     |
| 14   | 2560136     | 1   | Knob, Speed Control   |     |
| 15   | 1600272     | 1   | Controller, Speed (See CONTROLLER ASSEMBLY (SPEED) for Breakdown)                               |     |
| 16   |             | Ref | Hardware Options:   |     |
| 16   | 3311005     | 4   | Locknut #10-24NC <b>(Prior to SN 56133)</b>   |     |
| 16   | 0791004     | 4   | Screw #10-24NC x 1/2in <b>(SN 56133 to Present)</b>   |     |
| 17   | 4360475     | 1   | Switch, Emergency Stop  |     |
| 17A  | 7020175     | 1   | Cap, Red  |     |
| 17A  | 7020176     |     | Contact Block   |     |
| 18   | 4360476     | 1   | Block, Contact  |     |
| 19   | 4360314     | AR  | Switch, Toggle  |     |
| 20   | 4360331     | 1   | Switch, Toggle  |     |
| 21   | 0140026     | 1   | Alarm   |     |
| 22   | 3790012     | 7   | O-Ring  |     |
| 23   | 3520028     | 4   | Plug, Hole (For switch call-outs at these locations, refer to options installation below)       |     |
| 24   | 4740120     | 4   | Washer, Nylon #10 <b>(Prior to SN 56133)</b>  |     |
| 25   | 0641611     | 4   | Bolt 3/8in-16NC x 1 3/8in   |     |
| 26   | 4751600     | 4   | Flatwasher 3/8in  |     |
| 27   | 4460467     | 1   | Tool, Pin Extraction (Blue 16-18 Gauge) (Not Shown)   |     |
| 28   | 4460510     | 1   | Tool, Pin Extraction (Yellow 12-14 Gauge) (Not Shown)   |     |
| 29   | 0641408     | 3   | Bolt 1/4in-20NC x 1in   |     |
| 30   | 3311405     | 3   | Locknut 1/4in-20NC  |     |
| 31   | 4740362     | 3   | Washer, Fender 1/4in  |     |
| 32   | 4460071     | 1   | Connector, Strain Relief  |     |
| 33   | 4711000     | 2   | Flatwasher #10 (Narrow)   |     |
| 34   | 3311401     | 1   | Nut 1/4in-20NC  |     |
| 35   | 1320060     | 1   | Clamp   |     |

## SECTION 4 - PLATFORMS

| ITEM | PART NUMBER   | QTY       | DESCRIPTION  | REV |
|------|---------------|-----------|--|-----|
| 36   | 4460234       | 6         | Mount, Wire Strap  |     |
| 37   | 3740123       | 2         | Relay  |     |
| 38   | 3740124       | 6         | Spring, Relay  |     |
| 39   | 4360232       | 2         | Breaker, Circuit - 15 Amp                                      |     |
| 40   | 1670829       | 1         | Bezel  |     |
| 41   | 0721010       | 2         | Screw, Machine #10-24NC x 1 1/4in                              |     |
| 42   | 0721003       | 2         | Screw, Machine #10-24NC x 3/8in                                |     |
| 43   |               | Ref       | Hardware Options:  |     |
| 43   | 4751000       | 4         | Flatwasher #10 <b>(Prior to SN 56133)</b>                      |     |
| 43   | 3300365       | 4         | Nut, Retainer <b>(SN 56133 to Present)</b>                     |     |
| 44   | 0731004       | 2         | Bolt #10-32NF x 1/2in  |     |
| 45   | 4460470       | 2         | Nut, Conduit   |     |
| 46   | 4460471       | 2         | Washer   |     |
| 47   | 4460428       | 2         | Connector, Strain Relief                                       |     |
| 48   | 0100029       | AR        | Silicone (Not Shown)   |     |
| 49   | 0641406       | 1         | Bolt 1/4in-20NC x 3/4in  |     |
| 50   | 4420038       | 6         | Foam, Self Adhesive  |     |
|      |               | in/15.3cm |  |     |
| 52   | 0630464       | 2         | Screw, Button Head #10-24NC x 1/2in                            |     |
| 53   | 4751400       | 8         | Flatwasher 1/4in   |     |
| 54   | 0100011       | AR        | Loctite #242 (Not Shown)                                       |     |
| 55   | 0100035       | AR        | Loctite #222 (Not Shown)                                       |     |
| 56   | 3380434       | 1         | Panel, Pedestal  |     |
| 57   | 0641406       | 4         | Bolt 1/4in-20NC x 3/4in  |     |
| 58   | 0630518       | 4         | Screw, Button Head #10-24NC x 3/4in <b>(Prior to SN 56133)</b> |     |
| 59   | 3910812       | 8         | Screw #8-32NC x 1/2in  |     |
| 60   | 4750800       | 8         | Flatwasher #8 (Wide)   |     |
| 61   | 3311605       | 4         | Locknut 3/8in-16NC   |     |
| 62   | 4751800       | 4         | Flatwasher 1/2in (Wide)  |     |
| 63   | 3539275       | 1         | Plate, Mounting  |     |
| 64   | 3300408       | 4         | Locknut #10-24NC, Nylon Insert <b>(Prior to SN 56133)</b>      |     |
| 65   | 4761000       | 2         | Lockwasher #10   |     |
| 66   | 1704260       | 1         | Decal - EMS  |     |
| 67   | 3740049       | 4         | Relay, Bosch   |     |
| 68   | 2920129       | 5         | Bulb, Light  |     |
| 69   | 4360345       | 1         | Switch, Toggle   |     |
| 71   | 0140019       | 1         | Alarm  |     |
| 72   | 1600307       | 2         | Card, Flow Control   |     |
| 73   | 4922422       | 1         | Harness, Footswitch Power (Not Shown)                          |     |
| 74   | 3740122       | 1         | Relay  |     |
| 75   | 4340678       | 1         | Support, Hand  |     |
| 76   | 4340684       | 1         | Support, Hand  |     |
| 77   | 0641404       | 8         | Bolt 1/4in-20NC x 1/2in  |     |
| 78   | 1060515       | 6 ft/1.8m | Cable, Electrical 12/4   |     |
| 78   | 1060012       | 6 ft/1.8m | Cable, Electrical <b>(SN 56133 through 60491)</b>              |     |
| 78   | 1060515       | 6 ft/1.8m | Cable, Electrical <b>(SN 60492 to Present)</b>                 |     |
| 79   | 0100020       | AR        | Sealant (Not Shown) <b>(SN 56133 to Present)</b>               |     |
|      | 2910864       | 2         | Decal Kit - Console Box (Includes Items 7-11 & 301)            |     |
|      |               | Ref       | <b>CONSOLE BOX ASSEMBLIES:</b>                                 |     |
|      | 0861640       | Ref       | <b>Production (was p/n 0861353)</b>                            | 1-A |
|      | 0861640       | Ref       | <b>Post Production Alternative</b>                             |     |
| 101  | Not Available | 1         | Lid, Cast  |     |

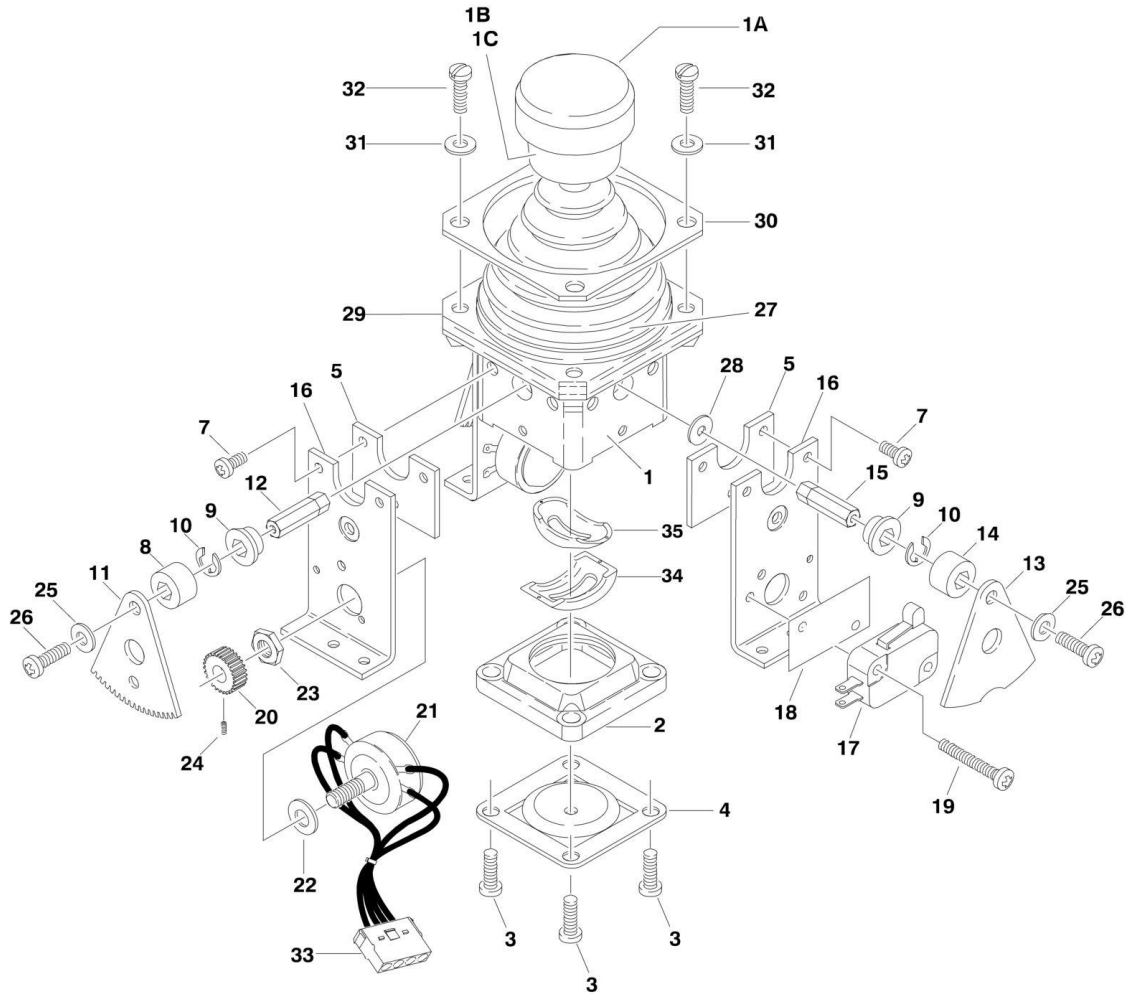


## SECTION 4 - PLATFORMS

| ITEM | PART NUMBER   | QTY | DESCRIPTION  | REV |
|------|---------------|-----|--|-----|
| 102  | Not Available | 1   | Bottom, Box  |     |
| 103  | 2600211       | 2   | Hinge (Used on p/n 0861353)  |     |
| 104  | 3900224       | 8   | Capscrew, Socket Head Countersunk 6mm x 16mm (Used on p/n 0861353) |     |
| 105  | 3931672       | 1   | Capscrew, Socket Head 3/8in-16NC x 4 1/2in                         |     |
| 106  | 0100011       | AR  | Loctite #242 (Not Shown) (Used on p/n 0861353)                     |     |
| 107  | 3311601       | 1   | Nut 3/8in-16NC   |     |
|      |               | Ref | <b>CONSOLE BOX OPTIONS</b>   |     |
| 201  |               | Ref | 4WS Switch Option Components                                       |     |
| 201  | 4360331       | 1   | Switch, Toggle   |     |
| 201  | 3790012       | 1   | O-Ring   |     |
| 202  |               | Ref | Dual Switch Option Components                                      |     |
| 202  | 0271414       | 1   | Dual Fuel Switch Installation                                      |     |
| 202  | 4360336       | 1   | Switch, Toggle   |     |
| 202  | 3790012       | 1   | O-Ring   |     |
| 203  |               | Ref | Lights Switch Option Components                                    |     |
| 203  | 4360336       | 1   | Switch, Toggle   |     |
| 203  | 3790012       | 1   | O-Ring   |     |
| 204  |               | Ref | Articulating Jib Switch Option Components                          |     |
| 204  | 4360314       | 1   | Switch, Toggle   |     |
| 204  | 3790012       | 1   | O-Ring   |     |
|      |               | Ref | <b>LIGHT PANEL DECAL INSTALLATIONS</b>                             |     |
|      | 0270046       | Ref | <b>Light Panel Decal Installations 100SX/110SX - ANSI</b>          | 1   |
|      | 0259885       | Ref | <b>Light Panel Decal Installations 100SX/110SX - ANSI Export</b>   | 1   |
|      | 0259887       | Ref | <b>Light Panel Decal Installations 110SXJ/120SXJ</b>               | 1   |
| 301  |               | Ref | Decal - Light Panel Display Options:                               |     |
| 301  | 1704477       | 1   | Decal - Light Panel Display 100SX/110SX - ANSI                     |     |
| 301  | 1704476       | 1   | Decal - Light Panel Display 100SX/110SX - ANSI Export              |     |
| 301  | 1704475       | 1   | Decal - Light Panel Display 110SXJ/120SXJ                          |     |
| 302  | 2920129       | AR  | Bulb, Light  |     |
|      | 4922352       | Ref | <b>ELECTRICAL COMPONENTS INSTALLATIONS:</b>                        | 5-G |
| 401  | 4460503       | 1   | Connector - 31 Position  |     |
| 402  | 4460613       | 1   | Connector - 21 Position  |     |
| 403  | 4120035       | 10  | Socket, Light  |     |
| 404  | 3641182       | 1   | Track  |     |
| 405  | 4460601       | 24  | Block, Terminal  |     |
| 406  | 4460607       | 2   | Stop, End  |     |
| 407  | 4460602       | 1   | Barrier, Terminal  |     |
| 408  | 4460847       | 1   | Marker, Terminal (1-10)  |     |
| 409  | 4460603       | 2   | Bar, Buss - 10 Position (Cut into [2] 5 Position Bars)             |     |
| 410  | 4460631       | 1   | Marker, Terminal (Negative)  |     |
| 411  | 4120037       | 2   | Socket, Relay  |     |
| 412  | 4120036       | 1   | Socket, Relay  |     |
| 413  | 4460849       | 1   | Marker, Terminal (11-20)   |     |

# SECTION 4 - PLATFORMS

## FIGURE 4-6. CONTROLLER ASSEMBLY (LIFT AND SWING)



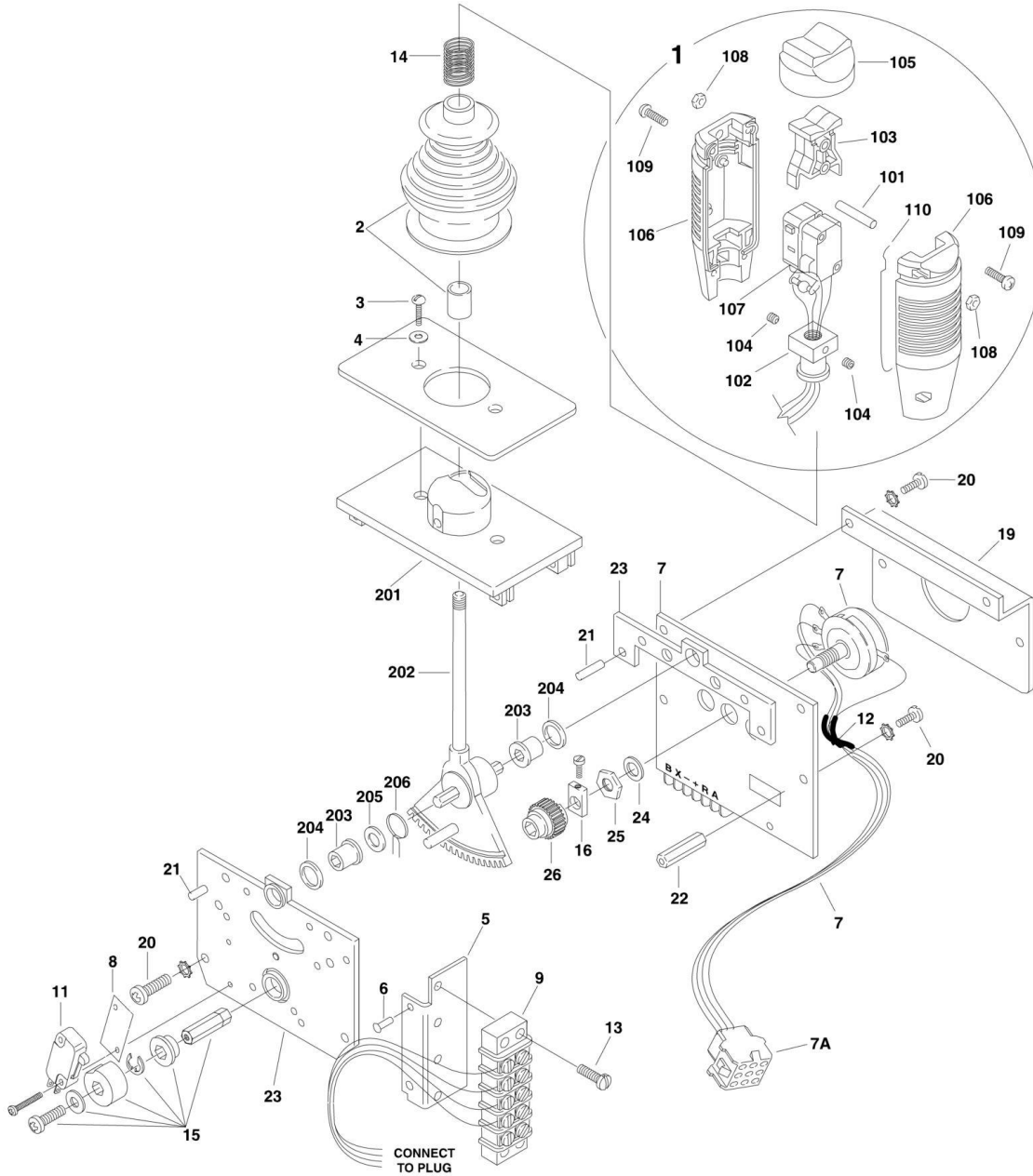
## SECTION 4 - PLATFORMS

**FIGURE 4-6. CONTROLLER ASSEMBLY (LIFT AND SWING)**

| ITEM | PART NUMBER   | QTY | DESCRIPTION  | REV |
|------|---------------|-----|--|-----|
|      | 1600306       | Ref | <b>CONTROLLER ASSEMBLY</b>   | D   |
| 1    | 7019141       | 1   | Mechanical Assembly (Includes Base, Handle Stem and Items 1A, 1B, 1C & 27) |     |
| 1A   | 7019197       | 1   | Handle/Cap/Rod Assembly  |     |
| 1B   | 7003928       | 1   | Spring   |     |
| 1C   | 7022808       | 1   | Cap, Lift  |     |
| 2    | 7019169       | 1   | Gate   |     |
| 3    | 7003952       | 4   | Screw  |     |
| 4    | 7019170       | 1   | Center, Detent   |     |
| 5    | 7019171       | 2   | Plate  |     |
| 7    | 7019173       | 12  | Screw  |     |
| 8    | 7019144       | 1   | Spacer, Cam  |     |
| 9    | 7019111       | 4   | Bearing, Gear  |     |
| 10   | 7019145       | 4   | E-Clip   |     |
| 11   | 7003977       | 2   | Gear, Drive  |     |
| 12   | 7019147       | 2   | Shaft  |     |
| 13   | 7019175       | 2   | Cam  |     |
| 14   | 7019176       | 2   | Spacer, Cam  |     |
| 15   | 7019177       | 2   | Shaft  |     |
| 16   | 7019142       | 4   | Plate  |     |
| 17   | 7003961       | 2   | Microswitch  |     |
| 18   | 7019138       | 2   | Insulator  |     |
| 19   | 7019139       | 4   | Screw  |     |
| 20   | 7003976       | 2   | Gear, Slave  |     |
| 21   | 7019178       | 2   | Potentiometer  |     |
| 22   | 7003992       | 2   | Washer   |     |
| 23   | 7003993       | 2   | Nut  |     |
| 24   | 7019149       | 2   | Setscrew   |     |
| 25   | 7019144       | 2   | Spacer   |     |
| 26   | 7019143       | 2   | Screw  |     |
| 27   | 7022813       | 1   | Boot (was p/n 7003955)   |     |
| 28   | 7019146       | 2   | Spacer, Cam  |     |
| 29   | 7022813       | 1   | Plate, Plastic (was p/n 7003954)   |     |
| 30   | 7003956       | 1   | O-Ring   |     |
| 31   | 7003953       | 4   | Washer   |     |
| 32   | 7022811       | 4   | Screw  |     |
| 33   | Not Available | 2   | Connector, Male - 4 Position   |     |
| 33   | Not Available | 4   | Pin, Male  |     |
| 34   | 7019122       | 1   | Gimble, Outer  |     |
| 35   | 7019123       | 1   | Gimble, Inner  |     |

# SECTION 4 - PLATFORMS

## FIGURE 4-7. CONTROLLER ASSEMBLY (DRIVE AND STEER)



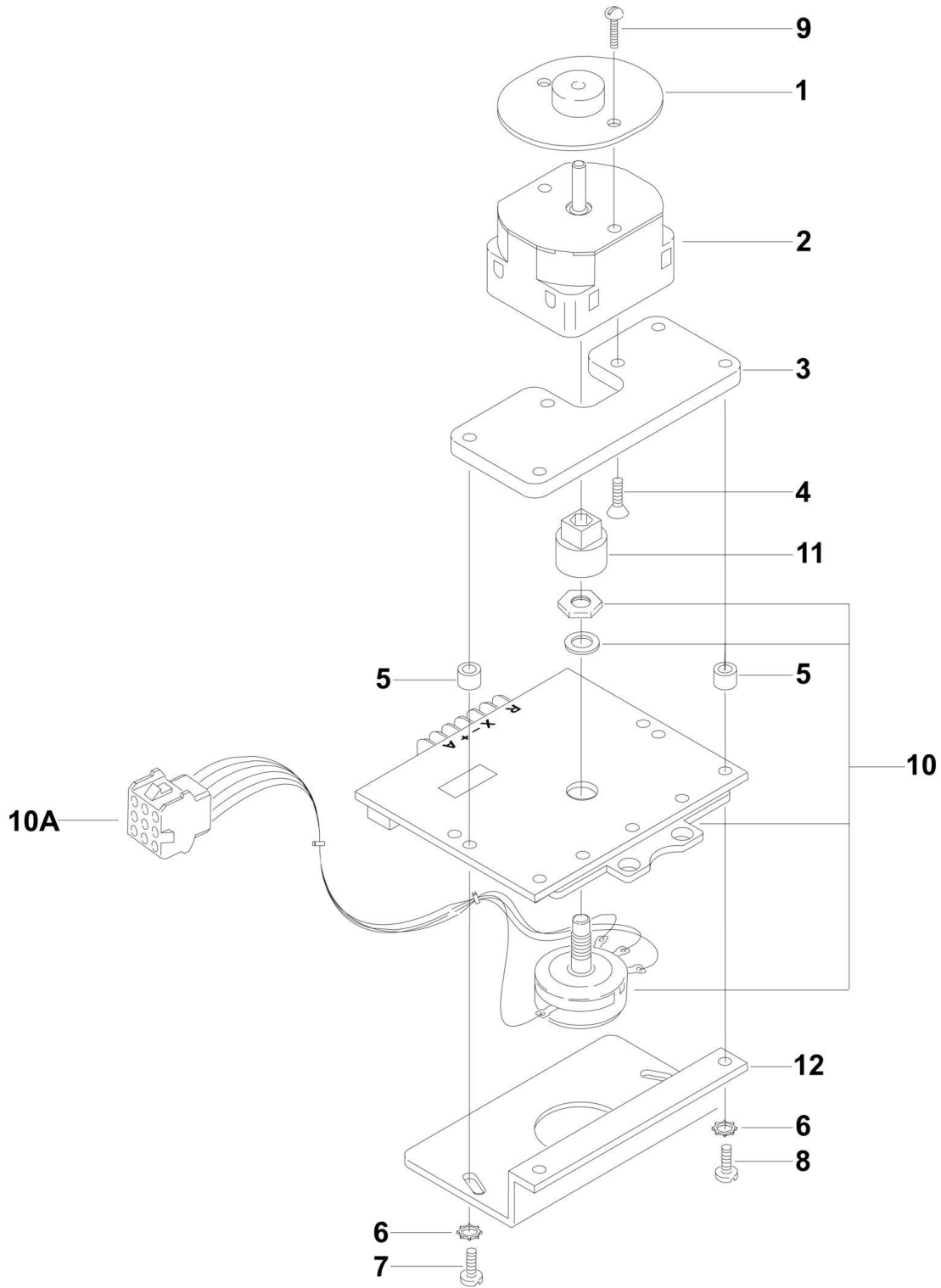
## SECTION 4 - PLATFORMS

**FIGURE 4-7. CONTROLLER ASSEMBLY (DRIVE AND STEER)**

| ITEM | PART NUMBER   | QTY | DESCRIPTION                                     | REV |
|------|---------------|-----|---|-----|
|      | 1600287       | Ref | <b>CONTROLLER ASSEMBLY</b>                      | D   |
| 1    | Not Available | 1   | Handle Assembly                                 |     |
| 2    | 7019161       | 1   | Boot and Sleeve                                 |     |
| 3    | 7003969       | 2   | Screw   |     |
| 4    | 7003941       | 2   | Washer  |     |
| 5    | 7019159       | 1   | Bracket, Mounting                               |     |
| 6    | Not Serviced  | 1   | Rivet   |     |
| 7    | 7019124       | 1   | Board, Circuit with Potentiometer               |     |
| 7A   | 4460265       | 1   | Plug - 9 Position (Part of Console Box Harness) |     |
| 7A   | 4460268       | 9   | Socket, Female (Part of Console Box Harness)    |     |
| 7A   | 4460266       | 1   | Connector - 9 Position (Part of p/n 7019124)    |     |
| 7A   | 4460267       | 9   | Pin, Male (Part of p/n 7019124)                 |     |
| 8    | 7019138       | 1   | Insulator                                       |     |
| 9    | 7019153       | 1   | Strip, Terminal - 5 Position                    |     |
| 10   | 7003938       | 1   | Clamp, Boot (Not Shown)                         |     |
| 11   | 7003961       | 1   | Microswitch                                     |     |
| 12   | 7019151       | 3   | Tie-Strap                                       |     |
| 13   | 7003994       | 2   | Screw   |     |
| 14   | 7019162       | 1   | Spring  |     |
| 15   | 7019179       | 1   | Micro Cam Assembly                              |     |
| 16   | 7019163       | 1   | Potentiometer Coupling Assembly                 |     |
| 19   | Not Serviced  | 1   | Heatsink  |     |
| 20   | 7019117       | 8   | Screw   |     |
| 21   | 7019103       | 4   | Pin   |     |
| 22   | 7019115       | 2   | Stand-Off                                       |     |
| 23   | 7019168       | 1   | Plate, Mounting (Right Side)                    |     |
| 24   | 7003992       | 1   | Washer  |     |
| 25   | 7003993       | 1   | Nut   |     |
| 26   | 7003935       | 1   | Gear, Slave                                     |     |
|      |               | Ref | <b>HANDLE ASSEMBLY</b>                          |     |
| 101  | 7019164       | 1   | Axle  |     |
| 102  | 7019194       | 1   | Coupling  |     |
| 103  | 7019165       | 1   | Rocker  |     |
| 104  | 7003983       | 2   | Setscrew  |     |
| 105  | 7003972       | 1   | Boot, Switch                                    |     |
| 106  | 7003973       | 2   | Half, Handle                                    |     |
| 107  | 7019166       | 1   | Switch, Micro                                   |     |
| 108  | 7019167       | 4   | Nut   |     |
| 109  | 7003980       | 4   | Screw   |     |
| 110  | 7003989       | 2   | Gasket  |     |
|      |               | Ref | <b>HANDLE ASSEMBLY</b>                          |     |
| 201  | 7019160       | 1   | Cast Housing Assembly                           |     |
| 202  | 7019155       | 1   | Shaft 8mm                                       |     |
| 203  | 7019111       | 2   | Bearing   |     |
| 204  | 7019110       | 2   | Spacer, Head Gear                               |     |
| 205  | 7019112       | 1   | Washer  |     |
| 206  | 7003946       | 1   | Spring, Return                                  |     |

# SECTION 4 - PLATFORMS

## FIGURE 4-8. CONTROLLER ASSEMBLY (SPEED)



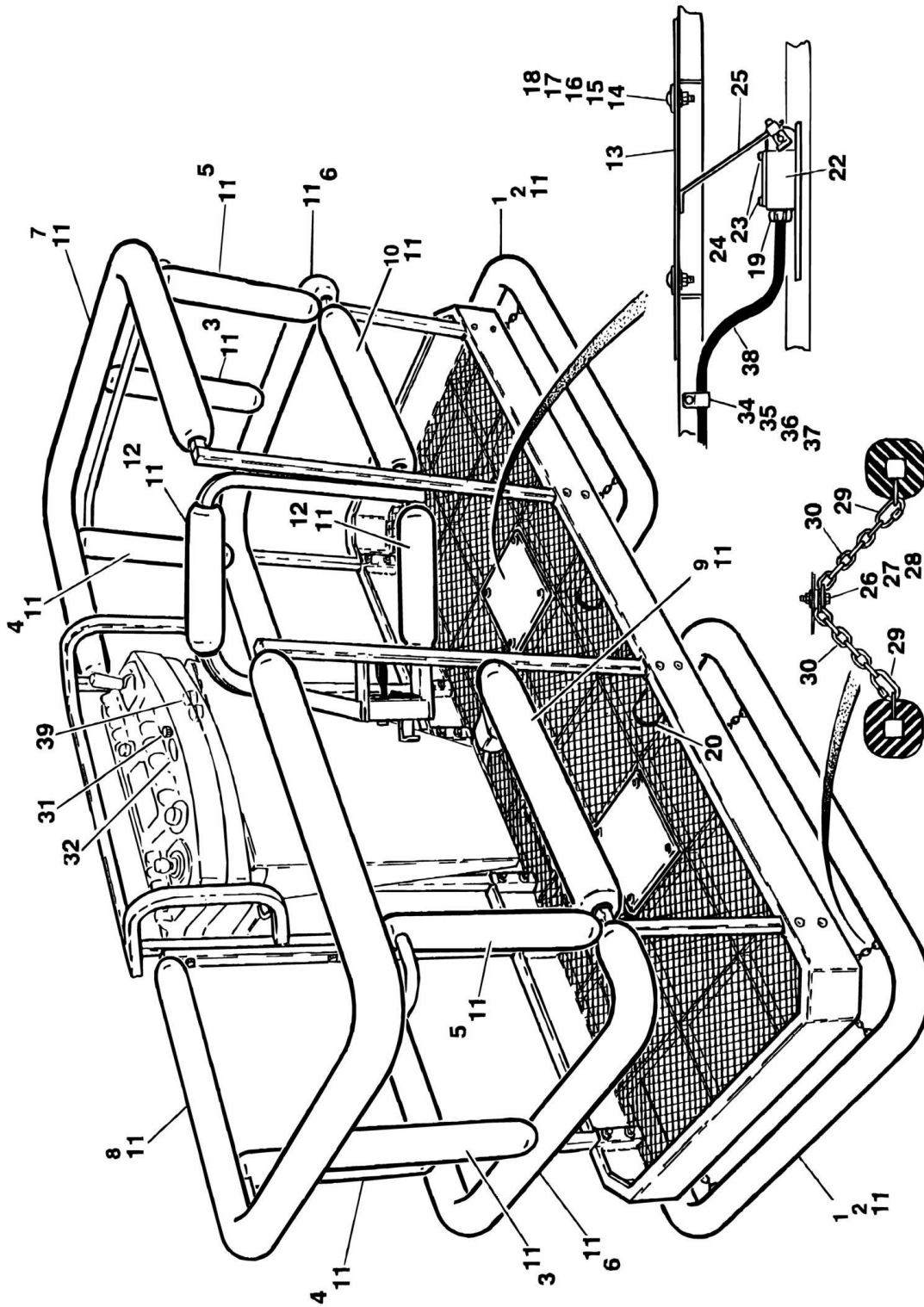
## SECTION 4 - PLATFORMS

**FIGURE 4-8. CONTROLLER ASSEMBLY (SPEED)**

| ITEM | PART NUMBER  | QTY | DESCRIPTION                                     | REV |
|------|--------------|-----|---|-----|
|      | 1600272      | Ref | <b>CONTROLLER ASSEMBLY</b>                      | E   |
| 1    | 7019181      | 1   | Seal  |     |
| 2    | 7019182      | 1   | Switch, Rotary                                  |     |
| 3    | Not Serviced | 1   | Plate   |     |
| 4    | 7019183      | 2   | Screw, Flathead                                 |     |
| 5    | 7019184      | 4   | Spacer  |     |
| 6    | 7019135      | 4   | Washer  |     |
| 7    | 7019185      | 2   | Screw   |     |
| 8    | 7019186      | 2   | Screw   |     |
| 9    | 7019136      | 2   | Screw   |     |
| 10   | 7019187      | 1   | Board, Circuit with Potentiometer               |     |
| 10A  | 4460265      | 1   | Plug - 9 Position (Part of Console Box Harness) |     |
| 10A  | 4460268      | 9   | Socket, Female (Part of Console Box Harness)    |     |
| 10A  | 4460266      | 1   | Connector - 9 Position (Part of p/n 7019187)    |     |
| 10A  | 4460267      | 9   | Pin, Male (Part of p/n 7019187)                 |     |
| 11   | 7019188      | 1   | Coupling, Potentiometer                         |     |
| 12   | Not Serviced | 1   | Heatsink  |     |

# SECTION 4 - PLATFORMS

## FIGURE 4-9. SOFT TOUCH SYSTEM INSTALLATION





## SECTION 4 - PLATFORMS

**FIGURE 4-9. SOFT TOUCH SYSTEM INSTALLATION**

| ITEM | PART NUMBER | QTY            | DESCRIPTION                                     | REV |
|------|-------------|----------------|---|-----|
|      |             | Ref            | <b>SOFT TOUCH SYSTEM INSTALLATIONS OPTIONS:</b> |     |
|      | 0270318     | Ref            | <b>6ft/1.8m Platforms</b>                       | 1   |
|      | 0270312     | Ref            | <b>8ft/2.4m Platforms</b>                       | 1   |
| 1    |             | Ref            | Rail Weldment Options:                          |     |
| 1    | 4845308     | 2              | 6ft/1.8m Platforms                              |     |
| 1    | 4845309     | 2              | 8ft/2.4m Platforms                              |     |
| 2    |             | Ref            | Cover, Rail Options:                            |     |
| 2    | 1670804     | 2              | 6ft/1.8m Platforms                              |     |
| 2    | 1670803     | 2              | 8ft/2.4m Platforms                              |     |
| 3    | 1670787     | 2              | Cover, End Post                                 |     |
| 4    | 1670785     | 2              | Cover, Front Right Post                         |     |
| 5    | 1670786     | 2              | Cover, Front Left Post                          |     |
| 6    | 1670793     | 2              | Cover, End Mid Rail                             |     |
| 7    |             | Ref            | Cover, Right End Top Options:                   |     |
| 7    | 1670798     | 1              | 6ft/1.8m Platforms                              |     |
| 7    | 1670796     | 1              | 8ft/2.4m Platforms                              |     |
| 8    |             | Ref            | Cover, Left End Top Options:                    |     |
| 8    | 1670797     | 1              | 6ft/1.8m Platforms                              |     |
| 8    | 1670795     | 1              | 8ft/2.4m Platforms                              |     |
| 9    |             | Ref            | Cover, Left End Mid Options:                    |     |
| 9    | 1670799     | 1              | 6ft/1.8m Platforms                              |     |
| 9    | 1670789     | 1              | 8ft/2.4m Platforms                              |     |
| 10   |             | Ref            | Cover, Right End Mid Options:                   |     |
| 10   | 1670801     | 1              | 6ft/1.8m Platforms                              |     |
| 10   | 1670791     | 1              | 8ft/2.4m Platforms                              |     |
| 11   | 0940038     | 70<br>ft/21.4m | Padding, Bumper                                 |     |
| 12   | 1670788     | 2              | Cover, Gate                                     |     |
| 13   | 3539719     | 2              | Plate, Switch Strike                            |     |
| 14   | 0630462     | 8              | Bolt, Carriage                                  |     |
| 15   | 4761500     | 8              | Lockwasher 5/16in                               |     |
| 16   | 4751800     | 8              | Flatwasher 1/2in                                |     |
| 17   | 3311501     | 8              | Nut 5/16in-18NC                                 |     |
| 18   | 4751500     | 8              | Flatwasher 5/16in                               |     |
| 19   | 4460049     | 2              | Connector, Strain Relief                        |     |
| 20   | 3530072     | 4              | Plug, Cap                                       |     |
| 22   | 4360057     | 2              | Switch, Limit                                   |     |
| 23   | 0731005     | 4              | Bolt #10-32NC x 5/8in                           |     |
| 24   | 4751000     | 4              | Lockwasher #10                                  |     |
| 25   | 0200550     | 2              | Arm, Switch                                     |     |
| 26   | 0641612     | 8              | Bolt 3/8in-16NC x 1 1/2in                       |     |
| 27   | 4751600     | 40             | Flatwasher 3/8in                                |     |
| 28   | 3311605     | 8              | Locknut 3/8in-16NC                              |     |
| 29   | 3010088     | 16             | Link, Quick                                     |     |
| 30   | 1260136     | 10 ft/3m       | Chain   |     |
| 31   | 4360387     | 1              | Switch, Push Button                             |     |
| 32   | 1702938     | 1              | Decal - Soft Touch Override                     |     |
| 34   | 1320040     | 4              | Clamp   |     |
| 35   | 0641406     | 4              | Bolt 1/4in-20NC x 3/4in                         |     |
| 36   | 4711400     | 8              | Flatwasher 1/4in                                |     |

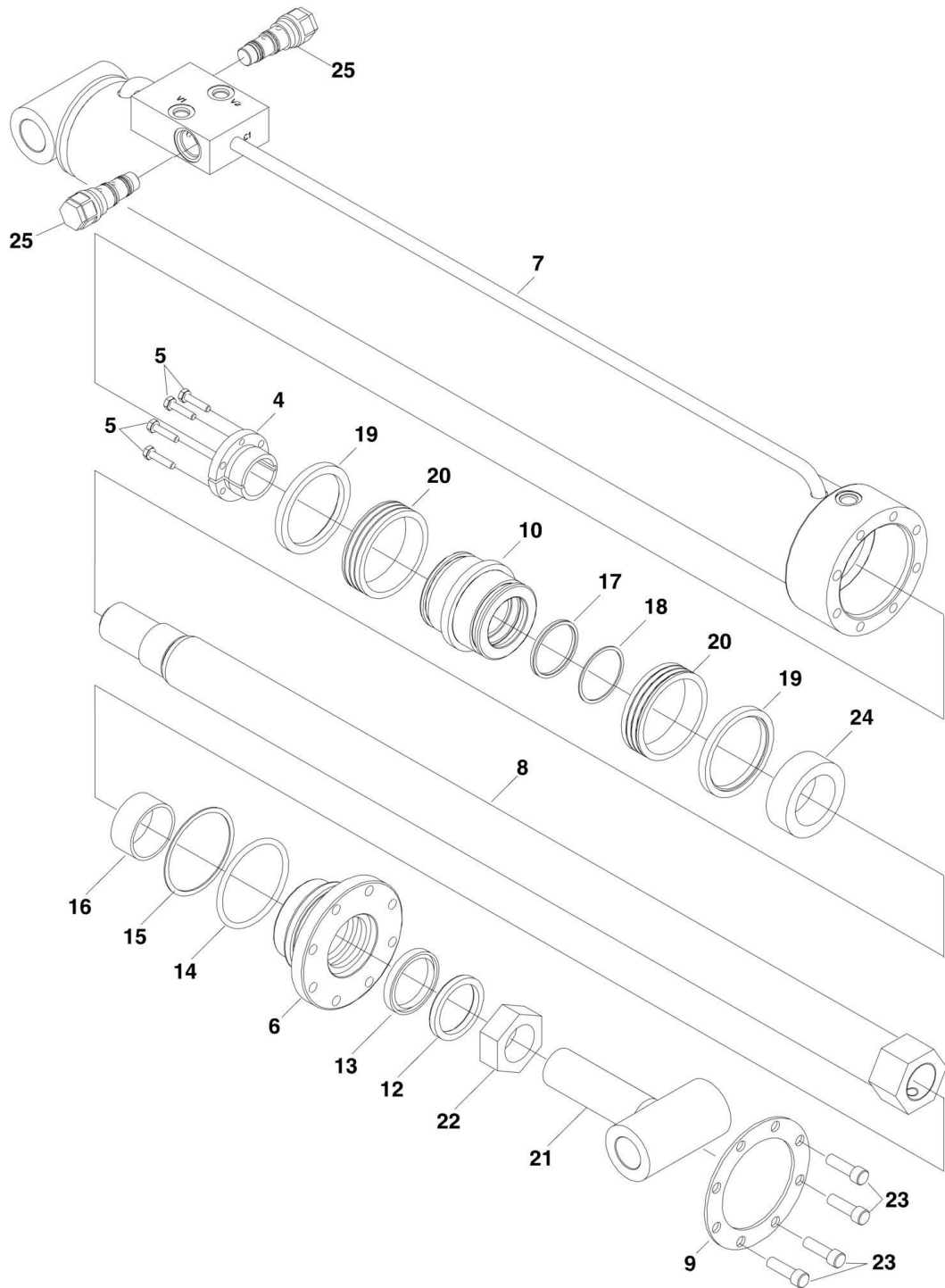
## SECTION 4 - PLATFORMS

| ITEM | PART NUMBER | QTY        | DESCRIPTION                      | REV |
|------|-------------|------------|----------------------------------|-----|
| 37   | 3311405     | 4          | Locknut 1/4in-20NC               |     |
| 38   | 1060330     | 16 ft/4.9m | Cable, Electrical - 16/3         |     |
| 39   | 4460425     | 1          | Connector, Strain Relief Options |     |

**SECTION 5 - CYLINDERS**

# SECTION 5 - CYLINDERS

## FIGURE 5-1. AXLE EXTENSION CYLINDER ASSEMBLY



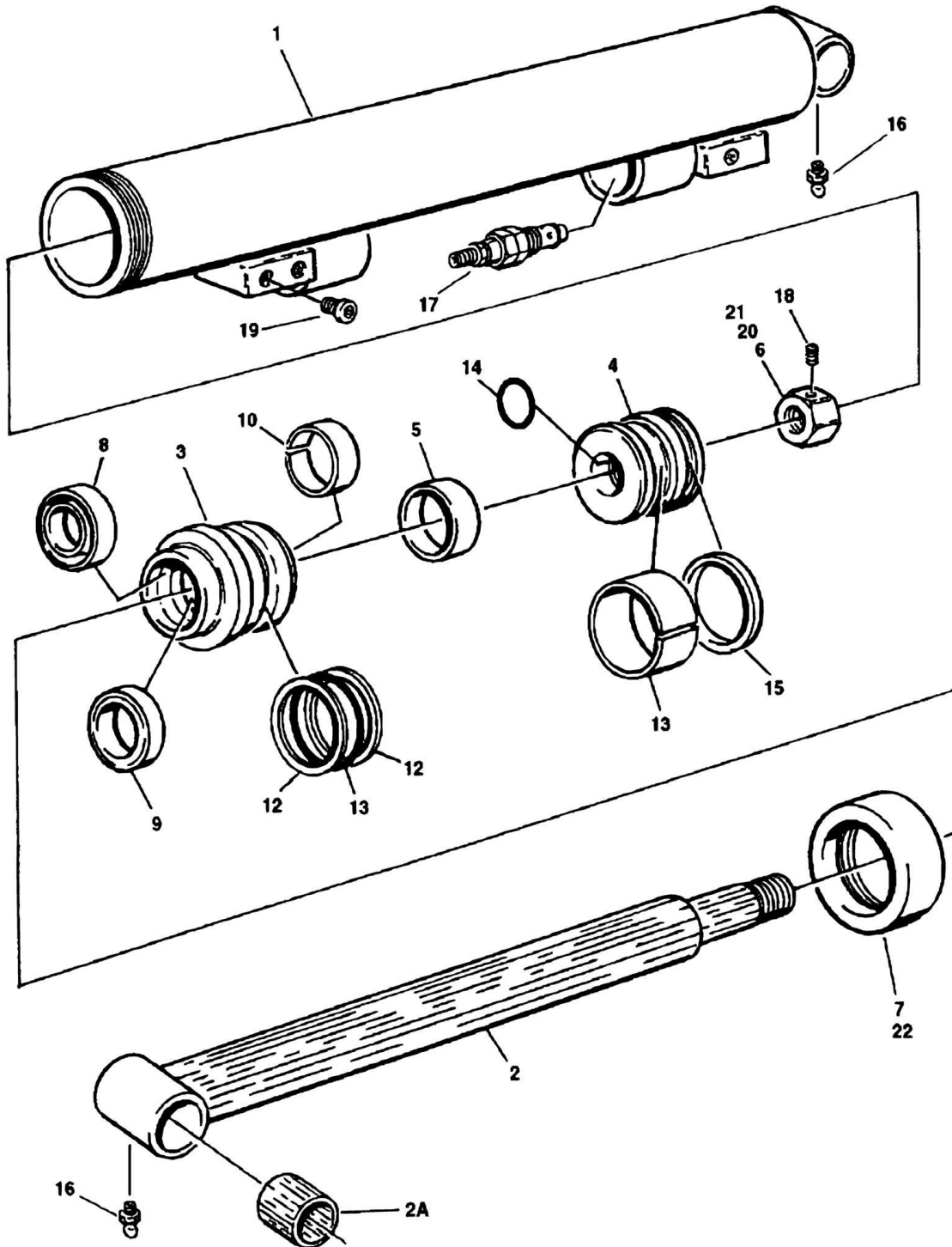
## SECTION 5 - CYLINDERS

**FIGURE 5-1. AXLE EXTENSION CYLINDER ASSEMBLY**

| ITEM | PART NUMBER | QTY | DESCRIPTION                                      | REV |
|------|-------------|-----|--|-----|
|      | 1683920     | Ref | <b>AXLE EXTENSION CYLINDER ASSEMBLY</b>          | A   |
| 4    | 0961896     | 1   | Bushing, Tapered                                 |     |
| 5    | 0630535     | 3   | Setscrew 1/4in-20NC x 1 1/8in                    |     |
| 6    | 1683056     | 1   | Head   |     |
| 7    | 1683915     | 1   | Barrel Weldment                                  |     |
| 8    | 1683918     | 1   | Rod Weldment                                     |     |
| 9    | 3760369     | 1   | Ring, Washer                                     |     |
| 10   | 3480218     | 1   | Piston   |     |
| 12   | Kit         | 1   | Wiper, Rod                                       |     |
| 13   | Kit         | 1   | Seal, Rod  |     |
| 14   | Kit         | 1   | O-Ring   |     |
| 15   | Kit         | 1   | Ring, Back-up                                    |     |
| 16   | Kit         | 1   | Ring, Wear                                       |     |
| 17   | Kit         | 1   | O-Ring   |     |
| 18   | Kit         | 2   | Ring, Back-up                                    |     |
| 19   | Kit         | 2   | Ring, Lock                                       |     |
| 20   | Kit         | 2   | Seal, Hydrolock                                  |     |
| 21   | 3841466     | 1   | Rod End Weldment                                 |     |
| 22   | 3323402     | 1   | Nut, Jam 1 1/2in-12NF                            |     |
| 23   | 3931620     | 8   | Bolt 3/8in-16NC x 1 1/4in                        |     |
| 24   | 4568053     | 1   | Spacer   |     |
| 25   | 4640509     | 2   | Cartridge, Holding Valve                         |     |
| 25   | 2900792     | 2   | Seal Kit - 4640509 Cartridge Valve (1 Per Valve) |     |
|      | 0100038     | AR  | Primer, Locking                                  |     |
|      | 0100011     | AR  | Loctite #242                                     |     |
|      | 0100063     | AR  | Loctite #609                                     |     |
|      | 2901353     | 1   | Seal Kit (Includes Items 12-20)                  |     |

# SECTION 5 - CYLINDERS

## FIGURE 5-2. PLATFORM LEVEL CYLINDER ASSEMBLY



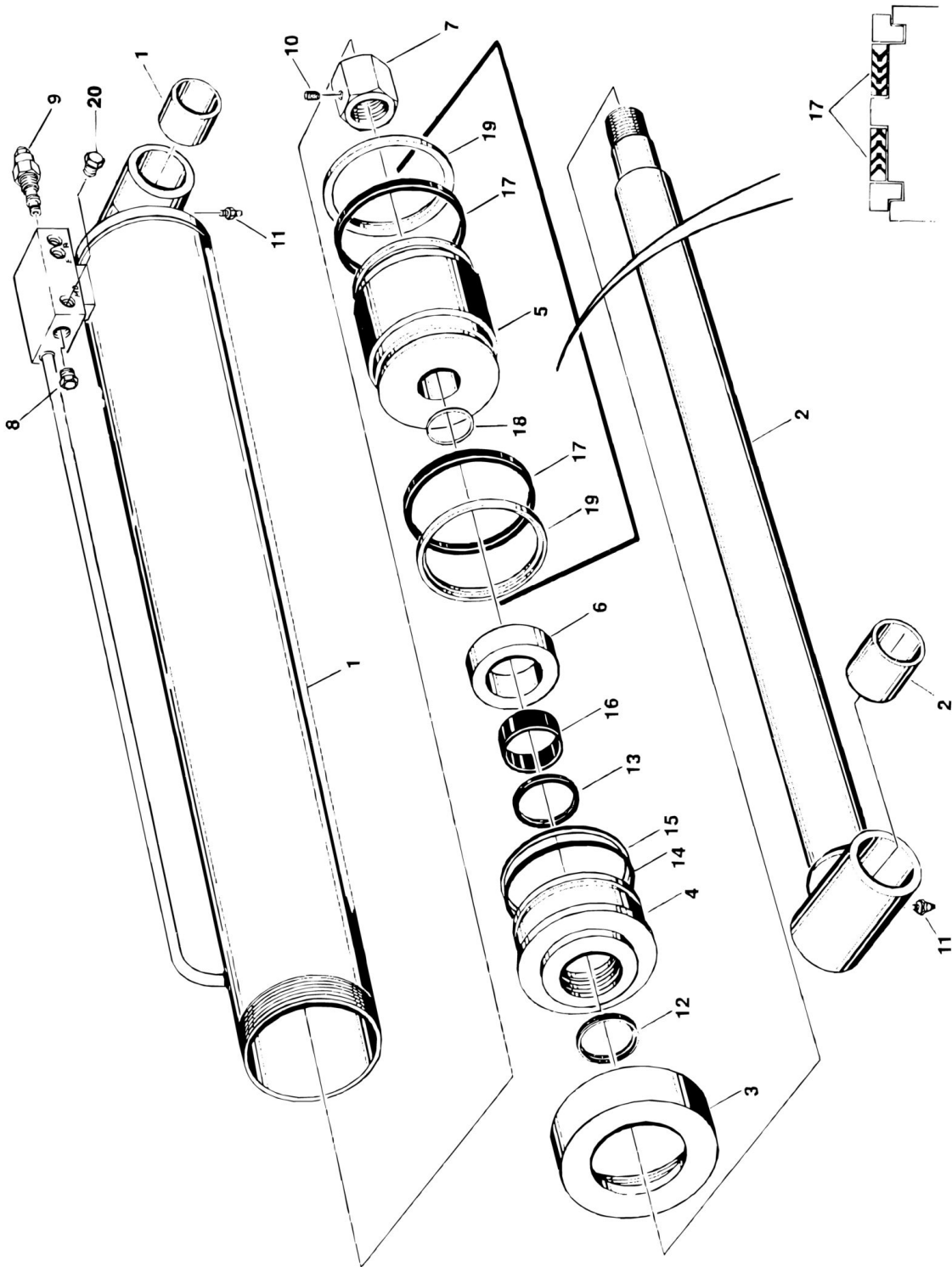
## SECTION 5 - CYLINDERS

### FIGURE 5-2. PLATFORM LEVEL CYLINDER ASSEMBLY

| ITEM | PART NUMBER | QTY | DESCRIPTION   | REV |
|------|-------------|-----|---|-----|
|      |             | Ref | <b>PLATFORM SLAVE LEVEL CYLINDER ASSEMBLY OPTIONS:</b>              |     |
|      | 1682590     | Ref | <b>Platform Slave Level Cylinder Assembly (Prior to SN 56302)</b>   | C   |
|      | 1683536     | Ref | <b>Platform Slave Level Cylinder Assembly (SN 56302 to Present)</b> | 1-A |
| 1    |             | Ref | Barrel Assembly Options:  |     |
| 1    | 1682591     | 1   | Barrel Assembly May 1992 to SN 33110                                |     |
| 1    | 1683535     | 1   | Barrel Assembly <b>(SN 33111 to Present)</b>                        |     |
| 2    | 1681974     | 1   | Rod Assembly  |     |
| 2A   | 0960097     | 1   | Bushing   |     |
| 3    | 1680892     | 1   | Head  |     |
| 4    | 3480120     | 1   | Piston  |     |
| 5    | 4564057     | 1   | Spacer  |     |
| 6    | 3300308     | 1   | Nut   |     |
| 7    | 1120179     | 1   | Retainer  |     |
| 8    | Kit         | 1   | Seal, Wiper   |     |
| 9    | Kit         | 1   | Seal, Rod   |     |
| 10   | Kit         | 1   | Ring, Wear  |     |
| 11   | Kit         | 1   | O-Ring  |     |
| 12   | Kit         | 2   | Ring, Back-up   |     |
| 13   | Kit         | 1   | Ring, Wear  |     |
| 14   | Kit         | 1   | O-Ring  |     |
| 15   | Kit         | 1   | Seal, Piston  |     |
| 16   | 2160002     | 2   | Fitting, Grease   |     |
| 17   | 4640634     | 2   | Valve, Cartridge - Holding  |     |
| 17   | 2900770     | 1   | Seal Kit - 4640634 Valve (1 Per Assembly)                           |     |
| 18   | 3900170     | 1   | Setscrew 2/8in-16NC x 3/8in   |     |
| 19   | 2220885     | 2   | Plug, Socket head #6  |     |
| 20   | 0100011     | AR  | Loctite #242  |     |
| 21   | 0100038     | AR  | Primer, Locking   |     |
| 22   | 0100035     | AR  | Loctite #222  |     |
|      | 2900381     | 1   | Seal Kit - 1682590 Cylinder (Includes Items 8-15)                   |     |

# SECTION 5 - CYLINDERS

## FIGURE 5-3. BOOM LIFT CYLINDER ASSEMBLY (110SX/110SXJ/120SXJ)





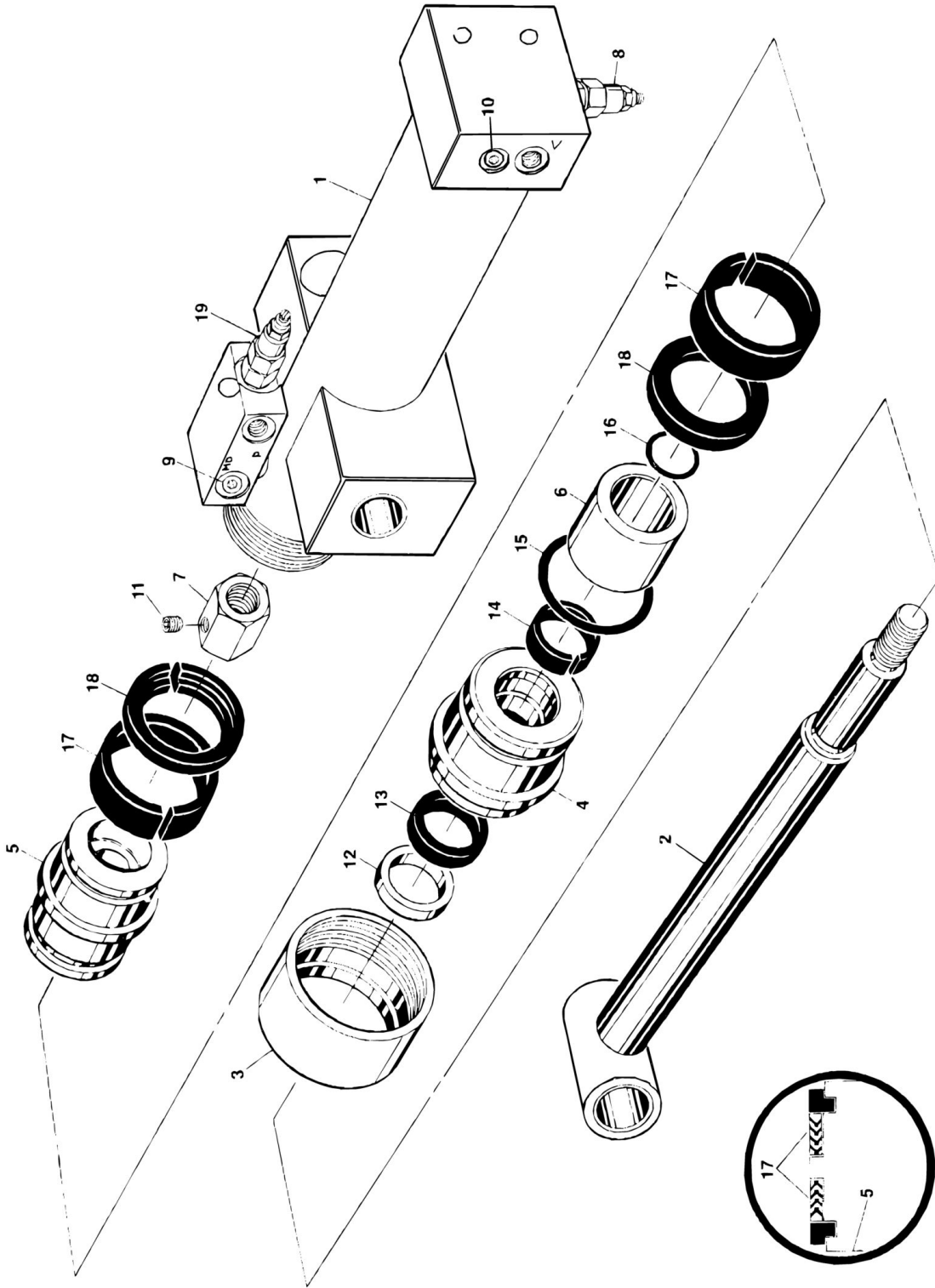
## SECTION 5 - CYLINDERS

**FIGURE 5-3. BOOM LIFT CYLINDER ASSEMBLY (110SX/110SXJ/120SXJ)**

| ITEM | PART NUMBER | QTY | DESCRIPTION   | REV |
|------|-------------|-----|---|-----|
|      |             | Ref | <b>BOOM LIFT CYLINDER ASSEMBLIES</b>                                |     |
|      | 1682895     | Ref | <b>Boom Lift Cylinder Assemblies 110SX/110SXJ/120SXJ - STANDARD</b> | -   |
|      | 1682630     | Ref | <b>Boom Lift Cylinder Assemblies 110SXJ - WITH INVERTED TRACK</b>   | B   |
| 1    | 1682631     | 1   | Barrel Weldment   |     |
| 1    | 0960509     | 2   | Bushing, Bronze   |     |
| 2    | 1682633     | 1   | Rod Weldment  |     |
| 2    | 0961082     | 2   | Bushing, Bronze   |     |
| 3    | 1120363     | 1   | Retainer  |     |
| 4    | 1682118     | 1   | Head  |     |
| 5    | 3480162     | 1   | Piston  |     |
| 6    | 4565652     | 1   | Spacer  |     |
| 7    | 3300306     | 1   | Nut   |     |
| 8    | 2220887     | 1   | Plug  |     |
| 9    | 4640771     | 1   | Cartridge, Holding Valve  |     |
| 9    | 2900770     | 1   | Seal Kit - 4640709 Valve  |     |
| 10   | 3900171     | 1   | Setscrew 1/2in-13NC x 1/2in   |     |
| 11   | 2160002     | 2   | Fitting, Grease   |     |
| 12   | Kit         | 1   | Wiper, Rod  |     |
| 13   | Kit         | 1   | Seal, Rod   |     |
| 14   | Kit         | 1   | O-Ring  |     |
| 15   | Kit         | 1   | Ring, Back-up   |     |
| 16   | Kit         | 1   | Ring, Wear  |     |
| 17   | Kit         | 2   | Ring, Guide   |     |
| 18   | Kit         | 1   | O-Ring  |     |
| 19   | Kit         | 1   | Ring, Lock  |     |
| 20   | 2220883     | 1   | Plug  |     |
|      | 0100011     | AR  | Loctite #242  |     |
|      | 0100038     | AR  | Primer, Locking   |     |
|      | 0100035     | AR  | Loctite #222  |     |
|      | 2901118     | 1   | Seal Kit (Includes Items 12-19)                                     |     |

# SECTION 5 - CYLINDERS

FIGURE 5-4. EXTEND-A-REACH LEVEL CYLINDER ASSEMBLY



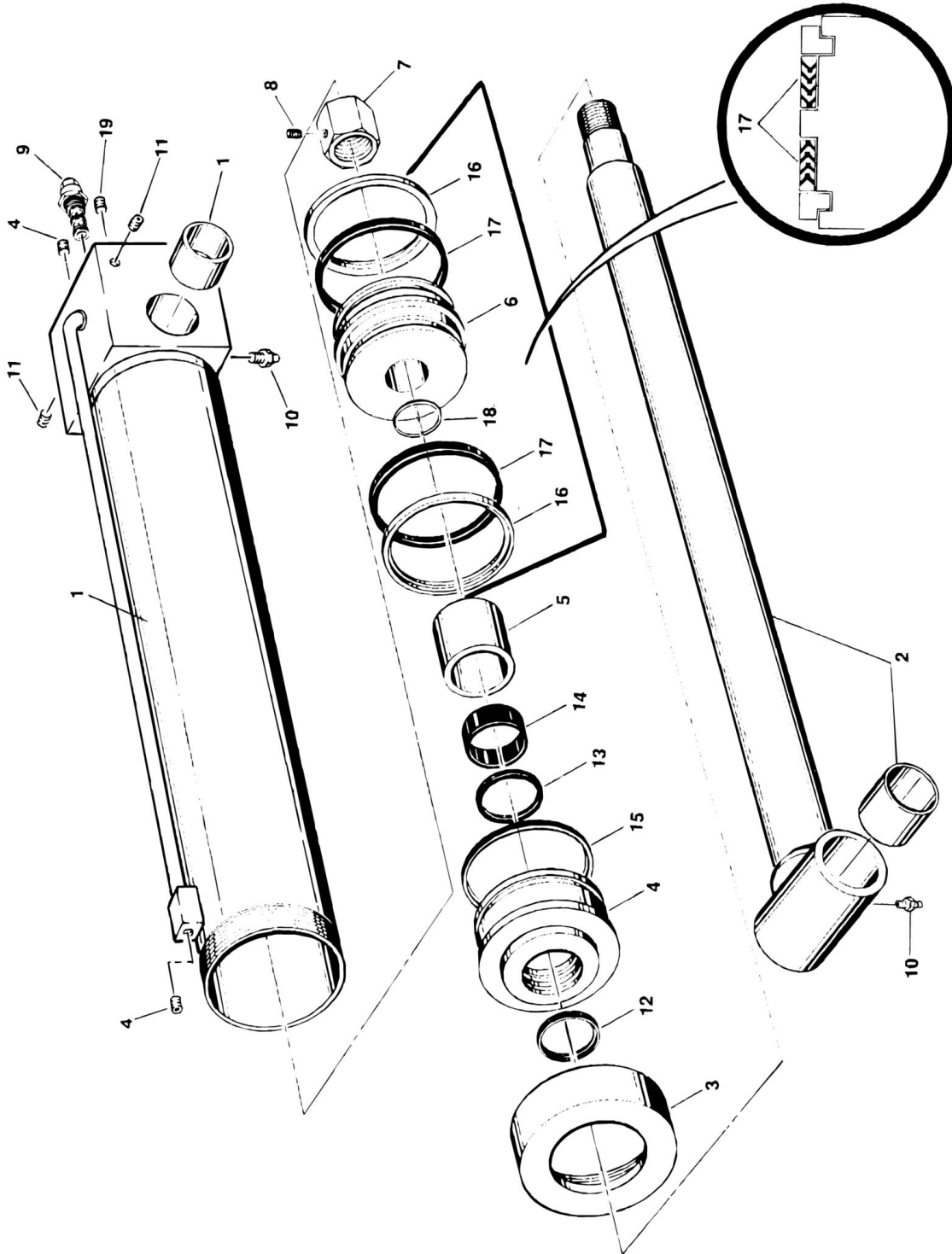
## SECTION 5 - CYLINDERS

**FIGURE 5-4. EXTEND-A-REACH LEVEL CYLINDER ASSEMBLY**

| ITEM | PART NUMBER | QTY | DESCRIPTION                                   | REV |
|------|-------------|-----|---|-----|
|      | 1683530     | Ref | <b>EXTEND-A-REACH LEVEL CYLINDER ASSEMBLY</b> | 1-A |
| 1    | 1683529     | 1   | Barrel Weldment                               |     |
| 1    | 0961595     | 2   | Bushing, Bronze                               |     |
| 2    | 1682755     | 1   | Rod Weldment                                  |     |
| 2    | 0961182     | 2   | Bushing, Oilite                               |     |
| 3    | 1120305     | 1   | Retainer                                      |     |
| 4    | 1681792     | 1   | Head  |     |
| 5    | 3480167     | 1   | Piston  |     |
| 6    | 4565913     | 1   | Spacer  |     |
| 7    | 3300279     | 1   | Nut   |     |
| 8    | 4640634     | 1   | Cartridge, Holding Valve                      |     |
| 8    | 2900770     | 1   | Seal Kit - 4640634 Valve                      |     |
| 9    | 2220885     | 1   | Plug 3/8in                                    |     |
| 10   | 2220883     | 2   | Plug 1/4in                                    |     |
| 11   | 3900170     | 1   | Setscrew 3/8in-16NC x 3/8in                   |     |
| 12   | Kit         | 1   | Wiper, Rod                                    |     |
| 13   | Kit         | 1   | Seal, Rod                                     |     |
| 14   | Kit         | 1   | Ring, Wear                                    |     |
| 15   | Kit         | 1   | O-Ring  |     |
| 16   | Kit         | 1   | O-Ring  |     |
| 17   | Kit         | 2   | Ring, Guide                                   |     |
| 18   | Kit         | 2   | Ring, Lock                                    |     |
| 19   | 4640996     | 1   | Valve, Counterbalance                         |     |
| 19   | 2900770     | 1   | Seal Kit - 4640996 Valve                      |     |
|      | 0100038     | AR  | Primer, Loctite                               |     |
|      | 0100011     | AR  | Loctite #242                                  |     |
|      | 0100035     | AR  | Loctite #222                                  |     |
|      | 2901206     | 1   | Seal Kit (Includes Items 12-18)               |     |

# SECTION 5 - CYLINDERS

## FIGURE 5-5. EXTEND-A-REACH LIFT CYLINDER ASSEMBLY



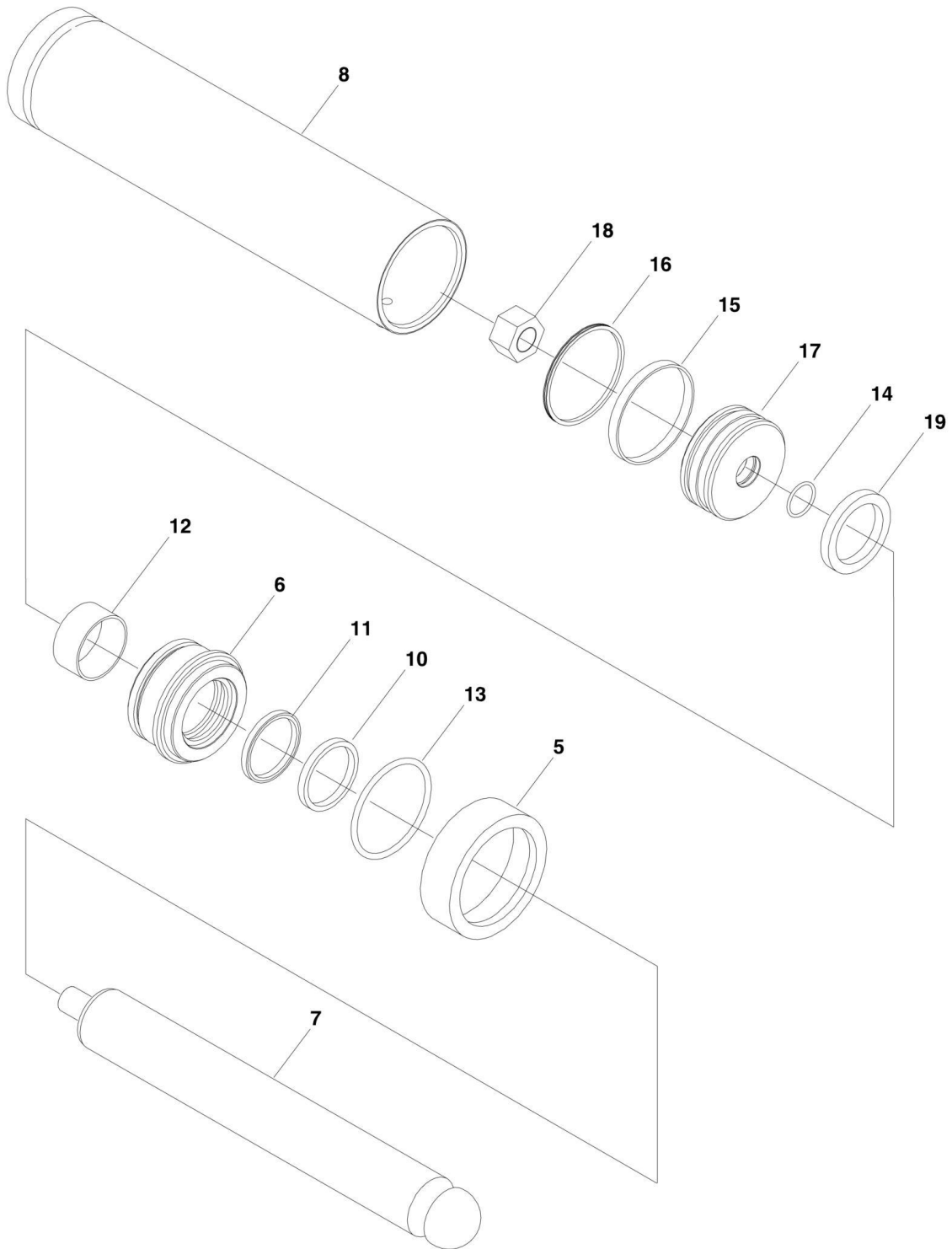
## SECTION 5 - CYLINDERS

**FIGURE 5-5. EXTEND-A-REACH LIFT CYLINDER ASSEMBLY**

| ITEM | PART NUMBER | QTY | DESCRIPTION  | REV |
|------|-------------|-----|--|-----|
|      |             | Ref | <b>EXTEND-A-REACH LIFT CYLINDER ASSEMBLY OPTIONS:</b>              |     |
|      | 1683725     | Ref | <b>Extend-A-Reach Lift Cylinder Assembly (Prior to SN 64012)</b>   | 1   |
|      | 1684164     | Ref | <b>Extend-A-Reach Lift Cylinder Assembly (SN 64012 to Present)</b> | 1   |
| 1    | 1683724     | 1   | Barrel Weldment  |     |
| 1    | 0961185     | 2   | Bushing, Bronze  |     |
| 2    | 1682638     | 1   | Rod Weldment   |     |
| 2    | 0961595     | 2   | Bushing, Bronze  |     |
| 3    | 1120305     | 1   | Retainer   |     |
| 4    | 1681423     | 1   | Head   |     |
| 5    | 4564009     | 1   | Spacer   |     |
| 6    | 3480113     | 1   | Piston   |     |
| 7    |             | Ref | Nut Options:   |     |
| 7    | 3300285     | 1   | Nut <b>(Prior to SN 64012)</b>                                     |     |
| 7    | 3300307     | 1   | Nut <b>(SN 64012 to Present)</b>                                   |     |
| 8    | 3900170     | 1   | Setscrew 3/8in-16NC x 3/8in  |     |
| 9    | 4640495     | 2   | Cartridge, Holding Valve   |     |
| 9    | 2900770     | AR  | Seal Kit - 4640495 Valve (1 per cartridge)                         |     |
| 10   | 2160002     | 2   | Fitting, Grease  |     |
| 11   | 2200201     | 4   | Plug, Pipe 1/8in NPT   |     |
| 12   | Kit         | 1   | Wiper, Rod   |     |
| 13   | Kit         | 1   | Seal, Rod  |     |
| 14   | Kit         | 1   | Ring, Wear   |     |
| 15   | Kit         | 1   | Seal, Head   |     |
| 16   | Kit         | 2   | Ring, Guide  |     |
| 17   | Kit         | 2   | Ring, Lock   |     |
| 18   | Kit         | 1   | O-Ring   |     |
| 19   | 2200222     | 2   | Plug, Pipe 1/4in NPT   |     |
|      | 0100020     | AR  | Sealant, Pipe  |     |
|      | 0100011     | AR  | Loctite #242   |     |
|      | 0100038     | AR  | Primer, Locking  |     |
|      | 0100035     | AR  | Loctite #222   |     |
|      | 2901142     | 1   | Seal Kit (Includes Items 12-18)                                    |     |

# SECTION 5 - CYLINDERS

## FIGURE 5-6. JACK CYLINDER ASSEMBLY



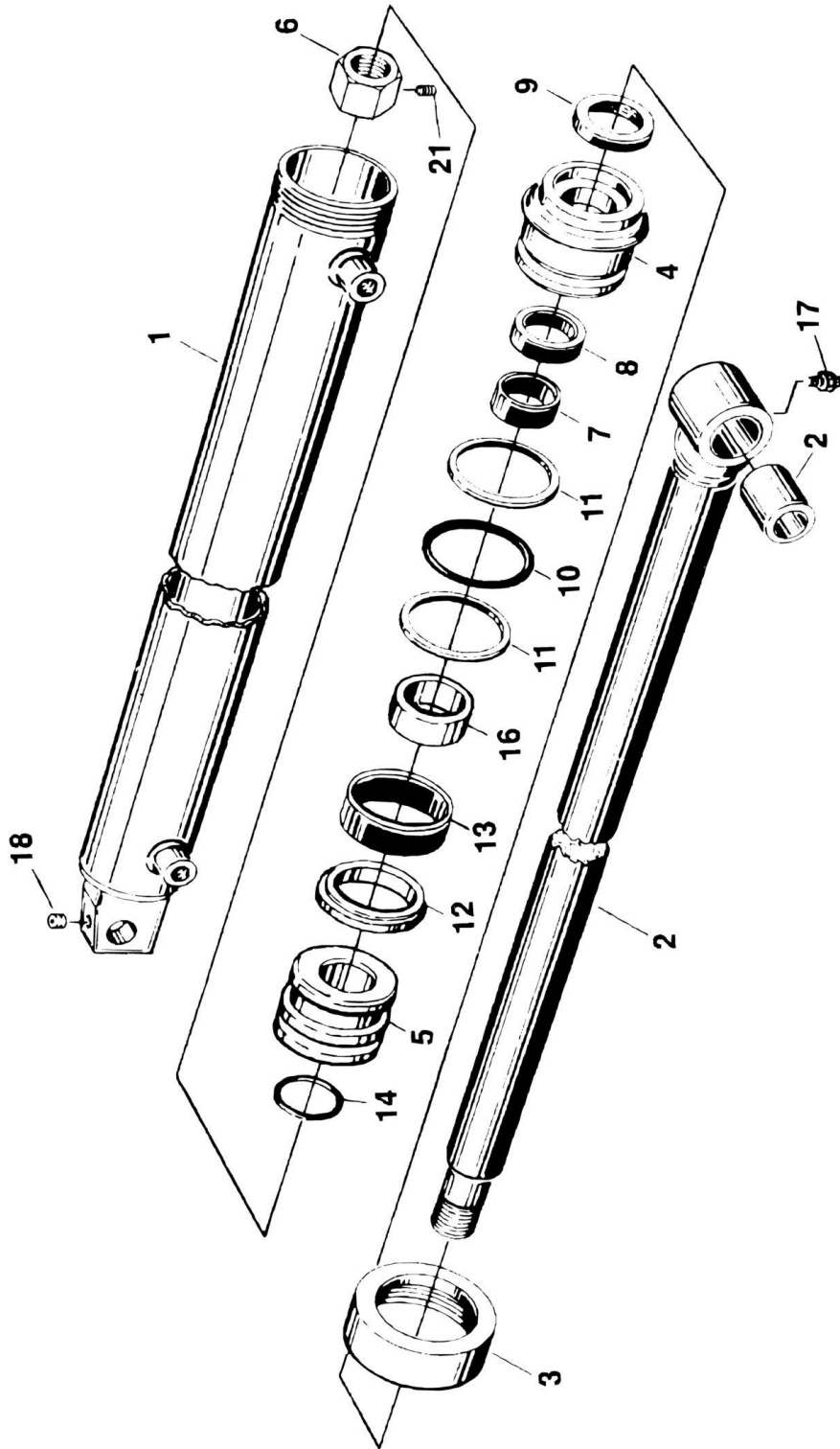
## SECTION 5 - CYLINDERS

**FIGURE 5-6. JACK CYLINDER ASSEMBLY**

| ITEM | PART NUMBER | QTY | DESCRIPTION                     | REV |
|------|-------------|-----|---------------------------------|-----|
|      | 1683965     | Ref | <b>JACK CYLINDER ASSEMBLY</b>   | A   |
| 5    | 1120358     | 1   | Retainer                        |     |
| 6    | 1682098     | 1   | Head                            |     |
| 7    | 1682514     | 1   | Rod Weldment                    |     |
| 8    | 1683964     | 1   | Barrel Weldment                 |     |
| 10   | Kit         | 1   | Wiper, Rod                      |     |
| 11   | Kit         | 1   | Seal, Rod                       |     |
| 12   | Kit         | 1   | Ring, Wear                      |     |
| 13   | Kit         | 1   | O-Ring                          |     |
| 14   | Kit         | 1   | O-Ring                          |     |
| 15   | Kit         | 1   | Ring, Wear                      |     |
| 16   | Kit         | 1   | T-Seal                          |     |
| 17   | 3480137     | 1   | Piston                          |     |
| 18   | 3300281     | 1   | Nut                             |     |
| 19   | 4565225     | 1   | Tube, Spacer                    |     |
|      | 0100011     | AR  | Loctite #242                    |     |
|      | 0100035     | AR  | Primer, Locking                 |     |
|      | 0100038     | AR  | Loctite #222                    |     |
|      | 0100063     | AR  | Loctite #609                    |     |
|      | 2901115     | 1   | Seal Kit (Includes Items 10-16) |     |

# SECTION 5 - CYLINDERS

## FIGURE 5-7. MASTER CYLINDER ASSEMBLY





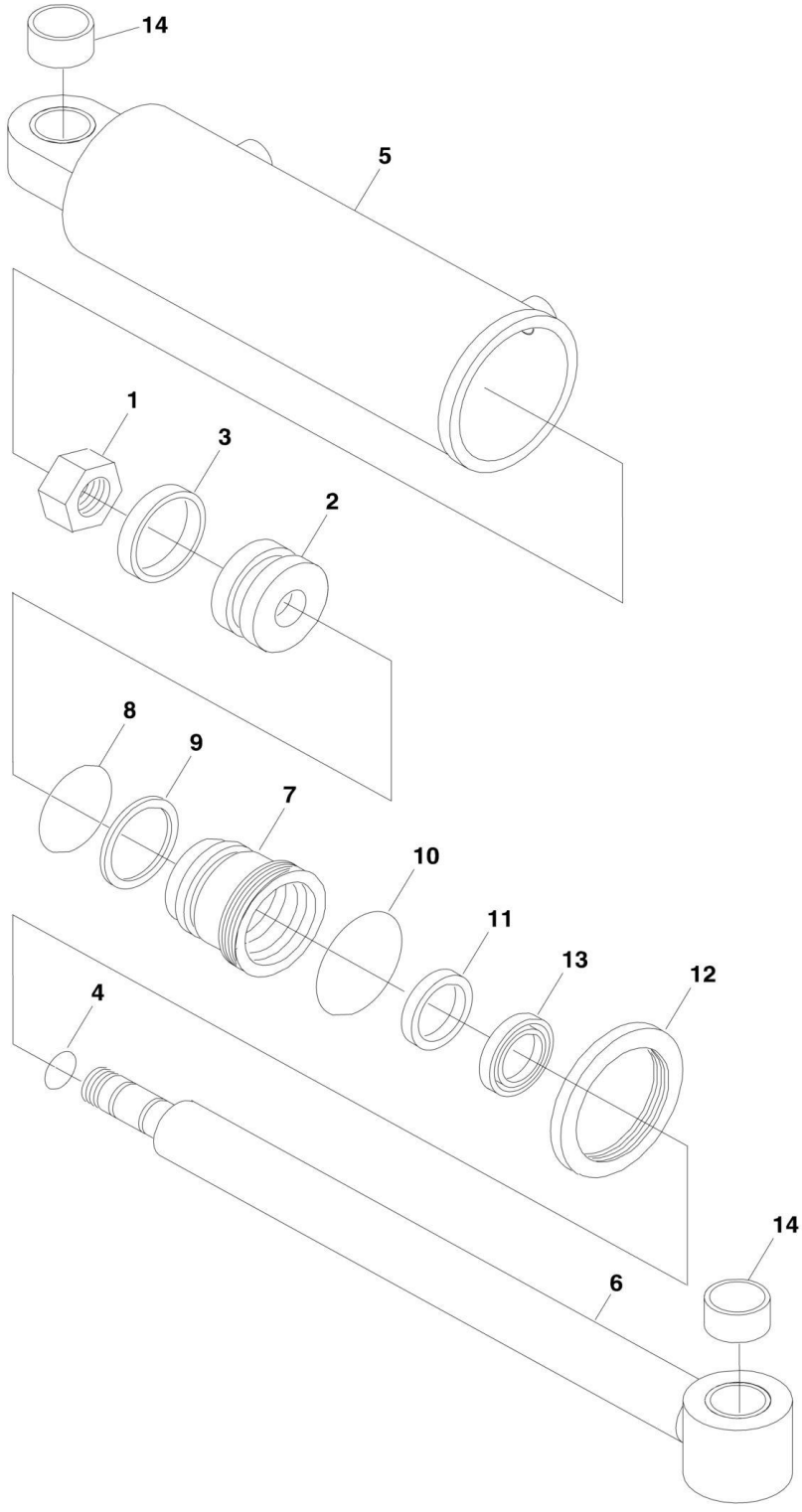
## SECTION 5 - CYLINDERS

### FIGURE 5-7. MASTER CYLINDER ASSEMBLY

| ITEM | PART NUMBER | QTY | DESCRIPTION                                     | REV |
|------|-------------|-----|---|-----|
|      |             | Ref | <b>MASTER CYLINDER ASSEMBLIES</b>               |     |
|      | 1681978     | Ref | <b>Master Cylinder Assemblies 100SX/110SX</b>   | C   |
|      | 1681580     | Ref | <b>Master Cylinder Assemblies 110SXJ/120SXJ</b> | F   |
| 1    |             | Ref | Barrel Weldment                                 |     |
| 1    | 1681979     | 1   | Barrel Weldment 100SX/110SX                     |     |
| 1    | 1681490     | 1   | Barrel Weldment 110SXJ/120SXJ                   |     |
| 2    |             | Ref | Rod Weldment                                    |     |
| 2    | 1681974     | 1   | Rod Weldment 100SX/110SX                        |     |
| 2    | 1681488     | 1   | Rod Weldment 110SXJ/120SXJ                      |     |
| 2    | 0960097     | 1   | Bushing, Bronze                                 |     |
| 3    | 1120179     | 1   | Retainer  |     |
| 4    | 1680892     | 1   | Head  |     |
| 5    | 3480120     | 1   | Piston  |     |
| 6    | 3300272     | 1   | Nut   |     |
| 7    | Kit         | 1   | Ring, Wear                                      |     |
| 8    | Kit         | 1   | Z-Seal  |     |
| 9    | Kit         | 1   | Wiper, Rod                                      |     |
| 10   | Kit         | 1   | O-Ring  |     |
| 11   | Kit         | 2   | Ring, Back-up                                   |     |
| 12   | Kit         | 1   | Seal, Piston                                    |     |
| 13   | Kit         | 1   | Ring, Wear                                      |     |
| 14   | Kit         | 1   | O-Ring  |     |
| 16   |             | Ref | Tube, Spacer Options:                           |     |
| 16   | 4564057     | 1   | Tube, Spacer 100SX/110SX                        |     |
| 16   | 4563031     | 1   | Tube, Spacer 110SXJ/120SXJ                      |     |
| 17   | 2160002     | 1   | Fitting, Grease                                 |     |
| 18   | 2200201     | 1   | Plug, Pipe 1/8in NPT                            |     |
| 21   | 3900170     | 1   | Setscrew 3/8in-16NC x 3/8in                     |     |
|      | 0100011     | AR  | Loctite #242                                    |     |
|      | 0100038     | AR  | Primer, Locking                                 |     |
|      | 0100035     | AR  | Loctite #222                                    |     |
|      | 2900381     | 1   | Seal Kit (Includes Items 7-14)                  |     |

# SECTION 5 - CYLINDERS

## FIGURE 5-8. STEER CYLINDER ASSEMBLY



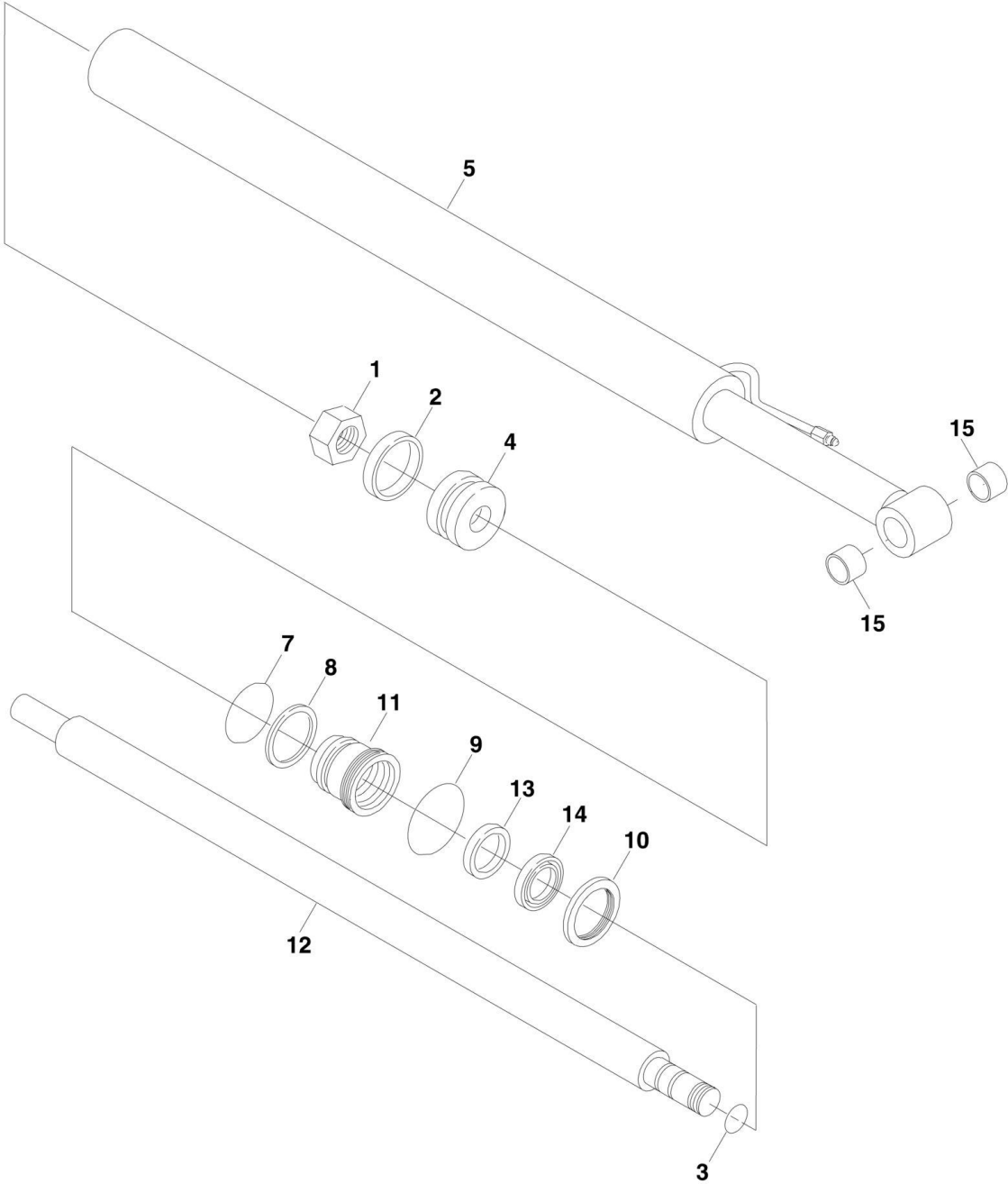
## SECTION 5 - CYLINDERS

**FIGURE 5-8. STEER CYLINDER ASSEMBLY**

| ITEM | PART NUMBER | QTY | DESCRIPTION                         | REV |
|------|-------------|-----|-------------------------------------|-----|
|      |             | Ref | <b>STEER CYLINDER ASSEMBLIES</b>    |     |
|      | 1683935     | Ref | <b>2WS</b>                          | D   |
|      | 1683958     | Ref | <b>4WS</b>                          | B   |
| 1    | 7017278     | 1   | Nut                                 |     |
| 2    | 7023000     | 1   | Piston                              |     |
| 3    | Kit         | 1   | Piston Seal                         |     |
| 4    | Kit         | 1   | O-Ring                              |     |
| 5    |             | Ref | Barrel Weldment Options:            |     |
| 5    | 7023001     | 1   | 2WS                                 |     |
| 5    | 7023007     | 1   | 4WS                                 |     |
| 6    |             | Ref | Rod Weldment Options:               |     |
| 6    | 7023002     | 1   | 2WS                                 |     |
| 6    | 7023008     | 1   | 4WS                                 |     |
| 7    | 7023003     | 1   | Head                                |     |
| 8    | Kit         | 1   | O-Ring                              |     |
| 9    | Kit         | 1   | Ring, Back-up                       |     |
| 10   | Kit         | 1   | Ring, Retainer                      |     |
| 11   | Kit         | 1   | Seal, Rod                           |     |
| 12   | 7023004     | 1   | Spanner Nut                         |     |
| 13   | Kit         | 1   | Wiper, Rod                          |     |
| 14   | 0961951     | 3   | Bushing                             |     |
|      | 7017299     | 1   | Seal Kit (Includes Items 8-11 & 13) |     |

**SECTION 5 - CYLINDERS**

**FIGURE 5-9. TIE ROD CYLINDER ASSEMBLY**



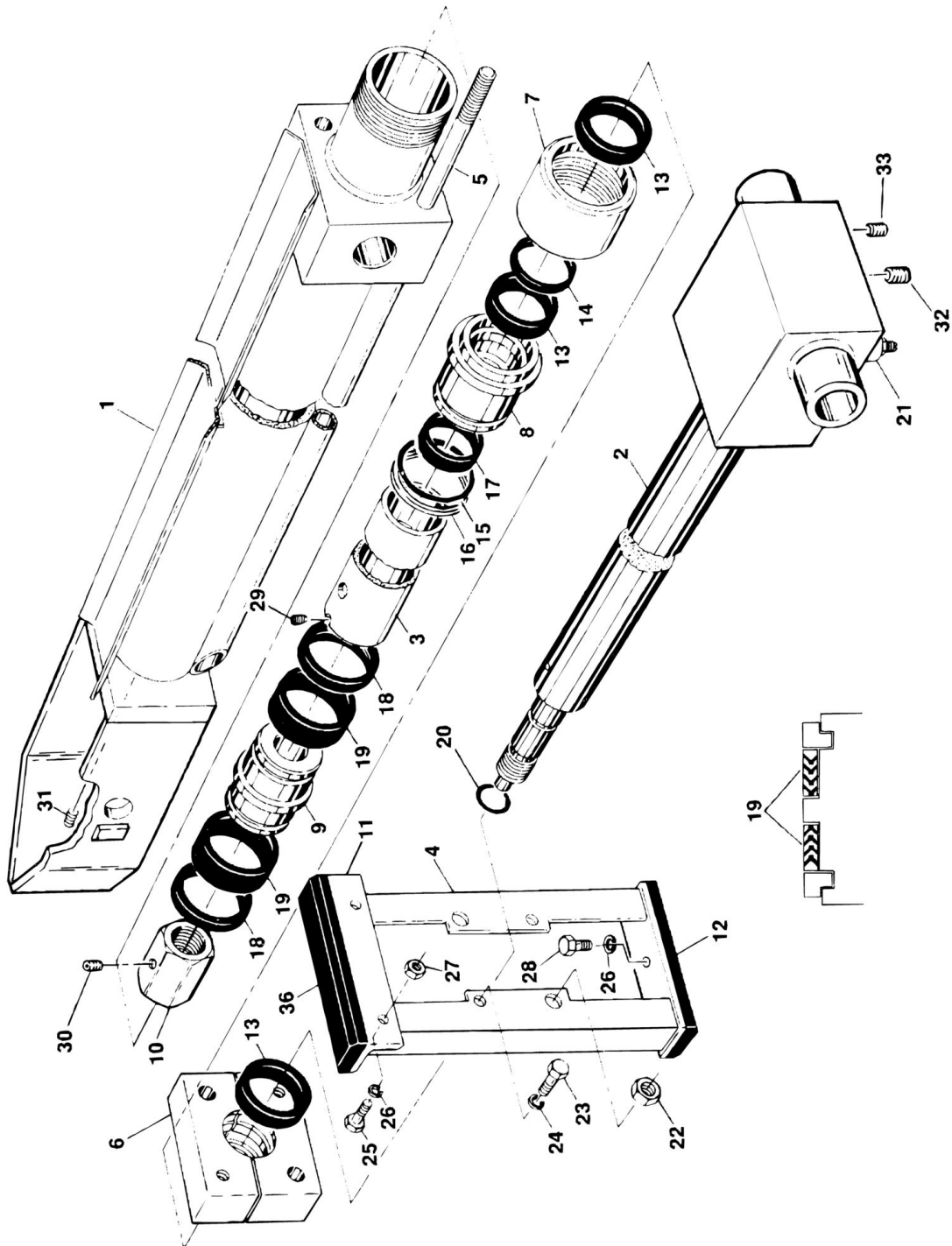
## SECTION 5 - CYLINDERS

**FIGURE 5-9. TIE ROD CYLINDER ASSEMBLY**

| ITEM | PART NUMBER | QTY | DESCRIPTION                                      | REV |
|------|-------------|-----|--|-----|
|      | 1683921     | Ref | <b>TIE ROD CYLINDER ASSEMBLY</b>                 | C   |
| 1    | 7017210     | 1   | Nut  |     |
| 2    | Kit         | 1   | Piston Seal                                      |     |
| 3    | Kit         | 1   | O-Ring   |     |
| 4    | 7017211     | 1   | Piston   |     |
| 5    | 7017296     | 1   | Barrel Weldment                                  |     |
| 7    | Kit         | 1   | O-Ring   |     |
| 8    | Kit         | 1   | Ring, Back-up                                    |     |
| 9    | Kit         | 1   | O-Ring   |     |
| 10   | 7017214     | 1   | Spanner Nut                                      |     |
| 11   | 7017297     | 1   | Head   |     |
| 12   | 7017298     | 1   | Rod Weldment                                     |     |
| 13   | Kit         | 1   | Seal, Rod  |     |
| 14   | Kit         | 1   | Wiper, Rod                                       |     |
| 15   | 0961951     | 2   | Bushing, Garmax                                  |     |
|      | 7017295     | 1   | Seal Kit (Includes Items 2, 3, 7, 8, 9, 13 & 14) |     |

# SECTION 5 - CYLINDERS

## FIGURE 5-10. TELESCOPE CYLINDER ASSEMBLY



## SECTION 5 - CYLINDERS

**FIGURE 5-10. TELESCOPE CYLINDER ASSEMBLY**

| ITEM | PART NUMBER | QTY | DESCRIPTION  | REV |
|------|-------------|-----|--|-----|
|      |             | Ref | <b>TELESCOPE CYLINDER ASSEMBLIES</b>   |     |
|      | 1682820     | Ref | <b>TELESCOPE CYLINDER ASSEMBLY - 110SX STANDARD - 110SX WITH INVERTED TRACK</b>    | A   |
|      | 1682821     | Ref | <b>TELESCOPE CYLINDER ASSEMBLY - 100SX/110SXJ &amp; 110SXJ WITH INVERTED TRACK</b> | A   |
|      | 1683701     | Ref | <b>TELESCOPE CYLINDER ASSEMBLY - 120SXJ</b>  | 2   |
| 1    | 1681926     | 1   | Barrel Weldment  |     |
| 2    | 1681922     | 1   | Rod Weldment   |     |
| 3    | 1682031     | 1   | Spacer   |     |
| 4    | 4843016     | 1   | Rod Support Weldment   |     |
| 5    | 3840944     | 2   | Rod, Guide   |     |
| 6    | 0560773     | 1   | Block, Nylatron  |     |
| 7    | 1120345     | 1   | Retainer   |     |
| 8    | 1682298     | 1   | Head   |     |
| 9    | 3480133     | 1   | Piston   |     |
| 10   | 3300299     | 1   | Nut  |     |
| 11   | 0181404     | 1   | Angle  |     |
| 12   | 3340560     | 1   | Pad, Wear  |     |
| 13   | Kit         | 3   | Seal, Rod  |     |
| 14   | Kit         | 1   | Wiper, Rod   |     |
| 15   | Kit         | 1   | O-Ring   |     |
| 16   | Kit         | 1   | Ring, Back-up  |     |
| 17   | Kit         | 1   | Ring, Wear   |     |
| 18   | Kit         | 2   | Ring, Guide  |     |
| 19   | Kit         | 2   | Seal, Piston   |     |
| 20   | Kit         | 1   | T-Seal   |     |
| 21   | 4640487     | 1   | Cartridge, Valve - With Inverted Track   |     |
| 21   | 4641083     | 1   | Cartridge, Valve - Without Inverted Track  |     |
| 22   | 3312202     | 2   | Nut, Jam 3/4in-10NC  |     |
| 23   | 0641812     | 2   | Bolt 1/2in-13NC x 1 1/2in  |     |
| 24   | 4761800     | 2   | Lockwasher 1/2in   |     |
| 25   | 0641608     | 2   | Bolt 3/8in-16NC x 1in  |     |
| 26   | 4761600     | 7   | Lockwasher 3/8in   |     |
| 27   | 3311601     | 2   | Nut 3/8in-16NC   |     |
| 28   | 0641605     | 5   | Bolt 3/8in-16NC x 5/8in  |     |
| 29   | 3951405     | 1   | Setscrew 1/4in-20NC x 5/8in  |     |
| 30   | 3900171     | 1   | Setscrew 1/2in-13NC x 1/2in  |     |
| 31   | 2200221     | 1   | Plug, Pipe 1/8in NPT   |     |
| 32   | 2200224     | 2   | Plug, Pipe 3/8in NPT   |     |
| 33   | 2200222     | 1   | Plug, Pipe 1/4in NPT   |     |
| 36   | 3340566     | 1   | Pad, Wear  |     |
|      | 0100020     | AR  | Sealant, Pipe  |     |
|      | 0100011     | AR  | Loctite #242   |     |
|      | 0100035     | AR  | Loctite #222   |     |
|      | 0100038     | AR  | Primer, Locking  |     |
|      | 2901234     | 1   | Seal Kit (Includes Items 13-20)  |     |

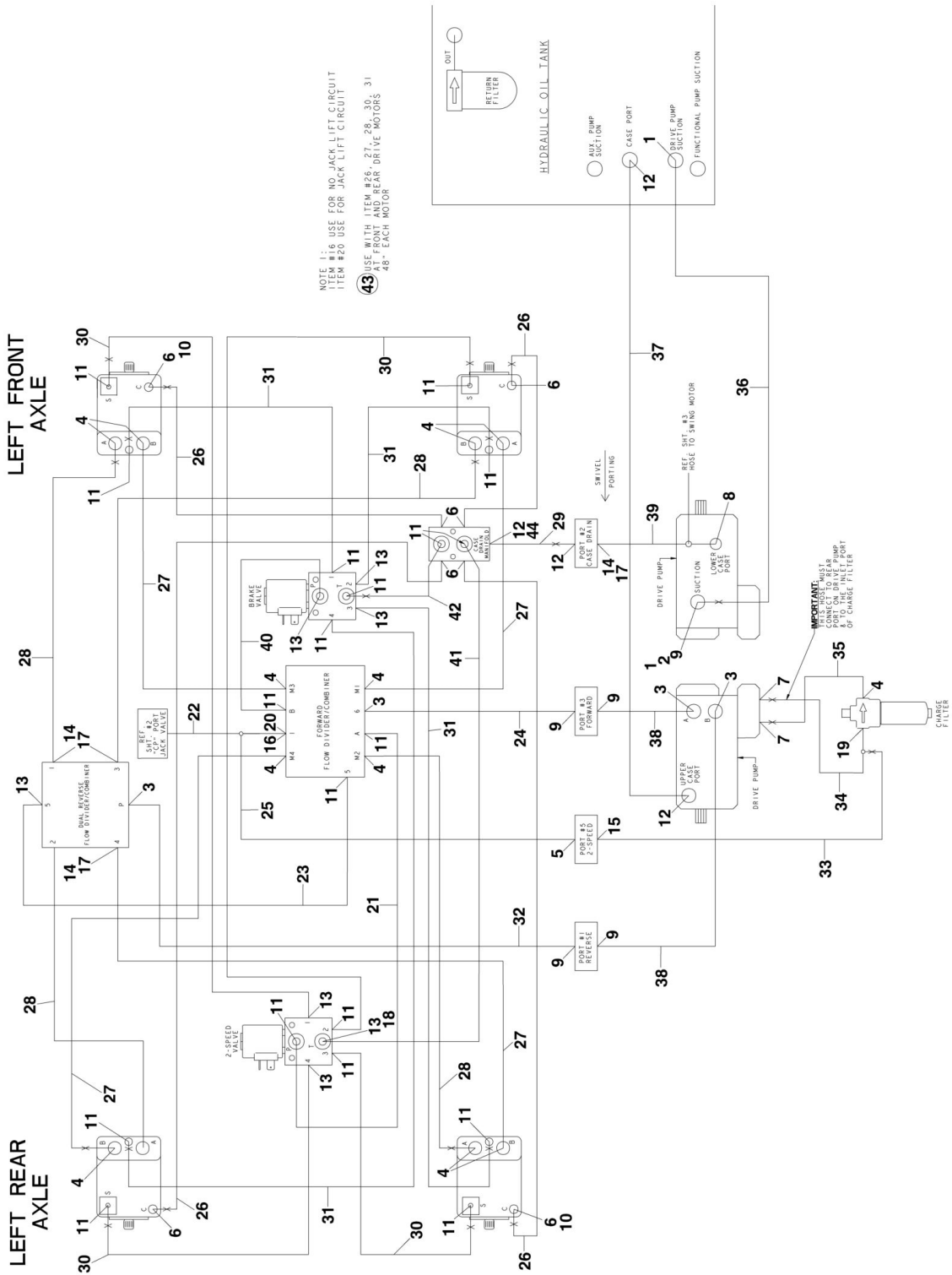




**SECTION 6 - HYDRAULICS**

# SECTION 6 - HYDRAULICS

## FIGURE 6-1. HYDRAULIC DIAGRAM - DRIVE (4WD / DEUTZ / FORD ENGINE)



## SECTION 6 - HYDRAULICS

**FIGURE 6-1. HYDRAULIC DIAGRAM - DRIVE (4WD / DEUTZ / FORD ENGINE)**

| ITEM | PART NUMBER | QTY | DESCRIPTION                                      | REV |
|------|-------------|-----|--|-----|
|      | 2792433     | Ref | <b>HYDRAULIC DIAGRAM - DRIVE (DEUTZ)</b>         | 4   |
|      | 2792529     | Ref | <b>HYDRAULIC DIAGRAM - DRIVE (FORD)</b>          | 2   |
| 1    | 1320033     | 2   | Clamp  |     |
| 2    | 2210014     | 1   | Fitting, 90 Barbed                               |     |
| 3    | 2220365     | 4   | Fitting, 45                                      |     |
| 4    | 2220366     | 13  | Fitting, 90                                      |     |
| 5    | 2220371     | 1   | Fitting, Straight                                |     |
| 6    | 2220373     | 8   | Fitting, Straight                                |     |
| 7    | 2220374     | 2   | Fitting, Straight                                |     |
| 8    | 2221064     | 1   | Fitting, Tee                                     |     |
| 9    | 2220377     | 5   | Fitting, Straight                                |     |
| 10   | 2220386     | 2   | Fitting, 90                                      |     |
| 11   | 2220415     | 19  | Fitting, Straight                                |     |
| 12   | 2220451     | 5   | Fitting, Straight                                |     |
| 13   | 2220466     | 7   | Fitting, 90                                      |     |
| 14   | 2220500     | 5   | Fitting, 45                                      |     |
| 15   |             | Ref | Fitting Options:                                 |     |
| 15   | 2220501     | 1   | 45 (Deutz Engine)                                |     |
| 15   | 2220646     | 2   | 90 (Ford Engine)                                 |     |
| 16   | 2220628     | 1   | Fitting, 90                                      |     |
| 17   | 2220811     | 5   | Fitting, Reducer                                 |     |
| 18   | 2220909     | 1   | Fitting, Orifice (.015)                          |     |
| 19   | 2221041     | 1   | Fitting, Tee                                     |     |
| 20   | 2221052     | 1   | Fitting, Tee                                     |     |
| 21   | 2752593     | 1   | Hose   |     |
| 22   | 2752473     | 1   | Hose   |     |
| 23   | 2753410     | 1   | Hose   |     |
| 24   | 2752322     | 1   | Hose   |     |
| 25   | 2752630     | 1   | Hose   |     |
| 26   | 2753483     | 4   | Hose   |     |
| 27   | 2753429     | 4   | Hose   |     |
| 28   | 2753432     | 4   | Hose   |     |
| 29   |             | Ref | Hose Options:                                    |     |
| 29   | 2753316     | 1   | Hose <b>(Prior to SN 55566)</b>                  |     |
| 29   | 2753495     | 1   | Hose <b>(SN 55566 to Present)</b>                |     |
| 30   | 2753434     | 4   | Hose   |     |
| 31   | 2753423     | 4   | Hose   |     |
| 32   | 2753435     | 1   | Hose   |     |
| 33   |             | Ref | Hose Options:                                    |     |
| 33   | 2753437     | 1   | Hose (Deutz Engine) <b>(Prior to SN 55566)</b>   |     |
| 33   | 2753509     | 1   | Hose (Deutz Engine) <b>(SN 55566 to Present)</b> |     |
| 33   | 2752461     | 1   | (Ford Engine)                                    |     |
| 34   |             | Ref | Hose Options:                                    |     |
| 34   | 2752494     | 1   | Hose <b>(Prior to SN 55566)</b>                  |     |
| 34   | 2753510     | 1   | Hose <b>(SN 55566 to Present)</b>                |     |
| 35   | 2752494     | 1   | Hose   |     |
| 36   |             | Ref | Hose, Suction Options:                           |     |
| 36   | 2720281     | 1   | (Deutz Engine)                                   |     |
| 36   | 2720480     | 1   | (Ford Engine)                                    |     |
| 37   |             | Ref | Hose Options:                                    |     |

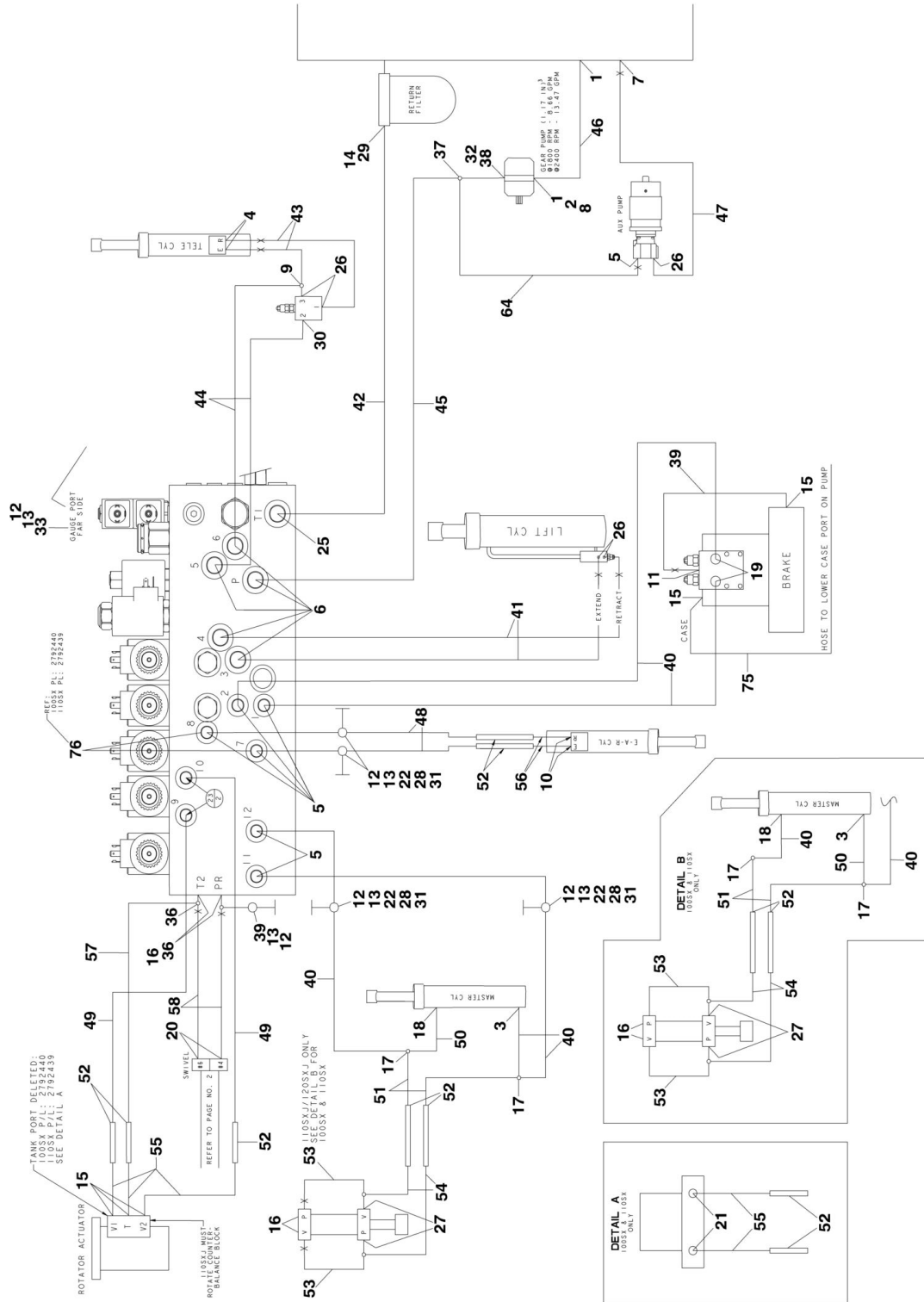
## SECTION 6 - HYDRAULICS

| ITEM | PART NUMBER | QTY        | DESCRIPTION      | REV |
|------|-------------|------------|------------------|-----|
| 37   | 2750835     | 1          | (Deutz Engine)   |     |
| 37   | 2752654     | 1          | (Ford Engine)    |     |
| 38   |             | Ref        | Hose Options:    |     |
| 38   | 2752337     | 2          | (Deutz Engine)   |     |
| 38   |             | Ref        | (Ford Engine)    |     |
| 39   |             | Ref        | Hose Options:    |     |
| 39   | 2751484     | 1          | (Deutz Engine)   |     |
| 39   |             | Ref        | (Ford Engine)    |     |
| 40   | 2752977     | 1          | Hose             |     |
| 41   | 2753035     | 1          | Hose             |     |
| 42   | 2752446     | 1          | Hose             |     |
| 43   | 4100059     | 16 ft/4.9m | Hose, Protection |     |
| 44   | 2220407     | 1          | Fitting, 90      |     |



# SECTION 6 - HYDRAULICS

## FIGURE 6-2. HYDRAULIC DIAGRAM - T/T AND BOOM



## SECTION 6 - HYDRAULICS

### FIGURE 6-2. HYDRAULIC DIAGRAM - T/T AND BOOM

| ITEM | PART NUMBER  | QTY | DESCRIPTION                              | REV |
|------|--------------|-----|--|-----|
|      |              | Ref | <b>HYDRAULIC DIAGRAMS</b>                |     |
|      | 2792440      | Ref | <b>Hydraulic Diagrams 100SX (Deutz)</b>  | 1   |
|      | 2792532      | Ref | <b>Hydraulic Diagrams 100SX (Ford)</b>   | 1   |
|      | 2792439      | Ref | <b>Hydraulic Diagrams 110SX (Deutz)</b>  | 2   |
|      | 2792530      | Ref | <b>Hydraulic Diagrams 110SX (Ford)</b>   | 1   |
|      | 2792438      | Ref | <b>Hydraulic Diagrams 110SXJ (Deutz)</b> | 2   |
|      | 2792531      | Ref | <b>Hydraulic Diagrams 110SXJ (Ford)</b>  | 1   |
|      | 2792437      | Ref | <b>Hydraulic Diagrams 120SXJ (Deutz)</b> | 2   |
| 1    | 1320033      | AR  | Clamp                                    |     |
| 2    | 2210014      | 1   | Fitting, 90                              |     |
| 3    | 2220343      | 1   | Fitting, Straight                        |     |
| 4    | 2220346      | 2   | Fitting, Straight                        |     |
| 5    | 2220371      | AR  | Fitting, Straight                        |     |
| 6    | 2220373      | 5   | Fitting, Straight                        |     |
| 7    | 2220375      | 1   | Fitting, Straight                        |     |
| 8    | 2220376      | AR  | Fitting, Straight                        |     |
| 9    | 2220385      | 1   | Fitting, Tee                             |     |
| 10   |              | Ref | Fitting Options:                         |     |
| 10   | Not Required | 0   | Fitting 110SX                            |     |
| 10   | 2220399      | 2   | Fitting 100SX/110SXJ/120SXJ              |     |
| 11   | 2220415      | 1   | Fitting, Straight                        |     |
| 12   | 2220428      | AR  | Fitting, Quick Disconnect                |     |
| 13   | 2220429      | AR  | Cap, Dust                                |     |
| 14   | 2220464      | 1   | Fitting, 90                              |     |
| 15   | 2220466      | AR  | Fitting, 90                              |     |
| 16   | 2220473      | AR  | Fitting, 90                              |     |
| 17   | 2220490      | 2   | Fitting, Tee                             |     |
| 18   | 2220495      | 1   | Fitting, 90                              |     |
| 19   | 2220497      | AR  | Fitting, Straight                        |     |
| 20   | 2220501      | 2   | Fitting, 45                              |     |
| 21   |              | Ref | Fitting, 45                              |     |
| 21   | 2220502      | AR  | Fitting, 45 100SX/110SX/110SXJ           |     |
| 21   | Not Required | 0   | Fitting, 45 120SXJ                       |     |
| 22   | 2220438      | AR  | Fitting, Nipple                          |     |
| 23   | 2220582      | 2   | Fitting, Straight                        |     |
| 25   | 2220593      | 1   | Fitting, Straight                        |     |
| 26   | 2220600      | 5   | Fitting, Straight                        |     |
| 27   | 2220606      | AR  | Fitting, Tee                             |     |
| 28   | 2220635      | AR  | Fitting, Tee                             |     |
| 29   | 2220710      | 1   | Fitting, Reducer                         |     |
| 30   | 2220726      | 1   | Fitting, 90                              |     |
| 31   | 2220741      | AR  | Fitting, Adapter                         |     |
| 32   | 2220810      | 1   | Fitting, Reducer                         |     |
| 33   | 2220873      | 1   | Fitting, Nipple                          |     |
| 34   |              | Ref | Fitting, Tee Options:                    |     |
| 34   | 2220899      | 1   | Fitting, Tee 100SX                       |     |
| 34   | Not Required | 0   | Fitting, Tee 110SX/110SXJ/120SXJ         |     |
| 35   |              | Ref | Fitting, Straight Options:               |     |
| 35   | 2220998      | 2   | Fitting, Straight 100SX                  |     |
| 35   | Not Required | 0   | Fitting, Straight 110SX/110SXJ/120SXJ    |     |

## SECTION 6 - HYDRAULICS

| ITEM | PART NUMBER  | QTY | DESCRIPTION                             | REV |
|------|--------------|-----|---|-----|
| 36   |              | Ref | Fitting, Tee Options:                   |     |
| 36   | Not Required | 0   | Fitting, Tee 110SX                      |     |
| 36   | 2221065      | 1   | Fitting, Tee 100SX/110SXJ/120SXJ        |     |
| 37   | 2221067      | 1   | Fitting, Tee                            |     |
| 38   | 4640744      | 1   | Valve, Check                            |     |
| 39   | 2750889      | AR  | Hose                                    |     |
| 40   | 2750785      | 5   | Hose                                    |     |
| 41   | 2750771      | 2   | Hose                                    |     |
| 42   | 2751617      | 1   | Hose                                    |     |
| 43   | 2751466      | 2   | Hose                                    |     |
| 44   | 2750763      | 2   | Hose                                    |     |
| 45   | 2751483      | 1   | Hose                                    |     |
| 46   |              | Ref | Hose, Suction Options:                  |     |
| 46   | 2720281      | 1   | (Deutz Engine)                          |     |
| 46   | 2720480      | 1   | (Ford Engine)                           |     |
| 47   |              | Ref | Hose Options:                           |     |
| 47   | 2751467      | 1   | (Deutz Engine)                          |     |
| 47   | 2752515      | 1   | (Ford Engine)                           |     |
| 48   |              | Ref | Hose Options:                           |     |
| 48   | Not Required | 0   | Hose 110SX                              |     |
| 48   | 2751168      | 2   | Hose 100SX/110SXJ/120SXJ                |     |
| 49   | 2751455      | 2   | Hose                                    |     |
| 50   |              | Ref | Hose Options:                           |     |
| 50   | 2750998      | 1   | Hose 110SX <b>(Prior to SN 55566)</b>   |     |
| 50   | 2750999      | 1   | Hose 110SX <b>(SN 55566 to Present)</b> |     |
| 50   | 2752489      | 1   | Hose 100SX/110SXJ/120SXJ                |     |
| 51   |              | Ref | Hose Options:                           |     |
| 51   | 2751830      | 2   | Hose 110SX/110SXJ                       |     |
| 51   | 2751151      | 2   | Hose 100SX/120SXJ                       |     |
| 52   | 4563167      | AR  | Tube, Hydraulic                         |     |
| 53   |              | Ref | Hose Options:                           |     |
| 53   | 2751002      | 2   | Hose 110SX <b>(Prior to SN 55566)</b>   |     |
| 53   | 2750920      | 2   | Hose 110SX <b>(SN 55566 to Present)</b> |     |
| 53   | 2751002      | 2   | Hose 100SX/110SXJ/120SXJ                |     |
| 54   |              | Ref | Hose Options:                           |     |
| 54   | 2752162      | 2   | Hose 110SX <b>(Prior to SN 55566)</b>   |     |
| 54   | 2751871      | 2   | Hose 110SX <b>(SN 55566 to Present)</b> |     |
| 54   | 2752162      | 2   | Hose 110SXJ                             |     |
| 54   | 2752173      | 2   | Hose 100SX/120SXJ                       |     |
| 55   |              | Ref | Hose Options:                           |     |
| 55   | 2750907      | 3   | Hose 100SX                              |     |
| 55   | 2751919      | 2   | Hose 110SX                              |     |
| 55   | 2753489      | 3   | Hose 110SXJ                             |     |
| 55   | 2753482      | 3   | Hose 120SXJ                             |     |
| 56   |              | Ref | Hose Options:                           |     |
| 56   | Not Required | 0   | Hose 110SX                              |     |
| 56   | 2751170      | 2   | Hose 110SXJ                             |     |
| 56   | 2752172      | 2   | Hose 100SX/120SXJ                       |     |
| 57   |              | Ref | Hose Options:                           |     |
| 57   | Not Required | 0   | Hose 110SX                              |     |
| 57   | 2753436      | 1   | Hose 100SX/110SXJ/120SXJ                |     |

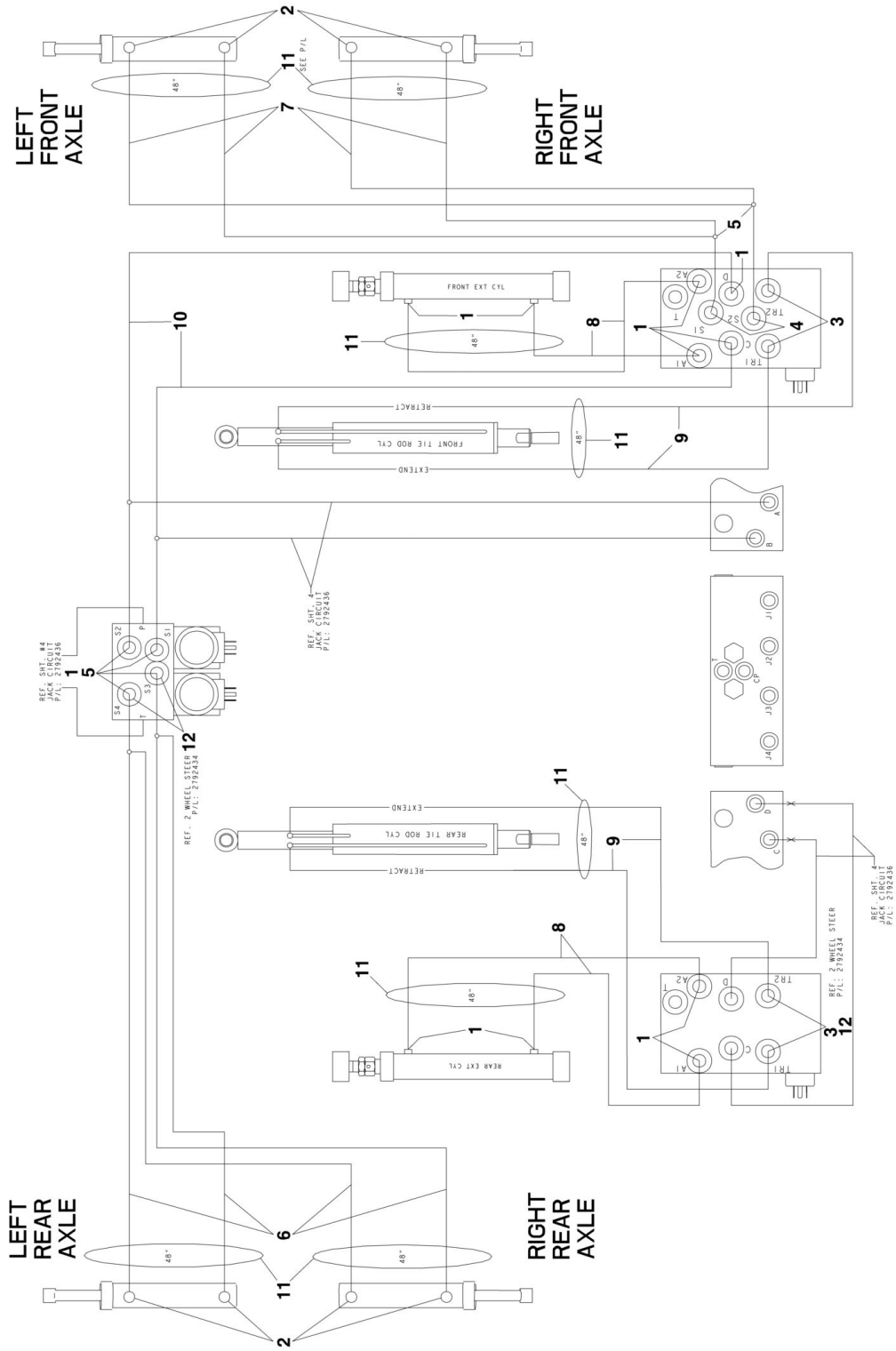


## SECTION 6 - HYDRAULICS

| ITEM | PART NUMBER  | QTY | DESCRIPTION              | REV |
|------|--------------|-----|--------------------------|-----|
| 58   | 2752637      | 2   | Hose                     |     |
| 59   |              | Ref | Hose Options:            |     |
| 59   | 2753426      | 2   | Hose 100SX               |     |
| 59   | Not Required | 0   | Hose 110SX/110SXJ/120SXJ |     |
| 60   |              | Ref | Hose Options:            |     |
| 60   | 2753425      | 2   | Hose 100SX               |     |
| 60   | Not Required | 0   | Hose 110SX/110SXJ/120SXJ |     |
| 62   |              | Ref | Hose Options:            |     |
| 62   | 2753118      | 4   | Hose 100SX               |     |
| 62   | Not Required | 0   | Hose 110SX/110SXJ/120SXJ |     |
| 63   |              | Ref | Hose Options:            |     |
| 63   | 2752467      | 2   | Hose 100SX               |     |
| 63   | Not Required | 0   | Hose 110SX/110SXJ/120SXJ |     |
| 64   | 2752463      | AR  | Hose                     |     |
| 65   |              | Ref | Hose Options:            |     |
| 65   | 2752469      | 1   | Hose 100SX               |     |
| 65   | Not Required | 0   | Hose 110SX/110SXJ/120SXJ |     |
| 66   |              | Ref | Hose Options:            |     |
| 66   | 2752474      | 2   | Hose 100SX               |     |
| 66   | Not Required | 0   | Hose 110SX/110SXJ/120SXJ |     |
| 67   |              | Ref | Hose Options:            |     |
| 67   | 2752480      | 4   | Hose 100SX               |     |
| 67   | Not Required | 0   | Hose 110SX/110SXJ/120SXJ |     |
| 68   |              | Ref | Hose Options:            |     |
| 68   | 2752611      | 2   | Hose 100SX               |     |
| 68   | Not Required | 0   | Hose 110SX/110SXJ/120SXJ |     |
| 69   |              | Ref | Hose Options:            |     |
| 69   | 2752462      | 2   | Hose 100SX               |     |
| 69   | Not Required | 0   | Hose 110SX/110SXJ/120SXJ |     |
| 70   |              | Ref | Hose Options:            |     |
| 70   | 2753315      | 1   | Hose 100SX               |     |
| 70   | Not Required | 0   | Hose 110SX/110SXJ/120SXJ |     |
| 71   |              | Ref | Hose Options:            |     |
| 71   | 2752573      | 1   | Hose 100SX               |     |
| 71   | Not Required | 0   | Hose 110SX/110SXJ/120SXJ |     |
| 72   |              | Ref | Hose Options:            |     |
| 72   | 2753424      | 4   | Hose 100SX               |     |
| 72   | Not Required | 0   | Hose 110SX/110SXJ/120SXJ |     |
| 73   |              | Ref | Hose Options:            |     |
| 73   | 2753419      | 2   | Hose 100SX               |     |
| 73   | Not Required | 0   | Hose 110SX/110SXJ/120SXJ |     |
| 74   |              | Ref | Hose Options:            |     |
| 74   | 2753420      | 2   | Hose 100SX               |     |
| 74   | Not Required | 0   | Hose 110SX/110SXJ/120SXJ |     |
| 75   | 2751906      | 1   | Hose                     |     |
| 76   |              | Ref | Plug Options:            |     |
| 76   | 2220237      | 2   | Plug 100SX/110SX         |     |
| 76   | Not Required | 0   | Plug 110SXJ/120SXJ       |     |

# SECTION 6 - HYDRAULICS

## FIGURE 6-3. HYDRAULIC DIAGRAM - STEER



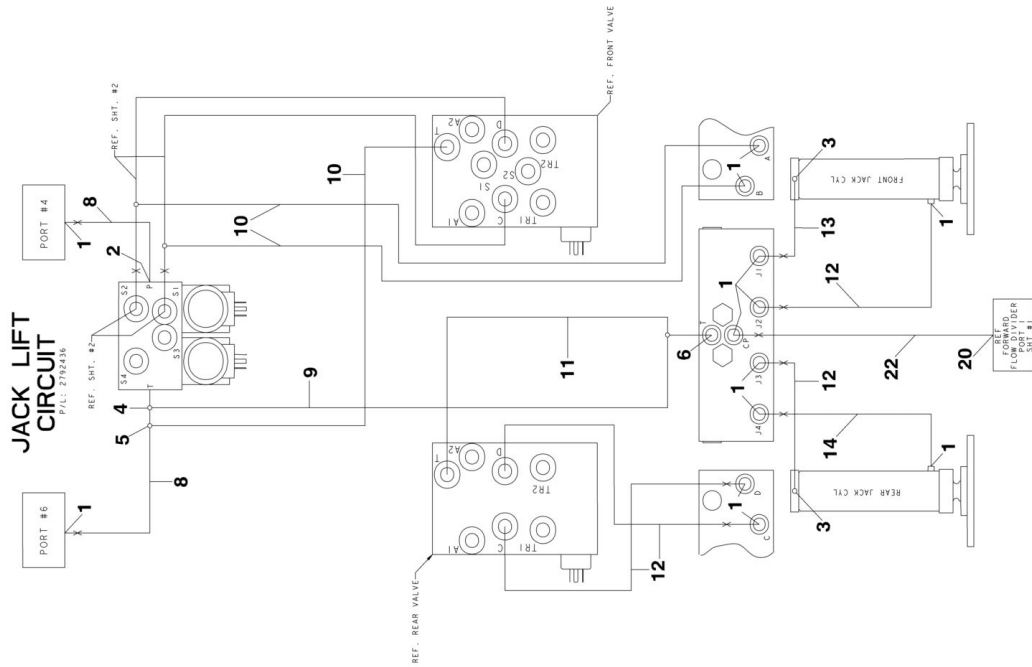
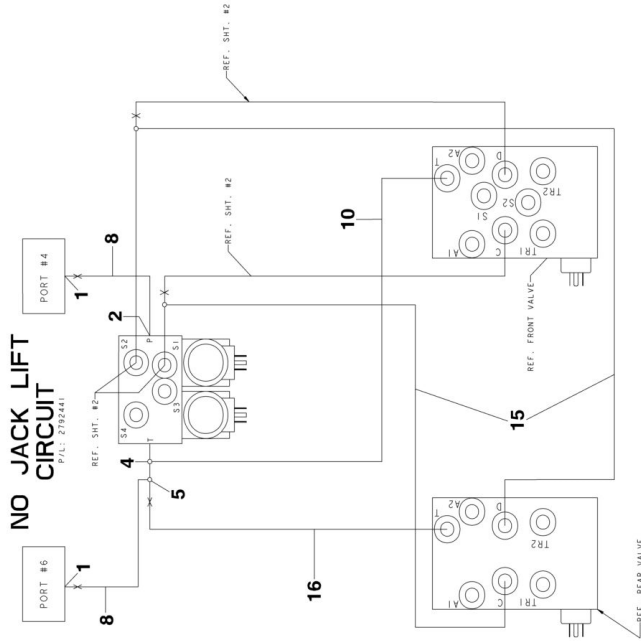
**SECTION 6 - HYDRAULICS**

**FIGURE 6-3. HYDRAULIC DIAGRAM - STEER**

| ITEM | PART NUMBER  | QTY             | DESCRIPTION               | REV |
|------|--------------|-----------------|---------------------------|-----|
|      |              | Ref             | <b>HYDRAULIC DIAGRAMS</b> |     |
|      | 2792434      | Ref             | <b>2W/S</b>               | 3   |
|      | 2792435      | Ref             | <b>4W/S</b>               | 3   |
| 1    | 2220371      | AR              | Fitting, Straight         |     |
| 2    | 2220473      | AR              | Fitting, 90               |     |
| 3    | 2220582      | AR              | Fitting, Straight         |     |
| 4    | 2220998      | AR              | Fitting, Straight         |     |
| 5    | 2220635      | 6               | Fitting, Tee              |     |
| 6    |              | Ref             | Hose Options:             |     |
| 6    | Not Required | 0               | 2W/S                      |     |
| 6    | 2753398      | 4               | 4W/S                      |     |
| 7    | 2753424      | 4               | Hose                      |     |
| 8    | 2753426      | 4               | Hose                      |     |
| 9    | 2753420      | AR              | Hose                      |     |
| 10   | 2752480      | 2               | Hose                      |     |
| 11   |              | Ref             | Hose, Protection Options: |     |
| 11   | 4100026      | 22.5<br>ft/6.9m | 2W/S                      |     |
| 11   | 4100026      | 37<br>ft/11.3m  | 4W/S                      |     |
| 12   |              | Ref             | Plug Options:             |     |
| 12   | 2220237      | 4               | 2W/S                      |     |
| 12   | Not Required | 0               | 4W/S                      |     |

# SECTION 6 - HYDRAULICS

## FIGURE 6-4. HYDRAULIC DIAGRAM - LIFTING JACKS



## SECTION 6 - HYDRAULICS

### FIGURE 6-4. HYDRAULIC DIAGRAM - LIFTING JACKS

| ITEM | PART NUMBER  | QTY | DESCRIPTION                                       | REV |
|------|--------------|-----|---|-----|
|      | 2792436      | Ref | <b>HYDRAULIC DIAGRAM - WITH LIFTING JACKS</b>     | 2   |
|      | 2792441      | Ref | <b>HYDRAULIC DIAGRAM - WITH OUT LIFTING JACKS</b> | 2   |
| 1    | 2220371      | AR  | Fitting, Straight                                 |     |
| 2    | 2220473      | 1   | Fitting, 90                                       |     |
| 3    | 2220603      | 2   | Fitting, Straight                                 |     |
| 4    | 2220606      | 1   | Fitting, Tee                                      |     |
| 5    | 2220635      | AR  | Fitting, Tee                                      |     |
| 6    |              | Ref | Fitting, Tee Options:                             |     |
| 6    | Not Required | 0   | With Out Lifting Jacks                            |     |
| 6    | 2220899      | 1   | With Lifting Jacks                                |     |
| 7    | 2752649      | 1   | Hose <b>(Prior to SN 55566)</b>                   |     |
| 8    | 2753397      | 2   | Hose  |     |
| 9    |              | Ref | Hose Options:                                     |     |
| 9    | Not Required | 0   | With Out Lifting Jacks                            |     |
| 9    | 2752642      | 1   | With Lifting Jacks                                |     |
| 10   | 2752480      | AR  | Hose  |     |
| 11   |              | Ref | Hose Options:                                     |     |
| 11   | Not Required | 0   | With Out Lifting Jacks                            |     |
| 11   | 2752466      | 1   | With Lifting Jacks                                |     |
| 12   |              | Ref | Hose Options:                                     |     |
| 12   | Not Required | 0   | With Out Lifting Jacks                            |     |
| 12   | 2752462      | 4   | With Lifting Jacks                                |     |
| 13   |              | Ref | Hose Options:                                     |     |
| 13   | Not Required | 0   | With Out Lifting Jacks                            |     |
| 13   | 2752611      | 1   | With Lifting Jacks                                |     |
| 14   |              | Ref | Hose Options:                                     |     |
| 14   | Not Required | 0   | With Out Lifting Jacks                            |     |
| 14   | 2752484      | 1   | With Lifting Jacks                                |     |
| 15   |              | Ref | Hose Options:                                     |     |
| 15   | 2752475      | 2   | With Out Lifting Jacks                            |     |
| 15   | Not Required | 0   | With Lifting Jacks                                |     |
| 16   |              | Ref | Hose Options:                                     |     |
| 16   | 2752487      | 1   | With Out Lifting Jacks                            |     |
| 16   | Not Required | 0   | With Lifting Jacks                                |     |

## SECTION 6 - HYDRAULICS

FIGURE 6-5. HYDRAULICS DIAGRAM LIST

| ITEM | PART NUMBER | QTY | DESCRIPTION   | REV |
|------|-------------|-----|---|-----|
|      |             | Ref | <b>HYDRAULIC DIAGRAM LIST</b>   |     |
|      | Note        | Ref | <b>Note: Diagrams not shown in manual are available from JLG Service/Parts Departments.</b> |     |
|      | 2792433     | Ref | <b>Hydraulic Diagram - Drive (4WD/ Deutz Engine)</b>  |     |
|      | 1283215     | Ref | <b>Hydraulic Diagram - Drive (4WD/ Deutz Engine)</b>  |     |
|      | 2792529     | Ref | <b>Hydraulic Diagram - Drive (4WD/ Ford Engine)</b>   |     |
|      | 1283215     | Ref | <b>Hydraulic Diagram - Drive (4WD/ Deutz Engine)</b>  |     |
|      | 2792440     | Ref | <b>Hydraulic Diagram - T/T and Boom (100SX) (Deutz)</b>                                     |     |
|      | 1283215     | Ref | <b>Hydraulic Diagram - T/T and Boom (100SX) (Deutz)</b>                                     |     |
|      | 2792532     | Ref | <b>Hydraulic Diagram - T/T and Boom (100SX) (Ford)</b>                                      |     |
|      | 1283215     | Ref | <b>Hydraulic Diagram - T/T and Boom (100SX) (Ford)</b>                                      |     |
|      | 2792439     | Ref | <b>Hydraulic Diagram - T/T and Boom (110SX) (Deutz)</b>                                     |     |
|      | 1283215     | Ref | <b>Hydraulic Diagram - T/T and Boom (110SX) (Deutz)</b>                                     |     |
|      | 2792530     | Ref | <b>Hydraulic Diagram - T/T and Boom (110SX) (Ford)</b>                                      |     |
|      | 1283215     | Ref | <b>Hydraulic Diagram - T/T and Boom (110SX) (Ford)</b>                                      |     |
|      | 2792438     | Ref | <b>Hydraulic Diagram - T/T and Boom (110SXJ) (Deutz)</b>                                    |     |
|      | 1283215     | Ref | <b>Hydraulic Diagram - T/T and Boom (110SXJ) (Deutz)</b>                                    |     |
|      | 2792531     | Ref | <b>Hydraulic Diagram - T/T and Boom (110SXJ) (Ford)</b>                                     |     |
|      | 1283215     | Ref | <b>Hydraulic Diagram - T/T and Boom (110SXJ) (Ford)</b>                                     |     |
|      | 2792437     | Ref | <b>Hydraulic Diagram - T/T and Boom (120SXJ) (Deutz)</b>                                    |     |
|      | 1283215     | Ref | <b>Hydraulic Diagram - T/T and Boom (120SXJ) (Deutz)</b>                                    |     |
|      | 2792564     | Ref | <b>Hydraulic Diagram - T/T and Boom (100SX) (W/ Welder)</b>                                 |     |
|      | 1283297     | Ref | <b>Hydraulic Diagram - T/T and Boom (100SX) (W/ Welder)</b>                                 |     |
|      | 2792562     | Ref | <b>Hydraulic Diagram - T/T and Boom (110SX) (W/ Welder)</b>                                 |     |
|      | 1283297     | Ref | <b>Hydraulic Diagram - T/T and Boom (110SX) (W/ Welder)</b>                                 |     |
|      | 2792563     | Ref | <b>Hydraulic Diagram - T/T and Boom (110SXJ) (W/ Welder)</b>                                |     |
|      | 1283297     | Ref | <b>Hydraulic Diagram - T/T and Boom (110SXJ) (W/ Welder)</b>                                |     |
|      | 2792545     | Ref | <b>Hydraulic Diagram - T/T and Boom (120SXJ) (W/ Welder)</b>                                |     |
|      | 1283297     | Ref | <b>Hydraulic Diagram - T/T and Boom (120SXJ) (W/ Welder)</b>                                |     |
|      | 2792434     | Ref | <b>Hydraulic Diagram - Steer (2W/S)</b>   |     |
|      | 1283215     | Ref | <b>Hydraulic Diagram - Steer (2W/S)</b>   |     |
|      | 2792435     | Ref | <b>Hydraulic Diagram - Steer (4W/S)</b>   |     |
|      | 1283215     | Ref | <b>Hydraulic Diagram - Steer (4W/S)</b>   |     |
|      | 2792436     | Ref | <b>Hydraulic Diagram - With Lifting Jacks</b>   |     |
|      | 1283215     | Ref | <b>Hydraulic Diagram - With Lifting Jacks</b>   |     |
|      | 2792441     | Ref | <b>Hydraulic Diagram - With Out Lifting Jacks</b>   |     |
|      | 1283215     | Ref | <b>Hydraulic Diagram - With Out Lifting Jacks</b>   |     |
|      | 2792447     | Ref | <b>Hydraulic Schematic</b>  |     |

**SECTION 7 - ELECTRICAL**

## SECTION 7 - ELECTRICAL

FIGURE 7-1. ELECTRICAL DIAGRAM LIST

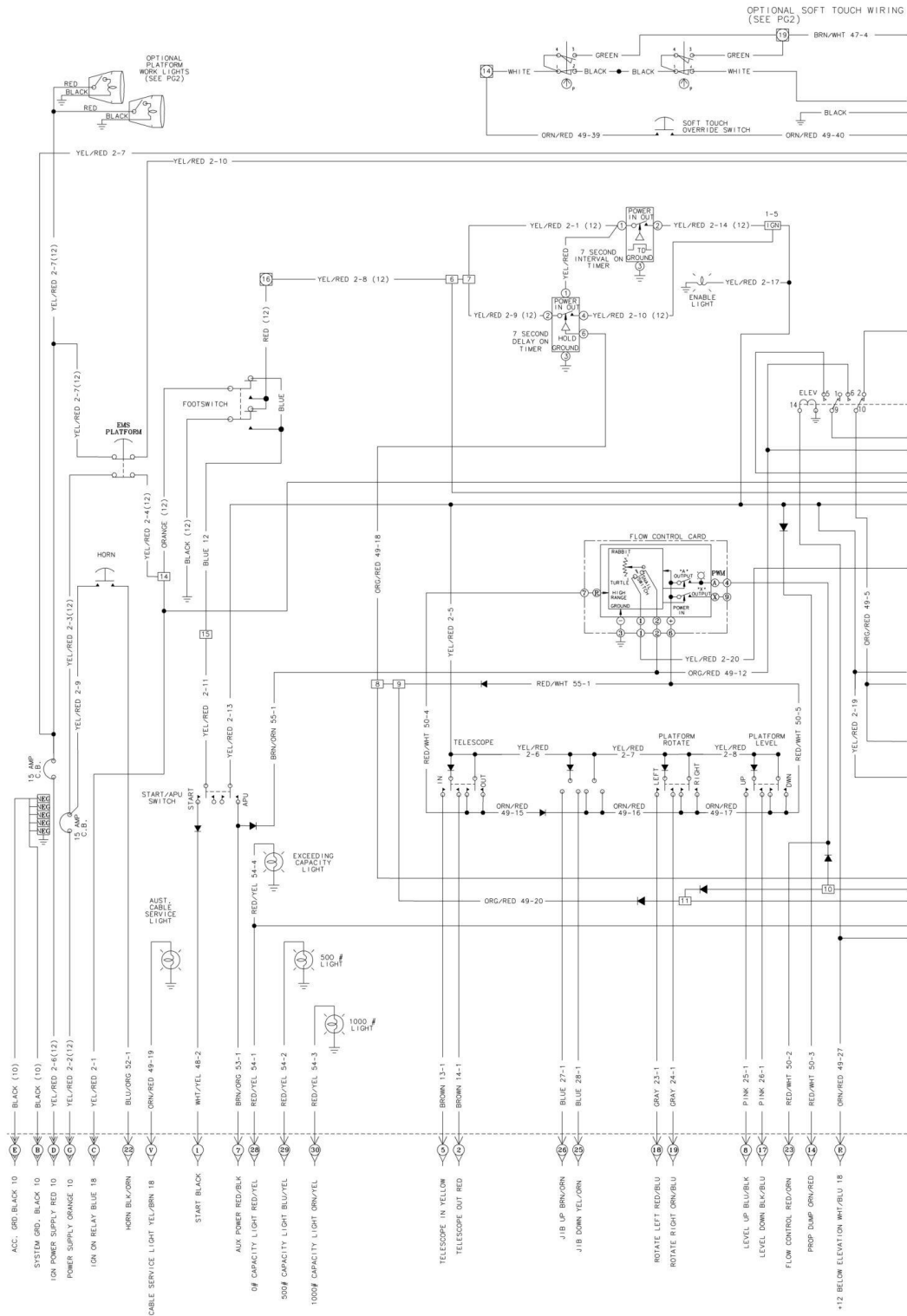
| ITEM | PART NUMBER | QTY | DESCRIPTION  | REV |
|------|-------------|-----|--|-----|
|      | Note        | Ref | <b>Note: Diagrams not shown are available from the JLG Service Department.</b> |     |
|      |             | Ref | <b>ALARM ELECTRICAL DIAGRAMS</b>   |     |
|      | 4932638     | Ref | <b>Motion Alarm</b>  | 2   |
|      | 1282091     | Ref | <b>Motion Alarm</b>  | C   |
|      | 4932639     | Ref | <b>Travel Alarm</b>  | 2   |
|      | 1282091     | Ref | <b>Travel Alarm</b>  | C   |
|      | 4933136     | Ref | <b>BRAKE LIGHTS ELECTRICAL DIAGRAM</b>   | 2-D |
|      | 0252928     | Ref | <b>COLD WEATHER KIT WIRING DIAGRAM</b>   | F   |
|      | 4922414     | Ref | <b>ENGINE SHUTDOWN ELECTRICAL DIAGRAM</b>                                      | 1-A |
|      | 4933137     | Ref | <b>ENGINE SHUTDOWN ELECTRICAL DIAGRAM (BROKEN FAN BELT)</b>                    | 1-A |
|      |             | Ref | <b>GENERATOR ELECTRICAL DIAGRAM</b>  |     |
|      | 0270345     | Ref | <b>110Volt</b>   | 2-C |
|      | 4933139     | Ref | <b>HEAD AND TAIL LIGHT ELECTRICAL DIAGRAM</b>                                  | 2-C |
|      | 4933241     | Ref | <b>HYDRAULIC WELDER INSTALLATION</b>   | 1-A |
|      | 0270834     | Ref | <b>LOW ENGINE OIL PRESSURE SHUTDOWN ELECTRICAL DIAGRAM</b>                     | 1-A |
|      | 1281814     | Ref | <b>OIL COOLER ELECTRICAL DIAGRAM</b>   | A   |
|      | 4922352     | Ref | <b>PLATFORM ELECTRICAL DIAGRAM</b>   | 5-G |
|      | 4933138     | Ref | <b>PLATFORM SOFT TOUCH WIRING DIAGRAM</b>                                      | 1-A |
|      | 0258048     | Ref | <b>PLATFORM WORKLIGHTS ELECTRICAL DIAGRAM</b>                                  | 2-E |
|      | 0270048     | Ref | <b>REMOTE DRIVE ELECTRICAL DIAGRAM</b>   | 2-C |
|      |             | Ref | <b>STANDARD ELECTRICAL DIAGRAMS (Deutz)</b>                                    | 3-F |
|      | 4933124     | Ref | <b>Standard Electrical Diagrams (Deutz) 110SX/110SX</b>                        |     |
|      | 4933136     | Ref | <b>Standard Electrical Diagrams (Deutz) 110SXJ</b>                             |     |
|      | 4933123     | Ref | <b>Standard Electrical Diagrams (Deutz) 120SXJ</b>                             |     |
|      |             | Ref | <b>STANDARD ELECTRICAL DIAGRAMS (Ford)</b>                                     |     |
|      | 4933197     | Ref | <b>Standard Electrical Diagrams (Ford) 110SXJ</b>                              | 1-A |
|      | 4933198     | Ref | <b>Standard Electrical Diagrams (Ford) 110SX</b>                               | 2-B |
|      |             | Ref | <b>STANDARD ELECTRICAL SCHEMATICS</b>  |     |
|      | 1870122     | Ref | <b>Standard Electrical Schematics 100SX/110SX</b>                              | E   |
|      | 1870121     | Ref | <b>Standard Electrical Schematics 110SXJ</b>                                   | E   |
|      | 1870115     | Ref | <b>Standard Electrical Schematics 120SXJ</b>                                   | E   |
|      | 1283193     | Ref | <b>STROBE LIGHT ELECTRICAL DIAGRAM</b>   | A   |



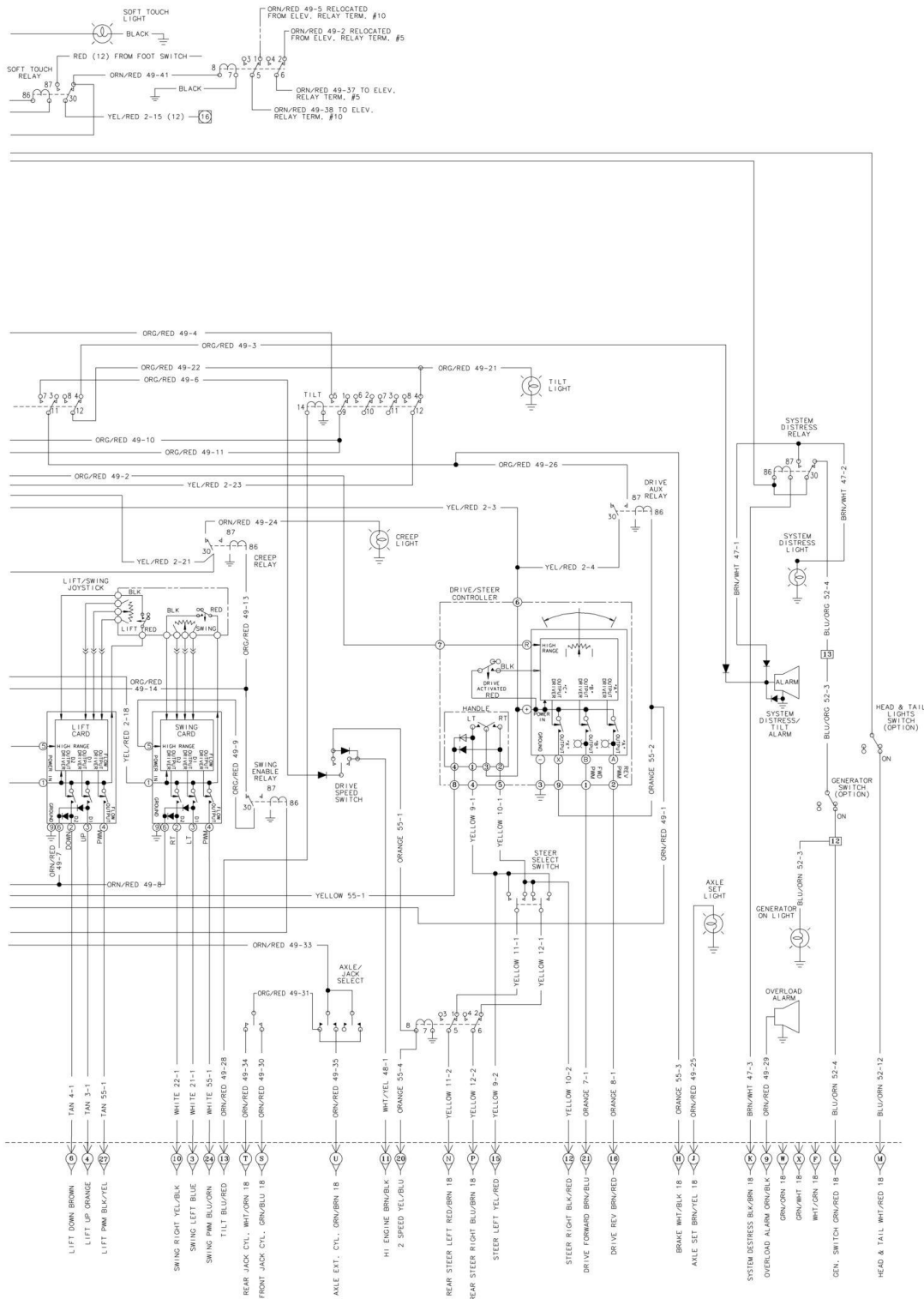


# SECTION 7 - ELECTRICAL

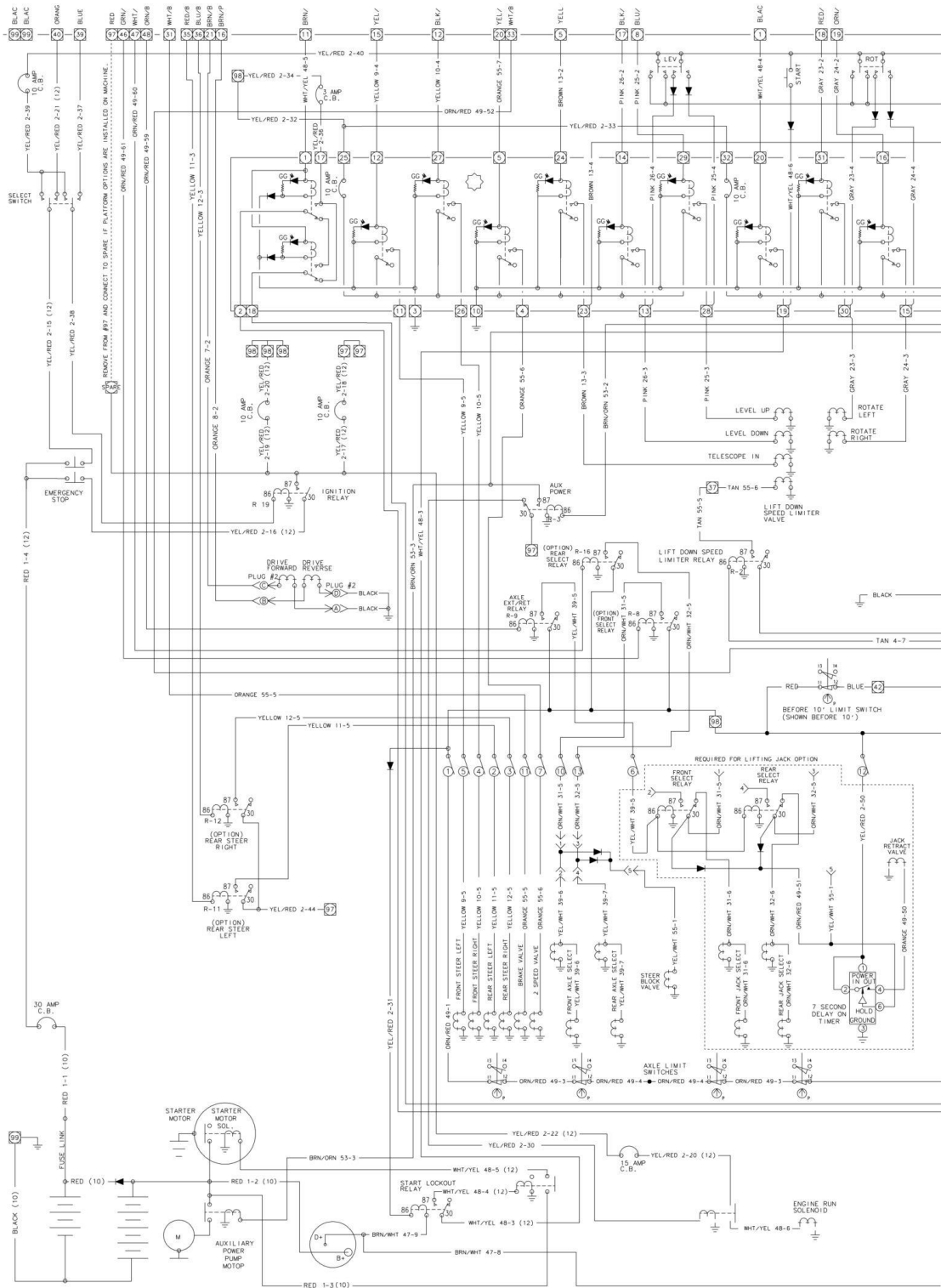
## FIGURE 7-2. ELECTRICAL SCHEMATIC - 100SX/110SX



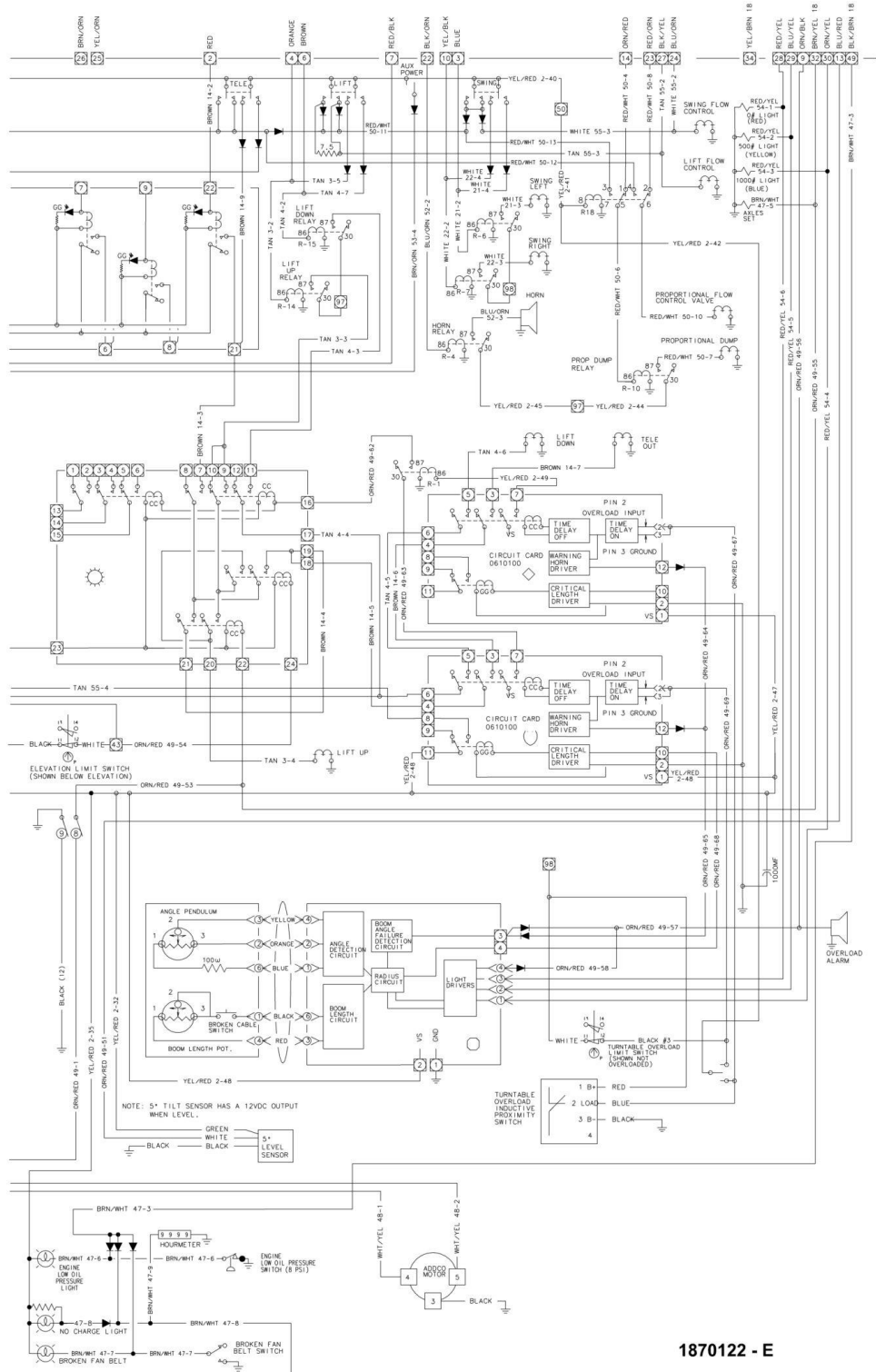
# SECTION 7 - ELECTRICAL



# SECTION 7 - ELECTRICAL

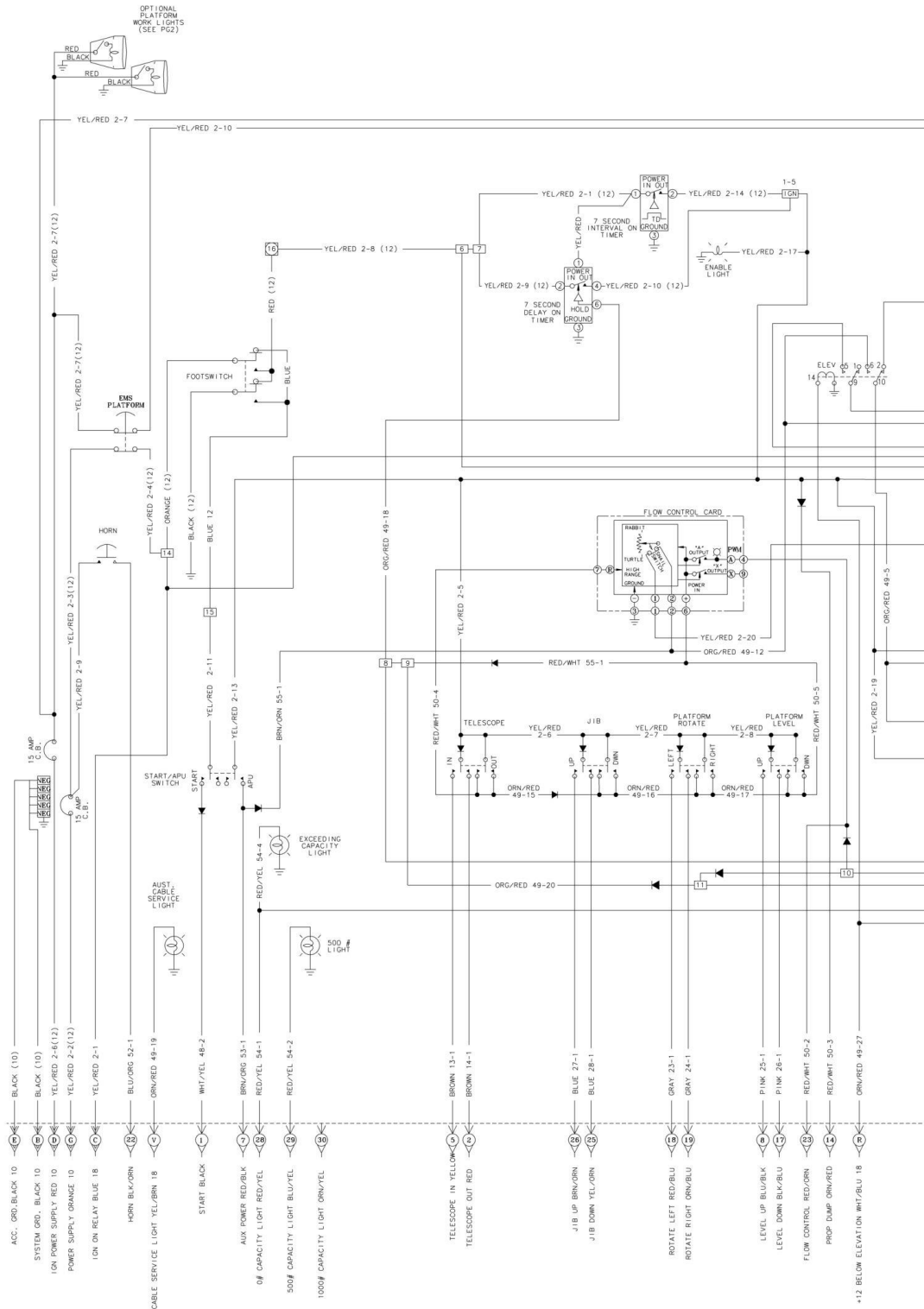


# SECTION 7 - ELECTRICAL

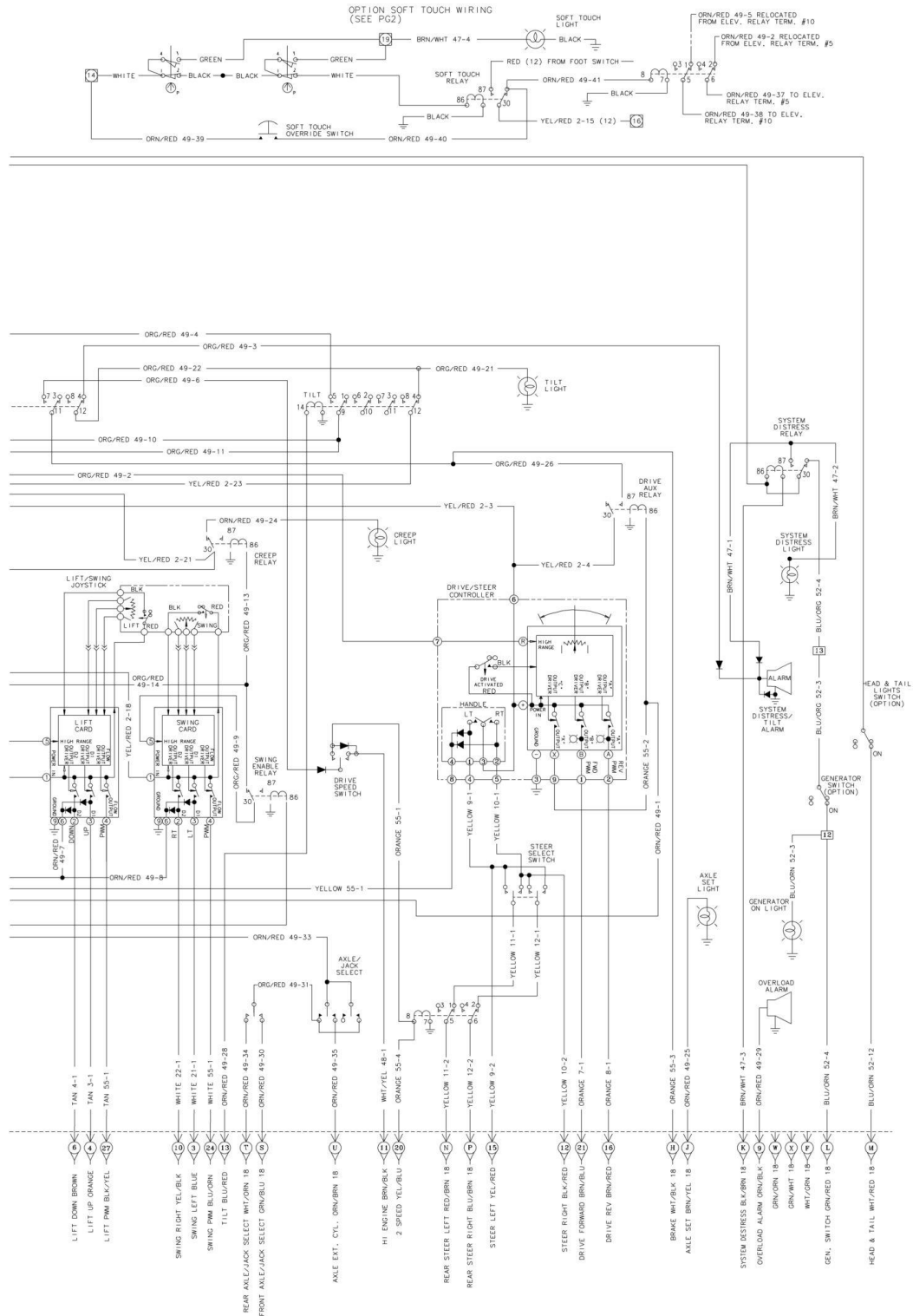


# SECTION 7 - ELECTRICAL

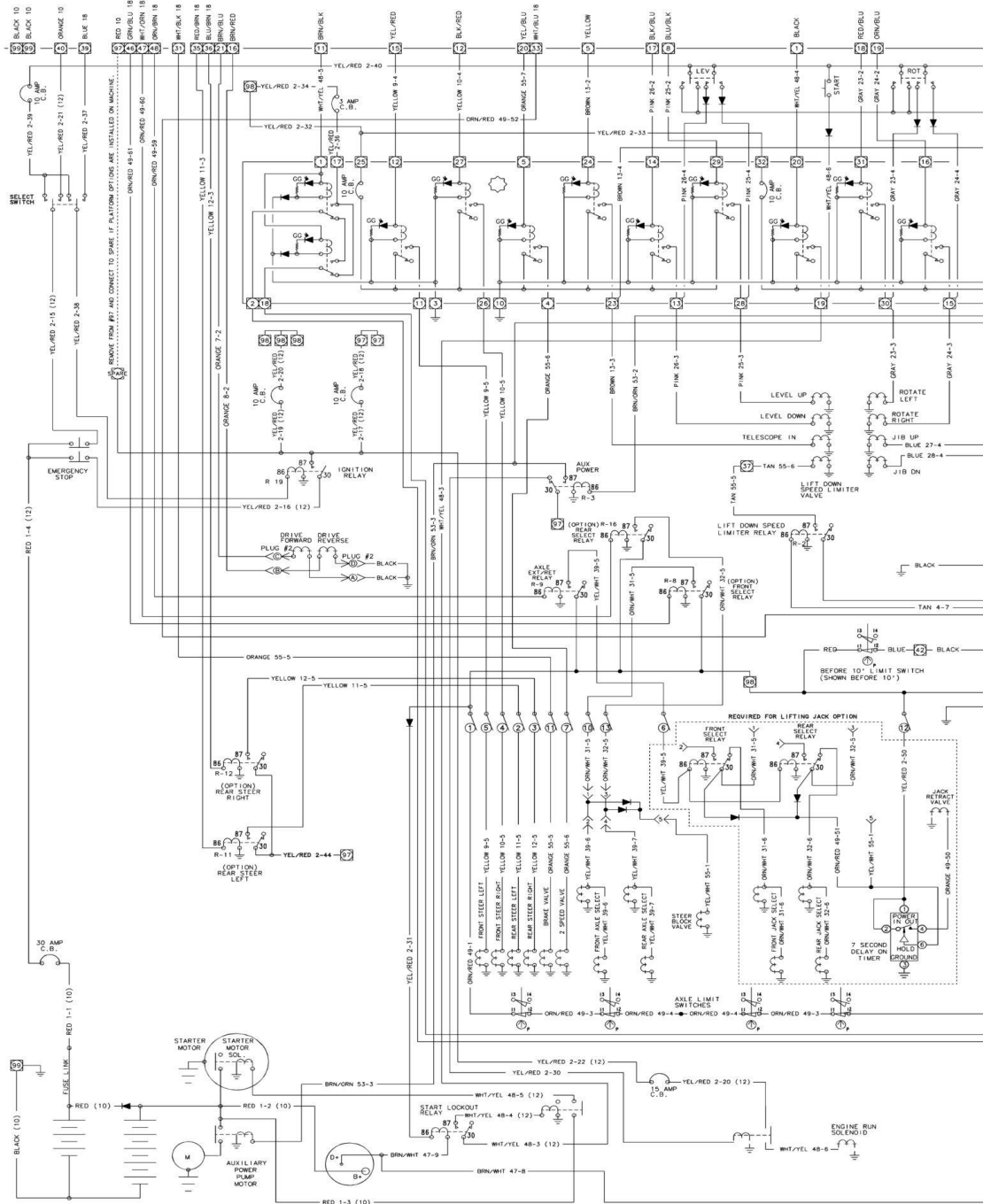
## FIGURE 7-3. ELECTRICAL SCHEMATIC - 110SXJ



# SECTION 7 - ELECTRICAL

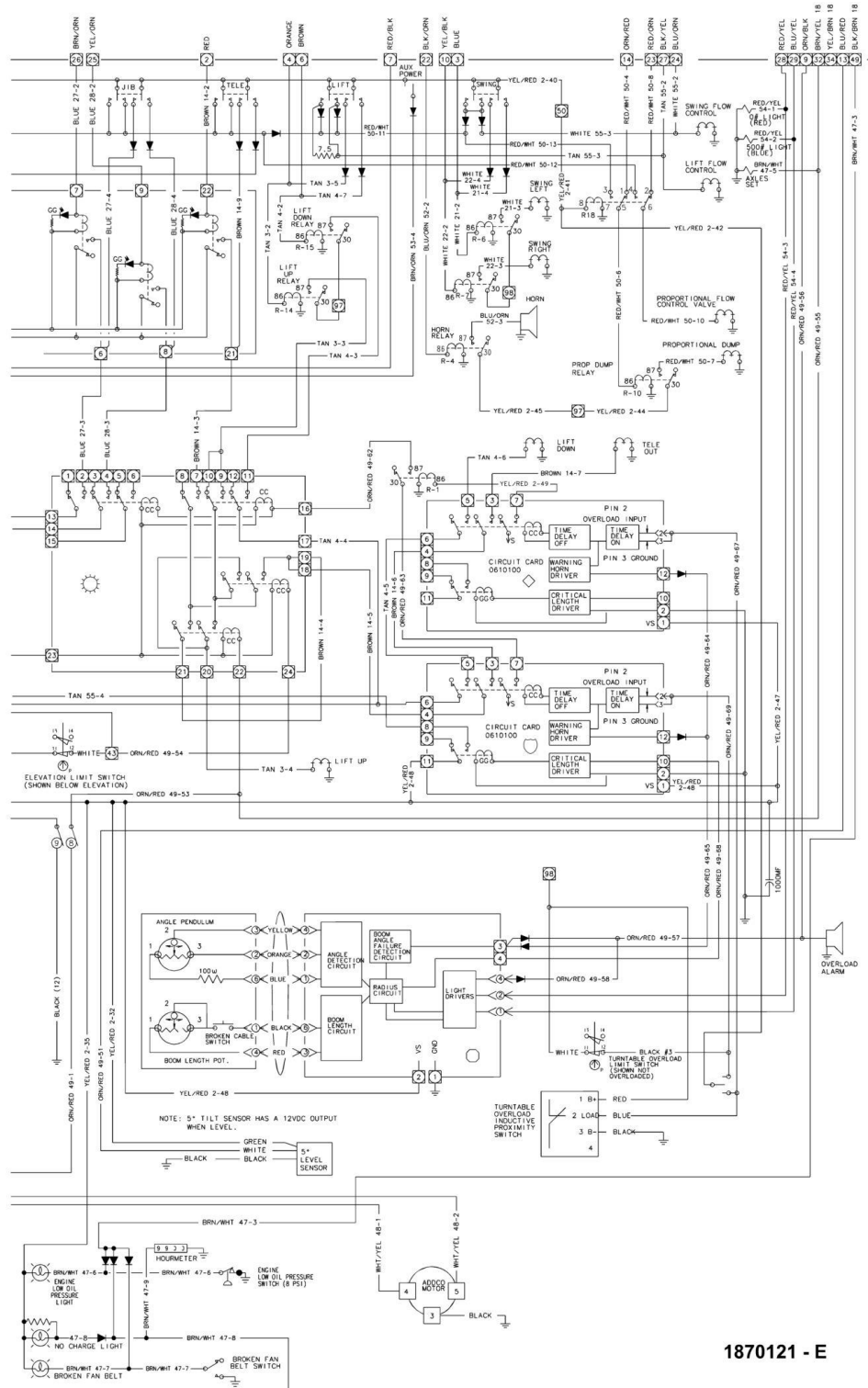


# SECTION 7 - ELECTRICAL





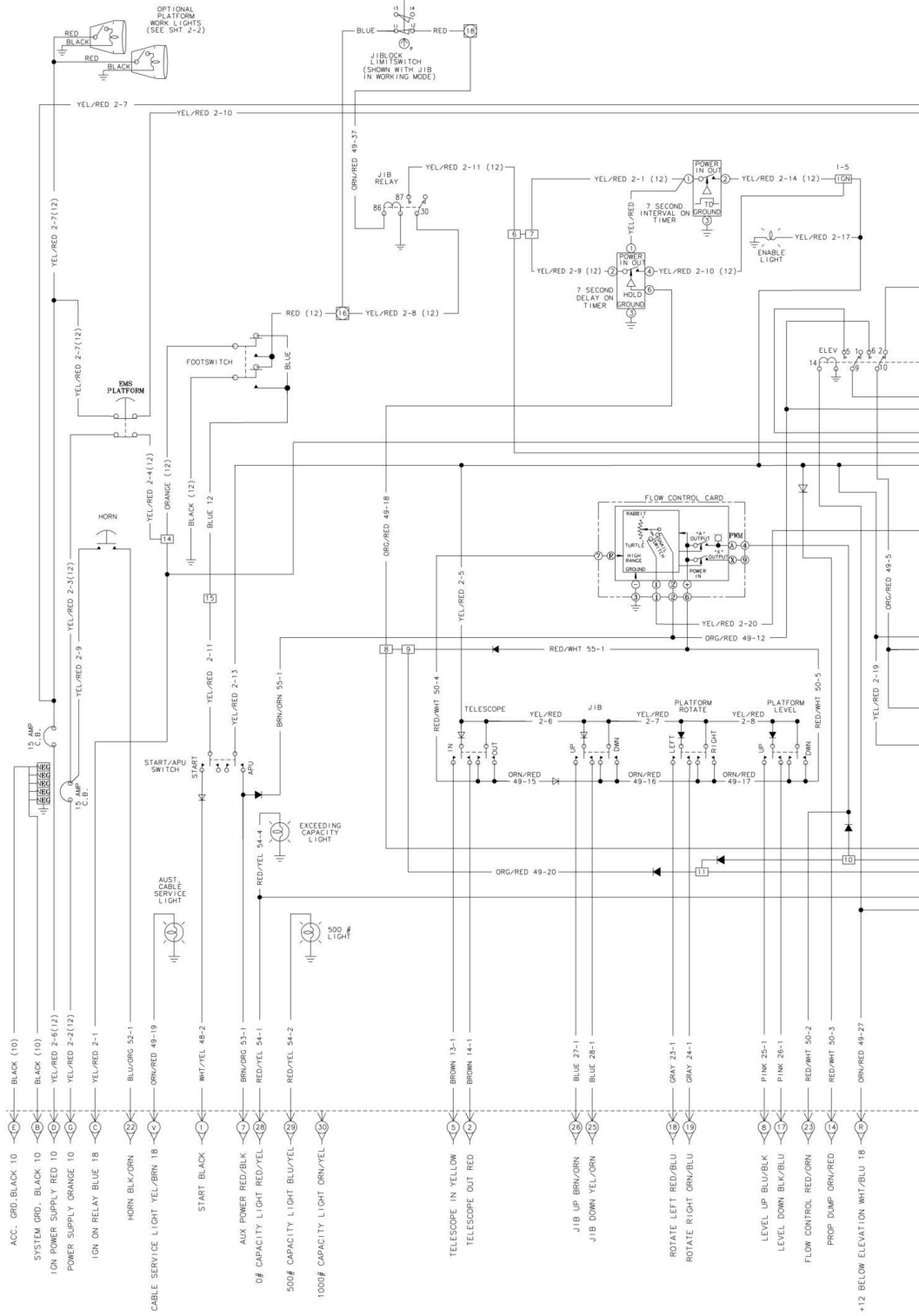
# SECTION 7 - ELECTRICAL



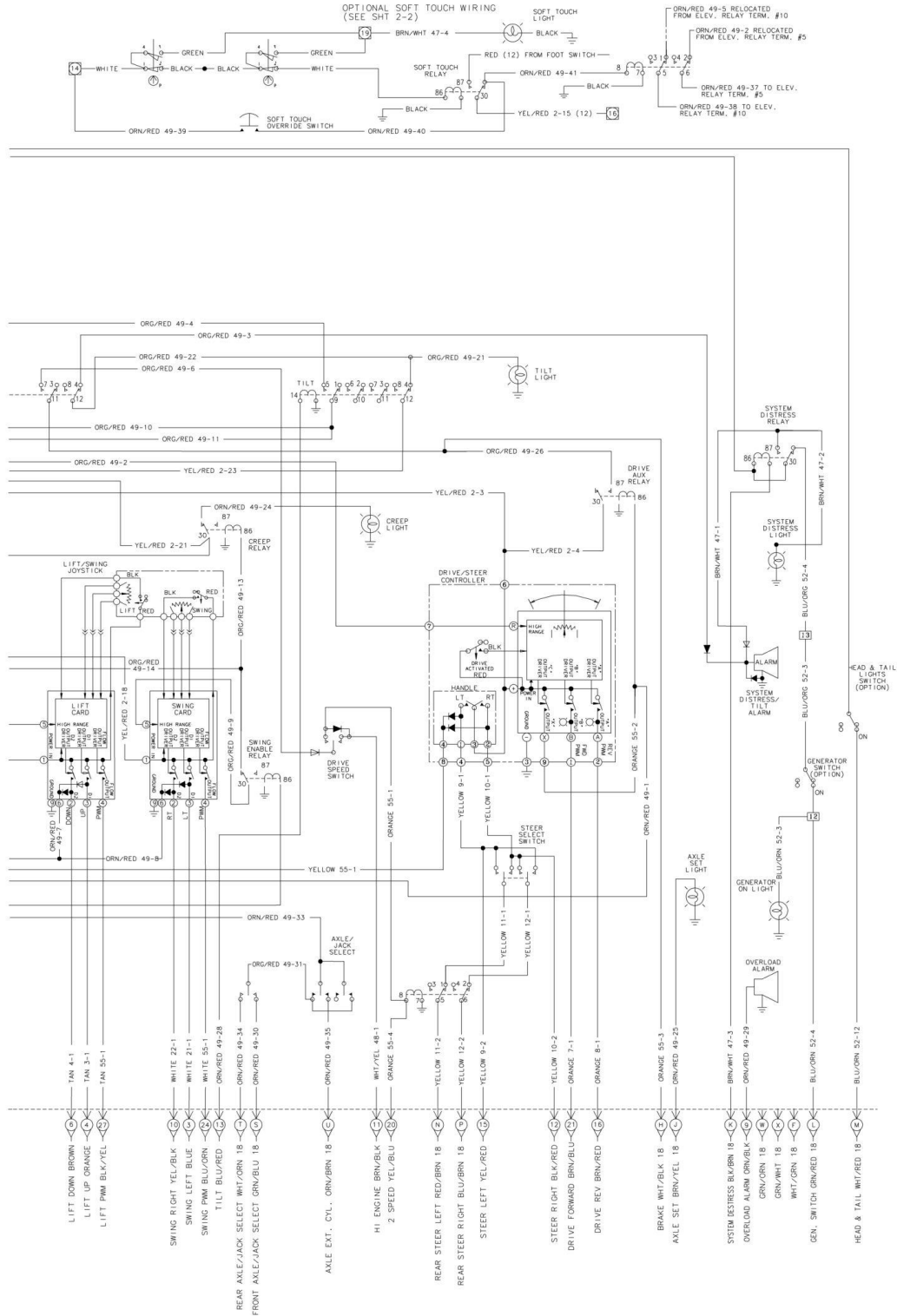
1870121 - E

# SECTION 7 - ELECTRICAL

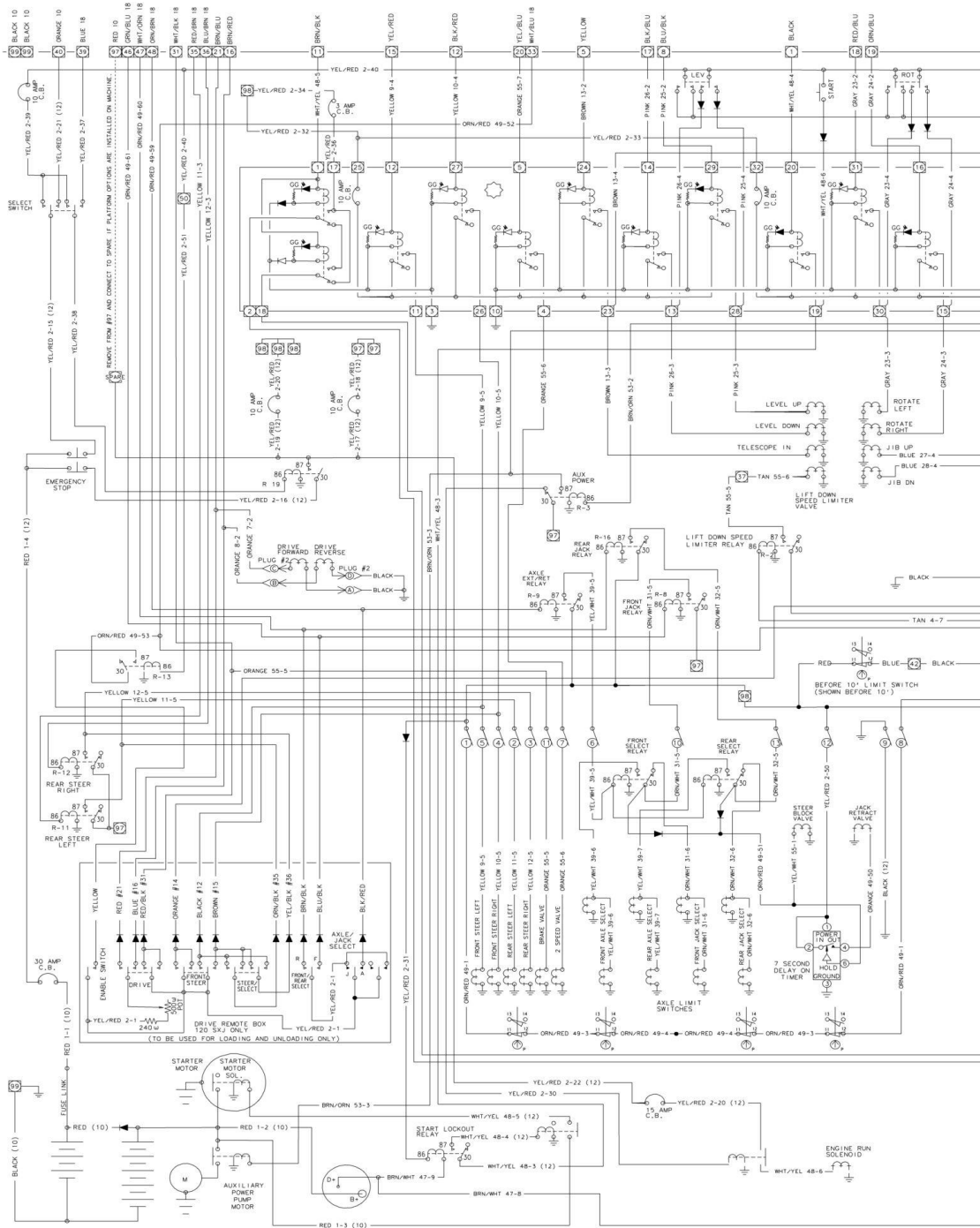
## FIGURE 7-4. ELECTRICAL SCHEMATIC - 120SXJ



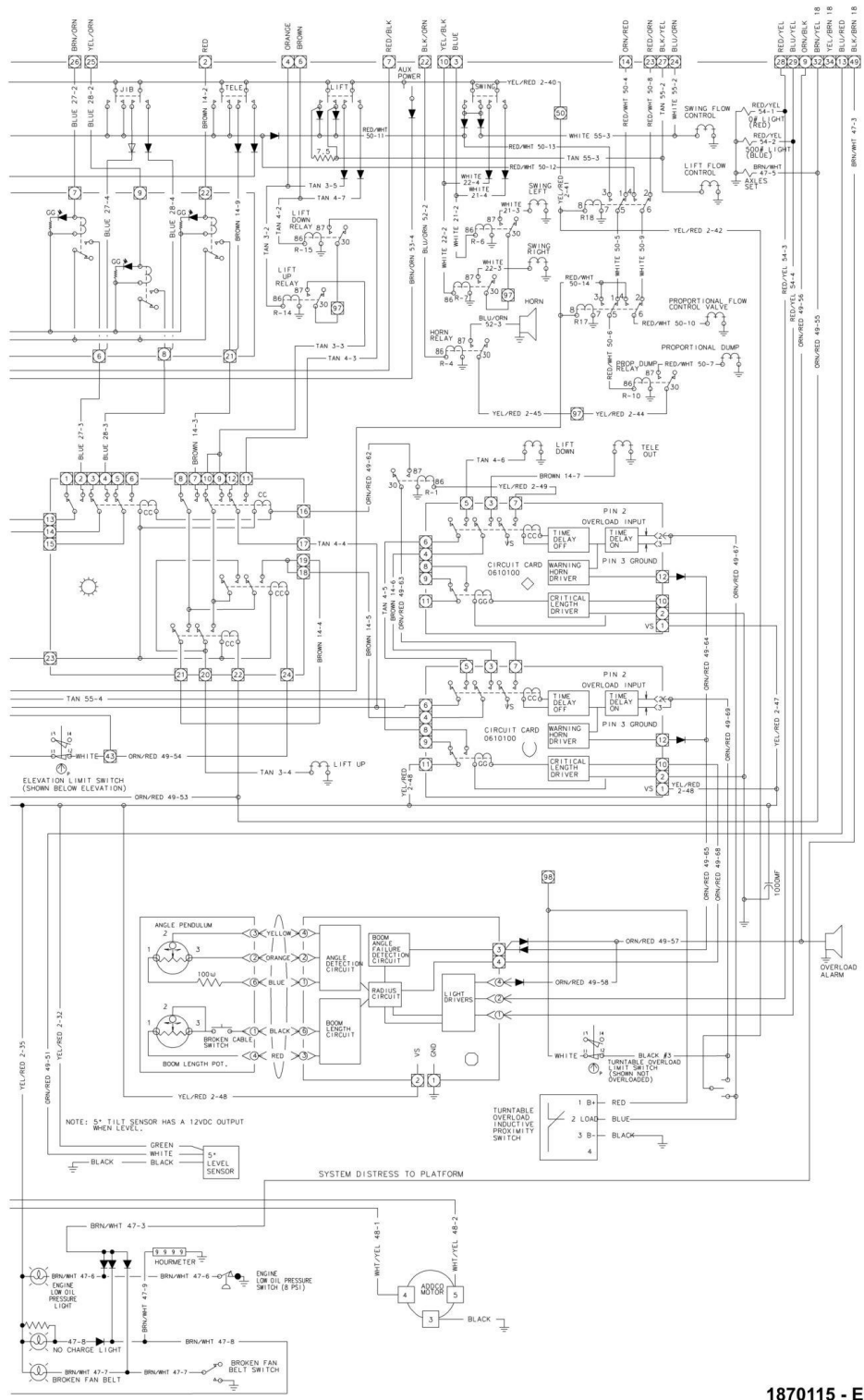
# SECTION 7 - ELECTRICAL



# SECTION 7 - ELECTRICAL



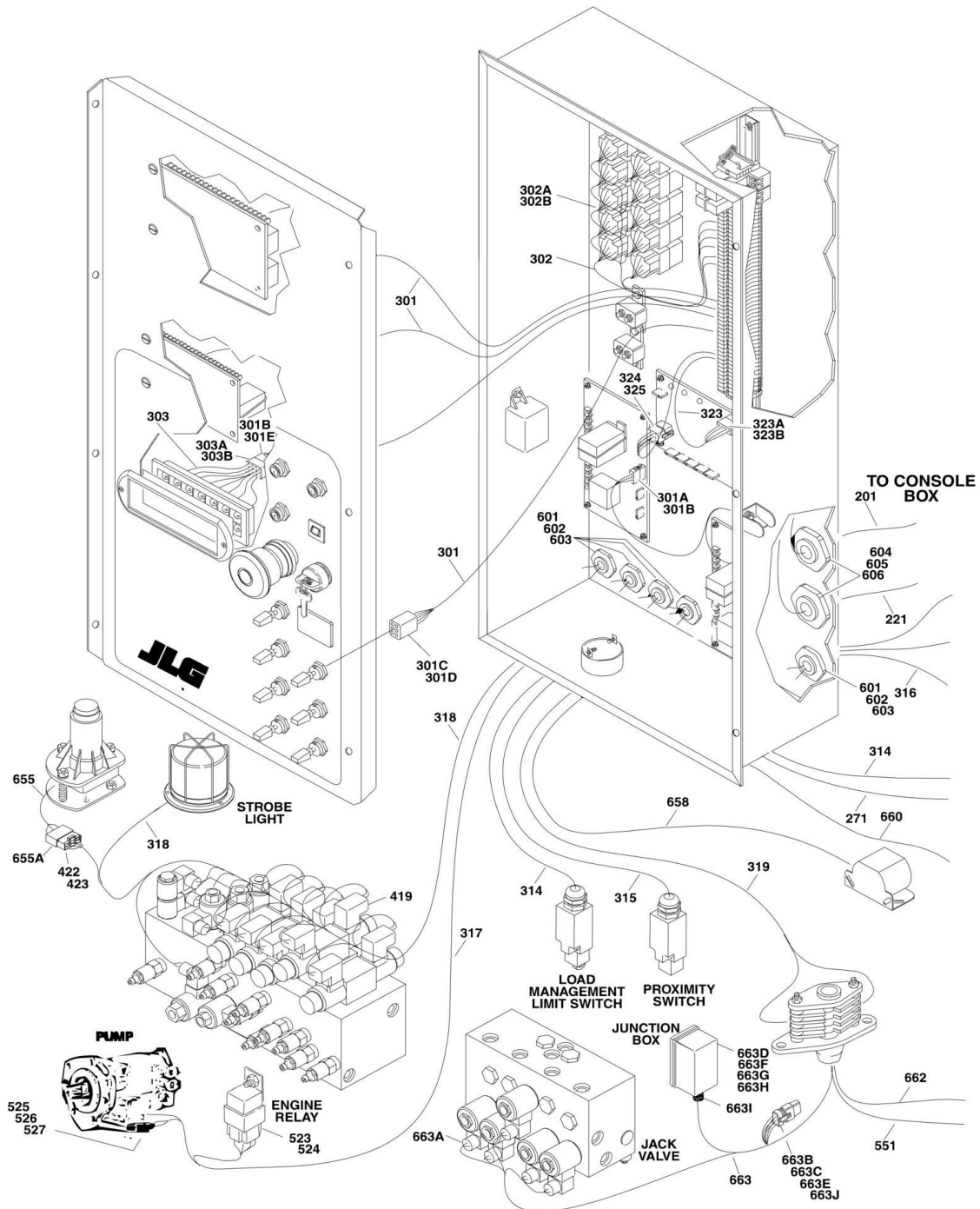
# SECTION 7 - ELECTRICAL



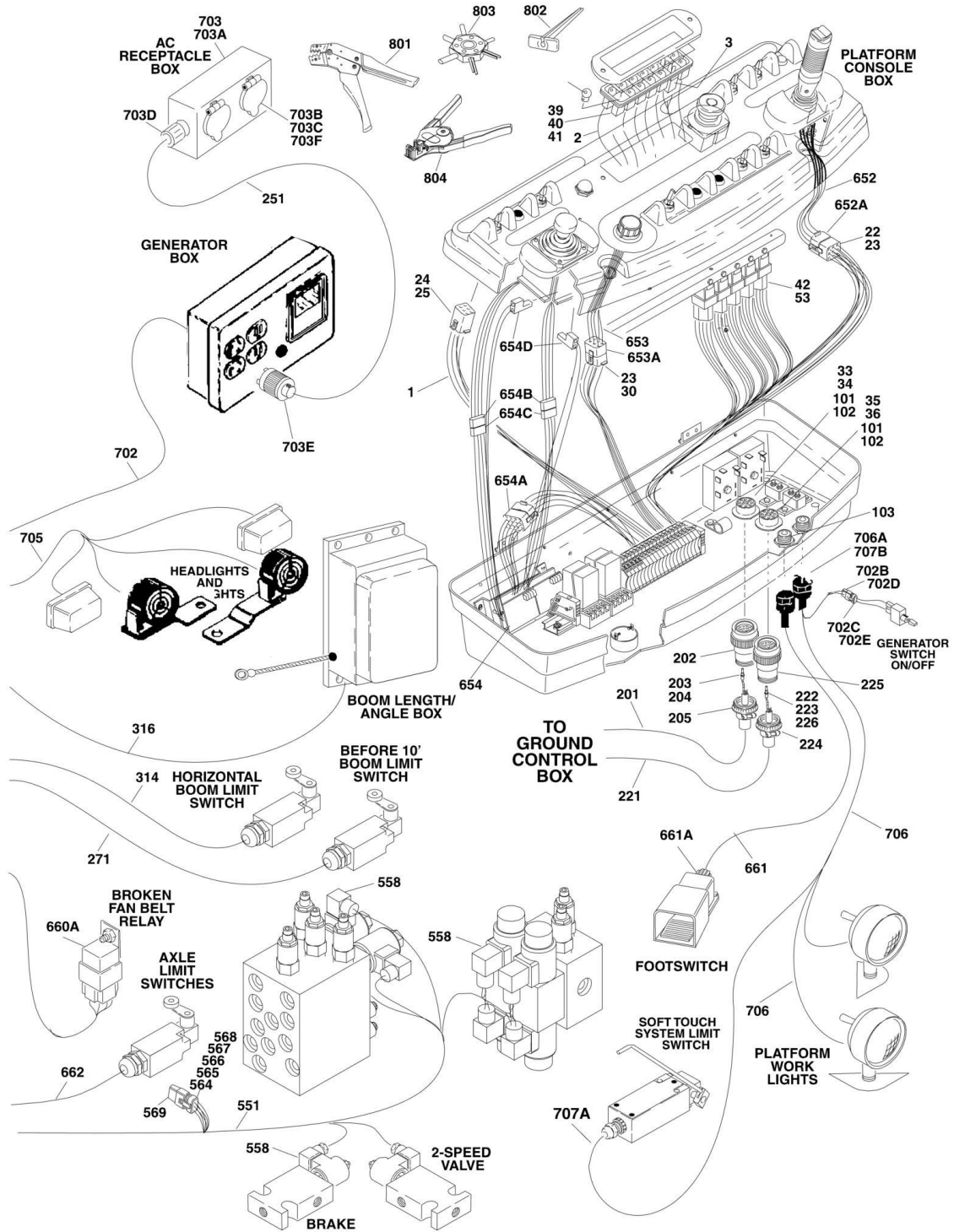
1870115 - E

# SECTION 7 - ELECTRICAL

## FIGURE 7-5. HARNESS COMPONENTS INSTALLATION



# SECTION 7 - ELECTRICAL



# SECTION 7 - ELECTRICAL

## FIGURE 7-5. HARNESS COMPONENTS INSTALLATION

| ITEM | PART NUMBER   | QTY           | DESCRIPTION  | REV |
|------|---------------|---------------|--|-----|
|      |               | Ref           | <b>HARNESS COMPONENTS INSTALLATION</b>   |     |
|      | 4922352       | Ref           | <b>PLATFORM BOX HARNESS ASSEMBLY</b>   | 5-G |
| 1    | Not Available | AR            | Switch Harness (Made up of Individual Wires)                                     |     |
| 2    | Not Available | AR            | Light Display Harness (Made up of Individual Wires)                              |     |
| 3    | Not Available | AR            | Fuel Gauge Harness (Made up of Individual Wires)                                 |     |
| 22   | 4460265       | 3             | Connector - 9 Position   |     |
| 23   | 4460268       | 29            | Socket, Female   |     |
| 24   | 4460418       | 8             | Connector - 6 Position   |     |
| 25   | 4460419       | 38            | Terminal, Female   |     |
| 30   | 4460266       | 1             | Connector, Plug - 9 Position   |     |
| 33   | 4460464       | 41            | Pin, Male (16 Gauge)   |     |
| 34   | 4460503       | 1             | Connector - 31 Position  |     |
| 35   | 4460508       | 4             | Pin, Male (12 Gauge)   |     |
| 36   | 4460613       | 1             | Connector - 21 Position  |     |
| 37   | 3990010       | 19            | Diode 6 Amp (Not Shown)  |     |
| 39   | 4120035       | 10            | Socket, Light  |     |
| 40   | 4460634       | 12            | Insert, Terminal (Single Wire)   |     |
| 41   | 4460635       | 8             | Insert, Terminal (Double Wire)   |     |
| 42   | 4460741       | 4             | Plug - 5 Position  |     |
| 53   | 4460420       | 18            | Terminal   |     |
|      |               | Ref           | <b>PLATFORM BOX ASSEMBLY COMPONENTS</b>  |     |
| 101  | 4460470       | 2             | Nut, Conduit   |     |
| 102  | 4460471       | 2             | Washer   |     |
| 103  | 4460428       | 2             | Connector, Strain Relief   |     |
|      |               | Ref           | <b>BOOM CABLE INSTALLATION - 16/30</b>   |     |
|      | 4922406       | Ref           | <b>Boom Cable Installation - 16/30 100SX</b>                                     | 2   |
|      | 4922404       | Ref           | <b>Boom Cable Installation - 16/30 110SX/110SXJ - With Inverted Track</b>        | 2   |
|      | 4922405       | Ref           | <b>Boom Cable Installation - 16/30 120SXJ</b>                                    | 2   |
| 201  |               | Ref           | Cable, Electrical - 16/30  |     |
| 201  | 1060516       | 135<br>ft/41m | Cable, Electrical - 16/30 100SX  |     |
| 201  | 1060516       | 138<br>ft/42m | Cable, Electrical - 16/30 110SX/110SXJ   |     |
| 201  | 1060516       | 149<br>ft/45m | Cable, Electrical - 16/30 120SXJ   |     |
| 202  | 4460502       | 1             | Connector, Female - 31 Position  |     |
| 203  | 4460465       | 30            | Socket, Female   |     |
| 204  | 4460466       | 1             | Plug, Seal   |     |
| 205  | 4460473       | 1             | Clamp, Cable   |     |
|      |               | Ref           | <b>BOOM HARNESS INSTALLATION - 10/4-18/16</b>                                    |     |
|      | 4922403       | Ref           | <b>Boom Harness Installation - 10/4-18/16 100SX</b>                              | 2   |
|      | 4922401       | Ref           | <b>Boom Harness Installation - 10/4-18/16 110SX/110SXJ - With Inverted Track</b> | 2   |
|      | 4922402       | Ref           | <b>Boom Harness Installation - 10/4-18/16 120SXJ</b>                             | 2   |
| 221  |               | Ref           | Cable, Electrical - 10/4-18/16 Options:  |     |
| 221  | 1060676       | 135<br>ft/41m | Cable, Electrical - 10/4-18/16 100SX   |     |
| 221  | 1060676       | 138<br>ft/42m | Cable, Electrical - 10/4-18/16 110SX/110SXJ                                      |     |



## SECTION 7 - ELECTRICAL

| ITEM | PART NUMBER | QTY           | DESCRIPTION  | REV |
|------|-------------|---------------|--|-----|
| 221  | 1060676     | 149<br>ft/45m | Cable, Electrical - 10/4-18/16 120SXJ                                  |     |
| 222  | 4460465     | 16            | Socket, Female   |     |
| 223  | 4460466     | 1             | Plug, Seal   |     |
| 224  | 4460473     | 1             | Clamp, Cable   |     |
| 225  | 4460614     | 1             | Connector, Female - 21 Position  |     |
| 226  | 4460509     | 4             | Socket, Female   |     |
|      |             | Ref           | <b>BOOM A/C CABLE INSTALLATION - 10/3</b>                              |     |
| 251  | 1060545     | 131<br>ft/40m | Boom A/C Cable Installation - 10/3 100SX                               |     |
| 251  | 1060393     | 131<br>ft/40m | Boom A/C Cable Installation - 10/3 110SX/110SX - With Inverted Track   |     |
| 251  | 1060393     | 128<br>ft/39m | Boom A/C Cable Installation - 10/3 110SXJ/110SXJ - With Inverted Track |     |
| 251  | 1060393     | 149<br>ft/45m | Boom A/C Cable Installation - 10/3 120SXJ                              |     |
|      |             | Ref           | <b>BOOM LIMIT SWITCH CABLE INSTALLATION - 16/3</b>                     |     |
| 271  | 1060016     | 50 ft/15m     | Cable, Electrical - 16/3 (110SXJ/120SXJ Only)                          |     |
|      |             | Ref           | <b>GROUND CONTROL BOX DIAGRAM</b>                                      |     |
|      | 4933124     | Ref           | <b>Ground Control Box Diagram 100SX/110SX</b>                          | 3-F |
|      | 4933136     | Ref           | <b>Ground Control Box Diagram 110SXJ</b>                               | 3-F |
|      | 4933123     | Ref           | <b>Ground Control Box Diagram 120SXJ</b>                               | 3-F |
| 301  | 4922438     | 1             | Harness - Ground Control   | 2-B |
| 301A | 4460326     | 2             | Connector, Male - 3 Position   |     |
| 301B | 4460267     | 9             | Pin, Male  |     |
| 301C | 4460418     | 7             | Connector - 6 Position   |     |
| 301D | 4460419     | 39            | Terminal, Female   |     |
| 301E | 4460343     | 1             | Connector, Male - 12 Position  |     |
| 302  | 4922451     | 1             | Harness - Relay  | 2-B |
| 302A | 4460741     | 16            | Plug - 5 Position  |     |
| 302B | 4460420     | 50            | Terminal   |     |
| 303  | 4922389     | 1             | Harness, Lights  | 2-B |
| 303A | 4460367     | 1             | Connector 12 Position  |     |
| 303B | 4460268     | 12            | Socket, Female   |     |
| 304  | 1540003     | 2             | Capacitor (Not Shown)  |     |
| 314  | 1060341     | 27 ft/8.2m    | Cable, Electrical 16/2   |     |
| 315  | 1060016     | 15 ft/5m      | Cable, Electrical 16/3   |     |
| 316  | 1060042     | 15 ft/5m      | Cable, Electrical 16/5   |     |
| 317  | 4922408     | 1             | Harness, Engine  | 3-C |
| 318  | 4922410     | 1             | Harness, Valve   | 2-B |
| 319  | 4922409     | 1             | Harness, Slip Ring   | 1-A |
| 321  | 3990010     | AR            | Diode 6 Amp (Not Shown)  |     |
| 323  | 4922460     | 1             | Harness, Load Radius (100SX/110SX)                                     | 1-A |
| 323  | 4922458     | 1             | Harness, Load Radius (110SXJ/120SXJ)                                   | 1-A |
| 323A | 4460321     | 1             | Connector, Male - 4 Position   |     |
| 323B |             | Ref           | Pin, Male Options:   |     |
| 323B | 4460267     | AR            | Pin, Male ( <b>Prior to SN 65544</b> )                                 |     |
| 323B | 4460268     | AR            | Pin, Male ( <b>SN 65544 to Present</b> )                               |     |
| 324  | 4460225     | 1             | Connector, Male - 6 Position   |     |
| 325  | 4460226     | 5             | Socket, Female   |     |
|      |             | Ref           | <b>VALVE HARNESS ASSEMBLY</b>  | 2-B |
| 419  | 4460499     | 17            | DIN Connector with Diode   |     |

## SECTION 7 - ELECTRICAL

| ITEM | PART NUMBER   | QTY | DESCRIPTION   | REV |
|------|---------------|-----|---|-----|
| 422  | 4460445       | 1   | Connector, Female - 3 Position                              |     |
| 423  | 4460267       | 3   | Pin, Male   |     |
|      | 4922408       | Ref | <b>ENGINE HARNESS ASSEMBLY - DEUTZ ENGINE</b>               | 3-C |
| 523  | 4460374       | 1   | Plug, Sealed  |     |
| 524  | 4460375       | 4   | Terminal  |     |
| 525  | 4460460       | 1   | Connector - 4 Position                                      |     |
| 526  | 4460457       | 4   | Terminal, Female  |     |
| 527  | 4460458       | 4   | Seal, Terminal  |     |
|      | 4922589       | Ref | <b>ENGINE HARNESS ASSEMBLY - FORD ENGINE</b>                | 1   |
| 523  | 4460374       | 1   | Plug, Sealed  |     |
| 524  | 4460375       | 4   | Terminal  |     |
| 525  | 4460460       | 1   | Connector - 4 Position                                      |     |
| 526  | 4460457       | 4   | Terminal, Female  |     |
| 527  | 4460458       | 4   | Seal, Terminal  |     |
|      | 4922399       | Ref | <b>STEER HARNESS ASSEMBLY</b>                               | 3-D |
| 551  | 4922399       | 1   | Harness, Steer  |     |
| 558  | 4460499       | 11  | Connector, DIN with Diode                                   |     |
| 564  | 4460225       | 1   | Connector - 6 Position                                      |     |
| 565  | 4460807       | 1   | Seal, Terminal  |     |
| 566  | 4460809       | 1   | Sealing, Pin  |     |
| 567  | 4460267       | 5   | Pin, Male   |     |
| 568  | 4460808       | 1   | Seal, Terminal  |     |
| 569  | 4922448       | 1   | Harness, Plug   |     |
| 569  | 4460224       | 1   | Connector 6 Position  |     |
| 569  | 4460807       | 1   | Seal, Terminal  |     |
| 569  | 3990010       | 2   | Diode 6 Amp   |     |
| 569  | 4460268       | 5   | Socket, Female  |     |
| 569  | 4460809       | 1   | Sealing, Pin  |     |
|      |               | Ref | <b>PLATFORM BOX ASSEMBLY COMPONENTS</b>                     |     |
| 601  | 3300048       | 5   | Nut, Conduit  |     |
| 602  | 0960238       | AR  | Bushing, Reducer  |     |
| 603  | 4460051       | AR  | Connector, Strain Relief                                    |     |
| 604  | 4460386       | 2   | Connector, Strain Relief                                    |     |
| 605  | 3300147       | 2   | Nut, Conduit  |     |
| 606  | 0960905       | 2   | Bushing, Reducer  |     |
|      |               | Ref | <b>STANDARD HARNESS COMPONENTS</b>                          |     |
| 651  | Not Available | 1   | Controller Harness Assembly (Lift and Swing)                |     |
| 651A | 4460266       | 1   | Connector, Female - 9 Position                              |     |
| 651A | 4460268       | 7   | Socket, Female  |     |
| 652  | 7019124       | 1   | Controller Harness/Circuit Board Assembly (Drive and Steer) |     |
| 652A | 4460266       | 1   | Connector, Female - 9 Position                              |     |
| 652A | 4460268       | 7   | Socket, Female  |     |
| 653  | Not Available | 1   | Controller Harness - Speed                                  |     |
| 653A | 4460224       | 1   | Connector - 6 Position                                      |     |
| 653A | 4460268       | 6   | Socket, Female  |     |
| 654  | Not Available | 1   | Controller Harness Assembly (Lift and Swing)                |     |
| 654A | 4460266       | 1   | Connector, Female - 9 Position                              |     |
| 654A | 4460267       | 9   | Pin, Male   |     |
| 654B | Not Available | 2   | Connector, Male - 4 Position                                |     |
| 654B | Not Available | 4   | Pin, Male   |     |
| 654C | Not Available | 2   | Connector, Female - 4 Position                              |     |

## SECTION 7 - ELECTRICAL

| ITEM | PART NUMBER   | QTY            | DESCRIPTION  | REV |
|------|---------------|----------------|--|-----|
| 654C | Not Available | 8              | Socket, Female   |     |
| 654D | Not Available | 2              | Connector, Female - 3 Position                             |     |
| 654D | Not Available | 3              | Socket, Female   |     |
| 655  | Not Available | 1              | Tilt Indicator Harness                                     |     |
| 655A | 4460326       | 1              | Connector, Female - 3 Position                             |     |
| 655A | 4460268       | 3              | Socket, Female   |     |
| 658  | Not Available | AR             | Alarm Harness (Travel, Descend and Motion)                 |     |
| 658  | 1060341       | 11 ft/3.4m     | Cable, Electrical - 16/2                                   |     |
| 659  | 3990010       | 2              | Diode 6 Amp (Not Shown)                                    |     |
| 660  | 4921886       | 1              | Broken Fan Belt Harness                                    |     |
| 660A | 3740080       | 1              | Relay  |     |
| 660A | 4460374       | 1              | Plug, Relay  |     |
| 660A | 4460375       | 4              | Terminal   |     |
| 661  | 4922352       | 1              | Footswitch Harness   |     |
| 661A | 4460071       | 1              | Connector, Strain Relief                                   |     |
| 662  | 4922400       | 2              | Axle Limit Switch Harness                                  |     |
| 663  | 4922398       | 1              | Jack Harness   |     |
| 663A | 4460499       | 5              | Connector, DIN with Diode                                  |     |
| 663B | 4460224       | 1              | Connector 6 Position                                       |     |
| 663C | 4460268       | 5              | Socket, Female   |     |
| 663D | 3740049       | 2              | Relay, Bosch (Located inside junction box)                 |     |
| 663E | 4460809       | 1              | Sealing, Pin   |     |
| 663F | 3990010       | 2              | Diode 6 Amp (Located inside junction box)                  |     |
| 663G | 3740113       | 1              | Relay, Time Delay (Located inside junction box)            |     |
| 663H | 0861358       | 1              | Box, Junction  |     |
| 663I | 4460428       | 1              | Connector, Strain Relief                                   |     |
| 663J | 4460807       | 1              | Seal, Terminal   |     |
|      |               | Ref            | <b>OPTIONAL HARNESS COMPONENTS</b>                         |     |
| 702  | 4922423       | Ref            | Generator Electrical Components                            | 1-A |
| 702A | 4921938       | 1              | Harness On/Off   |     |
| 702B | 4460424       | 1              | Terminal Housing, Female                                   |     |
| 702C | 4460320       | 1              | Terminal Housing, Male                                     |     |
| 702D | 4460268       | 2              | Socket, Female   |     |
| 702E | 4460267       | 2              | Pin, Male  |     |
| 703  | 0270275       | Ref            | AC to Platform Receptacle Components (110V)                | 1   |
| 703A | 0860038       | 1              | Box, Switch  |     |
| 703B | 4460346       | 1              | Receptacle   |     |
| 703C | 4060700       | 1              | Shield, Cover  |     |
| 703D | 4460071       | 1              | Connector, Strain Relief                                   |     |
| 703E | 4460205       | 1              | Plug, Male   |     |
| 703F | 3960422       | 1              | Gasket   |     |
| 704  | Not Available | 1              | Strobe Light Harness (Includes Strobe Light)               |     |
| 705  | Not Available | 1              | Light Harness  |     |
| 705  | 3740049       | 1              | Relay (Not Shown)  |     |
| 705  | 1060341       | 45<br>ft/13.7m | Cable, Electrical - 16/2                                   |     |
| 706  | 2920140       | 2              | Platform Worklights Harness (Includes Light and Wire Only) |     |
| 706  | 2820035       | 9 ft/2.8m      | Loom, Vinyl  |     |
| 706A | 4460598       | 1              | Connector, Strain Relief                                   |     |
| 706A | 4460042       | 2              | Terminal (Not Shown-Located in Platform Console)           |     |
| 707  | Not Available | 1              | Soft-Touch System Harness                                  |     |
| 707A | 1600330       | 16 ft/4.9m     | Cable, Electrical - 16/3                                   |     |

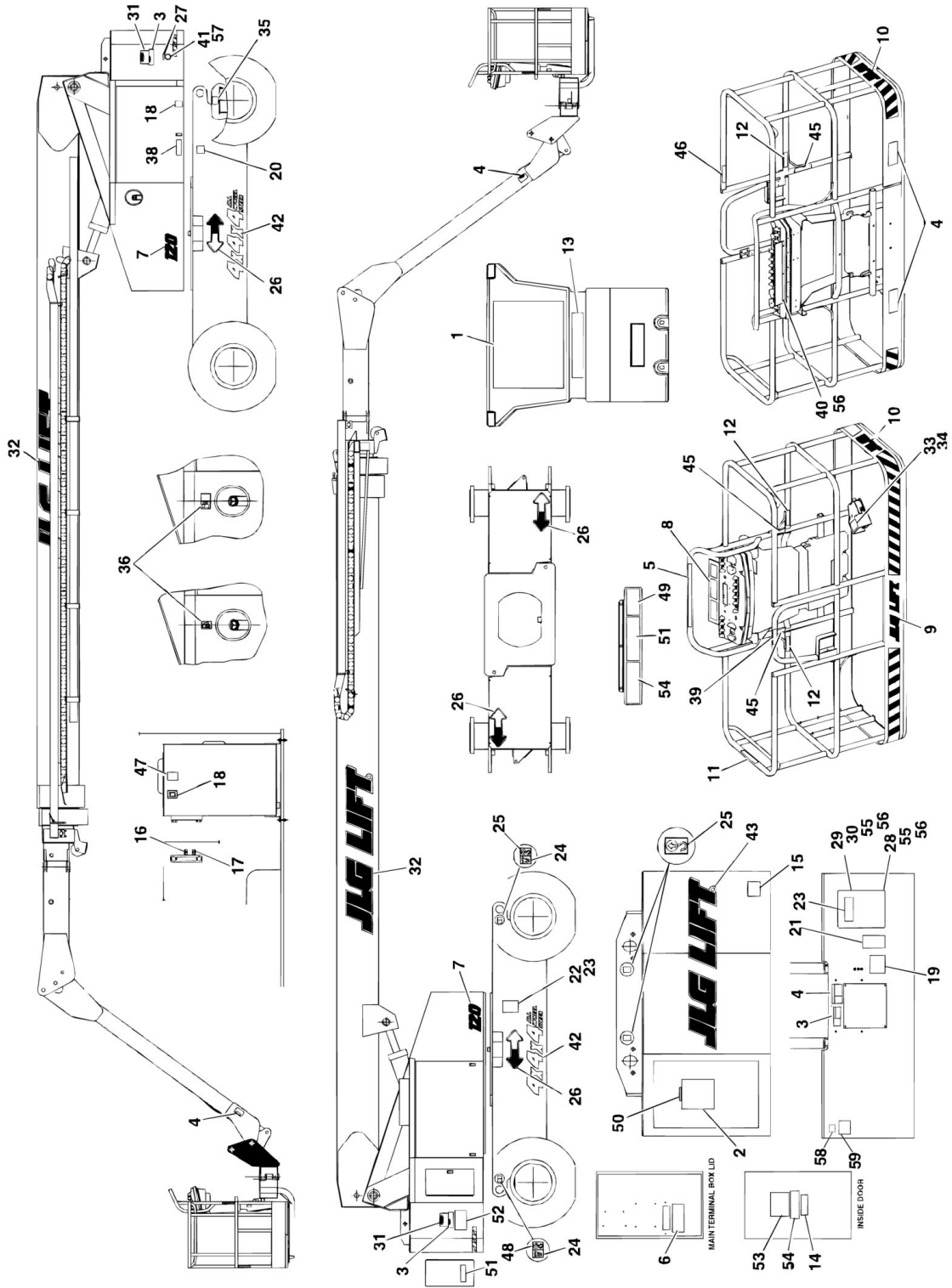
## SECTION 7 - ELECTRICAL

| ITEM | PART NUMBER | QTY | DESCRIPTION   | REV |
|------|-------------|-----|---|-----|
| 707B | 4460425     | 1   | Connector, Strain Relief  |     |
|      |             | Ref | <b>TOOLS</b>  |     |
|      | 4921850     | 1   | Service Harness (For Setting Deutz Throttle Actuator)                           |     |
|      | 4922021     | 1   | Service Harness (For Setting Circuit Cards)                                     |     |
| 801  | 7002821     | 1   | Crimper (For Wire to Pin/Socket Connections)                                    |     |
| 802  | 7002823     | 1   | Extractor (For Removal of Pin/Socket from Connectors)                           |     |
| 803  | 4460467     | 1   | Extractor, Pin (Blue 16-18 Gauge) (For Removal of Pin/Socket from Connectors)   |     |
| 803  | 4460510     | 1   | Extractor, Pin (Yellow 12-14 Gauge) (For Removal of Pin/Socket from Connectors) |     |
| 804  | 7002828     | 1   | Stripper, Wire  |     |

**SECTION 8 - DECALS**

# SECTION 8 - DECALS

## FIGURE 8-1. DECALS INSTALLATION - ANSI



## SECTION 8 - DECALS

### FIGURE 8-1. DECALS INSTALLATION - ANSI

| ITEM | PART NUMBER   | QTY | DESCRIPTION  | REV |
|------|---------------|-----|--|-----|
|      |               | Ref | <b>STANDARD DECAL INSTALLATIONS</b>  |     |
|      | 0259933       | Ref | <b>Decals - JLG</b>  | 1   |
|      | 0259931       | Ref | <b>Decals Model 100SX/110SX</b>  | 8   |
|      | 0259932       | Ref | <b>Decals Models 110SXJ/120SXJ</b>   | 4   |
| 1    | 1703797       | 1   | Decal - Danger/Warning (Platform)  |     |
| 2    | 1703798       | 1   | Decal - Danger/Warning (Ground Control)                                      |     |
| 3    | 1703805       | 3   | Decal - Danger/Electrocution   |     |
| 4    | 1703804       | 5   | Decal - Warning Crushing   |     |
| 5    | 1704533       | 1   | Decal - Legend (Platform)  |     |
| 6    | 1704585       | 1   | Decal - Legend (Ground Control)  |     |
| 7    |               | Ref | Decal - Model Designation Options:   |     |
| 7    | 1704599       | 2   | Decal - Model Designation Model 100SX  |     |
| 7    | 1704591       | 2   | Decal - Model Designation Model 110SX  |     |
| 7    | 1704590       | 2   | Decal - Model Designation Model 110SXJ                                       |     |
| 7    | 1704592       | 2   | Decal - Model Designation Model 120SXJ                                       |     |
| 8    | 3572327       | 1   | Plate, Decal Mount   |     |
| 9    | 1702774       | 1   | Decal - JLG Lift (3.5in)   |     |
| 10   | 1702773       | 2   | Decal - JLG (5in)  |     |
| 11   | 1702868       | 2   | Decal - No Hands   |     |
| 12   | 1704277       | 4   | Decal - Attach Lanyard Here  |     |
| 13   |               | Ref | Decal - Capacity (Platform) Options:   |     |
| 13   | 1704096       | 1   | Decal - Capacity (Platform) 100SX/110SX                                      |     |
| 13   | 1704096       | 1   | Decal - Capacity (Platform) 110SXJ/120SXJ <b>(Prior to SN 54101)</b>         |     |
| 13   | 1701645       | 1   | Decal - Capacity (Platform) 110SXJ/120SXJ <b>(SN 54101 to Present)</b>       |     |
| 14   |               | Ref | Decal - Capacity (Ground Control) Options:                                   |     |
| 14   | 1704104       | 1   | Decal - Capacity (Ground Control) 100SX/110SX                                |     |
| 14   | 1704104       | 1   | Decal - Capacity (Ground Control) 110SXJ/120SXJ <b>(Prior to SN 54101)</b>   |     |
| 14   | 1702688       | 1   | Decal - Capacity (Ground Control) 110SXJ/120SXJ <b>(SN 54101 to Present)</b> |     |
| 15   | 3251813       | 1   | Decal - USA  |     |
| 16   | 1701502       | 1   | Decal - High Oil Level   |     |
| 17   | 1701503       | 1   | Decal - Low Oil Level  |     |
| 18   | 1701504       | 2   | Decal - Hydraulic Oil  |     |
| 19   | 1702153       | 1   | Decal - Inspection   |     |
| 20   | Not Available | 1   | Decal - Bar Code   |     |
| 21   | 1700584       | 1   | Decal - Patent   |     |
| 22   | Not Available | 1   | Nameplate - Serial Number  |     |
| 23   | 1701509       | 1   | Decal - Manual   |     |
| 24   | 1702300       | 6   | Decal - Tie Down   |     |
| 25   | 1701500       | 4   | Decal - Lift   |     |
| 26   | 1701501       | 4   | Decal - Arrow  |     |
| 27   | 3251243       | 1   | Nameplate - 120V-60Hz  |     |
| 28   | 0860520       | 1   | Box, Manual Storage  |     |
| 29   | 1060279       | 1   | Cable, Lanyard   |     |
| 30   | 0641408       | 1   | Bolt 1/4in-20NC x 1in  |     |
| 31   | 1703953       | 2   | Decal - Warning Crushing   |     |
| 32   | 1702862       | 2   | Decal - JLG Lift (12in)  |     |

## SECTION 8 - DECALS

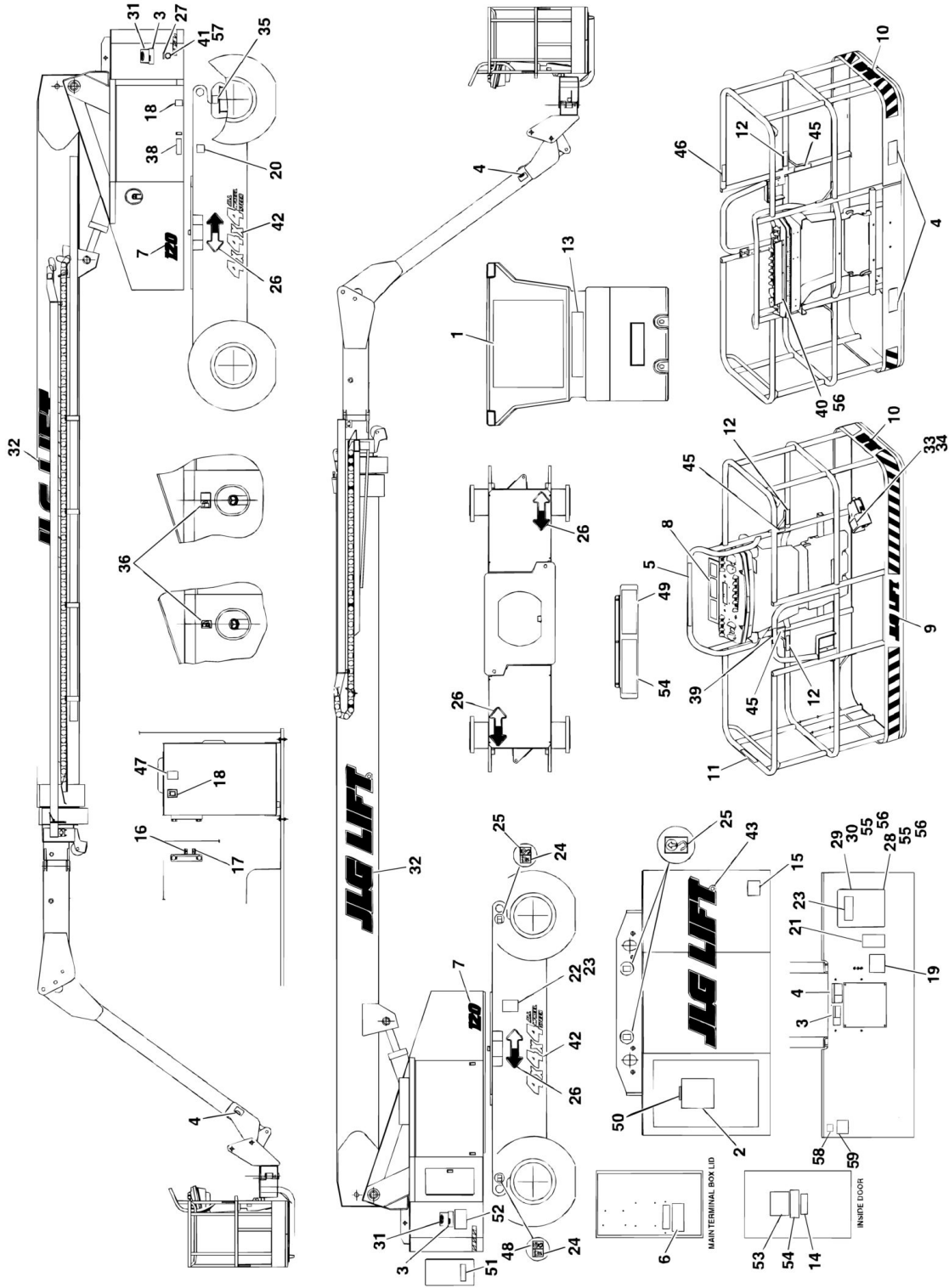
| ITEM | PART NUMBER  | QTY | DESCRIPTION   | REV |
|------|--------------|-----|---|-----|
| 33   | 3820001      | 4   | Rivet   |     |
| 34   | 3252347      | 1   | Decal - Footswitch (Part of 4360031 Footswitch)                               |     |
| 35   | 1703481      | 4   | Decal - Maximum Tire Load   |     |
| 36   | 1701505      | 1   | Decal - Fuel (See Engine Installation)  |     |
| 37   | Not Required | 0   | Not Required  |     |
| 38   | Not Required | 0   | Not Required  |     |
| 39   | Not Required | 0   | Not Required  |     |
| 40   | 0641406      | 3   | Bolt 1/4in-20NC x 3/4in   |     |
| 42   |              | Ref | Decal Options:  |     |
| 42   | 1704600      | 2   | Decal - 4 x 4   |     |
| 42   | 1704581      | 2   | Decal - 4 x 4 x 4 All Wheel Steer   |     |
| 43   | 1702861      | 1   | Decal - JLG Lift (8in)  |     |
| 44   | Not Required | 0   | Not Required  |     |
| 45   | 1703175      | 2   | Decal - Lanyard Attach (GM Spec)  |     |
| 46   | 1702962      | 1   | Decal - Warning Prop 65 (Diesel)  |     |
| 47   | 1704412      | 1   | Decal - Hydraulic Oil Chart   |     |
| 48   | 1701499      | 2   | Decal - No Lift   |     |
| 49   | 1704606      | 1   | Decal - Warning Tip-Over  |     |
| 50   | 1700037      | 1   | Decal - GC Location   |     |
| 51   | 1704755      | 3   | Decal - Warning   |     |
| 52   |              | Ref | Decal - Lift Diagram Options:   |     |
| 52   | 1705397      | 1   | Decal - Lift Diagram 100SX/110SX (Was P/N 3252696) <b>(Prior to SN 67976)</b> |     |
| 52   | 1705396      | 1   | Decal - Lift Diagram 110SXJ (Was P/N 3252697) <b>(Prior to SN 67976)</b>      |     |
| 52   | 3252698      | 1   | Decal - Lift Diagram 120SXJ   |     |
| 53   | 1704583      | 1   | Decal - Load Management   |     |
| 54   | 1704541      | 2   | Decal - Warning Tip-Over  |     |
| 55   | 3311405      | 6   | Locknut 1/4in-20NC  |     |
| 56   | 4751400      | 9   | Flatwasher 1/4in  |     |
| 57   | 0961127      | 1   | Bushing, Snap   |     |
| 58   | 1701543      | 2   | Decal, LPG (Not Shown)  |     |
| 59   | 1700818      | 2   | Decal, Liquid Withdrawal System (Not Shown)                                   |     |
|      | 0100010      | AR  | Loctite #242  |     |





# SECTION 8 - DECALS

## FIGURE 8-2. DECALS INSTALLATION - ANSI EXPORT



## SECTION 8 - DECALS

**FIGURE 8-2. DECALS INSTALLATION - ANSI EXPORT**

| ITEM | PART NUMBER  | QTY | DESCRIPTION   | REV |
|------|--------------|-----|---|-----|
|      |              | Ref | <b>DECAL INSTALLATIONS</b>                                  |     |
|      |              | Ref | <b>Decal Installations Model 100SX/110SX</b>                |     |
|      | 0259933      | Ref | <b>Decal - JLG</b>  | 1   |
|      | 0270248      | Ref | <b>Brazilian Spec (Dual Language -Portuguese/Spanish)</b>   | 4   |
|      | 0270266      | Ref | <b>Chinese Spec (Dual Language-Chinese/ English)</b>        | 5   |
|      | 0270250      | Ref | <b>CSA Spec (Dual Language - English/French)</b>            | 5   |
|      | 0270247      | Ref | <b>Japanese Spec</b>  | 5   |
|      | 0270240      | Ref | <b>Korean Spec</b>  | 5   |
|      | 0270265      | Ref | <b>Latin American Spec (Dual Language -English/Spanish)</b> | 5   |
|      |              | Ref | <b>Decal Installations Models 110SXJ/120SXJ</b>             |     |
|      | 0259933      | Ref | <b>Decal - JLG</b>  | 1   |
|      | 0270311      | Ref | <b>Brazilian Spec (Dual Language -Portuguese/Spanish)</b>   | 3   |
|      | 0270310      | Ref | <b>Chinese Spec (Dual Language-Chinese/ English)</b>        | 4   |
|      | 0270308      | Ref | <b>CSA Spec (Dual Language - English/French)</b>            | 4   |
|      | 0270306      | Ref | <b>Japanese Spec</b>  | 4   |
|      | 0270164      | Ref | <b>Korean Spec</b>  | 4   |
|      | 0270309      | Ref | <b>Latin American Spec (Dual Language -English/Spanish)</b> | 4   |
| 1    |              | Ref | Decal - Danger/Warning (Platform) Options:                  |     |
| 1    | 1703928      | 1   | Brazilian Spec  |     |
| 1    | 1703925      | 1   | Chinese Spec  |     |
| 1    | 1703924      | 1   | CSA Spec  |     |
| 1    | 1703926      | 1   | Japanese Spec   |     |
| 1    | 1703927      | 1   | Korean Spec   |     |
| 1    | 1703923      | 1   | Latin American Spec   |     |
| 2    |              | Ref | Decal - Danger/Warning (Ground Control) Options             |     |
| 2    | 1703934      | 1   | Brazilian Spec  |     |
| 2    | 1703931      | 1   | Chinese Spec  |     |
| 2    | 1703930      | 1   | CSA Spec  |     |
| 2    | 1703932      | 1   | Japanese Spec   |     |
| 2    | 1703933      | 1   | Korean Spec   |     |
| 2    | 1703929      | 1   | Latin American Spec   |     |
| 3    |              | Ref | Decal - Danger/Electrocution Options:                       |     |
| 3    | 1703940      | 3   | Brazilian Spec  |     |
| 3    | 1703937      | 3   | Chinese Spec  |     |
| 3    | 1703936      | 3   | CSA Spec  |     |
| 3    | 1703938      | 3   | Japanese Spec   |     |
| 3    | 1703939      | 3   | Korean Spec   |     |
| 3    | 1703935      | 3   | Latin American Spec   |     |
| 4    |              | Ref | Decal - Warning Crushing Options:                           |     |
| 4    | 1703952      | 5   | Brazilian Spec  |     |
| 4    | 1703949      | 5   | Chinese Spec  |     |
| 4    | 1703948      | 5   | CSA Spec  |     |
| 4    | 1703950      | 5   | Japanese Spec   |     |
| 4    | 1703951      | 5   | Korean Spec   |     |
| 4    | 1703947      | 5   | Latin American Spec   |     |
| 5    |              | Ref | Decal - Legend (Platform) Options:                          |     |
| 5    | Not Required | 0   | Brazilian/Chinese/Japanese/Korean Spec                      |     |
| 5    | 1704533      | 1   | CSA/Latin American Spec                                     |     |
| 6    |              | Ref | Decal - Legend (Ground Control) Options:                    |     |
| 6    | Not Required | 0   | Brazilian/Chinese/Japanese/Korean Spec                      |     |

## SECTION 8 - DECALS

| ITEM | PART NUMBER   | QTY | DESCRIPTION  | REV |
|------|---------------|-----|--|-----|
| 6    | 1704585       | 1   | CSA/Latin American Spec                                      |     |
| 7    |               | Ref | Decal - Model Designation Options:                           |     |
| 7    | 1704599       | 2   | Decal - Model Designation Model 100SX                        |     |
| 7    | 1704591       | 2   | Decal - Model Designation Model 110SX                        |     |
| 7    | 1704590       | 2   | Decal - Model Designation Model 110SXJ                       |     |
| 7    | 1704592       | 2   | Decal - Model Designation Model 120SXJ                       |     |
| 8    | 3572327       | 1   | Plate, Decal Mount   |     |
| 9    | 1702774       | 1   | Decal - JLG Lift (3.5in)                                     |     |
| 10   | 1702773       | 2   | Decal - JLG (5in)  |     |
| 11   |               | Ref | Decal - No Hands Options:                                    |     |
| 11   | 1704002       | 2   | Brazilian Spec   |     |
| 11   | 1704277       | 3   | Chinese/Japanese/Korean Specs                                |     |
| 11   | 1704000       | 2   | CSA Spec   |     |
| 11   | 1704001       | 2   | Latin American Spec  |     |
| 12   |               | Ref | Decal - Attach Lanyard Here Options:                         |     |
| 12   | 1704277       | 4   | Brazilian Spec   |     |
| 12   | Not Required  | 0   | Chinese/Japanese/Korean Specs                                |     |
| 12   | 1704277       | 4   | CSA Spec   |     |
| 12   | 1704277       | 4   | Latin American Spec (Was 1704004) <b>(Prior to SN 61081)</b> |     |
| 13   | 1703996       | 1   | Decal - Capacity (Platform)                                  |     |
| 14   | 1704112       | 1   | Decal - Capacity (Ground Control)                            |     |
| 15   |               | Ref | Decal - USA Options:   |     |
| 15   | 3251813       | 1   | Brazilian/CSA/Latin American Specs                           |     |
| 15   | Not Required  | 0   | Chinese/Japanese/Korean Specs                                |     |
| 16   | 1701502       | 1   | Decal - High Oil Level                                       |     |
| 17   | 1701503       | 1   | Decal - Low Oil Level  |     |
| 18   | 1701504       | 2   | Decal - Hydraulic Oil  |     |
| 19   |               | Ref | Decal - Inspection Options:                                  |     |
| 19   | 1704008       | 1   | Brazilian Spec   |     |
| 19   | Not Required  | 0   | Chinese Spec   |     |
| 19   | 1704006       | 1   | CSA Spec   |     |
| 19   | Not Required  | 0   | Japanese Spec  |     |
| 19   | Not Required  | 0   | Korean Spec  |     |
| 19   | 1704007       | 1   | Latin American Spec  |     |
| 20   | Not Available | 1   | Decal - Bar Code   |     |
| 21   | 1700584       | 1   | Decal - Patent   |     |
| 22   | Not Available | 1   | Nameplate - Serial Number                                    |     |
| 23   | 1701509       | 1   | Decal - Manual   |     |
| 24   | 1702300       | 4   | Decal - Tie Down   |     |
| 25   | 1701500       | 4   | Decal - Lift   |     |
| 26   | 1701501       | 4   | Decal - Arrow  |     |
| 27   |               | Ref | Nameplate - 120V-60Hz Options:                               |     |
| 27   | 3251243       | 1   | Brazilian/CSA/Latin American Specs                           |     |
| 27   | Not Required  | 0   | Chinese/Japanese/Korean Specs                                |     |
| 28   | 0860520       | 1   | Box, Manual Storage  |     |
| 29   | 1060279       | 1   | Cable, Lanyard   |     |
| 30   | 0641408       | 1   | Bolt 1/4in-20NC x 1in  |     |
| 31   |               | Ref | Decal - Warning Crushing                                     |     |
| 31   | 1703946       | 2   | Brazilian Spec   |     |
| 31   | 1703943       | 2   | Chinese Spec   |     |
| 31   | 1703942       | 2   | CSA Spec   |     |

## SECTION 8 - DECALS

| ITEM | PART NUMBER  | QTY | DESCRIPTION  | REV |
|------|--------------|-----|--|-----|
| 31   | 1703944      | 2   | Japanese Spec  |     |
| 31   | 1703945      | 2   | Korean Spec  |     |
| 31   | 1703941      | 2   | Latin American Spec                                    |     |
| 32   | 1702862      | 2   | Decal - JLG Lift (12in)                                |     |
| 33   | 3820001      | 8   | Rivet  |     |
| 34   |              | Ref | Decal - Footswitch Options:                            |     |
| 34   | 1703985      | 1   | Brazilian Spec   |     |
| 34   | 1703982      | 1   | Chinese Spec   |     |
| 34   | 1703984      | 1   | CSA Spec   |     |
| 34   | 1703980      | 1   | Japanese Spec  |     |
| 34   | 1703981      | 1   | Korean Spec  |     |
| 34   | 1703983      | 1   | Latin American Spec                                    |     |
| 35   |              | Ref | Decal - Maximum Tire Load Options:                     |     |
| 35   | Not Required | 0   | Brazilian/Latin American Specs/Chinese                 |     |
| 35   | 1703481      | 4   | CSA Specs (Post Production Alternative)                |     |
| 35   | 1703481      | 4   | Japanese/Korean Specs                                  |     |
| 36   | 1701505      | 1   | Decal - Fuel (See Engine Installation)                 |     |
| 37   | Not Required | 0   | Not Required   |     |
| 38   | Not Required | 0   | Not Required   |     |
| 39   |              | Ref | Decal - CSA Options:                                   |     |
| 39   | 3252221      | 1   | Production - CSA Spec                                  |     |
| 39   | 1705514      | 1   | Post Production Alternative- CSA Spec                  |     |
| 39   | Not Required | 0   | Brazilian/Chinese/Japanese/Korean/Latin American Specs |     |
| 40   | 0641406      | 3   | Bolt 1/4in-20NC x 3/4in                                |     |
| 42   |              | Ref | Decal Options:   |     |
| 42   | 1704600      | 2   | Decal - 4 x 4  |     |
| 42   | 1704581      | 2   | Decal - 4 x 4 x 4 All Wheel Steer                      |     |
| 43   | 1702861      | 1   | Decal - JLG Lift (8in)                                 |     |
| 44   | Not Required | 0   | Not Required   |     |
| 45   | 1703175      | 2   | Decal - Lanyard Attach (GM Spec)                       |     |
| 46   | 1702962      | 1   | Decal - Warning Prop 65 (Diesel)                       |     |
| 47   | 1704412      | 1   | Decal - Hydraulic Oil Chart                            |     |
| 48   | 1701499      | 2   | Decal - No Lift  |     |
| 49   |              | Ref | Decal - Warning Tip-Over Options:                      |     |
| 49   | 1704645      | 1   | Brazilian Spec   |     |
| 49   | 1704648      | 1   | Chinese Spec   |     |
| 49   | 1704646      | 1   | CSA Spec   |     |
| 49   | 1704644      | 1   | Japanese Spec  |     |
| 49   | 1704638      | 1   | Korean Spec  |     |
| 49   | 1704647      | 1   | Latin American Spec                                    |     |
| 50   |              | Ref | Decal - GC Location Options:                           |     |
| 50   | 1704675      | 1   | Brazilian Spec   |     |
| 50   | 1704678      | 1   | Chinese Spec   |     |
| 50   | 1704676      | 1   | CSA Spec   |     |
| 50   | 1701920      | 1   | Japanese Spec  |     |
| 50   | 1704382      | 1   | Korean Spec  |     |
| 50   | 1704677      | 1   | Latin American Spec                                    |     |
| 51   |              | Ref | Decal - Warning Options:                               |     |
| 51   | 1704766      | 3   | Brazilian Spec   |     |
| 51   | 1704765      | 3   | Chinese Spec   |     |
| 51   | 1704763      | 3   | CSA Spec   |     |

## SECTION 8 - DECALS

| ITEM | PART NUMBER | QTY | DESCRIPTION  | REV |
|------|-------------|-----|--|-----|
| 51   | 1704762     | 3   | Japanese Spec  |     |
| 51   | 1704756     | 3   | Korean Spec  |     |
| 51   | 1704764     | 3   | Latin American Spec  |     |
| 52   |             | Ref | Decal - Lift Diagram Options:                                    |     |
| 52   |             | Ref | Decal - Lift Diagram 100SX/110SX                                 |     |
| 52   | 1705397     | 1   | Brazilian Spec (Was P/N 3252707) <b>(Prior to SN 67976)</b>      |     |
| 52   | 1705397     | 1   | Chinese Spec (Was P/N 3252710) <b>(Prior to SN 67976)</b>        |     |
| 52   | 1705397     | 1   | CSA Spec (Was P/N 3252708) <b>(Prior to SN 67976)</b>            |     |
| 52   | 1705397     | 1   | Japanese Spec (Was P/N 3252706) <b>(Prior to SN 67976)</b>       |     |
| 52   | 1705397     | 1   | Korean Spec (Was P/N 3252700) <b>(Prior to SN 67976)</b>         |     |
| 52   | 1705397     | 1   | Latin American Spec (Was P/N 3252709) <b>(Prior to SN 67976)</b> |     |
| 52   |             | Ref | Decal - Lift Diagram 110SXJ                                      |     |
| 52   | 1705396     | 1   | Brazilian Spec (Was P/N 3252718) <b>(Prior to SN 67976)</b>      |     |
| 52   | 1705396     | 1   | Chinese Spec (Was P/N 3252721) <b>(Prior to SN 67976)</b>        |     |
| 52   | 1705396     | 1   | CSA Spec (Was P/N 3252719) <b>(Prior to SN 67976)</b>            |     |
| 52   | 1705396     | 1   | Japanese Spec (Was P/N 3252717) <b>(Prior to SN 67976)</b>       |     |
| 52   | 1705396     | 1   | Korean Spec (Was P/N 3252711) <b>(Prior to SN 67976)</b>         |     |
| 52   | 1705396     | 1   | Latin American Spec (Was P/N 3252720) <b>(Prior to SN 67976)</b> |     |
| 52   |             | Ref | Decal - Lift Diagram 120SXJ                                      |     |
| 52   | 1705395     | 1   | Brazilian Spec (Was P/N 3252729) <b>(Prior to SN 67976)</b>      |     |
| 52   | 1705395     | 1   | Chinese Spec (Was P/N 3252732) <b>(Prior to SN 67976)</b>        |     |
| 52   | 1705395     | 1   | CSA Spec (Was P/N 3252730) <b>(Prior to SN 67976)</b>            |     |
| 52   | 1705395     | 1   | Japanese Spec (Was P/N 3252728) <b>(Prior to SN 67976)</b>       |     |
| 52   | 1705395     | 1   | Korean Spec (Was P/N 3252722) <b>(Prior to SN 67976)</b>         |     |
| 52   | 1705395     | 1   | Latin American Spec (Was P/N 3252731) <b>(Prior to SN 67976)</b> |     |
| 53   |             | Ref | Decal - Load Management Options:                                 |     |
| 53   | 1704657     | 1   | Brazilian Spec   |     |
| 53   | 1704660     | 1   | Chinese Spec   |     |
| 53   | 1704658     | 1   | CSA Spec   |     |
| 53   | 1704656     | 1   | Japanese Spec  |     |
| 53   | 1704650     | 1   | Korean Spec  |     |
| 53   | 1704659     | 1   | Latin American Spec  |     |
| 54   |             | Ref | Decal - Warning Tip-Over Options:                                |     |
| 54   | 1704634     | 2   | Brazilian Spec   |     |
| 54   | 1704635     | 2   | Chinese Spec   |     |
| 54   | 1704636     | 2   | CSA Spec   |     |
| 54   | 1704633     | 2   | Japanese Spec  |     |
| 54   | 1704627     | 2   | Korean Spec  |     |
| 54   | 1704637     | 2   | Latin American Spec  |     |
| 55   | 3311405     | 6   | Locknut 1/4in-20NC   |     |
| 56   | 4751400     | 9   | Flatwasher 1/4in   |     |
| 57   | 0961127     | 1   | Bushing, Snap  |     |
| 58   | 1701543     | 2   | Decal, LPG (Not Shown)   |     |
| 59   | 1700818     | 2   | Decal, Liquid Withdrawal System (Not Shown)                      |     |
| 59   | 0100010     | AR  | Loctite #242   |     |

## **SECTION 9 - RECOMMENDED SERVICE PARTS STOCK**

## **SECTION 9 - RECOMMENDED SERVICE PARTS STOCK**

## SECTION 9 - RECOMMENDED SERVICE PARTS STOCK

FIGURE 9-1. MODELS 100SX/110SX/110SXJ/120SXJ STANDARD PARTS

| ITEM | PART NUMBER | QTY | DESCRIPTION   | REV |
|------|-------------|-----|---|-----|
|      | Note        | Ref | <b>Note: The following list will service fleets of machines (built to current production per date on the front cover) with emergency repair parts which can be installed in the field. Parts from the list should be replaced when inventory is depleted to keep service parts stock supplied. For further information, contact your JLG dealer or the JLG Industries Parts Department.</b> |     |
|      |             | Ref | <b>STANDARD PARTS</b>   |     |
|      | 7012944     | 1   | Coil (for fleets of 1 to 10)  |     |
|      | 7012944     | 1   | Coil (for fleets of 10 to 20)   |     |
|      | 7012944     | 1   | Coil (for fleets of 20 of more)   |     |
|      | 7021401     | 1   | Coil (for fleets of 1 to 10)  |     |
|      | 7021401     | 1   | Coil (for fleets of 10 to 20)   |     |
|      | 7021401     | 1   | Coil (for fleets of 20 of more)   |     |
|      | 7012943     | 1   | Coil (for fleets of 1 to 10)  |     |
|      | 7012943     | 1   | Coil (for fleets of 10 to 20)   |     |
|      | 7012943     | 1   | Coil (for fleets of 20 of more)   |     |
|      | 4360362     | 1   | Switch, Level Sensor (for fleets of 1 to 10)  |     |
|      | 4360362     | 1   | Switch, Level Sensor (for fleets of 10 to 20)   |     |
|      | 4360362     | 1   | Switch, Level Sensor (for fleets of 20 of more)   |     |
|      | 7017451     | 1   | Coil (for fleets of 1 to 10)  |     |
|      | 7017451     | 1   | Coil (for fleets of 10 to 20)   |     |
|      | 7017451     | 1   | Coil (for fleets of 20 of more)   |     |
|      | 0610084     | 1   | Board, Circuit - Engine Relay (for fleets of 1 to 10)   |     |
|      | 0610084     | 1   | Board, Circuit - Engine Relay (for fleets of 10 to 20)  |     |
|      | 0610084     | 1   | Board, Circuit - Engine Relay (for fleets of 20 of more)  |     |
|      | 0610080     | 1   | Board, Circuit - Select (for fleets of 1 to 10)   |     |
|      | 0610080     | 1   | Board, Circuit - Select (for fleets of 10 to 20)  |     |
|      | 0610080     | 1   | Board, Circuit - Select (for fleets of 20 of more)  |     |
|      | 0610130     | 1   | Board, Circuit - Load Radius (for fleets of 1 to 10)  |     |
|      | 0610130     | 1   | Board, Circuit - Load Radius (for fleets of 10 to 20)   |     |
|      | 0610130     | 1   | Board, Circuit - Load Radius (for fleets of 20 of more)   |     |
|      | 0610100     | 1   | Board, Circuit - Overload (for fleets of 1 to 10)   |     |
|      | 0610100     | 1   | Board, Circuit - Overload (for fleets of 10 to 20)  |     |
|      | 0610100     | 1   | Board, Circuit - Overload (for fleets of 20 of more)  |     |
|      | 3740070     | 1   | Relay - SPDT (for fleets of 1 to 10)  |     |
|      | 3740070     | 1   | Relay - SPDT (for fleets of 10 to 20)   |     |
|      | 3740070     | 1   | Relay - SPDT (for fleets of 20 of more)   |     |
|      | 3740016     | 1   | Relay - 3PDT (for fleets of 1 to 10)  |     |
|      | 3740016     | 1   | Relay - 3PDT (for fleets of 10 to 20)   |     |
|      | 3740016     | 1   | Relay - 3PDT (for fleets of 20 of more)   |     |
|      | 3740122     | 1   | Relay - 2PDT (for fleets of 1 to 10)  |     |
|      | 3740122     | 1   | Relay - 2PDT (for fleets of 10 to 20)   |     |
|      | 3740122     | 1   | Relay - 2PDT (for fleets of 20 of more)   |     |
|      | 3740049     | 1   | Relay - 5PDT (for fleets of 1 to 10)  |     |
|      | 3740049     | 1   | Relay - 5PDT (for fleets of 10 to 20)   |     |
|      | 3740049     | 1   | Relay - 5PDT (for fleets of 20 of more)   |     |
|      | 4360216     | 1   | Breaker, Circuit - 30 Amp (for fleets of 1 to 10)   |     |
|      | 4360216     | 1   | Breaker, Circuit - 30 Amp (for fleets of 10 to 20)  |     |
|      | 4360216     | 1   | Breaker, Circuit - 30 Amp (for fleets of 20 of more)  |     |



## SECTION 9 - RECOMMENDED SERVICE PARTS STOCK

| ITEM | PART NUMBER | QTY | DESCRIPTION  | REV |
|------|-------------|-----|--|-----|
|      | 4360232     | 1   | Breaker, Circuit - 15 Amp (for fleets of 1 to 10)      |     |
|      | 4360232     | 1   | Breaker, Circuit - 15 Amp (for fleets of 10 to 20)     |     |
|      | 4360232     | 1   | Breaker, Circuit - 15 Amp (for fleets of 20 of more)   |     |
|      | 4360469     | 1   | Switch, Key (for fleets of 1 to 10)                    |     |
|      | 4360469     | 1   | Switch, Key (for fleets of 10 to 20)                   |     |
|      | 4360469     | 1   | Switch, Key (for fleets of 20 of more)                 |     |
|      | 2860030     | 1   | Key, Replacement (for fleets of 1 to 10)               |     |
|      | 2860030     | 1   | Key, Replacement (for fleets of 10 to 20)              |     |
|      | 2860030     | 1   | Key, Replacement (for fleets of 20 of more)            |     |
|      | 4360212     | 1   | Breaker, Circuit - 3 Amp (for fleets of 1 to 10)       |     |
|      | 4360212     | 1   | Breaker, Circuit - 3 Amp (for fleets of 10 to 20)      |     |
|      | 4360212     | 1   | Breaker, Circuit - 3 Amp (for fleets of 20 of more)    |     |
|      | 4360314     | 1   | Switch, Toggle (for fleets of 1 to 10)                 |     |
|      | 4360314     | 1   | Switch, Toggle (for fleets of 10 to 20)                |     |
|      | 4360314     | 1   | Switch, Toggle (for fleets of 20 of more)              |     |
|      | 4360475     | 1   | Switch, Mushroom (for fleets of 1 to 10)               |     |
|      | 4360475     | 1   | Switch, Mushroom (for fleets of 10 to 20)              |     |
|      | 4360475     | 1   | Switch, Mushroom (for fleets of 20 of more)            |     |
|      | 3740112     | 1   | Relay (for fleets of 1 to 10)                          |     |
|      | 3740112     | 1   | Relay (for fleets of 10 to 20)                         |     |
|      | 3740112     | 1   | Relay (for fleets of 20 of more)                       |     |
|      | 4360476     | 1   | Contact, Switch Block (for fleets of 1 to 10)          |     |
|      | 4360476     | 1   | Contact, Switch Block (for fleets of 10 to 20)         |     |
|      | 4360476     | 1   | Contact, Switch Block (for fleets of 20 of more)       |     |
|      | 4360328     | 1   | Switch, Toggle (for fleets of 1 to 10)                 |     |
|      | 4360328     | 1   | Switch, Toggle (for fleets of 10 to 20)                |     |
|      | 4360328     | 1   | Switch, Toggle (for fleets of 20 of more)              |     |
|      | 4360069     | 1   | Breaker, Circuit - 10 Amp (for fleets of 1 to 10)      |     |
|      | 4360069     | 1   | Breaker, Circuit - 10 Amp (for fleets of 10 to 20)     |     |
|      | 4360069     | 1   | Breaker, Circuit - 10 Amp (for fleets of 20 of more)   |     |
|      | 4360340     | 1   | Switch, Potentiometer (for fleets of 1 to 10)          |     |
|      | 4360340     | 1   | Switch, Potentiometer (for fleets of 10 to 20)         |     |
|      | 4360340     | 1   | Switch, Potentiometer (for fleets of 20 of more)       |     |
|      | 4360345     | 1   | Switch, Toggle (for fleets of 1 to 10)                 |     |
|      | 4360345     | 1   | Switch, Toggle (for fleets of 10 to 20)                |     |
|      | 4360345     | 1   | Switch, Toggle (for fleets of 20 of more)              |     |
|      | 3990001     | 1   | Diode - 3 Amp (for fleets of 1 to 10)                  |     |
|      | 3990001     | 1   | Diode - 3 Amp (for fleets of 10 to 20)                 |     |
|      | 3990001     | 1   | Diode - 3 Amp (for fleets of 20 of more)               |     |
|      | 2120136     | 4   | Element, Charge Pump Filter (for fleets of 1 to 10)    |     |
|      | 2120136     | 8   | Element, Charge Pump Filter (for fleets of 10 to 20)   |     |
|      | 2120136     | 12  | Element, Charge Pump Filter (for fleets of 20 of more) |     |
|      | 3740059     | 1   | Relay (for fleets of 1 to 10)                          |     |
|      | 3740059     | 1   | Relay (for fleets of 10 to 20)                         |     |
|      | 3740059     | 1   | Relay (for fleets of 20 of more)                       |     |
|      | 3740067     | 1   | Relay (for fleets of 1 to 10)                          |     |
|      | 3740067     | 1   | Relay (for fleets of 10 to 20)                         |     |
|      | 3740067     | 1   | Relay (for fleets of 20 of more)                       |     |
|      | 7008829     | 1   | Board, Circuit (for fleets of 1 to 10)                 |     |
|      | 7008829     | 1   | Board, Circuit (for fleets of 10 to 20)                |     |
|      | 7008829     | 1   | Board, Circuit (for fleets of 20 of more)              |     |

## SECTION 9 - RECOMMENDED SERVICE PARTS STOCK

| ITEM | PART NUMBER | QTY  | DESCRIPTION  | REV |
|------|-------------|------|--|-----|
|      | 7008828     | 1    | Cable, Throttle (for fleets of 1 to 10)                  |     |
|      | 7008828     | 1    | Cable, Throttle (for fleets of 10 to 20)                 |     |
|      | 7008828     | 1    | Cable, Throttle (for fleets of 20 of more)               |     |
|      | 7004214     | 1 dz | Element, Air Filter (for fleets of 1 to 10)              |     |
|      | 7004214     | 1 dz | Element, Air Filter (for fleets of 10 to 20)             |     |
|      | 7004214     | 1 dz | Element, Air Filter (for fleets of 20 of more)           |     |
|      | 7000649     | 1    | Filter, Engine Fuel (Deutz) (for fleets of 1 to 10)      |     |
|      | 7000649     | 1    | Filter, Engine Fuel (Deutz) (for fleets of 10 to 20)     |     |
|      | 7000649     | 1    | Filter, Engine Fuel (Deutz) (for fleets of 20 of more)   |     |
|      | 7014503     | 1 cs | Filter, Engine Oil (Deutz) (for fleets of 1 to 10)       |     |
|      | 7014503     | 1 cs | Filter, Engine Oil (Deutz) (for fleets of 10 to 20)      |     |
|      | 7014503     | 1 cs | Filter, Engine Oil (Deutz) (for fleets of 20 of more)    |     |
|      | 4360336     | 1    | Switch, Toggle (for fleets of 1 to 10)                   |     |
|      | 4360336     | 1    | Switch, Toggle (for fleets of 10 to 20)                  |     |
|      | 4360336     | 1    | Switch, Toggle (for fleets of 20 of more)                |     |
|      | 3990010     | 1    | Diode - 6 Amp (for fleets of 1 to 10)                    |     |
|      | 3990010     | 1    | Diode - 6 Amp (for fleets of 10 to 20)                   |     |
|      | 3990010     | 1    | Diode - 6 Amp (for fleets of 20 of more)                 |     |
|      | 4360294     | 1    | Breaker, Circuit - 30 Amp (for fleets of 1 to 10)        |     |
|      | 4360294     | 1    | Breaker, Circuit - 30 Amp (for fleets of 10 to 20)       |     |
|      | 4360294     | 1    | Breaker, Circuit - 30 Amp (for fleets of 20 of more)     |     |
|      | 1660233     | 1    | Coupling (Deutz) (for fleets of 1 to 10)                 |     |
|      | 1660233     | 1    | Coupling (Deutz) (for fleets of 10 to 20)                |     |
|      | 1660233     | 1    | Coupling (Deutz) (for fleets of 20 of more)              |     |
|      | 1340046     | 1    | Breather, Hydraulic (for fleets of 1 to 10)              |     |
|      | 1340046     | 1    | Breather, Hydraulic (for fleets of 10 to 20)             |     |
|      | 1340046     | 1    | Breather, Hydraulic (for fleets of 20 of more)           |     |
|      | 2120129     | 4    | Element, Hydraulic Oil Filter (for fleets of 1 to 10)    |     |
|      | 2120129     | 8    | Element, Hydraulic Oil Filter (for fleets of 10 to 20)   |     |
|      | 2120129     | 12   | Element, Hydraulic Oil Filter (for fleets of 20 of more) |     |
|      | 3740080     | 1    | Relay (for fleets of 1 to 10)                            |     |
|      | 3740080     | 1    | Relay (for fleets of 10 to 20)                           |     |
|      | 3740080     | 1    | Relay (for fleets of 20 of more)                         |     |
|      | 3740113     | 1    | Relay, Timer (for fleets of 1 to 10)                     |     |
|      | 3740113     | 1    | Relay, Timer (for fleets of 10 to 20)                    |     |
|      | 3740113     | 1    | Relay, Timer (for fleets of 20 of more)                  |     |
|      | 3740115     | 1    | Relay, Timer (for fleets of 1 to 10)                     |     |
|      | 3740115     | 1    | Relay, Timer (for fleets of 10 to 20)                    |     |
|      | 3740115     | 1    | Relay, Timer (for fleets of 20 of more)                  |     |
|      | 1600306     | 1    | Controller (Lift and Swing) (for fleets of 1 to 10)      |     |
|      | 1600306     | 1    | Controller (Lift and Swing) (for fleets of 10 to 20)     |     |
|      | 1600306     | 1    | Controller (Lift and Swing) (for fleets of 20 of more)   |     |
|      | 1600287     | 1    | Controller (Drive and Steer) (for fleets of 1 to 10)     |     |
|      | 1600287     | 1    | Controller (Drive and Steer) (for fleets of 10 to 20)    |     |
|      | 1600287     | 1    | Controller (Drive and Steer) (for fleets of 20 of more)  |     |
|      | 4360387     | 1    | Switch, Pushbutton (for fleets of 1 to 10)               |     |
|      | 4360387     | 1    | Switch, Pushbutton (for fleets of 10 to 20)              |     |
|      | 4360387     | 1    | Switch, Pushbutton (for fleets of 20 of more)            |     |
|      | 4360331     | 1    | Switch, Toggle (for fleets of 1 to 10)                   |     |
|      | 4360331     | 1    | Switch, Toggle (for fleets of 10 to 20)                  |     |
|      | 4360331     | 1    | Switch, Toggle (for fleets of 20 of more)                |     |

## SECTION 9 - RECOMMENDED SERVICE PARTS STOCK

| ITEM | PART NUMBER | QTY | DESCRIPTION                              | REV |
|------|-------------|-----|--|-----|
|      | 3740123     | 1   | Relay (for fleets of 1 to 10)            |     |
|      | 3740123     | 1   | Relay (for fleets of 10 to 20)           |     |
|      | 3740123     | 1   | Relay (for fleets of 20 of more)         |     |
|      | 1600307     | 1   | Card, Control (for fleets of 1 to 10)    |     |
|      | 1600307     | 1   | Card, Control (for fleets of 10 to 20)   |     |
|      | 1600307     | 1   | Card, Control (for fleets of 20 of more) |     |
|      | 7003961     | 1   | Microswitch (for fleets of 1 to 10)      |     |
|      | 7003961     | 1   | Microswitch (for fleets of 10 to 20)     |     |
|      | 7003961     | 1   | Microswitch (for fleets of 20 of more)   |     |

## SECTION 9 - RECOMMENDED SERVICE PARTS STOCK

FIGURE 9-2. MODELS 100SX/110SX/110SXJ/120SXJ VARIABLE PARTS

| ITEM | PART NUMBER | QTY | DESCRIPTION   | REV |
|------|-------------|-----|---|-----|
|      | Note        | Ref | <b>Note: The following list will service fleets of machines (built to current production per date on the front cover) with emergency repair parts which can be installed in the field. Parts from the list should be replaced when inventory is depleted to keep service parts stock supplied. For further information, contact your JLG dealer or the JLG Industries Parts Department.</b> |     |
|      |             | Ref | <b>VARIABLE PARTS</b>   |     |
|      | 70003143    | 1   | Powertrack Repair Section Without Chip Covers - Left Side (for fleets of 1 to 10)   |     |
|      | 70003143    | 1   | Powertrack Repair Section Without Chip Covers - Left Side (for fleets of 10 to 20)  |     |
|      | 70003143    | 1   | Powertrack Repair Section Without Chip Covers - Left Side (for fleets of 20 of more)  |     |
|      | 7006503     | 1   | Powertrack Repair Section With Chip Covers - Left Side (for fleets of 1 to 10)  |     |
|      | 7006503     | 1   | Powertrack Repair Section With Chip Covers - Left Side (for fleets of 10 to 20)   |     |
|      | 7006503     | 1   | Powertrack Repair Section With Chip Covers - Left Side (for fleets of 20 of more)   |     |
|      | 7006153     | 1   | Powertrack Repair Section Without Chip Covers - Right Side (for fleets of 1 to 10)  |     |
|      | 7006153     | 1   | Powertrack Repair Section Without Chip Covers - Right Side (for fleets of 10 to 20)   |     |
|      | 7006153     | 1   | Powertrack Repair Section Without Chip Covers - Right Side (for fleets of 20 of more)   |     |
|      | 70003145    | 1   | Powertrack Repair Section With Chip Covers - Right Side (for fleets of 1 to 10)   |     |
|      | 70003145    | 1   | Powertrack Repair Section With Chip Covers - Right Side (for fleets of 10 to 20)  |     |
|      | 70003145    | 1   | Powertrack Repair Section With Chip Covers - Right Side (for fleets of 20 of more)  |     |
|      | 4360322     | 1   | Switch, Limit (for fleets of 1 to 10)   |     |
|      | 4360322     | 1   | Switch, Limit (for fleets of 10 to 20)  |     |
|      | 4360322     | 1   | Switch, Limit (for fleets of 20 of more)  |     |
|      | 4360301     | 1   | Switch, Limit (for fleets of 1 to 10)   |     |
|      | 4360301     | 1   | Switch, Limit (for fleets of 10 to 20)  |     |
|      | 4360301     | 1   | Switch, Limit (for fleets of 20 of more)  |     |
|      | 4360263     | 1   | Switch, Limit (for fleets of 1 to 10)   |     |
|      | 4360263     | 1   | Switch, Limit (for fleets of 10 to 20)  |     |
|      | 4360263     | 1   | Switch, Limit (for fleets of 20 of more)  |     |
|      | 4360259     | 1   | Switch, Proximity (for fleets of 1 to 10)   |     |
|      | 4360259     | 1   | Switch, Proximity (for fleets of 10 to 20)  |     |
|      | 4360259     | 1   | Switch, Proximity (for fleets of 20 of more)  |     |
|      | 4360277     | 1   | Switch, Limit (for fleets of 1 to 10)   |     |
|      | 4360277     | 1   | Switch, Limit (for fleets of 10 to 20)  |     |
|      | 4360277     | 1   | Switch, Limit (for fleets of 20 of more)  |     |
|      | 4360057     | 1   | Switch, Limit (for fleets of 1 to 10)   |     |
|      | 4360057     | 1   | Switch, Limit (for fleets of 10 to 20)  |     |
|      | 4360057     | 1   | Switch, Limit (for fleets of 20 of more)  |     |

**SECTION 10 - SPECIAL OPTIONS**

# SECTION 10 - SPECIAL OPTIONS

## FIGURE 10-1. SPECIAL OPTIONS

| ITEM | PART NUMBER | QTY | DESCRIPTION  | REV |
|------|-------------|-----|--|-----|
|      | Note        | Ref | <b>Note: This list is to accommodate machines ordered with special equipment. Options may not be applicable to all models. For more specific parts information contact JLG Parts Department.</b> |     |
|      |             | Ref | <b>MISCELLANEOUS SPECIAL OPTIONS</b>   |     |
|      | 0271398     | Ref | <b>Airline 1/2in and Weld Lead Installation</b>  |     |
|      | 0271462     | Ref | <b>Airline Installation, 1/2in (110SX)</b>   |     |
|      | 0271463     | Ref | <b>Airline Installation, 1/2in (110SXJ)</b>  |     |
|      | 0271471     | Ref | <b>Airline Installation, 1/2in (100SX)</b>   |     |
|      | 0271202     | Ref | <b>Airline Installation, 1/2in (120SXJ)</b>  |     |
|      | 0270281     | Ref | <b>Bellows, Cylinder (100SX/110SX)</b>   |     |
|      | 0270282     | Ref | <b>Bellows, Cylinder (110SXJ/120SXJ)</b>   |     |
|      | 0270825     | Ref | <b>Brake Lights Installation</b>   |     |
|      | 0256789     | Ref | <b>Camera Mounting Installation</b>  |     |
|      | 0252928     | Ref | <b>Cold Weather Package (Deutz 110 Volt)</b>   |     |
|      | 0272191     | Ref | <b>Console Cover, Rubber</b>   |     |
|      | 1580012     | Ref | <b>Container, Storage Tray (Center)</b>  |     |
|      | 1580013     | Ref | <b>Container, Storage Tray (Rail)</b>  |     |
|      | 0253550     | Ref | <b>Decals Installation - CSA</b>   |     |
|      | 0270604     | Ref | <b>Decals Installation - Sunbelt</b>   |     |
|      | 0270603     | Ref | <b>Decals Installation - United Rentals</b>  |     |
|      | 0256956     | Ref | <b>Decal Installation - Lanyard Attachment (GM K-1 Spec)</b>   |     |
|      | 0254109     | Ref | <b>Exhaust Purifier Installation</b>   |     |
|      | 3220088     | 1   | Muffler, Exhaust Purifier  |     |
|      | 4566219     | 1   | Tube, Exhaust  |     |
|      |             | Ref | <b>Filter Kits:</b>  |     |
|      | 1001111010  | 1   | <b>Combined Filter Kit (Hydraulic/Air and Fuel/Engine Oil) (Deutz Engine Only)</b>   |     |
|      | 1001109714  | 1   | <b>Hydraulic/Air Filter (Deutz Engine Only)</b>  |     |
|      | 1001110131  | 1   | <b>Fuel/Engine Oil Filter (Deutz Engine Only)</b>  |     |
|      | 0270319     | Ref | <b>Head and Tail Lights Installation</b>   |     |
|      | 2920110     | 2   | Light, Head  |     |
|      | 2920113     | 2   | Light, Tail  |     |
|      | 0271369     | Ref | <b>Heater Installation (Ford Engines)</b>  |     |
|      |             | Ref | <b>Hydraulic Welder Installation Options:</b>  |     |
|      | 0271930     | 1   | Hydraulic Welder Installation 110SX  |     |
|      | 0272012     | 1   | Hydraulic Welder Installation 110SXJ   |     |
|      | 0272013     | 1   | Hydraulic Welder Installation 100SX  |     |
|      | 0272014     | 1   | Hydraulic Welder Installation 120SXJ   |     |
|      | 0253649     | Ref | <b>Manual Descent Installation (JapaneseSpec)</b>  |     |
|      | 0253050     | Ref | <b>Pinion Installation</b>   |     |
|      | 0270723     | Ref | <b>Platform Beacon Light Installation</b>  |     |
|      | 0255398     | Ref | <b>Platform Console Cover Installation</b>   |     |
|      | 0251059     | Ref | <b>Platform Step Installation</b>  |     |
|      | 0270511     | Ref | <b>Rail Extension (36in x 72in)</b>  |     |
|      | 0271771     | Ref | <b>Rail Extension (36in x 96in)</b>  |     |
|      | 4060959     | 1   | <b>Shield, Footswitch</b>  |     |
|      | 0270320     | Ref | <b>Strobe Light Installation - Amber</b>   |     |
|      | 0272507     | 1   | Strobe Light/Guard/Harness Assembly  |     |

## SECTION 10 - SPECIAL OPTIONS

| ITEM | PART NUMBER | QTY | DESCRIPTION  | REV |
|------|-------------|-----|--|-----|
|      |             | Ref | Bulb, Replacement Options:   |     |
|      | 7016380     | 1   | Bulb for ECCO Model 6640   |     |
|      | 70001941    | 1   | Bulb for ECCO Model 6650   |     |
|      |             | Ref | Guard Options:   |     |
|      | 4060907     | 1   | Bulb for ECCO Model 6640   |     |
|      | 2920215     | 1   | Bulb for ECCO Model 6650   |     |
|      |             | Ref | <b>Tools For Service:</b>  |     |
|      | 7002821     | Ref | <b>Crimper, Wire</b>   |     |
|      | 2900838     | Ref | <b>Fastener Kit - U.S. Standards</b>   |     |
|      | 7002823     | Ref | <b>Pin Extractor - Universal (For Electrical Connectors with Pins and Sockets)</b> |     |
|      | 7016654     | Ref | <b>Screwdriver, Magnetic</b>   |     |
|      | 7002822     | Ref | <b>Screwdriver, Pontimeter</b>   |     |
|      | 7004275     | Ref | <b>Seal Tool 1in (For Cylinders)</b>   |     |
|      | 7004276     | Ref | <b>Seal Tool 1 1/2in (For Cylinders)</b>   |     |
|      | 7002828     | Ref | <b>Stripper, Wire</b>  |     |
|      | 7014676     | Ref | <b>Tool Kit - U.S. Standards</b>   |     |
|      | 0271203     | Ref | <b>Weld Lead Installation (120SXJ)</b>   |     |





**PART NUMBER INDEX**

## SECTION 10 - SPECIAL OPTIONS

|   |                       |                      |   |
|---|-----------------------|----------------------|---|
| 0060023.....63  | 0252652..... 98, 102  | 0270250..... 219     | 0400020..... 62, 73   |
| 0060053..... 139  | 0252675..... 45       | 0270265..... 219     | 0440120..... 136  |
| 0080039..... 62   | 0252764..... 115      | 0270266..... 219     | 0440134..... 136  |
| 0080046..... 62   | 0252852..... 33       | 0270268..... 27      | 0440135..... 136  |
| 0080098..... 136  | 0252906..... 105      | 0270271..... 64      | 0440193..... 45   |
| 0080099..... 136  | 0252928..... 192, 230 | 0270272..... 61      | 0480050..... 67   |
| 0080164..... 85   | 0253050..... 230      | 0270275..... 211     | 0480118..... 81   |
| 0080201..... 71   | 0253159..... 37       | 0270276..... 135     | 0540074..... 127  |
| 0080214..... 72   | 0253194..... 63       | 0270280..... 55      | 0540075..... 127  |
| 0100003..... 117  | 0253303..... 127      | 0270281..... 230     | 0540077..... 127  |
| 0100009..... 45   | 0253362..... 97       | 0270282..... 230     | 0540078..... 127  |
| 0100010..... 216, 222   | 0253550..... 230      | 0270287..... 121     | 0540079..... 127  |
| 0100011.... 10, 15, 16, 27,<br>34, 45, 55, 61, 67, 71,<br>72, 81, 98, 102, 115,<br>122, 139, 144, 145,<br>157, 159, 161, 163,<br>165, 167, 169, 175 | 0253649..... 230      | 0270289..... 121     | 0540089..... 127  |
| 0100019.... 19, 34, 43, 45,<br>53, 136, 139   | 0254109..... 230      | 0270293..... 64      | 0560689..... 112  |
| 010002071, 93, 144, 165,<br>175   | 0254882..... 43       | 0270306..... 219     | 0560773..... 175  |
| 0100021..... 136  | 0255398..... 230      | 0270308..... 219     | 0561391..... 15   |
| 0100029..... 144  | 0256789..... 230      | 0270309..... 219     | 0561392..... 15   |
| 0100035.... 144, 159, 161,<br>163, 165, 167, 169, 175   | 0256849..... 85       | 0270310..... 219     | 0561394..... 15   |
| 0100038.... 157, 159, 161,<br>163, 165, 167, 169, 175   | 0256956..... 230      | 0270311..... 219     | 0561400..... 15   |
| 0100062..... 72   | 0257365..... 94       | 0270312..... 153     | 0561401..... 15   |
| 0100063..... 157, 167   | 0257366..... 94       | 0270318..... 153     | 0561402..... 15   |
| 0100079..... 16   | 0258048..... 132, 192 | 0270319..... 230     | 0561403..... 15   |
| 0140001..... 37   | 0258390..... 74       | 0270320..... 230     | 0561404..... 15   |
| 0140019..... 55, 144  | 0258391..... 74       | 0270327..... 45      | 0610080..... 55, 224  |
| 0140026..... 143  | 0258414..... 119      | 0270345..... 67, 192 | 0610084..... 55, 224  |
| 0140032..... 98, 102  | 0258626..... 94       | 0270353..... 9, 37   | 0610100..... 55, 224  |
| 0181404..... 175  | 0259878..... 19       | 0270397..... 37      | 0610130..... 55, 224  |
| 0200550..... 153  | 0259881..... 55       | 0270496..... 81      | 0630197..... 117  |
| 0200632..... 81   | 0259883..... 55       | 0270497..... 81      | 0630383..... 97, 101  |
| 0231047..... 43   | 0259885..... 57, 145  | 0270511..... 230     | 0630400..... 63   |
| 0234721..... 43   | 0259887..... 57, 145  | 0270603..... 230     | 0630409..... 117  |
| 0235238..... 135, 136   | 0259890..... 33       | 0270604..... 230     | 0630410..... 117  |
| 0236548..... 33   | 0259895..... 19       | 0270723..... 230     | 0630422..... 53   |
| 0236768..... 62, 73   | 0259899..... 33       | 0270825..... 230     | 0630462..... 153  |
| 0237151..... 111  | 0259900..... 33       | 0270834..... 65, 192 | 0630464..... 144  |
| 0237627..... 61, 63   | 0259902..... 33       | 0271202..... 230     | 0630510..... 53   |
| 0237635..... 61, 63   | 0259904..... 19       | 0271203..... 231     | 0630518..... 56, 144  |
| 0238900..... 117  | 0259905..... 19       | 0271334..... 71      | 0630535..... 157  |
| 0238901..... 111, 117   | 0259906..... 19       | 0271335..... 71      | 0641404... 10, 27, 68, 113,<br>127, 144                           |
| 0238919..... 111, 117   | 0259907..... 19       | 0271369..... 230     | 0641405..... 61, 63, 73   |
| 0238927..... 111  | 0259908..... 19       | 0271396..... 55      | 0641406... 37, 63, 71, 97,<br>98, 101, 102, 144, 153,<br>216, 221 |
| 0238945..... 111, 117   | 0259909..... 19       | 0271397..... 55      | 0641407..... 115  |
| 0239182..... 135  | 0259912..... 33       | 0271398..... 230     | 0641408... 15, 64, 97, 101,<br>143, 215, 220                      |
| 0239267..... 111, 117   | 0259916..... 33       | 0271405..... 77      | 0641409..... 63   |
| 0239268..... 111, 117   | 0259917..... 33       | 0271414..... 72, 145 | 0641412..... 27   |
| 0239485..... 125  | 0259918..... 33       | 0271462..... 230     | 0641414..... 63, 132  |
| 0239606..... 111  | 0259919..... 15       | 0271463..... 230     | 0641416..... 72   |
| 0239842..... 45   | 0259920..... 15       | 0271471..... 230     | 0641418..... 9, 43  |
| 0239843..... 34   | 0259921..... 15       | 0271629..... 132     | 0641420..... 9  |
| 0239844..... 34   | 0259922..... 15       | 0271771..... 230     | 0641424..... 72   |
| 0239868..... 53   | 0259923..... 9, 37    | 0271824..... 93      | 0641430..... 15   |
| 0239878..... 115  | 0259925..... 10       | 0271829..... 61      | 0641436..... 15   |
| 0250069..... 61   | 0259931..... 215      | 0271930..... 230     | 0641506..... 135  |
| 0250119..... 125  | 0259932..... 215      | 0272012..... 230     | 0641508... 67, 74, 81, 97,<br>101, 105                            |
| 0251059..... 230  | 0259933..... 215, 219 | 0272013..... 230     | 0641510..... 114  |
| 0251100..... 115  | 0259936..... 27       | 0272014..... 230     | 0641512..... 97, 101  |
| 0251543..... 98, 102  | 0259974..... 139      | 0272191..... 230     | 0641514..... 43   |
| 0252524..... 93   | 0270046..... 57, 145  | 0272507..... 230     | 0641516..... 37   |
|   | 0270048..... 59, 192  | 0273588..... 117     | 0641520..... 45, 135  |
|   | 0270062..... 45       | 0340002..... 62      | 0641524..... 132, 135   |
|   | 0270130..... 43       | 0340041..... 64, 71  | 0641605..... 112, 175   |
|   | 0270164..... 219      | 0340046..... 74      | 0641606..... 10, 122  |
|   | 0270200..... 10       | 0361027..... 62, 73  |   |
|   | 0270234..... 34, 125  | 0361675..... 135     |   |
|   | 0270240..... 219      | 0362101..... 63      |   |
|   | 0270247..... 219      | 0400002..... 62, 73  |   |
|   | 0270248..... 219      | 0400003..... 62, 73  |   |

## SECTION 10 - SPECIAL OPTIONS

|                                    |                        |                                   |                            |
|------------------------------------|------------------------|-----------------------------------|----------------------------|
| 0641607 .... 9, 15, 37, 112        | 0731005 ..... 153      | 0961082..... 161                  | 1260238 ..... 110          |
| 0641608 . 9, 71, 112, 121,<br>175  | 0731006 ..... 105      | 0961127 ..... 77, 216, 222        | 1260239 ..... 110          |
| 0641609 ..... 27, 112              | 0741608 ..... 115      | 0961182..... 163                  | 1260275 ..... 111          |
| 0641610 ..... 113, 121             | 0750804 ..... 59       | 0961185..... 165                  | 1260282 ..... 111          |
| 0641611 ..... 115, 143             | 0750806 ..... 56       | 0961259..... 135                  | 1281814 ..... 192          |
| 0641612 ..... 15, 72, 153          | 0791004 ..... 143      | 0961293..... 111                  | 1282060 ..... 115          |
| 0641614 ..... 93, 112              | 0800603 ..... 110      | 0961353..... 111                  | 1282091 ..... 192          |
| 0641615 ..... 119                  | 0800649 ..... 110      | 0961369..... 111                  | 1283193 ..... 192          |
| 0641616 ..... 37, 72, 93           | 0800765 ..... 110      | 0961392..... 33                   | 1283215 ..... 190          |
| 0641620 ..... 61, 62, 71           | 0800766 ..... 110      | 0961531..... 43                   | 1283297 ..... 190          |
| 0641622 ..... 62                   | 0800767 ..... 110      | 0961595..... 163, 165             | 1320011 ..... 64           |
| 0641628 ..... 9                    | 0800785 ..... 110      | 0961654..... 121                  | 1320012 ..... 72           |
| 0641630 ..... 112                  | 0800786 ..... 110      | 0961896..... 157                  | 1320016 ..... 71           |
| 0641636 ..... 112                  | 0800787 ..... 110      | 0961950..... 16                   | 1320019 ..... 71, 72       |
| 0641718 ..... 67                   | 0800796 ..... 110      | 0961951..... 171, 173             | 1320021 ..... 63           |
| 0641807 ..... 43                   | 0800802 ..... 110      | 0962181..... 119                  | 1320022 ... 63, 71, 72, 93 |
| 0641808 ..... 15, 112, 139         | 0800804 ..... 110      | 1001109714..... 230               | 1320023 ..... 77           |
| 0641810 ..... 15, 45               | 0801155 ..... 110      | 1001110131..... 230               | 1320033 ..... 179, 183     |
| 0641812 ... 15, 27, 61, 71,<br>175 | 0801156 ..... 119      | 1001111010..... 230               | 1320040 .34, 43, 125, 153  |
| 0641814 ..... 15                   | 0801230 ..... 110      | 1001119696..... 112               | 1320041 ..... 63           |
| 0641816 ..... 15, 27, 135          | 0801231 ..... 110      | 1001119697..... 114               | 1320051 ..... 121          |
| 0641818 ..... 135                  | 0801232 ..... 110      | 1060012..... 144                  | 1320058 ..... 62           |
| 0641820 ..... 15, 135, 139         | 0801236 ..... 110      | 1060016.... 114, 115, 119,<br>209 | 1320059 ..... 63           |
| 0641828 ..... 72                   | 0801243 ..... 110      | 1060031 ..... 62, 63, 73          | 1320060 ..... 105, 143     |
| 0641840 ..... 34, 135              | 0801266 ..... 110      | 1060042 ..... 209                 | 1320121 ..... 110          |
| 0641852 ..... 27                   | 0860038 ..... 211      | 1060044 ..... 61, 73              | 1320155 ..... 113          |
| 0642010 ..... 16                   | 0860520 ..... 215, 220 | 1060079..... 114                  | 1320184 ..... 119          |
| 0642014 ..... 16                   | 0860562 ..... 55       | 1060109..... 62, 73               | 1320222 ..... 61           |
| 0642018 ..... 72                   | 0860575 ..... 125      | 1060129..... 73                   | 1320278 ..... 122          |
| 0642022 ..... 62                   | 0861344 ..... 143      | 1060129..... 73                   | 1320279 ..... 114          |
| 0642032 ..... 61                   | 0861346 ..... 55       | 1060132 ..... 62, 73              | 1340020 ..... 62           |
| 0642216 ..... 45                   | 0861347 ..... 143      | 1060149..... 62                   | 1340045 ..... 93           |
| 0642252 ..... 53                   | 0861348 ..... 143      | 1060279..... 215, 220             | 1340046 ..... 93, 226      |
| 0651608 ..... 33                   | 0861349 ..... 55       | 1060306..... 59                   | 1340060 ..... 71           |
| 0652014 ..... 135                  | 0861354 ..... 59       | 1060330..... 154                  | 1360171 ..... 111          |
| 0681610 ..... 135, 139             | 0861358 ..... 211      | 1060341 ..... 209, 211            | 1360175 ..... 117          |
| 0681612 ..... 67, 81               | 0861364 ..... 55       | 1060393..... 113, 209             | 1360206 ..... 117          |
| 0681812 ..... 33                   | 0861365 ..... 143      | 1060515..... 144                  | 1360207 ..... 117          |
| 0681832 ..... 45                   | 0861366 ..... 143      | 1060516..... 208                  | 1360208 ..... 117          |
| 0682016 ..... 45                   | 0861460 ..... 55       | 1060545..... 113, 209             | 1360209 ..... 117          |
| 0682024 ..... 45                   | 0861461 ..... 55       | 1060676..... 208, 209             | 1360274 ..... 117          |
| 0682213 ..... 34                   | 0861640 ..... 143, 144 | 1120019 ..... 112                 | 1540003 ..... 209          |
| 0682234 ..... 139                  | 0900935 ..... 77       | 1120179 ..... 159, 169            | 1580011 ..... 72           |
| 0700617 ..... 61                   | 0901197 ..... 97, 101  | 1120299 ..... 135                 | 1580012 ..... 230          |
| 0700810 ..... 62, 71               | 0901389 ..... 63       | 1120305..... 163, 165             | 1580013 ..... 230          |
| 0700819 ..... 72                   | 0901500 ..... 97, 101  | 1120314..... 94                   | 1600272 ..... 143, 151     |
| 0700821 ..... 67                   | 0901502 ..... 97, 101  | 1120345..... 175                  | 1600287 ... 143, 149, 226  |
| 0701010 ..... 85                   | 0901700 ..... 112      | 1120358..... 167                  | 1600298 ..... 72           |
| 0701012 ..... 72                   | 0901829 ..... 61, 73   | 1120363..... 161                  | 1600306 ... 143, 147, 226  |
| 0701014 ..... 71, 85               | 0901835 ..... 119      | 1120367..... 94                   | 1600307 ..... 144, 227     |
| 0701015 ..... 61, 81, 85           | 0901849 ..... 64       | 1120368..... 33                   | 1600330 ..... 211          |
| 0701022 ..... 71                   | 0902210 ..... 81       | 1120423..... 64                   | 1660213 ..... 43           |
| 0701215 ..... 61                   | 0902309 ..... 74       | 1120465..... 16                   | 1660213EX ..... 43         |
| 0701427 ..... 61                   | 0902470 ..... 113      | 1120512..... 94                   | 1660233 ..... 85, 226      |
| 0701617 ..... 19                   | 0902539 ..... 71       | 1180236..... 114                  | 1670451 ..... 135          |
| 0701619 ..... 19                   | 0902572 ..... 72       | 1180254..... 114                  | 1670491 ..... 127          |
| 0720804 ..... 56                   | 0920109 ..... 45, 49   | 1180287..... 113                  | 1670516 ..... 97           |
| 0721003 ..... 112, 144             | 0920119 ..... 45, 49   | 1180292..... 113                  | 1670579 ..... 125          |
| 0721004 ..... 43                   | 0940036 ..... 97, 101  | 1180293..... 113                  | 1670625 ..... 93           |
| 0721006 ..... 67, 71, 82           | 0940038 ..... 153      | 1180297..... 113                  | 1670627 ..... 62           |
| 0721008 ..... 82                   | 0960097 ..... 159, 169 | 1180334..... 113                  | 1670634 ..... 122          |
| 0721010 ..... 144                  | 0960224 ..... 43       | 1260017..... 45                   | 1670635 ..... 119          |
| 0721014 ..... 71                   | 0960238 ..... 56, 210  | 1260136..... 153                  | 1670642 ..... 122          |
| 0721016 ..... 119                  | 0960509 ..... 161      | 1260233..... 111                  | 1670785 ..... 153          |
| 0731004 ..... 144                  | 0960565 ..... 121, 135 | 1260234..... 110, 111             | 1670786 ..... 153          |
|                                    | 0960594 ..... 33       | 1260235..... 110                  | 1670787 ..... 153          |
|                                    | 0960905 ..... 56, 210  | 1260237..... 111                  | 1670788 ..... 153          |

## SECTION 10 - SPECIAL OPTIONS

|              |              |              |              |              |          |              |   |
|--------------|--------------|--------------|--------------|--------------|----------|--------------|---|
| 1670789..... | 153          | 1701509..... | 215, 220     | 1704006..... | 220      | 1780321..... | 101   |
| 1670791..... | 153          | 1701542..... | 73           | 1704007..... | 220      | 1870115..... | 192   |
| 1670793..... | 153          | 1701543..... | 72, 216, 222 | 1704008..... | 220      | 1870121..... | 192   |
| 1670795..... | 153          | 1701645..... | 215          | 1704096..... | 215      | 1870122..... | 192   |
| 1670796..... | 153          | 1701775..... | 59           | 1704104..... | 215      | 2000083..... | 61  |
| 1670797..... | 153          | 1701920..... | 221          | 1704112..... | 220      | 2000115..... | 61  |
| 1670798..... | 153          | 1702153..... | 215          | 1704260..... | 144      | 2000166..... | 71, 77  |
| 1670799..... | 153          | 1702300..... | 215, 220     | 1704277..... | 215, 220 | 2060012..... | 105   |
| 1670801..... | 153          | 1702564..... | 143          | 1704382..... | 221      | 2060025..... | 72  |
| 1670803..... | 153          | 1702566..... | 143          | 1704412..... | 216, 221 | 2080040..... | 132   |
| 1670804..... | 153          | 1702676..... | 143          | 1704475..... | 145      | 2120104..... | 93  |
| 1670829..... | 56, 144      | 1702688..... | 215          | 1704476..... | 145      | 2120129..... | 93, 226   |
| 1670836..... | 115, 125     | 1702773..... | 215, 220     | 1704477..... | 145      | 2120134..... | 93  |
| 1670975..... | 101          | 1702774..... | 215, 220     | 1704511..... | 143      | 2120135..... | 61, 73  |
| 1680892..... | 159, 169     | 1702861..... | 216, 221     | 1704516..... | 57       | 2120136..... | 61, 225   |
| 1681423..... | 165          | 1702862..... | 215, 221     | 1704518..... | 57       | 2160001..... | 34, 115, 136  |
| 1681488..... | 169          | 1702868..... | 215          | 1704519..... | 57       | 2160002..... | 33, 34, 53, 112,<br>121, 135, 159, 161,<br>165, 169 |
| 1681490..... | 169          | 1702938..... | 153          | 1704520..... | 143      | 2180125..... | 77  |
| 1681580..... | 33, 169      | 1702962..... | 216, 221     | 1704528..... | 59       | 2180387..... | 73, 77, 78  |
| 1681792..... | 163          | 1703162..... | 72           | 1704533..... | 215, 219 | 2180389..... | 73, 77, 78  |
| 1681922..... | 175          | 1703175..... | 216, 221     | 1704541..... | 216      | 2180418..... | 73, 77  |
| 1681926..... | 175          | 1703481..... | 216, 221     | 1704544..... | 27       | 2180467..... | 71, 93  |
| 1681974..... | 159, 169     | 1703797..... | 215          | 1704581..... | 216, 221 | 2180504..... | 78  |
| 1681978..... | 33, 169      | 1703798..... | 215          | 1704583..... | 216      | 2180536..... | 63  |
| 1681979..... | 169          | 1703804..... | 215          | 1704585..... | 215, 220 | 2180606..... | 93  |
| 1682031..... | 175          | 1703805..... | 215          | 1704590..... | 215, 220 | 2180763..... | 43  |
| 1682098..... | 167          | 1703923..... | 219          | 1704591..... | 215, 220 | 2180798..... | 71  |
| 1682118..... | 161          | 1703924..... | 219          | 1704592..... | 215, 220 | 2200052..... | 93  |
| 1682298..... | 175          | 1703925..... | 219          | 1704599..... | 215, 220 | 2200201..... | 165, 169  |
| 1682514..... | 167          | 1703926..... | 219          | 1704600..... | 216, 221 | 2200221..... | 72, 175   |
| 1682590..... | 135, 159     | 1703927..... | 219          | 1704606..... | 216      | 2200222..... | 165, 175  |
| 1682591..... | 159          | 1703928..... | 219          | 1704627..... | 222      | 2200224..... | 175   |
| 1682630..... | 33, 161      | 1703929..... | 219          | 1704633..... | 222      | 2200261..... | 34  |
| 1682631..... | 161          | 1703930..... | 219          | 1704634..... | 222      | 2210014..... | 179, 183  |
| 1682633..... | 161          | 1703931..... | 219          | 1704635..... | 222      | 2220001..... | 34  |
| 1682638..... | 165          | 1703932..... | 219          | 1704636..... | 222      | 2220005..... | 77  |
| 1682755..... | 163          | 1703933..... | 219          | 1704637..... | 222      | 2220063..... | 34, 63  |
| 1682820..... | 110, 175     | 1703934..... | 219          | 1704638..... | 221      | 2220082..... | 77  |
| 1682821..... | 110, 175     | 1703935..... | 219          | 1704644..... | 221      | 2220237..... | 185, 187  |
| 1682895..... | 33, 161      | 1703936..... | 219          | 1704645..... | 221      | 2220261..... | 77  |
| 1683056..... | 157          | 1703937..... | 219          | 1704646..... | 221      | 2220282..... | 105   |
| 1683529..... | 163          | 1703938..... | 219          | 1704647..... | 221      | 2220290..... | 73, 78  |
| 1683530..... | 121, 163     | 1703939..... | 219          | 1704648..... | 221      | 2220343..... | 183   |
| 1683535..... | 159          | 1703940..... | 219          | 1704650..... | 222      | 2220346..... | 183   |
| 1683536..... | 135, 159     | 1703941..... | 221          | 1704656..... | 222      | 2220365..... | 179   |
| 1683701..... | 110, 175     | 1703942..... | 220          | 1704657..... | 222      | 2220366..... | 179   |
| 1683724..... | 165          | 1703943..... | 220          | 1704658..... | 222      | 2220369..... | 105   |
| 1683725..... | 121, 165     | 1703944..... | 221          | 1704659..... | 222      | 2220371..... | 179, 183, 187,<br>189                               |
| 1683915..... | 157          | 1703945..... | 221          | 1704660..... | 222      | 2220373..... | 37, 179, 183  |
| 1683918..... | 157          | 1703946..... | 220          | 1704675..... | 221      | 2220374..... | 179   |
| 1683920..... | 16, 157      | 1703947..... | 219          | 1704676..... | 221      | 2220375..... | 183   |
| 1683921..... | 15, 173      | 1703948..... | 219          | 1704677..... | 221      | 2220376..... | 183   |
| 1683935..... | 15, 171      | 1703949..... | 219          | 1704678..... | 221      | 2220377..... | 179   |
| 1683958..... | 15, 171      | 1703950..... | 219          | 1704755..... | 216      | 2220385..... | 183   |
| 1683964..... | 167          | 1703951..... | 219          | 1704756..... | 222      | 2220386..... | 179   |
| 1683965..... | 27, 167      | 1703952..... | 219          | 1704762..... | 222      | 2220399..... | 183   |
| 1684164..... | 121, 165     | 1703953..... | 215          | 1704763..... | 221      | 2220407..... | 180   |
| 1700037..... | 216          | 1703954..... | 215          | 1704764..... | 222      | 2220415..... | 179, 183  |
| 1700584..... | 215, 220     | 1703980..... | 221          | 1704765..... | 221      | 2220428..... | 183   |
| 1700818..... | 72, 216, 222 | 1703981..... | 221          | 1704766..... | 221      | 2220429..... | 183   |
| 1701499..... | 216, 221     | 1703982..... | 221          | 1705395..... | 222      | 2220438..... | 183   |
| 1701500..... | 215, 220     | 1703983..... | 221          | 1705396..... | 216, 222 | 2220451..... | 179   |
| 1701501..... | 215, 220     | 1703984..... | 221          | 1705397..... | 216, 222 | 2220464..... | 183   |
| 1701502..... | 215, 220     | 1703985..... | 221          | 1705514..... | 221      | 2220466..... | 179, 183  |
| 1701503..... | 215, 220     | 1703996..... | 220          | 1760068..... | 136      |              |   |
| 1701504..... | 215, 220     | 1704000..... | 220          | 1780172..... | 97       |              |   |
| 1701505..... | 63, 216, 221 | 1704001..... | 220          | 1780227..... | 55       |              |   |
|              |              | 1704002..... | 220          |              |          |              |   |

## SECTION 10 - SPECIAL OPTIONS

|         |                     |         |                     |         |                |         |   |
|---------|---------------------|---------|---------------------|---------|----------------|---------|---|
| 2220473 | ..... 183, 187, 189 | 2720144 | ..... 77            | 2752630 | ..... 179      | 2900733 | ..... 141                               |
| 2220490 | ..... 183           | 2720149 | ..... 78            | 2752637 | ..... 185      | 2900752 | ..... 88                                |
| 2220495 | ..... 183           | 2720170 | ..... 72            | 2752642 | ..... 189      | 2900756 | ..... 40                                |
| 2220497 | ..... 183           | 2720224 | ..... 62            | 2752649 | ..... 189      | 2900766 | ..... 49                                |
| 2220500 | ..... 179           | 2720271 | ..... 62            | 2752654 | ..... 180      | 2900768 | ..... 49                                |
| 2220501 | ..... 179, 183      | 2720281 | ..... 179, 184      | 2752977 | ..... 180      | 2900770 | ..... 13, 37, 45, 159,<br>161, 163, 165 |
| 2220502 | ..... 183           | 2720341 | ..... 73            | 2753035 | ..... 180      | 2900792 | ..... 157                               |
| 2220582 | ..... 37, 183, 187  | 2720392 | ..... 77            | 2753118 | ..... 185      | 2900798 | ..... 47                                |
| 2220593 | ..... 183           | 2720435 | ..... 72            | 2753315 | ..... 185      | 2900826 | ..... 88                                |
| 2220600 | ..... 37, 183       | 2720436 | ..... 72            | 2753316 | ..... 179      | 2900827 | ..... 88                                |
| 2220603 | ..... 189           | 2720472 | ..... 72            | 2753397 | ..... 189      | 2900838 | ..... 231                               |
| 2220606 | ..... 183, 189      | 2720480 | ..... 179, 184      | 2753398 | ..... 187      | 2901115 | ..... 167                               |
| 2220628 | ..... 179           | 2750527 | ..... 34            | 2753410 | ..... 179      | 2901118 | ..... 161                               |
| 2220635 | ..... 183, 187, 189 | 2750528 | ..... 34            | 2753419 | ..... 185      | 2901142 | ..... 165                               |
| 2220646 | ..... 179           | 2750529 | ..... 34            | 2753420 | ..... 185, 187 | 2901206 | ..... 163                               |
| 2220648 | ..... 77            | 2750532 | ..... 62, 71        | 2753423 | ..... 179      | 2901234 | ..... 175                               |
| 2220683 | ..... 37            | 2750763 | ..... 184           | 2753424 | ..... 185, 187 | 2901353 | ..... 157                               |
| 2220710 | ..... 183           | 2750771 | ..... 184           | 2753425 | ..... 185      | 2910479 | ..... 62                                |
| 2220720 | ..... 63            | 2750785 | ..... 184           | 2753426 | ..... 185, 187 | 2910864 | ..... 144                               |
| 2220726 | ..... 183           | 2750807 | ..... 34            | 2753429 | ..... 179      | 2920110 | ..... 230                               |
| 2220741 | ..... 183           | 2750835 | ..... 180           | 2753432 | ..... 179      | 2920113 | ..... 230                               |
| 2220805 | ..... 72            | 2750889 | ..... 184           | 2753434 | ..... 179      | 2920129 | ..... 57, 144, 145                      |
| 2220810 | ..... 183           | 2750907 | ..... 184           | 2753435 | ..... 179      | 2920140 | ..... 132, 211                          |
| 2220811 | ..... 179           | 2750920 | ..... 184           | 2753436 | ..... 184      | 2920162 | ..... 67, 81                            |
| 2220873 | ..... 183           | 2750998 | ..... 184           | 2753437 | ..... 179      | 2920215 | ..... 231                               |
| 2220883 | ..... 161, 163      | 2750999 | ..... 184           | 2753482 | ..... 184      | 2940042 | ..... 55, 97, 101                       |
| 2220885 | ..... 159, 163      | 2751002 | ..... 184           | 2753483 | ..... 179      | 2940051 | ..... 97, 101                           |
| 2220887 | ..... 161           | 2751032 | ..... 34            | 2753489 | ..... 184      | 2940074 | ..... 131                               |
| 2220893 | ..... 93            | 2751151 | ..... 184           | 2753495 | ..... 179      | 3010088 | ..... 153                               |
| 2220899 | ..... 183, 189      | 2751168 | ..... 184           | 2753509 | ..... 179      | 3020021 | ..... 85                                |
| 2220909 | ..... 179           | 2751170 | ..... 184           | 2753510 | ..... 179      | 3020025 | ..... 136                               |
| 2220998 | ..... 183, 187      | 2751455 | ..... 184           | 2760064 | ..... 136      | 3124114 | ..... 74                                |
| 2221018 | ..... 77            | 2751466 | ..... 184           | 2760105 | ..... 56, 143  | 3160083 | ..... 136, 141                          |
| 2221019 | ..... 77            | 2751467 | ..... 184           | 2780116 | ..... 45, 51   | 3160184 | ..... 45, 47                            |
| 2221024 | ..... 77            | 2751483 | ..... 184           | 2780248 | ..... 19, 21   | 3160248 | ..... 19, 22, 25                        |
| 2221041 | ..... 179           | 2751484 | ..... 180           | 2792433 | ..... 179, 190 | 3160276 | ..... 45, 47                            |
| 2221052 | ..... 179           | 2751617 | ..... 184           | 2792434 | ..... 187, 190 | 3200133 | ..... 61                                |
| 2221061 | ..... 37            | 2751830 | ..... 184           | 2792435 | ..... 187, 190 | 3200183 | ..... 61                                |
| 2221064 | ..... 179           | 2751871 | ..... 184           | 2792436 | ..... 189, 190 | 3200222 | ..... 97, 101                           |
| 2221065 | ..... 184           | 2751906 | ..... 185           | 2792437 | ..... 183, 190 | 3200227 | ..... 61                                |
| 2221067 | ..... 184           | 2751919 | ..... 184           | 2792438 | ..... 183, 190 | 3200228 | ..... 61                                |
| 2360535 | ..... 9             | 2752162 | ..... 184           | 2792439 | ..... 183, 190 | 3200229 | ..... 61                                |
| 2420080 | ..... 93            | 2752172 | ..... 184           | 2792440 | ..... 183, 190 | 3200306 | ..... 61                                |
| 2420172 | ..... 56            | 2752173 | ..... 184           | 2792441 | ..... 189, 190 | 3200344 | ..... 127                               |
| 2420187 | ..... 73            | 2752322 | ..... 179           | 2792447 | ..... 190      | 3200345 | ..... 127                               |
| 2420203 | ..... 81            | 2752337 | ..... 180           | 2792529 | ..... 179, 190 | 3200346 | ..... 127                               |
| 2440043 | ..... 136           | 2752435 | ..... 37            | 2792530 | ..... 183, 190 | 3200347 | ..... 127                               |
| 2440044 | ..... 136           | 2752446 | ..... 180           | 2792531 | ..... 183, 190 | 3200348 | ..... 127                               |
| 2440058 | ..... 45            | 2752461 | ..... 179           | 2792532 | ..... 183, 190 | 3200349 | ..... 127                               |
| 2460011 | ..... 67, 81        | 2752462 | ..... 185, 189      | 2792545 | ..... 190      | 3200362 | ..... 72                                |
| 2460013 | ..... 81            | 2752463 | ..... 185           | 2792562 | ..... 190      | 3220082 | ..... 64                                |
| 2560116 | ..... 59            | 2752466 | ..... 189           | 2792563 | ..... 190      | 3220088 | ..... 230                               |
| 2560136 | ..... 143           | 2752467 | ..... 185           | 2792564 | ..... 190      | 3220113 | ..... 74                                |
| 2600148 | ..... 55            | 2752469 | ..... 185           | 2820031 | ..... 67, 82   | 3220114 | ..... 74                                |
| 2600211 | ..... 145           | 2752473 | ..... 179           | 2820035 | ..... 132, 211 | 3251102 | ..... 67, 82                            |
| 2600216 | ..... 131           | 2752474 | ..... 185           | 2820053 | ..... 98, 102  | 3251243 | ..... 215, 220                          |
| 2600219 | ..... 131           | 2752475 | ..... 189           | 2820057 | ..... 98, 102  | 3251813 | ..... 215, 220                          |
| 2600287 | ..... 131           | 2752480 | ..... 185, 187, 189 | 2820058 | ..... 97, 102  | 3252221 | ..... 221                               |
| 2660042 | ..... 113           | 2752484 | ..... 189           | 2820059 | ..... 97, 102  | 3252347 | ..... 216                               |
| 2660067 | ..... 127           | 2752487 | ..... 189           | 2860012 | ..... 67, 81   | 3252670 | ..... 55                                |
| 2660068 | ..... 127           | 2752489 | ..... 184           | 2860030 | ..... 56, 225  | 3252698 | ..... 216                               |
| 2660070 | ..... 127           | 2752494 | ..... 179           | 2880404 | ..... 135      | 3272201 | ..... 139                               |
| 2660071 | ..... 127           | 2752498 | ..... 37            | 2880814 | ..... 119      | 3273001 | ..... 53                                |
| 2660072 | ..... 127           | 2752515 | ..... 184           | 2900202 | ..... 51       | 3290607 | ..... 61                                |
| 2660085 | ..... 127           | 2752573 | ..... 185           | 2900381 | ..... 159, 169 | 3290801 | ..... 63                                |
| 2720042 | ..... 61            | 2752593 | ..... 179           | 2900455 | ..... 141      | 3300029 | ..... 62, 73                            |
| 2720058 | ..... 72            | 2752611 | ..... 185, 189      | 2900708 | ..... 39       |         |   |

## SECTION 10 - SPECIAL OPTIONS

|              |                          |              |          |              |             |                           |                 |
|--------------|--------------------------|--------------|----------|--------------|-------------|---------------------------|-----------------|
| 3300048..... | 56, 210                  | 3340563..... | 112      | 3450202..... | 111         | 3572552.....              | 101             |
| 3300147..... | 56, 210                  | 3340566..... | 175      | 3450203..... | 63, 114     | 3572978.....              | 72              |
| 3300177..... | 56, 59                   | 3340630..... | 27       | 3450303..... | 111         | 3572985.....              | 72              |
| 3300205..... | 93                       | 3340888..... | 16       | 3450408..... | 111         | 3573055.....              | 73              |
| 3300220..... | 63                       | 3380379..... | 97       | 3450504..... | 117         | 3580109.....              | 67              |
| 3300240..... | 111                      | 3380400..... | 97       | 3450506..... | 117         | 3580134.....              | 81              |
| 3300243..... | 111                      | 3380419..... | 97       | 3450610..... | 33          | 3580139.....              | 111             |
| 3300244..... | 111                      | 3380434..... | 132, 144 | 3450806..... | 113         | 3580250.....              | 81              |
| 3300272..... | 169                      | 3380455..... | 101      | 3450814..... | 111         | 3600208.....              | 64, 72          |
| 3300279..... | 163                      | 3380456..... | 101      | 3451012..... | 119         | 3600260.....              | 61, 71, 87      |
| 3300281..... | 167                      | 3380457..... | 101      | 3480113..... | 165         | 3600286.....              | 61, 71, 91      |
| 3300285..... | 165                      | 3420085..... | 33       | 3480120..... | 159, 169    | 3600333.....              | 61, 87          |
| 3300299..... | 175                      | 3420290..... | 43       | 3480133..... | 175         | 3600334.....              | 61, 91          |
| 3300306..... | 161                      | 3420552..... | 117      | 3480137..... | 167         | 3600377.....              | 73              |
| 3300307..... | 165                      | 3420592..... | 119      | 3480162..... | 161         | 3600468.....              | 62, 64          |
| 3300308..... | 159                      | 3421279..... | 111      | 3480167..... | 163         | 3620003.....              | 105             |
| 3300352..... | 59                       | 3421280..... | 111      | 3480218..... | 157         | 3620040.....              | 71              |
| 3300365..... | 144                      | 3421286..... | 111      | 3510488..... | 131         | 3640686.....              | 55              |
| 3300393..... | 131                      | 3421290..... | 112      | 3510497..... | 131         | 3641182.....              | 145             |
| 3300408..... | 56, 144                  | 3421293..... | 112      | 3510542..... | 131         | 3730024.....              | 125             |
| 3310601..... | 56                       | 3421497..... | 112      | 3510543..... | 131         | 3730091.....              | 59              |
| 3310801..... | 56, 63                   | 3421534..... | 117      | 3510545..... | 131         | 3740016.....              | 55, 224         |
| 3310805..... | 16                       | 3421535..... | 117      | 3510546..... | 131         | 3740049 55, 67, 144, 211, |                 |
| 3311001..... | 43, 56                   | 3421538..... | 112      | 3510565..... | 131         | 224                       |                 |
| 3311005..... | 67, 71, 82, 119,         | 3421539..... | 111      | 3510566..... | 131         | 3740059.....              | 63, 225         |
|              | 132, 143                 | 3421563..... | 45       | 3510728..... | 131         | 3740067.....              | 63, 72, 225     |
| 3311401..... | 34, 37, 55, 56,          | 3421565..... | 45       | 3520022..... | 93          | 3740070.....              | 55, 224         |
|              | 61, 62, 63, 64, 93, 114, | 3421570..... | 111      | 3520028..... | 67, 81, 143 | 3740080.....              | 63, 65, 72, 82, |
|              | 125, 143                 | 3421571..... | 114      | 3520072..... | 131         | 105, 211, 226             |                 |
| 3311405..... | 15, 16, 63, 64,          | 3421577..... | 135      | 3520181..... | 15          | 3740112.....              | 56, 225         |
|              | 68, 71, 97, 98, 101,     | 3421582..... | 135      | 3530072..... | 153         | 3740113.....              | 143, 211, 226   |
|              | 102, 119, 132, 143,      | 3421586..... | 33       | 3530403..... | 43          | 3740115.....              | 143, 226        |
|              | 154, 216, 222            | 3421629..... | 111      | 3530425..... | 63, 72      | 3740122.....              | 55, 144, 224    |
| 3311501..... | 78, 105, 114,            | 3421676..... | 34       | 3532054..... | 135         | 3740123.....              | 144, 227        |
|              | 135, 153                 | 3421677..... | 53       | 3532410..... | 117         | 3740124.....              | 56, 144         |
| 3311505..... | 37, 74, 97, 101,         | 3421678..... | 34       | 3532425..... | 117         | 3760170.....              | 45              |
|              | 132                      | 3422037..... | 121      | 3532466..... | 117         | 3760369.....              | 157             |
| 3311601..... | 33, 62, 73, 77,          | 3422040..... | 112      | 3532549..... | 110         | 3760446.....              | 43              |
|              | 113, 145, 175            | 3422062..... | 121      | 3532793..... | 114, 119    | 3790012.....              | 56, 143, 145    |
| 3311602..... | 119, 122                 | 3422068..... | 33       | 3533337..... | 45          | 3790152.....              | 63, 71          |
| 3311605..... | 15, 16, 37, 71,          | 3422077..... | 121      | 3533414..... | 53          | 3790155.....              | 45              |
|              | 81, 93, 97, 101, 119,    | 3422079..... | 121      | 3534436..... | 117         | 3820001.....              | 127, 216, 221   |
|              | 121, 144, 153            | 3422081..... | 121      | 3535906..... | 27          | 3820018.....              | 97, 102         |
| 3311801..... | 43, 77, 105              | 3422083..... | 121      | 3535942..... | 37          | 3840858.....              | 114             |
| 3311805..... | 27, 34, 72, 135,         | 3422085..... | 122      | 3535948..... | 97, 101     | 3840944.....              | 175             |
|              | 139                      | 3422087..... | 121      | 3535949..... | 63          | 3840945.....              | 117             |
| 3312001..... | 62                       | 3422147..... | 135      | 3535951..... | 97, 102     | 3840955.....              | 117             |
| 3312002..... | 16, 33, 111              | 3422149..... | 34       | 3535978..... | 119, 122    | 3840956.....              | 113             |
| 3312005..... | 61, 72                   | 3422150..... | 34       | 3536001..... | 114         | 3841004.....              | 53              |
| 3312202..... | 175                      | 3422151..... | 33       | 3536008..... | 63          | 3841013.....              | 113             |
| 3312205..... | 53                       | 3422164..... | 121      | 3536089..... | 132         | 3841143.....              | 15, 16          |
| 3312602..... | 16, 111                  | 3422166..... | 121      | 3536414..... | 97, 101     | 3841466.....              | 157             |
| 3313002..... | 15, 53, 111              | 3422594..... | 121      | 3536415..... | 97, 101     | 3841651.....              | 117             |
| 3321001..... | 63                       | 3422679..... | 119      | 3536417..... | 97          | 3860050.....              | 113             |
| 3321405..... | 53                       | 3422688..... | 15       | 3537819..... | 97, 101     | 3900104.....              | 53              |
| 3321501..... | 53                       | 3422689..... | 16       | 3539275..... | 144         | 3900159.....              | 34              |
| 3323402..... | 157                      | 3422727..... | 119      | 3539685..... | 132         | 3900164.....              | 45              |
| 3323403..... | 119                      | 3422764..... | 15       | 3539719..... | 153         | 3900168.....              | 125             |
| 3340263..... | 112                      | 3422818..... | 16       | 3539972..... | 71          | 3900170.....              | 159, 163, 165,  |
| 3340454..... | 135                      | 3422856..... | 15       | 3570133..... | 72          | 169                       |                 |
| 3340475..... | 112                      | 3422887..... | 121      | 3571498..... | 71          | 3900171.....              | 161, 175        |
| 3340494..... | 115                      | 3422889..... | 121      | 3572216..... | 59          | 3900207.....              | 131             |
| 3340496..... | 112                      | 3422891..... | 121      | 3572315..... | 10          | 3900219.....              | 16              |
| 3340500..... | 112                      | 3422972..... | 15       | 3572327..... | 215, 220    | 3900224.....              | 145             |
| 3340502..... | 112                      | 3430408..... | 114      | 3572340..... | 16          | 3900292.....              | 16              |
| 3340506..... | 112                      | 3440816..... | 136      | 3572346..... | 16          | 3910408.....              | 125             |
| 3340560..... | 175                      | 3441228..... | 136      | 3572347..... | 16          | 3910606.....              | 56              |

## SECTION 10 - SPECIAL OPTIONS

|              |                             |              |                            |              |                                  |              |               |
|--------------|-----------------------------|--------------|----------------------------|--------------|----------------------------------|--------------|---------------|
| 3910616..... | 56                          | 4100026..... | 187                        | 4360476..... | 56, 143, 225                     | 4460452..... | 56            |
| 3910804..... | 56                          | 4100059..... | 180                        | 4360490..... | 61                               | 4460457..... | 210           |
| 3910812..... | 34, 144                     | 4120035..... | 145, 208                   | 4360542..... | 67, 81                           | 4460458..... | 210           |
| 3911008..... | 131                         | 4120036..... | 56, 145                    | 4400275..... | 77                               | 4460460..... | 210           |
| 3911012..... | 43                          | 4120037..... | 145                        | 4400340..... | 93                               | 4460464..... | 208           |
| 3930820..... | 16                          | 4130374..... | 15                         | 4400341..... | 93                               | 4460465..... | 208, 209      |
| 3931010..... | 136                         | 4130375..... | 15                         | 4400386..... | 93                               | 4460466..... | 208, 209      |
| 3931612..... | 136                         | 4160026..... | 135                        | 4400387..... | 93                               | 4460467..... | 143, 212      |
| 3931620..... | 136, 157                    | 4160081..... | 97, 101                    | 4400420..... | 77                               | 4460470..... | 144, 208      |
| 3931672..... | 145                         | 4160099..... | 53                         | 4400443..... | 93                               | 4460471..... | 144, 208      |
| 3931864..... | 45                          | 4220120..... | 53                         | 4400444..... | 93                               | 4460473..... | 208, 209      |
| 3941405..... | 97, 101                     | 4220121..... | 53                         | 4420015..... | 115                              | 4460499..... | 209, 210, 211 |
| 3951405..... | 175                         | 4220157..... | 53                         | 4420016..... | 115                              | 4460502..... | 208           |
| 3951606..... | 112                         | 4220158..... | 53                         | 4420017..... | 115                              | 4460503..... | 145, 208      |
| 3951804..... | 16                          | 4220165..... | 132                        | 4420018..... | 115                              | 4460508..... | 208           |
| 3952014..... | 33                          | 4240099..... | 132                        | 4420037..... | 55, 59                           | 4460509..... | 209           |
| 3960371..... | 93                          | 4280002..... | 63                         | 4420038..... | 144                              | 4460510..... | 143, 212      |
| 3960389..... | 98, 102                     | 4280242..... | 113                        | 4460023..... | 67, 81                           | 4460598..... | 132, 211      |
| 3960418..... | 98, 102                     | 4300030..... | 77                         | 4460027..... | 68                               | 4460601..... | 145           |
| 3960422..... | 211                         | 4300031..... | 34, 62                     | 4460042..... | 211                              | 4460602..... | 145           |
| 3960429..... | 98, 102                     | 4300032..... | 55, 97, 101, 114, 119, 125 | 4460049..... | 119, 125, 153                    | 4460603..... | 145           |
| 3960433..... | 98, 102                     | 4300034..... | 33, 62, 73, 93, 97, 101    | 4460051..... | 56, 210                          | 4460607..... | 145           |
| 3980003..... | 62, 73                      | 4300038..... | 135                        | 4460052..... | 125                              | 4460613..... | 145, 208      |
| 3980006..... | 62, 73                      | 4300045..... | 77                         | 4460071..... | 143, 211                         | 4460614..... | 209           |
| 3990001..... | 59, 225                     | 4300048..... | 105                        | 4460190..... | 67, 81                           | 4460631..... | 145           |
| 3990010..... | 68, 208, 209, 210, 211, 226 | 4300068..... | 73                         | 4460205..... | 211                              | 4460634..... | 208           |
| 3990048..... | 62                          | 4300076..... | 119, 122                   | 4460224..... | 210, 211                         | 4460635..... | 208           |
| 4040220..... | 135                         | 4300098..... | 114                        | 4460225..... | 209, 210                         | 4460704..... | 57            |
| 4060229..... | 56                          | 4340413..... | 114                        | 4460226..... | 209                              | 4460741..... | 68, 208, 209  |
| 4060574..... | 93                          | 4340453..... | 114                        | 4460234..... | 56, 144                          | 4460807..... | 210, 211      |
| 4060684..... | 114                         | 4340511..... | 67                         | 4460265..... | 149, 151, 208                    | 4460808..... | 210           |
| 4060685..... | 114                         | 4340678..... | 144                        | 4460266..... | 149, 151, 208, 210               | 4460809..... | 210, 211      |
| 4060700..... | 211                         | 4340684..... | 144                        | 4460267..... | 68, 149, 151, 209, 210, 211      | 4460847..... | 145           |
| 4060802..... | 59, 67, 82                  | 4360031..... | 143                        | 4460268..... | 68, 149, 151, 208, 209, 210, 211 | 4460849..... | 145           |
| 4060803..... | 98, 102, 119, 122, 132      | 4360057..... | 153, 228                   | 4460299..... | 56                               | 4520215..... | 19            |
| 4060804..... | 72, 135                     | 4360069..... | 56, 225                    | 4460301..... | 55                               | 4562516..... | 93, 114       |
| 4060907..... | 231                         | 4360153..... | 125                        | 4460302..... | 63                               | 4563031..... | 169           |
| 4060959..... | 230                         | 4360179..... | 64                         | 4460305..... | 56                               | 4563167..... | 184           |
| 4070535..... | 112                         | 4360181..... | 105                        | 4460306..... | 55                               | 4564009..... | 165           |
| 4070536..... | 112                         | 4360188..... | 77                         | 4460307..... | 55                               | 4564057..... | 159, 169      |
| 4070544..... | 112                         | 4360212..... | 56, 225                    | 4460320..... | 68, 211                          | 4564088..... | 56            |
| 4070545..... | 112                         | 4360216..... | 56, 224                    | 4460321..... | 209                              | 4564281..... | 73            |
| 4070585..... | 136                         | 4360232..... | 56, 144, 225               | 4460326..... | 209, 211                         | 4564417..... | 81            |
| 4070586..... | 136                         | 4360236..... | 125                        | 4460342..... | 53                               | 4565225..... | 167           |
| 4070587..... | 136                         | 4360259..... | 53, 228                    | 4460343..... | 209                              | 4565269..... | 62            |
| 4070600..... | 115                         | 4360263..... | 53, 228                    | 4460346..... | 211                              | 4565652..... | 161           |
| 4070601..... | 115                         | 4360277..... | 119, 125, 228              | 4460367..... | 209                              | 4565655..... | 62            |
| 4070602..... | 112                         | 4360278..... | 125                        | 4460374..... | 105, 210, 211                    | 4565751..... | 64            |
| 4070603..... | 112                         | 4360294..... | 68, 82, 226                | 4460375..... | 105, 210, 211                    | 4565913..... | 163           |
| 4070615..... | 112                         | 4360301..... | 34, 228                    | 4460386..... | 56, 210                          | 4566219..... | 230           |
| 4070616..... | 112                         | 4360307..... | 119                        | 4460387..... | 55                               | 4566605..... | 71            |
| 4070705..... | 135                         | 4360314..... | 56, 59, 143, 145, 225      | 4460388..... | 55                               | 4567073..... | 74            |
| 4070706..... | 135                         | 4360322..... | 16, 228                    | 4460390..... | 57                               | 4567879..... | 72            |
| 4070707..... | 135                         | 4360328..... | 56, 225                    | 4460418..... | 208, 209                         | 4568053..... | 157           |
| 4070708..... | 112                         | 4360331..... | 59, 143, 145, 226          | 4460419..... | 208, 209                         | 4568119..... | 72            |
| 4070709..... | 112                         | 4360336..... | 67, 82, 145, 226           | 4460420..... | 68, 208, 209                     | 4568158..... | 72            |
| 4070710..... | 112                         | 4360340..... | 59, 225                    | 4460425..... | 59, 154, 212                     | 4568258..... | 72            |
| 4070711..... | 112                         | 4360345..... | 59, 144, 225               | 4460428..... | 16, 125, 144, 208, 211           | 4568259..... | 72            |
| 4070728..... | 53                          | 4360362..... | 37, 224                    | 4460441..... | 55                               | 4620078..... | 33            |
| 4070729..... | 53                          | 4360387..... | 143, 153, 226              | 4460442..... | 55                               | 4640113..... | 19            |
| 4070772..... | 16                          | 4360392..... | 71                         | 4460445..... | 210                              | 4640487..... | 175           |
| 4070987..... | 56                          | 4360469..... | 56, 225                    | 4460451..... | 56                               | 4640495..... | 165           |
| 4070991..... | 56                          | 4360475..... | 56, 59, 143, 225           |              |                                  | 4640509..... | 157           |
| 4071001..... | 16                          |              |                            |              |                                  | 4640521..... | 37            |
| 4100025..... | 74                          |              |                            |              |                                  | 4640634..... | 159, 163      |
|              |                             |              |                            |              |                                  | 4640741..... | 45            |
|              |                             |              |                            |              |                                  | 4640742..... | 61            |

## SECTION 10 - SPECIAL OPTIONS

|                            |                  |                            |                           |          |               |          |
|----------------------------|------------------|----------------------------|---------------------------|----------|---------------|----------|
| 4640744.....               | 184              | 81, 85, 97, 101, 105,      | 4844956.....              | 131      | 4922448.....  | 37, 210  |
| 4640771.....               | 161              | 111, 119, 122, 143, 153    | 4845308.....              | 153      | 4922451.....  | 209      |
| 4640989.....               | 71               | 4751700.....               | 4845309.....              | 153      | 4922458.....  | 209      |
| 4640996.....               | 163              | 475180027, 77, 105, 112,   | 4845327.....              | 131      | 4922460.....  | 209      |
| 4641022.....               | 72               | 135, 144, 153              | 4845328.....              | 131      | 4922589.....  | 210      |
| 4641041.....               | 9                | 4752000...16, 62, 72, 135  | 4845408.....              | 131      | 4932638.....  | 192      |
| 4641042.....               | 9                | 4760600.....               | 4845409.....              | 131      | 4932639.....  | 192      |
| 4641065.....               | 37, 39           | 4760800.....               | 4845410.....              | 131      | 4933123.....  | 192, 209 |
| 4641079.....               | 37               | 4761000....                | 4845412.....              | 131      | 4933124.....  | 192, 209 |
| 4641083.....               | 175              | 132, 144                   | 4845413.....              | 131      | 4933136.....  | 192, 209 |
| 4641132.....               | 9                | 4761400... 34, 37, 43, 61, | 4845426.....              | 131      | 4933137.....  | 192      |
| 4641133.....               | 27, 29           | 62, 63, 73, 93, 97, 101,   | 4845469.....              | 131      | 4933138.....  | 192      |
| 4641134.....               | 9, 13            | 114, 125, 127              | 4846101.....              | 131      | 4933139.....  | 192      |
| 4641137.....               | 37, 39           | 4761500... 43, 45, 63, 67, | 4846102.....              | 131      | 4933197.....  | 192      |
| 4641153.....               | 9                | 71, 77, 97, 101, 105,      | 4846103.....              | 131      | 4933198.....  | 192      |
| 4641154.....               | 9                | 114, 135, 153              | 4846176.....              | 16       | 4933241.....  | 192      |
| 4641155.....               | 9                | 4761600... 33, 62, 73, 77, | 4846177.....              | 16       | 7000969.....  | 64       |
| 4641165.....               | 9, 13            | 111, 121, 136, 175         | 4846193.....              | 121      | 7000970.....  | 64       |
| 4641166.....               | 10, 13           | 4761800... 43, 45, 61, 77, | 4846196.....              | 135      | 7000971.....  | 64       |
| 4641180.....               | 37, 39           | 105, 112, 135, 175         | 4846204.....              | 15       | 7000976.....  | 64       |
| 4641181.....               | 37, 39           | 4762000.....               | 4846219.....              | 16       | 70001065..... | 64       |
| 4711000.....               | 143              | 4762200.....               | 4846220.....              | 16       | 70001076..... | 64       |
| 4711400....                | 9, 37, 63, 132,  | 4770400.....               | 4846226.....              | 16       | 70001079..... | 64       |
| 153                        |                  | 4791400.....               | 4846227.....              | 16       | 70001080..... | 64       |
| 4711500.....               | 37, 74           | 4791600.....               | 4846247.....              | 10       | 70001081..... | 64       |
| 4711600..                  | 37, 59, 93, 127, | 4811700.....               | 4846311.....              | 101      | 70001085..... | 64       |
| 135, 139                   |                  | 4812000.....               | 4846312.....              | 101      | 70001106..... | 64       |
| 4711700.....               | 67               | 4831700.....               | 4846313.....              | 101      | 70001107..... | 64       |
| 4711800... 15, 16, 27, 139 |                  | 4831900.....               | 4846314.....              | 101      | 70001108..... | 64       |
| 4712200.....               | 34               | 4832000.....               | 4846315.....              | 101      | 70001112..... | 64       |
| 4740006.....               | 33               | 4832100.....               | 4846316.....              | 101      | 70001361..... | 65       |
| 4740040.....               | 34               | 4842915.....               | 4846412.....              | 71       | 7000166.....  | 141      |
| 4740111.....               | 117              | 4843016.....               | 4846415.....              | 71       | 70001927..... | 65       |
| 4740120.....               | 56, 59, 143      | 4843026.....               | 4846425.....              | 78       | 70001928..... | 65       |
| 4740156.....               | 117              | 4843080.....               | 4846434.....              | 74       | 70001941..... | 231      |
| 4740158.....               | 135              | 4843087.....               | 4846597.....              | 101      | 70002252..... | 65       |
| 4740171.....               | 33, 45           | 4843105.....               | 4891600.....              | 61, 71   | 70002253..... | 65       |
| 4740189.....               | 45               | 4843107.....               | 4892000.....              | 19, 45   | 70002254..... | 65       |
| 4740191.....               | 61               | 4843133.....               | 4892200.....              | 139      | 70002258..... | 65       |
| 4740199.....               | 136              | 4843318.....               | 4920018.....              | 132      | 70002259..... | 65       |
| 4740242.....               | 61               | 4843324.....               | 4920140.....              | 53, 125  | 70002305..... | 125      |
| 4740256.....               | 136              | 4843334.....               | 4920385.....              | 74       | 70002307..... | 74       |
| 4740270.....               | 117              | 4843384.....               | 4920967.....              | 73       | 70002567..... | 74       |
| 4740274.....               | 72               | 4843822.....               | 4921139.....              | 62, 73   | 7000272.....  | 51       |
| 4740307.....               | 112              | 4844074.....               | 4921850.....              | 212      | 7000273.....  | 51       |
| 4740311.....               | 112              | 4844083.....               | 4921886.....              | 211      | 7000274.....  | 51       |
| 4740338.....               | 93               | 4844087.....               | 4921938.....              | 68, 211  | 7000275.....  | 51       |
| 4740349.....               | 114              | 4844092.....               | 4922021.....              | 212      | 7000279.....  | 51       |
| 4740361.....               | 34               | 4844093.....               | 4922352... 145, 192, 208, |          | 7000287.....  | 51       |
| 4740362.63, 97, 101, 143   |                  | 4844094.....               | 211                       |          | 7000288.....  | 51       |
| 4740397.....               | 67, 82           | 4844109.....               | 4922389.....              | 209      | 70003143..... | 113, 228 |
| 4740517.....               | 15               | 4844113.....               | 4922398.....              | 211      | 70003144..... | 113      |
| 4750800.....               | 55, 144          | 4844126.....               | 4922399.....              | 210      | 70003145..... | 114, 228 |
| 4751000....                | 43, 56, 67, 71,  | 4844166.....               | 4922400.....              | 211      | 70003146..... | 114      |
| 82, 105, 111, 119, 131,    |                  | 4844167.....               | 4922401.....              | 113, 208 | 7000625.....  | 143      |
| 144, 153                   |                  | 4844177.....               | 4922402.....              | 113, 208 | 7000637.....  | 125      |
| 4751400....                | 10, 16, 27, 43,  | 4844235.....               | 4922403.....              | 113, 208 | 7000638.....  | 125      |
| 55, 56, 62, 63, 64, 67,    |                  | 4844236.....               | 4922404.....              | 113, 208 | 7000639.....  | 125      |
| 71, 93, 97, 98, 101,       |                  | 4844238.....               | 4922405.....              | 113, 208 | 7000647.....  | 125      |
| 102, 114, 119, 144,        |                  | 4844272.....               | 4922406.....              | 113, 208 | 7000649.....  | 226      |
| 216, 222                   |                  | 4844390.....               | 4922408.....              | 209, 210 | 7000661.....  | 65       |
| 4751500....                | 55, 63, 67, 71,  | 4844790.....               | 4922409.....              | 209      | 7000663.....  | 65       |
| 77, 81, 97, 101, 105,      |                  | 4844924.....               | 4922410.....              | 209      | 7000697.....  | 65       |
| 114, 132, 135, 153         |                  | 4844925.....               | 4922414.....              | 192      | 7000698.....  | 65       |
| 4751600.9, 10, 16, 27, 33, |                  | 4844928.....               | 4922422.....              | 144      | 7000699.....  | 65       |
| 37, 62, 63, 67, 71, 77,    |                  | 4844954.....               | 4922423.....              | 68, 211  | 7000700.....  | 65       |
|                            |                  | 4844955.....               | 4922438.....              | 209      | 7000872.....  | 65       |



## SECTION 10 - SPECIAL OPTIONS

|                             |                        |                                     |                        |
|-----------------------------|------------------------|-------------------------------------|------------------------|
| 7001438 ..... 87            | 7006153 ..... 114, 228 | 7010104 ..... 91                    | 7013753 ..... 64       |
| 7001498 ..... 88            | 7006193 ..... 112, 113 | 7010105 ..... 91                    | 7014503 ..... 65, 226  |
| 7001902 ..... 51            | 7006503 ..... 113, 228 | 7010120 ..... 88                    | 7014676 ..... 231      |
| 7001904 ..... 51            | 7007208 ..... 87       | 7010121 ..... 88                    | 7014686 ..... 65       |
| 7001916 ..... 51            | 7007412 ..... 88       | 7010122 ..... 88                    | 7016330 ..... 65       |
| 7001917 ..... 51            | 7007413 ..... 87       | 7010123 ..... 37                    | 7016364 ..... 65       |
| 7001918 ..... 51            | 7007414 ..... 87       | 7010124 ..... 91                    | 7016380 ..... 231      |
| 7001920 ..... 51            | 7007416 ..... 87       | 7010125 ..... 91                    | 7016399 ..... 132      |
| 7001921 ..... 51            | 7007417 ..... 87       | 7010126 ..... 91                    | 7016503 ..... 114      |
| 7001922 ..... 51            | 7007419 ..... 87       | 7010127 ..... 91                    | 7016654 ..... 231      |
| 7001923 ..... 51            | 7007420 ..... 87       | 7010542 ..... 39                    | 7016662 ..... 73       |
| 7001924 ..... 51            | 7007421 ..... 87       | 7010543 ..... 9, 39                 | 7016664 ..... 93       |
| 7001926 ..... 51            | 7007422 ..... 87       | 7010545 ..... 13, 39                | 7017119 ..... 139      |
| 7001927 ..... 51            | 7007423 ..... 87       | 7010635 ..... 39                    | 7017142 ..... 139      |
| 7001928 ..... 51            | 7007424 ..... 87       | 7010699 ..... 67, 81                | 7017156 ..... 139      |
| 7001929 ..... 51            | 7007425 ..... 87       | 7010776 ..... 47                    | 7017157 ..... 139      |
| 7001982 ..... 51            | 7007435 ..... 87       | 7010780 ..... 47                    | 7017174 ..... 139      |
| 7002100 ..... 141           | 7007436 ..... 87       | 7010781 ..... 47                    | 7017177 ..... 139      |
| 7002103 ..... 141           | 7007437 ..... 87       | 7010782 ..... 47                    | 7017183 ..... 139      |
| 7002104 ..... 141           | 7007438 ..... 87       | 7010791 ..... 47                    | 7017193 ..... 139      |
| 7002105 ..... 141           | 7007439 ..... 87       | 7010792 ..... 47                    | 7017210 ..... 173      |
| 7002107 ..... 141           | 7007440 ..... 87       | 7010795 ..... 47                    | 7017211 ..... 173      |
| 7002110 ..... 141           | 7007441 ..... 87       | 7010911 ..... 64                    | 7017214 ..... 173      |
| 7002111 ..... 141           | 7007442 ..... 87       | 7011003 ..... 64                    | 7017278 ..... 171      |
| 7002112 ..... 141           | 7007444 ..... 87       | 7011016 ..... 64                    | 7017295 ..... 173      |
| 7002115 ..... 141           | 7007445 ..... 87       | 7011024 ..... 64                    | 7017296 ..... 173      |
| 7002116 ..... 141           | 7007449 ..... 87       | 7011043 ..... 64                    | 7017297 ..... 173      |
| 7002117 ..... 141           | 7007453 ..... 87       | 7011044 ..... 64                    | 7017298 ..... 173      |
| 7002123 ..... 141           | 7007454 ..... 87       | 7011048 ..... 64                    | 7017299 ..... 171      |
| 7002125 ..... 141           | 7007456 ..... 87       | 7011320 ..... 45                    | 7017402 ..... 39       |
| 7002821 ..... 212, 231      | 7007458 ..... 88       | 7011326 ..... 21                    | 7017418 ..... 39       |
| 7002822 ..... 231           | 7007466 ..... 88       | 7011336 ..... 13, 29                | 7017421 ..... 39       |
| 7002823 ..... 212, 231      | 7007468 ..... 88       | 7011716 ..... 49                    | 7017422 ..... 39       |
| 7002828 ..... 212, 231      | 7007469 ..... 88       | 7011719 ..... 49                    | 7017451 ..... 40, 224  |
| 7003657 ..... 67, 81        | 7007470 ..... 88       | 7011720 ..... 49                    | 7017452 ..... 39       |
| 7003928 ..... 147           | 7007471 ..... 88       | 7012513 ..... 67, 81                | 7017480 ..... 9        |
| 7003935 ..... 149           | 7007472 ..... 88       | 7012514 ..... 67, 81                | 7017482 ..... 39       |
| 7003938 ..... 149           | 7007474 ..... 88       | 7012518 ..... 13, 29, 39            | 7017483 ..... 39       |
| 7003941 ..... 149           | 7007475 ..... 88       | 7012526 ..... 125                   | 7017484 ..... 39       |
| 7003946 ..... 149           | 7007476 ..... 88       | 7012558 ..... 67, 81                | 7017485 ..... 39       |
| 7003952 ..... 147           | 7007477 ..... 88       | 7012576 ..... 64                    | 7017487 ..... 39       |
| 7003953 ..... 147           | 7007478 ..... 88       | 7012706 ..... 25                    | 7017488 ..... 39       |
| 7003956 ..... 147           | 7007482 ..... 88       | 7012709 ..... 25                    | 7017489 ..... 39       |
| 7003961 ..... 147, 149, 227 | 7007483 ..... 88       | 7012715 ..... 25                    | 7017490 ..... 9, 40    |
| 7003969 ..... 149           | 7007484 ..... 88       | 7012716 ..... 25                    | 7017491 ..... 40       |
| 7003972 ..... 149           | 7007485 ..... 88       | 7012910 ..... 39                    | 7017492 ..... 40       |
| 7003973 ..... 149           | 7007486 ..... 88       | 7012913 ..... 13                    | 7017493 ..... 40       |
| 7003976 ..... 147           | 7007487 ..... 88       | 7012914 ..... 39                    | 7017494 ..... 40       |
| 7003977 ..... 147           | 7007488 ..... 88       | 7012918 ..... 39                    | 7017495 ..... 39       |
| 7003980 ..... 149           | 7007489 ..... 91       | 7012941 ..... 9                     | 7017496 ..... 13, 39   |
| 7003983 ..... 149           | 7007490 ..... 88       | 7012942 ..... 13, 39                | 7018603 ..... 49       |
| 7003989 ..... 149           | 7007491 ..... 88       | 7012943 ..... 9, 13, 29, 40,<br>224 | 7018605 ..... 49       |
| 7003992 ..... 147, 149      | 7007492 ..... 88       | 7012944 ..... 9, 39, 40, 224        | 7018606 ..... 49       |
| 7003993 ..... 147, 149      | 7007494 ..... 88       | 7012953 ..... 39                    | 7018607 ..... 49       |
| 7003994 ..... 149           | 7007496 ..... 88       | 7012955 ..... 29                    | 7018608 ..... 49       |
| 7004167 ..... 47            | 7007497 ..... 88       | 7012967 ..... 29                    | 7018609 ..... 49       |
| 7004171 ..... 47            | 7007498 ..... 88       | 7012972 ..... 39                    | 7018612 ..... 49       |
| 7004179 ..... 47            | 7007499 ..... 88       | 7012973 ..... 9                     | 7019103 ..... 149      |
| 7004192 ..... 47            | 7007934 ..... 49       | 7012977 ..... 9                     | 7019110 ..... 149      |
| 7004196 ..... 47            | 7007970 ..... 49       | 7012978 ..... 9                     | 7019111 ..... 147, 149 |
| 7004214 ..... 62, 226       | 7007977 ..... 49       | 7012980 ..... 9                     | 7019112 ..... 149      |
| 7004275 ..... 231           | 7007987 ..... 49       | 7012995 ..... 13, 29                | 7019115 ..... 149      |
| 7004276 ..... 231           | 7008804 ..... 63       | 7012997 ..... 39                    | 7019117 ..... 149      |
| 7004281 ..... 37            | 7008821 ..... 63       | 7012998 ..... 39                    | 7019122 ..... 147      |
| 7004282 ..... 37            | 7008828 ..... 63, 226  | 7013710 ..... 64                    | 7019123 ..... 147      |
| 7006133 ..... 113, 114      | 7008829 ..... 63, 225  | 7013711 ..... 64                    | 7019124 ..... 149, 210 |
| 7006138 ..... 113, 114      | 7010103 ..... 91       | 7013712 ..... 64                    | 7019135 ..... 151      |

## SECTION 10 - SPECIAL OPTIONS

|              |          |              |            |              |    |               |        |
|--------------|----------|--------------|------------|--------------|----|---------------|--------|
| 7019136..... | 151      | 7019994..... | 73         | 7022134..... | 73 | 7022577.....  | 21     |
| 7019138..... | 147, 149 | 7019996..... | 73         | 7022136..... | 73 | 7022578.....  | 21     |
| 7019139..... | 147      | 7020108..... | 67, 81     | 7022139..... | 73 | 7022579.....  | 21     |
| 7019141..... | 147      | 7020109..... | 67, 81     | 7022142..... | 73 | 7022580.....  | 22     |
| 7019142..... | 147      | 7020110..... | 67, 81     | 7022143..... | 74 | 7022581.....  | 22     |
| 7019143..... | 147      | 7020111..... | 67, 81     | 7022144..... | 74 | 7022808.....  | 147    |
| 7019144..... | 147      | 7020120..... | 74         | 7022149..... | 74 | 7022811.....  | 147    |
| 7019145..... | 147      | 7020175..... | 56, 143    | 7022150..... | 74 | 7022813.....  | 147    |
| 7019146..... | 147      | 7020176..... | 56, 143    | 7022151..... | 74 | 7023000.....  | 171    |
| 7019147..... | 147      | 7020190..... | 67, 81     | 7022152..... | 74 | 7023001.....  | 171    |
| 7019149..... | 147      | 7020191..... | 67, 81     | 7022153..... | 74 | 7023002.....  | 171    |
| 7019151..... | 149      | 7020193..... | 67, 81     | 7022154..... | 74 | 7023003.....  | 171    |
| 7019153..... | 149      | 7020208..... | 65         | 7022155..... | 74 | 7023004.....  | 171    |
| 7019155..... | 149      | 7020400..... | 65         | 7022156..... | 74 | 7023007.....  | 171    |
| 7019159..... | 149      | 7020401..... | 65         | 7022157..... | 74 | 7023008.....  | 171    |
| 7019160..... | 149      | 7020402..... | 65         | 7022158..... | 73 | 7023432.....  | 47     |
| 7019161..... | 149      | 7020403..... | 65         | 7022159..... | 73 | 7023443.....  | 47     |
| 7019162..... | 149      | 7020405..... | 65         | 7022160..... | 73 | 7023603.....  | 77     |
| 7019163..... | 149      | 7020407..... | 65         | 7022161..... | 74 | 7023613.....  | 74     |
| 7019164..... | 149      | 7020409..... | 65         | 7022162..... | 74 | 7023637.....  | 74     |
| 7019165..... | 149      | 7020413..... | 65         | 7022164..... | 74 | 7023644.....  | 74     |
| 7019166..... | 149      | 7020420..... | 65         | 7022165..... | 77 | 7023645.....  | 77     |
| 7019167..... | 149      | 7020421..... | 65         | 7022166..... | 77 | 7023663.....  | 73     |
| 7019168..... | 149      | 7020422..... | 65         | 7022167..... | 77 | 7023680.....  | 77     |
| 7019169..... | 147      | 7020423..... | 65         | 7022168..... | 77 | 7023900.....  | 9      |
| 7019170..... | 147      | 7020432..... | 65         | 7022170..... | 77 | 7023992.....  | 91     |
| 7019171..... | 147      | 7020433..... | 65         | 7022171..... | 77 | 7023994.....  | 13     |
| 7019173..... | 147      | 7020498..... | 65         | 7022178..... | 74 | 7024028.....  | 22     |
| 7019175..... | 147      | 7021354..... | 21         | 7022179..... | 74 | 7024029.....  | 22     |
| 7019176..... | 147      | 7021388..... | 21         | 7022180..... | 74 | 7024030.....  | 22     |
| 7019177..... | 147      | 7021400..... | 9, 40      | 7022396..... | 9  | 7024031.....  | 22     |
| 7019178..... | 147      | 7021401..... | 9, 40, 224 | 7022397..... | 9  | 7024032.....  | 22     |
| 7019179..... | 149      | 7021402..... | 9, 40      | 7022398..... | 9  | 7024034.....  | 25     |
| 7019181..... | 151      | 7021403..... | 9, 40      | 7022399..... | 9  | 7024036.....  | 25     |
| 7019182..... | 151      | 7021404..... | 40         | 7022509..... | 21 | 7024037.....  | 25     |
| 7019183..... | 151      | 7021405..... | 40         | 7022535..... | 21 | 7024038.....  | 25     |
| 7019184..... | 151      | 7021406..... | 40         | 7022536..... | 22 | 7024039.....  | 25     |
| 7019185..... | 151      | 7021407..... | 9          | 7022537..... | 21 | 7024040.....  | 25     |
| 7019186..... | 151      | 7021408..... | 9          | 7022538..... | 21 | 7024041.....  | 25     |
| 7019187..... | 151      | 7021409..... | 9          | 7022540..... | 22 | 7024826.....  | 40     |
| 7019188..... | 151      | 7021622..... | 40         | 7022541..... | 21 | 7024827.....  | 40     |
| 7019194..... | 149      | 7021625..... | 9          | 7022543..... | 21 | 7024966.....  | 21     |
| 7019197..... | 147      | 7021631..... | 29         | 7022546..... | 21 | 7024967.....  | 21     |
| 7019607..... | 65       | 7021632..... | 29         | 7022546..... | 21 | 7024968.....  | 21     |
| 7019610..... | 43       | 7021633..... | 29         | 7022550..... | 21 | 7025124.....  | 74     |
| 7019656..... | 71       | 7021634..... | 13         | 7022556..... | 21 | 7025134.....  | 74     |
| 7019679..... | 81       | 7021635..... | 13         | 7022559..... | 21 | 7025555.....  | 21     |
| 7019680..... | 81       | 7021636..... | 39         | 7022560..... | 21 | 7026125.....  | 65     |
| 7019925..... | 74       | 7021636..... | 39         | 7022564..... | 21 | 7026173.....  | 65     |
| 7019930..... | 74       | 7021637..... | 39         | 7022567..... | 21 | 7026199.....  | 67, 81 |
| 7019932..... | 74       | 7021638..... | 39         | 7022568..... | 21 | 7027250.....  | 65     |
| 7019976..... | 74       | 7021639..... | 40         | 7022572..... | 21 | 7027402.....  | 74     |
| 7019977..... | 73       | 7021640..... | 40         | 7022573..... | 21 | 7029274.....  | 65     |
| 7019986..... | 73       | 7021644..... | 9          | 7022574..... | 21 | 7029276.....  | 65     |
| 7019993..... | 73       | 7021645..... | 9          | 7022575..... | 21 | 91083218..... | 73     |
|              |          | 7021868..... | 73         | 7022576..... | 21 |               |        |





**Corporate Office  
JLG Industries, Inc.  
1 JLG Drive  
McConnellsburg, PA 17233-9533 USA  
☎ (717) 485-5161 (Corporate)  
☎ (877) 554-5438 (Customer Support)  
📠 (717) 485-6417**

**Visit our website for JLG Worldwide Locations.  
[www.jlg.com](http://www.jlg.com)**



**OSHKOSH™**