



Illustrated Parts Manual

Models

100SX

110SX

110SXJ

120SXJ

P/N
3121811

January 2, 2012



An Oshkosh Corporation Company

REVISION LOG

June 16, 2000 - Original Issue Of Manual

August 2, 2000 - Revised (Manual edited to 0010569 Revision 3 Models 100SX/110SX/110SXJ & 0010570 Revision 2 Model 120SXJ)

November 9, 2000 - Revised (Manual edited to 0010569 Revision 5 Models 100SX/110SX/110SXJ & 0010570 Revision 5 Model 120SXJ)

June 18, 2001 - Revised (Manual edited to 0010569 Revision 9 Models 100SX/110SX/110SXJ & 0010570 Revision 9 Model 120SXJ)

August 22, 2002 - Revised (Manual edited to 0010569 Revision 17 Models 100SX/110SX/110SXJ & 0010570 Revision 14 Model 120SXJ)

September 30, 2003 - Revised (Manual edited to 0010569 Revision 18 Models 100SX/110SX/110SXJ & 0010570 Revision 15 Model 120SXJ)

November 15, 2006 - Revised (Manual edited to 0010569 Revision 18 Models 100SX/110SX/110SXJ & 0010570 Revision 15 Model 120SXJ)

January 2, 2012 - Revised Manual

TABLE OF CONTENTS

SECTION 1 - FRAME.....	7
FIGURE 1-1. FRAME, VALVES AND SHIELDS INSTALLATION	8
FIGURE 1-2. VALVE ASSEMBLY - HYDRO AIR	12
FIGURE 1-3. STEERING AND AXLES INSTALLATION	14
FIGURE 1-4. TIRE AND WHEEL DRIVE INSTALLATIONS.....	18
FIGURE 1-5. DRIVE HUB ASSEMBLY	20
FIGURE 1-6. DRIVE MOTOR ASSEMBLY - REXROTH.....	24
FIGURE 1-7. JACK CYLINDER INSTALLATION	26
FIGURE 1-8. JACK VALVE ASSEMBLY - HYDRO AIR.....	28
SECTION 2 - TURNTABLE.....	31
FIGURE 2-1. TURNTABLE, BOOM AND SWITCHES INSTALLATION	32
FIGURE 2-2. VALVES INSTALLATION - TURNTABLE MOUNTED	36
FIGURE 2-3. VALVES ASSEMBLY - HYDRO AIR.....	38
FIGURE 2-4. ROTARY COUPLING AND COLLECTOR RING ASSEMBLY AND INSTALLATION.....	42
FIGURE 2-5. SWING DRIVE AND BEARING INSTALLATION.....	44
FIGURE 2-6. SWING MOTOR ASSEMBLY	46
FIGURE 2-7. SWING BRAKE ASSEMBLY	48
FIGURE 2-8. SWING HUB ASSEMBLY	50
FIGURE 2-9. LOAD MANAGEMENT INSTALLATION	52
FIGURE 2-10. GROUND CONTROLS INSTALLATION.....	54
FIGURE 2-11. REMOTE DRIVE CONTROL BOX ASSEMBLY	58
FIGURE 2-12. DEUTZ F4L-912 ENGINE INSTALLATION.....	60
FIGURE 2-13. PUMP COUPLING INSTALLATION.....	66
FIGURE 2-14. PUMP ASSEMBLY - SUNSTRAND.....	68
FIGURE 2-15. PUMP ASSEMBLY - HYDRO-AIR	72
FIGURE 2-16. TANKS INSTALLATION.....	74
FIGURE 2-17. HOOD INSTALLATION (Prior to SN 55762)	78
FIGURE 2-18. HOOD INSTALLATION (SN 55762 to Present)	82
FIGURE 2-19. OIL COOLER INSTALLATION.....	86
SECTION 3 - BOOM.....	89
FIGURE 3-1. BOOM ASSEMBLY COMPONENTS INSTALLATION (SHEET 1 OF 2).....	90
FIGURE 3-2. CHAIN ADJUSTER ASSEMBLIES	100
FIGURE 3-3. JIB BOOM INSTALLATION	102
FIGURE 3-4. EXTEND-A-REACH INSTALLATION (110SXJ/120SXJ)	104
FIGURE 3-5. BOOM LENGTH INDICATOR AND LIMIT SWITCHES INSTALLATION.....	108
FIGURE 3-6. BOOM WIPERS INSTALLATION	112
SECTION 4 - PLATFORMS	115
FIGURE 4-1. PLATFORM COMPONENTS INSTALLATION	116
FIGURE 4-2. PLATFORM SUPPORT AND ROTATOR INSTALLATION (100SX/110SX).....	120
FIGURE 4-3. PLATFORM SUPPORT AND ROTATOR INSTALLATION (110SXJ/120SXJ)	124
FIGURE 4-4. ROTATOR MOTOR ASSEMBLY	126
FIGURE 4-5. PLATFORM CONSOLE ASSEMBLY.....	128

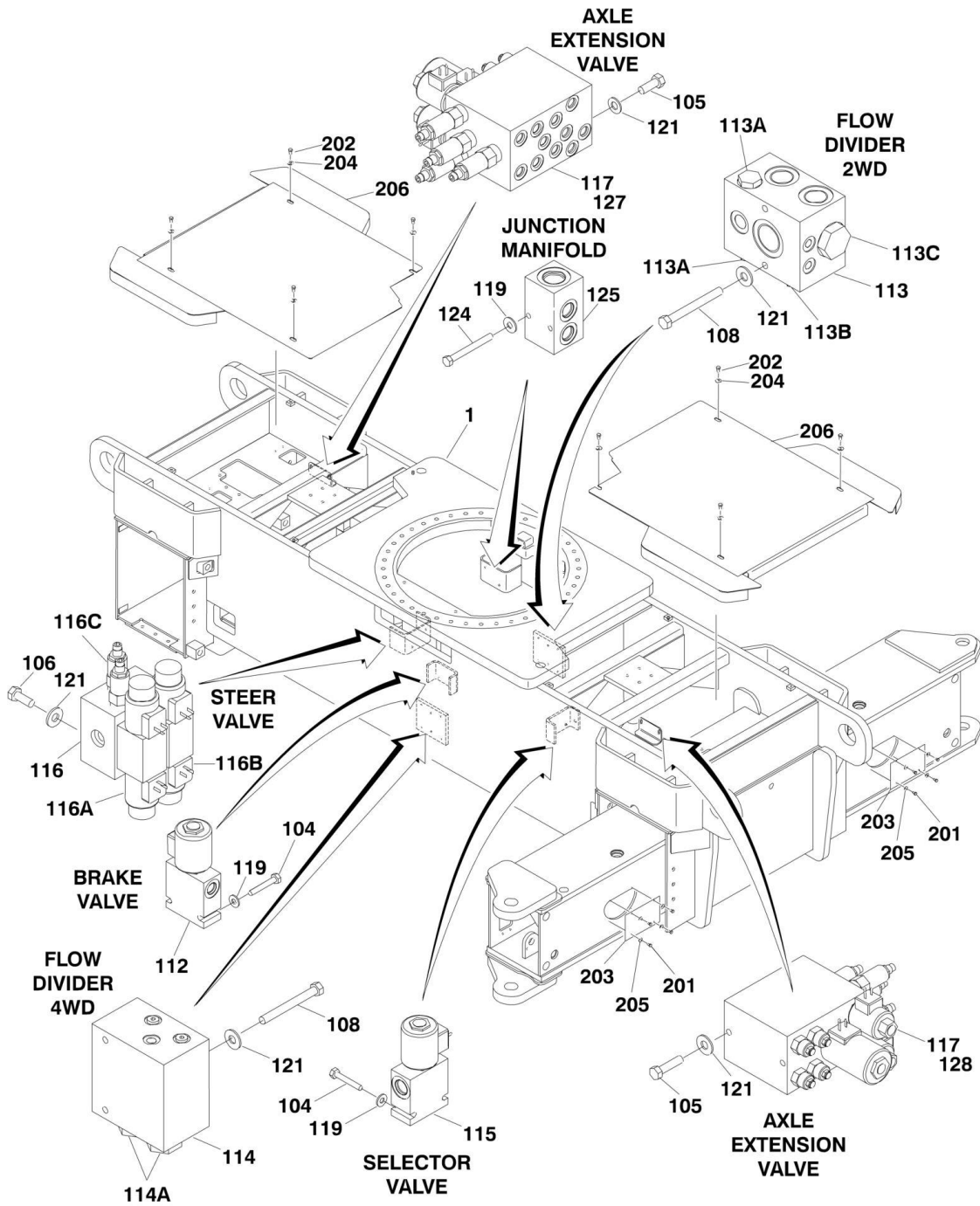
TABLE OF CONTENTS

FIGURE 4-6. CONTROLLER ASSEMBLY (LIFT AND SWING)	132
FIGURE 4-7. CONTROLLER ASSEMBLY (DRIVE AND STEER)	134
FIGURE 4-8. CONTROLLER ASSEMBLY (SPEED)	136
FIGURE 4-9. SOFT TOUCH SYSTEM INSTALLATION	138
SECTION 5 - CYLINDERS	141
FIGURE 5-1. AXLE EXTENSION CYLINDER ASSEMBLY	142
FIGURE 5-2. PLATFORM LEVEL CYLINDER ASSEMBLY	144
FIGURE 5-3. BOOM LIFT CYLINDER ASSEMBLY (110SX/110SXJ/120SXJ)	146
FIGURE 5-4. EXTEND-A-REACH LEVEL CYLINDER ASSEMBLY	148
FIGURE 5-5. EXTEND-A-REACH LIFT CYLINDER ASSEMBLY	150
FIGURE 5-6. JACK CYLINDER ASSEMBLY	152
FIGURE 5-7. MASTER CYLINDER ASSEMBLY	154
FIGURE 5-8. STEER CYLINDER ASSEMBLY	156
FIGURE 5-9. TIE ROD CYLINDER ASSEMBLY	158
FIGURE 5-10. TELESCOPE CYLINDER ASSEMBLY	160
SECTION 6 - HYDRAULICS	163
FIGURE 6-1. HYDRAULIC DIAGRAM - DRIVE (4WD/DEUTZ ENGINE)	164
FIGURE 6-2. HYDRAULIC DIAGRAM - T/T AND BOOM	168
FIGURE 6-3. HYDRAULIC DIAGRAM - STEER	172
FIGURE 6-4. HYDRAULIC DIAGRAM - LIFTING JACKS	174
FIGURE 6-5. HYDRAULIC DIAGRAM LIST	176
SECTION 7 - ELECTRICAL	177
FIGURE 7-1. ELECTRICAL DIAGRAM LIST	178
FIGURE 7-2. ELECTRICAL SCHEMATIC - 100SX/110SX	180
FIGURE 7-3. ELECTRICAL SCHEMATIC - 110SXJ	184
FIGURE 7-4. ELECTRICAL SCHEMATIC - 120SXJ	188
FIGURE 7-5. HARNESS COMPONENTS INSTALLATION	192
SECTION 8 - DECALS	199
FIGURE 8-1. DECALS INSTALLATION	200
SECTION 9 - RECOMMENDED SERVICE PARTS STOCK	205
FIGURE 9-1. MODELS 100SX/110SX/110SXJ/120SXJ STANDARD PARTS	206
FIGURE 9-2. MODELS 100SX/110SX/110SXJ/120SXJ VARIABLE PARTS	210
SECTION 10 - SPECIAL OPTIONS	211
FIGURE 10-1. SPECIAL OPTIONS	212
PART NUMBER INDEX	215

SECTION 1 - FRAME

SECTION 1 - FRAME

FIGURE 1-1. FRAME, VALVES AND SHIELDS INSTALLATION



SECTION 1 - FRAME

FIGURE 1-1. FRAME, VALVES AND SHIELDS INSTALLATION

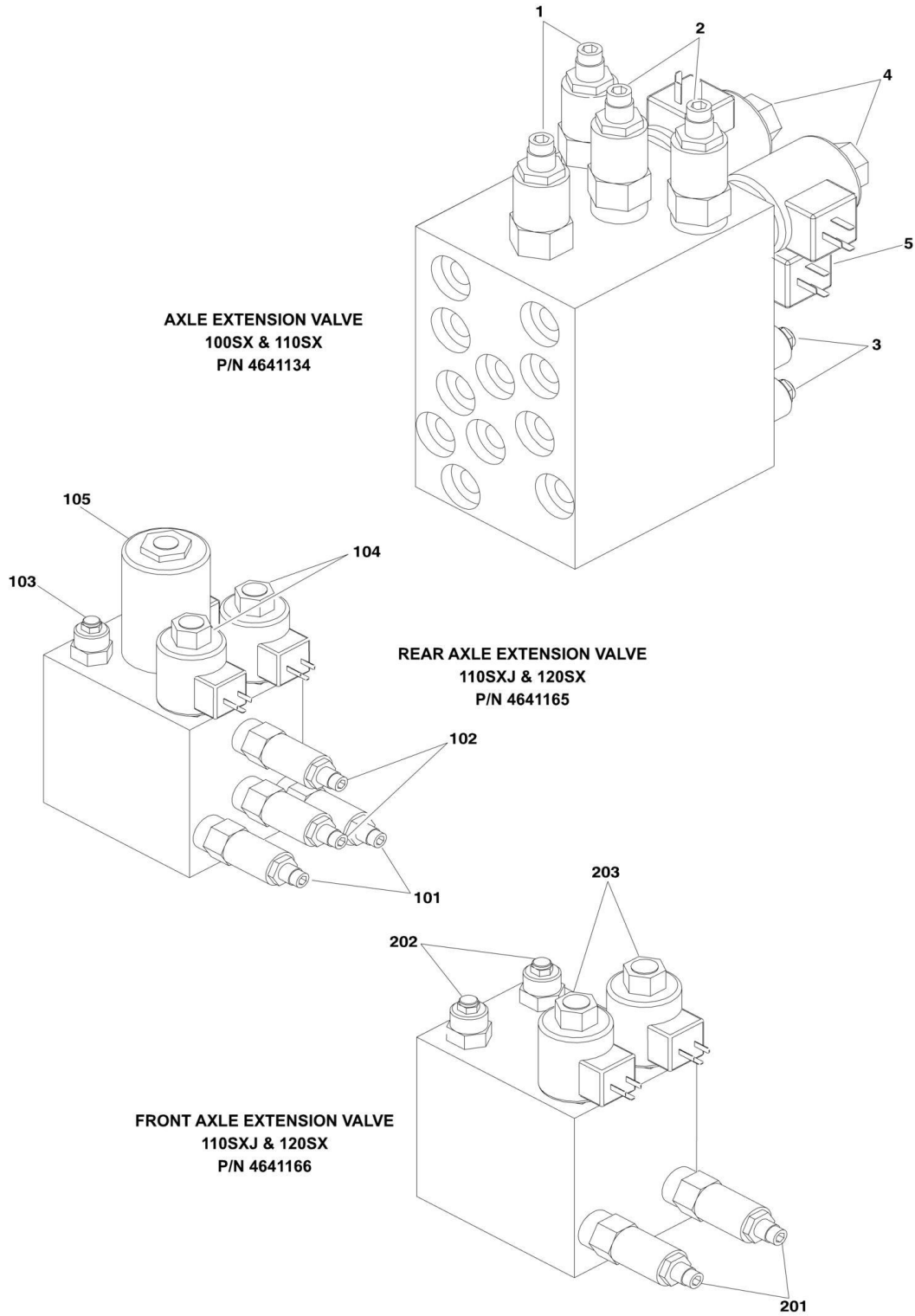
ITEM	PART NUMBER	QTY	DESCRIPTION	REV
		Ref	FRAME, VALVES AND SHIELDS INSTALLATION	
1	2360535	1	Frame Weldment	
	0270353	Ref	VALVES INSTALLATION - FRAME MOUNTED (100SX/110SX)	B
	0259923	Ref	VALVES INSTALLATION - FRAME MOUNTED (110SXJ/120SXJ)	E
104	0641418	4	Bolt 1/4in-20NC x 2 1/4in	
105	0641607	4	Bolt 3/8in-16NC x 7/8in	
106	0641608	2	Bolt 3/8in-16NC x 1in	
108	0641628	4	Bolt 3/8in-16NC x 3 1/2in	
112	4641154	1	Valve Assembly - Hydro Air Selector	
112	7012943	1	Coil	
112	7017480	1	Cartridge	
112	7012973	1	Seal Kit - 7017480 Cartridge	
113	4641041	1	Valve Assembly - Flow Divider (2WD)	
113A	7022397	2	Cartridge, Check Valves	
113A	7022399	2	Seal Kit - 7022397 Cartridge	
113B	7022398	1	Cartridge, Load Shuttle	
113B	7023900	1	Seal Kit - 7022398 Cartridge	
113C	7022396	1	Cartridge, Flow Divider	
113C	7021625	1	Seal Kit - 7022396 Cartridge	
114	4641042	1	Valve Assembly - Flow Divider (4WD)	
114A	7012978	2	Cartridge	
114A	7012980	2	Seal Kit	
115	4641153	1	Valve Assembly - Solenoid	
115	7012944	1	Coil, Solenoid	
115	7012941	1	Cartridge	
115	7010543	1	Seal Kit - 7012941 Cartridge	
116	4641132	1	Valve Assembly - Steer	
116A	7017490	1	Bosch Valve Section - Complete (Directional Control)	
116A	7021400	1	Spool	
116A	7021401	2	Coil	
116A	7021402	2	Seal Kit	
116A	7021403	2	Cap, End	
116B	7021407	1	Bosch Valve Section - Complete (Directional Control)	
116B	7021408	1	Spool	
116B	7021401	2	Coil	
116B	7021402	2	Seal Kit	
116B	7021403	2	Cap, End	
116B	7021409	2	Spring, Centering	
116C	7021644	2	Cartridge, Valve	
116C	7021645		Seal Kit - 7021644 Cartridge	
117	4641134	2	Valve Assembly - Hydro Air (See VALVE ASSEMBLY - HYDRO AIR for Breakdown) (100SX & 110SX Only)	
119	4711400	7	Flatwasher 1/4in (Narrow)	
121	4751600	10	Flatwasher 3/8in (Wide)	
124	0641420	2	Bolt 1/4in-20NC x 2 1/2in	
125	4641155	1	Valve, Junction Manifold	
127	4641165	1	Valve Assembly - Hydro Air (See VALVE ASSEMBLY - HYDRO AIR for Breakdown) (110SXJ & 120SXJ Only)	

SECTION 1 - FRAME

ITEM	PART NUMBER	QTY	DESCRIPTION	REV
128	4641166	1	Valve Assembly - Hydro Air (See VALVE ASSEMBLY - HYDRO AIR for Breakdown) (110SXJ & 120SXJ Only)	
		Ref	FRAME SHIELDS INSTALLATION OPTIONS:	
	0270200	Ref	2W/D	B
	0259925	Ref	4W/D	B
201	0641404	AR	Bolt 1/4in-20NC x 1/2in	
202	0641606	8	Bolt 3/8in-16NC x 3/4in	
203	3572315	AR	Plate, Cover	
204	4751600	8	Flatwasher 3/8in	
205	4751400	AR	Flatwasher 1/4in	
206	4846247	2	Shield	
	0100011	AR	Loctite #242	

SECTION 1 - FRAME

FIGURE 1-2. VALVE ASSEMBLY - HYDRO AIR



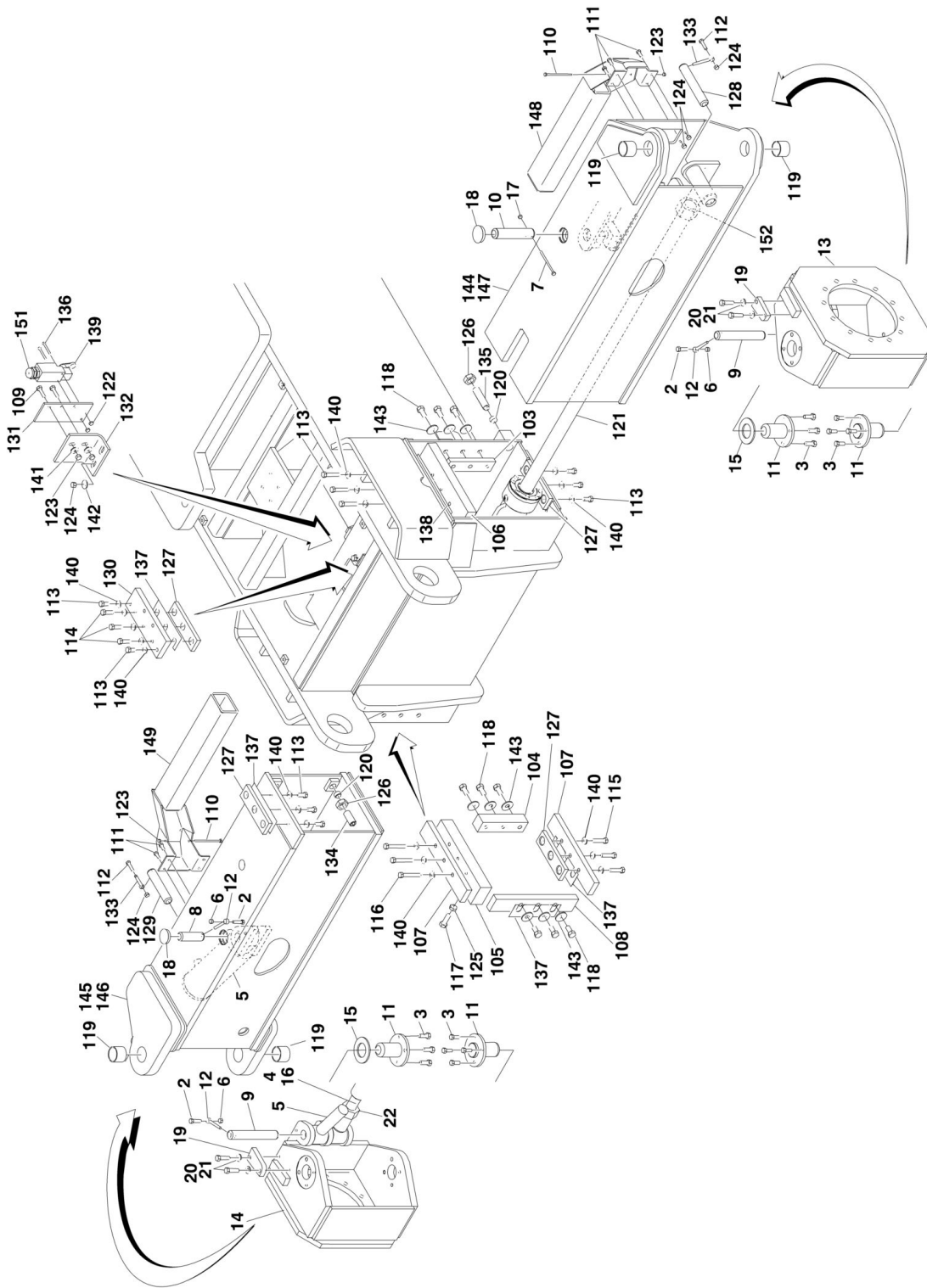
SECTION 1 - FRAME

FIGURE 1-2. VALVE ASSEMBLY - HYDRO AIR

ITEM	PART NUMBER	QTY	DESCRIPTION	REV
	4641134	Ref	AXLE EXTENSION VALVE ASSEMBLY - HYDRO AIR (100SX & 110SX)	A
1	7012913	2	Cartridge, Valve	
1	7017496	2	Seal Kit - 7012913 Cartridge (1 Per Cartridge)	
2	7021634	2	Cartridge, Valve	
2	7021545	2	Seal Kit - 7021634 Cartridge (1 Per Cartridge)	
3	7011336	4	Cartridge, Check Valve	
4	7012995	2	Cartridge, Valve - Hydraforce	
4	7012518	2	Seal Kit - 7012995 Cartridge (1 Per Cartridge)	
4	7012943	2	Coil - 12V (1 Per Cartridge)	
5	7021635	1	Cartridge, Valve - Hydraforce	
5	7012942	1	Seal Kit - 7021635 Cartridge	
5	7012943	1	Coil - 12V	
	4641165	Ref	FRONT AXLE EXTENSION VALVE ASSEMBLY - HYDRO AIR (110SXJ & 120SXJ)	A
101	7012913	2	Cartridge, Valve	
101	7017496	2	Seal Kit - 7012913 Cartridge (1 Per Cartridge)	
102	7021634	2	Cartridge, Valve	
102	7010545	2	Seal Kit - 7021634 Cartridge (1 Per Cartridge)	
103	7011336	2	Cartridge, Check Valve	
103	2900770	2	Seal Kit - 7011336 Cartridge (1 Per Cartridge)	
104	7012995	2	Cartridge, Valve - Hydraforce	
104	7012518	2	Seal Kit - 7012995 Cartridge (1 Per Cartridge)	
104	7012943	2	Coil - 12V (1 Per Cartridge)	
105	7021635	1	Cartridge, Valve - Hydraforce	
105	7012942	1	Seal Kit - 7021635 Cartridge	
105	7023994	1	Coil - 12V	
	4641166	Ref	REAR AXLE EXTENSION VALVE ASSEMBLY - HYDRO AIR (110SXJ & 120SXJ)	A
201	7012913	2	Cartridge, Valve	
201	7017496	2	Seal Kit - 7012913 Cartridge (1 Per Cartridge)	
202	7011336	2	Cartridge, Check Valve	
202	2900770	2	Seal Kit - 7011336 Cartridge (1 Per Cartridge)	
203	7012995	2	Cartridge, Valve - Hydraforce	
203	7012518	2	Seal Kit - 7012995 Cartridge (1 Per Cartridge)	
203	7012943	2	Coil - 12V (1 Per Cartridge)	

SECTION 1 - FRAME

FIGURE 1-3. STEERING AND AXLES INSTALLATION



SECTION 1 - FRAME

FIGURE 1-3. STEERING AND AXLES INSTALLATION

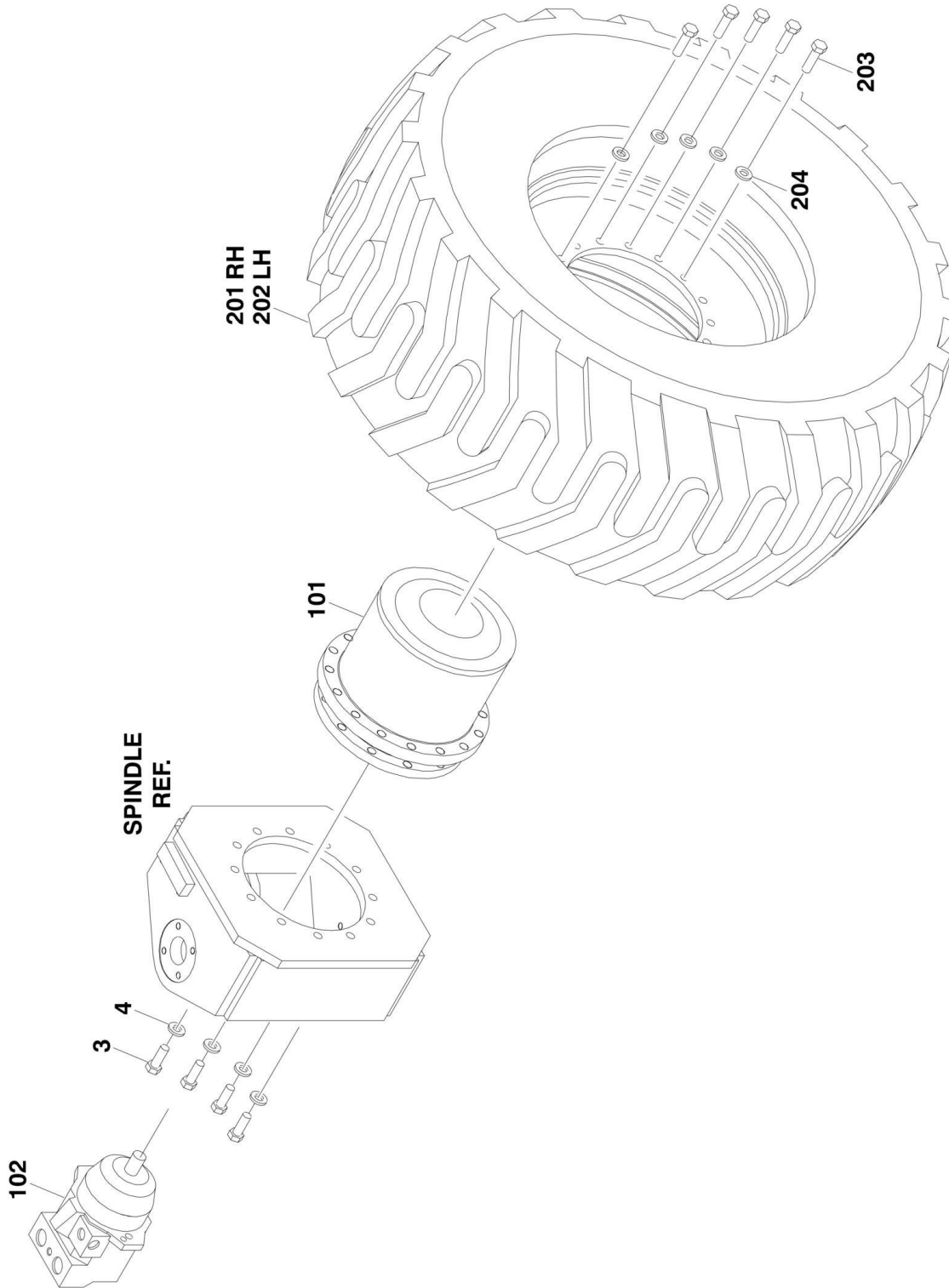
ITEM	PART NUMBER	QTY	DESCRIPTION	REV
		Ref	STEERING INSTALLATIONS	
	0259920	Ref	2WS	D
	0259919	Ref	4WS	F
2	0641612	3	Bolt 3/8in-16NC x 1 1/2in	
3	0641810	16	Bolt 1/2in-13NC x 1 1/4in	
4	1683921	1	Cylinder, Tie-Rod (See CYLINDER SECTION for Breakdown)	
5		Ref	Steer Cylinder Assembly Options (See CYLINDER SECTION for Breakdown):	
5	1683935	2	Steer Cylinder Assembly (2WS)	
5	1683958	2	Steer Cylinder Assembly (4WS)	
6	3311605	3	Locknut 3/8in-16NC	
7	0641430	1	Bolt 1/4in-20NC x 3 3/4in	
8	3422688	1	Pin (Steer Cylinder)	
9	3422764	2	Pin (Steer Cylinder)	
10	3422856	1	Pin, Weldment (Steer Cylinder)	
11	3422972	4	Kingpin (was p/n 3422849)	
12	3841143	3	Keeper 3/8in	
13	4130374	AR	Spindle Weldment (LF, RR)	
14	4130375	AR	Spindle Weldment (RF, LR)	
15		Ref	Washer, Thrust Options:	
15	4740517	2	Washer, Thrust (was p/n 4740314 & 4740463) (Prior to SN 67242)	
15	4740517	2	Washer, Thrust (SN 67242 to Present)	
16	4846204	1	Weldment, Tie-Rod	
17	3311405	1	Locknut 1/4in-20NC	
18	3520181	2	Plug	
19		Ref	Stop Options:	
19	0561404	2	(2WS)	
19	0561403	2	(4WS)	
20	0641814	4	Bolt 1/2in-13NC x 1 3/4in	
21	4711800	4	Flatwasher 1/2in (Narrow)	
22	3313002	1	Nut, Jam 1 1/4in-7NC	
	0100011	AR	Loctite #242	
		Ref	EXTENDABLE AXLES INSTALLATION	
	0259922	Ref	4WD/2WS	B
	0259921	Ref	4WD/4WS	C
103	0561391	2	Block, Axle Stop (Side)	
104	0561392	2	Block, Axle Stop (Side)	
105	0561394	2	Block, Axle Stop (Top)	
106	0561400	2	Block, Axle Stop (Top)	
107	0561401	4	Block, Axle Stop (Bottom)	
108	0561402	2	Plate, Spacer	
109	0641408	8	Bolt 1/4in-20NC x 1in	
110	0641436	4	Bolt 1/4in-20NC x 4 1/2in	
111	0641607	16	Bolt 3/8in-16NC x 7/8in	
112	0641612	4	Bolt 3/8in-16NC x 1 1/2in	
113	0641808	26	Bolt 1/2in-13NC x 1in	
114	0641812	6	Bolt 1/2in-13NC x 1 1/2in	
115	0641816	6	Bolt 1/2in-13NC x 2in	
116	0641820	6	Bolt 1/2in-13NC x 2 1/2in	

SECTION 1 - FRAME

ITEM	PART NUMBER	QTY	DESCRIPTION	REV
117	0642014	4	Bolt 5/8in-11NC x 1 3/4in	
118	0642010	18	Bolt 5/8in-11NC x 1 1/4in	
119	0961950	4	Bearing	
120	1120465	16	Cap	
121	1683920	2	Axle Extension Cylinder Assembly (See CYLINDER SECTION for Breakdown)	
122	3310805	8	Locknut #8-32NC	
123	3311405	12	Locknut 1/4in-20NC	
124	3311605	28	Locknut 3/8in-16NC	
125	3312002	4	Nut, Jam 5/8in-11NC	
126	3312602	16	Nut, Jam 1in-8NC	
127	3340888	8	Wear, Pad Assembly	
128	3422689	2	Pin	
129	3422818	2	Pin	
130	3572340	2	Plate	
131	3572346	4	Plate, Switch Mount	
132	3572347	4	Angle, Switch Mount	
133	3841143	4	Keeper, 3/8in	
134	3900219	4	Set Screw	
135	3900292	12	Set Screw	
136	3930820	8	Bolt #8-32NC x 1 1/4in	
137	4070772	12	Shim	
138	4071001	7	Shim, Axle Stop	
139	4360322	4	Switch, Limit	
140	4711800	38	Flatwasher 1/2in (Narrow)	
141	4751400	8	Flatwasher 1/4in (Wide)	
142	4751600	8	Flatwasher 3/8in (Wide)	
143	4752000	18	Flatwasher 5/8in (Wide)	
144	4846176	AR	Outer Axle Weldment	
145	4846177	AR	Inner Axle Weldment	
146	4846219	1	Inner Axle Weldment (110SX/110SXJ 4WD/2WS Rear Only)	
147	4846220	1	Outer Axle Weldment (110SX/110SXJ 4WD/2WS Rear Only)	
148	4846226	2	Hose Carrier Weldment (LF, RR)	
149	4846227	2	Hose Carrier Weldment (RF, LR)	
151	4460428	4	Connector, Strain Relief (110SX/110SXJ 4WD/2WS Only)	
152	3951804		Set Screw, Knurled Cup Point 1/2in x 1/2in	
	0100011	AR	Loctite #242	
	0100079	AR	Sealant, Pipe	

SECTION 1 - FRAME

FIGURE 1-4. TIRE AND WHEEL DRIVE INSTALLATIONS



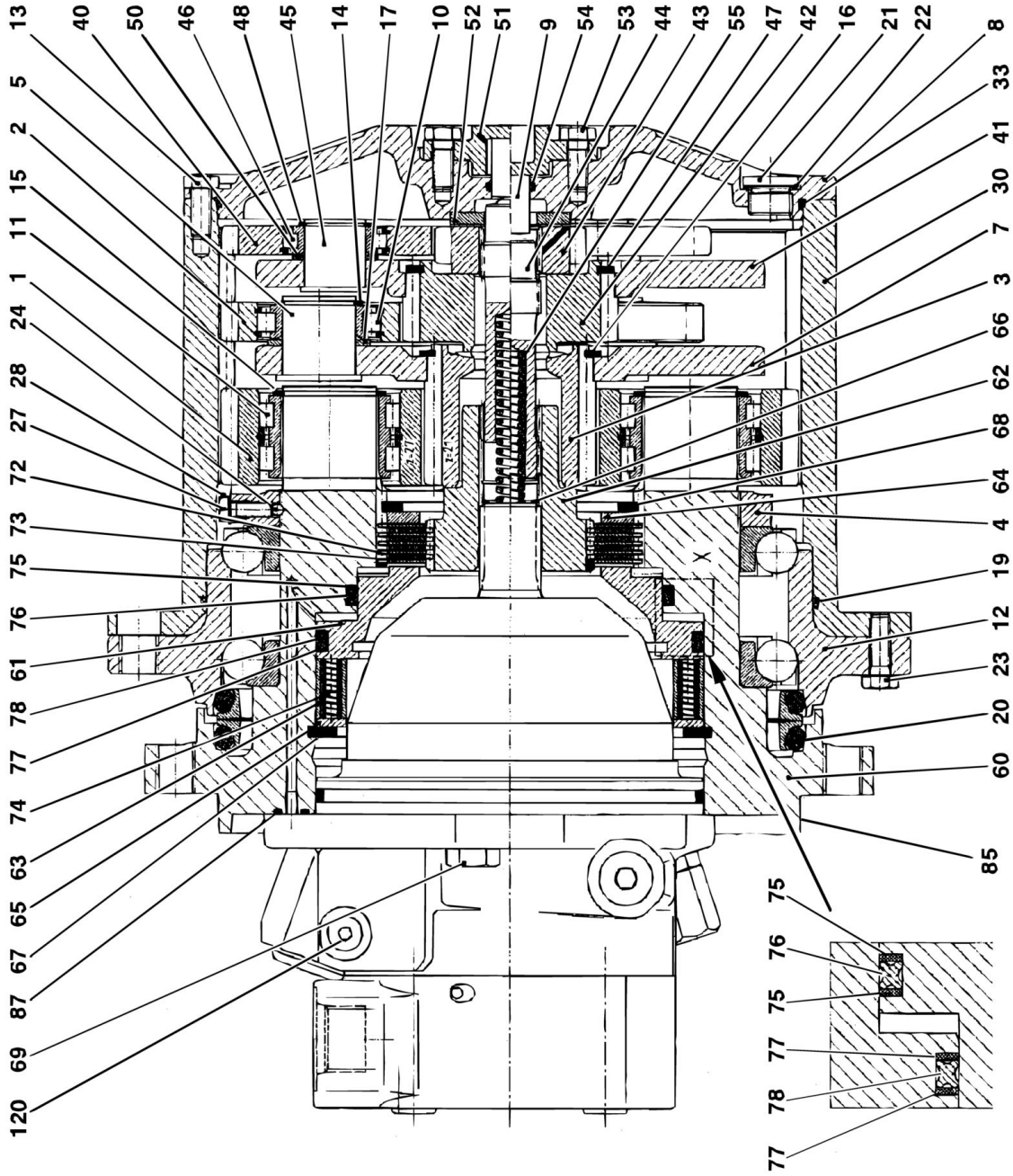
SECTION 1 - FRAME

FIGURE 1-4. TIRE AND WHEEL DRIVE INSTALLATIONS

ITEM	PART NUMBER	QTY	DESCRIPTION	REV
		Ref	TIRE AND WHEEL DRIVE INSTALLATIONS	
	0259895	Ref	WHEEL DRIVE INSTALLATION	B
3	0701617	48	Bolt (Metric)16mm x 45mm (12 Per Wheel)	
4	4892000	48	Washer Hardened 5/8in (12 Per Wheel)	
	0100019	AR	Loctite #271	
	0259878	Ref	HUB AND MOTOR ASSEMBLY	C
101	2780248	4	Drive Hub Assembly (See DRIVE HUB ASSEMBLY for Breakdown)	
102	3160248	4	Drive Motor Assembly (See DRIVE MOTOR ASSEMBLY - REXROTH for Breakdown)	
		Ref	TIRE AND WHEEL INSTALLATIONS (FOAM-FILLED)	
	0259909	Ref	Tire and Wheel Installations 100SX/110SX & 110SXJ	A
	0259906	Ref	Tire and Wheel Installations 120SXJ	A
201		Ref	Tire and Wheel Assembly (Foam-Filled) Options:	
201	0259907	2	Right Side (100SX/110SX & 110SXJ)	
201	0259904	2	Right Side (120SXJ)	
202		Ref	Tire and Wheel Assembly (Foam-Filled) Options:	
202	0259908	2	Left Side (100SX/110SX & 110SXJ)	
202	0259905	2	Left Side (120SXJ)	
202	4520215	2	Tire 385/65 x 22.5	
202	4640113	2	Valve	
		Ref	Note: Assemblies may require ballast/foam filling to manufacturer's specifications prior to installing on a machine. Refer to Operation and Safety or Service and Maintenance Manuals.Purchase individual tire and/or rim only if able to foam fill tire and wheel assembly, otherwise, purchase complete assembly.	
203	0701619	64	Bolt (Metric)16mm x 55mm (16 Per Wheel)	
204	4892000	64	Washer Hardened 5/8in (16 Per Wheel)	

SECTION 1 - FRAME

FIGURE 1-5. DRIVE HUB ASSEMBLY



SECTION 1 - FRAME

FIGURE 1-5. DRIVE HUB ASSEMBLY

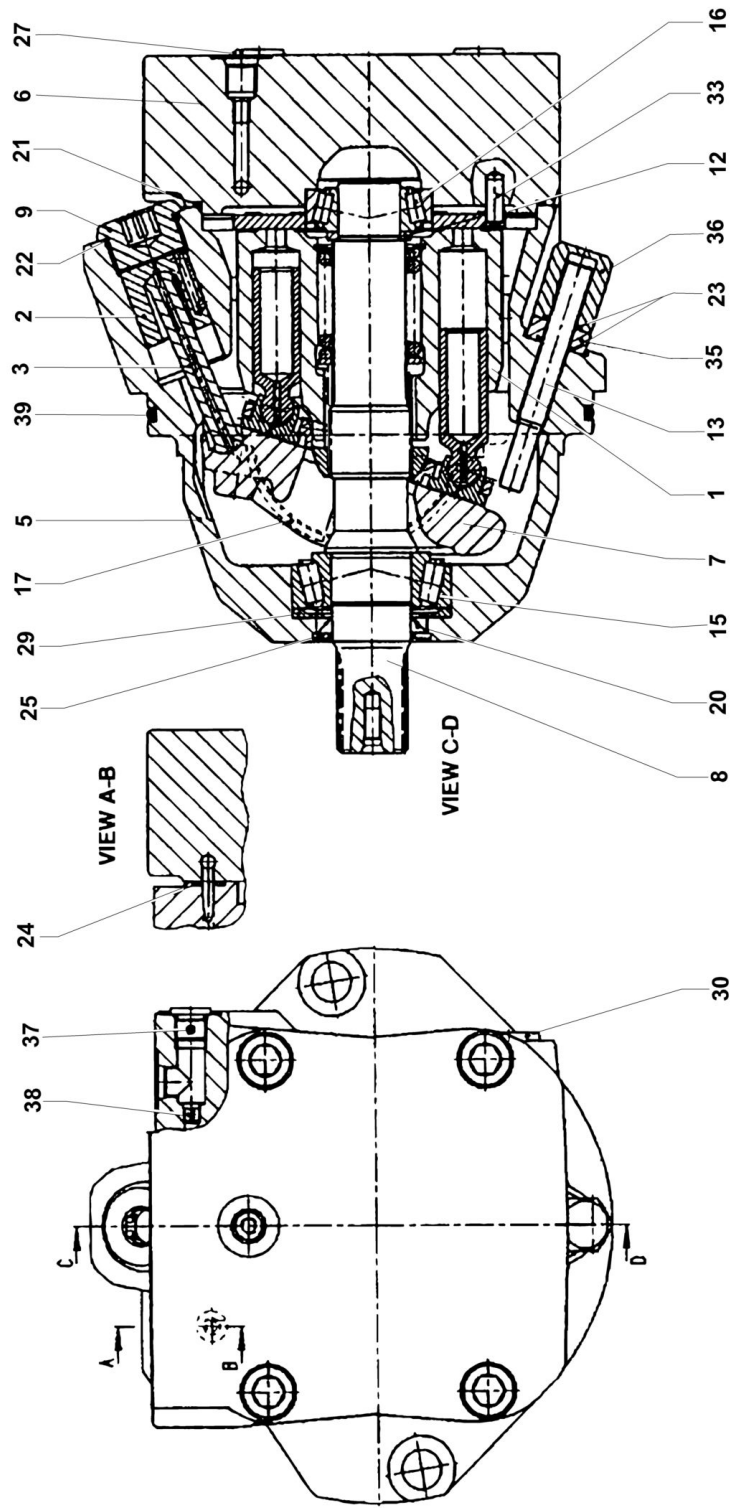
ITEM	PART NUMBER	QTY	DESCRIPTION	REV
	2780248	Ref	DRIVE HUB ASSEMBLY	C
		Ref	Note: Unless there is capability to torque shaft (item 4) to 626 ft/lbs (850Nm) Repair beyond this level is NOT advised.	
1	Kit 1	1	Gear, Planet	
2	Kit 2	1	Gear, Planet	
3	7022535	1	Gear, Sun	
4	Kit 3	1	Nut, Shaft	
5	7021388	3	Pin, Planet	
7	7022537	1	Carrier, Planet	
8	7022538	1	Cover	
9	7024967	1	Button, Thrust	
10	Kit 2	3	Bearing, Roller	
11	7022541	4	Bearing, Roller	
12	Kit 3	1	Bearing, Ball	
13	7022543	12	Bolt, Hex	
14	Kit 2	3	Ring, Retaining	
15	Kit 1	4	Ring, Retaining	
16	7022546	1	Ring, Retaining	
17	Kit 2	3	Ring, Stay	
19	7024966	1	O-Ring	
20	7024968	1	Seal, Face	
21	7022550	2	Plug	
22	Kit 4	2	Seal, Ring	
23	Kit 3	2	Bolt	
24	Not Available	2	Ball	
27	Not Available	2	Bolt	
28	7025555	2	Washer	
30	7022556	1	Gear, Ring	
33	Kit 4	1	O-Ring	
41	7022559		Carrier	
42	7022560		Gear, Sun	
43	Kit 4	1	Gear, Sun	
44	Kit 4	1	Shaft, Input	
45	7011326	3	Pin, Planet	
47	7022564	1	Ring, Retaining	
51	7022567	1	Cover	
52	7022568	1	Washer Thrust	
53	Kit 3	2	Bolt	
54	Kit 4	1	O-Ring	
55	Kit 4	1	Spring, Pressure	
60	7022572	1	Spindle	
61	7022573	1	Piston	
62	7022574	1	Coupler	
63	7022575	1	Ring, Locator	
64	7021354	1	Plate, Back-up	
65	7022576	1	Plate, Back-up	
66	7022577	1	Ring, Retaining	
67	7022578	1	Ring, Retaining	
68	7022509	1	Ring, Retaining	
69	7022579	2	Bolt	

SECTION 1 - FRAME

ITEM	PART NUMBER	QTY	DESCRIPTION	REV
72	Kit 5	4	Disc, Brake	
73	Kit 5	5	Disc, Brake	
74	Kit 5	AR	Spring	
75	Kit 6	2	Ring, Back-up	
76	Kit 6	1	Seal	
77	Kit 6	2	Ring, Back-up	
78	Kit 6	1	Seal	
85	7024031	1	O-Ring	
87	7024032	1	O-Ring	
120	3160248	1	Motor, Hydraulic	
	7024028	1	Kit 1 - Planet Bearing Kit (Includes Items 1, 11 & 15)	
	7024029	1	Kit 2 - Planet Bearing Kit (Includes Items 2, 10, 14 & 17)	
	7022536	1	Kit 3 - Bearing Kit (Includes Items 4, 12, 23, & 53)	
	7022540	1	Kit 4 - Mechanical Disconnect Kit (Includes Items 13, 22, 33, 43, 44, 54 & 55)	
	7022580	1	Kit 5 - Brake Disc Kit (Includes Items 72-74)	
	7022581	1	Kit 6 - Brake Seal Kit (Includes Items 75-78)	
	7024030	1	Kit 7 - Planet Gear Kit (Includes Items 40, 46, 48 & 50)	

SECTION 1 - FRAME

FIGURE 1-6. DRIVE MOTOR ASSEMBLY - REXROTH



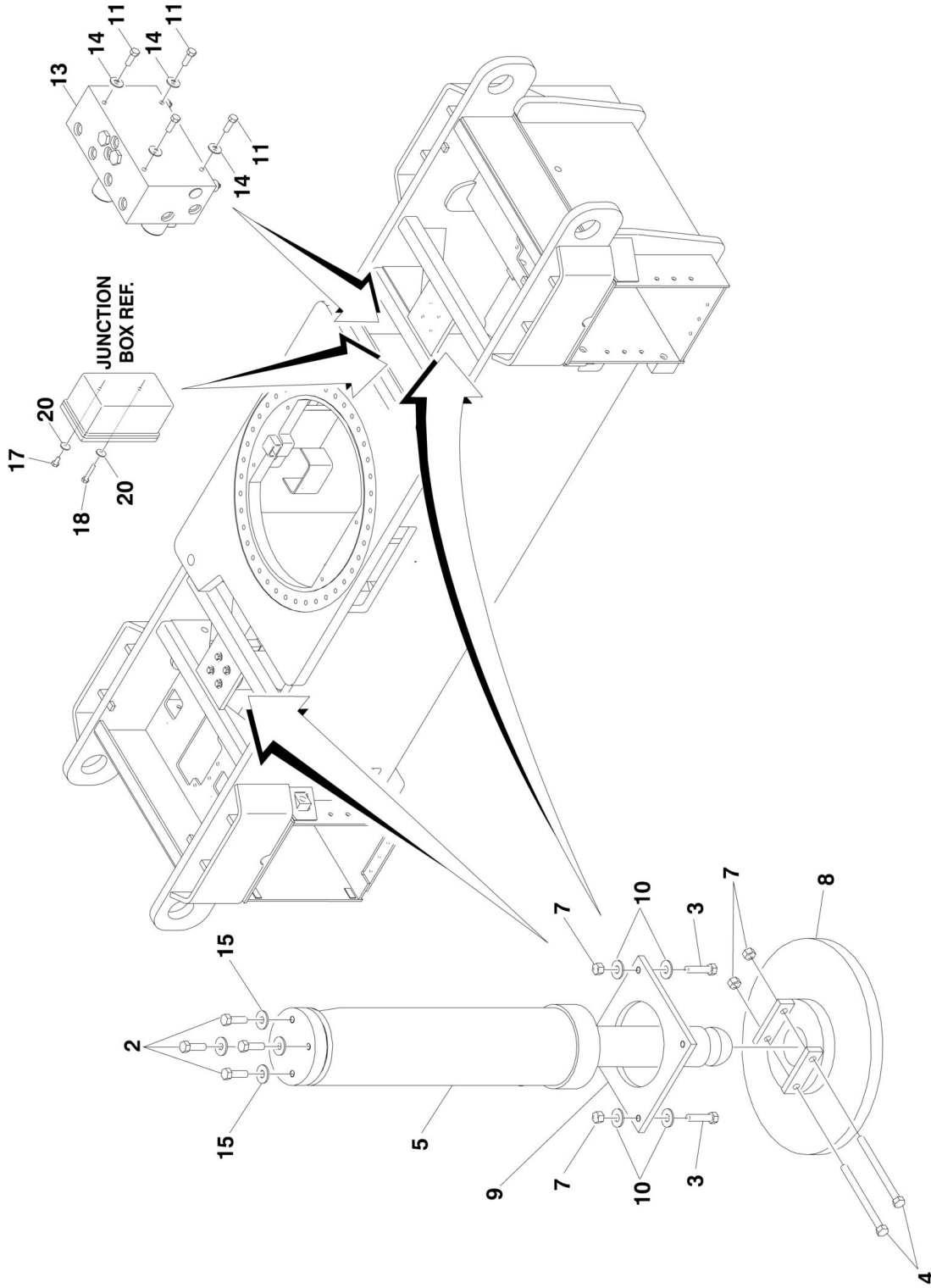
SECTION 1 - FRAME

FIGURE 1-6. DRIVE MOTOR ASSEMBLY - REXROTH

ITEM	PART NUMBER	QTY	DESCRIPTION	REV
	3160248	Ref	DRIVE MOTOR ASSEMBLY	D
1	7012716	1	Rotary Group Assembly	
2	Not Available	1	Piston, Control	
3	Not Available	1	Rod, Piston	
5	Not Available	1	Housing	
6	Not Available	1	Plate, Port	
7	7024036	1	Plate, Swash	
8	7024037	1	Driveshaft	
9	Not Available	1	Plug, Screw	
12	7012709	1	Shim	
13	Not Available	1	Stop Screw	
15	7024038	1	Bearing	
16	7012706	1	Bearing	
17	7024039	2	Shell, Cradle	
20	Kit	1	Seal, Shaft	
21	Kit	1	O-Ring	
22	Kit	1	O-Ring	
23	Kit	2	O-Ring	
24	Kit	1	Seal	
25	7012715	1	V-Ring	
27	7024040	4	Screw, Socket head M12 x 60	
29	Not Available	1	Ring, Stop	
30	Not Available	1	Plug	
33	Not Available	1	Pin, Dowel	
35	Not Available	1	Nut M10	
36	Not Available	1	Nut, Cap M10	
37	Kit	1	Plug	
38	7024041	1	Orifice	
39	Kit	1	O-Ring	
	7024034	1	Seal Kit (Includes Items 20-24, 37 & 39)	

SECTION 1 - FRAME

FIGURE 1-7. JACK CYLINDER INSTALLATION



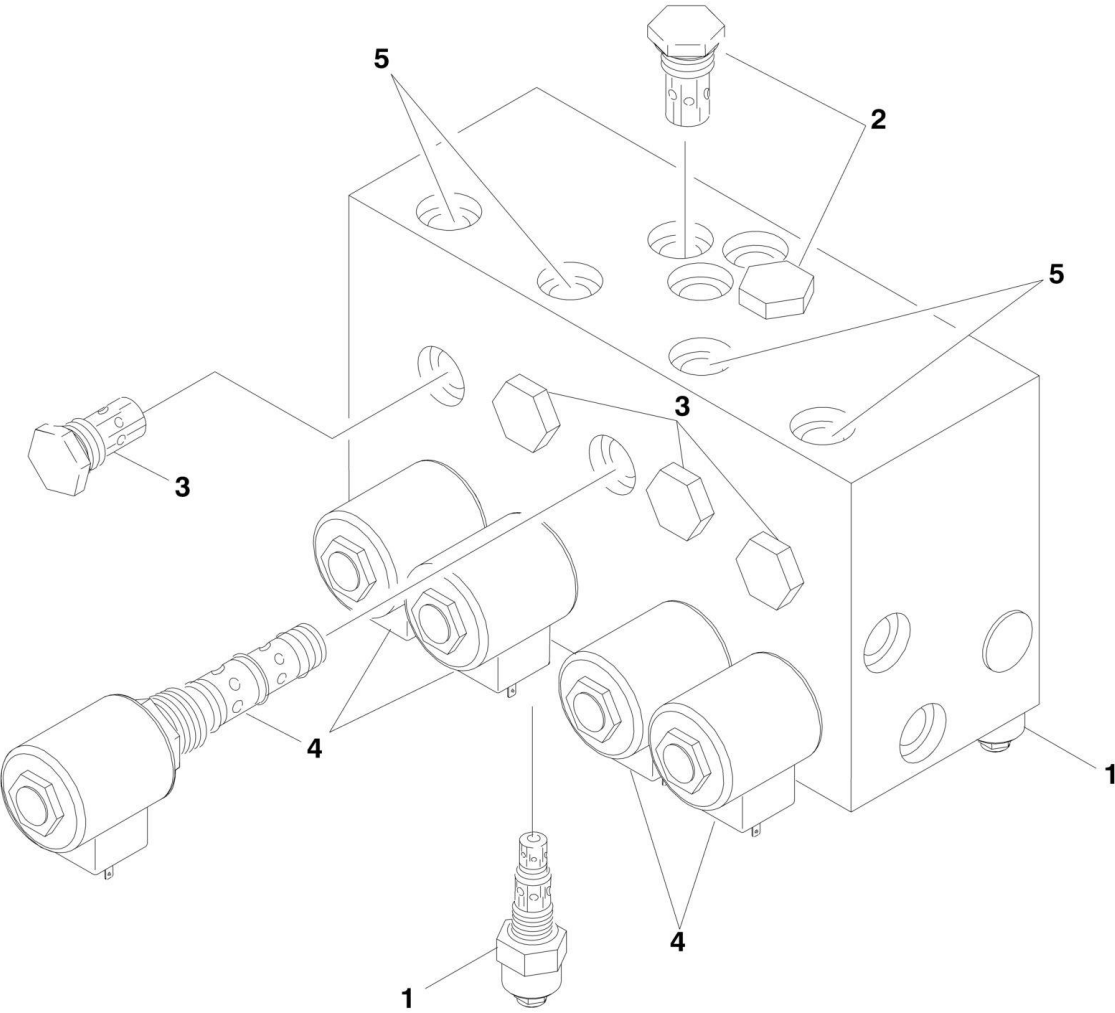
SECTION 1 - FRAME

FIGURE 1-7. JACK CYLINDER INSTALLATION

ITEM	PART NUMBER	QTY	DESCRIPTION	REV
	0270268	Ref	JACK CYLINDER INSTALLATION	C
2	0641812	8	Bolt 1/2in-13NC X 1 1/2in (4 Per Cylinder)	
3	0641816	8	Bolt 1/2in-13NC x 2in (4 Per Cylinder)	
4	0641852	4	Bolt 1/2in -13 NC x 6 1/2in	
5	1683965	2	Jack Cylinder Assembly (See CYLINDER SECTION for Breakdown)	
7	3311805	12	Locknut 1/2in-13NC (4 Per Cylinder)	
8	3340630	2	Jack Pad Weldment	
9	3535906	2	Plate, Mounting (1 Per Cylinder)	
10	4711800	8	Flatwasher 1/2in Narrow (4 Per Cylinder)	
11	0641609	4	Bolt 3/8in-16NC x 1 1/8in	
12	1704544	1	Decal - Lifting Instructions (Not Shown)	
13	4641133	1	Valve, Jack (See JACK VALVE ASSEMBLY - HYDRO AIR for Breakdown)	
14	4751600	4	Flatwasher 3/8in (Wide)	
15	4751800	8	Flatwasher 1/2in (Wide)	
17	0641404	1	Bolt 1/4in-20NC x 1/2in	
18	0641412	1	Bolt 1/4in-20NC x 1 1/2in	
20	4751400	2	Flatwasher 1/4in (Wide)	
	0100011	AR	Loctite	

SECTION 1 - FRAME

FIGURE 1-8. JACK VALVE ASSEMBLY - HYDRO AIR



SECTION 1 - FRAME

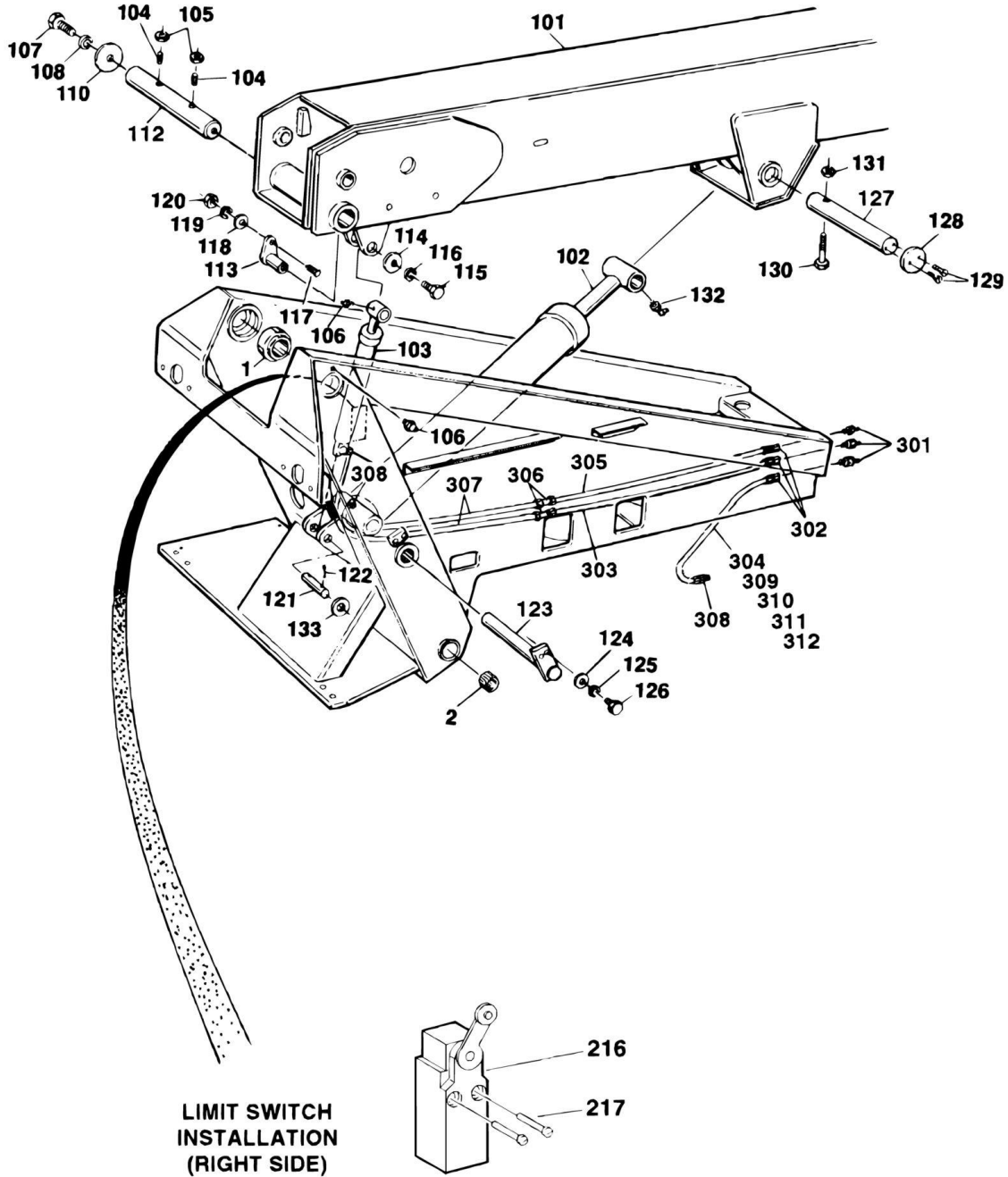
FIGURE 1-8. JACK VALVE ASSEMBLY - HYDRO AIR

ITEM	PART NUMBER	QTY	DESCRIPTION	REV
	4641133	Ref	VALVE ASSEMBLY - HYDRO AIR	A
1	7011336	2	Cartridge, Check Valve	
2	7012955	2	Cartridge, Valve	
2	7012967	2	Seal Kit - 7012955 Cartridge (1 Per Cartridge)	
3	7021631	4	Cartridge, Valve	
3	7021632	4	Seal Kit - 7021631 Cartridge (1 Per Cartridge)	
4	7012995	5	Cartridge, Valve - Hydraforce	
4	7012518	5	Seal Kit - 7012995 Cartridge (1 Per Cartridge)	
4	7012943	5	Coil - 12V (1 Per Cartridge)	
5	7021633	4	Orifice	

SECTION 2 - TURNTABLE

SECTION 2 - TURNTABLE

FIGURE 2-1. TURNTABLE, BOOM AND SWITCHES INSTALLATION



SECTION 2 - TURNTABLE

FIGURE 2-1. TURNTABLE, BOOM AND SWITCHES INSTALLATION

ITEM	PART NUMBER	QTY	DESCRIPTION	REV
		Ref	TURNTABLE, BOOM AND SWITCHES INSTALLATION	
	4620078	Ref	TURNTABLE ASSEMBLY	F-6
1	0252852	2	Boom Pivot Assembly	
1	0960594	2	Bushing, Self-Aligning (1 Per Assembly)	
2	0961392	2	Bushing, Bronze (Base Pivot)	
		Ref	BOOM AND CYLINDERS INSTALLATIONS	
	0259903	Ref	Boom and Cylinders Installations 100SX - CE SPEC	1
	0259900	Ref	Boom and Cylinders Installations 110SX - AUSTRALIAN SPEC	2
	0259901	Ref	Boom and Cylinders Installations 110SX - CE SPEC	2
	0259917	Ref	Boom and Cylinders Installations 110SX - AUSTRALIAN SPEC (WITH INVERTED TRACK)	2
	0259912	Ref	Boom and Cylinders Installations 110SXJ - AUSTRALIAN SPEC	3
	0259913	Ref	Boom and Cylinders Installations 110SXJ - CE SPEC	2
	0259918	Ref	Boom and Cylinders Installations 110SXJ - AUSTRALIAN SPEC (WITH INVERTED TRACK)	3
	0259890	Ref	Boom and Cylinders Installations 120SXJ - AUSTRALIAN SPEC	2
	0259891	Ref	Boom and Cylinders Installations 120SXJ - CE SPEC	2
	0270812	Ref	Boom and Cylinders Installations 120SXJ - W/LENGTH LIMIT CE SPEC	1
101		Ref	Boom Assembly (See BOOM SECTION for Breakdown)	
102		Ref	Lift Cylinder Assembly Options: (See CYLINDERS SECTION for Breakdown)	
102	1682895	1	Lift Cylinder Assembly 100SX/110SX/110SXJ/120SXJ	
102	1682895	1	Lift Cylinder Assembly 110SX - Australian Spec (With Inverted Track)	
102	1682895	1	Lift Cylinder Assembly 110SXJ - Australian Spec (With Inverted Track)	
103		Ref	Master Cylinder Assembly Options: (See CYLINDERS SECTION for Breakdown)	
103	1681978	1	Master Cylinder Assembly 100SX/110SX	
103	1681978	1	Master Cylinder Assembly 110SX - Australian Spec (With Inverted Track)	
103	1681580	1	Master Cylinder Assembly 110SXJ/120SXJ	
103	1681580	1	Master Cylinder Assembly 110SXJ - Australian Spec (With Inverted Track)	
104	3952014	2	Setscrew 5/8in-11NC x 1 3/4in	
105	3312002	2	Nut, Jam 5/8in-11NC	
106	2160002	3	Fitting, Grease	
107	0681812	4	Bolt 1/2in-13NC	
108	4740171	4	Washer, Special Hardened	
110	1120368	2	Cap, Boom Pivot	
112	3422151	1	Pin, Boom Pivot	
113		Ref	Pin, Top Master Cylinder Options:	
113	3421586	1	Pin, Top Master Cylinder 100SX/110SX	
113	0236548	1	Pin, Top Master Cylinder 110SXJ/120SXJ	
114	4740006	1	Washer, Special (Not Required on 100SX/110SX)	
115	0651608	1	Bolt 3/8in-24NF x 1in (Not Required on 100SX/110SX)	
116	4761600	1	Lockwasher 3/8in (Not Required on 100SX/110SX)	
117	4300034	AR	Stud (Welded on Part)	
118	4751600	AR	Flatwasher 3/8in	

SECTION 2 - TURNTABLE

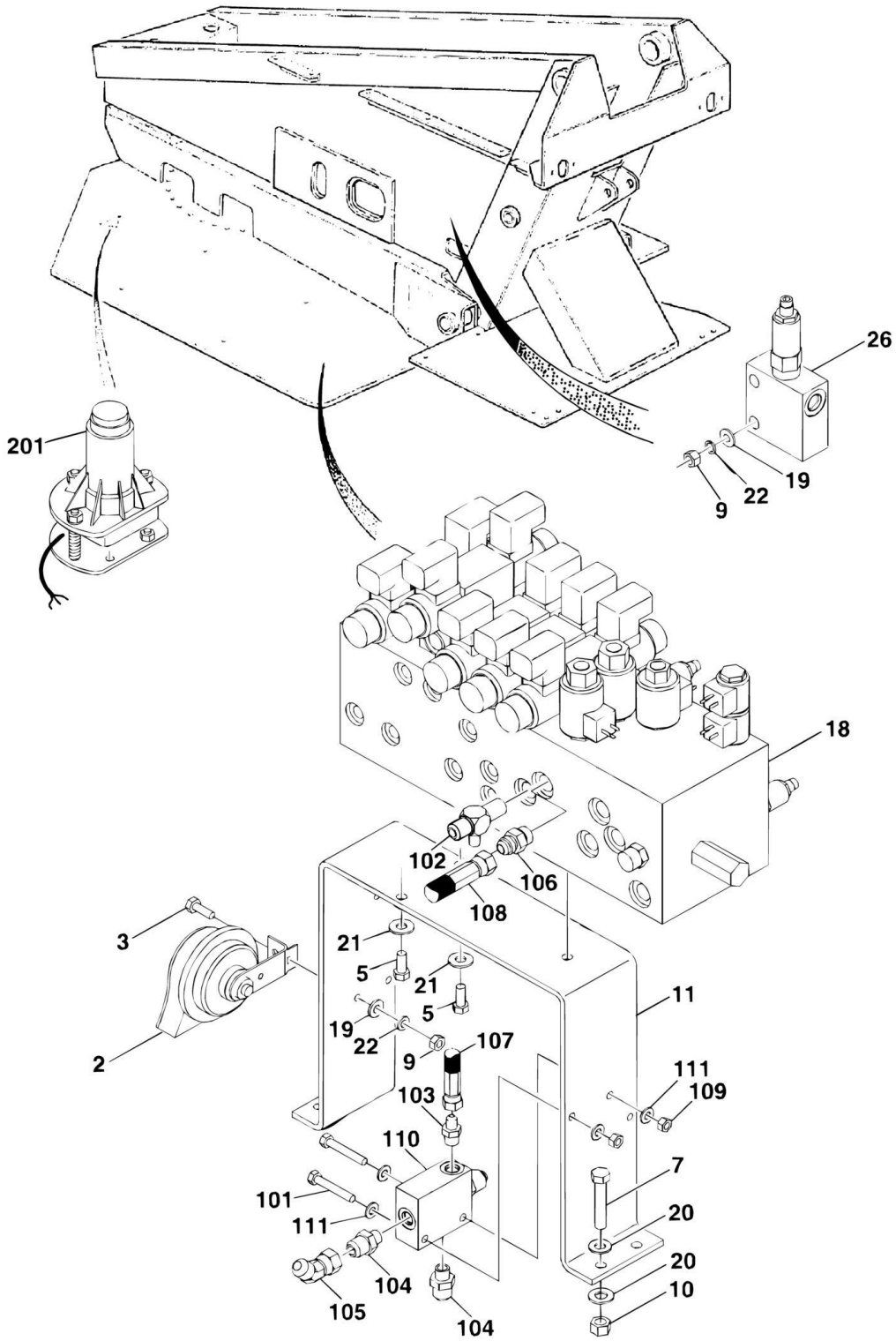
ITEM	PART NUMBER	QTY	DESCRIPTION	REV
119	4761600	AR	Lockwasher 3/8in	
120	3311601	AR	Nut 3/8in-16NC	
121		Ref	Pin, Bottom Master Cylinder Options:	
121	3422068	1	Pin, Bottom Master Cylinder 100SX/110SX	
121	3420085	1	Pin, Bottom Master Cylinder 110SXJ/120SXJ	
122	3450610	2	Pin, Cotter 3/16in x 2 1/2in (Not Required on 100SX/110SX)	
123		Ref	Pin, Bottom Lift Cylinder Options:	
123	3421676	1	Pin, Bottom Lift Cylinder 100SX/1110SX/120SXJ	
123	3421676	1	Pin, Bottom Lift Cylinder 110SX - Australian Spec (With Inverted Track)	
123	3422149	1	Pin, Bottom Lift Cylinder 110SXJ - Australian Spec (With Inverted Track)	
123	3422149	1	Pin, Bottom Lift Cylinder 110SXJ - CE Spec	
123	3421676	1	Pin, Bottom Lift Cylinder 110SXJ - Australian Spec	
124	4712200	2	Flatwasher 3/4in	
125	4762200	2	Lockwasher 3/4in	
126	0682213	2	Bolt 3/4in-10NC x 1 5/8in (Grade 8)	
127		Ref	Pin, Top Lift Cylinder Options:	
127	3421678	1	Pin, Top Lift Cylinder 100SX/110SX/110SXJ/120SXJ	
127	3421678	1	Pin, Top Lift Cylinder 110SX - Australian Spec (With Inverted Track)	
127	3421678	1	Pin, Top Lift Cylinder 110SXJ - Australian Spec (With Inverted Track) (Prior to SN 55965)	
127	3422150	1	Pin, Top Lift Cylinder 110SXJ - Australian Spec (With Inverted Track) (SN 55965 to Present)	
128	4740361	2	Washer, Special	
129	3900159	4	Screw, Countersunk 1/2in-13NC x 3/4in	
130	0641840	1	Bolt 1/2in-13NC x 5in	
131	3311805	1	Locknut 1/2in-13NC	
132	2160001	1	Fitting, Grease - 90	
133	4740040	2	Flatwasher, Special (Not Required on 100SX/110SX)	
	0100019	AR	Loctite #271	
	0270235	Ref	HORIZONTAL CUTOUT LIMIT SWITCH INSTALLATION (RIGHT SIDE)	3
216	4360301	1	Switch, Limit	
217	3910812	2	Screw #8-32NC x 3/4in	
	0100011	AR	Loctite #242	
	0239843	Ref	LUBE LINES INSTALLATION (100SX/110SX)	A
	0239844	Ref	LUBE LINES INSTALLATION (110SXJ/120SXJ)	3
301	2160002	3	Fitting, Grease	
302	2220001	3	Fitting	
303		Ref	Hose Options:	
303	2750528	1	Hose 100SX/110SX	
303	2751032	1	Hose 110SXJ/120SXJ	
304		Ref	Hose Options:	
304	2750529	1	Hose 100SX/110SX	
304	2750528	1	Hose 110SXJ/120SXJ	
305	2750807	1	Hose	
306	2200261	2	Fitting, Nipple	
307	2750527	2	Hose	
308	2220063	3	Fitting	
309	4300031	1	Stud (Welded on Part)	
310	4761400	1	Lockwasher 1/4in	

SECTION 2 - TURNTABLE

ITEM	PART NUMBER	QTY	DESCRIPTION	REV
311	3311401	1	Nut 1/4in-20NC	
312	1320040	1	Clamp, Insulated	

SECTION 2 - TURNTABLE

FIGURE 2-2. VALVES INSTALLATION - TURNTABLE MOUNTED



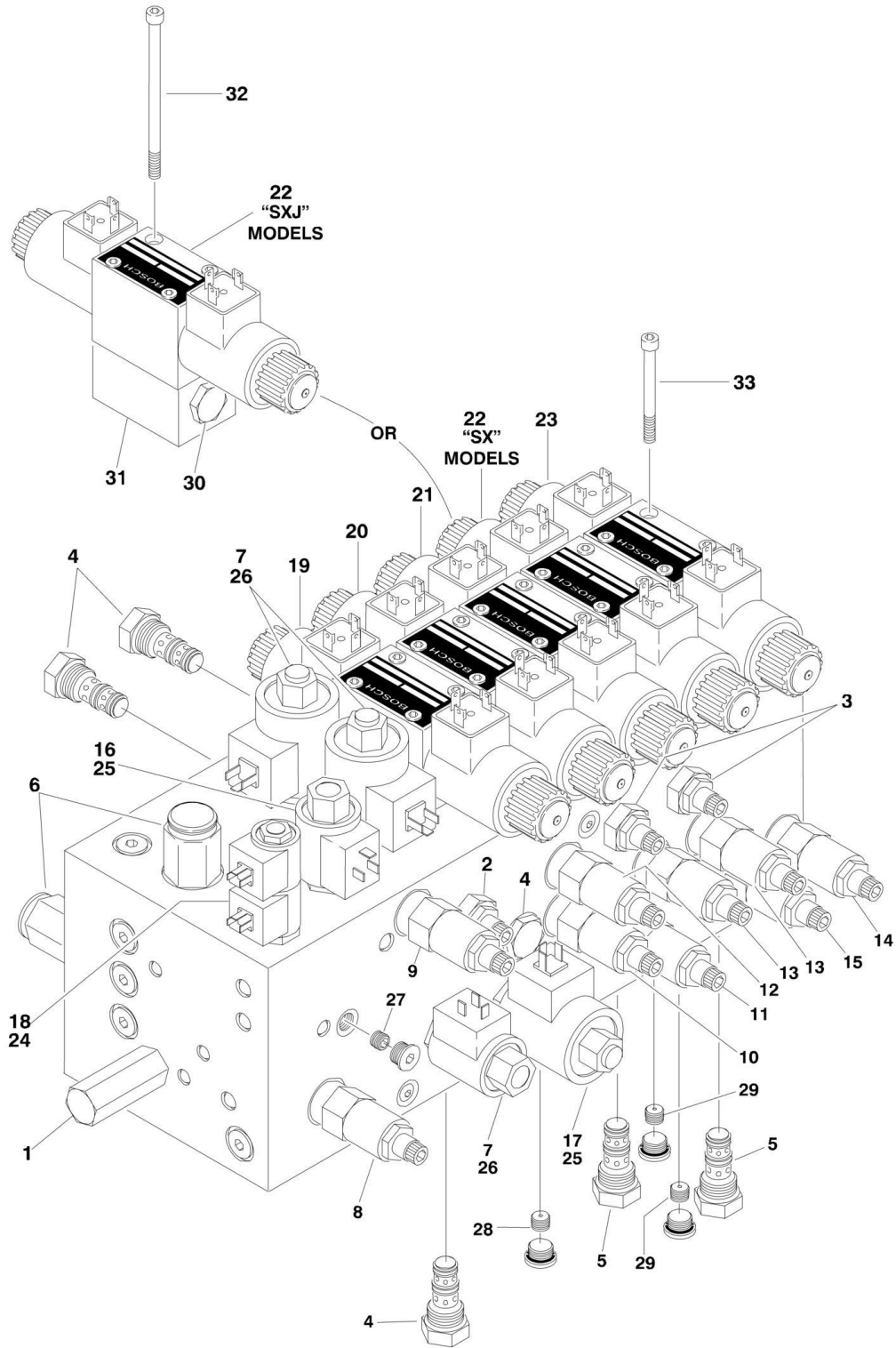
SECTION 2 - TURNTABLE

FIGURE 2-2. VALVES INSTALLATION - TURNTABLE MOUNTED

ITEM	PART NUMBER	QTY	DESCRIPTION	REV
		Ref	VALVES INSTALLATION - TURNTABLE MOUNTED	
	0270353	Ref	VALVES INSTALLATION - 100SX/110SX	D
	0259923	Ref	VALVES INSTALLATION - 110SXJ/120SXJ	F
2	0140001	1	Horn	
3	0641406	1	Bolt 1/4in-20NC x 3/4in	
5	0641607	3	Bolt 3/8in-16NC x 7/8in	
7	0641616	4	Bolt 3/8in-16NC x 2in	
9	3311401	3	Nut 1/4in-20NC	
10	3311605	4	Nut 3/8in-16NC	
11	3535942	1	Plate, Valve Mounting	
18		Ref	Valve Assembly - Hydro-Air Options: (See VALVES ASSEMBLY - HYDRO AIR for Breakdown)	
18	4641065	1	Valve Assembly - Hydro-Air 100SX/110SX (Prior to SN 62271)	
18	4641181	1	Valve Assembly - Hydro-Air 100SX/110SX (SN 62271 to Present)	
18	4641137	1	Valve Assembly - Hydro-Air 110SXJ/120SXJ (Prior to SN 62270)	
18	4641180	1	Valve Assembly - Hydro-Air 110SXJ/120SXJ (SN 62270 to Present)	
19	4711400	5	Flatwasher 1/4in (Narrow)	
20	4711600	8	Flatwasher 3/8in (Narrow)	
21	4751600	3	Flatwasher 3/8in (Wide)	
22	4761400	3	Lockwasher 1/4in	
26	4641079	1	Valve, Counterbalance	
26	7010123	1	Cartridge	
26	2900770	1	Seal Kit	
	0270397	Ref	LIFT DOWN HOLDING VALVE INSTALLATION (100SX/110SX/110SXJ WITH OUT JACKS ONLY)	B
101	0641516	2	Bolt 5/16in-18NC x 2in	
102	2220373	1	Fitting, Straight	
103	2220582	1	Fitting, Straight	
104	2220600	2	Fitting, Straight	
105	2220683	1	Fitting, 45	
106	2221061	1	Fitting, Tee	
107	2752435	1	Hose	
108	2752498	1	Hose	
109	3311505	2	Locknut 5/16in-18NC	
110	4640521	1	Valve, Control	
110	7004281	1	Cartridge	
110	7004282	1	Seal Kit	
111	4711500	4	Flatwasher 5/16in (Narrow)	
112	4922448	1	Harness, Plug Assembly (Not Shown)	
	0252926	Ref	TILT INDICATOR INSTALLATION	3
201	4360363	1	Switch, Level Sensor - 3	

SECTION 2 - TURNTABLE

FIGURE 2-3. VALVES ASSEMBLY - HYDRO AIR



SECTION 2 - TURNTABLE

FIGURE 2-3. VALVES ASSEMBLY - HYDRO AIR

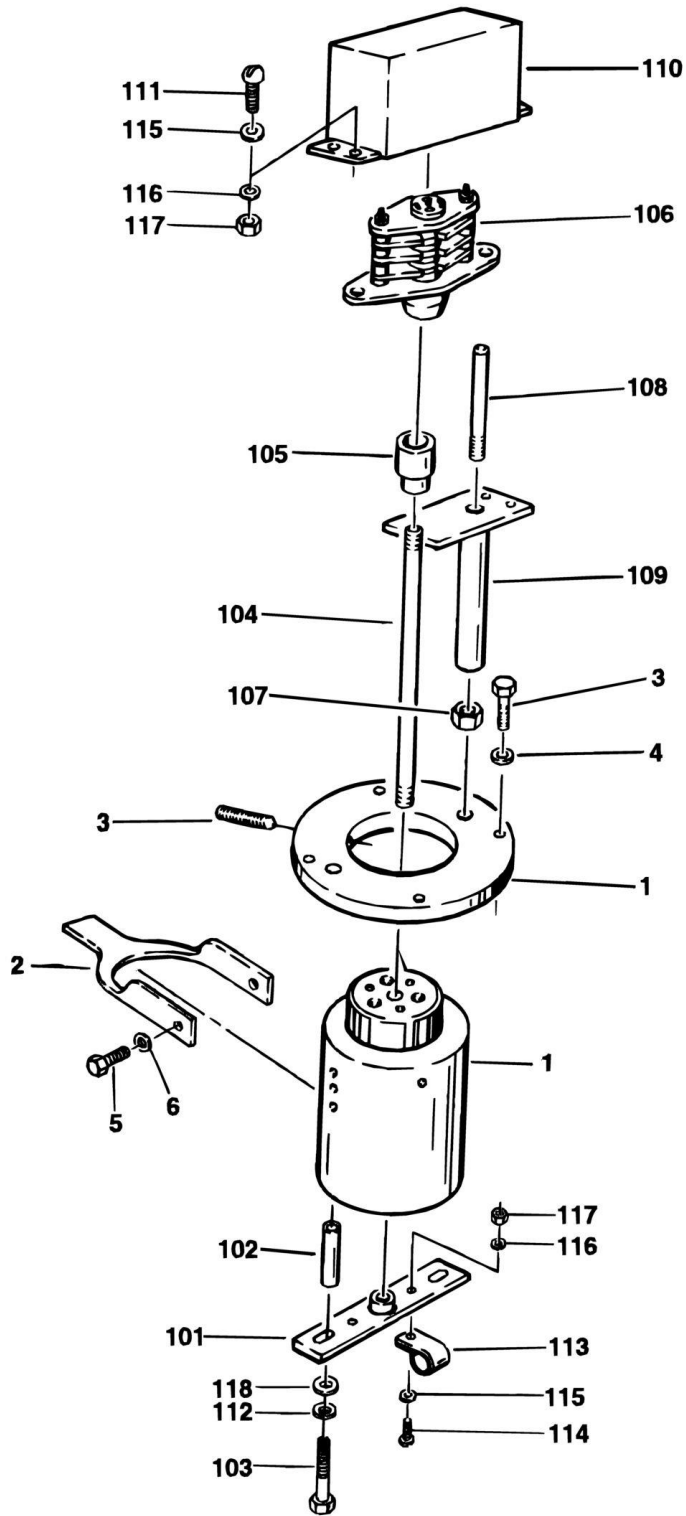
ITEM	PART NUMBER	QTY	DESCRIPTION	REV
		Ref	VALVE ASSEMBLY OPTIONS:	
	4641065	Ref	Valve Assembly 100SX/110SX (Prior to SN 62271)	E
	4641181	Ref	Valve Assembly 100SX/110SX (SN 62271 to Present)	B
	4641137	Ref	Valve Assembly 110SXJ/120SXJ (Prior to SN 62271)	B
	4641180	Ref	Valve Assembly 110SXJ/120SXJ (SN 62271 to Present)	B
1	7017482	1	Cartridge, Valve	
1	7012518	1	Seal Kit - 7017482 Cartridge	
2	7012997	1	Cartridge, Flow Control (Lift Down Speed Control)	
2	7010545	1	Seal Kit - 7012997 Cartridge	
3		Ref	Cartridge, Needle Valve/Flow Control Options:	
3	7017483	2	SX Models uses Cartridge, Flow Control (Not Shown - Looks Similar to Item 4)	
3	7012953	2	Seal Kit - 7017483 Cartridge	
3	7021638	2	SXJ Models Uses Cartridge, Needle Valve (Shown)	
3	7012953	2	Seal Kit - 7021638 Cartridge	
4	7010542	4	Cartridge, Load Shuttle	
4	7010543	4	Seal Kit - 7010542 Cartridge (1 Per Cartridge)	
5	7012914	2	Cartridge, Pilot Check	
5	7012918	2	Seal Kit - 7012914 Cartridge (1 Per Cartridge)	
6	7017484	2	Cartridge, Pilot Directional	
6	7012942	2	Seal Kit - 7017484 Cartridge (1 Per Cartridge)	
7		Ref	Cartridge, Proportional Valve (Without Coil) (Lift, Swing, Tele, EAR and Rotate)	
7	7017485	3	SX Models Cartridge (Without Coil)	
7	Not Available	3	Seal Kit - 7017485 Cartridge	
7	7021636	3	SXJ Models Cartridge (Without Coil)	
7	7017495	3	Seal Kit - 7021636 Cartridge	
8	7021637	1	Cartridge, Relief Valve (Main Pressure Adjustment)	
8	7012972	1	Seal Kit - 7021637 Cartridge	
9	7017487	1	Cartridge, Relief Valve (Lift Down Pressure)	
9	7017496	1	Seal Kit - 7017487 Cartridge	
10	7017421	1	Cartridge, Relief Valve (Swing Pressure)	
10	7012998	1	Seal Kit - 7017421 Cartridge	
11	7017418	1	Cartridge, Relief Valve (EAR Up Pressure)	
11	7012998	1	Seal Kit - 7017418 Cartridge	
12	7017488	1	Cartridge, Relief Valve (EAR Down Pressure)	
12	7012998	1	Seal Kit - 7017488 Cartridge	
13	7017422	2	Cartridge, Relief Valve (Rotate Right, Rotate Left)	
13	7012998	2	Seal Kit - 7017422 Cartridge	
14	7017489	1	Cartridge, Relief Valve (Level Down Pressure)	
14	7012998	1	Seal Kit - 7017489 Cartridge	
15	7017422	1	Cartridge, Relief Valve (Level Up Pressure)	
15	7012998	1	Seal Kit - 7017489 Cartridge	
16	7012910	1	Cartridge, Solenoid Valve (Without Coil) (Main Dump)	
16	2900708	1	Seal Kit - 7012910 Cartridge	
17	7010635	1	Cartridge, Solenoid Valve (Without Coil) (Lift Down)	
17	2900708	1	Seal Kit - 7010635 Cartridge	
18	7017452	1	Cartridge, Solenoid Valve (Without Coil) (Telescope)	
18	7017402	1	Seal Kit - 7017452 Cartridge	
18	7012944	2	Coil - 12V	

SECTION 2 - TURNTABLE

ITEM	PART NUMBER	QTY	DESCRIPTION	REV
19		Ref	Bosch Valve Section - Complete (Lift) Options:	
19	7021622	1	SX Models Valve Section - Complete	
19	7021405	1	Spool (2 Per Section)	
19	7021401	1	Coil (2 Per Section)	
19	7021402	1	Seal Kit (2 Per Section)	
19	7021406	1	Cap, End (2 Per Section)	
19	7017491	1	SXJ Models Valve Section - Complete	
19	7021404	1	Spool (2 Per Section)	
19	7021401	1	Coil (2 Per Section)	
19	7021402	1	Seal Kit (2 Per Section)	
19	7021403	1	Cap, End (2 Per Section)	
20	7017491	1	Bosch Valve Section - Complete (Swing)	
20	7021404	1	Spool (2 Per Section)	
20	7021401	1	Coil (2 Per Section)	
20	7021402	1	Seal Kit (2 Per Section)	
20	7021403	1	Cap, End (2 Per Section)	
21	7017491	1	Bosch Valve Section - Complete (EAR)	
21	7021404	1	Spool (2 Per Section)	
21	7021401	1	Coil (2 Per Section)	
21	7021402	1	Seal Kit (2 Per Section)	
21	7021403	1	Cap, End (2 Per Section)	
22	7017490	1	Bosch Valve Section - Complete (Rotate)	
22	7021400	1	Spool (2 Per Section)	
22	7021401	1	Coil (2 Per Section)	
22	7021402	1	Seal Kit (2 Per Section)	
22	7021403	1	Cap, End (2 Per Section)	
23	7017491	1	Bosch Valve Section - Complete (Level)	
23	7021404	1	Spool (2 Per Section)	
23	7021401	1	Coil (2 Per Section)	
23	7021402	1	Seal Kit (2 Per Section)	
23	7021403	1	Cap, End (2 Per Section)	
24	7012944	2	Coil	
25	7012943	2	Coil	
26	7017451	3	Coil	
27	7017492	1	Orifice	
28	7017493	1	Orifice	
29	7017494	2	Orifice	
30		Ref	Cartridge, Check Valve Option:	
30	Not Required	0	SX Models	
30	7021639	1	SXJ Models Uses Check Valve	
30	2900756	1	Seal Kit - 7021639 Cartridge	
31		Ref	Block, Manifold	
31	Not Required	0	SX Models	
31	Not Available	1	SXJ Models Uses Manifold	
31	7021640	1	Seal Kit - Manifold Mounting	
32	7024827	AR	Screw (SXJ Rotate Section Only)	
33	7024826	AR	Screw	

SECTION 2 - TURNTABLE

FIGURE 2-4. ROTARY COUPLING AND COLLECTOR RING ASSEMBLY AND INSTALLATION



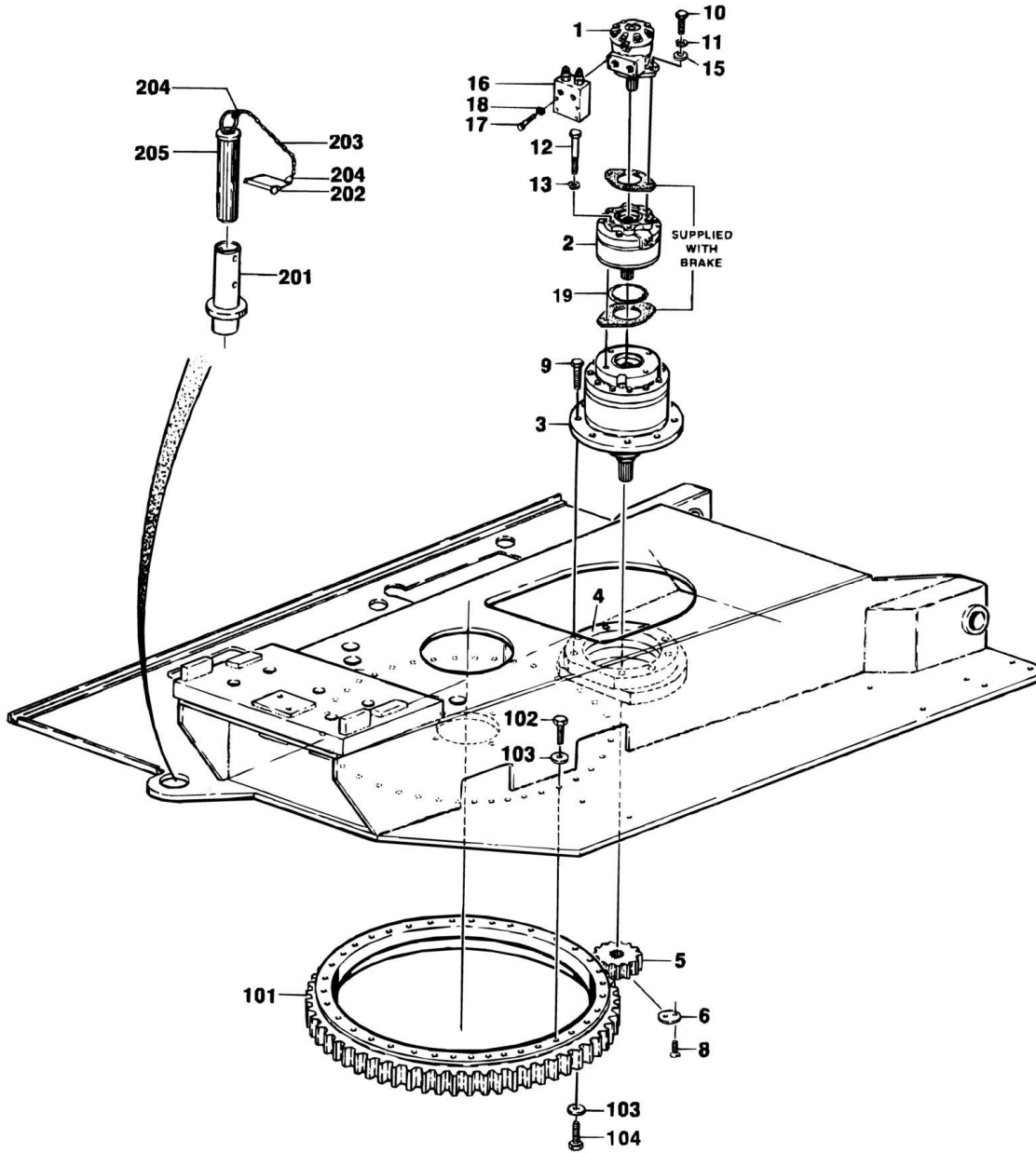
SECTION 2 - TURNTABLE

FIGURE 2-4. ROTARY COUPLING AND COLLECTOR RING ASSEMBLY AND INSTALLATION

ITEM	PART NUMBER	QTY	DESCRIPTION	REV
	0254882	Ref	ROTARY COUPLING AND COLLECTOR RING ASSEMBLY AND INSTALLATION	3
		Ref	ROTARY OIL COUPLING INSTALLATIONS	
1	1660213		Rotary Oil Coupling Assembly	
1	7019610	1	Collar	
1	1660213EX	1	Rebuilt Couplings (Was P/N 7013175) (Note: Due to complexity of repair, seal kit no longer available. Use rebuilt unit as replacement)	
2	3530403	1	Plate, Retaining	
3	0641514	4	Bolt 5/16in-18NC x 1 3/4in	
4	4761500	4	Lockwasher 5/16in	
5	0641807	2	Bolt 1/2in-13NC x 7/8in	
6	4761800	2	Lockwasher 1/2in	
	0100019	AR	Loctite #271	
	0270130	Ref	COLLECTOR RING INSTALLATION	1
101	4843822	1	Bracket Weldment	
102	0960224	2	Bushing	
103	0641418	2	Bolt 1/4in-20NC x 2 1/4in	
104	2180763	1	Pipe	
105	0961531	1	Bushing	
106	3760446	1	Collector Ring Assembly	
107	3311801	2	Nut 1/2in-13NC	
108	3420290	2	Pin, Drive	
109	0231047	2	Guide, Drive	
110	0234721	1	Cover	
111	0721004	4	Screw, Machine #10-24NC x 1/2in	
112	4761400	2	Lockwasher 1/4in	
113	1320040	2	Clamp, Cable	
114	3911012	2	Screw, Machine	
115	4751000	6	Flatwasher #10	
116	4761000	6	Lockwasher #10	
117	3311001	6	Nut #10-24NC	
118	4751400	2	Flatwasher 1/4in	

SECTION 2 - TURNTABLE

FIGURE 2-5. SWING DRIVE AND BEARING INSTALLATION



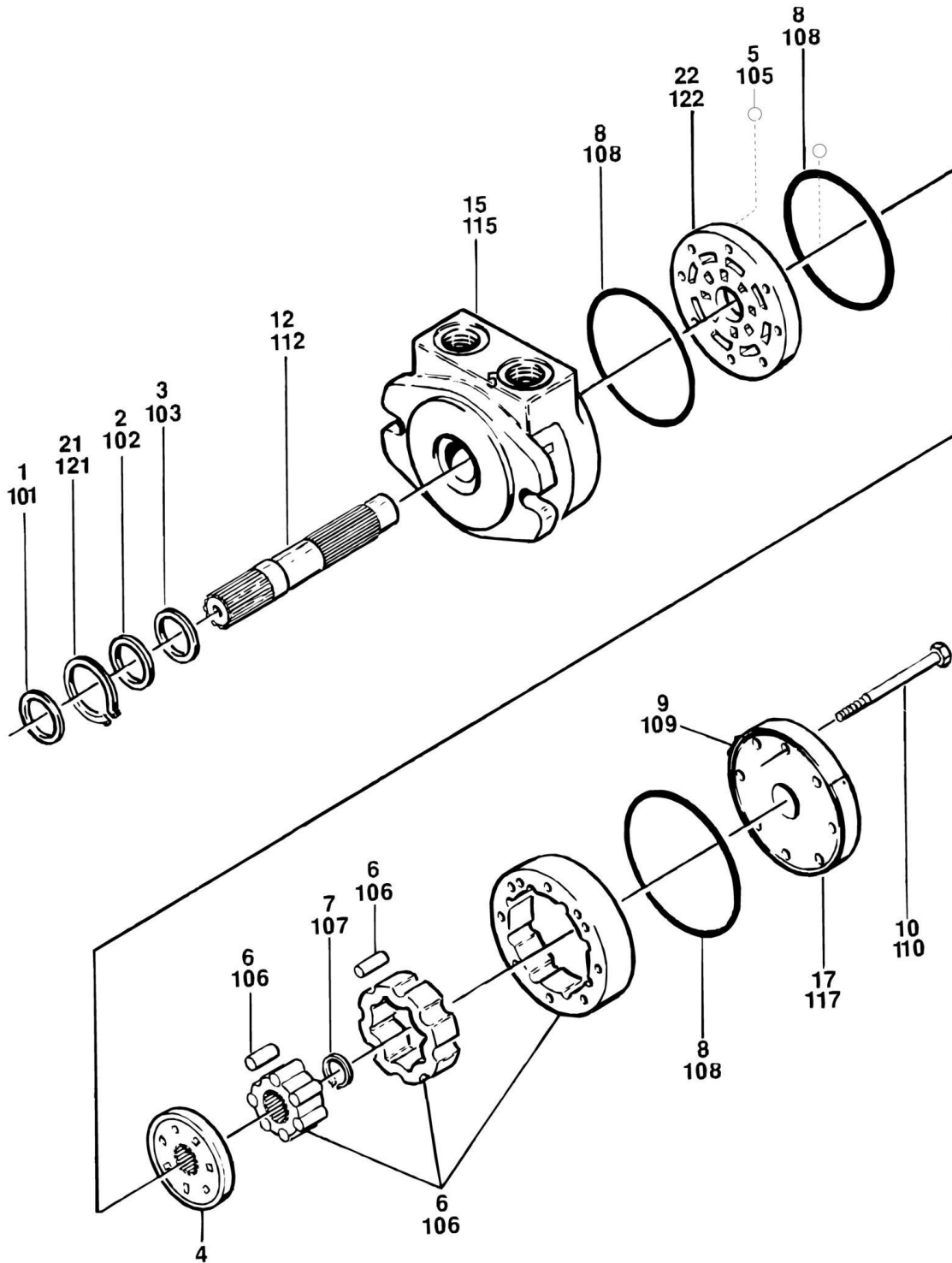
SECTION 2 - TURNTABLE

FIGURE 2-5. SWING DRIVE AND BEARING INSTALLATION

ITEM	PART NUMBER	QTY	DESCRIPTION	REV
		Ref	SWING DRIVE INSTALLATION OPTIONS:	
	0252675	Ref	Swing Drive Installation (Prior to SN 64566)	5
	0270327	Ref	Swing Drive Installation (SN 64566 to Present)	1-A
1		Ref	Swing Motor Assembly Options: (See SWING MOTOR ASSEMBLY for Breakdown)	
1	3160184	1	Swing Motor Assembly (Prior to SN 64566)	
1	3160276	1	Swing Motor Assembly (SN 64566 to Present)	
2		Ref	Swing Brake Assembly Options: (See SWING BRAKE ASSEMBLY for Breakdown)	
2	0920109	1	Swing Brake Assembly (Prior to SN 64566)	
2	0920119	1	Swing Brake Assembly (SN 64566 to Present)	
3	2780116	1	Swing Hub Assembly (See SWING BRAKE ASSEMBLY for Breakdown)	
4	4844109	1	Mounting Weldment - Swing Drive	
5	2440058	1	Gear, Pinion	
6	3533337	1	Plate, Retaining	
8	3900164	2	Screw, Countersunk 1/2in-20NF x 1in	
9	0642216	8	Bolt 3/4in-10NC x 2in	
10		Ref	Bolt/Screw Options:	
10	0641810	2	Bolt/Screw (Bolt) 1/2in-13NC x 1 1/4 (Prior to SN 64566)	
10	0681832	2	Bolt/Screw (Screw) 1/2in- 13NC x 4 (SN 64566 to Present)	
11	4761800	2	Lockwasher 1/2in	
12	3931864	2	Bolt, Socket Head 1/2in-13NC x 4in (Grade 8) (Prior to SN 64566)	
13	4740189	2	Washer, Special (Prior to SN 64566)	
15	4740171	2	Washer, Special Hardened (Prior to SN 64566)	
16	4640741	1	Motor Control Valve Assembly	
16	7011320	2	Cartridge	
16	2900770	2	Seal Kit	
17	0641520	4	Bolt 5/16in-18NC x 2 1/2in	
18	4761500	4	Lockwasher 5/16in	
19	3790155	1	O-Ring	
	0100019	AR	Loctite #271 (Prior to SN 64566)	
	0100009	AR	Sealant, Pipe (Prior to SN 64566)	
	0100011	AR	Loctite #242 (SN 64566 to Present)	
	0270062	Ref	TURNTABLE BEARING INSTALLATION	3
101	0440193	1	Bearing	
102	0682016	40	Bolt 5/8in-11NC x 3 1/4in	
103	4892000	80	Washer, Special Hardened	
104	0682024	40	Bolt 5/8in-11NC x 3in	
	0100019	AR	Loctite #271	
	0239842	Ref	TURNTABLE LOCK INSTALLATION	B
201	4843318	1	Bushing Weldment	
202	3421565	1	Pin, Snap	
203	1260017	9 in/23cm	Chain - #3	
204	3760170	2	Ring, Quick Release	
205	3421563	1	Pin, Turntable Lock	

SECTION 2 - TURNTABLE

FIGURE 2-6. SWING MOTOR ASSEMBLY



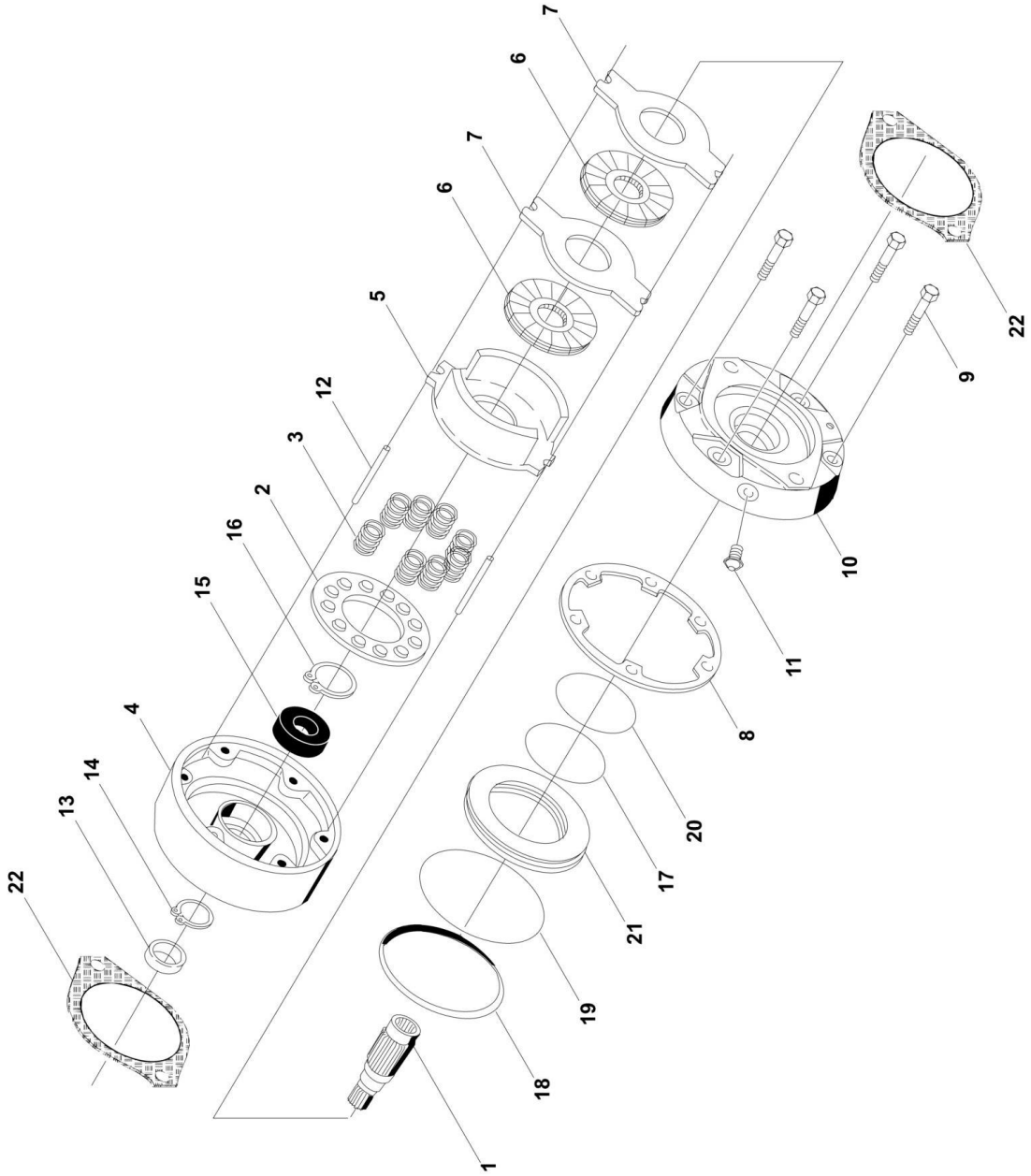
SECTION 2 - TURNTABLE

FIGURE 2-6. SWING MOTOR ASSEMBLY

ITEM	PART NUMBER	QTY	DESCRIPTION	REV
	3160184	Ref	SWING MOTOR ASSEMBLY (Prior to SN 64566)	B
1	Kit	1	Seal, Dust	
2	Kit	1	Ring, Back-up	
3	Kit	1	Seal, Lip	
4	7004196	1	Valve, Rotary	
5	7004167	2	Ball, Check Valve	
6	7004179	1	IGR Assembly	
7	Kit	1	Ring, Snap	
8	Kit	3	Seal, Ring	
9	7004171	1	Plug, Vent (Includes O-Ring)	
10	7010780	8	Bolt	
12	7010781	1	Shaft, Spline	
15	7010782	1	Body/Bearing Assembly	
17	7004192	1	Cover/Bearing Assembly	
21	Kit	1	Ring, Retaining	
22	7010776	1	Plate, Commutator	
	2900798	1	Seal Kit (Includes Items 1, 2, 3, 7, 8 & 21)	
	3160276	Ref	SWING MOTOR ASSEMBLY (SN 64566 to Present)	A
101	Kit	1	Seal, Dust	
102	Kit	1	Ring, Back-up	
103	Kit	1	Seal, Lip	
105	7004167	2	Ball, Check Valve	
106	7010791	1	IGR Assembly	
107	Kit	1	Ring, Snap	
108	Kit	3	Seal, Ring	
109	7010795	1	Plug, Vent (Includes O-Ring)	
110	7010792	8	Bolt	
112	7023432	1	Shaft, Spline	
115	7023443	1	Body/Bearing Assembly	
117	7004192	1	Cover/Bearing Assembly	
121	Kit	1	Ring, Retaining	
122	7010776	1	Plate, Commutator	
	2900798	1	Seal Kit (Includes Items 101, 102, 103, 107, 108 & 121)	

SECTION 2 - TURNTABLE

FIGURE 2-7. SWING BRAKE ASSEMBLY



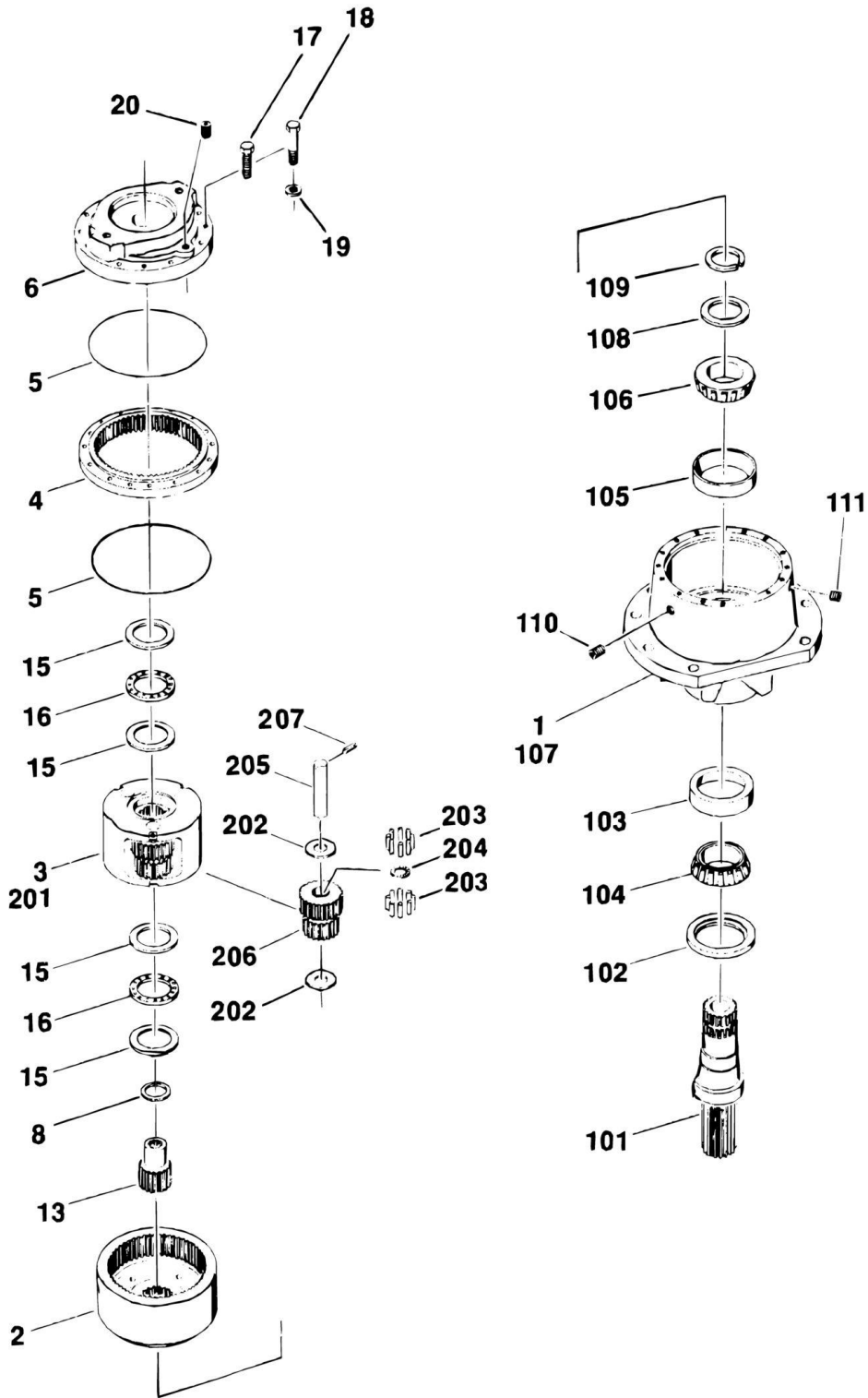
SECTION 2 - TURNTABLE

FIGURE 2-7. SWING BRAKE ASSEMBLY

ITEM	PART NUMBER	QTY	DESCRIPTION	REV
	0920109	Ref	SWING BRAKE ASSEMBLY (Prior to SN 64566)	B
1	7011720	1	Shaft	
2	7018606	1	Guide, Spring	
3	7007970	6	Spring (Red)	
4	7018605	1	Housing	
5	Kit	1	Plate, Separator	
6	Kit	2	Rotor	
7	Kit	2	Stator	
8	Kit	1	Seal, Case	
9	7018607	4	Bolt, Washer Head	
10	7011719	1	Cover	
11	7018609	1	Plug	
12	7007987	2	Pin, Dowel	
13	Kit	1	Seal, Oil	
14	7011716	1	Ring, Retaining	
15	Kit	1	Bearing	
16	7007977	1	Ring, Retaining	
17	Kit	1	Ring, Back-up (Inner)	
18	Kit	1	Ring, Back-up (Outer)	
19	Kit	1	O-Ring (Outer)	
20	Kit	1	O-Ring (Inner)	
21	7018603	1	Piston	
22	7007934	2	Gasket	
	7018608	1	Lining Kit (Includes Items 5, 6, 7, 8 & 22)	
	2900766	1	Seal Kit (Includes items 8, 13, 17, 18, 19, 20 & 22)	
	2900768	1	Bearing Kit (Includes Items 8, 13, 14, 15, 16 & 22)	
	0920119	Ref	SWING BRAKE ASSEMBLY (SN 64566 to Present)	A
	7018612	1	Kit, Repair (Note: Repair Kit Only)	

SECTION 2 - TURNTABLE

FIGURE 2-8. SWING HUB ASSEMBLY



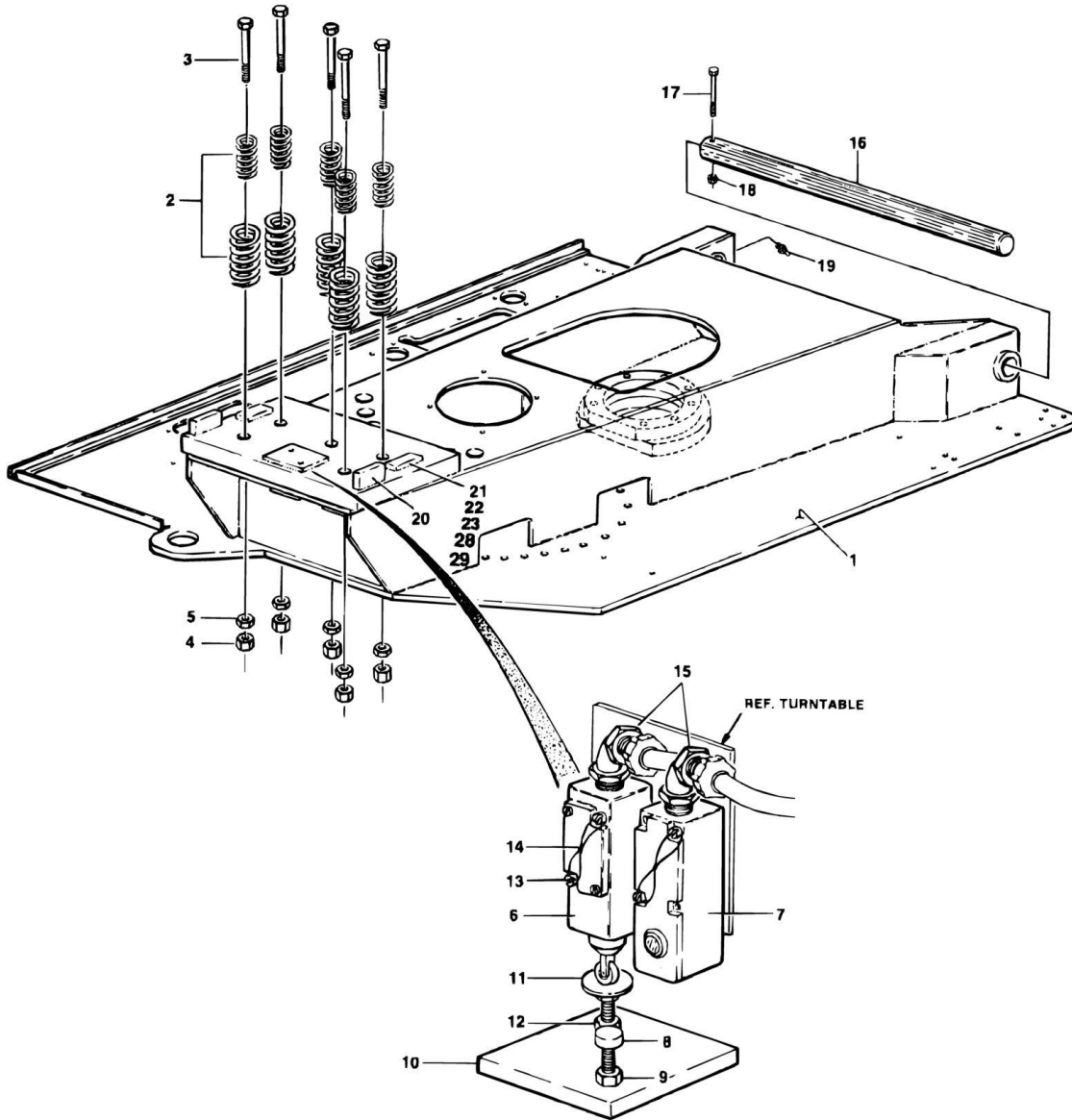
SECTION 2 - TURNTABLE

FIGURE 2-8. SWING HUB ASSEMBLY

ITEM	PART NUMBER	QTY	DESCRIPTION	REV
	2780116	Ref	SWING HUB ASSEMBLY	-
1	7001916	1	Hub and Spindle Assembly (See Items 101-111 for Breakdown)	
2	7001917	1	Gear, Internal	
3	7001918	1	Carrier Assembly (See items 201-207 for Breakdown)	
4	7000279	1	Gear, Ring	
5	Kit	2	O-Ring	
6	7001920	1	Cover	
8	7001922	1	Washer, Thrust	
13	7001921	1	Gear, Input	
15	7000287	4	Washer, Thrust	
16	7000288	2	Bearing, Thrust	
17	7001923	8	Bolt	
18	7001924	4	Bolt, Shoulder	
19	7001929	4	Lockwasher	
20	7001926	1	Plug, Pipe	
	7001916	Ref	HUB AND SPINDLE ASSEMBLY	
101	7001982	1	Shaft, Output	
102	Kit	1	Seal, Lip	
103	7000272	1	Cup, Bearing	
104	7000273	1	Cone, Bearing	
105	7000274	1	Cup, Bearing	
106	7000275	1	Cone, Bearing	
107	Not Available	1	Hub	
108	Kit	1	Spacer	
109	Kit	1	Ring, Retaining	
110	7001928	1	Plug, Pipe	
111	7001926	2	Plug, Pipe	
	7001918	Ref	CARRIER ASSEMBLY	
201	Not Available	1	Housing, Carrier	
202	Kit	6	Washer, Thrust	
203	7001902	84	Bearing, Needle	
204	Kit	3	Spacer	
205	7001904	3	Shaft, Planet	
206	Kit	3	Gear, Cluster	
207	Kit	3	Rollpin	
	2900202	1	Seal Kit (Includes Items 5, 102, 108 & 109)	
	7001927	1	Cluster Gear Kit (Includes Items 202, 204, 206 & 207)	

SECTION 2 - TURNTABLE

FIGURE 2-9. LOAD MANAGEMENT INSTALLATION



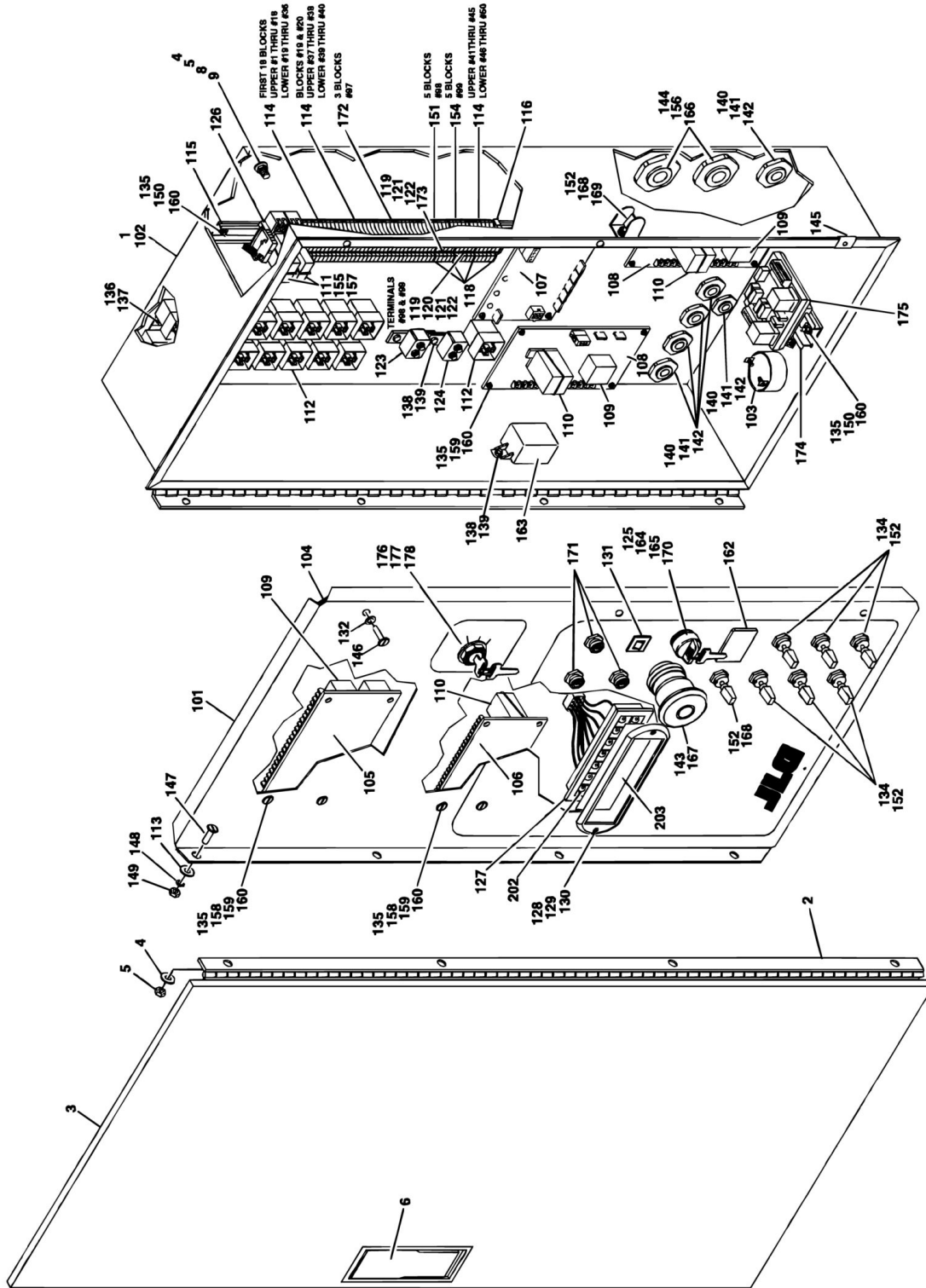
SECTION 2 - TURNTABLE

FIGURE 2-9. LOAD MANAGEMENT INSTALLATION

ITEM	PART NUMBER	QTY	DESCRIPTION	REV
	0239868	Ref	LOAD MANAGEMENT INSTALLATION	7
1	4844272	1	Base Weldment	
2	4160099	5	Spring	
3	0630422	5	Bolt 1 1/4in- and NC x 14in	
4	3313002	5	Nut, Jam 1 1/4in-7NC	
5	3273001	5	Nut 1 1/4in-7NC (Grade 8)	
6	4360263	1	Switch, Limit	
7	4360259	1	Switch, Proximity	
8	3841004	1	Rod, Actuator	
9	3321501	1	Nut 5/16in-18	
10	3533414	1	Plate, Actuator Mounting	
11	0630510	1	Bolt, Leveler	
12	3321405	1	Locknut 1/4in-28NF	
13	3900104	4	Screw, Drilled Head #10-24NC x 2 1/4in	
14	4920140	2	Lockwire	
15	4460342	2	Connector, Strain Relief	
16	3421677	1	Pin, Load Moment Pivot	
17	0642252	1	Bolt 3/4in-10NC x 6 1/2in	
18	3312205	1	Locknut 3/4in-10NC	
19	2160002	2	Fitting, Grease	
20	4220120	2	Stop, Turntable	
21	4220121	AR	Stop, Turntable	
22	4070729	AR	Shim 11 GA x 1 1/2in x 4in	
23	4070728	AR	Shim 16 GA x 1 1/2in x 4in	
28	4220157	AR	Stop, Turntable 1/2in x 1 1/2in x 4in	
29	4220158	AR	Stop, Turntable 1/4in x 1 1/2in x 4in	
	0100019	AR	Loctite	

SECTION 2 - TURNTABLE

FIGURE 2-10. GROUND CONTROLS INSTALLATION



SECTION 2 - TURNTABLE

FIGURE 2-10. GROUND CONTROLS INSTALLATION

ITEM	PART NUMBER	QTY	DESCRIPTION	REV
		Ref	GROUND CONTROLS INSTALLATIONS:	
	0270372	Ref	Ground Controls Installations 100SX/110SX	1
	0270373	Ref	Ground Controls Installations 110SXJ	1
	0270371	Ref	Ground Controls Installations 120SXJ	1
	0270838	Ref	Ground Controls Installations 120SXJ W/LENGTH LIMIT	1
1		Ref	Ground Control Box Assembly - Deutz Options: (See Items 101-180 for Breakdown)	
1	0861373	1	Ground Control Box Assembly - Deutz 100SX/110SX	
1	0861374	1	Ground Control Box Assembly - Deutz 110SXJ	
1	0861372	1	Ground Control Box Assembly - Deutz 120SXJ	
1	0861406	1	Ground Control Box Assembly - Deutz 120SXJ W/Length Limit	
2	2600148	1	Hinge	
3	1780227	1	Door, Ground Control	
4	4751400	14	Flatwasher 1/4in	
5	3311401	14	Nut 1/4in-20NC	
6	2940042	1	Latch	
8	4300032	4	Stud (Welded on Part)	
9	4751500	8	Flatwasher 5/16in	
	0100011	AR	Loctite #242	
		Ref	GROUND CONTROL BOX ASSEMBLIES:	
	0861373	Ref	Ground Control Box Assemblies 100SX/110SX	2
	0861374	Ref	Ground Control Box Assemblies 110SXJ	2
	0861372	Ref	Ground Control Box Assemblies 120SXJ	2
	0861406	Ref	Ground Control Box Assemblies 120SXJ W/Length Limit	1
101		Ref	Lid/Nameplate Options:	
101	3252670	1	Standard	
101	3252763	1	W/Length Limit	
102		Ref	Box Options:	
102	0860562	1	Standard	
102	0861362	1	W/Length Limit	
103	0140019	1	Alarm	
104	4420037	15 ft/4.5m	Gasket	
105	0610084	1	Card, Circuit (Engine Relay)	
106	0610080	1	Card, Circuit (Select)	
107	0610130	1	Card, Circuit (Load Radius)	
108	0610100	2	Card, Circuit (Overload)	
109	3740070	16	Relay - SPDT	
110	3740016	6	Relay - 3PDT	
111	3740122	AR	Relay - 2PDT	
112	3740049	AR	Relay - 5PDT (With Skirt)	
113	4750800	6	Flatwasher #8	
114	4460301	1	Marker, Terminal (1-50)	
115	3640686	1	Rail	
116	4460442	1	Stop, Terminal	
117	4460387	36	Block, Terminal	
118	4460388	5	Barrier, Terminal	
119	4460307	22	Sleeve, Terminal	
120	4460441	2	Bar, Buss - 5 Position	
121	4460306	22	Washer, Terminal	
122	4460305	22	Screw, Terminal	

SECTION 2 - TURNTABLE

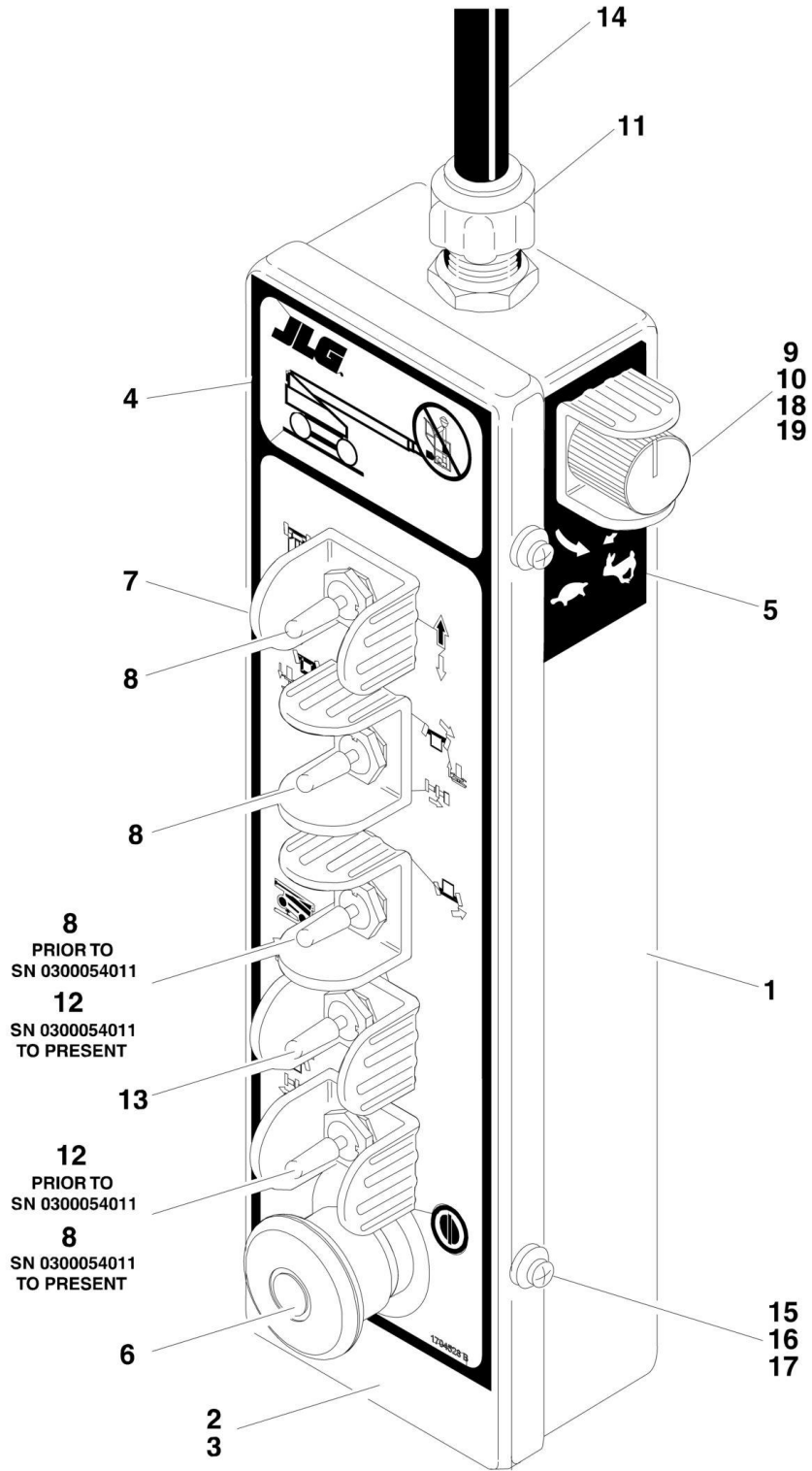
ITEM	PART NUMBER	QTY	DESCRIPTION	REV
123	4360216	1	Breaker, Circuit - 30 Amp	
124	4360232	1	Breaker, Circuit - 15 Amp	
125	4360470	1	Switch, Key (Master Select)	
125	2860030	1	Key, Replacement	
126	4460299	AR	Stop, Terminal	
127	2760105	1	Housing, Display Light	
128	1670829	1	Bezel	
129	0630518	2	Screw	
130	3300408	2	Locknut, Plastic Inserted	
131	4360212	1	Breaker, Circuit - 3 Amp	
132	4740120	3	Washer, Nylon	
134	4360314	AR	Switch, Toggle (Extend-A-Reach, Lift, Swing, Level, Telescope and Rotate)	
135	4760600	24	Lockwasher #6	
136	4751400	8	Flatwasher 1/4in	
137	3311401	8	Nut 1/4in-20NC	
138	4751000	3	Flatwasher #10	
139	3311001	3	Nut #10-24NC	
140	4460051	AR	Connector, Strain Relief	
141	3300048	5	Nut, Conduit	
142	0960238	AR	Bushing, Reducer	
143	4360475	1	Switch, Emergency Stop	
143	7020175	1	Cap, Red	
143	7020176	1	Contact Block	
144	4460386	2	Connector, Strain Relief	
145	3300177	3	Nut, Tinnerman	
146	0750806	3	Screw, Self-Tapping #8 x 3/4in	
147	0720804	6	Screw, Hex #8-32NC x 1/2in	
148	4760800	6	Lockwasher #8	
149	3310801	6	Nut #8-32NC	
150	3910606	2	Screw, Hex #6-32NC x 3/8in	
151	4460451	12	Strip, Terminal Marking - #98	
152	3790012	AR	O-Ring	
153	4460234	10	Clamp, Cable (Not Shown)	
154	4460452	20	Strip, Terminal marking - #99	
155	4120036	AR	Base, Relay	
156	3300147	2	Nut, Conduit	
157	3740124	AR	Spring, Relay	
158	3910616	10	Screw, Hex #6-32NC x 1in	
159	4564088	22	Stand-Off #6-32NC x 1/4in	
160	3310601	AR	Nut #6-32NC	
162	2420172	1	Hourmeter	
163	3740112	1	Relay, Ignition	
164	4070991	1	Shim .125	
165	4070987	1	Shim .015	
166	0960905	2	Bushing	
167	4360476	1	Block, Contact	
168	4360328	AR	Switch, Toggle (Proximity Manual Test)	
169	4060229	AR	Guard, Switch	
170	3910804	6	Screw #8-32NC x 1/4in	
171	4360069	3	Breaker, Circuit - 10Amp	
172	4460704	12	Strip, Terminal marking - #97	

SECTION 2 - TURNTABLE

ITEM	PART NUMBER	QTY	DESCRIPTION	REV
173	4460390	4	Buss Bar, Terminal	
174	3640493	1	Rail, Mounting	
175	0610141	1	Card, Overload Monitoring	
176	4360284	1	Switch, Key (W/Length Limit Only)	
176	7010698	1	Key, Replacement	
177	4360267	1	Block W/Contact (W/Length Limit Only)	
178	4360281	1	Contact Block (W/Length Limit Only)	
180	4460071	1	Relief, Strain (W/Length Limit Only)	
	0259886	Ref	LIGHT PANEL DECAL INSTALLATION	1
202	2920129	AR	Bulb, Light	
203	1704517	1	Decal - Light Panel Display	

SECTION 2 - TURNTABLE

FIGURE 2-11. REMOTE DRIVE CONTROL BOX ASSEMBLY



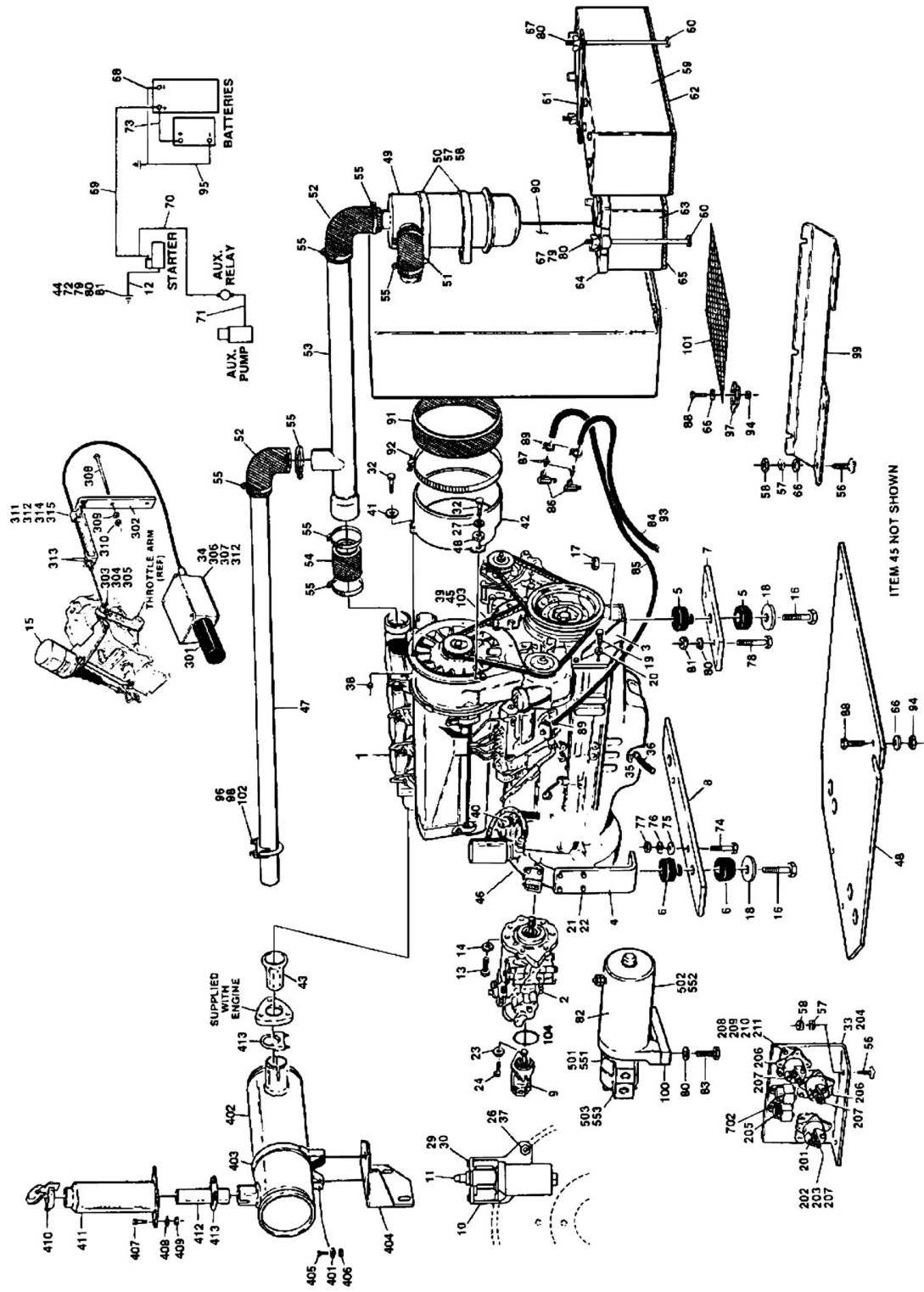
SECTION 2 - TURNTABLE

FIGURE 2-11. REMOTE DRIVE CONTROL BOX ASSEMBLY

ITEM	PART NUMBER	QTY	DESCRIPTION	REV
	0270048	Ref	REMOTE DRIVE CONTROL BOX ASSEMBLY	2-C
1	0861354	1	Box, Remote	
2	3572216	1	Plate, Remote Box Lid	
3	4420037	AR	Tape, Insulation	
4	1704528	1	Decal, Remote Box	
5	1701775	1	Decal, Potentiometer	
6	4360475	1	Switch, Emergency Stop	
7	4060802	6	Shield, Toggle	
8	4360314	3	Switch, Toggle	
9	4360340	1	Switch, Potentiometer	
10	3300352	1	Nut, Special	
11	4460425	1	Connector, Strain	
12	4360331	1	Switch, Toggle	
13	4360345	1	Switch, Toggle	
14	1060306	25 ft	Cable, Control 16/16	
15	4740120	4	Washer, Nylon	
16	3300177	4	Nut, Tinnerman #8	
17	0750804	4	Screw #8 x 1/2 Lg	
18	2560116	1	Knob, Speed Control (Black)	
19	4711600	1	Flatwasher 3/8in	
	3730091	1	Resistor (Not Shown)	
	3990001	10	Diode (Not Shown)	

SECTION 2 - TURNTABLE

FIGURE 2-12. DEUTZ F4L-912 ENGINE INSTALLATION



SECTION 2 - TURNTABLE

FIGURE 2-12. DEUTZ F4L-912 ENGINE INSTALLATION

ITEM	PART NUMBER	QTY	DESCRIPTION	REV
	0270272	Ref	DEUTZ F4L-912 ENGINE INSTALLATION	2
1	2000083	1	Engine - Deutz Diesel F4L-912	
1	2000115	1	Engine - Deutz Diesel F4L-912 - Clean Burn	
2	3600260	1	Pump Assembly - Sunstrand (See PUMP ASSEMBLY - HYDRO-AIR for Breakdown)	
3	3200229	1	Motor Support Weldment (Front)	
4	3200228	2	Motor Support Weldment (Rear)	
5	3200133	1	Mount, Rubber Motor (Front)	
6	3200183	2	Mount, Rubber Motor (Rear)	
7	3200227	1	Plate, Engine Mounting (Front)	
8	3200306	1	Plate, Engine Mounting (Rear)	
9	3600286	1	Pump Assembly - Barnes (See TANKS INSTALLATION for Breakdown)	
10	0901829	1	Bracket, Filter	
11	2120135	1	Filter - Charge Pump	
11	2120136	1	Element	
12	1060044	1	Cable, Battery (Starter to Ground)	
13	0641812	2	Bolt 1/2in-13NC x 1 1/2in	
14	4761800	2	Lockwasher 1/2in	
15	0250069	1	Fuel Shutdown Kit (Includes Mounting Hardware)	
16	0642032	3	Bolt 5/8in-11NC x 4in	
17	3312005	3	Locknut 5/8in-11NC	
18	4740242	3	Flatwasher, Special	
19	0701427	4	Bolt, Metric 14mm x 100mm	
20	4740191	4	Lockwasher, Metric 14.2mm	
21	0701215	8	Bolt, Metric 12mm x 35mm	
22	4832100	8	Lockwasher 12mm	
23	4891600	2	Flatwasher 3/8in	
24	0641620	2	Bolt 3/8in-16NC x 1 1/4in	
25	0100011	AR	Loctite #242 (Not Shown)	
26	0701015	2	Bolt, Metric 10mm x 35mm	
27	4831700	1	Lockwasher 6mm	
28	3311401	3	Nut 1/4in-20NC	
29	0641405	4	Bolt 1/4in-20NC x 5/8in	
30	4761400	4	Lockwasher #1/4in	
32	0700617	5	Bolt, Metric 6mm x 45mm	
33	0237627	1	Electrical Panel Assembly (See Items 201-211 for Breakdown)	
34	0237635	1	Throttle Cable Installation (See Items 301-315 for Breakdown)	
35	4640742	1	Valve, Oil Drain	
36	2720042	6 in/15cm	Hose, Heater	
37	4832000	2	Lockwasher, Metric 10mm	
38	3290607	4	Locknut, Metric 6mm	
39	1320222	3	Clamp (Not Shown)	
40	4360490	1	Switch, Oil Pressure	
41	4811700	9	Flatwasher 6mm	
42	4843384	1	Air Intake Weldment	
43	4565269	1	Adapter, Exhaust	
44	4751700	1	Flatwasher 7/16in	
45	0700810	1	Bolt, Metric 8-1.25mm x 20mm	

SECTION 2 - TURNTABLE

ITEM	PART NUMBER	QTY	DESCRIPTION	REV
46		Ref	Coupling Installations (See PUMP ASSEMBLY - SUNSTRAND for Breakdown)	
47	4844238	1	Tube Weldment	
48	1670627	1	Cover, Base Plate	
49	1340020	1	Air Cleaner Assembly	
49	7004214	1	Element	
50	0340002	2	Band, Mounting	
51	0080046	1	Elbow	
52	0080039	2	Elbow	
53	4565655	1	Tube	
54	2720224	1	Hose 2 3/4in ID x 3in Lg	
55	1320058	8	Clamp	
56	4300031	8	Stud (Welded on Part)	
57	4761400	6	Lockwasher 1/4in	
58	3311401	12	Nut 1/4in-20NC	
59	0400020	1	Battery (Large)	
60	0236768	4	Rod, Tie-Down	
61	0361027	1	Bar, Hold-Down	
62	3980006	1	Seat, battery	
63	0400003	1	Battery (Small)	
64	0400002	1	Hold-Down	
64	2910479	4	Clips	
65	3980003	1	Seat, Battery	
66	4751400	23	Flatwasher 1/4in	
67	3300029	4	Wingnut 1/4in-20NC	
68	1060031	1	Cable, Battery (Large Battery to Ground)	
69	1060109	1	Cable, Battery (Large Battery to Starter)	
70	1060149	1	Cable, Battery (Starter to Aux Relay)	
71	1060132	1	Cable, Battery (Aux Relay to Aux Pump)	
72	4300034	3	Stud (Welded on Part)	
73	4921139	1	Cable, Battery (Positive to Positive - Batteries)	
73	3990048	1	Diode (Soldered to Cable)	
74	0642022	2	Bolt 5/8in-11NC x 2 3/4in	
75	4752000	2	Flatwasher 5/8in	
76	4762000	2	Lockwasher 5/8in	
77	3312001	2	Nut 5/8in-11NC	
78	0641622	2	Bolt 3/8in-16NC x 2 3/4in	
79	4751600	3	Flatwasher 3/8in	
80	4761600	11	Lockwasher 3/8in	
81	3311601	5	Nut 3/8in-16NC	
82		Ref	Auxiliary Pump Assembly Options:	
82	3600468	1	Auxiliary Pump Assembly (See Items 501-503 for Breakdown) (was p/n 3600208)	
82	3600468	1	Auxiliary Pump Assembly (See Items 551-553 for Breakdown)	
83	0641620	2	Bolt 3/8in-16NC x 2 1/2in	
84	2720271	8 ft/2.4m	Fuel Line (Return)	
85	2750532	10 ft/3m	Fuel Line (Supply)	
86	2220063	2	Fitting, 90	
87	2220720	2	Fitting, Barbed	
88	0641414	13	Bolt 1/4in-20NC x 1 3/4in	
89	1320022	4	Clamp	
90	0253194	1	Air Inlet Box Assembly	

SECTION 2 - TURNTABLE

ITEM	PART NUMBER	QTY	DESCRIPTION	REV
91	4280002	30 in/76cm	Neoprene 1/8in x 2in	
92	1320059	1	Clamp	
93	2180536	1	Fitting, Coupling	
94	3311405	13	Locknut 1/4in-20NC	
95	1060031	1	Cable, Battery (Small Battery to Ground)	
96	4751500	2	Flatwasher 5/16in	
97	4740362	6	Washer, Fender	
98	4761500	2	Lockwasher 5/16in	
99	3535949	1	Plate, Hose Cover	
100	0362101	1	Bar, Spacer	
101	3536008	1	Plate, Shield	
102	1320021	1	Clamp, Muffler	
103	4831900	1	Flatwasher 8mm	
104	3790152	1	"O" Ring	
	0237627	Ref	ELECTRICAL PANEL ASSEMBLY	7
201	3740059	1	Relay	
202	3321001	3	Nut #10-32NF	
203	3310801	1	Nut #8-32NC	
204	3530425	1	Plate, Mounting	
205	3740080	1	Relay, Sealed	
206	3740067	2	Relay	
207	3300220	6	Nut, Special	
208	0641405	7	Bolt 1/4in-20NC x 5/8in	
209	4791400	7	Starwasher 1/4in	
210	3311401	7	Nut 1/4in-20NC	
211	4711400	6	Flatwasher 1/4in	
	0237635	Ref	THROTTLE CABLE INSTALLATION	4
301	0060023	1	Actuator	
301	7008804	1	Bellows, Rubber	
301	7008829	1	Board, Circuit	
301	7008821	1	Motor, Drive	
301	7008828	1	Cable, Throttle	
302	0901389	1	Bracket, Throttle Cable	
303	4460302	1	Stop, Terminal	
304	3450203	1	Pin, Cotter 1/16in x 3/4in	
305	4711400	1	Flatwasher 1/4in Narrow	
306	0641409	2	Bolt 1/4in-20NC x 1 1/8in	
307	4751400	2	Flatwasher 1/4in	
308	0630400	2	Bolt, Metric 8mm - 1.25 x 90mm	
309	4831900	2	Lockwasher 8mm	
310	3290801	2	Nut, Metric 8mm - 1.25	
311	1320041	1	Clamp	
312	4761400	3	Lockwasher 1/4in	
313	4751600	2	Flatwasher 3/8in	
314	0641406	1	Bolt 1/4in-20NC x 3/4in	
315	3311401	1	Nut 1/4in-20NC	
	0270271	Ref	EXHAUST INSTALLATION	1
401	4751400	4	Flatwasher 1/4in	
402	3220082	1	Muffler	
403	0340041	1	Band, Mounting	
404	0901849	1	Bracket, Exhaust Mounting	

SECTION 2 - TURNTABLE

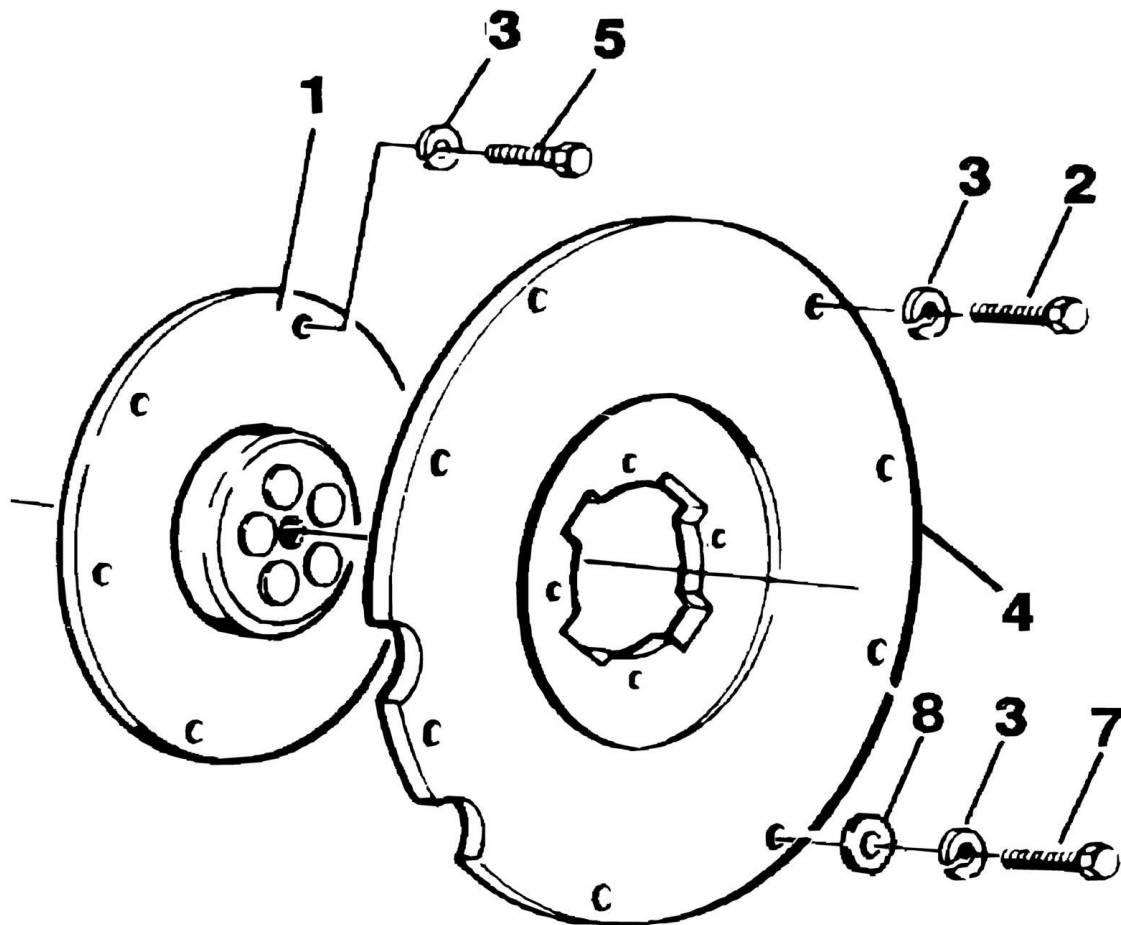
ITEM	PART NUMBER	QTY	DESCRIPTION	REV
405	0641408	2	Bolt 1/4in-20NC x 1in	
406	3311405	2	Locknut 1/4in-20NC	
407	0641408	4	Bolt 1/4in-20NC x 1in	
408	4751400	4	Flatwasher 1/4in	
409	3311405	4	Locknut 1/4in-20NC	
410	1120423	1	Cap, Rain	
411	4844235	1	Stack, Exhaust	
412	4565751	1	Tube, Exhaust	
413	1320011	2	Clamp, Muffler	
	3600208	Ref	AUXILIARY PUMP ASSEMBLY	A
501	7013711	1	Coupling	
502	7013710	1	Motor 12VDC	
502	7013753	1	Brush Kit	
503	7013712	1	Pump	
	3600468	Ref	AUXILIARY PUMP ASSEMBLY	A
551	7011016	1	Coupling	
552	7011003	1	Motor 12VDC	
553	70001108	1	Replacement Pump Kit (Includes all Items Below)	
553	7012576		Bracket, Mounting	
553	7011044		Gasket, Mounting	
553	7011016		Coupling	
553	70000969		Seal, Shaft	
553	Item 553		Stator	
553	70001079		Cap Assembly	
553	70001076		Spring	
553	70001081		Ball	
553	70001080		Seat	
553	7011024		Seal	
553	7011048		Washer	
553	7011043		Screw	
553	70000970		Ring, Retaining	
553	70000971		Gear	
553	70001112		Shaft, Idler	
553	70001065		Pin, Drive	
553	70000976		Bearing, Needle	
553	7010911		Pin, Dowel	
553	70001085		Gasket	
553	Item 553		Housing, Gear	
553	Not Available		Label	
553	70001106		Screw	
553	70001107		Shaft, Drive	
553	Item 200B		Plug	
	0270293	Ref	ENGINE DISTRESS INSTALLATION	1-A
601	4360179	1	Switch, Temp Head (Not Shown) (Located Under Top Engine Cover)	
602 to 604	Not Required	0	Not Required	
	0270834	Ref	LOW OIL PRESSURE SHUTDOWN INSTALLATION	1
702	3740080	1	Relay	
		Ref	ENGINE COMPONENTS	
	7000663	1	Alternator (Bosch)	
	7000872	1	Alternator (Delco-Remy)	
	7000661	1	Starter	

SECTION 2 - TURNTABLE

ITEM	PART NUMBER	QTY	DESCRIPTION	REV
	7000700	1	Manifold, Exhaust	
	7000697	1	Belt, Blower	
	7000698	1	Belt, Alternator	
	7000699	1	Gasket, Doughnut Exhaust	
	7026125	1	Counter/Exhaust Flange (3 Hole)	
	7014686		Engine Kit (includes 12 each of 3 Different Fuel Line Washers, 1 each of Oil Plug Washer, Oil Filter and Fuel Filter)	
	7029274	1	Filter, Fuel (was p/n 7000649)	
	7029276	1	Filter, Oil (was p/n 7000648)	
	7014503	1	Filter, Oil (Case of 12)	
	70002252	4	Ring, Head Fire	
	70002253	1	Gasket Set (Complete Engine)	
	70002254	4	Kit, Piston/Cylinder	
	70002258	4	Bolt, Cylinder Head	
	70002259	4	Washer, Cylinder Head Bolt	
	70001361	4	Pump, Fuel Injection	
	70001927	1	Manifold, Exhaust	
	70001928	4	Gasket, Exhaust Manifold	
	7016330	1	Switch, Oil Pressure	
	7019607	1	Solenoid, Fuel Shutdown	
	7016364	2	Pump, Fuel Lift	
	7020208	1	Gear, Ring	
	7020400	1	Washer/Fuel Line	
	7020401	1	Washer	
	7020402	1	Washer/Fuel Line	
	7020403	1	Washer/Fuel Line	
	7020405	1	Washer/Oil Plug	
	7020407	1	Gasket, Lift Pump	
	7020409	1	Dipstick	
	7000663	1	Alternator (was p/n 7020410)	
	7020413	1	Starter	
	7020420	1	Starter, Remanufactured	
	7020421	1	Nozzle, Injector	
	7020422	1	Injector	
	7020423	1	Gasket, Injector Tip	
	7020432	1	Kit, Lift Pump Repair	
	7020433	1	Gasket	
	7020498	1	Fan	
	7026125	1	Flange, Exhaust	
	7026173	1	Switch, Broken Belt	
	7027250	1	Spring, Tension (Actuator)	

SECTION 2 - TURNTABLE

FIGURE 2-13. PUMP COUPLING INSTALLATION



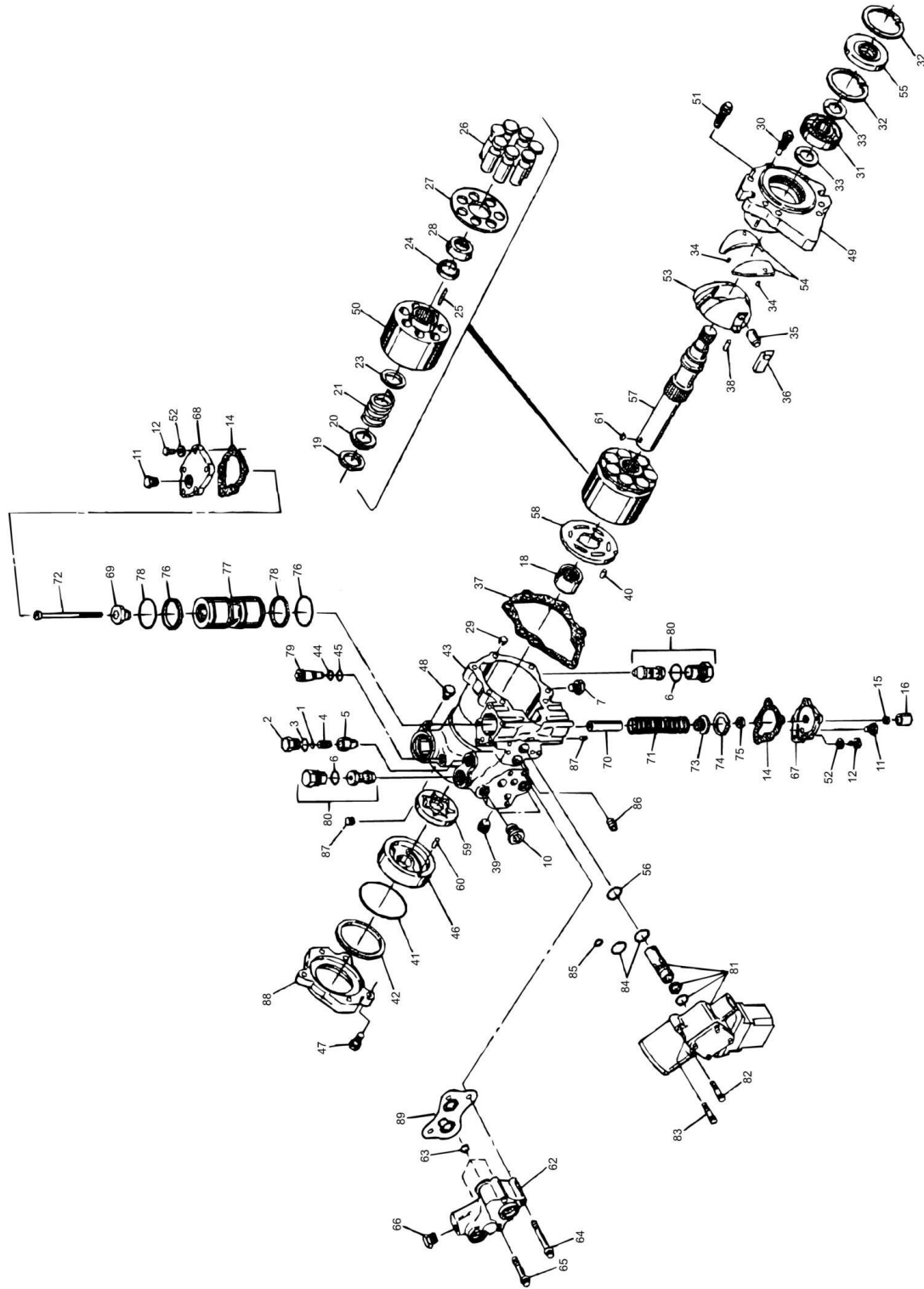
SECTION 2 - TURNTABLE

FIGURE 2-13. PUMP COUPLING INSTALLATION

ITEM	PART NUMBER	QTY	DESCRIPTION	REV
	0256849	Ref	PUMP COUPLING INSTALLATION - HAYES	2
1	1660233	1	Coupling, Pump - Hayes	
2	0701014	10	Bolt, Metric 10mm x 30mm	
3	4832000	18	Lockwasher 10mm	
4	0080164	1	Plate, Adaptor	
5	0701010	6	Bolt, Metric 10mm x 20mm	
7	0701015	2	Bolt, Metric 10mm x 35mm	
8	4751600	2	Flatwasher 3/8in	
	3020021	AR	Grease	

SECTION 2 - TURNTABLE

FIGURE 2-14. PUMP ASSEMBLY - SUNSTRAND



SECTION 2 - TURNTABLE

FIGURE 2-14. PUMP ASSEMBLY - SUNSTRAND

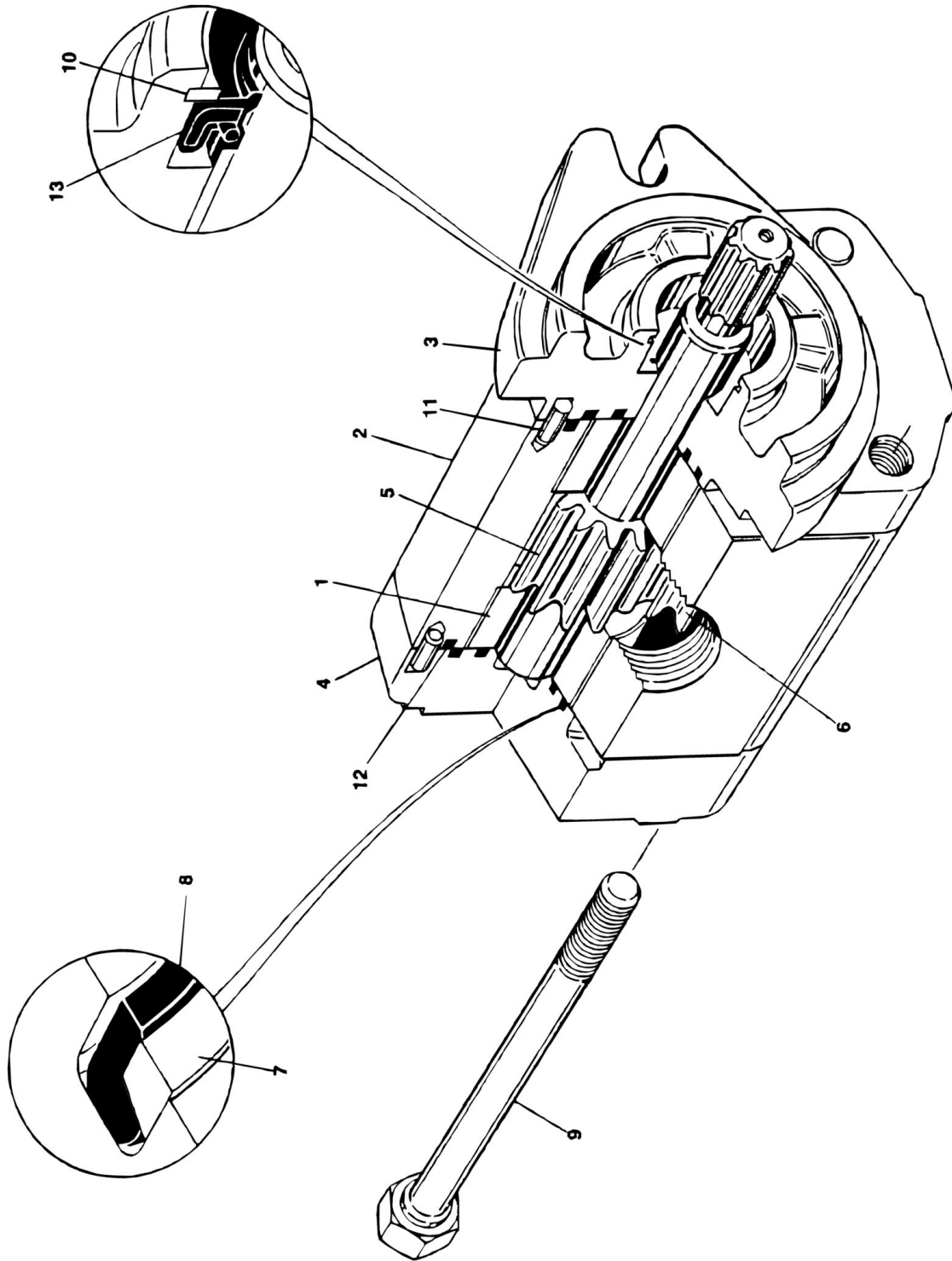
ITEM	PART NUMBER	QTY	DESCRIPTION	REV
	3600260	Ref	PISTON PUMP ASSEMBLY - SUNSTRAND	B
1	7007413	1	Shim Kit - Relief Valve	
2	7007414	1	Plug	
3	Kit	1	O-Ring	
4	7007416	1	Spring, Relief Valve	
5	7007417	1	Valve, Relief	
6	Kit	2	O-Ring	
7	7007419	2	Plug	
10	7007420	2	Plug	
11	7007208	2	Plug	
12	7007421	10	Screw	
14	7007422	2	Gasket, Servo Cover	
15	7007423	1	Nut, Special	
16	7007424	1	Cover, Adjustment	
18	7007425	1	Bearing, Needle	
19	Kit	1	Ring, Retaining	
20	Kit	1	Washer	
21	Kit	1	Spring	
23	Kit	1	Washer	
24	Kit	1	Retainer	
25	Kit	3	Pin, Slipper Holddown	
26	Kit	7	Piston Assembly	
27	Kit	1	Guide, Slipper	
28	Kit	1	Guide, Retainer	
29	7007435	1	Pin, Spring	
30	7007436	1	Screw - 12 Point Head	
31	7007437	1	Bearing, Ball	
32	7007438	2	Ring	
33	7007439	2	Ring	
34	7007440	2	Pin, Spring	
35	7007441	1	Handle, Pin	
36	7007442	1	Sleeve, Bearing	
37	Kit	1	Gasket, Front Cover	
38	7007444	1	Pin	
39	7007445	1	Plug, Expansion	
40	Kit	1	Pin	
41	Kit	1	O-Ring	
42	Kit	1	Ring, Load Temper	
43	7007449	1	Housing, Pump	
44	Kit	1	Ring, Back-up	
45	Kit	1	O-Ring	
46	Kit	1	Cover, Gerotor	
47	7007453	3	Bolt, Hex	
48	7007208	1	Plug	
49	7007454	1	Cover, Front	
50	Kit	1	Block, Cylinder	
51	7007456	6	Screw - 12 Point Head	
52	7001438	10	Washer	
53	Kit	1	Swashplate	
54	7007458	1	Journal, Bearing	

SECTION 2 - TURNTABLE

ITEM	PART NUMBER	QTY	DESCRIPTION	REV
55	Kit	1	Seal, Lip	
56	Kit	1	O-Ring	
57	7010121	1	Shaft, Main Pump	
58	Kit	1	Plate, Valve	
59	Kit	1	Gerotor Assembly	
60	Kit	1	Pin	
61	Kit	1	Key, Woodruff	
62	7007466	1	Adaptor, Remote Filtration (Without Bypass)	
63	Kit	3	O-Ring	
64	7007468	2	Screw	
65	7007469	2	Screw	
66	7007470	1	Plug	
67	7007471	1	Cover, Servo (With Adjuster)	
67	7007490	2	Stop, Servo (Not Shown)	
67	7007491	2	Nut, Special (Not Shown)	
67	7007492	2	Ring, External (Not Shown)	
68	7007482	1	Cover, Servo (Without Adjuster)	
69	7007483	1	Guide, Spring	
70	7007484	1	Stop, Servo	
71	7007485	1	Spring	
72	7007486	1	Screw	
73	7007487	1	Guide, Spring	
74	7007488	1	Ring, Retaining	
75	7007499	1	Locknut	
76	Kit	2	Ring, Piston	
77	7007494	1	Piston, Servo	
78	Kit	2	O-Ring	
79	7007472	1	Valve, By-Pass	
80	7010122	2	Valve, Pressure Release (Includes Item 6) (Was P/N 7007473)	
81	7007474	1	Control, Dual Oil-Filled	
81	7007496	1	Coil Assembly (Pilot)	
81	7007497	1	Plug (Pump)	
81	7007498	1	Plug (Valve Harness)	
82	7007478	2	Screw	
83	7001498	2	Screw	
84	Kit	2	O-Ring	
85	Kit	1	O-Ring	
86	7007475	1	Plug, Orifice/Screen -.156	
87	7007477	2	Plug, Orifice -.37	
88	7007476	1	Adapter, Auxiliary Pump	
89	7010120	1	Spacer/Gasket	
	2900752	1	Seal Kit - Complete (Includes Items 3, 6, 14, 15, 37, 41, 42, 44, 45, 55, 56, 63, 76, 78, 84 & 85)	
	7007412	1	Seal Kit - Servo Piston (Includes Items 76 & 78)	
	2900826	1	Charge Pump Kit (Includes Items 41, 42, 46, 59, 60, 61)	
	2900827	1	Cylinder Block Kit (Includes Items 19-28, 40, 50, 53, 55, 58)	

SECTION 2 - TURNTABLE

FIGURE 2-15. PUMP ASSEMBLY - HYDRO-AIR



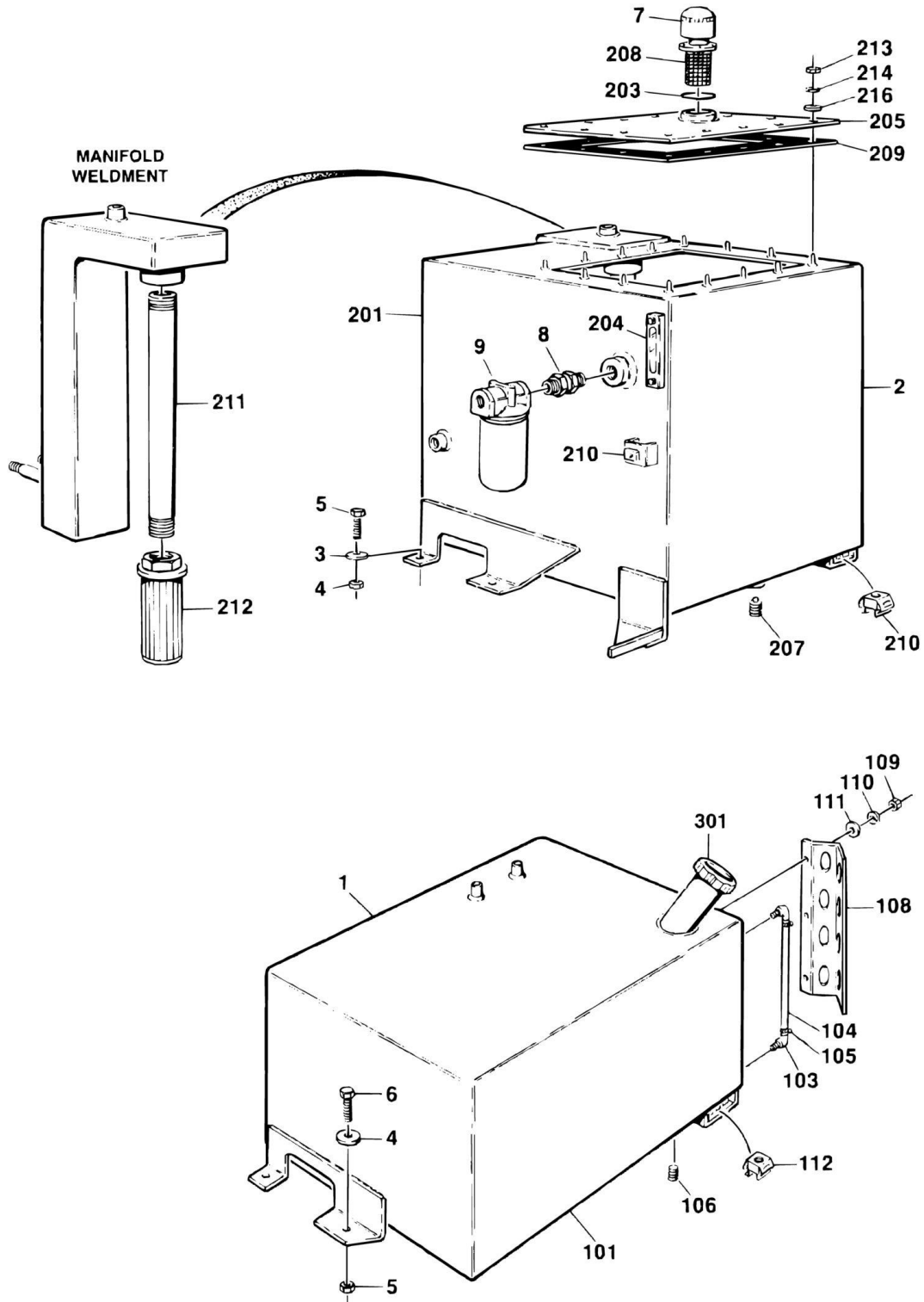
SECTION 2 - TURNTABLE

FIGURE 2-15. PUMP ASSEMBLY - HYDRO-AIR

ITEM	PART NUMBER	QTY	DESCRIPTION	REV
	3600286	Ref	PUMP ASSEMBLY - HYDRO-AIR	-
1	7010105	2	Bearing/Bushing	
2	Not Serviced	1	Housing	
3	Not Serviced	1	Flange, Mounting	
4	7010103	1	Cover, End	
5	7010126	1	Gear, Drive	
6	7010125	1	Gear, Idler	
7	Kit	2	Ring, Anti-Extrusion	
8	Kit	2	Seal	
9	7010124	4	Bolt	
10	7010104	1	Ring, Retaining	
11	7010127	4	Pin, Dowel	
12	Kit	2	Seal, O-Ring	
13	Kit	1	Seal, Shaft	
	7007489	1	Seal Kit (Includes Items 7, 8, 12 & 13)	

SECTION 2 - TURNTABLE

FIGURE 2-16. TANKS INSTALLATION



SECTION 2 - TURNTABLE

FIGURE 2-16. TANKS INSTALLATION

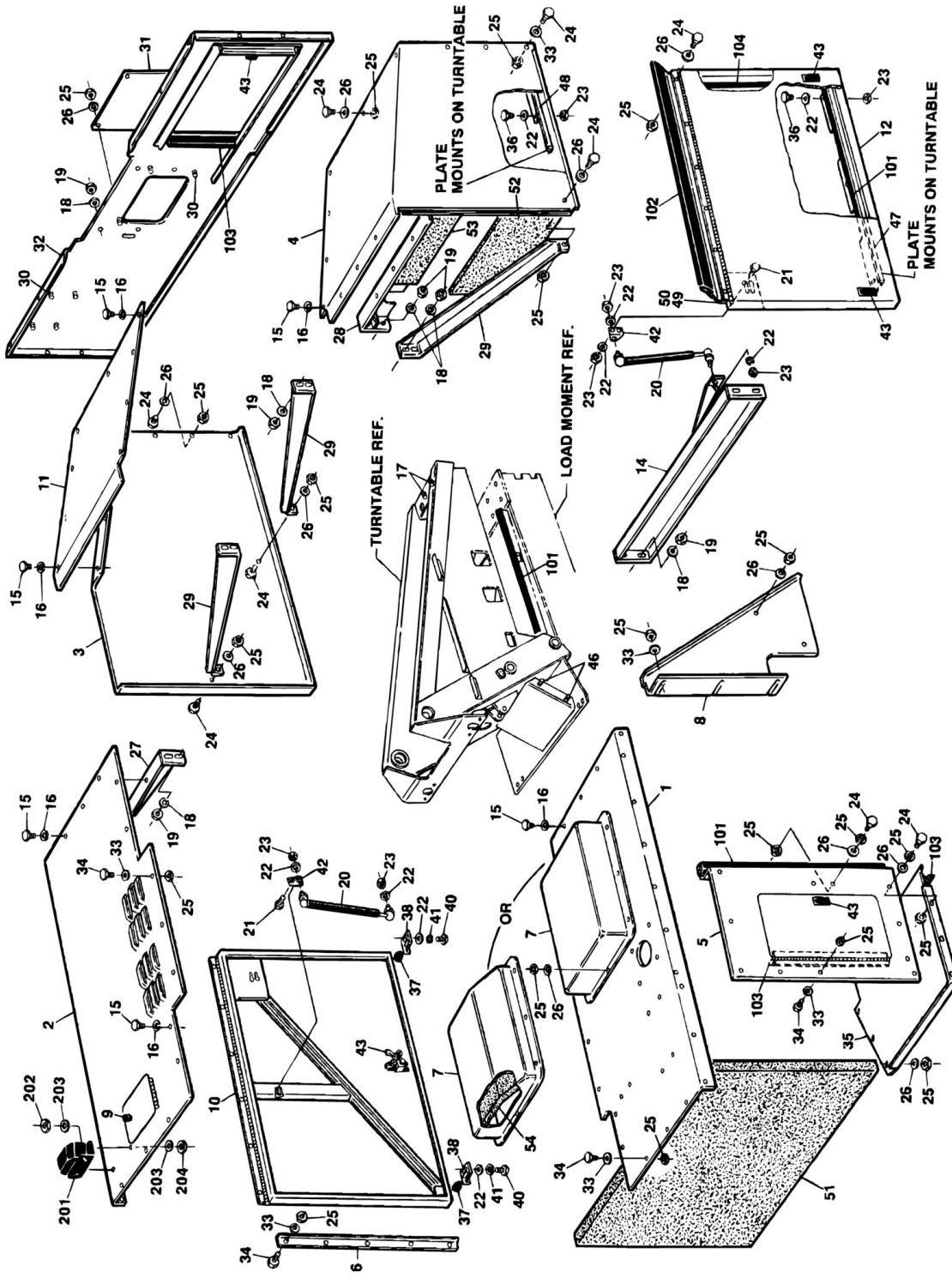
ITEM	PART NUMBER	QTY	DESCRIPTION	REV
	0252524	Ref	TANKS INSTALLATION	5
1	4400386	1	Fuel Tank Assembly (See Items 101-112 for Breakdown)	
2		Ref	Hydraulic Oil Tank Assembly Options: (See Items 201-216 for Breakdown)	
2	4400340	1	Standard Tank	
2	4400444	1	Tank w/ Welder	
3	0641614	4	Bolt 3/8in-16NC x 1 3/4in	
4	4711600	15	Flatwasher 3/8in	
5	3311605	8	Locknut 3/8in-16NC	
6	0641616	3	Bolt 3/8in-16NC x 2in	
7	1340046	1	Breather	
8	2220893	1	Fitting	
9	2120134	1	Filter, Hydraulic	
9	2120129	1	Element	
	4300034	4	Stud, Weld	
	4400386	Ref	FUEL TANK ASSEMBLY	2
101	4400387	1	Tank Weldment	
103	2180467	2	Fitting, 90	
104	4562516	15	Tube, Sight	
		in/38cm		
105	1320022	2	Clamp	
106	2200052	1	Plug, Pipe - 1/4in	
107	0100020	AR	Sealant, Thread (Not Shown)	
108	4060574	1	Protector, Gage	
109	3311401	3	Nut 1/4in-20NC	
110	4761400	3	Lockwasher 1/4in	
111	4751400	3	Flatwasher 1/4in	
112	3300205	3	Nut, Retainer 5/16in-18NC	
	4400340	Ref	HYDRAULIC OIL TANK ASSEMBLY	B
201	4400341	1	Tank Weldment	
203	4740338	6	Washer, Sealing	
204	2420080	1	Gage, Level	
204	7016664	2	Washer, Sealing	
205	1670625	1	Lid	
207	3520022	1	Plug, Magnetic	
208	1340045	1	Basket, Strainer	
209	3960371	1	Gasket	
210	3300205	3	Nut, Retainer 5/16in-18NC	
211	2180606	1	Nipple, Pipe	
212	2120104	1	Filter	
213	3311401	14	Nut 1/4in-20NC	
214	4761400	14	Lockwasher 1/4in	
215	0100020	AR	Sealant, Thread (Not Shown)	
216	4751400	14	Flatwasher 1/4in	
		Ref	FUEL CAP ASSEMBLY OPTIONS:	
	0257365	Ref	STANDARD	1
	0257366	Ref	"RED" - PROTECTOSEAL	2
	0258626	Ref	"BLUE" - PROTECTOSEAL	1
301		Ref	Cap, Fill Options:	
301	1120314	1	Cap, Fill - Standard	

SECTION 2 - TURNTABLE

ITEM	PART NUMBER	QTY	DESCRIPTION	REV
301	1120367	1	Cap, Fill - "Red" Protectoseal	
301	1120512	1	Cap, Fill - "Blue" Protectoseal	

SECTION 2 - TURNTABLE

FIGURE 2-17. HOOD INSTALLATION (Prior to SN 55762)



SECTION 2 - TURNTABLE

FIGURE 2-17. HOOD INSTALLATION (Prior to SN 55762)

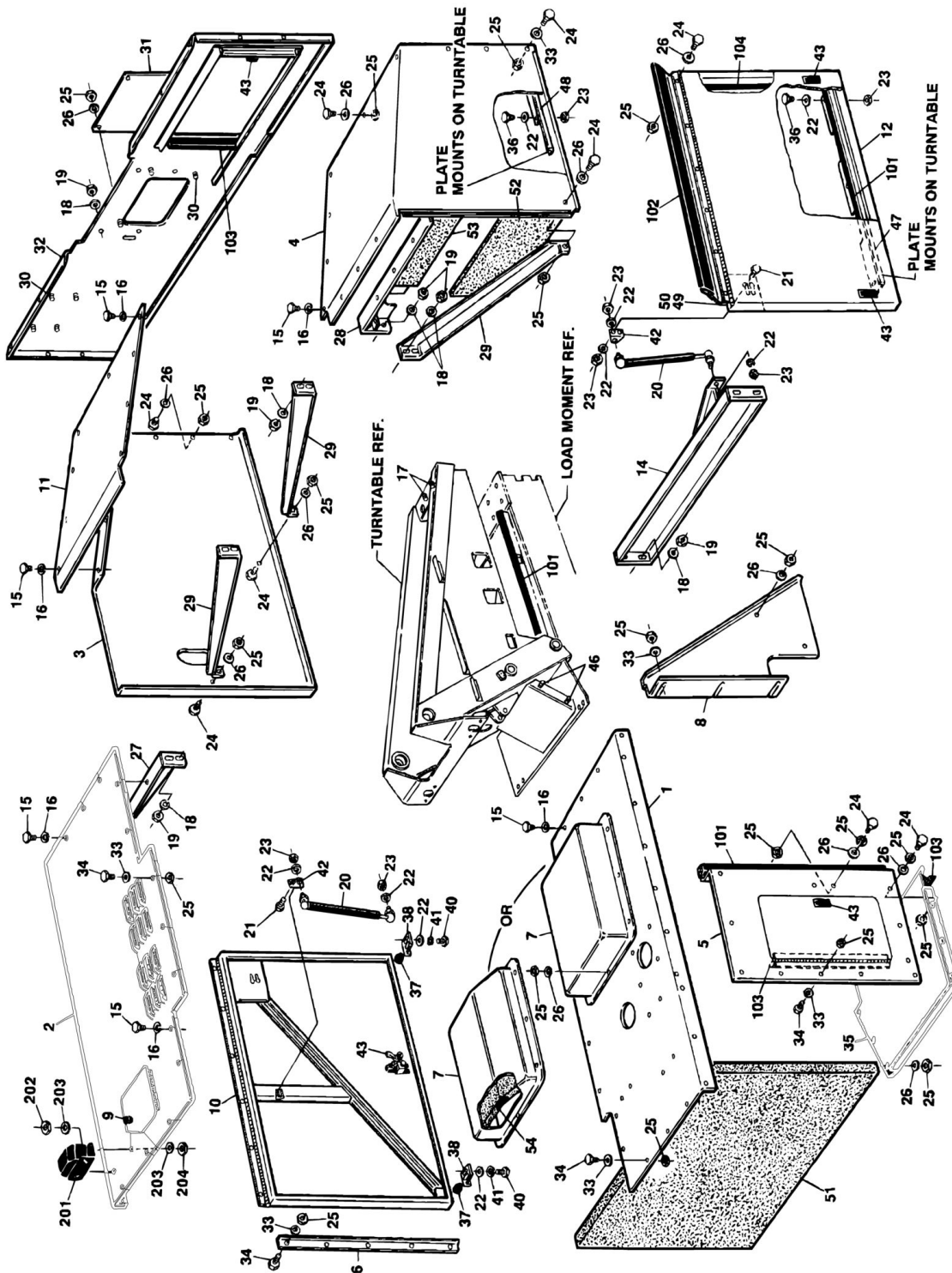
ITEM	PART NUMBER	QTY	DESCRIPTION	REV
	0253362	Ref	HOOD INSTALLATION - NOISE REDUCTION	5
		Ref	Note: Replacement decals must be ordered separately - See DECALS SECTION.	
1	3536417	1	Panel - Hood Top (Engine Side) Options	
2	4844390	1	Panel - Hood Top (Valve Side) Options	
3	3380419	1	Panel - Hood (Valve Side) Options	
4	3380400	1	Panel - Hood (Engine Side)	
5	4844087	1	Panel - Door (Engine Side)	
6	1780172	1	Door (Valve Side)	
7	4844236	1	Duct, Discharge (Engine Side)	
8	3535948	1	Plate, Baffle (Engine Side)	
9	2940051	1	Latch	
10	4844113	1	Door (Valve Side)	
11	3380379	1	Panel - Hood Top (Valve Side)	
12	4844074	1	Door (Engine Side)	
14	4843334	1	Mounting, Gas Spring	
15	3941405	8	Screw, Self-Tap 1/4in x 5/8in	
16	4761400	8	Lockwasher 1/4in	
17	4300034	16	Stud (Welded on Part)	
18	4751600	16	Flatwasher 3/8in	
19	3311605	16	Locknut 3/8in-16NC	
20	4160081	2	Spring, Gas	
21	0630383	4	Bolt, Carriage 5/16in-18NC x 3/4in	
22	4751500	10	Flatwasher 5/16in	
23	3311505	6	Locknut 5/16in-18NC	
24	0641406	40	Bolt 1/4in-20NC x 3/4in	
25	3311405	70	Locknut 1/4in-20NC	
26	4751400	48	Flatwasher 1/4in	
27	0901500	1	Bracket, Mounting - Hood	
28	4843324	1	Bracket, Mounting - Hood	
29	0901502	3	Bracket, Mounting - Hood	
31	1670516	1	Cover, Front	
32	4844083	1	Hood (Front)	
33	4740362	41	Washer, Fender	
34	0641408	22	Bolt 1/4in-20NC x 1in	
35	3537819	1	Plate, Extension - Base	
36	0641512	5	Bolt 5/16in-18NC x 1 1/2in	
37	0940036	2	Bumper, Door	
38	0901197	2	Bracket, Door Stop	
40	0641508	4	Bolt 5/16in-18NC x 1in	
41	4761500	4	Lockwasher 5/16in	
42	3200222	2	Mounting, Gas Spring	
43	2940042	5	Mounting, Latch	
46	4300032	5	Stud (Welded on Part)	
47	3536414	1	Plate, Seal	
48	3536415	1	Plate, Seal	
49	3535951	1	Plate, Hinge Shield	
50	3820018	10	Rivet	
51	2820059	1	Acoustical Foam - 33 x 20	
52	2820058	1	Acoustical Foam - 20 x 17	

SECTION 2 - TURNTABLE

ITEM	PART NUMBER	QTY	DESCRIPTION	REV
53	2820053	1	Acoustical Foam - 6 3/4in x 14 3/4in	
54	2820057	1	Acoustical Foam - 24in x 16 3/4in	
55	4060803	2 ft/0.6m	Shield, Flex Trim (Not Shown Located on Turntable)	
	0100011	AR	Loctite #242	
	0252652	Ref	HOOD SEALS INSTALLATION	A
101	3960418	13 ft/4m	Seal	
102	3960389	8 ft/2.4m	Seal, Door	
103	3960429	7 ft/2.1m	Tape, Sealant	
104	3960433	6 ft/1.8m	Seal	
	0251543	Ref	ALARM INSTALLATION (OPTIONAL)	2
201	0140032	1	Alarm	
202	0641406	2	Bolt 1/4in-20NC x 3/4in	
203	4751400	4	Flatwasher 1/4in	
204	3311405	2	Locknut 1/4in-20NC	

SECTION 2 - TURNTABLE

FIGURE 2-18. HOOD INSTALLATION (SN 55762 to Present)



SECTION 2 - TURNTABLE

FIGURE 2-18. HOOD INSTALLATION (SN 55762 to Present)

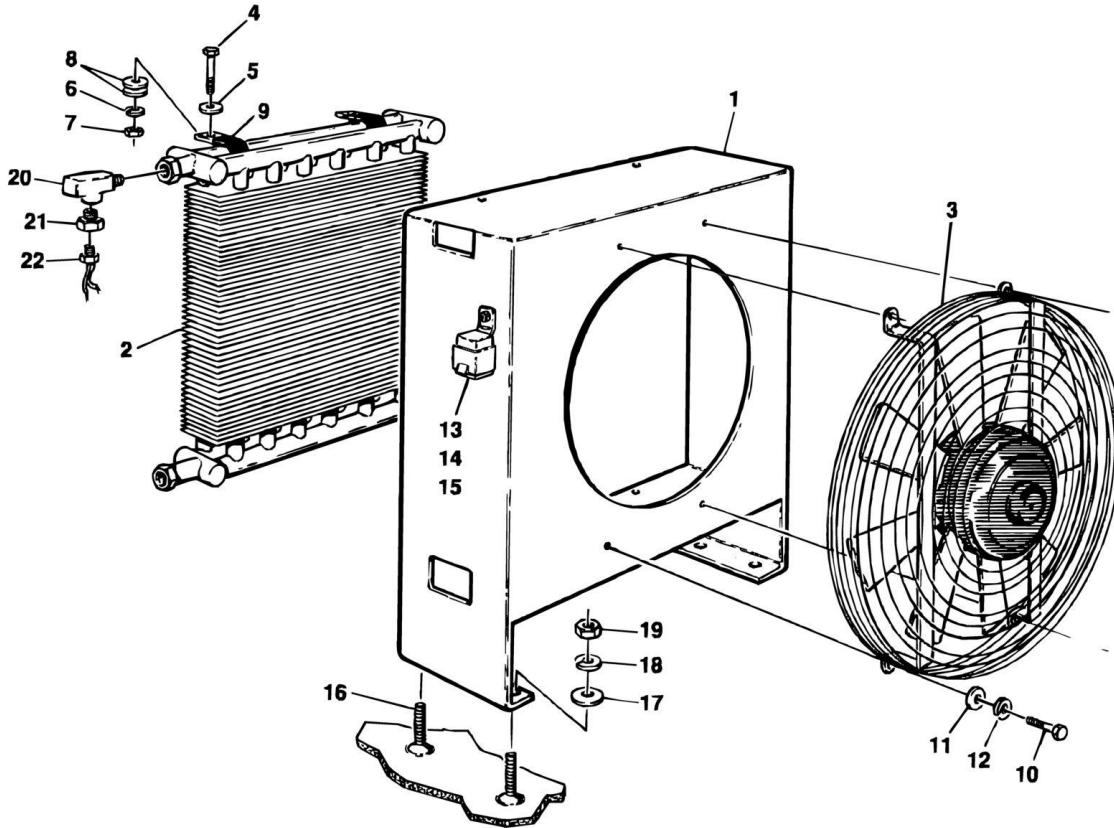
ITEM	PART NUMBER	QTY	DESCRIPTION	REV
	0270677	Ref	HOOD INSTALLATION - NOISE REDUCTION	1
		Ref	Note: Replacement decals must be ordered separately - See DECALS SECTION.	
1	3572552	1	Panel - Hood Top (Engine Side)	
2	4846311	1	Panel - Hood Top (Valve Side)	
3	3380455	1	Panel - Hood (Valve Side)	
4	3380456	1	Panel - Hood (Engine Side)	
5	4846312	1	Panel - Door (Engine Side)	
6	1780321	1	Door (Valve Side)	
7	4846313	1	Duct, Discharge (Engine Side)	
8	3535948	1	Plate, Baffle (Engine Side)	
9	2940051	1	Latch	
10	4846314	1	Door (Valve Side)	
11	3380457	1	Panel - Hood Top (Valve Side)	
12	4846315	1	Door (Engine Side)	
14	4843334	1	Mounting, Gas Spring	
15	3941405	8	Screw, Self-Tap 1/4in x 5/8in	
16	4761400	8	Lockwasher 1/4in	
17	4300034	16	Stud (Welded on Part)	
18	4751600	16	Flatwasher 3/8in	
19	3311605	16	Locknut 3/8in-16NC	
20	4160081	2	Spring, Gas	
21	0630383	4	Bolt, Carriage 5/16in-18NC x 3/4in	
22	4751500	10	Flatwasher 5/16in	
23	3311505	6	Locknut 5/16in-18NC	
24	0641406	40	Bolt 1/4in-20NC x 3/4in	
25	3311405	70	Locknut 1/4in-20NC	
26	4751400	48	Flatwasher 1/4in	
27	0901500	1	Bracket, Mounting - Hood	
28	4843324	1	Bracket, Mounting - Hood	
29	0901502	3	Bracket, Mounting - Hood	
31	1670975	1	Cover, Front	
32	4846316	1	Hood (Front)	
33	4740362	41	Washer, Fender	
34	0641408	22	Bolt 1/4in-20NC x 1in	
35	3537819	1	Plate, Extension - Base	
36	0641512	5	Bolt 5/16in-18NC x 1 1/2in	
37	0940036	2	Bumper, Door	
38	0901197	2	Bracket, Door Stop	
40	0641508	4	Bolt 5/16in-18NC x 1in	
41	4761500	4	Lockwasher 5/16in	
42	3200222	2	Mounting, Gas Spring	
43	2940042	5	Mounting, Latch	
46	4300032	5	Stud (Welded on Part)	
47	3536414	1	Plate, Seal	
48	3536415	1	Plate, Seal	
49	3535951	1	Plate, Hinge Shield	
50	3820018	10	Rivet	
51	2820059	1	Acoustical Foam - 33 x 20	
52	2820058	1	Acoustical Foam - 20 x 17	

SECTION 2 - TURNTABLE

ITEM	PART NUMBER	QTY	DESCRIPTION	REV
53	2820053	1	Acoustical Foam - 6 3/4in x 14 3/4in	
54	2820057	1	Acoustical Foam - 24in x 16 3/4in	
55	4060803	2 ft/0.6m	Shield, Flex Trim (Not Shown Located on Turntable)	
	0100011	AR	Loctite #242	
	0252652	Ref	HOOD SEALS INSTALLATION	A
101	3960418	13 ft/4m	Seal	
102	3960389	8 ft/2.4m	Seal, Door	
103	3960429	7 ft/2.1m	Tape, Sealant	
104	3960433	6 ft/1.8m	Seal	
	0251543	Ref	ALARM INSTALLATION (OPTIONAL)	2
201	0140032	1	Alarm	
202	0641406	2	Bolt 1/4in-20NC x 3/4in	
203	4751400	4	Flatwasher 1/4in	
204	3311405	2	Locknut 1/4in-20NC	

SECTION 2 - TURNTABLE

FIGURE 2-19. OIL COOLER INSTALLATION



SECTION 2 - TURNTABLE

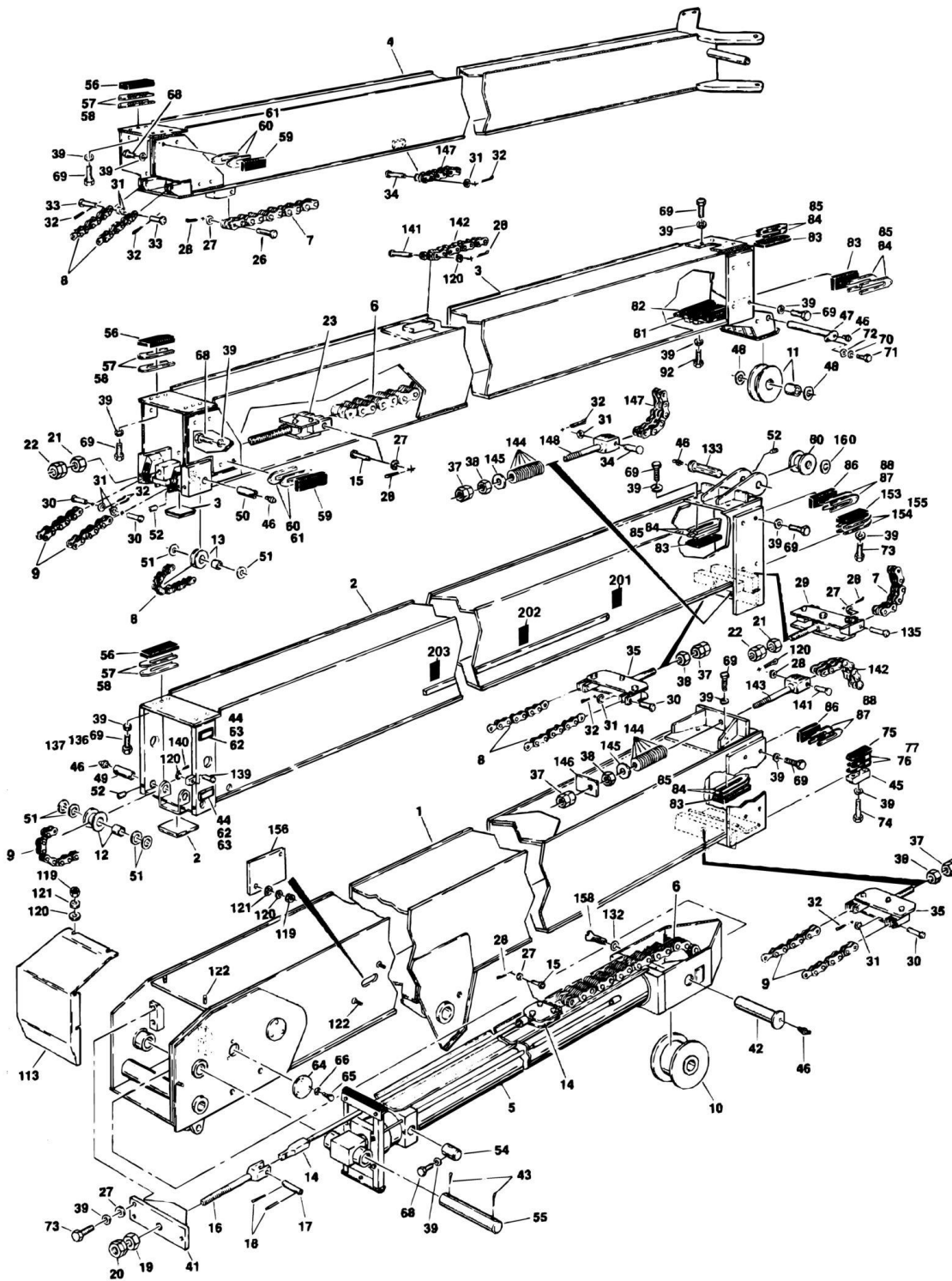
FIGURE 2-19. OIL COOLER INSTALLATION

ITEM	PART NUMBER	QTY	DESCRIPTION	REV
	0252906	Ref	OIL COOLER INSTALLATION (OPTIONAL)	3
1	4844177	1	Bracket, Oil Cooler	
2	3620003	1	Oil Cooler Assembly	
3	2060012	1	Fan, Oil Cooler	
4	0641508	4	Bolt 5/16in-18NC x 1in	
5	4751500	4	Flatwasher 5/16in	
6	4761500	4	Lockwasher 5/16in	
7	3311501	4	Nut 5/16in-18NC	
8	4751600	8	Flatwasher 3/8in	
9	1320060	4	Clamp	
10	0731006	5	Bolt #10-32NF x 3/4in	
11	4751000	5	Flatwasher #10	
12	4761000	5	Lockwasher #10	
13	3740080	1	Relay	
14	4460374	1	Plug	
15	4460375	4	Terminal	
16	4300048	4	Stud (Welded on Part)	
17	4751800	4	Flatwasher 1/2in	
18	4761800	4	Lockwasher 1/2in	
19	3311801	4	Nut 1/2in-13NC	
20	2220369	1	Fitting, Tee	
21	2220282	1	Fitting, Reducer	
22	4360181	1	Switch, Temperature	

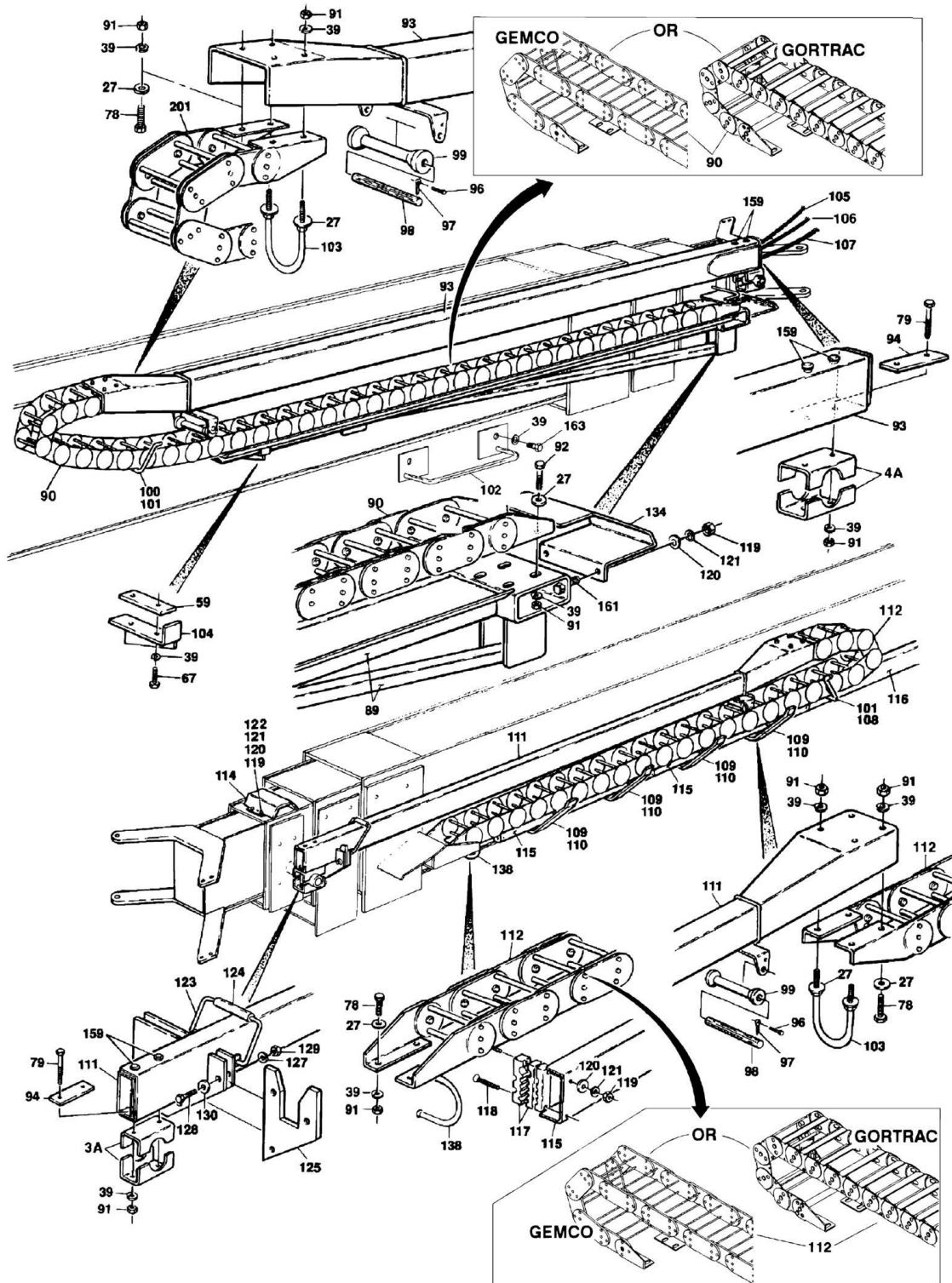
SECTION 3 - BOOM

SECTION 3 - BOOM

FIGURE 3-1. BOOM ASSEMBLY COMPONENTS INSTALLATION (SHEET 1 OF 2)



SECTION 3 - BOOM



SECTION 3 - BOOM

FIGURE 3-1. BOOM ASSEMBLY COMPONENTS INSTALLATION (SHEET 2 OF 2)

ITEM	PART NUMBER	QTY	DESCRIPTION	REV
		Ref	BOOM ASSEMBLY COMPONENTS INSTALLATION	
		Ref	BOOM ASSEMBLIES	
	0801265	Ref	Boom Assembly 100SX - CE SPEC	2
	0801231	Ref	Boom Assembly 110SX - AUSTRALIAN SPEC	2
	0801241	Ref	Boom Assembly 110SX - CE SPEC	2
	0801243	Ref	Boom Assembly 110SX - WITH INVERTED POWER TRACK - AUSTRALIAN SPEC	3
	0801230	Ref	Boom Assembly 110SXJ - AUSTRALIAN SPEC	2
	0801235	Ref	Boom Assembly 110SXJ - CE SPEC	3
	0801236	Ref	Boom Assembly 110SXJ - WITH INVERTED POWER TRACK - AUSTRALIAN SPEC	4
	0801232	Ref	Boom Assembly 120SXJ - AUSTRALIAN SPEC	1
	0801240	Ref	Boom Assembly 120SXJ - CE SPEC	2
	0801269	Ref	Boom Assembly 120SXJ - W/LENGTH LIMIT - CE SPEC	2
1		Ref	Base Weldment Options:	
1	0800802	1	Base Weldment 100SX	7
1	0800649	1	Base Weldment 110SX	9
1	0800603	1	Base Weldment 110SXJ	9
1	0800649	1	Base Weldment 110SX/110SXJ - With Inverted Power Track	9
1	0800765	1	Base Weldment 120SXJ	7
1	0801270	1	Base Weldment 120SXJ - W/Length Limit	1
2		Ref	Inner Mid Weldment Options:	
2	0800766	1	Inner Mid Weldment 110SX/120SXJ	6
2	0800785	1	Inner Mid Weldment 100SX/110SXJ	6
2	0800766	1	Inner Mid Weldment 110SX/110SXJ - With Inverted Power Track	6
2	3532549	1	Plate, Skid (Rear Bottom)	
2	0801271	1	Inner Mid Weldment 120SXJ - W/Length Limit	1
3		Ref	Outer Mid Weldment Options:	
3	0800767	1	Outer Mid Weldment 110SX/120SXJ	
3	0800786	1	Outer Mid Weldment 100SX/110SXJ	
3	0800767	1	Outer Mid Weldment 110SX/110SXJ - With Inverted Power Track	
3	3532549	1	Plate, Skid (Rear Bottom)	
3A	1320121	1	Clamp	
4		Ref	Fly Weldment Options:	
4	0800804	1	Fly Weldment 100SX	
4	0800796	1	Fly Weldment 110SX	
4	0800787	1	Fly Weldment 110SXJ	
4	0800796	1	Fly Weldment 110SX/110SXJ - With Inverted Power Track	
4	0801155	1	Fly Weldment 120SXJ	
4A	1320121	1	Clamp	
5		Ref	Telescope Cylinder Assembly Options: (See CYLINDER SECTION for Breakdown)	
5	1682820	1	Telescope Cylinder Assembly 110SX	
5	1682821	1	Telescope Cylinder Assembly 100SX/110SXJ & 110SXJ - With Inverted Power Track	
5	1682820	1	Telescope Cylinder Assembly 110SX - With Inverted Power Track	
5	1683701	1	Telescope Cylinder Assembly 120SXJ	
6		Ref	Chain, Extend - Outer Mid BL866 Options:	

SECTION 3 - BOOM

ITEM	PART NUMBER	QTY	DESCRIPTION	REV
6	1260239	1 set	Chain, Extend - Outer Mid BL866 100SX/110SXJ	
6	1260235	1 set	Chain, Extend - Outer Mid BL866 110SX/120SXJ	
6	1260235	1 set	Chain, Extend - Outer Mid BL866 110SX/110SXJ - With Inverted Power Track	
7		Ref	Chain, Extend - Fly BL823 Options:	
7	1260238	1 set	Chain, Extend - Fly BL823 100SX/110SXJ	
7	1260234	1 set	Chain, Extend - Fly BL823 110SX/120SXJ	
7	1260234	1 set	Chain, Extend - Fly BL823 110SX/110SXJ - With Inverted Power Track	
8		Ref	Chain, Retract - Fly BL446 Options:	
8	1260282	1	Chain, Retract - Fly BL446 100SX/110SXJ	
8	1260275	1	Chain, Retract - Fly BL446 110SX/120SXJ	
8	1260275	1	Chain, Retract - Fly BL446 110SX/110SXJ - With Inverted Power Track	
9		Ref	Chain, Retract - Outer Mid BL446 Options:	
9	1260237	1	Chain, Retract - Outer Mid BL446 100SX/110SXJ	
9	1260233	1	Chain, Retract - Outer Mid BL446 110SX/120SXJ	
9	1260233	1	Chain, Retract - Outer Mid BL446 110SX/110SXJ - With Inverted Power Track	
10	3580139	1	Sheave - Outer Mid Extend Chain	
11	0238927	AR	Sheave Assembly - Fly Extend Chain	B
11	0961293	AR	Bushing, Bronze (1 Per Sheave)	
12	0237151	2	Sheave Assembly - Outer Mid Extend Chain	B
12	0961353	2	Bushing, Bronze (1 Per Sheave)	
13	0239606	2	Sheave Assembly - Fly Retract Chain	-
13	0961369	2	Bushing, Bronze (1 Per Sheave)	
14		Ref	Adjustable Clevis Assembly - Outer Mid Retract Chain Options: (See CHAIN ADJUSTER ASSEMBLIES for Breakdown)	
14	0239267	1	Adjustable Clevis Assembly - Outer Mid Retract Chain 100SX/110SXJ	
14	0239268	1	Adjustable Clevis Assembly - Outer Mid Retract Chain 110SX/120SXJ	
14	0239268	1	Adjustable Clevis Assembly - Outer Mid Retract Chain 110SX/110SXJ - With Inverted Power Track	
15	3421286	4	Pin, Attach	
16	1360171	1	Clevis	
17	3421279	1	Pin, Attach	
18	3450408	2	Pin, Cotter 1/8in x 2in	
19	3313002	1	Nut, Jam 1 1/4in-7NC	
20	3300244	1	Locknut, Nylon 1 1/4in-7NC Grade 8	
21	3312602	2	Nut, Jam 1in-8NC	
22	3300243	2	Locknut, Nylon 1in-8NC Grade 8	
23	0238901	1	Adjustable Clevis Assembly - Outer Mid Retract Chain (See CHAIN ADJUSTER ASSEMBLIES for Breakdown)	
26	3421570	2	Pin, Attach	
27	4751600	35	Flatwasher 3/8in	
28	3450303	AR	Pin, Cotter 3/22in x 3/4in	
29	0238919	1	Adjustable Clevis Assembly - Fly Extend Chain (See CHAIN ADJUSTER ASSEMBLIES for Breakdown)	
30	3421280	6	Pin, Attach	
31	4751000	AR	Flatwasher #10	
32	3450202	AR	Pin, Cotter 1/16in x 1/2in	
33	3421629	2	Pin, Attach	
34	3420659	2	Pin, Attach (CE Machines Only)	

SECTION 3 - BOOM

ITEM	PART NUMBER	QTY	DESCRIPTION	REV
35	0238945	2	Adjustable Clevis Assembly - Outer Mid and Fly Retract Chain (See CHAIN ADJUSTER ASSEMBLIES for Breakdown)	
37	3300240	AR	Locknut, Nylon 5/8in-11NC (Grade 8)	
38	3312002	AR	Nut, Jam 5/8in-11NC	
39	4761600	100	Lockwasher 3/8in	
41	4843105	1	Mount, End - Chain	
42	3421539	1	Pin, Sheave	
43	3450814	2	Pin, Cotter 1/4in x 3 1/2in	
44	4070616	4	Shim 1/32in/.8mm	
45	0560689	2	Block, Mounting - Wear Pad	
46	2160002	AR	Fitting, Grease	
47		Ref	Pin, Sheave Options:	
47	3421538	2	Australian	
47	3421778	1	CE	
48	4740307	AR	Washer, Thrust	
49	3421290	2	Pin, Sheave	
50	3422040	2	Pin, Sheave	
51	4740311	12	Washer, Thrust	
52	3951606	AR	Setscrew 3/8in-16NC x 3/4in	
54	3421497	2	Pin, Trunion	
55	3421293	1	Pin, Cylinder	
56	3340475	6	Pad, Wear (Fly Rear Top, Inner Mid Rear Top and Outer Mid Rear Top)	
57	4070535	AR	Shim 1/8in/3.2mm	
58	4070536	AR	Shim 1/16in/1.6mm	
59	3340263	9	Pad, Wear (Carrier Support - Left Side, Fly Rear Sides and Outer Mid Rear Sides)	
60	4070544	AR	Shim 1/16in/1.6mm	
61	4070545	AR	Shim 1/8in/3.2mm	
62	3340563	4	Pad, Skid	
63	4070615	AR	Shim 1/16in/1.6mm	
64	1120019	4	Cap	
65	0721003	12	Bolt #10-24NC x 3/8in	
66	4761000	12	Lockwasher #10	
67	0641605	2	Bolt 3/8in-16NC x 5/8in	
68	0641607	18	Bolt 3/8in-16NC x 7/8in	
69	0641609	52	Bolt 3/8in-16NC x 1 1/8in	
70	4761800	1	Lockwasher 1/2in	
71	0641808	1	Bolt 1/2in-13NC x 1in	
72	4751800	2	Flatwasher 1/2in	
73	0641614	7	Bolt 3/8in-16NC x 1 3/4in	
74	0641630	6	Bolt 3/8in-16NC x 3 3/4in	
75	3340496	2	Pad, Wear (Base Front Bottom)	
76	4070602	2	Shim 1/8in/3.2mm	
77	4070603	2	Shim 1/16in/1.6mm	
78	0641608	8	Bolt 3/8in-16NC x 1in	
79	0641636	4	Bolt 3/8in-16NC x 4 1/2in	
80	0239607	1	Sheave Assembly - Outer Mid Extend Chain	
80	0961370	1	Bushing, Bronze	
81	0901700	1	Bracket, Wear Pad	
82	3340506	2	Pad, Wear (Outer Mid Front Bottom)	

SECTION 3 - BOOM

ITEM	PART NUMBER	QTY	DESCRIPTION	REV
83	3340500	10	Pad, Wear (Outer Mid Front Sides and Top, Inner Mid Front Top and Base Front Top)	
84	4070708	AR	Shim 1/16in/1.6mm	
85	4070709	AR	Shim 1/8in/3.2mm	
86	3340502	8	Pad, Wear (Inner Mid Front Sides and Base Front Sides)	
87	4070710	8	Shim 1/16in/1.6mm	
88	4070711	8	Shim 1/8in/3.2mm	
89	4844126	1	Tube, Hose and Cable (Left Side)	
90		Ref	Carrier Without Covers (Left Side) Options:	
90	1001119696	1	Carrier Without Covers (Left Side) - 100SX/110SX/120SXJ (was p/n 1180286)	
90		Ref	Gemco Replacement Parts:	
90	7006193	AR	Repair Section - 1 Foot	
90	7006133	2	Feet, Mounting (1 Pair)	
90	7006138	AR	Pin Kit	
90		Ref	Gortrac Replacement Parts:	
90	70003143	AR	Repair Section - 1 Foot	
90	70003144	2	Feet, Mounting (1 Pair)	
90	1180292	1	Carrier Without Covers (Left Side) - 110SXJ	
90	7006193	AR	Repair Section - 1 Foot	
90	7006133	2	Feet, Mounting (1 Pair)	
90	7006138	AR	Pin Kit	
90	1180334	1	Carrier With Covers (Left Side) - 110SX/110SXJ - With Inverted Power Track	
90	7006503	AR	Repair Section - 1 Foot	
90	7006133	2	Feet, Mounting (1 Pair)	
90	7006138	AR	Pin Kit	
91	3311601	20	Nut 3/8in-16NC	
92	0641610	6	Bolt 3/8in-16NC x 1 1/4in	
93		Ref	Carrier Tube Weldment (Left Side) Options:	
93	1180297	1	Carrier Tube Weldment (Left Side) 100SX/110SX	
93	1180293	1	Carrier Tube Weldment (Left Side) 110SXJ	
93	1180297	1	Carrier Tube Weldment (Left Side) 110SX/110SXJ - With Inverted Power Track	
93	1180287	1	Carrier Tube Weldment (Left Side) 120SXJ	
94	4280242	2	Strip, Reinforcing	
96	0641404	2	Bolt 1/4in-20NC x 1/2in	
97	3450806	2	Pin, Cotter 1/4in x 1 1/2in	
98	3841013	2	Rod, Roller	
99	3860050	2	Roller	
100	3840956	1	Hanger (Left Side)	
101	2660042	1	Holder	
102	0902470	1	Rod, Hose Retainer (Left Side)	
103	1320155	2	Clamp, U-Bolt	
104	4843080	1	Bracket, Support - Carrier Wear Pad (Left Side)	
105		Ref	Cable, Electrical - 10/4 + 18/16 Options:	
105	4922403	1	Cable, Electrical - 10/4 + 18/16 100SX	
105	4922401	1	Cable, Electrical - 10/4 + 18/16 110SX/110SXJ - With Inverted Power Track	
105	4922402	1	Cable, Electrical - 10/4 + 18/16 120SXJ	
106		Ref	Cable, Electrical 10/3 Options:	
106	1060393	AR	Cable, Electrical 10/3 - Australian Spec	

SECTION 3 - BOOM

ITEM	PART NUMBER	QTY	DESCRIPTION	REV
106	1060393	131 ft/40m	Cable, Electrical 110SX/110SXJ - With Inverted Power Track	
106	1060393	128 ft/39m	Cable, Electrical 110SXJ	
106	1060393	149 ft/45m	Cable, Electrical 120SXJ	
106	1060393	AR	Cable, Electrical 10/3 - CE Spec	
601	1060393	131 ft/40m	Cable, Electrical 100SX	
106	1060545	AR	Cable, Electrical 10/3 - CE Spec	
106	1060545	131 ft/40m	Cable, Electrical 110SX/110SXJ - With Inverted Power Track	
106	1060545	128 ft/39m	Cable, Electrical 110SXJ	
106	1060545	149 ft/45m	Cable, Electrical 120SXJ	
107		Ref	Cable, Electrical - 16/30	
107	4922406	1	Cable, Electrical - 16/30 100SX	
107	4922404	1	Cable, Electrical - 16/30 110SX/110SXJ - With Inverted Power Track	
107	4922405	1	Cable, Electrical - 16/30 120SXJ	
107	4922406	1	Cable, Electrical - 16/30 120SXJ - W/Length Limit	
108		Ref	Cable, Electrical 16/4 Options:	
108	1060079	50 ft/15m	Cable, Electrical 16/4 110SXJ/110SXJ - With Inverted Power Track Only (Prior to SN 60361)	
108	Not Required	0	Cable, Electrical 16/4 100SX/110SX/110SX - With Inverted Power Track	
111	1180254	1	Carrier Tube Weldment (Right Side)	
112		Ref	Carrier (Right Side) Options:	
112	1180236	1	Carrier Without Covers (Right Side) - 100SX/110SX/110SXJ/120SXJ	
112	7006153	AR	Repair Section - 1 Foot	
112	7006133	2	Feet, Mounting (1 Pair)	
112	7006138	AR	Pin Kit	
112	1001119697	1	Carrier Without Covers (Right Side) - 110SX/110SXJ - With Inverted Power Track (was p/n 1180289)	
112		Ref	Gemco Replacement Parts:	
112	7016503	AR	Repair Section - 1 Foot	
112	7006133	2	Feet, Mounting (1 Pair)	
112	7006138	AR	Pin Kit	
112		Ref	Gortrac Replacement Parts:	
112	70003145	AR	Repair Section - 1 Foot	
112	70003146	2	Feet, Mounting (1 Pair)	
113		Ref	Cover, Boom End Options:	
113	4843107	1	Cover, Boom End 100SX/110SX	
113	4843087	1	Cover, Boom End 110SXJ	
113	4843107	1	Cover, Boom End 110SX/110SXJ - With Inverted Power Track	
113	4843087	1	Cover, Boom End 120SXJ	
114	3532793	1	Plate, Hose Cover	
115	4060685	2	Shield, Hose and Cable (Right Side)	
116	4060684	1	Shield, Hose and Cable (Right Side)	
117		Ref	Support, Hydraulic Line Options:	
117	1320279	4	Support, Hydraulic Line 100SX/110SX/110SXJ/120SXJ	
117	4340413	4	Support, Hydraulic Line 110SX - With Inverted Power Track	

SECTION 3 - BOOM

ITEM	PART NUMBER	QTY	DESCRIPTION	REV
117	1320279	4	Support, Hydraulic Line 110SXJ - With Inverted Power Track	
118	4300098	8	Stud (Welded on Part)	
119	3311401	AR	Nut 1/4in-20NC	
120	4751400	AR	Flatwasher 1/4	
121	4761400	AR	Lockwasher 1/4in	
122	4300032	AR	Stud (Welded on Part)	
123	3840858	1	Rod, Tube Retainer	
124	4562516	1	Tube	
125	4340453	1	Support, Bracket	
127	4761500	3	Lockwasher 5/16in	
128	0641510	3	Bolt 5/16in-18NC x 1 1/4in	
129	3311501	3	Nut 5/16in-18NC	
130	4751500	6	Flatwasher 5/16in	
132	4740349	1	Washer, Special	
133	3421632	1	Pin (CE Spec Machines Only)	
134	3536001	1	Plate, Ramp (Left Side)	
135	3421571	2	Pin, Attach	
139	3430408	1	Pin, Clevis 1/4in x 1in	
140	3450203	1	Pin, Cotter 1/16in x 3/4in	
141	3421628	2	Pin (CE Spec Machines Only)	
142	1260254	1	Chain (CE Spec Machines Only)	
143	1360234	1	Clevis (CE Spec Machines Only)	
144	4160098	104	Washer, Belleville (CE Spec Machines Only)	
145	4712000	2	Washer, Narrow (CE Spec Machines Only)	
146	0361727	1	Bar (CE Spec Machines Only)	
147	1260261	1	Chain, BL434 (CE Spec Machines Only)	
148	1360223	1	Clevis (CE Spec Machines Only)	
149		Ref	Cable 16/3 Options:	
149	Not Required	0	Cable 16/3 110SX/110SX - With Inverted Power Track	
149	1060016	50 ft/15m	Cable 16/3 100SX/110SXJ/120SXJ	
149	1060016	50 ft/15m	Cable 16/3 110SXJ - With Inverted Power Track	
152		Ref	Fitting, Grease Options:	
152	Not Required	0	Fitting, Grease 100SX	
152	Not Required	0	Fitting, Grease 110SX/110SX - With Inverted Power Track	
152	2160001	2	Fitting, Grease 110SX/110SXJ/120SXJ	
152	Not Required	0	Fitting, Grease 120SXJ W/Length Limit	
153	3340494	2	Pad, Wear (Inner Mid Front Bottom)	
154	4070600	2	Shim 1/8in/3.2mm	
155	4070601	2	Shim 1/16in/1.6mm	
156	Not Required	0	Not Required	
158	0741608	1	Screw, Countersunk 3/8in-16NC x 1in	
160	4740304	2	Washer, Spacer (CE Spec Machines Only)	
161	0641407	2	Bolt 1/4in - 20 NC x 7/8in	
162	1670836	8	Cover (Not Shown) Located on Bottom of Boom Sections)	
163	0641611	2	Bolt 3/8in-16NC x 1 3/8in	
	0100011	AR	LOCTITE #242	
		Ref	RADIUS LIMIT TAPE INSTALLATIONS	
	0258596	Ref	Radius Limit Tape Installations 100SX - 50' Reach (CE)	1
	1282060	Ref	Radius Limit Tape Installations 100SX - 50ft Reach (CE)	F
	0252764	Ref	Radius Limit Tape Installations 110SX - 55ft Reach (CE)	3
	1282060	Ref	Radius Limit Tape Installations 110SX - 55ft Reach (CE)	F

SECTION 3 - BOOM

ITEM	PART NUMBER	QTY	DESCRIPTION	REV
	0239878	Ref	Radius Limit Tape Installations 110SX - 60ft Reach (AUSTRALIAN)	3
	1282060	Ref	Radius Limit Tape Installations 110SX - 60ft Reach (AUSTRALIAN)	F
	0251100	Ref	Radius Limit Tape Installations 110SXJ - 55ft & 60ft Reach (AUSTRALIAN AND CE)	4
	1282060	Ref	Radius Limit Tape Installations 110SXJ - 55ft & 60ft Reach (AUSTRALIAN AND CE)	F
	0252764	Ref	Radius Limit Tape Installations 120SXJ - 55ft & 60ft Reach (AUSTRALIAN AND CE)	3
	1282060	Ref	Radius Limit Tape Installations 120SXJ - 55ft & 60ft Reach (AUSTRALIAN AND CE)	F
201		Ref	Tape Options:	
201	4420016	6 in/15.3cm	Tape - Yellow (110SX - 60ft Reach)	
201	4420018	6 in/15.3cm	Tape - Blue (110SXJ - 55ft & 60ft Reach)	
201	Not Required	0	Tape 100SX - 50ft Reach	
201	Not Required	0	Tape 110SX - 55ft Reach	
201	Not Required	0	Tape 120SX - 55ft & 60ft Reach	
202	4420017	6 in/15.3cm	Tape - Red	
203	4420015	6 in/15.3cm	Tape - White	

SECTION 3 - BOOM

FIGURE 3-2. CHAIN ADJUSTER ASSEMBLIES

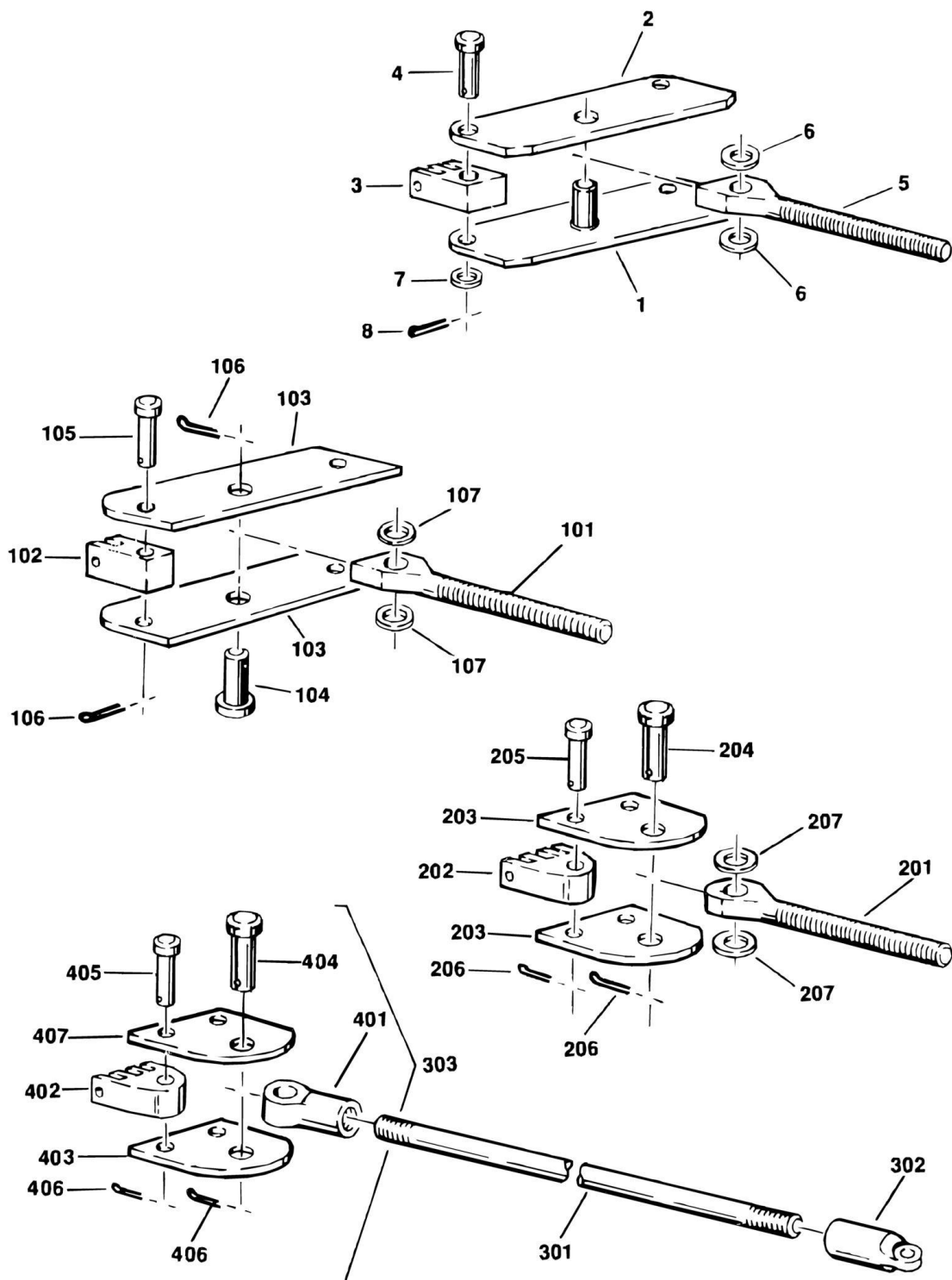


FIGURE 3-2. CHAIN ADJUSTER ASSEMBLIES

ITEM	PART NUMBER	QTY	DESCRIPTION	REV
		Ref	CHAIN ADJUSTER ASSEMBLIES	
	0238945	Ref	CHAIN ADJUSTER ASSEMBLY (OUTER MID AND FLY RETRACT)	-
1	4843026	1	Chain Plate Weldment	
2	3532466	1	Plate, Top	
3	1360175	2	Clevis	
4	3420552	2	Pin, Clevis	
5	0630197	1	Eyebolt	
6	4740156	2	Washer, Thrust	
7	4740270	2	Washer, Special	
8	3450504	2	Pin, Cotter 5/32in x 1in	
	0238919	Ref	CHAIN ADJUSTER ASSEMBLY (FLY EXTEND)	-
101	0630410	1	Eyebolt	
102	1360209	2	Clevis	
103	3532425	2	Plate	
104	3421535	1	Pin, Adjuster Plate	
105	3421534	2	Pin, Clevis	
106	3450506	3	Pin, Cotter 3/32in x 1 1/2in	
107	4740111	2	Washer, Thrust	
	0238901	Ref	CHAIN ADJUSTER ASSEMBLY (OUTER MID RETRACT)	-
201	0630409	1	Eyebolt	
202	1360206	2	Clevis	
203	3532410	2	Plate	
204	3421535	1	Pin, Adjuster Plate	
205	3421534	2	Pin, Clevis	
206	3450506	3	Pin, Cotter 3/32in x 1 1/2in	
207	4740111	2	Washer, Thrust	
	0239267	Ref	CHAIN ADJUSTER AND ROD ASSEMBLY (OUTER MID RETRACT) (100SX)	B
	0239268	Ref	CHAIN ADJUSTER AND ROD ASSEMBLY (OUTER MID RETRACT) (110SX/120SXJ)	3
301		Ref	Rod Options:	
301	3840955	1	Rod 100SX	
301	3840945	1	Rod 110SX/120SXJ (Production)	
301	0273588	1	Rod 110SX/120SXJ (Post Production Alternative)	
301	3841651	1	Rod 110SX/120SXJ (Post Production Alternative)	
302		Ref	Clevis, Rod Options:	
302	1360208	1	Clevis, Rod (Production)	
302	1360274	1	Clevis, Rod (Post Production Alternative)	
303	0238900	1	Chain Adjuster Assembly (See Items 401-407 for Breakdown)	
	0100003	AR	Loctite #277	
	0238900	Ref	CHAIN ADJUSTER ASSEMBLY (OUTER MID RETRACT)	B
401	1360207	1	Clevis, Rod	
402	1360206	2	Clevis, Chain	
403	3532410	1	Plate, Chain Adjuster (Top)	
404	3421535	1	Pin, Adjuster Plate	
405	3421534	2	Pin, Clevis	
406	3450506	3	Pin, Cotter 3/32in x 1 1/2in	
407	3534436	1	Plate, Chain Adjuster Plate (Bottom)	

SECTION 3 - BOOM

FIGURE 3-3. JIB BOOM INSTALLATION

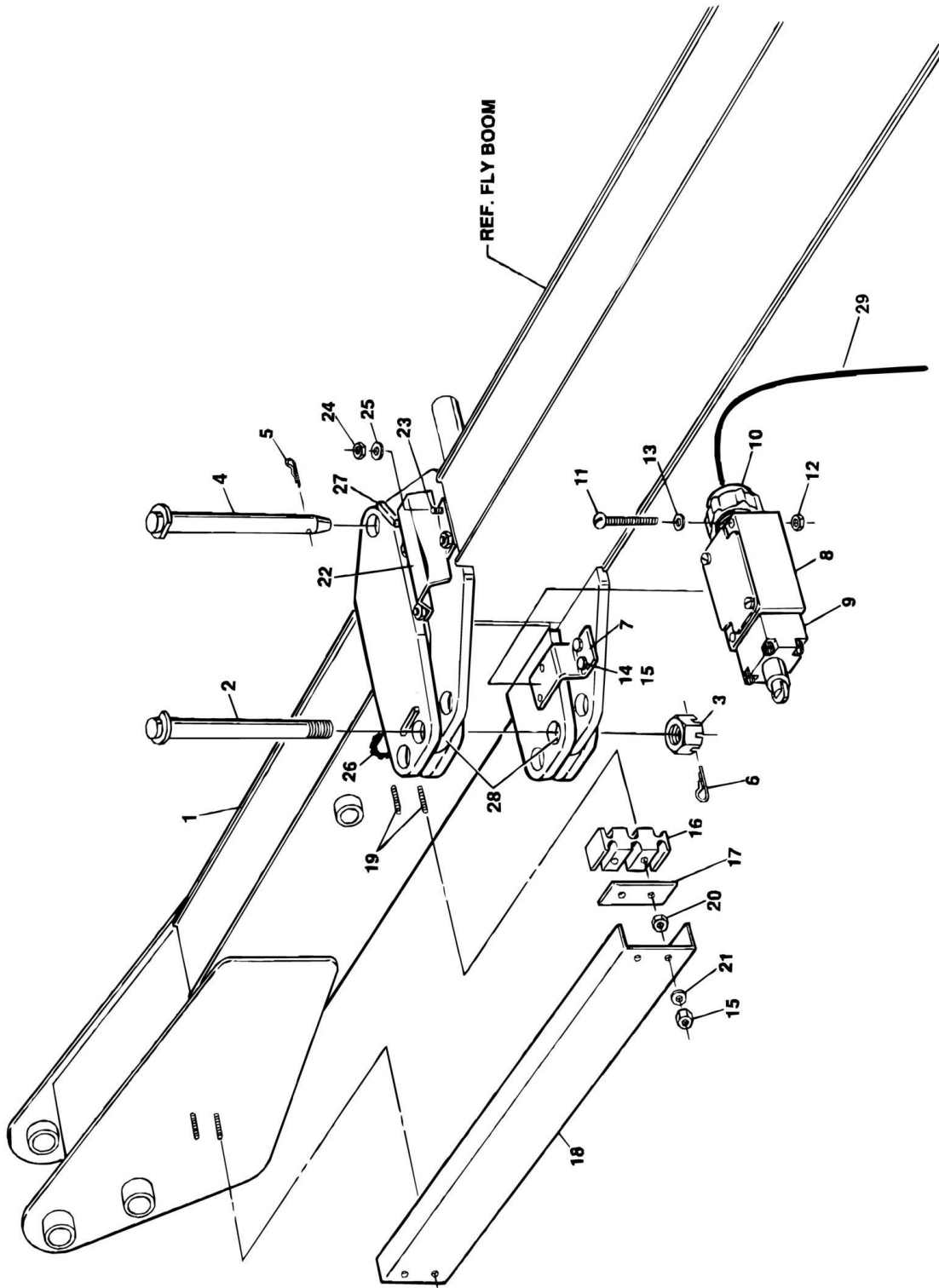
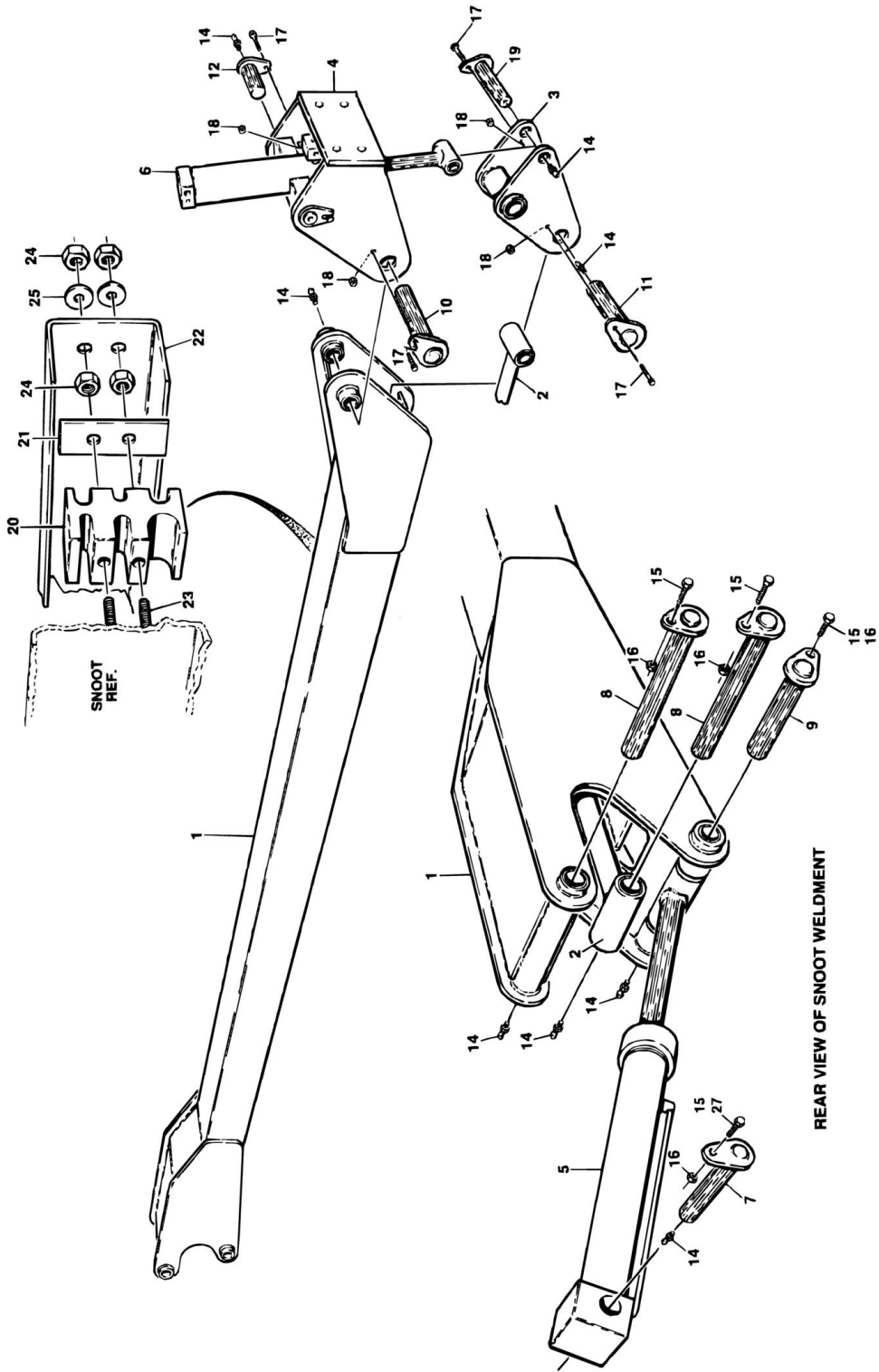


FIGURE 3-3. JIB BOOM INSTALLATION

ITEM	PART NUMBER	QTY	DESCRIPTION	REV
	0258414	Ref	JIB BOOM INSTALLATION OPTIONS:	1
1	0801156	1	Boom, Jib	
2	3422727	1	Pin (Left Side Attach)	
3	3323403	1	Nut, Slotted 1 1/2in x 12NF	
4	3422679	1	Pin (Right Side Attach)	
5	3420592	1	Hairpin	
6	3451012	1	Pin, Cotter 5/16in x 3in	
7	0901835	1	Bracket, Limit Switch	
8	4360277	1	Switch, Limit	
9	4360307	1	Head, Switch	
10	4460049	1	Connector, Strain Relief	
11	0721016	2	Screw, Machine #10-24NC x 2in	
12	3311005	2	Locknut #10-24NC	
13	4751000	2	Flatwasher #10	
14	0641615	2	Bolt 3/8in-16NC x 1 7/8in	
15	3311605	6	Locknut	
16	1320184	2	Clamp, Hose and Cable	
17	3535978	2	Plate	
18	1670635	1	Cover, Hose and Cable	
19	4300076	4	Stud (Welded on Part)	
20	3311602	4	Nut, Jam 3/8in-16NC	
21	4751600	4	Flatwasher 3/8in	
22	3532793	1	Plate, Hose Cover	
23	4300032	4	Stud (Welded on Part)	
24	3311405	4	Locknut 1/4in-20NC	
25	4751400	4	Flatwasher 1/4in	
26	4060803	10 in	Trim, Flexible	
27	2880814	2	Keystock (Welded on Part)	
28	0962181	2	Bushing, Garmax	
29	1060016	50 ft	Cable 16/3 (SN 60361 to Present)	

SECTION 3 - BOOM

FIGURE 3-4. EXTEND-A-REACH INSTALLATION (110SXJ/120SXJ)



SECTION 3 - BOOM

FIGURE 3-4. EXTEND-A-REACH INSTALLATION (110SXJ/120SXJ)

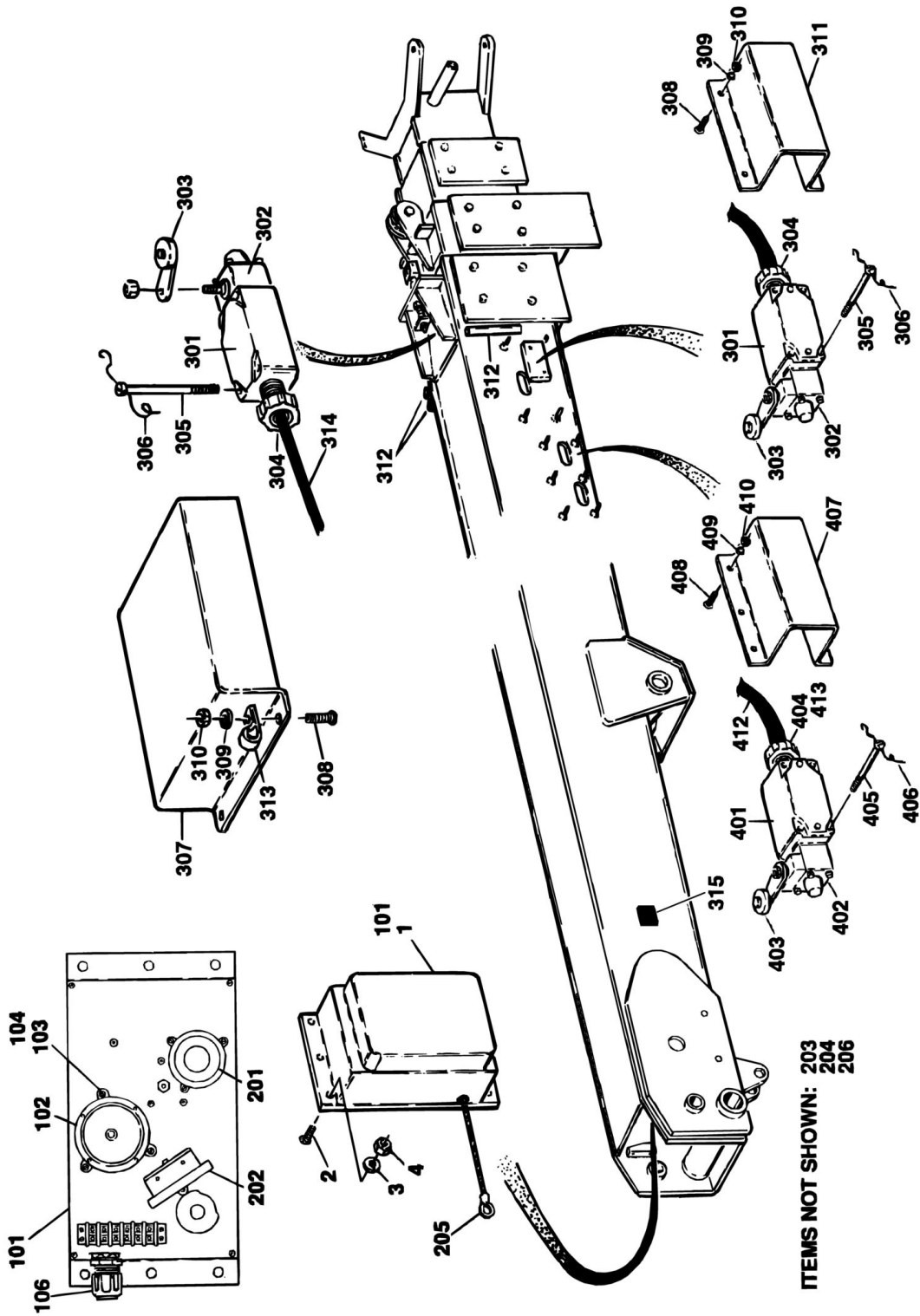
ITEM	PART NUMBER	QTY	DESCRIPTION	REV
		Ref	EXTEND-A-REACH INSTALLATIONS	
	0270286	Ref	Extend-A-Reach Installations 110SXJ	2
	0270287	Ref	Extend-A-Reach Installations 110SXJ (WITH INVERTED POWER TRACK) (AUSTRALIAN SPEC ONLY)	3
	0270288	Ref	Extend-A-Reach Installations 120SXJ	2
1		Ref	Snoot Weldment Options:	
1	4844166	1	Snoot Weldment 110SXJ	
1	4844092	1	Snoot Weldment 120SXJ	
1	0960565	4	Bushing, Bronze	
2		Ref	Level Link Weldment Options:	
2	4844167	1	Level Link Weldment 110SXJ	
2	4844093	1	Level Link Weldment 120SXJ	
2	0961654	2	Bushing, Bronze (Platform End)	
2	0960565	2	Bushing, Bronze (Jib End)	
3	4844094	1	Level Plate Weldment	
3	0961654	2	Bushing, Bronze	
4	4846193	1	Pivot Attach Weldment	
4	1320051	1	Clamp, Hose	
5		Ref	Extend-A-Reach Lift Cylinder Assembly Options:(See CYLINDER SECTION for Breakdown)	
5	1683725	1	Extend-A-Reach Lift Cylinder Assembly (Prior to SN 64012)	
5	1684164	1	Extend-A-Reach Lift Cylinder Assembly (SN 64012 to Present)	
6	1683530	1	Extend-A-Reach Level Cylinder Assembly (See CYLINDER SECTION for Breakdown)	
7		Ref	Pin, Attach (Lift Cylinder - Barrel End) Options:	
7	3422062	1	Pin, Attach (Lift Cylinder - Barrel End) 110SXJ	
7	3422594	1	Pin, Attach (Lift Cylinder - Barrel End) 110SXJ - With Inverted Power Track (Prior to C# 140902)	
7	3422891	1	Pin, Attach (Lift Cylinder - Barrel End) 110SXJ - With Inverted Power Track (C# 140902 to Present)	
7	3422087	1	Pin, Attach (Lift Cylinder - Barrel End) 120SXJ	
8	3422077	2	Pin, Attach (Snoot and Level Link to Jib)	
9		Ref	Pin, Attach (Lift Cylinder - Rod End) Options:	
9	3422079	1	Pin, Attach (Lift Cylinder - Rod End) 110SXJ/120SXJ	
9	3422166	1	Pin, Attach (Lift Cylinder - Rod End) 110SXJ - With Inverted Power Track (Prior to C# 140902)	
9	3422889	1	Pin, Attach (Lift Cylinder - Rod End) 110SXJ - With Inverted Power Track (C# 140902 to Present)	
10	3422081	1	Pin, Attach (Snoot to Pivot)	
11	3422083	1	Pin, Attach (Level Link to Level Plate)	
12	3422037	2	Pin, Attach (Level Cylinder - Barrel End)	
14	2160002	9	Fitting, Grease	
15	0641608	AR	Bolt 3/8in-16NC x 1in	
16	4761600	3	Lockwasher 3/8in	
17	0641610	6	Bolt 3/8in-16NC x 1 1/4in	
18	3311605	10	Locknut 3/8in-16NC	
19	3422085	1	Pin, Attach (Level Cylinder - Rod End)	
20	1320278	2	Clamp, Hose and Cable	
21	3535978	2	Plate	
22		Ref	Cover, Hose and Cable Options:	
22	1670642	1	Cover, Hose and Cable 110SXJ	

SECTION 3 - BOOM

ITEM	PART NUMBER	QTY	DESCRIPTION	REV
22	1670634	1	Cover, Hose and Cable 120SXJ	
23	4300076	4	Stud (Welded on Part)	
24	3311602	4	Nut, Jam 3/8in-16NC	
25	4751600	4	Flatwasher 3/8in	
27	0641606	1	Bolt 3/8in-16NC x 3/4in (110SX/110SXJ Only)	
28	4060803	AR	Trim, Flexible (Not Shown) (110SX/110SXJ Only)	
	0100011	AR	Loctite #242	

SECTION 3 - BOOM

FIGURE 3-5. BOOM LENGTH INDICATOR AND LIMIT SWITCHES INSTALLATION



SECTION 3 - BOOM

FIGURE 3-5. BOOM LENGTH INDICATOR AND LIMIT SWITCHES INSTALLATION

ITEM	PART NUMBER	QTY	DESCRIPTION	REV
	0250119	Ref	BOOM LENGTH/INDICATOR INSTALLATION	2
1	0239485	1	Boom Length Indicator Assembly (See Item 101-104 for Breakdown)	
2	4300032	4	Stud (Welded on Part)	
3	4761400	4	Lockwasher 1/4in	
4	3311401	4	Nut 1/4in-20NC	
	0239485	Ref	BOOM LENGTH INDICATOR SUBASSEMBLY	D
101	0860575	1	Indicator Box Assembly (See Items 201-206 for Breakdown)	
102	4360153	1	Pendulum	
103	3910408	4	Screw #4NC x 1/2in	
104	4770400	4	Starwasher #4	
106	4460428	1	Strain Relief	
	0860575	Ref	INDICATOR BOX ASSEMBLY	E
201	7000637	1	Potentiometer	
201	70002305	1	Holder, Potentiometer	
202	7000638	1	Switch	
203	7000639	1	Spring, Reel	
204	7012526	1	Spring, Extension	
205	7000647	1	Cable	
206	3730024	1	Resistor - 100 Ohms	
		Ref	BOOM LIMIT SWITCHES INSTALLATIONS	
	0270234	Ref	AUSTRALIAN	3
	0270235	Ref	CE	3
301	4360277	AR	Switch, Limit	
302	4360236	AR	Switch, Head	
303	4360278	AR	Switch, Roller Arm	
304		Ref	Connector, Strain Relief Options:	
304	4460052	AR	Connector, Strain Relief (Prior to SN 56617)	
304	4460049	AR	Connector, Strain Relief (SN 56617 to Present)	
305	3900168	AR	Screw #10-24NC x 1 1/2in	
306	4920140	AR	Wire, Safety	
307	3533183	1	Plate, Cover (CE Machines Only)	
308	4300031	4	Stud (Welded on Part) (CE Machines Only)	
309	4761400	AR	Lockwasher 1/4in	
310	3311401	AR	Nut 1/4in-20NC	
311	1670579	1	Cover	
312	4564880	1	Tube, Cable (CE Machines Only)	
313	1320040	2	Clamp, Cable	
314	1060016	50	Cable, Control (CE Machines Only)	
		ft/15.2m		
315	1670836	2	Cover, Boom	
	0270824	Ref	BOOM LENGTH LIMIT SWITCHES INSTALLATIONS (120SXJ Only)	1
401	4360277	2	Switch, Limit	
402	4360236	2	Switch, Head	
403	4360278	2	Switch, Roller Arm	
404	4460049	1	Connector, Strain Relief	
405	3900168	4	Screw #10-24NC x 1 1/2in	
406	4920140	2	Wire, Safety	
407	3572637	1	Plate, Cover	

SECTION 3 - BOOM

ITEM	PART NUMBER	QTY	DESCRIPTION	REV
408	4300031	6	Stud (Welded on Part)	
409	4761400	10	Lockwasher 1/4in	
410	3311401	10	Nut 1/4in-20NC	
411	1320245	6	Clamp, Cable (Not Shown)	
412	1060016	52 ft/15.8m	Cable, Control	
413	4460052	1	Connector, Strain Relief	

SECTION 3 - BOOM

FIGURE 3-6. BOOM WIPERS INSTALLATION

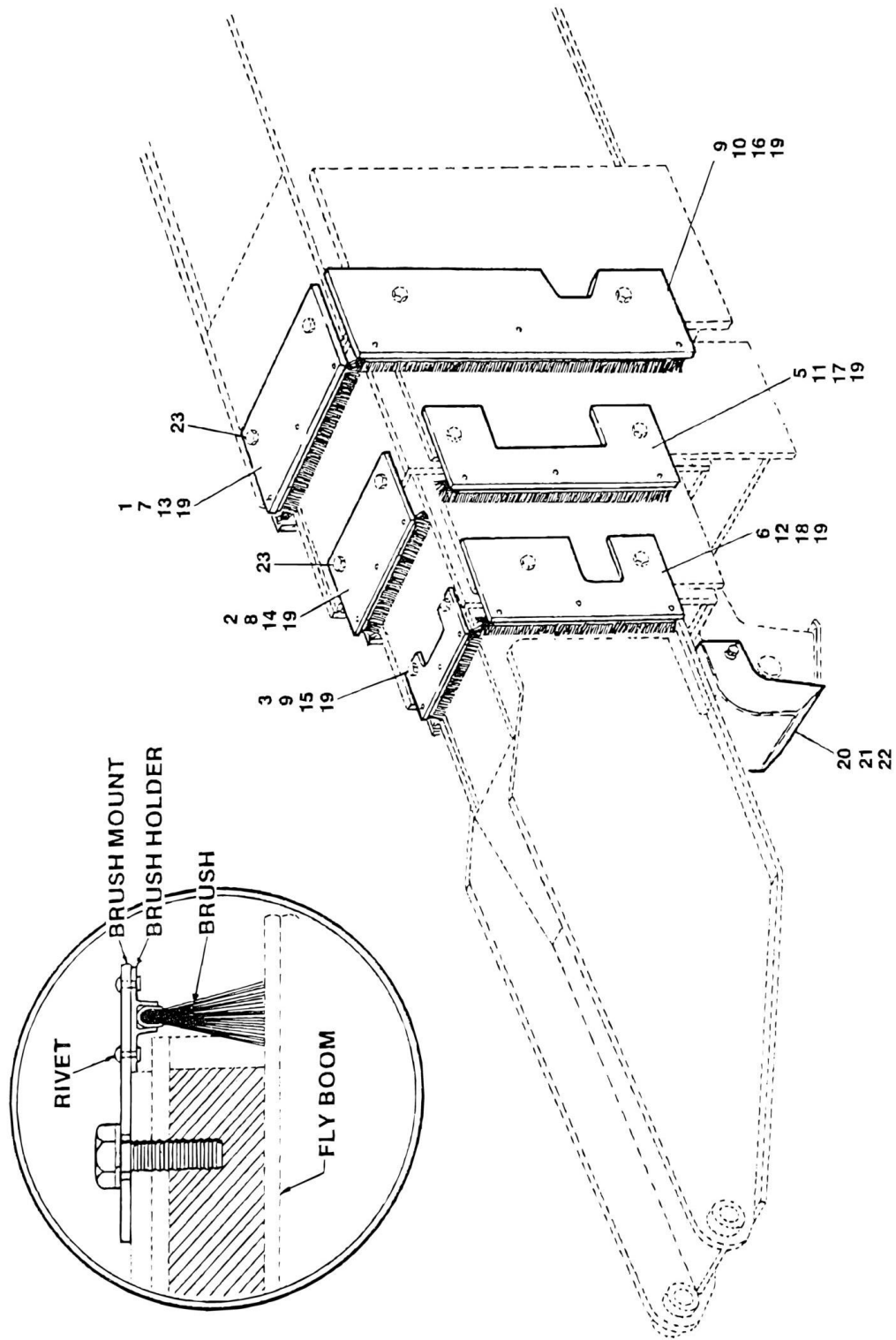


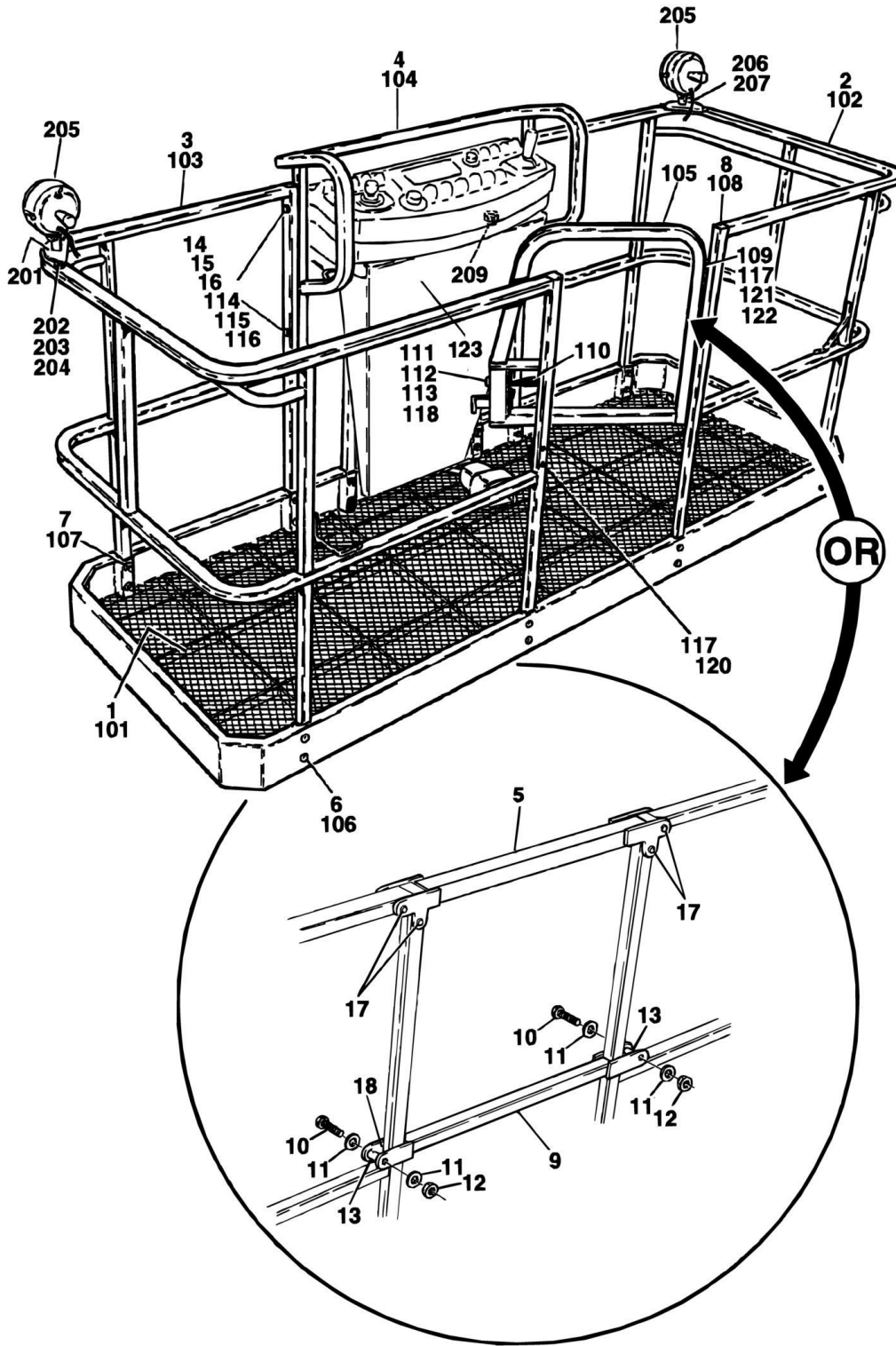
FIGURE 3-6. BOOM WIPERS INSTALLATION

ITEM	PART NUMBER	QTY	DESCRIPTION	REV
	0253303	Ref	BOOM WIPERS INSTALLATION	2
1	3200344	1	Mount, Boom Wiper (Base/Top)	
2	3200346	2	Mount, Boom, Wiper (Inner Mid/Top)	
3	3200348	1	Mount, Boom, Wiper (Outer Mid/Top)	
4	3200345	2	Mount, Boom, Wiper (Base/Side)	
5	3200347	2	Mount, Boom Wiper (Inner Mid/Side)	
6	3200349	2	Mount, Boom Wiper (Outer Mid/Side)	
7	0540074	1	Blade, Boom Wiper (Base/Top)	
8	0540089	2	Blade, Boom Wiper (Inner Mid/Top)	
9	0540078	1	Blade, Boom Wiper (Outer Mid/Top)	
10	0540075	2	Blade, Boom Wiper (Base/Side)	
11	0540077	2	Blade, Boom Wiper (Inner Mid/Side)	
12	0540079	2	Blade, Boom Wiper (Outer Mid/Side)	
13	2660067	1	Holder, Brush (Base/Top)	
14	2660085	2	Holder, Brush (Inner Mid/Top)	
15	2660071	1	Holder, Brush (Outer Mid/Top)	
16	2660068	2	Holder, Brush (Base/Side)	
17	2660070	2	Holder, Brush (Inner Mid/Side)	
18	2660072	2	Holder, Brush (Outer Mid/Side)	
19	3820001	30	Rivet, Pop	
20	1670491	1	Cover Weldment	
21	0641404	4	Bolt 1/4in -20NC x 1/2in	
22	4761400	4	Lockwasher	
23	4711600	4	Flatwasher	

SECTION 4 - PLATFORMS

SECTION 4 - PLATFORMS

FIGURE 4-1. PLATFORM COMPONENTS INSTALLATION



SECTION 4 - PLATFORMS

FIGURE 4-1. PLATFORM COMPONENTS INSTALLATION

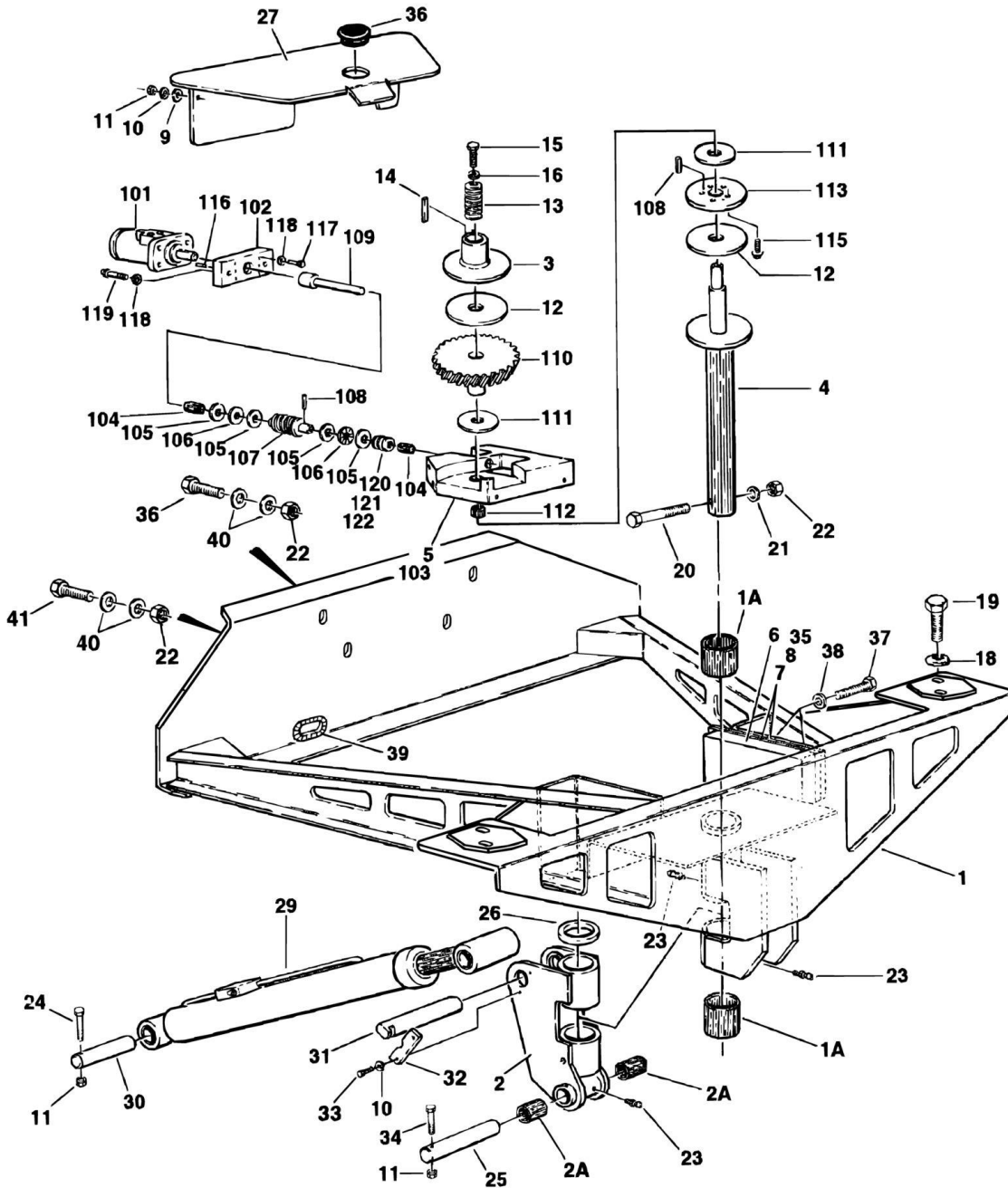
ITEM	PART NUMBER	QTY	DESCRIPTION	REV
		Ref	PLATFORM ASSEMBLIES STANDARD:	
	3510499	Ref	6ft (1.83m)	3
	3510500	Ref	8ft (2.44m)	2
		Ref	Note: Replacement decals must be ordered separately - See DECALS SECTION.	
1		Ref	Floor Weldment Options:	
1	4845290	1	6ft Platform	
1	4845289	1	8ft Platform	
2		Ref	Rail Weldment - Right Side Options:	
2	4844955	1	6ft Platform	
2	4844924	1	8ft Platform	
3		Ref	Rail Weldment - Left Side Options:	
3	4844956	1	6ft Platform	
3	4844925	1	8ft Platform	
4	4845328	1	Rail Weldment - Back	
5	4845287	1	Rail Weldment - Top	
6	3900207	AR	Fastener (Note: P/N 3900207 Fastener may be replaced with P/N 0641416 Bolt, P/N 4751400 Flatwasher, P/N 3311405 Locknut & P/N3300151 Acorn Type Nut. Acorn type nut is required to meet industry safety requirements.)	
7	3300393	AR	Collar	
8	3520072	AR	Plug, Cap	
9	4845288	1	Weldment, Lift Gate	
10	0641418	2	Bolt 1/4in-20NC x 2 1/4in	
11	4740411	4	Washer, Nylon	
12	3300151	2	Nut Acorn 1/4in-20NC	
13	0961845	2	Bushing	
14	0641524	4	Bolt 5/16in-18NC x 3in	
15	3311505	4	Locknut 5/16in-18NC	
16	4751500	4	Flatwasher 5/16in	
17	2080040	8	Fastener	
18	4420055	AR	Tape, UHMW	
		Ref	PLATFORM ASSEMBLIES SELF-CLOSING GATE:	
	3510542	Ref	6ft (1.83m) With Self-Closing Gate	2
	3510543	Ref	8ft (2.44m) With Self-Closing Gate	2
101		Ref	Floor Weldment Options:	
101	4844954	1	6ft Platform	
101	4844928	1	8ft Platform	
102		Ref	Rail Weldment - Right Side Options:	
102	4844955	1	6ft Platform	
102	4844924	1	8ft Platform	
103		Ref	Rail Weldment - Left Side Options:	
103	4844956	1	6ft Platform	
103	4844925	1	8ft Platform	
104	4845328	1	Rail Weldment - Back	
105	4845426	1	Gate Weldment	
106	3900207	AR	Fastener (Note: P/N 3900207 Fastener may be replaced with P/N 0641416 Bolt, P/N 4751400 Flatwasher, P/N 3311405 Locknut & P/N3300151 Acorn Type Nut. Acorn type nut is required to meet industry safety requirements.)	
107	3300393	AR	Collar	

SECTION 4 - PLATFORMS

ITEM	PART NUMBER	QTY	DESCRIPTION	REV
108	3520072	AR	Plug, Cap	
109	2600219	2	Hinge	
110	2940074	1	Latch	
111	3911008	4	Screw #10-24NC x 1/2in	
112	4751000	4	Flatwasher #10	
113	3311005	4	Locknut #10-24NC	
114	0641524	4	Bolt 5/16in-18NC x 3in	
115	3311505	4	Locknut 5/16in-18NC	
116	4751500	4	Flatwasher 5/16in	
117	2080040	13	Fastener	
118	4761000	4	Lockwasher 3/8in	
120	3539685	1	Plate, Latch	
121	4220165	1	Stop, Gate	
122	4060803	6 ft/1.8m	Trim	
123	3380434	1	Panel, Pedestal	
		Ref	WORKLIGHTS INSTALLATIONS (optional)	
	0258048	Ref	Worklights Installations (Optional) (Prior to SN 64504)	2-E
	0271629	Ref	Worklights Installations (Optional) (SN 64504 to Present)	1-A
201	3536089	2	Plate, Mounting	
202	0641414	4	Bolt 1/4in-20NC x 1 3/4in	
203	3311405	4	Locknut 1/4in-20NC	
204	4711400	8	Flatwasher 1/4in Narrow	
205	2920140	2	Worklight	
205	7016399	2	Bulb, Replacement (1 Per Worklight)	
206	4240099	10	Tie-Strap (Not Shown)	
207	2820035	9	Loom, Vinyl (Not Shown)	
209	4460598	1	Connector, Strain Relief (Not Shown - Located at Console Box)	
210	4920018	AR	Wire (Not Shown) (Prior to SN 64504)	

SECTION 4 - PLATFORMS

FIGURE 4-2. PLATFORM SUPPORT AND ROTATOR INSTALLATION (100SX/110SX)



SECTION 4 - PLATFORMS

FIGURE 4-2. PLATFORM SUPPORT AND ROTATOR INSTALLATION (100SX/110SX)

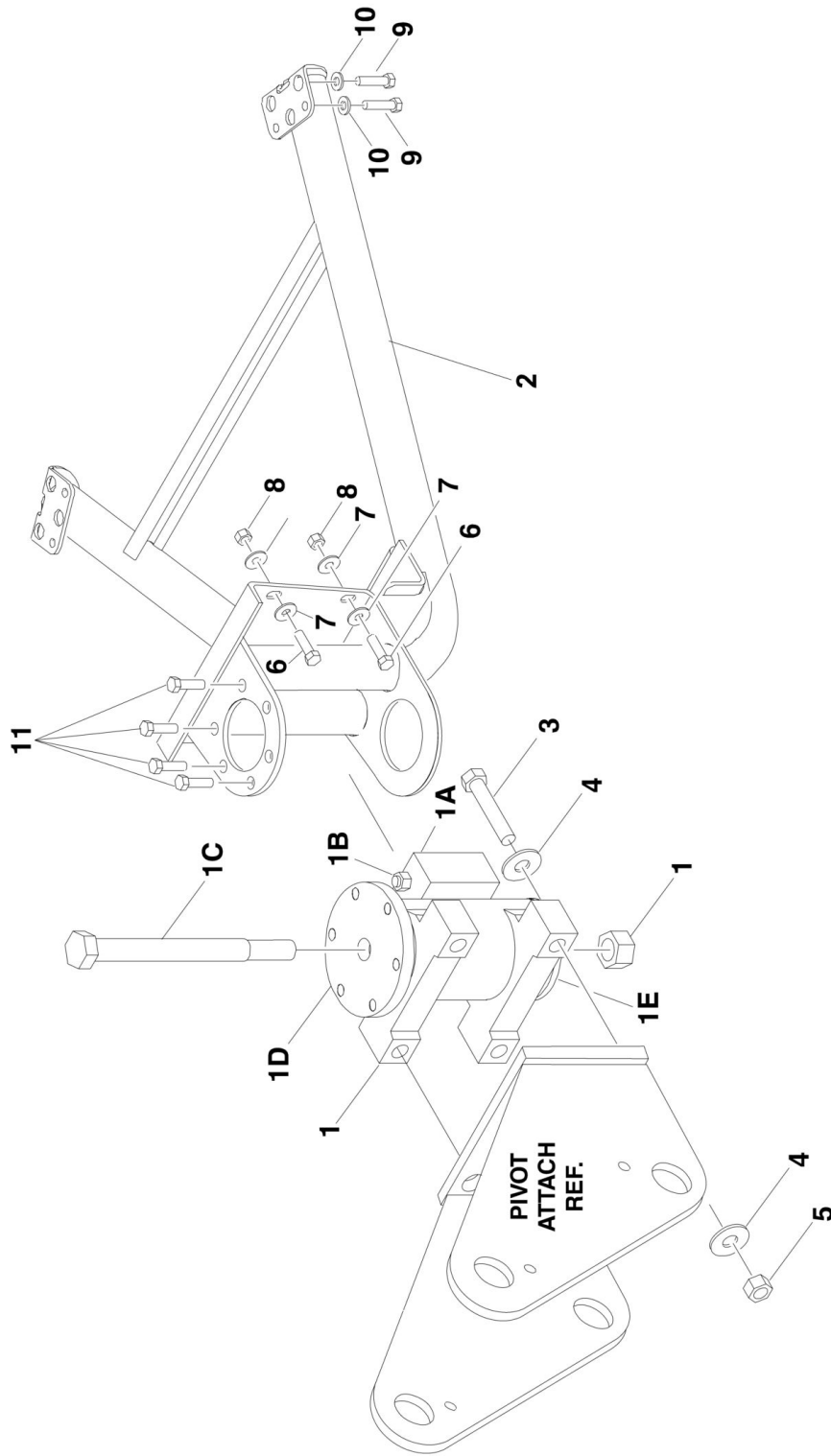
ITEM	PART NUMBER	QTY	DESCRIPTION	REV
	0270276	Ref	PLATFORM SUPPORT AND ROTATOR INSTALLATION (100SX/110SX)	1-A
1	4846196	1	Weldment, Support	
1A	0961259	2	Bushing	
2	0239182	1	Pivot Weldment	
2A	0960565	2	Bushing, Bronze	
3	1120299	1	Cap	
4		Ref	Rotator Shaft Options:	
4	4040220	1	Rotator Shaft (Prior to SN 67889)	
4	4842915	1	Rotator Shaft (SN 67889 to Present)	
5	0235238	1	Rotator Assembly (See Items 101-126 for Breakdown)	
6	0361675	1	Bar, Stop	
7	4070705	AR	Shim 1/8in	
8	4070706	AR	Shim 1/16in	
9	4751500	2	Flatwasher 5/16in	
10	4761500	4	Lockwasher 5/16in	
11	3311501	4	Nut 5/16in-18NC	
12	3340454	2	Pad, Brake	
13	4160026	8	Washer, Belleville	
14	2880404	1	Key	
15	0652014	1	Bolt 5/8in-18NF x 1 3/4in	
16	4752000	1	Flatwasher 5/8in	
18	4711600	4	Flatwasher 3/8in	
19	0681610	4	Bolt 3/8in-16NC x 1 1/4in (Grade 8)	
20	0641840	1	Bolt 1/2in-13NC x 5in	
21	4751800	1	Flatwasher 1/2in	
22	3311805	5	Locknut 1/2in-13NC	
23	2160002	3	Fitting, Grease	
24	0641520	1	Bolt 5/16in-18NC x 2 1/2in	
25	3422147	1	Pin	
26	4740158	1	Washer, Thrust	
27	1670451	1	Cover	
28	4300038	2	Stud (Welded on part - Not Shown)	
29		Ref	Platform Level Cylinder Assembly Options (See CYLINDERS SECTION for Breakdown):	
29	1682590	1	Platform Level Cylinder Assembly (Prior to SN 56302)	
29	1683536	1	Platform Level Cylinder Assembly (SN 56302 to Present)	
30	3421582	1	Pin	
31	3421577	1	Pin	
32	3532054	1	Plate, Retainer	
33	0641506	2	Bolt 5/16in-18NC x 3/4in	
34	0641524	1	Bolt 5/16in-18NC x 3in	
35	4070707	2	Shim 1/32in	
36	0641818	2	Bolt 1/2in-13NC x 2 1/4in	
37	0641816	2	Bolt 1/2in-13NC x 2in	
38	4761800	2	Lockwasher 1/2in	
39	4060804	10.5 in/27cm	Flexguard	
40	4711600	8	Flatwasher 1/2in	
41	0641820	2	Bolt 3/8in-16NC x 2 1/2in	

SECTION 4 - PLATFORMS

ITEM	PART NUMBER	QTY	DESCRIPTION	REV
	0235238	Ref	ROTATOR ASSEMBLY	E
101	3160083	1	Rotator Motor Assembly (See ROTATOR MOTOR ASSEMBLY for Breakdown)	
102	0080099	1	Adapter, Motor	
103	2760064	1	Housing, Gear	
104	0440134	2	Bearing, Sleeve	
105	4740199	4	Washer, Thrust	
106	0440120	2	Bearing, Thrust	
107	2440043	1	Gear, Worm	
108	3440816	4	Rollpin 1/4in x 1in	
109	0080098	1	Adapter, Motor to Worm Gear	
110	2440044	1	Gear, Worm	
111	4740256	2	Washer, Thrust	
112	0440135	1	Bearing, Sleeve	
113	1760068	1	Disc, Brake	
115	3931010	5	Bolt, Socket Head #10-24NC x 5/8in	
116	3441228	2	Rollpin 3/8in x 1 3/4in	
117	3931620	2	Bolt, Socket Head 3/8in-16NC x 1 1/4in	
118	4761600	6	Lockwasher 3/8in	
119	3931612	4	Bolt, Socket Head 3/8in-16NC x 3/4in	
120	4070585	AR	Shim.010	
121	4070586	AR	Shim.005	
122	4070587	AR	Shim.002	
123	0100019	AR	Loctite #271 (Not Shown)	
124	0100021	AR	Primer (Not Shown)	
125	2160001	1	Fitting, Grease - 90 (Not Shown)	
126	3020025	AR	Grease (Not Shown)	

SECTION 4 - PLATFORMS

FIGURE 4-3. PLATFORM SUPPORT AND ROTATOR INSTALLATION (110SXJ/120SXJ)



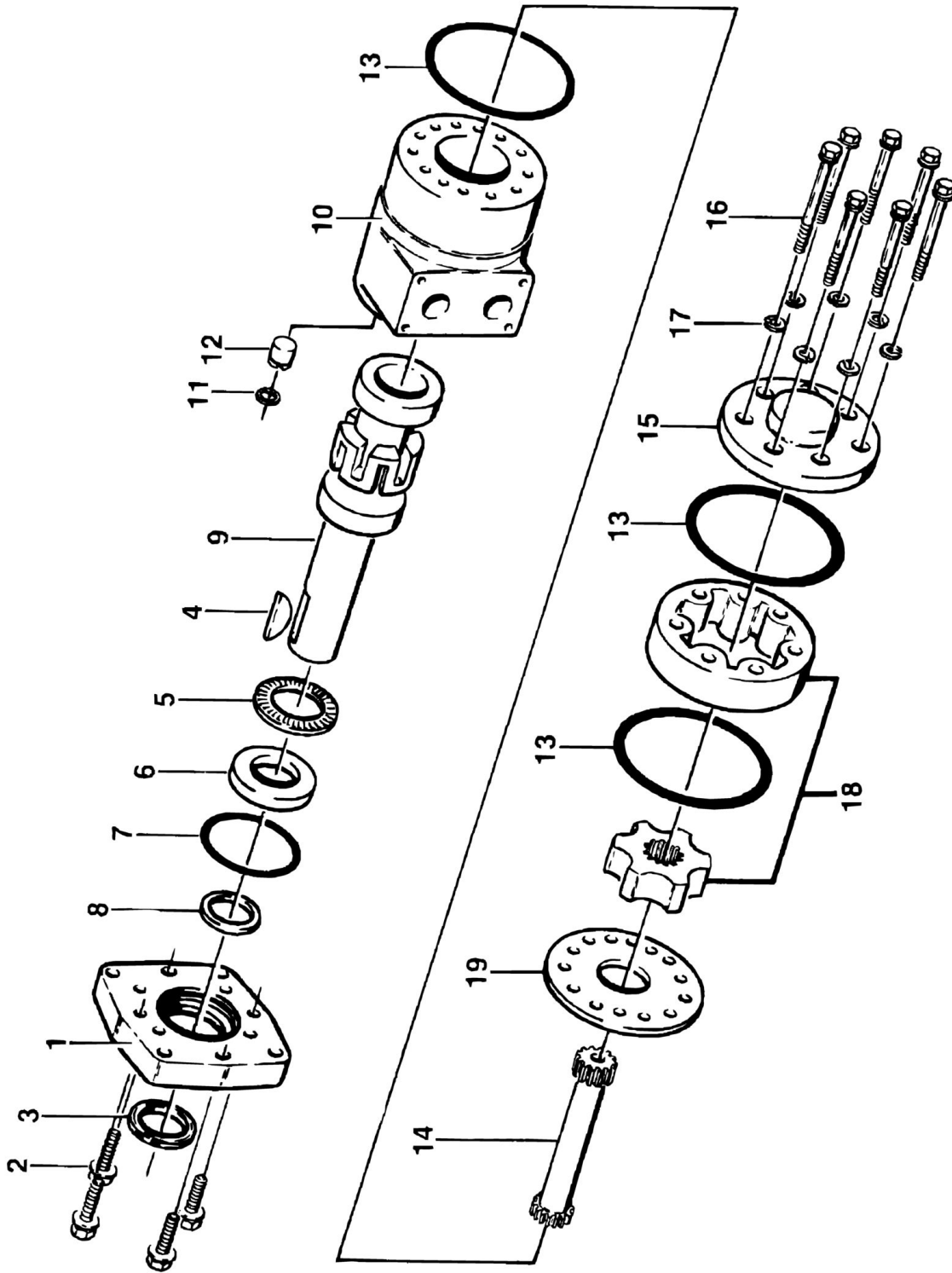
SECTION 4 - PLATFORMS

FIGURE 4-3. PLATFORM SUPPORT AND ROTATOR INSTALLATION (110SXJ/120SXJ)

ITEM	PART NUMBER	QTY	DESCRIPTION	REV
	0259974	Ref	PLATFORM SUPPORT AND ROTATOR INSTALLATION (110SXJ/120SXJ)	4-B
1	0060053	1	Actuator	
1A	7017183	1	Block Valve Assembly (was p/n 7017101)	
1B	7017193	2	Cartridge	
1C	7017119	1	Bolt 1in-8NC x 11in	
1D	7017177	1	Shaft Weldment	
1E	7017174	1	Cap, End	
1F	7017142	1	Kit, Hardware (Not Shown)	
1G	7017156	1	Kit, Bearing (Not Shown)	
1H	7017157	1	Kit, Seal (Not Shown)	
2	4844790	1	Weldment, Platform Support	
3	0682234	4	Bolt 3/4in-10NC x 4 1/4in (Grade 8)	
4	4892200	8	Washer, Hardened 3/4in	
5	3272201	4	Nut 3/4in-10NC (Grade 8)	
6	0641820	4	Bolt 1/2in-13NC x 2 1/2in	
7	4711800	8	Flatwasher 1/2in	
8	3311805	4	Locknut 1/2in-13NC	
9	0681610	4	Bolt 3/8in-16NC x 1 1/4in (Grade 8)	
10	4711600	4	Flatwasher 3/8in	
11	0641808	6	Bolt 1/2in-13NC x 1in	
	0100019	AR	Loctite #271	
	0100011	AR	Loctite #242	

SECTION 4 - PLATFORMS

FIGURE 4-4. ROTATOR MOTOR ASSEMBLY



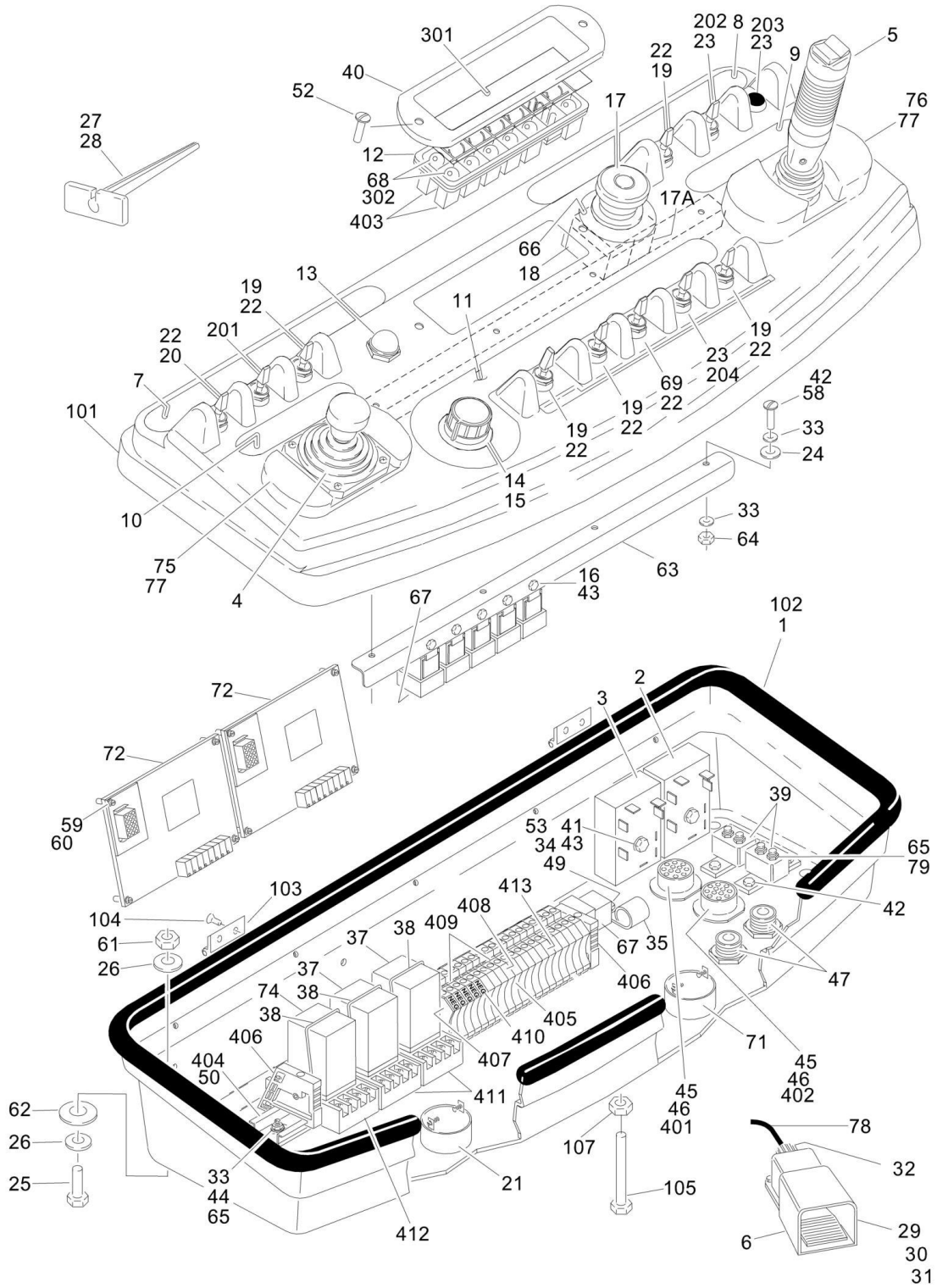
SECTION 4 - PLATFORMS

FIGURE 4-4. ROTATOR MOTOR ASSEMBLY

ITEM	PART NUMBER	QTY	DESCRIPTION	REV
	3160083	Ref	ROTATOR MOTOR ASSEMBLY	A
1	7002105	1	Flange, Mounting	
2	7002123	4	Screw, Cap	
3	Kit	1	Seal, Dust	
4	7002104	1	Key, Woodruff	
5	7002111	1	Bearing, Thrust Needle	
6	7002117	1	Thrust, Bearing Race	
7	Kit	1	Seal, O-Ring	
8	Kit	1	Seal, Pressure	
9	7002116	1	Shaft, Output	
10	7002103	1	Housing	
11	Kit	1	Seal	
12	Kit	1	Plug, Housing	
13	7002115	3	Seal, O-Ring	
14	7002112	1	Drive	
15	7002107	1	Cap, End	
16	7002100	7	Screw, Cap	
17	7000166	7	Lockwasher	
18	7002125	1	Gerotor Sub-Assembly	
19	7002110	1	Plate, Spacer	
	2900455	1	Seal Kit (Includes Items 3, 7, 8, 11 & 12) (P/N 101-1009-007)	
	2900733	1	Seal Kit (Includes Items 3, 7, 8, 11 & 12) (P/N's 101-1009-008 & 101-1009-009)	
		Ref	Note: Identify by P/N stamped on nameplate located on Item 10.	

SECTION 4 - PLATFORMS

FIGURE 4-5. PLATFORM CONSOLE ASSEMBLY



SECTION 4 - PLATFORMS

FIGURE 4-5. PLATFORM CONSOLE ASSEMBLY

ITEM	PART NUMBER	QTY	DESCRIPTION	REV
		Ref	CONSOLE BOX ASSEMBLIES	
	0861370	Ref	Console Box Assemblies 100SX/110SX - 2W/S	5
	0861369	Ref	Console Box Assemblies 100SX/110SX - 4W/S	5
	0861371	Ref	Console Box Assemblies 110SXJ - 2W/S	5
	0861368	Ref	Console Box Assemblies 110SXJ - 4W/S	5
	0861367	Ref	Console Box Assemblies 120SXJ - 4W/S	5
1	0861640	1	Box, Console Assembly (See Items 101-107 for Breakdown) (was p/n 0861353)	
2	3740113	1	Relay, Time Delay	
3	3740115	1	Relay, Time Delay	
4	1600306	1	Controller Assembly (Lift and Swing) (See CONTROLLER ASSEMBLY (LIFT AND SWING) for Breakdown)	
5	1600287	1	Controller Assembly (Drive and Steer) (See CONTROLLER ASSEMBLY (DRIVE AND STEER) for Breakdown)	
6	4360031	1	Footswitch	
6	7000625	2	Block, Contact	
7	1702676	1	Decal (Horn/Drive Speed/Level)	
8	1702564	1	Decal (Stop)	
9	1704520	1	Decal (Drive and Steer)	
10	1702566	1	Decal (Lift and Swing)	
11	1704511	1	Decal (Speed/Lower Lift/Tele/Rotate/Jib)	
12	2760105	1	Housing, Display Light	
13	4360387	1	Switch, Pushbutton	
14	2560136	1	Knob, Speed Control	
15	1600272	1	Controller, Speed (See CONTROLLER ASSEMBLY (SPEED) for Breakdown)	
16	0791004	7	Screw #10-24NC	
17	4360475	1	Switch, Emergency Stop	
17A	7020175	1	Cap, Red	
17A	7020176		Contact Block	
18	4360476	1	Block, Contact	
19	4360314	AR	Switch, Toggle	
20	4360331	1	Switch, Toggle	
21	0140026	1	Alarm	
22	3790012	7	O-Ring	
23	3520028	4	Plug, Hole (For switch call-outs at these locations, refer to options installation below)	
24	4740120	AR	Washer, Nylon #10 (Prior to SN 79464)	
25	0641611	4	Bolt 3/8in-16NC x 1 3/8in	
26	4751600	AR	Flatwasher 3/8in	
27	4460467	1	Tool, Pin Extraction (Blue 16-18 Gauge) (Not Shown)	
28	4460510	1	Tool, Pin Extraction (Yellow 12-14 Gauge) (Not Shown)	
29	0641408	3	Bolt 1/4in-20NC x 1in	
30	3311405	AR	Locknut 1/4in-20NC	
31	4740362	AR	Washer, Fender 1/4in	
32	4460071	1	Connector, Strain Relief	
33	4711000	2	Flatwasher #10 (Narrow)	
34	3311401	1	Nut 1/4in-20NC	
35	1320060	1	Clamp	
36	4460234	6	Mount, Wire Strap	
37	3740123	2	Relay	

SECTION 4 - PLATFORMS

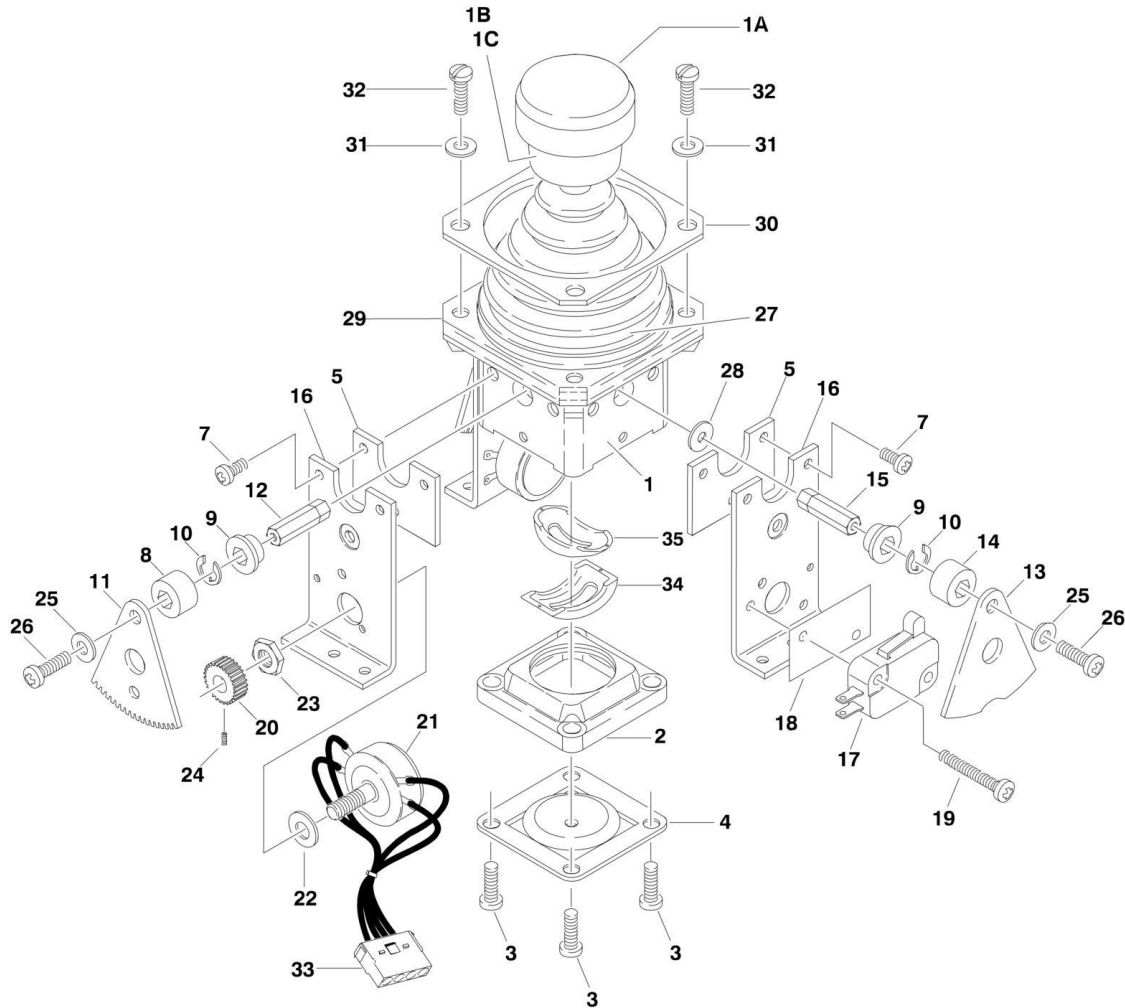
ITEM	PART NUMBER	QTY	DESCRIPTION	REV
38	3740124	AR	Spring, Relay	
39	4360232	2	Breaker, Circuit - 15 Amp	
40	1670829	1	Bezel	
41	0721010	2	Screw, Machine #10-24NC x 1 1/4in	
42	0721003	2	Screw, Machine #10-24NC x 3/8in	
43	3300365	7	Nut, Retainer	
44	0731004	2	Bolt #10-32NF x 1/2in	
45	4460470	2	Nut, Conduit	
46	4460471	2	Washer	
47	4460428	2	Connector, Strain Relief	
48	0100029	AR	Silicone (Not Shown)	
49	0641406	1	Bolt 1/4in-20NC x 3/4in	
50	4420038	6	Foam, Self Adhesive	
		in/15.3cm		
52	0630464	2	Screw, Button Head #10-24NC x 1/2in	
53	4751400	8	Flatwasher 1/4in	
54	0100011	AR	Loctite #242 (Not Shown)	
55	0100035	AR	Loctite #222 (Not Shown)	
56	3380434	1	Panel, Pedestal	
57	0641406	4	Bolt 1/4in-20NC x 3/4in	
58	0630518	AR	Screw, Button Head #10-24NC x 3/4 (Prior to SN 79464)	
59	3910812	8	Screw #8-32NC x 1/2in	
60	4750800	8	Flatwasher #8 (Wide)	
61	3311605	4	Locknut 3/8in-16NC	
62	4751800	4	Flatwasher 1/2in (Wide)	
63	3539275	1	Plate, Mounting	
64	3300408	AR	Locknut #10-24NC, Nylon Insert (Prior to SN 79464)	
65	4761000	2	Lockwasher #10	
66	1704260	1	Decal - EMS	
67	3740049	AR	Relay, Bosch	
68	2920129	AR	Bulb, Light	
69	4360345	1	Switch, Toggle	
71	0140019	1	Alarm	
72	1600307	2	Card, Flow Control	
73	4922422	1	Harness, Footswitch Power (Not Shown)	
74	3740122	AR	Relay	
75	4340678	1	Support, Hand	
76	4340684	1	Support, Hand	
77	0641404	8	Bolt 1/4in-20NC x 1/2in	
78	1060515	6 ft/1.8m	Electrical, Cable 12/4	
78	1060012	6 ft/1.8m	Electrical, Cable (Prior to SN 60492)	
78	1060515	6 ft/1.8m	Electrical, Cable (SN 60492 to Present)	
79	0100020	AR	Sealant	
		Ref	CONSOLE BOX ASSEMBLIES:	
	0861640	Ref	Production (was p/n 0861353)	1-A
	0861640	Ref	Post Production Alternative	
101	Not Available	1	Lid, Cast	
102	Not Available	1	Bottom, Box	
103	2600211	2	Hinge (Used on p/n 0861353)	
104	3900224	8	Capscrew, Socket Head Countersunk 6mm x 16mm (Used on p/n 0861353)	
105	3931672	1	Capscrew, Socket Head 3/8in-16NC x 4 1/2in	

SECTION 4 - PLATFORMS

ITEM	PART NUMBER	QTY	DESCRIPTION	REV
106	0100011	AR	Loctite #242 (Not Shown) (Used on p/n 0861353)	
107	3311601	1	Nut 3/8in-16NC	
		Ref	CONSOLE BOX OPTIONS	
201		Ref	4WS Switch Option Components	
201	4360331	1	Switch, Toggle	
201	3790012	1	O-Ring	
202		Ref	Dual Switch Option Components	
202	4360336	1	Switch, Toggle	
202	3790012	1	O-Ring	
203		Ref	Lights Switch Option Components	
203	4360336	1	Switch, Toggle	
203	3790012	1	O-Ring	
204		Ref	Articulating Jib Switch Option Components	
204	4360314	1	Switch, Toggle	
204	3790012	1	O-Ring	
	0259886	Ref	LIGHT PANEL DECAL INSTALLATION	1
301	1704474	1	Decal - Light Panel Display	
302	2920129	AR	Bulb, Light	
	4922418	Ref	ELECTRICAL COMPONENTS INSTALLATION	3-D
401	4460503	1	Connector - 31 Position	
402	4460613	1	Connector - 21 Position	
403	4120035	AR	Socket, Light	
404	3641182	1	Track	
405	4460601	24	Block, Terminal	
406	4460607	2	Stop, End	
407	4460602	1	Barrier, Terminal	
408	4460847	AR	Marker, Terminal (1-10)	
409	4460603	2	Bar, Buss - 10 Position (Cut into [2] 5 Position Bars)	
410	4460631	1	Marker, Terminal (Negative)	
411	4120037	AR	Socket, Relay	
412	4120036	AR	Socket, Relay	
413	4460849	AR	Marker, Terminal (11-20)	

SECTION 4 - PLATFORMS

FIGURE 4-6. CONTROLLER ASSEMBLY (LIFT AND SWING)



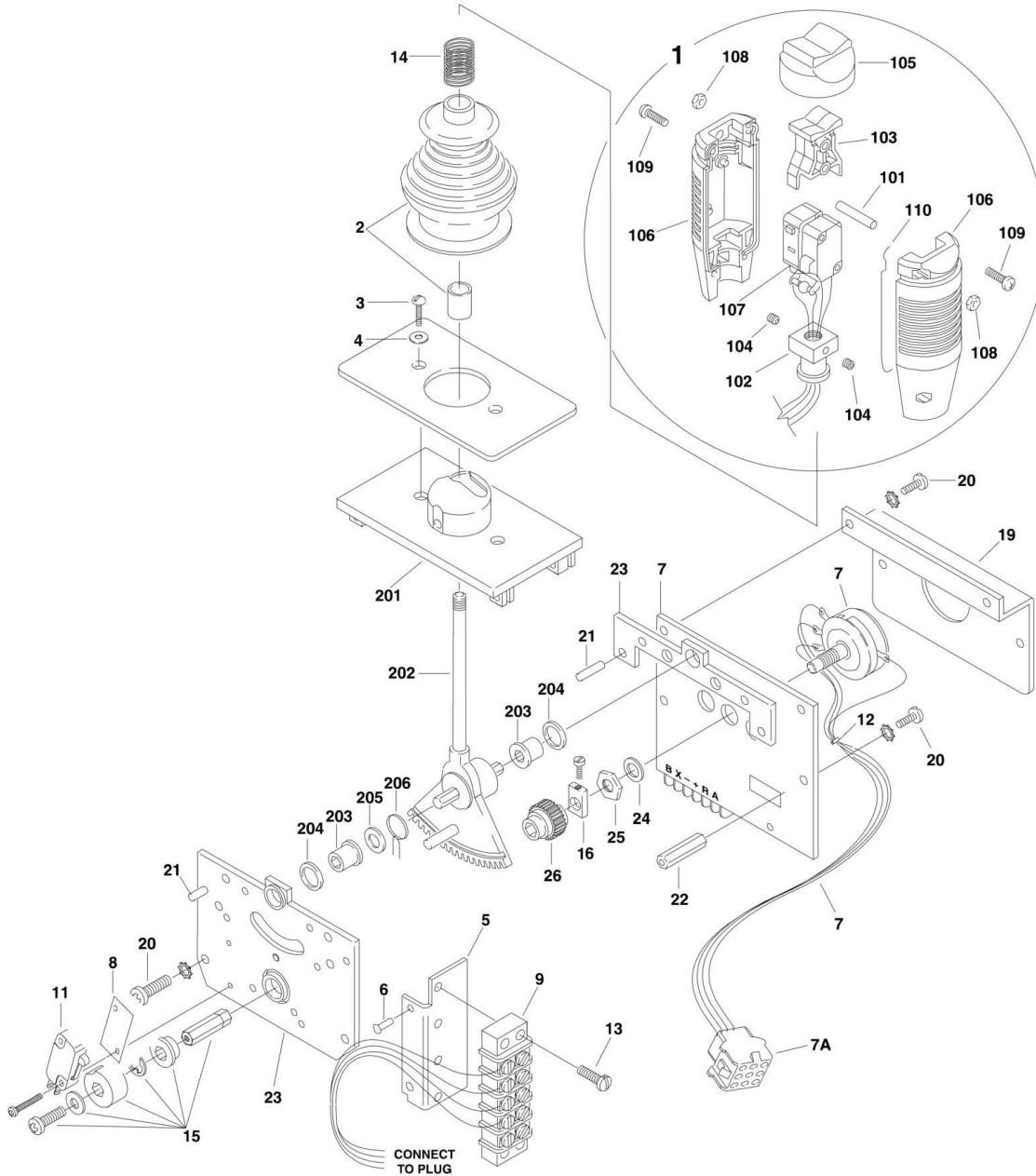
SECTION 4 - PLATFORMS

FIGURE 4-6. CONTROLLER ASSEMBLY (LIFT AND SWING)

ITEM	PART NUMBER	QTY	DESCRIPTION	REV
	1600306	Ref	CONTROLLER ASSEMBLY	D
1	7019141	1	Mechanical Assembly (Includes Base, Handle Stem and Items 1A, 1B, 1C & 27)	
1A	7019197	1	Handle/Cap/Rod Assembly	
1B	7003928	1	Spring	
1C	7022808	1	Cap, Lift	
2	7019169	1	Gate	
3	7003952	4	Screw	
4	7019170	1	Center, Detent	
5	7019171	2	Plate	
7	7019173	12	Screw	
8	7019144	1	Spacer, Cam	
9	7019111	4	Bearing, Gear	
10	7019145	4	E-Clip	
11	7003977	2	Gear, Drive	
12	7019147	2	Shaft	
13	7019175	2	Cam	
14	7019176	2	Spacer, Cam	
15	7019177	2	Shaft	
16	7019142	4	Plate	
17	7003961	2	Microswitch	
18	7019138	2	Insulator	
19	7019139	4	Screw	
20	7003976	2	Gear, Slave	
21	7019178	2	Potentiometer	
22	7003992	2	Washer	
23	7003993	2	Nut	
24	7019149	2	Setscrew	
25	7019144	2	Spacer	
26	7019143	2	Screw	
27	7022813	1	Boot (was p/n 7003955)	
28	7019146	2	Spacer, Cam	
29	7022813	1	Plate, Plastic (was p/n 7003954)	
30	7003956	1	O-Ring	
31	7003953	4	Washer	
32	7022811	4	Screw	
33	Not Available	2	Connector, Male - 4 Position	
33	Not Available	4	Pin, Male	
34	7019122	1	Gimble, Outer	
35	7019123	1	Gimble, Inner	

SECTION 4 - PLATFORMS

FIGURE 4-7. CONTROLLER ASSEMBLY (DRIVE AND STEER)



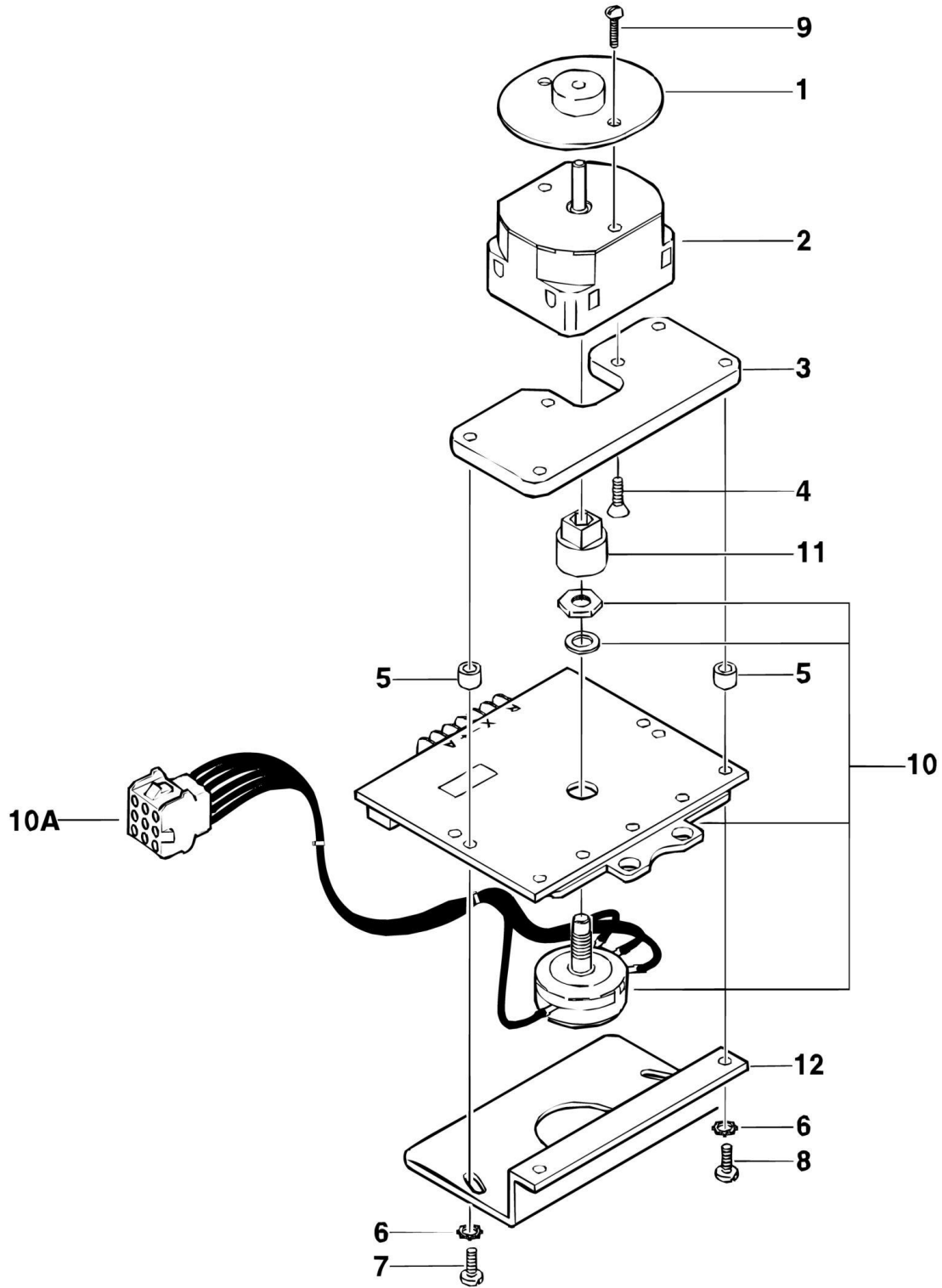
SECTION 4 - PLATFORMS

FIGURE 4-7. CONTROLLER ASSEMBLY (DRIVE AND STEER)

ITEM	PART NUMBER	QTY	DESCRIPTION	REV
	1600287	Ref	CONTROLLER ASSEMBLY	D
1	Not Available	1	Handle Assembly	
2	7019161	1	Boot and Sleeve	
3	7003969	2	Screw	
4	7003941	2	Washer	
5	7019159	1	Bracket, Mounting	
6	Not Serviced	1	Rivet	
7	7019124	1	Board, Circuit with Potentiometer	
7A	4460265	1	Plug - 9 Position (Part of Console Box Harness)	
7A	4460268	9	Socket, Female (Part of Console Box Harness)	
7A	4460266	1	Connector - 9 Position (Part of p/n 7019124)	
7A	4460267	9	Pin, Male (Part of p/n 7019124)	
8	7019138	1	Insulator	
9	7019153	1	Strip, Terminal - 5 Position	
10	7003938	1	Clamp, Boot (Not Shown)	
11	7003961	1	Microswitch	
12	7019151	3	Tie-Strap	
13	7003994	2	Screw	
14	7019162	1	Spring	
15	7019179	1	Micro Cam Assembly	
16	7019163	1	Potentiometer Coupling Assembly	
19	Not Serviced	1	Heatsink	
20	7019117	8	Screw	
21	7019103	4	Pin	
22	7019115	2	Stand-Off	
23	7019168	1	Plate, Mounting (Right Side)	
24	7003992	1	Washer	
25	7003993	1	Nut	
26	7003935	1	Gear, Slave	
		Ref	HANDLE ASSEMBLY	
101	7019164	1	Axle	
102	7019194	1	Coupling	
103	7019165	1	Rocker	
104	7003983	2	Setscrew	
105	7003972	1	Boot, Switch	
106	7003973	2	Half, Handle	
107	7019166	1	Switch, Micro	
108	7019167	4	Nut	
109	7003980	4	Screw	
110	7003989	2	Gasket	
		Ref	HANDLE ASSEMBLY	
201	7019160	1	Cast Housing Assembly	
202	7019155	1	Shaft 8mm	
203	7019111	2	Bearing	
204	7019110	2	Spacer, Head Gear	
205	7019112	1	Washer	
206	7003946	1	Spring, Return	

SECTION 4 - PLATFORMS

FIGURE 4-8. CONTROLLER ASSEMBLY (SPEED)



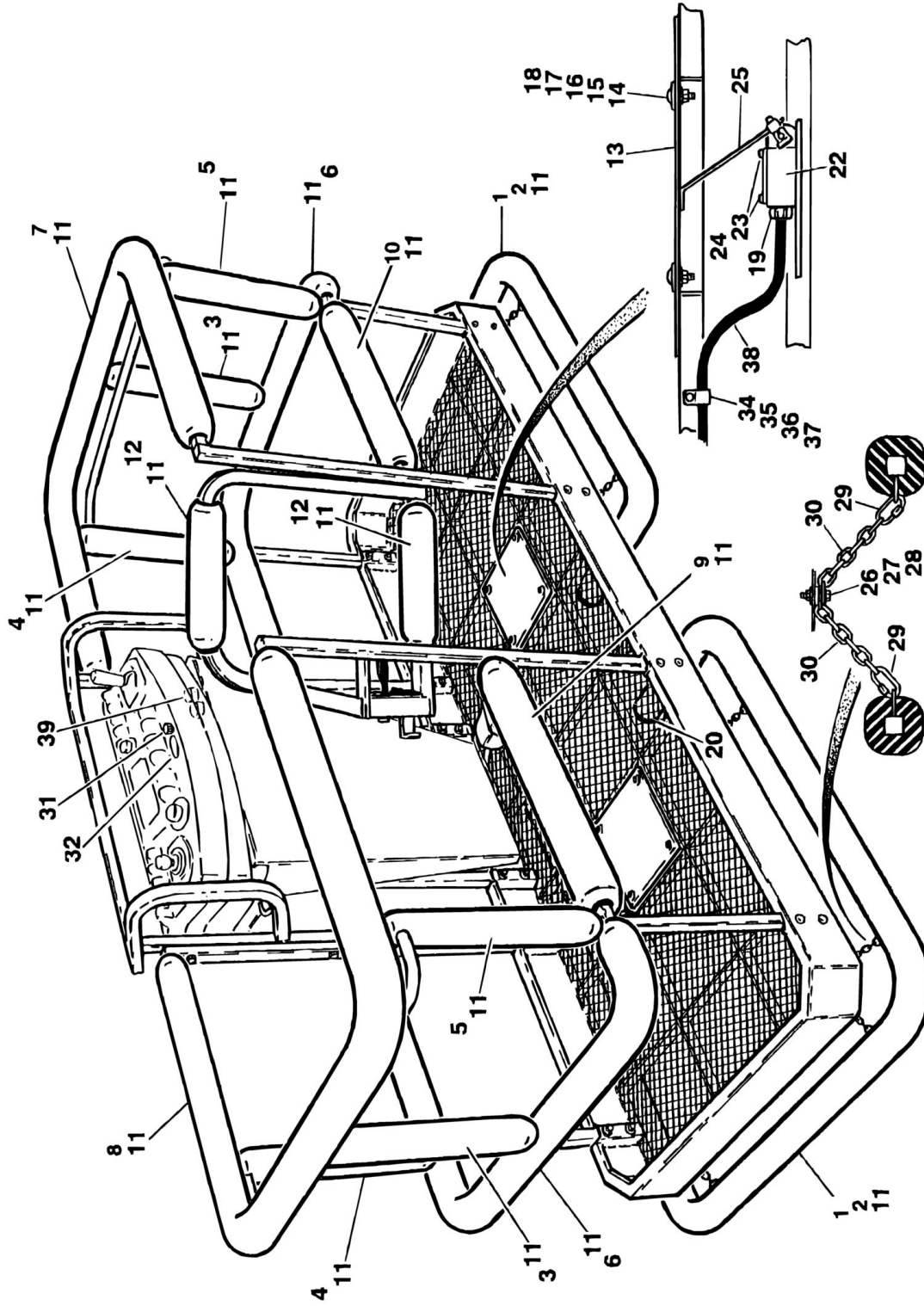
SECTION 4 - PLATFORMS

FIGURE 4-8. CONTROLLER ASSEMBLY (SPEED)

ITEM	PART NUMBER	QTY	DESCRIPTION	REV
	1600272	Ref	CONTROLLER ASSEMBLY	E
1	7019181	1	Seal	
2	7019182	1	Switch, Rotary	
3	Not Serviced	1	Plate	
4	7019183	2	Screw, Flathead	
5	7019184	4	Spacer	
6	7019135	4	Washer	
7	7019185	2	Screw	
8	7019186	2	Screw	
9	7019136	2	Screw	
10	7019187	1	Board, Circuit with Potentiometer	
10A	4460265	1	Plug - 9 Position (Part of Console Box Harness)	
10A	4460268	9	Socket, Female (Part of Console Box Harness)	
10A	4460266	1	Connector - 9 Position (Part of p/n 7019187)	
10A	4460267	9	Pin, Male (Part of p/n 7019187)	
11	7019188	1	Coupling, Potentiometer	
12	Not Serviced	1	Heatsink	

SECTION 4 - PLATFORMS

FIGURE 4-9. SOFT TOUCH SYSTEM INSTALLATION



SECTION 4 - PLATFORMS

FIGURE 4-9. SOFT TOUCH SYSTEM INSTALLATION

ITEM	PART NUMBER	QTY	DESCRIPTION	REV
		Ref	SOFT TOUCH SYSTEM INSTALLATIONS OPTIONS:	
	0270318	Ref	6ft/1.8m Platforms	1
	0270312	Ref	8ft/2.4m Platforms	1
1		Ref	Rail Weldment Options:	
1	4845308	2	6ft/1.8m Platforms	
1	4845309	2	8ft/2.4m Platforms	
2		Ref	Cover, Rail Options:	
2	1670804	2	6ft/1.8m Platforms	
2	1670803	2	8ft/2.4m Platforms	
3	1670787	2	Cover, End Post	
4	1670785	2	Cover, Front Right Post	
5	1670786	2	Cover, Front Left Post	
6	1670793	2	Cover, End Mid Rail	
7		Ref	Cover, Right End Top Options:	
7	1670798	1	6ft/1.8m Platforms	
7	1670796	1	8ft/2.4m Platforms	
8		Ref	Cover, Left End Top Options:	
8	1670797	1	6ft/1.8m Platforms	
8	1670795	1	8ft/2.4m Platforms	
9		Ref	Cover, Left End Mid Options:	
9	1670799	1	6ft/1.8m Platforms	
9	1670789	1	8ft/2.4m Platforms	
10		Ref	Cover, Right End Mid Options:	
10	1670801	1	6ft/1.8m Platforms	
10	1670791	1	8ft/2.4m Platforms	
11	0940038	70 ft/21.4m	Padding, Bumper	
12	1670788	2	Cover, Gate	
13	3539719	2	Plate, Switch Strike	
14	0630462	8	Bolt, Carriage	
15	4761500	8	Lockwasher 5/16in	
16	4751800	8	Flatwasher 1/2in	
17	3311501	8	Nut 5/16in-18NC	
18	4751500	8	Flatwasher 5/16in	
19	4460049	2	Connector, Strain Relief	
20	3530072	4	Plug, Cap	
22	4360057	2	Switch, Limit	
23	0731005	4	Bolt #10-32NC x 5/8in	
24	4751000	4	Lockwasher #10	
25	0200550	2	Arm, Switch	
26	0641612	8	Bolt 3/8in-16NC x 1 1/2in	
27	4751600	40	Flatwasher 3/8in	
28	3311605	8	Locknut 3/8in-16NC	
29	3010088	16	Link, Quick	
30	1260136	10 ft/3m	Chain	
31	4360387	1	Switch, Push Button	
32	1702938	1	Decal - Soft Touch Override	
34	1320040	4	Clamp	
35	0641406	4	Bolt 1/4in-20NC x 3/4in	
36	4711400	8	Flatwasher 1/4in	

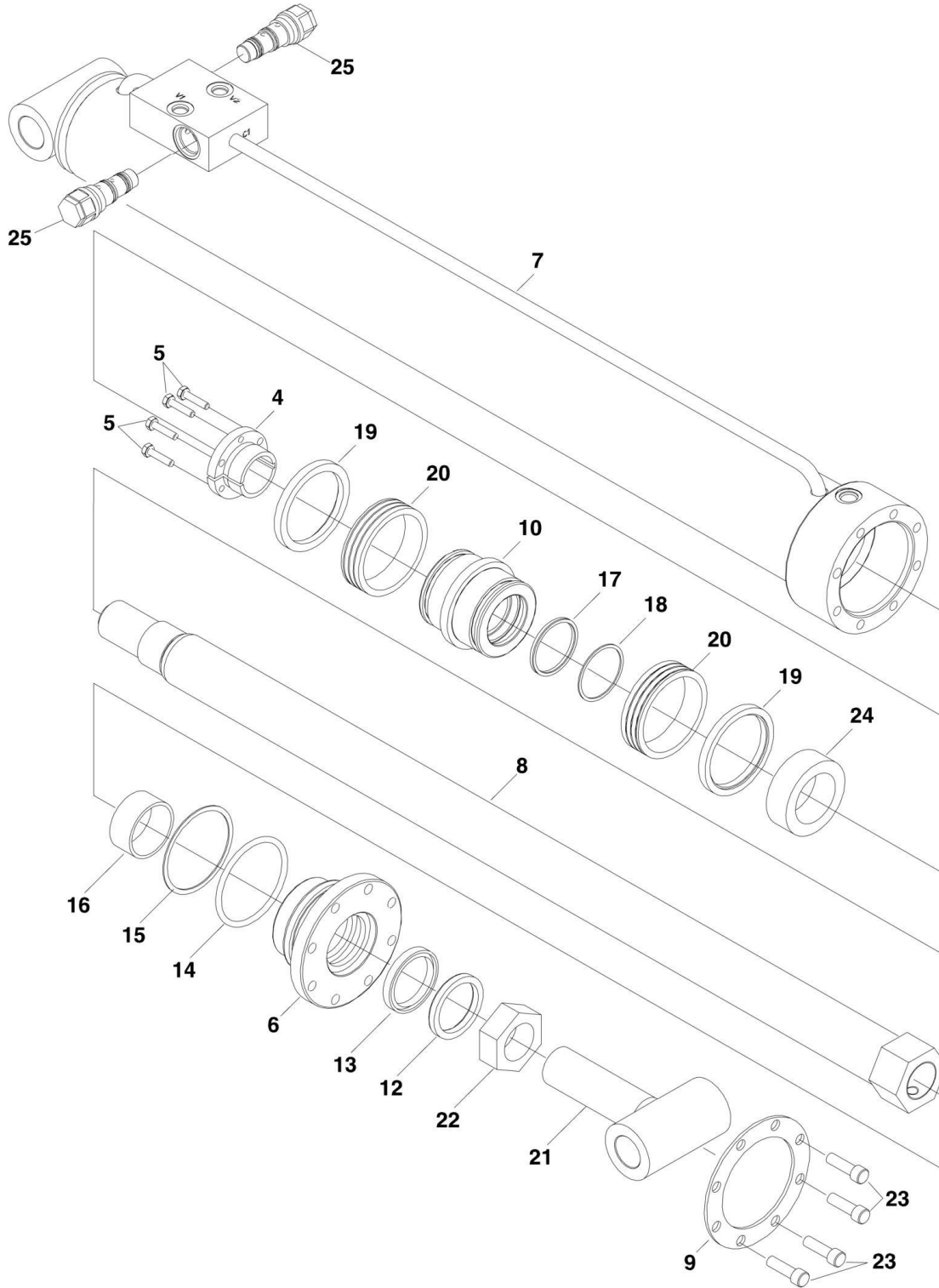
SECTION 4 - PLATFORMS

ITEM	PART NUMBER	QTY	DESCRIPTION	REV
37	3311405	4	Locknut 1/4in-20NC	
38	1060330	16 ft/4.9m	Cable, Electrical - 16/3	
39	4460425	1	Connector, Strain Relief Options	

SECTION 5 - CYLINDERS

SECTION 5 - CYLINDERS

FIGURE 5-1. AXLE EXTENSION CYLINDER ASSEMBLY



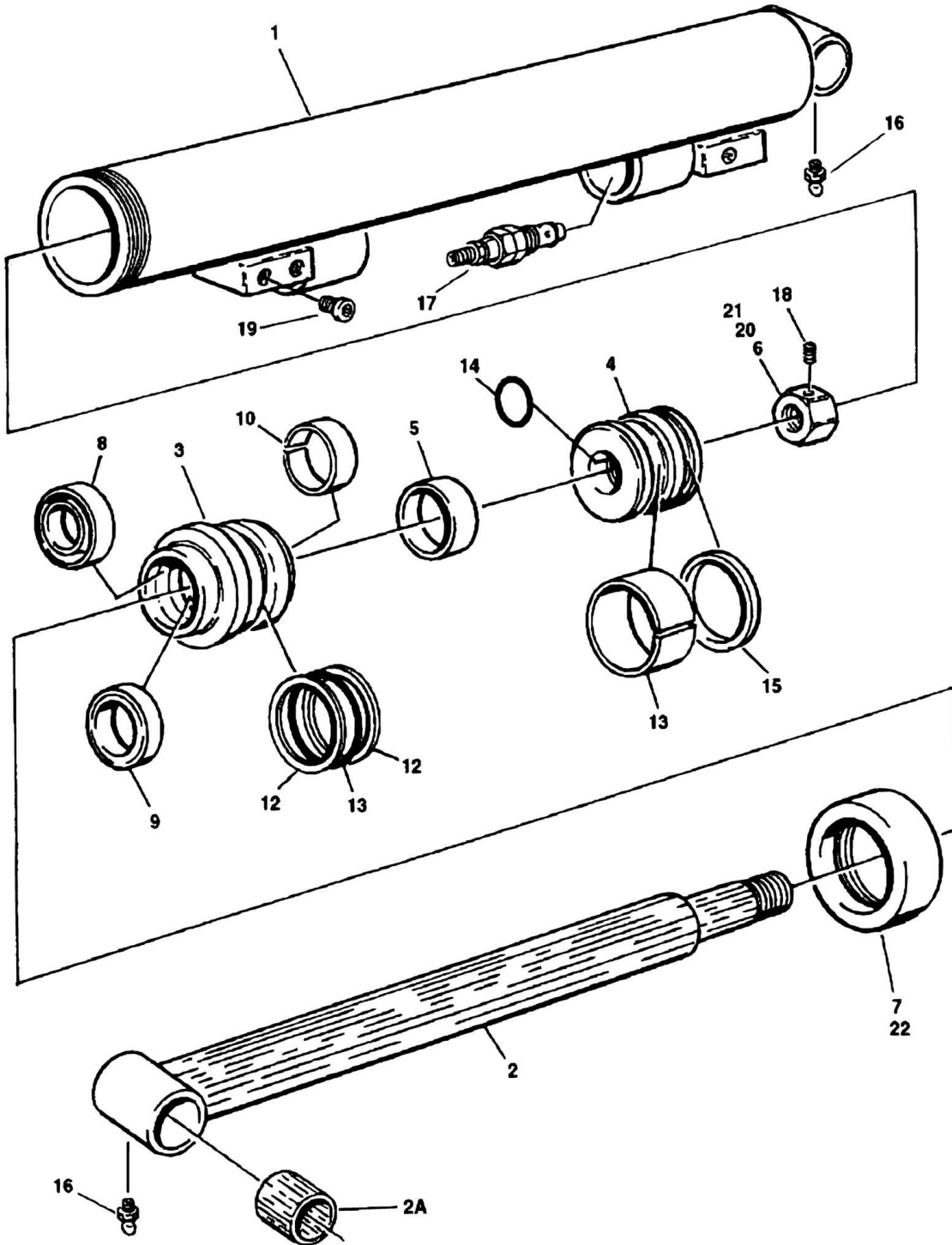
SECTION 5 - CYLINDERS

FIGURE 5-1. AXLE EXTENSION CYLINDER ASSEMBLY

ITEM	PART NUMBER	QTY	DESCRIPTION	REV
	1683920	Ref	AXLE EXTENSION CYLINDER ASSEMBLY	A
4	0961896	1	Bushing, Tapered	
5	0630535	3	Setscrew 1/4in-20NC x 1 1/8in	
6	1683056	1	Head	
7	1683915	1	Barrel Weldment	
8	1683918	1	Rod Weldment	
9	3760369	1	Ring, Washer	
10	3480218	1	Piston	
12	Kit	1	Wiper, Rod	
13	Kit	1	Seal, Rod	
14	Kit	1	O-Ring	
15	Kit	1	Ring, Back-up	
16	Kit	1	Ring, Wear	
17	Kit	1	O-Ring	
18	Kit	2	Ring, Back-up	
19	Kit	2	Ring, Lock	
20	Kit	2	Seal, Hydrolock	
21	3841466	1	Rod End Weldment	
22	3323402	1	Nut, Jam 1 1/2in-12NF	
23	3931620	8	Bolt 3/8in-16NC x 1 1/4in	
24	4568053	1	Spacer	
25	4640509	2	Cartridge, Holding Valve	
25	2900792	2	Seal Kit - 4640509 Cartridge Valve (1 Per Valve)	
	0100038	AR	Primer, Locking	
	0100011	AR	Loctite #242	
	0100063	AR	Loctite #609	
	2901353	1	Seal Kit (Includes Items 12-20)	

SECTION 5 - CYLINDERS

FIGURE 5-2. PLATFORM LEVEL CYLINDER ASSEMBLY



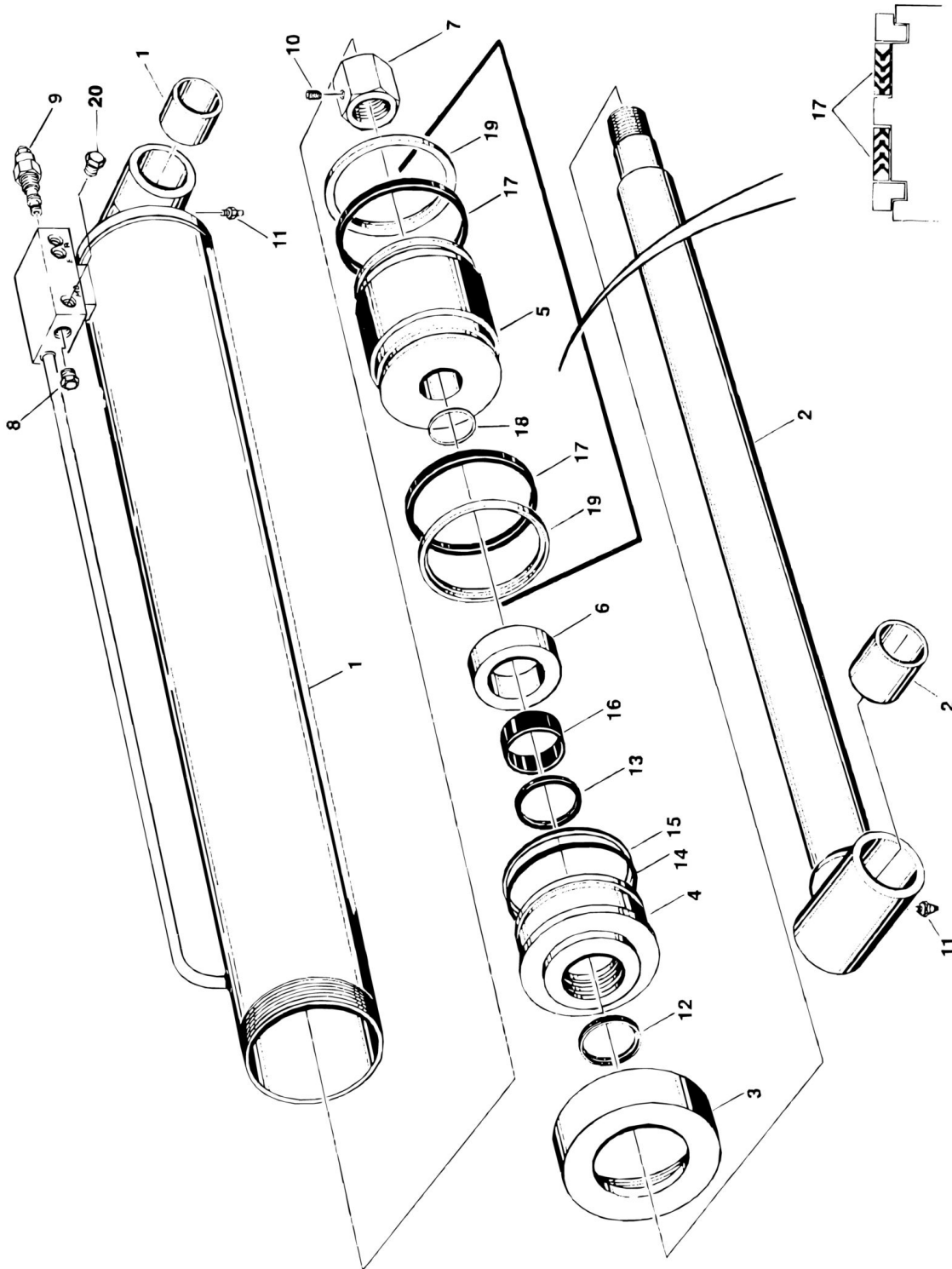
SECTION 5 - CYLINDERS

FIGURE 5-2. PLATFORM LEVEL CYLINDER ASSEMBLY

ITEM	PART NUMBER	QTY	DESCRIPTION	REV
		Ref	PLATFORM SLAVE LEVEL CYLINDER ASSEMBLY OPTIONS:	
	1682590	Ref	Platform Slave Level Cylinder Assembly (Prior to SN 56302)	C
	1683536	Ref	Platform Slave Level Cylinder Assembly (SN 56302 to Present)	1-A
1		Ref	Barrel Assembly Options:	
1	1682591	1	Barrel Assembly (May 1992 to SN 33111)	
1	1683535	1	Barrel Assembly (SN 33111 to Present)	
2	1681974	1	Rod Assembly	
2A	0960097	1	Bushing	
3	1680892	1	Head	
4	3480120	1	Piston	
5	4564057	1	Spacer	
6	3300308	1	Nut	
7	1120179	1	Retainer	
8	Kit	1	Seal, Wiper	
9	Kit	1	Seal, Rod	
10	Kit	1	Ring, Wear	
11	Kit	1	O-Ring	
12	Kit	2	Ring, Back-up	
13	Kit	1	Ring, Wear	
14	Kit	1	O-Ring	
15	Kit	1	Seal, Piston	
16	2160002	2	Fitting, Grease	
17	4640634	2	Valve, Cartridge - Holding	
17	2900770	1	Seal Kit - 4640634 Valve (1 Per Assembly)	
18	3900170	1	Setscrew 2/8in-16NC x 3/8in	
19	2220885	2	Plug, Socket head #6	
20	0100011	AR	Loctite #242	
21	0100038	AR	Primer, Locking	
22	0100035	AR	Loctite #222	
	2900381	1	Seal Kit - 1682590 Cylinder (Includes Items 8-15)	

SECTION 5 - CYLINDERS

FIGURE 5-3. BOOM LIFT CYLINDER ASSEMBLY (110SX/110SXJ/120SXJ)



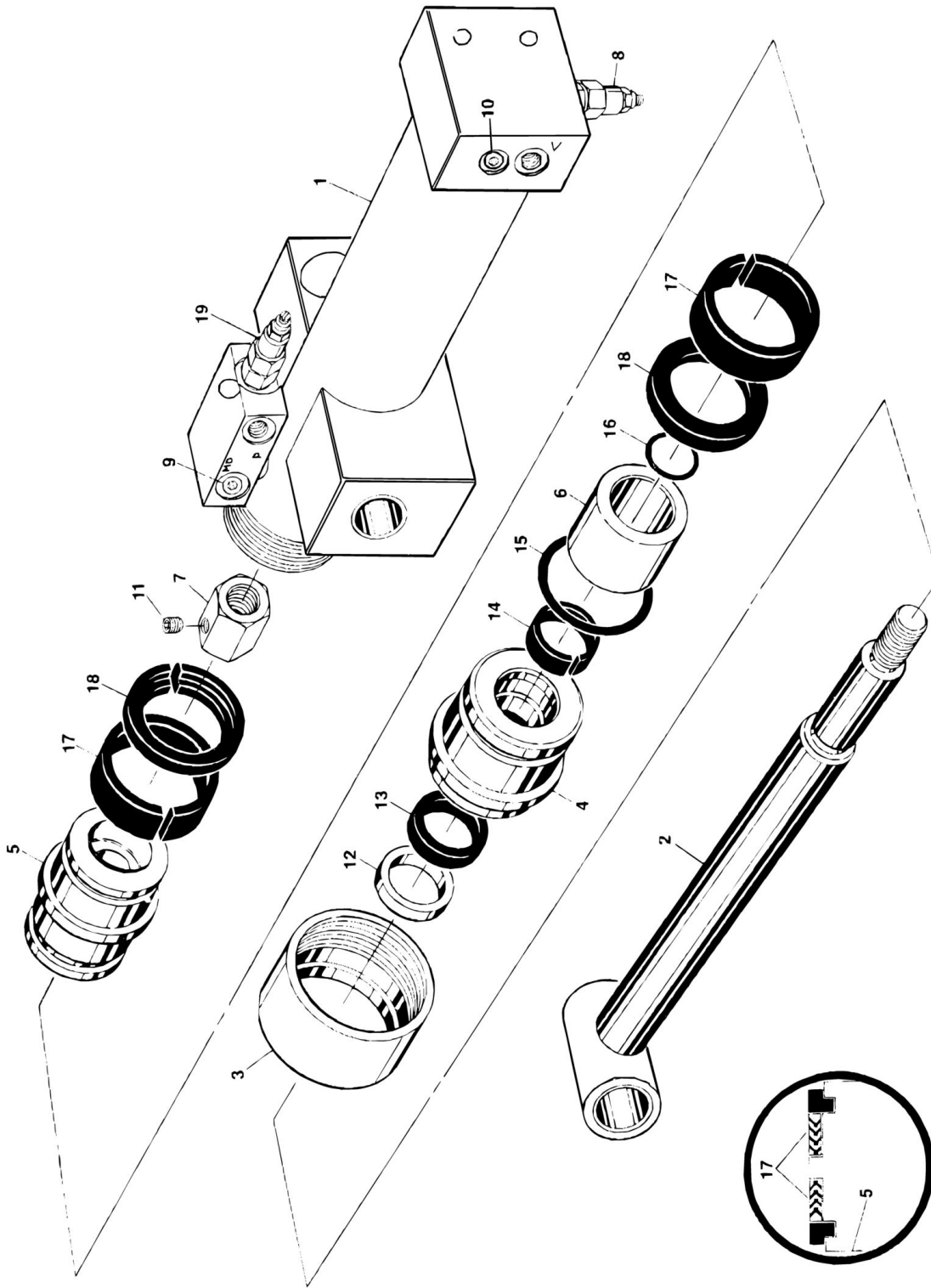
SECTION 5 - CYLINDERS

FIGURE 5-3. BOOM LIFT CYLINDER ASSEMBLY (110SX/110SXJ/120SXJ)

ITEM	PART NUMBER	QTY	DESCRIPTION	REV
		Ref	BOOM LIFT CYLINDER ASSEMBLIES	
	1682895	Ref	Boom Lift Cylinder Assemblies 110SX/110SXJ/120SXJ	-
1	1682631	1	Barrel Weldment	
1	0960509	2	Bushing, Bronze	
2	1682633	1	Rod Weldment	
2	0961082	2	Bushing, Bronze	
3	1120363	1	Retainer	
4	1682118	1	Head	
5	3480162	1	Piston	
6	4565652	1	Spacer	
7	3300306	1	Nut	
8	2220887	1	Plug	
9	4640771	1	Cartridge, Holding Valve	
9	2900770	1	Seal Kit - 4640709 Valve	
10	3900171	1	Setscrew 1/2in-13NC x 1/2in	
11	2160002	2	Fitting, Grease	
12	Kit	1	Wiper, Rod	
13	Kit	1	Seal, Rod	
14	Kit	1	O-Ring	
15	Kit	1	Ring, Back-up	
16	Kit	1	Ring, Wear	
17	Kit	2	Ring, Guide	
18	Kit	1	O-Ring	
19	Kit	1	Ring, Lock	
20	2220883	1	Plug	
	0100011	AR	Loctite #242	
	0100038	AR	Primer, Locking	
	0100035	AR	Loctite #222	
	2901118	1	Seal Kit (Includes Items 12-19)	

SECTION 5 - CYLINDERS

FIGURE 5-4. EXTEND-A-REACH LEVEL CYLINDER ASSEMBLY



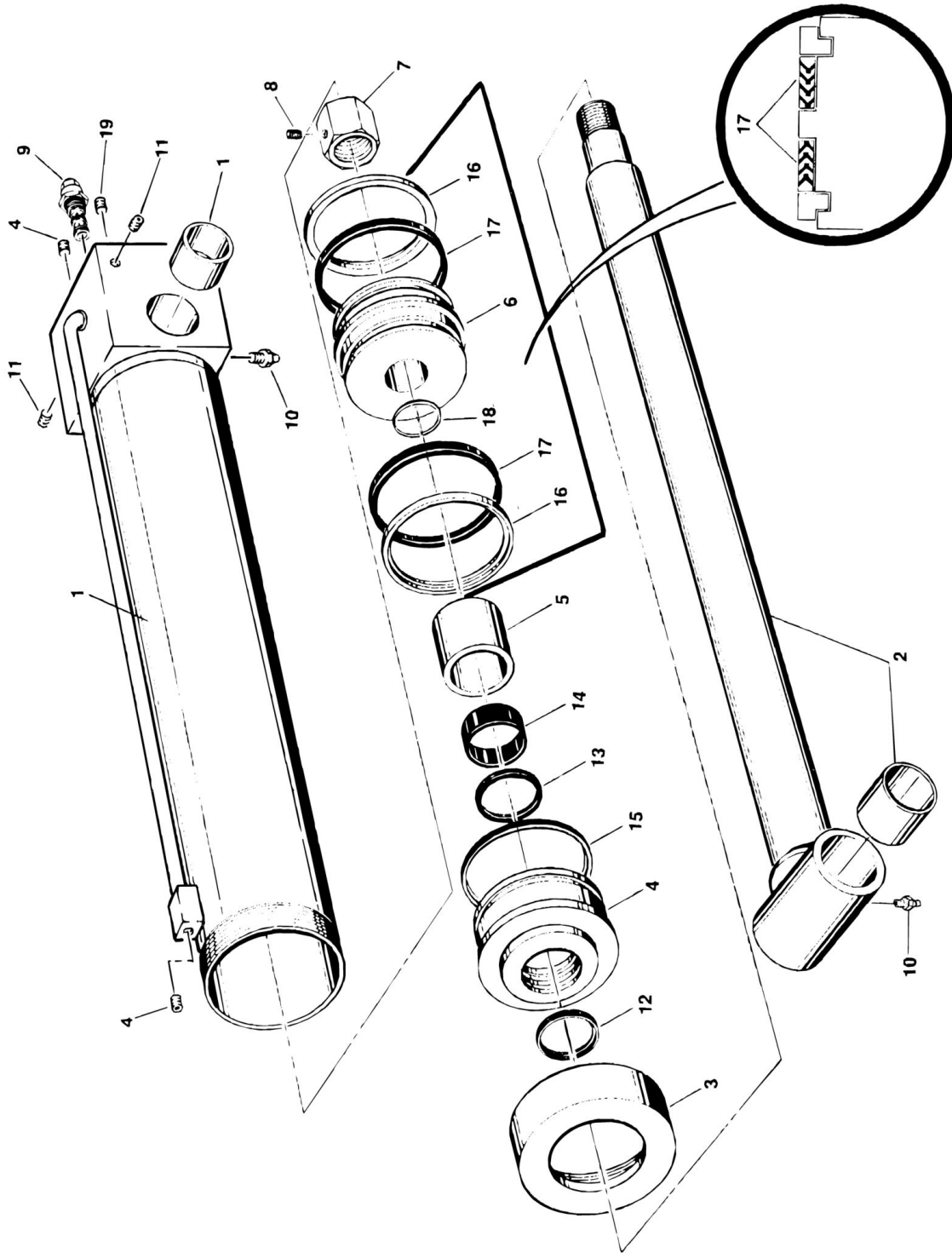
SECTION 5 - CYLINDERS

FIGURE 5-4. EXTEND-A-REACH LEVEL CYLINDER ASSEMBLY

ITEM	PART NUMBER	QTY	DESCRIPTION	REV
	1683530	Ref	EXTEND-A-REACH LEVEL CYLINDER ASSEMBLY	1-A
1	1683529	1	Barrel Weldment	
1	0961595	2	Bushing, Bronze	
2	1682755	1	Rod Weldment	
2	0961182	2	Bushing, Oilite	
3	1120305	1	Retainer	
4	1681792	1	Head	
5	3480167	1	Piston	
6	4565913	1	Spacer	
7	3300279	1	Nut	
8	4640634	1	Cartridge, Holding Valve	
8	2900770	1	Seal Kit - 4640634 Valve	
9	2220885	1	Plug 3/8in	
10	2220883	2	Plug 1/4in	
11	3900170	1	Setscrew 3/8in-16NC x 3/8in	
12	Kit	1	Wiper, Rod	
13	Kit	1	Seal, Rod	
14	Kit	1	Ring, Wear	
15	Kit	1	O-Ring	
16	Kit	1	O-Ring	
17	Kit	2	Ring, Guide	
18	Kit	2	Ring, Lock	
19	4640996	1	Valve, Counterbalance	
19	2900770	1	Seal Kit - 4640996 Valve	
	0100038	AR	Primer, Loctite	
	0100011	AR	Loctite #242	
	0100035	AR	Loctite #222	
	2901206	1	Seal Kit (Includes Items 12-18)	

SECTION 5 - CYLINDERS

FIGURE 5-5. EXTEND-A-REACH LIFT CYLINDER ASSEMBLY



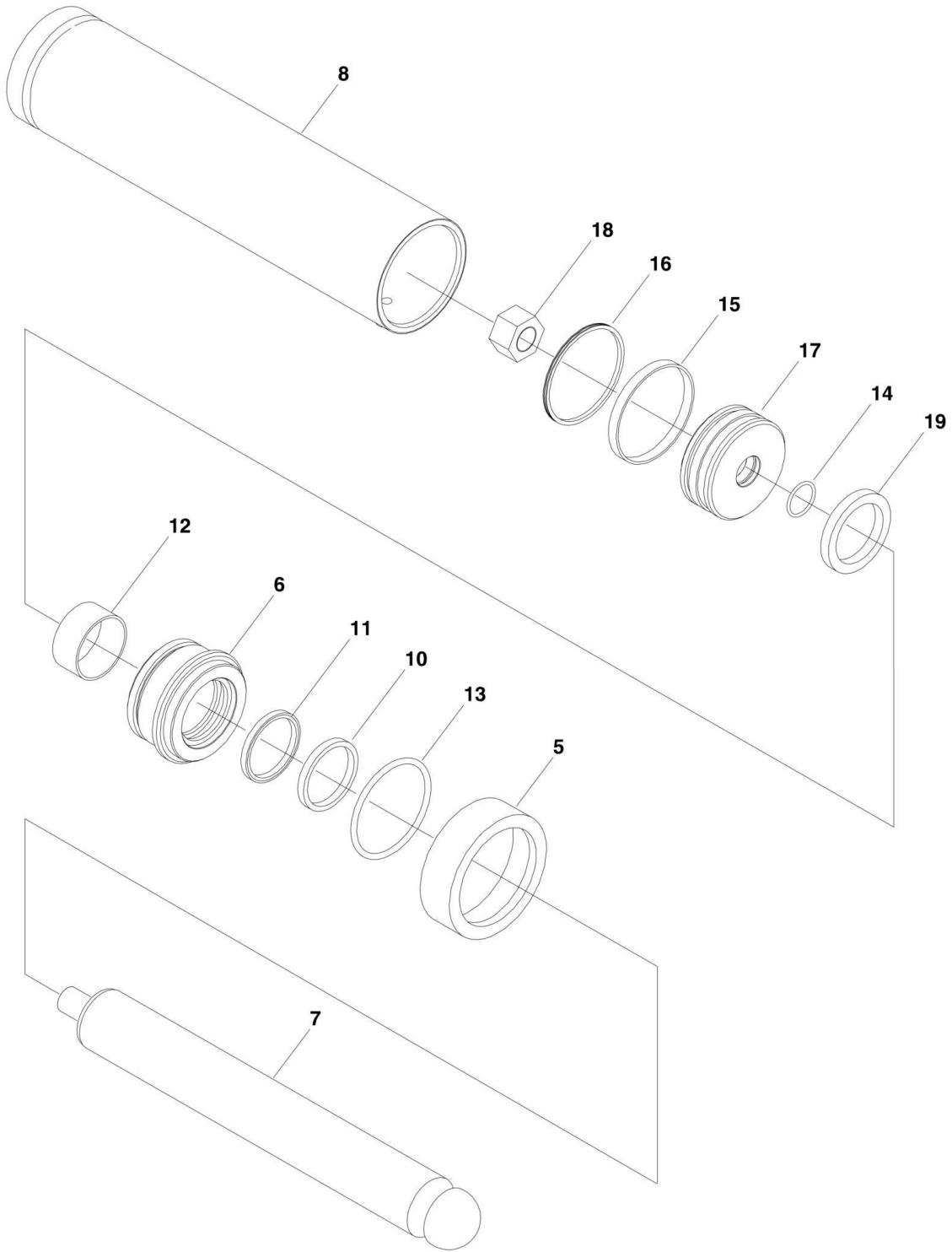
SECTION 5 - CYLINDERS

FIGURE 5-5. EXTEND-A-REACH LIFT CYLINDER ASSEMBLY

ITEM	PART NUMBER	QTY	DESCRIPTION	REV
		Ref	EXTEND-A-REACH LIFT CYLINDER ASSEMBLY OPTIONS:	
	1683725	Ref	Extend-A-Reach Lift Cylinder Assembly (Prior to SN 64012)	1
	1684164	Ref	Extend-A-Reach Lift Cylinder Assembly (SN 64012 to Present)	1
1	1683724	1	Barrel Weldment	
1	0961185	2	Bushing, Bronze	
2	1682638	1	Rod Weldment	
2	0961595	2	Bushing, Bronze	
3	1120305	1	Retainer	
4	1681423	1	Head	
5	4564009	1	Spacer	
6	3480113	1	Piston	
7		Ref	Nut Options:	
7	3300285	1	Nut (Prior to SN 64012)	
7	3300307	1	Nut (SN 64012 to Present)	
8	3900170	1	Setscrew 3/8in-16NC x 3/8in	
9	4640495	2	Cartridge, Holding Valve	
9	2900770	AR	Seal Kit - 4640495 Valve (1 per cartridge)	
10	2160002	2	Fitting, Grease	
11	2200201	4	Plug, Pipe 1/8in NPT	
12	Kit	1	Wiper, Rod	
13	Kit	1	Seal, Rod	
14	Kit	1	Ring, Wear	
15	Kit	1	Seal, Head	
16	Kit	2	Ring, Guide	
17	Kit	2	Ring, Lock	
18	Kit	1	O-Ring	
19	2200222	2	Plug, Pipe 1/4in NPT	
	0100020	AR	Sealant, Pipe	
	0100011	AR	Loctite #242	
	0100038	AR	Primer, Locking	
	0100035	AR	Loctite #222	
	2901142	1	Seal Kit (Includes Items 12-18)	

SECTION 5 - CYLINDERS

FIGURE 5-6. JACK CYLINDER ASSEMBLY



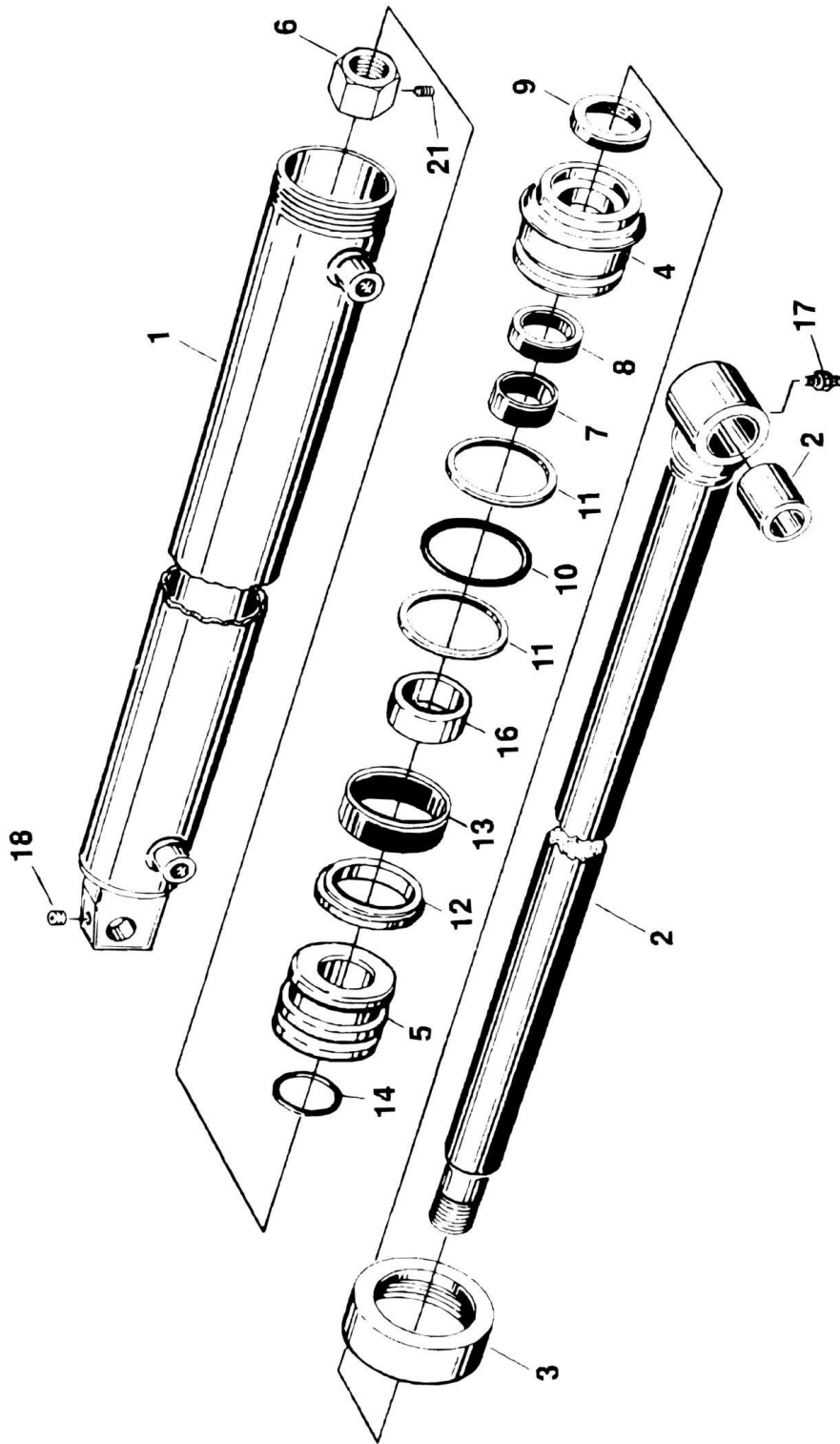
SECTION 5 - CYLINDERS

FIGURE 5-6. JACK CYLINDER ASSEMBLY

ITEM	PART NUMBER	QTY	DESCRIPTION	REV
	1683965	Ref	JACK CYLINDER ASSEMBLY	A
5	1120358	1	Retainer	
6	1682098	1	Head	
7	1682514	1	Rod Weldment	
8	1683964	1	Barrel Weldment	
10	Kit	1	Wiper, Rod	
11	Kit	1	Seal, Rod	
12	Kit	1	Ring, Wear	
13	Kit	1	O-Ring	
14	Kit	1	O-Ring	
15	Kit	1	Ring, Wear	
16	Kit	1	T-Seal	
17	3480137	1	Piston	
18	3300281	1	Nut	
19	4565225	1	Tube, Spacer	
	0100011	AR	Loctite #242	
	0100035	AR	Primer, Locking	
	0100038	AR	Loctite #222	
	0100063	AR	Loctite #609	
	2901115	1	Seal Kit (Includes Items 10-16)	

SECTION 5 - CYLINDERS

FIGURE 5-7. MASTER CYLINDER ASSEMBLY



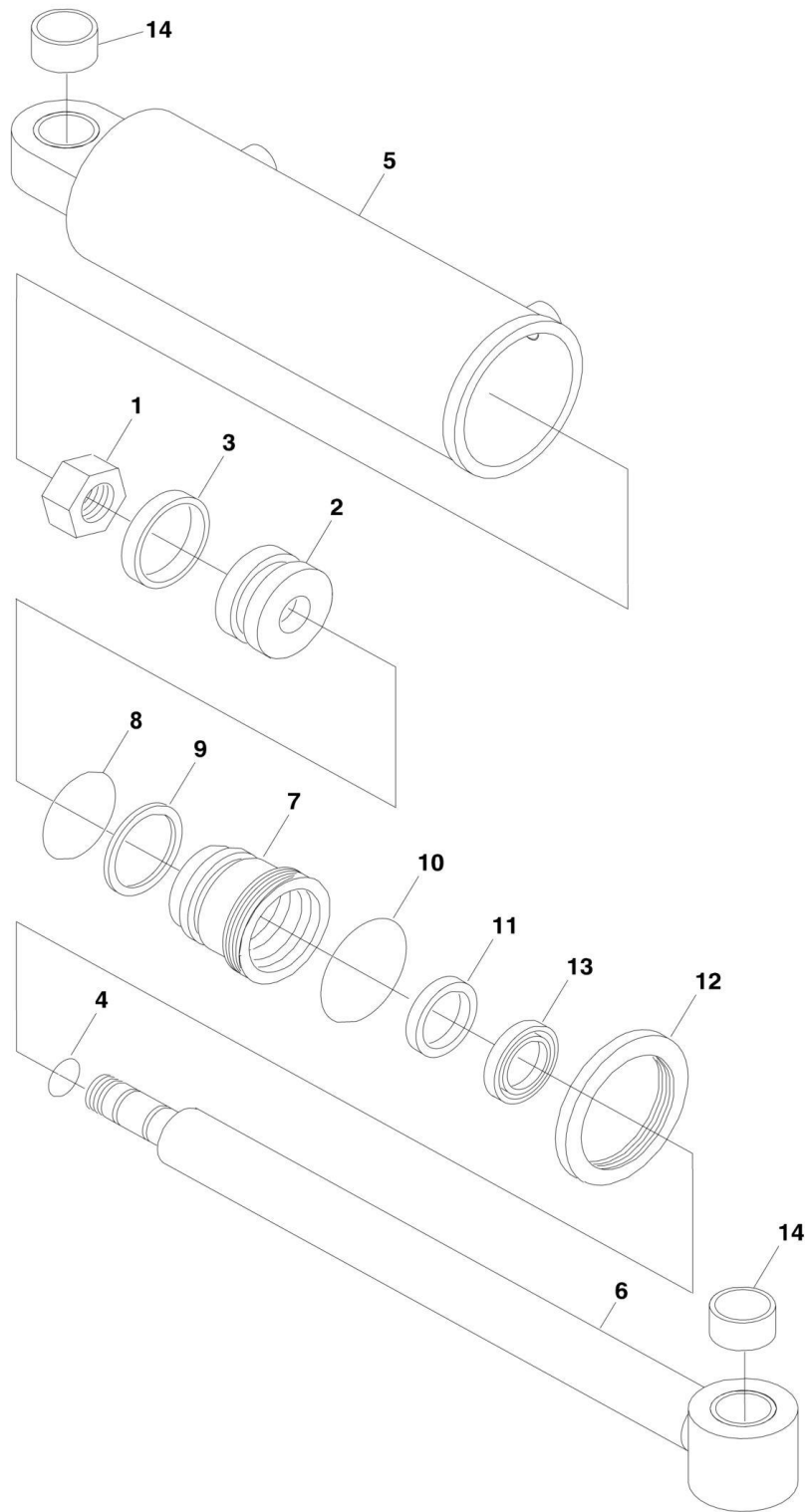
SECTION 5 - CYLINDERS

FIGURE 5-7. MASTER CYLINDER ASSEMBLY

ITEM	PART NUMBER	QTY	DESCRIPTION	REV
		Ref	MASTER CYLINDER ASSEMBLIES	
	1681978	Ref	Master Cylinder Assemblies 100SX/110SX	C
	1681580	Ref	Master Cylinder Assemblies 110SXJ/120SXJ	F
1		Ref	Barrel Weldment	
1	1681979	1	Barrel Weldment 100SX/110SX	
1	1681490	1	Barrel Weldment 110SXJ/120SXJ	
2		Ref	Rod Weldment	
2	1681974	1	Rod Weldment 100SX/110SX	
2	1681488	1	Rod Weldment 110SXJ/120SXJ	
2	0960097	1	Bushing, Bronze	
3	1120179	1	Retainer	
4	1680892	1	Head	
5	3480120	1	Piston	
6	3300272	1	Nut	
7	Kit	1	Ring, Wear	
8	Kit	1	Z-Seal	
9	Kit	1	Wiper, Rod	
10	Kit	1	O-Ring	
11	Kit	2	Ring, Back-up	
12	Kit	1	Seal, Piston	
13	Kit	1	Ring, Wear	
14	Kit	1	O-Ring	
16		Ref	Tube, Spacer Options:	
16	4564057	1	Tube, Spacer 100SX/110SX	
16	4563031	1	Tube, Spacer 110SXJ/120SXJ	
17	2160002	1	Fitting, Grease	
18	2200201	1	Plug, Pipe 1/8in NPT	
21	3900170	1	Setscrew 3/8in-16NC x 3/8in	
	0100011	AR	Loctite #242	
	0100038	AR	Primer, Locking	
	0100035	AR	Loctite #222	
	2900381	1	Seal Kit (Includes Items 7-14)	

SECTION 5 - CYLINDERS

FIGURE 5-8. STEER CYLINDER ASSEMBLY



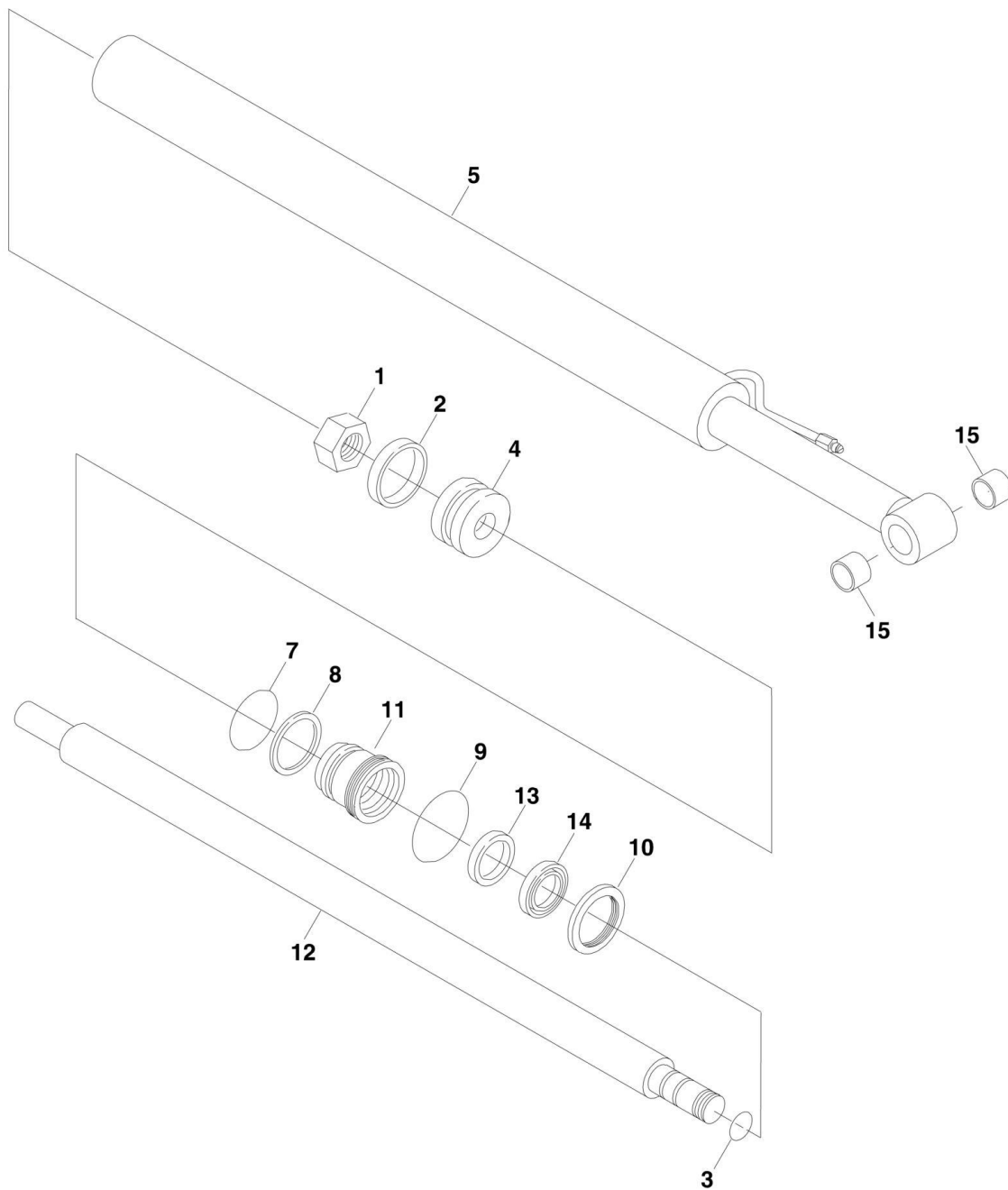
SECTION 5 - CYLINDERS

FIGURE 5-8. STEER CYLINDER ASSEMBLY

ITEM	PART NUMBER	QTY	DESCRIPTION	REV
		Ref	STEER CYLINDER ASSEMBLIES	
	1683935	Ref	2WS	D
	1683958	Ref	4WS	B
1	7017278	1	Nut	
2	7023000	1	Piston	
3	Kit	1	Piston Seal	
4	Kit	1	O-Ring	
5		Ref	Barrel Weldment Options:	
5	7023001	1	2WS	
5	7023007	1	4WS	
6		Ref	Rod Weldment Options:	
6	7023002	1	2WS	
6	7023008	1	4WS	
7	7023003	1	Head	
8	Kit	1	O-Ring	
9	Kit	1	Ring, Back-up	
10	Kit	1	Ring, Retainer	
11	Kit	1	Seal, Rod	
12	7023004	1	Spanner Nut	
13	Kit	1	Wiper, Rod	
14	0961951	3	Bushing	
	7017299	1	Seal Kit (Includes Items 8-11 & 13)	

SECTION 5 - CYLINDERS

FIGURE 5-9. TIE ROD CYLINDER ASSEMBLY



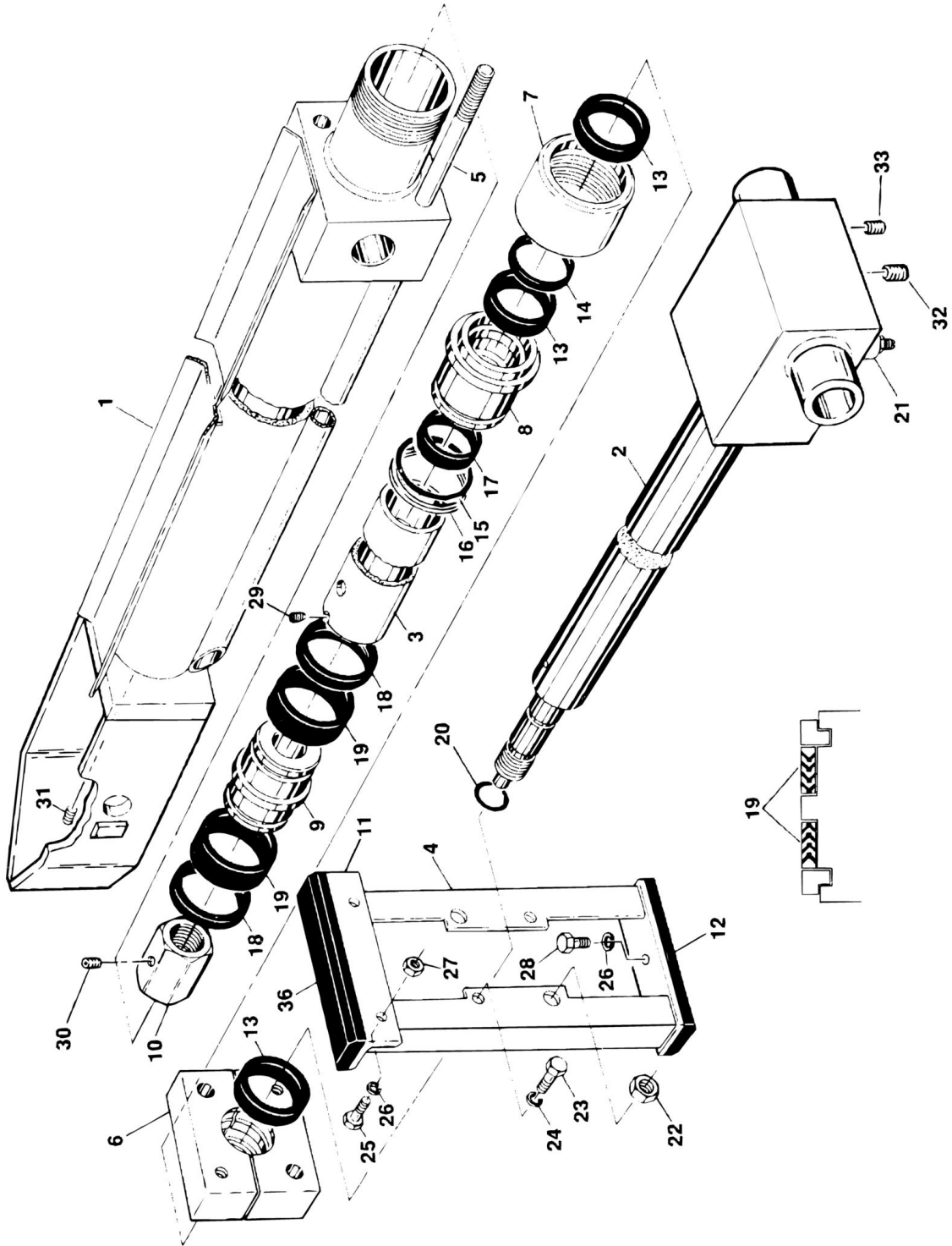
SECTION 5 - CYLINDERS

FIGURE 5-9. TIE ROD CYLINDER ASSEMBLY

ITEM	PART NUMBER	QTY	DESCRIPTION	REV
	1683921	Ref	TIE ROD CYLINDER ASSEMBLY	C
1	7017210	1	Nut	
2	Kit	1	Piston Seal	
3	Kit	1	O-Ring	
4	7017211	1	Piston	
5	7017296	1	Barrel Weldment	
7	Kit	1	O-Ring	
8	Kit	1	Ring, Back-up	
9	Kit	1	O-Ring	
10	7017214	1	Spanner Nut	
11	7017297	1	Head	
12	7017298	1	Rod Weldment	
13	Kit	1	Seal, Rod	
14	Kit	1	Wiper, Rod	
15	0961951	2	Bushing, Garmax	
	7017295	1	Seal Kit (Includes Items 2, 3, 7, 8, 9, 13 & 14)	

SECTION 5 - CYLINDERS

FIGURE 5-10. TELESCOPE CYLINDER ASSEMBLY



SECTION 5 - CYLINDERS

FIGURE 5-10. TELESCOPE CYLINDER ASSEMBLY

ITEM	PART NUMBER	QTY	DESCRIPTION	REV
		Ref	TELESCOPE CYLINDER ASSEMBLIES	
	1682820	Ref	TELESCOPE CYLINDER ASSEMBLY - 110SX STANDARD - 110SX WITH INVERTED TRACK	A
	1682821	Ref	TELESCOPE CYLINDER ASSEMBLY - 100SX/110SXJ & 110SXJ WITH INVERTED TRACK	A
	1683701	Ref	TELESCOPE CYLINDER ASSEMBLY - 120SXJ	2
1	1681926	1	Barrel Weldment	
2	1681922	1	Rod Weldment	
3	1682031	1	Spacer	
4	4843016	1	Rod Support Weldment	
5	3840944	2	Rod, Guide	
6	0560773	1	Block, Nylatron	
7	1120345	1	Retainer	
8	1682298	1	Head	
9	3480133	1	Piston	
10	3300299	1	Nut	
11	0181404	1	Angle	
12	3340560	1	Pad, Wear	
13	Kit	3	Seal, Rod	
14	Kit	1	Wiper, Rod	
15	Kit	1	O-Ring	
16	Kit	1	Ring, Back-up	
17	Kit	1	Ring, Wear	
18	Kit	2	Ring, Guide	
19	Kit	2	Seal, Piston	
20	Kit	1	T-Seal	
21	4640487	1	Cartridge, Valve - With Inverted Track	
21	4641083	1	Cartridge, Valve - Without Inverted Track	
22	3312202	2	Nut, Jam 3/4in-10NC	
23	0641812	2	Bolt 1/2in-13NC x 1 1/2in	
24	4761800	2	Lockwasher 1/2in	
25	0641608	2	Bolt 3/8in-16NC x 1in	
26	4761600	7	Lockwasher 3/8in	
27	3311601	2	Nut 3/8in-16NC	
28	0641605	5	Bolt 3/8in-16NC x 5/8in	
29	3951405	1	Setscrew 1/4in-20NC x 5/8in	
30	3900171	1	Setscrew 1/2in-13NC x 1/2in	
31	2200221	1	Plug, Pipe 1/8in NPT	
32	2200224	2	Plug, Pipe 3/8in NPT	
33	2200222	1	Plug, Pipe 1/4in NPT	
36	3340566	1	Pad, Wear	
	0100020	AR	Sealant, Pipe	
	0100011	AR	Loctite #242	
	0100035	AR	Loctite #222	
	0100038	AR	Primer, Locking	
	2901234	1	Seal Kit (Includes Items 13-20)	

SECTION 6 - HYDRAULICS

SECTION 6 - HYDRAULICS

FIGURE 6-1. HYDRAULIC DIAGRAM - DRIVE (4WD/DEUTZ ENGINE)

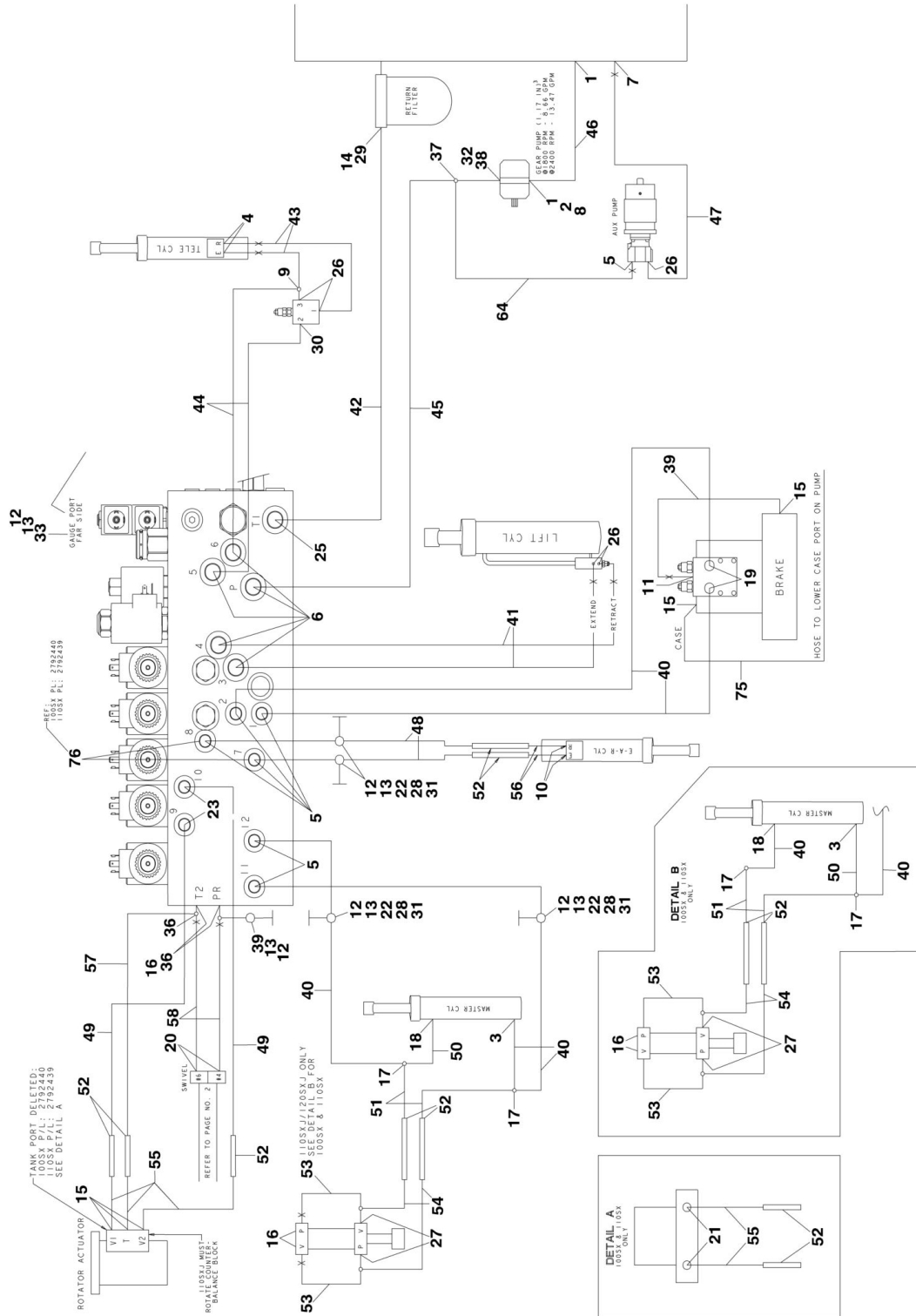
ITEM	PART NUMBER	QTY	DESCRIPTION	REV
	2792433	Ref	HYDRAULIC DIAGRAM - DRIVE	4
1	1320033	2	Clamp	
2	2210014	1	Fitting, 90 Barbed	
3	2220365	4	Fitting, 45	
4	2220366	13	Fitting, 90	
5	2220371	1	Fitting, Straight	
6	2220373	8	Fitting, Straight	
7	2220374	2	Fitting, Straight	
8	2221064	1	Fitting, Tee	
9	2220377	5	Fitting, Straight	
10	2220386	2	Fitting, 90	
11	2220415	19	Fitting, Straight	
12	2220451	5	Fitting, Straight	
13	2220466	7	Fitting, 90	
14	2220500	5	Fitting, 45	
15	2220501	1	Fitting, 45	
16	2220628	1	Fitting, 90	
17	2220811	5	Fitting, Reducer	
18	2220909	1	Fitting, Orifice (.015)	
19	2221041	1	Fitting, Tee	
20	2221052	1	Fitting, Tee	
21	2752593	1	Hose	
22	2752473	1	Hose	
23	2753410	1	Hose	
24	2752322	1	Hose	
25	2752630	1	Hose	
26	2753483	4	Hose	
27	2753429	4	Hose	
28	2753432	4	Hose	
29		Ref	Hose Options:	
29	2753316	1	Hose (Prior to SN 55566)	
29	2753495	1	Hose (SN 55566 to Present)	
30	2753434	4	Hose	
31	2753423	4	Hose	
32	2753435	1	Hose	
33		Ref	Hose Options:	
33	2753437	1	Hose (Prior to SN 55566)	
33	2753509	1	Hose (SN 55566 to Present)	
34		Ref	Hose Options:	
34	2752494	1	Hose (Prior to SN 55566)	
34	2753510	1	Hose (SN 55566 to Present)	
35	2752498	1	Hose	
36	2720281	1	Hose, Suction	
37	2750835	1	Hose	
38	2752337	2	Hose	
39	2751484	1	Hose	
40	2752977	1	Hose	
41	2753035	1	Hose	
42	2752446	1	Hose	
43	4100059	16 ft/4.9m	Hose, Protection	

SECTION 6 - HYDRAULICS

ITEM	PART NUMBER	QTY	DESCRIPTION	REV
44	2220407	1	Fitting, 90	

SECTION 6 - HYDRAULICS

FIGURE 6-2. HYDRAULIC DIAGRAM - T/T AND BOOM



SECTION 6 - HYDRAULICS

FIGURE 6-2. HYDRAULIC DIAGRAM - T/T AND BOOM

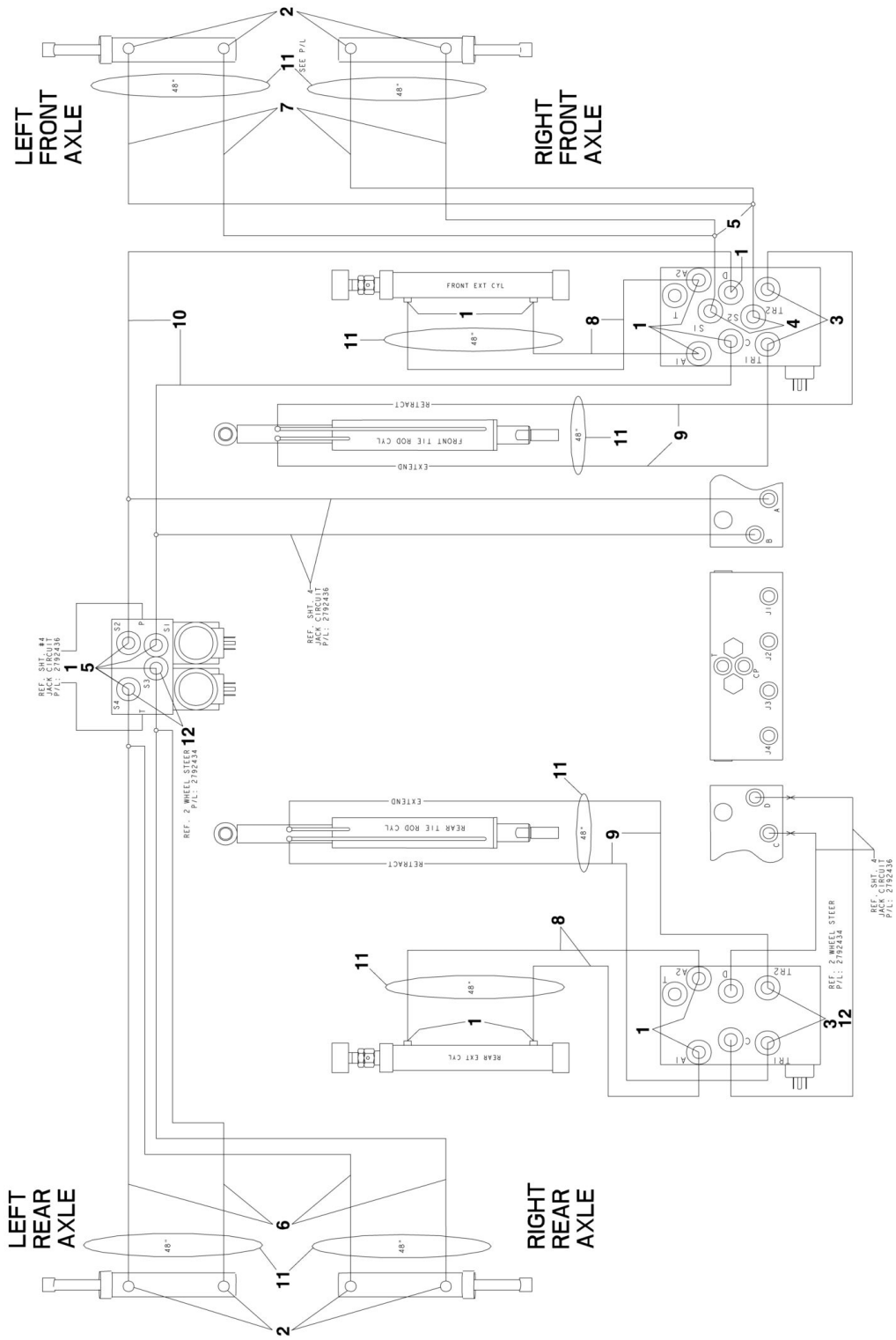
ITEM	PART NUMBER	QTY	DESCRIPTION	REV
		Ref	HYDRAULIC DIAGRAMS	
	2792440	Ref	Hydraulic Diagrams 100SX	1
	2792439	Ref	Hydraulic Diagrams 110SX	2
	2792438	Ref	Hydraulic Diagrams 110SXJ	2
	2792437	Ref	Hydraulic Diagrams 120SXJ	2
1	1320033	AR	Clamp	
2	2210014	1	Fitting, 90	
3	2220343	1	Fitting, Straight	
4	2220346	2	Fitting, Straight	
5	2220371	AR	Fitting, Straight	
6	2220373	5	Fitting, Straight	
7	2220375	1	Fitting, Straight	
8	2220376	AR	Fitting, Straight	
9	2220385	1	Fitting, Tee	
10		Ref	Fitting Options:	
10	Not Required	0	Fitting 110SX	
10	2220399	2	Fitting 100SX/110SXJ/120SXJ	
11	2220415	1	Fitting, Straight	
12	2220428	AR	Fitting, Quick Disconnect	
13	2220429	AR	Cap, Dust	
14	2220464	1	Fitting, 90	
15	2220466	AR	Fitting, 90	
16	2220473	AR	Fitting, 90	
17	2220490	2	Fitting, Tee	
18	2220495	1	Fitting, 90	
19	2220497	AR	Fitting, Straight	
20	2220501	2	Fitting, 45	
21		Ref	Fitting, 45	
21	2220502	AR	Fitting, 45 100SX/110SX/110SXJ	
21	Not Required	0	Fitting, 45 120SXJ	
22	2220438	AR	Fitting, Nipple	
23	2220582	2	Fitting, Straight	
25	2220593	1	Fitting, Straight	
26	2220600	5	Fitting, Straight	
27	2220606	AR	Fitting, Tee	
28	2220635	AR	Fitting, Tee	
29	2220710	1	Fitting, Reducer	
30	2220726	1	Fitting, 90	
31	2220741	AR	Fitting, Adapter	
32	2220810	1	Fitting, Reducer	
33	2220873	1	Fitting, Nipple	
36		Ref	Fitting, Tee Options:	
36	Not Required	0	Fitting, Tee 110SX	
36	2221065	1	Fitting, Tee 100SX/110SXJ/120SXJ	
37	2221067	1	Fitting, Tee	
38	4640744	1	Valve, Check	
39	2750889	AR	Hose	
40	2750785	5	Hose	
41	2750771	2	Hose	
42	2751617	1	Hose	

SECTION 6 - HYDRAULICS

ITEM	PART NUMBER	QTY	DESCRIPTION	REV
43	2751466	2	Hose	
44	2750763	2	Hose	
45	2751483	1	Hose	
46	2720281	1	Hose, Suction	
47	2751467	1	Hose	
48		Ref	Hose Options:	
48	Not Required	0	Hose 110SX	
48	2751168	2	Hose 100SX/110SXJ/120SXJ	
49	2751455	2	Hose	
50		Ref	Hose Options:	
50	2750998	1	Hose 110SX (Prior to SN 55566)	
50	2750999	1	Hose 110SX (SN 55566 to Present)	
50	2752489	1	Hose 100SX/110SXJ/120SXJ	
51		Ref	Hose Options:	
51	2751830	2	Hose 110SX/110SXJ	
51	2751151	2	Hose 100SX/120SXJ	
52	4563167	AR	Tube, Hydraulic	
53		Ref	Hose Options:	
53	2751002	2	Hose 110SX (Prior to SN 55566)	
53	2750920	2	Hose 110SX (SN 55566 to Present)	
53	2751002	2	Hose 100SX/110SXJ/120SXJ	
54		Ref	Hose Options:	
54	2752162	2	Hose 110SX (Prior to SN 55566)	
54	2751871	2	Hose 110SX (SN 55566 to Present)	
54	2752162	2	Hose 110SXJ	
54	2752173	2	Hose 100SX/120SXJ	
55		Ref	Hose Options:	
55	2750907	3	Hose 100SX	
55	2751919	2	Hose 110SX	
55	2753489	3	Hose 110SXJ	
55	2753482	3	Hose 120SXJ	
56		Ref	Hose Options:	
56	Not Required	0	Hose 110SX	
56	2751170	2	Hose 110SXJ	
56	2752172	2	Hose 100SX/120SXJ	
57		Ref	Hose Options:	
57	Not Required	0	Hose 110SX	
57	2753436	1	Hose 100SX/110SXJ/120SXJ	
58	2752637	2	Hose	
64	2752463	AR	Hose	
75	2751906	1	Hose	
76		Ref	Plug Options:	
76	2220237	2	Plug 100SX/110SX	
76	Not Required	0	Plug 110SXJ/120SXJ	

SECTION 6 - HYDRAULICS

FIGURE 6-3. HYDRAULIC DIAGRAM - STEER



SECTION 6 - HYDRAULICS

FIGURE 6-3. HYDRAULIC DIAGRAM - STEER

ITEM	PART NUMBER	QTY	DESCRIPTION	REV
		Ref	HYDRAULIC DIAGRAMS	
	2792434	Ref	2W/S	3
	2792435	Ref	4W/S	3
1	2220371	AR	Fitting, Straight	
2	2220473	AR	Fitting, 90	
3	2220582	AR	Fitting, Straight	
4	2220998	AR	Fitting, Straight	
5	2220635	6	Fitting, Tee	
6		Ref	Hose Options:	
6	Not Required	0	2W/S	
6	2753398	4	4W/S	
7	2753424	4	Hose	
8	2753426	4	Hose	
9	2753420	AR	Hose	
10	2752480	2	Hose	
11		Ref	Hose, Protection Options:	
11	4100026	22.5 ft/6.9m	2W/S	
11	4100026	37 ft/11.3m	4W/S	
12		Ref	Plug Options:	
12	2220237	4	2W/S	
12	Not Required	0	4W/S	

SECTION 6 - HYDRAULICS

FIGURE 6-4. HYDRAULIC DIAGRAM - LIFTING JACKS

ITEM	PART NUMBER	QTY	DESCRIPTION	REV
	2792436	Ref	HYDRAULIC DIAGRAM - WITH LIFTING JACKS	2
	2792441	Ref	HYDRAULIC DIAGRAM - WITH OUT LIFTING JACKS	2
1	2220371	AR	Fitting, Straight	
2	2220473	1	Fitting, 90	
3	2220603	2	Fitting, Straight	
4	2220606	1	Fitting, Tee	
5	2220635	AR	Fitting, Tee	
6		Ref	Fitting, Tee Options:	
6	Not Required	0	With Out Lifting Jacks	
6	2220899	1	With Lifting Jacks	
7	2752649	1	Hose (Prior to SN 55566)	
8	2753397	2	Hose	
9		Ref	Hose Options:	
9	Not Required	0	With Out Lifting Jacks	
9	2752642	1	With Lifting Jacks	
10	2752480	AR	Hose	
11		Ref	Hose Options:	
11	Not Required	0	With Out Lifting Jacks	
11	2752466	1	With Lifting Jacks	
12		Ref	Hose Options:	
12	Not Required	0	With Out Lifting Jacks	
12	2752462	4	With Lifting Jacks	
13		Ref	Hose Options:	
13	Not Required	0	With Out Lifting Jacks	
13	2752611	1	With Lifting Jacks	
14		Ref	Hose Options:	
14	Not Required	0	With Out Lifting Jacks	
14	2752484	1	With Lifting Jacks	
15		Ref	Hose Options:	
15	2752475	2	With Out Lifting Jacks	
15	Not Required	0	With Lifting Jacks	
16		Ref	Hose Options:	
16	2752487	1	With Out Lifting Jacks	
16	Not Required	0	With Lifting Jacks	

SECTION 6 - HYDRAULICS

FIGURE 6-5. HYDRAULIC DIAGRAM LIST

ITEM	PART NUMBER	QTY	DESCRIPTION	REV
		Ref	HYDRAULIC DIAGRAM LIST	
		Ref	(Note: Diagrams not shown is available from JLG Service/Parts Departments.)	
	2792433	Ref	Hydraulic Diagram - Drive (4WD/ Deutz Engine)	
	1283215	Ref	Hydraulic Diagram - Drive (4WD/ Deutz Engine)	
	2792440	Ref	Hydraulic Diagram - T/T and Boom (100SX)	
	1283215	Ref	Hydraulic Diagram - T/T and Boom (100SX)	
	2792439	Ref	Hydraulic Diagram - T/T and Boom (110SX)	
	1283215	Ref	Hydraulic Diagram - T/T and Boom (110SX)	
	2792438	Ref	Hydraulic Diagram - T/T and Boom (110SXJ)	
	1283215	Ref	Hydraulic Diagram - T/T and Boom (110SXJ)	
	2792437	Ref	Hydraulic Diagram - T/T and Boom (120SXJ)	
	1283215	Ref	Hydraulic Diagram - T/T and Boom (120SXJ)	
	2792434	Ref	Hydraulic Diagram - Steer (2W/S)	
	1283215	Ref	Hydraulic Diagram - Steer (2W/S)	
	2792435	Ref	Hydraulic Diagram - Steer (4W/S)	
	1283215	Ref	Hydraulic Diagram - Steer (4W/S)	
	2792436	Ref	Hydraulic Diagram - With Lifting Jacks	
	1283215	Ref	Hydraulic Diagram - With Lifting Jacks	
	2792441	Ref	Hydraulic Diagram - With Out Lifting Jacks	
	1283215	Ref	Hydraulic Diagram - With Out Lifting Jacks	
	2792447	Ref	Hydraulic Schematic	

SECTION 7 - ELECTRICAL

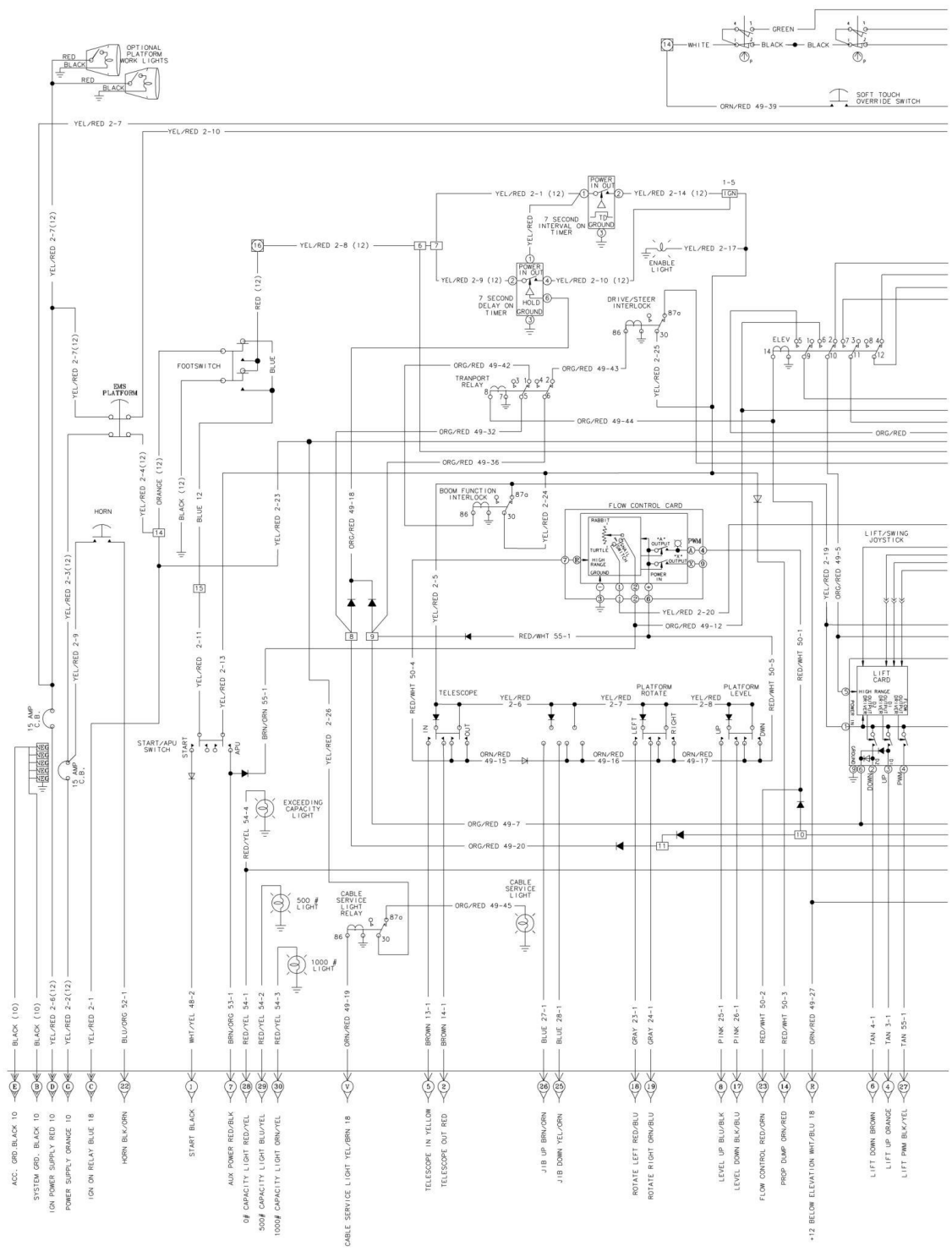
SECTION 7 - ELECTRICAL

FIGURE 7-1. ELECTRICAL DIAGRAM LIST

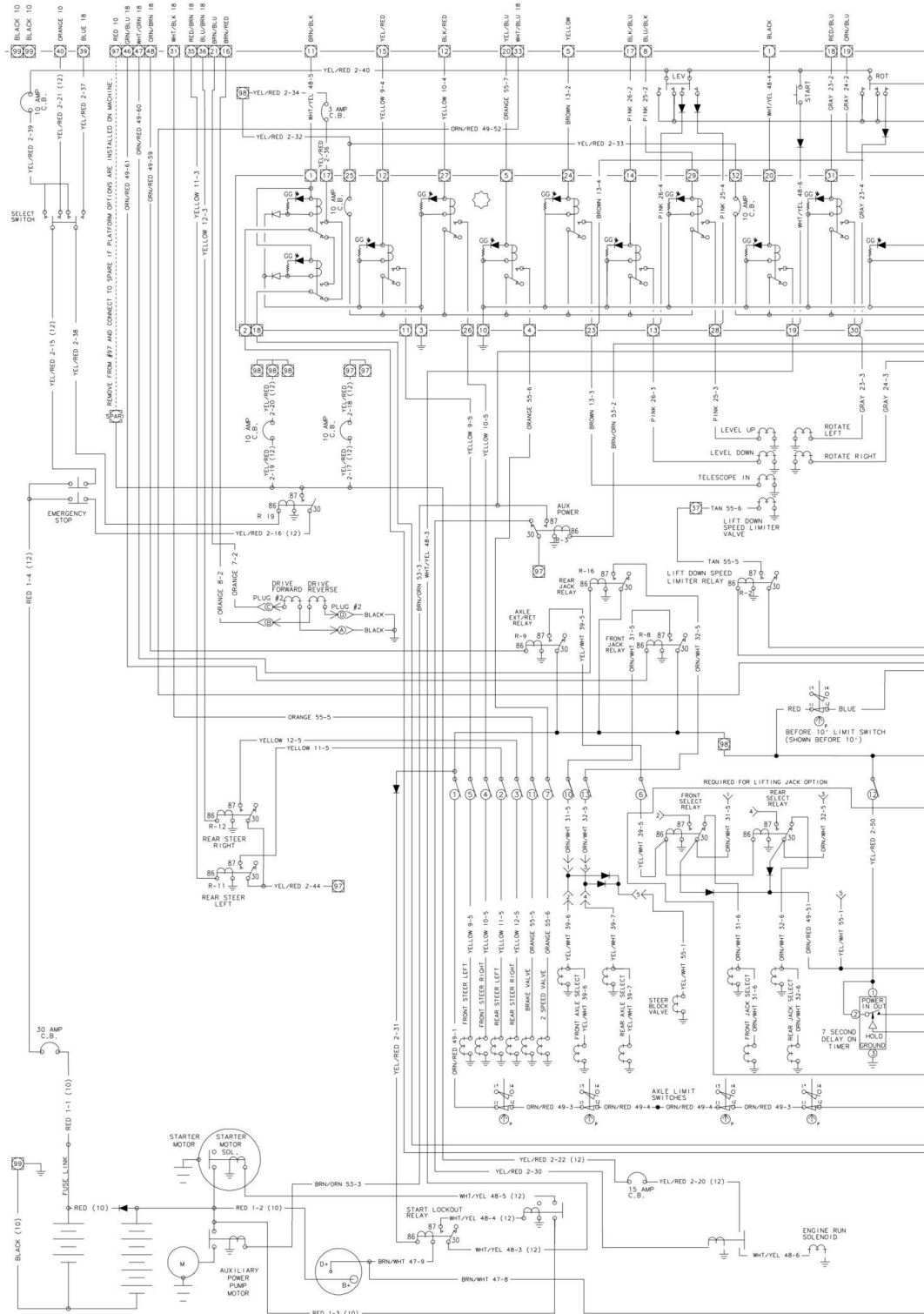
ITEM	PART NUMBER	QTY	DESCRIPTION	REV
		Ref	Note: Diagrams not shown in manual are available from the JLG Service/ Parts Department.	
		Ref	ALARM ELECTRICAL DIAGRAMS	
	4932638	Ref	Motion Alarm	2
	1282091	Ref	Motion Alarm	C
	4932639	Ref	Travel Alarm	2
	1282091	Ref	Travel Alarm	C
	4933136	Ref	BRAKE LIGHTS ELECTRICAL DIAGRAM	2-D
	0252928	Ref	COLD WEATHER KIT WIRING DIAGRAM	F
	4922414	Ref	ENGINE SHUTDOWN ELECTRICAL DIAGRAM	1-A
	4933137	Ref	ENGINE SHUTDOWN ELECTRICAL DIAGRAM (BROKEN FAN BELT)	1-A
	4933139	Ref	HEAD AND TAIL LIGHT ELECTRICAL DIAGRAM	2-C
	0270834	Ref	LOW ENGINE OIL PRESSURE SHUTDOWN ELECTRICAL DIAGRAM	1-A
	1281814	Ref	OIL COOLER ELECTRICAL DIAGRAM	A
	4922418	Ref	PLATFORM ELECTRICAL DIAGRAM	4-D
	4933138	Ref	PLATFORM SOFT TOUCH WIRING DIAGRAM	1-A
	0258048	Ref	PLATFORM WORKLIGHTS ELECTRICAL DIAGRAM	2-E
	0270048	Ref	REMOTE DRIVE ELECTRICAL DIAGRAM	2-C
		Ref	STANDARD ELECTRICAL DIAGRAMS	
	4933142	Ref	Standard Electrical Diagrams 100SX/110SX	5-G
	4933141	Ref	Standard Electrical Diagrams 110SXJ	6-H
	4933140	Ref	Standard Electrical Diagrams 120SXJ	6-H
		Ref	STANDARD ELECTRICAL SCHEMATICS	
	1870125	Ref	Standard Electrical Schematics 100SX/110SX	D
	1870124	Ref	Standard Electrical Schematics 110SXJ	D
	1870123	Ref	Standard Electrical Schematics 120SXJ	D
	1283193	Ref	STROBE LIGHT ELECTRICAL DIAGRAM	B

SECTION 7 - ELECTRICAL

FIGURE 7-2. ELECTRICAL SCHEMATIC - 100SX/110SX

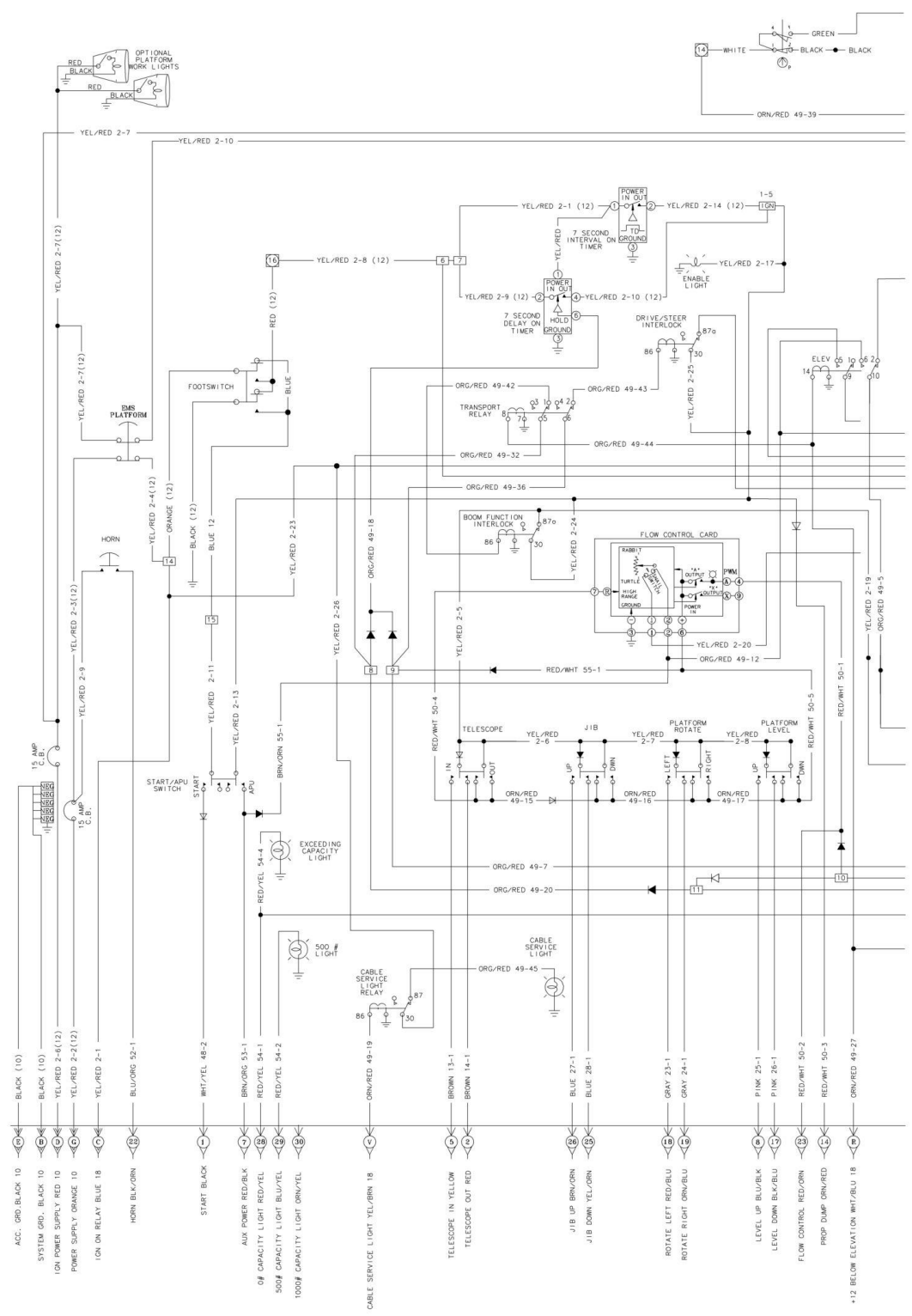


SECTION 7 - ELECTRICAL

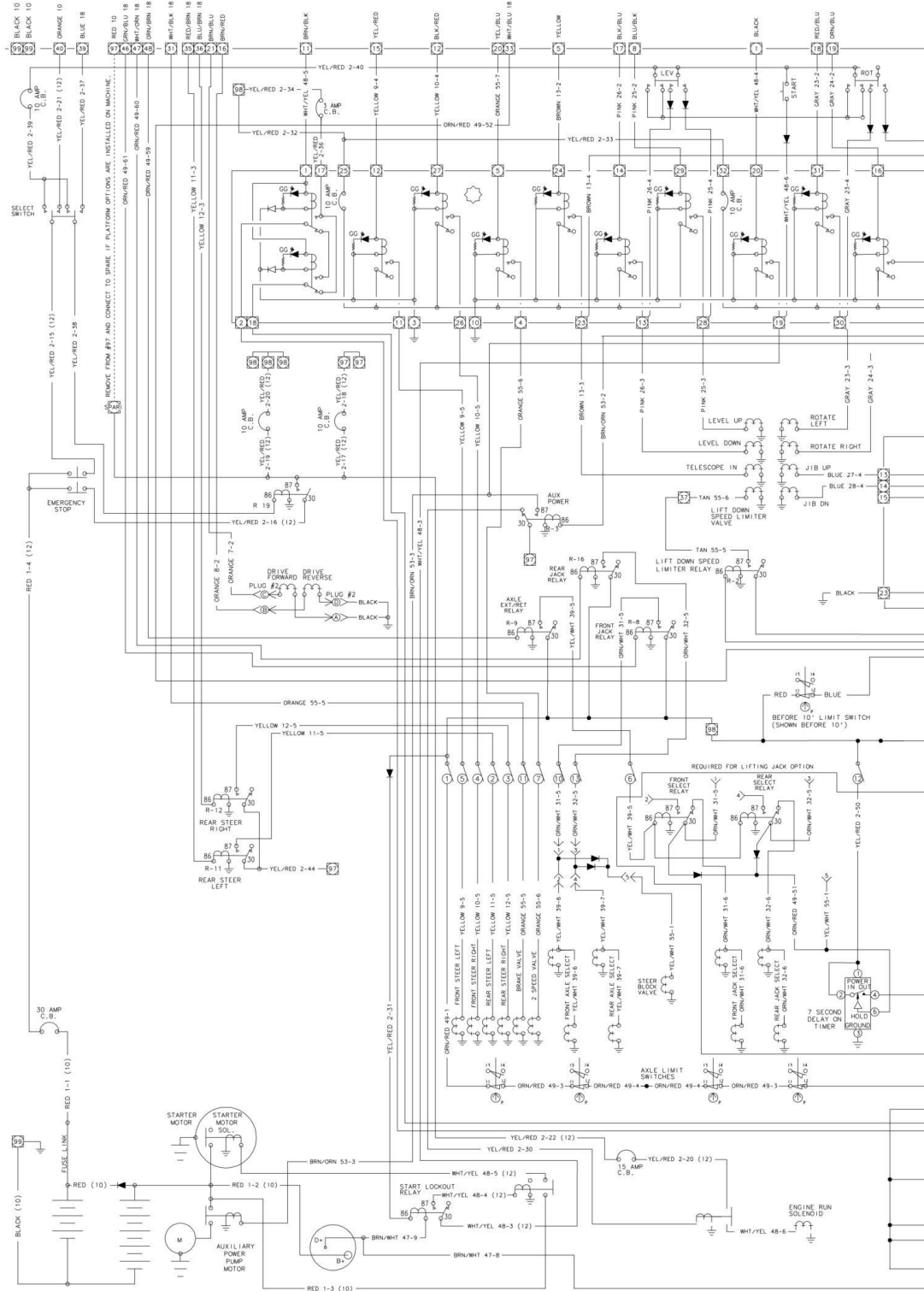


SECTION 7 - ELECTRICAL

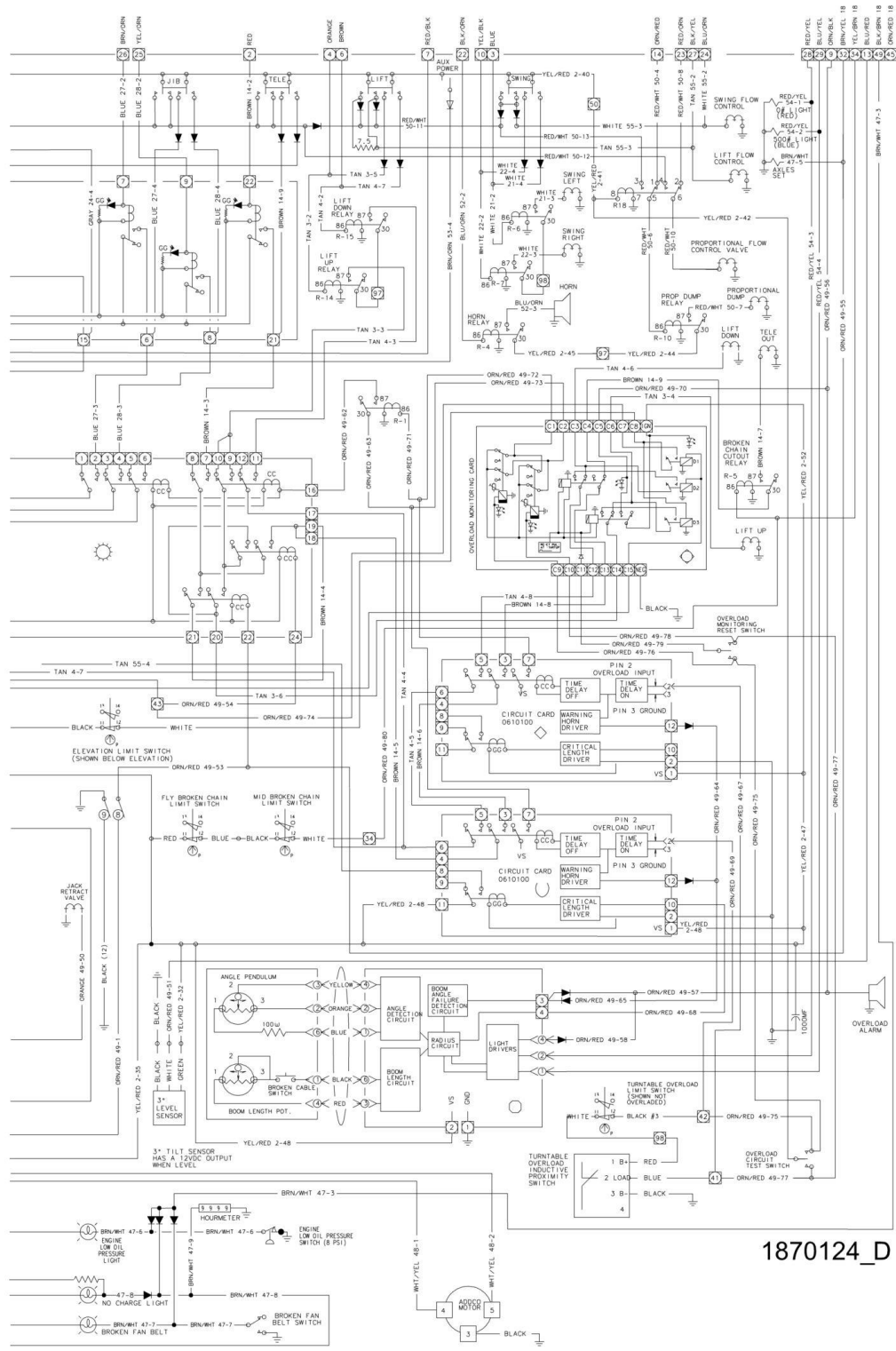
FIGURE 7-3. ELECTRICAL SCHEMATIC - 110SXJ



SECTION 7 - ELECTRICAL



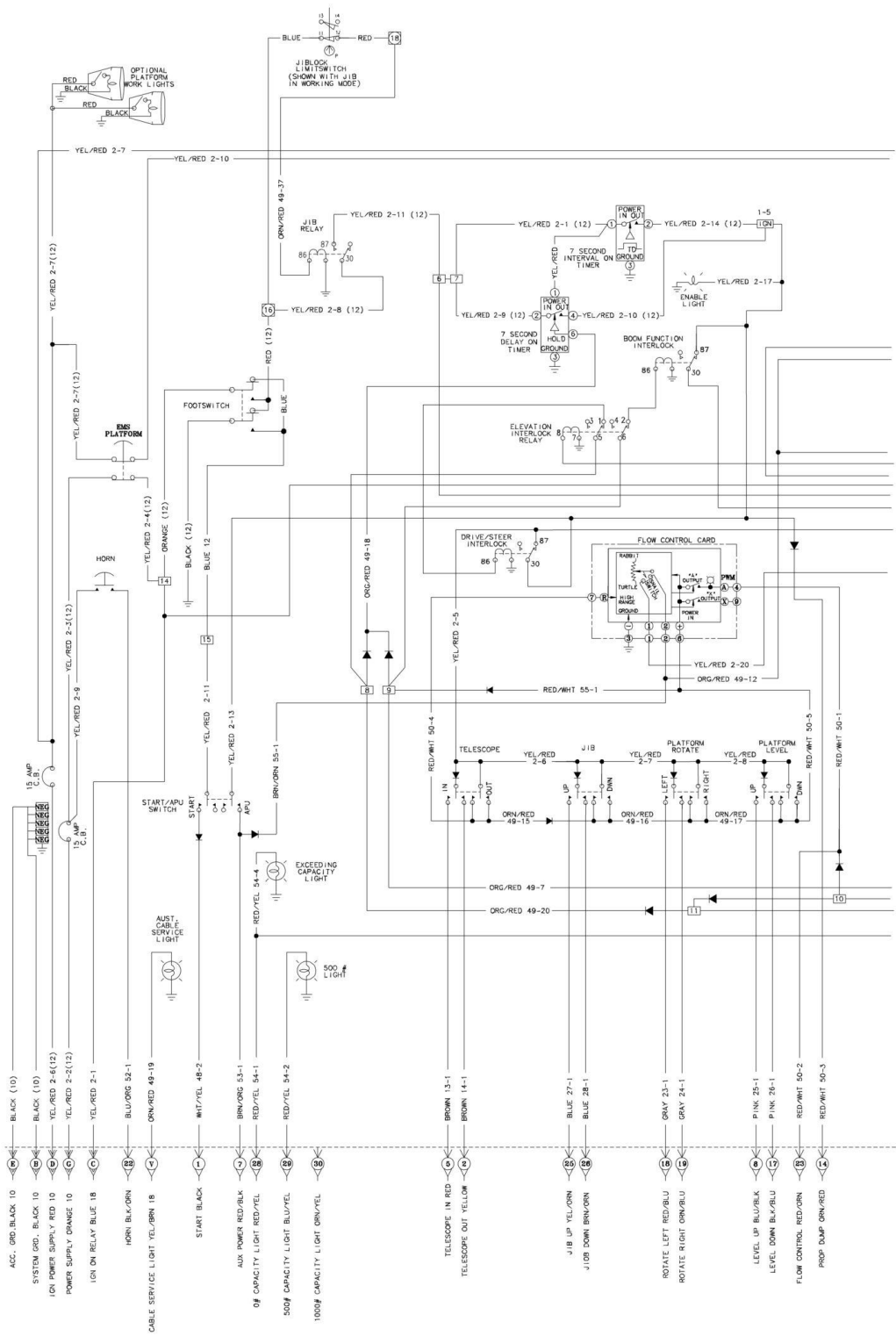
SECTION 7 - ELECTRICAL



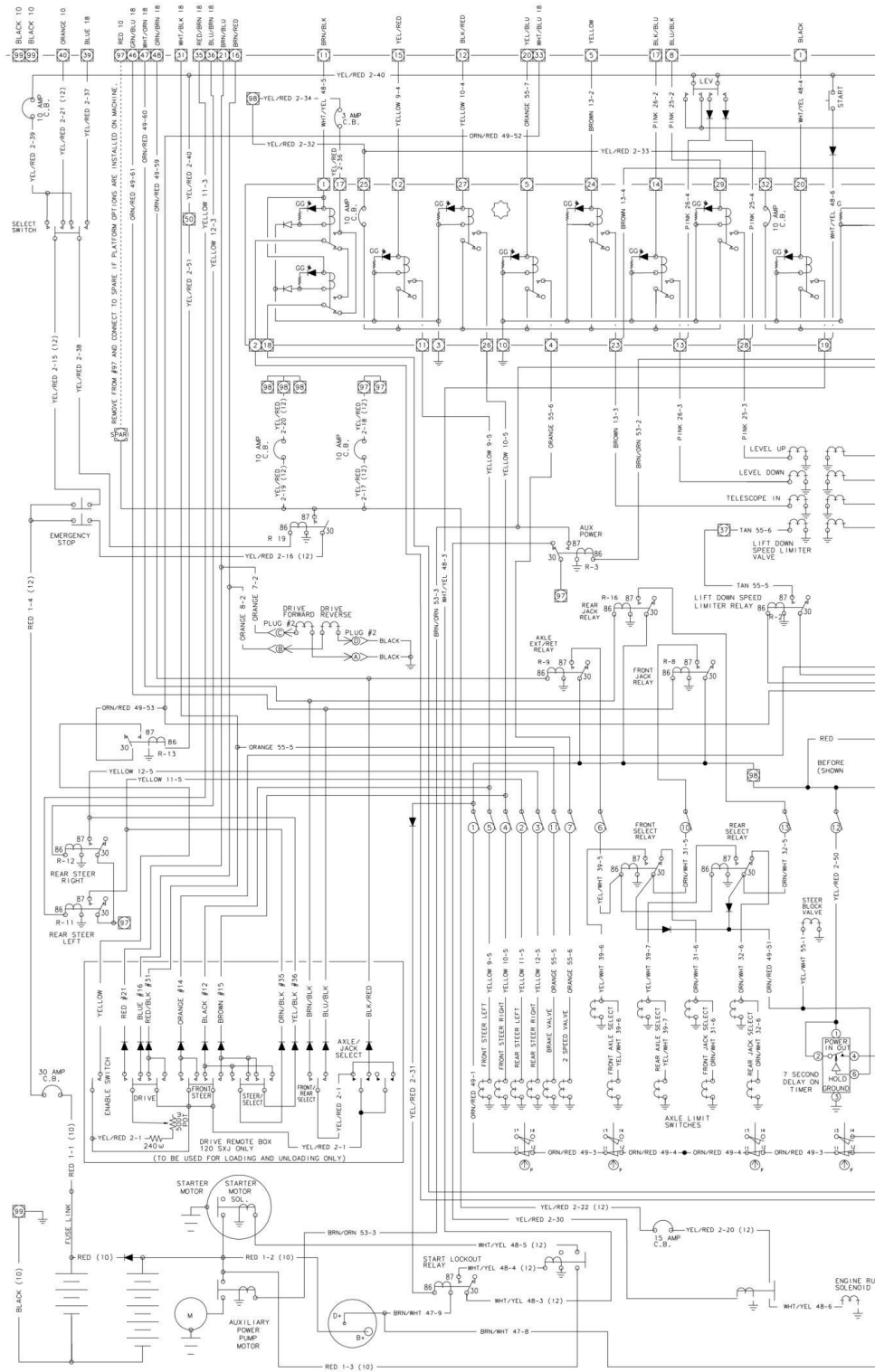
1870124_D

SECTION 7 - ELECTRICAL

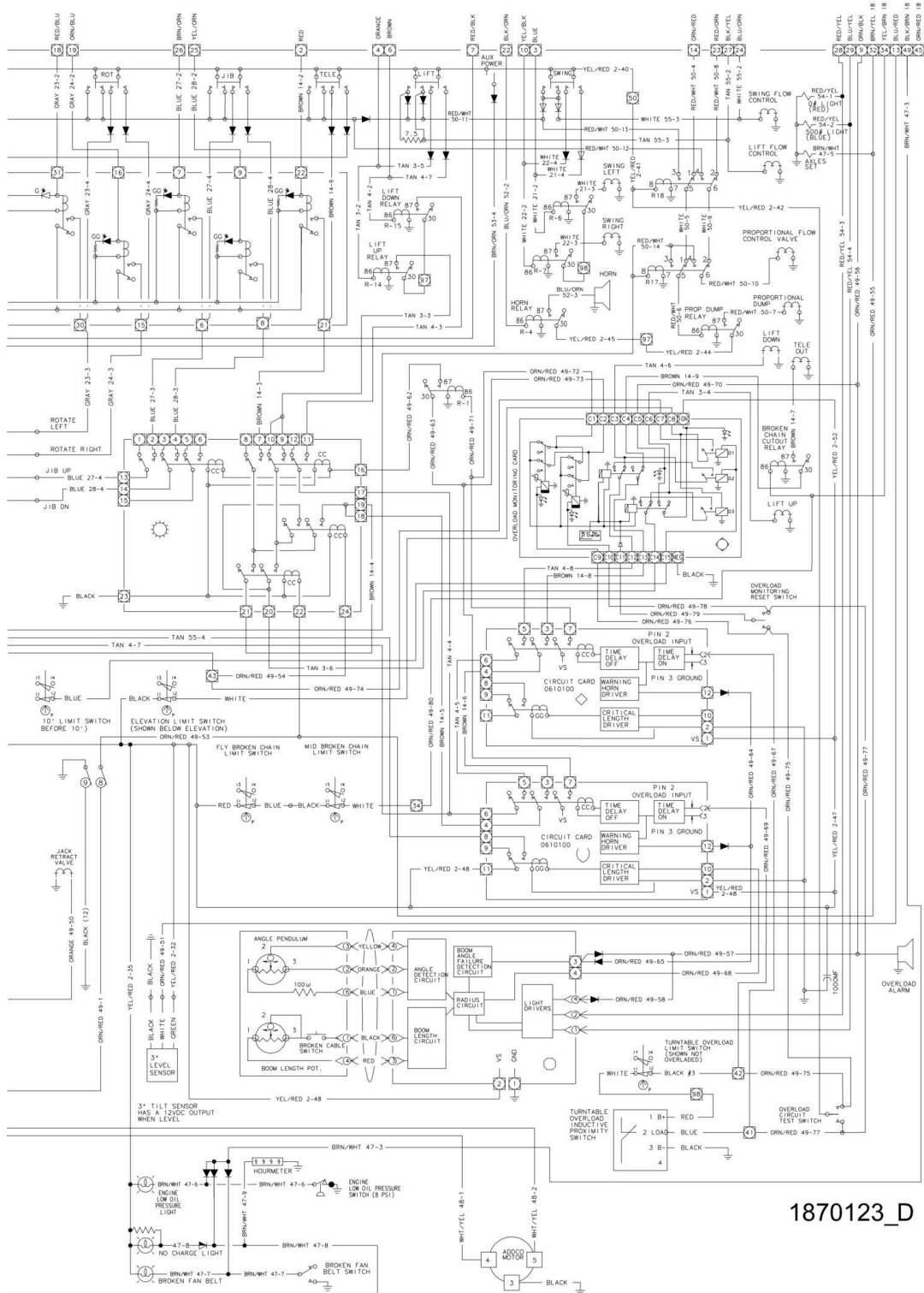
FIGURE 7-4. ELECTRICAL SCHEMATIC - 120SXJ



SECTION 7 - ELECTRICAL

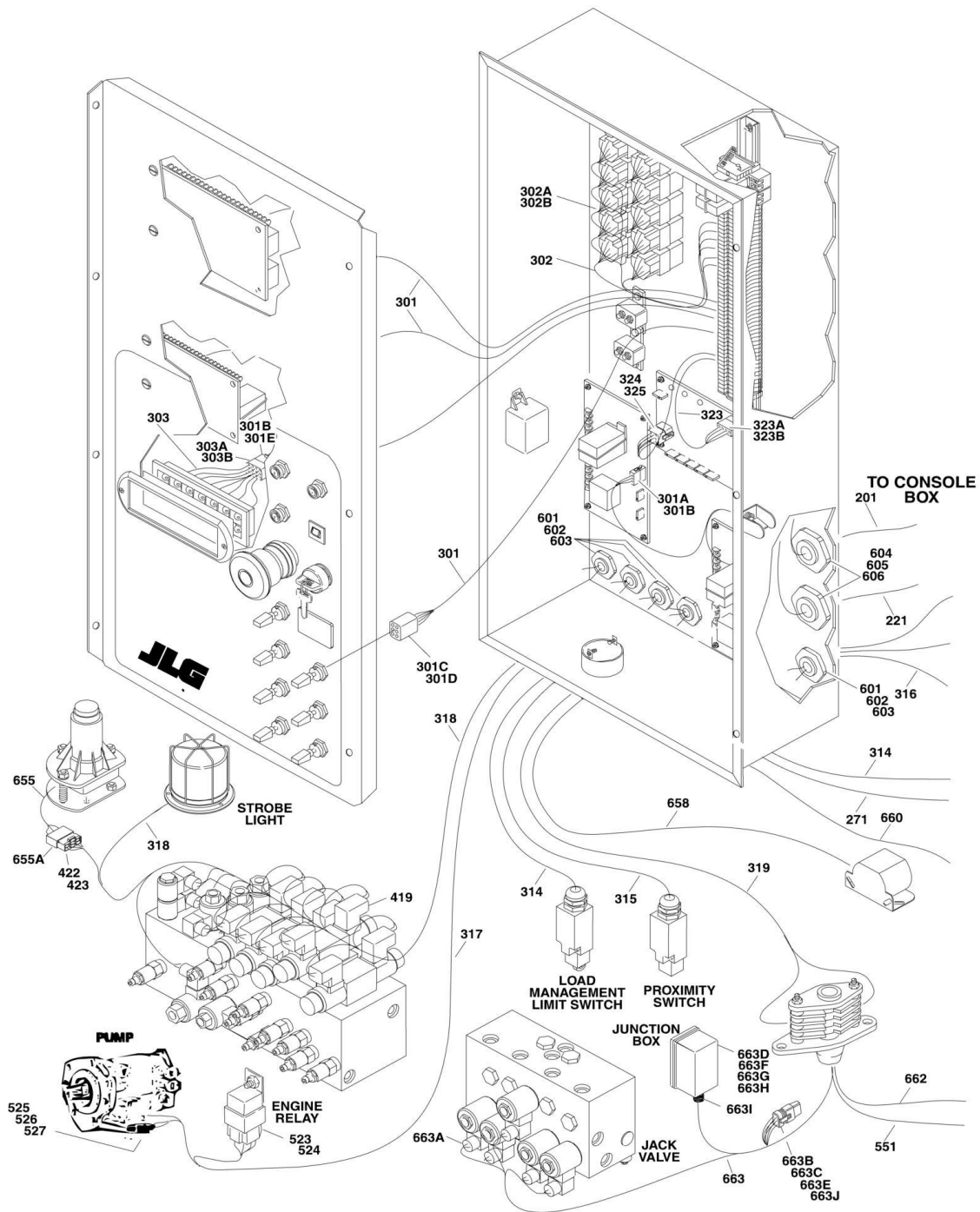


SECTION 7 - ELECTRICAL

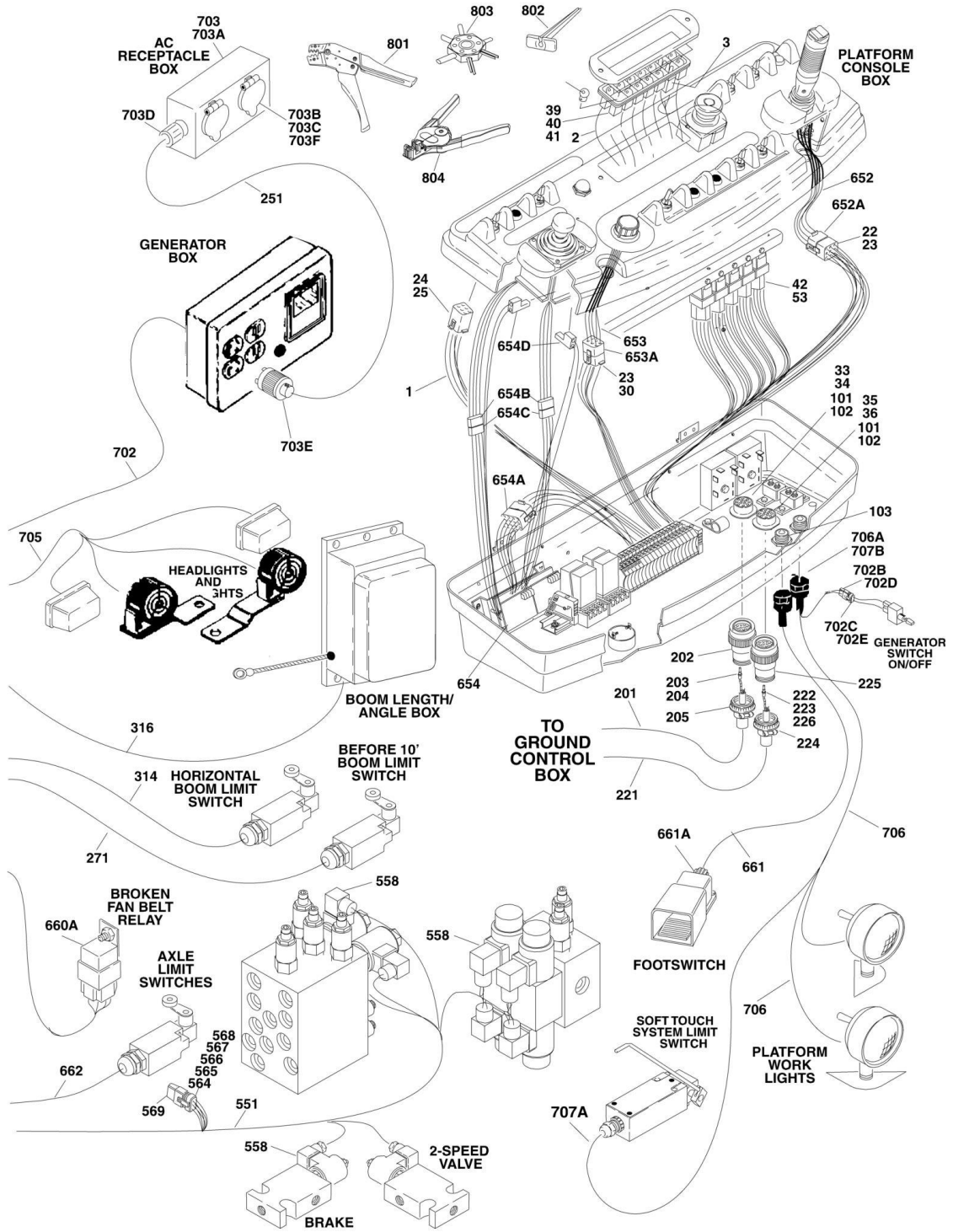


SECTION 7 - ELECTRICAL

FIGURE 7-5. HARNESS COMPONENTS INSTALLATION



SECTION 7 - ELECTRICAL



SECTION 7 - ELECTRICAL

FIGURE 7-5. HARNESS COMPONENTS INSTALLATION

ITEM	PART NUMBER	QTY	DESCRIPTION	REV
		Ref	HARNESS COMPONENTS INSTALLATION	
	4922418	Ref	PLATFORM BOX HARNESS ASSEMBLY	4-B
1	Not Available	AR	Switch Harness (Made up of Individual Wires)	
2	Not Available	AR	Light Display Harness (Made up of Individual Wires)	
3	Not Available	AR	Fuel Gauge Harness (Made up of Individual Wires)	
22	4460265	3	Connector - 9 Position	
23	4460268	29	Socket, Female	
24	4460418	7	Connector - 6 Position	
25	4460419	33	Terminal, Female	
30	4460266	1	Connector, Plug - 9 Position	
33	4460464	41	Pin, Male (16 Gauge)	
34	4460503	1	Connector - 31 Position	
35	4460508	4	Pin, Male (12 Gauge)	
36	4460613	1	Connector - 21 Position	
37	3990010	18	Diode 6 Amp (Not Shown)	
39	4120035	AR	Socket, Light	
40	4460634	12	Insert, Terminal (Single Wire)	
41	4460635	8	Insert, Terminal (Double Wire)	
42	4460741	7	Plug - 5 Position	
53	4460420	29	Terminal	
		Ref	PLATFORM BOX ASSEMBLY COMPONENTS	
101	4460470	2	Nut, Conduit	
102	4460471	2	Washer	
103	4460428	2	Connector, Strain Relief	
		Ref	BOOM CABLE INSTALLATION - 16/30	
	4922406	Ref	Boom Cable Installation - 16/30 100SX	2
	4922404	Ref	Boom Cable Installation - 16/30 110SX/110SXJ/110SX/110SXJ - With Inverted Track	2
	4922405	Ref	Boom Cable Installation - 16/30 120SXJ	2
201		Ref	Cable, Electrical - 16/30	
201	1060516	135 ft/41m	Cable, Electrical - 16/30 100SX	
201	1060516	138 ft/42m	Cable, Electrical - 16/30 110SX/110SXJ	
201	1060516	149 ft/45m	Cable, Electrical - 16/30 120SXJ	
202	4460502	1	Connector, Female - 31 Position	
203	4460465	30	Socket, Female	
204	4460466	1	Plug, Seal	
205	4460473	1	Clamp, Cable	
		Ref	BOOM HARNESS INSTALLATION - 10/4-18/16	
	4922403	Ref	Boom Harness Installation - 10/4-18/16 100SX	2
	4922401	Ref	Boom Harness Installation - 10/4-18/16 110SX/110SXJ/110SX/110SXJ - With Inverted Track	2
	4922402	Ref	Boom Harness Installation - 10/4-18/16 120SXJ	2
221		Ref	Cable, Electrical - 10/4-18/16 Options:	
221	1060676	135 ft/41m	Cable, Electrical - 10/4-18/16 100SX	
221	1060676	138 ft/42m	Cable, Electrical - 10/4-18/16 110SX/110SXJ	

SECTION 7 - ELECTRICAL

ITEM	PART NUMBER	QTY	DESCRIPTION	REV
221	1060676	149 ft/45m	Cable, Electrical - 10/4-18/16 120SXJ	
222	4460465	16	Socket, Female	
223	4460466	1	Plug, Seal	
224	4460473	1	Clamp, Cable	
225	4460614	1	Connector, Female - 21 Position	
226	4460509	4	Socket, Female	
		Ref	BOOM A/C CABLE INSTALLATION - 10/3 OPTIONS:	
		Ref	AUSTRALIAN SPEC	
251	1060545	131 ft/40m	Boom A/C Cable Installation - 10/3 100SX	
251	1060393	131 ft/40m	Boom A/C Cable Installation - 10/3 110SX/110SX - With Inverted Track	
251	1060393	128 ft/39m	Boom A/C Cable Installation - 10/3 110SXJ/110SXJ - With Inverted Track	
251	1060393	149 ft/45m	Boom A/C Cable Installation - 10/3 120SXJ	
251		Ref	CE SPEC	
251	1060545	131 ft/40m	Boom A/C Cable Installation - 10/3 100SX/110SX	
251	1060545	128 ft/39m	Boom A/C Cable Installation - 10/3 110SXJ	
251	1060545	149 ft/45m	Boom A/C Cable Installation - 10/3 120SXJ	
		Ref	BOOM LIMIT SWITCH CABLE INSTALLATION - 16/4	
271	1060079	50 ft/15m	Cable, Electrical - 16/4 (110SXJ/120SXJ Only)	
		Ref	BROKEN CHAIN LIMIT SWITCH CABLE INSTALLATION - 16/3 (CE SPEC ONLY)	
281	1060016	50 ft/15m	Cable, Electrical - 16/3	
		Ref	GROUND CONTROL BOX DIAGRAM	
	4933142	Ref	Ground Control Box Diagram 100SX/110SX	5-G
	4933141	Ref	Ground Control Box Diagram 110SXJ	6-H
	4933140	Ref	Ground Control Box Diagram 120SXJ	6-H
301		Ref	Harness - Ground Control Options:	
301	4922438	1	Harness - Ground Control (Prior to SN 58462)	1-A
301	4922461	1	Harness - Ground Control (SN 58462 to Present)	2-B
301A	4460326	2	Connector, Male - 3 Position	
301B	4460267	9	Pin, Male	
301C	4460418	7	Connector - 6 Position	
301D	4460419	39	Terminal, Female	
301E	4460343	1	Connector, Male - 12 Position	
302	4922451	1	Harness - Relay	1-A
302A	4460741	16	Plug - 5 Position	
302B	4460420	50	Terminal	
303	4922389	1	Harness, Lights	2-B
303A	4460367	1	Connector 12 Position	
303B	4460268	12	Socket, Female	
304	1540003	2	Capacitor (Not Shown)	
314	1060341	27 ft/8.2m	Cable, Electrical 16/2	
315	1060016	15 ft/5m	Cable, Electrical 16/3	
316	1060302	15 ft/5m	Cable, Electrical 16/5	
317	4922408	1	Harness, Engine	3-C
318	4922410	1	Harness, Valve	2-B

SECTION 7 - ELECTRICAL

ITEM	PART NUMBER	QTY	DESCRIPTION	REV
319	4922409	1	Harness, Slip Ring	1-A
321	3990010	AR	Diode 6 Amp (Not Shown)	
323	4922460	1	Harness, Load Radius (100SX/110SX)	2-A
323	4922458	1	Harness, Load Radius (110SXJ/120SXJ)	1-A
323A	4460321	1	Connector, Male - 4 Position	
323B		Ref	Pin, Male Options:	
323B	4460267	AR	Pin, Male (Prior to SN 65544)	
323B	4460268	AR	Pin, Male (SN 65544 to Present)	
324	4460225	1	Connector, Male - 6 Position	
325	4460226	5	Socket, Female	
326	2920129	7	Lamp, Light Display (110SX/120SXJ) (Not Shown)	
	4922410	Ref	VALVE HARNESS ASSEMBLY	2-B
419	4460499	17	DIN Connector with Diode	
422	4460445	1	Connector, Female - 3 Position	
423	4460267	3	Pin, Male	
	4922408	Ref	ENGINE HARNESS ASSEMBLY - DEUTZ ENGINE	3-C
523	4460374	1	Plug, Sealed	
524	4460375	4	Terminal	
525	4460460	1	Connector - 4 Position	
526	4460457	4	Terminal, Female	
527	4460458	4	Seal, Terminal	
	4922399	Ref	STEER HARNESS ASSEMBLY	3-D
551	4922399	1	Harness, Steer	
558	4460499	11	Connector, DIN with Diode	
564	4460225	1	Connector - 6 Position	
565	4460807	1	Seal, Terminal	
566	4460809	1	Sealing, Pin	
567	4460267	5	Pin, Male	
568	4460808	1	Seal, Terminal	
569	4922448	1	Harness, Plug	
569	4460224	1	Connector 6 Position	
569	4460807	1	Seal, Terminal	
569	3990010	2	Diode 6 Amp	
569	4460268	5	Socket, Female	
569	4460809	1	Sealing, Pin	
		Ref	PLATFORM BOX ASSEMBLY COMPONENTS	
601	3300048	5	Nut, Conduit	
602	0960238	AR	Bushing, Reducer	
603	4460051	AR	Connector, Strain Relief	
604	4460386	2	Connector, Strain Relief	
605	3300147	2	Nut, Conduit	
606	0960905	2	Bushing, Reducer	
		Ref	STANDARD HARNESS COMPONENTS	
651	Not Available	1	Controller Harness Assembly (Lift and Swing)	
651A	4460266	1	Connector, Female - 9 Position	
651A	4460268	7	Socket, Female	
652	7019124	1	Controller Harness/Circuit Board Assembly (Drive and Steer)	
652A	4460266	1	Connector, Female - 9 Position	
652A	4460268	7	Socket, Female	
653	Not Available	1	Controller Harness - Speed	
653A	4460224	1	Connector - 6 Position	

SECTION 7 - ELECTRICAL

ITEM	PART NUMBER	QTY	DESCRIPTION	REV
653A	4460268	6	Socket, Female	
654	Not Available	1	Controller Harness Assembly (Lift and Swing)	
654A	4460266	1	Connector, Female - 9 Position	
654A	4460267	9	Pin, Male	
654B	Not Available	2	Connector, Male - 4 Position	
654B	Not Available	4	Pin, Male	
654C	Not Available	2	Connector, Female - 4 Position	
654C	Not Available	8	Socket, Female	
654C	Not Available	2	Connector, Female - 3 Position	
654C	Not Available	3	Socket, Female	
655	Not Available	1	Tilt Indicator Harness	
655A	4460326	1	Connector, Female - 3 Position	
655A	4460268	3	Socket, Female	
656	4460326	1	Connector, Female - 3 Position	
657	4460268	3	Socket, Female	
658	Not Available	AR	Alarm Harness (Travel, Descend and Motion)	
658	1060341	11 ft/3.4m	Cable, Electrical - 16/2	
659	3990010	2	Diode 6 Amp (Not Shown)	
660	4921886	1	Broken Fan Belt Harness	
660A	3740080	1	Relay	
660A	4460374	1	Plug, Relay	
660A	4460375	4	Terminal	
661	4922352	1	Footswitch Harness	
661A	4460071	1	Connector, Strain Relief	
662	4922400	2	Axle Limit Switch Harness	
663	4922398	1	Jack Harness	
663A	4460267	2	Pin, Male	
663B	4460499	8	Connector, DIN with Diode	
663C	4460320	1	Connector, Female - 2 Position	
663D	3990010	5	Diode 6 Amp (Not Shown)	
663E	3740113	1	Relay, Time Delay (Not Shown - Located inside junction box)	
663F	0861358	1	Box, Junction	
663G	4460428	1	Connector, Strain Relief	
		Ref	OPTIONAL HARNESS COMPONENTS	
702	4922423	Ref	Generator Electrical Components	1-A
702A	4921938	1	Harness On/Off	
702B	4460424	1	Terminal Housing, Female	
702C	4460320	1	Terminal Housing, Male	
702D	4460268	2	Socket, Female	
702E	4460267	2	Pin, Male	
703	0270275	Ref	AC to Platform Receptacle Components (110V)	1
703A	0860038	1	Box, Switch	
703B	4460346	1	Receptacle	
703C	4060700	1	Shield, Cover	
703D	4460071	1	Connector, Strain Relief	
703E	4460205	1	Plug, Male	
703F	3960422	1	Gasket	
704	Not Available	1	Strobe Light Harness (Includes Strobe Light)	
705	Not Available	1	Light Harness	
705	3740049	1	Relay (Not Shown)	
705	1060341	45	Cable, Electrical - 16/2	
		ft/13.7m		

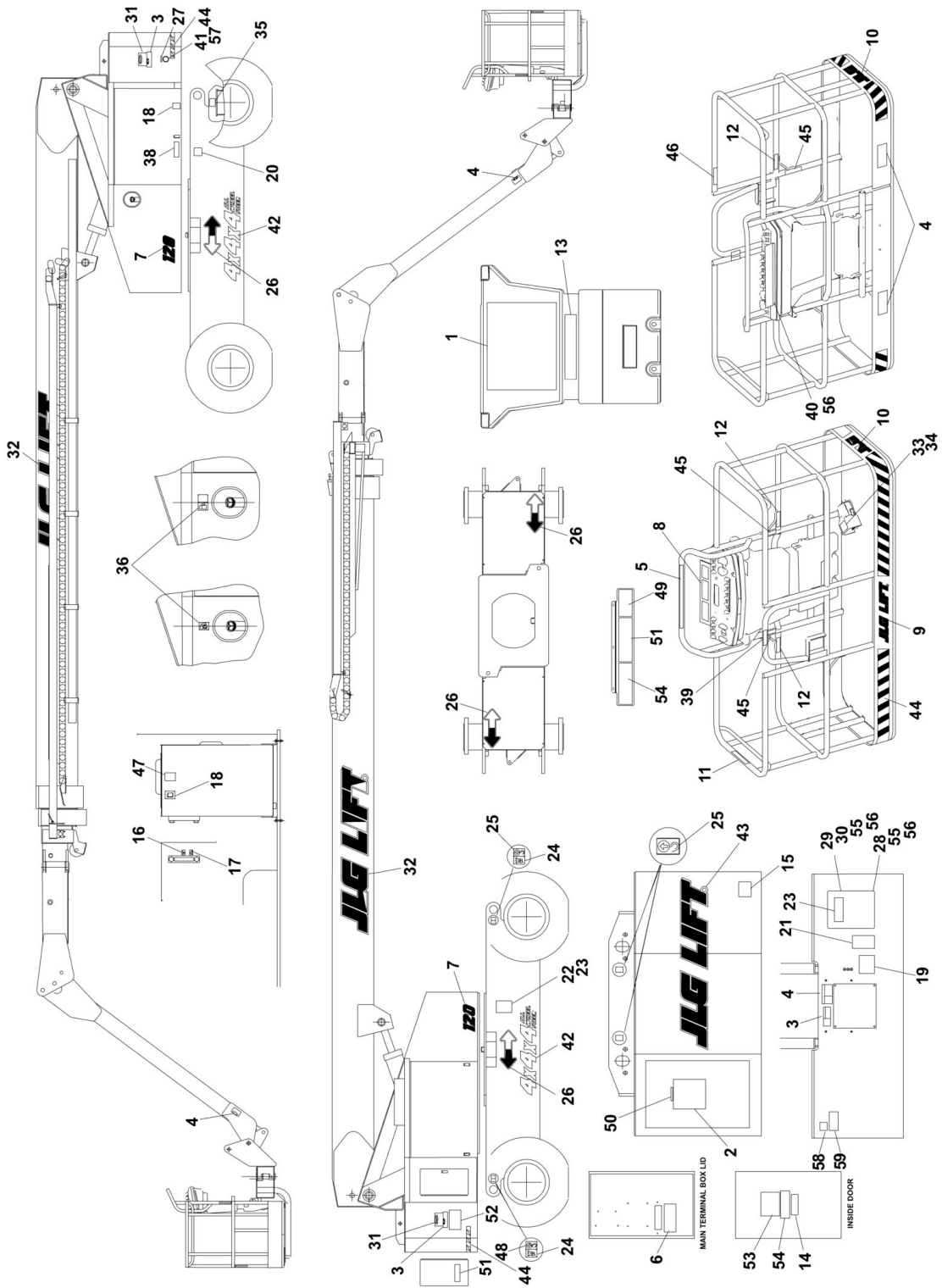
SECTION 7 - ELECTRICAL

ITEM	PART NUMBER	QTY	DESCRIPTION	REV
706	2920140	2	Platform Worklights Harness (Includes Light and Wire Only)	
706	2820035	9 ft/2.8m	Loom, Vinyl	
706A	4460598	1	Connector, Strain Relief	
706A	4460042	2	Terminal (Not Shown-Located in Platform Console)	
707	Not Available	1	Soft-Touch System Harness	
707A	1600330	16 ft/4.9m	Cable, Electrical - 16/3	
707B	4460425	1	Connector, Strain Relief	
708	4922502	1	Length Limiter	
708A	4460741	1	Plug - 5 Position	
708B	4460420	3	Terminal	
708C	1060016	52 ft/15.8m	Cable, Electrical - 16/3	
		Ref	TOOLS	
	4921850	1	Service Harness (For Setting Deutz Throttle Actuator)	
	4922021	1	Service Harness (For Setting Circuit Cards)	
801	7002821	1	Crimper (For Wire to Pin/Socket Connections)	
802	7002823	1	Extractor (For Removal of Pin/Socket from Connectors)	
803	4460467	1	Extractor, Pin (Blue 16-18 Gauge) (For Removal of Pin/Socket from Connectors)	
803	4460510	1	Extractor, Pin (Yellow 12-14 Gauge) (For Removal of Pin/Socket from Connectors)	
804	7002828	1	Stripper, Wire	

SECTION 8 - DECALS

SECTION 8 - DECALS

FIGURE 8-1. DECALS INSTALLATION



SECTION 8 - DECALS

FIGURE 8-1. DECALS INSTALLATION

ITEM	PART NUMBER	QTY	DESCRIPTION	REV
		Ref	STANDARD DECAL INSTALLATIONS	
	0259933	Ref	Decal - JLG	1
	0270249	Ref	STANDARD DECAL INSTALLATIONS MODEL 100SX/110SX - AUSTRALIAN SPEC	5
	0270307	Ref	STANDARD DECAL INSTALLATIONS MODELS 110SXJ/120SXJ - AUSTRALIAN SPEC	5
	0270245	Ref	STANDARD DECAL INSTALLATIONS MODEL 100SX/110SX - DUTCH SPEC	6
	0270304	Ref	STANDARD DECAL INSTALLATIONS MODELS 110SXJ/120SXJ - DUTCH SPEC	5
	0270242	Ref	STANDARD DECAL INSTALLATIONS MODEL 100SX/110SX - FRENCH SPEC	6
	0270301	Ref	STANDARD DECAL INSTALLATIONS MODELS 110SXJ/120SXJ - FRENCH SPEC	5
	0270243	Ref	STANDARD DECAL INSTALLATIONS MODEL 100SX/110SX - GERMAN SPEC	6
	0270302	Ref	STANDARD DECAL INSTALLATIONS MODELS 110SXJ/120SXJ - GERMAN SPEC	5
	0270244	Ref	STANDARD DECAL INSTALLATIONS MODEL 100SX/110SX - ITALIAN SPEC	6
	0270303	Ref	STANDARD DECAL INSTALLATIONS MODELS 110SXJ/120SXJ - ITALIAN SPEC	5
	0270246	Ref	STANDARD DECAL INSTALLATIONS MODEL 100SX/110SX - SPANISH SPEC	6
	0270305	Ref	STANDARD DECAL INSTALLATIONS MODELS 110SXJ/120SXJ - SPANISH SPEC	5
	0270241	Ref	STANDARD DECAL INSTALLATIONS MODEL 100SX/110SX - U.K. SPEC	7
	0270165	Ref	STANDARD DECAL INSTALLATIONS MODELS 110SXJ/120SXJ - U.K. SPEC	6
1		Ref	Decal - Danger/Warning (Platform) Options:	
1	1703992	1	Australian Spec	
1	1703913	1	Dutch Spec	
1	1703917	1	French Spec	
1	1703799	1	German Spec	
1	1703915	1	Italian Spec	
1	1703919	1	Spanish Spec	
1	1703806	1	U.K. Spec	
2		Ref	Decal - Danger/Warning (Ground Control) Options:	
2	1703807	1	Australian Spec	
2	1703914	1	Dutch Spec	
2	1703918	1	French Spec	
2	1703800	1	German Spec	
2	1703916	1	Italian Spec	
2	1703920	1	Spanish Spec	
2	1703807	1	U.K. Spec	
4	1701518	5	Decal - Warning Crushing	
7		Ref	Decal - Model Designation Options:	
7	1704599	2	Decal - Model Designation Model 100SX	
7	1704591	2	Decal - Model Designation Model 110SX	
7	1704590	2	Decal - Model Designation Model 110SXJ	
7	1704592	2	Decal - Model Designation Model 120SXJ	
8	3572327	1	Plate, Decal Mount	

SECTION 8 - DECALS

ITEM	PART NUMBER	QTY	DESCRIPTION	REV
9	1702774	1	Decal - JLG Lift (3.5in)	
10	1702773	2	Decal - JLG (5in)	
11	1702868	2	Decal - No Hands	
12		Ref	Decal - Attach Lanyard Here Options:	
12	1704277	4	Australian Spec	
12	1704277	4	Dutch/ French/ German/ Italian/ Spanish/ U.K. Spec	
13		Ref	Decal - Capacity (Platform) Options:	
13	1701645	1	Australian Spec	
13	Not Required	0	Dutch/ French/ German/ Italian/ Spanish/ U.K. Spec	
14		Ref	Decal - Capacity (Ground Control) Options:	
14	1702688	1	Australian Spec	
14	Not Required	0	Dutch/ French/ German/ Italian/ Spanish/ U.K. Spec	
15		Ref	Decal - Sound Power Level Options:	
15	Not Required	0	Australian Spec	
15		Ref	Dutch/ French/ German/ Italian/ Spanish/ U.K. Spec	
15	1702928	1	Dutch/ French/ German/ Italian/ Spanish/ U.K. Spec (Prior to SN 65572)	
15	1705084	1	Dutch/ French/ German/ Italian/ Spanish/ U.K. Spec (SN 65572 to Present)	
16	1701502	1	Decal - High Oil Level	
17	1701503	1	Decal - Low Oil Level	
18	1701504	2	Decal - Hydraulic Oil	
20	Not Available	1	Decal - Bar Code	
21	1700584	1	Decal - Patent	
22	Not Available	1	Nameplate - Serial Number	
23	1701509	1	Decal - Manual	
24	1702300	6	Decal - Tie Down	
25	1701500	4	Decal - Lift	
26	1701501	4	Decal - Arrow	
27		Ref	Nameplate - 240V-50Hz Options:	
27	3251242	1	Australian Spec	
27	Not Required	0	Dutch/ French/ German/ Italian/ Spanish/ U.K. Spec	
28	0860520	1	Box, Manual Storage	
29	1060279	1	Cable, Lanyard	
30	0641408	1	Bolt 1/4in-20NC x 1in	
31	1701518	2	Decal - Warning Crushing	
32	1702862	2	Decal - JLG Lift (12in)	
33	3820001	8	Rivet	
34		Ref	Decal - Footswitch Options:	
34	Not Required	0	Australian Spec	
34	1703518	1	Dutch Spec	
34	1693292	1	French Spec	
34	1693294	1	German Spec	
34	1701600	1	Italian Spec	
34	1701791	1	Spanish Spec	
34	Not Required	0	U.K. Spec	
35	1703481	4	Decal - Maximum Tire Load	
36	1701505	1	Decal - Fuel (See Engine Installation)	
37	Not Required	0	Not Required	
38	Not Required	0	Not Required	
39	Not Required	0	Not Required	
40	0641406	3	Bolt 1/4in-20NC x 3/4in	

SECTION 8 - DECALS

ITEM	PART NUMBER	QTY	DESCRIPTION	REV
42		Ref	Decal Options:	
42	1704600	2	Decal - 4 x 4	
42	1704581	2	Decal - 4 x 4 x 4 All Wheel Steer	
43	1702861	1	Decal - JLG Lift (8in)	
44	4420051	18 ft/5.49m	Decal - Warning Stripes	
47	1704412	1	Decal - Hydraulic Oil Chart	
48	1701499	2	Decal - No Lift	
49		Ref	Decal - Warning Tip-Over Options:	
49	1704606	1	Australian Spec	
49	1704642	1	Dutch Spec	
49	1704639	1	French Spec	
49	1704640	1	German Spec	
49	1704641	1	Italian Spec	
49	1704643	1	Spanish Spec	
49	1704606	1	U.K. Spec	
50		Ref	Decal - GC Location Options:	
50	1701840	1	Australian Spec	
50	1701616	1	Dutch Spec	
50	1701515	1	French Spec	
50	1693285	1	German Spec	
50	1701599	1	Italian Spec	
50	1701789	1	Spanish Spec	
50	1701840	1	U.K. Spec	
51		Ref	Decal Options:	
51	1704544	1	Decal - Axle Instructions (Prior to SN 54101)	
51		Ref	Decal - Warning Options (SN 54101 to Present)	
51	1704755	1	Australian Spec/U.K. Spec	
51	1704760	1	Dutch Spec	
51	1704757	1	French Spec	
51	1704758	1	German Spec	
51	1704759	1	Italian Spec	
51	1704761	1	Spanish Spec	
52		Ref	Decal - Lift Diagram Options:	
52	1705397	1	Decal - Lift Diagram 100SX/110SX - Australian Spec (Was P/N 3252696) (Prior to SN 67976)	
52	1705396	1	Decal - Lift Diagram 110SXJ - Australian Spec (Was P/N 3252697) (Prior to SN 67976)	
52	1705395	1	Decal - Lift Diagram 120SXJ - Australian Spec (Was P/N 3252698) (Prior to SN 67976)	
52	1705397	1	Decal - Lift Diagram 100SX/110SX - Dutch Spec (Was P/N 3252704) (Prior to SN 67976)	
52	1705396	1	Decal - Lift Diagram 110SXJ - Dutch Spec (Was P/N 3252715) (Prior to SN 67976)	
52	1705395	1	Decal - Lift Diagram 120SXJ - Dutch Spec (Was P/N 3252726) (Prior to SN 67976)	
52	1705397	1	Decal - Lift Diagram 100SX/110SX - French Spec (Was P/N 3252701) (Prior to SN 67976)	
52	1705396	1	Decal - Lift Diagram 110SXJ - French Spec (Was P/N 3252712) (Prior to SN 67976)	
52	1705395	1	Decal - Lift Diagram 120SXJ - French Spec (Was P/N 3252723) (Prior to SN 67976)	
52	1705397	1	Decal - Lift Diagram 100SX/110SX - German Spec (Was P/N 3252702) (Prior to SN 67976)	

SECTION 8 - DECALS

ITEM	PART NUMBER	QTY	DESCRIPTION	REV
52	1705396	1	Decal - Lift Diagram 110SXJ - German Spec (Was P/N 3252713) (Prior to SN 67976)	
52	1705395	1	Decal - Lift Diagram 120SXJ - German Spec (Was P/N 3252724) (Prior to SN 67976)	
52	1705397	1	Decal - Lift Diagram 100SX/110SX - Italian Spec (Was P/N 3252703) (Prior to SN 67976)	
52	1705396	1	Decal - Lift Diagram 110SXJ - Italian Spec (Was P/N 3252714) (Prior to SN 67976)	
52	1705395	1	Decal - Lift Diagram 120SXJ - Italian Spec (Was P/N 3252725) (Prior to SN 67976)	
52	1705397	1	Decal - Lift Diagram 100SX/110SX - Spanish Spec (Was P/N 3252705) (Prior to SN 67976)	
52	1705396	1	Decal - Lift Diagram 110SXJ - Spanish Spec (Was P/N 3252716) (Prior to SN 67976)	
52	1705395	1	Decal - Lift Diagram 120SXJ - Spanish Spec (Was P/N 3252727) (Prior to SN 67976)	
52	1705397	1	Decal - Lift Diagram 100SX/110SX - U.K. Spec (Was P/N 3252696) (Prior to SN 67976)	
52	1705396	1	Decal - Lift Diagram 110SXJ - U.K. Spec (Was P/N 3252697) (Prior to SN 67976)	
52	1705395	1	Decal - Lift Diagram 120SXJ - U.K. Spec (Was P/N 3252698) (Prior to SN 67976)	
53		Ref	Decal - Load Management Options:	
53	1704583	1	Australian Spec (Prior to SN 56951)	
53	1704899	1	Australian Spec (SN 56951 to Present)	
53	1704654	1	Dutch Spec	
53	1704651	1	French Spec	
53	1704652	1	German Spec	
53	1704653	1	Italian Spec	
53	1704655	1	Spanish Spec	
53	1704583	1	U.K. Spec (Prior to SN 56951)	
53	1704899	1	U.K. Spec (SN 56951 to Present)	
54		Ref	Decal - Warning Tip-Over Options:	
54	1704541	2	Australian Spec	
54	1704631	2	Dutch Spec	
54	1704628	2	French Spec	
54	1704629	2	German Spec	
54	1704630	2	Italian Spec	
54	1704632	2	Spanish Spec	
54	1704541	2	U.K. Spec	
55	3311405	6	Locknut 1/4in-20NC	
56	4751400	9	Flatwasher 1/4in	
57	0961127	1	Bushing, Snap	
58	1701543	2	Decal, LPG (Not Shown)	
59	1700818	2	Decal, Liquid Withdrawal System (Not Shown)	
	0100010	AR	Loctite #242	

SECTION 9 - RECOMMENDED SERVICE PARTS STOCK

SECTION 9 - RECOMMENDED SERVICE PARTS STOCK

SECTION 9 - RECOMMENDED SERVICE PARTS STOCK

FIGURE 9-1. MODELS 100SX/110SX/110SXJ/120SXJ STANDARD PARTS

ITEM	PART NUMBER	QTY	DESCRIPTION	REV
	Note	Ref	Note: The following list will service fleets of machines (built to current production per date on the front cover) with emergency repair parts which can be installed in the field. Parts from the list should be replaced when inventory is depleted to keep service parts stock supplied. For further information, contact your JLG dealer or the JLG Industries Parts Department.	
		Ref	STANDARD PARTS	
	7012944	1	Coil, (for fleets of 1 to 10)	
	7012944	1	Coil, (for fleets of 10 to 20)	
	7012944	1	Coil, (for fleets of 20 or more)	
	7021401	1	Coil, (for fleets of 1 to 10)	
	7021401	1	Coil, (for fleets of 10 to 20)	
	7021401	1	Coil, (for fleets of 20 or more)	
	7012943	1	Coil, (for fleets of 1 to 10)	
	7012943	1	Coil, (for fleets of 10 to 20)	
	7012943	1	Coil, (for fleets of 20 or more)	
	4360363	1	Switch, Level, (for fleets of 1 to 10)	
	4360363	1	Switch, Level Sensor, (for fleets of 10 to 20)	
	4360363	1	Switch, Level Sensor, (for fleets of 20 or more)	
	7017451	1	Coil, (for fleets of 1 to 10)	
	7017451	1	Coil, (for fleets of 10 to 20)	
	7017451	1	Coil, (for fleets of 20 or more)	
	0610084	1	Board, Circuit - Engine Relay, (for fleets of 1 to 10)	
	0610084	1	Board, Circuit - Engine Relay, (for fleets of 10 to 20)	
	0610084	1	Board, Circuit - Engine Relay, (for fleets of 20 or more)	
	0610080	1	Board, Circuit - Select, (for fleets of 1 to 10)	
	0610080	1	Board, Circuit - Select, (for fleets of 10 to 20)	
	0610080	1	Board, Circuit - Select, (for fleets of 20 or more)	
	0610130	1	Board, Circuit - Load Radius, (for fleets of 1 to 10)	
	0610130	1	Board, Circuit - Load Radius, (for fleets of 10 to 20)	
	0610130	1	Board, Circuit - Load Radius, (for fleets of 20 or more)	
	0610100	1	Board, Circuit - Overload, (for fleets of 1 to 10)	
	0610100	1	Board, Circuit - Overload, (for fleets of 10 to 20)	
	0610100	1	Board, Circuit - Overload, (for fleets of 20 or more)	
	3740070	1	Relay - SPDT, (for fleets of 1 to 10)	
	3740070	1	Relay - SPDT, (for fleets of 10 to 20)	
	3740070	1	Relay - SPDT, (for fleets of 20 or more)	
	3740016	1	Relay - 3PDT, (for fleets of 1 to 10)	
	3740016	1	Relay - 3PDT, (for fleets of 10 to 20)	
	3740016	1	Relay - 3PDT, (for fleets of 20 or more)	
	3740122	1	Relay - 2PDT, (for fleets of 1 to 10)	
	3740122	1	Relay - 2PDT, (for fleets of 10 to 20)	
	3740122	1	Relay - 2PDT, (for fleets of 20 or more)	
	3740049	1	Relay - 5PDT, (for fleets of 1 to 10)	
	3740049	1	Relay - 5PDT, (for fleets of 10 to 20)	
	3740049	1	Relay - 5PDT, (for fleets of 20 or more)	
	4360216	1	Breaker, Circuit - 30 Amp, (for fleets of 1 to 10)	
	4360216	1	Breaker, Circuit - 30 Amp, (for fleets of 10 to 20)	
	4360216	1	Breaker, Circuit - 30 Amp, (for fleets of 20 or more)	

SECTION 9 - RECOMMENDED SERVICE PARTS STOCK

ITEM	PART NUMBER	QTY	DESCRIPTION	REV
	4360232	1	Breaker, Circuit - 15 Amp, (for fleets of 1 to 10)	
	4360232	1	Breaker, Circuit - 15 Amp, (for fleets of 10 to 20)	
	4360232	1	Breaker, Circuit - 15 Amp, (for fleets of 20 or more)	
	4360470	1	Switch, Key, (for fleets of 1 to 10)	
	4360470	1	Switch, Key, (for fleets of 10 to 20)	
	4360470	1	Switch, Key, (for fleets of 20 or more)	
	2860030	1	Key, Replacement, (for fleets of 1 to 10)	
	2860030	1	Key, Replacement, (for fleets of 10 to 20)	
	2860030	1	Key, Replacement, (for fleets of 20 or more)	
	4360212	1	Breaker, Circuit - 3 Amp, (for fleets of 1 to 10)	
	4360212	1	Breaker, Circuit - 3 Amp, (for fleets of 10 to 20)	
	4360212	1	Breaker, Circuit - 3 Amp, (for fleets of 20 or more)	
	4360314	1	Switch, Toggle, (for fleets of 1 to 10)	
	4360314	1	Switch, Toggle, (for fleets of 10 to 20)	
	4360314	1	Switch, Toggle, (for fleets of 20 or more)	
	4360331	1	Switch, Toggle, (for fleets of 1 to 10)	
	4360331	1	Switch, Toggle, (for fleets of 10 to 20)	
	4360331	1	Switch, Toggle, (for fleets of 20 or more)	
	4360475	1	Switch, Mushroom, (for fleets of 1 to 10)	
	4360475	1	Switch, Mushroom, (for fleets of 10 to 20)	
	4360475	1	Switch, Mushroom, (for fleets of 20 or more)	
	3740112	1	Relay, (for fleets of 1 to 10)	
	3740112	1	Relay, (for fleets of 10 to 20)	
	3740112	1	Relay, (for fleets of 20 or more)	
	4360476	1	Contact, Switch Block, (for fleets of 1 to 10)	
	4360476	1	Contact, Switch Block, (for fleets of 10 to 20)	
	4360476	1	Contact, Switch Block, (for fleets of 20 or more)	
	4360328	1	Switch, Toggle, (for fleets of 1 to 10)	
	4360328	1	Switch, Toggle, (for fleets of 10 to 20)	
	4360328	1	Switch, Toggle, (for fleets of 20 or more)	
	4360069	1	Breaker, Circuit - 10 Amp, (for fleets of 1 to 10)	
	4360069	1	Breaker, Circuit - 10 Amp, (for fleets of 10 to 20)	
	4360069	1	Breaker, Circuit - 10 Amp, (for fleets of 20 or more)	
	4360340	1	Switch, Potentiometer, (for fleets of 1 to 10)	
	4360340	1	Switch, Potentiometer, (for fleets of 10 to 20)	
	4360340	1	Switch, Potentiometer, (for fleets of 20 or more)	
	4360345	1	Switch, Toggle, (for fleets of 1 to 10)	
	4360345	1	Switch, Toggle, (for fleets of 10 to 20)	
	4360345	1	Switch, Toggle, (for fleets of 20 or more)	
	3990001	1	Diode - 3 Amp, (for fleets of 1 to 10)	
	3990001	1	Diode - 3 Amp, (for fleets of 10 to 20)	
	3990001	1	Diode - 3 Amp, (for fleets of 20 or more)	
	2120136	4	Element, Charge Pump Filter, (for fleets of 1 to 10)	
	2120136	8	Element, Charge Pump Filter, (for fleets of 10 to 20)	
	2120136	12	Element, Charge Pump Filter, (for fleets of 20 or more)	
	3740059	1	Relay, (for fleets of 1 to 10)	
	3740059	1	Relay, (for fleets of 10 to 20)	
	3740059	1	Relay, (for fleets of 20 or more)	
	3740067	1	Relay, (for fleets of 1 to 10)	
	3740067	1	Relay, (for fleets of 10 to 20)	
	3740067	1	Relay, (for fleets of 20 or more)	

SECTION 9 - RECOMMENDED SERVICE PARTS STOCK

ITEM	PART NUMBER	QTY	DESCRIPTION	REV
	7008829	1	Board, Circuit, (for fleets of 1 to 10)	
	7008829	1	Board, Circuit, (for fleets of 10 to 20)	
	7008829	1	Board, Circuit, (for fleets of 20 or more)	
	7008828	1	Cable, Throttle, (for fleets of 1 to 10)	
	7008828	1	Cable, Throttle, (for fleets of 10 to 20)	
	7008828	1	Cable, Throttle, (for fleets of 20 or more)	
	7004214	1 Dozen	Element, Air Filter, (for fleets of 1 to 10)	
	7004214	1 Dozen	Element, Air Filter, (for fleets of 10 to 20)	
	7004214	1 Dozen	Element, Air Filter, (for fleets of 20 or more)	
	7000649	1	Filter, Engine Fuel (Deutz), (for fleets of 1 to 10)	
	7000649	1	Filter, Engine Fuel (Deutz), (for fleets of 10 to 20)	
	7000649	1	Filter, Engine Fuel (Deutz), (for fleets of 20 or more)	
	7014503	1 case	Filter, Engine Oil (Deutz), (for fleets of 1 to 10)	
	7014503	1 case	Filter, Engine Oil (Deutz), (for fleets of 10 to 20)	
	7014503	1 case	Filter, Engine Oil (Deutz), (for fleets of 20 or more)	
	1660233	1	Coupling (Deutz), (for fleets of 1 to 10)	
	1660233	1	Coupling (Deutz), (for fleets of 10 to 20)	
	1660233	1	Coupling (Deutz), (for fleets of 20 or more)	
	1340046	1	Breather, Hydraulic, (for fleets of 1 to 10)	
	1340046	1	Breather, Hydraulic, (for fleets of 10 to 20)	
	1340046	1	Breather, Hydraulic, (for fleets of 20 or more)	
	2120129	4	Element, Hydraulic Oil Filter, (for fleets of 1 to 10)	
	2120129	8	Element, Hydraulic Oil Filter, (for fleets of 10 to 20)	
	2120129	12	Element, Hydraulic Oil Filter, (for fleets of 20 or more)	
	3740080	1	Relay, (for fleets of 1 to 10)	
	3740080	1	Relay, (for fleets of 10 to 20)	
	3740080	1	Relay, (for fleets of 20 or more)	
	4360336	1	Switch, Toggle, (for fleets of 1 to 10)	
	4360336	1	Switch, Toggle, (for fleets of 10 to 20)	
	4360336	1	Switch, Toggle, (for fleets of 20 or more)	
	3740113	1	Relay, Timer, (for fleets of 1 to 10)	
	3740113	1	Relay, Timer, (for fleets of 10 to 20)	
	3740113	1	Relay, Timer, (for fleets of 20 or more)	
	3740115	1	Relay, Timer, (for fleets of 1 to 10)	
	3740115	1	Relay, Timer, (for fleets of 10 to 20)	
	3740115	1	Relay, Timer, (for fleets of 20 or more)	
	1600306	1	Controller (Lift and Swing), (for fleets of 1 to 10)	
	1600306	1	Controller (Lift and Swing), (for fleets of 10 to 20)	
	1600306	1	Controller (Lift and Swing), (for fleets of 20 or more)	
	1600287	1	Controller (Drive and Steer), (for fleets of 1 to 10)	
	1600287	1	Controller (Drive and Steer), (for fleets of 10 to 20)	
	1600287	1	Controller (Drive and Steer), (for fleets of 20 or more)	
	4360387	1	Switch, Pushbutton, (for fleets of 1 to 10)	
	4360387	1	Switch, Pushbutton, (for fleets of 10 to 20)	
	4360387	1	Switch, Pushbutton, (for fleets of 20 or more)	
	4360331	1	Switch, Toggle, (for fleets of 1 to 10)	
	4360331	1	Switch, Toggle, (for fleets of 10 to 20)	
	4360331	1	Switch, Toggle, (for fleets of 20 or more)	
	3740123	1	Relay, (for fleets of 1 to 10)	
	3740123	1	Relay, (for fleets of 10 to 20)	
	3740123	1	Relay, (for fleets of 20 or more)	

SECTION 9 - RECOMMENDED SERVICE PARTS STOCK

ITEM	PART NUMBER	QTY	DESCRIPTION	REV
	1600307	1	Card, Control, (for fleets of 1 to 10)	
	1600307	1	Card, Control, (for fleets of 10 to 20)	
	1600307	1	Card, Control, (for fleets of 20 or more)	
	7003961	1	Microswitch, (for fleets of 1 to 10)	
	7003961	1	Microswitch, (for fleets of 10 to 20)	
	7003961	1	Microswitch, (for fleets of 20 or more)	
	3990010	1	Diode - 6 Amp, (for fleets of 1 to 10)	
	3990010	1	Diode - 6 Amp, (for fleets of 10 to 20)	
	3990010	1	Diode - 6 Amp, (for fleets of 20 or more)	

SECTION 9 - RECOMMENDED SERVICE PARTS STOCK

FIGURE 9-2. MODELS 100SX/110SX/110SXJ/120SXJ VARIABLE PARTS

ITEM	PART NUMBER	QTY	DESCRIPTION	REV
	Note	Ref	Note: The following list will service fleets of machines (built to current production per date on the front cover) with emergency repair parts which can be installed in the field. Parts from the list should be replaced when inventory is depleted to keep service parts stock supplied. For further information, contact your JLG dealer or the JLG Industries Parts Department.	
		Ref	VARIABLE PARTS	
	70003143	1	Powertrack Repair Section Without Chip Covers - Left Side (for fleets of 1 to 10)	
	70003143	1	Powertrack Repair Section Without Chip Covers - Left Side (for fleets of 10 to 20)	
	70003143	1	Powertrack Repair Section Without Chip Covers - Left Side (for fleets of 20 or more)	
	7006503	1	Powertrack Repair Section With Chip Covers - Left Side (for fleets of 1 to 10)	
	7006503	1	Powertrack Repair Section With Chip Covers - Left Side (for fleets of 10 to 20)	
	7006503	1	Powertrack Repair Section With Chip Covers - Left Side (for fleets of 20 or more)	
	7006153	1	Powertrack Repair Section Without Chip Covers - Right Side (for fleets of 1 to 10)	
	7006153	1	Powertrack Repair Section Without Chip Covers - Right Side (for fleets of 10 to 20)	
	7006153	1	Powertrack Repair Section Without Chip Covers - Right Side (for fleets of 20 or more)	
	70003145	1	Powertrack Repair Section With Chip Covers - Right Side (for fleets of 1 to 10)	
	70003145	1	Powertrack Repair Section With Chip Covers - Right Side (for fleets of 10 to 20)	
	70003145	1	Powertrack Repair Section With Chip Covers - Right Side (for fleets of 20 or more)	
	4360322	1	Switch, Limit (for fleets of 1 to 10)	
	4360322	1	Switch, Limit (for fleets of 10 to 20)	
	4360322	1	Switch, Limit (for fleets of 20 or more)	
	4360301	1	Switch, Limit (for fleets of 1 to 10)	
	4360301	1	Switch, Limit (for fleets of 10 to 20)	
	4360301	1	Switch, Limit (for fleets of 20 or more)	
	4360263	1	Switch, Limit (for fleets of 1 to 10)	
	4360263	1	Switch, Limit (for fleets of 10 to 20)	
	4360263	1	Switch, Limit (for fleets of 20 or more)	
	4360259	1	Switch, Proximity (for fleets of 1 to 10)	
	4360259	1	Switch, Proximity (for fleets of 10 to 20)	
	4360259	1	Switch, Proximity (for fleets of 20 or more)	
	4360277	1	Switch, Limit (for fleets of 1 to 10)	
	4360277	1	Switch, Limit (for fleets of 10 to 20)	
	4360277	1	Switch, Limit (for fleets of 20 or more)	
	4360057	1	Switch, Limit (for fleets of 1 to 10)	
	4360057	1	Switch, Limit (for fleets of 10 to 20)	
	4360057	1	Switch, Limit (for fleets of 20 or more)	

SECTION 10 - SPECIAL OPTIONS

SECTION 10 - SPECIAL OPTIONS

FIGURE 10-1. SPECIAL OPTIONS

ITEM	PART NUMBER	QTY	DESCRIPTION	REV
	Note	Ref	Note: This list is to accommodate machines ordered with special equipment. Options may not be applicable to all models. For more specific parts information contact JLG Parts Department.	
		Ref	MISCELLANEOUS SPECIAL OPTIONS	
	0271398	Ref	Airline 1/2in and Weld Lead Installation	
	0271462	Ref	Airline Installation, 1/2in (110SX)	
	0271463	Ref	Airline Installation, 1/2in (110SXJ)	
	0271471	Ref	Airline Installation, 1/2in (100SX)	
	0271202	Ref	Airline Installation, 1/2in (120SXJ)	
	0270281	Ref	Bellows, Cylinder (100SX/110SX)	
	0270282	Ref	Bellows, Cylinder (110SXJ/120SXJ)	
	0270825	Ref	Brake Lights Installation	
	0256789	Ref	Camera Mounting Installation	
	0272191	Ref	Console Cover, Rubber	
	1580012	Ref	Container, Storage Tray (Center)	
	1580013	Ref	Container, Storage Tray (Rail)	
	0254109	Ref	Exhaust Purifier Installation	
	3220088	1	Muffler, Exhaust Purifier	
	4566219	1	Tube, Exhaust	
		Ref	Filter Kits (Deutz Engine):	
	1001111010	1	Combined Filter Kit (Hydraulic/Air and Fuel/Engine Oil)	
	1001109714	1	Hydraulic/Air Filter	
	1001110131	1	Fuel/Engine Oil Filter	
	0270319	Ref	Head and Tail Lights Installation	
	2920110	2	Light, Head	
	2920113	2	Light, Tail	
	0253649	Ref	Manual Descent Installation	
	0253050	Ref	Pinion Installation	
	0270723	Ref	Platform Beacon Light Installation	
	0255398	Ref	Platform Console Cover Installation	
	0251059	Ref	Platform Step Installation	
	0270511	Ref	Rail Extension (36inx 72in) (0.9m X 1.83m)	
	0271771	Ref	Rail Extension (36inx 96in) (0.9m X 2.44m)	
	4060959	1	Shield, Footswitch	
	0270320	Ref	Strobe Light Installation - Amber	
	0272507	1	Strobe Light/Guard/Harness Assembly	
		Ref	Bulb, Replacement Options:	
	7016380	1	Bulb for ECCO Model 6640	
	70001941	1	Bulb for ECCO Model 6650	
		Ref	Guard Options:	
	4060907	1	Bulb for ECCO Model 6640	
	2920215	1	Bulb for ECCO Model 6650	
		Ref	Tools For Service:	
	7002821	Ref	Crimper, Wire	
	2900838	Ref	Fastener Kit - U.S. Standards	
	7002823	Ref	Pin Extractor - Universal (For Electrical Connectors with Pins and Sockets)	
	7016654	Ref	Screwdriver, Magnetic	

SECTION 10 - SPECIAL OPTIONS

ITEM	PART NUMBER	QTY	DESCRIPTION	REV
	7002822	Ref	Screwdriver, Pontimeter	
	7004275	Ref	Seal Tool 1in (For Cylinders)	
	7004276	Ref	Seal Tool 1 1/2in (For Cylinders)	
	7002828	Ref	Stripper, Wire	
	7014676	Ref	Tool Kit - U.S. Standards	
	0271203	Ref	Weld Lead Installation (120SXJ)	

PART NUMBER INDEX

SECTION 10 - SPECIAL OPTIONS

0060023.....63	0252906.....87	0270287.....105	0610080.....55, 206
0060053.....125	0252926.....37	0270288.....105	0610084.....55, 206
0080039.....62	0252928.....178	0270293.....64	0610100.....55, 206
0080046.....62	0253050.....212	0270301.....201	0610130.....55, 206
0080098.....122	0253194.....62	0270302.....201	0610141.....57
0080099.....122	0253303.....113	0270303.....201	0630197.....101
0080164.....67	0253362.....79	0270304.....201	0630383.....79, 83
0100003.....101	0253649.....212	0270305.....201	0630400.....63
0100009.....45	0254109.....212	0270307.....201	0630409.....101
0100010.....204	0254882.....43	0270312.....139	0630410.....101
0100011....10, 15, 16, 27, 34, 45, 55, 61, 80, 84, 97, 106, 125, 130, 131, 143, 145, 147, 149, 151, 153, 155, 161	0255398.....212	0270318.....139	0630422.....53
0100019....19, 34, 43, 45, 53, 122, 125	0256789.....212	0270319.....212	0630462.....139
0100020.....75, 130, 151, 161	0256849.....67	0270320.....212	0630464.....130
0100021.....122	0257365.....75	0270327.....45	0630510.....53
0100029.....130	0257366.....75	0270353.....9, 37	0630518.....56, 130
0100035....130, 145, 147, 149, 151, 153, 155, 161	0258048.....118, 178	0270371.....55	0630535.....143
0100038....143, 145, 147, 149, 151, 153, 155, 161	0258414.....103	0270372.....55	0641404..10, 27, 95, 113, 130
0100063.....143, 153	0258596.....97	0270373.....55	0641405.....61, 63
0100079.....16	0258626.....75	0270397.....37	0641406....37, 63, 79, 80, 83, 84, 130, 139, 202
0140001.....37	0259878.....19	0270511.....212	0641407.....97
0140019.....55, 130	0259886.....57, 131	0270677.....83	0641408....15, 64, 79, 83, 129, 202
0140026.....129	0259890.....33	0270723.....212	0641409.....63
0140032.....80, 84	0259891.....33	0270812.....33	0641412.....27
0181404.....161	0259895.....19	0270824.....109	0641414.....62, 118
0200550.....139	0259900.....33	0270825.....212	0641418.....9, 43, 117
0231047.....43	0259901.....33	0270834.....64, 178	0641420.....9
0234721.....43	0259903.....33	0270838.....55	0641430.....15
0235238.....121, 122	0259904.....19	0271202.....212	0641436.....15
0236548.....33	0259905.....19	0271203.....213	0641506.....121
0236768.....62	0259906.....19	0271398.....212	0641508.....79, 83, 87
0237151.....93	0259907.....19	0271462.....212	0641510.....97
0237627.....61, 63	0259908.....19	0271463.....212	0641512.....79, 83
0237635.....61, 63	0259909.....19	0271471.....212	0641514.....43
0238900.....101	0259912.....33	0271629.....118	0641516.....37
0238901.....93, 101	0259913.....33	0271771.....212	0641520.....45, 121
0238919.....93, 101	0259917.....33	0272191.....212	0641524....117, 118, 121
0238927.....93	0259918.....33	0272507.....212	0641605.....94, 161
0238945.....94, 101	0259919.....15	0273588.....101	0641606.....10, 106
0239182.....121	0259920.....15	0340002.....62	0641607.....9, 15, 37, 94
0239267.....93, 101	0259921.....15	0340041.....63	0641608...9, 94, 105, 161
0239268.....93, 101	0259922.....15	0361027.....62	0641609.....27, 94
0239485.....109	0259923.....9, 37	0361675.....121	0641610.....95, 105
0239606.....93	0259925.....10	0361727.....97	0641611.....97, 129
0239607.....94	0259933.....201	0362101.....63	0641612.....15, 139
0239842.....45	0259974.....125	0400002.....62	0641614.....75, 94
0239843.....34	0270048.....59, 178	0400003.....62	0641615.....103
0239844.....34	0270062.....45	0400020.....62	0641616.....37, 75
0239868.....53	0270130.....43	0440120.....122	0641620.....61, 62
0239878.....98	0270165.....201	0440134.....122	0641622.....62
0250069.....61	0270200.....10	0440135.....122	0641628.....9
0250119.....109	0270234.....109	0440193.....45	0641630.....94
0251059.....212	0270235.....34, 109	0540074.....113	0641636.....94
0251100.....98	0270241.....201	0540077.....113	0641807.....43
0251543.....80, 84	0270242.....201	0540078.....113	0641808.....15, 94, 125
0252524.....75	0270243.....201	0540079.....113	0641810.....15, 45
0252652.....80, 84	0270244.....201	0540089.....113	0641812...15, 27, 61, 161
0252675.....45	0270245.....201	0560689.....94	0641814.....15
0252764.....97, 98	0270246.....201	0560773.....161	0641816.....15, 27, 121
0252852.....33	0270249.....201	0561391.....15	0641818.....121
	0270268.....27	0561392.....15	0641820.....15, 121, 125
	0270271.....63	0561394.....15	0641840.....34, 121
	0270272.....61	0561400.....15	0641852.....27
	0270275.....197	0561401.....15	0642010.....16
	0270276.....121	0561402.....15	0642014.....16
	0270281.....212	0561403.....15	
	0270282.....212	0561404.....15	
	0270286.....105		

SECTION 10 - SPECIAL OPTIONS

0642022.....	62	0861368.....	129	1060515.....	130	1360223.....	97
0642032.....	61	0861369.....	129	1060516.....	194	1360234.....	97
0642216.....	45	0861370.....	129	1060545.....	96, 195	1360274.....	101
0642252.....	53	0861371.....	129	1060676.....	194, 195	1540003.....	195
0651608.....	33	0861372.....	55	1120019.....	94	1580012.....	212
0652014.....	121	0861373.....	55	1120179.....	145, 155	1580013.....	212
0681610.....	121, 125	0861374.....	55	1120299.....	121	1600272.....	129, 137
0681812.....	33	0861406.....	55	1120305.....	149, 151	1600287....	129, 135, 208
0681832.....	45	0861640.....	129, 130	1120314.....	75	1600306....	129, 133, 208
0682016.....	45	0901197.....	79, 83	1120345.....	161	1600307.....	130, 209
0682024.....	45	0901389.....	63	1120358.....	153	1600330.....	198
0682213.....	34	0901500.....	79, 83	1120363.....	147	1660213.....	43
0682234.....	125	0901502.....	79, 83	1120367.....	76	1660213EX	43
0700617.....	61	0901700.....	94	1120368.....	33	1660233.....	67, 208
0700810.....	61	0901829.....	61	1120423.....	64	1670451.....	121
0701010.....	67	0901835.....	103	1120465.....	16	1670491.....	113
0701014.....	67	0901849.....	63	1120512.....	76	1670516.....	79
0701015.....	61, 67	0902470.....	95	1180236.....	96	1670579.....	109
0701215.....	61	0920109.....	45, 49	1180254.....	96	1670625.....	75
0701427.....	61	0920119.....	45, 49	1180287.....	95	1670627.....	62
0701617.....	19	0940036.....	79, 83	1180292.....	95	1670634.....	106
0701619.....	19	0940038.....	139	1180293.....	95	1670635.....	103
0720804.....	56	0960097.....	145, 155	1180297.....	95	1670642.....	105
0721003.....	94, 130	0960224.....	43	1180334.....	95	1670785.....	139
0721004.....	43	0960238.....	56, 196	1260017.....	45	1670786.....	139
0721010.....	130	0960509.....	147	1260136.....	139	1670787.....	139
0721016.....	103	0960565.....	105, 121	1260233.....	93	1670788.....	139
0731004.....	130	0960594.....	33	1260234.....	93	1670789.....	139
0731005.....	139	0960905.....	56, 196	1260235.....	93	1670791.....	139
0731006.....	87	0961082.....	147	1260237.....	93	1670793.....	139
0741608.....	97	0961127.....	204	1260238.....	93	1670795.....	139
0750804.....	59	0961182.....	149	1260239.....	93	1670796.....	139
0750806.....	56	0961185.....	151	1260254.....	97	1670797.....	139
0791004.....	129	0961259.....	121	1260261.....	97	1670798.....	139
0800603.....	92	0961293.....	93	1260275.....	93	1670799.....	139
0800649.....	92	0961353.....	93	1260282.....	93	1670801.....	139
0800765.....	92	0961369.....	93	1281814.....	178	1670803.....	139
0800766.....	92	0961370.....	94	1282060.....	97, 98	1670804.....	139
0800767.....	92	0961392.....	33	1282091.....	178	1670829.....	56, 130
0800785.....	92	0961531.....	43	1283193.....	178	1670836.....	97, 109
0800786.....	92	0961595.....	149, 151	1283215.....	176	1670975.....	83
0800787.....	92	0961654.....	105	1320011.....	64	1680892.....	145, 155
0800796.....	92	0961845.....	117	1320021.....	63	1681423.....	151
0800802.....	92	0961896.....	143	1320022.....	62, 75	1681488.....	155
0800804.....	92	0961950.....	16	1320033.....	165, 169	1681490.....	155
0801155.....	92	0961951.....	157, 159	1320040.35, 43, 109, 139		1681580.....	33, 155
0801156.....	103	0962181.....	103	1320041.....	63	1681792.....	149
0801230.....	92	1001109714.....	212	1320051.....	105	1681922.....	161
0801231.....	92	1001110131.....	212	1320058.....	62	1681926.....	161
0801232.....	92	1001111010.....	212	1320059.....	63	1681974.....	145, 155
0801235.....	92	1001119696.....	95	1320060.....	87, 129	1681978.....	33, 155
0801236.....	92	1001119697.....	96	1320121.....	92	1681979.....	155
0801240.....	92	1060012.....	130	1320155.....	95	1682031.....	161
0801241.....	92	1060016.....	97, 103, 109, 110, 195, 198	1320184.....	103	1682098.....	153
0801243.....	92	1060031.....	62, 63	1320222.....	61	1682118.....	147
0801265.....	92	1060044.....	61	1320245.....	110	1682298.....	161
0801269.....	92	1060079.....	96, 195	1320278.....	105	1682514.....	153
0801270.....	92	1060109.....	62	1320279.....	96, 97	1682590.....	121, 145
0801271.....	92	1060132.....	62	1340020.....	62	1682591.....	145
0860038.....	197	1060149.....	62	1340045.....	75	1682631.....	147
0860520.....	202	1060279.....	202	1340046.....	75, 208	1682633.....	147
0860562.....	55	1060302.....	195	1360171.....	93	1682638.....	151
0860575.....	109	1060306.....	59	1360175.....	101	1682755.....	149
0861354.....	59	1060330.....	140	1360206.....	101	1682820.....	92, 161
0861358.....	197	1060341.....	195, 197	1360207.....	101	1682821.....	92, 161
0861362.....	55	1060393.....	95, 96, 195	1360208.....	101	1682895.....	33, 147
0861367.....	129			1360209.....	101	1683056.....	143

SECTION 10 - SPECIAL OPTIONS

1683529.....	149	1704260.....	130	2180763.....	43	2221064.....	165
1683530.....	105, 149	1704277.....	202	2200052.....	75	2221065.....	169
1683535.....	145	1704412.....	203	2200201.....	151, 155	2221067.....	169
1683536.....	121, 145	1704474.....	131	2200221.....	161	2360535.....	9
1683701.....	92, 161	1704511.....	129	2200222.....	151, 161	2420080.....	75
1683724.....	151	1704517.....	57	2200224.....	161	2420172.....	56
1683725.....	105, 151	1704520.....	129	2200261.....	34	2440043.....	122
1683915.....	143	1704528.....	59	2210014.....	165, 169	2440044.....	122
1683918.....	143	1704541.....	204	2220001.....	34	2440058.....	45
1683920.....	16, 143	1704544.....	27, 203	2220063.....	34, 62	2560116.....	59
1683921.....	15, 159	1704581.....	203	2220237.....	170, 173	2560136.....	129
1683935.....	15, 157	1704583.....	204	2220282.....	87	2600148.....	55
1683958.....	15, 157	1704590.....	201	2220343.....	169	2600211.....	130
1683964.....	153	1704591.....	201	2220346.....	169	2600219.....	118
1683965.....	27, 153	1704592.....	201	2220365.....	165	2660042.....	95
1684164.....	105, 151	1704599.....	201	2220366.....	165	2660067.....	113
1693285.....	203	1704600.....	203	2220369.....	87	2660068.....	113
1693292.....	202	1704606.....	203	2220371 ...	165, 169, 173, 175	2660070.....	113
1693294.....	202	1704628.....	204	2220373.....	37, 165, 169	2660071.....	113
1700584.....	202	1704629.....	204	2220374.....	165	2660072.....	113
1700818.....	204	1704630.....	204	2220375.....	169	2660085.....	113
1701499.....	203	1704631.....	204	2220376.....	169	2720042.....	61
1701500.....	202	1704632.....	204	2220377.....	165	2720224.....	62
1701501.....	202	1704639.....	203	2220385.....	169	2720271.....	62
1701502.....	202	1704640.....	203	2220386.....	165	2720281.....	165, 170
1701503.....	202	1704641.....	203	2220399.....	169	2750527.....	34
1701504.....	202	1704642.....	203	2220407.....	166	2750528.....	34
1701505.....	202	1704643.....	203	2220415.....	165, 169	2750529.....	34
1701509.....	202	1704651.....	204	2220428.....	169	2750532.....	62
1701515.....	203	1704652.....	204	2220429.....	169	2750763.....	170
1701518.....	201, 202	1704653.....	204	2220438.....	169	2750771.....	169
1701543.....	204	1704654.....	204	2220451.....	165	2750785.....	169
1701599.....	203	1704655.....	204	2220464.....	169	2750807.....	34
1701600.....	202	1704755.....	203	2220466.....	165, 169	2750835.....	165
1701616.....	203	1704757.....	203	2220473 ...	169, 173, 175	2750889.....	169
1701645.....	202	1704758.....	203	2220490.....	169	2750907.....	170
1701775.....	59	1704759.....	203	2220495.....	169	2750920.....	170
1701789.....	203	1704760.....	203	2220497.....	169	2750998.....	170
1701791.....	202	1704761.....	203	2220500.....	165	2750999.....	170
1701840.....	203	1704899.....	204	2220501.....	165, 169	2751002.....	170
1702300.....	202	1705084.....	202	2220502.....	169	2751032.....	34
1702564.....	129	1705395.....	203, 204	2220582.....	37, 169, 173	2751151.....	170
1702566.....	129	1705396.....	203, 204	2220583.....	37	2751168.....	170
1702676.....	129	1705397.....	203, 204	2220593.....	169	2751170.....	170
1702688.....	202	1760068.....	122	2220600.....	37, 169	2751170.....	170
1702773.....	202	1780172.....	79	2220603.....	175	2751455.....	170
1702774.....	202	1780227.....	55	2220606.....	169, 175	2751466.....	170
1702861.....	203	1780321.....	83	2220628.....	165	2751467.....	170
1702862.....	202	1870123.....	178	2220635 ...	169, 173, 175	2751483.....	170
1702868.....	202	1870124.....	178	2220683.....	37	2751484.....	165
1702928.....	202	1870125.....	178	2220710.....	169	2751617.....	169
1702938.....	139	2000083.....	61	2220720.....	62	2751830.....	170
1703481.....	202	2000115.....	61	2220726.....	169	2751871.....	170
1703518.....	202	2060012.....	87	2220741.....	169	2751906.....	170
1703799.....	201	2080040.....	117, 118	2220810.....	169	2751919.....	170
1703800.....	201	2120104.....	75	2220811.....	165	2752162.....	170
1703806.....	201	2120129.....	75, 208	2220873.....	169	2752172.....	170
1703807.....	201	2120134.....	75	2220883.....	147, 149	2752173.....	170
1703913.....	201	2120135.....	61	2220885.....	145, 149	2752322.....	165
1703914.....	201	2120136.....	61, 207	2220887.....	147	2752337.....	165
1703915.....	201	2160001.....	34, 97, 122	2220893.....	75	2752435.....	37
1703916.....	201	2160002 ...	33, 34, 53, 94, 105, 121, 145, 147, 151, 155	2220899.....	175	2752446.....	165
1703917.....	201	2180467.....	75	2220909.....	165	2752462.....	175
1703918.....	201	2180536.....	63	2220998.....	173	2752463.....	170
1703919.....	201	2180606.....	75	2221041.....	165	2752466.....	175
1703920.....	201			2221052.....	165	2752473.....	165
1703992.....	201			2221061.....	37	2752475.....	175
						2752480.....	173, 175

SECTION 10 - SPECIAL OPTIONS

2752484.....	175	2900798.....	47	3300352.....	59	3421293.....	94
2752487.....	175	2900826.....	70	3300365.....	130	3421497.....	94
2752489.....	170	2900827.....	70	3300393.....	117	3421534.....	101
2752494.....	165	2900838.....	212	3300408.....	56, 130	3421535.....	101
2752498.....	37, 165	2901115.....	153	3310601.....	56	3421538.....	94
2752593.....	165	2901118.....	147	3310801.....	56, 63	3421539.....	94
2752611.....	175	2901142.....	151	3310805.....	16	3421563.....	45
2752630.....	165	2901206.....	149	3311001.....	43, 56	3421565.....	45
2752637.....	170	2901234.....	161	3311005.....	103, 118	3421570.....	93
2752642.....	175	2901353.....	143	3311401.....	35, 37, 55, 56,	3421571.....	97
2752649.....	175	2910479.....	62		61, 62, 63, 75, 97, 109,	3421577.....	121
2752977.....	165	2920110.....	212		110, 129	3421582.....	121
2753035.....	165	2920113.....	212	3311405.....	15, 16, 63, 64,	3421586.....	33
2753316.....	165	2920129.....	57, 130, 131,		79, 80, 83, 84, 103,	3421628.....	97
2753397.....	175		196		118, 129, 140, 204	3421629.....	93
2753398.....	173	2920140.....	118, 198	3311501.....	87, 97, 121, 139	3421632.....	97
2753410.....	165	2920215.....	212	3311505.....	37, 79, 83, 117,	3421676.....	34
2753420.....	173	2940042.....	55, 79, 83		118	3421677.....	53
2753423.....	165	2940051.....	79, 83	3311601.....	34, 62, 95, 131,	3421678.....	34
2753424.....	173	2940074.....	118		161	3421778.....	94
2753426.....	173	3010088.....	139	3311602.....	103, 106	3422037.....	105
2753429.....	165	3020021.....	67	3311605.....	15, 16, 37, 75,	3422040.....	94
2753432.....	165	3020025.....	122		79, 83, 103, 105, 130,	3422062.....	105
2753434.....	165	3160083.....	122, 127		139	3422068.....	34
2753435.....	165	3160184.....	45, 47	3311801.....	43, 87	3422077.....	105
2753436.....	170	3160248.....	19, 22, 25	3311805.....	27, 34, 121, 125	3422079.....	105
2753437.....	165	3160276.....	45, 47	3312001.....	62	3422081.....	105
2753482.....	170	3200133.....	61	3312002.....	16, 33, 94	3422083.....	105
2753483.....	165	3200183.....	61	3312005.....	61	3422085.....	105
2753489.....	170	3200222.....	79, 83	3312202.....	161	3422087.....	105
2753495.....	165	3200227.....	61	3312205.....	53	3422147.....	121
2753509.....	165	3200228.....	61	3312602.....	16, 93	3422149.....	34
2753510.....	165	3200229.....	61	3313002.....	15, 53, 93	3422150.....	34
2760064.....	122	3200306.....	61	3321001.....	63	3422151.....	33
2760105.....	56, 129	3200344.....	113	3321405.....	53	3422166.....	105
2780116.....	45, 51	3200345.....	113	3321501.....	53	3422594.....	105
2780248.....	19, 21	3200346.....	113	3323402.....	143	3422679.....	103
2792433.....	165, 176	3200347.....	113	3323403.....	103	3422688.....	15
2792434.....	173, 176	3200348.....	113	3340263.....	94	3422689.....	16
2792435.....	173, 176	3200349.....	113	3340454.....	121	3422727.....	103
2792436.....	175, 176	3220082.....	63	3340475.....	94	3422764.....	15
2792437.....	169, 176	3220088.....	212	3340494.....	97	3422818.....	16
2792438.....	169, 176	3251242.....	202	3340496.....	94	3422856.....	15
2792439.....	169, 176	3252670.....	55	3340500.....	95	3422889.....	105
2792440.....	169, 176	3252763.....	55	3340502.....	95	3422891.....	105
2792441.....	175, 176	3272201.....	125	3340506.....	94	3422972.....	15
2792447.....	176	3273001.....	53	3340560.....	161	3430408.....	97
2820035.....	118, 198	3290607.....	61	3340563.....	94	3440816.....	122
2820053.....	80, 84	3290801.....	63	3340566.....	161	3441228.....	122
2820057.....	80, 84	3300029.....	62	3340630.....	27	3450202.....	93
2820058.....	79, 83	3300048.....	56, 196	3340888.....	16	3450203.....	63, 97
2820059.....	79, 83	3300147.....	56, 196	3380379.....	79	3450303.....	93
2860030.....	56, 207	3300151.....	117	3380400.....	79	3450408.....	93
2880404.....	121	3300177.....	56, 59	3380419.....	79	3450504.....	101
2880814.....	103	3300205.....	75	3380434.....	118, 130	3450506.....	101
2900202.....	51	3300220.....	63	3380455.....	83	3450610.....	34
2900381.....	145, 155	3300240.....	94	3380456.....	83	3450806.....	95
2900455.....	127	3300243.....	93	3380457.....	83	3450814.....	94
2900708.....	39	3300244.....	93	3420085.....	34	3451012.....	103
2900733.....	127	3300272.....	155	3420290.....	43	3480113.....	151
2900752.....	70	3300279.....	149	3420552.....	101	3480120.....	145, 155
2900756.....	40	3300281.....	153	3420592.....	103	3480133.....	161
2900766.....	49	3300285.....	151	3420659.....	93	3480137.....	153
2900768.....	49	3300299.....	161	3421279.....	93	3480162.....	147
2900770.....	13, 37, 45, 145,	3300306.....	147	3421280.....	93	3480167.....	149
	147, 149, 151	3300307.....	151	3421286.....	93	3480218.....	143
2900792.....	143	3300308.....	145	3421290.....	94	3510499.....	117

SECTION 10 - SPECIAL OPTIONS

3510500.....117	3740123..... 129, 208	4060700..... 197	4360069.....56, 207
3510542.....117	3740124..... 56, 130	4060802..... 59	4360153.....109
3510543.....117	3760170..... 45	4060803 80, 84, 103, 106, 118	4360179..... 64
3520022.....75	3760369..... 143	4060804..... 121	4360181..... 87
3520028..... 129	3760446..... 43	4060907..... 212	4360212.....56, 207
3520072..... 117, 118	3790012..... 56, 129, 131	4060959..... 212	4360216.....56, 206
3520181..... 15	3790152..... 63	4070535..... 94	4360232.....56, 130, 207
3530072..... 139	3790155..... 45	4070536..... 94	4360236.....109
3530403.....43	3820001..... 113, 202	4070544..... 94	4360259.....53, 210
3530425.....63	3820018..... 79, 83	4070545..... 94	4360263.....53, 210
3532054..... 121	3840858..... 97	4070585..... 122	4360267.....57
3532410..... 101	3840944..... 161	4070586..... 122	4360277..... 103, 109, 210
3532425..... 101	3840945..... 101	4070587..... 122	4360278.....109
3532466..... 101	3840955..... 101	4070600..... 97	4360281.....57
3532549..... 92	3840956..... 95	4070601..... 97	4360284.....57
3532793..... 96, 103	3841004..... 53	4070602..... 94	4360301.....34, 210
3533183.....109	3841013..... 95	4070603..... 94	4360307.....103
3533337.....45	3841143..... 15, 16	4070615..... 94	4360314 56, 59, 129, 131, 207
3533414.....53	3841466..... 143	4070616..... 94	4360322..... 16, 210
3534436..... 101	3841651..... 101	4070705..... 121	4360328.....56, 207
3535906.....27	3860050..... 95	4070706..... 121	4360331.....59, 129, 131, 207, 208
3535942.....37	3900104..... 53	4070707..... 121	4360336..... 131, 208
3535948..... 79, 83	3900159..... 34	4070708..... 95	4360340.....59, 207
3535949.....63	3900164..... 45	4070709..... 95	4360345.....59, 130, 207
3535951..... 79, 83	3900168..... 109	4070710..... 95	4360363.....37, 206
3535978..... 103, 105	3900170 ... 145, 149, 151, 155	4070711..... 95	4360387..... 129, 139, 208
3536001.....97	3900171..... 147, 161	4070728..... 53	4360470.....56, 207
3536008.....63	3900207..... 117	4070729..... 53	4360475 56, 59, 129, 207
3536089..... 118	3900219..... 16	4070772..... 16	4360476.....56, 129, 207
3536414..... 79, 83	3900224..... 130	4070987..... 56	4360490.....61
3536415..... 79, 83	3900292..... 16	4070991..... 56	4400340..... 75
3536417..... 79	3910408..... 109	4071001..... 16	4400341..... 75
3537819..... 79, 83	3910606..... 56	4100026..... 173	4400386..... 75
3539275..... 130	3910616..... 56	4100059..... 165	4400387..... 75
3539685..... 118	3910804..... 56	4120035..... 131, 194	4400444..... 75
3539719..... 139	3910812..... 34, 130	4120036..... 56, 131	4420015..... 98
3572216.....59	3911008..... 118	4120037..... 131	4420016..... 98
3572315..... 10	3911012..... 43	4130374..... 15	4420017..... 98
3572327.....201	3930820..... 16	4130375..... 15	4420018..... 98
3572340..... 16	3931010..... 122	4160026..... 121	4420037.....55, 59
3572346..... 16	3931612..... 122	4160081..... 79, 83	4420038..... 130
3572347..... 16	3931620..... 122, 143	4160098..... 97	4420051.....203
3572552..... 83	3931672..... 130	4160099..... 53	4420055.....117
3572637..... 109	3931864..... 45	4220120..... 53	4460042..... 198
3580139.....93	3941405..... 79, 83	4220121..... 53	4460049..... 103, 109, 139
3600208.....64	3951405..... 161	4220157..... 53	4460051.....56, 196
3600260.....61, 69	3951606..... 94	4220158..... 53	4460052..... 109, 110
3600286.....61, 73	3951804..... 16	4220165..... 118	4460071.....57, 129, 197
3600468.....62, 64	3952014..... 33	4240099..... 118	4460205.....197
3620003.....87	3960371..... 75	4280002..... 63	4460224.....196
3640493.....57	3960389..... 80, 84	4280242..... 95	4460225.....196
3640686.....55	3960418..... 80, 84	4300031 34, 62, 109, 110	4460226..... 196
3641182..... 131	3960422..... 197	4300032 ... 55, 79, 83, 97, 103, 109	4460234.....56, 129
3730024..... 109	3960429..... 80, 84	4300034 ... 33, 62, 75, 79, 83	4460265..... 135, 137, 194
3730091.....59	3960433..... 80, 84	4300038..... 121	4460266..... 135, 137, 194, 196, 197
3740016.....55, 206	3960433..... 80, 84	4300048..... 87	4460267..... 135, 137, 195, 196, 197
3740049.....55, 130, 197, 206	3980003..... 62	4300076..... 103, 106	4460268..... 135, 137, 194, 195, 196, 197
3740059.....63, 207	3980006..... 62	4300098..... 97	4460299.....56
3740067.....63, 207	3990001..... 59, 207	4340413..... 96	4460301.....55
3740070.....55, 206	3990010 ... 194, 196, 197, 209	4340453..... 97	4460302.....63
3740080..63, 64, 87, 197, 208	3990048..... 62	4340678..... 130	4460305.....55
3740112.....56, 207	4040220..... 121	4340684..... 130	4460306.....55
3740113..... 129, 197, 208	4060229..... 56	4360031..... 129	
3740115..... 129, 208	4060574..... 75	4360057..... 139, 210	
3740122..... 55, 130, 206	4060684..... 96		
	4060685..... 96		

SECTION 10 - SPECIAL OPTIONS

4460307	55	4565225	153	4750800	55, 130	4844272	53
4460320	197	4565269	61	4751000	43, 56, 87, 93, 103, 118, 139	4844390	79
4460321	196	4565652	147	4751400	10, 16, 27, 43, 55, 56, 62, 63, 64, 75, 79, 80, 83, 84, 97, 103, 130, 204	4844790	125
4460326	195, 197	4565655	62	4751500	55, 63, 79, 83, 87, 97, 117, 118, 121, 139	4844924	117
4460342	53	4565751	64	4751600	9, 10, 16, 27, 33, 37, 62, 63, 67, 79, 83, 87, 93, 103, 106, 129, 139	4844925	117
4460343	195	4565913	149	4751700	61	4844928	117
4460346	197	4566219	212	4751800	27, 87, 94, 121, 130, 139	4844954	117
4460367	195	4568053	143	4752000	16, 62, 121	4844955	117
4460374	87, 196, 197	4620078	33	4760600	56	4844956	117
4460375	87, 196, 197	4640113	19	4760800	56	4845287	117
4460386	56, 196	4640487	161	4761000	43, 87, 94, 118, 130	4845288	117
4460387	55	4640495	151	4761400	34, 37, 43, 61, 62, 63, 75, 79, 83, 97, 109, 110, 113	4845289	117
4460388	55	4640509	143	4761500	43, 45, 63, 79, 83, 87, 97, 121, 139	4845290	117
4460390	57	4640521	37	4761600	33, 34, 62, 94, 105, 122, 161	4845308	139
4460418	194, 195	4640634	145, 149	4761800	43, 45, 61, 87, 94, 121, 161	4845309	139
4460419	194, 195	4640741	45	4762000	62	4845328	117
4460420	194, 195, 198	4640742	61	4762200	34	4845426	117
4460424	197	4640744	169	4770400	109	4846176	16
4460425	59, 140, 198	4640771	147	4791400	63	4846177	16
4460428	16, 109, 130, 194, 197	4640996	149	4811700	61	4846193	105
4460441	55	4641041	9	4831700	61	4846196	121
4460442	55	4641042	9	4831900	63	4846204	15
4460445	196	4641065	37, 39	4832000	61, 67	4846219	16
4460451	56	4641079	37	4832100	61	4846220	16
4460452	56	4641083	161	4842915	121	4846226	16
4460457	196	4641132	9	4843016	161	4846227	16
4460458	196	4641133	27, 29	4843026	101	4846247	10
4460460	196	4641134	9, 13	4843080	95	4846311	83
4460464	194	4641137	37, 39	4843087	96	4846312	83
4460465	194, 195	4641153	9	4843105	94	4846313	83
4460466	194, 195	4641154	9	4843107	96	4846314	83
4460467	129, 198	4641155	9	4843318	45	4846315	83
4460470	130, 194	4641165	9, 13	4843324	79, 83	4846316	83
4460471	130, 194	4641166	10, 13	4843334	79, 83	4891600	61
4460473	194, 195	4641166	10, 13	4843384	61	4892000	19, 45
4460477	194, 195	4641180	37, 39	4843382	43	4892200	125
4460499	196, 197	4641181	37, 39	4844074	79	4920018	118
4460502	194	4711000	129	4844083	79	4920140	53, 109
4460503	131, 194	4711400	9, 37, 63, 118, 139	4844087	79	4921139	62
4460508	194	4711500	37	4844092	105	4921850	198
4460509	195	4711600	37, 59, 75, 113, 121, 125	4844093	105	4921886	197
4460510	129, 198	4711800	15, 16, 27, 125	4844094	105	4921938	197
4460598	118, 198	4712000	97	4844109	45	4922021	198
4460601	131	4712200	34	4844113	79	4922352	197
4460602	131	4740006	33	4844126	95	4922389	195
4460603	131	4740040	34	4844166	105	4922398	197
4460607	131	4740111	101	4844167	105	4922399	196
4460613	131, 194	4740120	56, 59, 129	4844177	87	4922400	197
4460614	195	4740156	101	4844235	64	4922401	95, 194
4460631	131	4740158	121	4844236	79	4922402	95, 194
4460634	194	4740171	33, 45	4844238	62	4922403	95, 194
4460635	194	4740189	45			4922404	96, 194
4460704	56	4740191	61			4922405	96, 194
4460741	194, 195, 198	4740199	122			4922406	96, 194
4460807	196	4740242	61			4922408	195, 196
4460808	196	4740256	122			4922409	196
4460809	196	4740270	101			4922410	195, 196
4460847	131	4740304	97			4922414	178
4460849	131	4740307	94			4922418	131, 178, 194
4520215	19	4740311	94			4922422	130
4562516	75, 97	4740338	75			4922423	197
4563031	155	4740349	97			4922438	195
4563167	170	4740361	34			4922448	37, 196
4564009	151	4740362	63, 79, 83, 129			4922451	195
4564057	145, 155	4740411	117			4922458	196
4564088	56	4740517	15			4922460	196
4564880	109					4922461	195

SECTION 10 - SPECIAL OPTIONS

4922502.....	198	7001921.....	51	7007419.....	69	7010127.....	73
4932638.....	178	7001922.....	51	7007420.....	69	7010542.....	39
4932639.....	178	7001923.....	51	7007421.....	69	7010543.....	9, 39
4933136.....	178	7001924.....	51	7007422.....	69	7010545.....	13, 39
4933137.....	178	7001926.....	51	7007423.....	69	7010635.....	39
4933138.....	178	7001927.....	51	7007424.....	69	7010698.....	57
4933139.....	178	7001928.....	51	7007425.....	69	7010776.....	47
4933140.....	178, 195	7001929.....	51	7007435.....	69	7010780.....	47
4933141.....	178, 195	7001982.....	51	7007436.....	69	7010781.....	47
4933142.....	178, 195	7002100.....	127	7007437.....	69	7010782.....	47
70000969.....	64	7002103.....	127	7007438.....	69	7010791.....	47
70000970.....	64	7002104.....	127	7007439.....	69	7010792.....	47
70000971.....	64	7002105.....	127	7007440.....	69	7010795.....	47
70000976.....	64	7002107.....	127	7007441.....	69	7010911.....	64
70001065.....	64	7002110.....	127	7007442.....	69	7011003.....	64
70001076.....	64	7002111.....	127	7007444.....	69	7011016.....	64
70001079.....	64	7002112.....	127	7007445.....	69	7011024.....	64
70001080.....	64	7002115.....	127	7007449.....	69	7011043.....	64
70001081.....	64	7002116.....	127	7007453.....	69	7011044.....	64
70001085.....	64	7002117.....	127	7007454.....	69	7011048.....	64
70001106.....	64	7002123.....	127	7007456.....	69	7011320.....	45
70001107.....	64	7002125.....	127	7007458.....	69	7011326.....	21
70001108.....	64	7002821.....	198, 212	7007466.....	70	7011336.....	13, 29
70001112.....	64	7002822.....	213	7007468.....	70	7011716.....	49
70001361.....	65	7002823.....	198, 212	7007469.....	70	7011719.....	49
7000166.....	127	7002828.....	198, 213	7007470.....	70	7011720.....	49
70001927.....	65	7003928.....	133	7007471.....	70	7012518.....	13, 29, 39
70001928.....	65	7003935.....	135	7007472.....	70	7012526.....	109
70001941.....	212	7003938.....	135	7007474.....	70	7012576.....	64
70002252.....	65	7003941.....	135	7007475.....	70	7012706.....	25
70002253.....	65	7003946.....	135	7007476.....	70	7012709.....	25
70002254.....	65	7003952.....	133	7007477.....	70	7012715.....	25
70002258.....	65	7003953.....	133	7007478.....	70	7012716.....	25
70002259.....	65	7003956.....	133	7007482.....	70	7012910.....	39
70002305.....	109	7003961.....	133, 135, 209	7007483.....	70	7012913.....	13
7000272.....	51	7003969.....	135	7007484.....	70	7012914.....	39
7000273.....	51	7003972.....	135	7007485.....	70	7012918.....	39
7000274.....	51	7003973.....	135	7007486.....	70	7012941.....	9
7000275.....	51	7003976.....	133	7007487.....	70	7012942.....	13, 39
7000279.....	51	7003977.....	133	7007488.....	70	7012943.....	9, 13, 29, 40,
7000287.....	51	7003980.....	135	7007489.....	73	206	
7000288.....	51	7003983.....	135	7007490.....	70	7012944.....	9, 39, 40, 206
70003143.....	95, 210	7003989.....	135	7007491.....	70	7012953.....	39
70003144.....	95	7003992.....	133, 135	7007492.....	70	7012955.....	29
70003145.....	96, 210	7003993.....	133, 135	7007494.....	70	7012967.....	29
70003146.....	96	7003994.....	135	7007496.....	70	7012972.....	39
7000625.....	129	7004167.....	47	7007497.....	70	7012973.....	9
7000637.....	109	7004171.....	47	7007498.....	70	7012978.....	9
7000638.....	109	7004179.....	47	7007499.....	70	7012980.....	9
7000639.....	109	7004192.....	47	7007934.....	49	7012995.....	13, 29
7000647.....	109	7004196.....	47	7007970.....	49	7012997.....	39
7000649.....	208	7004214.....	62, 208	7007977.....	49	7012998.....	39
7000661.....	64	7004275.....	213	7007987.....	49	7013710.....	64
7000663.....	64, 65	7004276.....	213	7008804.....	63	7013711.....	64
7000697.....	65	7004281.....	37	7008821.....	63	7013712.....	64
7000698.....	65	7004282.....	37	7008828.....	63, 208	7013753.....	64
7000699.....	65	7006133.....	95, 96	7008829.....	63, 208	7014503.....	65, 208
7000700.....	65	7006138.....	95, 96	7010103.....	73	7014676.....	213
7000872.....	64	7006153.....	96, 210	7010104.....	73	7014686.....	65
7001438.....	69	7006193.....	95	7010105.....	73	7016330.....	65
7001498.....	70	7006503.....	95, 210	7010120.....	70	7016364.....	65
7001902.....	51	7007208.....	69	7010121.....	70	7016380.....	212
7001904.....	51	7007412.....	70	7010122.....	70	7016399.....	118
7001916.....	51	7007413.....	69	7010123.....	37	7016503.....	96
7001917.....	51	7007414.....	69	7010124.....	73	7016654.....	212
7001918.....	51	7007416.....	69	7010125.....	73	7016664.....	75
7001920.....	51	7007417.....	69	7010126.....	73	7017119.....	125

SECTION 10 - SPECIAL OPTIONS

7017142.....	125	7019135.....	137	7020405.....	65	7022559.....	21
7017156.....	125	7019136.....	137	7020407.....	65	7022560.....	21
7017157.....	125	7019138.....	133, 135	7020409.....	65	7022564.....	21
7017174.....	125	7019139.....	133	7020413.....	65	7022567.....	21
7017177.....	125	7019141.....	133	7020420.....	65	7022568.....	21
7017183.....	125	7019142.....	133	7020421.....	65	7022572.....	21
7017193.....	125	7019143.....	133	7020422.....	65	7022573.....	21
7017210.....	159	7019144.....	133	7020423.....	65	7022574.....	21
7017211.....	159	7019145.....	133	7020432.....	65	7022575.....	21
7017214.....	159	7019146.....	133	7020433.....	65	7022576.....	21
7017278.....	157	7019147.....	133	7020498.....	65	7022577.....	21
7017295.....	159	7019149.....	133	7021354.....	21	7022578.....	21
7017296.....	159	7019151.....	135	7021388.....	21	7022579.....	21
7017297.....	159	7019153.....	135	7021400.....	9, 40	7022580.....	22
7017298.....	159	7019155.....	135	7021401.....	9, 40, 206	7022581.....	22
7017299.....	157	7019159.....	135	7021402.....	9, 40	7022808.....	133
7017402.....	39	7019160.....	135	7021403.....	9, 40	7022811.....	133
7017418.....	39	7019161.....	135	7021404.....	40	7022813.....	133
7017421.....	39	7019162.....	135	7021405.....	40	7023000.....	157
7017422.....	39	7019163.....	135	7021406.....	40	7023001.....	157
7017451.....	40, 206	7019164.....	135	7021407.....	9	7023002.....	157
7017452.....	39	7019165.....	135	7021408.....	9	7023003.....	157
7017480.....	9	7019166.....	135	7021409.....	9	7023004.....	157
7017482.....	39	7019167.....	135	7021545.....	13	7023007.....	157
7017483.....	39	7019168.....	135	7021622.....	40	7023008.....	157
7017484.....	39	7019169.....	133	7021625.....	9	7023432.....	47
7017485.....	39	7019170.....	133	7021631.....	29	7023443.....	47
7017487.....	39	7019171.....	133	7021632.....	29	7023900.....	9
7017488.....	39	7019173.....	133	7021633.....	29	7023994.....	13
7017489.....	39	7019175.....	133	7021634.....	13	7024028.....	22
7017490.....	9, 40	7019176.....	133	7021635.....	13	7024029.....	22
7017491.....	40	7019177.....	133	7021636.....	39	7024030.....	22
7017492.....	40	7019178.....	133	7021637.....	39	7024031.....	22
7017493.....	40	7019179.....	135	7021638.....	39	7024032.....	22
7017494.....	40	7019181.....	137	7021639.....	40	7024034.....	25
7017495.....	39	7019182.....	137	7021640.....	40	7024036.....	25
7017496.....	13, 39	7019183.....	137	7021644.....	9	7024037.....	25
7018603.....	49	7019184.....	137	7021645.....	9	7024038.....	25
7018605.....	49	7019185.....	137	7022396.....	9	7024039.....	25
7018606.....	49	7019186.....	137	7022397.....	9	7024040.....	25
7018607.....	49	7019187.....	137	7022398.....	9	7024041.....	25
7018608.....	49	7019188.....	137	7022399.....	9	7024826.....	40
7018609.....	49	7019194.....	135	7022509.....	21	7024827.....	40
7018612.....	49	7019197.....	133	7022535.....	21	7024966.....	21
7019103.....	135	7019607.....	65	7022536.....	22	7024967.....	21
7019110.....	135	7019610.....	43	7022537.....	21	7024968.....	21
7019111.....	133, 135	7020175.....	56, 129	7022538.....	21	7025555.....	21
7019112.....	135	7020176.....	56, 129	7022540.....	22	7026125.....	65
7019115.....	135	7020208.....	65	7022541.....	21	7026173.....	65
7019117.....	135	7020400.....	65	7022543.....	21	7027250.....	65
7019122.....	133	7020401.....	65	7022546.....	21	7029274.....	65
7019123.....	133	7020402.....	65	7022550.....	21	7029276.....	65
7019124.....	135, 196	7020403.....	65	7022556.....	21		



**Corporate Office
JLG Industries, Inc.
1 JLG Drive
McConnellsburg, PA 17233-9533 USA
☎ (717) 485-5161 (Corporate)
☎ (877) 554-5438 (Customer Support)
📠 (717) 485-6417**

**Visit our website for JLG Worldwide Locations.
www.jlg.com**



OSHKOSH™