



Illustrated Parts Manual

Models 601S

P/N
3120867

September 26, 2012



REVISION LOG

August 6, 1999 - Original Issue Of Manual

April 26, 2001 - Revised (Manual edited to 0010550 Revision 30)

(Manual edited to 0010576 Revision 3 With Engine Power Boom Control System)

January 22, 2002 - Revised (Manual edited to 0010576 Revision 11)

May 9, 2002 - Revised (Manual edited to 0010576 Revision 13)

February 27, 2003 - Revised (Manual edited to 0010576 Revision 19)

June 18, 2003 - Revised (Manual edited to 0010576 Revision 22)

September 16, 2003 - Revised (Manual edited to 0010576 Revision 23)

May 28, 2004 - Revised (Manual edited to 0010576 Revision 25)

January 10, 2005 - Revised (Manual edited to 0010576 Revision 25)

August 15, 2005 - Revised (Manual edited to 0010576 Revision 28)

(Manual edited to 0010630 Revision 6 With New Frame)

October 30, 2006 - Revised (Manual edited to 0010630 Revision 9)

April 30, 2007 - Revised (Manual edited to 0010630 Revision 10)

October 15, 2007 - Revised (Manual edited to 0010630 Revision 10)

May 1, 2008 - Revised (Manual edited to 0010630 Revision 10)

November 11, 2009 - Revised (Manual edited to 0010630 Revision 10)

September 26, 2012 - Revised (Revision 1)

ADE SYSTEM IDENTIFICATION

Most 601S machines from SN 62137 incorporate the ADE System, but no clean SN break exist. A machine that incorporates ADE System can be outwardly identified by the analyzer connection at the base of the platform control box as shown by the arrow.

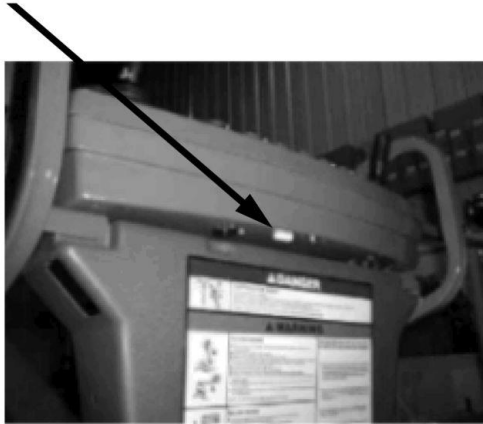


TABLE OF CONTENTS

SECTION 1 - FRAME.....	9
FIGURE 1-1. 4WD FRONT AXLE AND STEERING INSTALLATIONS (Prior to SN 85132)	10
FIGURE 1-2. 4WD FRONT AXLE AND STEERING INSTALLATIONS (SN 85132 to Present)	14
FIGURE 1-3. TIRE AND WHEEL DRIVE INSTALLATIONS (Prior to SN 85132)	18
FIGURE 1-4. TIRE AND WHEEL DRIVE INSTALLATIONS (SN 85132 to Present)	20
FIGURE 1-5. DRIVE HUB ASSEMBLY (Prior to SN 65218)	22
FIGURE 1-6. DRIVE HUB ASSEMBLY (SN 65218 through 85131).....	24
FIGURE 1-7. DRIVE HUB ASSEMBLY (SN 85132 to Present).....	26
FIGURE 1-8. DRIVE BRAKE ASSEMBLY (Prior to SN 85132).....	30
FIGURE 1-9. DRIVE MOTOR ASSEMBLY (Prior to SN 85132).....	32
FIGURE 1-10. DRIVE MOTOR ASSEMBLY (4 BOLT ASSEMBLY) (SN 85132 through 98764)	34
FIGURE 1-11. DRIVE MOTOR ASSEMBLY (5 BOLT ASSEMBLY) (SN 98765 to Present)	36
FIGURE 1-12. FRAME SHIELD INSTALLATION (Prior to SN 85132)	38
FIGURE 1-13. DRIVE VALVES AND SHIELDS INSTALLATION (FRAME MOUNTED) (SN 85132 to Present)	40
SECTION 2 - TURNTABLE.....	43
FIGURE 2-1. CONTROL VALVES INSTALLATIONS (Prior to SN 85132)	44
FIGURE 2-2. CONTROL VALVES INSTALLATIONS (SN 85132 to Present)	48
FIGURE 2-3. MAIN CONTROL VALVE ASSEMBLY (Prior to SN 85132)	52
FIGURE 2-4. MAIN CONTROL VALVE ASSEMBLY (SN 85132 to Present)	56
FIGURE 2-5. SWING DRIVE, TURNTABLE BEARING AND LOCK INSTALLATIONS.....	60
FIGURE 2-6. SWING HUB ASSEMBLY	64
FIGURE 2-7. SWING BRAKE ASSEMBLY	66
FIGURE 2-8. SWING MOTOR ASSEMBLY	68
FIGURE 2-9. DEUTZ ENGINE INSTALLATIONS (Prior to SN 78257).....	70
FIGURE 2-10. DEUTZ ENGINE INSTALLATIONS (SN 78257 to Present)	78
FIGURE 2-11. GENERATOR INSTALLATION (DEUTZ ENGINE MODEL - 601S WITH A "ENHANCED HOSTILE ENVIRONMENT PACKAGE")	86
FIGURE 2-12. PISTON PUMP ASSEMBLY (WITHOUT HYDRAULIC WELDER) (Prior to SN 85132)	90
FIGURE 2-13. PISTON PUMP ASSEMBLY (WITHOUT HYDRAULIC WELDER) (SN 85132 to Present).....	94
FIGURE 2-14. PISTON PUMP ASSEMBLY (WITH HYDRAULIC WELDER).....	98
FIGURE 2-15. GEAR PUMP ASSEMBLY (WITHOUT HYDRAULIC WELDER)	102
FIGURE 2-16. GEAR PUMP ASSEMBLY (WITH HYDRAULIC WELDER).....	104
FIGURE 2-17. TANK INSTALLATIONS.....	106
FIGURE 2-18. ROTARY COUPLING INSTALLATION (Prior to SN 85132)	110
FIGURE 2-19. ROTARY COUPLING INSTALLATION (SN 85132 to Present)	112
FIGURE 2-20. GROUND CONTROL BOX ASSEMBLY (Prior to SN 62137)	116
FIGURE 2-21. GROUND CONTROL BOX ASSEMBLY (ADE SYSTEM) (SN 62137 to Present).....	120
FIGURE 2-22. ELECTRICAL OPTIONS INSTALLATION (TURNTABLE MOUNTED).....	124
FIGURE 2-23. HOODS INSTALLATION - MODEL 601S	128
FIGURE 2-24. HOODS INSTALLATION - MODEL 601S WITH A "ENHANCED HOSTILE ENVIRONMENT PACKAGE"	132
SECTION 3 - BOOM.....	137
FIGURE 3-1. BOOM AND CYLINDER INSTALLATIONS.....	138
FIGURE 3-2. BOOM ASSEMBLIES	142

TABLE OF CONTENTS

FIGURE 3-3. ROTATOR ASSEMBLY (FRONT ENTRY PLATFORM).....	146
FIGURE 3-4. ROTATOR ASSEMBLY (SIDE ENTRY PLATFORM).....	148
FIGURE 3-5. POWER TRACK INSTALLATION - MODEL 601S	150
FIGURE 3-6. POWER TRACK INSTALLATION - MODEL 601S WITH A "ENHANCED HOSTILE ENVIRONMENT PACKAGE".....	152
FIGURE 3-7. BOOM WIPERS INSTALLATIONS.....	154
SECTION 4 - PLATFORM.....	157
FIGURE 4-1. PLATFORM COMPONENTS INSTALLATION (FRONT ENTRY PLATFORM).....	158
FIGURE 4-2. PLATFORM COMPONENTS INSTALLATION - SIDE ENTRY PLATFORM.....	162
FIGURE 4-3. PLATFORM CONSOLE ASSEMBLIES (Prior to SN 62137)	166
FIGURE 4-4. PLATFORM CONSOLE ASSEMBLIES - WITH ADE SYSTEM (SN 62137 to Present)	170
FIGURE 4-5. CONTROLLER ASSEMBLY (SWING AND LIFT) (Prior to SN 62137).....	174
FIGURE 4-6. CONTROLLER ASSEMBLY (SWING AND LIFT) (WITHOUT ADE SYSTEM) (SN 62137 to Present).....	176
FIGURE 4-7. CONTROLLER ASSEMBLY (DRIVE AND STEER) (Prior to SN 62137)	180
FIGURE 4-8. CONTROLLER ASSEMBLY (DRIVE AND STEER) (WITH ADE SYSTEM) (SN 62137 to Present)	182
SECTION 5 - CYLINDER.....	185
FIGURE 5-1. AXLE LOCKOUT CYLINDER ASSEMBLY (Prior to SN 85132)	186
FIGURE 5-2. AXLE LOCKOUT CYLINDER ASSEMBLY (SN 85132 to Present)	188
FIGURE 5-3. PLATFORM LEVEL CYLINDER ASSEMBLY.....	190
FIGURE 5-4. LIFT (BOOM) CYLINDER ASSEMBLY.....	192
FIGURE 5-5. MASTER CYLINDER ASSEMBLY	194
FIGURE 5-6. STEER CYLINDER ASSEMBLY (ORIGINAL EQUIPMENT) (Prior to SN 85132).....	196
FIGURE 5-7. STEER CYLINDER ASSEMBLY (ORIGINAL EQUIPMENT) (SN 85132 to Present)	198
FIGURE 5-8. STEER CYLINDER ASSEMBLY (SERVICE REPLACEMENT)	200
FIGURE 5-9. TELESCOPE CYLINDER ASSEMBLY.....	202
FIGURE 5-10. CYLINDER BELLOWS INSTALLATIONS	204
SECTION 6 - HYDRAULIC.....	207
FIGURE 6-1. HYDRAULIC DIAGRAM - DRIVE AND STEER (Prior to SN 85132).....	208
FIGURE 6-2. HYDRAULIC DIAGRAM - DRIVE AND STEER (SN 85132 to Present)	212
FIGURE 6-3. HYDRAULIC DIAGRAM - OSCILLATING AXLE (Prior to SN 85132)	214
FIGURE 6-4. HYDRAULIC DIAGRAM - OSCILLATING AXLE (SN 85132 to Present).....	216
FIGURE 6-5. HYDRAULIC DIAGRAM - W/HYDRAULIC WELDER (OPTIONAL)	218
FIGURE 6-6. HYDRAULIC DIAGRAM - STANDARD (Prior to SN 85132).....	222
FIGURE 6-7. HYDRAULIC DIAGRAM - STANDARD (SN 85132 to Present).....	226
FIGURE 6-8. HYDRAULIC DIAGRAM LIST.....	230
SECTION 7 - ELECTRICAL.....	231
FIGURE 7-1. ELECTRICAL DIAGRAM LIST	232
FIGURE 7-2. ELECTRICAL SCHEMATIC - DEUTZ ENGINE MACHINES (Prior to SN 62137)	234
FIGURE 7-3. ELECTRICAL SCHEMATIC - DEUTZ/FORD EFI ENGINE MACHINES (ADE SYSTEM) (W/INTERNAL TILT) (SN 62137 through 99060)	236
FIGURE 7-4. ELECTRICAL SCHEMATIC - DEUTZ EMR2 (SN 85132 through 99059)	242
FIGURE 7-5. ELECTRICAL SCHEMATIC - DEUTZ TIER 2 (SN 99060 to Present).....	248
FIGURE 7-6. HARNESS COMPONENTS INSTALLATION (Prior to SN 62137)	254
FIGURE 7-7. HARNESS COMPONENTS INSTALLATION (WITH ADE SYSTEM) (SN 62137 through 85131)	260

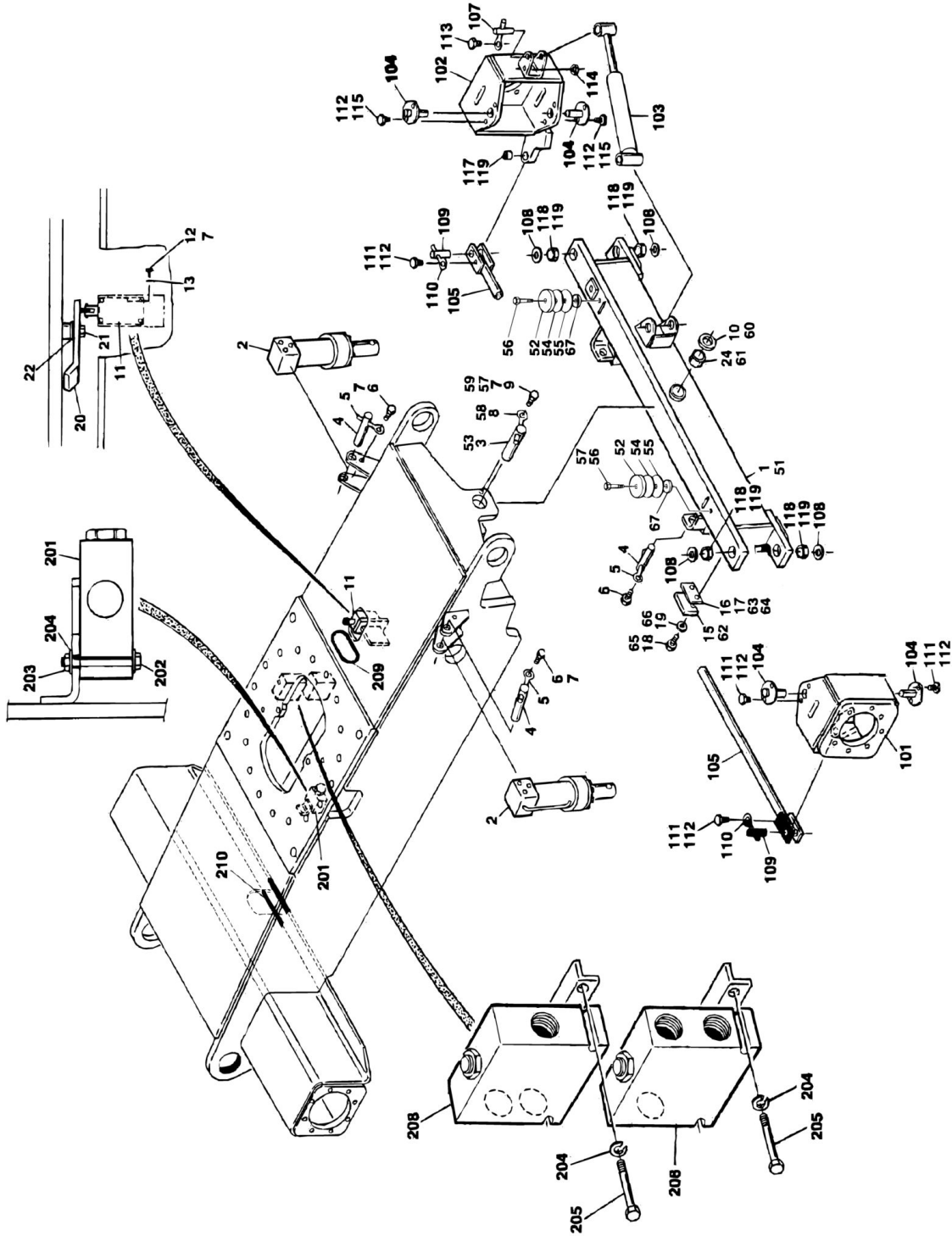
TABLE OF CONTENTS

FIGURE 7-8. HARNESS COMPONENTS INSTALLATION (DEUTZ EMR2) (SN 85132 to Present)	266
SECTION 8 - DECALS.....	273
FIGURE 8-1. DECAL INSTALLATION - STANDARD (Prior to SN 87744).....	274
FIGURE 8-2. DECAL INSTALLATION - STANDARD (SN 87744 to Present)	278
SECTION 9 - RECOMMENDED SERVICE PARTS STOCK	281
FIGURE 9-1. MODEL 601S STANDARD PARTS	282
FIGURE 9-2. MODEL 601S VARIABLE PARTS	284
SECTION 10 - SPECIAL OPTIONS.....	285
FIGURE 10-1. SPECIAL OPTIONS LIST	286
FIGURE 10-2. SKY WELDER INSTALLATION	288
PART NUMBER INDEX	293

SECTION 1 - FRAME

SECTION 1 - FRAME

FIGURE 1-1. 4WD FRONT AXLE AND STEERING INSTALLATIONS (Prior to SN 85132)



SECTION 1 - FRAME

FIGURE 1-1. 4WD FRONT AXLE AND STEERING INSTALLATIONS (Prior to SN 85132)

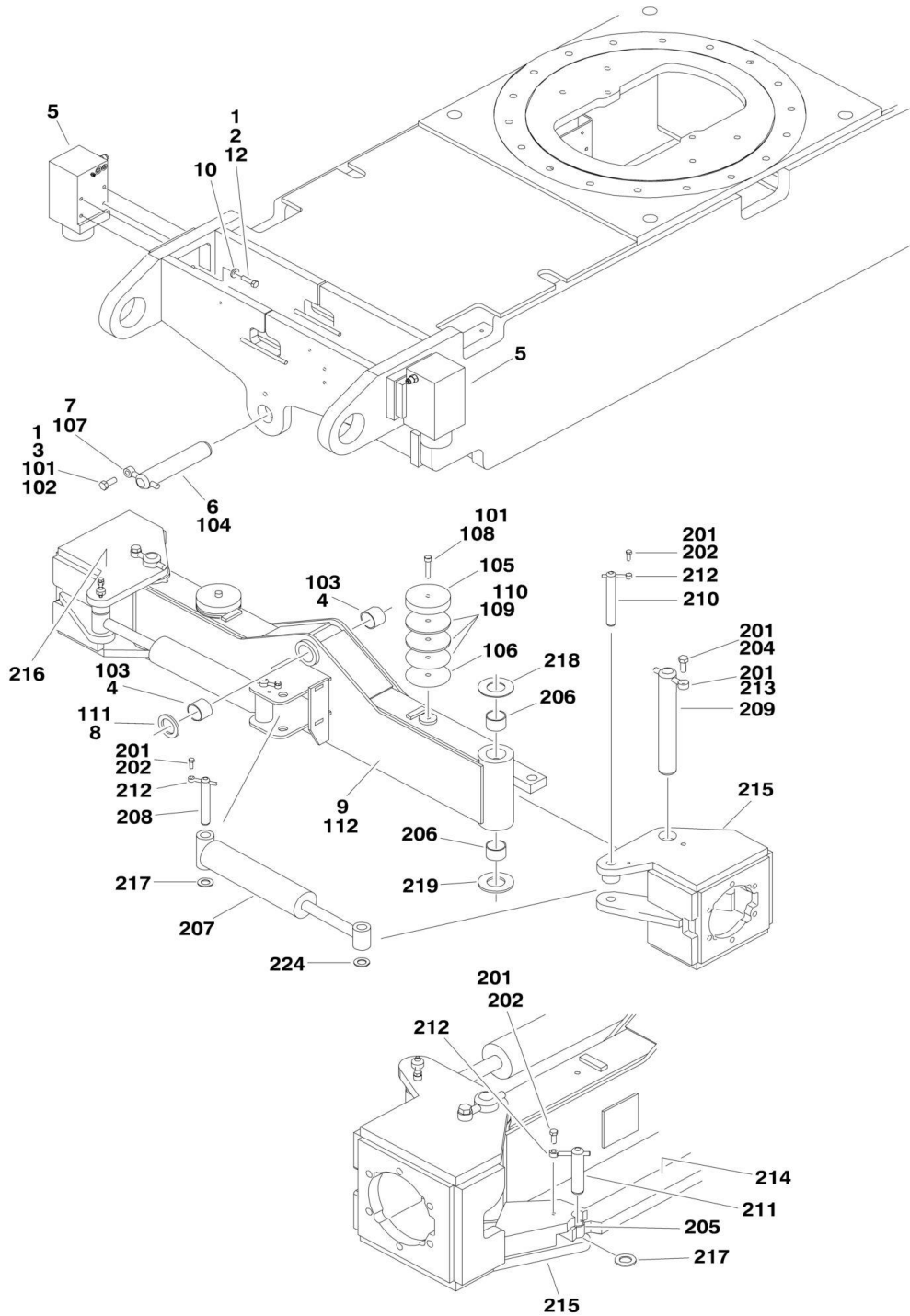
ITEM	PART NUMBER	QTY	DESCRIPTION	REV
		Ref	FRAME WELDMENT OPTIONS:	
	2360462	1	Frame Weldment (4WD) - Model 601S	
	2360504	1	Frame Weldment (4WD) - Model 601S With "Enhanced Hostile Environment Package"	
		Ref	OSCILLATING AXLE INSTALLATION Options:	
	0257896	Ref	MODEL 601S	8
	0258994	Ref	MODEL 601S With a "Enhanced Hostile Environment Package"	3
1	4845651	1	Axle Weldment	
2	1683280	2	Lockout Cylinder Assembly (See CYLINDER SECTION for Breakdown)	
3	3422592	1	Pin, Axle Pivot	
4	3422426	4	Pin, Cylinder	
5	3841143	4	Keeper, Pin	
6	0641608	4	Bolt 3/8in-16NC x 1in	
7	0100011	AR	Loctite #242	
8	3841258	1	Keeper	
9	0642012	1	Bolt 5/8in-11NC x 1 1/2in	
10	4740158	1	Thrustwasher	
11	4640871	1	Valve, Cam	
11	7012693	1	Seal Kit - 4640871 Valve	
12	0641414	4	Bolt 1/4in-20NC x 1 3/4in	
13	4711400	AR	Flatwasher 1/4in Narrow	
15	3538047	2	Plate, Axle Wear	
16	4070878	AR	Shim (.06)	
17	4070879	AR	Shim (.12)	
18	0641608	4	Bolt 3/8in-16NC x 1in	
19	4711600	4	Flatwasher 3/8in Narrow	
20		Ref	Cam Options:	
20	1100086	1	Model 601S	
20	1100111	1	Model 601S with "Enhanced Hostile Environment Package"	
21	0641814	2	Bolt 1/2in-13NC x 1 3/4in	
22	4751800	AR	Flatwasher 1/2in	
24	0961950	2	Bushing, Garmax	
	0259414	Ref	FIXED AXLE INSTALLATION	1-B
51	4845651	1	Axle Weldment	
52	3539877	2	Plate, Stop	
53	3422592	1	Pin, Axle Pivot	
54	4070944	AR	Shim	
55	4070945	AR	Shim	
56	0641826	2	Bolt 1/2in-13NC x 3 1/4in	
57	0100011	AR	Loctite #242	
58	3841258	1	Keeper	
59	0642012	1	Bolt 5/8in-11NC x 1 1/2in	
60	4740158	1	Thrustwasher	
61	0961950	2	Bushing, Garmax	
62	3538047	2	Plate, Axle Wear	
63	4070878	AR	Shim (.06)	
64	4070879	AR	Shim (.12)	
65	0641608	4	Bolt 3/8in-16NC x 1in	

SECTION 1 - FRAME

ITEM	PART NUMBER	QTY	DESCRIPTION	REV
66	4711600	4	Flatwasher 3/8in Narrow	
67	3571593	2	Plate, Stop	
	0257902		STEERING INSTALLATIONS	
101	4130362	1	Spindle Weldment (RH)	
102	4130365	1	Spindle Weldment (LH)	
103	1683616	2	Steer Cylinder Assembly (See CYLINDER SECTION for Breakdown)	
104	3422802	4	Kingpin	
105	3841285	1	Tie-Rod	
106	3422426	1	Pin, Steer Cylinder	
107	3422429	1	Pin, Steer Cylinder	
108	0440161	4	Thrustwasher	
109	3422430	2	Pin, Attach	
110	3841143	4	Pin, Keeper	
111	0641608	3	Bolt 3/8in-16NC x 1in	
112	0100011	AR	Loctite #242	
113	0641610	1	Bolt 3/8in-16NC x 1 1/4in	
114	3311605	1	Locknut 3/8in-16NC	
115	0641608	8	Bolt 3/8in-16NC x 1in	
116	1670752	4	Cover, King Pin (Prior to SN 43441)	
117	0962005	2	Bushing	
118	0962272	4	Bearing, Garmax	
119	0100063	AR	Loctite RC-609	
		Ref	DRIVE VALVE INSTALLATION - 4WD OPTIONS:	
	0257907	Ref	Drive Valve Installation (Prior to SN 56791)	4
	0270126	Ref	Drive Valve Installation (SN 56791 through 65217)	1
	0271684	Ref	Drive Valve Installation (SN 65218 to Present)	3
201	4641052	1	Valve, Flow Divider	
201	7020049	1	Cartridge	
201	7020051	1	Seal Kit	
201	7020050	1	Plug, Orifice	
202	0641522	4	Bolt 5/16in-18NC x 2 5/8in	
203	3311505	4	Locknut 5/16in-18NC	
204	4751500	10	Flatwasher 5/16in	
205	0641520	2	Bolt 5/16in-18NC x 2 1/2in	
207	0100011	AR	Loctite #242	
208	4641051	2	Valve, Flow Divider 4WD	
208	7020047	1	Cartridge (1 Per Valve)	
208	7020051	1	Seal Kit	
208	7020048	1	Plug, Orifice	
209	4060808	AR	Flex Trim	
210	4060807	1.6 ft/.49m	Flex Trim (Prior to SN 67821)	

SECTION 1 - FRAME

FIGURE 1-2. 4WD FRONT AXLE AND STEERING INSTALLATIONS (SN 85132 to Present)



SECTION 1 - FRAME

FIGURE 1-2. 4WD FRONT AXLE AND STEERING INSTALLATIONS (SN 85132 to Present)

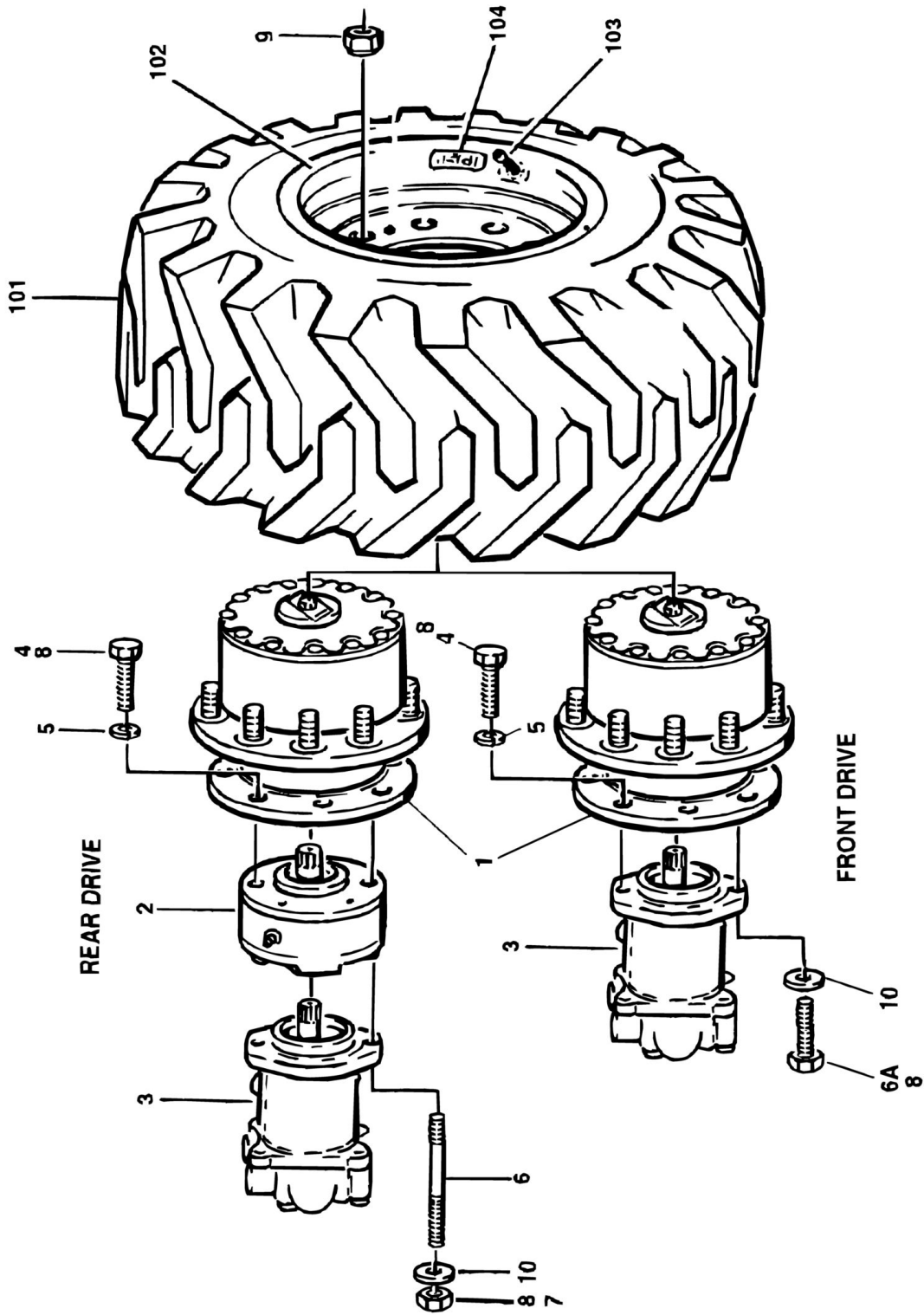
ITEM	PART NUMBER	QTY	DESCRIPTION	REV
		Ref	FRAME WELDMENT OPTIONS:	
	2360699	1	Frame Weldment (4WD) - Model 601S	
	2360706	1	Frame Weldment (4WD) - Model 601S with "Enhanced Hostile Environment Package"	
	0273081	Ref	AXLE INSTALLATIONS - OSCILLATING	F
1	0100011	AR	Loctite #242	
2	0641814	8	Bolt 1/2in-13NC x 1 3/4in	
3	0642012	1	Bolt 5/8in-11NC x 1 1/2in	
4	0961950	2	Bearing	
5		Ref	Lockout Cylinder Assembly Options (See CYLINDER SECTION for Breakdown):	
5	1684280	2	Lockout Cylinder Assembly (Prior to SN 89729)	
5	1684465	2	Lockout Cylinder Assembly (SN 89729 to Present)	
6	3422592	1	Pin, Pivot	
7	3841258	1	Keeper, Pin	
8	4740158	1	Thrustwasher	
9	4846814	1	Axle Weldment	
10	4891800	8	Flatwasher 1/2in Hardened	
12	0100038	AR	Primer #7471	
	0273226	Ref	AXLE INSTALLATIONS - FIXED	A
101	0100011	AR	Loctite #242	
102	0642012	1	Bolt 5/8in-11NC x 1 1/2in	
103	0961950	2	Bearing	
104	3422592	1	Pin, Pivot	
105	3539877	2	Plate, Stop	
106	3539878	2	Plate, Stop	
107	3841258	1	Keeper, Pin	
108	3931840	2	Screw 1/2in-13NC x 2 1/2in	
109	4070944	4	Shim (.06)	
110	4070945	4	Shim (.25)	
111	4740158	1	Thrustwasher	
112	4846814	1	Axle Weldment	
	0273080		STEERING INSTALLATIONS	E
201	0100011	AR	Loctite #242	
202	0641608	6	Bolt 3/8in-16NC x 1in	
204	0642012	2	Bolt 5/8in-11NC x 1 1/2in	
205	0961977	2	Bushing	
206	0962131	4	Bearing	
207		Ref	Steer Cylinder Assembly Options (See CYLINDER SECTION for Breakdown):	
207	1683208	2	Original Equipment	
207	1001097242	2	Service Replacement	
208	3422326	2	Pin, Steer Cylinder	
209	3422900	2	Kingpin	
210	3422902	2	Pin, Steer Cylinder	
211	3422903	2	Pin, Tie-Rod	
212	3841143	6	Shaft, Keeper	
213	3841258	2	Shaft, Keeper	
214	3841510	1	Tie-Rod	
215	4130394	1	Spindle - Left Side	

SECTION 1 - FRAME

ITEM	PART NUMBER	QTY	DESCRIPTION	REV
216	4130395	1	Spindle - Right Side	
217	4740111	6	Thrustwasher	
218	4740256	2	Thrustwasher	
219	4740263	2	Thrustwasher	

SECTION 1 - FRAME

FIGURE 1-3. TIRE AND WHEEL DRIVE INSTALLATIONS (Prior to SN 85132)



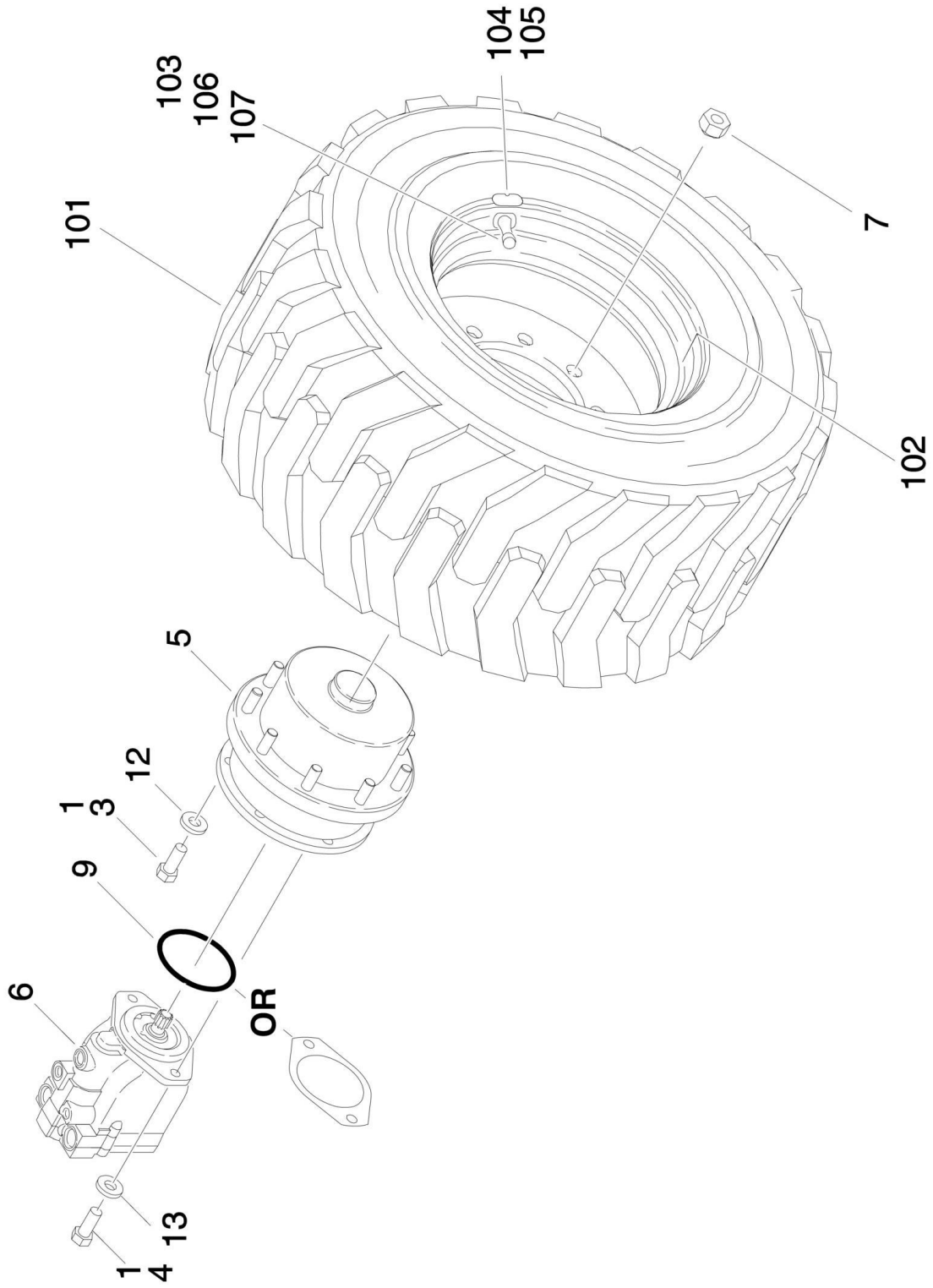
SECTION 1 - FRAME

FIGURE 1-3. TIRE AND WHEEL DRIVE INSTALLATIONS (Prior to SN 85132)

ITEM	PART NUMBER	QTY	DESCRIPTION	REV
		Ref	WHEEL DRIVE INSTALLATION (4WD) OPTIONS:	
	0257907	Ref	Wheel Drive Installation (Prior to SN 56791)	4-C
	0270126	Ref	Wheel Drive Installation (SN 56791 through 65217)	1-A
	0271684	Ref	Wheel Drive Installation (SN 65218 through 85132)	2-B
1		Ref	Drive Hub Assembly Options:	
1	2780213	4	Drive Hub Assembly (See DRIVE HUB ASSEMBLY for Breakdown) (Prior to SN 65218)	
1	2780252	4	Drive Hub Assembly (See DRIVE HUB ASSEMBLY for Breakdown) (SN 65218 through 85132)	
2		Ref	Drive Brake Assembly Options (See DRIVE BRAKE ASSEMBLY for Breakdown):	
2	0920112	2	Drive Brake Assembly (Prior to SN 56791)	
2	0920117	2	Drive Brake Assembly (SN 56791 through 85132)	
3	3160204	4	Drive Motor Assembly (See DRIVE MOTOR ASSEMBLY for Breakdown)	
		Ref	Note: Adjustment required when replacing complete motor. (See Service Manual for Adjustments)	
4	0682016	32	Bolt 1/2in-11NC x 2in (Grade 8)	
5	4712000	32	Flatwasher 5/8in	
6	4300092	4	Stud (2 Per Wheel) (Prior to SN 56791)	
6	4300097	4	Stud (2 Per Wheel) (SN 56791 through 85132)	
6A	0641811	4	Bolt 5/8in-13NC x 3/4in (2 Per Wheel)	
7	3311801	4	Nut 1/2in-13NC (2 Per Wheel)	
8	0100011	AR	Loctite #242	
9	3300106	32	Nut, Wheel	
10	4891800	8	Flatwasher 1/2in	
		Ref	TIRE AND WHEEL INSTALLATIONS	
	0255420	Ref	14-17.5 Pneumatic (Prior to SN 65351)	-
	0271612	Ref	14-17.5 Pneumatic (SN 65351 through 85132)	1
	0255421	Ref	14-17.5 Foam-Filled (Prior to SN 65351)	-
	0271613	Ref	14-17.5 Foam-Filled (SN 65351 through 85132)	1
	0255514	2	14-17.5 Pneumatic Left Side (Prior to SN 65351)	
	0271608	2	14-17.5 Pneumatic Left Side (SN 65351 through 85132)	
	0255513	2	14-17.5 Pneumatic Right Side (Prior to SN 65351)	
	0271609	2	14-17.5 Pneumatic Right Side (SN 65351 through 85132)	
	0255606	2	14-17.5 Foam-Filled Left Side (Prior to SN 65351)	
	0271610	2	14-17.5 Foam-Filled Left Side (SN 65351 through 85132)	
	0255605	2	14-17.5 Foam-Filled Right Side (Prior to SN 65351)	
	0271611	2	14-17.5 Foam-Filled Right Side (SN 65351 through 85132)	
		Ref	Note: Assemblies may require ballast/foam filling to manufacturer's specifications prior to installing on a machine. Refer to Operation and Safety or Service and Maintenance Manuals.	
		Ref	Purchase individual tire and/or rim only if able to foam fill tire and wheel assembly, otherwise, purchase complete assembly.	
101		Ref	Tire 14-17.5 Options:	
101	4520171	1	Tire 14-17.5 (Prior to SN 65351)	
101	4520259	1	Tire 14-17.5 (SN 65351 through 85132)	
102	4860158	1	Rim, Wheel	
103	4640113	1	Valve, Air	
104	1702740	1	Decal - 95 PSI	

SECTION 1 - FRAME

FIGURE 1-4. TIRE AND WHEEL DRIVE INSTALLATIONS (SN 85132 to Present)



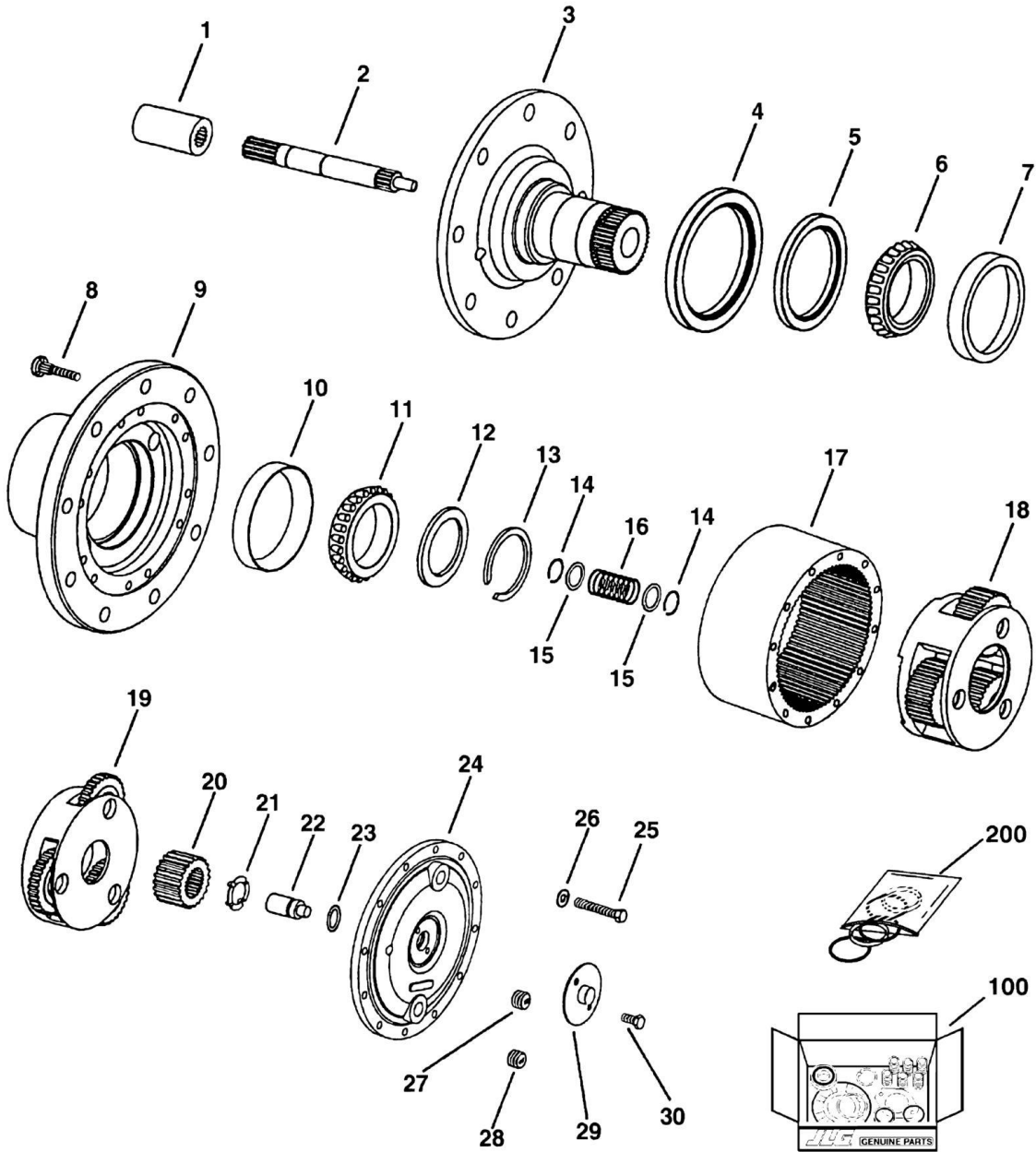
SECTION 1 - FRAME

FIGURE 1-4. TIRE AND WHEEL DRIVE INSTALLATIONS (SN 85132 to Present)

ITEM	PART NUMBER	QTY	DESCRIPTION	REV
	0273048	Ref	WHEEL DRIVE INSTALLATION (4WD)	J
1	0100011	AR	Loctite #242	
3	0681810	8	Bolt 1/2in-13NC x 1 1/4in (Grade 8)	
4	0682016	24	Bolt 5/8in-11NC x 2in (Grade 8)	
5	2780269	4	Drive Hub Assembly (See DRIVE HUB ASSEMBLY for Breakdown)	
6	3160350	4	Drive Motor Assembly (Prior to SN 98765 p/n was 3160300 - See DRIVE MOTOR ASSEMBLY (4 BOLT ASSEMBLY) for Breakdown) (S/N 98765 to Present p/n 3160350 - See DRIVE MOTOR ASSEMBLY (5 BOLT ASSEMBLY) for Breakdown)	
7	3300106	36	Nut, Wheel	
9		Ref	Hardware Options:	
9	3790045	4	O-Ring (Prior to SN 102229)	
9	3960526	4	Gasket (SN 102229 to Present)	
12	4891800	8	Flatwasher 1/2in	
13	4740393	24	Flatwasher 5/8in Hardened	
		Ref	TIRE AND WHEEL INSTALLATIONS	
	4520328	Ref	IN355/55D625 Pneumatic	1
	4520346	Ref	IN355/55D625 Foam-Filled	1
	4520289	2	IN355/55D625 Pneumatic Left Side	
	4520290	2	IN355/55D625 Pneumatic Right Side	
	4520344	2	IN355/55D625 Foam-Filled Left Side	
	4520345	2	IN355/55D625 Foam-Filled Right Side	
		Ref	Note: Assemblies may require ballast/foam filling to manufacturer's specifications prior to installing on a machine. Refer to Operation and Safety or Service and Maintenance Manuals. Purchase individual tire and/or rim only if able to foam fill tire and wheel assembly, otherwise, purchase complete assembly.	
101	4520288	1	Tire 14-17.5 Options:	
102	4860287	1	Rim, Wheel	
103	4640113	1	Valve, Air	
104	1702740	1	Decal - 95 PSI	

SECTION 1 - FRAME

FIGURE 1-5. DRIVE HUB ASSEMBLY (Prior to SN 65218)



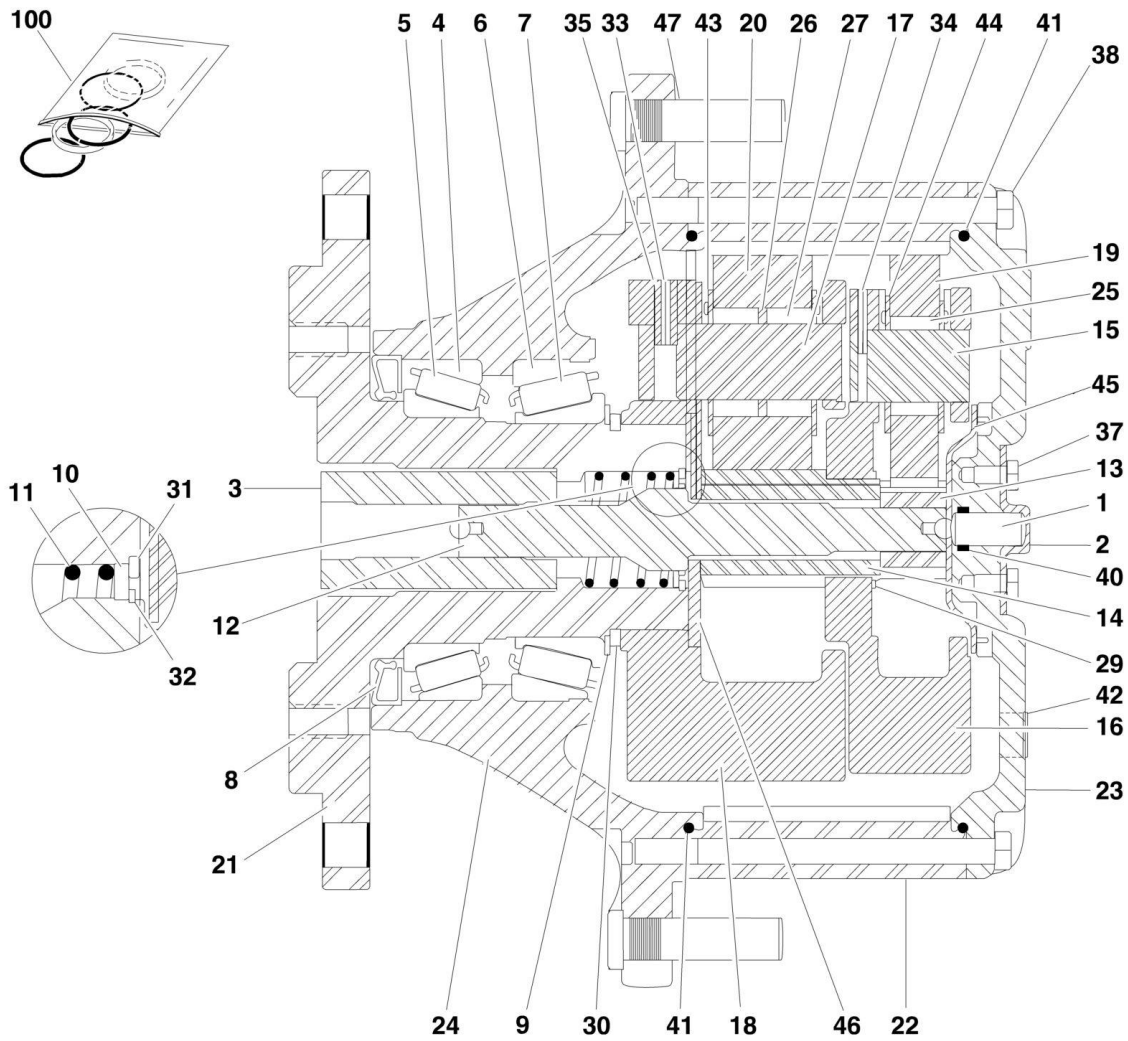
SECTION 1 - FRAME

FIGURE 1-5. DRIVE HUB ASSEMBLY (Prior to SN 65218)

ITEM	PART NUMBER	QTY	DESCRIPTION	REV
	2780213	Ref	DRIVE HUB ASSEMBLY	B
1	7014700	1	Coupling - 13 Teeth	
2	7014701	1	Shaft, Input - 13 Teeth	
3	7014702	1	Spindle	
4	7014728	1	Seal, Boot	
5	7014703	1	Seal, Oil	
6	7014704	1	Cone, Bearing	
7	7014705	1	Cup, Bearing	
8	7014727	8	Bolt, Wheel	
9	7014706	1	Hub	
10	7014707	1	Cup, Bearing	
11	7014708	1	Cone, Bearing	
12	7001711	1	Thrustwasher	
13	7014709	1	Ring, Retaining Kit	
14	7014711	2	Ring, Retaining	
15	7014712	2	Thrustwasher	
16	7014710	1	Spring	
17	7014713	1	Gear, Ring	
18	7014714	1	Secondary Carrier Assembly	
19	7014715	1	Primary Carrier Assembly	
20	7014716	1	Gear, Sun - 15 Teeth	
21	7014722	1	Thrustwasher	
22	7014717	1	Plunger, Disengage	
23	7014718	1	O-Ring	
24	7014719	1	Cover, Hub	
25	7014721	12	Bolt	
26	7014720	12	Flatwasher	
27	7014725	1	Plug, Magnetic	
28	7014726	1	Plug, Pipe	
29	7014723	1	Cover, Disengage	
30	7014724	2	Bolt	
100	7014729	1	Bearing and Seal Kit (Includes Items 5, 6, 7, 10, 11 & 13)	
200	7014730	1	Seal Kit (Includes Items 5 & 13)	

SECTION 1 - FRAME

FIGURE 1-6. DRIVE HUB ASSEMBLY (SN 65218 through 85131)



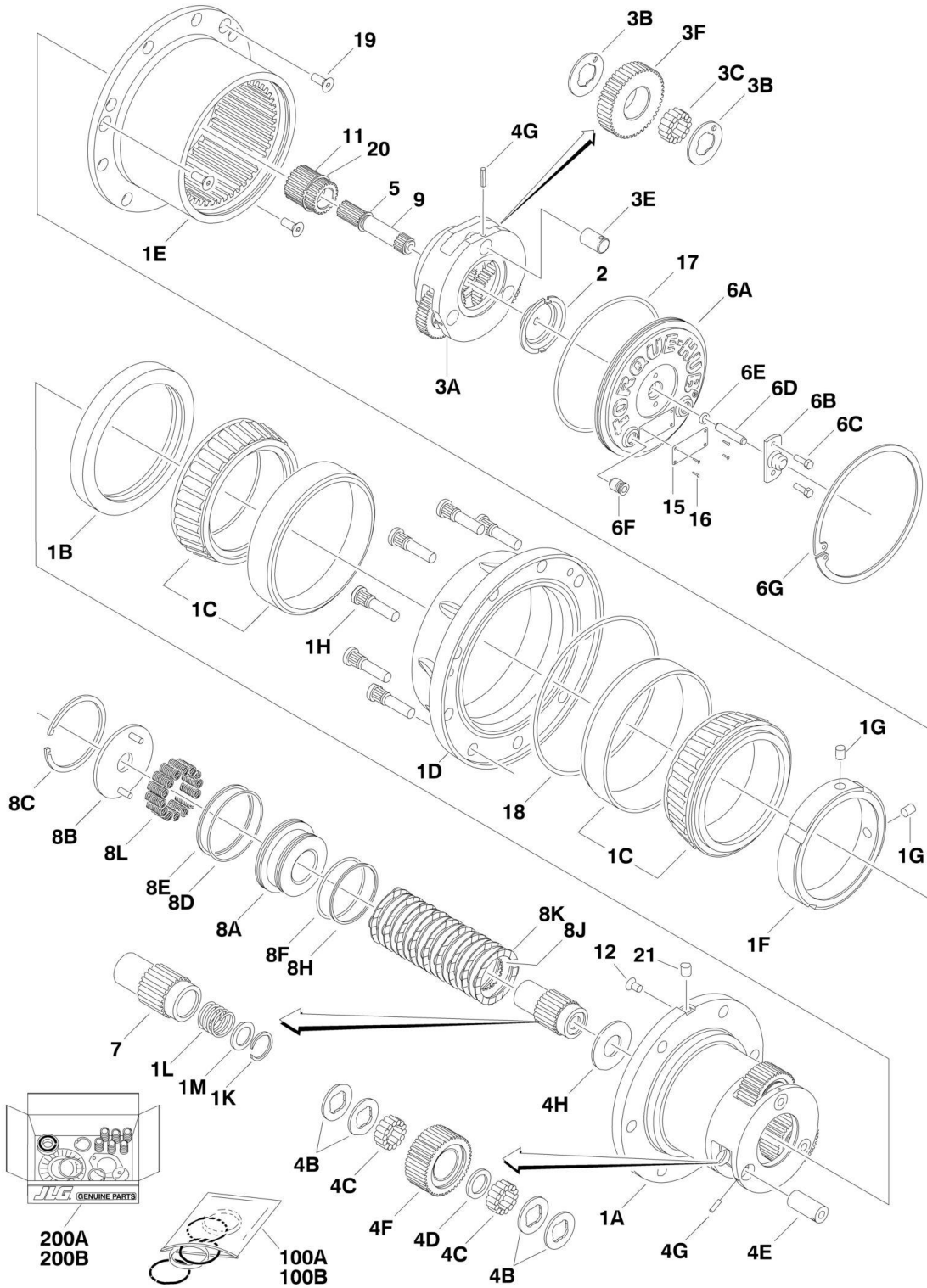
SECTION 1 - FRAME

FIGURE 1-6. DRIVE HUB ASSEMBLY (SN 65218 through 85131)

ITEM	PART NUMBER	QTY	DESCRIPTION	REV
	2780252	Ref	DRIVE HUB ASSEMBLY	B
1	7017029	1	Rod, Disengage	
2	7017093	1	Cover, Disengage	
3	7000290	1	Coupling	
4	7000272	1	Cup, Bearing	
5	7000273	1	Cone, Bearing	
6	7000274	1	Cup, Bearing	
7	7000275	1	Cone, Bearing	
8	7000236	1	Seal, Lip	
9	7000239	1	Thrustwasher	
10	7000282	1	Thrustwasher	
11	7000283	1	Spring	
12	7024157	1	Shaft, Input	
13	7024158	1	Gear, Sun	
14	7024159	1	Gear, Sun	
15	7024160	3	Shaft, Planet	
16	7024161	1	Carrier	
17	7024162	3	Shaft, Planet	
18	7024163	1	Carrier (Make Version)	
19	7024164	3	Gear, Planet (Make Version)	
20	7024165	3	Gear, Planet (Make Version)	
21	7024166	1	Spindle (Make Version)	
22	7024167	1	Gear, Ring	
23	7024168	1	Cover, Plate	
24	7024169	1	Housing	
25	7024170	57	Bearing, Needle	
26	7024171	3	Thrustwasher	
27	7024172	108	Bearing, Needle	
29	7024173	1	Ring, Retaining - Ext	
30	7000240	1	Ring, Retaining - Ext	
31	7000284	1	Ring, Retaining - Int	
32	7000285	1	Ring, Retaining - Ext	
33	7001906	3	Pin, Roll	
34	7024174	3	Pin, Roll	
35	7024175	3	Pin, Spring	
36	7017047	2	Pin, Dowel (Not Shown)	
37	7000216	2	Bolt 1/4in-20NC x 1/2in	
38	7024176	20	Bolt 3/8in-16NC x 5 1/2in (Grade 8)	
40	7000213	1	O-Ring	
41	7024177	2	O-Ring	
42	7017094	2	Plug, Pipe	
43	7024178	6	Thrustwasher	
44	7024179	6	Thrustwasher	
45	7024180	1	Spacer, Thrust	
46	7024181	1	Thrustwasher	
47	7007640	8	Stud, Wheel	
100	7024745	1	Seal Kit - 2780252 Drive Hub	

SECTION 1 - FRAME

FIGURE 1-7. DRIVE HUB ASSEMBLY (SN 85132 to Present)



SECTION 1 - FRAME

FIGURE 1-7. DRIVE HUB ASSEMBLY (SN 85132 to Present)

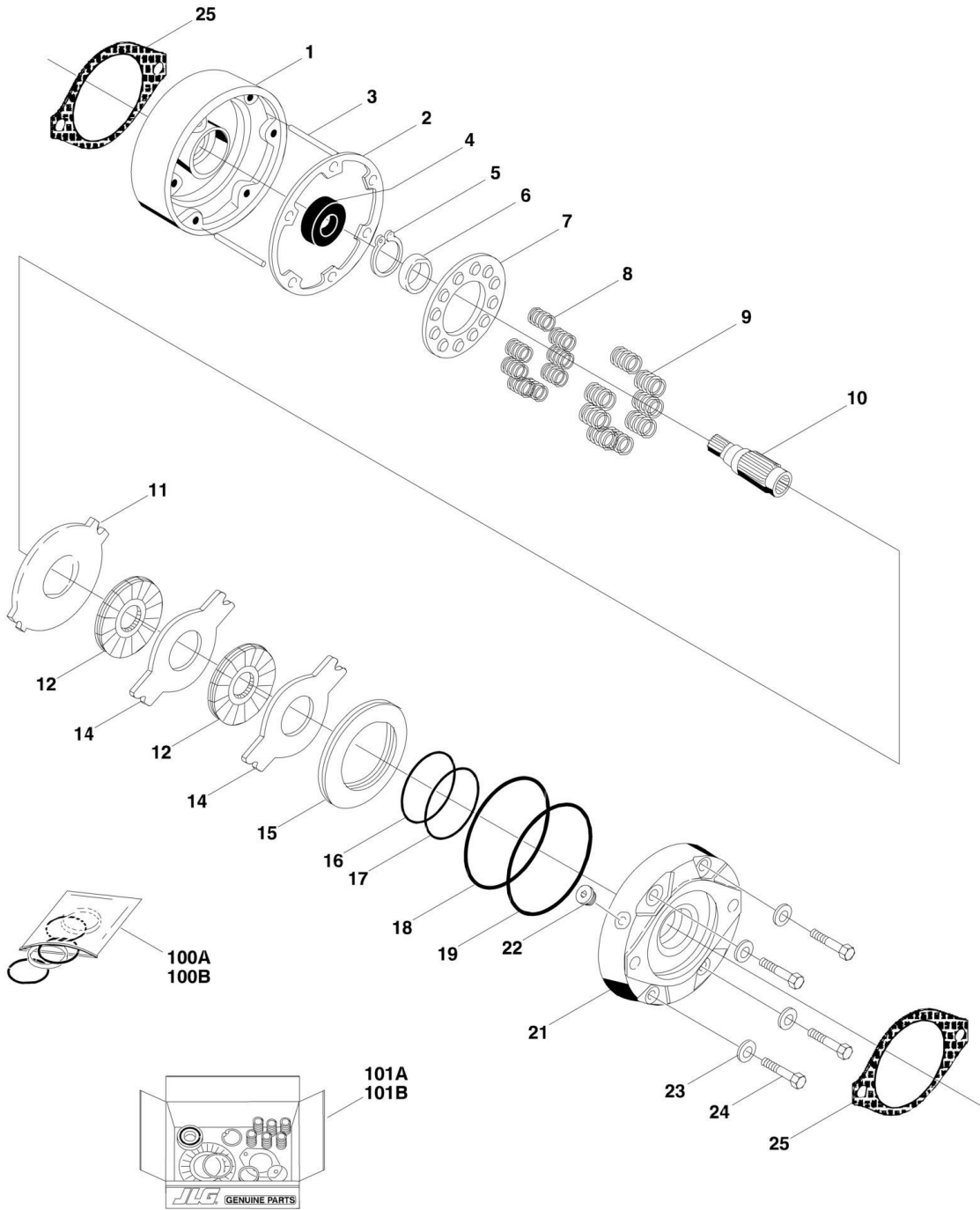
ITEM	PART NUMBER	QTY	DESCRIPTION	REV
	2780269	Ref	DRIVE HUB/BRAKE ASSEMBLY	B
1	Not Available	1	Spindle/Housing Assembly	
1A	7024729	1	Spindle	
1B	70001119	1	Seal	
1C	7024735	2	Bearing (Includes Cup and Cone)	
1D	Not Available	1	Housing	
1E	7024730	1	Ring, Gear	
1F	Item 100A	1	Nut, Bearing	
1G	See Note	2	Setscrew 1/4in-28NF x 1/2in (Note: Part of Items 100A, 100B, 200A & 200B)	
1H	7024732	9	Stud, Wheel	
1K	7024125	1	Ring, Retaining	
1L	7024124	1	Spring	
1M	7024129	1	Thrustwasher	
2	7024741	1	Thrustwasher	
3	Not Available	1	Carrier Assembly	
3A	7024725	1	Carrier	
3B	7024127	6	Thrustwasher	
3C	7024733	42	Bearing, Needle	
3E	7024724	3	Shaft, Planet	
3F	7024727	3	Gear, Planet	
4	Not Available	1	Planet Gear Sub-Assembly	
4B	7024740	12	Thrustwasher	
4C	7024734	84	Bearing, Needle	
4D	7024736	3	Spacer, Thrust	
4E	7024726	3	Shaft, Planet	
4F	7024728	3	Gear, Planet	
4G	7001913	6	Rollpin	
4H	7024742	1	Thrustwasher	
5	7017027	1	Ring, Retaining	
6	Not Available	1	Cover Assembly	
6A	7024731	1	Plate, Cover	
6B	7017093	1	Cap, Disengage	
6C	7000216	2	Bolt 1/2in-20NC x 1/2in	
6D	7024739	1	Pin, Dowel	
6E	7017095	1	O-Ring	
6F	7017072	2	O-Ring	
6G	7024738	1	Ring, Retaining	
7	7024722	1	Coupling	
8	Not Available	1	Brake, Input	
8A	70000782	1	Piston, Brake	
8B	7024743	1	Plate, Pressure	
8C	See Note	1	Ring, Retaining (Note: Use Item 100B, 200A or 200B)	
8D	See Note	1	O-Ring (Note: Use Item 100B, 200A or 200B)	
8E	See Note	1	Ring, Back-up (Note: Use Item 100B or 200A)	
8F	See Note	1	O-Ring (Note: Use Item 100B or 200A)	
8H	See Note	1	Ring, Back-up (Note: Use Item 100B or 200A)	
8J	Item 200A	8	Rotor, Brake	
8K	Item 200A	9	Stator, Brake	
8L	Item 200B	AR	Spring, Brake	

SECTION 1 - FRAME

ITEM	PART NUMBER	QTY	DESCRIPTION	REV
9	7024721	1	Shaft, Input	
11	7024723	1	Gear, Sun	
12	Not Available	1	Plug	
15	Not Available	1	Plate, ID (Not Shown)	
16	7000281	4	Screw, Drive	
17	7024134	1	O-Ring	
18	Item 100A	1	O-Ring	
19	7017022	3	Screw, Countersunk 3/8in-16NC	
20	7024737	1	Ring, Retaining	
21	Not Available	1	Plug	
100		Ref	Seal Kit Options:	
100A	7024744	1	Hub Seal Kit - Hub (Includes Items 1B, 1F, 1G, 17, 18 & 19)	
100B	7024765	1	Brake Seal Kit (Includes Items 1G, 8C, 8D, 8E, 8F & 8H)	
200		Ref	Seal Kit Options:	
200A	7024764	1	Brake Lining Kit (Includes Items 1G, 8C, 8D, 8E, 8F, 8H, 8J & 8K)	
200B	7024766	1	Brake Spring Kit (Includes Items 1G, 8C & 8L)	

SECTION 1 - FRAME

FIGURE 1-8. DRIVE BRAKE ASSEMBLY (Prior to SN 85132)



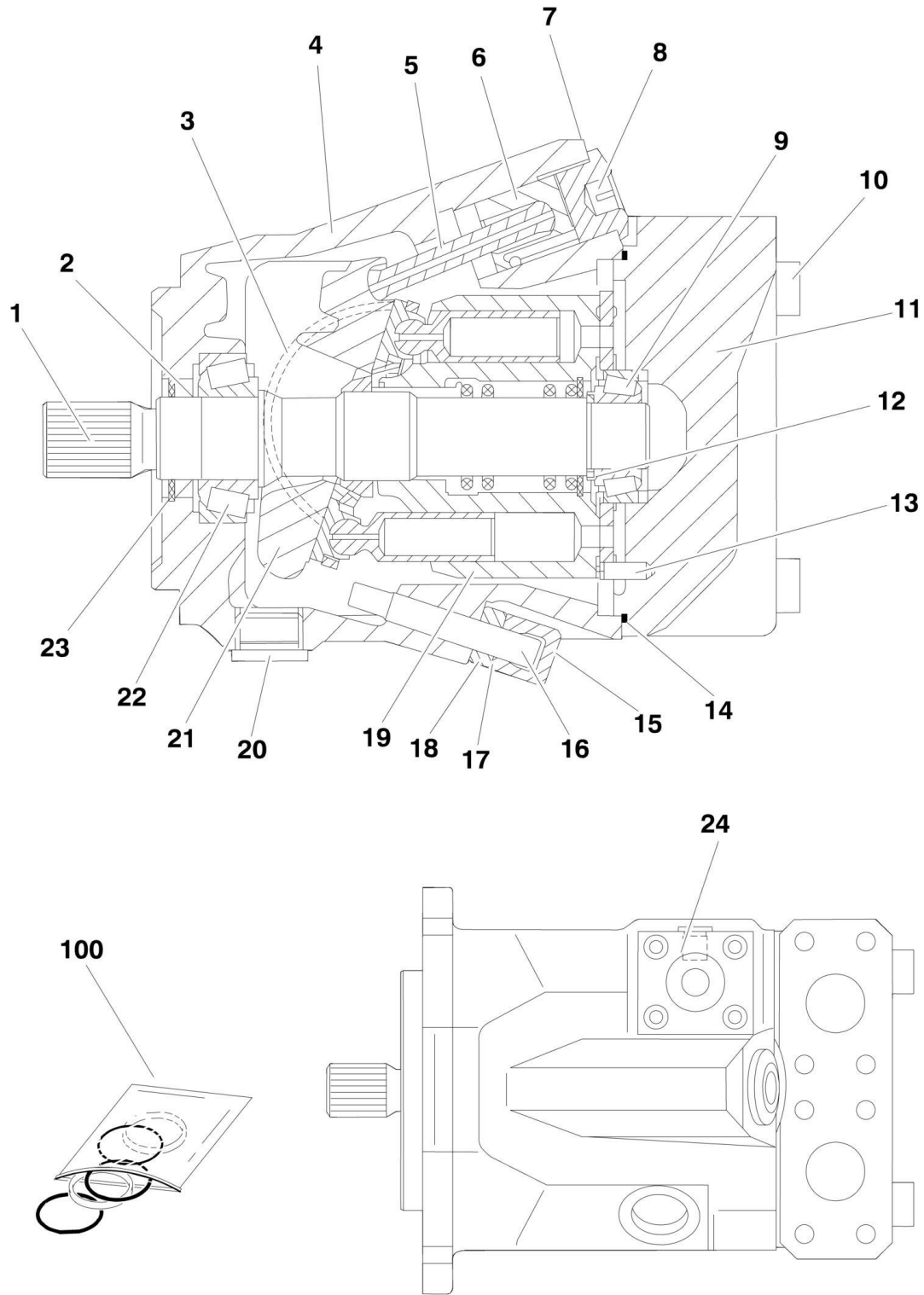
SECTION 1 - FRAME

FIGURE 1-8. DRIVE BRAKE ASSEMBLY (Prior to SN 85132)

ITEM	PART NUMBER	QTY	DESCRIPTION	REV
	0920112	Ref	DRIVE BRAKE ASSEMBLY (Prior to SN 56791)	B
1	7003451	1	Housing	
2	7003452	1	Gasket	
3	7003094	2	Pin, Torque	
4	7003049	1	Bearing, Ball	
5	7003453	1	Ring, Retaining	
6	7003050	1	Seal	
7	7003454	1	Retainer, Spring	
8	7000798	10	Spring, Compression (Small)	
9	7000782	10	Spring, Compression (Large)	
10	7003455	1	Shaft	
11	7003456	1	Disc, Primary	
12	7003457	2	Disc, Rotating	
14	7003459	2	Disc, Stationary	
15	7003460	1	Piston	
16	7000722	1	Ring, Back-Up	
17	7000723	1	O-Ring	
18	7000724	1	Ring, Back-Up	
19	7000725	1	O-Ring	
20	7000796	1	Screw, Bleeder	
21	7003461	1	Plate, Power	
22	7000728	1	Plug, Protective	
23	7003462	4	Flatwasher 1/2in	
24	7003463	4	Bolt 1/2in-13NC	
25	7000731	2	Gasket	
	0920117	Ref	DRIVE BRAKE ASSEMBLY (NOT SHOWN) (SN 56791 through 85132)	B
	7000731	2	Gasket (Between Hub/Brake and Brake/Motor)	
		Ref	Note: Face Mounting Gasket and Repair Kit are the only items available.	
		Ref	Kit Options	
100		Ref	Seal Kit Options:	
100A	Not Available		Seal Kit - 0920112 Brake (Purchase Individual Components) (Prior to SN 56791)	
100B	Not Available		Seal Kit - 0920117 Brake (Purchase Repair Kit p/n7018612) (SN 56791 through 85132)	
101		Ref	Repair Kit Options:	
101A	Not Available		Repair Kit - 0920112 Brake (Purchase Individual Components) (Prior to SN 56791)	
101B	70001800	1	Repair Kit - 0920117 Brake (Includes Case Seal, Piston Inner and Outer O-Rings and Back-up Rings, Stator Disc, Rotor Disc, Return Plate, Springs, Oil Seal, Bearing, 2 Retaining Rings and 2 Mounting Face Gaskets) (SN 56791 through 85132)	

SECTION 1 - FRAME

FIGURE 1-9. DRIVE MOTOR ASSEMBLY (Prior to SN 85132)



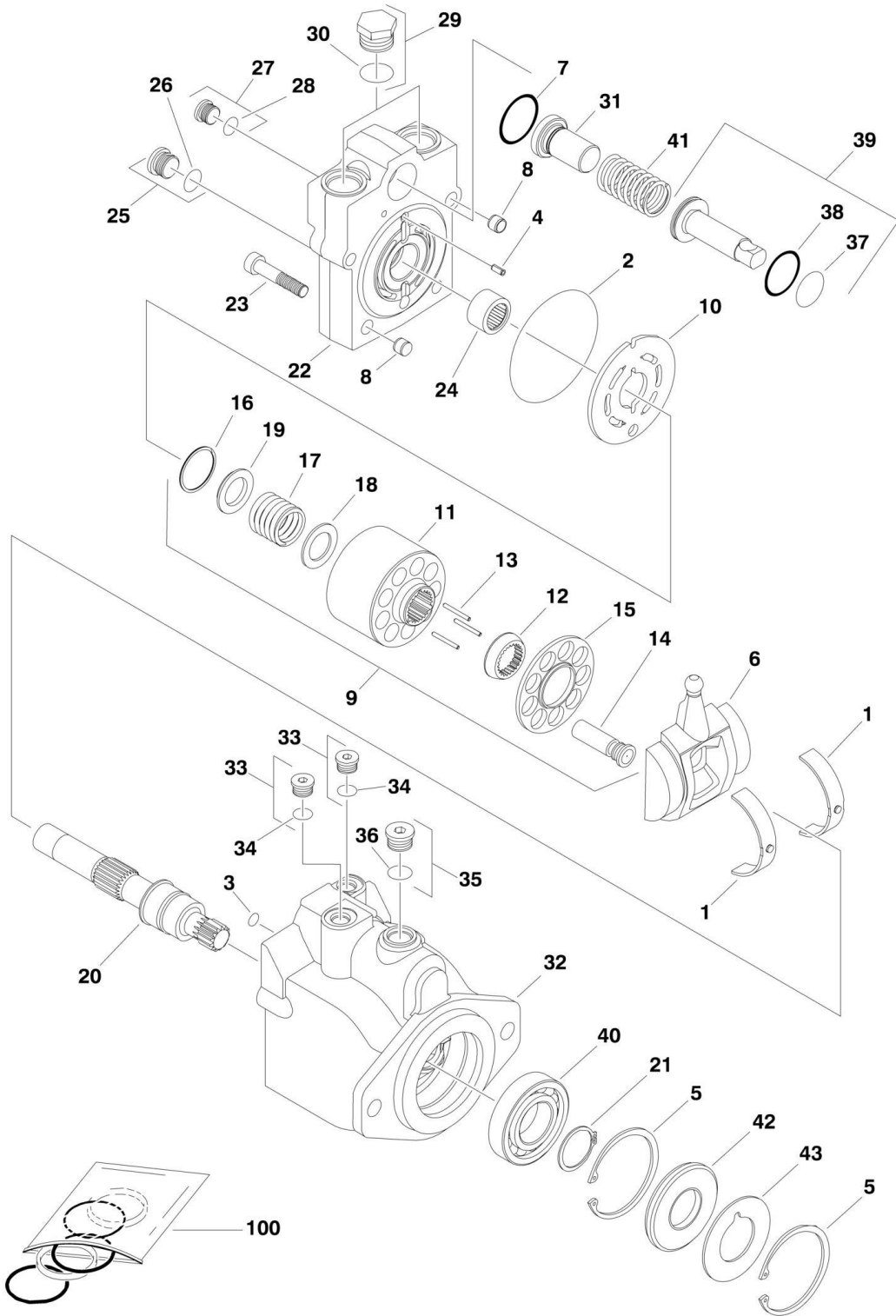
SECTION 1 - FRAME

FIGURE 1-9. DRIVE MOTOR ASSEMBLY (Prior to SN 85132)

ITEM	PART NUMBER	QTY	DESCRIPTION	REV
	3160204	Ref	DRIVE MOTOR ASSEMBLY	A
1	7012701	1	Shaft - 13 Teeth	
2	Item 100	1	Seal, Shaft	
3	7012702	2	Bearing, Cradle	
4	Not Available	1	Housing	
5	7012703	1	Rod, Piston	
6	7012704	1	Piston, Stroking	
7	Item 100	1	O-Ring	
8	7012705	1	Nut, Adapter	
9	7012706	1	Bearing, Roller	
10	7012707	4	Bolt, Metric Socket Head M12 x 65	
11	7012708	1	Block, Port	
12	7012709	1	Shim	
13	7012710	1	Pin, Dowel M6 x 18	
14	Item 100	1	O-Ring	
15	7012711	1	Nut, Cap M10 x 1	
16	7012712	1	Screw, Adjusting	
17	Item 100	2	O-Ring	
18	7012713	1	Nut, Jam M10 x 1	
19	7012716	1	Rotary Group Kit (Includes Item 21)	
20	Not Available	1	Plug	
21	7012716	1	Plate, Swash (Not Available Separately - Must Purchase Item 19)	
22	7012714	1	Bearing, Roller	
23	7012715	1	V-Ring	
24	7012700	1	Control Plate Assembly (Prior to SN 29852)	
100	2900788	1	Seal Kit (Includes Items 2, 7, 14, 17 and O-Rings under Item 24)	

SECTION 1 - FRAME

FIGURE 1-10. DRIVE MOTOR ASSEMBLY (4 BOLT ASSEMBLY) (SN 85132 through 98764)



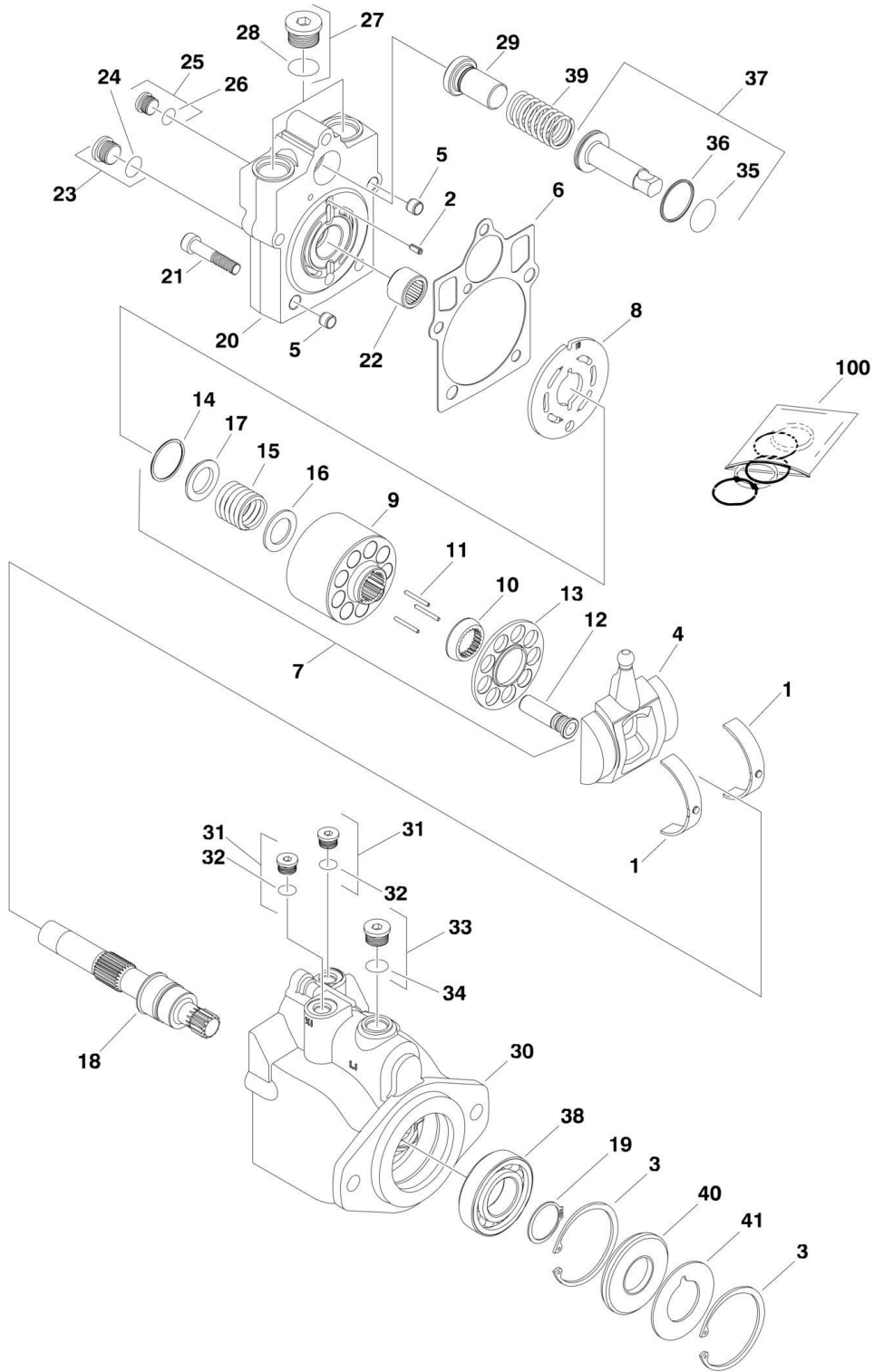
SECTION 1 - FRAME

FIGURE 1-10. DRIVE MOTOR ASSEMBLY (4 BOLT ASSEMBLY) (SN 85132 through 98764)

ITEM	PART NUMBER	QTY	DESCRIPTION	REV
	3160300	Ref	DRIVE MOTOR ASSEMBLY	E
1	7022302	2	Bearing, Journal	
2	Item 100	1	O-Ring	
3	Item 100	1	O-Ring	
4	7007446	1	Pin	
5	7007438	2	Ring, Retaining	
6	7024861	1	Swashplate	
7	Item 100	1	O-Ring	
8	7007435	2	Pin	
9	7022320	1	Cylinder Block Kit (Includes Items 11-19)	
10	7024862	1	Plate, Valve	
11	7024863	1	Block, Cylinder	
12	7024864	1	Guide, Slipper Retainer	
13	7021275	3	Pin, Slipper Hold Down	
14	7024865	9	Piston Assembly	
15	7024866	1	Retainer, Slipper	
16	7022311	1	Ring, Retaining	
17	7024867	1	Spring	
18	7024868	1	Washer	
19	7022314	1	Retainer, Spring	
20	7023910	1	Shaft	
21	7007439	1	Ring, Retaining	
22	7024869	1	Cap, End - Axial	
23	7022368	4	Screw	
24	7021249	1	Bearing, Needle	
25	7022321	1	Plug (Includes Item 26)	
26	Item 100	1	O-Ring	
27	7022318	1	Plug (Includes Item 28)	
28	Item 100	1	O-Ring	
29	7027419	2	Plug (Includes Item 30)	
30	Item 100	2	O-Ring	
31	7022372	1	Seat, Spring	
32	7022370	1	Housing	
33	7022318	2	Plug (Items Item 34)	
34	Item 100	2	O-Ring	
35	7022321	1	Plug (Items Item 36)	
36	Item 100	1	O-Ring	
37	Item 100	1	O-Ring	
38	Item 100	1	Ring, Seal	
39	7024871	1	Piston, Servo	
40	7007437	1	Bearing	
41	7022326	1	Spring	
42	Item 100	1	Seal, Lip	
43	7022371	1	Washer, Support	
100	7022328	1	Seal Kit (Includes Items 2, 3, 7, 26, 28, 30, 34, 36, 37, 38 & 42)	

SECTION 1 - FRAME

FIGURE 1-11. DRIVE MOTOR ASSEMBLY (5 BOLT ASSEMBLY) (SN 98765 to Present)



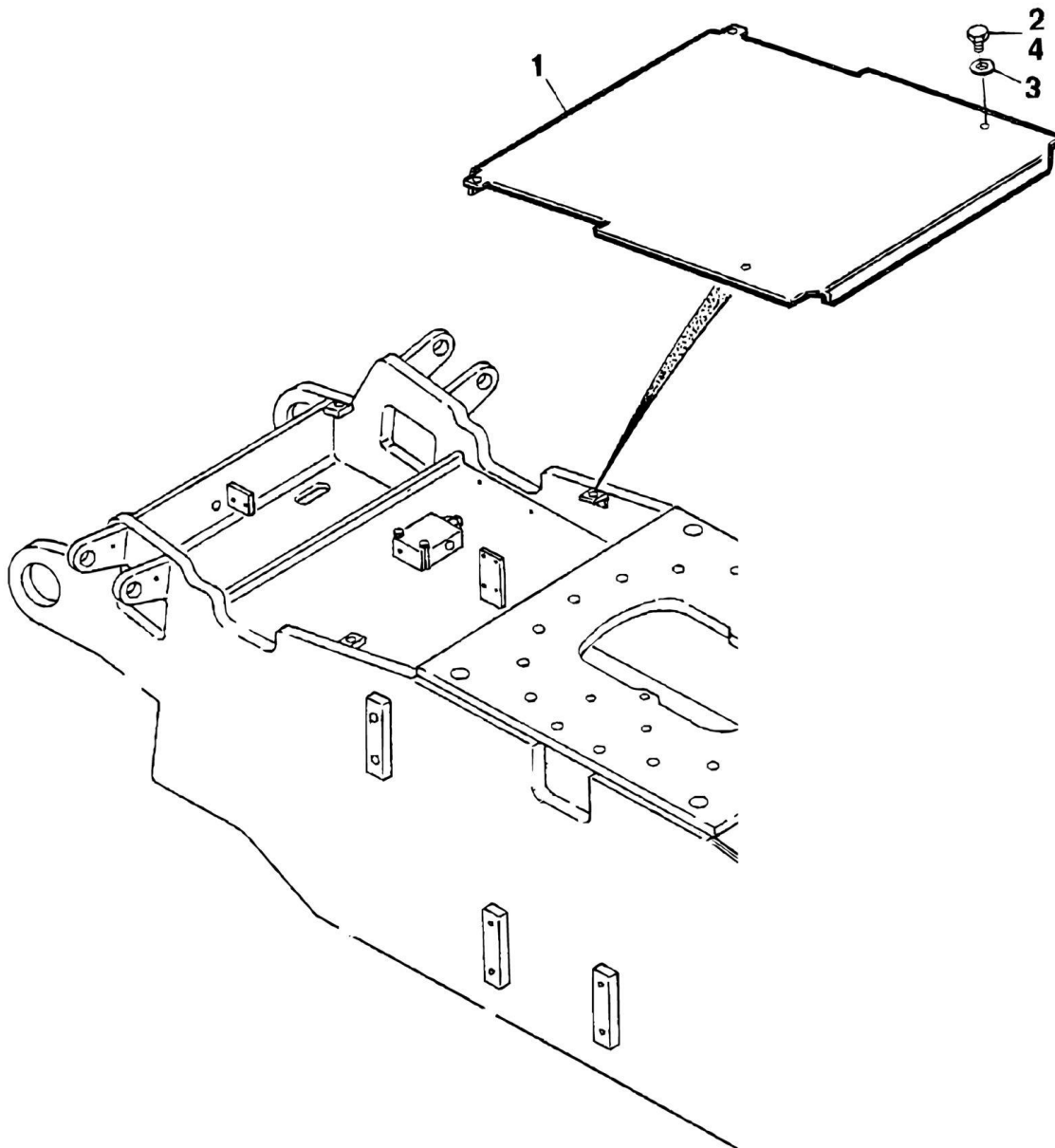
SECTION 1 - FRAME

FIGURE 1-11. DRIVE MOTOR ASSEMBLY (5 BOLT ASSEMBLY) (SN 98765 to Present)

ITEM	PART NUMBER	QTY	DESCRIPTION	REV
	3160350	Ref	DRIVE MOTOR ASSEMBLY	B
1	7022302	2	Bearing, Journal	
2	7007446	1	Pin	
3	7007438	2	Ring, Retaining	
4	70000794	1	Swashplate	
5	Not Available	2	Pin	
6	Item 100	1	Gasket	
7	7027740	1	Cylinder Block Kit (Includes Items 9-17)	
8	7024862	1	Plate, Valve	
9	Not Available	1	Block, Cylinder	
10	Not Available	1	Guide, Slipper Retainer	
11	7021275	3	Pin, Slipper Hold Down	
12	7024865	9	Piston Assembly	
13	Not Available	1	Retainer, Slipper	
14	7022311	1	Ring, Retaining	
15	7024867	1	Spring	
16	7022313	1	Washer	
17	7022314	1	Retainer, Spring	
18	7023910	1	Shaft	
19	7007439	1	Ring, Retaining	
20	70000795	1	Cap, End - Axial	
21	7022368	5	Screw	
22	7021249	1	Bearing, Needle	
23	2220886	1	Plug (Includes Item 24)	
24	Item 100	1	O-Ring	
25	2220883	1	Plug (Includes Item 26)	
26	Item 100	1	O-Ring	
27	7027419	2	Plug (Includes Item 28)	
28	Item 100	2	O-Ring	
29	7022372	1	Seat, Spring	
30	Not Available	1	Housing	
31	2220883	2	Plug (Items Item 32)	
32	Item 100	2	O-Ring	
33	2220886	1	Plug (Items Item 34)	
34	Item 100	1	O-Ring	
35	Item 100	1	O-Ring	
36	Item 100	1	Ring, Seal	
37	7024871	1	Piston, Servo	
38	7007437	1	Bearing	
39	7022326	1	Spring	
40	Item 100	1	Seal, Lip	
41	7022371	1	Washer, Support	
100	7022328	1	Seal Kit (Includes Items 6, 24, 26, 28, 32, 34, 35, 36 & 40)	

SECTION 1 - FRAME

FIGURE 1-12. FRAME SHIELD INSTALLATION (Prior to SN 85132)



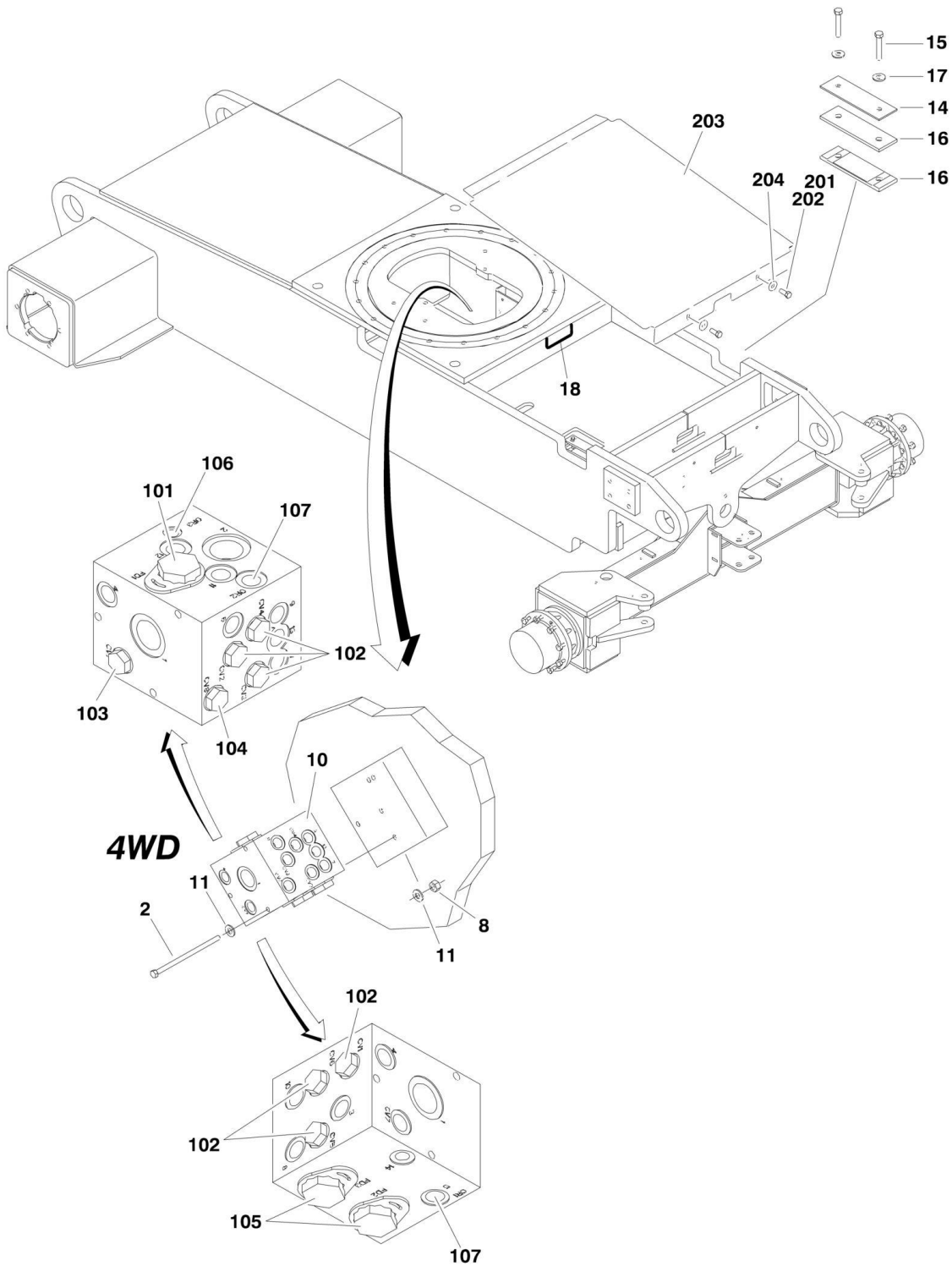
SECTION 1 - FRAME

FIGURE 1-12. FRAME SHIELD INSTALLATION (Prior to SN 85132)

ITEM	PART NUMBER	QTY	DESCRIPTION	REV
	0257909	Ref	FRAME SHIELD INSTALLATION	2
1	4060948	1	Shield, Frame - Front	
2	0641608	4	Bolt 3/8in-16NC x 1in	
3	4711600	4	Flatwasher 3/8in Narrow	
4	0100011	AR	Loctite #242	

SECTION 1 - FRAME

FIGURE 1-13. DRIVE VALVES AND SHIELDS INSTALLATION (FRAME MOUNTED) (SN 85132 to Present)



SECTION 1 - FRAME

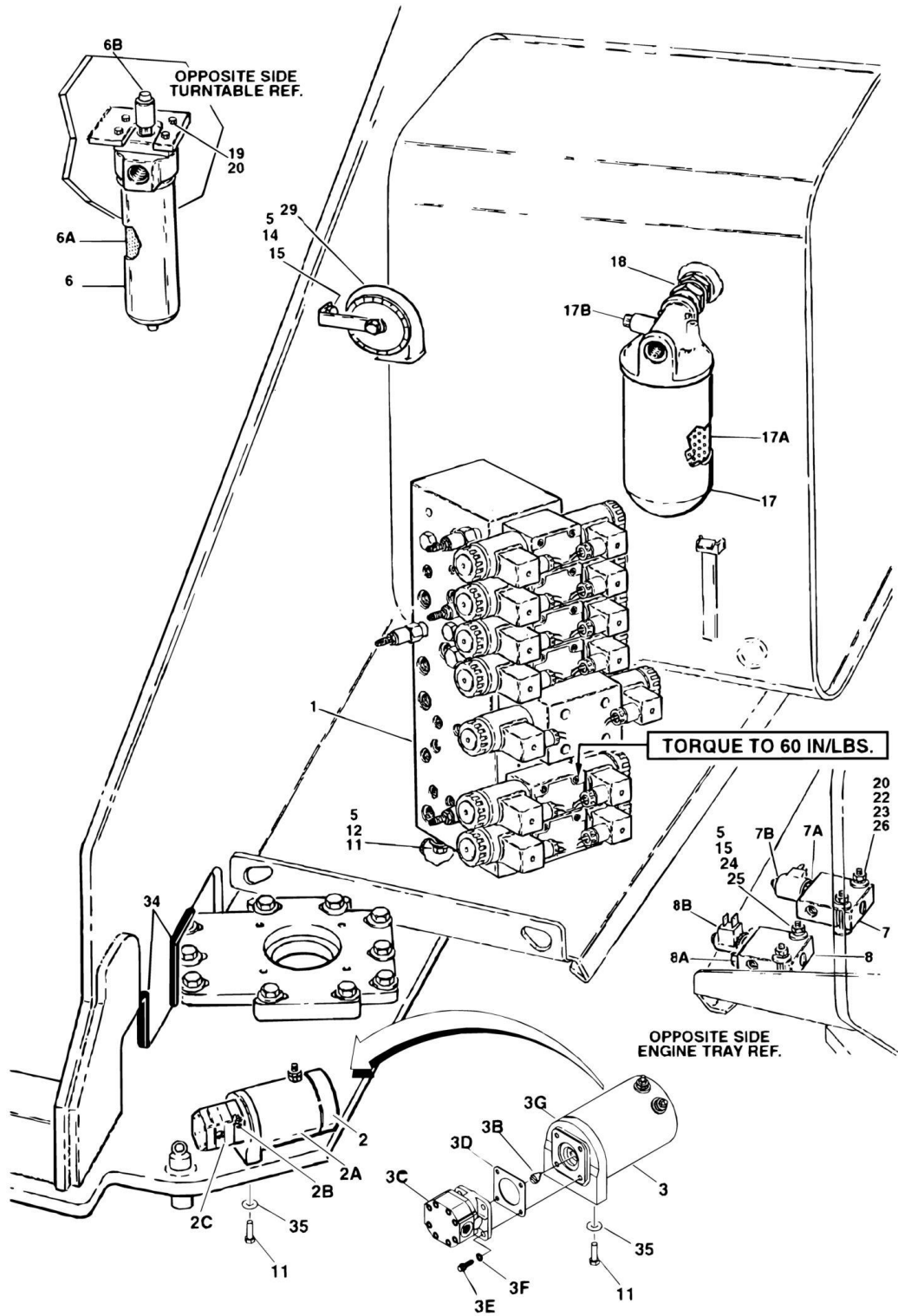
FIGURE 1-13. DRIVE VALVES AND SHIELDS INSTALLATION (FRAME MOUNTED) (SN 85132 to Present)

ITEM	PART NUMBER	QTY	DESCRIPTION	REV
	0273048	Ref	DRIVE VALVES INSTALLATION	J
2	0641552	3	Bolt 5/16in-18NC x 6 1/2in	
8	3311505	3	Locknut 5/16in-18NC	
10	4641410	1	Flow Divider Valve Assembly (See Items 101-105 for Breakdown)	
11	4711500	6	Flatwasher 5/16in Narrow	
14	0363012	2	Bar, Clamping	
15	0641618	4	Bolt 3/8in-16NC x 2 1/4in	
16	3340911	4	Rubber, Clamp	
17	4751600	4	Flatwasher 3/8in	
18	4060808	13	Flex-Trim (Was p/n 4060807)	
		in/33cm		
		Ref	FLOW DIVIDER ASSEMBLIES:	
	4641280	Ref	Flow Divider Assemblies (Prior to SN 86892)	C
	4641410	Ref	Flow Divider Assemblies (SN 86892 to Present)	A
101	7023933	1	Valve, Cartridge (Flow Divider)	
101	7021625	1	Seal Kit - Flow Divider Cartridge	
102	7022397	6	Valve, Cartridge (Check)	
102	7022399	6	Seal Kit - Check Cartridge	
103	7023935	1	Valve, Cartridge (Check)	
103	7023936	1	Seal Kit - Check Cartridge	
104		Ref	Valve, Cartridge (Check) Options:	
104	7024850	1	Valve, Cartridge (Check) (Used with p/n 4641280) (Prior to SN 86892)	
104	7024892	1	Valve, Cartridge (Check) (Used with p/n 4641410) (SN 86892 to Present)	
104	7023936	1	Seal Kit - Check Cartridge	
105	7023917	2	Valve, Cartridge (Flow Divider)	
105	7021625	2	Seal Kit - Flow Divider Cartridge	
106	70002063	1	Plug, Orifice	
107	70002064	2	Plug, Orifice	
	0273067	Ref	FRAME SHIELDS INSTALLATION	A
201	0100011	AR	Loctite #242	
202	0641607	AR	Bolt, 3/8in - 16NC x 7/8in	
203	4061058	1	Shield, Frame - Front	
204	4751600	AR	Flatwasher, 3/8in	

SECTION 2 - TURNTABLE

SECTION 2 - TURNTABLE

FIGURE 2-1. CONTROL VALVES INSTALLATIONS (Prior to SN 85132)



SECTION 2 - TURNTABLE

FIGURE 2-1. CONTROL VALVES INSTALLATIONS (Prior to SN 85132)

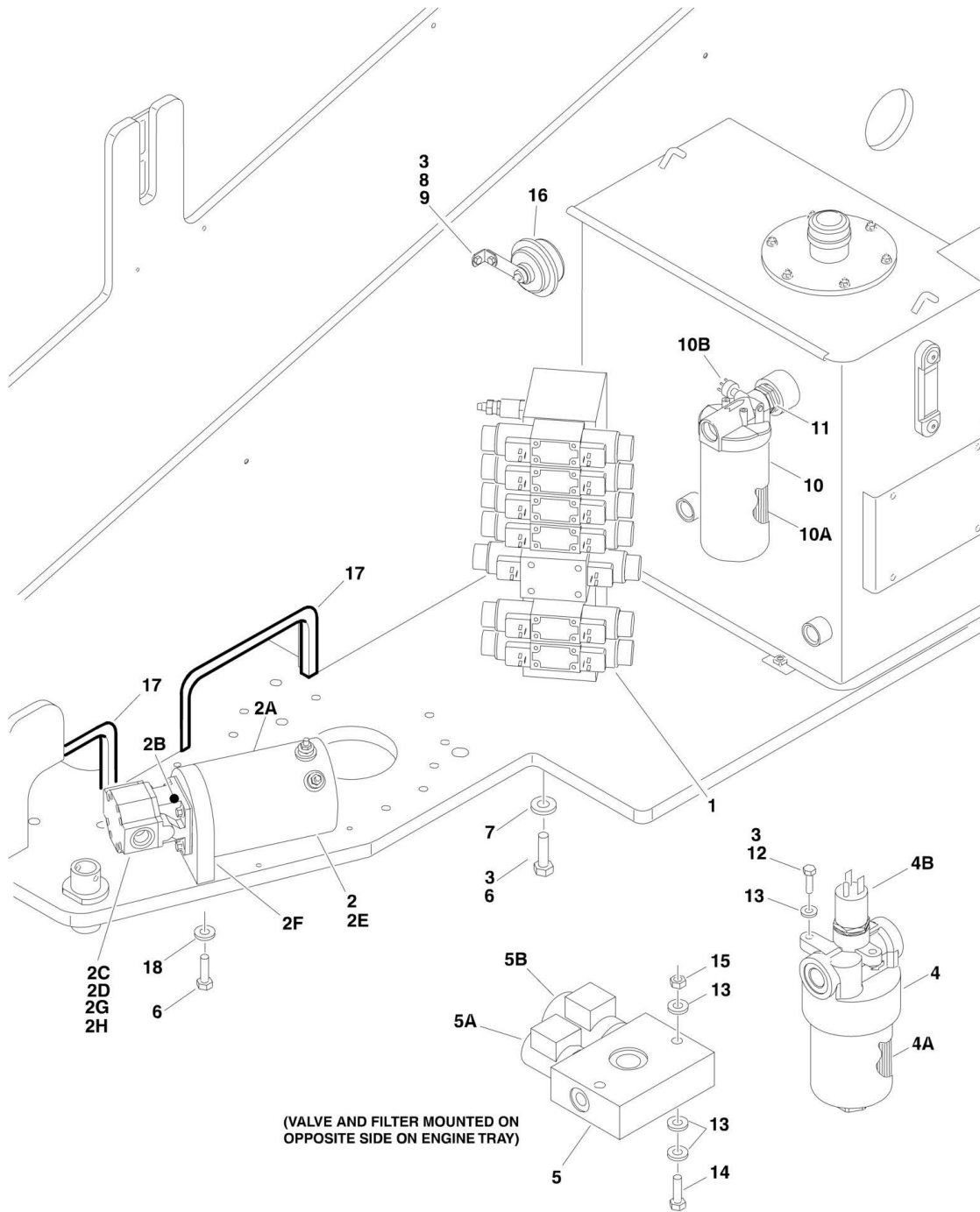
ITEM	PART NUMBER	QTY	DESCRIPTION	REV
	0257920	Ref	CONTROL VALVES INSTALLATIONS	7
1	4641098	1	Main Control Valve Assembly Options (See MAIN CONTROL VALVE ASSEMBLY for Breakdown)	
2	3600243	1	Auxiliary Pump Assembly (Prior to SN 70776)	
2A	7013755	1	Replacement Motor	
2A	7013799	1	Brush Kit - 7013755 Motor	
2B	7013711	1	Coupling	
2C	7013796	1	Replacement Pump	
2C	Not Available	1	Seal Kit (Purchase Individual Pieces)	
2C	7016700	1	Seal Oil	
2C	7016701	1	O-Ring	
2C	7016702	1	O-Ring	
3	3600365	1	Auxiliary Pump Assembly (SN 70776 through 85132)	
3A	7004290	1	Replacement Motor with Endhead Item 2H (Was p/n 7011067)	
3A	7004248	1	Replacement Motor without Endhead Item 2H	
3A	7011065	1	Brush Kit - 7011067 Motor	
3B	7011063	1	Coupling	
3C	7011064	1	Replacement Pump	
3C	7011066	1	Seal Kit	
3D	7011044	1	Gasket	
3E	7011043	4	Bolt	
3F	7011048	4	Lockwasher	
3G	7011062	1	Endhead, Motor	
5	0100011	AR	Loctite #242	
6		Ref	Pressure Filter Assembly Options:	
6	2120209	1	Pressure Filter Assembly (was p/n 2120163) (Prior to SN 44387)	
6	2120209	1	Pressure Filter Assembly (SN 44387 to Present)	
6A	2120150	1	Element, Filter (Used with 2120163)	
6A	2120210	1	Element, Filter (Used with 2120209)	
6B	7020020	1	Indicator, Clogged Filter	
6C	70000934	1	O-Ring Filter Bowl (Not Shown)	
7	4640907	1	Valve Assembly (Brake)	
7A	7012941	1	Cartridge without Coil	
7A	7012907	1	Seal Kit - 7012941 Cartridge	
7B	7012944	1	Coil	
8	4640906	1	Solenoid Valve Assembly (2 Speed)	
8A	7023981	1	Cartridge without Coil	
8A	7012905	1	Seal Kit - 7023981 Cartridge	
8B	7012944	1	Coil	
8C	7017481	2	Cartridge, Check	
8C	7012972	1	Seal Kit - 7017481 Cartridge	
11	0641613	5	Bolt 3/8in-16NC x 1 5/8in	
12	4711600	3	Flatwasher 3/8in Narrow	
14	0641506	1	Bolt 5/16in-18NC x 3/4in	
15	4711500	3	Flatwasher 5/16in Narrow	
17	2120164	1	Return Filter Assembly	
17A	2120149	1	Element, Filter	
17B	7020021	1	Indicator, Clog	
18	2220893	1	Fitting, Adapter	
19	0651406	4	Bolt 1/4in-28NF x 3/4in	

SECTION 2 - TURNTABLE

ITEM	PART NUMBER	QTY	DESCRIPTION	REV
20	4711400	8	Flatwasher 1/4in Narrow	
22	0641416	2	Bolt 1/4in-20NC x 2in	
23	4891400	4	Washer, Hardened 1/4in	
24	0641508	2	Bolt 5/16in-18NC x 1in	
25	4891500	2	Washer, Hardened 5/16in	
26	3311405	2	Locknut 1/4in-20NC	
29	0140001	1	Horn	
34	4060918	40	Flex-Trim	
		in/1.04m		
35	4791600	2	Lockwasher, Star	

SECTION 2 - TURNTABLE

FIGURE 2-2. CONTROL VALVES INSTALLATIONS (SN 85132 to Present)



SECTION 2 - TURNTABLE

FIGURE 2-2. CONTROL VALVES INSTALLATIONS (SN 85132 to Present)

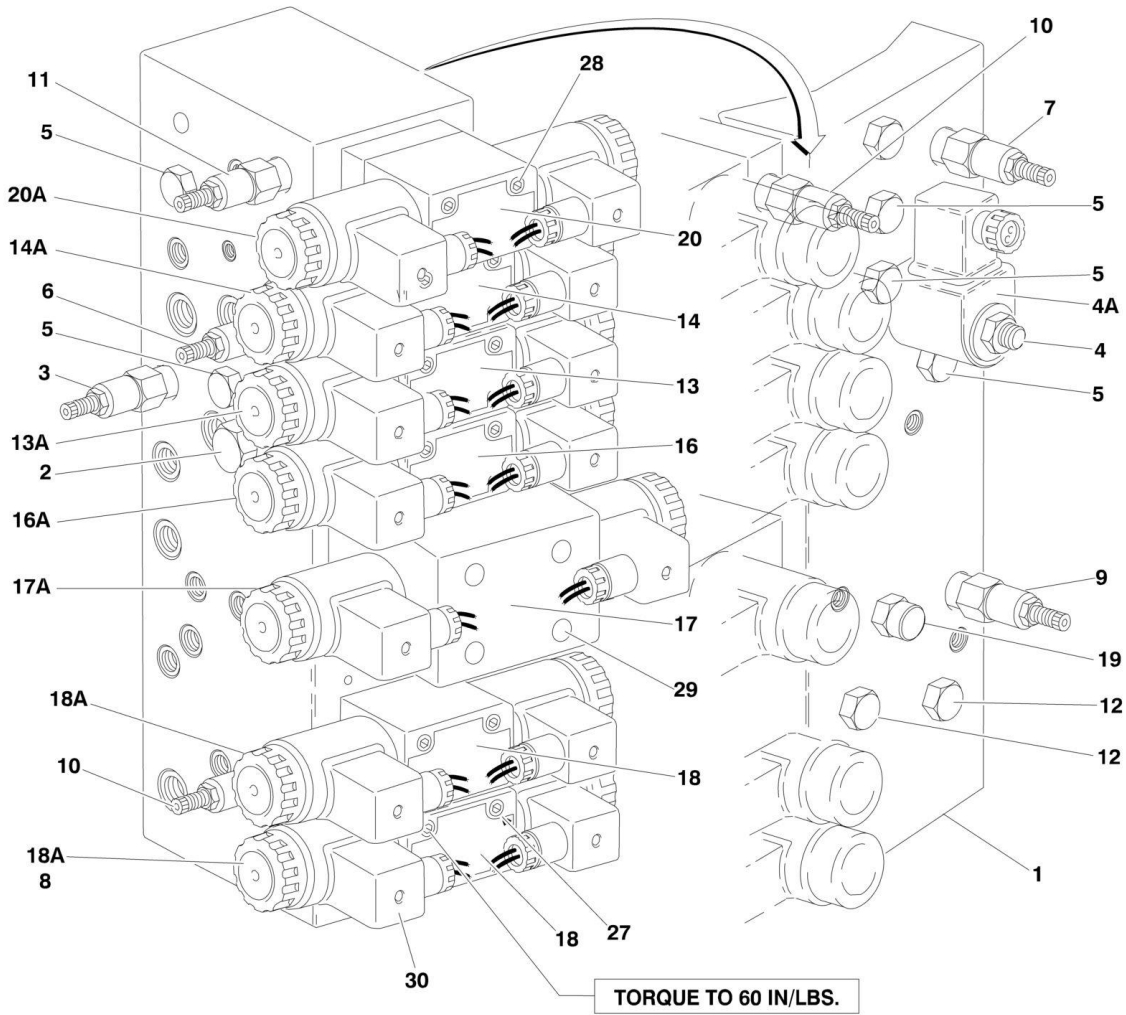
ITEM	PART NUMBER	QTY	DESCRIPTION	REV
	0274187	Ref	CONTROL VALVES INSTALLATIONS	5
1		Ref	Main Control Valve Assembly Options (See MAIN CONTROL VALVE ASSEMBLY for Breakdown):	
1	4641096	1	Main Control Valve Assembly (Prior to SN 92880)	
1	1001091303	1	Main Control Valve Assembly (was p/n 4641451) (SN 92880 through 0300101768)	
1	1001091303	1	Main Control Valve Assembly (SN 0300101769 to Present)	
2	3600365	1	Auxiliary Pump Assembly	B
2A	7004290	1	Replacement Motor with Endhead Item 2H (Was p/n 7011067)	
2A	7004248	1	Replacement Motor without Endhead Item 2H	
2A	7011065	1	Brush Kit - 7011067 Motor	
2B	7011063	1	Coupling	
2C	7011064	1	Replacement Pump	
2C	7011066	1	Seal Kit - 7011064 Pump	
2C	Not Available	1	Relief Valve (Replace Complete Pump)	
2D	7011043	4	Bolt (Mounts Pump to Mounting Bracket)	
2E	Not Available	2	Bolt (Motor to Bracket)	
2F	7011062	1	Endhead	
2G	7011044	1	Gasket	
2H	7011048	4	Lockwasher	
3	0100011	AR	Loctite #242	
4	2120209	1	Pressure Filter Assembly (was p/n 2120163)	
4A	2120150	1	Element, Filter (Used with 2120163)	
4A	2120210	1	Element, Filter (Used with 2120209)	
4B	7020020	1	Indicator, Clogged Filter	
4C	70000934	1	O-Ring Filter Bowl (Not Shown)	
5	1001099391	1	Valve Assembly (2 Speed/Brake) (was p/n 4641108)	
5A		Ref	Cartridge and Coil Options:	
5A	7012974	1	Cartridge without Coil (4641108 Valve)	
5A	7010543	1	Seal Kit - 7012974 Cartridge (4641108 Valve)	
5A	7012941	1	Cartridge without Coil (1001099391 Valve)	
5A	7010543	1	Seal Kit - 7012941 Cartridge (1001099391 Valve)	
5B		Ref	Cartridge and Coil Options:	
5B	7012995	1	Cartridge without Coil	
5B	7012518	1	Seal Kit - 7012995 Cartridge	
5B	7012943	1	Coil	
6	0641613	5	Bolt 3/8in-16NC x 1 5/8in	
7	4711600	3	Flatwasher 3/8in Narrow	
8	0641506	1	Bolt 5/16in-18NC x 3/4in	
9	4711500	3	Flatwasher 5/16in Narrow	
10	2120164	1	Return Filter Assembly	
10A	2120149	1	Element, Filter	
10B	7020021	1	Indicator, Clog	
11	2220893	1	Fitting, Adapter	
12	0651406	AR	Bolt 1/4in-28NF x 3/4in	
13	4711400	AR	Flatwasher 1/4in Narrow	
14	0641416	2	Bolt 1/4in-20NC x 2in	
15	3311405	2	Locknut 1/4in-20NC	
16	0140001	1	Horn	

SECTION 2 - TURNTABLE

ITEM	PART NUMBER	QTY	DESCRIPTION	REV
17	4060918	40 in/1.04m	Flex-Trim	
18	4791600	2	Lockwasher, Star	

SECTION 2 - TURNTABLE

FIGURE 2-3. MAIN CONTROL VALVE ASSEMBLY (Prior to SN 85132)



SECTION 2 - TURNTABLE

FIGURE 2-3. MAIN CONTROL VALVE ASSEMBLY (Prior to SN 85132)

ITEM	PART NUMBER	QTY	DESCRIPTION	REV
	4641098	Ref	MAIN CONTROL VALVE ASSEMBLY	C
1	Not Serviced	1	Block	
2	7017411	1	Cartridge, Pressure Sensing	
2	7012518	1	Seal Kit - 7017411 Cartridge	
3	7017418	1	Cartridge, Load Sensing (Main Lift)	
3	7012998	1	Seal Kit - 7017418 Cartridge	
4	7017410	1	Cartridge, Load Sensing	
4	7012967	1	Seal Kit - 7017410 Cartridge	
4A	7012944	1	Coil	
5	7010542	1	Cartridge, Shuttle	
5	7010543	1	Seal Kit - 7010542 Cartridge	
6	7017420	1	Cartridge, Relief Valve	
6	7012998	1	Seal Kit - 7017420 Cartridge	
7	7017423	1	Cartridge, Relief Valve	
7	7012998	1	Seal Kit - 7017423 Cartridge	
8	7018941	1	Orifice	
9	7017427	1	Cartridge, Relief Valve	
9	7012998	1	Seal Kit - 7017427 Cartridge	
10	7017428	2	Cartridge, Relief Valve	
10	7012998	2	Seal Kit - 7017428 Cartridge	
11	7018985	1	Plug	
11	Not Available	1	Plug, Hollow Seal	
12	7012914	2	Cartridge, Pilot Check	
12	7012918	2	Seal Kit - 7012914 Cartridge	
13	7012775	1	Control Valve Assembly (Lift)	
13	7012773	1	Seal Kit - 7012775 Valve	
13A	7012772	2	Coil	
13A	7018912	2	Nut	
14	7012775	1	Control Valve Assembly (Swing)	
14	7012773	1	Seal Kit - 7012775 Valve	
14A	7012772	2	Coil	
14A	7018912	2	Nut	
16	70001976	1	Control Valve Assembly (Flow Control) (was p/n 7012770)	
16	7012773	1	Seal Kit	
16A	7012772	2	Coil	
16A	7018912	2	Nut	
17	70000579	1	Control Valve Assembly (Tele) (was p/n 7012766)	
		Ref	Note: Refer to Vendor P/N on Valve Nameplate before ordering Parts. P/N 7012766 is RR00567495 or R900567495. P/N 70000579 is R900930080.	
17		Ref	Seal Kit Options:	
17	7012769	1	7012766 Valve	
17	70000583	1	70000579 Valve	
17A		Ref	Coil Options:	
17A	7012772	1	7012766 Valve	
17A	70000582	1	70000579 Valve	
17A		Ref	Nut, Coil Options:	
17A	7018912	1	7012766 Valve	
17A	70000580	1	70000579 Valve	

SECTION 2 - TURNTABLE

ITEM	PART NUMBER	QTY	DESCRIPTION	REV
18	70001976	2	Control Valve Assembly (Rotate and Platform Level) (was p/n 7012770)	
18	7012773	2	Seal Kit	
18A	7012772	4	Coil	
18A	7018912	4	Nut	
19	7012989	1	Cartridge, Relief Valve (Flow Control)	
19	7012953	1	Seal Kit - 7012989 Cartridge	
20	7012774	1	Control Valve Assembly (Steer)	
20	7012773	1	Seal Kit - 7012774 Valve	
20A	7012772	2	Coil	
20A	7018912	2	Nut	
27	7018942	20	Capscrew #10-24NC x 2in	
28	7018951	4	Capscrew 1/4in-20NC x 1 1/2in	
29	7018986	4	Capscrew #10-24NC x 3 1/2in	
30	4460499	15	Connector, Din with Diode (Part of Valve Harness)	

SECTION 2 - TURNTABLE

FIGURE 2-4. MAIN CONTROL VALVE ASSEMBLY (SN 85132 to Present)

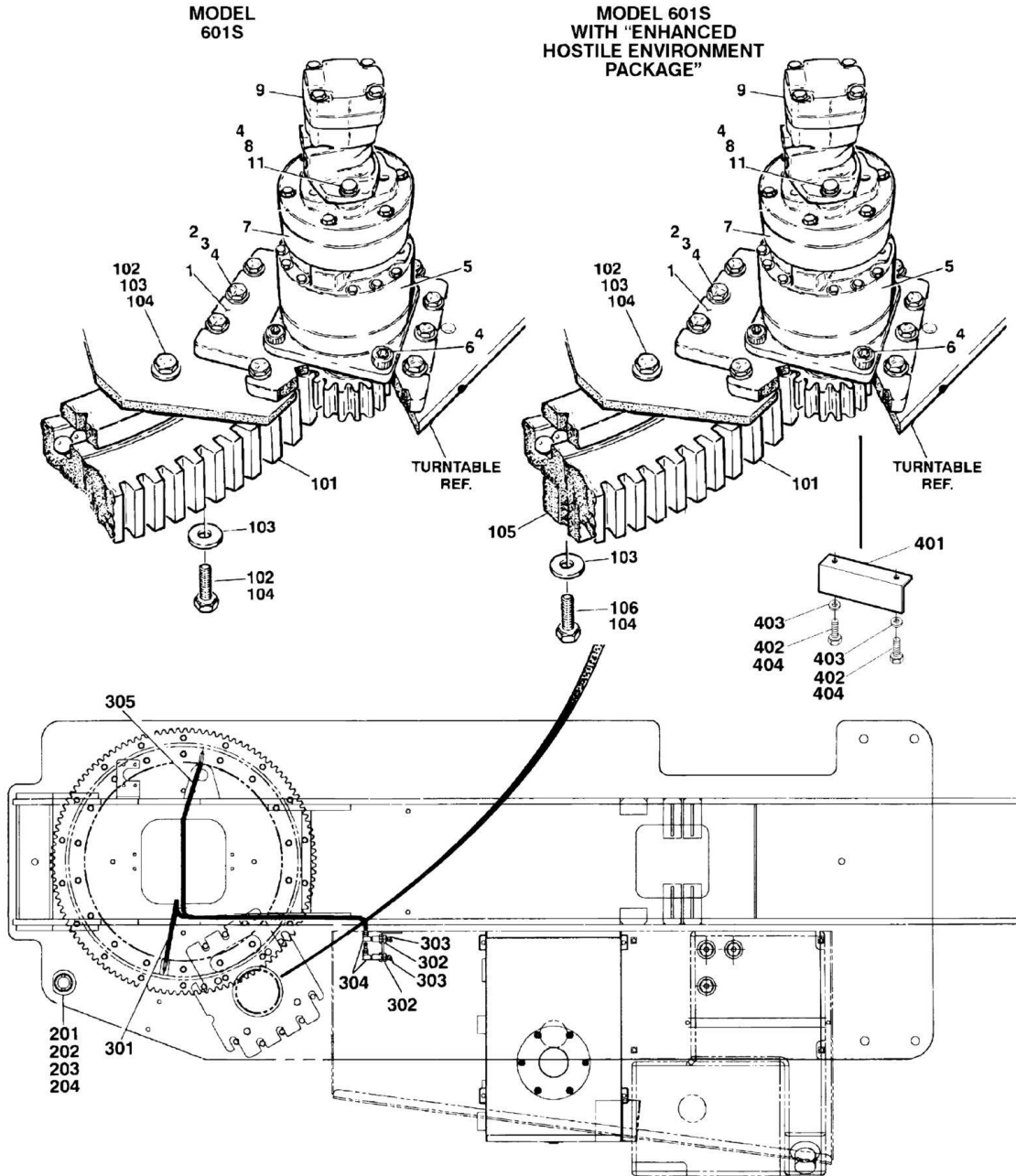
ITEM	PART NUMBER	QTY	DESCRIPTION	REV
		Ref	MAIN CONTROL VALVE ASSEMBLIES	
	4641096	Ref	Main Control Valve Assemblies (Prior to SN 92880)	C
	4641451	Ref	Main Control Valve Assemblies (SN 92880 through 0300101768)	B
	1001091303	Ref	Main Control Valve Assemblies (SN 0300101769 to Present)	A
1	7017410	1	Cartridge, Without Coil	
1	7012967	1	Seal Kit - 7017410 Cartridge	
1A	7012944	1	Coil	
2	7017464	1	Cartridge, Pressure Sensing	
2	7012518	1	Seal Kit	
3	7012912	1	Cartridge (Main Relief)	
3	7012998	1	Seal Kit	
4	70001976	1	Control Valve Assembly (Platform Level) (was p/n 7012770)	
4	7012773	1	Seal Kit	
4A	7018991	2	Coil	
4A	7021375	2	Nut, Coil	
5	7012914	1	Cartridge, Check Valve	
5	7012918	1	Seal Kit - 7012914 Cartridge	
6	7012914	1	Cartridge, Check Valve	
6	7012918	1	Seal Kit - 7012914 Cartridge	
7	7012912	1	Cartridge, Relief Valve (Platform Level Backward)	
7	7012998	1	Seal Kit - 7012912 Cartridge	
8	7012912	1	Cartridge, Relief Valve (Platform Level Forward)	
8	7012998	1	Seal Kit - 7012912 Cartridge	
9	7012989	1	Cartridge, Flow Control	
9	7012953	1	Seal Kit - 7012989 Cartridge	
10	70001976	1	Control Valve Assembly (Platform Rotate) (was p/n 7012770)	
10	7012773	1	Seal Kit	
10A	7018991	2	Coil	
10A	7021375	2	Nut, Coil	
11		Ref	Control Valve Assembly Options (Upper Tele):	
11	70000579	1	Control Valve Assembly (was p/n 7012766) (Prior to SN 92880)	
11	70000579	1	Control Valve Assembly (SN 92880 to Present)	
		Ref	Note: Refer to Vendor P/N on Valve Nameplate before ordering Parts. P/N 7012766 is RR00567495 or R900567495. P/N 70000579 is R900930080.	
11		Ref	Seal Kit Options:	
11	7012769	1	7012766 Valve	
11	70000583	1	70000579 Valve	
11A		Ref	Coil Options:	
11A	7012772	1	7012766 Valve (Was p/n 7012768)	
11A	70000582	1	70000579 Valve	
11A		Ref	Nut, Coil Options:	
11A	7018912	1	7012766 Valve	
11A	70000580	1	70000579 Valve	
12	7012775	1	Control Valve Assembly (Flow Control)	
12	7012773	1	Seal Kit	
12A	7012772	2	Coil	
12A	7018912	2	Nut	

SECTION 2 - TURNTABLE

ITEM	PART NUMBER	QTY	DESCRIPTION	REV
12A	7024015	2	Pipe, Pole	
13	7010542	1	Cartridge, Shuttle	
13	7010543	1	Seal Kit - 7010542 Cartridge	
14	7010542	1	Cartridge, Shuttle	
14	7010543	1	Seal Kit - 7010542 Cartridge	
15	7010542	1	Cartridge, Shuttle	
15	7010543	1	Seal Kit - 7010542 Cartridge	
16	7010542	1	Cartridge, Shuttle	
16	7010543	1	Seal Kit - 7010542 Cartridge	
17	7010542	1	Cartridge, Shuttle	
17	7010543	1	Seal Kit - 7010542 Cartridge	
18	7012912	1	Cartridge, Relief Valve (Upper Lift Down)	
18	7012998	1	Seal Kit - 7012912 Cartridge	
19	7012775	1	Control Valve Assembly (Upper Lift)	
19	7012773	1	Seal Kit	
19A	7012772	2	Coil	
19A	7018912	2	Nut	
19A	7024015	2	Pipe, Pole	
20	7012775	1	Control Valve Assembly (Swing)	
20	7012773	1	Seal Kit	
20A	7012772	2	Coil	
20A	7018912	2	Nut	
20A	7024015	2	Pipe, Pole	
21	7012912	1	Cartridge, Relief Valve (Swing)	
21	7012998	1	Seal Kit - 7012912 Cartridge	
22	7012774	1	Control Valve Assembly (Steer)	
22	7012773	1	Seal Kit	
22A	7012772	2	Coil	
22A	7018912	2	Nut	
22A	7024014	2	Pipe, Pole	
23	7012912	1	Cartridge, Relief Valve (Steer Left)	
23	7012998	1	Seal Kit - 7012912 Cartridge	
24	7012912	1	Cartridge, Relief Valve (Steer Right)	
24	7012998	1	Seal Kit - 7012912 Cartridge	
25	7018941	2	Orifice	
30	4460499	15	Connector, Din with Diode (Part of Valve Harness)	
31	2220885	2	Plug	
	2901763	Ref	ROTATE SANDWICH VALVE KIT	A
51	7021310	1	Block, Valve	

SECTION 2 - TURNTABLE

FIGURE 2-5. SWING DRIVE, TURNTABLE BEARING AND LOCK INSTALLATIONS



SECTION 2 - TURNTABLE

FIGURE 2-5. SWING DRIVE, TURNTABLE BEARING AND LOCK INSTALLATIONS

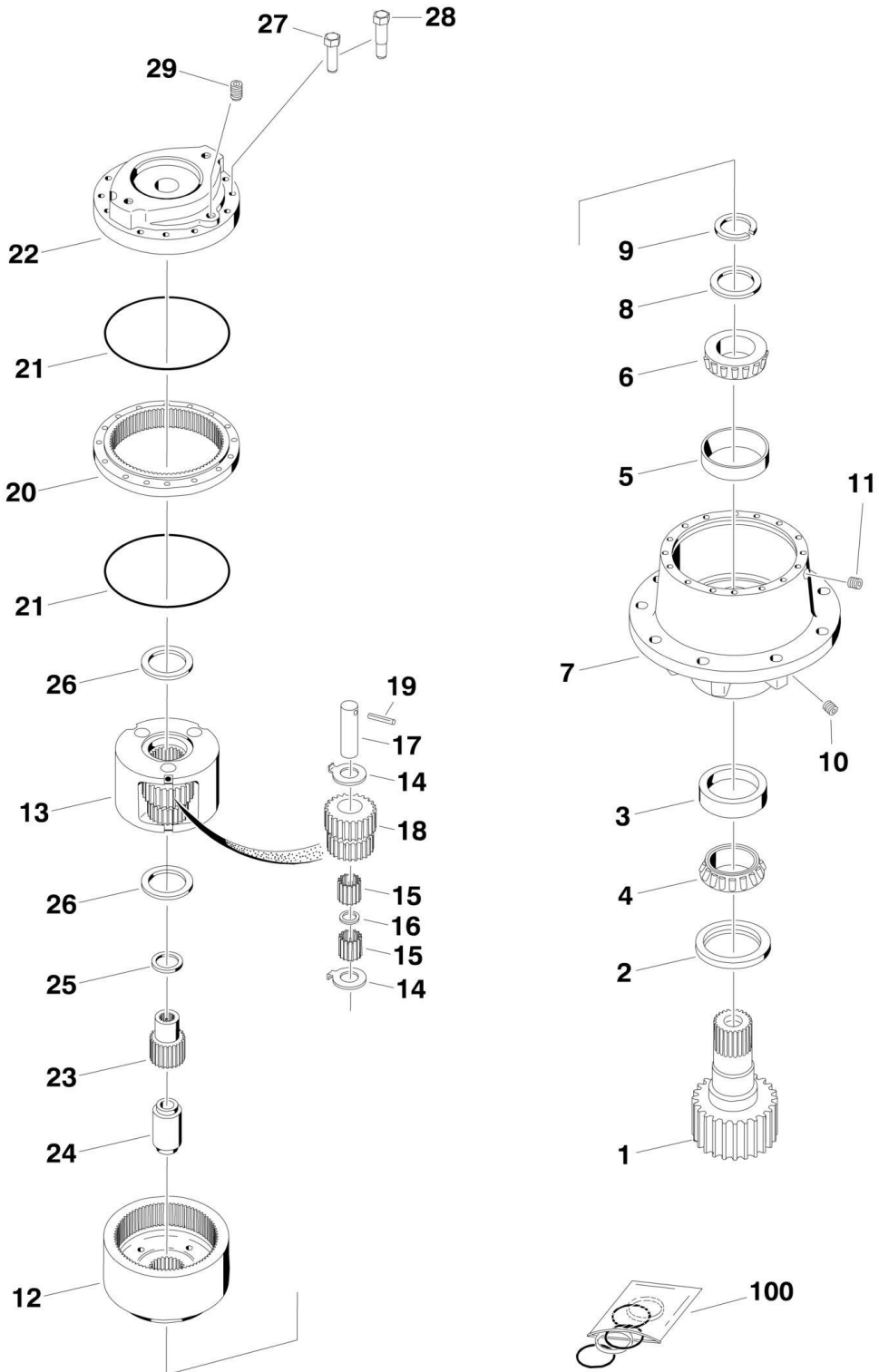
ITEM	PART NUMBER	QTY	DESCRIPTION	REV
		Ref	TURNTABLE WELDMENT OPTIONS:	
	4620116	1	Turntable Weldment - Model 601S	
	4620121	1	Turntable Weldment - Model 601S with "Enhanced Hostile Environment Package"	
		Ref	SWING DRIVE INSTALLATION OPTIONS:	
	0257915	Ref	Swing Drive Installation (Prior to SN 64566)	3-B
	0270330	Ref	Swing Drive Installation (SN 64566 to Present)	B
1	3537318	1	Plate, Swing Drive Mounting	
2	0642018	10	Bolt 5/8in - 11NC x 2 1/4in	
3	4892000	10	Flatwasher, Hardened 5/8in	
4	0100011	AR	Loctite, #242	
5	2780205	1	Hub, Swing Assembly (See SWING HUB ASSEMBLY for Breakdown)	
6	3932224	4	Bolt 1/2in - 13NC x 1 1/2in	
7		Ref	Brake, Swing Assembly (See SWING BRAKE ASSEMBLY for Breakdown)	
7	0920111	1	Brake, Swing Assembly (Prior to SN 64566)	
7	0920119	1	Brake, Swing Assembly (SN 64566 to Present)	
8		Ref	Bolt Options:	
8	0681836	2	Bolt 1/2in - 13NC x 4 1/2in (Prior to SN 64566)	
8	0681832	2	Bolt 1/2in - 13NC x 4in (SN 64566 to Present)	
9		Ref	Motor, Swing Assembly Options (See SWING MOTOR ASSEMBLY for Breakdown):	
9	3160223	1	Motor, Swing Assembly (Prior to SN 64764)	
9	3160279	1	Motor, Swing Assembly (SN 64764 to Present)	
11		Ref	Flatwasher 1/2in (Hardened)	
11	4740171	2	Flatwasher 1/2in (Hardened) (Prior to SN 64566)	
11	4891800	2	Flatwasher 1/2in (Hardened) (SN 64566 to Present)	
		Ref	SWING BEARING INSTALLATION OPTIONS:	
	0254798	Ref	Swing Bearing Installation - Model 601S	1
	0258952	Ref	Swing Bearing Installation - Model 601S with "Enhanced Hostile Environment Package"	1
101	2915090	1	Ring Gear Kit (was p/n 0440207) (Kit Includes Ring Gear and Mounting Hardware)	
102	0682016	AR	Bolt 5/8in - 11NC X 2in (Grade 8)	
103	4892000	36	Flatwasher, 5/8in (Hardened)	
104	0100019	AR	Loctite #271	
105	3760417	1	Ring, Spacer (Model 601S with "Enhanced Hostile Environment Package" Machines Only)	
106	0682032	18	Bolt 5/8in-11NC x 4in (Grade 8)	
		Ref	TURNTABLE LOCK INSTALLATION OPTIONS:	
	0239585	Ref	Turntable Lock - Model 601S	B
	0258957	Ref	Turntable Lock - Model 601S with "Enhanced Hostile Environment Package"	1
201		Ref	Pin Options:	
201	3421627	1	Pin - Model 601S	
201	3422769	1	Pin - Model 601S with "Enhanced Hostile Environment Package"	
202	3421565	1	Pin, Snap	
203	3760170	2	Ring, Quick Release	
204	1260017	9 in/23cm	Chain	
	0255316	Ref	REMOTE BEARING LUBE INSTALLATION	3

SECTION 2 - TURNTABLE

ITEM	PART NUMBER	QTY	DESCRIPTION	REV
301	2751095	1	Hose, Grease (Prior to SN 70976)	
302	2180344	AR	Fitting, Bulkhead	
303	2160003	AR	Fitting, Grease 45	
304	2220063	AR	Fitting, 90	
305	2751032	1	Hose, Grease	
	0258998	Ref	PINION GEAR DEFLECTORS INSTALLATION - MODEL 601S WITH "ENHANCED HOSTILE ENVIRONMENT PACKAGE"	1
401	3571259	2	Plate	
402	0641608	4	Bolt 3/8in-16NC x 1in	
403	4711600	4	Flatwasher 3/8in (Narrow)	
404	0100011	AR	Loctite #242	

SECTION 2 - TURNTABLE

FIGURE 2-6. SWING HUB ASSEMBLY



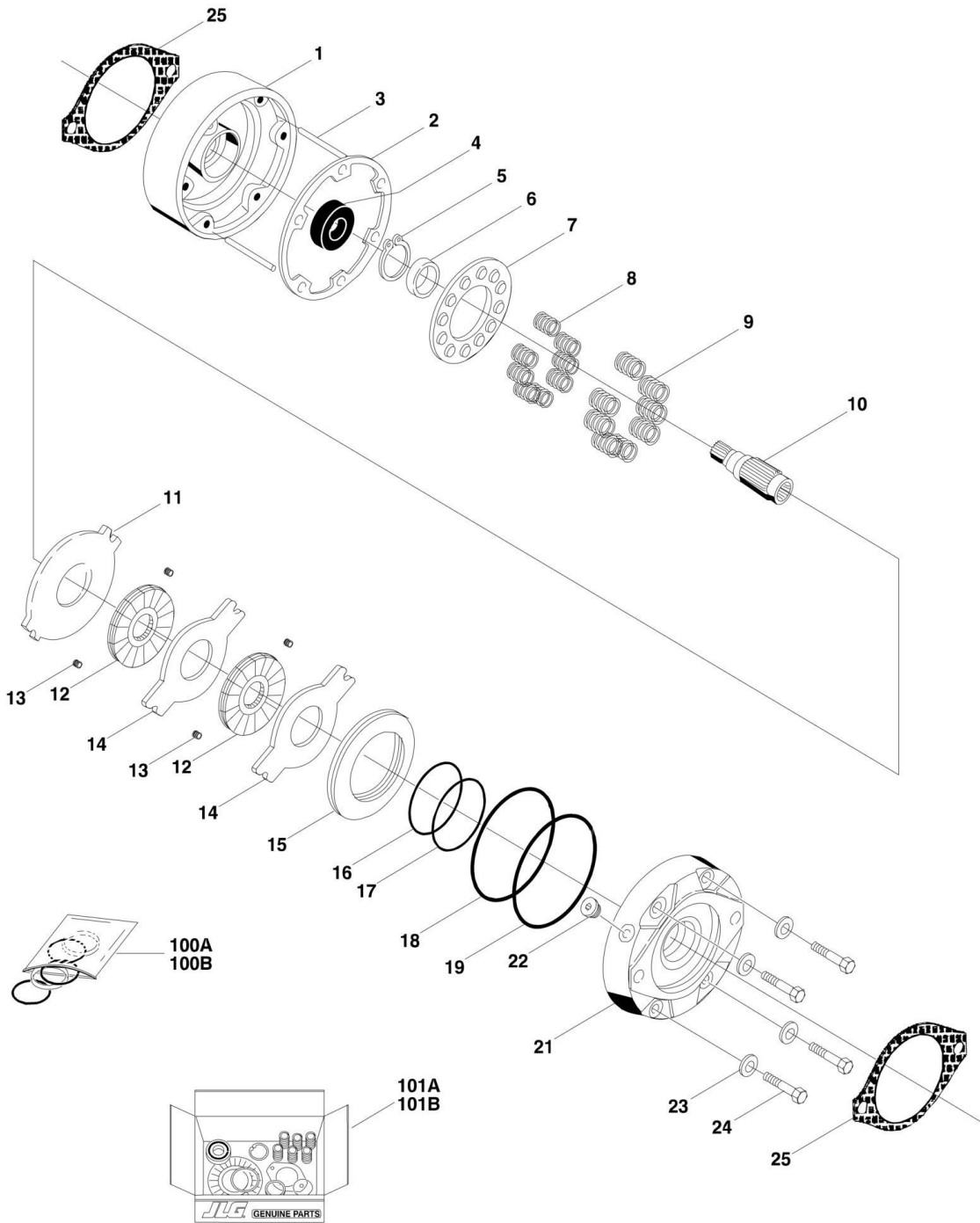
SECTION 2 - TURNTABLE

FIGURE 2-6. SWING HUB ASSEMBLY

ITEM	PART NUMBER	QTY	DESCRIPTION	REV
	2780205	Ref	SWING HUB ASSEMBLY	-
		Ref	HOUSING ASSEMBLY	
1	7010492	1	Shaft, Output	
2	7000228	1	Seal, Lip	
3	7000255	1	Cup, Bearing	
4	7000256	1	Cone, Bearing	
5	7000257	1	Cup, Bearing	
6	7000258	1	Cone, Bearing	
7	7017089	1	Housing (p/n was 7010496)	
8	7007633	1	Thrustwasher	
9	7000229	1	Ring, Retaining	
10	7010494	2	Pipe, Plug	
11	7001928	2	Pipe, Plug	
12	7000246	2	Gear, In O-Ring	
		Ref	CARRIER ASSEMBLY	
13	7001931	1	Carrier	
14	7001985	6	Thrustwasher, Tanged	
15	7001909	96	Bearing, Needle	
16	7000263	3	Spacer, Thrust	
17	7001911	3	Shaft, Planet	
18	7001987	3	Gear, Cluster	
19	7010474	3	Rollpin	
20	7001988	1	Ring Gear	
21	7000230	1	O-Ring (Black)	
21A	7017070	1	O-Ring (White)	
22	7000209	1	Cover, Input	
23	7010488	1	Gear, Sun	
24	7000269	1	Spacer, Input	
25	7000270	1	Thrustwasher	
26	7000253	2	Thrustwasher	
27	7000217	8	Bolt	
28	7000214	4	Bolt, Shoulder	
29	2200222	1	Pipe, Plug	
100	7024100	1	Seal Kit (Includes Items (2, 9, 21, 21A & 26)	

SECTION 2 - TURNTABLE

FIGURE 2-7. SWING BRAKE ASSEMBLY



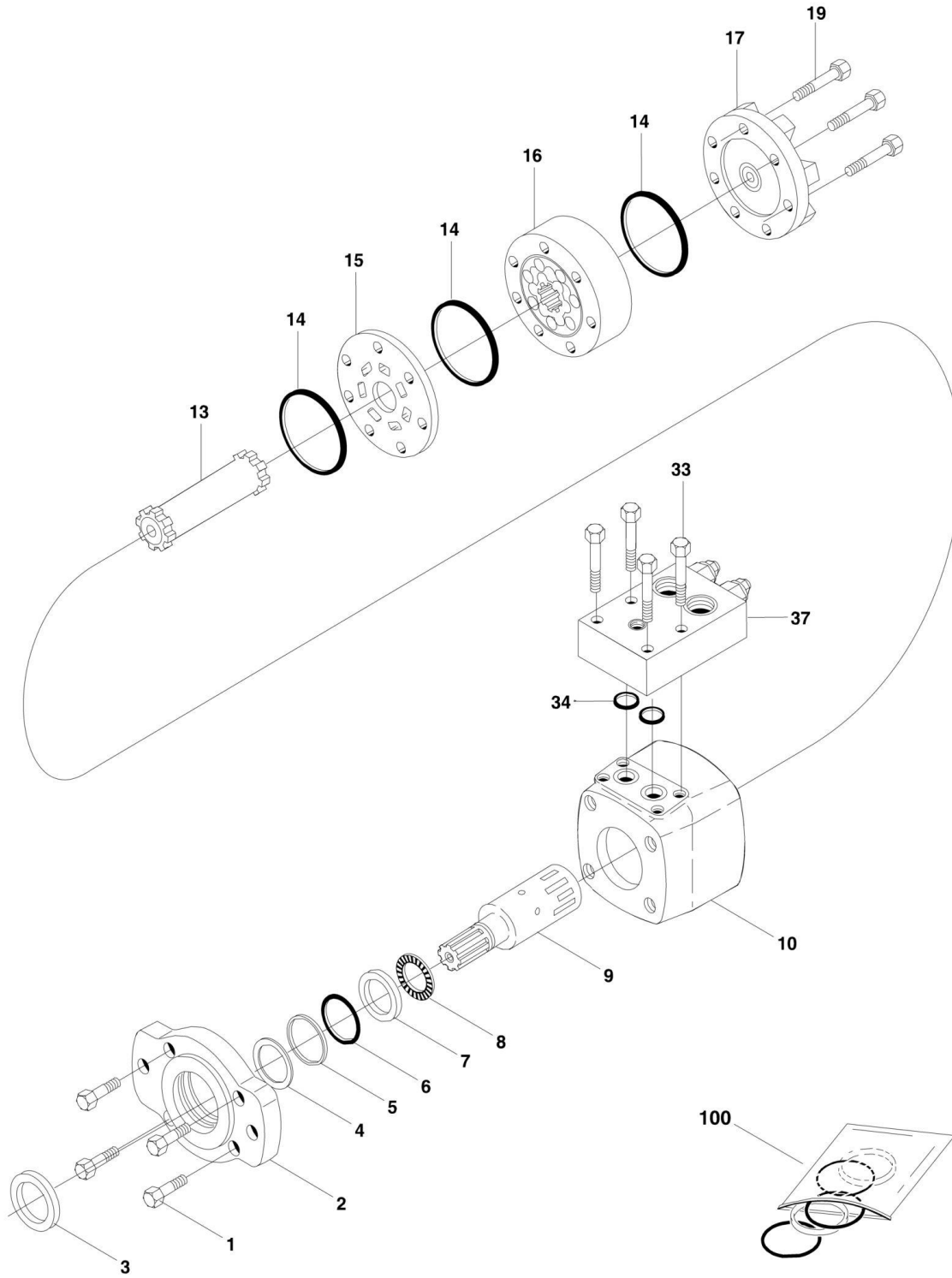
SECTION 2 - TURNTABLE

FIGURE 2-7. SWING BRAKE ASSEMBLY

ITEM	PART NUMBER	QTY	DESCRIPTION	REV
	0920111	Ref	SWING BRAKE ASSEMBLY (Prior to SN 64566)	A
1	7003451	1	Housing	
2	7003452	1	Gasket	
3	7003094	2	Torque Pin	
4	7003049	1	Bearing, Ball	
5	7003453	1	Ring, Retaining	
6	7003050	1	Seal	
7	7003454	1	Retainer, Spring	
8	7000798	10	Spring, Compression (Small)	
9	7000782	10	Spring, Compression (Large)	
10	7003455	1	Shaft	
11	7003456	1	Disc, Primary	
12	7003457	2	Disc, Rotating	
13	7003458	4	Spring, Wave	
14	7003459	2	Disc, Stationary	
15	7003460	1	Piston	
16	7000722	1	Ring, Back-Up	
17	7000723	1	O-Ring	
18	7000724	1	Ring, Back-Up	
19	7000725	1	O-Ring	
20	7000796	1	Screw, Bleeder	
21	7003461	1	Plate, Power	
22	7000728	1	Plug, Protective	
23	7003462	4	Washer	
24	7003463	4	Bolt 1/2in-13NC	
25	7000731	2	Gasket	
	0920119	Ref	SWING BRAKE ASSEMBLY (NOT SHOWN) (SN 64566 to Present)	B
		Ref	Note: Repair Kit is the only item available.	
		Ref	KIT OPTIONS	
100		Ref	Seal Kit Options:	
100A	Not Available		Seal Kit - 0920111 Brake (Purchase Individual Components) (Prior to SN 64566)	
100B	Not Available		Seal Kit - 0920119 Brake (Purchase Repair Kit p/n 70001800) (SN 64566 to Present)	
101		Ref	Repair Kit Options:	
101A	Not Available		Repair Kit - 0920111 Brake (Purchase Individual Components) (Prior to SN 64566)	
101B	7018612	1	Repair Kit - 0920119 Brake (SN 64566 to Present)	

SECTION 2 - TURNTABLE

FIGURE 2-8. SWING MOTOR ASSEMBLY



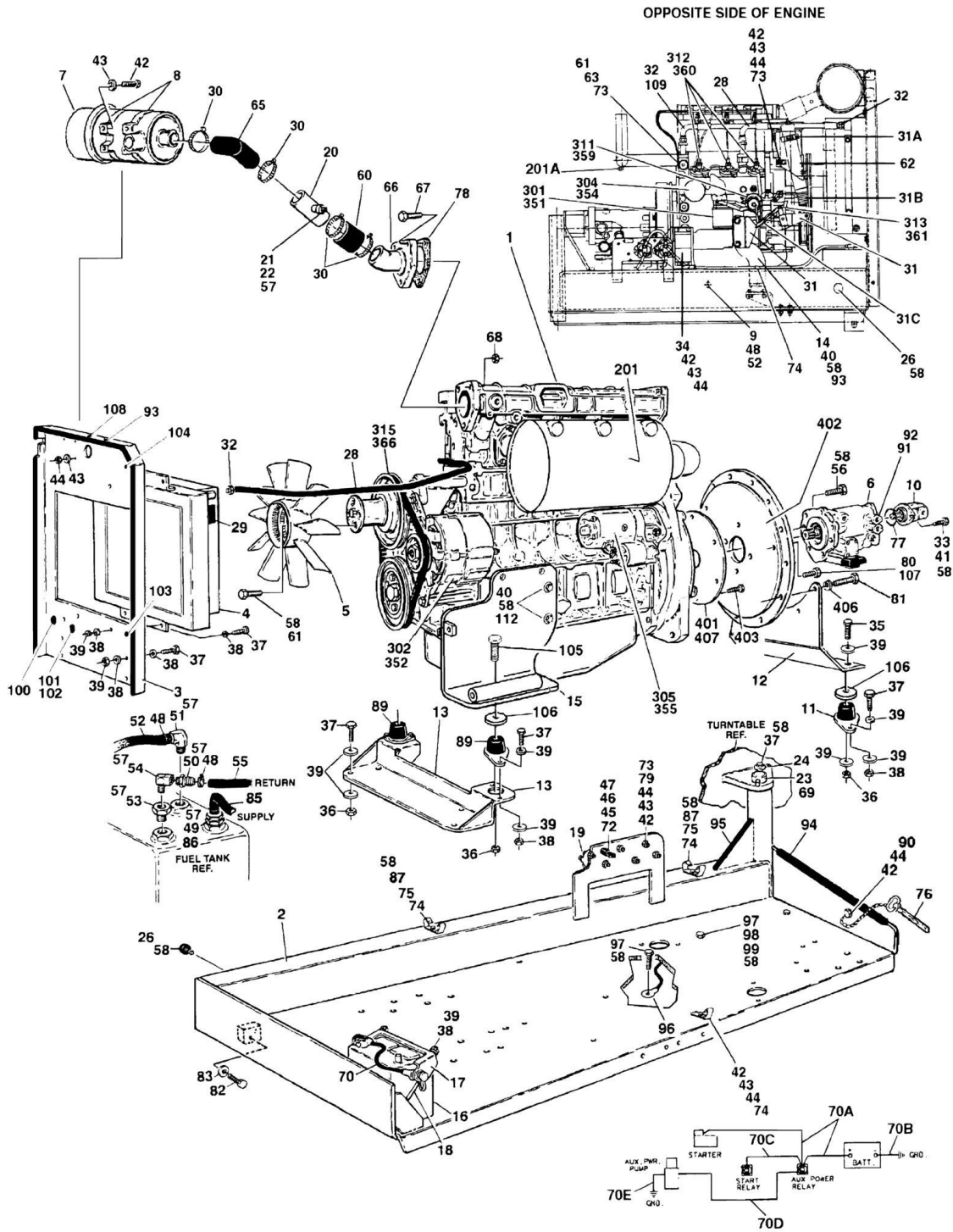
SECTION 2 - TURNTABLE

FIGURE 2-8. SWING MOTOR ASSEMBLY

ITEM	PART NUMBER	QTY	DESCRIPTION	REV
		Ref	SWING MOTOR ASSEMBLY	
	3160223	Ref	Swing Motor Assembly (Prior to SN 64764)	B
	3160279	Ref	Swing Motor Assembly (SN 64764 to Present)	A
1		Ref	Bolt Options:	
1	7002123	4	Bolt - Motor p/n 3160223 (Prior to SN 64764)	
1	7020357	4	Bolt - Motor p/n 3160279 (SN 64764 to Present)	
2	7009996	1	Flange, Mounting	
3	Item 100	1	Seal, Exclusion	
4	Item 100	1	Washer, Back-up	
5	Item 100	1	Seal, Pressure	
6	Item 100	1	Seal	
7	7002117	1	Race, Bearing	
8	7002111	1	Washer, Thrust	
9	7009998	1	Shaft	
10		Ref	Housing Options:	
10	7020335	1	Housing - Motor p/n 3160223 (Prior to SN 64764)	
10	7020358	1	Housing - Motor p/n 3160279 (SN 64764 to Present)	
13	7020336	1	Drive	
14	Item 100	3	Seal, Body	
15	7020338	1	Plate, Spacer	
16	7020339	1	Rotor Set Assembly	
17	7020346	1	Cap, End	
19	7020340	7	Bolt	
33		Ref	Bolt Options:	
33	7020341	4	Bolt - Motor p/n 3160223 (Prior to SN 64764)	
33	7020353	4	Bolt - Motor p/n 3160279 (SN 64764 to Present)	
34	Item 100	2	O-Ring	
37		Ref	Valve, Counterbalance Options:	
37	7020343	1	Valve - Motor p/n 3160223 (Prior to SN 64764)	
37	7020359	1	Valve - Motor p/n 3160279 (SN 64764 to Present)	
37		Ref	Cartridge, Valve Options:	
37	Not Available		Cartridge - Motor p/n 3160223 (Prior to SN 64764)	
37	7020362	2	Cartridge - Motor p/n 3160279 (SN 64764 to Present)	
37		Ref	O-Ring Options:	
37	Not Available		O-Ring - Motor p/n 3160223 (Prior to SN 64764)	
37	7020363	2	O-Ring - Motor p/n 3160279 (SN 64764 to Present)	
100	7020360	1	Seal Kit - (Includes Items - 3 thru 6, 14 & 34)	

SECTION 2 - TURNTABLE

FIGURE 2-9. DEUTZ ENGINE INSTALLATIONS (Prior to SN 78257)



SECTION 2 - TURNTABLE

FIGURE 2-9. DEUTZ ENGINE INSTALLATIONS (Prior to SN 78257)

ITEM	PART NUMBER	QTY	DESCRIPTION	REV
		Ref	DEUTZ ENGINE INSTALLATIONS	
	0257925	Ref	Model 601S (Prior to SN 62137)	8-I
	0258976	Ref	Model 601S With a "Enhanced Hostile Environment Package" (Prior to SN 62137)	4-D
	0270798	Ref	Model 601S - Machines With ADE System (SN 62137 through 78257)	9-G
	0270797	Ref	Model 601S With a "Enhanced Hostile Environment Package" - Machines With ADE System (SN 62137 through 78257)	8-F
	0271534	Ref	Model 601S - Machines With ADE System (W/Hydraulic Welder)	8-F
1		Ref	Engine - Deutz F3M1011F Diesel Options:	
1	2000154	1	Engine - Deutz F3M1011F Diesel (Prior to SN 37993)	
1	2000162	1	Engine - Deutz F3M1011F Diesel (SN 37993 through 78257)	
1	2000175	1	With ADE System (Prior to SN 65671)	
1	2000190	1	With ADE System (SN 65671 through 78257)	
2		Ref	Tray Engine Options:	
2	4845404	1	Tray Engine - Model 601S	
2	4845947	1	Tray Engine - Model 601S With a "Enhanced Hostile Environment Package"	
3	3539872	1	Plate, Radiator Mounting	
4	3620033	1	Cooler, Oil	
5	2060025	1	Fan	
6		Ref	Piston Pump Assembly Options:	
6	3600260	1	Standard (See PISTON PUMP ASSEMBLY (WITHOUT HYDRAULIC WELDER) for Breakdown)	
6	3600333	1	W/Hydraulic Welder (See PISTON PUMP ASSEMBLY (WITH HYDRAULIC WELDER) for Breakdown)	
7	1340060	1	Air Cleaner Assembly	
7A	7012664	1	Element, Air Cleaner	
8	0340041	2	Band, Mounting	
9	4640751	1	Valve, Oil Drain	
10		Ref	Gear Pump Assembly Options:	
10	3600242	1	Standard (See GEAR PUMP ASSEMBLY (WITHOUT HYDRAULIC WELDER) for Breakdown)	
10		Ref	W/Hydraulic Welder Options (See GEAR PUMP ASSEMBLY (WITH HYDRAULIC WELDER) for Breakdown):	
10	3600297	1	W/Hydraulic Welder (Prior to SN 70877)	
10	3600368	1	W/Hydraulic Welder (No Service Parts Available) (SN 70877 through 78257)	
11	3200378	2	Mount, Rubber Engine (Rear)	
12	3570864	1	Bracket, Engine Mounting - Rear	
13	3539971	1	Bracket, Engine Mounting - Front	
14	3537416	1	Support, Engine - Right	
15		Ref	Support, Engine - Left Options:	
15	3537417	1	Support, Engine - Left (Prior to SN 64398)	
15	4846479	1	Support, Engine - Left (SN 64398 through 78257)	
16	0400075	1	Battery	
17	0181727	1	Hold-Down, Battery	
18	0630498	2	Rod, Hold-Down	
19	3740067	2	Relay	
20	4567495	1	Tee, Air Intake Tube	
21		Ref	Fitting Options:	

SECTION 2 - TURNTABLE

ITEM	PART NUMBER	QTY	DESCRIPTION	REV
21	2200222	1	Fitting, Pipe Plug - Model 601S	
21	2180798	1	Fitting, Restriction Indicator - Model 601S With a "Enhanced Hostile Environment Package"	
22		Ref	Switch, Restriction Indicator Options:	
22	Not Required	0	Switch - Model 601S	
22	3960389	1	Switch - Model 601S With a "Enhanced Hostile Environment Package"	
22	4360392	1	Switch - Model 601S With a "Enhanced Hostile Environment Package" (With ADE System)	
23	3422446	1	Pin, Pivot	
24	3841143	1	Keeper, Pin	
25		Ref	Seal Options:	
25	Not Required	0	Seal - Model 601S	
25	3960389	5 ft/1.5m	Seal - Model 601S With a "Enhanced Hostile Environment Package"	
26	0940070	1	Bumper, Rubber	
27		Ref	Angle, Seal Mount Options:	
27	Not Required	0	Angle - Model 601S	
27	0181979	1	Angle - Model 601S With a "Enhanced Hostile Environment Package"	
28	2720398	1	Hose, Oil Cooler	
29	1703162	2	Nameplate - Fan Caution	
30	1320016	4	Clamp, Hose	
31		Ref	Throttle Mounting Kit Options:	
31	Not Required	0	Machines With ADE System	
31	2901392	1	Model 601S & 601S With a "Enhanced Hostile Environment Package"	
31	7023340	1	Screw, Shoulder 3/8in	
31A	7008833	1	Bracket, Throttle	
31B	7008835	1	Coupling, Ball Joint	
31C	7008836	1	Spring	
32	2220451	2	Fitting, Straight	
33	3931620	2	Capscrew 3/8-16NC x 1 1/4in	
34		Ref	Bracket, Control Module Mounting Options:	
34	0902243	1	Bracket, Control Module Mounting (Prior to SN 56426)	
34	0902511	1	Bracket, Control Module Mounting (SN 56426 through 64398)	
35	0641818	2	Bolt 1/2in-13NC x 2 1/4in	
36	3311805	4	Locknut 1/2in-13NC	
37	0641608	AR	Bolt 3/8-16NC x 1 1/4in	
38	3311605	24	Locknut 3/8in-16NC	
39	4751600	48	Flatwasher 3/8in	
40	0701414	AR	Bolt, Metric M14-2 x 30mm	
41	4891600	2	Washer, Hardened 3/8in	
42	0641407	AR	Bolt 1/4in-20NC x 7/8in	
43	4751400	AR	Flatwasher 1/4in	
44	3311405	AR	Locknut 1/4in-20NC	
45		Ref	Bolt Options:	
45	Not Required	0	Machines With ADE System	
45	0721005	2	Bolt #10-24NC x 5/8in - Model 601S & 601S With a "Enhanced Hostile Environment Package"	
46		Ref	Locknut #10-24NC	
46	Not Required	0	Machines With ADE System	

SECTION 2 - TURNTABLE

ITEM	PART NUMBER	QTY	DESCRIPTION	REV
46	3321005	2	Locknut #10-24NC - Model 601S & 601S With a "Enhanced Hostile Environment Package"	
47		Ref	Flatwasher Options:	
47	Not Required	0	Machines With ADE System	
47	4751000	2	Flatwasher #10 - Model 601S & 601S With a "Enhanced Hostile Environment Package"	
48	1320022	AR	Clamp, Hose	
49	2220273	1	Fitting, Reducer	
50	2180536	1	Fitting, Straight	
51	2220313	1	Fitting, 90	
52	2750532	5.5 ft/1.7m	Hose 3/8in	
53	2220250	1	Fitting, Reducer	
54	2220459	1	Fitting, 90	
55	2720271	11 ft/3.4m	Hose 3/16in	
56	0641812	2	Bolt 1/2in-13NC x 1 1/2in	
57	0100020	AR	Sealant, Thread	
58	0100011	AR	Loctite #242	
60		Ref	Coupling, Rubber Intake Options:	
60	2720351	6 in/15cm	Coupling, Rubber Intake (Prior to SN 67978)	
60	2720449	1	Coupling, Rubber Intake (SN 67978 through 78257)	
61	0700808	5	Bolt, Metric M8 x 16mm	
62		Ref	Actuator Assembly Options:	
62	Not Required	0	Machines With ADE System	
62	2910000	1	Actuator Assembly (Was p/n 0060033) (See ELECTRICAL SECTION for Breakdown) - Model 601S & 601S With a "Enhanced Hostile Environment Package"	
63	4831900	1	Lockwasher 8m	
65	2720434	1	Elbow, Rubber	
66	4845395	1	Air Intake Adapter Weldment	
67	0641510	3	Bolt 5/16in-18NC x 1 1/4in	
68	3311505	3	Locknut 5/16in-18NC	
69	0961986	2	Bushing, Flanged	
70	2901568	1	Battery Cable Kit (Prior to SN 74801)	
70	2902296	1	Battery Cable Kit (SN 74801 through 78257)	
70A	7016813	1	Cable, Battery (Red) (Kit p/n 2901568)	
70A	1001116240	1	Cable, Battery (Red) (Kit p/n 2902296) (was p/n 7027000)	
70B	7016814	1	Cable, Battery (Black) (Kit p/n 2901568)	
70B	7027004	1	Cable, Battery (Black) (Kit p/n 2902296)	
70C	7016803	1	Cable (Red) (Kit p/n 2901568)	
70C	7027001	1	Cable (Red) (Kit p/n 2902296) (No Longer Part of 2902296 Kit - Purchase as Individual Item)	
70D	7016816	1	Cable (Red) (Kit p/n 2901568)	
70D	7027002	1	Cable (Red) (Kit p/n 2902296)	
70E	Not Required	0	Kit p/n 2901568	
70E	7027003	1	Cable (Black) (Kit p/n 2902296)	
72		Ref	Breaker, Circuit Options:	
72	Not Required	0	Machines With ADE System	
72	4360294	1	Breaker, Circuit - 30 Amp - Model 601S & 601S With a "Enhanced Hostile Environment Package"	
73	1320222	1	J-Clip 3/8in	
74	1320223	6	J-Clip 1/2in	
75	0641606	3	Bolt 3/8in-16NC x 3/4in	

SECTION 2 - TURNTABLE

ITEM	PART NUMBER	QTY	DESCRIPTION	REV
76	3422532	1	Pin, Hitch	
77	3790152	1	O-Ring	
78	3960407	1	Gasket	
79	4791400	4	Starwasher 1/4in	
80	0701012	4	Bolt, Metric M10 x 25mm	
81	0701015	4	Bolt, Metric M10 x 35mm	
82	0642010	1	Bolt 5/8in-11NC x 1 1/4in	
83	4752000	1	Flatwasher 5/8in	
84	1701505	1	Decal - Diesel (Not Shown - Located on Hood)	
85	2720058	11 ft/3.4m	Hose	
86	2220794	1	Fitting, Barbed	
87	4711600	3	Flatwasher 3/8in Narrow	
89	3200362	2	Mount, Rubber Engine (Front)	
90	4711400	1	Flatwasher 1/4in Narrow	
91	4100026	2.5 ft/0.8m	Sleeve, Nylon	
92	4240033	2	Strap, Tie	
93		Ref	Plug 3/8in Options:	
93	Not Required	0	Plug - Model 601S	
93	3520060	1	Plug - Model 601S With a "Enhanced Hostile Environment Package"	
94	4060805	AR	Flex-Trim 1/4in	
95	4060804	7 in/17cm	Flex-Trim 3/16 (Prior to SN 67821)	
96	1060637	1	Lanyard	
97	0641808	2	Bolt 1/2in-13NC x 1in	
98	3311801	1	Nut 1/2in-13NC	
99	4751800	1	Flatwasher 1/2in	
100		Ref	Plug 1 1/2in Options:	
100	Not Required	0	Plug - Model 601S	
100	3520035	1	Plug - Model 601S With a "Enhanced Hostile Environment Package"	
101		Ref	Plug 1in Options:	
101	Not Required	0	Plug - Model 601S	
101	3520033	1	Plug - Model 601S With a "Enhanced Hostile Environment Package"	
102		Ref	Adhesive Options:	
102	Not Required	0	Adhesive - Model 601S	
102	0100010	AR	Adhesive - Model 601S With a "Enhanced Hostile Environment Package"	
103		Ref	Plug 7/16in Options:	
103	Not Required	0	Plug - Model 601S	
103	3520054	4	Plug - Model 601S With a "Enhanced Hostile Environment Package"	
104		Ref	Plug 5/16in Options:	
104	Not Required	0	Plug - Model 601S	
104	3520034	4	Plug - Model 601S With a "Enhanced Hostile Environment Package"	
105	0641826	2	Bolt 1/2in-13NC x 3 1/4in	
106	4740274	4	Washer, Snubbing	
107	4832000	8	Lockwasher 10mm	
108		Ref	Plug 9/16in Options:	
108	Not Required	0	Plug - Model 601S	

SECTION 2 - TURNTABLE

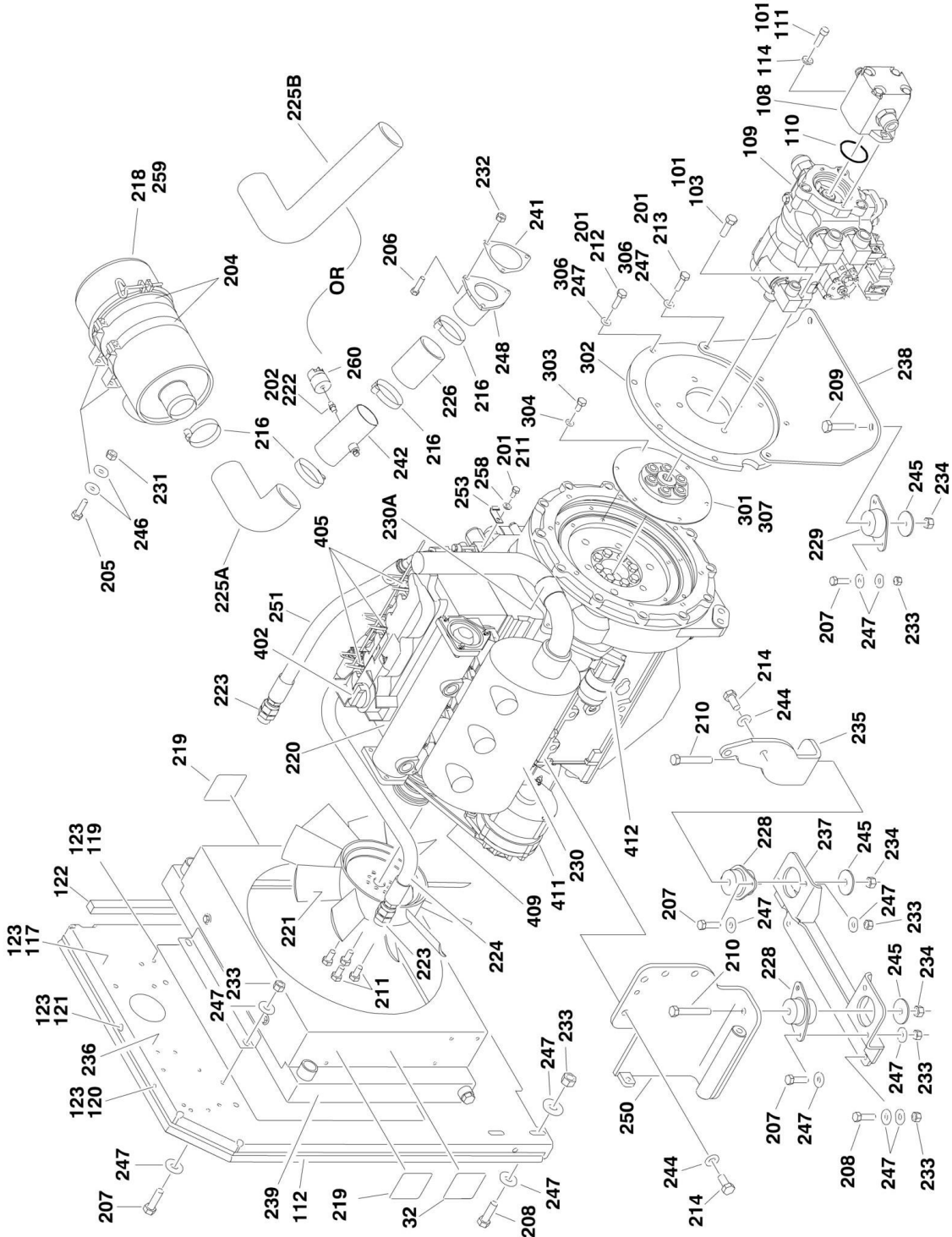
ITEM	PART NUMBER	QTY	DESCRIPTION	REV
108	3520085	1	Plug - Model 601S With a "Enhanced Hostile Environment Package"	
109	2720447	1	Oil Cooler Hose	
110		Ref	Cleaner, Air Pre-Cleaner Options:	
110	Not Required	0	Cleaner - Model 601S	
110	1340061	1	Cleaner - Model 601S With a "Enhanced Hostile Environment Package"	
111		Ref	Seal, Foam Gasket Options:	
111	Not Required	0	Seal - Model 601S	
111	3960511	1	Seal - Model 601S With a "Enhanced Hostile Environment Package"	
112	4711900	6	Flatwasher 9/16in (SN 64398 through 78257)	
201		Ref	MUFFLER INSTALLATION	E
201	3220110	1	Spark Arresting	
201A	1320176	1	Clamp, Muffler	
		Ref	ENGINE COMPONENTS	
		Ref	Engine - Deutz F3M1011F Diesel Options:	
	2000154	Ref	Engine - Deutz F3M1011F Diesel (Prior to SN 37993)	
	2000162	Ref	Engine - Deutz F3M1011F Diesel (SN 37993 through 62136)	
	2000175	Ref	Engine - Deutz F3M1011F Diesel (SN 62137 through 65670)	
301	7020023	1	Filter, Fuel	
302	7020410	1	Alternator (was p/n 7016329)	
302	70000851	1	Bracket, Alternator Mounting	
302	7020464	1	Regulator, Voltage (Not Shown)	
303		Ref	Switch, Oil Pressure (Not Shown) Options:	
303	7016330	1	2000154/2000162 Engines	
303	7020461	1	2000175 Engine	
304	7016331	1	Filter, Oil (was p/n 7016641)	
305		Ref	Starter Options:	
305	7016332	1	2000154/2000162 Engines	
305	7020479	1	2000175 Engine	
306	7020026	1	Dipstick - Engine Oil (Not Shown)	
306	70001002		Tube (2000162 Engine Only)	
307	7020027	1	Flywheel (Not Shown)	
307	7020477	1	Rim, Gear (Not Shown) (2000162/2000175 Engine Only)	
308	7020022	1	Pump, Injection (Not Shown)	
309	7020024	1	Breather, Crankcase (Not Shown)	
310		Ref	Switch, Oil Temperature (Not Shown) Options:	
310	7020025	1	2000154/2000162 Engines	
310	7020168	1	2000175 Engine	
310	7020480	1	Seal, Temperature Switch for 7020168	
311	7020463	1	Fuel Pump Supply	
312	7024318	3	Fuel Injection Pump	
313		Ref	Actuator, Throttle Options (Not Shown):	
313	7016359	1	2000154/2000162 Engines	
313	7020458	1	2000175 Engine	
313	7027250	1	Spring for 7016359 Actuator	
313	7027276	2	Spring for 7020458 Actuator	
314	7024565	1	Sensor, Tach (Not Shown - Located on Flywheel Housing) (2000175 Engine Only)	
315	7020408	1	V-Belt	
316	70000787	1	Support, Fan (Not Shown) (2000162 Engine Only)	

SECTION 2 - TURNTABLE

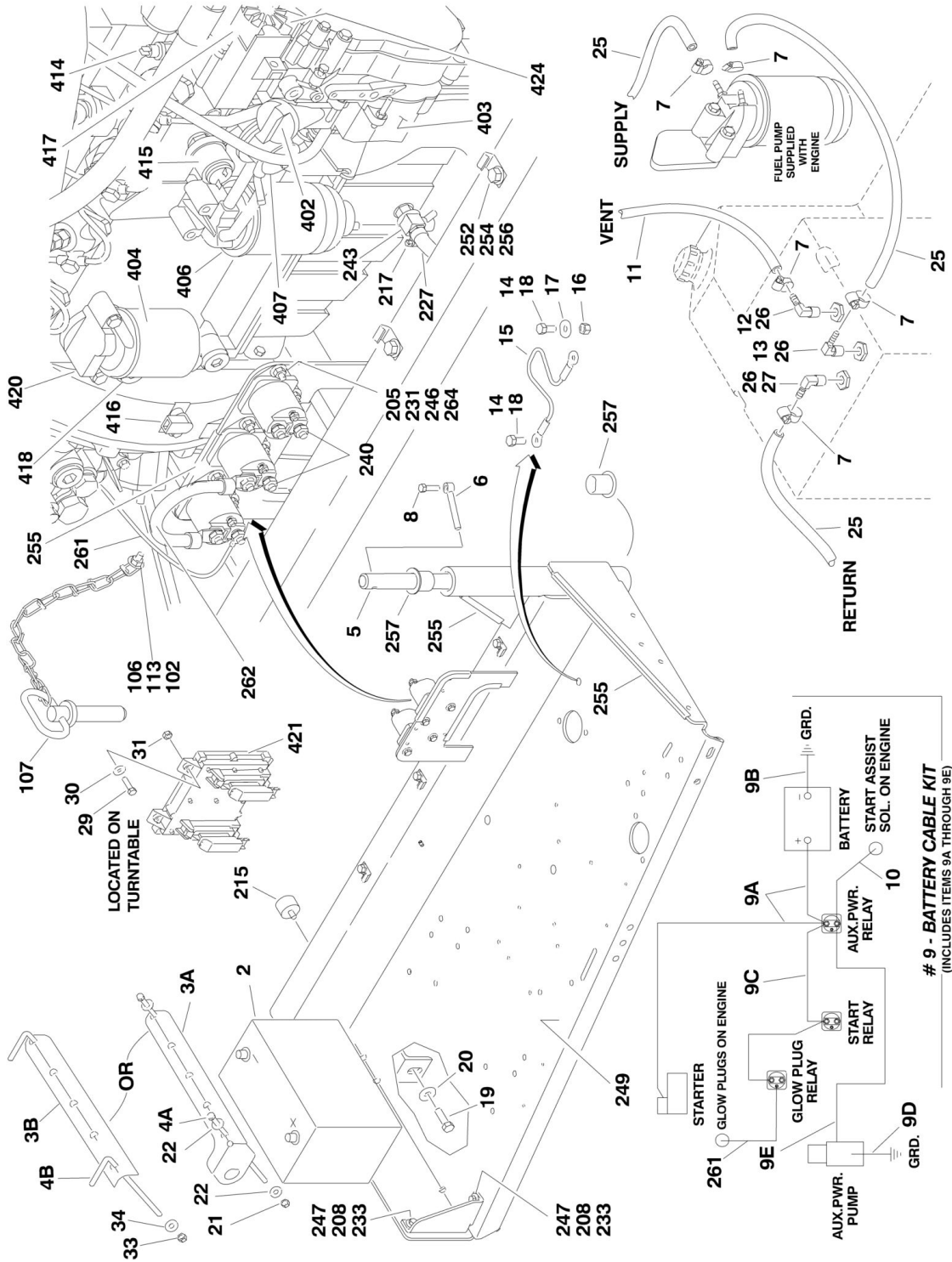
ITEM	PART NUMBER	QTY	DESCRIPTION	REV
317	7020446	1	Timing Kit, Belt and Idler (Not Shown)	
318	7020465	1	Cap, Filler (Not Shown)	
319		Ref	Pump, Oil Options (Not Shown):	
319	See Note	1	2000154/2000162 Engines (Note: Not Available for Purchase)	
319	7020467	1	2000175 Engine	
319	7020468	1	2000175 Engine - Seal Between Oil Pump and Engine Block (Not Shown)	
320		Ref	Gasket, Head Options (Not Shown) (2000162 Engine Only):	
320	70003039	1	Gasket - 1 Notch	
320	70003040	1	Gasket - 2 Notch	
320	70003041	1	Gasket - 3 Notch	
	2000190	Ref	ENGINE - DEUTZ F3M1011F DIESEL (SN 65671 through 78257)	
351	7020023	1	Filter, Fuel	
352	7000663	1	Alternator (was p/n 7020410)	
352	7020464		Regulator, Voltage (Not Shown)	
352	70002234		Bracket, Adjusting	
353	7020461	1	Switch, Oil Pressure (Not Shown)	
354	7016641	1	Oil Filter Assembly	
354	7016331	1	Element	
355	7020479	1	Starter	
356	7020026	1	Dipstick - Engine Oil (Not Shown)	
357	7020465	1	Cap, Filler (Not Shown)	
358	7020168	1	Switch, Oil Temperature (Not Shown)	
359	7020463	1	Fuel Pump Supply (was p/n 7024413)	
359	7020411	1	O-Seal Between Fuel Pump and Engine Block (Not Shown)	
360	7024318	3	Fuel Injection Pump	
361	7020458	1	Actuator, Throttle	
361	7027276	2	Spring for 7020458 Actuator	
362	7024565	1	Sensor, Tach (Not Shown - Located on Flywheel Housing) (was p/n 7020481)	
363	70001871	3	Gasket, Intake Manifold (Not Shown) (was p/n 7020449)	
364	7020471	3	Gasket, Exhaust Manifold to Engine Block (Not Shown)	
365	70000264	1	Flywheel Assembly (Not Shown)	
365	7024579	1	Rim, Gear (Not Shown)	
366	7020408	1	V-Belt	
367	7020467	1	Pump, Oil (Not Shown)	
367	7020468	1	Seal Between Oil Pump and Engine Block (Not Shown)	
368	7020480	1	Seal Ring, Oil Temperature (Not Shown)	
369	7020482	1	Gasket, Kit (Not Shown)	
370	7020488	1	Connector Plug-In (Not Shown)	
	0256847	Ref	PUMP COUPLING INSTALLATION	2
401	1660234	1	Coupling, Hayes	
402	0080163	1	Plate, Pump Adapter	
403	0700810	6	Bolt Metric 8mm x 20mm	
404	4831900	6	Lockwasher 8mm	
406	4832000	8	Lockwasher 10mm (Prior to SN 85132)	
407	3020021	AR	Grease, Coupling (Not Shown)	

SECTION 2 - TURNTABLE

FIGURE 2-10. DEUTZ ENGINE INSTALLATIONS (SN 78257 to Present)



SECTION 2 - TURNTABLE



SECTION 2 - TURNTABLE

FIGURE 2-10. DEUTZ ENGINE INSTALLATIONS (SN 78257 to Present)

ITEM	PART NUMBER	QTY	DESCRIPTION	REV
		Ref	DEUTZ ENGINE INSTALLATIONS	
	0273957	Ref	Deutz Engine Installations 601S (SN 78257 through 85131)	1-A
	0274190	Ref	Deutz Engine Installations 601S (SN 85132 through 86147)	2-B
	0274523	Ref	Deutz Engine Installations 601S (SN 86148 to Present)	E
	0273958	Ref	Deutz Engine Installations 601S - With a "Enhanced Hostile Environment Package" (SN 78257 through 85131)	1-A
	0274191	Ref	Deutz Engine Installations 601S - With a "Enhanced Hostile Environment Package" (SN 85132 through 86147)	2-B
	0274524	Ref	Deutz Engine Installations 601S - With a "Enhanced Hostile Environment Package" (SN 86148 to Present)	E
2	0400075	1	Battery	
3		Ref	Hold-Down, Battery Options:	
3A	0181727	1	Hold-down, Battery (SN 78257 through 110250)	
3B	91401281	1	Hold-down, Battery (SN 110251 to Present)	
4		Ref	Bolt, Battery Hold-down Options:	
4A	0630498	2	Bolt, Battery Hold-down (SN 78257 through 110250)	
4B	1001093382	2	Bolt, Battery Hold-down (SN 110251 to Present)	
5	3422448	1	Pin, Pivot	
6	3841143	1	Pin, Keeper	
7	1320022	5	Clamp, Hose	
8	0641610	1	Bolt 3/8in-16NC x 1 1/4in	
9	2902296	1	Battery Cable Kit	C
		Ref	Note: 2902296 Rev A version is no longer available. Verify weather machine is equipped with 2 or 3 relays on the engine tray. If there are 3 relays, purchase latest revision of 2902296 kit. If there are 2 relays, purchase individual items as replacement.	
9A	1001116241	1	Cable, Battery (Red) (Machines with 2 Relays on Engine Tray) (was p/n 7027000)	
9A	1001116240	1	Cable, Battery (Red) (Machines with 3 Relays on Engine Tray) (was p/n 7027000)	
9B	7027004	1	Cable, Battery (Black)	
9C	7027001	1	Cable (Red) (No Longer Part of 2902296 Kit - Purchase as Individual Item)	
9D	7027003	1	Cable (Black)	
9E	7027002	1	Cable (Red)	
10	4922978	1	Harness, Start Assist Solenoid (SN 78257 through 86147)	
11	2750532	4.5 ft/1.4m	Hose	
12	2220313	1	Fitting, 90	
13	2180348	1	Fitting, Straight Barbed	
14	0641808	2	Bolt 1/2in-13NC x 1in	
15	1060637	1	Cable, Lanyard	
16	3311801	1	Nut 1/2in-13NC	
17	4751800	1	Flatwasher 1/2in Wide	
18	0100011	AR	Loctite #242	
19	0642010	1	Bolt 5/8in-11NC x 1 1/4in	
20	4752000	1	Flatwasher 5/8in Wide	
21	3311605	AR	Locknut 3/8in-16NC (SN 78257 through 110250)	
22	4751600	AR	Flatwasher 3/8in Wide (SN 78257 through 110250)	
23	1701505	1	Decal - Diesel (Not Shown - Located on Hood)	
24	4100026	1	Sleeve, Hose Nylon (Not Shown - Located on Drive Hoses)	

SECTION 2 - TURNTABLE

ITEM	PART NUMBER	QTY	DESCRIPTION	REV
25	2720058	22 ft/6.7m	Hose	
26	0100020	AR	Sealant, Pipe	
27	2221176	1	Fitting, 90 Barbed	
28	4240033	2	Strap, Tie (Not Shown)	
29	0641410	4	Bolt 1/4in-20NC x 1 1/4in (SN 86148 to Present)	
30	4711400	4	Flatwasher 1/4in (SN 86148 to Present)	
31	3300454	4	Nut 1/4in-20NC Tapped (601S - With a "Enhanced Hostile Environment Package" Only) (SN 86148 to Present)	
32	1706098	1	Decal - Warning Explosion/Fire	
33	88521205	2	Locknut 5/16in-18NC (Was p/n 3311505) (SN 110251 to Present)	
34	4751500	2	Flatwasher 5/16in Wide (SN 110251 to Present)	
		Ref	ENGINE AND PUMP ASSEMBLIES	
	2000248	Ref	Engine and Pump Assemblies 601S (SN 78257 through 85131)	B
	2000269	Ref	Engine and Pump Assemblies 601S (SN 85132 through 86147)	B
	2000301	Ref	Engine and Pump Assemblies 601S (SN 86148 to Present)	B
	2000249	Ref	Engine and Pump Assemblies 601S - With a "Enhanced Hostile Environment Package" (SN 78257 through 85131)	B
	2000270	Ref	Engine and Pump Assemblies 601S - With a "Enhanced Hostile Environment Package" (SN 85132 through 86147)	B
	2000303	Ref	Engine and Pump Assemblies 601S - With a "Enhanced Hostile Environment Package" (SN 86148 to Present)	B
101	0100011	AR	Loctite #242	
102	0641407	1	Bolt 1/4in-20NC x 7/8in	
103	0641812	2	Bolt 1/2in-13NC x 1 1/2in	
105	3020016	2.5 gl	Oil, Motor (Not Shown)	
106	3311405	1	Locknut 1/4in-20NC	
107	3422532	1	Pin, Hitch	
108	3600395	1	Gear Pump Assembly with Fittings (See GEAR PUMP ASSEMBLY (WITHOUT HYDRAULIC WELDER) for Breakdown)	
109	3600418	1	Piston Pump Assembly with Fittings (See PISTON PUMP ASSEMBLY (WITHOUT HYDRAULIC WELDER) for Breakdown) (SN 78257 through 85131)	
109	3600396	1	Piston Pump Assembly with Fittings (See PISTON PUMP ASSEMBLY (WITHOUT HYDRAULIC WELDER) for Breakdown) (SN 85132 to Present)	
110	3790152	1	O-Ring	
111	3931620	2	Capscrew 3/8in-16NC x 1 1/4in	
112	3960389	5 ft/1.5m	Seal	
113	4711400	1	Flatwasher 1/4in Narrow	
114	4891600	2	Flatwasher, Hardened	
		Ref	Note: Items 115 to 125 are for Model 601S With A "Enhanced Hostile Environment Package"	
115	0181979	1	Angle, Seal Mounting	
116	3520033	2	Plug 1in (Not Shown - Located on Radiator Mounting Plate)	
117	3520034	8	Plug 5/16in	
118	3520035	1	Cap, Plug (Not Shown - Located on Radiator Mounting Plate) (SN 78257 through 86147)	
119	3520054	4	Plug	
120	3520060	1	Plug 3/8in	
121	3520085	1	Plug 1in	
122	3960511	1	Seal	
123	0100010	AR	Adhesive, Superbondor	

SECTION 2 - TURNTABLE

ITEM	PART NUMBER	QTY	DESCRIPTION	REV
124	1670836	1	Cover, Boom (Not Shown - Located on Radiator Mounting Plate) (SN 86148 to Present)	
125	3520032	1	Plug 1in (Not Shown - Located on Radiator Mounting Plate) (SN 86148 to Present)	
		Ref	ENGINE ASSEMBLIES	
	2000250	Ref	Engine Assemblies 601S (SN 78257 through 86147)	B
	2000304	Ref	Engine Assemblies 601S (SN 86148 through 92706)	B
	2000346	Ref	Engine Assemblies 601S (SN 92707 to Present)	C
	2000252	Ref	Engine Assemblies 601S - With a "Enhanced Hostile Environment Package" (SN 78257 through 86147)	B
	2000302	Ref	Engine Assemblies 601S - With a "Enhanced Hostile Environment Package" (SN 86148 through 92706)	B
	2000348	Ref	Engine Assemblies 601S - With a "Enhanced Hostile Environment Package" (SN 92707 to Present)	C
201	0100011	AR	Loctite #242	
202	0100020	AR	Sealant, Pipe	
204	0340041	2	Band, Air Cleaner	
205	0641407	AR	Bolt 1/4in-20NC x 7/8in	
206	0641510	3	Bolt 5/16in-18NC x 1 1/4in	
207	0641608	AR	Bolt 3/8in-16NC x 1in	
208	0641610	6	Bolt 3/8in-16NC x 1 1/4in	
209	0641818	2	Bolt 1/2in-13NC x 2 1/4in	
210	0641826	2	Bolt 1/2in-13NC x 3 1/4in	
211	0700808	5	Bolt 8mm x 16mm	
212	0701012	4	Bolt 10mm x 25mm	
213		Ref	Bolt Options:	
213	0701015	4	Bolt 10mm x 35mm (SN 78257 through 86147)	
213	0701014	4	Bolt 10mm x 30mm (SN 86148 to Present)	
214	0701414	6	Bolt 14mm x 130mm	
215	0940070	1	Bumper	
216	1320016	AR	Clamp	
217	1320022	1	Clamp, Hose	
218	1340060	1	Air Cleaner Assembly Filter Element	
218	7012664	1	Element, Filter (Not Shown)	
219	1703162	2	Decal - Caution Fan Blade	
220		Ref	Engine Options (see Items 401-423 for Breakdown):	
220	2000217	1	Engine, Deutz - F4M2011 Tier II (SN 78257 through 86147)	
220	2000273	1	Engine, Deutz - F3M2011 Tier II (SN 86148 through 92706)	
220	2000338	1	Engine, Deutz - F3M2011 Tier II (SN 92707 through 106658)	
220	1001092723	1	Engine, Deutz - D2011L03 Tier III (SN 106659 to Present)	
221	2060025	1	Fan	
222		Ref	Fitting Options:	
222	2200222	1	Fitting, Plug 601S (SN 78257 through 86148)	
222	2180798	1	Fitting (601S - With a "Enhanced Hostile Environment Package") (SN 78257 through 86148)	
222	2200221	1	Fitting (SN 86148 through 106658)	
222	Not Required	0	Fitting (SN 106659 to Present)	
223	2220451	2	Fitting, Straight	
224	2720398	1	Hose, Oil Cooler	
225		Ref	Elbow, Rubber Options:	
225A	2720434	1	Elbow, Rubber (SN 78257 through 106658)	
225B	1001091179	1	Elbow, Rubber (SN 106659 to Present)	
226	2720449	1	Hose, Air Cleaner (SN 78257 through 106659)	

SECTION 2 - TURNTABLE

ITEM	PART NUMBER	QTY	DESCRIPTION	REV
227	2750532	1 ft/30cm	Hose, Oil Drain	
228	3200362	2	Mount, Motor	
229	3200406	2	Mount, Motor	
230	3220110	1	Muffler, Spark Arresting	
230A	1320176	1	Clamp, Muffler	
231	3311405	AR	Locknut 1/4in-20NC	
232	3311505	3	Locknut 5/16in-18NC	
233	3311605	AR	Locknut 3/8in-16NC	
234	3311805	4	Locknut 1/2in-13NC	
235	3537416	1	Plate, Engine Mounting (Front Right Side)	
236	3539872	1	Plate, Radiator Mounting	
237	3539971	1	Plate, Engine Mounting (Front Bottom)	
238	3570864	1	Plate, Engine Mounting (Rear)	
239	3620033	1	Radiator	
240	3740067	AR	Relay Options:	
240		Ref	Relay (SN 78257 through 92706)	
240		Ref	Relay (SN 92707 to Present)	
241	3960407	1	Gasket, Air Intake	
242	4567495	1	Tube, Tuning (SN 78257 through 106659)	
243	4640751	1	Valve, Oil Drain	
244		Ref	Flatwasher Options:	
244	4711900	6	Flatwasher 9/16in Narrow (SN 78257 through 92706)	
244	4812200	6	Flatwasher (Metric) 14mm (SN 92707 to Present)	
245	4740274	4	Washer, Snubbing	
246	4751400	AR	Flatwasher 1/4in Wide	
247	4751600	AR	Flatwasher 3/8in Wide	
248	4845395	1	Adapter, Air Intake	
249		Ref	Tray, Engine Options:	
249	4845404	1	Tray, Engine 601S	
249	4845947	1	Tray, Engine 601S - With a "Enhanced Hostile Environment Package"	
250	4846479	1	Plate, Engine Mounting (Front Left Side)	
251	2720447	1	Hose, Oil Cooler	
252	0641606	3	Bolt 3/8in-16NC x 3/4in	
253	1320222	2	J-Clip 3/8in	
254	1320223	4	J-Clip 1/2in	
255	4060805	37 in/1m	Flex-Trim	
256	4711600	3	Flatwasher 3/8in Narrow	
257	0961986	2	Bushing, Flanged	
258	4711500	1	Flatwasher 5/16in Narrow	
259	1340061	1	Cleaner, Dust Cap (601S - With a "Enhanced Hostile Environment Package" Only)	
260	4360392	1	Indicator, Restriction (601S - With a "Enhanced Hostile Environment Package" Only) (SN 78257 through 86148)	
261	4923451	1	Harness, Glow Plug (SN 92707 to Present)	
262	1060904	1	Cable, Jumper (SN 92707 to Present)	
263	3020016	2.5 gl	Oil, Motor 15W-40 (Not Shown)	
264	4711400	12	Flatwasher 1/4in Narrow (SN 92707 to Present)	
	0256847	Ref	PUMP COUPLING INSTALLATION	2
301	1660234	1	Coupling, Hayes	
302	0080163	1	Plate, Pump Adapter	
303	0700810	63	Bolt Metric 8mm x 20mm	

SECTION 2 - TURNTABLE

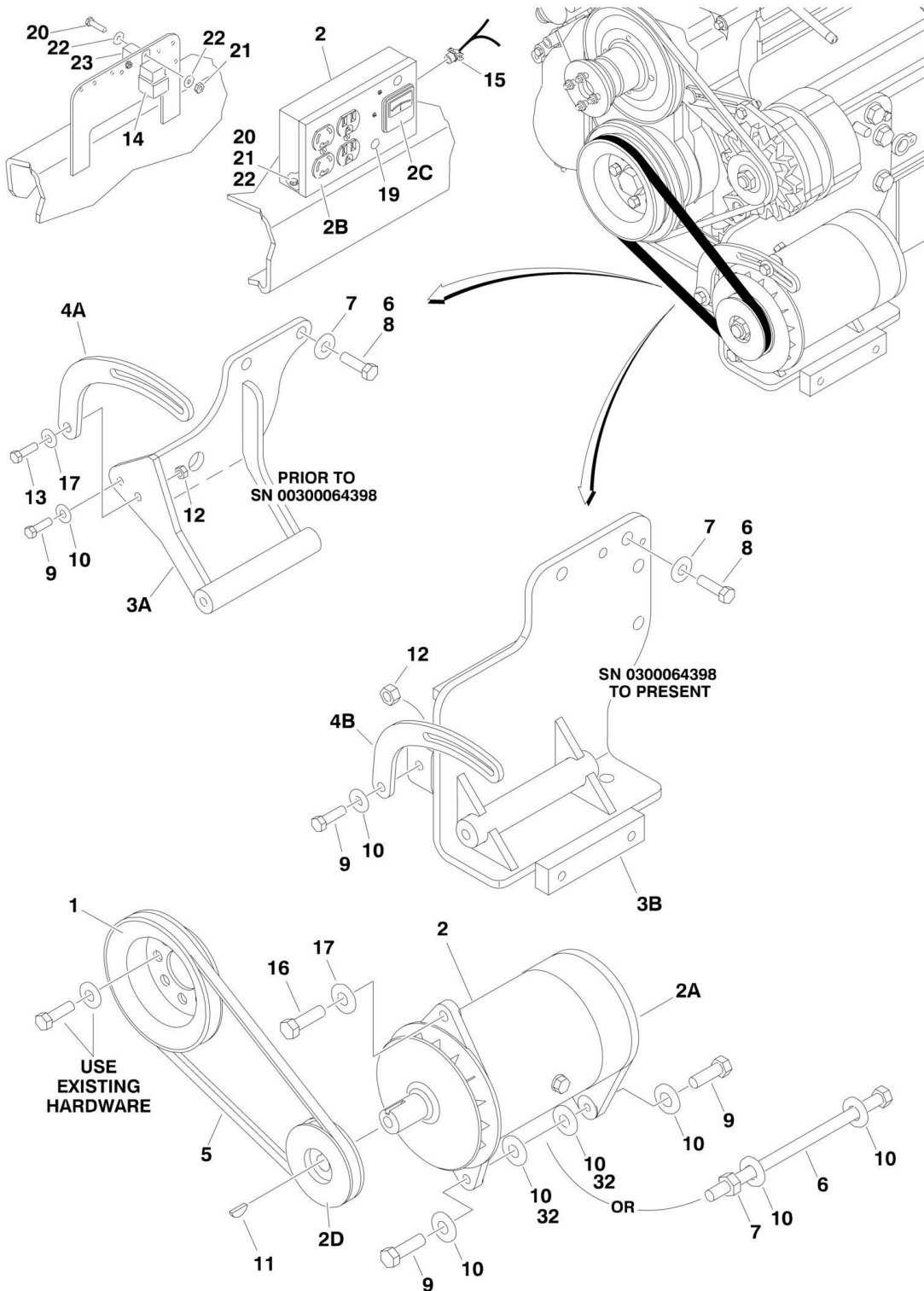
ITEM	PART NUMBER	QTY	DESCRIPTION	REV
304	4831900	6	Lockwasher 8mm	
306	4832000	8	Lockwasher 10mm (SN 85132 through 84709)	
307	3020021	AR	Grease, Coupling	
		Ref	ENGINE COMPONENTS	
	2000217	Ref	Engine Components (SN 78257 through 86147)	E
	2000273	Ref	Engine Components (SN 86148 through 92706)	B
	2000338	Ref	Engine Components (SN 92707 through 106658)	B
	1001092723	Ref	Engine Components (SN 106659 to Present)	A
401	7020026	1	Dipstick (Not Shown)	
401	7020403	1	Seal, Ring	
401		Ref	Tube, Dipstick Options:	
401	70001002	1	Tube for p/n 2000217	
401	See Note	1	Tube for p/n 2000273, 2000338 & 1001092723 (Note: For correct component, must supply engine serial number to JLG Parts Department)	
402	7020465	1	Cap, Filler	
403	7020495	1	Pump, Oil Lube	
403	7020468	1	Seal Between Oil Pump and Engine Block (Not Shown)	
404	7016331	1	Filter, Oil	
405		Ref	Pump, Injector Options:	
405		Ref	Engine 2000217	
405	7027246	3	Pump, Injector	
405		Ref	Engine 2000273, 2000338 & 1001092723	
405	7027246	3	Series A Injector	
405	7027608	3	Series B Injector	
405	7027609	3	Series C Injector	
405	7027610	3	Series D Injector	
405	7020447	3	Gasket (1 per Injector)	
406	7020023	1	Filter, Fuel	
406	70001423	1	Bracket, Fuel Filter	
407	70000916	1	Pump Fuel Supply	
407	7020411	1	O-Seal Between Fuel Pump and Engine Block (Not Shown)	
407	70001435	1	Fuel Pump Repair Kit (Not Shown)	
408	70001871	3	Gasket, Intake Manifold (Not Shown) (was p/n 7020449)	
409	7020408	1	V-Belt	
410	7020471	3	Gasket, Exhaust Manifold to Engine Block (Not Shown)	
410	70002200	AR	Stud, Exhaust Manifold to Engine Block (Not Shown)	
411	7000663	1	Alternator (was p/n 7020410)	
411	7020464		Regulator, Voltage (Not Shown)	
412	7020479	1	Starter	
412	7026608	1	Relay	
413	Not Available	2	Plug- In Connector (Not Shown)	
414	7027241	1	Transmitter, Temperature (Used on 2000217)	
414	7027791	1	Transmitter, Temperature (Used on 2000273, 2000338 & 1001092723)	
415	7020461	1	Sensor, Oil Pressure (Used on 2000217)	
415	7027790	1	Sensor, Oil Pressure (Used on 2000273, 2000338 & 1001092723)	
416	7024565	1	Sensor, Speed	
417	7020458	1	Actuator, Throttle (Used on 2000217)	
417	7027792	1	Actuator, Throttle (Used on 2000273, 2000338 & 1001092723)	
417	7027276	2	Spring, Actuator	

SECTION 2 - TURNTABLE

ITEM	PART NUMBER	QTY	DESCRIPTION	REV
418	70003475	1	Thermostat (was p/n 7020459) (SN 86148 to Present)	
418	7020460	1	Spring, Compression (SN 86148 to Present)	
419	7024579	1	Gear, Ring 110 Tooth (Located on Flywheel - Not Shown)	
420	7027236	1	Sender, Temperature	
421	7027795	1	Module, Control (Used on 2000273, 2000338 & 1001092723) (SN 86148 to Present)	
421	7027793	1	Connector, EMR2 Control (2000273/2000338 & 1001092723 Engine Only)	
421	7027796	1	Harness, EMR2 Control (2000273/2000338 & 1001092723 Engine Only)	
422	7027245	1	Filter, Fuel (Not Shown - Located in Fuel Supply Line) (Used on 2000217, 2000273, 2000338 & 1001092723) (SN 86148 to Present)	
423	70000345	3	Plug, Glow (Not Shown - Use with 2000338 & 1001092723 only) (SN 92707 to Present)	
424	7027239	1	Solenoid, Start	
425	7027769	1	Connector, Radiator (Not Shown)	
426		Ref	Gasket, Head Options (Not Shown) (Used on 2000273):	
426	70003479	1	Gasket - 1 Notch	
426	70003480	1	Gasket - 2 Notch	
426	70003481	1	Gasket - 3 Notch	
427		Ref	Engine Harness Options (Not Shown):	
427	See Note	1	2000217 Engine Only (Note: Not Available for Purchase)	
427	70001872	1	2000273/2000338 & 1001092723 Engine Only (was p/n 7027794)	
428	70001181	1	Valve, Oil Pressure Relief (Not Shown) (2000338 Engine Only)	

SECTION 2 - TURNTABLE

FIGURE 2-11. GENERATOR INSTALLATION (DEUTZ ENGINE MODEL - 601S WITH A "ENHANCED HOSTILE ENVIRONMENT PACKAGE")



SECTION 2 - TURNTABLE

FIGURE 2-11. GENERATOR INSTALLATION (DEUTZ ENGINE MODEL - 601S WITH A "ENHANCED HOSTILE ENVIRONMENT PACKAGE")

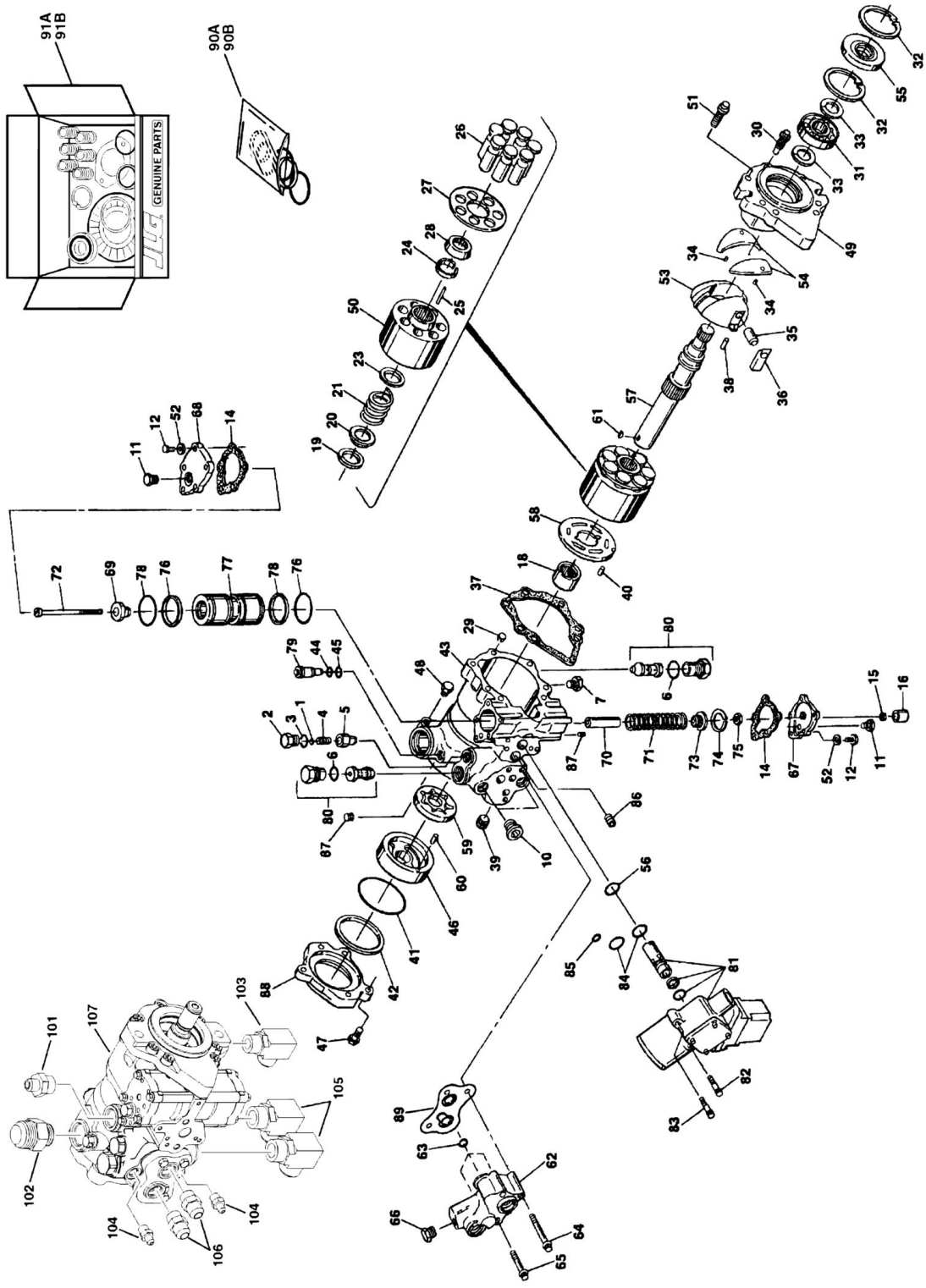
ITEM	PART NUMBER	QTY	DESCRIPTION	REV
	0259312	Ref	GENERATOR 110V INSTALLATIONS (Prior to SN 62137)	
	0270801	Ref	GENERATOR 110V INSTALLATIONS (WITH ADE SYSTEM) (SN 62137 through 64253)	1
	0271049	Ref	GENERATOR 110V INSTALLATIONS (WITH ADE SYSTEM) (SN 64254 through 82631)	4-D
	0274080	Ref	GENERATOR 110V INSTALLATIONS (WITH ADE SYSTEM) (SN 82632 to Present)	2-B
	0272293	Ref	GENERATOR 110V 50HZ INSTALLATIONS (WITH ADE SYSTEM) (SN 66591 to Present)	1-A
1	3580158	1	Pulley	
2		Ref	Generator and Control Box Options:	
2	2460011	1	110Volt (Prior to SN 66085)	
2	2460032	1	110Volt 60Hz (SN 66085 through 82631)	
2	2460055	1	110Volt 60Hz (SN 82632 to Present)	
2	2460039	1	110Volt 50Hz (SN 66591 to Present)	
2A	7012558	1	Generator - 110Volt 60Hz	
2A	2460049	1	Generator - 110Volt 50Hz	
		Ref	Note: Replacement Generator p/n 7012558 come standard with p/n 3580134 pulley. This pulley may not be correct for all applications. Refer to pulley options below.	
2A		Ref	Armature with Slip Rings Options:	
2A	7026199	1	110Volt 60Hz	
2A	70000122	1	110Volt 50Hz	
2A	7012513	4	Cap, Brush Holder	
2A	7020108	4	Brush	
2A	7020109	4	Holder, Brush	
2A	7012514	1	Fan	
2A	7020110	1	Bell, Front	
2A	7020111	1	Bell Rear	
2A	7020190	2	Bearing	
2B	7003657	1	Box, Control - 110Volt	
2B	7019680	1	Box, Control - 110Volt 50Hz	
		Ref	Note: Replacement 110V Control Box comes with 2 std Receptacle p/n 4460190. Optional Industrial Twist Lock Receptacles p/n 4460027 must be ordered separately.	
2B	4360542	1	Breaker, Circuit (was p/n 7020194)	
2B	2920162	1	Lamp	
2B	7020191	1	Switch, Toggle	
2B	3520028	1	Plug, Hole	
2C	2420203	1	Voltmeter (was p/n 7010699)	
2D		Ref	Pulley Options:	
2D	3580134	1	Pulley (Prior to SN 66085)	
2D	7020107	1	Pulley (SN 66085 to Present)	
2D	7027887	1	Key, Woodruff	
2D	4360542	1	110Volt 60Hz (was p/n 7020194)	
2D	70002240	1	110Volt 50Hz	
3		Ref	Bracket, Generator Mounting Options:	
3A	4845531	1	Bracket, Generator Mounting (Prior to SN 0300064398)	
3B	4846566	1	Bracket, Generator Mounting (Part of Engine Assembly) (SN 0300064398 to Present)	
4		Ref	Arm, Adjustment Options:	

SECTION 2 - TURNTABLE

ITEM	PART NUMBER	QTY	DESCRIPTION	REV
4A	0200530	1	Arm, Adjustment (Prior to SN 64398)	
4B	0200741	1	Arm, Adjustment (SN 64398 to Present)	
5		Ref	V-Belt Options:	
5	0480050	1	110Volt (Prior to SN 64398)	
5	0480119	1	110Volt (SN 64398 through 66084)	
5	0480111	1	110Volt (SN 66085 to Present)	
5	0480120	1	110Volt 50Hz (SN 66591 to Present)	
6		Ref	Bolt Options:	
6	0701414	2	Bolt, Metric 14mm x 30mm (Prior to SN 0300064398)	
6	0641772	1	Bolt 7/16in-14NC x 9in (SN 0300064398 to Present)	
7		Ref	Hardware Options:	
7	4751900	2	Flatwasher 9/16in (Prior to SN 64398)	
7	0641610	1	Bolt 3/8in-16NC x 1 1/4in (SN 64398 to Present)	
8	0100011	AR	Loctite #242	
9		Ref	Bolt Options:	
9	0681612	3	Bolt 3/8in-16NC x 1 1/2in (Prior to SN 64398)	
9	0641772	1	Bolt 7/16in-14NC x 9in (SN 64398 to Present)	
10	4751600	6	Flatwasher 3/8in	
11	2860012	1	Key, Woodruff	
12	3311605	1	Locknut 3/8in-16NC	
13		Ref	Hardware Options:	
13	0700819	1	Bolt 8mm x 55mm (Prior to SN 64398)	
13	3311705	1	Locknut 7/16in-14NC (SN 64398 to Present)	
14	3740080	1	Relay	
15	4460023	1	Connector, Strain Relief (Prior to SN 82632)	
16	0641508	AR	Bolt 5/16in-18NC x 1in	
17	4751500	AR	Flatwasher 5/16in	
19	3520028	1	Plug, Hole	
20	0721006	AR	Bolt #10-24NC x 3/4in	
21	3311005	AR	Locknut #10-24NC	
22	4751000	AR	Flatwasher #10	
23	4360294	1	Breaker, Circuit 30 Amp (Prior to SN 82632)	
25	4360336	1	Switch, Toggle (Not Shown - Located on Platform)	
26	4740397	1	Bushing (Not Shown - Located on Platform)	
27	4060802	1	Guard, Switch (Not Shown - Located on Platform)	
29	2820031	4 in/10cm	Heatshrink (Not Shown - Located on Platform)	
30	3251102	1	Decal - On/Off (Not Shown - Located on Platform)	
31	3571497	1	Plate, Control Box Mounting (Not Shown - Located on Turntable) (Prior to SN 62137)	
32	4070585	AR	Shim (SN 92880 to Present)	
	2902085	1	Kit, Powermite Generator (Includes Items 4, 5, 7, 9, 10, 12, 13, 16, 17 and Generator Mounting Bracket and Mounting Hardware)	

SECTION 2 - TURNTABLE

FIGURE 2-12. PISTON PUMP ASSEMBLY (WITHOUT HYDRAULIC WELDER) (Prior to SN 85132)



SECTION 2 - TURNTABLE

FIGURE 2-12. PISTON PUMP ASSEMBLY (WITHOUT HYDRAULIC WELDER) (Prior to SN 85132)

ITEM	PART NUMBER	QTY	DESCRIPTION	REV
	3600260	Ref	PISTON PUMP ASSEMBLY	B
1	7007413	1	Shim Kit	
2	7007414	1	Plug	
3	Item 90A	1	O-Ring	
4	7007416	1	Spring, Relief Valve	
5	7007417	1	Valve, Relief	
6	Item 90A	1	O-Ring	
7	7007419	2	Plug	
10	7007420	2	Plug	
11	7007208	2	Plug	
12	7007421	10	Screw	
14	Item 90A	1	Gasket, Servo Cover	
15	Not Available	1	Nut, Special	
16	7007424	1	Cover, Adjustment	
18	7007425	1	Bearing, Needle	
19	Item 91B	1	Ring, Retaining	
20	Item 91B	1	Washer	
21	Item 91B	1	Spring	
23	Item 91B	1	Washer	
24	Item 91B	1	Retainer	
25	Item 91B	3	Pin, Slipper Holddown	
26	Item 91B	7	Piston Assembly	
27	Item 91B	1	Retainer, Slipper	
28	Item 91B	1	Guide, Retainer	
29	7007435	1	Pin, Spring	
30	7021202	1	Screw, 12 Point Head	
31	7007437	1	Bearing, Ball	
32	7007438	2	Ring, Retainer	
33	7007439	2	Ring	
34	7007440	2	Pin, Spring	
35	7007441	1	Handle, Pin	
36	7007442	1	Sleeve, Bearing	
37	Item 90A	1	Gasket, Front Cover	
38	7007444	1	Pin	
39	7007445	1	Plug, Expansion	
40	Item 91B	1	Pin	
41	See Note	1	O-Ring (Note: Use Item 90A, 91A or 91B)	
42	See Note	1	Ring, Load Temper (Note: Use Item 90A, 91A or 91B)	
43	7007449	1	Housing, Pump	
44	See Note	1	Ring, Back-up (Note: Use Item 90A or 91B)	
45	See Note	1	O-Ring (Note: Use Item 90A or 91B)	
46	See Note	1	Cover, Gerotor (Note: Use Item 90A or 91B)	
47	7007453	3	Bolt, Hex	
48	7007208	1	Plug	
49	7007454	1	Cover, Front	
50	Item 91B	1	Block, Cylinder	
51	7007456	6	Screw	
52	7001438	10	Washer	
53	Item 91B	1	Swashplate	
54	7007458	2	Journal, Bearing	

SECTION 2 - TURNTABLE

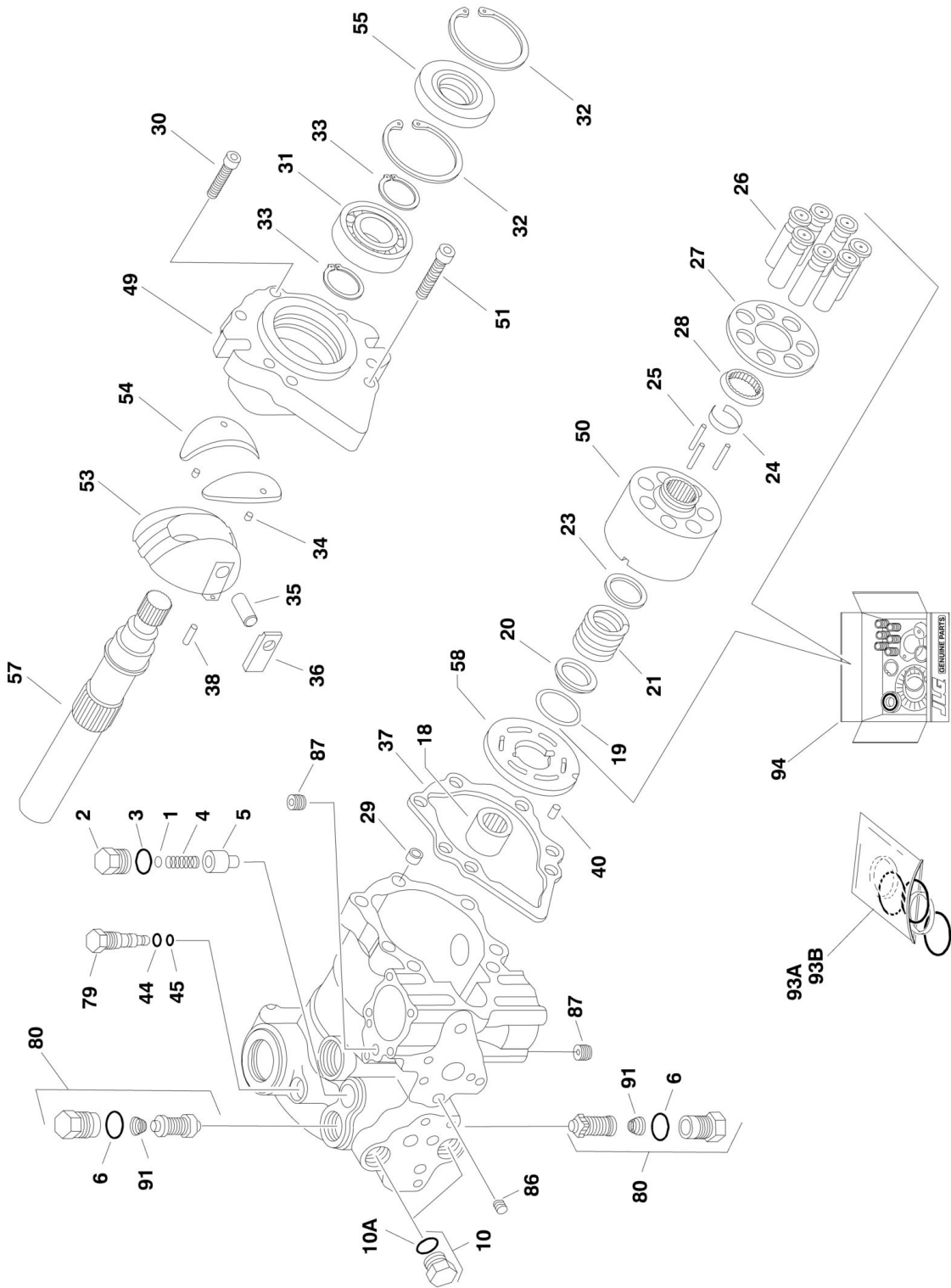
ITEM	PART NUMBER	QTY	DESCRIPTION	REV
55	See Note	1	Seal, Lip (Note: Use Item 90A or 91B)	
56	Item 90A	1	O-Ring	
57	7010121	1	Shaft, Main Pump - 15 Tooth Spline	
58	Item 91B	1	Plate, Valve	
59	Item 91A	1	Gerotor Assembly	
60	Item 91A	1	Pin	
61	Item 91A	1	Key, Woodruff	
62	7007466	1	Adaptor, Remote Filtration	
63	Item 90A	3	O-Ring	
64	7007468	2	Screw	
65	7007469	2	Screw	
66	7007470	1	Plug	
67	7007471	1	Cover, Servo (With Adjuster)	
67	7007490	2	Stop, Servo (Not Shown)	
67	7007491	2	Nut (Not Shown)	
67	7007492	2	Ring, External (Not Shown)	
68	7007482	1	Cover, Servo (With Adjuster)	
69	7007483	1	Guide, Spring	
70	7007484	1	Stop, Servo	
71	7007485	1	Spring	
72	7007486	1	Screw	
73	7007487	1	Guide, Spring	
74	7007488	1	Ring, Retaining	
75	7007499	1	Locknut	
76	See Note	2	Ring, Piston (Note: Use Item 90A or 91B)	
77	7007494	1	Piston, Servo	
78	See Note	2	O-Ring (Note: Use Item 90A or 91B)	
79	7007472	1	Valve, Bypass	
80	7010122	2	Valve, Pressure Relief (Includes Item 6) (was p/n 7007473)	
81	7007474	1	Control, Dual Oil-Filled	
81	7007496	1	Coil Assembly (Pilot)	
81	7007497	1	Plug (Pump)	
81	7007498	1	Plug (Valve Harness)	
82	7007478	2	Screw	
83	7001498	2	Screw	
84	Item 90A	2	O-Ring	
85	Item 90A	1	O-Ring	
86	7007475	1	Plug, Orifice/Screen (.156)	
87	7007477	2	Plug, Orifice (.37)	
88	7007476	1	Adapter, Auxiliary Pump	
89	7010120	1	Spacer/Gasket	
90		Ref	Seal Kit Options:	
90A	2900752	1	Seal Kit - Complete (Includes Items 3, 6, 14, 37, 41, 42, 44, 45, 55, 56, 63, 76, 78, 84 & 85)	
90B	7007412	1	Seal Kit - Servo Piston (Includes Items 76 & 78)	
91		Ref	Repair Kit Options:	
91A	2900826	1	Charger Pump Kit (Includes Items 41, 42, 46, 59, 60 & 61)	
91B	2900827	1	Cylinder Block Kit (Includes Items 19-28, 40-50, 53, 55 & 58)	
	3600418	Ref	PISTON PUMP AND FITTING ASSEMBLIES:	A
101	2220375	1	Fitting	
102	2220479	1	Fitting	
103	2220578	1	Fitting	

SECTION 2 - TURNTABLE

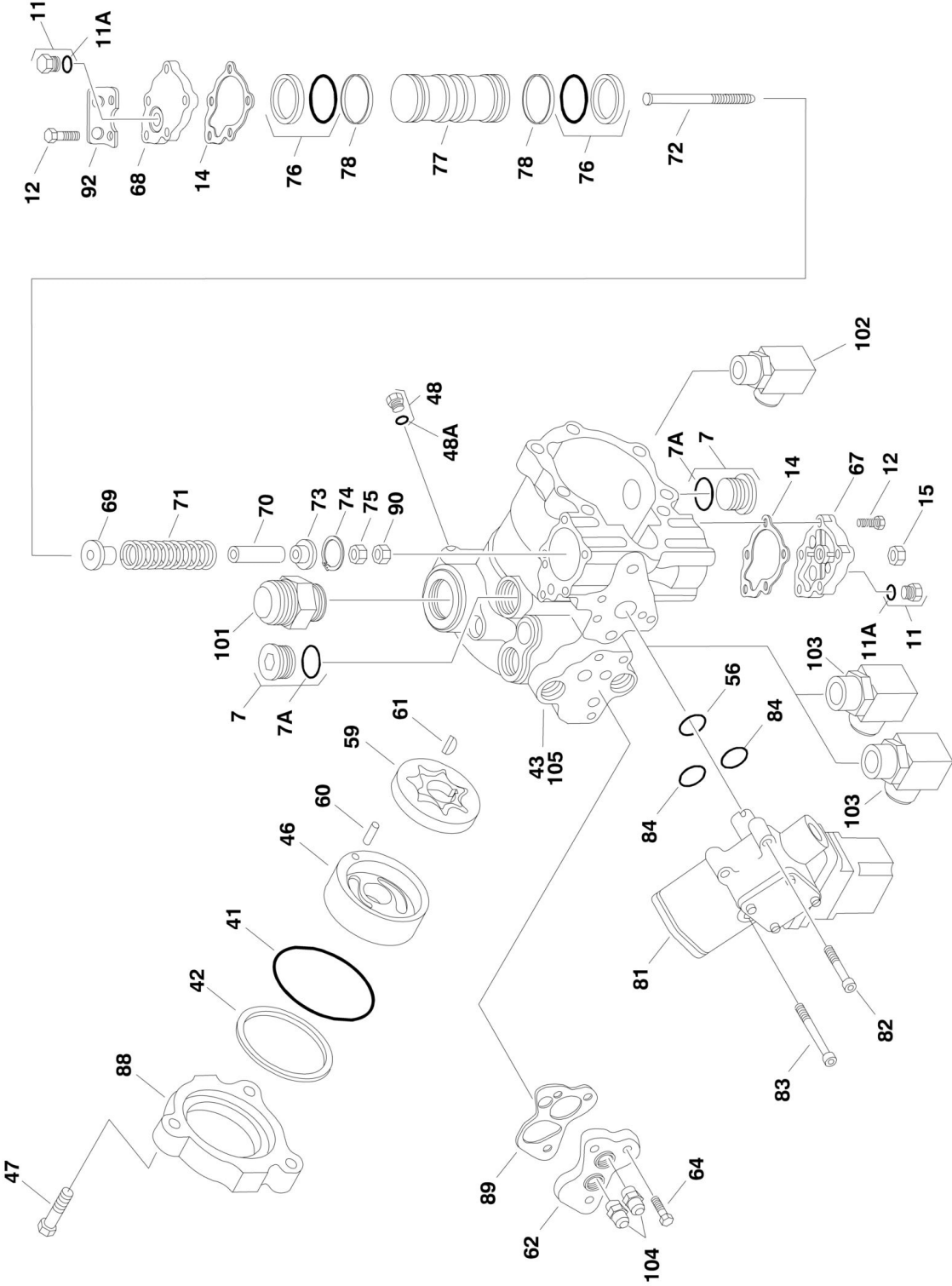
ITEM	PART NUMBER	QTY	DESCRIPTION	REV
104	2220582	2	Fitting, Straight	
105	2220646	2	Fitting	
106	2220947		Fitting, Straight	
107	3600260	1	Pump (Includes Items 1 - 89)	

SECTION 2 - TURNTABLE

FIGURE 2-13. PISTON PUMP ASSEMBLY (WITHOUT HYDRAULIC WELDER) (SN 85132 to Present)



SECTION 2 - TURNTABLE



SECTION 2 - TURNTABLE

FIGURE 2-13. PISTON PUMP ASSEMBLY (WITHOUT HYDRAULIC WELDER) (SN 85132 to Present)

ITEM	PART NUMBER	QTY	DESCRIPTION	REV
	3600381	Ref	PISTON PUMP ASSEMBLY	A
1	7007413	1	Shim Kit	
2	7007414	1	Plug	
3	Item 93A	1	O-Ring	
4	7021200	1	Spring, Relief Valve	
5	7007417	1	Valve, Relief	
6	Item 93A	2	O-Ring	
7	7007419	2	Plug	
7A	7007418	2	O-Ring	
10	7007470	2	Plug	
10A	7021256	2	O-Ring	
11	7007470	2	Plug	
11A	7021256	2	O-Ring	
12	7021223	10	Screw	
14	Item 93A	2	Gasket, Servo Cover	
15	7007423	1	Nut, Special	
18	7007425	1	Bearing, Needle	
19	Item 94	1	Ring, Retaining	
20	Item 94	1	Washer	
21	Item 94	1	Spring	
23	Item 94	1	Washer	
24	Item 94	1	Retainer	
25	Item 94	3	Pin, Slipper Holddown	
26	Item 94	7	Piston Assembly	
27	Item 94	1	Retainer, Slipper	
28	Item 94	1	Guide, Retainer	
29	7007435	1	Pin, Spring	
30	7021202	1	Screw	
31	7007437	1	Bearing, Ball	
32	7007438	2	Ring, Retainer	
33	7007439	2	Ring	
34	7021203	2	Pin, Spring	
35	7007441	1	Handle, Pin	
36	7007442	1	Sleeve, Bearing	
37	Item 93A	1	Gasket, Front Cover	
38	7007444	1	Pin	
40	7007446	1	Pin	
41	Item 93A	1	O-Ring	
42	Item 93A	1	Ring, Load Temper	
43	7023977	1	Housing, Pump	
44	Item 93A	1	Ring, Back-Up	
45	Item 93A	1	O-Ring	
46	7007452	1	Cover, Gerotor	
47	7007453	3	Bolt, Hex	
48	7007208	1	Plug	
48A	7007207	1	O-Ring	
49	7007454	1	Cover, Front	
50	Item 94	1	Block, Cylinder	
51	7021207	6	Screw	
53	7007457	1	Swashplate	

SECTION 2 - TURNTABLE

ITEM	PART NUMBER	QTY	DESCRIPTION	REV
54	7021212	1	Journal, Bearing	
55	Item 93A	1	Seal, Lip	
56	Item 93A	1	O-Ring	
57	7010121	1	Shaft, Main Pump	
58	7021214	1	Plate, Valve	
59	7007463	1	Gerotor Assembly	
60	7007464	1	Pin	
61	7007465	1	Key, Woodruff	
62	7007466	1	Adaptor, Remote Filtration (Without By-Pass)	
64	7021218	3	Screw	
67	7021220	1	Cover, Servo (Without Adjuster)	
68	7021219	1	Cover, Servo (Without Adjuster)	
69	7023979	1	Guide, Spring	
70	7007484	1	Stop, Servo	
71	7007485	1	Spring	
72	7021221	1	Screw	
73	7007487	1	Guide, Spring	
74	7007488	1	Ring, Retaining	
75	7021222	1	Locknut	
76	See Note	2	Ring, Piston (Note: Use Item 93A or 93B)	
77	7007494	1	Piston, Servo	
78	See Note	2	O-Ring (Note: Use Item 93A or 93B)	
79	7007472	1	Valve, Bypass	
80	7024851	2	Valve, Pressure Relief (Includes Item 6)	
81	7007474	1	Control, Dual Oil-Filled	
81	7007496	1	Coil Assembly (Pilot)	
81	7007497	1	Plug (Pump)	
81	7007498	1	Plug (Valve Harness)	
82	7001498	2	Screw	
83	7007478	2	Screw	
84	7001433	2	O-Ring	
86	7007475	1	Plug, Orifice/Screen (.156)	
87	7007477	2	Plug, Orifice (.37)	
88	7007476	1	Adapter, Auxiliary Pump	
89	7021217	1	Spacer/Gasket	
90	7021206	1	Nut	
91	7024800	2	Spring	
92	7021201	1	Bracket, Lifting	
93		Ref	Seal Kit Options:	
93A	7021232	1	Seal Kit - Complete (Includes Items 3, 6, 14, 37, 41, 42, 44, 45, 55, 56, 76, 78 & 89)	
93B	7007412	1	Seal Kit - Servo Piston (Includes Items 76 & 78)	
94	7010116	1	Cylinder Block Kit (Includes Items 19-28 & 50)	
	3600396	Ref	PISTON PUMP AND FITTING ASSEMBLY	C
101		Ref	Fitting, Straight Options:	
101	2220479	1	Fitting, Straight (Prior to SN 109245)	
101	2220377	1	Fitting, Straight (SN 109245 to Present)	
102	2220578	1	Fitting, Straight	
103	2220646	2	Fitting, Straight	
104	2220947	2	Fitting, Straight	
105	3600381	1	Pump Options (Includes Items 1 - 92)	

SECTION 2 - TURNTABLE

FIGURE 2-14. PISTON PUMP ASSEMBLY (WITH HYDRAULIC WELDER)

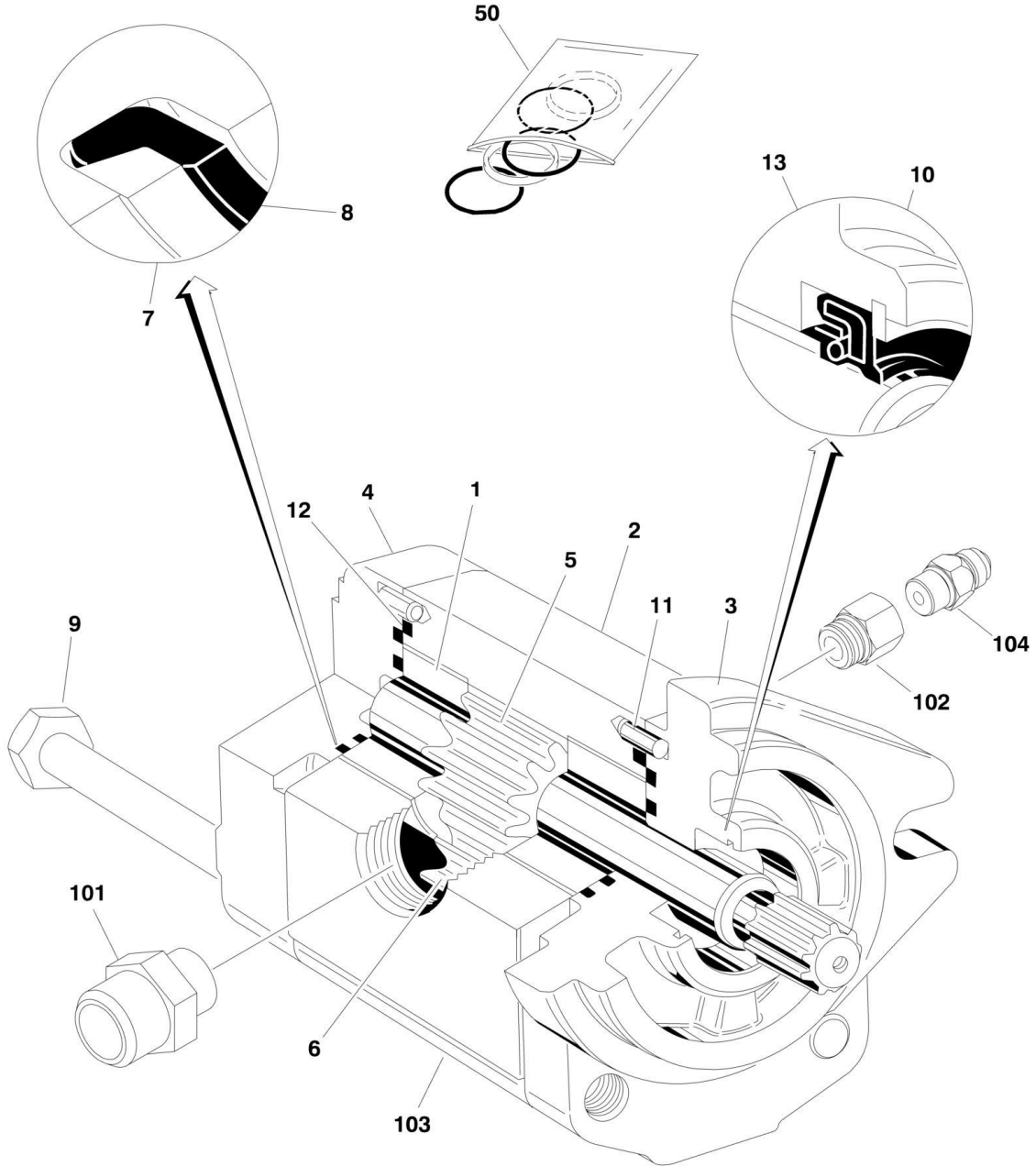
ITEM	PART NUMBER	QTY	DESCRIPTION	REV
	3600333	Ref	PISTON PUMP ASSEMBLY	A
101	7007413	1	Shim Kit	
102	7007414	1	Plug	
103	Item 1600A	1	O-Ring	
104	7021200	1	Spring, Relief Valve	
105	7007417	1	Valve, Relief	
106	Item 1600A	2	O-Ring (Part of Items 1103 & 1104)	
107	7007419	2	Plug	
110	7007470	2	Plug	
115	7007423	1	Nut, Special	
118	7007425	1	Bearing, Needle	
119	Item 1601	1	Ring, Retainer	
120	Item 1601	1	Washer	
121	Item 1601	1	Spring	
123	Item 1601	1	Retainer	
124	Item 1601	3	Slipper Hold Down Pin	
125	Item 1601	7	Piston Assembly	
126	Item 1601	1	Slipper Retainer	
127	Item 1601	1	Guide, Retainer	
128	Item 1601	1	Block, Cylinder	
129	7007435	1	Pin, Spring	
130	7021202	1	Screw, 12 Point Head	
131	7007437	1	Bearing, Ball	
132	7007438	2	Ring, Retainer	
133	7007439	2	Ring	
134	7021203	2	Pin, Spring	
135	7007441	1	Handle, Pin (Part of Item 201)	
136	7007442	1	Sleeve, Bearing	
137	Item 1600A	1	Gasket, Front Cover	
138	7007444	1	Pin (Part of Item 201)	
140	7007446	1	Pin	
141	Item 1600A	1	O-Ring	
142	Item 1600A	1	Ring, Load Temper	
150	Not Serviced	1	Housing, Pump	
155	7007452	1	Cover, Gerotor	
158	7007208	1	Plug	
159	7007454	1	Cover, Front	
163	7021207	6	Screw	
165	7021264	2	Spring (Part of Items 1103 & 1104)	
167	7007494	1	Piston, Servo	
168	Item 1600A	2	Bearing	
201	7007457	1	Swashplate Assembly (Includes Items 135 & 138)	
202	7021212	2	Journal, Bearing	
301	Item 1600A	1	Seal, Lip	
304	Item 1600A	1	O-Ring	
401	7023978	1	Shaft, Main Pump	
501	7021214	1	Plate, Valve	
603	7007463	1	Gerotor Assembly	
604	7007464	1	Pin	
605	7007465	1	Key, Woodruff	

SECTION 2 - TURNTABLE

ITEM	PART NUMBER	QTY	DESCRIPTION	REV
802	7007466	1	Adaptor, Remote Filtration	
805	Item 1600A	1	Seal, Filter Adapter	
806	7021218	3	Screw	
901	7021219	1	Cover, Servo	
902	7021220	1	Cover, Servo	
905	7023979	1	Guide, Spring	
906	7007484	1	Stop, Servo	
907	7007485	1	Spring	
908	7021221	1	Screw	
909	7007487	1	Guide, Spring	
910	7007488	1	Ring, Retaining	
911	7021222	1	Nut	
916	See Note	2	Ring, Piston (Note: Purchase Item 1600A or 1600B)	
918	See Note	2	O-Ring (Note: Purchase Item 1600A or 1600B)	
919	7021206	1	Nut	
920	7021223	10	Screw	
933	7021201	1	Bracket, Lifting	
935	Item 1600A	1	Gasket, Servo	
936	Item 1600A	1	Gasket, Servo	
937	7007470	1	Plug	
938	7007470	1	Plug	
1001	7007472	1	Valve, Bypass	
1002	Item 1600A	1	Ring, Back-up	
1003	Item 1600A	1	O-Ring	
1103	7010122	1	SCR Kit (Includes items 106 & 165)	
1104	7010122	1	SCR Kit (Includes items 106 & 165)	
1201	7007474	1	Control, Dual Oil-Filled	
1201	7007496	1	Coil Assembly (Pilot)	
1201	7007497	1	Plug (Pump)	
1201	7007498	1	Plug (Valve Harness)	
1203	7007478	2	Screw	
1204	7001498	2	Screw	
1220	Item 1600A	2	O-Ring	
1401	7007475	1	Plug, Orifice/Screen (.156)	
1403	7007477	1	Plug, Orifice	
1404	7007477	1	Plug, Orifice	
1502	7007453	3	Screw	
1503	7007476	1	Adapter, Flange	
1504	7021298	1	Seal	
1505	7021229	1	Plate, Cover	
1506	7007453	2	Screw	
1600		Ref	Seal Kit Options:	
1600A	2900752	1	Seal Kit - Complete (Includes Items 103, 106, 137, 141, 142, 168, 301, 304, 805, 916, 918, 935, 936, 1002, 1003 & 1220)	
1600B	7007412	1	Seal Kit - Servo Piston (Includes Items 916 & 918)	
1601	7010116	1	Cylinder Block Kit (Includes Items 119-128)	

SECTION 2 - TURNTABLE

FIGURE 2-15. GEAR PUMP ASSEMBLY (WITHOUT HYDRAULIC WELDER)



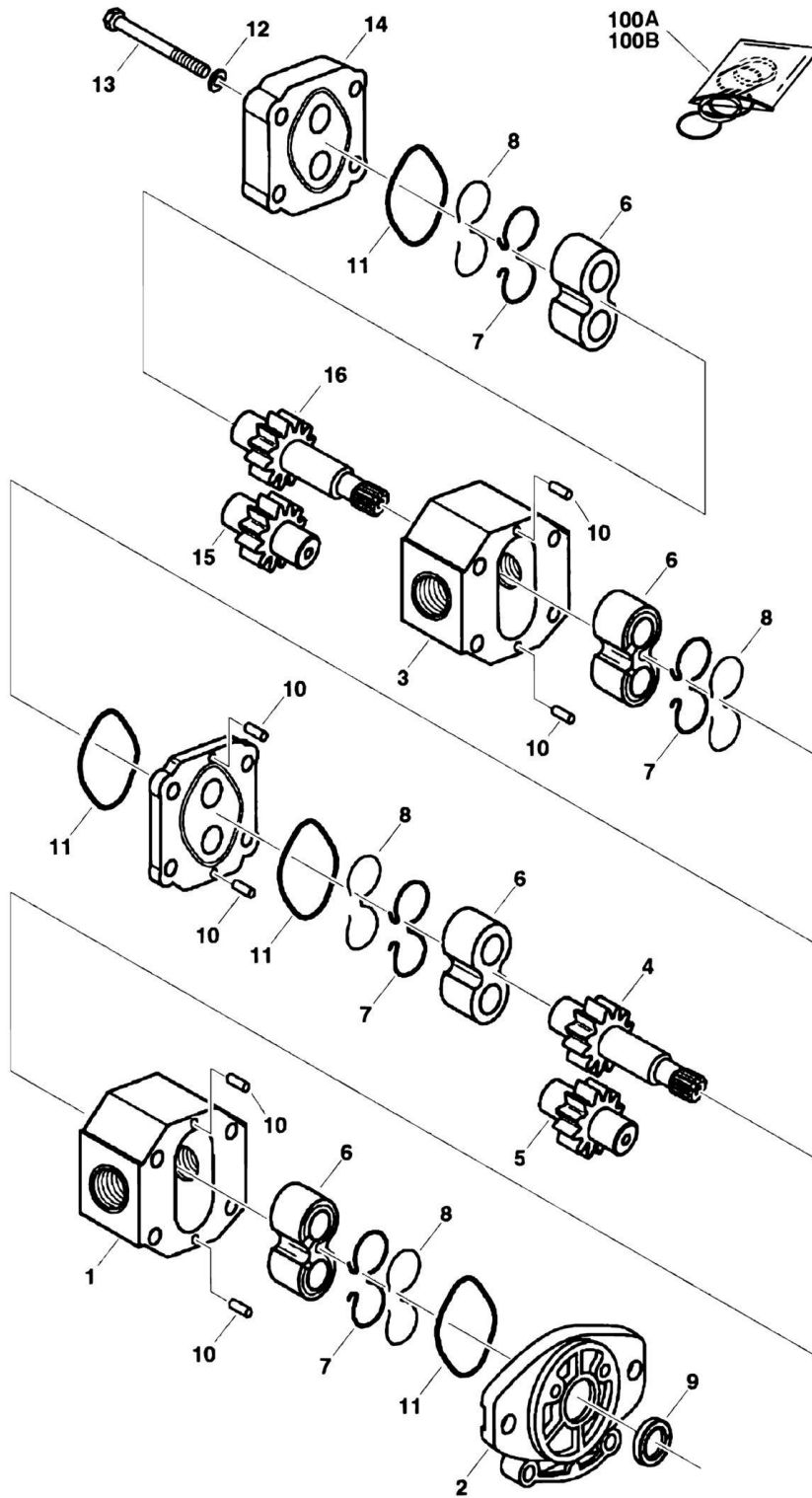
SECTION 2 - TURNTABLE

FIGURE 2-15. GEAR PUMP ASSEMBLY (WITHOUT HYDRAULIC WELDER)

ITEM	PART NUMBER	QTY	DESCRIPTION	REV
	3600242	Ref	GEAR PUMP ASSEMBLY	A
1	7010105	2	Bearing/Bushing	
2	Not Serviced	1	Housing	
3	Not Serviced	1	Flange	
4	7010103	1	Cover	
5	7012987	1	Gear, Drive	
6	7012988	1	Gear, Idler	
7	Item 50	2	Ring, Anti-Extrusion	
8	Item 50	2	Seal	
9	Not Serviced	4	Bolt	
10	7010104	1	Ring, Retaining	
11	Not Serviced	4	Pin, Dowel	
12	Item 50	2	Seal, O-Ring	
13	Item 50	1	Seal, Shaft	
50	7007489	1	Seal Kit (Includes Items 7, 8, 12 & 13)	
	3600395	Ref	GEAR PUMP AND FITTING ASSEMBLY	A
101	2220376	1	Fitting, Straight	
102	2220810	1	Fitting, Reducer	
103	3600242	1	Pump, Gear (Includes Items 1 - 13)	
104	4640744	1	Fitting, Check Valve	

SECTION 2 - TURNTABLE

FIGURE 2-16. GEAR PUMP ASSEMBLY (WITH HYDRAULIC WELDER)



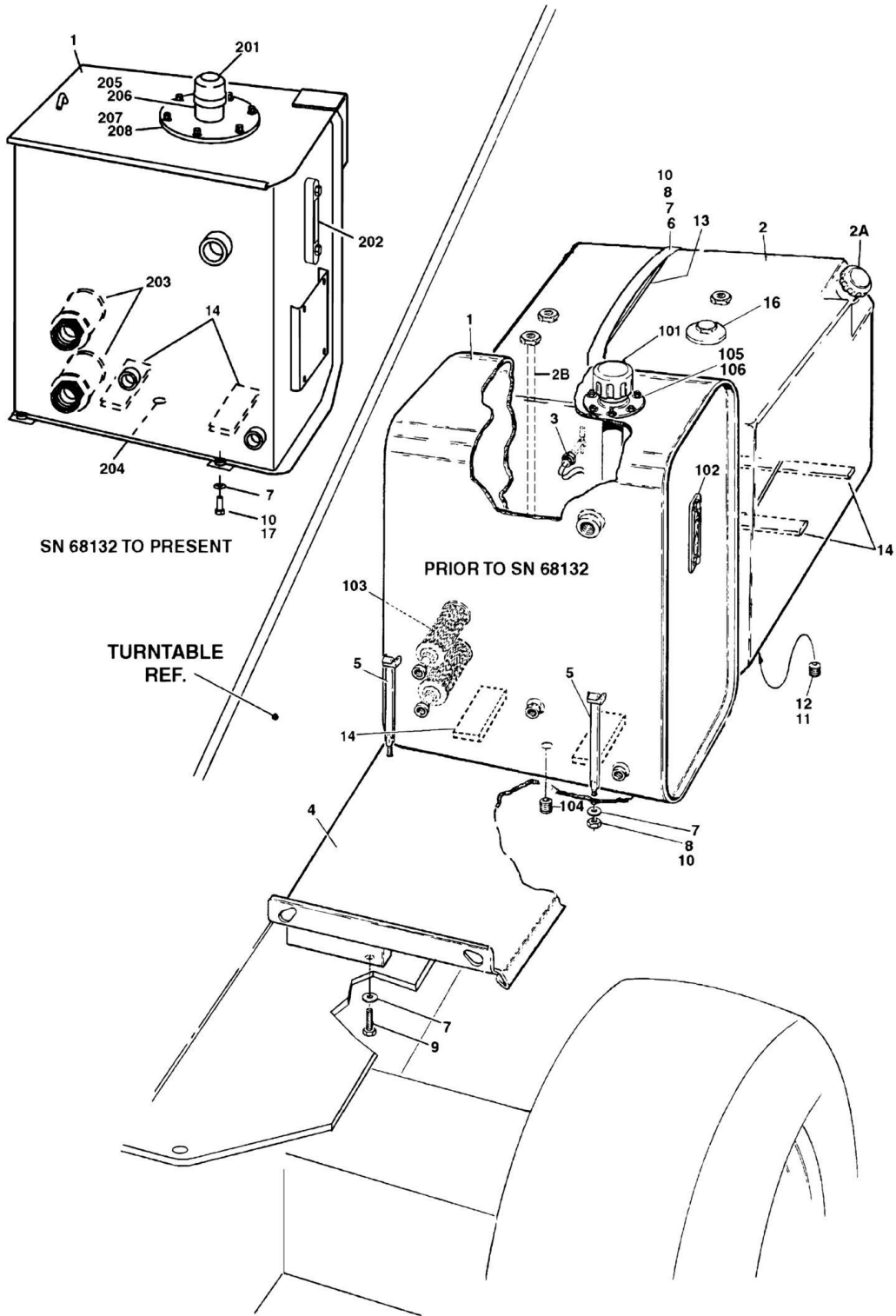
SECTION 2 - TURNTABLE

FIGURE 2-16. GEAR PUMP ASSEMBLY (WITH HYDRAULIC WELDER)

ITEM	PART NUMBER	QTY	DESCRIPTION	REV
	3600297	Ref	GEAR PUMP ASSEMBLY (Prior to SN 70877)	C
		Ref	Note: No service parts are available for Pump p/n 3600368 - Used SN 70877 to Present. Replace complete Pump. (SN 70877 to Present)	
1	Not Available	1	Body, Front	
2	Not Available	1	Cover	
3	Not Available	1	Body, Rear	
4	7023811	1	Gear, Drive	
5	7023812	1	Gear, Idler	
6	Item 100B	4	Block, Bearing	
7	See Note	4	Seal, Load (Note: Use Item 100A or 100B)	
8	See Note	4	Seal, Anti/Extrusion (Note: Use Item 100A or 100B)	
9	See Note	1	Seal, Shaft (Note: Use Item 100A or 100B)	
10	Not Available	6	Pin, Dowel	
11	See Note	4	Seal, Static (Note: Use Item 100A or 100B)	
12	7023813	4	Washer	
13	7023814	4	Screw, Cap	
14	Not Available	1	Cover, Rear	
15	7023812	1	Gear, Idler	
16	7023815	1	Gear, Drive	
100		Ref	Seal Kit Options:	
100A	7023820	1	Minor Seal Kit - 3600297 Pump (Includes Items 7, 8, 9 & 11) (Prior to SN 70877)	
100A	Not Available	1	Minor Seal Kit - 3600368 Pump (SN 70877 to Present)	
100B	7023802	1	Major Seal Kit - 3600297 Pump (Includes Items 6, 7, 8, 9 & 11) (Prior to SN 70877)	
100B	Not Available	1	Major Seal Kit - 3600368 Pump (Includes Items 6, 7, 8, 9 & 11) (SN 70877 to Present)	

SECTION 2 - TURNTABLE

FIGURE 2-17. TANK INSTALLATIONS



SECTION 2 - TURNTABLE

FIGURE 2-17. TANK INSTALLATIONS

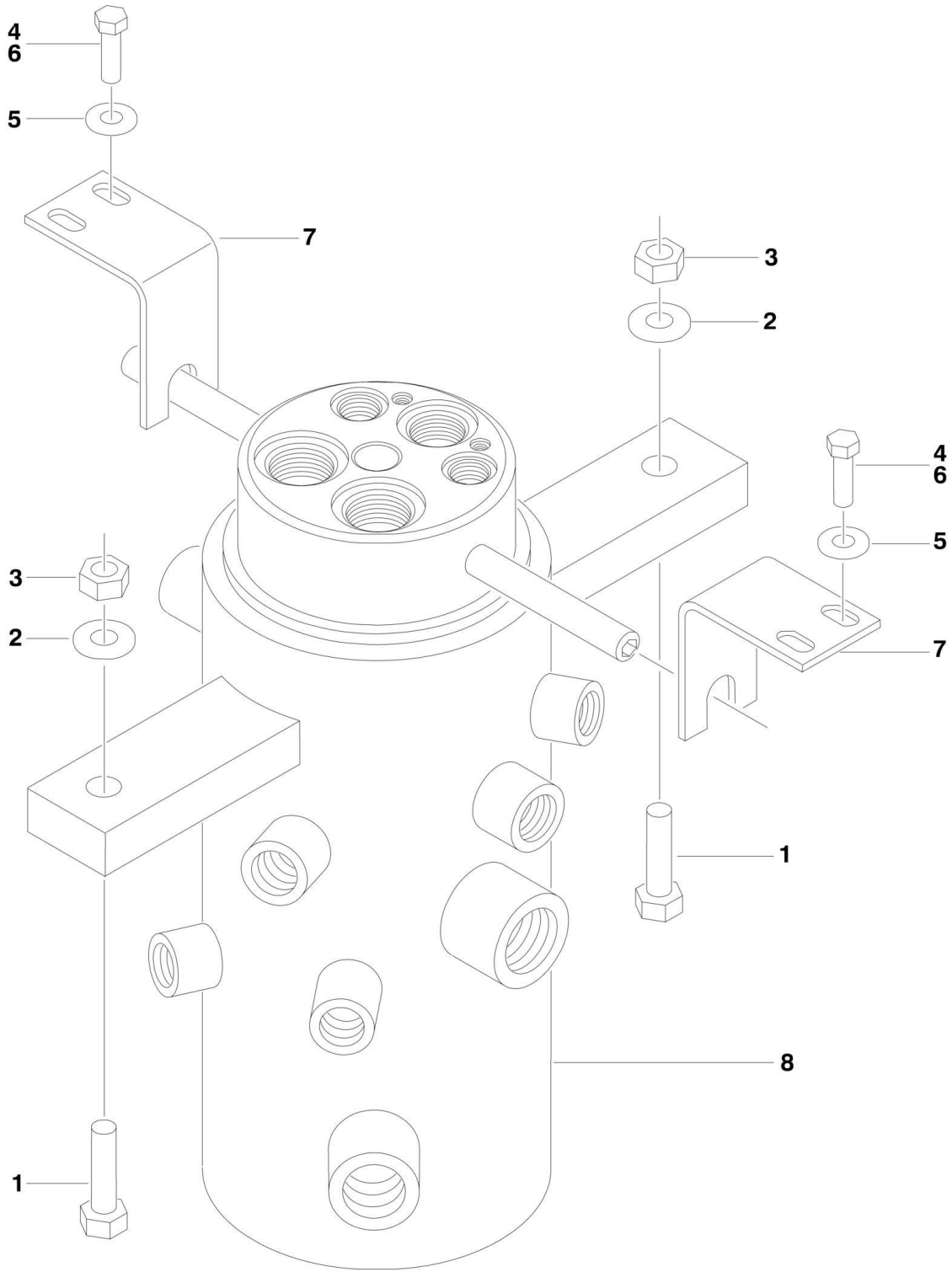
ITEM	PART NUMBER	QTY	DESCRIPTION	REV
	0257921	Ref	TANKS INSTALLATION	7-F
	0271598	Ref	TANKS INSTALLATION (FUEL TANK WITH SIGHT GAGE)	2
	0271537	Ref	TANKS INSTALLATION (WITH HYDRAULIC WELDER OPTION)	1
1		Ref	Hydraulic Tank Assembly Options:	
1	4400375	1	Tank - Machines without Hydraulic Welder (See Items 101-106 for Breakdown) (Prior to SN 68132)	
1	4400449	1	Tank - Machines without Hydraulic Welder (See Items 201-208 for Breakdown) (SN 68132 to Present)	
1	4400441	1	Tank - Machines with Hydraulic Welder (See Items 101-106 for Breakdown)	
2		Ref	Tank, Fuel Options:	
2	4400411	1	Tank, Fuel (Prior to SN 54747)	
2	4400429	1	Tank, Fuel (SN 54747 to Present)	
2	4400442	1	Tank, Fuel (W/Sight Gage)	
2A	7016314	1	Cap, Fuel Tank	
2A	7016649	1	Seal, Cap	
2B	7020043	1	Tube	
5		Ref	Strap, Tank Options:	
5	4240112	4	Strap - Machines without Hydraulic Welder	
5	4240112	4	Strap - Machines with Hydraulic Welder	
6	4240135	1	Strap, Tank	
7	4751600	6	Flatwasher 3/8in	
8	3311601	AR	Nut 3/8in-16NC	
10	0100011	AR	Loctite #242	
11	0100079	AR	Permatex	
12	2200222	1	Fitting	
13	4280295	25	Strip, Protective	
		in/44cm		
14	4420038	6.5	Tape, Rubber	
		ft/1.98m		
15	1320223	1	Clamp (Not Shown)	
16	2220889	1	"O" Ring Plug (Prior to SN 54747)	
16	7016680	1	Gasket (SN 54747 to Present)	
17	0641614	4	Bolt 3/8in-16NC x 1 3/4in (SN 68132 to Present)	
		Ref	Hydraulic Tank Assembly Options:	
	4400375	Ref	Machines without Hydraulic Welder (Prior to SN 68132)	F
	4400441	Ref	Machines with Hydraulic Welder	A
101	7014811	1	Fill Cap	
102	7014802	1	Gauge, Sight	
103	7014801	2	Strainer	
104		Ref	Plug, Magnetic Options:	
104	7014800	1	Plug - Machines without Hydraulic Welder (Prior to SN 68132)	
104	7014813	1	Plug - Machines with Hydraulic Welder	
105		Ref	Filler Neck Assembly Options:	
105	7014810	1	Filler - Machines without Hydraulic Welder (Prior to SN 68132)	
105	7020256	1	Filler - Machines with Hydraulic Welder	
106		Ref	Screen Options:	
106	7014803	1	Screen - Machines without Hydraulic Welder (Prior to SN 68132)	
106	7014816	1	Screen - Machines with Hydraulic Welder	
		Ref	HYDRAULIC TANK ASSEMBLY (SN 68132 to Present)	

SECTION 2 - TURNTABLE

ITEM	PART NUMBER	QTY	DESCRIPTION	REV
	4400449	Ref	Machines without Hydraulic Welder (SN 68132 to Present)	F
201	7024444	1	Fill Cap	
202	7024441	1	Gauge, Sight	
203	7024442	2	Strainer	
204	7024446	1	Plug, Magnetic	
205	7024443	1	Filler Neck Assembly	
206	7024445	1	Screen	
207	7024439	1	Cover	
208	7024440	1	Gasket	

SECTION 2 - TURNTABLE

FIGURE 2-18. ROTARY COUPLING INSTALLATION (Prior to SN 85132)



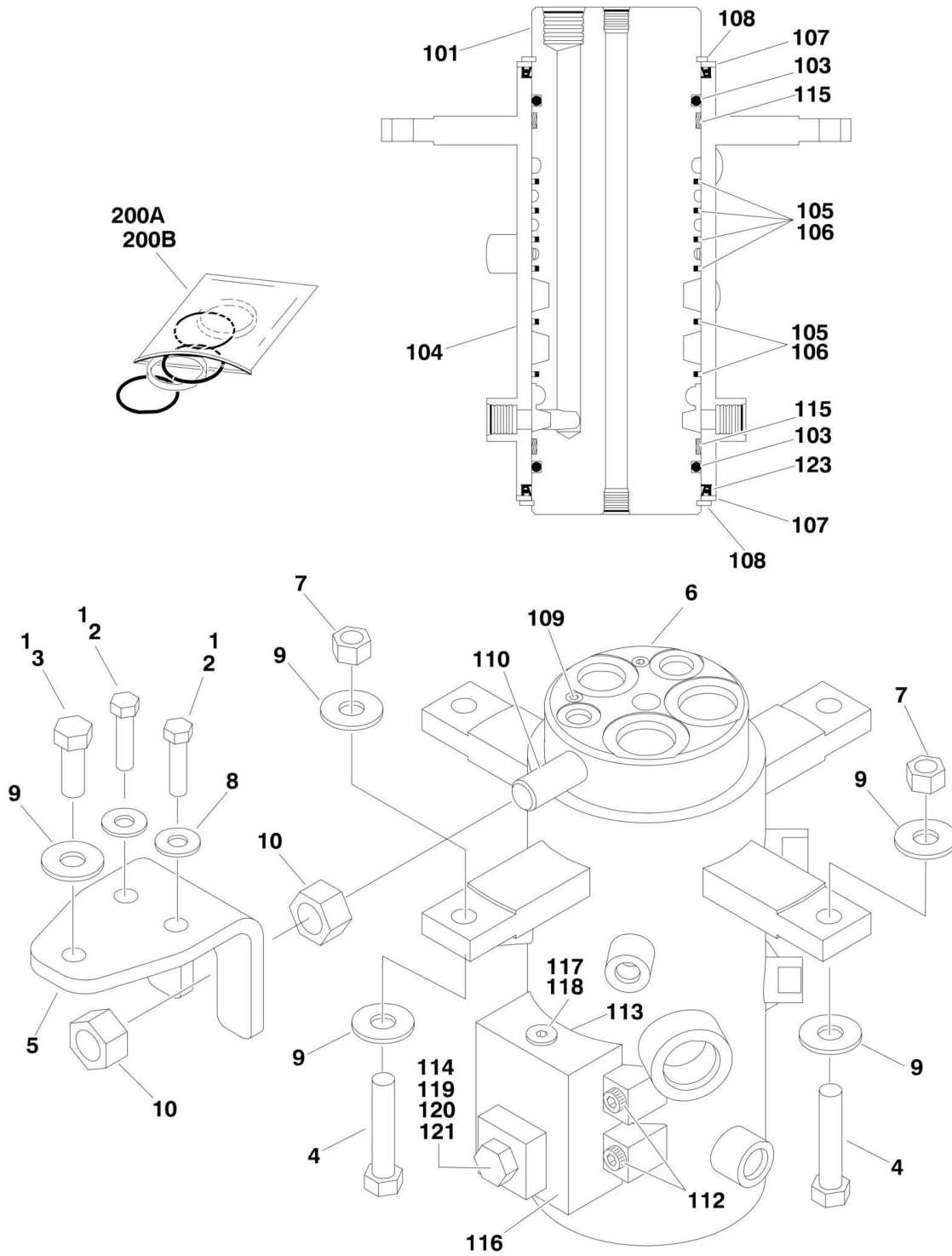
SECTION 2 - TURNTABLE

FIGURE 2-18. ROTARY COUPLING INSTALLATION (Prior to SN 85132)

ITEM	PART NUMBER	QTY	DESCRIPTION	REV
	0255262	Ref	ROTARY COUPLING INSTALLATION	5
1	0641820	2	Bolt 1/2in-13NC x 2 1/2in	
2	4751800	4	Flatwasher 1/2in	
3	3311805	2	Locknut 1/2in-13NC	
4	0641611	4	Bolt 3/8in-16NC x 1 3/8in	
5	4751600	4	Flatwasher 3/8in	
6	0100011	AR	Loctite #242	
7		Ref	Bracket Options:	
7	0902109	2	Bracket (Prior to SN 41289)	
7	0902520	2	Bracket (SN 41289 through 85132)	
8	1660219	1	Rotary Coupling	
8	7013187	1	Seal Kit	
8	1660219RR	1	Rebuilt Coupling	

SECTION 2 - TURNTABLE

FIGURE 2-19. ROTARY COUPLING INSTALLATION (SN 85132 to Present)



SECTION 2 - TURNTABLE

FIGURE 2-19. ROTARY COUPLING INSTALLATION (SN 85132 to Present)

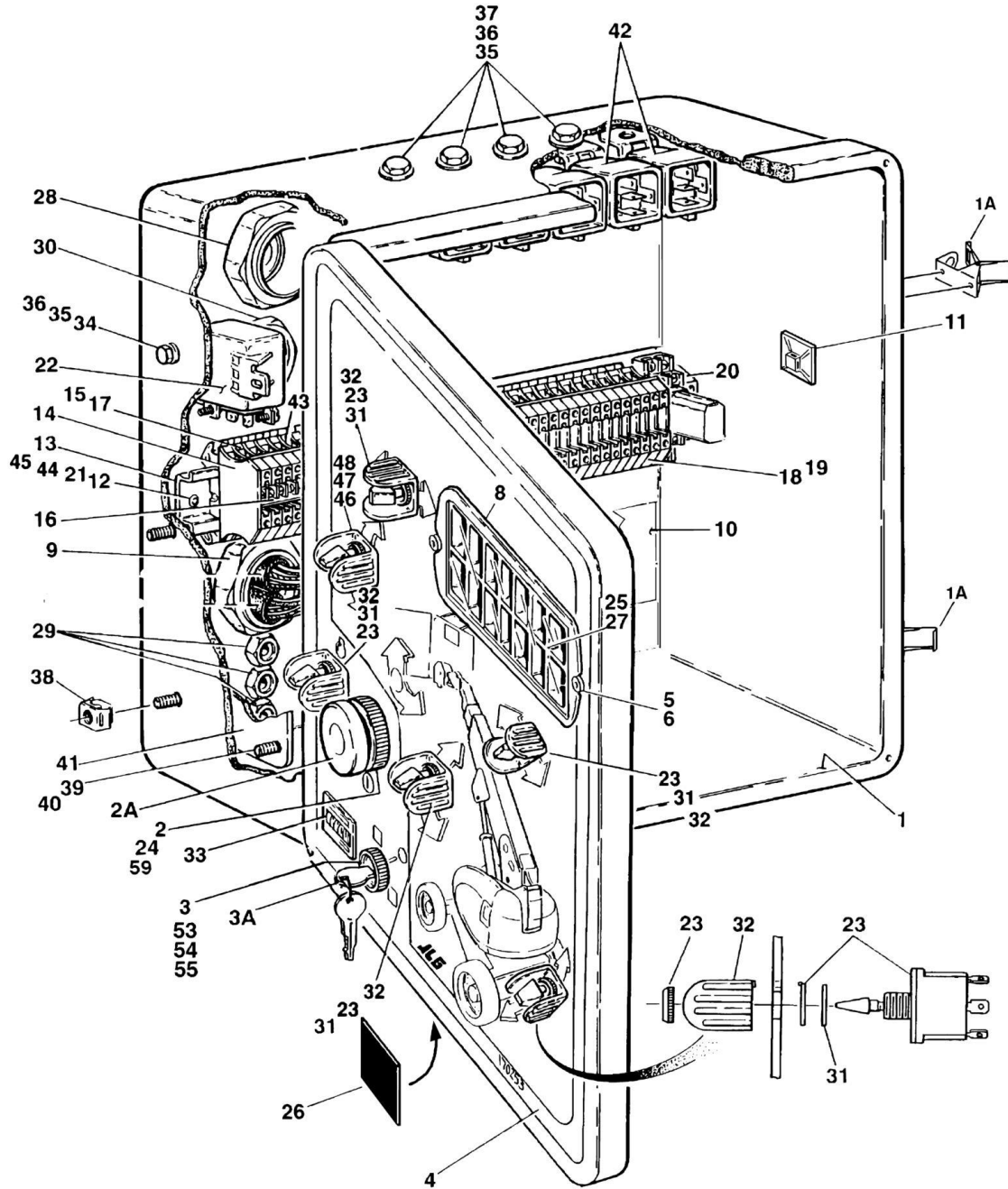
ITEM	PART NUMBER	QTY	DESCRIPTION	REV
	0274211	Ref	ROTARY COUPLING INSTALLATIONS	B
1	0100011	AR	Loctite #242	
2	0641612	2	Bolt 3/8in-16NC x 1 1/2in	
3	0641811	1	Bolt 1/2in-13NC x 1 3/8in	
4	0641820	2	Bolt 1/2in-13NC x 2 1/2in	
5	0903056	1	Bracket	
6		Ref	Coupling, Rotary Options (See Items 101-123 for Breakdown):	
6	1660303	1	Coupling, Rotary (Was p/n 1660257) (Prior to SN 0300113987)	
6	1660303	1	Coupling, Rotary (SN 0300113930 to Present)	
7	3271805	2	Locknut 1/2in-13NC	
8	4751600	2	Flatwasher 3/8in	
9	4751800	5	Flatwasher 1/2in	
10	3322201	2	Nut 3/4in-16NC	
		Ref	ROTARY COUPLING ASSEMBLIES	
	1660257	Ref	Rotary Coupling Assemblies (Prior to SN 0300113987)	D
	1660303	Ref	Rotary Coupling Assemblies (SN 0300113987 to Present)	A
101	Not Serviceable	1	Body	
102		Ref	Seal Options:	
102	7026189	1	Coupling p/n 1660257 (Prior to SN 113987)	
102	Item 200B	1	Coupling p/n 1660303 (SN 113987 to Present)	
103	See Note	2	O-Ring (Note: Use Item 200A or 200B)	
104	Not Serviceable	1	Housing	
105	See Note	6	Seal, Cap (Note: Use Item 200A or 200B)	
106	See Note	6	O-Ring (Note: Use Item 200A or 200B)	
107	7026503	2	Ring	
108	7026504	2	Ring, Retaining	
109		Ref	Plug Options:	
109	Not Serviced		Coupling p/n 1660257 (Prior to SN 113987)	
109	80934561	2	Coupling p/n 1660303 (SN 113987 to Present)	
110	Not Serviceable	1	Lug, Torque	
111	Not Serviceable	1	Block, Valve	
112	7026197	4	Bolt 5/16in-18NC x 1 1/4in	
113	See Note	3	O-Ring (Note: Use Item 200A or 200B)	
114	See Note	1	O-Ring (Note: Use Item 200A or 200B)	
115	See Note	2	Bearing (Note: Use Item 200A or 200B)	
116	7024404	1	Block Valve Assembly	
117	7026505	1	Plug	
118	7026506	1	Valve, Check	
119	7026507	1	Plug	
120		Ref	Plunger, Valve Options:	
120	7026508	1	Coupling p/n 1660257 (Prior to SN 113987)	
120	Not Serviced		Coupling p/n 1660303 (Use p/n 7024404) (SN 113987 to Present)	
121	7026509	1	Spring, Compression	
122	Not Serviced	AR	Protective Netting (Not Shown) (Rotary Coupling p/n 1660303)	
123		Ref	Seal Options:	
123	7026189	1	Coupling p/n 1660257 (Prior to SN 113987)	
123	Item 200B	1	Coupling p/n 1660303 (SN 113987 to Present)	
200		Ref	Seal Kit Options:	

SECTION 2 - TURNTABLE

ITEM	PART NUMBER	QTY	DESCRIPTION	REV
200A	7026510	1	Coupling p/n 1660257 (Includes Items 103, 105, 106, 113, 114 & 115) (Must Purchase Item 102 Separately) (Prior to SN 113987)	
200B	70001248	1	Coupling p/n 1660303 (Includes Items 102, 103, 105, 106, 113, 114, 115 & 123) (SN 113987 to Present)	

SECTION 2 - TURNTABLE

FIGURE 2-20. GROUND CONTROL BOX ASSEMBLY (Prior to SN 62137)



SECTION 2 - TURNTABLE

FIGURE 2-20. GROUND CONTROL BOX ASSEMBLY (Prior to SN 62137)

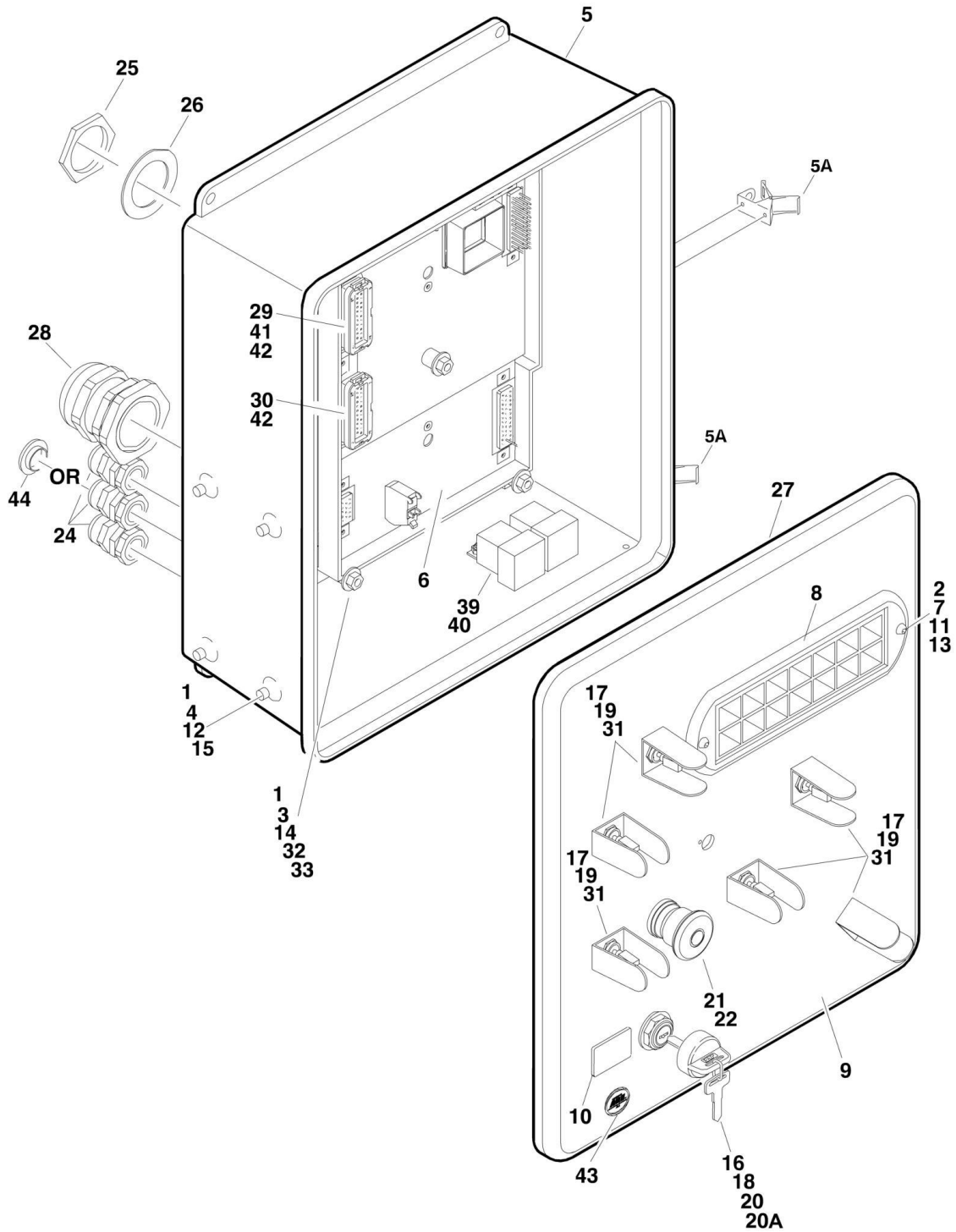
ITEM	PART NUMBER	QTY	DESCRIPTION	REV
	0861289	Ref	GROUND CONTROL BOX ASSEMBLY	6
1	0861303	1	Box, Fiberglass	
1A	7020246	2	Latch	
2	4360475	1	Switch, Emergency Stop	
2A	7020175		Cap, Red	
2A	7020176		Contact Block	
3	4360469	1	Switch, Key	
3A	2860030	1	Key Replacement	
4	1703465	1	Decal - Faceplate	
5	0630518	2	Capscrew, Button Head	
6	3300408	2	Locknut, Plastic Insert	
8	1670829	1	Bezel	
9	4460711	1	Connector, Strain Relief	
10	1703622	1	Decal - Service Manual Reference	
11	4460234	8	Base, Tie-Strap (Not Shown)	
12	3910608	2	Screw #6-32NC x 1/2in	
13	3640970	1	Rail	
14	4460602	1	Barrier, Terminal	
15	4460601	10	Block, Terminal	
16	4460603	1	Bussbar - 10 Position (Requires being cut into (2) 5 position bussbars)	
17	4460631	AR	Marker, Terminal (Negative)	
18	4460600	AR	Block, Terminal	
19	4460628	AR	Marker, Terminal (1-50)	
20	4460607	1	Stop, Terminal	
21	4750600	4	Flatwasher #6	
22	3740112	1	Relay, Bosch	
23	4360314	AR	Switch, Toggle	
24	4360476	1	Switch, Contact Block	
25	2760105	1	Housing, Display Light	
26	4420038	4 in/10cm	Insulation, Adhesive Foam	
27	1702610	1	Decal - Ground Control Display	
28	4460526	1	Connector, Strain Relief	
29	4460428	3	Connector, Strain Relief	
30	4460426	1	Connector, Strain Relief	
31	4740444	AR	Washer, Special	
32	4060906	AR	Shield, Toggle Switch	
33	2420172	1	Gauge, Hourmeter	
34	0721005	AR	Screw #10-24NC x 5/8in	
35	3311001	AR	Nut #10-24NC (Prior to SN 55244)	
36	4751000	AR	Flatwasher #10	
37	0721004	AR	Screw #10-24NC	
38	3300205	4	Nut, Retainer	
39	0641506	4	Bolt 5/16in-18NC x 3/4in	
40	0100011	AR	Loctite #242	
41	3539219	1	Plate, Reinforcement	
42	3740049	6	Relay - SPDT	
43	4460630	1	Marker, Terminal (Ignition)	
44	4760600	2	Lockwasher #6	
45	3310601	2	Nut #6-32NC	

SECTION 2 - TURNTABLE

ITEM	PART NUMBER	QTY	DESCRIPTION	REV
46	4360314	1	Switch, Toggle	
47	4740444	1	Washer, Nylon	
48	4060906	1	Shield, Toggle Switch	
53	4070991	1	Shim (.125in)	
54	4070987	1	Shim (.015in)	
55	3910804	6	Screw #8-32NC x 1/4in	
56	3520174	7	Plug 3/16in (Not Shown) (SN 55244 through 62137)	
57	0100009	AR	Adhesive (Not Shown) (SN 55244 through 62137)	
58	3520026	1	Plug 5/8in (Not Shown) (SN 55244 through 62137)	
59	1704260	1	Decal - EMS (SN 59398 through 61828)	

SECTION 2 - TURNTABLE

FIGURE 2-21. GROUND CONTROL BOX ASSEMBLY (ADE SYSTEM) (SN 62137 to Present)



SECTION 2 - TURNTABLE

FIGURE 2-21. GROUND CONTROL BOX ASSEMBLY (ADE SYSTEM) (SN 62137 to Present)

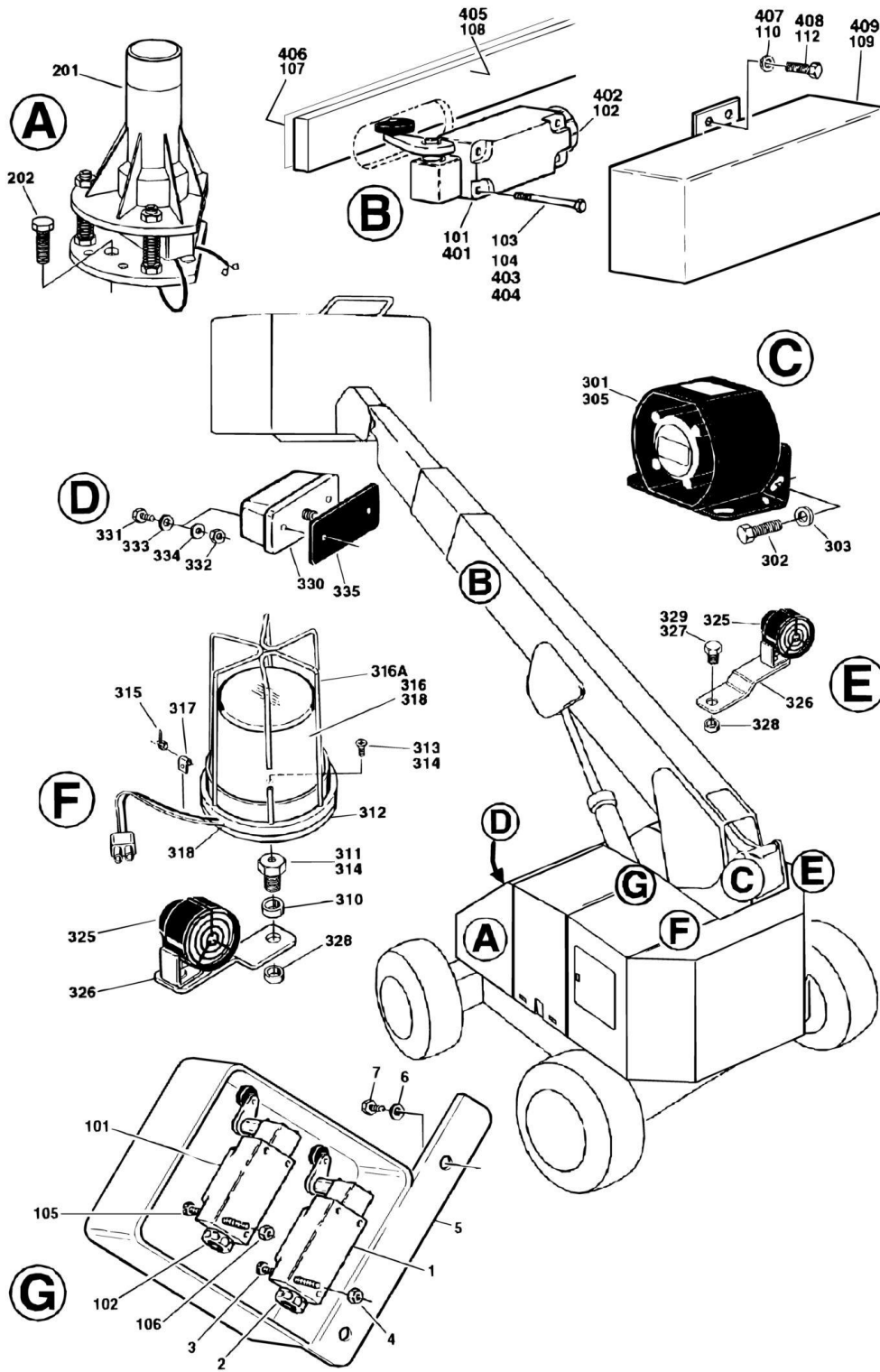
ITEM	PART NUMBER	QTY	DESCRIPTION	REV
		Ref	GROUND CONTROL BOX ASSEMBLIES	
	0861403	Ref	Ground Control Box Assemblies (Prior to SN 64398)	F
	0861486	Ref	Ground Control Box Assemblies (SN 64398 through 86147)	F
	0861687	Ref	Ground Control Box Assemblies (SN 86148 through 99059)	B
	1810070	Ref	Ground Control Box Assemblies (SN 99060 to Present)	A
1	0100011	AR	Loctite #242	
2	0630518	2	Capscrew, Button Head	
3	0630548	5	Bolt	
4	0641506	4	Bolt 5/16in-18NC x 3/4in	
5	0861389	1	Box, Fiberglass	
5A	7020246	2	Latch	
6		Ref	Module, Ground Control Options (Re-calibration Required when Replaced):	
6	1600312	1	Module, Ground Control (Prior to SN 64398)	
6	2915014	1	Module, Ground Control (was p/n 1600327) (SN 64398 through 78256)	
6	1600364	1	Module, Ground Control (SN 78257 through 86147)	
6	1600411	1	Module, Ground Control (SN 86148 to Present)	
6	2915014	1	Update Kit (Includes Module, Cables, Programming Instructions and CD Software)	
7	1670829	1	Bezel	
8		Ref	Decal - Ground Control Display Options:	
8	1702610	1	Decal - Ground Control Display (Prior to SN 73232)	
8	1705752	1	Decal - Ground Control Display (SN 73232 through 86147)	
8	1705753	1	Decal - Ground Control Display (SN 86148 through 99059)	
8	1706712	1	Decal - Ground Control Display (SN 99060 to Present)	
9		Ref	Decal - Faceplate Options:	
9	1703465	1	Decal - Faceplate (Prior to SN 99060)	
9	1706914	1	Decal - Faceplate (SN 99060 to Present)	
10	2420172	1	Gauge, Hourmeter	
11	2760105	1	Housing, Display Light	
12	3300205	4	Nut, Retainer	
13	3300408	AR	Locknut, Plastic Insert	
14	3311401	10	Nut 1/4in-20NC	
15	3539219	1	Plate, Reinforcement	
16	3910804	6	Screw #8-32NC x 1/4in	
17	4060906	6	Shield, Toggle Switch	
18	4070987	1	Shim (.125in)	
19	4360328	6	Switch, Toggle	
20	4360470	1	Switch, Key	
20A	2860030	1	Key Replacement	
21	4360475	1	Switch, Emergency Stop	
22	4360476	1	Switch, Contact Block	
23	4460234	2	Tie, Wire (Not Shown)	
24		Ref	Connector, Strain Relief Options:	
24	4460428	3	Connector, Strain Relief (Prior to SN 64398)	
24	4460426	2	Connector, Strain Relief (SN 64398 through 68131)	
24	4460426	1	Connector, Strain Relief (SN 68132 to Present)	
25	4460470	1	Nut, Terminal	
26	4460471	1	Lockwasher, Terminal	

SECTION 2 - TURNTABLE

ITEM	PART NUMBER	QTY	DESCRIPTION	REV
27	4460488	AR	Mounting Base, Terminal	
28	4460526	1	Connector, Strain Relief	
29	4460874	1	Connector, Natural	
30	4460875	1	Connector, Gray	
31	4740444	6	Washer, Special	
32	4751400	20	Flatwasher 1/4in	
33	4761400	15	Lockwasher 1/4in	
34		Ref	Harness, Analyzer Cable (Not Shown) Options:	
34	4922485	1	Harness, Analyzer Cable (Prior to SN 64398)	
34	4922666	1	Harness, Analyzer Cable (SN 64398 through 86148)	
39	3740049	AR	Relay	
40	3900268	AR	Screw, Flange #10 x 1/2in	
41	4460905	4	Connector, Amp Seal Plug	
42	0100048	AR	Grease, Dielectric	
43	1705132	1	Decal - ADE Control (SN 66899 through 99060)	
44	3520035	1	Plug, Cap (SN 68132 to Present)	
45		Ref	Valve Harness Assembly (Not Shown - See ELECTRICAL SECTION for Breakdown)	
45	4922490	1	Valve Harness Assembly (Prior to SN 85132)	
45	4923206	1	Valve Harness Assembly (SN 85132 to Present)	
46		Ref	Ground Control Box Harness Assembly (Not Shown - See ELECTRICAL SECTION for Breakdown)	
46	4922487	1	Deutz Engine (Prior to SN 64398)	
46	4922649	1	Deutz/Ford Engine - LRG425 (SN 64398 through 85131)	
46	4923213	1	Deutz Engine (SN 85132 through 99059)	
46	4923577	1	Deutz Engine (SN 99060 to Present)	
47		Ref	Engine Harness Assembly (Not Shown - See ELECTRICAL SECTION for Breakdown)	
47	4922488	1	Deutz Engine (Prior to SN 85132)	
47	4922489	1	Deutz Engine With A "Enhanced Hostile Environment Package" Machines (Prior to SN 85132)	
47	4923212	1	Deutz Engine (SN 85132 to Present)	

SECTION 2 - TURNTABLE

FIGURE 2-22. ELECTRICAL OPTIONS INSTALLATION (TURNTABLE MOUNTED)



SECTION 2 - TURNTABLE

FIGURE 2-22. ELECTRICAL OPTIONS INSTALLATION (TURNTABLE MOUNTED)

ITEM	PART NUMBER	QTY	DESCRIPTION	REV
		Ref	ELECTRICAL OPTIONS INSTALLATIONS (TURNTABLE MOUNTED)	
	0255335	Ref	LIMIT SWITCH INSTALLATION - ABOVE HORIZONTAL	6
1		Ref	Switch, Limit Options:	
1	4360322	1	Switch, Limit (Prior to SN 74471)	
1	4360549	1	Switch, Limit (SN 74471 through 80897)	
1	4360578	1	Switch, Limit (SN 80898 to Present)	
2		Ref	Connector, Strain Relief Options:	
2	4460428	1	Connector, Strain Relief (Prior to SN 68977)	
2	4460968	1	Connector, Strain Relief (SN 74471 to Present)	
3		Ref	Capscrew Options:	
3	3930828	2	Capscrew, Socket Head #8-32NC x 1 3/4in (Prior to SN 68977)	
3	3931028	2	Capscrew, Socket Head #10-24NC x 1 3/4in (SN 68977 to Present)	
4		Ref	Locknut Options:	
4	3310805	2	Locknut #8-32NC (Prior to SN 68977)	
4	3311005	2	Locknut #10-24NC (SN 68977 to Present)	
5	1670818	1	Cover, Limit Switch	
6	4751400	4	Flatwasher 1/4in	
7	3931408	4	Bolt, 1/4in-20NC x 1in	
	0255698	Ref	LIMIT SWITCH INSTALLATION - DUAL CAPACITY	7-D
101		Ref	Switch, Limit Options:	
101	4360322	2	Switch, Limit (Prior to SN 74471)	
101	4360549	2	Switch, Limit (SN 74471 through 80897)	
101	4360578	2	Switch, Limit (SN 80898 to Present)	
102		Ref	Connector, Strain Relief Options:	
102	4460428	2	Connector, Strain Relief (Prior to SN 68977)	
102	4460968	2	Connector, Strain Relief (SN 74471 to Present)	
103	0100035	AR	Loctite #272	
104	3930816	2	Capscrew, Socket Head #8-32NC x 1in	
105	3930828	2	Capscrew, Socket Head #8-32NC x 1 3/4in	
106	3310805	2	Locknut #8-32NC	
107	4420054	9 ft/2.7m	Tape, Double Sided	
108	1001106479	1	Bar, Fiberglass (was p/n 0362528)	
109	1670824	1	Cover, Limit Switch	
110	4751400	4	Flatwasher 1/4in	
112	0641403	4	Bolt, 1/4in-20NC x 3/8in	
		Ref	TILT INDICATOR SWITCH INSTALLATION OPTIONS:	
	0255362	Ref	Tilt Indicator Switch Installation (Prior to SN 62137)	
	0271501	Ref	Tilt Indicator Switch Installation (ADE System) (SN 62137 to Present)	1
201	4360416	1	Switch, Level Sensing	
202	0641406	2	Bolt 1/4in-20NC x 3/4in	
203	3311405	2	Locknut 1/4in-20NC	
	0257886	Ref	ALARMS INSTALLATION (OPTIONAL)	1
301	0257887	1	Alarm/Harness Assembly	
301	0140032	1	Alarm	
301	2820035	6 in/15cm	Loom	
301	4460424	1	Plug	
301	4460268	2	Socket	

SECTION 2 - TURNTABLE

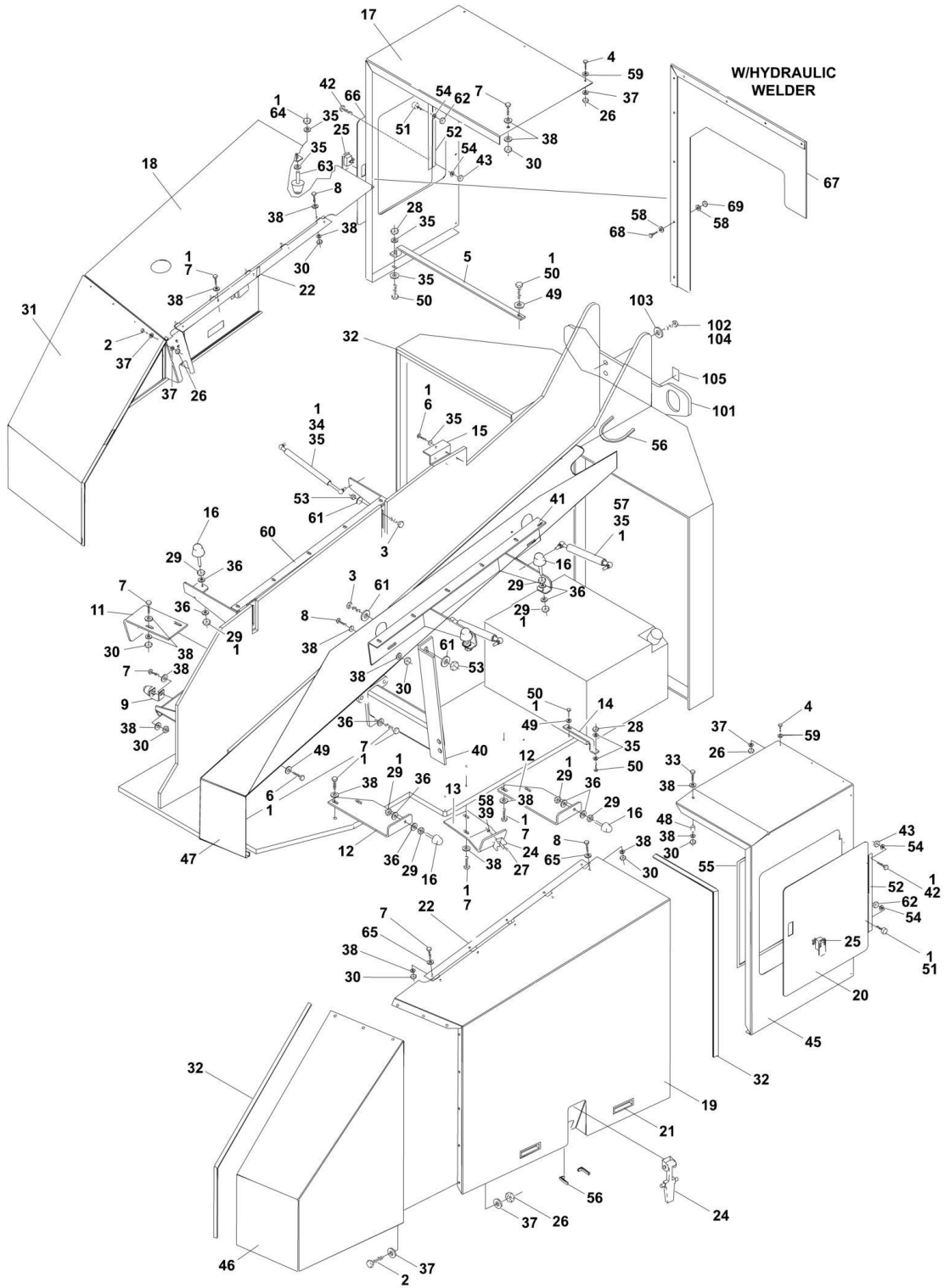
ITEM	PART NUMBER	QTY	DESCRIPTION	REV
302	0641406	2	Bolt 1/4in-20NC x 3/4in	
303	4711400	2	Flatwasher 1/4in Narrow	
305	0100048	AR	Sealant, Silicone	
	0257885	Ref	STROBE LIGHT INSTALLATIONS (AMBER) (OPTIONAL)	3
310	4220162	1	Spacer, Stop (Used with ECCO Model 6640 Only)	
311		Ref	Adapter Options:	
311	0630491	1	Adapter used with ECCO Model 6640	
311	0080241	1	Adapter used with ECCO Model 6650	
312	3539281	1	Plate, Mounting (Used with ECCO Model 6640 Only)	
313	0741606	1	Screw, Flathead Countersunk 3/8in-16NC x 3/4in (Used with ECCO Model 6640 Only)	
314	0100011	AR	Compound, Locking	
315	4240032	1	Wire-Tile	
316	0272507	1	Strobe Light/Guard/Harness Assembly (was p/n 0255917) (Note: P/N 0272507 includes Items 311 & 316A.)	
316		Ref	Bulb, Replacement Options:	
316	7016380	1	Bulb for ECCO Model 6640	
316	70001941	1	Bulb for ECCO Model 6650	
316A		Ref	Guard Options:	
316A	4060907	1	Guard used with ECCO Model 6640	
316A	2920215	1	Guard used with ECCO Model 6650	
317	4460234	1	Clamp	
318	0100048	AR	Sealant, Silicone	
	0259309	Ref	HEAD LIGHT AND TAIL LIGHT INSTALLATIONS - MODEL 601S With a "Enhanced Hostile Environment Package" (OPTIONAL) (Prior to SN 62137)	1
	0270802	Ref	HEAD LIGHT AND TAIL LIGHT INSTALLATIONS - MODEL 601S With a "Enhanced Hostile Environment Package" (OPTIONAL) (SN 62137 through 63912)	1
	0271044	Ref	HEAD LIGHT AND TAIL LIGHT INSTALLATIONS - MODEL 601S With a "Enhanced Hostile Environment Package" (OPTIONAL) (SN 63913 to Present)	2
	0270852	Ref	BRAKE LIGHTS INSTALLATION - MODEL 601S With a "Enhanced Hostile Environment Package" (OPTIONAL) (Prior to SN 62137)	1
	0271370	Ref	BRAKE LIGHTS INSTALLATION - MODEL 601S With a "Enhanced Hostile Environment Package" (OPTIONAL) (SN 62137 to Present)	2
325	2920110	2	Head Light	
326	0902206	2	Bracket, Mounting	
327	0642612	1	Bolt 1in-8NC x 1 1/2in	
328	4220162	2	Spacer	
329	0100011	AR	Loctite #242	
330	2920113	2	Tail Light	
331	3911040	4	Screw, Machine #10-24NC x 2 1/2in	
332	3311005	4	Locknut #10-24NC	
333	4751000	4	Flatwasher #10	
334	4740362	4	Washer, Fender 1/4in	
335	3960461	2	Gasket	
337	4240032	14	Tie-Strap (Not Shown)	
338	4460234	14	Mount, Cable Tie (Not Shown)	
	0256305	Ref	TRANSPORT SWITCH INSTALLATION (EN280 AND CE SPEC)	6
401		Ref	Switch, Limit Options:	
401	4360322	2	Switch, Limit (Prior to SN 74471)	

SECTION 2 - TURNTABLE

ITEM	PART NUMBER	QTY	DESCRIPTION	REV
401	4360549	2	Switch, Limit (SN 74471 through 80897)	
401	4360578	2	Switch, Limit (SN 80898 to Present)	
402		Ref	Connector, Strain Relief Options:	
402	4460428	2	Connector, Strain Relief (Prior to SN 68977)	
402	4460968	2	Connector, Strain Relief (SN 74471 to Present)	
403	3930828	2	Capscrew, Socket Head #8-32NC x 1 3/4in	
404	3310805	2	Locknut #8-32NC	
405	1001106481	1	Bar, Fiberglass (was p/n 0362609)	
406	4420054	AR	Tape, Double-Sided	
407	4751400	4	Flatwasher 1/4in	
408		Ref	Bolt Options:	
408	3931408	4	Bolt 1/4in-20NC x 1/2in (Prior to SN 74471)	
408	0641403	4	Bolt 1/4in-20NC x 3/8in (SN 74471 to Present)	
409		Ref	Cover, Limit Switch Options:	
409	1670824	1	Cover, Limit Switch (Prior to SN 78257)	
409	3380535	1	Cover, Limit Switch (SN 78257 to Present)	

SECTION 2 - TURNTABLE

FIGURE 2-23. HOODS INSTALLATION - MODEL 601S



SECTION 2 - TURNTABLE

FIGURE 2-23. HOODS INSTALLATION - MODEL 601S

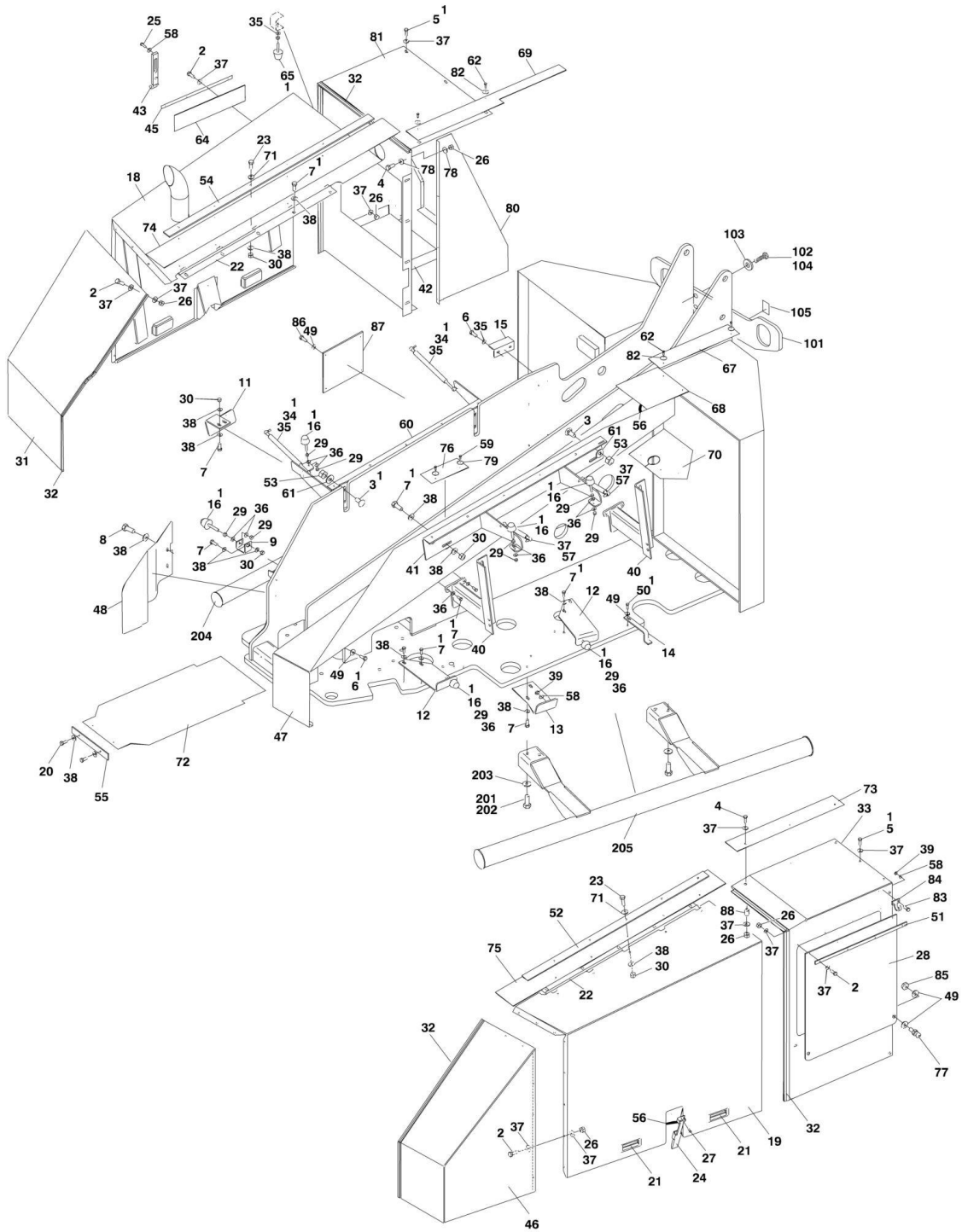
ITEM	PART NUMBER	QTY	DESCRIPTION	REV
	0258042	Ref	HOODS INSTALLATION (STANDARD)	F
	0271571	Ref	HOODS INSTALLATION (W/HYDRAULIC WELDER) (OPTIONAL)	3-D
1	0100011	AR	Loctite #242	
2	0641406	AR	Bolt 1/4in-20NC x 3/4in	
3	0630507	8	Bolt, Carriage 1/2in-13NC x 1 1/4in	
4	0641408	AR	Bolt 1/4in-20NC x 1in	
5	0362759	1	Bar	
6	0641507	AR	Bolt 5/16in-18NC x 7/8in	
7	0641608	29	Bolt 3/8in-16NC x 1in	
8	0641614	10	Bolt 3/8in-16NC x 1 3/4in	
9	0902219	2	Bracket, Bumper	
11	0902480	1	Bracket	
12	0902434	2	Bracket	
13	0902435	1	Bracket	
14	0362760	1	Bar	
15	0181946	1	Angle, Hood Mount	
16	0940071	7	Bumper, Rubber (Hood)	
17		Ref	Cover Options:	
17	1670843	1	Standard	
17	4846473	1	W/Hydraulic Welder	
18	1670851	1	Cover (Engine Side)	
19	1670853	1	Cover (Tank Side)	
20	1780301	1	Door	
21	2560126	4	Handle, Pocket	
22	2600238	2	Hinge	
24	2940088	2	Latch, Hood	
25	2940042	AR	Latch (Lift and Turn)	
26	3311405	31	Locknut 1/4in-20NC	
27	0721005	8	Screw #10-24NC x 5/8in	
28	3311505	2	Locknut 5/16in-18NC	
29	3311601	14	Nut 3/8in-16NC	
30	3311605	18	Locknut 3/8in-16NC	
31	1670866	1	Cover, Nose Weldment	
32	3960389	19.3 ft/5.9m	Seal	
33	0641620	AR	Bolt 3/8in-16NC x 2 1/2in	
34	4160169	2	Spring, Gas	
35	4711500	16	Flatwasher 5/16in (Narrow)	
36	4711600	20	Flatwasher 3/8in (Narrow)	
37	4751400	45	Flatwasher 1/4in (Wide)	
38	4751600	42	Flatwasher 3/8in (Wide)	
39	3311055	8	Locknut #10-24NC	
40	4845692	2	Weldment, Bracket	
41	4845698	1	Weldment, Angle	
42	0630407	AR	Bolt 1/4in-20NC x 5/8in	
43	3311401	AR	Nut 1/4in-20NC	
45	1670861	1	Cover	
46	1670862	1	Cover (Tank Side)	
47	1670863	1	Cover	
48	4567519	1	Tube	

SECTION 2 - TURNTABLE

ITEM	PART NUMBER	QTY	DESCRIPTION	REV
49	4751500	7	Flatwasher 5/16in (Wide)	
50	0641508	4	Bolt 5/16in-18NC x 1in	
51	0940086	AR	Bumper, Rubber	
52	2600243	AR	Hinge	
53	3311801	8	Nut 1/2in-13NC	
54	4711400	AR	Flatwasher 1/4in (Narrow)	
55	3960417	AR	Seal	
56	4060803	2 ft/0.6m	Shield	
57	4160171	2	Spring, Gas	
58	4751000	AR	Flatwasher #10 (Wide)	
59	4740362	14	Flatwasher 1/4in	
60	4845800	1	Bracket	
61	4891800	8	Flatwasher 1/2in	
62	3300151	AR	Nut, Acorn 1/4in-20NC	
63	0940088	1	Bumper, Hood	
64	3321501	2	Nut 5/16in-24NC	
65	4740483	10	Washer	
66	1780324	1	Door, Hood (W/Hydraulic Welder)	
67	3573275	1	Plate, Baffle (W/Hydraulic Welder)	
68	3911008	10	Screw 10-24NC x 1/2in (W/Hydraulic Welder)	
69	3311001	10	Nut 10-24NC (W/Hydraulic Welder)	
	0258336	Ref	LIFTING PLATE INSTALLATION	1
101	3570920	1	Plate, Lifting	
102	0682014	4	Bolt 5/8in-11NC x 1 3/4in	
103	4892000	4	Flatwasher 5/8in (Hardened)	
104	0100019	AR	Loctite #271	
105	1701500	2	Decal - Tie Down/Lift	

SECTION 2 - TURNTABLE

FIGURE 2-24. HOODS INSTALLATION - MODEL 601S WITH A "ENHANCED HOSTILE ENVIRONMENT PACKAGE"



SECTION 2 - TURNTABLE

FIGURE 2-24. HOODS INSTALLATION - MODEL 601S WITH A "ENHANCED HOSTILE ENVIRONMENT PACKAGE"

ITEM	PART NUMBER	QTY	DESCRIPTION	REV
	0259065	Ref	HOODS INSTALLATION (STANDARD)	F
	0271599	Ref	HOODS INSTALLATION (W/SIGHT GAGE)	A
1	0100011	AR	Loctite #242	
2	0641406	25	Bolt 1/4in-20NC x 3/4in	
3	0630507	8	Bolt, Carriage 1/2in-13NC x 1 1/4in	
4	0641404	11	Bolt 1/4in-20NC x 1/2in	
5	0641408	19	Bolt 1/4in-20NC x 1in	
6	0641507	6	Bolt 5/16in-18NC x 7/8in	
7	0641608	28	Bolt 3/8in-16NC x 1in	
8	0641606	2	Bolt 3/8in-16NC x 3/4in	
9	0902219	2	Bracket, Bumper	
11	0902480	1	Bracket	
12	0902434	2	Bracket	
13	0902435	1	Bracket	
14	0362760	1	Bar	
15	0181986	1	Angle, Hood Mount	
16	0940071	7	Bumper, Rubber (Hood)	
18	1670851	1	Cover (Engine Side)	
19	1670853	1	Cover (Tank Side)	
20	0641607	6	Bolt 3/8in-16NC x 7/8in	
21	2560126	4	Handle, Pocket	
22	2600238	2	Hinge	
23	0641618	10	Bolt 3/8in-16NC x 2 1/4in	
24	2940088	2	Latch, Hood	
25	0721004	3	Screw #10-24NC x 1/2in	
26	3311405	36	Locknut 1/4in-20NC	
27	0721005	8	Screw #10-24NC x 5/8in	
28	1670895	1	Cover (Ground Control Door)	
29	3311601	14	Nut 3/8in-16NC	
30	3311605	15	Locknut 3/8in-16NC	
31	1670866	1	Cover, Nose Weldment	
32	3960389	19.3 ft/5.9m	Seal	
33		Ref	Cover (Ground Control) Options:	
33	1670896	1	Standard	
33	1671029	1	W/Sight Gage	
34	4160169	2	Spring, Gas	
35	4711500	16	Flatwasher 5/16in (Narrow)	
36	4711600	20	Flatwasher 3/8in (Narrow)	
37	4751400	52	Flatwasher 1/4in (Wide)	
38	4751600	45	Flatwasher 3/8in (Wide)	
39	3311005	10	Locknut #10-24NC	
40	4845692	2	Weldment, Bracket	
41	4845698	1	Weldment, Angle	
42	2120170	1	Filter, Air	
43	2940080	1	Latch	
45	3571300	1	Plate (Door Hinge)	
46	1670862	1	Cover (Tank Side)	
47	1670863	1	Cover	

SECTION 2 - TURNTABLE

ITEM	PART NUMBER	QTY	DESCRIPTION	REV
48	3571334	1	Plate (Cover Engine/Turntable)	
49	4751500	27	Flatwasher 5/16in (Wide)	
50	0641508	1	Bolt 5/16in-18NC x 1in	
51	3571407	1	Plate (Ground Control Door Hinge)	
52	3571408	1	Plate (Tank Side)	
53	3311805	8	Locknut 1/2in-13NC	
54	3571409	1	Plate (Engine Side)	
55	3571410	1	Plate (Boom Rest)	
56	4060803	7.5 ft/2.3m	Trinlock	
57	4160171	2	Spring, Gas	
58	4751000	13	Flatwasher #10 (Wide)	
59	3820019	5	Rivet	
60	4845800	1	Weldment, Bracket	
61	4891800	8	Flatwasher 1/2in	
62	3941406	5	Self Tapping 1/4in-20NC x 3/4in	
63	0641506	1	Bolt 5/16in-18NC x 3/4in	
64	3960499	1	Rubber Flap, Door	
65	0940088	1	Bumper (Hood)	
67	3960502	1	Seal (Tank Side CWT)	
68	3960503	1	Seal (Tray to CWT)	
69	3960504	1	Seal (Engine Side Spacer and CWT)	
70	3960505	1	Seal (Tray Power Track)	
71	4740483	10	Washer	
72	3960506	1	Seal	
73	3960507	1	Seal (Ground Control Box)	
74	3960508	1	Seal (Engine Side Hood)	
75	3960509	1	Seal (Tank Side)	
76	3960510	1	Seal (Power Track Tray)	
77	4300137	2	Stud	
78	4711400	20	Flatwasher 1/4in (Narrow)	
79	4740371	5	Washer, Special	
80	4845988	1	Weldment, Air Filter Box	
81	4845989	1	Weldment, Hood/Air Filter Box	
82	4740362	9	Washer, Fender	
83	0741006	2	Screw #10-24NC x 3/4in	
84	2700094	1	Hook	
85	3311505	2	Locknut 5/16in-18NC	
86	0641504	4	Bolt 5/16in-18NC x 1/2in	
87	3571741	1	Plate, Cover	
88	4567519	1	Tube (SN 40026 to Present)	
	0258336	Ref	LIFTING PLATE INSTALLATION	1
101	3570920	1	Plate, Lifting	
102	0682014	4	Bolt 5/8in-11NC x 1 3/4in	
103	4892000	4	Flatwasher 5/8in (Hardened)	
104	0100019	AR	Loctite #271	
105	1701500	2	Decal - Tie Down/Lift	
	0259066	Ref	BUMPER INSTALLATION	A
201	0100011	AR	Loctite #242	
202	0641810	8	Bolt 1/2in-13NC x 1 1/4in	
203	4711800	8	Flatwasher 1/2in (Narrow)	
204	4845957	1	Weldment, Bumper Engine Side	

SECTION 2 - TURNTABLE

ITEM	PART NUMBER	QTY	DESCRIPTION	REV
205	4845958	1	Weldment, Bumper Control Panel Side	

SECTION 3 - BOOM

FIGURE 3-1. BOOM AND CYLINDER INSTALLATIONS

ITEM	PART NUMBER	QTY	DESCRIPTION	REV
		Ref	BOOMS AND CYLINDERS INSTALLATIONS OPTIONS:	
	0259484	Ref	Model 601 (Prior to SN 62137)	1
	0271336	Ref	Model 601S (Front Entry Platform)	2
	0272145	Ref	Model 601S (Side Entry Platform)	6
	0259242	Ref	Model 601S With a "Enhanced Hostile Environment Package" (Prior to SN 62137)	1
	0271337	Ref	Model 601S With a "Enhanced Hostile Environment Package" (Front Entry Platform)	2
	0272141	Ref	Model 601S With a "Enhanced Hostile Environment Package" (Side Entry Platform)	5
1		Ref	Boom Assembly Options: (See BOOM ASSEMBLIES for Breakdown)	
1	0801071	1	Model 601S Machines (Prior to SN 68196)	
1	0801340	1	Model 601S Machines (SN 68196 through 74470)	
1	0801383	1	Model 601S Machines (SN 74471 through 96978)	
1	0801472	1	Model 601S Machines (SN 96979 to Present)	
1	0801190	1	Model 601S With a "Enhanced Hostile Environment Package" Machines (Prior to SN 68196)	
1	0801342	1	Model 601S With a "Enhanced Hostile Environment Package" Machines (SN 68196 through 96978)	
1	0801478	1	Model 601S With a "Enhanced Hostile Environment Package" Machines (SN 96979 to Present)	
2	1683666	1	Lift Cylinder Assembly (See CYLINDER SECTION for Breakdown)	
3		Ref	Master Cylinder Assembly Options (See CYLINDER SECTION for Breakdown):	
3	1683266	1	Master Cylinder Assembly (Prior to SN 96979)	
3	1684414	1	Master Cylinder Assembly (SN 96979 to Present)	
7	1001094043	1	Weldment, Push Link (was p/n 4844944)	
8	3422564	2	Pin (Cylinder Pivot - T/T End and Boom Pivot)	
9		Ref	Pin (Lift Cylinder - Boom End) Options:	
9	3422568	1	Pin (Lift Cylinder - Boom End) (Prior to SN 96979)	
9	3423184	1	Pin (Lift Cylinder - Boom End) (SN 96979 to Present)	
10	3422566	1	Pin (Link - T/T End)	
11	3422557	1	Pin (Link - Boom End)	
12		Ref	Pin (Master Cylinder - Boom End) Options:	
12	3422567	1	Pin (Master Cylinder - Boom End) (Prior to SN 96979)	
12	3422563	1	Pin (Master Cylinder - Boom End) (SN 96979 to Present)	
13	3422565	1	Pin (Master Cylinder - T/T End)	
16	3841258	3	Keeper, Pin	
17	3841143	4	Keeper, Pin	
19	0642012	3	Bolt 5/8in-11NC x 1 1/2in	
20	0641608	4	Bolt 3/8in-16NC x 1in	
21	0100011	AR	Loctite #242	
22	0100019	AR	Loctite #271	
25	3539475	1	Cover, Boom End (Back)	
26		Ref	Cover, Boom End (Top and Sides) Options:	
26	3539476	1	Model 601S	
26	3571287	1	Model 601S With a "Enhanced Hostile Environment Package"	
27	0962057	2	Bushing	
28	3340800	1	Pad, Wear	
29		Ref	U-Bolt Options:	

SECTION 3 - BOOM

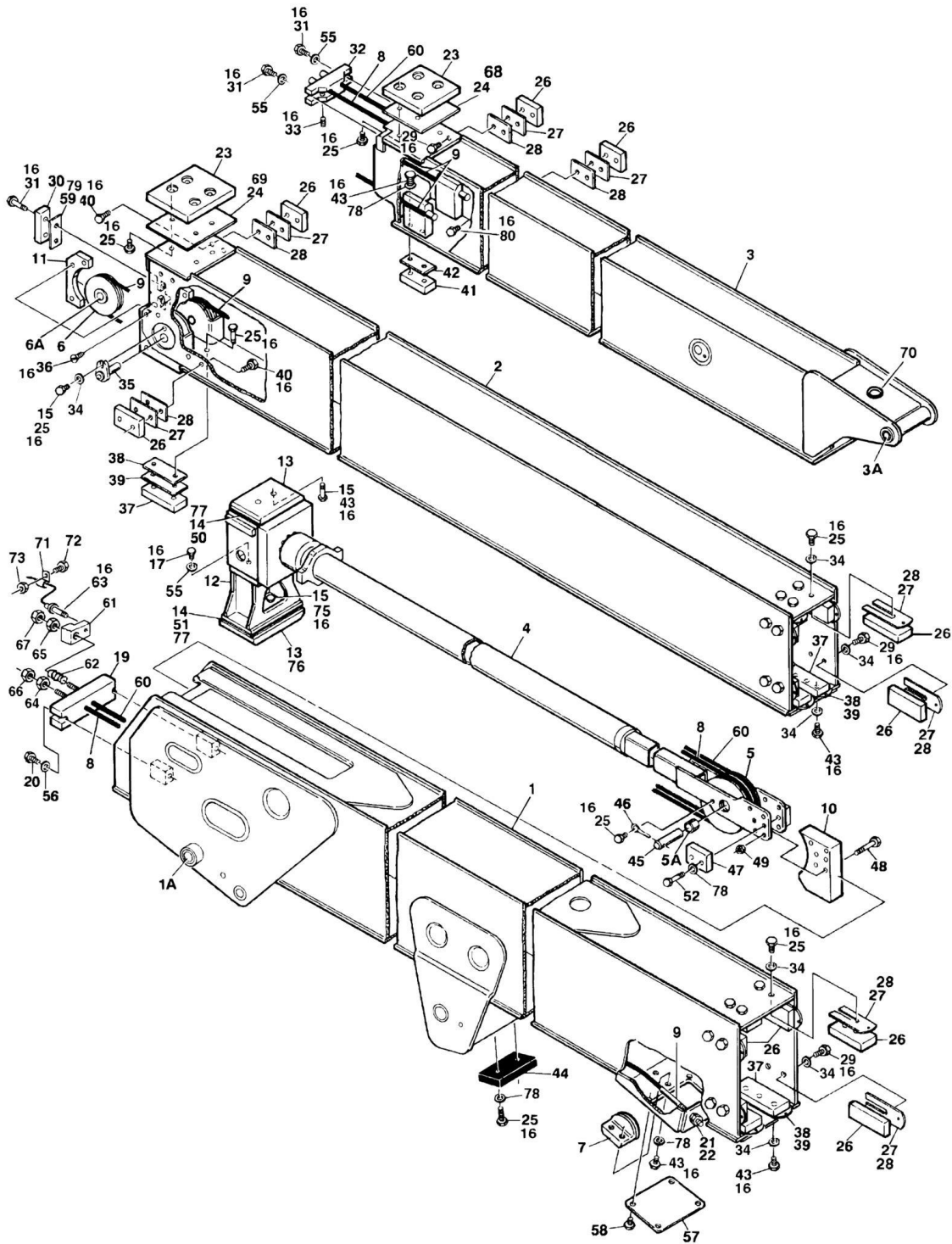
ITEM	PART NUMBER	QTY	DESCRIPTION	REV
29	0630458	1	Model 601S Machines	
29	Not Required	0	Model 601S With a "Enhanced Hostile Environment Package" Machines	
30		Ref	Nut Options:	
30	3311402	4	Jam Nut 1/4in-20NC (601S Machines)	
30	3311405	2	Locknut 1/4in-20NC (601S With a "Enhanced Hostile Environment Package" Machines)	
31	0641407	4	Bolt 1/4in-20NC x 7/8in	
37	0961950	2	Bushing	
38	0962006	3	Bushing, Garmax	
40	3539563	1	Cover	
41	0641604	4	Bolt 3/8in-16NC x 1/2in	
42	2080043	4	Rivnut	
43	4740314	AR	Washer, Thrust	
44	4740158	AR	Washer, Thrust	
45	1320235	1	Clamp	
46	4130033	2 ft/0.6m	Sleeve	
47	4240033	AR	Tie-Strap	
49	4460871	3	Terminal, Amp Seal (Not Shown) (SN 62137 to Present)	
50	3340851	2	Pad, Wear (Model 601S With a "Enhanced Hostile Environment Package" Machines Only)	
51	4761600	2	Lockwasher 3/8in (Model 601S With a "Enhanced Hostile Environment Package" Machines Only)	
52	1670888	2	Cover, Boom Access (Model 601S With a "Enhanced Hostile Environment Package" Machines Only)	
53	1670889	2	Cover, Boom Access (Model 601S With a "Enhanced Hostile Environment Package" Machines Only)	
54	0641403	8	Bolt 1/4in-20NC x 3/8in (Model 601S With a "Enhanced Hostile Environment Package" Machines Only)	
56	0641409	2	Bolt 1/4in-20NC x 1 1/8in (Model 601S With a "Enhanced Hostile Environment Package" Machines Only)	
57	0362836	1	Bar, Retainer (Model 601S With a "Enhanced Hostile Environment Package" Machines Only)	
58	3960500	1	Seal, Neoprene (Model 601S With a "Enhanced Hostile Environment Package" Machines Only)	
59	0641605	2	Bolt 3/8in-16NC x 5/8in (Model 601S With a "Enhanced Hostile Environment Package" Machines Only)	
		Ref	ROTATOR AND SUPPORT INSTALLATIONS OPTIONS (FRONT ENTRY PLATFORM):	
	0259490	Ref	Model 601S - CE Spec	1
	0259489	Ref	Model 601S - Australian Spec	1
	0259474	Ref	Model 601S With a "Enhanced Hostile Environment Package" - CE Spec	1
	0259437	Ref	Model 601S With a "Enhanced Hostile Environment Package" - Australian Spec	1
101		Ref	Weldment, Platform Support Options:	
101	4846068	1	CE Spec	
101	4845683	1	Australian Spec	
102	1683415	1	Platform Level Cylinder Assembly (See CYLINDER SECTION for Breakdown)	
103	0060034	1	Rotator Assembly (See ROTATOR ASSEMBLY (FRONT ENTRY PLATFORM) for Breakdown)	
104	3422569	1	Pin (Level Cylinder - Boom End)	
105	0741607	2	Screw, Countersunk 3/8in-16NC x 7/8in	
106	0100011	AR	Loctite #242	

SECTION 3 - BOOM

ITEM	PART NUMBER	QTY	DESCRIPTION	REV
107	0641608	1	Bolt 3/8in-16NC x 1in	
108	3422580	1	Pin (Level Cylinder - Rotator End)	
109	3422562	1	Pin (Rotator)	
110	3841143	1	Keeper, Pin	
111	0961951	2	Bushing, Garmax	
112	0641810	6	Bolt 1/2in-13NC x 1 1/4in	
113	3311605	8	Locknut 3/8in-16NC	
114	4711600	16	Flatwasher 3/8in (Narrow)	
115	0681610	8	Bolt 3/8in-16NC x 1 1/4in (Grade 8)	
116	0641820	2	Bolt 1/2in-13NC x 2 1/2in	
117	4751800	4	Flatwasher 1/2in	
118	3311805	2	Locknut 1/2in-13NC	
119	0641604	2	Bolt 3/8in-16NC x 1/2in	
120	3841340	1	Loop, Hose	
121	4240033	24	Tie-Strap (Model 601S With a "Enhanced Hostile Environment Package" Machines Only) (Not Shown)	
122	2820104	8 ft/2.4m	Insulator, Hose and Cable (Model 601S With a "Enhanced Hostile Environment Package" Machines Only) (Not Shown)	
		Ref	ROTATOR AND SUPPORT INSTALLATIONS OPTIONS (SIDE ENTRY PLATFORM):	
	0272070	Ref	Model 601S/601S With a "Enhanced Hostile Environment Package"	D
	See Note	Ref	CE Spec (Note: For Replacement Parts, Contact JLG Customer Service and Request Manual p/n 3124287.)	
201	4846573	1	Weldment, Platform Support	
202	1683415	1	Platform Level Cylinder Assembly (See CYLINDER SECTION for Breakdown)	
203	0060067	1	Rotator Assembly (See ROTATOR ASSEMBLY (SIDE ENTRY PLATFORM) for Breakdown)	
204	3422569	1	Pin (Level Cylinder - Boom End)	
205	0741607	2	Screw, Countersunk 3/8in-16NC x 7/8in	
206	0100011	AR	Loctite #242	
207	0641608	1	Bolt 3/8in-16NC x 1in	
208	3422580	1	Pin (Level Cylinder - Rotator End)	
209	3422562	1	Pin (Rotator)	
210	3841143	1	Keeper, Pin	
211	0961951	2	Bushing, Garmax	
212	0681608	8	Bolt 3/8in-16NC x 1in (Grade 8)	
213	3311805	8	Locknut 1/2in-13NC	
214	4891800	8	Flatwasher 1/2in (Hardened)	
215	0641812	8	Bolt 1/2in-13NC x 1 1/2in	
219	0641604	2	Bolt 3/8in-16NC x 1/2in	
220	3841340	1	Loop, Hose	
221	4240033	24	Tie-Strap (Model 601S With a "Enhanced Hostile Environment Package" Machines Only) (Not Shown)	
222	2820104	8 ft/2.4m	Insulator, Hose and Cable (Model 601S With a "Enhanced Hostile Environment Package" Machines Only) (Not Shown)	
223	0642684	1	Bolt 1in-8NC x 10 1/2in	
224	3272605	1	Locknut 1in-8NC	
225	4891600	8	Flatwasher 3/8in Hardened	
226	4892600	1	Flatwasher 1in Hardened	

SECTION 3 - BOOM

FIGURE 3-2. BOOM ASSEMBLIES



SECTION 3 - BOOM

FIGURE 3-2. BOOM ASSEMBLIES

ITEM	PART NUMBER	QTY	DESCRIPTION	REV
	0801071	Ref	BOOMS ASSEMBLY - MODEL 601S (Prior to SN 68196)	14-H
	0801340	Ref	BOOMS ASSEMBLY - MODEL 601S (SN 68196 through 74470)	3-C
	0801383	Ref	BOOMS ASSEMBLY - MODEL 601S (SN 74471 through 96978)	4-D
	0801472	Ref	BOOMS ASSEMBLY - MODEL 601S (SN 96979 to Present)	2-A
	0801190	Ref	BOOMS ASSEMBLY - MODEL 601S WITH A "Enhanced Hostile Environment Package" (Prior to SN 68196)	4-C
	0801342	Ref	BOOMS ASSEMBLY - MODEL 601S WITH A "Enhanced Hostile Environment Package" (SN 68196 through 96978)	4-D
	0801478	Ref	BOOMS ASSEMBLY - MODEL 601S WITH A "Enhanced Hostile Environment Package" (SN 96979 to Present)	2-A
1		Ref	Weldment, Base Options:	
1	0801067	1	Weldment, Base - Model 601S (Prior to SN 63253)	
1	0801011	1	Weldment, Base - Model 601S (SN 63253 through 96978)	
1	0801396	1	Weldment, Base - Model 601S (SN 96979 to Present)	
1	0801184	1	Weldment, Base - Model 601S With a "Enhanced Hostile Environment Package" (Prior to SN 96979)	
1	0801468	1	Weldment, Base - Model 601S With a "Enhanced Hostile Environment Package" (SN 96979 to Present)	
1A	0961956	2	Bushing, Garmax	
2		Ref	Weldment, Mid Options:	
2	0801012	1	Weldment, Mid - Model 601S (Prior to SN 74471)	
2	0801372	1	Weldment, Mid - Model 601S (SN 74471 through 100775)	
2	0801524	1	Weldment, Mid - Model 601S (SN 100776 to Present)	
2	0801012	1	Weldment, Base - Model 601S With a "Enhanced Hostile Environment Package" (Prior to SN 100776)	
2	0801526	1	Weldment, Base - Model 601S With a "Enhanced Hostile Environment Package" (SN 100776 to Present)	
3		Ref	Weldment, Fly Options:	
3	0801065	1	Weldment, Fly (Prior to SN 96979)	
3	0801498	1	Weldment, Fly (SN 96979 to Present)	
3A	0961951	2	Bushing, Garmax	
4	1683618	1	Telescope Cylinder Assembly (See CYLINDER SECTION for Breakdown)	
5	3580241	1	Sheave Assembly (Extend)	2-B
5A	0961951	2	Bushing, Garmax	
6	3580243	2	Sheave Assembly (Retract)	1-A
6A	0961951	2	Bushing, Garmax (1 Per Sheave)	
7	1220078	2	Block, Sheave	
8	3890010	1	Cable (Extend)	
9	3890006	2	Cable (Retract)	
10	3580248	1	Guard, Sheave (Extend)	
11	3580249	2	Guard, Sheave (Retract)	
12		Ref	Weldment, Support Wear Pad Options:	
12	1220042	1	Weldment, Support Wear Pad (Prior to SN 56363)	
12	4846319	1	Weldment, Support Wear Pad (SN 56363 to Present)	
13	3340844	AR	Wear Pad	
14	4070975	AR	Shim (.05) (Prior to SN 72078)	
15	0641608	AR	Bolt 3/8in-16NC x 1in (Prior to SN 82632)	
16	0100011	AR	Loctite #242	
17		Ref	Bolt Options:	
17	0681612	4	Bolt 3/8in-16NC x 1 1/2in (Grade 8) (Prior to SN 82632)	

SECTION 3 - BOOM

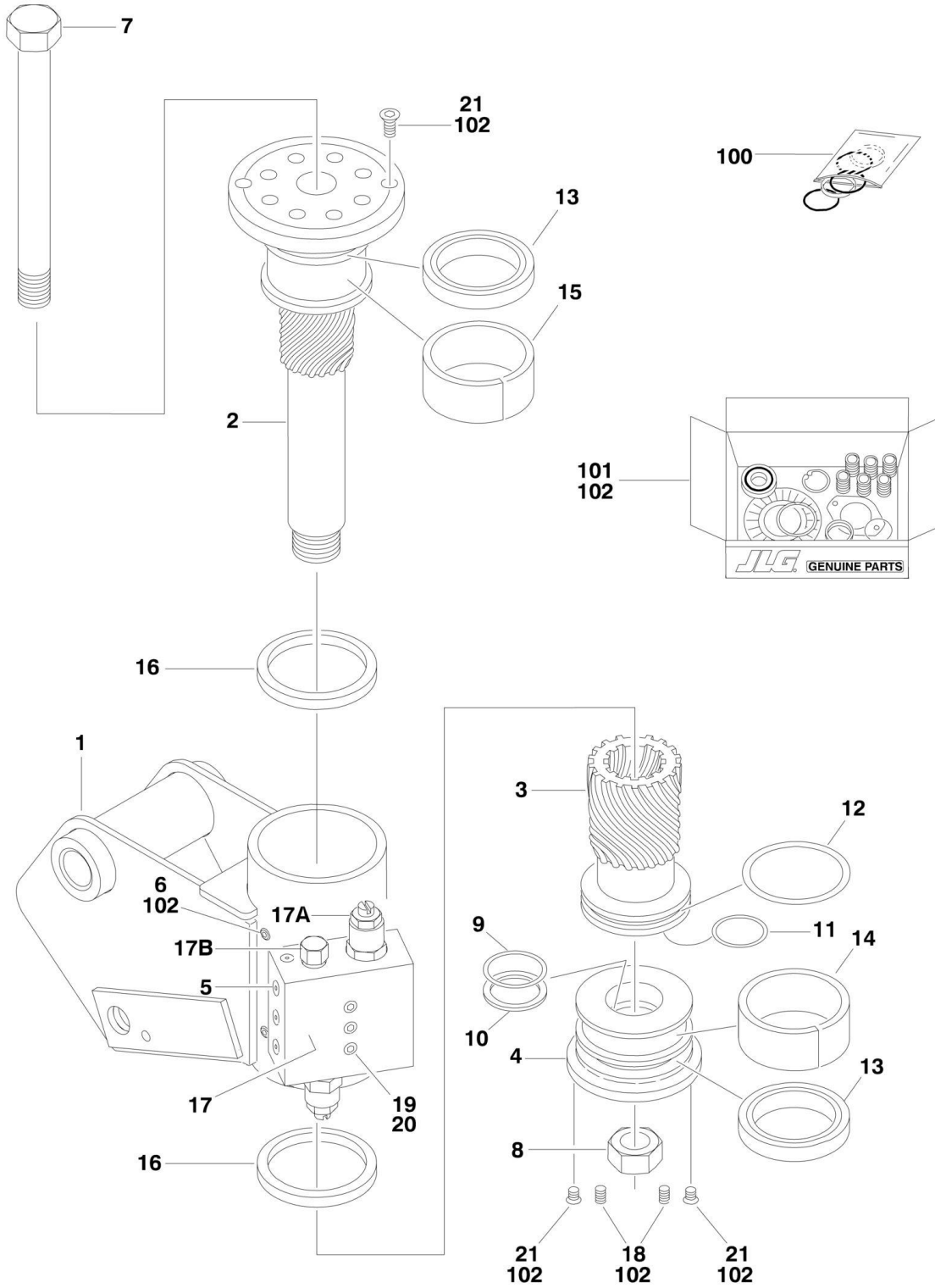
ITEM	PART NUMBER	QTY	DESCRIPTION	REV
17	0681610	4	Bolt 3/8in-16NC x 1 1/4in (Grade 8) (SN 82632 to Present)	
19	0561245	1	Block, Cable	
20	0641824	2	Bolt 1/2in-13NC x 3in	
21	3312201	2	Nut 3/4in-10NC	
22	3300241	2	Locknut 3/4in-10NC (Special)	
23	3340757	2	Pad, Wear	
24	4070896	4	Shim (.06) (Without Slide-In Slots)	
25	0641607	AR	Bolt 3/8in-16NC x 7/8in	
26		Ref	Pad, Wear Options:	
26	3340756	20	Pad, Wear (Prior to SN 65219)	
26	3340881	20	Pad, Wear (SN 65219 to Present)	
27	4070897	28	Shim (.05)	
28	4070898	24	Shim (.12)	
29		Ref	Bolt Options:	
29	0641605	AR	Bolt 3/8in-16NC x 5/8in (Prior to SN 82632)	
29	0641606	AR	Bolt 3/8in-16NC x 3/4in (SN 82632 to Present)	
30	0561185	2	Block	
31		Ref	Bolt Options:	
31	0641618	6	Bolt 3/8in-16NC x 2 1/4in (Prior to SN 96979)	
31	0641616	6	Bolt 3/8in-16NC x 2in (SN 96979 to Present)	
32	0561183	1	Block	
33	3951608	2	Setscrew 3/8in-16NC x 1in	
34	4711600	AR	Flatwasher 3/8in	
35	3422424	2	Pin (Retract Sheave)	
36	0741612	6	Screw, Countersunk 3/8in-16NC x 1 1/2in	
37		Ref	Pad, Wear Options:	
37	3340705	5	Pad, Wear (Prior to SN 65219)	
37	3340871	5	Pad, Wear (SN 65219 to Present)	
38	4070863	12	Shim (.12)	
39	4070864	12	Shim (.05)	
40	0641613	AR	Bolt 3/8in-16NC x 1 5/8in	
41	3340758	2	Pad, Wear	
42	4070895	8	Shim (.06)	
43		Ref	Bolt Options:	
43	0641610	14	Bolt 3/8in-16NC x 1 1/4in (Prior to SN 82632)	
43	0641608	22	Bolt 3/8in-16NC x 1in (SN 82632 to Present)	
44	0561076	1	Block	
45	3422417	1	Pin (Extend Sheave)	
46	3841143	1	Keeper, Pin	
47	3340755	2	Pad, Wear	
48	0641634	4	Bolt 3/8in-16NC x 4 1/4in	
49	3311605	4	Locknut 3/8in-16NC	
50	4070976	1	Shim (.12)	
51		Ref	Shim (.25) Options:	
51	4070977	1	Shim (.25) (Prior to SN 56363)	
51	4071004	1	Shim (.25) (SN 56363 to Present)	
52		Ref	Bolt Options:	
52	0641640	2	Bolt 3/8in-16NC x 5in (Prior to SN 82632)	
52	0641638	2	Bolt 3/8in-16NC x 4 3/4in (SN 82632 to Present)	
55	4891600	6	Washer 3/8in (Hardened)	
56	4891800	2	Washer 1/2in (Hardened)	

SECTION 3 - BOOM

ITEM	PART NUMBER	QTY	DESCRIPTION	REV
57	3539622	1	Plate, Cover	
58	0641403	4	Bolt 1/4in-20NC x 3/8in	
59	4070929	AR	Shim	
60	3890009	1	Cable (Extend)	
61		Ref	Plate, Spring Mount Options:	
61	3539680	1	Plate, Spring Mount (Prior to SN 68196)	
61	0561508	1	Plate, Spring Mount (SN 68196 to Present)	
62	4160149	1	Spring	
63		Ref	Switch, Proximity Options:	
63	4360429	1	Switch, Proximity (Prior to SN 68196)	
63	4360506	1	Switch, Proximity (SN 68196 to Present)	
64	3300399	1	Nut, Jam 7/8in-9NC	
65	3300400	1	Nut, Jam 5/8in-11NC	
66	3300242	1	Locknut 7/8in-9NC	
67	3300240	1	Locknut 5/8in-11NC	
68	4070939	AR	Shim (1/16in) (With Slide-In Slots)	
69	4070940	AR	Shim (1/16in) (With Slide-In Slots)	
70	4060805	6 in/16cm	Flex-Trim	
71		Ref	Clamp Options:	
71	1320041	1	Clamp (SN 31374 through 68195)	
71	1320244	1	Clamp (SN 68196 to Present)	
72	0641406	1	Bolt 1/4in-20NC x 3/4in	
73	3311401	1	Nut 1/4in-20NC	
74	1670836	8	Cover, Boom (Not Shown)	
75	0681608	4	Bolt 3/8in-16NC x 1in (SN 56363 to Present)	
76	3340900	1	Pad, Wear (SN 56363 to Present)	
77	4071005	AR	Shim (SN 56363 to Present)	
78	4751600	12	Flatwasher 3/8in (SN 82632 to Present)	
79	4071007	AR	Shim (SN 82632 to Present)	
80	0641614	4	Bolt 3/8in-16NC x 1 3/4in (SN 82632 to Present)	

SECTION 3 - BOOM

FIGURE 3-3. ROTATOR ASSEMBLY (FRONT ENTRY PLATFORM)



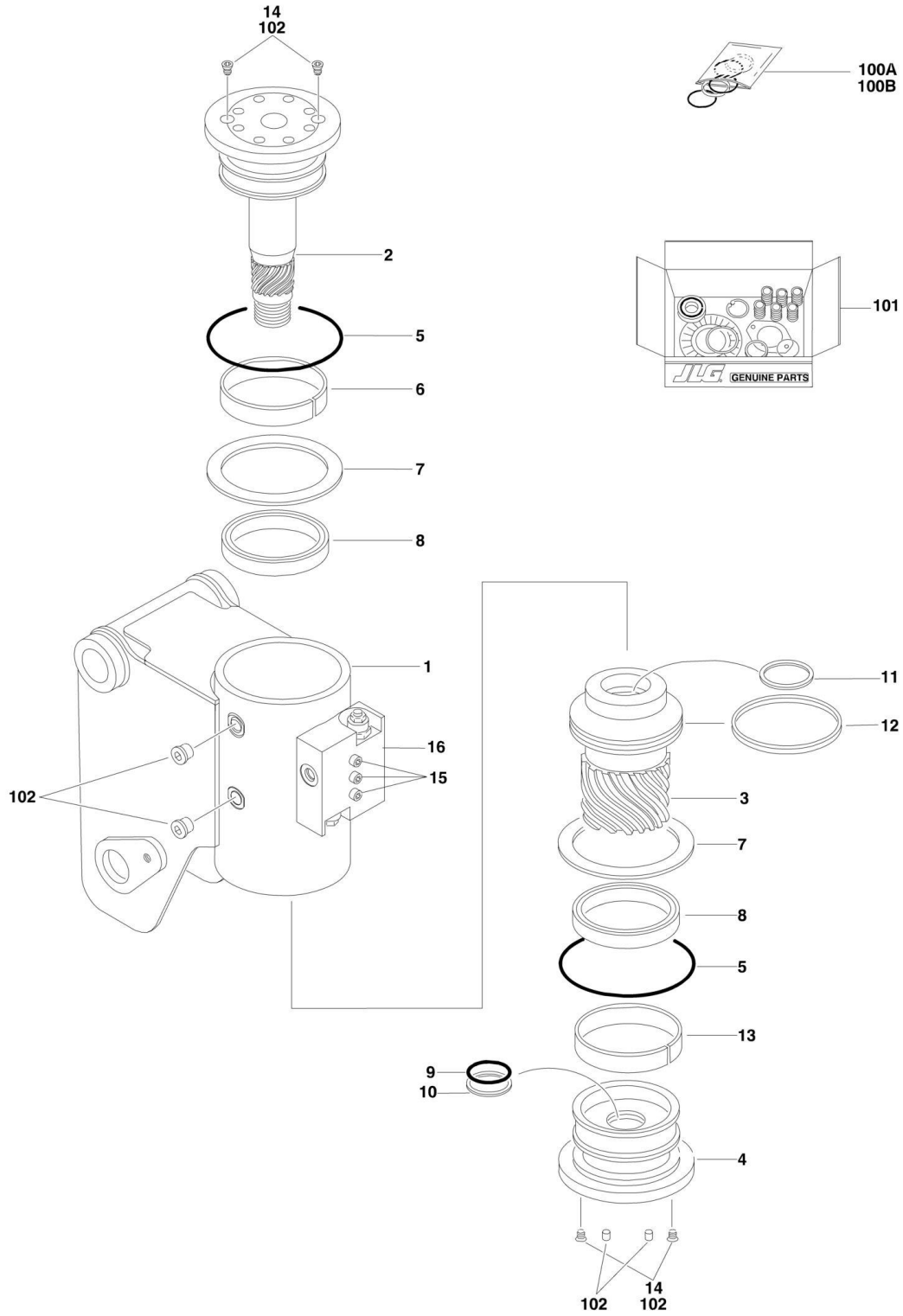
SECTION 3 - BOOM

FIGURE 3-3. ROTATOR ASSEMBLY (FRONT ENTRY PLATFORM)

ITEM	PART NUMBER	QTY	DESCRIPTION	REV
	0060034	Ref	ROTATOR ASSEMBLY	G
1	Not Serviced	1	Housing/Ring Gear Assembly	
2	7017177	1	Shaft Weldment (was p/n 7017117)	
3	7017115	1	Piston/Sleeve	
4	7017174	1	Cap, End	
5	Not Serviced	6	Plug, Port	
6	7017142	2	Plug	
7	7017102	1	Tie-Rod/Locknut Assy (Prior to SN 39950)	
7	7017119	1	Bolt 1in-8NC x 11in (SN 39950 through 67538)	
8	3272605	AR	Locknut 1in-8NC (SN 39950 through 67538)	
9	Item 100	1	Seal, Cap	
10	Item 100	1	Ring, Back-up (Cap)	
11	Item 100	1	Seal, Rod	
12	Item 100	1	Seal, Piston	
13	Item 100	2	Packing, Bearing	
14	Item 101	1	Bearing, Cap	
15	Item 101	1	Bearing, Shaft	
16	Item 101	2	Washer, Thrust	
17	7017183	1	Valve Assembly (was p/n 7017101)	
17A		Ref	Cartridge, Valve Options:	
17A	7011331	2	Cartridge for Helac p/n 24736	
17A	7017193	2	Cartridge for Helac p/n 27600	
17A	2900770	2	Seal Kit - 7011331 Valve	
17A	Not Available	2	Seal Kit - 7017193 Valve	
17B		Ref	Cartridge, Valve Options:	
17B	7011332	2	Cartridge for Helac p/n 24736	
17B	Not Available	1	Cartridge for Helac p/n 27600 (Not Shown - Located on Side of Valve Block)	
17B	7011346	2	Seal Kit - 7011332 Valve	
17B	Not Available	1	Seal Kit - Valve Located on Side of Block	
18	7017142	2	Setscrew/Pin	
19	Not Available	3	Bolt 1/4in-20NC	
20	3790110	3	O-Ring (Not Shown - Located between Valve and Actuator Housing)	
21	70001697	4	Screw, Countersunk 1/4in-20NC x 3/8in Grade 8	
100	7017157	1	Seal Kit (Includes Items 9-13)	
101	7017156	1	Bearing Kit (Includes Items 14-16)	
102	7017142	1	Hardware Kit (Includes Items 6, 18 & 21)	

SECTION 3 - BOOM

FIGURE 3-4. ROTATOR ASSEMBLY (SIDE ENTRY PLATFORM)



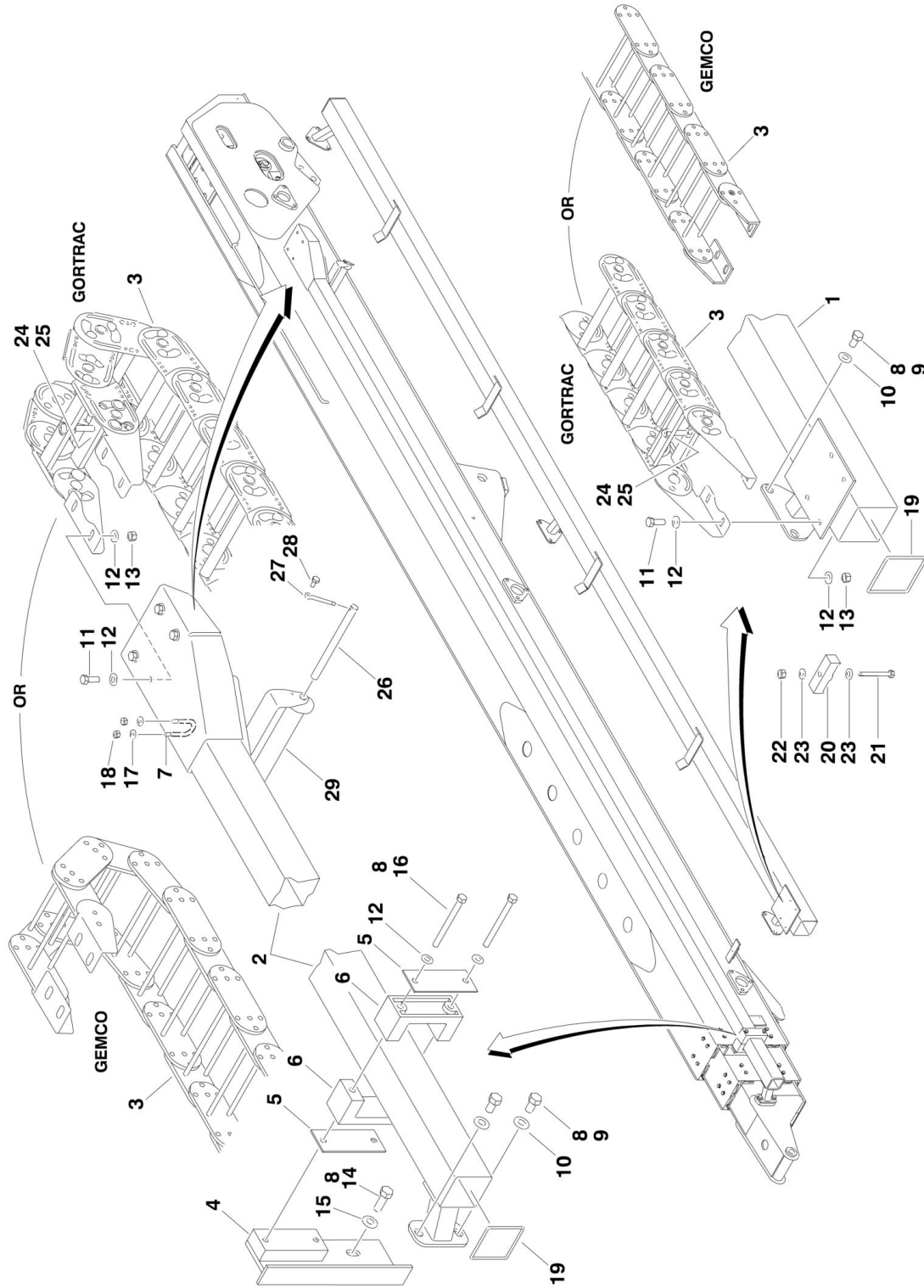
SECTION 3 - BOOM

FIGURE 3-4. ROTATOR ASSEMBLY (SIDE ENTRY PLATFORM)

ITEM	PART NUMBER	QTY	DESCRIPTION	REV
	0060067	Ref	ROTATOR ASSEMBLY	A
1	Not Serviced	1	Housing/Ring Gear Assembly	
2	7017162	1	Weldment, Shaft	
3	7017163	1	Piston/Sleeve Assembly	
4	7017164	1	Cap, End	
5	See Note	2	O-Ring (Note: Use Item 100A or 100B)	
6	7017159	1	Bearing, Shaft	
7	7017159	2	Washer, Thrust	
8	See Note	2	Packing, Bearing (Note: Use Item 100A or 100B)	
9	See Note	1	Seal, Cap (Note: Use Item 100A or 100B)	
10	See Note	1	Ring, Back-Up Cap (Note: Use Item 100A or 100B)	
11	See Note	1	Seal, Rod (Note: Use Item 100A or 100B)	
12	See Note	1	Seal, Piston (Note: Use Item 100A or 100B)	
13	7017159	1	Bearing, Cap	
14	70001697	6	Screw, Countersunk 1/4in-20NC x 3/8in (Grade 8)	
15	Not Available	3	Bolts 1/4in-20NC (Grade 8)	
16	7017183	1	Valve Assembly	
16	7017193	2	Cartridge, Valve	
16	Not Available	2	Seal Kit - 7017193 Valve	
16	Not Available	1	Cartridge, Valve (Not Shown - Located on Side of Block)	
16	Not Available	1	Seal Kit - Valve Located on Side of Block	
17	7017195	1	Bushing, Shaft	
100		Ref	Seal Kit Options (Includes Items 5 & 8-12):	
100A	7017158	1	Kit for Machine without Arctic Package	
100B	70000342	1	Kit for Machine with Arctic Package	
101	7017159	1	Bearing Kit (Includes Items 6, 7 & 13)	
102	See Note	1	Hardware Kit (Includes Items 14, 2 Setscrews and 2 Plugs) (Note: Not Available - Purchase Individual Pieces.)	

SECTION 3 - BOOM

FIGURE 3-5. POWER TRACK INSTALLATION - MODEL 601S



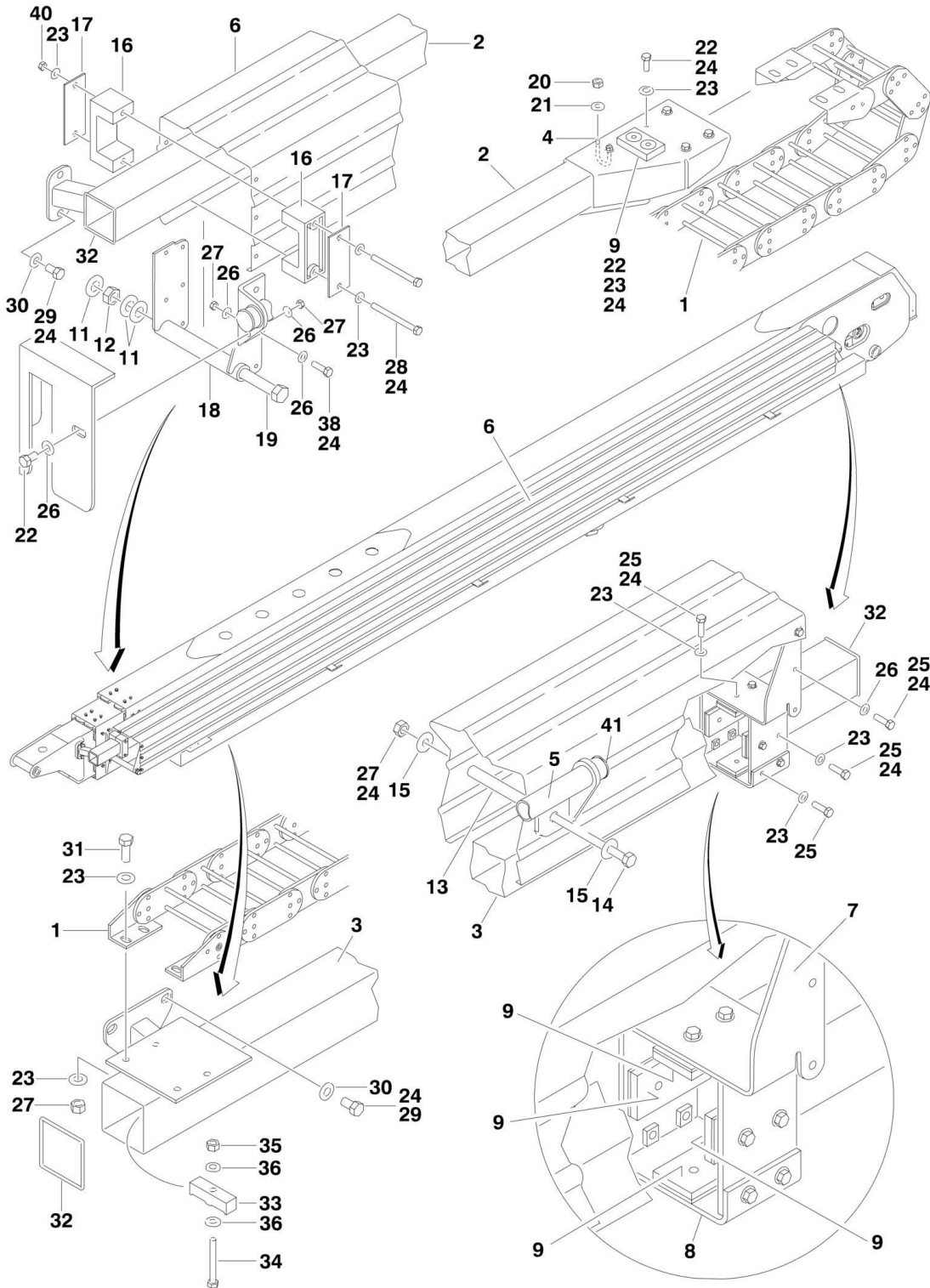
SECTION 3 - BOOM

FIGURE 3-5. POWER TRACK INSTALLATION - MODEL 601S

ITEM	PART NUMBER	QTY	DESCRIPTION	REV
	0257988	Ref	POWER TRACK INSTALLATION (Prior to SN 62137)	6
	0270804	Ref	POWER TRACK INSTALLATION (ADE SYSTEM) (SN 62137 to Present)	5
1		Ref	Weldment, Rail Options:	
1	4845670	1	Weldment, Rail (Prior to SN 38122)	
1	4845819	1	Weldment, Rail (SN 38122 to Present)	
2	4845671	1	Weldment, Tube	
3	1001099832		Carrier (was p/n 1180345)	
3	7006138	1	Assembly, Pin (Gemco Brand)	
3	7006143	1	Feet, Mounting (Gemco Brand)	
3	7006158	1	Screws (Gemco Brand)	
3	7006165	1	Kit, Rod (Gemco Brand)	
3	7016527	1	Rod, Spring Loaded Retaining (Gemco Brand)	
3	7016530	1	Repair Section (8in) (Gemco Brand)	
3	7016531	1	Assembly, Clamping Carrier (Gemco Brand)	
3	7016532	1	Ring, Retaining (Gemco Brand)	
3	70002005		Power Track - Repair Kit Fits 1 Section (Gortrac Brand)	
3	70002006		Power Track - Brackets, Pair of Mounting Feet (Gortrac Brand)	
4	4845677	1	Weldment, Bracket (Prior to SN 74471)	
5	3538758	AR	Plate	
6	3340764	2	Pad, Wear	
7	0630458	1	U-Bolt	
8	0100011	AR	Loctite #242	
9	0641807	11	Bolt 1/2in-13NC x 7/8in	
10	4711800	11	Flatwasher 1/2in (Narrow)	
11	0641608	8	Bolt 3/8in-16NC x 1in	
12	4711600	18	Flatwasher 3/8in (Narrow)	
13	3311605	8	Locknut 3/8in-16NC	
14	0642612	1	Bolt 1in-8NC x 1 1/2in (Prior to SN 74471)	
15	4712600	1	Flatwasher 1in (Narrow) (Prior to SN 74471)	
16	0641644	2	Bolt 3/8in-16NC x 5 1/2in	
17	4711400	2	Flatwasher 1/4in (Narrow)	
18	3311405	2	Locknut 1/4-20NC	
19	4060803	3 ft/0.9m	Shield, Trim	
20	1320247	1	Clamp, Nylon (SN 41861 to Present)	
21	0641522	1	Bolt 5/16in-18NC x 2 3/4in (SN 41861 to Present)	
22	3311505	1	Locknut 5/16in-18NC (SN 41861 to Present)	
23	4711500	2	Flatwasher 5/16in (Narrow) (SN 41861 to Present)	
24	4070994	2	Shim (SN 46466 to Present)	
25	4070995	2	Shim (SN 46466 to Present)	
26	3841013	1	Roller, Rod (SN 59150 to Present)	
27	3450806	1	Pin, Cotter (SN 59150 to Present)	
28	0641404	1	Bolt 1/4in-20NC x 1/2in (SN 59150 to Present)	
29	3860050	1	Roller (SN 59150 to Present)	

SECTION 3 - BOOM

FIGURE 3-6. POWER TRACK INSTALLATION - MODEL 601S WITH A "ENHANCED HOSTILE ENVIRONMENT PACKAGE"



SECTION 3 - BOOM

FIGURE 3-6. POWER TRACK INSTALLATION - MODEL 601S WITH A "ENHANCED HOSTILE ENVIRONMENT PACKAGE"

ITEM	PART NUMBER	QTY	DESCRIPTION	REV
	0259050	Ref	POWER TRACK INSTALLATION (Prior to SN 62137)	4
	0270803	Ref	POWER TRACK INSTALLATION (ADE SYSTEM) (SN 62137 to Present)	2
1	1180340	1	Carrier	
1	7019300	83	Link, Replacement	
1	7019301	1	Bracket, End (Sold in Pairs)	
1	7019303	1	Separator	
2	4844968	1	Weldment, Tube	
3	4844963	1	Weldment, Rail	
4	0630458	1	U-Bolt	
5	4845954	1	Weldment, Power Track Guard	
6	1670749	1	Cover	
7	4844966	1	Weldment, Slide Block	
8	3538749	1	Plate	
9	3340763	5	Pad, Wear	
11	4712600	3	Flatwasher 1in (Narrow)	
12	3312602	1	Jam Nut 1in	
13	3841264	5	Rod	
14	0641676	3	Bolt 3/8in-16NC x 9 1/2in	
15	4740076	10	Washer (Fender)	
16	3340855	2	Pad, Wear	
17	3538758	2	Plate	
18	4844967	1	Weldment, Support	
19	0630493	1	Bolt 1in-8NC x 12in	
20	3311405	2	Locknut 1/4-20NC	
21	4711400	2	Flatwasher 1/4in (Narrow)	
22	0641605	7	Bolt 3/8in-16NC x 5/8in	
23	4711600	24	Flatwasher 3/8in (Narrow)	
24	0100011	AR	Loctite #242	
25	0641606	16	Bolt 3/8in-16NC x 3/4in	
26	4751600	14	Flatwasher 3/8in (Wide)	
27	3311605	12	Locknut 3/8in-16NC	
28	0641644	2	Bolt 3/8in-16NC x 5 1/2in	
29	0641807	8	Bolt 1/2in-13NC x 7/8in	
30	4711800	8	Flatwasher 1/2in (Narrow)	
31	0641608	4	Bolt 3/8in-16NC x 1in	
32	4060803	4 ft/1.2m	Shield, Trim	
33	1320247	1	Clamp, Nylon	
34	0641522	1	Bolt 5/16in-18NC x 2 3/4in	
35	3311505	1	Locknut 5/16in-18NC	
36	4711500	2	Flatwasher 5/16in (Narrow)	
37	0641680	2	Bolt 3/8in-16NC x 10in	
38	0641610	2	Bolt 3/8in-16NC x 1 1/4in	
39	3571333	1	Plate, Power Track Cover End	
40	3311602	2	Jam Nut 3/8in-16NC	
41	3520082	2	Plug 1 3/4in	

SECTION 3 - BOOM

FIGURE 3-7. BOOM WIPERS INSTALLATIONS

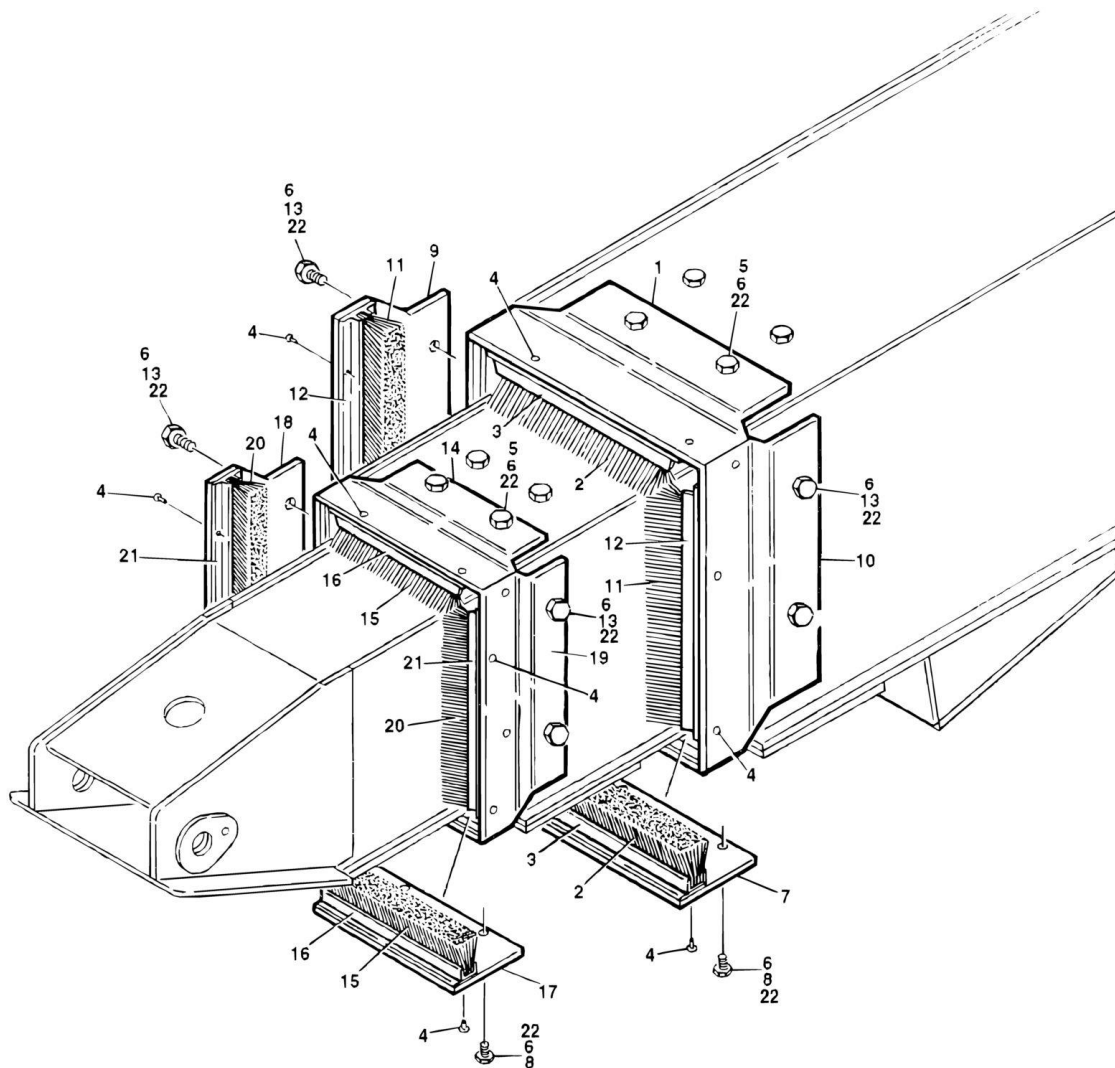


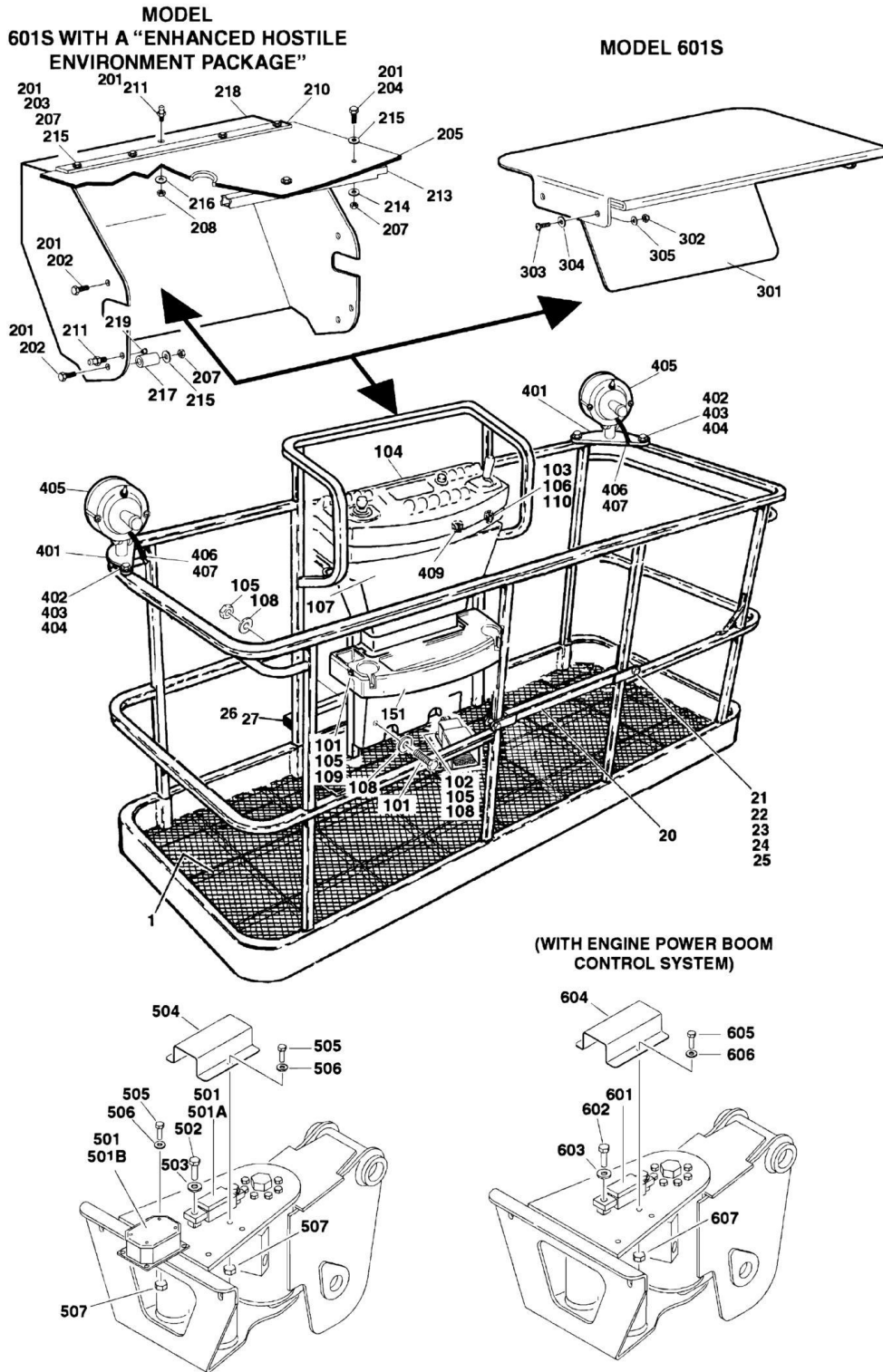
FIGURE 3-7. BOOM WIPERS INSTALLATIONS

ITEM	PART NUMBER	QTY	DESCRIPTION	REV
	0256273	Ref	BOOM WIPERS INSTALLATIONS (OPTIONAL - MODEL 601S)	3
1	3200382	1	Mount, Wiper (Base Top)	
2	0540102	2	Brush, Wiper (Base Top and Bottom)	
3	2660108	2	Holder, Brush (Base Top and Bottom)	
4	3820001	32	Rivet	
5	0641608	4	Bolt 3/8in-16NC x 1in	
6	0100011	AR	Loctite #242	
7	3200383	1	Mount, Wiper (Base Bottom)	
8	0641611	4	Bolt 3/8in-16NC x 1 3/8in	
9		Ref	Mount, Wiper (Base Left Side) Options:	
9	3200384	1	Mount, Wiper (Base Left Side) (Prior to SN 71583)	
9	3200427	1	Mount, Wiper (Base Left Side) (SN 71583 to Present)	
10		Ref	Mount, Wiper (Base Right Side) Options:	
10	3200385	1	Mount, Wiper (Base Right Side) (Prior to SN 71583)	
10	3200426	1	Mount, Wiper (Base Right Side) (SN 71583 to Present)	
11	0540105	2	Brush, Wiper (Base Sides)	
12	2660106	2	Holder, Brush (Base Sides)	
13	0641606	8	Bolt 3/8in-16NC x 3/4in	
14	3200389	1	Mount, Wiper (Mid Top)	
15	0540083	2	Brush, Wiper (Mid Top and Bottom)	
16	2660082	2	Holder, Brush (Mid Top and Bottom)	
17	3200390	1	Mount, Wiper (Mid Bottom)	
18	3200391	1	Mount, Wiper (Mid Left Side)	
19	3200392	1	Mount, Wiper (Mid Right Side)	
20		Ref	Brush, Wiper (Mid Sides) Options:	
20	0540103	2	Brush, Wiper (Mid Sides) (Prior to SN 71583)	
20	0540112	2	Brush, Wiper (Mid Sides) (SN 71583 to Present)	
21	2660107	2	Holder, Brush (Mid Sides)	
22	4751600	16	Flatwasher 3/8in	

SECTION 4 - PLATFORM

SECTION 4 - PLATFORM

FIGURE 4-1. PLATFORM COMPONENTS INSTALLATION (FRONT ENTRY PLATFORM)



SECTION 4 - PLATFORM

FIGURE 4-1. PLATFORM COMPONENTS INSTALLATION (FRONT ENTRY PLATFORM)

ITEM	PART NUMBER	QTY	DESCRIPTION	REV
		Ref	PLATFORM ASSEMBLIES WITH DROP BAR	
	3510716	Ref	30in X 72in	B
	3510717	Ref	30in X 96in	B
1		Ref	Platform Weldment Options:	
1	3510718	1	30in x 72in Platform	
1	3510719	1	30in x 96in Platform	
20	4845288	1	Weldment, Slide Bar	
21	0641418	2	Bolt 1/4in-20NC x 2 1/4in	
22	4740411	4	Washer, Nylon	
23	3300151	2	Nut 1/4in-20NC	
24	0961845	2	Bushing	
25	4420055	7	Tape, UHMW	
		in/17.8cm		
26	0100010	AR	Adhesive	
27	3520172	2	Plug	
	0272052	Ref	CONSOLE BOX INSTALLATION (SN 67978 to Present)	A
101	0641406	4	Bolt 1/4in-20NC x 3/4in	
102	0641408	3	Bolt 1/4in-20NC x 1in	
103	0641610	4	Bolt 3/8in-16NC x 1 1/4in	
104	0861526	1	Console Box Assembly	
105	3311405	7	Locknut 1/4in-20NC	
106	3311605	4	Locknut 3/8in-16NC	
107	3380434	1	Panel, Decal Mount	
108	4740362	7	Washer, Fender 1/4in	
109	4751400	4	Flatwasher 1/4in (Wide)	
110	4751600	8	Flatwasher 3/8in (Wide)	
		Ref	TRAY INSTALLATIONS (OPTIONAL)	
151	1580012	1	Tray, Storage (Center)	
152	1580013	1	Tray, Storage (Rail Mounted - Not Shown)	
	0258981	Ref	CONSOLE COVER INSTALLATION - MODEL 601S WITH A "ENHANCED HOSTILE ENVIRONMENT PACKAGE" (Prior to SN 65218)	C
	0271675	Ref	CONSOLE COVER INSTALLATION - MODEL 601S WITH A "ENHANCED HOSTILE ENVIRONMENT PACKAGE" (OPTIONAL MODEL 601S) (SN 65218 to Present)	1
201	0100011	AR	Loctite #242	
202	0641404	AR	Bolt 1/4in-20NC x 1/2in	
203	0641406	4	Bolt 1/4in-20NC x 3/4in	
204	0641412	4	Bolt 1/4in-20NC x 1 1/2in	
205	1670894	1	Cover, Rubber	
206	2080043	AR	Rivnut 1/4in-20NC x 5/8in (Not Shown)	
207	3311405	AR	Locknut 1/4in-20NC	
208	3311505	1	Locknut 5/16in-18NC	
210	3571411	1	Plate	
211	4300137	3	Stud, Threaded Ball	
212	0641416	2	Bolt 1/4in-20NC x 2in (SN 65218 to Present)	
213	4567850	1	Tube, Support	
214	4740362	4	Washer, Fender	
215	4751400	AR	Flatwasher 1/4in (Wide)	
216	4751500	1	Flatwasher 5/16in (Wide)	
217	4568357	2	Spacer, Tube (SN 65218 to Present)	

SECTION 4 - PLATFORM

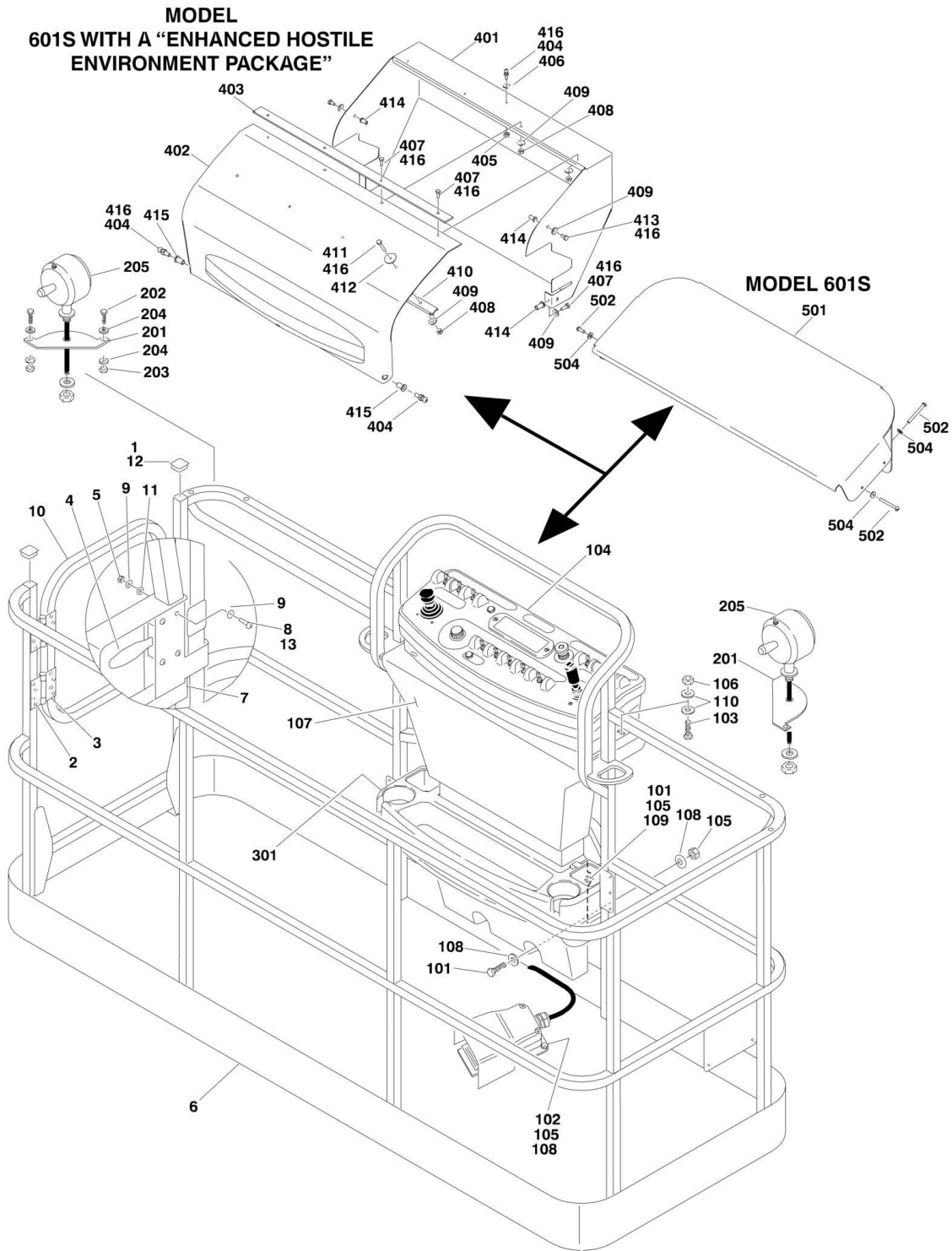
ITEM	PART NUMBER	QTY	DESCRIPTION	REV
218	4845950	1	Weldment, Console Cover	
219	2080050	2	Rivnut 5/16in-18NC x 3/4in	
	0258703	Ref	CONSOLE COVER INSTALLATION - MODEL 601S (OPTIONAL)	B
301	1670870	1	Cover, Console	
302		Ref	Hardware Options:	
302	3311001	7	Nut #10-24NC (Prior to SN 43864)	
302	0751006	7	Screw, Pan Head Thread Forming (SN 43864 to Present)	
303	3911028	7	Screw #10-24NC x 3/4in (Prior to SN 43864)	
304	4751000	7	Flatwasher #10 (Wide)	
305	4761000	7	Lockwasher #10 (Prior to SN 43864)	
		Ref	PLATFORM WORKLIGHTS INSTALLATION - MODEL 601S WITH A "ENHANCED HOSTILE ENVIRONMENT PACKAGE" (OPTIONAL)	
	0259303	Ref	Platform Worklights Installation (Prior to SN 62137)	1
	0270814	Ref	Platform Worklights Installation (ADE System) (SN 62137 to Present)	3-E
401	3536089	2	Plate, Mounting	
402	0641414	4	Bolt 1/4in-20NC x 1 3/4in	
403	3311405	4	Locknut 1/4in-20NC	
404	4711400	8	Flatwasher 1/4in	
405	2920140	2	Worklight	
405	7016399	2	Bulb, Replacement (1 Per Worklight)	
406	4240099	10	Tie-Strap	
407	2820035	9 ft/2.8m	Loom, Vinyl	
408	4460042	2	End, Terminal (Not Shown)	
409	4460598	1	Connector, Strain Relief	
	0259233	Ref	PLATFORM LOAD SENSING DEVICE INSTALLATION (FRENCH SPEC/SPANISH SPEC) (Prior to SN 62137)	4-C
501	2901811	1	Load Sensing Assembly	
501A	3990109	1	Transducer, Pressure	
501B	7023332	1	Card, Control	
501B	7023331	1	Fuse	
501B	7023333	1	Holder, Fuse	
502	0701010	2	Bolt 10mm x 20mm	
503	4812000	2	Flatwasher 10mm	
504	1670900	1	Cover, Load Cell	
505	0641407	4	Bolt 1/4in-20NC x 7/8in	
506	4761400	4	Washer, Spring Lock 1/4in	
507	3311401	4	Nut 1/4in-20NC	
		Ref	PLATFORM LOAD SENSING DEVICE INSTALLATION (FRENCH SPEC/SPANISH SPEC) (WITH ADE SYSTEM)	
	0270835	Ref	Platform Load Sensing Device Installation (SN 62137 through 64253)	2-D
	0271543	Ref	Platform Load Sensing Device Installation (SN 64254 through 67891)	1
	0271632	Ref	LIFT DOWN INSTALLATION (SN 64254 through 67891)	1
601	3990109	1	Transducer, Pressure	
602	0701010	2	Bolt 10mm x 20mm	
603	4812000	2	Flatwasher 10mm	
604	1670900	1	Cover, Load Cell	
605	0641407	2	Bolt 1/4in-20NC x 7/8in	
606	4761400	2	Washer, Spring Lock 1/4in	
607	3311401	2	Nut 1/4in-20NC	

SECTION 4 - PLATFORM

ITEM	PART NUMBER	QTY	DESCRIPTION	REV
609		Ref	Terminal, Socket Options (Not Shown) (Located in Console Box):	
609	4460871	4	Terminal, Socket (SN 62137 through 64253)	
609	4460226	4	Terminal, Socket (SN 64254 to Present)	
609	4460871	4	Lift Down Installation (SN 64254 to Present)	

SECTION 4 - PLATFORM

FIGURE 4-2. PLATFORM COMPONENTS INSTALLATION - SIDE ENTRY PLATFORM



SECTION 4 - PLATFORM

FIGURE 4-2. PLATFORM COMPONENTS INSTALLATION - SIDE ENTRY PLATFORM

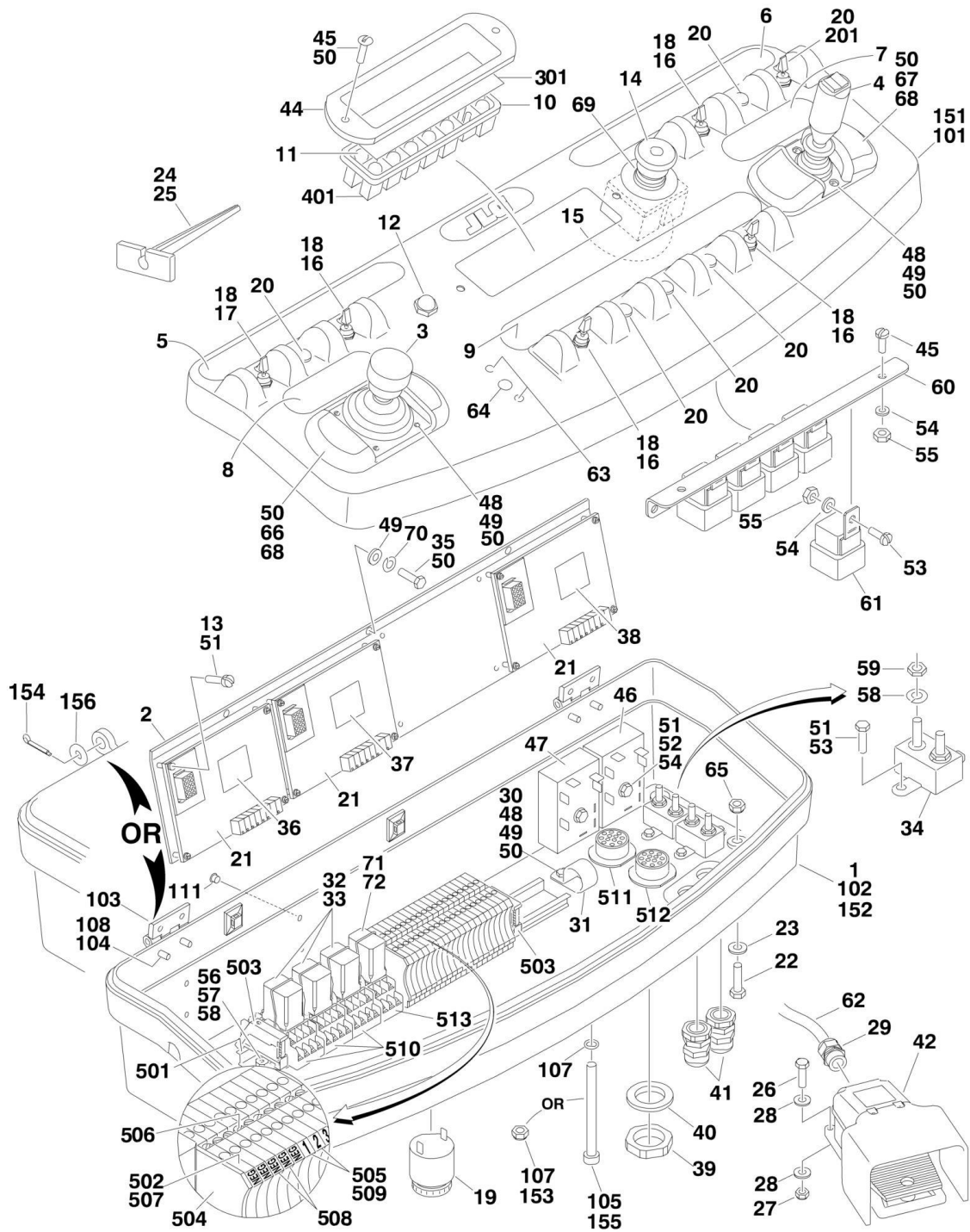
ITEM	PART NUMBER	QTY	DESCRIPTION	REV
		Ref	PLATFORM ASSEMBLIES:	
	3510822	Ref	3ft x 8ft (0.9m x 2.44m) with No Mesh	E
	3510833	Ref	3ft x 6ft (0.9m x 1.83m) with No Mesh	E
	3510832	Ref	2.5ft x 6ft (0.8m x 1.83m) with No Mesh	E
	3510831	Ref	2.5ft x 5ft (0.8m x 1.52m) with No Mesh	E
	3510830	Ref	2.5ft x 4ft (0.8m x 1.22m) with No Mesh	E
		Ref	Note: Platform and Mesh must be ordered separately for Platforms with Mesh. See SPECIAL OPTIONS SECTION for Mesh Installations.	
1	0100040	AR	Sealant, Adhesive (Not Shown) (Prior to SN 73445)	
2	2080040	16	Fastener, Huck	
3	2600281	2	Hinge, Self-Closing	
4	2940074	1	Latch	
5	3311001	4	Nut #10-24NC (Prior to SN 77333)	
6	Not Available	1	Platform Weldment (Purchase Platform Assembly)	
7	3520072	1	Cap-Plug	
8		Ref	Hardware Options:	
8	3911008	4	Screw #10-24NC x 1in (Prior to SN 76408)	
8	3800205	4	Screw #10-24NC x5/8in (SN 76408 through 77332)	
8	3820020	4	Rivet, Pop (SN 77333 to Present)	
9	4751000	4	Flatwasher #10 (Prior to SN 77333)	
10	4846452	1	Gate Weldment	
11	4761000	4	Lockwasher #10 (SN 68809 through 77333)	
12	3520198	2	Square-Plug (SN 73445 to Present)	
13	0100011	AR	Loctite #242 (Not Shown) (Prior to SN 77333)	
	0272052	Ref	CONSOLE BOX INSTALLATION (SN 67978 to Present)	A
101	0641406	4	Bolt 1/4in-20NC x 3/4in	
102	0641408	3	Bolt 1/4in-20NC x 1in	
103	0641610	4	Bolt 3/8in16NC x 1 1/4in	
104	0861526	1	Console Box Assembly	
105	3311405	7	Locknut 1/4in-20NC	
106	3311605	4	Locknut 3/8in-16NC	
107	3380434	1	Panel, Decal Mount	
108	4740362	7	Washer, Fender 1/4in	
109	4751400	4	Flatwasher 1/4in (Wide)	
110	4751600	8	Flatwasher 3/8in (Wide)	
	0270814	Ref	WORKLIGHTS INSTALLATIONS (optional)	3-E
201	3536089	2	Plate, Mounting	
202	0641414	4	Bolt 1/4in-20NC x 1 3/4in	
203	3311405	4	Locknut 1/4in-20NC	
204	4711400	8	Flatwasher 1/4in Narrow	
205	2920140	2	Worklight	
205	7016399	2	Bulb, Replacement (1 Per Worklight)	
206	4240099	10	Tie-Strap (Not Shown)	
207	2820035	9	Loom, Vinyl (Not Shown)	
209	4460598	1	Connector, Strain Relief (Not Shown - Located at Console Box)	
		Ref	TRAY INSTALLATIONS (OPTIONAL)	
301	1580012	1	Tray, Storage (Center)	
302	1580013	1	Tray, Storage (Rail Mounted - Not Shown)	

SECTION 4 - PLATFORM

ITEM	PART NUMBER	QTY	DESCRIPTION	REV
	0271675	Ref	CONSOLE COVER INSTALLATION - MODEL 601S WITH A "ENHANCED HOSTILE ENVIRONMENT PACKAGE" (OPTIONAL MODEL 601S)	C
401	4846506	1	Weldment, Console Cover	
402	1670894	1	Cover, Rubber	
403	3571411	1	Plate	
404	4300137	3	Stud, Threaded Ball	
405	3311505	1	Locknut 5/16in-18NC	
406	4751500	1	Flatwasher 5/16in (Wide)	
407	0641406	6	Bolt 1/4in-20NC x 3/4in	
408	3311405	6	Locknut 1/4in-20NC	
409	4751400	12	Flatwasher 1/4in (Wide)	
410	4567850	1	Tube, Support	
411	0641412	4	Bolt 1/4in-20NC x 1 1/2in	
412	4740362	4	Washer, Fender	
413	0641404	2	Bolt 1/4in-20NC x 1/2in	
414	2080043	4	Rivnut 1/4in-20NC x 5/8in	
415	2080050	2	Rivnut 5/16in-18NC x 3/4in	
416	0100011	AR	Loctite #242 (Not Shown)	
	0258703	Ref	CONSOLE COVER INSTALLATION - MODEL 601S (OPTIONAL)	B
501	1670870	1	Cover, Console	
502	0751006	7	Screw, Pan Head Thread Forming	
504	4751000	7	Flatwasher #10 (Wide)	

SECTION 4 - PLATFORM

FIGURE 4-3. PLATFORM CONSOLE ASSEMBLIES (Prior to SN 62137)



SECTION 4 - PLATFORM

FIGURE 4-3. PLATFORM CONSOLE ASSEMBLIES (Prior to SN 62137)

ITEM	PART NUMBER	QTY	DESCRIPTION	REV
		Ref	CONSOLE BOX AND FOOTSWITCH ASSEMBLIES	
	0861309	Ref	MODEL 601S	1
	0861310	Ref	MODEL 601S With A "Enhanced Hostile Environment Package"	1
1		Ref	Box, Console Options:	
1	0861535	1	Box, Console - Model 601s (was p/n 0861195) (Original Equipment) (Note: No Service Breakdown)	
1	0861535	1	Box, Console - Model 601S With A "Enhanced Hostile Environment Package" (was p/n 0860984) (Original Equipment) (See Items 101-111 for Breakdown)	
1	0861535	1	Box, Console - Model 601S/ 601S With A "Enhanced Hostile Environment Package" (Service Replacement) (See Items 152-156 for Breakdown)	
2	3538819	1	Plate, Mounting	
3	1600284	1	Controller Assembly (Lift and Swing) (See CONTROLLER ASSEMBLY for Breakdown)	
4	1600283	1	Controller Assembly (Drive and Steer) (See CONTROLLER ASSEMBLY for Breakdown)	
5	1703776	1	Decal (Horn/Drive Speed/Level)	
6	1702564	1	Decal (Stop)	
7	1702565	1	Decal (Drive and Steer)	
8	1702566	1	Decal (Lift and Swing)	
9	1703680	1	Decal (Function Speed)	
10	2760105	1	Housing, Display Light	
11	2920129	7	Bulb, Light	
12	4360387	1	Switch, Pushbutton	
13	3910610	12	Screw #6-32NC x 5/8in	
14	4360475	1	Switch, Emergency Stop	
14	7020175	1	Cap, Red	
14	7020176	1	Contact Block	
15	4360476	1	Block, Contact	
16	4360314	4	Switch, Toggle	
17	4360331	1	Switch, Toggle	
18	3790012	5	O-Ring	
19	0140026	1	Alarm	
20	3520028	6	Plug, Hole	
21	1600218	3	Card, Control	
21	7016346	3	Fuse - 5 Amp (1 Per Card)	
22	0641610	4	Bolt 3/8in-16NC x 1 1/4in	
23	4751600	AR	Flatwasher 3/8in	
24	4460467	1	Tool, Pin Extraction (Blue 16-18 Gauge) (Not Shown)	
25	4460510	1	Tool, Pin Extraction (Yellow 12-14 Gauge) (Not Shown)	
26	0641408	3	Bolt 1/4in-20NC x 1in	
27	3311405	3	Locknut 1/4in-20NC	
28	4740362	3	Washer 1/4in (Fender)	
29	4460071	1	Connector, Strain Relief	
30	3311401	1	Nut 1/4in-20NC	
31	1320060	1	Clamp	
32	3740058	3	Relay - 4PDT	
33	3740063	3	Spring, Relay	
34	4360232	2	Breaker, Circuit - 15 Amp	

SECTION 4 - PLATFORM

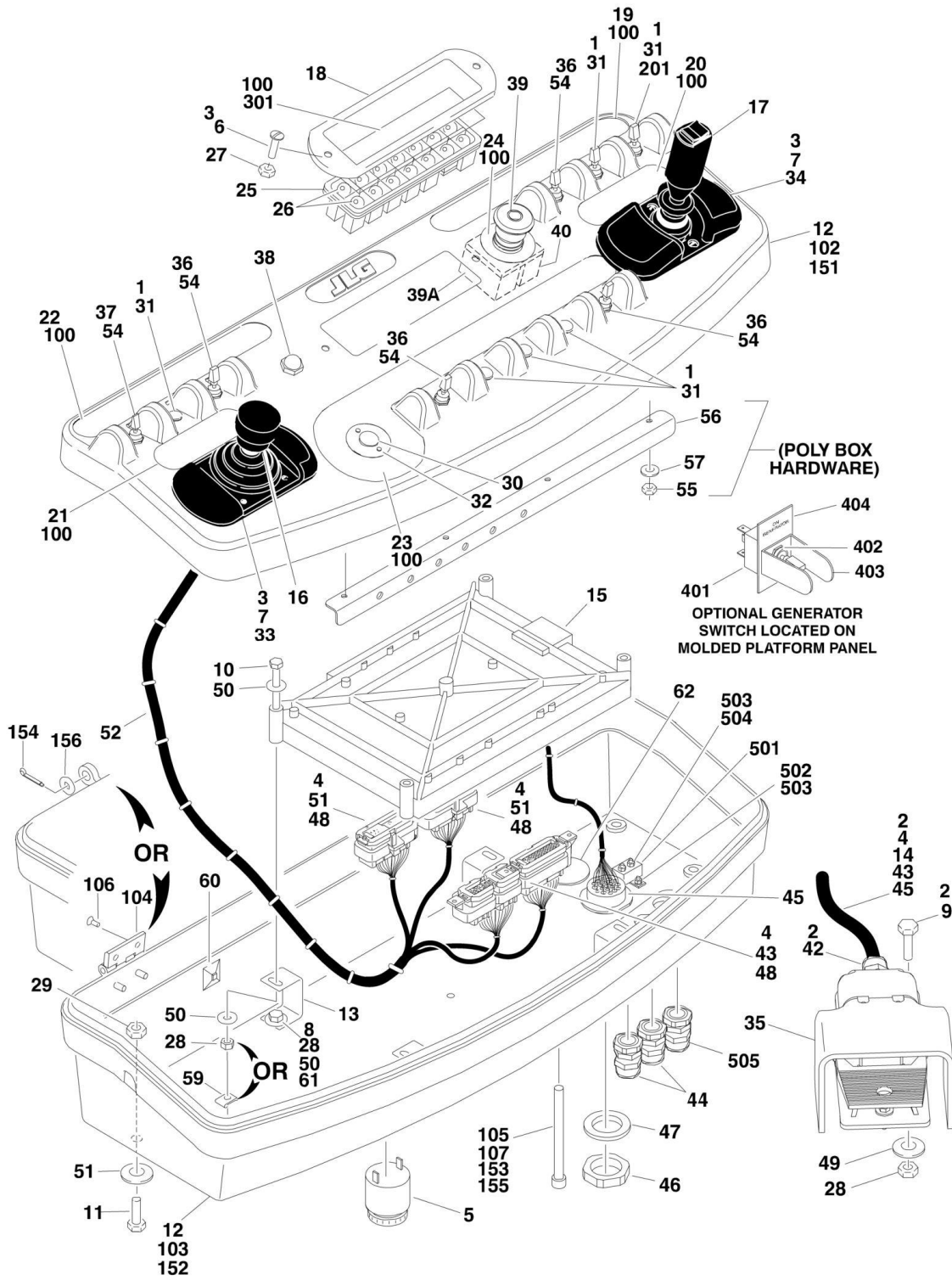
ITEM	PART NUMBER	QTY	DESCRIPTION	REV
35	0641406		Bolt 1/4in-20NC x 3/4in	
36	1703090	1	Decal - Control Card (Lift)	
37	1703091	1	Decal - Control Card (Swing)	
38	1703093	1	Decal - Control Card (Drive)	
39	4460470	2	Nut, Conduit	
40	4460471	2	Washer	
41	4460428	2	Connector, Strain Relief	
42	4360031	1	Footswitch	
42	7000625	2	Block, Contact	
44	1670829	1	Bezel	
45	0630464	AR	Screw, Button Head #10-24NC x 1/2in	
46	3740113	1	Relay, Time Delay	
47	3740115	1	Relay, Time Delay	
48	0641406	AR	Bolt 1/4in-20NC x 3/4in	
49	4751400	AR	Flatwasher 1/4in	
50	0100011	AR	Loctite #242	
51	0100035	AR	Loctite #222	
52	0721010	2	Screw, Machine #10-24NC x 1 1/4in	
53	0721003	AR	Screw, Machine #10-24NC x 3/8in	
54	4751000	AR	Flatwasher #10	
55	3311005	AR	Locknut #10-24NC	
56	0721004	2	Screw, Machine #10-32NC x 1/2in	
57	4711000	2	Flatwasher #10 (Narrow)	
58	4761000	6	Lockwasher #10	
59	3311001	4	Nut #10-24NC	
60		Ref	Plate, Relay Mount Options:	
60	3571222	1	Plate - Model 601S	
60	3539275	1	Plate -Model 601S With A "Enhanced Hostile Environment Package"	
61	3740049	AR	Relay	
62	1060515	7 ft/2.1m	Cable, 12/4	
63	3520168	2	Plug 3/16in	
64	3520029	1	Plug 3/4in (601S Only)	
65	3311605	4	Locknut 3/8in	
66	4340678	1	Support, Hand (Model 601S With A "Enhanced Hostile Environment Package" Machines Only)	
67	4340684	1	Support, Hand (Model 601S With A "Enhanced Hostile Environment Package" Machines Only)	
68	0641404	8	Bolt 1/4in-20NC x 1/2in (Model 601S With A "Enhanced Hostile Environment Package" Machines Only)	
69	1704260	1	Decal - EMS	
70	4761400	3	Lockwasher 1/4in (601S Only)	
71	3740057	1	Relay	
72	3740066	1	Spring	
	1001109183	1	Decal Kit (Includes Items 5, 6, 7, 8, 9, 69 & 201)	
	0860984	Ref	CONSOLE BOX ASSEMBLY (ORIGINAL EQUIPMENT)	C
101	See Note	1	Lid, Cast (Note: Not Available - Purchase Complete Console Box Assembly.)	
102	See Note	1	Bottom, Box (Note: Not Available - Purchase Complete Console Box Assembly.)	
103	2600211	2	Hinge	
104	3900224	8	Capscrew, Socket Head Countersunk 6mmx 16mm	
105	3931672	1	Capscrew, Socket Head 3/8in-16NC x 4-1/2in	

SECTION 4 - PLATFORM

ITEM	PART NUMBER	QTY	DESCRIPTION	REV
107		Ref	Fastener Options:	
107	See Note	1	O-Ring (Prior to May 1996) (Note: Recommend using 3311601 Nut in place of original 3790109 O-Ring)	
107	3311601	1	Nut 3/8in-16NC	
108	0100011	AR	Compound, Locking	
111	3520173	4	Plug	
	0861535	Ref	CONSOLE BOX ASSEMBLY (SERVICE REPLACEMENT)	E
151	Not Available	1	Console Top	
152	Not Available	1	Console Bottom	
153	3311601	1	Nut 3/8in-16NC	
154	3470003	2	Pin, Cotter Hair	
155	3931672	1	Capscrew, Socket Head 3/8in-16NC x 4-1/2in	
156	4711500	2	Flatwasher 5/16	
	0259309	Ref	HEAD AND TAIL LIGHTS INSTALLATION (OPTIONAL) (MODEL - 601S WITH A "ENHANCED HOSTILE ENVIRONMENT PACKAGE")	1
201	4360336	1	Switch, Toggle	
201	3790012	1	O-Ring	
		Ref	LIGHT PANEL DECAL INSTALLATION OPTIONS:	
	0256632	Ref	CE Spec	-
	0256633	Ref	Australian Spec	-
301		Ref	Decal - Display	
301	1703084	1	CE Spec	
301	1703085	1	Australian Spec	
		Ref	HARNES COMPONENTS	
401	4120035	7	Base, Light	
401	2920129	7	Bulb, Light	
	4922306	Ref	RELAY AND TERMINAL BLOCK INSTALLATIONS	1
501	3641182	1	Track	
502	4460601	10	Block, Terminal	
503	4460607	2	Stop, End	
504	4460602	1	Barrier, Terminal	
505	4460629	2	Marker, Terminal (6-15)	
506	4460603	1	Bar, Buss - 10 Position (Cut into [2] 5 Position Bars)	
507	4460600	7	Block, Terminal	
508	4460631	1	Marker, Terminal (Negative)	
509	4460632	1	Marker, Terminal (1-5)	
510	4120013	3	Socket, Relay	
511	4460613	1	Connector - 21 Position	
512	4460503	1	Connector - 31 Position	
513	4120012	1	Socket, Relay	

SECTION 4 - PLATFORM

FIGURE 4-4. PLATFORM CONSOLE ASSEMBLES - WITH ADE SYSTEM (SN 62137 to Present)



SECTION 4 - PLATFORM

FIGURE 4-4. PLATFORM CONSOLE ASSEMBLIES - WITH ADE SYSTEM (SN 62137 to Present)

ITEM	PART NUMBER	QTY	DESCRIPTION	REV
		Ref	CONSOLE BOX AND FOOTSWITCH ASSEMBLIES	
	0861425	Ref	MODEL 601S (POLY BOX) (Prior to SN 64398)	F
	0861490	Ref	MODEL 601S (POLY BOX) (SN 64398 through 67978)	B
	0861426	Ref	MODEL 601S With A "Enhanced Hostile Environment Package" (ALUMINUM BOX) (Prior to SN 64398)	F
	0861491	Ref	MODEL 601S With A "Enhanced Hostile Environment Package" (ALUMINUM BOX) (SN 64398 through 67977)	B
	0861526	Ref	MODEL 601S/601S With A "Enhanced Hostile Environment Package" (DIE CAST BOX) (SN 67978 to Present)	E
1	0100009	AR	Sealant	
2	0100020	AR	Sealant	
3	0100035	AR	Loctite #222	
4	0100048	AR	Grease, Dielectric	
5	0140011	1	Alarm	
6	0630464	2	Screw, Button Head #10-24NC x 1/2in	
7	0641404	8	Bolt 1/4in-20NC x 1/2in (Aluminum Box) (Prior to SN 67978)	
8		Ref	Bolt Options:	
8	0641406	4	Bolt 1/4in-20NC x 3/4in (Prior to SN 67978)	
8	0641404	4	Bolt 1/4in-20NC x 1/2in (SN 67978 to Present)	
9	0641414	3	Bolt 1/4in-20NC x 1 3/4in	
10		Ref	Bolt Options:	
10	0641418	4	Bolt 1/4in-20NC x 2 1/4in (Prior to SN 64398)	
10	0641416	4	Bolt 1/4in-20NC x 2in (SN 64398 to Present)	
11	0641610	4	Bolt 3/8in-16NC x 1 3/4in	
12		Ref	Box, Console Options:	
12	0861414	1	Box, Console - Aluminum (See Items 101-108 for Breakdown) (Prior to SN 67978)	
12	0861537	1	Box, Console - Die Cast (See Items 151-156 for Breakdown) (SN 64398 to Present)	
12	0861392	1	Box, Console - Ploy (Prior to SN 67978)	
13	0902751	4	Bracket, Support	
14		Ref	Cable, Electrical Options:	
14	1060330	7 ft/2.1mm	Cable, Electrical - 16/3 (Prior to SN 64398)	
14	1060918	1	Cable, Electrical - 18/3 (SN 64398 to Present)	
15		Ref	Controller, Module (Re-calibration Required when Replaced) Options:	
15	1600313	1	Controller, Module (Prior to SN 78257)	
15	1600375	1	Controller, Module (SN 78257 to Present)	
16	1600317	1	Controller Assembly (Lift and Swing) (See CONTROLLER ASSEMBLY (SWING AND LIFT) for Breakdown)	
17	1600318	1	Controller Assembly (Drive and Steer) (See CONTROLLER ASSEMBLY (DRIVE AND STEER) for Breakdown)	
18	1670829	1	Bezel	
19		Ref	Decal (Stop) Options:	
19	1702564	1	Decal (Prior to SN 73286)	
19	1704997	1	Decal (SN 73286 to Present)	
20	1702565	1	Decal (Drive and Steer)	
21	1702566	1	Decal (Lift and Swing)	
22	1702676	1	Decal (Horn)	
23	1703680	1	Decal (Function Speed)	
24	1704260	1	Decal - EMS	

SECTION 4 - PLATFORM

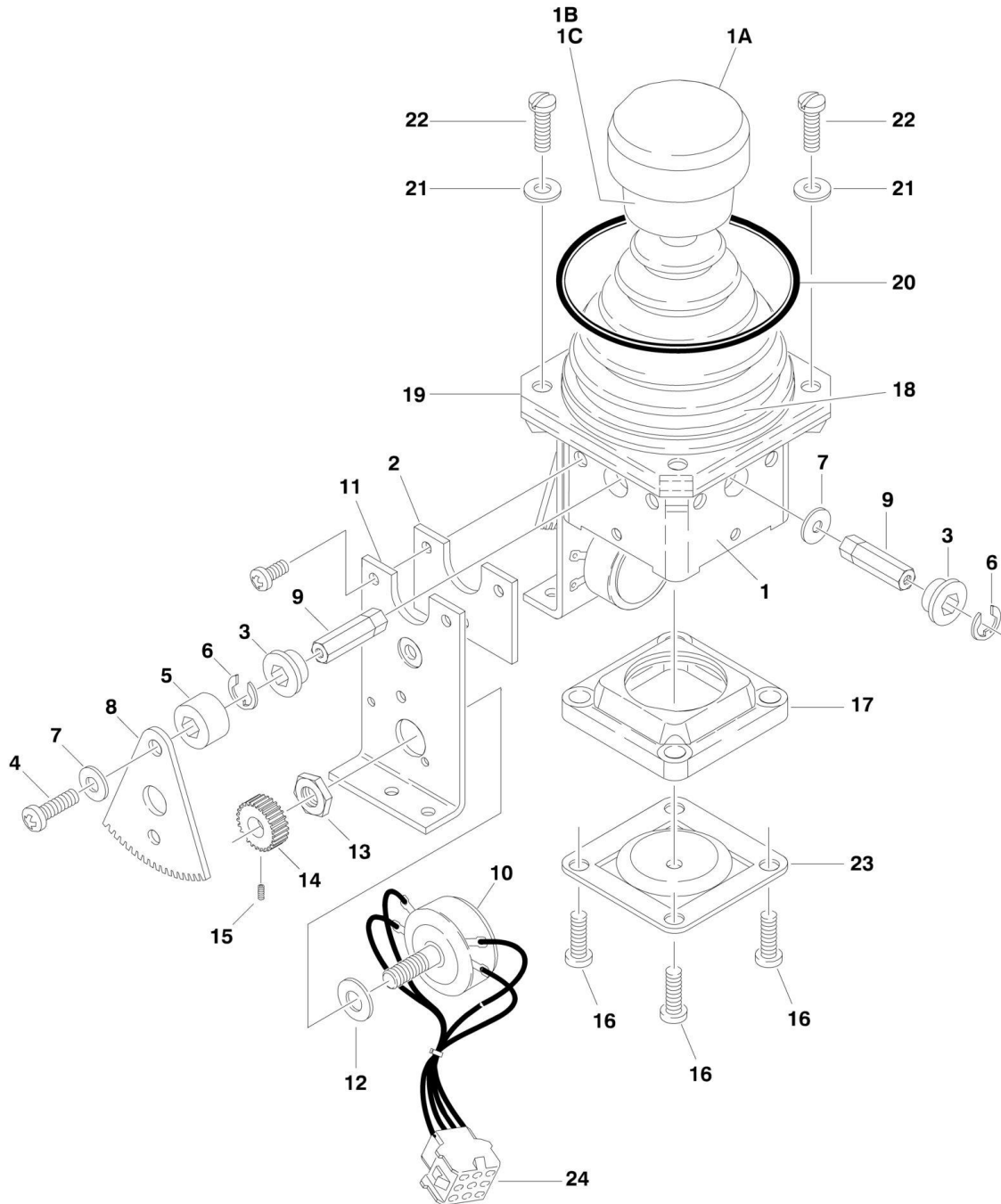
ITEM	PART NUMBER	QTY	DESCRIPTION	REV
25	2760105	1	Housing, Display Light	
26	2920129	7	Bulb, Light	
27	3300408	2	Insert, Nylon (Prior to SN 67978)	
28	3311405	11	Locknut 1/4in-20NC	
29	3311605	4	Locknut 3/8in-16NC	
30		Ref	Plug, Hole Options:	
30	3520027	1	Plug, Hole (Prior to SN 67978)	
30	3520173	1	Plug, Hole (SN 67978 to Present)	
31	3520054	6	Plug, Hole 1/2in	
32	3520174	2	Plug, Hole 3/16in	
33	4340678	1	Support, Hand (Aluminum Box) (Left Side) (Prior to SN 67978)	
34	4340684	1	Support, Hand (Aluminum Box) (Right Side) (Prior to SN 67978)	
35	4360031	1	Footswitch	
36	4360328	4	Switch, Toggle	
37	4360331	1	Switch, Toggle	
38	4360387	1	Switch, Pushbutton	
39	4360475	1	Switch, Emergency Stop	
39	7020175	1	Cap, Red	
39A	7020176	1	Contact Block	
40	4360476	1	Block, Contact	
42	4460071	1	Connector, Strain Relief	
43	4460226	2	Socket, Contact	
44	4460428	2	Connector, Strain Relief	
45	4460464	1	Terminal, Deutsch	
46	4460470	1	Nut, Terminal	
47	4460471	1	Lockwasher, Terminal	
48	4460905	5	Seal, Plug	
49	4740362	3	Washer, Fender	
50	4751400	16	Flatwasher 1/4in	
51	4751600	4	Flatwasher 3/8in	
52		Ref	Harness, Platform Box Options: (See ELECTRICAL SECTION for Breakdown)	
52	4922524	1	Harness, Platform Box (Prior to SN 64398)	
52	4922651	1	Harness, Platform Box (SN 64398 through 67977)	
52	4922639	1	Harness, Platform Box (SN 67978 to Present)	
53		Ref	Harness, Analyzer Cable (Not Shown - See ELECTRICAL SECTION for Breakdown)	
53	4922485	1	Harness, Analyzer Cable (Prior to SN 64398)	
53	4922666	1	Harness, Analyzer Cable (SN 64398 to Present)	
54	3790012	5	O-Ring	
55	3311005	4	Locknut #10-24NC (Model 601S Ploy Box Only)	
56	3571222	1	Plate, Relay Mount (Model 601S Ploy Box Only)	
57	4751000	4	Flatwasher #10 (Model 601S Ploy Box Only)	
58	4460708	2	Connector, Female - 15 Position (Not Shown - See ELECTRICAL SECTION for Location) (SN 65858 to Present)	
59	3300353	4	Nut, Tinnerman (SN 64398 to Present)	
60	4460488	1	Base, Mounting (SN 64398 to Present)	
61	0100081	AR	Loctite #454 (SN 64398 to Present)	
62	1671037	1	Cover (SN 64398 to Present)	
100	2910870	1	Decal Kit (Includes Items 19, 20, 21, 22, 23, 24 & 301)	
	0861414	Ref	CONSOLE BOX ASSEMBLY (Prior to SN 67978)	C
101	0100011	AR	Loctite #242 (Not Shown)	

SECTION 4 - PLATFORM

ITEM	PART NUMBER	QTY	DESCRIPTION	REV
102	Not Available	1	Console Top	
103	Not Available	1	Console Bottom	
104	2600211	2	Hinge	
105	3311601	1	Nut 3/8in-16NC	
106	3900224	8	Screw Countersunk	
107	3931672	1	Screw 3/8in-16NC x 4 1/2in	
108	3520174	3	Plug, Hole (Not Shown - Located in Back of Lid)	
	0861537	Ref	CONSOLE BOX ASSEMBLY (SN 67978 to Present)	E
151	Not Available	1	Console Top	
152	Not Available	1	Console Bottom	
153	3311601	1	Nut 3/8in-16NC	
154		Ref	Pin, Cotter Options:	
154	3450304	2	Pin, Cotter (Prior to SN 74471)	
154	3420156	2	Pin, Cotter Hair (SN 74471 through 88139)	
154	3470003	2	Pin, Cotter Hair (SN 88140 to Present)	
155	0630568	1	Screw 3/8in-16NC x 4 1/2in	
156	4711500	2	Flatwasher 5/16	
	0270802	Ref	HEAD AND TAIL LIGHTS INSTALLATION (OPTIONAL) (MODEL - 601S WITH A "ENHANCED HOSTILE ENVIRONMENT PACKAGE) (Prior to SN 63913)	1
	0271044	Ref	HEAD AND TAIL LIGHTS INSTALLATION (OPTIONAL) (MODEL - 601S WITH A "ENHANCED HOSTILE ENVIRONMENT PACKAGE) (SN 63913 to Present)	2
201	4360336	1	Switch, Toggle	
201	3790012	1	O-Ring	
		Ref	LIGHT PANEL DECAL INSTALLATIONS	
	0256633	Ref	DUAL CAPACITY	-
	0256632	Ref	SINGLE CAPACITY	-
301		Ref	Decal - Display Options:	
301	1703085	1	Dual Capacity	
301	1703084	1	Single Capacity	
		Ref	GENERATOR INSTALLATION (OPTIONAL)	
	0270801	Ref	110V DEUTZ (Prior to SN 64254)	1
	0271049	Ref	110V DEUTZ (SN 64254 through 82631)	3-C
	0274080	Ref	110V DEUTZ (SN 82632 to Present)	2-B
401	4360336	1	Switch, Toggle	
402	4740397	1	Bushing	
403	4060802	1	Guard, Switch	
404	3251102	1	Decal - Generator ON/OFF	
	0270814	Ref	PLATFORM WORKLIGHT INSTALLATION (OPTIONAL)	3
501	4360232	1	Breaker, Circuit - 15Amp	
502	0721003	2	Bolt #10-24NC x 3/8in	
503	4761000	4	Lockwasher #10	
504	3311001	2	Nut #10-24NC	
505	4460598	1	Connector, Strain Relief	

SECTION 4 - PLATFORM

FIGURE 4-5. CONTROLLER ASSEMBLY (SWING AND LIFT) (Prior to SN 62137)



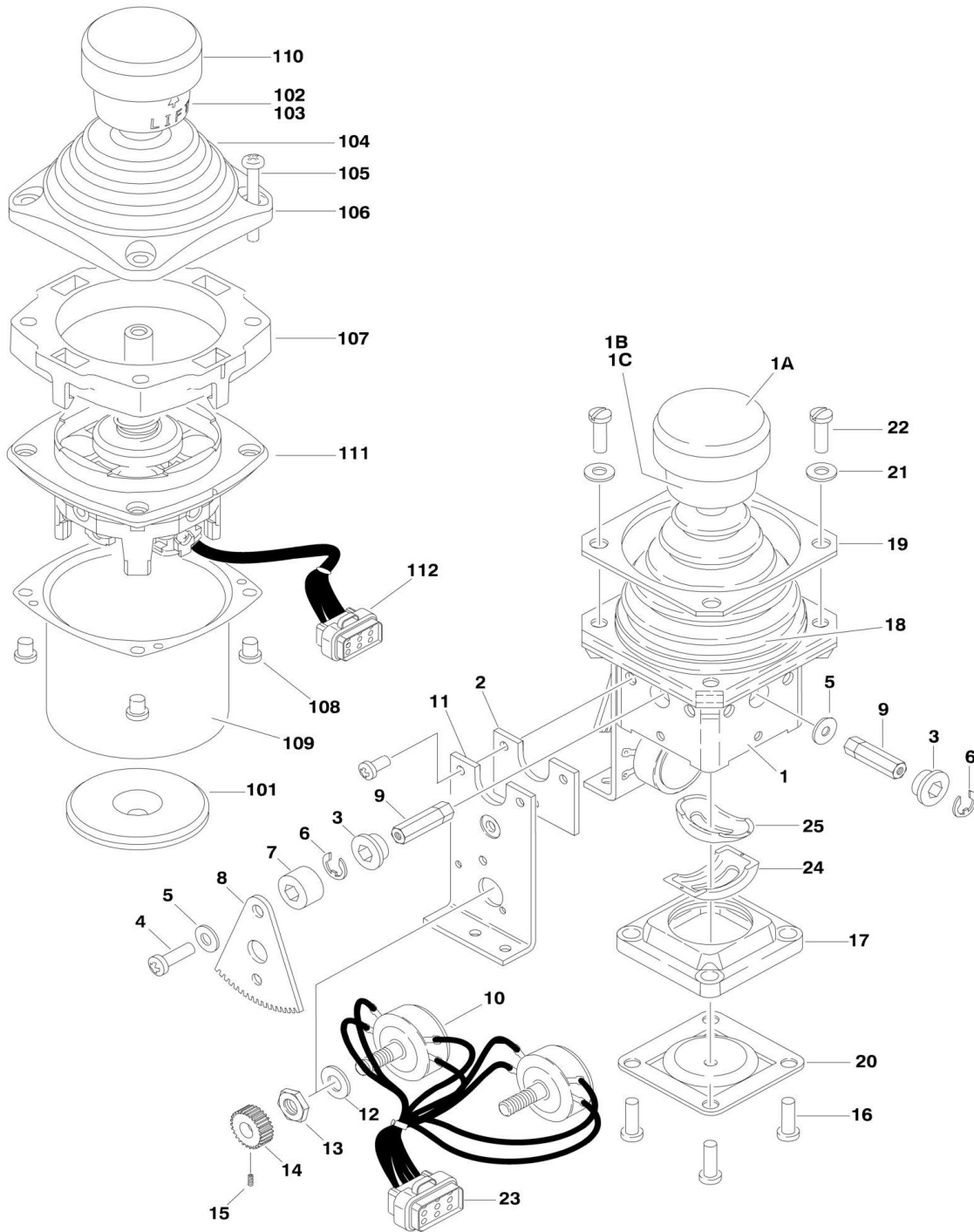
SECTION 4 - PLATFORM

FIGURE 4-5. CONTROLLER ASSEMBLY (SWING AND LIFT) (Prior to SN 62137)

ITEM	PART NUMBER	QTY	DESCRIPTION	REV
	1600284	Ref	CONTROLLER ASSEMBLY	A
1	7019141	1	Mechanical Assembly (Includes Base, Handle Stem and Items 1A, 1B, 1C & 18 Boot)	
1A	7019197	1	Handle Cap and Rod	
1B	7003928	1	Spring	
1C	7022808	1	Cap, Lift	
2	7019142	2	Plate	
3	7019111	4	Bearing, Gear	
4	7019143	2	Screw	
5	7019144	2	Spacer, Cam	
6	7019145	4	E-Clip	
7	7019174	2	Spacer	
8	7003977	2	Gear, Drive	
9	7019147	4	Shaft	
10	7003974	2	Potentiometer	
11	7019142	2	Plate	
12	7003992	2	Washer	
13	7003993	2	Nut	
14	7003976	2	Gear, Slave	
15	7019149	2	Setscrew	
16	7003952	4	Screw	
17	7019150	1	Gate	
18	7022813	1	Boot (was p/n 7003955)	
19	7022813	1	Plate, Plastic (was p/n 7003954)	
20	7003956	1	Gasket	
21	7003953	4	Washer	
22	7022811	4	Screw	
23	Not Serviced	1	Center, Detent	
24	4460266	1	Connector - 9 Pin	
24	4460268	8	Socket, Female	
24	4460265	1	Plug - 9 Pin (Part of Platform Wiring) (Not Shown)	
24	4460267	8	Pin, Male (Part of Platform Wiring) (Not Shown)	

SECTION 4 - PLATFORM

FIGURE 4-6. CONTROLLER ASSEMBLY (SWING AND LIFT) (WITHOUT ADE SYSTEM) (SN 62137 to Present)



SECTION 4 - PLATFORM

FIGURE 4-6. CONTROLLER ASSEMBLY (SWING AND LIFT) (WITHOUT ADE SYSTEM) (SN 62137 to Present)

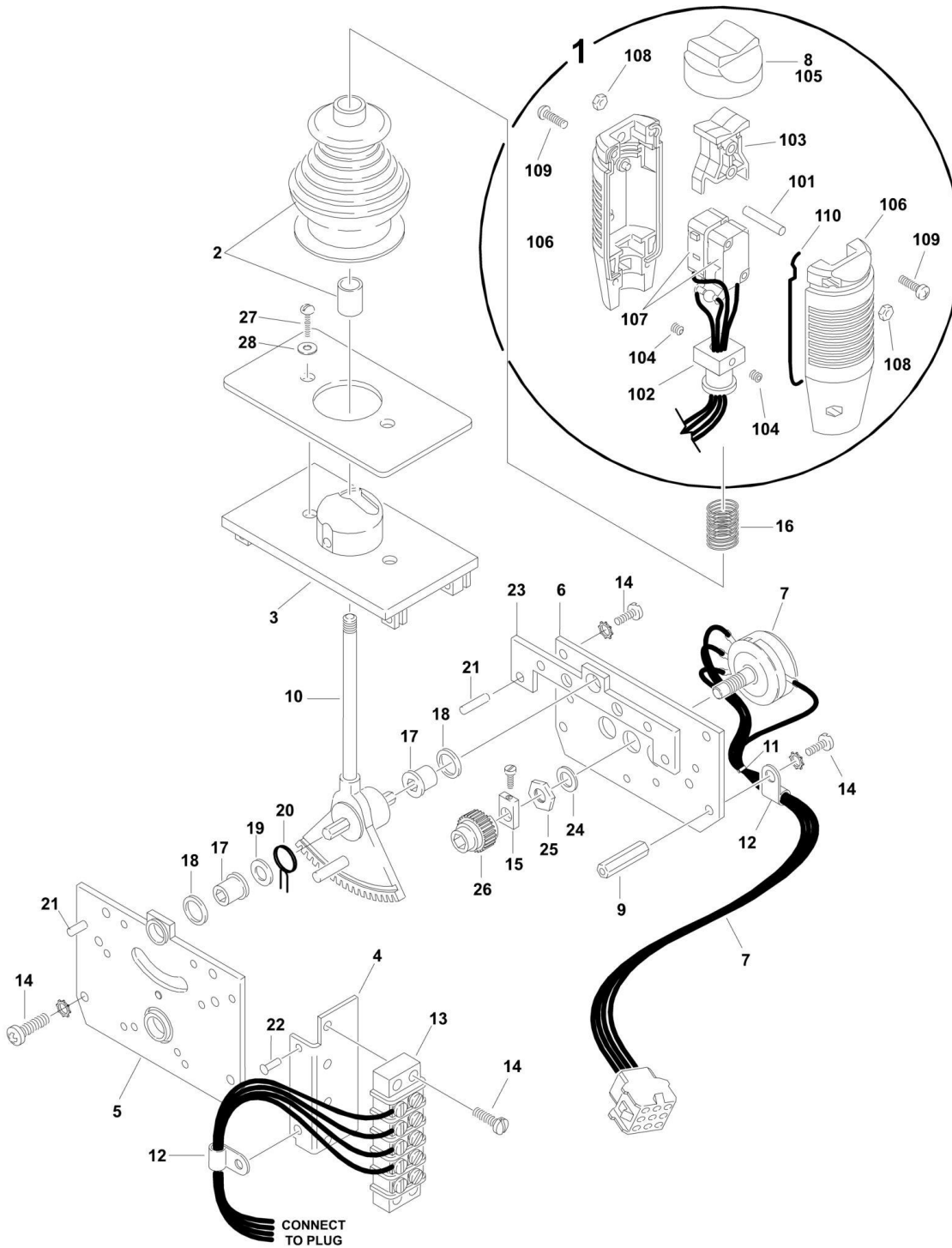
ITEM	PART NUMBER	QTY	DESCRIPTION	REV
		Ref	CONTROLLER ASSEMBLIES	
	1600317	Ref	Controller Assembly (OEM)	B
1	7019141	1	Mechanical Assembly (Includes Base, Handle Stem and Items 1A, 1B, 1C & 18)	
1A	7019197	1	Handle Cap and Rod	
1B	7003928	1	Spring	
1C	7022808	1	Cap, Lift	
2	7019171	2	Plate	
3	7019111	4	Bearing, Gear	
4	7019143	2	Screw	
5	7019144	2	Spacer, Cam	
6	7019145	4	E-Clip	
7	7019174	2	Spacer	
8	7003977	2	Gear, Drive	
9		Ref	Shaft Options:	
9	7019147	2	Shaft, Short	
9	7019177	2	Shaft, Long	
10	7022818	2	Potentiometer	
11	7019142	2	Plate	
12	7003992	2	Washer	
13	7003993	2	Nut	
14	7003976	2	Gear, Slave	
15	7019149	2	Setscrew	
16	7022816	4	Screw	
17	7019150	1	Gate	
18	7022814	1	Boot	
19	7022815	1	Bezel	
20	1001129555	1	Center, Detent (Note: Not Available for Purchase.)	
21	7003953	4	Washer	
22	7022817	4	Screw	
23	7022819	1	Plug, Male 8 Position (Natural)	
23	4460871	8	Socket, Female	
24	7019122	1	Gimble, Outer	
25	7019123	1	Gimble, Inner	
	1001129555	Ref	Controller Assembly (Service Replacement)	A
		Ref	Note: Was p/n 1001118417 Assembly - Use p/n 1001129555 Kit as replacement.	
101	70002730	1	Gasket	
102	7003928	1	Spring	
103	7022808	1	Cap, Lift	
104	70002731	1	Boot	
105	70002732	4	Screw	
106	7022815	1	Bezel	
107	70002733	1	Adapter	
108	70002734	4	Screw	
109	70002735	1	Can, Enclosure	
110	70002906	1	Cap	
111	1001129555	1	Mechanical Assembly (Note: Not Available for Purchase.)	
112	7022819	1	Plug, Male 8 Position (Natural) (Not Shown)	

SECTION 4 - PLATFORM

ITEM	PART NUMBER	QTY	DESCRIPTION	REV
112	4460871	6	Socket, Female	

SECTION 4 - PLATFORM

FIGURE 4-7. CONTROLLER ASSEMBLY (DRIVE AND STEER) (Prior to SN 62137)



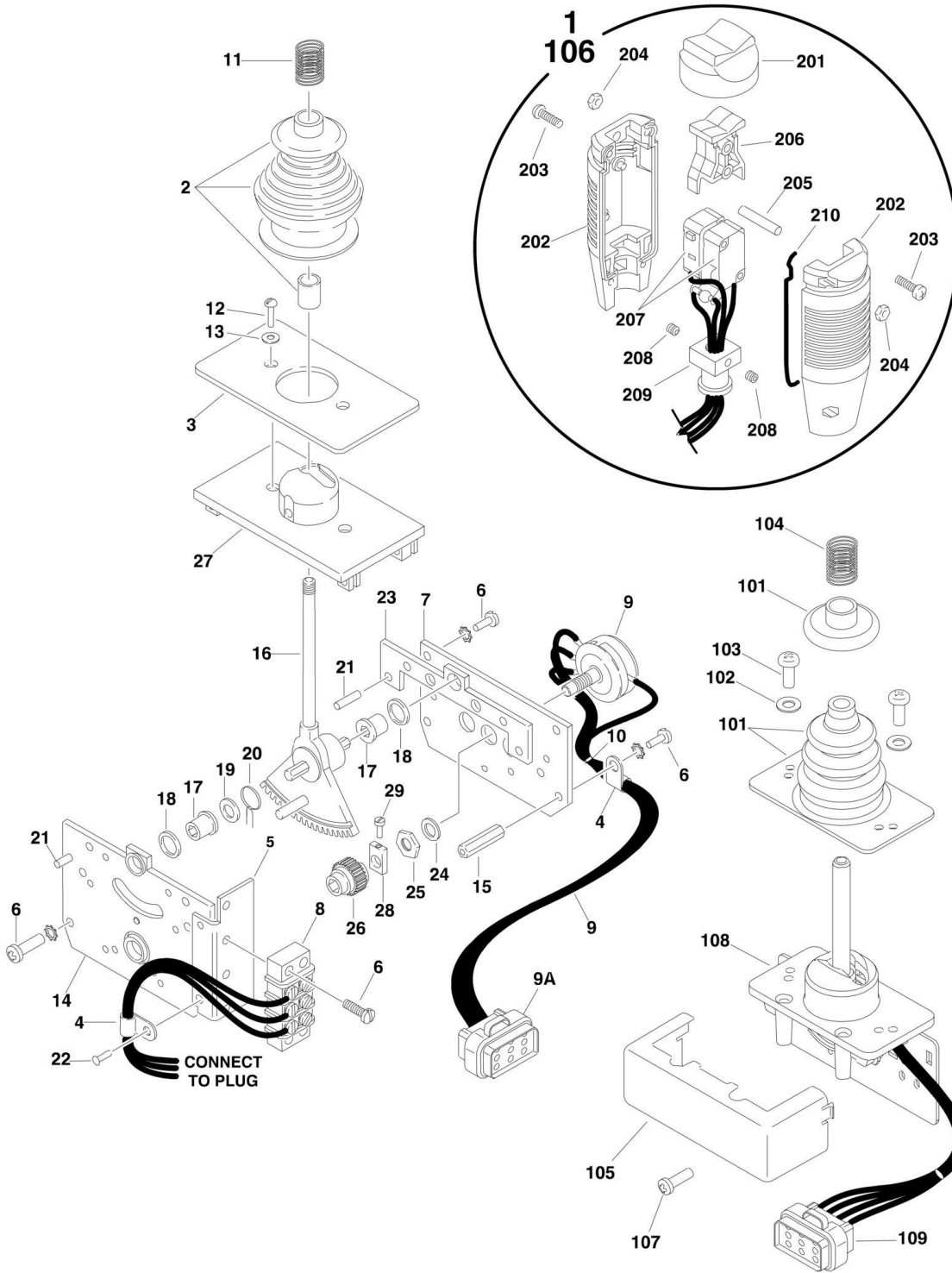
SECTION 4 - PLATFORM

FIGURE 4-7. CONTROLLER ASSEMBLY (DRIVE AND STEER) (Prior to SN 62137)

ITEM	PART NUMBER	QTY	DESCRIPTION	REV
	1600283	Ref	CONTROLLER ASSEMBLY	B
1	7022810	1	Handle Assembly (See items 101-110 for Breakdown)	
2	7019161	1	Handle Centering Assembly - Boot and Sleeve Only	
3	7019160	1	Cast Housing Assembly	
4	7019159	1	Bracket, Mounting	
5	7019158	1	Plate, Mounting (Left Side)	
6	7019157	1	Plate, Pot Mounting	
7	7019156	1	Electric Assembly	
8	7003972	1	Boot, Rocker	
9	7019115	2	Stand-Off	
10	7019155	1	Shaft 8mm	
11	7019151	AR	Tie-Strap	
12	7019154	2	Clamp, Wire	
13	7019153	1	Strip, Terminal - 5 Position	
14	7019117	8	Screw	
15	7019163	1	Potentiometer Coupling Assembly	
16	7019162	1	Spring	
17	7019111	2	Bearing	
18	7019110	2	Spacer, Head Gear	
19	7019112	1	Washer	
20	7003946	1	Spring, Return	
21	7019103	4	Pin	
22	Not Serviced	1	Rivet	
23	7019168	1	Plate, Mounting (Right Side)	
24	7003992	1	Washer	
25	7003993	1	Nut	
26	7003935	1	Gear, Slave	
27	7003969	2	Screw	
28	7003941	2	Washer	
	7022810	Ref	HANDLE ASSEMBLY	
101	7019164	1	Axle	
102	7019194	1	Coupling	
103	7019165	1	Rocker	
104	7003983	2	Setscrew	
105	7003972	1	Boot, Switch	
106	7003973	2	Half, Handle	
107	7019166	2	Switch, Micro	
108	7019167	4	Nut	
109	7003980	4	Screw	
110	7003989	2	Gasket	

SECTION 4 - PLATFORM

FIGURE 4-8. CONTROLLER ASSEMBLY (DRIVE AND STEER) (WITH ADE SYSTEM) (SN 62137 to Present)



SECTION 4 - PLATFORM

FIGURE 4-8. CONTROLLER ASSEMBLY (DRIVE AND STEER) (WITH ADE SYSTEM) (SN 62137 to Present)

ITEM	PART NUMBER	QTY	DESCRIPTION	REV
		Ref	CONTROLLER ASSEMBLIES	
	1600318	Ref	Controller Assembly (Original Equipment)	C
1	7022812	1	Handle Assembly (See Items 201-210 for Breakdown)	
2	7019161	1	Boot and Sleeve	
3	7003933	1	Gasket	
4	7019154	2	Clamp, Wire	
5	7022823	1	Bracket, Mounting	
6	7003994	1	Screw	
7	7022822	1	Plate, Pot Mounting	
8	7003986	1	Strip, Terminal - 3 Position	
9	7022824	1	Electric Assembly	
9A	7022825	1	Plug, Male - 8 Position (Black)	
9A	4460871	7	Socket, Female	
10	7019151	AR	Tie-Strap	
11	7019162	1	Spring	
12	7003969	2	Screw	
13	7003941	2	Washer	
14	1001118416	1	Plate, Mounting (Left Side) (Note: Not Available for Purchase.)	
15	7019115	2	Stand-Off	
16	7019155	1	Shaft 8mm	
17	7019111	2	Bearing	
18	7019110	2	Spacer, Head Gear	
19	7019112	1	Washer	
20	7003946	1	Spring, Return	
21	7019103	4	Pin	
22	See Note	1	Rivet (Note: Not Available - Purchase Locally.)	
23	7019168	1	Plate, Mounting (Right Side)	
24	7003992	1	Washer	
25	7003993	1	Nut	
26	7003935	1	Gear, Slave	
27	7019160	1	Plate, Base	
28	7019114	1	Coupling, Potentiometer	
29	See Note	1	Screw, Cup Point (Note: Not Available - Purchase Locally.)	
	1001118416	Ref	Controller Assembly (Service Replacement)	A
101	70002724	1	Boot and Control Lock Assembly	
102	7003941	2	Washer	
103	70002725	2	Screw	
104	7019162	1	Spring	
105	70002726	1	Enclosure	
106	70002727	1	Handle Assembly (See Items 201-210 for Breakdown)	
107	70002728	1	Screw	
108	1001118416	1	Mechanical Assembly (Note: Not Available for Purchase.)	
109	7022825	1	Plug, Male - 8 Position (Black)	
109	4460871	7	Socket, Female	
		Ref	HANDLE ASSEMBLY	
	7022812	Ref	Controller Assembly p/n 1600318	
	70002727	Ref	Controller Assembly p/n 1001118416	
201	7003972	1	Boot, Switch	
202	7003973	2	Half, Handle	

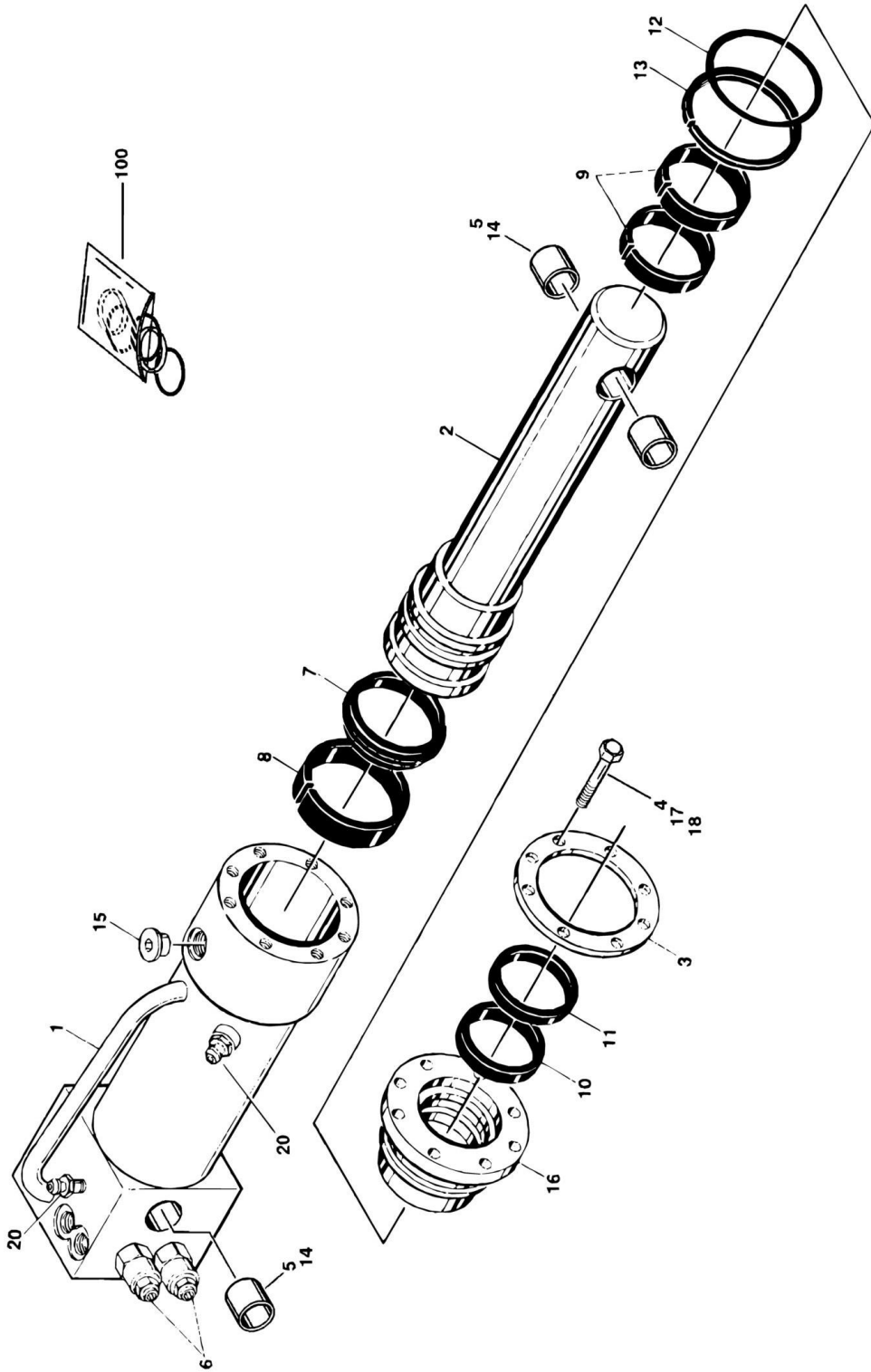
SECTION 4 - PLATFORM

ITEM	PART NUMBER	QTY	DESCRIPTION	REV
203	7003980	4	Screw	
204	7019167	4	Nut	
205	7019164	1	Axle	
206	7019165	1	Rocker	
207		Ref	Wiring Assembly Options:	
207	7019196	1	Controller Assembly p/n 1600318	
207	70002729	1	Controller Assembly p/n 1001118416	
207		Ref	Switch, Micro	
207	7019166	2	Controller Assembly p/n 1600318	
207	7003982	2	Controller Assembly p/n 1001118416	
208	7003983	2	Setscrew	
209	7019194	1	Coupling	
210	7003989	2	Gasket	

SECTION 5 - CYLINDER

SECTION 5 - CYLINDER

FIGURE 5-1. AXLE LOCKOUT CYLINDER ASSEMBLY (Prior to SN 85132)



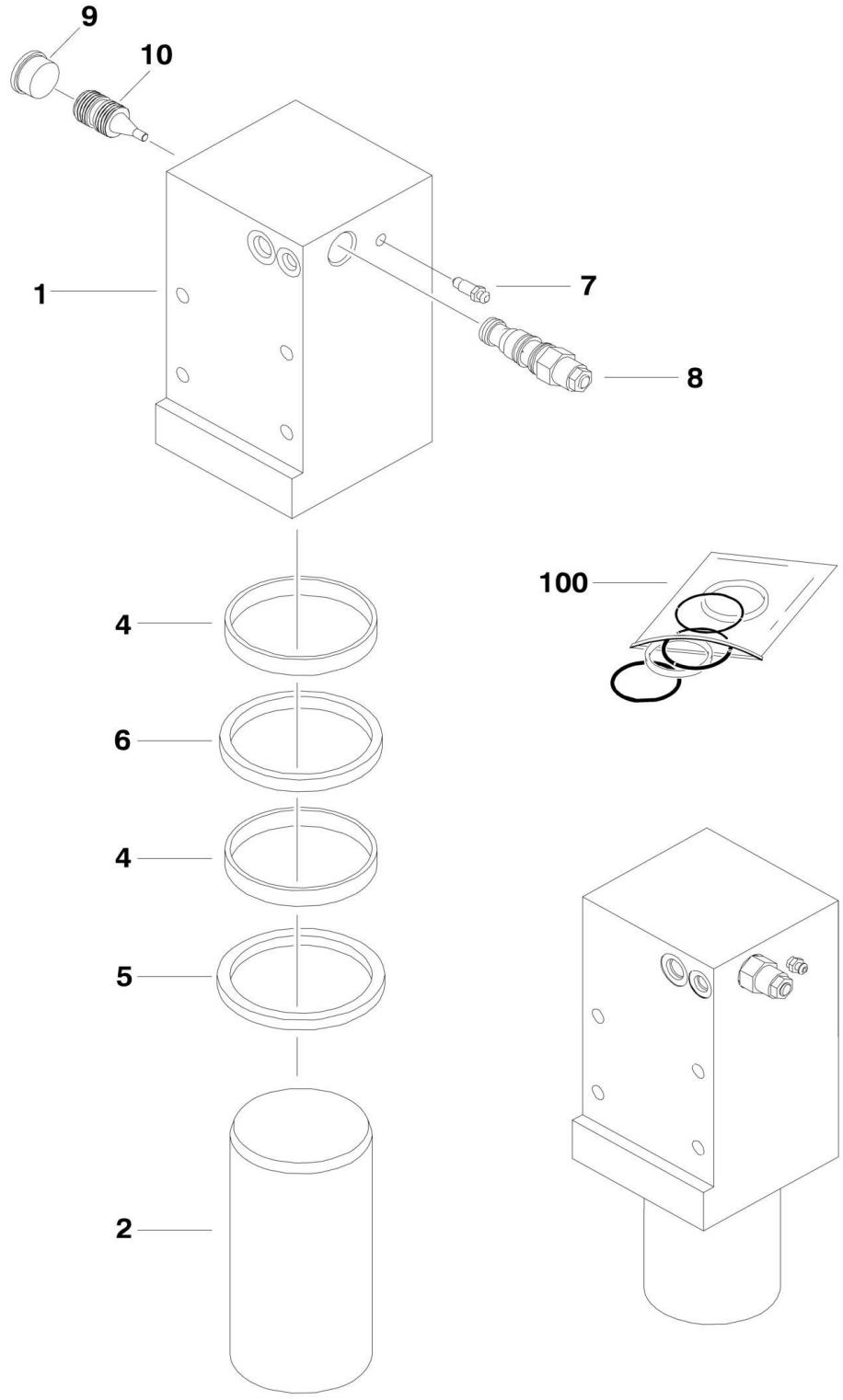
SECTION 5 - CYLINDER

FIGURE 5-1. AXLE LOCKOUT CYLINDER ASSEMBLY (Prior to SN 85132)

ITEM	PART NUMBER	QTY	DESCRIPTION	REV
	1683280	Ref	AXLE LOCKOUT CYLINDER ASSEMBLY	6-D
1	1683281	1	Barrel Weldment	
2	1683283	1	Rod Weldment	
3	3760369	1	Ring, Washer	
4	0681610	8	Bolt 3/8in-16NC x 1 1/4in	
5		Ref	Bushing Options:	
5	0962474	4	Bushing (p/n was 0961890) (Prior to SN 69790)	
5	0962474	4	Bushing (SN 69790 through 85132)	
6	4640525	2	Cartridge, Valve (Counterbalance) (Prior to SN 56905)	
6	2900770	2	Seal Kit - 4640525 Valve (1 Per Assembly)	
6	4641162	2	Cartridge, Valve (Counterbalance) (SN 56905 through 85132)	
6	2900770	2	Seal Kit - 4641162 Valve (1 Per Assembly)	
7	Item 100	1	T-Seal	
8	Item 100	1	Ring, Wear	
9	Item 100	2	Ring, Wear	
10	Item 100	1	Seal, Rod	
11	Item 100	1	Wiper	
12	Item 100	1	O-Ring	
13	Item 100	1	Ring, Back-up	
14	0100063	AR	Loctite RC #609	
15	2220885	1	Plug, O-Ring	
16	1683057	1	Head	
17	0100011	AR	Loctite #242	
18	0100038	AR	Primer, Locking	
20	4640858	2	Valve, Bleeder	
100	2901321	1	Seal Kit (Includes Items 7-13)	

SECTION 5 - CYLINDER

FIGURE 5-2. AXLE LOCKOUT CYLINDER ASSEMBLY (SN 85132 to Present)



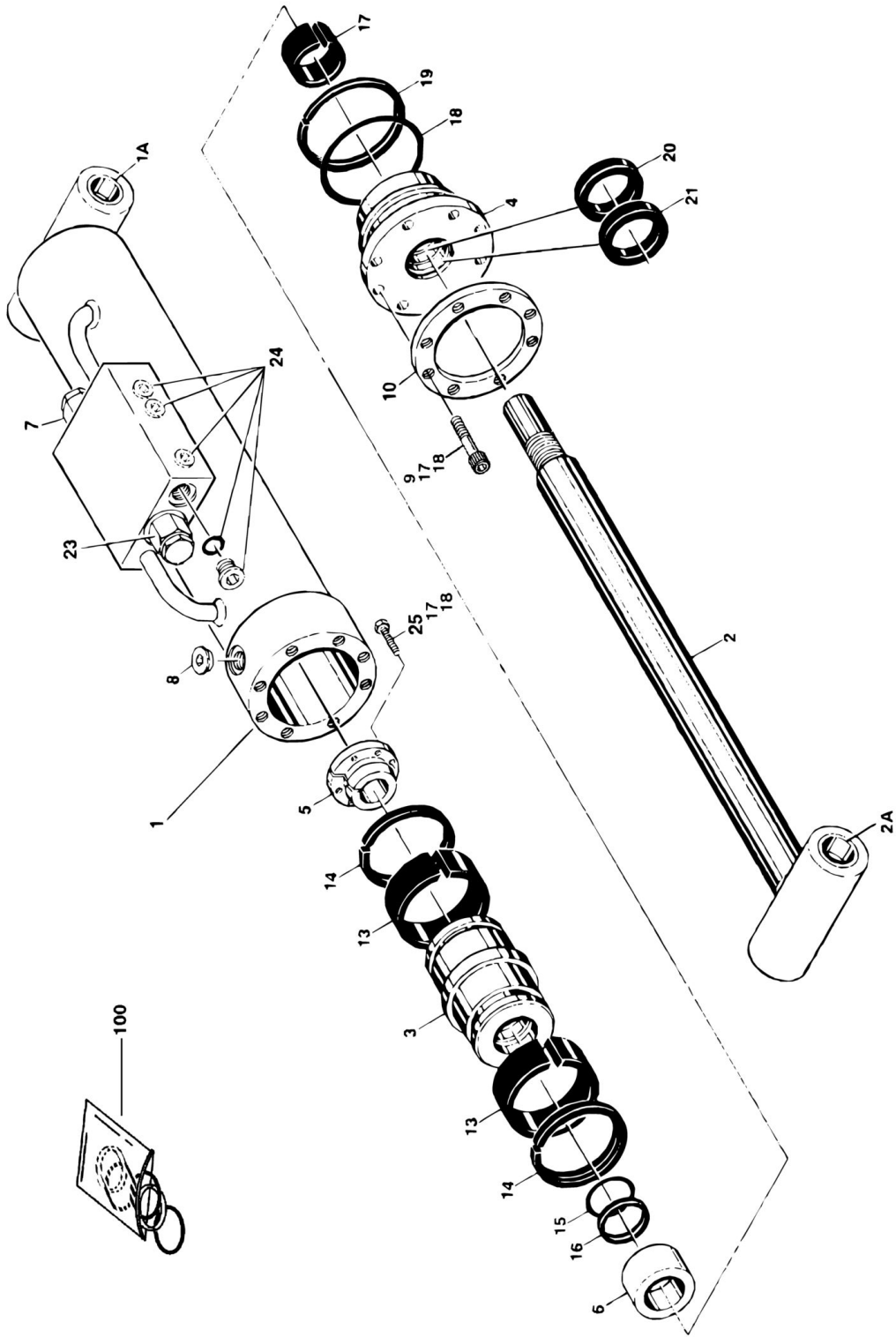
SECTION 5 - CYLINDER

FIGURE 5-2. AXLE LOCKOUT CYLINDER ASSEMBLY (SN 85132 to Present)

ITEM	PART NUMBER	QTY	DESCRIPTION	REV
		Ref	AXLE LOCKOUT CYLINDER ASSEMBLY	
	1684280	Ref	Axle Lockout Cylinder Assembly (Prior to SN 89729)	F
	1684465	Ref	Axle Lockout Cylinder Assembly (SN 89729 to Present)	B
1		Ref	Barrel Options:	
1	1684289	1	Barrel (Prior to SN 89729)	
1	0370026	1	Barrel (SN 89729 to Present)	
2	1684290	1	Rod	
4	Item 100	2	Ring, Wear	
5	Item 100	1	Wiper	
6	Item 100	1	Seal, Rod	
7	4640476	1	Bleeder	
8		Ref	Cartridge, Valve Options:	
8	4641319	1	Cartridge, Valve (Prior to SN 89729)	
8	7024879	1	Seal Kit	
8	4641390	1	Cartridge, Valve (SN 89729 to Present)	
8	7017496	1	Seal Kit	
9	2220890	1	Plug (SN 89729 to Present)	
10	3480288	1	Pilot, Piston (SN 89729 to Present)	
100	2902266	1	Seal Kit (Includes Items 4-6)	

SECTION 5 - CYLINDER

FIGURE 5-3. PLATFORM LEVEL CYLINDER ASSEMBLY



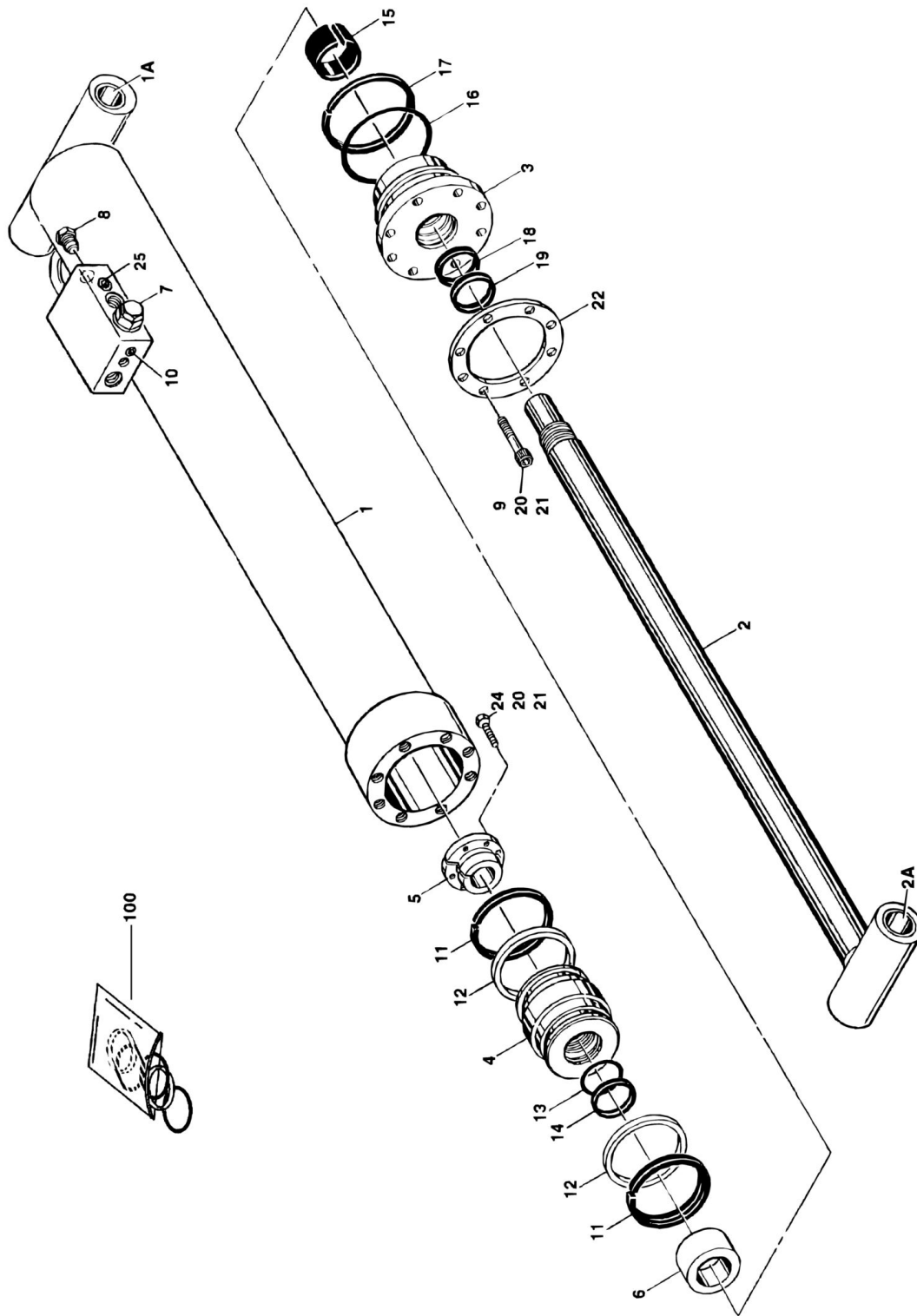
SECTION 5 - CYLINDER

FIGURE 5-3. PLATFORM LEVEL CYLINDER ASSEMBLY

ITEM	PART NUMBER	QTY	DESCRIPTION	REV
	1683415	Ref	PLATFORM LEVEL CYLINDER ASSEMBLY	C
1		Ref	Barrel Weldment Options:	
1	1683416	1	Barrel Weldment (Prior to SN 53541)	
1	1683977	1	Barrel Weldment (SN 53541 to Present)	
1A	0961947	2	Bushing, Garmax	
2		Ref	Rod Weldment Options:	
2	1683274	1	Rod Weldment (Prior to SN 53541)	
2	1683976	1	Rod Weldment (SN 53541 to Present)	
2A	0961947	2	Bushing, Garmax	
3	3480210	1	Piston	
4	1683053	1	Head	
5	0961893	1	Bushing, Tapered	
6	4566468	1	Spacer	
7	4640509	1	Cartridge, Valve	
7	2900792	1	Seal Kit - 4640509 Valve	
8	2220885	1	Plug, O-Ring	
9	3931516	8	Bolt, Socket Head 5/16in-18NC x 1in	
10	3760368	1	Ring, Washer	
11	0100011	AR	Loctite #242	
12	0100038	AR	Primer, Locking	
13	Item 100	2	Seal	
14	Item 100	2	Ring, Lock	
15	Item 100	1	O-Ring	
16	Item 100	1	Ring, Back-up	
17	Item 100	1	Ring, Wear	
18	Item 100	1	O-Ring	
19	Item 100	1	Ring, Back-up	
20	Item 100	1	Seal, Rod	
21	Item 100	1	Wiper	
23	4640932	1	Cartridge, Valve	
23	7011112	1	Seal Kit - 4640932 Valve	
24	2220883	8	Plug, O-Ring	
25	0630534	3	Screw, Socket Head (Grip) #10-24NC x 1in (SN 44757 to Present)	
100	2901303	1	Seal Kit (Includes Items 13-21)	

SECTION 5 - CYLINDER

FIGURE 5-4. LIFT (BOOM) CYLINDER ASSEMBLY



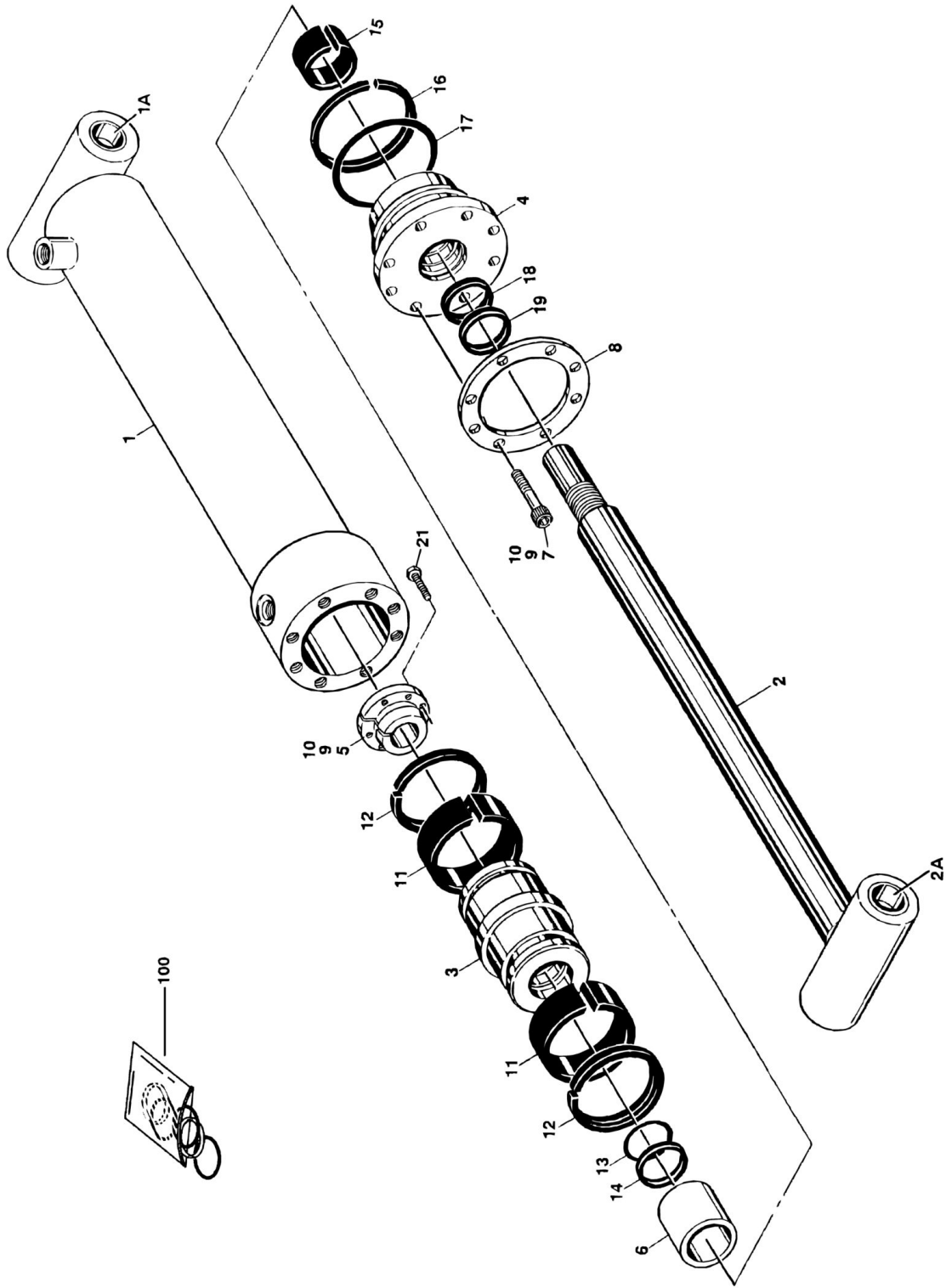
SECTION 5 - CYLINDER

FIGURE 5-4. LIFT (BOOM) CYLINDER ASSEMBLY

ITEM	PART NUMBER	QTY	DESCRIPTION	REV
	1683666	Ref	LIFT CYLINDER ASSEMBLY	F
1		Ref	Barrel Weldment Options:	
1	1683276	1	Barrel Weldment (Prior to SN 53552)	
1	1683955	1	Barrel Weldment (SN 53552 to Present)	
1A	0961950	2	Bushing, Garmax	
2		Ref	Rod Weldment Options:	
2	1683278	1	Rod Weldment (Prior to SN 53552)	
2	1683954	1	Rod Weldment (SN 53552 to Present)	
2A	0961950	2	Bushing, Garmax	
3	1683067	1	Head	
4	3480206	1	Piston	
5	0961898	1	Bushing, Tapered (Use item #24 in place of supplied bolts)	
6	4566501	1	Spacer, Tube	
7	4640509	1	Cartridge, Valve (Counterbalance Non-Vented)	
7	2900792	1	Seal Kit - 4640509 Valve	
8	2220239	1	Plug, O-Ring	
9	3932032	8	Bolt, Socket Head 5/16in-11NC x 2in	
10	2220883	2	Plug, O-Ring	
11	Item 100	2	Ring, Lock	
12	Item 100	2	Seal, Hydrolock	
13	Item 100	1	O-Ring	
14	Item 100	2	Ring, Back-up	
15	Item 100	1	Ring, Wear	
16	Item 100	1	O-Ring	
17	Item 100	1	Ring, Back-up	
18	Item 100	1	Seal, Rod	
19	Item 100	1	Wiper	
20	0100011	AR	Loctite #242	
21	0100038	AR	Primer, Locking	
22	3760372	1	Washer, Ring	
24		Ref	Bolt Options:	
24	0641612	3	Bolt 3/8in-16NC x 1 1/2in (Prior to SN 44757)	
24	0630536	3	Screw, Socket Head 3/8in-16NC x 1 1/2in (SN 44757 to Present)	
25	2220235	1	Plug, O-Ring	
26	0100063	AR	Loctite RC609 (Not Shown) (Prior to SN 90183)	
100	2901285	1	Seal Kit (Includes Items 11-19)	

SECTION 5 - CYLINDER

FIGURE 5-5. MASTER CYLINDER ASSEMBLY



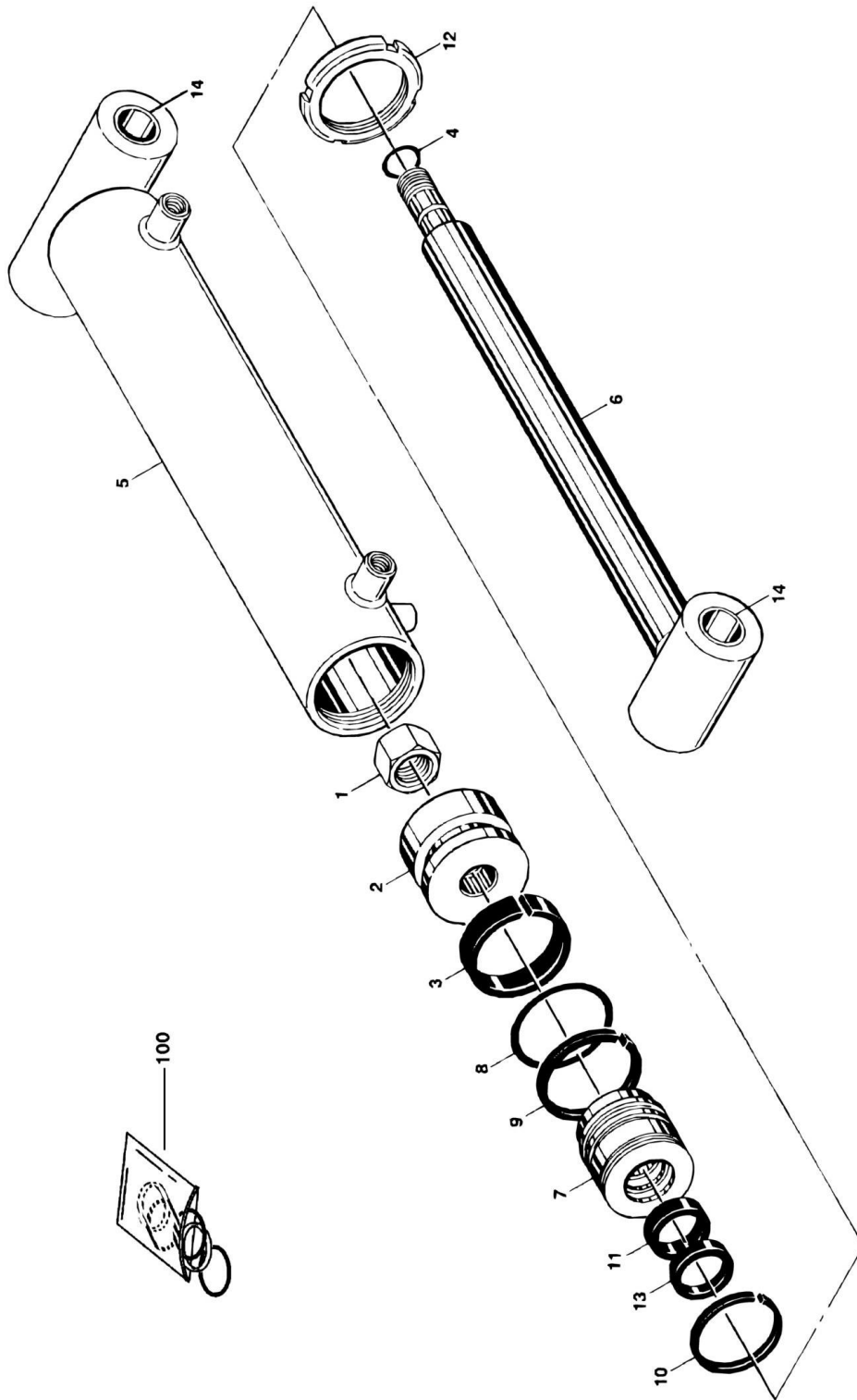
SECTION 5 - CYLINDER

FIGURE 5-5. MASTER CYLINDER ASSEMBLY

ITEM	PART NUMBER	QTY	DESCRIPTION	REV
		Ref	MASTER CYLINDER ASSEMBLY	
	1683266	Ref	Master Cylinder Assembly (Prior to SN 96979)	E
	1684414	Ref	Master Cylinder Assembly (SN 96979 to Present)	C
1		Ref	Barrel Weldment Options:	
1	1683267	1	Barrel Weldment (Prior to SN 53541)	
1	1683972	1	Barrel Weldment (SN 53541 to Present)	
1A	0961947	2	Bushing, Garmax	
2		Ref	Rod Weldment Options:	
2	1683269	1	Rod Weldment (Prior to SN 53541)	
2	1683973	1	Rod Weldment (SN 53541 through 98598)	
2	3850020	1	Rod Weldment (SN 98599 to Present)	
2A	0961947	2	Bushing, Garmax	
3	3480210	1	Piston	
4	1683053	1	Head	
5	0961893	1	Bushing, Tapered	
6	4566468	1	Spacer, Tube	
7	3931516	8	Bolt, Socket Head 5/16in-18NC x 1in	
8	3760368	1	Washer, Ring	
9	0100011	AR	Loctite #242	
10	0100038	AR	Primer, Locking	
11	Item 100	2	Seal	
12	Item 100	2	Ring, Lock	
13	Item 100	1	O-Ring	
14	Item 100	1	Ring, Back-up	
15	Item 100	1	Ring, Wear	
16	Item 100	1	O-Ring	
17	Item 100	1	Ring, Back-up	
18	Item 100	1	Seal, Rod	
19	Item 100	1	Wiper	
21	0630534	3	Screw, Socket Head (Grip) #10-24NC x 1in (SN 44757 to Present)	
100	2901303	1	Seal Kit (Includes Items 11-19)	

SECTION 5 - CYLINDER

FIGURE 5-6. STEER CYLINDER ASSEMBLY (ORIGINAL EQUIPMENT) (Prior to SN 85132)



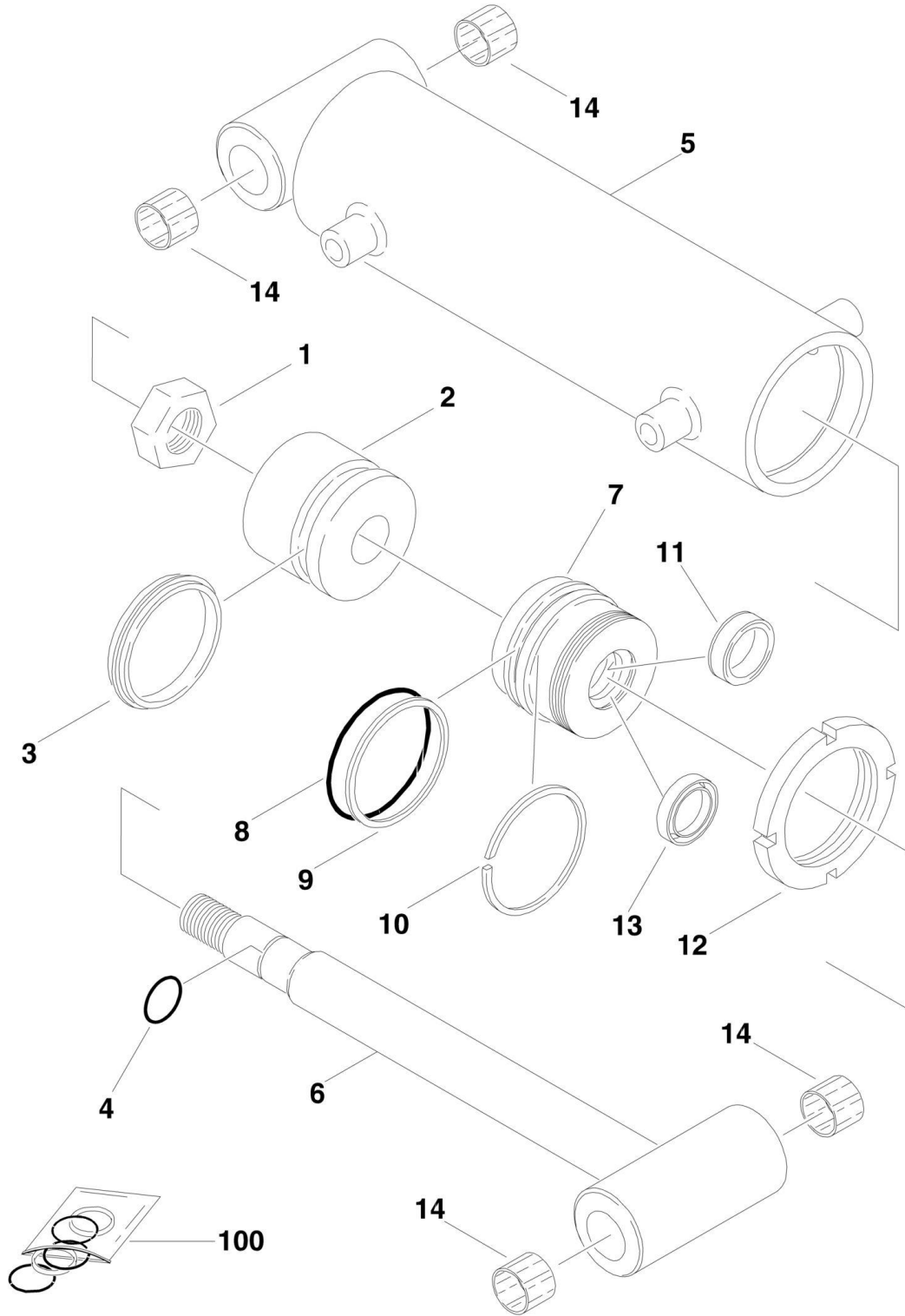
SECTION 5 - CYLINDER

FIGURE 5-6. STEER CYLINDER ASSEMBLY (ORIGINAL EQUIPMENT) (Prior to SN 85132)

ITEM	PART NUMBER	QTY	DESCRIPTION	REV
	1683616	Ref	STEER CYLINDER ASSEMBLY	B
1	7017210	1	Locknut	
2	7017211	1	Piston	
3	Item 100	1	Seal	
4	Item 100	1	O-Ring	
5	7017228	1	Barrel Weldment	
6	7017229	1	Rod Weldment	
7	7017213	1	Head	
8	Item 100	1	O-Ring	
9	Item 100	1	Ring, Back-up	
10	Item 100	1	Ring, Retainer	
11	Item 100	1	Seal	
12	7017214	1	Nut, Spanner	
13	Item 100	1	Wiper	
14	0961977	4	Bushings	
100	7017215	1	Seal Kit (Includes Items 3, 4, 8-11 & 13)	

SECTION 5 - CYLINDER

FIGURE 5-7. STEER CYLINDER ASSEMBLY (ORIGINAL EQUIPMENT) (SN 85132 to Present)



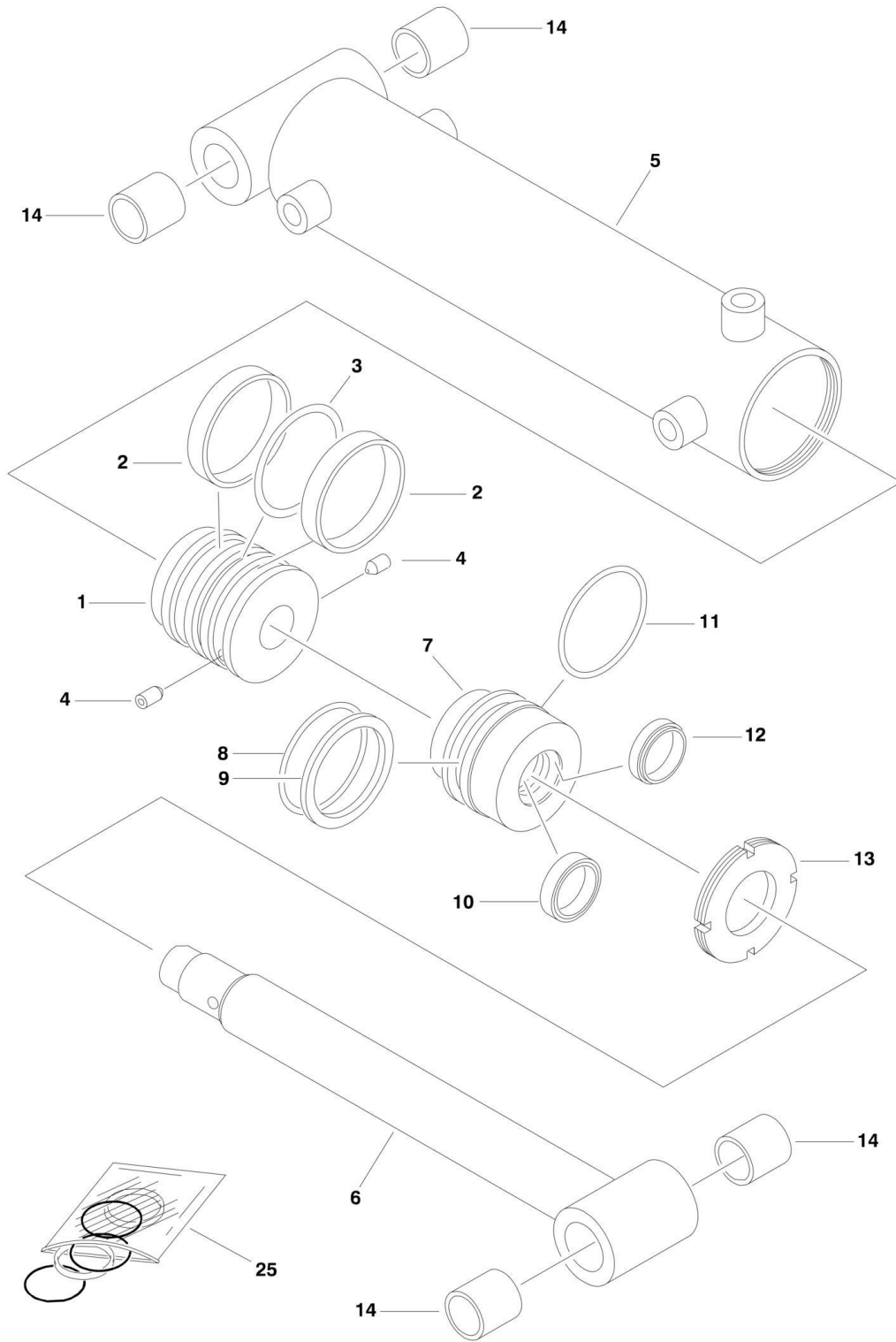
SECTION 5 - CYLINDER

FIGURE 5-7. STEER CYLINDER ASSEMBLY (ORIGINAL EQUIPMENT) (SN 85132 to Present)

ITEM	PART NUMBER	QTY	DESCRIPTION	REV
	1683208	Ref	STEER CYLINDER ASSEMBLY	C
1	7001626	1	Locknut	
2	7001627	1	Piston	
3	Item 100	1	Seal	
4	Item 100	1	O-Ring	
5	Not Serviced	1	Barrel Weldment	
6	7001633	1	Rod Weldment	
7	7001629	1	Head	
8	Item 100	1	O-Ring	
9	Item 100	1	Ring, Back-up	
10	Item 100	1	Ring, Retainer	
11	Item 100	1	Seal, Lip	
12	7001630	1	Nut, Spanner	
13	Item 100	1	Wiper	
14	0961977	4	Bushings	
100	7001625	1	Seal Kit - 1683208 (Includes Items 3, 4, 8-11 & 13)	

SECTION 5 - CYLINDER

FIGURE 5-8. STEER CYLINDER ASSEMBLY (SERVICE REPLACEMENT)



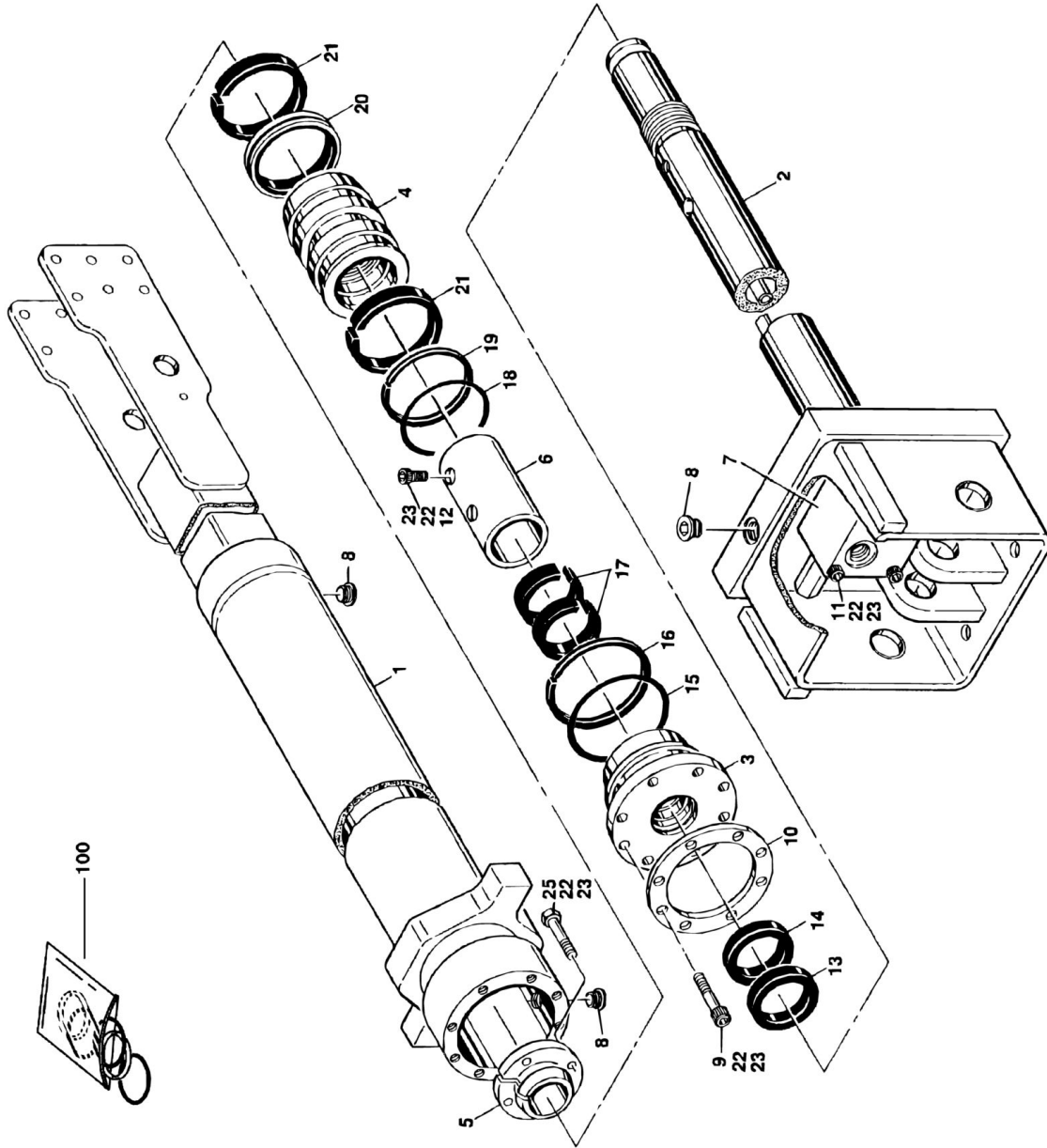
SECTION 5 - CYLINDER

FIGURE 5-8. STEER CYLINDER ASSEMBLY (SERVICE REPLACEMENT)

ITEM	PART NUMBER	QTY	DESCRIPTION	REV
	1001097242	Ref	STEER CYLINDER ASSEMBLY	C
1	70002752	1	Piston	
1	0100011	AR	Compound, Locking	
1	0100038	AR	Primer, Locking	
2	70002757	2	Seal	
3	70002757	1	O-Ring	
4	70002745	2	Setscrew	
5	70002753	1	Barrel	
6	70002754	1	Rod	
7	70002755	1	Head	
8	70002757	1	O-Ring	
9	70002757	1	Ring, Back-Up	
10	70002757	1	Seal	
11	70002757	1	O-Ring	
12	70002757	1	Wiper	
13	70002756	1	Nut, Spanner	
13	0100011	AR	Compound, Locking	
13	0100038	AR	Primer, Locking	
14	0962356	4	Bushing	
25	70002757	1	Seal Kit (Includes Items 2, 3 & 8-12)	

SECTION 5 - CYLINDER

FIGURE 5-9. TELESCOPE CYLINDER ASSEMBLY



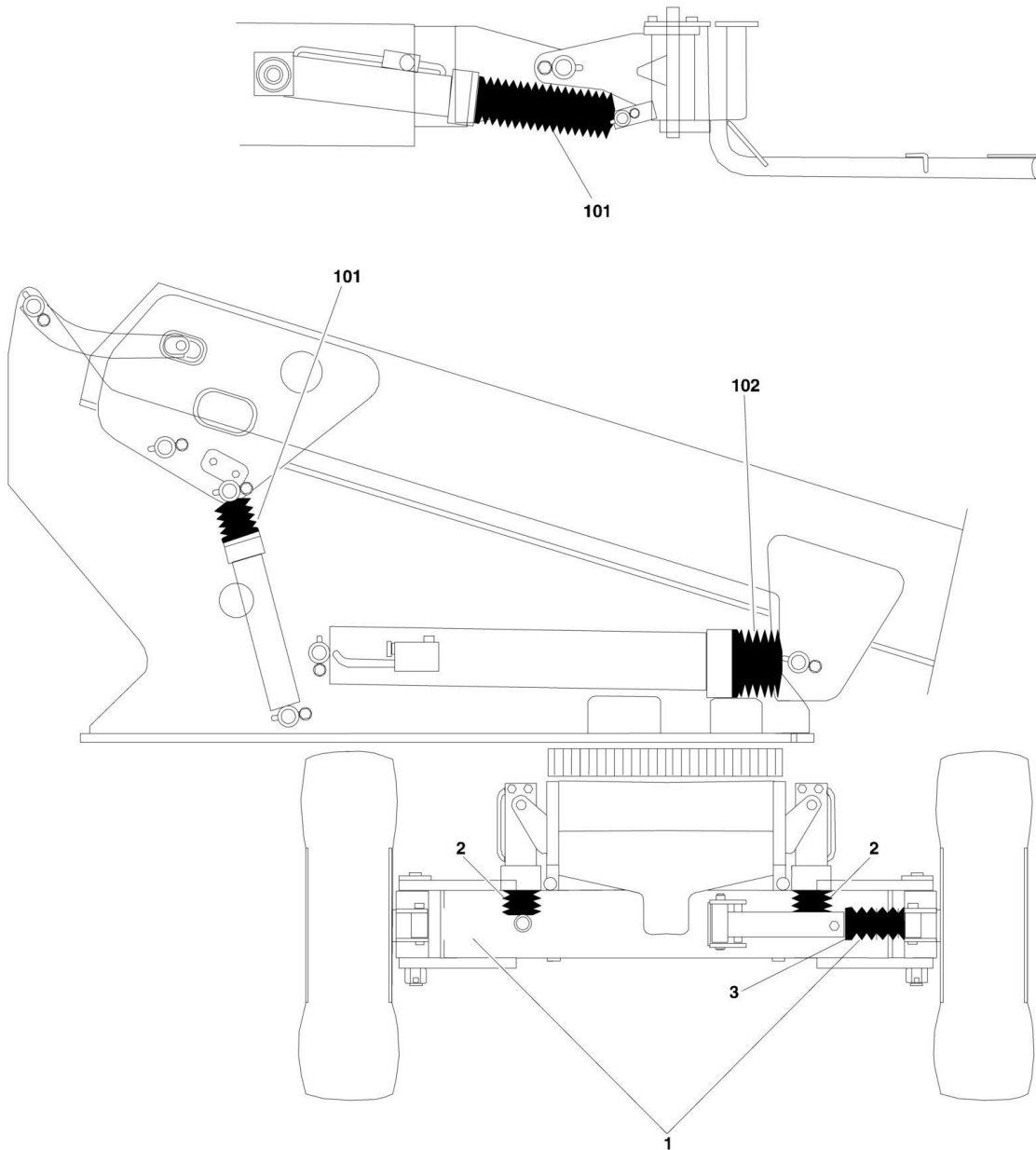
SECTION 5 - CYLINDER

FIGURE 5-9. TELESCOPE CYLINDER ASSEMBLY

ITEM	PART NUMBER	QTY	DESCRIPTION	REV
	1683618	Ref	TELESCOPE CYLINDER ASSEMBLY	3
1	1683619	1	Barrel	
2	1683250	1	Rod	
3	1683057	1	Head	
4	3480205	1	Piston	
5	0961897	1	Bushing, Tapered	
6	4566644	1	Spacer, Tube	
7	4641028	1	Valve Block Assembly	
8	2220885	6	Plug, O-Ring	
9	3931620	8	Capscrew 3/8in-16NC x 1 1/4in	
10	3760369	1	Washer, Ring	
11	3931448	4	Capscrew 1/4in-20NC x 3in	
12	3931508	1	Capscrew 5/16in-18NC x 1/2in	
13	Item 100	1	Wiper	
14	Item 100	1	Seal, Rod	
15	Item 100	1	O-Ring	
16	Item 100	1	Ring, Back-up	
17	Item 100	2	Ring, Wear	
18	Item 100	1	O-Ring	
19	Item 100	2	Ring, Back-up	
20	Item 100	1	T-Seal	
21	Item 100	2	Ring, Wear	
22	0100011	AR	Loctite #242	
23	0100038	AR	Primer, Locking	
25	0630535	3	Bolt 1/4in-20NC x 1 1/8in	
100	2901284	1	Seal Kit (Includes Items 13-21)	

SECTION 5 - CYLINDER

FIGURE 5-10. CYLINDER BELLOWS INSTALLATIONS



SECTION 5 - CYLINDER

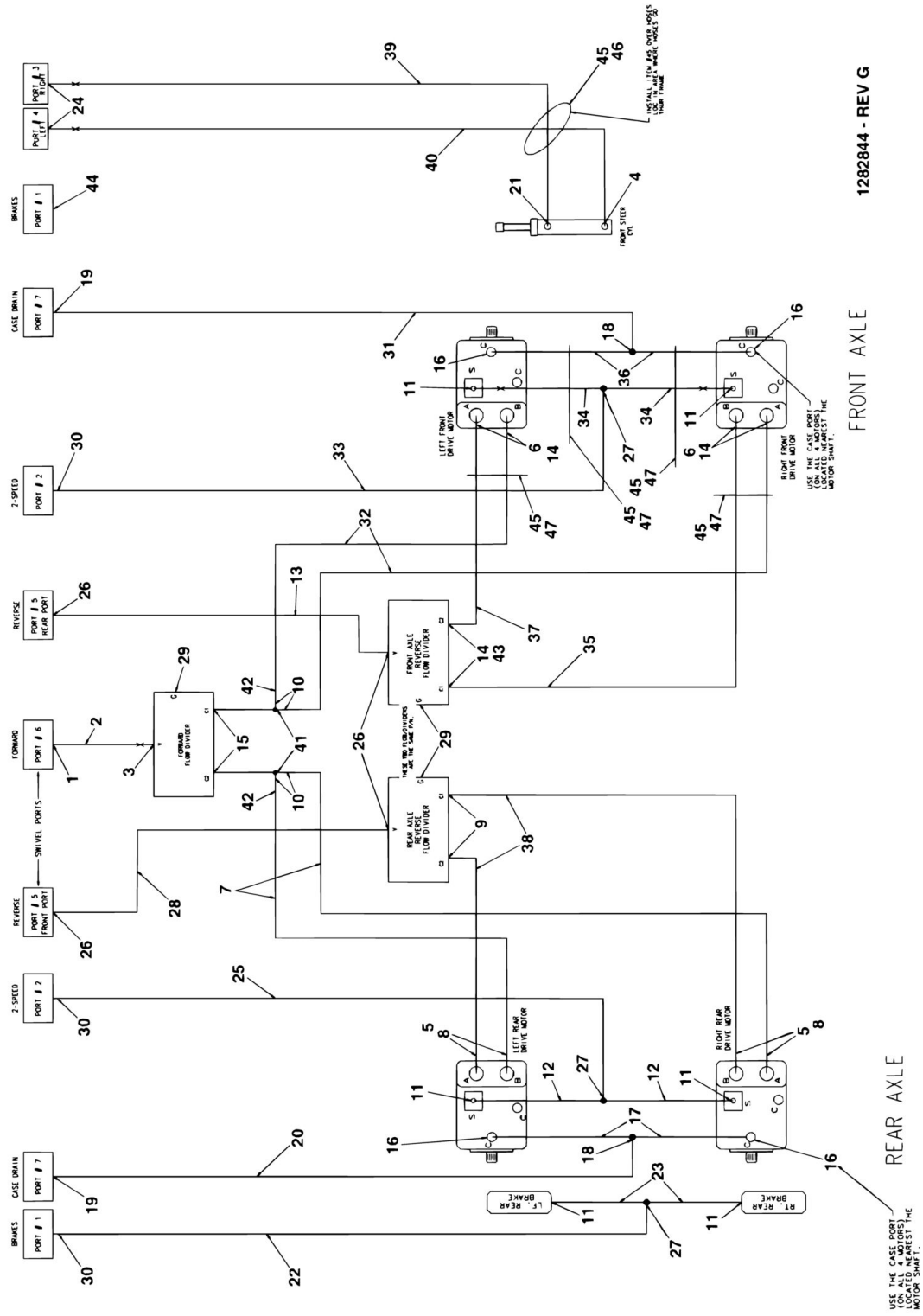
FIGURE 5-10. CYLINDER BELLOWS INSTALLATIONS

ITEM	PART NUMBER	QTY	DESCRIPTION	REV
		Ref	BELLOWS INSTALLATION - FRAME OPTIONS:	
	0258790	Ref	Oscillating Axle (Prior to SN 85132)	3
	0255354	Ref	Oscillating Axle (SN 85132 to Present)	
	0259429	Ref	Fixed Axle (SN 43200 to Present)	1
1		Ref	Bellows, Cylinder (Steer Cylinder)	
1	0460075	1	Bellows, Cylinder (Steer Cylinder) (Prior to SN 85132)	
1	0460150	1	Bellows, Cylinder (Steer Cylinder) (SN 85132 to Present)	
2		Ref	Bellows, Cylinder (Lockout Cylinder) Options:	
2	0460159	2	Oscillating Axle (Prior to SN 85132)	
2	0460150	2	Oscillating Axle (SN 85132 to Present)	
2	Not Required	0	Fixed Axle	
3	1320058	2	Clamp (SN 42670 to Present)	
	0255929	Ref	BELLOWS INSTALLATION - TURNTABLE	
101	0460152	2	Bellows, Cylinder (Master Cylinder)	
102	0460153	1	Bellows, Cylinder (Lift Cylinder)	

SECTION 6 - HYDRAULIC

SECTION 6 - HYDRAULIC

FIGURE 6-1. HYDRAULIC DIAGRAM - DRIVE AND STEER (Prior to SN 85132)



1282844 - REV G

FRONT AXLE

REAR AXLE

SECTION 6 - HYDRAULIC

FIGURE 6-1. HYDRAULIC DIAGRAM - DRIVE AND STEER (Prior to SN 85132)

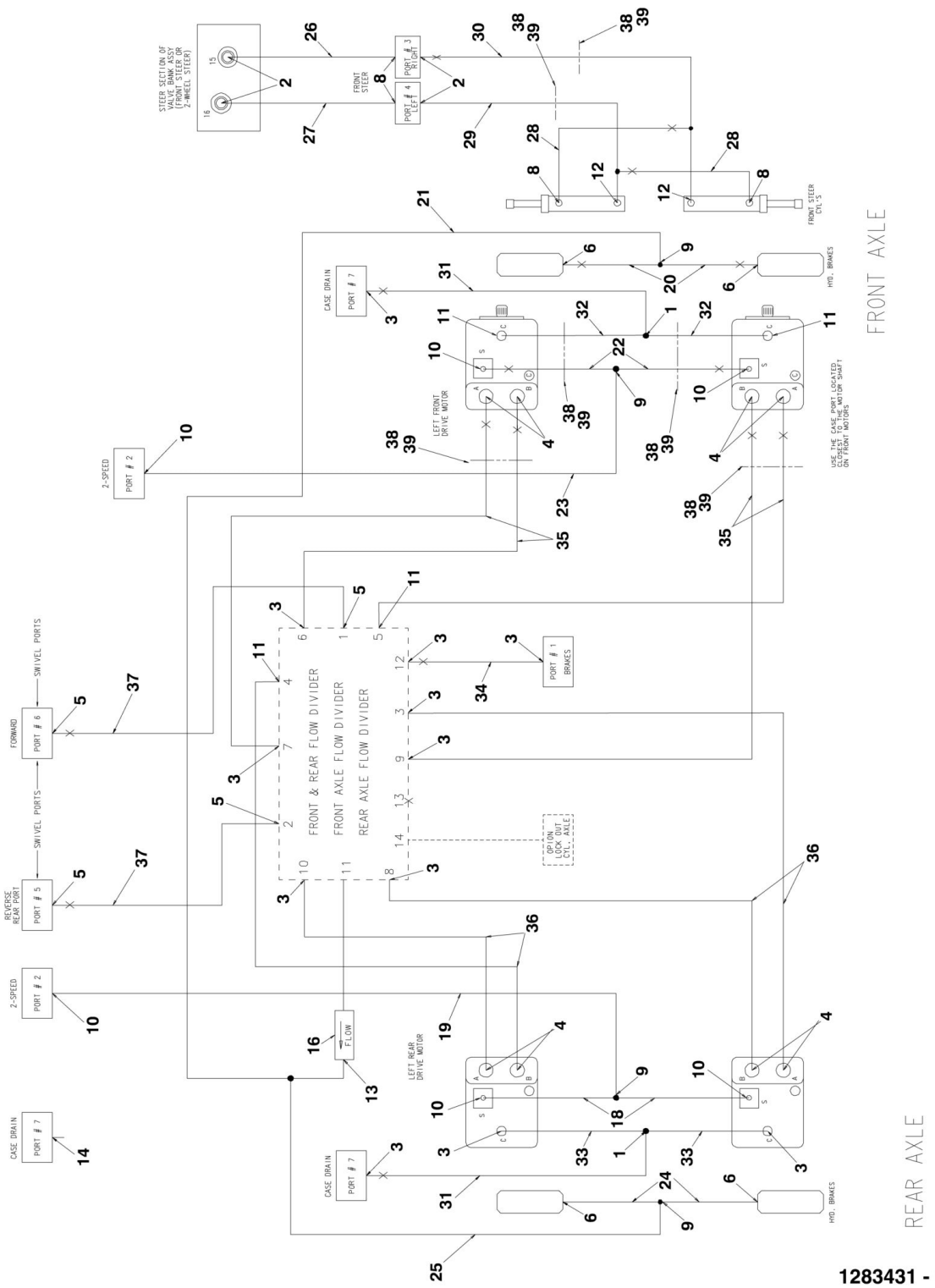
ITEM	PART NUMBER	QTY	DESCRIPTION	REV
		Ref	HYDRAULIC DIAGRAMS - DRIVE AND STEER	
	2792336	Ref	HYDRAULIC DIAGRAMS - MODEL 601S	3
	2792388	Ref	HYDRAULIC DIAGRAMS - MODEL 601S WITH A "ENHANCED HOSTILE ENVIRONMENT PACKAGE"	1
1	2220646	1	Fitting, 90	
2	2752322	1	Hose	
3	2220377	1	Fitting, Straight	
4	2220501	1	Fitting, 45	
5	2220622	4	Fitting, Reducer	
6	2220500	4	Fitting, 45	
7	2752398	2	Hose	
8	2220465	4	Fitting, 90	
9	2220800	2	Fitting, Straight	
10	2220622	4	Fitting, Reducer	
11	2220466	6	Fitting, 90	
12	2751013	2	Hose	
13	2752256	1	Hose	
14	2220833	6	Fitting, Reducer	
15	2220550	2	Fitting, Reducer	
16	2220671	4	Fitting, 90	
17	2752807	2	Hose	
18	2220362	2	Fitting, Tee	
19	2220375	2	Fitting, Straight	
20	2752812	1	Hose	
21	2220473	1	Fitting, 90	
22	2752584	1	Hose	
23	2752592	2	Hose	
24	2220371	2	Fitting, Straight	
25	2751016	1	Hose	
26	2220435	4	Fitting, Straight	
27	2220504	3	Fitting, Tee	
28	2752249	1	Hose	
29	2220235	3	Fitting, Plug	
30	2220582	3	Fitting, Straight	
31	2752810	1	Hose	
32	2752889	2	Hose	
33	2751021	1	Hose	
34	2752918	2	Hose	
35	2752888	1	Hose	
36	2752901	2	Hose	
37	2752893	1	Hose	
38	2752389	2	Hose	
39	2751114	1	Hose	
40	2750909	1	Hose	
41	2220738	2	Fitting, Tee	
42	2220386	2	Fitting, 90	
43	2220596	2	Fitting, 90	
44	2220237	1	Fitting, Plug	
45	4100026	1 ft/0.3m	Sleeve, Nylon	
46	4240033	2	Strap, Tie	

SECTION 6 - HYDRAULIC

ITEM	PART NUMBER	QTY	DESCRIPTION	REV
47	4240018	12	Strap, Tie (Model - 601S With A "Enhanced Hostile Environment Package" Machines Only)	

SECTION 6 - HYDRAULIC

FIGURE 6-2. HYDRAULIC DIAGRAM - DRIVE AND STEER (SN 85132 to Present)



1283431 - C

SECTION 6 - HYDRAULIC

FIGURE 6-2. HYDRAULIC DIAGRAM - DRIVE AND STEER (SN 85132 to Present)

ITEM	PART NUMBER	QTY	DESCRIPTION	REV
		Ref	HYDRAULIC DIAGRAMS - DRIVE AND STEER	
	2792695	Ref	HYDRAULIC DIAGRAMS - MODEL 601S	2
	2792696	Ref	HYDRAULIC DIAGRAMS - MODEL 601S WITH A "ENHANCED HOSTILE ENVIRONMENT PACKAGE"	2
1	2220362	2	Fitting, Tee	
2	2220371	4	Fitting, Straight	
3	2220373	12	Fitting, Straight	
4	2220375	8	Fitting, Straight	
5	2220377	4	Fitting, Straight	
6	2220415	4	Fitting, Straight	
8	2220473	4	Fitting, 90	
9	2220504	4	Fitting, Tee	
10	2220582	6	Fitting, Straight	
11	2220596	4	Fitting, 90	
12	2220606	2	Fitting, Tee	
13	2220861	1	Fitting, Tee	
14	2220237	1	Fitting, Plug	
16	4641284	1	Valve, Check	
18	2753925	2	Hose	
19	2753924	1	Hose	
20	2753926	2	Hose	
21	2752909	1	Hose	
22	2752574	2	Hose	
23	2752977	1	Hose	
24	2752592	2	Hose	
25	2752910	1	Hose	
26	2752478	1	Hose	
27	2752632	1	Hose	
28	2753397	2	Hose	
29	2752475	1	Hose	
30	2752611	1	Hose	
31	2752928	2	Hose	
32	2753928	2	Hose	
33	2753929	2	Hose	
34	2752929	1	Hose	
35	2753931	4	Hose	
36	2753930	4	Hose	
37	2752331	2	Hose	
38	4100026	14 ft/4.3m	Sleeve, Nylon (Model - 601S With A "Enhanced Hostile Environment Package" Machines Only)	
39	4240018	12	Strap, Tie (Model - 601S With A "Enhanced Hostile Environment Package" Machines Only)	

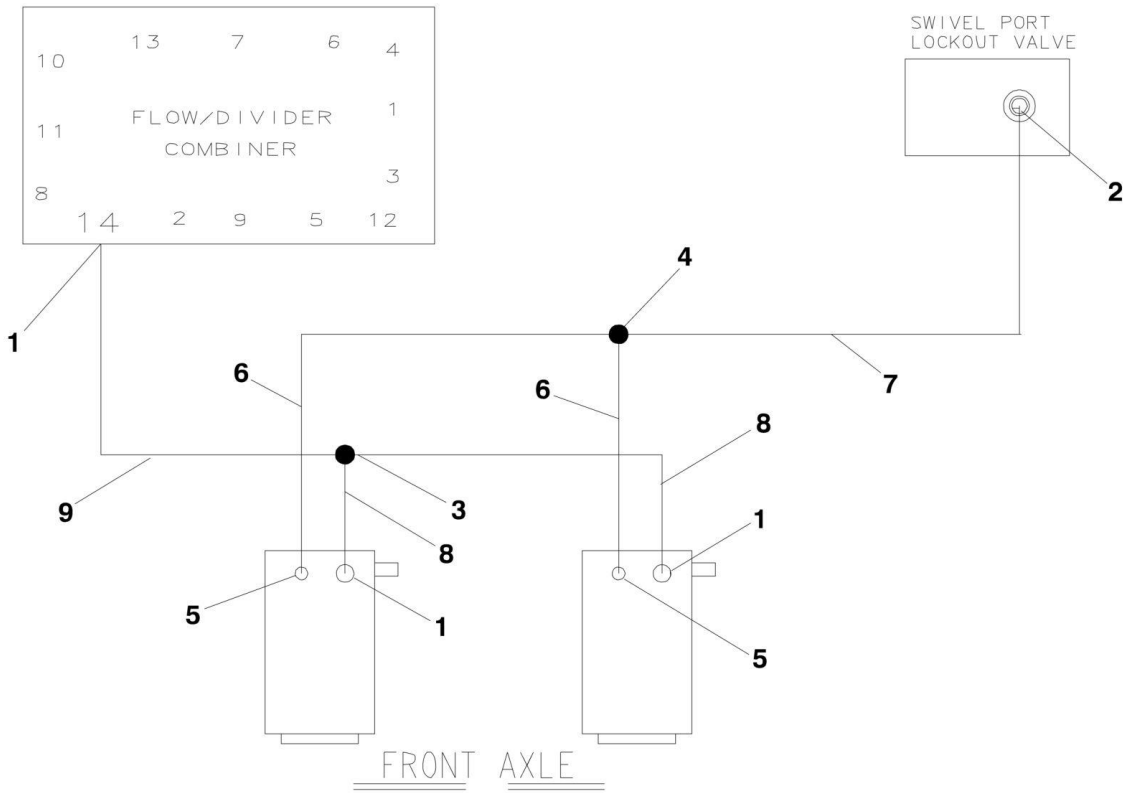
SECTION 6 - HYDRAULIC

FIGURE 6-3. HYDRAULIC DIAGRAM - OSCILLATING AXLE (Prior to SN 85132)

ITEM	PART NUMBER	QTY	DESCRIPTION	REV
		Ref	HYDRAULIC DIAGRAMS - OSCILLATING AXLE	
	2792360	Ref	HYDRAULIC DIAGRAM - MODEL 601S	1-B
	2792389	Ref	HYDRAULIC DIAGRAM - MODEL 601S WITH A "ENHANCED HOSTILE ENVIRONMENT PACKAGE"	1-B
1	2220603	1	Fitting, Straight	
2	2220365	1	Fitting, Tee	
3	2752474	2	Hose	
4	2220490	1	Fitting, Tee	
5	2220371	2	Fitting, Straight	
6	2752823	1	Hose	
7	2220385	1	Fitting, Tee	
8	2220619	1	Fitting, Reducer	
9	2220582	6	Fitting, Straight	
10	2751397	1	Hose	
11	2752920	2	Hose	
12	2220711	1	Fitting, Tee	
13	2220415	2	Fitting, Straight	
14	4640939	1	Valve, Shuttle	
15	2751020	2	Hose	
16	2752822	1	Hose	
17	4100026	2.66 ft	Sleeve, Nylon (Model 601S With A "Enhanced Hostile Environment Package" Machines Only) (Not Shown)	
18	4240018	4	Strap, Tie (Model 601S With A "Enhanced Hostile Environment Package" Machines Only) (Not Shown)	

SECTION 6 - HYDRAULIC

FIGURE 6-4. HYDRAULIC DIAGRAM - OSCILLATING AXLE (SN 85132 to Present)



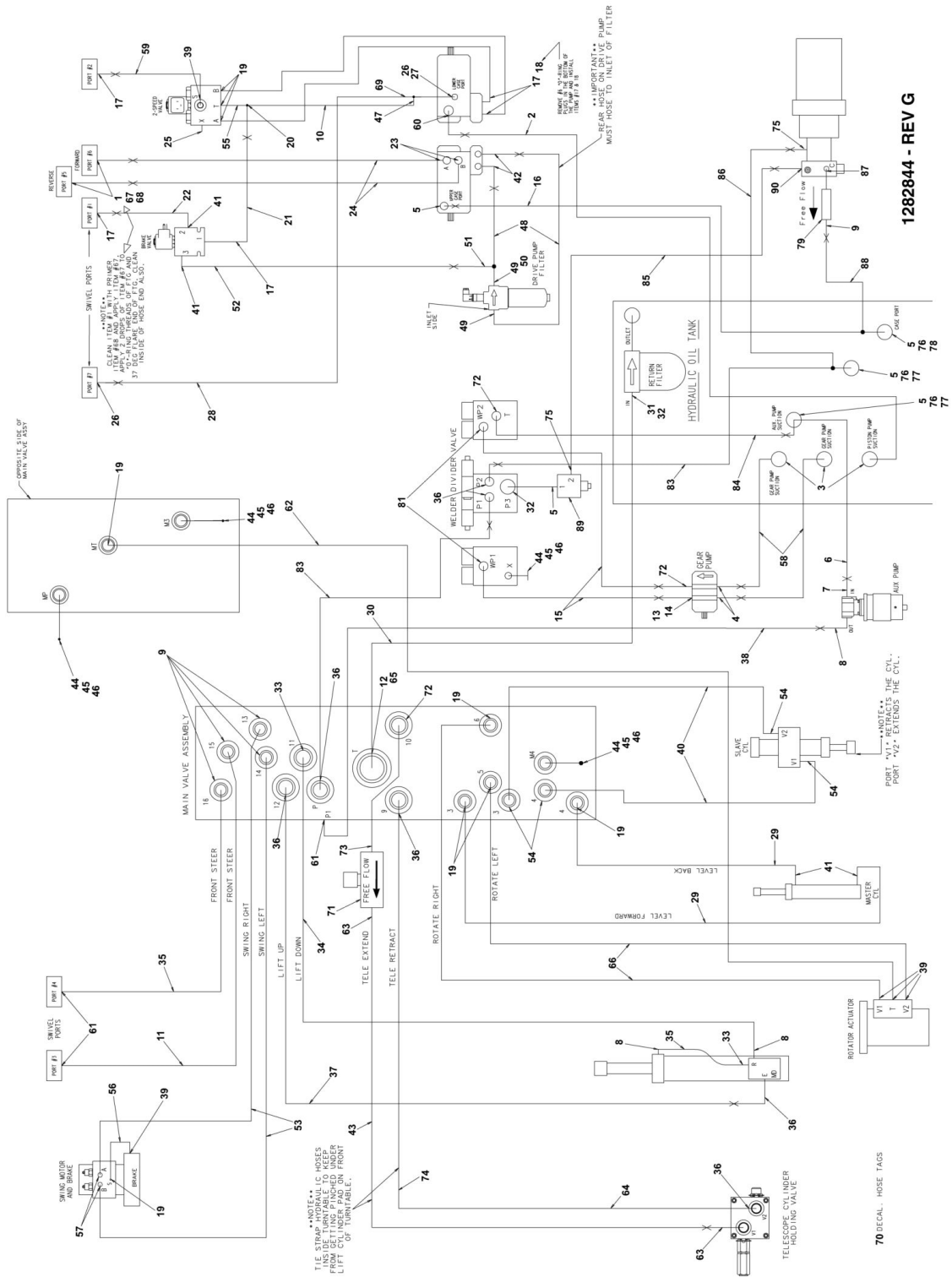
SECTION 6 - HYDRAULIC

FIGURE 6-4. HYDRAULIC DIAGRAM - OSCILLATING AXLE (SN 85132 to Present)

ITEM	PART NUMBER	QTY	DESCRIPTION	REV
	2792612	Ref	DRIVE HYDRAULIC DIAGRAM - OSCILLATING AXLE	1
1	2220371	3	Fitting, Straight	
2	2220468	1	Fitting, Straight	
3	2220490	1	Fitting, Tee	
4	2220504	1	Fitting, Tee	
5	2220415	2	Fitting, Straight	
6	2751434	2	Hose	
7	2751410	1	Hose	
8	2753933	2	Hose	
9	2752462	1	Hose	

SECTION 6 - HYDRAULIC

FIGURE 6-5. HYDRAULIC DIAGRAM - W/HYDRAULIC WELDER (OPTIONAL)



1282844 - REV G

SECTION 6 - HYDRAULIC

FIGURE 6-5. HYDRAULIC DIAGRAM - W/HYDRAULIC WELDER (OPTIONAL)

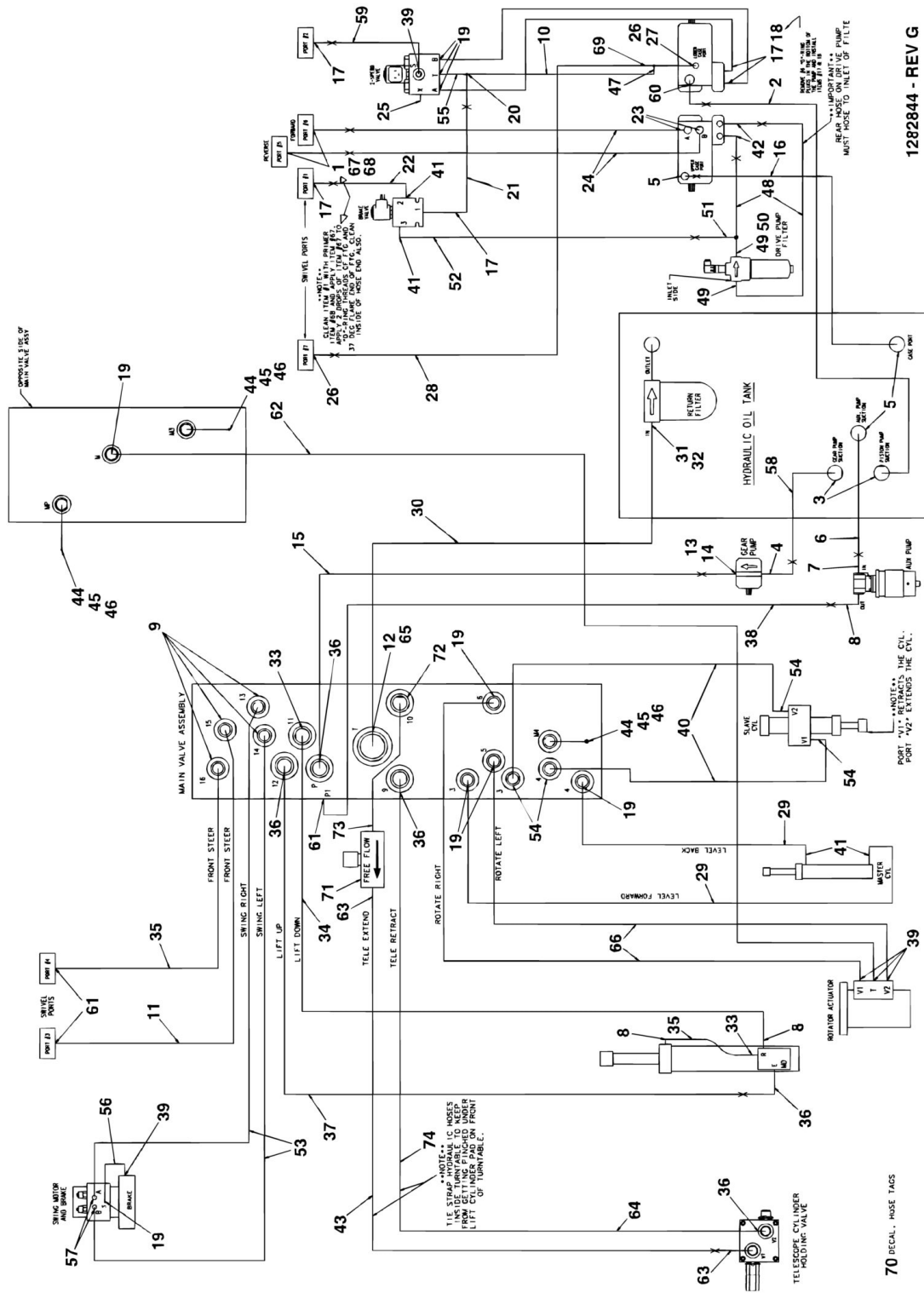
ITEM	PART NUMBER	QTY	DESCRIPTION	REV
	2792537	Ref	HYDRAULIC DIAGRAMS - W/WELDER	3
1	2220377	2	Fitting, Straight	
2	2752752	1	Hose	
3	2220380	3	Fitting, Straight	
4	2220377	2	Fitting, Straight	
5	2220578	5	Fitting, 90	
6	2752653	1	Hose	
7	2220408	1	Fitting, Straight	
8	2220628	3	Fitting, 90	
9	2220371	5	Fitting, Straight	
10	2752981	1	Hose	
11	2752478	1	Hose	
12	2220409	1	Fitting, 45	
13	2220810	1	Fitting, Reducer	
14	4640744	1	Valve, Check	
15	2752515	2	Hose	
16	2752654	1	Hose	
17	2220582	5	Fitting, Straight	
18	2751427	2	Hose	
19	2220415	9	Fitting, Straight	
20	2220605	1	Fitting, Tee	
21	2752573	1	Hose	
22	2752594	1	Hose	
23	2220646	2	Fitting, 90	
24	2752340	2	Hose	
25	2220235	1	Fitting, Plug	
26	2220375	2	Fitting, Straight	
27	2220385	1	Fitting, Tee	
28	2752514	1	Hose	
29	2752591	2	Hose	
30	2752783	1	Hose	
31	2220921	1	Fitting, Reducer	
32	2220594	1	Fitting	
33	2220372	2	Fitting, Straight	
34	2752631	1	Hose	
35	2752632	2	Hose	
36	2220373	7	Fitting, Straight	
37	2752515	1	Hose	
38	2752643	1	Hose	
39	2220466	5	Fitting, 90	
40	2752633	2	Hose	
41	2220472	4	Fitting, 90	
42	2220947	2	Fitting, Straight	
43	2752762	1	Hose	
44	2220873	4	Fitting, Straight	
45	2220428	4	Coupling	
46	2220429	4	Cover, Dust	
47	2220618	1	Fitting, Reducer	
48	2752763	2	Hose	
49	2220906	2	Fitting, 90	

SECTION 6 - HYDRAULIC

ITEM	PART NUMBER	QTY	DESCRIPTION	REV
50	2220948	1	Fitting, Tee	
51	2220949	1	Fitting, Reducer	
52	2752580	1	Hose	
53	2752463	2	Hose	
54	2220603	4	Fitting, Straight	
55	2220909	1	Fitting, Restrictor	
56	2752444	2	Hose	
57	2220497	2	Fitting, Straight	
58	2752753	2	Hose	
59	2751396	1	Hose	
60	2220479	1	Fitting, Straight	
61	2220473	3	Fitting, 90	
62	2752599	1	Hose	
63	2220950	2	Fitting, 45	
64	2752517	1	Hose	
65	2220974	1	Fitting, Straight	
66	2752598	2	Hose	
67	0100011	AR	Loctite #242	
68	0100038	AR	Loctite Primer	
69	2220386	1	Fitting, 90	
70	1703533	2	Decal	
71	4640757	1	Valve	
72	2220374	3	Fitting, Straight	
73	2220651	1	Fitting, Straight	
74	4240018	7	Tie Strap	
75	2220451	2	Fitting	
76	2220700	3	Fitting, Tee	
77	2220622	2	Fitting, Reducer	
78	2220621	1	Fitting, Reducer	
79	4640774	1	Valve, Check	
81	2220596	2	Fitting, Straight	
83	2752513	2	Hose	
84	2751467	1	Hose	
85	2751353	1	Hose	
86	2751324	1	Hose	
87	2220895	1	Fitting, Straight	
88	2752627	1	Hose	
89	4641215	1	Valve, Needle	
90	2220498	1	Fitting	

SECTION 6 - HYDRAULIC

FIGURE 6-6. HYDRAULIC DIAGRAM - STANDARD (Prior to SN 85132)



1282844 - REV G

70 DECAL, HOSE TAGS

SECTION 6 - HYDRAULIC

FIGURE 6-6. HYDRAULIC DIAGRAM - STANDARD (Prior to SN 85132)

ITEM	PART NUMBER	QTY	DESCRIPTION	REV
	2792335	Ref	DRIVE HYDRAULIC DIAGRAM - STANDARD	2
1	2220377	2	Fitting, Straight	
2	2752752	1	Hose	
3	2220380	2	Fitting, Straight	
4	2220376	1	Fitting, Straight	
5	2220578	3	Fitting, 90	
6	2752653	1	Hose	
7	2220408	1	Fitting, Straight	
8	2220628	3	Fitting, 90	
9	2220371	4	Fitting, 90	
10	2752981	1	Hose	
11	2752478	1	Hose	
12	2220409	1	Fitting, 45	
13	2220810	1	Fitting, Reducer	
14	4640744	1	Valve, Check	
15	2752504	1	Hose	
16	2752654	1	Hose	
17	2220582	5	Fitting, Straight	
18	2751427	2	Hose	
19	2220415	9	Fitting, Straight	
20	2220605	1	Fitting, Tee	
21	2752573	1	Hose	
22	2752594	1	Hose	
23	2220646	2	Fitting, 90	
24	2752340	2	Hose	
25	2220235	1	Fitting, Plug	
26	2220375	2	Fitting, Straight	
27	2220385	1	Fitting, Tee	
28	2752514	1	Hose	
29	2752591	2	Hose	
30	2752783	1	Hose	
31	2220921	1	Fitting, Reducer	
32	2220498	1	Fitting, 45	
33	2220372	2	Fitting, Straight	
34	2752631	1	Hose	
35	2752632	2	Hose	
36	2220373	5	Fitting, Straight	
37	2752515	1	Hose	
38	2752643	1	Hose	
39	2220466	5	Fitting, 90	
40	2752633	2	Hose	
41	2220472	4	Fitting, 90	
42	2220947	2	Fitting, Straight	
43	2752762	1	Hose	
44	2220873	3	Fitting, Nipple	
45	2220428	3	Fitting, Quick Coupling	
46	2220429	3	Cap, Dust	
47	2220618	1	Fitting, Reducer	
48	2752763	2	Hose	
49	2220906	2	Fitting, 90	

SECTION 6 - HYDRAULIC

ITEM	PART NUMBER	QTY	DESCRIPTION	REV
50	2220948	1	Fitting, Tee	
51	2220949	1	Fitting, Reducer	
52	2752580	1	Hose	
53	2752463	2	Hose	
54	2220603	4	Fitting, Reducer	
55	2220909	1	Fitting, Restrictor	
56	2752444	1	Hose	
57	2220497	2	Fitting, Straight	
58	2752753	1	Hose, Suction	
59	2751396	1	Hose	
60	2220479	1	Fitting, Straight	
61	2220473	3	Fitting, 90	
62	2752599	1	Hose	
63	2220950	2	Fitting, 45	
64	2752517	1	Hose	
65	2220974	1	Fitting, Long Straight	
66	2752598	2	Hose	
67	0100011	AR	Loctite #242	
68	0100038	AR	Loctite, Primer	
69	2220386	1	Fitting, 90	
70	1703533	2	Decal, Hose Tags (Not Shown)	
71	4640757	1	Valve	
72	2220374	1	Fitting, Straight	
73	2220651	1	Fitting, Straight	
74	4240018	7	Strap, Tie	

SECTION 6 - HYDRAULIC

FIGURE 6-7. HYDRAULIC DIAGRAM - STANDARD (SN 85132 to Present)

ITEM	PART NUMBER	QTY	DESCRIPTION	REV
		Ref	DRIVE HYDRAULIC DIAGRAM - STANDARD	
	2792694	Ref	Drive Hydraulic Diagram - Standard (Prior to SN 93294)	3
	2792728	Ref	Drive Hydraulic Diagram - Standard (SN 93294 to Present)	1
1	2220377	2	Fitting, Straight	
2	2752752	1	Hose	
3	2220380	2	Fitting, Straight	
4	0100020	AR	Sealant, Pipe	
5	2220578	1	Fitting, 90	
6	2752653	1	Hose	
7	2220408	1	Fitting, Straight	
8	2220628	3	Fitting, 90	
9	2220371	4	Fitting, 90	
10	2220474	1	Fitting, 90	
11	2752478	1	Hose	
12	2220409	1	Fitting, 45	
13	2220596	1	Fitting, 90	
14	2220574	1	Fitting, 90	
15	2752504	1	Hose	
16	2752654	1	Hose	
17	2220582	1	Fitting, Straight	
19	2220415	6	Fitting, Straight	
20	2752502	1	Hose	
21	2753325	1	Hose	
22	2753957	1	Hose	
23	2220738	1	Fitting, Tee	
24	2220407	1	Fitting, 90	
25	2751396	1	Hose	
26	2220375	1	Fitting, Straight	
27	2752340	2	Hose	
28	2753968	1	Hose	
29	2752591	2	Hose	
30	2752783	1	Hose	
31	2220921	1	Fitting, Reducer	
32	2220498	1	Fitting, 45	
33	2220372	2	Fitting, Straight	
34	2752631	1	Hose	
35	2752632	2	Hose	
36	2220373	6	Fitting, Straight	
37	2752515	1	Hose	
38	2752643	1	Hose	
39	2220466	6	Fitting, 90	
40	2752633	2	Hose	
41	2220472	2	Fitting, 90	
43	2752762	1	Hose	
44	2220873	3	Fitting, Nipple	
45	2220428	3	Fitting, Quick Coupling	
46	2220429	3	Cap, Dust	
48	2752763	2	Hose	
49		Ref	Fitting, 90 Options:	
49	2220906	2	Fitting, 90 (Prior to SN 93294)	

SECTION 6 - HYDRAULIC

ITEM	PART NUMBER	QTY	DESCRIPTION	REV
49	2221042	2	Fitting, 90 (SN 93294 to Present)	
50	2220948	1	Fitting, Tee	
53	2752463	2	Hose	
54	2220603	4	Fitting, Reducer	
56	2752444	1	Hose	
57	2220497	2	Fitting, Straight	
58	2752753	1	Hose, Suction	
61	2220473	3	Fitting, 90	
62	2752599	1	Hose	
63	2220950	2	Fitting, 45	
64	2752517	1	Hose	
65	2220974	1	Fitting, Long Straight	
66	2752598	2	Hose	
67	0100011	AR	Loctite #242	
68	0100038	AR	Loctite, Primer	
70	1703533	2	Decal, Hose Tags (Not Shown)	
71	4640757	1	Valve	
72	2220374	1	Fitting, Straight	
73	2220651	1	Fitting, Straight	
74	4240018	7	Strap, Tie	

SECTION 6 - HYDRAULIC

FIGURE 6-8. HYDRAULIC DIAGRAM LIST

ITEM	PART NUMBER	QTY	DESCRIPTION	REV
		Ref	Note: Information on diagrams not shown is available from JLG Service/Parts Departments.	
	1282844	Ref	Drive and Steer Hydraulic Diagrams: (Prior to SN 85132)	G
	2792336	Ref	Model 601S - 4WD/2WS Machines	3
	2792388	Ref	Model 601S With A "Enhanced Hostile Environment Package" - 4WD/2WS Machines	1
	1283431	Ref	Drive and Steer Hydraulic Diagrams: (SN 85132 to Present)	A
	2792695	Ref	Model 601S - 4WD/2WS Machines	2
	2792696	Ref	Model 601S With A "Enhanced Hostile Environment Package" - 4WD/2WS Machines	2
		Ref	Oscillating Axle Hydraulic Diagrams:	
	2792360	Ref	Model 601S Machines (Prior to SN 85132)	1-B
	2792612	Ref	Model 601S Machines (SN 85132 to Present)	1
	2792389	Ref	Model 601S With A "Enhanced Hostile Environment Package" Machines (Prior to SN 85132)	1-B
	2792612	Ref	Model 601S With A "Enhanced Hostile Environment Package" Machines (SN 85132 to Present)	1
		Ref	Standard Hydraulic Diagrams:	
	1282844	Ref	Standard Hydraulic Diagrams (Prior to SN 85132)	G
	1283431	Ref	Standard Hydraulic Diagrams (SN 85132 to Present)	A
		Ref	Standard Hydraulic Schematic	
	2792338	Ref	Standard Hydraulic Schematic (Prior to SN 85132)	A
	2792698	Ref	Standard Hydraulic Schematic (SN 85132 to Present)	A

SECTION 7 - ELECTRICAL

SECTION 7 - ELECTRICAL

FIGURE 7-1. ELECTRICAL DIAGRAM LIST

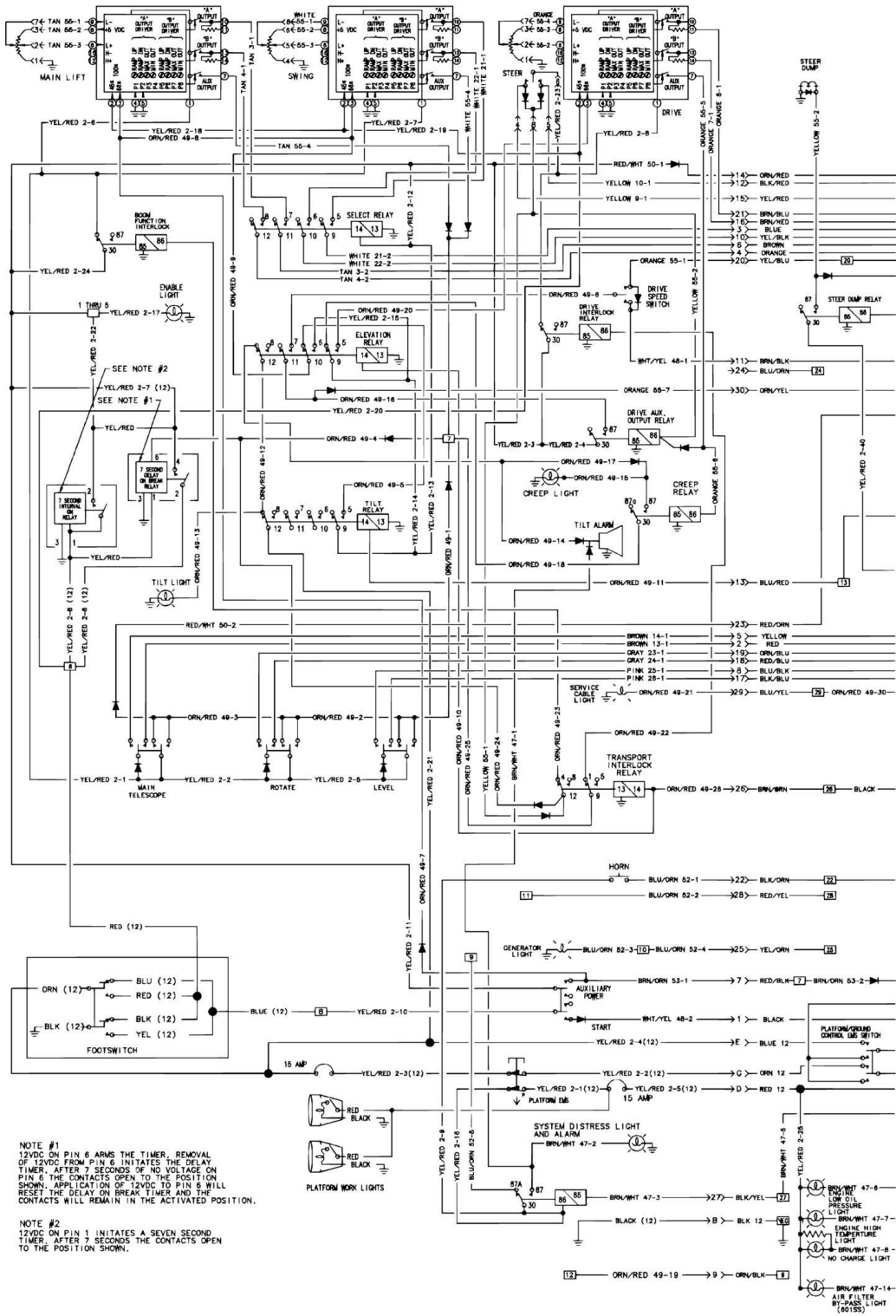
ITEM	PART NUMBER	QTY	DESCRIPTION	REV
		Ref	Note: Diagrams not shown are available from the JLG Service Department.	
		Ref	ALARM ELECTRICAL DIAGRAMS	
	4933026	Ref	Motion Alarm	1
	1282937	Ref	Motion Alarm	A
	4933025	Ref	Travel Alarm	1
	1282937	Ref	Travel Alarm	A
	4933092	Ref	110 VOLT GENERATOR ELECTRICAL DIAGRAM (Prior to SN 62137)	1-A
	4933158	Ref	110 VOLT GENERATOR ELECTRICAL DIAGRAM (ADE SYSTEM) (SN 62137 through 64253)	1-A
	4933215	Ref	110 VOLT GENERATOR ELECTRICAL DIAGRAM (ADE SYSTEM) (SN 64254 through 82631)	1-B
	4933300	Ref	110 VOLT GENERATOR ELECTRICAL DIAGRAM (ADE SYSTEM) (SN 82632 to Present)	1-A
		Ref	LIGHTS ELECTRICAL DIAGRAM (Prior to SN 62137)	
	4933091	Ref	Headlight/Taillight	2-B
	4922284	1	Harness (Located in Platform Console Box)	
	3740049	1	Relay	
	4933165	Ref	Brake Lights	1-A
	4922506	1	Harness (Located in Ground Control Box)	
	3740049	1	Relay	
	4933027	Ref	Strobe Light	1
	1282937	Ref	Strobe Light	A
		Ref	LIGHTS ELECTRICAL DIAGRAM (ADE SYSTEM) (SN 62137 to Present)	
	4933157	Ref	Headlight/Taillight	2-B
	4922484	1	Harness (Located in Ground Console Box)	
	3740049	1	Relay	
	4933196	Ref	Brake Lights	1-A
	3740049	1	Relay	
	4933027	Ref	Strobe Light	1
	1282937	Ref	Strobe Light	A
	4933166	Ref	ENGINE SHUTDOWN LOW OIL PRESSURE OR HIGH TEMP ELECTRICAL DIAGRAM (DEUTZ)	1-A
	4922510	1	Harness (Located in Ground Control Box)	
	3740049	1	Relay	
		Ref	STANDARD ELECTRICAL DIAGRAMS (Prior to SN 62137)	
	4933008	Ref	Deutz Machines	5-E
	4933081	Ref	Deutz Engine - 601S With A "Enhanced Hostile Environment Package"	3-D
		Ref	STANDARD ELECTRICAL DIAGRAMS (ADE SYSTEM) (SN 62137 to Present)	
	4933159	Ref	Deutz Machines (Prior to SN 64398)	5-H
	4933225	Ref	Deutz Machines (SN 64398 through 85131)	3-C
	4933318	Ref	Deutz Machines (SN 85132 through 99059)	F
	4933366	Ref	Deutz Machines (SN 99060 to Present)	A
	4933160	Ref	Deutz Engine - 601S With A "Enhanced Hostile Environment Package" (Prior to SN 64398)	5-G
	4933223	Ref	Deutz Engine - 601S With A "Enhanced Hostile Environment Package" (SN 64398 through 85131)	2-B

SECTION 7 - ELECTRICAL

ITEM	PART NUMBER	QTY	DESCRIPTION	REV
	4933318	Ref	Deutz Engine - 601S With A "Enhanced Hostile Environment Package" (SN 85132 through 99059)	F
	4933366	Ref	Deutz Engine - 601S With A "Enhanced Hostile Environment Package" (SN 99060 to Present)	A
		Ref	STANDARD ELECTRICAL SCHEMATIC	
	1870105	Ref	Deutz Machines (Prior to SN 62137)	B
	1870134	Ref	Deutz/Ford EFI (With ADE System) (W/External Tilt) (SN 62137 to Present)	B
	1870132	Ref	Deutz/Ford EFI (With ADE System) (W/Internal Tilt) (Prior to SN 99060)	M
	1870191	Ref	Deutz EMR2 (SN 85132 through 99059)	G
	1870215	Ref	Deutz Tier 2 Engine Machines (SN 99060 to Present)	A

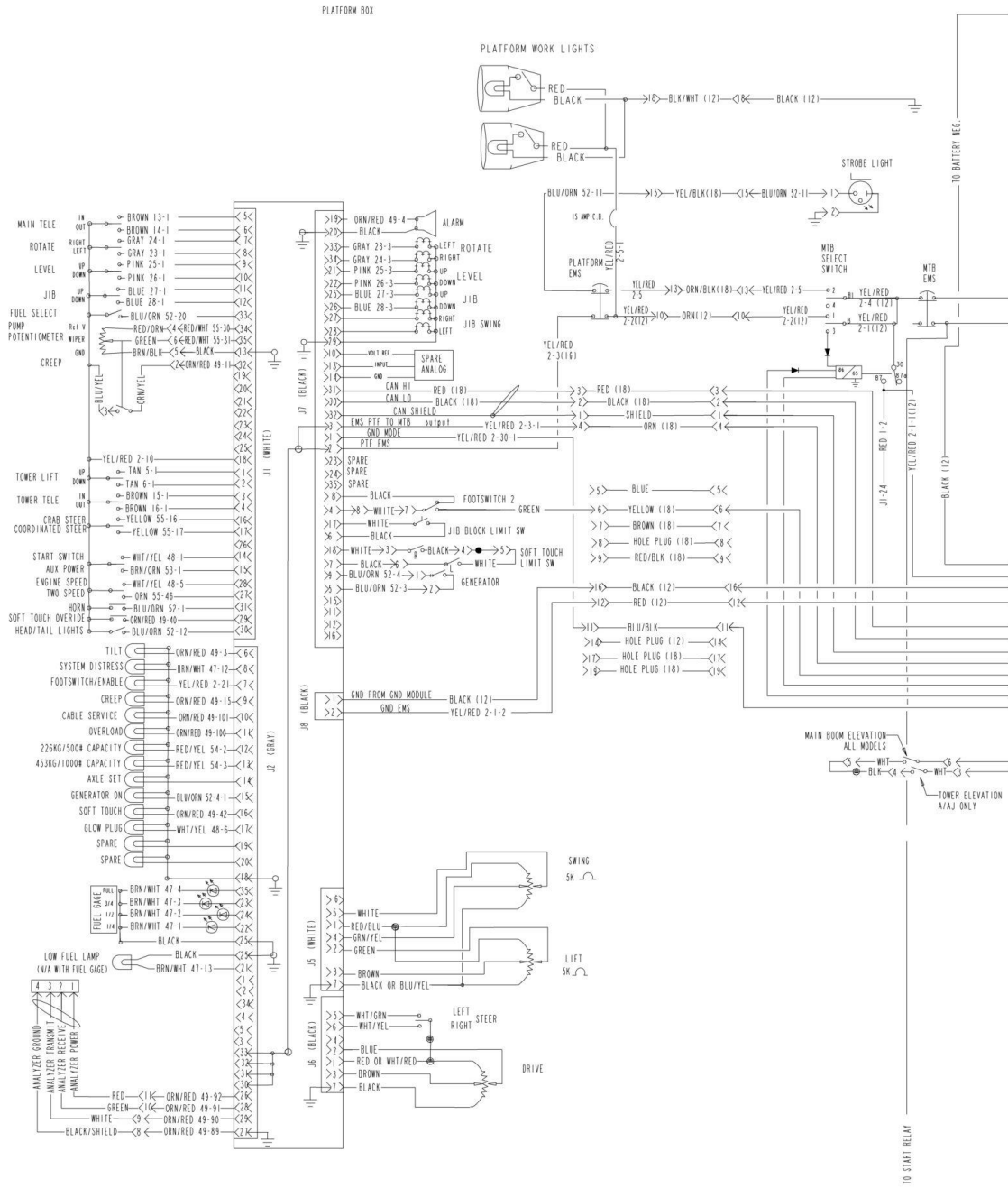
SECTION 7 - ELECTRICAL

FIGURE 7-2. ELECTRICAL SCHEMATIC - DEUTZ ENGINE MACHINES (Prior to SN 62137)

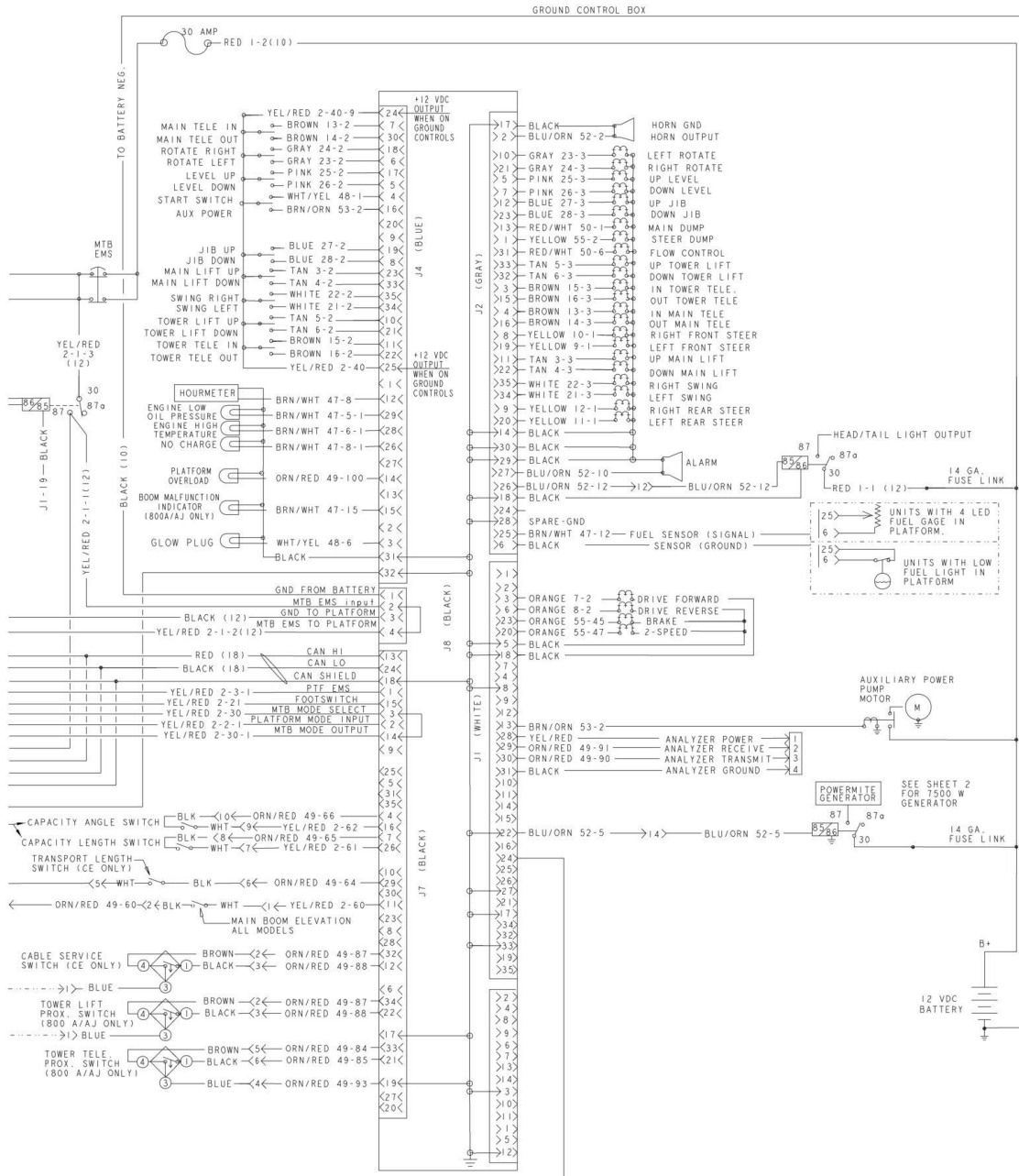


SECTION 7 - ELECTRICAL

FIGURE 7-3. ELECTRICAL SCHEMATIC - DEUTZ/FORD EFI ENGINE MACHINES (ADE SYSTEM) (W/INTERNAL TILT) (SN 62137 through 99060)

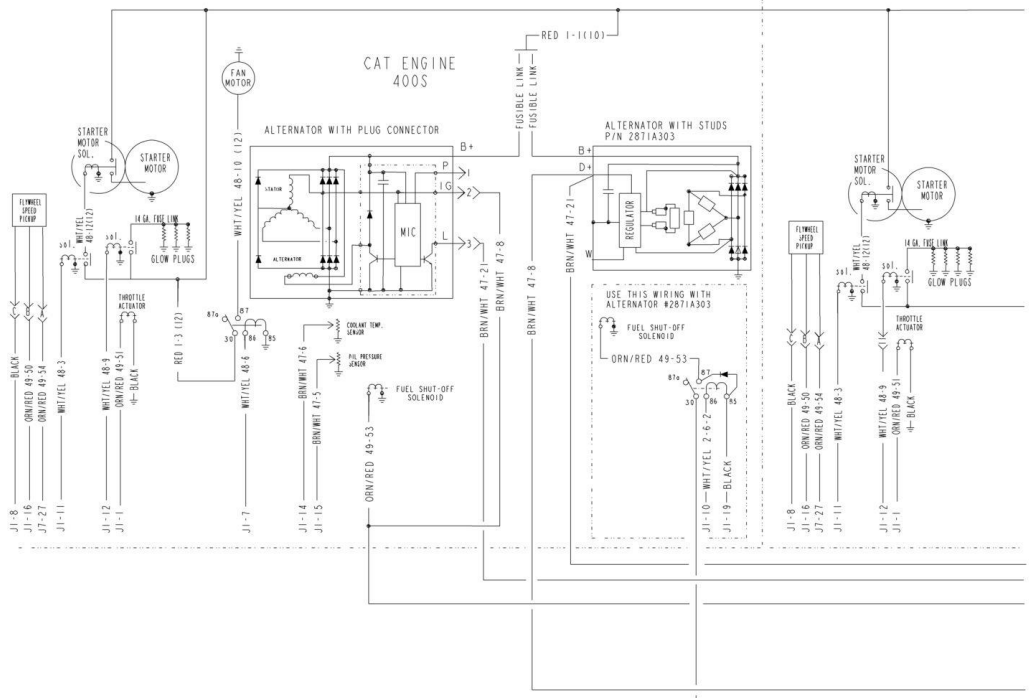


SECTION 7 - ELECTRICAL

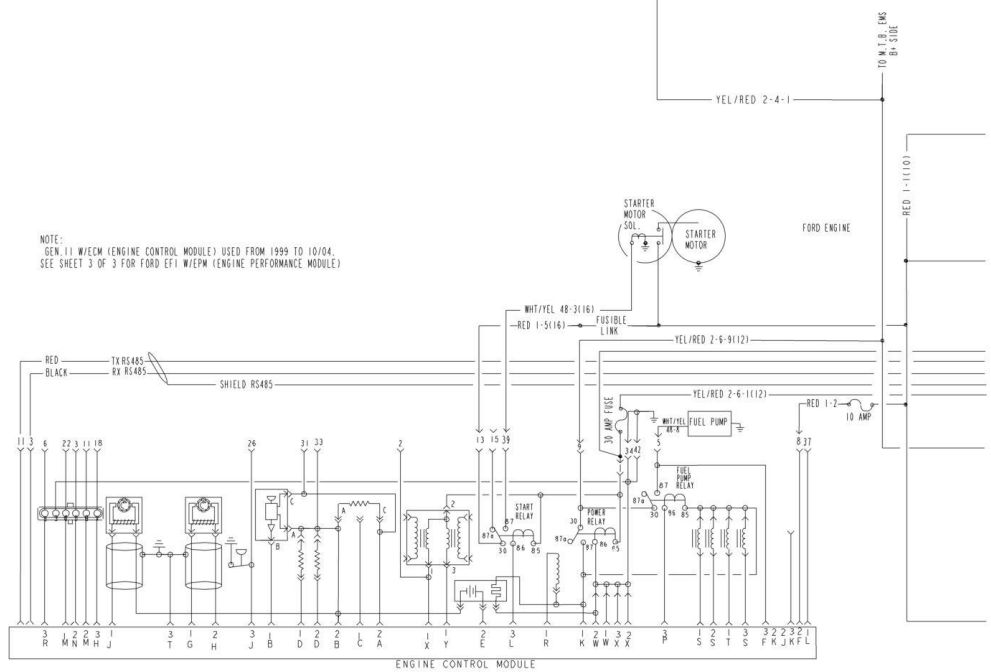


1870132 - M

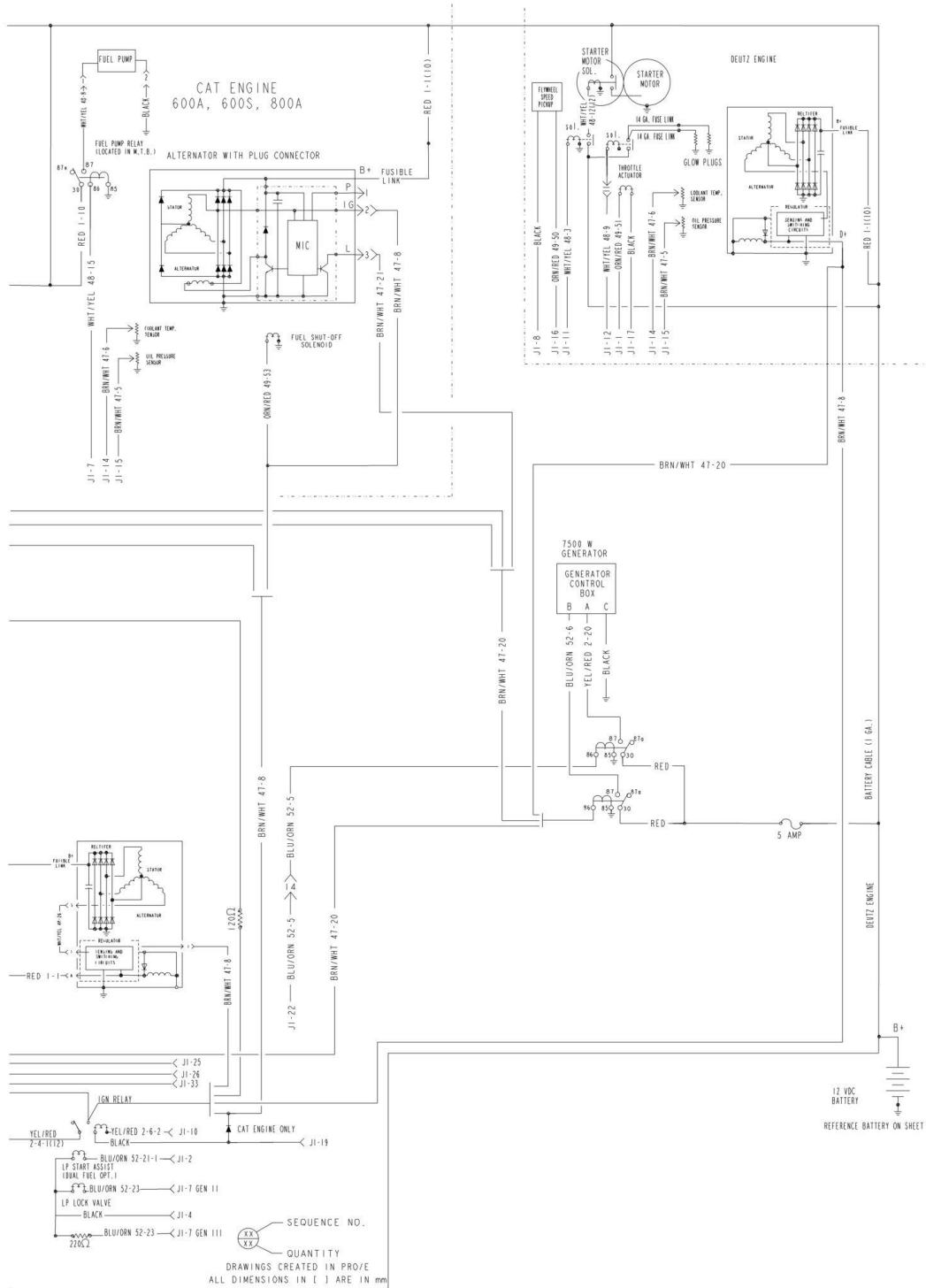
SECTION 7 - ELECTRICAL



NOTE:
 GEN 11 W/ECM (ENGINE CONTROL MODULE) USED FROM 1999 TO 10/04.
 SEE SHEET 3 OF 3 FOR FORD EPT W/EPW (ENGINE PERFORMANCE MODULE)

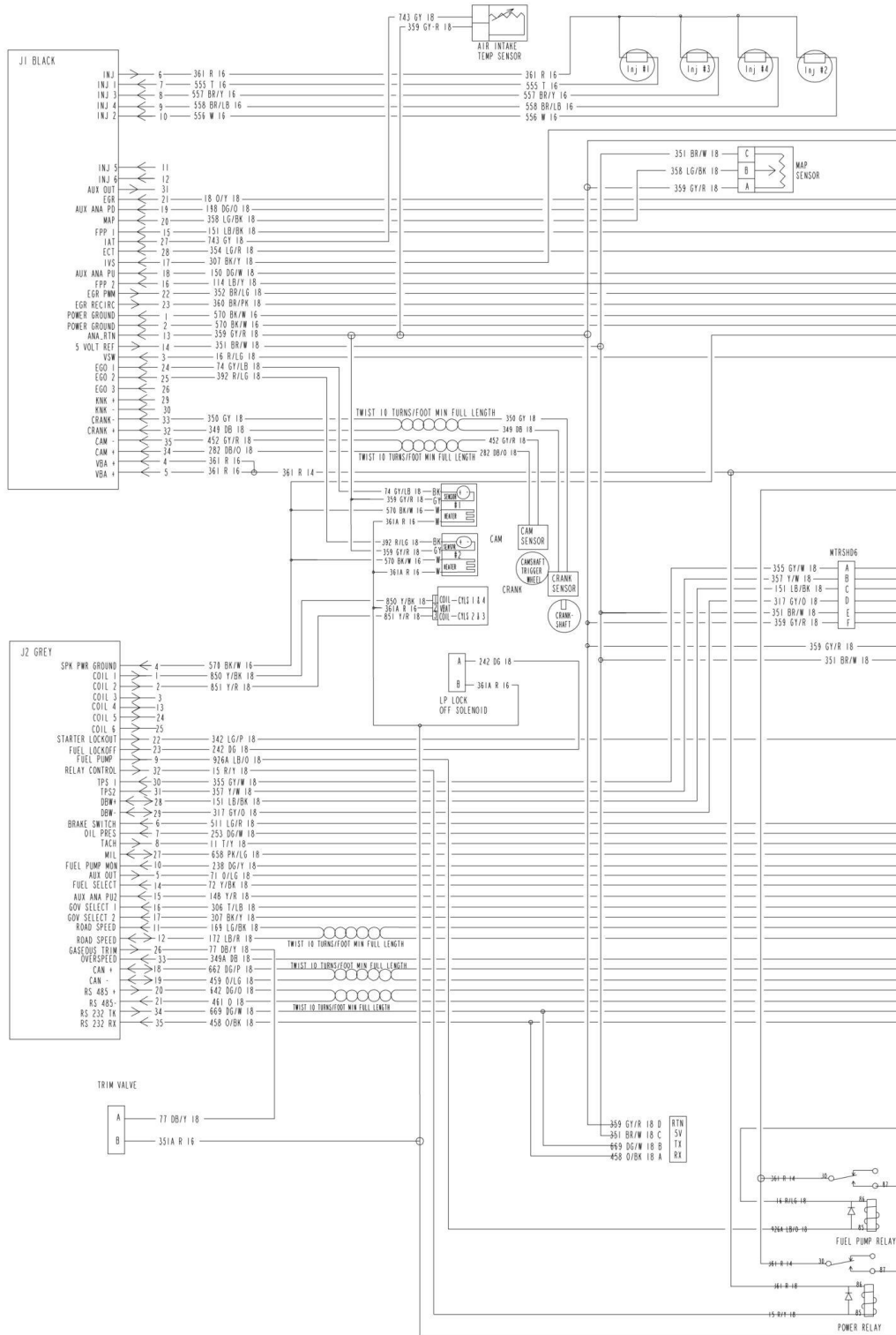


SECTION 7 - ELECTRICAL

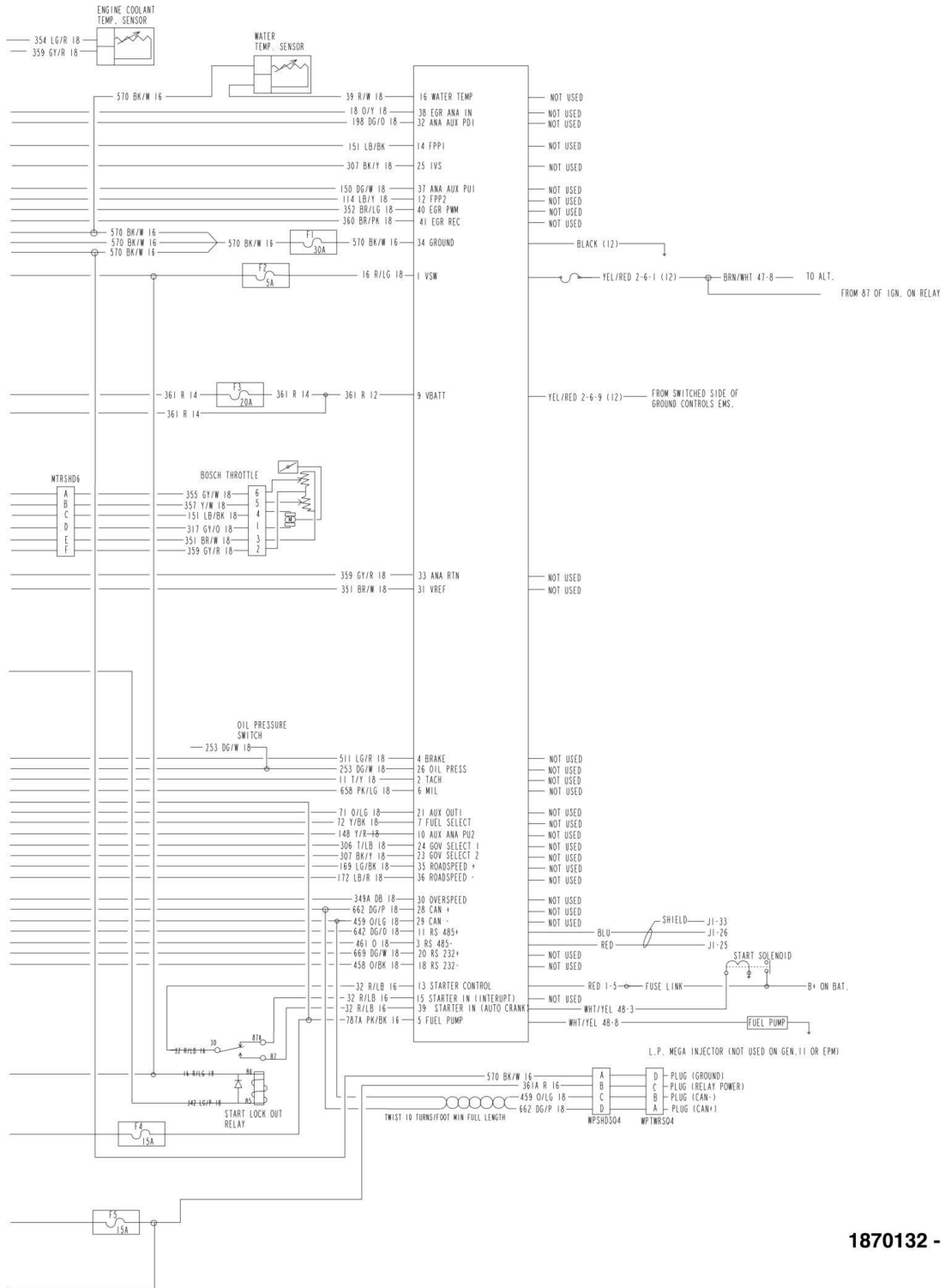


1870132 - M

SECTION 7 - ELECTRICAL



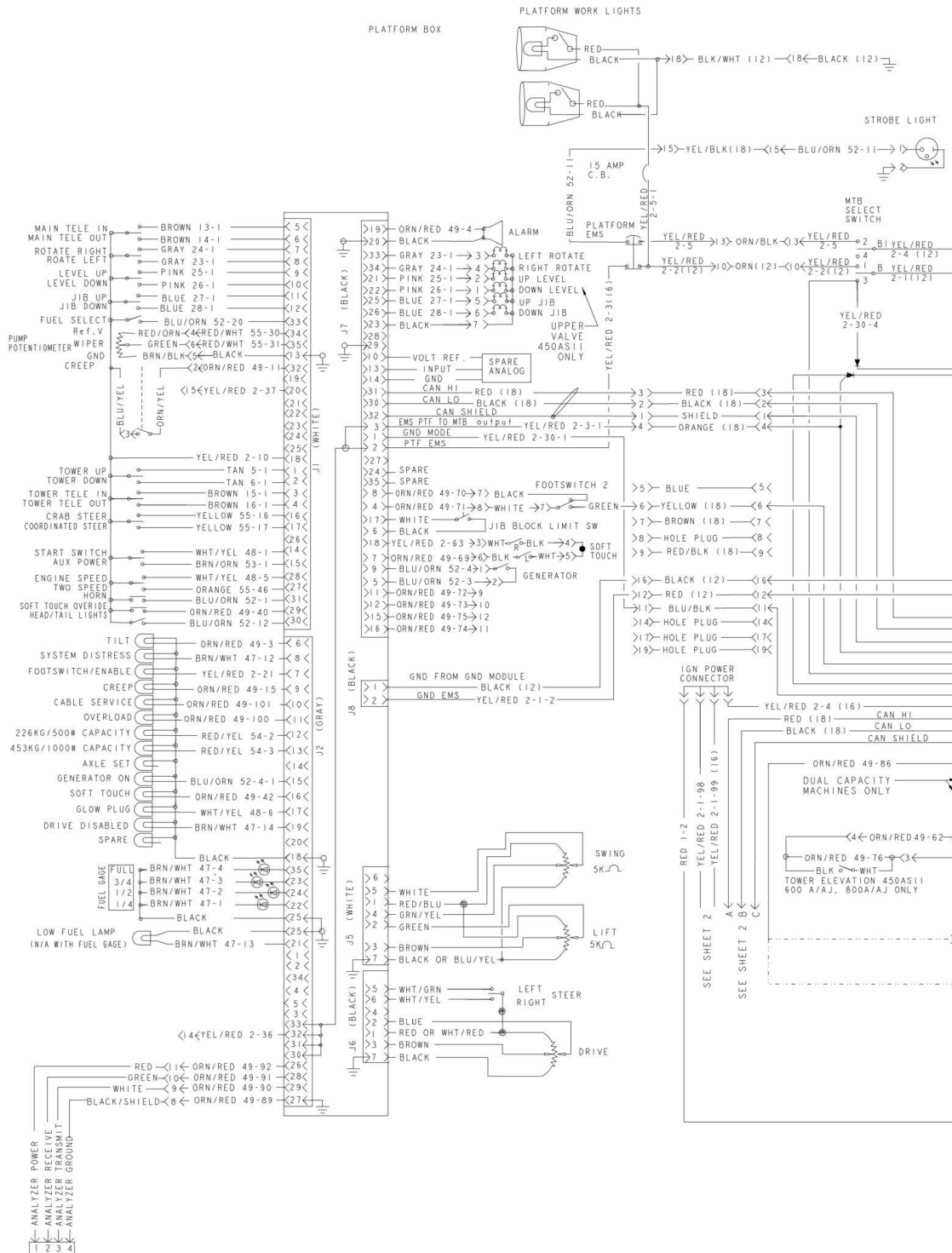
SECTION 7 - ELECTRICAL



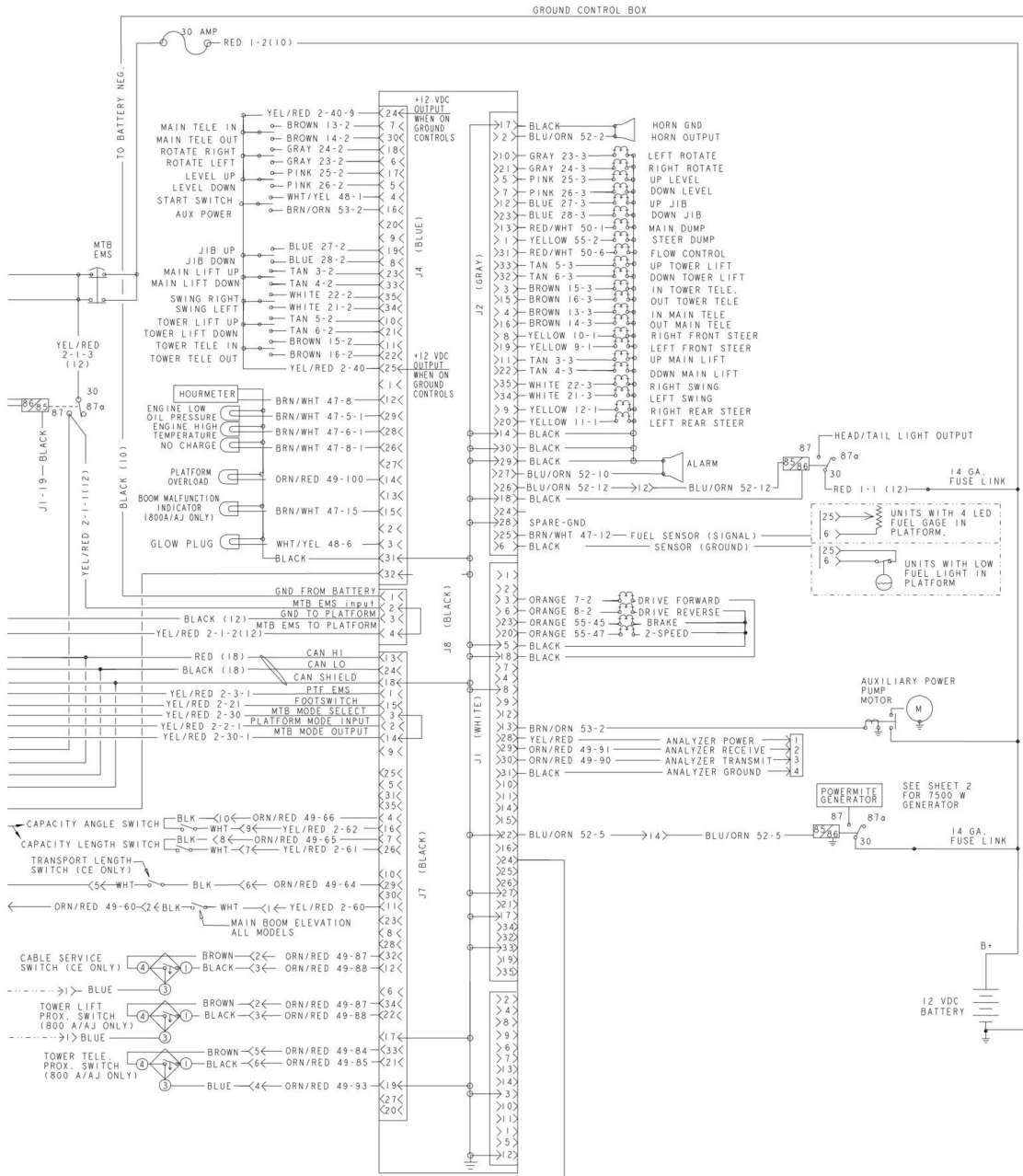
1870132 - M

SECTION 7 - ELECTRICAL

FIGURE 7-4. ELECTRICAL SCHEMATIC - DEUTZ EMR2 (SN 85132 through 99059)

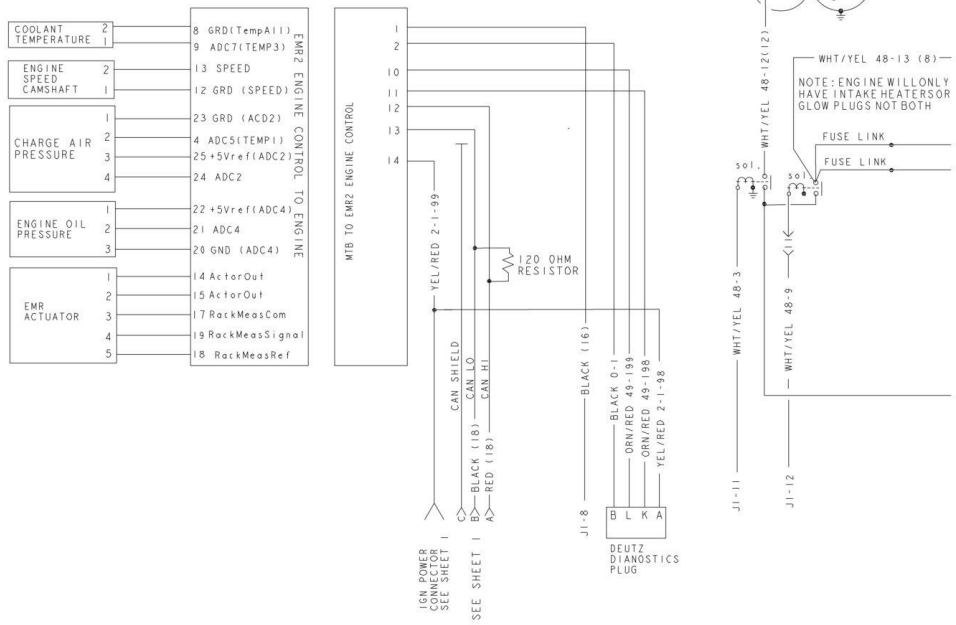


SECTION 7 - ELECTRICAL

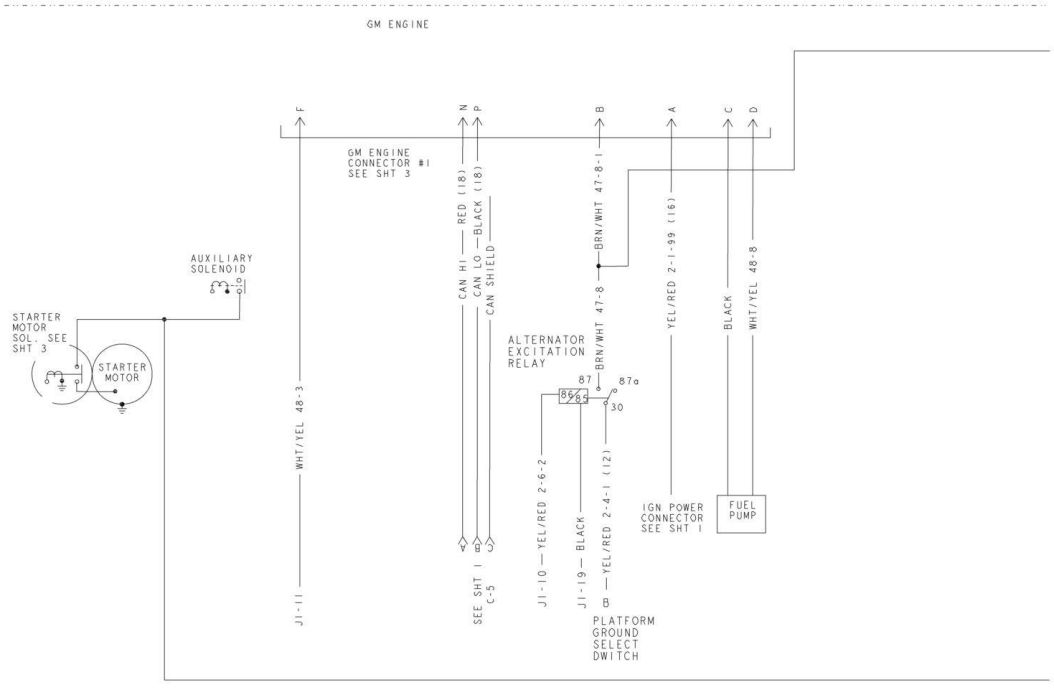


1870191 - G

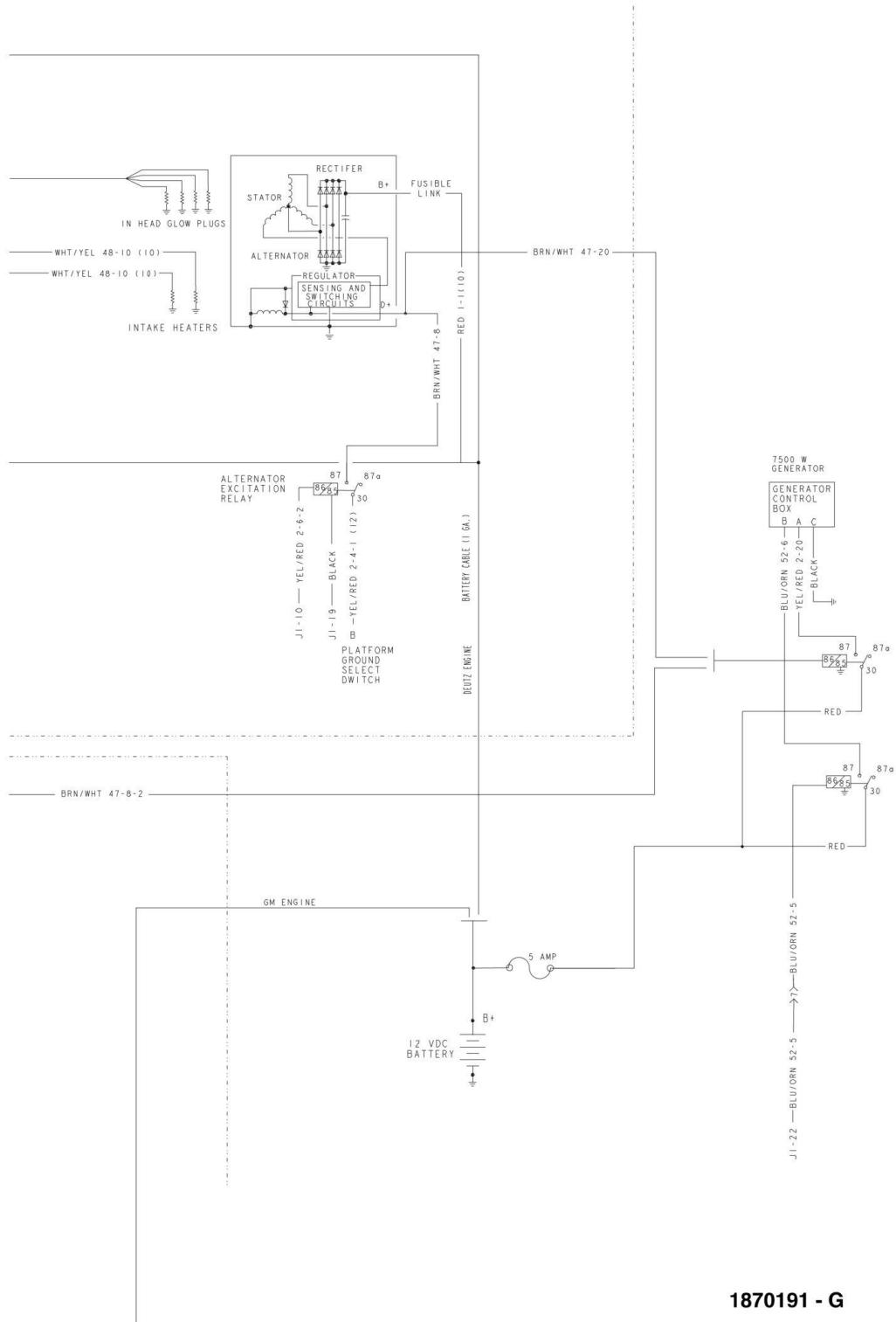
SECTION 7 - ELECTRICAL



DEUTZ ENGINE DEUTZ ENGINE

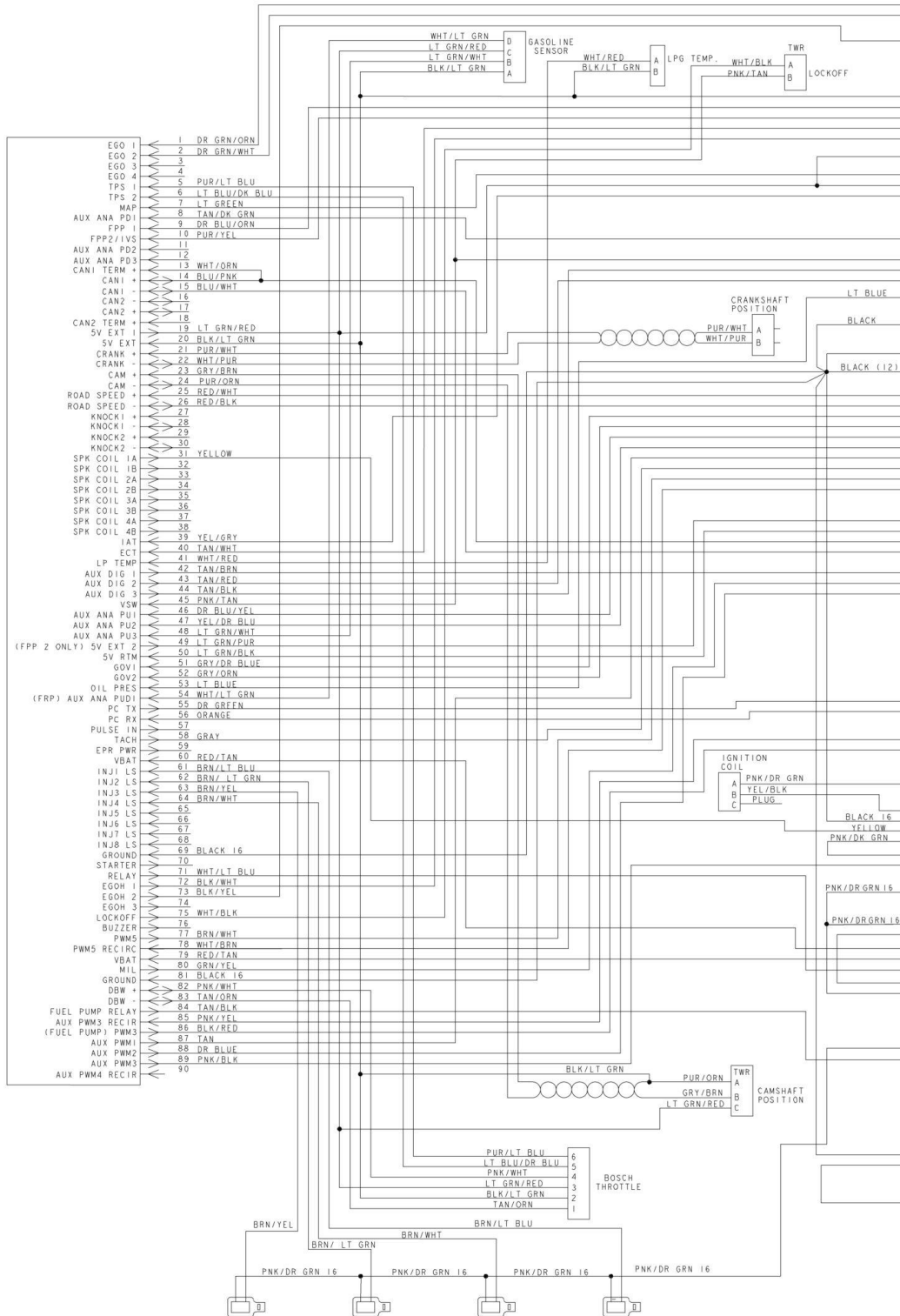


SECTION 7 - ELECTRICAL

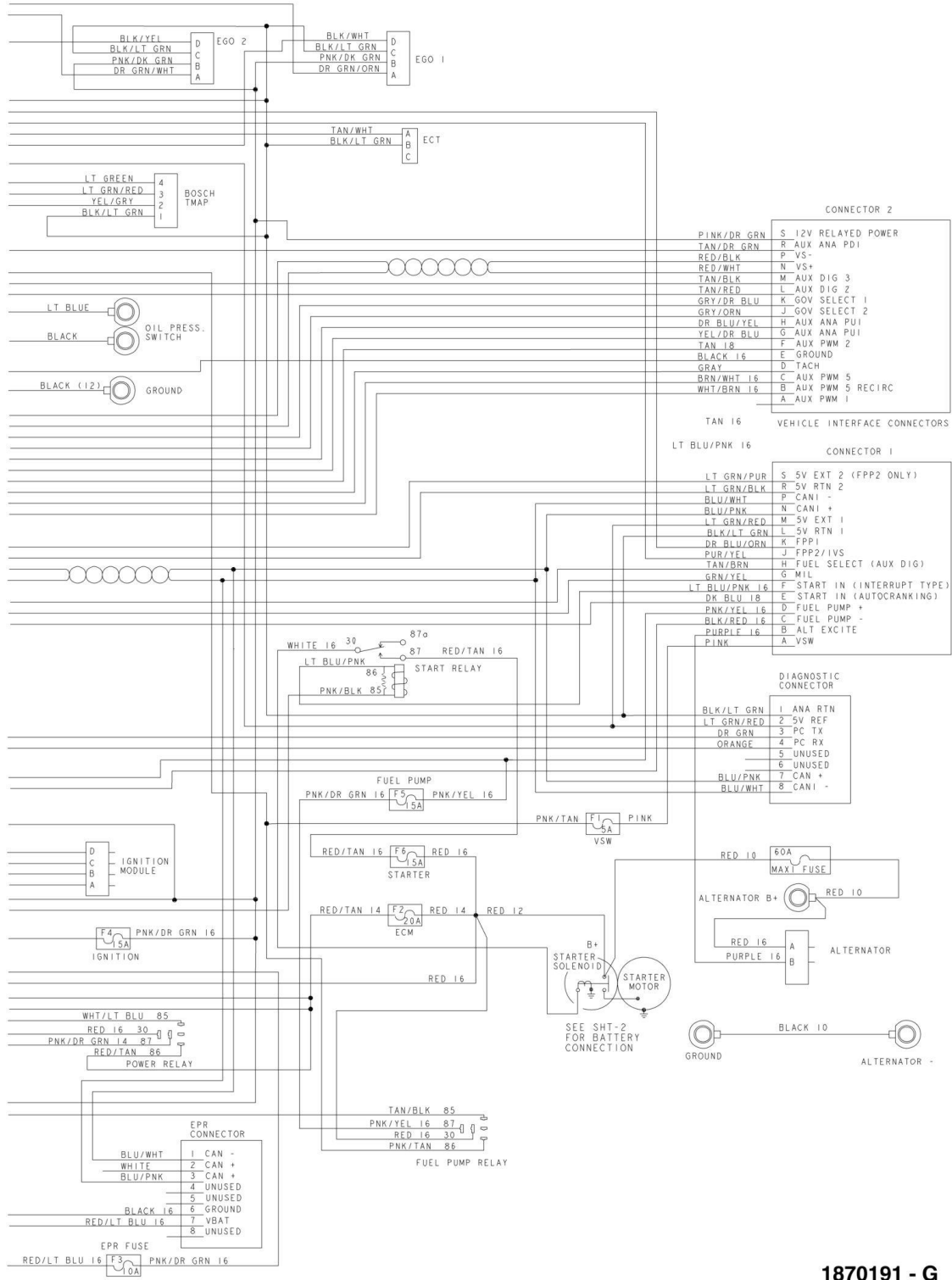


1870191 - G

SECTION 7 - ELECTRICAL



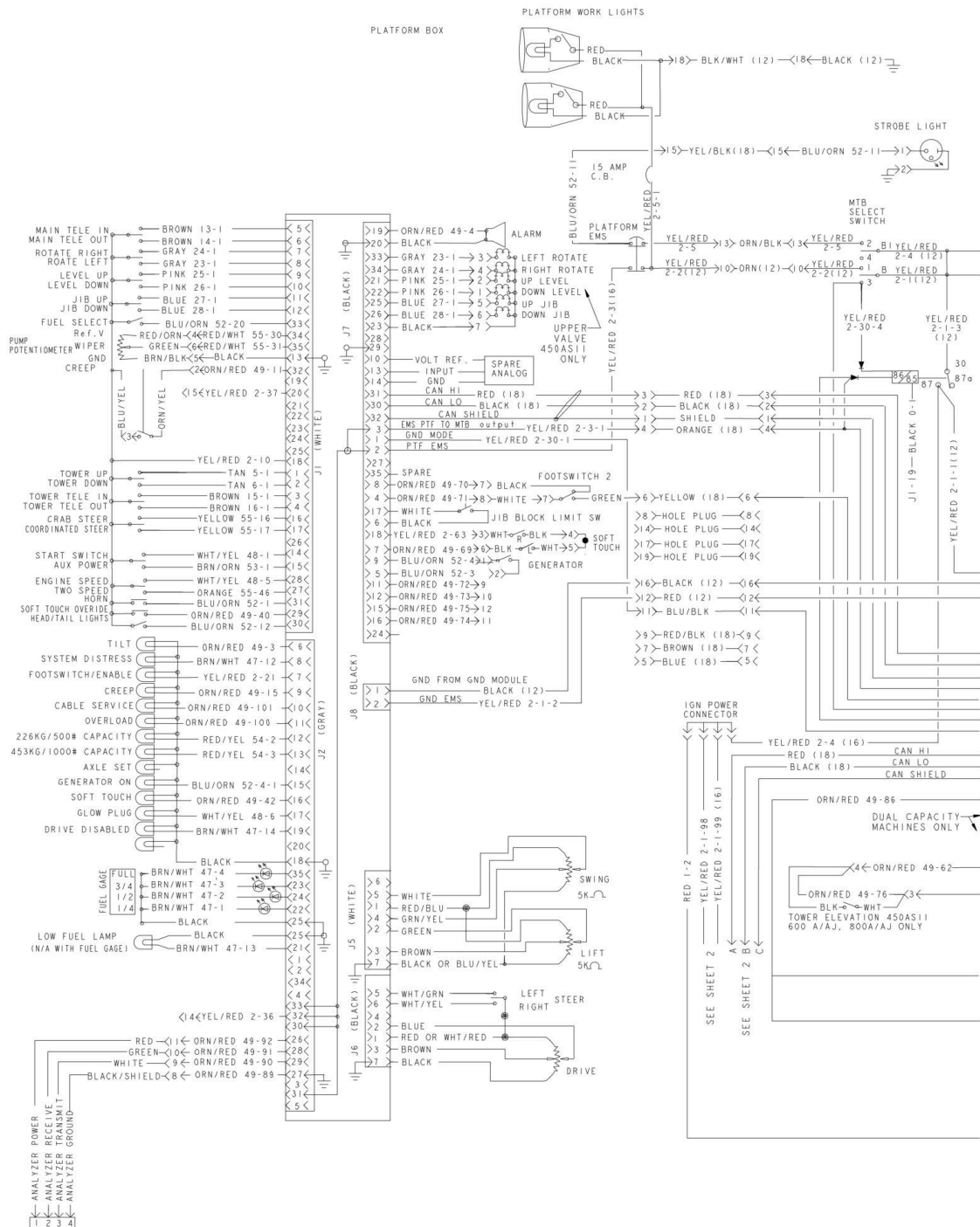
SECTION 7 - ELECTRICAL



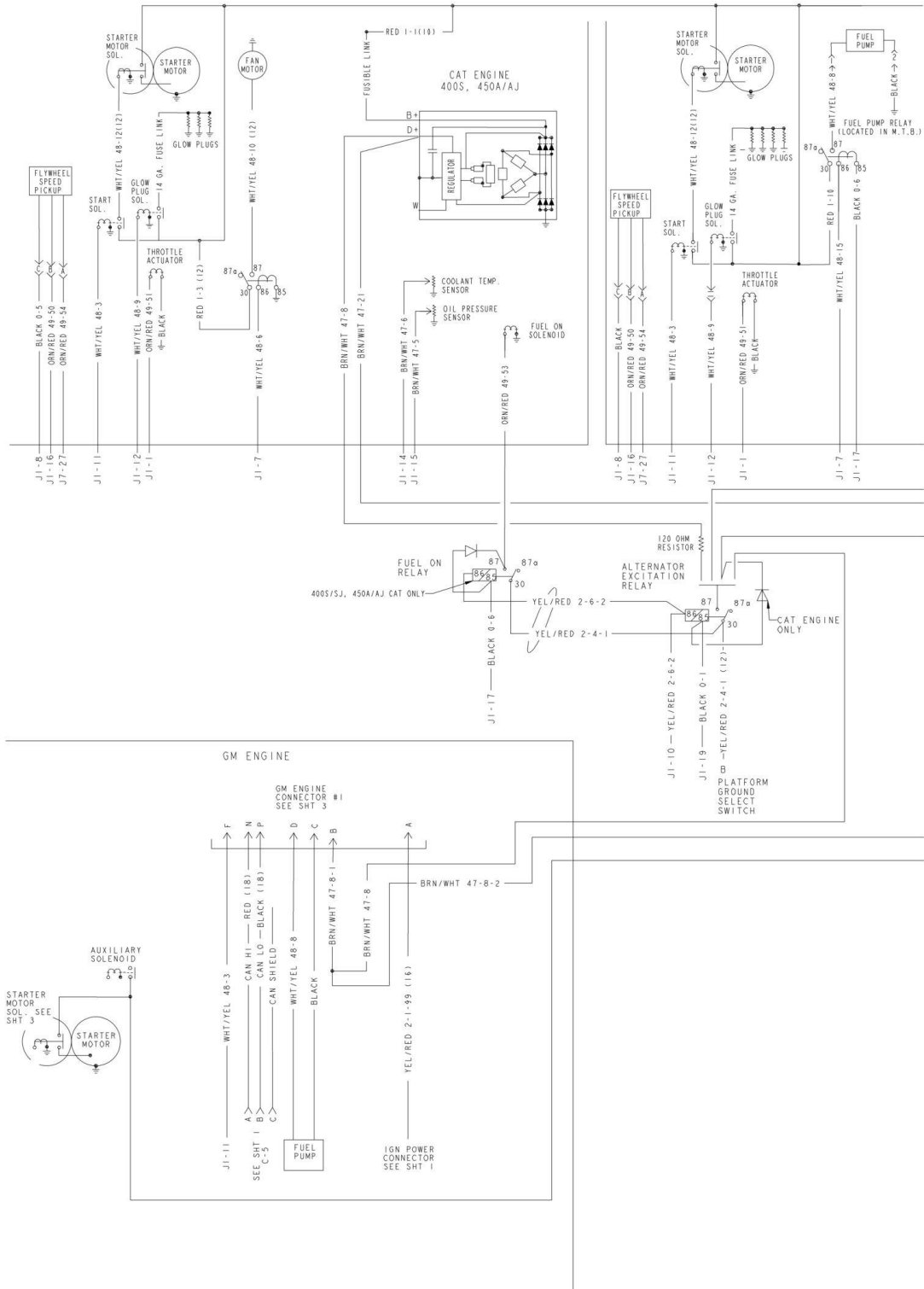
1870191 - G

SECTION 7 - ELECTRICAL

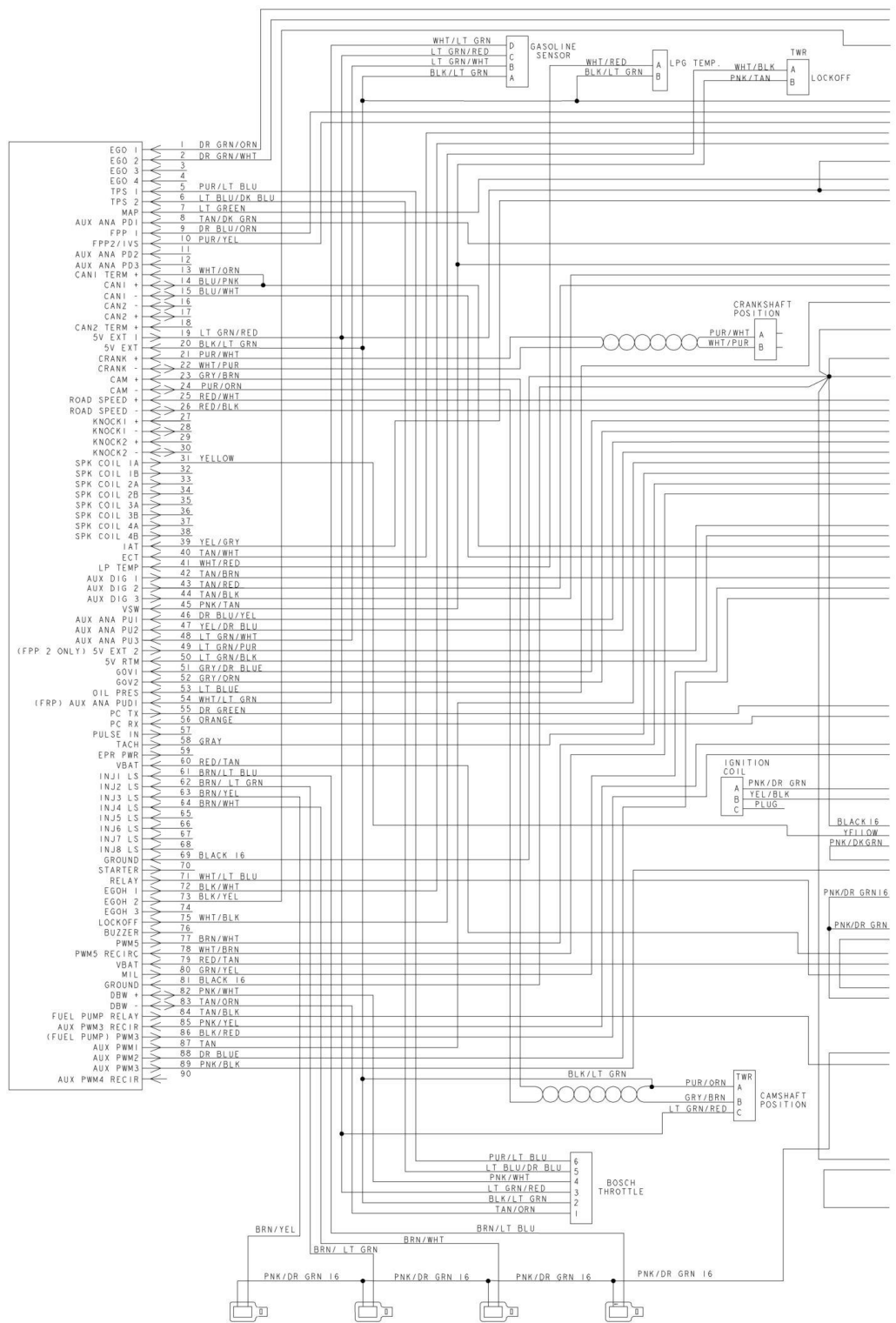
FIGURE 7-5. ELECTRICAL SCHEMATIC - DEUTZ TIER 2 (SN 99060 to Present)



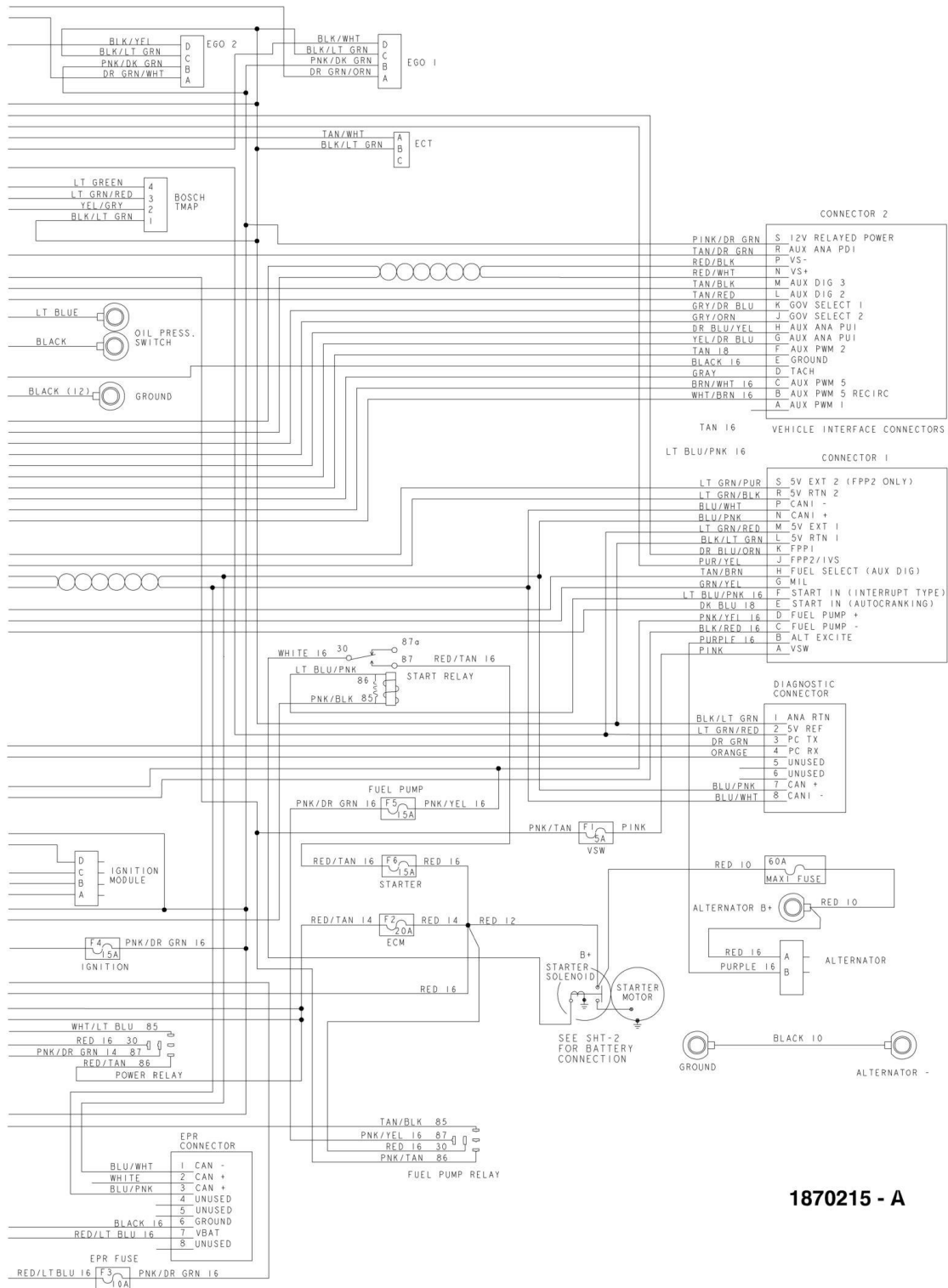
SECTION 7 - ELECTRICAL



SECTION 7 - ELECTRICAL



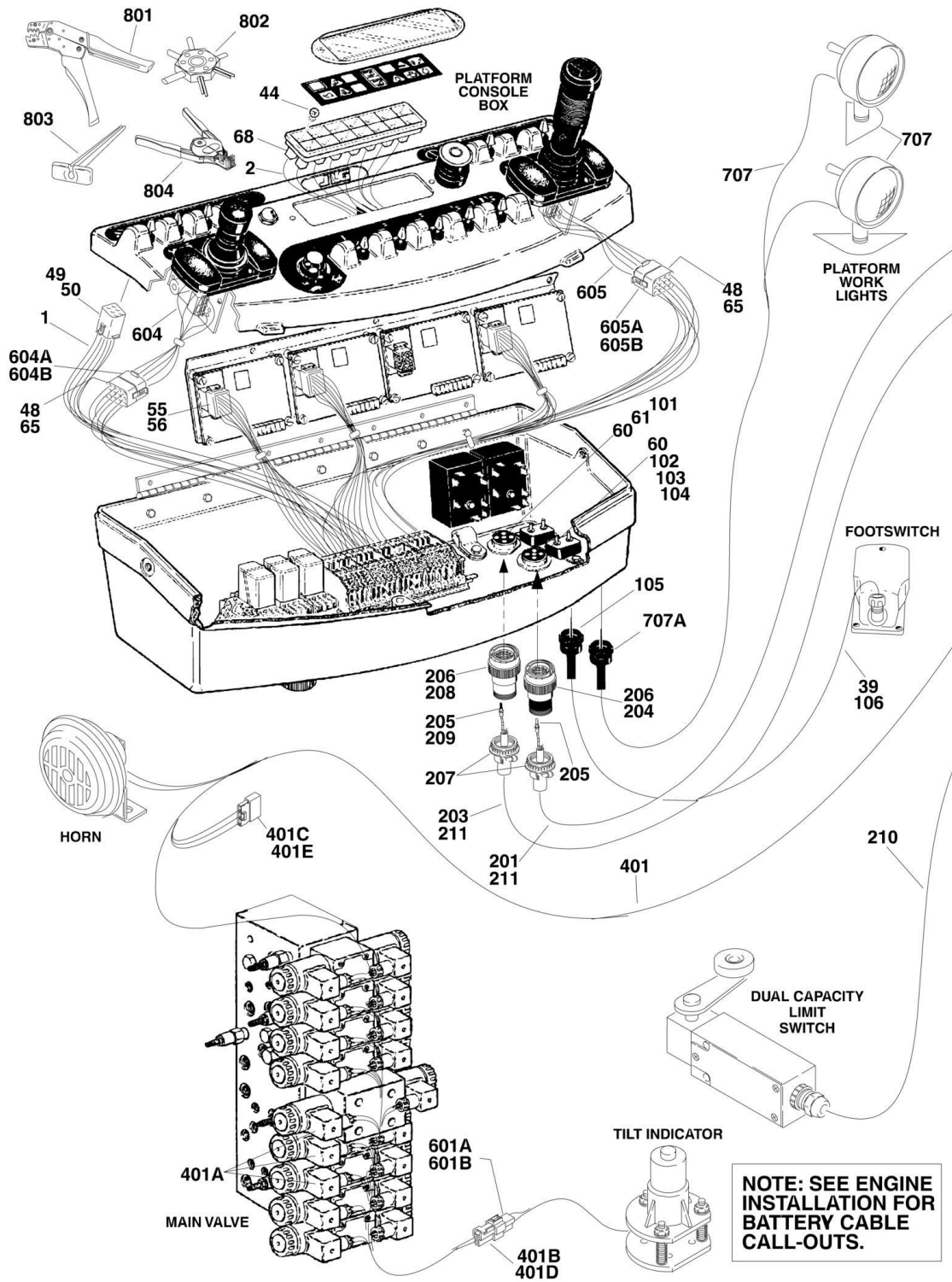
SECTION 7 - ELECTRICAL



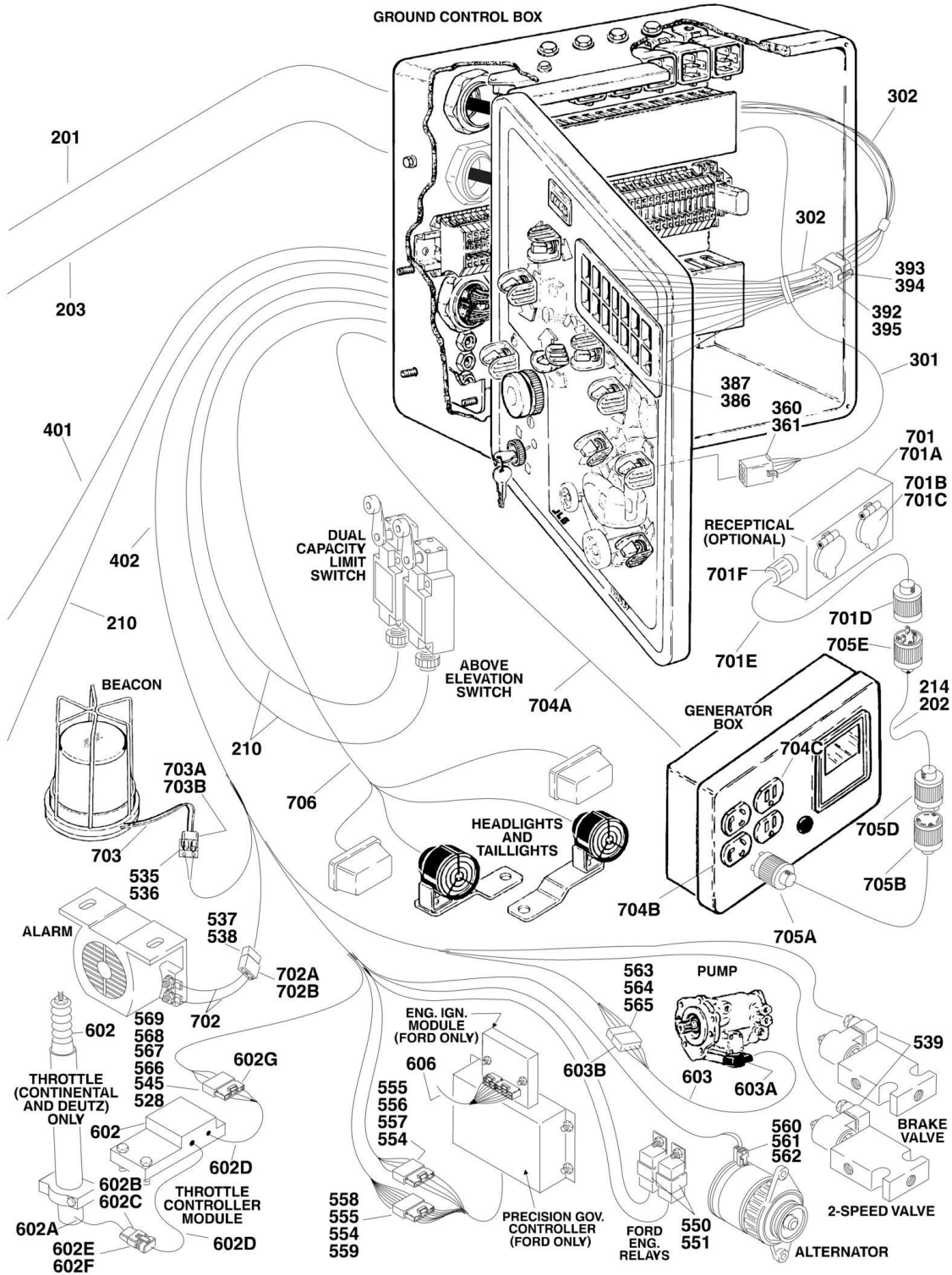
1870215 - A

SECTION 7 - ELECTRICAL

FIGURE 7-6. HARNESS COMPONENTS INSTALLATION (Prior to SN 62137)



SECTION 7 - ELECTRICAL



SECTION 7 - ELECTRICAL

FIGURE 7-6. HARNESS COMPONENTS INSTALLATION (Prior to SN 62137)

ITEM	PART NUMBER	QTY	DESCRIPTION	REV
	4922075	Ref	PLATFORM BOX HARNESS ASSEMBLY	3-C
1	Not Available	AR	Harness, Switch (Made from individual Wires)	
2	Not Available	AR	Harness, Light Panel (Made from individual Wires)	
39	1060515	7 ft/2.13m	Cable, Electrical - 12/4	
44	2920129	7	Bulb, Light	
48	4460265	2	Plug, Male - 9 Position	
49	4460418	5	Connector - 6 Position	
50	4460419	27	Terminal, Female	
55	4460720	3	Connector - 15 Position	
56	4460721	33	Socket, Female	
60	4460464	40	Pin, Male (16 Gauge)	
61	4460508	4	Pin, Male (12 Gauge)	
65	4460267	16	Pin, Male	
66	3990010	17	Diode - 6 Amp (Not Shown)	
68	4120035	7	Base, Light	
		Ref	PLATFORM BOX ASSEMBLY COMPONENTS	
101	4460613	1	Connector - 21 Position	
102	4460503	1	Connector - 31 Position	
103	4460470	2	Nut, Conduit	
104	4460471	2	Washer	
105	4460428	1	Connector, Strain Relief	
106	4460071	1	Connector, Strain Relief	
		Ref	BOOM CABLES INSTALLATION	
	0259632	Ref	Cable with AC Cable	1
201	1060516	69.5 ft/21.2m	Cable, Electrical - 16/30 (Does not include terminals)	
202	1060461	70 ft/21.3m	Cable, Electrical - 12/3 (Does not include plug ends)	
203	1060515	70 ft/21.3m	Cable, Electrical - 12/4 (Does not include terminals)	
204	4460502	1	Plug, Connector (31 Pin)	
205	4460465	30	Socket, Female - #16	
206	4460466	18	Seal, Plug	
207	4460473	2	Clamp, Cable	
208	4460614	1	Plug, Connector (19 Pin)	
209	4460509	4	Socket, Female - #12	
210	1060016	25 ft/7.6m	Cable, Boom Length	
211	4100026	5 ft/1.5m	Sleeve, Nylon	
		Ref	GROUND CONTROL BOX WIRING DIAGRAMS	
	4933081	Ref	Deutz Engine (Prior to SN 47052)	3-D
	4933109	Ref	Deutz Engine (SN 47052 through 62137)	1-A
301	4922243	1	Harness, Switch	
302	4922240	1	Harness, Light Panel	
303	4922101	1	Sub-Harness, Start (Not Shown)	
360	4460418	AR	Connector - 6 Position	
361	4460419	AR	Socket, Female	
386	4120035	AR	Base, Light	
386	4460634	AR	Insert, Terminal (Single Wire)	
386	4460635	AR	Insert, Terminal (Double Wire)	
387	2920129	AR	Bulb, Light	

SECTION 7 - ELECTRICAL

ITEM	PART NUMBER	QTY	DESCRIPTION	REV
388	3990001	7	Diode 3 Amp (Not Shown)	
389	3730115	1	Resistor 750 Ohm (Not Shown)	
391	3730023	1	Resistor 510 Ohm (Not Shown - Located at Alternator Light)	
392	4460268	7	Socket, Female	
393	4460265	1	Plug, 9 Position	
394	4460267	7	Pin, Male	
395	4460266	1	Connector, Female	
		Ref	GROUND CONTROL BOX ASSY COMPONENTS	
401	4922081	1	Valve Harness Assembly	2-C
401A	4460499	15	DIN Connector with Diode	
401B	4460267	4	Pin, Male	
401C	4460268	3	Socket, Female	
401D	4460225	1	Housing, Terminal - 6 Position	
401E	4460445	1	Receptacle, Female - 3 Position	
402	4922241	1	Engine Harness Assembly (See Items 501-565 for Breakdown)	
	4922241	Ref	ENGINE HARNESS ASSEMBLY	5-F
528	4460268	2	Socket, Female	
529	4460267	2	Pin, Male	
535	4460424	1	Receptacle, Female - 2 Position	
536	4460268	2	Socket, Female	
537	4460320	1	Connector, Female - 2 Position	
538	4460267	2	Pin, Male	
539	4460499	3	DIN Connector with Diode	
545	4460445	AR	Housing, Terminal - 3 Position	
547	4460265	1	Plug, Male - 9 Position	
548	4460266	1	Connector, Female - 9 Position	
550 to 551	Not Required	0	Not Required	
554 to 562	Not Required	0	Not Required	
563	4460460	1	Connector, Male - 4 Position	
564	4460457	4	Terminal, Female	
565	4460458	4	Seal, Terminal	
566	4460777	1	Housing - 4 Position	
567	4460591	1	Terminal, Lock	
568	4460589	3	Socket	
569	4460608	3	Seal, Cable	
		Ref	STANDARD HARNESS COMPONENTS	
601	Not Available	1	Tilt Indicator Harness	
601A	4460268	6	Socket, Female	
601B	4460224	1	Connector, Female - 6 Position	
602	Not Available	1	Throttle Actuator/Controller Harness (Deutz)	
602	2910000	1	Throttle Actuator and Controller Assembly (Was p/n 0060033)	
602	7008833	1	Mounting Clamp Kit (Not Shown)	
602	7008836	1	Spring, Retract (Not Shown)	
602A	Not Available	1	Throttle Actuator and Harness (Purchase p/n 2910000)	
602A	7016336	1	Boot Kit	
602B	Not Serviced	3	Pin, Male	
602C	Not Serviced	1	Connector, Male - 9 Position	
602D	2910001	1	Controller and Harness (Purchase p/n 2910000)	
602E	Not Serviced	9	Socket, Female	
602F	Not Serviced	1	Connector, Female	
602G	Not Available	1	Plug, Male - 4 Position	

SECTION 7 - ELECTRICAL

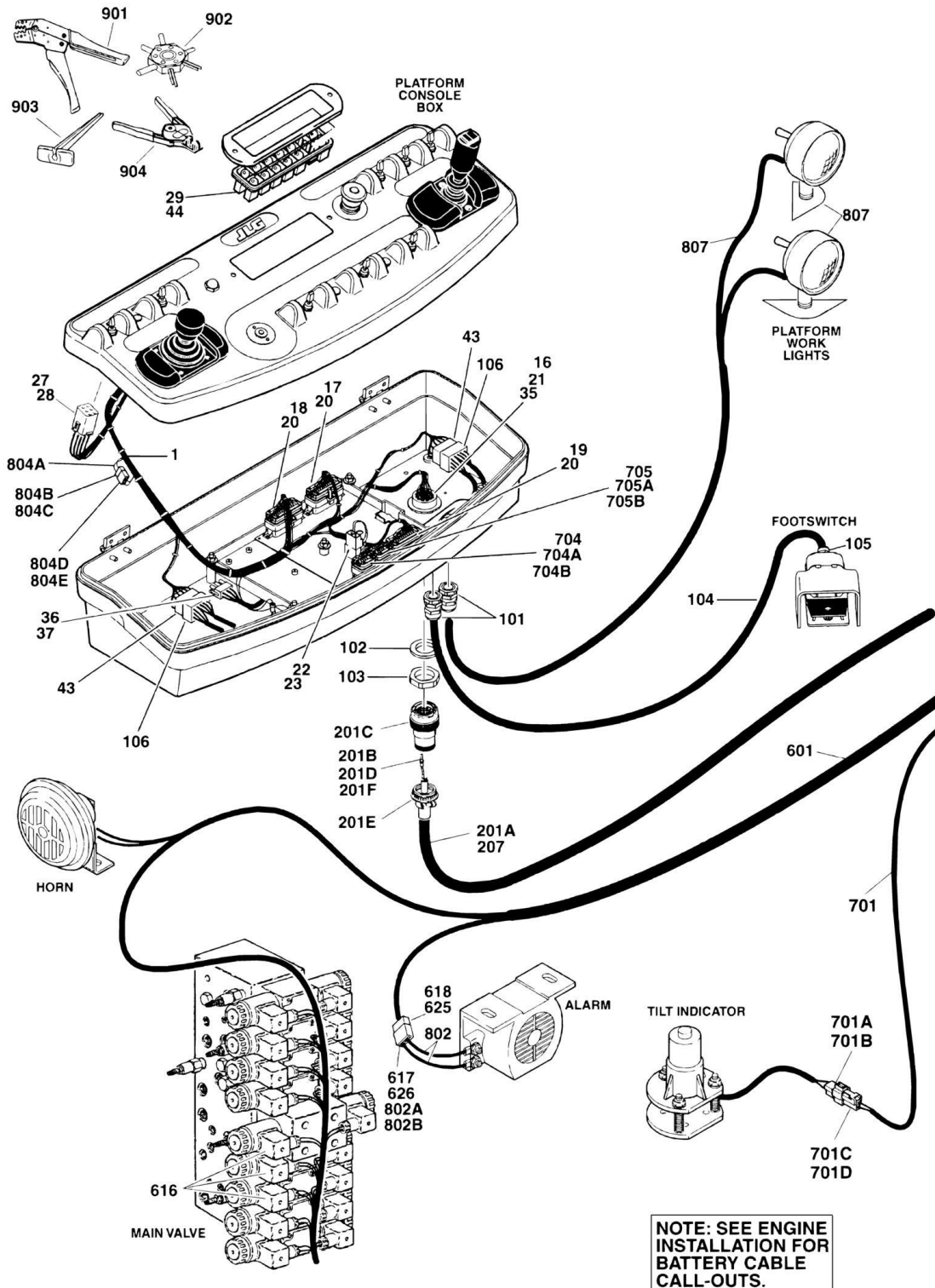
ITEM	PART NUMBER	QTY	DESCRIPTION	REV
602G	4460693	4	Pin, Male	
602G	4460591	1	Clip	
602G	4460608	4	Seal, Terminal	
603	Not Available	1	Pump Harness	
603A	7007497	1	Plug (Pump End)	
603B	7007498	1	Plug (Engine Harness End)	
604	Not Available	1	Controller Harness Assembly (Lift and Swing)	
604A	4460266	1	Connector, Female - 9 Position	
604B	4460268	7	Socket, Female	
605	Not Available	1	Controller Harness/Circuit Board Assembly (Drive and Steer)	
605A	4460266	1	Connector, Female - 9 Position	
605B	4460268	7	Socket, Female	
606	Not Required	0	Not Required	
		Ref	OPTIONAL HARNESS COMPONENTS	
701	0259436	Ref	AC to Platform Receptacle Components	2
701A	Not Available		Box, Receptacle	
701B	Not Available		Receptacle	
701C	Not Available		Shield, Cover	
701D	Not Available		Plug, Male	
701E	Not Available		Cable, Electrical - 12-3	
701F	Not Available		Connector	
702	0257887	1	Alarm/Harness Assembly	
702	0140032	1	Alarm	
702	2820035	6 in/15cm	Loom	
702A	4460424	1	Plug	
702B	4460268	2	Socket	
702C		Ref	Relay Harness Options: (Not Shown)	
702C	4922123	1	Motion Alarm	
702C	4922124	1	Travel Alarm	
703	Not Available	1	Strobe Light Harness	
703A	4460320	1	Connector, Female - 2 Position	
703B	4460267	2	Pin, Male	
704	4933092	Ref	Generator Electrical Components	A
704	3990010	1	Diode - 6 Amp (Not Shown)	
704A	4921938	1	Harness - On/Off Switch Options (Powermite Control Box to Ground Control Box)	
704B	4460027	1	110V GFI Receptacle	
704C	4460190	1	110V GFI Receptacle	
705	4921827	Ref	Generator to Rear of Boom Harness (110V)	1
		Ref	Note: Harness used to connect AC at platform harness to generator receptacle to power platform receptacle.	
705	1060494	20 ft/6.1m	Cable, Electrical - 12/3	
705A	4460205	1	Plug, Male (110V)	
705B	4460134	1	Connector, Female (110V)	
706	Not Available	1	Light Harness	
706	3740049	1	Relay (Not Shown)	
706	1060341	37 ft/11.3m	Cable, Electrical 16/2 (Does not Include terminals)	
707	2920140	2	Platform Worklights Harness (Includes Light and Wire Only)	
707	2820035	9 ft/2.8m	Loom, Vinyl	
707A	4460598	1	Connector, Strain Relief	
707A	4460042	2	Terminal (Not Shown - Located in Platform Console)	

SECTION 7 - ELECTRICAL

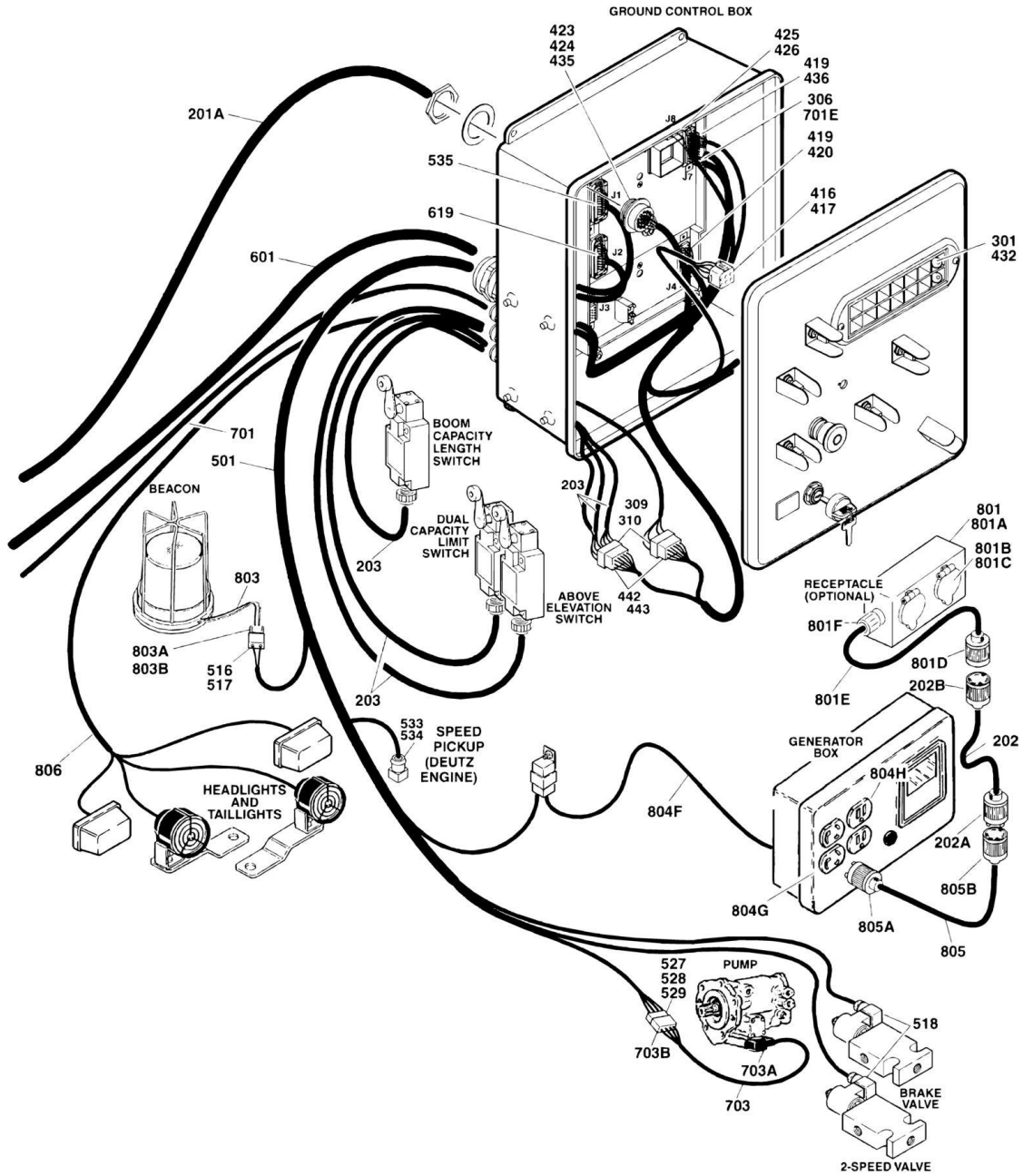
ITEM	PART NUMBER	QTY	DESCRIPTION	REV
		Ref	TOOLS	
801	7002821	1	Crimper (For Wire to Pin/Socket Connections)	
802	7002823	1	Extractor (For Removal of Pin/Socket from Connectors)	
803	4460467	1	Extractor, Pin (Blue 16-18 Gauge) (For Removal of Pin/Socket from Connectors)	
803	4460510	1	Extractor, Pin (Yellow 12-14 Gauge) (For Removal of Pin/Socket from Connectors)	
804	7002828	1	Stripper, Wire	

SECTION 7 - ELECTRICAL

FIGURE 7-7. HARNESS COMPONENTS INSTALLATION (WITH ADE SYSTEM) (SN 62137 through 85131)



SECTION 7 - ELECTRICAL



SECTION 7 - ELECTRICAL

FIGURE 7-7. HARNESS COMPONENTS INSTALLATION (WITH ADE SYSTEM) (SN 62137 through 85131)

ITEM	PART NUMBER	QTY	DESCRIPTION	REV
		Ref	PLATFORM BOX HARNESS ASSEMBLIES	
	4922524	Ref	Platform Box Harness Assemblies (Prior to SN 64398)	2-B
	4922651	Ref	Platform Box Harness Assemblies (SN 64398 through 67977)	1-A
	4922639	Ref	Platform Box Harness Assemblies (SN 67978 through 85132)	6-G
1		Ref	Harness, Console Box Options:	
1	4922524	1	Harness, Console Box (Prior to SN 64398)	
1	4922651	1	Harness, Console Box (SN 64398 through 67977)	
1	4922639	1	Harness, Console Box (SN 67978 through 85132)	
16	4460866	1	Connector - 19 Position	
17	4460874	1	Connector - 35 Position (Natural)	
18	4460875	1	Connector - 35 Position (Gray)	
19	4460873	1	Connector - 35 Position (Black)	
20	4460871	AR	Socket, Female	
21	4460464	7	Pin, Male (16 Gauge)	
22	4460879	1	Terminal, Housing 2 Position	
23	4460887	2	Terminal, (12 Gauge)	
27	4460418	4	Connector - 6 Position	
28	4460419	12	Terminal, Female	
29	4120035	AR	Base, Light	
35	4460508	3	Pin, Male (12 Gauge)	
36	4460225	1	Plug, Male - 6 Position (SN 67978 through 85132)	
37	4460227	5	Pin, Male (SN 67978 through 85132)	
43	4460434	2	Plug, Male - 15 Position (SN 67978 through 85132)	
43	4460227	23	Pin, Male	
44	2920129	AR	Lamp, Indicator (SN 68642 through 85132)	
		Ref	PLATFORM BOX ASSEMBLY COMPONENTS	
101	4460428	2	Connector, Strain Relief	
102	4460470	1	Nut, Conduit	
103	4460471	1	Washer	
104	1060330	1	Cable, Electrical - 16/3	
105	4460071	1	Connector, Strain Relief	
106	4460708	2	Receptacle - 15 Position	
	0270806	Ref	BOOM CABLES INSTALLATION	4
201	4922468	1	Harness, Main Boom	
201A	1060896	67 ft/20.4m	Cable	
201B	4460465	22	Socket, Female - #16	
201C	4460865	1	Connector - 19 Position	
201D	4460509	8	Socket, Female - #12	
201E	4460473	1	Clamp, Cable	
201F	4460466	4	Seal, Plug	
202		Ref	Cable, Electrical - 12/3 Options (Does not include plug ends):	
202	1060461	69.5 ft/21.8m	Cable, Electrical - 12/3 (Prior to SN 71455)	
202	4922884	1	Cable, Electrical - 12/3 (SN 71455 through 85132)	
202A	4460205	1	Plug, Male (110V)	
202B	4460134	1	Connector, Female (110V)	
203		Ref	Cable, Boom Length Options:	

SECTION 7 - ELECTRICAL

ITEM	PART NUMBER	QTY	DESCRIPTION	REV
203	1060680	55.5 ft/16.9m	Cable, Boom Length (Prior to SN 71455)	
203	1061026	1	Cable, Boom Length (SN 71455 through 85132)	
207	4100026	5 ft/1.5m	Sleeve, Nylon	
		Ref	GROUND CONTROL BOX WIRING DIAGRAMS	
	4933159	Ref	Deutz Engine - 601S (Prior to SN 64398)	H
	4933225	Ref	Deutz Engine - 601S (SN 64398 through 85132)	3-C
	4933160	Ref	Deutz Engine - 601S With A "Enhanced Hostile Environment Package" (Prior to SN 64398)	5-G
	4933223	Ref	Deutz Engine - 601S With A "Enhanced Hostile Environment Package" (SN 64398 through 85132)	2-B
301	2920129	AR	Bulb, Light	
302	4922636	1	Harness, Jumper (Not Shown) (SN 64398 through 85132)	
306	4460871	AR	Socket, Female	
307	2400065	1	Fuse, 30Amp (Not Shown)	
308	2400066	1	Fuse, Holder W/Cover (Not Shown)	
309	4460708	2	Housing - 15 Position (SN 64398 through 85132)	
310	4460226	11	Pin (SN 64398 through 85132)	
311	4922637	1	Harness, Jumper (Not Shown) (SN 64398 through 85132)	
		Ref	GROUND CONTROL HARNESS ASSEMBLY	
	4922487	Ref	DEUTZ ENGINE (Prior to SN 64398)	4-E
	4922649	Ref	DEUTZ/FORD ENGINE - LRG425 (SN 64398 through 85132)	4-E
416	4460419	AR	Terminal, Female	
417	4460418	AR	Connector - 6 Position	
419	4460871	AR	Socket, Female	
420	4460876	1	Connector - 35 Position (Blue)	
423	4460464	10	Pin, Male (16 Gauge)	
424	4460866	1	Connector - 19 Position	
425	4460878	1	Housing, Terminal - 4 Position	
426	4460887	3	Terminal	
432	4120035	AR	Base, Light	
435	4460508	3	Pin, Male (12 Gauge)	
438	4460873	1	Connector - 35 Position (Black)	
442	4460434	2	Connector - 15 Position (SN 64398 through 85132)	
443	4460227	22	Pin	
445	3990010	2	Diode 6 Amp (Not Shown)	
		Ref	ENGINE HARNESS ASSEMBLY	
	4922488	Ref	DEUTZ ENGINE	6-E
	4922489	Ref	DEUTZ ENGINE With A "Enhanced Hostile Environment Package" MACHINES	6-E
501		Ref	Harness, Assembly Options:	
501	4922488	1	Deutz Engine	
501	4922489	1	Deutz Engine With A "Enhanced Hostile Environment Package" Machines	
516	4460424	1	Receptacle, Female - 2 Position	
517	4460268	2	Socket, Female	
518	4460880	AR	DIN Connector without Diode	
527	4460460	1	Connector, Male - 4 Position	
528	4460457	AR	Terminal, Female	
529	4460458	AR	Seal, Terminal	
533	4460890	1	Housing - 2 Position (SN 59153 through 85132)	
534	4460889	2	Terminal (SN 59153 through 85132)	

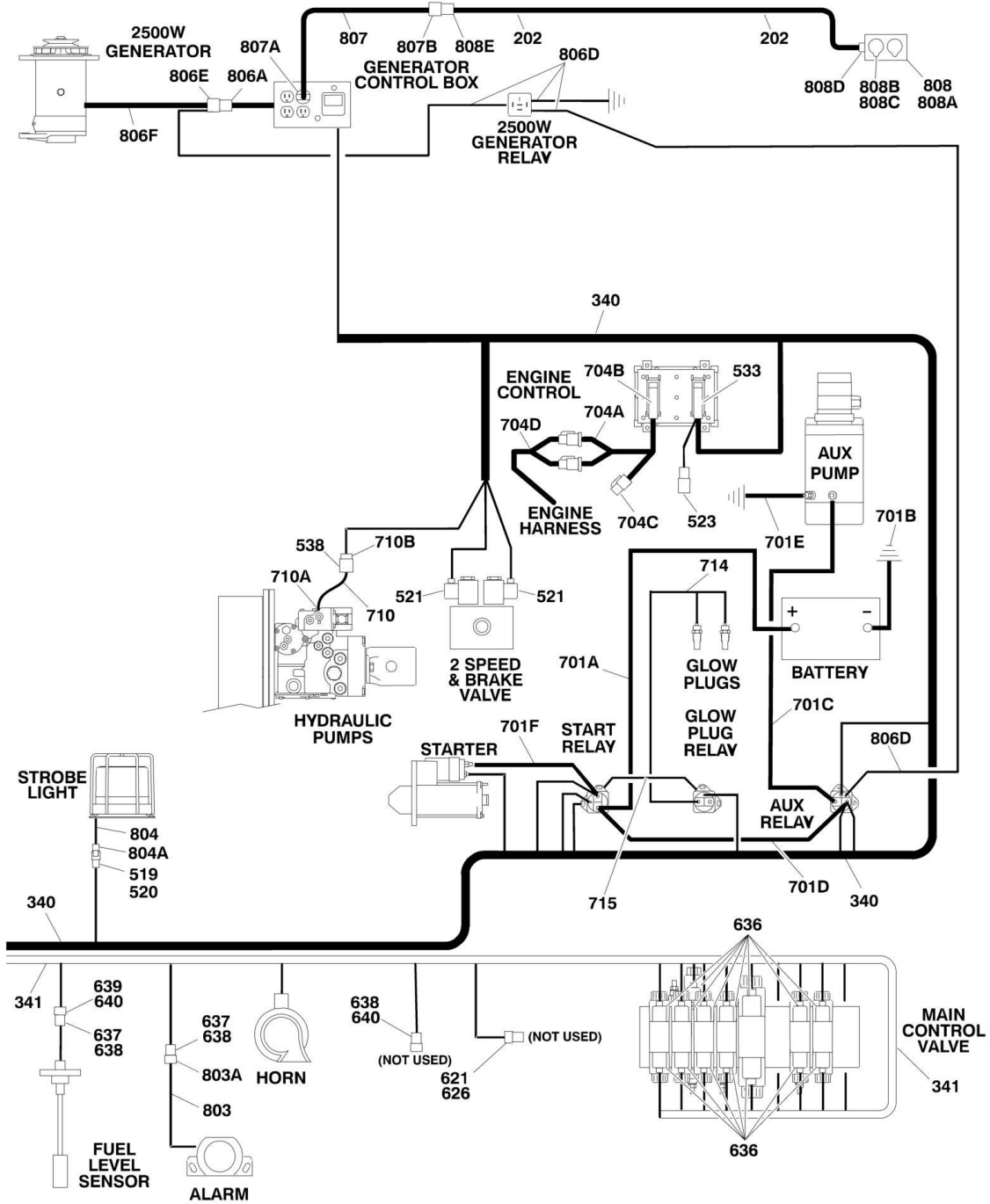
SECTION 7 - ELECTRICAL

ITEM	PART NUMBER	QTY	DESCRIPTION	REV	
535	4460871	AR	Socket, Female	7-G	
	4922490	Ref	VALVE HARNESS ASSEMBLY		
601	4922490	1	Harness, Assembly		
616	4460499	15	DIN Connector with Diode		
617	4460320	1	Connector, Female - 2 Position		
618	4460268	2	Socket, Female		
619	4460871	21	Socket, Female		
625	4460424	1	Plug, Male - 2 Position		
626	4460267	4	Pin, Male		
		Ref	STANDARD HARNESS COMPONENTS		
701	4922621	1	Tilt Indicator Harness		
701A	4460226	4	Pin		
701B	4460224	1	Connector, Female - 6 Position		
701C	4460227	4	Pin		
701D	4460225	1	Connector, Female - 6 Position		
701E	4460871	4	Socket, Female		
703	Not Available	1	Pump Harness		
703A	7007497	1	Plug (Pump End)		
703B	7007498	1	Plug (Engine Harness End)		
704	Not Available	1	Controller Harness Assembly (Lift and Swing)		
704A	7022819	1	Plug, Male - 8 Position (Natural)		
704B	4460871	8	Socket, Female		
705	Not Available	1	Controller Harness/Circuit Board Assembly (Drive and Steer)		
705A	7022825	1	Plug, Male - 8 Position (Black)		
705B	4460871	7	Socket, Female		
		Ref	OPTIONAL HARNESS COMPONENTS		
801	0259436	Ref	AC to Platform Receptacle Components	1	
801A	Not Available	1	Box, Receptacle		
801B	Not Available	1	Receptacle		
801C	Not Available	1	Shield, Cover		
801D	Not Available	1	Plug, Male		
801E	Not Available	18	Cable, Electrical - 12/3		
		in/47cm			
801F	Not Available	1	Connector		
802	0257887	1	Alarm/Harness Assembly		
802	0140032	1	Alarm		
802	2820035	6 in/15cm	Loom		
802A	4460424	1	Plug		
802B	4460268	2	Socket		
802C		Ref	Relay Harness Options: (Not Shown)		
802C	4922123	1	Motion Alarm		
802C	4922124	1	Travel Alarm		
803	Not Available	1	Strobe Light Harness		
803A	4460320	1	Connector, Female - 2 Position		
803B	4460267	2	Pin, Male		
804		Ref	Generator Electrical Components Options:		
804	4933158	Ref	Generator Electrical Components (Prior to SN 64254)		1
804	4933215	Ref	Generator Electrical Components (SN 64254 through 85132)		1
804	3990010	1	Diode - 6 Amp (Not Shown)		
804A		Ref	Harness - On/Off Switch Options:		
804A	4922483	1	Harness - On/Off Switch (Prior to SN 64254)		
804A	4922641	1	Harness - On/Off Switch (SN 64254 through 85132)		

SECTION 7 - ELECTRICAL

ITEM	PART NUMBER	QTY	DESCRIPTION	REV
804B	4460320	1	Connector, Female - 2 Position	1
804C	4460267	2	Pin, Male	
804D	4460424	1	Plug, Male - 2 Position	
804E	4460268	2	Socket, Female	
804F	4922482	1	Powermite Control Box to Relay	
804G	4460027	1	110V GFI Receptacle	
804H	4460190	1	110V GFI Receptacle	
805	4921827	Ref	Generator to Rear of Boom Harness (110V)	
		Ref	Note: Harness used to connect AC at platform harness to generator receptacle to power platform receptacle.	
805	1060494	20 ft/6.1m	Cable, Electrical - 12/3	
805A	4460205	1	Plug, Male (110V)	
805B	4460134	1	Connector, Female (110V)	
806	Not Available	1	Light Harness	
806	3740049	1	Relay (Not Shown)	
806	1060341	37 ft/11.3m	Cable, Electrical 16/2 (Does not Include terminals)	
807	2920140	2	Platform Worklights Harness (Includes Light and Wire Only)	
807	2820035	9 ft/2.8m	Loom, Vinyl	
		Ref	TOOLS	
901	7002821	1	Crimper (For Wire to Pin/Socket Connections)	
902	7002823	1	Extractor (For Removal of Pin/Socket from Connectors)	
903	4460467	1	Extractor, Pin (Blue 16-18 Gauge) (For Removal of Pin/Socket from Connectors)	
903	4460510	1	Extractor, Pin (Yellow 12-14 Gauge) (For Removal of Pin/Socket from Connectors)	
904	7002828	1	Stripper, Wire	
905	2901443	1	Analyzer Kit (Not Shown)	

SECTION 7 - ELECTRICAL



SECTION 7 - ELECTRICAL

FIGURE 7-8. HARNESS COMPONENTS INSTALLATION (DEUTZ EMR2) (SN 85132 to Present)

ITEM	PART NUMBER	QTY	DESCRIPTION	REV
	4922639	Ref	PLATFORM BOX HARNESS ASSEMBLY	7-H
19	4460866	1	Connector - 19 Position	
20	4460874	1	Connector - 35 Position (Natural)	
21	4460875	1	Connector - 35 Position (Gray)	
22	4460873	1	Connector - 35 Position (Black)	
23	4460871	AR	Socket, Female	
24	4460464	7	Pin, Male (16 Gauge)	
25	4460879	1	Terminal, Housing 2 Position	
26	4460887	2	Terminal, (12 Gauge)	
30	4460418	9	Connector - 6 Position	
31	4460419	27	Terminal, Female	
32	4120035	AR	Base, Light	
36	4460225	1	Plug, Male- 6 Position	
37	4460227	6	Pin, Male	
41	4460508	3	Pin, Male (12 Gauge)	
43	4460434	2	Connector - 15 Position	
44	2920129	AR	Lamp, Indicator	
		Ref	PLATFORM BOX ASSEMBLY COMPONENTS	
104	0100048	AR	Grease, Dielectric	
139	4460428	2	Connector, Strain Relief	
141	4460470	1	Nut, Terminal	
142	4460471	1	Lockwasher, Terminal	
144	4460708	2	Connector, Female - 15 Position	
145	4460905	5	Seal, Plug	
147	4922639	1	Harness, Platform Console Box (Includes Items 1-44)	
148	4922666	1	Harness, Analyzer Cable	2-B
148	4460226	4	Socket, Female (Not Shown - Located at J2)	
148A	4460761	1	Connector, Female - 4 Position	
148A	4460227	4	Pin, Male	
152	Not Available	1	Footswitch Harness	
152	1060918	8 ft/2.4m	Cable, Electrical - 18/3	
152A	4460071	1	Connector, Strain Relief	
	0270806	Ref	BOOM CABLES INSTALLATION	4
201	4922468	1	Harness, Main Boom	
201	1060896	67 ft/20.4m	Cable	
201A	4460465	11	Socket, Female - #16	
201A	4460865	1	Connector - 19 Position	
201A	4460509	4	Socket, Female - #12	
201A	4460466	4	Seal, Plug	
201B	4460473	1	Clamp, Cable	
201C	4460465	11	Socket, Female - #16	
201C	4460509	4	Socket, Female - #12	
202	4922884	1	Harness, Generator (Does not include plug ends) (69.5ft/21.8m of 12/3 Cable P/N 1060461)	
203	1061026	1	Cable, Boom Length (25.5ft/7.8m of 18/2 Cable P/N 1060680)	
204	4460865	1	Connector - 19 Position	
205	4460466	4	Seal, Plug	
206	4460473	1	Clamp, Cable	
207	4100026	10 ft/3.0m	Sleeve, Nylon	

SECTION 7 - ELECTRICAL

ITEM	PART NUMBER	QTY	DESCRIPTION	REV
		Ref	GROUND CONTROL BOX COMPONENTS	
302	0100048	AR	Grease, Dielectric	
327	4460426	2	Connector, Strain Relief	
328	4460470	1	Nut, Terminal	
329	4460471	1	Lockwasher, Terminal	
331	4460526	1	Connector, Strain Relief	
332	4460874	1	Connector (Natural)	
333	4460875	1	Connector (Gray)	
334	4460905	4	Connector, Amp Seal Plug	
339		Ref	Ground Control Box Harness Assembly Options (See Items 401-450 for Breakdown):	
339	4923213	1	Ground Control Box Harness Assembly (Prior to SN 99060)	
339	4923577	1	Ground Control Box Harness Assembly (SN 99060 to Present)	
340	4923212	1	Engine Harness Assembly (See 501 to 557 for Breakdown)	
341	4923206	1	Valve Harness Assembly (See 601 to 646 for Breakdown)	2-B
342		Ref	Ground Control Box Wiring Diagram Options (Not Shown):	
342	4933318	1	Ground Control Box Wiring Diagram (Prior to SN 99060)	
342	4933366	1	Ground Control Box Wiring Diagram (SN 99060 to Present)	
342A	2920129	AR	Bulb, Light	
342B	4460708	1	Receptacle, Female - 15 Position	
342B	4460226	13	Socket, Female	
342B	4922637	1	Harness, Jumper (Not Shown)	
342C	2400065	1	Fuse, 30Amp	
342C	2400066	1	Fuse, Holder with Cover	
342D	4460894	1	Plug, Male - 6 Position	
342D	4460892	1	Receptacle, Female - 6 Position	
342E	2902443	1	Receptacle Kit	
342E	4461071	8	Socket, Female	
342E	4461072	1	Receptacle	
342E	4461073	1	Cap, Dust	
342E	4461074	1	Shell, Black	
		Ref	GROUND CONTROL HARNESS ASSEMBLIES	
	4923213	Ref	Ground Control Harness Assemblies (Prior to SN 99060)	E
	4923577	Ref	Ground Control Harness Assemblies (SN 99060 to Present)	A
416	4460536	1	Connector, Female 3- Position	
416	4460943	3	Pin, Male	
421	3990010	2	Diode - 6 Amp (Not Shown)	
424	4460434	2	Plug, Male 15 - Position	
424	4460227	AR	Pin	
426	4460873	1	Plug, Male - 35 Position (Black)	
426	4460871	AR	Socket, Female	
426	4460905	AR	Plug, Seal	
428	4120035	5	Base, Light	
428	4460634	6	Terminal (16 Gauge)	
428	4460635	4	Terminal (12 Gauge)	
434	4460418	7	Connector, Female - 6 Position	
434	4460419	21	Socket, Female	
438	4460871	AR	Socket, Female	
439	4460876	1	Plug, Male - 35 Position (Blue)	
439	4460871	26	Socket, Female	
439	4460905	1	Plug, Seal	
443	4460866	1	Connector - 19 Position	

SECTION 7 - ELECTRICAL

ITEM	PART NUMBER	QTY	DESCRIPTION	REV
443	4460464	10	Pin, Male (16 Gauge)	
443	4460508	3	Pin, Male (12 Gauge)	
444	4460878	1	Housing, Terminal - 4 Position	
444	4460887	3	Terminal (12 Gauge)	
450	4460761	1	Connector, Female 4 - Position	
450	4460227	4	Pin, Male	
	4923212	Ref	ENGINE HARNESS ASSEMBLY	E
519	4460424	1	Receptacle, Female - 2 Position	
520	4460268	2	Socket, Female	
521	4460880	2	DIN Connector without Diode	
523	4461070	1	Receptacle, Female With Resistor (3 Position)	
523	4461095	1	Plug, Male - 3 Position	
523	4460944	3	Socket, Female	
525	4460539	1	Connector, Male - 3 Position	
525	4460944	3	Socket, Female	
533	4461052	1	Connector, Receptacle - 25 Position	
533	4461005	5	Terminal (Gold)	
533	4461006	5	Seal, Terminal	
533	4461060	2	Terminal (Tin)	
533	4461054	2	Seal, Terminal	
533	4461053	1	Cover, Plug	
538	4460460	1	Connector, Male - 4 Position	
538	4460457	AR	Terminal, Female	
538	4460458	AR	Seal, Terminal	
557	4460871	AR	Socket, Female	
558	4460226	2	Socket, Female (SN 88140 to Present)	
	4923206	Ref	VALVE HARNESS ASSEMBLY	2-B
636	4460880	15	DIN Connector	
637	4460320	2	Plug, Male - 2 Position	
638	4460267	5	Pin, Male	
639	4460424	1	Receptacle, Female - 2 Position	
640	4460268	5	Socket, Female	
641	4460871	28	Socket, Female	
645	4460326	1	Plug, Male - 3 Position	
646	4460445	1	Receptacle, Female - 3 Position	
		Ref	STANDARD HARNESS COMPONENTS	
701	2902296	1	Battery Cable Kit	C
		Ref	Note: 2902296 Rev A version is no longer available. Verify weather machine is equipped with 2 or 3 relays on the engine tray.	
		Ref	If there are 3 relays, purchase latest revision of 2902296 kit. If there are 2 relays, purchase individual items as replacement.	
701A	1001116241	1	Cable, Battery (Red) (Machines with 2 Relays on Engine Tray) (was p/n 7027000)	
701A	1001116240	1	Cable, Battery (Red) (Machines with 3 Relays on Engine Tray) (was p/n 7027000)	
701B	7027004	1	Cable, Battery (Black)	
701C	7027002	1	Cable (Red)	
701D	7027001	1	Cable (Red) (No Longer Part of 2902296 Kit - Purchase as Individual Item if Required)	
701E	7027003	1	Cable (Black)	
701F	7027000	1	Cable, Battery (Red)	
704	Not Available	AR	Deutz Engine Harness Components	

SECTION 7 - ELECTRICAL

ITEM	PART NUMBER	QTY	DESCRIPTION	REV
704A	7027796	1	Deutz Engine Harness	
704B	4461052	1	Receptacle, Female - 25 Position	
704B	4461053	1	Cover, Receptacle	
704B	4461005	5	Terminal	
704B	4461006	5	Seal (Used with p/n 4461005)	
704B	4461060	2	Terminal	
704B	4461054	2	Seal (Used with p/n 4461060)	
704B	4461008	18	Plug, Hole	
704C	7027793	1	Plug-In, Connector	
704D	7027794	1	Deutz Engine Harness (For other replacement parts refer to Deutz engine dealer)	
710	Not Available	1	Pump Harness	
710A	7007497	1	Plug (Pump End)	
710B	7007498	1	Plug (Engine Harness End)	
711	Not Available	1	Controller Harness Assembly (Lift and Swing)	
711A	7022819	1	Plug, Male - 8 Position (Natural)	
711A	4460871	8	Socket, Female	
712	Not Available	1	Controller Harness/Circuit Board Assembly (Drive and Steer)	
712A	7022825	1	Plug, Male - 8 Position (Black)	
712A	4460871	7	Socket, Female	
713	Not Available	1	Controller Harness (Speed Control)	
713A	4460224	1	Receptacle, Female - 6 Position	
713A	4460226	6	Socket, Female	
714	4923451	1	Harness, Glow Plugs (Deutz Engine Machines Only) (SN 92707 to Present)	
715	1060904	1	Cable, Jumper (Deutz Engine Machines Only) (SN 92707 to Present)	
		Ref	OPTIONAL HARNESS COMPONENTS	
803	0257887	1	Alarm Harness (Includes Alarm)	
803	0140032	1	Alarm	
803	2820035	6 in/15cm	Loom	
803A	4460424	1	Plug, Male - 2 Position	
803B	4460268	2	Socket, Female	
804	0272507	1	Strobe Light Harness Options (Includes Strobe Light):	
804A	4460320	1	Connector, Female - 2 Position	
804B	4460267	2	Pin, Male	
805	Not Available	1	Headlight and Taillight/Chassis Illumination Harness	
805	1060341	37 ft/11.3m	Cable, Electrical 16/2	
805A	3740049	1	Relay	
805A	4460259	3	Terminal	
805A	4460260	4	Housing, Terminal	
805A	4460297	1	Terminal	
805A	4922643	1	Lights Harness for Ground Control Box	1-A
805A	4460226	2	Socket, Female	
806	4933300	AR	2500W Generator Electrical Components	1-A
806A	4460321	1	Connector, Male - 4 Position	
806A	4460906	4	Socket, Female	
806B	4922641	1	Harness - On/Off Switch	
806C	4460226	2	Socket, Female	
806D	4922970	1	Powermite Control Box to Relay	
806E	4460961	1	Connector, Female - 4 Position	

SECTION 7 - ELECTRICAL

ITEM	PART NUMBER	QTY	DESCRIPTION	REV
806E	4460705	4	Pin, Male	
806F	7020193	12 ft/3.7m	Cord, Power	
807		Ref	Generator to Rear of Boom Harness Options:	
		Ref	Note: Harness used to connect AC at platform harness to generator receptacle to power platform receptacle.	
807	4921827	1	110V	2
807	4921829	1	110V (Welder)	2
807		Ref	Cable, Electrical - 12/3 Options:	
807	1060494	20 ft/6m	110V	
807	1060494	6 ft/2m	110V (Welder)	
807A	4460205	1	Plug, Male	
807A	4460027	1	Receptacle, Twist Lock	
807B	4460134	1	Receptacle, Female	
808	0259436	Ref	AC to Platform Receptacle Components	2
808A	Not Available	1	Box, Switch	
808B	Not Available	1	Receptacle	
808C	Not Available	1	Shield, Cover	
808C	Not Available	1	Gasket	
808D	Not Available	1	Connector, Strain Relief	
808E	Not Available	1	Plug, Male	
813		Ref	Platform Worklights Components	
813A	2920140	2	Platform Worklights External Harness (Includes Light and Wire Only)	
813B	4460426	1	Connector, Strain Relief	
		Ref	TOOLS	
901	7002821	1	Crimper (For Wire to Pin/Socket Connections) (Not Shown)	
902	7002823	1	Extractor (For Removal of Pin/Socket from Connectors) (Not Shown)	
903	4460467	1	Extractor, Pin (Blue 16-18 Gauge) (For Removal of Pin/Socket from Connectors) (Not Shown)	
904	4460510	1	Extractor, Pin (Yellow 12-14 Gauge) (For Removal of Pin/Socket from Connectors) (Not Shown)	
905	7002828	1	Stripper, Wire (Not Shown)	
906	2901443	1	Analyzer Kit (Not Shown)	
906A	1600244	1	Analyzer	
906B	1060633	1	Cable, Analyzer	1-A
906C	4460321	2	Plug, Male	
906C	4460226	8	Socket, Female	
907	1001137005	1	Software Cable Kit (Not Shown)	

SECTION 8 - DECALS

SECTION 8 - DECALS

FIGURE 8-1. DECAL INSTALLATION - STANDARD (Prior to SN 87744)

ITEM	PART NUMBER	QTY	DESCRIPTION	REV
		Ref	DECAL INSTALLATIONS - STANDARD	
	0271031	Ref	Decal - JLG	2
	0259428	Ref	Decal - Warning Stripes	1
	0259277	Ref	Australian Spec - Model 601S	7
	0259278	Ref	Australian Spec - Model 601S With A "Enhanced Hostile Environment Package"	7
	0259271	Ref	Dutch Spec - Model 601S	8
	0259272	Ref	Dutch Spec - Model 601S With A "Enhanced Hostile Environment Package"	8
	0259265	Ref	French Spec - Model 601S	8
	0259266	Ref	French Spec - Model 601S With A "Enhanced Hostile Environment Package"	8
	0259267	Ref	German Spec - Model 601S	8
	0259268	Ref	German Spec - Model 601S With A "Enhanced Hostile Environment Package"	8
	0259269	Ref	Italian Spec - Model 601S	8
	0259270	Ref	Italian Spec - Model 601S With A "Enhanced Hostile Environment Package"	8
	0273191	Ref	Norway Spec - Model 601S	4
	0273189	Ref	Norway Spec - Model 601S With A "Enhanced Hostile Environment Package"	4
	0259273	Ref	Spanish Spec - Model 601S	8
	0259274	Ref	Spanish Spec - Model 601S With A "Enhanced Hostile Environment Package"	8
	0259264	Ref	UK English Spec - Model 601S	8
	0259423	Ref	UK English Spec - Model 601S With A "Enhanced Hostile Environment Package"	9
1	Not Required	0	Not Required	
2	1701518	3	Decal - Crushing	
3		Ref	Decal - Danger/Warning Options:	
3	1703807	1	Australian Spec	
3	1703914	1	Dutch Spec	
3	1703918	1	French Spec	
3	1703800	1	German Spec	
3	1703916	1	Italian Spec	
3	1705255	1	Norway Spec	
3	1703920	1	Spanish Spec	
3	1703807	1	UK English Spec	
4	1702928	1	Decal Options (Not Required on Australian Spec and UK English Spec):	
4	1702928	1	Decal - CE (Prior to SN 70776)	
4	1705084	1	Decal - Sound Power Level (SN 70776 to Present)	
5	1701502	1	Decal - High Oil Level	
6	1701503	1	Decal - Low Oil Level	
7	1701504	1	Decal - Hydraulic Oil	
8	1701509	1	Decal - Manual	
9	3251242	1	Nameplate, 240V-50HZ (Australian Spec Only)	
10	1703765	2	Decal - Model 601S	
11	1702861	1	Decal - JLG Lift (8in)	
12	1702862	1	Decal - JLG Lift (12in)	
13	1702774	1	Decal - JLG Lift (3 1/2in)	
14	1702773	2	Decal - JLG (5in)	

SECTION 8 - DECALS

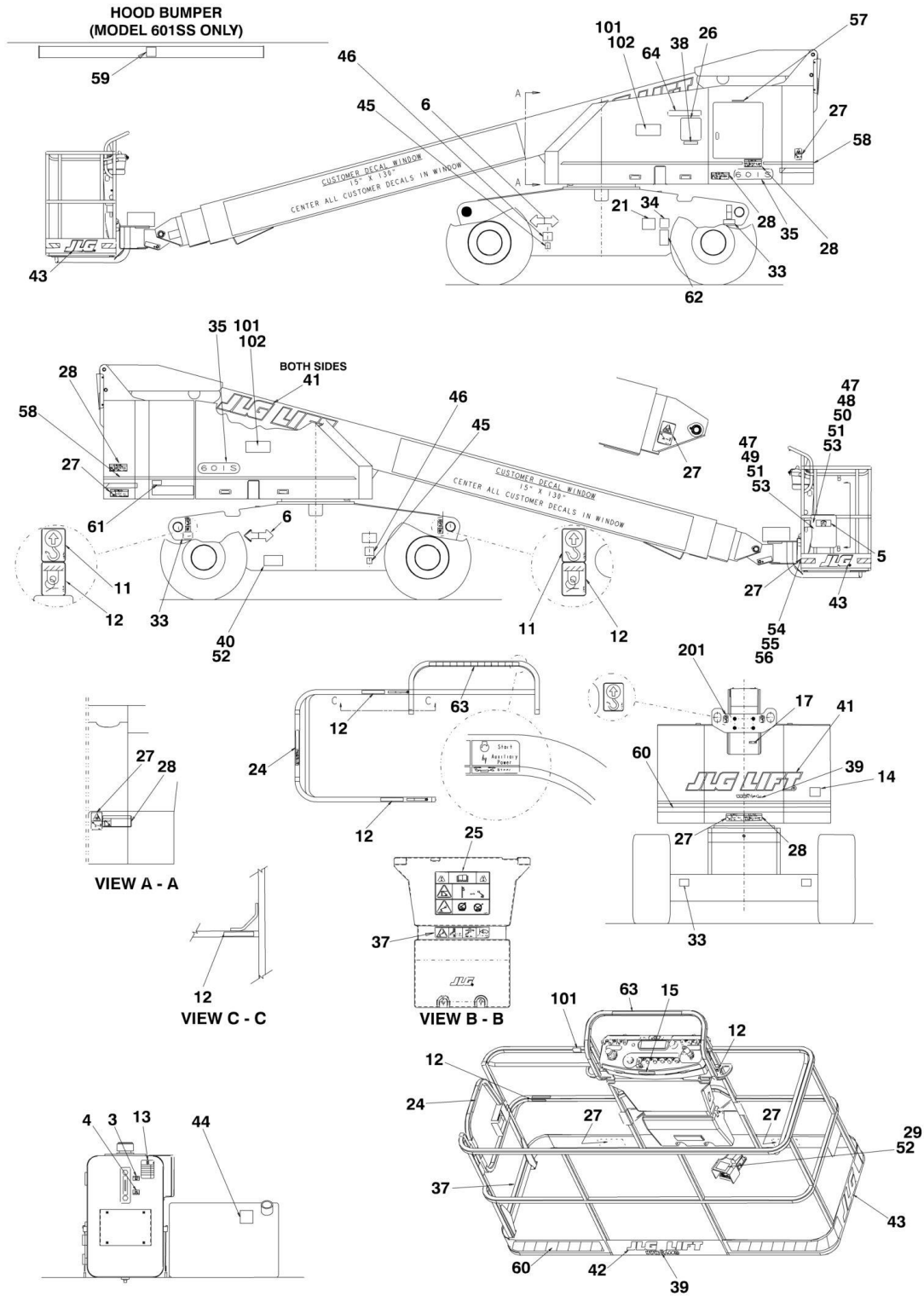
ITEM	PART NUMBER	QTY	DESCRIPTION	REV
15	Not Required	0	Not Required	
16	1704277	3	Decal - Attach Lanyard Here	
17	Not Available	1	Nameplate - Serial Number	
18	Not Required	0	Not Required	
19	Not Available	1	Decal - Bar Code	
20	1700584	1	Decal - Patent	
21	1701499	2	Decal - Tie Down /Lift	
22	1702300	4	Decal - Tie Down /Lift	
23	1701500	2	Decal - Tie Down /Lift	
24	1701529	4	Decal - Arrow	
26	3820001	4	Rivet	
27	0641408	1	Bolt 1/4in-20NC x 1in	
28	1060279	1	Cable, Lanyard	
29	3311405	5	Locknut 1/4in-20NC	
30	4751400	6	Flatwasher 1/4in	
31	0860520	1	Box, Manual Storage	
32	3380434	1	Panel, Pedestal (Prior to SN 77242)	
33 to 35	Not Required	0	Not Required	
36	4420051	17.4 ft/5.3m	Warning Strips	
37		Ref	Decal - Danger/Warning Options:	
37	1703992	1	Australian Spec	
37	1703913	1	Dutch Spec	
37	1703917	1	French Spec	
37	1703799	1	German Spec	
37	1703915	1	Italian Spec	
37	1705254	1	Norway Spec	
37	1703919	1	Spanish Spec	
37	1703806	1	UK English Spec	
38 to 39	Not Required	0	Not Required	
40		Ref	Decal - Footswitch Options:	
40	Not Required	0	Australian Spec	
40	1703518	1	Dutch Spec	
40	1703292	1	French Spec	
40	1703294	1	German Spec	
40	1701600	1	Italian Spec	
40	1705275	1	Norway Spec	
40	1701791	1	Spanish Spec	
40	Not Required	0	UK English Spec	
41	1701505	1	Decal - Fuel	
42 to 52	Not Required	0	Not Required	
53	0641406	4	Bolt 1/4in-20NC x 3/4 (Prior to SN 51919)	
54	0100011	AR	Loctite #242	
55 to 56	Not Required	0	Not Required	
57	1704243	4	Decal - Max Tire Load	
59	3520172	2	Plug, Spec Square 1 1/2 (Prior to SN 52687)	
60	0100010	AR	Adhesive (Prior to SN 52687)	
61	4280308	25 ft/7.6m	Strip	
62		Ref	Decal - Ground Control Options:	
62	1700037	1	Australian Spec	
62	1701616	1	Dutch Spec	
62	1701515	1	French Spec	

SECTION 8 - DECALS

ITEM	PART NUMBER	QTY	DESCRIPTION	REV
62	1693285	1	German Spec	
62	1701599	1	Italian Spec	
62	1705233	1	Norway Spec	
62	1701789	1	Spanish Spec	
62	1700037	1	UK English Spec	
63	0641606	2	Bolt 3/8in-16NC x 3/4in	
64	4751600	2	Flatwasher 3/8in	
65	3311605	2	Locknut 3/8in	
66	Not Required	0	Not Required	
67		Ref	Decal - Engine Air Cleaner Model 601S With A "Enhanced Hostile Environment Package" Options:	
67	1704237	1	Australian Spec	
67	1704380	1	Dutch Spec	
67	1704237	1	French Spec	
67	1704237	1	German Spec	
67	1704380	1	Italian Spec	
67	1704237	1	Norway Spec	
67	1704237	1	Spanish Spec	
67	1704237	1	UK English Spec	
68		Ref	Decal - No Step Options:	
68	Not Required	0	Model 601S	
68	1704235	2	Model 601S With A "Enhanced Hostile Environment Package"	
69	1704885	2	Decal - Website	
	0259068	Ref	LIFTING DECAL INSTALLATION - MODEL 601S WITH A "ENHANCED HOSTILE ENVIRONMENT PACKAGE"	1
101	3252621	2	Decal - Lifting Diagram	
102	3820001	8	Rivet	

SECTION 8 - DECALS

FIGURE 8-2. DECAL INSTALLATION - STANDARD (SN 87744 to Present)



SECTION 8 - DECALS

FIGURE 8-2. DECAL INSTALLATION - STANDARD (SN 87744 to Present)

ITEM	PART NUMBER	QTY	DESCRIPTION	REV
		Ref	DECAL INSTALLATIONS - STANDARD	
	0274093	Ref	Decal - JLG	1
	0259428	Ref	Decal - Warning Stripes	1
	0273999	Ref	Model 601S	2
	0274000	Ref	Model 601S With A "Enhanced Hostile Environment Package"	2
2	1701499	2	Decal - Tie Down /Lift	
3	1701502	1	Decal - High Oil Level	
4	1701503	1	Decal - Low Oil Level	
5	1701509	1	Decal - Manual	
6	1701529	4	Decal - Arrow	
10	1703811	2	Decal - Tie Down /Lift	
11	1703814	4	Decal - Tie Down	
12	1704277	4	Decal - Attach Lanyard	
13	1704412	1	Decal - Hydraulic Oil Chart	
14	1705084	1	Decal - Sound Power Level	
25	1705921	1	Decal - Tipping/Electrocution	
26	1705822	1	Decal - Electrocution/Safety Manual	
27	1701518	8	Decal - Warning Crushing	
28	1705961	5	Decal - Electrocution	
29	3255828	1	Nameplate - Footswitch	
33	2902352	1	Decal Kit - Tire Load	
33	1704243	4	Decal - Tire Load	
34	Not Available	1	Decal - Bar Code	
35	1703765	2	Decal - Model 601S	
37		Ref	Decal - Max Capacity Options:	
37	1705978	2	Model 601S	
37	1706382	2	Model 601S With A "Enhanced Hostile Environment Package"	
38		Ref	Decal - Unrestricted Capacity Options:	
38	1705978	1	Model 601S	
38	1706382	1	Model 601S With A "Enhanced Hostile Environment Package"	
39	1704885	2	Decal - Website	
40	Not Available	1	Nameplate - Serial Number	
41	1702861	3	Decal - JLG Lift (8in)	
42	1702774	1	Decal - JLG Lift (3 1/2in)	
43	1702773	2	Decal - JLG (5in)	
44	1701505	1	Decal - Fuel	
47	0100011	AR	Loctite #242	
48	0641408	1	Bolt 1/4in-20NC x 1in	
49	0860520	1	Box, Manual Storage	
50	1060279	1	Cable, Lanyard	
51	3311405	5	Locknut 1/4in-20NC	
52	3820001	9	Rivet	
53	4751400	10	Flatwasher 1/4in	
54	0641606	2	Bolt 3/8in-16NC x 3/4in	
55	4751600	2	Flatwasher 3/8in	
56	3311605	2	Locknut 3/8in	
57	1700037	1	Decal - Ground Control	
58	4280308	25 ft/7.6m	Strip	
59		Ref	Decal - No Step Options:	
59	Not Required	0	Model 601S	

SECTION 8 - DECALS

ITEM	PART NUMBER	QTY	DESCRIPTION	REV
59	1704235	2	Model 601S With A "Enhanced Hostile Environment Package"	
60	4420051	18 ft/5.3m	Decal - Warning Stripe	
61		Ref	Decal - Engine Air Cleaner Options:	
61	Not Required	0	Model 601S	
61	1704237	2	Model 601S With A "Enhanced Hostile Environment Package"	
62	1700584	1	Decal - Patent	
	2902303	1	Master Decal Kit (Includes Items 2-17)	
	2902329	1	CE/Australian Spec Decal Kit (Includes Items 19-31)	
	0270017	Ref	LIFTING DECAL INSTALLATION - MODEL 601S WITH A "ENHANCED HOSTILE ENVIRONMENT PACKAGE"	1
101	3252671	2	Decal - Lifting Diagram	
102	3820001	8	Rivet	
	0258336	Ref	LIFTING PLATE INSTALLATION	1
201	1701500	4	Decal - Tie Down /Lift	

SECTION 9 - RECOMMENDED SERVICE PARTS STOCK

SECTION 9 - RECOMMENDED SERVICE PARTS STOCK

SECTION 9 - RECOMMENDED SERVICE PARTS STOCK

FIGURE 9-1. MODEL 601S STANDARD PARTS

ITEM	PART NUMBER	QTY	DESCRIPTION	REV
	Note	Ref	Note: The following list will service one machine (built to current production per date on the front cover) with emergency repair parts which can be installed in the field. Parts from the list should be replaced when inventory is depleted to keep service parts stock supplied. For further information, contact your JLG dealer or the JLG Industries Parts Department.	
		Ref	STANDARD PARTS	
	2120149	4	Element, Filter	
	2120210	4	Element Filter	
	7012943	1	Coil	
	7012944	1	Coil	
	7018991	1	Coil	
	7012772	1	Coil	
	70000582	1	Coil	
	7012664	1 Dozen	Element, Air Cleaner	
	3740067	1	Relay	
	4360392	1	Switch, Indicator	
	7014803	1	Breather, Hydraulic Tank	
	3740049	1	Relay	
	4360328	1	Switch, Toggle	
	4360470	1	Switch, Key	
	2860030	1	Key, Replacement	
	4360475	1	Switch, Mushroom	
	4360476	1	Contact, Switch Block	
	7016530	2	Powertrack Repair Section	
	7006138	24	Powertrack Pin Kit	
	70002005	2	Powertrack Repair Kit (Gortrac Brand)	
	2940074	1	Platform Basket Door Latch	
	4360331	1	Switch, Toggle	
	4360387	1	Switch, Push Button	
	7003982	1	Switch, Controller Steer	
	2400065	1	Fuse 30Amp	
	3990010	2	Diode	

SECTION 9 - RECOMMENDED SERVICE PARTS STOCK

FIGURE 9-2. MODEL 601S VARIABLE PARTS

ITEM	PART NUMBER	QTY	DESCRIPTION	REV
	Note	Ref	Note: The following list will service one machine (built to current production per date on the front cover) with emergency repair parts which can be installed in the field. Parts from the list should be replaced when inventory is depleted to keep service parts stock supplied. For further information, contact your JLG dealer or the JLG Industries Parts Department.	
		Ref	VARIABLE PARTS	
	7016331	1 Dozen	Filter, Oil (Deutz Engine Machines)	
	7020023	1 Dozen	Filter, Fuel (Deutz Engine Machines)	
	1660234	1	Coupling, Pump (Deutz Engine Machines)	
	3740080	1	Relay (Deutz Engine 110 Volt Generator)	
	4360336	1	Switch, Toggle (Deutz Engine 110 Volt Generator)	
	1600411	1	Module, Ground Control	
	4360578	1	Switch, Limit	
	4360336	1	Switch, Toggle (Head and Tail Lights)	
	1600375	1	Module, Platform Controller	

SECTION 10 - SPECIAL OPTIONS

SECTION 10 - SPECIAL OPTIONS

FIGURE 10-1. SPECIAL OPTIONS LIST

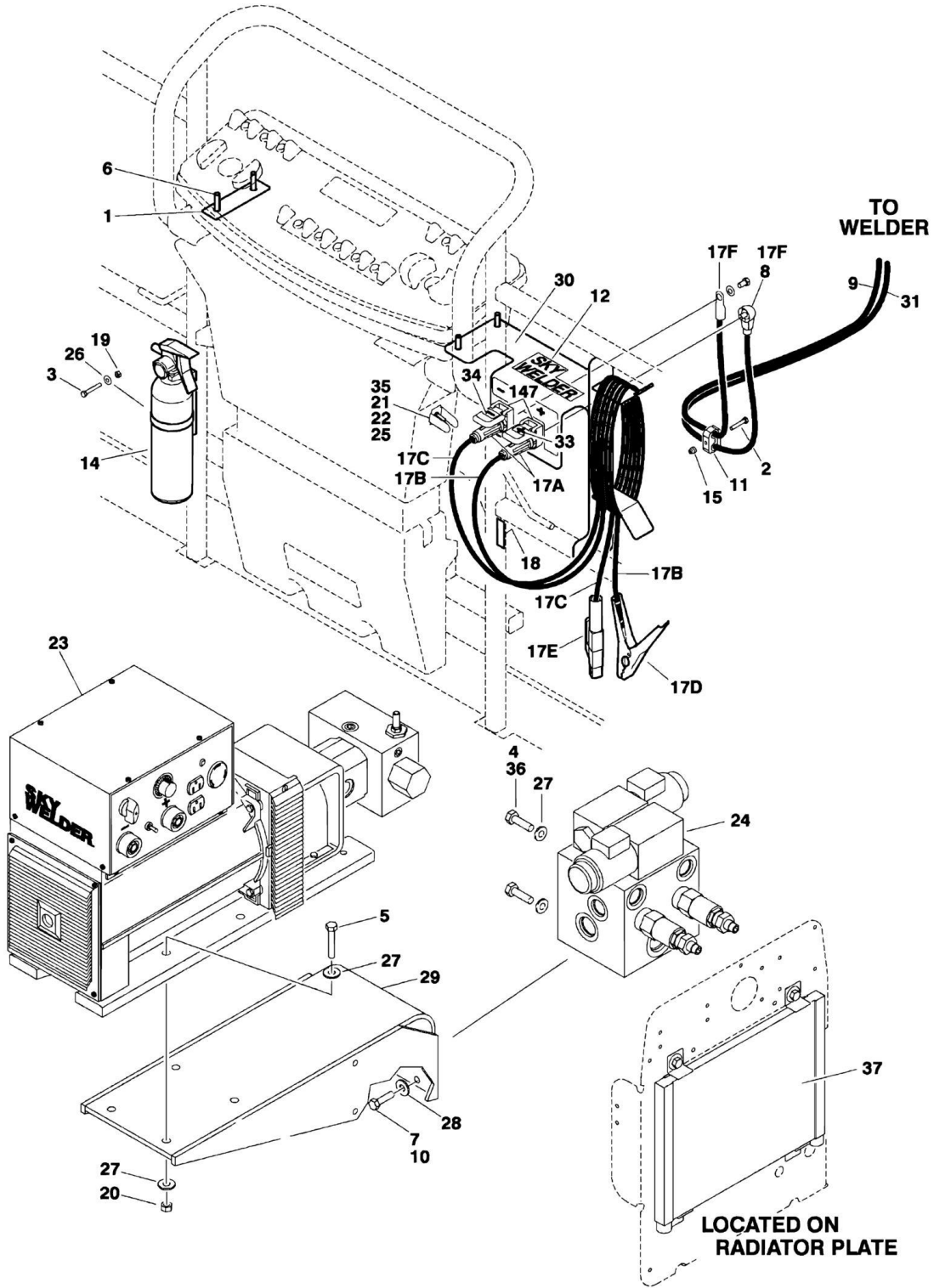
ITEM	PART NUMBER	QTY	DESCRIPTION	REV
		Ref	MISCELLANEOUS SPECIAL OPTIONS	
	0255388	Ref	Airline to Platform Installation Model - 601 With A "Enhanced Hostile Environment Package"	
	0270723	Ref	Beacon Light Installation on Platform	
	0256789	Ref	Camera Mount Assembly	
	0256060	Ref	Cold Weather Package (Ether Start)	
	0271912	Ref	Cold Weather Package Installation W/Glow Plug (Deutz Engine)	
		Ref	Electrical Connector Kits	
	1001148902	Ref	Amp Connector Kit	
	1001148903	Ref	Deutsch DT Connector Kit	
	1001148904	Ref	Deutsch HD Connector Kit	
	1001148905	Ref	Packard Connector Kit	
	1001148906	Ref	Various Connector Kit	
		Ref	Filter Kits (Deutz Engine Only):	
		Ref	Combined Filter Kit (Hydraulic/Air and Fuel/Engine Oil)	
	1001110993	1	Combined Filter Kit (Hydraulic/Air and Fuel/Engine Oil) (SN 0300068000 through 0300084826)	
	1001110990	1	Combined Filter Kit (Hydraulic/Air and Fuel/Engine Oil) (SN 0300084827 through 0300087000)	
		Ref	Hydraulic/Air Filter	
	1001109692	1	Hydraulic/Air Filter (SN 0300068000 through 0300084826)	
	1001109684	1	Hydraulic/Air Filter (SN 0300084827 through 0300087000)	
	1001110133	1	Fuel/Engine Oil Filter	
	0271548	Ref	Glow Plug Installation	
	0271576	Ref	Hydraulic Oil Cooler	
	0259233	Ref	Load Sensing System (French Spec)	
	0273738	Ref	Loop Flushing Installation	
		Ref	Platform Mesh Installations	
	0273145	Ref	36in X 8ft (91.5cm x 2.44m)	
	0273148	Ref	30in X 6ft (76cm x 1.83m)	
	0273149	Ref	36in X 6ft (91.5cm x 1.83m)	
	0273146	Ref	30in X 5ft (76cm x 1.52m)	
	0273147	Ref	30in X 4ft (76cm x 1.22m)	
	1702868	Ref	Decal - No Hands (Platform With Mesh to Top Rail)	
	0271603	Ref	Platform Top Rail Ext	
		Ref	Tool For Service:	
	7002840	1	Antirotaion Pin Removal Tool	
	8896941	1	Wire Stripper	
	7002821	1	Wire Crimper (To Install Wire Ends to Wires)	
	7002823	1	Pin/Socket Extractor - Universal (To Remove Pins/Sockets from Connectors)	
	4460467	1	Extractor - 16-18 Gauge (For Removal of Pins/Sockets for Deutsch Connectors)	
	4460510	1	Extractor - 12-14 Gauge (For Removal of Pins/Sockets for Deutsch Connectors)	
	7002822	1	Screwdriver, Potentiometer (To Adjust Drive Controller)	
	7016654	1	Screwdriver, Magnetic	
	7004275	1	Seal Installation Tool - 1in	
	7004276	1	Seal Installation Tool - 1 1/2in	

SECTION 10 - SPECIAL OPTIONS

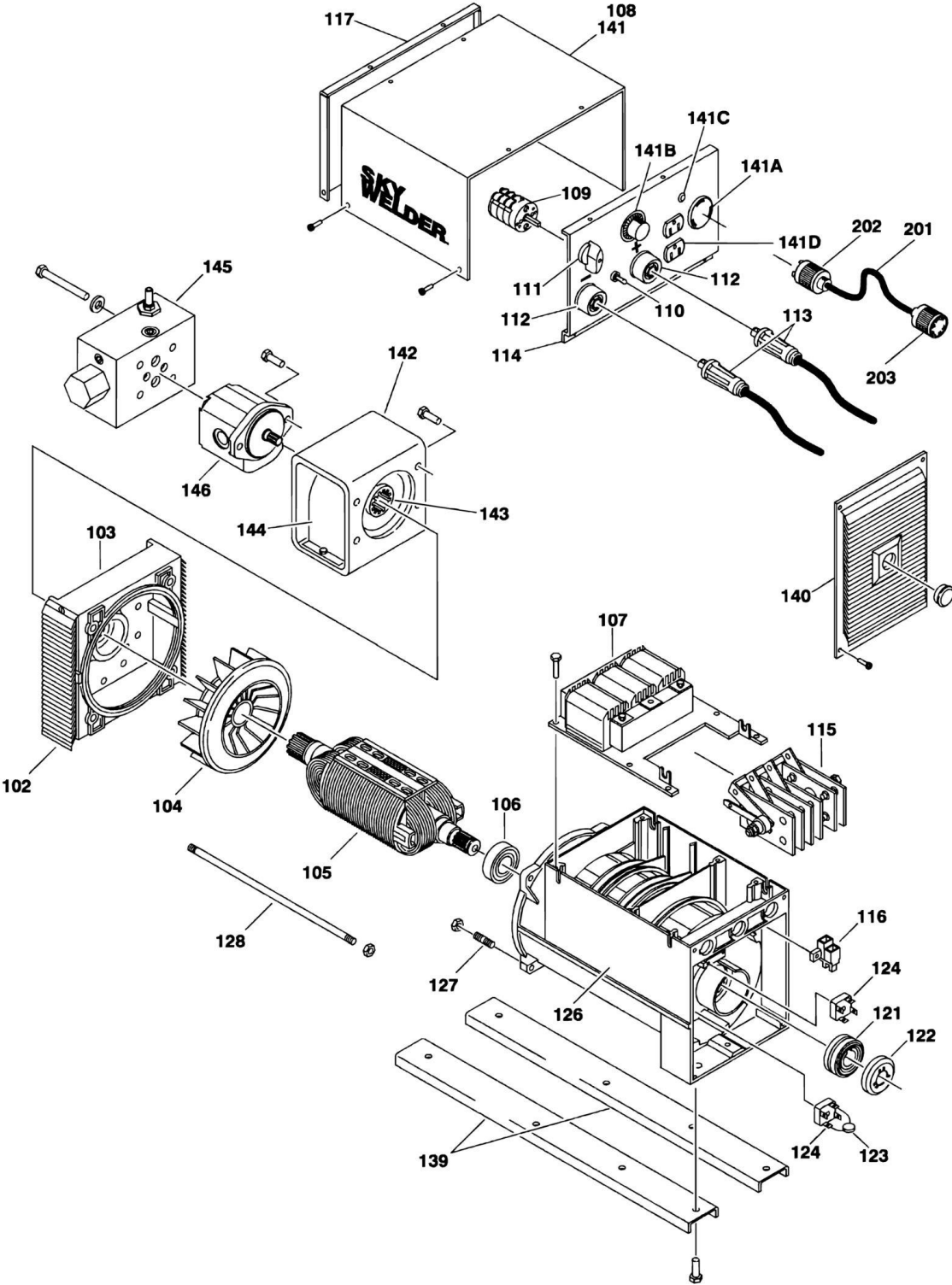
ITEM	PART NUMBER	QTY	DESCRIPTION	REV
	7002826	1	Seal Installation Tool - 2in	
	7016655	1	Wire Rope Sheave Gauge	
	4921850	1	Throttle Service Harness	
	4922012	1	Horsepower Card Service Harness	
	4922314	Ref	Service Harness	
	4933108	Ref	Service Harness	
	1001137005	1	Software Cable Kit	
	0257728	Ref	Tubing Rack Installation	
	0258918	Ref	Utility Rack Installation	
	0255399	Ref	Weld Leads Installation	

SECTION 10 - SPECIAL OPTIONS

FIGURE 10-2. SKY WELDER INSTALLATION



SECTION 10 - SPECIAL OPTIONS



SECTION 10 - SPECIAL OPTIONS

FIGURE 10-2. SKY WELDER INSTALLATION

ITEM	PART NUMBER	QTY	DESCRIPTION	REV
	0271549	Ref	SKY WELDER INSTALLATION	3
1	0362949	1	Bar, Space	
2	0641412	1	Bolt 1/4in-20NC x 1 1/2in	
3	0641414	2	Bolt 1/4in-20NC x 1 3/4in	
4	0641507	4	Bolt 5/16in-18NC x 7/8in	
5	0641514	4	Bolt 5/16in-18NC x 1 3/4in	
6	0641613	4	Bolt 3/8in-16NC x 1 5/8in	
7	0641810	4	Bolt 1/2in-13NC x 1 1/4in	
8	0840041	1	Boot, Cable	
9	1060921	82 ft/25m	Cable, Weld	
10	0100019	AR	Loctite #271	
11	1320146	1	Clamp, Hose	
12	1704895	2	Decal - Sky Welder	
13	1704896	1	Decal - Sky Welder (Not Shown - Located on Hood)	
14	2030010	1	Extinguisher, Fire	
15	2080044	1	Rivnut, Fastener	
17	2901971	1	Platform Weld Leads Kit	B
17A	7023413	2	Connector, Cable	
17B	7023414	1	Cable, #1 Weld - Black (12ft Length)	
17C	7023418	1	Cable, #1 Weld - Red (12ft Length)	
17D	7023415	1	Clamp, Ground	
17E	7023416	1	Holder, Electrode	
17F	7023417	2	Lugs, Cable	
18	3251963	1	Nameplate - Welding Leads	
19	3311405	2	Locknut 1/4in-20NC	
20	3311505	4	Locknut 5/16in-18NC	
21	4060802	1	Guard, Switch	
22	4360336	1	Switch, Toggle	
23	4530019	1	Hydraulic Welder Assembly (See 101 to 147 for Breakdown)	
24	4641164	1	Diverter Valve Assembly	
25	4740397	1	Spacer, Washer	
26	4751400	2	Flatwasher 1/4in	
27	4751500	8	Flatwasher 5/16in	
28	4751800	4	Flatwasher 1/2in	
29	4846469	1	Support, Welder	
30	4846231	1	Support, Weld Lead	
31	1060928	82 ft/25m	Cable, Weld (Red)	
33	1704919	1	Decal - Positive	
34	1704920	1	Decal - Negative	
35	3252764	1	Nameplate - AC and Weld	
36	0100011	AR	Loctite #242	
37	3620034	1	Oil Cooler Assembly	
	4530019	Ref	HYDRAULIC WELDER ASSEMBLY - 225A	B
102	7023444	2	Grid - Front	
103	7023445	1	Shield Front	
104	7023446	1	Fan	
105	7023251	1	Rotor	
106	7023252	1	Bearing	
107	7023253	1	Impedance, Weld	
108	7024308	1	Cover	

SECTION 10 - SPECIAL OPTIONS

ITEM	PART NUMBER	QTY	DESCRIPTION	REV
109	7023254	1	Switch, Step	
110	7023255	1	Selector, Range	
111	7023256	1	Knob, Switch	
112	7023257	2	Terminal, Female Weld Cable Attached	
113	7023258	2	Terminal, Male Weld Cable Attached	
114	Not Serviced	1	Panel, Front	
115	7023259	1	Bridge, Rectifier	
116	7023260	1	Brushes and Holder	
117	7024310	1	Panel, Receptacle (Panel Only)	
121	7023261	1	Ring, Slip	
122	7023262	1	Cover, Slip Ring	
123	7023263	1	Varistor	
124	7023264	2	Bridge, Single Phase Rectifier	
126	7023265	1	Housing and Stator	
127	7023266	4	Bolt, Stay M8 x 30mm	
128	7023267	4	Bolt, Stay	
139	7023448	1	Rail Set	
140	7024311	1	Cover, Louvered End	
141	7023420	1	Panel Assembly (Complete)	
141A	7023421	1	Receptacle, Twistlock	
141B	7023422	1	Control, Fine	
141B	7024436	1	Knob	
141C	7023423	1	Light - AC	
141D	7023424	1	Receptacle	
141E	7023425	1	Harness (Not Shown)	
142	Not Serviced	1	Mount, Motor	
143	7023426	1	Coupling	
144	Not Serviced	1	Guard, Coupling	
145	7023427	1	Valve Assembly	
146	7024312	1	Motor Assembly	
147	Not Serviced	2	Cover, Weld Receptacle	
	4921829	Ref	POWERMITE HARNESS	2
201	1060494	6 ft/1.8m	Cable, Electrical 12/3	
202	4460205	1	Plug, Male	
203	4460134	1	Plug, Female	

PART NUMBER INDEX

SECTION 10 - SPECIAL OPTIONS

0060034.....	140, 147	0257728.....	287	0270804.....	151	0362949.....	290
0060067.....	141, 149	0257885.....	126	0270806.....	262, 268	0363012.....	41
0080163.....	76, 83	0257886.....	125	0270814....	160, 163, 173	0370026.....	189
0080241.....	126	0257887 ...	125, 258, 264, 271	0270835.....	160	0400075.....	71, 80
0100009.....	118, 171	0257896.....	11	0270852.....	126	0440161.....	12
0100010.....	74, 81, 159, 276	0257902.....	12	0271031.....	275	0460075.....	205
0100011....	11, 12, 15, 19, 21, 39, 41, 45, 49, 61, 62, 73, 80, 81, 82, 88, 107, 111, 113, 117, 121, 126, 129, 133, 134, 139, 140, 141, 143, 151, 153, 155, 159, 163, 164, 168, 169, 172, 187, 191, 193, 195, 201, 203, 220, 224, 228, 276, 279, 290	0257907.....	12, 19	0271044.....	126, 173	0460150.....	205
0100019.....	61, 130, 134, 139, 290	0257909.....	39	0271049.....	87, 173	0460152.....	205
0100020..	73, 81, 82, 171, 227	0257915.....	61	0271336.....	139	0460153.....	205
0100035....	125, 168, 171	0257920.....	45	0271337.....	139	0460159.....	205
0100038....	15, 187, 191, 193, 195, 201, 203, 220, 224, 228	0257921.....	107	0271370.....	126	0480050.....	88
0100040.....	163	0257925.....	71	0271501.....	125	0480111.....	88
0100048....	122, 126, 171, 268, 269	0257925.....	71	0271534.....	71	0480119.....	88
0100063.....	12, 187, 193	0257988.....	151	0271537.....	107	0480120.....	88
0100079.....	107	0258042.....	129	0271543.....	160	0540083.....	155
0100081.....	172	0258336....	130, 134, 280	0271548.....	286	0540102.....	155
0140001.....	46, 49	0258703.....	160, 164	0271549.....	290	0540103.....	155
0140011.....	171	0258790.....	205	0271571.....	129	0540105.....	155
0140026.....	167	0258918.....	287	0271576.....	286	0540112.....	155
0140032....	125, 258, 264, 271	0258952.....	61	0271598.....	107	0561076.....	144
0181727.....	71, 80	0258957.....	61	0271599.....	133	0561183.....	144
0181946.....	129	0258976.....	71	0271603.....	286	0561185.....	144
0181979.....	72, 81	0258981.....	159	0271608.....	19	0561245.....	144
0181986.....	133	0258994.....	11	0271609.....	19	0561508.....	145
0200530.....	88	0258998.....	62	0271610.....	19	0630407.....	129
0200741.....	88	0259050.....	153	0271611.....	19	0630458....	140, 151, 153
0239585.....	61	0259065.....	133	0271612.....	19	0630464.....	168, 171
0254798.....	61	0259066.....	134	0271613.....	19	0630491.....	126
0255262.....	111	0259068.....	277	0271632.....	160	0630493.....	153
0255316.....	61	0259233.....	160, 286	0271675.....	159, 164	0630498.....	71, 80
0255335.....	125	0259242.....	139	0271684.....	12, 19	0630507.....	129, 133
0255354.....	205	0259264.....	275	0271912.....	286	0630518.....	117, 121
0255362.....	125	0259265.....	275	0272052.....	159, 163	0630534.....	191, 195
0255388.....	286	0259266.....	275	0272070.....	141	0630535.....	203
0255399.....	287	0259267.....	275	0272141.....	139	0630536.....	193
0255420.....	19	0259268.....	275	0272145.....	139	0630548.....	121
0255421.....	19	0259269.....	275	0272293.....	87	0630568.....	173
0255513.....	19	0259270.....	275	0272507.....	126, 271	0641403....	125, 127, 140, 145
0255514.....	19	0259271.....	275	0273048.....	21, 41	0641404....	133, 151, 159, 164, 168, 171
0255605.....	19	0259272.....	275	0273067.....	41	0641406....	125, 126, 129, 133, 145, 159, 163, 164, 168, 171, 276
0255606.....	19	0259273.....	275	0273080.....	15	0641407..	72, 81, 82, 140, 160
0255698.....	125	0259274.....	275	0273081.....	15	0641408....	129, 133, 159, 163, 167, 276, 279
0255929.....	205	0259277.....	275	0273145.....	286	0641409.....	140
0256060.....	286	0259278.....	275	0273146.....	286	0641410.....	81
0256273.....	155	0259303.....	160	0273147.....	286	0641412....	159, 164, 290
0256305.....	126	0259309.....	126, 169	0273148.....	286	0641414....	11, 160, 163, 171, 290
0256632.....	169, 173	0259312.....	87	0273149.....	286	0641416..	46, 49, 159, 171
0256633.....	169, 173	0259414.....	11	0273189.....	275	0641418.....	159, 171
0256789.....	286	0259423.....	275	0273191.....	275	0641504.....	134
0256847.....	76, 83	0259428.....	275, 279	0273226.....	15	0641506..	45, 49, 117, 121, 134
		0259429.....	205	0273738.....	286	0641507....	129, 133, 290
		0259436 ...	258, 264, 272	0273957.....	80	0641508..	46, 88, 130, 134
		0259437.....	140	0273958.....	80	0641510.....	73, 82
		0259474.....	140	0273999.....	279	0641514.....	290
		0259484.....	139	0274000.....	279	0641520.....	12
		0259489.....	140	0274080.....	87, 173	0641522.....	12, 151, 153
		0259490.....	140	0274093.....	279	0641552.....	41
		0259632.....	256	0274187.....	49	0641604.....	140, 141
		0270017.....	280	0274190.....	80	0641605....	140, 144, 153
		0270126.....	12, 19	0274191.....	80		
		0270330.....	61	0274211.....	113		
		0270723.....	286	0274523.....	80		
		0270797.....	71	0274524.....	80		
		0270798.....	71	0340041.....	71, 82		
		0270801.....	87, 173	0362759.....	129		
		0270802.....	126, 173	0362760.....	129, 133		
		0270803.....	153	0362836.....	140		

SECTION 10 - SPECIAL OPTIONS

064160673, 83, 133, 144, 153, 155, 277, 279	0751006 160, 164	0961986.....73, 83	1320176 75, 83
0641607 41, 133, 144	0801011 143	0962005.....12	1320222 73, 83
0641608 ... 11, 12, 15, 39, 62, 72, 82, 129, 133, 139, 141, 143, 144, 151, 153, 155	0801012 143	0962006.....140	1320223 73, 83, 107
0641610 ... 12, 80, 82, 88, 144, 153, 159, 163, 167, 171	0801065 143	0962057.....139	1320235 140
0641611 111, 155	0801067 143	0962131.....15	1320244 145
0641612 113, 193	0801071 139, 143	0962272.....12	1320247 151, 153
0641613 45, 49, 144, 290	0801184 143	0962356.....201	1340060 71, 82
0641614 ... 107, 129, 145	0801190 139, 143	0962474.....187	1340061 75, 83
0641616 144	0801340 139, 143	1001091179.....82	1580012 159, 163
0641618 41, 133, 144	0801342 139, 143	1001091303.....49, 57	1580013 159, 163
0641620 129	0801372 143	1001092723.....82, 84	1600218 167
0641634 144	0801383 139, 143	1001093382.....80	1600244 272
0641638 144	0801396 143	1001094043.....139	1600283 167, 181
0641640 144	0801468 143	1001097242.....15, 201	1600284 167, 175
0641644 151, 153	0801472 139, 143	1001099391.....49	1600312 121
0641676 153	0801478 139, 143	1001099832.....151	1600313 171
0641680 153	0801498 143	1001106479.....125	1600317 171, 177
0641772 88	0801524 143	1001106481.....127	1600318 171, 183
0641807 151, 153	0801526 143	1001109183.....168	1600364 121
0641808 74, 80	0840041 290	1001109684.....286	1600375 171, 284
0641810 ... 134, 141, 290	0860520 276, 279	1001109692.....286	1600411 121, 284
0641811 19, 113	0860984 168	1001110133.....286	1660219 111
0641812 73, 81, 141	0861289 117	1001110990.....286	1660219RR 111
0641814 11, 15	0861303 117	1001110993.....286	1660234 76, 83, 284
0641818 72, 82	0861309 167	1001116240...73, 80, 270	1660257 113
0641820 ... 111, 113, 141	0861310 167	1001116241 80, 270	1660303 113
0641824 144	0861389 121	1001118416 183	1670749 153
0641826 11, 74, 82	0861392 171	1001129555 177	1670752 12
0642010 74, 80	0861403 121	1001137005.....272, 287	1670818 125
0642012 11, 15, 139	0861414 171, 172	1001148902.....286	1670824 125, 127
0642018 61	0861425 171	1001148903.....286	1670829 ... 117, 121, 168, 171
0642612 126, 151	0861426 171	1001148904.....286	1670836 82, 145
0642684 141	0861486 121	1001148905.....286	1670843 129
0651406 45, 49	0861490 171	1001148906.....286	1670851 129, 133
0681608 141, 145	0861491 171	1060016.....256	1670853 129, 133
0681610 ... 141, 144, 187	0861526 ... 159, 163, 171	1060279.....276, 279	1670861 129
0681612 88, 143	0861535 167, 169	1060330 171, 262	1670862 129, 133
0681810 21	0861537 171, 173	1060341 ... 258, 265, 271	1670863 129, 133
0681832 61	0861687 121	1060461 256, 262	1670866 129, 133
0681836 61	0902109 111	1060494...258, 265, 272, 291	1670870 160, 164
0682014 130, 134	0902206 126	1060515 168, 256	1670888 140
0682016 19, 21, 61	0902219 129, 133	1060516 256	1670889 140
0682032 61	0902243 72	1060633 272	1670894 159, 164
0700808 73, 82	0902434 129, 133	1060637 74, 80	1670895 133
0700810 76, 83	0902435 129, 133	1060680 263	1670896 133
0700819 88	0902480 129, 133	1060896 262, 268	1670900 160
0701010 160	0902511 72	1060904 83, 271	1671029 133
0701012 74, 82	0902520 111	1060918 171, 268	1671037 172
0701014 82	0902751 171	1060921 290	1683053 191, 195
0701015 74, 82	0903056 113	1060928 290	1683057 187, 203
0701414 72, 82, 88	0920111 61, 67	1061026 263, 268	1683067 193
0721003 168, 173	0920112 19, 31	1100086 11	1683208 15, 199
0721004 ... 117, 133, 168	0920117 19, 31	1100111 11	1683250 203
0721005 ... 72, 117, 129, 133	0920119 61, 67	1180340 153	1683266 139, 195
0721006 88	0940070 72, 82	1220042 143	1683267 195
0721010 168	0940071 129, 133	1220078 143	1683269 195
0741006 134	0940086 130	1260017 61	1683274 191
0741606 126	0940088 130, 134	1282844 230	1683276 193
0741607 140, 141	0961845 159	1282937 232	1683278 193
0741612 144	0961893 191, 195	1283431 230	1683280 11, 187
	0961897 203	1320016 72, 82	1683281 187
	0961898 193	1320022 73, 80, 82	1683283 187
	0961947 191, 195	1320041 145	1683415 ... 140, 141, 191
	0961950 11, 15, 140, 193	1320058 205	1683416 191
	0961951 141, 143	1320060 167	1683616 12, 197
	0961956 143	1320146 290	1683618 143, 203
	0961977 ... 15, 197, 199		

SECTION 10 - SPECIAL OPTIONS

1683619.....	203	1703914.....	275	2080043	140, 159, 164	2220578 92, 97, 219, 223,	
1683666.....	139, 193	1703915.....	276	2080044.....	290	227	
1683954.....	193	1703916.....	275	2080050.....	160, 164	2220582.....	93, 209, 213,
1683955.....	193	1703917.....	276	2120149.....	45, 49, 282	215, 219, 223, 227	
1683972.....	195	1703918.....	275	2120150.....	45, 49	2220594.....	219
1683973.....	195	1703919.....	276	2120164.....	45, 49	2220596....	209, 213, 220,
1683976.....	191	1703920.....	275	2120170.....	133	227	
1683977.....	191	1703992.....	276	2120209.....	45, 49	2220603....	215, 220, 224,
1684280.....	15, 189	1704235.....	277, 280	2120210.....	45, 49, 282	228	
1684289.....	189	1704237.....	277, 280	2160003.....	62	2220605.....	219, 223
1684290.....	189	1704243.....	276, 279	2180344.....	62	2220606.....	213
1684414.....	139, 195	1704260	118, 168, 171	2180348.....	80	2220618.....	219, 223
1684465.....	15, 189	1704277.....	276, 279	2180536.....	73	2220619.....	215
1693285.....	277	1704380.....	277	2180798.....	72, 82	2220621.....	220
1700037.....	276, 277, 279	1704412.....	279	2200221.....	82	2220622.....	209, 220
1700584.....	276, 280	1704885.....	277, 279	2200222 ..	65, 72, 82, 107	2220628.....	219, 223, 227
1701499.....	276, 279	1704895.....	290	2220063.....	62	2220646 93, 97, 209, 219,	
1701500....	130, 134, 276,	1704896.....	290	2220235 ...	193, 209, 219,	223	
280		1704919.....	290	223		2220651....	220, 224, 228
1701502.....	275, 279	1704920.....	290	2220237.....	209, 213	2220671.....	209
1701503.....	275, 279	1704997.....	171	2220239.....	193	2220700.....	220
1701504.....	275	1705084.....	275, 279	2220250.....	73	2220711.....	215
1701505.74, 80, 276, 279		1705132.....	122	2220273.....	73	2220738.....	209, 227
1701509.....	275, 279	1705233.....	277	2220313.....	73, 80	2220794.....	74
1701515.....	276	1705254.....	276	2220362.....	209, 213	2220800.....	209
1701518.....	275, 279	1705255.....	275	2220365.....	215	2220810....	103, 219, 223
1701529.....	276, 279	1705275.....	276	2220371 ...	209, 213, 215,	2220833.....	209
1701599.....	277	1705752.....	121	217, 219, 223, 227		2220861.....	213
1701600.....	276	1705753.....	121	2220372	219, 223, 227	2220873....	219, 223, 227
1701616.....	276	1705822.....	279	2220373 ...	213, 219, 223,	2220883.....	37, 191, 193
1701789.....	277	1705921.....	279	227		2220885.....	58, 187, 191,
1701791.....	276	1705961.....	279	2220374	220, 224, 228	203	
1702300.....	276	1705978.....	279	2220375	92, 209, 213,	2220886.....	37
1702564.....	167, 171	1706098.....	81	219, 223, 227		2220889.....	107
1702565.....	167, 171	1706382.....	279	2220376.....	103, 223	2220890.....	189
1702566.....	167, 171	1706712.....	121	2220377.....	97, 209, 213,	2220893.....	45, 49
1702610.....	117, 121	1706914.....	121	219, 223, 227		2220895.....	220
1702676.....	171	1780301.....	129	2220380	219, 223, 227	2220906....	219, 223, 227
1702740.....	19, 21	1780324.....	130	2220385	215, 219, 223	2220909.....	220, 224
1702773.....	275, 279	1810070.....	121	2220386	209, 220, 224	2220921....	219, 223, 227
1702774.....	275, 279	1870105.....	233	2220407.....	227	2220947.93, 97, 219, 223	
1702861.....	275, 279	1870132.....	233	2220408	219, 223, 227	2220948....	220, 224, 228
1702862.....	275	1870134.....	233	2220409	219, 223, 227	2220949.....	220, 224
1702868.....	286	1870191.....	233	2220415 ...	213, 215, 217,	2220950....	220, 224, 228
1702928.....	275	1870215.....	233	219, 223, 227		2220974....	220, 224, 228
1703084.....	169, 173	2000154.....	71, 75	2220428	219, 223, 227	2221042.....	228
1703085.....	169, 173	2000162.....	71, 75	2220429	219, 223, 227	2221176.....	81
1703090.....	168	2000175.....	71, 75	2220435.....	209	2360462.....	11
1703091.....	168	2000190.....	71, 76	2220451.....	72, 82, 220	2360504.....	11
1703093.....	168	2000217.....	82, 84	2220459.....	73	2360699.....	15
1703162.....	72, 82	2000248.....	81	2220465.....	209	2360706.....	15
1703292.....	276	2000249.....	81	2220466 ...	209, 219, 223,	2400065....	263, 269, 282
1703294.....	276	2000250.....	82	227		2400066.....	263, 269
1703465.....	117, 121	2000252.....	82	2220468.....	217	2420172.....	117, 121
1703518.....	276	2000269.....	81	2220472	219, 223, 227	2420203.....	87
1703533....	220, 224, 228	2000270.....	81	2220473 ...	209, 213, 220,	2460011.....	87
1703622.....	117	2000273.....	82, 84	224, 228		2460032.....	87
1703680.....	167, 171	2000301.....	81	2220474.....	227	2460039.....	87
1703765.....	275, 279	2000302.....	82	2220479 92, 97, 220, 224		2460049.....	87
1703776.....	167	2000303.....	81	2220490.....	215, 217	2460055.....	87
1703799.....	276	2000304.....	82	2220497	220, 224, 228	2560126.....	129, 133
1703800.....	275	2000338.....	82, 84	2220498	220, 223, 227	2600211.....	168, 173
1703806.....	276	2000346.....	82	2220500.....	209	2600238.....	129, 133
1703807.....	275	2000348.....	82	2220501.....	209	2600243.....	130
1703811.....	279	2030010.....	290	2220504	209, 213, 217	2600281.....	163
1703814.....	279	2060025.....	71, 82	2220550.....	209	2660082.....	155
1703913.....	276	2080040.....	163	2220574.....	227	2660106.....	155

SECTION 10 - SPECIAL OPTIONS

2660107	155	2752762	219, 223, 227	2901392.....	72	3300399.....	145
2660108	155	2752763	219, 223, 227	2901443.....	265, 272	3300400.....	145
2700094	134	2752783	219, 223, 227	2901568.....	73	3300408....	117, 121, 172
2720058	74, 81	2752807	209	2901763.....	58	3300454.....	81
2720271	73	2752810	209	2901811.....	160	3310601.....	117
2720351	73	2752812	209	2901971.....	290	3310805.....	125, 127
2720398	72, 82	2752822	215	2902085.....	88	3311001... ..	117, 130, 160, 163, 168, 173
2720434	73, 82	2752823	215	2902266.....	189	3311005....	88, 125, 126, 133, 168, 172
2720447	75, 83	2752888	209	2902296.....	73, 80, 270	3311055.....	129
2720449	73, 82	2752889	209	2902303.....	280	3311401... ..	121, 129, 145, 160, 167
2750532	73, 80, 83	2752893	209	2902329.....	280	3311402.....	140
2750909	209	2752901	209	2902352.....	279	3311405... ..	46, 49, 72, 81, 83, 125, 129, 133, 140, 151, 153, 159, 160, 163, 164, 167, 172, 276, 279, 290
2751013	209	2752909	213	2902443.....	269	3311505... ..	12, 41, 73, 83, 129, 134, 151, 153, 159, 164, 290
2751016	209	2752910	213	2910000.....	73, 257	3311601... ..	107, 129, 133, 169, 173
2751020	215	2752918	209	2910001.....	257	3311602.....	153
2751021	209	2752920	215	2910070.....	172	3311605... ..	12, 72, 80, 83, 88, 129, 133, 141, 144, 151, 153, 159, 163, 168, 172, 277, 279
2751032	62	2752928	213	2915014.....	121	3311705.....	88
2751095	62	2752929	213	2915090.....	61	3311801... ..	19, 74, 80, 130
2751114	209	2752977	213	2920110.....	126	331180572, 83, 111, 134, 141	
2751324	220	2752981	219, 223	2920113.....	126	3312201.....	144
2751353	220	2753325	227	2920129....	167, 169, 172, 256, 262, 263, 268, 269	3312602.....	153
2751396....	220, 224, 227	2753397	213	2920140....	160, 163, 258, 265, 272	3321005.....	73
2751397	215	2753924	213	2920162.....	87	3321501.....	130
2751410	217	2753925	213	2920215.....	126	3322201.....	113
2751427	219, 223	2753926	213	2940042.....	129	3340705.....	144
2751434	217	2753928	213	2940074.....	163, 282	3340755.....	144
2751467	220	2753929	213	2940074.....	163, 282	3340756.....	144
2752249	209	2753930	213	2940080.....	133	3340757.....	144
2752256	209	2753931	213	2940088.....	129, 133	3340758.....	144
2752322	209	2753933	217	3020016.....	81, 83	3340763.....	153
2752331	213	2753957	227	3020021.....	76, 84	3340764.....	151
2752340	219, 223, 227	2753968	227	3160204.....	19, 33	3340800.....	139
2752389	209	2760105	117, 121, 167, 172	3160223.....	61, 69	3340844.....	143
2752398	209	2780205	61, 65	3160279.....	61, 69	3340851.....	140
2752444	220, 224, 228	2780213	19, 23	3160300.....	35	3340855.....	153
2752462	217	2780252	19, 25	3160350.....	21, 37	3340871.....	144
2752463	220, 224, 228	2780269	21, 27	3200362.....	74, 83	3340881.....	144
2752474	215	2792335	223	3200378.....	71	3340900.....	145
2752475	213	2792336	209, 230	3200382.....	155	3340911.....	41
2752478	213, 219, 223, 227	2792338	230	3200383.....	155	3380434....	159, 163, 276
2752502	227	2792360	215, 230	3200384.....	155	3380535.....	127
2752504	223, 227	2792388	209, 230	3200385.....	155	3420156.....	173
2752513	220	2792389	215, 230	3200389.....	155	3421565.....	61
2752514	219, 223	2792537	219	3200390.....	155	3421627.....	61
2752515	219, 223, 227	2792612	217, 230	3200391.....	155	3422326.....	15
2752517	220, 224, 228	2792694	227	3200392.....	155	3422417.....	144
2752573	219, 223	2792695	213, 230	3200406.....	83	3422424.....	144
2752574	213	2792696	213, 230	3200426.....	155	3422426.....	11, 12
2752580	220, 224	2792698	230	3200427.....	155	3422429.....	12
2752584	209	2792728	227	3220110.....	75, 83	3422430.....	12
2752591	219, 223, 227	2820031	88	3251102.....	88, 173	3422446.....	72
2752592	209, 213	2820035	125, 160, 163, 258, 264, 265, 271	3251242.....	275	3422448.....	80
2752594	219, 223	2820104	141	3251963.....	290	3422532.....	74, 81
2752598	220, 224, 228	2860012	88	3252621.....	277		
2752599	220, 224, 228	2860030	117, 121, 282	3252671.....	280		
2752611	213	2900752	92, 100	3252764.....	290		
2752627	220	2900770	147, 187	3255828.....	279		
2752631	219, 223, 227	2900788	33	3271805.....	113		
2752632	213, 219, 223, 227	2900792	191, 193	3272605.....	141, 147		
2752633	219, 223, 227	2900826	92	3300106.....	19, 21		
2752643	219, 223, 227	2900827	92	3300151.....	130, 159		
2752653	219, 223, 227	2901284	203	3300205.....	117, 121		
2752654	219, 223, 227	2901285	193	3300240.....	145		
2752752	219, 223, 227	2901303	191, 195	3300241.....	144		
2752753	220, 224, 228	2901321	187	3300242.....	145		
				3300353.....	172		

SECTION 10 - SPECIAL OPTIONS

3422557.....	139	3539872.....	71, 83	3820001 ...	155, 276, 277, 279, 280	4060906.....	117, 118, 121
3422562.....	141	3539877.....	11, 15	3820019.....	134	4060907.....	126
3422563.....	139	3539878.....	15	3820020.....	163	4060918.....	46, 50
3422564.....	139	3539971.....	71, 83	3841013.....	151	4060948.....	39
3422565.....	139	3570864.....	71, 83	3841143 ...	11, 12, 15, 72, 80, 139, 141, 144	4061058.....	41
3422566.....	139	3570920.....	130, 134	3841258.....	11, 15, 139	4070585.....	88
3422567.....	139	3571222.....	168, 172	3841264.....	153	4070863.....	144
3422568.....	139	3571259.....	62	3841285.....	12	4070864.....	144
3422569.....	140, 141	3571287.....	139	3841340.....	141	4070878.....	11
3422580.....	141	3571300.....	133	3841510.....	15	4070879.....	11
3422592.....	11, 15	3571333.....	153	3850020.....	195	4070895.....	144
3422769.....	61	3571334.....	134	3860050.....	151	4070896.....	144
3422802.....	12	3571407.....	134	3890006.....	143	4070897.....	144
3422900.....	15	3571408.....	134	3890009.....	145	4070898.....	144
3422902.....	15	3571409.....	134	3890010.....	143	4070929.....	145
3422903.....	15	3571410.....	134	3900224.....	168, 173	4070939.....	145
3423184.....	139	3571411.....	159, 164	3900268.....	122	4070940.....	145
3450304.....	173	3571497.....	88	3910608.....	117	4070944.....	11, 15
3450806.....	151	3571593.....	12	3910610.....	167	4070945.....	11, 15
3470003.....	169, 173	3571741.....	134	3910804.....	118, 121	4070975.....	143
3480205.....	203	3573275.....	130	3911008.....	130, 163	4070976.....	144
3480206.....	193	3580134.....	87	3911028.....	160	4070977.....	118, 121
3480210.....	191, 195	3580158.....	87	3911040.....	126	4070991.....	118
3480288.....	189	3580241.....	143	3930816.....	125	4070994.....	151
3510716.....	159	3580243.....	143	3930828.....	125, 127	4070995.....	151
3510717.....	159	3580248.....	143	3931028.....	125	4071004.....	144
3510718.....	159	3580249.....	143	3931408.....	125, 127	4071005.....	145
3510719.....	159	3600242.....	71, 103	3931448.....	203	4071007.....	145
3510822.....	163	3600243.....	45	3931508.....	203	410002674, 80, 209, 213, 215, 256, 263, 268	
3510830.....	163	3600260.....	71, 91, 93	3931516.....	191, 195	4120012.....	169
3510831.....	163	3600297.....	71, 105	3931620.....	72, 81, 203	4120013.....	169
3510832.....	163	3600333.....	71, 99	3931672 ...	168, 169, 173	4120035....	169, 256, 262, 263, 268, 269
3510833.....	163	3600365.....	45, 49	3931840.....	15	4130033.....	140
3520026.....	118	3600368.....	71	3932032.....	193	4130362.....	12
3520027.....	172	3600381.....	96, 97	3932224.....	61	4130365.....	12
3520028.....	87, 88, 167	3600395.....	81, 103	3941406.....	134	4130394.....	15
3520029.....	168	3600396.....	81, 97	3951608.....	144	4130395.....	16
3520032.....	82	3600418.....	81, 92	3960389.....	72, 81, 129, 133	4160149.....	145
3520033.....	74, 81	3620033.....	71, 83	3960407.....	74, 83	4160169.....	129, 133
3520034.....	74, 81	3620034.....	290	3960417.....	130	4160171.....	130, 134
3520035.....	74, 81, 122	3640970.....	117	3960461.....	126	4220162.....	126
3520054.....	74, 81, 172	3641182.....	169	3960499.....	134	4240018....	210, 213, 215, 220, 224, 228
3520060.....	74, 81	3730023.....	257	3960500.....	140	4240032.....	126
3520072.....	163	3730115.....	257	3960502.....	134	424003374, 81, 140, 141, 209	
3520082.....	153	3740049 ...	117, 122, 168, 232, 258, 265, 271, 282	3960503.....	134	4240099.....	160, 163
3520085.....	75, 81	3740057.....	168	3960504.....	134	4240112.....	107
3520168.....	168	3740058.....	167	3960505.....	134	4240135.....	107
3520172.....	159, 276	3740063.....	167	3960506.....	134	4280295.....	107
3520173.....	169, 172	3740066.....	168	3960507.....	134	4280308.....	276, 279
3520174.....	118, 172, 173	3740067.....	71, 83, 282	3960508.....	134	4300092.....	19
3520198.....	163	3740080.....	88, 284	3960509.....	134	4300097.....	19
3536089.....	160, 163	3740112.....	117	3960510.....	134	4300137....	134, 159, 164
3537318.....	61	3740113.....	168	3960511.....	75, 81	4340678.....	168, 172
3537416.....	71, 83	3740115.....	168	3960526.....	21	4340684.....	168, 172
3537417.....	71	3760170.....	61	3990001.....	257	4360031.....	168, 172
3538047.....	11	3760368.....	191, 195	3990010 ...	256, 258, 263, 264, 269, 282	4360232.....	167, 173
3538749.....	153	3760369.....	187, 203	4060802.....	88, 173, 290	4360294.....	73, 88
3538758.....	151, 153	3760372.....	193	4060803 ...	130, 134, 151, 153	4360314....	117, 118, 167
3538819.....	167	3760417.....	61	4060804.....	74	4360322.....	125, 126
3539219.....	117, 121	3790012 ...	167, 169, 172, 173	4060805.....	74, 83, 145	4360328....	121, 172, 282
3539275.....	168	3790045.....	21	4060807.....	12	4360331....	167, 172, 282
3539281.....	126	3790110.....	147	4060808.....	12, 41		
3539475.....	139	3790152.....	74, 81				
3539476.....	139	3800205.....	163				
3539563.....	140						
3539622.....	145						
3539680.....	145						

SECTION 10 - SPECIAL OPTIONS

4360336 88, 169, 173, 284, 290	4460428 ... 117, 121, 125, 127, 168, 172, 256, 262, 268	4460873....262, 263, 268, 269	4640932 191
4360387 167, 172, 282	4460434 ... 262, 263, 268, 269	4460874.... 122, 262, 268, 269	4640939 215
4360392 72, 83, 282	4460445 257, 270	4460875.... 122, 262, 268, 269	4641028 203
4360416 125	4460457 257, 263, 270	4460876.....263, 269	4641051 12
4360429 145	4460458 257, 263, 270	4460877.....263, 270	4641052 12
4360469 117	4460460 ... 257, 263, 270	4460878.....263, 270	4641096 49, 57
4360470 121, 282	4460464 ... 172, 256, 262, 263, 268, 270	4460879.....262, 268	4641098 45, 53
4360475 ... 117, 121, 167, 172, 282	4460465 256, 262, 268	4460880.....263, 270	4641162 187
4360476 ... 117, 121, 167, 172, 282	4460466 256, 262, 268	4460887....262, 263, 268, 270	4641164 290
4360506 145	4460467 ... 167, 259, 265, 272, 286	4460889.....263	4641215 220
4360542 87	4460470 ... 121, 168, 172, 256, 262, 268, 269	4460890.....263	4641280 41
4360549 125, 127	4460471 ... 121, 168, 172, 256, 262, 268, 269	4460892.....269	4641284 213
4360578 125, 127, 284	4460473 256, 262, 268	4460894.....269	4641319 189
4400375 107	4460488 122, 172	4460905.... 122, 172, 268, 269	4641390 189
4400411 107	4460499 54, 58, 257, 264	4460906.....271	4641410 41
4400429 107	4460502 256	4460943.....269	4641451 57
4400441 107	4460503 169, 256	4460944.....270	4711000 168
4400442 107	4460508 ... 256, 262, 263, 268, 270	4460961.....271	4711400 ... 11, 46, 49, 74, 81, 83, 126, 130, 134, 151, 153, 160, 163
4400449 107, 108	4460509 ... 256, 262, 268	4460968..... 125, 127	4711500 ... 41, 45, 49, 83, 129, 133, 151, 153, 169, 173
4420038 107, 117	4460510 ... 167, 259, 265, 272, 286	4461005.....270, 271	4711600 ... 11, 12, 39, 45, 49, 62, 74, 83, 129, 133, 141, 144, 151, 153
4420051 276, 280	4460526 117, 122, 269	4461006.....270, 271	4711800 134, 151, 153
4420054 125, 127	4460536 269	4461008.....271	4711900 75, 83
4420055 159	4460539 270	4461052..... 270, 271	4712000 19
4460023 88	4460589 257	4461053..... 270, 271	4712600 151, 153
4460027 258, 265, 272	4460591 257, 258	4461054..... 270, 271	4740076 153
4460042 160, 258	4460598 ... 160, 163, 173, 258	4461060..... 270, 271	4740111 16
4460071 ... 167, 172, 256, 262, 268	4460600 117, 169	4461070..... 270	4740158 11, 15, 140
4460134 ... 258, 262, 265, 272, 291	4460601 117, 169	4461071..... 269	4740171 61
4460190 258, 265	4460602 117, 169	4461072..... 269	4740256 16
4460205 ... 258, 262, 265, 272, 291	4460603 117, 169	4461073..... 269	4740263 16
4460224 257, 264, 271	4460607 117, 169	4461074..... 269	4740274 74, 83
4460225 ... 257, 262, 264, 268	4460608 257, 258	4461095..... 270	4740314 140
4460226 ... 161, 172, 263, 264, 268, 269, 270, 271, 272	4460613 169, 256	4520171..... 19	4740362 ... 126, 130, 134, 159, 163, 164, 167, 172
4460227 ... 262, 263, 264, 268, 269, 270	4460614 256	4520259..... 19	4740371 134
4460234 117, 121, 126	4460628 117	4520288..... 21	4740393 21
4460259 271	4460629 169	4520289..... 21	4740397 88, 173, 290
4460260 271	4460630 117	4520290..... 21	4740411 159
4460265 175, 256, 257	4460631 117, 169	4520328..... 21	4740444 117, 118, 122
4460266 175, 257, 258	4460632 169	4520344..... 21	4740483 130, 134
4460267 ... 175, 256, 257, 258, 264, 265, 270, 271	4460634 256, 269	4520345..... 21	4750600 117
4460268 ... 125, 175, 257, 258, 263, 264, 265, 270, 271	4460635 256, 269	4520346..... 21	475100073, 88, 117, 126, 130, 134, 160, 163, 164, 168, 172
4460297 271	4460693 258	4530019..... 290	475140072, 83, 122, 125, 127, 129, 133, 159, 163, 164, 168, 172, 276, 279, 290
4460320 ... 257, 258, 264, 265, 270, 271	4460705 272	4566468..... 191, 195	4751500. 12, 81, 88, 130, 134, 159, 164, 290
4460321 271, 272	4460708 ... 172, 262, 263, 268, 269	4566501..... 193	4751600 ... 41, 72, 80, 83, 88, 107, 111, 113, 129, 133, 145, 153, 155, 159, 163, 167, 172, 277, 279
4460326 270	4460711 117	4566644..... 203	4751800. 11, 74, 80, 111, 113, 141, 290
4460418 ... 256, 262, 263, 268, 269	4460720 256	4567495..... 71, 83	4751900 88
4460419 ... 256, 262, 263, 268, 269	4460721 256	4567519..... 129, 134	4760600 117
4460424 ... 125, 257, 258, 263, 264, 265, 270, 271	4460761 268, 270	4567850..... 159, 164	
4460426 ... 117, 121, 269, 272	4460777 257	4568357..... 159	
	4460865 262, 268	4620116..... 61	
	4460866 ... 262, 263, 268, 269	4620121..... 61	
	4460871 ... 140, 161, 177, 178, 183, 262, 263, 264, 268, 269, 270, 271	4640113..... 19, 21	
		4640476..... 189	
		4640509..... 191, 193	
		4640525..... 187	
		4640744.... 103, 219, 223	
		4640751..... 71, 83	
		4640757.... 220, 224, 228	
		4640774..... 220	
		4640858..... 187	
		4640871..... 11	
		4640906..... 45	
		4640907..... 45	

SECTION 10 - SPECIAL OPTIONS

4761000..... 160, 163, 168, 173	4922284 232	70000916 84	7000284..... 25
4761400..... 122, 160, 168	4922306 169	70000934 45, 49	7000285..... 25
4761600..... 140	4922314 287	70001002 75, 84	7000290..... 25
4791400..... 74	4922468 262, 268	70001119 27	70002906..... 177
4791600..... 46, 50	4922482 265	70001181 85	70003039..... 76
4812000..... 160	4922483 264	70001248 114	70003040..... 76
4812200..... 83	4922484 232	70001423 84	70003041..... 76
4831900..... 73, 76, 84	4922485 122, 172	70001435 84	70003475..... 85
4832000..... 74, 76, 84	4922487 122, 263	70001697 147, 149	70003479..... 85
4844963..... 153	4922488 122, 263	70001800 31	70003480..... 85
4844966..... 153	4922489 122, 263	70001871 76, 84	70003481..... 85
4844967..... 153	4922490 122, 264	70001872 85	7000625..... 168
4844968..... 153	4922506 232	70001941 126	7000663..... 76, 84
4845288..... 159	4922510 232	70001976 53, 54, 57	7000722..... 31, 67
4845395..... 73, 83	4922524 172, 262	70002005 151, 282	7000723..... 31, 67
4845404..... 71, 83	4922621 264	70002006 151	7000724..... 31, 67
4845531..... 87	4922636 263	70002063 41	7000725..... 31, 67
4845651..... 11	4922637 263, 269	70002064 41	7000728..... 31, 67
4845670..... 151	4922639 172, 262, 268	7000209 65	7000731..... 31, 67
4845671..... 151	4922641 264, 271	7000213 25	7000782..... 31, 67
4845677..... 151	4922643 271	7000214 65	7000796..... 31, 67
4845683..... 140	4922649 122, 263	7000216 25, 27	7000798..... 31, 67
4845692..... 129, 133	4922651 172, 262	7000217 65	7001433..... 97
4845698..... 129, 133	4922666 122, 172, 268	70002200 84	7001438..... 91
4845800..... 130, 134	4922884 262, 268	70002234 76	7001498..... 92, 97, 100
4845819..... 151	4922970 271	70002240 87	7001625..... 199
4845947..... 71, 83	4922978 80	7000228 65	7001626..... 199
4845950..... 160	4923206 122, 269, 270	7000229 65	7001627..... 199
4845954..... 153	4923212 122, 269, 270	7000230 65	7001629..... 199
4845957..... 134	4923213 122, 269	7000236 25	7001630..... 199
4845958..... 135	4923451 83, 271	7000239 25	7001633..... 199
4845988..... 134	4923577 122, 269	7000240 25	7001711..... 23
4845989..... 134	4933008 232	7000246 65	7001906..... 25
4846068..... 140	4933025 232	7000253 65	7001909..... 65
4846231..... 290	4933026 232	7000255 65	7001911..... 65
4846319..... 143	4933027 232	7000256 65	7001913..... 27
4846452..... 163	4933081 232, 256	7000257 65	7001928..... 65
4846469..... 290	4933091 232	7000258 65	7001931..... 65
4846473..... 129	4933092 232, 258	7000263 65	7001985..... 65
4846479..... 71, 83	4933108 287	7000269 65	7001987..... 65
4846506..... 164	4933109 256	7000270 65	7001988..... 65
4846566..... 87	4933157 232	7000272 25	7002111..... 69
4846573..... 141	4933158 232, 264	70002724 183	7002117..... 69
4846814..... 15	4933159 232, 263	70002725 183	7002123..... 69
4860158..... 19	4933160 232, 263	70002726 183	7002821..... 259, 265, 272, 286
4860287..... 21	4933165 232	70002727 183	7002822..... 286
4891400..... 46	4933166 232	70002728 183	7002823..... 259, 265, 272, 286
4891500..... 46	4933196 232	70002729 184	7002826..... 287
4891600..... 72, 81, 141, 144	4933215 232, 264	70002730 177	7002828..... 259, 265, 272
4891800..... 15, 19, 21, 61, 130, 134, 141, 144	4933223 232, 263	70002731 177	7002840..... 286
4892000..... 61, 130, 134	4933225 232, 263	70002732 177	7003049..... 31, 67
4892600..... 141	4933300 232, 271	70002733 177	7003050..... 31, 67
4921827..... 258, 265, 272	4933318 232, 233, 269	70002734 177	7003094..... 31, 67
4921829..... 272, 291	4933366 232, 233, 269	70002735 177	7003451..... 31, 67
4921850..... 287	70000122 87	7000274 25	7003452..... 31, 67
4921938..... 258	70000264 76	70002745 201	7003453..... 31, 67
4922012..... 287	70000342 149	7000275 25	7003454..... 31, 67
4922075..... 256	70000345 85	70002752 201	7003455..... 31, 67
4922081..... 257	70000579 53, 57	70002753 201	7003456..... 31, 67
4922101..... 256	70000580 53, 57	70002754 201	7003457..... 31, 67
4922123..... 258, 264	70000582 53, 57, 282	70002755 201	7003458..... 67
4922124..... 258, 264	70000583 53, 57	70002756 201	7003459..... 31, 67
4922240..... 256	70000782 27	70002757 201	7003460..... 31, 67
4922241..... 257	70000787 75	7000281 28	7003461..... 31, 67
4922243..... 256	70000794 37	7000282 25	7003462..... 31, 67
	70000795 37	7000283 25	
	70000851 75		

SECTION 10 - SPECIAL OPTIONS

7003463	31, 67	7007458	91	7012518.....	49, 53, 57	7014718.....	23
7003657	87	7007463	97, 99	7012558.....	87	7014719.....	23
7003928	175, 177	7007464	97, 99	7012664.....	71, 82, 282	7014720.....	23
7003933	183	7007465	97, 99	7012693.....	11	7014721.....	23
7003935	181, 183	7007466	92, 97, 100	7012700.....	33	7014722.....	23
7003941	181, 183	7007468	92	7012701.....	33	7014723.....	23
7003946	181, 183	7007469	92	7012702.....	33	7014724.....	23
7003952	175	7007470	92, 96, 99, 100	7012703.....	33	7014725.....	23
7003953	175, 177	7007471	92	7012704.....	33	7014726.....	23
7003956	175	7007472	92, 97, 100	7012705.....	33	7014727.....	23
7003969	181, 183	7007474	92, 97, 100	7012706.....	33	7014728.....	23
7003972	181, 183	7007475	92, 97, 100	7012707.....	33	7014729.....	23
7003973	181, 183	7007476	92, 97, 100	7012708.....	33	7014730.....	23
7003974	175	7007477	92, 97, 100	7012709.....	33	7014800.....	107
7003976	175, 177	7007478	92, 97, 100	7012710.....	33	7014801.....	107
7003977	175, 177	7007482	92	7012711.....	33	7014802.....	107
7003980	181, 184	7007483	92	7012712.....	33	7014803.....	107, 282
7003982	184, 282	7007484	92, 97, 100	7012713.....	33	7014810.....	107
7003983	181, 184	7007485	92, 97, 100	7012714.....	33	7014811.....	107
7003986	183	7007486	92	7012715.....	33	7014813.....	107
7003989	181, 184	7007487	92, 97, 100	7012716.....	33	7014816.....	107
7003992 ...	175, 177, 181, 183	7007488	92, 97, 100	7012769.....	53, 57	7016314.....	107
7003993 ...	175, 177, 181, 183	7007489	103	7012772....	53, 54, 57, 58, 282	7016330.....	75
7003994	183	7007490	92	7012773....	53, 54, 57, 58	7016331	75, 76, 84, 284
7004248	45, 49	7007491	92	7012774.....	54, 58	7016332.....	75
7004275	286	7007492	92	7012775.....	53, 57, 58	7016336.....	257
7004276	286	7007494	92, 97, 99	7012905.....	45	7016346.....	167
7004290	45, 49	7007496	92, 97, 100	7012907.....	45	7016359.....	75
7006138	151, 282	7007497 92, 97, 100, 258, 264, 271		7012912.....	57, 58	7016380.....	126
7006143	151	7007498 92, 97, 100, 258, 264, 271		7012919.....	53, 57	7016399.....	160, 163
7006158	151	7007499	92	7012918.....	53, 57	7016527.....	151
7006165	151	7007633	65	7012941.....	45, 49	7016530.....	151, 282
7007207	96	7007640	25	7012943.....	49, 282	7016531.....	151
7007208	91, 96, 99	7008833	72, 257	7012944... 45, 53, 57, 282		7016532.....	151
7007412	92, 97, 100	7008835	72	7012953.....	54, 57	7016641.....	76
7007413	91, 96, 99	7008836	72, 257	7012967.....	53, 57	7016649.....	107
7007414	91, 96, 99	7009996	69	7012972.....	45	7016654.....	286
7007416	91	7009998	69	7012974.....	49	7016655.....	287
7007417	91, 96, 99	7010103	103	7012987.....	103	7016680.....	107
7007418	96	7010104	103	7012988.....	103	7016700.....	45
7007419	91, 96, 99	7010104	103	7012989.....	54, 57	7016701.....	45
7007420	91	7010105	103	7012995.....	49	7016702.....	45
7007421	91	7010116	97, 100	7012998.....	53, 57, 58	7016803.....	73
7007423	96, 99	7010120	92	7012998.....	53, 57, 58	7016813.....	73
7007424	91	7010121	92, 97	7013187.....	111	7016814.....	73
7007425	91, 96, 99	7010122	92, 100	7013711.....	45	7016816.....	73
7007435 ...	35, 91, 96, 99	7010474	65	7013755.....	45	7017022.....	28
7007437 ...	35, 37, 91, 96, 99	7010488	65	7013796.....	45	7017027.....	27
7007438 ...	35, 37, 91, 96, 99	7010488	65	7013799.....	45	7017029.....	25
7007439 ...	35, 37, 91, 96, 99	7010492	65	7014700.....	23	7017047.....	25
7007440	91	7010494	65	7014701.....	23	7017070.....	65
7007441	91, 96, 99	7010542	53, 58	7014702.....	23	7017072.....	27
7007442	91, 96, 99	7010543	49, 53, 58	7014703.....	23	7017079.....	65
7007444	91, 96, 99	7011043	45, 49	7014704.....	23	7017089.....	65
7007445	91	7011044	45, 49	7014705.....	23	7017093.....	25, 27
7007446 ...	35, 37, 96, 99	7011048	45, 49	7014706.....	23	7017094.....	25
7007449	91	7011062	45, 49	7014707.....	23	7017095.....	27
7007452	96, 99	7011063	45, 49	7014708.....	23	7017102.....	147
7007453	91, 96, 100	7011064	45, 49	7014709.....	23	7017115.....	147
7007454	91, 96, 99	7011065	45, 49	7014710.....	23	7017119.....	147
7007456	91	7011066	45, 49	7014711.....	23	7017142.....	147
7007457	96, 99	7011112	191	7014712.....	23	7017156.....	147
		7011331	147	7014713.....	23	7017157.....	147
		7011332	147	7014714.....	23	7017158.....	149
		7011346	147	7014715.....	23	7017159.....	149
		7012513	87	7014716.....	23	7017162.....	149
		7012514	87	7014717.....	23	7017163.....	149
						7017164.....	149

SECTION 10 - SPECIAL OPTIONS

7017174.....	147	7019177.....	177	7020480.....	75, 76	7023259.....	291
7017177.....	147	7019194.....	181, 184	7020482.....	76	7023260.....	291
7017183.....	147, 149	7019196.....	184	7020488.....	76	7023261.....	291
7017193.....	147, 149	7019197.....	175, 177	7020495.....	84	7023262.....	291
7017195.....	149	7019300.....	153	7021200.....	96, 99	7023263.....	291
7017210.....	197	7019301.....	153	7021201.....	97, 100	7023264.....	291
7017211.....	197	7019303.....	153	7021202.....	91, 96, 99	7023265.....	291
7017213.....	197	7019680.....	87	7021203.....	96, 99	7023266.....	291
7017214.....	197	7020020.....	45, 49	7021206.....	97, 100	7023267.....	291
7017215.....	197	7020021.....	45, 49	7021207.....	96, 99	7023331.....	160
7017228.....	197	7020022.....	75	7021212.....	97, 99	7023332.....	160
7017229.....	197	7020023.....	75, 76, 84, 284	7021214.....	97, 99	7023333.....	160
7017410.....	53, 57	7020024.....	75	7021217.....	97	7023340.....	72
7017411.....	53	7020025.....	75	7021218.....	97, 100	7023413.....	290
7017418.....	53	7020026.....	75, 76, 84	7021219.....	97, 100	7023414.....	290
7017420.....	53	7020027.....	75	7021220.....	97, 100	7023415.....	290
7017423.....	53	7020043.....	107	7021221.....	97, 100	7023416.....	290
7017427.....	53	7020047.....	12	7021222.....	97, 100	7023417.....	290
7017428.....	53	7020048.....	12	7021223.....	96, 100	7023418.....	290
7017464.....	57	7020049.....	12	7021229.....	100	7023420.....	291
7017481.....	45	7020050.....	12	7021232.....	97	7023421.....	291
7017496.....	189	7020051.....	12	7021249.....	35, 37	7023422.....	291
7018612.....	67	7020107.....	87	7021256.....	96	7023423.....	291
7018912.....	53, 54, 57, 58	7020108.....	87	7021264.....	99	7023424.....	291
7018941.....	53, 58	7020109.....	87	7021275.....	35, 37	7023425.....	291
7018942.....	54	7020110.....	87	7021298.....	100	7023426.....	291
7018951.....	54	7020111.....	87	7021310.....	58	7023427.....	291
7018985.....	53	7020168.....	75, 76	7021375.....	57	7023444.....	290
7018986.....	54	7020175.....	117, 167, 172	7021625.....	41	7023445.....	290
7018991.....	57, 282	7020176.....	117, 167, 172	7022302.....	35, 37	7023446.....	290
7019103.....	181, 183	7020190.....	87	7022311.....	35, 37	7023448.....	291
7019110.....	181, 183	7020191.....	87	7022313.....	37	7023802.....	105
7019111.....	175, 177, 181, 183	7020193.....	272	7022314.....	35, 37	7023811.....	105
7019112.....	181, 183	7020246.....	117, 121	7022318.....	35	7023812.....	105
7019114.....	183	7020256.....	107	7022320.....	35	7023813.....	105
7019115.....	181, 183	7020335.....	69	7022321.....	35	7023814.....	105
7019117.....	181	7020336.....	69	7022326.....	35, 37	7023815.....	105
7019122.....	177	7020338.....	69	7022328.....	35, 37	7023820.....	105
7019123.....	177	7020339.....	69	7022368.....	35, 37	7023910.....	35, 37
7019141.....	175, 177	7020340.....	69	7022370.....	35	7023917.....	41
7019142.....	175, 177	7020341.....	69	7022371.....	35, 37	7023933.....	41
7019143.....	175, 177	7020343.....	69	7022372.....	35, 37	7023935.....	41
7019144.....	175, 177	7020346.....	69	7022397.....	41	7023936.....	41
7019145.....	175, 177	7020353.....	69	7022399.....	41	7023977.....	96
7019147.....	175, 177	7020357.....	69	7022808.....	175, 177	7023978.....	99
7019149.....	175, 177	7020358.....	69	7022810.....	181	7023979.....	97, 100
7019150.....	175, 177	7020359.....	69	7022811.....	175	7023981.....	45
7019151.....	181, 183	7020360.....	69	7022812.....	183	7024014.....	58
7019153.....	181	7020362.....	69	7022813.....	175	7024015.....	58
7019154.....	181, 183	7020363.....	69	7022814.....	177	7024100.....	65
7019155.....	181, 183	7020403.....	84	7022815.....	177	7024124.....	27
7019156.....	181	7020408.....	75, 76, 84	7022816.....	177	7024125.....	27
7019157.....	181	7020410.....	75	7022817.....	177	7024127.....	27
7019158.....	181	7020411.....	76, 84	7022818.....	177	7024129.....	27
7019159.....	181	7020446.....	76	7022819.....	177, 264, 271	7024134.....	28
7019160.....	181, 183	7020447.....	84	7022822.....	183	7024157.....	25
7019161.....	181, 183	7020458.....	75, 76, 84	7022823.....	183	7024158.....	25
7019162.....	181, 183	7020460.....	85	7022824.....	183	7024159.....	25
7019163.....	181	7020461.....	75, 76, 84	7022825.....	183, 264, 271	7024160.....	25
7019164.....	181, 184	7020463.....	75, 76	7023251.....	290	7024161.....	25
7019165.....	181, 184	7020464.....	75, 76, 84	7023252.....	290	7024162.....	25
7019166.....	181, 184	7020465.....	76, 84	7023253.....	290	7024163.....	25
7019167.....	181, 184	7020467.....	76	7023254.....	291	7024164.....	25
7019168.....	181, 183	7020468.....	76, 84	7023255.....	291	7024165.....	25
7019171.....	177	7020471.....	76, 84	7023256.....	291	7024166.....	25
7019174.....	175, 177	7020477.....	75	7023257.....	291	7024167.....	25
		7020479.....	75, 76, 84	7023258.....	291	7024168.....	25

SECTION 10 - SPECIAL OPTIONS

7024169	25	7024579	76, 85	7024800.....	97	7027002	73, 80, 270
7024170	25	7024721	28	7024850.....	41	7027003	73, 80, 270
7024171	25	7024722	27	7024851.....	97	7027004	73, 80, 270
7024172	25	7024723	28	7024861.....	35	7027236	85
7024173	25	7024724	27	7024862.....	35, 37	7027239	85
7024174	25	7024725	27	7024863.....	35	7027241	84
7024175	25	7024726	27	7024864.....	35	7027245	85
7024176	25	7024727	27	7024865.....	35, 37	7027246	84
7024177	25	7024728	27	7024866.....	35	7027250	75
7024178	25	7024729	27	7024867.....	35, 37	7027276	75, 76, 84
7024179	25	7024730	27	7024868.....	35	7027419	35, 37
7024180	25	7024731	27	7024869.....	35	7027608	84
7024181	25	7024732	27	7024871.....	35, 37	7027609	84
7024308	290	7024733	27	7024879.....	189	7027610	84
7024310	291	7024734	27	7024892.....	41	7027740	37
7024311	291	7024735	27	7026189.....	113	7027769	85
7024312	291	7024736	27	7026197.....	113	7027790	84
7024318	75, 76	7024737	28	7026199.....	87	7027791	84
7024404	113	7024738	27	7026503.....	113	7027792	84
7024436	291	7024739	27	7026504.....	113	7027793	85, 271
7024439	108	7024740	27	7026505.....	113	7027794	271
7024440	108	7024741	27	7026506.....	113	7027795	85
7024441	108	7024742	27	7026507.....	113	7027796	85, 271
7024442	108	7024743	27	7026508.....	113	7027887	87
7024443	108	7024744	28	7026509.....	113	80934561	113
7024444	108	7024745	25	7026510.....	114	88521205.....	81
7024445	108	7024764	28	7026608.....	84	8896941	286
7024446	108	7024765	28	7027000.....	270	91401281	80
7024565	75, 76, 84	7024766	28	7027001.....	73, 80, 270		



**Corporate Office
JLG Industries, Inc.
1 JLG Drive
McConnellsburg, PA 17233-9533 USA
☎ (717) 485-5161 (Corporate)
☎ (877) 554-5438 (Customer Support)
📠 (717) 485-6417**

**Visit our website for JLG Worldwide Locations.
www.jlg.com**



OSHKOSH™