



Illustrated Parts Manual

Model 740AJ

S/Ns 62899
64684
3121146

December 30, 2013

ANSI



An Oshkosh Corporation Company

REVISION LOG

October 2001 - Original Issue Of Manual (Edited to B/M 0010551 Revision 20)

April 15, 2002 - Revised Manual to include info for S/N's 62899 and 64684. (Note: These two machines were built without the ADE system.)

August 15, 2002 - Added Deutz Engine

June 1, 2006 - Revised

September 25, 2006 - Revised

April 18, 2007 - Revised

July 31, 2007 - Revised

December 10, 2007 - Revised

April 27, 2011 - Revised

July 29, 2011 - Revised

October 21, 2011 - Revised

January 10, 2012 - Revised

July 31, 2012 - Revised

December 14, 2012 - Revised

March 26, 2013 - Revised

June 20, 2013 - Revised

September 16, 2013 - Revised

December 30, 2013 - Revised

REVISION LOG

TABLE OF CONTENTS

FIGURE NO.	TITLE	PAGE NO.
SECTION 1 - FRAME		1-1
1-1	AXLE AND STEERING INSTALLATION	1-2
1-2	TIRE AND WHEEL DRIVE INSTALLATIONS	1-6
1-3	DRIVE HUB ASSEMBLY	1-8
1-4	DRIVE MOTOR ASSEMBLY	1-12
1-5	DRIVE VALVES INSTALLATIONS	1-14
1-6	TOW PACKAGE INSTALLATION	1-16
 SECTION 2 - TURNTABLE		 2-1
2-1	CONTROL VALVES INSTALLATIONS	2-2
2-2	MAIN CONTROL VALVE ASSEMBLY	2-6
2-3	ACCESSORY VALVE ASSEMBLY	2-10
2-4	TURNTABLE AND SWING DRIVE INSTALLATIONS	2-12
2-5	SWING HUB ASSEMBLY	2-14
2-6	SWING MOTOR ASSEMBLY	2-16
2-7	FORD ENGINE WITH EFI INSTALLATION (DUAL FUEL)	2-18
2-8	FORD DUAL FUEL INSTALLATION	2-24
2-9	GENERATOR INSTALLATION - FORD MACHINES (OPTIONAL)	2-28
2-10	DEUTZ ENGINE INSTALLATION	2-30
2-11	PISTON PUMP ASSEMBLY	2-36
2-12	TANK INSTALLATIONS	2-40
2-13	ROTARY COUPLING INSTALLATIONS	2-42
2-14	GROUND CONTROL BOX ASSEMBLY	2-44
2-15	ELECTRICAL OPTIONS INSTALLATIONS (TURNTABLE MOUNTED)	2-48
2-16	HOODS INSTALLATION	2-50
2-17	ENGINE TRAY JACK INSTALLATION (OPTIONAL)	2-54
 SECTION 3 - BOOM		 3-1
3-1	BOOM AND CYLINDER INSTALLATION	3-2
3-2	MAIN BOOM ASSEMBLY	3-6
3-3	ROTATOR ASSEMBLY	3-10
3-4	VALVE AND LIMIT SWITCH INSTALLATIONS (BOOM MOUNTED)	3-12
 SECTION 4 - PLATFORM		 4-1
4-1	PLATFORM INSTALLATION	4-2
4-2	PLATFORM CONSOLE ASSEMBLY	4-6
4-3	CONTROLLER ASSEMBLY (SWING AND LIFT)	4-10
4-4	CONTROLLER ASSEMBLY (DRIVE AND STEER)	4-12
4-5	SOFT TOUCH SYSTEM INSTALLATION (OPTIONAL)	4-14
 SECTION 5 - CYLINDER		 5-1
5-1	LEVEL CYLINDER ASSEMBLY	5-2
5-2	LIFT CYLINDER ASSEMBLY - JIB	5-4
5-3	LIFT CYLINDER ASSEMBLY - MAIN BOOM	5-6
5-4	LIFT CYLINDER ASSEMBLY - TOWER BOOM	5-8
5-5	MASTER CYLINDER ASSEMBLY	5-10
5-6	SLAVE CYLINDER ASSEMBLY	5-12

TABLE OF CONTENTS

FIGURE NO.	TITLE	PAGE NO.
5-7	STEER CYLINDER ASSEMBLY	5-14
5-8	TELESCOPE CYLINDER ASSEMBLY - MAIN	5-16
SECTION 6 - HYDRAULIC		6-1
6-1	DRIVE HYDRAULIC DIAGRAM (4WD/4WS)	6-2
6-2	STANDARD HYDRAULIC DIAGRAM (WITH FENNER & HALDEX BRAND AUXILIARY PUMP)	6-6
6-3	STANDARD HYDRAULIC DIAGRAM (WITH BUCHER BRAND AUXILIARY PUMP)	6-10
6-4	HYDRAULIC DIAGRAM LIST	6-14
SECTION 7 - ELECTRICAL		7-1
7-1	ELECTRICAL DIAGRAM LIST	7-2
7-2	HARNESS COMPONENTS INSTALLATION	7-4
SECTION 8 - DECALS		8-1
8-1	DECALS INSTALLATION - STANDARD	8-2
SECTION 9 - RECOMMENDED SERVICE PARTS STOCK		9-1
SECTION 10 - SPECIAL OPTIONS		10-1

SECTION 1 FRAME

TABLE OF CONTENTS		
FIGURE	DESCRIPTION	PAGE
1-1	AXLE AND STEERING INSTALLATION	1-2
1-2	TIRE AND WHEEL DRIVE INSTALLATIONS	1-6
1-3	DRIVE HUB ASSEMBLY	1-8
1-4	DRIVE MOTOR ASSEMBLY	1-12
1-5	DRIVE VALVES INSTALLATIONS	1-14
1-6	TOW PACKAGE INSTALLATION	1-16

SECTION 1 FRAME

FIGURE 1-1. AXLE AND STEERING INSTALLATION

FIG & ITEM #	PART NUMBER	DESCRIPTION	QTY.	REV.
		FIXED AXLE INSTALLATION OPTIONS	Ref	
	0258286	Without Tow Package	Ref	C
	0271654	With Tow Package	Ref	B
1	0100011	Loctite #242 (Not Shown)	AR	
2	0681608	Bolt 3/8"-16NC x 1" (Grade 8)	4	
3	Not Used			
4	0641820	Bolt 1/2"-13NC x 2 1/2"	2	
5	0642212	Bolt 3/4"-10NC x 1 1/2"	1	
6	0962102	Bushing, Garmax	2	
7	3422703	Pin, Axle Pivot	1	
8	3538047	Shim, Wear	2	
9	3539877	Plate, Stop	2	
10	3539878	Plate, Stop	2	
11	3841287	Keeper, Pin	1	
12	4070878	Shim 1/16"	AR	
13	4070879	Shim 1/8"	AR	
14	4070944	Shim 1/16"	AR	
15	4070945	Shim 1/4"	AR	
16	4711600	Flatwasher 3/8" Narrow	4	
17	4740472	Washer, Special	1	
18	Not Used			
19		Axle Weldment Options:	1	
	4845658	Without Tow Package		
	4846413	With Tow Package		
		STEERING INSTALLATIONS	Ref	
	0258909	4WS (Without Tow Package - Rear Steering Typical / Double Qty Listed)	Ref	A
	0271352	2WS (With Tow Package)	Ref	B
101	0100011	Loctite #242 (Not Shown)	AR	
102	0362726	Tie-Rod	1	
103	Not Used			
104	0641608	Bolt 3/8"-16NC x 1"	7	
105	0962152	Bearing, Garmax	2	
106		Bearing, Garmax Options:	4	
	0962224	Without Tow Package		
	0962448	With Tow Package		
107 to 108	Not Used			
109	1683740	Steer Cylinder Assembly (See CYLINDER SECTION for Breakdown)	2	
110	Not Used			
111		Pin, Steer, Spindle Attach Options:	AR	
	3422701	Without Tow Package	2	
	3422701	With Tow Package (Left Side)	1	
	3422567	With Tow Package (Right Side)	1	
112	3422702	Pin, Tie-Rod	2	

SECTION 1 FRAME

FIGURE 1-1. AXLE AND STEERING INSTALLATION (CONTINUED)

FIG & ITEM #	PART NUMBER	DESCRIPTION	QTY.	REV.
113		Kingpin Options:	4	
	3422701	Without Tow Package		
	3422753	With Tow Package		
114	3422754	Pin, Attach	2	
115 to 117	Not Used			
118	3841143	Shaft, Keeper 3/8"x 3"	6	
119		Spindle Weldment (Left Side) Options:	1	
	4130358	Without Tow Package		
	4130390	With Tow Package		
120		Spindle Weldment Options: (Right Side)	1	
	4130357	Without Tow Package		
	4130388	With Tow Package		
121	4740111	Washer, Special	4	
122	Not Used			
123	4740256	Washer, Thrust	2	
124	4740463	Washer, Thrust	4	
125	4740473	Washer, Special	2	
126	Not Used			
301	2360570	FRAME WELDMENT	Ref	

SECTION 1 FRAME

SECTION 1 FRAME

FIGURE 1-1. AXLE AND STEERING INSTALLATION (CONTINUED)

FIG & ITEM #	PART NUMBER	DESCRIPTION	QTY.	REV.

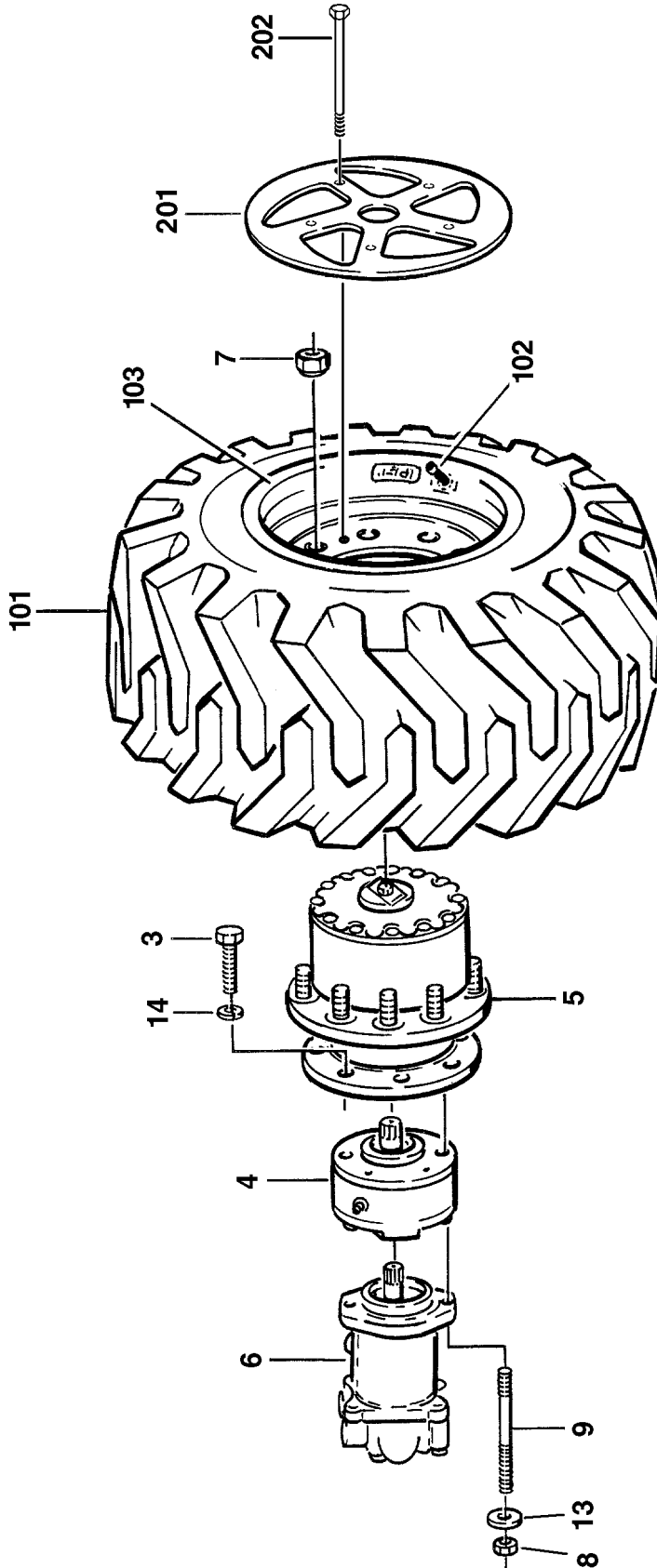
**S
E
C
T
I
O
N

1

F
R
A
M
E**

SECTION 1 FRAME

FIGURE 1-2. TIRE AND WHEEL DRIVE INSTALLATIONS



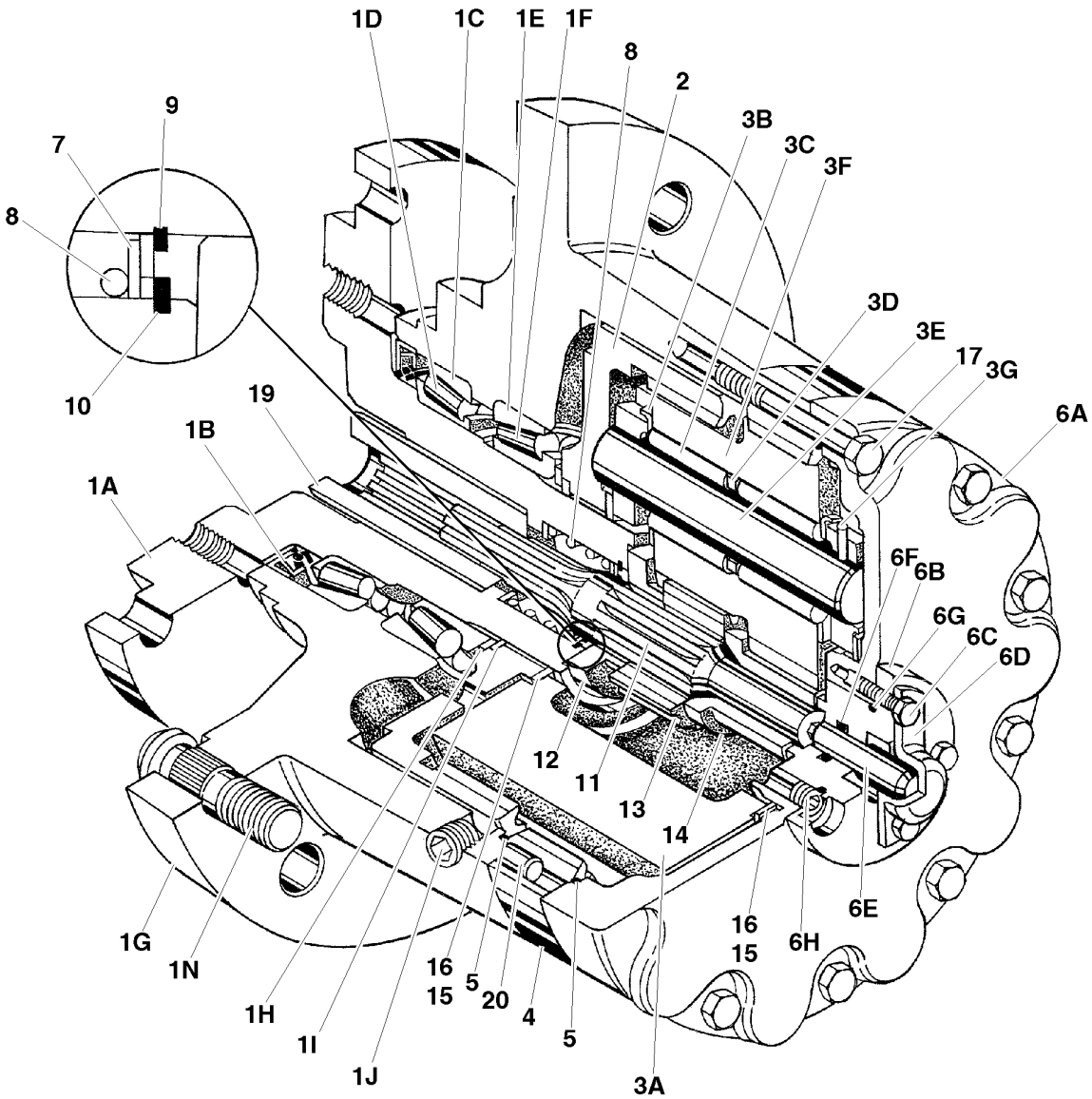
SECTION 1 FRAME

FIGURE 1-2. TIRE AND WHEEL DRIVE INSTALLATIONS

FIG & ITEM #	PART NUMBER	DESCRIPTION	QTY.	REV.
	0270211	WHEEL DRIVE INSTALLATION	Ref	B
1 to 2	Not Used			
3	0682016	Bolt 5/8"-11NC x 2" (Grade 8)	32	
4	0920117	Drive Brake Assembly	4	
	7018612	Kit, Repair		
5	2780228	Drive Hub Assembly (See DRIVE HUB ASSEMBLY for Breakdown)	4	
6	3160204	Drive Motor Assembly (See DRIVE MOTOR ASSEMBLY for Breakdown)	4	
7	3300007	Nut, Wheel	40	
8	3311801	Nut 1/2" - 13NC	8	
9	4300097	Stud	8	
10 to12	Not Used			
13	4891800	Flatwasher, 1/2"	8	
14	4892000	Flatwasher, 5/8"	32	
		TIRE AND WHEEL INSTALLATION	Ref	
	0258399	IN445/55D19.5 (18 x 19.5) Foam-Filled	Ref	B
	0258333	IN445/55D19.5 (18 x 19.5) Foam-Filled Left Side	2	B
	0258334	IN445/55D19.5 (18 x 19.5) Foam-Filled Right Side	2	B
		Note: Assemblies may require ballast/foam filling to manufacturer's specifications prior to installing on a machine. Refer to Operation & Safety or Service & Maintenance Manuals. Purchase individual tire and/or rim only if able to foam fill tire & wheel assembly, otherwise, purchase complete assembly,	Ref	
101	4520205	Tire - IN445/55D19.5 (18 x 19.5):	1	
102	4640113	Valve, Air	1	
103	4860188	Rim, Wheel - 14 x 19.5	1	
	0256196	WHEEL COVER INSTALLATION (OPTIONAL)	Ref	2/A
201	1670776	Cover, Wheel	4	
202	0641550	Bolt 5/16" - 18NC x 6 1/4"	20	
203	0100011	Loctite (Not Shown)	AR	

SECTION 1 FRAME

FIGURE 1-3. DRIVE HUB ASSEMBLY



SECTION 1 FRAME

FIGURE 1-3. DRIVE HUB ASSEMBLY

FIG & ITEM #	PART NUMBER	DESCRIPTION	QTY.	REV.
	2780228	DRIVE HUB ASSEMBLY	Ref	A
1	Not Available	Spindle/Housing Assembly	1	
1A	7017031	Spindle	1	
1B	7000236	Seal	1	
1C	7000273	Cone, Bearing	1	
1D	7000272	Cup, Bearing	1	
1E	7000275	Cone, Bearing	1	
1F	7000274	Cup, Bearing	1	
1G	7017033	Housing	1	
1H	7000239	Washer, Thrust	1	
1I	7000240	Ring, Retaining	1	
1J	7011928	Plug, Pipe	1	
1K	Not Used			
1L	Not Used			
1M	Not Used			
1N	7000265	Stud, Wheel	10	
2	7017034	Gear, Ring	1	
3	Not Available	Carrier Assembly	1	
3A	7017036	Carrier	1	
3B	7011901	Thrustwasher, Tanged	6	
3C	7011902	Bearing, Needle	96	
3D	7001903	Spacer, Thrust	3	
3E	7017040	Shaft, Planet	3	
3F	7017037	Gear, Cluster	3	
3G	7011906	Rollpin	3	
4	7017035	Gear, Internal	1	
5	7000224	O-Ring	1	
6	Not Available	Cover Assembly	1	
6A	7017032	Cover	1	
6B	7017042	Cap	1	
6C	7000220	Bolt 1/4"-20NC x 3/4"	4	
6D	7000231	Cap, Disengage	1	
6E	7000235	Rod, Disengage	1	
6F	7000213	O-Ring	1	
6G	7000238	O-Ring	1	
6H	7017048	Plug, Pipe	1	
7	7000282	Thrustwasher	2	
8	7000283	O-Ring	1	
9	7000284	Ring, Retaining	1	
10	7017027	Ring, Retaining	1	
11	7017044	Shaft, Input	1	
12	7017045	Spacer, Input	1	
13	7017043	Gear, Sun	1	
14	7017046	Spacer, Input	AR	
15	7000287	Thrustwasher	4	
16	7000288	Thrustwasher	2	
17	7000289	Bolt 3/8"-16NC x 2 1/2" (Grade 8)	12	

SECTION 1 FRAME

SECTION
1
FRAME

FIGURE 1-3. DRIVE HUB ASSEMBLY

FIG & ITEM #	PART NUMBER	DESCRIPTION	QTY.	REV.
18	Not Used			
19	7000290	Coupling	1	
20	7017047	Pin, Dowel	2	
	7017068	Seal Kit	1	

SECTION 1 FRAME

FIGURE 1-3. DRIVE HUB ASSEMBLY

FIG & ITEM #	PART NUMBER	DESCRIPTION	QTY.	REV.

**S
E
C
T
I
O
N

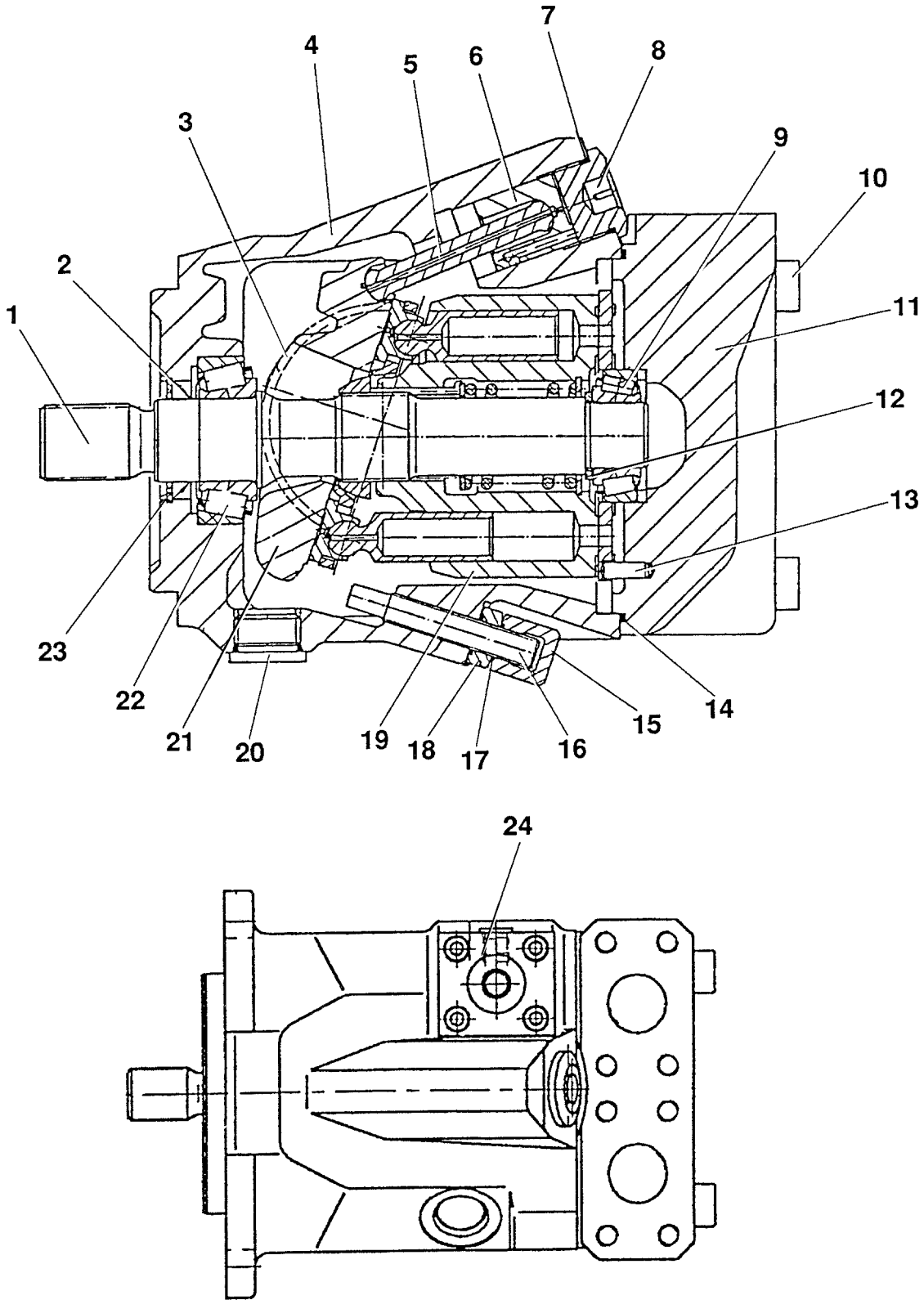
1

F
R
A
M
E**

SECTION 1 FRAME

FIGURE 1-4. DRIVE MOTOR ASSEMBLY

SECTION
1
FRAME



SECTION 1 FRAME

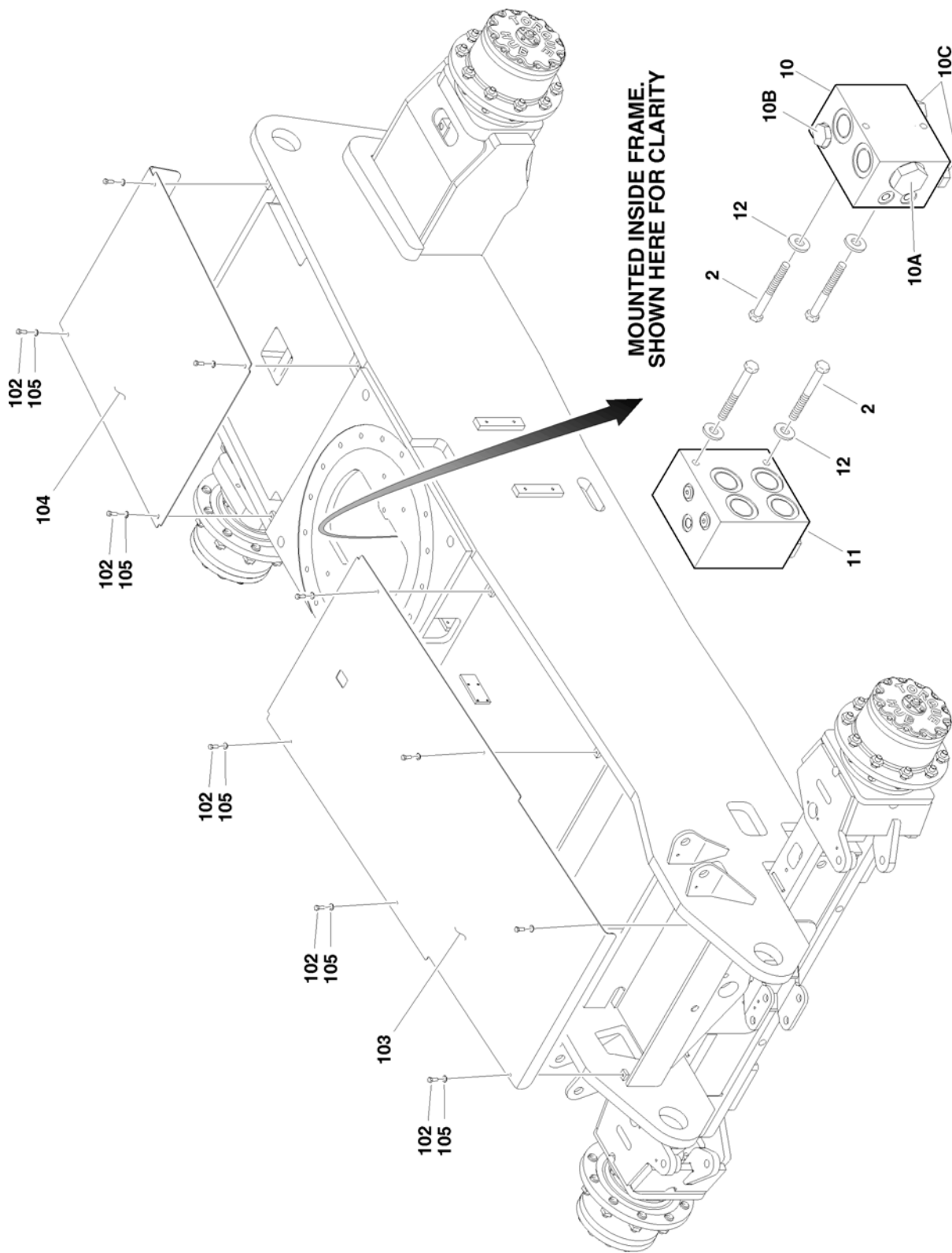
FIGURE 1-4. DRIVE MOTOR ASSEMBLY

FIG & ITEM #	PART NUMBER	DESCRIPTION	QTY.	REV.
	3160204	DRIVE MOTOR ASSEMBLY	Ref	A
1	7012701	Shaft - 13 Teeth	1	
2	Kit	Seal, Shaft	1	
3	7012702	Bearing, Cradle	2	
4	Not Available	Housing	1	
5	7012703	Rod, Piston	1	
6	7012704	Piston, Stroking	1	
7	Kit	O-Ring	1	
8	7012705	Nut, Adapter	1	
9	7012706	Bearing, Roller	1	
10	7012707	Bolt, Metric Socket Head M12 x 65	4	
11	7012708	Block, Port	1	
12	7012709	Shim	1	
13	7012710	Pin, Dowel M6 x 18	1	
14	Kit	O-Ring	1	
15	7012711	Nut, Cap M10 x 1	1	
16	7012712	Screw, Adjusting	1	
17	Kit	O-Ring	2	
18	7012713	Nut, Jam M10 x 1	1	
19	Kit	Rotary Group Assembly	1	
20	Not Available	Plug	1	
21	Kit	Plate, Swash	1	
22	7012714	Bearing, Roller	1	
23	7012715	V-Ring	1	
24	7012700	Control Plate Assembly	1	

	2900788	Seal Kit (Includes Items 2,7,14,17 and O-Rings under Item 24)	1	
	7012716	Rotary Group Kit (Includes Items 19 and 21)	1	

SECTION 1 FRAME

FIGURE 1-5. DRIVE VALVES INSTALLATIONS



SECTION 1 FRAME

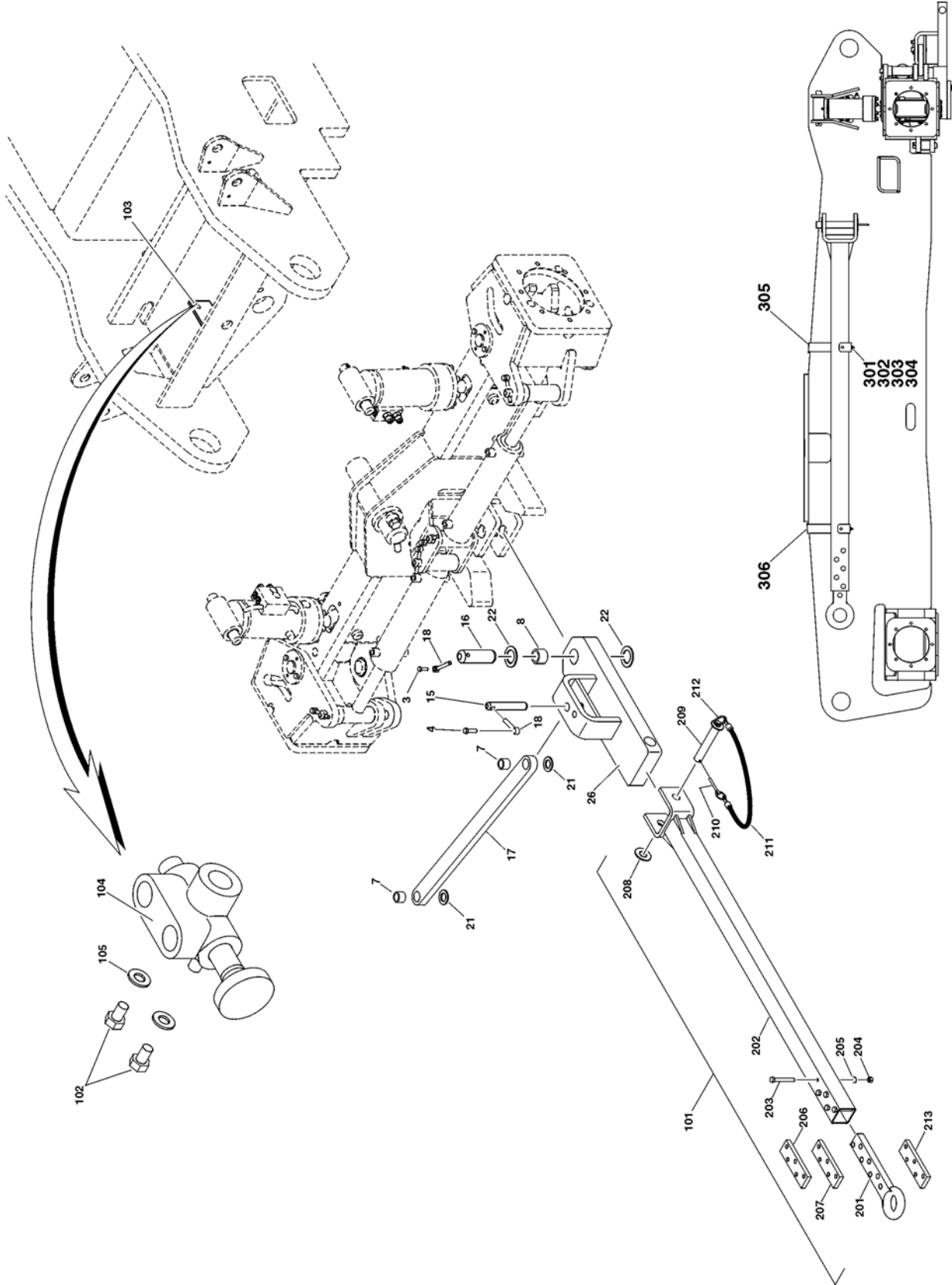
FIGURE 1-5. DRIVE VALVES INSTALLATIONS

FIG & ITEM #	PART NUMBER	DESCRIPTION	QTY.	REV.
	0270211	WHEEL DRIVE INSTALLATION	Ref	B
1	0100011	Loctite #242 (Not Shown)	AR	
2	0641628	Bolt 5/8"-11NC x 3 1/2"	4	
3 to 9	Not Used			
10	4641041	Flow Divider Valve Assembly	1	
10A	7022396	Cartridge, Flow Divider	1	
	7021625	Seal Kit - 7022396 Cartridge	1	
10B	7022398	Cartridge, Load Shuttle	1	
	7023900	Seal Kit - 7022398 Cartridge	1	
10C	7022397	Cartridge, Check Valves	2	
	7022399	Seal Kit - 7022397 Cartridge	2	
11	4641042	Flow Divider Valve Assembly	1	
	7021656	Cartridge, Flow Divider	2	
	7021625	Seal Kit - 7021656 Cartridge	2	
12	4751600	Flatwasher, 3/8"	4	
13 to14	Not Used			
	0258343	FRAME COVERS INSTALLATION	Ref	C
101	0100011	Loctite #242 (Not Shown)	AR	
102	0641608	Bolt, 3/8" - 16NC x 1"	10	
103	3570686	Plate, Cover Front	1	
104	3570690	Plate, Cover Rear	1	
105	4751600	Flatwasher, 3/8"	10	

SECTION 1 FRAME

SECTION 1 FRAME

FIGURE 1-6. TOW PACKAGE INSTALLATION



SECTION 1 FRAME

FIGURE 1-6. TOW PACKAGE INSTALLATION

FIG & ITEM #	PART NUMBER	DESCRIPTION	QTY.	REV.
	0271352	TOW PACKAGE COMPONENTS	Ref	B
1	0100011	Loctite, #242 (Not Shown)	AR	
2	Not Used			
3	0641508	Bolt 5/16"-18NC x 1"	1	
4	0641608	Bolt 3/8"-16NC x 1"	AR	
5 to 6	Not Used			
7	0962292	Bearing, Garmax	2	
8	0962348	Bearing, Composite	1	
9 to 14	Not Used			
15	3422813	Pin	1	
16	3422848	Pin	1	
17	3573001	Link, Connecting	1	
18	3841143	Pin, Keeper 3/8"	AR	
19 to 20	Not Used			
21	4740111	Washer, Thrust	AR	
22	4740155	Washer, Thrust	AR	
23 to 25	Not Used			
26	4846414	Bar, Pivot	1	
	0271655	TOW BAR INSTALLATION	Ref	A
101	0232121	Tow Bar Assembly (See Items 201 to 213 for Breakdown)	1	
102	0641504	Bolt 5/16"-18NC x 1/2"	2	
103	3539662	Plate, Valve Mounting	1	
104	4640261	Valve, Float Position	1	
105	4711500	Flatwasher 5/16" (Narrow)	2	
106	0100011	Loctite #242 (Not Shown)	AR	
	0232121	TOW BAR ASSEMBLY	Ref	7
201	0360406	Bar, Draw	1	
202	4843777	Weldment, Tow Bar	1	
203	0642038	Bolt	5	
204	3312001	Nut	5	
205	4762000	Lockwasher	5	
206	4070450	Shim, Spacer	AR	
207	4070561	Shim, Spacer	AR	
208	4740036	Flatwasher	1	
209	3420447	Pin, Towing	1	
210	3420372	Pin, Cotter	1	
211	1260135	Chain	1	
212	3670170	Ring	2	
213	4070560	Shim	2	

SECTION 1 FRAME

SECTION
1
FRAME

FIGURE 1-6. TOW PACKAGE INSTALLATION (CONTINUED)

FIG & ITEM #	PART NUMBER	DESCRIPTION	QTY.	REV.
	0271686	TOW BAR STORAGE INSTALLATION	Ref	A
301	1260017	Chain	2	
302	3311401	Nut 1/4"-20NC	2	
303	3420292	Pin	2	
304	4751400	Flatwasher 1/4" (Wide)	2	
305	4846507	Bracket (Front)	1	
306	4846508	Bracket (Rear)	1	

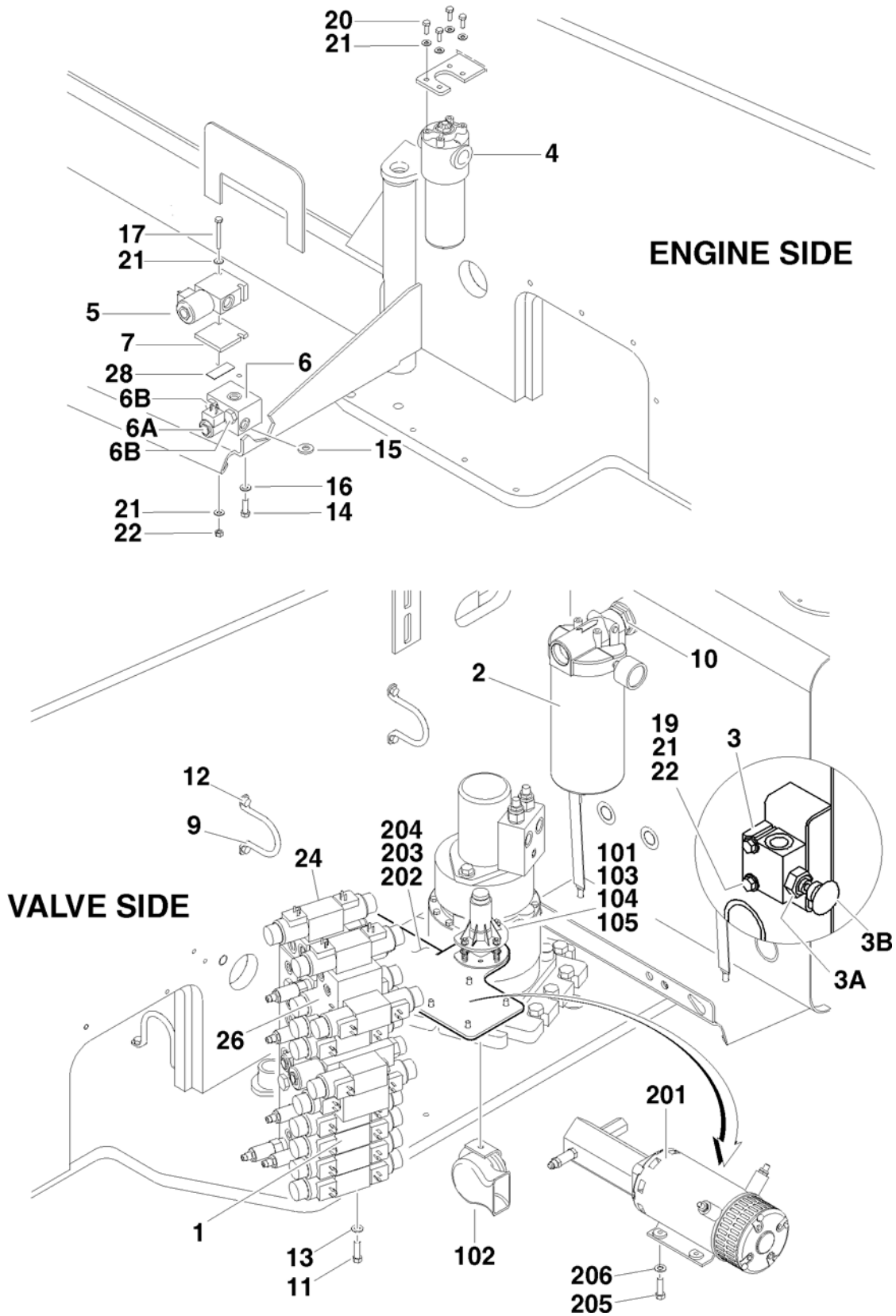
SECTION 2 TURNTABLE

TABLE OF CONTENTS		
FIGURE	DESCRIPTION	PAGE
2-1	CONTROL VALVES INSTALLATIONS	2-2
2-2	MAIN CONTROL VALVE ASSEMBLY	2-6
2-3	ACCESSORY VALVE ASSEMBLY	2-10
2-4	TURNTABLE AND SWING DRIVE INSTALLATIONS	2-12
2-5	SWING HUB ASSEMBLY	2-14
2-6	SWING MOTOR ASSEMBLY	2-16
2-7	FORD ENGINE WITH EFI INSTALLATION (DUAL FUEL)	2-18
2-8	FORD DUAL FUEL INSTALLATION	2-24
2-9	GENERATOR INSTALLATION - FORD MACHINES (OPTIONAL)	2-28
2-10	DEUTZ ENGINE INSTALLATION	2-30
2-11	PISTON PUMP ASSEMBLY	2-36
2-12	TANK INSTALLATIONS	2-40
2-13	ROTARY COUPLING INSTALLATIONS	2-42
2-14	GROUND CONTROL BOX ASSEMBLY	2-44
2-15	ELECTRICAL OPTIONS INSTALLATIONS (TURNTABLE MOUNTED)	2-48
2-16	HOODS INSTALLATION	2-50
2-17	ENGINE TRAY JACK INSTALLATION (OPTIONAL)	2-54

SECTION 2 TURNTABLE

FIGURE 2-1. CONTROL VALVES INSTALLATIONS

SECTION 2 TURNTABLE



SECTION 2 TURNTABLE

FIGURE 2-1. CONTROL VALVES INSTALLATIONS

FIG & ITEM #	PART NUMBER	DESCRIPTION	QTY.	REV.
	0258457	VALVES INSTALLATION	Ref	C
1	Use 4641453	Main Control Valve Assembly (See MAIN CONTROL VALVE ASSEMBLY for Breakdown) (was p/n 4641099)	1	
2	2120167	Return Filter Assembly	1	
	2120168	Element, Filter	1	
	7020021	Indicator, Clogged	1	
3	4640866	Valve Assembly (Level)	1	
3A	Not Available	Cartridge	1	
	2900708	Seal Kit - Cartridge	1	
3B	7012959	Knob	1	
4	2120163	Pressure Filter Assembly	1	
	2120150	Element, Filter	1	
	7020020	Indicator	1	
5	4641061	Solenoid Valve Assembly (Brake)	1	
	7012943	Coil	1	
	7017479	Cartridge without Coil	1	
	7012518	Seal Kit - 7017479 Cartridge	1	
6	4640906	Solenoid Valve Assembly (2 Speed)	1	
6A	7012944	Coil	1	
	7023981	Cartridge without Coil	1	
	7012905	Seal Kit - 7017480 Cartridge	1	
6B	7017481	Cartridge, Check	2	
	7012972	Seal Kit - 7017481 Cartridge	2	
7	3570979	Plate, Spacer	1	
8	Not Used			
9	3841340	Loop, Hose	4	
10	2220893	Fitting, Adapter	1	
11	0641614	Bolt 3/8"-16NC x 1 3/4"	3	
12	0641606	Bolt 3/8"-16NC x 3/4"	8	
13	4711600	Flatwasher 3/8" Narrow	6	
14	0641508	Bolt 5/16"-18NC x 1"	2	
15	4891500	Flatwasher 5/16"	2	
16	4711500	Flatwasher 5/16" Narrow	2	
17	0641418	Bolt 1/4"-20NC x 2 1/4"	2	
18	Not Used			
19	0641414	Bolt 1/4"-20NC x 1 3/4"	2	
20	0651406	Bolt 1/4"-28NF x 3/4"	4	
21	4711400	Flatwasher 1/4" Narrow	16	
22	3311405	Locknut 1/4"-20NC	6	
23	0100011	Loctite #242 (Not Shown)	AR	
24	4640921	Valve Assembly (Jib Control) (See ACCESSORY VALVE ASSEMBLY for Breakdown)	1	
25	4921927	Harness Assembly (Jib Control) (Not Shown - See ELECTRICAL SECTION for Breakdown):	1	
26	4640922	Valve Assembly (4WS Control) (See ACCESSORY VALVE ASSEMBLY for Breakdown)	1	
27	4921928	Harness Assembly (4WS Control) (Not Shown - See ELECTRICAL SECTION for Breakdown):	1	

SECTION 2 TURNTABLE

FIGURE 2-1. CONTROL VALVES INSTALLATIONS (CONTINUED)

SECTION 2 TURNTABLE

FIG & ITEM #	PART NUMBER	DESCRIPTION	QTY.	REV.
28	4420060	Tape, Double Sided	2in/5cm	
	0258410	TILT INDICATOR INSTALLATION	Ref	B
101	4360417	Indicator, Tilt	1	
102	0140001	Horn	1	
103	0641406	Bolt 1/4"-20NC x 3/4"	3	
104	4711400	Flatwasher 1/4" Narrow	5	
105	3311405	Locknut 1/4"-20NC	3	
	0258670	AUXILIARY PUMP INSTALLATION Note: Original Equipment pump may have been replaced with various Service Replacement pump. Identify component before ordering parts.	Ref Ref	B
201		Auxiliary Pump Assembly Options:		
	Use 1001143191	Auxiliary Pump Service Kit (Original Equipment) (was p/n 3600287 & 1001091424)	1	
		Service Parts for Fenner Brand (p/n 3600287 pump)		
	7016779	Replacement Motor Assembly (p/n 3600287 pump)	1	
	7016781	Brush Kit - 7016779 Motor	1	
	7016780	Replacement Pump Assembly (p/n 3600287 pump)	1	
	7016785	Seal Kit - 7016780 Pump	1	
	7016782	Coupling, Pump/Motor (p/n 3600287 pump)	1	
	7016783	Pump Mounting Kit (p/n 3600287 pump)	1	
	7016784	Relief Valve Assembly (p/n 3600287 pump)	1	
	Use 1001137460	Auxiliary Pump Assembly (Service Replacement) (was p/n 3600458)	1	
		Service Parts for Haldex Brand (p/n 3600458 pump) (Service Replacement)		
	70001059	Replacement Motor Assembly (p/n 3600458 pump)	1	
	See Note	Pump (p/n 1001137460 pump) (Note: Not Available for Purchase)	1	
	70001069	Seal Kit, Pump (p/n 3600458 pump)	1	
	70001068	Motor/Coupling Kit (p/n 3600458 pump)	1	
	70001067	Valve, Logic (p/n 3600458 pump)	1	
	1001137460	Auxiliary Pump Assembly (Service Replacement) Service Parts for Bucher Brand (p/n 1001137460 pump) (Service Replacement)	1	
	70003992	Replacement Motor Assembly (p/n 1001137460 pump)	1	
	See Note	Pump (p/n 1001137460 pump) (Note: Not Available for Purchase)	1	
	70003983	Base Assembly (p/n 1001137460 pump)	1	
	70003993	Seal Shaft - 70003983 Base Assembly	1	
	70003989	Valve, Logic (p/n 1001137460 pump)	1	
	70003990	Relief Valve (p/n 1001137460 pump)	1	
202	0902415	Bracket, Pump Mounting	1	
203	0641610	Bolt 3/8in-16NC x 1-1/4in	3	
204	4751600	Flatwasher 3/8in	3	

SECTION 2 TURNTABLE

FIGURE 2-1. CONTROL VALVES INSTALLATIONS (CONTINUED)

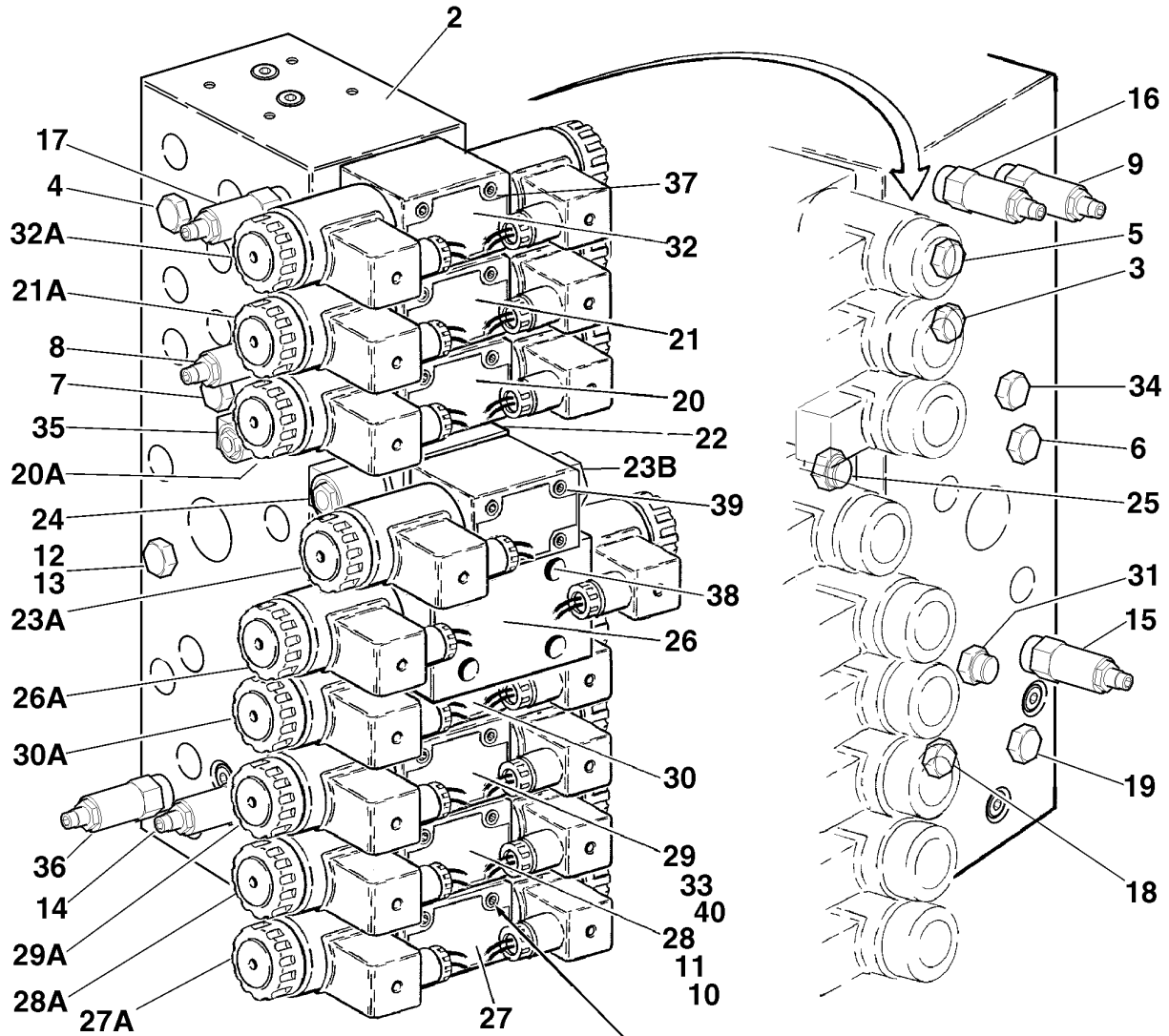
FIG & ITEM #	PART NUMBER	DESCRIPTION	QTY.	REV.
205	0641506	Bolt 5/16in-18NC x 3/4in	4	
206	4711500	Flatwasher 5/16in Narrow	4	
207	0100011	Compound, Locking	AR	

SECTION 2 TURNTABLE

SECTION 2 TURNTABLE

FIGURE 2-2. MAIN CONTROL VALVE ASSEMBLY

SECTION 2 TURNTABLE



TORQUE TO 60 IN/LBS

SECTION 2 TURNTABLE

FIGURE 2-2. MAIN CONTROL VALVE ASSEMBLY

FIG & ITEM #	PART NUMBER	DESCRIPTION	QTY.	REV.
		MAIN CONTROL VALVE ASSEMBLY	Ref	
	4641099	Original Equipment	Ref	B
	4641453	Service Replacement	Ref	B
		Note: Original Equipment valve may have been replaced with Service Replacement valve. Visually identify the p/n stamped on valve before ordering parts.	Ref	
1	Not Used			
2	See Note	Block (Note: Not Available - Purchase Complete Assy.)	1	
3	7010542	Cartridge, Load Sensing (Main Lift)	1	
	7010543	Seal Kit - 7010542 Cartridge	1	
4	7010542	Cartridge, Load Sensing	1	
	7010543	Seal Kit - 7010542 Cartridge	1	
5	7010542	Cartridge, Load Sensing (Swing)	1	
	7010543	Seal Kit - 7010542 Cartridge	1	
6	7010542	Cartridge, Load Sensing	1	
	7010543	Seal Kit - 7010542 Cartridge	1	
7	7010542	Cartridge, Load Sensing (Main)	1	
	7010543	Seal Kit - 7010542 Cartridge	1	
8	7017420	Cartridge, Relief Valve (Main Lift)	1	
	7012998	Seal Kit - 7017420 Cartridge	1	
9	7017423	Cartridge, Relief Valve (Swing)	1	
	7012998	Seal Kit - 7017420 Cartridge	1	
10	7018941	Orifice	1	
11	7018941	Orifice	1	
12	4641192	Cartridge, Check Valve (Tower Lift) (was p/n 7017474)	1	
	2900708	Seal Kit - 4641192 Cartridge	1	
13	7021602	Piston, Pilot	1	
14	7017428	Cartridge, Relief Valve (Platform Level Down)	1	
	7012998	Seal Kit - 7017428 Cartridge	1	
15	7017427	Cartridge, Relief Valve (Platform Level Up)	1	
	7012998	Seal Kit - 7017427 Cartridge	1	
16	7017428	Cartridge, Relief Valve (Front Steer)	1	
	7012998	Seal Kit - 7017428 Cartridge	1	
17	7017428	Cartridge, Relief Valve (Front Steer)	1	
	7012998	Seal Kit - 7017428 Cartridge	1	
18	7012914	Cartridge, Pilot Check (Platform Level)	1	
	7012918	Seal Kit - 7012914 Cartridge	1	
19	7012914	Cartridge, Pilot Check (Platform Level)	1	
	7012918	Seal Kit - 7012914 Cartridge	1	
20	7018992	Control Valve Assembly (Main Lift)	1	
	7012773	Seal Kit - 7018992 Valve	1	
20A	7018991	Coil	2	
	7018912	Nut	2	
21	7012775	Control Valve Assembly (Swing)	1	
	7012773	Seal Kit - 7012775 Valve	1	

SECTION 2 TURNTABLE

SECTION 2 TURNTABLE

FIGURE 2-2. MAIN CONTROL VALVE ASSEMBLY (CONTINUED)

SECTION 2 TURNTABLE

FIG & ITEM #	PART NUMBER	DESCRIPTION	QTY.	REV.
21A	7012772	Coil	2	
	7018912	Nut	2	
22	70002946	Flow Control Manifold Assembly (Main) (Includes Items 24 & 25)	1	
23	7018994	Control Valve Assembly (Main)	1	
	7012773	Seal Kit - 7018994 Valve	1	
23A	7012772	Coil	1	
	7018912	Nut	1	
23B	7018993	Plug	1	
24	7017475	Cartridge without Coil	1	
	7010545	Seal Kit - 7017475 Cartridge	1	
	7000645	Coil	1	
25	7021601	Cartridge, Flow Regulator (Main)	1	
	7017477	Seal Kit - 7021601 Cartridge	1	
26		Control Valve Assembly Options (Main Tele):	1	
	Use 70000579	Original Equipment (was p/n 7012766)		
	70000579	Service Replacement		
		Note: Refer to Vendor P/N on Valve Nameplate before ordering Parts. P/N 7012766 is RR00567495 or R900567495. P/N 70000579 is R900930080.	Ref	
		Seal Kit Options:	1	
	7012769	7012766 Valve		
	70000583	70000579 Valve		
26A		Coil Options:	1	
	7012772	7012766 Valve (was p/n 7012768)		
	70000582	70000579 Valve		
		Nut, Coil Options:	1	
	7018912	7012766 Valve		
	70000580	70000579 Valve		
27	Use 70001976	Control Valve Assembly (Tower Tele) (was p/n 7012770)	1	
	7012773	Seal Kit - 7012770 Valve	1	
27A	7012772	Coil	2	
	7018912	Nut	2	
28	Use 70001976	Control Valve Assembly (Platform Level) (was p/n 7012770)	1	
	7012773	Seal Kit - 7012770 Valve	1	
28A	7012772	Coil	2	
	7018912	Nut	2	
29	Use 70001976	Control Valve Assembly (Platform Rotate) (was p/n 7012770)	1	
	7012773	Seal Kit - 7012770 Valve	1	
29A	7012772	Coil	2	
	7018912	Nut	2	
30	Use 70001976	Control Valve Assembly (Tower Lift)	1	
	7012773	Seal Kit - 7012770 Valve (was p/n 7012770)	1	
30A	7012772	Coil	2	
	7018912	Nut	2	
31	7012989	Cartridge, Flow Regulator (Platform Rotate)	1	
	7012953	Seal Kit - 7012989 Cartridge	1	

SECTION 2 TURNTABLE

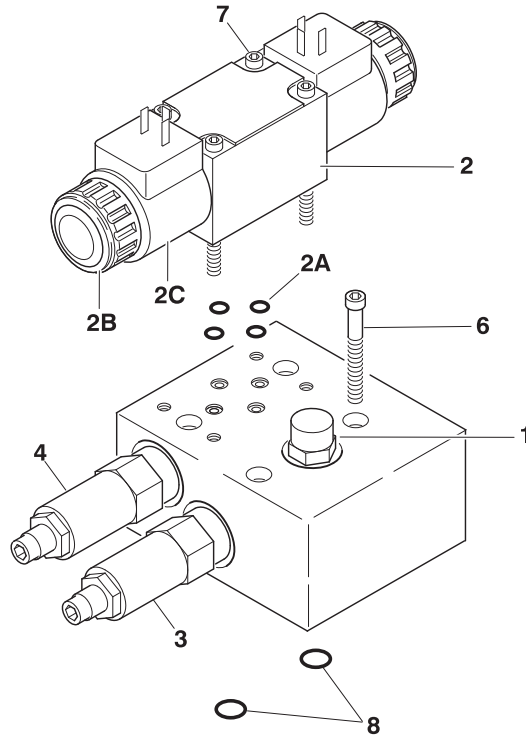
FIGURE 2-2. MAIN CONTROL VALVE ASSEMBLY (CONTINUED)

FIG & ITEM #	PART NUMBER	DESCRIPTION	QTY.	REV.
32	7012774	Control Valve Assembly (Front Steer)	1	
	7012773	Seal Kit - 7012774 Valve	1	
32A	7012772	Coil	2	
	7018912	Nut	2	
33	7021310	Valve, Sandwich (Platform Rotate)	AR	
	7018945	O-Rings, Replacement - 7021310 Valve	2	
34	7017478	Cartridge, Check Valve (Main Pressure)	1	
	7017477	Seal Kit - 7017478 Cartridge	1	
35	7012941	Cartridge without Coil (Main Dump)	1	
	7010543	Seal Kit - 7017452 Cartridge	1	
	7012944	Coil	1	
36	7017428	Cartridge, Relief Valve (Tower Tele)	1	
	7012998	Seal Kit - 7017428 Cartridge	1	
37	7018942	Capscrew #10-24NC x 2in	28	
38	7018951	Capscrew 1/4in-20NC x 1-1/2in	4	
39	7021311	Capscrew #10-24NC x 4-1/2in	4	
40	3931048	Capscrew #10-24NC x 3in	4	

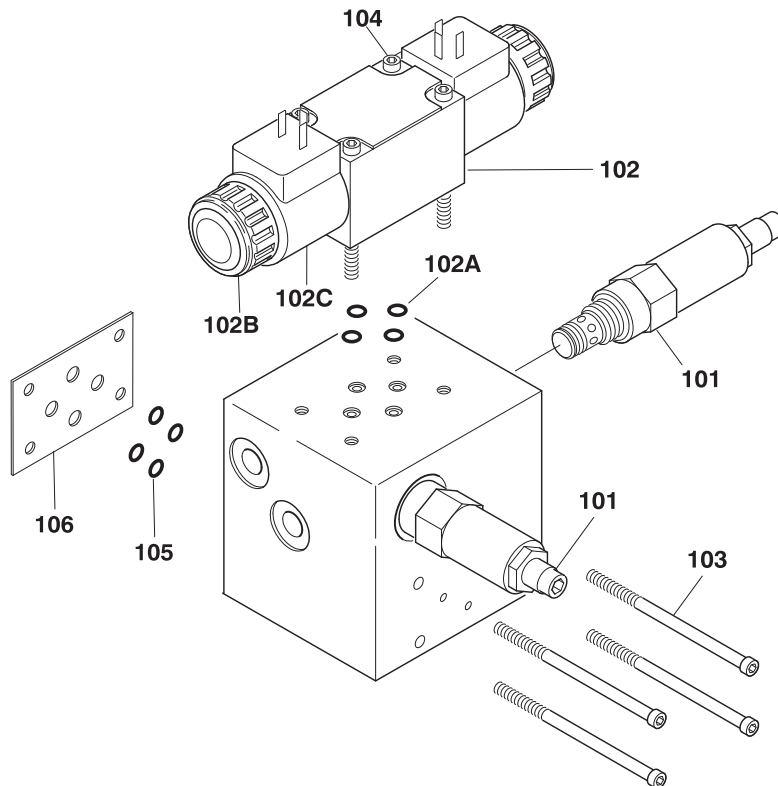
SECTION 2 TURNTABLE

SECTION 2 TURNTABLE

FIGURE 2-3. ACCESSORY VALVE ASSEMBLY



NOTE: TORQUE ITEMS 6, 7, 103 & 104 TO 60 IN/LBS.



SECTION 2 TURNTABLE

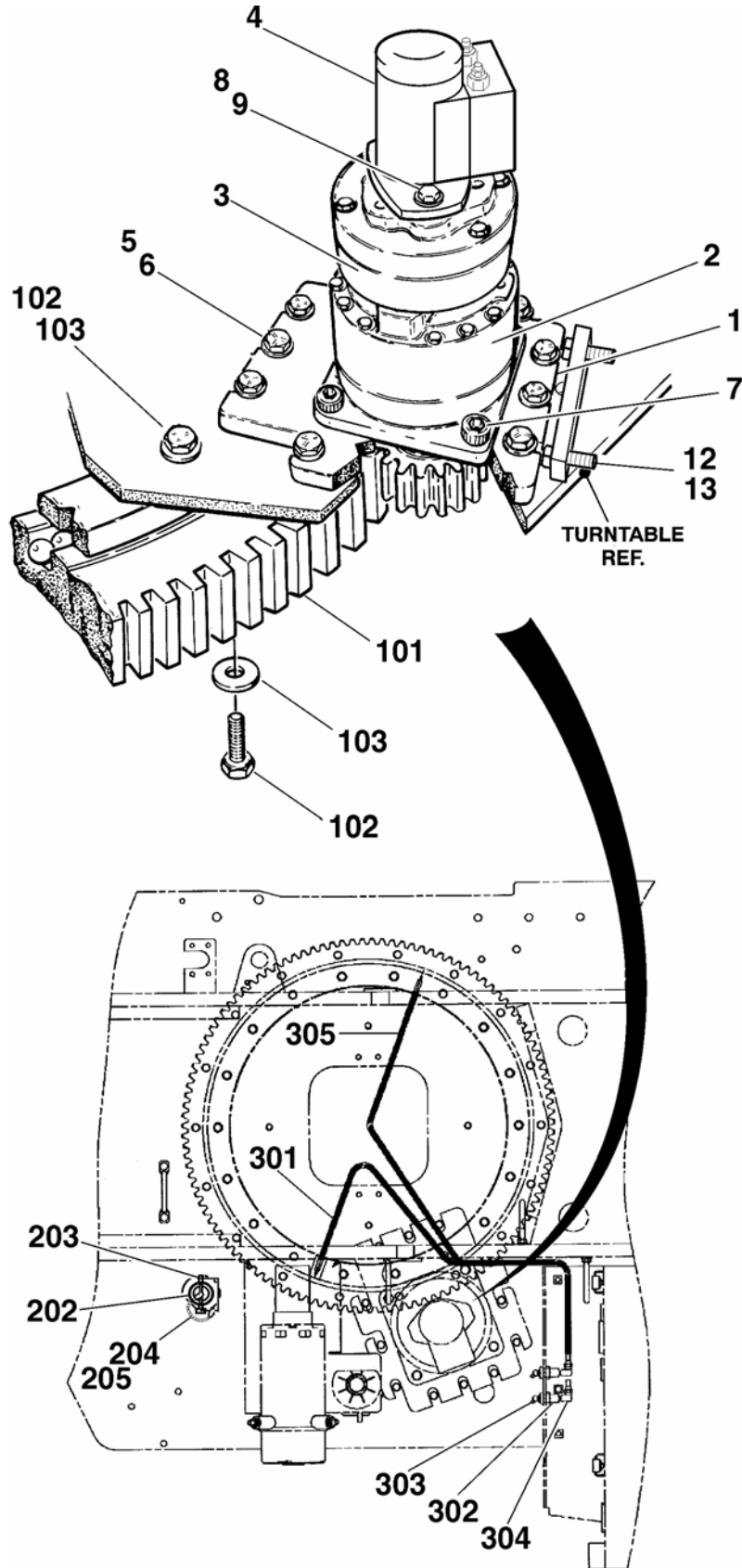
FIGURE 2-3. ACCESSORY VALVE ASSEMBLY

FIG & ITEM #	PART NUMBER	DESCRIPTION	QTY.	REV.
		ACCESSORY VALVE ASSEMBLIES	Ref	
	4640921	ARTICULATING JIB VALVE ASSEMBLY	Ref	D
1	7012965	Cartridge, Flow Control	1	
	7012953	Seal Kit - 7012965 Cartridge	1	
2	Use 70001976	Directional Control Valve Assembly (was p/n 7012770)	1	
	7012773	Seal Kit	1	
2A	7018945	Nut	2	
2B	7012772	Coil	2	
3	7017421	Cartridge, Relief	1	
	7012998	Seal Kit - 7017421 Cartridge	1	
4	7017422	Cartridge, Relief	1	
	7012998	Seal Kit - 7017422 Cartridge	1	
5	4460499	Connector, DIN with Diode (Part of Valve Harness)	2	
6	7018946	Capscrew, Socket Head #10-24NC x 5" (Not Shown - Used to Mount Valve Assembly)	4	
7	7018942	Capscrew, Socket Head #10-24NC x 2"	4	
8	Not Required			
	4640922	4WS VALVE ASSEMBLY (NOT SHOWN)	Ref	B
101	7017420	Cartridge, Relief	1	
	7012998	Seal Kit - 7017420 Cartridge	1	
102	7012774	Directional Control Valve Assembly	1	
	7012773	Seal Kit	1	
102A	7018945	Nut	2	
102B	7012772	Coil	2	
103	7017420	Cartridge Relief	1	
	7012998	Seal Kit - 7017420 Cartridge	1	
104	Not Required			
105	4460499	Connector, DIN with Diode (Part of Valve Harness)	2	
106	7018946	Capscrew, Socket Head #10-24NC x 5" (Not Shown - Used to Mount Valve Assembly)	4	
107	7018942	Capscrew, Socket Head #10-24NC x 2"	4	
108	7018948	O-Ring (Not Shown - Used to Mount Standard Steering Valve Assembly)	4	

SECTION 2 TURNTABLE

SECTION 2 TURNTABLE

FIGURE 2-4. TURNTABLE AND SWING DRIVE INSTALLATIONS



SECTION 2 TURNTABLE

SECTION 2 TURNTABLE

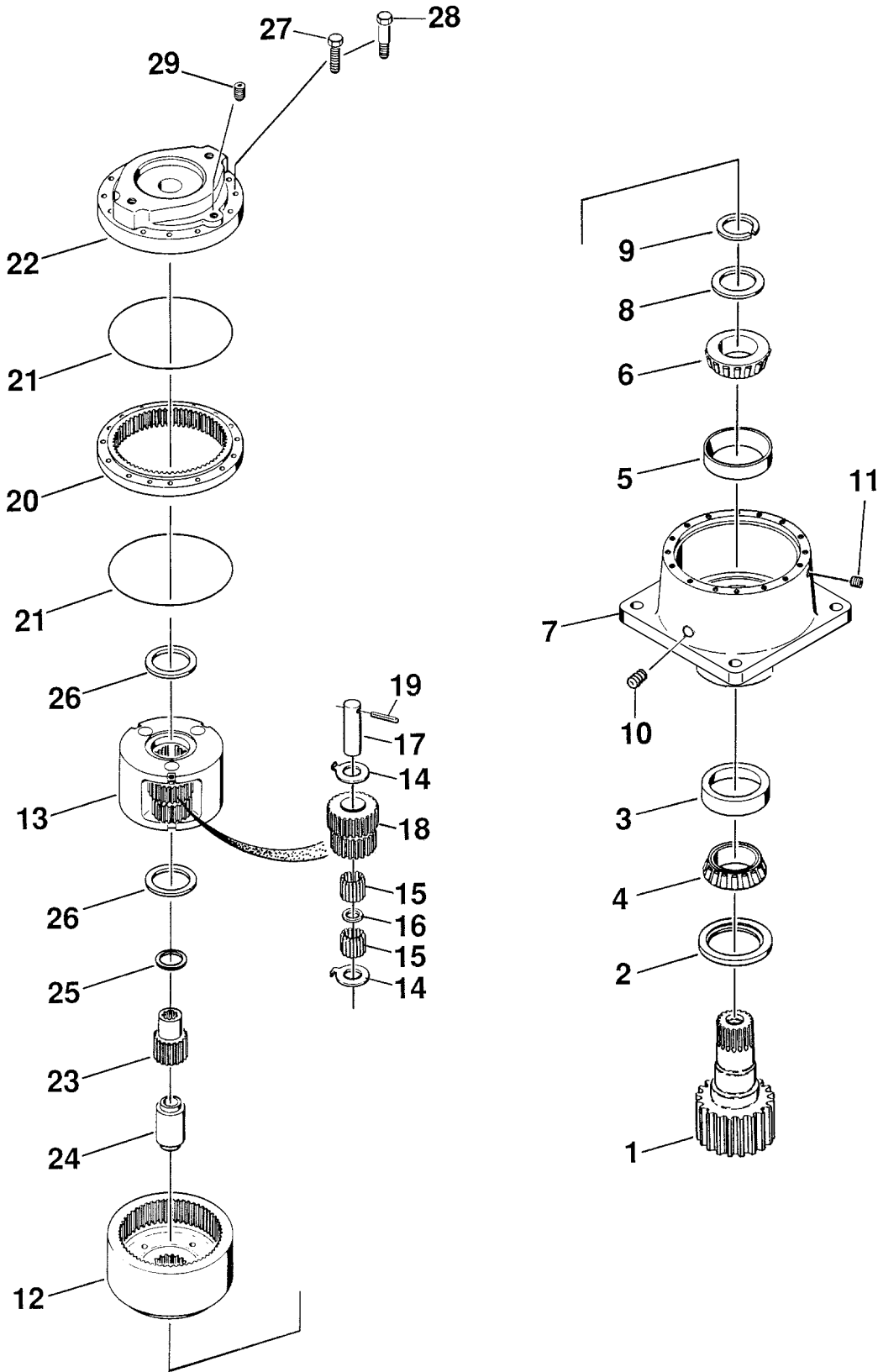
FIGURE 2-4. TURNTABLE AND SWING DRIVE INSTALLATIONS

FIG & ITEM #	PART NUMBER	DESCRIPTION	QTY.	REV.
		TURNTABLE WELDMENT	Ref	
	4620119	Standard Machines	Ref	
	0270331	SWING DRIVE INSTALLATION	Ref	B
1	3570488	Plate, Swing Drive	1	
2	2780205	Hub, Swing Assembly (See SWING HUB ASSEMBLY for Breakdown)	1	
3	0920119	Brake, Swing Assembly	1	
	7018612	Kit, Repair	1	
4	3160279	Motor, Swing Assembly (See SWING MOTOR ASSEMBLY for Breakdown)	1	
5	0642018	Bolt 5/8" - 11NC x 2 1/4"	12	
6	4740004	Washer 5/8" (Hardened)	12	
7	3932224	Bolt 1/2" - 13NC x 1 1/2"	4	
8	0681836	Bolt 1/2" - 13NC x 4 1/2" (Grade 8)	2	
9	4891800	Flatwasher 1/2"	2	
10	0100011	Loctite, #242 (Not Shown)	AR	
11	0100019	Loctite, #271 (Not Shown)	AR	
12	3311802	Nut Jam 1/2" - 13NC	2	
13	3971820	Setscrew 1/2" - 13NC x 2 1/2	2	
	0259055	SWING BEARING INSTALLATION	Ref	A
101	0440233	Bearing, Turntable	1	
102	0682023	Bolt 5/8" - 11NC x 2 7/8" (Grade 8)	36	
103	4892000	Flatwasher, Hardened	36	
104	0100019	Loctite #271 (Not Shown)	AR	
	0239585	TURNTABLE LOCK INSTALLATION	Ref	B
201	Not Used			
202	3421627	Pin	1	
203	3421565	Pin, Snap	1	
204	3760170	Ring, Quick Release	2	
205	1260017	Chain	9in/23cm	
	0255316	REMOTE BEARING LUBE INSTALLATION	Ref	2
301	2751095	Hose, Grease	1	
302	2180344	Fitting, Bulkhead	2	
303	2160003	Fitting, Grease Elbow	2	
304	2220063	Fitting, Elbow	2	
305	2751032	Hose, Grease	1	

SECTION 2 TURNTABLE

FIGURE 2-5. SWING HUB ASSEMBLY

SECTION 2 TURNTABLE



SECTION 2 TURNTABLE

FIGURE 2-5. SWING HUB ASSEMBLY

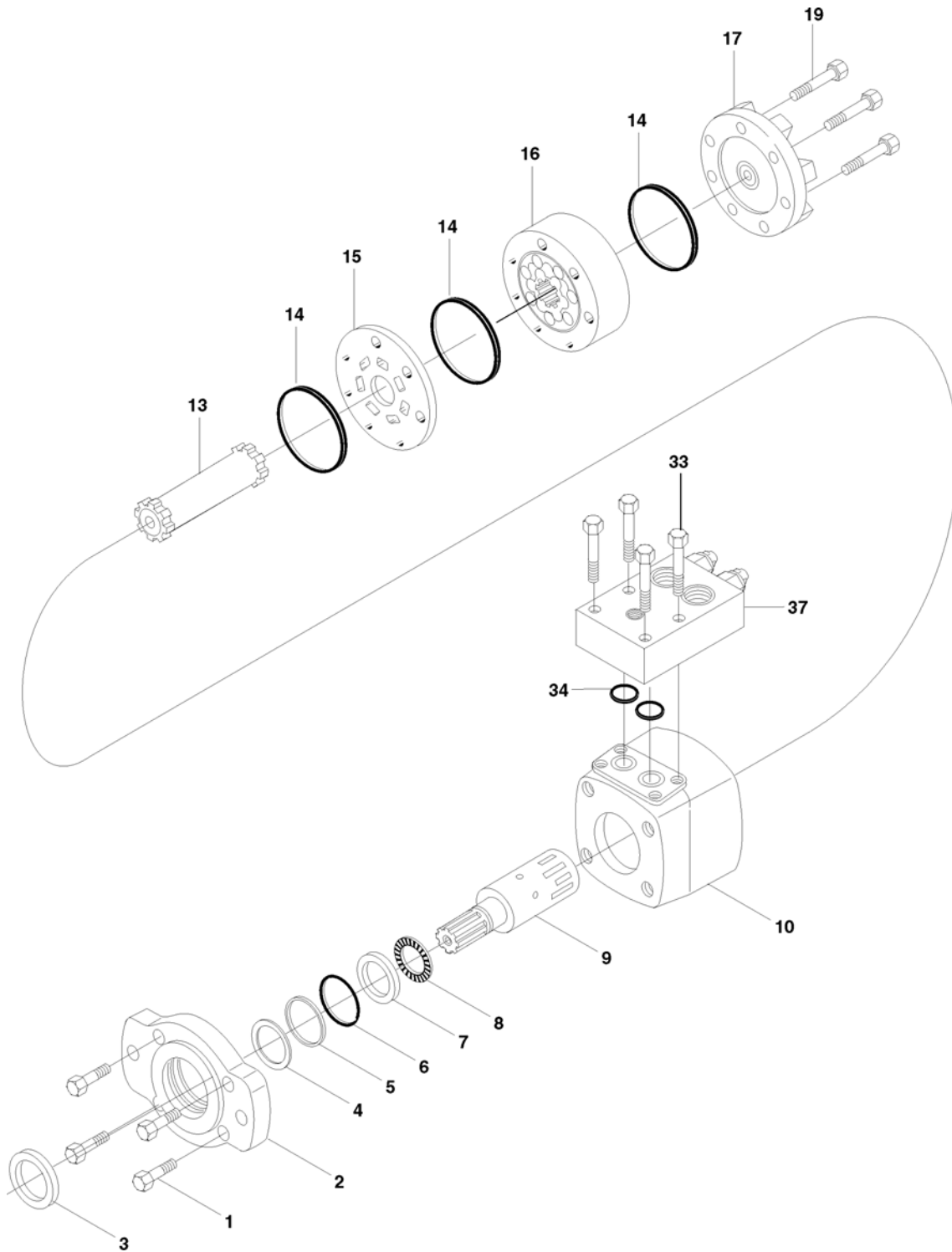
FIG & ITEM #	PART NUMBER	DESCRIPTION	QTY.	REV.
	2780205	SWING HUB ASSEMBLY	Ref	—
		HOUSING ASSEMBLY	Ref	
1	7010492	Shaft, Output	1	
2	7000228	Seal, Lip	1	
3	7000255	Cup, Bearing	1	
4	7000256	Cone, Bearing	1	
5	7000257	Cup, Bearing	1	
6	7000258	Cone, Bearing	1	
7	7017089	Housing	1	
8	7007633	Thrustwasher	1	
9	7000229	Ring, Retaining	1	
10	7010494	Pipe, Plug	2	
11	7001928	Pipe, Plug	2	
12	7000246	Gear, In O-Ring	2	
		CARRIER ASSEMBLY	Ref	
13	7001931	Carrier	1	
14	7001985	Thrustwasher, Tanged	6	
15	7001909	Bearing, Needle	96	
16	7000263	Spacer, Thrust	3	
17	7001911	Shaft, Planet	3	
18	7001987	Gear, Cluster	3	
19	7010474	Rollpin	3	
20	7001988	Ring Gear	1	
21	7000230	O-Ring	2	
22	7000209	Cover, Input	1	
23	7010488	Gear, Sun	1	
24	7000269	Spacer, Input	1	
25	7000270	Thrustwasher	1	
26	7000253	Thrustwasher	2	
27	7000217	Bolt	8	
28	7000214	Bolt, Shoulder	4	
29	2200222	Pipe, Plug	1	

SECTION 2 TURNTABLE

SECTION 2 TURNTABLE

FIGURE 2-6. SWING MOTOR ASSEMBLY

SECTION 2 TURNTABLE



SECTION 2 TURNTABLE

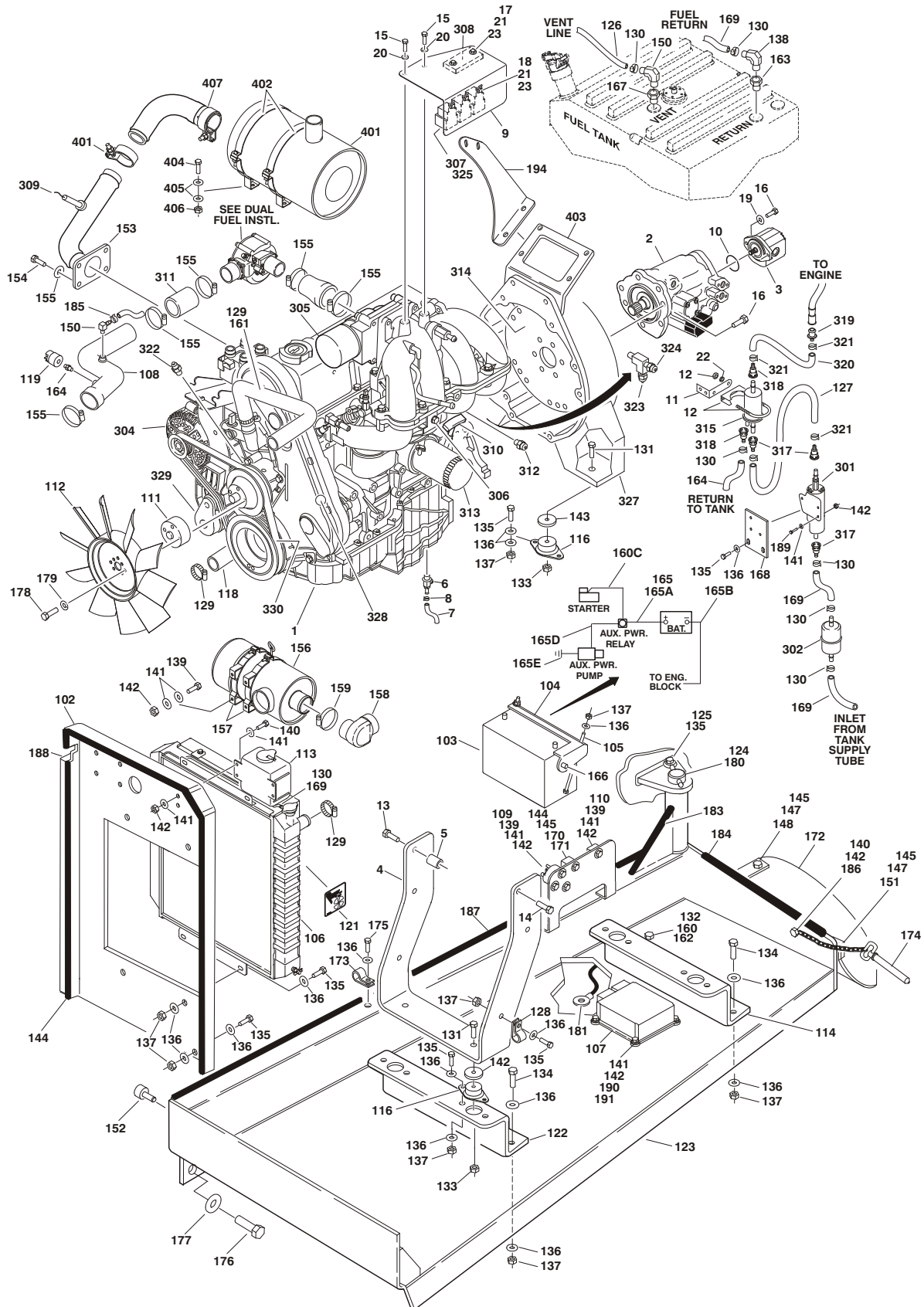
FIGURE 2-6. SWING MOTOR ASSEMBLY

FIG & ITEM #	PART NUMBER	DESCRIPTION	QTY.	REV.
	3160279	SWING MOTOR ASSEMBLY	Ref	A
1	7020357	Bolt	4	
2	7009996	Flange, Mounting	1	
3	Kit	Seal, Exclusion	1	
4	Kit	Washer, Back-up	1	
5	Kit	Seal, Pressure	1	
6	Kit	Seal	1	
7	7002117	Race, Bearing	1	
8	7002111	Washer, Thrust	1	
9	7009998	Shaft	1	
10	7020358	Housing Options:	1	
11 to 12	Not Used			
13	7020336	Drive	1	
14	Kit	Seal, Body	3	
15	7020338	Plate, Spacer	1	
16	7020339	Rotor Set Assembly	1	
17	7020346	Cap, End	1	
18	Not Used			
19	7020340	Bolt	7	
20 to 32	Not Used			
33	7020353	Bolt	4	
34	Kit	O-Ring	2	
35 to 36	Not Used			
37	7020359	Valve, Counterbalance	1	
	Not Available	Cartridge, Valve	2	
	7020360	Seal Kit - (Includes Items - 3 thru 6, 14 & 34)	1	

SECTION 2 TURNTABLE

SECTION 2 TURNTABLE

FIGURE 2-7. FORD ENGINE WITH EFI INSTALLATION (DUAL FUEL)



SECTION 2 TURNTABLE

SECTION 2 TURNTABLE

FIGURE 2-7. FORD ENGINE WITH EFI INSTALLATION (DUAL FUEL)

FIG & ITEM #	PART NUMBER	DESCRIPTION	QTY.	REV.
	0259478	ENGINE ASSEMBLY (DUAL FUEL)	Ref	1/A
1	2000166	Engine - Ford LRG-425	1	
2	3600295	Piston Pump Assembly (See PISTON PUMP ASSEMBLY for Breakdown)	1	
3	3600278	Piston Pump Assembly	1	
	7018995	Seal Kit - 3600278 Motor	1	
4	3539972	Plate, Engine Mounting - Front	1	
5	4566605	Tube, Spacer	1	
6	4640989	Valve, Oil Drain	1	
7	2750532	Hose	6in/21cm	
8	1320022	Clamp	1	
9	3571498	Plate, Module Mounting	1	
10	3790152	O-Ring	1	
11	0902539	Bracket	1	
12	1320019	Clamp	1	
13	0701022	Bolt, Metric 10mm-1.5 x 70mm	2	
14	0701014	Bolt, Metric 10mm-1.5 x 30mm	2	
15	0700810	Bolt, Metric 8mm-1.25 x 20mm	3	
16	0641812	Bolt 1/2"-13NC x 1 1/2"	4	
17	0721014	Screw #10-24NC x 1 3/4"	2	
18	0721006	Screw #10-24NC x 3/4"	3	
19	4891800	Washer, Hardened 1/2"	2	
20	4751500	Flatwasher 5/16"	2	
21	4751000	Flatwasher #10	8	
22	4761500	Lockwasher 5/16"	2	
23	3311005	Locknut #10-24NC	5	
24	0100011	Loctite #242 (Not Shown)	AR	
25	0100020	Sealant, Pipe (Not Shown)	AR	
	0259479	ENGINE INSTALLATION (DUAL FUEL)	Ref	5/E
101	Not Used			
102	3539872	Mount, Radiator	1	
103	0400075	Battery	1	
104	0181727	Tie-Down	1	
105	0630498	Bolt, Tie-Down	2	
106	3620040	Radiator	1	
	Use 8180311	Cap, Radiator (was p/n 7019656)	1	
107	1600298	Controller, ECM	1	
108	4846011	Weldment, Air Intake Tube	1	
109	3740067	Relay, Auxiliary Power Relay	1	
110	3740080	Relay, Bosch Relay	2	
111	0080214	Adapter, Fan Spacer	1	
112	2060025	Fan, Suction	1	
113	1580011	Container, Coolant Overflow Container	1	
114	3570133	Plate, Engine Mount-Ford (Rear)	1	
115	Not Used			

SECTION 2 TURNTABLE

FIGURE 2-7. FORD ENGINE WITH EFI INSTALLATION (DUAL FUEL) (CONTINUED)

SECTION 2 TURNTABLE

FIG & ITEM #	PART NUMBER	DESCRIPTION	QTY.	REV.
116	3200362	Mount, Rubber	4	
117	Not Used			
118	2720435	Hose, Lower Radiator (Lower)	1	
119	4360392	Switch, Restriction Indicator Switch	1	
120	3841340	Hose Loop (Not Shown Located inside turntable)	2	
121	1703162	Decal - Fan Blade	2	
122	3570103	Plate, Engine Mount (Front)	1	
123	4845404	Tray, Engine	1	
124	3422446	Pin, Pivot	1	
125	3841143	Pin, Keeper	1	
126	2750532	Hose	5ft/1.5m	
127	2720472	Hose	1	
128	1320060	Clamp, Hose - 0.625	1	
129	1320012	Clamp, Hose, Radiator	4	
130	1320022	Clamp, Hose	9	
131	0641828	Bolt 1/2"-13NC x 3 1/2"	4	
132	4751800	Flatwasher 1/2"	1	
133	3311805	Hex Nut 1/2" - 13UNC	4	
134	0641610	Bolt 3/8"-16NC x 1 1/4"	8	
135	0641608	Bolt 3/8"-16NC x 1"	22	
136	4751600	Flatwasher 3/8"	55	
137	3311605	Locknut 3/8"-16UNC	31	
138	2220805	Fitting	1	
139	0641408	Bolt 1/4"-20NC x 1"	4	
140	0641406	Bolt 1/4"-20NC x 3/4"	5	
141	4751400	Flatwasher 1/4"	16	
142	3311405	Locknut 1/4" x 20UNC	13	
143	4740274	Washer, Snubbing	4	
144	3960389	Seal	5ft/1.52m	
145	3539957	Plate, Hold Down	2	
146	0100011	Loctite #242 (Not Shown)	AR	
147	3311505	Hex Nut 5/16"-18NC	6	
148	3900272	Bolt 5/16"-18NC x 1 3/4"	3	
149	0100020	Sealant, Pipe (Not Shown)	AR	
150	2180467	Fitting, Elbow Barbed	2	
151	0641508	Bolt 5/16"-18NC x 1"	3	
152	0940070	Bumper, Rubber	1	
153	4567879	Tube, Exhaust	1	
154	0701012	Bolt 10m x 1.5 x 25 mm	4	
155	4832000	Lockwasher	4	
156	1340060	Air Cleaner Assembly	1	
	7012664	Filter, Air Cleaner	1	
157	0340041	Band, Muffler/Air Cleaner	2	
158	0080201	Fitting, Elbow Reducing	1	
159	1320016	Clamp, Worm Gear	2	
160	3311801	Hex Nut 1/2"-13 UNC	1	
161	2720436	Hose, Radiator (Upper)	1	
162	1641808	Bolt 1/2"-13NC x 1"	2	
163	2220273	Fitting, Reducer	1	

SECTION 2 TURNTABLE

FIGURE 2-7. FORD ENGINE WITH EFI INSTALLATION (DUAL FUEL) (CONTINUED)

FIG & ITEM #	PART NUMBER	DESCRIPTION	QTY.	REV.
164	2180798	Fitting, Restriction Indicator	4	
165	2901608	Battery Cable Kit	1	
165A	7016800	Cable, Battery (Red)	1	
165B	7016807	Cable, Battery (Black)	1	
165C	7016808	Cable (Red)	1	
165D	7016824	Cable (Red)	1	
165E	7016825	Cable (Black)	1	
166	4460611	Terminal, Battery Jumper Post	1	
167	2220250	Fitting, Reducer	1	
168	3572414	Plate, Pump Mounting	1	
169	2720058	Hose 5/16"	12ft/3.7m	
170	0721004	Bolt #10-24NC x 1/2"	2	
171	4360294	Breaker, Circuit-30 AMP	1	
172	3380429	Panel, Rubber	1	
173	1320223	Clamp, "J" Clip 1/2"	4	
174	3422532	Pin, Hitch	1	
175	0641606	Bolt 3/8"-16NC x 3/4"	3	
176	0642010	Bolt 5/8"-11NC x 1 1/4"	1	
177	4752000	Flatwasher 5/8"	1	
178	0700819	Bolt M8 x 1.25 x 55mm	4	
179	4831900	Lockwasher M8	4	
180	0961986	Bearing, Flange	2	
181	1060637	Cable, Lanyard	1	
182	1701542	Decal - Gasoline (Not Shown - Located Near Tank)	1	
183	4060804	Flex-Trim	19in/49cm	
184	4060806	Flex-Trim	16in/41cm	
185	1320032	Clamp, Hose	2	
186	4711400	Flatwasher, 1/4"	1	
187	3960468	Seal, Foam	1	
188	3960469	Seal, Foam	1	
189	0641410	Bolt 1/4"-20NC x 1 1/4"	3	
190	4568158	Standoff 1/4" x 2"	4	
191	0641424	Bolt 1/4"-20NC x 3"	4	
192 to 193	Not Used			
194	0902572	Bracket, LP Mounting	1	
195 to 200	Not Used			
	2000166	ENGINE COMPONENTS	Ref	
301	7022133	Fuel Pump & Isolator Assembly	1	
	7022134	Harness, Fuel Pump Wiring	1	
302	7022135	Filter, Fuel	1	
303	7019986	Starter (Not Shown)	1	
304	7019977	Alternator	1	
305	7022136	Actuator, Throttle	1	
306	7019996	Sensor, Air Temperature	1	
307	7022137	Harness, Engine Control Processor	1	
308	7022139	Sensor, MAP	1	
309	7019994	Sensor, EGR	1	

SECTION 2 TURNTABLE

SECTION 2 TURNTABLE

FIGURE 2-7. FORD ENGINE WITH EFI INSTALLATION (DUAL FUEL) (CONTINUED)

SECTION 2 TURNTABLE

FIG & ITEM #	PART NUMBER	DESCRIPTION	QTY.	REV.
310	2420187	Dipstick	1	
311	2720341	Horn, Rubber Air Options:	1	
312	7022142	Switch, Oil Pressure	1	
313	7014501	Filter, Oil (Case of 12)	1 Case	
314	7016662	Coupling, Pump	1	
315	7019993	Pressure Regulator & Filter Assembly	1	
316	7022143	Gasket, Exhaust Manifold (Not Shown)	1	
317	7022158	Connector	3	
318	7022159	Connector	2	
319	7022160	Connector	1	
320	7022161	Tube, Supply	2	
321	7022162	Clamp	2	
322	7022178	Sensor, Crank	1	
323	7022142	Switch, Pressure (Black)	1	
324	7023637	Switch, Shutdown (White)	1	
325	7023613	Relay	3	
326	7023644	Hose, Water Pump (By-Pass) (Not Shown)	1	
327	7020120	Housing, Bell	1	
328	7022150	Belt, Timing	1	
329	70002567	Tensioner, Belt	1	
330	7027402	Belt, Drive (was p/n 7019979)	1	

	3124114	Service Manual, Ford EFI System Diagnostic	1	
		MUFFLER INSTALLATIONS	Ref	
	0258390	Standard Spark Arresting	Ref	1
401	3220113	Muffler	1	
402	0340046	Band	2	
403	0902309	Bracket, Muffler	1	
404	0641507	Bolt 5/16"-18NC x 7/8"	4	
405	4711500	Flatwasher 5/16" Narrow	8	
406	3311505	Locknut 5/16"-18NC	4	
407	4567073	Tube, Exhaust	1	

SECTION 2 TURNTABLE

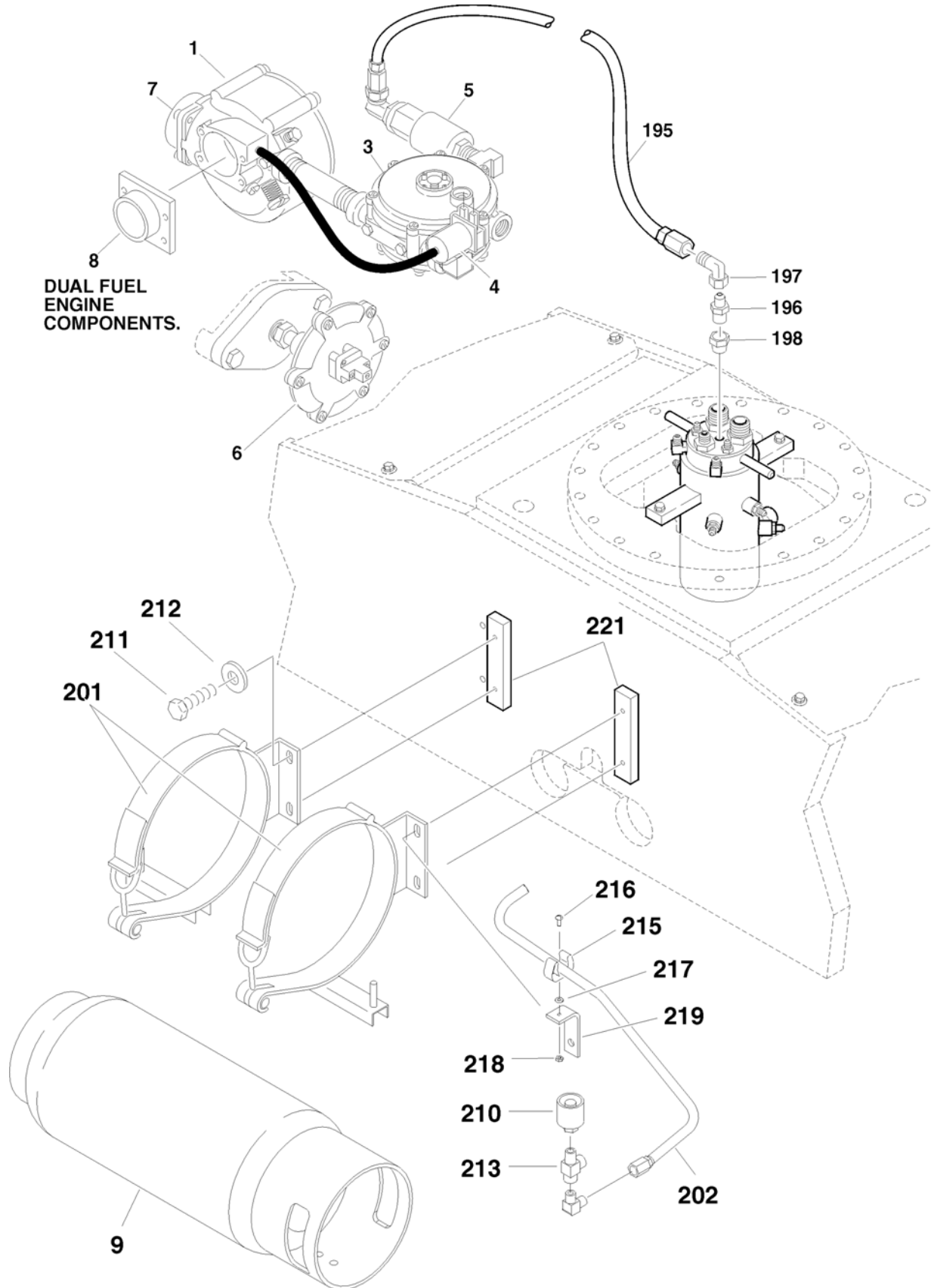
FIGURE 2-7. FORD ENGINE WITH EFI INSTALLATION (DUAL FUEL) (CONTINUED)

FIG & ITEM #	PART NUMBER	DESCRIPTION	QTY.	REV.

SECTION 2 TURNTABLE

SECTION 2 TURNTABLE

FIGURE 2-8. FORD DUAL FUEL INSTALLATION



SECTION 2 TURNTABLE

FIGURE 2-8. FORD DUAL FUEL INSTALLATION

FIG & ITEM #	PART NUMBER	DESCRIPTION	QTY.	REV.
	2000166	DUAL FUEL ASSEMBLY	Ref	C
	Not Available - See Your Ford Dealer	Dual Fuel Conversion Kit (Note: Includes hose, fittings, clamps and items indented below. For replacement hose, fittings and clamps supply locally.)	1	
1	7022165	Mixer	1	
	7022171	Repair Kit - 7022165 Mixer	1	
2	Not Used			
3	7022167	Convertor	1	
	7022170	Repair Kit - 7022167 Convertor	1	
4	7022168	Valve, Solenoid	1	
5	7022169	Bolt 1/4"-20NC x 2"	2	
	7023602	Connector (Not Shown)	1	
6	4360188	Switch, Vacuum	1	
7	7023603	Adaptor	1	
8	7022166	Adaptor	1	
9		Tank, LP Options:	1	
	4400275	Aluminum		
	4400420	Steel		
	0259479	DUAL FUEL ENGINE COMPONENTS	Ref	2/B
101 to 189	Not Used			
190	4360336	Toggle, SPDT (Not Shown - Located on Console Box)	1	
191	3790012	O-Ring (Not Shown - Located on Console Box)	1	
192	1701543	Decal-LPG (Not Shown - See Decal Installation)	2	
193	1700818	Decal- Liquid Withdrawal System (Not Shown - See Decal Installation)	2	
194	Not Used			
195	2720392	Hose	1	
196	2180418	Fitting, Straight	1	
197	2220064	Fitting, Elbow	1	
198	2221019	Fitting, Reducer	1	
	0255524	LP TANK AND BRACKETS INSTALLATION	Ref	7/E
201	1320220	Clamp Kit - LP	2	
	1320127	Clamp, Toggle (1 Per Clamp)	2	
202	2720144	Hose	2	
203	0100020	Sealant, Pipe (Not Shown)	AR	
204	2221019	Fitting, Red	1	
205	2180125	Fitting - Elbow	1	
206	2220261	Fitting, Nipple	1	
207	2180388	Filter, Bulkhead	1	
208	2180389	Valve, Relief	1	
209	2180418	Fitting, Tee	1	
210	2180387	Fitting, LP Tank	2	
211	0641606	Bolt 3/8"-16NC x 3/4"	8	
212	4751600	Flatwasher 3/8"	8	

SECTION 2 TURNTABLE

SECTION 2 TURNTABLE

FIGURE 2-8. FORD DUAL FUEL INSTALLATION (CONTINUED)

SECTION 2 TURNTABLE

FIG & ITEM #	PART NUMBER	DESCRIPTION	QTY.	REV.
213	2180418	Fitting, Straight	2	
214	2221018	Fitting, Nipple	1	
215	1320218	Clamp, Spring	2	
216	3910808	Screw, Machine #8-32NC x 1/2"	2	
217	4750800	Flatwasher #8	4	
218	3310805	Locknut #8-32NC	2	
219	0181949	Support, Angle	2	
220	2221024	Fitting, Ball Check	2	
221	0362519	Bar, Clamp	4	

SECTION 2 TURNTABLE

FIGURE 2-8. FORD DUAL FUEL INSTALLATION (CONTINUED)

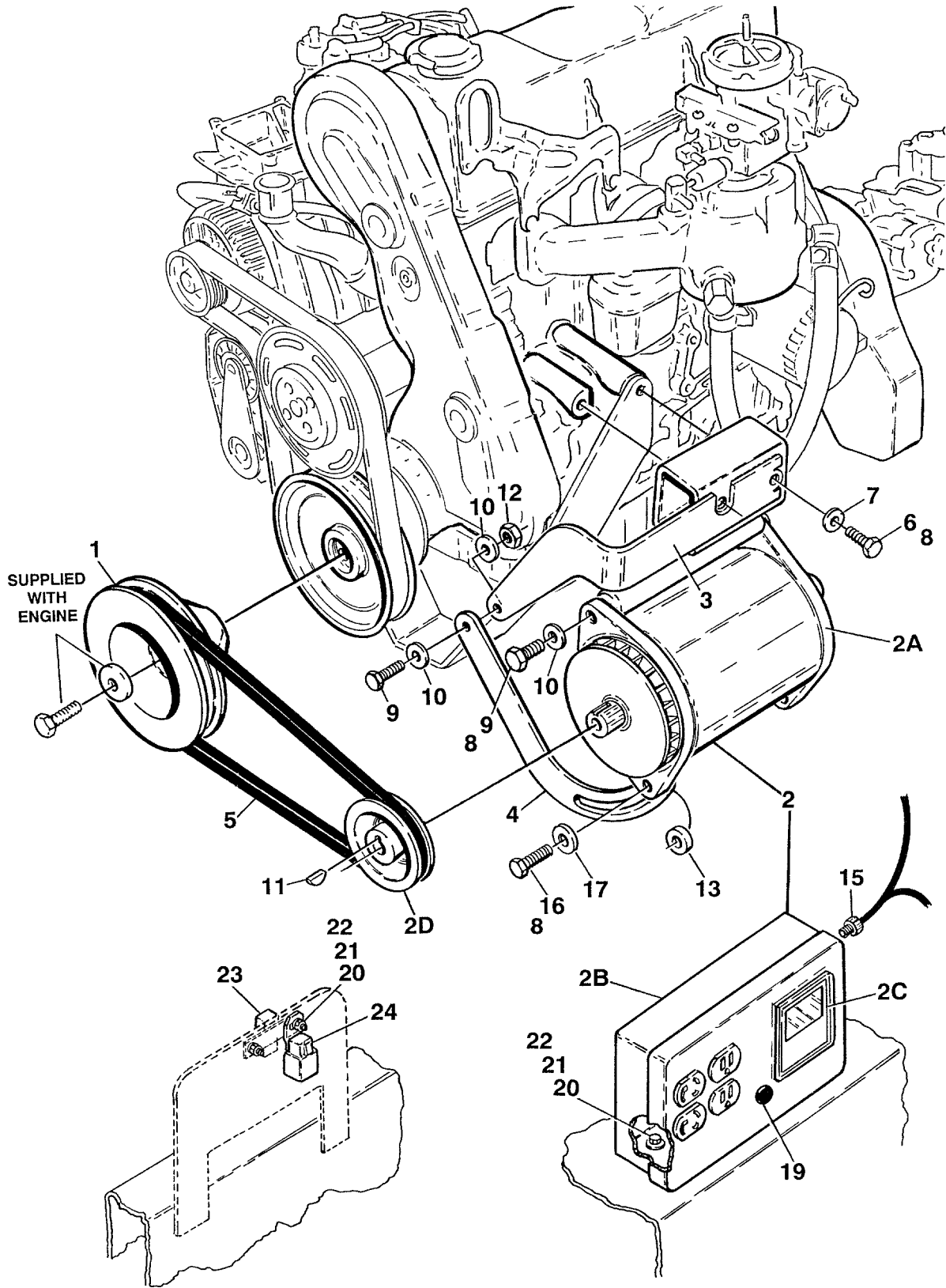
FIG & ITEM #	PART NUMBER	DESCRIPTION	QTY.	REV.

SECTION 2 TURNTABLE

SECTION 2 TURNTABLE

FIGURE 2-9. GENERATOR INSTALLATION - FORD MACHINES (OPTIONAL)

SECTION 2 TURNTABLE



SECTION 2 TURNTABLE

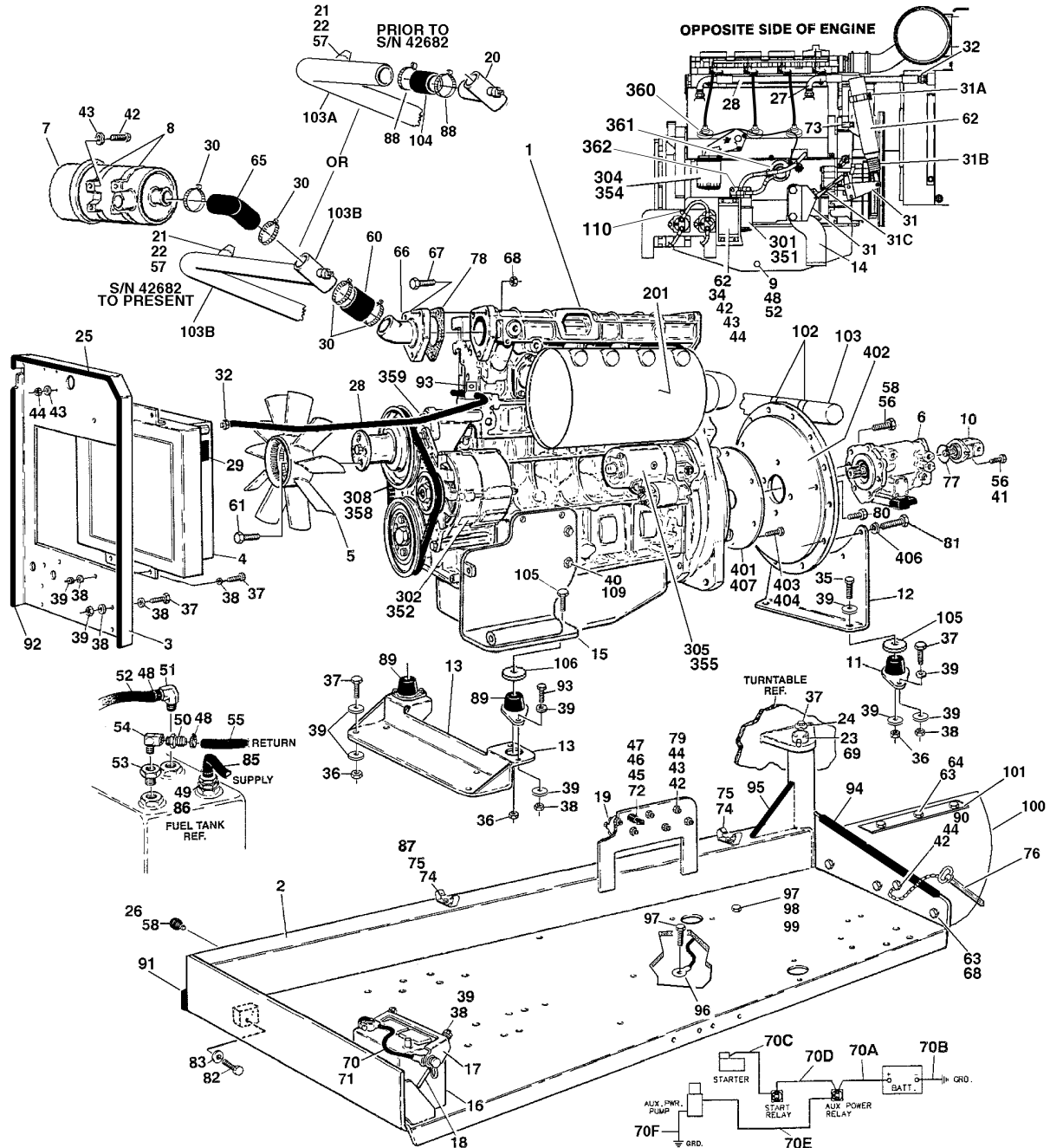
FIGURE 2-9. GENERATOR INSTALLATION - FORD MACHINES (OPTIONAL)

FIG & ITEM #	PART NUMBER	DESCRIPTION	QTY.	REV.
		GENERATOR INSTALLATION OPTIONS:	Ref	
	0257851	110V Generator	Ref	2
1	3580250	Pulley	1	
2		Generator and Control Box Assembly Options:	1	
	2460011	110Volt Assembly		1
2A	7012558	Generator - 110V	1	
		Note: Replacement Generator p/n 7012558 come standard with p/n 3580134 pulley. This pulley may not be correct for all applications. Refer to pulley options below.	Ref	
	7012513	Cap, Brush Holder	4	
	7020108	Brush	4	
	7012513	Holder, Brush	4	
2B	7003657	Box, Control	1	
		Note: Replacement 110V Control Box comes with 2 standard Receptacles p/n 4460190. Optional Industrial Twist Lock Receptacles p/n 4460027 must be ordered separately.	Ref	
2C	7010699	Voltmeter	1	
2D	3580134	Pulley	1	
3	0902210	Bracket, Generator Mounting	1	
4	0200547	Arm, Adjusting	1	
5	0480050	V-Belt	1	
6	0701015	Bolt, Metric 10mm-1.5 x 35mm	2	
7	4812000	Flatwasher 10mm	2	
8	0100011	Loctite #242 (Not Shown)	AR	
9	0681612	Bolt 3/8"-16NC x 1 1/2" (Grade 8)	3	
10	4751600	Flatwasher 3/8"	6	
11	2860012	Key, Woodruff	1	
12	3311605	Locknut 3/8"-16NC	1	
13	4564417	Spacer, Tube	1	
14	Not Used			
15	4460023	Connector, Strain Relief	1	
16	0641508	Bolt 5/16"-18NC x 1"	1	
17	4751500	Flatwasher 5/16"	2	
18	Not Used			
19	3520028	Plug, Hole	1	
20	0721006	Bolt #10-24NC x 3/4"	4	
21	3311005	Locknut #10-24NC	4	
22	4751000	Flatwasher #10	9	
23	4360294	Breaker, Circuit - 30 Amp	1	
24	3740080	Relay, Bosch	1	
25	4360336	Switch, Toggle (Not Shown - Located at Platform)	1	
26	4740397	Bushing (Not Shown - Located at Platform)	1	
27	4060802	Guard, Switch (Not Shown - Located at Platform)	1	
28	Not Used			
29	2820031	Heatshrink (Not Shown - Located at Platform)	4in/10cm	
30	3251102	Decal (Not Shown - Located at Platform)	1	

SECTION 2 TURNTABLE

FIGURE 2-10. DEUTZ ENGINE INSTALLATION

SECTION 2 TURNTABLE



SECTION 2 TURNTABLE

FIGURE 2-10. DEUTZ ENGINE INSTALLATION

FIG & ITEM #	PART NUMBER	DESCRIPTION	QTY.	REV.
		DEUTZ ENGINE INSTALLATIONS	Ref	
	0258415	Standard Machines (Prior to SN 62045)	Ref	6/F
	0271371	ADE System Machines (SN 62045 to Present)	Ref	9/F
1		Engine - Deutz F4M1011F Diesel Options:	1	
	2000146	Prior to SN 62045		
	2000173	SN 62045 to SN 65695		
	2000189	SN 65695 to Present		
2	4845404	Tray Engine	1	
3	3539872	Plate, Radiator Mounting	1	
4	3620033	Cooler, Oil	1	
5	2060025	Fan	1	
6		Piston Pump Assembly Options (See PISTON PUMP ASSEMBLY for Breakdown):	1	
	Use 3600295	Prior to SN 42829 (Was p/n 3600277)		
	3600295	SN 42829 to Present		
7	1340060	Air Cleaner Assembly	1	
7A	7012664	Element, Air Cleaner (Not Shown)	1	
8	0340041	Band, Mounting	2	
9	4640751	Valve, Oil Drain	1	
10	3600278	Piston Pump Assembly	1	
	7018995	Seal Kit - 3600278 Pump	1	
11	3200406	Mount, Rubber Engine (Rear)	2	
12	3537420	Bracket, Engine Mounting - Rear	1	
13	3539971	Bracket, Engine Mounting - Front	1	
14	3537416	Support, Engine - Right	1	
15		Support, Engine - Left Options:	1	
	3537417	Prior to SN 41506		
	4846479	SN 41506 to SN 68269		
	4846566	SN 68269 to Present		
16	0400075	Battery	1	
17	0181727	Hold-Down, Battery	1	
18	0630498	Rod, Hold-Down	2	
19	3740067	Relay	2	
20	4567112	Tee, Air Intake Tube (Prior to SN 42682 Only)	1	
21	4360392	Switch, Restrictor Indicator	1	
22	2180798	Fitting	1	
23	3422446	Pin, Pivot	1	
24	3841143	Keeper, Pin	1	
25	3960389	Seal	5ft/1.5m	
26	0940070	Bumper, Rubber	1	
27	3841340	Loop, Hose	AR	
28	2720398	Hose, Oil Cooler	2	
29	1703162	Nameplate - Fan Caution	2	
30	1320016	Clamp, Hose	4	
31	2901392	Throttle Mounting Kit (Prior to SN 62045)	1	
31A	7008833	Bracket, Throttle		
31B	7008835	Coupling, Ball Joint		

SECTION 2 TURNTABLE

FIGURE 2-10. DEUTZ ENGINE INSTALLATION (CONTINUED)

SECTION 2 TURNTABLE

FIG & ITEM #	PART NUMBER	DESCRIPTION	QTY.	REV.
31C	7008836	Spring		
31D	7023340	Screw, Shoulder 3/8" x 3/8" (Not Shown)	AR	
32	2220451	Fitting, Straight	2	
33	Not Used			
34		Bracket, Control Module Mounting Options:	1	
	0902243	Prior to SN 40385		
	0902511	SN 40385 to SN 62045		
35	0641818	Bolt 1/2"-13NC x 2 1/4"	AR	
36	3311805	Locknut 1/2"-13NC	4	
37	0641610	Bolt 3/8"-16NC x 1 1/4"	AR	
38	3311605	Locknut 3/8"-16NC x 1 1/4"	22	
39	4751600	Flatwasher 3/8"	44	
40	0701414	Bolt 1/4"-20NC x 3/4"	6	
41	4891800	Washer, Hardened 1/2"	2	
42	0641407	Bolt 1/4"-20NC x 7/8"	AR	
43	4751400	Flatwasher 1/4"	AR	
44	3311405	Locknut 1/4"-20NC	AR	
45	0721005	Bolt #10-24NC x 5/8" (Prior to SN 62045)	2	
46	3321005	Locknut #10-24NC (Prior to SN 62045)	2	
47	4751000	Flatwasher #10 (Prior to SN 62045)	2	
48	1320022	Clamp, Hose	6	
49	2220273	Fitting, Reducer	2	
50	2180536	Fitting, Straight	1	
51	2220313	Fitting, Elbow	1	
52	2750532	Hose 3/8"	6ft./1.83m	
53	2220250	Fitting, Reducer	1	
54	2220459	Fitting, Elbow	1	
55	2720271	Hose 3/16"	15ft./4.6m	
56	0641812	Bolt 1/2"-13NC x 1 1/2"	4	
57	0100020	Sealant, Thread	AR	
58	0100011	Loctite #242	AR	
59	Not Used			
60		Coupling, Rubber Intake Options:		
	2720351	Prior to SN 67970	6in./15cm	
	2720449	SN 67970 to Present	1	
61	0700808	Bolt, Metric M8 x 16mm	4	
62	Use 2910000	Actuator Assembly (Was p/n 0060033) (See ELECTRICAL SECTION for Breakdown) (Prior to SN 62045)	1	
63	0641508	Bolt 5/16"-18NC x 1 1/4"	3	
64	3900272	Capscrew, Button Head 5/16"-18NC x 1 3/4"	3	
65	2720434	Elbow, Rubber	1	
66	4845395	Air Intake Adapter Weldment	1	
67	0641510	Bolt 5/16"-18NC x 1 1/4"	3	
68	3311505	Locknut 5/16"-18NC	AR	
69	0961986	Bushing, Flanged	2	
70	2901609	Battery Cable Kit	1	
70A	7016800	Cable, Battery (Red)	1	
70B	7016809	Cable, Battery (Black)	1	
70C	7016802	Cable (Red)	1	

SECTION 2 TURNTABLE

FIGURE 2-10. DEUTZ ENGINE INSTALLATION (CONTINUED)

FIG & ITEM #	PART NUMBER	DESCRIPTION	QTY.	REV.
70D	7016803	Cable (Red)	1	
70E	7016824	Cable (Red)	1	
70F	7016825	Cable (Black)	1	
71	4460611	Terminal, Battery Jumper Post	1	
72	4360294	Breaker, Circuit - 30 Amp (Prior to SN 62045)	1	
73	1320222	J-Clip 3/8"	1	
74	1320223	J-Clip 1/2"	3	
75	0641606	Bolt 3/8"-16NC x 3/4"	3	
76	3422532	Pin, Hitch	1	
77	3790044	O-Ring	1	
78	3960407	Gasket	1	
79	4791400	Starwasher 1/4"	4	
80	0701012	Bolt, Metric M10 x 25mm	4	
81	0701015	Bolt, Metric M10 x 35mm	4	
82	0642010	Bolt 5/8"-11NC x 1 1/4"	1	
83	4752000	Flatwasher 5/8"	1	
84	1701505	Decal - Diesel (Not Shown - Located on Hood)	1	
85	2720058	Hose	16ft/4.9m	
86	2220794	Fitting, Barbed	1	
87	4711600	Flatwasher 3/8" Narrow	3	
88	1320031	Clamp (Prior to SN 42682 Only)	2	
89	3200362	Mount, Rubber Engine (Front)	2	
90	4711400	Flatwasher 1/4" Narrow	1	
91	3960468	Seal, Foam Gasket	1	
92	3960469	Seal, Foam Gasket	1	
93	0641608	Bolt 3/8"-16NC x 1"	14	
94	4060805	Flex-Trim 1/4"	7in/18cm	
95	4060804	Flex-Trim 3/16"	16in/40cm	
96	1060637	Lanyard	1	
97	0641808	Bolt 1/2"-13NC x 1"	2	
98	3311801	Nut 1/2"-13NC	1	
99	4751800	Flatwasher 1/2"	1	
100	3380429	Panel, Rubber	1	
101	3539957	Plate, Hold Down	2	
102	1320131	Clamp (Prior to SN 42682 Only)	2	
103		Tuning Tube Weldment Options:	1	
103A	4845394	Prior to SN 42682		
103B	4847815	SN 42682 to Present		
104	2720423	Hose (Prior to SN 42682 Only)	1	
105	0641826	Bolt 1/2"-13NC x 3 1/4"	2	
106	4740274	Washer, Snubbing	4	
107	1320258	Clamp (Not Shown - Located in Center of Turntable) (SN 42829 to SN 52924)	1	
108	0641810	Bolt 1/2"-13NC x 1 1/4" (Not Shown - Used with Item 107) (Prior to SN 52924)	1	
109	4711900	Flatwasher 9/16"	6	
110	4922737	Harness, Engine Grounding (SN 68561 to Present)	1	

SECTION 2 TURNTABLE

SECTION 2 TURNTABLE

FIGURE 2-10. DEUTZ ENGINE INSTALLATION (CONTINUED)

SECTION 2 TURNTABLE

FIG & ITEM #	PART NUMBER	DESCRIPTION	QTY.	REV.
		MUFFLER INSTALLATIONS	Ref	
	0256689	Standard Equipment (Spark Arresting)	Ref	—
	0256690	Optional Equipment (Catalytic)	Ref	—
201		Muffler Options:	1	
	3220103	Spark Arresting		
	3220104	Catalytic		
	2000146	ENGINE COMPONENTS (PRIOR TO SN 62045)	Ref	D
301	7016639	Filter, Fuel	1	
302	7016329	Alternator	1	
303	7016330	Switch, Oil Pressure (Not Shown)	1	
304	7016641	Filter, Oil	1	
	70002813	Seal (Between Filter Head & Block)	1	
305	7016332	Starter	1	
306	7019664	Dipstick Kit - Engine Oil (Not Shown)	1	
307	7020025	Switch, Engine Oil Temperature (Not Shown)	1	
308	7020414	V-Belt	1	
309	7020465	Filler Cap, Oil (Not Shown)	1	
		ENGINE COMPONENTS	Ref	
	2000173	SN 62045 to SN 65695	Ref	B
	2000189	SN 65695 to Present	Ref	A
351	7016328	Filter, Fuel	1	
352	7000663	Alternator (was p/n 7020410)	1	
	7020464	Regulator	1	
	70002234	Bracket, Adjustable	1	
	70003556	Pulley	1	
353	7020461	Switch, Oil Pressure (Not Shown)	1	
354	7016331	Filter, Oil	1	
355		Starter Options:	1	
	7016332	Engine p/n 2000173		
	7020479	Engine p/n 2000189		
356		Dipstick, Oil Level Options (Not Shown):	1	
	7020418	Dipstick for 2000173 Engine		
	7026631	Dipstick for 2000189 Engine		
	7020487	Seal, Dipstick (Not Shown)	1	
		Tube, Dipstick Options (Not Shown):	1	
	Not Available	Tube for 2000173 Engine		
	70001002	Tube for 2000189 Engine		
357	7020168	Switch, Engine Temperature (Not Shown)	1	
	7020480	Seal, Temperature Switch (Not Shown)	1	
358	7020408	V-Belt	1	
359	7020458	Actuator	1	
360	Use 7024318	Pump, Fuel Injection (was p/n 7020462)	4	
		Injector, Fuel (Includes Nozzle Element) (Not Shown):	4	
	Not Available	Injector for 2000173 Engine		
	7026522	Injector for 2000189 Engine		

SECTION 2 TURNTABLE

FIGURE 2-10. DEUTZ ENGINE INSTALLATION (CONTINUED)

FIG & ITEM #	PART NUMBER	DESCRIPTION	QTY.	REV.
361		Pump, Fuel Supply Options:	1	
	7020463	Pump for 2000173 Engine		
	7024413	Pump for 2000189 Engine		
	7020411	Seal, Pump (Not Shown)	1	
362	70001423	Fuel Filter Head	1	
363		Flywheel Options (Not Shown):	1	
	7020027	Flywheel for 2000173 Engine (Includes Ring Gear)		
	Not Available	Flywheel for 2000189 Engine		
	7024579	Ring Gear for 2000189 Engine		
364	7024565	Sensor, Tach (Not Shown - Located on Flywheel Housing) (was p/n 7020481)	1	
365	7020431	Gasket, Valve Cover (Not Shown)	1	
		Gasket, Cylinder Head Options: (Not Shown)	1	
	70001681	1 Notch		
	70002411	2 Notches		
	70002530	3 Notches		
366	7020459	Thermostat (Includes Spring) (Not Shown)	1	
	7020460	Spring, Thermostat (Not Shown)	1	
367	7020465	Cap, Oil Fill (Not Shown)	1	
368	7020474	Pump Oil Lubrication (Not Shown)	1	
	7020468	Ring, Pump Sealing (Not Shown)	1	
369	7020449	Gasket , Intake Manifold to Head (Not Shown)	4	
370	7020471	Gasket , Exhaust Manifold to Head (Not Shown)	4	
	0256847	PUMP COUPLING INSTALLATION	Ref	—
401	1660234	Coupling, Hayes	1	
402	0080163	Plate, Pump Adapter	1	
403	0700810	Bolt Metric 8mm x 20mm	63	
404	4831900	Lockwasher 8mm	6	
405	Not Used			
406	4832000	Lockwasher 10mm	8	
407	3020021	Grease, Coupling (Not Shown)	AR	

SECTION 2 TURNTABLE

SECTION 2 TURNTABLE

FIGURE 2-11. PISTON PUMP ASSEMBLY

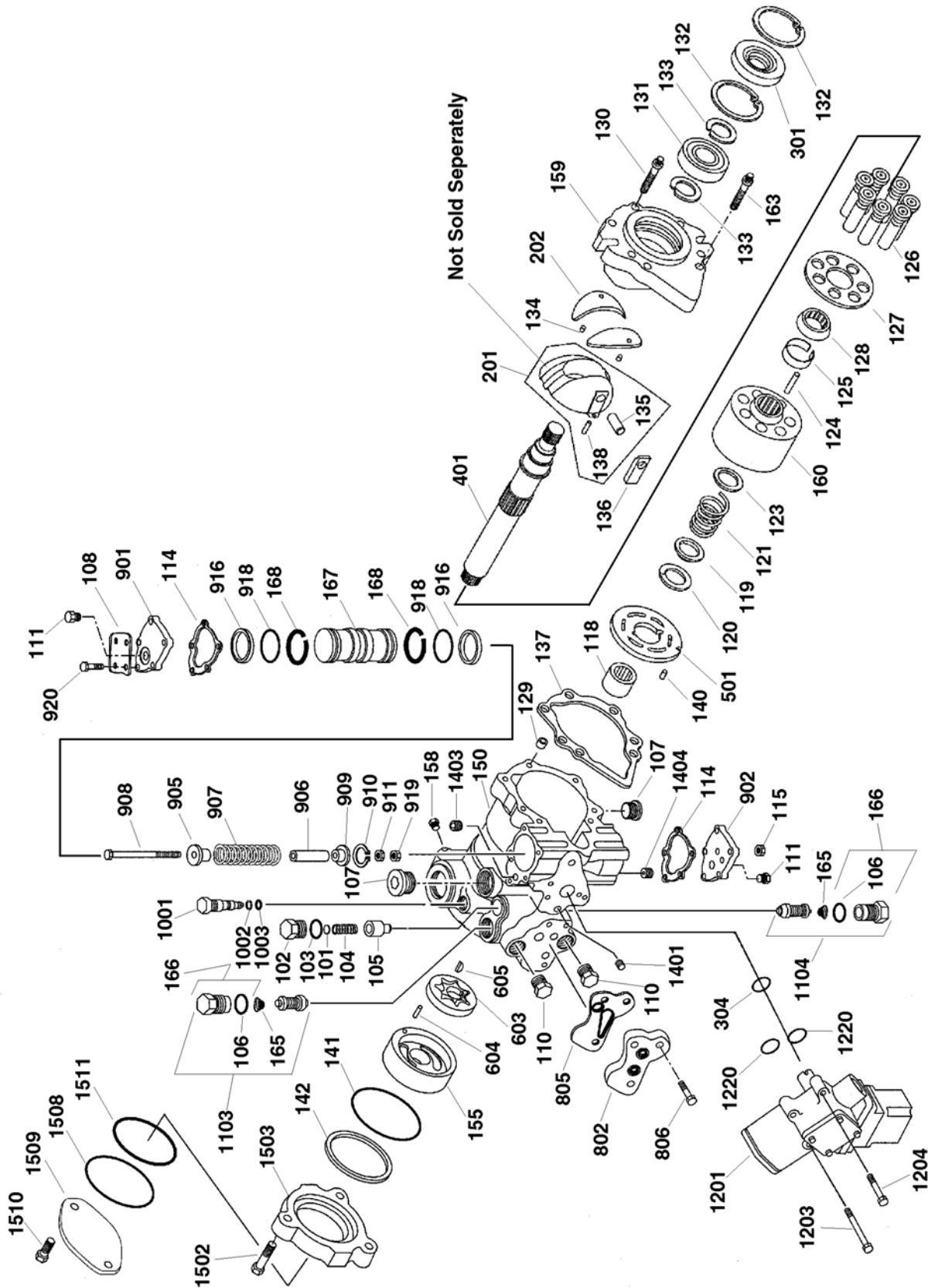


FIGURE 2-11. PISTON PUMP ASSEMBLY

SECTION 2 TURNTABLE

FIGURE 2-11. PISTON PUMP ASSEMBLY

FIG & ITEM #	PART NUMBER	DESCRIPTION	QTY.	REV.
	3600295	PISTON PUMP ASSEMBLIES	Ref	A
1 to 100	Not Used			
101	7007413	Shim Kit	1	
102	7007414	Plug	1	
103	Kit	O-Ring	1	
104	7021200	Spring, Relief Valve	1	
105	7007417	Valve, Relief	1	
106	Kit	O-Ring (Part of Items 1103 & 1104)	2	
107	7007419	Plug	2	
108	7021201	Bracket, Lifting	1	
109	Not Used			
110	7007470	Plug	2	
111	7007470	Plug	2	
112 to 113	Not Used			
114	Kit	Gasket, Servo Cover	2	
115	7007423	Nut, Special	1	
116 to 117	Not Used			
118	7007425	Bearing, Needle	1	
119	Kit	Ring, Retaining	1	
120	Kit	Washer	1	
121	Kit	Spring	1	
122	Not Used			
123	Kit	Washer	1	
124	Kit	Retainer	1	
125	Kit	Pin, Slipper Holddown	3	
126	Kit	Piston Assembly	7	
127	Kit	Retainer, Slipper	1	
128	Kit	Guide, Retainer	1	
129	7007435	Pin, Spring	1	
130	7021202	Screw, 12 Point Head	1	
131	7007437	Bearing, Ball	1	
132	7007438	Ring, Retainer	2	
133	7007439	Ring	2	
134	7021203	Pin, Spring	2	
135	7007441	Handle, Pin (Part of Item 201)	1	
136	7007442	Sleeve, Bearing	1	
137	Kit	Gasket, Front Cover	1	
138	7021205	Pin (Part of Item 201)	1	
139	Not Used			
140	7007446	Pin	1	
141	Kit	O-Ring	1	
142	Kit	Ring, Load Temper	1	
143 to 149	Not Used			
150	Not Serviced	Housing, Pump	1	
151 to 154	Not Used			
155	7007452	Cover, Gerotor	1	
156 to 157	Not Used			

SECTION 2 TURNTABLE

FIGURE 2-11. PISTON PUMP ASSEMBLY (CONTINUED)

SECTION 2 TURNTABLE

FIG & ITEM #	PART NUMBER	DESCRIPTION	QTY.	REV.
158	7007208	Plug	1	
159	7007454	Cover, Front	1	
160 to 162	Not Used			
163	7021207	Screw	6	
164	Not Used			
165	7021208	Spring (Part of Items 1103 & 1104)	2	
166	7021209	Plug, SCR (Part of Items 1103 & 1104)	2	
167	7007494	Piston, Servo	1	
168	Kit	Bearing	2	
169 to 200	Not Used			
201	7007457	Swashplate Assembly (Includes Items 135 & 138)	1	
202	7021212	Journal, Bearing	2	
203 to 300	Not Used			
301	Kit	Seal, Lip	1	
302 to 303	Not Used			
304	Kit	O-Ring	1	
305 to 400	Not Used			
401	7021213	Shaft, Main Pump	1	
402 to 500	Not Used			
501	7021214	Plate, Valve	1	
502 to 602	Not Used			
603	7007463	Gerotor Assembly	1	
604	7007464	Pin	1	
605	7007465	Key, Woodruff	1	
606 to 801	Not Used			
802	7007466	Adaptor, Remote Filtration	1	
803 to 804	Not Used			
805	Kit	Seal, Filter Adapter	1	
806	7021218	Screw	3	
807 to 900	Not Used			
901	7021219	Cover, Servo	1	
902	7021220	Cover, Servo	1	
903 to 904	Not Used			
905	7007483	Guide, Spring	1	
906	7007484	Stop, Servo	1	
907	7007485	Spring	1	
908	7021221	Screw	1	
909	7007487	Guide, Spring	1	
910	7007488	Ring, Retaining	1	
911	7021222	Nut	1	
912 to 915	Not Used			
916	Kit	Ring, Piston	2	
917	Not Used			
918	Kit	O-Ring	2	
919	7021206	Nut	1	
920	7021223	Screw	10	
921 to 1000	Not Used			
1001	7007472	Valve, Bypass	1	
1002	Kit	Ring, Back-up	1	

SECTION 2 TURNTABLE

FIGURE 2-11. PISTON PUMP ASSEMBLY (CONTINUED)

FIG & ITEM #	PART NUMBER	DESCRIPTION	QTY.	REV.
1003	Kit	O-Ring	1	
1004to1102	Not Used			
1103	7010122	SCR Kit (Includes items 166, 106 & 165)	1	
1104	7010122	SCR Kit (Includes items 166, 106 & 165)	1	
1105to1200	Not Used			
1201	7007474	Control, Dual Oil-Filled	1	
	7007496	Coil Assembly (Pilot)	1	
	7007497	Plug (Pump)	1	
	7007498	Plug (Valve Harness)	1	
1202	Not Used			
1203	7007478	Screw	2	
1204	7001498	Screw	2	
1205to1219	Not Used			
1220	Kit	O-Ring	2	
1221to1400	Not Used			
1401	7007475	Plug, Orifice/Screen (.156)	1	
1402	Not Used			
1403	7021226	Plug, Orifice	1	
1404	7021226	Plug, Orifice	1	
1402to1501	Not Used			
1502	7007453	Screw	3	
1503	7021227	Adapter, Flange	1	
1504to1507	Not Used			
1508	7021228	O-Ring	1	
1509	7021229	Plate, Cover	1	
1510	7021230	Screw	2	
1511	7021231	O-Ring	1	

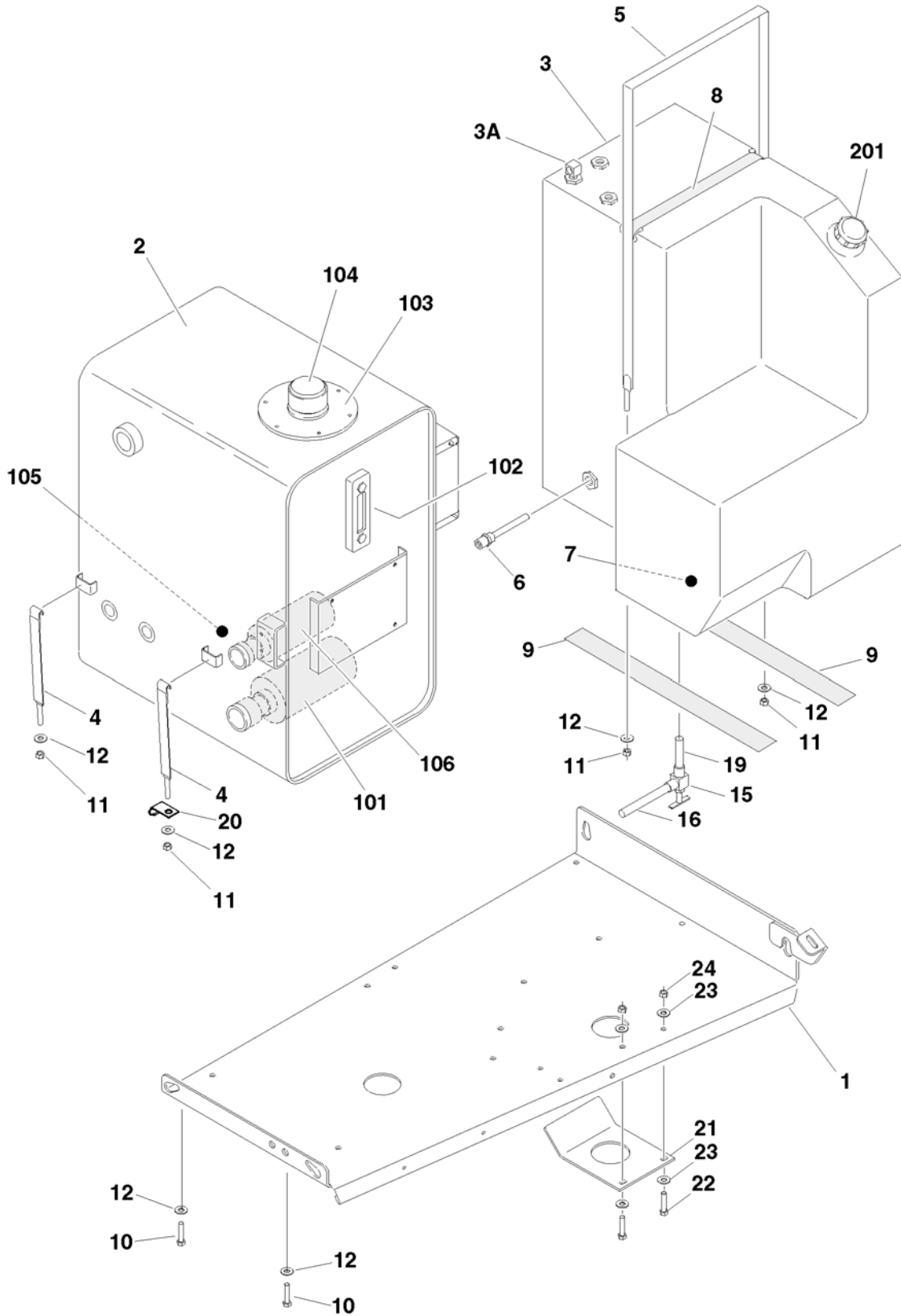
	2900752	Seal Kit - Complete (Includes Items 103, 106, 114, 137, 141, 142, 168, 301, 304, 805, 916, 918, 1002, 1003 & 1220)	1	
	7007412	Seal Kit - Servo Piston (Includes Items 916 and 918)	1	
	7010116	Cylinder Block Kit (Includes Items 119-128)	1	

SECTION 2 TURNTABLE

SECTION 2 TURNTABLE

FIGURE 2-12. TANK INSTALLATIONS

SECTION 2 TURNTABLE



SECTION 2 TURNTABLE

FIGURE 2-12. TANK INSTALLATIONS

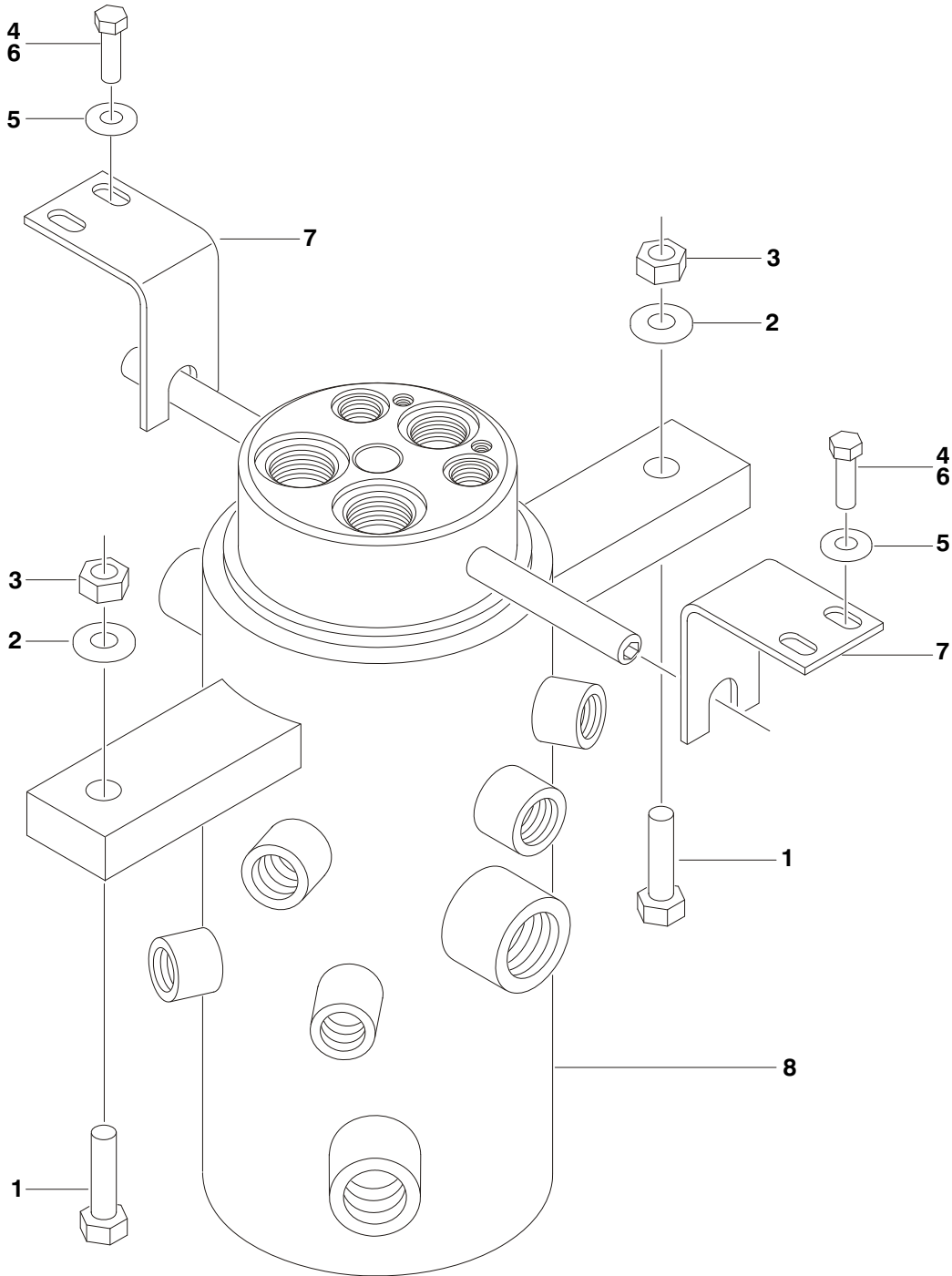
FIG & ITEM #	PART NUMBER	DESCRIPTION	QTY.	REV.
		TANKS INSTALLATION OPTIONS:	Ref	
	0258382	Diesel	Ref	C
	0270396	Gas	Ref	B
1	4845928	Tray Weldment	1	
2	4400410	Hydraulic Tank Assy (See Items 101-106 for Breakdown)	1	
3	4400400	Tank, Fuel (Includes Non-Locking Cap)	1	
3A	7019658	Fitting and Pick-up Tube	1	
4	4240112	Strap, Tank	4	
5	4240113	Strap, Tank	1	
6	4360436	Switch, Fuel Level	1	
7	2200222	Fitting	1	
8	4280295	Strip, Protective	25in/44cm	
9	4420038	Tape, Rubber	70in/1.78m	
10	0641614	Bolt 3/8"-16NC x 1 3/4"	6	
11	3311601	Nut 3/8"-16NC	AR	
12	4751600	Flatwasher 3/8"	AR	
13	0100011	Loctite #242 (Not Shown)	AR	
14	0100079	Permatex (Not Shown)	AR	
		Note: Items 15 - 24 Used on Gas Machines Only	Ref	
15	4641022	Valve, Needle	1	
16	4568118	Tube, Fuel	1	
17	0100020	Sealant (Not Shown)	AR	
18	0100062	Retaining Compound #680 (Not Shown)	AR	
19	4568119	Tube, Fuel	1	
20	1320223	Clamp	1	
21	3572423	Plate, Valve, Needle	1	
22	0641508	Bolt 5/16"-18NC x 1"	2	
23	4711500	Flatwasher 5/16"	4	
24	3311505	Locknut 5/16"-18NC	2	
	4400410	HYDRAULIC TANK ASSEMBLY	Ref	G
101	7014818	Strainer 1 1/2"NPT	1	
102	7014802	Gauge, Sight	1	
103	7014810	Neck, Fill	1	
	7014816	Screen	1	
104	7014817	Breather/Fill Cap	1	
105	7014813	Plug, Magnetic	1	
106	7014801	Strainer 1 1/4"NPT	1	
		FUEL TANK CAP INSTALLATION	Ref	
201		Cap Options:	1	
	7016314	Standard Non-Locking (Part of Item 3)		
	1120484	Optional Lockable (Gas Machines)		
	1120487	Optional Lockable (Diesel Machines)		

SECTION 2 TURNTABLE

SECTION 2 TURNTABLE

FIGURE 2-13. ROTARY COUPLING INSTALLATION

SECTION 2 TURNTABLE



SECTION 2 TURNTABLE

FIGURE 2-13. ROTARY COUPLING INSTALLATION

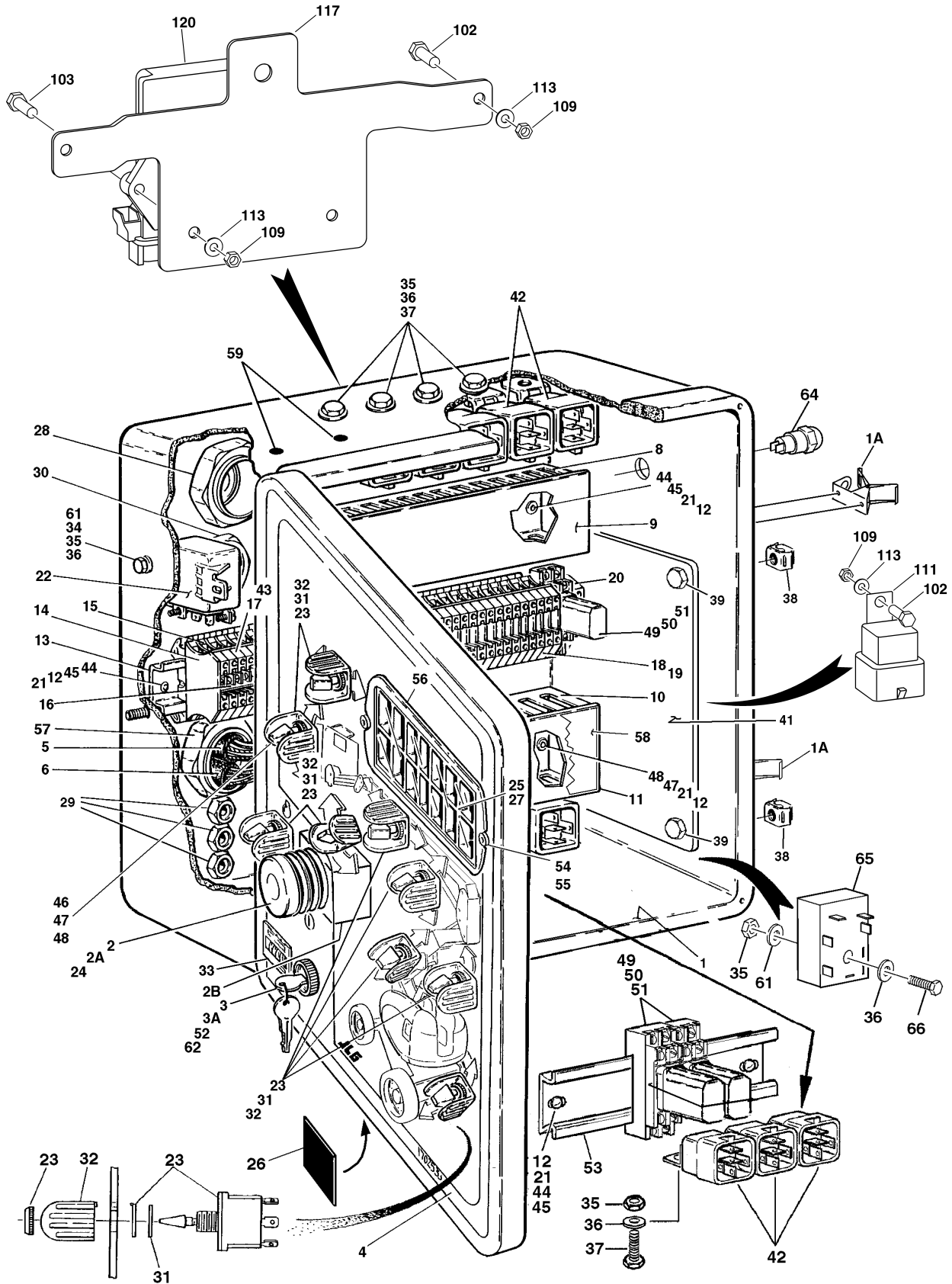
FIG & ITEM #	PART NUMBER	DESCRIPTION	QTY.	REV.
	0255294	ROTARY COUPLING INSTALLATIONS (4WS)	Ref	2
1	0641820	Bolt 1/2"-13NC x 2 1/2"	2	
2	4751800	Flatwasher 1/2"	4	
3	3311805	Locknut 1/2"-13NC	2	
4	0641611	Bolt 3/8"-16NC x 1 3/8"	4	
5	4751600	Flatwasher 3/8"	4	
6	0100011	Loctite #242	AR	
7	0902520	Bracket	2	
8	1660223	Coupling, Rotary	1	
	1660223EX	Rebuilt Coupling	1	
		Note: Due to complexity of repair, seal kit no longer available. Use rebuilt unit as replacement.		

SECTION 2 TURNTABLE

SECTION 2 TURNTABLE

FIGURE 2-14. GROUND CONTROL BOX ASSEMBLY

SECTION 2 TURNTABLE



SECTION 2 TURNTABLE

FIGURE 2-14. GROUND CONTROL BOX ASSEMBLY

FIG & ITEM #	PART NUMBER	DESCRIPTION	QTY.	REV.
		GROUND CONTROL BOX ASSEMBLIES	Ref	
	0861197	Deutz Engine	Ref	5
	0861155	Ford Engine	Ref	3
1		Box, Fiberglass Options:	1	
	0861302	Deutz Engines		
	0861313	Ford Engines		
1A	7020246	Latch	2	
2	4360475	Switch, Emergency Stop	1	
2A	7020175	Cap, Mushroom Head	1	
2B	Not Required	Boot	0	
2C	7020176	Block, Contact	1	
3	4360469	Switch, Key	1	
3A	2860030	Key	1	
4	1703468	Decal - Faceplate	1	
5		Engine Harness Assembly (See ELECTRICAL SECTION for Breakdown)	1	
	4922077	Deutz Engine Machines		
	4922272	Ford Engine Machines		
6	4922046	Valve Harness Assembly (See ELECTRICAL SECTION for Breakdown)	1	
7	Not Used			
8	1840012	Duct, Wiring - 2in/5cm	1	
9	1840013	Duct, Cover - 2in/5cm	1	
10	1840014	Duct, Wiring - 3in/7.6cm	1	
11	1840015	Duct, Cover - 3in/7.6cm	1	
12	3910608	Screw #6-32NC x 1/2"	8	
13	3640970	Rail	1	
14	4460602	Barrier, Terminal	1	
15	4460601	Block, Terminal	10	
16	4460603	Bussbar - 10 Position (Requires being cut into (2) 5 position bussbars)	1	
17	4460631	Marker, Terminal (Negative)	1	
18	4460600	Block, Terminal	46	
19	4460628	Marker, Terminal (1-50)	2	
20	4460607	Stop, Terminal	1	
21	4750600	Flatwasher #6	14	
22	3740112	Relay, Bosch	1	
23	4360314	Switch, Toggle	AR	
24	4360476	Switch, Contact Block	1	
25	2760105	Housing, Display Light	1	
26	4420038	Insulation, Adhesive Foam	4in/10cm	
27	1704833	Decal - Ground Control Display	1	
28	4460526	Connector, Strain Relief	1	
29	4460428	Connector, Strain Relief	3	
30	4460426	Connector, Strain Relief	1	
31	4740444	Washer, Special	AR	
32	4060906	Shield, Toggle Switch	AR	
33	2420172	Gauge, Hourmeter	1	

SECTION 2 TURNTABLE

FIGURE 2-14. GROUND CONTROL BOX ASSEMBLY (CONTINUED)

SECTION 2 TURNTABLE

FIG & ITEM #	PART NUMBER	DESCRIPTION	QTY.	REV.
34	0721005	Screw #10-24NC x 5/8"	2	
35	3311001	Nut #10-24NC	AR	
36	4751000	Flatwasher #10	AR	
37	3900268	Screw #10-24NC x 1/2"	9	
38	3300205	Nut, Retainer	4	
39	0641506	Bolt 5/16"-18NC x 3/4"	4	
40	0100011	Loctite #242 (Not Shown)	AR	
41	3539219	Plate, Reinforcement	1	
42	3740049	Relay - SPDT	AR	
43	4460630	Marker, Terminal (Ignition)	1	
44	4760600	Lockwasher #6	8	
45	3310601	Nut #6-32NC	8	
46	4360314	Switch, Toggle	1	
47	4740444	Washer, Nylon	1	
48	4060906	Shield, Toggle Switch	1	
49		Socket, Relay Options:	AR	
	4120012	Deutz Engine Machines	2	
	4120012	Ford Engine Machines	1	
50		Relay Options:	AR	
	3740057	Deutz Engine Machines	2	
	3740057	Ford Engine Machines	1	
51		Spring, Relay Options:	AR	
	3740066	Deutz Engine Machines	2	
	3740066	Ford Engine Machines	1	
52	4070987	Shim, Switch	AR	
53	3640986	Rail, Relay Mount	1	
54	0630518	Capscrew, Button Head	2	
55	3300408	Locknut, Plastic Insert	AR	
56	1670829	Bezel	1	
57	4460711	Connector, Strain Relief	1	
58	1703622	Decal - Service Manual Reference	1	
59	4460234	Base, Tie-Strap (Not Shown)	6	
60	0100009	Silicone (Not Shown)	AR	
61	4761000	Lockwasher #10	4	
62	3910804	Screw #8-32NC x 1/4"	6	
63	3520174	Plug, Hole	AR	
64	4360387	Switch, Pushbutton (Ford Engines Only)	1	
65	3740113	Relay, Timer (Ford Engines Only)	1	
66	3911024	Screw #10-24NC x 1 1/2" (Ford Engines Only)	1	

SECTION 2 TURNTABLE

FIGURE 2-14. GROUND CONTROL BOX ASSEMBLY (CONTINUED)

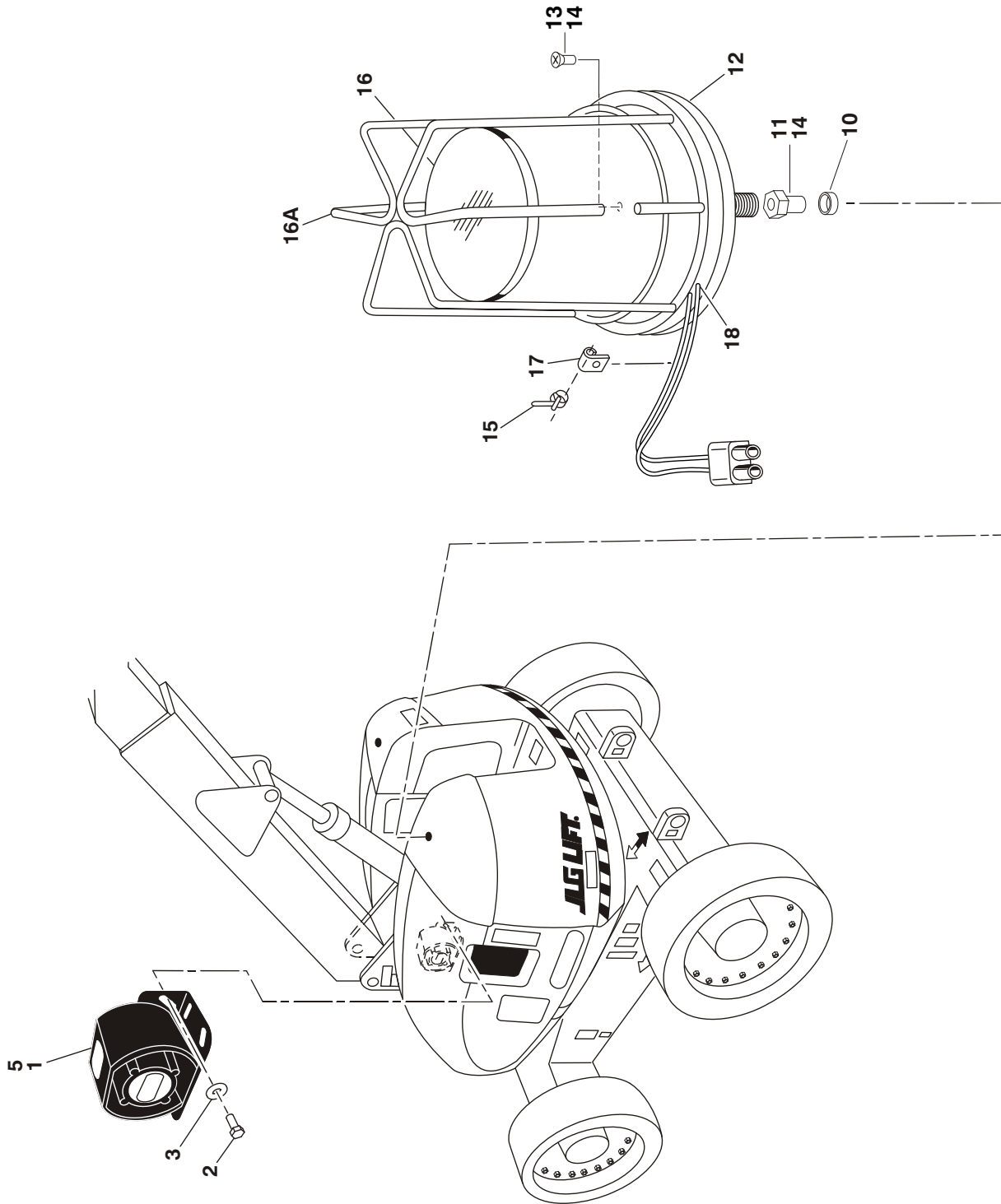
FIG & ITEM #	PART NUMBER	DESCRIPTION	QTY.	REV.
	1001091538	TILT SENSOR INSTALLATION (PRE ADE SYSTEM)	Ref	E
101	Not Used			
102	0641406	Bolt 1/4"-20NC x 3/4"	3	
103	0641410	Bolt 1/4"-20NC x 1 1/4"	2	
104 to 108	Not Used		2	
109	3311405	Locknut 1/4"-20NC	5	
308	3310605	Locknut #6-32 NC	6	
110	Not Used			
111	3740049	Relay	1	
112	Not Used			
113	4711400	Flatwasher 1/4" (Narrow)	5	
114	Not Used			
115	1001091778	Harness, Tilt Switch Boom (Not Shown) (See ELECTRICAL SECTION for Breakdown)	1	
116	1001091941	Harness, Console Tilt (Not Shown) (See ELECTRICAL SECTION for Breakdown)	1	
117	1001092527	Plate, Module Mounting	1	
118 to 119	Not Used			
120	1001094484	Controller, UMS Module	1	
121 to 122	Not Used			
123	1001094791	Harness, Tilt Sensor Turntable (Not Shown) (See ELECTRICAL SECTION for Breakdown)	1	
124 to 126	Not Used			
127	0100048	Grease, Dielectric (Not Shown)	AR	
128	Not Used			

SECTION 2 TURNTABLE

SECTION 2 TURNTABLE

FIGURE 2-15. ELECTRICAL OPTIONS INSTALLATION (TURNTABLE MOUNTED)

SECTION 2 TURNTABLE



SECTION 2 TURNTABLE

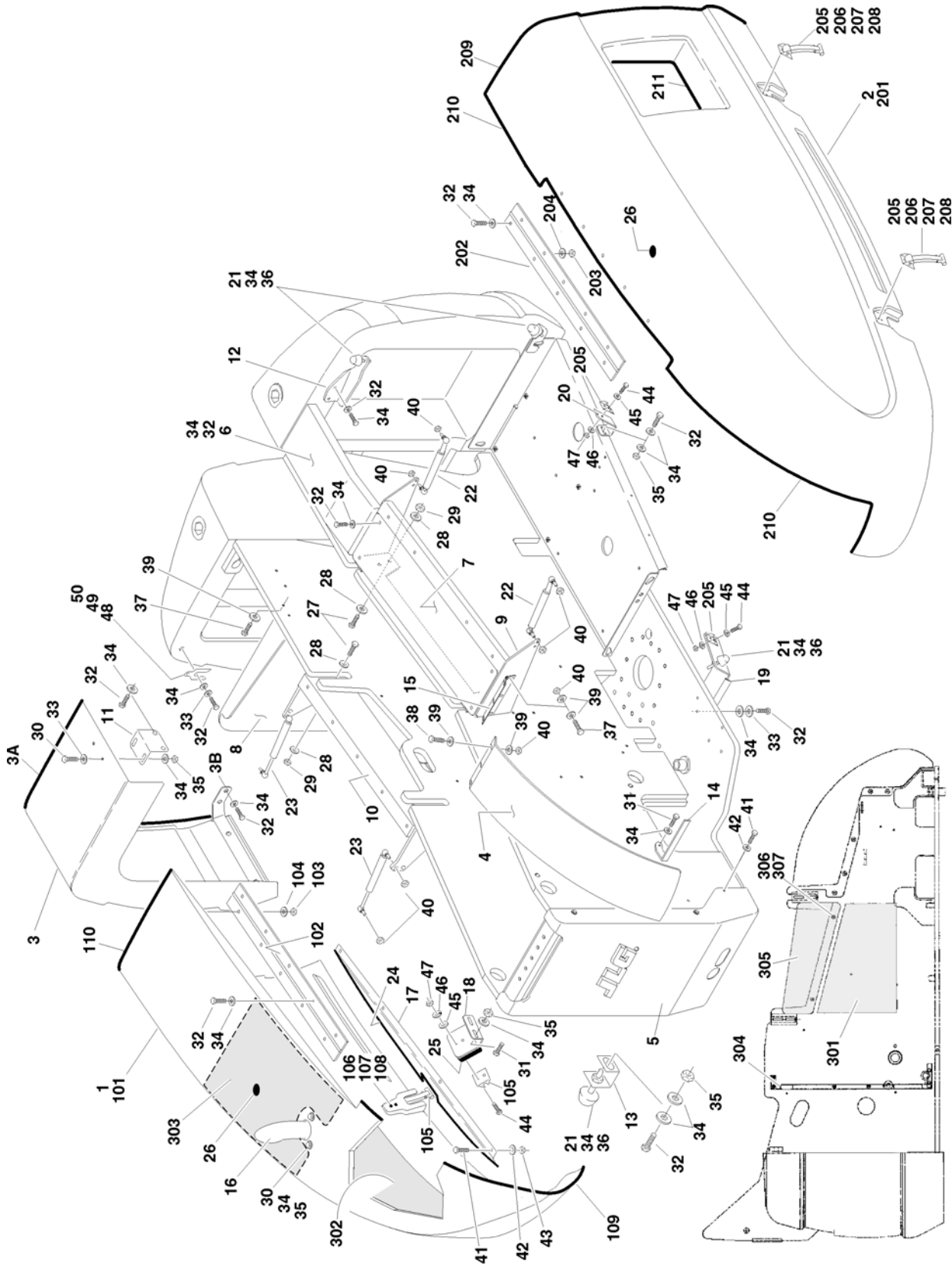
FIGURE 2-15. ELECTRICAL OPTIONS INSTALLATION (TURNTABLE MOUNTED)

FIG & ITEM #	PART NUMBER	DESCRIPTION	QTY.	REV.
		ELECTRICAL OPTIONS INSTALLATIONS (TURNTABLE MOUNTED)	Ref	
	0258674	ALARMS INSTALLATIONS	Ref	1
1	0257887	Alarm/Harness Assembly	1	
2	0641508	Bolt 5/16"-18NC x 1"	2	
3	4711500	Flatwasher 5/16" Narrow	2	
4	Not Used			
5	0100048	Sealant, Silicone	AR	
6 to 9	Not Used			
	0257885	STROBE LIGHT INSTALLATIONS (AMBER) (OPTIONAL) Note: If machine is equipped with BLUE Strobe Light, see Section 10 SkyGuard Kit.	Ref Ref	2
10	4220162	Spacer, Stop (Used with ECCO Model 6640 Only)	1	
11		Adapter Options:	1	
	0630491	Adapter - Used with ECCO Model 6640		
	0080241	Adapter - Used with ECCO Model 6650		
12	3539281	Plate, Mounting (Used with ECCO Model 6640 Only)	1	
13	0741606	Screw, Flathead Countersunk 3/8"-16NC x 3/4" (Used with ECCO Model 6640 Only)	1	
14	0100011	Compound, Locking	AR	
15	4240032	Wire-Tile	1	
16	Use 0272507	Strobe Light/Guard/Harness Assembly (was p/n 0255917)	1	
		Bulb, Replacement Options:	1	
	7016380	Bulb for ECCO Model 6640		
	70001941	Bulb for with ECCO Model 6650		
16A		Guard Options:	1	
	4060907	Guard - Used with ECCO Model 6640		
	2920215	Guard - Used with ECCO Model 6650		
17	4460234	Clamp	1	
18	0100048	Sealant, Silicone	AR	

SECTION 2 TURNTABLE

SECTION 2 TURNTABLE

FIGURE 2-16. HOODS INSTALLATION



SECTION 2 TURNTABLE

FIGURE 2-16. HOODS INSTALLATION

FIG & ITEM #	PART NUMBER	DESCRIPTION	QTY.	REV.
	0258609	HOODS INSTALLATION	Ref	3/C
1	2680451	Hood Assembly - Engine Side (See Items 101-110 for Breakdown) Note: Replacement decals must be ordered separately - See DECAL SECTION.	1 Ref	
2	2680448	Hood Assembly - Tank Side (See Items 201-211 for Breakdown) Note: Replacement decals must be ordered separately - See DECAL SECTION.	1 Ref	
3	2680450	Hood Assembly- Engine Spacer	1	
	2680435	Hood	1	
3A	3960453	Seal	68in/1.73m	
3B	7023366	Bracket	1	
4	3380444	Panel, Adapter	1	
5	1670842	Cover, Turntable End	1	
6	3380442	Cover, Top (Tank Side)	1	
7	3380443	Cover/Bracket Weldment (Tank Side)	1	
8	3539979	Plate, Baffle	1	
9	0902412	Bracket, Hood Mounting (Tank Side)	1	
10	0902351	Bracket, Hood Mounting (Engine Side)	1	
11	0902161	Bracket, Hood Spacer Mounting (Engine Side)	1	
12	0902426	Bracket, Bumper - Counterweight Mounted	1	
13	0902219	Bracket, Bumper	2	
14	0362770	Bar, Panel Mounting	1	
15	2600244	Adapter, Panel Hinge	1	
16	4845411	Exhaust Tube Weldment	1	
17	3539934	Plate, Seal	1	
18	0902491	Bracket, Latch (Engine Side)	1	
19	0902223	Bracket, Latch (Tank Side)	1	
20	0902143	Bracket, Latch Tank Side)	1	
21	0940071	Bumper	6	
22	4160139	Spring, Gas (Tank Side)	1	
23	4160143	Spring, Gas (Engine Side)	1	
24	3960389	Seal	3.5ft/1m	
25	3960470	Seal, Latch	1	
26	3520033	Plug, Hole	2	
27	0630507	Bolt, Carriage 1/2"-13NC x 1 1/4"	6	
28	4740171	Washer, Hardened	6	
29	3311805	Locknut 1/2"-13NC	6	
30	3900232	Screw, Button Head 3/8"-16NC x 1 1/4"	5	
31	0641609	Bolt 3/8"-16NC x 1 1/8"	5	
32	0641608	Bolt 3/8"-16NC x 1"	26	
33	4740076	Washer, Fender	5	
34	4751600	Flatwasher 3/8"	56	
35	3311605	Locknut 3/8"-16NC	10	
36	3311601	Nut 3/8"-16NC	12	
37	0641508	Bolt 5/16"-18NC x 1"	17	
38	3900210	Screw, Button Head 5/16"-18NC x 3/4"	3	

SECTION 2 TURNTABLE

FIGURE 2-16. HOODS INSTALLATION (CONTINUED)

SECTION 2 TURNTABLE

FIG & ITEM #	PART NUMBER	DESCRIPTION	QTY.	REV.
39	4751500	Flatwasher 5/16"	26	
40	3311505	Locknut 5/16"-18NC	10	
41	0641406	Bolt 1/4"-20NC x 3/4"	4	
42	4751400	Flatwasher 1/4"	4	
43	3311405	Locknut 1/4"-20NC	4	
44	0721006	Screw #10-24NC x 3/4"	6	
45	4751000	Flatwasher #10	6	
46	4761000	Lockwasher #10	6	
47	3311001	Nut #10-24NC	6	
48	4070410	Shim 1/16"	AR	
49	4070411	Shim 1/8"	AR	
50	4070412	Shim 3/16"	AR	
51	0100011	Loctite #242 (Not Shown)	AR	
	2680451	HOOD ASSEMBLY (ENGINE SIDE)	Ref	A
101	2680436	Hood	1	
102	2600209	Hinge	1	
103	3311605	Locknut 3/8"-16NC	4	
104	4751600	Flatwasher 3/8"	4	
105	2940088	Latch	1	
106	0721008	Screw, Machine #10-24NC x 1"	2	
107	4751000	Flatwasher #10	2	
108	3311005	Locknut #10-24NC	2	
109	3960464	Seal	65in/1.67m	
110	3960462	Seal	61in/1.55m	
	2680448	HOOD ASSEMBLY (TANK SIDE)	Ref	A
201	2680437	Hood	1	
202	2600233	Hinge	1	
203	3311605	Locknut 3/8"-16NC	5	
204	4711600	Flatwasher 3/8" Narrow	5	
205	2940088	Latch	2	
206	0721008	Screw, Machine #10-24NC x 1"	4	
207	4751000	Flatwasher #10	4	
208	3311005	Locknut #10-24NC	4	
209	3960462	Seal	53in/1.35m	
210	3960464	Seal	83in/2.11m	
211	3960438	Seal	55in/1.4m	
	0256823	NOISE REDUCTION INSTALLATION	Ref	—
301	2820078	Foam, Acoustical (Turntable Side)	1	
302	2820079	Foam, Acoustical (Hood Side)	1	
303	2820080	Foam, Acoustical (Hood Top)	1	
304	2820081	Foam, Acoustical (Located on #8)	1	
305	3539955	Plate, Baffle	1	
306	0641506	Bolt 5/16"-18NC x 3/4"	2	

SECTION 2 TURNTABLE

FIGURE 2-16. HOODS INSTALLATION (CONTINUED)

FIG & ITEM #	PART NUMBER	DESCRIPTION	QTY.	REV.
307	4751500	Flatwasher 5/16"	2	
308	0100011	Loctite #242 (Not Shown)	AR	

**S
E
C
T
I
O
N

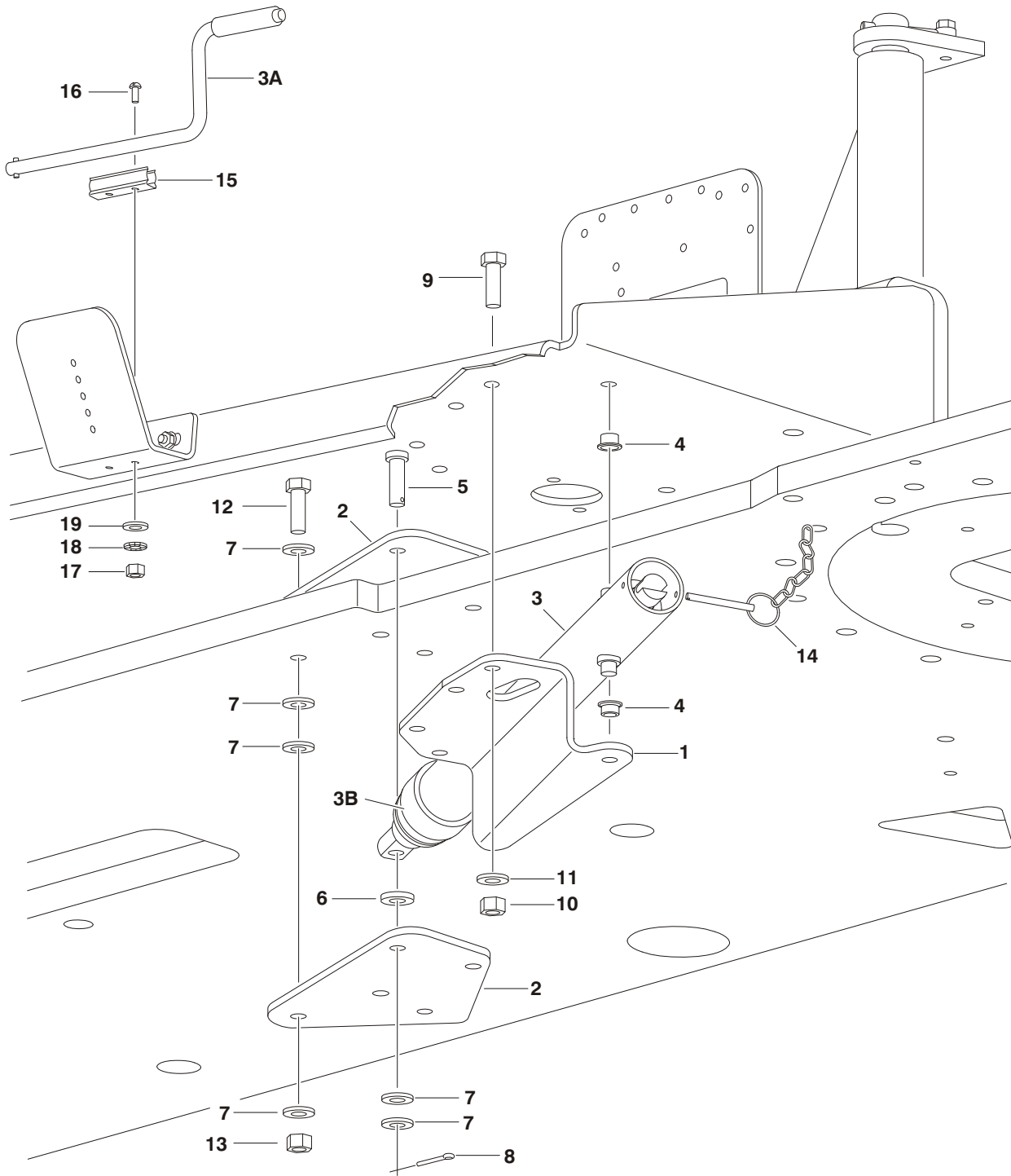
2

T
U
R
N
T
A
B
L
E**

SECTION 2 TURNTABLE

FIGURE 2-17. ENGINE TRAY JACK INSTALLATION (OPTIONAL)

SECTION 2 TURNTABLE



SECTION 2 TURNTABLE

FIGURE 2-17. ENGINE TRAY JACK INSTALLATION (OPTIONAL)

FIG & ITEM #	PART NUMBER	DESCRIPTION	QTY.	REV.
	0258728	ENGINE TRAY JACK INSTALLATION	Ref	1/A
1	3537445	Bracket	1	
2	3537446	Bracket	2	
3	2840016	Jack and Handle Assembly	1	
3A	7016321	Handle	1	
3B	7016322	Wiper	1	
4	0962051	Bearing, Flange	2	
5	3430816	Pin, Clevis	1	
6	4891800	Washer, Hardened	1	
7	4711800	Flatwasher 1/2" Narrow	6	
8	3450404	Pin, Cotter 1/8" x 1"	1	
9	0641609	Bolt 3/8"-16NC x 1 1/8"	4	
10	3311605	Locknut 3/8"-16NC	4	
11	4891600	Washer, Hardened	4	
12	0641818	Bolt 1/2"-13NC x 2 1/4"	4	
13	3311805	Locknut 1/2"-13NC	4	
14	3422530	Pin, Hitch	1	
15	1380147	Clip, Spring	1	
16	3910608	Screw, Round Head #6-32NC x 1"	2	
17	3310601	Nut #6-32NC	2	
18	4770600	Starwasher #6	2	
19	4740119	Washer, Aluminum	2	

SECTION 2 TURNTABLE

SECTION 2 TURNTABLE

FIGURE 2-17. ENGINE TRAY JACK INSTALLATION (OPTIONAL) (CONTINUED)

**S
E
C
T
I
O
N

2

T
U
R
N
T
A
B
L
E**

FIG & ITEM #	PART NUMBER	DESCRIPTION	QTY.	REV.

SECTION 3 BOOM

TABLE OF CONTENTS		
FIGURE	DESCRIPTION	PAGE
3-1	BOOM AND CYLINDER INSTALLATION	3-2
3-2	MAIN BOOM ASSEMBLY	3-6
3-3	ROTATOR ASSEMBLY	3-10
3-4	VALVE AND LIMIT SWITCH INSTALLATIONS (BOOM MOUNTED)	3-12

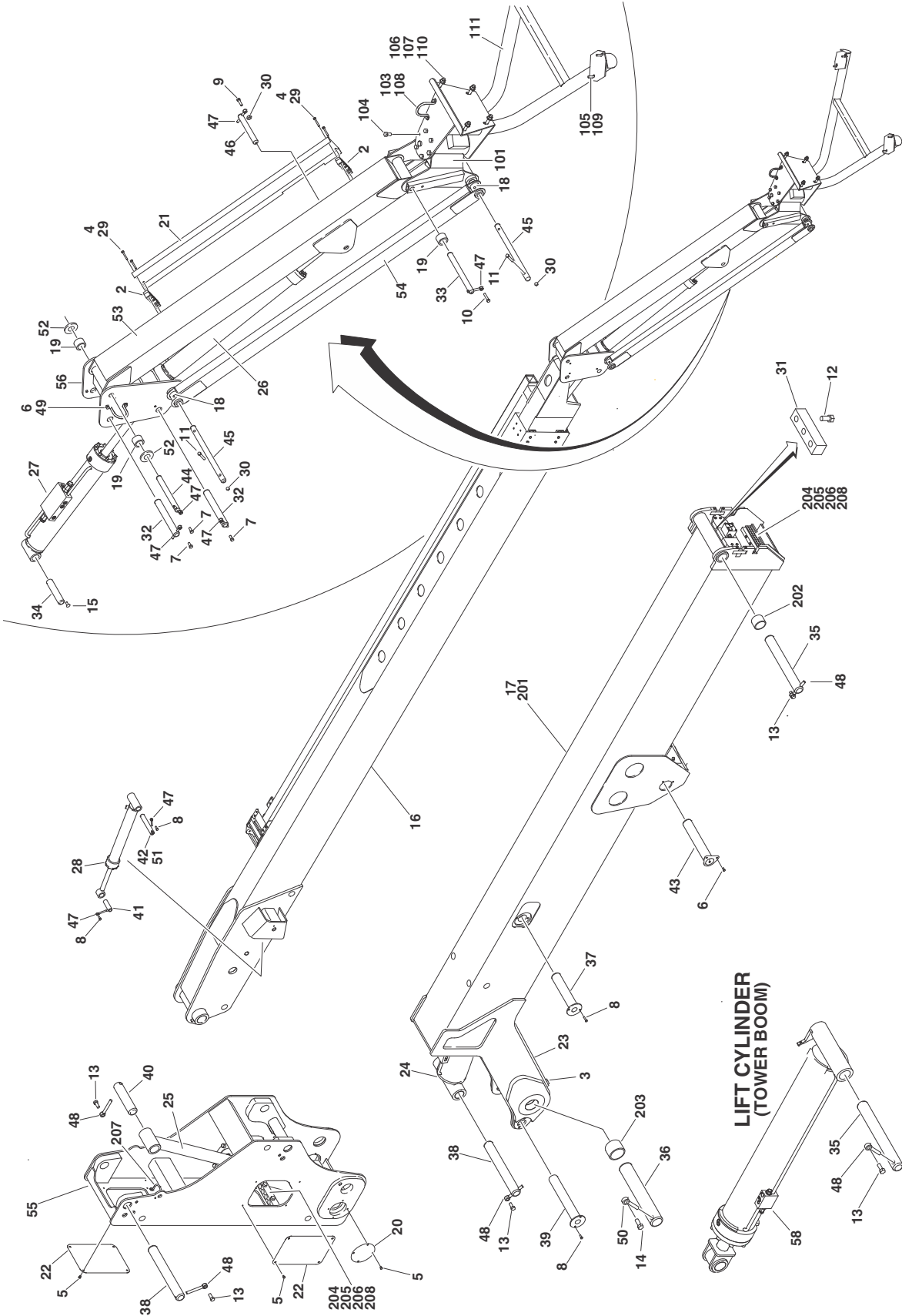
**S
E
C
T
I
O
N

3

B
O
O
M**

SECTION 3 BOOM

FIGURE 3-1. BOOM AND CYLINDER INSTALLATION



MOOR 3 ZONE-ICMS

SECTION 3 BOOM

FIGURE 3-1. BOOM AND CYLINDER INSTALLATION

FIG & ITEM #	PART NUMBER	DESCRIPTION	QTY.	REV.
	0271505	BOOMS AND CYLINDERS INSTALLATIONS	Ref	B
1	0100011	Loctite #242 (Not Shown)	AR	
2	0561237	Block, Clamp	2	
3	0641404	Bolt 1/4"-20NC x 1/2"	4	
4	0641416	Bolt 1/4"-20NC x 2"	4	
5	0641604	Bolt 3/8"-16NC x 1/2"	24	
6	0641606	Bolt 3/8"-16NC x 3/4"	4	
7	0641607	Bolt 3/8"-16NC x 7/8"	2	
8	0641608	Bolt 3/8"-16NC x 1"	6	
9	0641611	Bolt 3/8"-16NC x 1 3/8"	1	
10	0641614	Bolt 3/8"-16NC x 1 3/4"	1	
11	0641618	Bolt 3/8"-16NC x 2 1/4"	4	
12	0641820	Bolt 1/2"-13NC x 2 1/2"	3	
13	0642214	Bolt 3/4"x 10NC x 1 3/4"	5	
14	0642620	Bolt 1"-8NC x 2 1/2"	1	
15	0741607	Screw 3/8"-16NC x 7/8"	1	
16	0801136	Boom Assembly (Upper - See MAIN BOOM ASSEMBLY for Breakdown)	1	
17	0801314	Boom Assembly (Tower - See Items 201-208 for Breakdown)	1	
18	0961947	Bearing, Garmax	6	
19	0962335	Bushing, Composite	4	
20	1120510	Cover, Upright	2	
21	1670769	Cover, Cable	1	
22	1670844	Cover, Upright	4	
23	1670850	Cover, Tower Fly	1	
24	Use 1684497	Cylinder, Upright Level (See CYLINDER SECTION for Breakdown) (was p/n 1683546)	1	
25	1683547	Cylinder, Upper Lift (See CYLINDER SECTION for Breakdown)	1	
26	1683609	Cylinder, Extended Reach (See CYLINDER SECTION for Breakdown)	1	
27	Use 1684228	Cylinder, Slave (See CYLINDER SECTION for Breakdown) (was p/n 1683677)	1	
28	1683682	Cylinder, Master (See CYLINDER SECTION for Breakdown)	1	
29	2080044	Fastener	4	
30	3311605	Locknut, 3/8"-16NC	5	
31	3340835	Pad, Boom Rest	1	
32	3422561	Pin	2	
33	3422563	Pin	1	
34	3422583	Pin	1	
35	3422681	Pin	2	
36	3422683	Pin	1	
37	3422684	Pin	1	
38	3422685	Pin	2	
39	3422686	Pin	1	
40	3422687	Pin	1	
41	3422688	Pin	1	
42	3422689	Pin	1	

SECTION 3 BOOM

SECTION 3 BOOM

FIGURE 3-1. BOOM AND CYLINDER INSTALLATION (CONTINUED)

FIG & ITEM #	PART NUMBER	DESCRIPTION	QTY.	REV.
43	3422729	Pin	1	
44	3422860	Pin	1	
45	3422861	Pin	2	
46	3422867	Pin	1	
47	3841143	Keeper, 3/8"	7	
48	3841287	Shaft, Keeper	5	
49	3841340	Rod, Hose Loop	1	
50	3841356	Shaft, Keeper	1	
51	3900239	Screw, Nylon	1	
52	4740439	Washer, Thrust	2	
53	4844816	Weldment, Top Tube	1	
54	4844817	Weldment, Bottom Tube	2	
55	4845593	Weldment, Upright	1	
56	4845716	Weldment, Pivot	1	
57	Not Used			
58	1683537	Cylinder, Tower Lift (See CYLINDER SECTION for Breakdown)	1	
	0258766	ROTATOR AND SUPPORT INSTALLATION	Ref	D
101	0060031	Rotator Actuator Assembly (See ROTATOR ASSEMBLY for Breakdown)	1	
102	0100011	Loctite #242 (Not Shown)	AR	
103	0641606	Bolt 3/8"-16NC x 3/4"	2	
104	0641810	Bolt 1/2"-13NC x 1 1/4"	6	
105	0681610	Bolt 3/8"-16NC x 1 1/4" (Grade 8)	4	
106	0681820	Bolt 1/2"-13NC x 2 1/2" (Grade 8)	4	
107	3311805	Locknut 1/2"-13NC	4	
108	3841340	Rod, Hose Loop	1	
109	4711600	Flatwasher 3/8" Narrow	4	
110	4711800	Flatwasher 1/2" Narrow	8	
111	4844790	Support Weldment	1	
	0801314/0271519	TOWER BOOM ASSEMBLY & COMPONENTS	Ref	A/A
201	0801311	Weldment, Tower Boom	1	
202	0962102	Bushing, Composite (2 3/4")	2	
203	0962122	Bushing, Composite (4")	2	
204	1320250	Clamp, Bar	3	
205	1320251	Clamp, Block	3	
206	3311605	Locknut 3/8"-16NC	6	
207	3841340	Rod, Hose Loop	2	
208	3900262	Bolt 3/8"-16NC x 4 3/4"	6	

SECTION 3 BOOM

SECTION 3 BOOM

FIGURE 3-1. BOOM AND CYLINDER INSTALLATION (CONTINUED)

FIG & ITEM #	PART NUMBER	DESCRIPTION	QTY.	REV.

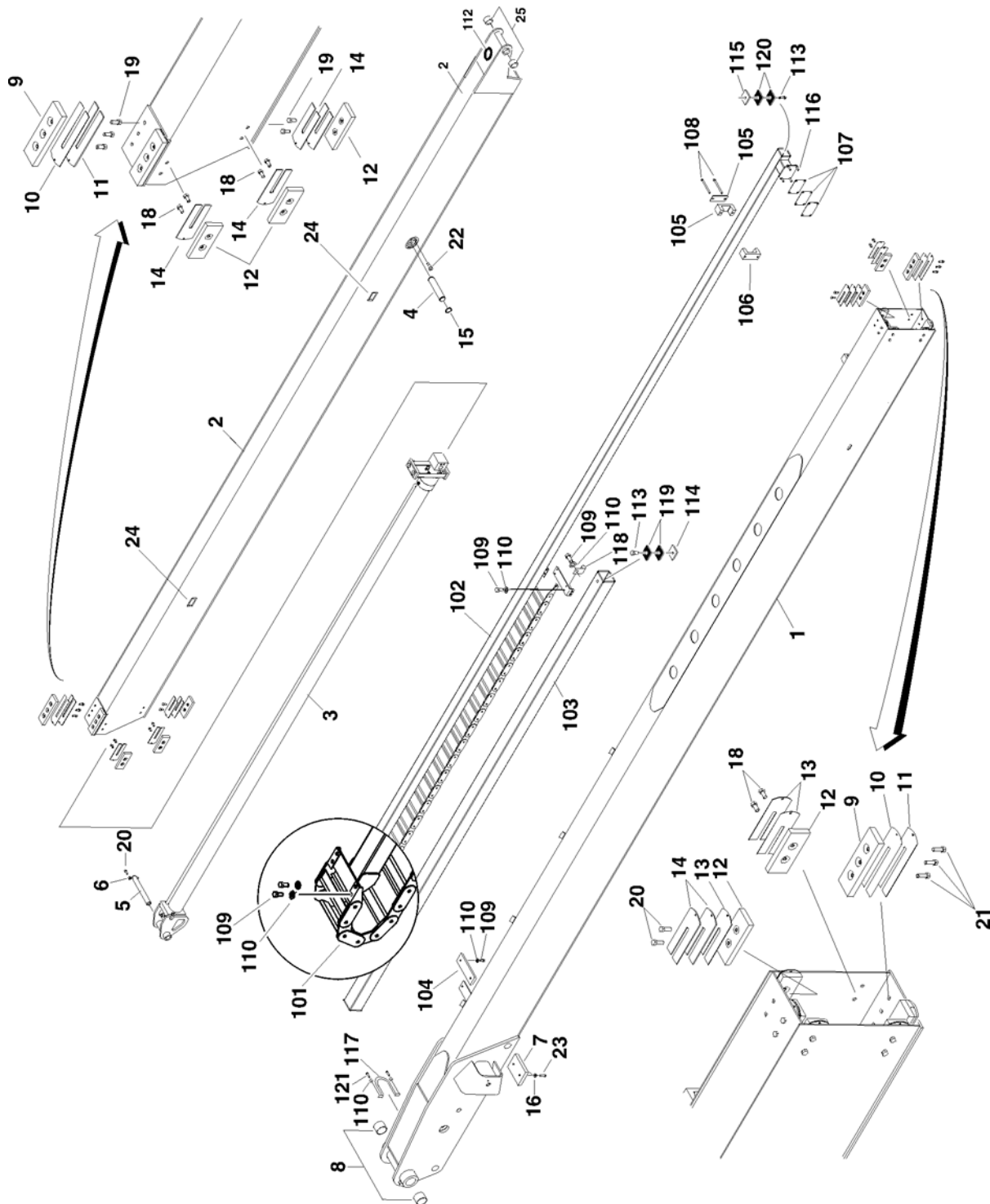
**S
E
C
T
I
O
N

3

B
O
O
M**

SECTION 3 BOOM

FIGURE 3-2. MAIN BOOM ASSEMBLY



MOORE & ZOO-HOLMS

SECTION 3 BOOM

FIGURE 3-2. MAIN BOOM ASSEMBLY

FIG & ITEM #	PART NUMBER	DESCRIPTION	QTY.	REV.
	0801136	MAIN BOOM ASSEMBLY	Ref	E
1	0801191	Base Weldment	1	
2	0801140	Fly Weldment	1	
3	1683672	Telescope Cylinder Assembly (See CYLINDER SECTION for Breakdown)	1	
4	3422457	Pin	1	
5	3422690	Pin	1	
6	3841143	Keeper, Pin	1	
7	0561295	Block, Boom Rest	1	
8	0962102	Bushing, Garmax	2	
9	3340871	Pad, Wear	4	
10	4070863	Shim 1/8"	4	
11	4070864	Shim .05	4	
12	3340881	Pad, Wear	12	
13	4070897	Shim .05	10	
14	4070898	Shim 1/8"	12	
15	3760133	Ring, Retaining	2	
16	4711600	Flatwasher 3/8" Narrow	2	
17	0100011	Loctite #242 (Not Shown)	AR	
18	0641606	Bolt 3/8"-16NC x 3/4"	16	
19	0641607	Bolt 3/8"-16NC x 7/8"	10	
20	0641608	Bolt 3/8"-16NC x 1"	5	
21	0641609	Bolt 3/8"-16NC x 1 1/8"	6	
22	3900259	Bolt, Shoulder	4	
23	0641612	Bolt 3/8"-16NC x 1 1/2"	2	
24	1670836	Cover, Boom	6	
25	0961951	Bushing, Garmax	2	
	0258077	POWER TRACK INSTALLATION	Ref	D
101	Use 1001099837	Carrier Options: Gemco Brand Power Track (Original Equipment) (was p/n 1180349)	1	
	7016522	Carrier Repair Section (1ft length - Includes 1 Pin for each end)	AR	
	7016523	Rod Kit (Includes 1 Rod, 2 Screws & 2 Lockwashers)	AR	
	7016529	Roller, Plastic Rod	AR	
	7006137	Link Pin Assembly (Includes 1 Pin, 1 Roller & 2 Retaining Rings)	AR	
	7016524	Foot, Mounting (1 Pair)	2	
	7016525	Clamping Carrier Section	2	
	1001099837	Gortrac Brand Power Track (Service Replacement)		
	70002013	Carrier Repair Section (2ft length - Includes 1 Pin Assembly for each end)	AR	
	70002014	Mounting Foot Kit (Includes Both Pair of Feet)	1	
102	4845729	Push Tube Weldment	1	
103	4845730	Support	1	
104	3340840	Pad	1	

SECTION 3 BOOM

SECTION 3 BOOM

FIGURE 3-2. MAIN BOOM ASSEMBLY (CONTINUED)

FIG & ITEM #	PART NUMBER	DESCRIPTION	QTY.	REV.
105	3538758	Plate, Backing	1	
106	3340764	Pad	2	
107	4070969	Shim	3	
108	0641640	Bolt 3/8"-16NC x 5"	2	
109	0641606	Bolt 3/8"-16NC x 3/4"	18	
110	4711600	Flatwasher 3/8" Narrow	22	
111	0100011	Loctite #242 (Not Shown)	AR	
112	4060805	Flex-Trim	8in/20cm	
113	0641622	Bolt 3/8"-16NC x 2 3/4"	2	
114	1320248	Clamp, Hose	1	
115	1320249	Clamp, Hose	1	
116	0641607	Bolt 3/8"-16NC x 7/8"	4	
117	3841406	Loop, Hose	1	
118	1320263	Clamp, Loop	1	
119	3340860	Pad, Rubber	2	
120	3340861	Pad, Rubber	2	
121	3900232	Screw, Button Head 3/8"-16NC x 1 1/4"	2	

SECTION 3 BOOM

SECTION 3 BOOM

FIGURE 3-2. MAIN BOOM ASSEMBLY (CONTINUED)

FIG & ITEM #	PART NUMBER	DESCRIPTION	QTY.	REV.

**S
E
C
T
I
O
N

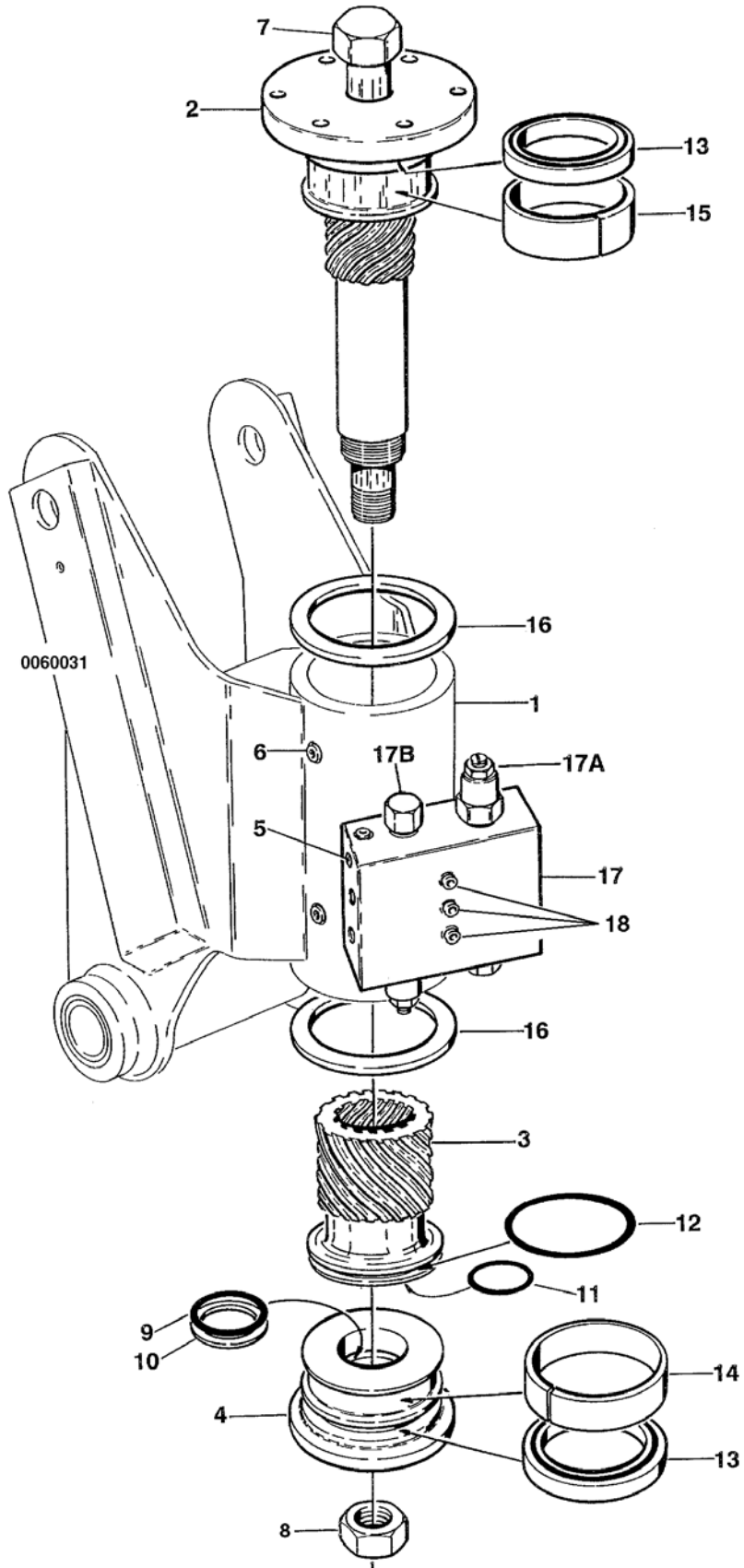
3

B
O
O
M**

SECTION 3 BOOM

FIGURE 3-3. ROTATOR ASSEMBLY

SECTION 3 BOOM



SECTION 3 BOOM

FIGURE 3-3. ROTATOR ASSEMBLY

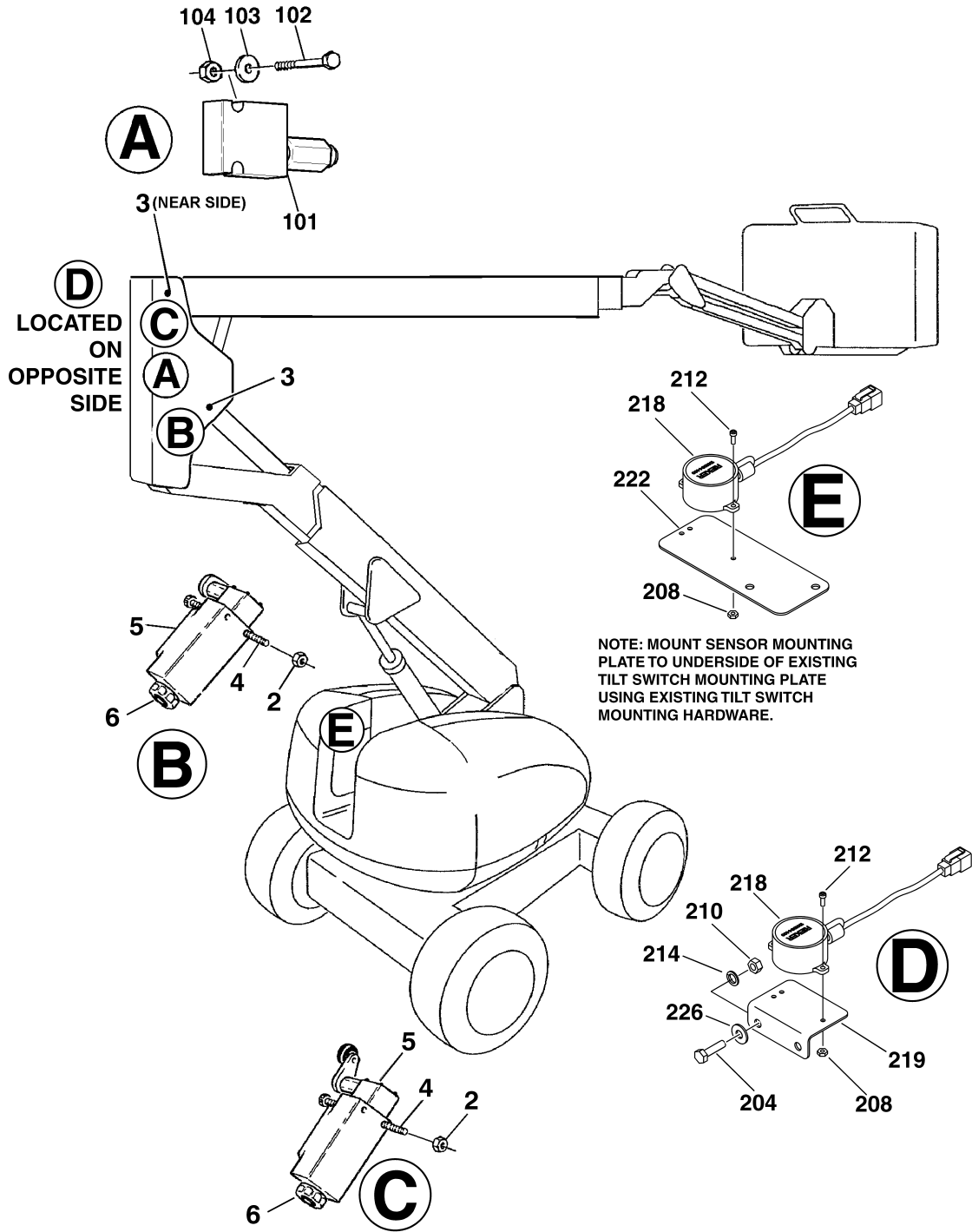
FIG & ITEM #	PART NUMBER	DESCRIPTION	QTY.	REV.
	0060031	ROTATOR ASSEMBLIES	Ref	F
1	Not Serviced	Housing/Ring Gear Assembly	1	
2	Not Serviced	Shaft Weldment	1	
3	7017100	Piston/Sleeve	1	
4	Not Serviced	Cap, End	1	
5	Not Serviced	Plug, Port	6	
6	Not Serviced	Setscrew	2	
7	7017119	Bolt	1	
8	3272605	Nut	1	
9	Kit	Seal, Cap	1	
10	Kit	Ring, Back-up (Cap)	1	
11	Kit	Seal, Rod	1	
12	Kit	Seal, Piston	1	
13	Kit	Packing, Bearing	2	
14	Kit	Bearing, Cap	1	
15	Kit	Bearing, Shaft	1	
16	Kit	Thrustwasher	2	
17	7017101	Valve Assembly	1	
17A	7011331	Cartridge, Valve	2	
	2900770	Seal Kit - 7011331 Valve	2	
17B	7011332	Cartridge, Valve	2	
	7011311	Seal Kit - 7011332 Valve	2	
18	Not Serviced	Bolt 1/4"-20NC (Grade 8)	3	
	7017103	Seal Kit (Includes Items 9-13)	1	
	7017104	Bearing Kit (Includes Items 14-16)	1	

SECTION 3 BOOM

SECTION 3 BOOM

FIGURE 3-4. VALVE AND LIMIT SWITCH INSTALLATIONS (BOOM MOUNTED)

SECTION 3 BOOM



SECTION 3 BOOM

FIGURE 3-4. VALVE AND LIMIT SWITCH INSTALLATIONS (BOOM MOUNTED)

FIG & ITEM #	PART NUMBER	DESCRIPTION	QTY.	REV.
	0271989	BOOM VALVES AND LIMIT SWITCHES INSTALLATION	Ref	A
1	0100035	Loctite #222 (Not Shown)	AR	
2	3310805	Locknut #8-32NC	4	
3	3520035	Plug, Cap	2	
4	3930824	Capscrew, Socket Head #8-32NC x 1 1/2"	4	
5	Use 4360578	Switch, Limit (was p/n 4360322 & p/n 4360549) (Note: P/N 4360549 & P/N 4360578 does not include #6 Connector - Purchase Separately)	2	
6		Connector, Strain Relief Options:	2	
	4460428	Use with p/n 4360322 Switch		
	4460968	Use with p/n 4360549 & 4360578 Switches		
	0258457	VALVES INSTALLATION	Ref	C
101	4640929	Valve Assembly (Relief)	1	
	7012970	Cartridge	1	
	7012953	Seal Kit - 7012970 Cartridge	1	
102	0641416	Bolt 1/4"-20NC x 2"	2	
103	4711400	Flatwasher 1/4" Narrow	4	
104	3311405	Locknut 1/4"-20NC	2	
	1001091538	TILT SENSOR INSTALLATION (PRE ADE SYSTEM)	Ref	E
201	0100011	Loctite #242 (Not Shown)	AR	
202 to 203	Not Used			
204	0641610	Bolt 3/8"-16NC x 1 1/4"	2	
205 to 207	Not Used			
208	3310605	Locknut #6-32 NC	6	
209	Not Used			
210	3311601	Locknut 3/8"-16NC	2	
211	Not Used			
212	3930606	Screw #6-32 NC	6	
213	Not Used			
214	4761600	Lockwasher 3/8"	2	
215 to 217	Not Used			
218	1001094400	Sensor, Dual Axis	2	
219	1001094401	Bracket, Tilt Sensor	1	
220 to 221	Not Used			
222	1001094639	Bracket, Tilt Sensor	1	
223 to 225	Not Used			
226	4751600	Flatwasher 3/8"	2	
227 to 228	Not Used			

SECTION 3 BOOM

SECTION 3 BOOM

FIGURE 3-4. VALVE AND LIMIT SWITCH INSTALLATIONS (BOOM MOUNTED) (CONTINUED)

FIG & ITEM #	PART NUMBER	DESCRIPTION	QTY.	REV.

**S
E
C
T
I
O
N

3

B
O
O
M**

SECTION 4 PLATFORM

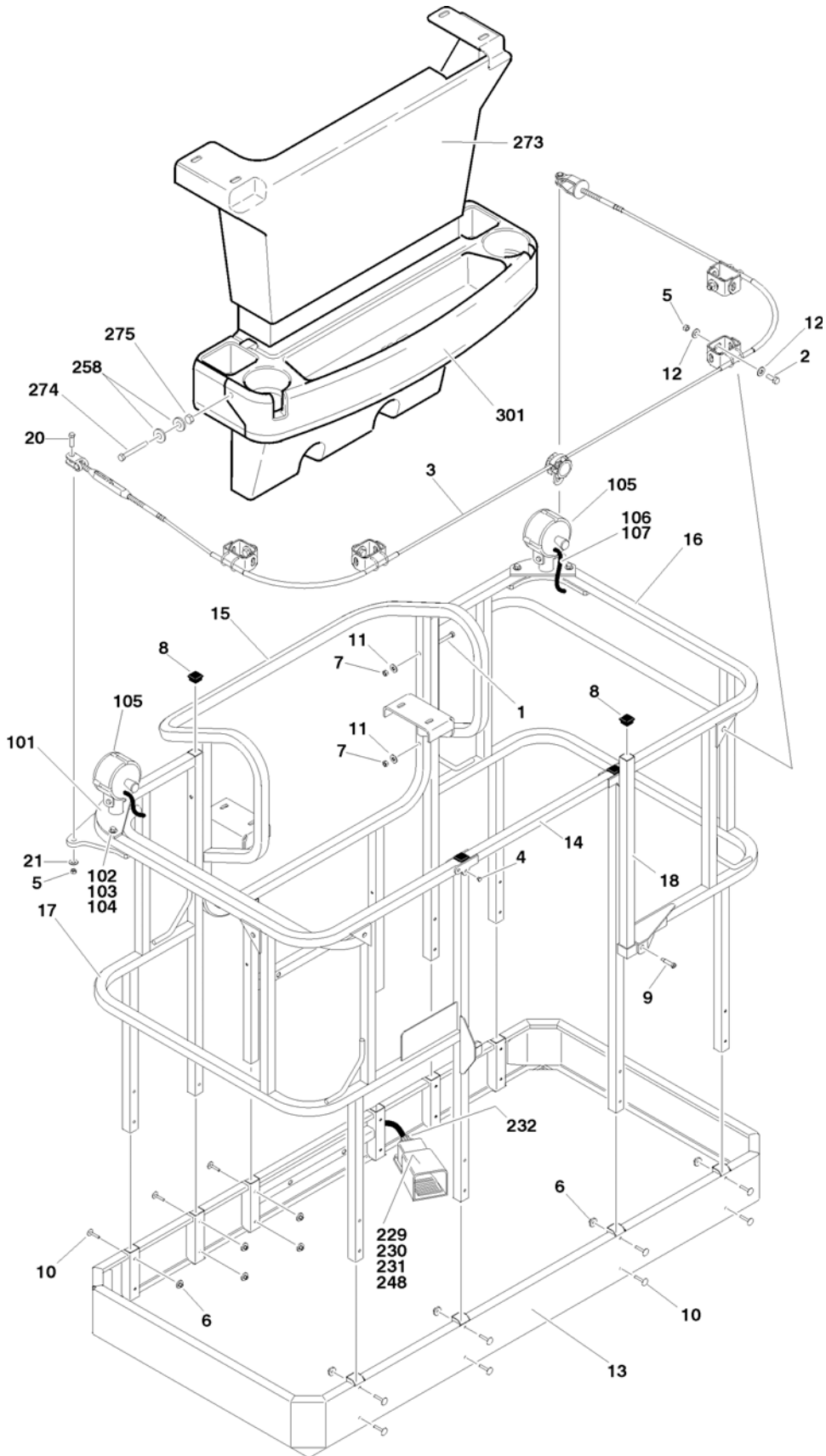
TABLE OF CONTENTS

FIGURE	DESCRIPTION	PAGE
4-1	PLATFORM INSTALLATION	4-2
4-2	PLATFORM CONSOLE ASSEMBLY	4-6
4-3	CONTROLLER ASSEMBLY (SWING AND LIFT)	4-10
4-4	CONTROLLER ASSEMBLY (DRIVE AND STEER)	4-12
4-5	SOFT TOUCH SYSTEM INSTALLATION (OPTIONAL)	4-14

SECTION 4 PLATFORM

SECTION 4 PLATFORM

FIGURE 4-1.PLATFORM COMPONENTS INSTALLATION



SECTION 4 PLATFORM

SECTION 4 PLATFORM

FIGURE 4-1. PLATFORM COMPONENTS INSTALLATION

FIG & ITEM #	PART NUMBER	DESCRIPTION	QTY.	REV.
	3510784	PLATFORM INSTALLATION (FALL ARREST) Note: Replacement decals must be ordered separately - See DECAL SECTION.	Ref Ref	C
1	0641524	Bolt 5/16"-18NC x 3"	4	
2	0681810	Bolt 1/2"-13NC x 1 1/4" (Grade 8)	4	
3	1060919	Cable, Fall Arrest	1	
4	2080040	Fastener, Huck	8	
5	3271805	Locknut 1/2-13NC"	6	
6	3300393	Collar	16	
7	3311505	Locknut 5/16"-18NC	4	
8	3520072	Cap, Plug	5	
9	3900054	Bolt, Shoulder 1/2"x 1 3/4"	1	
10	3900207	Fastener	16	
11	4751500	Flatwasher 5/16" (Wide)	4	
12	4751800	Flatwasher 1/2" (Wide)	8	
13	4844954	Weldment, Floor	1	
14	4845287	Weldment, Door Rail	1	
15	4845328	Weldment, Control Box Rail	1	
16	4846442	Weldment, Rail (Right Side)	1	
17	4846443	Weldment, Rail (Left Side)	1	
18	4846450	Weldment, Gate	1	
19	Not Used			
20	0681814	Bolt 1/2"-13NC x 1 3/4" (Grade 8)	2	
21	4711800	Flatwasher 1/2" Narrow	2	
	0258048	WORKLIGHTS INSTALLATION (OPTIONAL)	Ref	2/E
101	3536089	Plate, Mounting	2	
102	0641414	Bolt 1/4"-20NC x 1 3/4"	4	
103	3311405	Locknut 1/4"-20NC	4	
104	4711400	Flatwasher 1/4" Narrow	8	
105	2920140	Worklight	2	
	7016399	Bulb, Replacement (1 Per Worklight)	2	
106	4240099	Tie-Strap (Not Shown)	10	
107	2820035	Loom, Vinyl (Not Shown)	9	
108	Not Used			
109	4460598	Connector, Strain Relief (Not Shown - Located at Console Box)	1	
110	4920018	Wire Options: (Not Shown)	AR	
111	Not Used			

SECTION 4 PLATFORM

SECTION 4 PLATFORM

FIGURE 4-1. PLATFORM COMPONENTS INSTALLATION (CONTINUED)

FIG & ITEM #	PART NUMBER	DESCRIPTION	QTY.	REV.
	0861237	FOOTSWITCH AND COVERS INSTALLATION	Ref	5/D
201 to 228	Not Used			
229	0641408	Bolt 1/4"-20NC x 1"	3	
230	3311405	Locknut 1/4"-20NC	3	
231	4740362	Washer, Fender	3	
232	4460071	Terminal, Strain Relief	1	
233 to 247	Not Used			
248	Use 0272970	Footswitch Assembly (was p/n 4360031)	1	
		Note: Assembly p/n 0272970 may use either p/n 4360031 or p/n 1001117320. If Original Equipment was replaced as an "assembly," p/n 1001117320 may have been used as part of the Service Replacement. Identify component before ordering parts.	Ref	
		Footswitch Less Cable Options:	1	
	4360031	Original Equipment		
	1001117320	Service Replacement		
		Block, Contact Options (see Note Above):	AR	
	7000625	Contact Block for 4360031 Footswitch	2	
	70003483	Contact Block for 1001117320 Footswitch	1	
249 to 257	Not Used			
258	4751400	Flatwasher 1/4"	4	
259 to 272	Not Used			
273	3380434	Panel, Poly	1	
274	0641414	Bolt 1/4"-20NC x 1 3/4"	2	
275	3311405	Locknut 1/4"-20NC	2	
		TRAY INSTALLATIONS (OPTIONAL)	Ref	
301	1580012	Tray, Storage (Center)	1	
302	1580013	Tray, Storage (Rail Mounted - Not Shown)	1	

SECTION 4 PLATFORM

SECTION 4 PLATFORM

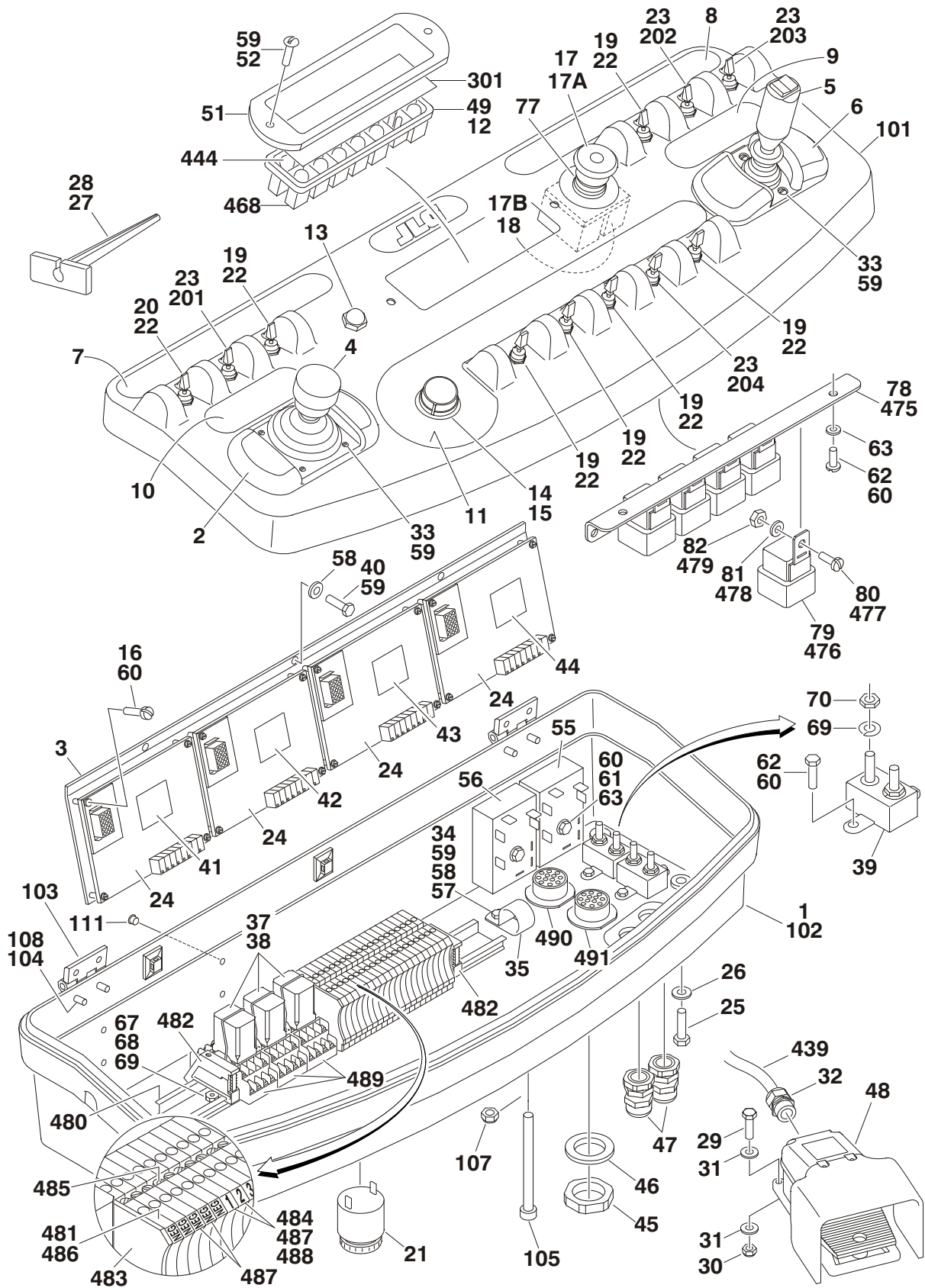
FIGURE 4-1. PLATFORM COMPONENTS INSTALLATION (CONTINUED)

FIG & ITEM #	PART NUMBER	DESCRIPTION	QTY.	REV.

**S
E
C
T
I
O
N
4
P
L
A
T
F
O
R
M**

SECTION 4 PLATFORM

FIGURE 4-2.PLATFORM CONSOLE ASSEMBLY



SECTION 4 PLATFORM

SECTION 4 PLATFORM

FIGURE 4-2. PLATFORM CONSOLE ASSEMBLY

FIG & ITEM #	PART NUMBER	DESCRIPTION	QTY.	REV.
	0861237	CONSOLE BOX INSTALLATIONS	Ref	5/D
1	0860984	Box, Console	1	
2	4340678	Support, Hand	1	
3	3538819	Plate, Mounting	1	
4	1600284	Controller Assembly (Swing & Lift) (See CONTROL- LER ASSEMBLY (SWING & LIFT) for Breakdown)	1	
5	1600283	Controller Assembly (Drive & Steer) (See CONTROL- LER ASSEMBLY (DRIVE & STEER) for Breakdown)	1	
6	4340684	Support, Hand	1	
7	1702676	Decal (Horn/Drive Speed/Level)	1	
8	1702564	Decal (Stop)	1	
9	1702565	Decal (Drive and Steer)	1	
10	1702566	Decal (Lift and Swing)	1	
11	1702567	Decal (Speed/Lower Lift/Tele/Rotate/Jib)	1	
12	2760105	Housing, Display Light	1	
13	4360387	Switch, Pushbutton	1	
14	2560136	Knob, Speed Control	1	
15	4360407	Controller, Speed	1	
16	3910610	Screw #6-32NC x 5/8"	16	
17	4360475	Switch, Emergency Stop	1	
17A	7020175	Cap, Mushroom Head	1	
17B	7020176	Block, Contact	1	
18	4360476	Switch, Contact Block	1	
19	4360314	Switch, Toggle	6	
20	4360331	Switch, Toggle	1	
21	0140026	Alarm	1	
22	3790012	O-Ring	7	
23	3520028	Plug, Hole (For switch call-outs at these locations, refer to options installation below)	4	
24	1600218	Card, Control	4	
25	0641610	Bolt 3/8"-16NC x 3/4"	4	
26	4751600	Flatwasher 3/8"	4	
27	4460467	Tool, Pin Extraction (Blue 16-18 Gauge) (Not Shown)	1	
28	4460510	Tool, Pin Extraction (Yellow 12-14 Gauge) (Not Shown)	1	
29	0641408	Bolt 1/4"-20NC x 1"	3	
30	3311405	Locknut 1/4"-20NC	3	
31	4740362	Washer 1/4" (Fender)	3	
32	4460071	Connector, Strain Relief	1	
33	0641404	Bolt 1/4"-20NC x 1/2"	8	
34	3311401	Nut 1/4"-20NC	1	
35	1320060	Clamp	1	
36	1320095	Clamp	1	
37	3740058	Relay - 4PDT	3	
38	3740063	Spring, Relay	3	
39	4360232	Breaker, Circuit - 15 Amp	2	
40	0641406	Bolt 1/4"-20NC x 3/4"	3	
41	1703090	Decal - Control Card (Lift)	1	

SECTION 4 PLATFORM

SECTION 4 PLATFORM

FIGURE 4-2. PLATFORM CONSOLE ASSEMBLY (CONTINUED)

FIG & ITEM #	PART NUMBER	DESCRIPTION	QTY.	REV.
42	1703091	Decal - Control Card (Swing)	1	
43	1703092	Decal - Control Card (Flow Control)	1	
44	1703093	Decal - Control Card (Drive)	1	
45	4460470	Nut, Conduit	2	
46	4460471	Washer	2	
47	4460428	Connector, Strain Relief	2	
48	See Note	Footswitch (Note: See PLATFORM COMPONENTS INSTALLATION for Service Parts)	1	
49	Not Used			
50	4922155	Harness Assembly (Not Shown - See ELECTRICAL SECTION for Breakdown and Items 401-491 Below)	1	
51	1670829	Bezel	1	
52	0630464	Screw, Button Head #10-24NC x 1/2"	2	
53 to 54	Not Used			
55	3740113	Relay, Time Delay	1	
56	3740115	Relay, Time Delay	1	
57	0641406	Bolt 1/4"-20NC x 3/4"	1	
58	Not Used			
59	0100011	Loctite #242	AR	
60	0100035	Loctite #222	AR	
61	0721010	Screw, Machine #10-24NC x 1 1/4"	2	
62	0721003	Screw, Machine #10-24NC x 3/8"	4	
63	4751000	Flatwasher #10	2	
64 to 66	Not Used			
67	0721004	Screw, Machine #10-32NC x 1/2"	2	
68	4711000	Flatwasher #10 Narrow	2	
69	4761000	Lockwasher #10	6	
70	3311001	Nut #10-24NC	4	
71	4460488	Base, Wire Tie (Not Shown)	10	
72	0100009	Silicone (Not Shown)	AR	
73 to 75	Not Used			
76	3311605	Locknut 3/8"-16NC	4	
77	1704260	Decal - EMS	1	
78	3539275	Plate, Relay Mounting	1	
79	3740049	Relay, Bosch	5	
80	0721003	Screw #10-24NC x 3/8"	5	
81	4751000	Flatwasher #10	5	
82	3311005	Locknut #10-24NC	5	
83	2920129	Bulb, Light	12	
	0860984	CONSOLE BOX ASSEMBLY	Ref	6/E
101	1220022	Lid, Cast	1	
102	1220023	Bottom, Box	1	
103	2600211	Hinge	2	
104	3900224	Capscrew, Socket Head Countersunk 6mmx 16mm	8	
105	3931672	Capscrew, Socket Head 3/8"-16NC x 4 1/2"	1	
106	Not Used			

SECTION 4 PLATFORM

SECTION 4 PLATFORM

FIGURE 4-2. PLATFORM CONSOLE ASSEMBLY (CONTINUED)

FIG & ITEM #	PART NUMBER	DESCRIPTION	QTY.	REV.
107	3311601	Nut 3/8"-16NC	1	
108	0100011	Loctite #242	AR	
109 to 110	Not Used			
111	3520173	Plug (Located on back of console box)	4	
		CONSOLE BOX OPTIONS	Ref	
201	0258945	4WS Switch Option Components	AR	A
	4360331	Switch, Toggle	1	
	3790012	O-Ring	1	
202		Dual Switch Option Components	AR	
	4360336	Switch, Toggle	1	
	3790012	O-Ring	1	
203		Lights Switch Option Components	AR	
	4360336	Switch, Toggle	1	
	3790012	O-Ring	1	
204	0258608	Jib Switch Option Components	AR	A
	4360314	Switch, Toggle	1	
	3790012	O-Ring	1	
	0275804	LIGHT PANEL DECAL INSTALLATION	Ref	A
301	1707111	Decal - Light Panel Display	1	
		Note: Machines should of been updated to this light panel installation.	Ref	
	4922155	RELAY AND TERMINAL BLOCK INSTALLATIONS	Ref	5
401 to 438	Not Used			
439	1060012	Cable, Electrical - 12/4	7ft/2.1m	
440 to 443	Not Used			
444	2920129	Bulb, Light	9	
445 to 467	Not Used			
468	4120035	Base, Light	8	
469 to 474	Not Used			
475	3539275	Plate, Relay Mounting	1	
476	3740049	Relay, Bosch	5	
477	0721003	Screw #10-24NC x 3/8"	5	
478	4751000	Flatwasher #10	5	
479	3311005	Locknut #10-24NC	5	
480	3641182	Track	1	
481	4460601	Block, Terminal	10	
482	4460607	Stop, End	2	
483	4460602	Barrier, Terminal	1	
484	4460629	Marker, Terminal (6-15)	2	
485	4460603	Bar, Buss - 10 Position (Cut into [2] 5 Position Bars)	1	
486	4460600	Block, Terminal	10	
487	4460631	Marker, Terminal (Negative)	1	

SECTION 4 PLATFORM

FIGURE 4-2. PLATFORM CONSOLE ASSEMBLY (CONTINUED)

FIG & ITEM #	PART NUMBER	DESCRIPTION	QTY.	REV.
488	4460632	Marker, Terminal (1-5)	1	
489	4120013	Socket, Relay	3	
490	4460613	Connector - 21 Position	1	
491	4460503	Connector - 31 Position	1	

**S
E
C
T
I
O
N

4

P
L
A
T
F
O
R
M**

SECTION 4 PLATFORM

FIGURE 4-2. PLATFORM CONSOLE ASSEMBLY (CONTINUED)

FIG & ITEM #	PART NUMBER	DESCRIPTION	QTY.	REV.

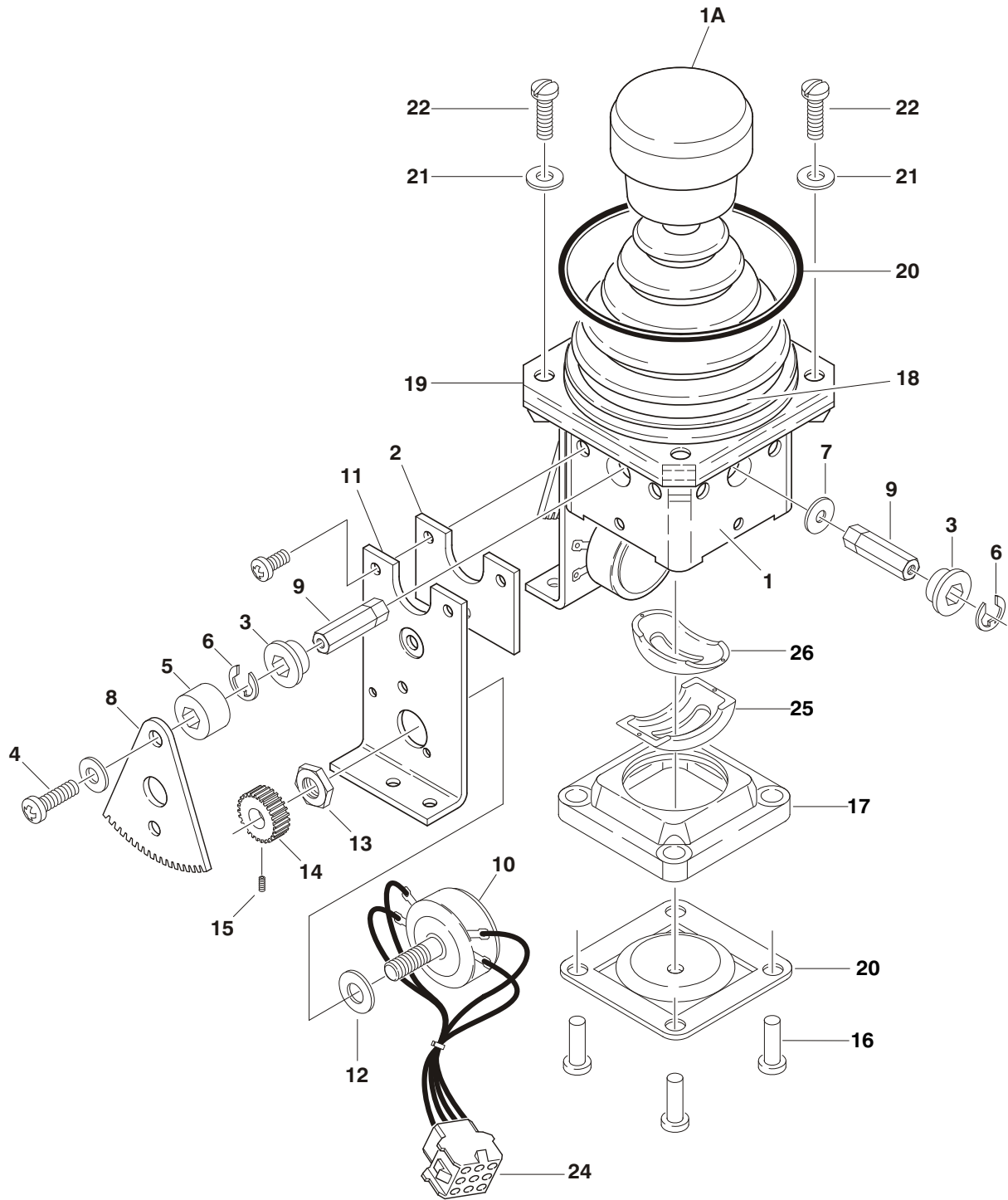
**S
E
C
T
I
O
N

4

P
L
A
T
F
O
R
M**

SECTION 4 PLATFORM

FIGURE 4-3. CONTROLLER ASSEMBLY (SWING AND LIFT)



SECTION 4 PLATFORM

SECTION 4 PLATFORM

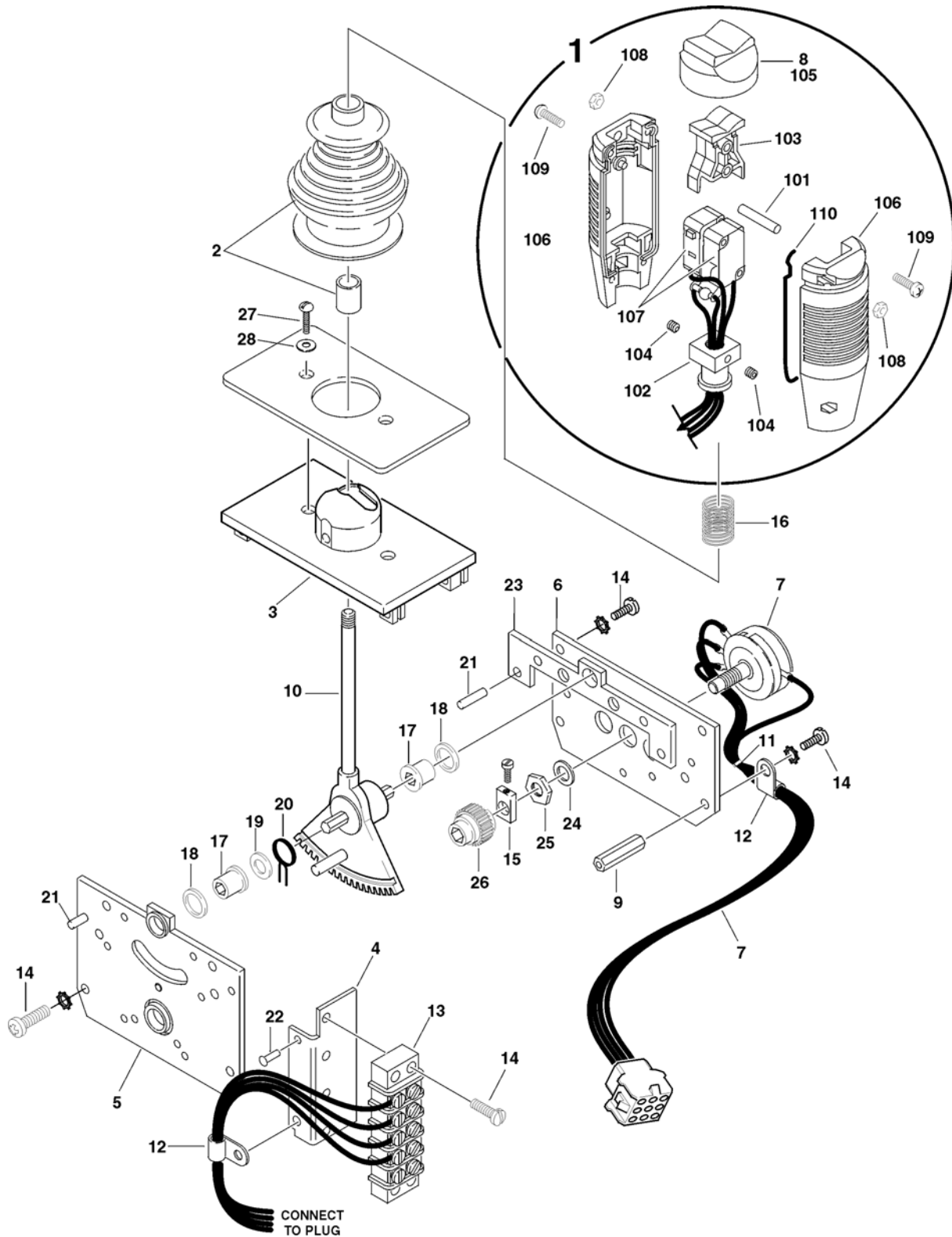
FIGURE 4-3. CONTROLLER ASSEMBLY (SWING AND LIFT)

FIG & ITEM #	PART NUMBER	DESCRIPTION	QTY.	REV.
	1600284	CONTROLLER ASSEMBLY	Ref	A
1	7019141	Mechanical Assembly (Includes Base, Handle Cap & Rod & Item 18 Boot)	1	
	7003928	Spring	1	
	7022808	Cap, Lift	1	
1A	7019197	Handle Cap & Rod	1	
2	7019142	Plate	2	
3	7019111	Bearing, Gear	4	
4	7019143	Screw	2	
5	7019144	Spacer, Cam	2	
6	7019145	E-Clip	4	
7	7019174	Spacer	2	
8	7003977	Gear, Drive	2	
9	7019147	Shaft	4	
10	7003974	Potentiometer	2	
11	7019142	Plate	2	
12	7003992	Washer	2	
13	7003993	Nut	2	
14	7003976	Gear, Slave	2	
15	7019149	Setscrew	2	
16	7003952	Screw	4	
17	7019150	Gate	1	
18	Use 7022813	Boot (was p/n 7003955)	1	
19	Use 7022813	Plate, Plastic (was p/n 7003954)	1	
20	7003956	O-Ring	1	
21	7003953	Washer	4	
22	7019137	Screw	4	
23	Not Serviced	Center, Detent	1	
24	4460266	Connector - 9 Pin	1	
	4460268	Socket, Female	8	
	4460265	Plug - 9 Pin (Part of Platform Wiring) (Not Shown)	1	
	4460267	Pin, Male (Part of Platform Wiring) (Not Shown)	8	
25	7019122	Gimble, Outer	1	
26	7019123	Gimble, Inner	1	

SECTION 4 PLATFORM

SECTION 4 PLATFORM

FIGURE 4-4.CONTROLLER ASSEMBLY (DRIVE AND STEER)



SECTION 4 PLATFORM

SECTION 4 PLATFORM

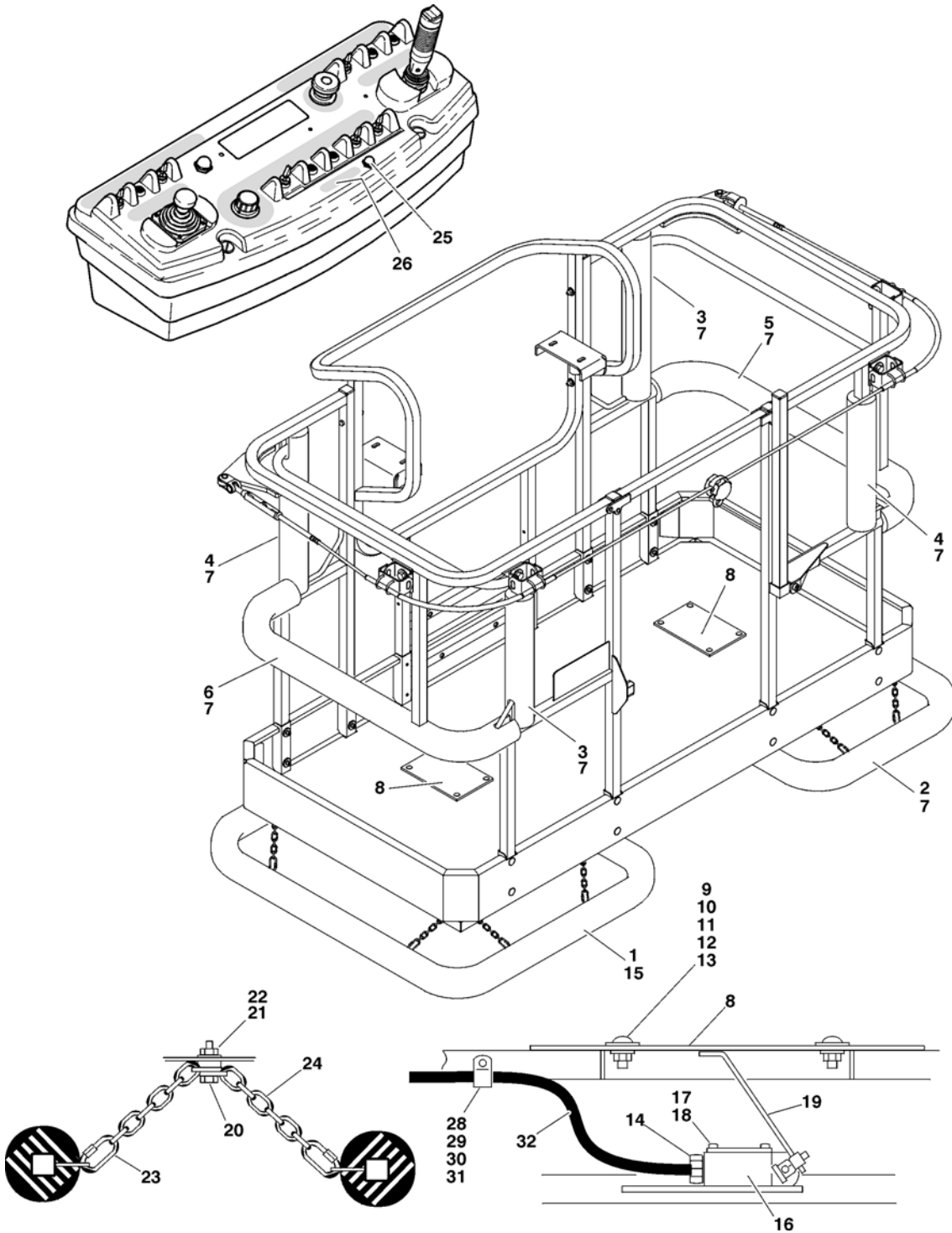
FIGURE 4-4. CONTROLLER ASSEMBLY (DRIVE AND STEER)

FIG & ITEM #	PART NUMBER	DESCRIPTION	QTY.	REV.
	1600283	CONTROLLER ASSEMBLY	Ref	B
1	7022810	Handle Assembly (See items 101-110 for Breakdown)	1	
2	7019161	Boot and Sleeve	1	
3	7019160	Plate, Base	1	
4	7019159	Bracket, Mounting	1	
5	7019158	Plate, Mounting (Left Side)	1	
6	7019157	Plate, Pot Mounting	1	
7	7019156	Electric Assembly	1	
8	7003972	Boot, Rocker	1	
9	7019115	Stand-Off	2	
10	7019155	Shaft 8mm	1	
11	7019151	Tie-Strap	AR	
12	7019154	Clamp, Wire	2	
13	7019153	Strip, Terminal - 5 Position	1	
14	7019117	Screw	8	
15	7019163	Potentiometer Coupling Assembly	1	
16	7019162	Spring	1	
17	7019111	Bearing	2	
18	7019110	Spacer, Head Gear	2	
19	7019112	Washer	1	
20	7003946	Spring, Return	1	
21	7019103	Pin	4	
22	Not Serviced	Rivet	1	
23	7019168	Plate, Mounting (Right Side)	1	
24	7003992	Washer	1	
25	7003993	Nut	1	
26	7003935	Gear, Slave	1	
27	7003969	Screw	2	
28	7003941	Washer	2	
	7022810	HANDLE ASSEMBLY	Ref	
101	7019164	Axle	1	
102	7019194	Coupling	1	
103	7019165	Rocker	1	
104	7003983	Setscrew	2	
105	7003972	Boot, Switch	1	
106	7003973	Half, Handle	2	
107	7019166	Switch, Micro	2	
108	7019167	Nut	4	
109	7003980	Screw	4	
110	7003989	Gasket	2	

SECTION 4 PLATFORM

SECTION 4 PLATFORM

FIGURE 4-5. SOFT TOUCH SYSTEM INSTALLATION (OPTIONAL)



SECTION 4 PLATFORM

SECTION 4 PLATFORM

FIGURE 4-5. SOFT TOUCH SYSTEM INSTALLATION (OPTIONAL)

FIG & ITEM #	PART NUMBER	DESCRIPTION	QTY.	REV.
	0271622	SOFT TOUCH SYSTEM INSTALLTION (FALL ARREST)	Ref	B
1	4845308	Weldment, Soft Touch Rail	2	
2	1670804	Cover, Rail	2	
3	1670785	Cover, Post (Right/Front)	2	
4	1670786	Cover, Post (Left/Front)	2	
5	1671041	Cover, Mid Rail (Right Side/End)	1	
6	1671042	Cover, Mid Rail (Left Side/End)	1	
7	0940038	Padding, Bumper	AR	
8	3539719	Plate, Switch Strike	2	
9	0630462	Bolt, Carriage	8	
10	4761500	Lockwasher 5/16"	8	
11	4751800	Flatwasher 1/2"	8	
12	3311501	Nut 5/16"-18NC	8	
13	4751500	Flatwasher 5/16"	8	
14	4460049	Connector, Strain Relief	2	
15	3530072	Plug, Cap	4	
16	4360057	Switch, Limit	2	
17	0731005	Bolt #10-32NC x 5/8"	4	
18	4751000	Lockwasher #10	4	
19	0200550	Arm, Switch	2	
20	0641612	Bolt 3/8"-16NC x 1 1/2"	8	
21	4751600	Flatwasher 3/8"	40	
22	3311605	Locknut 3/8"-16NC	8	
23	3010088	Link, Quick	16	
24	1260136	Chain	10ft/3m	
25	4360387	Switch, Push Button	1	
26	1702938	Decal - Soft Touch Override	1	
27	Not Used			
28	1320043	Clamp	4	
29	0641406	Bolt 1/4"-20NC x 3/4"	4	
30	4711400	Flatwasher 1/4"	8	
31	3311405	Locknut 1/4"-20NC	4	
32	1060330	Cable, Electrical - 16/3	16ft/4.9m	
33	4460425	Connector, Strain Relief (Not Shown - Located in Console Box)	1	
	0258763	SOFT TOUCH COUNTERWEIGHT INSTALLATION (NOT SHOWN)	Ref	A
	4845872	Counterweight (Located in Frame)	1	

SECTION 4 PLATFORM

SECTION 4 PLATFORM

FIGURE 4-5. SOFT TOUCH SYSTEM INSTALLATION (OPTIONAL) (CONTINUED)

FIG & ITEM #	PART NUMBER	DESCRIPTION	QTY.	REV.

**S
E
C
T
I
O
N

4

P
L
A
T
F
O
R
M**

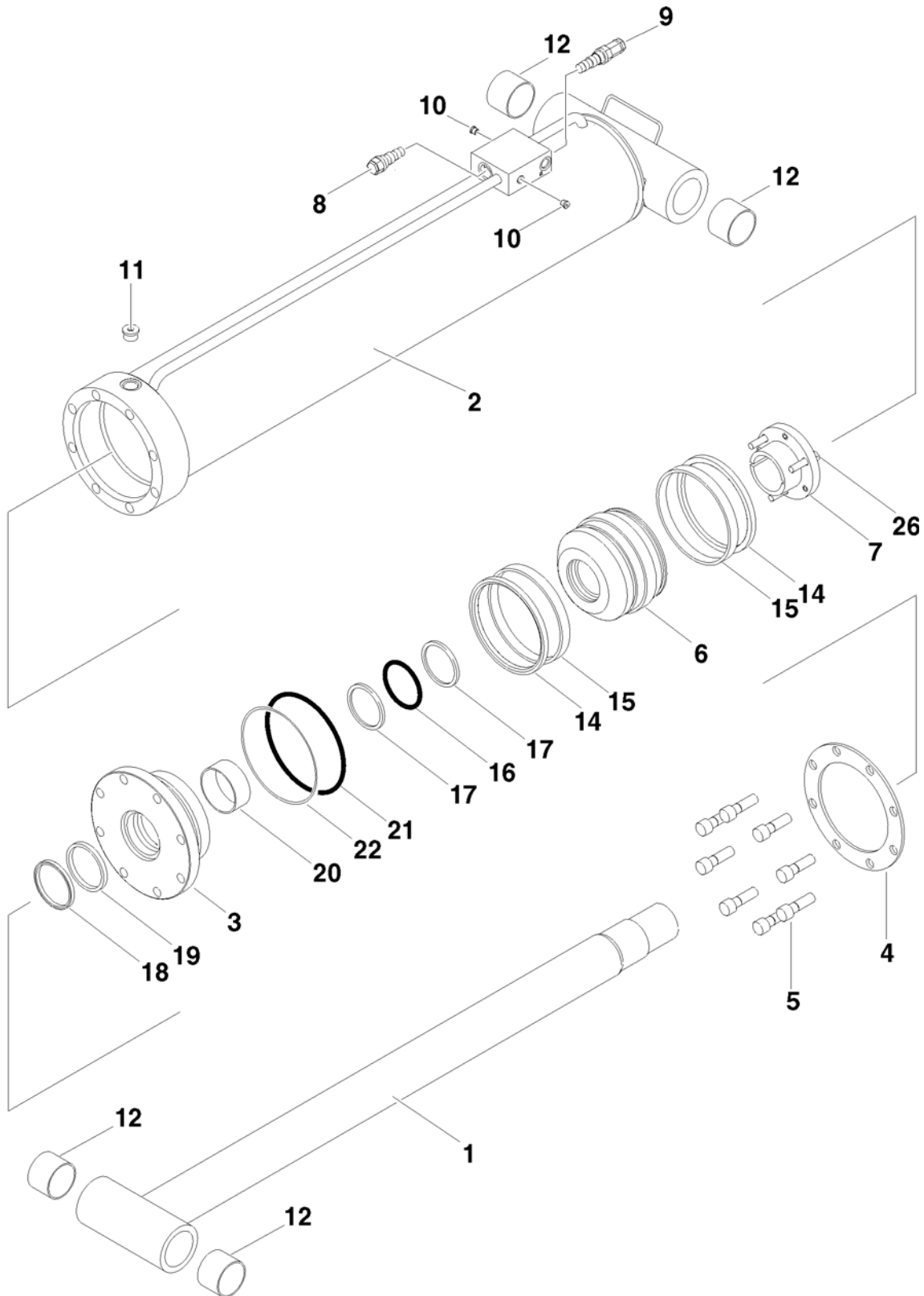
SECTION 5 CYLINDER

TABLE OF CONTENTS

FIGURE	DESCRIPTION	PAGE
5-1	UPRIGHT LEVEL CYLINDER ASSEMBLY	5-2
5-2	LIFT CYLINDER ASSEMBLY - JIB	5-4
5-3	LIFT CYLINDER ASSEMBLY - MAIN BOOM	5-6
5-4	LIFT CYLINDER ASSEMBLY - TOWER BOOM	5-8
5-5	MASTER CYLINDER ASSEMBLY	5-10
5-6	SLAVE CYLINDER ASSEMBLY	5-12
5-7	STEER CYLINDER ASSEMBLY	5-14
5-8	TELESCOPE CYLINDER ASSEMBLY - MAIN	5-16

SECTION 5 CYLINDER

FIGURE 5-1. UPRIGHT LEVEL CYLINDER ASSEMBLY



SECTION 5 CYLINDER

SECTION 5 CYLINDER

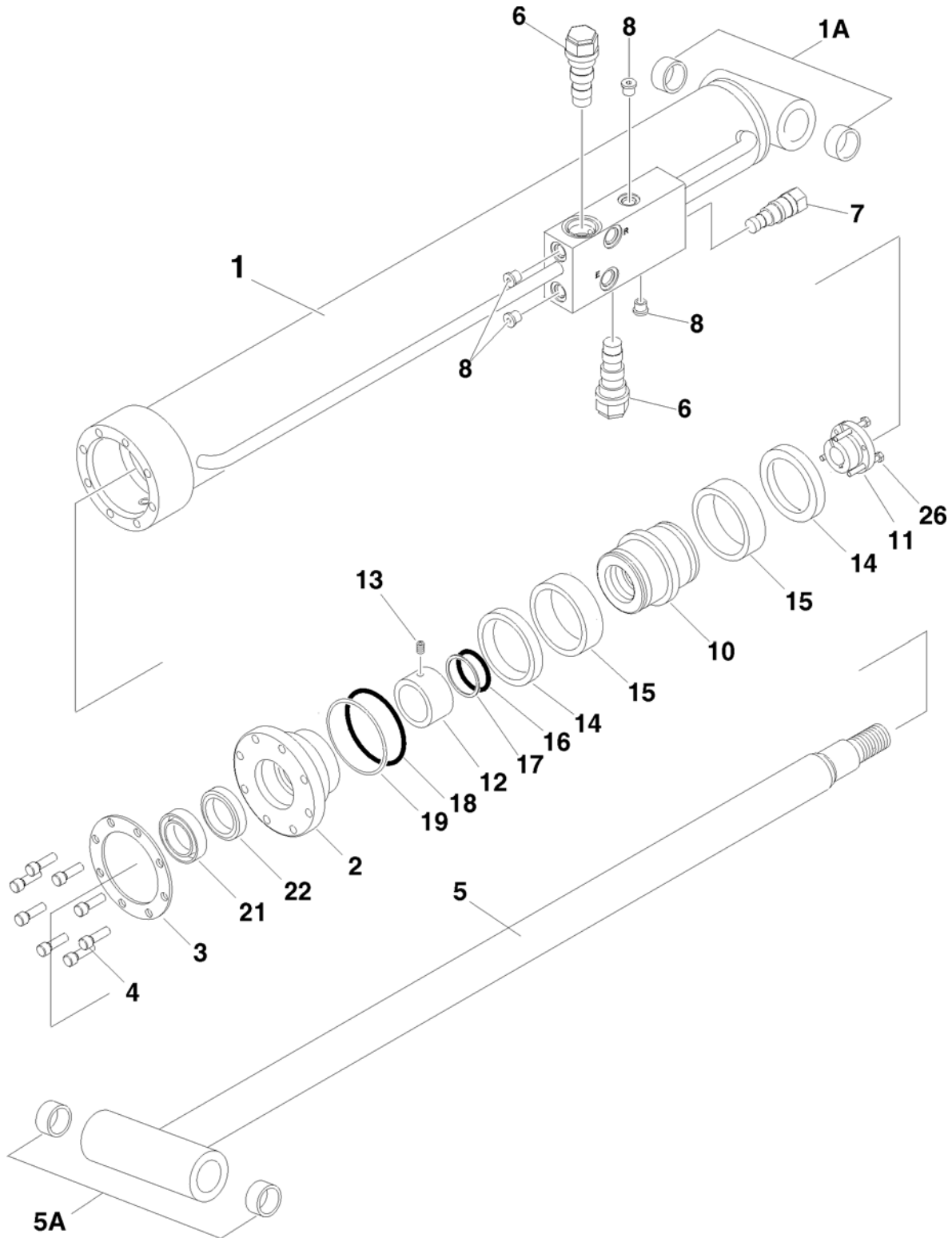
FIGURE 5-1. UPRIGHT LEVEL CYLINDER ASSEMBLY

FIG & ITEM #	PART NUMBER	DESCRIPTION	QTY.	REV.
		Note: Original Equipment Cylinder may have been replaced with Service Replacement Cylinder. Identify p/n stamped on cylinder before ordering parts.	Ref	
		UPRIGHT LEVEL CYLINDER ASSEMBLY	Ref	
	1683546	Original Equipment	Ref	G
	1684497	Service Replacement	Ref	C
1	1683544	Rod Weldment	1	
2	Use 0370034	Barrel Weldment (was p/n 1683545 & p/n 1683819)	1	
3	1683071	Head	1	
4	3760374	Ring, Washer	1	
5	3932240	Bolt, Socket Head 3/4in x 2-1/2in	8	
6	3480237	Piston	1	
7	0961901	Bushing, Tapered	1	
8	4640509	Cartridge, Valve	1	
	2900792	Seal Kit - 4640509 Valve	1	
9	4640605	Cartridge, Valve	1	
	2900792	Seal Kit - 4640605 Valve	1	
10	2220883	Plug, O-Ring	2	
11	2220888	Plug, O-Ring	1	
12	0962102	Bushing	4	
13	Not Used			
14	Use 2901526	Ring, Lock	2	
15	Use 2901526	Seal	2	
16	Use 2901526	Ring, Washer	1	
17	Use 2901526	Ring, Back-up	2	
18	Use 2901526	Wiper	1	
19	Use 2901526	Seal, Rod	1	
20	Use 2901526	Ring, Wear	1	
21	Use 2901526	O-Ring	1	
22	Use 2901526	Ring, Back-up	1	
23	0100011	Compound, Locking	AR	
24	0100038	Primer, Locking	AR	
25	0100063	Loctite #RC609	AR	
26		Hardware Options:	3	
	0641818	Bolt 1/2in-13NC x 2-1/2in (Prior to SN 0300045154)		
	0630537	Bolt (SN 0300045154 to SN 0300069000)		
27 to 29	Not Used			
	2901526	----- Seal Kit (Includes Items 14-22)	1	

SECTION 5 CYLINDER

SECTION 5 CYLINDER

FIGURE 5-2.LIFT CYLINDER ASSEMBLY - JIB



SECTION 5 CYLINDER

SECTION 5 CYLINDER

FIGURE 5-2. LIFT CYLINDER ASSEMBLY - JIB

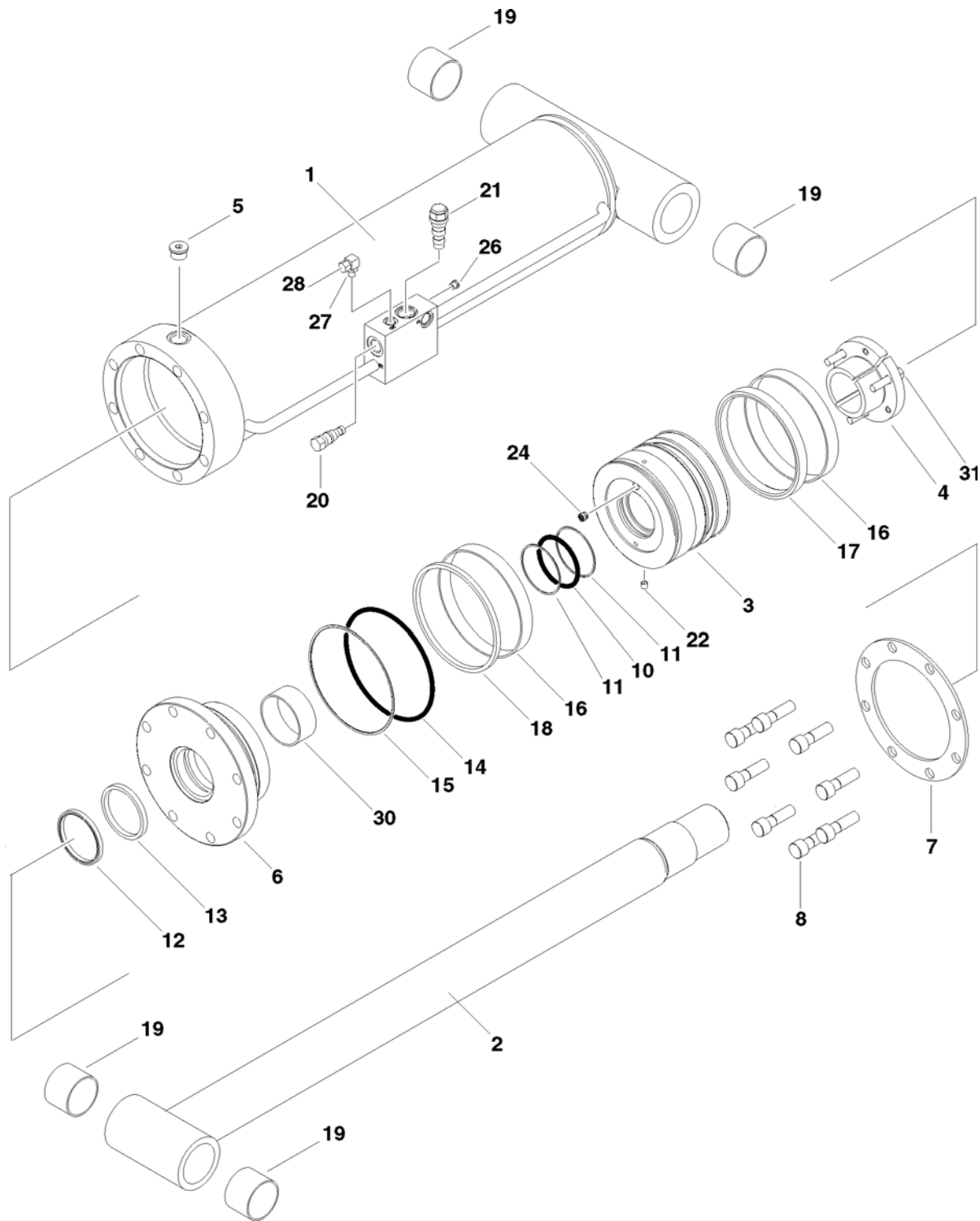
FIG & ITEM #	PART NUMBER	DESCRIPTION	QTY.	REV.
	1683609	JIB LIFT CYLINDER ASSEMBLY	Ref	D
1	1684089	Barrel Weldment	1	
1A	0962336	Bushing	2	
2	1683053	Head	1	
3	3760368	Washer, Ring	1	
4	3931516	Bolt, Socket Head 5/16"-18NC x 2"	8	
5	1684090	Rod Weldment	1	
5A	0962336	Bushing	2	
6	4640509	Cartridge, Valve (Counterbalance Non-Vented)	2	
	2900792	Seal Kit - 4640509 Valve	2	
7	4641062	Plug, P.O. Check	1	
8	2220883	Plug, O-Ring	4	
9	2220885	Plug, O-Ring	1	
10	3480210	Piston	1	
11	0961893	Bushing, Tapered	1	
12	4566471	Spacer, Tube	1	
13	3900141	Setscrew 1/4"-20NC x 1/4"	1	
14	Kit	Ring, Lock	2	
15	Kit	Seal, Piston	2	
16	Kit	O-Ring	1	
17	Kit	Ring, Back-up	2	
18	Kit	O-Ring	1	
19	Kit	Ring, Back-up	1	
20	Kit	Seal	1	
21	Kit	Wiper	1	
22	Kit	Ring, Wear	1	
23	0100011	Loctite #242 (Not Shown)	AR	
24	0100038	Primer, Locking (Not Shown)	AR	
25	0100063	Loctite #RC609 (Not Shown)	AR	
26	0630534	Capscrew, Socket Head #10-24NC x 1"	3	

	2901303	Seal Kit (Includes Items 14-22)	1	

SECTION 5 CYLINDER

SECTION 5 CYLINDER

FIGURE 5-3. LIFT CYLINDER ASSEMBLY - MAIN BOOM



SECTION 5 CYLINDER

SECTION 5 CYLINDER

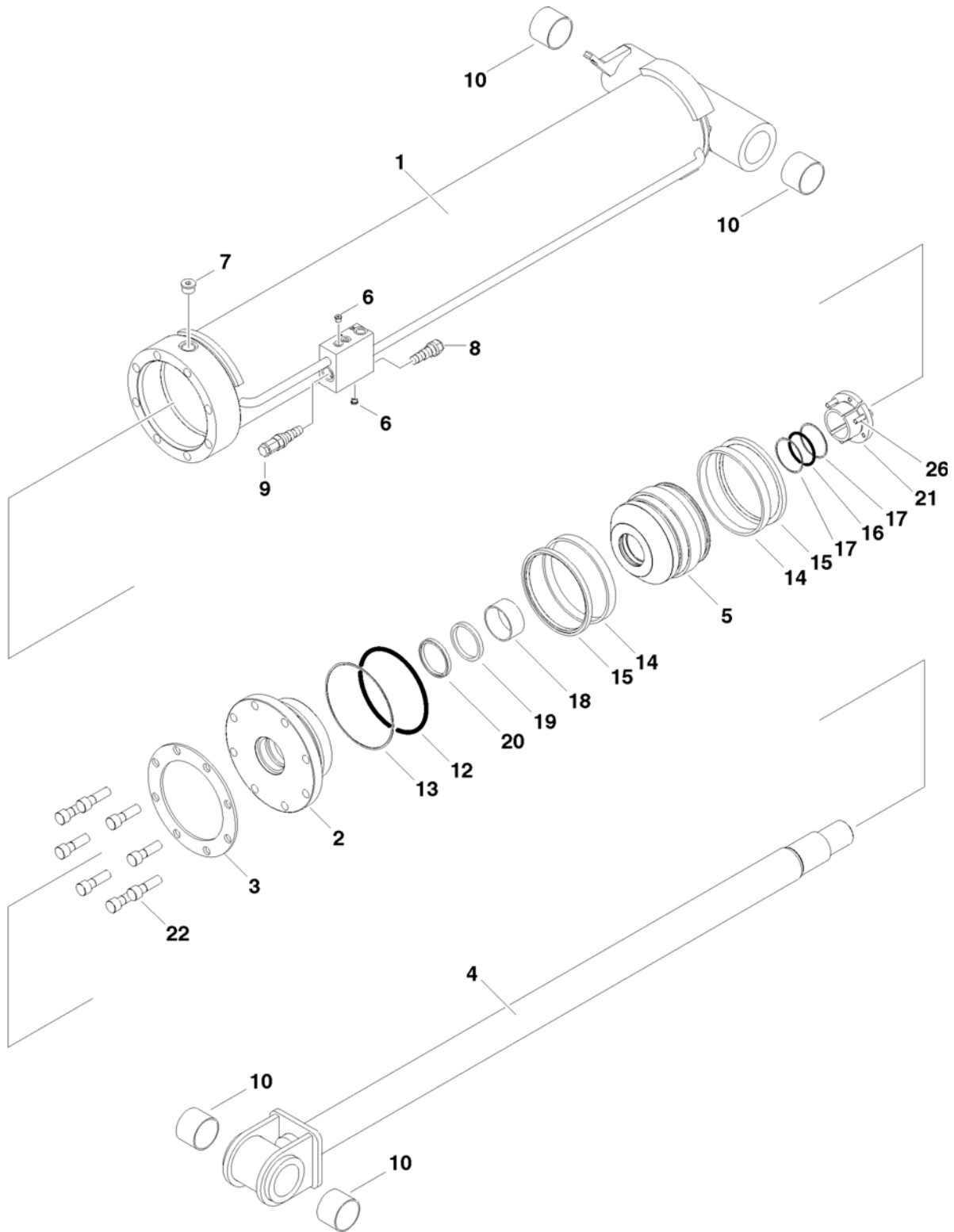
FIGURE 5-3. LIFT CYLINDER ASSEMBLY - MAIN BOOM

FIG & ITEM #	PART NUMBER	DESCRIPTION	QTY.	REV.
	1683547	MAIN BOOM LIFT CYLINDER ASSEMBLY	Ref	I
1	1683821	Barrel Weldment	1	
2	1683549	Rod Weldment	1	
3	3480238	Piston	1	
4	0961901	Bushing, Tapered	1	
5	2220888	Plug, O-Ring	1	
6	1683071	Head	1	
7	3760374	Washer, Ring	1	
8	3932240	Bolt, Socket Head 3/4" x 2 1/2"	8	
9	Not Used			
10	Kit	O-Ring	1	
11	Kit	Ring, Back-up	2	
12	Kit	Wiper	1	
13	Kit	Seal, Rod	1	
14	Kit	O-Ring	1	
15	Kit	Ring, Back-up	1	
16	Kit	Ring, Wear	2	
17	Kit	T-Seal	1	
18	Kit	Seal	1	
19	0962102	Bushing, Garmax	4	
20	4641062	Plug	1	
21	4640509	Cartridge, Valve	1	
	2900792	Seal Kit - 4640509 Valve	1	
22	2180615	Orifice	1	
23	0100011	Loctite #242 (Not Shown)	AR	
24	4641027	Cartridge, Valve	1	
25	0100038	Primer, Locking (Not Shown)	AR	
26	2220883	Plug	1	
27	2220775	Fitting	1	
28	2220516	Fitting	1	
29	0100063	Loctite RC609 (Not Shown)	AR	
30	Kit	Ring, Wear	1	
31	0630537	Bolt	3	
	2901514	Seal Kit (Includes Items 10-18 & 30)	1	

SECTION 5 CYLINDER

SECTION 5 CYLINDER

FIGURE 5-4. LIFT CYLINDER ASSEMBLY - TOWER BOOM



SECTION 5 CYLINDER

SECTION 5 CYLINDER

FIGURE 5-4. LIFT CYLINDER ASSEMBLY - TOWER BOOM

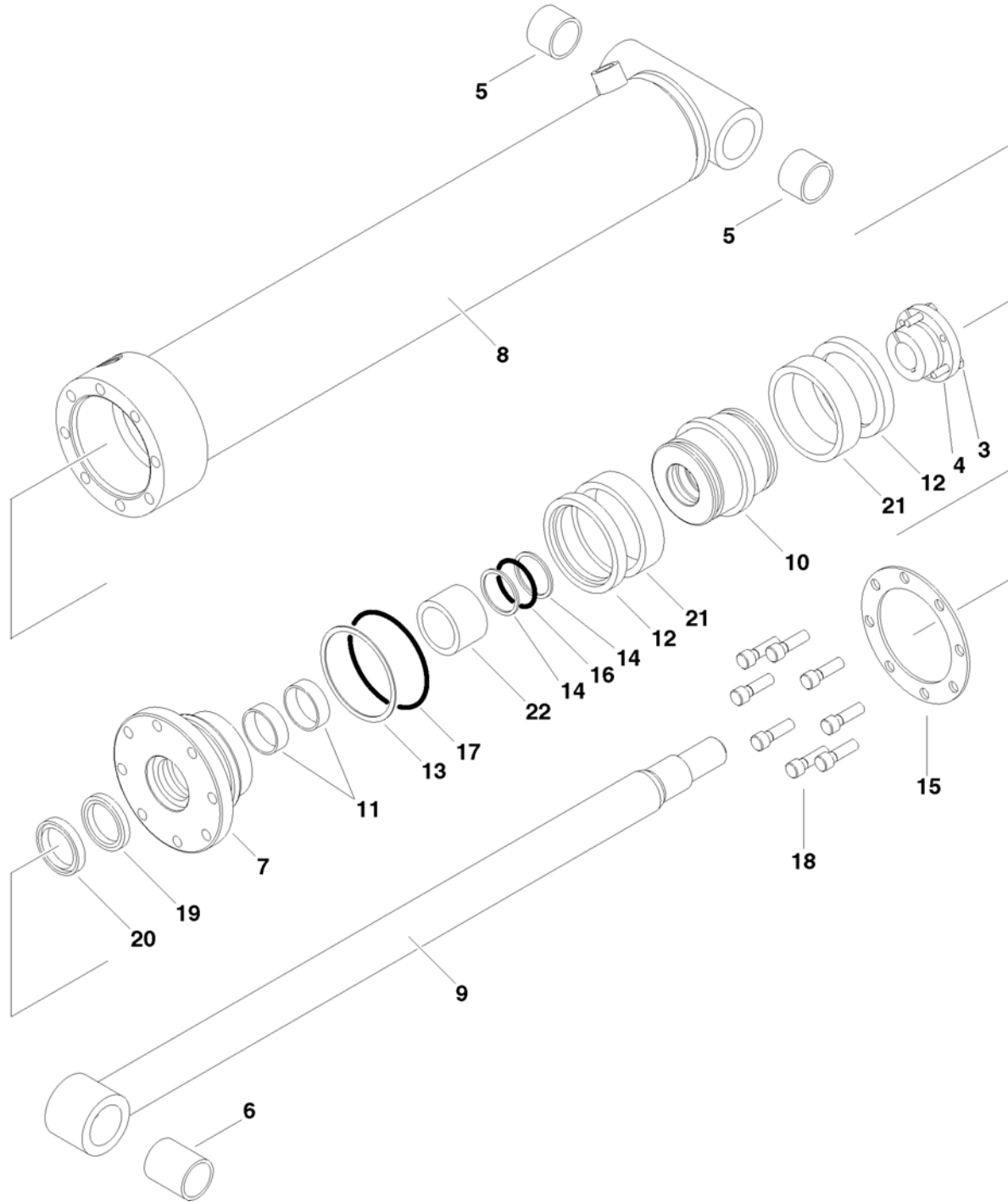
FIG & ITEM #	PART NUMBER	DESCRIPTION	QTY.	REV.
	1683537	TOWER LIFT CYLINDER ASSEMBLY	Ref	G
1	1683823	Barrel Weldment	1	
2	1683818	Head	1	
3	3760374	Ring, Washer (Prior to SN 45154 Only)	1	
4	1683539	Rod Weldment	1	
5	3480236	Piston	1	
6	2220883	Plug, O-Ring	2	
7	2220888	Plug, O-Ring	1	
8	4640509	Cartridge, Valve	1	
	2900792	Seal Kit - 4640999 Valve	1	
9	4640605	Cartridge, Valve	1	
	2900792	Seal Kit - 4640605 Valve	1	
10	0962102	Bushing, Garmax	4	
11	Not Used			
12	Kit	O-Ring	1	
13	Kit	Ring, Lock	1	
14	Kit	Seal	2	
15	Kit	Ring, Lock	2	
16	Kit	O-Ring	1	
17	Kit	Ring, Back-up	2	
18	Kit	Ring, Wear	1	
19	Kit	Seal	1	
20	Kit	Wiper	1	
21	0961903	Bushing, Tapered	1	
22	3932240	Capscrew, Socket Head 3/4" x 2 1/2"	8	
23	0100011	Loctite #242 (Not Shown)	AR	
24	0100038	Primer, Locking (Not Shown)	AR	
25	0100063	Loctite #RC609 (Not Shown)	AR	
26	0630536	Bolt	3	
	2901537	----- Seal Kit (Includes Items 12-20)	1	

**SECTION 5
CYLINDER**

SECTION 5 CYLINDER

FIGURE 5-5.MASTER CYLINDER ASSEMBLY

SECTION 5 CYLINDER



SECTION 5 CYLINDER

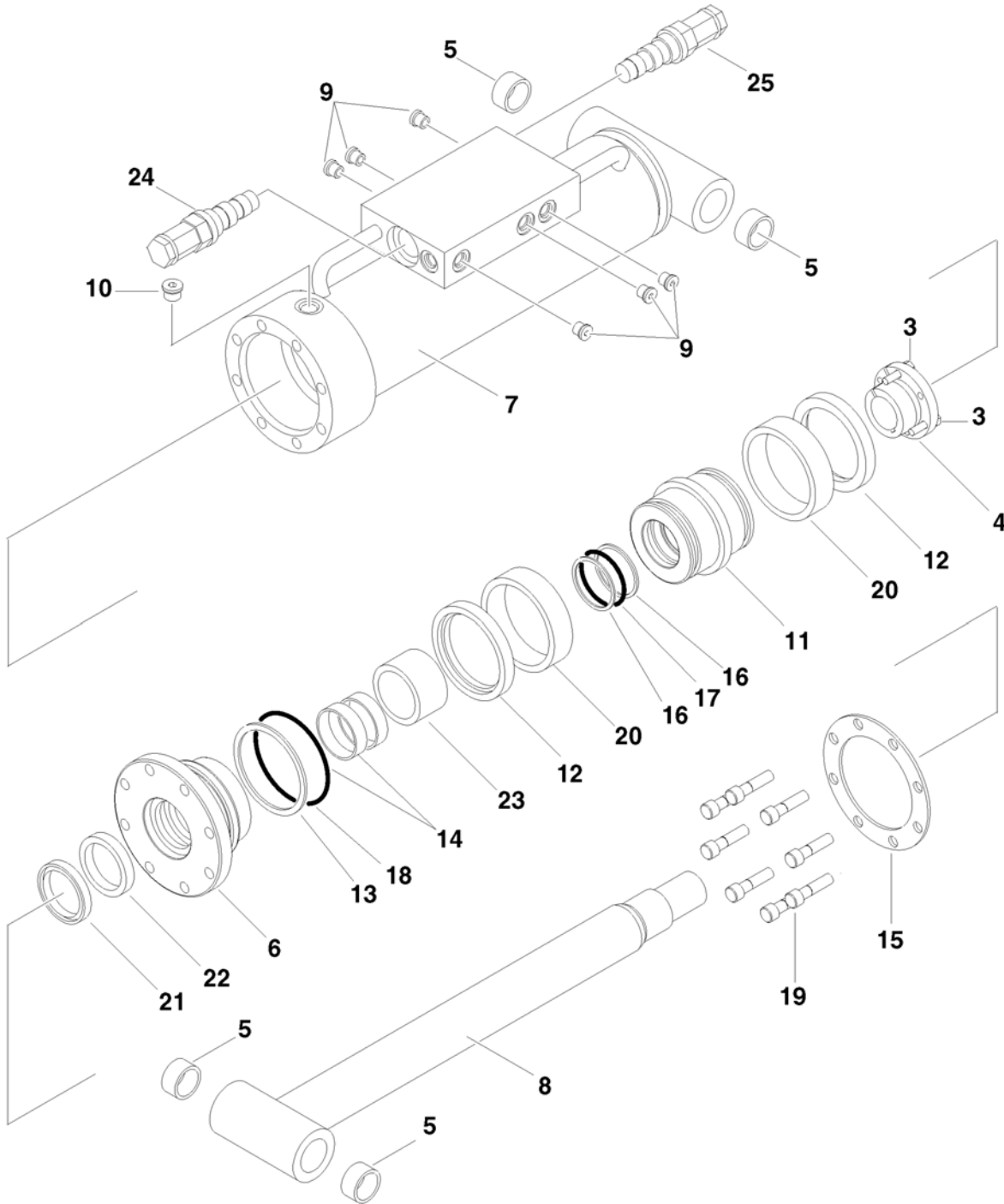
FIGURE 5-5. MASTER CYLINDER ASSEMBLY

FIG & ITEM #	PART NUMBER	DESCRIPTION	QTY.	REV.
	1683682	MASTER CYLINDER ASSEMBLY	Ref	C
1	0100011	Loctite #242 (Not Shown)	AR	
2	0100038	Primer, Locking (Not Shown)	AR	
3	0630535	Capscrew, Socket Head 1/4"-20NC x 1"	3	
4	0961894	Bushing, Tapered	1	
5	0961951	Bushing, Garmax	2	
6	0962155	Bushing, Garmax	1	
7	1683055	Head	1	
8	1684125	Barrel	1	
9	1684126	Rod	1	
10	3480188	Piston	1	
11	Kit	Ring, Wear	2	
12	Kit	Ring, Lock	2	
13	Kit	Ring, Back-up	1	
14	Kit	Ring, Back-up	2	
15	3760369	Ring, Washer	1	
16	Kit	O-Ring	1	
17	Kit	O-Ring	1	
18	3931620	Capscrew 3/8"-16NC x 1 1/4"	8	
19	Kit	Seal, Rod	1	
20	Kit	Wiper	1	
21	Kit	Seal	2	
22	4566468	Spacer, Tube	1	
23	0100063	Loctite #RC 609 (Not Shown)	AR	
	2901301	Seal Kit - (Includes Items 11-14, 16, 17 & 19-21)	1	

SECTION 5 CYLINDER

SECTION 5 CYLINDER

FIGURE 5-6.SLAVE CYLINDER ASSEMBLY



SECTION 5 CYLINDER

SECTION 5 CYLINDER

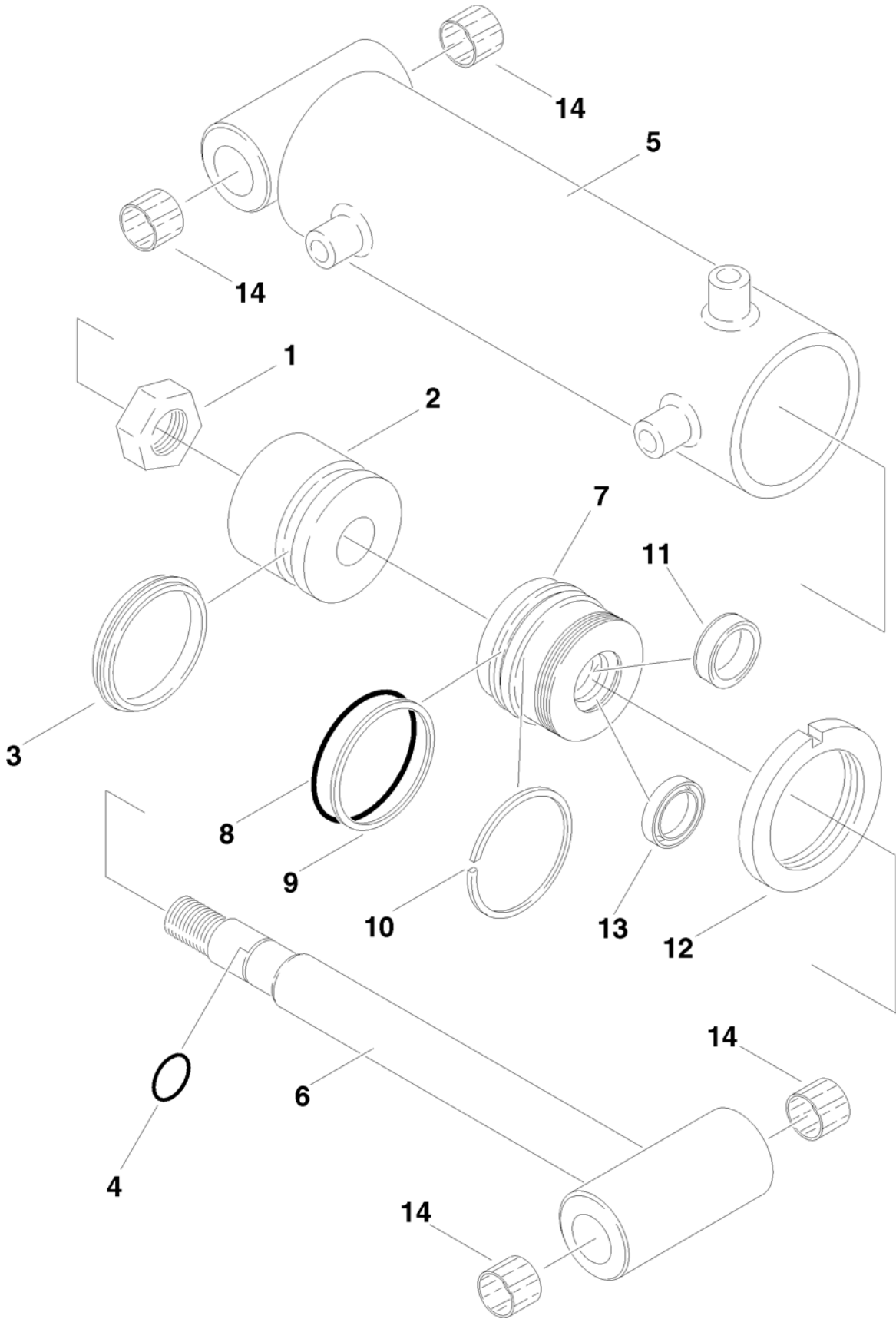
FIGURE 5-6. SLAVE CYLINDER ASSEMBLY

FIG & ITEM #	PART NUMBER	DESCRIPTION	QTY.	REV.
		Note: Original Equipment Cylinder may have been replaced with Service Replacement Cylinder. Identify p/n stamped on cylinder before ordering parts.	Ref	
		SLAVE CYLINDER ASSEMBLIES:	Ref	
	1683677	Original Equipment	Ref	B
	1684228	Service Replacement	Ref	C
1	0100011	Loctite #242 (Not Shown)	AR	
2	0100038	Primer, Locking (Not Shown)	AR	
3	0630535	Capscrew, Socket Head 1/4"-20NC x 1"	3	
4	0961894	Bushing, Tapered	1	
5	0961951	Bushing, Garmax	4	
6	1683055	Head	1	
7		Barrel Options:	1	
	1683678	Used with p/n 1683677		
	1684230	Used with p/n 1684228		
8		Rod	1	
	1683680	Used with p/n 1683677		
	1684232	Used with p/n 1684228		
9	2220883	Plug	6	
10	2220885	Plug	1	
11	3480188	Piston	1	
12	Kit	Ring, Lock	2	
13	Kit	Ring, Back-up	1	
14	Kit	Ring, Wear	2	
15	3760369	Ring, Washer	1	
16	Kit	Ring, Back-up	2	
17	Kit	O-Ring	1	
18	Kit	O-Ring	1	
19	3931620	Capscrew 3/8"-16NC x 1 1/4"	8	
20	Kit	Seal	2	
21	Kit	Wiper	1	
22	Kit	Seal	1	
23	4566468	Spacer, Tube	1	
24	4640605	Valve, Cartridge	1	
	2900792	Seal Kit - 4640605 Valve	1	
25	4640932	Valve, Cartridge	1	
	7011112	Seal Kit - 4640932 Valve	1	
26	0100063	Loctite #RC 609 (Not Shown)	AR	
	2901301	Seal Kit - (Includes Items 12-14, 16-18 & 20-22)	1	

SECTION 5 CYLINDER

SECTION 5 CYLINDER

FIGURE 5-7. STEER CYLINDER ASSEMBLY



SECTION 5 CYLINDER

SECTION 5 CYLINDER

FIGURE 5-7. STEER CYLINDER ASSEMBLY

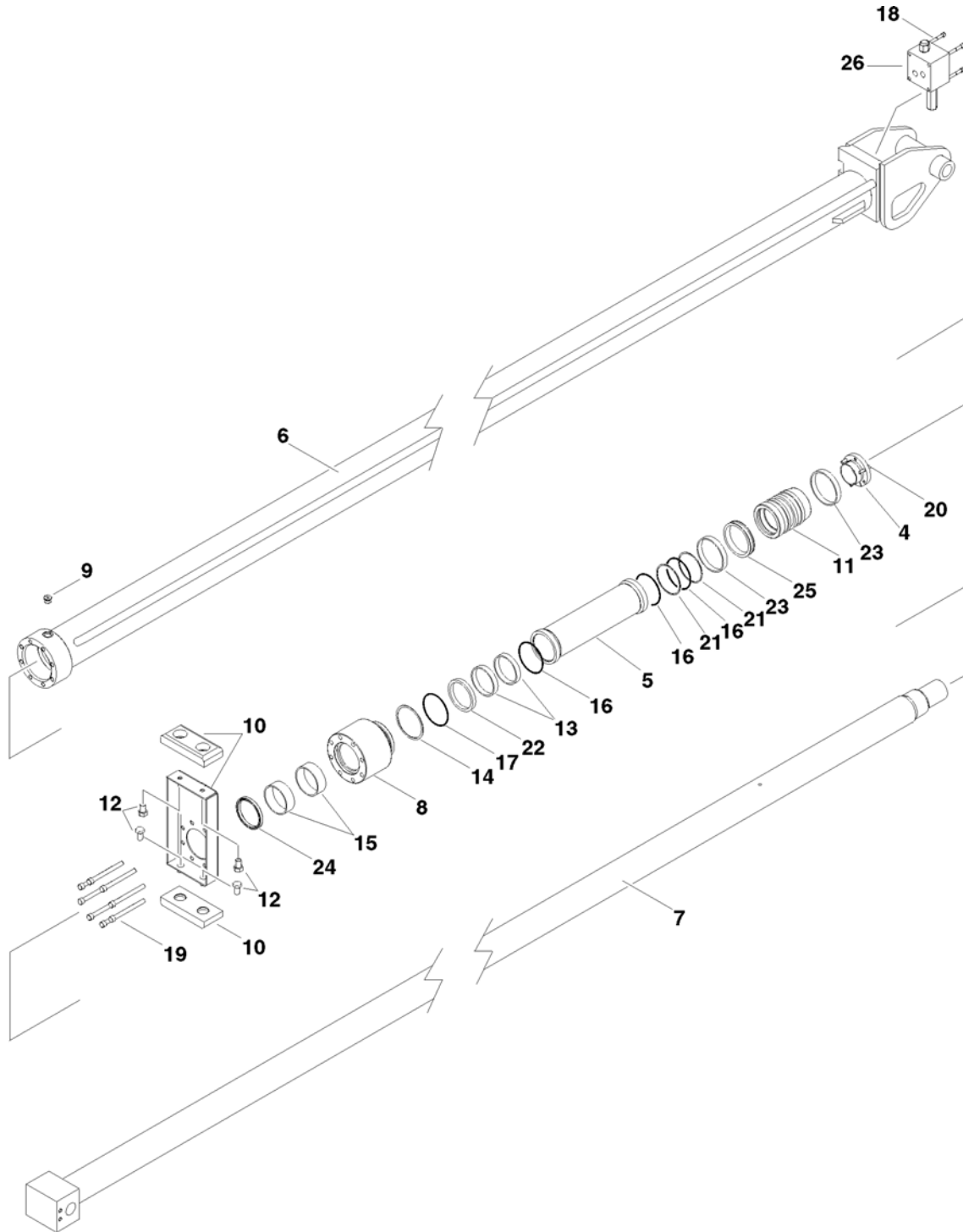
FIG & ITEM #	PART NUMBER	DESCRIPTION	QTY.	REV.
	1683740	STEER CYLINDER ASSEMBLY	Ref	B
1	7017210	Locknut	1	
2	7017211	Piston	1	
3	Kit	Seal	1	
4	Kit	O-Ring	1	
5	7023023	Barrel Weldment	1	
6	7017236	Rod Weldment	1	
7	7017213	Head	1	
8	Kit	O-Ring	1	
9	Kit	Ring, Back-up	1	
10	Kit	Ring, Retainer	1	
11	Kit	Seal	1	
12	7017214	Nut, Spanner	1	
13	Kit	Wiper	1	
14	0961977	Bushings	4	

	7017215	Seal Kit (Includes Items 3, 4, 8-11 & 13)	1	

SECTION 5 CYLINDER

SECTION 5 CYLINDER

FIGURE 5-8. TELESCOPE CYLINDER ASSEMBLY - MAIN



SECTION 5 CYLINDER

SECTION 5 CYLINDER

FIGURE 5-8. TELESCOPE CYLINDER ASSEMBLY - MAIN

FIG & ITEM #	PART NUMBER	DESCRIPTION	QTY.	REV.
	1683672	TELESCOPE CYLINDER ASSEMBLY	Ref	F
1	0100011	Loctite #242 (Not Shown)	AR	
2	0100038	Primer, Locking (Not Shown)	AR	
3	0641806	Bolt 1/2"-13NC x 3/4"	4	
4	0961897	Bushing, Tapered	1	
5	0962219	Spacer, Tube	1	
6	1683673	Barrel	1	
7	1683675	Rod	1	
8	1683663	Head	1	
9	2220885	Plug, O-Ring	1	
10	3340838	Pad, Wear	2	
11	3480234	Piston	1	
12	3570775	Plate	1	
13	Kit	Ring, Wear	2	
14	Kit	Ring, Back-up	1	
15	Kit	Ring, Wear	2	
16	Kit	O-Ring	3	
17	Kit	O-Ring	1	
18	3931448	Capscrew 1/4"-20NC x 3"	4	
19	3931664	Capscrew 3/8"-16NC x 4"	8	
20	0630535	Bolt 1/4"-20NC x 1 1/8"	3	
21	Kit	Ring, Back-up	2	
22	Kit	Seal, Rod	1	
23	Kit	Ring, Wear	2	
24	Kit	Wiper	1	
25	Kit	T-Seal	1	
26	4641033	Valve Assembly (No serviceable parts - sold as assembly only)	1	
27	0100063	Loctite #RC 609 (Not Shown)	AR	
	2901712	Seal Kit - (Includes Items 13-17 & 21-25)	1	

SECTION 5 CYLINDER

SECTION 5 CYLINDER

FIG & ITEM #	PART NUMBER	DESCRIPTION	QTY.	REV.

**S
E
C
T
I
O
N

5

C
Y
L
I
N
D
E
R**

SECTION 6 HYDRAULIC

TABLE OF CONTENTS		
FIGURE	DESCRIPTION	PAGE
6-1	DRIVE HYDRAULIC DIAGRAM (4WD/4WS)	6-2
6-2	STANDARD HYDRAULIC DIAGRAM	6-6
6-3	HYDRAULIC DIAGRAM LIST	6-10

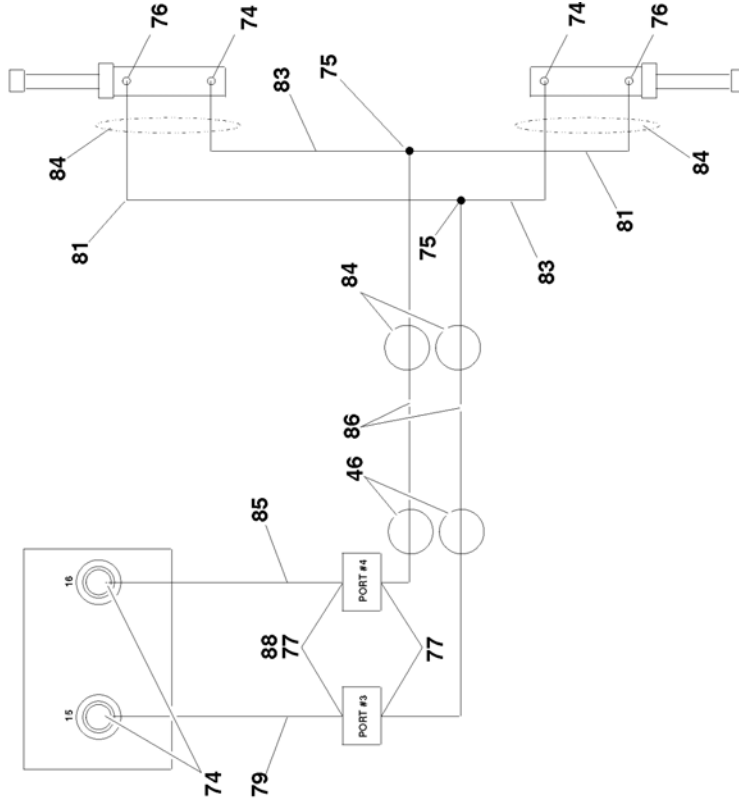
**S
E
C
T
I
O
N

6

H
Y
D
R
A
U
L
I
C**

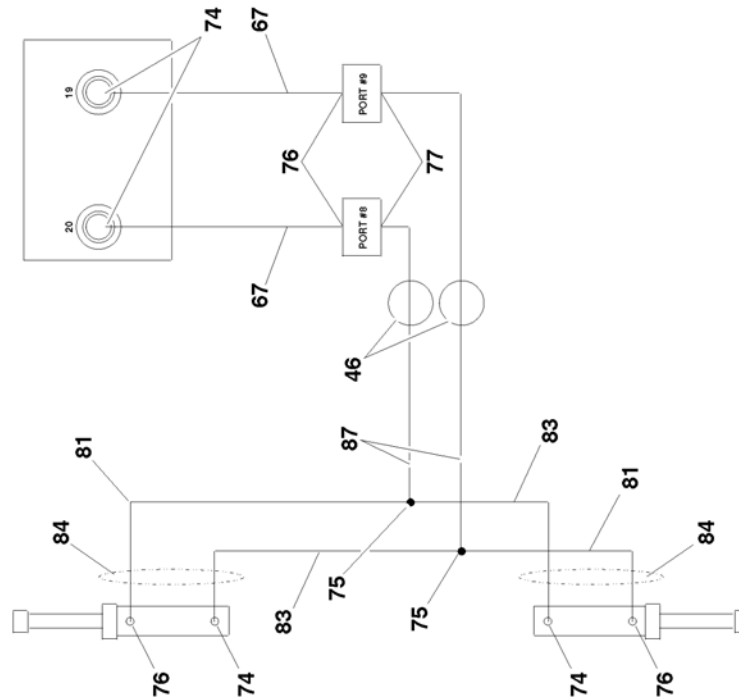
SECTION 6 HYDRAULIC

FRONT STEER CYLS.



FRONT STEER VALVE SECTION

REAR STEER VALVE SECTION



REAR STEER CYLS.

SECTION 6 HYDRAULIC

FIGURE 6-1. DRIVE HYDRAULIC DIAGRAM

FIG & ITEM #	PART NUMBER	DESCRIPTION	QTY.	REV.
	2792364	DRIVE HYDRAULIC DIAGRAM	Ref	8/E
1	2220811	Fitting, Reducer	9	
2	2220500	Fitting, Elbow	13	
3	2220415	Fitting, Straight	6	
4	2220365	Fitting, Elbow	4	
5	2220711	Fitting, Tee	1	
6	2220800	Fitting, Straight	6	
7	2220374	Fitting, Straight	5	
8	2220373	Fitting, Straight	1	
9	2220502	Fitting, Elbow	4	
10	2220499	Fitting, Elbow	1	
11	2220466	Fitting, Elbow	4	
12	2220504	Fitting, Tee	4	
13	2220362	Fitting, Tee	2	
14	2220582	Fitting, Straight	5	
15	2220646	Fitting, Elbow	2	
16	2220999	Fitting, Tee	1	
17	2220618	Fitting, Reducer	1	
18	2220479	Fitting, Straight	1	
19	2220602	Fitting, Tee	3	
20	2220380	Fitting, Straight	1	
21	2220609	Fitting, Reducer	1	
22	2220596	Fitting, Elbow	1	
23	2220628	Fitting, Elbow	1	
24	4640778	Valve, Restrictor	1	
25	2220235	Fitting, Plug	2	
26	2221029	Fitting, Office	1	
27	2220605	Fitting, Tee	1	
28	2220375	Fitting, Straight	2	
29	2220451	Fitting, Straight	2	
30	2220600	Fitting	2	
31	2220517	Fitting, Cap	1	
32	2220377	Fitting, Straight	2	
33	2220366	Fitting, Elbow	1	
34	2220810	Fitting, Reducer	1	
35	2220237	Fitting, Plug	2	
36	2220242	Fitting, Plug	1	
37	2752495	Hose	2	
38	2752580	Hose	2	
39	2751014	Hose	2	
40	2751021	Hose	1	
41	2752459	Hose	1	
42	2221030	Fitting, O-Ring Nipple	1	
43	2753160	Hose	1	
44	2753090	Hose	2	
45	2753156	Hose	1	

SECTION 6 HYDRAULIC

SECTION 6 HYDRAULIC

FIGURE 6-1. DRIVE HYDRAULIC DIAGRAM (CONTINUED)

FIG & ITEM #	PART NUMBER	DESCRIPTION	QTY.	REV.
46	4100059	Sleeve, Nylon	4	
47	2751017	Hose	1	
48	2752363	Hose	2	
49	2752498	Hose	1	
50	2752592	Hose	2	
51	2753035	Hose	2	
52	2752516	Hose	2	
53	2752514	Hose	1	
54	2752591	Hose	1	
55	2752949	Hose	1	
56	2751906	Hose	1	
57	2753157	Hose	1	
58	2753158	Hose	2	
59	2753159	Hose	1	
60	2753187	Hose	1	
61	2752364	Hose	1	
62	2752354	Hose	1	
63	2751391	Hose	1	
64	2752513	Hose	1	
65	2751397	Hose	2	
66	2752942	Hose	1	
67	2752466	Hose	2	
68	2752494	Hose	2	
69	2752433	Hose	1	
70	2752514	Hose	1	
71	2752573	Hose	1	
72	2752754	Hose	1	
73	2752670	Hose	1	
74	2220501	Fitting, Elbow	8	
75	2220490	Fitting, Tee	4	
76	2220473	Fitting, Elbow	6	
77	2220371	Fitting, Straight	6	
78	2220833	Fitting, Reducer	4	
79	2752462	Hose	1	
80	Not Used			
81	2753087	Hose	4	
82	Not Used			
83	2752648	Hose	4	
84	4100058	Sleeve, Nylon	4	
85	2752489	Hose	1	
86	2753117	Hose	2	
87	2752480	Hose	2	
88	2220507	Fitting, Elbow	1	

SECTION 6 HYDRAULIC

SECTION 6 HYDRAULIC

FIGURE 6-2. STANDARD HYDRAULIC DIAGRAM (WITH FENNER & HALDEX BRAND AUXILIARY PUMP)

FIG & ITEM #	PART NUMBER	DESCRIPTION	QTY.	REV.
	2792528	STANDARD HYDRAULIC DIAGRAM	Ref	3/B
1	2220238	Fitting, O-Ring Plug	2	
2	2220415	Fitting, Straight	10	
3	Not Used			
4	2220373	Fitting, Straight	5	
5	2220500	Fitting, Elbow	3	
6	2220947	Fitting, Straight	1	
7	2220376	Fitting, Straight	1	
8	2220593	Fitting, Straight	2	
9	2220371	Fitting, Straight	6	
10	2220873	Fitting, Straight	4	
11	2220428	Fitting, Pressure Check	5	
12	2220429	Cap, Dust	5	
13	2220502	Fitting, Elbow	1	
14	2220737	Kit, Split Flange	1	
15	2220478	Kit, Split Flange	1	
16	2220451	Fitting, Straight	1	
17	2752453	Hose	1	
18	Not Used			
19	2220466	Fitting, Elbow	5	
20	2220582	Fitting, Straight	2	
21	2220473	Fitting, Elbow	4	
22	2220602	Fitting, Tee	1	
23	2220999	Fitting, Tee	2	
24	2220619	Fitting, Reducer (Female)	1	
25	2220605	Fitting, Tee	2	
26	Not Used			
27	2220765	Fitting, Straight	1	
28	2220379	Fitting, Straight	1	
29	2220574	Fitting, Straight	1	
30	2220596	Fitting, Elbow	1	
31	2220385	Fitting, Tee	1	
32	2220618	Fitting, Reducer (Female)	1	
33	Not Used			
34	2220852	Fitting, Straight	3	
35	2753197	Hose	1	
36	2753196	Hose	1	
37	2220490	Fitting, Tee	2	
38	4567139	Tube	1	
39	0100020	Sealant, Pipe (Not Shown)	AR	
40	2753216	Hose	1	
41	2753641	Hose	1	
42	2753231	Hose	1	
43	2753010	Hose	2	
44	2753639	Hose	1	
45	2752721	Hose	1	

SECTION 6 HYDRAULIC

SECTION 6 HYDRAULIC

FIGURE 6-2. STANDARD HYDRAULIC DIAGRAM (WITH FENNER & HALDEX BRAND AUXILIARY PUMP) (CONTINUED)

FIG & ITEM #	PART NUMBER	DESCRIPTION	QTY.	REV.
46	2752438	Hose	1	
47 to 48	Not Used			
49	2753644	Hose	1	
50	2752674	Hose	1	
51	4640780	Fitting, Check Valve	1	
52	2753118	Hose	1	
53	2220775	Fitting, Elbow	1	
54	2220635	Fitting, Tee	1	
55	2220609	Fitting, Reducer	2	
56	2752463	Hose	1	
57	2220577	Fitting, Straight	1	
58	2753122	Hose	1	
59	2752768	Hose	1	
60	2752930	Hose	1	
61	Not Used			
62	2752462	Hose	2	
63	2220497	Fitting, Straight	2	
64	2752573	Hose	1	
65	2753637	Hose	2	
66	2752767	Hose	1	
67	2753642	Hose	1	
68	2753190	Hose	1	
69	2753640	Hose	1	
70	2753643	Hose	1	
71	2753638	Hose	2	
72	2753006	Hose	3	
73	2753636	Hose	3	
74	2753124	Hose	1	
75	2753125	Hose	1	
76	2753126	Hose	2	
77	2220501	Fitting, Elbow	3	
78	4567757	Tube	1	
79	2220591	Fitting, Reducer	2	
80	2753645	Hose	2	
81	2753128	Hose	2	
82	4100062	Sleeve, Nylon	2	
83	2220873	Fitting, Nipple	1	

SECTION 6 HYDRAULIC

SECTION 6 HYDRAULIC

FIGURE 6-2. STANDARD HYDRAULIC DIAGRAM (WITH FENNER & HALDEX BRAND AUXILIARY PUMP) (CONTINUED)

FIG & ITEM #	PART NUMBER	DESCRIPTION	QTY.	REV.

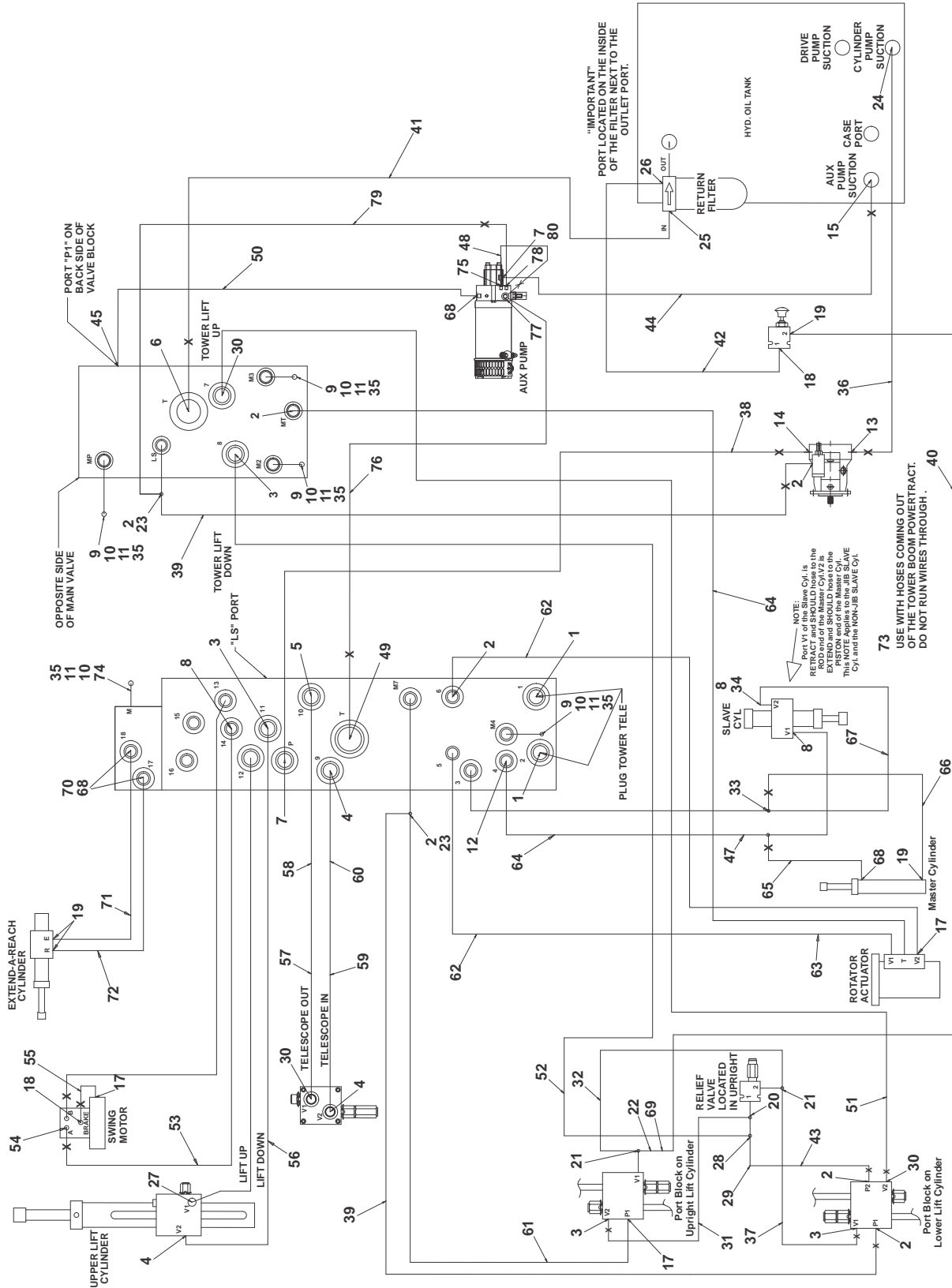
**S
E
C
T
I
O
N

6

H
Y
D
R
A
U
L
I
C**

SECTION 6 HYDRAULIC

FIGURE 6-3. STANDARD HYDRAULIC DIAGRAM (WITH BUCHER BRAND AUXILIARY PUMP)



SECTION 6 HYDRAULIC

SECTION 6 HYDRAULIC

FIGURE 6-3. STANDARD HYDRAULIC DIAGRAM (WITH BUCHER BRAND AUXILIARY PUMP)

FIG & ITEM #	PART NUMBER	DESCRIPTION	QTY.	REV.
	1001143189	STANDARD HYDRAULIC DIAGRAM	Ref	A/A
1	2220238	Fitting, O-Ring Plug	2	
2	2220415	Fitting, Straight	9	
3	2220373	Fitting, Straight	5	
4	2220500	Fitting, Elbow	3	
5	2220947	Fitting, Straight	1	
6	2220376	Fitting, Straight	1	
7	2220593	Fitting, Straight	2	
8	2220371	Fitting, Straight	5	
9	2220873	Fitting, Straight	4	
10	2220428	Fitting, Pressure Check	5	
11	2220429	Cap, Dust	5	
12	2220502	Fitting, Elbow	1	
13	2220737	Kit, Split Flange	1	
14	2220478	Kit, Split Flange	1	
15	2220451	Fitting, Straight	1	
16	Not Used			
17	2220466	Fitting, Elbow	5	
18	2220582	Fitting, Straight	2	
19	2220473	Fitting, Elbow	4	
20	2220602	Fitting, Tee	1	
21	2220999	Fitting, Tee	2	
22	2220619	Fitting, Reducer (Female)	1	
23	2220605	Fitting, Tee	2	
24	2220765	Fitting, Straight	1	
25	2220379	Fitting, Straight	1	
26	2220574	Fitting, Straight	1	
27	2220596	Fitting, Elbow	1	
28	2220385	Fitting, Tee	1	
29	2220618	Fitting, Reducer (Female)	1	
30	2220852	Fitting, Straight	3	
31	2753197	Hose	1	
32	2753196	Hose	1	
33	2220490	Fitting, Tee	2	
34	4567139	Tube	1	
35	0100020	Sealant, Pipe	AR	
36	2753216	Hose	1	
37	2753641	Hose	1	
38	2753231	Hose	1	
39	2753010	Hose	2	
40	2753639	Hose	1	
41	2752721	Hose	1	
42	2752438	Hose	1	
43	2753644	Hose	1	
44	2752674	Hose	1	
45	4640780	Fitting, Check Valve	1	

SECTION 6 HYDRAULIC

SECTION 6 HYDRAULIC

**FIGURE 6-3. STANDARD HYDRAULIC DIAGRAM (WITH BUCHER BRAND AUXILIARY PUMP)
(CONTINUED)**

FIG & ITEM #	PART NUMBER	DESCRIPTION	QTY.	REV.
46	Not Used			
47	2220609	Fitting, Reducer	2	
48	2752463	Hose	1	
49	2220577	Fitting, Straight	1	
50	2753118	Hose	1	
51	2752768	Hose	1	
52	2752930	Hose	1	
53	2752462	Hose	2	
54	2220497	Fitting, Straight	2	
55	2752573	Hose	1	
56	2753637	Hose	2	
57	2752767	Hose	1	
58	2753642	Hose	1	
59	2753190	Hose	1	
60	2753640	Hose	1	
61	2753643	Hose	1	
62	2753638	Hose	2	
63	2753006	Hose	3	
64	2753636	Hose	3	
65	2753124	Hose	1	
66	2753125	Hose	1	
67	2753126	Hose	2	
68	2220501	Fitting, Elbow	4	
69	4567757	Tube	1	
70	2220591	Fitting, Reducer	2	
71	2753645	Hose	2	
72	2753128	Hose	2	
73	4100062	Sleeve, Nylon	2	
74	2220873	Fitting, Nipple	1	
75	2220603	Fitting, Straight	1	
76	1001109690	Hose	1	
77	2220606	Fitting, Tee	1	
78	2220923	Fitting, Straight	1	
79	1001143192	Hose	1	
80	2220655	Fitting, Elbow	1	

SECTION 6 HYDRAULIC

SECTION 6 HYDRAULIC

FIGURE 6-3. STANDARD HYDRAULIC DIAGRAM (WITH BUCHER BRAND AUXILIARY PUMP)
(CONTINUED)

FIG & ITEM #	PART NUMBER	DESCRIPTION	QTY.	REV.

**S
E
C
T
I
O
N

6

H
Y
D
R
A
U
L
I
C**

SECTION 6 HYDRAULIC

FIGURE 6-4. HYDRAULIC DIAGRAM LIST

		Note: Diagrams with asterisk (*) are shown in the preceding pages. Information on diagrams not shown is available from JLG Service/Parts Departments.	Ref	
	2792502	Tow Package Hydraulic Diagram	Ref	
	2792364*	Drive Hydraulic Diagram	Ref	
	2792528*	Standard Hydraulic Diagram	Ref	
	1001143189*	Fenner & Haldex Brand Auxiliary Pump	Ref	
		Bucher Brand Auxiliary Pump	Ref	
	2792535	Standard Hydraulic Schematic	Ref	
	1001091538	Tilt Sensor Installation	Ref	
	1001094557	Adapter, Pressure Tap	1	

SECTION 6 HYDRAULIC

SECTION 7 ELECTRICAL

TABLE OF CONTENTS		
FIGURE	DESCRIPTION	PAGE
7-1	ELECTRICAL DIAGRAM LIST	7-2
7-2	HARNESS COMPONENTS INSTALLATION	7-4

**S
E
C
T
I
O
N

7

E
L
E
C
T
R
I
C
A
L**

SECTION 7 ELECTRICAL

FIGURE 7-1.ELECTRICAL DIAGRAM LIST

FIG & ITEM #	PART NUMBER	DESCRIPTION	QTY.	REV.
		ALARM ELECTRICAL DIAGRAMS	Ref	
	4933025/1282937	Motion Alarm	Ref	1/A
	4633026/1282937	Travel Alarm	Ref	1/A
		GENERATOR ELECTRICAL DIAGRAMS	Ref	
	4933150	110Volt	Ref	2/B
	4933175	GLOW PLUG DIAGRAM (DEUTZ ENGINES)	Ref	A
		LIGHTS ELECTRICAL DIAGRAMS	Ref	
	4933027/1282937	Strobe Light	Ref	1/A
	4922155	PLATFORM ELECTRICAL DIAGRAM	Ref	5/D
	4932980	PLATFORM SOFT TOUCH SYSTEM ELECTRICAL DIAGRAM	Ref	2/C
	3740057	Relay (Located in Platform Console Box)	1	
	4120012	Socket, Relay (Located in Platform Console Box)	1	
	3740066	Spring, Relay (Located in Platform Console Box)	1	
	3740049	Relay (Located in Platform Console Box)	1	
	4460600	Block, Terminal (Located in Platform Console Box)	1	
	0258048	PLATFORM WORKLIGHTS ELECTRICAL DIAGRAM	Ref	2/F
		STANDARD ELECTRICAL DIAGRAM	Ref	
	4932982	Deutz Machines	Ref	5/F
	4932981	Ford Machines	Ref	4/C
		STANDARD ELECTRICAL SCHEMATIC		
	1870063	Deutz Machines	Ref	I
	1870148	Ford Machines	Ref	D

SECTION 7 ELECTRICAL

SECTION 7 ELECTRICAL

FIGURE 7-1.ELECTRICAL DIAGRAM LIST

FIG & ITEM #	PART NUMBER	DESCRIPTION	QTY.	REV.

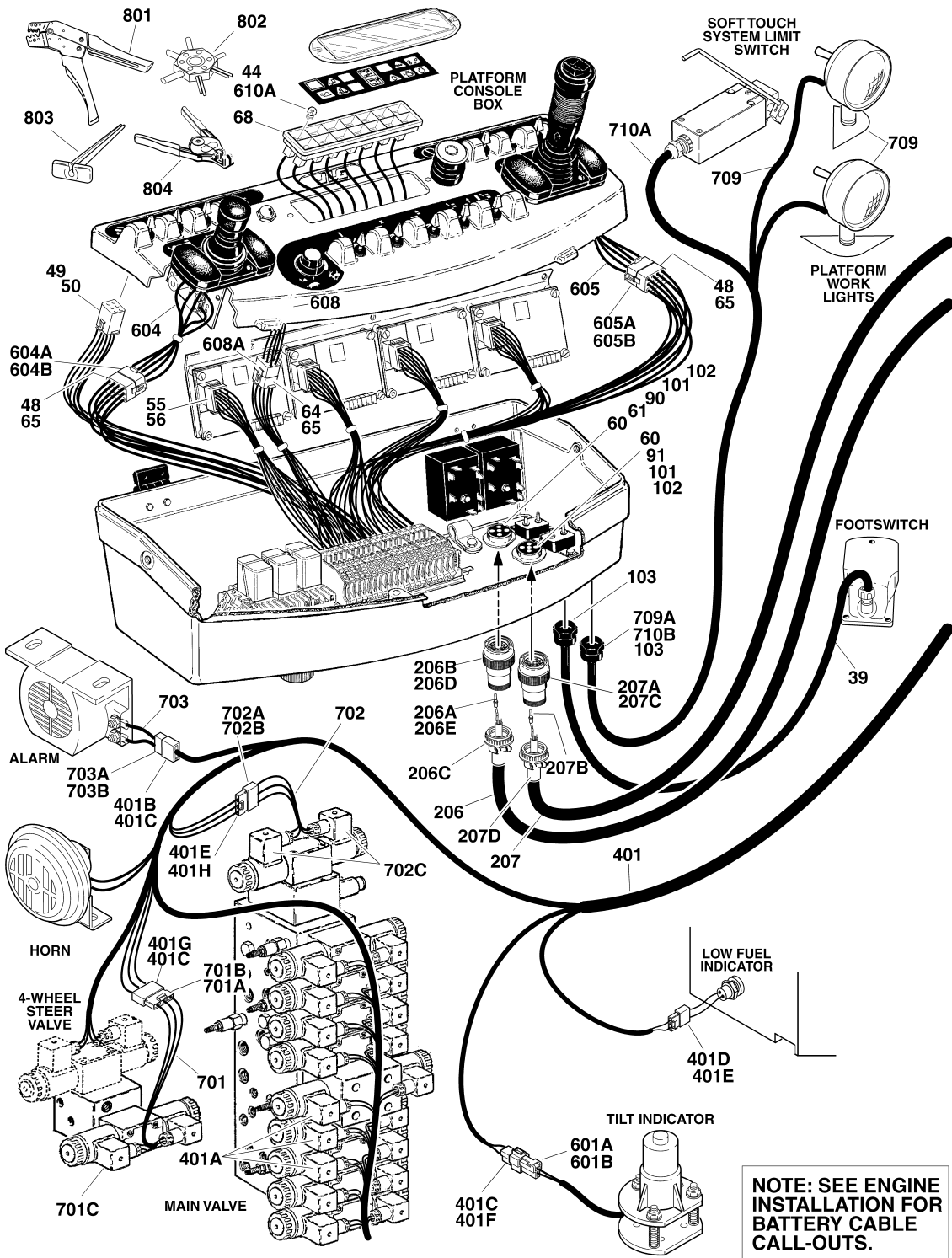
**S
E
C
T
I
O
N

7

E
L
E
C
T
R
I
C
A
L**

SECTION 7 ELECTRICAL

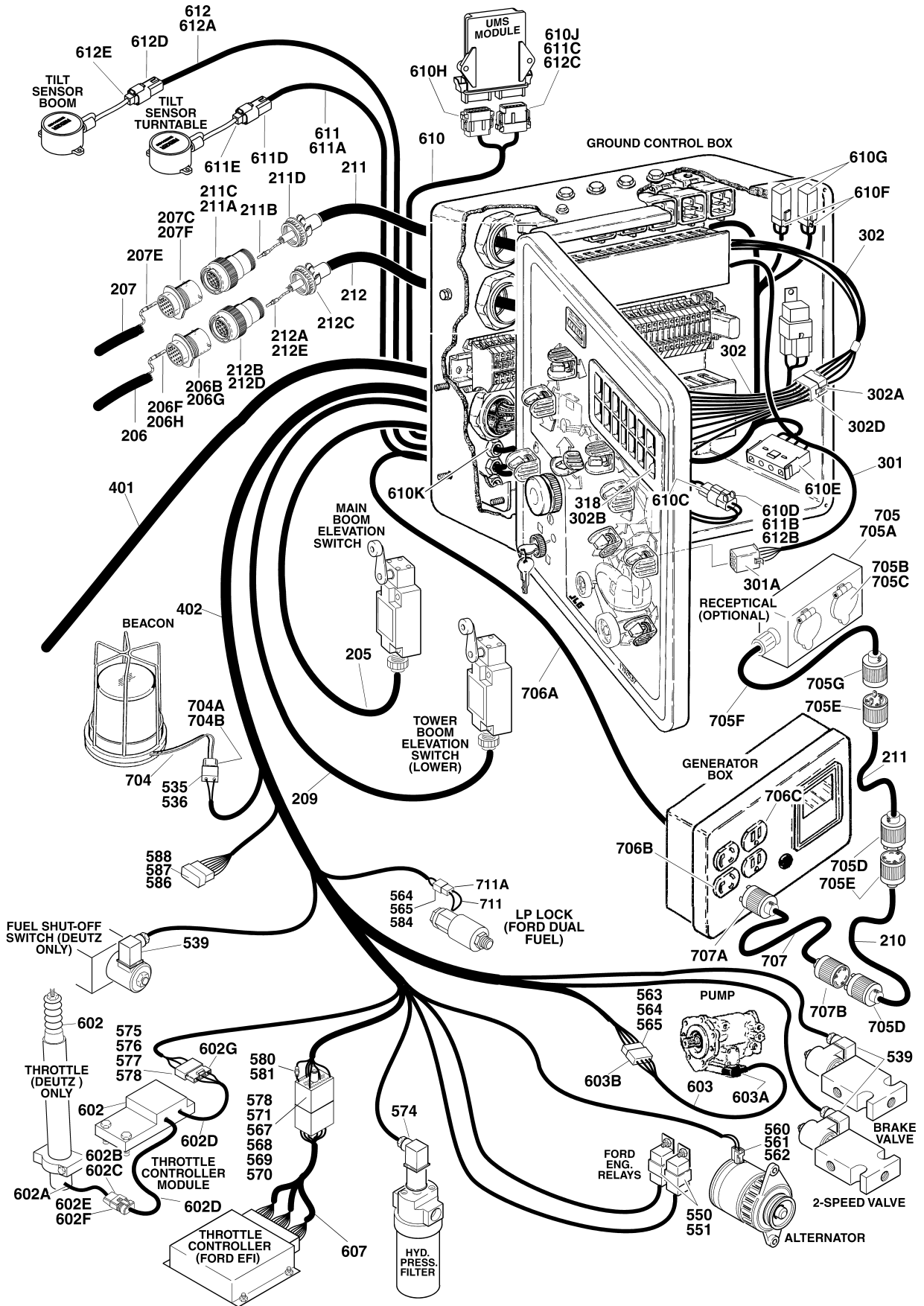
FIGURE 7-2. HARNESS COMPONENTS INSTALLATION



NOTE: SEE ENGINE INSTALLATION FOR BATTERY CABLE CALL-OUTS.

SECTION 7 ELECTRICAL

SECTION 7 ELECTRICAL



SECTION 7 ELECTRICAL

SECTION 7 ELECTRICAL

FIGURE 7-2. HARNESS COMPONENTS INSTALLATION

FIG & ITEM #	PART NUMBER	DESCRIPTION	QTY.	REV.
		HARNESS COMPONENTS INSTALLATION	Ref	
	4922155	PLATFORM BOX HARNESS ASSEMBLY (Note: Also includes terminal block/rail assembly and Bosch relays - See PLATFORM SECTION)	Ref Ref	2/B
1 to 38	Not Used			
39	1060012	Cable, Electrical - 12/4	7ft/2.13m	
40 to 43	Not Used			
44	2920129	Bulb, Light	9	
45 to 47	Not Used			
48	4460265	Plug, Male - 9 Position	2	
49	4460418	Connector - 6 Position	9	
50	4460419	Terminal, Female	45	
51 to 54	Not Used			
55	4460720	Connector - 15 Position	4	
56	4460721	Socket, Female	38	
57 to 59	Not Used			
60	4460464	Pin, Male (16 Gauge)	10	
61	4460508	Pin, Male (12 Gauge)	4	
62	3990001	Diode - 3 Amp (Not Shown)	14	
63	Not Used			
64	4460225	Connector, Plug - 3 Position	1	
65	4460267	Pin, Male	22	
66	3990010	Diode - 6 Amp (Not Shown)	9	
67	Not Used			
68	4120035	Base, Light	9	
69 to 89	Not Used			
90	4460613	Connector - 21 Position	1	
91	4460503	Connector - 31 Position	1	
		PLATFORM BOX ASSEMBLY COMPONENTS	Ref	
101	4460470	Nut, Conduit	2	
102	4460471	Washer	2	
103	4460428	Connector, Strain Relief	2	
	0272028	BOOM CABLES INSTALLATION	Ref	A
201 to 202	Not Used			
203	1320256	Clamp, Block (Not Shown-Located on back of T/T)	1	
204	Not Used			
205	4922172	Harness Assembly - Upper Elevation (16/3)	1	
	1060016	Cable, Electrical - 16/30	47ft/14.3m	
206	4922180	Harness Assembly - Upper Boom (10/4-18/16)	1	
	1060676	Cable, Electrical - 16/30	64ft/19.5m	
206A	4460465	Socket, Female	11	
206B	4460865	Connector - 19 Position	1	

SECTION 7 ELECTRICAL

FIGURE 7-2. HARNESS COMPONENTS INSTALLATION

FIG & ITEM #	PART NUMBER	DESCRIPTION	QTY.	REV.
206C	4460509	Socket, Female	4	
206D	4460473	Clamp, Cable	1	
206E	4460466	Seal, Plug	8	
206F	4460464	Pin, Male (16 Gauge)	11	
206G	4460866	Connector - 19 Position		
207	4922181	Harness Assembly - Upper Boom (16/30)	1	
	1060516	Cable, Electrical - 16/30	64ft/19.5m	
207A	4460502	Connector - 31 Position	1	
207B	4460465	Socket, Female	30	
207C	4460466	Seal, Plug	2	
207D	4460473	Clamp, Cable	1	
207E	4460464	Pin, Male (16 Gauge)	30	
207F	4460503	Terminal - 31 Socket	1	
208	4922216	Harness Assembly - Upper Boom (10/3)	1	
	1060708	Cable, Electrical - 10/3	64ft/19.5m	
209	4922680	Harness Assembly - Tower Elevation (16/3)	1	
	1060016	Cable, Electrical - 16/3	41ft/12.5m	
210	4922681	Harness Assembly - Tower Boom (10/3)	1	
	1060708	Cable, Electrical - 10/3	38ft/11.6m	
211	4922682	Harness Assembly - Tower Boom (16/30)	1	
	1060516	Cable, Electrical - 16/30	37ft/11.3m	
211A	4460502	Connector - 31 Position	1	
211B	4460465	Socket, Female	30	
211C	4460466	Seal, Plug	1	
211D	4460473	Clamp, Cable	1	
212	4922683	Harness Assembly - Tower Boom (10/4-18/16)	1	
	1060676	Cable, Electrical - 10/4-18/16	37ft/11.3m	
212A	4460465	Socket, Female	16	
212B	4460466	Seal, Plug	1	
212C	4460473	Clamp, Cable	1	
212D	4460614	Terminal - 21 Socket	1	
212E	4460509	Socket, Female	4	
		GROUND CONTROL BOX DIAGRAMS	Ref	
	4932982	DEUTZ ENGINE MACHINES	Ref	5/E
	4932981	FORD EFI ENGINE MACHINES	Ref	4/C
301		Harness Assembly - Ground Control Box Options:	1	
	4922146	Deutz		3/B
	4922318	Ford EFI (SN 48538 to Present)		2/B
	3990010	Diode - 6 Amp (Not Shown)	13	
	3730099	Resistor Adjustable (Not Shown)	2	
301A	4460418	Connector - 6 Position	9	
	4460419	Terminal, Female	AR	
302	4922311	Harness Assembly - Light Panel	1	3/C
	3730023	Resistor 510 Ohn 1/2 Watt (Not Shown)	1	
	3990001	Diode 3 Amp (Not Shown)	4	
302A	4460266	Connector, Female - 9 Position	1	
	4460268	Socket, Female	9	

SECTION 7 ELECTRICAL

SECTION 7 ELECTRICAL

FIGURE 7-2. HARNESS COMPONENTS INSTALLATION

FIG & ITEM #	PART NUMBER	DESCRIPTION	QTY.	REV.
302B	4120035	Base, Light	AR	
	4460634	Terminal (Single Wire)	6	
	4460635	Terminal (Double Wire)	4	
302C	4460267	Pin, Male	7	
	4460265	Plug, Male - 9 Position	1	
303		Sub-Harness - Start Options (Not Shown):	1	
	4922473	Deutz Engine Machines		
	4922472	Ford EFI Engine Machines		
304 to 311	Not Used			
312	3990010	Diode 6 Amp (Not Shown)	9	
313 to 316	Not Used			
317	3730099	Resistor 750 Ohm (Not Shown)	2	
318	2920129	Bulb, Light	AR	
		GROUND CONTROL BOX ASSY COMPONENTS	Ref	
401	4922046	Valve Harness Assembly	1	2/D
401A	4460499	DIN Connector with Diode	19	
401B	4460320	Plug, Male - 2 Position	1	
401C	4460267	Pin, Male	11	
401D	4460424	Receptacle, Female - 2 Position	1	
401E	4460268	Socket, Female	5	
401F	4460225	Housing, Terminal - 6 Position	1	
401G	4460445	Receptacle, Female - 3 Position	1	
401H	4460449	DIN Connector without Diode	1	
402		Engine Harness Assembly Options (See Items 501-584 for Breakdown)	1	
	4922077	Deutz Engine Machines		
	4922272	Ford Engine Machines		
		ENGINE HARNESS ASSEMBLY	Ref	
	4922077	DEUTZ ENGINE MACHINES	Ref	5/F
	4922272	FORD ENGINE WITH EFI MACHINES	Ref	6/G
501 to 527	Not Used			
528	4460268	Socket, Female (Deutz Engine Only)	11	
529	4460267	Pin, Male (Deutz Engine Only)	12	
530 to 534	Not Used			
535	4460424	Receptacle, Female - 2 Position	1	
536	4460268	Socket, Female	2	
537 to 538	Not Used			
539	4460499	DIN Connector with Diode	AR	
540 to 544	Not Used			
545	4460445	Housing, Terminal - 3 Position (Deutz Engine Only)	1	
546	Not Used			
547	4460265	Plug, Male - 9 Position (Deutz Engine Only)	1	
548	4460266	Connector, Female - 9 Position (Deutz Engine Only)	1	
549	Not Used			

SECTION 7 ELECTRICAL

SECTION 7 ELECTRICAL

FIGURE 7-2. HARNESS COMPONENTS INSTALLATION

FIG & ITEM #	PART NUMBER	DESCRIPTION	QTY.	REV.
550	4460374	Plug, Sealed (Ford Engine Only)	1	
551	4460375	Terminal (Ford Engine Only)	5	
552 to 559	Not Used			
560	4460582	Terminal (Ford Engine Only)	3	
561	4460580	Lock, Terminal (Ford Engine Only)	1	
562	4460579	Housing - 3 Position (Ford Engine Only)	1	
563	4460460	Connector, Male - 4 Position	1	
564	4460457	Terminal, Female	AR	
565	4460458	Seal, Terminal	AR	
566	Not Used			
567	4460713	Housing, Connector - 42 Position (Ford EFI Engine Only)	1	
568	4460725	Lock, Wedge - Center (Ford EFI Engine Only)	1	
569	4460726	Lock, Wedge - Side (Ford EFI Engine Only)	2	
570	4460800	Plug, Hole (Ford EFI Engine Only)	29	
571	4460799	Pin, Male (Ford EFI Engine Only)	9	
572 to 573	Not Used			
574	4460449	DIN Connector without Diode	1	
575	4460777	Plug, Male - 4 Position (Deutz Engines Only)	1	
576	4460591	Lock, Terminal (Deutz Engines Only)	1	
577	4460589	Socket, Female (Deutz Engines Only)	AR	
578		Options:	AR	
	4460608	Seal, Terminal (Deutz Engines Only)	AR	
	4460728	Pin, Male (Ford EFI Engine Only)	4	
579	Not Used			
580	2400061	Fuse (Ford EFI Engine Only)	2	
581	2400060	Fuseholder/Cover (Ford EFI Engine Only)	2	
582 to 583	Not Used			
584	4460742	Plug - 2 Position (Ford EFI Engine Only)	2	
		STANDARD HARNESS COMPONENTS	Ref	
601	Not Available	Tilt Indicator Harness	1	
601A	4460268	Socket, Female	6	
601B	4460224	Connector, Female - 6 Position	1	
602	Not Available	Throttle Actuator/Controller Harness (Deutz)	1	
	Use 2910000	Throttle Actuator & Controller Assembly (was p/n 0060033)	1	
	7008833	Mounting Clamp Kit (Not Shown)	1	
	7008836	Spring, Retract (Not Shown)	1	
602A	Not Available	Throttle Actuator & Harness (Purchase p/n 2910000)	1	
	7016336	Boot Kit	1	
602B	Not Serviced	Pin, Male	9	
602C	Not Serviced	Connector, Male	1	
602D	2910001	Controller & Harnesses (Purchase p/n 2910000)	1	
602E	Not Serviced	Socket, Female	9	
602F	Not Serviced	Connector, Female	1	

SECTION 7 ELECTRICAL

SECTION 7 ELECTRICAL

FIGURE 7-2. HARNESS COMPONENTS INSTALLATION

FIG & ITEM #	PART NUMBER	DESCRIPTION	QTY.	REV.
602G	Not Available	Plug, Male - 4 Position	1	
	4460693	Pin, Male	4	
	4460591	Clip	1	
	4460608	Seal, Terminal	4	
603	Not Available	Pump Harness	1	
603A	Not Available	Plug (Pump End)	1	
603B	Not Available	Plug (Engine Harness End)	1	
604	Not Available	Controller Harness Assembly (Lift and Swing)	1	
604A	4460266	Connector, Female - 9 Position	1	
604B	4460268	Socket, Female	9	
605	Not Available	Controller Harness/Circuit Board Assembly (Drive and Steer)	1	
605A	4460266	Connector, Female - 9 Position	1	
605B	4460268	Socket, Female	9	
606	Not Used			
607	Not Available	Ford Engine Harness ((For replacement parts refer to Ford engine dealer (Ford EFI Engine Machines)	1	
608	Not Available	Speed Controller Harness Assembly	1	
608A	4460224	Connector, Female - 6 Position	1	
	4460268	Socket, Female	6	
608 to 609	Not Used			
610	1001091941	Tilt Harness (MTB Control Box)	1	D
610A	2920129	Bulb	1	
610B	3990001	Diode, 3 AMP (Not Shown)	2	
610C	4460897	Plug, Terminal - 2 Position	1	
	4460464	Pin, Male (16 Gauge)	2	
610D	4460891	Connector, Terminal - 2 Position	1	
610E	4460761	Connector, Female - 4 Position	1	
	4460227	Pin, Male	4	
610F	4460894	Plug, Terminal - 6 Position	2	
	4460465	Socket, Female	8	
610G	4460892	Terminal, Buss Connector - 6 Position	2	
610H	4460909	Connector - 12 Position (Black)	1	
	4460915	Wedge Lock - 12 Position	1	
	4460928	Socket, Female	9	
	4460466	Terminal, Sealing Plug	3	
610J	4460908	Connector - 12 Position (Gray)	1	
	4460915	Wedge Lock - 12 Position	1	
	4460928	Socket, Female	2	
	4460466	Terminal, Sealing Plug	10	
610K	4460526	Connector, Strain Relief	1	
611	1001094791	Tilt Sensor Harness (Turntable)	1	C
611A	1001097957	Cable, Electrical 16/4	8ft/2.4m	
611B	4460465	Socket, Female	2	
611C	4460928	Socket, Female	1	
611D	4461076	Connector - 4 Position (With Wedge Lock & Seal)	1	
	4460917	Pin, Male (Gold)	4	
611E	4461077	Terminal, Plug - 4 Position	1	
	4460918	Socket, Female (Gold)	4	

SECTION 7 ELECTRICAL

SECTION 7 ELECTRICAL

FIGURE 7-2. HARNESS COMPONENTS INSTALLATION

FIG & ITEM #	PART NUMBER	DESCRIPTION	QTY.	REV.
612	1001091778	Tilt Sensor Harness (Boom)	1	E
612A	1001097957	Cable, Electrical 16/4	8ft/2.4m	
612B	4460465	Socket, Female	2	
612C	4460928	Socket, Female	1	
612D	4461076	Connector - 4 Position (With Wedge Lock & Seal)	1	
	4460917	Pin, Male (Gold)	4	
612E	4461077	Terminal, Plug - 4 Position	1	
	4460918	Socket, Female (Gold)	4	
		OPTIONAL HARNESS COMPONENTS	Ref	
701	4921928	4WS Valve Harness	1	3/D
701A	4460268	Socket, Female	3	
701B	4460445	Connector, Female - 3 Position	1	
701C	4460499	Connector, DIN with Diode	2	
702	4921927	Jib Valve Harness (800AJ Only)	1	
702A	4460326	Plug, Male - 3 Position	1	
702B	4460267	Pin, Male	3	
702C	4460499	Connector, DIN with Diode	2	
703	Not Available	Alarm Harness	1	
703A	4460424	Plug, Male - 2 Position	1	
703B	4460268	Socket, Female	2	
704	Not Available	Strobe Light Harness	1	
704A	4460320	Connector, Female - 2 Position	1	
704B	4460267	Pin, Male	2	
705		AC to Platform Receptacle Components Options:		
	0255382	110V GFI Receptacle	Ref	4
	0257176	220V GFI Receptacle	Ref	4
705A	0860038	Box, Switch	1	
705B		Receptacle Options:	1	
	4460346	110V GFI		
	4460125	220V GFI		
705C		Shield, Cover Options:	1	
	4060700	110V GFI		
	4060092	220V GFI		
705D		Plug, Male Options:	2	
	4460205	110V GFI		
	4460233	220V GFI		
705E		Connector, Female Options:	1	
	4460134	110V GFI		
	4460701	220V GFI		
705F		Harness-Receptacle Box to Boom Options:	1	
	4921801	110V		
	Not Available	220V		
	1060494	Cable, Electrical - 12/3	18in/47cm	
705G	4460205	Plug, Male (110V)	1	
	4460233	Plug, Male (220V)	1	

SECTION 7 ELECTRICAL

SECTION 7 ELECTRICAL

FIGURE 7-2. HARNESS COMPONENTS INSTALLATION

FIG & ITEM #	PART NUMBER	DESCRIPTION	QTY.	REV.
706		Generator Electrical Components		
	4933150	110V	Ref	2/B
	4933149	220V	Ref	2/B
	3990010	Diode - 6 Amp (Not Shown)	1	
706A	4921938	Harness - On/Off Switch (Powermite Control Box to Ground Control Box)	1	
706B	4460027	Receptacle, Electrical (Industrial) (110V)	1	
	4460125	Receptacle, Electrical (220V)	1	
706C	4460190	Receptacle, Electrical (Standard) (110V)	1	
	4460125	Receptacle, Electrical (220V)	1	
707	4921829	Generator to Rear of Boom Harness (110V)	1	
	4921955	Generator to Rear of Boom Harness (220V)	1	
		Note: Harness used to connect AC at platform harness to generator receptacle to power platform receptacle.	Ref	
	1060494	Cable, Electrical - 12/3	26ft/8m	
707A	4460205	Plug, Male (110V)	1	
	4460233	Plug, Male (220V)	1	
707B	4460134	Receptacle, Female (110V)	1	
	4460701	Receptacle, Female (220V)	1	
708	Not Used			
709	2920140	Platform Worklights Harness (Includes Light and Wire Only)	2	
	2820035	Loom, Vinyl	9ft/2.8m	
709A	4460598	Connector, Strain Relief	1	
	4460442	Terminal (Not Shown-Located in Platform Console)	2	
710	Not Available	Soft-Touch System Harness	1	
710A	1060341	Cable, Electrical - 16/3	16ft/4.9m	
710B	4460425	Connector, Strain Relief	1	
711	Not Available	LP Lock Off Valve Harness	1	
711A	4460743	Connector - 2 Position	2	
	Not Available	Pin, Male	2	
	4460458	Seal, Terminal	2	
		TOOLS	Ref	
801	7002821	Crimper (For Wire to Pin/Socket Connections)	1	
802	7002823	Extractor (For Removal of Pin/Socket from Connectors)	1	
803	4460467	Extractor, Pin (Blue 16-18 Gauge) (For Removal of Pin/Socket from Connectors)	1	
	4460510	Extractor, Pin (Yellow 12-14 Gauge) (For Removal of Pin/Socket from Connectors)	1	
804	7002828	Stripper, Wire	1	

SECTION 8 DECALS

TABLE OF CONTENTS		
FIGURE	DESCRIPTION	PAGE
8-1	DECALS INSTALLATION - STANDARD	8-2

**S
E
C
T
I
O
N

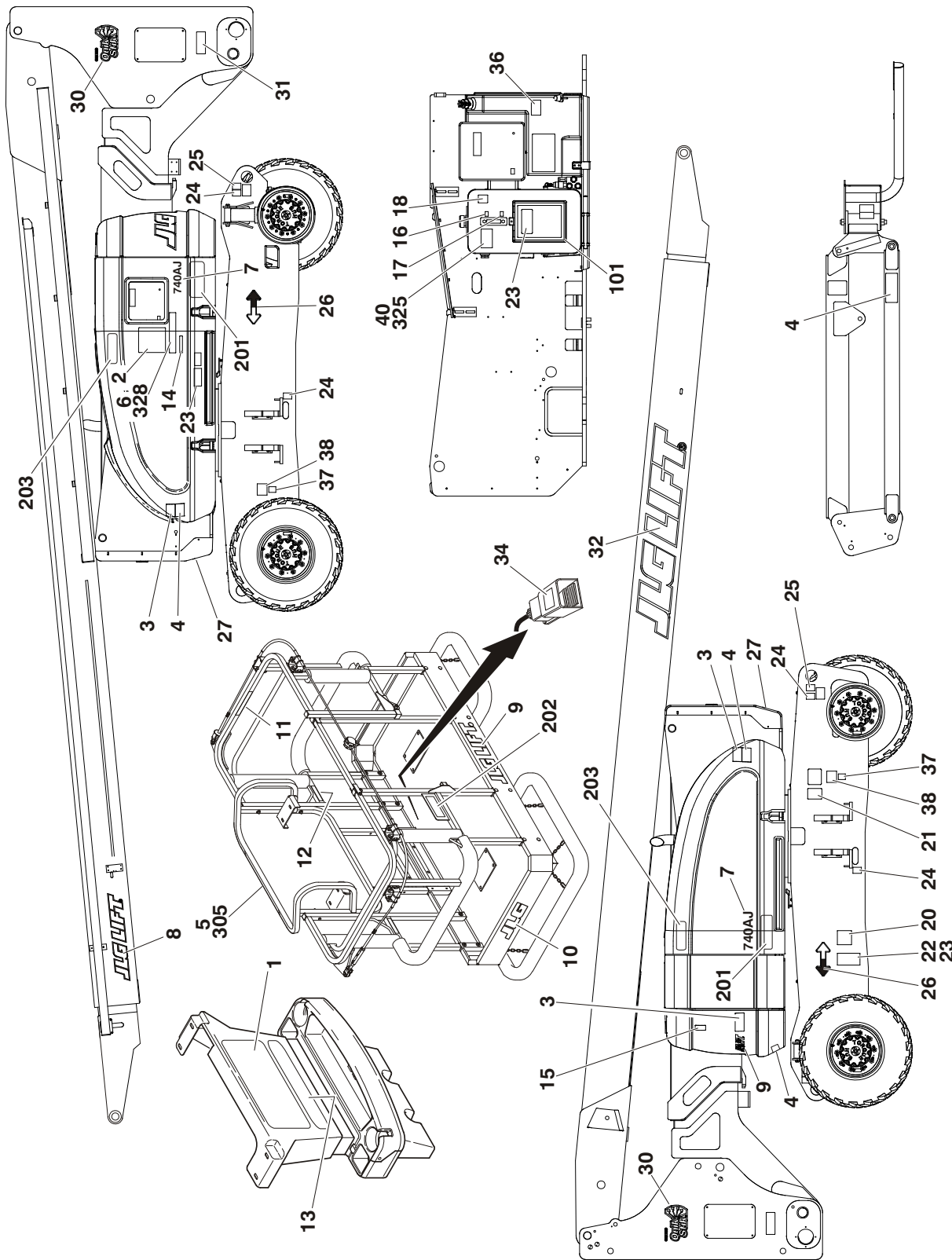
8

D
E
C
A
L
S**

SECTION 8 DECALS

FIGURE 8-1.DECALS INSTALLATION - STANDARD

S I G N E D 8 8 N O - H O M E S



SECTION 8 DECALS

FIGURE 8-1. DECALS INSTALLATION - STANDARD

FIG & ITEM #	PART NUMBER	DESCRIPTION	QTY.	REV.
		STANDARD DECAL INSTALLATIONS	Ref.	
	0271038	JLG Logo	Ref.	1
	0271588	740AJ	Ref.	1
1	1703797	Decal - Danger/Warning	1	
2	1703798	Decal - Danger/Warning	1	
3	1703805	Decal - Danger/Electrocution	2	
4	1703804	Decal - Warning/Crushing	4	
5	Use 1707110	Decal - Legend (Was p/n 1702784)	1	
6	Use 1707111	Decal - Legend (Was p/n 1703808)	1	
7	1705007	Decal - 740AJ	2	
8	1702860	Decal - JLG Lift (5in)	2	
9	1702774	Decal - JLG Lift (3 1/2in)	2	
10	1702773	Decal - JLG (5in)	2	
11	1702868	Decal - No Hands	2	
12	1704277	Decal - Attach Lanyard Here	4	
13	1701645	Decal - 500LBS Max Capacity	1	
14	1702688	Decal - 500LBS Max Capacity	1	
15	3251813	Decal - USA	1	
16	1701502	Decal - High Oil Level	1	
17	1701503	Decal - Low Oil Level	1	
18	1701504	Decal - Hydraulic Oil	1	
19	1702153	Decal - Inspection	1	
20	Not Available	Decal - Bar Code	1	
21	1700584	Decal - Patent	1	
22	Not Available	Nameplate - Serial Number	1	
23	1701509	Decal - Manual	2	
24	1702300	Decal - Tie Down /Lift	4	
25	1701500	Decal - Tie Down /Lift	4	
26	1701501	Decal - Arrow	4	
27	3251243	Nameplate - Generator	1	
28 to 29	Not Used			
30	1703959	Decal - Quik Stik	2	
31	1703953	Decal - Warning/Crushing	3	
32	1702862	Decal - JLG Lift	1	
33	3820001	Rivet	4	
34	3252347	Decal - Footswitch (Part of 4360031 Footswitch)	1	
35	Not Used			
36		Decal - Fuel Options:	1	
	1701542	Ford Engine Machines		
	1701505	Diesel Engine Machines		
37	1701543	Decal - LPG Gas (Ford Engine Machines)	1	
38	1700818	Decal - LP Gas Liquid Withdrawal System (Ford Engine Machines)	1	
39	Not Used			
40	Use 1001096141	Decal - Upright Level Override (was p/n 1702265)	1	
41 to 47	Not Used			

SECTION 8 DECALS

SECTION 8 DECALS

FIGURE 8-1. DECALS INSTALLATION - STANDARD (CONTINUED)

FIG & ITEM #	PART NUMBER	DESCRIPTION	QTY.	REV.
	0258671	MANUAL STORAGE BOX INSTALLATION	Ref.	A
101	0860520	Box, Manual Storage	1	
	1060279	Cable, Lanyard	1	
	0641408	Bolt 1/4"-20NC x 1"	1	
	0641406	Bolt 1/4"-20NC x 3/4"	1	
	4751400	Flatwasher 1/4"	6	
	3311405	Locknut 1/4"-20NC	5	
	0100011	Loctite #242 (Not Shown)	A/R	
	0010551	DECAL INSTALLATIONS (OPTIONS)	Ref.	
	0271585	Decal Installation	Ref.	A
201	1705012	Decal - Fall Arrest	2	
	0271674	Decal Installation	Ref.	A
202	1705014	Decal - Safety	2	
	0271584	Decal Installation	Ref.	A
203	1705006	Decal - Jet Blast	2	
	1001091538	TILT SENSOR INSTALLATION	Ref.	E
301 to 304	Not Used			
305	1707110	Decal - Legend (Platform)	1	
306	1707111	Decal - Platform Display (Not Shown - Located on Platform Control Box)	1	
307 to 324	Not Used			
325	1001096141	Decal - Upright Level Over Ride	1	
326 to 327	Not Used			
328	1001095809	Decal - Legend (MTB Control)	1	

SECTION 8 DECALS

SECTION 9 RECOMMENDED SERVICE PARTS STOCK

MODEL 740AJ

The following list will service fleets of machines (built to current production per date on the front cover) with emergency repair parts which can be installed in the field. Parts from the list should be replaced when inventory is depleted to keep service parts stock supplied. For further information, contact your JLG dealer or the JLG Industries Parts Department.

JLG PART NUMBER	DESCRIPTION	QTY PER FLEET		
		1-10	10-20	20 OR MORE
	STANDARD PARTS	Ref.	Ref.	Ref.
2120168	Element, Filter (Figure 2-1)	4	8	12
2120150	Element Filter (Figure 2-1)	4	8	12
7012944	Coil (Figure 2-1 & 2-2)	1	1	1
7018991	Coil (Figure 2-2)	1	1	1
7012772	Coil (Figure 2-2 & 2-3)	1	1	1
7000645	Coil (Figure 2-2)	1	1	1
7012664	Element, Air Cleaner (Figures 2-7 & 2-10)	1 Dozen	1 Dozen	1 Dozen
3740067	Relay (Figure 2-7)	1	1	1
4360294	Breaker, Circuit (Figures 2-7 & 2-9)	1	1	1
7014817	Breather, Hydraulic Tank (Figure 2-12)	1	2	3
4360475	Switch, Mushroom (Figures 2-14 & 4-2)	1	1	1
4360469	Switch, Key (Figure 2-14)	1	1	1
2860030	Key, Replacement (Figure 2-14)	1	1	1
4360314	Switch, Toggle (Figure 2-14 & 4-2)	1	1	1
4360476	Contact, Switch Block (Figures 2-14 & 4-2)	1	1	1
3740049	Relay (Figure 2-14 & 4-2)	1	1	1
3740057	Relay (Figure 2-14)	1	1	1
3740113	Relay (Figure 2-14 & 4-2)	1	1	1
7016522	Powertrack Repair Section (Figure 3-2)	2	2	2
7006137	Powertrack Pin Kit (Figure 3-2)	24	24	24
1600284	Controller (Lift and Swing) (Figure 4-2)	1	1	1
1600283	Controller (Drive and Steer) (Figure 4-2)	1	1	1
7003974	Potentiometer (Lift/Swing & Drive/Steer) (Figure 4-3 & 4-4)	1	1	1
4360387	Switch, Push Button (Figure 2-13, 4-2)	1	1	1
4360407	Controller, Speed (Figure 4-2)	1	1	1
4360331	Switch, Toggle (Figure 4-2)	1	1	1
4360232	Breaker, Circuit (Figure 4-2)	1	1	1
3740115	Relay (Figure 4-2)			
3990010	Diode (Figure 7-2)	2	2	2
2400061	Fuse (Figure 7-2)	2	2	2
	VARIABLE PARTS	Ref.	Ref.	Ref.
7014501	Filter, Oil (Ford Engine Machines) (Figure 2-7)	1 Dozen	1 Dozen	1 Dozen
7016331	Filter, Oil (Deutz Engine Machines) (Figure 2-10)	1 Dozen	1 Dozen	1 Dozen
7022135	Filter, Fuel (Ford Engine Machines) (Figure 2-7)	1 Dozen	1 Dozen	1 Dozen
7016328	Filter, Fuel (Deutz Engine Machines) (Figure 2-10)	1 Dozen	1 Dozen	1 Dozen
3740080	Relay (Machines with Generator Option) (Figures 2-7 & 2-9)	1	1	1
7023613	Relay (Ford Engine Machines) (Figure 2-7)	1	1	1

SECTION 9 RECOMMENDED SERVICE PARTS

MODEL 740AJ

The following list will service fleets of machines (built to current production per date on the front cover) with emergency repair parts which can be installed in the field. Parts from the list should be replaced when inventory is depleted to keep service parts stock supplied. For further information, contact your JLG dealer or the JLG Industries Parts Department.

JLG PART NUMBER	DESCRIPTION	QTY PER FLEET		
		1-10	10-20	20 OR MORE
4360336	Switch, Toggle (Machines with Dual Fuel Option) (Figures 2-8 & 4-2)	1	1	1
4360336	Switch, Toggle (Machines with Generator Option) (Figures 2-9 & 4-2)	1	1	1
4360387	Switch, Push Button (Figure 4-5)	1	1	1

SECTION 9 RECOMMENDED SERVICE PARTS STOCK

SECTION 10 SPECIAL OPTIONS

Note: This list is to accommodate machines ordered with special equipment. Options may not be applicable to all models. For more specific parts information contact JLG Parts Department.

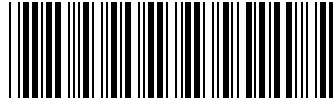
FIG & ITEM #	PART NUMBER	DESCRIPTION	QTY.	REV.
10-1		MISCELLANEOUS SPECIAL OPTIONS:	Ref.	
	0272732	Air Compressor Installation	Ref.	
	0271511	Airline to Platform Installation	Ref.	
		ClearSky Telematics Kits	Ref.	
	1001102841	ANSI Spec	Ref.	
	1001102842	ANSI Export/CE/Japanese Specs	Ref.	
	1001139132	Australian Spec	Ref.	
	1001104985	CSA Spec	Ref.	
		Note: Refer to ClearSky (Telematics) Manual p/n 3128499 for Service Parts.	Ref.	
		Decal Installations Options:	Ref.	
	1702788	Decal - Biodegradable Hydraulic Fluid	1	
	1703175	Decal - Lanyard Attach (GM K-1 Spec)	1	
	1702961	Decal - Prop 65 Warning (Gasoline Machines) (California Spec)	1	
	0257195	Government Warranty Decal Installation	Ref.	
	0271112	Sunbelt Decals Installation	Ref.	
	0270959	United Decals Installation	Ref.	
	4420051/1282946	Warning Stripes Installation	Ref.	
		Electrical Connector Kits	Ref.	
	1001148902	Amp/Tyco Electrical Connector Kit	Ref.	
	1001148903	Deutsch DT Electrical Connector Kit	Ref.	
	1001148904	Deutsch HD Electrical Connector Kit	Ref.	
	1001148905	Packard Electrical Connector Kit	Ref.	
	1001148906	Various Electrical Connectors Kit	Ref.	
		Filter Kits:	Ref.	
	1001110996	Combined Filter Kit (Hydraulic/Air & Fuel/Engine Oil)	1	
	1001109693	Hydraulic/Air Filter	1	
	1001110133	Deutz Engine - Fuel/Engine Oil Filter	1	
		SkyGuard Component Options:		
	1001149560	SkyGuard Complete Add-On Kit (Non-UGM Machines)		
	1001143256	SkyGuard Blue Beacon Kit		

SECTION 10 SPECIAL OPTIONS

Note: This list is to accommodate machines ordered with special equipment. Options may not be applicable to all models. For more specific parts information contact JLG Parts Department.

SECTION 10 SPECIAL OPTIONS

FIG & ITEM #	PART NUMBER	DESCRIPTION	QTY.	REV.
		Tools for Service	Ref.	
	7002840	Antirotation Pin Removal Tool	1	
	8896941	Wire Stripper	1	
	7002821	Wire Crimper (To install wire ends to wires)	1	
	7002823	Pin/Socket Extractor - Universal (To Remove Pins/ Sockets from Connectors)	1	
	4460467	Extractor - 16-18 Gauge (For Removal of Pin/ Sockets from Deutsch Connectors)	1	
	4460510	Extractor - 12-14 Gauge (For Removal of Pin/ Sockets from Deutsch Connectors)	1	
	7002822	Screwdriver, Potentiometer (To Adjust Drive Controllers)	1	
	7016654	Screwdriver, Magnetic	1	
	7004275	Seal Installation Tool - 1"	1	
	7004276	Seal Installation Tool - 1 1/2"	1	
	7002826	Seal Installation Tool - 2"	1	
	7016655	Wire Rope Sheave Gauge	1	
	7016652	Huck Bolt Fastener (For Small Huck Bolts Only)	1	
	4921850	Throttle Service Harness	1	
	4922012	Horsepower Card Service Harness	1	
		Platform Entry Kits	Ref.	
	1001142504	Drop Bar (Replacing Swing Gate with Drop Bar)	Ref.	
	1001142505	Swing Gate (Replacing Drop Bar with Swing Gate)	Ref.	



3121146



An Oshkosh Corporation Company

Corporate Office
JLG Industries, Inc.
1 JLG Drive
McConnellsburg PA. 17233-9533
USA

☎ (717) 485-5161

📠 (717) 485-6417

JLG Worldwide Locations

JLG Industries (Australia)
P.O. Box 5119
11 Bolwarra Road
Port Macquarie
N.S.W. 2444
Australia

☎ +61 2 65 811111

📠 +61 2 65 813058

JLG Latino Americana Ltda.
Rua Eng. Carlos Stevenson,
80-Suite 71
13092-310 Campinas-SP
Brazil

☎ +55 19 3295 0407

📠 +55 19 3295 1025

JLG Industries (UK) Ltd
Bentley House
Bentley Avenue
Middleton
Greater Manchester
M24 2GP - England

☎ +44 (0)161 654 1000

📠 +44 (0)161 654 1001

JLG France SAS
Z.I. de Baulieu
47400 Fauillet
France

☎ +33 (0)5 53 88 31 70

📠 +33 (0)5 53 88 31 79

JLG Deutschland GmbH
Max-Planck-Str. 21
D - 27721 Ritterhude - Ihlpohl
Germany

☎ +49 (0)421 69 350 20

📠 +49 (0)421 69 350 45

JLG Equipment Services Ltd.
Rm 1107 Landmark North
39 Lung Sum Avenue
Sheung Shui N. T.
Hong Kong

☎ (852) 2639 5783

📠 (852) 2639 5797

JLG Industries (Italia) s.r.l.
Via Po. 22
20010 Pregnana Milanese - MI
Italy

☎ +39 029 359 5210

📠 +39 029 359 5845

Oshkosh-JLG Singapore
Technology Equipment Pte
Ltd
29 Tuas Ave 4,
Jurong Industrial Estate
Singapore, 639379

☎ +65-6591 9030

📠 +65-6591 9031

Plataformas Elevadoras
JLG Iberica, S.L.
Trapadella, 2
P.I. Castellbisbal Sur
08755 Castellbisbal, Barcelona
Spain

☎ +34 93 772 4700

📠 +34 93 771 1762

JLG Sverige AB
Enkopingsvagen 150
Box 704
SE - 176 27 Jarfalla
Sweden

☎ +46 (0)850 659 500

📠 +46 (0)850 659 534