



# Illustrated Parts Manual

**Model**  
**LIFTLUX**  
**320-30**

3121320

April 30 2017





## REVISION LOG

March 20, 2006 - Original Issue of Manual  
January 15, 2007 - Revised (Edited to B/M 0010661 Revision 5)  
October 15, 2007 - Revised (Edited to B/M 0010661 Revision 6)  
June 30, 2008 - Revised (Edited to B/M 0010661 Revision 6)  
August 1, 2009 - Revised (Edited to B/M 0010661 Revision 6)  
April 12, 2012 - Revised  
April 30, 2017 - Revised



# TABLE OF CONTENTS

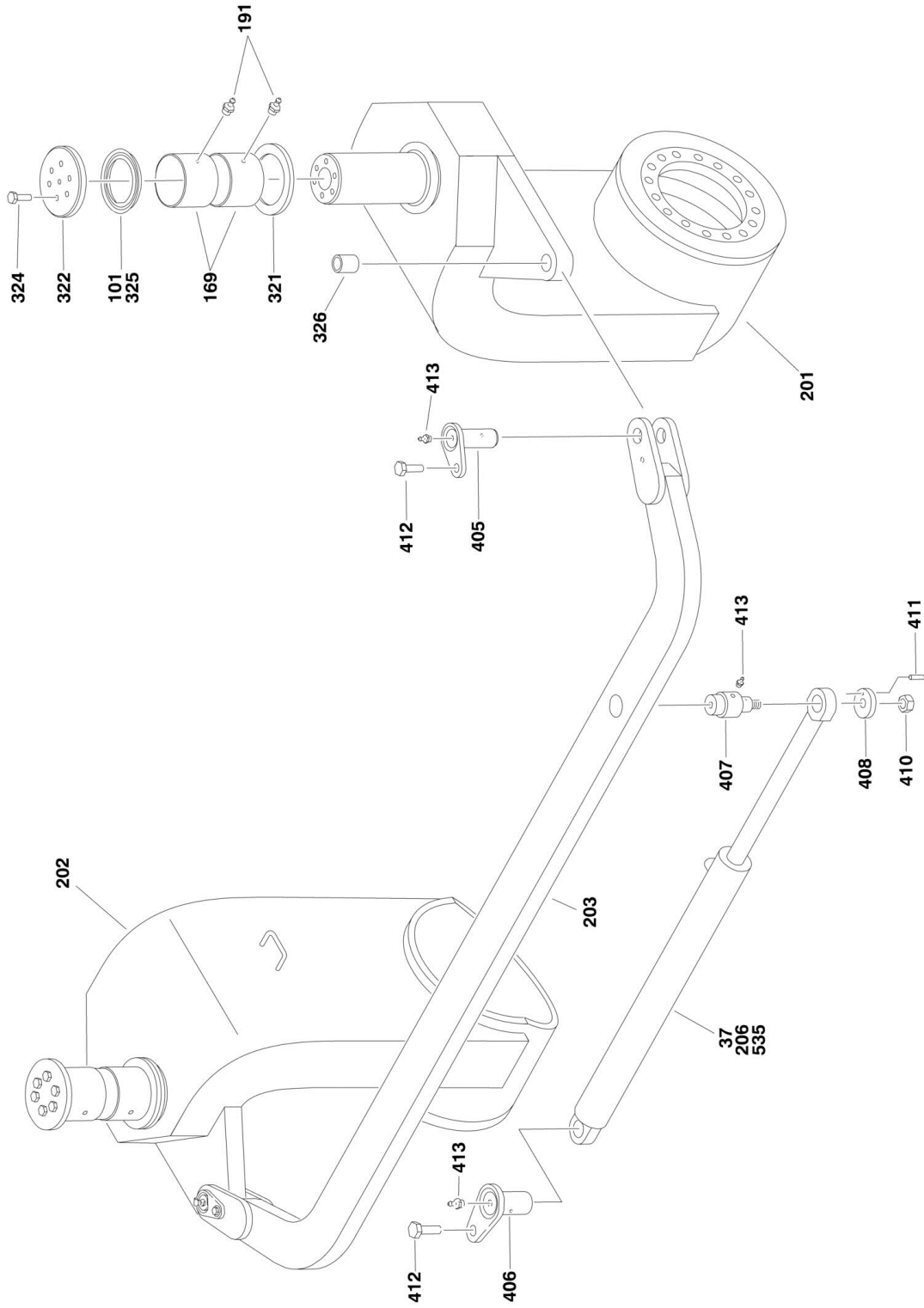
SECTION 1 - FRAME.....	7
FIGURE 1-1. STEERING INSTALLATION .....	8
FIGURE 1-2. REAR AXLE INSTALLATION .....	10
FIGURE 1-3. WHEEL DRIVE INSTALLATIONS .....	12
FIGURE 1-4. DRIVE MOTOR/HUB ASSEMBLY .....	16
FIGURE 1-5. LEVELING CYLINDERS INSTALLATION.....	20
FIGURE 1-6. LADDER INSTALLATION .....	24
SECTION 2 - GROUND CONTROLS .....	27
FIGURE 2-1. VALVE SIDE COMPONENTS INSTALLATION .....	28
FIGURE 2-2. MAIN VALVE BANK ASSEMBLY.....	34
FIGURE 2-3. MAIN VALVE BANK ASSEMBLY - PVG 120.....	36
FIGURE 2-4. DRIVE VALVE ASSEMBLY .....	38
FIGURE 2-5. HAND PUMP ASSEMBLY .....	40
FIGURE 2-6. EMERGENCY VALVE MANIFOLD ASSEMBLY.....	42
FIGURE 2-7. GROUND CONTROL BOX.....	44
FIGURE 2-8. ENGINE SIDE COMPONENTS INSTALLATION.....	46
FIGURE 2-9. ENGINE INSTALLATION.....	50
FIGURE 2-10. GEAR PUMP ASSEMBLY .....	54
FIGURE 2-11. HOODS INSTALLATION .....	56
SECTION 3 - SCISSORS ARMS .....	59
FIGURE 3-1. SCISSORS ARMS INSTALLATION.....	60
SECTION 4 - PLATFORM.....	67
FIGURE 4-1. PLATFORM AND ACCESSORIES INSTALLATION.....	68
FIGURE 4-2. CONSOLE PANEL PARTS.....	74
SECTION 5 - CYLINDER.....	77
FIGURE 5-1. AXLE LOCKOUT CYLINDER ASSEMBLY .....	78
FIGURE 5-2. LEVELING CYLINDER ASSEMBLY .....	80
FIGURE 5-3. LIFT CYLINDER ASSEMBLY .....	82
FIGURE 5-4. PLATFORM EXTENSION CYLINDER ASSEMBLY .....	84
FIGURE 5-5. STEER CYLINDER ASSEMBLY.....	86
SECTION 6 - HYDRAULIC .....	89
FIGURE 6-1. HYDRAULIC DIAGRAM.....	90
SECTION 7 - ELECTRICAL .....	97
FIGURE 7-1. ELECTRICAL PLANS - DIESEL CONTROL.....	98
SECTION 8 - DECALS.....	111
FIGURE 8-1. DECAL INSTALLATION.....	112
SECTION 9 - RECOMMENDED SERVICE PARTS STOCK .....	115
FIGURE 9-1. MODEL LIFTLUX 320-30 STANDARD PARTS .....	116
FIGURE 9-2. MODEL LIFTLUX 320-30 VARIABLE PARTS .....	118
SECTION 10 - SPECIAL OPTIONS.....	119
FIGURE 10-1. SPECIAL OPTIONS.....	120
PART NUMBER INDEX .....	121



**SECTION 1 - FRAME**

# SECTION 1 - FRAME

## FIGURE 1-1. STEERING INSTALLATION





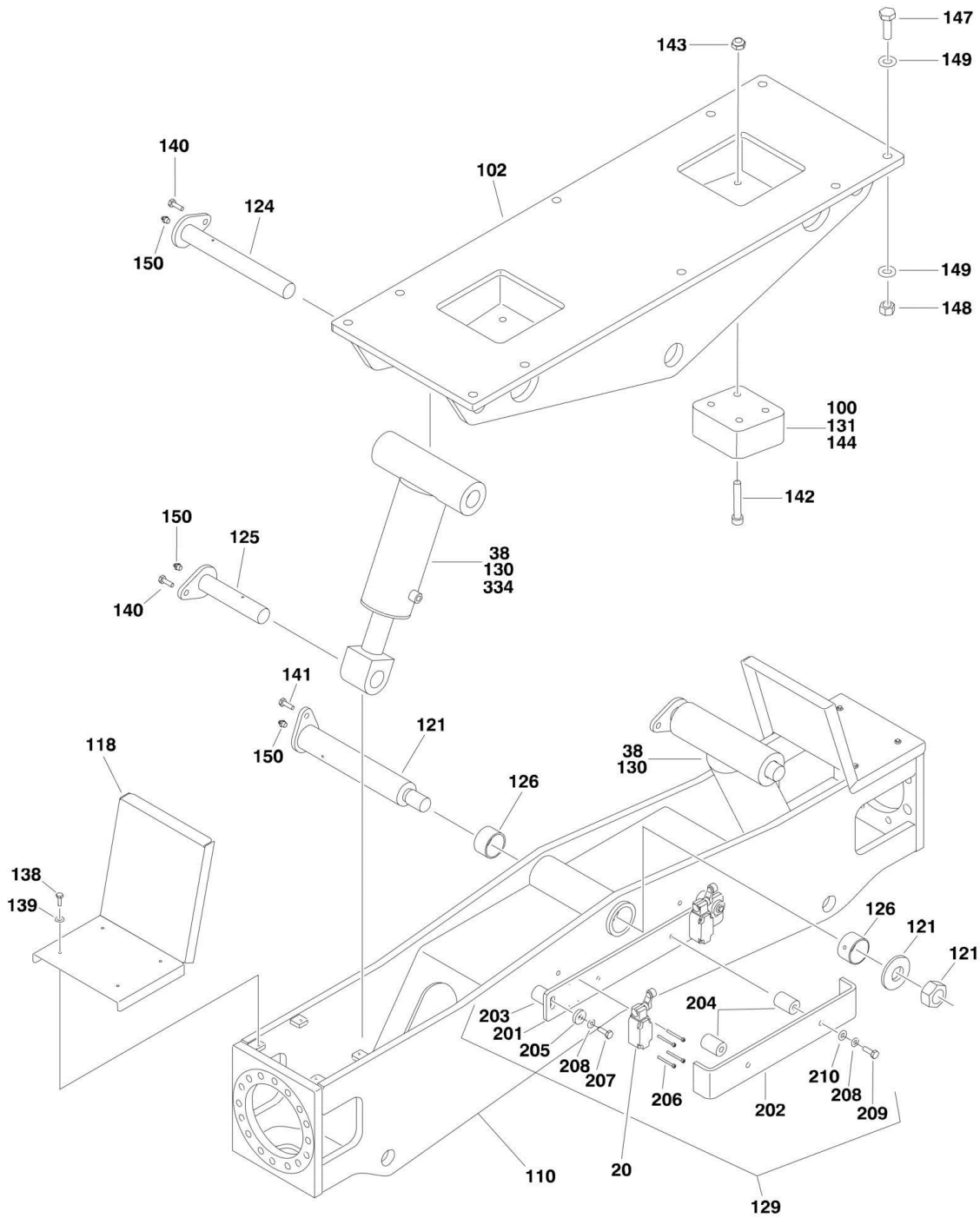
# SECTION 1 - FRAME

## FIGURE 1-1. STEERING INSTALLATION

ITEM	PART NUMBER	QTY	DESCRIPTION	REV
	0010661	Ref	<b>FINAL ASSEMBLY LIST COMPONENTS</b>	6
	SL320-30	Ref	<b>COMPONENT LIST - SL320-30</b>	A
37	H000043	1	Steer Cylinder Assembly (See CYLINDER SECTION for Breakdown)	
101	S005037	2	Seal, Lip	
	SL32030-110-00-1 S032030-110-00-1	Ref	<b>FRAME COMPONENTS</b>	1-A
	S200859	Ref	Frame Weldment	
169	S005029	4	Bushing	
191	S000141	4	Fitting, Grease	
	SL32030-120-00-0 S032030-120-00-0	Ref	<b>STEERING INSTALLATIONS</b>	1-A
201	S006617	1	Spindle (Left) (See Items 301 to 326 for Breakdown)	
202	S006667	1	Spindle (Right) (See Items 301 to 326 for Breakdown)	
203	S006814	1	Tie-Rod (See Items 401 to 413 for Breakdown)	
206	H000043	1	Steer Cylinder Assembly (See CYLINDER SECTION for Breakdown)	
	SL320-120-01-0 S0320-120-01-0	Ref	<b>SPINDLE COMPONENTS</b>	2-A
	S006617	Ref	<b>Spindle Assembly - Left Side</b>	
	S006667	Ref	<b>Spindle Assembly - Right Side (Note: Qtys shown are for 1 Spindle.)</b>	
321	S200248	1	Washer	
322	S200806	1	Cap	
324	0761616	6	Bolt M16 x 40mm	
325	S005037	2	Seal, Lip	
326	S001716	2	Bushing	
	SL320-120-03-0 S0320-120-03-0	Ref	<b>TIE-ROD COMPONENTS</b>	1-A
	S006814	Ref	<b>Tie-Rod Assembly</b>	
405	S200805	2	Pin	
406	Not Available	1	Pin	
407	Not Available	1	Pin (Welded-on Part - Purchase complete Tie-Rod) (Was p/n S200804)	
408	Not Available	1	Washer, Special	
410	3292405	1	Nut M24	
411	Not Available	1	Rollpin	
412	0761212	3	Bolt M12 x 25mm	
413	S000141	4	Fitting, Grease	
	SL32030-G	Ref	<b>HYDRAULIC COMPONENTS</b>	
	SL32030-FS	Ref	<b>HYDRAULIC COMPONENTS</b>	
	SL32030-500-00	Ref	<b>HYDRAULIC COMPONENTS</b>	
	SL32030-RP	Ref	<b>HYDRAULIC COMPONENTS</b>	
	SL3203D-4WD-SF	Ref	<b>HYDRAULIC COMPONENTS</b>	
535	H000043	1	Steer Cylinder Assembly (See CYLINDER SECTION for Breakdown)	

# SECTION 1 - FRAME

## FIGURE 1-2. REAR AXLE INSTALLATION



# SECTION 1 - FRAME

## FIGURE 1-2. REAR AXLE INSTALLATION

ITEM	PART NUMBER	QTY	DESCRIPTION	REV
	0010661	Ref	<b>FINAL ASSEMBLY LIST COMPONENTS</b>	6
	SL320-30	Ref	<b>COMPONENT LIST - SL320-30</b>	A
20	E000376	2	Switch, Limit	
38	H000044	2	Axle Lockout Cylinder Assembly (See CYLINDER SECTION for Breakdown)	
100	S005030	2	Bumper	
	SL32030-130-00-1 S032030-130-00-1	Ref	<b>REAR AXLE INSTALLATION</b>	1-A
102	S200807	1	Pivot, Axle	
110	S200808	1	Axle	
118	S200809	2	Cover	
121	S200810	1	Pin, Pivot (Includes Washer and Nut)	
124	S200811	2	Pin	
125	S200812	2	Pin	
126	S000118	2	Bushing	
129	SL32030-130-29-0	1	Limit Switch Bracket Assembly (See Items 201 to 210 for Breakdown)	
130	H000044	2	Axle Lockout Cylinder Assembly (See CYLINDER SECTION for Breakdown)	
131	S005030	2	Bumper	
138	0760808	8	Bolt M8 x 16mm	
139	4831900	8	Lockwasher M8	
140	0761214	4	Bolt M12 x 30mm	
141	0761614	2	Bolt M16 x 30mm	
142	0630600	8	Bolt, Carriage M10 x 65mm	
143	3291005	8	Nut M10	
144	3902026	6	Bolt (Metric) M20x90	
147	3902024	8	Bolt M20 x 80mm	
148	3332011	14	Nut M20	
149	5242000	28	Flatwasher M21	
150	S000141	5	Fitting, Grease	
	SL32030-130-29-0 S032030-130-29-0	Ref	<b>LIMIT SWITCH ASSEMBLY</b>	1-A
201	S900161	1	Plate, Switch Mounting	
202	Not Available	1	Plate, Switch Cover	
203	Not Available	2	Bushing, Spacer	
204	S900189	2	Bushing, Spacer	
205	S900211	2	Spacer	
206	4031612	8	Capscrew M5 x 40mm	
207	0701226	2	Bolt M12 x 90mm	
208	4832100	4	Lockwasher M12	
209	0701222	2	Bolt M16 x70mm	
210	4812100	2	Flatwasher M12	
	SL32030-G	Ref	<b>HYDRAULIC COMPONENTS</b>	
	SL32030-FS	Ref	<b>HYDRAULIC COMPONENTS</b>	
	SL32030-500-00	Ref	<b>HYDRAULIC COMPONENTS</b>	
	SL32030-RP	Ref	<b>HYDRAULIC COMPONENTS</b>	
	SL3203D-4WD-SF	Ref	<b>HYDRAULIC COMPONENTS</b>	
334	H000044	2	Axle Lockout Cylinder Assembly (See CYLINDER SECTION for Breakdown)	

# SECTION 1 - FRAME

## FIGURE 1-3. WHEEL DRIVE INSTALLATIONS

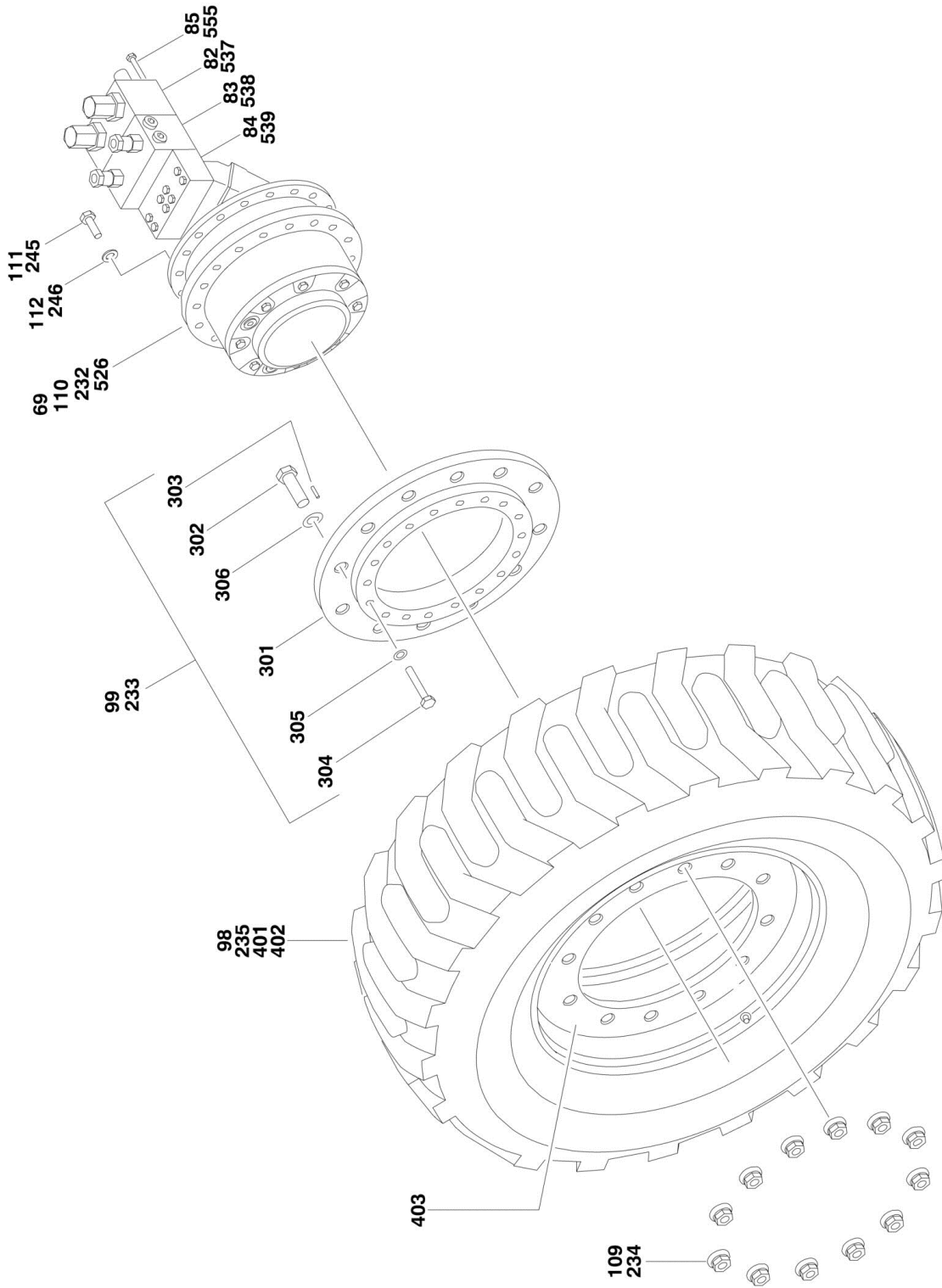


FIGURE 1-3. WHEEL DRIVE INSTALLATIONS

ITEM	PART NUMBER	QTY	DESCRIPTION	REV
	0010661	Ref	<b>FINAL ASSEMBLY LIST COMPONENTS</b>	6
	SL320-30	Ref	<b>COMPONENT LIST - SL320-30</b>	A
69	H000696	4	Drive Motor/Hub Assembly (See DRIVE MOTOR/HUB ASSEMBLY for Breakdown)	
82	H005369	2	Distance Valve Assembly (Front Axle Only)	
83	H005370	2	Brake Valve Assembly (Front Axle Only)	
84	H005371	2	Plate, Adapter (Front Axle Only)	
84	3790213	2	O-Ring	
85	S201123	16	Bolt M8 x 150mm (Front Axle Only)	
98	S005026	4	Tire and Wheel Assembly (See Items 401-404 for Breakdown)	
99	S005027	4	Wheel Mounting Kit (See Items 301-306 for Breakdown)	
	SL32030-120-00-0 S032030-120-00-0	Ref	<b>FRONT AXLE DRIVE INSTALLATIONS</b>	1-A
109	S200803	24	Lugnut (12 Per Side)	
110	H000696	2	Drive Motor/Hub Assembly (See DRIVE MOTOR/HUB ASSEMBLY for Breakdown)	
111	0711620	36	Bolt M16 x 60mm (18 per Side)	
112	5241600	36	Washer M17 (18 per Side)	
	SL32030-130-00-1 S032030-130-00-1	Ref	<b>REAR AXLE DRIVE INSTALLATION</b>	1-A
232	H000696	2	Drive Motor/Hub Assembly (See DRIVE MOTOR/HUB ASSEMBLY for Breakdown)	
233	S005027	2	Wheel Mounting Kit (See Items 301-306 for Breakdown)	
234	S200803	24	Lugnut (12 Per Side)	
235	S005026	4	Tire and Wheel Assembly (See Items 401-404 for Breakdown)	
245	0711620	36	Bolt M16 x 60mm (18 per Side)	
246	5241600	36	Washer M17 (18 per Side)	
	S005027	Ref	<b>WHEEL MOUNTING KIT</b>	
		Ref	<b>Note: Qty called is for one Wheel</b>	
301	Not Available	1	Flange, Wheel Adapter	
302	Not Available	12	Attachment Hardware	
303	Not Available	12	Pin, Groove	
304	0711624	18	Bolt M16 x 80mm	
305	5241600	18	Washer M17	
306	5242200	12	Washer M23	
	S005026	Ref	<b>TIRE AND WHEEL ASSEMBLY</b>	
		Ref	<b>Note: Qty called is for one Wheel.</b>	
401	70000159	1	Tire	
402	70000160	1	Tube	
403	70000161	1	Rim	
404	70000162	1	Flap (Not Shown)	
	SL32030-G	Ref	<b>HYDRAULIC COMPONENTS</b>	
	SL32030-FS	Ref	<b>HYDRAULIC COMPONENTS</b>	
	SL32030-500-00	Ref	<b>HYDRAULIC COMPONENTS</b>	
	SL32030-RP	Ref	<b>HYDRAULIC COMPONENTS</b>	
	SL3203D-4WD-SF	Ref	<b>HYDRAULIC COMPONENTS</b>	
526	H000696	4	Drive Motor/Hub Assembly (See DRIVE MOTOR/HUB ASSEMBLY for Breakdown)	
537	H005369	2	Distance Valve Assembly (Front Axle Only)	
538	H005370	2	Brake Valve Assembly (Front Axle Only)	
539	H005371	2	Plate, Adapter (Front Axle Only)	

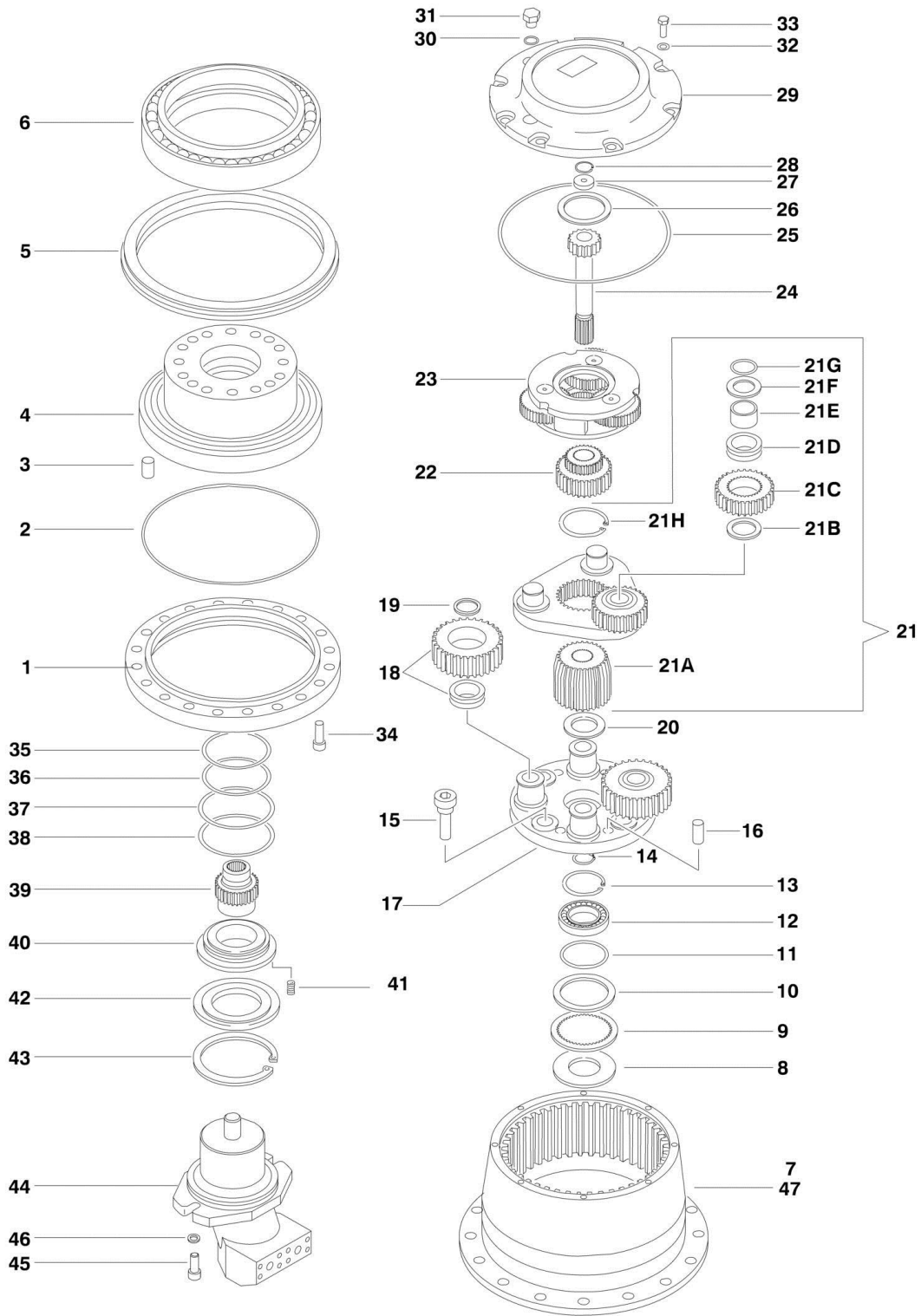
## SECTION 1 - FRAME

ITEM	PART NUMBER	QTY	DESCRIPTION	REV
539	70001993	2	O-Ring	
555	S201123	16	Bolt M8 x 150mm (Front Axle Only)	



# SECTION 1 - FRAME

## FIGURE 1-4. DRIVE MOTOR/HUB ASSEMBLY





# SECTION 1 - FRAME

## FIGURE 1-4. DRIVE MOTOR/HUB ASSEMBLY

ITEM	PART NUMBER	QTY	DESCRIPTION	REV
	H000696	Ref	<b>DRIVE MOTOR/HUB ASSEMBLY</b>	B
1	70001896	1	Cover, Rear Hub	
2	70001904	1	O-Ring	
3	70001900	3	Screw	
4	70001889	1	Spindle	
5	70001897	1	Seal, Lip	
6	Item 47	1	Bearing (was p/n 70001895)	
7	Item 47	1	Housing (was p/n 70001890)	
8	70001919	1	Disc, Hardened	
9	70000424	1	Disc, Steel	
10	70001920	AR	Shim	
11	70001916	1	Ring, Retaining	
12	70000246	1	Bearing	
13	70001915	1	Ring, Snap	
14	70001914	1	Ring, Retaining	
15	70001898	8	Screw	
16	70001901	7	Pin	
17	Item 47	1	Carrier, 3rd Planetary (was p/n 70001910)	
18	Item 47	4	Gear, 3rd Planetary (was p/n 70001911)	
18	Item 47	4	Bearing (was p/n 70001912)	
19	70000412	4	Ring, Snap	
20	70001913	1	Washer, Thrust	
21	70001879	1	Carrier Assembly, 2nd Planetary	
21A	70001887	1	Pinion, 3rd Planetary Sun	
21B	70001881	3	Washer, Thrust	
21C	70001880	3	Gear, 2nd Planetary	
21D	70001884	63	Bearing, Needle	
21E	70001883	3	Bushing	
21F	70001882	3	Washer, Thrust	
21G	70001885	3	Ring, Snap	
21H	70001886	1	Ring, Snap	
22	70001909	1	Pinion, 2nd Planetary Sun	
23	70001888	1	Carrier Assembly, 1st Planetary	
24	70001908	1	Pinion, 1st Planetary Sun	
25	70001905	1	O-Ring	
26	70001894	1	Washer, Thrust	
27	70001892	1	Button, Thrust	
28	70001893	3	Washer	
29	70001891	1	Cover	
30	70001907	2	Washer, Sealing	
31	70001906	2	Plug	
32	70001903	8	Washer	
33	70001902	8	Screw	
34	70001899	20	Bolt	
35	70001924	1	O-Ring	
36	70001926	1	Wear Ring	
37	70001923	1	O-Ring	
38	70001925	1	Wear Ring	
39	70001917	1	Shaft, Input	
40	70001921	1	Piston	

## SECTION 1 - FRAME

ITEM	PART NUMBER	QTY	DESCRIPTION	REV
41	7000241	12	Spring	
42	70001918	1	Washer, Spring Retaining	
43	70001922	1	Ring, Snap	
44	Not Available	1	Motor Assembly	
45	Not Available	2	Bolt	
46	Not Available	2	Flatwasher	
47	70002414	1	Hub Assembly Less Motor and Brake Components	





# SECTION 1 - FRAME

## FIGURE 1-5. LEVELING CYLINDERS INSTALLATION

ITEM	PART NUMBER	QTY	DESCRIPTION	REV
	0010661	Ref	<b>FINAL ASSEMBLY LIST COMPONENTS</b>	6
	SL320-30	Ref	<b>COMPONENT LIST - SL320-30</b>	A
11	E000230	4	Plug	
12	E000231	4	Gland, Cable	
19	E000359	4	Switch, Limit	
39	H000045	2	Leveling Cylinder Assembly (Right Front and Left Rear) (See CYLINDER SECTION for Breakdown)	
44	H000052	2	Leveling Cylinder Assembly (Left Front and Right Rear) (See CYLINDER SECTION for Breakdown)	
65	H000558	2	Valve Assembly - Leveling Cylinder (Front Outriggers - 8 Bar) (No Replacement Parts Available - Replace Complete Valve)	
66	H000559	2	Valve Assembly - Leveling Cylinder (Rear Outriggers -1 Bar) (No Replacement Parts Available - Replace Complete Valve)	
100	S005030	4	Bumper	
	SL32030-110-00-1 S032030-110-00-1	Ref	<b>FRAME COMPONENTS</b>	1-A
	S200859	Ref	Frame Weldment	
188	4032015	16	Screw M10 x 55mm	
189	4812000	16	Washer M10	
190	S005030	4	Bumper	
	SL320-30.110.03.0 S032030-110-03-0	Ref	<b>FRAME END PLATE INSTALLATION</b>	1-A
225	S900002	4	Plate	
226	S900003	4	Gasket	
227	0760608	8	Screw M6 x 12mm	
228	4831700	8	Lockwasher M6	
	SL32030-190-00-0 S032030-190-00-0	Ref	<b>LEVELING VALVE LIMIT SWITCHES INSTALLATION</b>	1-A
405	S200866	4	Cover, Leveling Valve	
406	S900165	4	Plate	
407	S900166	8	Tube	
410	S900167	4	Bracket, Switch	
413	E000359	4	Switch, Limit	
414	4831500	16	Lockwasher M4	
415	4031510	16	Screw M4 x 30mm	
416	3290405	16	Nut M4	
417	0700818	24	Bolt M8 x 50mm	
418	0701033	16	Bolt M10 x 160mm	
419	4811900	16	Flatwasher M8	
419	4812000	16	Flatwasher M10	
	SL32030-G	Ref	<b>HYDRAULIC COMPONENTS</b>	
	SL32030-FS	Ref	<b>HYDRAULIC COMPONENTS</b>	
	SL32030-500-00	Ref	<b>HYDRAULIC COMPONENTS</b>	
	SL32030-RP	Ref	<b>HYDRAULIC COMPONENTS</b>	
	SL3203D-4WD-SF	Ref	<b>HYDRAULIC COMPONENTS</b>	
532	H000045	2	Leveling Cylinder Assembly (Right Front and Left Rear) (See CYLINDER SECTION for Breakdown)	
533	H000052	2	Leveling Cylinder Assembly (Left Front and Right Rear) (See CYLINDER SECTION for Breakdown)	
552	H000558	2	Valve Assembly - Leveling Cylinder (Front Outriggers - 8 Bar) (No Replacement Parts Available - Replace Complete Valve)	
553	H000559	2	Valve Assembly - Leveling Cylinder (Rear Outriggers -1 Bar) (No	

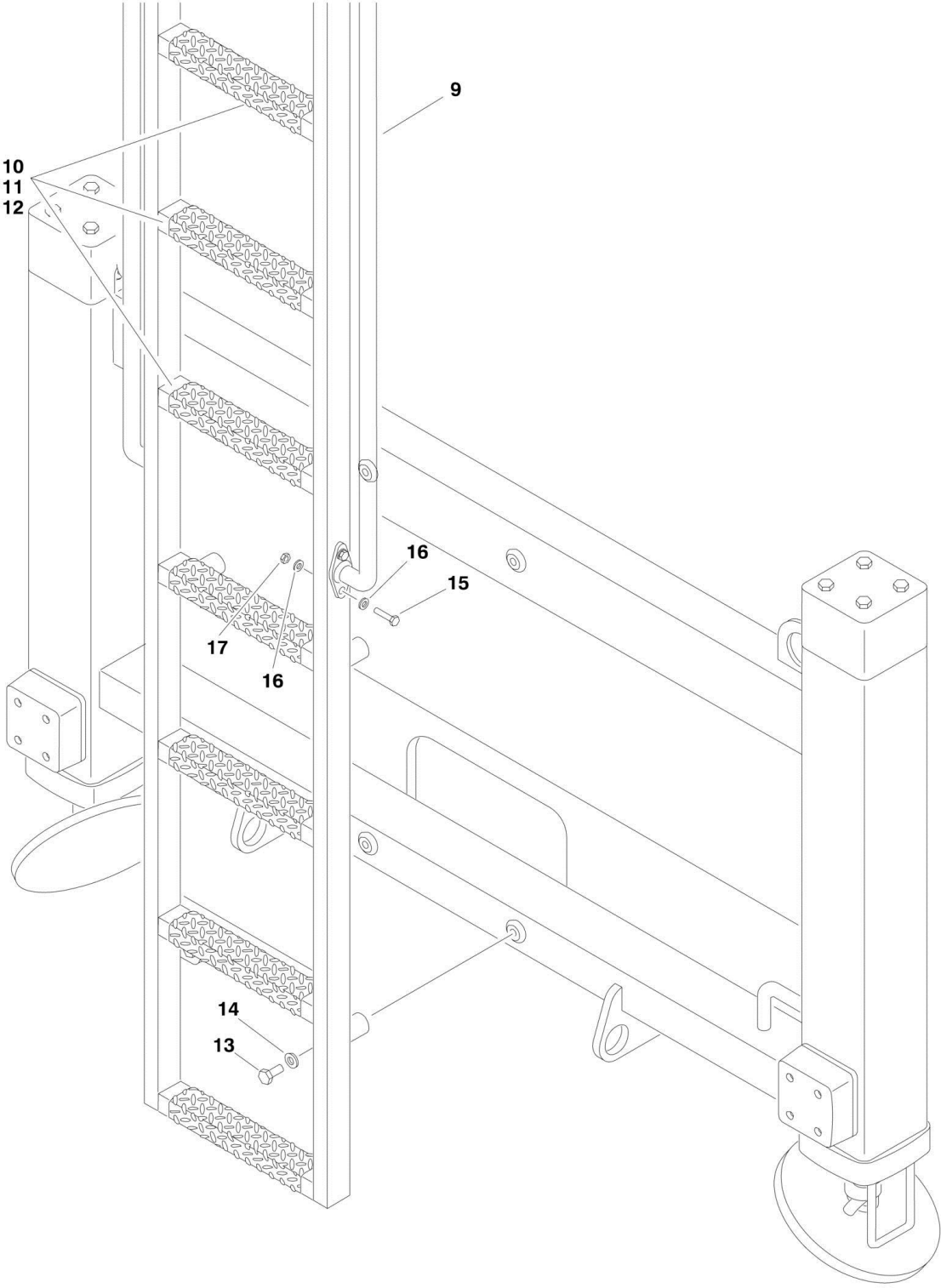
## SECTION 1 - FRAME

ITEM	PART NUMBER	QTY	DESCRIPTION	REV
			Replacement Parts Available - Replace Complete Valve)	



**SECTION 1 - FRAME**

**FIGURE 1-6. LADDER INSTALLATION**





**FIGURE 1-6. LADDER INSTALLATION**

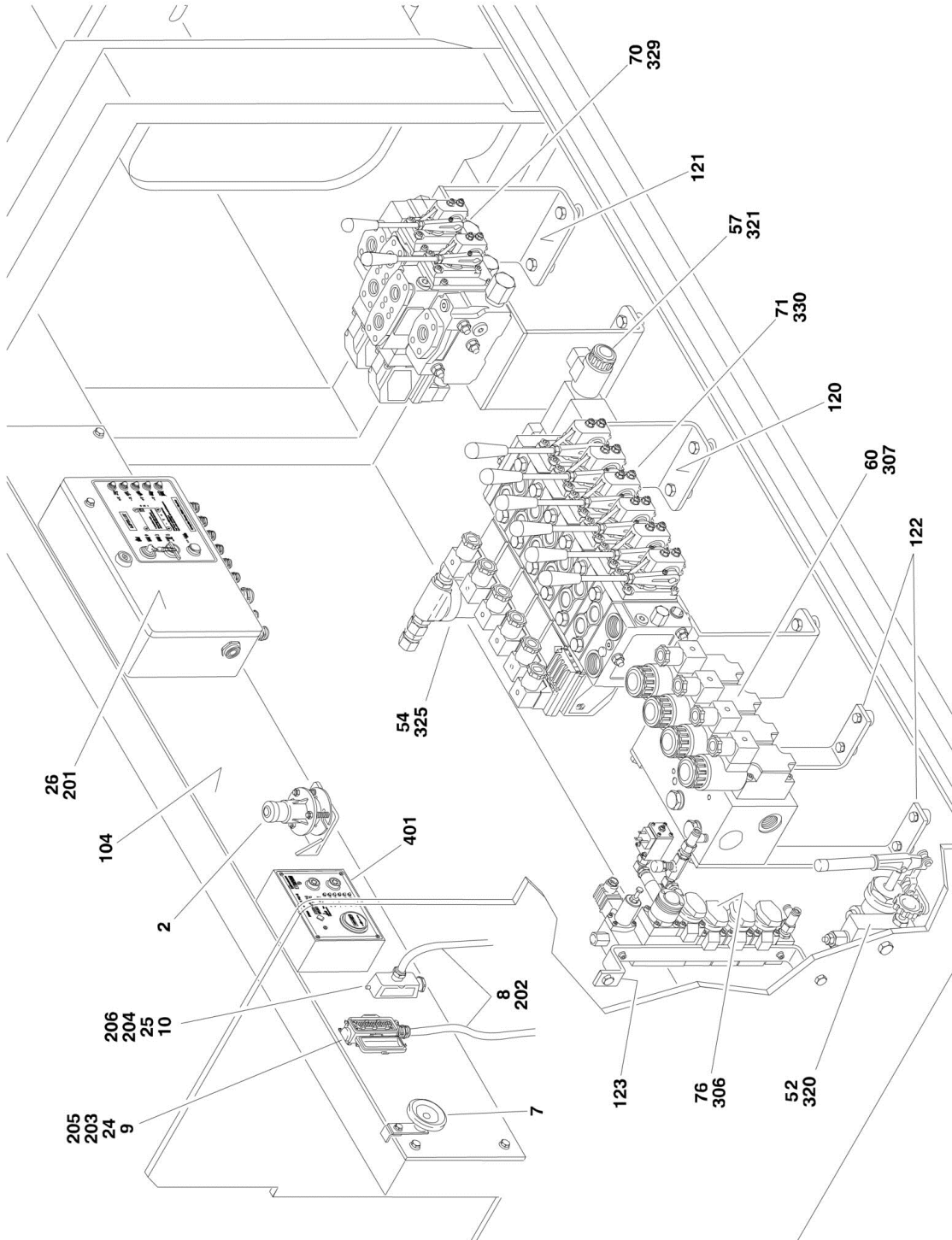
<b>ITEM</b>	<b>PART NUMBER</b>	<b>QTY</b>	<b>DESCRIPTION</b>	<b>REV</b>
	SL320-30.180.00.0 S0320-30.180.00.0	Ref	<b>LADDER INSTALLATION</b>	1-A
9	S200860	1	Ladder	
10	S004500		Non-Slip Strip	
11	S004501		Non Slip Strip	
12	3820510	34	Rivet, Blind	
13	0761215	4	Bolt M12 x 35mm	
14	4812100	4	Washer M13	
15	0760818	8	Bolt M8 x 50mm	
16	4811900	16	Washer M8.4	
17	3290805	8	Nut M8	



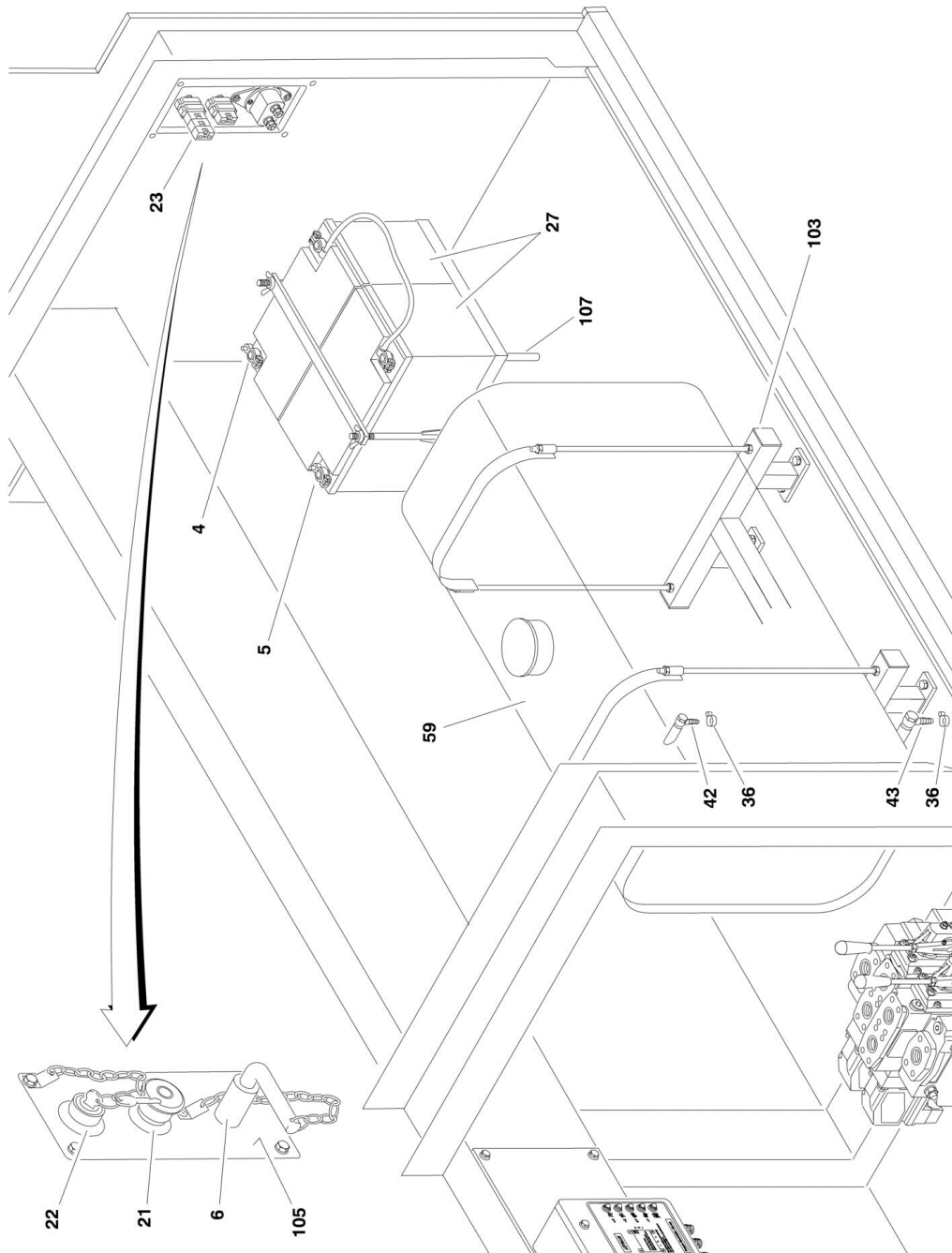
**SECTION 2 - GROUND CONTROLS**

# SECTION 2 - GROUND CONTROLS

## FIGURE 2-1. VALVE SIDE COMPONENTS INSTALLATION



# SECTION 2 - GROUND CONTROLS



## SECTION 2 - GROUND CONTROLS

FIGURE 2-1. VALVE SIDE COMPONENTS INSTALLATION

ITEM	PART NUMBER	QTY	DESCRIPTION	REV
	0010661	Ref	<b>FINAL ASSEMBLY LIST COMPONENTS</b>	6
	SL320-30	Ref	<b>COMPONENT LIST - SL320-30</b>	A
2	E000044	1	Switch, Tilt	
4	E000057	2	Terminal, Battery (Negative)	
5	E000058	2	Terminal, Battery (Positive)	
6	E000059	1	Switch, Battery Isolator	
6	70001114	1	Handle	
7	E000063	1	Horn	
8	E000083	AR	Cable, Control	
9	E000102	1	Connector Housing, Female 24-Pin	
10	E000103	1	Connector Housing, Male 24-Pin	
21	E000377	1	Switch, Emergency Stop	
22	E000390	1	Switch, Leveling Cylinder Key	
22	7027962	1	Key	
23	E000391	3	Contact Block	
24	E000481	1	Connector Insert, Female 24-Pin	
25	E000482	1	Connector Insert, Male 24-Pin	
26		Ref	Electrical Assembly (See Items 201-206 for Breakdown) (Was p/n E000497)	
27	8008750	2	Battery	
28	E000606	6 m	Cable, Electrical 6mm2 H07 V-K Black (Not Shown)	
29	E000710	13 m	Cable, Electrical 70mm2 H07 V-K Black (Not Shown)	
30	E000712	4	Lug, Cable 70mm2 M8 Not Shown	
31	E000714	4	Lug, Cable 70mm2 M10 Not Shown	
36	H000040	2	Clamp, Hose	
42	H000048	1	Fitting, 90 Barbed	
43	H000049	1	Fitting, 90 Barbed	
52	H000285	1	Hand Pump Assembly (See HAND PUMP ASSEMBLY for Breakdown)	
54	H000311	1	Filter, Mini High Pressure	
54	70000020	1	Element	
54	70000021	1	Seal	
57	H000370	1	Steer Valve Assembly (Note: Service Parts No Longer Available- - Must Replace Complete Valve)	D
57	See Note	4	O-Ring, Valve Mounting (was p/n70000440) (Note: Service Parts NLA- Must Replace Complete Valve)	
57	See Note	2	Coil (was p/n70000441) (Note: Service Parts NLA- Must Replace Complete Valve)	
57	See Note	2	Nut, Coil Retaining (was p/n70000442) (Note: Service Parts NLA- Must Replace Complete Valve)	
57	See Note	2	O-Ring (was p/n70000443) (Note: Service Parts NLA- Must Replace Complete Valve)	
59	H000408	1	Fuel Tank	
60	H000436	1	Drive Valve Assembly (See DRIVE VALVE ASSEMBLY for Breakdown)	
70		Ref	Main Valve Bank Assembly Options (Drive/Lift/Axle Lockout):	
70	H000700	1	Main Valve Bank Assembly (See MAIN VALVE BANK ASSEMBLY for Breakdown) <b>(Prior to SN 1200012130)</b>	
70	1001094510	1	Main Valve Bank Assembly (No Breakdown Available at Time of Printing) <b>(SN 1200012130 to Present)</b>	
71	H000701	1	Main Valve Bank Assembly (Extend/Outtrigger) (See MAIN VALVE BANK ASSEMBLY for Breakdown)	

## SECTION 2 - GROUND CONTROLS

ITEM	PART NUMBER	QTY	DESCRIPTION	REV
76	H000707	1	Emergency Valve Manifold Assembly (See EMERGENCY VALVE MANIFOLD ASSEMBLY for Breakdown)	1-A
	SL320-30.160.00.0 S0320-30.160.00.0	Ref	<b>BRACKET ASSEMBLIES</b>	
103	S200871	1	Bracket, Fuel Tank Mounting (Was p/n SL320-30.162.03.0)	
104	S200863	1	Panel, Electrical Carrier (Was p/n SL320-30.160.04.0)	
105	S200263	1	Panel, Ground Control	
107	S200872	1	Tray Assembly, Battery (Was p/n SL320-30.160.07.0)	
120	S200864	1	Bracket, Valve (Was p/n SL320-30.160.20.0)	
121	S200873	1	Bracket, Valve (Was p/n SL320-30.160.21.0)	
122	S200874	1	Bracket, Valve (Was p/n SL320-30.160.22.0)	
123	S200875	1	Bracket, Valve (Was p/n SL320-30.160.23.0)	
	E000497	Ref	<b>ELECTRICAL COMPONENTS</b>	
201		Ref	Ground Control Box Assembly (See GROUND CONTROL BOX for Breakdown)	
202	E000083	AR	Cable, Control	
203	E000102	1	Connector Housing, Female 24-Pin	
204	E000103	1	Connector Housing, Male 24-Pin	
205	E000481	1	Connector Insert, Female 24-Pin	
206	E000482	1	Connector Insert, Male 24-Pin	
	SL32030-G	Ref	<b>HYDRAULIC COMPONENTS</b>	
	SL32030-FS	Ref	<b>HYDRAULIC COMPONENTS</b>	
	SL32030-500-00	Ref	<b>HYDRAULIC COMPONENTS</b>	
	SL32030-RP	Ref	<b>HYDRAULIC COMPONENTS</b>	
	SL3203D-4WD-SF	Ref	<b>HYDRAULIC COMPONENTS</b>	
306	H000707	1	Emergency Valve Manifold Assembly (See EMERGENCY VALVE MANIFOLD ASSEMBLY for Breakdown)	
307	H000436	1	Drive Valve Assembly (See DRIVE VALVE ASSEMBLY for Breakdown)	
320	H000285	1	Hand Pump Assembly (See HAND PUMP ASSEMBLY for Breakdown)	
321	H000370	1	Steer Valve Assembly (Note: Service Parts No Longer Available- Must Replace Complete Valve)	D
321	See Note	4	O-Ring, Valve Mounting (was p/n70000440) (Note: Service Parts NLA- Must Replace Complete Valve)	
321	See Note	2	Coil (was p/n70000441) (Note: Service Parts NLA- Must Replace Complete Valve)	
321	See Note	2	Nut, Coil Retaining (was p/n70000442) (Note: Service Parts NLA- Must Replace Complete Valve)	
321	See Note	2	O-Ring (was p/n70000443) (Note: Service Parts NLA- Must Replace Complete Valve)	
325	H000311	1	Filter, Mini High Pressure	
325	70000020	1	Element, Filter	
325	70000021	1	Seal	
329	H000700	1	Main Valve Bank Assembly (Drive/Lift/Axle Lockout) (See MAIN VALVE BANK ASSEMBLY for Breakdown)	
330	H000701	1	Main Valve Bank Assembly (Extend/Outtrigger) (See MAIN VALVE BANK ASSEMBLY - PVG 120 for Breakdown)	
	H000553 E000497 Matlstrpult	Ref	<b>ENGINE COMPONENTS</b>	
401		Ref	Control Box, Deutz Engine Options:	
401	H005559	1	Control Box, Deutz Engine ( <b>Prior to SN 1200020242</b> )	
401	1001094781	1	Control Box, Deutz Engine ( <b>SN 1200020242 to Present</b> )	
401	70001352	1	PC Board with LEDs and Connectors	

## SECTION 2 - GROUND CONTROLS

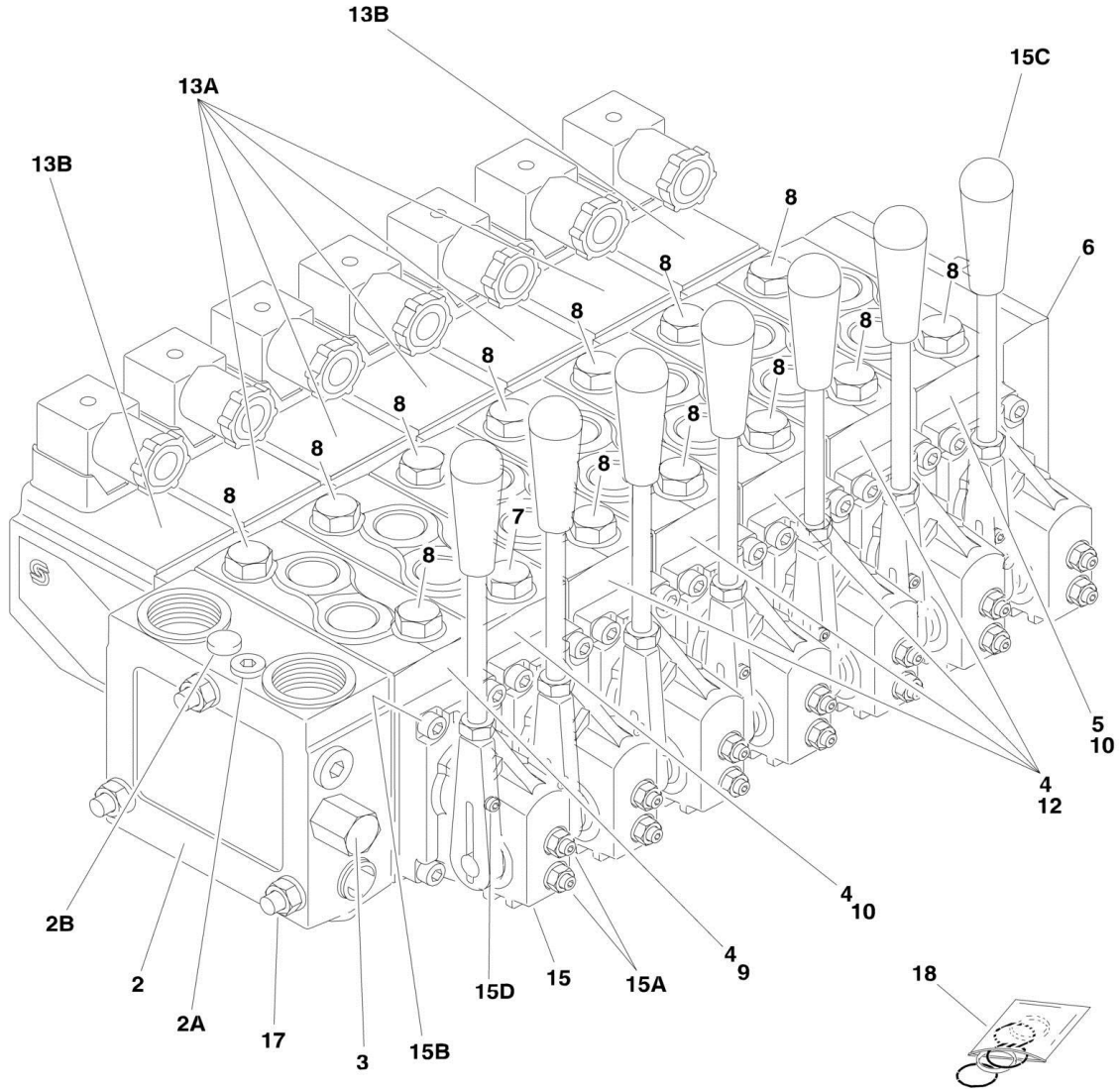
ITEM	PART NUMBER	QTY	DESCRIPTION	REV
401	70000634	1	Hourmeter	
401	70000635	2	Switch, Push Button	
401	70001122	4	Mount, Isolator	
401	70001353	1	E-Prom w/Software	
401	70001355	1	Diode	





# SECTION 2 - GROUND CONTROLS

## FIGURE 2-2. MAIN VALVE BANK ASSEMBLY



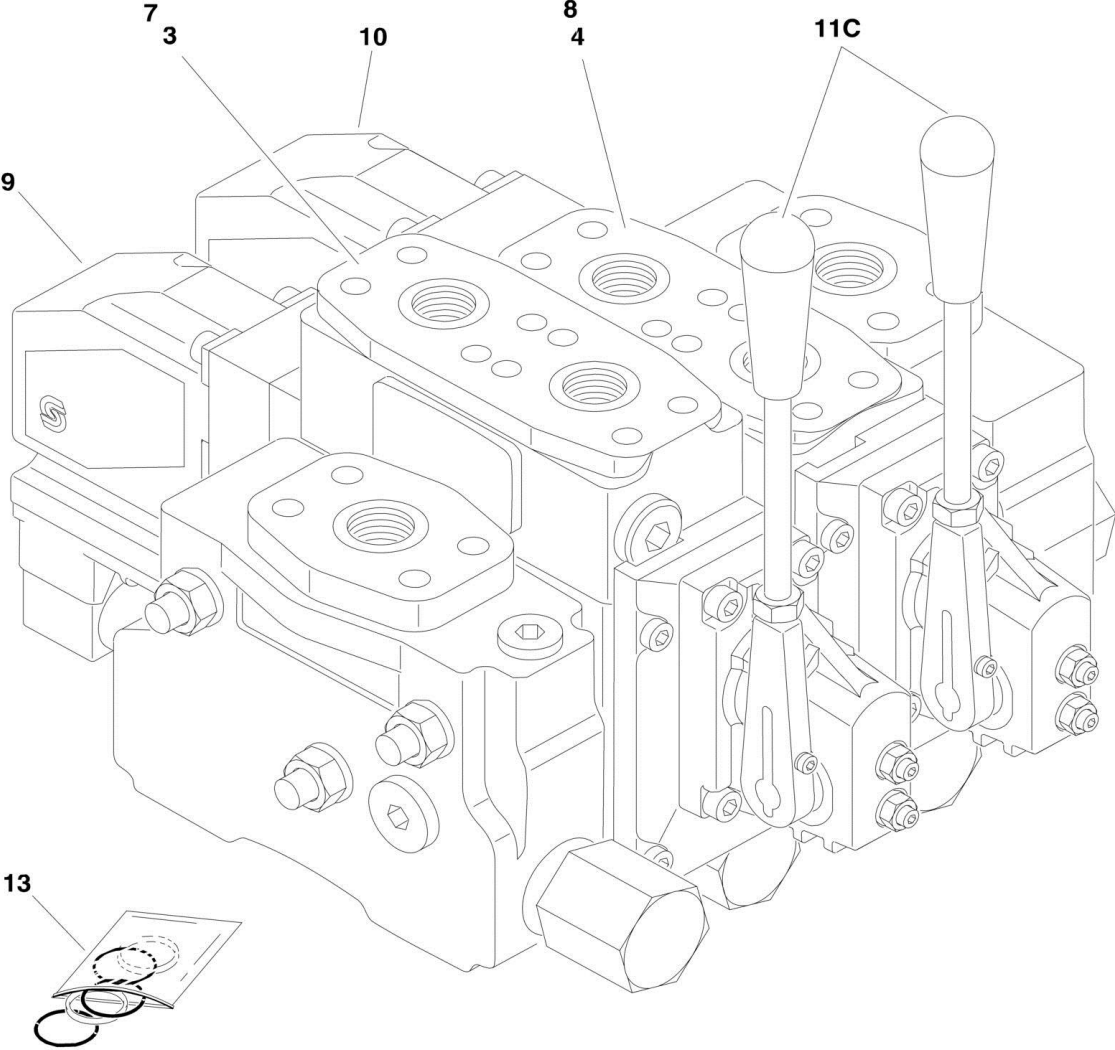
## SECTION 2 - GROUND CONTROLS

### FIGURE 2-2. MAIN VALVE BANK ASSEMBLY

ITEM	PART NUMBER	QTY	DESCRIPTION	REV
	H000701	Ref	<b>MAIN VALVE BANK ASSEMBLY</b>	D
2	H000116	1	Section, Pump (Left Side)	
2	8007939	1	Seal Kit - H000116 Section	
2A	8007944	1	Pilot Supply Assembly	
2B	7027912	1	Relief Assembly	
3	H000352	1	External Pilot Supply	
4	7028847	6	Valve Section (With Relief Valve) (All Functions Except Drive 2) (Was p/n H000188)	
4	8007935	6	Seal Kit - 7028847 Section (Was p/n H000031)	
5	Not Available	1	Valve Section (With Relief and Shuttle Valve ) (Drive 2 Function Only)	
5	8007935	1	Seal Kit - Section (Was p/n H000031)	
6	H000580	1	End Plate	
6	See Item 17	1	Seal Kit - H000580 Section	
7	H005338	1	Valve, Relief (Platform Function Only)	
8	H005250	13	Valve, Relief (All Functions Except Lift Function)	
9	H005279	1	Spool (Drive 1)	
10	H000514	2	Spool (Platform and Drive 2)	
12	H000512	4	Spool (Outtrigger)	
13		Ref	Electrical Activator Options (on-off):	
13A	H000191	5	Electrical Activator (on-off) (All Functions Except Drive)	
13B	H000206	2	Electrical Activator (on-off) (Drive Functions)	
13B	8007954	7	Seal Kit - H000191 and H000206 Electrical Activator (Was p/n H000032)	
13B	7028846	28	Screw, Mounting	
13B	7028849	7	DIN Connector (Black)	
15	7028893	7	Mechanical Activation Assembly (Was p/n H000187)	
15	8007894	7	Seal Kit - 7028893 Mechanical Activator (Was p/n H005248)	
15A	1003107	14	Nut, Seal (2 per Assembly)	
15A	8007915	14	Pin, Threaded (2 per Assembly)	
15B	0318854	28	Screw (4 per Assembly)	
15C	H005247	7	Base and Lever Assembly (1 per Assembly)	
15D	0307544	7	Screw (1 per Assembly)	
15D	0893076	7	Washer (1 Per Assembly)	
17	8003064	1	Assembly Kit (Includes Hardware and Seals for Between Valve Sections)	
18	7028848	7	Seal Kit for Between Valve Sections (Was p/n H005249) Note: One Seal Kit does both sides of section.	

**SECTION 2 - GROUND CONTROLS**

**FIGURE 2-3. MAIN VALVE BANK ASSEMBLY - PVG 120**



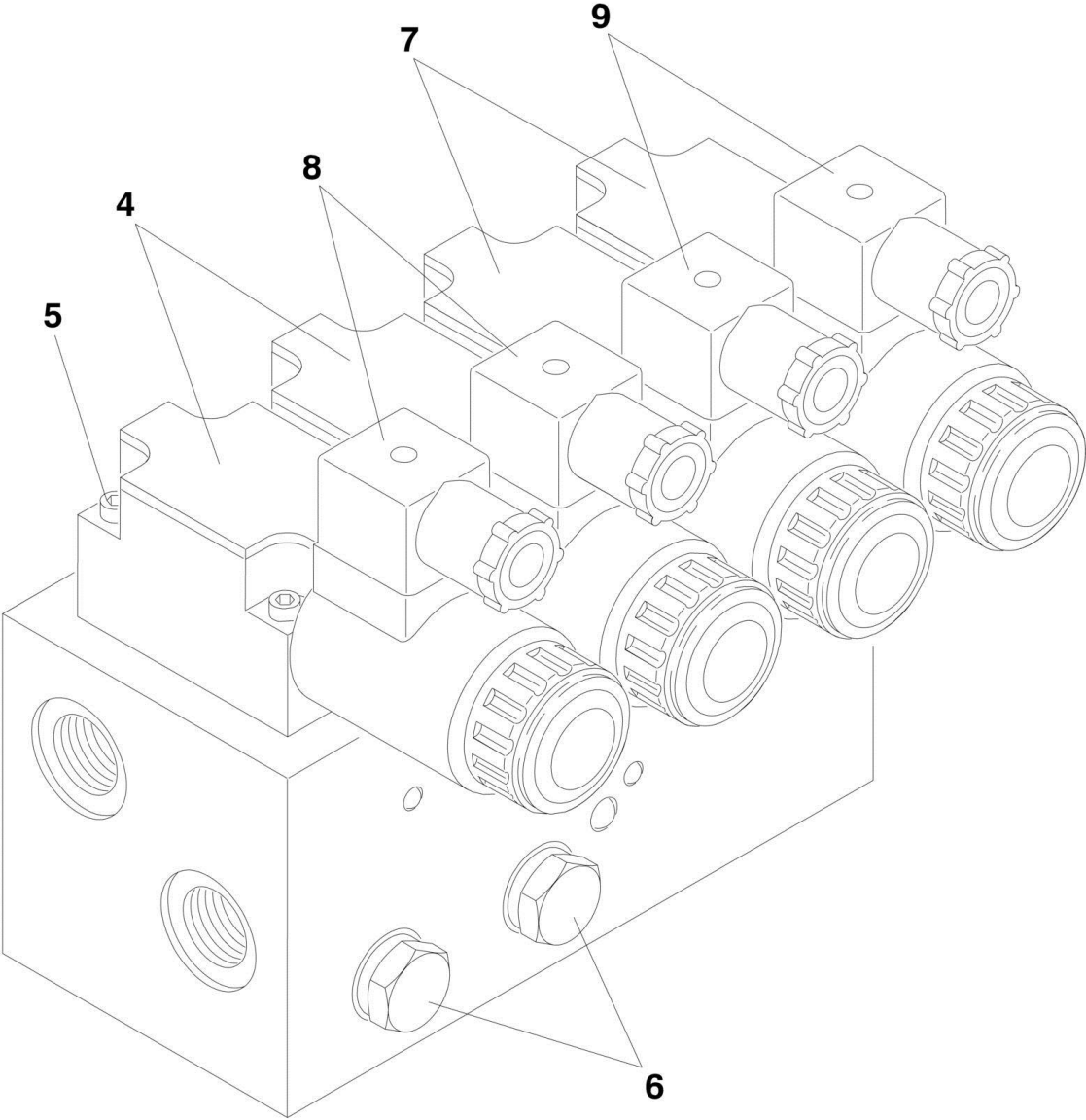
## SECTION 2 - GROUND CONTROLS

**FIGURE 2-3. MAIN VALVE BANK ASSEMBLY - PVG 120**

ITEM	PART NUMBER	QTY	DESCRIPTION	REV
	H000700	Ref	<b>VALVE ASSEMBLY - COMPLETE</b>	B
2	7027916	1	Section, Pump (Left Side)	
2	7027917	1	Seal Kit - Section	
2A	Not Available	1	Pressure Adjustment Assembly (Purchase Complete Section)	
2A	Not Available	1	Plug (Opposite Side)	
2B	Not Available	1	Relief Assembly	
3	7027918	1	Valve Section (With Shock Valve Ports) (Drive)	
3	7027919	1	Seal Kit - Section	
3A	7027920	1	Compensator, Spool and Ball Kit	
3A	7027921	1	Plug, Spring, Disc and Seal Kit	
3B	7027922	2	Valve, Shock	
4	7027923	1	Valve Section (Without Shock Valve Ports) (Lift)	
4	7027919	1	Seal Kit - Section	
4A	7027920	1	Compensator, Spool and Ball Kit	
4A	7027921	1	Plug, Spring, Disc and Seal Kit	
5	7027924	1	Section, Tank Side - Upper	
5	7027925	1	Seal Kit - Upper Tank Side Section (Includes Seals Between Upper and Lower Tank Side Sections)	
6	7027926	1	Section, Tank Side - Lower	
6	7027927	1	Seal Kit - Lower Tank Side Section (Includes Filter)	
6A	Not Available	1	Pilot Supply Assembly	
7	7027928	1	Spool (Drive)	
8	7027929	1	Spool (Lift)	
9	7027930	1	Electrical Activator (Drive)	
9	7027931	1	Seal Kit - Electrical Activator	
9	Not Available	4	Screw, Mounting	
9	8007953	1	DIN Connector	
10	7027932	1	Electrical Activator (Lift)	
10	7027931	1	Seal Kit - Electrical Activator	
10	Not Available	4	Screw, Mounting	
10	7028849	1	DIN Connector	
11	7027934	2	Mechanical Activation Assembly	
11	7027935	2	Seal Kit - Mechanical Activator	
11A	1003107	4	Nut, Seal (2 per Assembly)	
11A	8007915	4	Pin, Threaded (2 per Assembly)	
11B	Not Available	8	Screw (4 per Assembly)	
11C	H005247	2	Base and Lever Assembly (1 Per Valve Section)	
11C	0307544	2	Screw (1 per Assembly)	
11C	0893076	2	Washer (1 Per Assembly)	
12	7027936	1	Assembly Kit (Includes Hardware and Seals for Between Valve Sections)	
13	7027937	2	Seal Kit for Between Valve Sections (Note: One Seal Kit does both sides of section.)	

**SECTION 2 - GROUND CONTROLS**

**FIGURE 2-4. DRIVE VALVE ASSEMBLY**



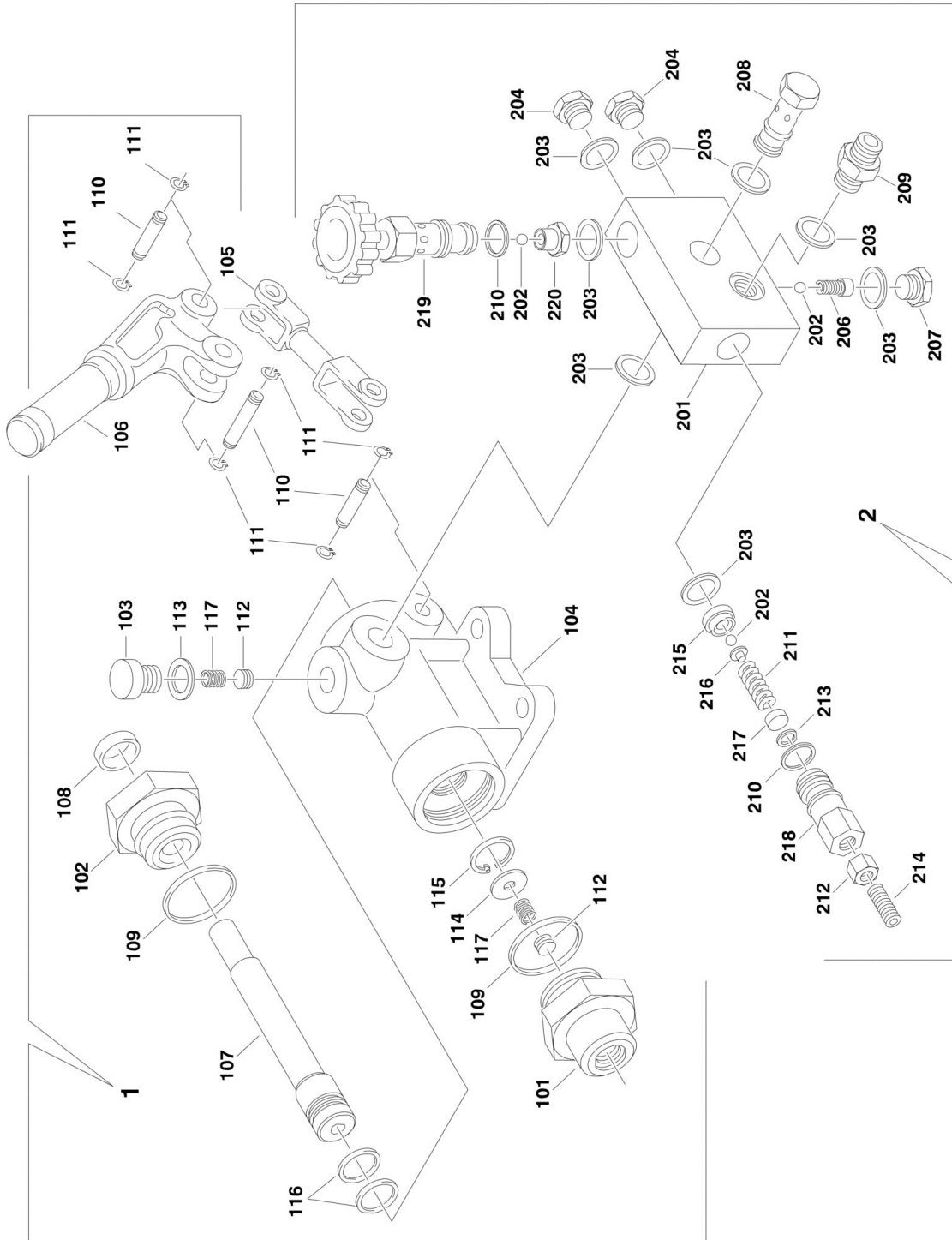
## SECTION 2 - GROUND CONTROLS

### FIGURE 2-4. DRIVE VALVE ASSEMBLY

ITEM	PART NUMBER	QTY	DESCRIPTION	REV
	H000436	Ref	<b>DRIVE VALVE ASSEMBLY</b>	D
4	70000269	2	Spool Valve	
4	70000385	AR	Coil (Note: Coil Nut, and Seal Kit Not Currently Available)	
5	70000270	16	DIN Screw	
6	70000267	2	Flow Divider	
7	70000271	2	Spool Valve	
7	70000385	AR	Coil (Note: Coil Nut, and Seal Kit Not Currently Available)	
8	70000333	2	DIN Connector (Gray)	
9	70000332	2	DIN Connector (Black)	

# SECTION 2 - GROUND CONTROLS

## FIGURE 2-5. HAND PUMP ASSEMBLY





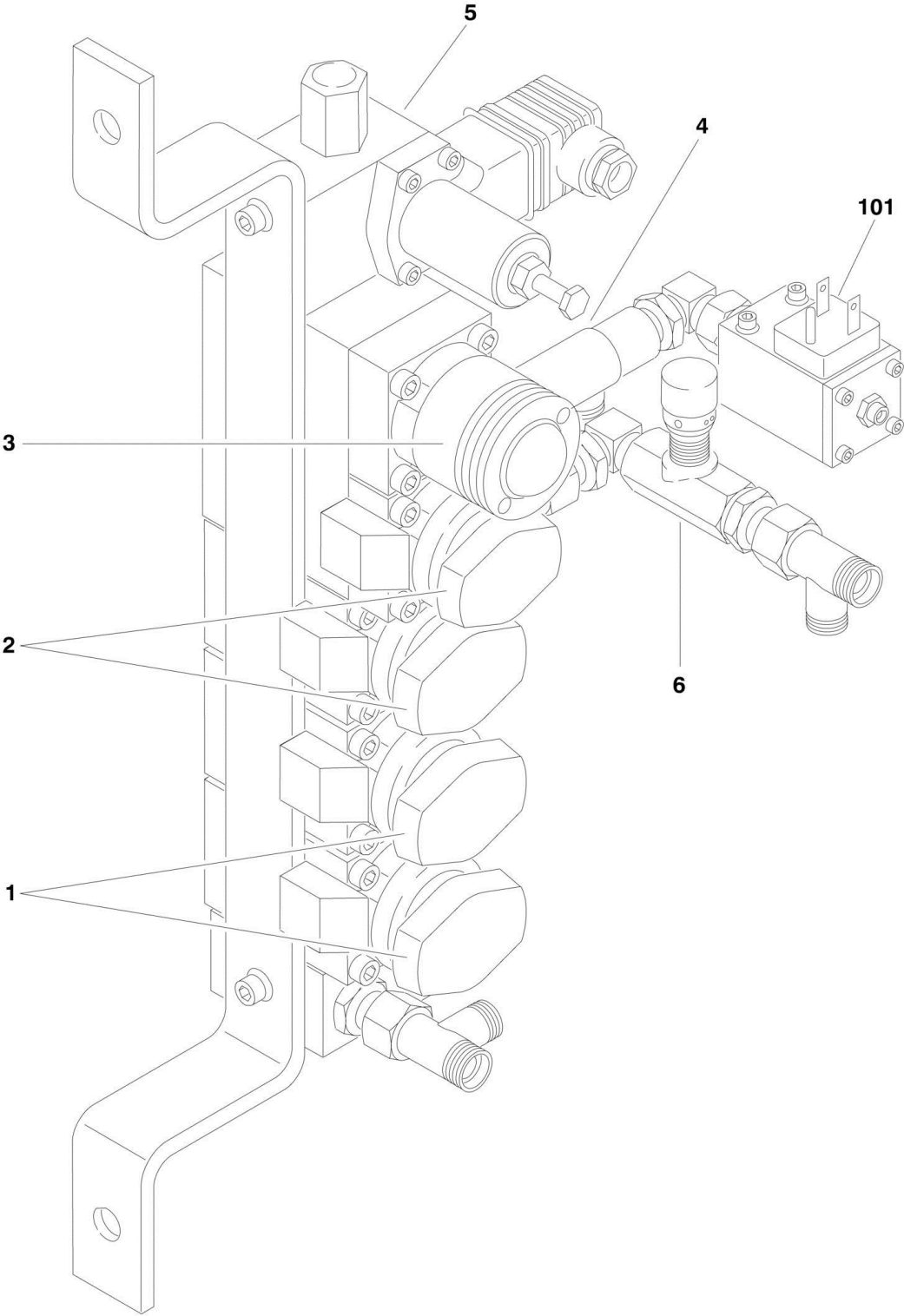
## SECTION 2 - GROUND CONTROLS

### FIGURE 2-5. HAND PUMP ASSEMBLY

ITEM	PART NUMBER	QTY	DESCRIPTION	REV
	H000285	Ref	<b>HAND PUMP ASSEMBLY</b>	D
1	70000513	1	Pump Assembly (See Items 101-117 for Breakdown)	
2	70000528	1	Valve Assembly (See Items 201-220 for breakdown)	
	70000513	Ref	<b>PUMP ASSEMBLY</b>	
101	70000514	1	Valve, Suction	
102	Not Available	1	Plug	
103	Not Available	1	Plug	
104	Not Available	1	Body	
105	70000515	1	Rod, Connecting	
106	70000516	1	Lever	
107	70000517	1	Piston	
108	70000518	1	Seal	
109	70000519	2	Seal	
110	70000520	2	Pin	
111	70000521	6	Ring, Retaining	
112	70000522	2	Ball	
113	70000523	1	Ring	
114	70000524	1	Washer	
115	70000525	1	Ring, Internal Retaining	
116	70000526	2	Seal	
117	70000527	2	Spring	
	70000528	Ref	<b>VALVE ASSEMBLY</b>	
201	Not Available	1	Body	
202	70000529	3	Ball	
203	70000530	8	Ring	
204	Not Available	2	Bolt M8 x 8mm	
205	70000531	1	Spinner (Not Shown)	
206	70000532	1	Spring	
207	Not Available	1	Plug	
208	70000533	1	Screw	
209	70000534	1	Fitting, Straight	
210	70000535	2	Seal	
211	70000536	1	Spring	
212	Not Available	1	Nut M10	
213	70000537	1	Seal	
214	Not Available	1	Setscrew	
215	70000538	1	Relief, Valve	
216	70000539	1	Pin, Ball Driving	
217	70000540	1	Plate, Seal	
218	70000541	1	Valve Body	
219	70000542	1	Knob Assembly	
220	70000543	1	Valve Body	

**SECTION 2 - GROUND CONTROLS**

**FIGURE 2-6. EMERGENCY VALVE MANIFOLD ASSEMBLY**



## SECTION 2 - GROUND CONTROLS

**FIGURE 2-6. EMERGENCY VALVE MANIFOLD ASSEMBLY**

ITEM	PART NUMBER	QTY	DESCRIPTION	REV
	H000707	Ref	<b>EMERGENCY VALVE MANIFOLD ASSEMBLY</b>	C
1	70002076	2	Valve, Manual Directional	
2	70002077	2	Valve, Manual Directional	
3	70002078	1	Valve, Electrical Directional	
4	70002079	1	Valve, Check	
5	70002080	2	Switch, Pressure	
6	70002081	2	Valve, Throttle	
		Ref	<b>MISCELLANEOUS COMPONENTS</b>	
101	H000536	1	Switch, Pressure	



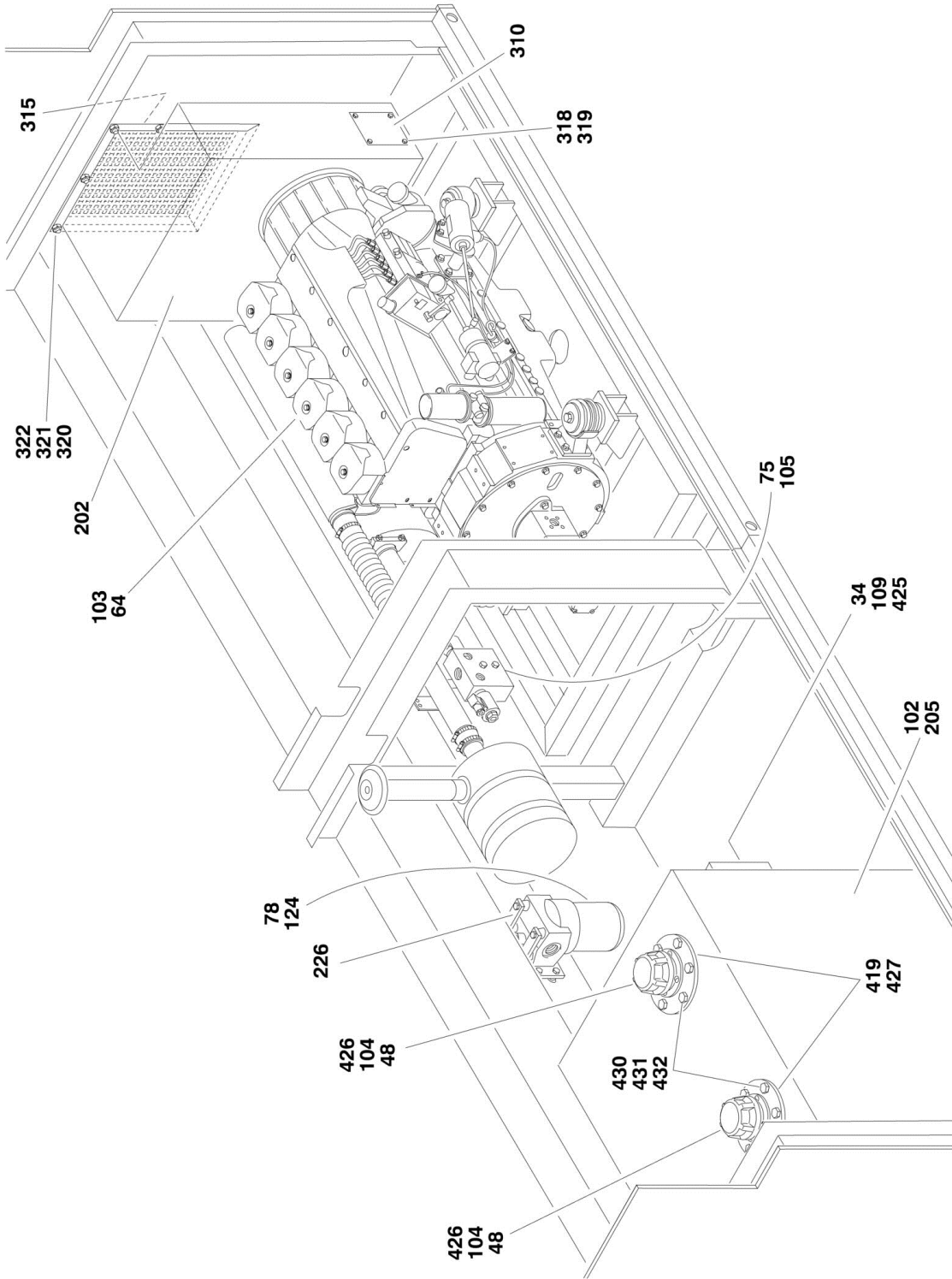
## SECTION 2 - GROUND CONTROLS

**FIGURE 2-7. GROUND CONTROL BOX**

ITEM	PART NUMBER	QTY	DESCRIPTION	REV
	E000497	Ref	<b>GROUND CONTROL BOX</b>	
1	E001194	1	Housing	
9	E000407	1	Alarm	
11	E000102	1	Connector Housing, Female 24-Pin (Not Shown)	
12	E000482	1	Connector Insert, Male 24-Pin (Not Shown)	
14	E000436	1	Switch, Lift	
15	E000412	1	Switch, Deck	
16	E000378	1	Switch, Key	
17	E000189	1	Card, Pump Delay Circuit	
19	E000457		Relay	
20	E000218	1	Card Circuit - Complex	D
21	E000214	1	Card, Circuit - Nivelux	
22	E001206	2	Inklinometer Pendulum	
22	70000953	1	Connector, Electrical - 3 Position	
25	E001185	5	LED, Red Complete	
27	E000018	6	Connector, Strain Relief	
28	E000015	9	Connector, Strain Relief	
29	E000303	28	Connector, Strain Relief	
30	E000304	2	Connector, Strain Relief	
31	E000353	55 m	Cable 2-1mm <sup>2</sup> (Not Shown)	
32	E000331	50 m	Cable 4-1mm <sup>2</sup> (Not Shown)	
33	E000364	15 m	Cable 3-1mm <sup>2</sup> (Not Shown)	
34	E001184	5 m	Cable 10-1mm <sup>2</sup> (Not Shown)	
35	E000083	2 m	Cable 25-1mm <sup>2</sup> (Not Shown)	
36	E000458	35 m	Cable 40-1mm <sup>2</sup> (Not Shown)	
37		Ref	Connector, Electrical Options (Not Shown - Used on E000214 & E000218 Circuit Cards):	
37	70000952	1	Connector, Electrical - 2 Position	
37	70000953	1	Connector, Electrical - 3 Position	
37	70000954	1	Connector, Electrical - 4 Position	
37	70003616	1	Connector, Electrical - 6 Position	
37	70000955	2	Connector, Electrical - 8 Position	
37	70000956	4	Connector, Electrical - 12 Position	

# SECTION 2 - GROUND CONTROLS

## FIGURE 2-8. ENGINE SIDE COMPONENTS INSTALLATION



## SECTION 2 - GROUND CONTROLS

### FIGURE 2-8. ENGINE SIDE COMPONENTS INSTALLATION

ITEM	PART NUMBER	QTY	DESCRIPTION	REV
	0010661	Ref	<b>FINAL ASSEMBLY LIST COMPONENTS</b>	6
	SL320-30	Ref	<b>COMPONENT LIST - SL320-30</b>	A
34	H000013	1	Gauge, Sight	
48	H000241	2	Breather	
64		Ref	Deutz Engine (See ENGINE INSTALLATION for Breakdown)	
67	H000566	1	Rod, Magnetic Filter (Not Shown)	
75	H000706	1	Directional Control Valve Assembly	
75	70002082	2	Valve, Cartridge	
75	Not Available	2	Seal Kit - 70002082 Valve (1 Per Cartridge)	
75	Not Available	2	Coil - 70002082 Valve (1 Per Cartridge)	
75	See Note	1	Valve, Non-Return (Note: Not Available for Service - Purchase Complete Valve p/n H000706)	
75	70002809	1	Plug 3/8in	
75	70002810	2	Plug 3/4in	
75	70002811	2	Plug 1in	
78	H000709	NLA	Hydraulic Filter Assembly (Use p/n 1001226062)	
78	70000024	NLA	Element, Filter (Use p/n 1001226062)	
78	1001226062	1	Hydraulic Filter Assembly	
78	70006336	1	Element, Filter	
78	70006337	1	Seal	
78	70006338	1	Indicator	
	SL32030-G	Ref	<b>HYDRAULIC COMPONENTS</b>	
	SL32030-FS	Ref	<b>HYDRAULIC COMPONENTS</b>	
	SL32030-500-00	Ref	<b>HYDRAULIC COMPONENTS</b>	
	SL32030-RP	Ref	<b>HYDRAULIC COMPONENTS</b>	
	SL3203D-4WD-SF	Ref	<b>HYDRAULIC COMPONENTS</b>	
102	H005339	1	Hydraulic Tank Assembly (Was p/n SL320-30.160.06.0)	
103		Ref	Deutz Engine Assembly (See ENGINE INSTALLATION for Breakdown)	
104	H000241	2	Breather	
104	H005783	2	Seal	
105	H000706	1	Directional Valve Assembly	
105	70002082	2	Valve, Cartridge	
105	Not Available	2	Seal Kit - 70002082 Valve (1 Per Cartridge)	
105	Not Available	2	Coil - 70002082 Valve (1 Per Cartridge)	
105	See Note	1	Valve, Non-Return (Note: Not Available for Service - Purchase Complete Valve p/n H000706)	
105	70002809	1	Plug 3/8in	
105	70002810	2	Plug 3/4in	
105	70002811	2	Plug 1in	
109	H000013	1	Gauge, Sight	
124	H000709	NLA	Hydraulic Filter Assembly (Use p/n 1001226062)	
124	70000024	NLA	Element, Filter	
124	1001226062	1	Hydraulic Filter Assembly	
124	70006336	1	Element, Filter	
124	70006337	1	Seal	
124	70006338	1	Indicator	
	SL320-30.160.00.0	Ref	<b>BRACKET ASSEMBLIES</b>	1-A
	S0320-30.160.00.0			
202	S200867	1	Air Intake Box Assembly (Was p/n SL320-30.162.02.0) (See 301-322 for Breakdown)	

## SECTION 2 - GROUND CONTROLS

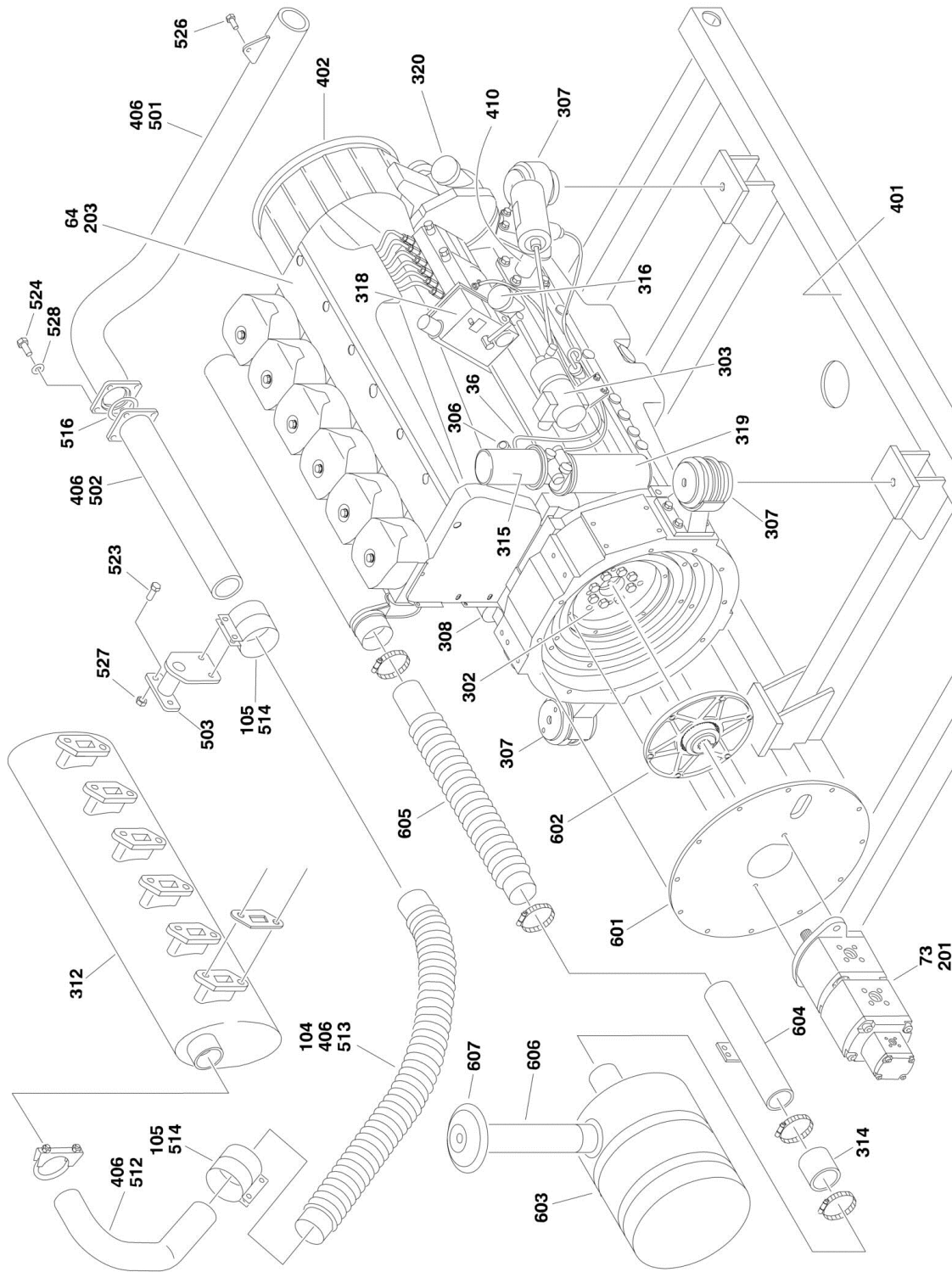
ITEM	PART NUMBER	QTY	DESCRIPTION	REV
205	H005339	1	Hydraulic Tank Assembly (Was p/n SL320-30.160.06.0)	
226	S200861	1	Bracket, Hydraulic Filter	
	S200867	Ref	<b>AIR INTAKE BOX ASSEMBLY</b>	
310	S200879	1	Cover	
315	S200878	1	Cover, Protection Screen	
318	0760608	4	Screw M6 x 16mm	
319	4811700	4	Flatwasher M6	
320	0701016	11	Screw M10 x 40mm	
321	4812000	21	Flatwasher M10	
322	3291005	11	Locknut M10	
	SL320-30.160.06.0	Ref	<b>HYDRAULIC TANK ASSEMBLY</b>	
419		Ref	Plate	
425	H000013	1	Gauge, Sight	
426	H000241	2	Breather	
427	H003010	2	O-Ring	
430	3900406	12	Screw M4 x 12mm	
431	0760812	12	Bolt M8 x 25mm	
432	4740322	12	Washer, Sealing	





# SECTION 2 - GROUND CONTROLS

## FIGURE 2-9. ENGINE INSTALLATION



## SECTION 2 - GROUND CONTROLS

### FIGURE 2-9. ENGINE INSTALLATION

ITEM	PART NUMBER	QTY	DESCRIPTION	REV
	0010661	Ref	<b>FINAL ASSEMBLY LIST COMPONENTS</b>	6
	SL320-30	Ref	<b>COMPONENT LIST - SL320-30</b>	A
36	H000040	2	Clamp, Hose	
64	H900005	1	Deutz Engine (See Items 301-320 for Breakdown)	
73	H000704	1	Pump Assembly (See GEAR PUMP ASSEMBLY for Breakdown)	
104	S005112	1	Pipe, Flex	
105	S005176	2	Clamp, Pipe	
	SL32030-G	Ref	<b>HYDRAULIC COMPONENTS</b>	
	SL32030-FS	Ref	<b>HYDRAULIC COMPONENTS</b>	
	SL32030-500-00	Ref	<b>HYDRAULIC COMPONENTS</b>	
	SL32030-RP	Ref	<b>HYDRAULIC COMPONENTS</b>	
	SL3203D-4WD-SF	Ref	<b>HYDRAULIC COMPONENTS</b>	
201	H000704	1	Pump Assembly (See GEAR PUMP ASSEMBLY for Breakdown)	
203	H900005	1	Deutz Engine (Was p/n H000553) (See Items 301-320 for Breakdown)	
		Ref	<b>ENGINE ASSEMBLY</b>	
	H000553	Ref	<b>Deutz F6L912</b>	
	H900005	Ref	<b>Deutz F6L914</b>	
301	70000869	1	Gasket Set (Not Shown)	
302	70000870	1	Flywheel	
302	7020208	1	Rim, Gear	
303	70000871	1	Solenoid	
304	70000872	1	Thermostat (Not Shown)	
305	7026173	1	Switch, Moment Control (Not Shown)	
305	70000873	1	Harness, Moment Control Switch (Not Shown)	
306	7016330	1	Switch, Oil Pressure	
307	70000874	4	Mount, Motor	
308	70000875	1	Starter	
308	70000876	1	Relay, Starter	
309	70000877	1	Generator (Not Shown)	
309	70000878	1	Regulator, Voltage (Not Shown)	
310	70000879	1	V-Belt , Generator (Not Shown)	
310	70000882	1	V-Belt , Cooling Fan (Not Shown)	
311	70000880	6	Gasket, Engine to Muffler (Not Shown)	
312	70000881	1	Muffler (Was p/n H005343)	
313	70000883	6	Gasket, Air Intake (Not Shown)	
314	70000884	1	Sleeve, Rubber	
315	70000885	1	Filter, Fuel	
316	70000886	1	Cap and Seal, Oil Filler	
317	70000887	1	Dipstick (Not Shown)	
317	7020442	1	O-Ring (Not Shown)	
318	70000888	1	Pump, Fuel (Includes p/ns 70000889, 70000890 & 70000891)	
318	70000889	1	Pump, Hand	
318	70000890	1	O-Ring	
318	70000891	1	Fuel Bowl, Filter and Seal	
319	70000892	1	Filter, Oil	
320	70000893	1	Pump, Oil	
	SL320-30.160.00.0	Ref	<b>BRACKET ASSEMBLIES</b>	1-A
	S0320-30.160.00.0			
401	S200883	1	Tray, Engine (Was p/n SL320-30.162.01.0)	

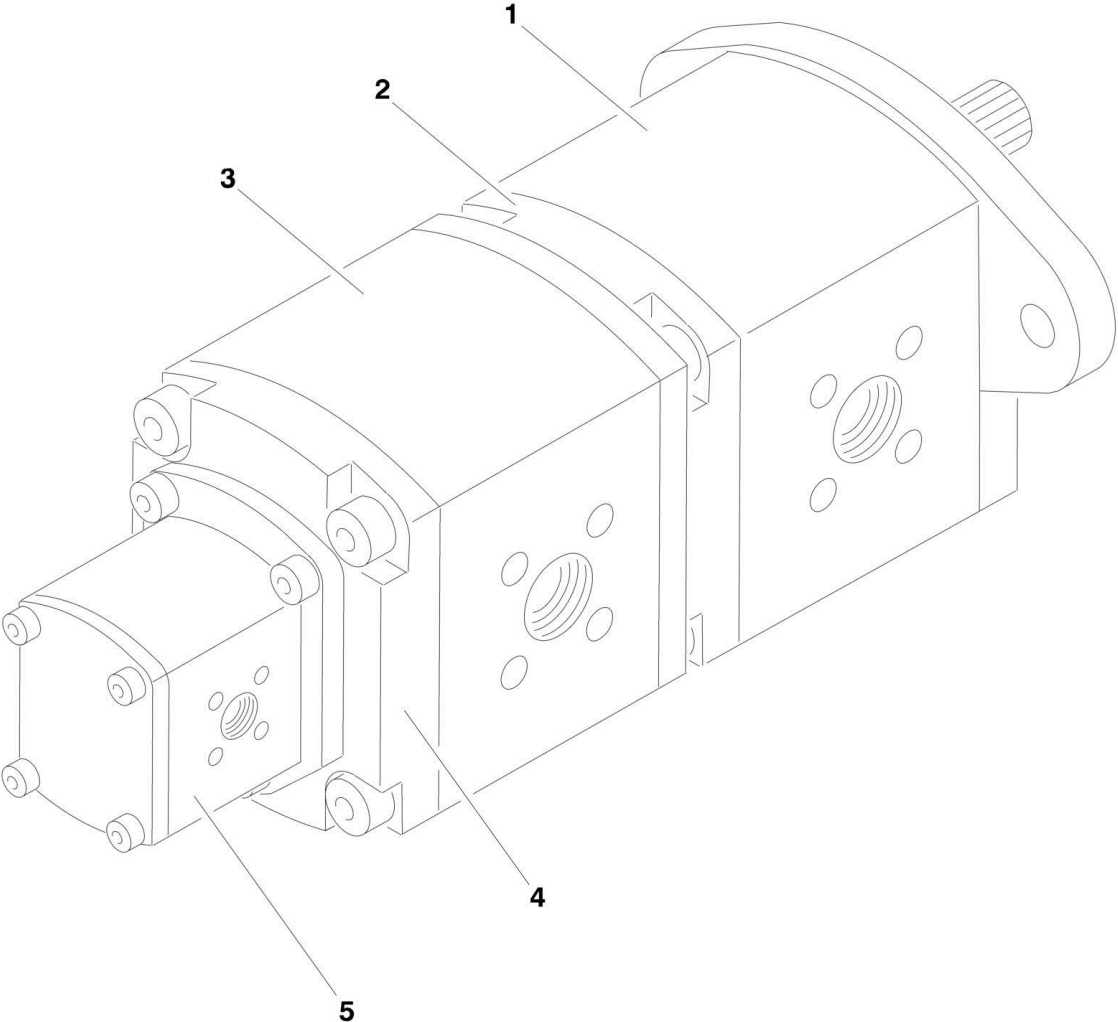
## SECTION 2 - GROUND CONTROLS

ITEM	PART NUMBER	QTY	DESCRIPTION	REV
402	S200880	1	Ring	
406		Ref	Exhaust Assembly (See Items 501-528 for Breakdown)	
410	S200882	1	Bracket, Engine (Was p/n SL320-30.160.10.0)	
	SL320-30.160.06.0	Ref	<b>EXHAUST ASSEMBLY</b>	
501	S200860	1	Tailpipe	
502	Not Available	1	Pipe, Exhaust	
503	S200884	1	Mount, Exhaust	
512	S200881	1	Elbow, Exhaust	
513	S005112	1	Pipe, Flexible	
514	S005176	2	Clamp	
516	S200885	1	Seal	
523	0761214	2	Bolt M12 x 30mm	
524	0701217	4	Bolt M12 x 45mm	
525	0701220	3	Bolt M12 x 60mm (Not Shown)	
526	0701222	1	Bolt M12 x 70mm	
527	3291205	2	Nut M12	
528	4832100	4	Lockwasher M12	
		Ref	<b>MISCELLANEOUS PARTS</b>	A
601	H004081	1	Flange	
602	H004082	1	Coupling	
603	H005340	1	Air Cleaner Assembly	
603	Not Available	1	Element, Filter	
604	S200869	1	Pipe, Air Intake	
605	H005341	1	Flex-Tube	
606	S200870	1	Pipe, Air Cleaner	
607	H005342	1	Cap, Air Cleaner	
608	See Note	1	Relay, Timer (Cold Start System) (Not Shown) (Note: Was p/n 70000924 which is No Longer Available. Use qty 1 each of p/n's 70003647 Relay & p/n 70003648 Base)	
608	70000925	1	Relay K3 (Cold Start System) (Not Shown)	
609	70000926	1	Base, Relay (Cold Start System) (Not Shown)	



**SECTION 2 - GROUND CONTROLS**

**FIGURE 2-10. GEAR PUMP ASSEMBLY**



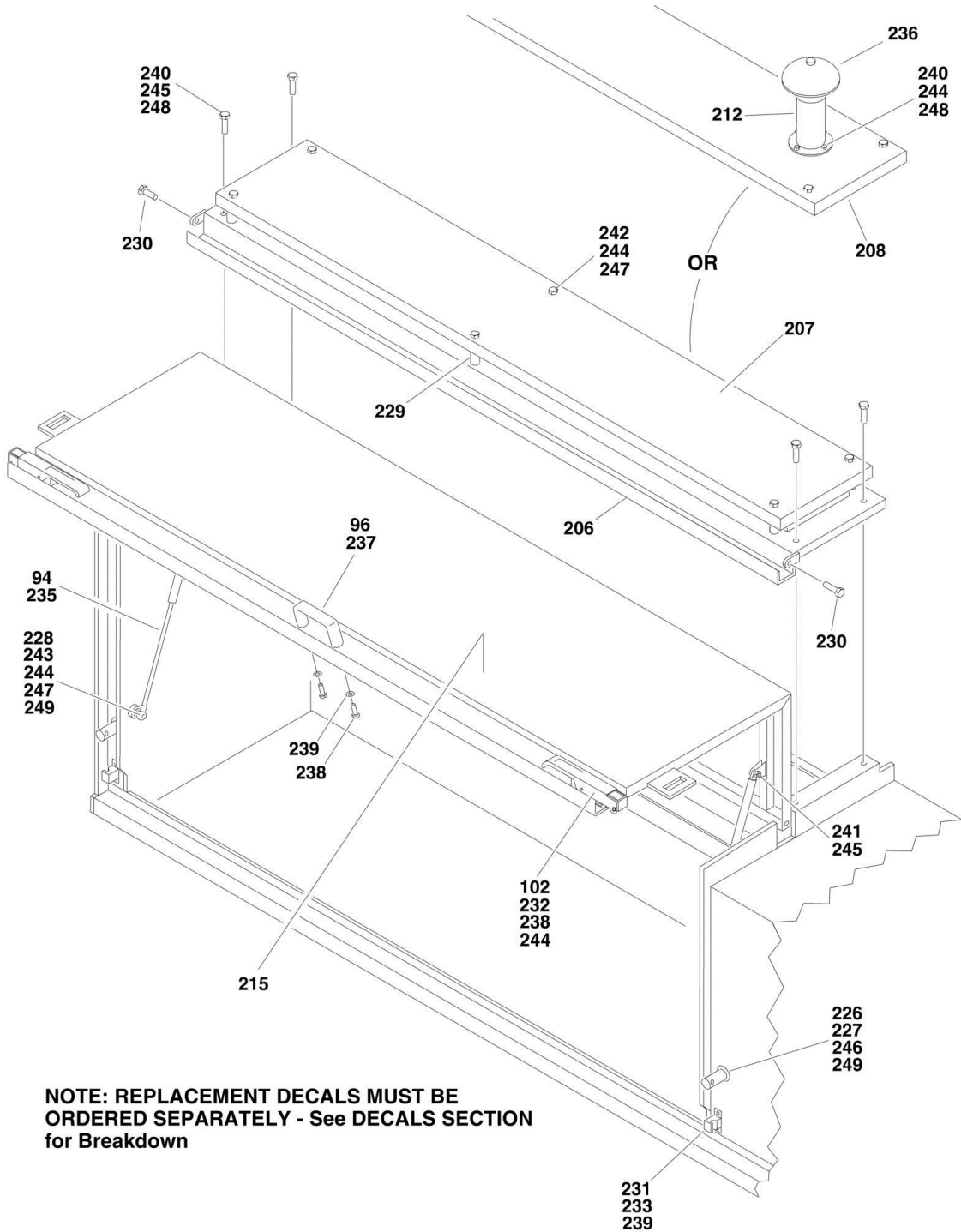
## SECTION 2 - GROUND CONTROLS

**FIGURE 2-10. GEAR PUMP ASSEMBLY**

ITEM	PART NUMBER	QTY	DESCRIPTION	REV
	H000704	Ref	<b>GEAR PUMP ASSEMBLY</b>	C
1	70000957	1	Pump, First Stage	
1	70000958	1	Seal Kit	
2	70000963	1	Adapter, First Stage to Second Stage	
2	70000964	1	Seal Kit	
3	70000959	1	Pump, Second Stage	
3	70000960	1	Seal Kit	
4	70000965	1	Adapter, Second Stage to Third Stage	
4	70000966	1	Seal Kit	
5	70000961	1	Pump, Third Stage	
5	70000962	1	Seal Kit	

# SECTION 2 - GROUND CONTROLS

## FIGURE 2-11. HOODS INSTALLATION



**NOTE: REPLACEMENT DECALS MUST BE ORDERED SEPARATELY - See DECALS SECTION for Breakdown**



## SECTION 2 - GROUND CONTROLS

### FIGURE 2-11. HOODS INSTALLATION

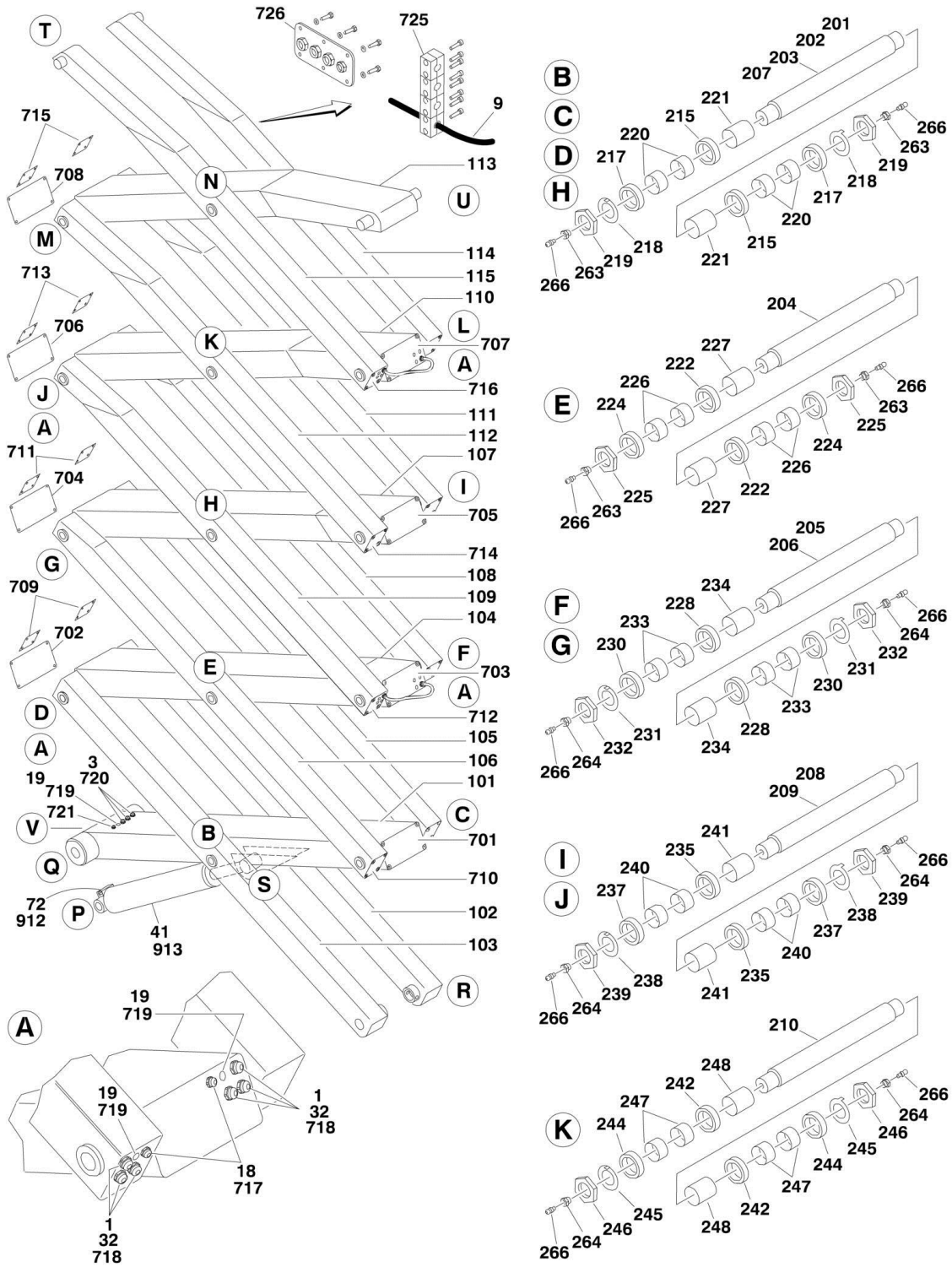
ITEM	PART NUMBER	QTY	DESCRIPTION	REV
	0010661	Ref	<b>FINAL ASSEMBLY LIST COMPONENTS</b>	6
	SL320-30	Ref	<b>COMPONENT LIST - SL320-30</b>	A
94	S001513	8	Spring, Gas	
96	S001676	4	Handle	
102	S005044	NLA	Latch, Hood (Use p/n 1001173575)	
102	1001173573	8	Latch, Hood	
	SL320-30.150.00.0 S0320-30.150.00.0	Ref	<b>HOODS INSTALLATION</b>	
206	S000877	4	Filler, Cabinet Top	
207	S000876	3	Cover, Top (Right Front, Rear Rear and Left Rear)	
208	S000875	1	Cover, Top (Left Front Has Cut-out for Air Intake)	
212	S000870	1	Pipe, Air Intake	
215	S000865	4	Hood	
215	Not Available	AR	Seal, Foam (was p/n E000001)	
226	S000219	8	Pin	
227	S900163	8	Gasket, Rubber	
228	Not Available	8	Pin	
229	S000226	24	Spacer	
230	4032110	16	Bolt M12 x 30mm	
231	S005045	8	Striker, Hood Latch	
232	S005044	NLA	Latch, Hood (Use p/n 1001173573)	
232	1001173573	8	Latch, Hood	
233	0760607	16	Bolt M6 x 14mm	
235	S001513	8	Spring, Gas	
236	H005342	1	Cap, Rain	
237	S001676	4	Handle	
238	0760606	40	Bolt M6 x 12mm	
239	4831700	24	Lockwasher M6	
240	0760812	20	Bolt M8 x 25mm	
241	0760814	8	Bolt M8 x 30mm	
242	0700626	24	Bolt M6 x 90mm	
243	0761215	8	Bolt M12 x 33mm	
244	3290605	64	Nut M6	
245	3290805	28	Nut M8	
246	3291205	4	Nut M12	
247	4811700	56	Washer M6	
248	4811900	44	Washer M8	
249	4812100	16	Washer M12	



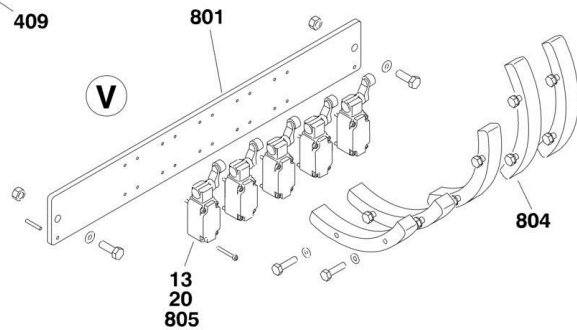
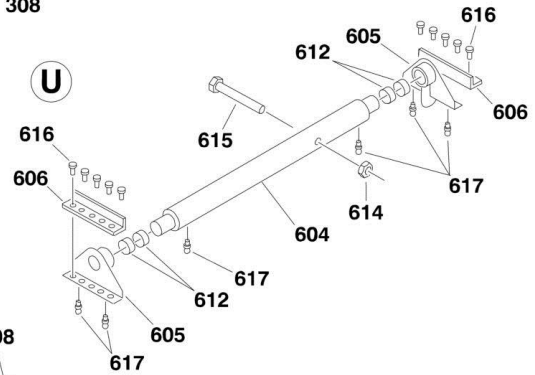
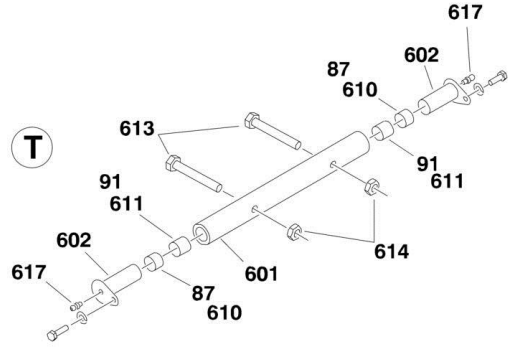
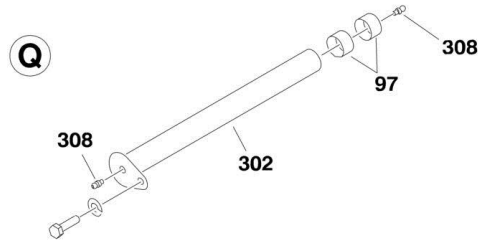
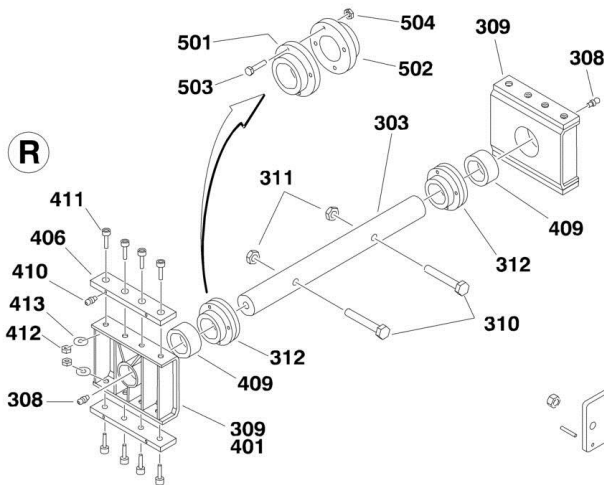
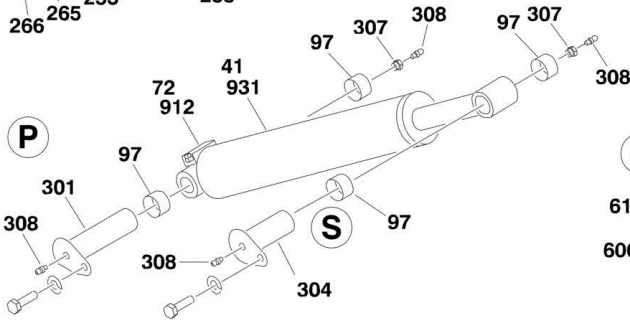
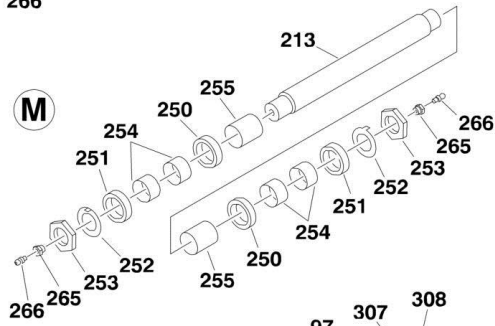
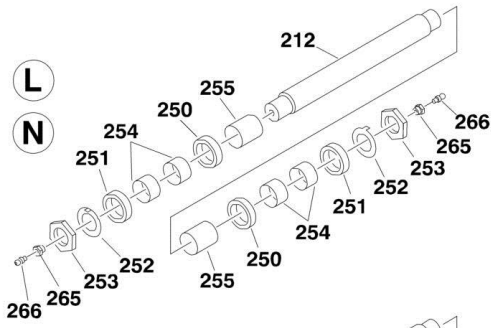
**SECTION 3 - SCISSORS ARMS**

# SECTION 3 - SCISSORS ARMS

## FIGURE 3-1. SCISSORS ARMS INSTALLATION



# SECTION 3 - SCISSORS ARMS



# SECTION 3 - SCISSORS ARMS

## FIGURE 3-1. SCISSORS ARMS INSTALLATION

ITEM	PART NUMBER	QTY	DESCRIPTION	REV
	0010661	Ref	<b>FINAL ASSEMBLY LIST COMPONENTS</b>	6
	SL320-30	Ref	<b>COMPONENT LIST - SL320-30</b>	A
1	E000019	21	Nut, Strain Relief, PG21	
3	E000045	3	Connector, Strain Relief - PG21	
9	E000083	AR	Cable, Electrical (25 Wire)	
13	E000269	5	Connector, Strain Relief, PG13.5	
18	E000301	8	Plug, PG16	
19	E000302	8	Plug, PG21	
20	E000376	5	Switch, Limit (Was p/n E000053)	
32	E000714	21	Connector, Strain Relief, PG21	
41	H000047	1	Lift Cylinder Assembly (See CYLINDER SECTION for Breakdown)	
72	H000703	1	Lift Valve Assembly (See CYLINDER SECTION for Breakdown)	
87	S000011	4	Bushing 60x65x40mm	
91	S000050	2	Bushing 60x65x50mm	
97	S005003	4	Bushing 160x100mm	
	SL320-30.210.00.0	Ref	<b>INNER SCISSOR ARMS</b>	
	S0320-30.210.00.0			
	SL320-30.220.00.0	Ref	<b>OUTER SCISSOR ARMS</b>	
	S0320-30.220.00.0			
101	S200819	1	Arm, Inner #1	
102	S200820	1	Arm, Outer #1 (Right Side)	
103	S200821	1	Arm, Outer #1 (Left Side)	
104	S200822	1	Arm, Inner #2	
105	S200823	1	Arm, Outer #2 (Right Side)	
106	S200824	1	Arm, Outer #2 (Left Side)	
107	S200825	1	Arm, Inner #3	
108	S200826	1	Arm, Outer #3 (Right Side)	
109	S200827	1	Arm, Outer #3 (Left Side)	
110	S200828	1	Arm, Inner #4	
111	S200829	1	Arm, Outer #4 (Right Side)	
112	S200830	1	Arm, Outer #4 (Left Side)	
113	S200831	1	Arm, Inner #5	
114	S200832	1	Arm, Outer #5 (Right Side)	
115	S200833	1	Arm, Outer #5 (Left Side)	
	SL320-30.200.00.0	Ref	<b>CONNECTING PIN INSTALLATION (SCISSOR ARMS)</b>	
	S0320-30.200.00.0			
	SL320-30.230.00.0	Ref	<b>CONNECTING PIN DETAILS (SCISSOR ARMS)</b>	
	S0320-30.230.00.0			
201	S007125	1	Pin, 160 mm Diameter (Was p/n SL320-30-230.01)	
202	S007125	1	Pin, 160 mm Diameter (Was p/n SL320-30-230.02)	
203	S007125	1	Pin, 160 mm Diameter (Was p/n SL320-30-230.03)	
204	S007126	1	Pin, 200 mm Diameter (Was p/n SL320-30-230.04)	
205	S007127	1	Pin 140 mm Diameter (Was p/n SL320-30-230.05)	
206	S007127	1	Pin 140 mm Diameter (Was p/n SL320-30-230.06)	
207	S007125	1	Pin 160 mm Diameter (Was p/n SL320-30-230.07)	
208	S007128	1	Pin 110 mm Diameter (Was p/n SL320-30-230.08)	
209	S007128	1	Pin 110 mm Diameter (Was p/n SL320-30-230.09)	
210	S007129	1	Pin 130 mm Diameter (Was p/n SL320-30-230.10)	
211	S007130	1	Pin 90 mm Diameter (Was p/n SL320-30-230.11)	
212	S007130	1	Pin 90 mm Diameter (Was p/n SL320-30-230.12)	

## SECTION 3 - SCISSORS ARMS

ITEM	PART NUMBER	QTY	DESCRIPTION	REV
213	S007131	1	Pin 90 mm Diameter (Was p/n SL320-30-230.13)	
215	S000034	8	Bearing, Ball 51132	
217	S005017	8	Bearing, Axial Needle 150x190	
218	S005011	16	Washer, Locking 150x190	
219	S005023	8	Nut M150 KMT 30	
220	S005119	16	Bushing 160x80	
221	S005003	8	Bushing 160x100	
222	S001803	2	Bearing, Ball 55140	
224	S200814	2	Bearing, Ball 51138	
225	S005024	2	Nut M190 KMT 38	
226	S005004	4	Bushing 200x80	
227	S005005	2	Bushing 200x100	
228	S200813	4	Bearing, Ball 51128	
230	S005016	4	Bearing, Axial Needle AXK 130170	
231	S005010	8	Washer, Locking LS 130170	
232	S005022	4	Nut M130 KMT 26	
233	S005002	8	Bushing 140x80	
234	S005120	4	Bushing 140x100	
235	S001491	4	Bearing, Ball 51122	
237	S005014	4	Bearing, Axial Needle AXK 100135	
238	S005008	8	Washer, Locking LS 100135	
239	S005020	4	Nut M100 KMT 20	
240	S001496	8	Bushing 110x60	
241	S000093	4	Bushing 110x80	
242	S001492	2	Bearing, Ball 51126	
244	S005015	2	Bearing, Axial Needle AXK 120155	
245	S005009	4	Washer, Locking LS 120155	
246	S005021	2	Nut M120 KMT 24	
247	S001497	4	Bushing 130x60	
248	S005001	2	Bushing 130x80	
250	S000124	6	Bearing, Ball 51118	
251	S005013	6	Bearing, Axial Needle AXK 80105	
252	S005007	12	Washer, Locking LS 80105	
253	S005019	6	Nut M80 KMT 16	
254	S000118	12	Bushing 90x60	
255	S001735	6	Bushing 90x80	
263	S200817	10	Plug M30 (Was p/n SL320-30-230.14)	
264	S200816	10	Plug M24 (Was p/n SL320-30-230.15)	
265	S200815	6	Plug M20 (Was p/n SL320-30-230.16)	
266	S000141	26	Fitting, Grease (Was p/n SL320-30-230.17)	
	SL320-30.240.00.1 S0320-30.240.00.1	Ref	<b>CONNECTING PIN INSTALLATION (CHASSIS AND LIFT CYLINDER)</b>	B
301	S007047	1	Pin 160 mm Diameter	
302	S007046	1	Pin 160 mm Diameter	
303	S007049	1	Pin 120 mm Diameter	
304	S007048	1	Pin 160 mm Diameter	
307	S200816	2	Plug M24 (Was p/n SL320-30-230.15)	
308	S000141	6	Fitting, Grease	
309	S200834	2	Wear Block Assembly (Was p/n SL320-30-240.09) (See Items 401-413 for Breakdown):	
310	0701632	2	Bolt M16 x 150mm	
311	3291605	2	Nut M16	

## SECTION 3 - SCISSORS ARMS

ITEM	PART NUMBER	QTY	DESCRIPTION	REV
312	S200837	2	Ring, Adjustable (Was p/n SL320-30-240.002) (See Items 501-504 for Breakdown)	
	S200834 SL320-30-240.15 S0320-30-240.15	Ref	<b>WEAR BLOCK ASSEMBLY (Note: Qtys Shown are for one Assembly. Two are Required.)</b>	
401	S200835	1	Support, Block	
406	S200836	2	Pad	
407	S000141	2	Fitting, Grease	
409	S000189	2	Bushing 120x100	
410	S000141	2	Fitting, Grease	
411	4032109	8	Bolt M12 x 25mm	
412	3291205	8	Nut M12	
413	4812100	8	Washer M13	
	S200837 SL320-30-240.02 S0320-30-240.02	Ref	<b>ADJUSTABLE RING ASSEMBLY (Note: Qtys Shown are for one Assembly. Two are Required.)</b>	
501	S200839	2	Ring with Threaded Holes	
502	S200838	2	Ring with Drilled Holes Not Tapped	
503	0761221	8	Bolt M12 x 65mm	
504	3291205	8	Nut M12	
	SL320-30.240.00.3 S0320-30.240.00.3	Ref	<b>CONNECTING PIN INSTALLATION (PLATFORM)</b>	
601	S007051	1	Pin 100 mm Diameter	
602	S007052	2	Pin 60 mm Diameter	
604	S007050	1	Pin 80 mm Diameter	
605		Ref	Support Block Options:	
605	S200841	1	Right	
605	S200842	1	Left	
606	S200843	2	Pad, Wear	
610	S000011	2	Bushing 60x40	
611	S001558	2	Bushing 60x50	
612	S000083	4	Bushing 70x50	
613	0701631	2	Bolt M16 x 140mm	
614	3291605	3	Nut M16	
615	0701629	1	Bolt M16x120mm	
616	4032109	10	Bolt M12 x 25mm	
617	S000141	6	Fitting, Grease	
	SL320-30.250.00.0 S0320-30.250.00.0	Ref	<b>SCISSORS END CAPS AND ELECTRICAL COMPONENTS INSTALLATION</b>	
701	Not Available	1	Cover, Scissor Arm End	
702	Not Available	1	Cover, Scissor Arm End	
703	Not Available	1	Cover, Scissor Arm End	
704	Not Available	1	Cover, Scissor Arm End	
705	Not Available	1	Cover, Scissor Arm End	
706	Not Available	1	Cover, Scissor Arm End	
707	Not Available	1	Cover, Scissor Arm End	
708	Not Available	1	Cover, Scissor Arm End	
709	Not Available	2	Cover, Scissor Arm End	
710	Not Available	2	Cover, Scissor Arm End	
711	Not Available	2	Cover, Scissor Arm End	
712	Not Available	2	Cover, Scissor Arm End	
713	Not Available	2	Cover, Scissor Arm End	
714	Not Available	2	Cover, Scissor Arm End	



## SECTION 3 - SCISSORS ARMS

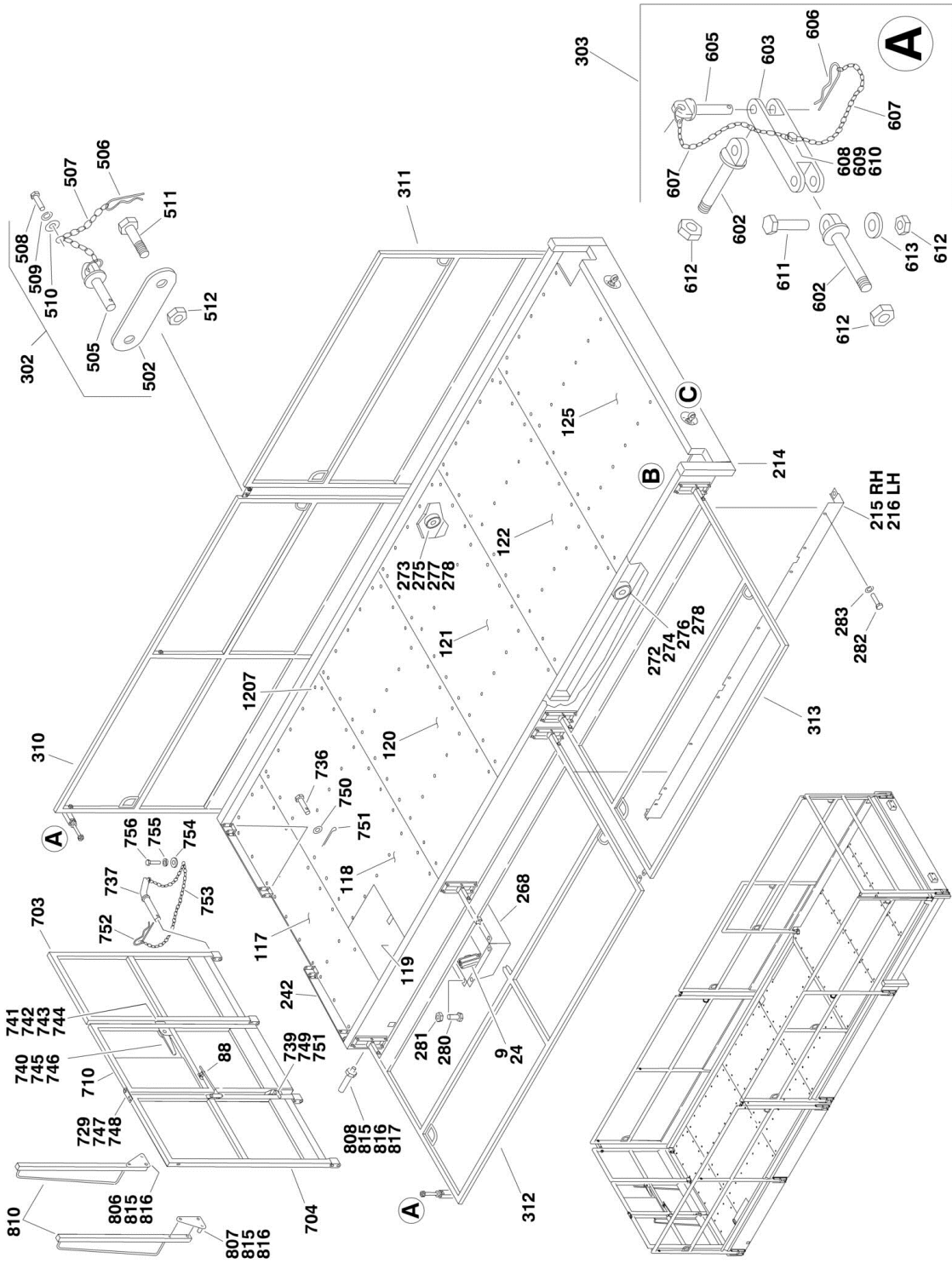
ITEM	PART NUMBER	QTY	DESCRIPTION	REV
715	Not Available	2	Cover, Scissor Arm End	
716	Not Available	2	Cover, Scissor Arm End	
717		Ref	Component Options:	
717	Not Available		Connector, Strain Relief, PG16 Long	
717	E000301	7	Plug, PG16	
718	E000714	21	Connector, Strain Relief, PG21 Long	
719	E000302	8	Plug, PG21	
720	E000045	3	Connector, Strain Relief - PG21	
721		Ref	Component Options:	
721	E000016	1	Connector, Strain Relief, PG16	
721	E000301	1	Plug, PG16	
725	S000014	24	Clamp	
726	S900223	1	Cover	
	SL320-30.260.00.0 S0320-30.260.00.0	Ref	<b>LIMIT SWITCH INSTALLATION</b>	
801	S200818	1	Plate, Limit Switch Mounting	
804	S200481	5	Cam (Was p/n S000205)	
805	E000376	5	Switch, Limit (Was p/n E000053)	
	SL32030-G	Ref	<b>HYDRAULIC COMPONENTS</b>	
	SL32030-FS	Ref	<b>HYDRAULIC COMPONENTS</b>	
	SL32030-500-00	Ref	<b>HYDRAULIC COMPONENTS</b>	
	SL32030-RP	Ref	<b>HYDRAULIC COMPONENTS</b>	
	SL3203D-4WD-SF	Ref	<b>HYDRAULIC COMPONENTS</b>	
912	H000703	1	Lift Valve Assembly (See CYLINDER SECTION for Breakdown)	
931	H000047	1	Lift Cylinder Assembly (See CYLINDER SECTION for Breakdown)	



**SECTION 4 - PLATFORM**

# SECTION 4 - PLATFORM

## FIGURE 4-1. PLATFORM AND ACCESSORIES INSTALLATION





# SECTION 4 - PLATFORM

## FIGURE 4-1. PLATFORM AND ACCESSORIES INSTALLATION

ITEM	PART NUMBER	QTY	DESCRIPTION	REV
	0010661	Ref	<b>FINAL ASSEMBLY LIST COMPONENTS</b>	6
	SL320-30	Ref	<b>COMPONENT LIST - SL320-30</b>	A
9	E000102	1	Housing, Connector - Female 24 Pin	
24	E000481	1	Insert, Connector - Female 24 Pin	
40	H000046	2	Extension Cylinder Assembly (See CYLINDER SECTION for Beakdown)	
88	S000030	1	Gate Closer	
95	S001640	2	Bumper	
117	S900302	1	Plate, Floor (Main Deck #1 Front) (Was p/n S000273)	
118	S900303	1	Plate, Floor (Main Deck #2 Middle) (Was p/n S000273)	
119	S900304	1	Door, Connector Compartment	
119	S000237	1	Hinge, Door	
120	S900305	1	Plate, Floor (Main Deck #3 Middle) (Was p/n S000273)	
121	S900306	1	Plate, Floor (Main Deck #4 Middle) (Was p/n S000273)	
122	S900307	1	Plate, Floor (Main Deck #5 Middle) (Was p/n S000273)	
123	S900308	1	Plate, Floor (Extension Deck Front) (Was p/n S000272)	
124	S900309	1	Plate, Floor (Extension Deck Middle) (Was p/n S000272)	
125	S900310	2	Plate, Floor (Main Deck Rear and Extension Deck Rear) (was p/n S000272)	
	SL320-30.400.00.0S0320-30.400.00.0	Ref	<b>PLATFORM COMPONENTS</b>	
	SL320-30.410.00.0S0320-30.410.00.0	Ref	<b>PLATFORM MAIN DECK INSTALLATION</b>	
214	S200846	1	Platform	
215	S200844	1	Safety Channel, RH	
216	S200845	1	Safety Channel, LH	
268	S200858	1	Connector Box	
272	S200518	4	Roller, Deck Extension	
273	S900170	2	Roller, Support	
274	Not Available	4	Flatwasher	
275	Not Available	2	Flatwasher	
276	Not Available	4	Ring, Retaining	
277	Not Available	2	Ring, Retaining	
278	S000141	6	Fitting, Grease	
280	0760610	8	Bolt, M6x20	
281	3290605	8	M6 Nut	
282	0761010	24	Bolt M10 x 20mm	
283	4832000	24	Lockwasher M10	
	SL320-30.411.00.0S0320-30.411.00.0	Ref	<b>MAIN DECK SIDE RAILING INSTALLATION</b>	
301	SL320-30.411.01.0	10	Rail Hinge Assembly (See Items 401-421 for Breakdown)	
302	SL320-30.411.02.0	2	Side Rail Link Assembly (See Items 501-512 for Breakdown)	
303	SL320-30.411.03.0	2	Corner Link Assembly (See Items 601- 621 for Breakdown)	
304	SL320-30.411.04.0	1	Front Rail Assembly (See Items 701- 756 for Breakdown)	
305	SL320-30.411.05.0	1	Entry Handle Installation (See Items 801-817 for Breakdown)	
310	S200847	1	Rail, Side (Right Front)	
311	S200848	1	Rail, Side (Right Rear)	
312	S200849	1	Rail, Side (Left Front)	

## SECTION 4 - PLATFORM

ITEM	PART NUMBER	QTY	DESCRIPTION	REV
313	S200850	1	Rail, Side (Left Rear)	
	SL320- 30.411.01.0S0320- 30.411.01.0	Ref	<b>RAIL HINGE ASSEMBLY</b>	B
		Ref	<b>Note: Qty Shown is for One Assembly</b>	
401	S200539	1	Bracket, Pivot	
405	S900202	1	Spacer	
410	S200537	1	Pin	
412	S000145	2	Hairpin	
413	S001443	2	Chain	
413	S001667	2	Ring	
414	0760608	2	Bolt M6 x 16mm	
415	4811700	2	Flatwasher M6	
416	4831700	2	Lockwasher M6	
417		Ref	Hardware Options:	
417	0701030	1	Bolt M10 x 130mm	
417	S200538	1	Pin, Adjustable (Not Shown)	
418	4812000	2	Flatwasher M10.5	
419		Ref	Hardware Options:	
419	3291001	2	M10 Nut	
419	S000145	1	Hairpin (Not Shown)	
420	0761012	4	Bolt M10 x 25mm	
421	4832000	4	M10 Lockwasher	
	SL320- 30.411.01.0S0320- 30.411.01.0	Ref	<b>RAIL SIDE LINK ASSEMBLY</b>	
502	S200542	2	Link, Side	
505	S200527	2	Pin	
506	S000145	2	Hairpin	
507	S001443	4	Chain	
507	S001667	2	Ring	
508	0760608	4	Bolt M6 x 12mm	
509	4811700	4	Flatwasher M6	
510	4831700	4	Lockwasher M6	
511	0761217	2	Bolt, M12x45	
512	3291205	2	M12 Nut	
	SL320- 30.411.03.0S0320- 30.411.03.0	Ref	<b>CORNER LINK ASSEMBLY</b>	
602	S200541	4	Bolt, Special	
603	S200540	2	Link	
605	S200535	2	Pin	
606	S000145	2	Hairpin	
607	S001443	2	Chain	
607	S001667	2	Ring	
608	0760608	4	Bolt M6 x 12mm	
609	4811700	4	Flatwasher M6	
610	4831700	4	Lockwasher M6	
611	0761217	2	Bolt M12 x 45mm	
612	3291205	4	Nut M12	
613	4812100	2	Flatwasher M12	
	SL320- 30.411.04.0S0320-	Ref	<b>FRONT RAIL ASSEMBLY</b>	

## SECTION 4 - PLATFORM

ITEM	PART NUMBER	QTY	DESCRIPTION	REV
	30.411.04.0			
703	S200851	1	Rail, Right Front	
704	S200852	1	Rail, Left Front	
710	S200853	1	Gate	
730	S200522	1	Plate, Hinge	
736	Not Available	4	Pin	
737	S200537	4	Pin	
739	S200523	1	Pin, Lower Hinge	
740	S200524	1	Handle, Latch	
741	S200525	1	Plate, Door Latch Handle Cover	
742	S200526	1	Striker, Lock	
743	4031709	4	Bolt M6 x 25mm	
744	4031712	2	Bolt M6 x 40mm	
745	0700816	1	Bolt M8 x 40mm	
746	3290805	1	Nut M8	
747	0761012	2	Bolt M10 x 25mm	
748	4832000	2	Lockwasher M10	
749	4752200	1	Flatwasher M15.5	
750	4812100	4	Flatwasher M13	
751	3391210	5	Pin, Cotter	
752	S000145	2	Hairpin	
753	S001443	2	Chain	
753	S001667	2	Ring	
754	4811700	8	Flatwasher M6	
755	4831700	8	Lockwasher M6	
756	0760608	8	Bolt M6 x 12mm	
	SL320- 30.411.05.0S0320- 30.411.05.0	Ref	<b>ENTRY HANDLE INSTALLATION</b>	
806	S200515	1	Plate, Adjustment (Right)	
807	S200516	1	Plate, Adjustment (Left)	
808	S200530	2	Pin	
810	S200534	2	Grab Handle	
815	3291605	6	M16 Nut	
816	4812300	6	Flatwasher M17	
817	Not Available	2	Rubber Hose, 16x4x50mm	
	SL320- 30.420.00.0S0320- 30.420.00.0	Ref	<b>PLATFORM EXTENSION INSTALLATION</b>	
901	S200854	1	Extension Deck Weldment	
919	70000588	2	Bracket, Extension Cylinder	
920	70000587	2	Pin, Extension Cylinder	
940	S200529	2	Plate, Stop	
941	3292005	2	Nut M20	
942	4812500	2	Flatwasher M20	
943	0761012	8	Bolt M10 x 25mm	
944	4812000	8	Flatwasher M10	
945	4832000	8	Lockwasher M10	
947	0761215	4	Bolt M12 x 35mm	
948	3291205	4	Nut M12	
	SL320- 30.421.00.0S0320- 30.42.00.0	Ref	<b>PLATFORM EXTENSION RAILING INSTALLATION</b>	

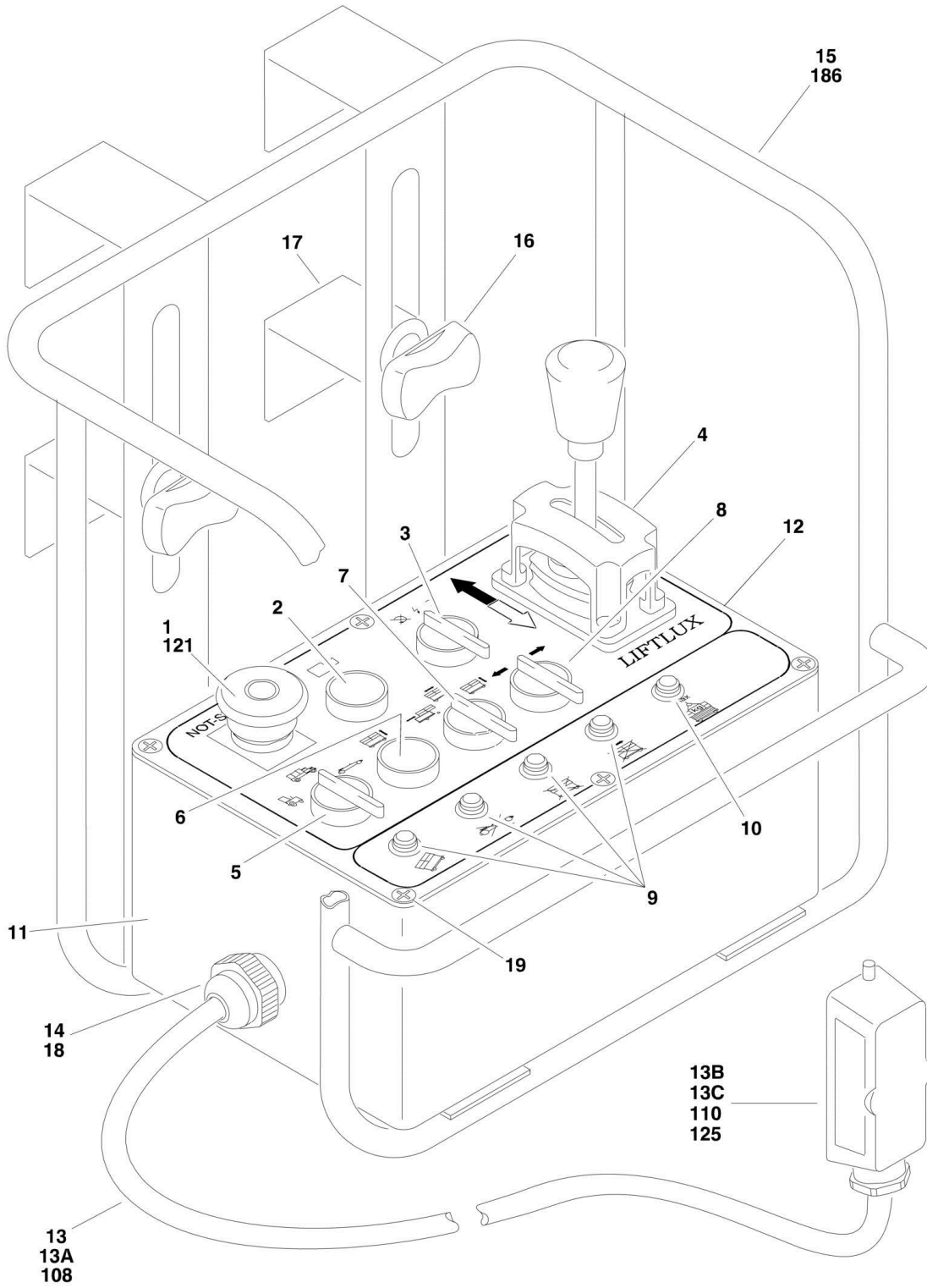


## SECTION 4 - PLATFORM

ITEM	PART NUMBER	QTY	DESCRIPTION	REV
1001	SL320-30.411.01.0	2	Rail Hinge Assembly (See Items 401-421 for Breakdown)	
1004	S200857	1	Rail, Rear	
1005	S200855	1	Rail, Side (Left)	
1006	S200856	1	Rail, Side (Right)	
1022	S900168	2	Pin	
1026	S000145	2	Hairpin	
1027	S001443	2	Chain	
1027	S001667	2	Ring	
1028	0760608	2	Bolt M6 x 12mm	
1029	4811700	2	Flatwasher M6	
1030	4831700	2	Lockwasher M6	
	SL32030-G	Ref	<b>HYDRAULIC COMPONENTS</b>	
	SL32030-FS	Ref	<b>HYDRAULIC COMPONENTS</b>	
	SL32030-500-00	Ref	<b>HYDRAULIC COMPONENTS</b>	
	SL32030-RP	Ref	<b>HYDRAULIC COMPONENTS</b>	
	SL3203D-4WD-SF	Ref	<b>HYDRAULIC COMPONENTS</b>	
1136	H000046	2	Platform Extension Cylinder Assembly (See CYLINDER SECTION for Breakdown)	

# SECTION 4 - PLATFORM

## FIGURE 4-2. CONSOLE PANEL PARTS



## SECTION 4 - PLATFORM

### FIGURE 4-2. CONSOLE PANEL PARTS

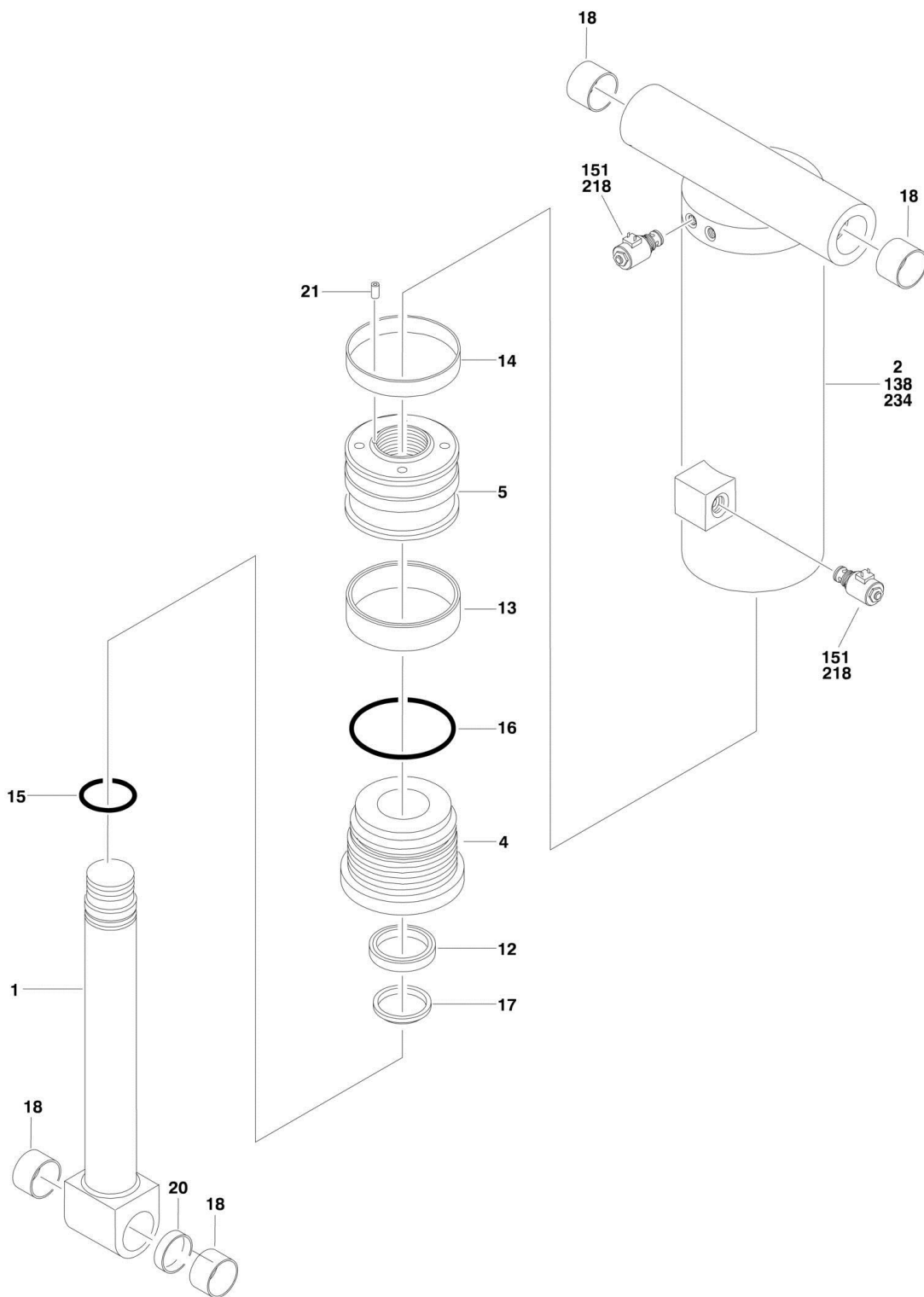
ITEM	PART NUMBER	QTY	DESCRIPTION	REV
		Ref	<b>CONSOLE BOX COMPONENTS</b>	
1	E000377	1	Switch, Emergency Stop	
2	E000412	1	Switch, Push Button	
3	E000511	1	Switch, Engine On/Off	
4	E000051	1	Controller	
5	E000435		Switch, 3 Step (Slow/Fast/Diff.)	
6	E000412		Switch, Push Button	
7	E000435		Switch, 3 Step (Drive/Lift/Extend)	
8	E000436		Switch, Steering	
9	E000419	4	LED, Red Complete	
10	E000420	1	LED, Green Complete	
11	E001328	1	Control Box Housing (was p/n E001185)	
12	E001190		Lid, Control Box	
13	Not Available	1	Cable Assy, Control	
13A	E000083	AR	Cable (25 Wires)	
13B	E000103	1	Connector Housing, Male 24-Pin	
13C	E000482	1	Connector Insert, Male 24-Pin	
14	E000304	1	Plug PG 21	
15	S000009	1	Bracket, Console Panel	
16	2560141	2	Screw, Thumb	
17	0181847	2	Clamp, Console Bracket	
18	E000432	1	Nut, Brass	
19	1001109990	6	Screw, Countersunk M3 x 30mm	
	0010661	Ref	<b>FINAL ASSEMBLY LIST COMPONENTS</b>	6
108	E000083	AR	Cable (25 Wires)	
110	E000103	1	Connector Housing, Male 24-Pin	
121	E000377	1	Switch, Emergency Stop	
125	E000482	1	Connector Insert, Male 24-Pin	
186	S000009	1	Bracket, Console Panel	



**SECTION 5 - CYLINDER**

# SECTION 5 - CYLINDER

## FIGURE 5-1. AXLE LOCKOUT CYLINDER ASSEMBLY



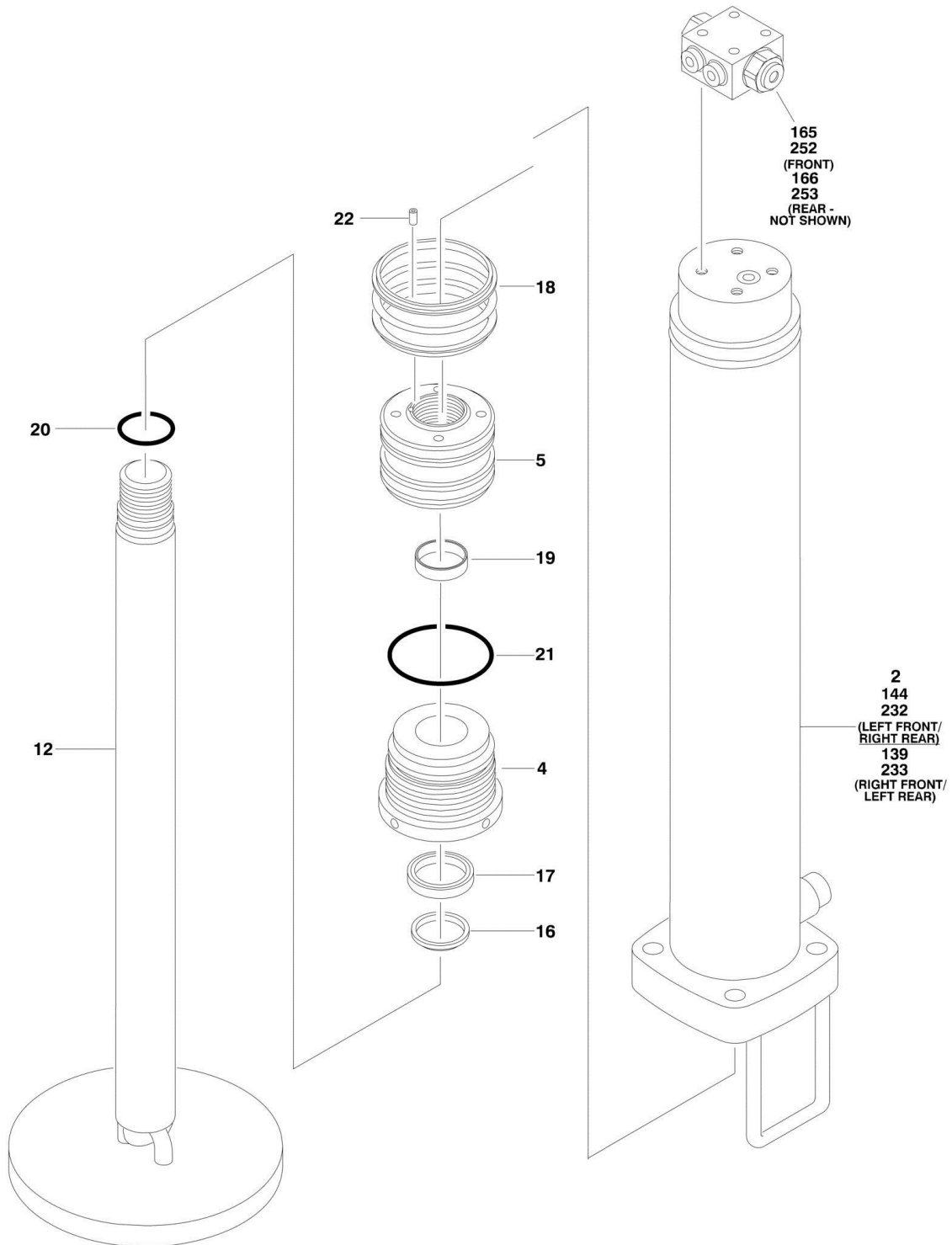
## SECTION 5 - CYLINDER

### FIGURE 5-1. AXLE LOCKOUT CYLINDER ASSEMBLY

ITEM	PART NUMBER	QTY	DESCRIPTION	REV
	H000044	Ref	<b>AXLE LOCKOUT CYLINDER ASSEMBLY</b>	
1	S200798	1	Rod	
2	S200799	1	Barrel	
4	S200801	1	Piston	
5	S200800	1	Head	
12	H003088	1	Rod Seal	
13	H003096	1	Piston Seal	
14	70000197	1	Wear Ring	
15	H003080	1	O-Ring	
16	H003111	1	O-Ring	
17	H003082	1	Wiper Ring	
18	S001557	4	Bushing	
20	70000196	1	Spacer	
21	Not Available	1	Setscrew	
		Ref	<b>Note: No seal kit available. Purchase individual seals.</b>	
	0010661	Ref	<b>FINAL ASSEMBLY LIST COMPONENTS</b>	6
	SL320-30	Ref	<b>COMPONENT LIST - SL320-30</b>	A
138	H000044	2	Axle Lockout Cylinder Assembly (See Items 1-21 for Breakdown)	
151	H000280	4	Valve, Load Check Cartridge (2 Per Cylinder)	B
151	7012986	4	Coil (1 Per Valve)	
151	7024897	4	Cartridge (1 Per Valve)	
151	7012972	4	Seal Kit - 7024897 Cartridge (1 Per Valve)	
	SL32030-G	Ref	<b>HYDRAULIC COMPONENTS</b>	
	SL32030-FS	Ref	<b>HYDRAULIC COMPONENTS</b>	
	SL32030-500-00	Ref	<b>HYDRAULIC COMPONENTS</b>	
	SL32030-RP	Ref	<b>HYDRAULIC COMPONENTS</b>	
	SL3203D-4WD-SF	Ref	<b>HYDRAULIC COMPONENTS</b>	
218	H000280	4	Valve, Load Check Cartridge (2 Per Cylinder)	B
218	7012986	4	Coil (1 Per Valve)	
218	7024897	4	Cartridge (1 Per Valve)	
218	7012972	4	Seal Kit - 7024897 Cartridge (1 Per Valve)	
234	H000044	2	Axle Lockout Cylinder Assembly (See Items 1-21 for Breakdown)	

# SECTION 5 - CYLINDER

## FIGURE 5-2. LEVELING CYLINDER ASSEMBLY





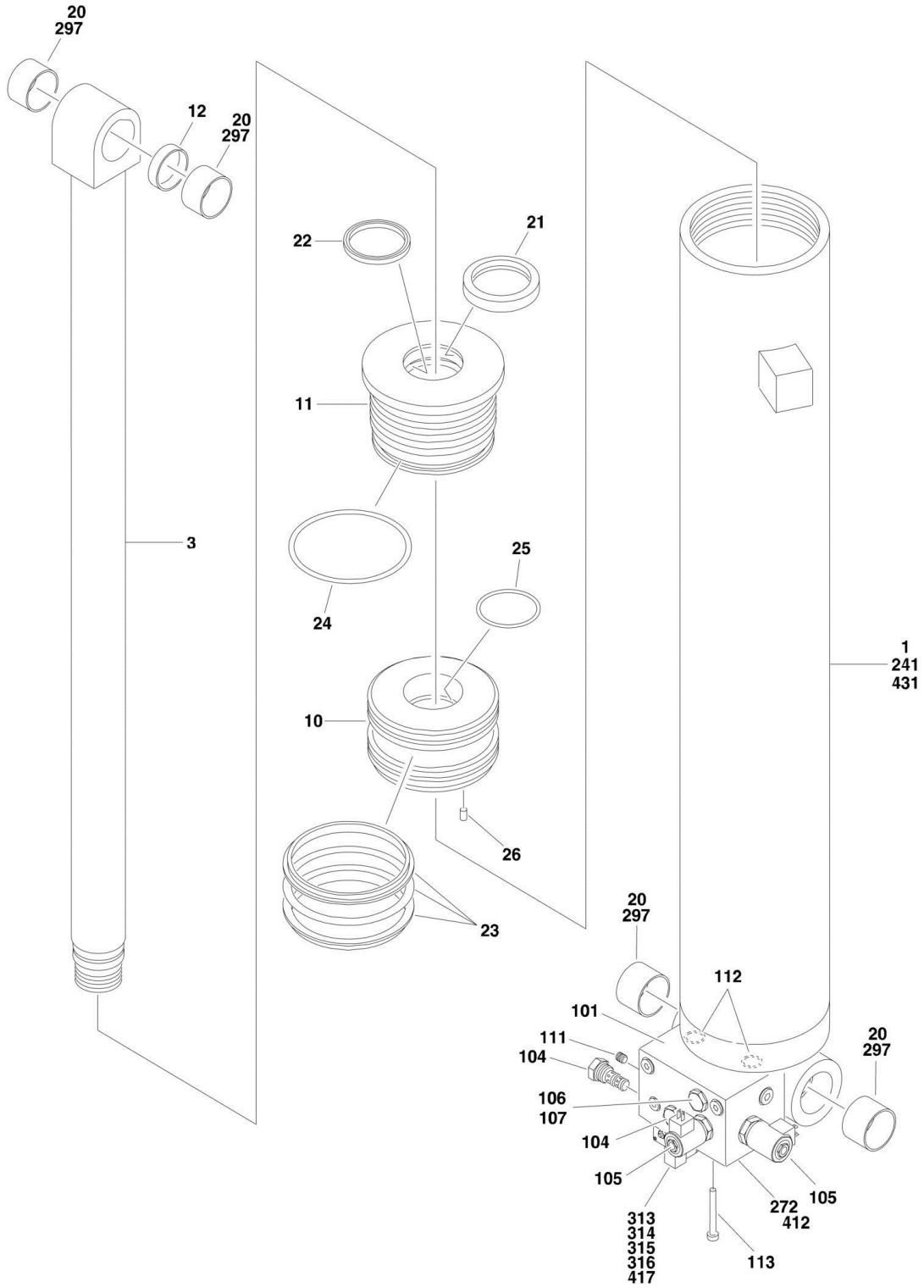
## SECTION 5 - CYLINDER

### FIGURE 5-2. LEVELING CYLINDER ASSEMBLY

ITEM	PART NUMBER	QTY	DESCRIPTION	REV
		Ref	<b>LEVELING CYLINDER ASSEMBLIES</b>	
	H000045	Ref	<b>Right Front Leveling Cylinder Assembly</b>	
	H000052	Ref	<b>Left Front Leveling Cylinder Assembly</b>	
	H000052	Ref	<b>Right Rear Leveling Cylinder Assembly</b>	
	H000045	Ref	<b>Left Rear Leveling Cylinder Assembly</b>	
2		Ref	Barrel Options:	
2	S200789	1	H000045 Cylinder	
2	Not Available		H000052 Cylinder	
4	S200790	1	Head	
5	S200791	1	Piston	
12	S200788	1	Rod	
15	Not Available	1	Gasket, Cover Plate	
16	H003086	1	Wiper	
17	H003092	1	Seal, Rod	
18	H005337	1	Piston Seal Set	
19	Not Available	1	Ring, Wear	
20	H003125	1	O-Ring	
21	H003124	1	O-Ring	
22	Not Available	1	Setscrew	
		Ref	<b>Note: No seal kit available. Purchase individual seals.</b>	
	0010661	Ref	<b>FINAL ASSEMBLY LIST COMPONENTS</b>	6
	SL320-30	Ref	<b>COMPONENT LIST - SL320-30</b>	A
139	H000045	2	Leveling Cylinder Assembly (Right Front and Left Rear) (See Items 1-22 for Breakdown)	
144	H000052	2	Leveling Cylinder Assembly (Left Front and Right Rear) (See Items 1-22 for Breakdown)	
165	H000558	2	Valve Assembly - Leveling Cylinder (Front Outriggers - 8 Bar) (No Replacement Parts Available - Replace Complete Valve)	
166	H000559	2	Valve Assembly - Leveling Cylinder (Rear Outriggers -1 Bar) (No Replacement Parts Available - Replace Complete Valve)	
	SL32030-G	Ref	<b>HYDRAULIC COMPONENTS</b>	
	SL32030-FS	Ref	<b>HYDRAULIC COMPONENTS</b>	
	SL32030-500-00	Ref	<b>HYDRAULIC COMPONENTS</b>	
	SL32030-RP	Ref	<b>HYDRAULIC COMPONENTS</b>	
	SL3203D-4WD-SF	Ref	<b>HYDRAULIC COMPONENTS</b>	
232	H000045	2	Leveling Cylinder Assembly (Right Front and Left Rear) (See Items 1-22 for Breakdown)	
233	H000052	2	Leveling Cylinder Assembly (Left Front and Right Rear) (See Items 1-22 for Breakdown)	
252	H000558	2	Valve Assembly - Leveling Cylinder (Front Outriggers - 8 Bar) (No Replacement Parts Available - Replace Complete Valve)	
253	H000559	2	Valve Assembly - Leveling Cylinder (Rear Outriggers -1 Bar) (No Replacement Parts Available - Replace Complete Valve)	

# SECTION 5 - CYLINDER

## FIGURE 5-3. LIFT CYLINDER ASSEMBLY



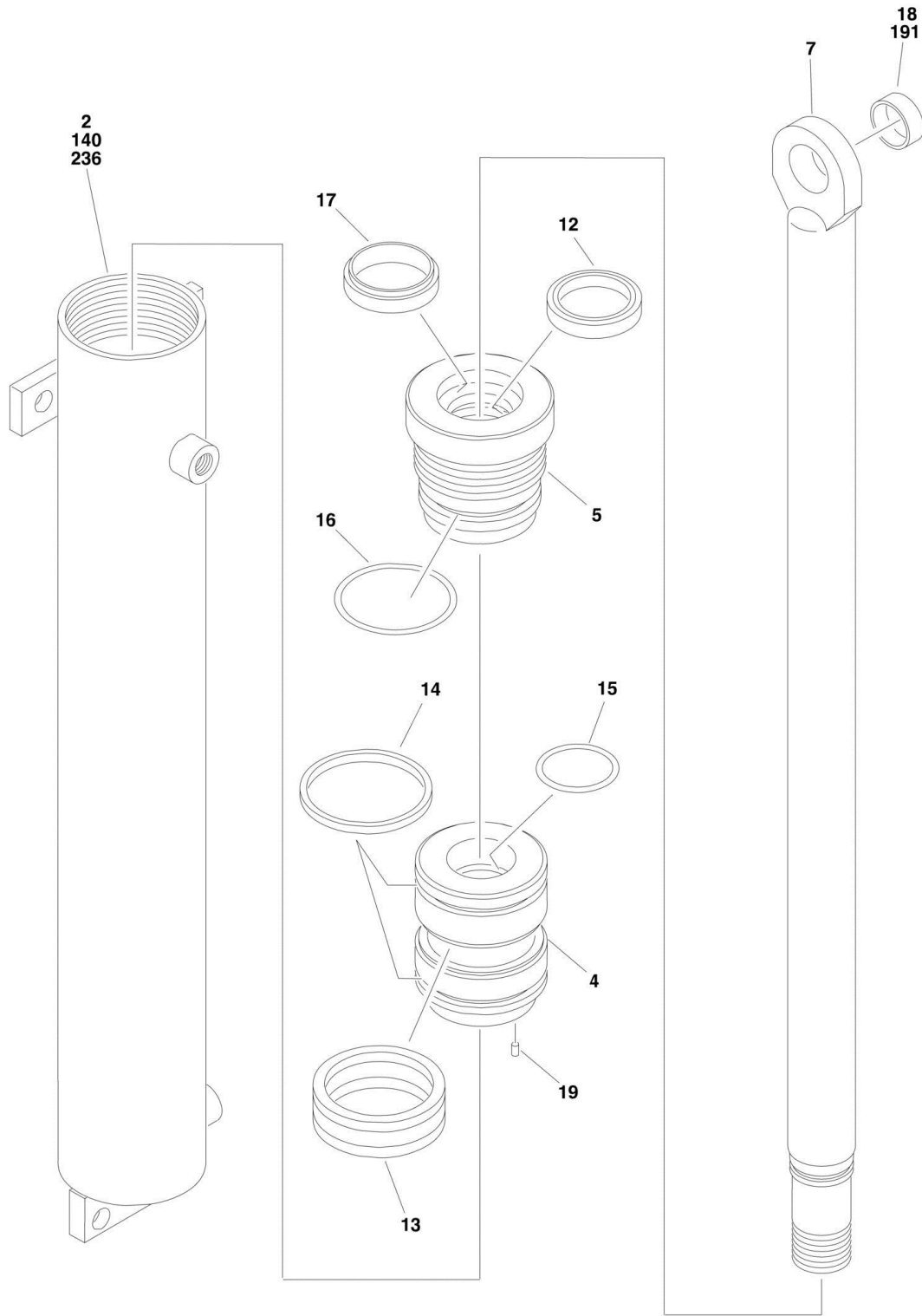
## SECTION 5 - CYLINDER

### FIGURE 5-3. LIFT CYLINDER ASSEMBLY

ITEM	PART NUMBER	QTY	DESCRIPTION	REV
	H000047	Ref	<b>LIFT CYLINDER ASSEMBLY</b>	
1	S200780	1	Barrel	
3	S200779	1	Rod	
10	S200781	1	Piston	
11	S200782	1	Head	
12	70000183	1	Ring, Spacer	
16	Not Available	1	Plate, Transport Cover (Not Shown)	
20	S005003	4	Bushing, Bronze	
21	H003127	1	Wiper	
22	H003126	1	Rod Seal	
23	H000533	1	Seal, Piston	
24	H003121	1	O-Ring	
25	H003120	1	O-Ring	
26	Not Available	1	Setscrew	
		Ref	<b>Note: No seal kit available. Purchase individual seals.</b>	
	H000703	Ref	<b>LOAD LIFT VALVE ASSEMBLY</b>	B
101	Not Available	1	Block, Valve	
104	7024813	2	Valve, Check Cartridge	
104	7024896	2	Seal Kit - 7024813 Cartridge	
105	70000090	2	Valve, Cartridge, Solenoid Cartridge (was p/n H005270)	
105	7024896	2	Seal Kit - 70000090 Cartridge	
105	7017444	2	Coil	
106	70000091	1	Piston, Pilot	
107	4641192	1	Cartridge, Check Valve	
111	Not Available	1	Orifice, Variable	
112	70000150	2	O-Ring	
113	Not Available	4	Bolt M10 x 120mm	
	0010661	Ref	<b>FINAL ASSEMBLY LIST COMPONENTS</b>	6
	SL320-30	Ref	<b>COMPONENT LIST - SL320-30</b>	A
241	H000047	1	Lift Cylinder Assembly (See Items 1-26 for Breakdown)	
272	H000703	1	Load Lift Valve Assembly (See Items 101-113 for Breakdown)	
297	S005003	4	Bushing, Bronze	
313	H705721	1	Block, Hydraulic	
314	H705722	2	Sensor, Pressure	
315	H705723	2	Harness, Pressure Sensor	
316	H705724	2	Cap, Pressure Sensor	
	SL32030-G	Ref	<b>HYDRAULIC COMPONENTS</b>	
	SL32030-FS	Ref	<b>HYDRAULIC COMPONENTS</b>	
	SL32030-500-00	Ref	<b>HYDRAULIC COMPONENTS</b>	
	SL32030-RP	Ref	<b>HYDRAULIC COMPONENTS</b>	
	SL3203D-4WD-SF	Ref	<b>HYDRAULIC COMPONENTS</b>	
412	H000703	1	Load Lift Valve Assembly (See Items 101-113 for Breakdown)	
417	H000536	1	Switch, Pressure	
417	H000570	1	Plate, Seal	
431	H000047	1	Lift Cylinder Assembly (See Items 1-26 for Breakdown)	

# SECTION 5 - CYLINDER

## FIGURE 5-4. PLATFORM EXTENSION CYLINDER ASSEMBLY



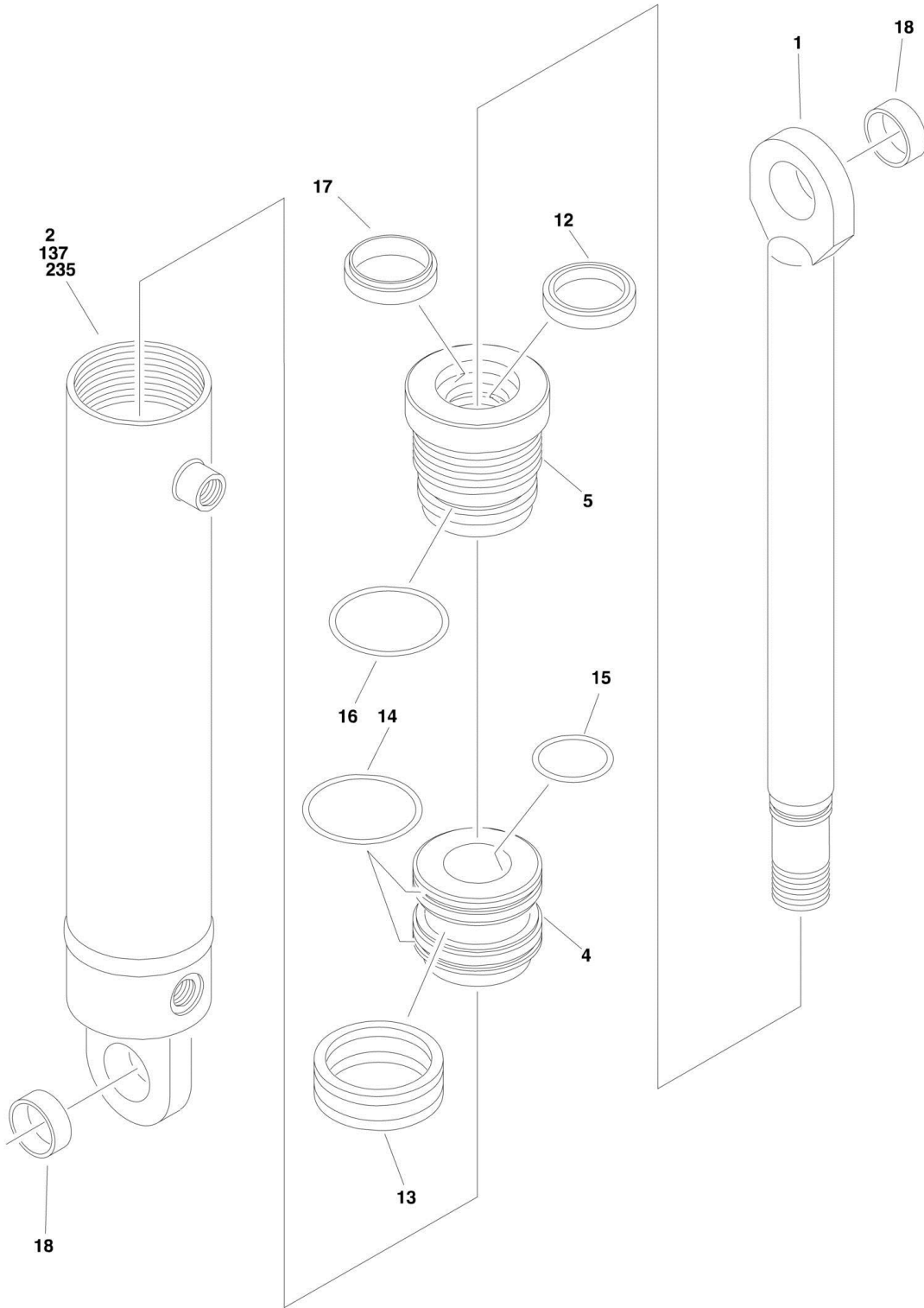
## SECTION 5 - CYLINDER

**FIGURE 5-4. PLATFORM EXTENSION CYLINDER ASSEMBLY**

ITEM	PART NUMBER	QTY	DESCRIPTION	REV
	H000046	Ref	<b>PLATFORM EXTENSION CYLINDER ASSEMBLY</b>	
2	S200503	1	Barrel	
4	S200505	1	Piston	
5	S200506	1	Head	
7	S200502	1	Rod	
12	H003060	1	Seal, Rod	
13	70000198	1	Seal, Piston	
14	H003116	2	Ring, Wear	
15	H003104	1	O-Ring	
16	H003080	1	O-Ring	
17	H003062	1	O-Ring	
18	S000265	1	Bushing	
19	Not Available	1	Setscrew	
		Ref	<b>Note: No seal kit available. Purchase individual seals.</b>	
	0010661	Ref	<b>FINAL ASSEMBLY LIST COMPONENTS</b>	6
	SL320-30	Ref	<b>COMPONENT LIST - SL320-30</b>	A
140	H000046	2	Platform Extension Cylinder Assembly (See Items 1-19 for Breakdown)	
191	S000265	2	Bushing (1 Per Cylinder)	
	SL32030-G	Ref	<b>HYDRAULIC COMPONENTS</b>	
	SL32030-FS	Ref	<b>HYDRAULIC COMPONENTS</b>	
	SL32030-500-00	Ref	<b>HYDRAULIC COMPONENTS</b>	
	SL32030-RP	Ref	<b>HYDRAULIC COMPONENTS</b>	
	SL3203D-4WD-SF	Ref	<b>HYDRAULIC COMPONENTS</b>	
236	H000046	2	Platform Extension Cylinder Assembly (See Items 1-19 for Breakdown)	

# SECTION 5 - CYLINDER

## FIGURE 5-5. STEER CYLINDER ASSEMBLY



## SECTION 5 - CYLINDER

### FIGURE 5-5. STEER CYLINDER ASSEMBLY

ITEM	PART NUMBER	QTY	DESCRIPTION	REV
	H000043	Ref	<b>STEER CYLINDER ASSEMBLY</b>	
1	S200783	1	Rod	
2	S200784	1	Barrel	
4	S200785	1	Piston	
5	S200786	1	Head	
12	H003087	1	Seal, Rod	
13	H003096	1	O-Ring	
14	H003116	2	Ring, Wear	
15	H003104	1	O-Ring	
16	H003123	1	O-Ring	
17	H003081	1	Wiper	
18	S001553	2	Bushing	
19	Not Available	1	Setscrew	
		Ref	<b>Note: No seal kit available. Purchase individual seals.</b>	
	0010661	Ref	<b>FINAL ASSEMBLY LIST COMPONENTS</b>	6
	SL320-30	Ref	<b>COMPONENT LIST - SL320-30</b>	A
137	H000043	2	Steer Cylinder Assembly (See Items 1-19 for Breakdown)	
	SL32030-G	Ref	<b>HYDRAULIC COMPONENTS</b>	
	SL32030-FS	Ref	<b>HYDRAULIC COMPONENTS</b>	
	SL32030-500-00	Ref	<b>HYDRAULIC COMPONENTS</b>	
	SL32030-RP	Ref	<b>HYDRAULIC COMPONENTS</b>	
	SL3203D-4WD-SF	Ref	<b>HYDRAULIC COMPONENTS</b>	
235	H000043	2	Steer Cylinder Assembly (See Items 1-19 for Breakdown)	

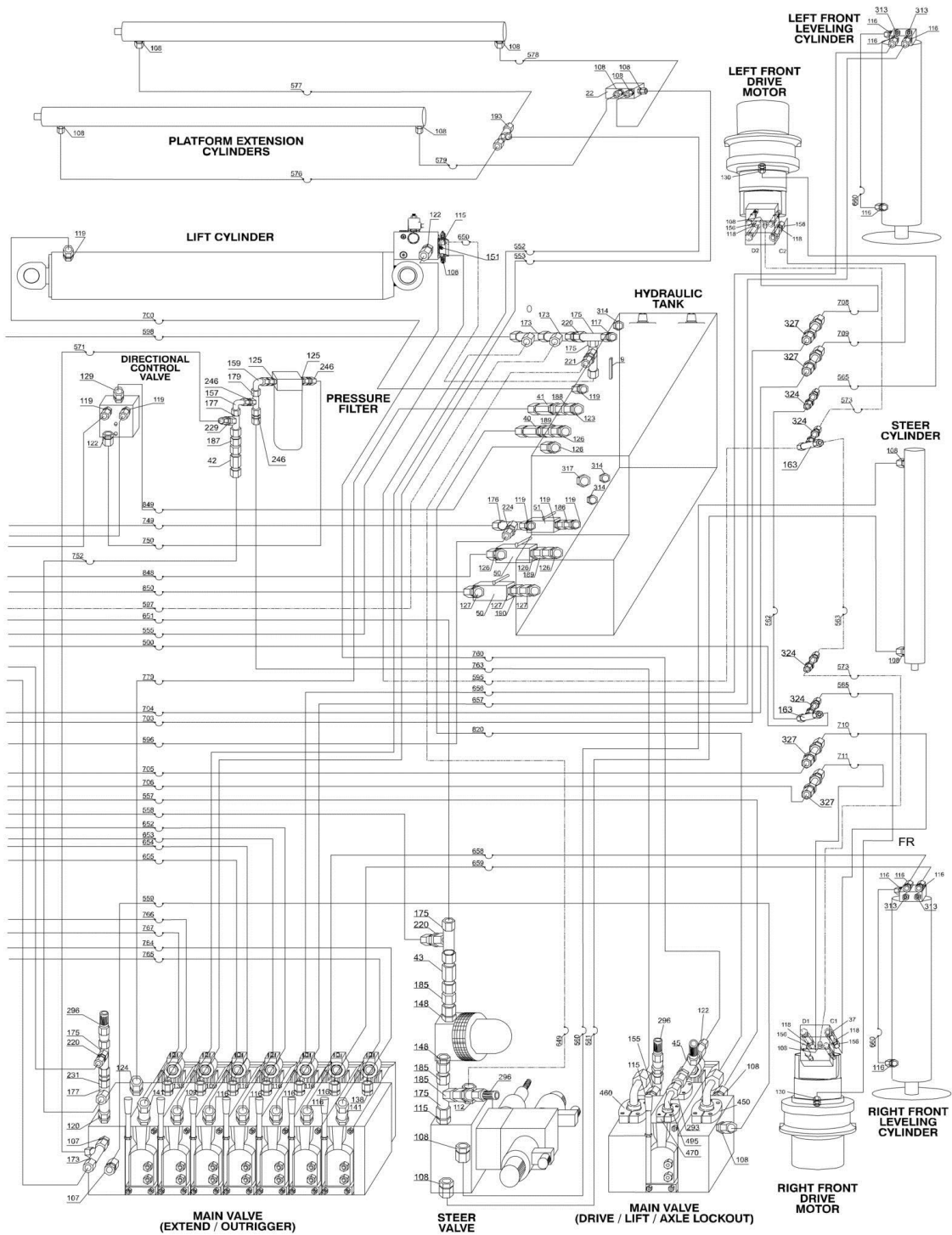




**SECTION 6 - HYDRAULIC**



# SECTION 6 - HYDRAULIC



# SECTION 6 - HYDRAULIC

## FIGURE 6-1. HYDRAULIC DIAGRAM

ITEM	PART NUMBER	QTY	DESCRIPTION	REV
	H900039	Ref	<b>HYDRAULIC COMPONENTS INSTALLATION</b>	1
10	H000018	1	Valve, Lowering Speed Adjustment Throttle	
17	H000536	1	Switch, Pressure	
22	H000072	1	Valve, Flow Divider	
40	H000273	1	Valve, Check	
41	H000305	1	Valve, Check	
42	H000339	1	Valve, Check	
43	H000115	1	Valve, Check	
45	H000705	1	Valve, Retract Orifice Check	
49	H000511	2	Valve, Ball	
50	H000278	2	Valve, Low-Pressure Ball	
51	H000335	1	Valve, Low-Pressure Ball	
	H001041	Ref	<b>HYDRAULIC FITTING KIT</b>	3
107	2142708	10	Fitting, BSPP Male Connector 10-1/4-11-19L	
108	2142709	24	Fitting, BSPP Male Connector 10-3/8-12.5-22-L	
109	2142710	3	Fitting, BSPP Male Connector 10-1/2-13-27-L	
111	2142711	1	Fitting, BSPP Male Connector 12-1/4-12-19-L	
112	2142712	2	Fitting, BSPP Male Connector 12-3/8-12.5-22-L	
115	2142714	3	Fitting, BSPP Male Connector 15-3/8-13.5-24-L	
116	2142715	24	Fitting, BSPP Male Connector 15-1/2-14-27-L	
117	2142757	1	Fitting, BSPP Male Connector 15-3/4-15-32-L	
118	2142716	4	Fitting, BSPP Male Connector 18-1/2-14.5-27-L	
119	2142717	15	Fitting, BSPP Male Connector 18-3/4-14.5-32-L	
120	2142718	1	Fitting, BSPP Male Connector 22-3/4-14.5-32-L	
122	2142748	7	Fitting, BSPP Male Connector 22-1-17.5-41-L	
123	2142719	1	Fitting, BSPP Male Connector 28-1-17.5-41-L	
124	2142744	1	Fitting, BSPP Male Connector 28-3/4-17.5-41-L (SPL)	
125	2142720	2	Fitting, BSPP Male Connector 30-1 1/4-17.5-50-L	
126	2142742	5	Fitting, BSPP Male Connector 35-1 1/2-19.5-55-L	
127	2142721	3	Fitting, BSPP Male Connector 42-1 1/2-19-55-L	
129	2142741	1	Fitting, BSPP Male Connector 35-1-17.5-46-L	
130		Ref	Connector Options:	
130	H000148	4	Connector ( <b>Prior to SN 1200012130</b> )	
130	2140803	4	Connector ( <b>SN 1200012130 to Present</b> )	
138	2142747	2	Fitting, BSPP Male Connector 22-1/2-16.5-32-L	
141	2142753	2	Fitting, BSPP Male Connector SPL 22-1/2-60-32-L	
148	2142751	2	Fitting, BSPP Male Connector VR NW 13HL1/4 (1/4/M22x1.5)	
151	2221222	1	Fitting, Test Port ( <b>SN 1200012130 to Present</b> )	
153	2143403	1	Fitting, Swivel Nut Elbow 10-16X1.5-15-29-14-L	
154	2143404	1	Fitting, Swivel Nut Elbow 12-18X1.5-17-29.5-17-L	
155	2143405	1	Fitting, Swivel Nut Elbow 15-22X1.5-21-32.5-19-L	
156	2143406	4	Fitting, Swivel Nut Elbow 18-26X1.5-23.5-35.5-24-L	
157	2143407	5	Fitting, Swivel Nut Elbow 22-30X2-27.5-38.5-27-L	
159	2143409	1	Fitting, Swivel Nut Elbow 35-45X2-34.5-51-41-L	
163	2142103	2	Fitting, Swivel Nut Branch Tee 10-10-16X1.5-15-29-14-L	
173	2142203	9	Fitting, Swivel Nut Run Tee 10-10-16X1.5-15-29-14-L	
175	2142205	5	Fitting, Swivel Nut Run Tee 15-15-22X1.5-21-32.5-19-L	
176	2142206	1	Fitting, Swivel Nut Run Tee 18-18-26X1.5-23.5-35.5-24-L	
177	2142207	6	Fitting, Swivel Nut Run Tee 22-22-30X2-27.5-38.5-27-L	
179	2142209	1	Fitting, Swivel Nut Run Tee 35-35-45X2-34.5-51-41-L	

## SECTION 6 - HYDRAULIC

ITEM	PART NUMBER	QTY	DESCRIPTION	REV
183	2143603	1	Fitting, Swivel Union-Flareless 10-16X1.5-16X1.5-33-L	
184	2143604	1	Fitting, Swivel Union-Flareless 12-18X1.5-18X1.5-33-L	
185	2143605	3	Fitting, Swivel Union-Flareless 15-22X1.5-22X1.5-38-L	
186	2143606	1	Fitting, Swivel Union-Flareless 18-26X1.5-26X1.5-36-L	
187	2143607	3	Fitting, Swivel Union-Flareless 22-30X2-30X2-42-L	
188	2143608	1	Fitting, Swivel Union-Flareless 28-36X2-36X2-46-L	
189	2143609	2	Fitting, Swivel Union-Flareless 35-45X2-45X2-48-L	
190	2143610	1	Fitting, Swivel Union-Flareless 42-52X2-52X2-52-L	
193	2141908	2	Fitting, Union Tee 10-10-10-15-14-14-L	
220	2143510	3	Fitting, Swivel Tube End Reducer 15-10-22X1.5-29.5-L	
221	2143511	1	Fitting, Swivel Tube End Reducer 15-12-22X1.5-29.5-L	
224	2143514	1	Fitting, Swivel Tube End Reducer 18-10-26X1.5-29-L	
229	2143519	1	Fitting, Swivel Tube End Reducer 22-10-30X2-33-L	
231	2143521	1	Fitting, Swivel Tube End Reducer 22-15-30X2-34-L	
245	2143532	2	Fitting, Swivel Tube End Reducer 15-10-22X1.5-29.5-L	
246	2143533	3	Fitting, Swivel Tube End Reducer 35-22-45X2-40.5-L	
272	2143705	1	Hydraulic Flange Connection BFW 18-PL/LK 40	
276	2143709	2	Hydraulic Flange Connection BFW 35-PL/LK 55	
279	2143703	1	Hydraulic Flange Connection BFW 15-PL/LK 35	
293	2144311	1	SAE-Bindplatte 3/4in (6000 psi) (Includes 1 - O-Ring, 4 - Screws and 4 - Washers)	
296	2144105	3	Fitting, Diagnostic Tip/EO Swivel M22X1.5 VKA 3/15LA3C	
313	2143807	8	Blanking Plug For Ports VSTIR 1/2-ED M22X1.5 G1/2A-27-19-14-10	
314	2143809	3	Blanking Plug For Ports VSTIR 3/4-ED M27X2 G3/4A-32-21-16-12	
317	2143812	1	Blanking Plug For Ports VSTIR 1 1/2-ED M48X2 G1 1/2-55-22.5-16-24	
320	2143814	1	Oil Drain Plug M Magnet R 3/4in m Cu-Ring	
324	2141503	4	Union, Bulkhead 10-10-16x1.5-10-28-22-22-L <b>(SN 1200012130 to Present)</b>	
327	2141506	4	Union, Bulkhead 18-18-26x1.5-13.5-32.5-32-36-L <b>(SN 1200012130 to Present)</b>	
450	2171816	1	Flange Kit (3000psi) (Includes 1-O-Ring, 4 -Screws and 4 Washers)	
460	2171716	1	Flange Kit (6000psi) (Includes 1-O-Ring, 4 -Screws and 4 Washers)	
470	2171712	1	Flange Kit (6000psi) (Includes 3-O-Ring, 12 -Screws and 12 Washers)	
480	2171708	4	Flange Kit (6000psi) (Includes 4-O-Ring, 16 -Screws and 16 Washers)	
495	2221237	1	Fitting, Pipe SFCE-6002/90/25-Su EGE 25 1in-ED	
	H001040		<b>HYDRAULIC HOSE KIT</b>	3
500	2754937	1	Hose 2 SN 08 DKOL-90 DKOL -5200	
501	2754378	1	Hose 2 SN 08 DKOL-90 DKOL-90 (180grd) -3300	
552	2754938	1	Hose 2 SN 08 DKOL - 57000	
553	2754938	1	Hose 2 SN 08 DKOL - 57000	
554	2754939	1	Hose 2 SN 08 DKOL-90 DKOL-90 (180grd) - 1550	
555	2754940	1	Hose 2 SN 08 DKOL-90 DKOL -6800	
556	2754481	1	Hose 2 SN 08 DKOL-90 DKOL-90 (180grd) - 1300	
557	2754941	1	Hose 2 SN 08 DKOL DKOL - 4400	
558	2754375	1	Hose 2 SN 08 DKOL-90 DKOL-90 (180grd) - 1700	
559	2754572	1	Hose 2 SN 08 DKOL-90 DKOL-90 (180grd) - 1400	
560	2754942	1	Hose 2 SN 08 DKOL DKOL-90 -7000	

## SECTION 6 - HYDRAULIC

ITEM	PART NUMBER	QTY	DESCRIPTION	REV
561	2754942	1	Hose 2 SN 08 DKOL DKOL-90 -7000	
562	2754442	1	Hose 2 SN 08 DKOL-90 DKOL-90 (180grd) - 2100	
563	2754442	1	Hose 2 SN 08 DKOL-90 DKOL-90 (180grd) - 2100	
565	2754943	2	Hose 2 SN 08 DKOL DKOL - 3100	
566	2754944	1	Hose 2 SN 08 DKOL-90 DKOL-90 (180grd) - 2300	
567	2754375	1	Hose 2 SN 08 DKOL-90 DKOL-90 (180grd) -1700	
568	2754437	1	Hose 2 SN 08 DKOL-90 DKOL - 2100	
569	2754945	1	Hose 2 SN 08 DKOL DKOL - 2300	
570	2754946	1	Hose 2 SN 08 DKOL-90 DKOL-90 (180grd) - 700	
571	2754568	1	Hose 2 SN 08 DKOL-90 DKOL - 3900	
573	2754947	2	Hose 2 SN 08 DKOL DKOL-90 -3070	
576	2754948	1	Hose 2 SN 08 DKOL DKOL-90 - 8800	
577	2754949	1	Hose 2 SN 08 DKOL DKOL-90 - 8200	
578	2754950	1	Hose 2 SN 08 DKOL DKOL-90 - 5000	
579	2754951	1	Hose 2 SN 08 DKOL-90 DKOL-90 (180grd) - 5700	
592	2754952	1	Hose 1 SN 08 DKOL DKOL -800	
593	2754552	1	Hose 1 SN 08 DKOL-90 DKOL -2700	
594	2754953	1	Hose 1 SN 08 DKOL-90 DKOL -2200	
595	2754954	1	Hose 1 SN 08 DKOL-90 DKOL -3900	
596	2754955	1	Hose 1 SN 08 DKOL DKOL -4700	
597	2754956	1	Hose 1 SN 08 DKOL DKOL -5900	
598	2754957	1	Hose 1 SN 08 DKOL-90 DKOL -5100	
649	2754959	1	Hose 2 SN 10 DKOL -90 DKOL-90 (180grd) -4300	
650	2754960	1	Hose 2 SN 12 DKOL-90 DKOL -4500	
651	2754961	1	Hose 2 SN 12 DKOL -90 DKOL-90 (180grd) -3600	
652	2754577	1	Hose 2 SN 12 DKOL DKOL -6800	
653	2754577	1	Hose 2 SN 12 DKOL DKOL -6800	
654	2754962	1	Hose 2 SN 12 DKOL DKOL -6000	
655	2754962	1	Hose 2 SN 12 DKOL DKOL -6000	
656	2754963	1	Hose 2 SN 12 DKOL DKOL -8800	
657	2754963	1	Hose 2 SN 12 DKOL DKOL -8800	
658	2754964	1	Hose 2 SN 12 DKOL DKOL -8000	
659	2754964	1	Hose 2 SN 12 DKOL DKOL -8000	
660	2754965	4	Hose 2 SN 12 DKOL-90 DKOL-90-H100 (180grd) -1580	
700	2754966	1	Hose 2 SN 16 DKOL-90 DKOL-45 -7400	
701	2754967	1	Hose 2 SN 16 DKOL DKOL-90 -650	
702	2754967	1	Hose 2 SN 16 DKOL DKOL-90 -650	
703	2754968	1	Hose 2 SN 16 DKOL DKOL-90 -5500	
704	2754968	1	Hose 2 SN 16 DKOL DKOL-90 -5500	
705	2754969	1	Hose 2 SN 16 DKOL DKOL-90 -5000	
706	2754969	1	Hose 2 SN 16 DKOL DKOL-90 -5000	
707	Not Required	0	Hose	
708	2754970	1	Hose 2 SN 16 DKOL DKOL -2700	
709	2754970	1	Hose 2 SN 16 DKOL DKOL -2700	
710	2754970	1	Hose 2 SN 16 DKOL DKOL -2700	
711	2754970	1	Hose 2 SN 16 DKOL DKOL -2700	
712	2754971	1	Hose 2 SN 16-08 FSD 32-45 grd (6000psi) DKOL -4300	
713	2754971	1	Hose 2 SN 16-08 FSD 32-45 grd (6000psi) DKOL -4300	
714	2754972	1	Hose 2 SN 16-08 FSD 32-45 grd (6000psi) DKOL -3300	
715	2754972	1	Hose 2 SN 16-08 FSD 32-45 grd (6000psi) DKOL -3300	
749	2754973	1	Hose 1 SN 16 DKOL- DKOL -1300	

## SECTION 6 - HYDRAULIC

ITEM	PART NUMBER	QTY	DESCRIPTION	REV
750	2754974	1	Hose 2 SN 20 DKOL DKOL-90 -1000	
751	2754975	2	Hose 2 SN 20 DKOL-90 DKOL -800	
752	2754976	1	Hose 2 SN 20 DKOL-90 DKOL -3700	
760	2754977	1	Hose 2 SN 20 DKOL DKOL-90 -4500	
763	2754980	1	Hose 2 SN 20 - 16 FSD 48 (6000psi)-90 DKOL -2900	
764	2754981	1	Hose 2 SN 20 DKOL-90 DKOL 90 (180grd) -1100	
765	2754982	1	Hose 2 SN 20 DKOL-90 DKOL -1100	
766	2754983	1	Hose 2 SN 20 DKOL-90 DKOL 90 (180grd) -1400	
767	2754983	1	Hose 2 SN 20 DKOL-90 DKOL 90 (180grd) -1400	
779	2754984	1	Hose 1 SN 25 DKOL-90 DKOL-45 -3800	
820	2754985	1	Hose 1 SN 32 20 FS D44 (3000psi) -90 DKOL-45 -3500	
848	1001092411	1	Hose 1 SN 32 DKOL/FLK55 DN32 SL 50/90	
849	2754986	1	Hose 1 SN 32 DKOL-90 - DKOL-45 (70grd) -1650	
850	1001092412	1	Hose 1 SN 40 DKOL/FLK55 DN38 SL 1250/90	

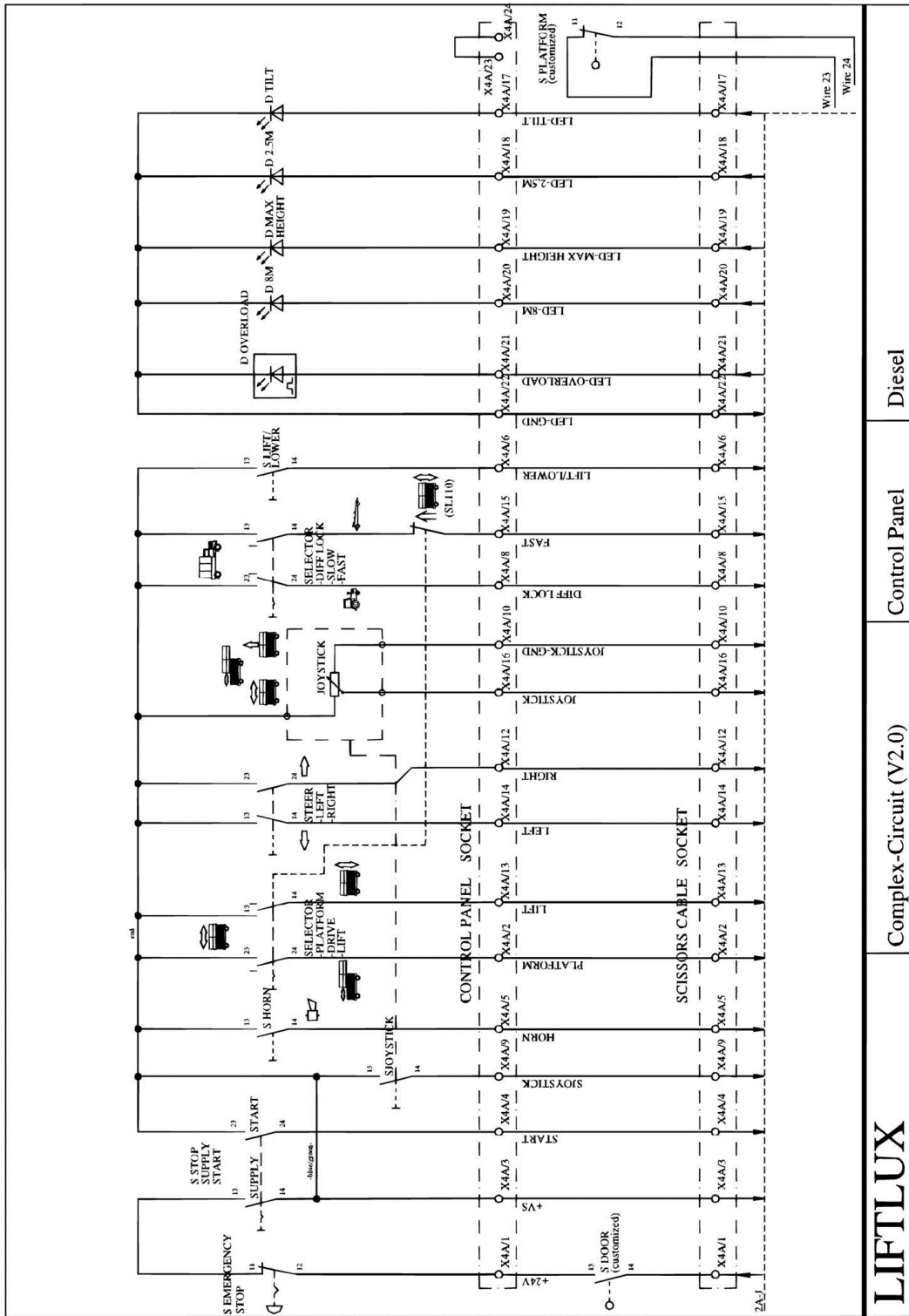




**SECTION 7 - ELECTRICAL**

# SECTION 7 - ELECTRICAL

## FIGURE 7-1. ELECTRICAL PLANS - DIESEL CONTROL

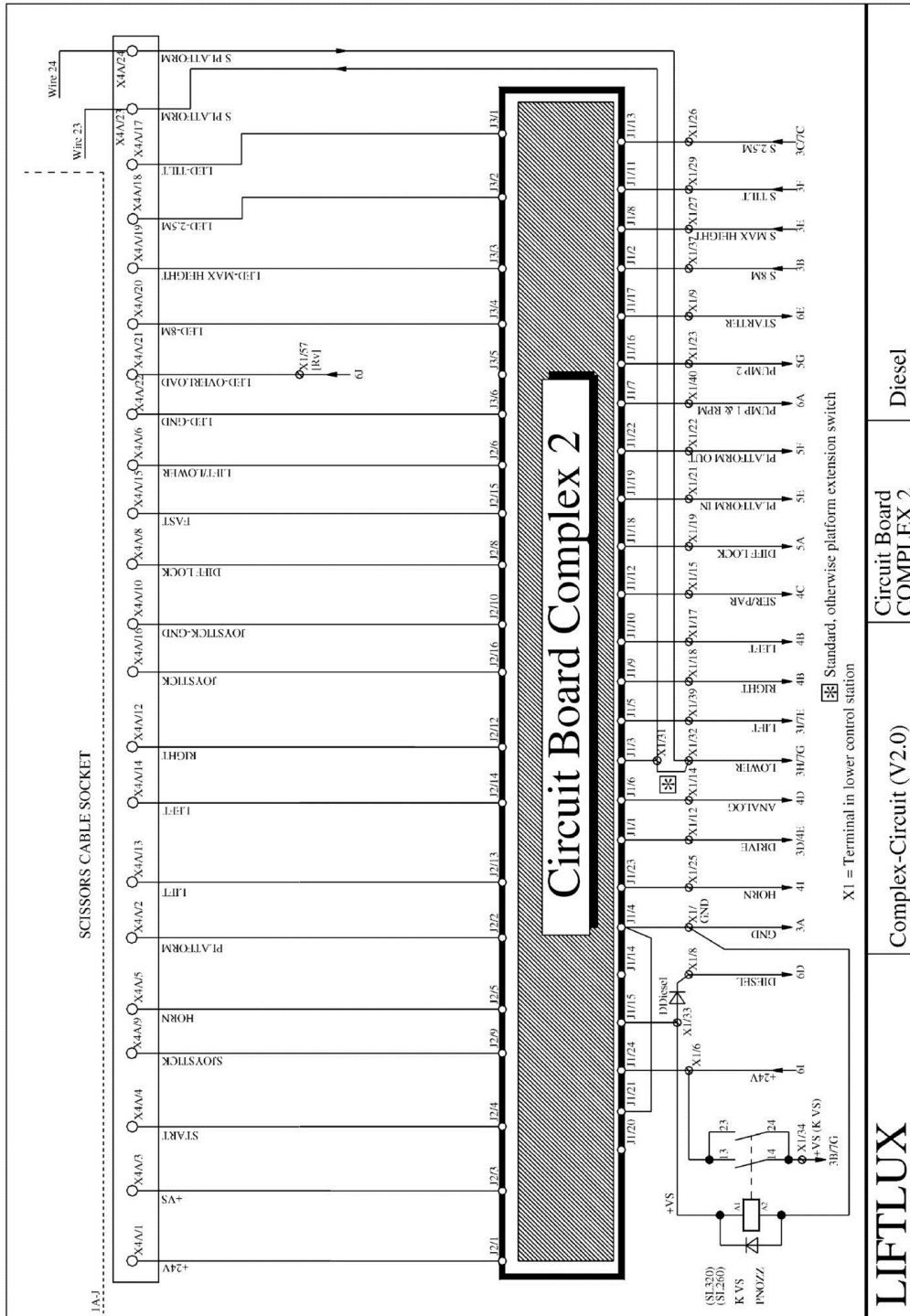


**LIFTLUX**

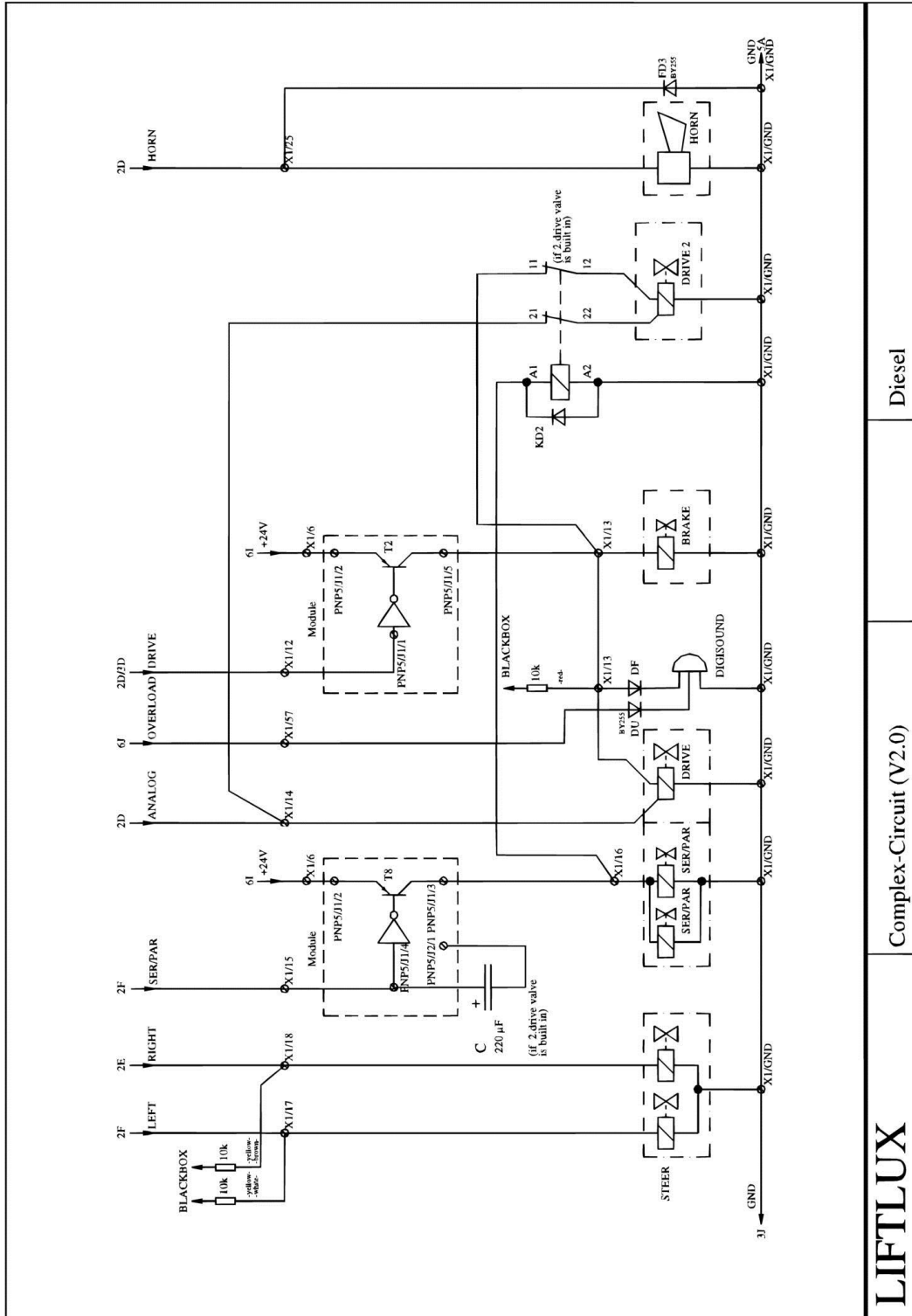
Complex-Circuit (V2.0)

Control Panel

Diesel





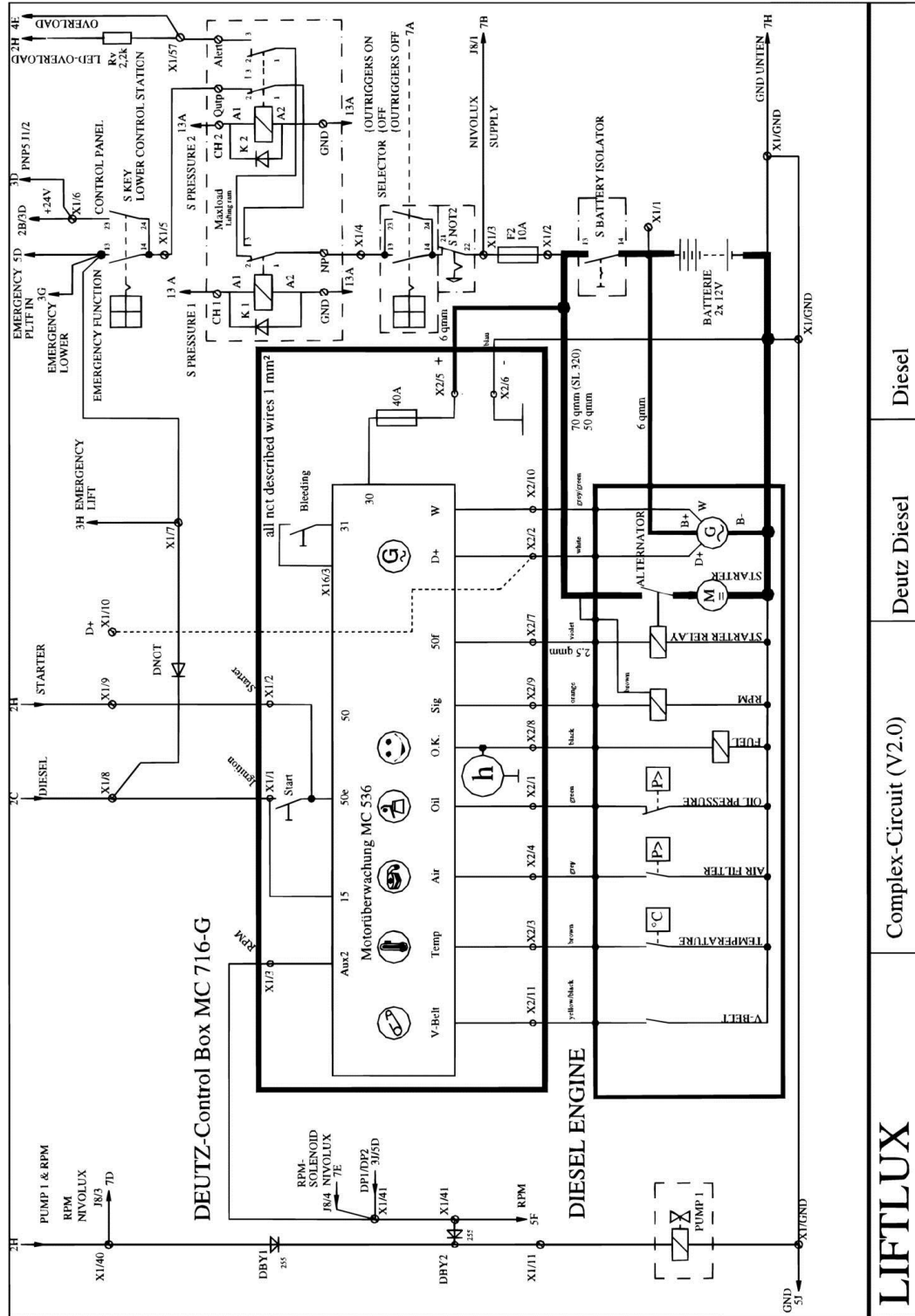


LIFTLUX

Complex-Circuit (V2.0)

Diesel





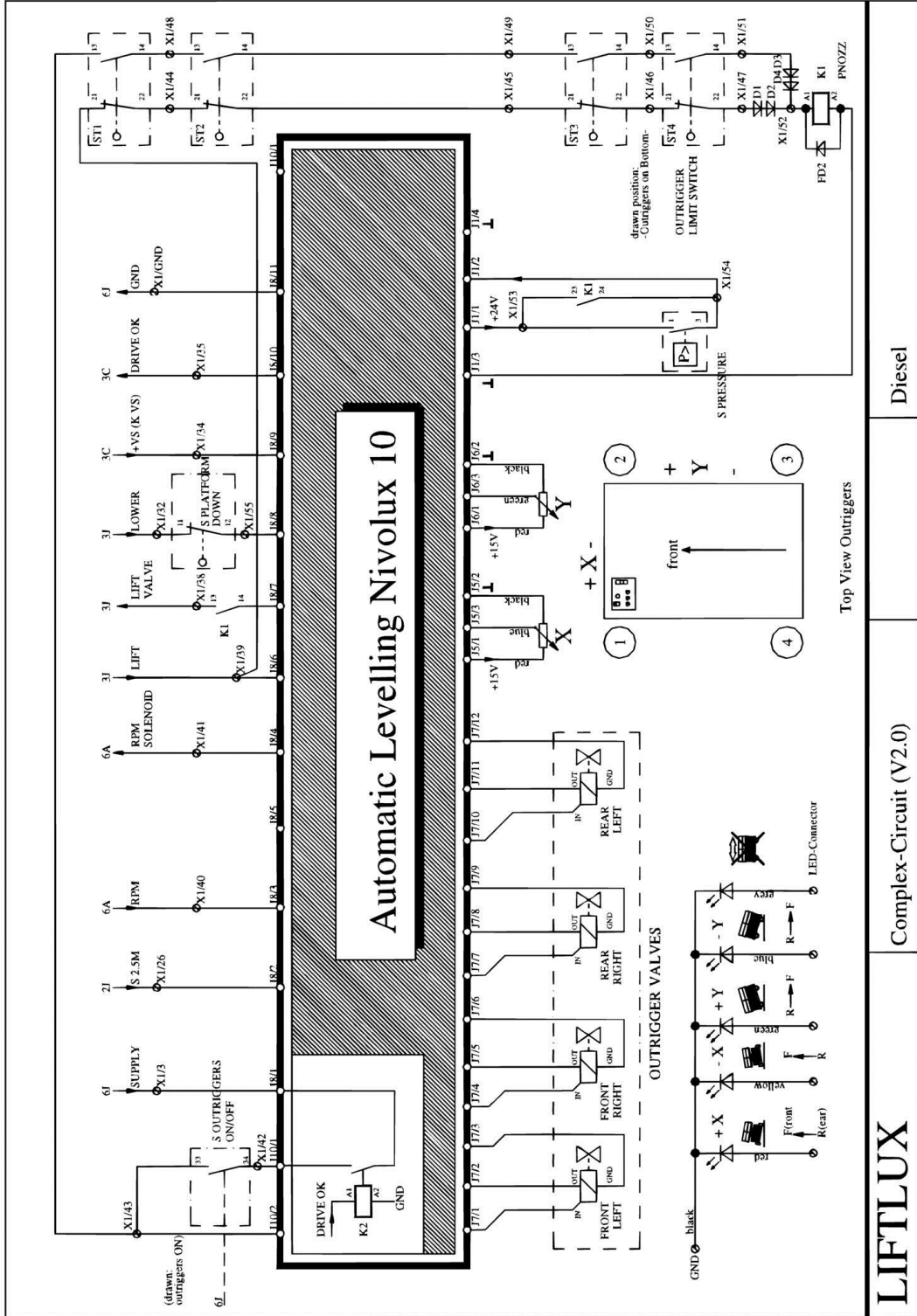
LIFTLUX

Complex-Circuit (V2.0)

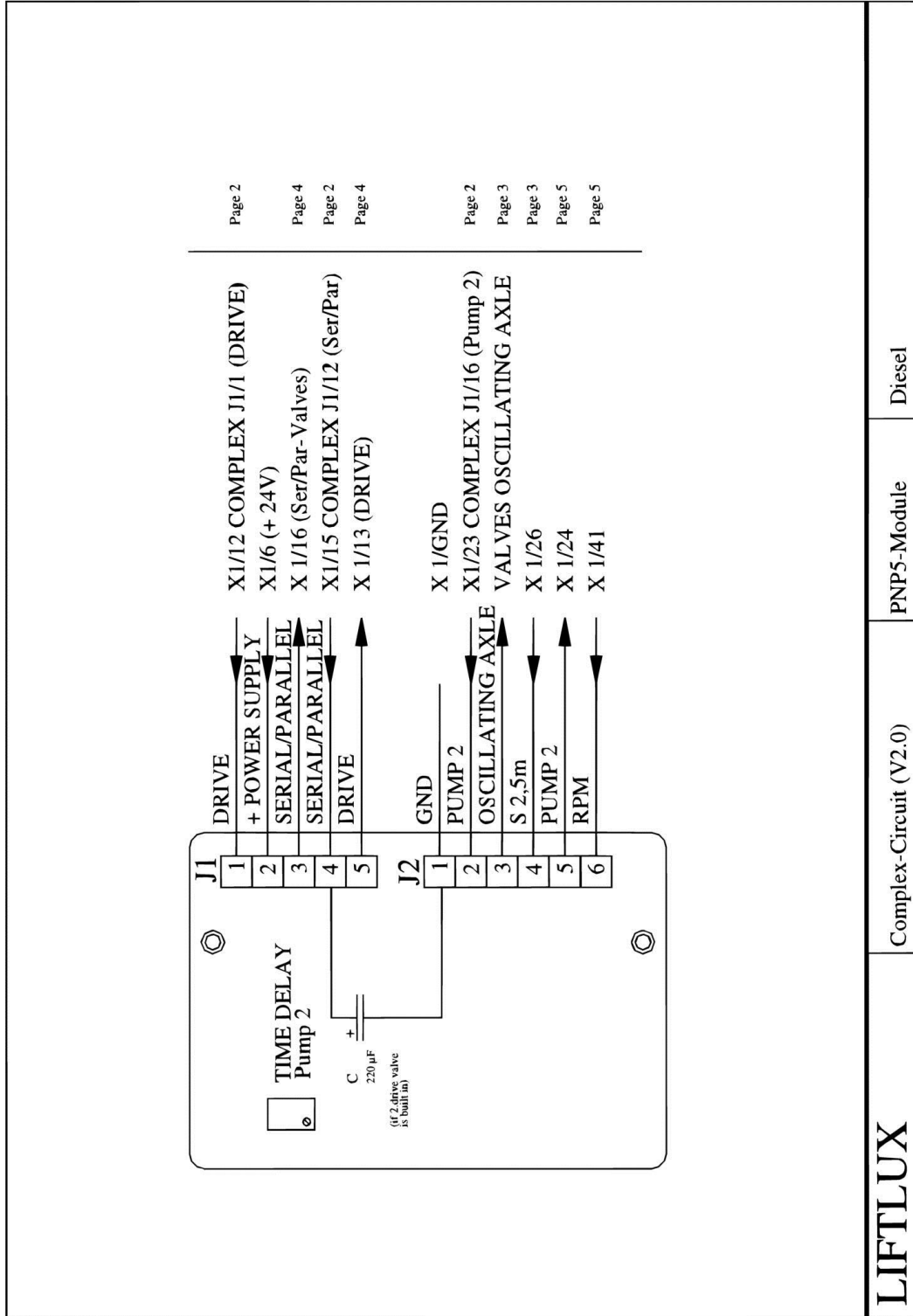
Deutz Diesel

Diesel

# SECTION 7 - ELECTRICAL







LIFTLUX

Complex-Circuit (V2.0)

PNP5-Module

Diesel

# SECTION 7 - ELECTRICAL

	1	2	3	4
1 Battery +	6A			Versorgung Blackbox
2 Battery Isolator OUT	6A			F2 (10A) IN
3 Emergency Stop 2 /22	6A		7B	F2 (10A) OUT
4 Mastload Modul NP	6A			S Em.Si.2 /211 S Key /13.23
5 Mastload Modul Quip	6A			S Key L.C.S. /14.24
6				S Key L.C.S. /Control Panel
7 S Max Height /21	3B			Complex J1/24
8 Motor Control Box Ignition	6D			S Key L.C.S. /Rm Function
9 Motor Control Box Start	6B			D Diesel (Cathode)
10 Motor Control Box D+	6F			Complex J1/17 Starter
11 Pump 1	6A			DBY2 (Cathode)
12				PNP5 J1/1
13 Brake Valve	4F			DBY1 (Cathode)
14 Drive Valve IN	4B			PNP5 J1/5
15 Drive Valve Analog	4D			DF (Anode)
16 Steer/Par Valve	4D			Complex J1/12 Ser/Par
17 Steer Left Valve	4B			PNP5 J1/3
18 Steer Right Valve	4B			Blackbox Left
19				Blackbox Right
20 Diff Lock Valve 3	5C			K Diff /A1
21 Diff Lock Valve 4	5D			FD4 (Cathode)
22 Platform IN Valve	5B			S Emerg. P1/19 IN /14
23 Platform OUT Valve	5F			S Emerg. P1/22 Platf. OUT
24 Pump 2 Valve	5G			PNP5 J2/2
25 Horn	4I			PNP5 J2/5
26 S 2.5m /11	3C			FD 3 (Cathode)
27 S Max Height /11	3B			Complex J1/23 Horn
28 S Tilt OUT	3F			Complex J1/13 S 2.5m
29 S Max Height /22	3B			Complex J1/8 S Max Height
30 S Platform Extension	2J			Blackbox Max Height
31 Lower Valve (not connect)	3B			Complex J1/11 S Tilt
32 Lower Load Holding Valve	3G			S Emerg. Lift /23
33 S Max Height /12	3B			Complex J1/3 Lower
34 S Tilt IN	3F			S Emerg. Lower /14

\* 34-35 | 38-35 | 40-41 Connection: Type without Nivolux  
 @ 31-32 Connection: Type without Platform Extension switch  
 & 33-34 Connection: removed on SL320/260  
 \$ 19-20 Connection: removed on SL320/260  
 K VS PNOZZ: only SL320/260  
 K DIFF: only SL320/260

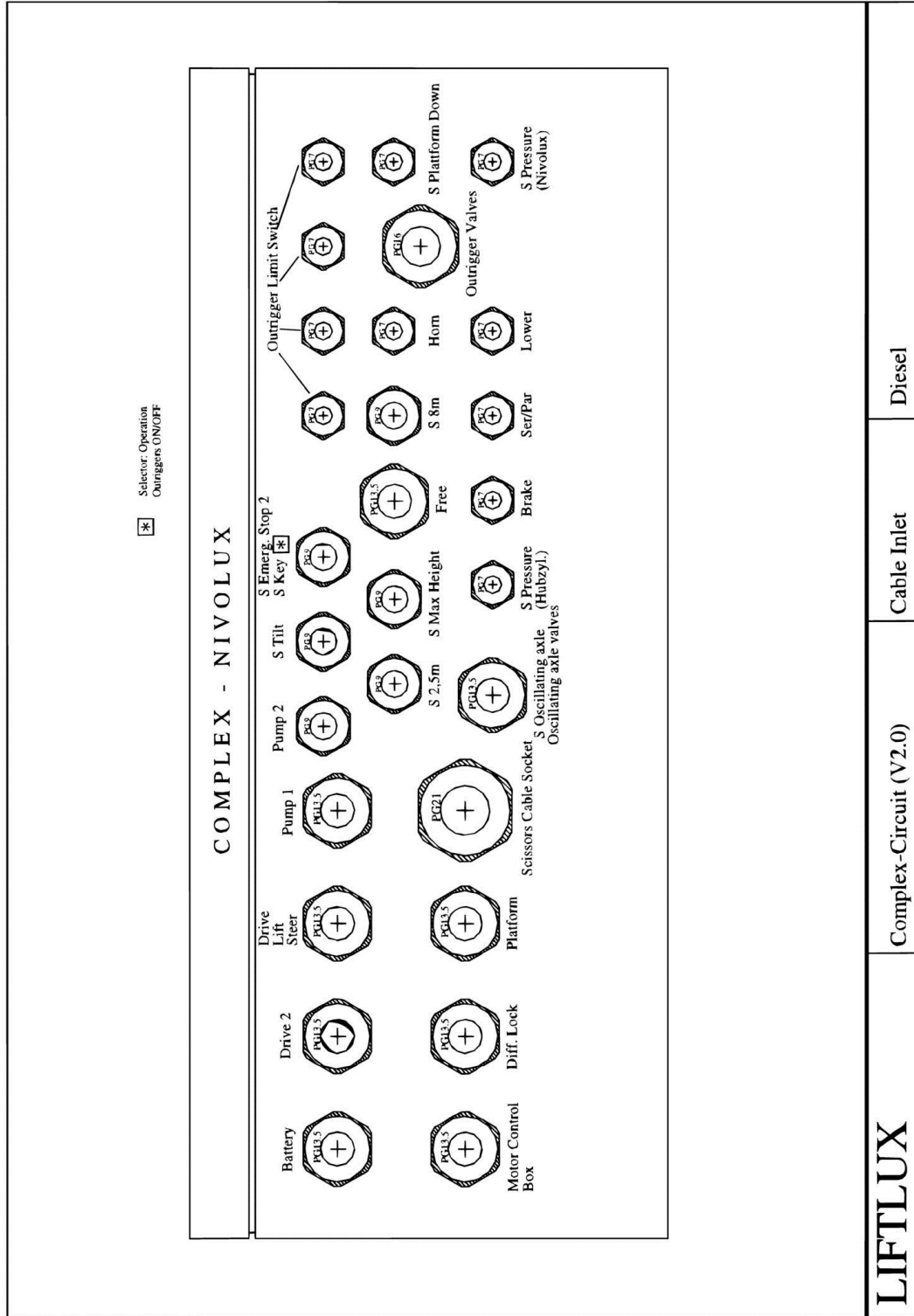
(Page 9B) 35

# LIFTLUX

Complex-Circuit (V2.0)

Terminals

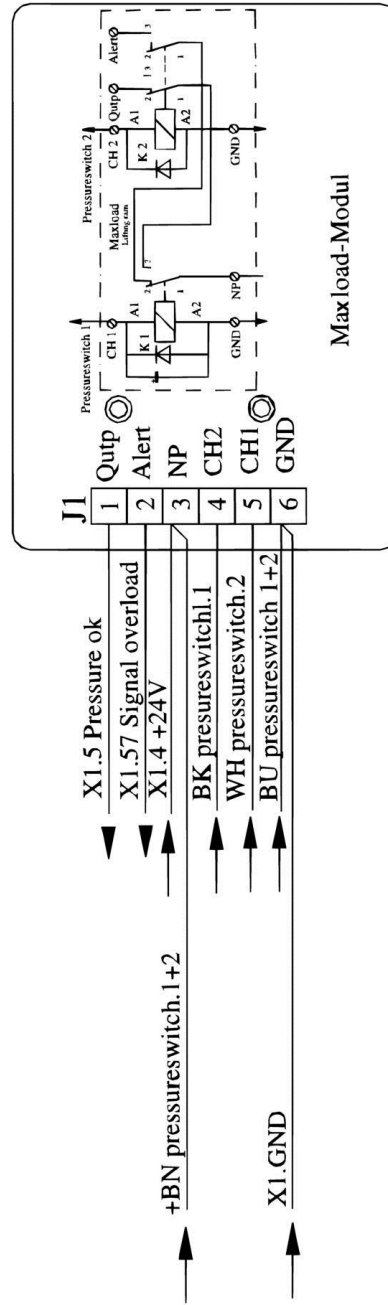
Diesel



# SECTION 7 - ELECTRICAL

Channel 1 switch turn pressureswitch 2 here active +

Channel 2 switch turn pressureswitch 1 here pasive +



Channel 1 plus signal when P less than P max otherwise minus signal

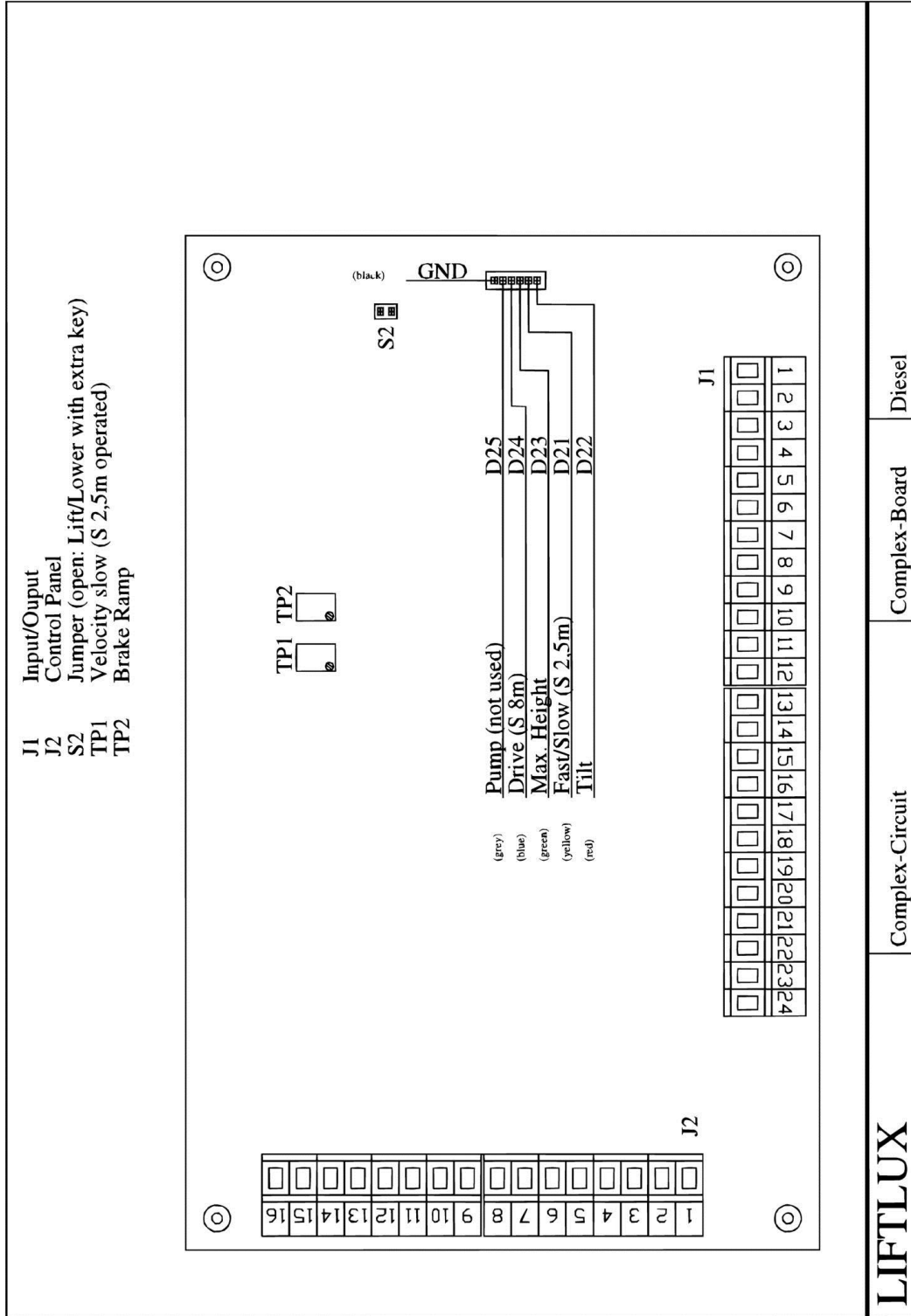
Channel 2 plus signal when P even more P max otherwise minus signal

**LIFTLUX**

Complex-Steuerung (V2.0)

Maxload-Modul

Diesel



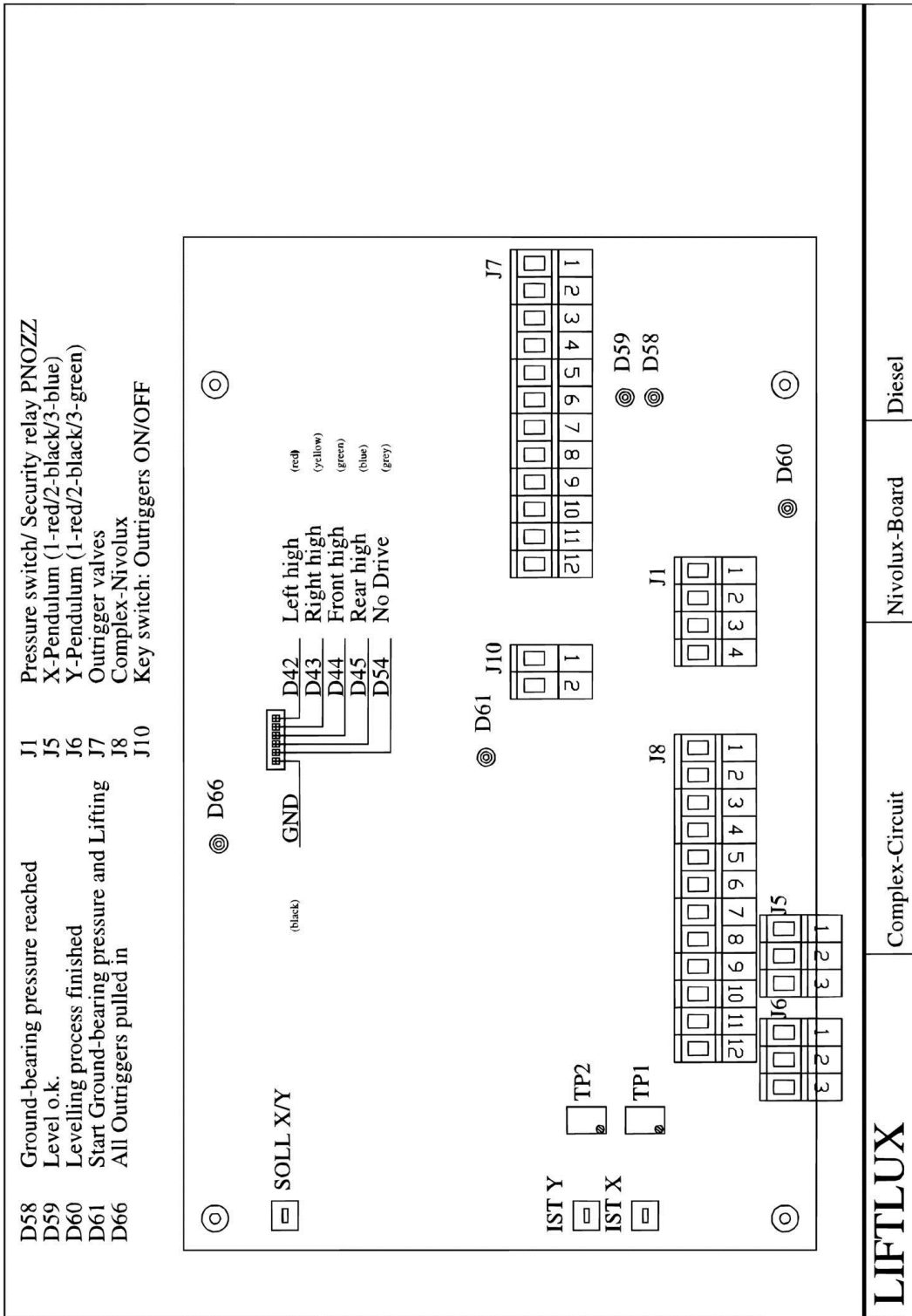
**LIFTLUX**

Diesel

Complex-Board

Complex-Circuit

# SECTION 7 - ELECTRICAL



**LIFTLUX**

Complex-Circuit

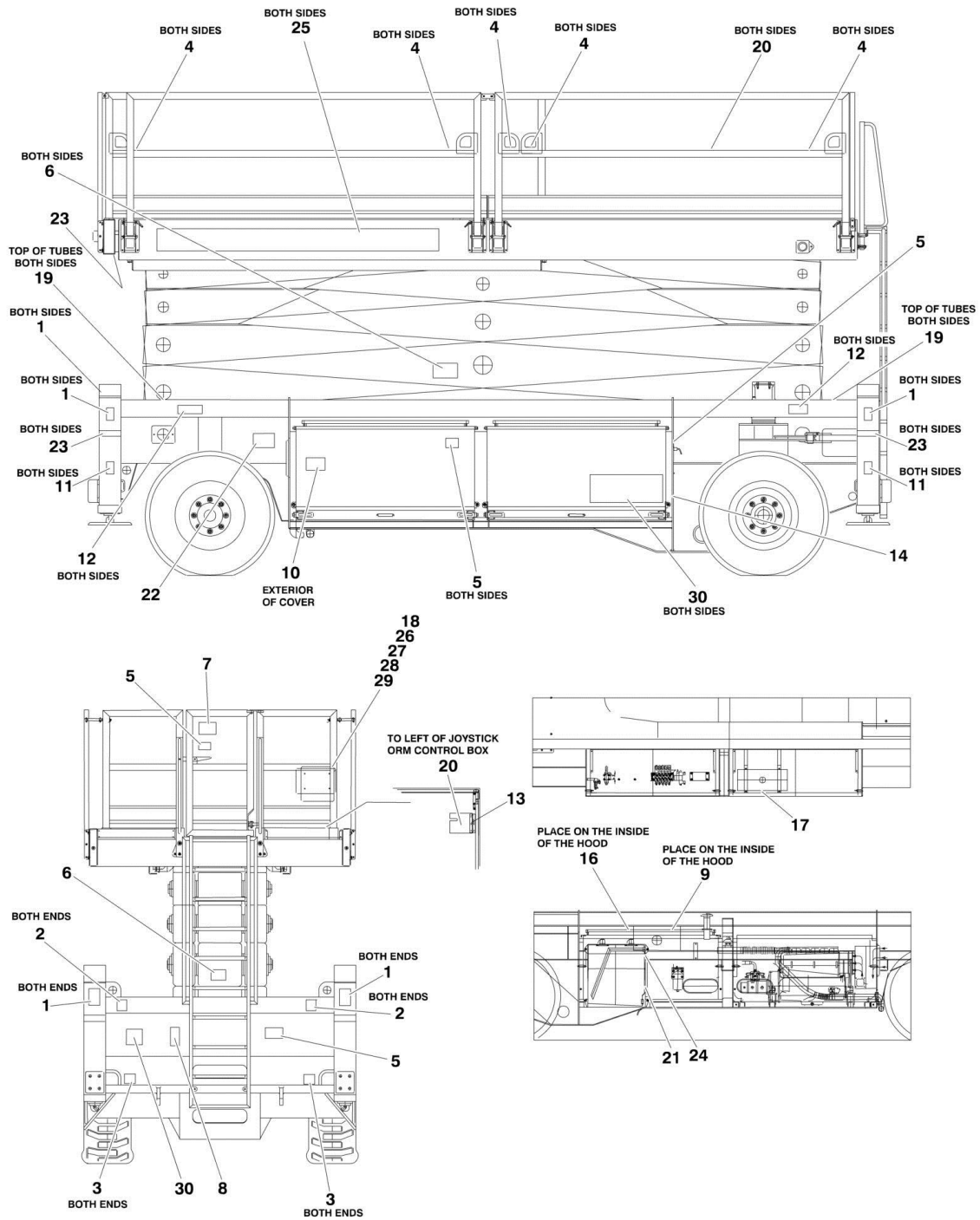
Nivolux-Board

Diesel

**SECTION 8 - DECALS**

# SECTION 8 - DECALS

## FIGURE 8-1. DECAL INSTALLATION





## SECTION 8 - DECALS

### FIGURE 8-1. DECAL INSTALLATION

ITEM	PART NUMBER	QTY	DESCRIPTION	REV
	0274713	Ref	<b>DECAL INSTALLATION</b>	B
1	1701785	8	Decal - Crushing	
2	1703811	4	Decal - Lifting Lug	
3	1703814	4	Decal - Tie Down	
4	1704277	8	Decal - Lanyard Attach	
5	1705671	6	Decal - Electrocution	
6	1705673	4	Decal - Crushing	
7	1706579	1	Decal - Capacity	
8	1706472	1	Decal - Fall Hazard	
9	1706481	1	Decal - Manual Descent	
10	1706482	1	Decal - Manual Descent Inside	
11	1706580	4	Decal - Pad Load	
12	1706581	4	Decal - Wheel Load	
13	1706485	1	Decal - Control Box Location	
14	1706512	1	Decal - Ground Control	
15	1706487	1	Decal - Safety Prop	
16	1706471	1	Decal - Manual Descent Ext	
17	1701505	1	Decal - Diesel Fuel	
18	1701509	1	Decal - Manual	
19	1703687	4	Decal - Direction Arrow	
20	1703819	3	Decal - Direction Arrow	
21	1704412	1	Decal - Hydraulic Oil	
22	Not Available	1	Nameplate - Serial Number	
23	4420051	1.2 m	Tape, Safety	
24	1703812	1	Decal - Hydraulic Oil	
25	1706582	2	Decal - 320-30 Liftlux	
26	0860520	1	Box, Manual Storage	
27	1060279	1	Lanyard	
28	2080040	4	Fastener, Huck	
29	S900129	1	Plate, Manual Storage Box	
30	1707174	1	Decal - 119dB Sound Level	



## **SECTION 9 - RECOMMENDED SERVICE PARTS STOCK**

## **SECTION 9 - RECOMMENDED SERVICE PARTS STOCK**

## SECTION 9 - RECOMMENDED SERVICE PARTS STOCK

FIGURE 9-1. MODEL LIFTLUX 320-30 STANDARD PARTS

ITEM	PART NUMBER	QTY	DESCRIPTION	REV
	Note	Ref	<b>The following list will service one machine (built to current production per date on the front cover) with emergency repair parts which can be installed in the field. Parts from the list should be replaced when inventory is depleted to keep service parts stock supplied. For further information, contact your JLG dealer or the JLG Industries Parts Department.</b>	
		Ref	<b>STANDARD PARTS</b>	
	E000059	1	Switch, Battery Disconnect	
	E000377	1	Switch, Emergency Stop	
	E000390	1	Switch, Key	
	7027962	1	Key, Replacement	
	E000391	1	Block, Contact	
	70000020	4	Element, Mini-Filter	
	70000635	1	Switch, Push Button	
	70000385	1	Coil	
	E000436	1	Switch, Lift	
	E000412	1	Switch, Deck	
	E000378	1	Switch, Key	
	E000457	1	Relay	
	H000241	4	Air Breather Filter	
	70000024	4	Element, Filter	
	70000871	1	Solenoid, Throttle	
	70000885	4	Filter, Fuel	
	70000892	12	Filter, Oil	
	S200524	1	Latch, Gate	
	E000412	1	Switch, Push Button	
	E000511	1	Switch, On/Off	
	E000435	1	Switch 3 Step	
	E000436	1	Switch Steering	
	E000051	1	Controller	
	7012986	1	Coil	
	7017444	1	Coil	
	H000536	1	Switch, Pressure	



## SECTION 9 - RECOMMENDED SERVICE PARTS STOCK

FIGURE 9-2. MODEL LIFTLUX 320-30 VARIABLE PARTS

ITEM	PART NUMBER	QTY	DESCRIPTION	REV
	Note	Ref	<b>The following list will service one machine (built to current production per date on the front cover) with emergency repair</b>	
		Ref	<b>VARIABLE PARTS</b>	
	S000376	1	Switch, Limit	
	E000359	1	Switch, Limit	
	E000044	1	Switch, Tilt	
	E000189	1	Card, Pump Delay Circuit	
	E000218	1	Card, Complex Circuit	
	E000214	1	Card, Nivelux Circuit	
	E000053	1	Limit Switch	
	1001226062	1	Hydraulic Filter	

**SECTION 10 - SPECIAL OPTIONS**

## SECTION 10 - SPECIAL OPTIONS

FIGURE 10-1. SPECIAL OPTIONS

ITEM	PART NUMBER	QTY	DESCRIPTION	REV
	Note	1	<b>Note: This list is to accommodate machines ordered with special equipment. Options may not be applicable to all models. For more specific parts information contact JLG Parts Department.</b>	
		Ref	<b>MISCELLANEOUS SPECIAL OPTIONS</b>	
	0256789	Ref	<b>Camera Mount Assembly</b>	
		Ref	<b>Fluids</b>	
	2300014	Ref	Hydraulic Oil SBW SGL 93/ HLP46 N	
	3020016	Ref	Engine Oil Mobil Delvac MX 15W40	
	3020008	Ref	Gear Lube ATF 184	
		Ref	<b>Maintenance Kits</b>	
	1001111690	1	Engine Fuel/Oil Filter Kit	
		Ref	<b>Tools For Service:</b>	
	7002828	1	Wire Stripper	
	7002821	1	Wire Crimper (To Install Wire Ends to Wires)	
	7002823	1	Pin/Socket Extractor - Universal (To Remove Pins/Sockets from Connectors)	
	4460467	1	Extractor - 16-18 Gauge (For Removal of Pins/Sockets for Deutsch Connectors)	
	4460510	1	Extractor - 12-14 Gauge (For Removal of Pins/Sockets for Deutsch Connectors)	
	7002822	1	Screwdriver, Potentiometer (To Adjust Drive Controller)	
	7016654	1	Screwdriver, Magnetic	
	7004275	1	Seal Installation Tool - 1in	
	7004276	1	Seal Installation Tool - 1-1/2in	
	7002826	1	Seal Installation Tool - 2in	



**PART NUMBER INDEX**

# PART NUMBER INDEX

00106619, 11, 13, 21, 30, 47, 51, 57, 62, 70, 75, 79, 81, 83, 85, 87	1706471 ..... 113	2143705 ..... 93	2754981.....95
0181847 .....75	1706472 ..... 113	2143709 ..... 93	2754982.....95
0256789 .....120	1706481 ..... 113	2143807 ..... 93	2754983.....95
0274713 .....113	1706482 ..... 113	2143809 ..... 93	2754984.....95
0307544 .....35, 37	1706485 ..... 113	2143812 ..... 93	2754985.....95
0318854 .....35	1706487 ..... 113	2143814 ..... 93	2754986.....95
0630600 .....11	1706512 ..... 113	2144105 ..... 93	3020008.....120
0700626 .....57	1706579 ..... 113	2144311 ..... 93	3020016.....120
0700816 .....72	1706580 ..... 113	2171708 ..... 93	3290405.....21
0700818 .....21	1706581 ..... 113	2171712 ..... 93	3290605.....57, 70
0701016 .....48	1706582 ..... 113	2171716 ..... 93	3290805.....25, 57, 72
0701030 .....71	1707174 ..... 113	2171816 ..... 93	3291001.....71
0701033 .....21	2080040 ..... 113	2221222 ..... 92	3291005.....11, 48
0701217 .....52	2140803 ..... 92	2221237 ..... 93	3291205....52, 57, 64, 71, 72
0701220 .....52	2141503 ..... 93	2300014 .....120	3291605.....63, 64, 72
0701222 .....11, 52	2141506 ..... 93	2560141 .....75	3292005.....72
0701226 .....11	2141908 ..... 93	2754375 .....93, 94	3292405.....9
0701629 .....64	2142103 ..... 92	2754378 ..... 93	3332011 .....11
0701631 .....64	2142203 ..... 92	2754437 ..... 94	3391210 .....72
0701632 .....63	2142205 ..... 92	2754442 ..... 94	3790213.....13
0711620 .....13	2142206 ..... 92	2754481 ..... 93	3820510.....25
0711624 .....13	2142207 ..... 92	2754552 ..... 94	3900406.....48
0760606 .....57	2142209 ..... 92	2754568 ..... 94	3902024.....11
0760607 .....57	2142708 ..... 92	2754572 ..... 93	3902026.....11
0760608....21, 48, 71, 72, 73	2142709 ..... 92	2754577 ..... 94	4031510.....21
0760610 .....70	2142710 ..... 92	2754937 ..... 93	4031612.....11
0760808 .....11	2142711 ..... 92	2754938 ..... 93	4031709.....72
0760812 .....48, 57	2142712 ..... 92	2754939 ..... 93	4031712.....72
0760814 .....57	2142714 ..... 92	2754940 ..... 93	4032015.....21
0760818 .....25	2142715 ..... 92	2754941 ..... 93	4032109.....64
0761010 .....70	2142716 ..... 92	2754942 .....93, 94	4032110.....57
0761012 .....71, 72	2142717 ..... 92	2754943 ..... 94	4420051 .....113
0761212 .....9	2142718 ..... 92	2754944 ..... 94	4460467 .....120
0761214 .....11, 52	2142719 ..... 92	2754945 ..... 94	4460510 .....120
0761215 .....25, 57, 72	2142720 ..... 92	2754946 ..... 94	4641192 .....83
0761217 .....71	2142721 ..... 92	2754947 ..... 94	4740322 .....48
0761221 .....64	2142741 ..... 92	2754948 ..... 94	4752200 .....72
0761614 .....11	2142742 ..... 92	2754949 ..... 94	4811700....48, 57, 71, 72, 73
0761616 .....9	2142744 ..... 92	2754950 ..... 94	4811900.....21, 25, 57
0860520 .....113	2142747 ..... 92	2754951 ..... 94	4812000....21, 48, 71, 72
0893076 .....35, 37	2142748 ..... 92	2754952 ..... 94	4812100....11, 25, 57, 64, 71, 72
1001092411 .....95	2142751 ..... 92	2754953 ..... 94	4812300.....72
1001092412 .....95	2142753 ..... 92	2754954 ..... 94	4812500.....72
1001094510 .....30	2142757 ..... 92	2754955 ..... 94	4831500.....21
1001094781 .....31	2143403 ..... 92	2754956 ..... 94	4831700....21, 57, 71, 72, 73
1001109990 .....75	2143404 ..... 92	2754957 ..... 94	4831900.....11
1001111690 .....120	2143405 ..... 92	2754959 ..... 94	4832000.....70, 71, 72
1001173573 .....57	2143406 ..... 92	2754960 ..... 94	4832100.....11, 52
1001226062 .....47	2143407 ..... 92	2754961 ..... 94	5241600.....13
1003107 .....35, 37	2143409 ..... 92	2754962 ..... 94	5242000.....11
1060279 .....113	2143409 ..... 92	2754963 ..... 94	5242200.....13
1701505 .....113	2143510 ..... 93	2754964 ..... 94	70000020.....30, 31, 116
1701509 .....113	2143511 ..... 93	2754965 ..... 94	70000021.....30, 31
1701785 .....113	2143514 ..... 93	2754966 ..... 94	70000024.....47, 116
1703687 .....113	2143519 ..... 93	2754967 ..... 94	70000090.....83
1703811 .....113	2143521 ..... 93	2754968 ..... 94	70000091.....83
1703812 .....113	2143532 ..... 93	2754969 ..... 94	70000150.....83
1703814 .....113	2143533 ..... 93	2754970 ..... 94	70000159.....13
1703819 .....113	2143603 ..... 93	2754971 ..... 94	70000160.....13
1704277 .....113	2143604 ..... 93	2754972 ..... 94	70000161.....13
1704412 .....113	2143605 ..... 93	2754973 ..... 94	70000162.....13
1705671 .....113	2143606 ..... 93	2754974 ..... 95	70000183.....83
1705673 .....113	2143607 ..... 93	2754975 ..... 95	
	2143608 ..... 93	2754976 ..... 95	
	2143609 ..... 93	2754977 ..... 95	
	2143610 ..... 93	2754978 ..... 95	
	2143703 ..... 93	2754980 ..... 95	

## PART NUMBER INDEX

70000196	79	70000887	51	70001922	18	8003064	35
70000197	79	70000888	51	70001923	17	8007894	35
70000198	85	70000889	51	70001924	17	8007915	35, 37
70000241	18	70000890	51	70001925	17	8007935	35
70000246	17	70000891	51	70001926	17	8007939	35
70000267	39	70000892	51, 116	70001993	14	8007944	35
70000269	39	70000893	51	70002076	43	8007953	37
70000270	39	70000925	52	70002077	43	8007954	35
70000271	39	70000926	52	70002078	43	8008750	30
70000332	39	70000952	45	70002079	43	E000015	45
70000333	39	70000953	45	70002080	43	E000016	65
70000385	39, 116	70000954	45	70002081	43	E000018	45
70000412	17	70000955	45	70002082	47	E000019	62
70000424	17	70000956	45	70002414	18	E000044	30, 118
70000513	41	70000957	55	70002809	47	E000045	62, 65
70000514	41	70000958	55	70002810	47	E000051	75, 116
70000515	41	70000959	55	70002811	47	E000053	118
70000516	41	70000960	55	70003616	45	E000057	30
70000517	41	70000961	55	70006336	47	E000058	30
70000518	41	70000962	55	70006337	47	E000059	30, 116
70000519	41	70000963	55	70006338	47	E000063	30
70000520	41	70000964	55	7002821	120	E000083	30, 31, 45, 62, 75
70000521	41	70000965	55	7002822	120	E000102	30, 31, 45, 70
70000522	41	70000966	55	7002823	120	E000103	30, 31, 75
70000523	41	70001114	30	7002826	120	E000189	45, 118
70000524	41	70001122	32	7002828	120	E000214	45, 118
70000525	41	70001352	31	7004275	120	E000218	45, 118
70000526	41	70001353	32	7004276	120	E000230	21
70000527	41	70001355	32	7012972	79	E000231	21
70000528	41	70001879	17	7012986	79, 116	E000269	62
70000529	41	70001880	17	7016330	51	E000301	62, 65
70000530	41	70001881	17	7016654	120	E000302	62, 65
70000531	41	70001882	17	7017444	83, 116	E000303	45
70000532	41	70001883	17	7020208	51	E000304	45, 75
70000533	41	70001884	17	7020442	51	E000331	45
70000534	41	70001885	17	7024813	83	E000353	45
70000535	41	70001886	17	7024896	83	E000359	21, 118
70000536	41	70001887	17	7024897	79	E000364	45
70000537	41	70001888	17	7026173	51	E000376	11, 62, 65
70000538	41	70001889	17	7027912	35	E000377	30, 75, 116
70000539	41	70001891	17	7027916	37	E000378	45, 116
70000540	41	70001892	17	7027917	37	E000390	30, 116
70000541	41	70001893	17	7027918	37	E000391	30, 116
70000542	41	70001894	17	7027919	37	E000407	45
70000543	41	70001896	17	7027920	37	E000412	45, 75, 116
70000587	72	70001897	17	7027921	37	E000419	75
70000588	72	70001898	17	7027922	37	E000420	75
70000634	32	70001899	17	7027923	37	E000432	75
70000635	32, 116	70001900	17	7027924	37	E000435	75, 116
70000869	51	70001901	17	7027925	37	E000436	45, 75, 116
70000870	51	70001902	17	7027926	37	E000457	45, 116
70000871	51, 116	70001903	17	7027927	37	E000458	45
70000872	51	70001904	17	7027928	37	E000481	30, 31, 70
70000873	51	70001905	17	7027929	37	E000482	30, 31, 45, 75
70000874	51	70001906	17	7027930	37	E000497	31, 45
70000875	51	70001907	17	7027931	37	E000511	75, 116
70000876	51	70001908	17	7027932	37	E000606	30
70000877	51	70001909	17	7027934	37	E000710	30
70000878	51	70001913	17	7027935	37	E000712	30
70000879	51	70001914	17	7027936	37	E000714	30, 62, 65
70000880	51	70001915	17	7027937	37	E001184	45
70000881	51	70001916	17	7027962	30, 116	E001185	45
70000882	51	70001917	17	7028846	35	E001190	75
70000883	51	70001918	18	7028847	35	E001194	45
70000884	51	70001919	17	7028848	35	E001206	45
70000885	51, 116	70001920	17	7028849	35, 37	E001328	75
70000886	51	70001921	17	7028893	35		

# PART NUMBER INDEX

H000013.....47, 48	H003121.....83	S004501.....25	S200530.....72
H000018.....92	H003123.....87	S005001.....63	S200534.....72
H000040.....30, 51	H003124.....81	S005002.....63	S200535.....71
H000043.....9, 87	H003125.....81	S005003.....62, 63, 83	S200537.....71, 72
H000044.....11, 79	H003126.....83	S005004.....63	S200538.....71
H000045.....21, 81	H003127.....83	S005005.....63	S200539.....71
H000046.....70, 73, 85	H004081.....52	S005007.....63	S200540.....71
H000047.....62, 65, 83	H004082.....52	S005008.....63	S200541.....71
H000048.....30	H005247.....35, 37	S005009.....63	S200542.....71
H000049.....30	H005250.....35	S005010.....63	S200779.....83
H000052.....21, 81	H005279.....35	S005011.....63	S200780.....83
H000072.....92	H005337.....81	S005013.....63	S200781.....83
H000115.....92	H005338.....35	S005014.....63	S200782.....83
H000116.....35	H005339.....47, 48	S005015.....63	S200783.....87
H000148.....92	H005340.....52	S005016.....63	S200784.....87
H000191.....35	H005341.....52	S005017.....63	S200785.....87
H000206.....35	H005342.....52, 57	S005019.....63	S200786.....87
H000241.....47, 48, 116	H005369.....13	S005020.....63	S200788.....81
H000273.....92	H005370.....13	S005021.....63	S200789.....81
H000278.....92	H005371.....13	S005022.....63	S200790.....81
H000280.....79	H005559.....31	S005023.....63	S200791.....81
H000285.....30, 31, 41	H005783.....47	S005024.....63	S200798.....79
H000305.....92	H705721.....83	S005026.....13	S200799.....79
H000311.....30, 31	H705722.....83	S005027.....13	S200800.....79
H000335.....92	H705723.....83	S005029.....9	S200801.....79
H000339.....92	H705724.....83	S005030.....11, 21	S200803.....13
H000352.....35	H900005.....51	S005037.....9	S200805.....9
H000370.....30, 31	H900039.....92	S005044.....57	S200806.....9
H000408.....30	S000009.....75	S005045.....57	S200807.....11
H000436.....30, 31, 39	S000011.....62, 64	S005112.....51, 52	S200808.....11
H000511.....92	S000014.....65	S005119.....63	S200809.....11
H000512.....35	S000030.....70	S005120.....63	S200810.....11
H000514.....35	S000034.....63	S005176.....51, 52	S200811.....11
H000533.....83	S000050.....62	S006617.....9	S200812.....11
H000536.....43, 83, 92, 116	S000083.....64	S006667.....9	S200813.....63
H000553.....51	S000093.....63	S006814.....9	S200814.....63
H000558.....21, 81	S000118.....11, 63	S007046.....63	S200815.....63
H000559.....21, 81	S000124.....63	S007047.....63	S200816.....63
H000566.....47	S000141.....9, 11, 63, 64, 70	S007048.....63	S200817.....63
H000570.....83	S000145.....71, 72, 73	S007049.....63	S200818.....65
H000580.....35	S000189.....64	S007050.....64	S200819.....62
H000696.....13, 17	S000219.....57	S007051.....64	S200820.....62
H000700.....30, 31, 37	S000226.....57	S007052.....64	S200821.....62
H000701.....30, 31, 35	S000237.....70	S007125.....62	S200822.....62
H000703.....62, 65, 83	S000265.....85	S007126.....62	S200823.....62
H000704.....51, 55	S000376.....118	S007127.....62	S200824.....62
H000705.....92	S000865.....57	S007128.....62	S200825.....62
H000706.....47	S000870.....57	S007129.....62	S200826.....62
H000707.....31, 43	S000875.....57	S007130.....62	S200827.....62
H000709.....47, 118	S000876.....57	S007131.....63	S200828.....62
H001040.....93	S000877.....57	S200248.....9	S200829.....62
H001041.....92	S001443.....71, 72, 73	S200263.....31	S200830.....62
H003010.....48	S001491.....63	S200481.....65	S200831.....62
H003060.....85	S001492.....63	S200502.....85	S200832.....62
H003062.....85	S001496.....63	S200503.....85	S200833.....62
H003080.....79, 85	S001497.....63	S200505.....85	S200834.....63
H003081.....87	S001513.....57	S200506.....85	S200835.....64
H003082.....79	S001553.....87	S200515.....72	S200836.....64
H003086.....81	S001557.....79	S200516.....72	S200837.....64
H003087.....87	S001558.....64	S200518.....70	S200838.....64
H003088.....79	S001640.....70	S200522.....72	S200839.....64
H003092.....81	S001667.....71, 72, 73	S200523.....72	S200841.....64
H003096.....79, 87	S001676.....57	S200524.....72, 116	S200842.....64
H003104.....85, 87	S001716.....9	S200525.....72	S200843.....64
H003111.....79	S001735.....63	S200526.....72	S200844.....70
H003116.....85, 87	S001803.....63	S200527.....71	S200845.....70
H003120.....83	S004500.....25	S200529.....72	S200846.....70

## PART NUMBER INDEX

S200847.....	70	S200880.....	52	S900309.....	70	SL320-30.411.05.0.....	70
S200848.....	70	S200881.....	52	S900310.....	70	SL320-	
S200849.....	70	S200882.....	52	SL320-30....	9, 11, 13, 21,	30.411.05.0S0320-	
S200850.....	71	S200883.....	51	30, 47, 51, 57, 62, 70,		30.411.05.0.....	72
S200851.....	72	S200884.....	52	79, 81, 83, 85, 87		SL320-	
S200852.....	72	S200885.....	52	SL320-30.160.06.0	48, 52	30.420.00.0S0320-	
S200853.....	72	S201123.....	13, 14	SL320-		30.420.00.0.....	72
S200854.....	72	S900002.....	21	30.400.00.0S0320-		SL320-	
S200855.....	73	S900003.....	21	30.400.00.0.....	70	30.421.00.0S0320-	
S200856.....	73	S900129.....	113	SL320-		30.42.00.0.....	72
S200857.....	73	S900161.....	11	30.410.00.0S0320-		SL32030-130-29-0.....	11
S200858.....	70	S900163.....	57	30.410.00.0.....	70	SL32030-500-00....	9, 11,
S200859.....	9, 21	S900165.....	21	SL320-		13, 21, 31, 47, 51, 65,	
S200860.....	25, 52	S900166.....	21	30.411.00.0S0320-		73, 79, 81, 83, 85, 87	
S200861.....	48	S900167.....	21	30.411.00.0.....	70	SL32030-FS9, 11, 13, 21,	
S200863.....	31	S900168.....	73	SL320-30.411.01.0	70, 73	31, 47, 51, 65, 73, 79,	
S200864.....	31	S900170.....	70	SL320-		81, 83, 85, 87	
S200866.....	21	S900189.....	11	30.411.01.0S0320-		SL32030-G. 9, 11, 13, 21,	
S200867.....	47, 48	S900202.....	71	30.411.01.0.....	71	31, 47, 51, 65, 73, 79,	
S200869.....	52	S900211.....	11	SL320-30.411.02.0.....	70	81, 83, 85, 87	
S200870.....	52	S900223.....	65	SL320-30.411.03.0.....	70	SL32030-RP9, 11, 13, 21,	
S200871.....	31	S900302.....	70	SL320-		31, 47, 51, 65, 73, 79,	
S200872.....	31	S900303.....	70	30.411.03.0S0320-		81, 83, 85, 87	
S200873.....	31	S900304.....	70	30.411.03.0.....	71	SL3203D-4WD-SF. 9, 11,	
S200874.....	31	S900305.....	70	SL320-30.411.04.0.....	70	13, 21, 31, 47, 51, 65,	
S200875.....	31	S900306.....	70	SL320-		73, 79, 81, 83, 85, 87	
S200878.....	48	S900307.....	70	30.411.04.0S0320-			
S200879.....	48	S900308.....	70	30.411.04.0.....	71		



3121320



An Oshkosh Corporation Company

Corporate Office  
JLG Industries, Inc.  
1 JLG Drive  
McConnellsburg, PA 17233-9533  
USA

+1-717-485-5161 (Corporate)  
+1-877-554-5438 (Customer Support Toll Free)  
+1-717-485-6417

### JLG Worldwide Locations

JLG Industries  
358 Park Road  
Regents Park  
NSW 2143  
Sydney 2143  
Australia  
+6 (12) 87186300  
+6 (12) 65813058  
Email: techservicesaus@jlg.com

JLG Ground Support Oude  
Bunders 1034  
Breitwaterstraat 12A  
3630 Maasmechelen  
Belgium  
+32 (0)89 84 82 26  
Email: emeaservice@jlg.com

JLG Latino Americana LTDA  
Rua Antonia Martins Luiz, 580  
Distrito Industrial Joao Narezzi  
Indaiatuba-SP 13347-404  
Brasil  
+55 (19) 3936 7664 (Parts)  
+55 (19) 3936 9049 (Service)  
Email: comercialpecas@jlg.com  
Email: servicos@jlg.com

Oshkosh-JLG (Tianjin)  
Equipment Technology LTD  
Shanghai Branch  
No 465 Xiao Nan Road  
Feng Xian District  
Shanghai 201204  
China  
+86 (21) 800 819 0050

JLG Industries Dubai  
Jafza View  
PO Box 262728, LB 19  
20th Floor, Office 05  
Jebel Ali, Dubai  
+971 (0) 4 884 1131  
+971 (0) 4 884 7683  
Email: emeaservice@jlg.com

JLG France SAS  
Z.I. Guillaume Mon Amy  
30204 Fauillet  
47400 Tonniens  
France  
+33 (0) 553 84 85 86  
+33 (0) 553 84 85 74  
Email: pieces@jlg.com

JLG Deutschland GmbH  
Max Planck Str. 21  
27721 Ritterhude-Ihlpohl  
Germany  
+49 (0) 421 69350-0  
+49 (0) 421 69350-45  
Email: german-parts@jlg.com

JLG Equipment Services Ltd.  
Rm 1107 Landmark North  
39 Lung Sum Avenue  
Sheung Shui N. T.  
Hong Kong  
+(852) 2639 5783  
+(852) 2639 5797

JLG Industries (Italia) S. R. L.  
Via Po, 22  
IT-20010 Pregnana Milanese (MI)  
Italy  
+39 (0) 2 9359 5210  
+39 (0) 2 9359 5211  
Email: ricambi@jlg.com

JLG EMEA B.V.  
Polaris Avenue 63  
2132 JH Hoofddorp  
The Netherlands  
+31 (0) 23 565 5665  
Email: emeaservice@jlg.com

JLG NZ Access Equipment & Services  
2B Fisher Crescent  
Mt Wellington 1060  
Auckland, New Zealand  
+6 (12) 87186300  
+6 (12) 65813058  
Email: techservicesaus@jlg.com

JLG Industries  
Vahutinskoe shosse 24b  
Khimki,  
Moscow Region 141400  
Russia Federation  
+7 (499) 922 06 99  
+7 (499) 922 06 99

Oshkosh-JLG Singapore  
Technology Equipment P te Ltd.  
35 Tuas Avenue 2  
Jurong Industrial Estate  
Singapore 639454  
+65 6591 9030  
+65 6591 9045  
Email: SEA@jlg.com

JLG Iberica S. L.  
Trapadella, 2  
Pol. Ind. Castellbisbal Sur  
08755 Castellbisbal  
Barcelona  
Spain  
+34 (0) 93 772 47 00  
+34 (0) 93 77 117 62  
Email: parts\_iberica@jlg.com

JLG Sverige AB  
Enkopingsvagen 150  
17627 Jarfalla  
Sweden  
+46 (0) 8 506 595 00  
+46 (0) 8 506 595 27  
Email: nordicsupport@jlg.com

JLG Industries (UK) Ltd.  
Bentley House  
Bentley Avenue  
Middleton, Greater Manchester  
M24 2GP  
United Kingdom  
+44 (0) 161 654 1000  
+44 (0) 161 654 1003  
Email: ukparts@jlg.com

www.jlg.com