



Illustrated Parts Manual

Model 80SL

3121326

January 1, 2015

ANSI



An Oshkosh Corporation Company

REVISION LOG

October 1, 2006 - Original Issue of Manual (Manual Edited to B/M 0010695 Revision 3)
February 28, 2007 - Revised Manual (Manual Edited to B/M 0010695 Revision 6)
June 15, 2007 - Revised Manual (Manual Edited to B/M 0010695 Revision 6)
November 1, 2007 - Revised Manual (Manual Edited to B/M 0010695 Revision 7)
January 31, 2008 - Revised Manual (Manual Edited to B/M 0010695 Revision 9)
July 31, 2008 - Revised Manual (Manual Edited to B/M 0010695 Revision 9)
May 15, 2009 - Revised Manual (Manual Edited to B/M 0010695 Revision 10)
November 15, 2010 - Revised Manual (Manual Edited to B/M 0010695 Revision 10)
April 8, 2011 - Revised Manual (Manual Edited to B/M 0010695 Revision 13)
July 11, 2011 - Revised Manual (Manual Edited to B/M 0010695 Revision 13)
October 3, 2011 - Revised Manual (Manual Edited to B/M 0010695 Revision 13)
February 24, 2012 - Revised Manual (Manual Edited to B/M 0010695 Revision 13)
June 29, 2012 - Revised Manual (Manual Edited to B/M 0010695 Revision 13)
September 21, 2012 - Revised Manual (Manual Edited to B/M 0010695 Revision 13)
January 31, 2013 - Revised Manual (Manual Edited to B/M 0010695 Revision 13)
April 18, 2013 - Revised Manual (Manual Edited to B/M 0010695 Revision 13)
July 16, 2013 - Revised Manual (Manual Edited to B/M 0010695 Revision 13)
October 15, 2013 - Revised Manual (Manual Edited to B/M 0010695 Revision 13)
January 1, 2015 - Revised Manual (Manual Edited to B/M 0010695 Revision 13)

GENERAL INFORMATION

SECTION 6 CYLINDER

FIGURE 6-3. LIFT CYLINDER ASSEMBLY

PG# Model Designation Manual #

SECTION 6 CYLINDER

FIGURE 6-3. LIFT CYLINDER ASSEMBLY

ITEM #	PART NUMBER	QTY.	DESCRIPTION	REV.
	1001140104	Ref	LIFT CYLINDER ASSEMBLY	B
1	0100011	AR	Compound, Locking	
2	0630535	3	Capscrew 1/4-20 x 1-1/8	
3	0791003	1	Screw #10-24 x 3/8	
4	0961897	1	Bushing, Tapered	
5	1320136	1	Clamp, Cable	
6	1663063	1	Head	
7	2220883	1	Plug, O-Ring	
8	2220885	2	Plug, O-Ring	
9	2220886	1	Plug, O-Ring	
10	3020039	AR	Lubricant	
11	3480282	1	Piston	
12	3760371	1	Ring, Washer	
13	3931420	8	Capscrew 1/4-20 x 1-1/4	
14	3531824	8	Capscrew 1/2-13 x 1-1/2	
15	3951003	1	Setcrew #10-24 x 3/8	
16	4100099	1	Spacer	
17	4640999	1	Cartridge, Holding Valve (Non Vented)	
17	2900792		Kit, Seal - 4640999 Cartridge Valve	
18	4641248	1	Cartridge, Countbalance Valve (Non Vented)	
18	70004186		Kit, Seal - 4641248 Cartridge Valve	
19	1001117991	1	Sensor, Cylinder Length	
20	1001118070	1	Cap, Retainer	
21	1001118084	1	Barrel	
21A	0961950	2	Bushing	
22	1001118086	1	Rod	
22A	0961950	2	Bushing	
100	1001139996	1	Kit, Seal (Includes Items 101-109)	
101	See Note	2	Ring, Wear (Note: Use p/n 1001139996)	
102	See Note	1	Ring, Back-Up (Note: Use p/n 1001139996)	
103	See Note	2	Ring, Lock (Note: Use p/n 1001139996)	
104	See Note	2	Ring, Back-Up (Note: Use p/n 1001139996)	
105	See Note	2	O-Ring (Note: Use p/n 1001139996)	
106	See Note	1	O-Ring (Note: Use p/n 1001139996)	
107	See Note	1	Seal (Note: Use p/n 1001139996)	
108	See Note	1	Wiper, Rod (Note: Use p/n 1001139996)	
109	See Note	2	Seal (Note: Use p/n 1001139996)	
200	1001119105	1	Kit, Sensor Magnet (Includes Items 201-203)	
201	See Note	NSS	Sleeve, Spacer (Note: Use p/n 1001119105)	
202	1001118066	1	Magnet, Sensor	
203	1001118069	1	Ring, Internal Retaining	

Manual # Model Designation PG#

1) MACHINE IDENTIFICATION

Machines are identified by model and in some cases a combination of models, serial number (SN) or regional standard (i.e. ANSI, CE, CSA). Components may also be identified by SN or manufacturer. Common components that may be identified by these characteristics are engines and hydraulic components.

2) PARTS MANUAL ORGANIZATION

Product information in this manual is organized under section titles. Frame, Cylinder, Hydraulic and Electrical are a few examples. Each section is organized by figure and page number. The information within the Figure is then organized by item number, part number, description and corresponding illustration(s).

3) TABLE OF CONTENTS

A table of contents is found toward the beginning of the manual. Figure number, description and page number are provided for quick reference to the page containing the related information.

4) RECOMMENDED SPARE PARTS

The Recommended Spare Parts, located near the end of the manual, reference most frequently used maintenance parts.

5) PART NUMBER INDEX

A numerical index listing all part numbers and the corresponding page number(s) appears at the back of the manual.

GENERAL INFORMATION

6) NON-SERVICED PARTS

In some instances, it is necessary to display non-serviced parts, assemblies or installations. In the case of assemblies and installations there will be a Ref in the Qty column. In case of parts that are not available for service within assemblies or components, there will be a NSS (Not Sold Separately) or NLA (No Longer Available) listed in the Qty. column of the manual.

7) PARTS LIST ITEM NUMBERS

Numbers shown in the item# column correspond to numbers used in the associated illustration (s). Item numbers which are missing from the sequence in the parts list are not used on that page

8) INDENTED PARTS DESCRIPTION

An indented part description is included in the item under which it is indented.

9) ABBREVIATION AND SYMBOLS

AC.....	.. Alternating Current	LCD Liquid Crystal Display
ADE.....	.. Advanced Design Electronics	LED Light Emitting Diodes
ANSI American National Standards Institute	LH.....	.. Left Hand
AR.....	.. As Required	LSS Load Sensing System
ASSY Assembly	M(m).....	.. Metric/Meter
AUX.....	.. Auxiliary	MM (mm) Milimeter
AWG.....	.. American Wire Gauge	mA.....	.. Milliamps
B/M.....	.. Bill of Material	NLA.....	.. No Longer Available
CE.....	.. European Conformity	NPT National Pipe Threads
CCW Counter Clockwise	NSS Not Sold Separately
cm.....	.. Centimeter	OD.....	.. Outside Diameter
CW Clockwise	ORB.....	.. O-Ring Boss
CSA.....	.. Canadian Standards Association	ORFS O-Ring Face Seal
CYL.....	.. Cylinder	OZ (oz) Ounces
DIA.....	.. Diameter	PG Page
DC.....	.. Direct Current	P/N.....	.. Part Number
EMS Emergency Stop	qt.....	.. Quarts
ENG Engine	QTY.....	.. Quantity
FT (ft).....	.. Feet	REF Reference
GA (Ga).....	.. Gauge	REV Revision Level
HYD.....	.. Hydraulic	RH.....	.. Right Hand
Hz.....	.. Hertz	SAE.....	.. Society of Automotive Engineers
ID.....	.. Inside Diameter	SN.....	.. Serial Number
in.....	.. inches	SPEC(S).....	.. Specifications
ISO.....	.. International Organization for Standards	T/T.....	.. Turntable
JIC.....	.. Joint Industry Council	UGM Universal Ground Module
KG Kilogram	V.....	.. Volts
L.....	.. Liter	W.....	.. Watts
LB Pounds	#.....	.. Number

10) ILLUSTRATION REFERENCE LETTERS

When necessary, illustrations may contain reference letters that are intended to track information (i. e. hoses, harnesses) from one point to another or to track visual enlargement of components to show details that may be located in another area on the illustration.

Note: Due to continuous product improvements, JLG Industries, Inc. reserves the right to make specification changes without prior notification. Contact JLG Industries, Inc. for updated information.

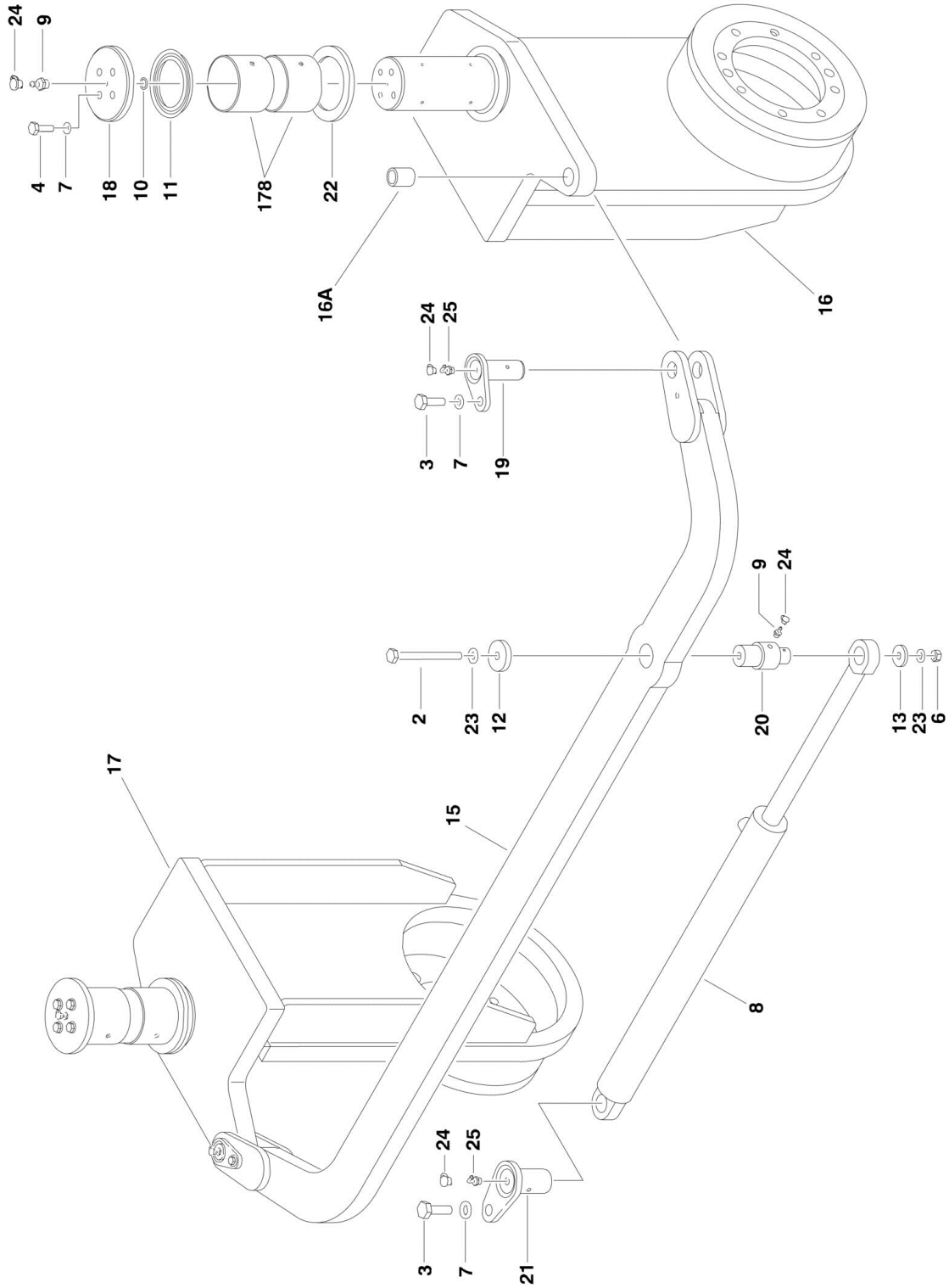
TABLE OF CONTENTS

SECTION 1 - FRAME.....	9
FIGURE 1-1. STEERING INSTALLATION	10
FIGURE 1-2. REAR AXLE INSTALLATION	12
FIGURE 1-3. WHEEL DRIVE INSTALLATION.....	14
FIGURE 1-4. DRIVE MOTOR ASSEMBLY	16
FIGURE 1-5. DRIVE HUB ASSEMBLY	18
FIGURE 1-6. LEVELING CYLINDERS INSTALLATION.....	22
FIGURE 1-7. LADDER INSTALLATION	24
SECTION 2 - GROUND CONTROLS	27
FIGURE 2-1. VALVE SIDE COMPONENTS INSTALLATION	28
FIGURE 2-2. MAIN VALVE ASSEMBLY	32
FIGURE 2-3. HAND PUMP ASSEMBLY	34
FIGURE 2-4. DRIVE VALVE ASSEMBLY	36
FIGURE 2-5. MAIN TERMINAL BOX ASSEMBLY	38
FIGURE 2-6. ENGINE SIDE COMPONENTS INSTALLATION.....	40
FIGURE 2-7. ENGINE INSTALLATION.....	42
FIGURE 2-8. PISTON PUMP ASSEMBLY	46
FIGURE 2-9. HOODS INSTALLATION	48
SECTION 3 - SCISSORS ARMS	51
FIGURE 3-1. SCISSORS ARMS INSTALLATION.....	52
SECTION 4 - PLATFORM.....	57
FIGURE 4-1. PLATFORM AND ACCESSORIES INSTALLATION.....	58
FIGURE 4-2. PLATFORM CONSOLE ASSEMBLY AND INSTALLATION.....	62
FIGURE 4-3. DRIVE/STEER CONTROLLER ASSEMBLY	64
SECTION 5 - CYLINDER.....	67
FIGURE 5-1. AXLE LOCKOUT CYLINDER ASSEMBLY	68
FIGURE 5-2. LIFT CYLINDER ASSEMBLY	70
FIGURE 5-3. LEVELING CYLINDER ASSEMBLY	72
FIGURE 5-4. PLATFORM EXTENSION CYLINDER ASSEMBLY	74
FIGURE 5-5. STEERING CYLINDER ASSEMBLY	76
SECTION 6 - HYDRAULIC	79
FIGURE 6-1. HYDRAULIC DIAGRAM (Prior to SN 1200021263)	80
FIGURE 6-2. HYDRAULIC DIAGRAM (SN 1200021263 to Present)	86
SECTION 7 - ELECTRICAL	91
FIGURE 7-1. ELECTRICAL SCHEMATIC.....	92
FIGURE 7-2. HARNESS COMPONENTS INSTALLATION.....	108
SECTION 8 - DECALS.....	113
FIGURE 8-1. DECAL INSTALLATION.....	114
SECTION 9 - RECOMMENDED SERVICE PARTS STOCK	117
FIGURE 9-1. MODEL 80SL STANDARD PARTS	118
FIGURE 9-2. MODEL 80SL VARIABLE PARTS	120
SECTION 10 - SPECIAL OPTIONS.....	121
FIGURE 10-1. SPECIAL OPTIONS.....	122
PART NUMBER INDEX	123

SECTION 1 - FRAME

SECTION 1 - FRAME

FIGURE 1-1. STEERING INSTALLATION



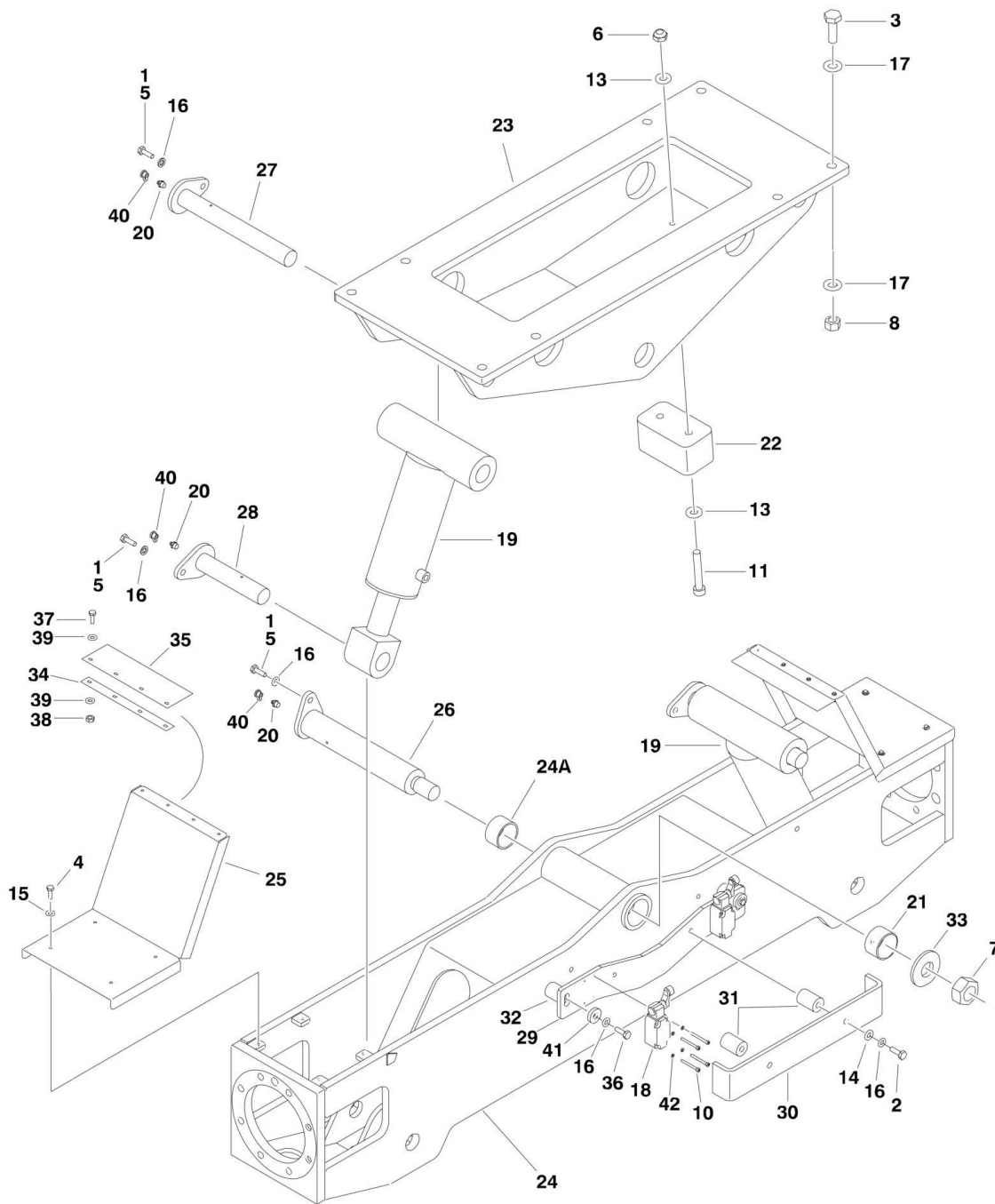
SECTION 1 - FRAME

FIGURE 1-1. STEERING INSTALLATION

ITEM	PART NUMBER	QTY	DESCRIPTION	REV
	0275565	Ref	STEERING INSTALLATION	F
2	0711232	1	Bolt M12 x 150mm	
3	0761210	3	Bolt M12 x 20mm	
4	0761214	8	Bolt M12 x 30mm	
6	3331215	1	Nut M12	
7	4832100	11	Lockwasher M12	
8	H900014	1	Steer Cylinder Assembly (See CYLINDER SECTION for Breakdown)	
9	S000141	3	Fitting, Grease (Use p/n 2160016)	
10	S001613	2	O-Ring	
11	S001614	2	Ring	
12	S200252	1	Washer	
13	S200253	1	Washer	
15	S201585	1	Tie-Bar	
16	S201586	1	Spindle (Left)	
16A	S900322	1	Bushing	
17	S201587	1	Spindle (Right)	
17A	S900322	1	Bushing (Not Shown)	
18	S201588	2	Cap	
19	S201589	2	Pin	
20	S900085	1	Pin	
21	S900088	1	Pin	
22	S900214	2	Ring	
23	4812100	2	Flatwasher M12	
24	S000142	6	Cap, Grease Fitting	
25	2160018	3	Fitting, 90 Grease	
	S201598	Ref	FRAME WELDMENT	I
178	S200911	4	Bushing	

SECTION 1 - FRAME

FIGURE 1-2. REAR AXLE INSTALLATION



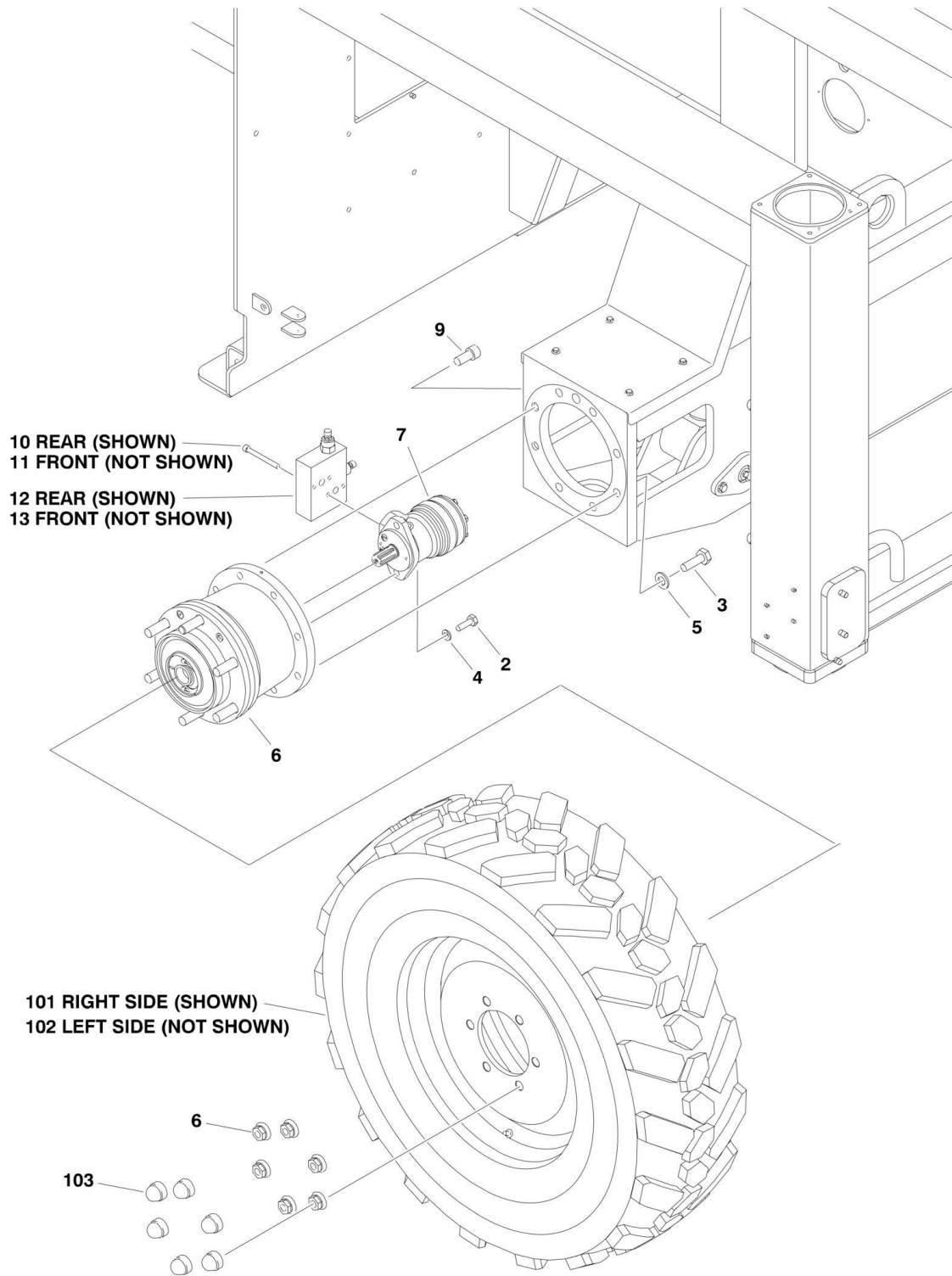
SECTION 1 - FRAME

FIGURE 1-2. REAR AXLE INSTALLATION

ITEM	PART NUMBER	QTY	DESCRIPTION	REV
	0275564	Ref	REAR AXLE INSTALLATION	J
1	0100019	AR	Compound, Locking	
2	0701222	2	Bolt M12 x 70mm	
3	0712026	8	Bolt M20 x 90mm	
4	0760819	8	Bolt M8 x 20mm	
5	0761214	5	Bolt M12 x 30mm	
6	3291005	4	Locknut M10	
7	3293605	1	Locknut M36	
8	3332011	8	Nut M20	
10	4031614	8	Capscrew M5 x 50mm	
11	4032018	4	Capscrew M10 x 70mm	
13	4812000	8	Flatwasher M10	
14	4812100	2	Flatwasher M12	
15	4831900	8	Lockwasher M8	
16	4832100	9	Lockwasher M12	
17	5242000	16	Flatwasher M20 Hardened	
18	E000376	2	Switch, Limit	
19	H900009	2	Axle Lockout Cylinder Assembly (See CYLINDER SECTION for Breakdown)	
20	2160016	5	Fitting, Grease	
22	S001640	2	Bumper	
23	S201591	1	Pivot, Axle	
24	S201592	1	Oscillating Axle Weldment	
24A	S001557	2	Bushing	
25	S201593	2	Cover	
26	S201594	1	Pin	
27	S201595	2	Pin	
28	S201596	2	Pin	
29	S201597	1	Plate	
30	S900186	1	Cover, Switch	
31	S900189	2	Bushing	
32	S900190	2	Bushing	
33		Ref	Plate, End Options:	
33	S900191	1	Plate, End (Prior to SN 120022194)	
33	S900231	1	Plate, End (SN 120022194 to Present)	
34	S900209	2	Plate	
35	S900210	2	Seal	
36	0701224	2	Bolt M12 x 80mm	
37	0700510	8	Bolt M5 x 20mm	
38	3290505	8	Locknut M5	
39	4811600	16	Flatwasher M5	
40	S000142	5	Cap, Grease Fitting	
41	S900211	2	Bushing	
42	4831600	8	Lockwasher M5	

SECTION 1 - FRAME

FIGURE 1-3. WHEEL DRIVE INSTALLATION



SECTION 1 - FRAME

FIGURE 1-3. WHEEL DRIVE INSTALLATION

ITEM	PART NUMBER	QTY	DESCRIPTION	REV
	0275566	Ref	WHEEL DRIVE INSTALLATION	G
2	0761215	8	Bolt M12 x 35mm	
3	0771619	24	Bolt M16 x 55mm	
4	4832100	8	Lockwasher M12	
5	5241600	24	Flatwasher M16 Hardened	
6	H000219	4	Drive Hub Assembly (See DRIVE HUB ASSEMBLY for Breakdown)	
7	H000443	4	Drive Motor Assembly (See DRIVE MOTOR ASSEMBLY for Breakdown)	
9	5272611	8	Capscrew M16 x 35mm	
10	4032013	8	Capscrew M10 x 45mm	
11	4032015	8	Capscrew M10 x 55mm	
12	H000331	2	Shock Valve Assembly (Rear Axles) (No Replacement Parts Available - Replace Complete Valve)	
13	H000723	2	Travel Valve Assembly (Front Axles) (No Replacement Parts Available - Replace Complete Valve)	
	0275708	Ref	TIRE AND WHEEL INSTALLATION	C
101	S900327	2	Wheel and Tire Assembly - Foam Filled (Right Side)	
102	S900328	2	Wheel and Tire Assembly - Foam Filled (Left Side)	
		Ref	Note: Assemblies may require ballast/foam filling to manufacturer's specifications prior to installing on a machine. Refer to Operation and Safety or Service and Maintenance Manuals. Purchase individual tire and/or rim only if able to foam fill tire and wheel assembly, otherwise, purchase complete assembly.	
102	70000154	4	Rim	
102	70000153	4	Tire	
103	S004000	24	Cap, Wheel Nut	

SECTION 1 - FRAME

FIGURE 1-4. DRIVE MOTOR ASSEMBLY

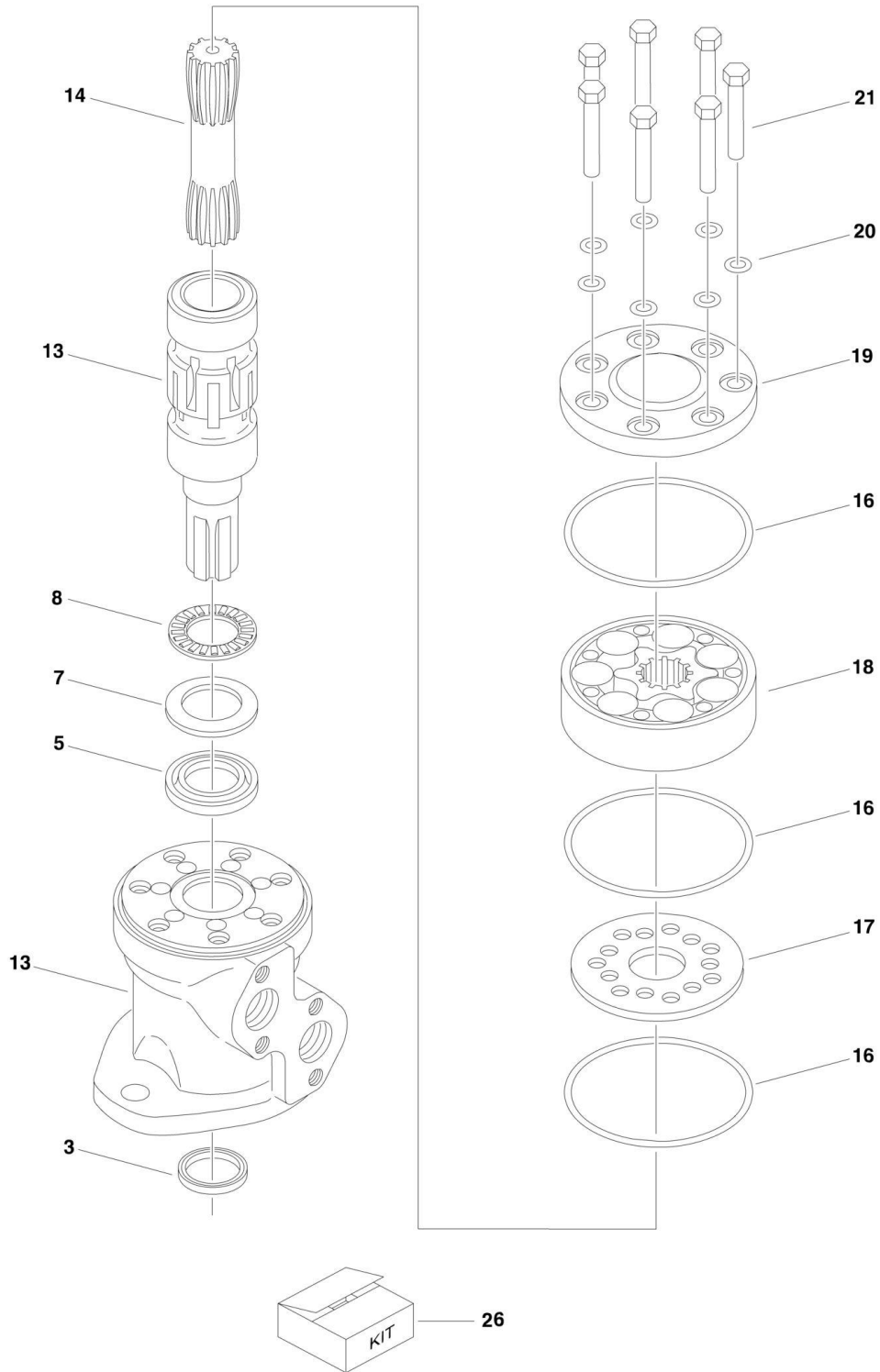
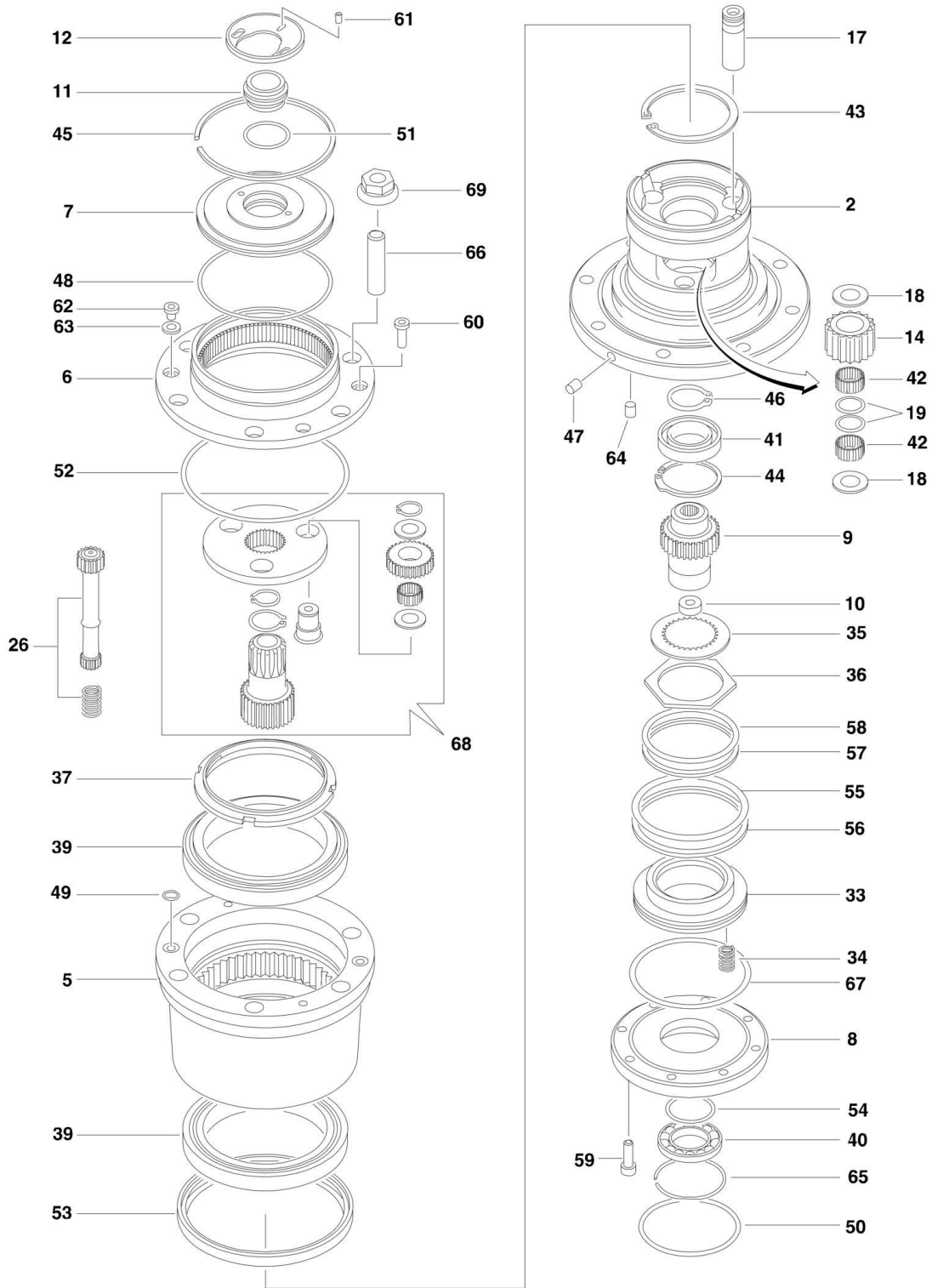


FIGURE 1-4. DRIVE MOTOR ASSEMBLY

ITEM	PART NUMBER	QTY	DESCRIPTION	REV
	H000443	Ref	DRIVE MOTOR ASSEMBLY	D
3	7027861	1	Seal, Dust	
5	See Note	NSS	Seal, Shaft (Note: Use Item 26)	
7	7020128	1	Race, Bearing	
8	7020129	1	Bearing, Needle	
13	See Note	1	Shaft and Housing (Note: Not Available - Purchase Complete Assembly)	
14	7027941	1	Shaft, Cardan	
16	See Note	NSS	O-Ring (Note: Use Item 26)	
17	7027939	1	Plate, Distributor	
18	See Note	1	Gear Set (Note: Not Available - Purchase Complete Assembly)	
19	7027940	1	Cover, End	
20	See Note	NSS	Washer (Note: Use Item 26)	
21	See Note	7	Screw M8 x 45mm (Note: Not Available - Purchase Locally)	
26	7020127	1	Seal Kit - H000443 Motor (Includes Items 3, 5, 16 & 20)	

SECTION 1 - FRAME

FIGURE 1-5. DRIVE HUB ASSEMBLY



SECTION 1 - FRAME

FIGURE 1-5. DRIVE HUB ASSEMBLY

ITEM	PART NUMBER	QTY	DESCRIPTION	REV
	H000219	Ref	DRIVE HUB ASSEMBLY - COMPLETE	E
2	See Note	1	Spindle (Note: Not Available - Purchase Complete Assembly)	
5	See Note	1	Hub (Note: Not Available - Purchase Complete Assembly)	
6	70000239	1	Gear Ring	
7	See Note	1	Cover (Note: Not Available - Purchase Complete Assembly)	
8	See Note	1	Flange (Note: Not Available - Purchase Complete Assembly)	
9	See Note	1	Coupling (Note: Not Available - Purchase Complete Assembly)	
10	See Note	1	Thrustwasher (Note: Not Available - Purchase Complete Assembly)	
11	See Note	1	Thrustwasher (Note: Not Available - Purchase Complete Assembly)	
12	See Note	1	Circlip (Note: Not Available - Purchase Locally)	
14	See Note	3	Planetary Gear (Note: Not Available - Purchase Complete Assembly)	
17	See Note	3	Pin (Note: Not Available - Purchase Complete Assembly)	
18	See Note	6	Thrustwasher (Note: Not Available - Purchase Complete Assembly)	
19	See Note	6	Spacer (Note: Not Available - Purchase Complete Assembly)	
26	70000240	1	Sun Pinion	
33	See Note	1	Piston (Note: Not Available - Purchase Complete Assembly)	
34	70000241	16	Spring	
35	70000242	5	Disc	
36	70000243	6	Disc	
37	70000244	1	Lock Nut	
39	70000245	2	Bearing	
40	70000246	1	Bearing	
41	70000247	1	Bearing	
42	See Note	6	Bearing (Note: Not Available - Purchase Complete Assembly)	
43	See Note	1	Circlip (Note: Not Available - Purchase Locally)	
44	See Note	1	Circlip (Note: Not Available - Purchase Locally)	
45	See Note	1	Disc (Note: Not Available - Purchase Complete Assembly)	
46	See Note	1	Circlip (Note: Not Available - Purchase Locally)	
47	See Note	1	Plug (Note: Not Available - Purchase Locally)	
48	70000248	1	O-Ring	
49	70000249	2	O-Ring	
50	70000250	1	O-Ring	
51	70000251	1	O-Ring	
52	70000252	1	O-Ring	
53	70000253	1	Oil Seal	
54	70000254	1	Gasket	
55	70000255	1	O-Ring	
56	70000256	1	Blocking Ring	
57	70000257	1	O-Ring	
58	70000258	1	Blocking Ring	
59	See Note	8	Screw (Note: Not Available - Purchase Locally)	
60	See Note	2	Screw (Note: Not Available - Purchase Locally)	
61	See Note	2	Screw (Note: Not Available - Purchase Locally)	
62	See Note	2	Plug (Note: Not Available - Purchase Locally)	
63	See Note	2	Washer (Note: Not Available - Purchase Complete Assembly)	
64	See Note	1	Plug (Note: Not Available - Purchase Locally)	

SECTION 1 - FRAME

ITEM	PART NUMBER	QTY	DESCRIPTION	REV
65	See Note	1	Disc (Note: Not Available - Purchase Complete Assembly)	
66	70000259	6	Threaded Stud	
67	70000260	1	O-Ring	
68	70000346	1	Reduction Gear Kit	
69	S003991	6	Nut, Wheel	
	See Note	1	Seal Kit - H000219 Hub (Note: Not Available - Purchase individual parts)	

SECTION 1 - FRAME

FIGURE 1-6. LEVELING CYLINDERS INSTALLATION

ITEM	PART NUMBER	QTY	DESCRIPTION	REV
	0275571	Ref	LEVELING CYLINDERS INSTALLATION	E
1	4031510	16	Capscrew M4 x 30mm	
2	0700817	8	Bolt M8 x 45mm	
3	0700818	16	Bolt M8 x 50mm	
4	0700833	16	Bolt M8 x 160mm	
5	0701627	16	Bolt M16 x 100mm	
6	0700608	16	Bolt M6 x 16mm	
7	0701018	8	Bolt M10 x 50mm	
8	4832000	8	Lockwasher 10mm	
9	4832300	16	Lockwasher 16mm	
10	4831700	16	Lockwasher 6mm	
11	4831900	40	Lockwasher 8mm	
12	E000269	4	Connector, Strain Relief	
13	E000359	4	Switch, Limit	
14	H900008	2	Leveling Cylinder Assembly (Right Front and Left Rear) (See CYLINDER SECTION for Breakdown)	
15	H900010	2	Leveling Cylinder Assembly (Left Front and Right Rear) (See CYLINDER SECTION for Breakdown)	
16	H000558	2	Valve Assembly (8 Bar - Front) (No Replacement Parts Available - Replace Complete Valve)	
17	H000559	2	Valve Assembly (1 Bar - Rear) (No Replacement Parts Available - Replace Complete Valve)	
18	S001640	4	Bumper	
19	S201599	2	Cover, Switch (Right Front and Left Rear)	
20	S900002	4	Plate, Cover	
21	S900003	4	Gasket	
22	S900021	4	Bracket, Switch Mounting	
23	S900102	4	Plate	
24	S900103	8	Spacer	
25	S900187	2	Cover, Switch (Left Front and Right Rear)	
26	2160016	4	Fitting, Grease	
27	S000142	4	Cap, Grease Fitting	

SECTION 1 - FRAME

FIGURE 1-7. LADDER INSTALLATION

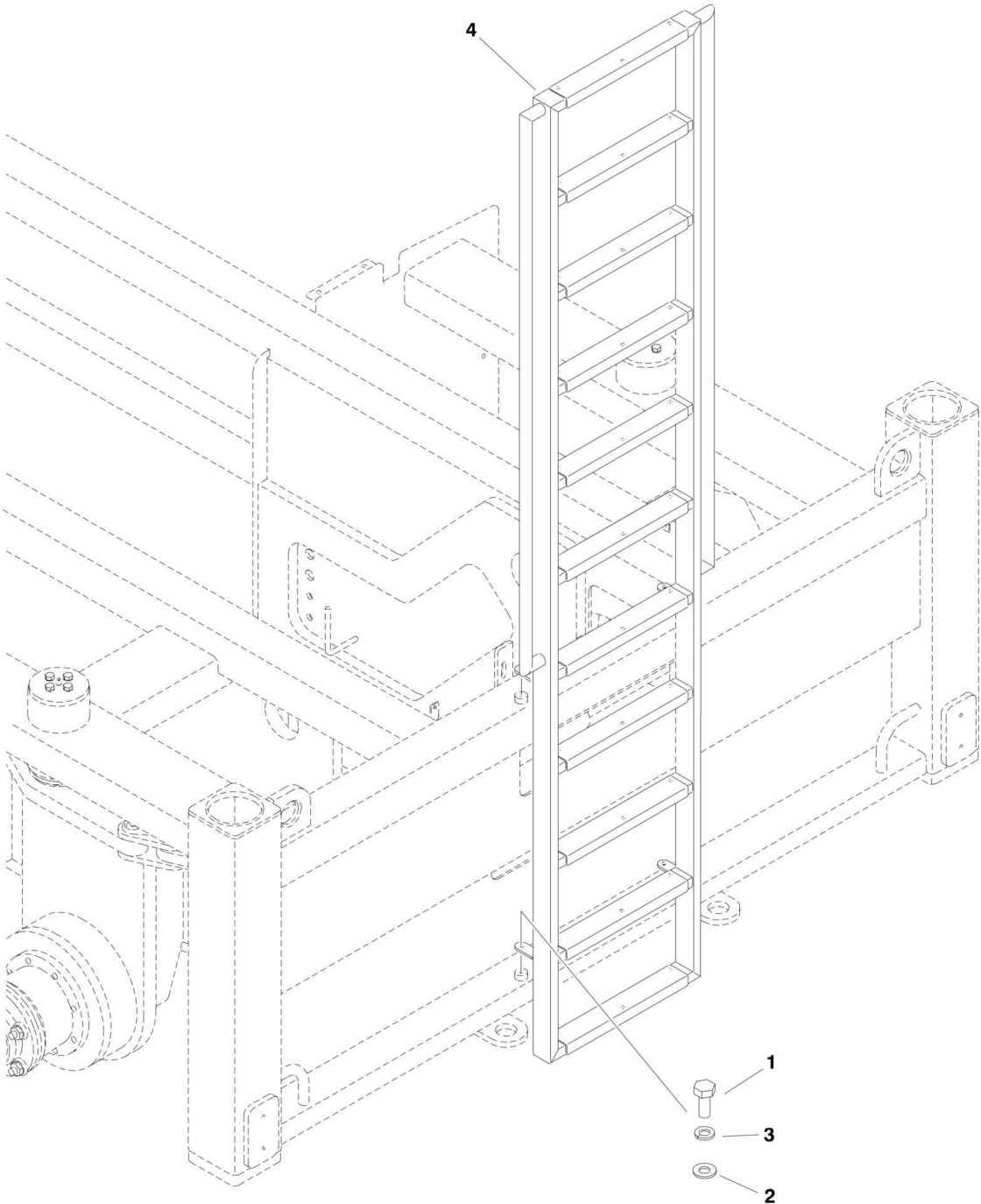


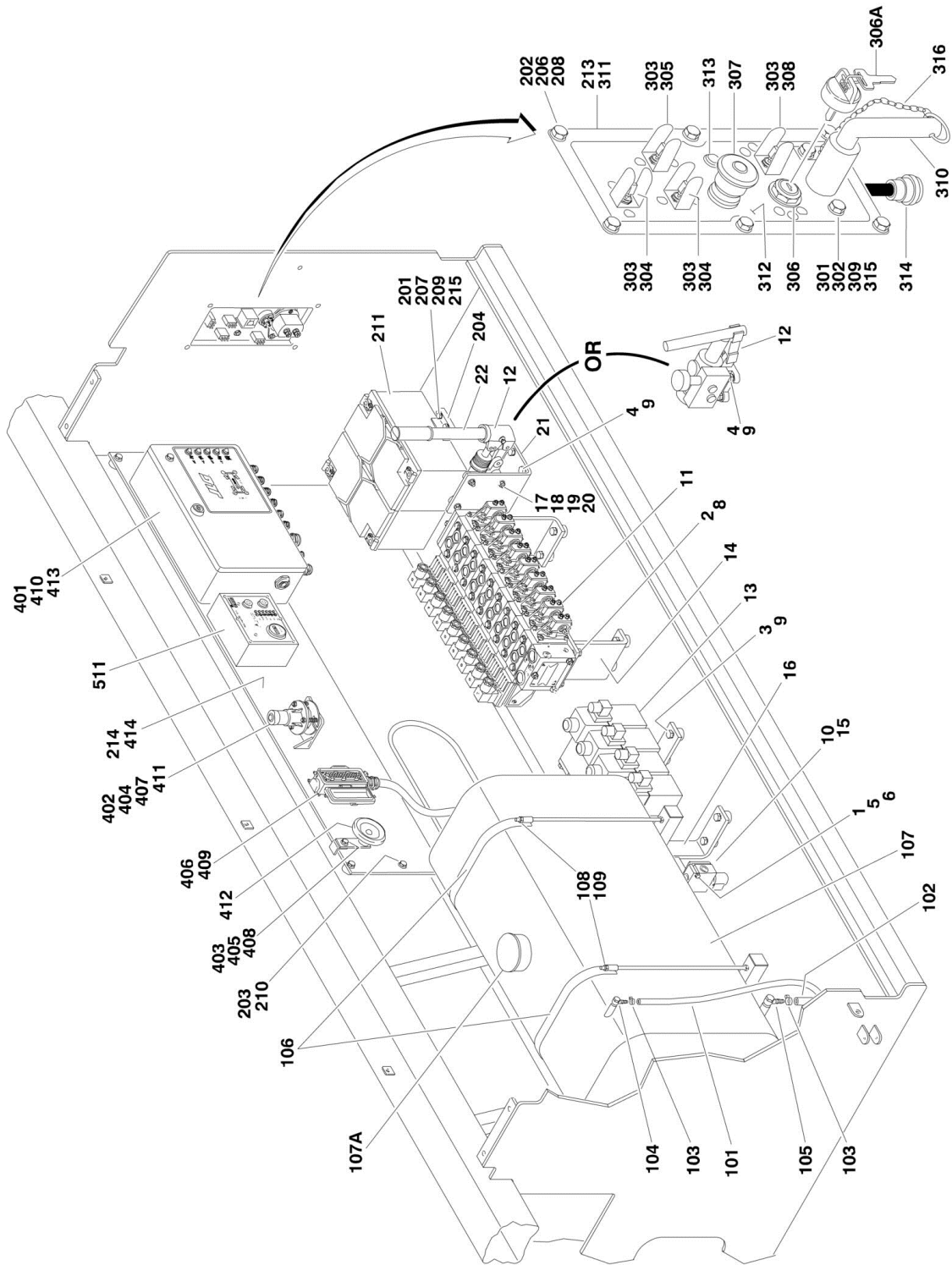
FIGURE 1-7. LADDER INSTALLATION

ITEM	PART NUMBER	QTY	DESCRIPTION	REV
	0275570	Ref	LADDER INSTALLATION	C
1		Ref	Bolt M10 Options:	
1	0761012	4	25mm Length (Prior to SN 1200020819)	
1	0761010	4	20mm Length (SN 1200020819 to Present)	
2	4812000	4	Flatwasher M10 (Prior to SN 1200020819)	
3	4832000	4	Lockwasher M10	
4	S201601	1	Ladder Assembly	D
4	3820510	33	Rivet	
4	S004014	11	Tread Plate	

SECTION 2 - GROUND CONTROLS

SECTION 2 - GROUND CONTROLS

FIGURE 2-1. VALVE SIDE COMPONENTS INSTALLATION



SECTION 2 - GROUND CONTROLS

FIGURE 2-1. VALVE SIDE COMPONENTS INSTALLATION

ITEM	PART NUMBER	QTY	DESCRIPTION	REV
	0275593	Ref	VALVE COMPARTMENT INSTALLATION	E
1	0700617	2	Bolt M6 x 45mm	
2	0760813	4	Bolt M8 x 25mm	
3	0761014	12	Bolt M10 x 30mm	
4	0761015	4	Bolt M10 x 35mm	
5	3290605	2	Locknut M6	
6	4811700	4	Flatwasher M6	
8	4831900	4	Lockwasher M8	
9	4832000	16	Lockwasher M10	
10	H000019	1	Solenoid Valve	
10	7012986	1	Coil	
10	7012941	1	Cartridge	
10	7010543	1	Seal Kit - 7012941 Cartridge	
11	H000121	1	Main Valve Assembly (See MAIN VALVE ASSEMBLY for Breakdown)	
12		Ref	Hand Pump Assembly Options:	
12	H000285	1	Hand Pump Assembly (See HAND PUMP ASSEMBLY for Breakdown) (SN 1200020465 through 1200021262)	
12	320066	1	Hand Pump Assembly (No Breakdown Available at Time of Printing) (SN 1200021263 to Present)	
13	H000436	1	Drive Valve Assembly (See DRIVE VALVE ASSEMBLY for Breakdown)	
14	S201613	1	Bracket, Main Valve	
15	S900089	1	Bracket, RH Valve	
16	S900192	1	Bracket, LH Valve	
17	0700817	2	Bolt M8 x 45mm	
18	0700820	1	Bolt M8 x 60mm	
19	3290805	3	Locknut M8	
20	4811900	3	Flatwasher M8	
21	1001103611	1	Bracket, Hand Pump (SN 1200021263 to Present)	
22	DL0113	1	Lever, Hand Pump (SN 1200021263 to Present)	
	0275636	Ref	FUEL TANK INSTALLATION	D
101	H000038	16.5 ft/5m	Hose, Fuel Line (Return)	
102	H000039	16.5 ft/5m	Hose, Fuel Line (Supply)	
103	H000040	4	Clamp, Hose	
104	H000048	1	Fitting, Fuel Hose (Return)	
105	H000049	1	Fitting, Fuel Hose (Supply)	
106	H000051	2	Strap, Fuel Tank Mounting	
107	H000412	1	Tank, Fuel	
107A	70000902	1	Cap, Fuel	
108	3290805	2	Locknut M8	
109	4831900	4	Lockwasher M8	
110	471678	AR	Tie Strap (Not Shown)	
111	8007986	6	Mount, Tie Strap (Not Shown)	
	0275720	Ref	GROUND CONTROLS INSTALLATION	E
201	0700815	4	Bolt M8 x 35mm	
202	0760610	6	Bolt M6 x 20mm	
203	0761010	4	Bolt M10 x 20mm	
204	1787217	2	Clamp, Battery Hold-Down	
206	3290605	6	Locknut M6	

SECTION 2 - GROUND CONTROLS

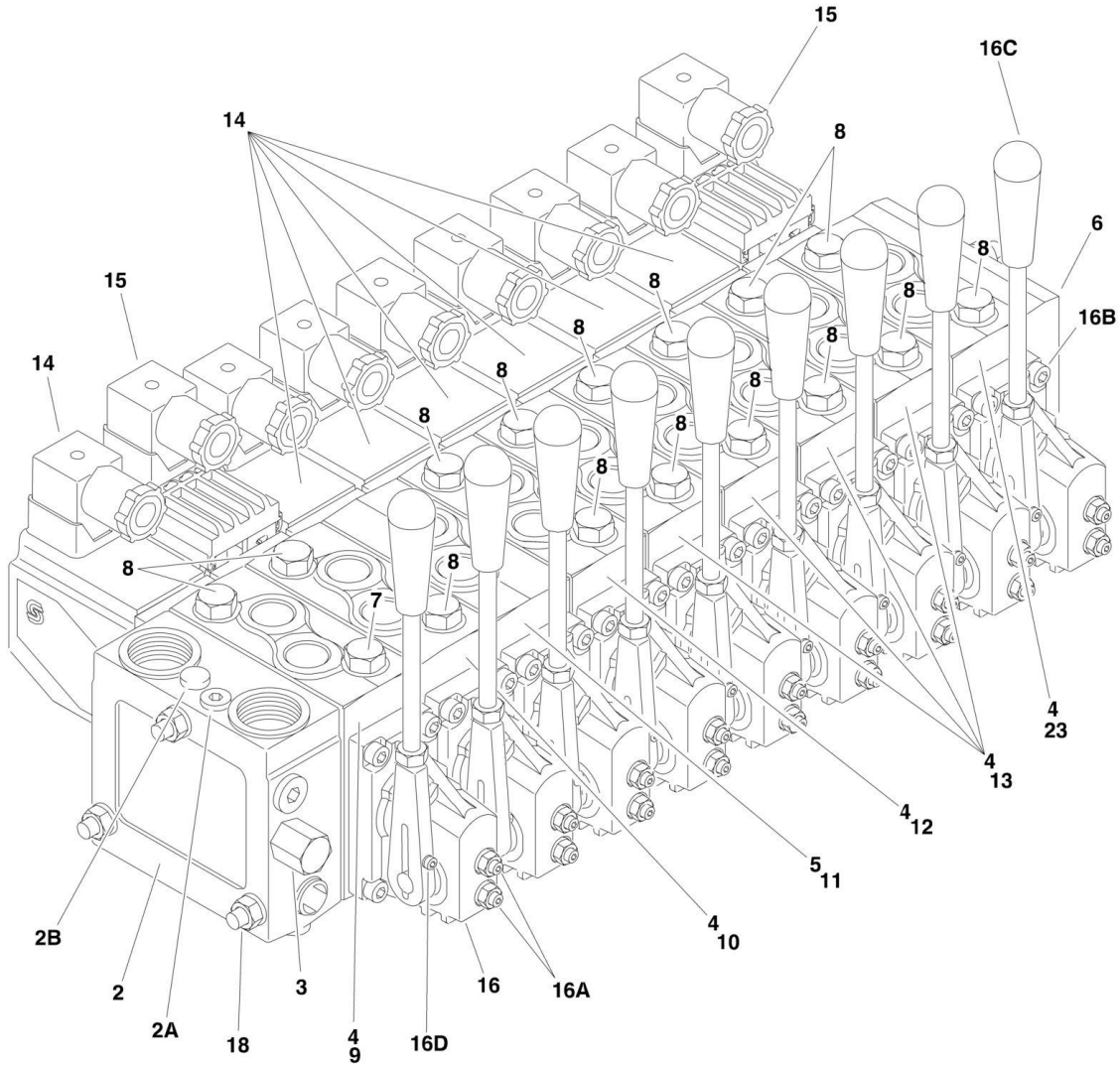
ITEM	PART NUMBER	QTY	DESCRIPTION	REV
207	3290805	AR	Locknut M8	
208	4811700	12	Flatwasher M6	
209	4811900	AR	Flatwasher M8	
210	4832000	4	Lockwasher M10	
211	8008750	2	Battery	
212		Ref	Loom / Shield, Cable Options (Not Shown):	
212	E000072	6 m/20ft	Loom / Shield, Cable (Prior to SN 1200025000)	
212	E000009	6.3 m/21ft	Loom / Shield, Cable (SN 1200025000 to Present)	
213	E900032	1	Ground Control Panel Assembly (See Items 301-316 for Breakdown)	
214	E900072	1	Electrical Tray Assembly (See Items 401-414 for Breakdown)	
215	4831900	AR	Lockwasher M8	
216	E000005	8.2 m/27ft	Loom / Shield, Cable (Not Shown) (SN 1200025000 to Present)	
217	E000084	3.3 m/11ft	Loom / Shield, Cable (Not Shown) (SN 1200025000 to Present)	
	E900032	Ref	GROUND CONTROL PANEL ASSEMBLY	F
		Ref	Note: All machines from start of production to revision D have been updated to revision E.	
301	0760608	2	Bolt M6 x 16mm	
302	3290605	2	Locknut M6	
303	4060802	4	Guard, Switch	
304	4360314	2	Switch, Toggle	
305	4360671	1	Switch, Toggle	
306	4360469	1	Switch, Key	
306A	2860030	1	Key, Replacement	
307	4360475	1	Switch, Emergency Stop	
308	4360698	1	Switch, Toggle	
309	4811700	3	Flatwasher M6	
310	E000059	1	Switch, Battery Isolator	
310	70001114	1	Handle	
311	E900033	1	Plate, Switch Mounting	
312	E900034	1	Decal, Ground Control	
313	E900048	1	Light, Indicator	
314	E900055	1	Harness, Ground Control (See ELECTRICAL SECTION for Breakdown)	
315	4811702	1	Flatwasher M6 (Wide)	
316	S001443	1	Chain Assembly (Includes Mounting Plate and Attaching Ring)	
	E900072	Ref	ELECTRICAL TRAY ASSEMBLY	C
401	0760605	4	Bolt M6 x 10mm	
402	0760610	4	Bolt M6 x 20mm	
403	0760810	1	Bolt M8 x 20mm	
404	3290605	4	Locknut M6	
405	3290805	1	Locknut M8	
406	4031605	4	Capscrew M5 x 10mm	
407	4811700	8	Flatwasher M6	
408	4811900	2	Flatwasher M8	
409	4831600	4	Lockwasher M5	
410	4831700	4	Lockwasher M6	
411	E000044	1	Switch, Tilt	
412	E000063	1	Horn	
413	E900063	1	Terminal Box Assembly (See MAIN TERMINAL BOX ASSEMBLY for Breakdown)	
414	S200265	1	Panel, Electrical Carrier	

SECTION 2 - GROUND CONTROLS

ITEM	PART NUMBER	QTY	DESCRIPTION	REV
	0275567	Ref	ENGINE INSTALLATION	G
511		Ref	Control Box, Deutz Engine Options:	
511	H005559	NLA	Control Box, Deutz Engine (Use p/n 1001094781) (Prior to SN 1200016563)	
511	1001094781	1	Control Box, Deutz Engine (SN 1200016563 to Present)	
511	70001352	1	PC Board with LEDs	
511	70001353	1	E-Prom w/Software	
511	70001355	1	Diode	
511	70000634	1	Hourmeter	
511	70000635	2	Switch, Pushbutton	
511	70001122	4	Mount, Vibration	

SECTION 2 - GROUND CONTROLS

FIGURE 2-2. MAIN VALVE ASSEMBLY



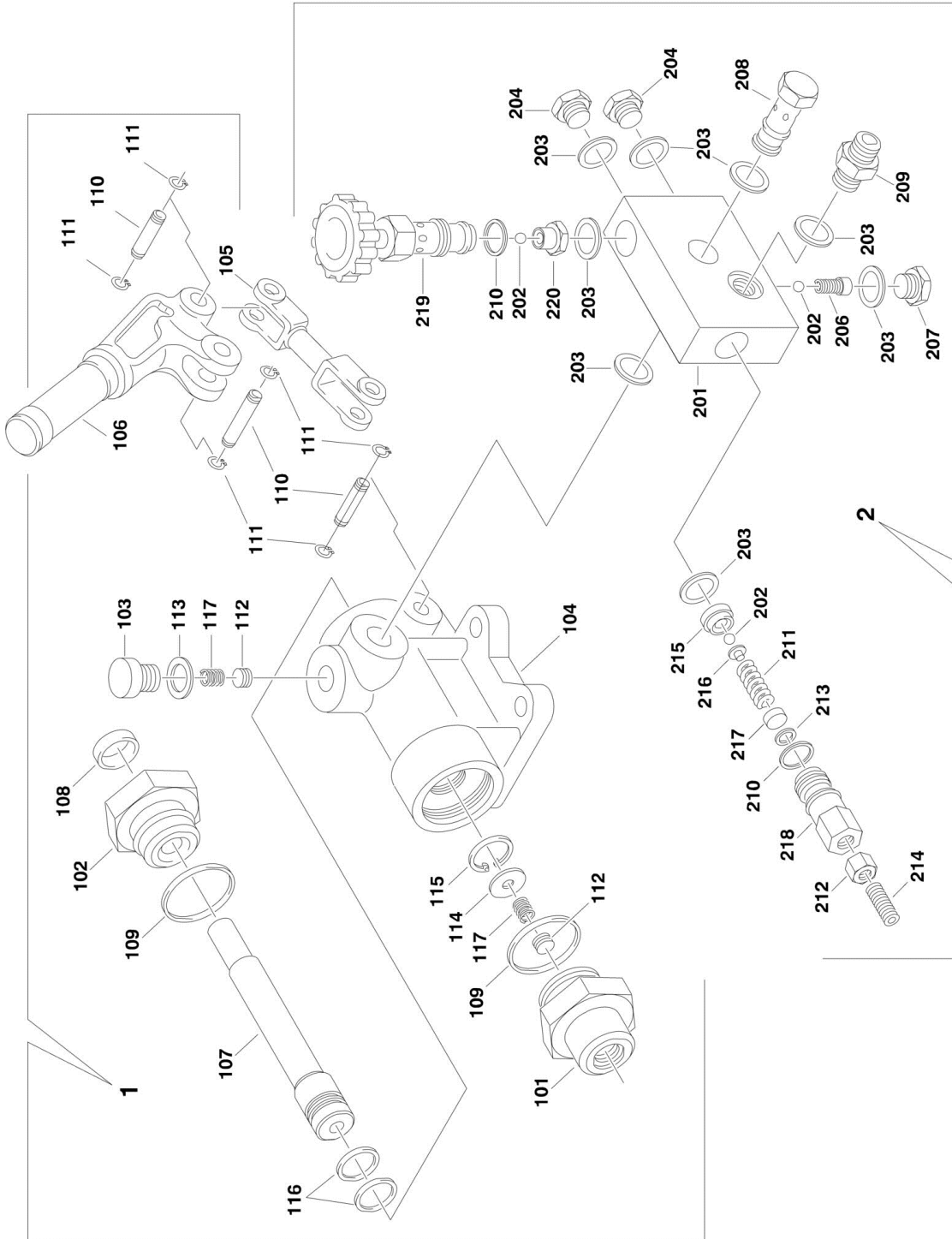
SECTION 2 - GROUND CONTROLS

FIGURE 2-2. MAIN VALVE ASSEMBLY

ITEM	PART NUMBER	QTY	DESCRIPTION	REV
	H000121		MAIN CONTROL VALVE ASSEMBLY	D
2	H000116	1	Section, Pump (Left Side)	
2	8007939	1	Seal Kit - H000116 Section	
2A	8007944	1	Pilot Supply Assembly	
2B	7027912	1	Relief Assembly	
3	H000352	1	External Pilot Supply	
4	7028847	8	Valve Section (With Relief Valve) (All Functions Except Lift) (Was p/n H000188)	
4	H000031	8	Seal Kit - 7028847 Section (Use p/n 8007935)	
5	H000542	1	Valve Section (Without Relief Valve) (Lift Functions Only)	
5	H000031	1	Seal Kit - H000542 Section (Use p/n 8007935)	
6	H000580	1	End Plate	
6	See Note	1	Seal Kit - H000580 Section (Note: Use Item 18)	
7		Ref	Valve, Relief (Platform Function Only) Options:	
7	H000602	1	Valve, Relief (Platform Function Only) (Prior to SN 1200016203)	
7	H000609	1	Valve, Relief (Platform Function Only) (SN 1200016203 to Present)	
8	H005250	15	Valve, Relief (All Functions Except Lift Function)	
9		Ref	Spool (Platform) Options:	
9	H000390	1	Spool (Platform) (Prior to SN 1200016203)	
9	H000514	1	Spool (Platform) (SN 1200016203 to Present)	
10	H005279	1	Spool (Drive 2)	
11	H000516	1	Spool (Lift)	
12	H000207	1	Spool (Steer)	
13	H000389	4	Spool (Outrigger)	
14	H000191	7	Electrical Activator (on-off) (All Functions Except Drive and Drive 2)	
14	H000032	7	Seal Kit - H000191 Electrical Activator (Use p/n 8007954)	
14	7028846	28	Screw, Mounting	
14	7028849	7	DIN Connector (Black)	
15	H000206	2	Electrical Activator (Proportional High) (Drive and Drive 2 Functions)	
15	H000032	2	Seal Kit - H000206 Electrical Activator (Use p/n 8007954)	
15	7028846	8	Screw, Mounting	
15	8007953	2	DIN Connector (White)	
16	7028893	8	Mechanical Activation Assembly (Was p/n H000187)	
16	H005248	8	Seal Kit - 7028893 Mechanical Activator (Use p/n 8007894)	
16A	1003107	16	Nut, Seal (2 per Assembly)	
16A	8007915	16	Pin, Threaded (2 per Assembly)	
16B	0318854	32	Screw (4 per Assembly)	
16C	H005247	8	Base and Lever Assembly (1 per Assembly)	
16D	0307544	8	Screw (1 per Assembly)	
16D	0893076	8	Washer (1 Per Assembly)	
18	H000397	1	Assembly Kit (Includes Hardware and Seals for Between Valve Sections)	
18	7028848	9	Seal Kit for Between Valve Sections (Was p/n H005249) (Note: One Seal Kit does both sides of section.)	
23	H000514	1	Spool (Drive 1)	

SECTION 2 - GROUND CONTROLS

FIGURE 2-3. HAND PUMP ASSEMBLY



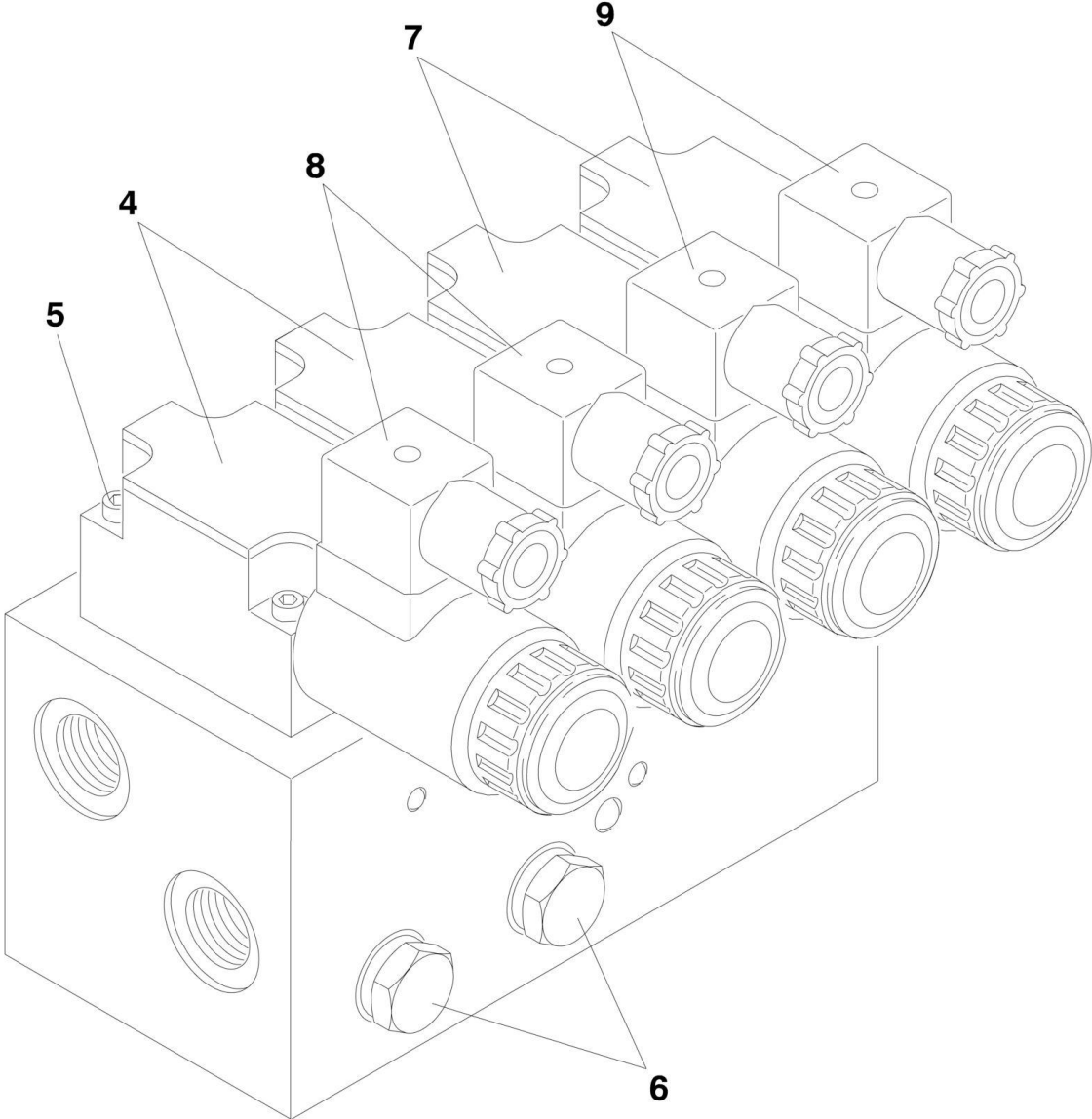
SECTION 2 - GROUND CONTROLS

FIGURE 2-3. HAND PUMP ASSEMBLY

ITEM	PART NUMBER	QTY	DESCRIPTION	REV
	H000285	Ref	HAND PUMP ASSEMBLY	E
1	70000513	1	Pump Assembly (See Items 101-117 for Breakdown)	
2	70000528	1	Valve Assembly (See Items 201-220 for breakdown)	
	70000513	Ref	PUMP ASSEMBLY	
101	70000514	1	Valve, Suction	
102	See Note	1	Plug (Note: Not Available - Purchase Locally)	
103	See Note	1	Plug (Note: Not Available - Purchase Locally)	
104	See Note	1	Body (Note: Not Available - Purchase Pump Assembly)	
105	70000515	1	Rod, Connecting	
106	70000516	1	Lever	
107	70000517	1	Piston	
108	70000518	1	Seal	
109	70000519	2	Seal	
110	70000520	2	Pin	
111	70000521	6	Ring, Retaining	
112	70000522	2	Ball	
113	70000523	1	Ring	
114	70000524	1	Washer	
115	70000525	1	Ring, Internal Retaining	
116	70000526	2	Seal	
117	70000527	2	Spring	
	70000528	Ref	VALVE ASSEMBLY	
201	See Note	1	Body (Note: Not Available - Purchase Valve Assembly)	
202	70000529	3	Ball	
203	70000530	8	Ring	
204	See Note	2	Bolt M8 x 8mm (Note: Not Available - Purchase Locally)	
205	70000531	1	Spinner (Not Shown)	
206	70000532	1	Spring	
207	See Note	1	Plug (Note: Not Available - Purchase Locally)	
208	70000533	1	Screw	
209	70000534	1	Fitting, Straight	
210	70000535	2	Seal	
211	70000536	1	Spring	
212	See Note	1	Nut M10 (Note: Not Available - Purchase Locally)	
213	70000537	1	Seal	
214	See Note	1	Setscrew (Note: Not Available - Purchase Locally)	
215	70000538	1	Relief, Valve	
216	70000539	1	Pin, Ball Driving	
217	70000540	1	Plate, Seal	
218	70000541	1	Valve Body	
219	70000542	1	Knob Assembly	
220	70000543	1	Valve Body	

SECTION 2 - GROUND CONTROLS

FIGURE 2-4. DRIVE VALVE ASSEMBLY



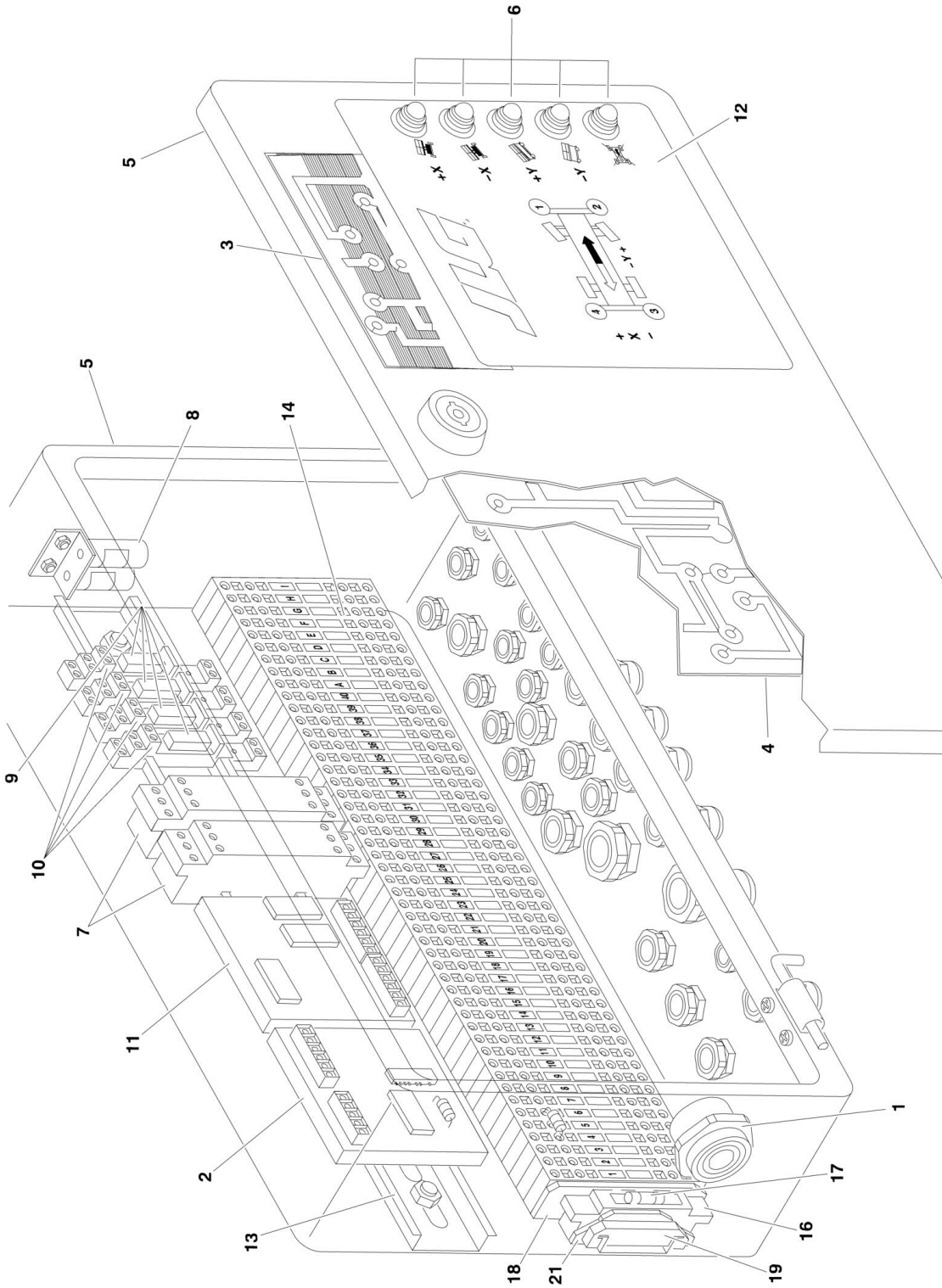
SECTION 2 - GROUND CONTROLS

FIGURE 2-4. DRIVE VALVE ASSEMBLY

ITEM	PART NUMBER	QTY	DESCRIPTION	REV
	H000436	Ref	DRIVE VALVE ASSEMBLY	D
4	70000269	2	Spool Valve	
4	70000385	AR	Coil	
		Ref	Note: Coil Nut, and Seal Kit Not Currently Available	
5	70000270	16	DIN Screw	
6	70000267	2	Flow Divider	
7	70000271	2	Spool Valve	
7	70000385	AR	Coil	
		Ref	Note: Coil Nut, and Seal Kit Not Currently Available	
8	70000333	2	DIN Connector (Gray)	
9	70000332	2	DIN Connector (Black)	

SECTION 2 - GROUND CONTROLS

FIGURE 2-5. MAIN TERMINAL BOX ASSEMBLY



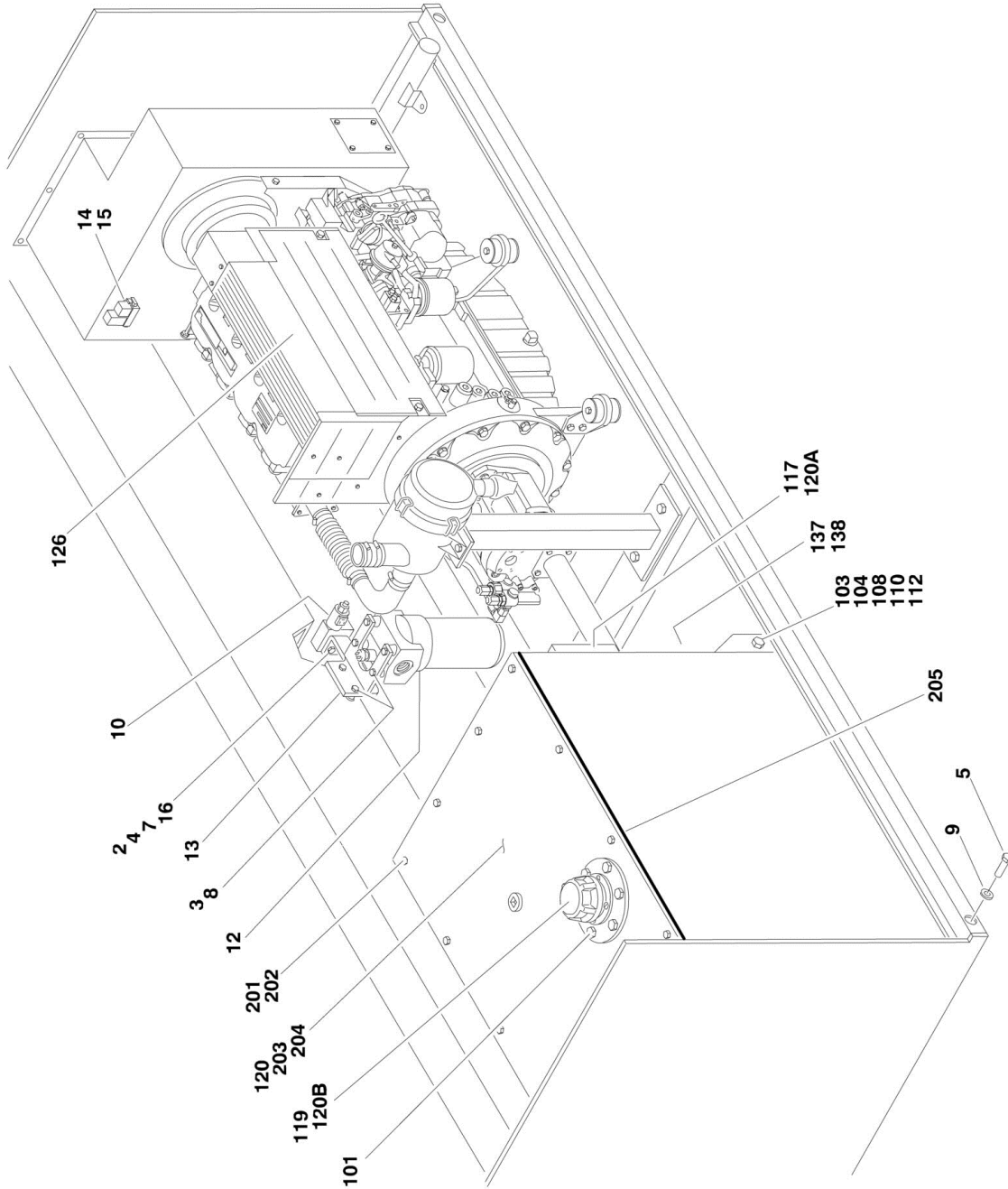
SECTION 2 - GROUND CONTROLS

FIGURE 2-5. MAIN TERMINAL BOX ASSEMBLY

ITEM	PART NUMBER	QTY	DESCRIPTION	REV
	E900063	Ref	MAIN TERMINAL BOX ASSEMBLY	F
		Ref	Note: All machines from start of production to revision C have been updated to revision D.	
1	0140011	1	Alarm	
2	E000189	1	Card, Pump	
3	E000214	1	Card, Nivelux Control	
4	1001112938	1	Card, Complex Control	
5	E000375	1	Housing, Control Box	
6	E000419	5	LED, Red	
7	E000457	2	Relay	
8	E001206	1	Sensor, Level	
9	E001375	4	Relay	
10	E001376	4	Base, Relay	
11	E007404	1	Card, Trigger Control	
12	E900057	1	Decal, Cover	
13	E900059	2	Rail, DIN	
14	1001093353	76	Block, Terminal	
16	1001092405	1	Holder, Fuse	
17	1001092406	1	Fuse, 10A	
18	1001093354	1	Plate, Terminal Intermediate	
19	1001093355	2	Stop, Terminal End	
20	1001093361	18	Terminal, Jumper (Not Shown)	
21	1001093379	1	Plate, Terminal End	
22	70000952	1	Connector (2 Pin for Nivelux Board - Not Shown)	
23	70000953	2	Connector (3 Pin for Nivelux Board - Not Shown)	
24	70000954	1	Connector (4 Pin for Nivelux Board - Not Shown)	
25	70000955	1	Connector (8 Pin for Complex Board - Not Shown)	
26	70000956	4	Connector (12 Pin for Nivelux and Complex Board - Not Shown)	
27	70003616	1	Connector (6 Pin for Nivelux and Complex Board - Not Shown)	

SECTION 2 - GROUND CONTROLS

FIGURE 2-6. ENGINE SIDE COMPONENTS INSTALLATION



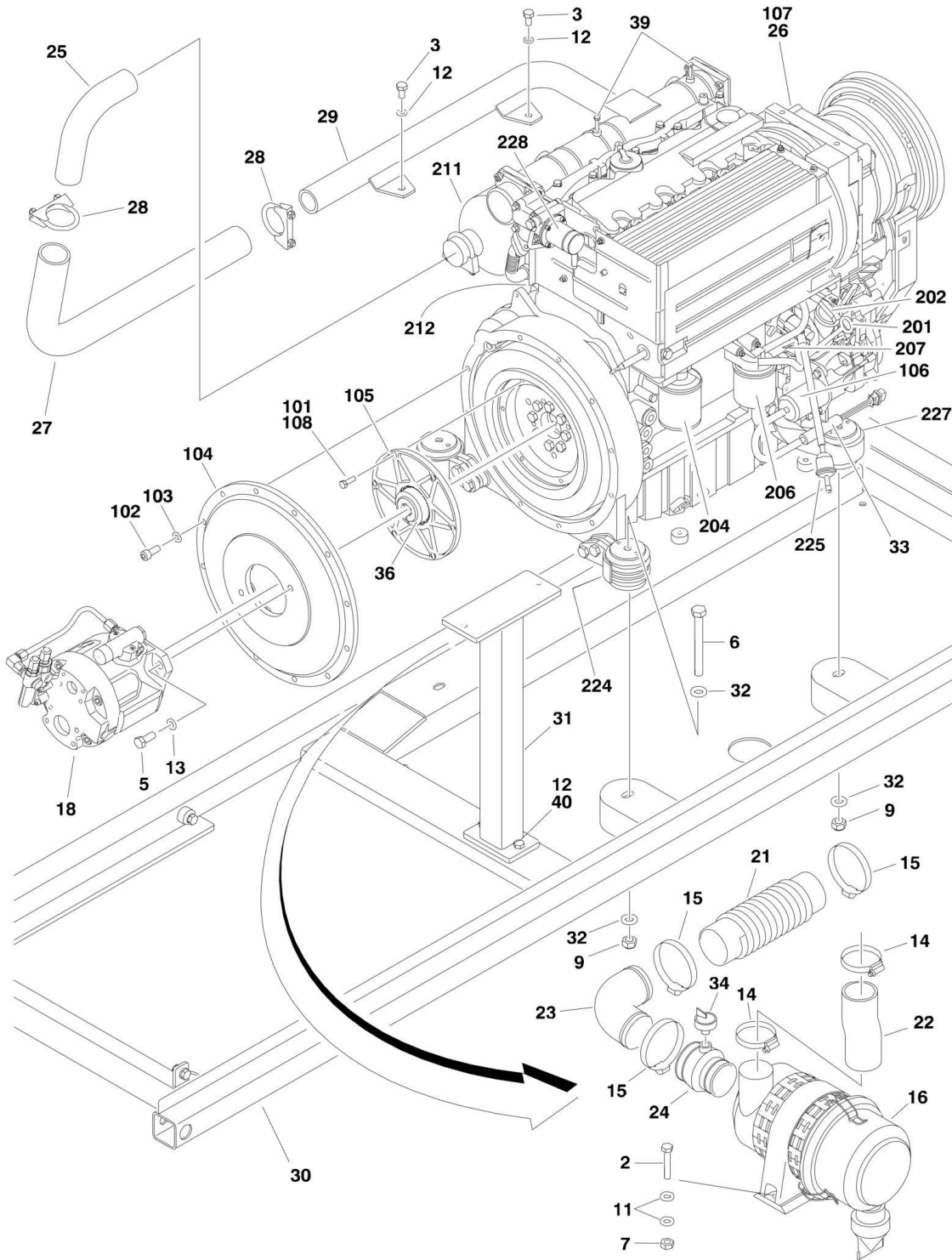
SECTION 2 - GROUND CONTROLS

FIGURE 2-6. ENGINE SIDE COMPONENTS INSTALLATION

ITEM	PART NUMBER	QTY	DESCRIPTION	REV
	0275567	Ref	ENGINE SIDE COMPONENTS INSTALLATION	G
2	0700620	2	Bolt M6 x 60mm	
3	0761010	6	Bolt M10 x 20mm	
4	3290605	2	Locknut M6	
5	4032310	2	Capscrew M16 x 30mm	
6	4032316	2	Capscrew M16 x 60mm (Not Shown - Bolts Tray to Frame Next to Rails)	
7	4811700	4	Flatwasher M6	
8	4832000	6	Lockwasher M10	
9	4832300	2	Lockwasher M16	
10	H000077	1	Valve, Directional Control	
10	7017444	1	Coil	
10	7017414	1	Cartridge	
10	2900708	1	Seal Kit - 7017414 Cartridge	
12	H900073	1	Filter, Hydraulic	
12	70000900	1	Element	
13		Ref	Bracket, Oil Filter Options:	
13	S900241	1	Bracket, Oil Filter (Prior to SN 1200016563)	
13	1001091921	1	Bracket, Oil Filter (SN 1200016563 to Present)	
14	0760505	2	Bolt M5 x 10mm	
15	4831600	2	Lockwasher M5	
16	3290801	2	Nut M8	
	0275662	Ref	ENGINE AND TANK INSTALLATION	K
101	0760505	6	Bolt M5 x 10mm	
103	0761010	1	Bolt M10 x 20mm	
104	0761012	2	Bolt M10 x 25mm	
108	3291005	2	Locknut M10	
110	4812000	4	Flatwasher M10	
112	4832000	6	Lockwasher M10	
117	H000013	1	Gauge, Hydraulic Oil Level (Prior to SN 1200011762)	
119	H000241	1	Breather (Prior to SN 1200011762)	
120		Ref	Hydraulic Tank Assembly Options:	
120	H000442	1	Hydraulic Tank Assembly (See Items 201-205 for Breakdown) (Prior to SN 1200011762)	
120	1001091145	1	Hydraulic Tank Assembly (SN 1200011762 to Present)	
120A	H000013	1	Gauge, Hydraulic Oil Level	
120B	H000241	1	Breather	
126		Ref	Deutz Engine Assembly Options (See ENGINE INSTALLATION for Breakdown):	
126	H900071	1	Deutz Engine Assembly (Prior to SN 1200016563)	
126	1001098950	1	Deutz Engine Assembly (SN 1200016563 to Present)	
137	4031708	4	Bolt M6 x 20mm	
138	H000122	1	Valve, Lock-Up	
	H000442	Ref	HYDRAULIC TANK ASSEMBLY	E
201	4031908	12	Capscrew M8 x 20mm	
202	4831900	12	Lockwasher M8	
203	H000442	1	Tank Weldment Less Cover	
204	H000442-14	1	Cover	
205	3960605	1	Seal	

SECTION 2 - GROUND CONTROLS

FIGURE 2-7. ENGINE INSTALLATION



SECTION 2 - GROUND CONTROLS

FIGURE 2-7. ENGINE INSTALLATION

ITEM	PART NUMBER	QTY	DESCRIPTION	REV
	0275662	Ref	ENGINE INSTALLATION	K
2	0760817	2	Bolt M8 x 45mm	
3	0761010	3	Bolt M10 x 20mm	
5	0761214	2	Bolt M12 x 30mm	
6	0761228	4	Bolt M12 x 110mm	
7	3290805	2	Locknut M8	
9	3291205	4	Locknut M12	
11	4811900	4	Flatwasher M8	
12	4832000	5	Lockwasher M10	
13	4832100	2	Lockwasher M12	
14	8005376	3	Clip, Hose Clamp	
15	8405204	3	Clamp	
16	1001091198	1	Air Cleaner Assembly (was p/n 70000053)	
16	70000054	1	Filter, Safety (Inner)	
16	H005232	1	Filter, Primary (Outer)	
18	H000220	1	Pump Assembly (See PISTON PUMP ASSEMBLY for Breakdown)	
21	H005234	1	Hose, Air Intake	
22		Ref	Hose, Air Intake Options:	
22	H005236	1	Hose, Air Intake (Prior to SN 1200016563)	
22	1001092803	1	Hose, Air Intake (SN 1200016563 to Present)	
23	H005238	1	Elbow, Air Intake	
24	H005242	1	Sleeve, Reducing	
25	H900066	1	Pipe, Exhaust	
26		Ref	Deutz Engine Assembly Options (See Items 101-108 for Breakdown):	
26	H900071	1	Deutz Engine Assembly (Prior to SN 1200016563)	
26	1001098950	1	Deutz Engine Assembly (SN 1200016563 to Present)	
27	S005171	1	Pipe, Exhaust Flex	
28	S005172	2	Clamp, Exhaust	
29	S201602	1	Tailpipe	
30	S201610	1	Tray, Engine	
31	S201614	1	Bracket, Air Cleaner	
32	4812100	8	Flatwasher M12	
33	1001091513	1	Bracket, Solenoid Wiring Loom	
34	1001091514	1	Indicator, Air Cleaner Clog	
36	1001093796	1	Hub, Coupling	
39	0760614	2	Bolt M6 x 30mm	
40	0761014	2	Bolt M10 x 30mm	
41	8007986	16	Mount, Tie Strap (Not Shown)	
42	471678	AR	Strap, Tie (Not Shown)	
		Ref	ENGINE ASSEMBLY	
	H900071	Ref	Engine Assembly (Prior to SN 1200016563)	D
	1001098950	Ref	Engine Assembly (SN 1200016563 to Present)	B
101	0760812	6	Bolt M8 x 25mm	
102	4032009	11	Capscrew M10 x 25mm	
103	4832000	11	Lockwasher M10	
104	H004083	1	Flange	
105	See Note	1	Coupling Assembly (was p/n H004084) (Note: P/N H004084 no longer available. Replace with p/n 1001093793 & p/n 1001093796.)	

SECTION 2 - GROUND CONTROLS

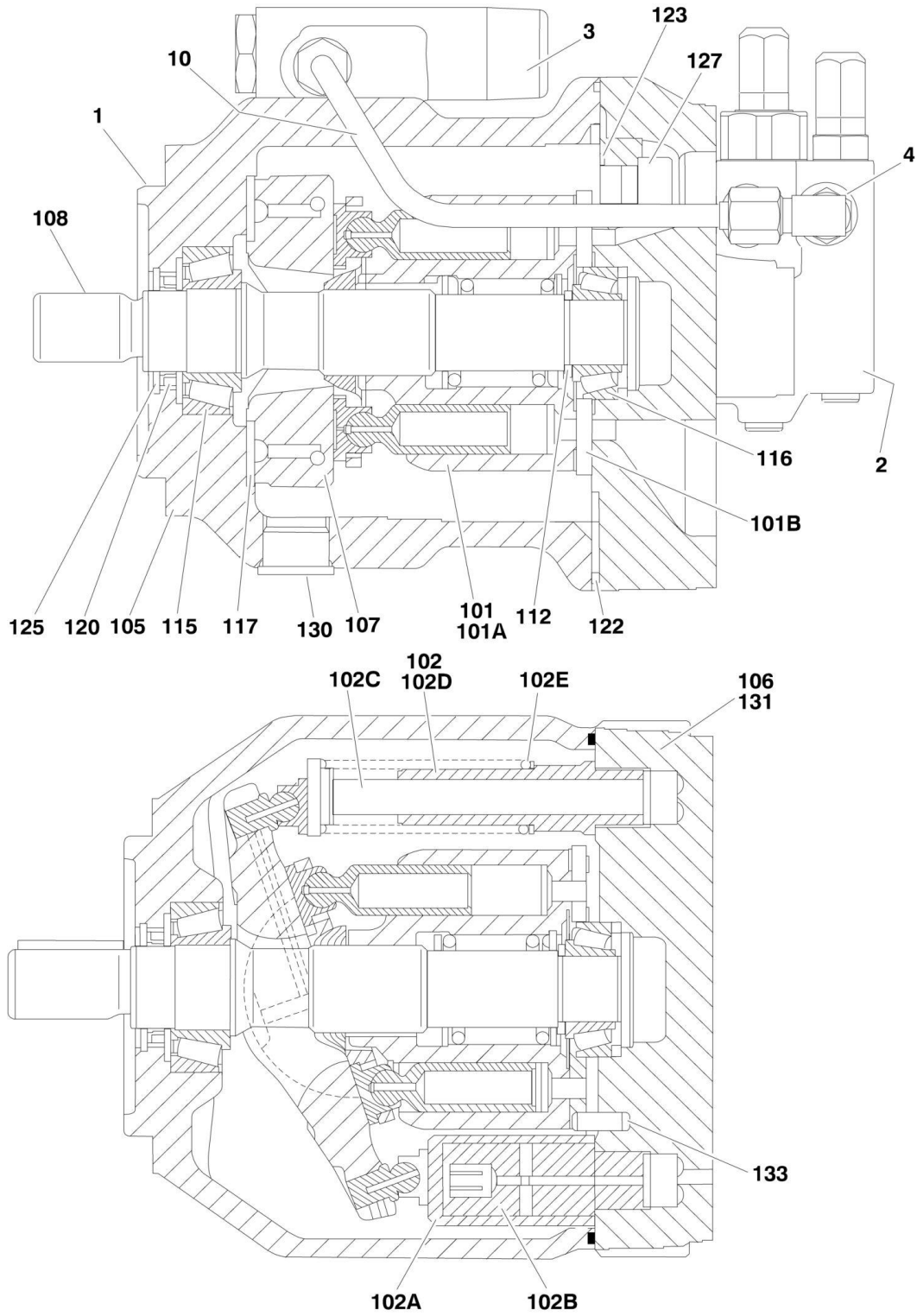
ITEM	PART NUMBER	QTY	DESCRIPTION	REV
105	1001093793	1	Flange, Coupling	
106	H005224	1	Throttle Control Assembly	B
106	70000055	1	Solenoid	
106	70000056	1	Cable, Electrical	
106	70003217	1	Bracket	
106	70004458	1	Lever/Arm	
107		Ref	Engine, Deutz F4L2011F Options (See Items 201- 235 for Breakdown):	
107	H900072	1	Engine, Deutz F4L2011F (Prior to SN 1200016563)	
107	1001098951	1	Engine, Deutz F4L2011F (SN 1200016563 to Present)	
108	0100011	AR	Compound, Locking	
		Ref	ENGINE COMPONENTS	
	H900072	Ref	Engine Components (Prior to SN 1200016563)	B
	1001098951	Ref	Engine Components (SN 1200016563 to Present)	C
201	70000043	1	Dipstick	
202	7020465	1	Cap, Filler	
203		Ref	Pump, Oil Lube Options (Not Shown):	
203	70000045	1	Pump, Oil Lube (Prior to SN 1200016563)	
203	70001850	1	Pump, Oil Lube (SN 1200016563 to Present)	
203	7020468	1	Seal Between Oil Pump and Engine Block (Not Shown)	
204	7016331	1	Filter, Oil	
205	70000912	AR	Pump, Injector - A (Not Shown)	
205	70000913	AR	Pump, Injector - B (Not Shown)	
205	70000914	AR	Pump, Injector - C (Not Shown)	
205	70000915	AR	Pump, Injector - D (Not Shown)	
205	See Note	4	Gasket (1 per Injector) (Not Shown) (Note: Not Available for Purchase from JLG. Contact your Engine Dealer)	
206	7020023	1	Filter, Fuel	
207	70000916	1	Pump Fuel Supply	
207	70000917	1	O-Seal Between Fuel Pump and Engine Block (Not Shown)	
208	7020449	4	Gasket, Intake Manifold (Not Shown)	
209		Ref	V-Belt Options (Not Shown):	
209	7020414	1	V-Belt (Prior to SN 1200016563)	
209	70000075	1	V-Belt (SN 1200016563 to Present)	
210	7020471	4	Gasket, Muffler to Cylinder Head (Not Shown)	
211		Ref	Muffler Options:	
211	7000695	1	Muffler (Prior to SN 1200016563)	
211	70001843	1	Muffler (SN 1200016563 to Present)	
212	70000059	1	Starter	
212		Ref	Solenoid, Starter	
212	7026608	1	Solenoid, Starter (Prior to SN 1200016563)	
212	70001852	1	Solenoid, Starter (SN 1200016563 to Present)	
214		Ref	Sender, Temperature Options (Not Shown):	
214	7020168	1	Sender, Temperature (Prior to SN 1200016563)	
214	70001851	1	Sender, Temperature (SN 1200016563 to Present)	
214	7020480	1	Ring, Sealing	
215		Ref	Switch, Oil Pressure Options (Not Shown):	
215	7020443	1	Switch, Oil Pressure (Prior to SN 1200016563)	
215	7016330	1	Switch, Oil Pressure (SN 1200016563 to Present)	
216	70000062	1	Solenoid, Shutdown (Bolts to Front of Engine - Not Shown)	
216	70000061	1	Spring	
216	7027249	1	Seal, O-Ring	

SECTION 2 - GROUND CONTROLS

ITEM	PART NUMBER	QTY	DESCRIPTION	REV
218		Ref	Solenoid, Start Options (Threads into Side of Front Cover - Not Shown):	
218	7027239	1	Solenoid, Start (Prior to SN 1200016563)	
218	70000073	1	Solenoid, Start (SN 1200016563 to Present)	
218	70000074	1	O-Ring	
220	70000922	2	Plug, Glow (Not Shown)	
220	7020492	2	Sealing Ring	
221	7020459	1	Thermostat (Not Shown)	
223	70000264	1	Flywheel (Not Shown)	
223	7024579	1	Gear, Ring (Not Shown)	
224	70001138	2	Mount Assembly, Rear Engine	
225		Ref	Filter, Fuel In-line Options:	
225	7027245	1	Filter, Fuel In-line (Prior to SN 1200016563)	
225	See Note	1	Filter, Fuel In-line (Note: Not Available for Purchase from JLG. Contact your Engine Dealer) (SN 1200016563 to Present)	
226	70001136	1	Mount Assembly, Left Front (Not Shown)	
227	70001137	1	Mount Assembly, Right Front	
228	70001841	1	Valve, EGR	
229	70001835	1	Gasket, EGR Valve Housing to EGR Manifold (Not Shown)	
230	70001836	1	Gasket, EGR Manifold to Cylinder Head (Not Shown)	
231	70001837	1	Gasket, EGR Valve Housing to EGR Pipe (Not Shown)	
232	70001838	2	Gasket, EGR Pipe Adapter to Cylinder Head (Not Shown)	
233	70001840	1	Restrictor, EGR (Not Shown)	
234	70000057	1	Generator (Not Shown)	
234	70000058	1	Regulator, Voltage	
235	See Note	1	Valve, Oil Drain (Not Shown) (Note: Not Available for Purchase from JLG. Contact your Engine Dealer)	
235	70002740	1	Hose, Oil Drain (Not Shown)	

SECTION 2 - GROUND CONTROLS

FIGURE 2-8. PISTON PUMP ASSEMBLY



SECTION 2 - GROUND CONTROLS

FIGURE 2-8. PISTON PUMP ASSEMBLY

ITEM	PART NUMBER	QTY	DESCRIPTION	REV
	H000220	Ref	PISTON PUMP ASSEMBLY	C
1	70003737	1	Pump (See Items 101-133 for Breakdown)	
2	70003738	1	Valve, Control	
2	70021667	1	Gasket (Between Pump and Valve)	
2	7024954	4	Bolt, M6 x 30mm	
3	70003739	1	Valve, Control	
3	70003751	1	Gasket (Between Pump and Valve)	
3	70003752	1	Bolt, M6 x 16mm	
3	70003753	2	Bolt, M6 x 25mm	
3	70003754	1	Cap, Tamper Proof	
4	70003740	1	Fitting, Adapter	
4	70003755	1	O-Ring	
10	70003741	1	Tube	
	70003737	Ref	PUMP ASSEMBLY	
101	70003173	1	Rotary Group	
101A	See Note	NSS	Hydraulic Section, Rotary Group (Note: Not Available - Purchase p/n 70003173)	
101B	70003750	1	Plate, Control	
102	70003742	1	Control Mechanism	
102A	See Note	NSS	Piston, Control (Note: Not Available - Purchase p/n 70003742)	
102B	See Note	NSS	Guide, Piston (Note: Not Available - Purchase p/n 70003742)	
102C	See Note	NSS	Piston (Note: Not Available - Purchase p/n 70003742)	
102D	See Note	NSS	Guide, Piston (Note: Not Available - Purchase p/n 70003742)	
102E	See Note	NSS	Spring (Note: Not Available - Purchase p/n 70003742)	
105	See Note	NSS	Housing, Pump (Note: Not Available - Purchase p/n 70003737)	
106	70003743	1	Control Mechanism	
107	70003744	1	Plate, Swash	
108	70003175	1	Shaft, Drive	
112	7012709	1	Shim	
115	7024038	1	Bearing, Roller	
116	7012706	1	Bearing, Roller	
117	70003745	2	Liner, Bearing	
120	7024818	1	Seal Ring, Shaft	
122	70003746	1	Seal Ring, Shaft	
123	70003747	4	O-Ring	
125	70003177	1	Ring, Retainer	
127	70003748	4	Bolt	
130	70003749	1	Plug	
131	70003340	1	Plug	
133	7024952	1	Plug	

SECTION 2 - GROUND CONTROLS

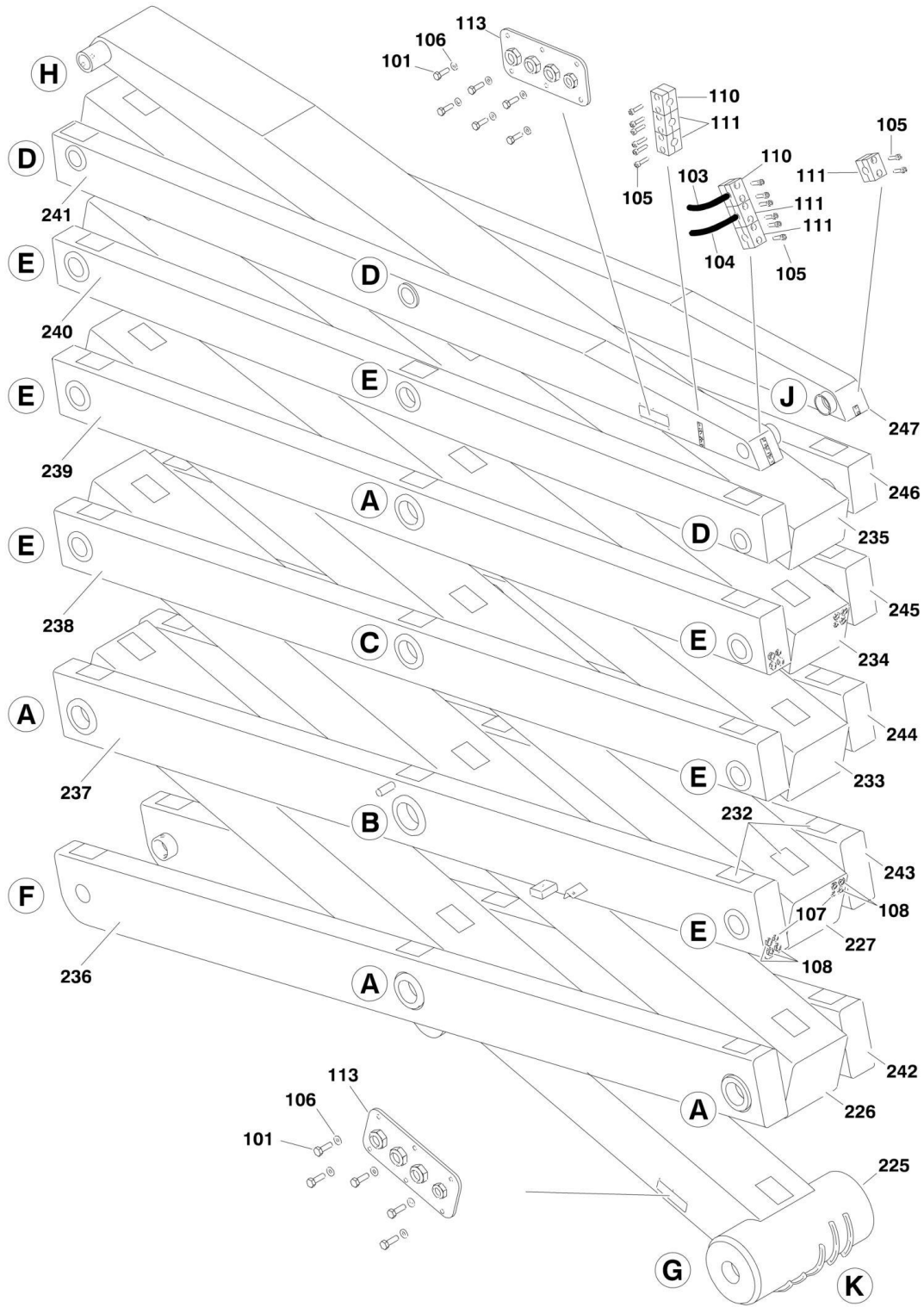
FIGURE 2-9. HOODS INSTALLATION

ITEM	PART NUMBER	QTY	DESCRIPTION	REV
	0275568	Ref	HOODS INSTALLATION	F
		Ref	Note: Replacement decals must be ordered separately - See DECALS SECTION for Breakdown	
1	0700518	4	Bolt M5 x 55mm	
2	0700621	16	Bolt M6 x 65mm	
3	0700812	2	Bolt, M8 x 25mm	
4	0760605	4	Bolt M6 x 10mm	
5	0760606	4	Bolt M6 x 12mm	
6	0760812	AR	Bolt M8 x 25mm	
7	0760814	AR	Bolt M8 x 30mm	
8	0761010	4	Bolt M10 x 20mm	
9	0761014	8	Bolt M10 x 30mm	
12	3290605	20	Locknut M6	
14	3290805	16	Locknut M8	
16	3820408	8	Rivet	
17	4811700	36	Flatwasher M6	
18	4811900	32	Flatwasher M8	
19	4812000	16	Flatwasher M10	
21	4831700	8	Lockwasher M6	
22	4832000	4	LockwasherM10	
23	H005235	1	Cover, Protection	
24	S000056	4	Strap, Hood	
26	S001676	2	Handle	
27	S201604	2	Panel, Cabinet Top Filler	
28	S201605	1	Cover, Top (Engine Side)	
29	S201606	1	Hood (Engine Side)	
30	S201608	1	Cover, Top (Valve Side)	
31	S201609	1	Hood (Valve Side)	
32	S201661	1	Tube, Air Intake	
33	S900060	16	Spacer	
34	S900078	4	Pin	
35	S900079	4	Bolt, Special	
36	S900091	1	Air duct	
37	S900092	1	Cover, Cleaning	
38	S900093	1	Grid, Safety	
39		Ref	Spring, Gas Options:	
39	S001513	4	Spring, Gas (Prior to SN 1200016563)	
39	1001093028	4	Spring, Gas (SN 1200016563 to Present)	
40	4811600	8	Flatwasher M5	
41	4831900	1	Lockwasher M8	
42	4832100	4	Lockwasher M12	
43	3290505	4	Locknut M5	
44	3291005	8	Locknut M10	

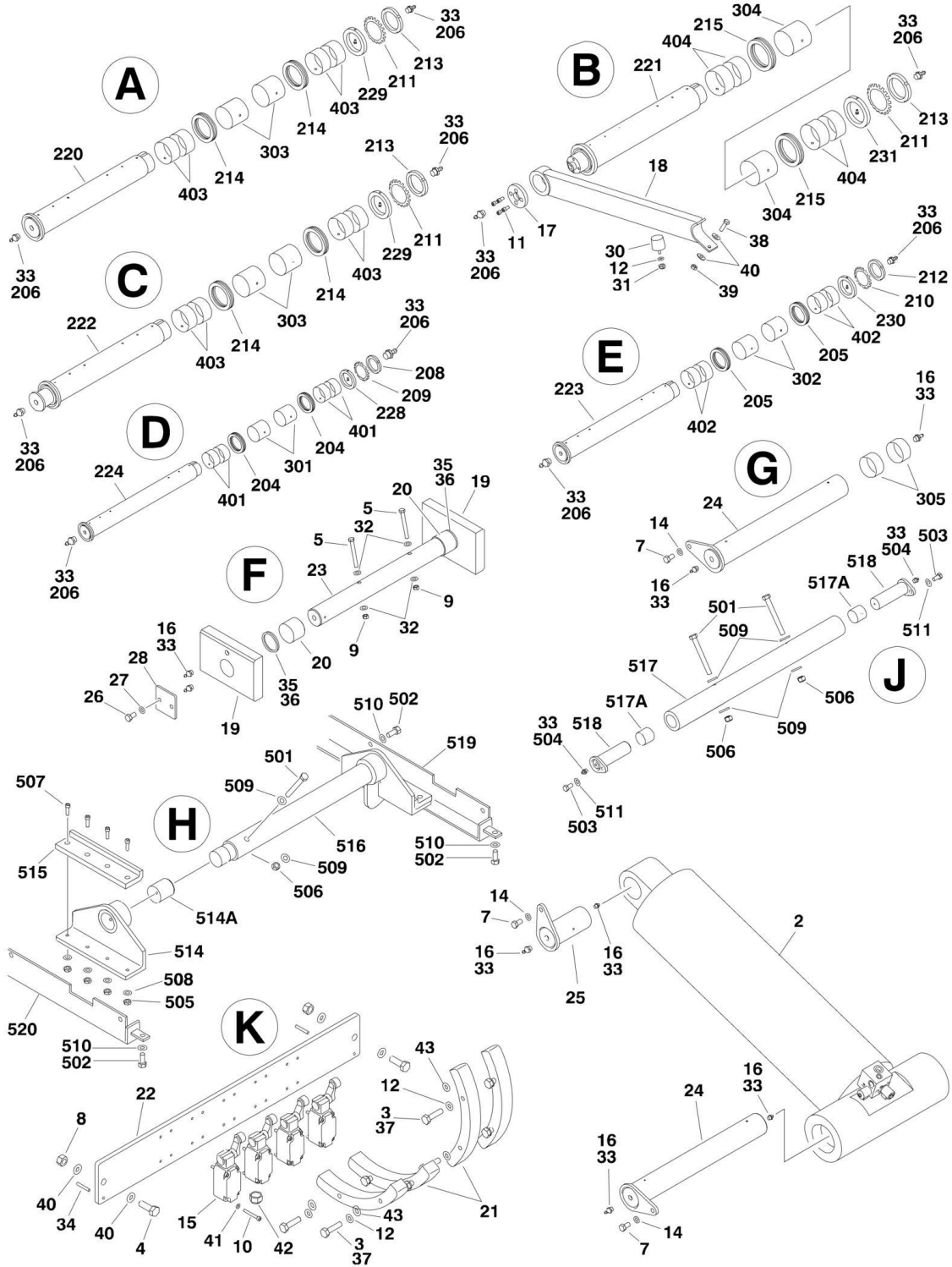
SECTION 3 - SCISSORS ARMS

SECTION 3 - SCISSORS ARMS

FIGURE 3-1. SCISSORS ARMS INSTALLATION



SECTION 3 - SCISSORS ARMS



SECTION 3 - SCISSORS ARMS

FIGURE 3-1. SCISSORS ARMS INSTALLATION

ITEM	PART NUMBER	QTY	DESCRIPTION	REV
	0275634	Ref	SCISSOR ARMS INSTALLATION	G
2	0275635	1	Lift Cylinder with Valve Assembly (See CYLINDER SECTION for Breakdown)	
3	0701015	8	Bolt M10 x 35mm	
4	0701217	2	Bolt M12 x 45mm	
5	0701631	2	Bolt M16 x 140mm	
7	0762015	3	Bolt M20 x 35mm	
8	3291207	2	Locknut M12	
9	3291605	2	Locknut M16	
10	4031612	16	Bolt M16 x 40mm	
11	4032111	4	Bolt M12 x 35mm	
12	4812000	9	Flatwasher M10	
14	4832500	3	Lockwasher M20	
15	E000376	4	Switch, Limit	
16	2160016	9	Fitting, Grease	
17	S200094	1	Lockwasher	
18	S200095	1	Prop, Safety	
19	S900312	2	Block, Slide	
20	S200100	2	Spacer	
21	S200132	4	Cam	
22	S900111	1	Plate, Switch Mounting	
23	S900125	1	Pin	
24	S900126	2	Pin	
25	S900127	1	Pin	
26	0760605	4	Bolt M6 x10mm	
27	4831700	4	Lockwasher M6	
28	S900288	2	Plate, Cover	
30	S001592	1	Bumper	
31	3291005	1	Locknut M10	
32	4812300	4	Flatwasher M16	
33	S000142	41	Cap, Grease Fitting	
34	3440816	2	Rollpin	
35	S900329	AR	Shim 2mm	
36	S900330	AR	Shim 3mm	
38	0761217	1	Bolt M12 x 45mm	
39	3291205	1	Locknut M12	
40	4812100	6	Flatwasher M12	
41	4831600	16	Lockwasher M5	
42	E000269	4	Relief, Strain	
43	4832000	8	Lockwasher M10	
	0275609	Ref	SCISSOR ARMS AND CABLE SUB-ASSEMBLY	E
101	0700812	12	Bolt M8 x 25mm	
103	2754478	1	Hose	
104	2754526	1	Hose	
105	4031709	AR	Bolt M6 x 25mm	
106	4831900	12	Lockwasher M8	
107	E000016	12	Connector, Strain Relief	
108	E000045	36	Connector, Strain Relief	
110	H000371	3	Clamp, Cable	
111	H000430	AR	Clamp, Cable	

SECTION 3 - SCISSORS ARMS

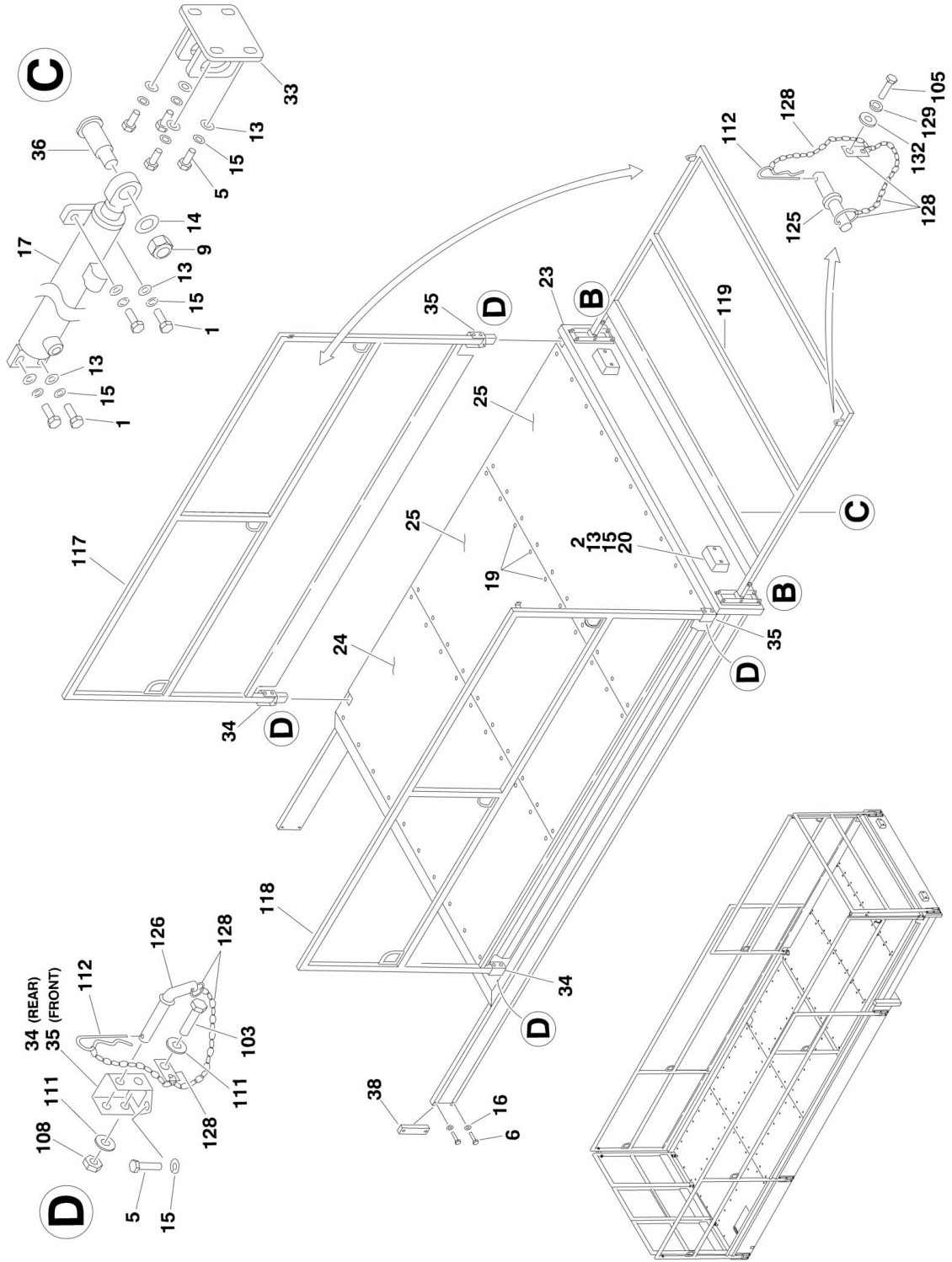
ITEM	PART NUMBER	QTY	DESCRIPTION	REV
113	S900223	2	Cover	
114	1062255	AR	Tie-Strap (Not Shown)	
	S900128	Ref	SCISSOR ARMS ASSEMBLY	F
204	S000123	6	Bearing, Ball Thrust	
205	S000124	14	Bearing, Ball Thrust	
206	2160016	32	Fitting, Grease	
208	S000191	3	Nut, 60mm	
209	S000233	3	Retaining Washer, 60mm	
210	S000234	7	Retaining Washer, 80mm	
211	S001238	6	Retaining Washer, 100mm	
212	S001240	7	Nut, 80mm	
213	S001241	6	Nut, 100mm	
214	S001491	10	Bearing, Ball Thrust	
215	S001492	2	Bearing, Ball Thrust	
220	S007120	4	Pin, 110 mm	
221	S007121	1	Pin, 130 mm	
222	S007122	1	Pin, 110 mm	
223	S007123	7	Pin, 90 mm	
224	S007124	3	Pin, 75 mm	
225	S200075	1	Arm #1 Inner (See Items 301 to 305 for Breakdown)	
226	S200078	1	Arm #2 Inner (See Items 301 to 305 for Breakdown)	
227	S200081	1	Arm #3 Inner (See Items 301 to 305 for Breakdown)	
228	S200090	3	Washer and Pin	
229	S200091	5	Washer and Pin	
230	S200092	7	Washer and Pin	
231	S200093	1	Washer and Pin	
232	S900240	95	Pad	
233	S900242	1	Arm #4 Inner (See Items 301 to 305 for Breakdown)	
234	S900243	1	Arm #5 Inner (See Items 301 to 305 for Breakdown)	
235	S900244	1	Arm #6 Inner (See Items 301 to 305 for Breakdown)	
236	S900245	1	Arm RH #1 Outer (See Items 401 to 404 for Breakdown)	
237	S900246	1	Arm RH #2 Outer (See Items 401 to 404 for Breakdown)	
238	S900247	1	Arm RH #3 Outer (See Items 401 to 404 for Breakdown)	
239	S900248	1	Arm RH #4 Outer (See Items 401 to 404 for Breakdown)	
240	S900249	1	Arm RH #5 Outer (See Items 401 to 404 for Breakdown)	
241	S900250	1	Arm RH #6 Outer (See Items 401 to 404 for Breakdown)	
242	S900251	1	Arm LH #1 Outer (See Items 401 to 404 for Breakdown)	
243	S900252	1	Arm LH #2 Outer (See Items 401 to 404 for Breakdown)	
244	S900253	1	Arm LH #3 Outer (See Items 401 to 404 for Breakdown)	
245	S900254	1	Arm LH #4 Outer (See Items 401 to 404 for Breakdown)	
246	S900255	1	Arm LH #5 Outer (See Items 401 to 404 for Breakdown)	
247	S900256	1	Arm LH #6 Outer (See Items 401 to 404 for Breakdown)	
		Ref	INNER SCISSOR ARM WELDMENTS	
	S200075	Ref	Arm #1 Inner	
	S200078	Ref	Arm #2 Inner	
	S200081	Ref	Arm #3 Inner	
	S900242	Ref	Arm #4 Inner	
	S900243	Ref	Arm #5 Inner	
	S900244	Ref	Arm #6 Inner	
301	S000188	6	Bushing, 75 x 80mm (S900243 qty 2 & S900244 qty 4)	
302	S000117	14	Bushing, 90 x 100mm (S200078 qty 2, S200081 qty 4, S900242 qty 4 & S900243 qty 4)	

SECTION 3 - SCISSORS ARMS

ITEM	PART NUMBER	QTY	DESCRIPTION	REV
303	S001595	10	Bushing, 110 x 110mm (S200075 qty 4, S200078 qty 2, S200081 qty 2 & S900242 qty 2)	
304	S001498	2	Bushing, 130 x 100mm (S200078 qty 2)	
305	S001496	2	Bushing, 110 x 60mm (S200075 qty 2)	
		Ref	OUTER SCISSOR ARM WELDMENTS	
	S900245	Ref	Arm RH #1 Outer	
	S900246	Ref	Arm RH #2 Outer	
	S900247	Ref	Arm RH #3 Outer	
	S900248	Ref	Arm RH #4 Outer	
	S900249	Ref	Arm RH #5 Outer	
	S900250	Ref	Arm RH #6 Outer	
	S900251	Ref	Arm LH #1 Outer	
	S900252	Ref	Arm LH #2 Outer	
	S900253	Ref	Arm LH #3 Outer	
	S900254	Ref	Arm LH #4 Outer	
	S900255	Ref	Arm LH #5 Outer	
	S900256	Ref	Arm LH #6 Outer	
401	S000116	12	Bushing, 75 x 60mm (S900249 qty2, S900250 qty4, S900255 qty2 & S900256 qty4)	
402	S000118	28	Bushing, 90 x 60mm (S900246 qty2, S900247 qty4, S900248 qty4, S900249 qty4, S900252 qty2, S900253 qty4, S900254 qty4 & S900255 qty4)	
403	S001496	20	Bushing, 110 x 60mm (S900245 qty4, S900246 qty2, S900247 qty2, S900248 qty2, S900251 qty4, S900252 qty2, S900253 qty2 & S900254 qty2)	
404	S001497	4	Bushing, 130 x 60mm (S900246 qty2 & S900252 qty2)	
	0275749	Ref	SCISSOR ARMS TO PLATFORM ATTACHMENT INSTALLATION	E
501	0701631	3	Bolt M16 x 120mm	
502	0761010	14	Bolt M10 x 20mm	
503	0761212	2	Bolt M12 x 25mm	
504	2160016	4	Fitting, Grease	
505	3291005	8	Locknut M10	
506	3291605	3	Locknut M16	
507	4032011	8	Capscrew M10 x 35mm	
508	4812000	8	Flatwasher M10	
509	4812300	6	Flatwasher M16	
510	4832000	14	Lockwasher M10	
511	4832100	2	Lockwasher M12	
514	S900120	2	Slide Support (Use p/n 1001102404)	
514A	S000010	2	Bushing, 60 x 70mm	
515	S900121	2	Wear Pad	
516	S900122	1	Pin, 75 mm (Use p/n S007043)	
517	S900123	1	Pin, 75 mm	
517A	S001499	2	Bushing, 45 x 50mm	
518	S900124	2	Pin, Outer Scissor Arm to Platform	
519	S900279	1	Bracket, Slide Constraint (Right)	
520	S900280	1	Bracket, Slide Constraint (Left)	
521	S000242	AR	Cap, Grease Fitting (Not Shown)	

SECTION 4 - PLATFORM

SECTION 4 - PLATFORM



SECTION 4 - PLATFORM

FIGURE 4-1. PLATFORM AND ACCESSORIES INSTALLATION

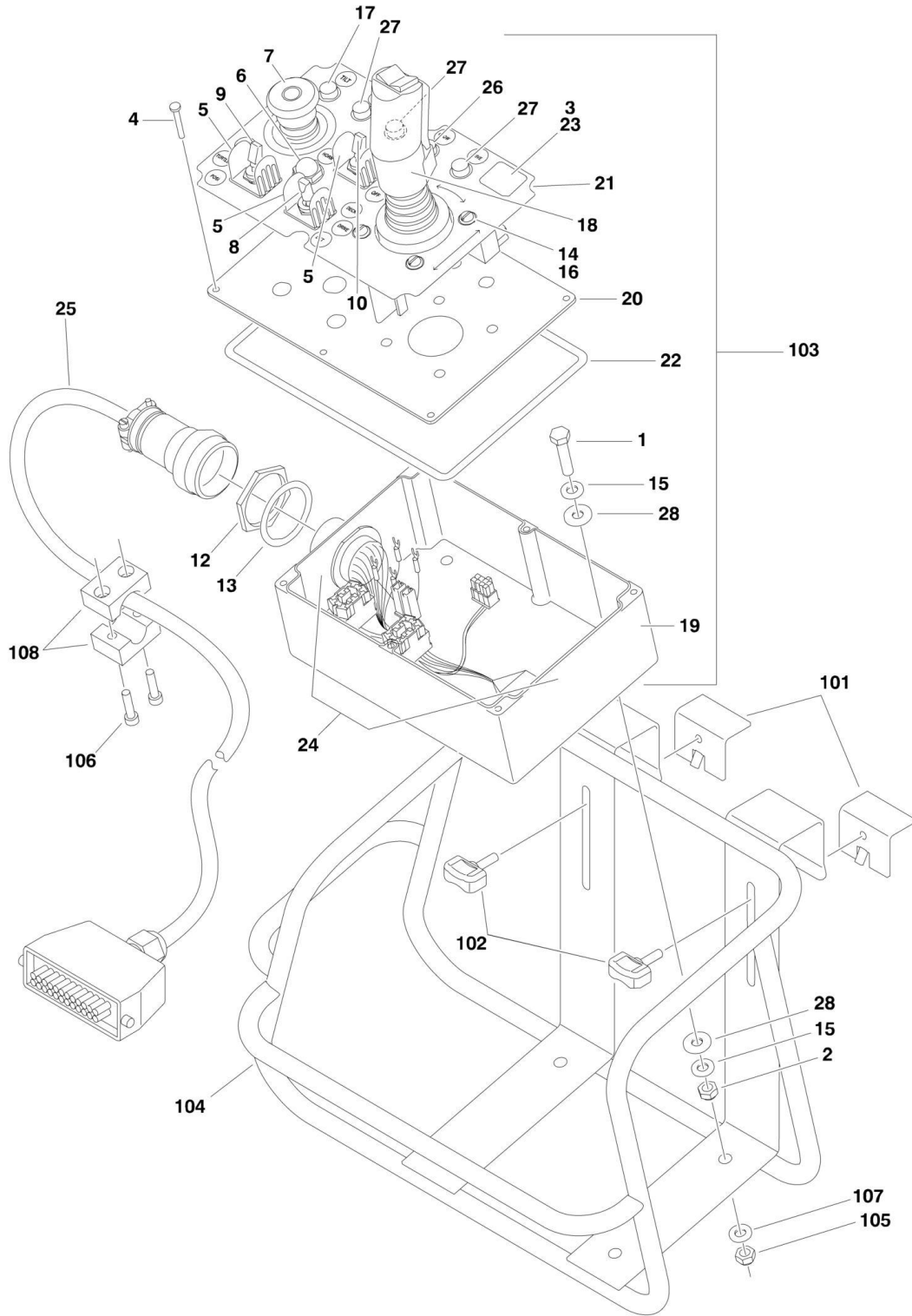
ITEM	PART NUMBER	QTY	DESCRIPTION	REV
	0275640	Ref	PLATFORM AND EXTENSION INSTALLATION	I
		Ref	Note: Replacement decals must be purchased separately - See DECALS SECTION for Breakdown	
1	0701014	8	Bolt M10 x 30mm	
2	0701020	4	Bolt M10 x 60mm	
3	0760610	4	Bolt M6 x 20mm	
4	0761010	4	Bolt M10 x 20mm	
5	0761012	36	Bolt M10 x 25mm	
6	0761214	4	Bolt M12 x 30mm	
7	2160016	4	Fitting, Grease	
8	3290605	4	Locknut M6	
9	3292005	2	Locknut M20	
10	3760491	4	Snap Ring	
11	3900376	12	Screw, Countersunk M4 x 13mm	
12	4811700	8	Flatwasher M6	
13	4812000	20	Flatwasher M10	
14	4812500	2	Flatwasher M20	
15	4832000	56	Lockwasher M10	
16	4832100	4	Lockwasher M12	
17	H900020	2	Extension Cylinder Assembly (See CYLINDER SECTION for Breakdown)	
18	S000237	2	Hinge	
19	S001445	AR	Screw, Self-Tapping	
20	S001640	2	Bumper	
21	S005049	4	Roller	
22	S200012	1	Platform Weldment	
23	S200033	1	Extension Weldment	
24	S900041	1	Plate, Extension Deck Front Floor	
25	S900042	2	Plate, Extension Deck Floor	
26	S900043	1	Plate, Main Deck Front Floor	
27	S900044	1	Door, Receptacle Compartment	
28	S900045	1	Plate, Main Deck Rear Floor	
29	S900046	1	Plate, Main Deck Rear Middle Floor	
30	S900130	1	Plate, Main Deck Front Middle Floor	
31	S900229	1	Compartment, Receptacle	
32	S900269	8	Bracket, Hinge	
33	S900276	2	Bracket, Extension Cylinder Attaching	
34	S900277	2	Bracket, Extension Rail	
35	S900278	2	Bracket, Extension Rail	
36	S900289	2	Pin, Extension Cylinder	
37	S900291	12	Anchor Plate	
38	S900293	2	Stop, Extension	
43	4031709	24	Capscrew M6 x 25mm	
44	H000430	12	Clamp, Cable/Hose	
45	0761008	4	Bolt M10 x 16mm	
46	S000142	4	Cap, Grease Fitting (Prior to SN 1200022285)	
	0275638	Ref	RAILS INSTALLATION	I
101	0700615	1	Bolt M6 x 35mm	
102	0701029	8	Bolt M10 x 120mm	
103	0761228	8	Bolt M10 x 110mm	

SECTION 4 - PLATFORM

ITEM	PART NUMBER	QTY	DESCRIPTION	REV
104	0701217	2	Bolt M12 x 45mm	
105	0760608	4	Bolt M6 x 16mm	
106	3290605	1	Nut M6	
107	3291005	8	Locknut M10	
108	3291205	14	Locknut M12	
109	4811700	AR	Flatwasher M6	
110	4812000	16	Flatwasher M10	
111	4812100	24	Flatwasher M12	
112	S000145	20	Pin, Cotter	
113	S200017	1	Rail, Main Platform	
114	S200015	1	Rail, Main Platform	
115	1001101886	1	Rail, Platform End	
		Ref	Note: For machines prior to SN 1200020020, customer must also purchase qty. 2 item 129, qty. 1 item 133 & qty. 2 item 134.	
116	S200238	1	Latch, Gate	
117	S900233	1	Rail, Platform Extension	
118	S900234	1	Rail, Platform Extension	
119	S900235	1	Rail, Platform Extension End	
120	S900264	1	Rail, Platform End and Gate Assembly	
120A	2080040	AR	Fastener, Huck	
120A	2600281	2	Hinge	
120B	1001101885	1	Gate	
120C	1001101884	1	Rail, Platform	
121	S900117	2	Pin	
122	S900118	4	Pin	
123	S900267	2	Bar	
124	S900268	8	Pin	
125	S900113	2	Pin	
126	S900271	8	Pin	
127	S900274	8	Tube	
128	S900275	20	Chain Assembly (Includes Mounting Plate and Attaching Ring)	
129	4831700	6	Lockwasher M6	
130	2080040	3	Fastener, Huck	
131	S200027-11	1	Plate, Manual Box Attaching	
132	4811702	4	Flatwasher M6 (Wide)	
133	1001103161	1	Plate, Adjustable Lock	
134	0760612	2	Bolt M6 x 25mm	
	0275639	Ref	RECEPTACLES INSTALLATION	H
209	4460071	1	Connector, Strain Relief (Use p/n E000016)	
221	1001097369	1	Nut, Strain Relief	
222	1001097370	1	Nut, Strain Relief	
223	E000045	1	Connector, Strain Relief	

SECTION 4 - PLATFORM

FIGURE 4-2. PLATFORM CONSOLE ASSEMBLY AND INSTALLATION



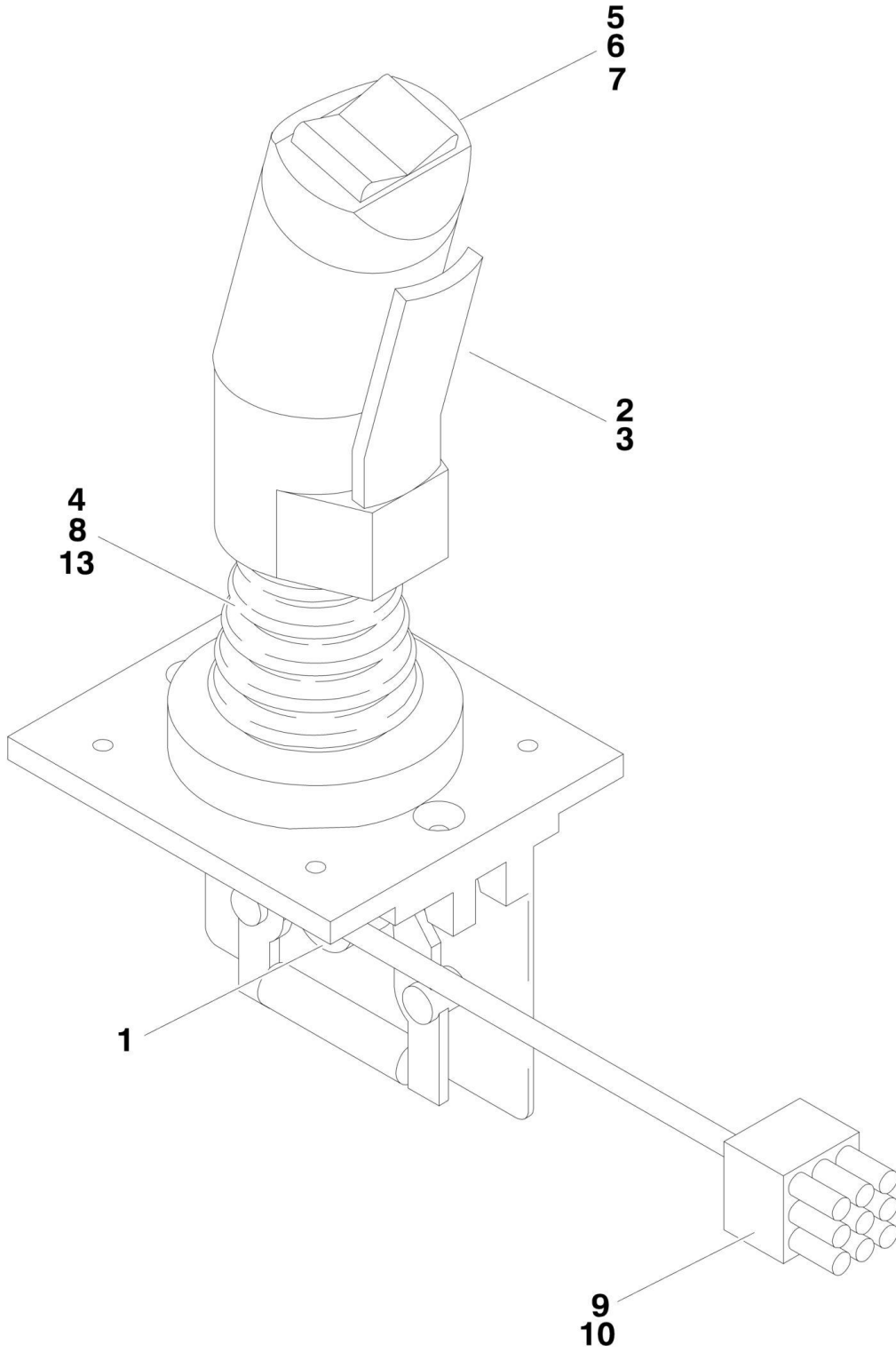
SECTION 4 - PLATFORM

FIGURE 4-2. PLATFORM CONSOLE ASSEMBLY AND INSTALLATION

ITEM	PART NUMBER	QTY	DESCRIPTION	REV
	E900026	Ref	PLATFORM CONSOLE ASSEMBLY	F
1		Ref	Bolt Options:	
1	0760508	4	Bolt (M5 x 16mm) (Prior to SN 1200016563)	
1	0760815	4	Bolt (M8 x 35mm) (SN 1200016563 to Present)	
2		Ref	Locknut Options:	
2	3290505	4	Locknut (M5 Locknut) (Prior to SN 1200016563)	
2	3290805	4	Locknut (M8 Locknut) (SN 1200016563 to Present)	
3	3520060	1	Plug	
4	4010414	6	Screw M4 x 30mm	
5	4060802	3	Guard, Switch	
6	4360387	1	Switch, Push Button	
7	4360475	1	Switch, Emergency Stop	
7	7020175	1	Cap, Red	
7	7020176	1	Block, Contact	
8	4360525	1	Switch, Toggle	
9	4360693	1	Switch, Toggle	
10	4360698	1	Switch, Toggle	
11	4460121	1	Cap, Wire (Not Shown)	
12	4460470	1	Nut, Terminal	
13	4460471	1	Lockwasher, Terminal	
14	4740120	4	Washer, Nylon	
15		Ref	Flatwasher Options:	
15	4811600	4	Flatwasher (M5 Flatwasher) (Prior to SN 1200016563)	
15	4811900	8	Flatwasher (M8 Flatwasher) (SN 1200016563 to Present)	
16	8303891	4	Screw #10-32NF x 3/4in	
17	E000419	1	Light, LED (Red)	
18	E900025	1	Drive/Steer Controller Assembly (See DRIVE/STEER CONTROLLER ASSEMBLY for Breakdown)	
19	E900028	1	Box, Control (Use p/n 1001096367)	
20	E900029		Lid, Control Box	
21	E900030	1	Decal, Console	
22	E900031	1	Seal	
23	E900036	1	Decal	
24	E900041	1	Harness, Platform Console Box (See ELECTRICAL SECTION for Breakdown)	
25	E900042	1	Harness, Jumper (See ELECTRICAL SECTION for Breakdown)	
26	E900048	1	Light, LED (Yellow)	
27	E900049	3	Light, LED (Green)	
28	4811902	8	Flatwasher M8 (Large O.D Only) (SN 1200016563 to Present)	
	0275673	Ref	PLATFORM CONSOLE INSTALLATION	C
101	0181847	2	Clamp, Console Bracket	
102	2560141	2	Screw, Thumb	
103	E900026	1	Console Assembly, Platform (see Items 1 - 28 for Breakdown)	
104		Ref	Bracket, Console Panel Options:	
104	S000009	1	Bracket, Console Panel (Prior to SN 1200016563)	
104	1001096366	1	Bracket, Console Panel (SN 1200016563 to Present)	
105	3290805	4	Locknut M8	
106	4031709	2	Screw M6 x 25mm	
107	4811900	4	Flatwasher M8	
108	H000371	1	Clamp	

SECTION 4 - PLATFORM

FIGURE 4-3. DRIVE/STEER CONTROLLER ASSEMBLY



SECTION 4 - PLATFORM

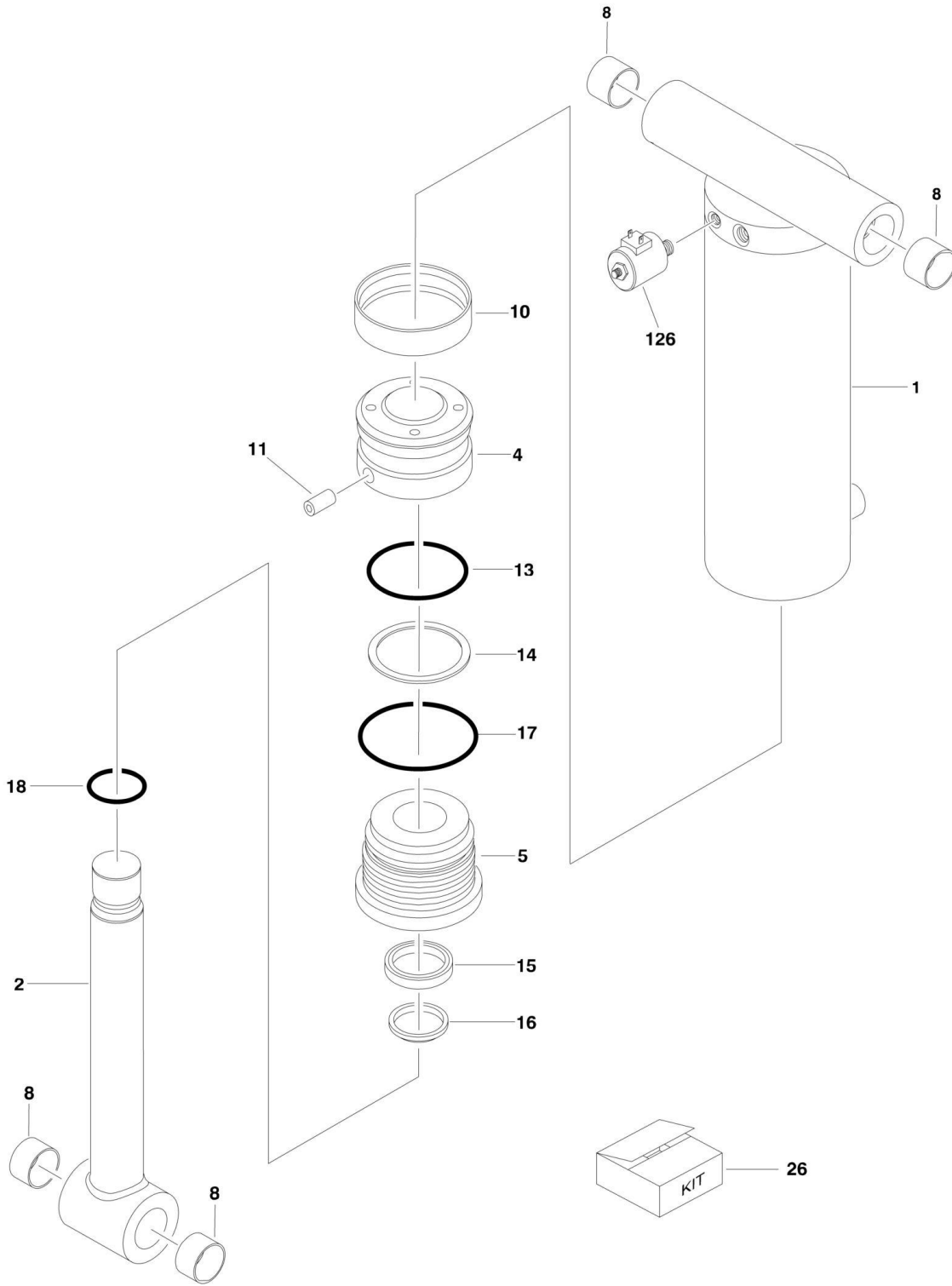
FIGURE 4-3. DRIVE/STEER CONTROLLER ASSEMBLY

ITEM	PART NUMBER	QTY	DESCRIPTION	REV
	E900025	Ref	DRIVE/STEER CONTROLLER ASSEMBLY	B
1	70000081	1	Potentiometer	
2	7027367	1	Switch, Push Button (Not Shown - Located Behind Item #3)	
3	7027765	1	Lever, Enabler	
4	7027766	1	Ring, Retaining	
5	70000082	1	Microswitch	
6	70000083	1	Coupler, Microswitch	
7	70000084	1	Cap, Rubber	
8	70000085	1	Boot, Rubber	
9	4460265	1	Plug, Male - 9 Pin	
10	4460226	6	Socket, Female	
11	4460266	1	Connector, Receptacle - 9 Pin (Not Shown - Part of Console Harness)	
12	4460267	6	Pin, Male (Not Shown - Part of Console Harness)	
13	70000685	1	Washer, Plastic Bushing	
14	70000684	AR	Screw, Handle (Not Shown)	
15	See Note	AR	Nut, Handle (Not Shown) (Note: Not Available for Purchase)	
16	70000683	AR	Washer, Neoprene (Not Shown)	
17	70000686	AR	Screw, Handle (Not Shown)	

SECTION 5 - CYLINDER

SECTION 5 - CYLINDER

FIGURE 5-1. AXLE LOCKOUT CYLINDER ASSEMBLY



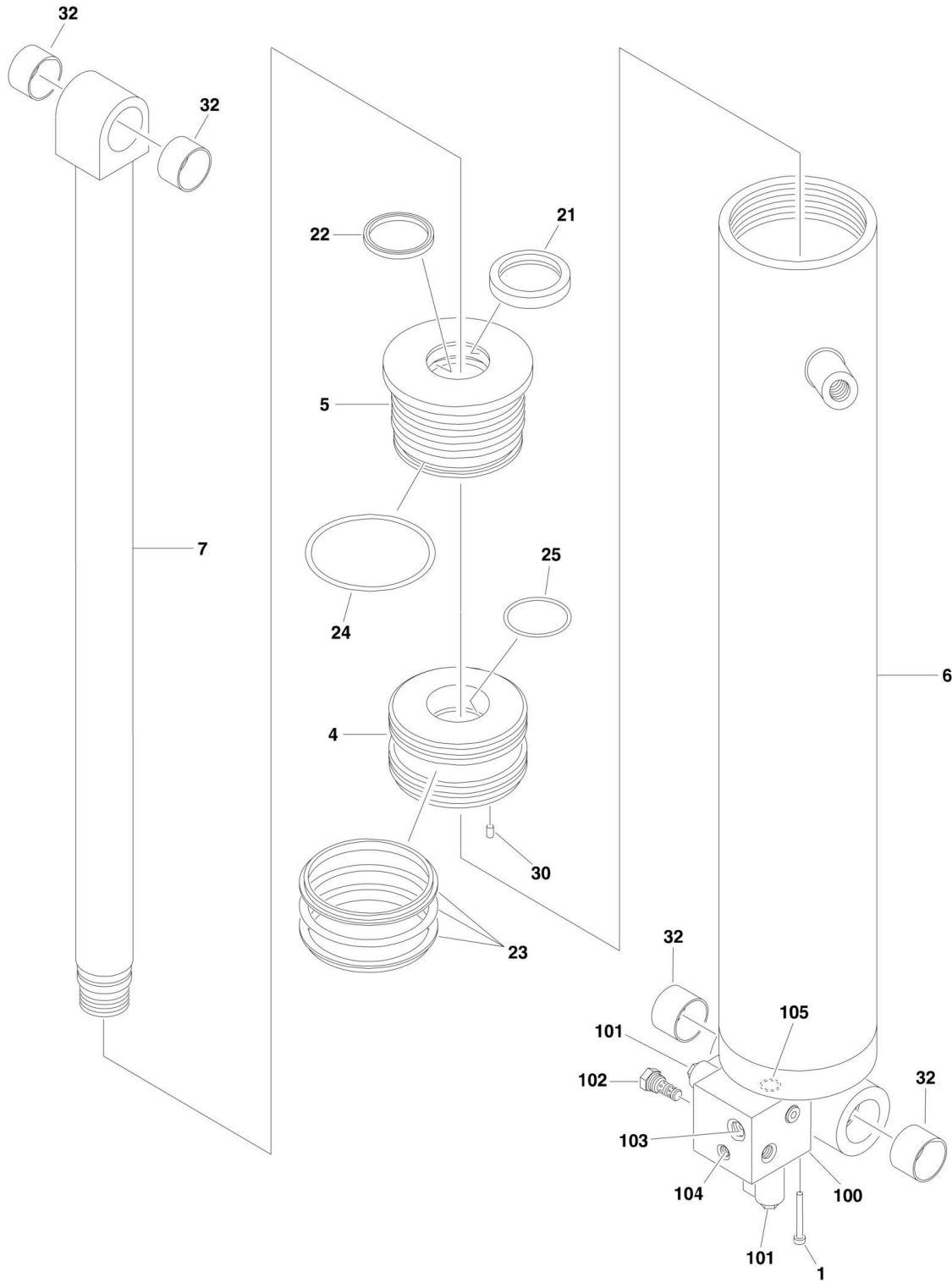
SECTION 5 - CYLINDER

FIGURE 5-1. AXLE LOCKOUT CYLINDER ASSEMBLY

ITEM	PART NUMBER	QTY	DESCRIPTION	REV
	H900009	Ref	AXLE LOCKOUT CYLINDER ASSEMBLY	D
1	70000748	1	Barrel	
2	70000747	1	Rod	
4	70000744	1	Piston	
5	70000745	1	Head	
8	70000746	4	Bushing	
10	See Note	NSS	Piston Seal (Note: Use Item 26)	
11	See Note	1	Setscrew (Note: Not Available - Purchase Locally)	
13	See Note	NSS	Head Seal (Note: Use Item 26)	
14	See Note	NSS	Backup Ring (Note: Use Item 26)	
15	See Note	NSS	Rod Seal (Note: Use Item 26)	
16	See Note	NSS	Wiper (Note: Use Item 26)	
17	See Note	NSS	O-Ring (Note: Use Item 26)	
18	See Note	NSS	O-Ring (Note: Use Item 26)	
26	7026103	1	Seal Kit (Includes Items 10, 13, 14, 15, 16, 17 & 18)	
	H900070	Ref	INLINE VALVE KIT	5
126	H000280	1	Valve, Load Check	
126	7012986	1	Coil	
126	7024897	1	Cartridge	
126	7012972	1	Seal Kit - 7024897 Valve	

SECTION 5 - CYLINDER

FIGURE 5-2. LIFT CYLINDER ASSEMBLY



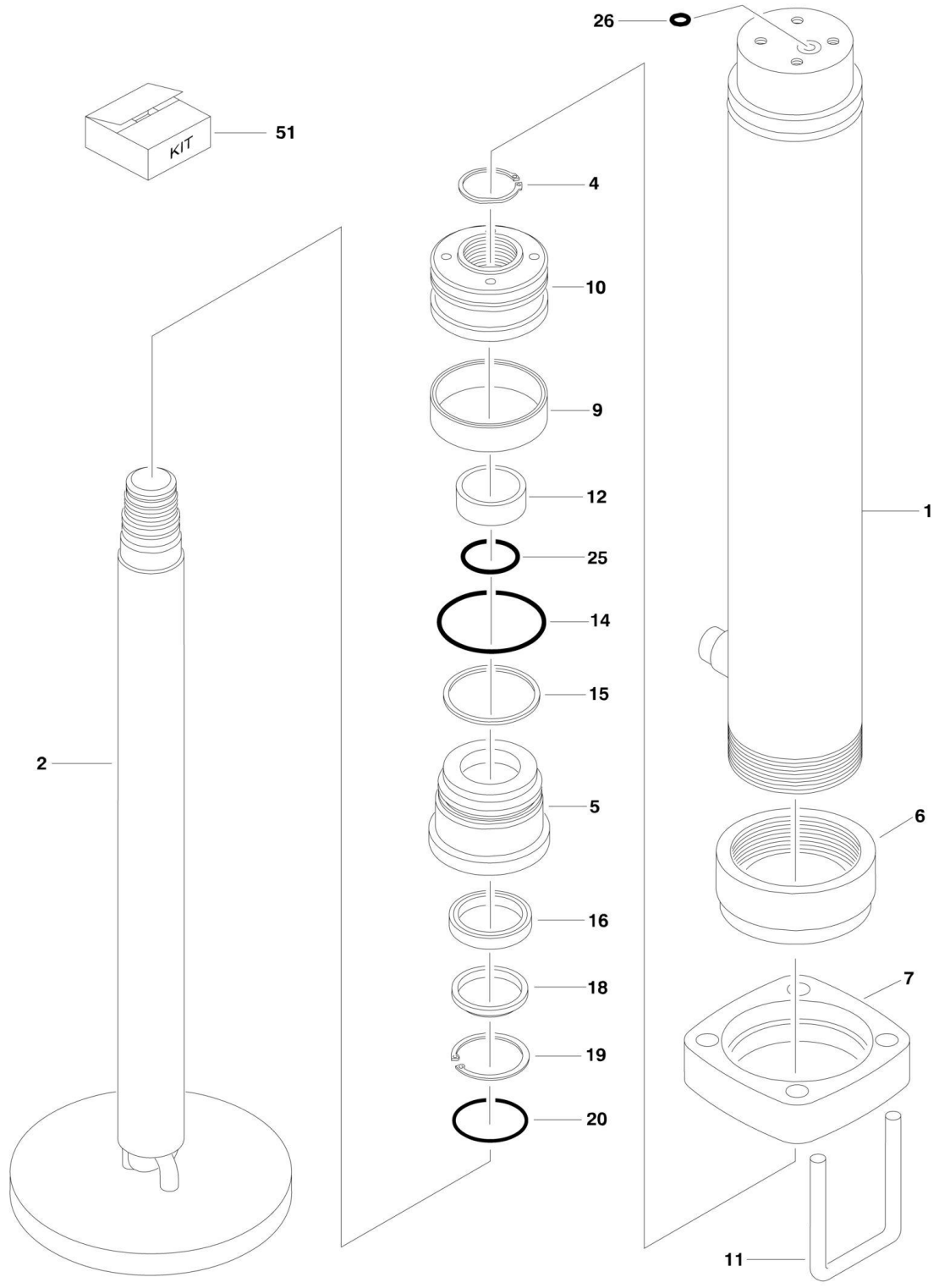
SECTION 5 - CYLINDER

FIGURE 5-2. LIFT CYLINDER ASSEMBLY

ITEM	PART NUMBER	QTY	DESCRIPTION	REV
	0275635	Ref	LIFT CYLINDER AND VALVE COMPLETE	A
1	4032025	4	Capscrew M10 x 120mm	
	H000444	Ref	LIFT CYLINDER ASSEMBLY ONLY	
4	S201640	1	Piston	
5	S201641	1	Cylinder Head	
6	S201639	1	Cylinder Barrel	
7	S201638	1	Piston Rod	
21	H003085	1	Wiper	
22	H003091	1	Rod Seal	
23	H000532	1	Piston Seal	
24	H003115	1	O-Ring	
25	H003108	1	O-Ring	
27	70000184	1	O-Ring (Not Shown)	
30	S200910	1	Setscrew	
32	S001496	4	Bushing	
		Ref	Note: No seal kit available. Purchase individual seals.	
100	H900065	Ref	LOWER/LIFT VALVE ASSEMBLY ONLY	C
101	70000219	2	Cartridge, Solenoid Valve (Less Coil)	
101	7023919	2	Seal Kit - 70000219 Cartridge	
101	7017444	2	Coil	
102	70000220	1	Check Valve Cartridge	
102	7021632	1	Seal Kit - 70000220 Cartridge	
103	See Note	1	Orifice (Note: Not Available for Purchase)	
104	See Note	1	Orifice (Note: Not Available for Purchase)	
105	70000150	1	O-Ring	

SECTION 5 - CYLINDER

FIGURE 5-3. LEVELING CYLINDER ASSEMBLY



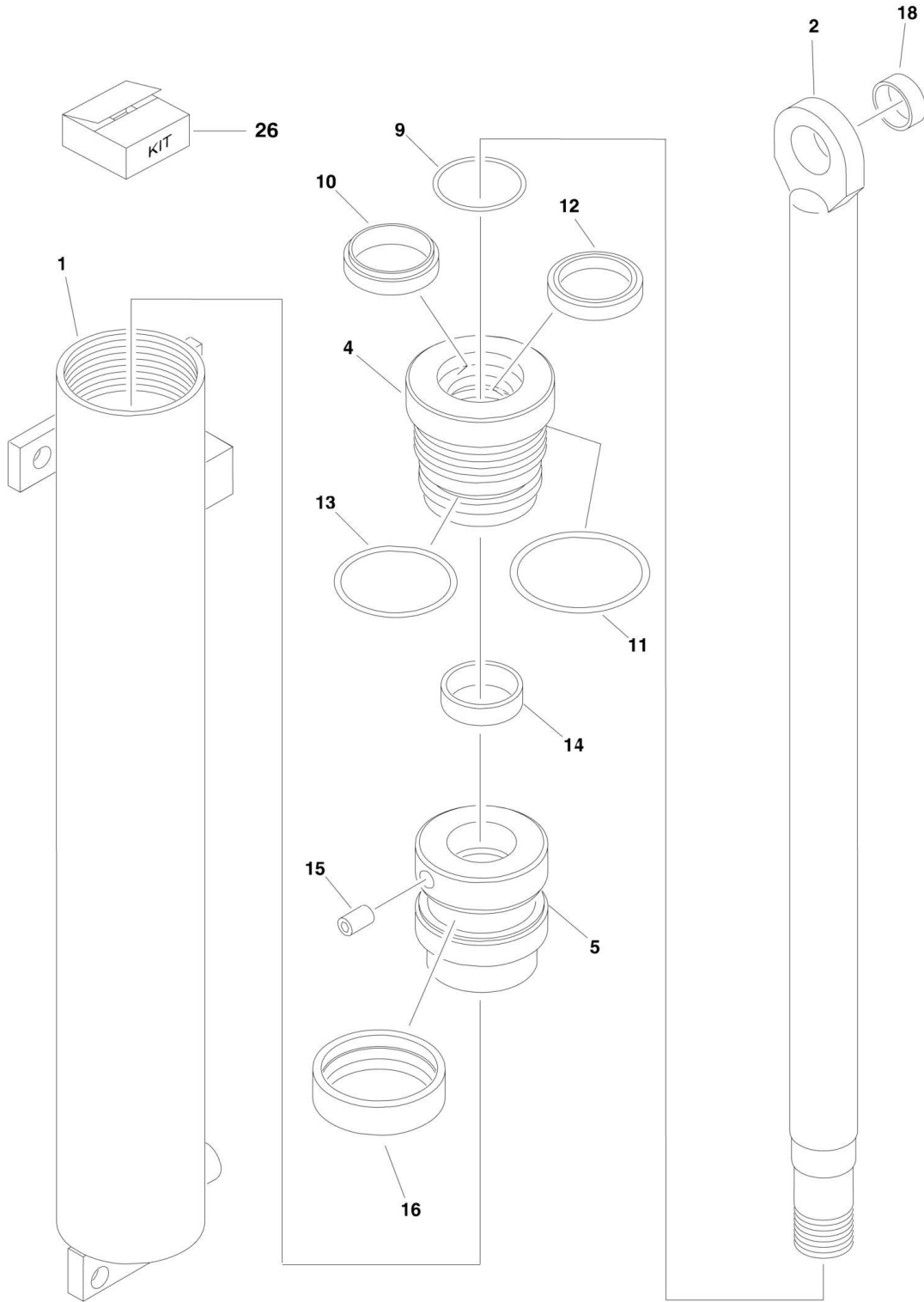
SECTION 5 - CYLINDER

FIGURE 5-3. LEVELING CYLINDER ASSEMBLY

ITEM	PART NUMBER	QTY	DESCRIPTION	REV
		Ref	LEVELING CYLINDER ASSEMBLY	
	H900008	Ref	Right Front and Left Rear Cylinder	H
	H900010	Ref	Left Front and Right Rear Cylinder	H
1		Ref	Barrel Options:	
1	70000703	1	Right Front and Left Rear Cylinder	
1	70000706	1	Left Front and Right Rear Cylinder	
2	70000702	1	Rod Assembly	
4	70000692	1	Snap Ring	
5	70000693	1	Head	
6	70000694	1	Cap	
7	70000695	1	Mounting Flange (Includes Item #11)	
9	See Note	NSS	Piston Seal (Note: Use Item 51)	
10	70000696	1	Piston	
11	70000697	1	Stop	
12	70000698	1	Spacer	
14	See Note	NSS	O-Ring (Note: Use Item 51)	
15	See Note	NSS	Ring, Back-Up (Note: Use Item 51)	
16	See Note	NSS	Seal, Rod (Note: Use Item 51)	
18	See Note	NSS	Wiper (Note: Use Item 51)	
19	70000699	1	Snap Ring	
20	See Note	NSS	O-Ring (Note: Use Item 51)	
25	See Note	NSS	O-Ring (Note: Use Item 51)	
26	70000700	1	O-Ring	
51	70000704	1	Seal Kit (Includes Items 9, 14, 15, 16, 18, 20 & 25)	

SECTION 5 - CYLINDER

FIGURE 5-4. PLATFORM EXTENSION CYLINDER ASSEMBLY



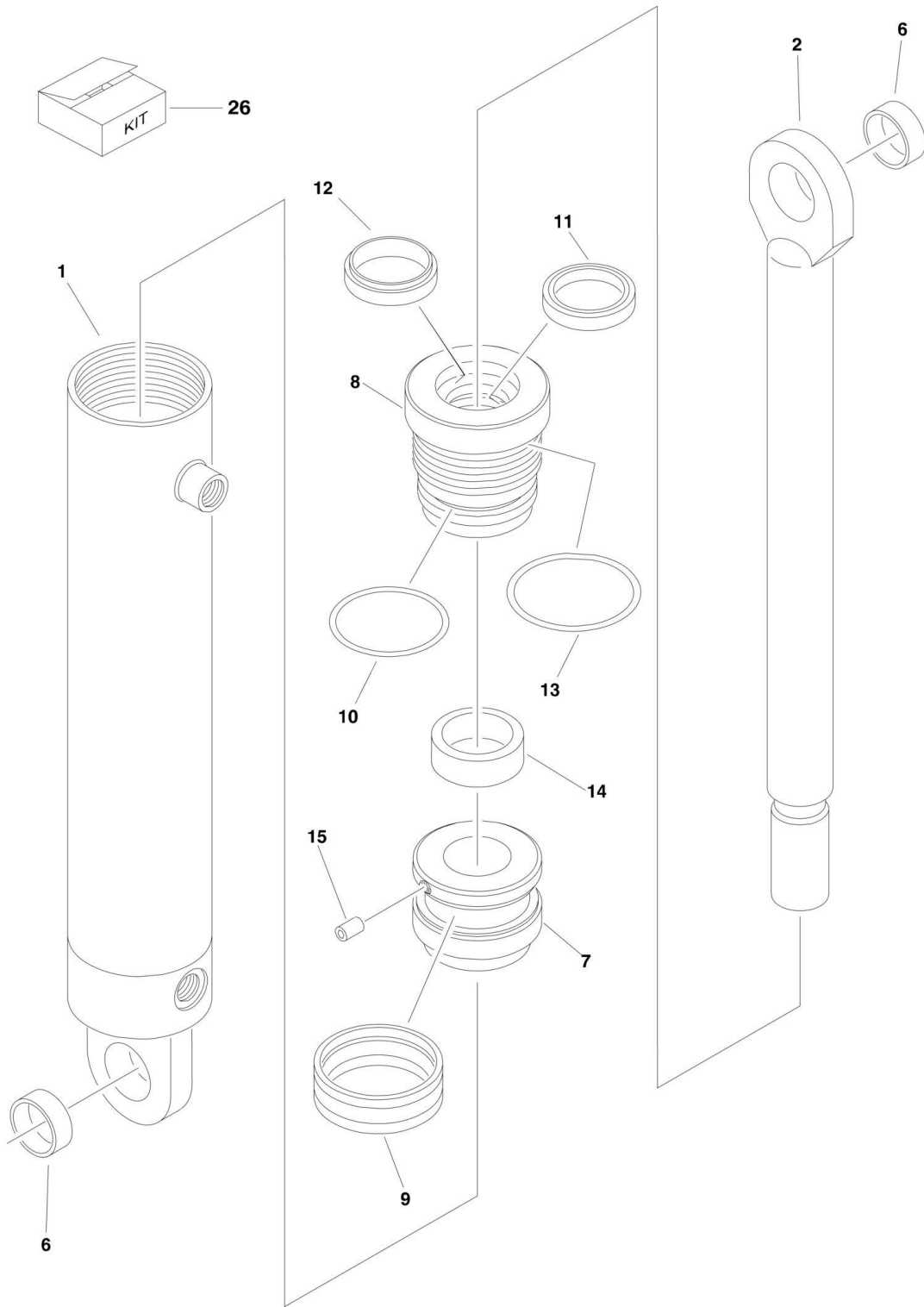
SECTION 5 - CYLINDER

FIGURE 5-4. PLATFORM EXTENSION CYLINDER ASSEMBLY

ITEM	PART NUMBER	QTY	DESCRIPTION	REV
	H900020	Ref	PLATFORM EXTENSION CYLINDER ASSEMBLY	D
1	70000712	1	Barrel	
2	70000711	1	Rod	
4	70000707	1	Head	
5	70000708	1	Piston	
9	See Note	NSS	O-Ring (Note: Use Item 26)	
10	See Note	NSS	Wiper (Note: Use Item 26)	
11	See Note	NSS	O-Ring (Note: Use Item 26)	
12	See Note	NSS	Rod Seal (Note: Use Item 26)	
13	See Note	NSS	Head Seal (Note: Use Item 26)	
14	70000709	1	Spacer	
15	See Note	1	Setscrew (Note: Not Available - Purchase Locally)	
16	See Note	NSS	Piston Seal (Note: Use Item 26)	
18	70000710	1	Rod Bushing	
26	70000713	1	Seal Kit (Includes Items 9, 10, 11, 12, 13 & 16)	

SECTION 5 - CYLINDER

FIGURE 5-5. STEERING CYLINDER ASSEMBLY



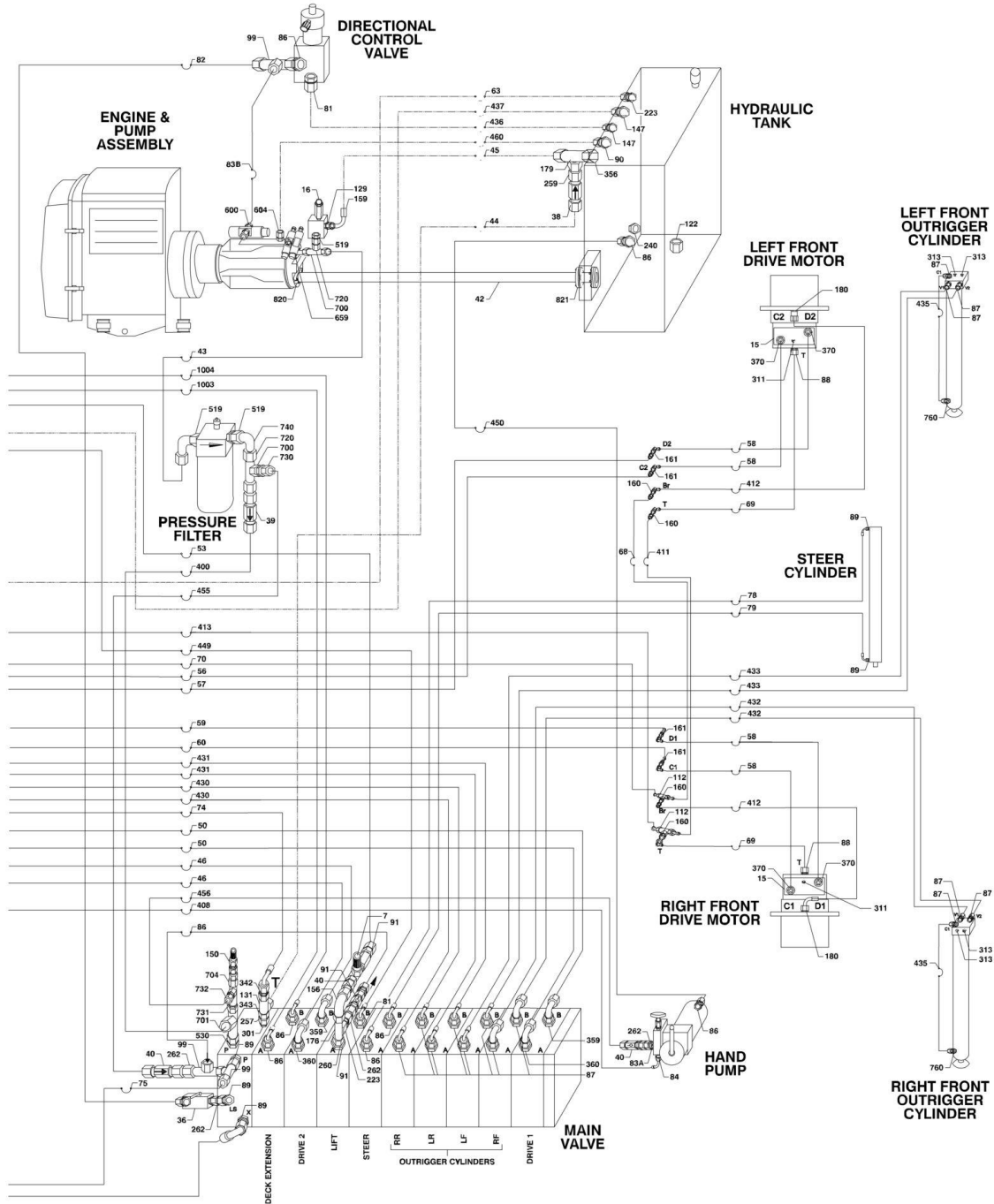
SECTION 5 - CYLINDER

FIGURE 5-5. STEERING CYLINDER ASSEMBLY

ITEM	PART NUMBER	QTY	DESCRIPTION	REV
	H900014	Ref	STEERING CYLINDER ASSEMBLY	D
1	70000754	1	Barrel	
2	70000753	1	Rod	
6	70000749	2	Bushing	
7	70000750	1	Piston	
8	70000751	1	Head	
9	See Note	NSS	Piston Seal (Note: Use Item 26)	
10	See Note	NSS	Head Seal (Note: Use Item 26)	
11	See Note	NSS	Rod Seal (Note: Use Item 26)	
12	See Note	NSS	Wiper (Note: Use Item 26)	
13	See Note	NSS	O-Ring (Note: Use Item 26)	
14	70000752	1	Spacer	
15	See Note	1	Setscrew (Note: Not Available - Purchase Locally)	
26	70000755	1	Seal Kit (Includes Items 9, 10, 11, 12 & 13)	

SECTION 6 - HYDRAULIC

SECTION 6 - HYDRAULIC



SECTION 6 - HYDRAULIC

FIGURE 6-1. HYDRAULIC DIAGRAM (Prior to SN 1200021263)

ITEM	PART NUMBER	QTY	DESCRIPTION	REV
	H900067	Ref	HYDRAULIC DIAGRAM	E
	H900070	Ref	INLINE VALVE KIT	4
7	H000524	1	Valve, Throttle Check (Not Serviceable - Replace Complete Valve)	
8	H000018	1	Valve, Lowering Speed Adjustment Throttle (Not Serviceable - Replace Complete Valve)	
10	H000536	1	Switch, Pressure (Not Serviceable - Replace Complete Valve)	
16	H005529	1	Valve, Pressure Control	
16	7024895	1	Cartridge, Valve Less Coil	
16	7024896	1	Seal Kit - 7024895 Cartridge	
16	7017444	1	Coil	
26	H000280	2	Valve, Load Holding	
26	7024897	2	Cartridge, Valve Less Coil (1 Per Valve)	
26	7012972	2	Seal Kit - 7024897 Cartridge (1 Per Valve)	
26	7012986	2	Coil (1 Per Valve)	
36	H000306	1	Valve, Flow Control (Not Serviceable - Replace Complete Valve)	
37	H000122	1	Valve, Lock-up (Not Serviceable - Replace Complete Valve) (Prior to SN 1200011762)	
38	H000273	1	Check Valve (Not Serviceable - Replace Complete Valve)	
39	H000123	1	Check Valve (Not Serviceable - Replace Complete Valve)	
40	H000351	3	Check Valve (Not Serviceable - Replace Complete Valve)	
	H900068	Ref	HYDRAULIC FITTING KIT	5
	H900069	Ref	HYDRAULIC HOSE KIT	5
41	1321564	2	Clamp (Not Shown)	
42	2754464	1	Hose	
43	2754463	1	Hose	
44	2754426	1	Hose	
45	2754422	1	Hose	
46	2754459	2	Hose	
50	2754458	2	Hose	
53	2754455	1	Hose	
54	2754453	1	Hose	
55	2754453	1	Hose	
56	2754457	1	Hose	
57	2754457	1	Hose	
58	2754454	4	Hose	
59	2754456	1	Hose	
60	2754455	1	Hose	
61	2754452	1	Hose	
62	2754451	1	Hose	
63	2754445	1	Hose	
67	2754429	1	Hose	
68	2754441	1	Hose	
69		Ref	Hose Options:	
69	2754418	2	Hose (Prior to SN 1200020020)	
69	2754435	2	Hose (SN 1200020020 to Present)	
70	2754437	1	Hose	
71		Ref	Hose Options:	
71	2754439	1	Hose (Prior to SN 1200020020)	
71	2754351	1	Hose (SN 1200020020 to Present)	

SECTION 6 - HYDRAULIC

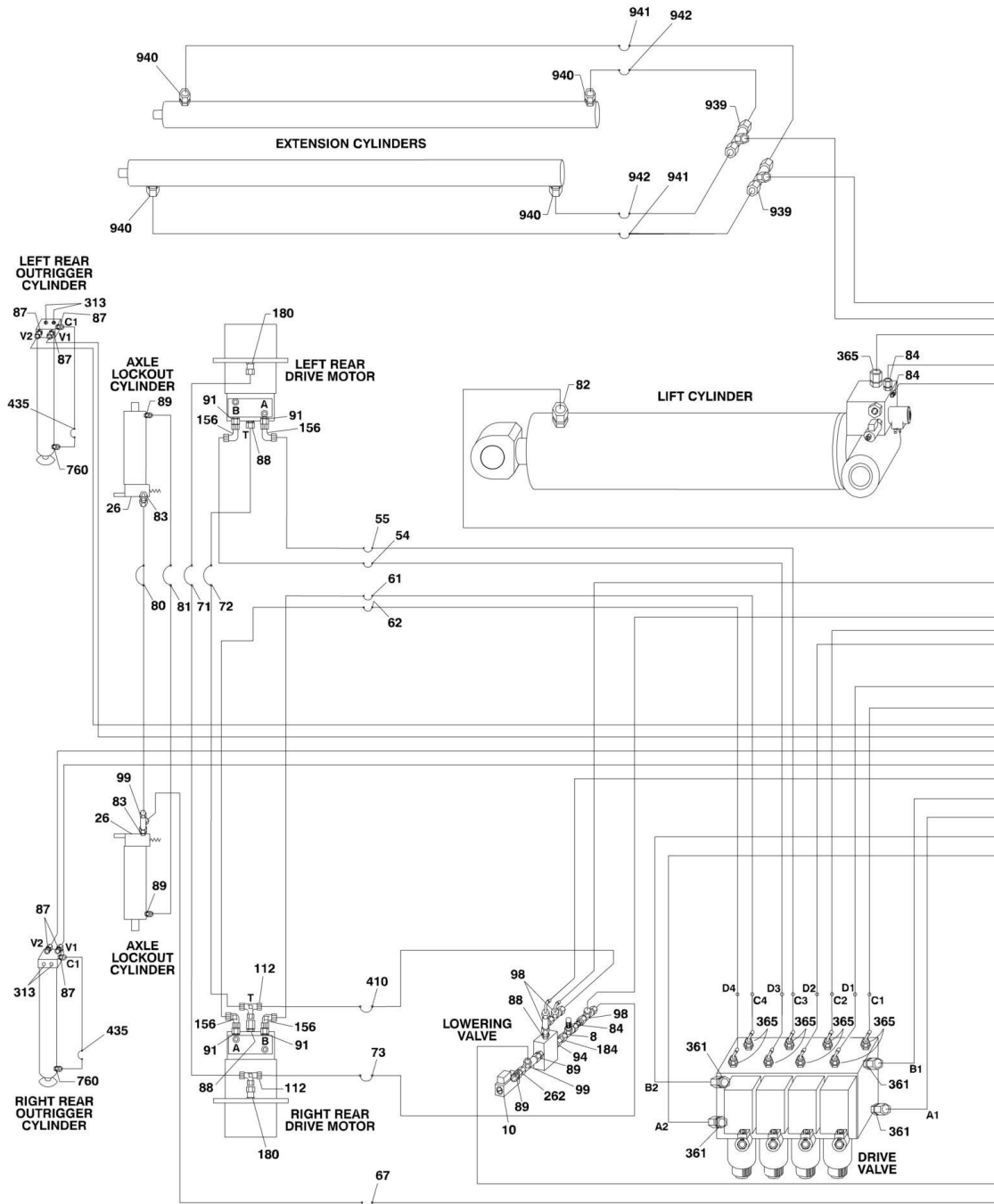
ITEM	PART NUMBER	QTY	DESCRIPTION	REV
72	2754417	1	Hose	
73	2754440	1	Hose	
74	2754420	1	Hose	
75	2754433	1	Hose	
78	2754432	1	Hose	
79	2754432	1	Hose	
80	2754434	1	Hose	
81A	2142710	1	Fitting, Straight	
81B	2754427	1	Hose	
82A	2142712	1	Fitting, Straight	
82B	2754430	1	Hose	
83A	2142707	3	Fitting, Straight	
83B	2754415	1	Hose	
84	2142709	AR	Fitting, Straight	
86A	2142743	7	Fitting, Straight	
86B	2754428	1	Hose	
87	2142715	20	Fitting, Straight	
88	2142708	5	Fitting, Straight	
89	2142706	9	Fitting, Straight	
90	2142746	1	Fitting, Straight	
91	2142716	7	Fitting, Straight	
94	2142711	1	Fitting, Straight	
98	2142203	4	Fitting, Tee	
99	2142202	5	Fitting, Tee	
112	2142103	4	Fitting, Tee	
113	2142713	1	Fitting, Straight	
122	2143809	1	Blanking Plug Only (Prior to SN 1200020242)	
129	2142741	1	Fitting, Straight	
131	2141914	1	Fitting, Tee	
147	2142754	2	Fitting, Straight	
150		Ref	Fitting Options:	
150	2142503	1	Prior to SN 1200020242 (Fitting, Cap)	
150	2144105	1	SN 1200020242 to Present (Fitting, Diagnostic Tip)	
156	2143406	5	Fitting, 90	
159	2143409	1	Fitting, 90	
160	2141503	4	Fitting, Bulkhead Union	
161	2141506	4	Fitting, Bulkhead Union	
176	2142206	1	Fitting, Tee	
179	2142209	1	Fitting, Tee	
180	H000148	4	Fitting	
184	2142804	1	Fitting, Straight	
223	2143513	1	Fitting, Reducer	
240	2221214	1	Plug (Includes Copper Sealing Ring)	
257	2143608	1	Fitting, Straight	
259	2143609	1	Fitting, Straight	
260	2143606	1	Fitting, Straight	
262	2143602	5	Fitting, Straight	
301	2142744	1	Fitting, Straight	
311	2143803	2	Blanking Plug	
313	2143807	8	Blanking Plug	
342	2143579	1	Fitting, Reducer	

SECTION 6 - HYDRAULIC

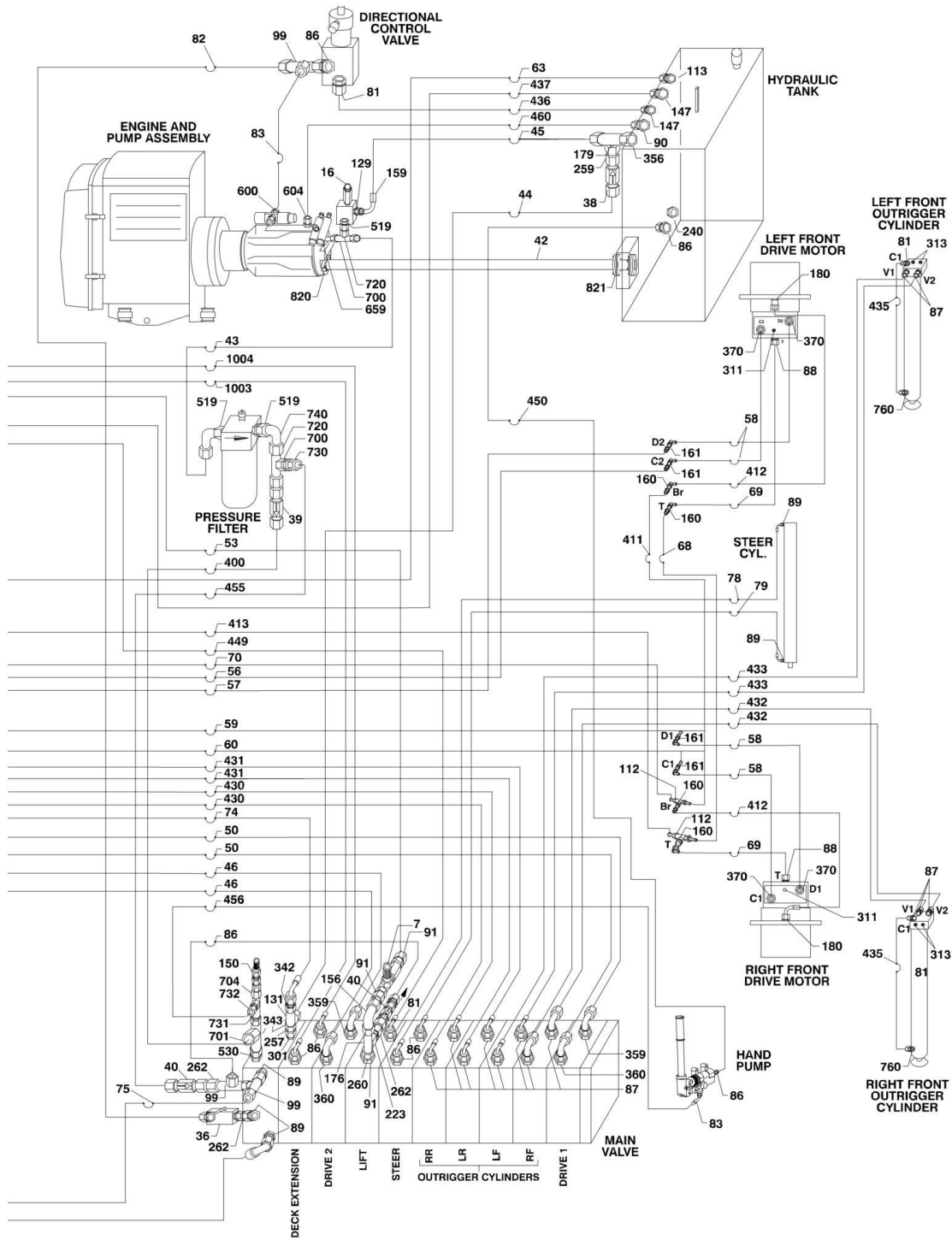
ITEM	PART NUMBER	QTY	DESCRIPTION	REV
343	2143534	1	Fitting, Reducer	
356	2142742	1	Fitting, Straight	
359	2142747	2	Fitting, Straight	
360	2142753	2	Fitting, Straight	
361	2142748	4	Fitting, Straight	
363	2140803	2	Fitting, Straight (Not Shown) (Prior to SN 1200011762)	
365	2142717	AR	Fitting, Straight	
370	2144007	4	Fitting, Straight	
400	2754462	1	Hose	
408	2754436	1	Hose	
410	2754416	1	Hose	
411	2754421	1	Hose	
412	2754435	2	Hose	
413	2754442	1	Hose	
430	2754447	2	Hose	
431	2754449	2	Hose	
432	2754446	2	Hose	
433	2754448	2	Hose	
435	2754450	4	Hose	
436	2754419	1	Hose	
437	2754443	1	Hose	
449	2754438	1	Hose	
450	2754431	1	Hose	
455	2754461	1	Hose	
456	2754460	1	Hose	
460	2754392	1	Hose	
519	2142749	3	Fitting, Straight	
530	2142750	1	Fitting, Straight	
600	2142755	1	Fitting, Straight	
604	2142756	1	Fitting, Straight	
659	2221228	1	Fitting, Straight	
700	2142219	2	Fitting, Tee	
701	2142218	1	Fitting, Tee	
704	2142215	1	Fitting, Tee	
720	2143619	2	Fitting, Straight	
730	2143568	1	Fitting, Reducer	
731	2143564	1	Fitting, Reducer	
732	2143547	1	Fitting, Reducer	
740	2143419	1	Fitting, 90	
760	2144005	4	Fitting, Straight	
820	2171824	1	Flange Kit (Includes Qty1 O-Ring and Qty 4 each Screws and Flatwashers)	
821	2171832	1	Flange Kit (Includes Qty1 O-Ring and Qty 4 each Screws and Flatwashers)	
	0275640	Ref	PLATFORM HYDRAULIC COMPONENTS	E
939	2141907	2	Fitting, Tee	
940	2142707	4	Fitting, Straight	
941	2754525	2	Hose	
942	2754529	2	Hose	
	0275609	Ref	ARMS HYDRAULIC COMPONENTS	D
1003	2754478	1	Hose	
1004	2754526	1	Hose	

SECTION 6 - HYDRAULIC

FIGURE 6-2. HYDRAULIC DIAGRAM (SN 1200021263 to Present)



SECTION 6 - HYDRAULIC



SECTION 6 - HYDRAULIC

FIGURE 6-2. HYDRAULIC DIAGRAM (SN 1200021263 to Present)

ITEM	PART NUMBER	QTY	DESCRIPTION	REV
	H900067	Ref	HYDRAULIC DIAGRAM	G
	H900070	Ref	INLINE VALVE KIT	5
7	H000524	1	Valve, Throttle Check (Not Serviceable - Replace Complete Valve)	
8	H000018	1	Valve, Lowering Speed Adjustment Throttle (Not Serviceable - Replace Complete Valve)	
10	H000536	1	Switch, Pressure (Not Serviceable - Replace Complete Valve)	
16	H005529	1	Valve, Pressure Control	
16	7024895	1	Cartridge, Valve Less Coil	
16	7024896	1	Seal Kit - 7024895 Cartridge	
16	7017444	1	Coil	
26	H000280	2	Valve, Load Holding	
26	7024897	2	Cartridge, Valve Less Coil (1 Per Valve)	
26	7012972	2	Seal Kit - 7024897 Cartridge (1 Per Valve)	
26	7012986	2	Coil (1 Per Valve)	
36	H000306	1	Valve, Flow Control (Not Serviceable - Replace Complete Valve)	
38	H000273	1	Check Valve (Not Serviceable - Replace Complete Valve)	
39	H000123	1	Check Valve (Not Serviceable - Replace Complete Valve)	
40	H000351	2	Check Valve (Not Serviceable - Replace Complete Valve)	
	H900068	Ref	HYDRAULIC FITTING KIT	6
	H900069	Ref	HYDRAULIC HOSE KIT	7
41	1321564	2	Clamp (Not Shown)	
42	2754464	1	Hose	
43	2754463	1	Hose	
44	2754426	1	Hose	
45	2754422	1	Hose	
46	2754459	2	Hose	
50	2754458	2	Hose	
53	2754455	1	Hose	
54	2754453	1	Hose	
55	2754453	1	Hose	
56	2754457	1	Hose	
57	2754457	1	Hose	
58	2754454	4	Hose	
59	2754456	1	Hose	
60	2754455	1	Hose	
61	2754452	1	Hose	
62	2754451	1	Hose	
63	2754445	1	Hose	
67	2754429	1	Hose	
68	2754441	1	Hose	
69	2754435	2	Hose	
70	2754437	1	Hose	
71	2754351	1	Hose	
72	2754417	1	Hose	
73	2754440	1	Hose	
74	2754420	1	Hose	
75	2754433	1	Hose	
78	2754432	1	Hose	
79	2754432	1	Hose	

SECTION 6 - HYDRAULIC

ITEM	PART NUMBER	QTY	DESCRIPTION	REV
80	2754434	1	Hose	
81A	2142710	1	Fitting, Straight	
81B	2754427	1	Hose	
82A	2142712	1	Fitting, Straight	
82B	2754430	1	Hose	
83A	2142707	2	Fitting, Straight	
83B	2754415	1	Hose	
84	2142709	4	Fitting, Straight	
86A	2142743	7	Fitting, Straight	
86B	2754428	1	Hose	
87	2142715	20	Fitting, Straight	
88	2142708	5	Fitting, Straight	
89	2142706	9	Fitting, Straight	
90	2142746	1	Fitting, Straight	
91	2142716	7	Fitting, Straight	
94	2142711	1	Fitting, Straight	
98	2142203	3	Fitting, Tee	
99	2142202	5	Fitting, Tee	
112	2142103	4	Fitting, Tee	
113	2142713	1	Fitting, Straight	
129	2142741	1	Fitting, Straight	
131	2141914	1	Fitting, Tee	
147	2142754	2	Fitting, Straight	
150	2144105	1	Fitting, Diagnostic Tip	
156	2143406	5	Fitting, 90	
159	2143409	1	Fitting, 90	
160	2141503	4	Fitting, Bulkhead Union	
161	2141506	4	Fitting, Bulkhead Union	
176	2142206	1	Fitting, Tee	
179	2142209	1	Fitting, Tee	
180	H000148	4	Fitting	
184	2142804	1	Fitting, Straight	
223	2143513	1	Fitting, Reducer	
240	2221214	1	Plug (Includes Copper Sealing Ring)	
257	2143608	1	Fitting, Straight	
259	2143609	1	Fitting, Straight	
260	2143606	1	Fitting, Straight	
262	2143602	4	Fitting, Straight	
301	2142744	1	Fitting, Straight	
311	2143803	2	Blanking Plug	
313	2143807	8	Blanking Plug	
342	2143579	1	Fitting, Reducer	
343	2143534	1	Fitting, Reducer	
356	2142742	1	Fitting, Straight	
359	2142747	2	Fitting, Straight	
360	2142753	2	Fitting, Straight	
361	2142748	4	Fitting, Straight	
365	2142717	10	Fitting, Straight	
370	2144007	4	Fitting, Straight	
400	2754462	1	Hose	
410	2754416	1	Hose	

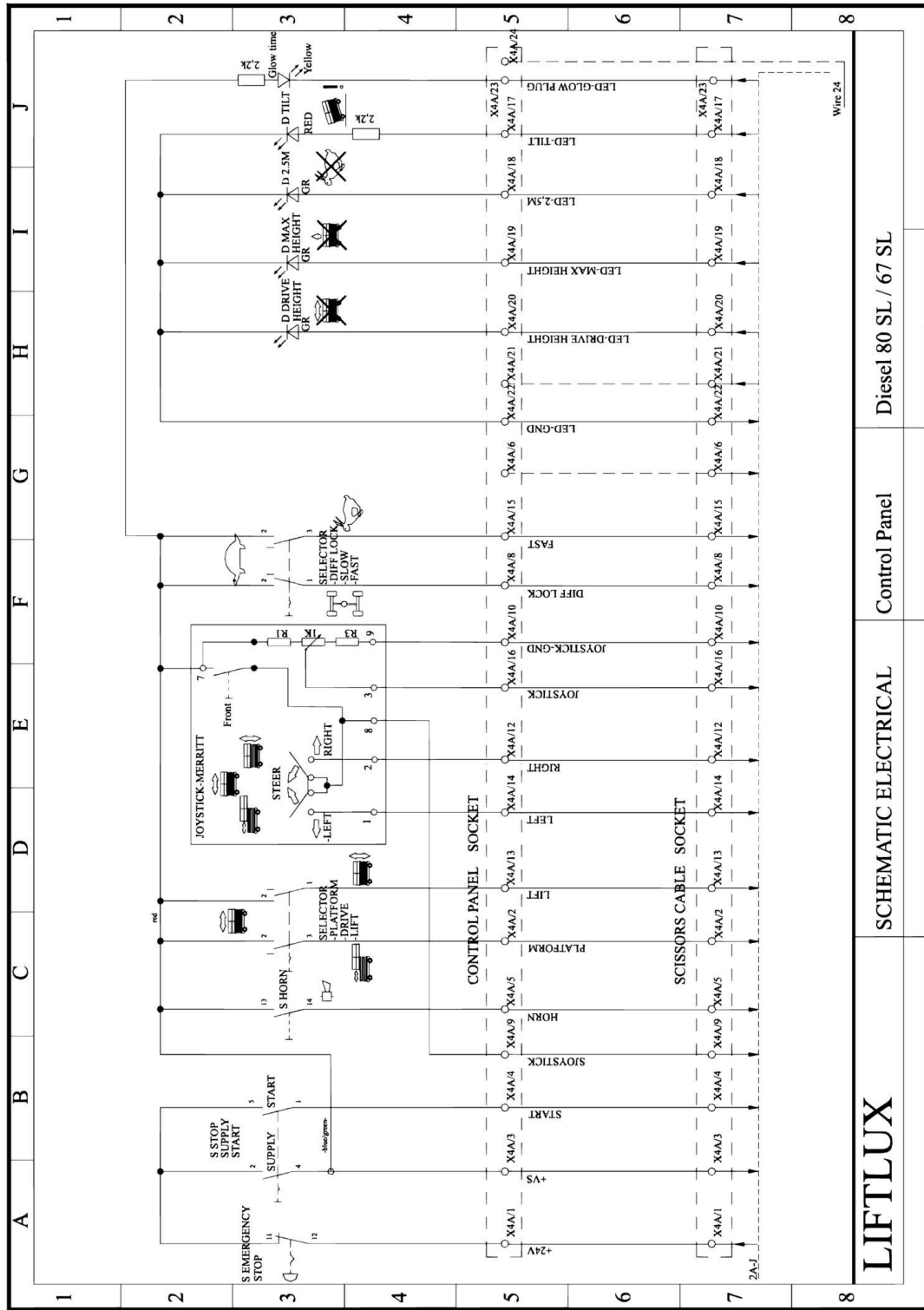
SECTION 6 - HYDRAULIC

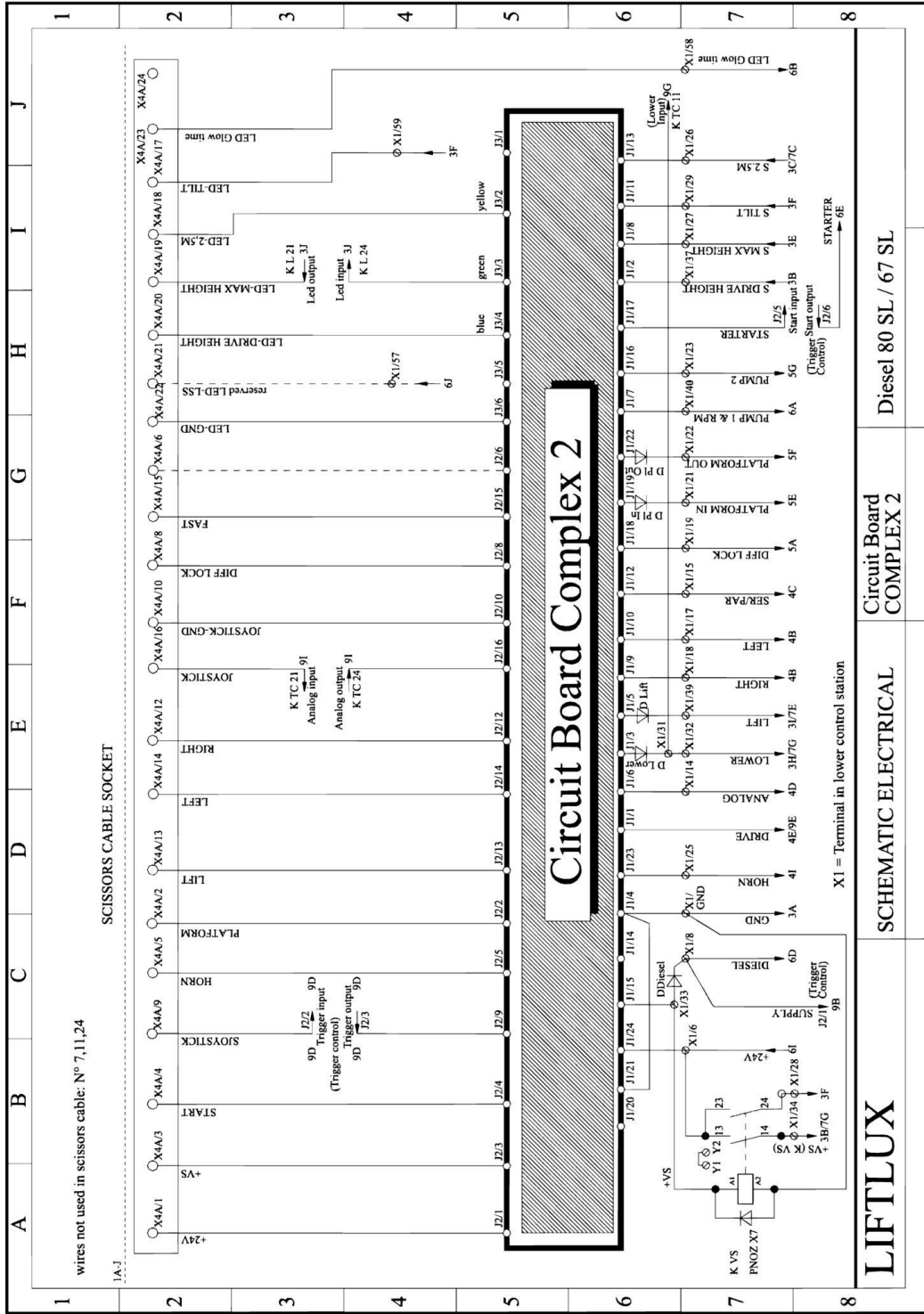
ITEM	PART NUMBER	QTY	DESCRIPTION	REV
411	2754421	1	Hose	
412	2754435	2	Hose	
413	2754442	1	Hose	
430	2754447	2	Hose	
431	2754449	2	Hose	
432	2754446	2	Hose	
433	2754448	2	Hose	
435	2754450	4	Hose	
436	2754419	1	Hose	
437	2754443	1	Hose	
449	2754438	1	Hose	
450	2754431	1	Hose	
455	2754461	1	Hose	
456	2754460	1	Hose	
460	2754392	1	Hose	
519	2142749	3	Fitting, Straight	
530	2142750	1	Fitting, Straight	
600	2144801	1	Fitting, Straight	
604	2144805	1	Fitting, Straight	
659	2221228	1	Fitting, Straight	
700	2142219	2	Fitting, Tee	
701	2142218	1	Fitting, Tee	
704	2142215	1	Fitting, Tee	
720	2143619	2	Fitting, Straight	
730	2143568	1	Fitting, Reducer	
731	2143564	1	Fitting, Reducer	
732	2143547	1	Fitting, Reducer	
740	2143419	1	Fitting, 90	
760	2144005	4	Fitting, Straight	
820	2171824	1	Flange Kit (Includes Qty1 O-Ring and Qty 4 each Screws and Flatwashers)	
821	2171832	1	Flange Kit (Includes Qty1 O-Ring and Qty 4 each Screws and Flatwashers)	
	0275640	Ref	PLATFORM HYDRAULIC COMPONENTS	F
939	2141907	2	Fitting, Tee	
940	2142707	4	Fitting, Straight	
941	2754525	2	Hose	
942	2754529	2	Hose	
	0275609	Ref	ARMS HYDRAULIC COMPONENTS	E
1003	2754478	1	Hose	
1004	2754526	1	Hose	

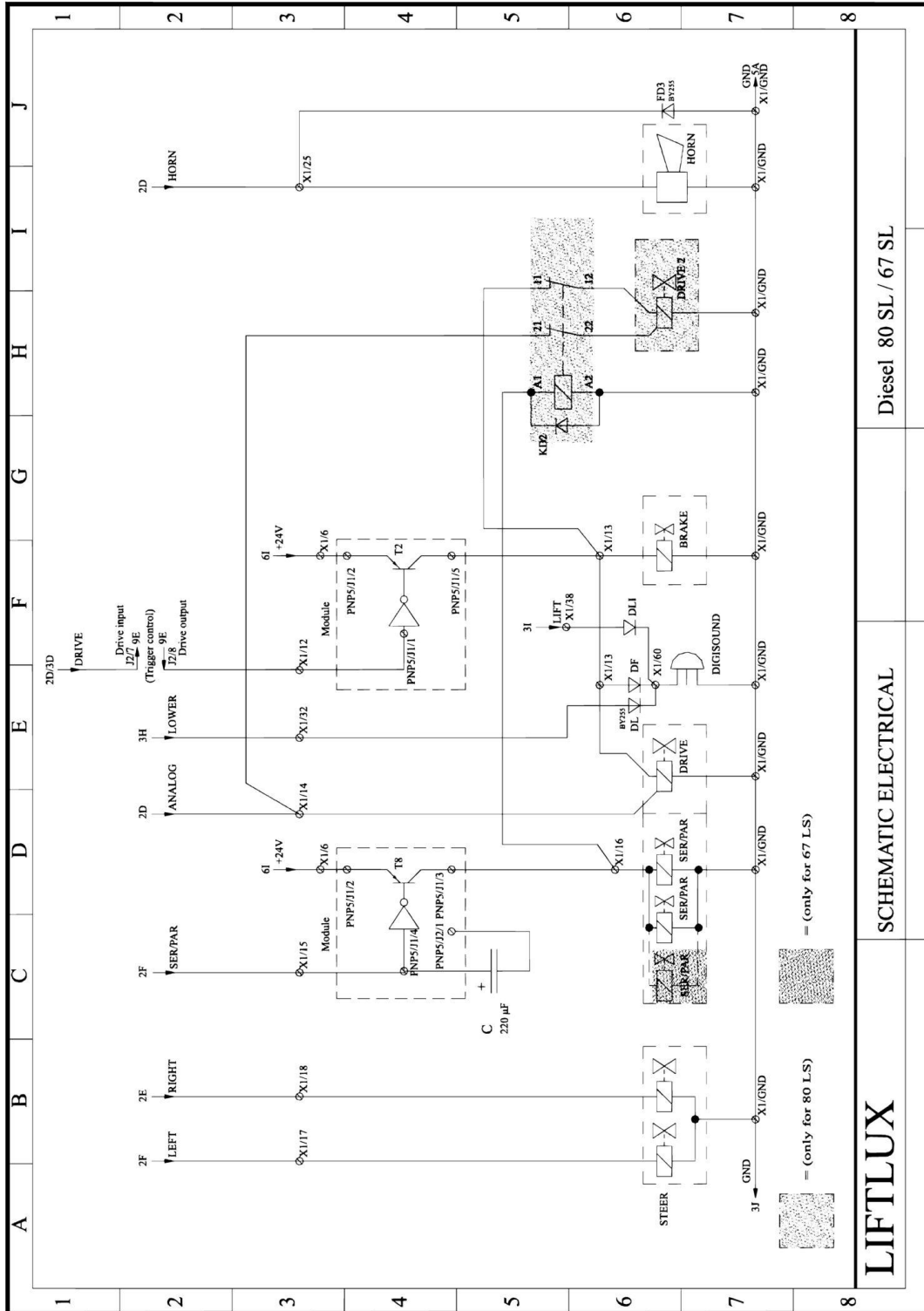
SECTION 7 - ELECTRICAL

SECTION 7 - ELECTRICAL

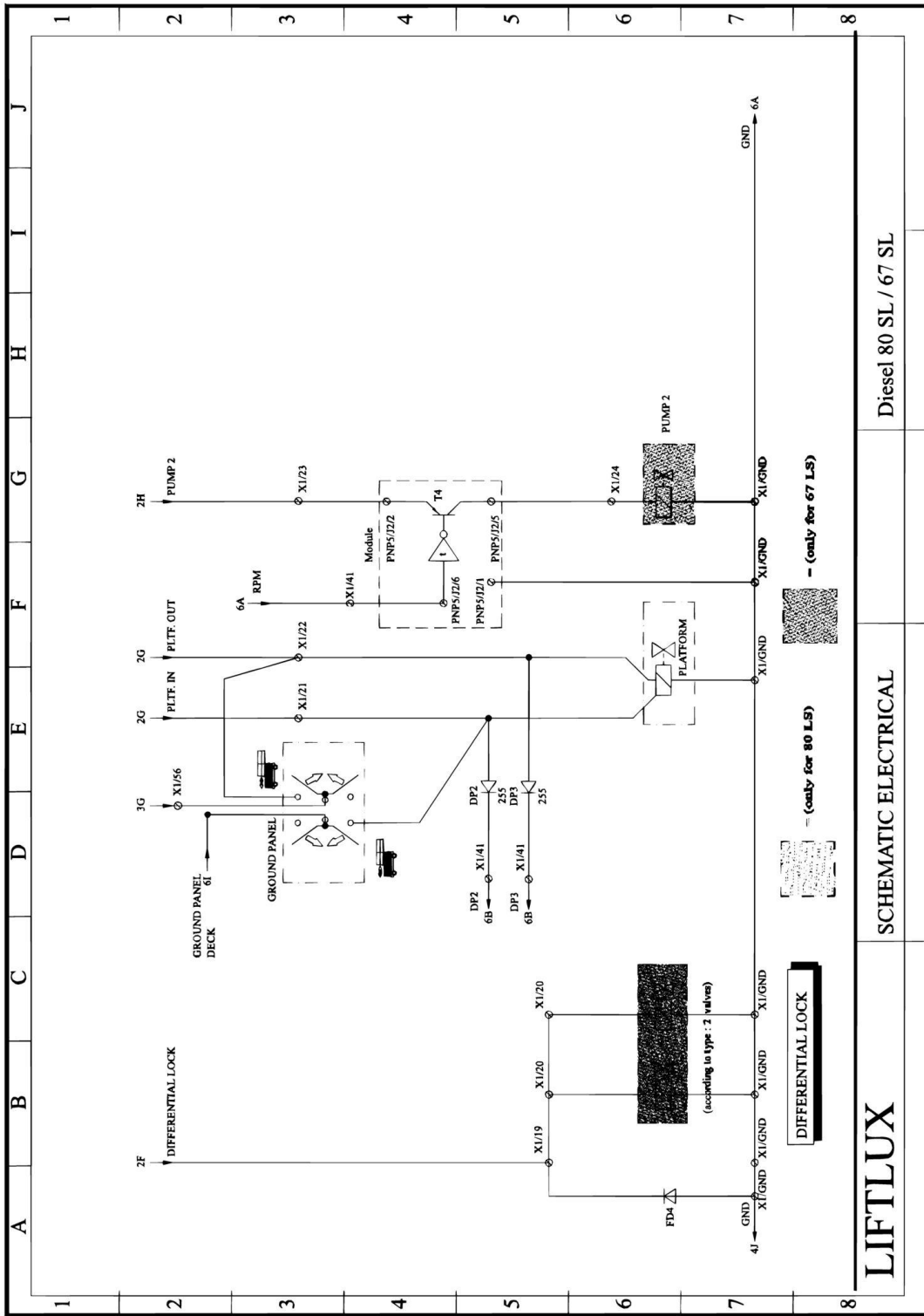
FIGURE 7-1. ELECTRICAL SCHEMATIC



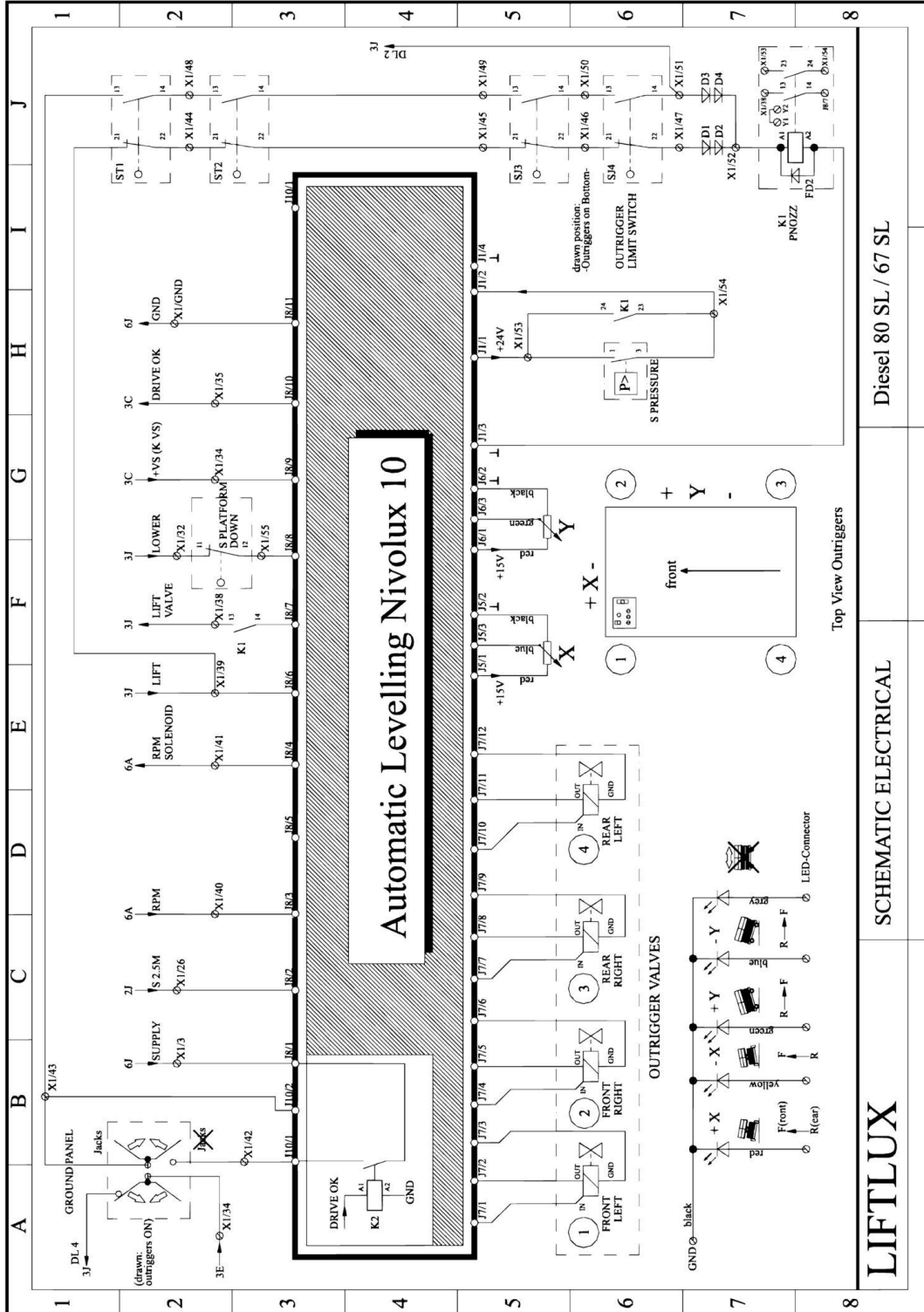




SECTION 7 - ELECTRICAL



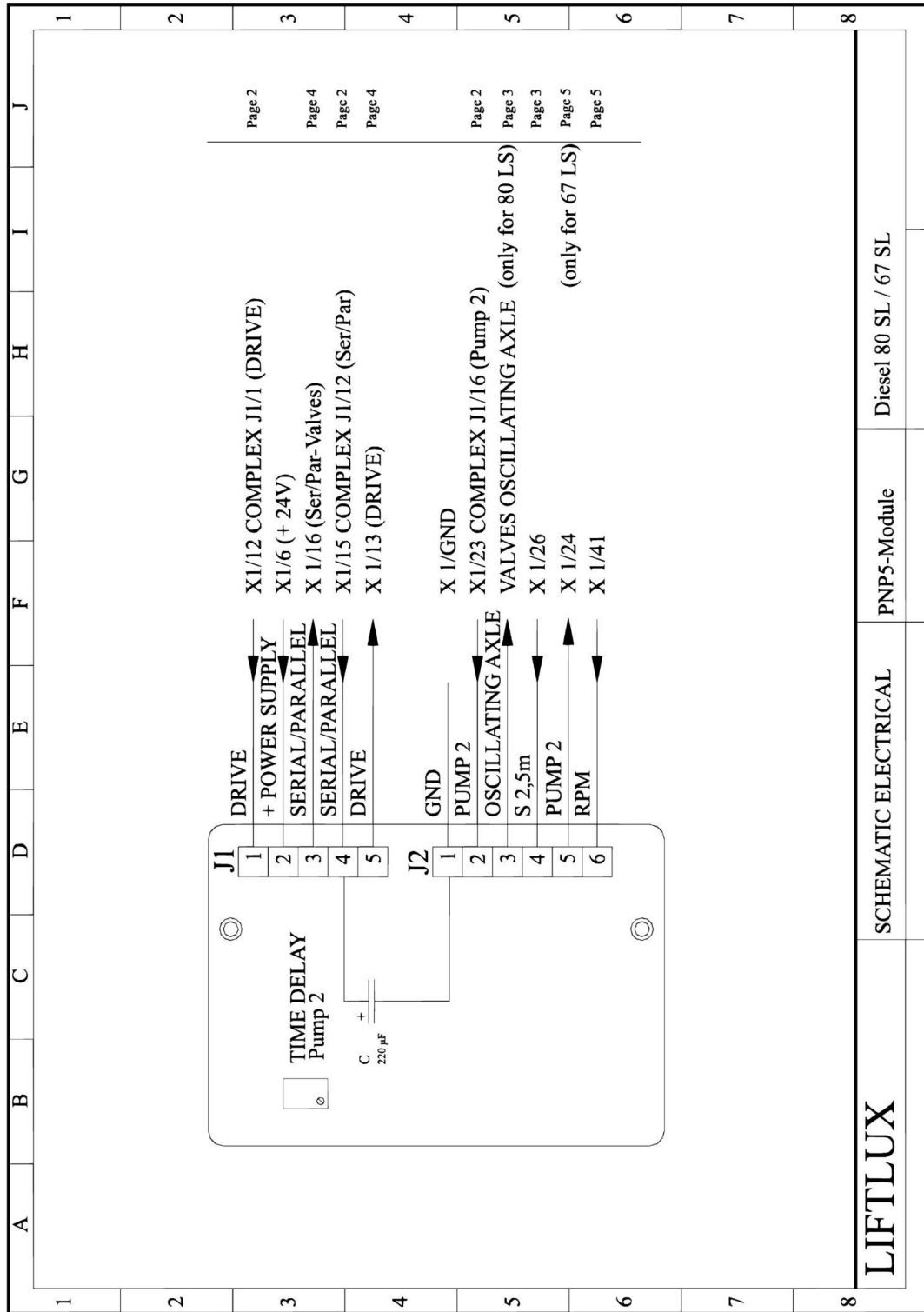
SECTION 7 - ELECTRICAL



Diesel 80 SL / 67 SL

SCHEMATIC ELECTRICAL

LIFTLUX



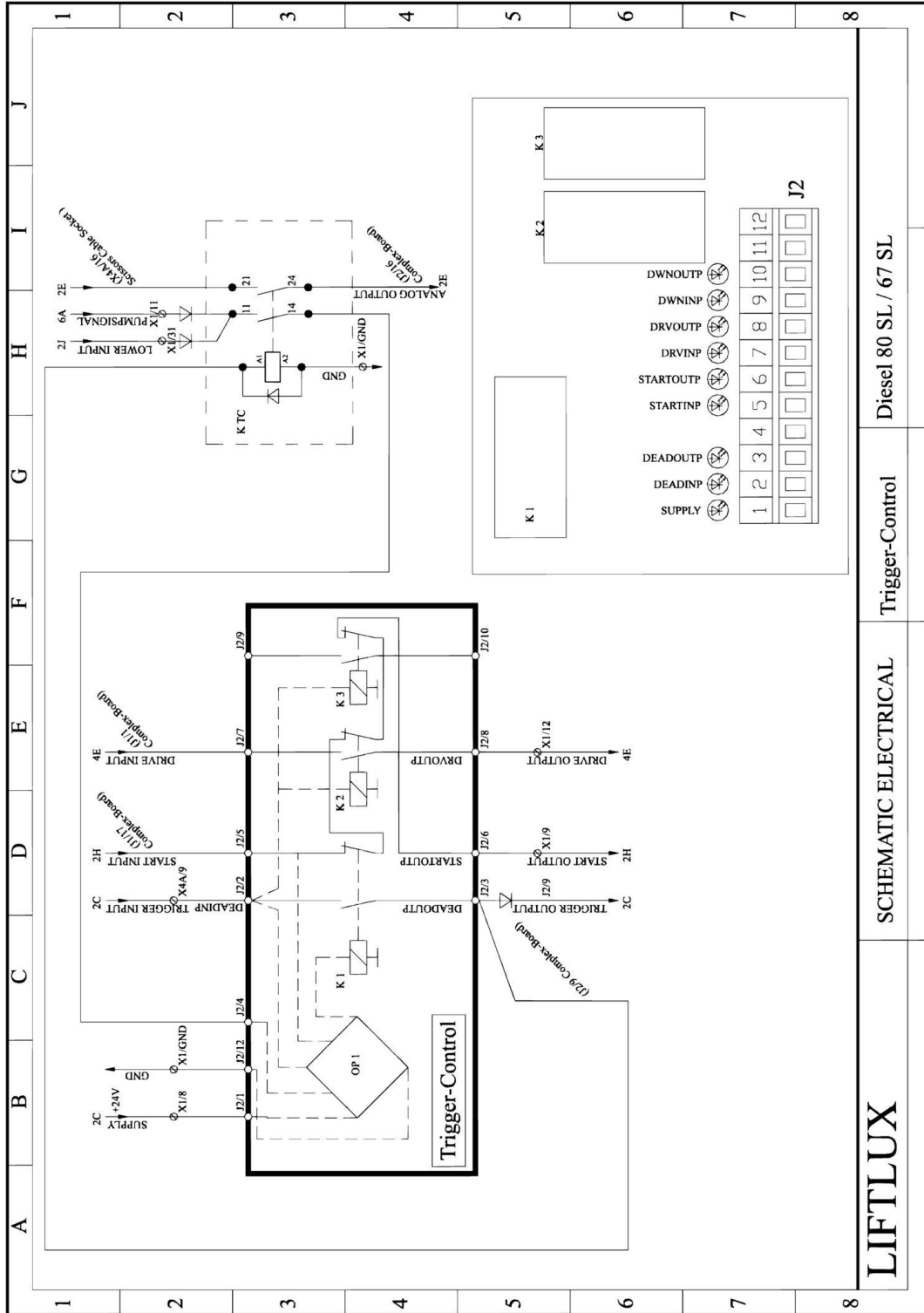
LIFTLUX

SCHEMATIC ELECTRICAL

PNP5-Module

Diesel 80 SL / 67 SL

SECTION 7 - ELECTRICAL



LIFTLUX

SCHEMATIC ELECTRICAL

Trigger-Control

Diesel 80 SL / 67 SL

SECTION 7 - ELECTRICAL

A	B	C	D	E	F	G	H	I	J
1	35S Oscillating Axle /12	3B S 2.5m /22	3C	3B	Nivolux J8/10				
1	36S Drive Height/12	3B S Oscillating Axle /11	3B	S 2.5m /21	Complex J1/2 S 8m				
1	38KL 11	3I			DH (Cathode)				
1	39ST1 /21	7I			D Lift (Cathode)				
1	40DA1	6B Nivolux J8/3	7D	DBY1	Complex J1/7 P1&RPM				
1	41 Motor Control Box RPM	6D Nivolux J8/4	7E	DBY2	DP1 (Cathode)				
1	41 DA2	6A DP3 (Cathode)	5D	PNP5 J2/6	DP2 (Cathode)				
1	42 Ground panel S Jacks	7B			Nivolux J10/1				
1	43 Ground panel S Jacks	7B	ST1 /13	7I	Nivolux J10/2				
1	44 ST2 /21	7I	ST1 /22	7I					
1	45 ST3 /21	7I	ST2 /22	7I					
1	46 ST4 /21	7I	ST3 /22	7I					
1	47 ST4 /22	7I			D1				
1	48 ST2 /13	7I	ST1 /14	7I					
1	49 ST3 /13	7I	ST2 /14	7I					
1	50 ST4 /13	7I	ST3 /14	7I					
1	51 ST4 /14	7I							
1	52				DL 2 (Anode)	7I/3I	DD		
1	53S Pressure /1 Nivolux	7H	K1 /A1 PNOZZ	7I	D4 (Cathode)	7I	D2 (Cathode)		
1	54S Pressure /3 Nivolux	7H			K1 /23 PNOZZ	7H	Nivolux J1/1		
1	55S Platform Down /12	7G			K1 /24 PNOZZ	7H	Nivolux J1/2		
1	56 KT /24	3G	DL 1 (Anode)	3H	Ground Panel Deck out	5D	Nivolux J8/8		
1	57				X44A/21 LED Overload	2H	Ground panel lift+		
1	58 LED Glow time	2J	Ground panel LED Glow	6B					
1	59 LED TILT	2J	KT /11	3F					
1	60 DL (Cathode)	4E	DLI (Cathode)	4F	Digisound	4E	DF (Cathode)		
1	Battery	6I	Load Holding Valves	3G	KD2 /A2	4H	Complex		
1	J L/R	3H	S Tilt	3F	FD3	4J	FD1		
1	J Steer	4B	Diff Lock Valve 1	5B	FD4	5A	PNP5 J2/1		
1	J Drive	4E	Diff Lock Valve 2	5C	KL /A2	3I	Digisound		
1	J Brake	4F					Nivolux		
1	J Serial/Parallel	4D	Trigger control J2/12	9B	Drive 2	4 H	K1 PNOZZ		
1	J Pump 1	6A	Horn	4I			K VS PNOZZ		
1	J Motor Control Box	6H	Platform	5E	LS Pump 1	6 B	KT /A2		
1			Oscillating Axle Valves	3D			KTC /A2		
2									
3									
4									
5									
6									
7									
8									

35-36
Connection: bridge only for 67LS

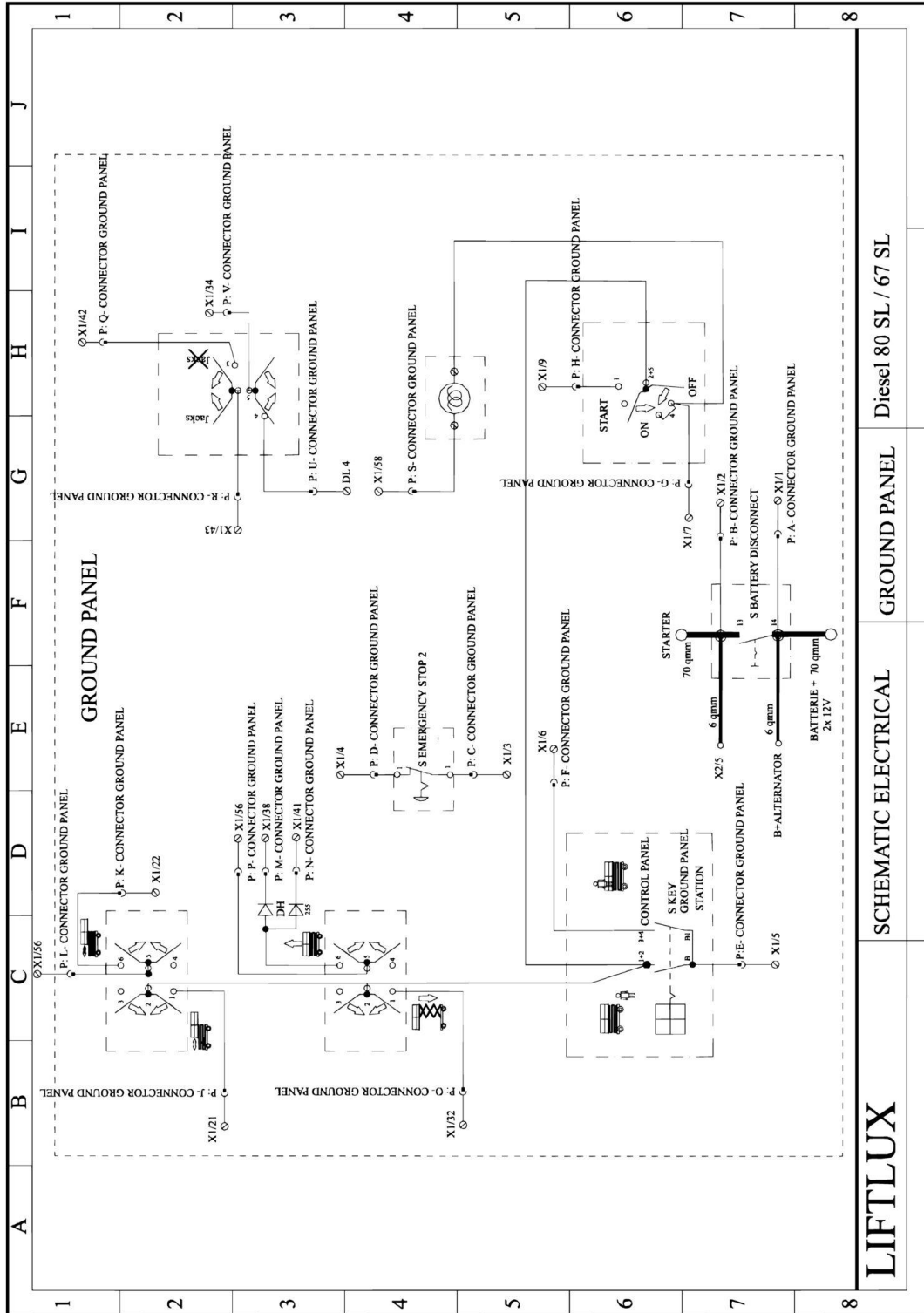
LIFTLUX

SCHEMATIC ELECTRICAL

Terminals

Diesel 80 SL / 67 SL

SECTION 7 - ELECTRICAL



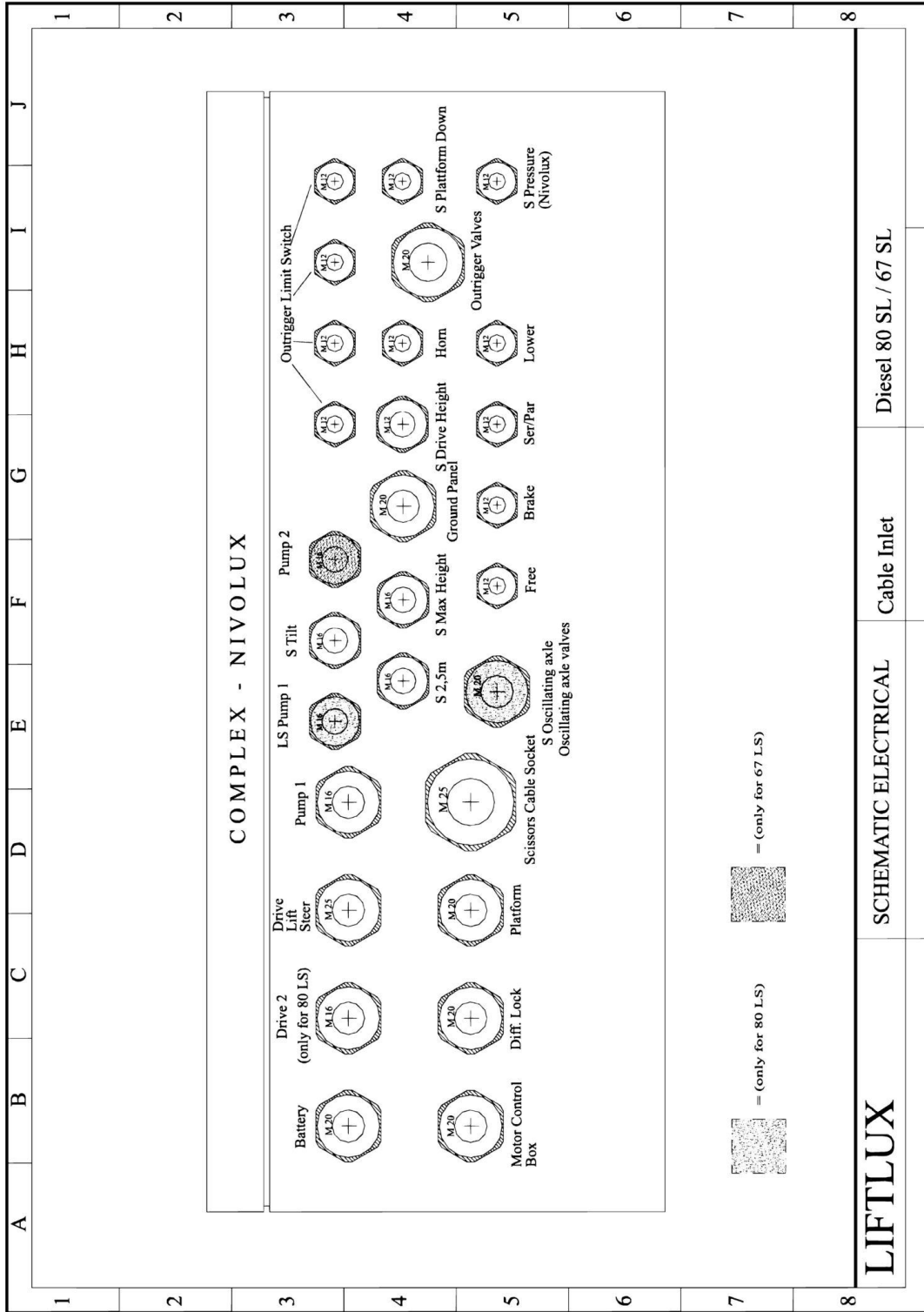
LIFTLUX

SCHEMATIC ELECTRICAL

GROUND PANEL

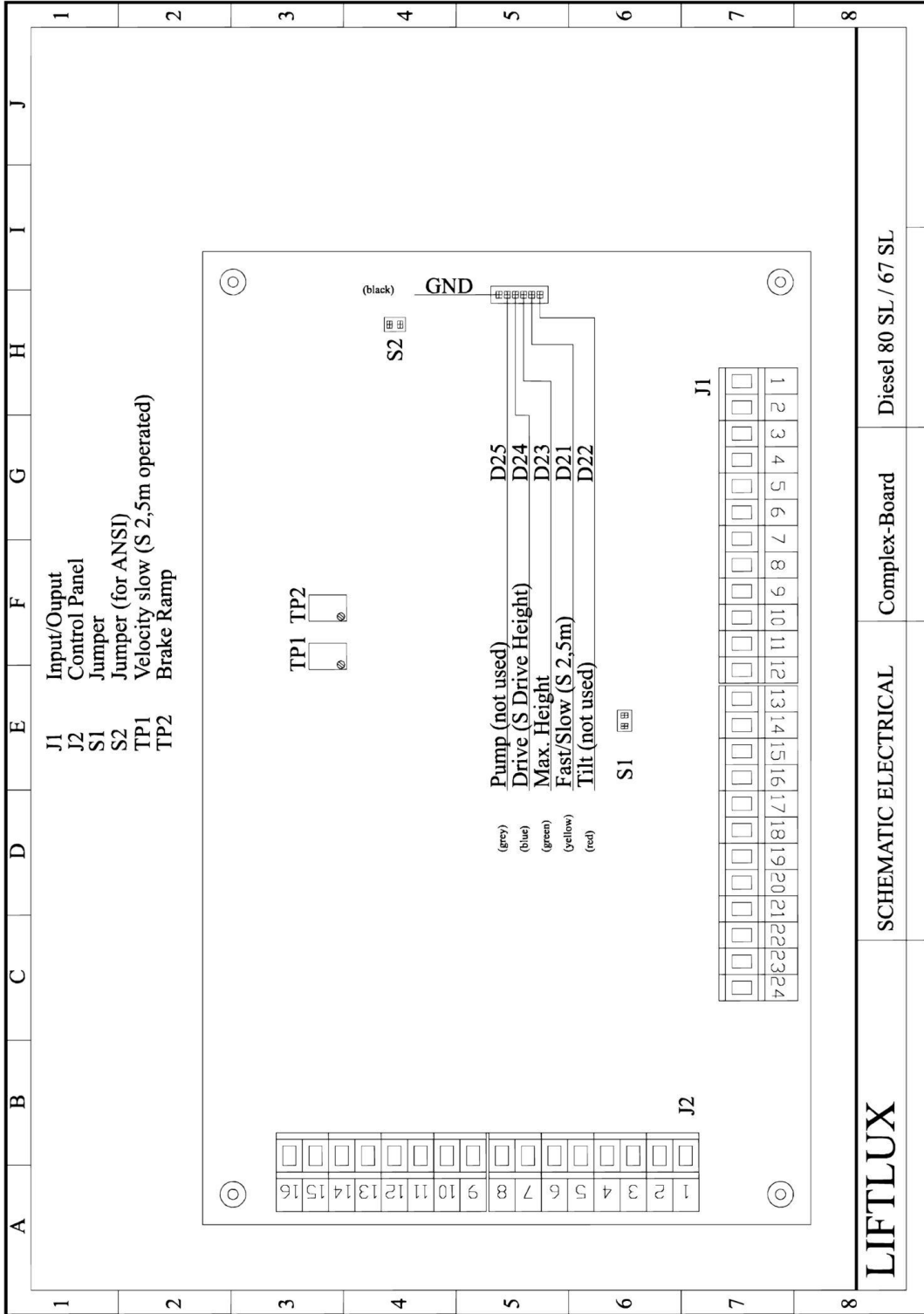
Diesel 80 SL / 67 SL

SECTION 7 - ELECTRICAL



Schematic Electrical: Diesel 80 SL / 67 SL

SECTION 7 - ELECTRICAL



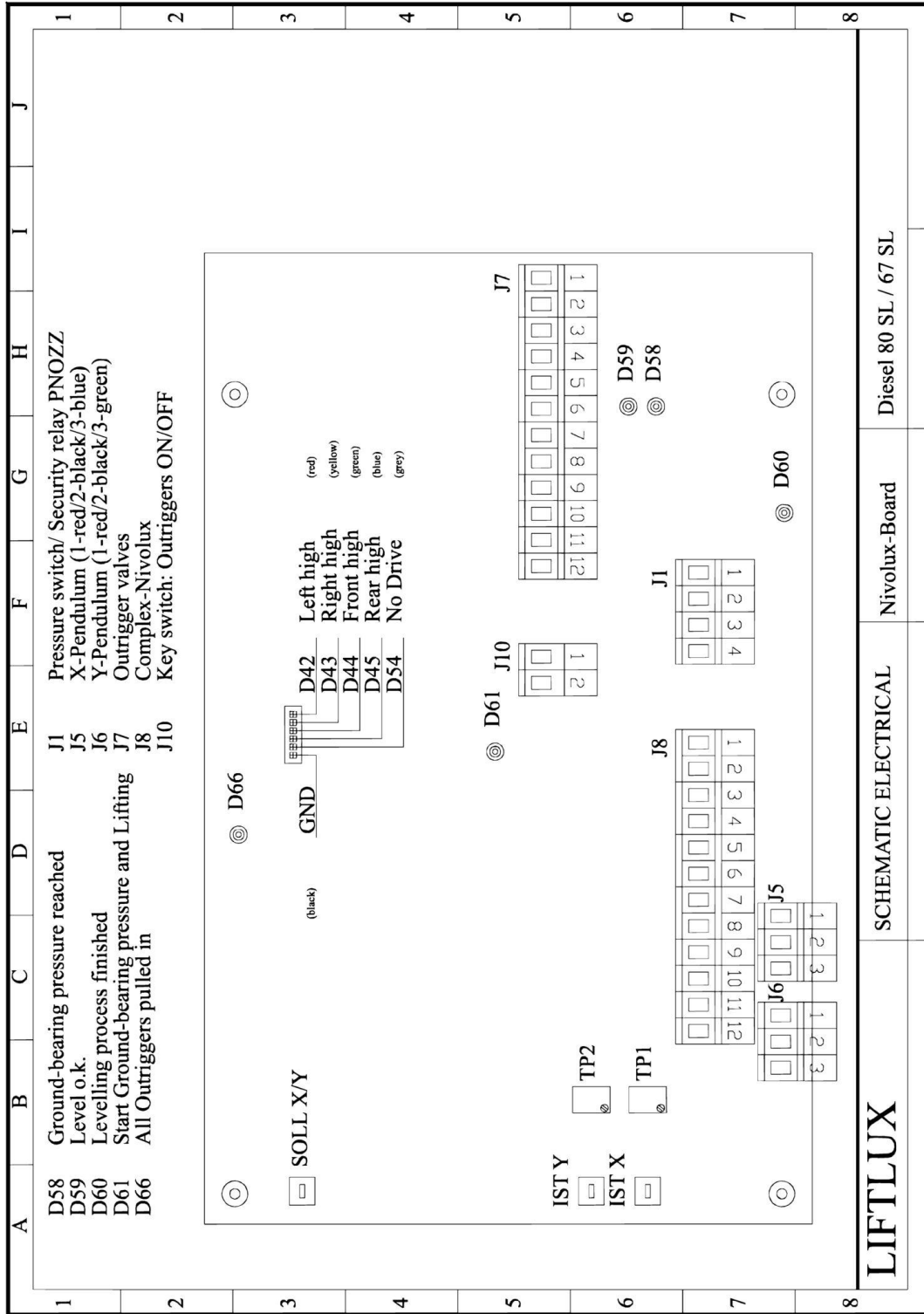
LIFTLUX

SCHEMATIC ELECTRICAL

Complex-Board

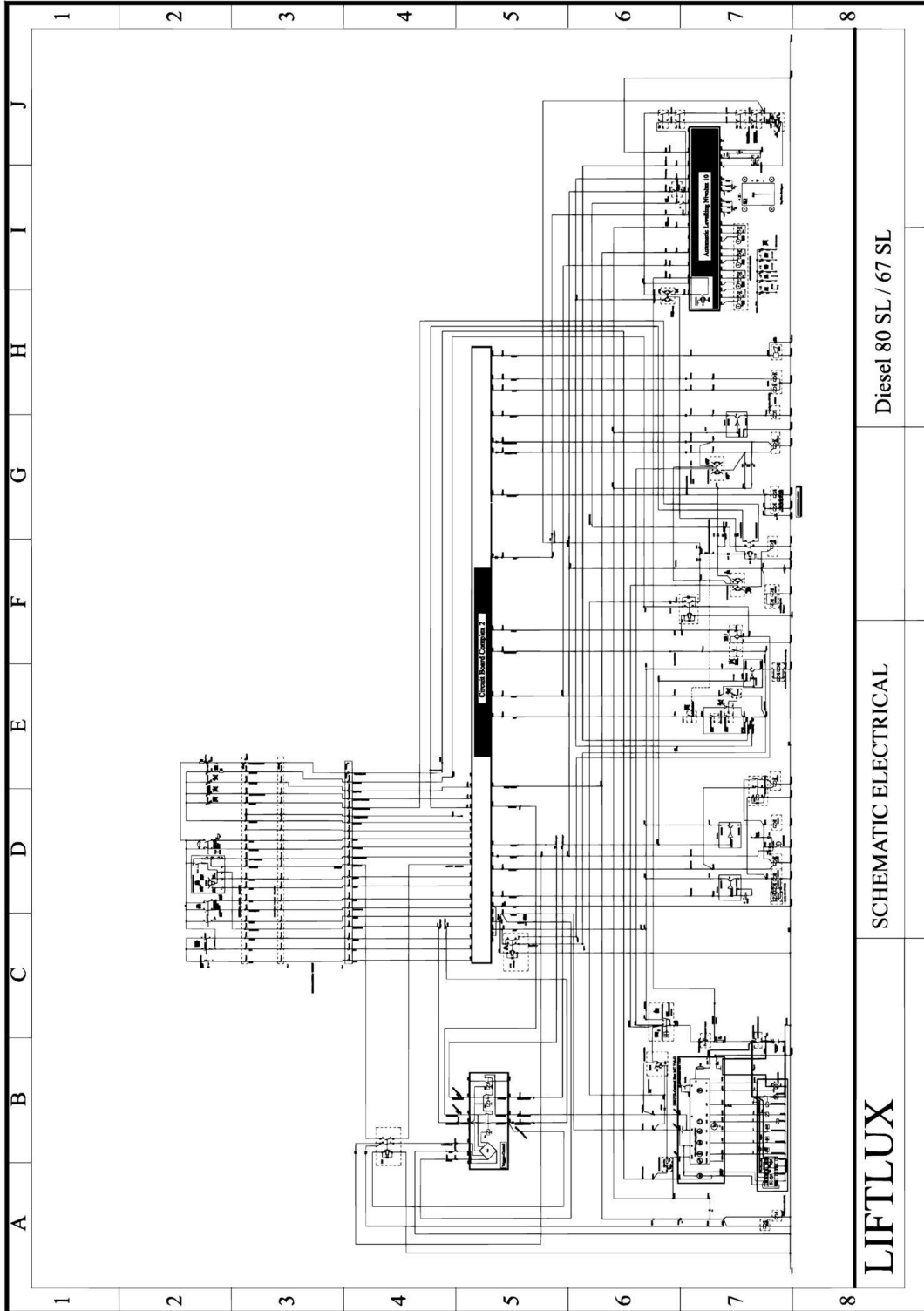
Diesel 80 SL / 67 SL

SECTION 7 - ELECTRICAL



SCHMATIC ELECTRICAL Nivolux-Board Diesel 80 SL / 67 SL

SECTION 7 - ELECTRICAL



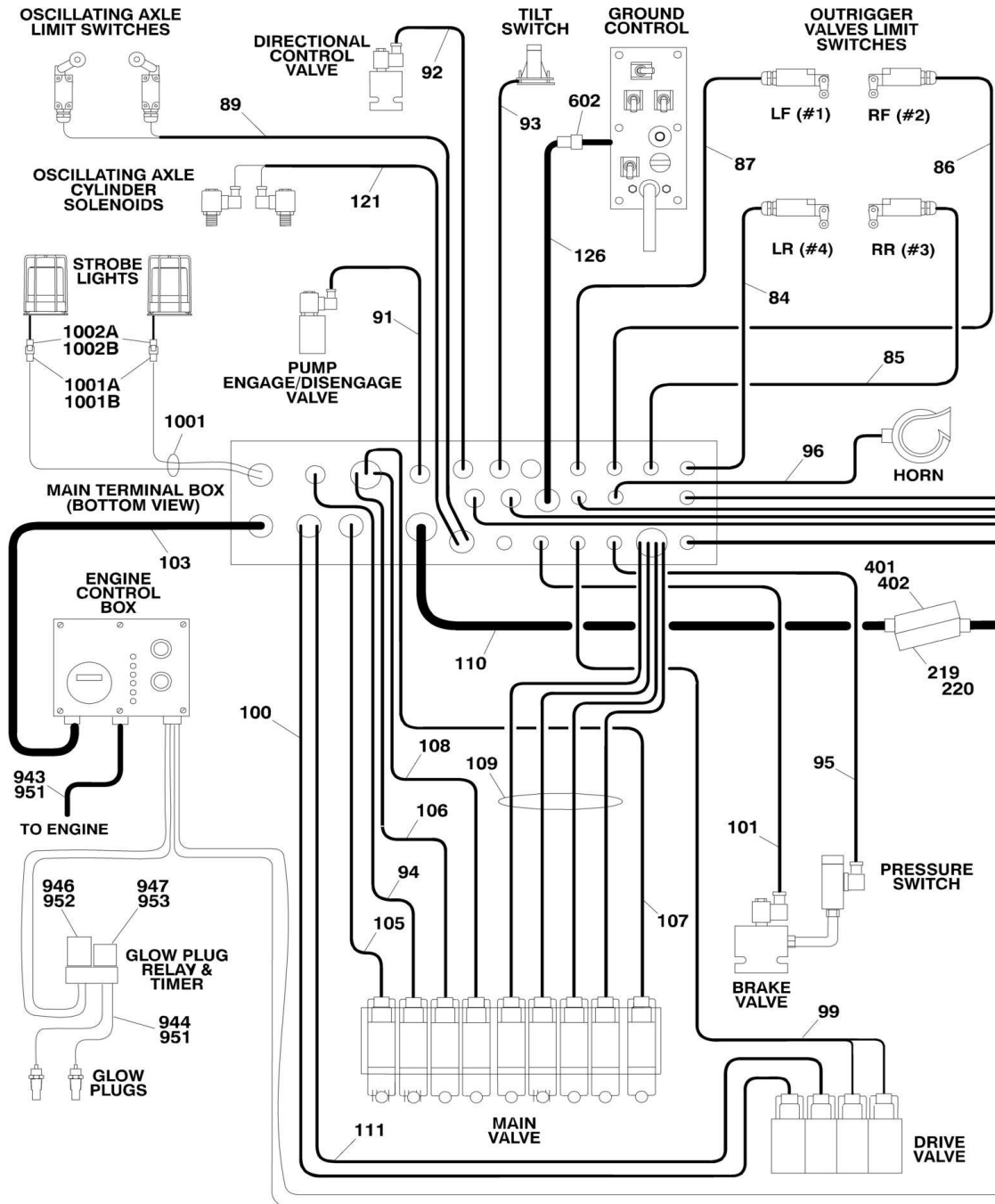
LIFTLUX

SCHEMATIC ELECTRICAL

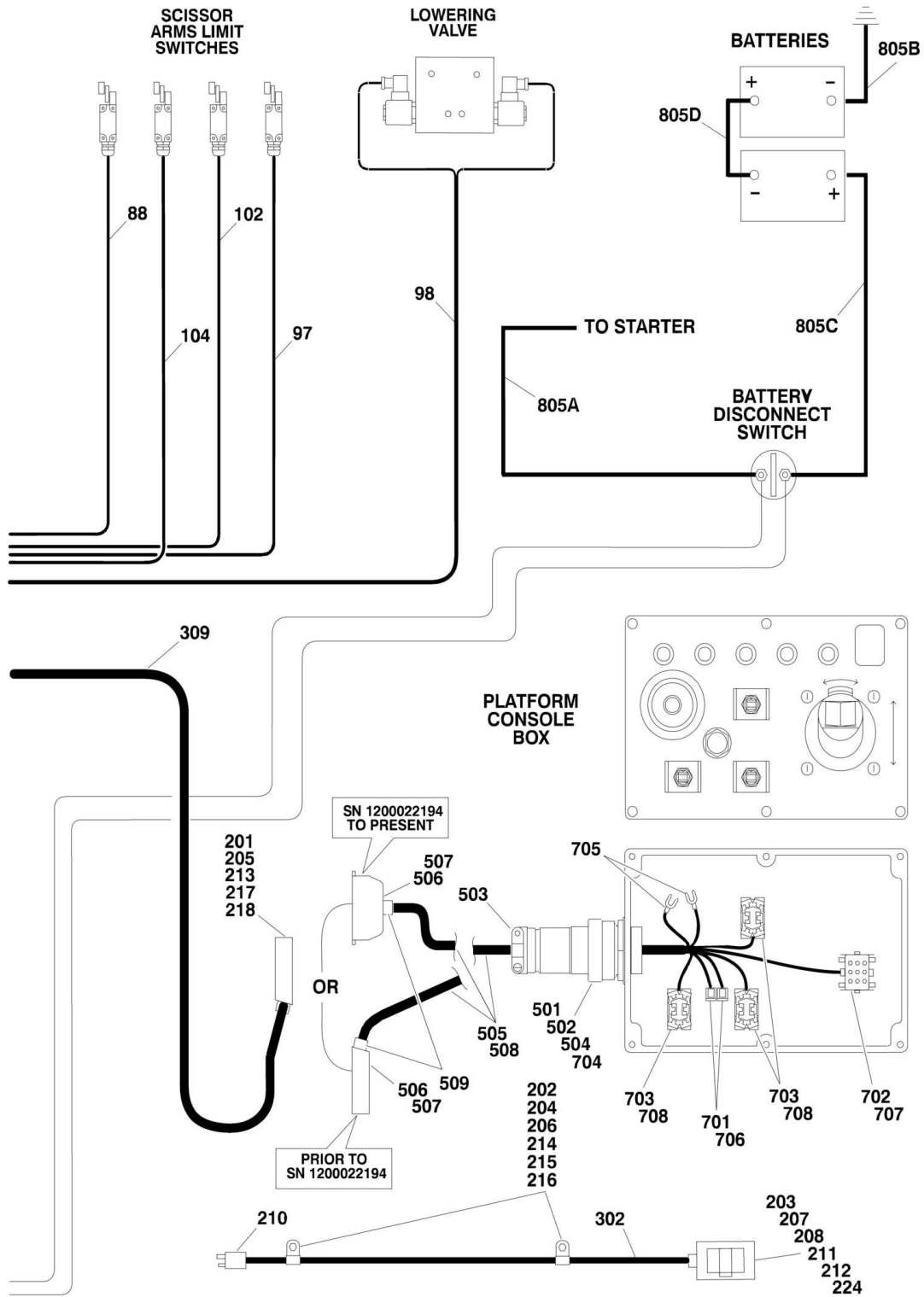
Diesel 80 SL / 67 SL

SECTION 7 - ELECTRICAL

FIGURE 7-2. HARNESS COMPONENTS INSTALLATION



SECTION 7 - ELECTRICAL



SECTION 7 - ELECTRICAL

FIGURE 7-2. HARNESS COMPONENTS INSTALLATION

ITEM	PART NUMBER	QTY	DESCRIPTION	REV
	E900066	Ref	MAIN TERMINAL BOX HARNESS KIT INSTALLATION	D
84	70001182	1	Harness, #4 Outrigger Limit Switch	
85	70001183	1	Harness, #3 Outrigger Limit Switch	
86	70001184	1	Harness, #2 Outrigger Limit Switch	
87	70001185	1	Harness, #1 Outrigger Limit Switch	
88	70001186	1	Harness, Platform Down Limit Switch	
89	70001187	1	Harness, Oscillating Axle Limit Solenoid	
91	70001188	1	Harness, Pump Engage/Disengage Valve	
92	70001189	1	Harness, Directional Control Valve	
93	70001190	1	Harness, Tilt Switch	
94	70001191	1	Harness, Drive 2 Valve	
95	70001192	1	Harness, Pressure Switch	
96	70001193	1	Harness, Horn	
97	70001194	1	Harness, Max Height Limit Switch	
98	70001195	1	Harness, Lowering Valve	
99	70001196	1	Harness, Drive Speed Valve	
100	70001197	1	Harness, Differential Lock Valve #2	
101	70001198	1	Harness, Brake Valve	
102	70001199	1	Harness, Max Drive Height Limit Switch	
103	70001200	1	Harness, Engine Control Box	
104	70001201	1	Harness, 2.5M Limit Switch	
105	70001202	1	Harness, Platform Extend Valve	
106	70001203	1	Harness, Lift Valve	
107	70001204	1	Harness, Drive Valve	
108	70001205	1	Harness, Steer Valve	
109	70001261	1	Harness Assembly, Outrigger Valves	
110	70001210	1	Harness, Remote Control Box Connector	
111	70001211	1	Harness, Differential Lock Valve #1	
121	70001212	1	Harness, Oscillating Axle Switch	
126	70001213	1	Harness, Ground Control Panel	
131	70000952	1	Connector (2 Pin for Nivelux Board - Not Shown)	
132	70000953	2	Connector (3 Pin for Nivelux Board - Not Shown)	
133	70000954	1	Connector (4 Pin for Nivelux Board - Not Shown)	
134	70000955	1	Connector (8 Pin for Complex Board - Not Shown)	
135	70000956	4	Connector (12 Pin for Nivelux and Complex Board - Not Shown)	
	0275639	Ref	RECEPTACLES INSTALLATION	H
201	0760508	4	Bolt M5 x 16mm	
202	0760610	2	Bolt M6 x 20mm	
203		Ref	Box Options:	
203	0860038	1	Box, Receptacle (Prior to SN 1200022285)	
203	2902431	1	Box, Receptacle Kit (SN 1200022285 to Present)	
203	0861731	1	Box, Non-Metallic Receptacle	
203	1671207	1	Cover	
203	4460346	1	Receptacle (110V)	
203	4460662	1	Strain Relief	
204	1320224	2	Clamp	
205	3290505	4	Locknut M5	
206	3290605	2	Locknut M6	
207		Ref	Hardware Options:	
207	3900294	4	Screw, Self-Tapping (Prior to SN 1200022285)	

SECTION 7 - ELECTRICAL

ITEM	PART NUMBER	QTY	DESCRIPTION	REV
207	0760408	4	Bolt M4 x 16mm (SN 1200022285 to Present)	
208	4060700	1	Cover, Receptacle (Prior to SN 1200022285)	
210	4460138	1	Plug, Male	
211	4460315	3	Terminal, Spade	
212	4460346	1	Receptacle (Prior to SN 1200022285)	
213	4811600	AR	Flatwasher M5	
214	4811700	AR	Flatwasher M6	
215	4811702	2	Flatwasher M6 Large O.D.	
216	4831700	2	Lockwasher M6	
217	E000102	1	Housing, Connector - Female 24 Pin	
218	E000481	1	Insert, Connector - Female 24 Pin	
219	E000103	1	Housing, Connector - Male 24 Pin	
220	E000482	1	Insert, Connector - Male 24 Pin	
224	3290405	4	Locknut M4 (SN 1200022285 to Present)	
	0275609	Ref	SCISSORS ARMS AND CABLES INSTALLATION	E
302	1060663	45 m/148ft	Cable, Electrical 12/3	
309	E000083	45 m/148ft	Cable, Electrical (25 Wire)	
	E900063	Ref	MAIN TERMINAL BOX ASSEMBLY	F
401	E000102	1	Housing, Connector - Female 24 Pin	
402	E000481	1	Insert, Connector - Female 24 Pin	
	E900042	Ref	PLATFORM CONSOLE JUMPER HARNESS	E
501	4460465	24	Socket, Female	
502	4460468	1	Cap, Dust	
503	4460492	1	Clamp, Cable	
504	4460502	1	Connector - 31 Position	
505	E000083	6 m/20ft	Cable, Electrical (25 Wire)	
506		Ref	Housing, Connector - Male 24 Pin Options:	
506	E000103	1	Housing, Connector - Male 24 Pin (Prior to SN 1200022194)	
506	E000108	1	Housing, Connector - Male 24 Pin (SN 1200022194 to Present)	
507	E000482	1	Insert, Connector - Male 24 Pin	
508	E900043	6 m/20ft	Loom, Wire	
509	E900045	1	Relief, Strain	
	E900055	Ref	GROUND CONTROL PANEL HARNESS	E
601	4460418	4	Connector, Female - 6 Position (Attaches to Toggle Switch - Not Shown)	
601	4460419	AR	Terminal, Female	
602	4460462	1	CONNECTOR - 23 POSITION	
602	4460465	AR	Terminal, Female	
603	E900056	2	Diode BY255 (Not Shown)	
	E900041	Ref	PLATFORM CONSOLE BOX HARNESS	D
701	4460260	2	Terminal, Locking Female	
702	4460266	1	Connector, Female - 9 Position	
703	4460418	3	Connector - 6 Position	
704	4460503	1	Connector - 31 Position	
706	4460259	AR	Connector, Female - 1 Position Locking	
707	4460267	6	Pin, Male	
708	4460419	15	Socket, Female	
709	4460464	20	Pin, Male	
	0275720	Ref	BATTERY CABLES INSTALLATION	D
805	2902554	1	Battery Cable Kit	

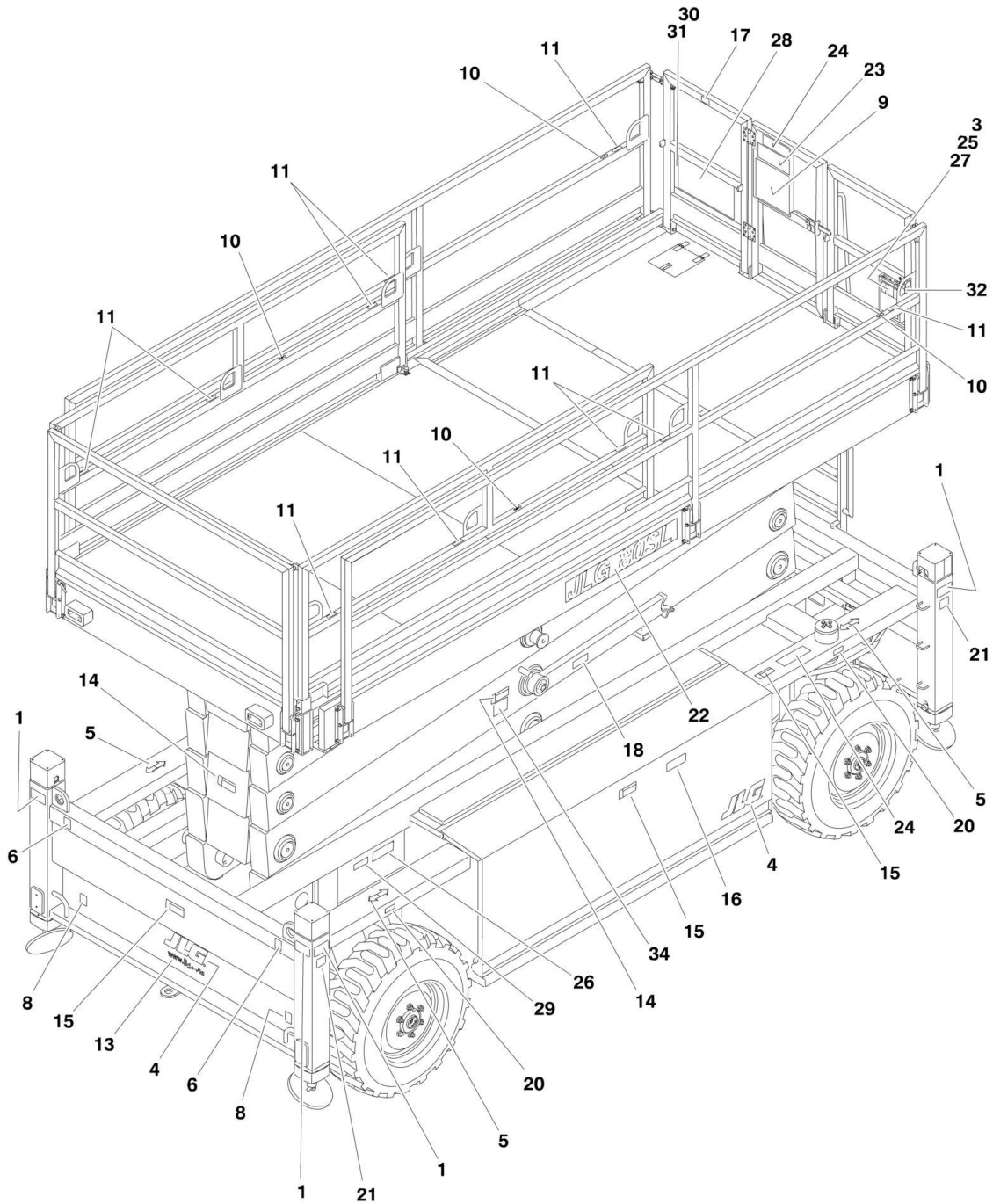
SECTION 7 - ELECTRICAL

ITEM	PART NUMBER	QTY	DESCRIPTION	REV
805A	70001776	1	Cable, Battery (A) (Starter to Battery Disconnect)	
805B	70001777	1	Cable, Battery (B) (Battery- to Engine)	
805C	70001778	1	Cable, Battery (C) (Battery + to Battery Disconnect)	
805D	70001765	1	Cable, Battery (D) (Battery- to Battery +)	
812	E000072	6 m/20ft	Loom / Shield, Cable (Not Shown)	
	0275662	Ref	ENGINE HARNESSES INSTALLATION	L
	Not Required	0	Not Required (Prior to SN 1200021339)	
943	1001105078	1	Harness, Engine (was p/n 70001780)	
944	1001105079	1	Harness, Glow Plug (was p/n 70001781)	
945	1001105080	1	Harness, Air Cleaner Indicator (was p/n 70001779 - Not Shown)	
946	See Note	1	Relay, Glow Plug Timer (Note: Relay was p/n 70000924. P/N 70000924 is no longer available. Purchase qty 1 each of relay p/n 70003647 and base p/n 70003648.)	
947	70000925	1	Relay	
947	70000926	1	Base, Relay	
948	8229236	2	Fuse, 30A (Not Shown)	
	Not Required	0	Not Required (SN 1200021339 to Present)	
951	1001105682	1	Harness, Engine (Complete)	
952	See Note	1	Relay, Glow Plug Timer (Note: Relay was p/n 70000924. P/N 70000924 is no longer available. Purchase qty 1 each of relay p/n 70003647 and base p/n 70003648.)	
953	70000925	1	Relay	
953	70000926	1	Base, Relay	
954	8229236	2	Fuse, 30A (Not Shown)	
		Ref	OPTIONAL HARNESS COMPONENTS	
1001	1001099183	1	Harness Assembly, Beacon	
1001A	4460897	2	Connector, Female - 2 Position	
1001B	4460464	4	Pin, Male	
1002		Ref	Lamp Components, Beacon	
1002A	4460891	1	Connector, Male - 2 Position	
1002B	4460465	2	Socket, Female	

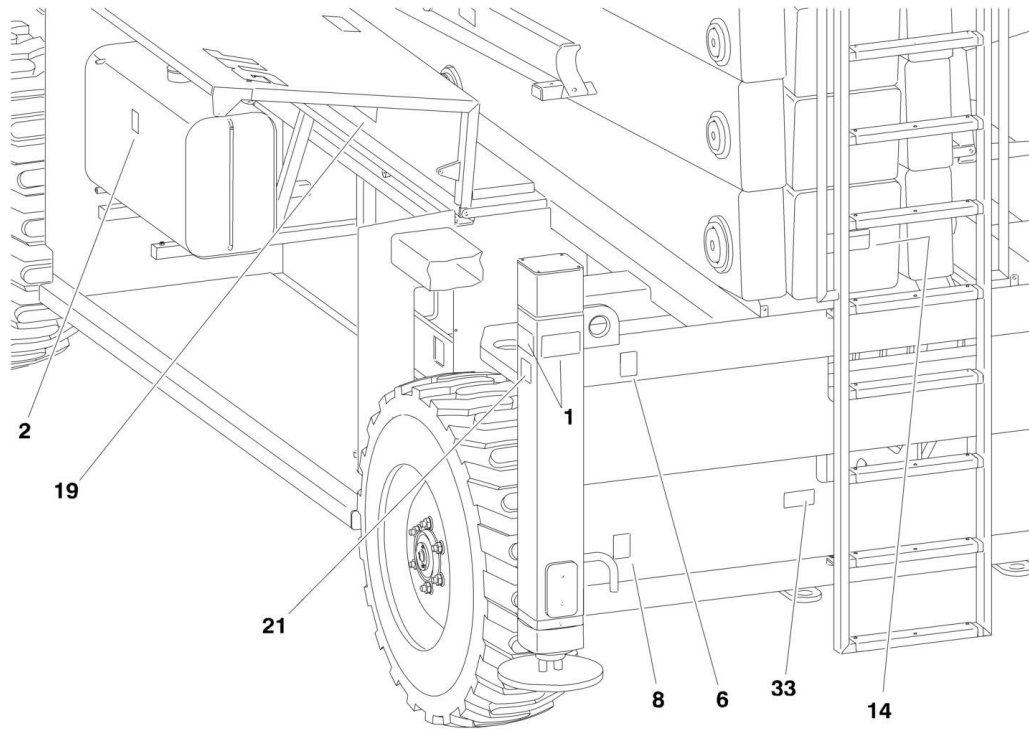
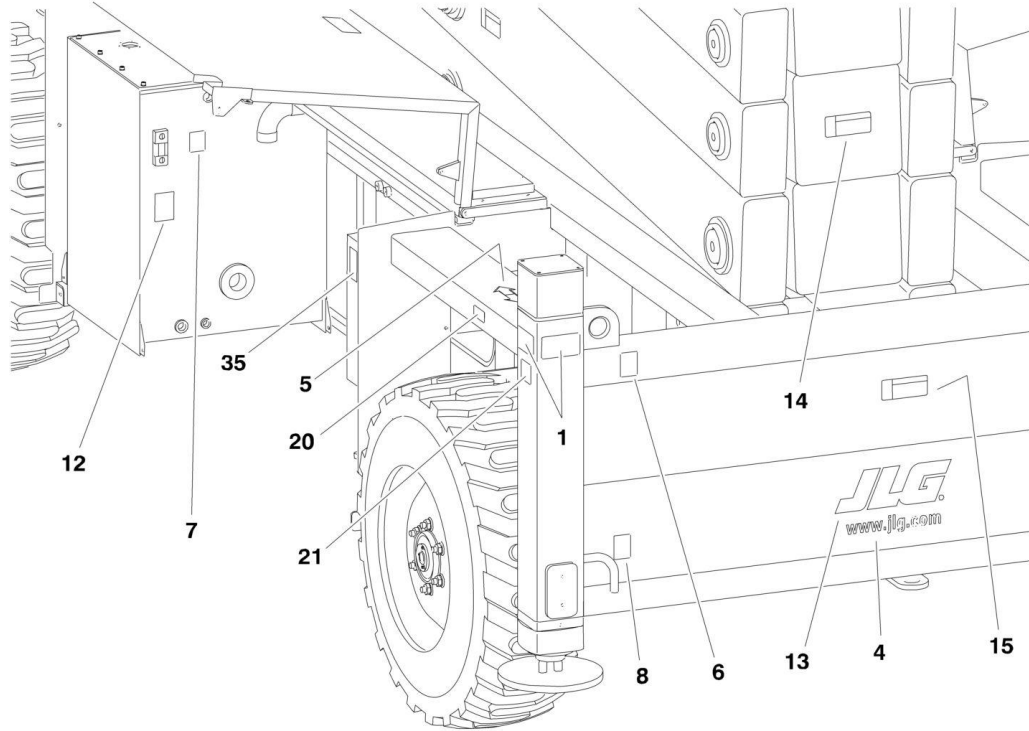
SECTION 8 - DECALS

SECTION 8 - DECALS

FIGURE 8-1. DECAL INSTALLATION



SECTION 8 - DECALS



SECTION 8 - DECALS

FIGURE 8-1. DECAL INSTALLATION

ITEM	PART NUMBER	QTY	DESCRIPTION	REV
		Ref	DECAL INSTALLATION	
	0275933	Ref	ANSI Spec	H
	1001092750	Ref	CSA Spec	G
1		Ref	Decal - Outrigger Warning Options:	
1	1701214	8	ANSI Spec	
1	1704690	8	CSA Spec	
2	1701505	1	Decal - Diesel Fuel	
3	1701640	1	Decal - Manual	
4	1702773	3	Decal - JLG	
5	1703687	4	Decal - Direction Arrow	
6	1703811	4	Decal - Lifting Lug	
7	1703812	1	Decal - Hydraulic Oil	
8	1703814	4	Decal - Tie Down	
9	1703816	1	Decal - Danger/Warning (ANSI Spec Only)	
10	1703819	AR	Decal - Direction Arrow	
11	1704277	AR	Decal - Lanyard Attach	
12	1704412	1	Decal - Hydraulic Oil	
13	1704885	1	Decal - Website	
14		Ref	Decal - Crushing Options:	
14	1705694	4	ANSI Spec	
14	1705311	4	CSA Spec (Prior to SN 1200016263)	
14	1705694	4	CSA Spec (SN 1200016263 to Present)	
15		Ref	Decal - Electrocution Options:	
15	1705695	5	ANSI Spec	
15	1705040	5	CSA Spec	
16	1706482	1	Decal - Manual Descent Inside	
17	1706485	1	Decal - Control Box Location	
18	1706487	1	Decal - Safety Prop	
19		Ref	Decal - Manual Descent Options:	
19	1706490	1	Decal - Manual Descent (Prior to SN 1200021263)	
19	1001103747	1	Decal - Manual Descent (SN 1200021263 to Present)	
20	1706507	4	Decal - Wheel Load	
21	1706508	4	Decal - Pad Load	
22	1707184	2	Decal - Model Designation	
23		Ref	Decal - Legend Options:	
23	1707185	1	ANSI Spec	
23	1001092736	1	CSA Spec	
24	1707188	AR	Decal - Capacity	
25	2080040	4	Fastener, Huck	
26	See Note	1	Nameplate - Serial Number (Note: Not Available for Purchase)	
27	8990147	1	Box, Manual Storage	
27	70003486	2	Clip, Manual Holder	
28	1704684	1	Decal - Danger/Warning (CSA Spec Only)	
29	1705303	1	Decal - CSA (CSA Spec Only)	
30	1001092752	1	Plate, Decal (CSA Spec Only)	
31	3820408	7	Rivet, Blind (CSA Spec Only)	
32	1060279	1	Cable, Lanyard	
33	1703464	1	Decal, AC Power	
34	1705717	1	Decal, Crushing (CSA Spec Only)	
35	1706098	1	Decal, Ether Warning	

SECTION 9 - RECOMMENDED SERVICE PARTS STOCK

SECTION 9 - RECOMMENDED SERVICE PARTS STOCK

SECTION 9 - RECOMMENDED SERVICE PARTS STOCK

FIGURE 9-1. MODEL 80SL STANDARD PARTS

ITEM	PART NUMBER	QTY	DESCRIPTION	REV
	Note	Ref	Note: The following list will service one machine (built to current production per date on the front cover) with emergency repair parts which can be installed in the field. Parts from the list should be replaced when inventory is depleted to keep service parts stock supplied. For further information, contact your JLG dealer or the JLG Industries Parts Department.	
		Ref	STANDARD PARTS	
	H000019	1	Solenoid	
	7012986	1	Coil	
	4360314	1	Switch, Toggle	
	4360671	1	Switch, Toggle	
	4360698	1	Switch, Toggle	
	4360469	1	Switch, Key	
	2860030	1	Key, Replacement	
	4360475	1	Switch, Emergency Stop	
	E000059	1	Battery Disconnect Switch	
	E000044	1	Switch, Tilt	
	70000635	1	Switch, Push Button	
	70000385	1	Coil	
	E000457	1	Relay	
	7017444	1	Coil	
	H000241	12	Air Breather Filter	
	70000900	4	Element, Hydraulic Filter	
	70000054	12	Element, Air Cleaner Filter	
	7016331	12	Filter, Oil (Deutz Engine)	
	7020023	12	Filter, Fuel	
	S200238	1	Latch, Gate	
	4360387	1	Switch, Push Button	
	4360525	1	Switch, Toggle	
	4360693	1	Switch, Toggle	
	E900025	1	Control, Joystick	
	E900056	2	Diode	

SECTION 9 - RECOMMENDED SERVICE PARTS STOCK

FIGURE 9-2. MODEL 80SL VARIABLE PARTS

ITEM	PART NUMBER	QTY	DESCRIPTION	REV
	Note	Ref	Note: The following list will service one machine (built to current production per date on the front cover) with emergency repair parts which can be installed in the field. Parts from the list should be replaced when inventory is depleted to keep service parts stock supplied. For further information, contact your JLG dealer or the JLG Industries Parts Department.	
		Ref	VARIABLE PARTS	
	E000376	1	Limit Switch	
	E000359	1	Limit Switch	
	70001352	1	PC Board (Engine Control)	
	E000189	1	PC Board (Pump)	
	E000214	1	PC Board (Nivolux)	
	1001112938	1	PC Board (Complex Control)	

SECTION 10 - SPECIAL OPTIONS

SECTION 10 - SPECIAL OPTIONS

FIGURE 10-1. SPECIAL OPTIONS

ITEM	PART NUMBER	QTY	DESCRIPTION	REV
	Note	1	Note: This list is to accommodate machines ordered with special equipment. Options may not be applicable to all models. For more specific parts information contact JLG Parts Department.	
		Ref	MISCELLANEOUS SPECIAL OPTIONS	
	1001098929	Ref	Beacon Lamp Installation	
	2920161	2	Lamp, Beacon	
	4060865	2	Guard, Stone	
	1001099040	2	Bracket, Beacon Lamp	
		Ref	Filter Kits:	
	1001111714	1	Combined Filter Kit (Hydraulic/Air and Fuel/Engine Oil)	
	1001111679	1	Hydraulic/Air Filter	
	1001111685	1	Fuel/Engine Oil Filter	
		Ref	Tools For Service:	
	7002828	1	Wire Stripper	
	7002821	1	Wire Crimper (To install wire ends to wires)	
	7002823	1	Pin/Socket Extractor - Universal (To Remove Pins/Sockets from Connectors)	
	7002823	1	Pin/Socket Extractor - Universal (To Remove Pins/Sockets from Connectors)	
	4460467	1	Extractor - 16-18 Gauge (For Removal of Pins/Sockets for Deutsch Connectors)	
	4460510	1	Extractor - 12-14 Gauge (For Removal of Pins/Sockets for Deutsch Connectors)	
	7002822	1	Screwdriver, Potentiometer (To Adjust Drive Controller)	
	7016654	1	Screwdriver, Magnetic	
	7004275	1	Seal Installation Tool - 1in	
	7004276	1	Seal Installation Tool - 1-1/2in	
	7002826	1	Seal Installation Tool - 2in	
	1001094298	1	Hand Rail Tool (245-25)	
		Ref	Fluids	
	2300014	290 k	Oil, MobilFluid 424	
	2300029	290 k	Oil, Mobil EAL EnviroSyn H 46	
	3020008	2 ltr	Oil, Mobilube HD 80W-90	
	3020016	6 ltr	Oil, Motor Delvac MX 15W-40	

PART NUMBER INDEX

PART NUMBER INDEX

0100011.....44	0760817.....43	1320224.....110	2142746.....83, 89
0100019.....13	0760819.....13	1321564.....82, 88	2142747.....84, 89
0140011.....39	0761008.....60	1671207.....110	2142748.....84, 89
0181847.....63	0761010... 25, 29, 41, 43, 49, 56, 60	1701214.....116	2142749.....84, 90
0275564.....13	0761012.....25, 41, 60	1701505.....116	2142750.....84, 90
0275565.....11	0761014.....29, 43, 49	1701640.....116	2142753.....84, 89
0275566.....15	0761015.....29	1702773.....116	2142754.....83, 89
0275567.....31, 41	0761210.....11	1703464.....116	2142755.....84
0275568.....49	0761212.....56	1703687.....116	2142756.....84
0275570.....25	0761214... 11, 13, 43, 60	1703811.....116	2142804.....83, 89
0275571.....23	0761215.....15	1703812.....116	2143406.....83, 89
0275593.....29	0761217.....54	1703814.....116	2143409.....83, 89
0275609...54, 84, 90, 111	0761228.....43, 60	1703816.....116	2143419.....84, 90
0275634.....54	0762015.....54	1703819.....116	2143513.....83, 89
0275635.....54, 71	0771619.....15	1704277.....116	2143534.....84, 89
0275636.....29	0860038.....110	1704412.....116	2143547.....84, 90
0275638.....60	0861731.....110	1704684.....116	2143564.....84, 90
0275639.....61, 110	0893076.....33	1704690.....116	2143568.....84, 90
0275640.....60, 84, 90	1001091145.....41	1704885.....116	2143579.....83, 89
0275662.....41, 43, 112	1001091198.....43	1705040.....116	2143602.....83, 89
0275673.....63	1001091513.....43	1705303.....116	2143606.....83, 89
0275708.....15	1001091514.....43	1705311.....116	2143608.....83, 89
0275720.....29, 111	1001091921.....41	1705694.....116	2143609.....83, 89
0275749.....56	1001092405.....39	1705695.....116	2143619.....84, 90
0275933.....116	1001092406.....39	1705717.....116	2143803.....83, 89
0307544.....33	1001092736.....116	1706098.....116	2143807.....83, 89
0318854.....33	1001092750.....116	1706482.....116	2143809.....83
0700510.....13	1001092752.....116	1706485.....116	2144005.....84, 90
0700518.....49	1001092803.....43	1706487.....116	2144007.....84, 89
0700608.....23	1001093028.....49	1706490.....116	2144105.....83, 89
0700615.....60	1001093353.....39	1706507.....116	2144801.....90
0700617.....29	1001093354.....39	1706508.....116	2144805.....90
0700620.....41	1001093355.....39	1707184.....116	2160016... 13, 23, 54, 55, 56, 60
0700621.....49	1001093361.....39	1707185.....116	2160018.....11
0700812.....49, 54	1001093379.....39	1707188.....116	2171824.....84, 90
0700815.....29	1001093793.....44	1787217.....29	2171832.....84, 90
0700817.....23, 29	1001093796.....43	2080040.....61, 116	2221214.....83, 89
0700818.....23	1001094298.....122	2140803.....84	2221228.....84, 90
0700820.....29	1001094781.....31	2141503.....83, 89	2300014.....122
0700833.....23	1001096366.....63	2141506.....83, 89	2300029.....122
0701014.....60	1001097369.....61	2141907.....84, 90	2560141.....63
0701015.....54	1001097370.....61	2141914.....83, 89	2600281.....61
0701018.....23	1001098929.....122	2142103.....83, 89	2754351.....82, 88
0701020.....60	1001098950.....41, 43	2142202.....83, 89	2754392.....84, 90
0701029.....60	1001098951.....44	2142203.....83, 89	2754415.....83, 89
0701217.....54, 61	1001099040.....122	2142206.....83, 89	2754416.....84, 89
0701222.....13	1001099183.....112	2142209.....83, 89	2754417.....83, 88
0701224.....13	1001101884.....61	2142215.....84, 90	2754418.....82
0701627.....23	1001101885.....61	2142218.....84, 90	2754419.....84, 90
0701631.....54, 56	1001101886.....61	2142219.....84, 90	2754420.....83, 88
0711232.....11	1001103161.....61	2142503.....83	2754421.....84, 90
0712026.....13	1001103611.....29	2142706.....83, 89	2754422.....82, 88
0760408.....111	1001103747.....116	2142707... 83, 84, 89, 90	2754426.....82, 88
0760505.....41	1001105078.....112	2142708.....83, 89	2754427.....83, 89
0760508.....63, 110	1001105079.....112	2142709.....83, 89	2754428.....83, 89
0760605.....30, 49, 54	1001105080.....112	2142710.....83, 89	2754429.....82, 88
0760606.....49	1001105682.....112	2142711.....83, 89	2754430.....83, 89
0760608.....30, 61	1001111679.....122	2142712.....83, 89	2754431.....84, 90
0760610...29, 30, 60, 110	1001111685.....122	2142713.....83, 89	2754432.....83, 88
0760612.....61	1001111714.....122	2142715.....83, 89	2754433.....83, 88
0760614.....43	1001112938... 39, 120	2142716.....83, 89	2754434.....83, 89
0760810.....30	1003107.....33	2142717.....84, 89	2754435... 82, 84, 88, 90
0760812.....43, 49	1060279.....116	2142741.....83, 89	2754436.....84
0760813.....29	1060663.....111	2142742.....84, 89	2754437.....82, 88
0760814.....49	1062255.....55	2142743.....83, 89	2754438.....84, 90
0760815.....63		2142744.....83, 89	

PART NUMBER INDEX

2754439.....	82	4031709.....	54, 60, 63	4831900....	13, 23, 29, 30,	70000514.....	35
2754440.....	83, 88	4031908.....	41	41, 49, 54		70000515.....	35
2754441.....	82, 88	4032009.....	43	4832000....	23, 25, 29, 30,	70000516.....	35
2754442.....	84, 90	4032011.....	56	41, 43, 49, 54, 56, 60		70000517.....	35
2754443.....	84, 90	4032013.....	15	4832100....	11, 13, 15, 43,	70000518.....	35
2754445.....	82, 88	4032015.....	15	49, 56, 60		70000519.....	35
2754446.....	84, 90	4032018.....	13	4832300.....	23, 41	70000520.....	35
2754447.....	84, 90	4032025.....	71	4832500.....	54	70000521.....	35
2754448.....	84, 90	4032111.....	54	5241600.....	15	70000522.....	35
2754449.....	84, 90	4032310.....	41	5242000.....	13	70000523.....	35
2754450.....	84, 90	4032316.....	41	5272611.....	15	70000524.....	35
2754451.....	82, 88	4060700.....	111	70000043.....	44	70000525.....	35
2754452.....	82, 88	4060802.....	30, 63	70000045.....	44	70000526.....	35
2754453.....	82, 88	4060865.....	122	70000054.....	43, 118	70000527.....	35
2754454.....	82, 88	4360314.....	30, 118	70000055.....	44	70000528.....	35
2754455.....	82, 88	4360387.....	63, 118	70000056.....	44	70000529.....	35
2754456.....	82, 88	4360469.....	30, 118	70000057.....	45	70000530.....	35
2754457.....	82, 88	4360475.....	30, 63, 118	70000058.....	45	70000531.....	35
2754458.....	82, 88	4360525.....	63, 118	70000059.....	44	70000532.....	35
2754459.....	82, 88	4360671.....	30, 118	70000061.....	44	70000533.....	35
2754460.....	84, 90	4360693.....	63, 118	70000062.....	44	70000534.....	35
2754461.....	84, 90	4360698.....	30, 63, 118	70000073.....	45	70000535.....	35
2754462.....	84, 89	4460071.....	61	70000074.....	45	70000536.....	35
2754463.....	82, 88	4460121.....	63	70000075.....	44	70000537.....	35
2754464.....	82, 88	4460138.....	111	70000081.....	65	70000538.....	35
2754478.....	54, 84, 90	4460226.....	65	70000082.....	65	70000539.....	35
2754525.....	84, 90	4460259.....	111	70000083.....	65	70000540.....	35
2754526.....	54, 84, 90	4460260.....	111	70000084.....	65	70000541.....	35
2754529.....	84, 90	4460265.....	65	70000085.....	65	70000542.....	35
2860030.....	30, 118	4460266.....	65, 111	70000150.....	71	70000543.....	35
2900708.....	41	4460267.....	65, 111	70000153.....	15	70000634.....	31
2902431.....	110	4460315.....	111	70000154.....	15	70000635.....	31, 118
2902554.....	111	4460346.....	110, 111	70000184.....	71	70000683.....	65
2920161.....	122	4460418.....	111	70000219.....	71	70000684.....	65
3020008.....	122	4460419.....	111	70000220.....	71	70000685.....	65
3020016.....	122	4460462.....	111	70000239.....	19	70000686.....	65
320066.....	29	4460464.....	111, 112	70000240.....	19	70000692.....	73
3290405.....	111	4460465.....	111, 112	70000241.....	19	70000693.....	73
3290505 ..	13, 49, 63, 110	4460467.....	122	70000242.....	19	70000694.....	73
3290605 ..	29, 30, 41, 49,	4460468.....	111	70000243.....	19	70000695.....	73
60, 61, 110		4460470.....	63	70000244.....	19	70000696.....	73
3290801.....	41	4460471.....	63	70000245.....	19	70000697.....	73
3290805 ..	29, 30, 43, 49,	4460492.....	111	70000246.....	19	70000698.....	73
63		4460502.....	111	70000247.....	19	70000699.....	73
3291005 ..	13, 41, 49, 54,	4460503.....	111	70000248.....	19	70000700.....	73
56, 61		4460510.....	122	70000249.....	19	70000702.....	73
3291205.....	43, 54, 61	4460662.....	110	70000250.....	19	70000703.....	73
3291207.....	54	4460891.....	112	70000251.....	19	70000704.....	73
3291605.....	54, 56	4460897.....	112	70000252.....	19	70000706.....	73
3292005.....	60	471678.....	29, 43	70000253.....	19	70000707.....	75
3293605.....	13	4740120.....	63	70000254.....	19	70000708.....	75
3331215.....	11	4811600 ..	13, 49, 63, 111	70000255.....	19	70000709.....	75
3332011.....	13	4811700 ..	29, 30, 41, 49,	70000256.....	19	70000710.....	75
3440816.....	54	60, 61, 111		70000257.....	19	70000711.....	75
3520060.....	63	4811702.....	30, 61, 111	70000258.....	19	70000712.....	75
3760491.....	60	4811900 ..	29, 30, 43, 49,	70000259.....	20	70000713.....	75
3820408.....	49, 116	63		70000260.....	20	70000744.....	69
3820510.....	25	4811902.....	63	70000264.....	45	70000745.....	69
3900294.....	110	4812000 ..	13, 25, 41, 49,	70000267.....	37	70000746.....	69
3900376.....	60	54, 56, 60, 61		70000269.....	37	70000747.....	69
3960605.....	41	4812100 ..	11, 13, 43, 54,	70000270.....	37	70000748.....	69
4010414.....	63	61		70000271.....	37	70000749.....	77
4031510.....	23	4812300.....	54, 56	70000332.....	37	70000750.....	77
4031605.....	30	4812500.....	60	70000333.....	37	70000751.....	77
4031612.....	54	4831600 ..	13, 30, 41, 54	70000346.....	20	70000752.....	77
4031614.....	13	4831700 ..	23, 30, 49, 54,	70000385.....	37, 118	70000753.....	77
4031708.....	41	61, 111		70000513.....	35	70000754.....	77

PART NUMBER INDEX

70000755.....77	70001852.....44	7021632.....71	E900025.....63, 65, 118
70000900.....41, 118	70002740.....45	7023919.....71	E900026.....63
70000902.....29	70003173.....47	7024038.....47	E900028.....63
70000912.....44	70003175.....47	7024579.....45	E900029.....63
70000913.....44	70003177.....47	7024818.....47	E900030.....63
70000914.....44	70003217.....44	7024895.....82, 88	E900031.....63
70000915.....44	70003340.....47	7024896.....82, 88	E900032.....30
70000916.....44	70003486.....116	7024897.....69, 82, 88	E900033.....30
70000917.....44	70003616.....39	7024952.....47	E900034.....30
70000922.....45	70003737.....47	7024954.....47	E900036.....63
70000925.....112	70003738.....47	7026103.....69	E900041.....63, 111
70000926.....112	70003739.....47	7026608.....44	E900042.....63, 111
70000952.....39, 110	70003740.....47	7027239.....45	E900043.....111
70000953.....39, 110	70003741.....47	7027245.....45	E900045.....111
70000954.....39, 110	70003742.....47	7027249.....44	E900048.....30, 63
70000955.....39, 110	70003743.....47	7027367.....65	E900049.....63
70000956.....39, 110	70003744.....47	7027765.....65	E900055.....30, 111
70001114.....30	70003745.....47	7027766.....65	E900056.....111, 118
70001122.....31	70003746.....47	7027861.....17	E900057.....39
70001136.....45	70003747.....47	7027912.....33	E900059.....39
70001137.....45	70003748.....47	7027939.....17	E900063.....30, 39, 111
70001138.....45	70003749.....47	7027940.....17	E900066.....110
70001182.....110	70003750.....47	7027941.....17	E900072.....30
70001183.....110	70003751.....47	7028846.....33	H000013.....41
70001184.....110	70003752.....47	7028847.....33	H000018.....82, 88
70001185.....110	70003753.....47	7028848.....33	H000019.....29, 118
70001186.....110	70003754.....47	7028849.....33	H000031.....33
70001187.....110	70003755.....47	7028893.....33	H000032.....33
70001188.....110	70004458.....44	8005376.....43	H000038.....29
70001189.....110	7000695.....44	8007915.....33	H000039.....29
70001190.....110	70021667.....47	8007939.....33	H000040.....29
70001191.....110	7002821.....122	8007944.....33	H000048.....29
70001192.....110	7002822.....122	8007953.....33	H000049.....29
70001193.....110	7002823.....122	8007986.....29, 43	H000051.....29
70001194.....110	7002826.....122	8008750.....30	H000077.....41
70001195.....110	7002828.....122	8229236.....112	H000116.....33
70001196.....110	7004275.....122	8303891.....63	H000121.....29, 33
70001197.....110	7004276.....122	8405204.....43	H000122.....41, 82
70001198.....110	7010543.....29	8990147.....116	H000123.....82, 88
70001199.....110	7012706.....47	DL0113.....29	H000148.....83, 89
70001200.....110	7012709.....47	E000005.....30	H000191.....33
70001201.....110	7012941.....29	E000009.....30	H000206.....33
70001202.....110	7012972.....69, 82, 88	E000016.....54	H000207.....33
70001203.....110	7012986... 29, 69, 82, 88,	E000044.....30, 118	H000219.....15, 19
70001204.....110	118	E000045.....54, 61	H000220.....43, 47
70001205.....110	7016330.....44	E000059.....30, 118	H000241.....41, 118
70001210.....110	7016331.....44, 118	E000063.....30	H000273.....82, 88
70001211.....110	7016654.....122	E000072.....30, 112	H000280.....69, 82, 88
70001212.....110	7017414.....41	E000083.....111	H000285.....29, 35
70001213.....110	7017444... 41, 71, 82, 88,	E000084.....30	H000306.....82, 88
70001261.....110	118	E000102.....111	H000331.....15
70001352.....31, 120	7020023.....44, 118	E000103.....111	H000351.....82, 88
70001353.....31	7020127.....17	E000108.....111	H000352.....33
70001355.....31	7020128.....17	E000189.....39, 120	H000371.....54, 63
70001765.....112	7020129.....17	E000214.....39, 120	H000389.....33
70001776.....112	7020168.....44	E000269.....23, 54	H000390.....33
70001777.....112	7020175.....63	E000359.....23, 120	H000397.....33
70001778.....112	7020176.....63	E000375.....39	H000412.....29
70001835.....45	7020414.....44	E000376.....13, 54, 120	H000430.....54, 60
70001836.....45	7020443.....44	E000419.....39, 63	H000436.....29, 37
70001837.....45	7020449.....44	E000457.....39, 118	H000442.....41
70001838.....45	7020459.....45	E000481.....111	H000442-14.....41
70001840.....45	7020465.....44	E000482.....111	H000443.....15, 17
70001841.....45	7020468.....44	E001206.....39	H000444.....71
70001843.....44	7020471.....44	E001375.....39	H000514.....33
70001850.....44	7020480.....44	E001376.....39	H000516.....33
70001851.....44	7020492.....45	E007404.....39	H000524.....82, 88

PART NUMBER INDEX

H000532.....	71	S000242.....	56	S201591.....	13	S900186.....	13
H000536.....	82, 88	S001238.....	55	S201592.....	13	S900187.....	23
H000542.....	33	S001240.....	55	S201593.....	13	S900189.....	13
H000558.....	23	S001241.....	55	S201594.....	13	S900190.....	13
H000559.....	23	S001443.....	30	S201595.....	13	S900191.....	13
H000580.....	33	S001445.....	60	S201596.....	13	S900192.....	29
H000602.....	33	S001491.....	55	S201597.....	13	S900209.....	13
H000609.....	33	S001492.....	55	S201598.....	11	S900210.....	13
H000723.....	15	S001496.....	56, 71	S201599.....	23	S900211.....	13
H003085.....	71	S001497.....	56	S201601.....	25	S900214.....	11
H003091.....	71	S001498.....	56	S201602.....	43	S900223.....	55
H003108.....	71	S001499.....	56	S201604.....	49	S900229.....	60
H003115.....	71	S001513.....	49	S201605.....	49	S900231.....	13
H004083.....	43	S001557.....	13	S201606.....	49	S900233.....	61
H005224.....	44	S001592.....	54	S201608.....	49	S900234.....	61
H005232.....	43	S001595.....	56	S201609.....	49	S900235.....	61
H005234.....	43	S001613.....	11	S201610.....	43	S900240.....	55
H005235.....	49	S001614.....	11	S201613.....	29	S900241.....	41
H005236.....	43	S001640.....	13, 23, 60	S201614.....	43	S900242.....	55
H005238.....	43	S001676.....	49	S201638.....	71	S900243.....	55
H005242.....	43	S003991.....	20	S201639.....	71	S900244.....	55
H005247.....	33	S004000.....	15	S201640.....	71	S900245.....	55, 56
H005248.....	33	S004014.....	25	S201641.....	71	S900246.....	55, 56
H005250.....	33	S005049.....	60	S201661.....	49	S900247.....	55, 56
H005279.....	33	S005171.....	43	S900002.....	23	S900248.....	55, 56
H005529.....	82, 88	S005172.....	43	S900003.....	23	S900249.....	55, 56
H005559.....	31	S007120.....	55	S900021.....	23	S900250.....	55, 56
H900008.....	23, 73	S007121.....	55	S900041.....	60	S900251.....	55, 56
H900009.....	13, 69	S007122.....	55	S900042.....	60	S900252.....	55, 56
H900010.....	23, 73	S007123.....	55	S900043.....	60	S900253.....	55, 56
H900014.....	11, 77	S007124.....	55	S900044.....	60	S900254.....	55, 56
H900020.....	60, 75	S200012.....	60	S900045.....	60	S900255.....	55, 56
H900065.....	71	S200015.....	61	S900046.....	60	S900256.....	55, 56
H900066.....	43	S200017.....	61	S900060.....	49	S900264.....	61
H900067.....	82, 88	S200027-11.....	61	S900078.....	49	S900267.....	61
H900068.....	82, 88	S200033.....	60	S900079.....	49	S900268.....	61
H900069.....	82, 88	S200075.....	55	S900085.....	11	S900269.....	60
H900070.....	69, 82, 88	S200078.....	55	S900088.....	11	S900271.....	61
H900071.....	41, 43	S200081.....	55	S900089.....	29	S900274.....	61
H900072.....	44	S200090.....	55	S900091.....	49	S900275.....	61
H900073.....	41	S200091.....	55	S900092.....	49	S900276.....	60
S000009.....	63	S200092.....	55	S900093.....	49	S900277.....	60
S000010.....	56	S200093.....	55	S900102.....	23	S900278.....	60
S000056.....	49	S200094.....	54	S900103.....	23	S900279.....	56
S000116.....	56	S200095.....	54	S900111.....	54	S900280.....	56
S000117.....	55	S200100.....	54	S900113.....	61	S900288.....	54
S000118.....	56	S200132.....	54	S900117.....	61	S900289.....	60
S000123.....	55	S200238.....	61, 118	S900118.....	61	S900291.....	60
S000124.....	55	S200252.....	11	S900120.....	56	S900293.....	60
S000141.....	11	S200253.....	11	S900121.....	56	S900312.....	54
S000142... 11, 13, 23, 54, 60		S200265.....	30	S900122.....	56	S900322.....	11
S000145.....	61	S200910.....	71	S900123.....	56	S900327.....	15
S000188.....	55	S200911.....	11	S900124.....	56	S900328.....	15
S000191.....	55	S201585.....	11	S900125.....	54	S900329.....	54
S000233.....	55	S201586.....	11	S900126.....	54	S900330.....	54
S000234.....	55	S201587.....	11	S900127.....	54		
S000237.....	60	S201588.....	11	S900128.....	55		
		S201589.....	11	S900130.....	60		

PART NUMBER INDEX



3121326



An Oshkosh Corporation Company

JLG Industries, Inc.
1 JLG Drive
McConnellsburg PA. 17233-9533
USA
Phone: +1-717-485-5161
Customer Support Toll Free: 1-877-554-5438
Fax: +1-717-485-6417

JLG Worldwide Locations

JLG Industries (Australia)
P.O. Box 5119
11 Bolwarra Road
Port Macquarie
N.S.W. 2444
Australia
Phone: +61 2 65811111
Fax: +61 2 65813058

JLG Latino Americana Ltd.
Rua Antonia Martins Luiz, 580
Distrito Industrial João Narezzi
13347-404 Indaiatuba - SP
Brazil
Phone: +55 19 3936 8870
Fax: +55 19 3935 2312

JLG Industries (UK) Ltd
Bentley House
Bentley Avenue
Middleton
Greater Manchester
M24 2GP
England
Phone: +44 (0)161 654 1000
Fax: +44 (0)161 654 1001

JLG France SAS
Z.I. de Baulieu
47400 Fauillet
France
Phone: +33 (0)5 53 88 31 70
Fax: +33 (0)5 53 88 31 79

JLG Deutschland GmbH
Max-Planck-Str. 21
D - 27721 Ritterhude-Ihlpohl
Germany
Phone: +49 (0)421 69 350 20
Fax: +49 (0)421 69 350 45

JLG Equipment Services Ltd.
Rm 1107 Landmark North
39 Lung Sum Avenue
Sheung Shui N.T.
Hong Kong
Phone: +852 2639 5783
Fax: +852 2639 5797

JLG Industries (Italia) s.r.l.
Via Po, 22
20010 Pregnana Milanese - MI
Italy
Phone: +39 029 359 5210
Fax: +39 029 359 5845

JLG Europe B.V.
Polaris Avenue 63
2132 JH Hoofddorp
The Netherlands
Phone: +31 (0)23 565 5665
Fax: +31 (0)23 557 2493

JLG Polska
Ul. Krolewska
00-060 Warszawa
Poland
Phone: +48 (0)914 320 245
Fax: +48 (0)914 358 200

Plataformas Elevadoras
JLG Iberica, S.L.
Trapadella, 2
P.I. Castellbisbal Sur
08755Castellbisbal, Barcelona
Spain
Phone: +34 93 772 4 700
Fax: +34 93 771 1762

JLG Sverige AB
Enkopingsvagen 150
Box 704
SE - 176 27 Jarfalla
Sweden
Phone: +46 (0)850 659 500
Fax: +46 (0)850 659 534

www.jlg.com