



# Illustrated Parts Manual

**Model  
26MRT**

**P/N  
3120792**

*October 17, 2013*

**ANSI**



An Oshkosh Corporation Company



## REVISION LOG

February 4, 2000 - Original Issue Of Manual (Was part of complete Manual #3123003) (Edited to 0010520 Revision 37)

October 30, 2000 - Revised (Edited to 0010520 Revision 37)

February 25, 2004 - Revised

September 15, 2007 - Revised

June 24, 2011 - Revised

October 17, 2013 - Revised





# TABLE OF CONTENTS

SECTION 1 - FRAME.....	7
FIGURE 1-1. FRAME AND STEERING INSTALLATION .....	8
FIGURE 1-2. REAR DRIVE INSTALLATION.....	10
FIGURE 1-3. DRIVE MOTOR ASSEMBLY .....	14
FIGURE 1-4. DRIVE BRAKE ASSEMBLY.....	16
FIGURE 1-5. DRIVE AXLE ASSEMBLY.....	18
FIGURE 1-6. FRAME MOUNTED COMPONENTS INSTALLATION .....	20
FIGURE 1-7. HYDRAULIC DRIVE GENERATOR INSTALLATION .....	24
SECTION 2 - GROUND COMPONENTS.....	27
FIGURE 2-1. CONTROL VALVES AND TANKS INSTALLATION.....	28
FIGURE 2-2. CONTROL VALVES ASSEMBLY .....	32
FIGURE 2-3. VANGUARD GAS ENGINE INSTALLATION (Prior to SN 48113) .....	34
FIGURE 2-4. VANGUARD GAS ENGINE INSTALLATION (SN 48113 to Present) .....	38
FIGURE 2-5. DUAL FUEL INSTALLATION (VANGUARD MACHINES ONLY).....	42
FIGURE 2-6. YANMAR DIESEL ENGINE INSTALLATION.....	44
FIGURE 2-7. PISTON PUMP ASSEMBLY .....	48
FIGURE 2-8. GEAR PUMP ASSEMBLY (YANMAR ENGINE).....	50
FIGURE 2-9. GROUND CONTROLS INSTALLATION.....	52
FIGURE 2-10. HOOD INSTALLATIONS .....	56
SECTION 3 - SCISSOR ARMS.....	59
FIGURE 3-1. SCISSOR ARMS INSTALLATION .....	60
SECTION 4 - PLATFORM.....	63
FIGURE 4-1. PLATFORM COMPONENTS INSTALLATION - MANUALLY OPERATED EXTENSION.....	64
FIGURE 4-2. STANDARD HANDRAILS AND EXTENSION INSTALLATION (MANUALLY OPERATED PLATFORM).....	68
FIGURE 4-3. WIDE PLATFORM HANDRAILS AND EXTENSION INSTALLATION (MANUALLY OPERATED PLATFORM) .....	72
FIGURE 4-4. FOLDDOWN HANDRAILS AND EXTENSION INSTALLATION (MANUALLY OPERATED PLATFORM) .....	76
FIGURE 4-5. PLATFORM CONSOLE BOX ASSEMBLY .....	80
FIGURE 4-6. CONTROLLER ASSEMBLY (Prior to SN 58990) .....	84
FIGURE 4-7. CONTROLLER ASSEMBLY (SN 58990 to Present).....	86
SECTION 5 - CYLINDERS.....	89
FIGURE 5-1. LIFT CYLINDER COMPONENTS ASSEMBLY (Prior to SN 26916).....	90
FIGURE 5-2. LIFT CYLINDER COMPONENTS ASSEMBLY (SN 26916 to Present) .....	94
FIGURE 5-3. STEER CYLINDER ASSEMBLY.....	96
SECTION 6 - HYDRAULIC .....	99
FIGURE 6-1. HYDRAULIC DIAGRAM - STANDARD.....	100
FIGURE 6-2. HYDRAULIC DIAGRAM LIST .....	102
SECTION 7 - ELECTRICAL .....	103
FIGURE 7-1. ELECTRICAL DIAGRAM LIST.....	104
FIGURE 7-2. ELECTRICAL SCHEMATIC - VANGUARD .....	106
FIGURE 7-3. ELECTRICAL SCHEMATIC - YANMAR .....	108

# TABLE OF CONTENTS

FIGURE 7-4. HARNESS AND CABLE ASSEMBLIES .....	110
SECTION 8 - DECALS .....	117
FIGURE 8-1. DECALS INSTALLATIONS .....	118
SECTION 9 - RECOMMENDED SERVICE PARTS STOCK.....	123
FIGURE 9-1. MODEL 26MRT STANDARD PARTS.....	124
FIGURE 9-2. MODEL 26MRT VARIABLE PARTS.....	128
SECTION 10 - SPECIAL OPTIONS .....	131
FIGURE 10-1. SPECIAL OPTIONS .....	132
PART NUMBER INDEX.....	133

**SECTION 1 - FRAME**



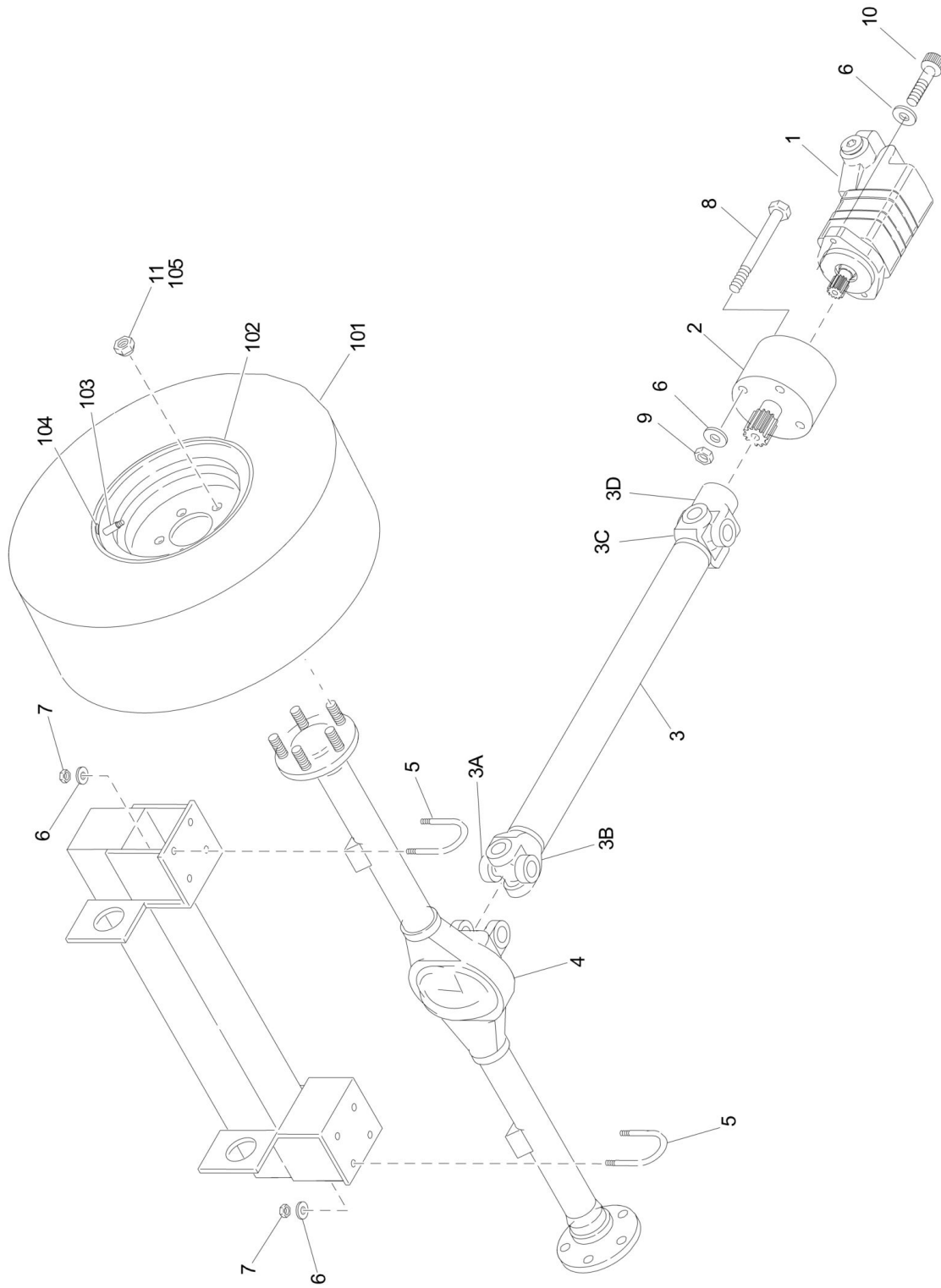
# SECTION 1 - FRAME

## FIGURE 1-1. FRAME AND STEERING INSTALLATION

ITEM	PART NUMBER	QTY	DESCRIPTION	REV
		Ref	<b>FRAME WELDMENT OPTIONS:</b>	
	2360388	1	Frame Weldment <b>(Prior to SN 27658)</b>	
	2360413	1	Frame Weldment <b>(SN 27658 to Present)</b>	
	0255118	Ref	<b>STEERING AND SPINDLES INSTALLATION</b>	8
1	2780221	2	Hub Assembly (Includes Items 101-107)	
2	4130286	2	Spindle Weldment (Includes Items 201-205)	
3	3422610	2	Kingpin	
4	3450810	2	Pin, Cotter 1/4in x 2 1/2in	
5	3313003	2	Nut, Slotted 1 1/4in-7NC	
6	0440162	2	Washer, Thrust	
7	0642016	2	Bolt 5/8in-16NC x 2in	
8	3312005	2	Locknut 5/8in-16NC	
9	3841146	2	Rod-End	
10	3322002	2	Nut, Jam 5/8in-16NC	
11		Ref	Steer Cylinder Assembly (See CYLINDERS SECTION for Breakdown) Options:	
11	1683239	1	Steer Cylinder Assembly <b>(Prior to SN 46538)</b>	
11	1683697	1	Steer Cylinder Assembly <b>(SN 46538 to Present)</b>	
12	3340644	1	Pad, Wear	
13	0641508	1	Bolt 5/16in-18NC x 1in	
14	3311505	1	Locknut 5/16in-18NC	
15	4751500	2	Flatwasher 5/16in	
16	3020022	AR	Grease	
17	4070809	AR	Shim	
18	3780182	4	O-Ring	
19		Ref	Nut, Wheel Options:	
19	3300255	10	Nut, Wheel <b>(Prior to SN 32539)</b>	
19	3300407	10	Nut, Wheel <b>(SN 32539 to Present)</b>	
20	4752200	2	Flatwasher 3/4in	
	2780221	Ref	<b>HUB ASSEMBLY</b>	-
101	7012519	2	Cup, Bearing - Inner (1 Per Hub)	
102	7012520	2	Cone, Bearing - Inner (1 Per Hub)	
103	7012521	2	Cup, Bearing - Outer (1 Per Hub)	
104	7012522	2	Cone, Bearing - Outer (1 Per Hub)	
105	7012523	2	Seal (1 Per Hub)	
106	7012524	2	Cap, Dust (1 Per Hub)	
107	7016360	10	Stud, Wheel (5 Per Hub)	
	4130286	Ref	<b>SPINDLE WELDMENT</b>	-
201	0961621	4	Bushing, Bronze (2 Per Spindle)	
203	7012542	2	Washer (1 Per Spindle)	
204	7012541	2	Nut, Slotted (1 Per Spindle)	
205	7012543	2	Pin, Cotter (1 Per Spindle)	

# SECTION 1 - FRAME

## FIGURE 1-2. REAR DRIVE INSTALLATION



# SECTION 1 - FRAME

## FIGURE 1-2. REAR DRIVE INSTALLATION

ITEM	PART NUMBER	QTY	DESCRIPTION	REV
		Ref	<b>REAR DRIVE AXLE INSTALLATION OPTIONS:</b>	
	0255113	Ref	<b>Rear Drive Axle Installation (Prior to SN 27815)</b>	E
	0256927	Ref	<b>Rear Drive Axle Installation (SN 27815 to Present)</b>	3
1	3160202	1	Drive Motor Assembly (See DRIVE MOTOR ASSEMBLY for Breakdown)	
2	0920103	1	Drive Brake Assembly (See DRIVE BRAKE ASSEMBLY for Breakdown)	
3	1360265	1	Drive Shaft Assembly	
3A	7011120	2	Journal and Bearing Kit	
3B	7011121	1	U-Bolt Assembly	
3C	7011122	2	Yoke	
3D	7011123	1	Yoke, Splined	
4		Ref	Drive Axle Assembly Options: (See DRIVE AXLE ASSEMBLY for Breakdown)	
4	0280148	1	Drive Axle Assembly <b>(Prior to SN 27815)</b>	
4	0280150	1	Drive Axle Assembly <b>(SN 27815 to Present)</b>	
5	0630488	4	U-Bolt	
6	4711800	14	Flatwasher 1/2in (Narrow)	
7	3321805	8	Locknut 1/2in-20NF	
8	0641844	4	Bolt 1/2in-13NC x 5 1/2in	
9	3311805	4	Locknut 1/2in-13NC	
10	3931824	2	Capscrew, Socket Head 1/2in-13NC x 1 1/2in	
11	3300255	10	Nut, Wheel 1/2in-20NF	
12	0100011	AR	Loctite #242 (Not Shown)	
13	3020008	AR	Lube, Gear (Not Shown)	
14	1120064	2	Cap, Grease Fitting (Not Shown)	
		Ref	<b>TIRE AND WHEEL INSTALLATIONS OPTIONS:</b>	
	0255961	Ref	<b>Standard Pneumatic (26 x 12.00)</b>	3
	0256586	Ref	<b>Lug Pneumatic (26 x 12.00)</b>	2
	0257224	Ref	<b>Pneumatic 27 x 10.50 - 15NHS</b>	2
	0256694	Ref	<b>Standard Foam Filled (26 x 12.00)</b>	2
	0256696	Ref	<b>Lug Foam Filled (26 x 12.00)</b>	2
		Ref	Tire and Wheel Assembly Options:	
	4520168	AR	26 x 12.00 Multi-Trac (Pneumatic)	
	4520169	AR	26 x 12.00 Tru-Power (Right Side) (Pneumatic)	
	4520170	AR	26 x 12.00 Tru-Power (Left Side) (Pneumatic)	
	4520194	AR	27 x 10.50 Lug Tread (Right Side) (Pneumatic)	
	4520195	AR	27 x 10.50 Lug Tread (Left Side) (Pneumatic)	
	4520185	AR	26 x 12.00 Multi-Trac (Foam Filled)	
	4520186	AR	26 x 12.00 Tru-Power (Right Side) (Foam Filled)	
	4520187	AR	26 x 12.00 Tru-Power (Left Side) (Foam Filled)	
		Ref	<b>Note: Assemblies may require ballast/foam filling to manufacturer's specifications prior to installing on a machine. Refer to Operation and Safety or Service and Maintenance Manuals. Purchase individual tire and/or rim only if able to foam fill tire and wheel assembly, otherwise, purchase complete assembly.</b>	
		Ref	<b>TIRE AND WHEEL ASSEMBLY COMPONENTS</b>	
101		Ref	Tire Options:	
101	7018701	AR	Tire - Multi Trac C/S 26 x 12.00	
101	7018702	AR	Tire - Tru Power TL 26 x 12.00	

## SECTION 1 - FRAME

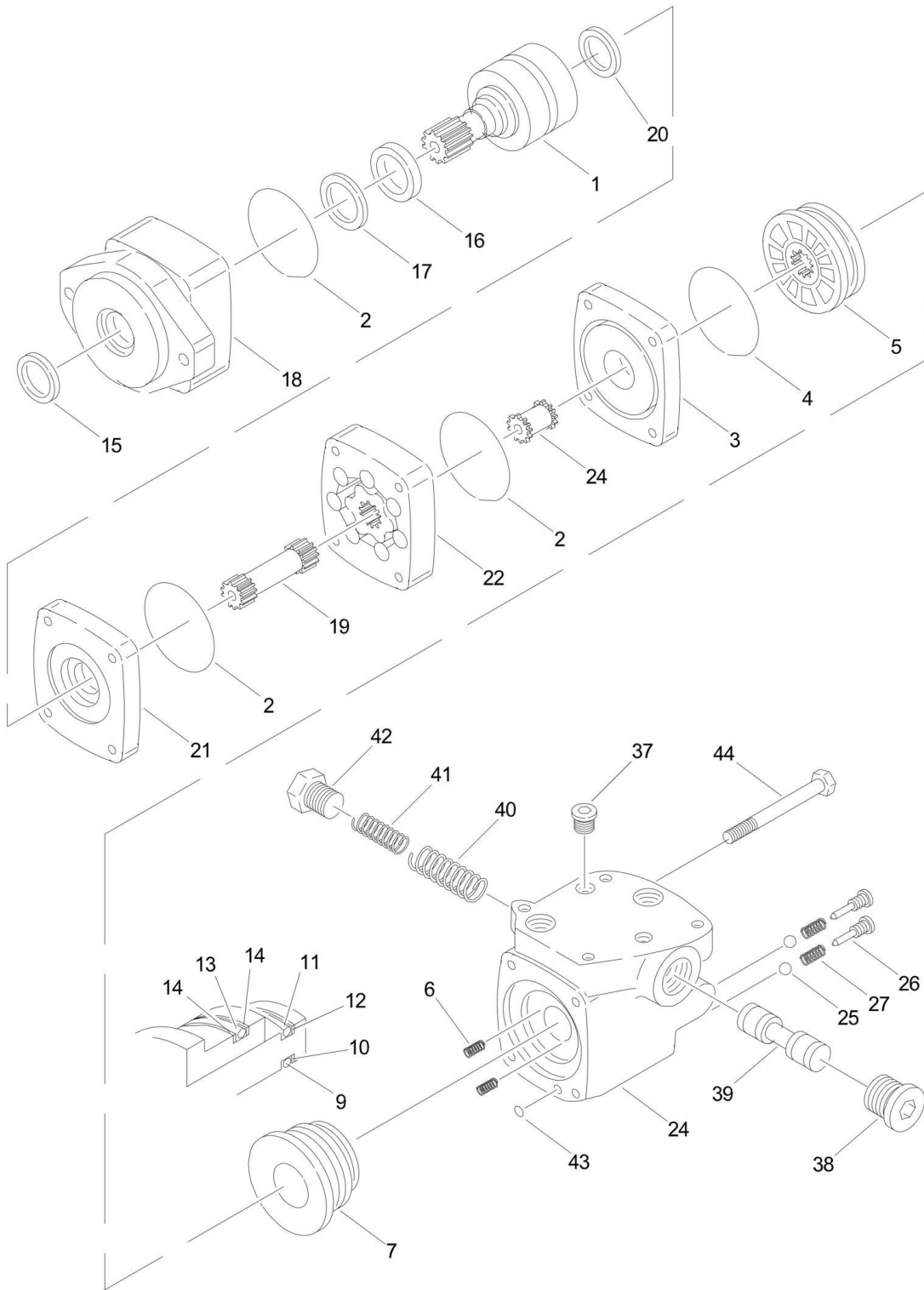
ITEM	PART NUMBER	QTY	DESCRIPTION	REV
101	7020112	AR	Tire - Lug Tread 27 x 10.50	
102		Ref	Rim Options:	
102	7018700	AR	Rim - 12.00	
102	7020113	AR	Rim - 10.50	
103	4640113	AR	Valve, Air	
104	1703067	AR	Decal - Tire Pressure (40PSI)	
105	3300407	10	Nut, Wheel 1/2in-20NF <b>(SN 44598 to Present)</b>	





# SECTION 1 - FRAME

## FIGURE 1-3. DRIVE MOTOR ASSEMBLY



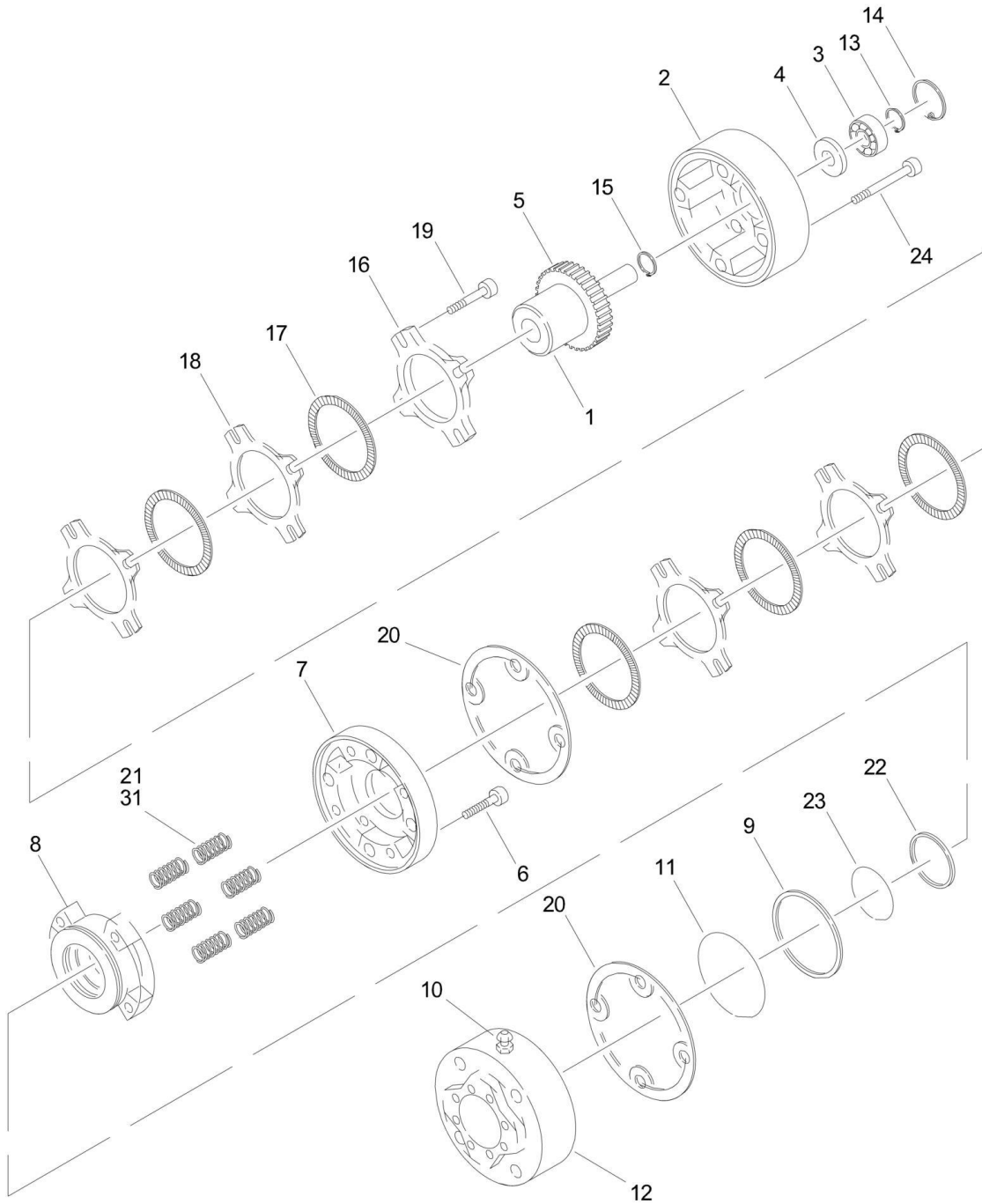
# SECTION 1 - FRAME

## FIGURE 1-3. DRIVE MOTOR ASSEMBLY

ITEM	PART NUMBER	QTY	DESCRIPTION	REV
	3160202	Ref	<b>DRIVE MOTOR ASSEMBLY</b>	A
1	7014901	1	Shaft Sub-Assembly	
2	Kit	3	Seal	
3	7014902	1	Plate, Valve	
4	Kit	1	Seal	
5	7014903	1	Valve	
6	7009913	2	Spring, Compression	
7	7014904	1	Ring, Balance	
8		Ref	Pin, Spring (Part of Item #7)	
9	Kit	1	O-Ring	
10	Kit	1	Ring, Back-up	
11	Kit	1	O-Ring	
12	Kit	1	Ring, Back-up	
13	Kit	1	O-Ring	
14	Kit	2	Ring, Back-up	
15	Kit	1	Seal, Dust	
16	Kit	1	Seal, Shaft	
17	Kit	1	Ring, Back-up	
18	7009918	1	Housing, Bearing	
19	7009979	1	Drive	
20	Kit	1	Seal, Face	
21	7014905	1	Plate, Wear	
22	7009980	1	Geroler Assembly	
23	7009905	1	Drive, Valve	
24	Not Serviced	1	Housing, Valve	
25	7000191	2	Ball, Steel	
26	7002159	2	Plug/O-Ring Assembly	
27	7000192	2	Spring, Compression	
37	7002157	1	Plug/O-Ring Assembly	
38	7014906	1	Plug/O-Ring Assembly	
39	7014907	1	Spool, Control	
40	7014908	1	Spring, Compression	
41	7014909	1	Spring, Compression	
42	7014910	1	Plug/O-Ring Assembly	
43	Kit	1	Seal	
44	Not Serviced	4	Bolt	
45	7009940	1	Plug/O-Ring Assembly (Not Shown)	
	7014911		Seal Kit (Includes Items 2, 4, 9-14, 20, 43 and O-Rings on Plug Assemblies)	

# SECTION 1 - FRAME

## FIGURE 1-4. DRIVE BRAKE ASSEMBLY



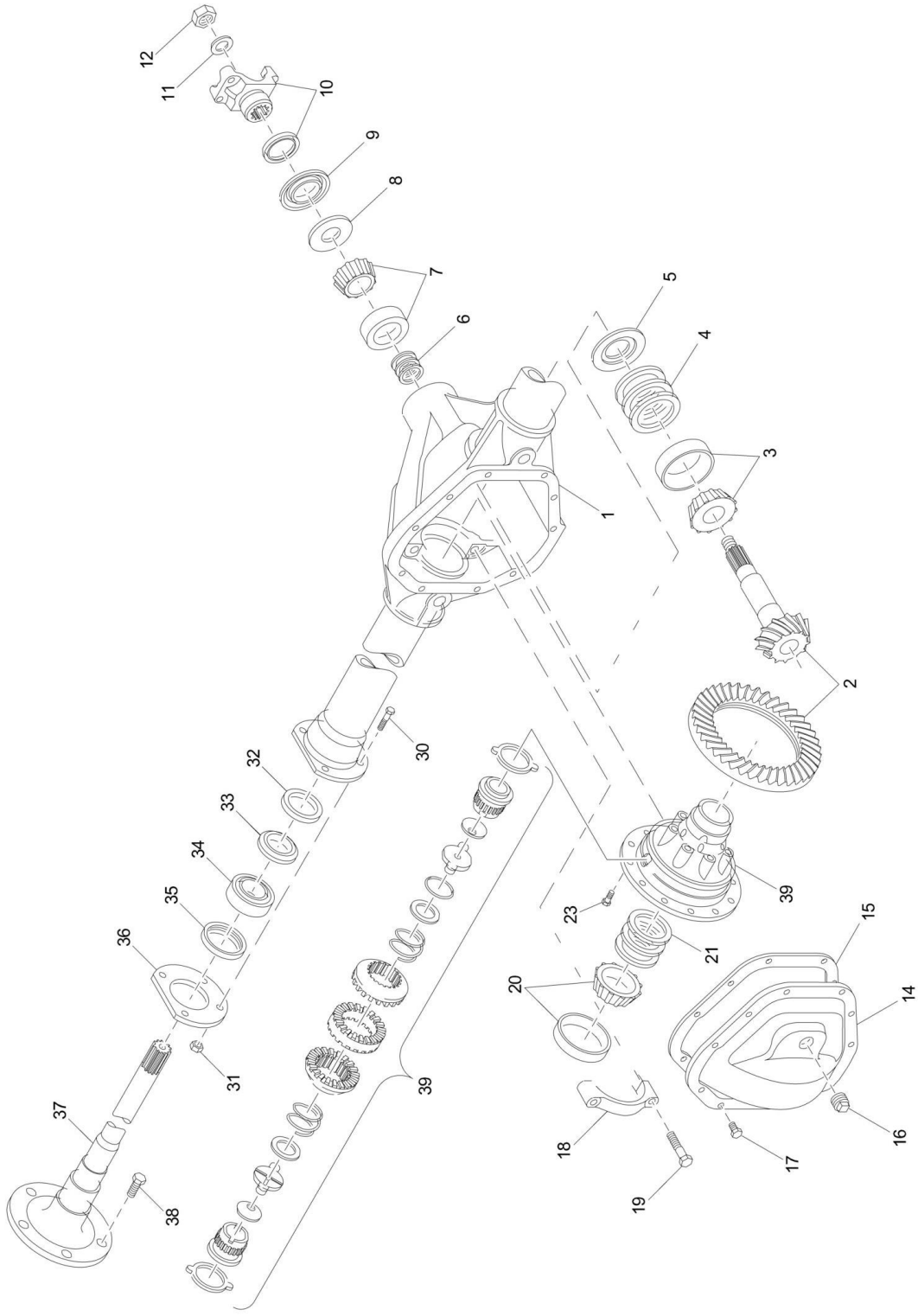
# SECTION 1 - FRAME

## FIGURE 1-4. DRIVE BRAKE ASSEMBLY

ITEM	PART NUMBER	QTY	DESCRIPTION	REV
	0920103	Ref	<b>DRIVE BRAKE ASSEMBLY</b>	-
1	7011740	1	Shaft	
2	7011739	1	Plate, Cover	
3	7007941	1	Bearing	
4	Kit	1	Seal, Oil	
5	7011738	1	Spline, Outer	
6	7007937	4	Capscrew, Socket Head	
7	7011737	1	Plate, Spring	
8	7011736	1	Piston	
9	Kit	1	Ring, Back-up	
10	7009774	1	Screw, Bleeder	
11	Kit	1	O-Ring	
12	7011735	1	Plate, Pressure	
13	7011734	1	Ring, Retainer	
14	7007943	1	Ring, Retainer	
15	7007954	1	Ring, Retainer	
16	Kit	1	Primary	
17	Kit	5	Rotor	
18	Kit	4	Stator	
19	7018601	4	Bolt, Shoulder	
20	Kit	2	Seal, Case	
21	Kit	4	Spring (Red)	
22	Kit	1	Ring, Back-up	
23	Kit	1	O-Ring	
24	7018600	2	Capscrew, Socket Head	
30	7011710	1	Gasket (Not Shown)	
31	Kit	2	Spring (Blue)	
	7011741	1	Lining Repair Kit (Includes Items 16, 17, 18, 20 & 30)	
	7011742	1	Bearing Repair Kit (Includes Items 3, 4, 20 & 30)	
	7011743	1	O-Ring Repair Kit (Includes Items 4, 9, 11, 20, 22, 23 & 30)	
	7011744	1	Spring Repair Kit (Includes Items 20, 21, 30 & 31)	

# SECTION 1 - FRAME

## FIGURE 1-5. DRIVE AXLE ASSEMBLY



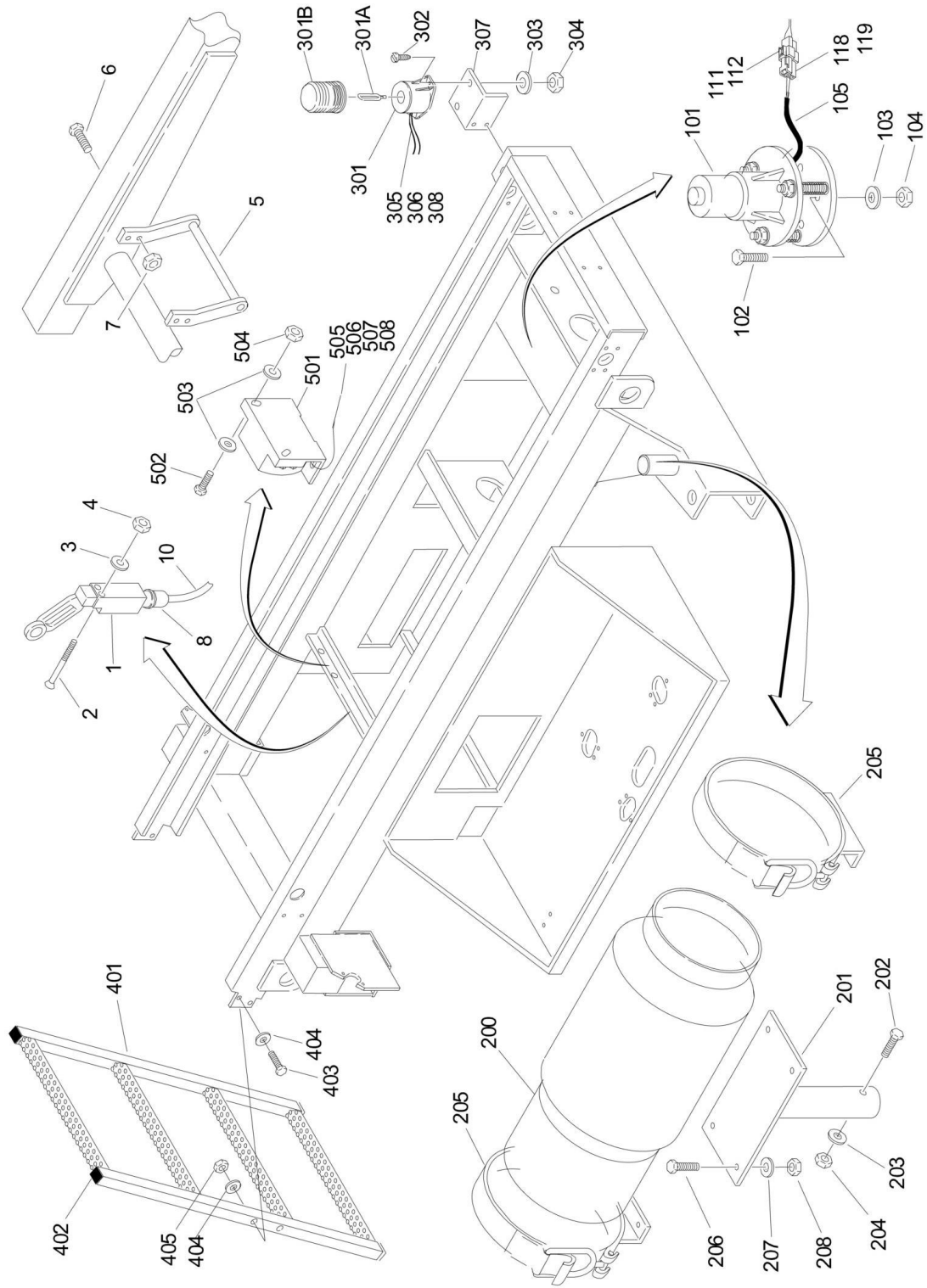
# SECTION 1 - FRAME

## FIGURE 1-5. DRIVE AXLE ASSEMBLY

ITEM	PART NUMBER	QTY	DESCRIPTION	REV
		Ref	<b>DRIVE AXLE ASSEMBLY OPTIONS:</b>	
	0280148	Ref	<b>Drive Axle Assembly (Prior to SN 27815)</b>	-
	0280150	Ref	<b>Drive Axle Assembly (SN 27815 to Present)</b>	-
1	7019033	1	Housing	
2	7019000	1	Drive Gear and Pinion	
3	7019001	1	Bearing, Inner Pinion	
4	Kit	AR	Shim, Drive Pinion Adjusting	
5	7019003	1	Baffle, Pinion Bearing	
6	Kit	AR	Shim, Pinion Bearing Adjusting	
7	7019004	1	Bearing, Outer Pinion	
8	7019005	1	Slinger, Outer Pinion Bearing	
9	7019006	1	Seal, Pinion	
10	7019007	1	Yoke Assembly	
11	7019008	1	Washer, Pinion Nut	
12	7019009	1	Nut, Pinion	
14	7019010	1	Cover, Carrier	
15	7019011	1	Gasket	
15	7019012	AR	Sealant (Not Shown)	
16	7019013	1	Plug	
17	7019014	10	Bolt, Carrier Cover	
18	7019015	2	Cap, Differential Bearing	
19	7019016	4	Bolt, Differential Bearing Cap	
20	7019017	2	Bearing, Differential	
21	Kit	AR	Shim, Differential Bearing	
23	7019019	10	Bolt, Differential Case	
30	7019020	8	Bolt, Axle Shaft	
31	7019021	8	Nut, Axle Shaft	
32	7019022	2	Seal, Inboard Shaft	
33	7019023	2	Ring, Wheel Bearing Retaining	
34	7019024	2	Bearing, Axle Shaft Wheel	
35	7019025	2	Seal, Outboard Shaft	
36	7019026	2	Retainer, Axle Shaft	
37	7019027	2	Shaft, Axle	
38	7019034	10	Bolt, Wheel	
39	7019029	1	Differential and Case Assembly (Sold as an Assembly Only)	
	7019002	1	Pinion and Bearing Adjusting Shims Kit (Includes Items 4, 6, 11, 12 & 15)	
	7019018	1	Differential Adjusting Shims Kit (Includes Items 15 & 21)	

# SECTION 1 - FRAME

## FIGURE 1-6. FRAME MOUNTED COMPONENTS INSTALLATION





# SECTION 1 - FRAME

## FIGURE 1-6. FRAME MOUNTED COMPONENTS INSTALLATION

ITEM	PART NUMBER	QTY	DESCRIPTION	REV
		Ref	<b>LIMIT SWITCH INSTALLATION</b>	
	0256354	Ref	<b>Hi-Drive (Prior to SN 37222)</b>	A
	0257590	Ref	<b>Hi-Drive (SN 37222 to Present)</b>	1
	0256692	Ref	<b>Overload Protection</b>	-
1	4360397	1	Switch, Limit	
2	3911024	2	Screw, Machine #10-24NC x 1 1/2in	
3	4751000	2	Flatwasher #10	
4	3311005	2	Locknut #10-24NC	
5	4845077	1	Actuator, Weldment <b>(Prior to SN 37222)</b>	
6	0641508	2	Bolt 5/16in-18NC x 1in <b>(Prior to SN 37222)</b>	
7	3311505	2	Locknut 5/16in-18NC <b>(Prior to SN 37222)</b>	
8	4460052	1	Connector, Strain Relief	
10	1060341	AR	Cable, Electrical - 16/2	
		Ref	<b>TILT SWITCH INDICATOR INSTALLATIONS</b>	
	0256426	Ref	<b>Common (Prior to SN 38569)</b>	A
	0257219	Ref	<b>Common (SN 38569 to Present)</b>	2
	0256543	Ref	<b>Latin American and Japanese (Prior to SN 38569)</b>	A
	0257217	Ref	<b>Latin American and Japanese (SN 38569 to Present)</b>	2
101		Ref	Switch, Tilt Indicator Options:	
101	4360362	1	Switch, Tilt Indicator <b>(Prior to SN 38569)</b>	
101	4360348	1	Switch, Tilt Indicator <b>(SN 38569 to Present)</b>	
102	0641407	2	Bolt 1/4in-20NC x 7/8in	
103	4761400	2	Lockwasher 1/4in	
104	3311401	2	Nut 1/4in-20NC	
105	1060330	6 ft/1.8m	Cable, Electrical - 16/3	
111	4460445	1	Connector - 3 Pin	
112	4460227	3	Pin	
118	4460326	1	Connector - 3 Pin	
119	4460226	3	Socket, Female	
	0256353	Ref	<b>LP TANK AND BRACKETS INSTALLATION</b>	-
200	4400040	2	Tank, LP	
201	4844185	2	Bracket, Tank Mounting	
202	0641522	2	Bolt 5/16in-18NC x 2 3/4in	
203	4751500	2	Flatwasher 5/16in	
204	3311505	2	Locknut 5/16in-18NC	
205	1320023	2	Clamp	
206	0641608	8	Bolt 3/8in-16NC x 1in	
207	4751600	8	Flatwasher 3/8in	
208	3311605	8	Locknut 3/8in-16NC	
	0256684	Ref	<b>BEACON LIGHT INSTALLATION (OPTIONAL)</b>	3
301	2920146	1	Beacon Light Assembly	
301A	7016319	1	Bulb, Flash	
301B	7016372	1	Lens	
302	0721006	2	Bolt #10-24NC x 3/4in	
303	4761000	4	Lockwasher #10	
304	3311001	2	Nut #10-24NC	
305	1060341	10 ft/3m	Cable, Electrical - 16-2	
306	4460035	2	Terminal, Butt	
307	0902322	1	Bracket, Beacon	
308	2820036	2 ft/.6m	Loom <b>(SN 48790 to Present)</b>	

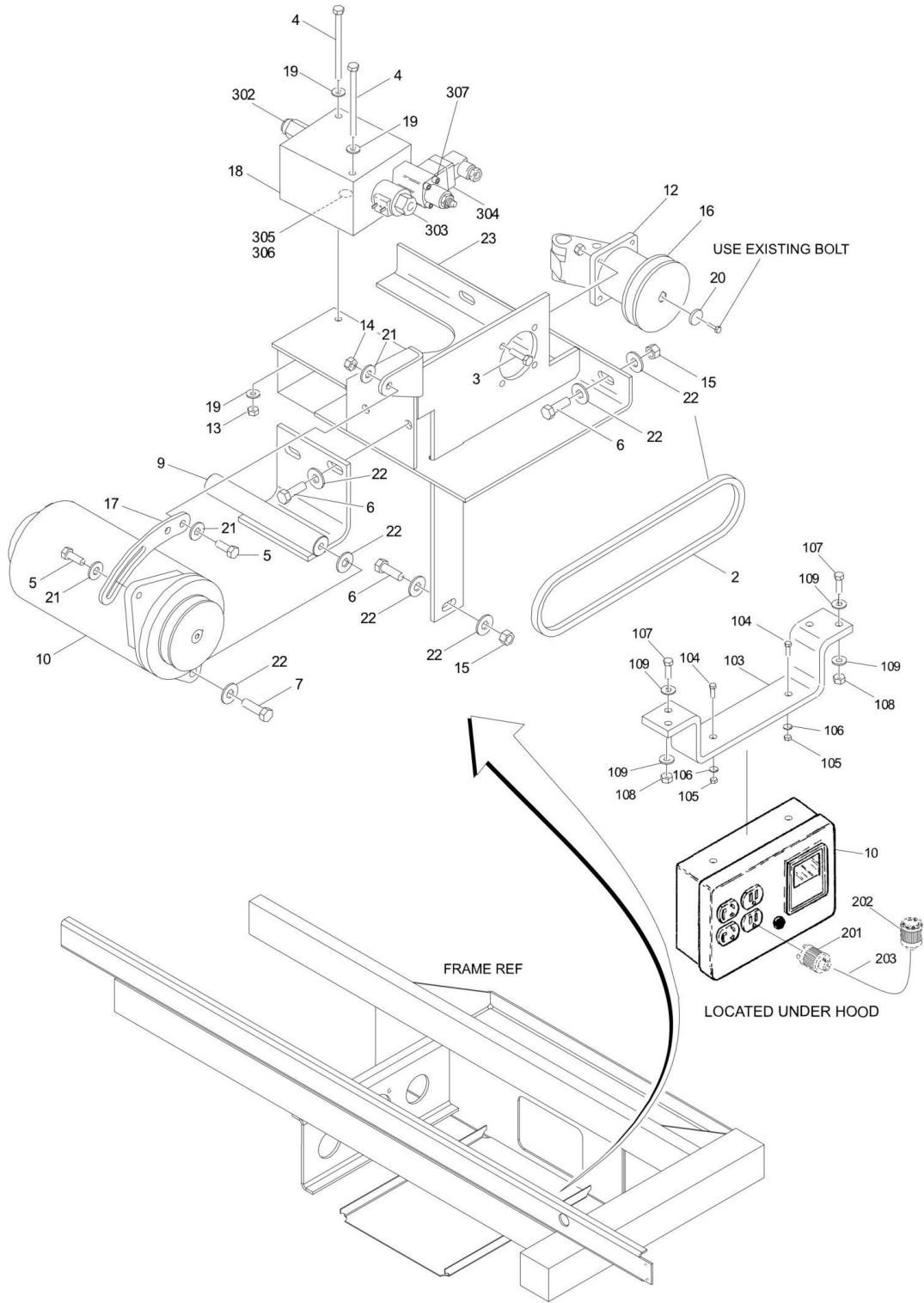
## SECTION 1 - FRAME

ITEM	PART NUMBER	QTY	DESCRIPTION	REV
	0256722	Ref	<b>LADDER INSTALLATION</b>	2
401		Ref	Ladder Weldment Options:	
401	4845388	1	Ladder Weldment <b>(Prior to SN 58034)</b>	
401	4845911	1	Ladder Weldment <b>(SN 58034 to Present)</b>	
402	3520071	4	Cap	
403	0641624	4	Bolt 3/8in-16NC x 3in	
404	4751600	8	Flatwasher 3/8in	
405	3311605	4	Locknut 3/8in-16NC	
		Ref	<b>ALARM INSTALLATIONS</b>	
	0256492	Ref	<b>Descent</b>	2
	0256493	Ref	<b>Motion</b>	3
	0256491	Ref	<b>Travel</b>	3
501	0140024	1	Alarm	
502		Ref	Bolt Options:	
502	0641408	2	Bolt 1/4in-20NC x 1in <b>(Prior to SN 48790)</b>	
502	0641508	2	Bolt 5/16in-18NC x 1in <b>(SN 48790 to Present)</b>	
503	4751400	4	Flatwasher 1/4in	
504	3311405	2	Locknut 1/4in-20NC	
505	3990010	2	Diode 6 Amp (Motion Alarm Only)	
506	4460035	2	Terminal, Electrical	
507	1060341	4 ft/1.2m	Cable, Electrical - 16/2	
508	2820036	2 ft/.6m	Loom <b>(SN 48790 to Present)</b>	



# SECTION 1 - FRAME

## FIGURE 1-7. HYDRAULIC DRIVE GENERATOR INSTALLATION



# SECTION 1 - FRAME

## FIGURE 1-7. HYDRAULIC DRIVE GENERATOR INSTALLATION

ITEM	PART NUMBER	QTY	DESCRIPTION	REV
	0258756	Ref	<b>HYDRAULIC DRIVE GENERATOR INSTALLATION</b>	B
2	0480034	1	V-Belt	
3	0641408	4	Bolt 1/4in-20NC x 1in	
4	0641430	2	Bolt 1/4in-20NC x 3 3/4in	
5	0641507	2	Bolt 5/16in-18NC x 7/8in	
6	0641609	5	Bolt 3/8in-16NC x 1 1/8in	
7	0681610	2	Bolt 3/8in-16NC x 1 1/4in	
9	0901650	1	Bracket, Mounting	
10	2460011	1	110 Volt Generator	
10	7003657	1	Control Box Assembly	
10	7010699	1	Voltmeter	
10	7020194	1	Breaker, Circuit	
10	7012558	1	Generator Assembly	
10	7026199	1	Armature with Slip Rings	
10	7020108	4	Brushes	
10	7020109	4	Holdings, Brush	
10	7012513	4	Cap, Brush Holder	
10	3580134	1	Pulley	
12	3160235	1	Motor	
13	3311405	6	Locknut 1/4in-20NC	
14	3311505	1	Locknut 5/16in-18NC	
15	3311605	5	Locknut 3/8in-16NC	
16	3580273	1	Pulley	
17	4340569	1	Support, Mounting	
18	4641100	1	Valve (See Items 301 to 307 for Breakdown)	
19	4711400	4	Flatwasher 1/4in (Narrow)	
20	4740468	1	Washer (Special)	
21	4751500	3	Flatwasher 5/16in (Wide)	
22	4751600	12	Flatwasher 3/8in (Wide)	
23	4845865	1	Weldment, Generator Mount	
26	0100011	AR	Loctite #242 (Not Shown)	
	0259057	Ref	<b>110VOLT GENERATOR CONTROL BOX INSTALLATION</b>	2
103	0902515	1	Bracket	
104	3911016	2	Screw, Round Head #10-24NC x 1in	
105	3311001	2	Nut #10-24NC	
106	4761000	2	Lockwasher #10	
107	0641406	4	Bolt 1/4in-20NC x 3/4in	
108	3311405	4	Locknut 1/4in-20NC	
109	4751400	8	Flatwasher 1/4in	
	4922232	Ref	<b>CABLE HARNESS 110VOLT</b>	1
201	4460138	1	Plug, Male	
202	4460779	1	Plug, Female	
203	1060308	7 ft/2.1m	Cable 12/3	
	4641100	Ref	<b>HYDRAULIC VALVE ASSEMBLY</b>	A
301	Not Serviced	1	Manifold Assembly	
302	7021617	1	Cartridge	
302	7012942	1	Seal Kit - 7021617 Cartridge	
303	7017453	1	Cartridge Less Coil	
303	7017402	1	Seal Kit - 7017453 Cartridge	
303	7012539	1	Coil	

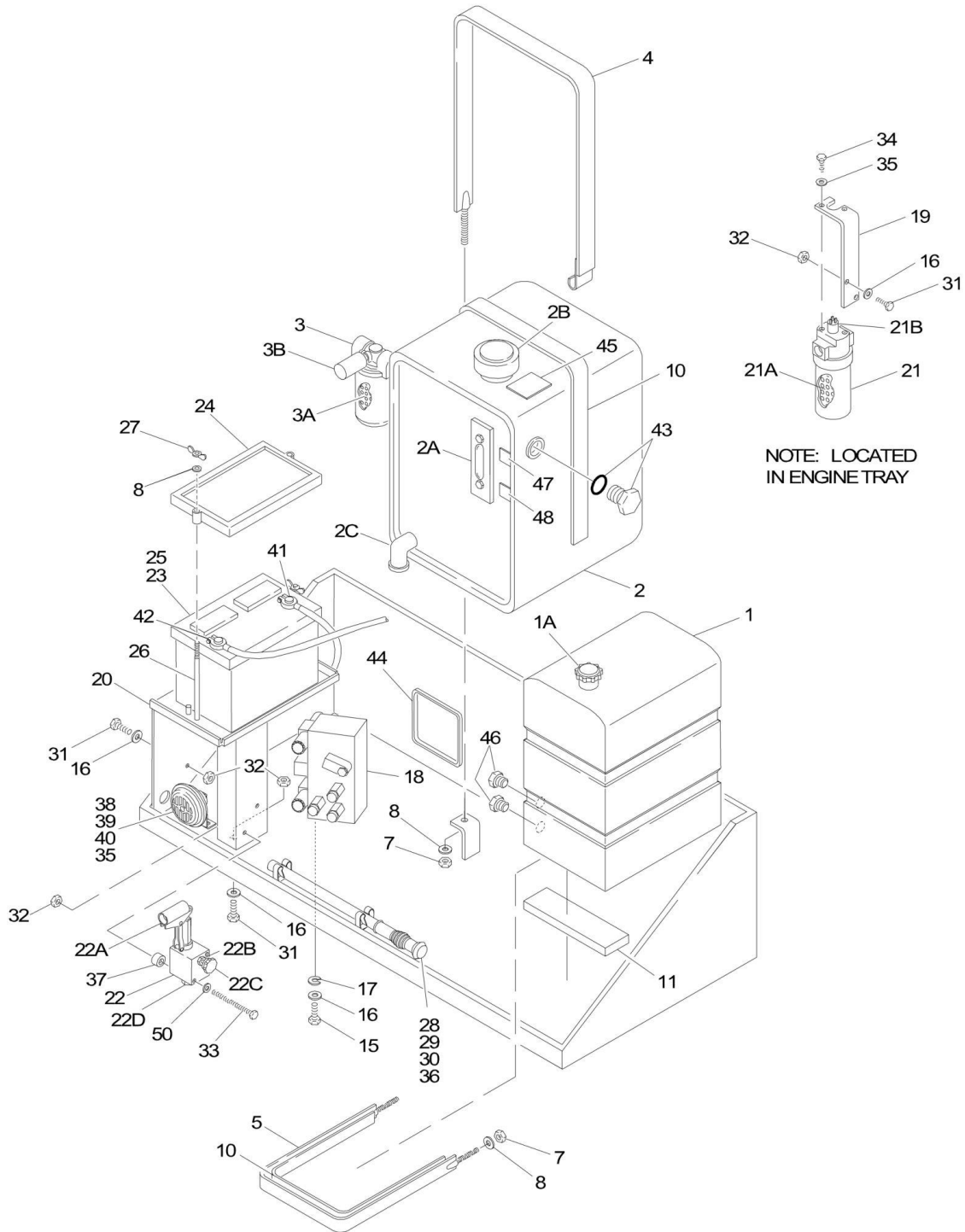
## SECTION 1 - FRAME

ITEM	PART NUMBER	QTY	DESCRIPTION	REV
304	7021370	1	Cartridge	
305	7021372	1	Orifice (0.4mm)	
306	7018905	1	Plug	
307	7021371	4	Screw #8-32 x 1 3/4in	

**SECTION 2 - GROUND COMPONENTS**

# SECTION 2 - GROUND COMPONENTS

## FIGURE 2-1. CONTROL VALVES AND TANKS INSTALLATION





## SECTION 2 - GROUND COMPONENTS

### FIGURE 2-1. CONTROL VALVES AND TANKS INSTALLATION

ITEM	PART NUMBER	QTY	DESCRIPTION	REV
	0256120	Ref	<b>VALVES AND TANKS INSTALLATION</b>	13
1		Ref	Tank, Fuel Options:	
1	4400371	1	Tank, Fuel ( <b>Prior to SN 37163</b> )	
1	4400401	1	Tank, Fuel ( <b>SN 37163 to Present</b> )	
1A	1120477	1	Cap, Fuel	
2	4400383	1	Hydraulic Tank Assembly	
2A	7014802	1	Gauge, Sight	
2B	7014803	1	Breather/Filler	
2C	7026544	1	Elbow, W/Drain Plug	
3	2120157	1	Filter, Oil Return	
3A	2120158	1	Element, Filter	
3B	7016313	1	Switch, Pressure	
4	4240118	1	Strap, Hold-Down (Hydraulic Tank)	
5	4240117	1	Strap, Hold-Down (Fuel Tank)	
7	3311601	5	Nut 3/8in-16NC	
8	4751600	7	Flatwasher 3/8in	
9	0100011	AR	Loctite #242 (Not Shown)	
10		Ref	Molding Options:	
10	4280295	5 ft/1.5m	Strip, Bumper ( <b>Prior to SN 37163</b> )	
10	4420037	7 ft/2.1m	Molding, Rubber 1in ( <b>SN 37163 to Present</b> )	
11	4420038	2 ft/0.6m	Molding, Rubber 2in	
15	0641506	3	Bolt 5/16in-18NC x 3/4in	
16	4751500	13	Flatwasher 5/16in	
17	4761500	3	Lockwasher 5/16in	
18	4640977	1	Control Valve Assembly (See CONTROL VALVES ASSEMBLY for Breakdown)	
19	0902289	1	Bracket, Mounting - Filter	
20	4845337	1	Bracket, Mounting - Battery	
21	2120146	1	Filter, Oil - Pressure	
21A	2120150	1	Element, Filter	
21B	7016312	1	Switch, Indicator	
22	4640859	1	Manual Descent Valve Assembly	
22A	7012952	1	Cartridge, Pump	
22B	7012954	1	Cartridge, Needle Valve	
22B	7012953	1	Seal Kit - 7012954 Cartridge	
22C	7012961	1	Knob	
22D	7012955	1	Cartridge, Check	
22D	7012940	1	Seal Kit - 7012955 Cartridge	
23	0400003	1	Battery	
24	0400002	1	Hold-Down, Battery	
24A	2910479	4	Clips, Hold-Down (Not Shown)	
25	3980003	1	Seat, Battery	
26	0630370	2	Rod, Tie-Down	
27	3300029	2	Wingnut 3/8in-16NC	
28	2560123	1	Grip, Handle	
29	2560122	1	Handle, Manual Descent Valve	
30	1380136	2	Clip, Mounting	
31	0641508	5	Bolt 5/16in-18NC x 1in	
32	3311505	7	Locknut 5/16in-18NC	
33	0641530	2	Bolt 5/16in-18NC x 3 3/4in	

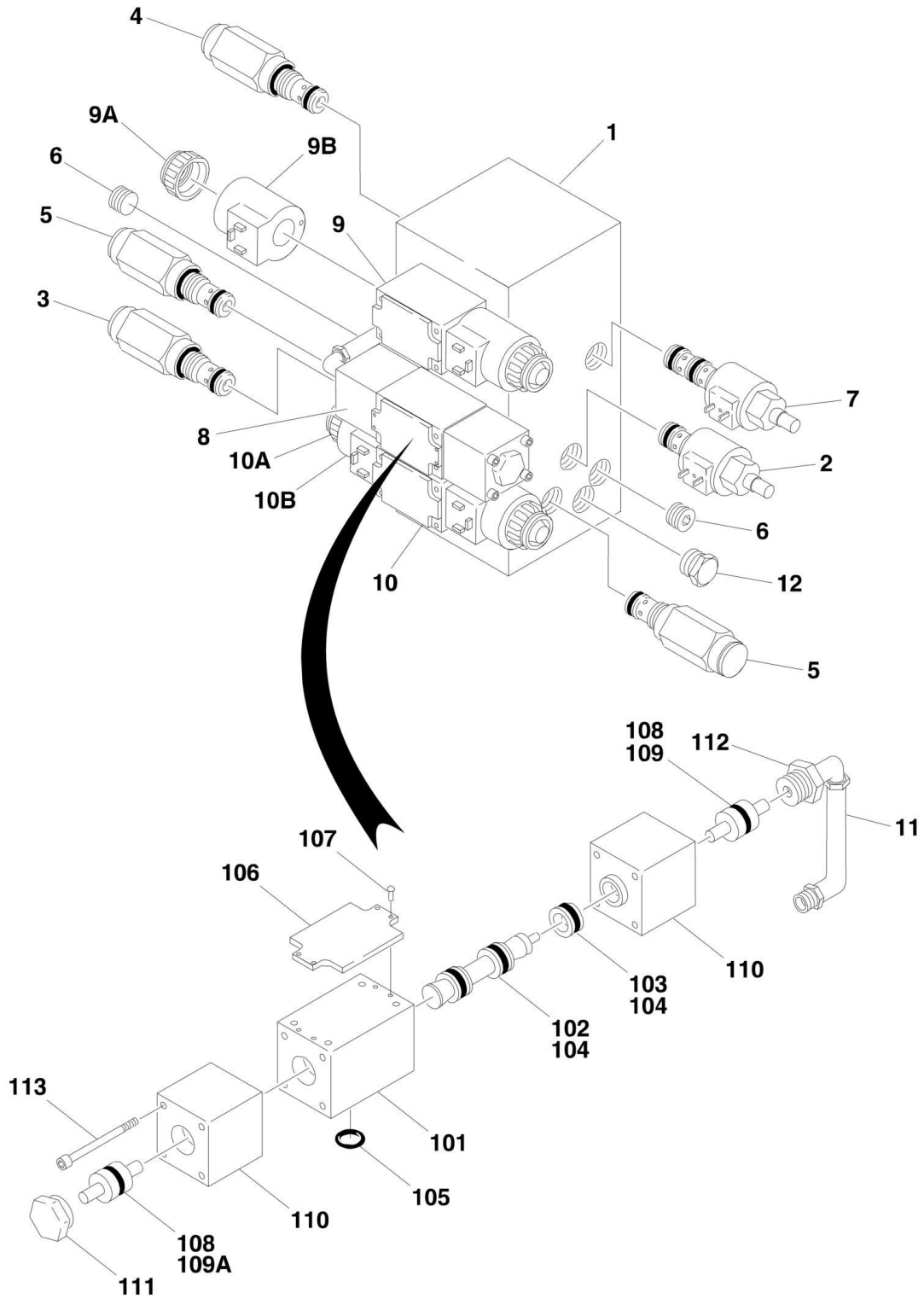
## SECTION 2 - GROUND COMPONENTS

ITEM	PART NUMBER	QTY	DESCRIPTION	REV
34	0651404	2	Bolt 1/4in-28NF x 1/2in	
35	4711400	2	Flatwasher 1/4in (Narrow)	
36	3820019	2	Rivet	
37	4566987	2	Tube, Spacer	
38	0140001	1	Horn	
39	0641406	1	Bolt 1/4in-20NC x 3/4in	
40	3311405	1	Locknut 1/4in-20NC	
41	1060360	1	Cable, Battery (Battery to Ground)	
42	1060632	1	Cable, Battery (Battery to Starter Relay)	
43	2220240	2	Plug, O-Ring	
44	4060807	9 ft/2.7m	Flex-Trim	
45	1701504	1	Decal - Hydraulic Fluid	
46	3300233	2	Plug, O-Ring	
47	1701502	1	Hydraulic Oil Level (High)	
48	1701503	1	Hydraulic Oil Level (Low)	
49	0100001	AR	Adhesive (Not Shown)	
50	4711500	4	Flatwasher (Narrow) <b>(SN 62148 to Present)</b>	



# SECTION 2 - GROUND COMPONENTS

## FIGURE 2-2. CONTROL VALVES ASSEMBLY



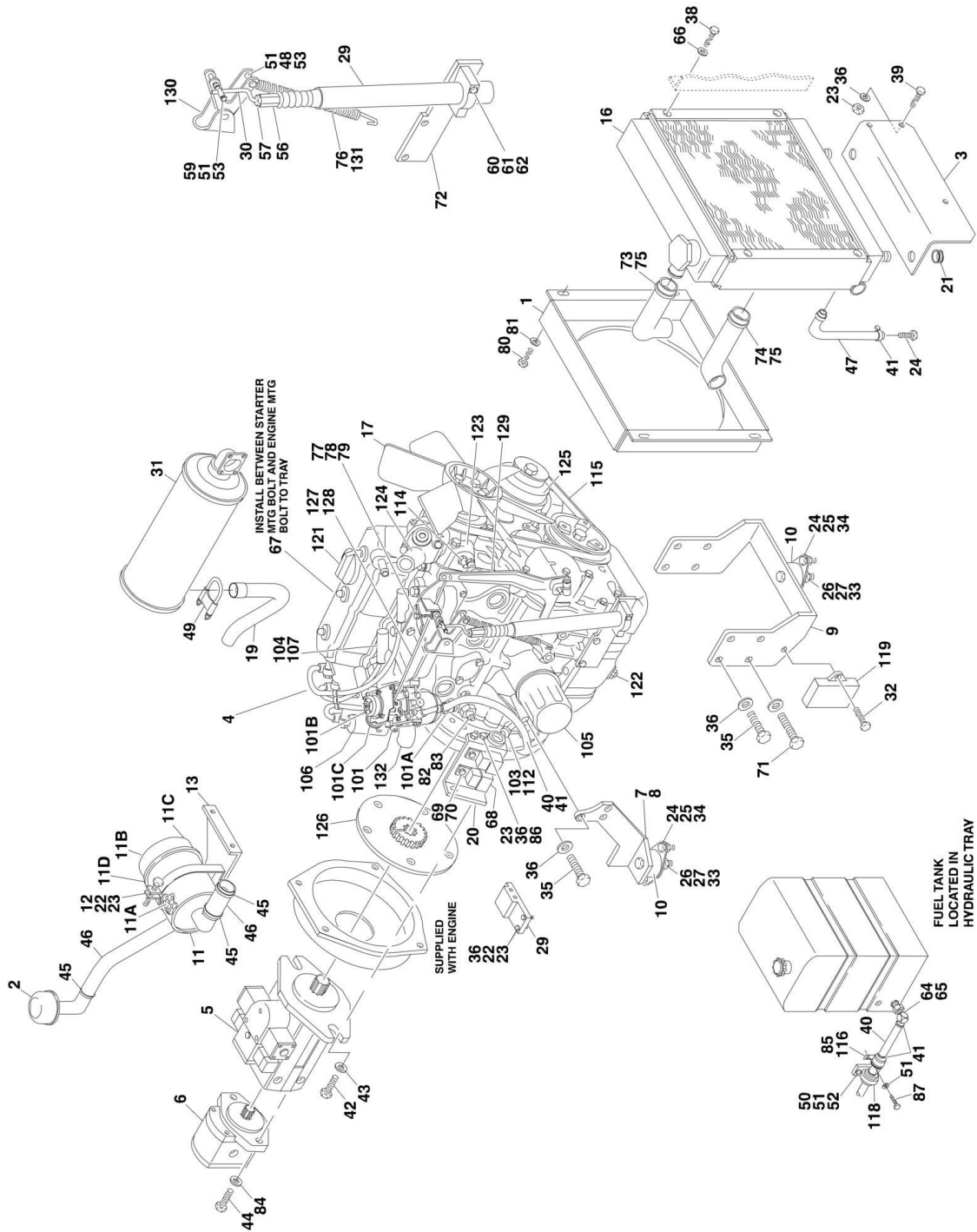
## SECTION 2 - GROUND COMPONENTS

### FIGURE 2-2. CONTROL VALVES ASSEMBLY

ITEM	PART NUMBER	QTY	DESCRIPTION	REV
	4640977	Ref	<b>CONTROL VALVE ASSEMBLY</b>	C
1	Not Serviced	1	Manifold	
2	7012966	1	Cartridge With Coil	
2	7012967	1	Seal Kit - 7012966 Cartridge	
2	7012944	1	Coil	
3	7017415	1	Cartridge	
3	7012998	1	Seal Kit - 7017415 Cartridge	
4	7017416	1	Cartridge	
4	7012998	1	Seal Kit - 7017416 Cartridge	
5	7017417	2	Cartridge	
5	7012998	2	Seal Kit - 7017417 Cartridge (1 Per Cartridge)	
6	7018900	2	Orifice 1/16in/1.2mm	
7	7012941	1	Cartridge Less Coil	
7	7010543	1	Seal Kit - 7012941 Cartridge	
7	7012944	1	Coil	
8	7018901	1	Valve Assembly (See Items 101-113 for Breakdown)	
9	7012770	1	Valve Assembly	
9	7012773	2	Seal Kit	
9A	7018912	2	Nut	
9B	7012772	2	Coil	
10	7012795	1	Valve Assembly	
10	7012773	2	Seal Kit	
10A	7018912	2	Nut	
10B	7012772	2	Coil	
11	7018903	1	Tube Assembly	
12	7018905	1	Plug	
	7018901	Ref	<b>VALVE ASSEMBLY</b>	
101	Not Serviced	1	Housing	
102	7018911	1	Spool	
103	Not Serviced	1	Detent	
104	7018906	2	O-Ring	
105	7018907	4	O-Ring	
106	Not Serviced	1	Nameplate	
107	Not Serviced	4	Rivet	
108	7018908	2	O-Ring	
109	7018909	1	Spool	
109A	7018910	1	Pin, Push	
110	Not Serviced	2	Housing	
111	Not Serviced	1	Plug	
112	7018904	1	Fitting 90	
113	Not Serviced	8	Capscrew, Socket Head M4 x 45mm	

# SECTION 2 - GROUND COMPONENTS

FIGURE 2-3. VANGUARD GAS ENGINE INSTALLATION (Prior to SN 48113)



## SECTION 2 - GROUND COMPONENTS

**FIGURE 2-3. VANGUARD GAS ENGINE INSTALLATION (Prior to SN 48113)**

ITEM	PART NUMBER	QTY	DESCRIPTION	REV
	0255959	Ref	<b>VANGUARD ENGINE ASSEMBLY AND INSTALLATION (Prior to SN 48113)</b>	14
1	3539676	1	Shroud, Fan	
2	1340033	1	Cap, Air Intake	
3	3539465	1	Plate, Mounting (Radiator)	
4	2000140	1	Engine - Vanguard DM700G (See Items 101-130 for Breakdown)	
5	3600256	1	Piston Pump Assembly (See PISTON PUMP ASSEMBLY for Breakdown)	
6	See Note	1	Gear Pump Assembly (was p/n 3600257) (Note: P/N 3600257 no longer available. Use p/n 3600466. New pump includes required fitting.)	
6	7018924	1	Seal Kit (Includes Shaft Seal)	
6	7018923	1	Seal, Shaft	
7	3539459	1	Plate, Mounting (Rear Right Side)	
8	3539460	1	Plate, Mounting (Rear Left Side)	
9	3539461	1	Plate, Mounting (Front)	
10	3200381	3	Mount, Motor	
11	1340057	1	Air Cleaner Assembly	
11A	7015004	1	Element, Filter	
11B	7015005	1	Cover Assembly	
11C	7015006	1	Valve, Vacuator	
11D	7015007	2	Latch	
12	0340045	1	Band, Mounting	
13	3539484	1	Plate, Mounting (Air Cleaner)	
16	3620035	1	Radiator	
16	7016606	1	Cap, Radiator	
16	7019618	1	Draincock	
17	2901414	1	Fan Kit	
18	1700430	1	Decal - Gas (Not Shown - Located on Hood)	
19	4567104	1	Pipe, Exhaust	
20	0902270	1	Bracket	
21	2540032	2	Grommet	
22	0641506	2	Bolt 5/16in-18NC x 3/4in	
23	3311505	5	Locknut 5/16in-18NC	
24	0641608	7	Bolt 3/8in-16NC x 1in	
25	3311605	6	Locknut 3/8in-16NC	
26	0641818	3	Bolt 1/2in-13NC x 2 1/4in	
27	3311805	3	Locknut 1/2in-13NC	
29	2910000	1	Actuator Assembly (Was p/n 0060037) (See ELECTRICAL SECTION for Breakdown)	
30	3841315	1	Rod, Throttle	
31	3220109	1	Muffler	
32	0641408	2	Bolt 1/4in-20NC x 1in	
33	4740274	3	Washer, Snubbing	
34	4751600	6	Flatwasher 3/8in	
35	0700810	12	Bolt Metric 8mm x 20mm	
36	4751500	23	Flatwasher 5/16in	
37	0100011	AR	Loctite #242 (Not Shown)	
38	0760605	6	Bolt, Metric 6mm x 10mm	
39	0641508	3	Bolt 5/16in-18NC x 1in	
40	2720015	6 ft/1.8m	Hose, Fuel Line (1/4in)	

## SECTION 2 - GROUND COMPONENTS

ITEM	PART NUMBER	QTY	DESCRIPTION	REV
41	1320022	8	Clamp, Hose	
42	0641812	2	Bolt 1/2in-13NC x 1 1/2in	
43	4751800	2	Flatwasher 1/2in	
44	0701012	2	Bolt, Metric 10mm x 25mm	
45	1320031	4	Clamp, Hose	
46	2720063	2 ft/0.6m	Hose, Air Intake	
47		Ref	Hose (3/8in) Options:	
47	2750532	2 ft/0.6m	Hose (3/8in) <b>(Prior to SN 44924)</b>	
47	2720058	5 ft/1.5m	Hose (3/8in) <b>(SN 44924 to Present)</b>	
48	0651405	1	Bolt 1/4in-28NF x 5/8in	
49	1320026	1	Clamp, U-Bolt	
50	0641406	5	Bolt 1/4in-20NC x 3/4in	
51	4751400	9	Flatwasher 1/4in	
52	3311405	3	Locknut 1/4in-20NC	
53	4567086	2	Tube, Spacer - Throttle Linkage	
56	1660222	1	Coupling, Throttle	
57	3321402	1	Nut, Jam 1/4in-28NF	
59	1660220	1	Coupling, Throttle	
60	4740442	1	Washer, Belleville	
61	3900217	1	Bolt, Socket Head Shoulder 3/8in-16NC x 7/8in	
62	0962031	1	Bushing, Flanged	
64	2220250	1	Fitting, Reducer	
65	2220317	1	Fitting, 90	
66	4811700	6	Flatwasher, Metric 6mm	
67	1060221	1	Cable, Solenoid	
68	3740049	2	Relay	
69	0721008	2	Bolt #10-24NC x 1in	
70	3311005	2	Locknut #10-24NC	
71	0700812	3	Bolt, Metric 8mm x 25mm	
72	3539929	1	Plate, Mounting	
73	2720420	1	Hose, Radiator (Top)	
74	2720421	1	Hose, Radiator (Bottom)	
75		Ref	Clamp, Hose Options:	
75	1320014	4	Clamp, Hose <b>(Prior to SN 44432)</b>	
75	1320033	4	Clamp, Hose <b>(SN 44432 to Present)</b>	
76	4160150	1	Spring (Used - Recommend #131 as replacement) <b>(Prior to SN 28511)</b>	
77	1320061	1	Clamp, Hose	
78	0700808	1	Bolt, Metric 8mm x 16mm	
79	4751500	1	Flatwasher 5/16in	
80	0700605	4	Bolt, Metric 6mm x 10mm	
81	4751400	4	Flatwasher 1/4in	
82	4360405	1	Sender, Oil Pressure	
83	2180812	1	Fitting, Adapter	
84	4740185	2	Washer, Hardened	
85	1320095	1	Clamp	
86	0641512	1	Bolt 5/16in-18NC x 1 1/2in	
87	0641404	3	Bolt 1/4in-20NC x 1/2in	
	2000140	Ref	<b>ENGINE COMPONENTS</b>	
101	7017617	1	Carburetor	
101	7017640	1	Rebuilt Kit - 7017617 Carburetor	
101	7017641	1	Gasket - Air Intake to Carburetor	

D

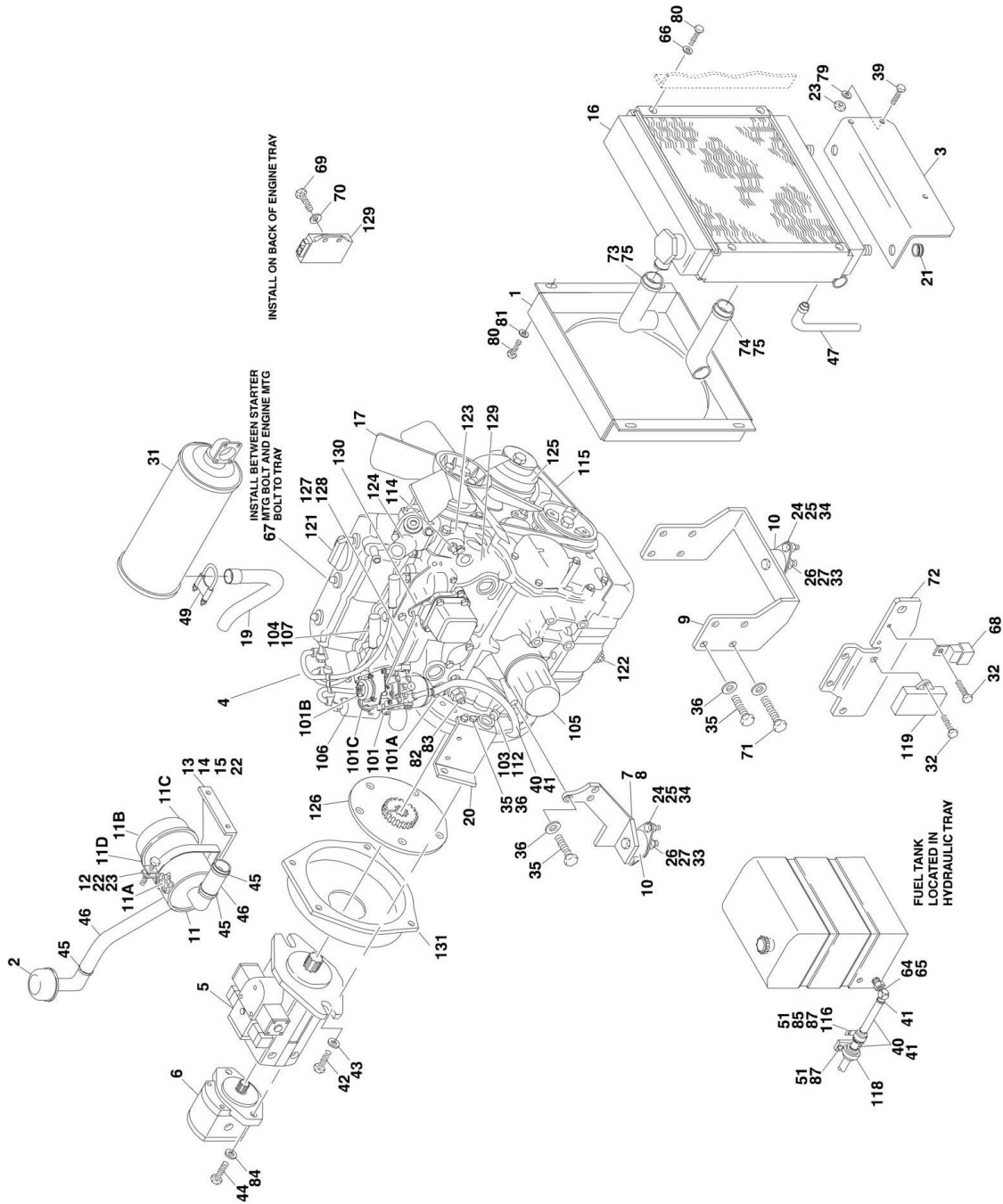


## SECTION 2 - GROUND COMPONENTS

ITEM	PART NUMBER	QTY	DESCRIPTION	REV
101	70002087	1	Float Assembly	
101	70000209	1	Gasket - Carburetor Float Bowl	
101	7017643	1	Shaft, Throttle	
101A	7017639	1	Solenoid, Fuel	
101B	7017637	1	Switch, Choke	
101C	7017638	1	Choke, Vacuum	
101C	7017632	1	Link, Choke	
101C	7017644	1	Shaft, Choke	
102	7017620	1	Starter (Not Shown)	
103	7017603	1	Dipstick	
104	7019932	3	Plug, Spark (was p/n 7017608)	
105	7017600	1	Filter, Oil	
106	7017606	3	Coil, Ignition	
107	7017607	3	Boot, Spark Plug	
108	7024414	1	Gasket - Exhaust (Not Shown) (was p/n 7017629)	
109	7017612	1	Gasket - Inlet (Not Shown)	
110	7017613	1	Gasket - Outlet (Not Shown)	
111	7017614	1	Gasket - Water Pump (Not Shown)	
112	7017602	1	Tube, Dipstick	
113	7017641	1	Gasket - Carburetor to Intake (Not Shown) (was p/n 7017618)	
114	7017627	1	Switch, Water Temperature	
115	7017616	1	V-Belt	
116	7017636	1	Filter, Fuel	
117	7017610	1	Regulator (Not Shown)	
118	7017657	1	Pump, Fuel (was p/n 7017619)	
119	7017621	1	Module, Ignition	
120	7017622	1	Trigger, Ignition (Not Shown)	
121	7017605	1	Cap, Oil Fill	
122	7017604	1	Plug, Oil Drain	
123	7017615	1	Pump, Water	
124	7017611	1	Thermostat	
125	7017609	1	Alternator	
126	1660229	1	Coupling, Pump	
127	7017630	1	Link, Governor	
128	7017635	1	Spring, Link	
129	7017634	1	Lever, Governor	
130	7017633	1	Bracket, Control	
131	7017642	1	Spring, Governor	
132	7017669	1	Elbow, Carburetor	
133	7017646	1	Flywheel/Ring Gear Assembly (Not Shown)	

# SECTION 2 - GROUND COMPONENTS

## FIGURE 2-4. VANGUARD GAS ENGINE INSTALLATION (SN 48113 to Present)



## SECTION 2 - GROUND COMPONENTS

**FIGURE 2-4. VANGUARD GAS ENGINE INSTALLATION (SN 48113 to Present)**

ITEM	PART NUMBER	QTY	DESCRIPTION	REV
	0258687	Ref	<b>VANGUARD ENGINE ASSEMBLY AND INSTALLATION (SN 48113 to Present)</b>	6
1	3539676	1	Shroud, Fan	
2	1340033	1	Cap, Air Intake	
3	3539465	1	Plate, Mounting (Radiator)	
4	2000158	1	Engine - Vanguard DM700G (See Items 101-130 for Breakdown)	
5		Ref	Piston Pump Assembly Options:	
5	2910175	1	Piston Pump Assembly (Was p/n 3600256) (See PISTON PUMP ASSEMBLY for Breakdown) <b>(Prior to SN 66750)</b>	
5	3600304	1	Piston Pump Assembly <b>(SN 66750 to Present)</b>	
5	Not Available	1	Seal Kit - 3600304 Pump	
6	See Note	1	Gear Pump Assembly (was p/n 3600257) (Note: P/N 3600257 no longer available. Use p/n 3600466. New pump includes required fitting.)	
6	7018924	1	Seal Kit (Includes Shaft Seal)	
6	7018923	1	Seal, Shaft	
7	3539459	1	Plate, Mounting (Rear Right Side)	
8	3539460	1	Plate, Mounting (Rear Left Side)	
9	3539461	1	Plate, Mounting (Front)	
10	3200381	3	Mount, Motor	
11	1340057	1	Air Cleaner Assembly	
11A	7015004	1	Element, Filter	
11B	7015005	1	Cover Assembly	
11C	7015006	1	Valve, Vacuator	
11D	7015007	2	Latch	
12	0340045	1	Band, Mounting	
13		Ref	Plate, Mounting (Air Cleaner) Options:	
13	3539484	1	Plate, Mounting (Air Cleaner) <b>(Prior to SN 64721)</b>	
13	0902560	1	Plate, Mounting (Air Cleaner) <b>(SN 64721 through 66749)</b>	
13	0902589	1	Plate, Mounting (Air Cleaner) <b>(SN 66750 to Present)</b>	
14	3311405	2	Locknut 1/4in-20NC <b>(SN 64721 to Present)</b>	
15	4711400	4	Flatwasher 1/4in <b>(SN 64721 to Present)</b>	
16	3620035	1	Radiator	
16	7016606	1	Cap, Radiator	
16	7019618	1	Draincock	
17	2901414	1	Fan Kit	
18	1700430	1	Decal - Gas (Not Shown - Located on Hood)	
19	4567104	1	Pipe, Exhaust	
20	0902270	1	Bracket	
21	2540032	2	Grommet	
22	0641405	2	Bolt 1/4in-20NC x 5/8in	
23	3311505	2	Locknut 5/16in-18NC	
24	0641608	6	Bolt 3/8in-16NC x 1in	
25	3311605	6	Locknut 3/8in-16NC	
26	0641818	3	Bolt 1/2in-13NC x 2 1/4in	
27	3311805	3	Locknut 1/2in-13NC	
31	3220109	1	Muffler	
32	3941406	3	Bolt Self Tapping 1/4in x 3/4in	
33	4740274	3	Washer, Snubbing	
34	4751600	8	Flatwasher 3/8in	

## SECTION 2 - GROUND COMPONENTS

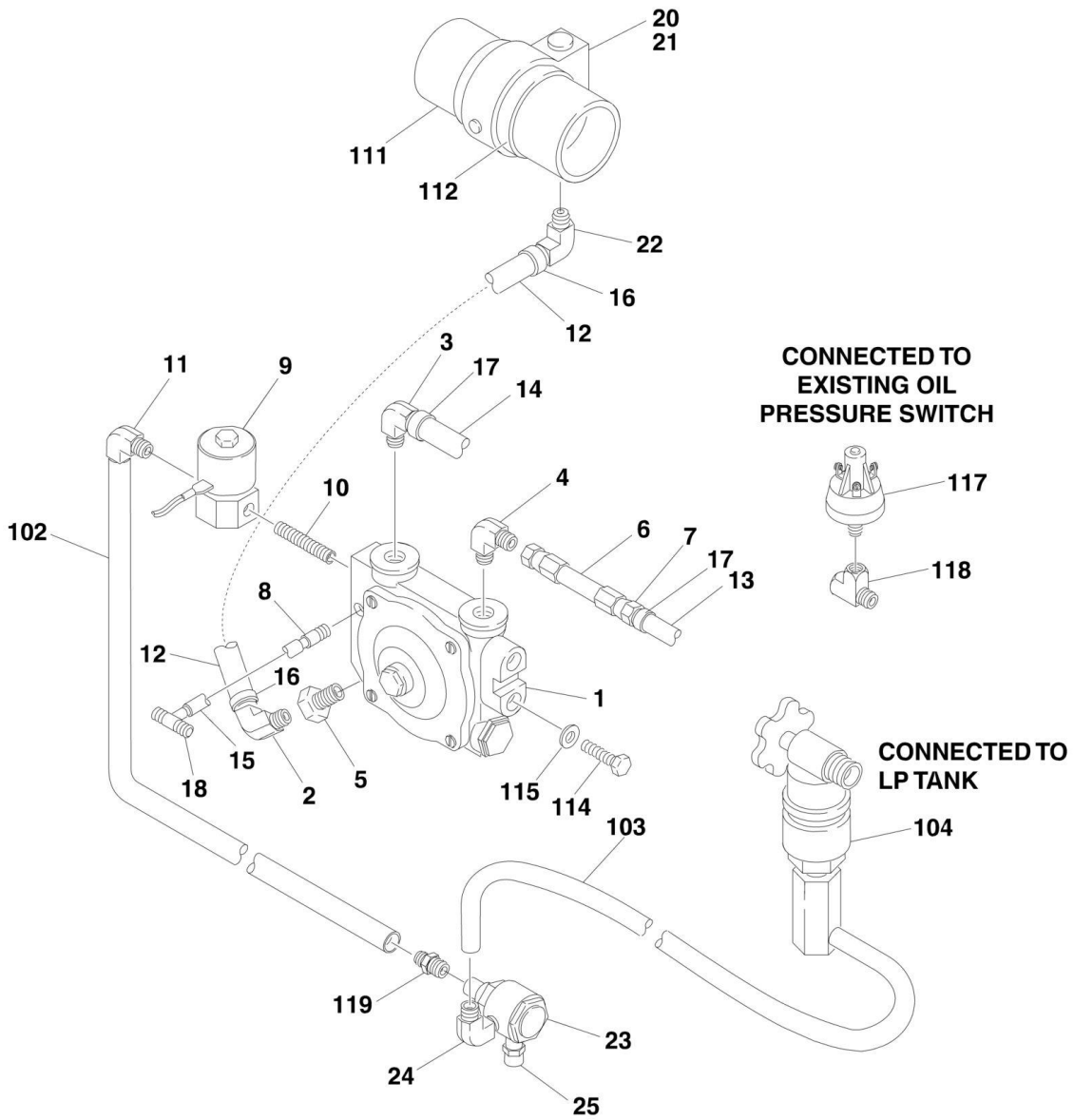
ITEM	PART NUMBER	QTY	DESCRIPTION	REV
35	0700810	13	Bolt Metric 8mm x 20mm	
36	4751500	19	Flatwasher 5/16in	
37	0100011	AR	Loctite #242 (Not Shown)	
39	0641508	3	Bolt 5/16in-18NC x 1in	
40	2720015	6 ft/1.8m	Hose, Fuel Line (1/4in)	
41	1320022	8	Clamp, Hose	
42	0641812	2	Bolt 1/2in-13NC x 1 1/2in	
43	4751800	2	Flatwasher 1/2in	
44		Ref	Bolt Options:	
44	0701012	2	Bolt, Metric 10mm x 25mm <b>(Prior to SN 66750)</b>	
44	0641608	2	Bolt, 3/8in-16NC x 1in <b>(SN 66750 to Present)</b>	
45	1320031	4	Clamp, Hose	
46	2720063	1.3 ft/.40m	Hose, Air Intake	
47	2720058	3 ft/0.9m	Hose (3/8in)	
49	1320026	1	Clamp, U-Bolt	
51	4751400	9	Flatwasher 1/4in	
65	2220317	1	Fitting, 90	
66	4811700	10	Flatwasher, Metric 6mm	
67	1060221	1	Cable, Solenoid	
68	3740049	1	Relay	
69	3900256	4	Bolt Self Tapping #10-16NC x 1 1/4in	
70	4751000	4	Washer #10	
71	0700812	2	Bolt, Metric 8mm x 25mm	
72	3539929	1	Plate, Mounting	
73	2720420	1	Hose, Radiator (Top)	
74	2720421	1	Hose, Radiator (Bottom)	
75	1320033	4	Clamp, Hose	
79	4751500	6	Flatwasher 5/16in	
80	0700605	6	Bolt, Metric 6mm x 10mm	
81	4751400	4	Flatwasher 1/4in	
82	4360405	1	Sender, Oil Pressure	
83	2180812	1	Fitting, Adapter	
84	4740185	2	Washer, Hardened	
85	1320265	1	Clamp	
86	0641512	1	Bolt 5/16in-18NC x 1 1/2in	
87	0641404	3	Bolt 1/4in-20NC x 1/2in	
88	4460234	2	Mount, Wire Tie (Not Shown)	
89	4240033	2	Wire Tie (Not Shown)	
	2000158	Ref	<b>ENGINE COMPONENTS</b>	B
101	7017653	1	Carburetor W/Auto Choke	
101	7017652	1	Rebuilt Kit - 7017653 Carburetor	
101	7017641	1	Gasket - Air Intake to Carburetor	
101	7017669	1	Elbow, Carburetor	
101A	7017639	1	Solenoid, Fuel	
101B	7017637	1	Switch, Choke	
101C	7017638	1	Choke, Vacuum	
102	7017620	1	Starter (Not Shown)	
103	7017603	1	Dipstick	
104	7019932	3	Plug, Spark (was p/n 7017608)	
105	7017600	1	Filter, Oil	
106	7017606	3	Coil, Ignition	

## SECTION 2 - GROUND COMPONENTS

ITEM	PART NUMBER	QTY	DESCRIPTION	REV
107	7017607	3	Boot, Spark Plug	
109	7017612	1	Gasket - Inlet (Not Shown)	
110	7017613	1	Gasket - Outlet (Not Shown)	
111	7017614	1	Gasket - Water Pump (Not Shown)	
112	7017602	1	Tube, Dipstick	
114	7017663	1	Switch, Water Temperature	
115	7017616	1	V-Belt	
116	7017656	1	Filter, Fuel	
118	7017657	1	Pump, Fuel	
119	7017621	1	Module, Ignition	
120	7017622	1	Trigger, Ignition (Not Shown)	
121	7017605	1	Cap, Oil Fill	
122	7017604	2	Plug, Oil Drain (Used Before Code Date 98083100)	
122	7017654	2	Plug, Oil Drain (Used After Code Date 98083100)	
123	7017615	1	Pump, Water	
124	7017611	1	Thermostat	
125	7017609	1	Alternator	
126	1660229	1	Coupling, Pump	
127	7017667	1	Link, Governor	
128	7017668	1	Spring, Link	
129	7017659	1	Module, Electronic Ignition	
130	7017655	1	Motor, Servo	
131	7023362	1	Housing, Bell	
132	7017646	1	Flywheel/Ring Gear Assembly (Not Shown)	
133	7017670	4	Stud, Muffler Mount (Not Shown)	
133	7017671	4	Nut, Muffler Mount (Not Shown)	
134	7024414	1	Gasket, Muffler (Not Shown)	

# SECTION 2 - GROUND COMPONENTS

## FIGURE 2-5. DUAL FUEL INSTALLATION (VANGUARD MACHINES ONLY)



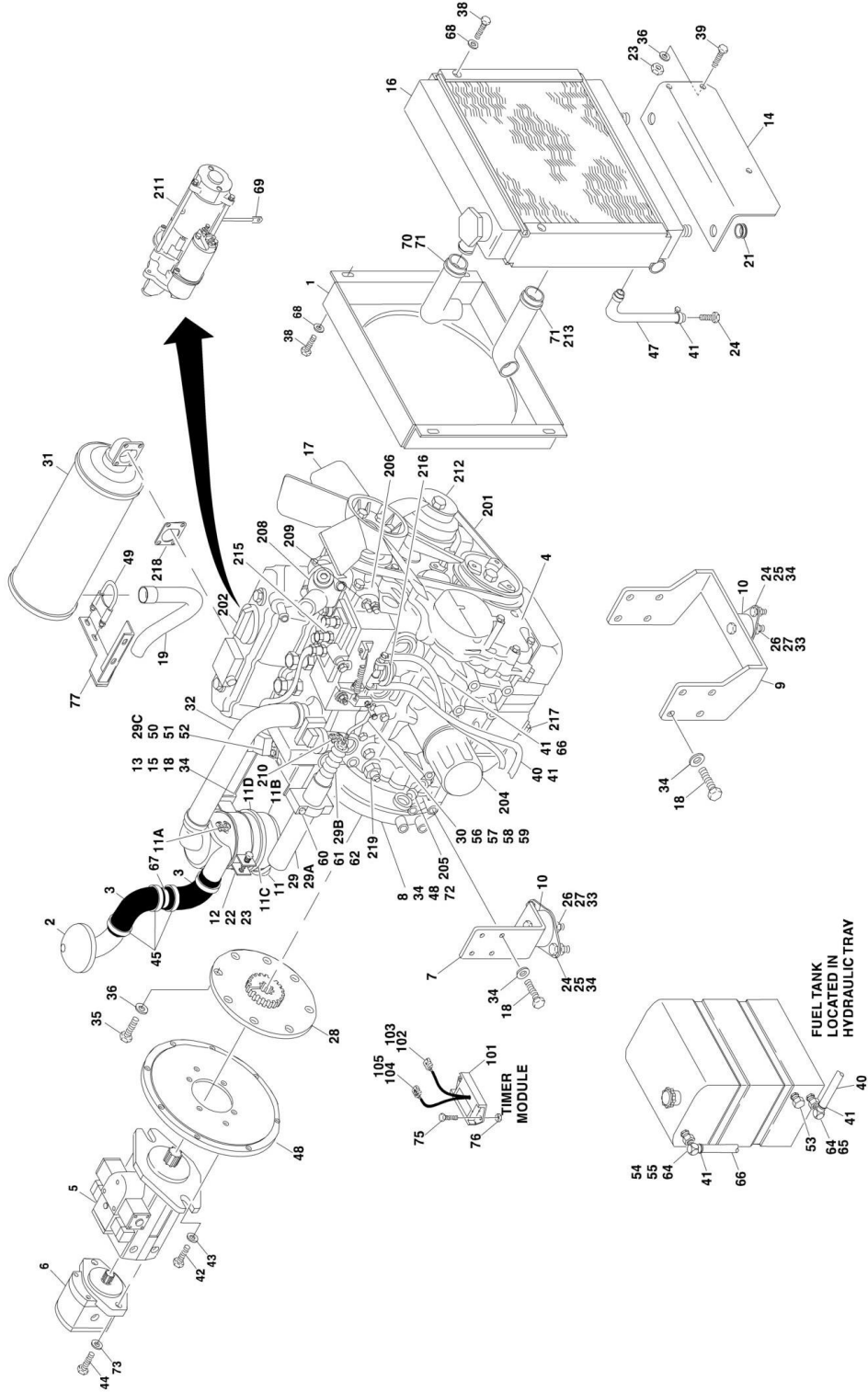
## SECTION 2 - GROUND COMPONENTS

**FIGURE 2-5. DUAL FUEL INSTALLATION (VANGUARD MACHINES ONLY)**

ITEM	PART NUMBER	QTY	DESCRIPTION	REV
	2901456	Ref	<b>DUAL FUEL KIT</b>	C
1	3720011	1	Regulator, Beam	
2	7017513	1	Fitting, 90 Nylon	
3	7017517	1	Fitting, 90 Barbed Brass	
4	7017518	1	Fitting, 90	
5	7017508	1	Bushing	
6	7017501	1	Thermostat	
7	7017519	1	Fitting, Straight Barbed	
8	7017514	1	Fitting, Straight Nylon	
9	7017500	1	Solenoid, Fuel Shut-Off	
10	7017520	1	Fitting, Straight Brass Nipple	
11	7017521	1	Fitting, 90 Brass	
12	Supply Locally	1 ft/0.3m	Hose, Vapor	
13	Supply Locally	1.4 ft/0.43m	Hose, Water	
14	Supply Locally	2 ft/0.6m	Hose, Water	
15	Supply Locally	1.8 ft/0.55m	Hose, Vacuum	
16	Supply Locally	2	Clamp	
17	Supply Locally	4	Clamp	
18	7017512	1	Fitting, Tee	
19	Supply Locally	1	Tie-Strap (Not Shown)	
20	7017511	1	Adapter, In-Line	
21	7017510	1	Venturi	
22	7017513	1	Fitting, 90	
23	7017504	1	Filter, Fuel	
24	7017521	1	Fitting, 90 Brass	
25	7017505	1	Valve, Relief	
27	Supply Locally	2	Clamp (Not Shown - Located at Oil Pressure Switch)	
28	7017521	1	Fitting, 90 Brass (Not Shown - Located at Oil Pressure Switch)	
	0256350	Ref	<b>DUAL FUEL INSTALLATION</b>	10
101	2901456	1	Dual Fuel Kit Assembly (Includes Items 1-28)	
102	2720426	1	Hose	
103	2720116	1	Hose	
104	2180387	1	Fitting, Tank Connector	
106	4360345	1	Switch, Toggle (Not Shown - Located at Platform Console Box)	
108	3790012	1	O-Ring (Not Shown - Located at Platform Console Box)	
110	1700818	1	Decal - LP Gas (Not Shown - Located Near LP Tank)	
111		Ref	Hose, Radiator Options:	
111	2720433	2	Hose, Radiator <b>(Prior to SN 43783)</b>	
111	2720444	2	Hose, Radiator <b>(SN 43783 to Present)</b>	
112	1320016	2	Clamp	
114	0641405	2	Bolt 1/4in-20NC x 5/8in	
115	4711400	2	Flatwasher 1/4in	
116	0100011	AR	Loctite #242 (Not Shown)	
117	4360357	1	Switch, Oil Pressure <b>(SN 29981 to Present)</b>	
118	2180360	1	Fitting, Tee <b>(SN 29981 to Present)</b>	
119	2180418	1	Fitting <b>(SN 43783 to Present)</b>	

# SECTION 2 - GROUND COMPONENTS

## FIGURE 2-6. YANMAR DIESEL ENGINE INSTALLATION





## SECTION 2 - GROUND COMPONENTS

### FIGURE 2-6. YANMAR DIESEL ENGINE INSTALLATION

ITEM	PART NUMBER	QTY	DESCRIPTION	REV
	0256271	Ref	<b>ENGINE ASSEMBLY AND INSTALLATION</b>	14
1	3539693	1	Shroud, Radiator	
2	1340033	1	Cap, Air Intake	
3	0080223	2	Elbow, Air Intake	
4	2000145	1	Engine, Yanmar 3TNE68 (See Items 101-116 for JLG Serviced Parts)	
5		Ref	Piston Pump Assembly Options:	
5	3600256	1	Piston Pump Assembly (See PISTON PUMP ASSEMBLY for Breakdown) <b>(Prior to SN 66750)</b>	
5	3600304	1	Piston Pump Assembly (See PISTON PUMP ASSEMBLY for Breakdown) <b>(SN 66750 to Present)</b>	
6	3600199	1	Gear Pump Assembly (See GEAR PUMP ASSEMBLY for Breakdown)	
7	0902263	2	Bracket, Mounting (Rear)	
8	0080222	1	Adapter, Spacer - Flywheel Housing	
9	0902265	1	Bracket, Mounting (Front)	
10	3200381	3	Mount, Motor	
11	1340057	1	Air Cleaner Assembly	
11A	7015004	1	Element, Filter	
11B	7015005	1	Cover Assembly	
11C	7015006	1	Valve, Vacuator	
11D	7015007	2	Latch	
12	0340045	1	Band, Mounting	
13	3539692	1	Plate, Mounting (Air Cleaner)	
14	3539465	1	Plate, Mounting (Radiator)	
15	4566987	4	Tube, Spacer	
16	3620037	1	Radiator	
17	2901415	1	Fan Kit (Includes Mounting Hardware)	
18	0701012	20	Bolt, Metric 10mm x 25mm	
19	4567104	1	Pipe Exhaust	
20	0100020	AR	Sealant, Pipe (Not Shown)	
21	2540032	2	Grommet	
22	0641506	2	Bolt 5/16in-18NC x 3/4in	
23	3311505	6	Locknut 5/16in-18NC	
24	0641608	7	Bolt 3/8in-16NC x 1in	
25	3311605	6	Locknut 3/8in-16NC	
26	0641818	3	Bolt 1/2in-13NC x 2 1/4in	
27	3311805	3	Locknut 1/2in-13NC	
28	1660228	1	Coupling, Pump	
29	2910000	1	Actuator Assembly (Was p/n 0060038) (See ELECTRICAL SECTION for Breakdown)	
29		Ref	<b>Note: Components do not include connectors or terminals.</b>	
29A	7016334	1	Actuator, Throttle (Includes Boot Kit)	
29B	7016336	1	Boot Kit	
29C	7016335	1	Controller	
30	3841307	1	Rod, Throttle	
31	3220109	1	Muffler	
32	0080225	1	Elbow, Air Intake	
33	4740274	3	Washer, Snubbing	
34	4761600	27	Flatwasher 3/8in	
35	0700812	27	Bolt, Metric 8mm x 25mm	

## SECTION 2 - GROUND COMPONENTS

ITEM	PART NUMBER	QTY	DESCRIPTION	REV
36	4751500	11	Flatwasher 5/16in	
37	0100011	AR	Loctite #242 (Not Shown)	
38	0700805	6	Bolt, Metric 6mm x 10mm	
39	0641508	3	Bolt 5/16in-18NC x 1in	
40	2720058	6 ft/1.8m	Hose, Fuel Line (5/16in)	
41	1320022	6	Clamp, Hose	
42	0641812	2	Bolt 1/2in-13NC x 1 1/2in	
43	4751800	2	Flatwasher 1/2in	
44		Ref	Bolt Options:	
44	0701012	2	Bolt, Metric 10mm x 25mm <b>(Prior to SN 66750)</b>	
44	0641608	2	Bolt, 3/8in-16NC x 1in <b>(SN 66750 to Present)</b>	
45	1320016	6	Clamp, Hose	
46	1701505	1	Decal - Diesel Fuel (Not Shown - Located on Hood)	
47	2750532	1	Hose (3/8in)	
		ft/30.5cm		
48	0080221	1	Adapter, Pump Mounting	
49	1320026	1	Clamp, U-Bolt	
50	0641406	4	Bolt 1/4in-20NC x 3/4in	
51	4751400	4	Flatwasher 1/4in	
52	3311405	4	Locknut 1/4in-20NC	
53		Ref	Plug, Pipe Options:	
53	2200213	1	Plug, Pipe <b>(Prior to SN 58575)</b>	
53	2200233	1	Plug, Pipe <b>(SN 58575 to Present)</b>	
54		Ref	Fitting, 90 Options:	
54	2200462	1	Fitting, 90 <b>(Prior to SN 44924)</b>	
54	2220648	1	Fitting, 90 <b>(SN 44924 to Present)</b>	
55	2180666	1	Fitting, Barbed	
56	1660222	1	Coupling, Throttle	
57	3321402	1	Nut, Jam 1/4in-28NF	
58	3321602	1	Nut, Jam 3/8in-24NF	
59	1660220	1	Swivel, Throttle	
60	4740442	1	Washer, Belleville	
61	3900217	1	Bolt, Socket Head Shoulder	
62	0962031	1	Bushing, Flanged	
64	2220250	2	Fitting, Reducer	
65	2180348	1	Fitting, Barbed	
66	2720271	6	Hose, Fuel (3/16in)	
67	4569675	1	Tube, Air Intake	
68	4811700	6	Flatwasher 6mm	
69	1060221	1	Strap, Ground (Starter to Engine Tray)	
70	2720422	1	Hose, Radiator (Top)	
71		Ref	Clamp, Hose Options:	
71	1320014	4	Clamp, Hose <b>(Prior to SN 44432)</b>	
71	1320033	4	Clamp, Hose <b>(SN 44432 to Present)</b>	
72	0701015	8	Bolt, Metric 10mm x 35mm	
73	4740185	2	Washer, Hardened	
75	0721008	2	Bolt #10-24NC x 1in <b>(SN 40093 to Present)</b>	
76	3311005	2	Locknut #10-24NC <b>(SN 40093 to Present)</b>	
77	4845990	1	Weldment, Muffler Bracket	
80	4460234	2	Mount, Wire Tie (Not Shown)	
81	4240033	2	Wire Tie (Not Shown)	
	0257589	Ref	<b>TIMER MODULE ASSEMBLY</b>	

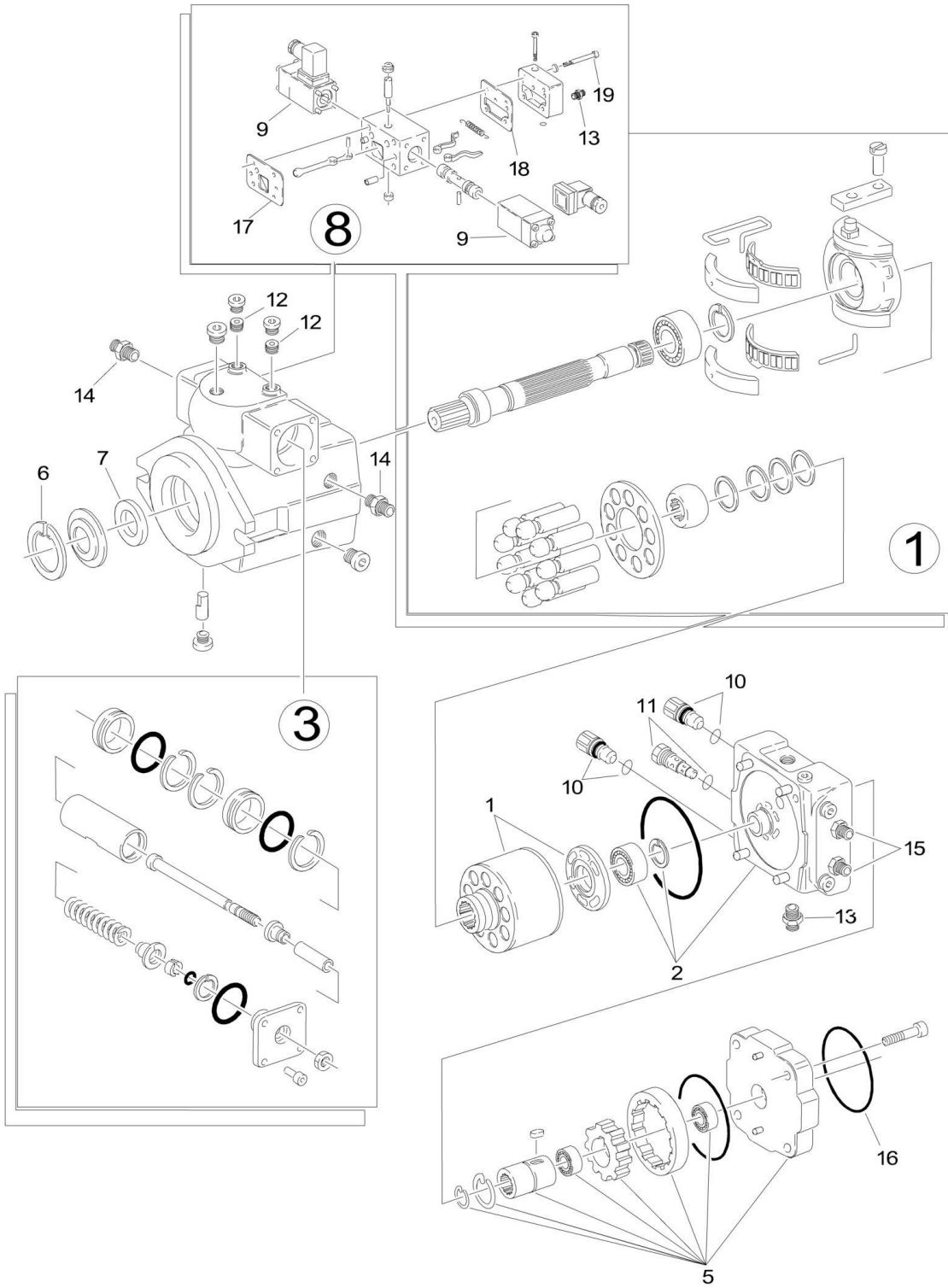
1

## SECTION 2 - GROUND COMPONENTS

ITEM	PART NUMBER	QTY	DESCRIPTION	REV
101	3740126	1	Relay, Timer Module	
102	4460445	1	Terminal, Receptacle	
103	4460267	3	Pin, Male	
104	4460326	1	Plug	
105	4460268		Socket, Female	
	2000145	Ref	<b>ENGINE COMPONENTS</b>	
201	7018100	1	V-Belt	
202	7018101	1	Cap, Oil Fill	
203	7018102	1	Gasket, Valve Cover (Not Shown)	
204	7018103	1	Filter, Oil	
205	7018104	1	Dipstick, Engine Oil Level	
206	7018105	1	Pump, Water	
207	7018106	1	Gasket, Thermostat (Not Shown)	
208	7018107	1	Thermostat	
209	7018108	1	Switch, Water Temperature	
210	7018111	1	Element, Fuel Filter	
211	7018112	1	Starter	
212	7018113	1	Alternator	
213	2720431	1	Hose, Radiator (Bottom) (was p/n 7018115)	
214	7018116	1	Solenoid, ETR Stop (Not Shown)	
215	7018117	1	Pump, Fuel Injection	
216	7018118	1	Pump, Fuel Feed	
217	7018975	1	Case Drain Plug / Seal	
218	7018144	1	Gasket, Muffler	
219	7018145	1	Switch, Oil Pressure	
220	7018119	1	Lever, Regulator (Not Shown)	
221	7018146	1	Fuel Strainer Assembly (Not Shown)	
222	7018147	3	Plug, Glow (Not Shown)	

# SECTION 2 - GROUND COMPONENTS

## FIGURE 2-7. PISTON PUMP ASSEMBLY



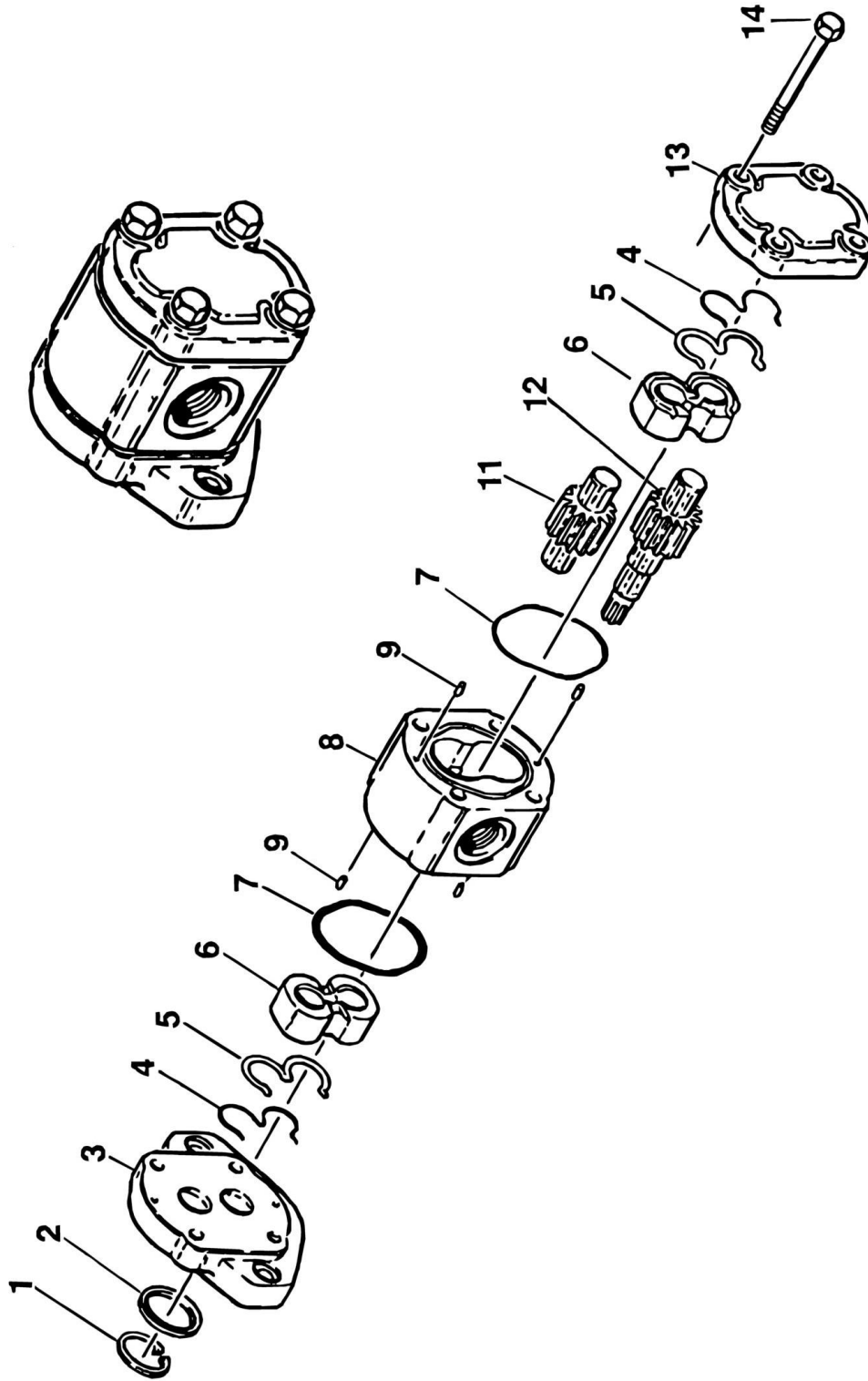
## SECTION 2 - GROUND COMPONENTS

### FIGURE 2-7. PISTON PUMP ASSEMBLY

ITEM	PART NUMBER	QTY	DESCRIPTION	REV
	3600256	Ref	<b>PISTON PUMP ASSEMBLY</b>	B
1	7018925	1	Rotary Group Assembly	
2	7018926	1	Port Plate Assembly (Includes Items 10 & 11)	
3	7018927	1	Stroking Cylinder Assembly	
5	7018929	1	Connecting Plate Assembly	
6	7018930	1	Ring, Retaining	
7	7018931	1	Seal, Shaft	
8	7018932	1	Proportional Valve Assembly (Includes Item 9)	
9	7018933	2	Coil, Solenoid	
10	7018934	2	Cartridge, Valve - High Pressure Relief	
11	7018935	1	Cartridge, Valve - Boost Oil Pressure Relief	
12	7018936	2	Orifice	
13	7018937	2	Fitting, Adapter	
14	7018938	2	Fitting, Adapter	
15	7018939	1	Fitting, Adapter	
16	7018953	1	O-Ring	
17	7018983	1	Gasket	
18	7018984	1	Gasket	
19	7024016	4	Screw M6 x 55mm	
	7018940	1	Seal Kit - Complete External	

## SECTION 2 - GROUND COMPONENTS

FIGURE 2-8. GEAR PUMP ASSEMBLY (YANMAR ENGINE)



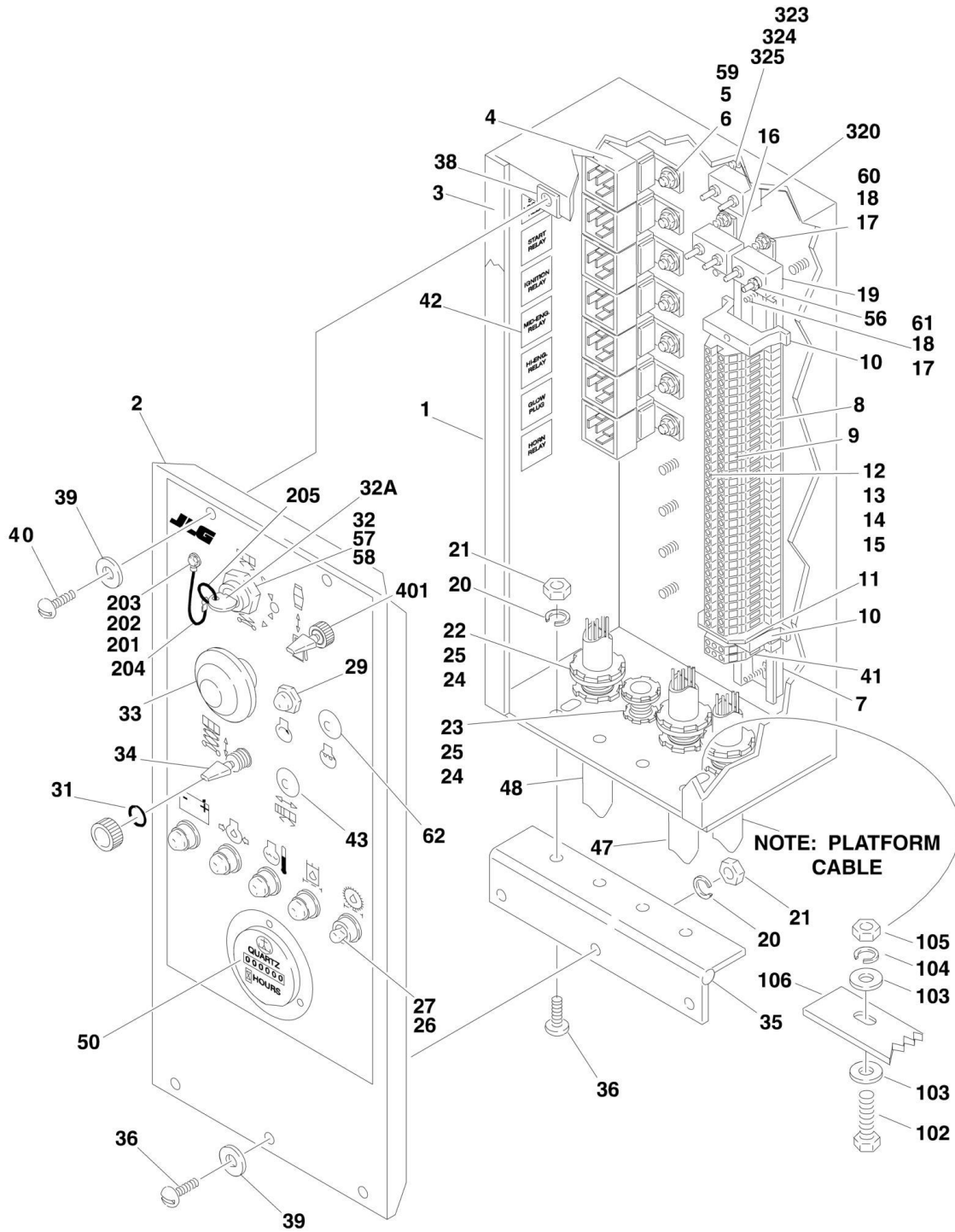
## SECTION 2 - GROUND COMPONENTS

**FIGURE 2-8. GEAR PUMP ASSEMBLY (YANMAR ENGINE)**

ITEM	PART NUMBER	QTY	DESCRIPTION	REV
	3600199	Ref	<b>GEAR PUMP ASSEMBLY</b>	
1	7010955	1	Ring, Retaining	
2	Kit	1	Seal, Shaft	
3	7010956	1	Flange, Mounting	
4	Kit	2	Ring, Back-up	
5	Kit	2	E-Seal	
6	7010957	2	Bearing	
7	Kit	2	O-Ring	
8	7010958	1	Housing	
9	7010959	4	Pin, Dowel	
11	7010594	1	Gear, Idler	
12	7010978	1	Gear, Drive	
13	7010960	1	Cover, End	
14	7010961	4	Bolt	
	7010953	1	Seal Kit (Includes Items 2, 4, 5 & 7)	

# SECTION 2 - GROUND COMPONENTS

## FIGURE 2-9. GROUND CONTROLS INSTALLATION





## SECTION 2 - GROUND COMPONENTS

### FIGURE 2-9. GROUND CONTROLS INSTALLATION

ITEM	PART NUMBER	QTY	DESCRIPTION	REV
		Ref	<b>GROUND CONTROL BOX ASSEMBLY OPTIONS:</b>	
	0256294	Ref	<b>Vanguard (Prior to SN 35428)</b>	7
	0256738	Ref	<b>Vanguard (SN 35428 to Present)</b>	6
	0259222	Ref	<b>Vanguard - With Hydraulic Drive Generator</b>	4
	0256304	Ref	<b>Yanmar (Prior to SN 35428)</b>	6
	0256739	Ref	<b>Yanmar (SN 35428 to Present)</b>	4
1		Ref	Box Options:	
1	4844562	1	Box <b>(Prior to SN 70893)</b>	
1	0861338	1	Box <b>(SN 70893 to Present)</b>	
2		Ref	Lid Options:	
2	3252491	1	Lid <b>(Prior to SN 65027)</b>	
2	3252633	1	Lid <b>(SN 65027 to Present)</b>	
3	4420037	3 ft/1m	Strip, Rubber	
4	3740049	AR	Relay	
5	4761400	AR	Lockwasher 1/4in	
6	3311401	AR	Locknut 1/4in-20NC	
7	3640865	1	Rail, Terminal	
8	4460298	35	Block, Terminal	
9	4460301	1	Marker, Terminal (1-50)	
10	4460299	2	Stop, Terminal	
11	4460300	1	Barrier, Terminal	
12	4460309	1	Bar, Buss - 3 Position	
13	4460305	3	Screw, Buss Bar	
14	4460306	3	Washer, Buss Bar	
15	4460307	3	Sleeve, Buss Bar	
16	4360216	1	Breaker, Circuit - 30 Amp	
17	4770600	4	Starwasher #6	
18	3310601	4	Nut #6-32NC	
19	4360232	1	Breaker, Circuit - 15 Amp	
20	4761000	AR	Lockwasher #10	
21	3311001	10	Nut #10-24NC	
22	4460051	AR	Connector, Strain Relief - 3/4in	
23	4460071	2	Connector, Strain Relief - 1/2in	
24	3300048	4	Locknut, Conduit	
25	0960238	4	Bushing	
26	2920028	5	Lamp - Yellow	
27	2920029	5	Bulb, Light	
29	4360387	1	Switch, Push Button	
30	0100035	AR	Loctite (Not Shown)	
31	3790012	1	O-Ring	
32	4360430	1	Switch, Key <b>(Prior to SN 65027)</b>	
32A	7016339	1	Key, Replacement	
32	4360469	1	Switch, Key <b>(SN 65027 to Present)</b>	
32A	7020174	1	Key, Replacement	
33	4360395	1	Switch, Mushroom <b>(Prior to SN 58371)</b>	
33	7016315	1	Cap	
33	4360289	1	Switch, Mushroom <b>(SN 58371 through 65026)</b>	
33	7012611	1	Cap	
33	7012612	1	Boot	
33	4360475	1	Switch, Mushroom <b>(SN 65027 to Present)</b>	

## SECTION 2 - GROUND COMPONENTS

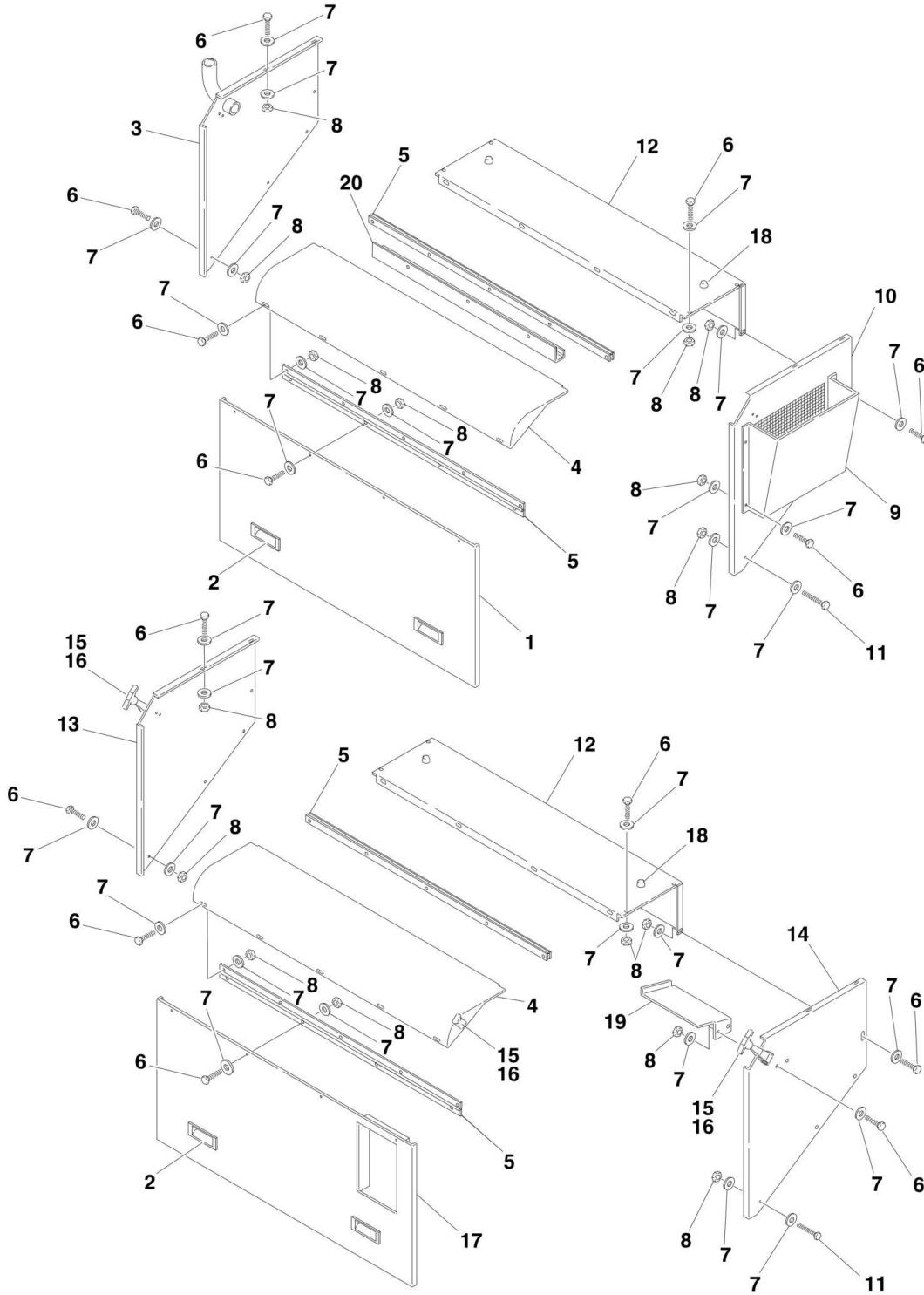
ITEM	PART NUMBER	QTY	DESCRIPTION	REV
33	7020175	1	Ring, Sealing	
33	7020176	1	Block, Contact	
34	4360314	1	Switch, Toggle	
35	2600161	1	Hinge	
36	3911008	7	Screw #10-24NC x 1/2in	
37	3990010	2	Diode, 600V (Not Shown)	
38	3300177	2	Nut, Tinnerman	
39	4740120	5	Washer, Nylon	
40	0750806	2	Screw #8-32NC x 3/4in	
41	4460303	2	Terminal, Ground Block	
42	1701683	1	Decal - Relay Function	
43	3520026	1	Plug	
44	4460234	11	Mount, Cable Tie (Not Shown)	
45	2420033	11	Wire, Tie (Not Shown)	
46		Ref	Harness - Ground Control Box Options (See ELECTRICAL SECTION for Breakdown) (Not Shown):	
46	4921836	1	Harness - Ground Control Box <b>(Prior to SN 35428)</b>	
46	4921897	1	Harness - Ground Control Box <b>(SN 35428 to Present)</b>	
47		Ref	Harness - Engine Options: (See ELECTRICAL SECTION for Breakdown)	
47	4921837	1	Vanguard <b>(Prior to SN 35428)</b>	
47	4921898	1	Vanguard <b>(SN 35428 through 48112)</b>	
47	4922182	1	Vanguard <b>(SN 48113 to Present)</b>	
47	4921839	1	Yanmar <b>(Prior to SN 35428)</b>	
47	4921900	1	Yanmar <b>(SN 35428 to Present)</b>	
48		Ref	Harness - Valve Options: (See ELECTRICAL SECTION for Breakdown)	
48	4921838	1	Harness - Valve <b>(Prior to SN 35428)</b>	
48	4921899	1	Harness - Valve <b>(SN 35428 to Present)</b>	
50	2420009	1	Hourmeter	
52		Ref	Harness - Light Bank Diode Options: (Not Shown) (See ELECTRICAL SECTION for Breakdown)	
52	4921907	1	Harness - Light Bank Diode <b>(Prior to SN 35428)</b>	
52	4921910	1	Harness - Light Bank Diode <b>(SN 35428 to Present)</b>	
53		Ref	Harness - Steer Dump Options: (Not Shown) (See ELECTRICAL SECTION for Breakdown)	
53	4921906	1	Harness - Steer Dump <b>(Prior to SN 35428)</b>	
53	4921909	1	Harness - Steer Dump <b>(SN 35428 to Present)</b>	
54		Ref	Harness - High Engine Lift Options: (Not Shown) (See ELECTRICAL SECTION for Breakdown) <b>(SN 32436 to Present)</b>	
54	4621905	1	Vanguard <b>(Prior to SN 35428)</b>	
54	4621908	1	Vanguard <b>(SN 35428 to Present)</b>	
54	Not Required	0	Yanmar	
55		Ref	Harness - Mid Engine Lockout Options: (Not Shown) (See ELECTRICAL SECTION for Breakdown) <b>(SN 32436 to Present)</b>	
55	4921960	1	Harness - Mid Engine Lockout <b>(Prior to SN 35428)</b>	
55	4921961	1	Harness - Mid Engine Lockout <b>(SN 35428 to Present)</b>	
56	3321001	4	Nut #10-32NF	
57	4070987	5	Shim, Nylon <b>(SN 65027 to Present)</b>	
58	3910804	6	Screw #8-32NC x 1/4in <b>(SN 65027 to Present)</b>	
59	0641406	AR	Bolt 1/4in-20NC x 3/4in <b>(SN 70893 to Present)</b>	
60	0721004	3	Bolt #10-24NC x 1/2in <b>(SN 70893 to Present)</b>	
61	0722603	4	Bolt #6-32NC x 3/8in <b>(SN 70893 to Present)</b>	

## SECTION 2 - GROUND COMPONENTS

ITEM	PART NUMBER	QTY	DESCRIPTION	REV
62		Ref	Component Options:	
62	3520026	1	Plug (Vanguard Engine)	
62	4360387	1	Switch, Push Button (Yanmar Engine)	
		Ref	<b>GROUND CONTROL BOX INSTALLATION OPTIONS:</b>	
	0256293	Ref	<b>Vanguard Engine</b>	2
	0259221	Ref	<b>Vanguard Engine - With Hydraulic Drive Generator</b>	1
	0256303	Ref	<b>Yanmar Engine</b>	2
102	0641410	2	Bolt 1/4in-20NC x 1 1/4in	
103	4751400	4	Flatwasher 1/4in	
104	4761400	2	Lockwasher 1/4in	
105	3311401	2	Nut 1/4in-20NC	
106	0362591	1	Bar, Brace	
	0256536	Ref	<b>KEY ATTACH ASSEMBLY</b>	A
201	0641405	1	Bolt 1/4in-20NC x 5/8in	
202	4751400	2	Flatwasher 1/4in	
203	3311405	1	Locknut 1/4in-20NC	
204	1060379	1	Lanyard	
205	3760170	1	Ring	
		Ref	<b>OPTIONAL WORKLIGHTS INSTALLATION OPTIONS:</b>	
	0256535	Ref	<b>Standard Rails</b>	3
	0258925	Ref	<b>Fold-Down Rails</b>	1
320	4360448	1	Breaker, Circuit 10 Amp	
323	4761000	1	Lockwasher #10	
324	3311001	1	Locknut #10-24NC	
325	3911008	1	Bolt #10-24NC x 1/2in	
	0256692	Ref	<b>PLATFORM EXTENSION INTERLOCK INSTALLATION (NOT SHOWN)</b>	-
	4120013	1	Socket, Relay	
	3740058	1	Relay	
	3740063	1	Clip, Spring	
	0256350	Ref	<b>DUAL FUEL INSTALLATION (OPTIONAL)</b>	10
401	4360345	1	Switch, Toggle (Select)	
401	3790012	1	O-Ring	

# SECTION 2 - GROUND COMPONENTS

## FIGURE 2-10. HOOD INSTALLATIONS



NOTE: REPLACEMENT DECALS MUST BE ORDERED SEPARATELY - See DECALS SECTION for Breakdown

## SECTION 2 - GROUND COMPONENTS

### FIGURE 2-10. HOOD INSTALLATIONS

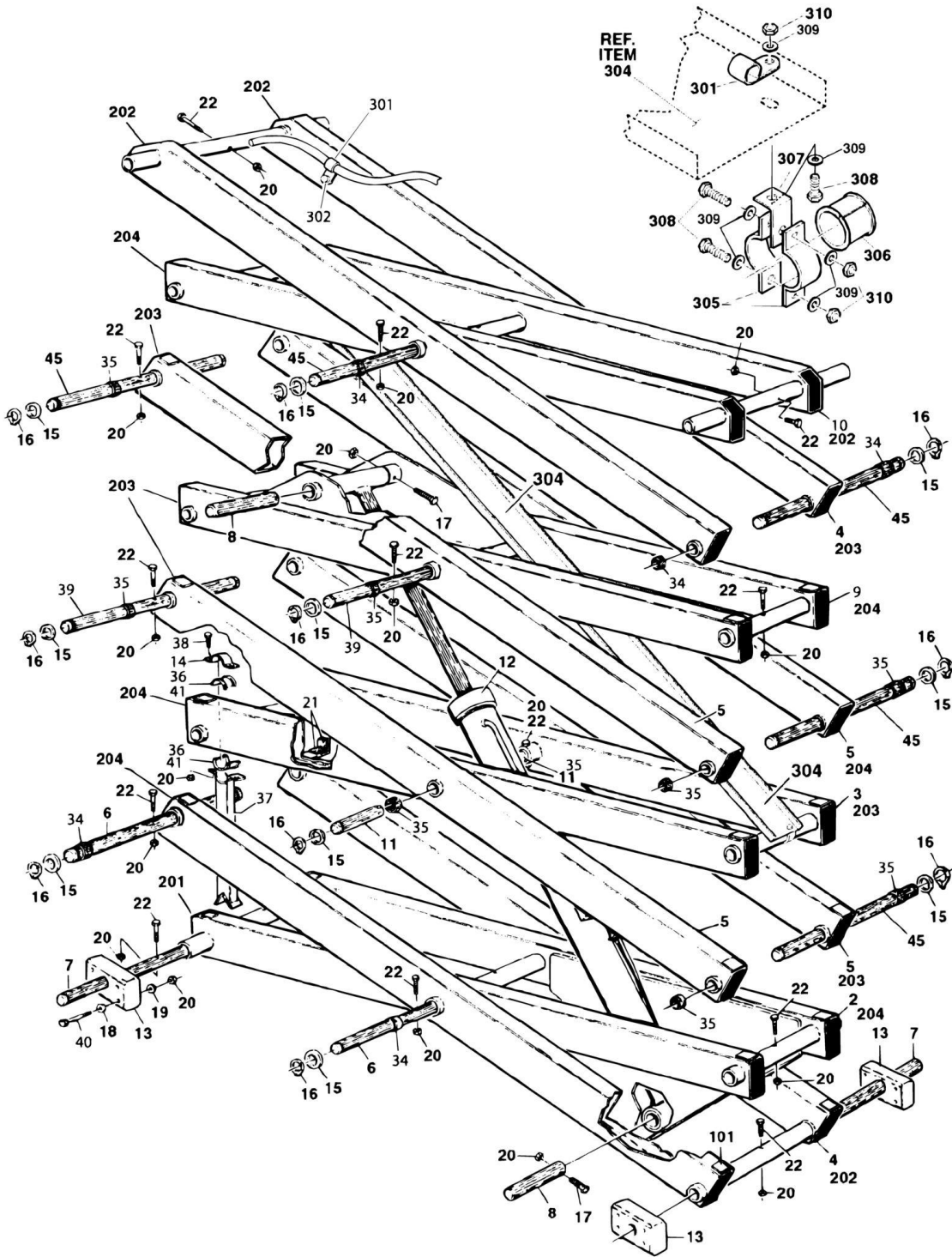
ITEM	PART NUMBER	QTY	DESCRIPTION	REV
	0256292	Ref	<b>HOOD INSTALLATION</b>	7
1	4845301	1	Door, Side (Engine Side)	
2	2560124	4	Handle, Lift	
3	4845297	1	Panel (Engine Side Rear)	
4	4845300	2	Door, Top	
5	2600217	4	Hinge	
6	0641405	48	Bolt 1/4in-20NC x 5/8in	
7	4711400	106	Flatwasher 1/4in (Narrow)	
8	3311405	53	Locknut 1/4in-20NC	
9	3539690	1	Plate, Air Intake	
10	4845296	1	Panel (Engine Side Front)	
11	0641406	5	Bolt 1/4in-20NC x 3/4in	
12	3539542	2	Panel, Top	
13	3539701	1	Panel (Valve Side Rear)	
14	3539700	1	Panel (Valve Side Front)	
15	2940095	4	Latch, Rubber	
16	3820019	16	Rivet	
17	4845316	1	Door, Side (Valve Side)	
18	0940036	4	Bumper	
19	4060925	1	Shield	
20	3571696	1	Plate, J-Channel <b>(SN 67933 to Present)</b>	



**SECTION 3 - SCISSOR ARMS**

# SECTION 3 - SCISSOR ARMS

## FIGURE 3-1. SCISSOR ARMS INSTALLATION





## SECTION 3 - SCISSOR ARMS

### FIGURE 3-1. SCISSOR ARMS INSTALLATION

ITEM	PART NUMBER	QTY	DESCRIPTION	REV
		Ref	<b>SCISSOR ARMS INSTALLATIONS</b>	
	0256355	Ref	<b>Standard Machines</b>	12
	0256827	Ref	<b>CSA Machines</b>	9
2	0200531	1	Arm Weldment (Bottom Inboard)	
3	0200532	1	Arm Weldment (Lower Mid Inboard)	
4	0200533	2	Arm Weldment (Bottom and Top Outboard)	
5	0200537	4	Arm Weldment (Lower and Upper Mid Outboard)	
6	3422483	2	Pin	
7	3422487	2	Pin	
8	3422485	2	Pin	
9	0200535	1	Arm Weldment (Upper Mid Inboard)	
10	0200536	1	Arm Weldment (Top Inboard)	
11	3422488	2	Pin	
12		Ref	Lift Cylinder Assembly Options: (See CYLINDERS SECTION for Breakdown)	
12	1683363	1	Lift Cylinder Assembly <b>(Prior to SN 26916)</b>	
12	1683474	1	Lift Cylinder Assembly <b>(SN 26916 to Present)</b>	
13	3340807	4	Pad, Slide	
14	4240125	1	Strap	
15	4740438	14	Washer, Special	
16	3760387	14	Ring, Retaining	
17	0641522	2	Bolt 5/16in-18NC x 2 3/4in (Not Shown)	
18	4711500	8	Flatwasher 5/16in (Narrow)	
19	4751500	8	Flatwasher 5/16in	
20	3311505	24	Locknut 5/16in-18NC	
21		Ref	Pad Options:	
21	3340645	3	Pad <b>(Prior to SN 47184)</b>	
21	3340841	3	Pad <b>(SN 47184 to Present)</b>	
22	0681520	12	Bolt 5/16in-18NC x 2 1/2in (Grade 8)	
34	0962010	8	Bushing, Garmax	
35	0962010	12	Bushing, Garmax	
36	0962015	1	Bushing, Split <b>(Prior to SN 27285 Only)</b>	
37		Ref	Safety Prop Options:	
37	4845040	1	Standard Machines <b>(Prior to SN 27285)</b>	
37	4845431	1	Standard Machines <b>(SN 27285 through 42355)</b>	
37	4845475	1	Standard Machines <b>(SN 42356 to Present)</b>	
37	4845431	1	CSA Machines <b>(Prior to SN 42356)</b>	
37	4845475	1	CSA Machines <b>(SN 42356 to Present)</b>	
38	0641508	2	Bolt 5/16in-18NC x 1in	
39		Ref	Pin, Options:	
39	3422554	2	Standard Machines <b>(Prior to SN 37797)</b>	
39	3422597	2	Standard Machines <b>(SN 37797 to Present)</b>	
39	3422587	2	CSA Machines	
40	0641516	8	Bolt 5/16in-18NC x 2in	
41	4240128	1	Strap <b>(SN 30515 to Present)</b>	
45		Ref	Pin, Options:	
45	3422483	5	Standard Machines	
45	3422587	5	CSA Machines	
		Ref	Arm Kit Options: (Includes Items 2-5, 9, 10 & 37)	
	2901352	1	Arm Kit <b>(Prior to SN 42356)</b>	

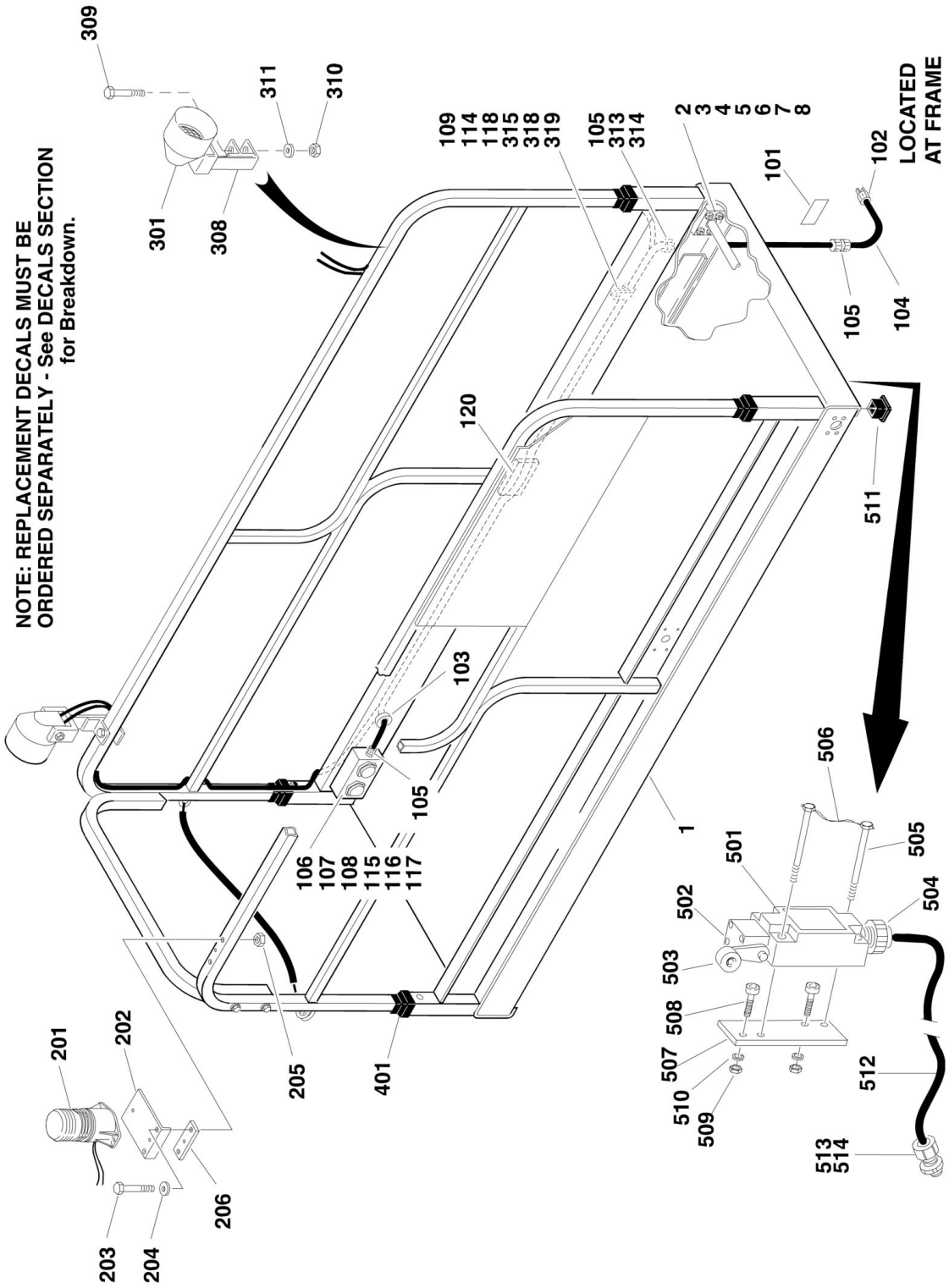
## SECTION 3 - SCISSOR ARMS

ITEM	PART NUMBER	QTY	DESCRIPTION	REV
	2901504	1	Arm Kit <b>(SN 42356 to Present)</b>	
	0252587	Ref	<b>ARM PADS INSTALLATION</b>	3
101		Ref	Pads Options:	
101	3340645	24	Pads <b>(Prior to SN 47189)</b>	
101	3340841	24	Pads <b>(SN 47189 to Present)</b>	
	0256064	Ref	<b>ARM CAPS INSTALLATION</b>	2
201	1120474	2	Cap, Arm	
202	1120475	6	Cap, Arm	
203	1120472	14	Cap, Arm	
204	1120473	10	Cap, Arm	
205	0100080	AR	Adhesive (Not Shown)	
	0256608	Ref	<b>TRAY AND CLAMPS INSTALLATION</b>	5
301	1320061	12	Clamp	
302	3941406	8	Screw, Self-Tapping 1/4in x 3/4in	
303	4240127	16	Tie-Strap (Not Shown)	
304	3539265	1	Tray	
305	4240125	4	Strap	
306	0962015	2	Bushing, Split	
307	4240116	2	Strap, Mounting	
308		Ref	Bolt Options:	
308	0641406	8	Bolt 1/4in-20NC x 3/4in <b>(Prior to SN 48299)</b>	
308	0641508	6	Bolt 5/16in-18NC x 1in <b>(SN 48299 to Present)</b>	
309		Ref	Flatwasher Options:	
309	4751400	20	Flatwasher 1/4in <b>(Prior to SN 48299)</b>	
309	4751500	12	Flatwasher 5/16in <b>(SN 48299 to Present)</b>	
310		Ref	Locknut 1/4in-20NC	
310	3311405	10	Locknut 1/4in-20NC <b>(Prior to SN 48299)</b>	
310	3311505	6	Locknut 5/16in-18NC <b>(SN 48299 to Present)</b>	
311	4240033	30	Tie-Strap (Not Shown)	
312	4460052	1	Connector, Strain Relief (Not Shown - Located on Platform)	
313	2540002	AR	Grommet, Nylon (Not Shown)	

**SECTION 4 - PLATFORM**

# SECTION 4 - PLATFORM

FIGURE 4-1. PLATFORM COMPONENTS INSTALLATION - MANUALLY OPERATED EXTENSION



## SECTION 4 - PLATFORM

**FIGURE 4-1. PLATFORM COMPONENTS INSTALLATION - MANUALLY OPERATED EXTENSION**

ITEM	PART NUMBER	QTY	DESCRIPTION	REV
		Ref	<b>PLATFORM INSTALLATION OPTIONS:</b>	
	0256413	Ref	<b>Standard Machines</b>	2
	0256558	Ref	<b>Wide Machines (Optional)</b>	2
1		Ref	Platform Weldment Options:	
1	3510530	1	Standard Machines	
1	3510541	1	Wide Machines	
2	3340629	4	Block, Slide Pad	
3	3421895	2	Pin, Attach	
4		Ref	Bushing, Spacer Options:	
4	0962069	4	Bushing, Spacer <b>(Prior to SN 42615)</b>	
4	0962154	4	Bushing, Spacer <b>(SN 42615 to Present)</b>	
5	0641522	8	Bolt 5/16in-18NC x 2 3/4in	
6	4751500	8	Flatwasher 5/16in	
7	4711500	8	Flatwasher 5/16in (Narrow)	
8	3311505	8	Locknut 5/16in-18NC	
		Ref	<b>RECEPTACLE INSTALLATION OPTIONS:</b>	
	0256531	Ref	<b>110Volt AC Receptacle (Standard)</b>	3
	0256533	Ref	<b>110Volt AC Receptacle (Ground Fault Interrupt)</b>	3
	0256532	Ref	<b>110Volt AC Receptacle (U/L Approved)</b>	A
	0256951	Ref	<b>220Volt AC Receptacle (Standard)</b>	3
101		Ref	Nameplate Options:	
101	3251243	1	120V/60HZ	
101	3252507	1	220V/60HZ	
102		Ref	Plug, Connector Options:	
102	4460138	1	110Volt - Standard	
102	4460205	1	110Volt - Ground Fault Interrupt	
102	Supply Locally	1	220Volt - Standard	
103	2540002	AR	Grommet	
104	1060308	49 ft/15m	Cable, Electrical - 12/3	
105	4460051	2	Connector, Strain Relief	
106	0860038	1	Box, Receptacle	
107		Ref	Receptacle, Electrical Options:	
107	4460190	1	110Volt - Standard	
107	4460346	1	110Volt - Ground Fault Interrupt	
108		Ref	Cover, Weatherproof Options:	
108	4060092	1	110Volt/220Volt - Standard	
108	4060700	1	110Volt - Ground Fault Interrupt	
108	Supply Locally	1	220Volt - Standard	
109	1320061	4	Clamp	
114	3311505	AR	Locknut 5/16in-18NC	
115		Ref	Hardware Options:	
115	0721006	AR	Bolt #10-24NC x 3/4in <b>(Prior to SN 44279)</b>	
115	3900256	AR	Self-Tapping #10-24NC x 1 1/4in <b>(SN 44279 to Present)</b>	
116	4711000	AR	Flatwasher #10	
117	4761000	AR	Lockwasher #10	
118	0641505	26	Bolt 5/16in-18NC x 5/8in	
119	4240033	16	Tie-Strap (Not Shown)	
120	2820025	1	Guard, Plastic Spring	
		Ref	<b>OPTIONAL BEACON LIGHT INSTALLATION OPTIONS:</b>	
	0253478	Ref	<b>Non U/L</b>	-

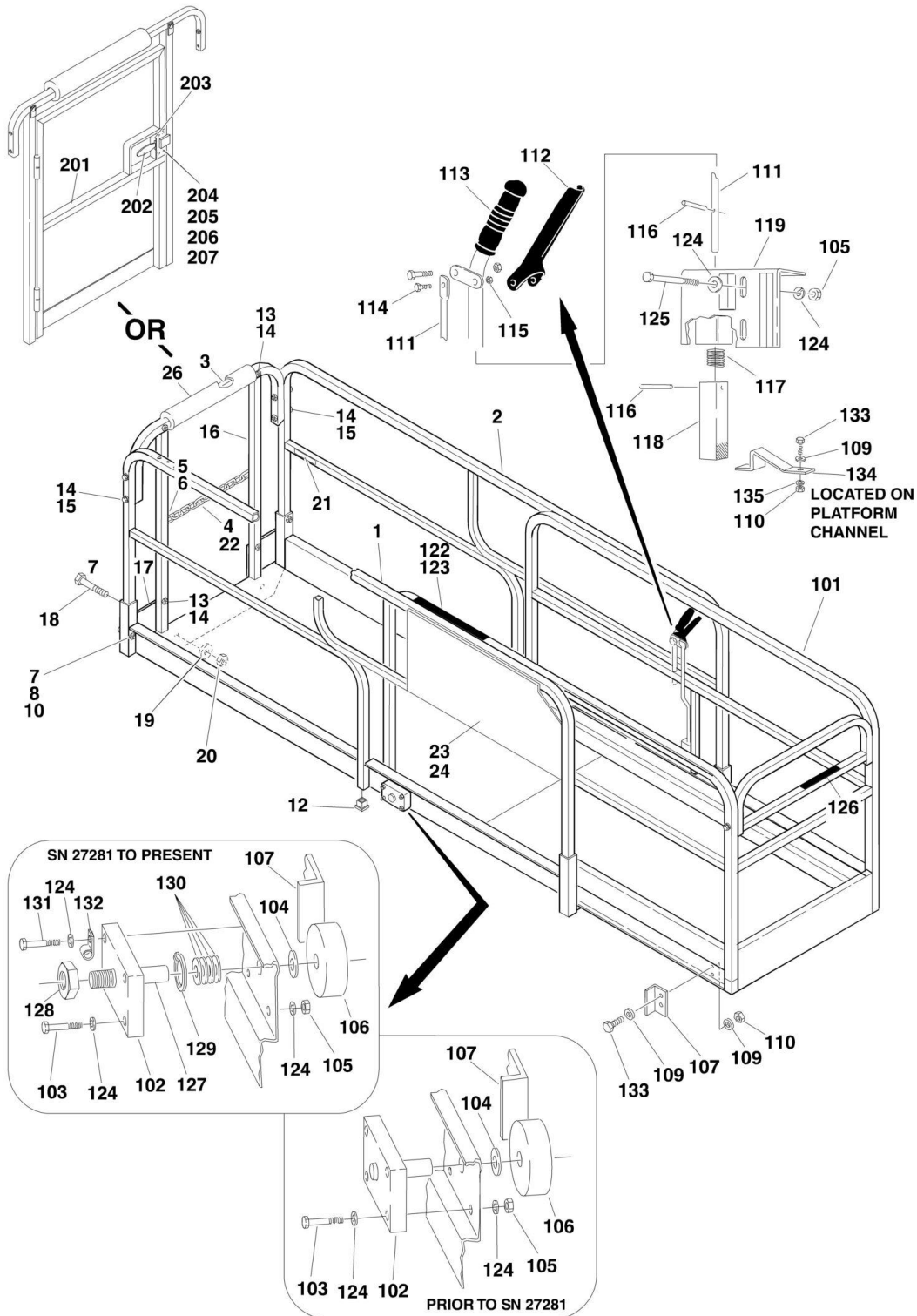
## SECTION 4 - PLATFORM

ITEM	PART NUMBER	QTY	DESCRIPTION	REV
	0253479	Ref	<b>U/L</b>	-
201		Ref	Light, Beacon Options:	
201	2920087	1	Amber	
201	7012688	AR	Bulb, Flashtube (Triplite Version)	
201	7016603	AR	Bulb, Flashtube (J.W. Speaker Version)	
201	2920092	1	Amber - U/L Approved	
202	0901546	1	Bracket, Mounting	
203	0641418	2	Bolt 1/4in-20NC x 2 1/4in	
204	4761400	2	Lockwasher 1/4in	
205	3311401	2	Nut 1/4in-20NC	
206	0362063	1	Bar, Spacer	
207	1060341	64	Cable, Electrical - 16-2 (Not Shown)	
		ft/19.5m		
		Ref	<b>OPTIONAL WORKLIGHTS INSTALLATION OPTIONS:</b>	
	0256535	Ref	<b>Standard Rails</b>	3
	0258925	Ref	<b>Fold-Down Rails</b>	1
301	2920111	2	Worklight	
302	1060341	65 ft/20m	Cable, Electrical - 16/2 (Not Shown)	
308	0901930	2	Bracket	
309	0641416	2	Bolt 1/4in-20NC x 2in	
310	3311405	2	Locknut 1/4in-20NC	
311	4751400	4	Flatwasher 1/4in	
312	4240033	12	Tie-Strap (Not Shown)	
313		Ref	Connector, Strain Relief Options:	
313	4460071	1	Connector, Strain Relief <b>(Prior to SN 45752)</b>	
313	4460051	1	Connector, Strain Relief <b>(SN 45752 to Present)</b>	
314	3300048	1	Locknut, Conduit	
315	1320041	5	Clamp (Not Required on Fold-Down Rails)	
318	0641505	2	Bolt 5/16in-18NC x 5/8in (Not Required on Fold-Down Rails)	
319	3311505	2	Locknut 5/16in-18NC (Not Required on Fold-Down Rails)	
	0256609	Ref	<b>RAIL BOOT INSTALLATION</b>	-
401	0840035	4	Boot	
	0256691	Ref	<b>PLATFORM EXTENSION INTERLOCK INSTALLATION</b>	-
501	4360277	1	Switch, Limit	
502	4360236	1	Head, Switch	
503	4360278	1	Arm and Roller Assembly	
504	4460052	2	Connector, Strain Relief	
505	3900168	2	Screw, Special	
506	4920140	2	Lockwire	
507	3534995	1	Plate, Switch Mounting	
508	3931416	2	Bolt, Socket Head 1/4in-20NC x 1in	
509	3311401	2	Nut 1/4in-20NC	
510	4761400	2	Lockwasher 1/4in	
511	3520072	1	Plug, Cap	
512	1060341	54	Cable, Electrical - 16/2	
		ft/16.5m		
513	3300047	1	Locknut	
514	0960239	1	Bushing	



# SECTION 4 - PLATFORM

## FIGURE 4-2. STANDARD HANDRAILS AND EXTENSION INSTALLATION (MANUALLY OPERATED PLATFORM)





## SECTION 4 - PLATFORM

**FIGURE 4-2. STANDARD HANDRAILS AND EXTENSION INSTALLATION (MANUALLY OPERATED PLATFORM)**

ITEM	PART NUMBER	QTY	DESCRIPTION	REV
		Ref	<b>STANDARD HANDRAILS INSTALLATIONS OPTIONS:</b>	
	0251395	Ref	<b>Standard (Prior to SN 38569)</b>	9
	0257696	Ref	<b>Standard (SN 38569 through 52319)</b>	4
	0257985	Ref	<b>CSA (Prior to SN 52320)</b>	4
	0258632	Ref	<b>Standard and CSA (SN 52320 to Present)</b>	2
	0256701	Ref	<b>Standard - Safety Attach Points (Prior to SN 38569)</b>	1
	0257698	Ref	<b>Standard - Safety Attach Points (SN 38569 through 52320)</b>	4
	0257990	Ref	<b>Japanese Spec - Safety Attach Points (Prior to SN 52320)</b>	3
	0257986	Ref	<b>CSA - Safety Attach Points (Prior to SN 52320)</b>	4
1		Ref	Handrail - Right Side Options:	
1	3640727	1	Standard (Prior to SN 38569)	
1	3641210	1	Standard and CSA (SN 38569 through 52319)	
1	3641281	1	Standard and CSA (SN 52320 to Present)	
1	3641130	1	Safety Attach Points (Prior to SN 38569)	
1	3641213	1	Safety Attach Points (SN 38569 to Present)	
2		Ref	Handrail - Left Side Options:	
2	3640728	1	Standard and CSA (Prior to SN 52320)	
2	3641300	1	Standard (SN 52320 to Present)	
2	3641131	1	Safety Attach Points	
3	4565203	1	Tube, Handrail - Rear	
4	1260136	2 ft/.61m	Chain	
5	3010088	2	Link	
6	1001101076	1	Snap-Latch (Includes Item 5) (was p/n 2940064)	
7	0641420	AR	Bolt 1/4in-20NC x 2 1/2in	
8		Ref	Flatwasher Options:	
8	4711400	AR	Flatwasher 1/4in (Narrow) (Prior to SN 38569)	
8	4751400	AR	Flatwasher 1/4in (Wide) (SN 38569 to Present)	
10	3311405	AR	Locknut 1/4in-20NC	
12	3520072	AR	Plug, Cap	
13	3300373	AR	Nut, Joint Connector 1 1/4in	
14	3900184	12	Screw, Button Head #10-24NC x 5/8in	
15	3300375	4	Nut, Joint Connector 2 3/8in	
16		Ref	Tube, Handrail - Rear Vertical Options:	
16	3640713	2	Standard (Prior to SN 52320)	
16	3641283	2	Standard and CSA (SN 52320 to Present)	
16	3641268	2	CSA (Prior to SN 52320)	
17	3534743	2	Kickplate - Rear	
18	0641608	4	Bolt 3/8in-16NC x 1in	
19	4751600	4	Flatwasher 3/8in	
20	3311605	2	Locknut 3/8in-16NC	
21	1702612	2	Decal - Safety Attach (With Safety Attach Points Only)	
22	2820097	2 ft/.61m	Tubing, Mesh	
23	3570381	1	Plate, Placard	
24	3820019	6	Rivet	
25	0100011	AR	Loctite #242 (Not Shown)	
26	3340612	1.5 ft/.46m	Pad	
		Ref	<b>PLATFORM EXTENSION INSTALLATIONS OPTIONS:</b>	
	0251250	Ref	<b>Standard (Prior to SN 43782)</b>	8

## SECTION 4 - PLATFORM

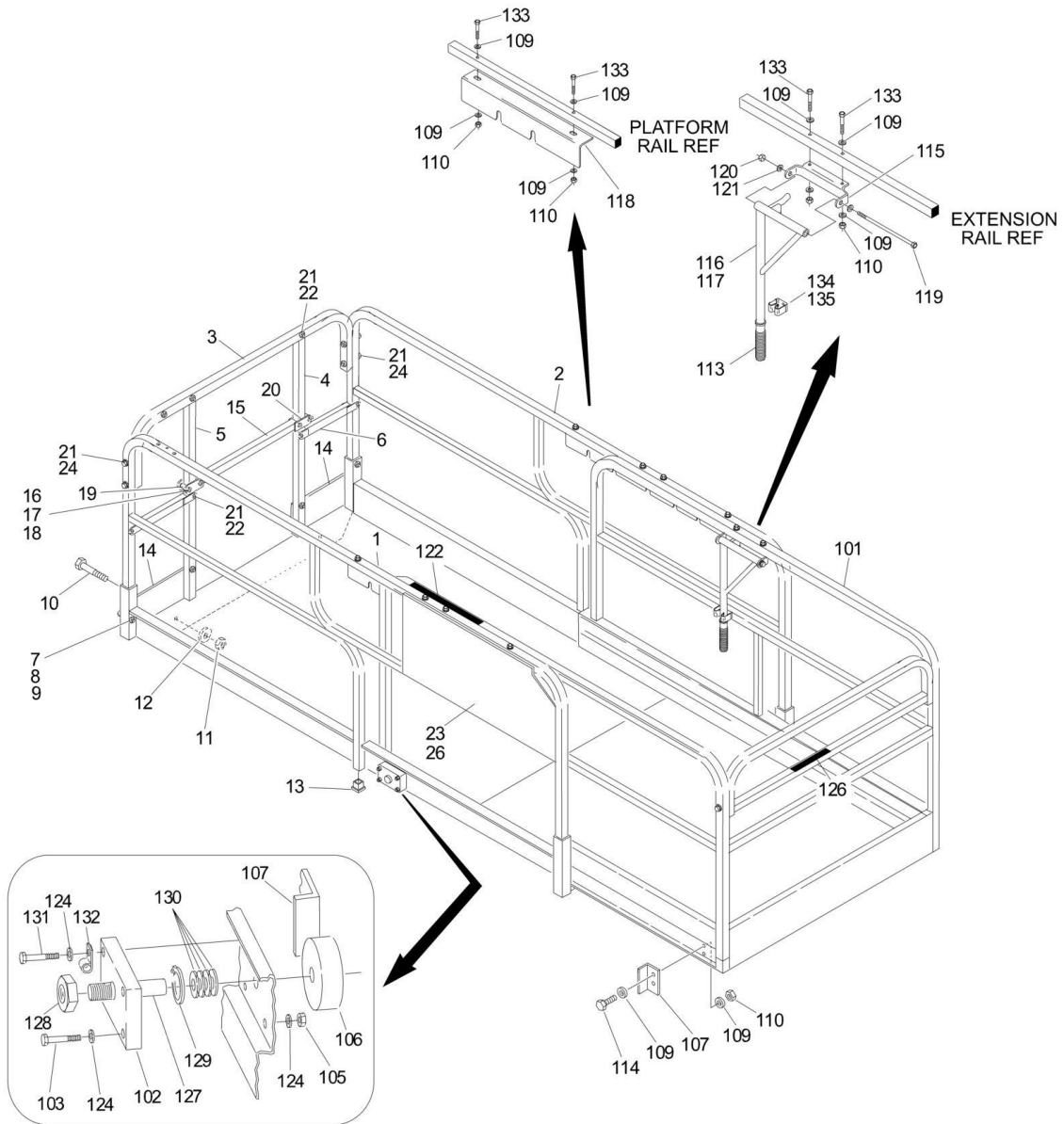
ITEM	PART NUMBER	QTY	DESCRIPTION	REV
	0258291	Ref	<b>Standard (SN 43782 through 52319)</b>	1
	0257477	Ref	<b>CSA (Prior to SN 52320)</b>	4
	0258649	Ref	<b>Standard and CSA (SN 52320 to Present)</b>	1
	0254082	Ref	<b>Japanese Spec</b>	3
101		Ref	Weldment, Extension Options:	
101	3510317	1	Standard ( <b>Prior to SN 52320</b> )	
101	3510591	1	CSA ( <b>Prior to SN 52320</b> )	
101	3510669	1	Standard and CSA ( <b>SN 52320 to Present</b> )	
102		Ref	Mounting Weldment - Roller Options:	
102	4843706	4	Mounting Weldment - Roller ( <b>Prior to SN 26763</b> )	
102	3537619	4	Mounting Weldment - Roller ( <b>SN 26763 to Present</b> )	
103	0641510	15	Bolt 5/16in-18NC x 1 1/8in	
104		Ref	Shim Options ( <b>Prior to SN 43782</b> )	
104	4712200	AR	Steel	
104	4740066	AR	Bronze	
105	3311505	18	Locknut 5/16in-18NC	
106		Ref	Roller Options:	
106	3860052	4	Roller ( <b>Prior to SN 26763</b> )	
106	3860059	4	Roller ( <b>SN 26763 to Present</b> )	
107	0181684	4	Angle, Stop	
109	4711400	12	Flatwasher 1/4in (Narrow)	
110	3311405	12	Locknut 1/4in-20NC	
111	3841074	1	Rod, Release	
112	2980113	1	Release Lever Assembly	
113	2560088	1	Grip, Handle	
114	0641406	1	Bolt 1/4in-20NC x 3/4in	
115	3311405	1	Locknut 1/4in-20NC	
116	3422723	2	Rollpin 1/8in x 7/8in	
117	4160078	1	Spring	
118	0361912	1	Bar, Latch	
119	2940061	1	Latch, Weldment	
122		Ref	Nameplate - Capacity Options ( <b>Prior to SN 43782</b> )	
122	3251852	1	Standard and CSA	
122	3252296	1	Japanese Spec	
123	3820001	2	Rivet ( <b>Prior to SN 26763</b> )	
124	4751500	22	Flatwasher 5/16in	
125	0641516	2	Bolt 5/16in-18NC x 2in	
126	3252136	1	Nameplate - Control Box Location	
127	3841233	4	Rod, Roller ( <b>SN 26763 to Present</b> )	
128		Ref	Nut, Jam Options:	
128	3312202	4	Nut, Jam 3/4in-10NC ( <b>Prior to SN 43782</b> )	
128	3322202	4	Nut, Jam 3/4in-10NF ( <b>SN 43782 to Present</b> )	
129	3760348	4	Ring, Retaining ( <b>SN 26763 to Present</b> )	
130	4752200	4	Flatwasher 3/4in ( <b>SN 26763 to Present</b> )	
131	0641512	1	Bolt 5/16in-18NC x 1 1/2in ( <b>SN 26763 to Present</b> )	
132	1320224	1	Clamp ( <b>SN 26763 to Present</b> )	
133	0641405	12	Bolt 1/4in-20NC x 5/8in	
134	0901830	2	Bracket, Extension Latch ( <b>SN 40589 to Present</b> )	
135	4791400	4	Washer, Star 1/4in ( <b>SN 40589 to Present</b> )	
	2901573	1	Latch Kit (Includes Items 111, 116-119 & 134)	
	0252693	Ref	<b>PLATFORM ACCESS GATE (OPTIONAL)</b>	-

## SECTION 4 - PLATFORM

ITEM	PART NUMBER	QTY	DESCRIPTION	REV
201	1780267	1	Door Weldment	
202	2560010	1	Handle, Latch	
203	2940006	1	Latch	
204	3911016	4	Screw, Round Head #10-24NC x 1in	
205	4761000	4	Lockwasher #10	
206	4751000	4	Flatwasher #10	
207	3311001	4	Nut #10-24NC	

# SECTION 4 - PLATFORM

## FIGURE 4-3. WIDE PLATFORM HANDRAILS AND EXTENSION INSTALLATION (MANUALLY OPERATED PLATFORM)



## SECTION 4 - PLATFORM

**FIGURE 4-3. WIDE PLATFORM HANDRAILS AND EXTENSION INSTALLATION (MANUALLY OPERATED PLATFORM)**

ITEM	PART NUMBER	QTY	DESCRIPTION	REV
		Ref	<b>HANDRAILS INSTALLATION OPTIONS:</b>	
	0257225	Ref	<b>Standard (Prior to SN 35882)</b>	1
	0257719	Ref	<b>Standard (SN 35882 through 52319)</b>	1
	0257720	Ref	<b>CSA (Prior to SN 52320)</b>	2
	0258636	Ref	<b>Standard and CSA (SN 52320 to Present)</b>	2
1		Ref	Handrail - Right Side Options:	
1	3640727	1	Standard (Prior to SN 35882)	
1	3641210	1	Standard (SN 35882 through 52319)	
1	3641215	1	CSA (Prior to SN 52320)	
1	3641281	1	Standard and CSA (SN 52320 to Present)	
2		Ref	Handrail - Left Side	
2	3641173	1	Standard (Prior to SN 52320)	
2	3641193	1	CSA (Prior to SN 52320)	
2	3641282	1	Standard and CSA (SN 52320 to Present)	
3	4567057	1	Tube, Handrail - Rear	
4		Ref	Rail Weldment - End (Left Side)	
4	3640730	1	Rail Weldment - End (Left Side) (Prior to SN 35882)	
4	3641194	1	Rail Weldment - End (Left Side) (SN 35882 through 52319)	
4	3641288	1	Rail Weldment - End (Left Side) (SN 52320 to Present)	
5		Ref	Rail Weldment - End (Right Side)	
5	3640731	1	Rail Weldment - End (Right Side) (Prior to SN 35882)	
5	3641195	1	Rail Weldment - End (Right Side) (SN 35882 through 52319)	
5	3641289	1	Rail Weldment - End (Right Side) (SN 52320 to Present)	
6	3641160	2	Rail Weldment - Mid (Rear)	
7	0641420	4	Bolt 1/4in-20NC x 2 1/2in	
8	4751400	AR	Flatwasher 1/4in (Wide)	
9	3311405	4	Locknut 1/4in-20NC	
10	0641608	2	Bolt 3/8in-16NC x 1in	
11	3311605	2	Locknut 3/8in-16NC	
12	4751600	4	Flatwasher 3/8in	
13	3520072	4	Plug, Cap	
14	3539838	2	Kickplate - Rear	
15	3640614	1	Rail Weldment - End (Gate)	
16	3911034	4	Screw, Round Head #10-24NC x 2 1/4in	
17	4751000	4	Flatwasher #10	
18	3311005	4	Locknut #10-24NC	
19	0961833	4	Bushing, UHMW	
20	4420055	AR	Tape, UHMW	
21	3900184	16	Screw, Button Head #10-24NC x 5/8in	
22	3300373	12	Nut, Joint Connector 1 1/4in	
23	3820019	6	Rivet	
24	3300375	4	Nut, Joint Connector 2 3/8in	
25	0100011	AR	Loctite #242 (Not Shown)	
26	3570381	1	Plate, Placard (SN 35882 to Present)	
		Ref	<b>PLATFORM EXTENSION INSTALLATION OPTIONS:</b>	
	0257487	Ref	<b>Platform Extension Installation (Prior to SN 52320)</b>	1
	0258646	Ref	<b>Platform Extension Installation (SN 52320 to Present)</b>	2
101		Ref	Extension Weldment Options:	
101	3510594	1	Extension Weldment (Prior to SN 52320)	

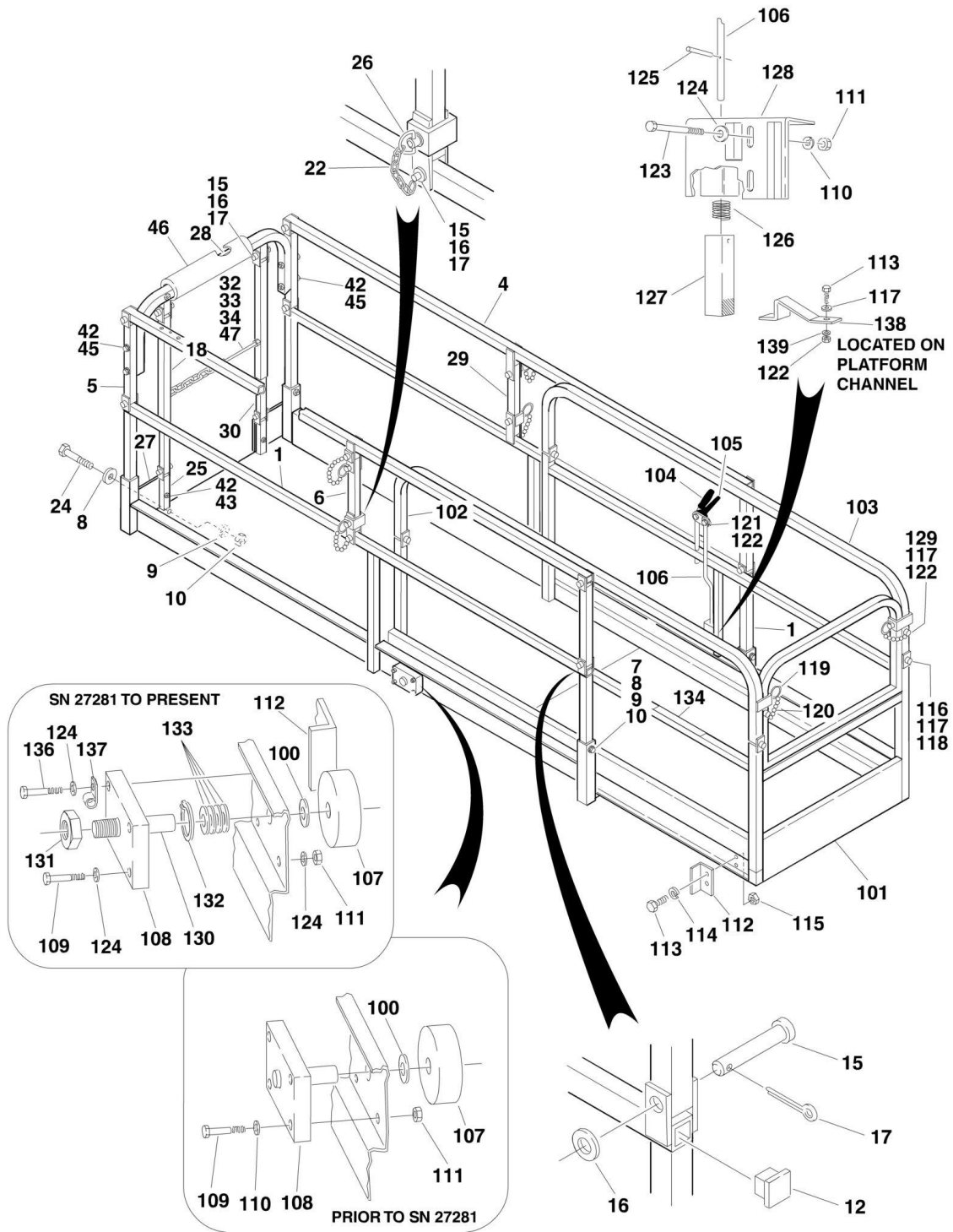
## SECTION 4 - PLATFORM

ITEM	PART NUMBER	QTY	DESCRIPTION	REV
101	3510671	1	Extension Weldment <b>(SN 52320 to Present)</b>	
102	3537619	4	Mounting Weldment - Roller	
103	0641510	15	Bolt 5/16in-18NC x 1 1/8in	
105	3311505	16	Locknut 5/16in-18NC	
106	3860059	4	Roller	
107	0181684	4	Angle, Stop	
109	4711400	28	Flatwasher 1/4in (Narrow)	
110	3311405	16	Locknut 1/4in-20NC	
113	2560088	2	Grip, Handle	
114	0641416	8	Bolt 1/4in-20NC x 2in	
115	3537609	2	Plate	
116	4845427	1	Handle, Weldment (Left Side)	
117	4845428	1	Handle, Weldment (Right Side)	
118	3570090	2	Latch	
119	0641676	2	Bolt 3/8in-16NC x 9 1/2in	
120	3311605	2	Locknut 3/8in-16NC	
121	4711600	4	Flatwasher 3/8in	
122	3252080	1	Nameplate - Capacity <b>(Prior to SN 52320)</b>	
124	4751500	16	Flatwasher 5/16in	
126	3252136	1	Nameplate - Control Box Location <b>(Prior to SN 52320)</b>	
127	3841233	4	Rod, Roller	
128	3312202	4	Nut, Jam 3/4in-10NC	
129	3760348	4	Ring, Retaining	
130	4752200	4	Flatwasher 3/4in	
131	0641512	1	Bolt 5/16in-18NC x 1 1/2in	
132	1320061	1	Clamp	
133	3911432	8	Screw, Round Head 1/4in-20NC x 2in	
134	1380132	2	Clip, Gripper	
135	3941004	2	Self-Tapping	



# SECTION 4 - PLATFORM

FIGURE 4-4. FOLDDOWN HANDRAILS AND EXTENSION INSTALLATION (MANUALLY OPERATED PLATFORM)





## SECTION 4 - PLATFORM

**FIGURE 4-4. FOLDDOWN HANDRAILS AND EXTENSION INSTALLATION (MANUALLY OPERATED PLATFORM)**

ITEM	PART NUMBER	QTY	DESCRIPTION	REV
		Ref	<b>FOLDDOWN HANDRAILS INSTALLATIONS OPTIONS:</b>	
	0252679	Ref	<b>Standard</b>	5
	0257463	Ref	<b>CSA</b>	4
1	3640738	2	Handrail - Lower Side	
4	3640740	2	Handrail - Top Side	
5	4565191	4	Tube - Ends	
6	3640742	1	Tube - Center (Right Side)	
7	0641424	AR	Bolt 1/4in-20NC x 3in	
8	4751400	24	Flatwasher 1/4in	
9	4761400	18	Lockwasher 1/4in	
10	3311401	18	Nut 1/4in-20NC	
12	3520072	22	Plug, Cap	
15	3430416	16	Pin, Clevis 1/4in x 2in	
16	4711400	42	Flatwasher 1/4in	
17	3450203	16	Pin, Cotter 1/16in x 3/4in	
18	3640743	2	Handrail - Top Rear Vertical	
22	1260017	28 in/.7m	Chain (4 Lengths 7in/17.8cm each)	
24	0641408	4	Bolt 1/4in-20 x 1in	
25	3640761	2	Handrail - Bottom Rear Vertical	
26	3421913	4	Pin, Quick Release	
27	3535492	2	Kickplate - Rear	
28	3640745	1	Handrail - Rear	
29	3640753	1	Tube - Center (Left Side)	
30	4565261	2	Handrail - Center Rear Vertical	
32	1260136	2.5 ft/.8m	Chain	
33	3010088	2	Link	
34	1001101076	1	Snap-Latch (Includes Item 33) (was p/n 2940064)	
42	3900184	10	Screw, Button Head #10-24NC x 5/8in	
43	3300373	6	Nut, Joint Connector 1 1/4in	
45	3300375	4	Nut, Joint Connector 2 3/8in	
46	3340564	1	Pad	
47	2820097	2.5 ft/.8m	Tubing, Mesh	
48	0100011	AR	Loctite #242 (Not Shown)	
		Ref	<b>PLATFORM EXTENSION INSTALLATION OPTIONS:</b>	
	0253392	Ref	<b>Standard (Prior to SN 43782)</b>	4
	0258292	Ref	<b>Standard (SN 43782 to Present)</b>	1
	0257485	Ref	<b>CSA (SN 37163 to Present)</b>	3
100		Ref	Shim Options:	
100	4712200	AR	Flatwasher (Steel)	
100	4740066	AR	Flatwasher (Thin Bronze)	
101		Ref	Extension Weldment Options:	
101	3510392	1	Standard	
101	3510593	1	CSA	
102	3640749	1	Handrail - Right Side	
103	3640748	1	Handrail - Left Side	
104	2560088	1	Grip, Handle	
105	2980113	1	Release Lever Assembly	
106	3841201	1	Rod, Release	
107		Ref	Roller Options:	

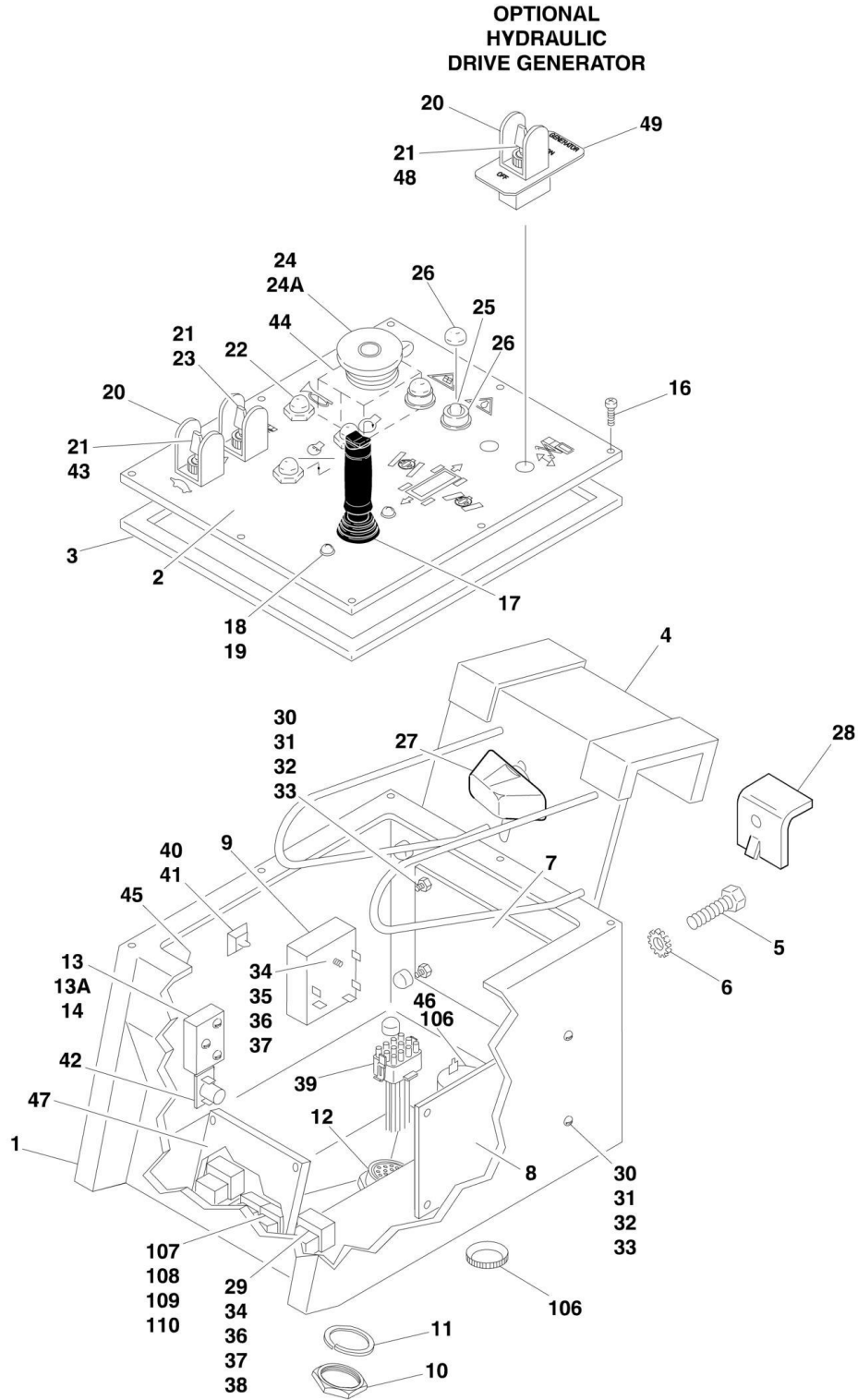
## SECTION 4 - PLATFORM

ITEM	PART NUMBER	QTY	DESCRIPTION	REV
107	3860052	4	Roller <b>(Prior to SN 26763)</b>	
107	3860059	4	Roller <b>(SN 26763 to Present)</b>	
108		Ref	Mounting Weldment - Roller Options:	
108	4843706	4	Mounting Weldment - Roller <b>(Prior to SN 26763)</b>	
108	3537619	4	Mounting Weldment - Roller <b>(SN 26763 to Present)</b>	
109	0641510	16	Bolt 5/16in-18NC x 1 1/4in	
110	4761500	18	Lockwasher 5/16in <b>(Prior to SN 34667)</b>	
111		Ref	Nut Options:	
111	3311501	18	Nut 5/16in-18NC <b>(Prior to SN 34667)</b>	
111	3311505	18	Locknut 5/16in-18NC <b>(SN 34667 to Present)</b>	
112	0181684	4	Angle, Stop	
113	0641405	12	Bolt 1/4in-20NC x 5/8in	
114	4761400	12	Lockwasher 1/4in <b>(Prior to SN 34667)</b>	
115	3311401	8	Nut 1/4in-20NC <b>(Prior to SN 34667)</b>	
116	3430416	4	Pin, Clevis 1/4in x 2in	
117	4711400	16	Flatwasher 1/4in (Narrow)	
118	3450203	4	Pin, Clevis 1/16in x 3/4in	
119	3421913	2	Pin, Quick Release	
120	1260017	14	Chain (2 Lengths 7in/17.8cm each)	
		in/35.6m		
121	0641406	1	Bolt 1/4in-20NC x 3/4in	
122	3311405	15	Locknut 1/4in-20NC	
123	0641516	2	Bolt 5/16in-18NC x 2in	
124	4751500	20	Flatwasher 5/16in	
125	3422723	2	Rollpin 1/8in x 7/8in	
126	4160078	1	Spring	
127	0361912	1	Bar, Latch	
128	2940061	1	Latch, Weldment	
129	0641416	2	Bolt 1/4in-20NC x 2in	
130	3841233	4	Rod, Roller	
131	3312202	4	Nut, Jam 3/4in-10NC	
132	3760348	4	Ring, Retaining	
133	4752200	4	Flatwasher 3/4in	
134	3251852	1	Nameplate - Capacity <b>(Prior to SN 43782)</b>	
136	0641512	1	Bolt 5/16in-18NC x 1 1/2in <b>(SN 34667 to Present)</b>	
137	1320224	1	Clamp <b>(SN 34667 to Present)</b>	
138	0901830	2	Bracket, Extension Latch <b>(SN 40589 to Present)</b>	
139	4791400	4	Washer, Star 1/4in <b>(SN 40589 to Present)</b>	
	2901571	1	Latch Kit (Includes Items 106, 125-127 & 138)	



# SECTION 4 - PLATFORM

## FIGURE 4-5. PLATFORM CONSOLE BOX ASSEMBLY



## SECTION 4 - PLATFORM

### FIGURE 4-5. PLATFORM CONSOLE BOX ASSEMBLY

ITEM	PART NUMBER	QTY	DESCRIPTION	REV
		Ref	<b>CONSOLE BOX ASSEMBLY OPTIONS:</b>	
	0256313	Ref	<b>Vanguard Engine (Prior to SN 35428)</b>	F
	0256742	Ref	<b>Vanguard Engine (SN 35428 to Present)</b>	6
	0258404	Ref	<b>Vanguard Engine W/Tilt (SN 44844 to Present)</b>	3
	0259053	Ref	<b>Vanguard Engine W/Hydraulic Drive Generator (SN 58034 to Present)</b>	3
	0256314	Ref	<b>Yanmar Engine (Prior to SN 35428)</b>	F
	0256743	Ref	<b>Yanmar Engine (SN 35428 to Present)</b>	6
	0258405	Ref	<b>Yanmar Engine W/Tilt (SN 44844 to Present)</b>	3
	0259054	Ref	<b>Yanmar Engine W/Hydraulic Drive Generator (SN 58034 to Present)</b>	3
1	0861032	1	Box, Console	
2		Ref	Lid, Nameplate Options:	
2	3252486	1	Lid, Nameplate <b>(Prior to SN 58990)</b>	
2	3252627	1	Lid, Nameplate <b>(SN 58990 to Present)</b>	
3	4420008	38 in/1m	Tape, Insulation	
4		Ref	Bracket, Hanger Options:	
4	0902299	1	Bracket, Hanger <b>(Prior to SN 44924)</b>	
4	0902456	1	Bracket, Hanger <b>(SN 44924 through 58989)</b>	
4	4845938	1	Bracket, Hanger <b>(SN 58990 to Present)</b>	
5	0641404	4	Bolt 1/4in-20NC x 1/2in	
6	4791400	4	Starwasher 1/4in	
7	1600218	1	Card, Circuit - JLG	
7	Supply Locally	1	Fuse - 5 Amps	
8		Ref	Card, Circuit - Horsepower Options:	
8	1600249	1	Vanguard	
8	1600250	1	Yanmar Engine	
8	7016379	1	Fuse - 1 Amp	
9	3740118	1	Relay, Delay <b>(Prior to SN 58990)</b>	
10	4460470	1	Nut, Receptacle	
11	4460471	1	Lockwasher, Receptacle	
12	4460463	1	Receptacle, Male (23 Pin)	
13	4360339	1	Switch	
13A	7012593	1	Cover, Rubber - Green	
14	4360267	1	Block, Switch Contact	
15	0100035	AR	Loctite #222 (Not Shown)	
16	3900177	8	Screw	
17		Ref	Controller Assembly Options:	
17	1600241	1	Controller Assembly (See CONTROLLER ASSEMBLY for Breakdown) <b>(Prior to SN 58990)</b>	
17	1600296	1	Controller Assembly (See CONTROLLER ASSEMBLY for Breakdown) <b>(SN 58990 to Present)</b>	
18	4740120	4	Washer, Nylon	
19	3900178	4	Screw, Machine #10-32NF x 3/4in	
20	4060802	2	Shield, Switch	
21	3790012	2	O-Ring	
22	4360387	AR	Switch, Push Button	
23	4360314	1	Switch, Toggle	
24		Ref	Switch, Emergency Stop Options:	
24	4360395	1	Switch, Emergency Stop <b>(Prior to SN 58990)</b>	

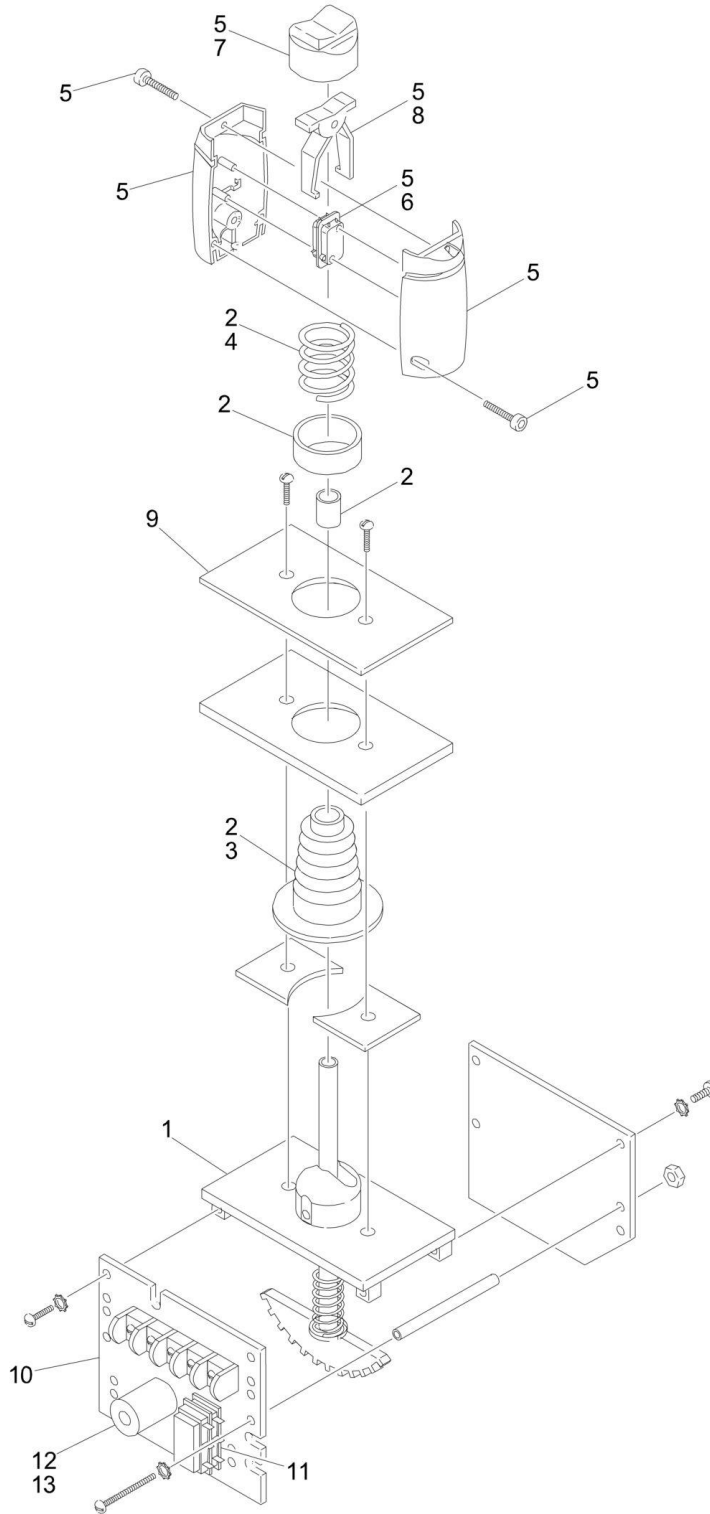
## SECTION 4 - PLATFORM

ITEM	PART NUMBER	QTY	DESCRIPTION	REV
24	4360289	1	Switch, Emergency Stop <b>(SN 58990 through 65026)</b>	
24	4360475	1	Switch, Emergency Stop <b>(SN 65027 to Present)</b>	
24A	7016315	1	Head, Mushroom (Use on Switch p/n 4360395)	
24A	7012611	1	Head, Mushroom (Use on Switch p/n 4360289)	
24A	7012612	1	Boot (Use on Switch p/n 4360289)	
24A	7020175	1	Ring, Sealing (Use on Switch p/n 4360475)	
24A	7020176	1	Block, Contact (Use on Switch p/n 4360475)	
25	2920029	AR	Bulb, Light	
26	2920026	AR	Lamp, Indicator - Red	
27	2560141	1	Thumbscrew	
28	0181847	1	Angle	
29	3740049	AR	Relay, Bosch	
30	3910616	AR	Screw #6-32NC x 1in	
31	4760600	AR	Lockwasher #6	
32	4750600	AR	Flatwasher #6	
33	3310601	AR	Nut #6-32NC	
34	4751000	AR	Flatwasher #10	
35	3911024	1	Screw #10-24NC x 1 1/2in <b>(Prior to SN 58990)</b>	
36	4761000	AR	Lockwasher #10	
37	3311001	AR	Nut #10-24NC	
38	3911012	AR	Screw #10-24NC x 3/4in	
39		Ref	Harness - Platform Console Box Options:	
39	4921842	1	Standard <b>(Prior to SN 35428)</b>	
39	4921901	1	Standard <b>(SN 35428 through 58989)</b>	
39	4922288	1	Standard <b>(SN 58990 to Present)</b>	
39	4922226	1	With Hydraulic Drive Generator <b>(Prior to SN 62149)</b>	
39	4922289	1	With Hydraulic Drive Generator <b>(SN 62149 to Present)</b>	
40	4460234	5	Mount, Wire Tie	
41	4240033	5	Tie, Wire	
42	4360069	1	Breaker, Circuit - 10 Amp	
43	4360336	1	Switch, Toggle	
44		Ref	Block, Contact Options:	
44	4360282	1	Block, Contact <b>(Prior to SN 65027)</b>	
44	4360476	1	Block, Contact <b>(SN 65027 to Present)</b>	
45	1701683	1	Decal - Relay Function (Not Shown - Located on Inside Console Box) <b>(SN 32436 to Present)</b>	
46	0140011	1	Alarm (With Tilt Only) <b>(SN 44844 to Present)</b>	
47	1600291	1	Generator Card (With Hydraulic Drive Generator Only)	
48	4360203	1	Switch, Toggle (With Hydraulic Drive Generator Only)	
49	1704189	1	Decal - Generator (With Hydraulic Drive Generator Only)	
		Ref	<b>TILT ALARM INSTALLATION OPTIONS:</b>	
	0256426	Ref	<b>Common (Prior to SN 38569)</b>	A
	0257219	Ref	<b>Common (SN 38569 to Present)</b>	2
	0256543	Ref	<b>Latin American and Japanese Spec (Prior to SN 38569)</b>	A
	0257217	Ref	<b>Latin American and Japanese Spec (SN 38569 to Present)</b>	2
106	0140011	1	Alarm	
107	3740049	2	Relay, Bosch	
108	3911012	2	Screw #10-24NC x 3/4in	
109	4751000	4	Flatwasher #10	
110	3311005	2	Locknut #10-24NC	



# SECTION 4 - PLATFORM

## FIGURE 4-6. CONTROLLER ASSEMBLY (Prior to SN 58990)





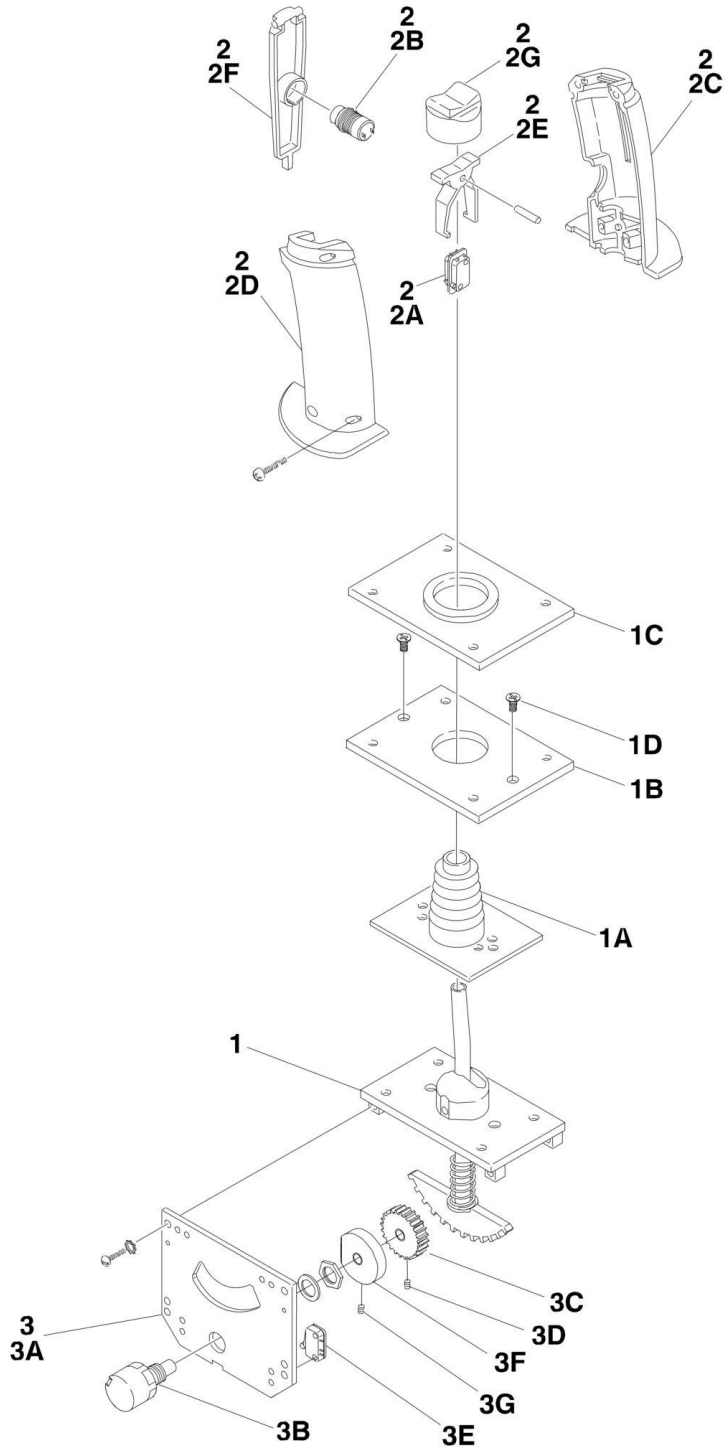
## SECTION 4 - PLATFORM

**FIGURE 4-6. CONTROLLER ASSEMBLY (Prior to SN 58990)**

ITEM	PART NUMBER	QTY	DESCRIPTION	REV
	1600241	Ref	<b>CONTROLLER ASSEMBLY</b>	
	7011931	1	Handle/Stem Assembly (Includes Items 1 to 9)	
1	7011932	1	Stem Assembly	
2	7011933	1	Slidelock Assembly (Includes Items 3 & 4)	
3	7003772	1	Boot	
4	7011934	1	Spring	
5	7011935	1	Handle Assembly (Includes Items 6 to 8)	
6	7003789	1	Switch, Rocker	
7	7003790	1	Cap, Rubber	
8	7003791	1	Actuator, Switch	
9	7011936	1	Gasket	
10	7011974	1	Electrical Assembly (Includes Items 11 to 13)	
11	7003714	1	Switch, Mico	
12	7011940	1	Gear, Pinion	
13	7011975	1	Potenimeter	
14	Not Serviced	1	Harness Assembly (Not Shown)	
14	4460343	1	Connector - 12 Pin	
14	4460367	1	Receptacle, Female	
14	4460226	10	Socket, Female	
14	4460227	10	Pin, Male	

# SECTION 4 - PLATFORM

## FIGURE 4-7. CONTROLLER ASSEMBLY (SN 58990 to Present)



## SECTION 4 - PLATFORM

**FIGURE 4-7. CONTROLLER ASSEMBLY (SN 58990 to Present)**

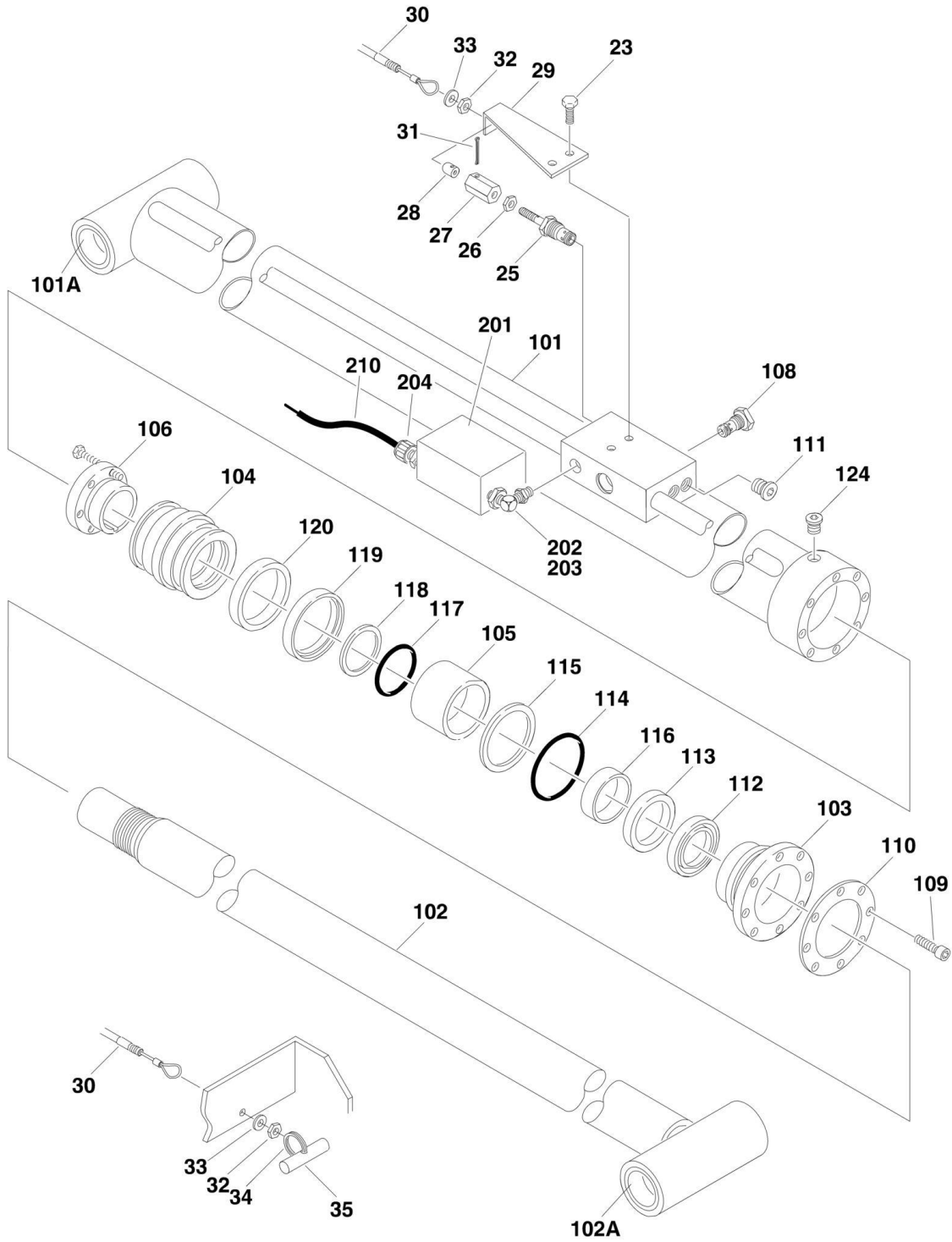
ITEM	PART NUMBER	QTY	DESCRIPTION	REV
	1600296	Ref	<b>CONTROLLER ASSEMBLY</b>	
1	7020503	1	Handle/Stem Assembly	
1A	7020520	1	Boot	
1B	7020504	1	Plate, Mounting	
1C	7020502	1	Gasket	
1D	7020528	2	Screw #10-32NF x 3/8in	
2	7011991	1	Grip Assembly	
2A	7011992	1	Switch Assembly	
2B	7020501	1	Switch, Push Button	
2C	7020541	1	Grip - Right Half (was p/n 7011993)	
2D	7020541	1	Grip - Left Half (was p/n 7011994)	
2E	7003791	1	Actuator, Switch	
2F	7011997	1	Trigger	
2G	7003790	1	Cap, Rubber	
3	7020525	1	Electrical Assembly	
3A	7020509	1	Plate, Mounting - Potentiometer	
3B	7011975	1	Potentiometer	
3C	7011940	1	Gear, Pinion	
3D	7020511	1	Setscrew #6-32 x 1/8in	
3E	7003771	1	Actuator, Switch	
3F	7020518	1	Cam, Neutral Switch	
3G	7011983	1	Setscrew #4-32 x 1/8in	
4	Not Serviced	1	Harness Assembly (Not Shown)	
4	4460343	1	Connector - 12 Pin	
4	4460367	1	Receptacle, Female	
4	4460226	10	Socket, Female	
4	4460227	10	Pin, Male	



**SECTION 5 - CYLINDERS**

# SECTION 5 - CYLINDERS

FIGURE 5-1. LIFT CYLINDER COMPONENTS ASSEMBLY (Prior to SN 26916)



## SECTION 5 - CYLINDERS

**FIGURE 5-1. LIFT CYLINDER COMPONENTS ASSEMBLY (Prior to SN 26916)**

ITEM	PART NUMBER	QTY	DESCRIPTION	REV
		Ref	<b>LIFT CYLINDER SUB-ASSEMBLY</b>	
	Not Required	1	Locknut	
23	0641506	2	Bolt 5/16in-18NC x 3/4in	
24	0100011	AR	Loctite #242	
25	4640717	1	Cartridge, Valve (Manual Descent)	
26	3311402	1	Nut, Jam 1/4in-20NC	
27	0080190	1	Adapter	
28	4220044	1	Stop, Throttle	
29	0902151	1	Bracket	
30		Ref	Cable Assembly Options:	
30	1060377	1	Cable Assembly (Use 1060643 as Replacement) <b>(Prior to SN 28133)</b>	
30	1060643	1	Cable Assembly <b>(SN 28133 to Present)</b>	
31	3450405	1	Pin, Cotter	
32	3321402	4	Nut, Jam 1/4in-28NF	
33	4711400	4	Flatwasher 1/4in Narrow	
34	3760170	1	Ring <b>(Prior to SN 28133)</b>	
35	3841127	1	Rod, Manual Descent <b>(Prior to SN 28133 Only)</b>	
	1683363	Ref	<b>LIFT CYLINDER ASSEMBLY</b>	C
101	1683353	1	Barrel Weldment	
101A	0962012	2	Bushing, Garmax	
102	1683355	1	Rod Weldment	
102A	0962012	2	Bushing, Garmax	
103	1683061	1	Head	
104	3480211	1	Piston	
105	4565008	1	Spacer	
106	0961897	1	Bushing, Tapered	
108	4640509	1	Cartridge, Valve	
108	2900792	1	Seal, Kit - 4640509 Valve	
109	3931720	8	Capscrew 7/16in-14NC x 1 1/4in	
110	3760370	1	Ring, Washer	
111	2220883	3	Plug, Fitting	
112	Kit	1	Wiper	
113	Kit	1	Seal, Rod	
114	Kit	1	O-Ring	
115	Kit	1	Ring, Back-up	
116	Kit	1	Ring, Wear	
117	Kit	1	O-Ring	
118	Kit	1	Ring, Back-up	
119	Kit	2	Ring, Lock	
120	Kit	2	Seal	
121	0100011	AR	Loctite #242 (Not Shown)	
122	0100038	AR	Primer, Locking (Not Shown)	
124	2220885	1	Plug, O-Ring	
	2901273	1	Seal Kit (Includes Items 112 to 120)	
	0256692	Ref	<b>PLATFORM EXTENSION INTERLOCK INSTALLATION</b>	
201	1692617	1	Switch, Pressure	
202	2221015	1	Fitting, 90	
203	2220440	1	Fitting, Straight	
204	4460428	1	Connector, Strain Relief	

## SECTION 5 - CYLINDERS

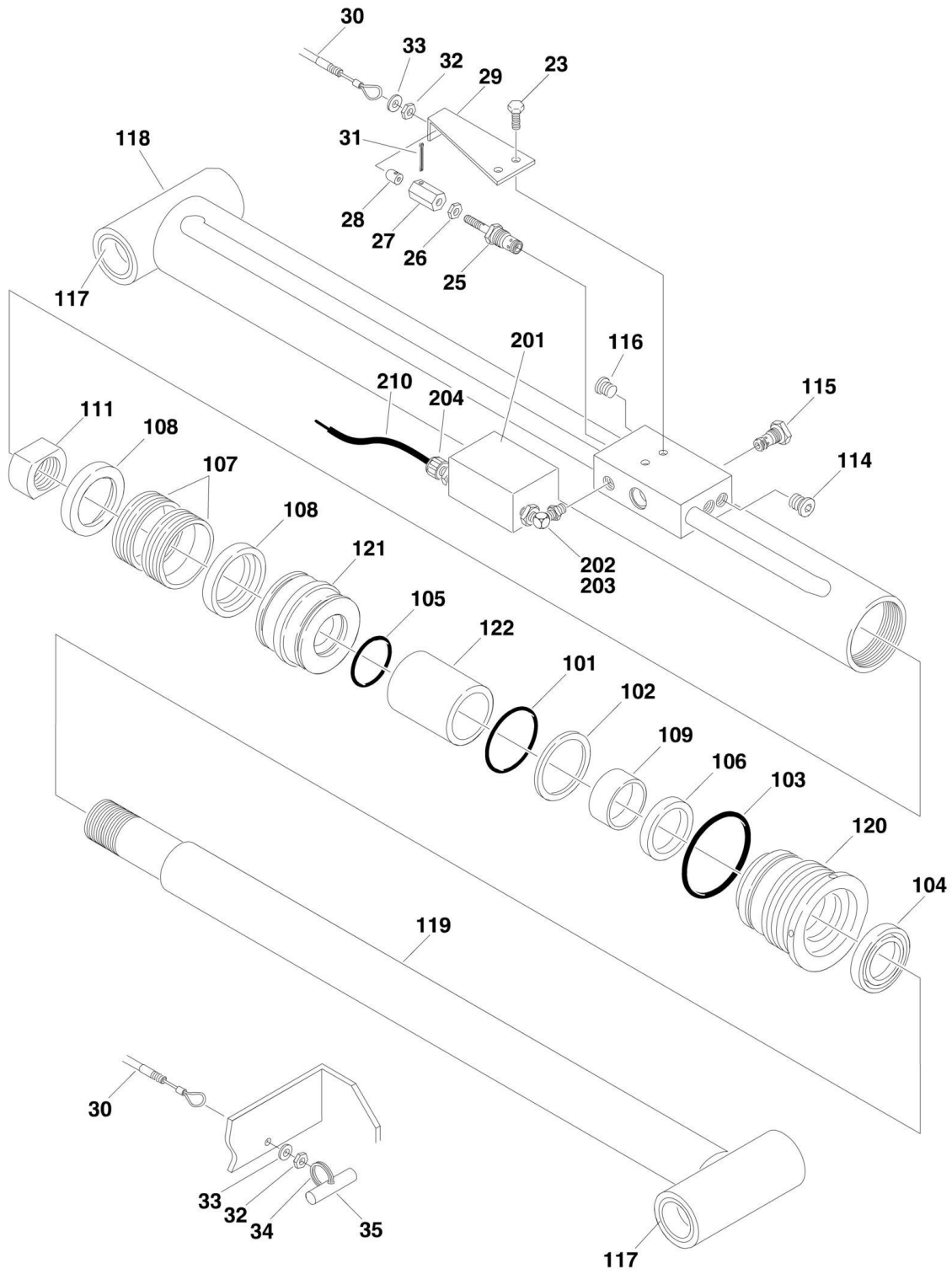
ITEM	PART NUMBER	QTY	DESCRIPTION	REV
210	1060341	40 ft/12m	Cable, Electrical - 16/2	





# SECTION 5 - CYLINDERS

FIGURE 5-2. LIFT CYLINDER COMPONENTS ASSEMBLY (SN 26916 to Present)



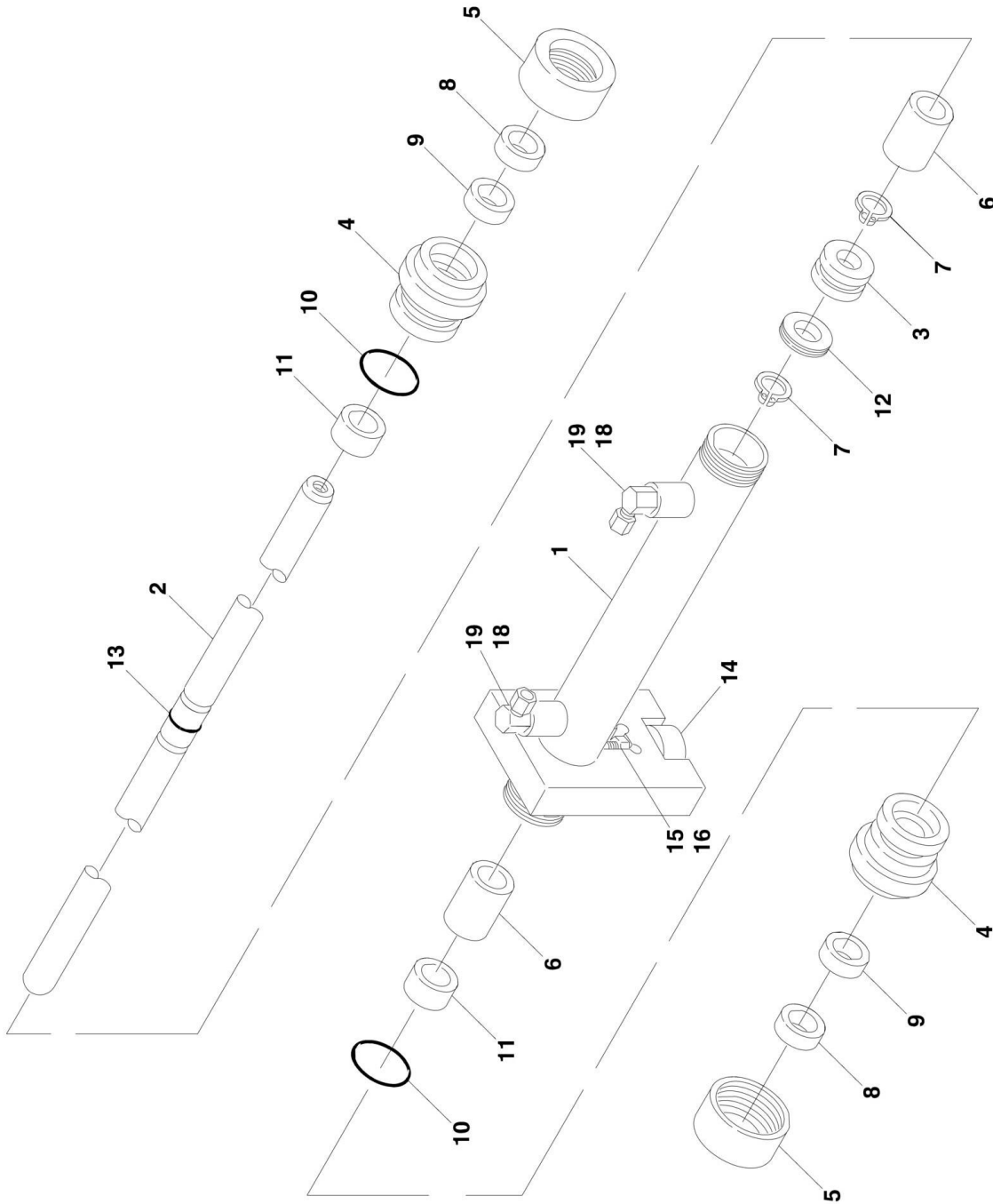
## SECTION 5 - CYLINDERS

**FIGURE 5-2. LIFT CYLINDER COMPONENTS ASSEMBLY (SN 26916 to Present)**

ITEM	PART NUMBER	QTY	DESCRIPTION	REV
		Ref	<b>LIFT CYLINDER SUB-ASSEMBLY</b>	
	Not Required	1	Locknut	
23	0641506	2	Bolt 5/16in-18NC x 3/4in	
24	0100011	AR	Loctite #242	
25	4640717	1	Cartridge, Valve (Manual Descent)	
26	3311402	1	Nut, Jam 1/4in-20NC	
27	0080190	1	Adapter	
28	4220044	1	Stop, Throttle	
29	0902151	1	Bracket	
30		Ref	Cable Assembly Options:	
30	1060377	1	Cable Assembly (Use 1060643 as Replacement) <b>(Prior to SN 28133)</b>	
30	1060643	1	Cable Assembly <b>(SN 28133 through 37836)</b>	
30	1060664	1	Cable Assembly <b>(SN 37837 to Present)</b>	
31	3450405	1	Pin, Cotter	
32	3321402	4	Nut, Jam 1/4in-28NF	
33	4711400	4	Flatwasher 1/4in Narrow	
34	3760170	1	Ring <b>(Prior to SN 28133)</b>	
35	3841127	1	Rod, Manual Descent <b>(Prior to SN 28133 Only)</b>	
	1683474	Ref	<b>LIFT CYLINDER ASSEMBLY</b>	9
101	Kit	1	O-Ring	
102	Kit	1	Ring, Back-up	
103	Kit	1	O-Ring	
104	Kit	1	Wiper	
105	Kit	1	O-Ring	
106	Kit	1	Seal	
107	Kit	2	Seal	
108	Kit	2	Ring, Lock	
109	Kit	2	Ring, Wear	
111	7003226	1	Locknut	
112	7005312	1	Plug (Not Shown)	
113	7005315	2	Plug (Not Shown)	
114	7005356	3	Plug	
115	7017372	1	Cartridge, Valve	
115	Consult Factory	1	Seal Kit - 7017372 Valve	
116	Not Serviced	1	Plug	
117	0962012	4	Bushing, Garmax	
118	7019874	1	Barrel Weldment	
119	7017388	1	Rod Weldment	
120	7017387	1	Head	
121	7017386	1	Piston	
122	7017385	1	Spacer	
	7017384	1	Seal Kit (Includes Items 101 to 109)	
	0256692	Ref	<b>PLATFORM EXTENSION INTERLOCK INSTALLATION</b>	
201	1692617	1	Switch, Pressure	
202	2221015	1	Fitting, 90	
203	2220440	1	Fitting, Straight	
204	4460428	1	Connector, Strain Relief	
210	1060341	40 ft/12m	Cable, Electrical - 16/2	

# SECTION 5 - CYLINDERS

## FIGURE 5-3. STEER CYLINDER ASSEMBLY



## SECTION 5 - CYLINDERS

**FIGURE 5-3. STEER CYLINDER ASSEMBLY**

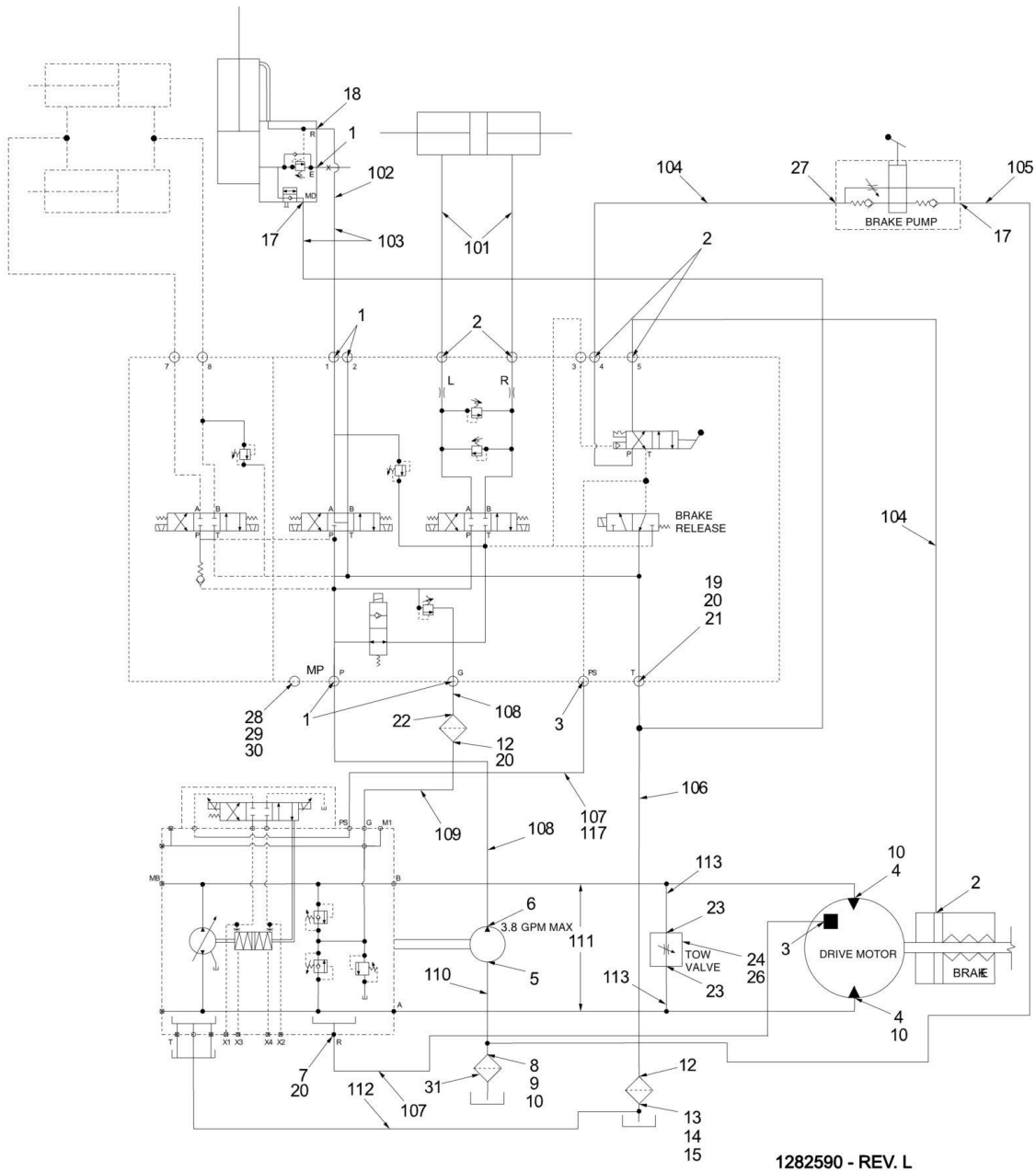
ITEM	PART NUMBER	QTY	DESCRIPTION	REV
		Ref	<b>STEER CYLINDER ASSEMBLY OPTIONS:</b>	
	1683239	Ref	<b>Steer Cylinder Assembly (Prior to SN 46538)</b>	C
	1683697	Ref	<b>Steer Cylinder Assembly (SN 46538 to Present)</b>	2
1		Ref	Barrel Weldment Options:	
1	1682528	1	Barrel Weldment <b>(Prior to SN 46538)</b>	
1	1683694	1	Barrel Weldment <b>(SN 46538 to Present)</b>	
2	1683240	1	Rod	
3	3480153	1	Piston	
4	1682364	2	Head	
5	1120387	2	Retainer	
6	4566618	2	Spacer	
7	3760141	2	Ring, Retaining	
8	Kit	2	Seal, Wiper	
9	Kit	2	Seal, Rod	
10	Kit	2	O-Ring	
11	Kit	2	Ring, Wear	
12	Kit	1	T-Seal	
13	Kit	1	O-Ring	
14		Ref	Follower, Cam	
14	3860054	1	Follower, Cam <b>(Prior to SN 46538)</b>	
14	3860080	1	Follower, Cam <b>(SN 46538 to Present)</b>	
15		Ref	Nut 1/2in-20NF	
15	3321801	1	Nut 1/2in-20NF <b>(Prior to SN 37530)</b>	
15	3321802	1	Nut 1/2in-20NF <b>(SN 37530 to Present)</b>	
16	0100035	AR	Loctite #222	
18	2220472	2	Fitting, 90	
19	2220515	2	Fitting, Cap	
	2901178	1	Seal Kit (Includes Items 8 to 13)	



**SECTION 6 - HYDRAULIC**

# SECTION 6 - HYDRAULIC

## FIGURE 6-1. HYDRAULIC DIAGRAM - STANDARD





## SECTION 6 - HYDRAULIC

### FIGURE 6-1. HYDRAULIC DIAGRAM - STANDARD

ITEM	PART NUMBER	QTY	DESCRIPTION	REV
	2792275	Ref	<b>HYDRAULIC DIAGRAM</b>	6
1	2220371	5	Fitting, Straight	
2	2220415	5	Fitting, Straight	
3	2220603	2	Fitting, Straight	
4	2220695	2	Fitting, Tee	
5	2220408	1	Fitting, Straight	
6	2220497	1	Fitting, Straight	
7	2220620	1	Fitting, Reducer <b>(Prior to SN 62148)</b>	
8	2220435	1	Fitting, Straight	
9	2220700	1	Fitting, Tee	
10	2220621	3	Fitting, Reducer	
12	2220366	2	Fitting, 90	
13	2220738	1	Fitting, Tee	
14	2220622	1	Fitting, Reducer	
15	2220594	1	Fitting, Straight	
17	2220775	2	Fitting, 90	
18	2220473	1	Fitting, 90	
19	2220385	1	Fitting, Tee	
20	2220619	3	Fitting, Reducer	
21	2220600	1	Fitting, Straight	
22	2220577	1	Fitting, Straight	
23	2220773	2	Fitting, 90	
24	4640005	1	Valve, Needle	
26	2900062	1	Mounting Kit	
27	2220466	1	Fitting, 90	
28	2220873	1	Fitting, 90	
29	2220428	1	Fitting, Quick Disconnect	
30	2220429	1	Fitting, Cap	
31	2180749	1	Fitting, 45 <b>(SN 32539 to Present)</b>	
32	0100020	AR	Sealant, Loctite (Not Shown)	
	2901440	Ref	<b>HOSE KIT</b>	4
101	2751398	2	Hose	
102	2752616	1	Hose	
103	2752622	2	Hose	
104	2752433	2	Hose	
105	2752461	1	Hose	
106	2752493	1	Hose	
107		Ref	Hose Options:	
107	2751006	2	Hose <b>(Prior to SN 66750)</b>	
107	2751006	1	Hose <b>(SN 66750 to Present)</b>	
108	2752462	2	Hose	
109	2751004	1	Hose	
110	2752657	1	Hose	
111	2752259	2	Hose	
112	2752504	1	Hose	
113		Ref	Hose Options:	
113	2752461	2	Hose <b>(Prior to SN 38569)</b>	
113	2750910	2	Hose <b>(SN 38569 to Present)</b>	
114 to 116	Not Required	0	Not Required	
117	2750999	1	Hose <b>(SN 66750 to Present)</b>	

## SECTION 6 - HYDRAULIC

FIGURE 6-2. HYDRAULIC DIAGRAM LIST

ITEM	PART NUMBER	QTY	DESCRIPTION	REV
		Ref	<b>Note: Information on diagrams not shown is available from JLG Service /Parts Department.</b>	
	2792275		Hydraulic Diagram - Standard	
	1282590		Hydraulic Diagram - Standard	

**SECTION 7 - ELECTRICAL**

# SECTION 7 - ELECTRICAL

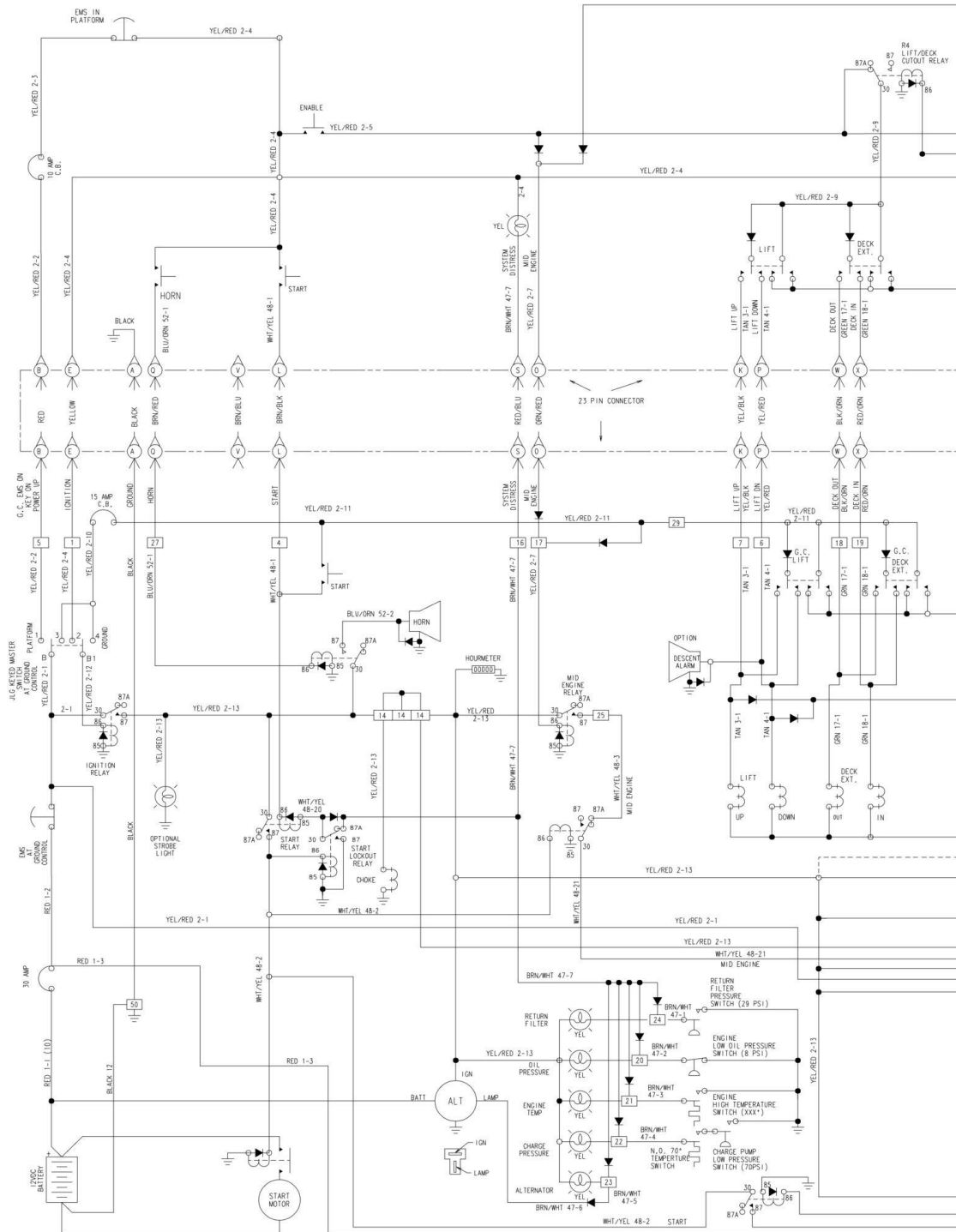
## FIGURE 7-1. ELECTRICAL DIAGRAM LIST

ITEM	PART NUMBER	QTY	DESCRIPTION	REV
		Ref	<b>Note: Diagrams not shown are available from the JLG Service Department.</b>	
	1282594	Ref	<b>ALARM ELECTRICAL DIAGRAM - DESCENT/MOTION/TRAVEL</b>	D
		Ref	<b>ALARM ELECTRICAL DIAGRAM - TILT OPTIONS:</b>	
	1282589	Ref	<b>Alarm Electrical Diagram - Tilt (Prior to SN 38569)</b>	B
	1282740	Ref	<b>Alarm Electrical Diagram - Tilt (SN 38569 to Present)</b>	B
		Ref	<b>LIGHTS ELECTRICAL DIAGRAMS</b>	
	0256535	Ref	<b>Work Lights</b>	C
	0258925	Ref	<b>Work Lights W/Folddown Rails</b>	B
	4933074	Ref	<b>GENERATOR ELECTRICAL DIAGRAM</b>	2
		Ref	<b>GROUND CONTROL BOX ELECTRICAL DIAGRAM OPTIONS:</b>	
	1282529	Ref	<b>Ground Control Box Electrical Diagram (Prior to SN 35428)</b>	G
	1282546	Ref	<b>Ground Control Box Electrical Diagram (SN 35428 to Present)</b>	B
	0256692	Ref	<b>OVERLOAD PROTECTION ELECTRICAL DIAGRAM - JAPANESE SPEC</b>	
		Ref	<b>PLATFORM CONTROL BOX ELECTRICAL DIAGRAM OPTIONS:</b>	
	1282550	Ref	<b>Standard (Prior to SN 35428)</b>	H
	1282660	Ref	<b>Standard (SN 35428 to Present)</b>	D
	1283023	Ref	<b>With 110 Volt Generator (SN 58034 to Present)</b>	B
	4921843	Ref	<b>PLATFORM TO GROUND ELECTRICAL DIAGRAM</b>	C
		Ref	<b>ELECTRICAL SCHEMATICS</b>	
		Ref	Standard Electrical Schematic - Vanguard Options:	
	1870042	Ref	Standard Electrical Schematic - Vanguard <b>(Prior to SN 35428)</b>	J
	1870048	Ref	Standard Electrical Schematic - Vanguard <b>(SN 35428 through 48112)</b>	B
	1870086	Ref	Standard Electrical Schematic - Vanguard <b>(SN 48113 through 59741)</b>	D
	1870103	Ref	Standard Electrical Schematic - Vanguard <b>(SN 59742 to Present)</b>	C
		Ref	Electrical Schematic - Vanguard With 110 Volt Generator Options:	
	1870091	Ref	Electrical Schematic - Vanguard With 110 Volt Generator <b>(SN 58034 through 59741)</b>	A
	1870104	Ref	Electrical Schematic - Vanguard With 110 Volt Generator <b>(SN 59742 to Present)</b>	D
		Ref	Standard Electrical Schematic - Yanmar Options:	
	1870043	Ref	Standard Electrical Schematic - Yanmar <b>(Prior to SN 35428)</b>	J
	1870049	Ref	Standard Electrical Schematic - Yanmar <b>(SN 35428 through 59741)</b>	C
	1870102	Ref	Standard Electrical Schematic - Yanmar <b>(SN 59742 to Present)</b>	C

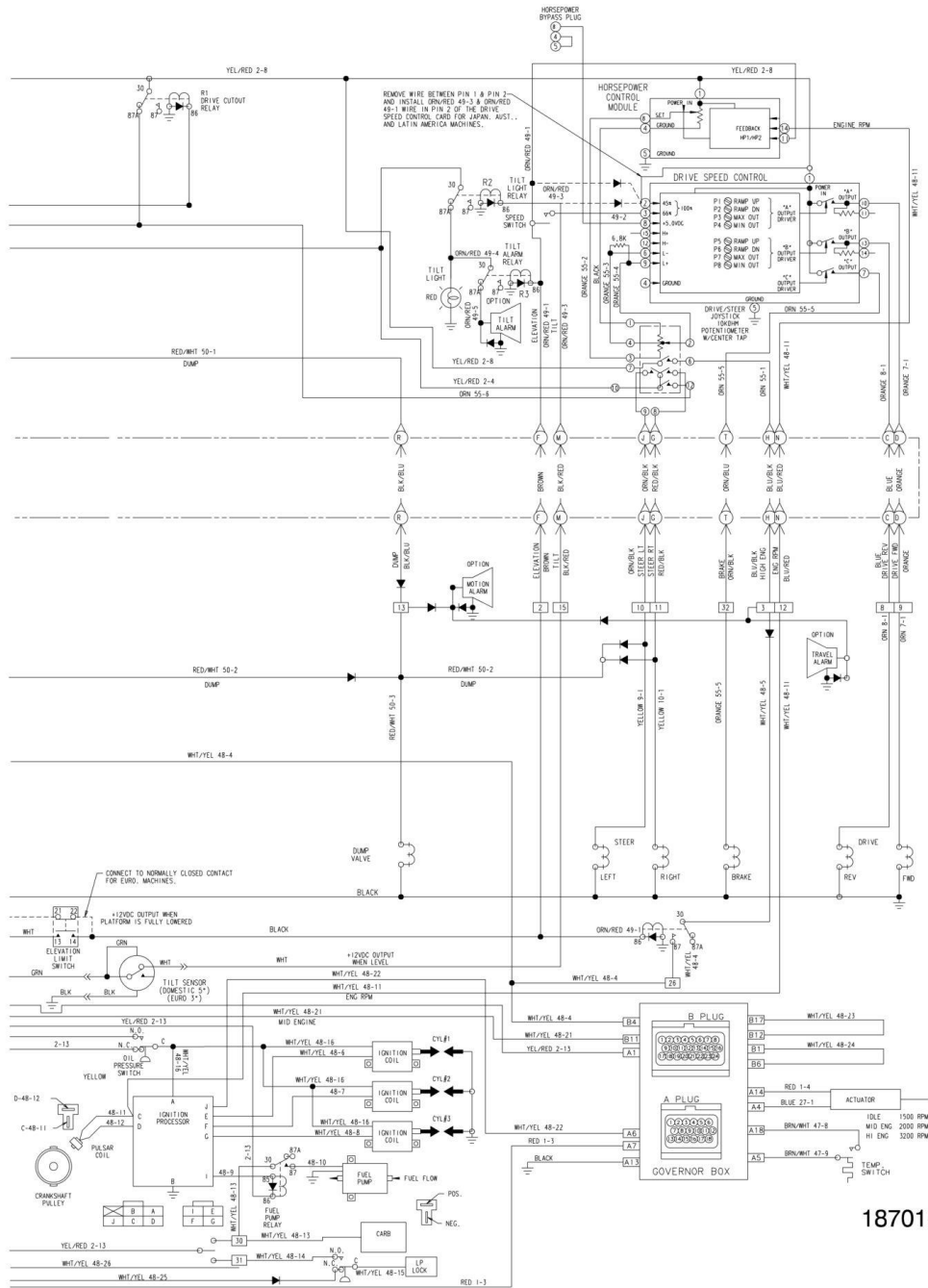


# SECTION 7 - ELECTRICAL

## FIGURE 7-2. ELECTRICAL SCHEMATIC - VANGUARD



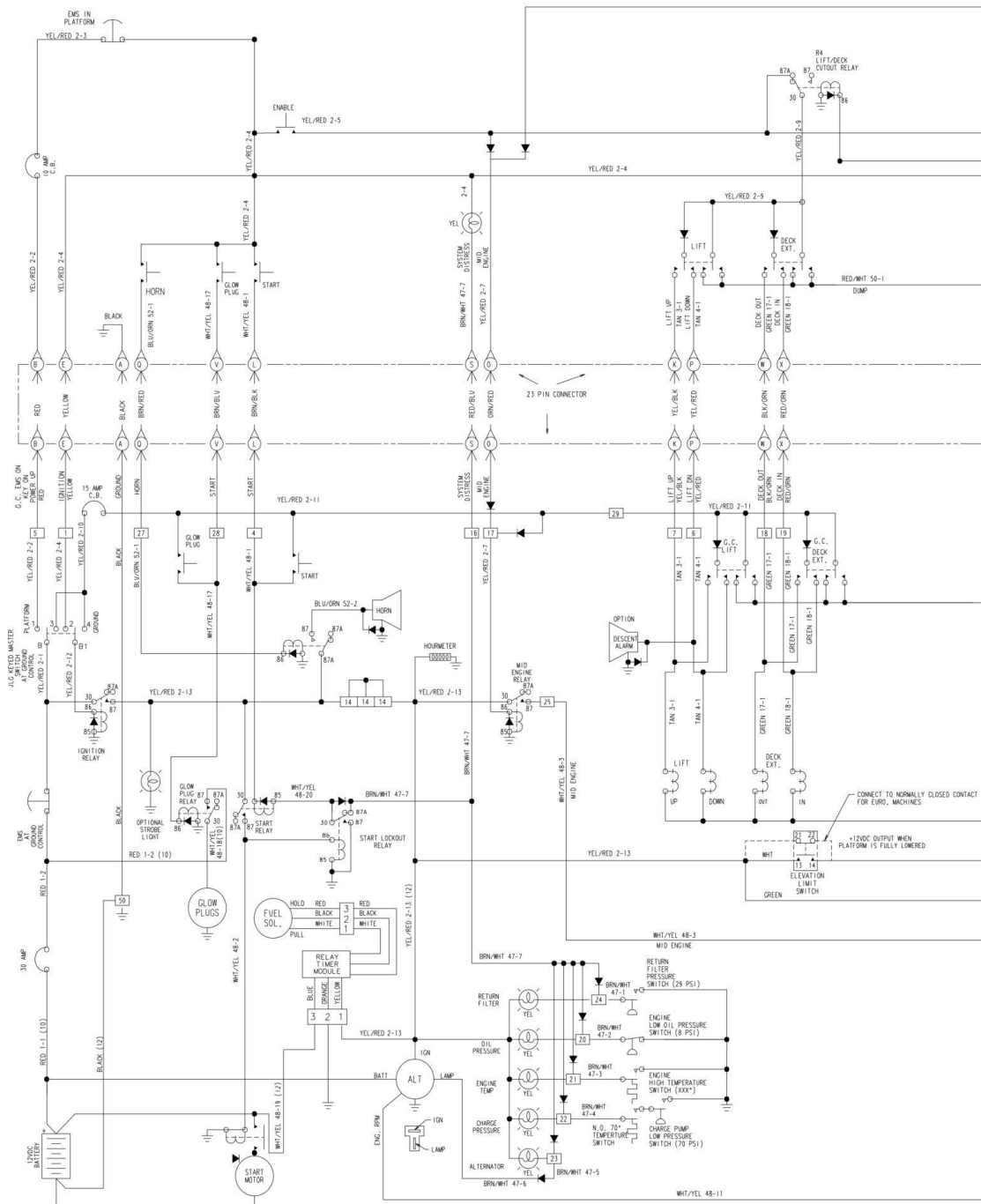
# SECTION 7 - ELECTRICAL



1870103\_C

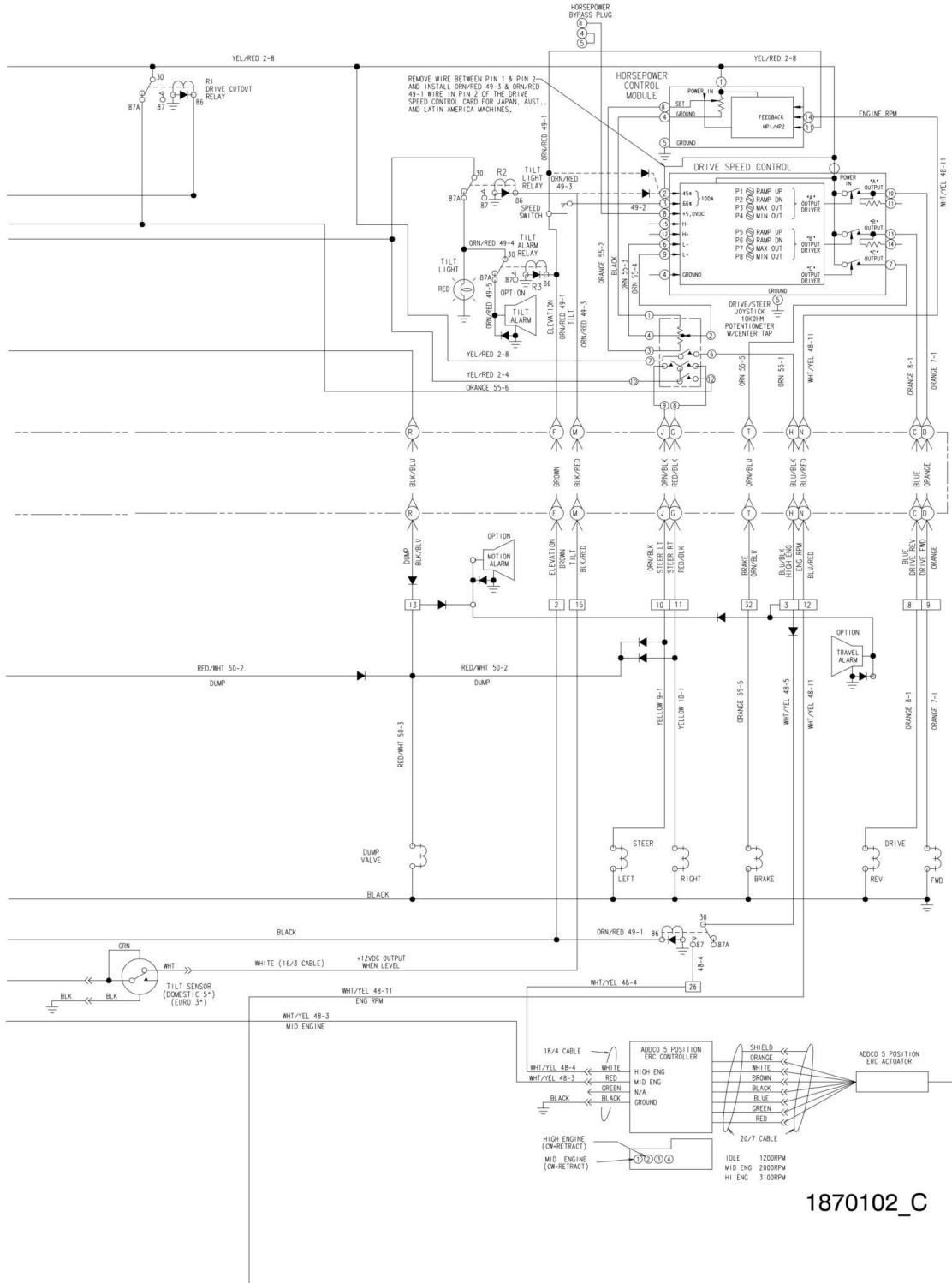
# SECTION 7 - ELECTRICAL

## FIGURE 7-3. ELECTRICAL SCHEMATIC - YANMAR





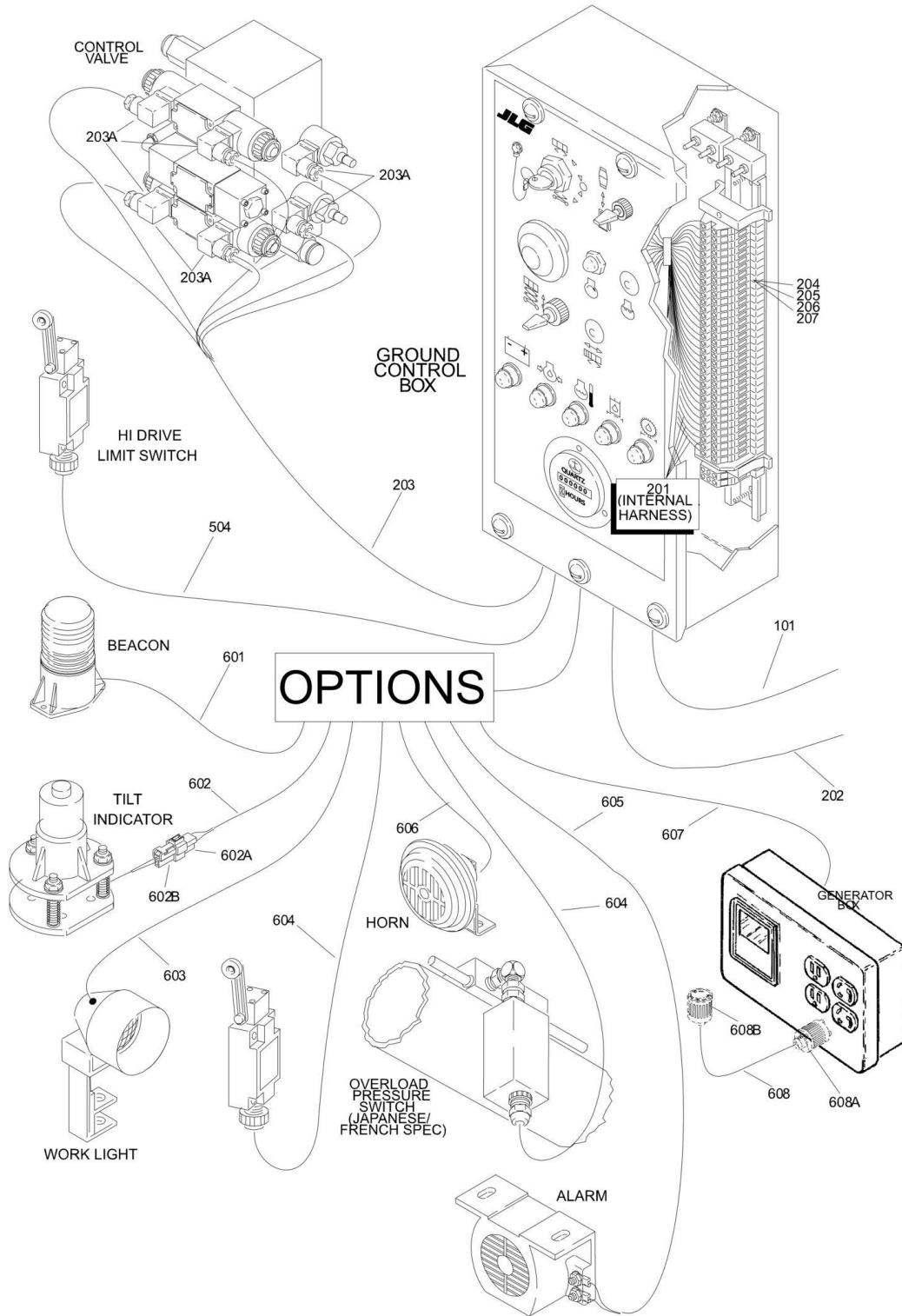
# SECTION 7 - ELECTRICAL



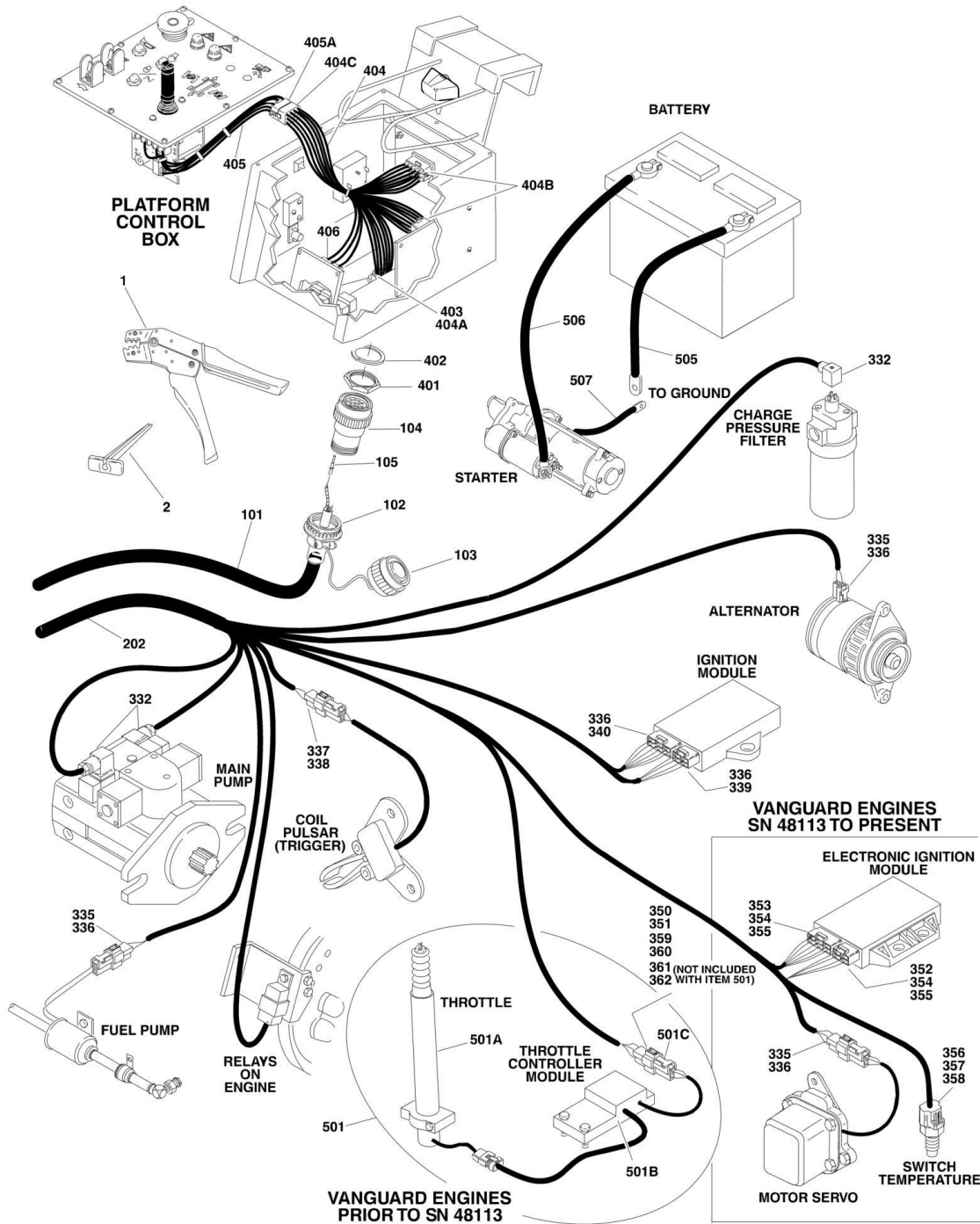
1870102\_C

# SECTION 7 - ELECTRICAL

## FIGURE 7-4. HARNESS AND CABLE ASSEMBLIES



# SECTION 7 - ELECTRICAL



# SECTION 7 - ELECTRICAL

## FIGURE 7-4. HARNESS AND CABLE ASSEMBLIES

ITEM	PART NUMBER	QTY	DESCRIPTION	REV
		Ref	<b>TOOLS</b>	
1	7002821	1	Crimper (For Wire to Pin/Socket Connections)	
2	4460467	1	Extractor - 16-18 Gauge (For Removal of Pins/Sockets form Deutsch Connectors)	
	4921843	Ref	<b>CABLE ASSEMBLIES - GROUND TO PLATFORM</b>	2
101	1060458	60 ft/18.3m	Cable, Electrical - 16/24 Options:	
102	4460473	1	Clamp, Cable	
103	4460468	1	Cap, Dust	
104	4460462	1	Connector - 23 Pin	
105	4460465	23	Socket, Female	
106	4460121	1	Wire, Cap (Not Shown)	
		Ref	<b>GROUND CONTROL BOX WIRING DIAGRAM OPTIONS:</b>	
	0256294	Ref	<b>Vanguard (Prior to SN 35428)</b>	D
	0256738	Ref	<b>Vanguard (SN 35428 to Present)</b>	5
	0259222	Ref	<b>Vanguard With 110 Volt Generator (SN 58034 to Present)</b>	3
	0256304	Ref	<b>Yanmar (Prior to SN 35428)</b>	D
	0256739	Ref	<b>Yanmar (SN 35428 to Present)</b>	3
201		Ref	Harness - Ground Control Options:	
201	4921836	1	Harness - Ground Control <b>(Prior to SN 35428)</b>	E
201	4921897	1	Harness - Ground Control <b>(SN 35428 to Present)</b>	4
201	3990010	AR	Diode - 6 Amp	
202		Ref	Harness - Engine Options: (See Items 301 to 346 for Breakdown)	
202	4921837	1	Vanguard <b>(Prior to SN 35428)</b>	G
202	4921898	1	Vanguard <b>(SN 35428 through 48112)</b>	2
202	4922182	1	Vanguard <b>(SN 48113 to Present)</b>	4
202	4921839	1	Yanmar <b>(Prior to SN 35428)</b>	D
202	4921900	1	Yanmar <b>(SN 35428 to Present)</b>	6
203		Ref	Harness - Valve Options:	
203	4921838	1	Harness - Valve <b>(Prior to SN 35428)</b>	C
203	4921899	1	Harness - Valve <b>(SN 35428 to Present)</b>	2
203A	4460449	8	Connector - DIN	
204		Ref	Harness - Light Bank Diode Options: (Located in Ground Control Box at Terminals 16 & 20-24)	
204	4921907	1	Harness - Light Bank Diode <b>(Prior to SN 35428)</b>	
204	4921910	1	Harness - Light Bank Diode <b>(SN 35428 to Present)</b>	1
204	3990010	2	Diode - 6 Amp	
205		Ref	Harness - Steer Dump Options: (Located in Ground Control Box at Terminals 10, 11 & 13)	
205	4921906	1	Harness - Steer Dump <b>(Prior to SN 35428)</b>	
205	4921909	1	Harness - Steer Dump <b>(SN 35428 to Present)</b>	2
205	3990010	AR	Diode - 6 Amp	
206		Ref	Harness - High Engine Lift Options: (Located in Ground Control Box at Terminals 6, 7 & 26)	
206	4921905	1	Vanguard <b>(Prior to SN 35428)</b>	
206	4921908	1	Vanguard <b>(SN 35428 to Present)</b>	1
206	Not Required	0	Yanmar	
206	3990010	2	Diode - 6 Amp	
207	4921961	1	Harness - Mid Engine Lockout Options: (Located in Ground Control Box at Terminals 17 & 29) <b>(SN 35428 to Present)</b>	
		Ref	<b>ENGINE HARNESS ASSEMBLY - VANGUARD OPTIONS:</b>	

## SECTION 7 - ELECTRICAL

ITEM	PART NUMBER	QTY	DESCRIPTION	REV
	4921837	Ref	<b>Vanguard (Prior to SN 35428)</b>	G
	4921898	Ref	<b>Vanguard (SN 35428 through 48112)</b>	2
	4922182	Ref	<b>Vanguard (SN 48113 to Present)</b>	4
332	4460449	3	Connector, DIN	
335	4460656	AR	Housing, Terminal	
336	4460657	AR	Terminal	
337	4460654	1	Housing, Terminal	
338	4460655	2	Terminal	
339	4460658	1	Housing, Terminal	
340	4460659	1	Housing, Terminal	
346	3990010	AR	Diode - 6 Amp (Not Shown)	
350	4460445	1	Receptacle <b>(SN 73846 to Present)</b>	
351	4460267	3	Pin <b>(SN 73846 to Present)</b>	
352	4460762	1	Connector - 18 Pin <b>(SN 48113 to Present)</b>	
353	4460763	1	Connector - 24 Pin <b>(SN 48113 to Present)</b>	
354	4460764	14	Pin <b>(SN 48113 to Present)</b>	
355	4460767	28	Plug, Pin Hole <b>(SN 48113 to Present)</b>	
356	4460765	1	Connector <b>(SN 48113 to Present)</b>	
357	4460766	2	Pin <b>(SN 48113 to Present)</b>	
358	4460768	2	Seal <b>(SN 48113 to Present)</b>	
359 to 362	Not Required	0	Not Required	
		Ref	<b>ENGINE HARNESS ASSEMBLY - YANMAR OPTIONS:</b>	
	4921839	Ref	<b>Engine Harness Assembly - Yanmar (Prior to SN 48113)</b>	D
	4921900	Ref	<b>Engine Harness Assembly - Yanmar (SN 48113 to Present)</b>	6
332	4460449	3	Connector, DIN	
335	4460445	1	Receptacle <b>(SN 73846 to Present)</b>	
336	4460267	3	Pin <b>(SN 73846 to Present)</b>	
337 to 340	Not Required	0	Not Required	
346	3990010	AR	Diode - 6 Amp (Not Shown)	
350	4460445	1	Receptacle <b>(Prior to SN 62149)</b>	
351	4460267	3	Pin <b>(Prior to SN 62149)</b>	
352 to 358	Not Required	0	Not Required	
359	4460777	1	Housing, Terminal <b>(SN 62149 to Present)</b>	
360	4460591	1	Lock, Terminal <b>(SN 62149 to Present)</b>	
361	4460589	3	Socket, Female <b>(SN 62149 to Present)</b>	
362	4460608	3	Seal <b>(SN 62149 to Present)</b>	
		Ref	<b>PLATFORM CONSOLE BOX ELECTRICAL DIAGRAM</b>	
	0256313	Ref	<b>Vanguard (Prior to SN 35428)</b>	F
	0256742	Ref	<b>Vanguard (SN 35428 to Present)</b>	6
	0256314	Ref	<b>Yanmar (Prior to SN 35428)</b>	F
	0256743	Ref	<b>Yanmar (SN 35428 to Present)</b>	6
401	4460470	1	Nut	
402	4460471	1	Lockwasher	
403	4460463	1	Connector - 23 Position	
404		Ref	Platform Box Harness Options:	
404	4921842	1	Standard <b>(Prior to SN 35428)</b>	G
404	4921901	1	Standard <b>(SN 35428 through 58989)</b>	3
404	4922288	1	Standard <b>(SN 58990 to Present)</b>	2
404	4922226	1	With 110 Volt Generator <b>(Prior to SN 62149)</b>	1
404	4922289	1	With 110 Volt Generator <b>(SN 62149 to Present)</b>	2
404	3990010	7	Diode - 6 Amp (Not Shown)	

## SECTION 7 - ELECTRICAL

ITEM	PART NUMBER	QTY	DESCRIPTION	REV
404	3990013	2	Diode - 1 Amp (Not Shown)	
404	1540015	1	Capacitor 100mf/25V <b>(Prior to SN 58990)</b>	
404	3730112	1	Resistor 2.4k Ohms 1/4 Watt <b>(Prior to SN 58990)</b>	
404	3730035	1	Resistor 1k Ohms 1/4 Watt <b>(Prior to SN 58990)</b>	
404	3730114	1	Resistor 6.8k Ohms 1/4 Watt	
404A	4460464	23	Pin, Male	
404B		Ref	Connector - 15 Pin Options:	
404B	4460620	2	Connector - 15 Pin <b>(Prior to SN 47483)</b>	
404B	4460720	2	Connector - 15 Pin <b>(SN 47483 to Present)</b>	
404B	4460621	15	Terminal Options:	
404B	4460621	15	Terminal <b>(Prior to SN 47483)</b>	
404B	4460721	15	Terminal <b>(SN 47483 to Present)</b>	
404C	4460343	1	Connector - 12 Pin	
404C	4460227	9	Pin	
405	Not Serviced	1	Controller Harness	
405A	4460367	1	CONNECTOR - 12 PIN	
405A	4460226	10	Socket, Female	
406	4460652	1	Connector - 15 Pin <b>(SN 35428 to Present)</b>	
406	4460653	3	Pin	
		Ref	<b>MISCELLANEOUS HARNESES AND CABLES</b>	
501	Not Available	1	Throttle Actuator/Controller Harness (Vanguard and Yanmar) (Vanguard Engine) <b>(Prior to SN 48113 Only)</b>	
501	2910000	1	Throttle Actuator and Controller Assembly (Was p/n Gas - 0060037 & Diesel - 0060038)	
501	7008833	1	Mounting Clamp Kit (Not Shown)	
501	7008836	1	Spring, Retract (Not Shown)	
501A	Not Available	1	Throttle Actuator and Harness (Purchase p/n 2910000)	
501A	7016336	1	Boot Kit	
501A	Not Serviced	8	Pin, Male	
501A	Not Serviced	1	Connector - 8 Position	
501B	2910001	1	Controller and Harnesses (Purchase p/n 2910000)	
501B	Not Serviced	8	Socket, Female	
501B	Not Serviced	1	Connector - 8 Position	
501C	Not Available	1	Connector - 4 Position	
501C	4460693	4	Pin, Male	
501C	4460592	1	Clip	
501C	4460608	4	Seal, Terminal	
504	Not Available	1	High Drive Cut-Out	
504	1060341	9 ft/2.7m	Cable, Electrical 16/2	
504	4460320	1	Connector - 2 Position	
504	4460268	2	Socket, Female	
505	1060360	1	Cable, Battery (Battery to Ground)	
506	1060632	1	Cable, Battery (Battery to Start Relay)	
507	1060221	1	Cable, Solenoid (Starter to Engine Tray)	
		Ref	<b>ACCESSORIES HARNESS ASSEMBLIES</b>	
601	Not Available	1	Harness Beacon	
601	1060341	10 ft/3.0m	Cable, Electrical - 18/2	
602	Not Available	1	Harness - Tilt Alarm	
602	1060330	6 ft/1.8m	Cable, Electrical - 16/3	
602A	4460445	1	Connector - 3 Pin	
602A	4460227	3	Pin Male	
602B	4460326	1	Plug, Connector	

## SECTION 7 - ELECTRICAL

ITEM	PART NUMBER	QTY	DESCRIPTION	REV
602B	4460226	3	Socket, Female	
603	Not Available	1	Harness - Worklight	
603	1060341	65 ft/20m	Cable, Electrical - 16/2	
604	Not Available	1	Harness - Overload (Japanese/French Spec)	
604	1060341	40 ft/12.2m	Cable, Electrical - 16/2	
605	Not Available	1	Harness - Alarm (Descent/Motion/Travel)	
605	1060341	4 ft/1.2m	Cable, Electrical - 16/2	
606	4922258	1	Harness - Horn	
606	1060341	AR	Cable, Electrical - 16/2	
607		Ref	Generator Electrical Components	
607	4933074	Ref	110 Volt	2
608	4922232	1	Harness - AC	
608	1060308	7 ft/2.1m	Cable 12/3	
608A	4460138	1	Plug, Male	
608B	4460779	1	Plug, Female	

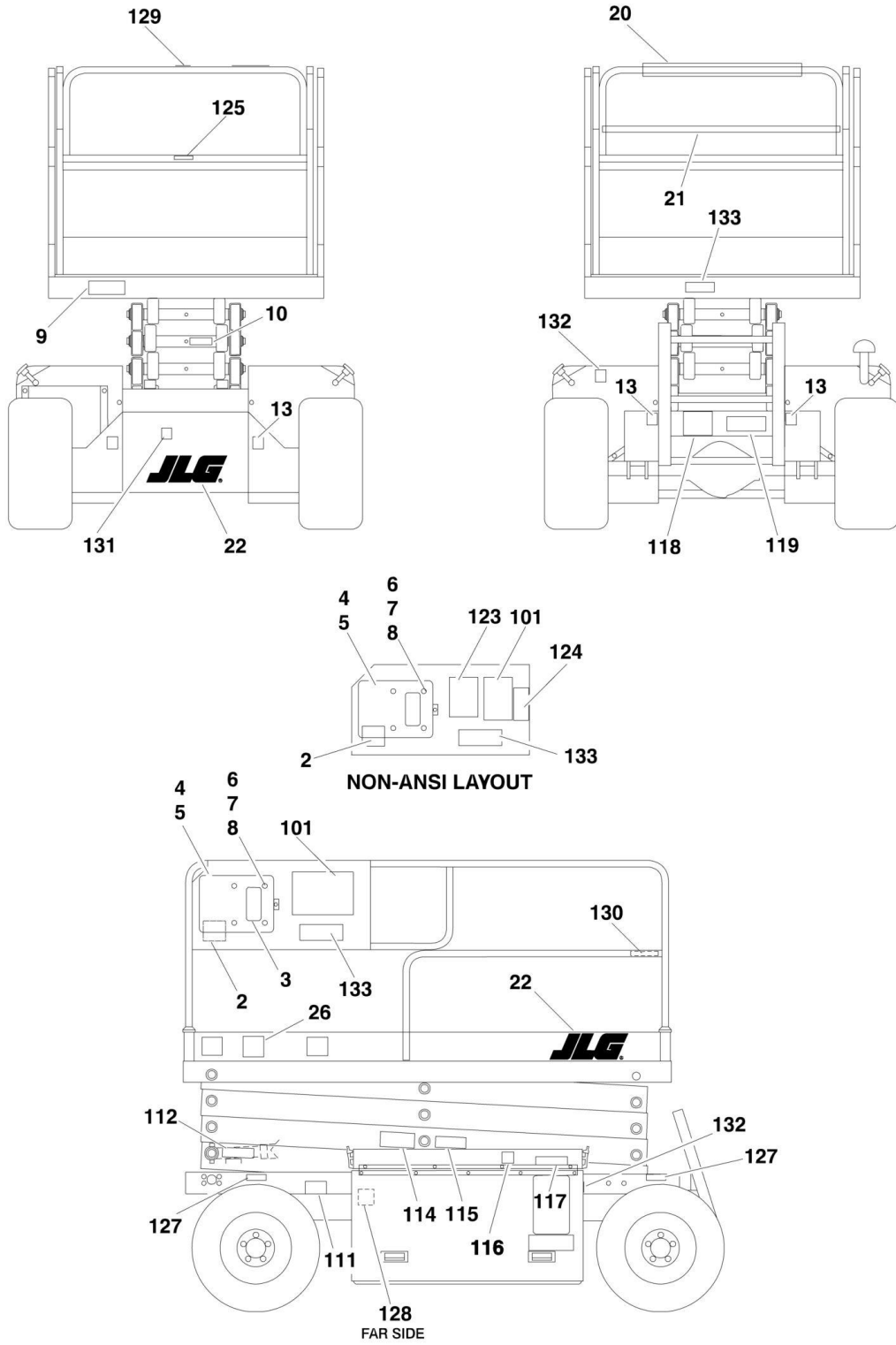




**SECTION 8 - DECALS**

# SECTION 8 - DECALS

## FIGURE 8-1. DECALS INSTALLATIONS



## SECTION 8 - DECALS

### FIGURE 8-1. DECALS INSTALLATIONS

ITEM	PART NUMBER	QTY	DESCRIPTION	REV
	0257048	Ref	<b>DECAL INSTALLATION (COMMON)</b>	2
2	3251813	1	Decal - USA	
3	1701509	1	Decal - Manual	
4	0860520	1	Box, Manual Storage	
5	1060279	1	Cable, Lanyard	
6	0641405	4	Bolt 1/4in-20NC x 5/8in	
7	4751400	8	Flatwasher 1/4in	
8	3311405	4	Locknut 1/4in-20NC	
9	3252492	1	Decal - 26MRT	
10	1702939	1	Decal - Safety Prop Location	
13	1702300	4	Decal - Tie Down	
20	3340612	2 ft/.61m	Pad, Bumper	
21		Ref	Tubing Options:	
21	2820024	2 ft/.61m	Tubing, Vinyl ( <b>Prior to SN 49766</b> )	
21	2820097	2 ft/.61m	Mesh ( <b>SN 49766 to Present</b> )	
22	1702773	3	Decal - JLG	
26	Not Available	1	Decal - Bar Code	
		Ref	<b>DECAL INSTALLATION (COUNTRY SPEC) OPTIONS:</b>	
	0256494	Ref	<b>ANSI</b>	7
	0257762	Ref	<b>Brazil</b>	3
	0257151	Ref	<b>ANSI French</b>	3
	0256495	Ref	<b>Japanese</b>	D
	0256496	Ref	<b>ANSI Spanish</b>	7
101		Ref	Decal - Danger Options:	
101	1702954	1	ANSI	
101	1703552	1	Brazil	
101	1703392	1	ANSI French	
101	3252149	1	Japanese	
101	3252459	1	ANSI Spanish ( <b>Prior to SN 29401</b> )	
101	3253393	1	ANSI Spanish ( <b>SN 29401 to Present</b> )	
111		Ref	Decal - Manual Descent Options:	
111	1701510	1	ANSI	
111	1701510	1	Brazil	
111	1701510	1	ANSI French	
111	1701628	1	Japanese	
111	1701510	1	ANSI Spanish	
112		Ref	Decal - Safety Prop Options:	
112	1701839	1	ANSI	
112	1703550	1	Brazil	
112	1701512	1	ANSI French	
112	1701622	1	Japanese	
112	1701856	1	ANSI Spanish	
114		Ref	Decal - Electrocution Options:	
114	1702250	2	ANSI	
114	1703612	2	Brazil	
114	1703499	2	ANSI French	
114	1701620	2	Japanese	
114	1702554	2	ANSI Spanish	
115		Ref	Decal - Crushing Options:	
115	1702246	2	ANSI	

## SECTION 8 - DECALS

ITEM	PART NUMBER	QTY	DESCRIPTION	REV
115	1703583	2	Brazil	
115	Not Required	0	ANSI French	
115	1701626	2	Japanese	
115	1702559	2	ANSI Spanish	
116	1701504	1	Decal - Hydraulic Fluid ( <b>Prior to SN 31728</b> )	
117		Ref	Decal - Ground Controls Options:	
117	1702248	1	ANSI	
117	1703554	1	Brazil	
117	1701515	1	ANSI French	
117	1701624	1	Japanese	
117	1701858	1	ANSI Spanish	
118		Ref	Decal - Inspection Options:	
118	1702153	1	ANSI	
118	Not Required	0	Brazil	
118	1703074	1	ANSI French	
118	1701621	1	Japanese	
118	1702552	1	ANSI Spanish	
119	Not Available	1	Nameplate - Serial Number	
123		Ref	Decal - Danger Options:	
123	Not Required	0	ANSI	
123	Not Required	0	Brazil	
123	Not Required	0	ANSI French	
123	3252149		Japanese	
123	Not Required	0	ANSI Spanish	
124	Not Required	0	Nameplate - Caution Options:	
124	Not Required	0	ANSI	
124	Not Required	0	Brazil	
124	Not Required	0	ANSI French	
124	3252158		Japanese	
124	Not Required	0	ANSI Spanish	
125		Ref	Decal - Capacity Extension Options:	
125	3251852	1	ANSI	
125	Not Required	0	Brazil	
125	Not Required	0	ANSI French	
125	Not Required	0	Japanese	
125	3252452	1	ANSI Spanish ( <b>Prior to SN 41017</b> )	
125	3252454	1	ANSI Spanish ( <b>SN 41017 to Present</b> )	
127		Ref	Decal - Legend Options:	
127	1703078	1	ANSI	
127	Not Required	0	Brazil	
127	Not Required	0	ANSI French	
127	Not Required	0	Japanese	
127	Not Required	0	ANSI Spanish	
128		Ref	Decal - Warning Fan	
128	3250914	1	ANSI	
128	1703162	1	Brazil	
128	Not Required	0	ANSI French	
128	Not Required	0	Japanese	
128	Not Required	0	ANSI Spanish	
129		Ref	Decal - Platform Control Box Location Options:	
129	3252136	1	ANSI	

## SECTION 8 - DECALS

ITEM	PART NUMBER	QTY	DESCRIPTION	REV
129	Not Required	0	Brazil	
129	Not Required	0	ANSI French	
129	Not Required	0	Japanese	
129	Not Required	0	ANSI Spanish	
130		Ref	Decal - Attach Lanyard Here Options <b>(SN 52320 to Present)</b>	
130	1702612	2	ANSI	
130	1703900	2	Brazil	
130	1703860	2	ANSI French	
130	Not Required	0	Japanese	
130	1702690	2	ANSI Spanish	
131		Ref	Decal - Tow Valve Options <b>(SN 35428 to Present)</b>	
131	1703030	1	ANSI	
131	1703634	1	Brazil	
131	1703172	1	ANSI French	
131	1703167	1	Japanese	
131	1703168	1	ANSI Spanish	
132		Ref	Decal - Fuel Options:	
132	1701505	1	Diesel	
132	1700430	1	Gas	
133		Ref	Nameplate - Capacity Options:	
133	3252463	2	ANSI	
133	3252566	2	Brazil	
133	3252527	2	ANSI French	
133	3252178	2	Japanese	
133	1703777	2	ANSI Spanish	
		Ref	Decal Kit Options:	
	2910031	1	ANSI/ANSI French (Includes Items 2, 3, 9, 10, 13, 22, 101, 111, 112, 114, 115, 117,118, 125, 127, 128, 129 & 131)	
	2900944	1	ANSI/ANSI French (Includes Items 2, 3, 9, 10, 13, 14, 20, 22, 101, 111, 112, 115, 117, 128, 130 & 131)	
	2910019	1	ANSI Spanish (Includes Items 2, 3, 9, 10, 22, 101, 111, 112, 114, 115, 117,118, 125, 130 & 131)	



## **SECTION 9 - RECOMMENDED SERVICE PARTS STOCK**

## **SECTION 9 - RECOMMENDED SERVICE PARTS STOCK**

# SECTION 9 - RECOMMENDED SERVICE PARTS STOCK

FIGURE 9-1. MODEL 26MRT STANDARD PARTS

ITEM	PART NUMBER	QTY	DESCRIPTION	REV
	Note	Ref	<b>Note: The following list will service fleets of machines (built to current production per date on the front cover) with emergency repair parts which can be installed in the field. Parts from the list should be replaced when inventory is depleted to keep service parts stock supplied. For further information, contact your JLG dealer or the JLG Industries Parts Department.</b>	
		Ref	<b>STANDARD PARTS</b>	
	4360342	1	Switch, Tilt Indicator, (for fleets of 1 to 4)	
	4360342	1	Switch, Tilt Indicator, (for fleets of 5 to 9)	
	4360342	1	Switch, Tilt Indicator, (for fleets of 10 or more)	
	7014803	1	Breather, (for fleets of 1 to 4)	
	7014803	2	Breather, (for fleets of 5 to 9)	
	7014803	3	Breather, (for fleets of 10 or more)	
	2120158	4	Element, Return Filter, (for fleets of 1 to 4)	
	2120158	8	Element, Return Filter, (for fleets of 5 to 9)	
	2120158	12	Element, Return Filter (for fleets of 10 or more)	
	2120150	4	Element, Pressure Filter, (for fleets of 1 to 4)	
	2120150	8	Element, Pressure Filter, (for fleets of 5 to 9)	
	2120150	12	Element, Pressure Filter, (for fleets of 10 or more)	
	7012944	1	Coil, (for fleets of 1 to 4)	
	7012944	1	Coil, (for fleets of 5 to 9)	
	7012944	1	Coil, (for fleets of 10 or more)	
	7012772	1	Coil, (for fleets of 1 to 4)	
	7012772	1	Coil, (for fleets of 5 to 9)	
	7012772	1	Coil, (for fleets of 10 or more)	
	7012773	1	Coil, (for fleets of 1 to 4)	
	7012773	1	Coil, (for fleets of 5 to 9)	
	7012773	1	Coil, (for fleets of 10 or more)	
	2910000	1	Actuator, Throttle, (for fleets of 1 to 4)	
	2910000	1	Actuator, Throttle, (for fleets of 5 to 9)	
	2910000	1	Actuator, Throttle, (for fleets of 10 or more)	
	7015004	12	Element, Air Filter, (for fleets of 1 to 4)	
	7015004	12	Element, Air Filter, (for fleets of 5 to 9)	
	7015004	12	Element, Air Filter, (for fleets of 10 or more)	
	3740049	1	Relay, (for fleets of 1 to 4)	
	3740049	1	Relay, (for fleets of 5 to 9)	
	3740049	1	Relay, (for fleets of 10 or more)	
	7018933	1	Coil, (for fleets of 1 to 4)	
	7018933	1	Coil, (for fleets of 5 to 9)	
	7018933	1	Coil, (for fleets of 10 or more)	
	4360216	1	Breaker, Circuit, (for fleets of 1 to 4)	
	4360216	1	Breaker, Circuit, (for fleets of 5 to 9)	
	4360216	1	Breaker, Circuit, (for fleets of 10 or more)	
	4360232	1	Breaker, Circuit, (for fleets of 1 to 4)	
	4360232	1	Breaker, Circuit, (for fleets of 5 to 9)	
	4360232	1	Breaker, Circuit, (for fleets of 10 or more)	
	4360387	1	Switch, Push Button, (for fleets of 1 to 4)	
	4360387	1	Switch, Push Button, (for fleets of 5 to 9)	
	4360387	1	Switch, Push Button, (for fleets of 10 or more)	



## SECTION 9 - RECOMMENDED SERVICE PARTS STOCK

ITEM	PART NUMBER	QTY	DESCRIPTION	REV
	4360430	1	Switch, Key, (for fleets of 1 to 4)	
	4360430	1	Switch, Key, (for fleets of 5 to 9)	
	4360430	1	Switch, Key, (for fleets of 10 or more)	
	7016339	1	Key, Replacement, (for fleets of 1 to 4)	
	7016339	1	Key, Replacement, (for fleets of 5 to 9)	
	7016339	1	Key, Replacement, (for fleets of 10 or more)	
	4360395	1	Switch, Mushroom, (for fleets of 1 to 4) <b>(Prior to SN 58371)</b>	
	4360395	1	Switch, Mushroom, (for fleets of 5 to 9) <b>(Prior to SN 58371)</b>	
	4360395	1	Switch, Mushroom, (for fleets of 10 or more) <b>(Prior to SN 58371)</b>	
	4360289	1	Switch, Mushroom, (for fleets of 1 to 4) <b>(SN 58371 to Present)</b>	
	4360289	1	Switch, Mushroom, (for fleets of 5 to 9) <b>(SN 58371 to Present)</b>	
	4360289	1	Switch, Mushroom, (for fleets of 10 or more) <b>(SN 58371 to Present)</b>	
	4360314	1	Switch, Toggle, (for fleets of 1 to 4)	
	4360314	1	Switch, Toggle, (for fleets of 5 to 9)	
	4360314	1	Switch, Toggle, (for fleets of 10 or more)	
	1001101076	1	Snap-Hook, (for fleets of 1 to 4)	
	1001101076	1	Snap-Hook, (for fleets of 5 to 9)	
	1001101076	1	Snap-Hook, (for fleets of 10 or more)	
	1600218	1	Card, Circuit, (for fleets of 1 to 4)	
	1600218	1	Card, Circuit, (for fleets of 5 to 9)	
	1600218	1	Card, Circuit, (for fleets of 10 or more)	
	4360118	1	Relay, Delay, (for fleets of 1 to 4) <b>(Prior to SN 58990)</b>	
	4360118	1	Relay, Delay, (for fleets of 5 to 9) <b>(Prior to SN 58990)</b>	
	4360118	1	Relay, Delay, (for fleets of 10 or more) <b>(Prior to SN 58990)</b>	
	4360339	1	Switch, Push Button, (for fleets of 1 to 4)	
	4360339	1	Switch, Push Button, (for fleets of 5 to 9)	
	4360339	1	Switch, Push Button, (for fleets of 10 or more)	
	4360267	1	Contact, Switch, (for fleets of 1 to 4)	
	4360267	1	Contact, Switch, (for fleets of 5 to 9)	
	4360267	1	Contact, Switch, (for fleets of 10 or more)	
	1600241	1	Controller, Directional, (for fleets of 1 to 4) <b>(Prior to SN 58990)</b>	
	1600241	1	Controller, Directional, (for fleets of 5 to 9) <b>(Prior to SN 58990)</b>	
	1600241	1	Controller, Directional, (for fleets of 10 or more) <b>(Prior to SN 58990)</b>	
	1600296	1	Controller, Directional, (for fleets of 1 to 4) <b>(SN 58990 to Present)</b>	
	1600296	1	Controller, Directional, (for fleets of 5 to 9) <b>(SN 58990 to Present)</b>	
	1600296	1	Controller, Directional, (for fleets of 10 or more) <b>(SN 58990 to Present)</b>	
	4360336	1	Switch, Toggle, (for fleets of 1 to 4)	
	4360336	1	Switch, Toggle, (for fleets of 5 to 9)	
	4360336	1	Switch, Toggle, (for fleets of 10 or more)	
	4360069	1	Breaker, Circuit, (for fleets of 1 to 4)	
	4360069	1	Breaker, Circuit, (for fleets of 5 to 9)	
	4360069	1	Breaker, Circuit, (for fleets of 10 or more)	
	4360282	1	Block, Switch Contact, (for fleets of 1 to 4)	
	4360282	1	Block, Switch Contact, (for fleets of 5 to 9)	
	4360282	1	Block, Switch Contact, (for fleets of 10 or more)	
	7003789	1	Switch, Steer - 1600241, (for fleets of 1 to 4)	
	7003789	1	Switch, Steer - 1600241, (for fleets of 5 to 9)	
	7003789	1	Switch, Steer - 1600241, (for fleets of 10 or more)	
	7011974	1	Electrical Assembly - 1600241, (for fleets of 1 to 4)	
	7011974	1	Electrical Assembly - 1600241, (for fleets of 5 to 9)	
	7011974	1	Electrical Assembly - 1600241, (for fleets of 10 or more)	

## SECTION 9 - RECOMMENDED SERVICE PARTS STOCK

ITEM	PART NUMBER	QTY	DESCRIPTION	REV
	7011975	1	Potentiometer - 1600241, (for fleets of 1 to 4)	
	7011975	1	Potentiometer - 1600241, (for fleets of 5 to 9)	
	7011975	1	Potentiometer - 1600241, (for fleets of 10 or more)	
	7011992	1	Switch, Steer - 1600296, (for fleets of 1 to 4)	
	7011992	1	Switch, Steer - 1600296, (for fleets of 5 to 9)	
	7011992	1	Switch, Steer - 1600296, (for fleets of 10 or more)	
	7020525	1	Electrical Assembly - 1600296, (for fleets of 1 to 4)	
	7020525	1	Electrical Assembly - 1600296, (for fleets of 5 to 9)	
	7020525	1	Electrical Assembly - 1600296, (for fleets of 10 or more)	
	7011975	1	Potentiometer - 1600296, (for fleets of 1 to 4)	
	7011975	1	Potentiometer - 1600296, (for fleets of 5 to 9)	
	7011975	1	Potentiometer - 1600296, (for fleets of 10 or more)	
	3990013	2	Diode - 1 Amp, (for fleets of 1 to 4)	
	3990013	2	Diode - 1 Amp, (for fleets of 5 to 9)	
	3990013	2	Diode - 1 Amp, (for fleets of 10 or more)	
	3990010	2	Diode - 6 Amp, (for fleets of 1 to 4)	
	3990010	2	Diode - 6 Amp, (for fleets of 5 to 9)	
	3990010	2	Diode - 6 Amp, (for fleets of 10 or more)	



# SECTION 9 - RECOMMENDED SERVICE PARTS STOCK

## FIGURE 9-2. MODEL 26MRT VARIABLE PARTS

ITEM	PART NUMBER	QTY	DESCRIPTION	REV
	Note	Ref	<b>Note: The following list will service fleets of machines (built to current production per date on the front cover) with emergency repair parts which can be installed in the field. Parts from the list should be replaced when inventory is depleted to keep service parts stock supplied. For further information, contact your JLG dealer or the JLG Industries Parts Department.</b>	
		Ref	<b>VARIABLE PARTS</b>	
	4360397	1	Switch, Limit, (for fleets of 1 to 4)	
	4360397	1	Switch, Limit, (for fleets of 5 to 9)	
	4360397	1	Switch, Limit, (for fleets of 10 or more)	
	1660229	1	Coupling Pump (Vanguard), (for fleets of 1 to 4)	
	1660229	1	Coupling Pump (Vanguard), (for fleets of 5 to 9)	
	1660229	1	Coupling Pump (Vanguard), (for fleets of 10 or more)	
	7017600	12	Filter, Engine Oil (Vanguard), (for fleets of 1 to 4)	
	7017600	12	Filter, Engine Oil (Vanguard), (for fleets of 5 to 9)	
	7017600	12	Filter, Engine Oil (Vanguard), (for fleets of 10 or more)	
	7017606	1	Coil, Ignition (Vanguard), (for fleets of 1 to 4)	
	7017606	1	Coil, Ignition (Vanguard), (for fleets of 5 to 9)	
	7017606	1	Coil, Ignition (Vanguard), (for fleets of 10 or more)	
	7017621	1	Module, Ignition (Vanguard), (for fleets of 1 to 4)	
	7017621	1	Module, Ignition (Vanguard), (for fleets of 5 to 9)	
	7017621	1	Module, Ignition (Vanguard), (for fleets of 10 or more)	
	7017659	1	Module, Electronic Ignition (Vanguard), (for fleets of 1 to 4)	
	7017659	1	Module, Electronic Ignition (Vanguard), (for fleets of 5 to 9)	
	7017659	1	Module, Electronic Ignition (Vanguard), (for fleets of 10 or more)	
	7017655	1	Motor, Servo (Vanguard), (for fleets of 1 to 4)	
	7017655	1	Motor, Servo (Vanguard), (for fleets of 5 to 9)	
	7017655	1	Motor, Servo (Vanguard), (for fleets of 10 or more)	
	7017500	1	Switch, Fuel Shut-Off (Dual Fuel Machines), (for fleets of 1 to 4)	
	7017500	1	Switch, Fuel Shut-Off (Dual Fuel Machines), (for fleets of 5 to 9)	
	7017500	1	Switch, Fuel Shut-Off (Dual Fuel Machines), (for fleets of 10 or more)	
	1660228	1	Coupling Pump (Yanmar), (for fleets of 1 to 4)	
	1660228	1	Coupling Pump (Yanmar), (for fleets of 5 to 9)	
	1660228	1	Coupling Pump (Yanmar), (for fleets of 10 or more)	
	7018103	12	Filter, Engine Oil (Yanmar), (for fleets of 1 to 4)	
	7018103	12	Filter, Engine Oil (Yanmar), (for fleets of 5 to 9)	
	7018103	12	Filter, Engine Oil (Yanmar), (for fleets of 10 or more)	
	7018111	12	Filter, Engine Fuel (Yanmar), (for fleets of 1 to 4)	
	7018111	12	Filter, Engine Fuel (Yanmar), (for fleets of 5 to 9)	
	7018111	12	Filter, Engine Fuel (Yanmar), (for fleets of 10 or more)	
	7018116	1	Solenoid, ETR Stop (Yanmar), (for fleets of 1 to 4)	
	7018116	1	Solenoid, ETR Stop (Yanmar), (for fleets of 5 to 9)	
	7018116	1	Solenoid, ETR Stop (Yanmar), (for fleets of 10 or more)	
	4360448	1	Breaker, Circuit (With Optional Worklights), (for fleets of 1 to 4)	
	4360448	1	Breaker, Circuit (With Optional Worklights), (for fleets of 5 to 9)	
	4360448	1	Breaker, Circuit (With Optional Worklights), (for fleets of 10 or more)	
	4360277	1	Switch, Limit (Platform Extension Interlock), (for fleets of 1 to 4)	
	4360277	1	Switch, Limit (Platform Extension Interlock), (for fleets of 5 to 9)	
	4360277	1	Switch, Limit (Platform Extension Interlock), (for fleets of 10 or more)	

## SECTION 9 - RECOMMENDED SERVICE PARTS STOCK

ITEM	PART NUMBER	QTY	DESCRIPTION	REV
	1600249	1	Card, Circuit (Vanguard), (for fleets of 1 to 4)	
	1600249	1	Card, Circuit (Vanguard), (for fleets of 5 to 9)	
	1600249	1	Card, Circuit (Vanguard), (for fleets of 10 or more)	
	1600250	1	Card, Circuit (Yanmar), (for fleets of 1 to 4)	
	1600250	1	Card, Circuit (Yanmar), (for fleets of 5 to 9)	
	1600250	1	Card, Circuit (Yanmar), (for fleets of 10 or more)	
	1600291	1	Card, Circuit (With Hydraulic Drive Generator), (for fleets of 1 to 4)	
	1600291	1	Card, Circuit (With Hydraulic Drive Generator), (for fleets of 5 to 9)	
	1600291	1	Card, Circuit (With Hydraulic Drive Generator), (for fleets of 10 or more)	



**SECTION 10 - SPECIAL OPTIONS**

## SECTION 10 - SPECIAL OPTIONS

FIGURE 10-1. SPECIAL OPTIONS

ITEM	PART NUMBER	QTY	DESCRIPTION	REV
	Note	Ref	<b>Note: This list is to accommodate machines ordered with special equipment. Options may not be applicable to all models. For more specific parts information contact JLG Parts Department.</b>	
		Ref	<b>MISCELLANEOUS SPECIAL OPTIONS</b>	
	0270095	Ref	<b>AIR LINE INSTALLATION</b>	
	0252972	Ref	<b>DECAL INSTALLATION - CSA</b>	
	3252191	1	Decal - CSA	
		Ref	<b>DECAL INSTALLATION - PROP 65 WARNING</b>	
	0256487	Ref	<b>Diesel Machines</b>	
	1702962	1	Decal	
	0256488	Ref	<b>Gas Machines</b>	
	1702961	1	Decal	
	1702788	1	<b>DECAL - BIODEGRADABLE OIL</b>	
		Ref	<b>ELECTRICAL CONNECTOR KITS</b>	
	1001148902	Ref	Amp/Tyco Electrical Connector Kit	
	1001148903	Ref	Deutsch DT Electrical Connector Kit	
	1001148904	Ref	Deutsch HD Electrical Connector Kit	
	1001148905	Ref	Packard Electrical Connector Kit	
	1001148906	Ref	Various Electrical Connectors Kit	
		Ref	<b>Filter Kits:</b>	
		Ref	Combined Filter Kit Options (Hydraulic/Air and Fuel/Engine Oil):	
		Ref	Vanguard Engine	
	2910932	1	Vanguard Engine (was p/n 2910453) <b>(Prior to SN 0200048113)</b>	
	1001150359	1	Vanguard Engine <b>(SN 0200048113 to Present)</b>	
	1001111696	1	Yanmar Engine (was p/n 2910469 & 2910935)	
		Ref	Hydraulic/Air Filter Options:	
	1001150359	1	Vanguard Engine	
	1001111669	1	Yanmar Engine	
		Ref	Fuel/Engine Oil Filter Options:	
	1001150359	1	Vanguard Engine	
	1001111682	1	Yanmar Engine	
	2901814	1	<b>KIT - TIE-STRAPS</b>	
	0257049	Ref	<b>PIPE RACKS INSTALLATION</b>	
	0100040	2	<b>SEALANT</b>	
		Ref	<b>TOOLS FOR SERVICE</b>	
	7002818	1	Crimper (For Wire to Pin/Socket Connections)	
	7002823	1	Extractor (For Removal of Pin/Socket from Connectors)	
	4460467	1	Extractor, Pin (Blue 16-18 Gauge) (For Removal of Pin/Socket from Connectors)	
	4460510	1	Extractor, Pin (Yellow 12-14 Gauge) (For Removal of Pin/Socket from Connectors)	
	7004275	1	Seal Tool (For 1in Diameter Seals)	
	7004276	1	Seal Tool (For 1 1/2in Diameter Seals)	
	7002826	1	Seal Tool (For 2in Diameter Seals)	
	7002820	1	Arbor Set	
	7002840	1	Anti-Rotation Pin Removal Tool	



**PART NUMBER INDEX**

## SECTION 10 - SPECIAL OPTIONS

0080190.....91, 95	0256536..... 55	0440162..... 9	0902270..... 35, 39
0080221.....46	0256543..... 21, 82	0480034..... 25	0902289..... 29
0080222.....45	0256558..... 65	0630370..... 29	0902299..... 81
0080223.....45	0256586..... 11	0630488..... 11	0902322..... 21
0080225.....45	0256608..... 62	0641404..... 36, 40, 81	0902456..... 81
0100001.....30	0256609..... 66	0641405 ... 39, 43, 55, 57, 70, 78, 119	0902515..... 25
0100011 ... 11, 25, 29, 35, 40, 43, 46, 69, 73, 77, 91, 95	0256684..... 21	0641406 ... 25, 30, 36, 46, 54, 57, 62, 70, 78	0902560..... 39
0100020.....45, 101	0256691 ... 21, 55, 91, 95, 104	0641407..... 21	0902589..... 39
0100035..... 53, 81, 97	0256694..... 11	0641408 ... 22, 25, 35, 77	0920103..... 11, 17
0100038.....91	0256696..... 11	0641410..... 55	0940036..... 57
0100040..... 132	0256701..... 69	0641416..... 66, 74, 78	0960238..... 53
0100080.....62	0256722..... 22	0641418..... 66	0960239..... 66
0140001.....30	0256738..... 53, 112	0641420..... 69, 73	0961621.....9
0140011.....82	0256739..... 53, 112	0641424..... 77	0961833..... 73
0140024.....22	0256742..... 81, 113	0641430..... 25	0961897..... 91
0181684..... 70, 74, 78	0256743..... 81, 113	0641505..... 65, 66	0962010..... 61
0181847.....82	0256827..... 61	0641506 ... 29, 35, 45, 91, 95	0962012..... 91, 95
0200531.....61	0256927..... 11	0641507..... 25	0962015..... 61, 62
0200532.....61	0256951..... 65	0641508 9, 21, 22, 29, 35, 40, 46, 61, 62	0962031..... 36, 46
0200533.....61	0257048..... 119	0641510..... 70, 74, 78	0962069..... 65
0200535.....61	0257049..... 132	0641512 ... 36, 40, 70, 74, 78	0962154..... 65
0200536.....61	0257151..... 119	0641516..... 61, 70, 78	1001101076... 69, 77, 125
0200537.....61	0257217..... 21, 82	0641522..... 21, 61, 65	1001111669..... 132
0251250.....69	0257219..... 21, 82	0641530..... 29	1001111682..... 132
0251395.....69	0257224..... 11	0641608 ... 21, 35, 39, 40, 45, 46, 69, 73	1001111696..... 132
0252587.....62	0257225..... 73	0641609..... 25	1001148902..... 132
0252679.....77	0257463..... 77	0641624..... 22	1001148903..... 132
0252693.....70	0257477..... 70	0641676..... 74	1001148904..... 132
0252972..... 132	0257485..... 77	0641812..... 36, 40, 46	1001148905..... 132
0253392.....77	0257487..... 73	0641818..... 35, 39, 45	1001148906..... 132
0253478.....65	0257589..... 46	0641844..... 11	1001150359..... 132
0253479.....66	0257590..... 21	0642016..... 9	1060221... 36, 40, 46, 114
0254082.....70	0257696..... 69	0651404..... 30	1060279..... 119
0255113..... 11	0257698..... 69	0651405..... 36	1060308..... 25, 65, 115
0255118.....9	0257719..... 73	0681520..... 61	1060330..... 21, 114
0255959..... 35	0257720..... 73	0681610..... 25	1060341... 21, 22, 66, 92, 95, 114, 115
0255961..... 11	0257762..... 119	0700605..... 36, 40	1060360..... 30, 114
0256064.....62	0257985..... 69	0700805..... 46	1060377..... 91, 95
0256120.....29	0257986..... 69	0700808..... 36	1060379..... 55
0256271.....45	0257990..... 69	0700810..... 35, 40	1060458..... 112
0256292..... 57	0258291..... 70	0700812..... 36, 40, 45	1060632..... 30, 114
0256293.....55	0258292..... 77	0701012 ... 36, 40, 45, 46	1060643..... 91, 95
0256294..... 53, 112	0258404..... 81	0701015..... 46	1060664..... 95
0256303.....55	0258405..... 81	0721004..... 54	1120064..... 11
0256304..... 53, 112	0258632..... 69	0721006..... 21, 65	1120387..... 97
0256313..... 81, 113	0258636..... 73	0721008..... 36, 46	1120472..... 62
0256314..... 81, 113	0258646..... 73	0722603..... 54	1120473..... 62
0256350.....43, 55	0258649..... 70	0750806..... 54	1120474..... 62
0256353.....21	0258687..... 39	0760605..... 35	1120475..... 62
0256354.....21	0258756..... 25	0840035..... 66	1120477..... 29
0256355.....61	0258925..... 55, 66, 104	0860038..... 65	1260017..... 77, 78
0256413.....65	0259053..... 81	0860520..... 119	1260136..... 69, 77
0256426..... 21, 82	0259054..... 81	0861032..... 81	1282529..... 104
0256487..... 132	0259057..... 25	0861338..... 53	1282546..... 104
0256488..... 132	0259221..... 55	0901546..... 66	1282550..... 104
0256491.....22	0259222..... 53, 112	0901650..... 25	1282589..... 104
0256492.....22	0270095..... 132	0901830..... 70, 78	1282590..... 102
0256493.....22	0280148..... 11, 19	0901930..... 66	1282594..... 104
0256494..... 119	0280150..... 11, 19	0902151..... 91, 95	1282660..... 104
0256495..... 119	0340045..... 35, 39, 45	0902263..... 45	1282740..... 104
0256496..... 119	0361912..... 70, 78	0902265..... 45	1283023..... 104
0256531.....65	0362063..... 66		1320014..... 36, 46
0256532.....65	0362591..... 55		1320016..... 43, 46
0256533.....65	0400002..... 29		1320022..... 36, 40, 46
0256535..... 55, 66, 104	0400003..... 29		1320023..... 21

## SECTION 10 - SPECIAL OPTIONS

1320031	36, 40	1702939	119	2220515	97	2900062	101
1320033	36, 40, 46	1702954	119	2220577	101	2900792	91
1320041	66	1702961	132	2220594	101	2900944	121
1320061	36, 62, 65, 74	1702962	132	2220600	101	2901178	97
1320095	36	1703030	121	2220603	101	2901273	91
1320224	70, 78	1703067	12	2220619	101	2901352	61
1320265	40	1703074	120	2220620	101	2901414	35, 39
1340033	35, 39, 45	1703078	120	2220621	101	2901415	45
1340057	35, 39, 45	1703162	120	2220622	101	2901440	101
1360265	11	1703167	121	2220648	46	2901456	43
1380132	74	1703168	121	2220695	101	2901504	62
1380136	29	1703172	121	2220700	101	2901571	78
1540015	114	1703392	119	2220738	101	2901573	70
1600218	81, 125	1703499	119	2220773	101	2901814	132
1600241	81, 85, 125	1703550	119	2220775	101	2910000	35, 45, 114, 124
1600249	81, 129	1703552	119	2220873	101	2910001	114
1600250	81, 129	1703554	120	2220883	91	2910019	121
1600291	82, 129	1703583	120	2220885	91	2910031	121
1600296	81, 87, 125	1703612	119	2221015	91, 95	2910175	39
1660220	36, 46	1703634	121	2360388	9	2910479	29
1660222	36, 46	1703777	121	2360413	9	2910932	132
1660228	45, 128	1703860	121	2420009	54	2920026	82
1660229	37, 41, 128	1703900	121	2420033	54	2920028	53
1682364	97	1704189	82	2460011	25	2920029	53, 82
1682528	97	1780267	71	2540002	62, 65	2920087	66
1683061	91	1870042	104	2540032	35, 39, 45	2920092	66
1683239	9, 97	1870043	104	2560010	71	2920111	66
1683240	97	1870048	104	2560088	70, 74, 77	2920146	21
1683353	91	1870049	104	2560122	29	2940006	71
1683355	91	1870086	104	2560123	29	2940061	70, 78
1683363	61, 91	1870091	104	2560124	57	2940095	57
1683474	61, 95	1870102	104	2560141	82	2980113	70, 77
1683694	97	1870103	104	2600161	54	3010088	69, 77
1683697	9, 97	1870104	104	2600217	57	3020008	11
1692617	91, 95	2000140	35, 36	2720015	35, 40	3020022	9
1700430	35, 39, 121	2000145	45, 47	2720058	36, 40, 46	3160202	11, 15
1700818	43	2000158	39, 40	2720063	36, 40	3160235	25
1701502	30	2120146	29	2720116	43	3200381	35, 39, 45
1701503	30	2120150	29, 124	2720271	46	3220109	35, 39, 45
1701504	30, 120	2120157	29	2720420	36, 40	3250914	120
1701505	46, 121	2120158	29, 124	2720421	36, 40	3251243	65
1701509	119	2180348	46	2720422	46	3251813	119
1701510	119	2180360	43	2720426	43	3251852	70, 78, 120
1701512	119	2180387	43	2720431	47	3252080	74
1701515	120	2180418	43	2720433	43	3252136	70, 74, 120
1701620	119	2180666	46	2720444	43	3252149	119, 120
1701621	120	2180749	101	2750532	36, 46	3252158	120
1701622	119	2180812	36, 40	2750910	101	3252178	121
1701624	120	2200213	46	2750999	101	3252191	132
1701626	120	2200233	46	2751004	101	3252296	70
1701628	119	2200462	46	2751006	101	3252452	120
1701683	54, 82	2220240	30	2751398	101	3252454	120
1701839	119	2220250	36, 46	2752259	101	3252459	119
1701856	119	2220317	36, 40	2752433	101	3252463	121
1701858	120	2220366	101	2752461	101	3252486	81
1702153	120	2220371	101	2752462	101	3252491	53
1702246	119	2220385	101	2752493	101	3252492	119
1702248	120	2220408	101	2752504	101	3252507	65
1702250	119	2220415	101	2752616	101	3252527	121
1702300	119	2220428	101	2752622	101	3252566	121
1702552	120	2220429	101	2752657	101	3252627	81
1702554	119	2220435	101	2780221	9	3252633	53
1702559	120	2220440	91, 95	2792275	101, 102	3253393	119
1702612	69, 121	2220466	101	2820024	119	3300029	29
1702690	121	2220472	97	2820025	65	3300047	66
1702773	119	2220473	101	2820036	21, 22	3300048	53, 66
1702788	132	2220497	101	2820097	69, 77, 119	3300177	54

## SECTION 10 - SPECIAL OPTIONS

3300233.....	30	3510671.....	74	3720011.....	43	4240116.....	62
3300255.....	9, 11	3520026.....	54, 55	3730035.....	114	4240117.....	29
3300373.....	69, 73, 77	3520071.....	22	3730112.....	114	4240118.....	29
3300375.....	69, 73, 77	3520072....	66, 69, 73, 77	3730114.....	114	4240125.....	61, 62
3300407.....	9, 12	3534743.....	69	3740049... 36,	40, 53, 82,	4240127.....	62
3310601.....	53, 82	3534995.....	66	124		4240128.....	61
3311001....	21, 25, 53, 55,	3535492.....	77	3740058.....	55	4280295.....	29
71, 82		3537609.....	74	3740063.....	55	4340569.....	25
3311005....	21, 36, 46, 73,	3537619.....	70, 74, 78	3740118.....	81	4360069.....	82, 125
82		3539265.....	62	3740126.....	47	4360118.....	125
3311401....	21, 53, 55, 66,	3539459.....	35, 39	3760141.....	97	4360203.....	82
77, 78		3539460.....	35, 39	3760170.....	55, 91, 95	4360216.....	53, 124
3311402.....	91, 95	3539461.....	35, 39	3760348.....	70, 74, 78	4360232.....	53, 124
3311405....	22, 25, 30, 36,	3539465.....	35, 39, 45	3760370.....	91	4360236.....	66
39, 46, 55, 57,	62, 66,	3539484.....	35, 39	3760387.....	61	4360267.....	81, 125
69, 70, 73, 74,	78, 119	3539542.....	57	3780182.....	9	4360277.....	66, 128
3311501.....	78	3539676.....	35, 39	3790012.... 43,	53, 55, 81	4360278.....	66
3311505 9,	21, 25, 29, 35,	3539690.....	57	3820001.....	70	4360282.....	82, 125
39, 45, 61, 62,	65, 66,	3539692.....	45	3820019.... 30,	57, 69, 73	4360289.....	53, 82, 125
70, 74, 78		3539693.....	45	3841074.....	70	4360314.....	54, 81, 125
3311601.....	29	3539700.....	57	3841127.....	91, 95	4360336.....	82, 125
3311605....	21, 22, 25, 35,	3539701.....	57	3841146.....	9	4360339.....	81, 125
39, 45, 69, 73,	74	3539838.....	73	3841201.....	77	4360342.....	124
3311805....	11, 35, 39, 45	3539929.....	36, 40	3841233.....	70, 74, 78	4360345.....	43, 55
3312005.....	9	3570090.....	74	3841307.....	45	4360348.....	21
3312202.....	70, 74, 78	3570381.....	69, 73	3841315.....	35	4360357.....	43
3313003.....	9	3571696.....	57	3860052.....	70, 78	4360362.....	21
3321001.....	54	3580134.....	25	3860054.....	97	4360387... 53,	55, 81, 124
3321402....	36, 46, 91, 95	3580273.....	25	3860059.....	70, 74, 78	4360395.....	53, 81, 125
3321602.....	46	3600199.....	45, 51	3860080.....	97	4360397.....	21, 128
3321801.....	97	3600256.....	35, 45, 49	3900168.....	66	4360405.....	36, 40
3321802.....	97	3600304.....	39, 45	3900177.....	81	4360430.....	53, 125
3321805.....	11	3620035.....	35, 39	3900178.....	81	4360448.....	55, 128
3322002.....	9	3620037.....	45	3900184.....	69, 73, 77	4360469.....	53
3322202.....	70	3640614.....	73	3900217.....	36, 46	4360475.....	53, 82
3340564.....	77	3640713.....	69	3900256.....	40, 65	4360476.....	82
3340612.....	69, 119	3640727.....	69, 73	3910616.....	82	4400040.....	21
3340629.....	65	3640728.....	69	3910804.....	54	4400371.....	29
3340644.....	9	3640730.....	73	3911008.....	54, 55	4400383.....	29
3340645.....	61, 62	3640731.....	73	3911012.....	82	4400401.....	29
3340807.....	61	3640738.....	77	3911016.....	25, 71	4420008.....	81
3340841....	61, 62	3640740.....	77	3911024.....	21, 82	4420037.....	29, 53
3421895.....	65	3640742.....	77	3911034.....	73	4420038.....	29
3421913.....	77, 78	3640743.....	77	3911432.....	74	4420055.....	73
3422483.....	61	3640745.....	77	3931416.....	66	4460035.....	21, 22
3422485.....	61	3640748.....	77	3931720.....	91	4460051.....	53, 65, 66
3422487.....	61	3640749.....	77	3931824.....	11	4460052.....	21, 62, 66
3422488.....	61	3640753.....	77	3941004.....	74	4460071.....	53, 66
3422554.....	61	3640761.....	77	3941406.....	39, 62	4460121.....	112
3422587.....	61	3640865.....	53	3980003.....	29	4460138.....	25, 65, 115
3422597.....	61	3641130.....	69	3990010 22,	54, 112, 113,	4460190.....	65
3422610.....	9	3641131.....	69	126		4460205.....	65
3422723.....	70, 78	3641160.....	73	3990013.....	114, 126	4460226.. 21,	85, 87, 114,
3430416.....	77, 78	3641173.....	73	4060092.....	65	115	
3450203.....	77, 78	3641193.....	73	4060700.....	65	4460227... 21,	85, 87, 114
3450405.....	91, 95	3641194.....	73	4060802.....	81	4460234.... 40,	46, 54, 82
3450810.....	9	3641195.....	73	4060807.....	30	4460267.....	47, 113
3480153.....	97	3641210.....	69, 73	4060925.....	57	4460268.....	47, 114
3480211.....	91	3641213.....	69	4070809.....	9	4460298.....	53
3510317.....	70	3641215.....	73	4070987.....	54	4460299.....	53
3510392.....	77	3641268.....	69	4120013.....	55	4460300.....	53
3510530.....	65	3641281.....	69, 73	4130286.....	9	4460301.....	53
3510541.....	65	3641282.....	73	4160078.....	70, 78	4460303.....	54
3510591.....	70	3641283.....	69	4160150.....	36	4460305.....	53
3510593.....	77	3641288.....	73	4220044.....	91, 95	4460306.....	53
3510594.....	73	3641289.....	73	4240033... 40,	46, 62, 65,	4460307.....	53
3510669.....	70	3641300.....	69	66, 82		4460309.....	53

## SECTION 10 - SPECIAL OPTIONS

4460320	114	4640717	91, 95	4921842	82, 113	7010958	51
4460326	21, 47, 114	4640859	29	4921843	104, 112	7010959	51
4460343	85, 87, 114	4640977	29, 33	4921897	54, 112	7010960	51
4460346	65	4641100	25	4921898	54, 112, 113	7010961	51
4460367	85, 87, 114	4711000	65	4921899	54, 112	7010978	51
4460428	91, 95	4711400	25, 30, 39, 43, 57, 69, 70, 74, 77, 78, 91, 95	4921900	54, 112, 113	7011120	11
4460445	21, 47, 113, 114			4921901	82, 113	7011121	11
4460449	112, 113			4921905	112	7011122	11
4460462	112	4711500	30, 61, 65	4921906	54, 112	7011123	11
4460463	81, 113	4711600	74	4921907	54, 112	7011710	17
4460464	114	4711800	11	4921908	112	7011734	17
4460465	112	4712200	70, 77	4921909	54, 112	7011735	17
4460467	112, 132	4740066	70, 77	4921910	54, 112	7011736	17
4460468	112	4740120	54, 81	4921960	54	7011737	17
4460470	81, 113	4740185	36, 40, 46	4921961	54, 112	7011738	17
4460471	81, 113	4740274	35, 39, 45	4922182	54, 112, 113	7011739	17
4460473	112	4740438	61	4922226	82, 113	7011740	17
4460510	132	4740442	36, 46	4922232	25, 115	7011741	17
4460589	113	4740468	25	4922258	115	7011742	17
4460591	113	4750600	82	4922288	82, 113	7011743	17
4460592	114	4751000	21, 40, 71, 73, 82	4922289	82, 113	7011744	17
4460608	113, 114			4933074	104, 115	7011931	85
4460620	114	4751400	22, 25, 36, 40, 46, 55, 62, 66, 69, 73, 77, 119	7000209	37	7011932	85
4460621	114			7000191	15	7011933	85
4460652	114	4751500	9, 21, 25, 29, 35, 36, 40, 46, 61, 62, 65, 70, 74, 78	7000192	15	7011934	85
4460653	114			70002087	37	7011935	85
4460654	113			7002157	15	7011936	85
4460655	113			7002159	15	7011940	85, 87
4460656	113	4751600	21, 22, 25, 29, 35, 39, 69, 73	7002818	132	7011974	85, 125
4460657	113			7002820	132	7011975	85, 87, 126
4460658	113	4751800	36, 40, 46	7002821	112	7011983	87
4460659	113	4752200	9, 70, 74, 78	7002823	132	7011991	87
4460693	114	4760600	82	7002826	132	7011992	87, 126
4460720	114	4761000	21, 25, 53, 55, 65, 71, 82	7002840	132	7011997	87
4460721	114			7003226	95	7012513	25
4460762	113	4761400	21, 53, 55, 66, 77, 78	7003657	25	7012519	9
4460763	113			7003714	85	7012520	9
4460764	113	4761500	29, 78	7003771	87	7012521	9
4460765	113	4761600	45	7003772	85	7012522	9
4460766	113	4770600	53	7003789	85, 125	7012523	9
4460767	113	4791400	70, 78, 81	7003790	85, 87	7012524	9
4460768	113	4811700	36, 40, 46	7003791	85, 87	7012539	25
4460777	113	4843706	70, 78	7004275	132	7012541	9
4460779	25, 115	4844185	21	7004276	132	7012542	9
4520168	11	4844562	53	7005312	95	7012543	9
4520169	11	4845040	61	7005315	95	7012558	25
4520170	11	4845077	21	7005356	95	7012593	81
4520185	11	4845296	57	7007937	17	7012611	53, 82
4520186	11	4845297	57	7007941	17	7012612	53, 82
4520187	11	4845300	57	7007943	17	7012688	66
4520194	11	4845301	57	7007954	17	7012770	33
4520195	11	4845316	57	7008833	114	7012772	33, 124
4565008	91	4845337	29	7008836	114	7012773	33, 124
4565191	77	4845388	22	7009774	17	7012795	33
4565203	69	4845427	74	7009905	15	7012940	29
4565261	77	4845428	74	7009913	15	7012941	33
4566618	97	4845431	61	7009918	15	7012942	25
4566987	30, 45	4845475	61	7009940	15	7012944	33, 124
4567057	73	4845865	25	7009979	15	7012952	29
4567086	36	4845911	22	7009980	15	7012953	29
4567104	35, 39, 45	4845938	81	7010543	33	7012954	29
4569675	46	4845990	46	7010594	51	7012955	29
4621905	54	4920140	66	7010699	25	7012961	29
4621908	54	4921836	54, 112	7010953	51	7012966	33
4640005	101	4921837	54, 112, 113	7010955	51	7012967	33
4640113	12	4921838	54, 112	7010956	51	7012998	33
4640509	91	4921839	54, 112, 113	7010957	51	7014802	29

## SECTION 10 - SPECIAL OPTIONS

7014803.....	29, 124	7017602.....	37, 41	7018111.....	47, 128	7019007.....	19
7014901.....	15	7017603.....	37, 40	7018112.....	47	7019008.....	19
7014902.....	15	7017604.....	37, 41	7018113.....	47	7019009.....	19
7014903.....	15	7017605.....	37, 41	7018116.....	47, 128	7019010.....	19
7014904.....	15	7017606.....	37, 40, 128	7018117.....	47	7019011.....	19
7014905.....	15	7017607.....	37, 41	7018118.....	47	7019012.....	19
7014906.....	15	7017609.....	37, 41	7018119.....	47	7019013.....	19
7014907.....	15	7017610.....	37	7018144.....	47	7019014.....	19
7014908.....	15	7017611.....	37, 41	7018145.....	47	7019015.....	19
7014909.....	15	7017612.....	37, 41	7018146.....	47	7019016.....	19
7014910.....	15	7017613.....	37, 41	7018147.....	47	7019017.....	19
7014911.....	15	7017614.....	37, 41	7018600.....	17	7019018.....	19
7015004.....	35, 39, 45, 124	7017615.....	37, 41	7018601.....	17	7019019.....	19
7015005.....	35, 39, 45	7017616.....	37, 41	7018700.....	12	7019020.....	19
7015006.....	35, 39, 45	7017617.....	36	7018701.....	11	7019021.....	19
7015007.....	35, 39, 45	7017620.....	37, 40	7018702.....	11	7019022.....	19
7016312.....	29	7017621.....	37, 41, 128	7018900.....	33	7019023.....	19
7016313.....	29	7017622.....	37, 41	7018901.....	33	7019024.....	19
7016315.....	53, 82	7017627.....	37	7018903.....	33	7019025.....	19
7016319.....	21	7017630.....	37	7018904.....	33	7019026.....	19
7016334.....	45	7017632.....	37	7018905.....	26, 33	7019027.....	19
7016335.....	45	7017633.....	37	7018906.....	33	7019029.....	19
7016336.....	45, 114	7017634.....	37	7018907.....	33	7019033.....	19
7016339.....	53, 125	7017635.....	37	7018908.....	33	7019034.....	19
7016360.....	9	7017636.....	37	7018909.....	33	7019618.....	35, 39
7016372.....	21	7017637.....	37, 40	7018910.....	33	7019874.....	95
7016379.....	81	7017638.....	37, 40	7018911.....	33	7019932.....	37, 40
7016603.....	66	7017639.....	37, 40	7018912.....	33	7020108.....	25
7016606.....	35, 39	7017640.....	36	7018923.....	35, 39	7020109.....	25
7017372.....	95	7017641.....	36, 37, 40	7018924.....	35, 39	7020112.....	12
7017384.....	95	7017642.....	37	7018925.....	49	7020113.....	12
7017385.....	95	7017643.....	37	7018926.....	49	7020174.....	53
7017386.....	95	7017644.....	37	7018927.....	49	7020175.....	54, 82
7017387.....	95	7017646.....	37, 41	7018929.....	49	7020176.....	54, 82
7017388.....	95	7017652.....	40	7018930.....	49	7020194.....	25
7017402.....	25	7017653.....	40	7018931.....	49	7020501.....	87
7017415.....	33	7017654.....	41	7018932.....	49	7020502.....	87
7017416.....	33	7017655.....	41, 128	7018933.....	49, 124	7020503.....	87
7017417.....	33	7017656.....	41	7018934.....	49	7020504.....	87
7017453.....	25	7017657.....	37, 41	7018935.....	49	7020509.....	87
7017500.....	43, 128	7017659.....	41, 128	7018936.....	49	7020511.....	87
7017501.....	43	7017663.....	41	7018937.....	49	7020518.....	87
7017504.....	43	7017667.....	41	7018938.....	49	7020520.....	87
7017505.....	43	7017668.....	41	7018939.....	49	7020525.....	87, 126
7017508.....	43	7017669.....	37, 40	7018940.....	49	7020528.....	87
7017510.....	43	7017670.....	41	7018953.....	49	7020541.....	87
7017511.....	43	7017671.....	41	7018975.....	47	7021370.....	26
7017512.....	43	7018100.....	47	7018983.....	49	7021371.....	26
7017513.....	43	7018101.....	47	7018984.....	49	7021372.....	26
7017514.....	43	7018102.....	47	7019000.....	19	7021617.....	25
7017517.....	43	7018103.....	47, 128	7019001.....	19	7023362.....	41
7017518.....	43	7018104.....	47	7019002.....	19	7024016.....	49
7017519.....	43	7018105.....	47	7019003.....	19	7024414.....	37, 41
7017520.....	43	7018106.....	47	7019004.....	19	7026199.....	25
7017521.....	43	7018107.....	47	7019005.....	19	7026544.....	29
7017600.....	37, 40, 128	7018108.....	47	7019006.....	19		





**Corporate Office  
JLG Industries, Inc.  
1 JLG Drive  
McConnellsburg, PA 17233-9533 USA  
☎ (717) 485-5161 (Corporate)  
☎ (877) 554-5438 (Customer Support)  
📠 (717) 485-6417**

**Visit our website for JLG Worldwide Locations.  
[www.jlg.com](http://www.jlg.com)**



**OSHKOSH™**