



---

# Illustrated Parts Manual

## ***Model 26MRT***

P/N  
3120893

*October 17, 2013*



---

An Oshkosh Corporation Company



## REVISION LOG

February 4, 2000 - Original Issue Of Manual (Was part of complete Manual #3120844) (Edited to 0010520 Revision 37)

October 30, 2000 - Revised (Edited to 0010520 Revision 37)

February 25, 2004 - Revised

September 15, 2007 - Revised

June 24, 2011 - Revised

October 17, 2013 - Revised





# TABLE OF CONTENTS

SECTION 1 - FRAME.....	7
FIGURE 1-1. FRAME AND STEERING INSTALLATION .....	8
FIGURE 1-2. REAR DRIVE INSTALLATION.....	10
FIGURE 1-3. DRIVE MOTOR ASSEMBLY .....	12
FIGURE 1-4. DRIVE BRAKE ASSEMBLY.....	14
FIGURE 1-5. DRIVE AXLE ASSEMBLY.....	16
FIGURE 1-6. FRAME MOUNTED COMPONENTS INSTALLATION .....	18
SECTION 2 - GROUND COMPONENTS.....	21
FIGURE 2-1. CONTROL VALVES AND TANKS INSTALLATION.....	22
FIGURE 2-2. CONTROL VALVES ASSEMBLY .....	26
FIGURE 2-3. VANGUARD GAS ENGINE INSTALLATION (Prior to SN 48113) .....	28
FIGURE 2-4. VANGUARD GAS ENGINE INSTALLATION (SN 48113 to Present) .....	32
FIGURE 2-5. DUAL FUEL INSTALLATION (VANGUARD MACHINES ONLY).....	36
FIGURE 2-6. YANMAR DIESEL ENGINE INSTALLATION.....	38
FIGURE 2-7. PISTON PUMP ASSEMBLY .....	42
FIGURE 2-8. GEAR PUMP ASSEMBLY (YANMAR ENGINE).....	44
FIGURE 2-9. GROUND CONTROLS INSTALLATION.....	46
FIGURE 2-10. HOOD INSTALLATIONS .....	50
SECTION 3 - SCISSOR ARMS.....	53
FIGURE 3-1. SCISSOR ARMS INSTALLATION .....	54
FIGURE 3-2. ARM GUARDS INSTALLATION (Prior to SN 54142).....	58
FIGURE 3-3. ARM GUARDS INSTALLATION (SN 54142 to Present).....	60
SECTION 4 - PLATFORM.....	63
FIGURE 4-1. PLATFORM COMPONENTS INSTALLATION - MANUALLY OPERATED EXTENSION.....	64
FIGURE 4-2. STANDARD HANDRAILS AND EXTENSION INSTALLATION (MANUALLY OPERATED PLATFORM).....	68
FIGURE 4-3. PLATFORM CONSOLE BOX ASSEMBLY .....	72
FIGURE 4-4. CONTROLLER ASSEMBLY (Prior to SN 58990) .....	76
FIGURE 4-5. CONTROLLER ASSEMBLY (SN 58990 to Present).....	78
SECTION 5 - CYLINDERS.....	81
FIGURE 5-1. LIFT CYLINDER COMPONENTS ASSEMBLY (Prior to SN 26916).....	82
FIGURE 5-2. LIFT CYLINDER COMPONENTS ASSEMBLY (SN 26916 to Present) .....	86
FIGURE 5-3. STEER CYLINDER ASSEMBLY.....	88
SECTION 6 - HYDRAULIC .....	91
FIGURE 6-1. HYDRAULIC DIAGRAM - STANDARD.....	92
FIGURE 6-2. HYDRAULIC DIAGRAM LIST .....	96
SECTION 7 - ELECTRICAL .....	97
FIGURE 7-1. ELECTRICAL DIAGRAM LIST.....	98
FIGURE 7-2. ELECTRICAL SCHEMATIC - VANGUARD .....	100
FIGURE 7-3. ELECTRICAL SCHEMATIC - YANMAR .....	102
FIGURE 7-4. HARNESS AND CABLE ASSEMBLIES.....	104

# TABLE OF CONTENTS

SECTION 8 - DECALS .....	111
FIGURE 8-1. DECALS INSTALLATIONS .....	112
SECTION 9 - RECOMMENDED SERVICE PARTS STOCK .....	115
FIGURE 9-1. MODEL 26MRT STANDARD PARTS.....	116
FIGURE 9-2. MODEL 26MRT VARIABLE PARTS.....	120
SECTION 10 - SPECIAL OPTIONS .....	123
FIGURE 10-1. SPECIAL OPTIONS .....	124
PART NUMBER INDEX.....	125

**SECTION 1 - FRAME**



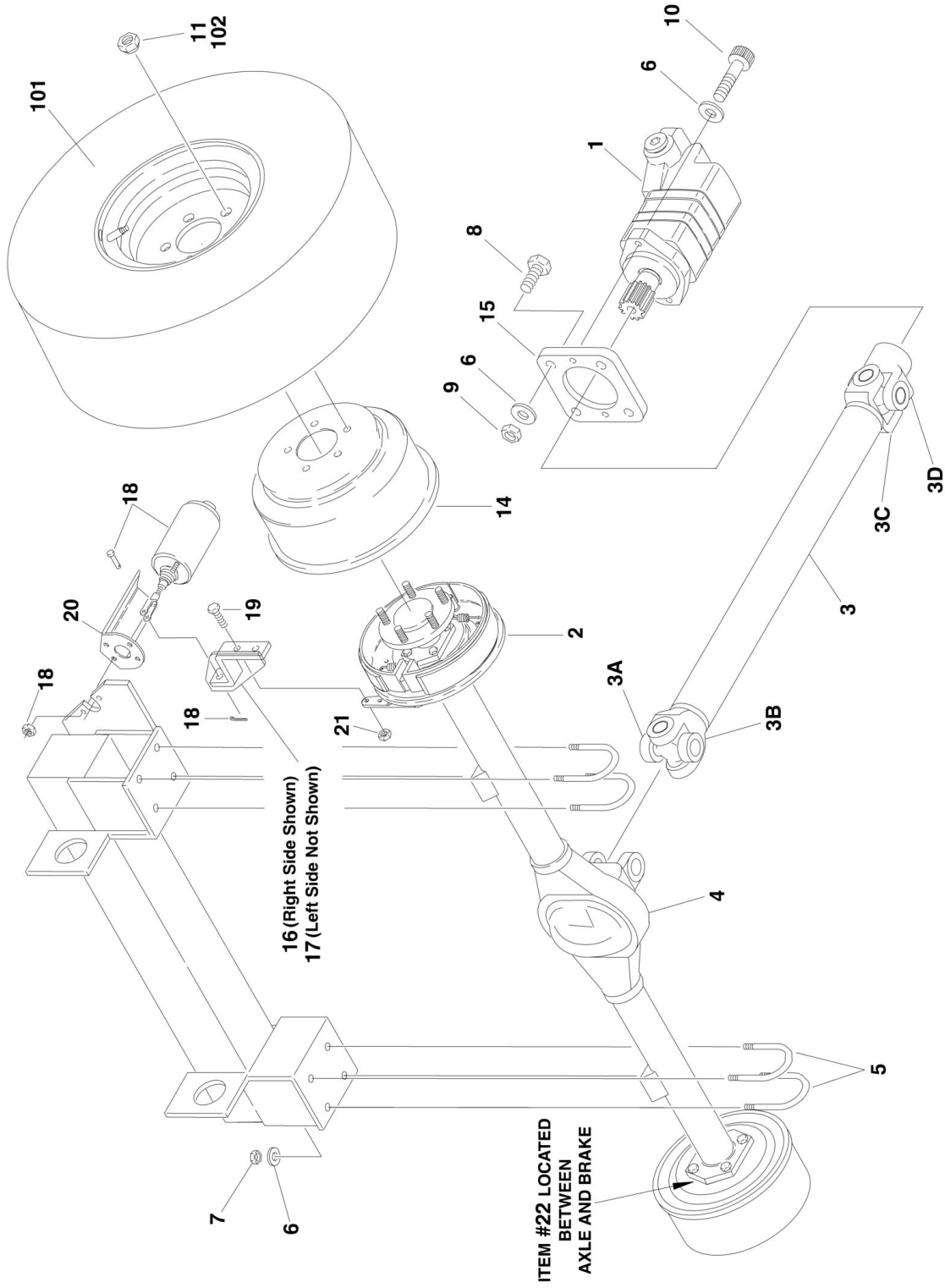
# SECTION 1 - FRAME

## FIGURE 1-1. FRAME AND STEERING INSTALLATION

ITEM	PART NUMBER	QTY	DESCRIPTION	REV
	2360420	1	<b>FRAME WELDMENT</b>	
	0255118	Ref	<b>STEERING AND SPINDLES INSTALLATION</b>	8
1	2780221	2	Hub Assembly (Includes Items 101-107)	
2	4130286	2	Spindle Weldment (Includes Items 201-205)	
3	3422610	2	Kingpin	
4	3450810	2	Pin, Cotter 1/4in x 2 1/2in	
5	3313003	2	Nut, Slotted 1 1/4in-7NC	
6	0440162	2	Washer, Thrust	
7	0642016	2	Bolt 5/8in-16NC x 2in	
8	3312005	2	Locknut 5/8in-16NC	
9	3841146	2	Rod-End	
10	3322002	2	Nut, Jam 5/8in-16NC	
11		Ref	Steer Cylinder Assembly (See CYLINDERS SECTION for Breakdown) Options:	
11	1683239	1	Steer Cylinder Assembly <b>(Prior to SN 46538)</b>	
11	1683697	1	Steer Cylinder Assembly <b>(SN 46538 to Present)</b>	
12	3340644	1	Pad, Wear	
13	0641508	1	Bolt 5/16in-18NC x 1in	
14	3311505	1	Locknut 5/16in-18NC	
15	4751500	2	Flatwasher 5/16in	
16	3020022	AR	Grease	
17	4070809	AR	Shim	
18	3780182	4	O-Ring	
19		Ref	Nut, Wheel Options:	
19	3300255	10	Nut, Wheel <b>(Prior to SN 32539)</b>	
19	3300407	10	Nut, Wheel <b>(SN 32539 to Present)</b>	
20	4752200	2	Flatwasher 3/4in	
	2780221	Ref	<b>HUB ASSEMBLY</b>	-
101	7012519	2	Cup, Bearing - Inner (1 Per Hub)	
102	7012520	2	Cone, Bearing - Inner (1 Per Hub)	
103	7012521	2	Cup, Bearing - Outer (1 Per Hub)	
104	7012522	2	Cone, Bearing - Outer (1 Per Hub)	
105	7012523	2	Seal (1 Per Hub)	
106	7012524	2	Cap, Dust (1 Per Hub)	
107	7016360	10	Stud, Wheel (5 Per Hub)	
	4130286	Ref	<b>SPINDLE WELDMENT</b>	-
201	0961621	4	Bushing, Bronze (2 Per Spindle)	
203	7012542	2	Washer (1 Per Spindle)	
204	7012541	2	Nut, Slotted (1 Per Spindle)	
205	7012543	2	Pin, Cotter (1 Per Spindle)	

# SECTION 1 - FRAME

## FIGURE 1-2. REAR DRIVE INSTALLATION



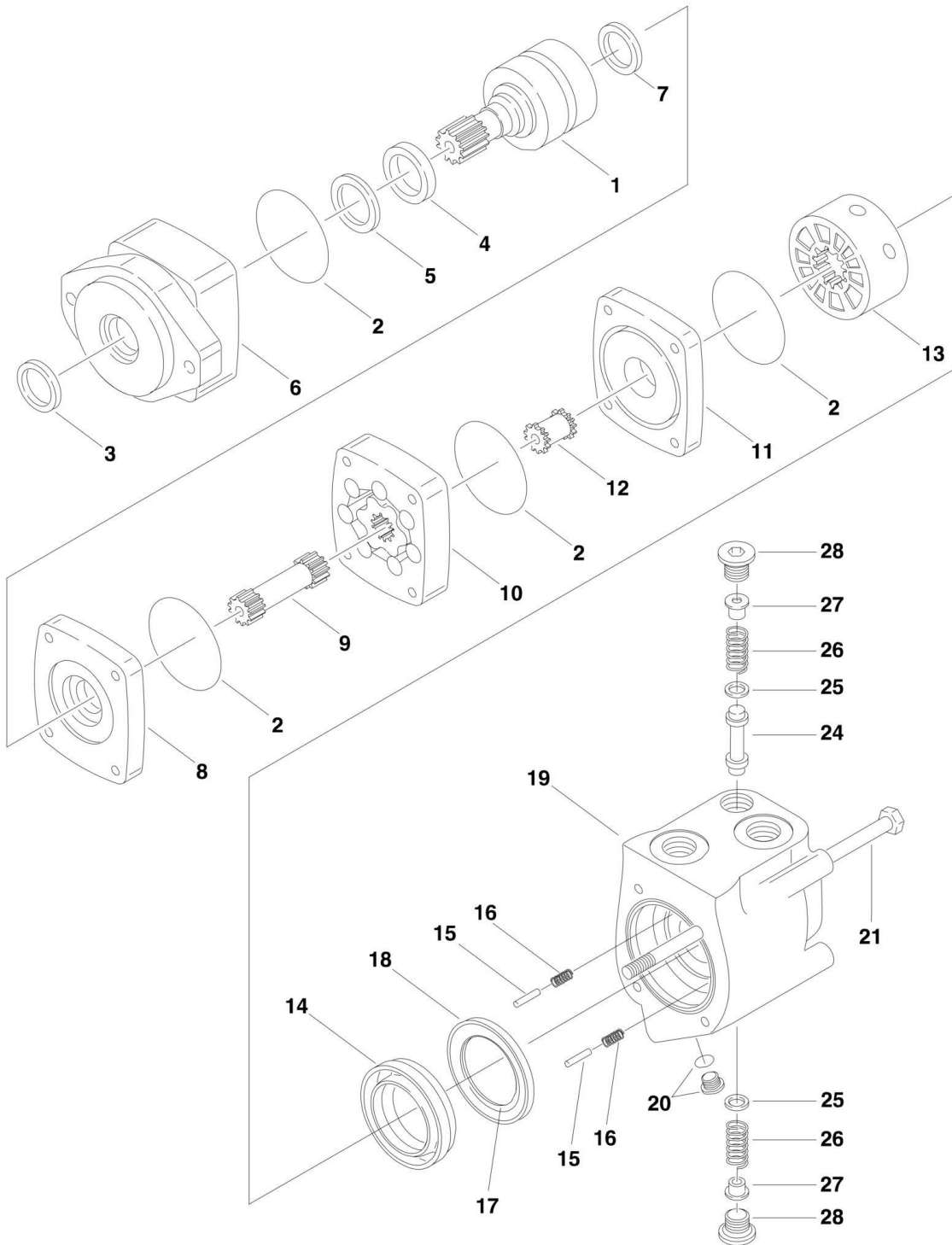
# SECTION 1 - FRAME

## FIGURE 1-2. REAR DRIVE INSTALLATION

ITEM	PART NUMBER	QTY	DESCRIPTION	REV
	0256775	Ref	<b>REAR DRIVE AXLE INSTALLATION</b>	3
1	3160215	1	Drive Motor Assembly (See DRIVE MOTOR ASSEMBLY for Breakdown)	
2	0920107	2	Drive Brake Assembly (See DRIVE BRAKE ASSEMBLY for Breakdown)	
3	1360265	1	Drive Shaft Assembly	
3A	7011120	2	Journal and Bearing Kit	
3B	7011121	1	U-Bolt Assembly	
3C	7011122	2	Yoke	
3D	7011123	1	Yoke, Splined	
4	0280150	1	Drive Axle Assembly (See DRIVE AXLE ASSEMBLY for Breakdown)	
5	0630488	4	U-Bolt	
6	4711800	14	Flatwasher 1/2in (Narrow)	
7	3321805	8	Locknut 1/2in-20NF	
8	0641844	4	Bolt 1/2in-13NC x 5 1/2in	
9	3311805	4	Locknut 1/2in-13NC	
10	3931824	2	Capscrew, Socket Head 1/2in-13NC x 1 1/2in	
11		Ref	Nut, Wheel 1/2in-20NF Options:	
11	3300255	10	Nut, Wheel 1/2in-20NF <b>(Prior to SN 32539)</b>	
11	3300407	10	Nut, Wheel 1/2in-20NF <b>(SN 32539 through 46538)</b>	
12	0100011	AR	Loctite #242 (Not Shown)	
13	3020008	AR	Lube, Gear (Not Shown)	
14	0920108	2	Drum, Brake	
15	0080227	1	Adapter, Motor	
16	1360269	1	Clevis (Right Side)	
17	1360270	1	Clevis (Left Side)	
18	0060036	2	Actuator	
19	0641710	4	Bolt 7/16in-14NC x 1 1/4in	
20	4060926	2	Shield, Actuator	
21	3311705	4	Locknut 7/16in-14NC	
22	4070957	2	Shim, Axle	
23	1120064	4	Cap, Grease Fitting (Not Shown)	
	0256794	Ref	<b>TIRE AND WHEEL INSTALLATION</b>	2
101	4520188	2	Tire and Wheel Assembly - 27 x 10.50 NHS -6 Ply (Right Side) (Foam Filled)	
101	4520189	2	Tire and Wheel Assembly - 27 x 10.50 NHS -6 Ply (Left Side) (Foam Filled)	
		Ref	<b>Note: Assemblies may require ballast/foam filling to manufacturer's specifications prior to installing on a machine. Refer to Operation and Safety or Service and Maintenance Manuals. Purchase individual tire and/or rim only if able to foam fill tire and wheel assembly, otherwise, purchase complete assembly.</b>	
101	7020112	AR	Tire, 27 x 10.50 x 15	
101	7020113	AR	Wheel, 15 x 8	
102	3300255	20	Nut, Wheel 1/2in-20NF <b>(SN 46538 to Present)</b>	

# SECTION 1 - FRAME

## FIGURE 1-3. DRIVE MOTOR ASSEMBLY





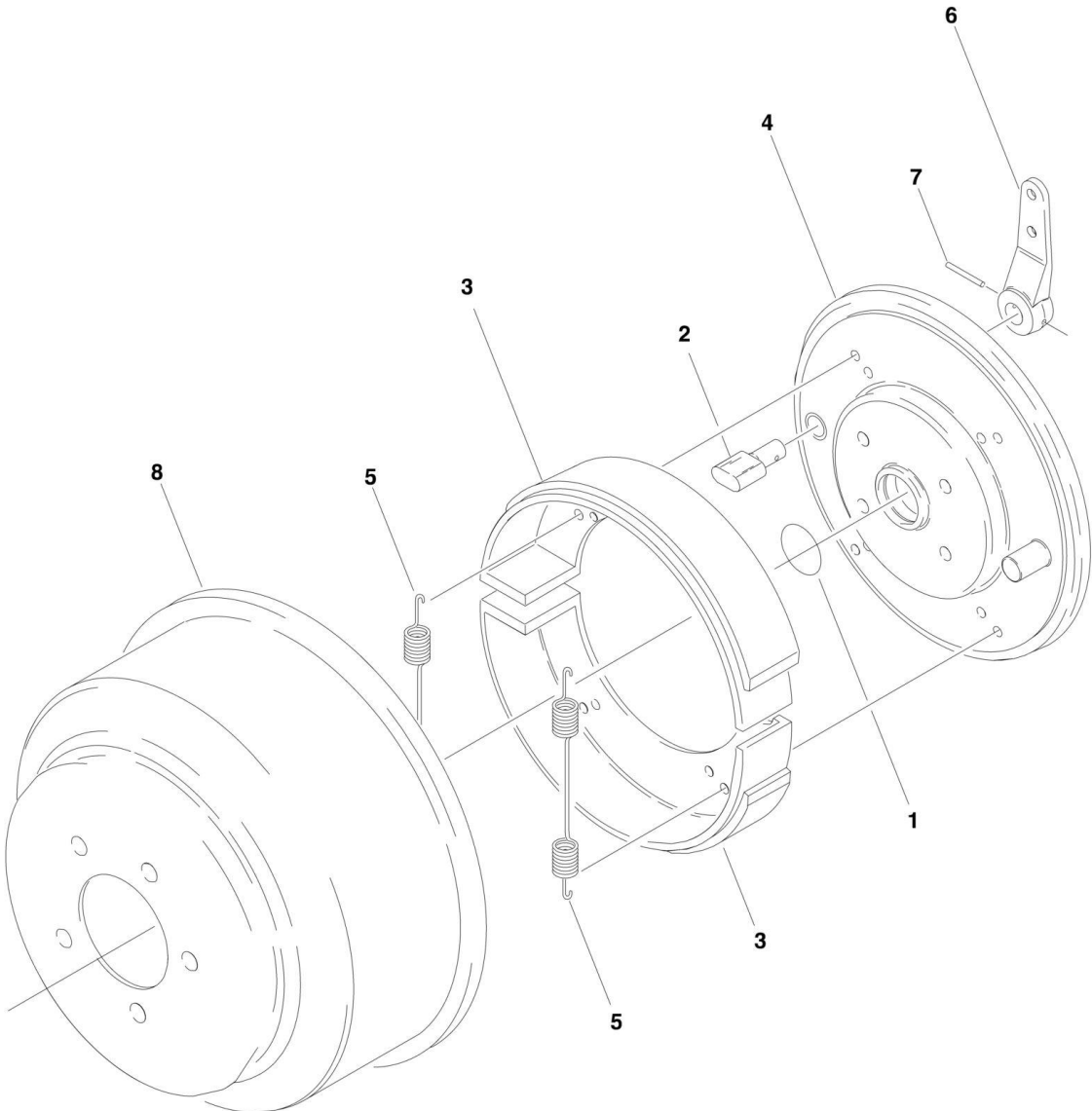
# SECTION 1 - FRAME

## FIGURE 1-3. DRIVE MOTOR ASSEMBLY

ITEM	PART NUMBER	QTY	DESCRIPTION	REV
	3160215	Ref	<b>DRIVE MOTOR ASSEMBLY</b>	-
1	7014901	1	Shaft Sub-Assembly	
2	7014912	4	Seal	
3	Kit	1	Seal, Exclusion	
4	Kit	1	Seal, Shaft	
5	7009919	1	Ring, Back-Up	
6	Not Serviced	1	Housing, Bearing	
7	Kit	1	Seal, Shaft Face	
8	7009982	1	Plate, Wear	
9	7009936	1	Drive	
10	7009937	1	Geroler Assembly	
11	7009983	1	Plate, Valve	
12	7009905	1	Drive, Valve	
13	7009927	1	Valve	
14	7009909	1	Ring, Balance	
15	7009912	2	Pin, Balance Ring	
16	7009913	2	Spring, Compression	
17	7009910	1	Seal, Inner Face	
18	7009928	1	Seal, Outer Face	
19	7014913	1	Housing, Valve	
20	7002157	1	Plug/O-Ring Assembly	
20	7002158	1	O-Ring	
21	Not Serviced	4	Bolt	
24	7014914	1	Piston, Shuttle	
25	7014915	2	Poppet	
26	7014916	2	Spring	
27	7014917	2	Sleeve	
28	7009940	2	Plug/O-Ring Assembly	
28	7009941	2	O-Ring	
	2900699	1	Seal Kit (Includes Items 3, 4 & 7)	

**SECTION 1 - FRAME**

**FIGURE 1-4. DRIVE BRAKE ASSEMBLY**



## SECTION 1 - FRAME

**FIGURE 1-4. DRIVE BRAKE ASSEMBLY**

ITEM	PART NUMBER	QTY	DESCRIPTION	REV
	0920107	Ref	<b>DRIVE BRAKE ASSEMBLY</b>	-
		Ref	<b>Note: Drum not included in Brake Assembly but shown here for reference.</b>	
1	7016631	1	O-Ring	
2	7016632	1	Cam	
3	7016633	2	Shoe Assembly- Single (Requires 2 per side/4 per machine)	
4	7016634	1	Plate, Backing	
5	7016635	2	Spring, Return	
6	7016636	1	Lever	
7	7016637	1	Rollpin	
8	0920108	1	Drum (was p/n 0920218)	



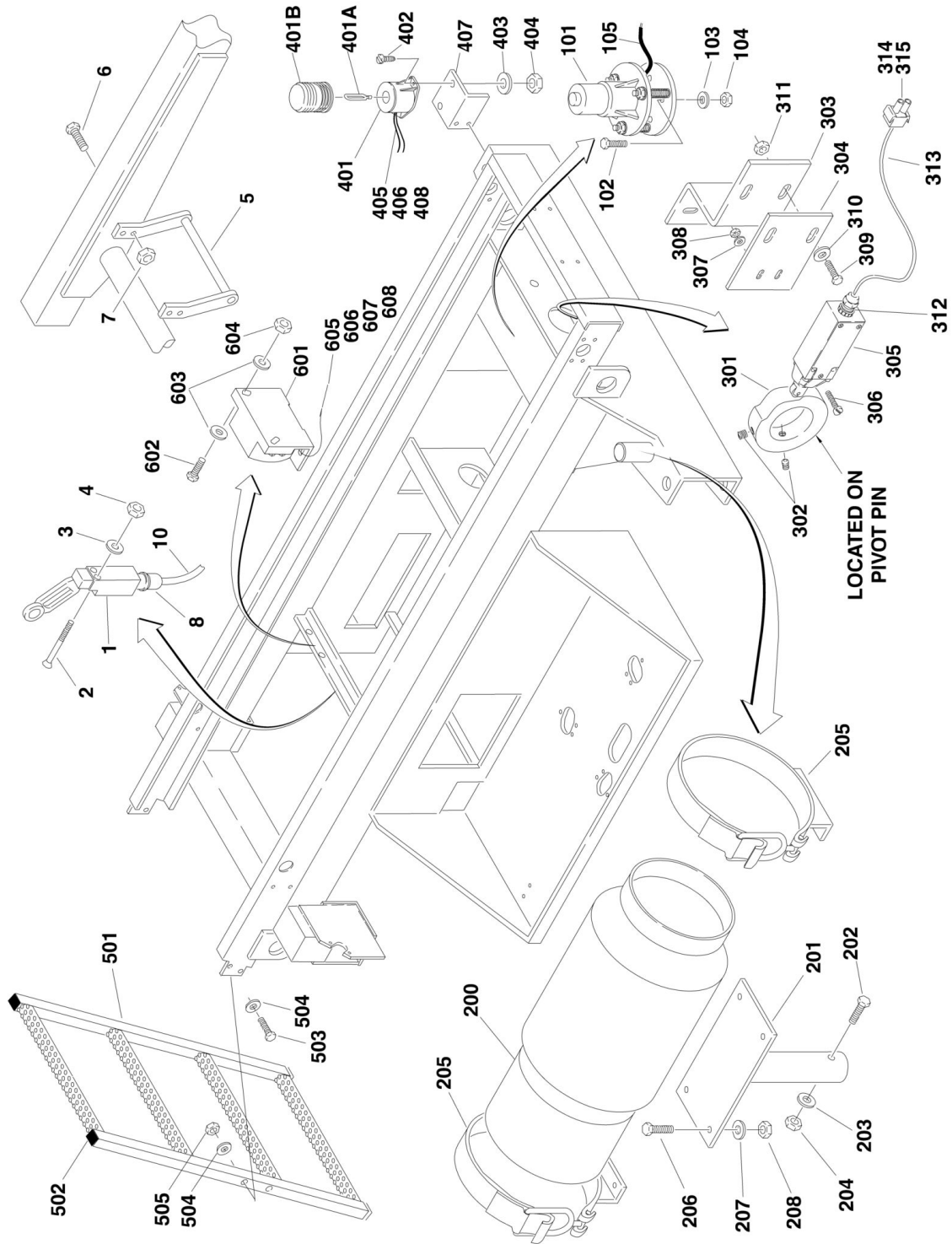
## SECTION 1 - FRAME

### FIGURE 1-5. DRIVE AXLE ASSEMBLY

ITEM	PART NUMBER	QTY	DESCRIPTION	REV
	0280150	Ref	<b>DRIVE AXLE ASSEMBLY</b>	-
1	7019033	1	Housing	
2	7019000	1	Drive Gear and Pinion	
3	7019001	1	Bearing, Inner Pinion	
4	Kit	AR	Shim, Drive Pinion Adjusting	
5	7019003	1	Baffle, Pinion Bearing	
6	Kit	AR	Shim, Pinion Bearing Adjusting	
7	7019004	1	Bearing, Outer Pinion	
8	7019005	1	Slinger, Outer Pinion Bearing	
9	7019006	1	Seal, Pinion	
10	7019007	1	Yoke Assembly	
11	7019008	1	Washer, Pinion Nut	
12	7019009	1	Nut, Pinion	
14	7019010	1	Cover, Carrier	
15	7019011	1	Gasket	
15	7019012	AR	Sealant (Not Shown)	
16	7019013	1	Plug	
17	7019014	10	Bolt, Carrier Cover	
18	7019015	2	Cap, Differential Bearing	
19	7019016	4	Bolt, Differential Bearing Cap	
20	7019017	2	Bearing, Differential	
21	Kit	AR	Shim, Differential Bearing	
23	7019019	10	Bolt, Differential Case	
30	7019020	8	Bolt, Axle Shaft	
31	7019021	8	Nut, Axle Shaft	
32	7019022	2	Seal, Inboard Shaft	
33	7019023	2	Ring, Wheel Bearing Retaining	
34	7019024	2	Bearing, Axle Shaft Wheel	
35	7019025	2	Seal, Outboard Shaft	
36	7019026	2	Retainer, Axle Shaft	
37	7019027	2	Shaft, Axle	
38	7019034	10	Bolt, Wheel	
39	7019029	1	Differential and Case Assembly (Sold as an Assembly Only)	
	7019002	1	Pinion and Bearing Adjusting Shims Kit (Includes Items 4, 6, 11, 12 & 15)	
	7019018	1	Differential Adjusting Shims Kit (Includes Items 15 & 21)	

# SECTION 1 - FRAME

## FIGURE 1-6. FRAME MOUNTED COMPONENTS INSTALLATION



# SECTION 1 - FRAME

## FIGURE 1-6. FRAME MOUNTED COMPONENTS INSTALLATION

ITEM	PART NUMBER	QTY	DESCRIPTION	REV
	0256692	Ref	<b>OVERLOAD PROTECTION INSTALLATION</b>	-
1	4360397	1	Switch, Limit	
2	3911024	2	Screw, Machine #10-24NC x 1 1/2in	
3	4751000	2	Flatwasher #10	
4	3311005	2	Locknut #10-24NC	
5	4845077	1	Actuator, Weldment <b>(Prior to SN 37222)</b>	
6	0641508	2	Bolt 5/16in-18NC x 1 <b>(Prior to SN 37222)</b>	
7	3311505	2	Locknut 5/16in-18NC <b>(Prior to SN 37222)</b>	
8	4460052	1	Connector, Strain Relief	
10	1060341	AR	Cable, Electrical - 16/2	
		Ref	<b>TILT SWITCH INDICATOR INSTALLATIONS</b>	
	0256427	Ref	<b>Euro Spec (Prior to SN 38569)</b>	A
	0257220	Ref	<b>Euro Spec (SN 38569 to Present)</b>	2
	0256544	Ref	<b>Australian Spec (Prior to SN 38569)</b>	A
	0257218	Ref	<b>Australian Spec (SN 38569 to Present)</b>	2
101	4360354	1	Switch, Tilt Indicator	
102	0641407	2	Bolt 1/4in-20NC x 7/8in	
103	4761400	2	Lockwasher 1/4in	
104	3311401	2	Nut 1/4in-20NC	
105	1060330	6 ft/1.8m	Cable, Electrical - 16/3	
	0256353	Ref	<b>LP TANK AND BRACKETS INSTALLATION</b>	-
200	4400040	2	Tank, LP	
201	4844185	2	Bracket, Tank Mounting	
202	0641522	2	Bolt 5/16in-18NC x 2 3/4in	
203	4751500	2	Flatwasher 5/16in	
204	3311505	2	Locknut 5/16in-18NC	
205	1320023	2	Clamp	
206	0641608	8	Bolt 3/8in-16NC x 1in	
207	4751600	8	Flatwasher 3/8in	
208	3311605	8	Locknut 3/8in-16NC	
	0256833	Ref	<b>HI-DRIVE LIMIT SWITCH INSTALLATION</b>	3
301	1440325	1	Collar	
302	3951603	2	Setscrew 3/8in-16NC x 3/8in	
303	3570030	1	Bracket	
304	3570029	1	Plate	
305	4360321	1	Switch, Limit	
306	3911020	2	Screw, Machine #10-24NC x 1 1/4in	
307	4751000	2	Flatwasher #10	
308	3311005	2	Locknut #10-24NC	
309	0641405	2	Bolt 1/4in-20NC x 5/8in	
310	4751400	4	Flatwasher 1/4in	
311	3311405	2	Locknut 1/4in-20NC	
312	4460428	1	Connector, Strain Relief	
313		Ref	Cable, Electrical Options:	
313	1060341	9 ft/2.74m	Cable, Electrical - 16/2 <b>(Prior to SN 55491)</b>	
313	1060680	9 ft/2.74m	Cable, Electrical - 18/2 <b>(SN 55491 to Present)</b>	
314	4460320	1	Connector, Terminal	
315	4460268	2	Socket, Female	
316	0100011	AR	Loctite #242 (Not Shown)	
	0256684	Ref	<b>BEACON LIGHT INSTALLATION (OPTIONAL)</b>	3

## SECTION 1 - FRAME

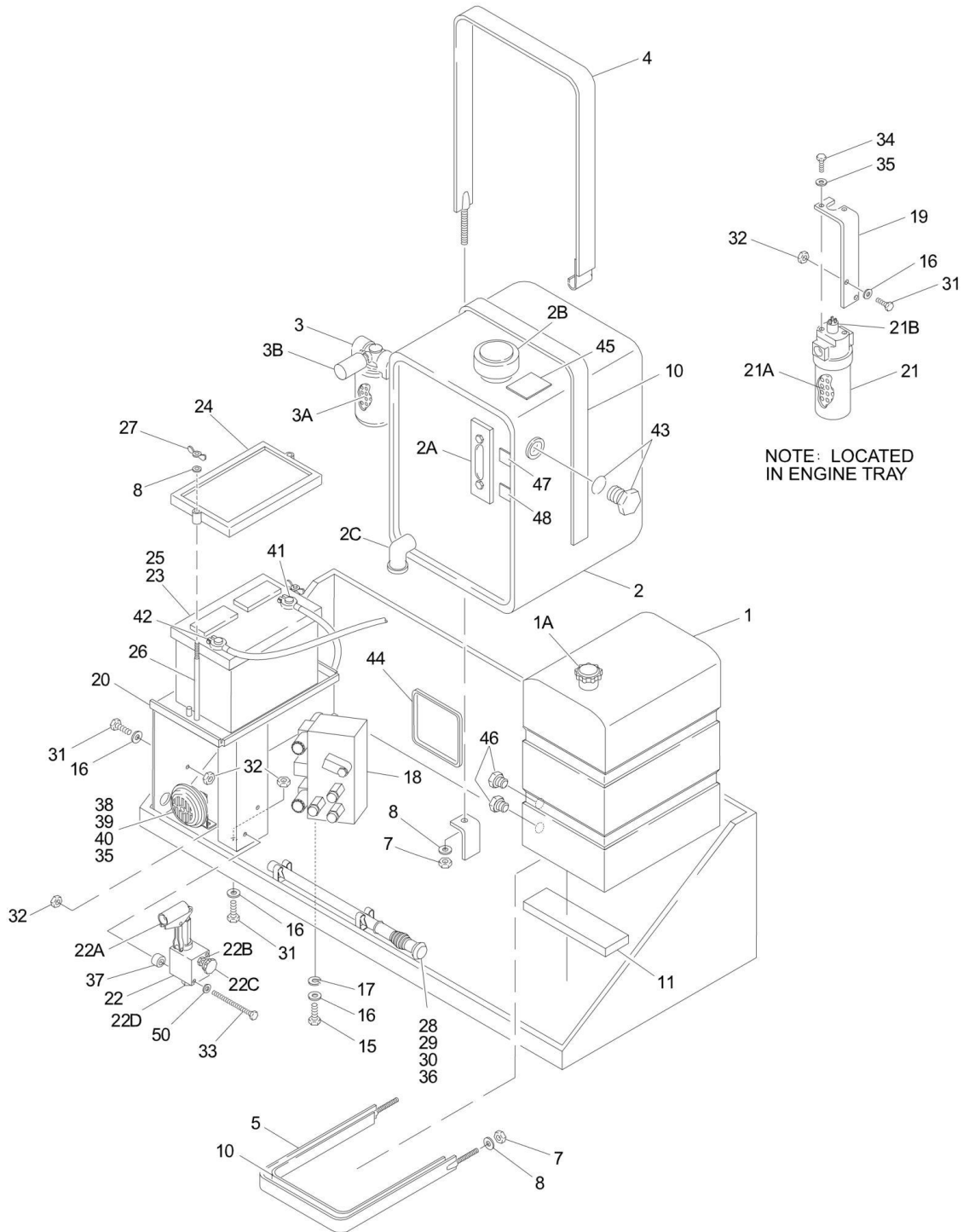
ITEM	PART NUMBER	QTY	DESCRIPTION	REV
401	2920146	1	Beacon Light Assembly	
401A	7016319	1	Bulb, Flash	
401B	7016372	1	Lens	
402	0721006	2	Bolt #10-24NC x 3/4in	
403	4761000	4	Lockwasher #10	
404	3311001	2	Nut #10-24NC	
405	1060341	10 ft/3m	Cable, Electrical - 16-2	
406	4460035	2	Terminal, Butt	
407	0902322	1	Bracket, Beacon	
408	2820036	2 ft/.6m	Loom <b>(SN 48790 to Present)</b>	
	0256722	Ref	<b>LADDER INSTALLATION</b>	2
501		Ref	Ladder Weldment Options:	
501	4845388	1	Ladder Weldment <b>(Prior to SN 58034)</b>	
501	4845911	1	Ladder Weldment <b>(SN 58034 to Present)</b>	
502	3520071	4	Cap	
503	0641624	4	Bolt 3/8in-16NC x 3in	
504	4751600	8	Flatwasher 3/8in	
505	3311605	4	Locknut 3/8in-16NC	
		Ref	<b>ALARM INSTALLATIONS</b>	
	0256492	Ref	<b>Descent</b>	2
	0256493	Ref	<b>Motion</b>	3
	0256491	Ref	<b>Travel</b>	3
601	0140024	1	Alarm	
602		Ref	Bolt Options:	
602	0641408	2	Bolt 1/4in-20NC x 1 <b>(Prior to SN 48790)</b>	
602	0641508	2	Bolt 5/16in-18NC x 1 <b>(SN 48790 to Present)</b>	
603	4751400	4	Flatwasher 1/4in	
604	3311405	2	Locknut 1/4in-20NC	
605	3990010	2	Diode 6 Amp (Motion Alarm Only)	
606	4460035	2	Terminal, Electrical	
607	1060341	4 ft/1.2m	Cable, Electrical - 16/2	
608	2820036	2 ft/.6m	Loom <b>(SN 48790 to Present)</b>	



**SECTION 2 - GROUND COMPONENTS**

# SECTION 2 - GROUND COMPONENTS

## FIGURE 2-1. CONTROL VALVES AND TANKS INSTALLATION



## SECTION 2 - GROUND COMPONENTS

**FIGURE 2-1. CONTROL VALVES AND TANKS INSTALLATION**

ITEM	PART NUMBER	QTY	DESCRIPTION	REV
	0256120	Ref	<b>VALVES AND TANKS INSTALLATION</b>	13
1		Ref	Tank, Fuel Options:	
1	4400371	1	Tank, Fuel ( <b>Prior to SN 37163</b> )	
1	4400401	1	Tank, Fuel ( <b>SN 37163 to Present</b> )	
1A	1120477	1	Cap, Fuel	
2	4400383	1	Hydraulic Tank Assembly	
2A	7014802	1	Gauge, Sight	
2B	7014803	1	Breather/Filler	
2C	7026544	1	Elbow, W/Drain Plug	
3	2120157	1	Filter, Oil Return	
3A	2120158	1	Element, Filter	
3B	7016313	1	Switch, Pressure	
4	4240118	1	Strap, Hold-Down (Hydraulic Tank)	
5	4240117	1	Strap, Hold-Down (Fuel Tank)	
7	3311601	5	Nut 3/8in-16NC	
8	4751600	7	Flatwasher 3/8in	
9	0100011	AR	Loctite #242 (Not Shown)	
10		Ref	Molding Options:	
10	4280295	5 ft/1.5m	Strip, Bumper ( <b>Prior to SN 37163</b> )	
10	4420037	7 ft/2.1m	Molding, Rubber 1in ( <b>SN 37163 to Present</b> )	
11	4420038	2 ft/0.6m	Molding, Rubber 2in	
15	0641506	3	Bolt 5/16in-18NC x 3/4in	
16	4751500	13	Flatwasher 5/16in	
17	4761500	3	Lockwasher 5/16in	
18	4640977	1	Control Valve Assembly (See CONTROL VALVES ASSEMBLY for Breakdown)	
19	0902289	1	Bracket, Mounting - Filter	
20	4845337	1	Bracket, Mounting - Battery	
21	2120146	1	Filter, Oil - Pressure	
21A	2120150	1	Element, Filter	
21B	7016312	1	Switch, Indicator	
22	4640859	1	Manual Descent Valve Assembly	
22A	7012952	1	Cartridge, Pump	
22B	7012954	1	Cartridge, Needle Valve	
22B	7012953	1	Seal Kit - 7012954 Cartridge	
22C	7012961	1	Knob	
22D	7012955	1	Cartridge, Check	
22D	7012940	1	Seal Kit - 7012955 Cartridge	
23	0400003	1	Battery	
24	0400002	1	Hold-Down, Battery	
24A	2910479	4	Clips, Hold-Down (Not Shown)	
25	3980003	1	Seat, Battery	
26	0630370	2	Rod, Tie-Down	
27	3300029	2	Wingnut 3/8in-16NC	
28	2560123	1	Grip, Handle	
29	2560122	1	Handle, Manual Descent Valve	
30	1380136	2	Clip, Mounting	
31	0641508	5	Bolt 5/16in-18NC x 1in	
32	3311505	7	Locknut 5/16in-18NC	
33	0641530	2	Bolt 5/16in-18NC x 3 3/4in	

## SECTION 2 - GROUND COMPONENTS

ITEM	PART NUMBER	QTY	DESCRIPTION	REV
34	0651404	2	Bolt 1/4in-28NF x 1/2in	
35	4711400	2	Flatwasher 1/4in (Narrow)	
36	3820019	2	Rivet	
37	4566987	2	Tube, Spacer	
38	0140001	1	Horn	
39	0641406	1	Bolt 1/4in-20NC x 3/4in	
40	3311405	1	Locknut 1/4in-20NC	
41	1060360	1	Cable, Battery (Battery to Ground)	
42	1060632	1	Cable, Battery (Battery to Starter Relay)	
43	2220240	2	Plug, O-Ring	
44	4060807	9 ft/2.7m	Flex-Trim	
45	1701504	1	Decal - Hydraulic Fluid	
46	3300233	2	Plug, O-Ring	
47	1701502	1	Hydraulic Oil Level (High)	
48	1701503	1	Hydraulic Oil Level (Low)	
49	0100001	AR	Adhesive (Not Shown)	
50	4711500	4	Flatwasher (Narrow) <b>(SN 62148 to Present)</b>	





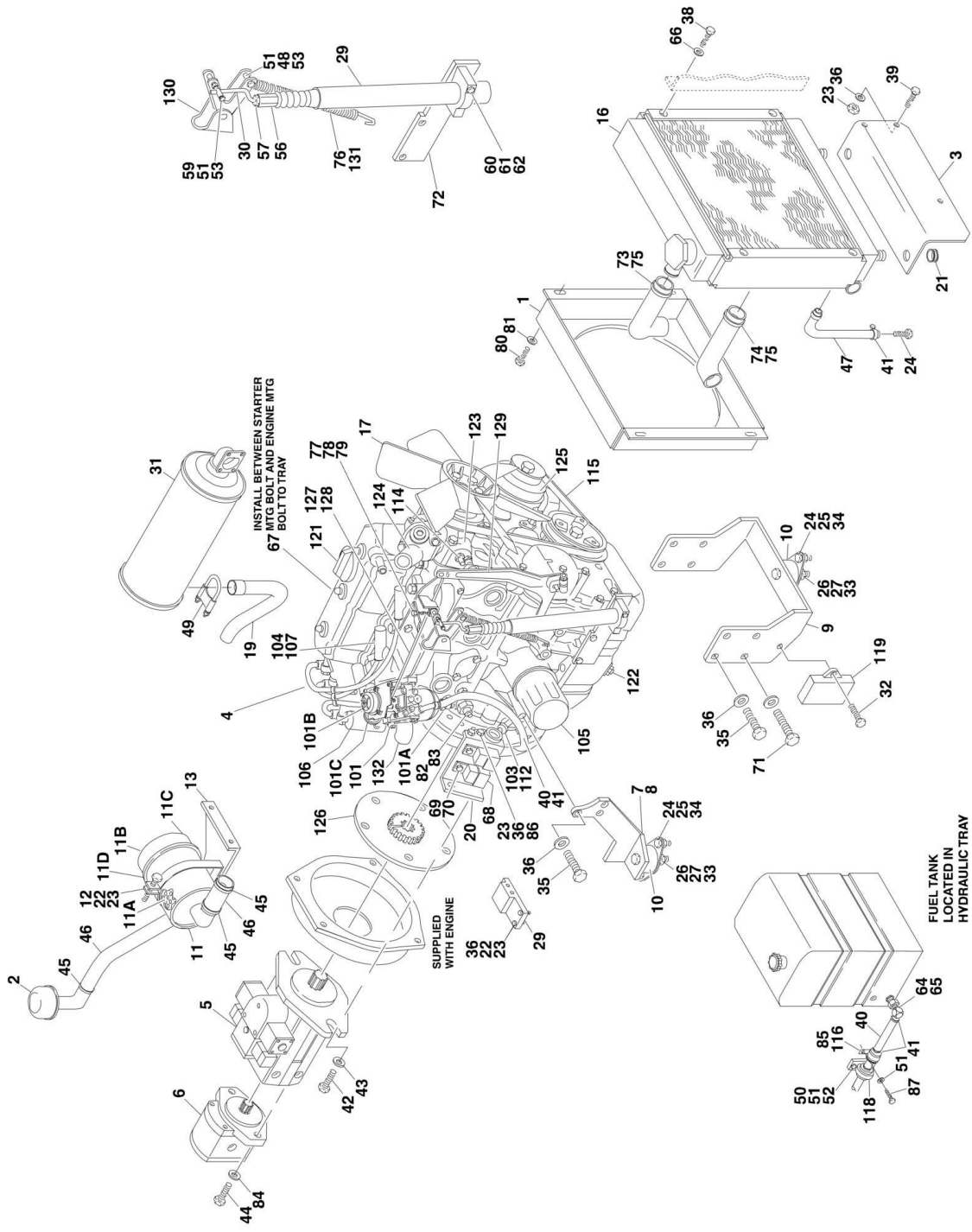
## SECTION 2 - GROUND COMPONENTS

### FIGURE 2-2. CONTROL VALVES ASSEMBLY

ITEM	PART NUMBER	QTY	DESCRIPTION	REV
	4640977	Ref	<b>CONTROL VALVE ASSEMBLY</b>	C
1	Not Serviced	1	Manifold	
2	7012966	1	Cartridge With Coil	
2	7012967	1	Seal Kit - 7012966 Cartridge	
2	7012944	1	Coil	
3	7017415	1	Cartridge	
3	7012998	1	Seal Kit - 7017415 Cartridge	
4	7017416	1	Cartridge	
4	7012998	1	Seal Kit - 7017416 Cartridge	
5	7017417	2	Cartridge	
5	7012998	2	Seal Kit - 7017417 Cartridge (1 Per Cartridge)	
6	7018900	2	Orifice 1/16in/1.2mm	
7	7012941	1	Cartridge Less Coil	
7	7010543	1	Seal Kit - 7012941 Cartridge	
7	7012944	1	Coil	
8	7018901	1	Valve Assembly (See Items 101-113 for Breakdown)	
9	7012770	1	Valve Assembly	
9	7012773	2	Seal Kit	
9A	7018912	2	Nut	
9B	7012772	2	Coil	
10	7012795	1	Valve Assembly	
10	7012773	2	Seal Kit	
10A	7018912	2	Nut	
10B	7012772	2	Coil	
11	7018903	1	Tube Assembly	
12	7018905	1	Plug	
	7018901	Ref	<b>VALVE ASSEMBLY</b>	
101	Not Serviced	1	Housing	
102	7018911	1	Spool	
103	Not Serviced	1	Detent	
104	7018906	2	O-Ring	
105	7018907	4	O-Ring	
106	Not Serviced	1	Nameplate	
107	Not Serviced	4	Rivet	
108	7018908	2	O-Ring	
109	7018909	1	Spool	
109A	7018910	1	Pin, Push	
110	Not Serviced	2	Housing	
111	Not Serviced	1	Plug	
112	7018904	1	Fitting 90	
113	Not Serviced	8	Capscrew, Socket Head M4 x 45mm	

# SECTION 2 - GROUND COMPONENTS

FIGURE 2-3. VANGUARD GAS ENGINE INSTALLATION (Prior to SN 48113)





## SECTION 2 - GROUND COMPONENTS

**FIGURE 2-3. VANGUARD GAS ENGINE INSTALLATION (Prior to SN 48113)**

ITEM	PART NUMBER	QTY	DESCRIPTION	REV
	0255959	Ref	<b>VANGUARD ENGINE ASSEMBLY AND INSTALLATION (Prior to SN 48113)</b>	14
1	3539676	1	Shroud, Fan	
2	1340033	1	Cap, Air Intake	
3	3539465	1	Plate, Mounting (Radiator)	
4	2000140	1	Engine - Vanguard DM700G (See Items 101-130 for Breakdown)	
5	3600256	1	Piston Pump Assembly (See PISTON PUMP ASSEMBLY for Breakdown)	
6	See Note	1	Gear Pump Assembly (was p/n 3600257) (Note: P/N 3600257 no longer available. Use p/n 3600466. New pump includes required fitting.)	
6	7018924	1	Seal Kit (Includes Shaft Seal)	
6	7018923	1	Seal, Shaft	
7	3539459	1	Plate, Mounting (Rear Right Side)	
8	3539460	1	Plate, Mounting (Rear Left Side)	
9	3539461	1	Plate, Mounting (Front)	
10	3200381	3	Mount, Motor	
11	1340057	1	Air Cleaner Assembly	
11A	7015004	1	Element, Filter	
11B	7015005	1	Cover Assembly	
11C	7015006	1	Valve, Vacuator	
11D	7015007	2	Latch	
12	0340045	1	Band, Mounting	
13	3539484	1	Plate, Mounting (Air Cleaner)	
16	3620035	1	Radiator	
16	7016606	1	Cap, Radiator	
16	7019618	1	Draincock	
17	2901414	1	Fan Kit	
18	1700430	1	Decal - Gas (Not Shown - Located on Hood)	
19	4567104	1	Pipe, Exhaust	
20	0902270	1	Bracket	
21	2540032	2	Grommet	
22	0641506	2	Bolt 5/16in-18NC x 3/4in	
23	3311505	5	Locknut 5/16in-18NC	
24	0641608	7	Bolt 3/8in-16NC x 1in	
25	3311605	6	Locknut 3/8in-16NC	
26	0641818	3	Bolt 1/2in-13NC x 2 1/4in	
27	3311805	3	Locknut 1/2in-13NC	
29	2910000	1	Actuator Assembly (Was p/n 0060037) (See ELECTRICAL SECTION for Breakdown)	
30	3841315	1	Rod, Throttle	
31	3220109	1	Muffler	
32		Ref	(Illustration and Parts List Usage)	
33	4740274	3	Washer, Snubbing	
34	4751600	6	Flatwasher 3/8in	
35	0700810	12	Bolt Metric 8mm x 20mm	
36	4751500	23	Flatwasher 5/16in	
37	0100011	AR	Loctite #242 (Not Shown)	
38	0760605	6	Bolt, Metric 6mm x 10mm	
39	0641508	3	Bolt 5/16in-18NC x 1in	
40	2720015	6 ft/1.8m	Hose, Fuel Line (1/4in)	

## SECTION 2 - GROUND COMPONENTS

ITEM	PART NUMBER	QTY	DESCRIPTION	REV
41	1320022	8	Clamp, Hose	
42	0641812	2	Bolt 1/2in-13NC x 1 1/2in	
43	4751800	2	Flatwasher 1/2in	
44	0701012	2	Bolt, Metric 10mm x 25mm	
45	1320031	4	Clamp, Hose	
46	2720063	2 ft/0.6m	Hose, Air Intake	
47		Ref	Hose (3/8in) Options:	
47	2750532	2 ft/0.6m	Hose (3/8in) <b>(Prior to SN 44924)</b>	
47	2720058	5 ft/1.5m	Hose (3/8in) <b>(SN 44924 to Present)</b>	
48	0651405	1	Bolt 1/4in-28NF x 5/8in	
49	1320026	1	Clamp, U-Bolt	
50	0641406	5	Bolt 1/4in-20NC x 3/4in	
51	4751400	9	Flatwasher 1/4in	
52	3311405	3	Locknut 1/4in-20NC	
53	4567086	2	Tube, Spacer - Throttle Linkage	
56	1660222	1	Coupling, Throttle	
57	3321402	1	Nut, Jam 1/4in-28NF	
59	1660220	1	Coupling, Throttle	
60	4740442	1	Washer, Belleville	
61	3900217	1	Bolt, Socket Head Shoulder 3/8in-16NC x 7/8in	
62	0962031	1	Bushing, Flanged	
64	2220250	1	Fitting, Reducer	
65	2220317	1	Fitting, 90	
66	4811700	6	Flatwasher, Metric 6mm	
67	1060221	1	Cable, Solenoid	
68	3740049	2	Relay	
69	0721008	2	Bolt #10-24NC x 1in	
70	3311005	2	Locknut #10-24NC	
71	0700812	3	Bolt, Metric 8mm x 25mm	
72	3539929	1	Plate, Mounting	
73	2720420	1	Hose, Radiator (Top)	
74	2720421	1	Hose, Radiator (Bottom)	
75		Ref	Clamp, Hose Options:	
75	1320014	4	Clamp, Hose <b>(Prior to SN 44432)</b>	
75	1320033	4	Clamp, Hose <b>(SN 44432 to Present)</b>	
76	4160150	1	Spring (Used - Recommend #131 as replacement) <b>(Prior to SN 28511)</b>	
77	1320061	1	Clamp, Hose	
78	0700808	1	Bolt, Metric 8mm x 16mm	
79	4751500	1	Flatwasher 5/16in	
80	0700605	4	Bolt, Metric 6mm x 10mm	
81	4751400	4	Flatwasher 1/4in	
82	4360405	1	Sender, Oil Pressure	
83	2180812	1	Fitting, Adapter	
84	4740185	2	Washer, Hardened	
85	1320095	1	Clamp	
86	0641512	1	Bolt 5/16in-18NC x 1 1/2in	
87	0641404	3	Bolt 1/4in-20NC x 1/2in	
	2000140	Ref	<b>ENGINE COMPONENTS</b>	
101	7017617	1	Carburetor	
101	7017640	1	Rebuilt Kit - 7017617 Carburetor	
101	7017641	1	Gasket - Air Intake to Carburetor	

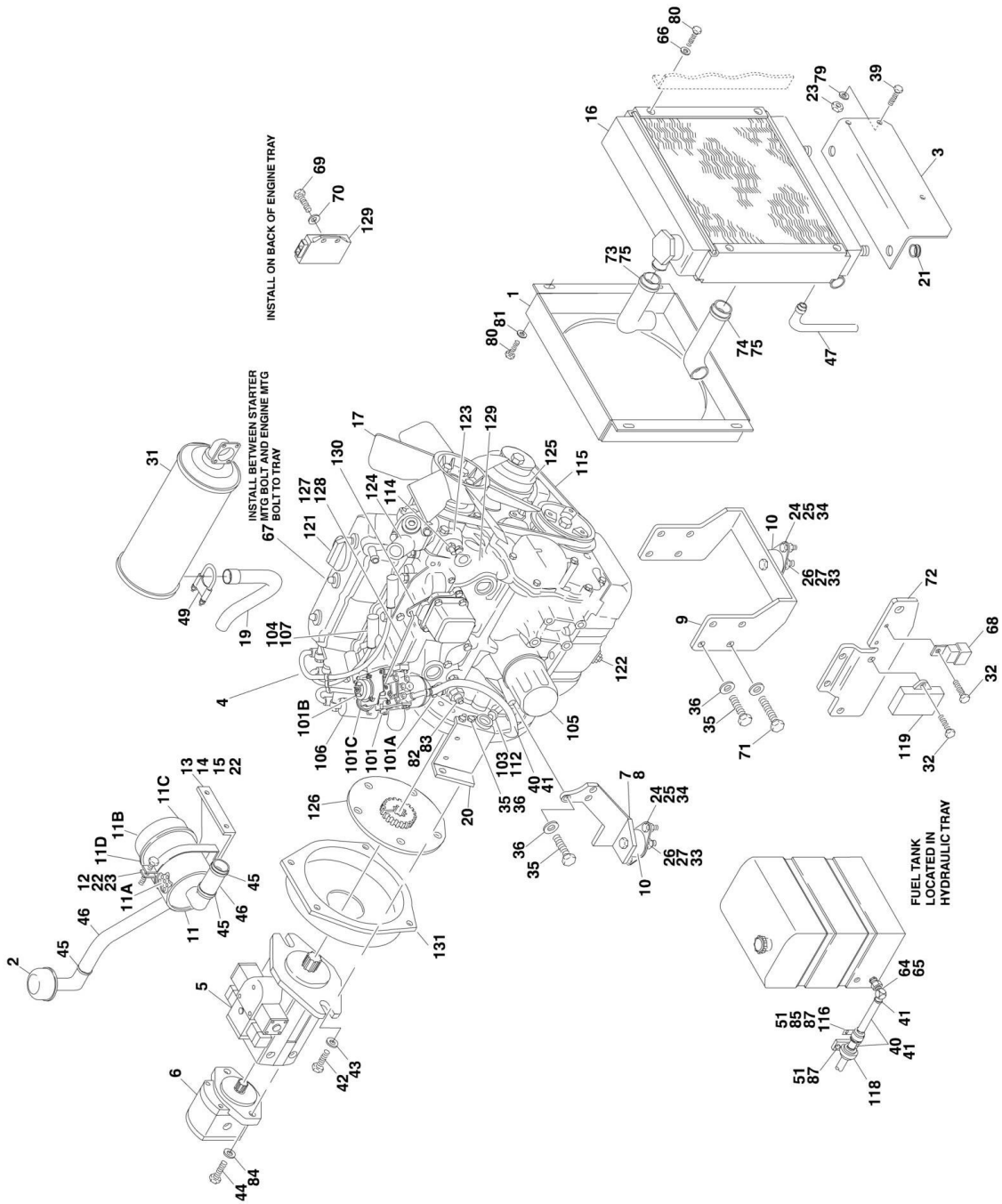
D

## SECTION 2 - GROUND COMPONENTS

ITEM	PART NUMBER	QTY	DESCRIPTION	REV
101	70002087	1	Float Assembly	
101	70000209	1	Gasket - Carburetor Float Bowl	
101	7017643	1	Shaft, Throttle	
101A	7017639	1	Solenoid, Fuel	
101B	7017637	1	Switch, Choke	
101C	7017638	1	Choke, Vacuum	
101C	7017632	1	Link, Choke	
101C	7017644	1	Shaft, Choke	
102	7017620	1	Starter (Not Shown)	
103	7017603	1	Dipstick	
104	7019932	3	Plug, Spark (was p/n 7017608)	
105	7017600	1	Filter, Oil	
106	7017606	3	Coil, Ignition	
107	7017607	3	Boot, Spark Plug	
108	7024414	1	Gasket - Exhaust (Not Shown) (was p/n 7017629)	
109	7017612	1	Gasket - Inlet (Not Shown)	
110	7017613	1	Gasket - Outlet (Not Shown)	
111	7017614	1	Gasket - Water Pump (Not Shown)	
112	7017602	1	Tube, Dipstick	
113	7017641	1	Gasket - Carburetor to Intake (Not Shown) (was p/n 7017618)	
114	7017627	1	Switch, Water Temperature	
115	7017616	1	V-Belt	
116	7017636	1	Filter, Fuel	
117	7017610	1	Regulator (Not Shown)	
118	7017657	1	Pump, Fuel (was p/n 7017619)	
119	7017621	1	Module, Ignition	
120	7017622	1	Trigger, Ignition (Not Shown)	
121	7017605	1	Cap, Oil Fill	
122	7017604	1	Plug, Oil Drain	
123	7017615	1	Pump, Water	
124	7017611	1	Thermostat	
125	7017609	1	Alternator	
126	1660229	1	Coupling, Pump	
127	7017630	1	Link, Governor	
128	7017635	1	Spring, Link	
129	7017634	1	Lever, Governor	
130	7017633	1	Bracket, Control	
131	7017642	1	Spring, Governor	
132	7017669	1	Elbow, Carburetor	
133	7017646	1	Flywheel/Ring Gear Assembly (Not Shown)	

# SECTION 2 - GROUND COMPONENTS

## FIGURE 2-4. VANGUARD GAS ENGINE INSTALLATION (SN 48113 to Present)



## SECTION 2 - GROUND COMPONENTS

**FIGURE 2-4. VANGUARD GAS ENGINE INSTALLATION (SN 48113 to Present)**

ITEM	PART NUMBER	QTY	DESCRIPTION	REV
	0258687	Ref	<b>VANGUARD ENGINE ASSEMBLY AND INSTALLATION (SN 48113 to Present)</b>	6
1	3539676	1	Shroud, Fan	
2	1340033	1	Cap, Air Intake	
3	3539465	1	Plate, Mounting (Radiator)	
4	2000158	1	Engine - Vanguard DM700G (See Items 101-130 for Breakdown)	
5		Ref	Piston Pump Assembly Options:	
5	2910175	1	Piston Pump Assembly (Was p/n 3600256) (See PISTON PUMP ASSEMBLY for Breakdown) <b>(Prior to SN 66750)</b>	
5	3600304	1	Piston Pump Assembly <b>(SN 66750 to Present)</b>	
5	Not Available	1	Seal Kit - 3600304 Pump	
6	See Note	1	Gear Pump Assembly (was p/n 3600257) (Note: P/N 3600257 no longer available. Use p/n 3600466. New pump includes required fitting.)	
6	7018924	1	Seal Kit (Includes Shaft Seal)	
6	7018923	1	Seal, Shaft	
7	3539459	1	Plate, Mounting (Rear Right Side)	
8	3539460	1	Plate, Mounting (Rear Left Side)	
9	3539461	1	Plate, Mounting (Front)	
10	3200381	3	Mount, Motor	
11	1340057	1	Air Cleaner Assembly	
11A	7015004	1	Element, Filter	
11B	7015005	1	Cover Assembly	
11C	7015006	1	Valve, Vacuator	
11D	7015007	2	Latch	
12	0340045	1	Band, Mounting	
13		Ref	Plate, Mounting (Air Cleaner) Options:	
13	3539484	1	Plate, Mounting (Air Cleaner) <b>(Prior to SN 64721)</b>	
13	0902560	1	Plate, Mounting (Air Cleaner) <b>(SN 64721 through 66749)</b>	
13	0902589	1	Plate, Mounting (Air Cleaner) <b>(SN 66750 to Present)</b>	
14	3311405	2	Locknut 1/4in-20NC <b>(SN 64721 to Present)</b>	
15	4711400	4	Flatwasher 1/4 <b>(SN 64721 to Present)</b>	
16	3620035	1	Radiator	
16	7016606	1	Cap, Radiator	
16	7019618	1	Draincock	
17	2901414	1	Fan Kit	
18	1700430	1	Decal - Gas (Not Shown - Located on Hood)	
19	4567104	1	Pipe, Exhaust	
20	0902270	1	Bracket	
21	2540032	2	Grommet	
22	0641405	2	Bolt 1/4in-20NC x 5/8in	
23	3311505	2	Locknut 5/16in-18NC	
24	0641608	6	Bolt 3/8in-16NC x 1in	
25	3311605	6	Locknut 3/8in-16NC	
26	0641818	3	Bolt 1/2in-13NC x 2 1/4in	
27	3311805	3	Locknut 1/2in-13NC	
31	3220109	1	Muffler	
32	3941406	3	Bolt Self Tapping 1/4in x 3/4in	
33	4740274	3	Washer, Snubbing	
34	4751600	6	Flatwasher 3/8in	

## SECTION 2 - GROUND COMPONENTS

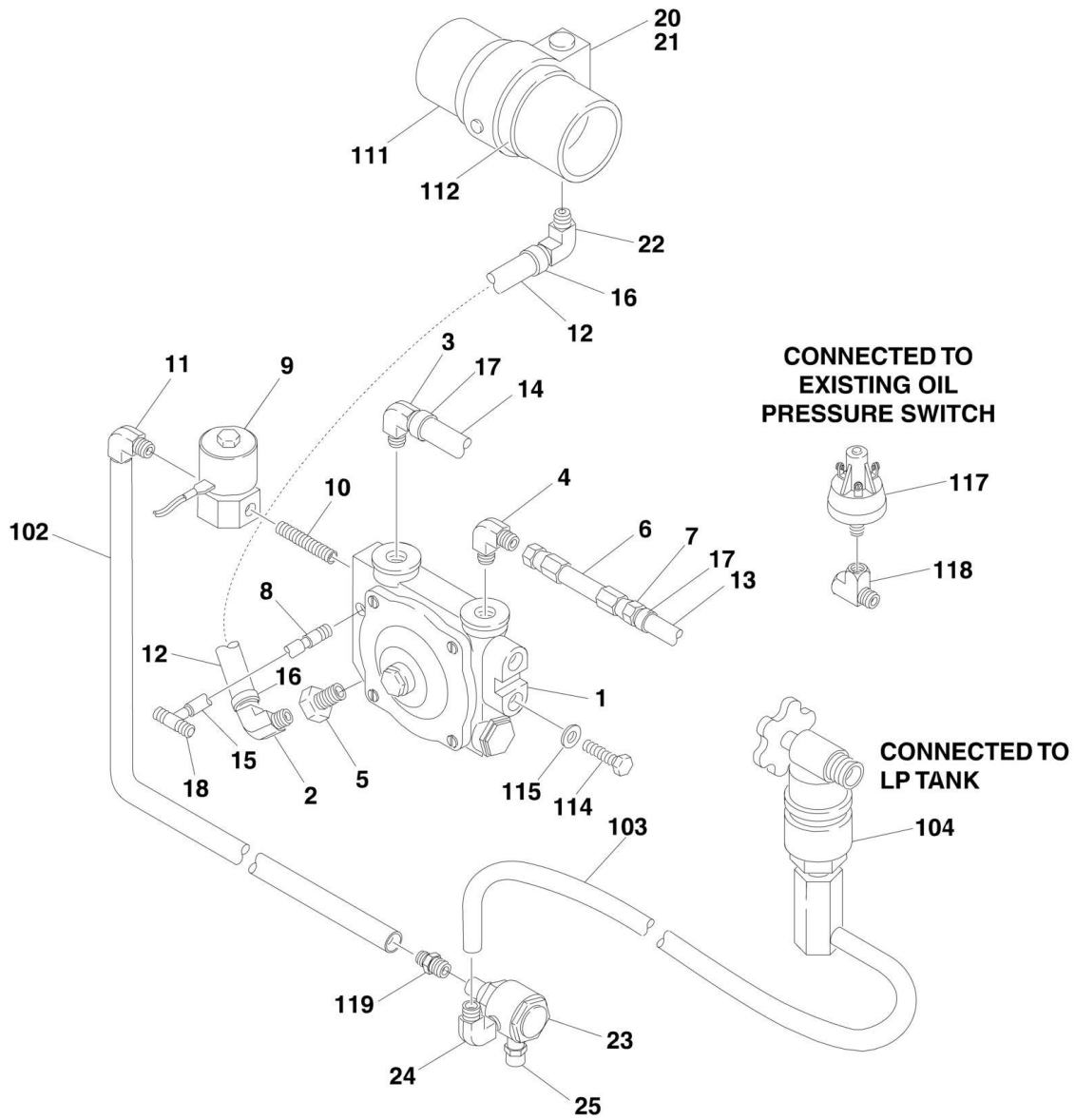
ITEM	PART NUMBER	QTY	DESCRIPTION	REV
35	0700810	13	Bolt Metric 8mm x 20mm	
36	4751500	17	Flatwasher 5/16in	
37	0100011	AR	Loctite #242 (Not Shown)	
39	0641508	3	Bolt 5/16in-18NC x 1in	
40	2720015	6 ft/1.8m	Hose, Fuel Line (1/4in)	
41	1320022	8	Clamp, Hose	
42	0641812	2	Bolt 1/2in-13NC x 1 1/2in	
43	4751800	2	Flatwasher 1/2in	
44		Ref	Bolt Options:	
44	0701012	2	Bolt, Metric 10mm x 25mm <b>(Prior to SN 66750)</b>	
44	0641608	2	Bolt, 3/8in-16NC x 1 <b>(SN 66750 to Present)</b>	
45	1320031	4	Clamp, Hose	
46	2720063	1.3 ft/.40m	Hose, Air Intake	
47	2720058	3 ft/0.9m	Hose (3/8in)	
49	1320026	1	Clamp, U-Bolt	
51	4751400	9	Flatwasher 1/4in	
65	2220317	1	Fitting, 90	
66	4811700	10	Flatwasher, Metric 6mm	
67	1060221	1	Cable, Solenoid	
68	3740049	1	Relay	
69	3900256	4	Bolt Self Tapping #10-16NC x 1 1/4in	
70	4751000	4	Washer #10	
71	0700812	2	Bolt, Metric 8mm x 25mm	
72	3539929	1	Plate, Mounting	
73	2720420	1	Hose, Radiator (Top)	
74	2720421	1	Hose, Radiator (Bottom)	
75	1320033	4	Clamp, Hose	
79	4751500	6	Flatwasher 5/16in	
80	0700605	6	Bolt, Metric 6mm x 10mm	
81	4751400	4	Flatwasher 1/4in	
82	4360405	1	Sender, Oil Pressure	
83	2180812	1	Fitting, Adapter	
84	4740185	2	Washer, Hardened	
85	1320265	1	Clamp	
86	0641512	1	Bolt 5/16in-18NC x 1 1/2in	
87	0641404	3	Bolt 1/4in-20NC x 1/2in	
88	4460234	2	Mount, Wire Tie (Not Shown)	
89	4240033	2	Wire Tie (Not Shown)	
	2000158	Ref	<b>ENGINE COMPONENTS</b>	B
101	7017653	1	Carburetor W/Auto Choke	
101	7017652	1	Rebuilt Kit - 7017653 Carburetor	
101	7017641	1	Gasket - Air Intake to Carburetor	
101	7017669	1	Elbow, Carburetor	
101A	7017639	1	Solenoid, Fuel	
101B	7017637	1	Switch, Choke	
101C	7017638	1	Choke, Vacuum	
102	7017620	1	Starter (Not Shown)	
103	7017603	1	Dipstick	
104	7019932	3	Plug, Spark (was p/n 7017608)	
105	7017600	1	Filter, Oil	
106	7017606	3	Coil, Ignition	

## SECTION 2 - GROUND COMPONENTS

ITEM	PART NUMBER	QTY	DESCRIPTION	REV
107	7017607	3	Boot, Spark Plug	
109	7017612	1	Gasket - Inlet (Not Shown)	
110	7017613	1	Gasket - Outlet (Not Shown)	
111	7017614	1	Gasket - Water Pump (Not Shown)	
112	7017602	1	Tube, Dipstick	
114	7017663	1	Switch, Water Temperature	
115	7017616	1	V-Belt	
116	7017656	1	Filter, Fuel	
118	7017657	1	Pump, Fuel	
119	7017621	1	Module, Ignition	
120	7017622	1	Trigger, Ignition (Not Shown)	
121	7017605	1	Cap, Oil Fill	
122	7017604	2	Plug, Oil Drain (Used Before Code Date 98083100)	
122	7017654	2	Plug, Oil Drain (Used After Code Date 98083100)	
123	7017615	1	Pump, Water	
124	7017611	1	Thermostat	
125	7017609	1	Alternator	
126	1660229	1	Coupling, Pump	
127	7017667	1	Link, Governor	
128	7017668	1	Spring, Link	
129	7017659	1	Module, Electronic Ignition	
130	7017655	1	Motor, Servo	
131	7023362	1	Housing, Bell	
132	7017646	1	Flywheel/Ring Gear Assembly (Not Shown)	
133	7017670	4	Stud, Muffler Mount (Not Shown)	
133	7017671	4	Nut, Muffler Mount (Not Shown)	
134	7024414	1	Gasket, Muffler (Not Shown)	

# SECTION 2 - GROUND COMPONENTS

## FIGURE 2-5. DUAL FUEL INSTALLATION (VANGUARD MACHINES ONLY)





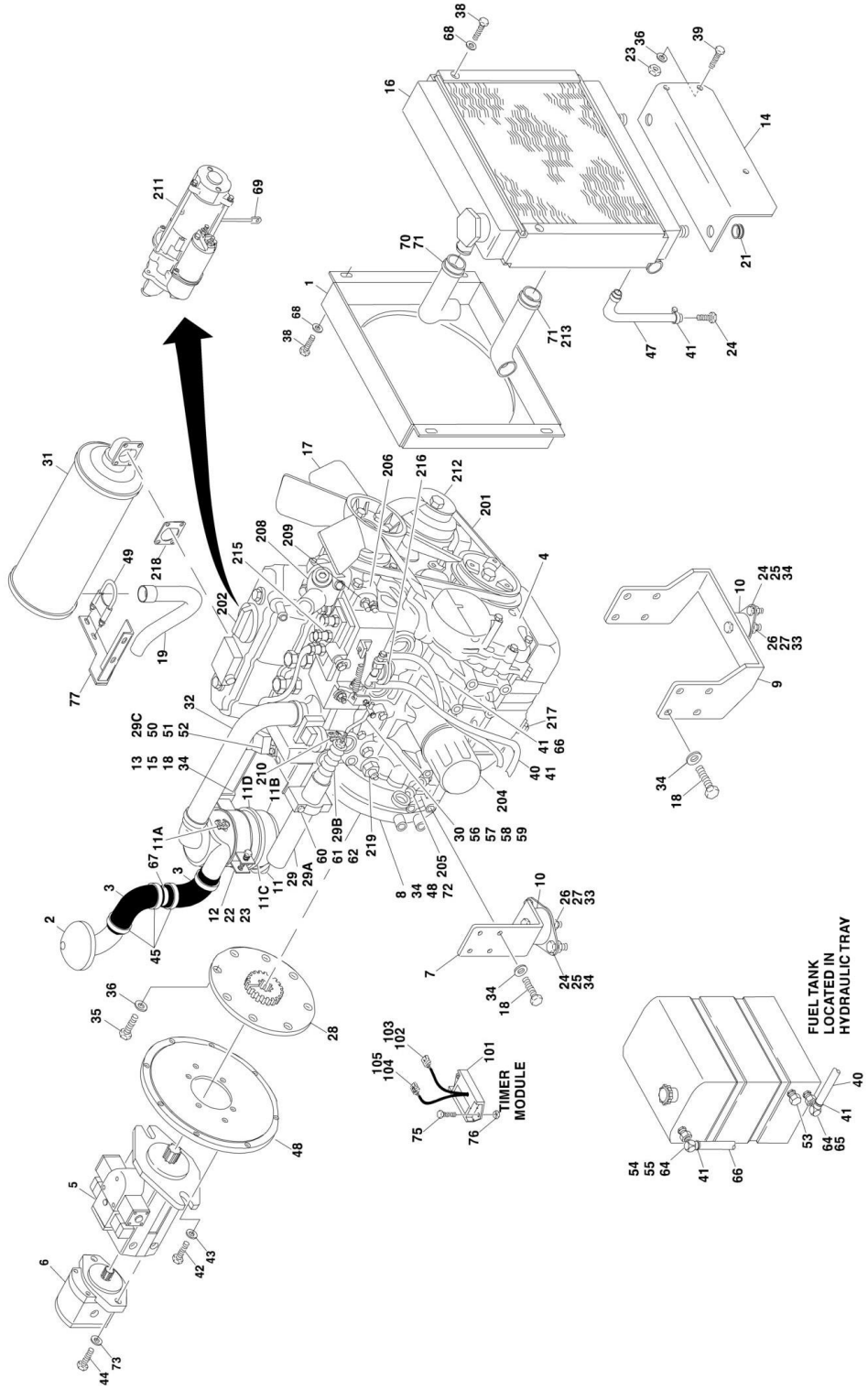
## SECTION 2 - GROUND COMPONENTS

**FIGURE 2-5. DUAL FUEL INSTALLATION (VANGUARD MACHINES ONLY)**

ITEM	PART NUMBER	QTY	DESCRIPTION	REV
	2901456	Ref	<b>DUAL FUEL KIT</b>	C
1	3720011	1	Regulator, Beam	
2	7017513	1	Fitting, 90 Nylon	
3	7017517	1	Fitting, 90 Barbed Brass	
4	7017518	1	Fitting, 90	
5	7017508	1	Bushing	
6	7017501	1	Thermostat	
7	7017519	1	Fitting, Straight Barbed	
8	7017514	1	Fitting, Straight Nylon	
9	7017500	1	Solenoid, Fuel Shut-Off	
10	7017520	1	Fitting, Straight Brass Nipple	
11	7017521	1	Fitting, 90 Brass	
12	Supply Locally	1 ft/0.3m	Hose, Vapor	
13	Supply Locally	1.4 ft/0.43m	Hose, Water	
14	Supply Locally	2 ft/0.6m	Hose, Water	
15	Supply Locally	1.8 ft/0.55m	Hose, Vacuum	
16	Supply Locally	2	Clamp	
17	Supply Locally	4	Clamp	
18	7017512	1	Fitting, Tee	
19	Supply Locally	1	Tie-Strap (Not Shown)	
20	7017511	1	Adapter, In-Line	
21	7017510	1	Venturi	
22	7017513	1	Fitting, 90	
23	7017504	1	Filter, Fuel	
24	7017521	1	Fitting, 90 Brass	
25	7017505	1	Valve, Relief	
27	Supply Locally	2	Clamp (Not Shown - Located at Oil Pressure Switch)	
28	7017521	1	Fitting, 90 Brass (Not Shown - Located at Oil Pressure Switch)	
	0256350	Ref	<b>DUAL FUEL INSTALLATION</b>	10
101	2901456	1	Dual Fuel Kit Assembly (Includes Items 1-28)	
102	2720426	1	Hose	
103	2720116	1	Hose	
104	2180387	1	Fitting, Tank Connector	
106	4360345	1	Switch, Toggle (Not Shown - Located at Ground Control Box)	
108	3790012	1	O-Ring (Not Shown - Located at Ground Control Box)	
110	1700818	1	Decal - LP Gas (Not Shown - Located Near LP Tank)	
111		Ref	Hose, Radiator Options:	
111	2720433	2	Hose, Radiator <b>(Prior to SN 43783)</b>	
111	2720444	2	Hose, Radiator <b>(SN 43783 to Present)</b>	
112	1320016	2	Clamp	
114	0641405	2	Bolt 1/4in-20NC x 5/8in	
115	4711400	2	Flatwasher 1/4in	
116	0100011	AR	Loctite #242 (Not Shown)	
117	4360357	1	Switch, Oil Pressure <b>(SN 29981 to Present)</b>	
118	2180360	1	Fitting, Tee <b>(SN 29981 to Present)</b>	
119	2180418	1	Fitting <b>(SN 43783 to Present)</b>	

# SECTION 2 - GROUND COMPONENTS

## FIGURE 2-6. YANMAR DIESEL ENGINE INSTALLATION



## SECTION 2 - GROUND COMPONENTS

### FIGURE 2-6. YANMAR DIESEL ENGINE INSTALLATION

ITEM	PART NUMBER	QTY	DESCRIPTION	REV
	0256271	Ref	<b>ENGINE ASSEMBLY AND INSTALLATION</b>	14
1	3539693	1	Shroud, Radiator	
2	1340033	1	Cap, Air Intake	
3	0080223	2	Elbow, Air Intake	
4	2000145	1	Engine, Yanmar 3TNE68 (See Items 101-116 for JLG Serviced Parts)	
5		Ref	Piston Pump Assembly Options:	
5	3600256	1	Piston Pump Assembly (See PISTON PUMP ASSEMBLY for Breakdown) <b>(Prior to SN 66750)</b>	
5	3600304	1	Piston Pump Assembly (See PISTON PUMP ASSEMBLY for Breakdown) <b>(SN 66750 to Present)</b>	
6	3600199	1	Gear Pump Assembly (See GEAR PUMP ASSEMBLY (YANMAR ENGINE) for Breakdown)	
7	0902263	2	Bracket, Mounting (Rear)	
8	0080222	1	Adapter, Spacer - Flywheel Housing	
9	0902265	1	Bracket, Mounting (Front)	
10	3200381	3	Mount, Motor	
11	1340057	1	Air Cleaner Assembly	
11A	7015004	1	Element, Filter	
11B	7015005	1	Cover Assembly	
11C	7015006	1	Valve, Vacuator	
11D	7015007	2	Latch	
12	0340045	1	Band, Mounting	
13	3539692	1	Plate, Mounting (Air Cleaner)	
14	3539465	1	Plate, Mounting (Radiator)	
15	4566987	4	Tube, Spacer	
16	3620037	1	Radiator	
17	2901415	1	Fan Kit (Includes Mounting Hardware)	
18	0701012	20	Bolt, Metric 10mm x 25mm	
19	4567104	1	Pipe Exhaust	
20	0100020	AR	Sealant, Pipe (Not Shown)	
21	2540032	2	Grommet	
22	0641506	2	Bolt 5/16in-18NC x 3/4in	
23	3311505	6	Locknut 5/16in-18NC	
24	0641608	7	Bolt 3/8in-16NC x 1in	
25	3311605	6	Locknut 3/8in-16NC	
26	0641818	3	Bolt 1/2in-13NC x 2 1/4in	
27	3311805	3	Locknut 1/2in-13NC	
28	1660228	1	Coupling, Pump	
29	2910000	1	Actuator Assembly (Was p/n 0060038) (See ELECTRICAL SECTION for Breakdown)	
		Ref	<b>Note: Components do not include connectors or terminals.</b>	
29A	7016334	1	Actuator, Throttle (Includes Boot Kit)	
29B	7016336	1	Boot Kit	
29C	7016335	1	Controller	
30	3841307	1	Rod, Throttle	
31	3220109	1	Muffler	
32	0080225	1	Elbow, Air Intake	
33	4740274	3	Washer, Snubbing	
34	4761600	27	Flatwasher 3/8in	
35	0700812	27	Bolt, Metric 8mm x 25mm	

## SECTION 2 - GROUND COMPONENTS

ITEM	PART NUMBER	QTY	DESCRIPTION	REV
36	4751500	11	Flatwasher 5/16in	
37	0100011	AR	Loctite #242 (Not Shown)	
38	0700805	6	Bolt, Metric 6mm x 10mm	
39	0641508	3	Bolt 5/16in-18NC x 1in	
40	2720058	6 ft/1.8m	Hose, Fuel Line (5/16in)	
41	1320022	6	Clamp, Hose	
42	0641812	2	Bolt 1/2in-13NC x 1 1/2in	
43	4751800	2	Flatwasher 1/2in	
44		Ref	Bolt Options:	
44	0701012	2	Bolt, Metric 10mm x 25mm <b>(Prior to SN 66750)</b>	
44	0641608	2	Bolt, 3/8in-16NC x 1 <b>(SN 66750 to Present)</b>	
45	1320016	6	Clamp, Hose	
46	1701505	1	Decal - Diesel Fuel (Not Shown - Located on Hood)	
47	2750532	1	Hose (3/8in)	
		ft/30.5cm		
48	0080221	1	Adapter, Pump Mounting	
49	1320026	1	Clamp, U-Bolt	
50	0641406	4	Bolt 1/4in-20NC x 3/4in	
51	4751400	4	Flatwasher 1/4in	
52	3311405	4	Locknut 1/4in-20NC	
53		Ref	Plug, Pipe Options:	
53	2200213	1	Plug, Pipe <b>(Prior to SN 58575)</b>	
53	2200233	1	Plug, Pipe <b>(SN 58575 to Present)</b>	
54		Ref	Fitting, 90 Options:	
54	2200462	1	Fitting, 90 <b>(Prior to SN 44924)</b>	
54	2220648	1	Fitting, 90 <b>(SN 44924 to Present)</b>	
55	2180666	1	Fitting, Barbed	
56	1660222	1	Coupling, Throttle	
57	3321402	1	Nut, Jam 1/4in-28NF	
58	3321602	1	Nut, Jam 3/8in-24NF	
59	1660220	1	Swivel, Throttle	
60	4740442	1	Washer, Belleville	
61	3900217	1	Bolt, Socket Head Shoulder	
62	0962031	1	Bushing, Flanged	
64	2220250	2	Fitting, Reducer	
65	2180348	1	Fitting, Barbed	
66	2720271	6	Hose, Fuel (3/16in)	
67	4569675	1	Tube, Air Intake	
68	4811700	6	Flatwasher 6mm	
69	1060221	1	Strap, Ground (Starter to Engine Tray)	
70	2720422	1	Hose, Radiator (Top)	
71		Ref	Clamp, Hose Options:	
71	1320014	4	Clamp, Hose <b>(Prior to SN 44432)</b>	
71	1320033	4	Clamp, Hose <b>(SN 44432 to Present)</b>	
72	0701015	8	Bolt, Metric 10mm x 35mm	
73	4740185	2	Washer, Hardened	
75	0721008	2	Bolt #10-24NC x 1 <b>(SN 40093 to Present)</b>	
76	3311005	2	Locknut #10-24NC <b>(SN 40093 to Present)</b>	
77	4845990	1	Weldment, Muffler Bracket	
80	4460234	2	Mount, Wire Tie (Not Shown)	
81	4240033	2	Wire Tie (Not Shown)	
	0257589	Ref	<b>TIMER MODULE ASSEMBLY</b>	

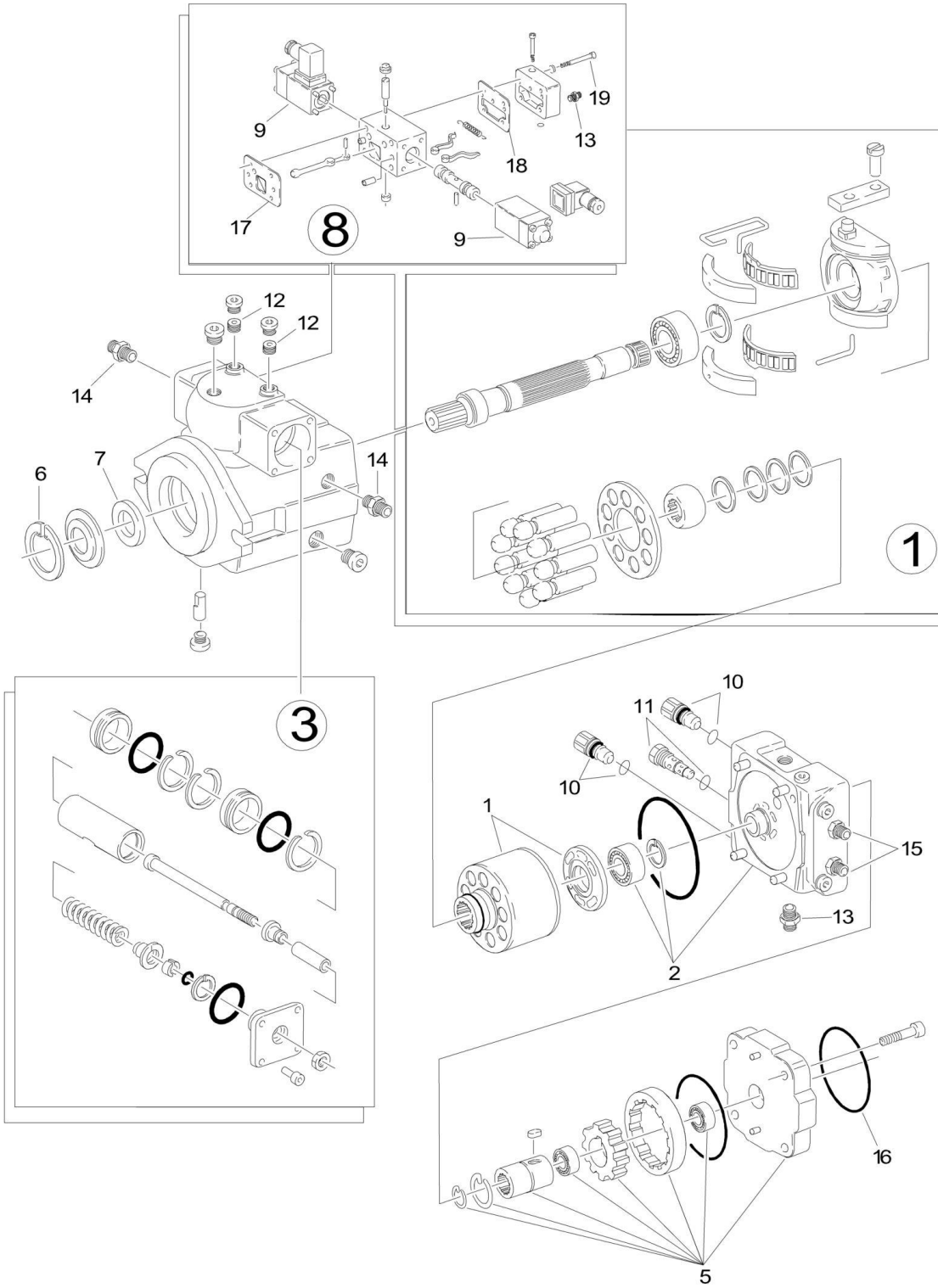
1

## SECTION 2 - GROUND COMPONENTS

ITEM	PART NUMBER	QTY	DESCRIPTION	REV
101	3740126	1	Relay, Timer Module	
102	4460445	1	Terminal, Receptacle	
103	4460267	3	Pin, Male	
104	4460326	1	Plug	
105	4460268		Socket, Female	
	2000145	Ref	<b>ENGINE COMPONENTS</b>	
201	7018100	1	V-Belt	
202	7018101	1	Cap, Oil Fill	
203	7018102	1	Gasket, Valve Cover (Not Shown)	
204	7018103	1	Filter, Oil	
205	7018104	1	Dipstick, Engine Oil Level	
206	7018105	1	Pump, Water	
207	7018106	1	Gasket, Thermostat (Not Shown)	
208	7018107	1	Thermostat	
209	7018108	1	Switch, Water Temperature	
210	7018111	1	Element, Fuel Filter	
211	7018112	1	Starter	
212	7018113	1	Alternator	
213	2720431	1	Hose, Radiator (Bottom) (was p/n 7018115)	
214	7018116	1	Solenoid, ETR Stop (Not Shown)	
215	7018117	1	Pump, Fuel Injection	
216	7018118	1	Pump, Fuel Feed	
217	7018975	1	Case Drain Plug / Seal	
218	7018144	1	Gasket, Muffler	
219	7018145	1	Switch, Oil Pressure	
220	7018119	1	Lever, Regulator (Not Shown)	
221	7018146	1	Fuel Strainer Assembly (Not Shown)	
222	7018147	3	Plug, Glow (Not Shown)	

# SECTION 2 - GROUND COMPONENTS

## FIGURE 2-7. PISTON PUMP ASSEMBLY



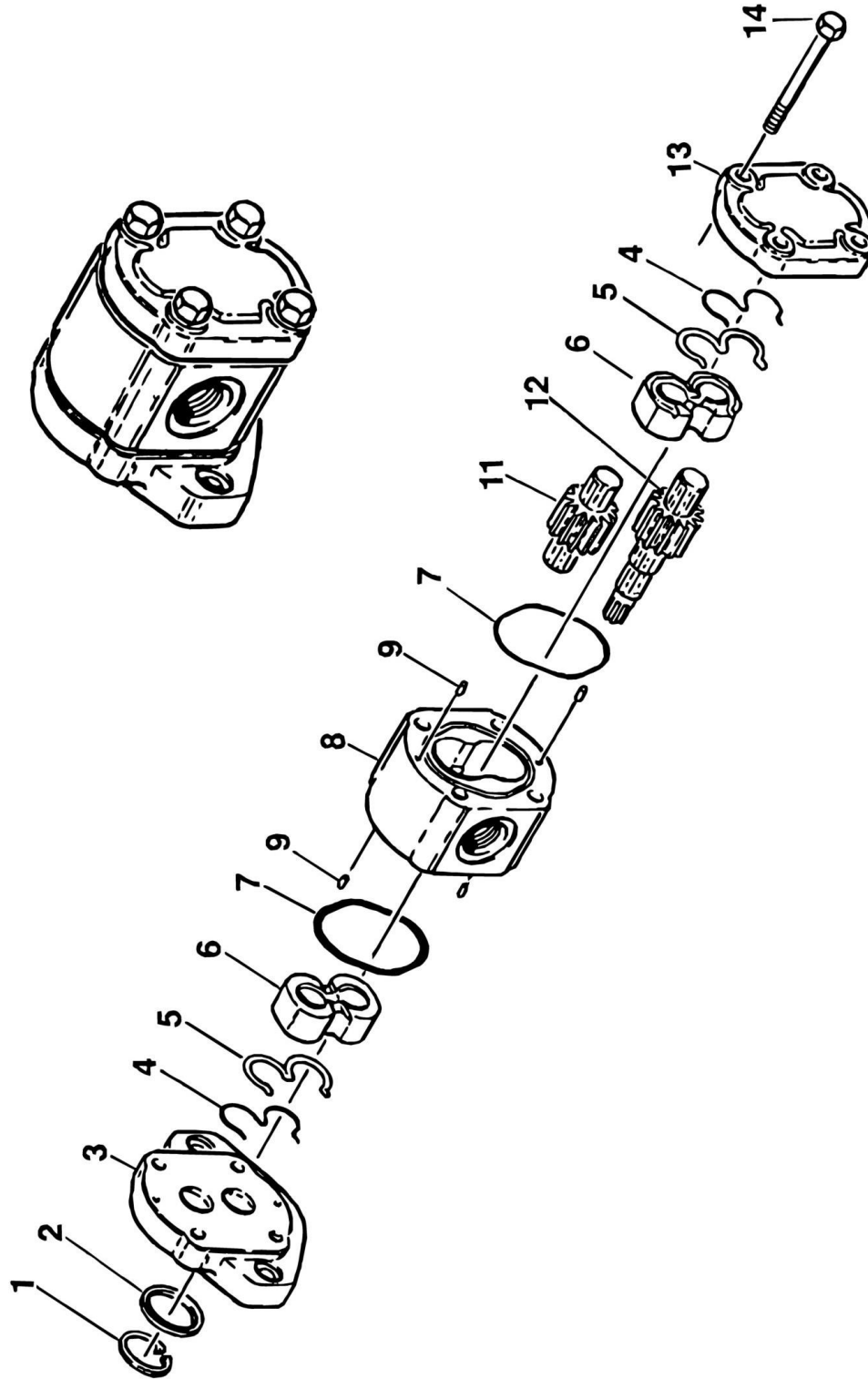
## SECTION 2 - GROUND COMPONENTS

### FIGURE 2-7. PISTON PUMP ASSEMBLY

ITEM	PART NUMBER	QTY	DESCRIPTION	REV
	3600256	Ref	<b>PISTON PUMP ASSEMBLY</b>	B
1	7018925	1	Rotary Group Assembly	
2	7018926	1	Port Plate Assembly (Includes Items 10 & 11)	
3	7018927	1	Stroking Cylinder Assembly	
5	7018929	1	Connecting Plate Assembly	
6	7018930	1	Ring, Retaining	
7	7018931	1	Seal, Shaft	
8	7018932	1	Proportional Valve Assembly (Includes Item 9)	
9	7018933	2	Coil, Solenoid	
10	7018934	2	Cartridge, Valve - High Pressure Relief	
11	7018935	1	Cartridge, Valve - Boost Oil Pressure Relief	
12	7018936	2	Orifice	
13	7018937	2	Fitting, Adapter	
14	7018938	2	Fitting, Adapter	
15	7018939	1	Fitting, Adapter	
16	7018953	1	O-Ring	
17	7018983	1	Gasket	
18	7018984	1	Gasket	
19	7024016	4	Screw M6 x 55mm	
	7018940	1	Seal Kit - Complete External	

## SECTION 2 - GROUND COMPONENTS

FIGURE 2-8. GEAR PUMP ASSEMBLY (YANMAR ENGINE)





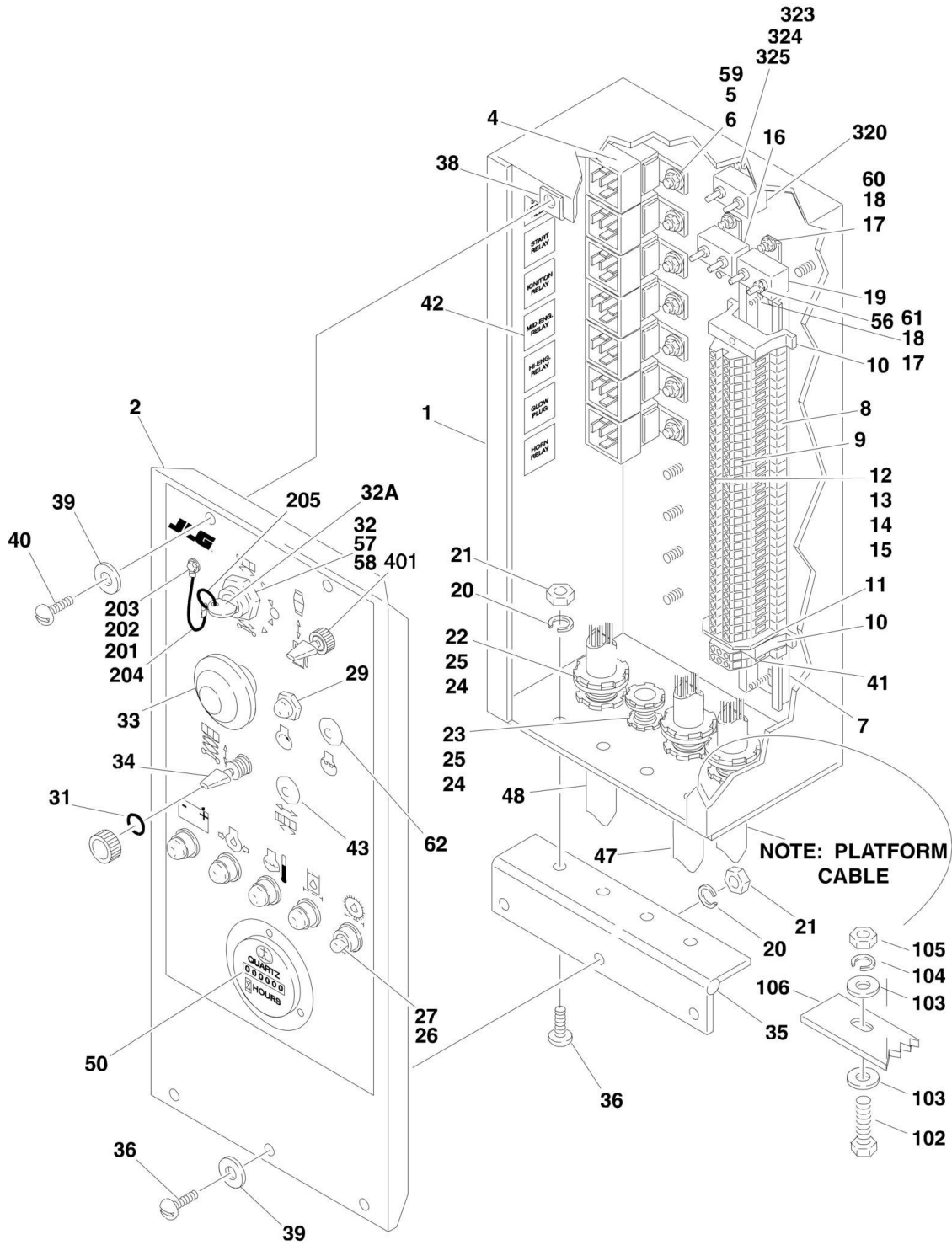
## SECTION 2 - GROUND COMPONENTS

**FIGURE 2-8. GEAR PUMP ASSEMBLY (YANMAR ENGINE)**

ITEM	PART NUMBER	QTY	DESCRIPTION	REV
	3600199	Ref	<b>GEAR PUMP ASSEMBLY</b>	-
1	7010955	1	Ring, Retaining	
2	Kit	1	Seal, Shaft	
3	7010956	1	Flange, Mounting	
4	Kit	2	Ring, Back-up	
5	Kit	2	E-Seal	
6	7010957	2	Bearing	
7	Kit	2	O-Ring	
8	7010958	1	Housing	
9	7010959	4	Pin, Dowel	
11	7010594	1	Gear, Idler	
12	7010978	1	Gear, Drive	
13	7010960	1	Cover, End	
14	7010961	4	Bolt	
	7010953	1	Seal Kit (Includes Items 2, 4, 5, & 7)	

# SECTION 2 - GROUND COMPONENTS

## FIGURE 2-9. GROUND CONTROLS INSTALLATION



## SECTION 2 - GROUND COMPONENTS

### FIGURE 2-9. GROUND CONTROLS INSTALLATION

ITEM	PART NUMBER	QTY	DESCRIPTION	REV
		Ref	<b>GROUND CONTROL BOX ASSEMBLY OPTIONS:</b>	
	0256308	Ref	<b>Vanguard (Prior to SN 35428)</b>	6
	0256740	Ref	<b>Vanguard (SN 35428 to Present)</b>	6
	0256309	Ref	<b>Yanmar (Prior to SN 35428)</b>	6
	0256741	Ref	<b>Yanmar (SN 35428 to Present)</b>	4
1		Ref	Box Options:	
1	4844562	1	Box (Prior to SN 70893)	
1	0861338	1	Box (SN 70893 to Present)	
2	3252491	1	Lid	
3	4420037	3 ft/1m	Strip, Rubber	
4	3740049	AR	Relay	
5	4761400	AR	Lockwasher 1/4in	
6	3311401	AR	Locknut 1/4in-20NC	
7	3640865	1	Rail, Terminal	
8	4460298	35	Block, Terminal	
9	4460301	1	Marker, Terminal (1-50)	
10	4460299	2	Stop, Terminal	
11	4460300	1	Barrier, Terminal	
12	4460309	1	Bar, Buss - 3 Position	
13	4460305	3	Screw, Buss Bar	
14	4460306	3	Washer, Buss Bar	
15	4460307	3	Sleeve, Buss Bar	
16	4360216	1	Breaker, Circuit - 30 Amp	
17	4770600	4	Starwasher #6	
18	3310601	4	Nut #6-32NC	
19	4360232	1	Breaker, Circuit - 15 Amp	
20	4761000	AR	Lockwasher #10	
21	3311001	10	Nut #10-24NC	
22	4460051	AR	Connector, Strain Relief - 3/4in	
23	4460071	2	Connector, Strain Relief - 1/2in	
24	3300048	4	Locknut, Conduit	
25	0960238	4	Bushing	
26	2920028	5	Lamp - Yellow	
27	2920029	5	Bulb, Light	
29	4360387	AR	Switch, Push Button	
30	0100035	AR	Loctite (Not Shown)	
31	3790012	1	O-Ring	
32	4360431	1	Switch, Key	
32A	7016339	1	Key, Replacement	
33	4360395	1	Switch, Mushroom (Prior to SN 58371)	
33	7016315	1	Cap	
33	4360289	1	Switch, Mushroom (SN 58371 to Present)	
33	7012611	1	Cap	
33	7012612	1	Boot	
34	4360314	1	Switch, Toggle	
35	2600161	1	Hinge	
36	3911008	7	Screw #10-24NC x 1/2in	
37	3990010	2	Diode, 600V (Not Shown)	
38	3300177	2	Nut, Tinnerman	
39	4740120	5	Washer, Nylon	

## SECTION 2 - GROUND COMPONENTS

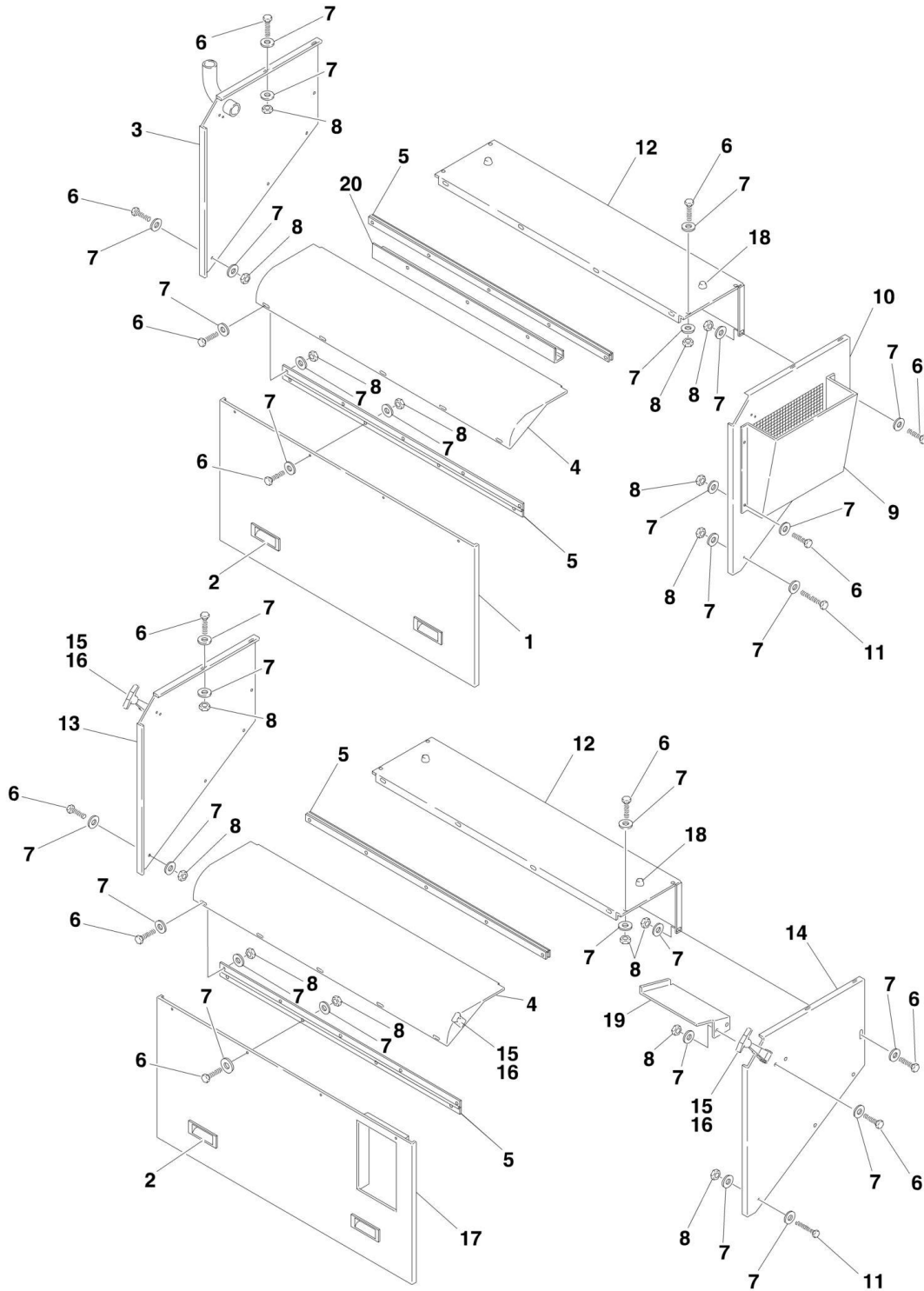
ITEM	PART NUMBER	QTY	DESCRIPTION	REV
40	0750806	2	Screw #8-32NC x 3/4in	
41	4460303	2	Terminal, Ground Block	
42	1701683	1	Decal - Relay Function	
43	3520026	1	Plug	
44	4460234	11	Mount, Cable Tie (Not Shown)	
45	2420033	11	Wire, Tie (Not Shown)	
46		Ref	Harness - Ground Control Box Options: (See ELECTRICAL SECTION for Breakdown)	
46	4921836	1	Harness - Ground Control Box <b>(Prior to SN 35428)</b>	
46	4921897	1	Harness - Ground Control Box <b>(SN 35428 to Present)</b>	
47		Ref	Harness - Engine Options: (See ELECTRICAL SECTION for Breakdown)	
47	4921837	1	Vanguard <b>(Prior to SN 35428)</b>	
47	4921898	1	Vanguard <b>(SN 35428 through 48112)</b>	
47	4922182	1	Vanguard <b>(SN 48113 to Present)</b>	
47	4921839	1	Yanmar <b>(Prior to SN 35428)</b>	
47	4921900	1	Yanmar <b>(SN 35428 to Present)</b>	
48		Ref	Harness - Valve Options: (See ELECTRICAL SECTION for Breakdown)	
48	4921838	1	Harness - Valve <b>(Prior to SN 35428)</b>	
48	4921899	1	Harness - Valve <b>(SN 35428 to Present)</b>	
50	2420009	1	Hourmeter	
52		Ref	Harness - Light Bank Diode Options: (Not Shown) (See ELECTRICAL SECTION for Breakdown)	
52	4921907	1	Harness - Light Bank Diode <b>(Prior to SN 35428)</b>	
52	4921910	1	Harness - Light Bank Diode <b>(SN 35428 to Present)</b>	
53		Ref	Harness - Steer Dump Options: (Not Shown) (See ELECTRICAL SECTION for Breakdown)	
53	4921906	1	Harness - Steer Dump <b>(Prior to SN 35428)</b>	
53	4921909	1	Harness - Steer Dump <b>(SN 35428 to Present)</b>	
54		Ref	Harness - High Engine Lift Options: (Not Shown) (See ELECTRICAL SECTION for Breakdown) <b>(SN 32436 to Present)</b>	
54	4621905	1	Vanguard <b>(Prior to SN 35428)</b>	
54	4621908	1	Vanguard <b>(SN 35428 to Present)</b>	
54	Not Required	0	Yanmar	
55		Ref	Harness - Mid Engine Lockout Options: (Not Shown) (See ELECTRICAL SECTION for Breakdown) <b>(SN 32436 to Present)</b>	
55	4921960	1	Harness - Mid Engine Lockout <b>(Prior to SN 35428)</b>	
55	4921961	1	Harness - Mid Engine Lockout <b>(SN 35428 to Present)</b>	
56	3321001	4	Nut #10-32NF	
57	4070987	5	Shim, Nylon <b>(SN 65027 to Present)</b>	
58	3910804	6	Screw #8-32NC x 1/4in <b>(SN 65027 to Present)</b>	
59	0641406	AR	Bolt 1/4in-20NC x 3/4in <b>(SN 70893 to Present)</b>	
60	0721004	3	Bolt #10-24NC x 1/2in <b>(SN 70893 to Present)</b>	
61	0722603	4	Bolt #6-32NC x 3/8in <b>(SN 70893 to Present)</b>	
62		Ref	Component Options:	
62	3520026	1	Plug (Vanguard Engine)	
62	4360387	1	Switch, Push Button (Yanmar Engine)	
		Ref	<b>GROUND CONTROL BOX INSTALLATION OPTIONS:</b>	
	0256310	Ref	<b>Vanguard Engine</b>	2
	0256311	Ref	<b>Yanmar Engine</b>	2
102	0641410	2	Bolt 1/4in-20NC x 1 1/4in	
103	4751400	4	Flatwasher 1/4in	

## SECTION 2 - GROUND COMPONENTS

ITEM	PART NUMBER	QTY	DESCRIPTION	REV
104	4761400	2	Lockwasher 1/4in	
105	3311401	2	Nut 1/4in-20NC	
106	0362591	1	Bar, Brace	
	0256536	Ref	<b>KEY ATTACH ASSEMBLY</b>	A
201	0641405	1	Bolt 1/4in-20NC x 5/8in	
202	4751400	2	Flatwasher 1/4in	
203	3311405	1	Locknut 1/4in-20NC	
204	1060379	1	Lanyard	
205	3760170	1	Ring	
		Ref	<b>OPTIONAL WORKLIGHTS INSTALLATION OPTIONS:</b>	
	0256535	Ref	<b>Standard Rails</b>	3
	0258925	Ref	<b>Fold-Down Rails</b>	1
320	4360448	1	Breaker, Circuit 10 Amp	
323	4761000	1	Lockwasher #10	
324	3311001	1	Locknut #10-24NC	
325	3911008	1	Bolt #10-24NC x 1/2in	
	0256692	Ref	<b>PLATFORM EXTENSION INTERLOCK INSTALLATION (NOT SHOWN)</b>	-
	4120013	1	Socket, Relay	
	3740058	1	Relay	
	3740063	1	Clip, Spring	
	0256350	Ref	<b>DUAL FUEL INSTALLATION (OPTIONAL)</b>	10
401	4360345	1	Switch, Toggle (Select)	
401	3790012	1	O-Ring	

# SECTION 2 - GROUND COMPONENTS

## FIGURE 2-10. HOOD INSTALLATIONS



**NOTE: REPLACEMENT DECALS MUST BE ORDERED SEPARATELY - See DECALS SECTION for Breakdown**

## SECTION 2 - GROUND COMPONENTS

### FIGURE 2-10. HOOD INSTALLATIONS

ITEM	PART NUMBER	QTY	DESCRIPTION	REV
	0256292	Ref	<b>HOOD INSTALLATION</b>	7
1	4845301	1	Door, Side (Engine Side)	
2	2560124	4	Handle, Lift	
3	4845297	1	Panel (Engine Side Rear)	
4	4845300	2	Door, Top	
5	2600217	4	Hinge	
6	0641405	48	Bolt 1/4in-20NC x 5/8in	
7	4711400	106	Flatwasher 1/4in (Narrow)	
8	3311405	53	Locknut 1/4in-20NC	
9	3539690	1	Plate, Air Intake	
10	4845296	1	Panel (Engine Side Front)	
11	0641406	5	Bolt 1/4in-20NC x 3/4in	
12	3539542	2	Panel, Top	
13	3539701	1	Panel (Valve Side Rear)	
14	3539700	1	Panel (Valve Side Front)	
15	2940095	4	Latch, Rubber	
16	3820019	16	Rivet	
17	4845316	1	Door, Side (Valve Side)	
18	0940036	4	Bumper	
19	4060925	1	Shield	
20	3571696	1	Plate, J-Channel <b>(SN 67933 to Present)</b>	

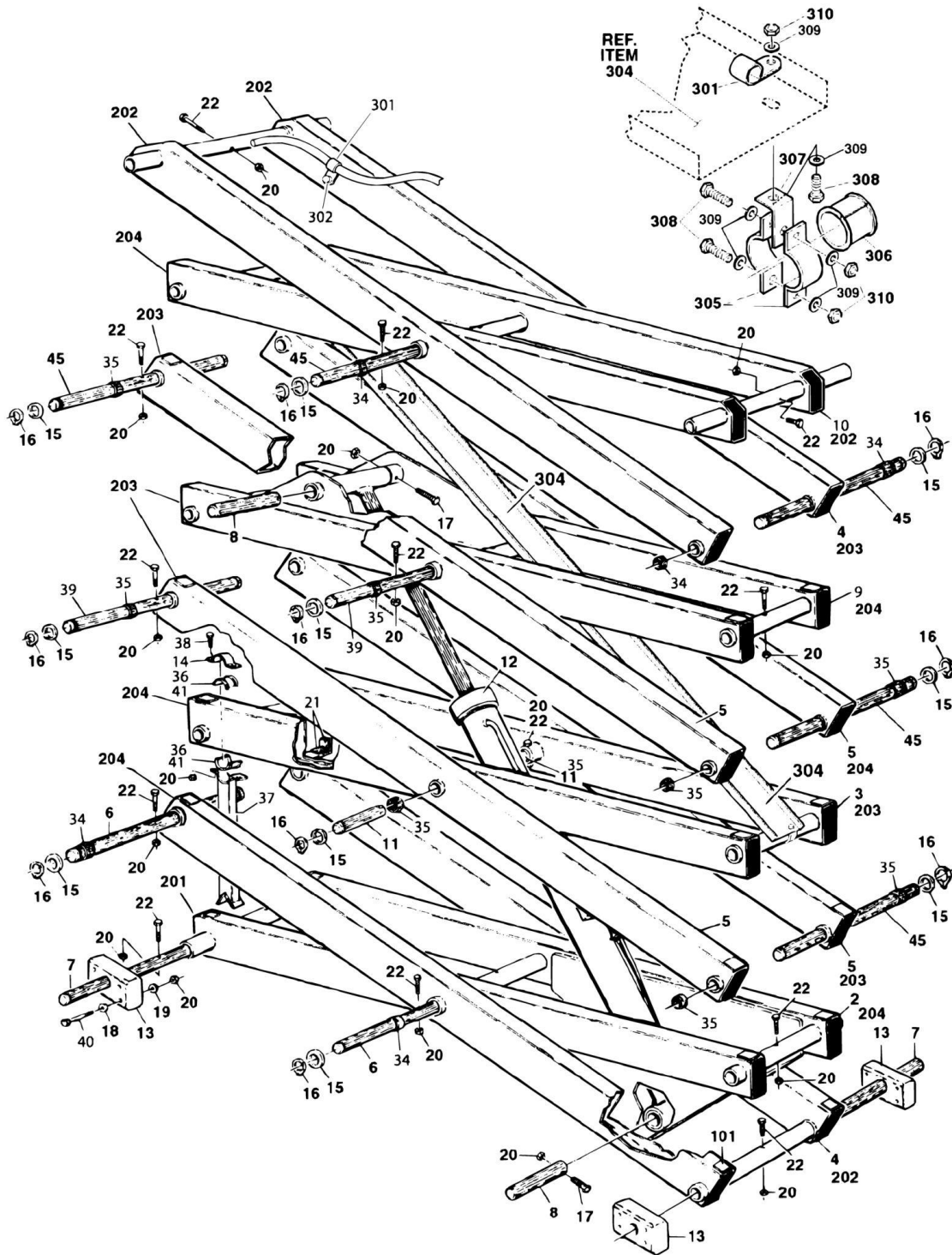




**SECTION 3 - SCISSOR ARMS**

# SECTION 3 - SCISSOR ARMS

## FIGURE 3-1. SCISSOR ARMS INSTALLATION



## SECTION 3 - SCISSOR ARMS

### FIGURE 3-1. SCISSOR ARMS INSTALLATION

ITEM	PART NUMBER	QTY	DESCRIPTION	REV
		Ref	<b>SCISSOR ARMS INSTALLATIONS</b>	
	0256355	Ref	<b>Standard Machines</b>	12
2	0200531	1	Arm Weldment (Bottom Inboard)	
3	0200532	1	Arm Weldment (Lower Mid Inboard)	
4	0200533	2	Arm Weldment (Bottom and Top Outboard)	
5	0200537	4	Arm Weldment (Lower and Upper Mid Outboard)	
6	3422483	2	Pin	
7	3422487	2	Pin	
8	3422485	2	Pin	
9	0200535	1	Arm Weldment (Upper Mid Inboard)	
10	0200536	1	Arm Weldment (Top Inboard)	
11	3422488	2	Pin	
12		Ref	Lift Cylinder Assembly Options: (See CYLINDERS SECTION for Breakdown)	
12	1683363	1	Lift Cylinder Assembly <b>(Prior to SN 26916)</b>	
12	1683474	1	Lift Cylinder Assembly <b>(SN 26916 to Present)</b>	
13	3340807	4	Pad, Slide	
14	4240125	1	Strap	
15	4740438	14	Washer, Special	
16	3760387	14	Ring, Retaining	
17	0641522	2	Bolt 5/16in-18NC x 2 3/4in (Not Shown)	
18	4711500	8	Flatwasher 5/16in (Narrow)	
19	4751500	8	Flatwasher 5/16in	
20	3311505	24	Locknut 5/16in-18NC	
21		Ref	Pad Options:	
21	3340645	3	Pad <b>(Prior to SN 47184)</b>	
21	3340841	3	Pad <b>(SN 47184 to Present)</b>	
22	0681520	12	Bolt 5/16in-18NC x 2 1/2in (Grade 8)	
34	0962010	8	Bushing, Garmax	
35	0962010	12	Bushing, Garmax	
36	0962015	1	Bushing, Split Only <b>(Prior to SN 27285)</b>	
37		Ref	Safety Prop Options:	
37	4845040	1	Safety Prop <b>(Prior to SN 27285)</b>	
37	4845431	1	Safety Prop <b>(SN 27285 through 42355)</b>	
37	4845475	1	Safety Prop <b>(SN 42356 to Present)</b>	
38	0641508	2	Bolt 5/16in-18NC x 1in	
39		Ref	Pin, Options:	
39	3422554	2	Pin, <b>(Prior to SN 37797)</b>	
39	3422597	2	Pin, <b>(SN 37797 to Present)</b>	
40	0641516	8	Bolt 5/16in-18NC x 2in	
41	4240128	1	Strap <b>(SN 30515 to Present)</b>	
45	3422483	5	Pin	
		Ref	Arm Kit Options: (Includes Items 2-5, 9, 10 & 37)	
	2901352	1	Arm Kit <b>(Prior to SN 42356)</b>	
	2901504	1	Arm Kit <b>(SN 42356 to Present)</b>	
	0252587	Ref	<b>ARM PADS INSTALLATION</b>	3
101		Ref	Pads Options:	
101	3340645	24	Pads <b>(Prior to SN 47189)</b>	
101	3340841	24	Pads <b>(SN 47189 to Present)</b>	
	0256064	Ref	<b>ARM CAPS INSTALLATION</b>	2

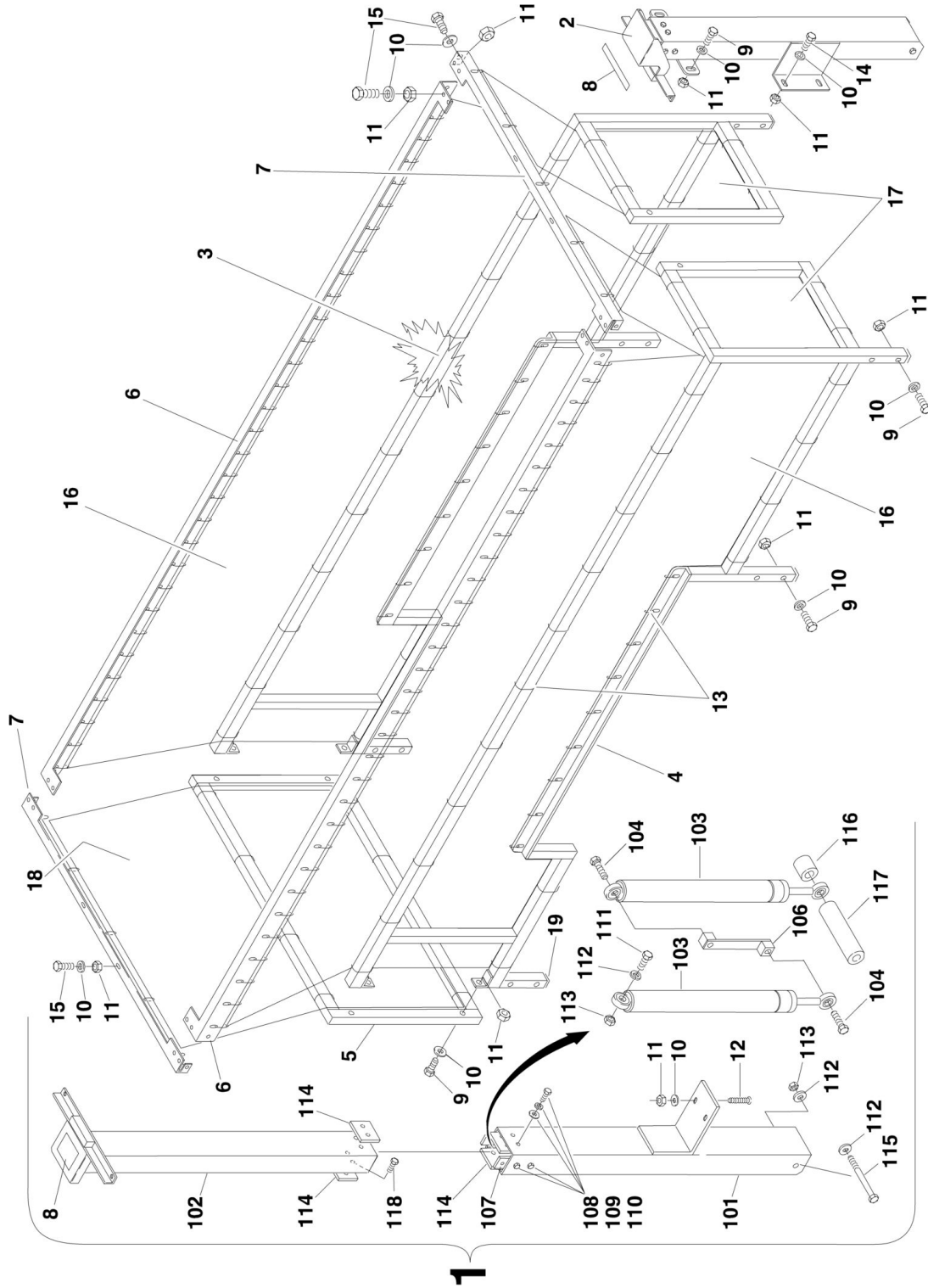
## SECTION 3 - SCISSOR ARMS

ITEM	PART NUMBER	QTY	DESCRIPTION	REV
201	1120474	2	Cap, Arm	5
202	1120475	6	Cap, Arm	
203	1120472	14	Cap, Arm	
204	1120473	10	Cap, Arm	
205	0100080	AR	Adhesive (Not Shown)	
	0256608	Ref	<b>TRAY AND CLAMPS INSTALLATION</b>	
301	1320061	12	Clamp	
302	3941406	8	Screw, Self-Tapping 1/4in x 3/4in	
303	4240127	16	Tie-Strap (Not Shown)	
304	3539265	1	Tray	
305	4240125	4	Strap	
306	0962015	2	Bushing, Split	
307	4240116	2	Strap, Mounting	
308		Ref	Bolt Options:	
308	0641406	8	Bolt 1/4in-20NC x 3/4 ( <b>Prior to SN 48299</b> )	
308	0641508	6	Bolt 5/16in-18NC x 1 ( <b>SN 48299 to Present</b> )	
309		Ref	Flatwasher Options:	
309	4751400	20	Flatwasher 1/4 ( <b>Prior to SN 48299</b> )	
309	4751500	12	Flatwasher 5/16 ( <b>SN 48299 to Present</b> )	
310		Ref	Locknut 1/4in-20NC	
310	3311405	10	Locknut 1/4in-20NC ( <b>Prior to SN 48299</b> )	
310	3311505	6	Locknut 5/16in-18NC ( <b>SN 48299 to Present</b> )	
311	4240033	30	Tie-Strap (Not Shown)	
312	4460052	1	Connector, Strain Relief (Not Shown - Located on Platform)	
313	2540002	AR	Grommet, Nylon (Not Shown)	



# SECTION 3 - SCISSOR ARMS

## FIGURE 3-2. ARM GUARDS INSTALLATION (Prior to SN 54142)



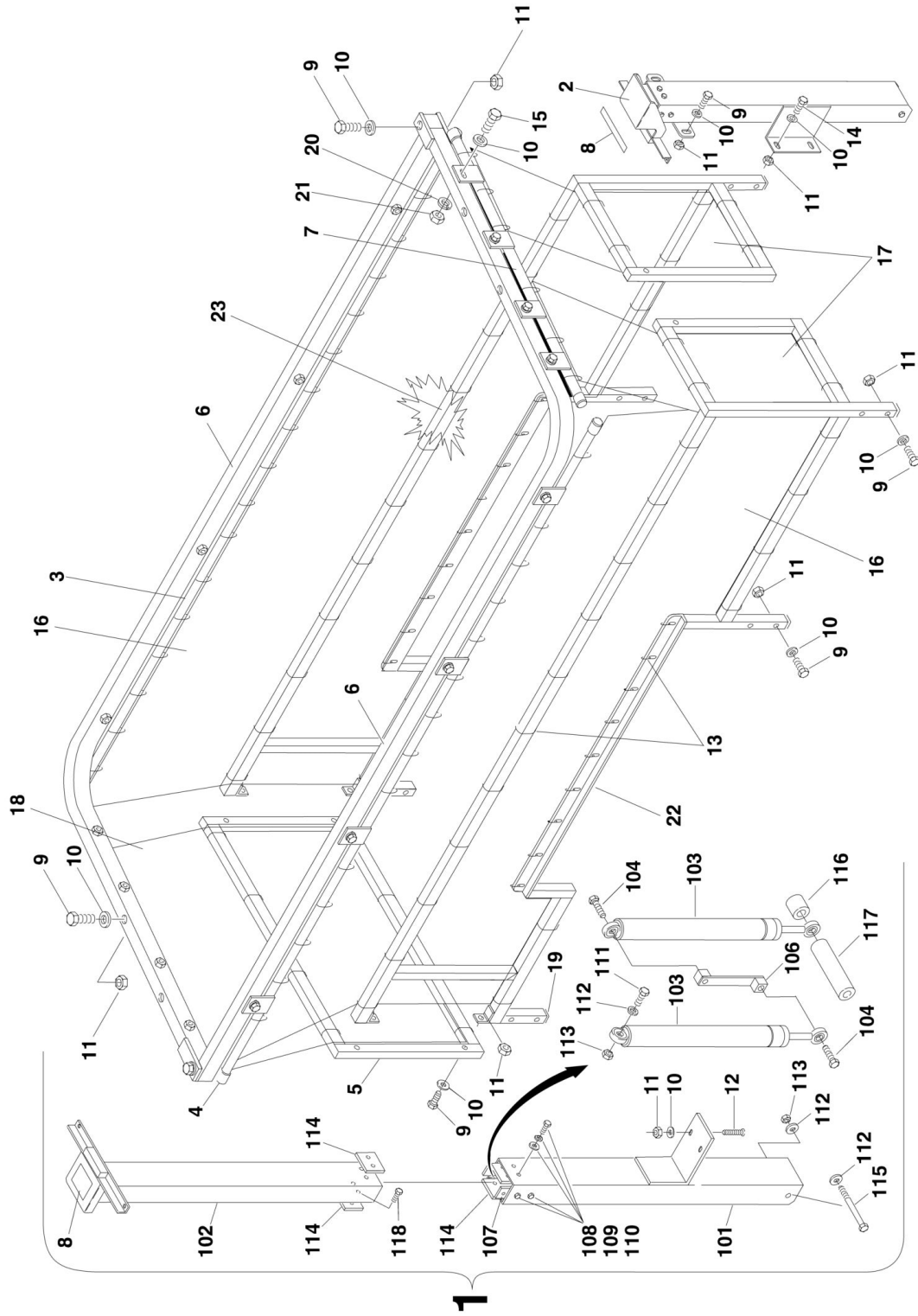
## SECTION 3 - SCISSOR ARMS

**FIGURE 3-2. ARM GUARDS INSTALLATION (Prior to SN 54142)**

ITEM	PART NUMBER	QTY	DESCRIPTION	REV
	0256724	Ref	<b>ARM GUARDS INSTALLATION</b>	A
1	0256713	1	Actuator Assembly (Rear) (See Items 101-118 for Breakdown)	
2	0256714	1	Actuator Assembly (Front) (See Items 101-118 for Breakdown)	
3	4845386	1	Frame Side Weldment (Left)	
4	4845387	1	Frame Side Weldment (Right)	
5	4845389	1	Frame Rear Weldment	
6	0181897	2	Angle, Side	
7	0181898	2	Angle, End	
8	4420055	6 in/15cm	Tape	
9	0641416	18	Bolt 1/4in-20NC x 2in	
10	4711400	76	Flatwasher 1/4in (Narrow)	
11	3311405	40	Locknut 1/4in-20NC	
12	4300032	2	Stud (Welded on Part)	
13	4240033	150	Tie-Strap	
14	0641408	4	Bolt 1/4in-20NC x 1in	
15	0641406	16	Bolt 1/4in-20NC x 3/4in	
16	0480097	2	Belt, Mesh (Side)	
17	0480099	2	Belt, Mesh (Front)	
18	0480098	1	Belt, Mesh (Rear)	
19	3520072	18	Plug, Tube	
		Ref	<b>ACTUATOR ASSEMBLIES</b>	
	0256713	Ref	<b>Actuator Assembly (Rear)</b>	-
	0256714	Ref	<b>Actuator Assembly (Front)</b>	-
101		Ref	Tube, Outer Options:	
101	4567088	1	Rear	
101	4567087	1	Front	
102		Ref	Tube, Inner Options:	
102	4567099	1	Rear	
102	4567100	1	Front	
103	4160136	2	Spring, Gas	
104	0641509	2	Bolt 5/16in-18NC x 1 1/8in	
105	0100011	AR	Loctite (Not Shown)	
106	4845370	1	Link, Gas Spring	
107	3340781	2	Pad, Wear	
108	0641604	8	Bolt 3/8in-16NC x 1/2in	
109	4751600	8	Flatwasher 3/8in	
110	4761600	8	Lockwasher 3/8in	
111	0641516	1	Bolt 5/16in-18NC x 2in	
112	4751500	4	Flatwasher 5/16in	
113	3311505	2	Locknut 5/16in-18NC	
114	3340780	4	Pad, Wear	
115	0641536	1	Bolt 5/16in-18NC x 4 1/2in	
116	0962974	1	Bushing	
117	0962975	1	Bushing	
118	3900213	4	Capscrew, Button Head 3/8in-16NC x 3/8in	

# SECTION 3 - SCISSOR ARMS

## FIGURE 3-3. ARM GUARDS INSTALLATION (SN 54142 to Present)





## SECTION 3 - SCISSOR ARMS

**FIGURE 3-3. ARM GUARDS INSTALLATION (SN 54142 to Present)**

ITEM	PART NUMBER	QTY	DESCRIPTION	REV
	0258690	Ref	<b>ARM GUARDS INSTALLATION</b>	2
1	0256713	1	Actuator Assembly (Rear) (See Items 101-118 for Breakdown)	
2	0256714	1	Actuator Assembly (Front) (See Items 101-118 for Breakdown)	
3	4845386	2	Frame Side Weldment (Left)	
4	1120514	8	Cap, Plastic	
5	4845389	1	Frame Rear Weldment	
6	4845839	2	Top Rail Weldment	
7	4845841	2	Weldment, End	
8	4420055	6 in/15cm	Tape	
9	0641416	24	Bolt 1/4in-20NC x 2in	
10	4711400	94	Flatwasher 1/4in (Narrow)	
11	3311405	42	Locknut 1/4in-20NC	
12	4300032	2	Stud (Welded on Part)	
13	4240033	150	Tie-Strap	
14	0641408	4	Bolt 1/4in-20NC x 1in	
15	0641406	12	Bolt 1/4in-20NC x 3/4in	
16	0480097	2	Belt, Mesh (Side)	
17	0480099	2	Belt, Mesh (Front)	
18	0480098	1	Belt, Mesh (Rear)	
19	3520072	20	Plug, Tube	
20	4761400	12	Lockwasher 1/4in	
21	2080043	12	Fastener, Rivnut 1/4in-20NC	
22	4845387	1	Weldment, Arm Guard (Right Side)	
23	4845386	1	Weldment, Arm Guard (Left Side)	
		Ref	<b>ACTUATOR ASSEMBLIES</b>	
	0256713	Ref	<b>Actuator Assembly (Rear)</b>	-
	0256714	Ref	<b>Actuator Assembly (Front)</b>	-
101		Ref	Tube, Outer Options:	
101	4567088	1	Rear	
101	4567087	1	Front	
102		Ref	Tube, Outer Options:	
102	4567099	1	Rear	
102	4567100	1	Front	
103	4160136	2	Spring, Gas	
104	0641509	2	Bolt 5/16in-18NC x 1 1/8in	
105	0100011	AR	Loctite (Not Shown)	
106	4845370	1	Link, Gas Spring	
107	3340781	2	Pad, Wear	
108	0641604	8	Bolt 3/8in-16NC x 1/2in	
109	4751600	8	Flatwasher 3/8in	
110	4761600	8	Lockwasher 3/8in	
111	0641516	1	Bolt 5/16in-18NC x 2in	
112	4751500	4	Flatwasher 5/16in	
113	3311505	2	Locknut 5/16in-18NC	
114	3340780	4	Pad, Wear	
115	0641536	1	Bolt 5/16in-18NC x 4 1/2in	
116	0962074	1	Bushing	
117	0962075	1	Bushing	
118	3900213	4	Capscrew, Button Head 3/8in-16NC x 3/8in	



**SECTION 4 - PLATFORM**



## SECTION 4 - PLATFORM

**FIGURE 4-1. PLATFORM COMPONENTS INSTALLATION - MANUALLY OPERATED EXTENSION**

ITEM	PART NUMBER	QTY	DESCRIPTION	REV
	0256558	Ref	<b>PLATFORM INSTALLATION</b>	2
1	3510541	1	Platform Weldment	
2	3340629	4	Block, Slide Pad	
3	3421895	2	Pin, Attach	
4		Ref	Bushing, Spacer Options:	
4	0962069	4	Bushing, Spacer <b>(Prior to SN 42615)</b>	
4	0962154	4	Bushing, Spacer <b>(SN 42615 to Present)</b>	
5	0641522	8	Bolt 5/16in-18NC x 2 3/4in	
6	4751500	8	Flatwasher 5/16in	
7	4711500	8	Flatwasher 5/16in (Narrow)	
8	3311505	8	Locknut 5/16in-18NC	
		Ref	<b>RECEPTACLE INSTALLATION OPTIONS:</b>	
	0256534	Ref	<b>110Volt AC Receptacle (Prior to SN 41017)</b>	A
	0256951	Ref	<b>220Volt AC Receptacle (Standard)</b>	3
	0258293	Ref	<b>220Volt AC Receptacle (Australian Spec)</b>	2
101		Ref	Nameplate Options:	
101	3251243	1	120V/60HZ	
101	3252507	1	220V/60HZ	
102	Supply Locally	1	Plug, Connector	
104	1060308	49 ft/15m	Cable, Electrical - 12/3	
105	4460051	AR	Connector, Strain Relief	
106	0860038	1	Box, Receptacle	
109	1320061	3	Clamp	
114	3311505	AR	Locknut 5/16in-18NC	
115		Ref	Hardware Options:	
115	0721006	AR	Bolt #10-24NC x 3/4 <b>(Prior to SN 44279)</b>	
115	3900256	AR	Self-Tapping #10-24NC x 1 1/4 <b>(SN 44279 to Present)</b>	
116	4711000	AR	Flatwasher #10	
117	4761000	AR	Lockwasher #10	
118	0641505	26	Bolt 5/16in-18NC x 5/8in	
119	4240033	16	Tie-Strap (Not Shown)	
120	2820025	1	Guard, Plastic Spring	
122	2540002	AR	Grommet, Nylon	
	0256535	Ref	<b>OPTIONAL WORKLIGHTS INSTALLATION</b>	3
201	2920111	2	Worklight	
202	1060341	65 ft/20m	Cable, Electrical - 16/2 (Not Shown)	
208	0901930	2	Bracket	
209	0641416	2	Bolt 1/4in-20NC x 2in	
210	3311405	2	Locknut 1/4in-20NC	
211	4751400	4	Flatwasher 1/4in	
212	4240033	12	Tie-Strap (Not Shown)	
213		Ref	Connector, Strain Relief Options:	
213	4460071	1	Connector, Strain Relief <b>(Prior to SN 45752)</b>	
213	4460051	1	Connector, Strain Relief <b>(SN 45752 to Present)</b>	
214	3300048	1	Locknut, Conduit	
215	1320041	5	Clamp	
218	0641505	2	Bolt 5/16in-18NC x 5/8in	
219	3311505	2	Locknut 5/16in-18NC	
	0256609	Ref	<b>RAIL BOOT INSTALLATION</b>	-
301	0840035	4	Boot	

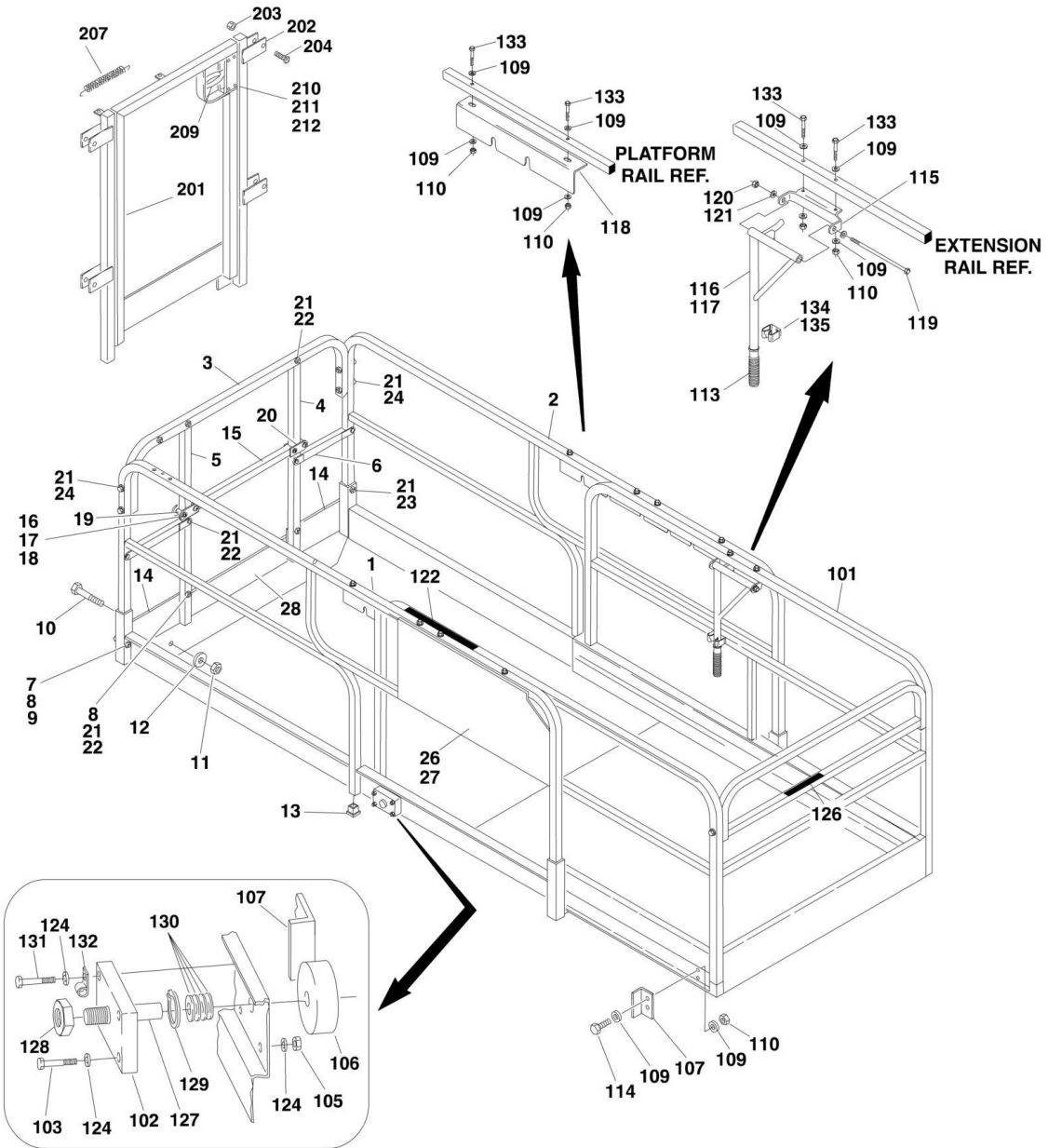
## SECTION 4 - PLATFORM

ITEM	PART NUMBER	QTY	DESCRIPTION	REV
	0256691	Ref	<b>PLATFORM EXTENSION INTERLOCK INSTALLATION</b>	-
401	4360277	1	Switch, Limit	
402	4360236	1	Head, Switch	
403	4360278	1	Arm and Roller Assembly	
404	4460052	2	Connector, Strain Relief	
405	3900168	2	Screw, Special	
406	4920140	2	Lockwire	
407	3534995	1	Plate, Switch Mounting	
408	3931416	2	Bolt, Socket Head 1/4in-20NC x 1in	
409	3311401	2	Nut 1/4in-20NC	
410	4761400	2	Lockwasher 1/4in	
411	3520072	1	Plug, Cap	
412	1060341	54 ft/16.5m	Cable, Electrical - 16/2	
413	3300047	1	Locknut	
414	0960239	1	Bushing	



# SECTION 4 - PLATFORM

## FIGURE 4-2. STANDARD HANDRAILS AND EXTENSION INSTALLATION (MANUALLY OPERATED PLATFORM)





## SECTION 4 - PLATFORM

**FIGURE 4-2. STANDARD HANDRAILS AND EXTENSION INSTALLATION (MANUALLY OPERATED PLATFORM)**

ITEM	PART NUMBER	QTY	DESCRIPTION	REV
		Ref	<b>STANDARD HANDRAILS INSTALLATIONS OPTIONS:</b>	
	0256562	Ref	<b>Standard Handrails Installations (Prior to SN 38569)</b>	1
	0257721	Ref	<b>Standard Handrails Installations (SN 38569 to Present)</b>	3
1		Ref	Handrail - Right Side Options:	
1	3640727	1	Handrail - Right Side <b>(Prior to SN 38569)</b>	
1	3641210	1	Handrail - Right Side <b>(SN 38569 through 52319)</b>	
1	3641281	1	Handrail - Right Side <b>(SN 52320 to Present)</b>	
2		Ref	Handrail - Left Side Options:	
2	3640728	1	Handrail - Left Side <b>(Prior to SN 32436)</b>	
2	3641173	1	Handrail - Left Side <b>(SN 32436 through 52319)</b>	
2	3641282	1	Handrail - Left Side <b>(SN 52320 to Present)</b>	
3	4567057	1	Tube, Handrail - Rear	
4	3640730	1	Rail Weldment - End (Left Side)	
5	3640731	1	Rail Weldment - End (Right Side)	
6	3641160	2	Rail Weldment - Mid (Rear)	
7	0641420	4	Bolt 1/4in-20NC x 2 1/2in	
8	4751400	AR	Flatwasher 1/4in (Wide)	
9	3311405	4	Locknut 1/4in-20NC	
10	0641608	2	Bolt 3/8in-16NC x 1in	
11	3311605	2	Locknut 3/8in-16NC	
12	4711600	4	Flatwasher 3/8in	
13	3520072	4	Plug, Cap	
14	3539838	2	Kickplate - Rear	
15	3640614	1	Rail Weldment - End (Gate)	
16	3911034	4	Screw, Round Head #10-24NC x 2 1/4in	
17	4751000	4	Flatwasher #10	
18	3311005	4	Locknut #10-24NC	
19	0961833	4	Bushing, UHMW	
20	4420055	AR	Tape, UHMW	
21	3900184	AR	Screw, Button Head #10-24NC x 5/8in	
22	3300373	AR	Nut, Joint Connector 1 1/4in	
23	3300374	AR	Nut, Joint Connector 1 7/8in	
24	3300375	AR	Nut, Joint Connector 2 3/8in	
25	0100011	AR	Loctite #242 (Not Shown)	
26	3570381	1	Plate, Placard <b>(SN 35882 to Present)</b>	
27	3820019	6	Rivet <b>(SN 35882 to Present)</b>	
28	3533370	1	Kickplate, Rear <b>(SN 35882 to Present)</b>	
	0256585	Ref	<b>PLATFORM EXTENSION INSTALLATION</b>	2
101	3510540	1	Weldment, Extension	
102	3537619	4	Mounting Weldment - Roller	
103	0641510	15	Bolt 5/16in-18NC x 1 1/8in	
105	3311505	18	Locknut 5/16in-18NC	
106	3860059	4	Roller	
107	0181684	4	Angle, Stop	
109	4711400	AR	Flatwasher 1/4in (Narrow)	
110	3311405	AR	Locknut 1/4in-20NC	
113	2560088	1	Grip, Handle	
114	0641416	9	Bolt 1/4in-20NC x 2in	
115	3537609	2	Plate, Pivot	

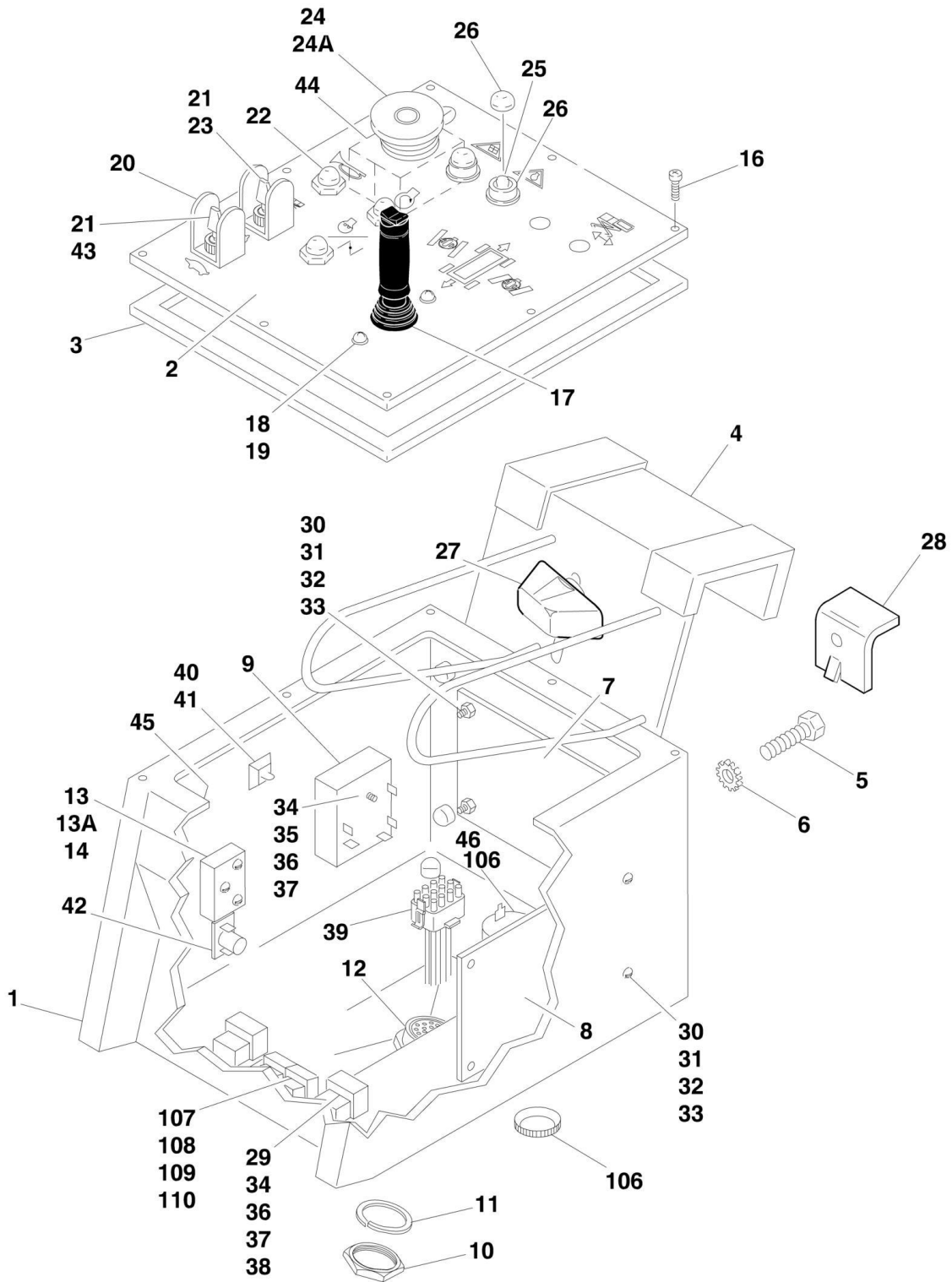
## SECTION 4 - PLATFORM

ITEM	PART NUMBER	QTY	DESCRIPTION	REV
116	4845427	1	Handle, Weldment (Left Side)	
117	4845428	1	Handle, Weldment (Right Side)	
118	3570090	2	Latch	
119	0641676	2	Bolt 3/8in-16NC x 9 1/2in	
120	3311605	2	Locknut 3/8in-16NC	
121	4711600	4	Flatwasher 3/8in	
122		Ref	Nameplate - Capacity Options:	
122	3252296	1	Nameplate - Capacity <b>(Prior to SN 32436)</b>	
122	3252080	1	Nameplate - Capacity <b>(SN 32436 to Present)</b>	
124	4751500	16	Flatwasher 5/16in	
126	3252136	1	Nameplate - Control Box Location	
127	3841233	4	Rod, Roller	
128	3322202	4	Nut, Jam 3/4in-10NF	
129	3760348	4	Ring, Retaining	
130	4752200	4	Flatwasher 3/4in	
131	0641512	1	Bolt 5/16in-18NC x 1 1/2in	
132	1320061	1	Clamp	
133	3911432	8	Screw, Round Head 1/4in-20NC x 2in	
134	1380132	2	Clip, Gripper	
135	3941004	2	Self-Tapping	
	0252973	Ref	<b>SELF-CLOSING ACCESS GATE INSTALLATION (EURO - OPTIONAL/AUSTRALIAN - STANDARD)</b>	5
201	4844100	1	Gate, Weldment	
202	4844104	1	Rail	
203	3300373	4	Nut #10-24NC	
204	3900184	4	Screw, Button Head #10-24NC x 5/8in	
207	4160028	1	Spring	
208	3520072	4	Plug, Cap	
209	2940074	1	Latch	
210	3911014	4	Screw, Round Head #10-24NC x 7/8in	
211	3311005	4	Locknut #10-24NC	
212	4751000	4	Flatwasher #10	



# SECTION 4 - PLATFORM

## FIGURE 4-3. PLATFORM CONSOLE BOX ASSEMBLY



## SECTION 4 - PLATFORM

### FIGURE 4-3. PLATFORM CONSOLE BOX ASSEMBLY

ITEM	PART NUMBER	QTY	DESCRIPTION	REV
		Ref	<b>CONSOLE BOX ASSEMBLY OPTIONS:</b>	
	0256315	Ref	<b>Vanguard Engine (Prior to SN 35428)</b>	F
	0256744	Ref	<b>Vanguard Engine (SN 35428 to Present)</b>	6
	0256316	Ref	<b>Yanmar Engine (Prior to SN 35428)</b>	F
	0256745	Ref	<b>Yanmar Engine (SN 35428 to Present)</b>	7
1	0861032	1	Box, Console	
2		Ref	Lid, Nameplate Options:	
2	3252486	1	Lid, Nameplate <b>(Prior to SN 58990)</b>	
2	3252627	1	Lid, Nameplate <b>(SN 58990 to Present)</b>	
3	4420008	38 in/1m	Tape, Insulation	
4		Ref	Bracket, Hanger Options:	
4	0902299	1	Bracket, Hanger <b>(Prior to SN 44924)</b>	
4	0902456	1	Bracket, Hanger <b>(SN 44924 through 58989)</b>	
4	4845938	1	Bracket, Hanger <b>(SN 58990 to Present)</b>	
5	0641404	4	Bolt 1/4in-20NC x 1/2in	
6	4791400	4	Starwasher 1/4in	
7	1600218	1	Card, Circuit - JLG	
7	Supply Locally	1	Fuse - 5 Amps	
8		Ref	Card, Circuit - Horsepower Options:	
8	1600249	1	Vanguard	
8	1600250	1	Yanmar Engine	
8	7016379	1	Fuse - 1 Amp	
9	3740118	1	Relay, Delay <b>(Prior to SN 58990)</b>	
10	4460470	1	Nut, Receptacle	
11	4460471	1	Lockwasher, Receptacle	
12	4460463	1	Receptacle, Male (23 Pin)	
13	4360339	1	Switch	
13A	7012593	1	Cover, Rubber - Green	
14	4360267	1	Block, Switch Contact	
15	0100035	AR	Loctite #222 (Not Shown)	
16	3900177	8	Screw	
17		Ref	Controller Assembly Options:	
17	1600241	1	Controller Assembly (See CONTROLLER ASSEMBLY (PRIOR TO SN 58990) for Breakdown) <b>(Prior to SN 58990)</b>	
17	1600296	1	Controller Assembly (See CONTROLLER ASSEMBLY (SN 58990 TO PRESENT) for Breakdown) <b>(SN 58990 to Present)</b>	
18	4740120	4	Washer, Nylon	
19	3900178	4	Screw, Machine #10-32NF x 3/4in	
20	4060802	2	Shield, Switch	
21	3790012	2	O-Ring	
22	4360387	AR	Switch, Push Button	
23	4360314	1	Switch, Toggle	
24		Ref	Switch, Emergency Stop Options:	
24	4360395	1	Switch, Emergency Stop <b>(Prior to SN 58990)</b>	
24	4360289	1	Switch, Emergency Stop <b>(SN 58990 through 65026)</b>	
24	4360475	1	Switch, Emergency Stop <b>(SN 65027 to Present)</b>	
24A	7016315	1	Head, Mushroom (Use on Switch p/n 4360395)	
24A	7012611	1	Head, Mushroom (Use on Switch p/n 4360289)	
24A	7012612	1	Boot (Use on Switch p/n 4360289)	
24A	7020175	1	Ring, Sealing (Use on Switch p/n 4360475)	

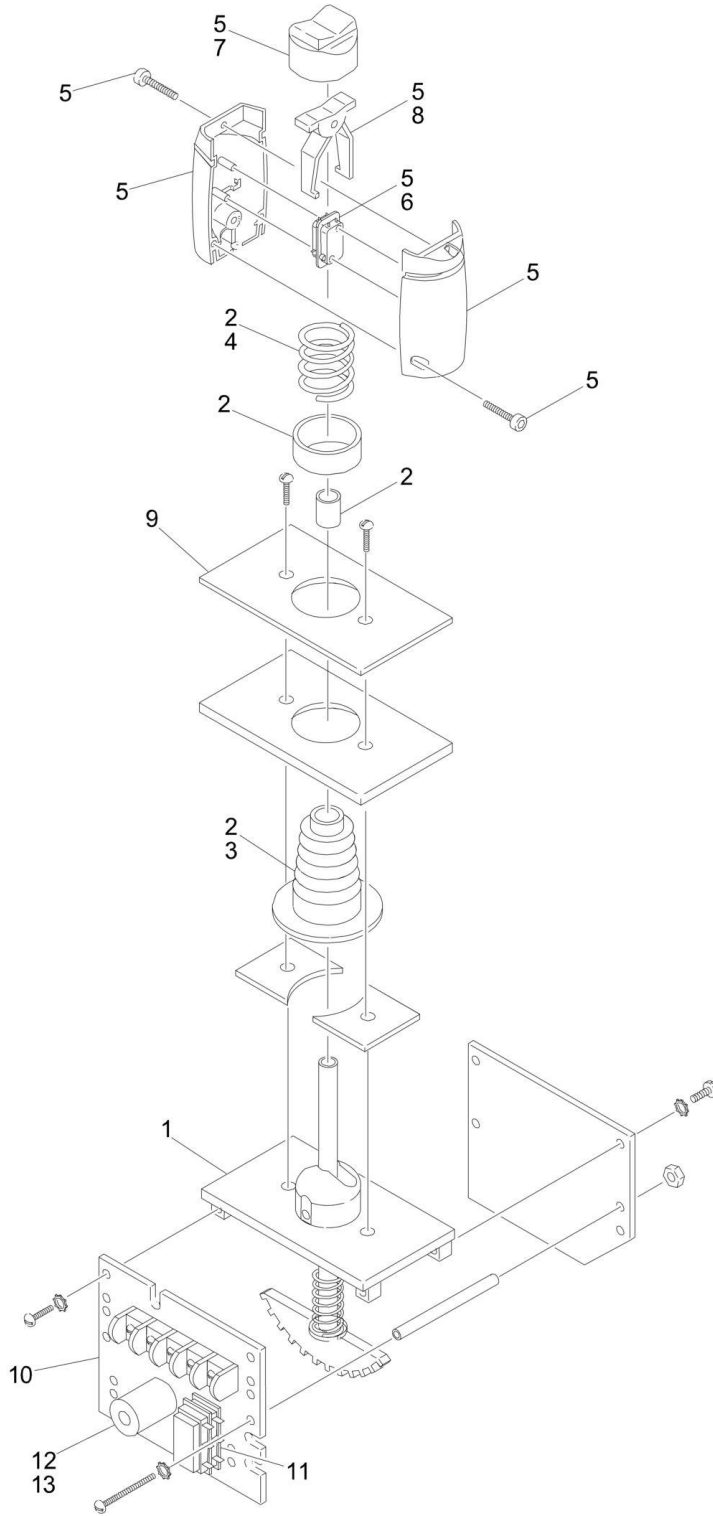
## SECTION 4 - PLATFORM

ITEM	PART NUMBER	QTY	DESCRIPTION	REV
24A	7020176	1	Block, Contact (Use on Switch p/n 4360475)	
25	2920029	AR	Bulb, Light	
26	2920026	AR	Lamp, Indicator - Red	
27	2560141	1	Thumbscrew	
28	0181847	1	Angle	
29	3740049	AR	Relay, Bosch	
30	3910616	AR	Screw #6-32NC x 1in	
31	4760600	AR	Lockwasher #6	
32	4750600	AR	Flatwasher #6	
33	3310601	AR	Nut #6-32NC	
34	4751000	AR	Flatwasher #10	
35	3911024	1	Screw #10-24NC x 1 1/2 <b>(Prior to SN 58990)</b>	
36	4761000	AR	Lockwasher #10	
37	3311001	AR	Nut #10-24NC	
38	3911012	AR	Screw #10-24NC x 3/4in	
39		Ref	Harness - Platform Console Box Options:	
39	4921842	1	Standard <b>(Prior to SN 35428)</b>	
39	4921901	1	Standard <b>(SN 35428 through 58989)</b>	
39	4922288	1	Standard <b>(SN 58990 to Present)</b>	
40	4460234	5	Mount, Wire Tie	
41	4240033	5	Tie, Wire	
42	4360069	1	Breaker, Circuit - 10 Amp	
43	4360336	1	Switch, Toggle	
44	4360282	1	Block, Contact	
45	1701683	1	Decal - Relay Function (Not Shown - Located on Inside Console Box) <b>(SN 32436 to Present)</b>	
46	0140011	1	Alarm <b>(SN 44844 to Present)</b>	
		Ref	<b>TILT ALARM INSTALLATION OPTIONS:</b>	
	0256427	Ref	<b>Euro Spec (Prior to SN 38569)</b>	A
	0257219	Ref	<b>Euro Spec (SN 38569 to Present)</b>	2
	0256544	Ref	<b>Australian Spec (Prior to SN 38569)</b>	A
	0257218	Ref	<b>Australian Spec (SN 38569 to Present)</b>	2
106	0140011	1	Alarm	
107	3740049	2	Relay, Bosch	
108	3911012	2	Screw #10-24NC x 3/4in	
109	4751000	4	Flatwasher #10	
110	3311005	2	Locknut #10-24NC	



# SECTION 4 - PLATFORM

## FIGURE 4-4. CONTROLLER ASSEMBLY (Prior to SN 58990)





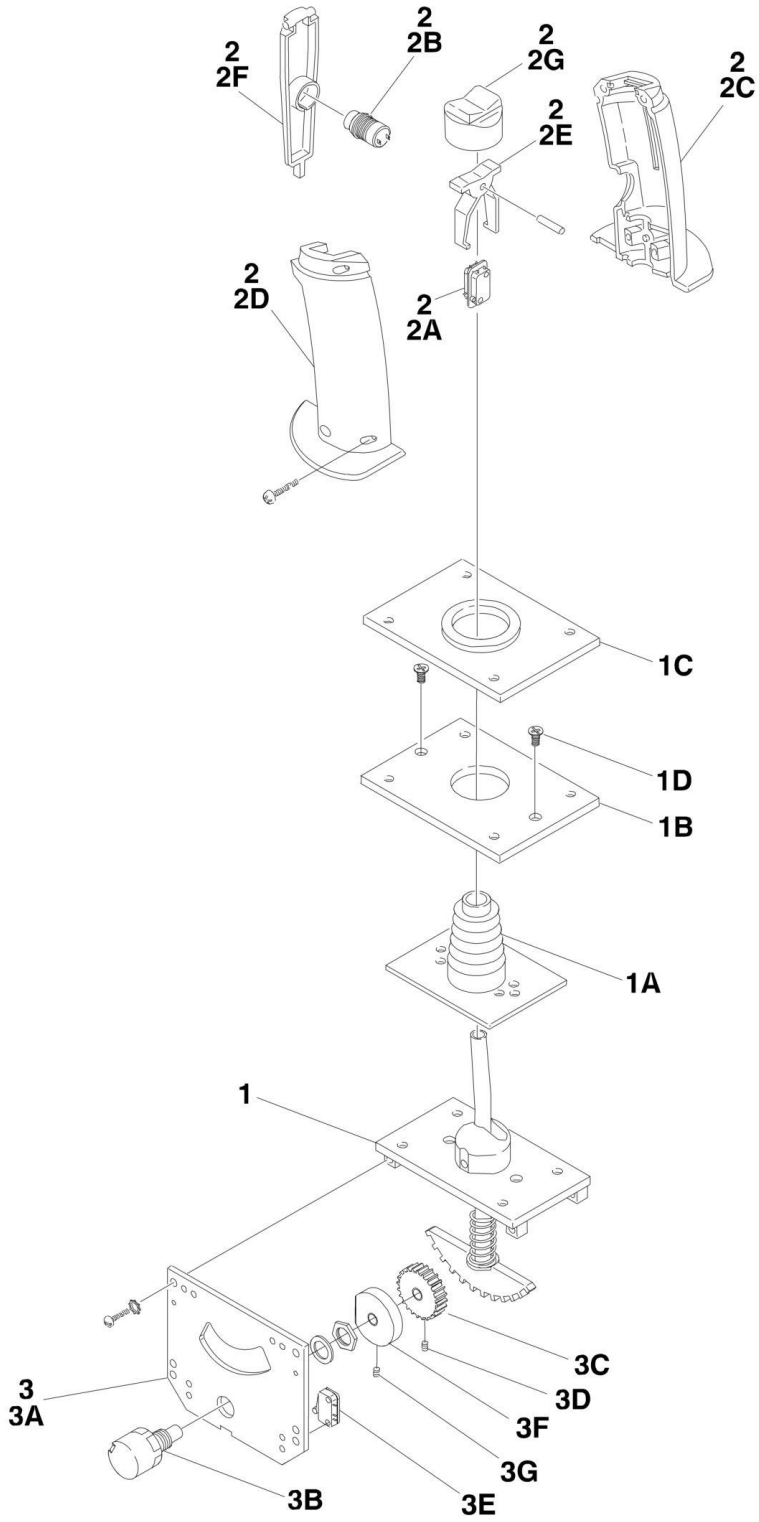
## SECTION 4 - PLATFORM

**FIGURE 4-4. CONTROLLER ASSEMBLY (Prior to SN 58990)**

ITEM	PART NUMBER	QTY	DESCRIPTION	REV
	1600241	Ref	<b>CONTROLLER ASSEMBLY</b>	
	7011931	1	Handle/Stem Assembly (Includes Items 1 to 9)	
1	7011932	1	Stem Assembly	
2	7011933	1	Slidelock Assembly (Includes Items 3 & 4)	
3	7003772	1	Boot	
4	7011934	1	Spring	
5	7011935	1	Handle Assembly (Includes Items 6 to 8)	
6	7003789	1	Switch, Rocker	
7	7003790	1	Cap, Rubber	
8	7003791	1	Actuator, Switch	
9	7011936	1	Gasket	
10	7011974	1	Electrical Assembly (Includes Items 11 to 13)	
11	7003714	1	Switch, Mico	
12	7011940	1	Gear, Pinion	
13	7011975	1	Potenimeter	
14	Not Serviced	1	Harness Assembly (Not Shown)	
14	4460343	1	Connector - 12 Pin	
14	4460367	1	Connector	
14	4460226	10	Socket, Female	
14	4460227	10	Pin, Male	

# SECTION 4 - PLATFORM

## FIGURE 4-5. CONTROLLER ASSEMBLY (SN 58990 to Present)



## SECTION 4 - PLATFORM

**FIGURE 4-5. CONTROLLER ASSEMBLY (SN 58990 to Present)**

ITEM	PART NUMBER	QTY	DESCRIPTION	REV
	1600296	Ref	<b>CONTROLLER ASSEMBLY</b>	
1	7020503	1	Handle/Stem Assembly	
1A	7020520	1	Boot	
1B	7020504	1	Plate, Mounting	
1C	7020502	1	Gasket	
1D	7020528	2	Screw #10-32NF x 3/8in	
2	7011991	1	Grip Assembly	
2A	7011992	1	Switch Assembly	
2B	7020501	1	Switch, Push Button	
2C	7020541	1	Grip - Right Half (was p/n 7011993)	
2D	7020541	1	Grip - Left Half (was p/n 7011994)	
2E	7003791	1	Actuator, Switch	
2F	7011997	1	Trigger	
2G	7003790	1	Cap, Rubber	
3	7020525	1	Electrical Assembly	
3A	7020509	1	Plate, Mounting - Potentiometer	
3B	7011975	1	Potentiometer	
3C	7011940	1	Gear, Pinion	
3D	7020511	1	Setscrew #6-32 x 1/8in	
3E	7003771	1	Actuator, Switch	
3F	7020518	1	Cam, Neutral Switch	
3G	7011983	1	Setscrew #4-32 x 1/89in	
4	Not Serviced	1	Harness Assembly (Not Shown)	
4	4460343	1	Connector - 12 Pin	
4	4460367	1	Connector	
4	4460226	10	Socket, Female	
4	4460227	10	Pin, Male	



**SECTION 5 - CYLINDERS**



## SECTION 5 - CYLINDERS

**FIGURE 5-1. LIFT CYLINDER COMPONENTS ASSEMBLY (Prior to SN 26916)**

ITEM	PART NUMBER	QTY	DESCRIPTION	REV
		Ref	<b>LIFT CYLINDER SUB-ASSEMBLY</b>	
1 to 22	Not Required	0	Locknut	
23	0641506	2	Bolt 5/16in-18NC x 3/4in	
24	0100011	AR	Loctite #242	
25	4640717	1	Cartridge, Valve (Manual Descent)	
26	3311402	1	Nut, Jam 1/4in-20NC	
27	0080190	1	Adapter	
28	4220044	1	Stop, Throttle	
29	0902151	1	Bracket	
30		Ref	Cable Assembly Options:	
30	1060377	1	Cable Assembly - Use 1060643 as Replacement <b>(Prior to SN 28133)</b>	
30	1060643	1	Cable Assembly <b>(SN 28133 to Present)</b>	
31	3450405	1	Pin, Cotter	
32	3321402	4	Nut, Jam 1/4in-28NF	
33	4711400	4	Flatwasher 1/4in Narrow	
34	3760170	1	Ring <b>(Prior to SN 28133)</b>	
35	3841127	1	Rod, Manual Descent Only <b>(Prior to SN 28133)</b>	
	1683363	Ref	<b>LIFT CYLINDER ASSEMBLY</b>	C
101	1683353	1	Barrel Weldment	
101A	0962012	2	Bushing, Garmax	
102	1683355	1	Rod Weldment	
102A	0962012	2	Bushing, Garmax	
103	1683061	1	Head	
104	3480211	1	Piston	
105	4565008	1	Spacer	
106	0961897	1	Bushing, Tapered	
108	4640509	1	Cartridge, Valve	
108	2900792	1	Seal, Kit - 4640509 Valve	
109	3931720	8	Capscrew 7/16in-14NC x 1 1/4in	
110	3760370	1	Ring, Washer	
111	2220883	3	Plug, Fitting	
112	Kit	1	Wiper	
113	Kit	1	Seal, Rod	
114	Kit	1	O-Ring	
115	Kit	1	Ring, Back-up	
116	Kit	1	Ring, Wear	
117	Kit	1	O-Ring	
118	Kit	1	Ring, Back-up	
119	Kit	2	Ring, Lock	
120	Kit	2	Seal	
121	0100011	AR	Loctite #242 (Not Shown)	
122	0100038	AR	Primer, Locking (Not Shown)	
124	2220885	1	Plug, O-Ring	
	2901273	1	Seal Kit (Includes Items 112 to 120)	
	0256692	Ref	<b>PLATFORM EXTENSION INTERLOCK INSTALLATION</b>	
201	1692617	1	Switch, Pressure	
202	2221015	1	Fitting, 90	
203	2220440	1	Fitting, Straight	
204	4460428	1	Connector, Strain Relief	

## SECTION 5 - CYLINDERS

ITEM	PART NUMBER	QTY	DESCRIPTION	REV
210	1060341	40 ft/12m	Cable, Electrical - 16/2	







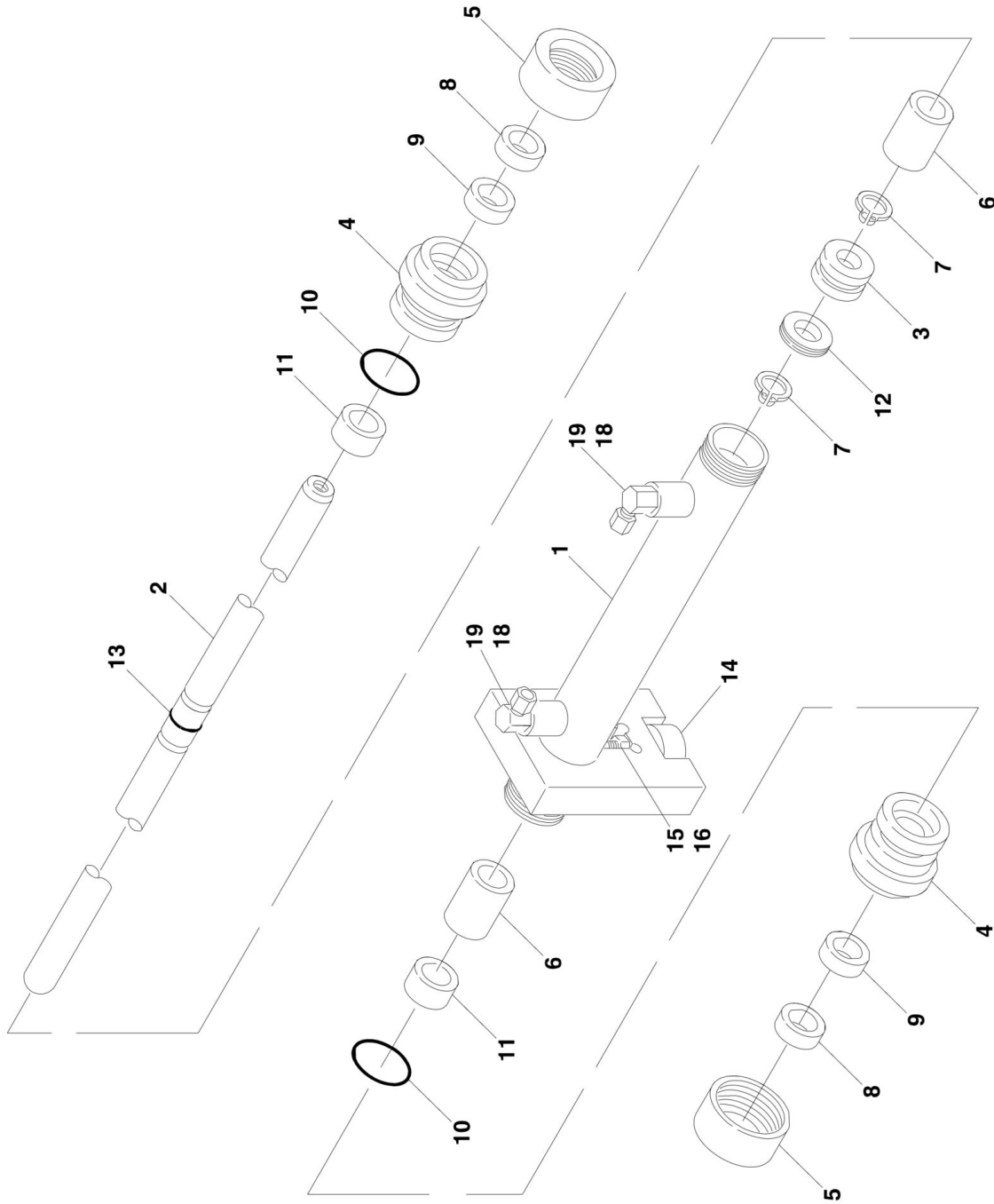
## SECTION 5 - CYLINDERS

**FIGURE 5-2. LIFT CYLINDER COMPONENTS ASSEMBLY (SN 26916 to Present)**

ITEM	PART NUMBER	QTY	DESCRIPTION	REV
		Ref	<b>LIFT CYLINDER SUB-ASSEMBLY</b>	
1 to 22	Not Required	0	Locknut	
23	0641506	2	Bolt 5/16in-18NC x 3/4in	
24	0100011	AR	Loctite #242	
25	4640717	1	Cartridge, Valve (Manual Descent)	
26	3311402	1	Nut, Jam 1/4in-20NC	
27	0080190	1	Adapter	
28	4220044	1	Stop, Throttle	
29	0902151	1	Bracket	
30		Ref	Cable Assembly Options:	
30	1060377	1	Cable Assembly - Use 1060643 as Replacement <b>(Prior to SN 28133)</b>	
30	1060643	1	Cable Assembly <b>(SN 28133 through 37836)</b>	
30	1060664	1	Cable Assembly <b>(SN 37837 to Present)</b>	
31	3450405	1	Pin, Cotter	
32	3321402	4	Nut, Jam 1/4in-28NF	
33	4711400	4	Flatwasher 1/4in Narrow	
34	3760170	1	Ring <b>(Prior to SN 28133)</b>	
35	3841127	1	Rod, Manual Descent Only <b>(Prior to SN 28133)</b>	
	1683474	Ref	<b>LIFT CYLINDER ASSEMBLY</b>	-
101	Kit	1	O-Ring	
102	Kit	1	Ring, Back-up	
103	Kit	1	O-Ring	
104	Kit	1	Wiper	
105	Kit	1	O-Ring	
106	Kit	1	Seal	
107	Kit	2	Seal	
108	Kit	2	Ring, Lock	
109	Kit	2	Ring, Wear	
111	7003226	1	Locknut	
112	7005312	1	Plug (Not Shown)	
113	7005315	2	Plug (Not Shown)	
114	7005356	3	Plug	
115	7017372	1	Cartridge, Valve	
115	Consult Factory	1	Seal Kit - 7017372 Valve	
116	Not Serviced	1	Plug	
117	0962012	4	Bushing, Garmax	
118	7019874	1	Barrel Weldment	
119	7017388	1	Rod Weldment	
120	7017387	1	Head	
121	7017386	1	Piston	
122	7017385	1	Spacer	
	7017384	1	Seal Kit (Includes Items 101 to 109)	
	0256692	Ref	<b>PLATFORM EXTENSION INTERLOCK INSTALLATION</b>	-
201	1692617	1	Switch, Pressure	
202	2221015	1	Fitting, 90	
203	2220440	1	Fitting, Straight	
204	4460428	1	Connector, Strain Relief	
210	1060341	40 ft/12m	Cable, Electrical - 16/2	

# SECTION 5 - CYLINDERS

## FIGURE 5-3. STEER CYLINDER ASSEMBLY



## SECTION 5 - CYLINDERS

### FIGURE 5-3. STEER CYLINDER ASSEMBLY

ITEM	PART NUMBER	QTY	DESCRIPTION	REV
		Ref	<b>STEER CYLINDER ASSEMBLY OPTIONS:</b>	
	1683239	Ref	Steer Cylinder Assembly <b>(Prior to SN 46538)</b>	C
	1683697	Ref	Steer Cylinder Assembly <b>(SN 46538 to Present)</b>	2
1		Ref	Barrel Weldment Options:	
1	1682528	1	Barrel Weldment <b>(Prior to SN 46538)</b>	
1	1683694	1	Barrel Weldment <b>(SN 46538 to Present)</b>	
2	1683240	1	Rod	
3	3480153	1	Piston	
4	1682364	2	Head	
5	1120387	2	Retainer	
6	4566618	2	Spacer	
7	3760141	2	Ring, Retaining	
8	Kit	2	Seal, Wiper	
9	Kit	2	Seal, Rod	
10	Kit	2	O-Ring	
11	Kit	2	Ring, Wear	
12	Kit	1	T-Seal	
13	Kit	1	O-Ring	
14		Ref	Follower, Cam	
14	3860054	1	Follower, Cam <b>(Prior to SN 46538)</b>	
14	3860080	1	Follower, Cam <b>(SN 46538 to Present)</b>	
15		Ref	Nut 1/2in-20NF	
15	3321801	1	Nut 1/2in-20NF <b>(Prior to SN 37530)</b>	
15	3321802	1	Nut 1/2in-20NF <b>(SN 37530 to Present)</b>	
16	0100035	AR	Loctite #222	
18	2220472	2	Fitting, 90	
19	2220515	2	Fitting, Cap	
	2901178	1	Seal Kit (Includes Items 8 to 13)	



**SECTION 6 - HYDRAULIC**





## SECTION 6 - HYDRAULIC

### FIGURE 6-1. HYDRAULIC DIAGRAM - STANDARD

ITEM	PART NUMBER	QTY	DESCRIPTION	REV
	2792300	Ref	<b>HYDRAULIC DIAGRAM</b>	3
1	2220371	5	Fitting, Straight	
2	2220415	5	Fitting, Straight	
3	2220603	2	Fitting, Straight	
4	2220695	2	Fitting, Tee	
5	2220408	1	Fitting, Straight	
6	2220497	1	Fitting, Straight	
7	2220620	1	Fitting, Reducer <b>(Prior to SN 62148)</b>	
8	2220435	1	Fitting, Straight	
9	2220700	1	Fitting, Tee	
10	2220621	3	Fitting, Reducer	
12	2220366	2	Fitting, 90	
13	2220738	1	Fitting, Tee	
14	2220622	1	Fitting, Reducer	
15	2220594	1	Fitting, Straight	
16	2220504	1	Fitting, Tee	
17	2220775	2	Fitting, 90	
18	2220473	1	Fitting, 90	
19	2220385	1	Fitting, Tee	
20	2220619	3	Fitting, Reducer	
21	2220600	1	Fitting, Straight	
22	2220577	1	Fitting, Straight	
23	2220773	2	Fitting, 90	
24	4640005	1	Valve, Needle	
26	2900062	1	Mounting Kit	
27	2220466	1	Fitting, 90	
28	2220873	1	Fitting, 90	
29	2220428	1	Fitting, Quick Disconnect	
30	2220429	1	Fitting, Cap	
31	2180749	1	Fitting, 45 <b>(SN 32539 to Present)</b>	
32	0100020	AR	Sealant, Loctite (Not Shown)	
	2901459	Ref	<b>HOSE KIT</b>	3
101	2751398	2	Hose	
102	2752616	1	Hose	
103	2752622	2	Hose	
104	2752433	2	Hose	
105	2752461	1	Hose <b>(Prior to SN 38569)</b>	
106	2752493	1	Hose	
107		Ref	Hose Options:	
107	2751006	2	Hose <b>(Prior to SN 66750)</b>	
107	2751006	1	Hose <b>(SN 66750 to Present)</b>	
108	2752462	2	Hose	
109	2751004	1	Hose	
110	2752657	1	Hose	
111	2752259	2	Hose	
112	2752504	1	Hose	
113	2752461	3	Hose	
114	2750899	1	Hose	
115	2752913	1	Hose	
116	2752914	1	Hose	

## SECTION 6 - HYDRAULIC

ITEM	PART NUMBER	QTY	DESCRIPTION	REV
117	2750999	1	Hose (SN 66750 to Present)	



## SECTION 6 - HYDRAULIC

FIGURE 6-2. HYDRAULIC DIAGRAM LIST

ITEM	PART NUMBER	QTY	DESCRIPTION	REV
		Ref	<b>Note: Diagrams not shown is available from JLG Service /Parts Department.</b>	
	2792300	Ref	Hydraulic Diagram - Standard	3-L
	1282590	Ref	Hydraulic Diagram - Standard	3-L

**SECTION 7 - ELECTRICAL**

# SECTION 7 - ELECTRICAL

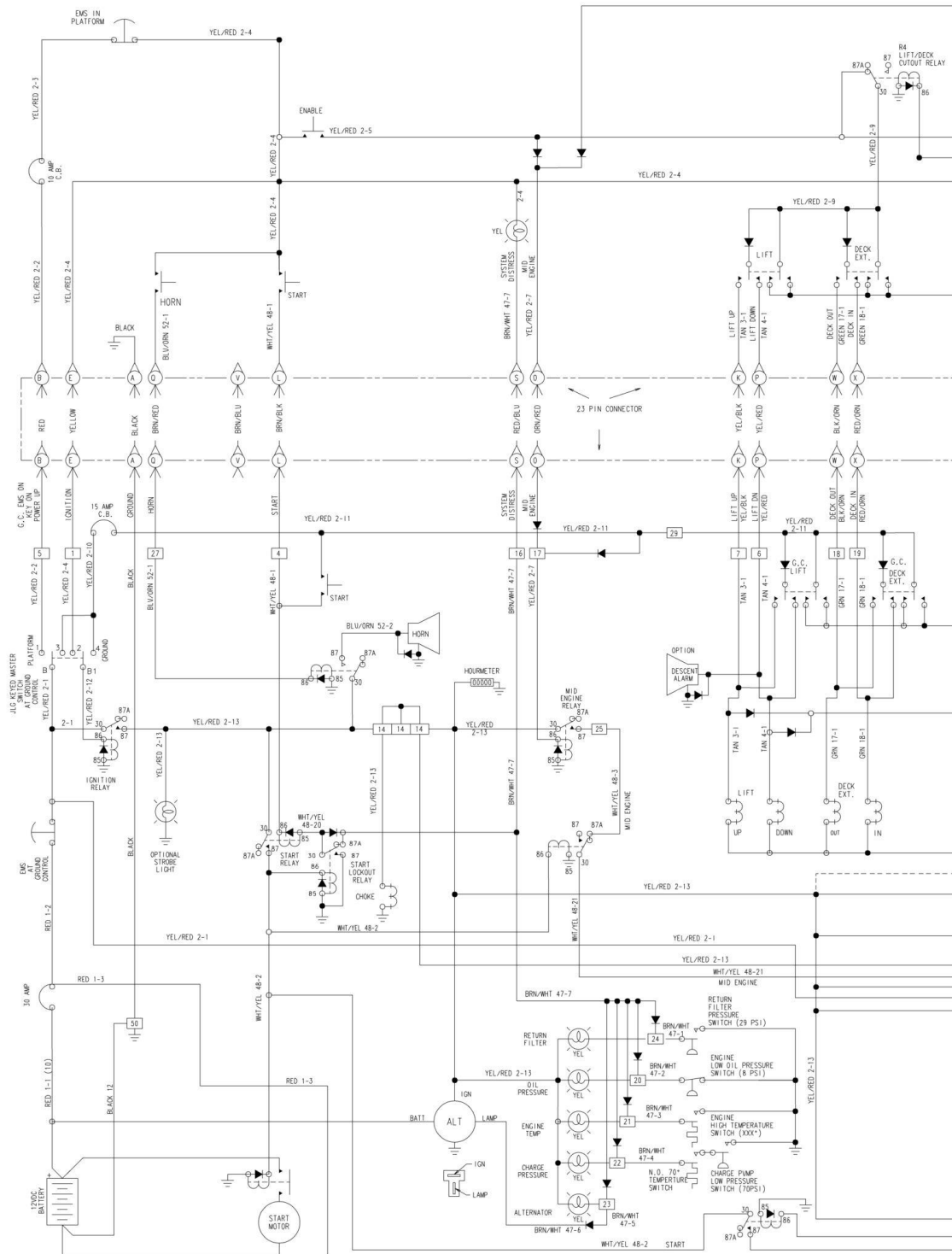
## FIGURE 7-1. ELECTRICAL DIAGRAM LIST

ITEM	PART NUMBER	QTY	DESCRIPTION	REV
		Ref	<b>Note: Diagrams not shown are available from the JLG Service Department.</b>	
	1282594	Ref	<b>ALARM ELECTRICAL DIAGRAM - DESCENT/MOTION/TRAVEL</b>	D
		Ref	<b>ALARM ELECTRICAL DIAGRAM - TILT OPTIONS:</b>	
	1282589	Ref	<b>Alarm Electrical Diagram - Tilt (Prior to SN 38569)</b>	B
	1282740	Ref	<b>Alarm Electrical Diagram - Tilt (SN 38569 to Present)</b>	B
		Ref	<b>LIGHTS ELECTRICAL DIAGRAM</b>	
	0256535	Ref	<b>Work Lights</b>	C
		Ref	<b>GROUND CONTROL BOX ELECTRICAL DIAGRAM OPTIONS:</b>	
	1282529	Ref	<b>Ground Control Box Electrical Diagram (Prior to SN 35428)</b>	G
	1282546	Ref	<b>Ground Control Box Electrical Diagram (SN 35428 to Present)</b>	B
	0256692	Ref	<b>OVERLOAD PROTECTION ELECTRICAL DIAGRAM</b>	
		Ref	<b>PLATFORM CONTROL BOX ELECTRICAL DIAGRAM OPTIONS:</b>	
	1282550	Ref	<b>Standard (Prior to SN 35428)</b>	H
	1282660	Ref	<b>Standard (SN 35428 to Present)</b>	D
	4921843	Ref	<b>PLATFORM TO GROUND ELECTRICAL DIAGRAM</b>	C
		Ref	<b>ELECTRICAL SCHEMATICS</b>	
		Ref	Standard Electrical Schematic - Vanguard Options:	
	1870042	Ref	Standard Electrical Schematic - Vanguard <b>(Prior to SN 35428)</b>	J
	1870048	Ref	Standard Electrical Schematic - Vanguard <b>(SN 35428 through 48112)</b>	B
	1870086	Ref	Standard Electrical Schematic - Vanguard <b>(SN 48113 through 59741)</b>	D
	1870103	Ref	Standard Electrical Schematic - Vanguard <b>(SN 59742 to Present)</b>	C
		Ref	Standard Electrical Schematic - Yanmar Options:	
	1870043	Ref	Standard Electrical Schematic - Yanmar <b>(Prior to SN 35428)</b>	J
	1870049	Ref	Standard Electrical Schematic - Yanmar <b>(SN 35428 through 59741)</b>	C
	1870102	Ref	Standard Electrical Schematic - Yanmar <b>(SN 59742 to Present)</b>	C



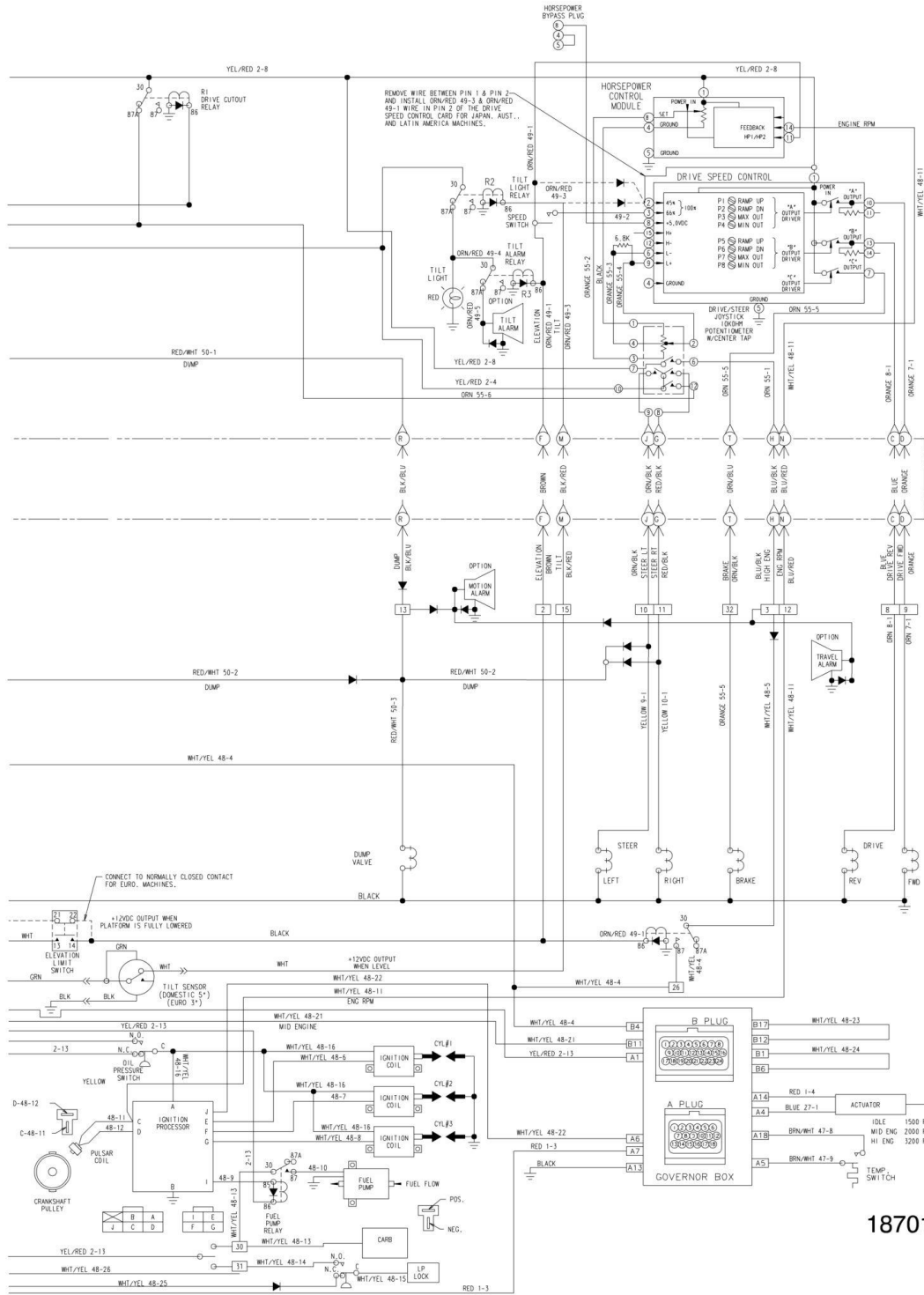
# SECTION 7 - ELECTRICAL

## FIGURE 7-2. ELECTRICAL SCHEMATIC - VANGUARD



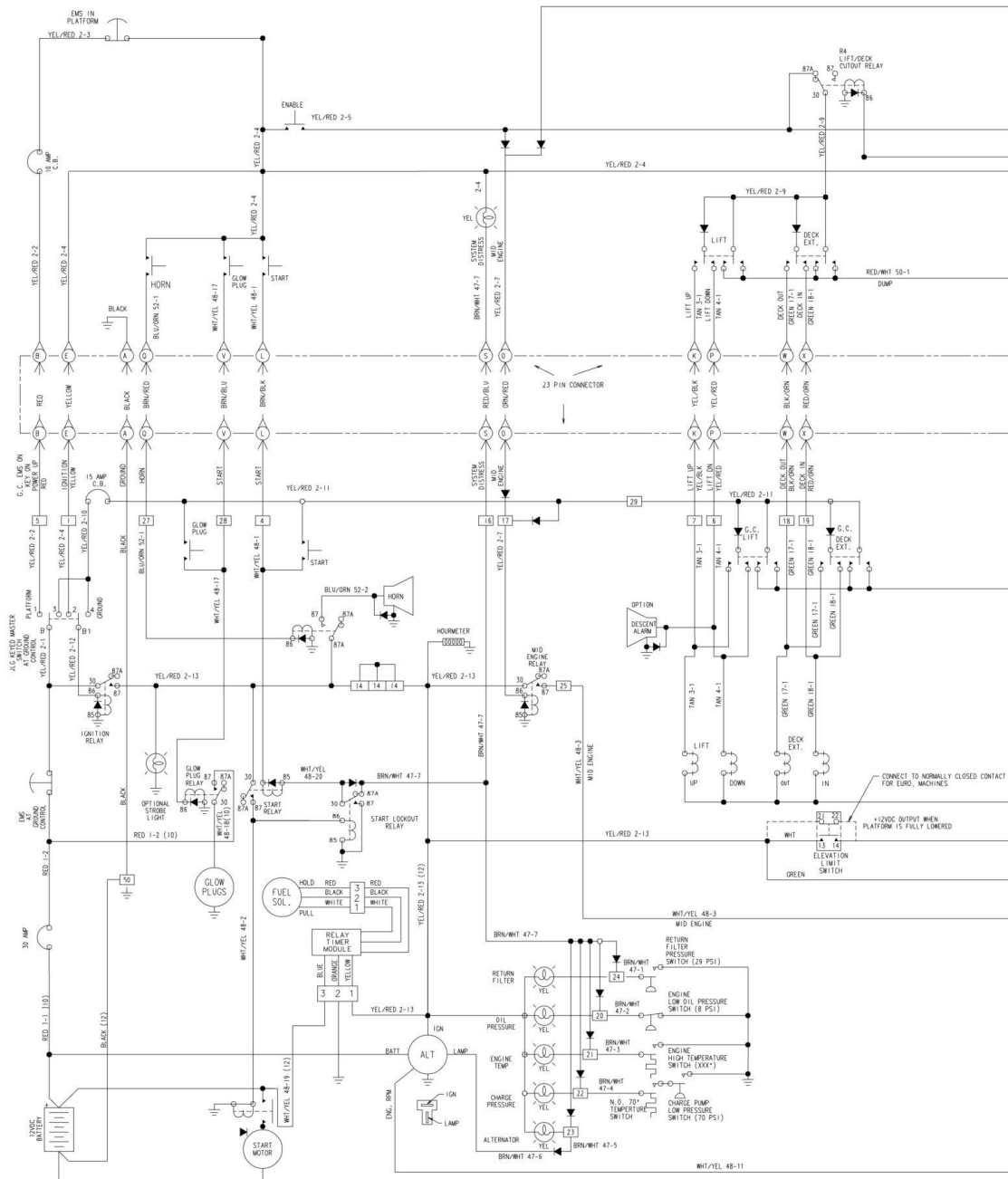


# SECTION 7 - ELECTRICAL

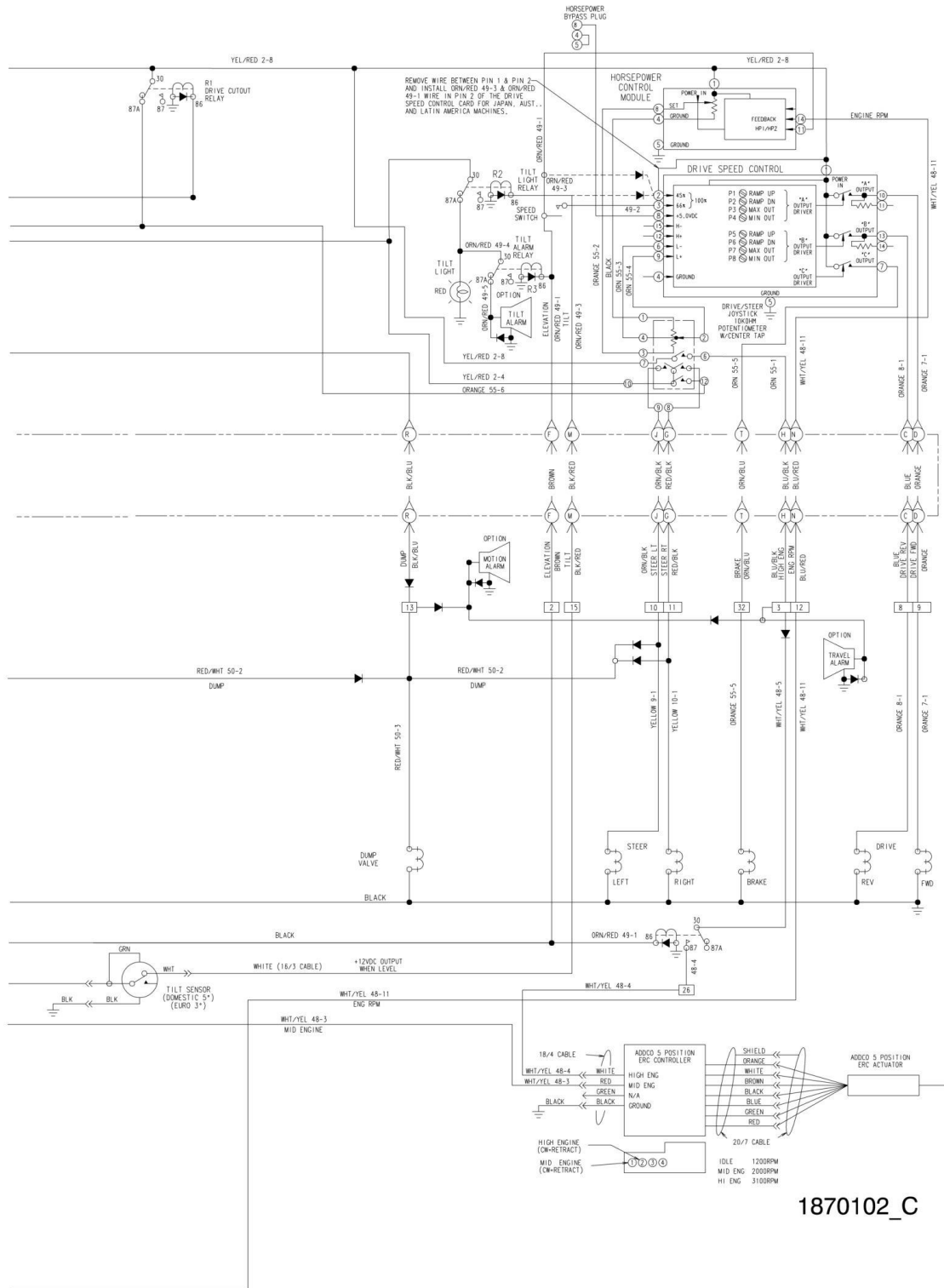


# SECTION 7 - ELECTRICAL

## FIGURE 7-3. ELECTRICAL SCHEMATIC - YANMAR



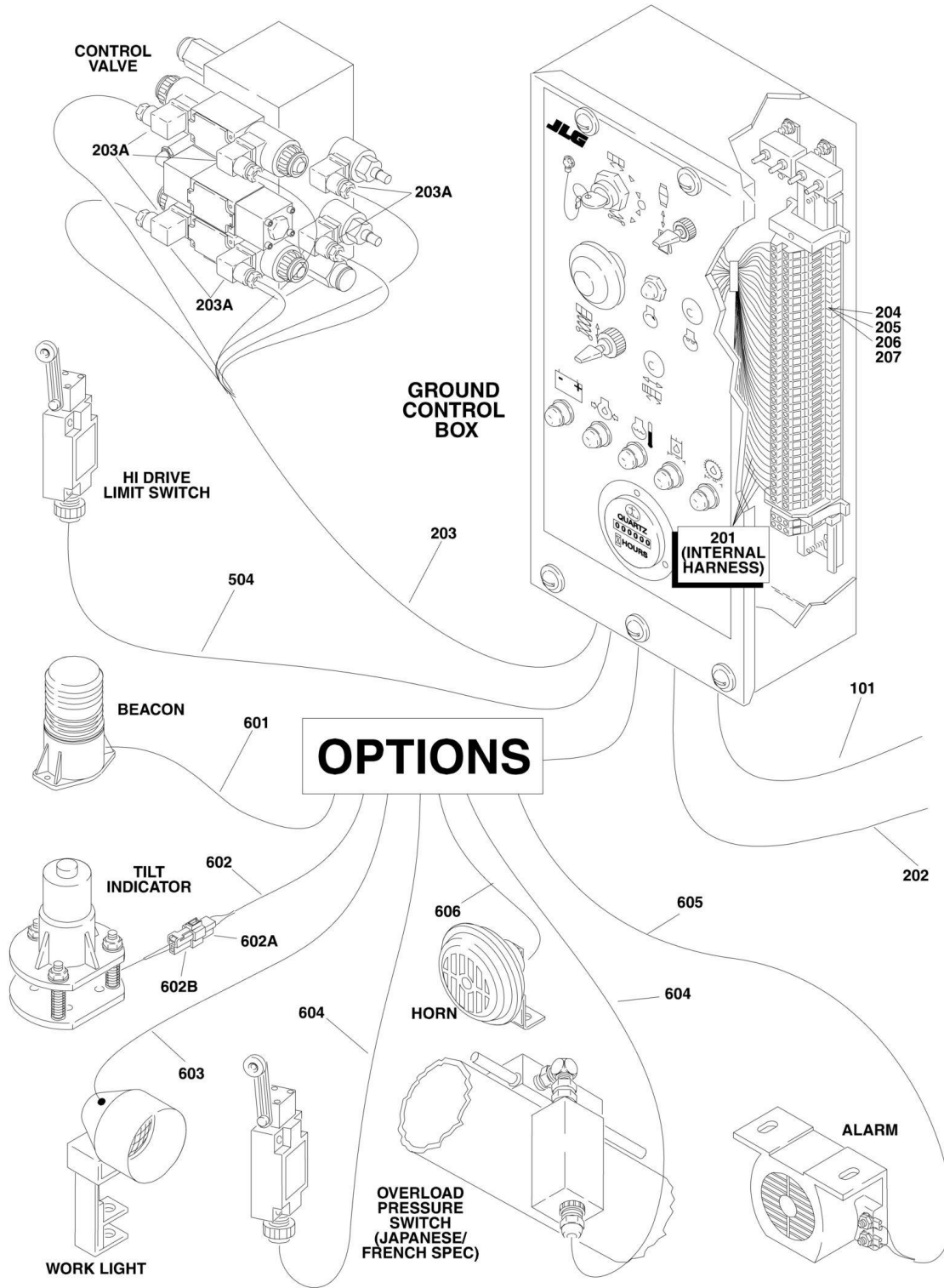
# SECTION 7 - ELECTRICAL



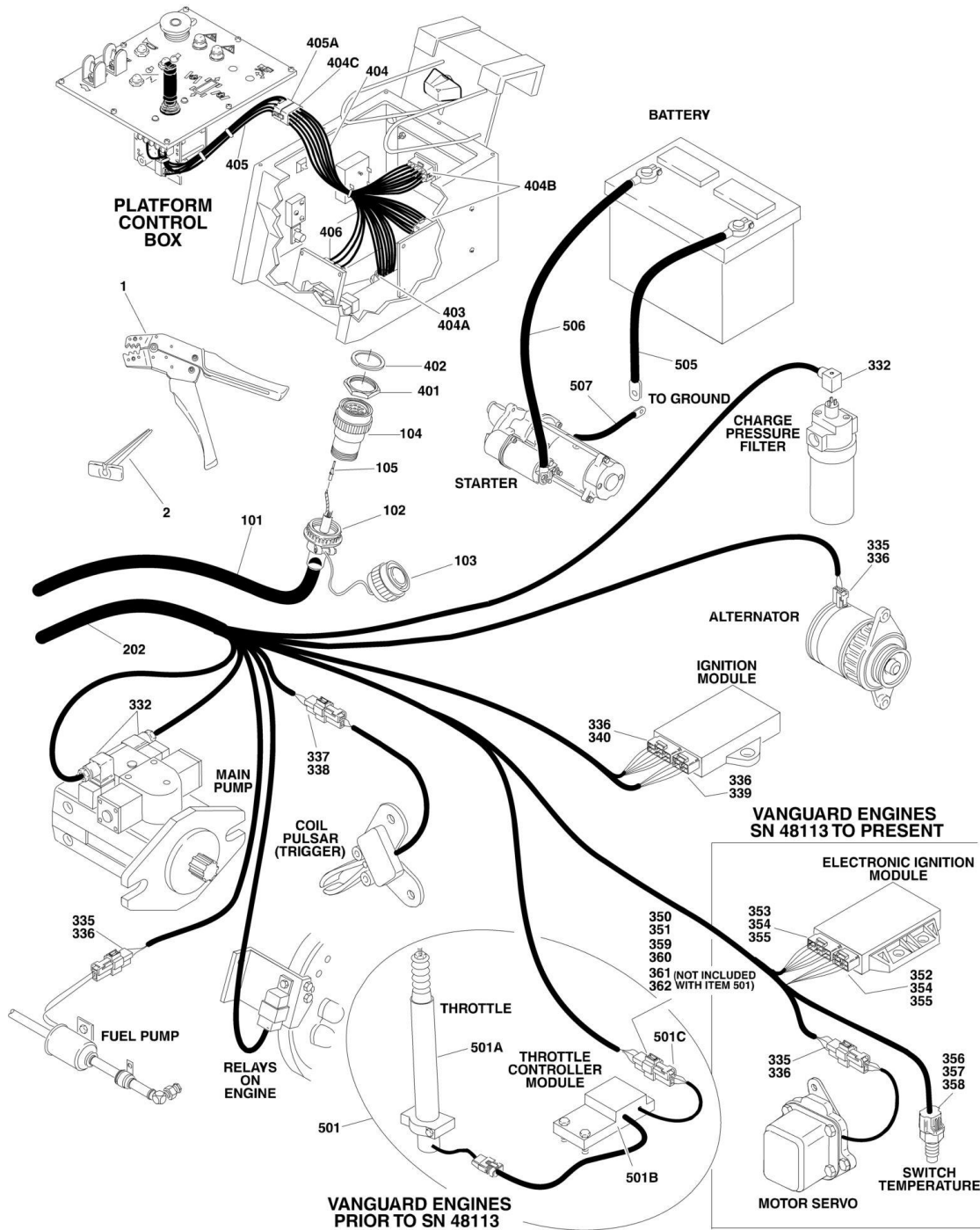
1870102\_C

# SECTION 7 - ELECTRICAL

## FIGURE 7-4. HARNESS AND CABLE ASSEMBLIES



# SECTION 7 - ELECTRICAL



# SECTION 7 - ELECTRICAL

## FIGURE 7-4. HARNESS AND CABLE ASSEMBLIES

ITEM	PART NUMBER	QTY	DESCRIPTION	REV
		Ref	<b>TOOLS</b>	
1	7002821	1	Crimper (For Wire to Pin/Socket Connections)	
2	4460467	1	Extractor - 16-18 Gauge (For Removal of Pins/Sockets form Deutsch Connectors)	
	4921843	Ref	<b>CABLE ASSEMBLIES - GROUND TO PLATFORM</b>	2
101	1060458	60 ft/18.3m	Cable, Electrical - 16/24 Options:	
102	4460473	1	Clamp, Cable	
103	4460468	1	Cap, Dust	
104	4460462	1	Connector - 23 Pin	
105	4460465	23	Socket, Female	
106	4460121	1	Wire, Cap (Not Shown)	
		Ref	<b>GROUND CONTROL BOX WIRING DIAGRAM OPTIONS:</b>	
	0256740	Ref	<b>Vanguard</b>	6
	0256741	Ref	<b>Yanmar</b>	4
201		Ref	Harness - Ground Control Options:	
201	4921836	1	Harness - Ground Control <b>(Prior to SN 35428)</b>	E
201	4921897	1	Harness - Ground Control <b>(SN 35428 to Present)</b>	4
201	3990010	AR	Diode - 6 Amp	
202		Ref	Harness - Engine Options: (See Items 301 to 358 for Breakdown)	
202	4921837	1	Vanguard <b>(Prior to SN 35428)</b>	G
202	4921898	1	Vanguard <b>(SN 35428 through 48112)</b>	2
202	4922182	1	Vanguard <b>(SN 48113 to Present)</b>	4
202	4921839	1	Yanmar <b>(Prior to SN 35428)</b>	D
202	4921900	1	Yanmar <b>(SN 35428 to Present)</b>	6
203		Ref	Harness - Valve Options:	
203	4921838	1	Harness - Valve <b>(Prior to SN 35428)</b>	C
203	4921899	1	Harness - Valve <b>(SN 35428 to Present)</b>	2
203A	4460449	8	Connector - DIN	
204		Ref	Harness - Light Bank Diode Options: (Located in Ground Control Box at Terminals 16 & 20-24)	
204	4921907	1	Harness - Light Bank Diode <b>(Prior to SN 35428)</b>	
204	4921910	1	Harness - Light Bank Diode <b>(SN 35428 to Present)</b>	1
204	3990010	2	Diode - 6 Amp	
205		Ref	Harness - Steer Dump Options: (Located in Ground Control Box at Terminals 10, 11 & 13)	
205	4921906	1	Harness - Steer Dump <b>(Prior to SN 35428)</b>	
205	4921909	1	Harness - Steer Dump <b>(SN 35428 to Present)</b>	2
205	3990010	AR	Diode - 6 Amp	
206		Ref	Harness - High Engine Lift Options: (Located in Ground Control Box at Terminals 6, 7 & 26)	
206	4921905	1	Vanguard <b>(Prior to SN 35428)</b>	
206	4921908	1	Vanguard <b>(SN 35428 to Present)</b>	1
206	Not Required	0	Yanmar	
206	3990010	2	Diode - 6 Amp	
207	4921961	1	Harness - Mid Engine Lockout Options: (Located in Ground Control Box at Terminals 17 & 29) <b>(SN 35428 to Present)</b>	
		Ref	<b>ENGINE HARNESS ASSEMBLY - VANGUARD OPTIONS:</b>	
	4921837	Ref	<b>Vanguard (Prior to SN 35428)</b>	G
	4921898	Ref	<b>Vanguard (SN 35428 through 48112)</b>	2
	4922182	Ref	<b>Vanguard (SN 48113 to Present)</b>	4

## SECTION 7 - ELECTRICAL

ITEM	PART NUMBER	QTY	DESCRIPTION	REV
332	4460449	3	Connector, DIN	
335	4460656	AR	Housing, Terminal	
336	4460657	AR	Terminal	
337	4460654	1	Housing, Terminal	
338	4460655	2	Terminal	
339	4460658	1	Housing, Terminal	
340	4460659	1	Housing, Terminal	
346	3990010	AR	Diode - 6 Amp (Not Shown)	
350	4460445	1	Receptacle Only <b>(SN 73846 to Present)</b>	
351	4460267	3	Pin Only <b>(SN 73846 to Present)</b>	
352	4460762	1	Connector - 18 Pin <b>(SN 48113 to Present)</b>	
353	4460763	1	Connector - 24 Pin <b>(SN 48113 to Present)</b>	
354	4460764	14	Pin <b>(SN 48113 to Present)</b>	
355	4460767	28	Plug, Pin Hole <b>(SN 48113 to Present)</b>	
356	4460765	1	Connector, Plug <b>(SN 48113 to Present)</b>	
357	4460766	2	Pin <b>(SN 48113 to Present)</b>	
358	4460768	2	Seal <b>(SN 48113 to Present)</b>	
359 to 362	Not Required	0	Not Required	
		Ref	<b>ENGINE HARNESS ASSEMBLY - YANMAR OPTIONS:</b>	
	4921839	Ref	<b>Engine Harness Assembly - Yanmar (Prior to SN 48113)</b>	D
	4921900	Ref	<b>Engine Harness Assembly - Yanmar (SN 48113 to Present)</b>	6
332	4460449	3	Connector, DIN	
335	4460445	1	Receptacle Only <b>(SN 73846 to Present)</b>	
336	4460267	3	Pin Only <b>(SN 73846 to Present)</b>	
337 to 340	Not Required	0	Not Required	
346	3990010	AR	Diode - 6 Amp (Not Shown)	
350	4460445	1	Receptacle <b>(Prior to SN 62149)</b>	
351	4460267	3	Pin <b>(Prior to SN 62149)</b>	
352 to 358	Not Required	0	Not Required	
359	4460777	1	Housing, Terminal <b>(SN 62149 to Present)</b>	
360	4460591	1	Lock, Terminal <b>(SN 62149 to Present)</b>	
361	4460589	3	Socket, Female <b>(SN 62149 to Present)</b>	
362	4460608	3	Seal <b>(SN 62149 to Present)</b>	
		Ref	<b>PLATFORM CONSOLE BOX ELECTRICAL DIAGRAM</b>	
	0256315	Ref	<b>Vanguard (Prior to SN 35428)</b>	F
	0256744	Ref	<b>Vanguard (SN 35428 to Present)</b>	6
	0256316	Ref	<b>Yanmar (Prior to SN 35428)</b>	F
	0256745	Ref	<b>Yanmar (SN 35428 to Present)</b>	7
401	4460470	1	Nut	
402	4460471	1	Lockwasher	
403	4460463	1	Connector - 23 Position	
404		Ref	Platform Box Harness Options:	
404	4921842	1	Standard <b>(Prior to SN 35428)</b>	G
404	4921901	1	Standard <b>(SN 35428 through 58989)</b>	3
404	4922288	1	Standard <b>(SN 58990 to Present)</b>	2
404	3990010	3	Diode - 6 Amp (Not Shown)	
404	3990013	2	Diode - 1 Amp (Not Shown)	
404	1540015	1	Capacitor 100mf/25V <b>(Prior to SN 58990)</b>	
404	3730112	1	Resistor 2.4k Ohms 1/4 Watt <b>(Prior to SN 58990)</b>	
404	3730035	1	Resistor 1k Ohms 1/4 Watt <b>(Prior to SN 58990)</b>	
404	3730114	1	Resistor 6.8k Ohms 1/4 Watt	

## SECTION 7 - ELECTRICAL

ITEM	PART NUMBER	QTY	DESCRIPTION	REV
404A	4460464	22	Pin, Male	
404B		Ref	Connector - 15 Pin Options:	
404B	4460620	2	Connector - 15 Pin <b>(Prior to SN 47483)</b>	
404B	4460720	2	Connector - 15 Pin <b>(SN 47483 to Present)</b>	
404B	4460621	15	Terminal Options:	
404B	4460621	15	Terminal <b>(Prior to SN 47483)</b>	
404B	4460721	15	Terminal <b>(SN 47483 to Present)</b>	
404C	4460343	1	Connector - 12 Pin	
404C	4460227	9	Pin	
405	Not Serviced	1	Controller Harness	
405A	4460367	1	Connector - 12 Pin	
405A	4460226	10	Socket, Female	
406	4460652	1	Connector - 15 Pin <b>(SN 35428 to Present)</b>	
406	4460653	3	Pin	
		Ref	<b>MISCELLANEOUS HARNESES AND CABLES</b>	
501	Not Available	1	Throttle Actuator/Controller Harness (Vanguard and Yanmar) (Vanguard Engine - Prior to SN 48113 Only)	
501	2910000	1	Throttle Actuator and Controller Assembly (Was p/n Gas - 0060037 and Diesel - 0060038)	
501	7008833	1	Mounting Clamp Kit (Not Shown)	
501	7008836	1	Spring, Retract (Not Shown)	
501A	Not Available	1	Throttle Actuator and Harness (Purchase p/n 2910000)	
501A	7016336	1	Boot Kit	
501A	Not Serviced	8	Pin, Male	
501A	Not Serviced	1	Connector - 8 Position	
501B	2910001	1	Controller and Harnesses (Purchase p/n 2910000)	
501B	Not Serviced	8	Socket, Female	
501B	Not Serviced	1	Connector - 8 Position	
501C	Not Available	1	Connector - 4 Position	
501C	4460693	4	Pin, Male	
501C	4460592	1	Clip	
501C	4460608	4	Seal, Terminal	
504	Not Available	1	High Drive Cut-Out	
504	1060341	9 ft/2.7m	Cable, Electrical 16/2	
504	4460320	1	Connector - 2 Position	
504	4460268	2	Socket, Female	
505	1060360	1	Cable, Battery (Battery to Ground)	
506	1060632	1	Cable, Battery (Battery to Start Relay)	
507	1060221	1	Cable, Solenoid (Starter to Engine Tray)	
		Ref	<b>ACCESSORIES HARNESS ASSEMBLIES</b>	
601	Not Available	1	Harness Beacon	
601	1060341	10 ft/3.0m	Cable, Electrical - 18/2	
602	Not Available	1	Harness - Tilt Alarm	
602	1060330	6 ft/1.8m	Cable, Electrical - 16/3	
602A	4460445	1	Connector - 3 Pin	
602A	4460227	3	Pin Male	
602B	4460326	1	Plug, Connector	
602B	4460226	3	Socket, Female	
603	Not Available	1	Harness - Worklight	
603	1060341	65 ft/20m	Cable, Electrical - 16/2	
604	Not Available	1	Harness - Overload (Japanese/French Spec)	



## SECTION 7 - ELECTRICAL

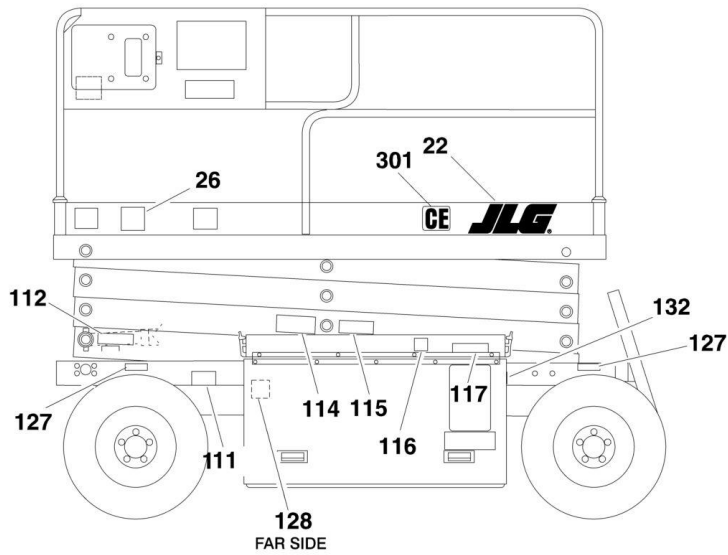
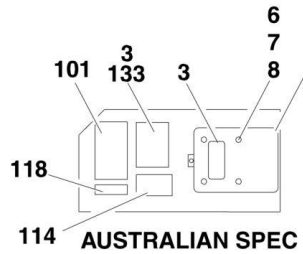
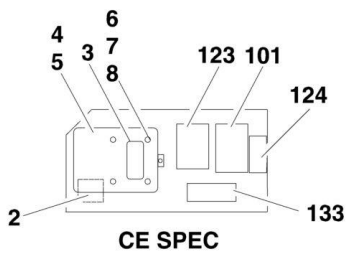
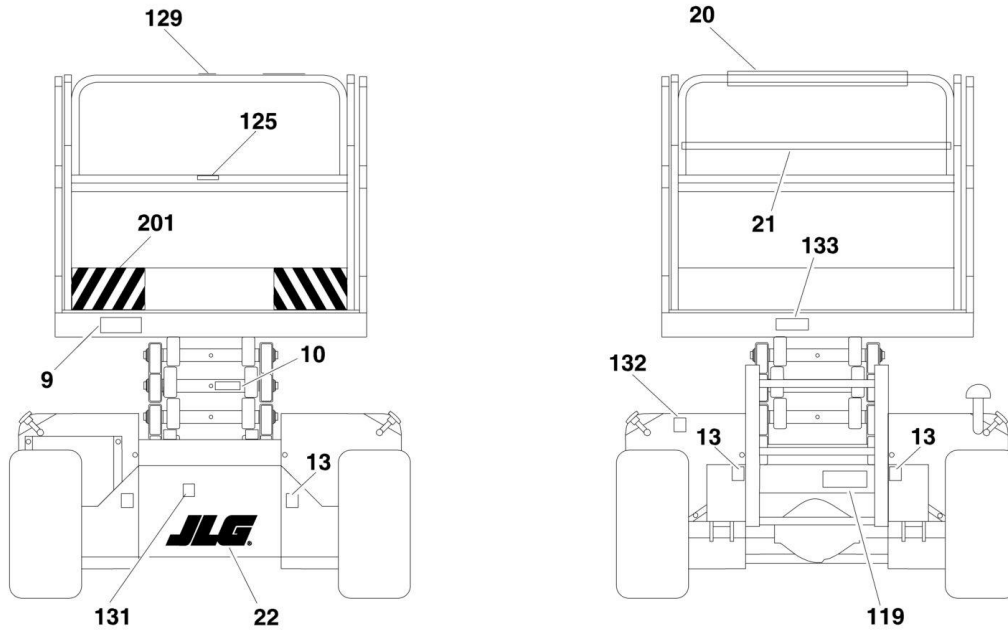
ITEM	PART NUMBER	QTY	DESCRIPTION	REV
604	1060341	40 ft/12.2m	Cable, Electrical - 16/2	
605	Not Available	1	Harness - Alarm (Descent/Motion/Travel)	
605	1060341	4 ft/1.2m	Cable, Electrical - 16/2	
606	4922258	1	Harness - Horn	
606	1060341	AR	Cable, Electrical - 16/2	



**SECTION 8 - DECALS**

# SECTION 8 - DECALS

## FIGURE 8-1. DECALS INSTALLATIONS



# SECTION 8 - DECALS

## FIGURE 8-1. DECALS INSTALLATIONS

ITEM	PART NUMBER	QTY	DESCRIPTION	REV
	0257048	Ref	<b>DECAL INSTALLATION (COMMON)</b>	2
	0258248	Ref	<b>DECAL INSTALLATION (AUSTRALIAN SPEC)</b>	1
2		Ref	Decal - USA Options:	
2	3251813	1	Common	
2	Not Required	0	Australian Spec	
3	1701509	1	Decal - Manual	
4	0860520	1	Box, Manual Storage	
5	1060279	1	Cable, Lanyard	
6	0641405	4	Bolt 1/4in-20NC x 5/8in	
7	4751400	8	Flatwasher 1/4in	
8	3311405	4	Locknut 1/4in-20NC	
9	3252492	1	Decal - 26MRT	
10	1702939	1	Decal - Safety Prop Location	
13	1702300	4	Decal - Tie Down	
20	3340612	2 ft/.61m	Pad, Bumper	
21		Ref	Tubing Options:	
21	2820024	2 ft/.61m	Tubing, Vinyl ( <b>Prior to SN 49766</b> )	
21	2820097	2 ft/.61m	Mesh ( <b>SN 49766 to Present</b> )	
21	Not Required	0	Australian Spec	
22	1702773	3	Decal - JLG	
26	Not Available	1	Decal - Bar Code	
		Ref	<b>DECAL INSTALLATIONS (COUNTRY SPEC)</b>	
	0258249	Ref	<b>Australian Spec</b>	1
	0256499	Ref	<b>Dutch Spec</b>	7
	0256500	Ref	<b>Euro English Spec</b>	6
	0256502	Ref	<b>French Spec</b>	6
	0256497	Ref	<b>German Spec</b>	6
	0256501	Ref	<b>Italian Spec</b>	6
	0256498	Ref	<b>Spanish Spec</b>	6
101		Ref	Nameplate, Billboard Options:	
101	1701523	1	Australian	
101	1701616	1	Dutch ( <b>Prior to SN 33116</b> )	
101	1701648	1	Dutch ( <b>SN 33116 to Present</b> )	
101	1701523	1	Euro English	
101	1701629	1	French	
101	1701630	1	German	
101	1701632	1	Italian	
101	1701861	1	Spanish	
111	1701510	1	Decal - Manual Descent	
112		Ref	Decal - Safety Prop Options:	
112	1701839	1	Australian	
112	1701615	1	Dutch	
112	1701839	1	Euro English	
112	1701512	1	French	
112	1701519	1	German	
112	1701524	1	Italian	
112	1701856	1	Spanish	
114	1703665	3	Decal - Electrocution (Australian Spec Only)	
115	1703158	2	Decal - Crushing (Australian Spec Only)	
116	1701504	1	Decal - Hydraulic Fluid ( <b>Prior to SN 31728</b> )	

## SECTION 8 - DECALS

ITEM	PART NUMBER	QTY	DESCRIPTION	REV
117		Ref	Decal - Ground Controls Options:	
117	1702248	1	Australian	
117	1701616	1	Dutch	
117	1702248	1	Euro English	
117	1701515	1	French	
117	1701525	1	German	
117	1701535	1	Italian	
117	1701858	1	Spanish	
118	1703663	1	Decal - Maintenance (Australian Spec Only)	
119	Not Available	1	Nameplate - Serial Number	
123	Not Required	0	Not Required	
124	Not Required	0	Not Required	
125	Not Required	0	Not Required	
127	1703212	4	Decal - Max Tire Load	
128	Not Required	0	Not Required	
129	Not Required	0	Not Required	
131		Ref	Decal - Tow Valve Options <b>(SN 35428 to Present)</b>	
131	1703030	1	Australian	
131	1703170	1	Dutch	
131	1703030	1	Euro English	
131	1703172	1	French	
131	1703169	1	German	
131	1703171	1	Italian	
131	1703168	1	Spanish	
132		Ref	Decal - Fuel Options:	
132	1701505	1	Diesel	
132	1700430	1	Gas	
133		Ref	Nameplate - Capacity Options:	
133	3252515	2	Nameplate - Capacity <b>(Prior to SN 32436)</b>	
133	3252531	2	Nameplate - Capacity <b>(SN 32436 to Present)</b>	
	0251642	Ref	<b>WARNING STRIPES INSTALLATION</b>	-
201	4420052	4 ft/1.2m	Stripe, Black/Yellow	
	0255981	Ref	<b>DECAL - CE INSTALLATION</b>	B
301	1702928	2	Decal - CE	

## **SECTION 9 - RECOMMENDED SERVICE PARTS STOCK**

## **SECTION 9 - RECOMMENDED SERVICE PARTS STOCK**

# SECTION 9 - RECOMMENDED SERVICE PARTS STOCK

FIGURE 9-1. MODEL 26MRT STANDARD PARTS

ITEM	PART NUMBER	QTY	DESCRIPTION	REV
	Note	Ref	<b>Note: The following list will service fleets of machines (built to current production per date on the front cover) with emergency repair parts which can be installed in the field. Parts from the list should be replaced when inventory is depleted to keep service parts stock supplied. For further information, contact your JLG dealer or the JLG Industries Parts Department.</b>	
		Ref	<b>STANDARD PARTS</b>	
	4360342	1	Switch, Tilt Indicator, (for fleets of 1 to 4)	
	4360342	1	Switch, Tilt Indicator, (for fleets of 5 to 9)	
	4360342	1	Switch, Tilt Indicator, (for fleets of 10 or more)	
	7014803	1	Breather, (for fleets of 1 to 4)	
	7014803	2	Breather, (for fleets of 5 to 9)	
	7014803	3	Breather, (for fleets of 10 or more)	
	2120158	4	Element, Return Filter, (for fleets of 1 to 4)	
	2120158	8	Element, Return Filter, (for fleets of 5 to 9)	
	2120158	12	Element, Return Filter, (for fleets of 10 or more)	
	2120150	4	Element, Pressure Filter, (for fleets of 1 to 4)	
	2120150	8	Element, Pressure Filter, (for fleets of 5 to 9)	
	2120150	12	Element, Pressure Filter, (for fleets of 10 or more)	
	7012944	1	Coil, (for fleets of 1 to 4)	
	7012944	1	Coil, (for fleets of 5 to 9)	
	7012944	1	Coil, (for fleets of 10 or more)	
	7012772	1	Coil, (for fleets of 1 to 4)	
	7012772	1	Coil, (for fleets of 5 to 9)	
	7012772	1	Coil, (for fleets of 10 or more)	
	7012773	1	Coil, (for fleets of 1 to 4)	
	7012773	1	Coil, (for fleets of 5 to 9)	
	7012773	1	Coil, (for fleets of 10 or more)	
	2910000	1	Actuator, Throttle, (for fleets of 1 to 4)	
	2910000	1	Actuator, Throttle, (for fleets of 5 to 9)	
	2910000	1	Actuator, Throttle, (for fleets of 10 or more)	
	7015004	12	Element, Air Filter, (for fleets of 1 to 4)	
	7015004	12	Element, Air Filter, (for fleets of 5 to 9)	
	7015004	12	Element, Air Filter, (for fleets of 10 or more)	
	3740049	1	Relay, (for fleets of 1 to 4)	
	3740049	1	Relay, (for fleets of 5 to 9)	
	3740049	1	Relay, (for fleets of 10 or more)	
	7018933	1	Coil, (for fleets of 1 to 4)	
	7018933	1	Coil, (for fleets of 5 to 9)	
	7018933	1	Coil, (for fleets of 10 or more)	
	4360216	1	Breaker, Circuit, (for fleets of 1 to 4)	
	4360216	1	Breaker, Circuit, (for fleets of 5 to 9)	
	4360216	1	Breaker, Circuit, (for fleets of 10 or more)	
	4360232	1	Breaker, Circuit, (for fleets of 1 to 4)	
	4360232	1	Breaker, Circuit, (for fleets of 5 to 9)	
	4360232	1	Breaker, Circuit, (for fleets of 10 or more)	
	4360387	1	Switch, Push Button, (for fleets of 1 to 4)	
	4360387	1	Switch, Push Button, (for fleets of 5 to 9)	
	4360387	1	Switch, Push Button, (for fleets of 10 or more)	



## SECTION 9 - RECOMMENDED SERVICE PARTS STOCK

ITEM	PART NUMBER	QTY	DESCRIPTION	REV
	4360430	1	Switch, Key, (for fleets of 1 to 4)	
	4360430	1	Switch, Key, (for fleets of 5 to 9)	
	4360430	1	Switch, Key, (for fleets of 10 or more)	
	7016339	1	Key, Replacement, (for fleets of 1 to 4)	
	7016339	1	Key, Replacement, (for fleets of 5 to 9)	
	7016339	1	Key, Replacement, (for fleets of 10 or more)	
	4360395	1	Switch, Mushroom, (for fleets of 1 to 4) <b>(Prior to SN 58371)</b>	
	4360395	1	Switch, Mushroom, (for fleets of 5 to 9) <b>(Prior to SN 58371)</b>	
	4360395	1	Switch, Mushroom, (for fleets of 10 or more) <b>(Prior to SN 58371)</b>	
	4360289	1	Switch, Mushroom, (for fleets of 1 to 4) <b>(SN 58371 to Present)</b>	
	4360289	1	Switch, Mushroom, (for fleets of 5 to 9) <b>(SN 58371 to Present)</b>	
	4360289	1	Switch, Mushroom, (for fleets of 10 or more) <b>(SN 58371 to Present)</b>	
	4360314	1	Switch, Toggle, (for fleets of 1 to 4)	
	4360314	1	Switch, Toggle, (for fleets of 5 to 9)	
	4360314	1	Switch, Toggle, (for fleets of 10 or more)	
	1600218	1	Card, Circuit, (for fleets of 1 to 4)	
	1600218	1	Card, Circuit, (for fleets of 5 to 9)	
	1600218	1	Card, Circuit, (for fleets of 10 or more)	
	4360118	1	Relay, Delay, (for fleets of 1 to 4) <b>(Prior to SN 58990)</b>	
	4360118	1	Relay, Delay, (for fleets of 5 to 9) <b>(Prior to SN 58990)</b>	
	4360118	1	Relay, Delay, (for fleets of 10 or more) <b>(Prior to SN 58990)</b>	
	4360339	1	Switch, Push Button, (for fleets of 1 to 4)	
	4360339	1	Switch, Push Button, (for fleets of 5 to 9)	
	4360339	1	Switch, Push Button, (for fleets of 10 or more)	
	4360267	1	Contact, Switch, (for fleets of 1 to 4)	
	4360267	1	Contact, Switch, (for fleets of 5 to 9)	
	4360267	1	Contact, Switch, (for fleets of 10 or more)	
	1600241	1	Controller, Directional, (for fleets of 1 to 4) <b>(Prior to SN 58990)</b>	
	1600241	1	Controller, Directional, (for fleets of 5 to 9) <b>(Prior to SN 58990)</b>	
	1600241	1	Controller, Directional, (for fleets of 10 or more) <b>(Prior to SN 58990)</b>	
	1600296	1	Controller, Directional, (for fleets of 1 to 4) <b>(SN 58990 to Present)</b>	
	1600296	1	Controller, Directional, (for fleets of 5 to 9) <b>(SN 58990 to Present)</b>	
	1600296	1	Controller, Directional, (for fleets of 10 or more) <b>(SN 58990 to Present)</b>	
	4360336	1	Switch, Toggle, (for fleets of 1 to 4)	
	4360336	1	Switch, Toggle, (for fleets of 5 to 9)	
	4360336	1	Switch, Toggle, (for fleets of 10 or more)	
	4360069	1	Breaker, Circuit, (for fleets of 1 to 4)	
	4360069	1	Breaker, Circuit, (for fleets of 5 to 9)	
	4360069	1	Breaker, Circuit, (for fleets of 10 or more)	
	4360282	1	Block, Switch Contact, (for fleets of 1 to 4)	
	4360282	1	Block, Switch Contact, (for fleets of 5 to 9)	
	4360282	1	Block, Switch Contact, (for fleets of 10 or more)	
	7003789	1	Switch, Steer - 1600241, (for fleets of 1 to 4)	
	7003789	1	Switch, Steer - 1600241, (for fleets of 5 to 9)	
	7003789	1	Switch, Steer - 1600241, (for fleets of 10 or more)	
	7011974	1	Electrical Assembly - 1600241, (for fleets of 1 to 4)	
	7011974	1	Electrical Assembly - 1600241, (for fleets of 5 to 9)	
	7011974	1	Electrical Assembly - 1600241, (for fleets of 10 or more)	
	7011975	1	Potentiometer - 1600241, (for fleets of 1 to 4)	
	7011975	1	Potentiometer - 1600241, (for fleets of 5 to 9)	
	7011975	1	Potentiometer - 1600241, (for fleets of 10 or more)	

## SECTION 9 - RECOMMENDED SERVICE PARTS STOCK

ITEM	PART NUMBER	QTY	DESCRIPTION	REV
	7011992	1	Switch, Steer - 1600296, (for fleets of 1 to 4)	
	7011992	1	Switch, Steer - 1600296, (for fleets of 5 to 9)	
	7011992	1	Switch, Steer - 1600296, (for fleets of 10 or more)	
	7020525	1	Electrical Assembly - 1600296, (for fleets of 1 to 4)	
	7020525	1	Electrical Assembly - 1600296, (for fleets of 5 to 9)	
	7020525	1	Electrical Assembly - 1600296, (for fleets of 10 or more)	
	7011975	1	Potentiometer - 1600296, (for fleets of 1 to 4)	
	7011975	1	Potentiometer - 1600296, (for fleets of 5 to 9)	
	7011975	1	Potentiometer - 1600296, (for fleets of 10 or more)	
	3990013	2	Diode - 1 Amp, (for fleets of 1 to 4)	
	3990013	2	Diode - 1 Amp, (for fleets of 5 to 9)	
	3990013	2	Diode - 1 Amp, (for fleets of 10 or more)	
	3990010	2	Diode - 6 Amp, (for fleets of 1 to 4)	
	3990010	2	Diode - 6 Amp, (for fleets of 5 to 9)	
	3990010	2	Diode - 6 Amp, (for fleets of 10 or more)	



# SECTION 9 - RECOMMENDED SERVICE PARTS STOCK

## FIGURE 9-2. MODEL 26MRT VARIABLE PARTS

ITEM	PART NUMBER	QTY	DESCRIPTION	REV
	Note	Ref	<b>Note: The following list will service fleets of machines (built to current production per date on the front cover) with emergency repair parts which can be installed in the field. Parts from the list should be replaced when inventory is depleted to keep service parts stock supplied. For further information, contact your JLG dealer or the JLG Industries Parts Department.</b>	
		Ref	<b>VARIABLE PARTS</b>	
	4360397	1	Switch, Limit, (for fleets of 1 to 4)	
	4360397	1	Switch, Limit, (for fleets of 5 to 9)	
	4360397	1	Switch, Limit, (for fleets of 10 or more)	
	4360321	1	Switch, Limit, (for fleets of 1 to 4)	
	4360321	1	Switch, Limit, (for fleets of 5 to 9)	
	4360321	1	Switch, Limit, (for fleets of 10 or more)	
	1660229	1	Coupling Pump (Vanguard), (for fleets of 1 to 4)	
	1660229	1	Coupling Pump (Vanguard), (for fleets of 5 to 9)	
	1660229	1	Coupling Pump (Vanguard), (for fleets of 10 or more)	
	7017600	12	Filter, Engine Oil (Vanguard), (for fleets of 1 to 4)	
	7017600	12	Filter, Engine Oil (Vanguard), (for fleets of 5 to 9)	
	7017600	12	Filter, Engine Oil (Vanguard), (for fleets of 10 or more)	
	7017606	1	Coil, Ignition (Vanguard), (for fleets of 1 to 4)	
	7017606	1	Coil, Ignition (Vanguard), (for fleets of 5 to 9)	
	7017606	1	Coil, Ignition (Vanguard), (for fleets of 10 or more)	
	7017621	1	Module, Ignition (Vanguard), (for fleets of 1 to 4)	
	7017621	1	Module, Ignition (Vanguard), (for fleets of 5 to 9)	
	7017621	1	Module, Ignition (Vanguard), (for fleets of 10 or more)	
	7017659	1	Module, Electronic Ignition (Vanguard), (for fleets of 1 to 4)	
	7017659	1	Module, Electronic Ignition (Vanguard), (for fleets of 5 to 9)	
	7017659	1	Module, Electronic Ignition (Vanguard), (for fleets of 10 or more)	
	7017655	1	Motor, Servo (Vanguard), (for fleets of 1 to 4)	
	7017655	1	Motor, Servo (Vanguard), (for fleets of 5 to 9)	
	7017655	1	Motor, Servo (Vanguard), (for fleets of 10 or more)	
	7017500	1	Switch, Fuel Shut-Off (Dual Fuel Machines), (for fleets of 1 to 4)	
	7017500	1	Switch, Fuel Shut-Off (Dual Fuel Machines), (for fleets of 5 to 9)	
	7017500	1	Switch, Fuel Shut-Off (Dual Fuel Machines), (for fleets of 10 or more)	
	1660228	1	Coupling Pump (Yanmar), (for fleets of 1 to 4)	
	1660228	1	Coupling Pump (Yanmar), (for fleets of 5 to 9)	
	1660228	1	Coupling Pump (Yanmar), (for fleets of 10 or more)	
	7018103	12	Filter, Engine Oil (Yanmar), (for fleets of 1 to 4)	
	7018103	12	Filter, Engine Oil (Yanmar), (for fleets of 5 to 9)	
	7018103	12	Filter, Engine Oil (Yanmar), (for fleets of 10 or more)	
	7018111	12	Filter, Engine Fuel (Yanmar), (for fleets of 1 to 4)	
	7018111	12	Filter, Engine Fuel (Yanmar), (for fleets of 5 to 9)	
	7018111	12	Filter, Engine Fuel (Yanmar), (for fleets of 10 or more)	
	7018116	1	Solenoid, ETR Stop (Yanmar), (for fleets of 1 to 4)	
	7018116	1	Solenoid, ETR Stop (Yanmar), (for fleets of 5 to 9)	
	7018116	1	Solenoid, ETR Stop (Yanmar), (for fleets of 10 or more)	
	4360448	1	Breaker, Circuit (With Optional Worklights), (for fleets of 1 to 4)	
	4360448	1	Breaker, Circuit (With Optional Worklights), (for fleets of 5 to 9)	
	4360448	1	Breaker, Circuit (With Optional Worklights), (for fleets of 10 or more)	

## SECTION 9 - RECOMMENDED SERVICE PARTS STOCK

ITEM	PART NUMBER	QTY	DESCRIPTION	REV
	4360277	1	Switch, Limit (Platform Extension Interlock), (for fleets of 1 to 4)	
	4360277	1	Switch, Limit (Platform Extension Interlock), (for fleets of 5 to 9)	
	4360277	1	Switch, Limit (Platform Extension Interlock), (for fleets of 10 or more)	
	1600249	1	Card, Circuit (Vanguard), (for fleets of 1 to 4)	
	1600249	1	Card, Circuit (Vanguard), (for fleets of 5 to 9)	
	1600249	1	Card, Circuit (Vanguard), (for fleets of 10 or more)	
	1600250	1	Card, Circuit (Yanmar), (for fleets of 1 to 4)	
	1600250	1	Card, Circuit (Yanmar), (for fleets of 5 to 9)	
	1600250	1	Card, Circuit (Yanmar), (for fleets of 10 or more)	



**SECTION 10 - SPECIAL OPTIONS**

## SECTION 10 - SPECIAL OPTIONS

FIGURE 10-1. SPECIAL OPTIONS

ITEM	PART NUMBER	QTY	DESCRIPTION	REV
	Note	Ref	<b>Note: This list is to accommodate machines ordered with special equipment. Options may not be applicable to all models. For more specific parts information contact JLG Parts Department.</b>	
		Ref	<b>MISCELLANEOUS SPECIAL OPTIONS</b>	
	0270095	Ref	<b>AIR LINE INSTALLATION</b>	
	1702788	1	<b>DECAL - BIODEGRADABLE OIL</b>	
		Ref	<b>Electrical Connector Kits</b>	
	1001148902	Ref	Amp/Tyco Electrical Connector Kit	
	1001148903	Ref	Deutsch DT Electrical Connector Kit	
	1001148904	Ref	Deutsch HD Electrical Connector Kit	
	1001148905	Ref	Packard Electrical Connector Kit	
	1001148906	Ref	Various Electrical Connectors Kit	
		Ref	<b>Filter Kits:</b>	
		Ref	Combined Filter Kit Options (Hydraulic/Air and Fuel/Engine Oil):	
		Ref	Vanguard Engine	
	2910932	1	Vanguard Engine (was p/n 2910453) <b>(Prior to SN 0200048113)</b>	
	1001150359	1	Vanguard Engine <b>(SN 0200048113 to Present)</b>	
	1001111696	1	Yanmar Engine (was p/n 2910469 & 2910935)	
		Ref	Hydraulic/Air Filter Options:	
	1001150359	1	Vanguard Engine	
	1001111669	1	Yanmar Engine	
		Ref	Fuel/Engine Oil Filter Options:	
	1001150359	1	Vanguard Engine	
	1001111682	1	Yanmar Engine	
	2901814	1	<b>KIT - TIE-STRAPS</b>	
	0257049	Ref	<b>PIPE RACKS INSTALLATION</b>	
	0100040	2	<b>SEALANT</b>	
		Ref	<b>Tools for Service</b>	
	7002818	1	Crimper (For Wire to Pin/Socket Connections)	
	7002823	1	Extractor (For Removal of Pin/Socket from Connectors)	
	4460467	1	Extractor, Pin (Blue 16-18 Gauge) (For Removal of Pin/Socket from Connectors)	
	4460510	1	Extractor, Pin (Yellow 12-14 Gauge) (For Removal of Pin/Socket from Connectors)	
	7004275	1	Seal Tool (For 1in Diameter Seals)	
	7004276	1	Seal Tool (For 1 1/2in Diameter Seals)	
	7002826	1	Seal Tool (For 2in Diameter Seals)	
	7002820	1	Arbor Set	
	7002840	1	Anti-Rotation Pin Removal Tool	



**PART NUMBER INDEX**

## SECTION 10 - SPECIAL OPTIONS

0060036.....11	0256684.....19	0641676.....70	1060308.....65
0080190.....83, 87	0256691.....66	0641710.....11	1060330.....19, 108
0080221.....40	0256692... 19, 49, 83, 87,	0641812.....30, 34, 40	1060341... 19, 20, 65, 66,
0080222.....39	98	0641818.....29, 33, 39	84, 87, 108, 109
0080223.....39	0256713.....59, 61	0641844.....11	1060360.....24, 108
0080225.....39	0256714.....59, 61	0642016.....9	1060377.....83, 87
0080227.....11	0256722.....20	0651404.....24	1060379.....49
0100001.....24	0256724.....59	0651405.....30	1060458.....106
0100011... 11, 19, 23, 29,	0256740.....47, 106	0681520.....55	1060632... 24, 108
34, 37, 40, 59, 61, 69,	0256741.....47, 106	0700605.....30, 34	1060643.....83, 87
83, 87	0256744.....73, 107	0700805.....40	1060664.....87
0100020.....39, 93	0256745.....73, 107	0700808.....30	1060680.....19
0100035.....47, 73, 89	0256775.....11	0700810.....29, 34	1120064.....11
0100038.....83	0256794.....11	0700812.....30, 34, 39	1120387.....89
0100040.....124	0256833.....19	0701012... 30, 34, 39, 40	1120472.....56
0100080.....56	0256951.....65	0701015.....40	1120473.....56
0140001.....24	0257048.....113	0721004.....48	1120474.....56
0140011.....74	0257049.....124	0721006.....20, 65	1120475.....56
0140024.....20	0257218.....19, 74	0721008.....30, 40	1120477.....23
0181684.....69	0257219.....74	0722603.....48	1120514.....61
0181847.....74	0257220.....19	0750806.....48	1282529.....98
0181897.....59	0257589.....40	0760605.....29	1282546.....98
0181898.....59	0257721.....69	0840035.....65	1282550.....98
0200531.....55	0258248.....113	0860038.....65	1282589.....98
0200532.....55	0258249.....113	0860520.....113	1282590.....96
0200533.....55	0258293.....65	0861032.....73	1282594.....98
0200535.....55	0258687.....33	0861338.....47	1282660.....98
0200536.....55	0258690.....61	0901930.....65	1282740.....98
0200537.....55	0258925.....49	0902151.....83, 87	1320014.....30, 40
0251642.....114	0270095.....124	0902263.....39	1320016.....37, 40
0252587.....55	0280150.....11, 17	0902265.....39	1320022... 30, 34, 40
0252973.....70	0340045.....29, 33, 39	0902270.....29, 33	1320023.....19
0255118.....9	0362591.....49	0902289.....23	1320026... 30, 34, 40
0255959.....29	0400002.....23	0902299.....73	1320031.....30, 34
0255981.....114	0400003.....23	0902322.....20	1320033... 30, 34, 40
0256064.....55	0440162.....9	0902456.....73	1320041.....65
0256120.....23	0480097.....59, 61	0902560.....33	1320061... 30, 56, 65, 70
0256271.....39	0480098.....59, 61	0902589.....33	1320095.....30
0256292.....51	0480099.....59, 61	0920107.....11, 15	1320265.....34
0256308.....47	0630370.....23	0920108.....11, 15	1340033... 29, 33, 39
0256309.....47	0630488.....11	0940036.....51	1340057... 29, 33, 39
0256310.....48	0641404... 30, 34, 73	0960238.....47	1360265.....11
0256311.....48	0641405... 19, 33, 37, 49,	0960239.....66	1360269.....11
0256315.....73, 107	51, 113	0961621.....9	1360270.....11
0256316.....73, 107	0641406... 24, 30, 40, 48,	0961833.....69	1380132.....70
0256350.....37, 49	51, 56, 59, 61	0961897.....83	1380136.....23
0256353.....19	0641407.....19	0962010.....55	1440325.....19
0256355.....55	0641408.....20, 59, 61	0962012.....83, 87	1540015.....107
0256427... 19, 74	0641410.....48	0962015.....55, 56	1600218.....73, 117
0256491.....20	0641416... 59, 61, 65, 69	0962031.....30, 40	1600241... 73, 77, 117
0256492.....20	0641420.....69	0962069.....65	1600249... 73, 121
0256493.....20	0641505.....65	0962074.....61	1600250... 73, 121
0256497.....113	0641506... 23, 29, 39, 83,	0962075.....61	1600296... 73, 79, 117
0256498.....113	87	0962154.....65	1660220... 30, 40
0256499.....113	0641508 9, 19, 20, 23, 29,	0962974.....59	1660222... 30, 40
0256500.....113	34, 40, 55, 56	0962975.....59	1660228... 39, 120
0256501.....113	0641509.....59, 61	1001111669.....124	1660229... 31, 35, 120
0256502.....113	0641510.....69	1001111682.....124	1682364.....89
0256534.....65	0641512... 30, 34, 70	1001111696.....124	1682528.....89
0256535... 49, 65, 98	0641516... 55, 59, 61	1001148902.....124	1683061.....83
0256536.....49	0641522... 19, 55, 65	1001148903.....124	1683239... 9, 89
0256544... 19, 74	0641530.....23	1001148904.....124	1683240.....89
0256558.....65	0641536... 59, 61	1001148905.....124	1683353.....83
0256562.....69	0641604... 59, 61	1001148906.....124	1683355.....83
0256585.....69	0641608... 19, 29, 33, 34,	1001150359.....124	1683363... 55, 83
0256608.....56	39, 40, 69	1060221.. 30, 34, 40, 108	1683474... 55, 87
0256609.....65	0641624.....20	1060279.....113	1683694.....89

## SECTION 10 - SPECIAL OPTIONS

1683697.....	9, 89	2200233.....	40	2751398.....	93	3300375.....	69
1692617.....	83, 87	2200462.....	40	2752259.....	93	3300407.....	9, 11
1700430.....	29, 33, 114	2220240.....	24	2752433.....	93	3310601.....	47, 74
1700818.....	37	2220250.....	30, 40	2752461.....	93	3311001....	20, 47, 49, 74
1701502.....	24	2220317.....	30, 34	2752462.....	93	3311005... 19, 30, 40, 69,	
1701503.....	24	2220366.....	93	2752493.....	93	70, 74	
1701504.....	24, 113	2220371.....	93	2752504.....	93	3311401.... 19, 47, 49, 66	
1701505.....	40, 114	2220385.....	93	2752616.....	93	3311402..... 83, 87	
1701509.....	113	2220408.....	93	2752622.....	93	3311405... 19, 20, 24, 30,	
1701510.....	113	2220415.....	93	2752657.....	93	33, 40, 49, 51, 56, 59,	
1701512.....	113	2220428.....	93	2752913.....	93	61, 65, 69, 113	
1701515.....	114	2220429.....	93	2752914.....	93	3311505 9, 19, 23, 29, 33,	
1701519.....	113	2220435.....	93	2780221.....	9	39, 55, 56, 59, 61, 65,	
1701523.....	113	2220440.....	83, 87	2792300.....	93, 96	69	
1701524.....	113	2220466.....	93	2820024.....	113	3311601.....	23
1701525.....	114	2220472.....	89	2820025.....	65	3311605... 19, 20, 29, 33,	
1701535.....	114	2220473.....	93	2820036.....	20	39, 69, 70	
1701615.....	113	2220497.....	93	2820097.....	113	3311705.....	11
1701616.....	113, 114	2220504.....	93	2900062.....	93	3311805.... 11, 29, 33, 39	
1701629.....	113	2220515.....	89	2900699.....	13	3312005.....	9
1701630.....	113	2220577.....	93	2900792.....	83	3313003.....	9
1701632.....	113	2220594.....	93	2901178.....	89	3321001.....	48
1701648.....	113	2220600.....	93	2901273.....	83	3321402.... 30, 40, 83, 87	
1701683.....	48, 74	2220603.....	93	2901352.....	55	3321602.....	40
1701839.....	113	2220619.....	93	2901414.....	29, 33	3321801.....	89
1701856.....	113	2220620.....	93	2901415.....	39	3321802.....	89
1701858.....	114	2220621.....	93	2901456.....	37	3321805.....	11
1701861.....	113	2220622.....	93	2901459.....	93	3322002.....	9
1702248.....	114	2220648.....	40	2901504.....	55	3322202.....	70
1702300.....	113	2220695.....	93	2901814.....	124	3340612.....	113
1702773.....	113	2220700.....	93	2910000.29, 39, 108, 116		3340629.....	65
1702788.....	124	2220738.....	93	2910001.....	108	3340644.....	9
1702928.....	114	2220773.....	93	2910175.....	33	3340645.....	55
1702939.....	113	2220775.....	93	2910479.....	23	3340780.....	59, 61
1703030.....	114	2220873.....	93	2910932.....	124	3340781.....	59, 61
1703158.....	113	2220883.....	83	2920026.....	74	3340807.....	55
1703168.....	114	2220885.....	83	2920028.....	47	3340841.....	55
1703169.....	114	2221015.....	83, 87	2920029.....	47, 74	3421895.....	65
1703170.....	114	2360420.....	9	2920111.....	65	3422483.....	55
1703171.....	114	2420009.....	48	2920146.....	20	3422485.....	55
1703172.....	114	2420033.....	48	2940074.....	70	3422487.....	55
1703212.....	114	2540002.....	56, 65	2940095.....	51	3422488.....	55
1703663.....	114	2540032.....	29, 33, 39	3020008.....	11	3422554.....	55
1703665.....	113	2560088.....	69	3020022.....	9	3422597.....	55
1870042.....	98	2560122.....	23	3160215.....	11, 13	3422610.....	9
1870043.....	98	2560123.....	23	3200381.....	29, 33, 39	3450405.....	83, 87
1870048.....	98	2560124.....	51	3220109.....	29, 33, 39	3450810.....	9
1870049.....	98	2560141.....	74	3251243.....	65	3480153.....	89
1870086.....	98	2600161.....	47	3251813.....	113	3480211.....	83
1870102.....	98	2600217.....	51	3252080.....	70	3510540.....	69
1870103.....	98	2720015.....	29, 34	3252136.....	70	3510541.....	65
2000140.....	29, 30	2720058.....	30, 34, 40	3252296.....	70	3520026.....	48
2000145.....	39, 41	2720063.....	30, 34	3252486.....	73	3520071.....	20
2000158.....	33, 34	2720116.....	37	3252491.....	47	3520072... 59, 61, 66, 69,	
2080043.....	61	2720271.....	40	3252492.....	113	70	
2120146.....	23	2720420.....	30, 34	3252507.....	65	3533370.....	69
2120150.....	23, 116	2720421.....	30, 34	3252515.....	114	3534995.....	66
2120157.....	23	2720422.....	40	3252531.....	114	3537609.....	69
2120158.....	23, 116	2720426.....	37	3252627.....	73	3537619.....	69
2180348.....	40	2720431.....	41	3300029.....	23	3539265.....	56
2180360.....	37	2720433.....	37	3300047.....	66	3539459.....	29, 33
2180387.....	37	2720444.....	37	3300048.....	47, 65	3539460.....	29, 33
2180418.....	37	2750532.....	30, 40	3300177.....	47	3539461.....	29, 33
2180666.....	40	2750899.....	93	3300233.....	24	3539465.....	29, 33, 39
2180749.....	93	2750999.....	94	3300255.....	9, 11	3539484.....	29, 33
2180812.....	30, 34	2751004.....	93	3300373.....	69, 70	3539542.....	51
2200213.....	40	2751006.....	93	3300374.....	69	3539676.....	29, 33

## SECTION 10 - SPECIAL OPTIONS

3539690.....	51	3911024.....	19, 74	4420037.....	23, 47	4565008.....	83
3539692.....	39	3911034.....	69	4420038.....	23	4566618.....	89
3539693.....	39	3911432.....	70	4420052.....	114	4566987.....	24, 39
3539700.....	51	3931416.....	66	4420055.....	59, 61, 69	4567057.....	69
3539701.....	51	3931720.....	83	4460035.....	20	4567086.....	30
3539838.....	69	3931824.....	11	4460051.....	47, 65	4567087.....	59, 61
3539929.....	30, 34	3941004.....	70	4460052.....	19, 56, 66	4567088.....	59, 61
3570029.....	19	3941406.....	33, 56	4460071.....	47, 65	4567099.....	59, 61
3570030.....	19	3951603.....	19	4460121.....	106	4567100.....	59, 61
3570090.....	70	3980003.....	23	4460226.....	77, 79, 108	4567104.....	29, 33, 39
3570381.....	69	399001020, 47, 106, 107, 118		4460227.....	77, 79, 108	4569675.....	40
3571696.....	51	3990013.....	107, 118	4460234.....	34, 40, 48, 74	4621905.....	48
3600199.....	39, 45	4060802.....	73	4460267.....	41, 107	4621908.....	48
3600256.....	29, 39, 43	4060807.....	24	4460268.....	19, 41, 108	4640005.....	93
3600304.....	33, 39	4060925.....	51	4460298.....	47	4640509.....	83
3620035.....	29, 33	4060926.....	11	4460299.....	47	4640717.....	83, 87
3620037.....	39	4070809.....	9	4460300.....	47	4640859.....	23
3640614.....	69	4070957.....	11	4460301.....	47	4640977.....	23, 27
3640727.....	69	4070987.....	48	4460303.....	48	4711000.....	65
3640728.....	69	4120013.....	49	4460305.....	47	4711400.....	24, 33, 37, 51, 59, 61, 69, 83, 87
3640730.....	69	4130286.....	9	4460306.....	47	4711500.....	24, 55, 65
3640731.....	69	4160028.....	70	4460307.....	47	4711600.....	69, 70
3640865.....	47	4160136.....	59, 61	4460309.....	47	4711800.....	11
3641160.....	69	4160150.....	30	4460320.....	19, 108	4740120.....	47, 73
3641173.....	69	4220044.....	83, 87	4460326.....	41, 108	4740185.....	30, 34, 40
3641210.....	69	4240033.....	34, 40, 56, 59, 61, 65, 74	4460343.....	77, 79, 108	4740185.....	30, 34, 40
3641281.....	69	4240116.....	56	4460367.....	77, 79, 108	4740274.....	29, 33, 39
3641282.....	69	4240117.....	23	4460428.....	19, 83, 87	4740438.....	55
3720011.....	37	4240118.....	23	4460445.....	41, 107, 108	4740442.....	30, 40
3730035.....	107	4240125.....	55, 56	4460449.....	106, 107	4750600.....	74
3730112.....	107	4240127.....	56	4460462.....	106	4751000.....	19, 34, 69, 70, 74
3730114.....	107	4240128.....	55	4460463.....	73, 107	4751400.....	19, 20, 30, 34, 40, 48, 49, 56, 65, 69, 113
3740049.....	30, 34, 47, 74, 116	4280295.....	23	4460464.....	108	47515009, 19, 23, 29, 30, 34, 40, 55, 56, 59, 61, 65, 70	
3740058.....	49	4300032.....	59, 61	4460465.....	106	4751600.....	19, 20, 23, 29, 33, 59, 61
3740063.....	49	4360069.....	74, 117	4460467.....	106, 124	4751800.....	30, 34, 40
3740118.....	73	4360118.....	117	4460468.....	106	4752200.....	9, 70
3740126.....	41	4360216.....	47, 116	4460470.....	73, 107	4760600.....	74
3760141.....	89	4360232.....	47, 116	4460471.....	73, 107	4761000.....	20, 47, 49, 65, 74
3760170.....	49, 83, 87	4360236.....	66	4460473.....	106	4761400.....	19, 47, 49, 61, 66
3760348.....	70	4360267.....	73, 117	4460510.....	124	4761500.....	23
3760370.....	83	4360277.....	66, 121	4460589.....	107	4761600.....	39, 59, 61
3760387.....	55	4360278.....	66	4460591.....	107	4770600.....	47
3780182.....	9	4360282.....	74, 117	4460592.....	108	4791400.....	73
3790012.....	37, 47, 49, 73	4360289.....	47, 73, 117	4460608.....	107, 108	4811700.....	30, 34, 40
3820019.....	24, 51, 69	4360314.....	47, 73, 117	4460620.....	108	4844100.....	70
3841127.....	83, 87	4360321.....	19, 120	4460621.....	108	4844104.....	70
3841146.....	9	4360336.....	74, 117	4460652.....	108	4844185.....	19
3841233.....	70	4360339.....	73, 117	4460653.....	108	4844562.....	47
3841307.....	39	4360342.....	116	4460654.....	107	4845040.....	55
3841315.....	29	4360345.....	37, 49	4460655.....	107	4845077.....	19
3860054.....	89	4360354.....	19	4460656.....	107	4845296.....	51
3860059.....	69	4360357.....	37	4460657.....	107	4845297.....	51
3860080.....	89	4360387.....	47, 48, 73, 116	4460658.....	107	4845300.....	51
3900168.....	66	4360395.....	47, 73, 117	4460659.....	107	4845301.....	51
3900177.....	73	4360397.....	19, 120	4460693.....	108	4845316.....	51
3900178.....	73	4360405.....	30, 34	4460720.....	108	4845337.....	23
3900184.....	69, 70	4360430.....	117	4460721.....	108	4845370.....	59, 61
3900213.....	59, 61	4360431.....	47	4460762.....	107	4845386.....	59, 61
3900217.....	30, 40	4360448.....	49, 120	4460763.....	107	4845387.....	59, 61
3900256.....	34, 65	4360475.....	73	4460764.....	107		
3910616.....	74	4400040.....	19	4460765.....	107		
3910804.....	48	4400371.....	23	4460766.....	107		
3911008.....	47, 49	4400383.....	23	4460767.....	107		
3911012.....	74	4400401.....	23	4460768.....	107		
3911014.....	70	4420008.....	73	4460777.....	107		
3911020.....	19			4520188.....	11		
				4520189.....	11		

## SECTION 10 - SPECIAL OPTIONS

4845388.....	20	7009937.....	13	7014916.....	13	7017622.....	31, 35
4845389.....	59, 61	7009940.....	13	7014917.....	13	7017627.....	31
4845427.....	70	7009941.....	13	7015004...29, 33, 39, 116		7017630.....	31
4845428.....	70	7009982.....	13	7015005.....	29, 33, 39	7017632.....	31
4845431.....	55	7009983.....	13	7015006.....	29, 33, 39	7017633.....	31
4845475.....	55	7010543.....	27	7015007.....	29, 33, 39	7017634.....	31
4845839.....	61	7010594.....	45	7016312.....	23	7017635.....	31
4845841.....	61	7010953.....	45	7016313.....	23	7017636.....	31
4845911.....	20	7010955.....	45	7016315.....	47, 73	7017637.....	31, 34
4845938.....	73	7010956.....	45	7016319.....	20	7017638.....	31, 34
4845990.....	40	7010957.....	45	7016334.....	39	7017639.....	31, 34
4920140.....	66	7010958.....	45	7016335.....	39	7017640.....	30
4921836.....	48, 106	7010959.....	45	7016336.....	39, 108	7017641.....	30, 31, 34
4921837.....	48, 106	7010960.....	45	7016339.....	47, 117	7017642.....	31
4921838.....	48, 106	7010961.....	45	7016360.....	9	7017643.....	31
4921839.....	48, 106, 107	7010978.....	45	7016372.....	20	7017644.....	31
4921842.....	74, 107	7011120.....	11	7016379.....	73	7017646.....	31, 35
4921843.....	98, 106	7011121.....	11	7016606.....	29, 33	7017652.....	34
4921897.....	48, 106	7011122.....	11	7016631.....	15	7017653.....	34
4921898.....	48, 106	7011123.....	11	7016632.....	15	7017654.....	35
4921899.....	48, 106	7011931.....	77	7016633.....	15	7017655.....	35, 120
4921900.....	48, 106, 107	7011932.....	77	7016634.....	15	7017656.....	35
4921901.....	74, 107	7011933.....	77	7016635.....	15	7017657.....	31, 35
4921905.....	106	7011934.....	77	7016636.....	15	7017659.....	35, 120
4921906.....	48, 106	7011935.....	77	7016637.....	15	7017663.....	35
4921907.....	48, 106	7011936.....	77	7017372.....	87	7017667.....	35
4921908.....	106	7011940.....	77, 79	7017384.....	87	7017668.....	35
4921909.....	48, 106	7011974.....	77, 117	7017385.....	87	7017669.....	31, 34
4921910.....	48, 106	7011975.....	77, 79, 117, 118	7017386.....	87	7017670.....	35
4921960.....	48	7011983.....	79	7017387.....	87	7017671.....	35
4921961.....	48, 106	7011991.....	79	7017388.....	87	7018100.....	41
4922182.....	48, 106	7011992.....	79, 118	7017415.....	27	7018101.....	41
4922258.....	109	7011997.....	79	7017416.....	27	7018102.....	41
4922288.....	74, 107	7012519.....	9	7017417.....	27	7018103.....	41, 120
70000209.....	31	7012520.....	9	7017500.....	37, 120	7018104.....	41
70002087.....	31	7012521.....	9	7017501.....	37	7018105.....	41
7002157.....	13	7012522.....	9	7017504.....	37	7018106.....	41
7002158.....	13	7012523.....	9	7017505.....	37	7018107.....	41
7002818.....	124	7012524.....	9	7017508.....	37	7018108.....	41
7002820.....	124	7012541.....	9	7017510.....	37	7018111.....	41, 120
7002821.....	106	7012542.....	9	7017511.....	37	7018112.....	41
7002823.....	124	7012543.....	9	7017512.....	37	7018113.....	41
7002826.....	124	7012593.....	73	7017513.....	37	7018116.....	41, 120
7002840.....	124	7012611.....	47, 73	7017514.....	37	7018117.....	41
7003226.....	87	7012612.....	47, 73	7017517.....	37	7018118.....	41
7003714.....	77	7012770.....	27	7017518.....	37	7018119.....	41
7003771.....	79	7012772.....	27, 116	7017519.....	37	7018144.....	41
7003772.....	77	7012773.....	27, 116	7017520.....	37	7018145.....	41
7003789.....	77, 117	7012795.....	27	7017521.....	37	7018146.....	41
7003790.....	77, 79	7012940.....	23	7017600.....	31, 34, 120	7018147.....	41
7003791.....	77, 79	7012941.....	27	7017602.....	31, 35	7018900.....	27
7004275.....	124	7012944.....	27, 116	7017603.....	31, 34	7018901.....	27
7004276.....	124	7012952.....	23	7017604.....	31, 35	7018903.....	27
7005312.....	87	7012953.....	23	7017605.....	31, 35	7018904.....	27
7005315.....	87	7012954.....	23	7017606.....	31, 34, 120	7018905.....	27
7005356.....	87	7012955.....	23	7017607.....	31, 35	7018906.....	27
7008833.....	108	7012961.....	23	7017609.....	31, 35	7018907.....	27
7008836.....	108	7012966.....	27	7017610.....	31	7018908.....	27
7009905.....	13	7012967.....	27	7017611.....	31, 35	7018909.....	27
7009909.....	13	7012998.....	27	7017612.....	31, 35	7018910.....	27
7009910.....	13	7014802.....	23	7017613.....	31, 35	7018911.....	27
7009912.....	13	7014803.....	23, 116	7017614.....	31, 35	7018912.....	27
7009913.....	13	7014901.....	13	7017615.....	31, 35	7018923.....	29, 33
7009919.....	13	7014912.....	13	7017616.....	31, 35	7018924.....	29, 33
7009927.....	13	7014913.....	13	7017617.....	30	7018925.....	43
7009928.....	13	7014914.....	13	7017620.....	31, 34	7018926.....	43
7009936.....	13	7014915.....	13	7017621.....	31, 35, 120	7018927.....	43

## SECTION 10 - SPECIAL OPTIONS

7018929.....	43	7019002.....	17	7019020.....	17	7020501.....	79
7018930.....	43	7019003.....	17	7019021.....	17	7020502.....	79
7018931.....	43	7019004.....	17	7019022.....	17	7020503.....	79
7018932.....	43	7019005.....	17	7019023.....	17	7020504.....	79
7018933.....	43, 116	7019006.....	17	7019024.....	17	7020509.....	79
7018934.....	43	7019007.....	17	7019025.....	17	7020511.....	79
7018935.....	43	7019008.....	17	7019026.....	17	7020518.....	79
7018936.....	43	7019009.....	17	7019027.....	17	7020520.....	79
7018937.....	43	7019010.....	17	7019029.....	17	7020525.....	79, 118
7018938.....	43	7019011.....	17	7019033.....	17	7020528.....	79
7018939.....	43	7019012.....	17	7019034.....	17	7020541.....	79
7018940.....	43	7019013.....	17	7019618.....	29, 33	7023362.....	35
7018953.....	43	7019014.....	17	7019874.....	87	7024016.....	43
7018975.....	41	7019015.....	17	7019932.....	31, 34	7024414.....	31, 35
7018983.....	43	7019016.....	17	7020112.....	11	7026544.....	23
7018984.....	43	7019017.....	17	7020113.....	11		
7019000.....	17	7019018.....	17	7020175.....	73		
7019001.....	17	7019019.....	17	7020176.....	74		





**Corporate Office  
JLG Industries, Inc.  
1 JLG Drive  
McConnellsburg, PA 17233-9533 USA**  
☎ (717) 485-5161 (Corporate)  
☎ (877) 554-5438 (Customer Support)  
📠 (717) 485-6417

**Visit our website for JLG Worldwide Locations.  
[www.jlg.com](http://www.jlg.com)**



**OSHKOSH™**