



Illustrated Parts Manual

Models
25RTS
33RTS
40RTS

P/N - 3120827

March 15, 2012



REVISION LOG

March 1993 - Original Issue Of Manual
October 1998 - Revised
January 7, 2000 - Revised (25RTS Manual edited to 0010450 Revision 35)
(33RTS Manual edited to 0010451 Revision 33)
(40RTS Manual edited to 0010452 Revision 34)
March 1, 2000 - Updated Page 1-2
April 1, 2001 - Revised (25RTS Manual edited to 0010450 Revision 43)
(33RTS Manual edited to 0010451 Revision 40)
(40RTS Manual edited to 0010452 Revision 42)
April 8, 2002 - Revised (25RTS Manual edited to 0010450 Revision 48)
(33RTS Manual edited to 0010451 Revision 46)
(40RTS Manual edited to 0010452 Revision 47)
March 21, 2003 - Revised (25RTS Manual edited to 0010450 Revision 49)
(33RTS Manual edited to 0010451 Revision 47)
(40RTS Manual edited to 0010452 Revision 49)
December 31, 2006 - Revised (25RTS Manual edited to 0010450 Revision 50)
(33RTS Manual edited to 0010451 Revision 47)
(40RTS Manual edited to 0010452 Revision 49)
June 5, 2009 - Revised (25RTS Manual edited to 0010450 Revision 50)
(33RTS Manual edited to 0010451 Revision 47)
(40RTS Manual edited to 0010452 Revision 49)
March 15, 2012 - Revised (**Revision 2**)

TABLE OF CONTENTS

SECTION 1 - FRAME.....	7
FIGURE 1-1. FRAME, STEERING AND AXLE INSTALLATIONS.....	8
FIGURE 1-2. TIRE AND WHEEL DRIVE INSTALLATIONS.....	14
FIGURE 1-3. DRIVE MOTOR ASSEMBLY.....	18
FIGURE 1-4. DRIVE BRAKE ASSEMBLY.....	20
FIGURE 1-5. DRIVE HUB ASSEMBLIES.....	24
FIGURE 1-6. DRIVE HUB/BRAKE ASSEMBLIES.....	28
FIGURE 1-7. FRAME MOUNTED COMPONENTS INSTALLATION.....	32
FIGURE 1-8. LEVELING JACKS (EN280 AND CE SPECS) AND LIGHTS INSTALLATION (FRAME MOUNTED).....	36
FIGURE 1-9. LEVELING JACKS INSTALLATION (AUSTRALIAN SPECS).....	40
FIGURE 1-10. TOW PACKAGE INSTALLATION (OPTIONAL).....	42
SECTION 2 - GROUND COMPONENTS.....	45
FIGURE 2-1. CONTROL VALVES AND TANKS INSTALLATION.....	46
FIGURE 2-2. CONTROL VALVE ASSEMBLY (Prior to SN 26763).....	52
FIGURE 2-3. CONTROL VALVE ASSEMBLY (SN 26763 to Present).....	56
FIGURE 2-4. CONTROL VALVE ASSEMBLY - FPS 4 STACK (LEVELING JACKS OPTION).....	58
FIGURE 2-5. ENGINE INSTALLATION - FORD VSG-411.....	60
FIGURE 2-6. ENGINE INSTALLATION - FORD VSG-413.....	68
FIGURE 2-7. DUAL FUEL COMPONENTS INSTALLATION (FORD ENGINE OPTION).....	76
FIGURE 2-8. GENERATOR INSTALLATION (FORD ENGINE OPTION).....	78
FIGURE 2-9. ENGINE INSTALLATION - DEUTZ F2L1011.....	80
FIGURE 2-10. GENERATOR INSTALLATIONS (DEUTZ ENGINE OPTION).....	86
FIGURE 2-11. PISTON PUMP ASSEMBLY - SUNSTRAND.....	90
FIGURE 2-12. GEAR PUMP ASSEMBLY - JSB.....	94
FIGURE 2-13. GROUND CONTROL BOX INSTALLATION.....	96
FIGURE 2-14. HOODS AND BEACON LIGHT INSTALLATION.....	100
SECTION 3 - SIZZOR ARMS.....	103
FIGURE 3-1. SIZZOR ARMS INSTALLATION (25RTS).....	104
FIGURE 3-2. SIZZOR ARMS INSTALLATION (33RTS).....	108
FIGURE 3-3. SIZZOR ARMS INSTALLATION (40RTS).....	112
FIGURE 3-4. ARM GUARDS INSTALLATION.....	116
SECTION 4 - PLATFORM.....	119
FIGURE 4-1. FIXED PLATFORM (STANDARD) AND OPTIONAL COMPONENTS INSTALLATIONS.....	120
FIGURE 4-2. EXTENDABLE PLATFORM INSTALLATIONS (Prior to SN 50308).....	124
FIGURE 4-3. EXTENDABLE PLATFORM INSTALLATIONS (SN 50308 to Present).....	128
FIGURE 4-4. PLATFORM CONSOLE BOX INSTALLATION.....	130
FIGURE 4-5. DRIVE/LIFT CONTROLLER ASSEMBLY (Prior to SN 57701).....	134
FIGURE 4-6. DRIVE/LIFT CONTROLLER ASSEMBLY (SN 57701 to Present).....	136
SECTION 5 - CYLINDERS.....	139
FIGURE 5-1. AXLE LOCKOUT CYLINDER ASSEMBLY (OSCILLATING AXLE OPTION).....	140
FIGURE 5-2. LEVELING JACK CYLINDER ASSEMBLY (HYDRAULIC JACK OPTION - PRODUCTION CYLINDERS).....	142

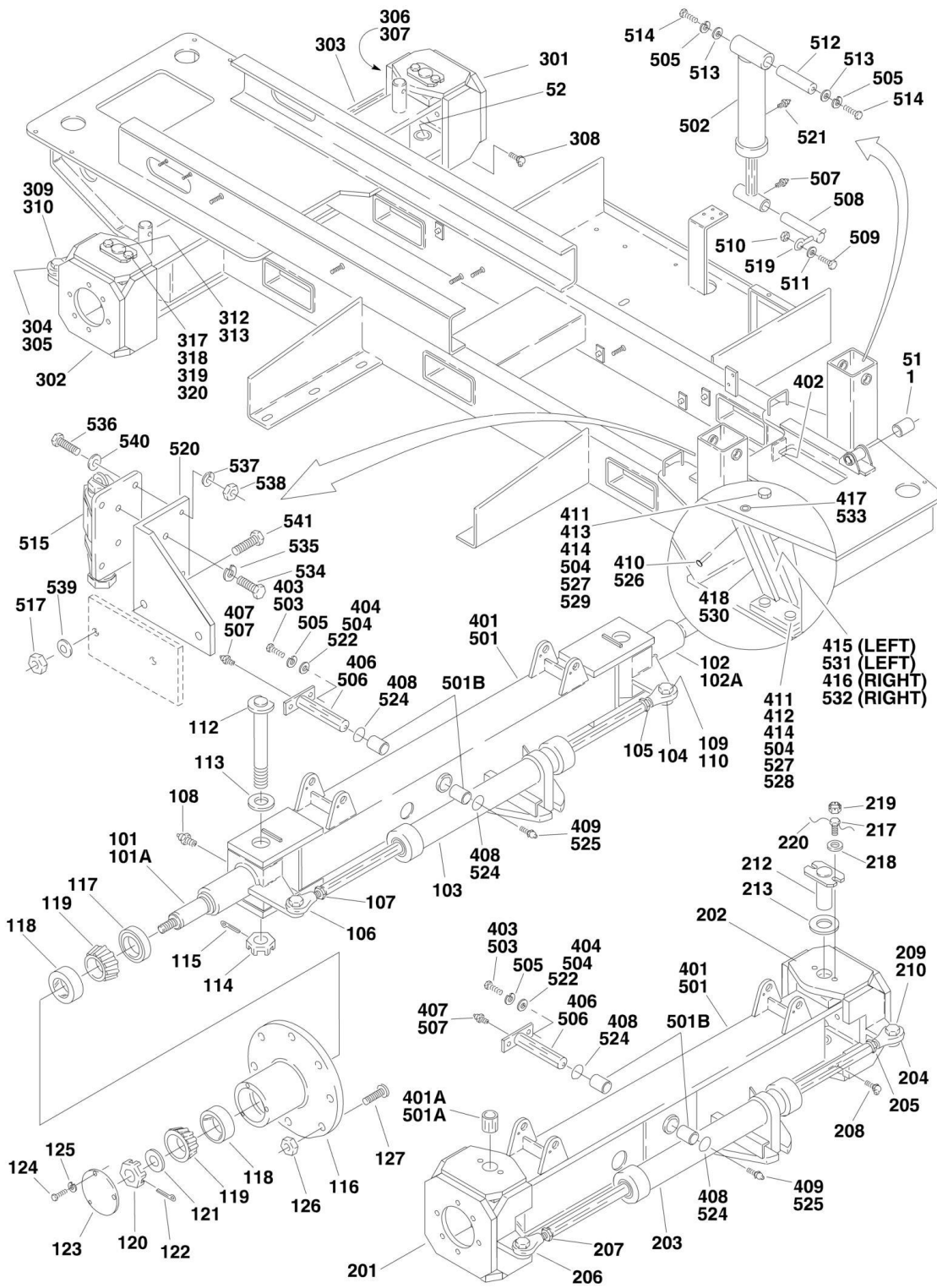
TABLE OF CONTENTS

FIGURE 5-3. LEVELING JACK CYLINDER ASSEMBLY (HYDRAULIC JACK OPTION - RECOMMENDED SERVICE REPLACEMENT CYLINDERS).....	146
FIGURE 5-4. LEVELING JACK CYLINDER ASSEMBLY (HYDRAULIC JACK OPTION) (CE AND EN280 SPECS).....	148
FIGURE 5-5. LIFT CYLINDER ASSEMBLIES	150
FIGURE 5-6. STEER CYLINDER ASSEMBLY (Prior to SN 9667)	154
FIGURE 5-7. STEER CYLINDER ASSEMBLY (SN 9667 to Present).....	156
SECTION 6 - HYDRAULICS.....	159
FIGURE 6-1. HYDRAULIC DIAGRAM LIST.....	160
FIGURE 6-2. HYDRAULIC DIAGRAM - 2WD/2WS	162
FIGURE 6-3. HYDRAULIC DIAGRAM - 4WD/2WS (SHEET 1 OF 2).....	166
FIGURE 6-4. HYDRAULIC DIAGRAM - 4WD/4WS (SHEET 1 OF 2).....	170
FIGURE 6-5. HYDRAULIC DIAGRAM - AXLE (OSCILLATING).....	174
SECTION 7 - ELECTRICAL.....	177
FIGURE 7-1. ELECTRICAL DIAGRAMS AND COMPONENTS LIST.....	178
FIGURE 7-2. ELECTRICAL DIAGRAM - 110V GENERATOR.....	184
FIGURE 7-3. ELECTRICAL DIAGRAM - DEUTZ ENGINE/ CE SPEC MACHINES (Prior to SN 61097).....	186
FIGURE 7-4. ELECTRICAL DIAGRAM - DEUTZ ENGINE/ CE SPEC MACHINES (SN 61097 to Present).....	188
FIGURE 7-5. ELECTRICAL DIAGRAM - DEUTZ ENGINE/ AUSTRALIAN SPEC MACHINES	190
FIGURE 7-6. ELECTRICAL DIAGRAM - 0610114 CIRCUIT CARD	192
SECTION 8 - DECALS	193
FIGURE 8-1. DECALS INSTALLATIONS.	194
SECTION 9 - RECOMMENDED SERVICE PARTS STOCK.....	199
FIGURE 9-1. STANDARD PARTS.....	200
FIGURE 9-2. VARIABLE PARTS	202
SECTION 10 - SPECIAL OPTIONS LIST.....	205
FIGURE 10-1. SPECIAL OPTIONS LIST.....	206
PART NUMBER INDEX.....	209

SECTION 1 - FRAME

SECTION 1 - FRAME

FIGURE 1-1. FRAME, STEERING AND AXLE INSTALLATIONS



SECTION 1 - FRAME

FIGURE 1-1. FRAME, STEERING AND AXLE INSTALLATIONS

ITEM	PART NUMBER	QTY	DESCRIPTION	REV
		Ref	FRAME, STEERING AND AXLE INSTALLATIONS	
		Ref	FRAME WELDMENTS - 2WS	
	2360352	Ref	Frame Weldments - 2WS (Prior to SN 44593)	B
	2360465	Ref	Frame Weldments - 2WS (SN 44593 to Present)	5-D
1	See Note	4	Bushing, Bronze (Sizzor Arm Pivot)	
1	0961664	2	Bushing, Composite (Sizzor Arm Pivot)	
		Ref	Note: Use 1 composite-type bushing in place of 2 bronze bushings on machines built (Prior to May 1993). When using existing pins and new composite type bushings, Graphokote Lube (P/N 3020028) is required at installation. When replacing pivot pins, use chrome pivot pins and composite type bushings. Chrome pivot pins require no lubrication at installation.	
		Ref	FRAME WELDMENTS - 4WS	
	2360347	Ref	Frame Weldments - 4WS (Prior to SN 44593)	I
	2360466	Ref	Frame Weldments - 4WS (SN 44593 to Present)	5-D
51	See Note	4	Bushing, Bronze (Sizzor Arm Pivot)	
51	0961664	2	Bushing, Composite (Sizzor Arm Pivot)	
52	0961029	4	Bushing, Bronze (Kingpin Pivot)	
		Ref	Note: Use 1 composite-type bushing in place of 2 bronze bushings on machines built (Prior to May 1993). When using existing pins and new composite type bushings, Graphokote Lube (P/N 3020028) is required at installation. When replacing pivot pins, use chrome pivot pins and composite type bushings. Chrome pivot pins require no lubrication at installation.	
		Ref	STEERING INSTALLATION - 2WD FRONT	
	0252790	Ref	2WD/2WS Common Machines Built (Prior to June 1994)	B
	0255005	Ref	2WD/2WS Common Machines Built (June 1994 to Present)	2-B
	0253059	Ref	2WD/4WS Common Machines Built (Prior to June 1994)	7-E
	0255006	Ref	2WD/4WS Common Machines Built (June 1994 to Present)	6-D
101		Ref	Spindle Weldment (Right Side) Options:	
101	4130287	1	Common Machines Built (Prior to June 1994)	
101	4130317	1	Common Machines Built (June 1994 to Present)	
101A	0960523	2	Bushing, Bronze (Kingpin Pivot)	
102		Ref	Spindle Weldment (Left Side) Options:	
102	4130288	1	Common Machines Built (Prior to June 1994)	
102	4130316	1	Common Machines Built (June 1994 to Present)	
102A	0960523	2	Bushing, Bronze (Kingpin Pivot)	
103		Ref	Steer Cylinder Assy Options (See CYLINDERS SECTION for Breakdown):	
103	1682681	1	Steer Cylinder Assy (Prior to SN 9667)	
103	1682967	1	Steer Cylinder Assy (SN 9667 to Present)	
104	1660204	1	Rod-End (Right Side)	
105	3322602	1	Nut, Jam 1in - 12NF Right Hand Threads (Left Side)	
106	1660205	1	Rod-End (Left Hand)	
107	3300228	1	Nut, Jam 1in-12in NF Left Hand Threads (Right Side)	
108	2160002	2	Fitting, Grease	
109	0642624	2	Bolt 1in - 8NC x 3in	
110	4712600	2	Flatwasher 1in Narrow	
111	0100019	AR	Loctite (Not Shown)	
112	3421243	2	Kingpin	

SECTION 1 - FRAME

ITEM	PART NUMBER	QTY	DESCRIPTION	REV
113	0440183	2	Bearing, Thrust	
114	3323403	2	Nut, Slotted 1 1/2in-12NF	
115	3451012	2	Pin, Cotter 5/16in x 3in	
116	2780177	2	Hub, Wheel	
117	3960353	2	Seal, Oil	
118	0440174	4	Cup, Bearing	
119	0440175	4	Cone, Bearing	
120	3322603	2	Nut, Slotted 1in -12NF	
121	4740034	2	Washer, Hardened	
122	3450610	2	Pin, Cotter 3/16in x 2 1/2in	
123	1120311	2	Cap, Hub	
124	0721004	6	Screw, Machine #10-24NC x 1/2in	
125	4761000	6	Lockwasher #10	
126	3300012	18	Nut, Wheel	
127	0630137	18	Stud, Wheel	
		Ref	STEERING INSTALLATION - 4WD FRONT	
	0253078	Ref	4WD/2WS	5-D
	0252532	Ref	4WD/4WS	7-E
201	4130279	1	Spindle Weldment (Right Side)	
202	4130280	1	Spindle Weldment (Left Side)	
203		Ref	Steer Cylinder Assy Options (See CYLINDERS SECTION for Breakdown):	
203	1682681	1	Steer Cylinder Assy (Prior to SN 9667)	
203	1682967	1	Steer Cylinder Assy (SN 9667 to Present)	
204	1660204	1	Rod-End (Right Side)	
205	3322602	1	Nut, Jam 1in-12NF	
206	1660205	1	Rod-End (Left Hand)	
207	3300228	1	Nut, Jam 1in-12NF Left Hand Thread	
208	2160003	4	Fitting, Grease - 45	
209	0642622	2	Bolt 1in-8NC x 2 3/4in	
210	4712600	2	Flatwasher 1in Narrow	
211	0100019	AR	Loctite (Not Shown)	
212	3421190	4	Kingpin	
213	0440161	4	Bearing, Thrust	
217	0641608	8	Bolt 3/8in-16NC x 1in	
218	4751600	8	Flatwasher 3/8in	
219	1380124	8	Clip, Retainer (Prior to SN 69836)	
220	4920385	4 ft/1.2m	Wire, Safety (4 Pieces 1ft/30cm Long) (Prior to SN 69836)	
221	0100011	AR	Loctite #242 (Not Shown) (SN 69836 to Present)	
		Ref	STEERING INSTALLATION - 4WS REAR (OPTIONAL)	
	0253059	Ref	2WD/4WS Common Machines Built (Prior to June 1994)	7-E
	0255006	Ref	2WD/4WS Common Mach Built (June 1994 to Present)	6-D
	0252532	Ref	4WD/4WS	7-E
301	4130279	1	Spindle Weldment (Left Side)	
302	4130280	2	Spindle Weldment (Right Side)	
303		Ref	Steer Cylinder Assy Options (See CYLINDERS SECTION for Breakdown):	
303	1682681	2	Steer Cylinder Assy (Prior to SN 9667)	
303	1682967	2	Steer Cylinder Assy (SN 9667 to Present)	
304	1660204	2	Rod-End (Right Hand)	
305	3322602	2	Nut, Jam 1in-12NF	
306	1660205	2	Rod-End (Left Hand)	

SECTION 1 - FRAME

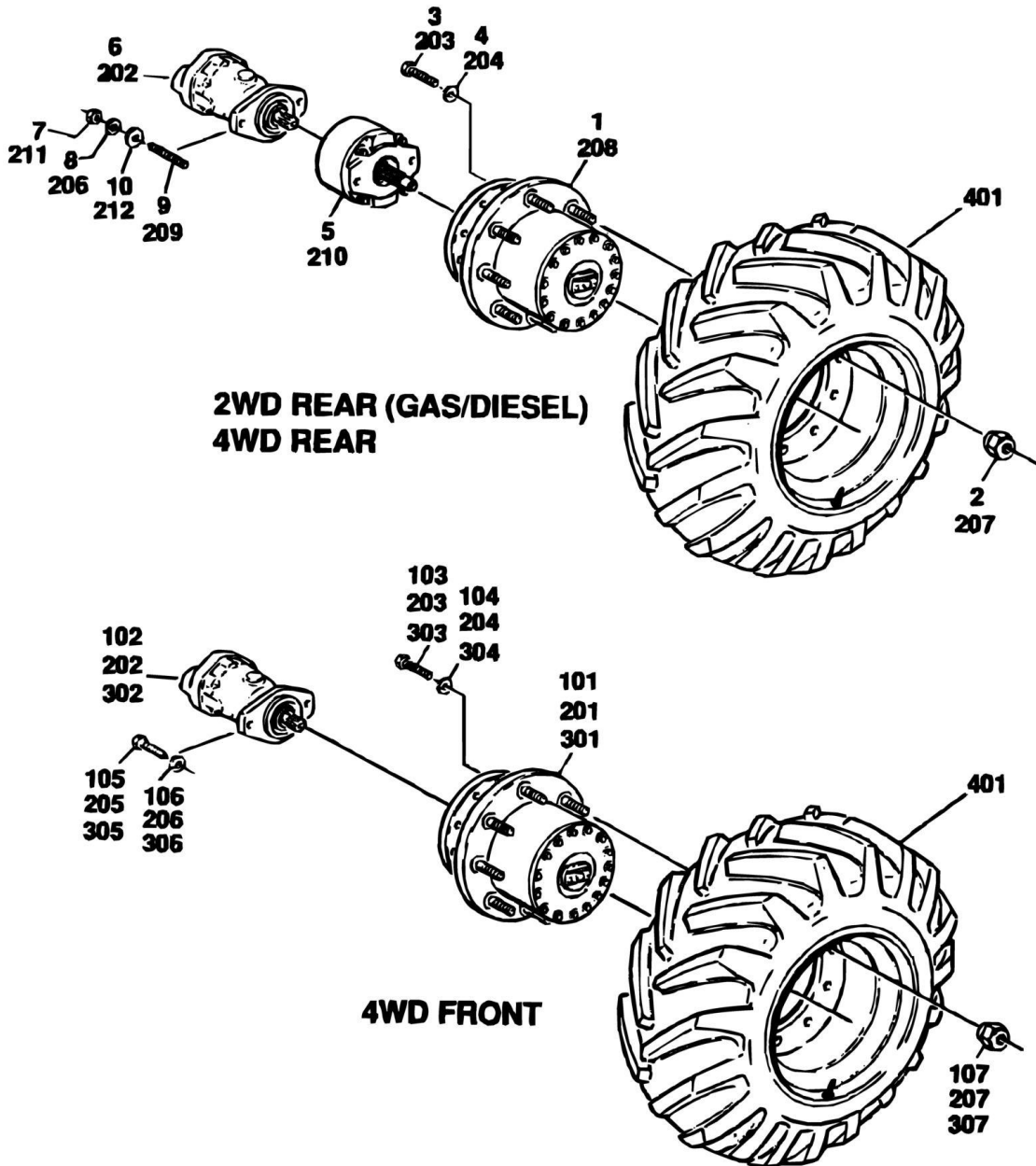
ITEM	PART NUMBER	QTY	DESCRIPTION	REV
307	3300228	2	Nut, Jam 1in-12NF Left Hand Thread	
308	2160003	8	Fitting, Grease - 45	
309	0642622	4	Bolt 1in-8NC x 2 3/4in	
310	4712600	4	Flatwasher 1in Narrow	
311	0100019	AR	Loctite (Not Shown)	
312	3421190	8	Kingpin	
313	0440161	8	Bearing, Thrust	
317	0641608	16	Bolt 3/8in-16NC x 1in	
318	4751600	16	Flatwasher 3/8in	
319	1380124	8	Clip, Retainer (Prior to SN 69836)	
320	4920385	8 ft/2.4m	Wire, Safety (8 Pieces 1ft/30cm long) (Prior to SN 69836)	
321	0100011	AR	Loctite #242 (Not Shown) (SN 69836 to Present)	
		Ref	FIXED AXLE INSTALLATION (STANDARD PARTS)	
	0253171	Ref	2WD	4
	0253172	Ref	4WD	3
401		Ref	Axle Weldment Options:	
401	4844129	1	2WD (Prior to October 1994)	
401	4844868	1	2WD (October 1994 to Present)	
401	4844059	1	4WD (Prior to October 1994)	
401	4844867	1	4WD (October 1994 to Present)	
401A	0961029	4	Bushing, Bronze (Kingpin Pivot) (4WD Only)	
402	0560901	2	Block, Stop	
403	0641610	1	Bolt 3/8in-16NC x 1 1/4in	
404	4740185	2	Flatwasher	
405	0100019	AR	Loctite (Not Shown)	
406	4842621	1	Pin Weldment (Prior to October 1994)	
406	3422401	1	Pin Weldment (October 1994 to Present)	
407	2160002	1	Fitting, Grease	
408	3780183	2	O-Ring (October 1994 to Present)	
409	4640812	1	Valve, Relief (October 1994 to Present)	
410	3820030	6	Rivet, Pop 3/16in (September 1995 to Present)	
411	3311605	8	Nut 3/8in-16NC (September 1995 to Present)	
412	0641612	4	Bolt 3/8in x 1 1/2in-16NC (September 1995 to Present)	
413	0641614	4	Bolt 3/8in x 1 3/4in-16NC (September 1995 to Present)	
414	4751600	16	Flatwasher (September 1995 to Present)	
415	0902214	1	Bracket, L.H. (September 1995 to Present)	
416	0902215	1	Bracket, R.H. (September 1995 to Present)	
417	3440616	4	Pin, Roll 3/16in x 1in (September 1995 to Present)	
418	4280298	2	Strip, Wear	
		Ref	OSCILLATING AXLE INSTALLATION - OPTION (STANDARD PARTS WHEN EQUIPPED)	
	0253381	Ref	2WD (Prior to SN 97717)	11
	0271469	Ref	2WD (SN 97717 to Present)	1
	0253380	Ref	4WD (Prior to SN 97717)	10
	0271470	Ref	4WD (SN 97717 to Present)	1
501		Ref	Axle Weldment Options:	
501	4844129	1	2WD (Prior to October 1994)	
501	4844868	1	2WD (October 1994 to Present)	
501	4844059	1	4WD (Prior to October 1994)	
501	4844867	1	4WD (October 1994 to Present)	
501A	0961029	4	Bushing, Bronze (Prior to October 1994) (4WD Machines Only)	

SECTION 1 - FRAME

ITEM	PART NUMBER	QTY	DESCRIPTION	REV
501B	0961938	2	Bushing, Bronze (October 1994 to Present) (2WD & 4WD)	
502	1682427	2	Axle Lockout Cylinder Assembly (See CYLINDER SECTION for Breakdown)	
503	0641608	2	Bolt 3/8in-16NC x 1in	
504	4751600	18	Flatwasher 3/8in	
505	4761600	4	Lockwasher 3/8in	
506	4842621	1	Pin, Axle Pivot (Prior to October 1994)	
506	3422401	1	Pin, Axle Pivot (October 1994 to Present)	
507	2160002	3	Fitting, Grease	
508	3422137	2	Pin, Attach (Bottom)	
509	0641510	2	Bolt 5/16in-18NC x 1 1/2in	
510	3311505	2	Locknut 5/16in-18NC	
511	4751500	2	Flatwasher 5/16in	
512	3421335	2	Pin, Attach (Top)	
513	4740308	4	Flatwasher, Special	
514	0641608	4	Bolt 3/8in-16NC x 3/4in (Was 0641606)	
515	4640668	1	Lockout Valve Assembly	
515	7012516	1	Repair Kit - 4640668 Valve	
517	3311601	2	Nut 3/8in-16NC	
519	3841143	2	Pin, Keeper	
520	3534805	1	Bracket, Valve Mounting	
521	4640273	2	Bleeder	
522	4740185	2	Washer (October 1994 to Present)	
523	0100019	AR	Loctite (Not Shown)	
524	3780183	2	O-Ring (October 1994 to Present)	
525	4640812	1	Valve, Relief (October 1994 to Present)	
526	3820030	6	Rivet, Pop 3/16in (Prior to SN 97717)	
527	3311605	8	Nut 3/8in-16NC (September 1995 to Present)	
528	0641612	4	Bolt 3/8in x 1 1/2in-16NC (September 1995 to Present)	
529	0641614	4	Bolt 3/8in x 1 3/4in - 16NC (September 1995 to Present)	
530	4280298	2	Strip, Wear (Prior to SN 97717)	
531	0902214	1	Bracket, L.H. (September 1995 to Present)	
532	0902215	1	Bracket, R.H. (September 1995 to Present)	
533	3440616	4	Pin, Roll (September 1995 to Present)	
534	0641406	2	Bolt 1/4in-20NC x 3/4in	
535	4761400	2	Lockwasher 1/4in	
536	3911014	4	Screw, Machine #10-24NC x 7/8in	
537	4761000	4	Lockwasher #10	
538	3311001	4	Nut #10-24NC	
539	4751600	2	Flatwasher 3/8in	
540	4751000	4	Flatwasher #10	
541	0641610	4	Bolt 3/8in-16NC x 1 1/4in	

SECTION 1 - FRAME

FIGURE 1-2. TIRE AND WHEEL DRIVE INSTALLATIONS



SECTION 1 - FRAME

FIGURE 1-2. TIRE AND WHEEL DRIVE INSTALLATIONS

ITEM	PART NUMBER	QTY	DESCRIPTION	REV
		Ref	TIRE AND WHEEL DRIVE INSTALLATIONS	
	0252484	Ref	WHEEL DRIVE INSTALLATION - 2WD/2WS	3
1	2780169	2	Drive Hub Assembly (See DRIVE HUB ASSEMBLIES for Breakdown)	
2	3300012	18	Nut, Wheel	
3	0642014	12	Bolt 5/8in-11NC x 1 3/4in	
4	4762000	12	Lockwasher 5/8in	
5		Ref	Drive Brake Assembly Options (See DRIVE BRAKE ASSEMBLY for Breakdown)	
5	0920084	2	Drive Brake Assembly (Prior to SN 36660)	
5	0920110	2	Drive Brake Assembly (SN 36660 to Present)	
6	3160158	2	Drive Motor Assembly (See DRIVE MOTOR ASSEMBLY for Breakdown)	
7	3311801	4	Nut 1/2in-13NC	
8	4761800	4	Lockwasher 1/2in	
9	4300092	4	Stud 1/2in-13NC x 5 1/2in	
10	4711800	4	Flatwasher 1/2in Narrow	
11	0100011	AR	Loctite #242 (Not Shown)	
	0251661	Ref	WHEEL DRIVE INSTALLATION - 2WD/4WS	B
101	2780195	2	Drive Hub/Brake Assembly (See DRIVE HUB/BRAKE ASSEMBLIES for Breakdown)	
102	3160158	2	Drive Motor Assembly (See DRIVE MOTOR ASSEMBLY for Breakdown)	
103	0642014	12	Bolt 5/8in-11NC x 1 3/4in	
104	4762000	12	Lockwasher 5/8in	
105	0641810	4	Bolt 1/2in-13NC x 1 1/4in	
106	4761800	4	Lockwasher 1/2in	
107	3300012	18	Nut, Wheel	
	0253545	Ref	WHEEL DRIVE INSTALLATION - 4WD/2WS FRONT AND REAR (2MPH)	2-B
201	2780191	2	Drive Hub/Brake Assembly (See DRIVE HUB/BRAKE ASSEMBLIES for Breakdown)	
202	3160158	4	Drive Motor Assembly (See DRIVE MOTOR ASSEMBLY for Breakdown)	
203	0642014	24	Bolt 5/8in-11NC x 1 7/8in	
204	4762000	24	Lockwasher 5/8in	
205	0641810	4	Bolt 1/2in-13NC x 1 1/4in	
206	4761800	8	Lockwasher 1/2in	
207	3300012	36	Nut, Wheel	
208	2780167	2	Drive Hub Assembly (See DRIVE HUB ASSEMBLIES for Breakdown)	
209	4300092	4	Stud 1/2in-13NC x 5 1/2in	
210		Ref	Drive Brake Assembly Options (See DRIVE BRAKE ASSEMBLY for Breakdown)	
210	0920084	2	Drive Brake Assembly (Prior to SN 36660)	
210	0920110	2	Drive Brake Assembly (SN 36660 to Present)	
211	3311801	4	Nut 1/2in-13NC	
212	4711800	4	Flatwasher 1/2in	
213	0100011	AR	Loctite #242 (Not Shown)	
	0255103	Ref	WHEEL DRIVE INSTALLATION - 4WD/2WS FRONT AND REAR (4MPH)	2-A

SECTION 1 - FRAME

ITEM	PART NUMBER	QTY	DESCRIPTION	REV
201	2780193	2	Drive Hub/Brake Assembly (See DRIVE HUB/BRAKE ASSEMBLIES for Breakdown)	
202	3160158	4	Drive Motor Assembly (See DRIVE MOTOR ASSEMBLY for Breakdown)	
203	0642014	24	Bolt 5/8in-11NC x 1 7/8in	
204	4762000	24	Lockwasher 5/8in	
205	0641810	4	Bolt 1/2in-13NC x 1 1/4in	
206	4761800	8	Lockwasher 1/2in	
207	3300012	36	Nut, Wheel 1/2in-20NC	
208	2780175	2	Drive Hub Assembly (See DRIVE HUB ASSEMBLIES for Breakdown)	
209	4300092	4	Stud 1/2in-13NC x 5 1/2in	
210		Ref	Drive Brake Assembly Options (See DRIVE BRAKE ASSEMBLY for Breakdown)	
210	0920084	2	Drive Brake Assembly (Prior to SN 36660)	
210	0920110	2	Drive Brake Assembly (SN 36660 to Present)	
211	3311801	4	Nut 1/2in-13NC	
212	4711800	4	Flatwasher 1/2in	
213	0100011	AR	Loctite #242 (Not Shown)	
	0251660	Ref	WHEEL DRIVE INSTALLATION - 4WD/4WS FRONT AND REAR (2MPH)	B
301	2780191	4	Drive Hub/Brake Assembly (See DRIVE HUB/BRAKE ASSEMBLIES for Breakdown)	
302	3160158	4	Drive Motor Assembly (See DRIVE MOTOR ASSEMBLY for Breakdown)	
303	0642014	24	Bolt 5/8in - 11NC x 1 3/4in	
304	4762000	24	Lockwasher 5/8in	
305	0641810	8	Bolt 1/2in-13NC x 1 1/4in	
306	4761800	8	Lockwasher 1/2in	
307	3300012	36	Nut, Wheel	
	0255660	Ref	TIRE AND WHEEL INSTALLATION - FOAM FILLED 31 x 15.50 x 15	-
	0255661	2	Tire and Wheel Assembly - Left Side	-
	0255662	2	Tire and Wheel Assembly - Right Side	-
401	4520123	4	Tire - 31 x 15.50 x 15	
		Ref	Note: Assemblies may require ballast/foam filling to manufacturer's specifications prior to installing on a machine. Refer to Operation and Safety or Service and Maintenance Manuals. Purchase individual tire and/or rim only if able to foam fill tire and wheel assembly, otherwise, purchase complete assembly.	
	0253089	Ref	TIRE AND WHEEL INSTALLATION - FOAM FILLED 12 x 16.5 LOADER LUG	-
	0253088	2	Tire and Wheel Assembly - Left Side	-
	0253087	2	Tire and Wheel Assembly - Right Side	-
401	4520129	4	Tire - 12 x 16.5 Loader Lug	
		Ref	Note: Assemblies may require ballast/foam filling to manufacturer's specifications prior to installing on a machine. Refer to Operation and Safety or Service and Maintenance Manuals. Purchase individual tire and/or rim only if able to foam fill tire and wheel assembly, otherwise, purchase complete assembly.	

SECTION 1 - FRAME

FIGURE 1-3. DRIVE MOTOR ASSEMBLY

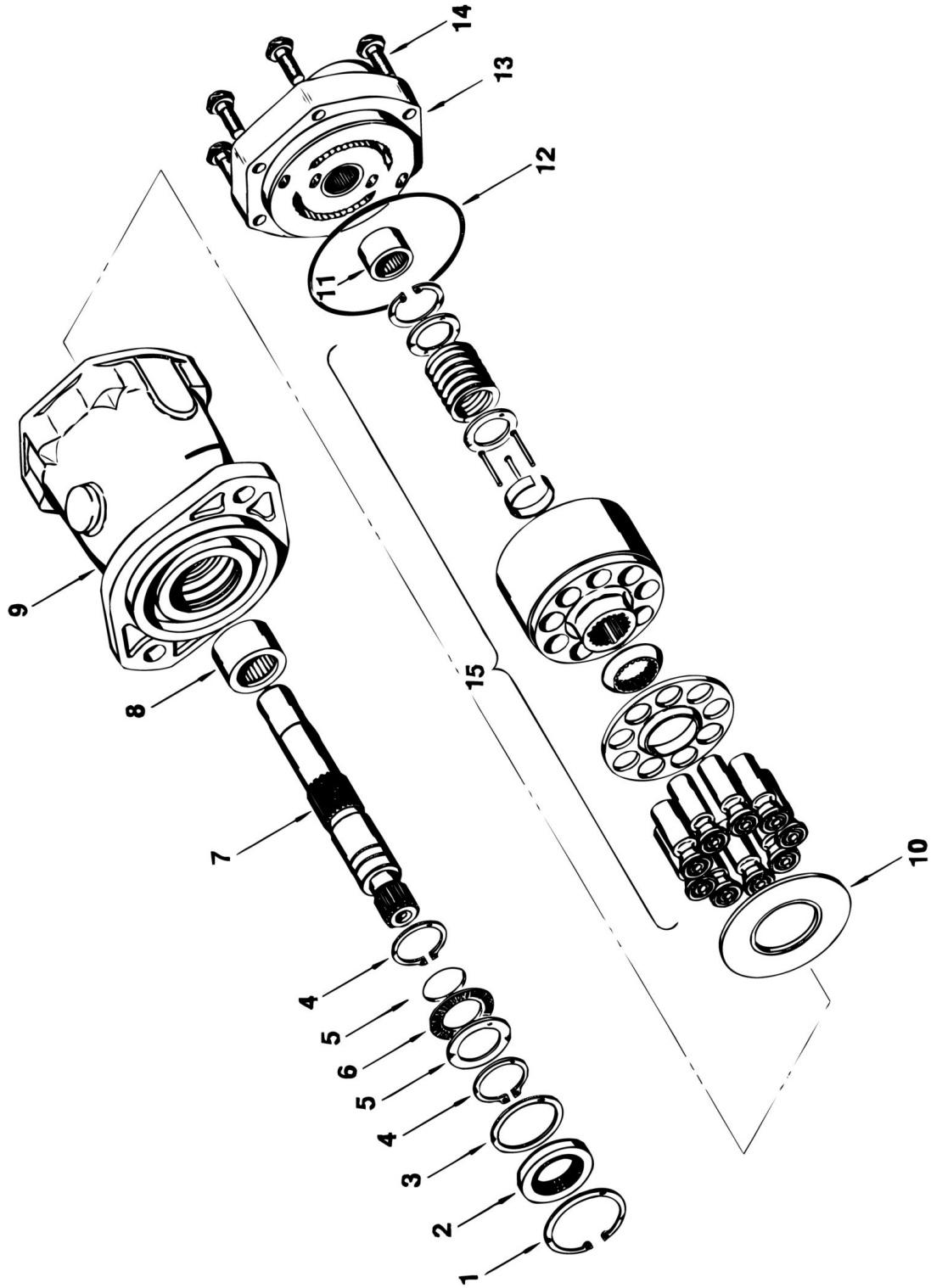
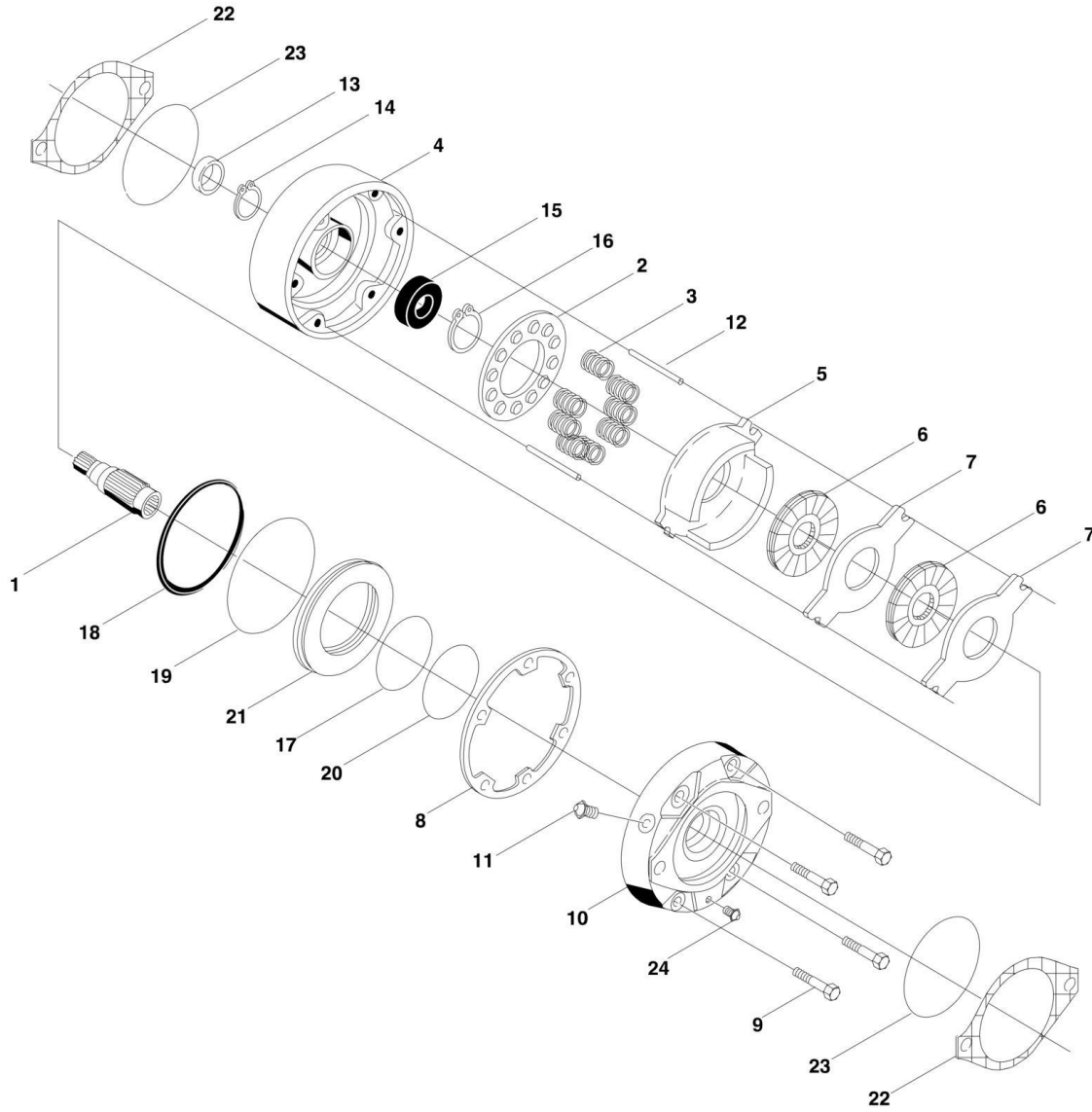


FIGURE 1-3. DRIVE MOTOR ASSEMBLY

ITEM	PART NUMBER	QTY	DESCRIPTION	REV
	3160158	Ref	Drive Motor Assembly	
1	Kit	1	Ring, Retaining	
2	Kit	1	Seal, Shaft	
3	7004906	1	Washer	
4	Kit	2	Ring, Retaining	
5	7004907	2	Race, Thrust	
6	7004908	1	Bearing, Thrust	
7	7007874	1	Shaft, Splined	
8	7004910	1	Bearing	
9	7007875	1	Housing Assembly (Includes Item 8)	
10	7007876	1	Insert, Camplate	
11	7004917	1	Bearing	
12	Kit	1	O-Ring	
13	7007878	1	Back Plate Assembly (Includes Item 11)	
14	7007879	6	Bolt	
15	7007880	1	Rotating Kit Assembly (Sold as an Assembly Only)	
	2900714	1	Seal Kit (Includes Items 1, 2, 4 & 12)	

SECTION 1 - FRAME

FIGURE 1-4. DRIVE BRAKE ASSEMBLY



SECTION 1 - FRAME

FIGURE 1-4. DRIVE BRAKE ASSEMBLY

ITEM	PART NUMBER	QTY	DESCRIPTION	REV
		Ref	DRIVE BRAKE ASSEMBLY OPTIONS	
	0920084	Ref	Drive Brake Assembly (Prior to SN 36660)	A
	0920110	Ref	Drive Brake Assembly (SN 36660 to Present)	C
1	7011712	1	Shaft	
2		Ref	Guide, Spring Options:	
2	7011717	1	0920084 Brake (Prior to SN 36660)	
2	7018606	1	0920110 Brake (SN 36660 to Present)	
3		Ref	Spring Options:	
3	7007979	6	0920084 Brake (Inner) (Prior to SN 36660)	
3	7007980	6	0920084 Brake (Outer) (Prior to SN 36660)	
3	7007970	6	0920110 Brake (Red) (SN 36660 to Present)	
3	7018602	3	0920110 Brake (Blue) (SN 36660 to Present)	
4		Ref	Housing Options:	
4	7011713	1	0920084 Brake (Prior to SN 36660)	
4	7018605	1	0920110 Brake (SN 36660 to Present)	
5		Ref	Return Plate and Separator Assembly Options:	
5	Kit	1	Plate, Return - 0920084 Brake (Prior to SN 36660)	
5	7011715	2	Separator Assy - 0920084 Brake (Prior to SN 36660)	
5	7011714	4	Pin	
5	7007983	2	Separator	
5	Kit	1	Return Plate/Separator - 0920110 Brake (SN 36660 to Present)	
6	Kit	2	Rotor	
7	Kit	2	Stator	
8	Kit	1	Seal, Case	
9		Ref	Bolt Options:	
9	7007985	4	0920084 Brake (Prior to SN 36660)	
9	7018607	4	0920110 Brake (SN 36660 to Present)	
10	7007986	1	Cover	
11	7007914	1	Screw, Bleeder (Prior to SN 37659)	
11	7018609	1	Plug, Pipe (SN 37659 to Present)	
12	7007987	2	Pin, Dowel	
13	Kit	1	Seal, Oil	
14	7011716	1	Ring, Retainer	
15	Kit	1	Bearing	
16	7007977	1	Ring, Retaining	
17	Kit	1	Ring, Back-up	
18	Kit	1	Ring, Back-up	
19	Kit	1	O-Ring	
20	Kit	1	O-Ring	
21		Ref	Piston Options:	
21	7007923	1	0920084 Brake (Prior to SN 36660)	
21	7018603	1	0920110 Brake (SN 36660 to Present)	
22	7007933	2	Gasket	
23	Kit	2	O-Ring	
24	7007924	1	Plug, Pipe	
	2900766	1	Seal Kit (Includes Items 8, 13, 17, 18, 19, 20, 22 & 23)	
	2900768	1	Bearing Kit (Includes Items 8, 13, 14, 15, 16, 22 & 23)	
		Ref	Lining Kit Options (Includes Items 5, 6, 7, 8, 22 & 23):	
	2900767	1	0920084 Brake (Prior to SN 36660)	

SECTION 1 - FRAME

ITEM	PART NUMBER	QTY	DESCRIPTION	REV
	7018608	1	0920110 Brake (SN 36660 to Present)	

SECTION 1 - FRAME

FIGURE 1-5. DRIVE HUB ASSEMBLIES

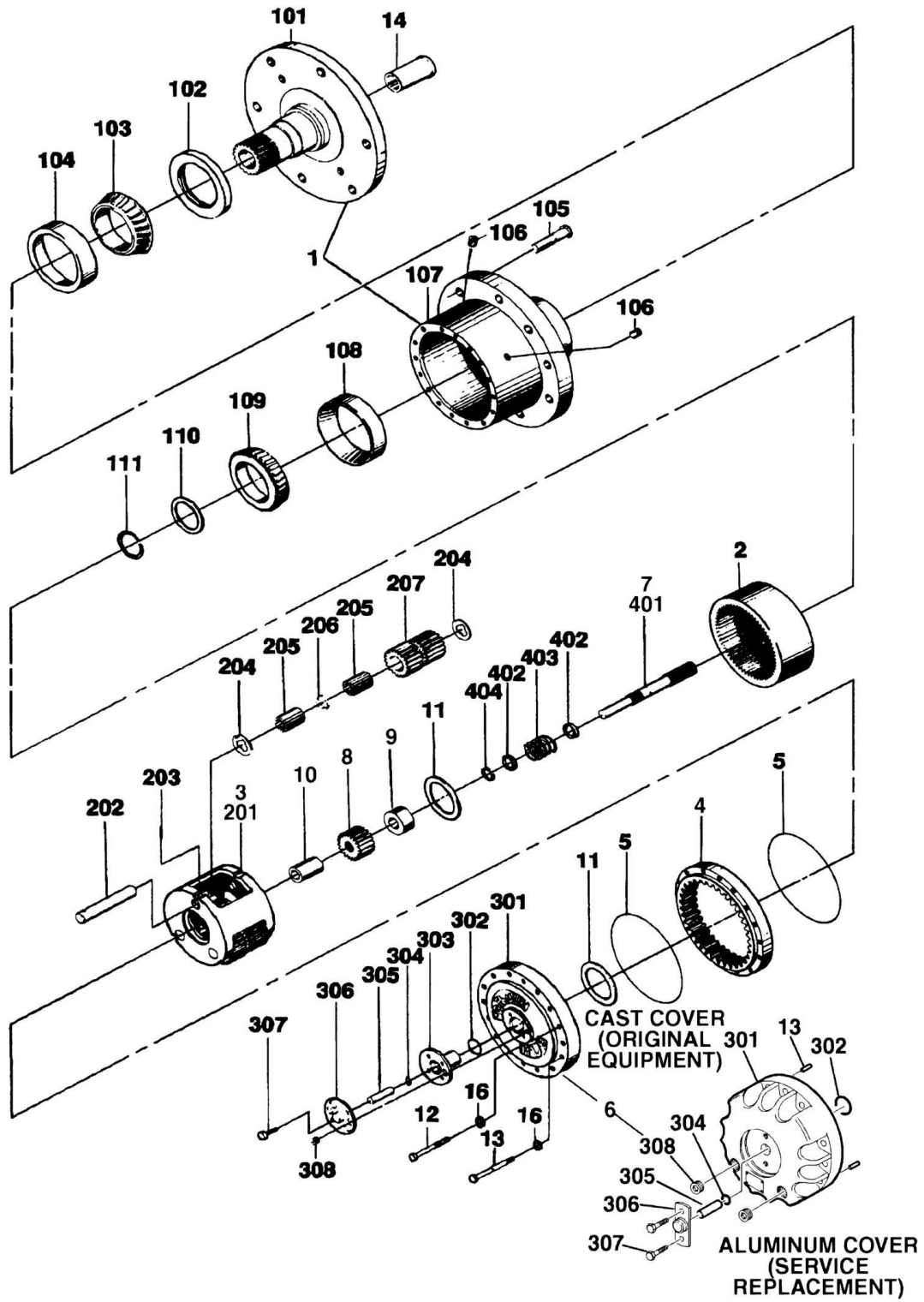


FIGURE 1-5. DRIVE HUB ASSEMBLIES

ITEM	PART NUMBER	QTY	DESCRIPTION	REV
		Ref	DRIVE HUB ASSEMBLIES OPTIONS:	
	2780169	Ref	2WD/2WS GAS/DIESEL (2MPH)	-
	2780167	Ref	4WD/2WS REAR DRIVE ONLY (2MPH)	-
	2780175	Ref	4WD/2WS REAR DRIVE ONLY (4MPH)	-
1	7010428	1	Hub-Spindle Sub Assembly (See Items 101-111 for Breakdown)	
2	7000246	1	Gear, Internal	
3		Ref	Carrier Assembly Options: (See Items 201-207 for Breakdown)	
3	7000247	1	2MPH Machines	
3	7000202	1	4MPH Machines	
4		Ref	Gear, Ring Options:	
4	7007634	1	2780175 Hubs	
4	7000248	1	2780167/2780169 Hubs	
5	7000230	2	O-Ring	
6		Ref	Cover Assembly (Includes Items 301-308)	
7		Ref	Input Shaft Assembly Options:	
7	7000250	1	2WD Machines (See Items 401-404 for Breakdown)	
7	7007650	1	4WD Machines (See Items 401-404 for Breakdown)	
8		Ref	Gear, Input Options:	
8	7000251	1	2WD Machines	
8	7007652	1	4WD Machines	
9		Ref	Spacer, Thrust Options:	
9	7000252	1	2WD Machines	
9	7007653	1	4WD Machines	
10		Ref	Spacer, Thrust Options:	
10	Not Required	0	2WD Machines	
10	7007654	1	4WD Machines	
11	7000253	2	Washer, Thrust	
11	7017096	1	Spacer Only (SN 93772 to Present)	
12		Ref	Bolt Options:	
12	7000217	12	Bolt (Prior to SN 93772)	
12	7017067	12	Bolt (SN 93772 to Present)	
13		Ref	Hardware Options:	
13	7000214	4	Bolt Used (Prior to SN 93772)	
13	7017080	4	Dowel Pin Used (SN 93772 to Present)	
14	7000206	1	Coupling	
16	7007603	16	Flatwasher	
	7010428	Ref	HUB - SPINDLE SUB-ASSEMBLY	
101	7001997	1	Spindle	
102	Kit	1	Seal	
103	Kit	1	Cone, Bearing	
104	Kit	1	Cup, Bearing	
105	7007697	9	Bolt, Wheel	
106	7000242	2	Plug, Pipe	
107	7007601	1	Hub	
108	7000257	1	Cup, Bearing	
109	7000258	1	Cone, Bearing	
110	Kit	1	Spacer	
111	Kit	1	Ring, Retaining	
		Ref	CARRIER ASSEMBLY OPTIONS	
	7000202	Ref	2780175 Hubs	

SECTION 1 - FRAME

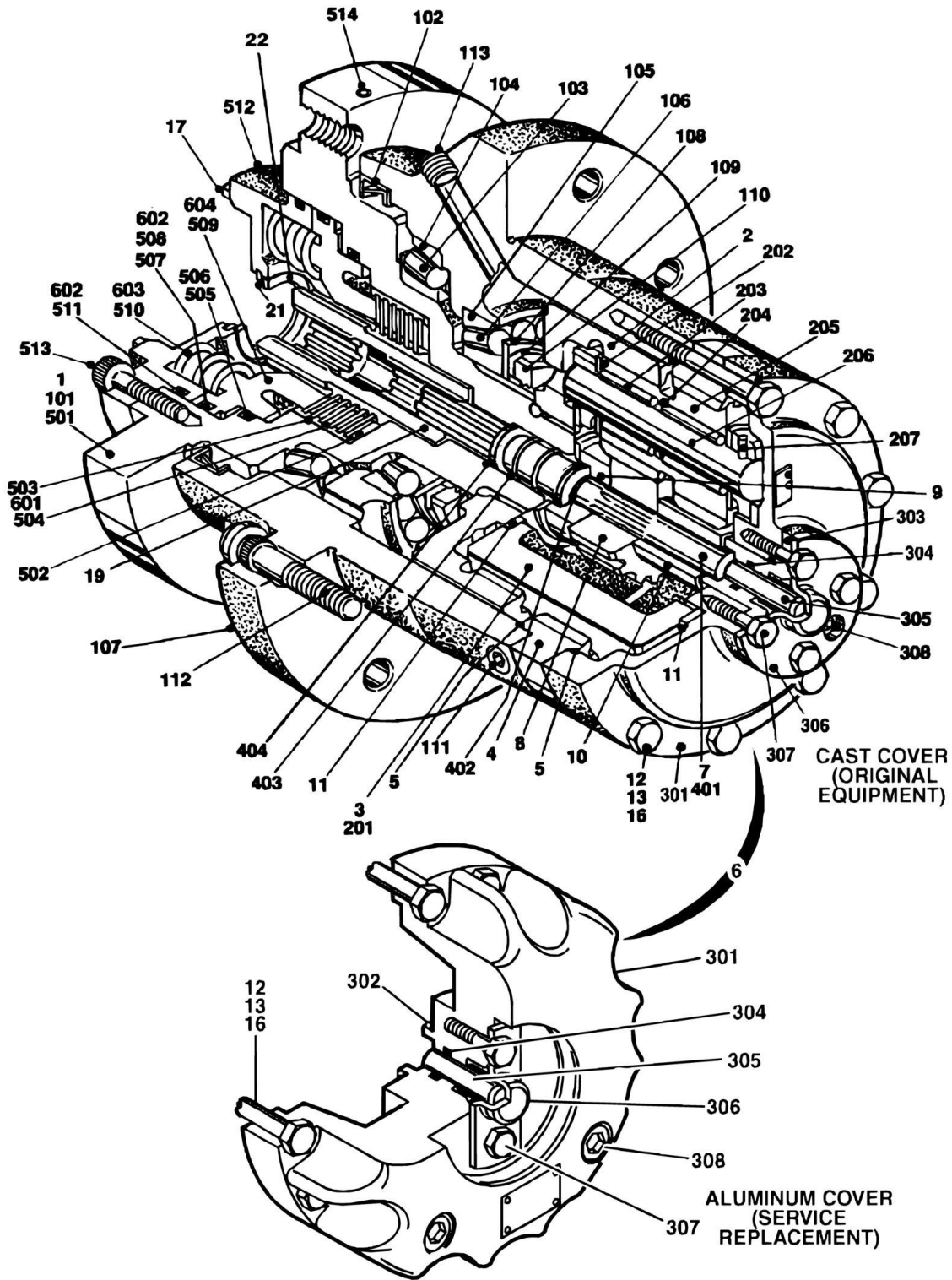
ITEM	PART NUMBER	QTY	DESCRIPTION	REV
	7000247	Ref	2780167/2780169 Hubs	
201	7001931	1	Carrier	
202	7001911	3	Shaft	
203	7001913	3	Pin, Roll	
204	7001985	6	Washer, Thrust	
205	7001909	96	Roller, Needle	
206	7000263	3	Spacer	
207		Ref	Gear, Cluster Options:	
207	7007643	3	2780175 Hubs	
207	7001912	3	2780167/2780169 Hubs	
		Ref	COVER ASSEMBLY	
	See Kit Options	Ref	Case Cover (Original Equipment)	
	See Kit Options	Ref	Aluminum Cover (Service Replacement)	
301		Ref	Cover Options:	
301	70001111	1	Case Cover (Original Equipment) (was p/n 7000226)	
301	70001349	1	Aluminum Cover (Service Replacement) (was p/n 7017091)	
302		Ref	O-Ring Options:	
302	70001111	1	Case Cover (Original Equipment)	
302	70001349	1	Aluminum Cover (Service Replacement) (was p/n 7017070)	
303		Ref	Cap, Cover Options:	
303	70001111	1	Case Cover (Original Equipment)	
303	Not Required	0	Aluminum Cover (Service Replacement)	
304		Ref	O-Ring Options:	
304	70001111	1	Case Cover (Original Equipment)	
304	70001349	1	Aluminum Cover (Service Replacement) (was p/n 7017095)	
305		Ref	Rod, Disconnect Options:	
305	70001111	1	Case Cover (Original Equipment)	
305	70001349	1	Aluminum Cover (Service Replacement) (was p/n 7017092)	
306		Ref	Cap, Disconnect	
306	70001111	1	Case Cover (Original Equipment)	
306	70001349	1	Aluminum Cover (Service Replacement) (was p/n 7017093)	
307		Ref	Bolt Options:	
307	70001111	4	Case Cover (Original Equipment) (was p/n 7017093)	
307	70001349	2	Aluminum Cover (Service Replacement) (was p/n 7000216)	
308		Ref	Plug, Pipe Options:	
308	70001111	1	Case Cover (Original Equipment) (was p/n 7000243)	
308	70001349	2	Aluminum Cover (Service Replacement) (was p/n 7017094)	
		Ref	INPUT SHAFT ASSEMBLY	
	7000250	Ref	2WD	
	7007650	Ref	4WD	
401		Ref	Shaft Options:	
401	7000260	1	2WD	
401	7007651	1	4WD	
402	7000263	2	Spacer	
403	7000262	1	Spring	
404	7000261	1	Ring, Retaining	
		Ref	KIT OPTIONS:	
	7010429	1	Bearing Kit (Includes Items 103 & 104)	
	2900034	1	Seal Kit (Includes Items 5, 102, 110 & 111)	
	See Note	1	Disconnect and Seal Kit Options (Includes Items 5, 102, 110, 111 & 302-306) (was p/n 2900137) (Note: Use Cover Kit as Replacement.)	

SECTION 1 - FRAME

ITEM	PART NUMBER	QTY	DESCRIPTION	REV
		Ref	Cover Kit Options:	
		Ref	Note: Kit Replaces Items 5, 11 (Spacer), 12, 13 (Dowel Pins), & 301-308.	
	70001111	1	Cast Cover (was p/n 7001989 & p/n 7017099)	
	70001349	1	Aluminum Cover (Service Replacement) (was p/n 7017090)	

SECTION 1 - FRAME

FIGURE 1-6. DRIVE HUB/BRAKE ASSEMBLIES



SECTION 1 - FRAME

FIGURE 1-6. DRIVE HUB/BRAKE ASSEMBLIES

ITEM	PART NUMBER	QTY	DESCRIPTION	REV
		Ref	DRIVE HUB/BRAKE ASSEMBLY OPTIONS:	
	2780195	Ref	2WD/4WS GAS/DIESEL MACHINES (2MPH)	-
	2780191	Ref	4WD GAS/DIESEL MACHINES (2MPH)	-
	2780193	Ref	4WD/2WS GAS/DIESEL MACHINES (4MPH)	-
1	See Note	1	Hub/Spindle/Brake Assembly (Note: Not sold as a complete assembly) (See Items 101-113 for Breakdown)	
2	7007691	1	Gear, Internal	
3		Ref	Carrier Assembly Options (See Items 201-207 for Breakdown):	
3	Not Available		2WD/4WS Machines	
3	7000247	1	4WD with 2MPH Machines	
3	See Note	1	4WD with 4MPH Machines (Note: Purchase 7000247 and install (3) 7007643 Cluster Gears to make this carrier assembly)	
4	7000248	1	Gear, Internal	
5	Kit	2	O-Ring	
6		Ref	Cover Assembly (See Items 301-308 for Breakdown)	
7		Ref	In put Shaft Assembly Options (See Items 401-404 for Breakdown):	
7	7007650	1	4WD Machines	
7	7000250	1	2WD/4WS Machines	
8		Ref	Gear, Input Options:	
8	7007652	1	4WD Machines	
8	7000251	1	2WD/4WS Machines	
9		Ref	Spacer, Input Options:	
9	7007653	1	4WD Machines	
9	7000252	1	2WD/4WS Machines	
10		Ref	Spacer, Input Options:	
10	7007654	1	4WD Machines	
10	Not Required	0	2WD/4WS Machines	
11	7000253	2	Washer, Thrust	
11	7017096	1	Spacer (SN 93772 to Present)	
12		Ref	Bolt Options:	
12	7000217	12	Bolt (Prior to SN 93772)	
12	7017067	12	Bolt (SN 93772 to Present)	
13		Ref	Hardware Options:	
13	7000214	4	Bolt Used (Prior to SN 93772)	
13	7017080	4	Dowel Pin Used (SN 93772 to Present)	
16	7007603	16	Flatwasher	
17	7000731	1	Gasket	
19	7010470	1	Coupling	
21	7010459	1	Ring, Retainer	
22	7001922	1	Washer, Thrust	
		Ref	HUB/SPINDLE/BRAKE SUB-ASSEMBLY	
101		Ref	Brake Assembly Options:	
101	7010473	1	2WD/4WS Machines and 4WD Machines with I.D. Plate Stamped (July 1992 to Present) (See Items 601-604 for Breakdown)	
101	7010469	1	4WD Machines with I.D. Plate Stamped (Prior to July 1992) (See Items 501-514 for Breakdown)	
102	Kit	1	Seal, Lip	
103	7007683	1	Cup, Bearing	
104	7007684	1	Cone, Bearing	

SECTION 1 - FRAME

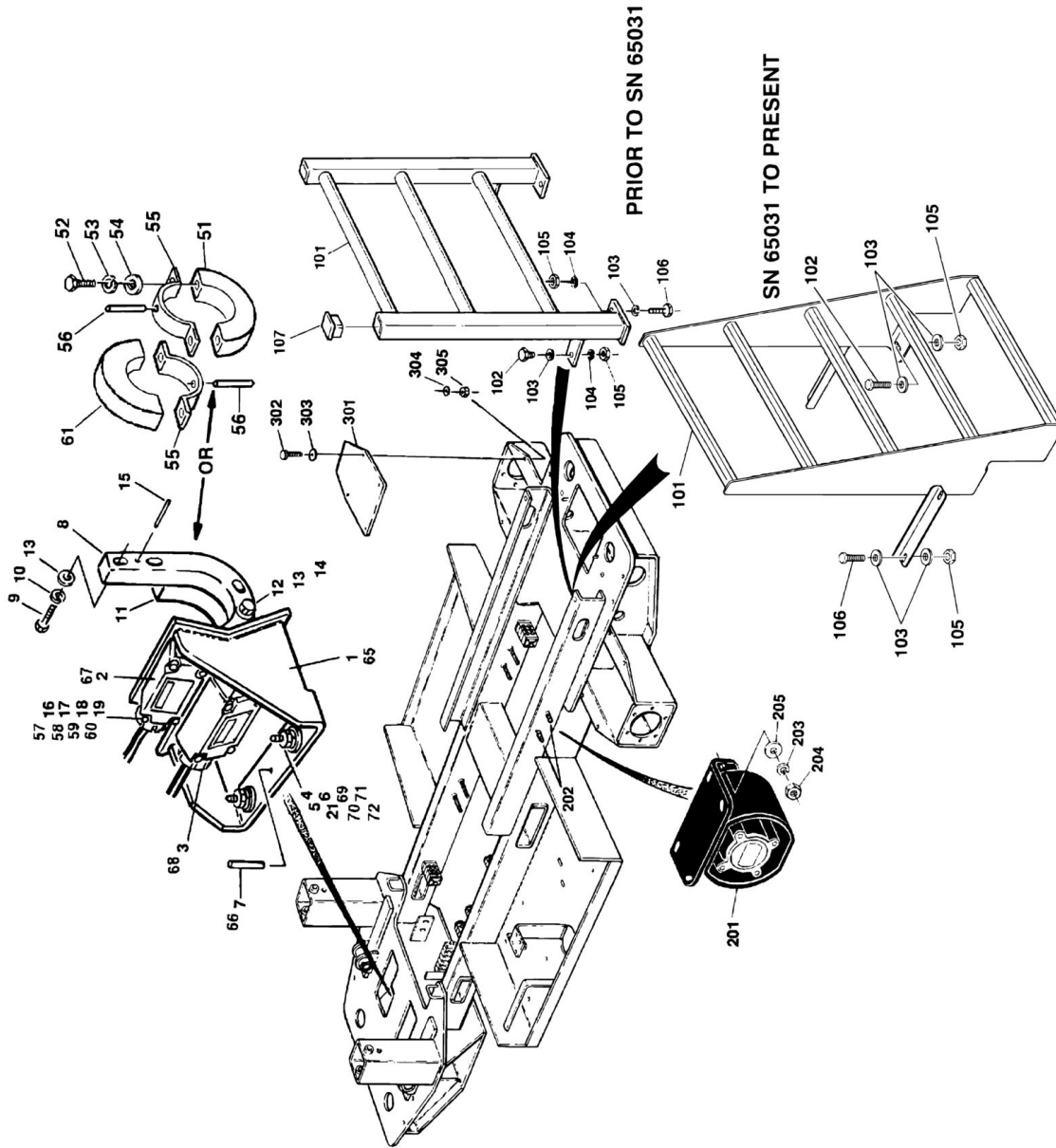
ITEM	PART NUMBER	QTY	DESCRIPTION	REV
105	7007685	1	Cup, Bearing	
106	7007686	1	Cone, Bearing	
107	7007687	1	Housing	
108	7007688	1	Flatwasher, Tanged	
109	7007689	1	Flatwasher, Tanged	
110	7007690	1	Nut, Bearing	
111	7000242	2	Plug, Pipe 1/4in NPT	
112	7000241	9	Stud, Wheel	
113	7007617	2	Plug, Pipe 3/8in NPT (Magnetic)	
	7000247	Ref	CARRIER ASSEMBLY - 4WD(2MPH) MACHINES	
	NPN	Ref	CARRIER ASSEMBLY - 4WD(4MPH) MACHINES	
	NPN	Ref	CARRIER ASSEMBLY - 2WD/4WS MACHINES	
201	7001931	1	Carrier	
202	7001985	6	Washer, Thrust - Tanged	
203	7001909	96	Bearing, Needle	
204	7000263	3	Spacer, Thrust	
205	7001911	3	Shaft, Planet	
206		Ref	Gear, Cluster Options:	
206	7001912	3	4WD with 2MPH Hub and 2WD/4WS	
206	7007643	3	4WD with 4MPH Hub	
207		Ref	Rollpin Options:	
207	7001913	3	4WD Machines	
207	7010474	3	2WD/4WS Machines	
		Ref	COVER ASSEMBLY	
	See Kit Options	Ref	Cast Cover (Original Equipment)	
	See Kit Options	Ref	Aluminum Cover (Service Replacement)	
301		Ref	Cover Options:	
301	70001111	1	Cast Cover (Original Equipment) (was p/n 7000226)	
301	70001349	1	Aluminum Cover (Service Replacement) (was p/n 7017091)	
302		Ref	O-Ring Options:	
302	70001111	1	Cast Cover (Original Equipment)	
302	70001349	1	Aluminum Cover (Service Replacement) (was p/n 7017070)	
303		Ref	Cap, Cover	
303	70001111	1	Cast Cover (Original Equipment)	
303	Not Required	0	Aluminum Cover (Service Replacement)	
304		Ref	O-Ring Options:	
304	70001111	1	Cast Cover (Original Equipment)	
304	70001349	1	Aluminum Cover (Service Replacement) (was p/n 7017095)	
305		Ref	Rod, Disconnect Options:	
305	70001111	1	Cast Cover (Original Equipment)	
305	70001349	1	Aluminum Cover (Service Replacement) (was p/n 7017092)	
306		Ref	Cap, Disconnect	
306	70001111	1	Cast Cover (Original Equipment)	
306	70001349	1	Aluminum Cover (Service Replacement) (was p/n 7017093)	
307		Ref	Bolt Options:	
307	70001111	4	Cast Cover (Original Equipment) (was p/n 7000220)	
307	70001349	2	Aluminum Cover (Service Replacement) (was p/n 7000216)	
308		Ref	Plug, Pipe Options:	
308	70001111	1	Cast Cover (Original Equipment) (was p/n 7000243)	
308	70001349	2	Aluminum Cover (Service Replacement) (was p/n 7017094)	
		Ref	Cover Kit Options:	

SECTION 1 - FRAME

ITEM	PART NUMBER	QTY	DESCRIPTION	REV
		Ref	Note: Kit Replaces Items 5, 11 (Spacer), 12, 13 (Dowel Pins) & 301-308.	
	70001111	1	Cast Cover (Original Equipment) (was p/n 7001989 & p/n 7017099)	
	70001349	1	Aluminum Cover (Service Replacement) (was p/n 7017090)	
	7007650	Ref	INPUT SHAFT ASSEMBLY - 4WD MACHINES	
	7000250	Ref	INPUT SHAFT ASSEMBLY - 2WD/4WS MACHINES	
401		Ref	Shaft Options:	
401	7007651	1	4WD Machines	
401	7000260	1	2WD/4WS Machines	
402	7000261	1	Ring, Retaining	
403	7000262	1	Spring	
404	7000263	2	Spacer, Thrust	
	7010469	Ref	BRAKE ASSEMBLY - 4WD MACHINES WITH I.D. PLATE STAMPED (PRIOR TO JUNE 1992)	
501	7014100	1	Spindle	
502	7014101	1	Spacer	
503	7014102	7	Disc, Stationary	
504	7014103	6	Disc, Rotating	
505	Kit	1	Ring, Back-up	
506	Kit	1	O-Ring	
507	Kit	1	Ring, Back-up Ring	
508	Kit	1	O-Ring	
509	7014108	1	Piston	
510	7014109	6	Spring	
510	7014110	2	Spring	
511	Kit	1	O-Ring	
512	7014112	1	Cover	
513	Not Available	8	Bolt, Socket Head 3/8in-16NC x 1 1/4in	
514	7014113	1	Expander	
	2900816	1	Brake O-Ring Kit (Includes Items 505-508 & 511)	
	7010473	Ref	BRAKE ASSEMBLY - 2WD/4WS MACHINES AND 4WD MACHINES WITH I.D. PLATE STAMPED (JULY 1992 TO PRESENT)	
601	7010475	1	Brake Lining Kit	
602	7010476	1	Brake O-Ring Kit	
603	7010477	1	Brake Spring Repair Kit	
604	7010478	1	Brake Piston Repair Kit	
	70001940	1	Seal Kit - Hub (Includes Items 5, 17, 102, 109, 302 & 304)	

SECTION 1 - FRAME

FIGURE 1-7. FRAME MOUNTED COMPONENTS INSTALLATION



SECTION 1 - FRAME

FIGURE 1-7. FRAME MOUNTED COMPONENTS INSTALLATION

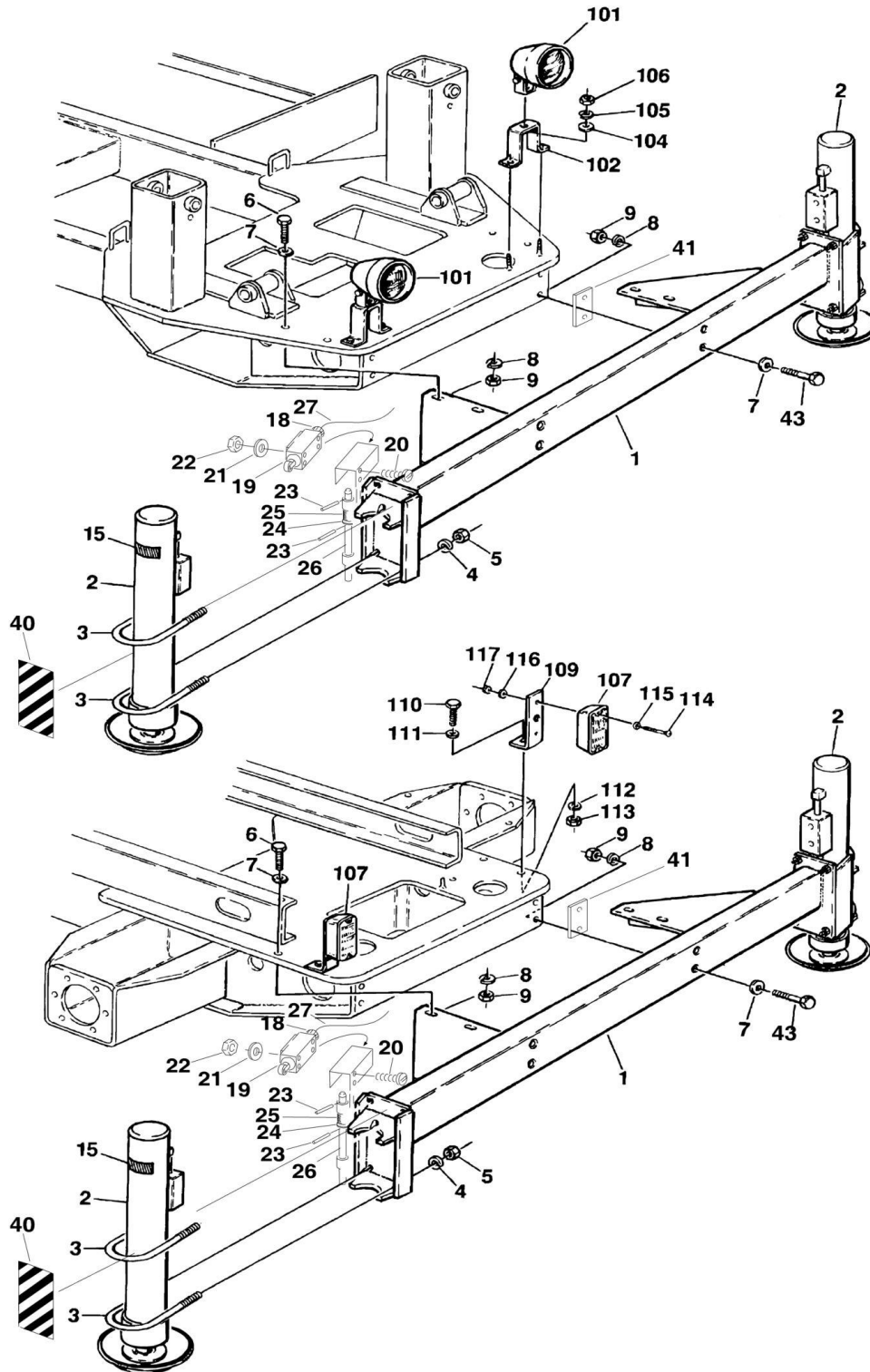
ITEM	PART NUMBER	QTY	DESCRIPTION	REV
		Ref	FRAME MOUNTED COMPONENTS INSTALLATION	
	0253081	Ref	LIMIT SWITCH INSTALLATION (Prior to SN 34504)	B
1	0901855	1	Bracket, Mounting	
2	4360300	2	Switch, Limit	
3	4460049	2	Connector, Strain Relief	
4	4751500	2	Flatwasher 5/16in	
5	4761500	2	Lockwasher 5/16in	
6	3311501	2	Nut 5/16in-18NC	
7	3440413	1	Rollpin 1/8in x 13/16in	
8	1100062	1	Cam (Hi-Drive Cut-out)	
9	0641614	2	Bolt 3/8in-16NC x 1 3/4in	
10	4761600	2	Lockwasher 3/8in	
11	1100063	1	Cam (Drive Cut-out)	
12	0641614	2	Bolt 3/8in-16NC x 1 3/4in	
13	4751600	4	Flatwasher 3/8in	
14	3311605	2	Locknut 3/8in-16NC	
15	3440420	2	Rollpin 1/8in x 1 1/4in	
16	3931032	8	Capscrew, Socket Head #10-24NC x 2in	
17	4751000	8	Flatwasher #10	
18	4761000	8	Lockwasher #10	
19	3311001	8	Nut #10-24NC	
21	4300038	2	Stud (Welded on Part)	
	0256925	Ref	LIMIT SWITCH INSTALLATION (SN 34504 to Present)	2
51	1100101	1	Cam (Hi-Drive Cutout)	
52	0641408	4	Bolt 1/4in-20NC x 1in	
53	4761400	4	Lockwasher 1/4in	
54	0100019	AR	Loctite (Not Shown)	
55	1320237	2	Clamp	
56	3440410	2	Rollpin 1/8in x 5/8in	
57	3931032	8	Screw, Machines #10-24NC x 2in	
58	4751000	8	Flatwasher #10	
59	4761000	8	Lockwasher #10	
60	3311001	8	Nut #10-24NC	
61	1100102	1	Cam (Drive Cutout)	
64	4711400	4	Flatwasher 1/4in Narrow	
65	0901855	1	Bracket, Mounting	
66	3440420	2	Rollpin 1/8in x 1 1/4in	
67	4360300	2	Switch, Limit	
68	4460049	2	Connector, Strain Relief	
69	4751500	2	Flatwasher 5/16in	
70	4761500	2	Lockwasher 5/16in	
71	3311501	2	Nut 5/16in-18NC	
72	4300038	2	Stud (Welded on Part)	
		Ref	LADDER INSTALLATION OPTIONS	
	0252740	Ref	Ladder Installation (25RTS)	5
	0252741	Ref	Ladder Installation (33RTS)	5
	0252742	Ref	Ladder Installation (40RTS)	5
101		Ref	Ladder Weldment Options:	
101	4844120	1	Ladder Weldment (4 Step) (25RTS) (Prior to SN 65031)	
101	4846047	1	Ladder Weldment (4 Step) (25RTS) (SN 65031 to Present)	

SECTION 1 - FRAME

ITEM	PART NUMBER	QTY	DESCRIPTION	REV
101	4844121	1	Ladder Weldment (4 Step) (33RTS) (Prior to SN 65031)	
101	4846047	1	Ladder Weldment (4 Step) (33RTS) (SN 65031 to Present)	
101	4844122	1	Ladder Weldment (5 Step) (40RTS) (Prior to SN 65031)	
101	4846048	1	Ladder Weldment (5 Step) (40RTS) (SN 65031 to Present)	
102	0641612	2	Bolt 3/8in-16NC x 1 1/2in	
103	4751600	8	Flatwasher 3/8in	
104	4751600	4	Flatwasher 3/8in	
105	3311605	4	Locknut 3/8in-16NC	
106	0641610	2	Bolt 3/8in-16NC x 1 1/4in	
107	3520071	2	Cap-Plug (Prior to SN 65031)	
		Ref	OPTIONAL ALARM INSTALLATION	
	0253727	Ref	Descent Alarm Installation	B
	0253728	Ref	Motion Alarm Installation	A
	0253446	Ref	Travel Alarm Installation	A
201	0140032	1	Alarm	
202	4300038	2	Stud (Welded on Part)	
203	4761500	2	Lockwasher 5/16in	
204	3311501	2	Nut 5/16in-18NC	
205	4751500	2	Flatwasher 5/16in	
205	3990010	AR	Diode - 6 Amp (Not Shown - Located at Ground Control)	
205	3740049	1	Relay (Not Shown - Located at Ground Control)	
205	1540002	1	Capacitor (Not Shown - Located at Ground Control)	
		Ref	AXLE COVERS INSTALLATION (2WS)	
	0253449	Ref	Diesel Machines	-
	0253448	Ref	Gas/Dual Fuel Machines	-
301		Ref	Plate, Cover Options:	
301	3536092	2	Diesel Machines	
301	4844186	2	Gas Machines	
302	0641510	8	Bolt 5/16in-18NC x 1 1/4in	
303	4751500	16	Flatwasher 5/16in	
304	4761500	8	Lockwasher 5/16in	
305	3311501	8	Nut 5/16in-18NC	

SECTION 1 - FRAME

FIGURE 1-8. LEVELING JACKS (EN280 AND CE SPECS) AND LIGHTS INSTALLATION (FRAME MOUNTED)



SECTION 1 - FRAME

FIGURE 1-8. LEVELING JACKS (EN280 AND CE SPECS) AND LIGHTS INSTALLATION (FRAME MOUNTED)

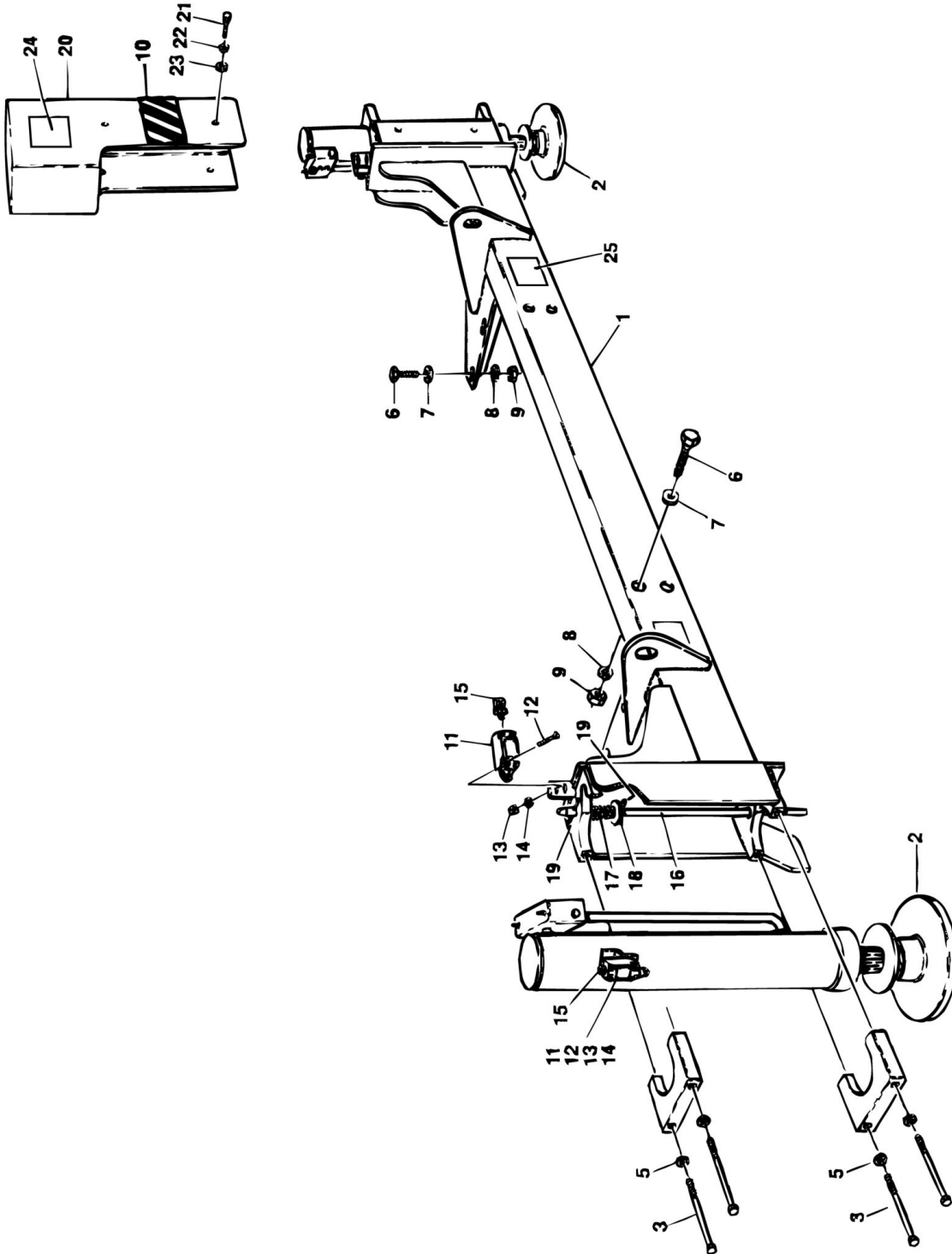
ITEM	PART NUMBER	QTY	DESCRIPTION	REV
		Ref	LEVELING JACKS (EN280 AND CE SPECS) AND LIGHTS INSTALLATION (FRAME MOUNTED)	
	0254076	Ref	LEVELING JACKS INSTALLATION	9
1	4844554	2	Jack Cylinder Weldment	
2	1682657	4	Jack Cylinder Assembly (See CYLINDER SECTION for Breakdown)	
3	0630327	16	U-Bolt	
4	4751700	16	Flatwasher 7/16in	
5	3311805	16	Locknut 1/2-13NC	
6	0642016	8	Bolt 5/8in-11NC x 2in	
7	4712000	32	Flatwasher 5/8in Narrow	
8	4762000	16	Lockwasher 5/8in	
9	3312001	16	Nut 5/8in-11NC	
15	1701785	4	Decal - Caution (Prior to SN 71528)	
18		Ref	Connector, Strain Relief Options:	
18	4460428	4	4360321 Switch	
18	4460968	4	4360548 Switch	
19	4360548	4	Switch, Limit (was p/n 4360321)	
20	3911020	8	Screw, Machine #10-24NC x 1 1/4in	
21	4751000	8	Flatwasher #10	
22	3311005	8	Lock Nut #10-24NC	
23	3440420	8	Rollpin	
24	4740415	4	Flatwasher	
25	4160116	4	Spring	
26	3841221	4	Rod	
27	1060341	44	Cable, Electrical - 16/2	
		ft/13.4m		
40	4420052	8.5	Tape, Safety	
		ft/2.6m		
41	0902293	4	Bracket	
42	4921586	1	Harness, Valve (Not Shown)	
43	0642018	8	Bolt 5/8in-11NC x 2 1/4in	
	0253821	Ref	HEADLIGHTS AND TAILLIGHTS INSTALLATION (OPTIONAL) SEE SPECIAL OPTIONS LIST SECTION FOR HEADLIGHTS/TAILLIGHTS AT FRONT AND REAR.	2
101	2920110	2	Headlight Assembly	
101	7016628	2	Lamp, Replacement (1 Per Assembly)	
102	0901927	2	Bracket - Headlight	
103	4300032	4	Stud (Welded on Part)	
104	4761400	4	Lockwasher 1/4in	
105	4751400	4	Flatwasher 1/4in	
106	3311401	4	Nut 1/4in-20NC	
107	2920113	2	Taillight Assembly	
107	Not Available	2	Bulb, Replacement (1 Per Assy) (Was p/n 7016626)	
109	0901928	2	Bracket - Taillight	
110	0642012	2	Bolt 5/8in-11NC x 1 1/2in	
111	4752000	2	Flatwasher 5/8in	
112	4762000	2	Lockwasher 5/8in	
113	3312001	2	Nut 5/8in-20NC	
114	3911040	4	Screw, Machine #10-24NC x 2 1/2in	

SECTION 1 - FRAME

ITEM	PART NUMBER	QTY	DESCRIPTION	REV
115	4771000	4	Starwasher #10	
116	4751000	4	Flatwasher #10	
117	3311001	4	Nut #10-24NC	
	1060341	30 ft/9m	Cable, Electrical - 16/2	
	3740049	1	Relay, Bosch (Not Shown - Located at Ground Control)	

SECTION 1 - FRAME

FIGURE 1-9. LEVELING JACKS INSTALLATION (AUSTRALIAN SPECS)



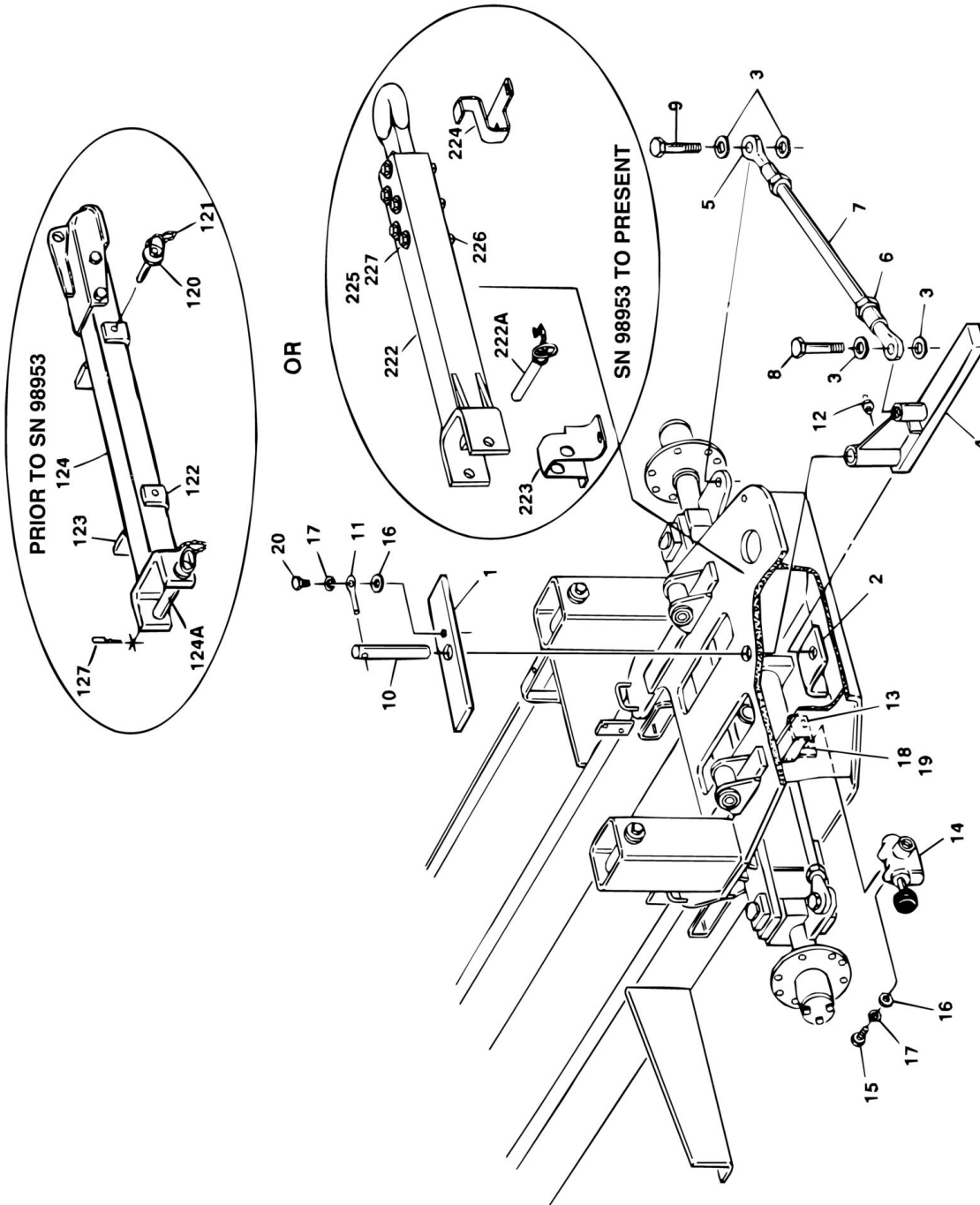
SECTION 1 - FRAME

FIGURE 1-9. LEVELING JACKS INSTALLATION (AUSTRALIAN SPECS)

ITEM	PART NUMBER	QTY	DESCRIPTION	REV
		Ref	LEVELING JACKS INSTALLATION	
	0253678	Ref	Leveling Jacks Installation (Prior to SN 44592)	B
	0258290	Ref	Leveling Jacks Installation (SN 44592 through 101614)	4-B
	0271581	Ref	Leveling Jacks Installation (SN 101615 to Present)	3-B
1	4844346	2	Jack Cylinder Weldment	
2		Ref	Jack Cylinder Assembly Options: (See CYLINDER SECTION for Breakdown)	
2	1684216	4	Jack Cylinder Assembly (Was P/N 1682720) (Prior to SN 101615)	
2	1684217	4	Jack Cylinder Assembly (Was P/N 1683966) (SN 101615 to Present)	
3	0641828	16	Bolt 1/2in-13NC x 3 1/2in	
5	4761800	16	Lockwasher 1/2in	
6	0642016	16	Bolt 5/8in-11NC x 2in (Prior to SN 69771)	
6	0642014	16	Bolt 5/8in-11NC x 1 3/4in (SN 69771 to Present)	
7	4712000	16	Flatwasher 5/8in Narrow	
8	4762000	16	Lockwasher 5/8in (Prior to SN 69771)	
9	3312001	16	Nut 5/8in-11NC (Prior to SN 69771)	
9	3312005	16	Locknut 5/8in-11NC (SN 69771 to Present)	
10	4420052	8.5 ft	Tape, Safety	
11	4360548	8	Switch, Limit (was p/n 4360321)	
12	3930820	16	Bolt, Socket Head #8-32NC 1 1/4in	
13	3310805	16	Lock Nut #8-32NC	
14	4750800	16	Flatwasher #8	
15		Ref	Connector, Strain Relief Options:	
15	4460428	8	4360321 Switch	
15	4460968	8	4360548 Switch	
16		Ref	Rod Options:	
16	3841208	4	Rod (Prior to SN 44592)	
16	3841326	4	Rod (SN 44592 to Present)	
17	4160116	4	Spring	
18	4740415	4	Washer, Special	
19	3440420	8	Rollpin	
20	4060848	4	Cover	
21	0641406	16	Bolt 1/4in-20NC x 3/4in	
22	4751400	16	Flatwasher 1/4in	
23	4761400	16	Lockwasher 1/4in	
24		Ref	Decal - Crushing Danger	
24	1701785	8	Decal - Crushing Danger (SN 45396 through 101614)	
24	1703875	4	Decal - Crushing Danger (SN 101615 to Present)	
25		Ref	Decal - Tie Down Options:	
25	1703814	4	Decal - Tie Down (was p/n 1702300) (SN 45396 through 71527)	
25	1703814	4	Decal - Tie Down (SN 71528 to Present)	
26	3520082	8	Plug, Cap (SN 101615 to Present)	
		Ref	LEVELING JACK COMPONENTS INSTALLATION	
	0255785	Ref	Leveling Jack Components Installation (Prior to SN 101615)	5
	0271583	Ref	Leveling Jack Components Installation (SN 101615 to Present)	1
106		Ref	Harness, Valve Options: (Not Shown)	
106	4921586	1	Harness, Valve (Prior to SN 101615)	
106	4922584	1	Harness, Valve (SN 101615 to Present)	

SECTION 1 - FRAME

FIGURE 1-10. TOW PACKAGE INSTALLATION (OPTIONAL)



SECTION 1 - FRAME

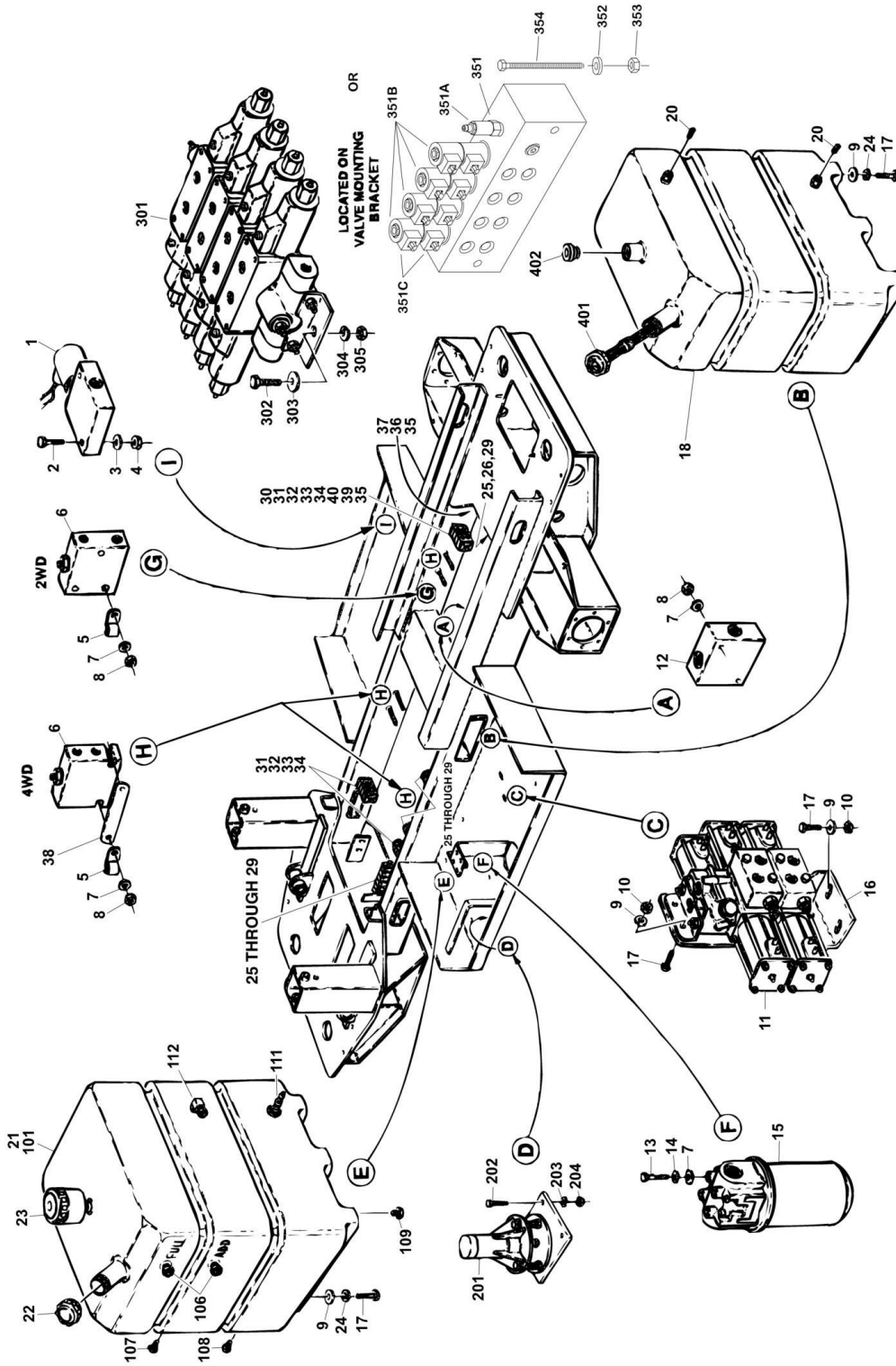
FIGURE 1-10. TOW PACKAGE INSTALLATION (OPTIONAL)

ITEM	PART NUMBER	QTY	DESCRIPTION	REV
		Ref	TOW PACKAGE INSTALLATION (STANDARD PARTS WHEN EQUIPPED)	
	0253079	Ref	Tow Package Installation (Prior to SN 98953)	E
	0271499	Ref	Tow Package Installation (SN 98953 to Present)	1
1	0362080	1	Bar	
2	3536156	1	Plate, Hitch Attach	
3	4712600	4	Flatwasher 1in	
4	2620037	1	Hitch, Tow	
5	1660114	2	Coupling, Tie-Rod	
6	3323002	2	Nut, Jam 1 1/4in-12NF	
7	3841184	1	Tie-Rod	
8	0642624	1	Bolt 1in-8NC x 3in	
9	0642636	1	Bolt 1in-8NC x 4 1/2in	
10	3422091	1	Pin	
11	3841143	1	Keeper, Pin	
12	2160002	1	Fitting, Grease	
13	0900479	1	Bracket, Valve Mounting	
14	4640261	1	Valve	
15	0641507	2	Bolt 5/16in-18NC x 7/8in	
16	4751500	3	Flatwasher 5/16in	
17	4761600	3	Lockwasher 5/16in	
18	3250872	1	Nameplate - Steer/Tow	
19	3820001	4	Rivet	
20	0641508		Bolt 5/16in - 18NC	
	0253079	Ref	Tow Bar Installation (Prior to SN 98953)	E
120	3420292	2	Pin, Quick Release	
121	1260017	2	Chain	
122	3536157	2	Plate	
123	0361651	2	Bar (Prior to January 1994)	
123	3537973	2	Plate (January 1994 through SN 98952)	
124	0362126	1	Tow Bar Assembly	
124A	3420352	1	Pin, Tow	
124A	3420158	1	Hairpin	
127	3420372	1	Hairpin (January 1994 through SN 98952)	
	0271499	Ref	Tow Bar Installation (SN 98953 to Present)	1
222	0363019	1	Tow Bar Assembly	
222A	3420372	1	Pin, Cotter	
223	0902733	1	Bracket	
224	0902734	1	Bracket	
225	0642018	4	Bolt 5/8in - 11NC	
226	3312005	4	Nut 5/8in - 11NC	
227	4752000	8	Flatwasher 5/8in	
228	3340841	1	Pad (Not Shown)	

SECTION 2 - GROUND COMPONENTS

SECTION 2 - GROUND COMPONENTS

FIGURE 2-1. CONTROL VALVES AND TANKS INSTALLATION



SECTION 2 - GROUND COMPONENTS

FIGURE 2-1. CONTROL VALVES AND TANKS INSTALLATION

ITEM	PART NUMBER	QTY	DESCRIPTION	REV
		Ref	CONTROL VALVES AND TANKS INSTALLATION OPTIONS:	
	0253070	Ref	2WD/2WS	14
	0253069	Ref	2WD/4WS	13
	0253063	Ref	4WD/2WS	15
	0253061	Ref	4WD/4WS	14
1	4640123	1	Solenoid Valve Assembly	
1	7004368	1	Coil (Hydraforce Version)	
1	7000558	1	Coil (FPS Version)	
1	7012518	1	Seal Kit (Hydraforce Version)	
1	7006075	1	Seal Kit (FPS Version)	
2	0641420	1	Bolt 1/4in-20NC x 2 1/2in	
3	4751400	1	Flatwasher 1/4in	
4	3311405	1	Locknut 1/4in-20NC	
5	1320202	AR	Clamp, Hose	
6		Ref	Valve, Flow Divider Options:	
6		Ref	2WD Machines:	
6	4640629	1	Valve (Prior to July 1993)	
6	4640443	1	Valve (July 1993 to Present)	
6	2900745	1	Seal Kit - 4640629 & 4640443 Valves	
6		Ref	4WD/2WS Machines:	
6	4640260	2	Valve (Prior to May 1993)	
6	Not Available	1	Cartridge (Vickers/Modular Control Version)	
6	7009739	1	Seal Kit (Vickers/Modular Control Version)	
6	7007321	1	Cartridge (Fluid Control Version)	
6	7007321	1	Seal Kit (Fluid Control Version) (was p/n 7007323) (Note: No Longer Available for Purchase)	
6	4640841	2	Valve (May 1993 to Present)	
6	7007321	1	Cartridge - 4640481 Valve	
6		Ref	4WD/4WS Machines:	
6	4640260	2	Valve (Prior to July 1993)	
6	Not Available	1	Cartridge (Vickers/Modular Control Version)	
6	7009739	1	Seal Kit (Vickers/Modular Control Version)	
6	7007321	1	Cartridge (Fluid Control Version)	
6	7007321	1	Seal Kit (Fluid Control Version) (was p/n 7007323) (Note: No Longer Available for Purchase)	
6	4640847	2	Valve (Not Field Serviceable) (July 1993 to Present)	
7	4751500	AR	Flatwasher 5/16in	
8	3311505	AR	Locknut 5/16in-18NC	
9	4751600	16	Flatwasher 3/8in	
10	3311605	6	Locknut 3/8in-16NC	
11		Ref	Control Valve Assembly (Bang-Bang) Options:	
11		Ref	2WS Machines:	
11	4640578	1	2WS Machines (Prior to July 1993) (See CONTROL VALVE ASSEMBLY for Breakdown)	
11	4640844	1	2WS Machines (July 1993 through SN 26762) (See CONTROL VALVE ASSEMBLY for Breakdown)	
11	4640943	1	2WS Machines (See CONTROL VALVE ASSEMBLY for Breakdown) (SN 26763 to Present)	
11		Ref	4WS Machines:	
11	4640767	1	4WS Machines (Prior to July 1993) (See CONTROL VALVE ASSEMBLY for Breakdown)	

SECTION 2 - GROUND COMPONENTS

ITEM	PART NUMBER	QTY	DESCRIPTION	REV
11	4640845	1	4WS Machines (July 1993 through SN 26762) (See CONTROL VALVE ASSEMBLY Breakdown)	
11	4640944	1	4WS Machines (See CONTROL VALVE ASSEMBLY for Breakdown) (SN 26763 to Present)	
12	3100071	1	Manifold	
13	0641506	2	Bolt 5/16in-18NC x 3/4in	
14	4761500	2	Lockwasher 5/16in	
15	2120109	1	Filter Assembly	
15	2120110	1	Element - 25 Micron	
15	2120129	1	Element - 10 Micron	
16	0901853	1	Bracket, Valve Mounting	
17	0641608	AR	Bolt 3/8in-16NC x 1in	
18		Ref	Fuel Tank Options:	
18	4400273	1	Fuel Tank (Prior to SN 34451)	
18	4400402	1	Fuel Tank (SN 34451 through 80984)	
18	4400430	1	Fuel Tank (SN 80985 to Present)	
20	2200222	3	Plug, Pipe 1/4in NPT	
21		Ref	Hydraulic Tank Assembly Options: (See Items 101-112 for Breakdown)	
21	4400282	1	Hydraulic Tank Assembly (Prior to SN 82560)	
21	4400432	1	Hydraulic Tank Assembly (SN 82560 to Present)	
22	1120361	1	Cap, Hydraulic Tank	
23		Ref	Breather Options:	
23	1340021	1	2WD/2WS, 2WD/4WS (Prior to SN 63184)	
23	1340062	1	2WD/2WS, 2WD/4WS, 4WD/4WS (SN 63184 to Present)	
23	1340021	1	4WD/2WS (Prior to SN 82560)	
23	1340062	1	All Machines (SN 82560 to Present)	
24	4761600	8	Lockwasher 3/8in	
25	0641511	AR	Bolt 5/16in-18NC x 1 3/8in	
26	1320187	AR	Clamp, 5/8in Twin Hole	
27	1320188	AR	Bolt, Stacking	
28	1320189	AR	Lockwasher, Stacking	
29	1320190	AR	Plate, Clamp Cover	
30	0641514	AR	Bolt 5/16in-18NC x 1 3/4in	
31	1320192	5	Clamp, 7/8in Twin Hole	
32	1320193	AR	Bolt, Stacking	
33	1320194	AR	Lockwasher, Stacking	
34	1320195	AR	Plate, Cover	
35		Ref	Clamp Options:	
35	Not Required	0	2WD/2WS & 4WD/2WS	
35	1320198	1	2WD/4WS	
35	1320197	2	4WD/4WS	
36		Ref	Clamp Options:	
36	Not Required	0	2WD/2WS, 4WD/2WS & 4WD/4WS	
36	1320200	1	2WD/4WS	
37		Ref	Bolt Options:	
37	Not Required	0	2WD/2WS, 4WD/2WS & 4WD/4WS	
37	0641530	1	2WD/4WS (Bolt 5/16in-18NC x 3 3/4in)	
38		Ref	Link Options:	
38	3010099	1	2WD/2WS, 2WD/4WS (July 1993 through SN 63539)	
38	3010099	1	4WD/2WS, 4WD/4WS (July 1993 to Present)	
39		Ref	Clamp Options:	

SECTION 2 - GROUND COMPONENTS

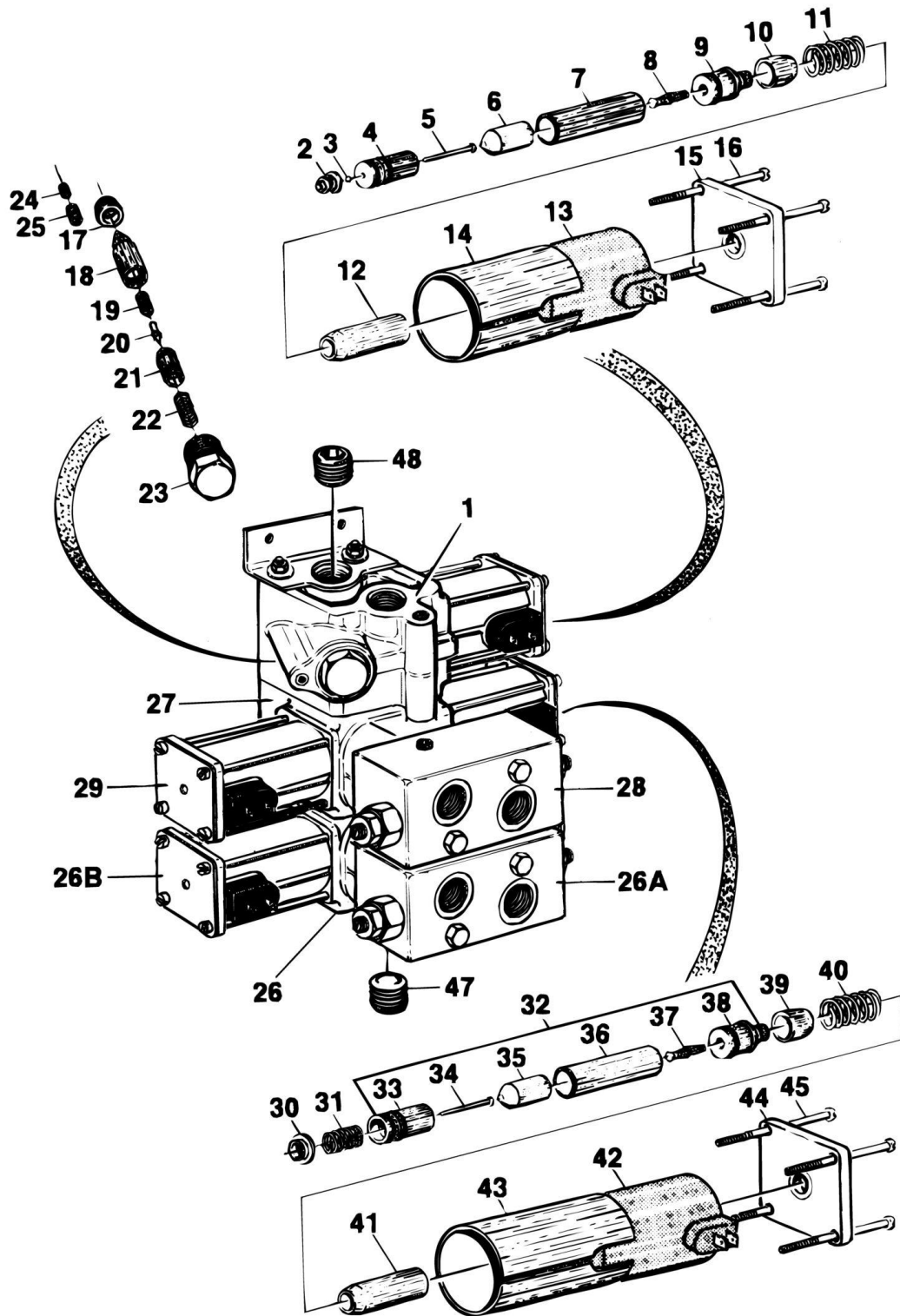
ITEM	PART NUMBER	QTY	DESCRIPTION	REV
39	Not Required	0	2WD/2WS & 2WD/4WS	
39	1320197	2	4WD/2WS	
39	1320198	1	4WD/4WS	
40		Ref	Clamp Options:	
40	Not Required	0	2WD/2WS & 2WD/4WS	
40	1320199	1	2WD/4WS & 4WD/4WS	
41	4060807	6.75 ft/2.05m	Shield, Flex Trim (Not Shown) (SN 101993 to Present)	
		Ref	HYDRAULIC TANK ASSEMBLY OPTIONS:	
	4400282	Ref	Hydraulic Tank Assembly (Prior to SN 82560)	C
	4400432	Ref	Hydraulic Tank Assembly (SN 82560 to Present)	A
101		Ref	Tank Options:	
101	4400274	1	Tank (Prior to SN 82560)	
101	4400431	1	Tank (SN 82560 to Present)	
106	2420115	2	Gauge, Sight	
107		Ref	Plug Options:	
107	2220240	1	Plug (Prior to SN 82560)	
107	Not Required	0	Plug (SN 82560 to Present)	
108		Ref	Plug	
108	2220242	1	Plug (Prior to SN 82560)	
108	Not Required	0	Plug (SN 82560 to Present)	
109		Ref	Plug Options:	
109	3520022	1	Plug (Prior to SN 82560)	
109	2200233	1	Plug (SN 82560 to Present)	
110	0100020	AR	Sealant, Pipe	
111	2210066	1	Fitting	
112	2180745	1	Fitting, Modified	
		Ref	TILT INDICATOR INSTALLATION OPTIONS	
	0253732	Ref	Standard 3 Tilt Indicator Installation	3
	0255701	Ref	Optional 5 Tilt Indicator Installation	2
201	4360354	1	Sensor, Level - 3	
201	4360348	1	Sensor, Level - 5	
202	0641405	2	Bolt 1/4in-20NC x 3/4in	
203	4751400	2	Lockwasher 1/4in(Was 4761400)	
204	3311405	2	Nut 1/4in -20NC (Was 3311401)	
		Ref	CONTROL VALVE INSTALLATION - HYDRAULIC LEVELING JACKS OPTIONS:	
	0253195	Ref	Control Valve Installation – Hydraulic Leveling Jacks (Prior to SN 101615)	3
301	4640352	1	Control Valve Assembly - FPS 4 Stack (See CONTROL VALVE ASSEMBLY for Breakdown)	
302	0641608	2	Bolt 3/8in-16NC x 1in	
303	4761600	2	Lockwasher 3/8in	
304	4711600	2	Flatwasher 3/8in	
305	3311605	2	Locknut 3/8in-16NC	
	0271582	Ref	Control Valve Installation – Hydraulic Leveling Jacks (SN 101615 to Present)	1
351	4641191	1	Control Valve Assembly	
351A	7023937	1	Cartridge	
351A	2900756	1	Seal Kit	
351B	7017454	4	Cartridge	
351B	7012903	4	Seal Kit	

SECTION 2 - GROUND COMPONENTS

ITEM	PART NUMBER	QTY	DESCRIPTION	REV
351C	7000645	8	Coil	
352	4711600	2	Flatwasher 3/8in	
353	3311605	2	Locknut 3/8in - 16NC	
354	0641626	2	Bolt 3/8in - 16NC x 3 1/4in	
		Ref	FUEL CAP INSTALLATIONS	
		Ref	Fuel Cap Installations (Prior to SN 34451)	
401	1120362	1	Cap, Fuel	
402	Not Required	0	Not Required	
		Ref	Fuel Cap Installations (SN 34451 through 80984)	
	0257412	Ref	Standard Cap Installation	2
401	1120486	1	Cap, Fuel	
402	2200108	1	Plug	
	0257413	Ref	Protectoseal Cap Installation	
401	1120485	1	Cap, Protectoseal (Not Shown)	
402	2420183	1	Gauge, Fuel (Not Shown)	
		Ref	Fuel Cap Installations (SN 80985 to Present)	
		Ref	Standard Cap Installation	-
401	7020257	1	Cap, Fuel	
401	7016649	1	Seal, Fuel Cap	
402	Not Required	0	Not Required	
	0270492	Ref	Protectoseal Cap Installation	1
401	1120485	1	Cap, Protectoseal (Not Shown)	
402	Not Required	0	Not Required	

SECTION 2 - GROUND COMPONENTS

FIGURE 2-2. CONTROL VALVE ASSEMBLY (Prior to SN 26763)



SECTION 2 - GROUND COMPONENTS

FIGURE 2-2. CONTROL VALVE ASSEMBLY (Prior to SN 26763)

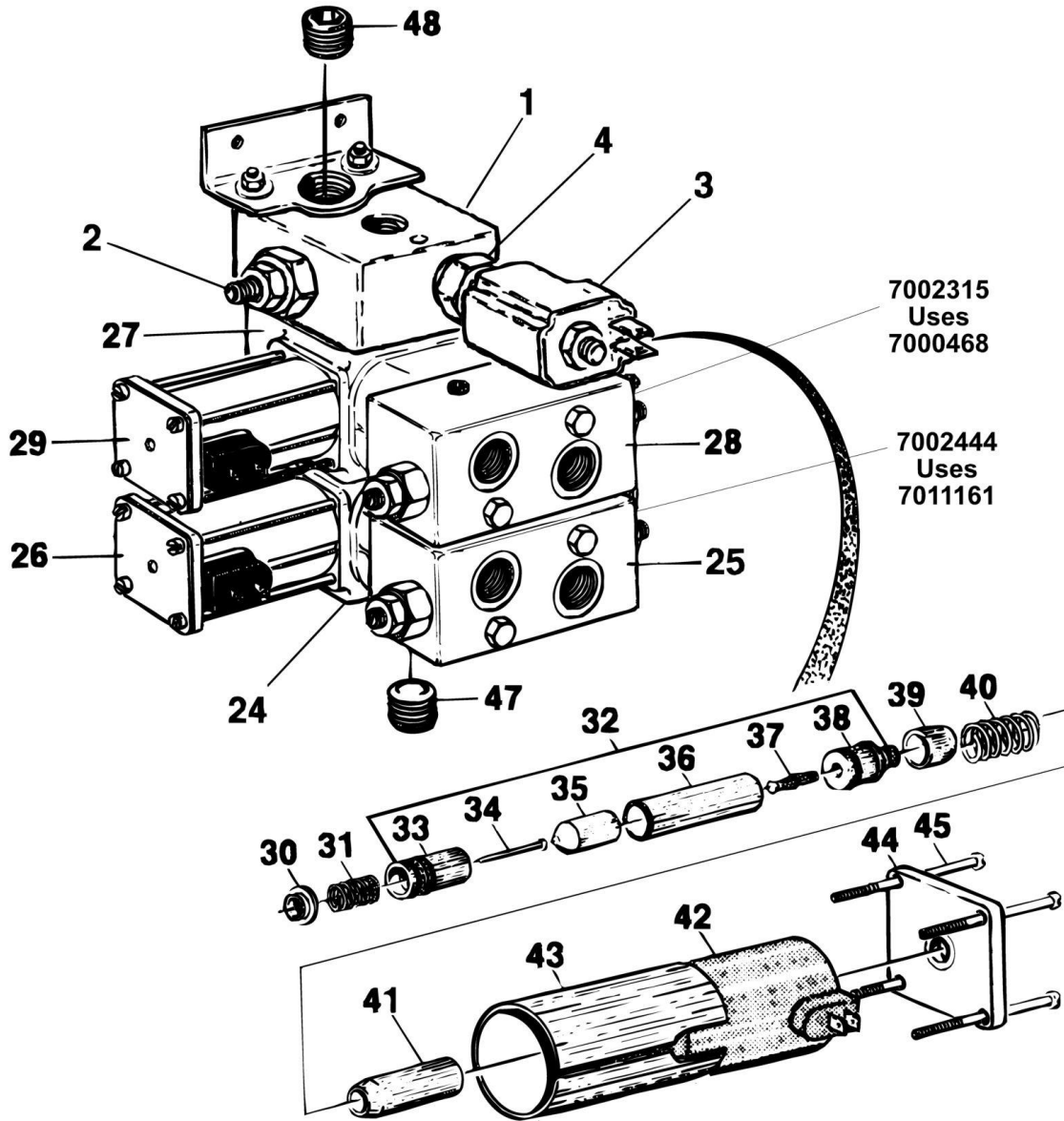
ITEM	PART NUMBER	QTY	DESCRIPTION	REV
		Ref	CONTROL VALVE ASSEMBLY (Prior to SN 26743)	-
	4640578	Ref	Bang-Bang Valve Assy (2WS) (Prior to July 1993)	-
	4640844	Ref	Bang-Bang Valve Assy (2WS) (July 1993 through SN 26763)	-
	4640767	Ref	Bang-Bang Valve Assy (4WS) (Prior to July 1993) (Not Shown)	-
	4640845	Ref	Bang-Bang Valve Assy (4WS) (July 1993 through SN 26763) (Not Shown)	-
1	7002304	1	Dump Section - Complete	
1		Ref	Solenoid Assembly	
2	7004823	1	Seat	
2	Kit	1	O-Ring	
3	7002229	1	Ball	
3		Ref	Guide Tube Assembly	
4	7004822	1	Cone, Female	
4	Kit	1	O-Ring	
5	7002346	1	Pin, Push	
6	7004839	1	Plunger	
7	7004838	1	Tube, Guide	
8	7004841	1	Pin, Push	
8	Kit	1	O-Ring	
9	7002340	1	Guide, External Push Pln	
9	Kit	1	O-Ring	
10	7004834	1	Sleeve, Inner Flux	
11	7002334	1	Spring	
12	7004835	1	Sleeve, Outer Flux	
13	7000417	1	Coil	
14	7004836	1	Case, Solenoid	
15	7002338	1	Plate, End	
16	7004837	4	Screw	
17	7002322	1	Seat	
17	Kit	1	O-Ring	
17		Ref	Main Relief (Poppet) Valve	
18	7002321	1	Case, Poppet	
19	7002328	1	Spring	
20	7002294	1	Poppet	
21	7002320	1	Seat, Adjustable	
21	Kit	1	O-Ring	
22	7002329	1	Spring	
23	7002323	1	Plug	
23	Kit	1	O-Ring	
24	7002326	1	Orifice	
25	7002324	1	Plug	
26	7004894	1	Working Section-Complete (Prior to July 1993)	
26	7002444	1	Working Section-Complete (July 1993 through SN 26763)	
26A	7000468	1	Relief Valve Block Assembly (No Internal Components Serviced Due to Various Vendors)	
26B	7004859	2	Solenoid Assembly (Refer to Items 30-45 for Serviced Parts)	
27	7002315	1	Working Section - Complete	
28	7000468	1	Relief Valve Block Assembly (No Internal Components Serviced Due to Various Vendors)	
29	7004859	2	Solenoid Assembly	

SECTION 2 - GROUND COMPONENTS

ITEM	PART NUMBER	QTY	DESCRIPTION	REV
30	7003825	4	Washer, Hat (2 Per Section)	
31	7002348	4	Spring (2 Per Section)	
32	7004821	4	Guide Tube Assembly (2 Per Section)	
33	7002345	4	Cone, Female (2 Per Section)	
33	Kit	4	O-Ring (2 Per Section)	
34	7002346	4	Pin, Push (2 Per Section)	
35	7002344	4	Plunger (2 Per Section)	
36	7000470	4	Tube, Guide (2 Per Section)	
37	7002341	4	Pin, Actuator (2 Per Section)	
37	Kit	4	Ring, Quad (2 Per Section)	
38	7002340	4	Guide, External Push Pin (2 Per Section)	
38	Kit	4	O-Ring (2 Per Section)	
39	7002333	4	Sleeve, Inner Flux (2 Per Section)	
40	7002334	4	Spring (2 Per Section)	
41	7002336	4	Sleeve, Outer Flux (2 Per Section)	
42	7000418	4	Coil (2 Per Section)	
43	7002335	4	Case, Solenoid (2 Per Section)	
44	7002338	4	Plate, End (2 Per Section)	
45	7002339	8	Screw (4 Per Section)	
47	2220237	1	Plug	
48	2220238	1	Plug	
	7000414	2	Seal Kit - Working Section	
	7000413	1	Seal Kit - Dump Section	

SECTION 2 - GROUND COMPONENTS

FIGURE 2-3. CONTROL VALVE ASSEMBLY (SN 26763 to Present)



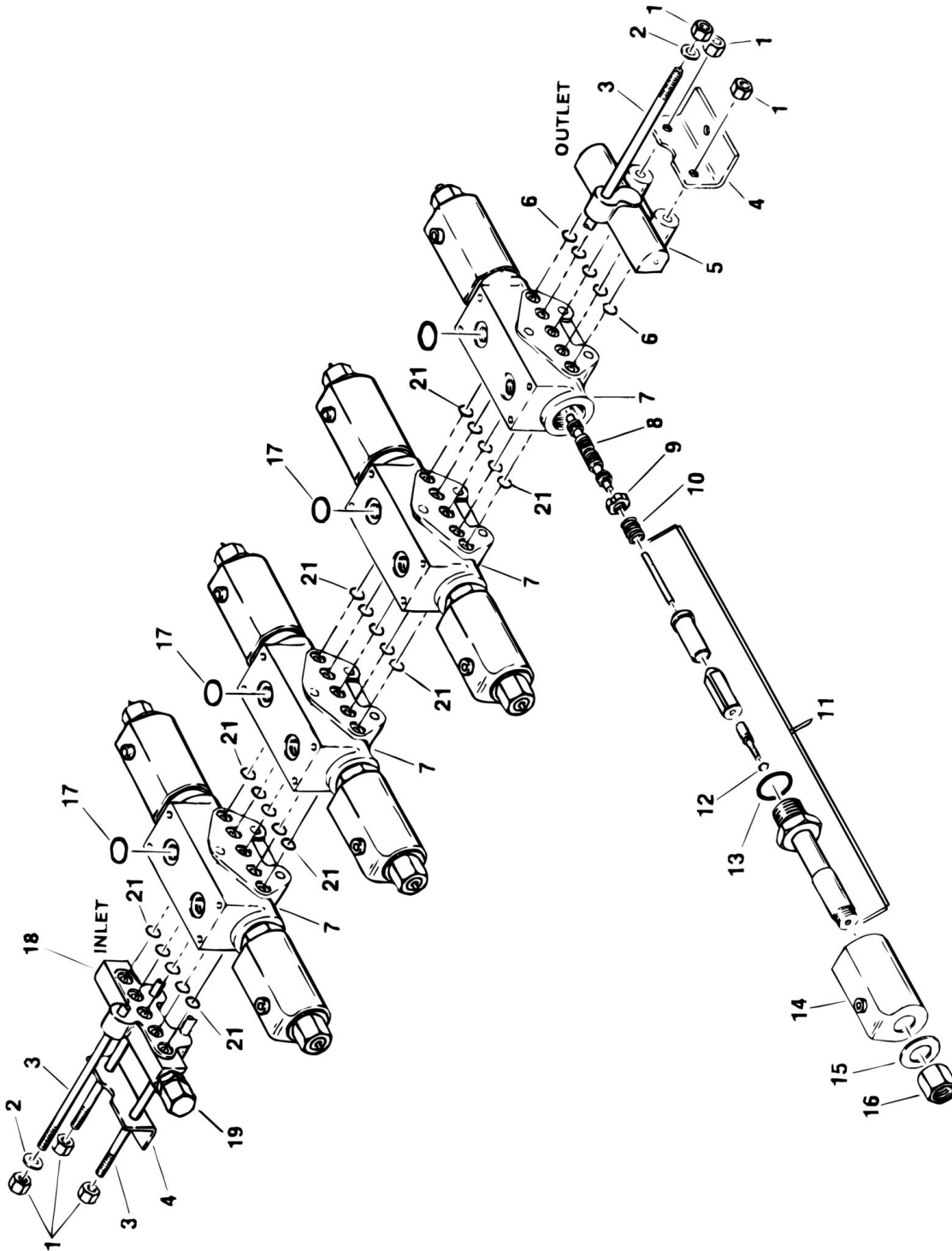
SECTION 2 - GROUND COMPONENTS

FIGURE 2-3. CONTROL VALVE ASSEMBLY (SN 26763 to Present)

ITEM	PART NUMBER	QTY	DESCRIPTION	REV
	4640943	Ref	BANG-BANG VALVE ASSEMBLY (2WS)	-
	4640944	Ref	BANG-BANG VALVE ASSEMBLY (4WS) (NOT SHOWN)	-
1	7002447	1	Dump Section - Complete	
2	7002448	1	Cartridge	
2	7002449	1	Seal Kit - 7002448 Cartridge	
3	7000645	1	Coil	
4	7002451	1	Cartridge without Coil	
4	7011118	1	Seal Kit - 7002451 Cartridge	
5	7000448	2	O-Ring (Between Items #1 & #151) (Not Shown)	
24	7002444	1	Working Section-Complete	
25	7011161	1	Relief Valve Block Assembly (No Internal Components Serviced Due to Various Vendors)	
26	7004859	2	Solenoid Assembly (Refer to Items 30-45 for Serviced Parts)	
27	7002315	1	Working Section - Complete	
28	7000468	1	Relief Valve Block Assembly (No Internal Components Serviced Due to Various Vendors)	
29	7004859	2	Solenoid Assembly	
30	7003825	4	Washer, Hat (2 Per Section)	
31	7002348	4	Spring (2 Per Section)	
32	7004821	4	Guide Tube Assembly (2 Per Section)	
33	7002345	4	Cone, Female (2 Per Section)	
33	Kit	4	O-Ring (2 Per Section)	
34	7002346	4	Pin, Push (2 Per Section)	
35	7002344	4	Plunger (2 Per Section)	
36	7000470	4	Tube, Guide (2 Per Section)	
37	7002341	4	Pin, Actuator (2 Per Section)	
37	Kit	4	Ring, Quad (2 Per Section)	
38	7002340	4	Guide, External Push Pin (2 Per Section)	
38	Kit	4	O-Ring (2 Per Section)	
39	7002333	4	Sleeve, Inner Flux (2 Per Section)	
40	7002334	4	Spring (2 Per Section)	
41	7002336	4	Sleeve, Outer Flux (2 Per Section)	
42	7000418	4	Coil (2 Per Section)	
43	7002335	4	Case, Solenoid (2 Per Section)	
44	7002338	4	Plate, End (2 Per Section)	
45	7002339	8	Screw (4 Per Section)	
47	2220237	1	Plug	
48	2220238	1	Plug	
	7000414	2	Seal Kit - Working Section	

SECTION 2 - GROUND COMPONENTS

FIGURE 2-4. CONTROL VALVE ASSEMBLY - FPS 4 STACK (LEVELING JACKS OPTION)



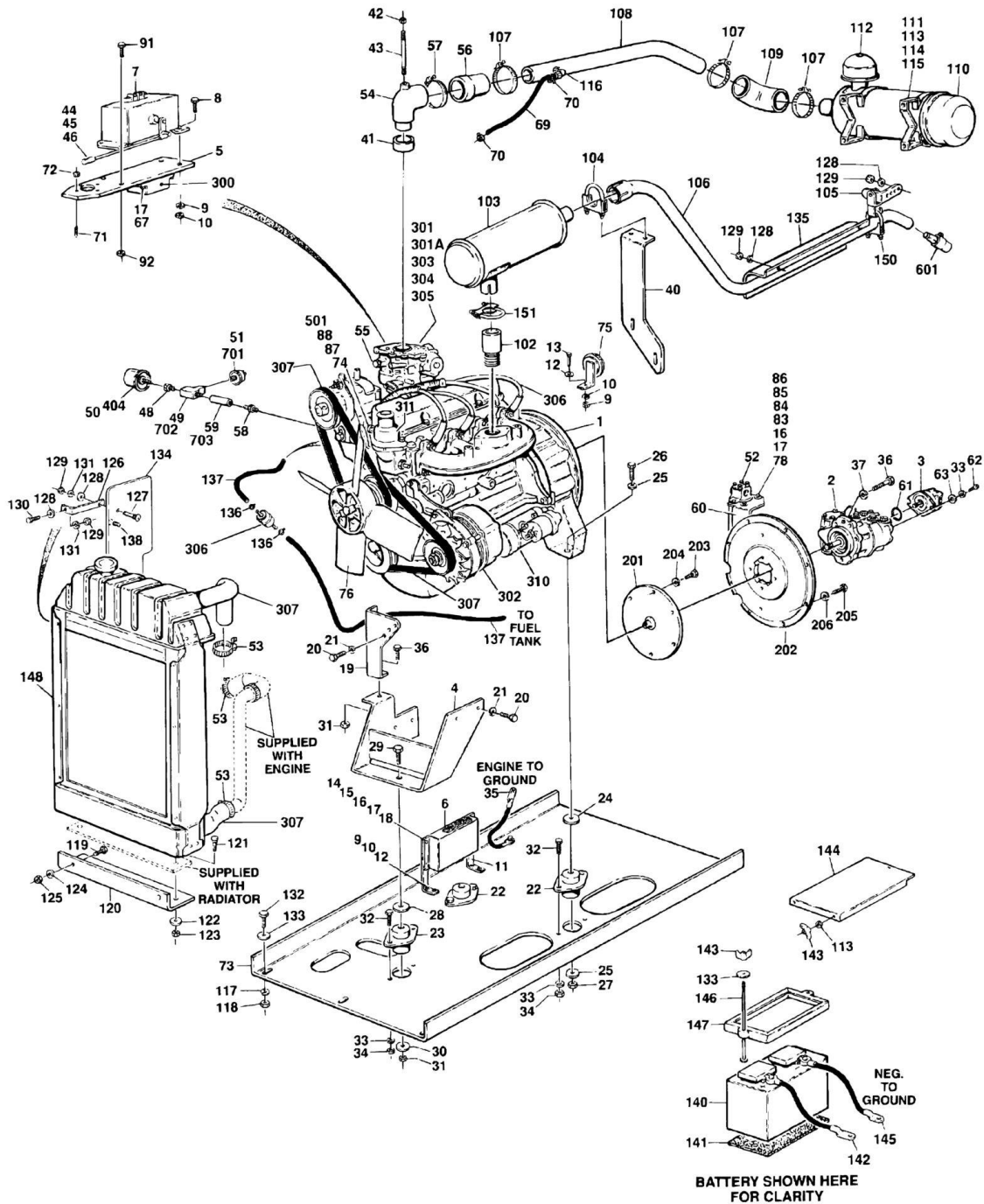
SECTION 2 - GROUND COMPONENTS

FIGURE 2-4. CONTROL VALVE ASSEMBLY - FPS 4 STACK (LEVELING JACKS OPTION)

ITEM	PART NUMBER	QTY	DESCRIPTION	REV
	4640352	Ref	CONTROL VALVE ASSEMBLY - FPS 4 STACK (LEVELING JACKS OPTION)	C
1	7000585	6	Nut	
2	7000586	2	Washer	
3	7006002	3	Rod, Tie	
4	7006039	2	Bracket, Mounting	
5	7000600	1	Section, Valve - Outlet	
6	Kit	5	O-Ring	
7	7006041	4	Section, Valve - Complete	
8		Ref	Spool (Not Sold Separately) (1 Per Section)	
9	7006037	8	Retainer, Spring (2 Per Section)	
10	7006036	8	Spring (2 Per Section)	
11	7006034	8	Tube Assembly (2 Per Section)	
12	Kit	8	O-Ring (2 Per Section)	
13	Kit	8	O-Ring (2 Per Section)	
14	4640049	8	Coil, Solenoid (2 Per Section)	
15		Ref	Nameplate (Not Sold Separately) (2 Per Section)	
16	7006033	8	Nut (2 Per Section)	
17	Kit	8	O-Ring (2 Per Section)	
18	7006056	1	Section, Valve - Inlet	
19	7006053	1	Cartridge, Relief	
21	Kit	20	O-Ring (5 Per Section)	
	7000549	5	Seal Kit - Single Section (Includes Items 12, 13, 17 & 21)	
	7006062	1	Seal Kit - Standard Outlet (Includes Items 6)	

SECTION 2 - GROUND COMPONENTS

FIGURE 2-5. ENGINE INSTALLATION - FORD VSG-411



SECTION 2 - GROUND COMPONENTS

FIGURE 2-5. ENGINE INSTALLATION - FORD VSG-411

ITEM	PART NUMBER	QTY	DESCRIPTION	REV
		Ref	ENGINE INSTALLATION - FORD VSG-411	
		Ref	Engine Assembly Options:	
	0253688	Ref	STANDARD GAS	15
	0253690	Ref	DUAL FUEL	16
1		Ref	Engine Options:	
1	2000118	1	Engine (Prior to January 1995)	
1	2000130	1	Engine (January 1995 through September 1995)	
1	2000133	1	Engine (September 1995 through SN 30659)	
1	2000147	1	Engine (SN 30660 to Present)	
2		Ref	Pump Options - Sunstrand (See PISTON PUMP ASSEMBLY - SUNSTRAND for Breakdown):	
2	3600164	1	Pump (13 Teeth) (Prior to SN 30660)	
2	3600260	1	Pump (15 Teeth) (SN 30660 to Present)	
3	3600206	1	Pump Assembly - Barnes (See GEAR PUMP ASSEMBLY - JSB for Breakdown)	
4	4843497	1	Bracket, Engine Mounting	
5	3533445	1	Plate, Governor and Carburetor Mounting	
6	2902064	1	Controller, Governor (Was P/N 1600117)	
7	2500005	1	Governor, Precision	
8	0641410	4	Bolt 1/4in-20NC x 1 1/4in	
9	4761400	9	Lockwasher 1/4in	
10	3311401	9	Nut 1/4in-20NC	
11	0901419	2	Bracket, Controller	
12	4751400	5	Flatwasher 1/4in	
13	0641408	1	Bolt 1/4in-20NC x 1in	
14	3911012	4	Screw, Machine #10-24NC x 3/4in	
15	3311001	4	Nut #10-24NC	
16	4751000	6	Flatwasher #10	
17	4761000	8	Lockwasher #10	
18	0100009	AR	Adhesive	
19	3533291	1	Plate, Engine	
20	0701014	5	Bolt, Metric M10 x 30mm	
21	4832000	5	Lockwasher, Metric M10	
22	3200202	2	Mount, Engine - Rear	
23	3200201	1	Mount, Engine - Front	
24	4740273	2	Washer, Snubbing	
25	4751700	4	Flatwasher 7/16in	
26	0641726	2	Bolt 7/16in - 14NC x 3 1/4in	
27	3311705	2	Locknut 7/16in - 14NC	
28	4740274	1	Washer, Snubbing	
29	0641826	1	Bolt 1/2in-13NC x 3 1/4in	
30	4751800	1	Flatwasher 1/2in	
31	3311805	2	Locknut 1/2in-13NC	
32	0641608	8	Bolt 3/8in-16NC x 1in	
33	4761600	8	Lockwasher 3/8in	
34	3311601	8	Nut 3/8in-16NC	
35	1060221	1	Cable, Battery (Engine to Ground)	
36	0641812	3	Bolt 1/2in-13NC x 1 1/2in	
37	4761800	2	Lockwasher 1/2in	
40		Ref	Bracket, Exhaust Support Options:	

SECTION 2 - GROUND COMPONENTS

ITEM	PART NUMBER	QTY	DESCRIPTION	REV
40	0901858	1	Standard Gas (Prior to SN 42208)	
40	4845246	1	Standard Gas (SN 42208 to Present)	
40	0901858	1	Dual Fuel (Prior to September 1995)	
40	4845246	1	Dual Fuel (September 1995 to Present)	
41		Ref	Adapter, Carburetor Options:	
41	0080092	1	Standard Gas	
41	See Note	1	Dual Fuel (Note: See DUAL FUEL COMPONENTS INSTALLATION (FORD ENGINE OPTION) for Call-out)	
42	3311405	1	Locknut 1/4in-20NC	
43		Ref	Stud Options:	
43	4300056	1	Standard Gas	
43	See Note	1	Dual Fuel (Note: See DUAL FUEL COMPONENTS INSTALLATION (FORD ENGINE OPTION) for Call-out)	
44	3841049	1	Rod, Throttle	
45	3321402	2	Nut, Jam 1/49in-28NF	
46	1660157	2	Ball-joint	
48	2220273	1	Fitting, Reducer	
49	2180360	1	Fitting, Tee	
50	2420033	1	Sender, Oil Pressure	
51	4360357	1	Switch, Pressure	
52	2120135	1	Filter, Pressure	
52	2120136	1	Element, Filter	
53	1320014	2	Clamp, Hose	
54		Ref	Adapter, Air Intake Options:	
54	0080175	1	Standard Gas	
54	See Note	1	Dual Fuel (Note: See ENGINE INSTALLATION - FORD VSG-411 for Call-out)	
55	3520046	1	Plug	
56	2720341	1	Hose - Air Cleaner Outlet	
57	1320058	1	Clamp, Hose	
58	2180537	1	Fitting, Nipple	
59	2200261	1	Fitting, Pipe Coupling (Prior to SN 42036)	
60	0901778	1	Bracket	
61	3790152	1	O-Ring	
62	0641610	2	Bolt 3/8in-16NC x 1 1/4in	
63	4740185	2	Washer, Hardened	
67	3911014	2	Screw, Machine #10-24NC x 7/8in	
69	2720042	18	Hose	
		in/46cm		
70	1320032	2	Clamp	
71	4300090	2	Stud (Supplied with Engine)	
72	3321501	2	Nut 5/16in-24NF	
73	3536481	1	Plate, Engine Mounting	
74	2420118	1	Sender, Temperature	
75	0140001	1	Horn	
76	2060019	1	Fan and Spacer Kit (Prior to SN 40684)	
76	2901541	1	Fan and Spacer Kit (SN 40684 to Present)	
78	0641405	2	Bolt 1/4in-20NC x 5/8in	
83	0641632	2	Bolt 3/8in-16NC x 4in	
84	3311605	2	Locknut 3/8in-16NC	
85	4751600	4	Flatwasher 3/8in	
86	0961378	2	Bushing	

SECTION 2 - GROUND COMPONENTS

ITEM	PART NUMBER	QTY	DESCRIPTION	REV
87	4460663	1	Housing, Terminal	
88	4460660	1	Housing, Terminal	
89	0100019	AR	Loctite #271 (Not Shown)	
90	0100020	AR	Sealant, Pipe (Not Shown)	
91	4031709	1	Capscrew, Metric M6-1.25 x 25mm	
92	3290607	1	Locknut M6-1.25	
93	7023676	1	Water Temperature Sender (Not Shown)	
		Ref	ENGINE INSTALLATION OPTIONS:	
	0253689	Ref	STANDARD GAS	1
	0254153	Ref	STANDARD GAS	1
	0253691	Ref	DUAL FUEL	1
	0254154	Ref	DUAL FUEL	1
102	4565830	1	Tube, Manifold	
103	3220084	1	Muffler	
104	1320026	1	U-Clamp	
105	0901387	1	Bracket, Exhaust Hanger (Prior to SN 34962)	
105	0902382	1	Bracket, Exhaust Hanger (SN 34962 to Present)	
106	4565956	1	Tailpipe	
107	1320058	3	Clamp, Hose	
108	4843533	1	Tube, Air Intake	
109	0080039	1	Elbow, Rubber	
110	1340020	1	Air Cleaner Assembly	
110	7004214	1	Element	
111	0340002	2	Band, Air Cleaner Mounting	
112	1120161	1	Cap, Air Inlet	
113	0641406	4	Bolt 1/4in-20NC x 3/4in	
114	4761400	4	Lockwasher 1/4in	
115	3311401	4	Nut 1/4in-20NC	
116	2220675	1	Fitting, 90	
117	4761600	9	Lockwasher 3/8in	
118	3311601	9	Nut 3/8in-16NC	
119	0641710	2	Bolt 7/16in-14NC x 1 1/4in	
120	3533663	1	Plate, Radiator Mounting	
121	0630403	2	Bolt, Carriage 7/16in-14NC x 1 1/2in	
122	4751700	2	Flatwasher 7/16in	
123	3311705	2	Locknut 7/16in-14NC	
124	4761700	2	Lockwasher 7/16in	
125	3311701	2	Nut 7/16in-14NC	
126	3533664	1	Plate, Radiator Support	
127	0630360	1	Bolt, Carriage 5/16in-18NC x 1 1/4in	
128	4751500	5	Flatwasher 5/16in	
129	3311501	5	Nut 5/16in-18NC	
130	0641508	1	Bolt 5/16in-18NC x 1in	
131	4761500	2	Lockwasher 5/16in	
132	0641610	6	Bolt 3/8in-16NC x 1 1/4in	
133	4751600	15	Flatwasher 3/8in	
134	4060713	1	Shield	
135	3536151	1	Guard, Exhaust	
136	1320022	2	Clamp	
137	2720058	6 ft/1.8m	Hose, Fuel Line	
138	0721004	3	Bolt #10-24NC x 1/2in	

SECTION 2 - GROUND COMPONENTS

ITEM	PART NUMBER	QTY	DESCRIPTION	REV
140	0400003	1	Battery	
141	3980003	1	Masonite	
142	1060254	1	Cable, Battery (Battery + to Starter Solenoid)	
143	3300029	2	Wingnut 3/8in-16NC	
144	3536144	1	Cover, Battery	
145	1060360	1	Cable, Battery (Battery Neg to Ground)	
146	0630370	2	Rod, Tie-Down	
147	0400002	1	Tie-Down, Battery	
148	3620027	1	Radiator	
150	1320020	1	U-Clamp 1 1/2in	
151	1320026	1	U-Clamp 1 3/4in	
		Ref	PUMP COUPLING INSTALLATION (STANDARD PARTS)	
	0252808	Ref	2000118 Engine Assemblies (Prior to September 1995)	-
	Supplied with Engine	Ref	2000130/2000133/2000147 Engine Assemblies (September 1995 to Present)	-
201		Ref	Pump Coupling Options:	
201	1660207	1	13 Teeth Pump	
201	7016661	1	15 Teeth Pump	
202	0080163	1	Adapter, Pump Mounting	
203	0700808	6	Bolt, Metric 8mm 1.25 x 16mm	
204	4831900	6	Lockwasher, Metric 8mm	
205	0641610	8	Bolt 3/8in-16NC x 1 1/4in	
206	4761600	8	Lockwasher 3/8in	
207	3020021	AR	Grease, Coupling (Not Shown)	
		Ref	Note: Coupling Spline must be greased with lithium soap based grease prior to installation.	
		Ref	SPARE COMPONENTS	
	7014680	1	Spare Components Kit (Includes Carburetor, Fuel Pump, Water Pump, Bosch Alternator, Starter and Ignition Control)	
	7014687	1	Spare Components Kit (Includes Carburetor, Fuel Pump, Water Pump, Prestolite Alternator, Starter and Ignition Control)	
300	7023670	1	Control, Ignition (was p/n 7019665)	
301	7000892	1	Carburetor (Standard Gas)	
301	7023471	1	Assembly, Float (Not Shown)	
301	7019933	1	Carburetor Rebuild Kit (was p/n 7000878)	
301	70000163	1	Needle-Spring Load Fuel Valve	
301	7024321	1	Gasket, Carburetor (Top)	
301	7027607	1	Gasket, Carburetor (Bottom)	
301A	7000894	1	Choke, Automatic	
301A	1140009	1	Carburetor (LP Gas Only) (Not Included in Components Kits)	
302		Ref	Alternator Options:	
302	7000893	1	Bosch	
302	7012653	1	Prestolite	
302	7019670	1	Leese-Nuville	
302	7019934	1	Belt, Alternator	
302	7019935	1	Pulley, Alternator	
303	7012577	1	Fitting, Vacuum Line	
304	7012578	1	Vacuum Line Assembly	
305	7000884	1	Fuel Shut-Off	
306	7023668	1	Tune-Up Kit (Includes Oil and Fuel Filters, Spark Plugs and Wire Set)	
306	7014500	1	Filter, Oil - Case of 12 (Only 1 included in Kit)	

SECTION 2 - GROUND COMPONENTS

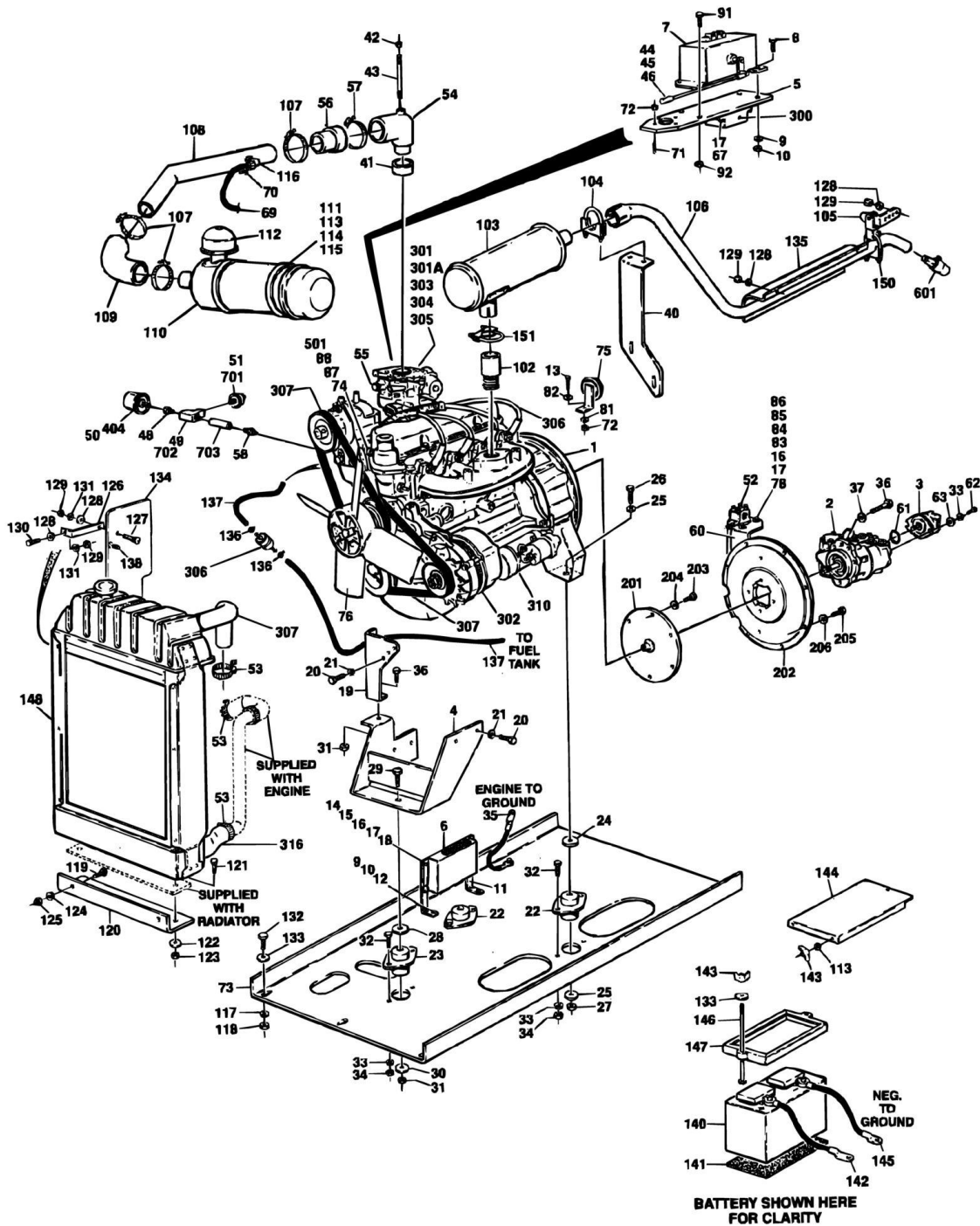
ITEM	PART NUMBER	QTY	DESCRIPTION	REV
306	7019949	1	Filter, Oil (Not Shown)	
306	7019939	1	Filter, Fuel (Not Shown)	
306	7019989	1	Kit, Spark Plug Wire/Clip on	
307	7014681	1	Engine Kit (Includes Hoses, Gasket Set Belt and Coil)	
307	7019941	1	Hose, Radiator (Upper)	
307	7019943	1	Hose, Radiator (Lower)	
307	7019942	1	Hose, Water Pump/Intake Inlet	
308	7012564	1	Wiring Harness (Not Shown)	
309	7019666	1	Pump, Fuel (Not Shown)	
309	2120112	1	Separator, Fuel (Not Shown)	
309	7025153	1	Gasket, Fuel Pump (Not Shown)	
310	7019668	1	Starter	
311	7019950	1	Thermostat	
311	3960423	1	Gasket, Thermostat	
312	7019667	1	Cap, Oil Filler (Not Shown)	
313	7019936	1	Pulley, Crankshaft (Not Shown)	
314	7019951	1	Pump, Water (Not Shown)	
314	7019937	1	Pulley, Water Pump (Not Shown)	
314	7019938	1	Outlet, Water (Not Shown)	
314	7019945	1	Hose, Bypass (Not Shown)	
315	7019944	1	Block Assembly, 11-Stud Terminal (Not Shown)	
316	7019946	1	Flange, Exhaust Pipe (Not Shown)	
316	7019947	1	Gasket, Exhaust Pipe Flange (Not Shown)	
317	7019948	1	Manifold, Exhaust Outlet (Not Shown)	
318	7019987	1	Coil, Ignition (Not Shown)	
319	7019954	1	Harness, Ignition Module Patch (Not Shown)	
320	7019959	1	Dipstick (Not Shown)	
320	7019960	1	Tube, Dipstick (Not Shown)	
321	70000929	1	Sensor, Crankshaft (Not Shown) (Engines 2000130 & 2000147 Only)	
322	7016602	1	Flywheel (Not Shown) (Engine 2000130 Only)	
322	7022180	1	Gear, Ring (Not Shown) (Engine 2000130 Only)	
322	7019919	1	Gear, Ring (Not Shown) (Engines 2000133 & 2000147 Only)	
323	7019917	1	Pump, Oil (Not Shown)	
324	7020119	1	Housing, Bell (Not Shown) (Engines 2000133 & 2000147 Only)	
324	7020115	1	Kit, Coupling (Not Shown) (Engine 2000133 Only)	
324	7020116	1	Coupling (Not Shown) (Engine 2000133 Only)	
324	7016661	1	Coupling (Not Shown) (Engine 2000147 Only)	
324	7020121	1	Plate, Starter (Not Shown) (Engines 2000133 & 2000147 Only)	
	0251945	Ref	ENGINE DISTRESS SWITCH INSTALLATION (OPTIONAL)	A
404	2420131	1	Sender, Oil Pressure	
	0254736	Ref	HIGH TEMPERATURE WARNING INSTALLATION (OPTIONAL)	-
501	4360157	1	Switch, Water Temperature	
501	0080200	1	Adapter (Not Shown)	
501	3960423	1	Gasket, Adapter (Not Shown)	
501	0700819	2	Capscrew 8mm x 55mm	
501	4831900	2	Lockwasher 8mm	
	0253875	Ref	SPARK ARRESTOR INSTALLATION (OPTIONAL)	-
601	3220083	1	Arrestor, Spark (Includes Mounting Hardware)	
	0255037	Ref	GENERATOR INSTALLATION	A
701	4360037	1	Sender, Oil	
702	2180749	1	Fitting, 45	

SECTION 2 - GROUND COMPONENTS

ITEM	PART NUMBER	QTY	DESCRIPTION	REV
703	2180360	1	Fitting, Tee	

SECTION 2 - GROUND COMPONENTS

FIGURE 2-6. ENGINE INSTALLATION - FORD VSG-413



SECTION 2 - GROUND COMPONENTS

FIGURE 2-6. ENGINE INSTALLATION - FORD VSG-413

ITEM	PART NUMBER	QTY	DESCRIPTION	REV
		Ref	ENGINE ASSEMBLY OPTIONS:	
	0257872	Ref	STANDARD GAS	9
	0257911	Ref	DUAL FUEL	8
1		Ref	Engine Options:	
1	2000155	1	Engine (Prior to SN 89177)	
1	2000177	1	Engine (SN 89177 to Present)	
2	3600260	1	Pump - Sunstrand (See PISTON PUMP ASSEMBLY - SUNSTRAND for Breakdown)	
3	3600206	1	Pump Assembly - Barnes (See GEAR PUMP ASSEMBLY - JSB for Breakdown)	
4	4843497	1	Bracket, Engine Mounting	
5	3533445	1	Plate, Governor and Carburetor Mounting	
6		Ref	Controller, Governor Options:	
6	1600269	1	Controller, Governor (Prior to SN 74487)	
6	1600325	1	Controller, Governor (SN 74487 to Present)	
7	2500005	1	Governor, Precision	
8	0641410	4	Bolt 1/4in-20NC x 1 1/4in	
9	4761400	8	Lockwasher 1/4in	
10	3311401	8	Nut 1/4in-20NC	
11	0901419	2	Bracket, Controller	
12	4751400	4	Flatwasher 1/4in	
13	0641507	1	Bolt 5/16in-18NC x 1in	
14	3911012	5	Screw, Machine #10-24NC x 3/4in	
15	3311001	7	Nut #10-24NC	
16	4751000	8	Flatwasher #10	
17	4761000	10	Lockwasher #10	
18	0100009	AR	Adhesive	
19	3533291	1	Plate, Engine	
20	0701012	3	Bolt, Metric M10 x 33mm	
21	4832000	5	Lockwasher, Metric M10	
22	3200202	2	Mount, Engine - Rear	
23	3200201	1	Mount, Engine - Front	
24	4740273	2	Washer, Snubbing	
25	4751700	4	Flatwasher 7/16in	
26	0641726	2	Bolt 7/16in-14NC x 3 1/4in	
27	3311705	2	Locknut 7/16in - 14NC	
28	4740274	1	Washer, Snubbing	
29	0641826	1	Bolt 1/2in-13NC x 3 1/4in	
30	4751800	1	Flatwasher 1/2in	
31	3311805	2	Locknut 1/2in-13NC	
32	0641608	7	Bolt 3/8in-16NC x 1in	
33	4761600	8	Lockwasher 3/8in	
34	3311601	8	Nut 3/8in-16NC	
35	1060221	1	Cable, Battery (Engine to Ground)	
36	0641812	3	Bolt 1/2in-13NC x 1 1/2in	
37	4761800	2	Lockwasher 1/2in	
38	0700808	1	Bolt, Metric M8 x 16mm (SN 61515 to Present)	
39	4711500	1	Flatwasher 5/16in (SN 61515 to Present)	
40	4845246	1	Bracket, Exhaust Support	
41		Ref	Adapter, Carburetor Options:	

SECTION 2 - GROUND COMPONENTS

ITEM	PART NUMBER	QTY	DESCRIPTION	REV
41	0080092	1	Standard Gas	
41	See Note	1	Dual Fuel (Note: See DUAL FUEL COMPONENTS INSTALLATION (FORD ENGINE OPTION) for Call-out)	
42	3311405	1	Locknut 1/4in-20NC	
43		Ref	Stud Options:	
43	4300056	1	Standard Gas	
43	See Note	1	Dual Fuel (Note: See DUAL FUEL COMPONENTS INSTALLATION (FORD ENGINE OPTION) for Call-out)	
44	3841049	1	Rod, Throttle	
45	3321402	2	Nut, Jam 1/4in-28NF	
46	1660157	2	Ball-joint	
47	4831900	1	Lockwasher Metric 8mm (SN 61515 to Present)	
48	2220273	1	Fitting, Reducer	
49	2180360	1	Fitting, Tee	
50	2420033	1	Sender, Oil Pressure	
51	4360357	1	Switch, Pressure	
52	2120135	1	Filter, Pressure	
52	2120136	1	Element, Filter	
53	1320014	2	Clamp, Hose	
54		Ref	Adapter, Air Intake Options:	
54	0080175	1	Standard Gas	
54	See Note	1	Dual Fuel (Note: See DUAL FUEL COMPONENTS INSTALLATION (FORD ENGINE OPTION) for Call-out)	
55	3520046	1	Plug	
56	2720341	1	Hose - Air Cleaner Outlet	
57	1320058	1	Clamp, Hose	
58	2180537	1	Fitting, Nipple	
59	0701015	2	Bolt, Metric M10 x 35mm (SN 61515 to Present)	
60	0901778	1	Bracket	
61	3790152	1	O-Ring	
62	0641610	2	Bolt 3/8in-16NC x 1 1/4in	
63	4740185	2	Washer, Hardened	
67	3911014	3	Screw, Machine #10-24NC x 7/8in	
69	2720042	18	Hose	
		in/46cm		
70	1320032	2	Clamp	
71	4300090	2	Stud (Supplied with Engine)	
72	3321501	3	Nut 5/16in-24NF	
73	3536481	1	Plate, Engine Mounting	
74	2420118	1	Sender, Temperature	
75	0140001	1	Horn	
76		Ref	Fan and Spacer Kit Options:	
76	2060030	1	Standard Gas (was P/N 2060019) (Prior to SN 46254)	
76	2060030	1	Dual Fuel (was P/N2060016) (Prior to SN 46254)	
76	2060030	1	All Machines (was P/N 2060029) (SN 46254 through 75494)	
76	2060030	1	All Machines (SN 75495 to Present)	
78	0641405	2	Bolt 1/4in-20NC x 5/8in	
81	4761500	3	Lockwasher 5/16in	
82	4751500	3	Flatwasher 5/16in	
83	0641632	2	Bolt 3/8in-16NC x 4in	
84	3311605	2	Locknut 3/8in-16NC	
85	4751600	4	Flatwasher 3/8in	

SECTION 2 - GROUND COMPONENTS

ITEM	PART NUMBER	QTY	DESCRIPTION	REV
86	0961378	2	Bushing	
87	4460663	1	Housing, Terminal	
88	4460660	1	Housing, Terminal	
89	0100019	AR	Loctite #271 (Not Shown)	
90	0100020	AR	Sealant, Pipe (Not Shown)	
91	3900275	1	Capscrew, Metric M6-1.25 x 25mm	
92	3290607	1	Locknut M6-1.25	
93	3911024	2	Screw #10-24NC x 1 1/2in (Not Shown)	
94	0100048	AR	Silicone (Not Shown)	
		Ref	ENGINE INSTALLATION OPTIONS:	
	0257873	Ref	STANDARD GAS	5
	0257912	Ref	DUAL FUEL	7
102		Ref	Tube, Manifold Options:	
102	4565830	1	Tube, Manifold (Prior to SN 62155)	
102	4567910	1	Tube, Manifold (SN 62155 to Present)	
103	3220084	1	Muffler	
104	1320026	1	U-Clamp	
105	0901387	1	Bracket, Exhaust Hanger (Prior to SN 34962)	
105	0902382	1	Bracket, Exhaust Hanger (SN 34962 to Present)	
106	4565956	1	Tailpipe	
107	1320180	3	Clamp, Hose	
108	4845649	1	Tube, Air Intake	
109	0080039	1	Elbow, Rubber	
110	1340020	1	Air Cleaner Assembly	
110	7004214	1	Element	
111	0340002	2	Band, Air Cleaner Mounting	
112	1120161	1	Cap, Air Inlet	
113	0641406	4	Bolt 1/4in-20NC x 3/4in	
114	4751400	4	Lockwasher 1/4in	
115	3311405	4	Locknut 1/4in-20NC	
116	2220675	1	Fitting, 90	
117	4761600	9	Lockwasher 3/8in	
118	3311601	9	Nut 3/8in-16NC	
119	0641710	2	Bolt 7/16in-14NC x 1 1/4in	
120	3533663	1	Plate, Radiator Mounting	
121	0630403	2	Bolt, Carriage 7/16in-14NC x 1 1/2in	
122	4751700	2	Flatwasher 7/16in	
123	3311705	2	Locknut 7/16in-14NC	
124	4761700	2	Lockwasher 7/16in	
125	3311701	2	Nut 7/16in-14NC	
126	3533664	1	Plate, Radiator Support	
127	0630360	1	Bolt, Carriage 5/16in-18NC x 1 1/4in	
128	4711500	5	Flatwasher 5/16in Narrow	
129	3311501	5	Nut 5/16in-18NC	
130	0641508	1	Bolt 5/16in-18NC x 1in	
131	4761500	2	Lockwasher 5/16in	
132	0641610	6	Bolt 3/8in-16NC x 1 1/4in	
133	4751600	15	Flatwasher 3/8in	
134	4060713	1	Shield	
135	3536151	1	Guard, Exhaust	
136	1320022	2	Clamp	

SECTION 2 - GROUND COMPONENTS

ITEM	PART NUMBER	QTY	DESCRIPTION	REV
137	2720058	6 ft/1.8m	Hose, Fuel Line	
138	3921008	3	Bolt #10-24NC x 1/2in	
140	0400075	1	Battery	
141	3980007	1	Masonite	
142	1060254	1	Cable, Battery (Battery + to Starter Solenoid)	
143	3300029	2	Wingnut 3/8in-16NC	
144	1670841	1	Cover, Battery	
145	1060360	1	Cable, Battery (Battery Neg to Ground)	
146	0630370	2	Rod, Tie-Down	
147	0400174	1	Tie-Down, Battery	
148	3620027	1	Radiator	
150	1320020	1	U-Clamp 1 1/2in	
151	1320026	1	U-Clamp 1 3/4in	
152	3252356	1	Nameplate - Important (LP Only) (Not Shown Located Inside of Lower Access Door) (SN 71528 to Present)	
153	1703162	2	Decal - Fan Blade (Not Shown Located on Radiator Shield) (SN 71528 to Present)	
154	0840046	1	Boot, Battery (Positive) (Not Shown)	
155	0840047	1	Boot, Battery (Negative) (Not Shown)	
		Ref	PUMP COUPLING INSTALLATION	
201	7016661	1	Pump Coupling	
202	0080163	1	Adapter, Pump Mounting	
203	0700808	6	Bolt, Metric 8mm 1.25 x 16mm	
204	4831900	6	Lockwasher, Metric 8mm	
205	0641610	8	Bolt 3/8in-16NC x 1 1/4in	
206	4761600	8	Lockwasher 3/8in	
207	3020021	AR	Grease, Coupling (Not Shown)	
		Ref	Note: Coupling Spline must be greased with lithium soap based grease prior to installation.	
		Ref	SPARE COMPONENTS	
	2000155	Ref	Spare Components (Prior to SN 89177)	B
	2000177	Ref	Spare Components (SN 89177 to Present)	A
300		Ref	Control, Ignition Options:	
300	7023670	1	Control, Ignition (was p/n 7019665) (Prior to SN 89177)	
300	7023650	1	Control, Ignition (SN 89177 to Present)	
301	7000892	1	Carburetor (Standard Gas)	
301	7024321	1	Gasket (Top)	
301	7027607	1	Gasket, Carburetor (Bottom)	
301	7019933	1	Carburetor Rebuild Kit	
301	70000163	1	Needle-Spring Load Fuel Valve	
301	7023471	1	Assembly, Float (Not Shown)	
301A	7000894	1	Choke, Automatic	
301	1140009	1	Carburetor (LP Gas Only) (Not Included in Components Kits)	
302	7019670	1	Alternator (Leese-Nuville)	
302	7019934	1	Belt, Alternator	
302	7019935	1	Pulley, Alternator	
303	7012577	1	Fitting, Vacuum Line	
304	7012578	1	Vacuum Line Assembly	
305	7000884	1	Fuel Shut-Off	
306	7022174	1	Filter, Fuel	
308		Ref	Wiring Harness Options (Not Shown):	
308	7012564	1	Wiring Harness (Prior to SN 89177)	

SECTION 2 - GROUND COMPONENTS

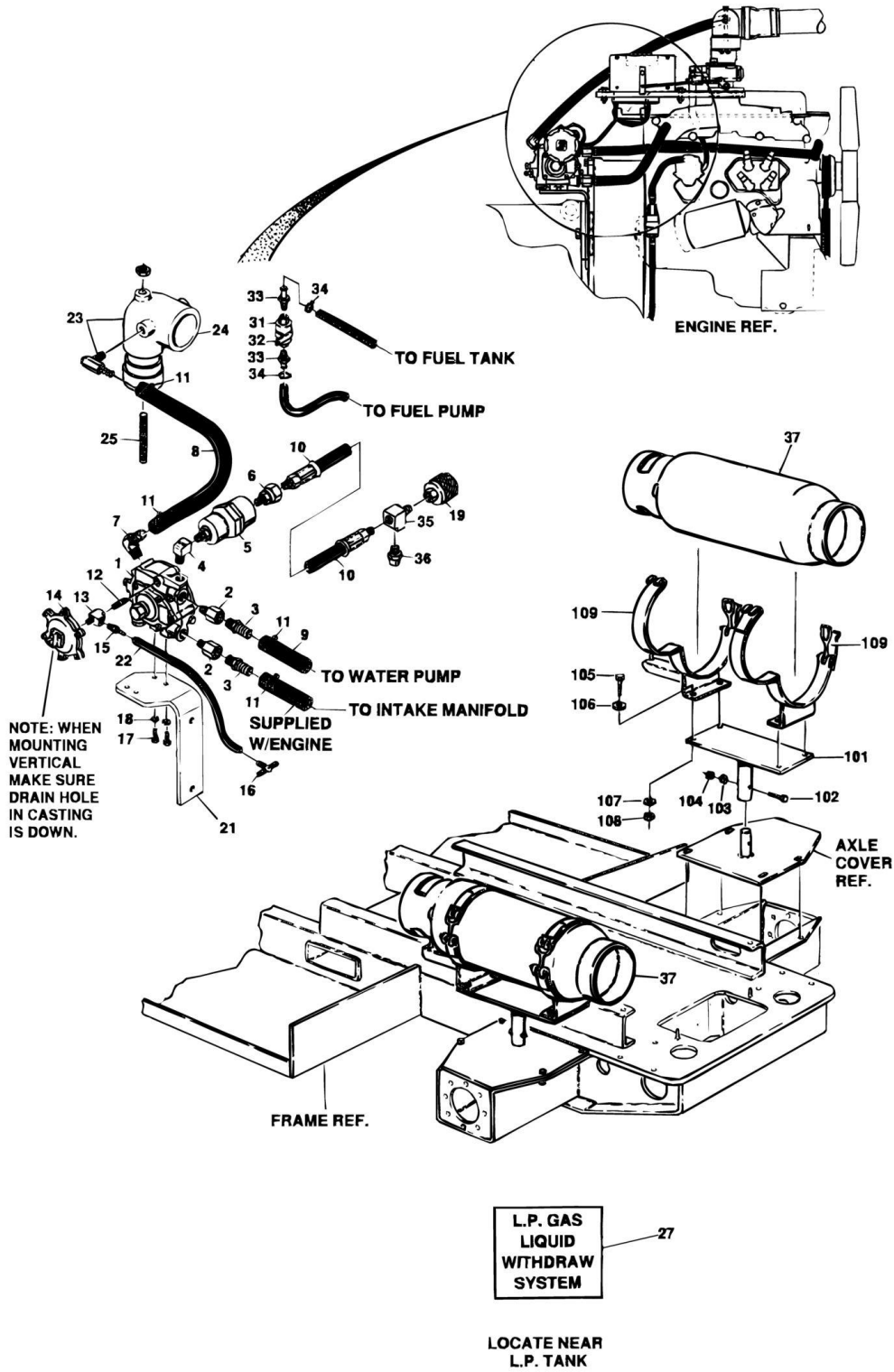
ITEM	PART NUMBER	QTY	DESCRIPTION	REV
308	7023651	1	Wiring Harness (SN 89177 to Present)	
309	7019666	1	Pump, Fuel (Not Shown)	
309	2120112	1	Separator, Fuel (Not Shown)	
309	7025153	1	Gasket, Fuel Pump (Not Shown)	
310	7019668	1	Starter	
311	7021869	1	Filter, Oil (Not Shown) (was p/n 7022173 & p/n 7022147)	
311	7014500	1	Filter, Oil (1 Dozen)	
312	7019959	1	Dipstick (Not Shown)	
312	7019960	1	Tube, Dipstick (Not Shown)	
313	7019951	1	Pump, Water (Not Shown)	
313	7019937	1	Pulley, Water Pump (Not Shown)	
313	7019938	1	Outlet, Water (Not Shown)	
313	7019945	1	Hose, Bypass (Not Shown)	
313	7019942	1	Hose, Water Pump/Intake Inlet (Not Shown)	
314		Ref	Plug Wire Kit Options: (Not Shown)	
314	7019989	1	Plug Wire Kit through 1999	
314	7019989	1	(2000 to Present) (was p/n 7022176)	
315		Ref	Coil, Ignition Options: (Not Shown)	
315	7019987	1	Coil, Ignition through 1999 (was p/n 7019953)	
315	7019998	1	Coil, Ignition (2000 to Present)	
315	7019999	1	Bracket, Mounting	
316	7019943	1	Hose, Lower Radiator	
317	7019950	1	Thermostat	
317	3960423	1	Gasket, Thermostat	
318	70000929	1	Sensor, Crankshaft (Not Shown)	
319	7016602	1	Flywheel (Not Shown)	
320	7019667	1	Cap, Oil Filler (Not Shown)	
321	7019917	1	Pump, Oil (Not Shown)	
322	7019919	1	Gear, Ring (Not Shown)	
323	7019936	1	Pulley, Crankshaft (Not Shown)	
324	7019941	1	Hose, Radiator (Upper) (Not Shown)	
325	7019943	1	Hose, Radiator (Lower) (Not Shown)	
326	7019944	1	Block Assembly, 11-Stud Terminal (Not Shown)	
327	7019946	1	Flange, Exhaust Pipe (Not Shown)	
327	7019947	1	Gasket, Exhaust Pipe Flange (Not Shown)	
328	7019948	1	Manifold, Exhaust Outlet (Not Shown)	
329	7019987	1	Coil, Ignition (Not Shown)	
330	7019954	1	Harness, Ignition Module Patch (Not Shown)	
331	7022100	4	Screw M5 x 16 (Not Shown)	
332	7022172	1	Kit, Tune-Up (Not Shown)	
	0251945	Ref	ENGINE DISTRESS SWITCH INSTALLATION (OPTIONAL)	B
404	2420131	1	Sender, Oil Pressure	
	0254736	Ref	HIGH TEMPERATURE WARNING INSTALLATION (OPTIONAL)	-
501	4360157	1	Switch, Water Temperature	
501	0080200	1	Adapter (Not Shown)	
501	3960423	1	Gasket, Adapter (Not Shown)	
501	0700819	2	Capscrew 8mm x 55mm	
501	4831900	2	Lockwasher 8mm	
	0253875	Ref	SPARK ARRESTOR INSTALLATION (OPTIONAL)	-
601	3220083	1	Arrestor, Spark (Includes Mounting Hardware)	
	0255037	Ref	GENERATOR INSTALLATION (OPTIONAL)	3-B

SECTION 2 - GROUND COMPONENTS

ITEM	PART NUMBER	QTY	DESCRIPTION	REV
701	4360037	1	Sender, Oil	
702	2180749	1	Fitting, 45	
703	2180360	1	Fitting, Tee	

SECTION 2 - GROUND COMPONENTS

FIGURE 2-7. DUAL FUEL COMPONENTS INSTALLATION (FORD ENGINE OPTION)



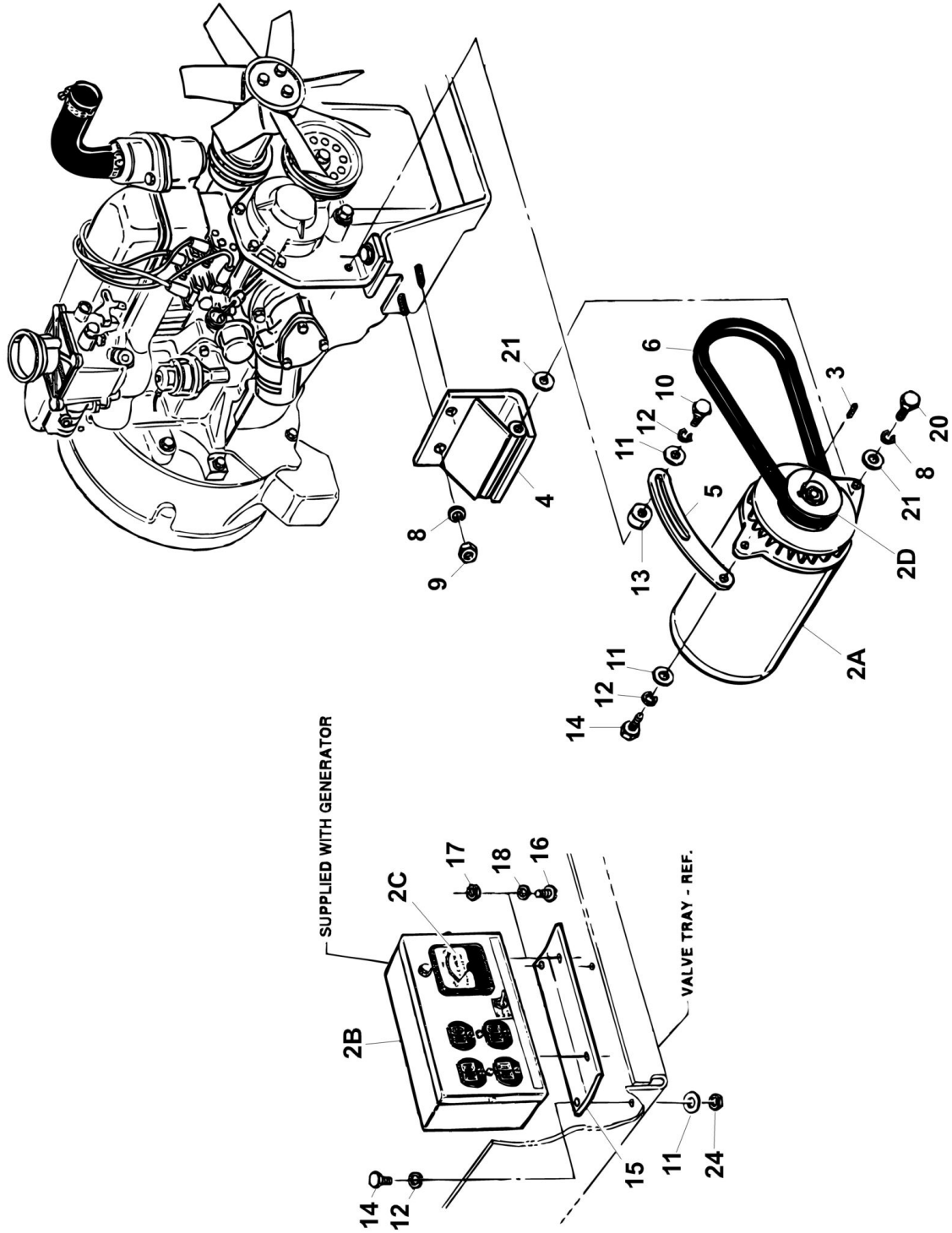
SECTION 2 - GROUND COMPONENTS

FIGURE 2-7. DUAL FUEL COMPONENTS INSTALLATION (FORD ENGINE OPTION)

ITEM	PART NUMBER	QTY	DESCRIPTION	REV
	0250790	Ref	DUAL FUEL INSTALLATION	12
1	3720011	1	Regulator, LPG	
1	7017516	1	Rebuilt Kit	
2	2220364	2	Fitting, Adapter	
3	2180535	2	Fitting, Barbed	
4	2220648	1	Fitting, 90	
5	2120077	1	Filter-Lock	
6	2220003	1	Fitting, Swivel	
7	2220675	1	Fitting, 90	
8	2720112	AR	Hose, LP	
9	2720042	28 in/.71m	Hose, Heater	
10	2720118	1	Hose, LP (48in/1.22m Length) (Prior to SN 27430)	
10	2720437	1	Hose, LP (52in/1.32m Length) (SN 27430 to Present)	
11	1320032	AR	Clamp	
12	2180104	1	Fitting, Nipple	
13	2180360	1	Fitting, Tee	
14	4360188	1	Switch, Vacuum	
15	2180536	1	Fitting, Barbed	
16	2180623	1	Fitting, Tee	
17	0641405	2	Bolt 1/4in-20NC x 5/8in	
18	4761400	2	Lockwasher 1/4in	
19	2180387	1	Fitting, Tank Connector	
23	0080167	1	Adapter, Air Intake	
24	0080092	1	Adapter, Carburetor	
25	3840979	1	Rod	
27	1700818	1	Decal - Liquid LPG	
31	4640391	1	Valve, Gasoline	
32	1320095	1	Clamp, Support	
33	2220805	3	Fitting, Straight	
34	1320022	2	Clamp	
35	2220290	1	Fitting, Tee	
36	2180389	1	Fitting, Pressure Relief	
37		Ref	Tank, LP Options: (Optional - Not Supplied with Installation)	
37	4400040	2	Aluminum - 33.5lbs Tank (Prior to SN 60261)	
37	4400281	2	Aluminum - 33.5lbs Tank (SN 60261 to Present)	
37	4400421	2	Steel - 33.5lbs Tank (SN 60261 to Present)	
37	4400275	2	Aluminum - 43.5lbs Tank	
37	4400420	2	Steel - 43.5lbs Tank (SN 60261 to Present)	
	0253447	Ref	LP TANK BRACKETS INSTALLATION	3
101	4844185	2	Support, Tank Bracket	
102	0641522	2	Bolt 5/16in-18NC x 2 3/4in	
103	4761500	2	Lockwasher 5/16in	
104	3311501	2	Nut 5/16in-18NC	
105	0641610	8	Bolt 3/8in-16NC x 1 1/4in	
106	4751600	8	Flatwasher 3/8in	
107	4761600	8	Lockwasher 3/8in	
108	3311601		Nut 3/8in-16NC	
109	1320023	2	Clamp, LP Tank	

SECTION 2 - GROUND COMPONENTS

FIGURE 2-8. GENERATOR INSTALLATION (FORD ENGINE OPTION)



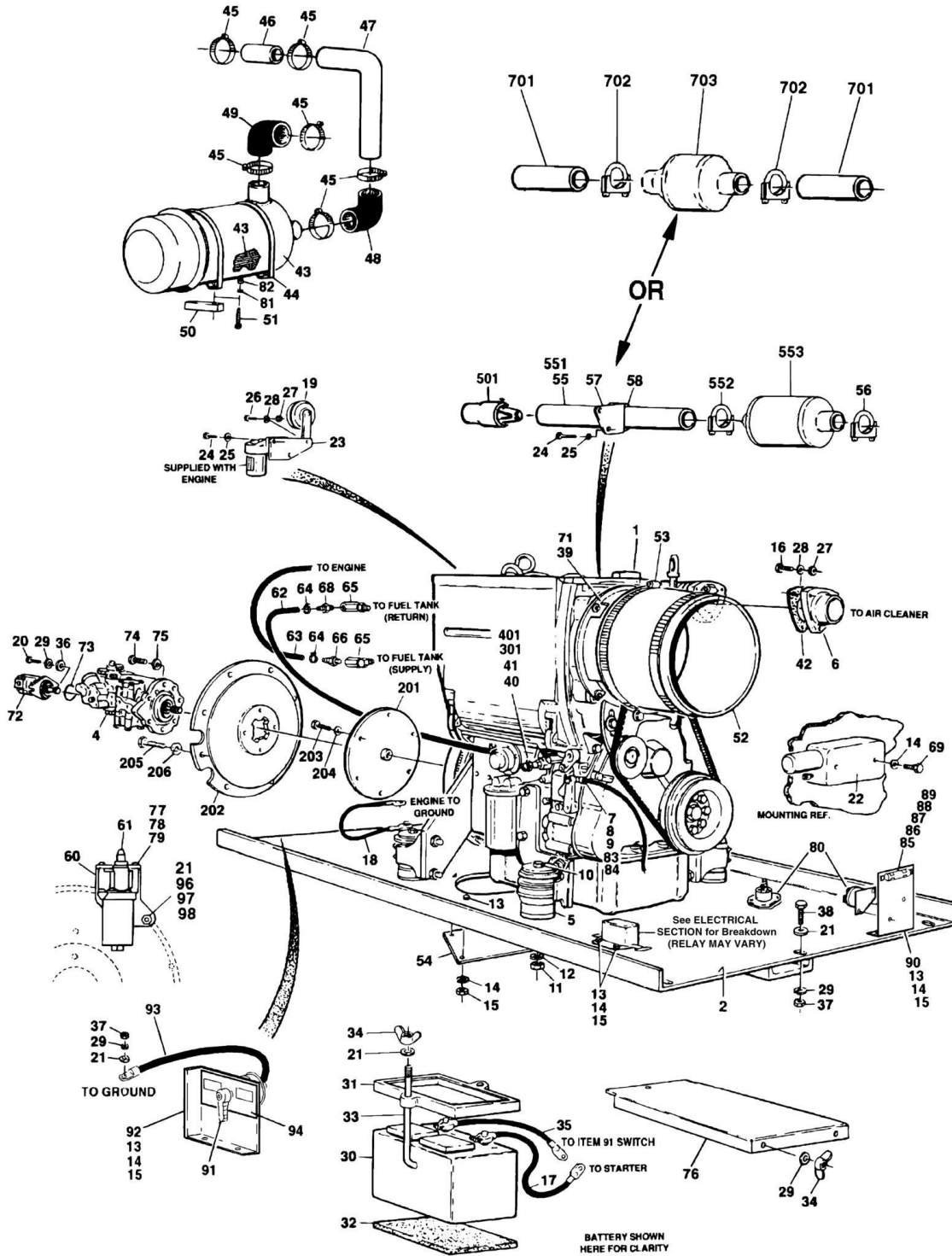
SECTION 2 - GROUND COMPONENTS

FIGURE 2-8. GENERATOR INSTALLATION (FORD ENGINE OPTION)

ITEM	PART NUMBER	QTY	DESCRIPTION	REV
		Ref	GENERATOR INSTALLATION (FORD ENGINE OPTION)	
	0250444	Ref	Generator Installation (Ford Engine Option) (Prior to August 1994)	D
	0255037	Ref	Generator Installation (Ford Engine Option) (August 1994 to Present)	3-B
2	2460011	1	Generator Assembly with Control Box	
2A	7012558	1	Generator Assembly Only	
2A	7020108	4	Brush	
2A	7020109	4	Holder, Brush	
2A	7012513	4	Caps, Brush Holder	
2A	7012514	1	Fan	
2A	7020193	1	Cord, Power	
2A	7026199	1	Armature	
2A	7020110	1	End Bell, Front	
2A	7020111	1	End Bell, Rear	
2A	7020190	2	Bearing	
2B	7003657	1	Control Box Assembly (Note: Replacement 110V Control Box comes with 2 std Receptacles p/n 4460190. Optional Industrial Twist Lock Receptacles p/n 4460027 must be ordered separately.)	
2B	4360542	1	Breaker, Circuit	
2B	4460190	2	Receptacle	
2B	2920162	1	Lamp	
2B	7020191	1	Switch, Toggle	
2B	3520028	1	Plug, Hole	
2C	2420203	1	Voltmeter	
2D	3580134	1	Pulley	
3	2860012	1	Keystock	
4	0901650	1	Bracket, Generator Mounting	
5	4340569	1	Support, Adjustable	
6	0480057	1	V-Belt	
8	4761600	4	Lockwasher 3/8in	
9	3311601	2	Nut 3/8in - 16NC	
10	0641511	1	Bolt 5/16in-18NC x 1 3/8in	
11	4751500	2	Flatwasher 5/16in	
12	4761500	2	Lockwasher 5/16in	
13	0961247	1	Bushing	
14	0641507	2	Bolt 5/16in-18NC	
15	0901609	1	Bracket, Box Mounting	
16	3911004	2	Screw, Machine #10-24NC x 1/2in	
17	3311001	2	Nut #10-24NC	
18	4761000	2	Lockwasher #10	
20	0681610	2	Bolt 3/8in-16NC x 1 1/4in (Grade 8)	
21	4751600	2	Flatwasher 3/8in	
24	3311501	2	Nut 5/16in-16NC	

SECTION 2 - GROUND COMPONENTS

FIGURE 2-9. ENGINE INSTALLATION - DEUTZ F2L1011



SECTION 2 - GROUND COMPONENTS

FIGURE 2-9. ENGINE INSTALLATION - DEUTZ F2L1011

ITEM	PART NUMBER	QTY	DESCRIPTION	REV
		Ref	ENGINE INSTALLATION OPTIONS:	
	0253361	Ref	EN280 and Australian Spec	18
	0257246	Ref	CE Spec	10
1		Ref	Engine Options - Deutz F2L1011:	
1	2000106	1	Engine Options - Deutz F2L1011 (Prior to August 1995)	
1	2000137	1	Engine Options - Deutz F2L1011 (August 1995 to Present)	
2	4843934	1	Tray, Engine Mounting	
4		Ref	Pump Assembly Options - Sunstrand (See PISTON PUMP ASSEMBLY - SUNSTRAND for Breakdown):	
4	3600164	1	13 Tooth Spline (Prior to SN 30660)	
4	3600260	1	15 Tooth Spline (SN 30660 to Present)	
5	0361817	4	Spacer, Engine Mounting	
6	0080177	1	Adapter, Air Intake	
7		Ref	Adapter, Throttle Options:	
7	0080172	1	Adapter, Throttle (Prior to August 1995)	
7	4460302	1	Adapter, Throttle (August 1995 to Present)	
8	3450202	1	Pin, Cotter 1/16in x 1/2in	
9	3951003	1	Setscrew #10-24NC x 3/8in (Prior to August 1995)	
9	0902244	1	Bracket, Throttle (August 1995 to Present)	
10	0641840	4	Bolt 1/2in-13NC x 5in	
11	3311805	4	Locknut 1/2in-13NC	
12	4751800	4	Flatwasher 1/2in	
13	0641406	AR	Bolt 1/4in-20NC x 3/4in	
14	4711400	AR	Lockwasher 1/4in	
15	3311405	AR	Locknut 1/4in-20NC	
16	0641512	3	Bolt	
17		Ref	Cable, Battery Options:	
17	1060406	1	Cable, Battery (Prior to SN 70832)	
17	1060254	1	Cable, Battery (SN 70832 to Present)	
18	1060093	1	Cable, Battery	
19	0140001	1	Horn	
20	0641610	2	Bolt 3/8in-16NC x 1 1/4in	
21	4751600	18	Flatwasher 3/8in	
22	0060023	1	Actuator, Throttle	
22	7008828	1	Cable, Throttle	
23	0901817	1	Bracket, Fuel Filter	
24	0701010	4	Bolt, Metric M10 x 20mm	
25	4832000	4	Lockwasher 10m	
26	0641508	2	Bolt 5/16in-18NC x 1in	
27	3311501	5	Nut 5/16in-18NC	
28	4761500	5	Lockwasher 5/16in	
29	4751600	12	Lockwasher 3/8in	
30	0400003	1	Battery (Prior to SN 44593)	
30	0400075	1	Battery (SN 44593 to Present)	
31	0400002	1	Tie-Down, Battery (Prior to SN 44593)	
31	0400174	1	Tie-Down, Battery (SN 44593 to Present)	
32	3980003	1	Seat, Battery (Prior to SN 44593)	
32	3980007	1	Seat, Battery (SN 44593 to Present)	
33	0630370	2	Rod, Tie-Down	
34	3300029	2	Wingnut 3/8in-16NC	

SECTION 2 - GROUND COMPONENTS

ITEM	PART NUMBER	QTY	DESCRIPTION	REV
35		Ref	Cable, Battery Options:	
35	1060360	1	EN280 and Australian Spec	
35	1060646	1	CE Spec	
36	4740185	2	Washer, Hardened	
37	3311601	6	Nut 3/8in-16NC	
38	0641612	6	Bolt 3/8in-16NC x 1 1/2in	
39	4843513	1	Air Intake Weldment	
40	2180730	1	Fitting, Adapter	
41	2420110	1	Sender, Oil Pressure	
42	3960407	1	Gasket	
43	1340020	1	Air Cleaner Assembly	
43	7004214	1	Element, Air Cleaner	
44	0340002	2	Band, Mounting - Air Cleaner	
45	1320180	6	Clamp, Hose	
46	2720351	3 in/7.6cm	Hose	
47	4565347	1	Tube, Air Cleaner	
48	0080039	1	Elbow	
49	0080046	1	Elbow	
50	0362043	4	Bar, Spacer	
51	0641424	4	Bolt 1/4in-20NC x 3in	
52	2720342	9 in/23cm	Hose, Air Intake	
53	1320059	3	Clamp, Hose	
54	3535551	1	Plate, Cover	
55	4565348	1	Tube, Exhaust	
56	1320019	1	U-Clamp	
57	0901705	1	Bracket, Muffler	
58	1320176	1	Clamp, Muffler	
60	0901778	1	Bracket, Charge Filter	
61	2120135	1	Filter, Charge Pressure	
61	2120136	1	Element, Charge Filter	
62		Ref	Line, Fuel Options (Return):	
62	2720271	8 ft/2.44m	Line, Fuel (Prior to SN 26785)	
62	2720058	8 ft/2.44m	Line, Fuel (SN 26785 to Present)	
63	2720058	6 ft/1.83m	Line, Fuel Options (Supply)	
64	1320022	4	Clamp, Hose	
65	2200462	2	Fitting, 90 (Prior to SN 28604)	
66		Ref	Fitting, Barbed Options:	
66	2180348	2	Fitting, Barbed (Prior to SN 28604)	
66	2220317	2	Fitting, Barbed (SN 28604 through 101992)	
66	2220805	2	Fitting, Barbed (SN 101993 to Present)	
67	0100043	AR	Sealant, Fuel Line (Not Shown)	
68	2180666	1	Fitting, Barbed (Prior to SN 28604)	
69	0641406	AR	Bolt 1/4in-20NC x 3/4in	
71	4280280	1	Strip, Air Intake	
72	3600206	1	Gear Pump Assembly (See GEAR PUMP ASSEMBLY - JSB for Breakdown)	
73	3790152	1	O-Ring	
74	0641812	2	Bolt 1/2in-13NC x 1 1/2in	
75	4761800	2	Lockwasher 1/2in	
76	3536144	1	Cover, Battery (Prior to SN 44593)	
76	1670841	1	Cover, Battery (SN 44593 to Present)	
77	0641405	4	Bolt 1/4in-20NC x 5/8in	

SECTION 2 - GROUND COMPONENTS

ITEM	PART NUMBER	QTY	DESCRIPTION	REV
78	4761400	4	Lockwasher 1/4in	
79		Ref	Hardware Options:	
79	4751400	4	Flatwasher 1/4in (Prior to SN 60098)	
79	1320060	2	Clamp (SN 60098 to Present)	
80	3740067	1	Relay	
81	4751400	8	Flatwasher 1/4in (Prior to SN 60098)	
82	3311405	4	Locknut 1/4in-20NC	
83	4711400	1	Flatwasher 1/4in Narrow (SN 26766 to Present)	
84	0700605	2	Bolt, Metric 6mm x 10mm (SN 26766 to Present)	
85		Ref	Fuse Options:	
85	Not Required	0	EN280 and Australian Spec	
85	2400054	1	CE Spec (35 Amp)	
86		Ref	Holder, Fuse Options:	
86	Not Required	0	EN280 and Australian Spec	
86	2400044	1	CE Spec	
87	0741008	AR	Screw, Flathead #10-24NC x 1in	
88	4751000	AR	Flatwasher #10	
89	3311005	AR	Locknut #10-24NC	
90		Ref	Bracket, Fuse Mounting Options:	
90	Not Required	0	EN280 and Australian Spec	
90	0902376	2	CE Spec	
91		Ref	Switch, Battery Disconnect Options:	
91	Not Required	0	EN280 and Australian Spec	
91	4360155	1	CE Spec	
92		Ref	Bracket, Switch Mounting Options:	
92	Not Required	0	EN280 and Australian Spec	
92	0902377	1	CE Spec (Prior to SN 71229)	
93		Ref	Cable, Battery Options:	
93	Not Required	0	EN280 and Australian Spec	
93	1060044	1	CE Spec	
94		Ref	Decal - Battery Connect and Disconnect Options:	
94	Not Required	0	EN280 and Australian Spec	
94	1703476	1	CE Spec	
95	0100011	AR	Loctite #242 (Not Shown)	
96	0701016	2	Bolt Metric 10mm x 40mm (SN 55667 to Present)	
97	4832000	2	Lockwasher (SN 55667 to Present)	
98	4740308	2	Spacer (SN 55667 to Present)	
99	0840046	1	Boot, Battery (Not Shown - Positive)	
100	0840047	1	Boot, Battery (Not Shown - Negative)	
101	2220273	2	Fitting, Reducer (Not Shown)	
		Ref	PUMP COUPLING INSTALLATIONS	
	0250597	Ref	13 Tooth Spline (Prior to SN 30660)	-
	0256848	Ref	15 Tooth Spline (SN 30660 to Present)	-
201		Ref	Coupling Options:	
201	1660184	1	13 Tooth Spline (Prior to SN 30660)	
201	1660234	1	15 Tooth Spline (SN 30660 to Present)	
		Ref	Note: Coupling Spine must be greased with lithium soap based grease prior to installation	
202	0080163	1	Adapter, Pump Mounting	
203	0700810	6	Bolt, Metric 8mm x 20mm	
204	4831900	6	Lockwasher 8mm	
205	0701013	8	Bolt 10mm x 28mm	

SECTION 2 - GROUND COMPONENTS

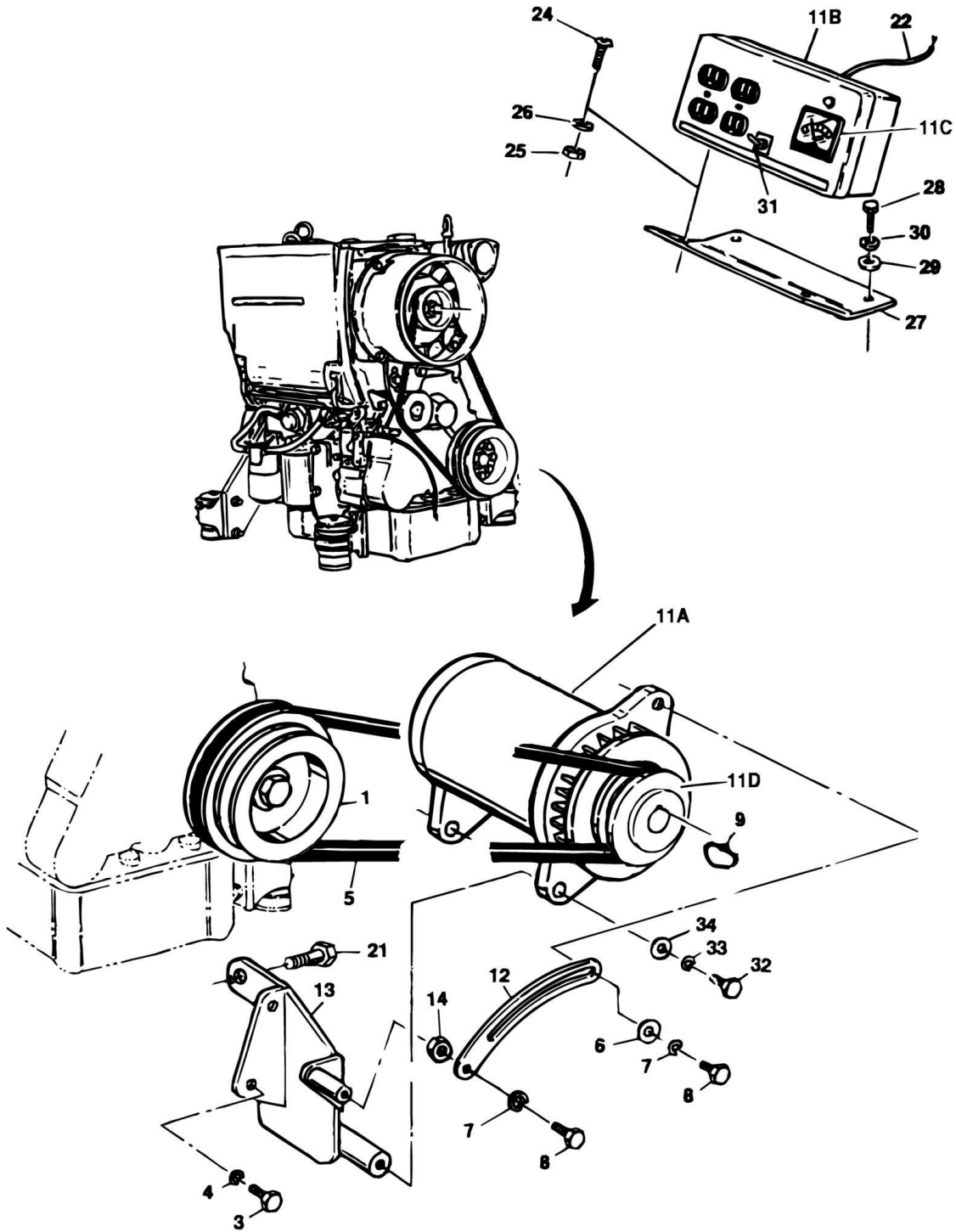
ITEM	PART NUMBER	QTY	DESCRIPTION	REV
206	4832000	8	Lockwasher 10mm	
207	3020021	AR	Grease, Coupling (Not Shown) (Prior to SN 103575)	
	0251548	Ref	ENGINE DISTRESS SWITCH INSTALLATION (OPTIONAL)	4
301	4360358	1	Switch, Pressure	
301	2180360	1	Fitting, Tee	
301	2180749	1	Fitting, 45	
	0258686	Ref	ENGINE SHUTDOWN INSTALLATION (OPTIONAL)	2
301	4360065	1	Switch, Pressure	
301	2180360	1	Fitting, Tee	
301	2180318	1	Fitting, 90	
301	2180643	1	Fitting, Nipple	
		Ref	GENERATOR INSTALLATIONS (OPTIONAL)	
	0251801	Ref	Generator Installations (Prior to August 1994)	G
	0255038	Ref	Generator Installations (August 1994 to Present)	A
401	2180730	1	Fitting, Adapter (Prior to August 1994)	
401	2180749	1	Fitting, 45	
401	2180537	1	Fitting, Nipple (Prior to August 1994)	
401	4360037	1	Switch, Pressure (Prior to August 1994)	
401	2180360	1	Fitting, Tee (Prior to August 1994)	
401	2200261	1	Fitting, Coupling (Prior to August 1994)	
	0253875	Ref	SPARK ARRESTOR INSTALLATION (OPTIONAL) (PRIOR TO OCTOBER 1995)	-
501	3220083	1	Arrestor, Spark (Includes Mounting Hardware)	
	0256898	Ref	SPARK ARRESTOR MUFFLER INSTALLATION (OPTIONAL) (OCTOBER 1995 THROUGH SN 65403)	-
551	4567159	1	Pipe, Exhaust	
552	1320021	1	U-Clamp	
553	3220036	1	Arrestor, Spark	
	0259488	Ref	SPARK ARRESTOR MUFFLER INSTALLATION (OPTIONAL) (SN 65404 to Present)	1
601	3220118	1	Spark Arrestor	
	0255114	Ref	EXHAUST PURIFIER INSTALLATION (OPTIONAL) (OCTOBER 1995 TO PRESENT)	-
701	4566617	2	Pipe, Exhaust	
702	1320019	2	U-Clamp	
703	3220086	1	Purifier, Exhaust	
		Ref	ENGINE COMPONENTS - DEUTZ F2L1011	
	2000106	Ref	Engine Components - DEUTZ F2L1011 (Prior to August 1995)	
	2000137	Ref	Engine Components - DEUTZ F2L1011 August 1995 to Present)	
		Ref	Engine 2000106	
	7000693	1	Muffler - Deutz F2L1011	
	7000699	1	Seal, Exhaust (Doughnut)	
	7012598	1	Fuel Filter	
	7012599	2	Injector, Fuel	
	7012698	1	Fuel Pump - Main	
	7016331	1	Oil Filter	
	7012626	1	Starter	
	7020465	1	Cap, Oil Filler	
	3600213	1	Pump, Drive (was p/n 7012572)	
	3520078	1	Plug (was p/n 7012573)	
	1670680	1	Cover, Timing Chain (was p/n 7012574)	

SECTION 2 - GROUND COMPONENTS

ITEM	PART NUMBER	QTY	DESCRIPTION	REV
	7012575	1	Pulley, Crankshaft	
	7016308	1	Ring, Air Intake	
	7019607	1	Shutdown Device (was p/n 7016359)	
	7020414	1	V-Belt	
	7020437	1	Flywheel	
	7020496	1	Gear, Ring (Flywheel)	
	7020456	1	Dipstick	
	7014683	1	Oil Change and Gasket Kit (Includes Fuel Line Washer, or Plug Washer, Oil Filter, Fuel Filter Injector Tip Gasket and Valve Cover Gasket)	
		Ref	Engine 2000137	
	7020417	1	Alternator	
	7000693	1	Muffler - Deutz F2L1011	
	7000699	1	Seal, Exhaust (Doughnut)	
	8320270	1	Fuel Filter (was p/n 7016328)	
	7012599	1	Pump, Fuel Injector	
	7020426	1	Injector, Fuel	
	7020425	1	Nozzle, Injector	
	7020424	1	Gasket, Injector Tip	
	7016309	1	Washer, Sealing (Copper)	
	7024413	1	Fuel Pump - Main	
	7020411	1	Gasket, Lift	
	7016332	1	Starter (was p/n 7016678)	
	7020465	1	Cap, Oil Filler	
	7020467	1	Pump, Oil	
	7016331	1	Oil Filter	
	7019607	1	Shutdown Device (was p/n 7016359)	
	7020414	1	V-Belt	
	7020027	1	Flywheel/Ring Gear Assembly	
	7020477	1	Gear, Ring (Flywheel)	
	7020434	1	Dipstick	
	7020429	1	Gasket, Vale Cover	
		Ref	Gasket, Head Options:	
	70003160	1	1 Notch	
	70003161	1	2 Notch	
	70003162	1	3 Notch	
	7020404	1	Washer, Oil Pan	
	7020406	1	Ring, Sealing	
	70001138	2	Mounting, Motor (Rear)	
	70001136	1	Mounting Kit, Motor (Front - LH)	
	70001137	1	Mounting Kit, Motor (Front - RH)	

SECTION 2 - GROUND COMPONENTS

FIGURE 2-10. GENERATOR INSTALLATIONS (DEUTZ ENGINE OPTION)



SECTION 2 - GROUND COMPONENTS

FIGURE 2-10. GENERATOR INSTALLATIONS (DEUTZ ENGINE OPTION)

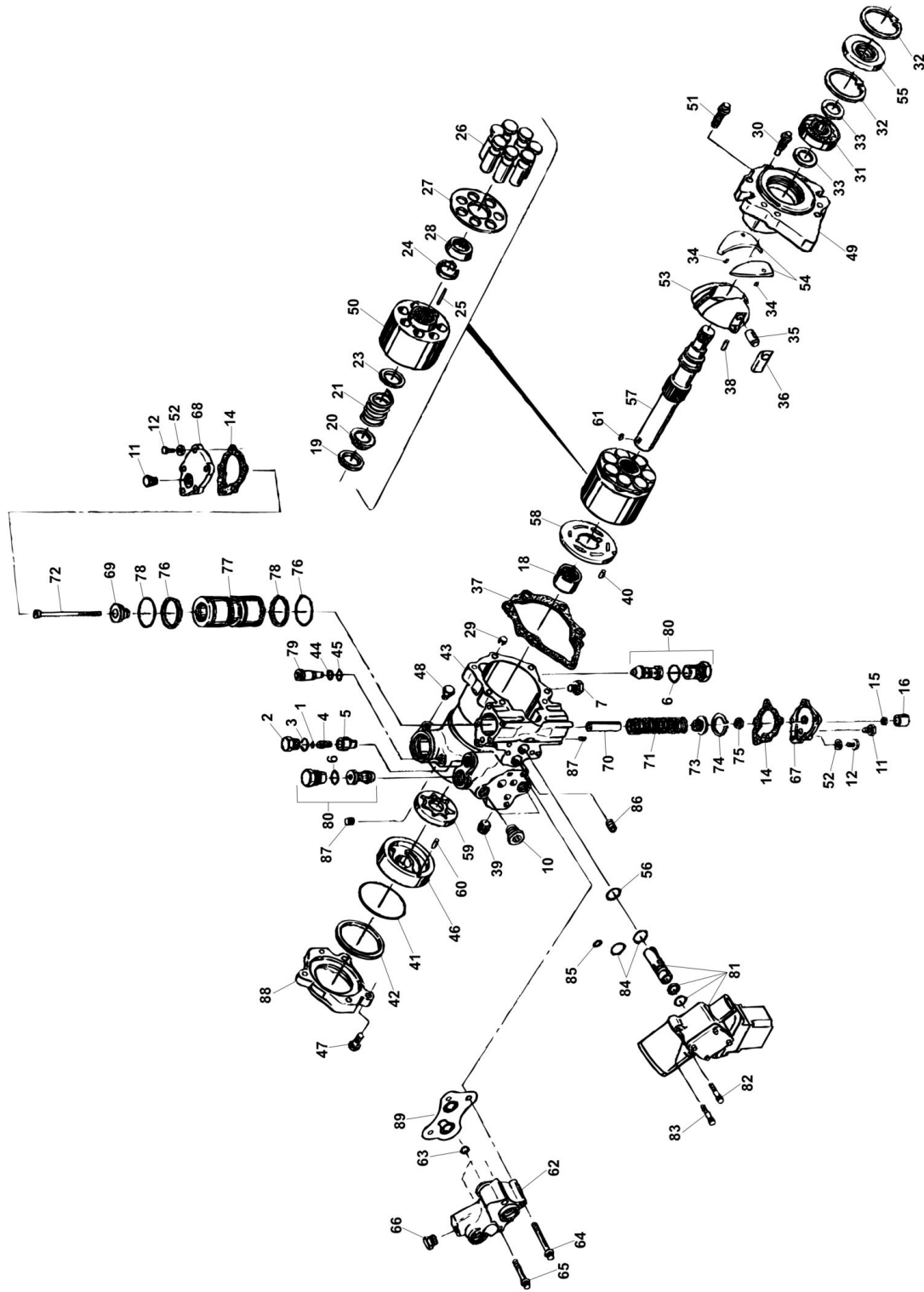
ITEM	PART NUMBER	QTY	DESCRIPTION	REV
		Ref	GENERATOR INSTALLATIONS (DEUTZ ENGINE OPTION)	
	0251801	Ref	Generator Installations (Deutz Engine Option) (Prior To August 1994)	G
	0255038	Ref	Generator Installations (Deutz Engine Option) (August 1994 To Present)	A
1	3580158	1	Pulley	
2	0100011	AR	Loctite #242 (Not Shown)	
3	0701012	2	Bolt, Metric 10mm x 25mm	
4	4812000	2	Flatwasher, Metric 10mm	
5	0480059	1	V-Belt	
6	4751500	1	Flatwasher 5/16in	
7	4761500	2	Lockwasher 5/16in	
8	0681510	2	Bolt 5/16in-18NC x 1 1/4in (Grade 8)	
9	2860012	1	Key, Woodruff	
11	2460011	1	Generator Assembly with Control Box	
11A	7012558	1	Generator Assembly Only	
11A	7020108	4	Brush	
11A	7020109	4	Holder, Brush	
11A	7012513	4	Caps, Brush Holder	
11A	7012514	1	Fan	
11A	7020193	1	Cord, Power	
11A	7026199	1	Armature	
11A	7020110	1	End Bell, Front	
11A	7020111	1	End Bell, Rear	
11A	7020190	2	Bearing	
11B	7003657	1	Control Box Assembly (Note: Replacement 110V Control Box comes with 2 std Receptacles p/n 4460190. Optional Industrial Twist Lock Receptacles p/n 4460027 must be ordered separately.)	
11B	4360542	1	Breaker, Circuit	
11B	4460190	2	Receptacle	
11B	2920162	1	Lamp	
11B	7020191	1	Switch, Toggle	
11B	3520028	1	Plug, Hole	
11C	2420203	1	Voltmeter	
11D	3580134	1	Pulley	
12	0361815	1	Arm, Adjustment	
13	4843410	1	Bracket, Generator Mounting	
14	3311501	1	Nut 5/16in-18NC	
21	0701414	1	Bolt, Metric 14mm x 30mm	
22	1060515	4 ft/1.2m	Cable, Electrical - 12/4	
24	3911004	2	Screw, Machine #10-24NC x 1/2in	
25	3311001	2	Nut #10-24NC	
26	4761000	2	Lockwasher #10	
27	0901609	1	Bracket, Control Box Mounting	
28	0641507	2	Bolt 5/16in-18NC x 7/8in	
29	4751500	2	Flatwasher 5/16in	
30	4761500	2	Lockwasher 5/16in	
31	3251476	1	Nametag - On/Off	
32	0681610	2	Bolt 3/8in-16NC x 1 1/4in (Grade 8)	
33	4761600	2	Lockwasher 3/8in	

SECTION 2 - GROUND COMPONENTS

ITEM	PART NUMBER	QTY	DESCRIPTION	REV
34	4751600	2	Flatwasher 3/8in	

SECTION 2 - GROUND COMPONENTS

FIGURE 2-11. PISTON PUMP ASSEMBLY - SUNSTRAND



SECTION 2 - GROUND COMPONENTS

FIGURE 2-11. PISTON PUMP ASSEMBLY - SUNSTRAND

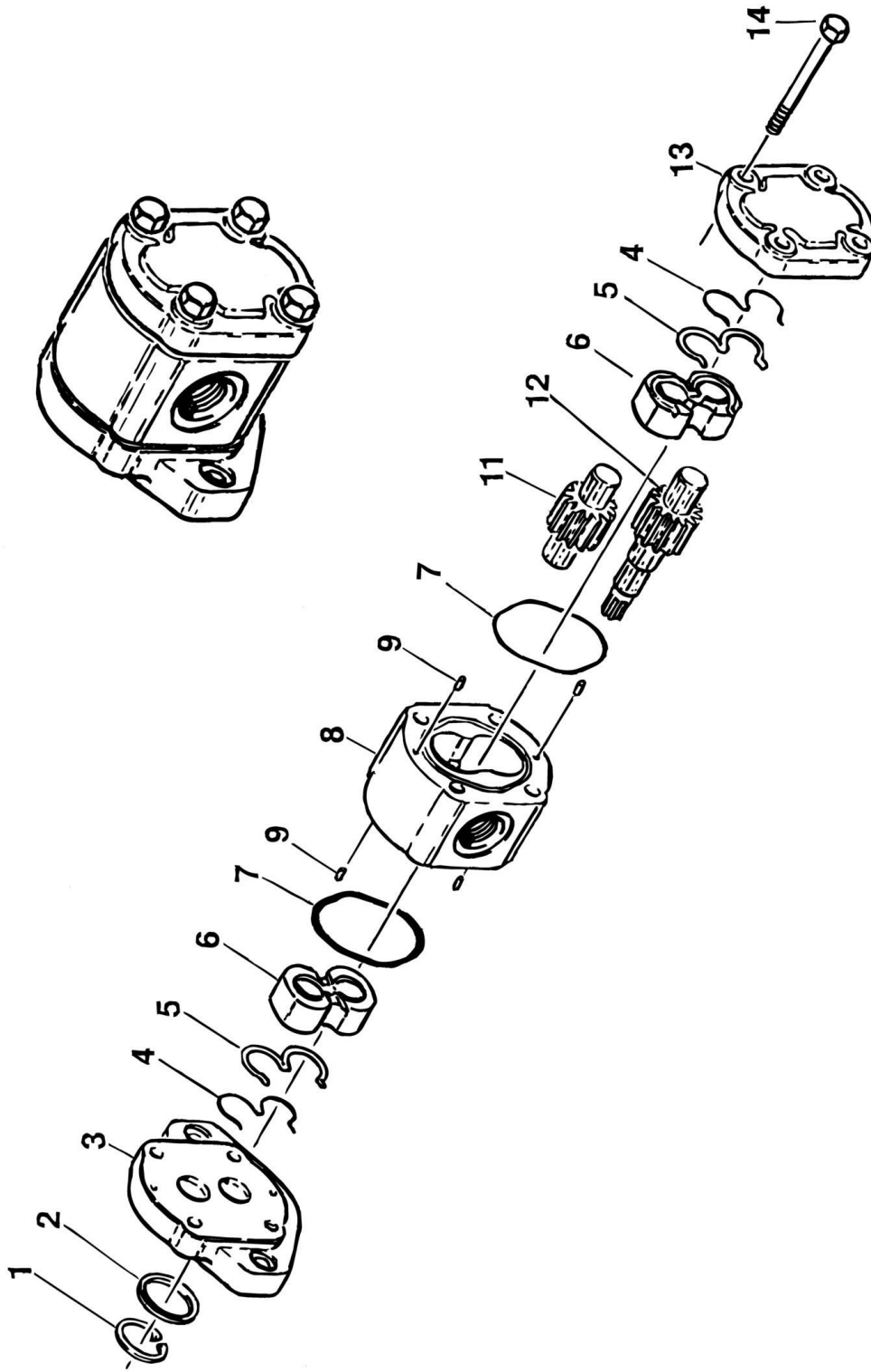
ITEM	PART NUMBER	QTY	DESCRIPTION	REV
		Ref	PISTON PUMP ASSEMBLY - SUNSTRAND	
	3600164	Ref	13 Tooth Pump Spline (Prior to SN 30660)	A
	3600260	Ref	15 Tooth Pump Spline (SN 30660 to Present)	B
1	7007413	1	Shim Kit - Relief Valve	
2	7007414	1	Plug	
3	Kit	1	O-Ring	
4	7007416	1	Spring, Relief Valve	
5	7007417	1	Valve, Relief	
6	Kit	2	O-Ring	
7	7007419	2	Plug	
10	7007420	2	Plug	
11	7007208	2	Plug	
12	7007421	10	Screw	
14	7007422	2	Gasket, Servo Cover	
15	7007423	1	Nut, Special	
16	7007424	1	Cover, Adjustment	
18	7007425	1	Bearing, Needle	
19	Kit	1	Ring, Retaining	
20	Kit	1	Washer	
21	Kit	1	Spring	
23	Kit	1	Washer	
24	Kit	1	Retainer	
25	Kit	3	Pin, Slipper Holddown	
26	Kit	7	Piston Assembly	
27	Kit	1	Guide, Slipper	
28	Kit	1	Guide, Retainer	
29	7007435	1	Pin, Spring	
30	7007436	1	Screw - 12 Point Head	
31	7007437	1	Bearing, Ball	
32	7007438	2	Ring	
33	7007439	2	Ring	
34	7007440	2	Pin, Spring	
35	7007441	1	Handle, Pin	
36	7007442	1	Sleeve, Bearing	
37	Kit	1	Gasket, Front Cover	
38	7007444	1	Pin	
39	7007445	1	Plug, Expansion	
40	Kit	1	Pin	
41	Kit	1	O-Ring	
42	Kit	1	Ring, Load Temper	
43	7007449	1	Housing, Pump	
44	Kit	1	Ring, Back-up	
45	Kit	1	O-Ring	
46	Kit	1	Cover, Gerotor	
47	7007453	3	Bolt, Hex	
48	7007208	1	Plug	
49	7007454	1	Cover, Front	
50	Kit	1	Block, Cylinder	
51	7007456	6	Screw - 12 Point Head	
52	7001438	10	Washer	

SECTION 2 - GROUND COMPONENTS

ITEM	PART NUMBER	QTY	DESCRIPTION	REV
53	Kit	1	Swashplate	
54	7007458	1	Journal, Bearing	
55	Kit	1	Seal, Lip	
56	Kit	1	O-Ring	
57		Ref	Shaft, Main Pump	
57	7007461	1	13 Tooth Spline (Prior to SN 30660)	
57	7010121	1	15 Tooth Spline (SN 30660 to Present)	
58	Kit	1	Plate, Valve	
59	Kit	1	Gerotor Assembly	
60	Kit	1	Pin	
61	Kit	1	Key, Woodruff	
62	7007466	1	Adaptor, Remote Filtration (Without Bypass)	
63	Kit	3	O-Ring	
64	7007468	2	Screw	
65	7007469	2	Screw	
66	7007470	1	Plug	
67	7007471	1	Cover, Servo (With Adjuster)	
67	7007490	2	Stop, Servo (Not Shown)	
67	7007491	2	Nut, Special (Not Shown)	
67	7007492	2	Ring, External (Not Shown)	
68	7007482	1	Cover, Servo (Without Adjuster)	
69	7007483	1	Guide, Spring	
70	7007484	1	Stop, Servo	
71	7007485	1	Spring	
72	7007486	1	Screw	
73	7007487	1	Guide, Spring	
74	7007488	1	Ring, Retaining	
75	7007499	1	Locknut	
76	Kit	2	Ring, Piston	
77	7007494	1	Piston, Servo	
78	Kit	2	O-Ring	
79	7007472	1	Valve, By-Pass	
80	7010122	2	Valve, Pressure Release (Includes Item 6) (Was 7007473)	
81	7007474	1	Control, Dual Oil-Filled	
81	7007496	1	Coil Assembly (Pilot)	
81	7007497	1	Plug (Pump)	
81	7007498	1	Plug (Valve Harness)	
82	7007478	2	Screw	
83	7001498	2	Screw	
84	Kit	2	O-Ring	
85	Kit	1	O-Ring	
86	7007475	1	Plug, Orifice/Screen - .156	
87	7007477	2	Plug, Orifice - .37	
88	7007476	1	Adapter, Auxiliary Pump	
89	7010120	1	Spacer/Gasket	
	2900752	1	Seal Kit - Complete (Includes Items 3, 6, 14, 15, 37, 41, 42, 44, 45, 55, 56, 63, 76, 78, 84 & 85)	
	7007412	1	Seal Kit - Servo Piston (Includes Items 76 & 78)	
	2900826	1	Charge Pump Kit (Includes Items 41, 42, 46, 59, 60 & 61)	
	2900827	1	Cylinder Block Kit (Includes Items 19-28, 40, 50, 53 & 58)	

SECTION 2 - GROUND COMPONENTS

FIGURE 2-12. GEAR PUMP ASSEMBLY - JSB



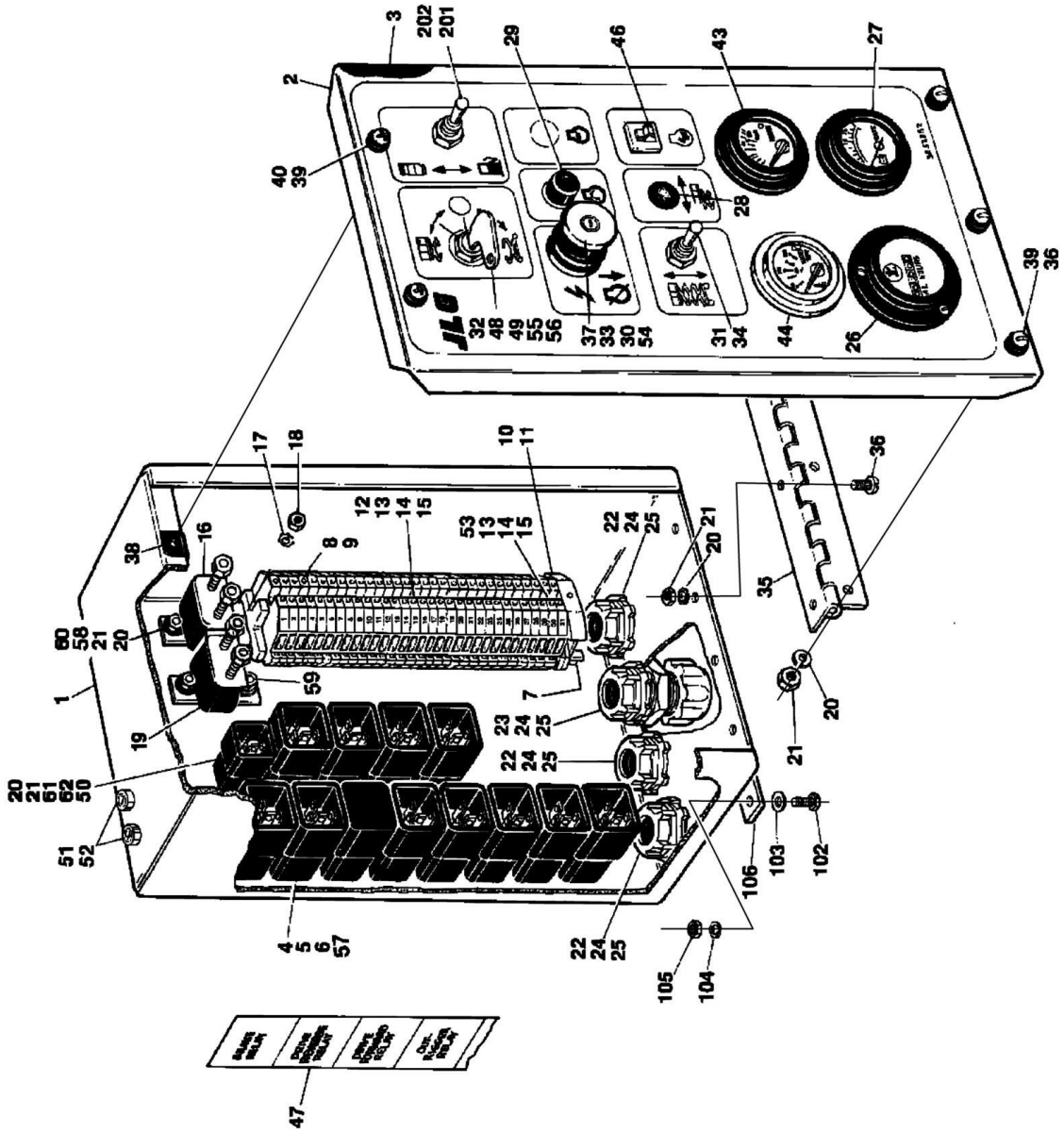
SECTION 2 - GROUND COMPONENTS

FIGURE 2-12. GEAR PUMP ASSEMBLY - JSB

ITEM	PART NUMBER	QTY	DESCRIPTION	REV
	3600206	Ref	GEAR PUMP ASSEMBLY - JSB	-
1	7007477	1	Ring, Retaining	
2	Kit	1	Seal, Shaft	
3	7010956	1	Flange, Mounting	
4	Kit	2	Ring, Back-up	
5	Kit	2	E-Seal	
6	7010957	2	Bearing	
7	Kit	2	O-Ring	
8	7010963	1	Housing, Gear	
9	7010959	4	Pin, Dowel	
11	7010982	1	Gear, Idler	
12	7010973	1	Gear, Drive	
13	7010960	1	Cover, End	
14	7010961	4	Bolt	
	7010953	1	Seal Kit (Includes Items 2, 4, 5 & 7)	

SECTION 2 - GROUND COMPONENTS

FIGURE 2-13. GROUND CONTROL BOX INSTALLATION



SECTION 2 - GROUND COMPONENTS

FIGURE 2-13. GROUND CONTROL BOX INSTALLATION

ITEM	PART NUMBER	QTY	DESCRIPTION	REV
		Ref	GROUND CONTROL BOX INSTALLATION OPTIONS:	
		Ref	GROUND CONTROL BOX ASSEMBLIES	
	0253726	Ref	All Deutz Engine Machines (Prior to April 1993)	-
	0254104	Ref	All Deutz Engines Machines (April 1993 through SN 50052)	6
	0254104	Ref	CE Spec Deutz Engines Machines (SN 50053 to Present)	11
	0258641	Ref	Australian Spec Deutz Engines Machines (SN 50053 to Present)	5
	0253725	Ref	Ford Engine Machines (Prior to April 1993)	-
	0254103	Ref	Ford Engine Machines (April 1993 to Present)	7
1		Ref	Box, Ground Control Options:	
1	4843375	1	Box, Ground Control (Prior to April 1993)	
1	4844562	1	Box, Ground Control (April 1993 through SN 70901)	
1	0861338	1	Box, Ground Control (SN 70902 to Present)	
2		Ref	Lid Options:	
2	3252252	1	Lid (Prior to April 1993)	
2	3252308	1	Lid (April 1993 through SN 65030)	
2	3252635	1	Lid (SN 65031 to Present)	
3	4420037	3 ft/.9m	Strip, Rubber	
4	3740049	AR	Relay	
5	4761400	AR	Lockwasher 1/4in	
6	3311401	AR	Nut 1/4in-20NC	
7		Ref	Rail, Mounting Options:	
7	3640621	1	Rail, Mounting (Prior to April 1993)	
7	3640865	1	Rail, Mounting (April 1993 to Present)	
8	4460298	AR	Block, Terminal	
9	4460301	1	Marker, Terminal	
10	4460299	2	Stop, Terminal	
11	4460300	1	Barrier, Terminal	
12	4460309	1	Bar, Buss - 3 Position	
13	4460305	AR	Screw	
14	4460306	AR	Washer	
15	4460307	AR	Sleeve	
16	4360216	1	Breaker, Circuit - 30 Amp	
17	4770600	2	Starwasher #6	
18	3310601	2	Nut #6-32NC	
19	4360232	1	Breaker, Circuit - 15 Amp	
20	4761000	AR	Lockwasher #10	
21	3311001	AR	Nut #10-24NC	
22	4460051	AR	Connector, Strain Relief	
23	4460071	1	Connector, Strain Relief (Prior to SN 74818)	
24	3300048	4	Locknut, Conduit	
25	0960238	4	Bushing	
26	2420009	1	Hourmeter	
27	2420091	1	Voltmeter	
28	3520028	1	Plug, Hole	
29	4360274	1	Switch, Push Button (Start)	
30	0100035	AR	Loctite #222 (Not Shown)	
31	3790012	AR	O-Ring (Prior to SN 74818)	
32	4360284	1	Switch, Key (Select) (CE Spec) (Prior to SN 65031)	
32	4360468	1	Switch, Key (Select) (CE Spec) (SN 65031 to Present)	

SECTION 2 - GROUND COMPONENTS

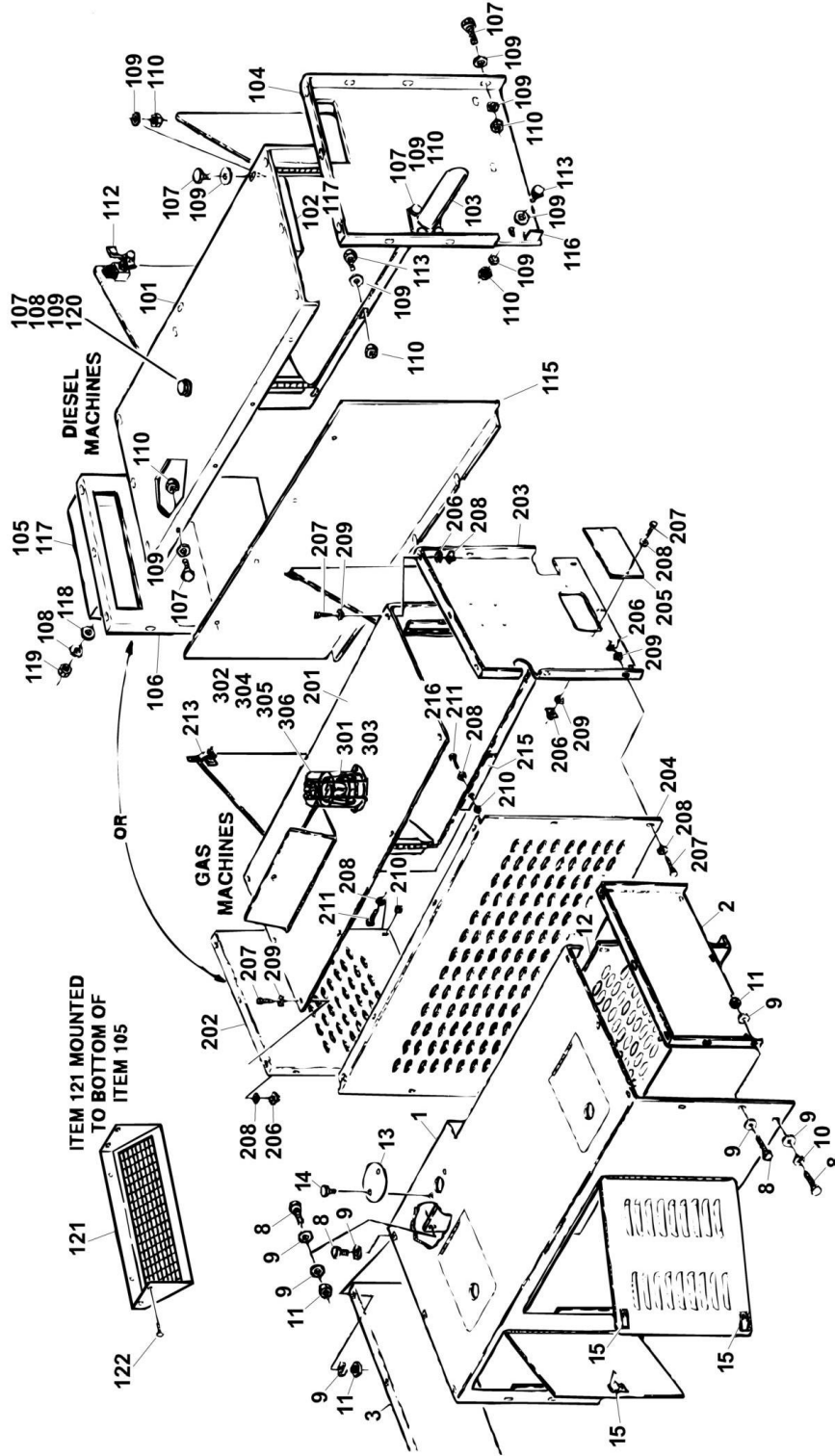
ITEM	PART NUMBER	QTY	DESCRIPTION	REV
32	4360290	1	Switch, Key (Select) (Australian Spec) (Prior to SN 65031)	
32	4360469	1	Switch, Key (Select) (Australian Spec) (SN 65031 to Present)	
32	7010698	1	Key, Replacement (4360284 & 4360290)	
32	2860030		Key, Replacement (4360469 & 4360468)	
33		Ref	Switch, Push/Pull (Emergency Stop) Options:	
33	4360289	1	Switch, Push/Pull (Emergency Stop) (Prior to SN 65031)	
33	4360475	1	Switch, Push/Pull (Emergency Stop) (SN 65031 to Present)	
34	4360314	1	Switch, Toggle (Lift)	
35	2600161	1	Hinge	
36	3911008	7	Screw, Machine #10-24NC x 1 1/2in	
37		Ref	Block, Contact Options:	
37	Not Required	0	Block, Contact (Prior to April 1993)	
37	4460267	1	Block, Contact (April 1993 through SN 81216)	
37	4360478	1	Block, Contact (SN 81217 to Present)	
38	3300177	2	Nut, Tinnerman	
39	4740120	5	Washer, Nylon	
40	0750806	2	Screw, Round Head	
41	4460303	1	Terminal, Ground Block (Not Shown)	
43		Ref	Oil Pressure Gauge Assembly Options:	
43	2420111	1	Deutz Engine Machines	
43	2420164	1	Ford Engine Machines	
43	2420084	1	Gauge Light Kit	
44		Ref	Water Temperature Gauge Assembly Options:	
44	3520070	1	Deutz Engine Machines (Hole Plug)	
44	2420159	1	Ford Engine Machines	
44	2420084	1	Gauge Light Kit	
46		Ref	Breaker, Circuit Options:	
46	4360212	1	Deutz Engine Machines (3 Amp)	
46	Not Required	0	Ford Engine Machines	
47	1701683	1	Decal, Relay Function	
48		Ref	Block, Contact Options:	
48	See Note	1	Block, Contact (Note: Use 4360267 as replacement for original 4360237) (Prior to SN 28604)	
48	4360267	1	Block, Contact (SN 28604 through 81216)	
48	Not Required	0	Block, Contact (SN 81217 to Present)	
49	4360281	1	Block, Contact	
50		Ref	Relay Options:	
50	Not Required	0	Deutz Engine Machines (Prior to April 1993)	
50	3740077	1	Deutz Engine Machines (April 1993 to Present)	
50	Not Required	0	Ford Engine Machines	
51		Ref	Breaker, Circuit - 10 Amp Options:	
51	Not Required	0	Deutz Engine Machines (Prior to SN 30660)	
51	4360069	2	Deutz Engine Machines (SN 30660 to Present)	
51	Not Required	0	Ford Engine Machines	
52		Ref	Nut, Seal Options:	
52	Not Required	0	Deutz Engine Machines (Prior to SN 30660)	
52	3300396	2	Deutz Engine Machines (SN 30660 to Present)	
52	Not Required	0	Ford Engine Machines	
53		Ref	Bar, Buss - 2 Position Options:	
53	Not Required	0	Deutz Engine Machines (Prior to SN 30660)	
53	4460308	1	Deutz Engine Machines (SN 30660 to Present)	
53	Not Required	0	Ford Engine Machines	

SECTION 2 - GROUND COMPONENTS

ITEM	PART NUMBER	QTY	DESCRIPTION	REV
54		Ref	Washer, Bronze Options:	
54	Not Required	0	Washer, Bronze (Prior to SN 37155)	
54	4740066	1	Washer, Bronze (SN 37155 to Present)	
55	4070987	5	Shim, Nylon (SN 65031 to Present)	
56	3910804	6	Screw #8-32 NC x 1/4in (SN 65031 to Present)	
57	0641406	AR	Bolt 1/4in-20NC x 3/4in (SN 70902 to Present)	
58	0721004	3	Bolt #10-24NC x 1/2in (SN 70902 to Present)	
59	0720603	4	Bolt #6-32NC x 3/8in (SN 70902 to Present)	
60	0641408	1	Bolt 1/4in-20NC x 1in	
61	0721006	1	Bolt #10-24NC x 3/4in	
62	4751000	1	Flatwasher #10	
63	3340841	4	Pad, PVC (Not Shown)	
64	2420084	3	Light Kit, Gauge (Not Shown)	
65	3790012	1	O-Ring (Not Shown)	
		Ref	GROUND CONTROL BOX INSTALLATIONS	
	0253722	Ref	All Deutz Powered Machines (Prior to April 1993)	-
	0254108	Ref	All Deutz Powered Machines (April 1993 through SN 50052)	B
	0254108	Ref	CE Spec Deutz Powered Machines (SN 50053 to Present)	B
	0258639	Ref	Australian Spec Deutz Powered Machines (SN 50053 to Present)	1
	0253721	Ref	All Ford Powered Machines (Prior to April 1993)	-
	0254107	Ref	All Ford Powered Machines (April 1993 to Present)	B
102	0641410	2	Bolt 1/4in-20NC x 1 1/4in (Standard)	
103	4751400	4	Flatwasher 1/4in	
104	4761400	2	Lockwasher 1/4in	
105	3311401	2	Nut 1/4in-20NC	
106	0362591	1	Bar, Brace	
	0250790	Ref	OPTIONAL DUAL FUEL CONTROLS INSTALLATION	11
201	4360331	1	Switch, Toggle (Select)	
202	3790012	1	O-Ring	
	0253821	Ref	HEADLIGHT/TAILLIGHT COMPONENTS INSTALLATION	3
301	3740049	1	Relay, Bosch (Not Shown)	
	0254076	Ref	LEVELING JACK COMPONENTS INSTALLATION (CE SPEC) (NOT SHOWN)	7
427	1060341	44 ft/13.4m	Cable, Electrical - 16/2	
428	4460035	3	Splice, Terminal	
429	4460051	1	Connector	
430	3300048	1	Locknut, Conduit	
431	0960238	1	Bushing	
432	4460470	1	Locknut	
433	4460471	1	Washer	
434	4460480	1	Receptacle	
435	4460465	10	Socket	
436	4460259	24	Terminal, Positive Lock	
437	4460260	24	Housing, Terminal	
438	4460298	8	Strip, Terminal	
439	4460301	1	Strip, Terminal Marking	

SECTION 2 - GROUND COMPONENTS

FIGURE 2-14. HOODS AND BEACON LIGHT INSTALLATION



SECTION 2 - GROUND COMPONENTS

FIGURE 2-14. HOODS AND BEACON LIGHT INSTALLATION

ITEM	PART NUMBER	QTY	DESCRIPTION	REV
		Ref	HOODS AND BEACON LIGHT INSTALLATION	
	0250687	Ref	HOOD INSTALLATION - LEFT SIDE (STANDARD ON ALL MACHINES)	4
		Ref	Note: Replacement Decals Must Be Ordered Separately - See DECALS SECTION.	
1	2680387	1	Hood Weldment - Left Side	
2	3534073	1	Plate - Left Side Rear	
3	3534074	1	Plate - Left Side Front	
8	0641406	27	Bolt 1/4in-20NC x 3/4in	
9	4751400	33	Flatwasher 1/4in	
10	4761400	11	Lockwasher 1/4in	
11	3311405	16	Locknut 1/4in-20NC	
12	3534089	1	Plate - Left Side Inside	
13	1670560	1	Cover	
14	0751006	2	Screw, Self-Tapping #10 x 3/4in	
15	2940042	3	Latch	
16	0100011	AR	Loctite #242 (Not Shown)	
	0251978	Ref	HOOD INSTALLATION - RIGHT SIDE (DIESEL MACHINES)	9
		Ref	Note: Replacement Decals Must Be Ordered Separately - See DECALS SECTION.	
101	2680396	1	Hood Weldment - Right Side	
102	3535353	1	Plate - Air Exhaust	
103	4844024	1	Snorkel, Exhaust	
104	3535348	1	Plate - Right Side Rear	
105	3535352	1	Plate - Air Intake	
106	2680395	1	Plate - Right Side Front	
107	0641406	39	Bolt 1/4in-20NC x 3/4in	
108	4761400	14	Lockwasher 1/4in	
109	4751400	72	Flatwasher 1/4in	
110	3311405	29	Locknut 1/4in-20NC	
112	2940042	2	Latch, Flush Mounting	
113	0641408	4	Bolt 1/4in-20NC x 1in	
114	0100011	AR	Loctite #242 (Not Shown)	
115	3535350	1	Plate - Right Side Inside	
116	0181637	2	Angle	
117	2820047	2	Foam, Acoustical	
118	4711400	6	Flatwasher 1/4in Narrow	
119	3311401	6	Nut 1/4in-20NC	
120	3300353	8	Nut, Tinnerman (Prior to SN 59270)	
121	4060969	1	Shield (SN 48785 to Present)	
122	3820019	6	Rivet (SN 48785 to Present)	
		Ref	HOOD INSTALLATIONS - RIGHT SIDE (GAS MACHINES)	
	0253299	Ref	Ford VSG-411	2-B
	0257910	Ref	Ford VSG-413	4-E
		Ref	Note: Replacement Decals Must Be Ordered Separately - See DECALS SECTION.	
201	2680406	1	Hood Weldment - Right Side	
202		Ref	Plate Options - Right Side Front	
202	3536349	1	Ford VSG-411	
202	3570421	1	Ford VSG-413	

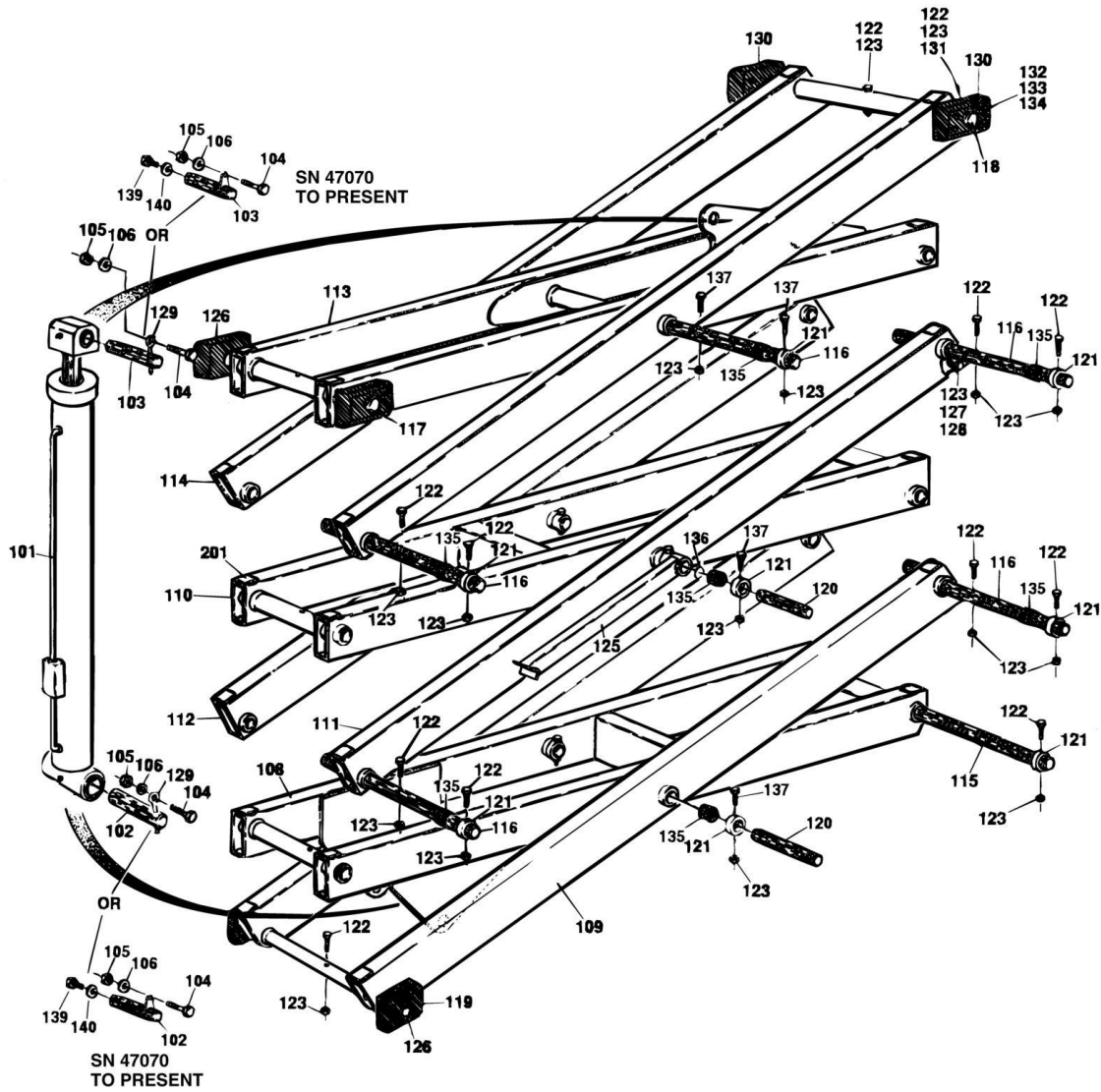
SECTION 2 - GROUND COMPONENTS

ITEM	PART NUMBER	QTY	DESCRIPTION	REV
203		Ref	Plate Options - Right Side Rear	
203	3536350	1	Ford VSG-411	
203	3570420	1	Ford VSG-413	
204	3536351	1	Plate - Inside Cover	
205	3536622	1	Cover, Pump (Prior to SN 47067)	
206	3300353	10	Nut, Tinnerman	
207	0641406	16	Bolt 1/4in-20NC x 3/4in	
208	4751400	23	Flatwasher 1/4in	
209	4761400	16	Lockwasher 1/4in	
210	3311405	4	Locknut 1/4in-20NC	
211	0641408	AR	Bolt 1/4in-20NC x 1in	
213	2940042	2	Latch, Flush Mount	
214	0100011	AR	Loctite #242 (Not Shown)	
215	0362100	1	Bar	
216	0641410	1	Bolt 1/4in-20NC x 1 1/4in	
		Ref	BEACON LIGHT INSTALLATION (HOOD MOUNTED) (OPTION)	
	0253445	Ref	Single Beacon	2-B
	0270365	Ref	Dual Beacon (Not Shown - Left/Right Side)	1-A
301	2920105	AR	Light, Strobe - Amber	
302	4060829	AR	Guard, Wire	
303	3941404	AR	Screw, Self-Tap 1/4in x 1/2in	
304	0641406	AR	Bolt 1/4in-20NC x 3/4in	
305	4751400	AR	Flatwasher 1/4in	
306	3311405	AR	Locknut 1/4in-20NC	
307	4460035	4	Terminal, Butt (Not Shown - Dual Beacon Only)	
308	1060341	20 ft/7m	Cable, 16/2 (Not Shown - Dual Beacon Only)	
309	4460043	1	Terminal, Eyelet (Not Shown - Dual Beacon Only)	

SECTION 3 - SIZZOR ARMS

SECTION 3 - SIZZOR ARMS

FIGURE 3-1. SIZZOR ARMS INSTALLATION (25RTS)



SECTION 3 - SIZZOR ARMS

FIGURE 3-1. SIZZOR ARMS INSTALLATION (25RTS)

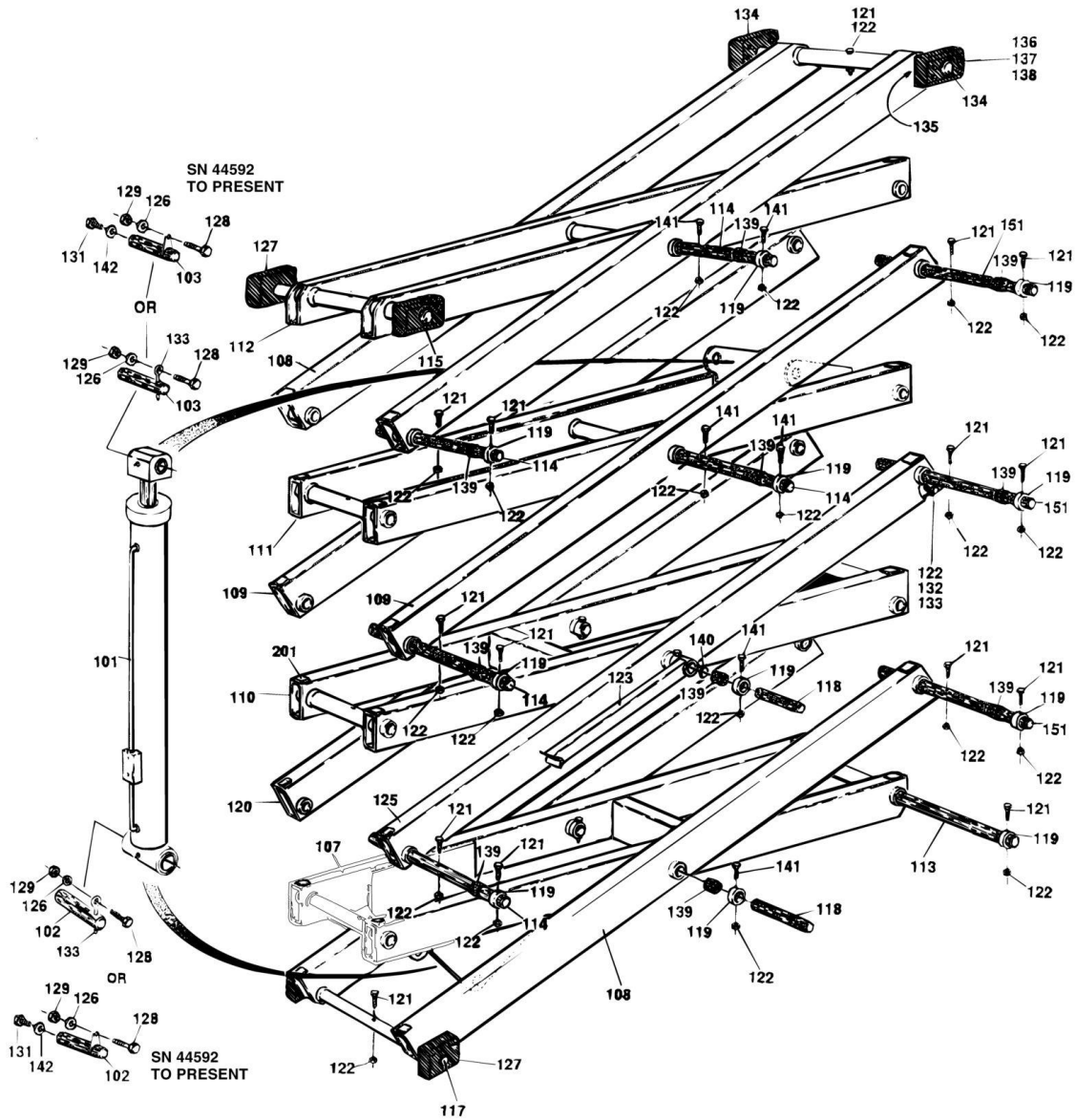
ITEM	PART NUMBER	QTY	DESCRIPTION	REV
		Ref	SIZZOR ARMS INSTALLATIONS	
	0252955	Ref	Standard Machines Built (Prior to May 1993)	A
	0254086	Ref	Standard Machines with Ford Engine Built (May 1993 to Present)	7
	0254086	Ref	Standard Machines with Deutz Engines Built (May 1993 through SN 46901)	7
	0258576	Ref	Standard Machines with Deutz Engines Built (SN 46902 to Present)	1
		Ref	Note: When using existing pins, Graphokote Lube (P/N 3020028) is required at installation on machines built (Prior to May 1993). When replacing pivot pins, use chrome pivot pins which require no lubrication at installation.	
101		Ref	Lift Cylinder Assembly (See CYLINDERS SECTION for Breakdown)	
101	1683465	1	Lift Cylinder Assembly (was p/n 1682593) (Prior to SN 23500)	
101	1683465	1	Lift Cylinder Assembly (SN 23500 to Present)	
102		Ref	Pin, Attach (Bottom Lift Cylinder)	
102	3422735	1	Pin, Attach (Bottom Lift Cylinder) (was p/n 3422073) (Prior to SN 44592)	
102	3422735	1	Pin, Attach (Bottom Lift Cylinder) (SN 44592 to Present)	
103		Ref	Pin, Attach (Top Lift Cylinder)	
103	3422738	1	Pin, Attach (Top Lift Cylinder) (was p/n 3422074) (Prior to SN 44592)	
103	3422738	1	Pin, Attach (Top Lift Cylinder) (SN 44592 to Present)	
104	0681714	2	Bolt 7/16in-13NC x 1 3/4in (Grade 8)	
105	3311705	2	Locknut 7/16in-13NC	
106	4751700	2	Flatwasher 7/16in	
108		Ref	Arm Weldment (Bottom Inboard)	
108	0200454	1	Arm Weldment (Bottom Inboard) (Prior to SN 33431)	
108	0200556	1	Arm Weldment (Bottom Inboard) (SN 33431 through 46901)	
108	0200556	1	Arm Weldment (Bottom Inboard) with Ford Engine (SN 46902 to Present)	
108	0200620	1	Arm Weldment (Bottom Inboard) with Deutz Engine (SN 46902 to Present)	
109		Ref	Arm Weldment (Bottom Outboard)	
109	0200455	1	Arm Weldment (Bottom Outboard) (Prior to May 1993)	
109	0200464	1	Arm Weldment (Bottom Outboard) (May 1993 to Present)	
110		Ref	Arm Weldment (Mid Inboard)	
110	0200458	1	Arm Weldment (Mid Inboard) (Prior to SN 46902)	
110	0200458	1	Arm Weldment (Mid Inboard) with Ford Engine (SN 46902 through 50200)	
110	0200631	1	Arm Weldment (Mid Inboard) with Ford Engine (SN 50201 to Present)	
110	0200621	1	Arm Weldment (Mid Inboard) with Deutz Engine (SN 46902 to Present)	
111		Ref	Arm Weldment (Mid Outboard - Right Side)	
111	0200372	1	Arm Weldment (Mid Outboard - Right Side) (Prior to May 1993)	
111	0200519	1	Arm Weldment (Mid Outboard - Right Side) (May 1993 to Present)	
112		Ref	Arm Weldment (Mid Outboard - Left Side)	
112	0200373	1	Arm Weldment (Mid Outboard - Left Side) (Prior to May 1993)	
112	0200520	1	Arm Weldment (Mid Outboard - Left Side) (May 1993 to Present)	

SECTION 3 - SIZZOR ARMS

ITEM	PART NUMBER	QTY	DESCRIPTION	REV
113	0200460	1	Arm Weldment (Top Inboard)	
114		Ref	Arm Weldment (Top Outboard)	
114	0200459	1	Arm Weldment (Top Outboard) (Prior to May 1993)	
114	0200465	1	Arm Weldment (Top Outboard) (May 1993 to Present)	
115	3422271	1	Pin, Attach	
116	3422267	5	Pin, Attach	
117	3422268	1	Pin, Attach	
118	3422272	1	Pin, Attach	
119	3422269	1	Pin, Attach	
120	3422270	4	Pin, Attach	
121	1440227	18	Collar	
122	0641528	20	Bolt 5/16in-18NC x 3 1/2in	
123	3311505	33	Locknut 5/16in-18NC	
125	4843248	2	Prop, Safety	
126	3340579	4	Pad, Sliding	
127	1320061	4	Clamp, Hose	
128	0641508	4	Bolt 5/16in-18NC x 1in	
129		Ref	Pin, Keeper	
129	3841144	2	Pin, Keeper (Prior to June 1993)	
129	3841203	2	Pin, Keeper (June 1993 through SN 44840)	
129	Not Required	0	Pin, Keeper (SN 44841 to Present)	
130	3340674	2	Pad, Mounting Block	
131		Ref	Bushing, Spacer	
131	0961335	2	Bushing, Spacer (Prior to June 1993)	
131	0961783	2	Bushing, Spacer (June 1993 to Present)	
132	0641624	8	Bolt 3/8in-16NC x 3in	
133	4751600	16	Flatwasher 3/8in	
134	3311605	8	Locknut 3/8in-16NC	
135	0961664	14	Bushing, Composite	
136	4740229	2	Washer, Bronze	
137	0641526	11	Bolt 5/16in-18NC x 3 1/4in	
138	0100011	AR	Loctite #242 (Not Shown)	
139	0641608	2	Bolt 3/8in-16NC x 1in	
140	4740401	2	Washer, Special	
		Ref	Sizzor Arm Kits (Includes Items 8-14 & 25) (25RTS)	
	2901332	1	Ford Engine Machines	
	2901648	1	Deutz Engine Machines	
		Ref	SIZZOR ARM PADS INSTALLATION OPTIONS:	
	0252586	Ref	Sizzor Arm Pads Installation (Prior to SN 53927)	2
	0258967	Ref	Sizzor Arm Pads Installation (SN 53927 to Present)	1
201		Ref	Pad Options:	
201	3340841	16	Pad (Prior to SN 53927)	
201	3340848	16	Pad (SN 53927 to Present)	

SECTION 3 - SIZZOR ARMS

FIGURE 3-2. SIZZOR ARMS INSTALLATION (33RTS)



SECTION 3 - SIZZOR ARMS

FIGURE 3-2. SIZZOR ARMS INSTALLATION (33RTS)

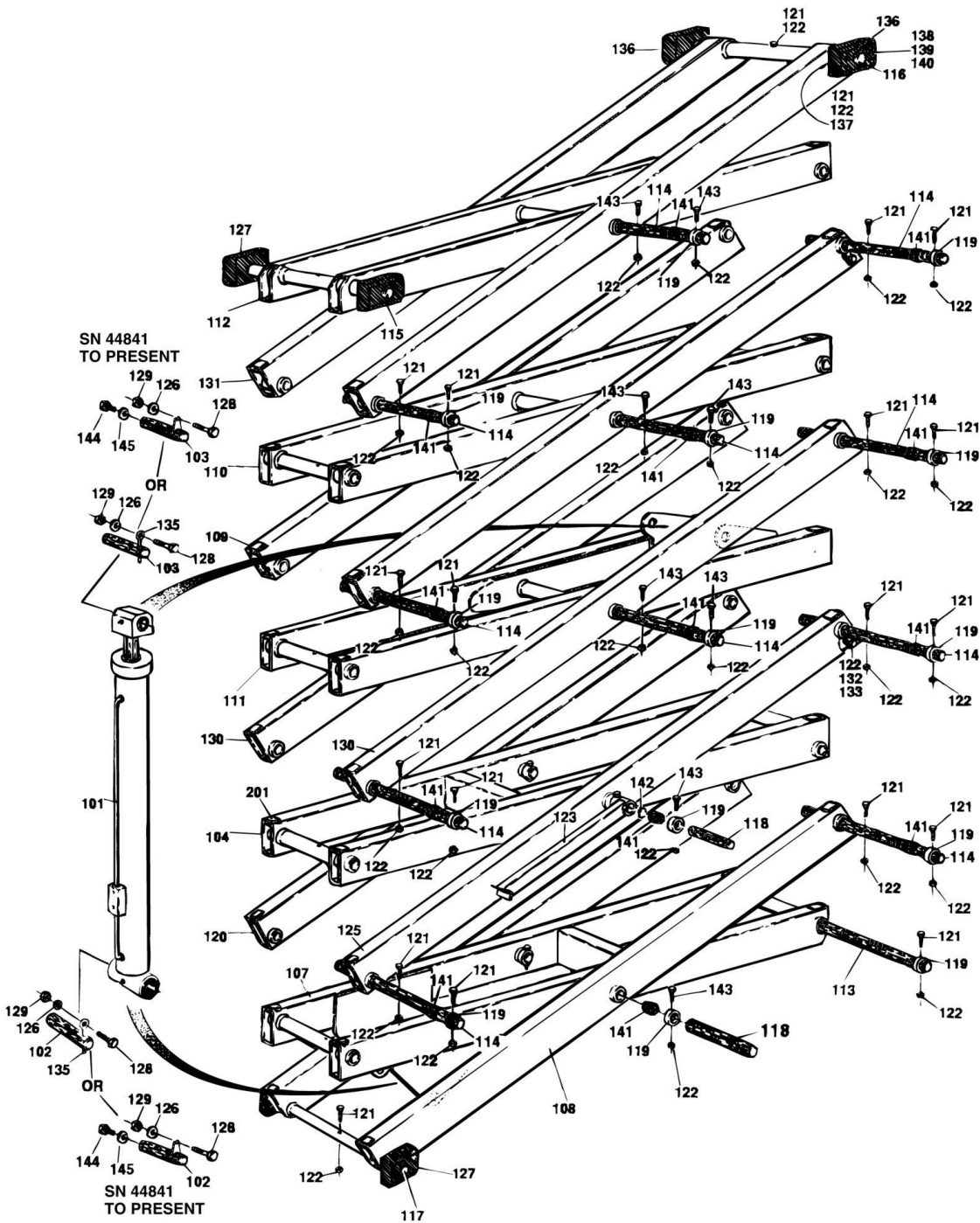
ITEM	PART NUMBER	QTY	DESCRIPTION	REV
		Ref	SIZZOR ARMS INSTALLATIONS	
	0252956	Ref	Standard Machines Built (Prior to May 1993)	A
	0254088	Ref	Standard Machines Built (May 1993 to Present)	7
		Ref	Note: When using existing pins, Graphokote Lube (P/N 3020028) is required at installation on machines built (Prior to May 1993). When replacing pivot pins, use chrome pivot pins which require no lubrication at installation.	
101		Ref	Lift Cylinder Assembly (See CYLINDERS SECTION for Breakdown)	
101	1683465	1	Lift Cylinder Assembly (was p/n 1682593) (Prior to SN 23500)	
101	1683465	1	Lift Cylinder Assembly (SN 23500 to Present)	
102		Ref	Pin, Attach (Bottom Lift Cylinder)	
102	3422735	1	Pin, Attach (Bottom Lift Cylinder) (was p/n 3422073) (Prior to SN 44592)	
102	3422735	1	Pin, Attach (Bottom Lift Cylinder) (SN 44592 to Present)	
103		Ref	Pin, Attach (Top Lift Cylinder)	
103	3422738	1	Pin, Attach (Top Lift Cylinder) (was p/n 3422074) (Prior to SN 44592)	
103	3422738	1	Pin, Attach (Top Lift Cylinder) (SN 44592 to Present)	
104	0100011	AR	Loctite #242 (Not Shown)	
107		Ref	Arm Weldment (Bottom Inboard)	
107	0200454	1	Arm Weldment (Bottom Inboard) (Prior to SN 33431)	
107	0200556	1	Arm Weldment (Bottom Inboard) (SN 33431 to Present)	
108	0200464	1	Arm Weldment (Bottom Outboard)	
109		Ref	Arm Weldment (Upper Mid Outboard)	
109	0200368	2	Arm Weldment (Upper Mid Outboard) (Prior to May 1993)	
109	0200452	2	Arm Weldment (Upper Mid Outboard) (May 1993 through SN 50200)	
109	0200630	2	Arm Weldment (Upper Mid Outboard) (SN 50201 to Present)	
110		Ref	Arm Weldment (Lower Mid Inboard)	
110	0200458	1	Arm Weldment (Lower Mid Inboard) (Prior to SN 50201)	
110	0200631	1	Arm Weldment (Lower Mid Inboard) (SN 50201 to Present)	
111	0200457	1	Arm Weldment (Upper Mid Inboard)	
112		Ref	Arm Weldment (Top Inboard)	
112	0200456	1	Arm Weldment (Top Inboard) (Prior to SN 35678)	
112	0200557	1	Arm Weldment (Top Inboard) (SN 35678 to Present)	
113	3422271	1	Pin, Attach	
114	3422267	8	Pin, Attach	
115	3422268	1	Pin, Attach	
116	3422272	1	Pin, Attach	
117	3422269	1	Pin, Attach	
118	3422270	4	Pin, Attach	
119	1440227	24	Collar	
120		Ref	Arm Weldment (Lower Mid Outboard - Left Side)	
120	0200373	1	Arm Weldment (Lower Mid Outboard - Left Side) (Prior to May 1993)	
120	0200520	1	Arm Weldment (Lower Mid Outboard - Left Side) (May 1993 to Present)	
121	0641528	25	Bolt 5/16in-18NC x 3 1/2in	
122	3311505	44	Locknut 5/16in-18NC	
123	4843248	2	Prop, Safety	
125		Ref	Arm Weldment (Lower Mid Outboard - Right Side)	

SECTION 3 - SIZZOR ARMS

ITEM	PART NUMBER	QTY	DESCRIPTION	REV
125	0200372	1	Arm Weldment (Lower Mid Outboard - Right Side) (Prior to May 1993)	
125	0200519	1	Arm Weldment (Lower Mid Outboard - Right Side) (May 1993 to Present)	
126	4751700	2	Flatwasher 7/16in	
127	3340579	4	Pad, Sliding	
128	0681714	2	Bolt 7/16in-13NC x 1 3/4in (Grade 8)	
129	3311705	2	Locknut 7/16in-13NC	
130	1320061	4	Clamp, Hose	
131	0641608	2	Bolt 3/8in-16NC x 1in	
132	0641508	4	Bolt 5/16in-18NC x 1in	
133		Ref	Pin, Keeper	
133	3841144	2	Pin, Keeper (Prior to June 1993)	
133	3841203	2	Pin, Keeper (June 1993 through SN 44840)	
133	Not Required	0	Pin, Keeper (SN 44841 to Present)	
134	3340674	2	Pad, Mounting Block	
135		Ref	Bushing, Spacer	
135	0961335	2	Bushing, Spacer (Prior to June 1993)	
135	0961783	2	Bushing, Spacer (June 1993 to Present)	
136	0641624	8	Bolt 3/8in-16NC x 3in	
137	4751600	16	Flatwasher 3/8in	
138	3311605	8	Locknut 3/8in-16NC	
139	0961664	20	Bushing, Composite	
140	4740229	2	Washer, Bronze	
141	0641526	19	Bolt 5/16in-18NC x 3 1/4in	
142	4740401	2	Washer, Special	
	2901330	1	Sizzor Arm Kit (Includes Items 7, 8, 9, 10, 11, 12, 20, 23 & 25) (33RTS)	
		Ref	SIZZOR ARM PADS INSTALLATION OPTIONS:	
	0252587	Ref	Sizzor Arm Pads Installation (Prior to SN 53927)	2
	0258968	Ref	Sizzor Arm Pads Installation (SN 53927 to Present)	1
201		Ref	Pad Options:	
201	3340841	24	Pad (Prior to SN 53927)	
201	3340848	24	Pad (SN 53927 to Present)	

SECTION 3 - SIZZOR ARMS

FIGURE 3-3. SIZZOR ARMS INSTALLATION (40RTS)



SECTION 3 - SIZZOR ARMS

FIGURE 3-3. SIZZOR ARMS INSTALLATION (40RTS)

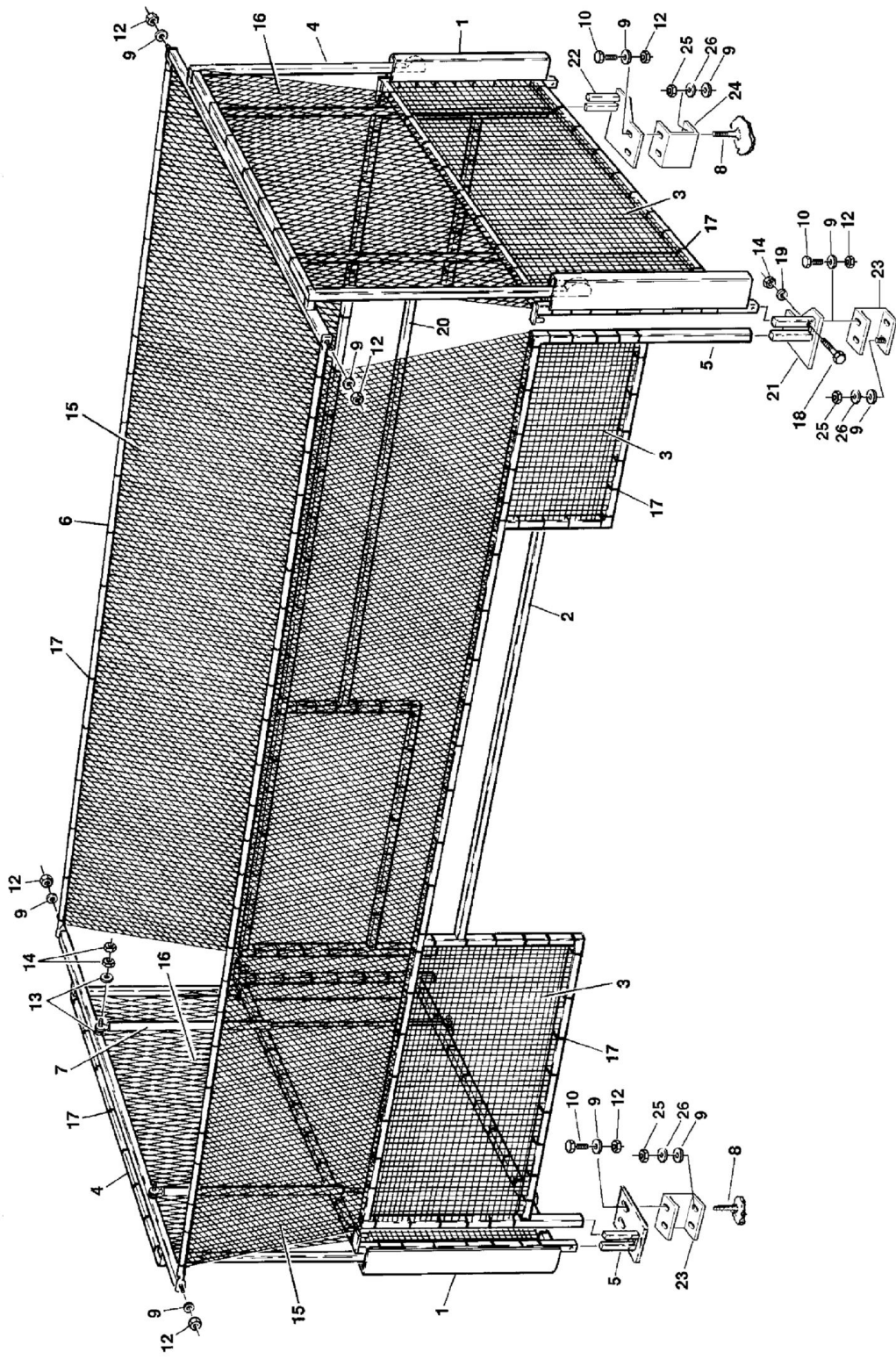
ITEM	PART NUMBER	QTY	DESCRIPTION	REV
		Ref	SIZZOR ARMS INSTALLATIONS	
	0252957	Ref	Standard Machines Built (Prior to May 1993)	A
	0254091	Ref	Standard Machines Built (May 1993 to Present)	8
		Ref	Note: When using existing pins, Graphokote Lube (P/N 3020028) is required at installation on machines built (prior to May 1993). When replacing pivot pins, built (prior to May 1993). When replacing pivot pins, at installation.	
101		Ref	Lift Cylinder Assembly (See CYLINDERS SECTION for Breakdown)	
101	1683466	1	Lift Cylinder Assembly (was p/n 1682243) (Prior to SN 23500)	
101	1683466	1	Lift Cylinder Assembly (SN 23500 to Present)	
102		Ref	Pin, Attach (Bottom Lift Cylinder)	
102	3422735	1	Pin, Attach (Bottom Lift Cylinder) (was p/n 3422073) (Prior to SN 44841)	
102	3422735	1	Pin, Attach (Bottom Lift Cylinder) (SN 44841 to Present)	
103		Ref	Pin, Attach (Top Lift Cylinder)	
103	3422738	1	Pin, Attach (Top Lift Cylinder) (was p/n 3422074) (Prior to SN 44841)	
103	3422738	1	Pin, Attach (Top Lift Cylinder) (SN 44841 to Present)	
104		Ref	Arm Weldment (2nd Inboard)	
104	0200458	1	Arm Weldment (2nd Inboard) (Prior to SN 50201)	
104	0200629	1	Arm Weldment (2nd Inboard) (SN 50201 to Present)	
107		Ref	Arm Weldment (Bottom Inboard)	
107	0200454	1	Arm Weldment (Bottom Inboard) (Prior to SN 33431)	
107	0200556	1	Arm Weldment (Bottom Inboard) (SN 33431 to Present)	
108	0200464	1	Arm Weldment (Bottom Outboard)	
109		Ref	Arm Weldment (4th Outboard)	
109	0200452	2	Arm Weldment (4th Outboard) (Prior to SN 50201)	
109	0200628	2	Arm Weldment (4th Outboard) (SN 50201 to Present)	
110	0200463	1	Arm Weldment (4th Inboard)	
111	0200462	1	Arm Weldment (3rd Inboard)	
112	0200461	1	Arm Weldment (Top Inboard)	
113	3422271	1	Pin, Attach	
114	3422267	11	Pin, Attach	
115	3422268	1	Pin, Attach	
116	3422272	1	Pin, Attach	
117	3422269	1	Pin, Attach	
118	3422270	4	Pin, Attach	
119	1440227	30	Collar	
120	0200403	1	Arm Weldment (2nd Outboard - Left Side)	
121	0641528	30	Bolt 5/16in-18NC x 3 1/2in	
122	3311505	49	Locknut 5/16in-18NC	
123	4843248	2	Prop, Safety	
125	0200402	1	Arm Weldment (2nd Outboard - Right Side)	
126	4751700	2	Flatwasher 7/16in	
127	3340579	4	Pad, Sliding	
128	0681714	2	Bolt 7/16in-13NC x 1 3/4in (Grade 8)	
129	3311705	2	Locknut 7/16in-13NC	
130	0200404	2	Arm Weldment (3rd Outboard)	
131	0200465	1	Arm Weldment (Top Outboard)	
132	1320061	4	Clamp, Hose	

SECTION 3 - SIZZOR ARMS

ITEM	PART NUMBER	QTY	DESCRIPTION	REV
133	0641508	4	Bolt 5/16in-18NC x 1in	
135		Ref	Pin, Keeper	
135	3841144	2	Pin, Keeper (Prior to June 1993)	
135	3841203	2	Pin, Keeper (June 1993 through SN 44840)	
135	Not Required	0	Pin, Keeper (SN 44841 to Present)	
136	3340674	2	Pad, Mounting Block	
137		Ref	Bushing, Spacer	
137	0961335	2	Bushing, Spacer (Prior to June 1993)	
137	0961785	2	Bushing, Spacer (June 1993 to Present)	
138	0641624	8	Bolt 3/8in-16NC x 3in	
139	4751600	16	Flatwasher 3/8in	
140	3311605	8	Locknut 3/8in-16NC	
141	0961664	26	Bushing, Composite	
142	4740229	2	Washer, Bronze	
143	0641526	19	Bolt 5/16in-18NC x 3 1/4in	
144	0641608	2	Bolt 3/8in-16NC x 1in	
145	4740401	2	Washer, Special	
	2901331	1	Sizzor Arm Kit (Includes Items 4, 7, 8, 9, 10, 11, 12, 20, 23, 25, 30 & 31) (40RTS)	
	0252588	Ref	SIZZOR ARM PADS INSTALLATION	3
201		Ref	Pad Options:	
201	3340841	32	Pad (Prior to SN 53927)	
201	3340848	32	Pad (SN 53927 to Present)	

SECTION 3 - SIZZOR ARMS

FIGURE 3-4. ARM GUARDS INSTALLATION



SECTION 3 - SIZZOR ARMS

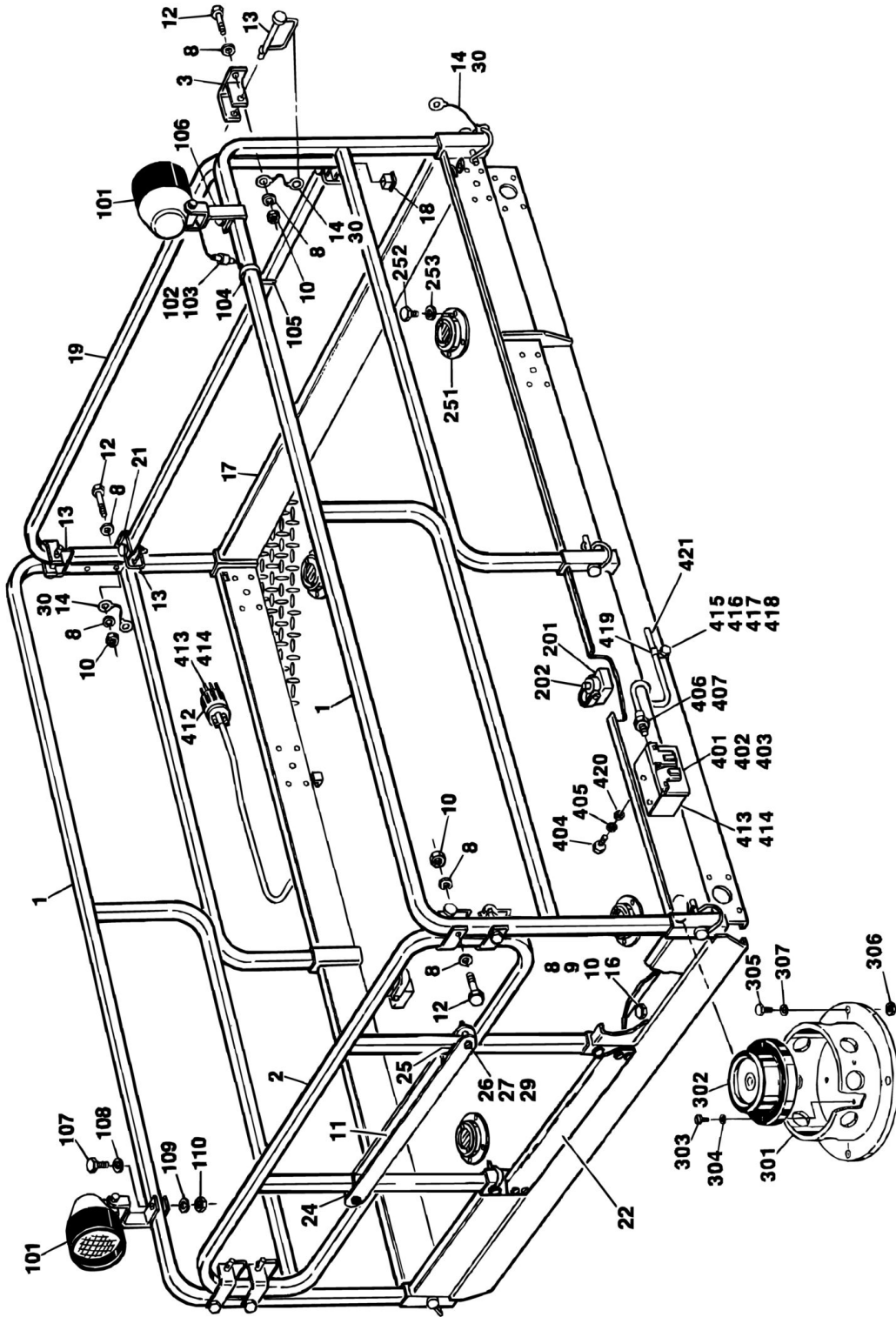
FIGURE 3-4. ARM GUARDS INSTALLATION

ITEM	PART NUMBER	QTY	DESCRIPTION	REV
		Ref	ARM GUARDS INSTALLATIONS	
	0253375	Ref	Diesel and Gas Machines	10-K
	0253366	Ref	Dual Fuel Machines	D
1	4843936	2	Guard (Front and Rear)	
2		Ref	Guard (Right Side)	
2	4843938	1	Diesel and Gas Machines (Prior to July 1993)	
2	4844598	1	Diesel and Gas Machines (July 1993 to Present)	
2	4844035	1	Dual Fuel Machines (Prior to July 1993)	
2	4844600	1	Dual Fuel Machines (July 1993 to Present)	
3	4921380	Ref	Mesh, Wire	
3	4921380	12 ft/3.7m	Diesel and Gas Machines	
3	4921380	2 ft/.6m	Dual Fuel Machines	
4	4843800	2	Guide, Belt Support	
5	4844457	2	Support, Guard	
6		Ref	Bar	
6	4340611	2	Bar (Prior to July 1993)	
6	4340648	2	Bar (July 1993 to Present)	
7		Ref	Spring, Gas	
7	4160135	4	Spring, Gas (Prior to February 1994) (was p/n 4160102)	
7	4160135	4	Spring, Gas (February 1994 through February 1995) (was p/n 4160126)	
7	4160135	4	Spring, Gas (February 1995 to Present)	
8	4300048	8	Stud (Welded on Part) (Prior to SN 107516)	
9	4711800	22	Flatwasher 1/2in Narrow	
10	0641810	8	Bolt 1/2in-13NC x 1 1/4in	
12	3311805	AR	Locknut 1/2in-13NC	
13	4711500	48	Flatwasher 5/16in Narrow	
14	3311501	22	Nut 5/16in-18NC	
15	0480064	2	Belt, Mesh	
16	0480065	2	Belt, Mesh	
17	4240033	AR	Tie-Strap	
18	0641514	4	Bolt 5/16in-18NC x 1 3/4in	
19	4761500	4	Lockwasher 5/16in	
20		Ref	Guard (Left Side)	
20	4843937	1	Diesel and Gas Machines (Prior to July 1993)	
20	4844599	1	Diesel and Gas Machines (July 1993 to Present)	
20	4844035	1	Dual Fuel Machines (Prior to July 1993)	
20	4844600	1	Dual Fuel Machines (July 1993 to Present)	
21	4844596	1	Support, Guard (Right Side) (July 1993 to Present)	
22	4844597	1	Support, Guard (Left Side) (July 1993 to Present)	
23	0902294	3	Bracket (SN 26775 to Present)	
24		Ref	Bracket Options (SN 26775 to Present)	
24	0902292	1	Bracket (SN 26775 through 102004)	
24	0902294	1	Bracket (SN 102005 to Present)	
25	3311801	8	Nut 1/2in-13NC (SN 53927 to Present)	
26	4761800	8	Lockwasher 1/2in (SN 53927 to Present)	
27	3340841	4	Pad (Not Shown) (SN 53927 to Present)	
	2902049	1	Arm Guard Kit - Includes Items 1, 2, 4 & 20 (Diesel and Gas Machines Only)	

SECTION 4 - PLATFORM

SECTION 4 - PLATFORM

FIGURE 4-1. FIXED PLATFORM (STANDARD) AND OPTIONAL COMPONENTS INSTALLATIONS



SECTION 4 - PLATFORM

FIGURE 4-1. FIXED PLATFORM (STANDARD) AND OPTIONAL COMPONENTS INSTALLATIONS

ITEM	PART NUMBER	QTY	DESCRIPTION	REV
		Ref	FIXED PLATFORM (STANDARD) AND OPTIONAL COMPONENTS INSTALLATIONS	
		Ref	PLATFORM WELDMENTS	1
		Ref	Note: Replacement Decals Must Be Ordered Separately - See DECALS SECTION for Breakdown.	
	3510381	Ref	Standard	
	3510407	Ref	Option With Tread Grip Flooring and Bolt-on Attach Rings	
	3510653	Ref	Option With Harness Attach Points	
		Ref	HANDRAILS INSTALLATIONS	
		Ref	Note: See SPECIAL OPTIONS LIST SECTION for Handrails with Inner Grip Rails	
	0253657	Ref	Fixed Platform	11
	0253656	Ref	Extendable Platform	12
1	3640810	2	Handrail - Side	
2	3640811	1	Handrail - Rear	
3	0901870	AR	Bracket	
8	4711400	AR	Flatwasher 1/4in Narrow	
10	3311405	AR	Locknut 1/4in-20NC	
11	3640833	1	Gate, Lift	
12	0641416	AR	Bolt 1/4in-20NC x 2in	
13	3422219	AR	Pin, Spring	
14	1060379	AR	Cable, Lanyard	
16	0641406	AR	Bolt 1/4in-20NC x 3/4in	
17		Ref	Kickplate - Front	
17	3536299	1	Fixed Platform	
17	Not Required	0	Extendable Platform	
18	3520070	AR	Cap Plug	
19		Ref	Rail Weldment - Front	
19	3640850	1	Fixed Platform	
19	Not Required	0	Extendable Platform	
21		Ref	Bracket	
21	4844192	1	Fixed Platform	
21	Not Required	0	Extendable Platform	
22	3536984	1	Kickplate - Rear	
24	0961833	4	Bushing	
25	4420055	6 in/15cm	Tape	
26	3911036	4	Screw #10-24NC x 2 1/4in	
27	4751000	4	Flatwasher #10	
29	3311005	4	Locknut #10-24NC	
30	3760170	8	Ring (SN 55667 to Present)	
32	4060807	1.25 ft/.4m	Shield, Flex Trim (Not Shown) (SN 101993 to Present)	
	2902029	1	Kit, Platform Rails (Includes Items 1, 2 & 11)	
	2902028	1	Kit, Platform Rails (Includes Items 1, 2, 11 & 19)	
		Ref	OPTIONAL WORKLIGHTS INSTALLATIONS	
	0253792	Ref	Optional Worklights Installations (25RTS)	-
	0253793	Ref	Optional Worklights Installations (33RTS)	-
	0253794	Ref	Optional Worklights Installations (40RTS)	-
101	2920111	2	Worklight	
101	7016627	2	Bulb, Replacement (1 per Assembly)	

SECTION 4 - PLATFORM

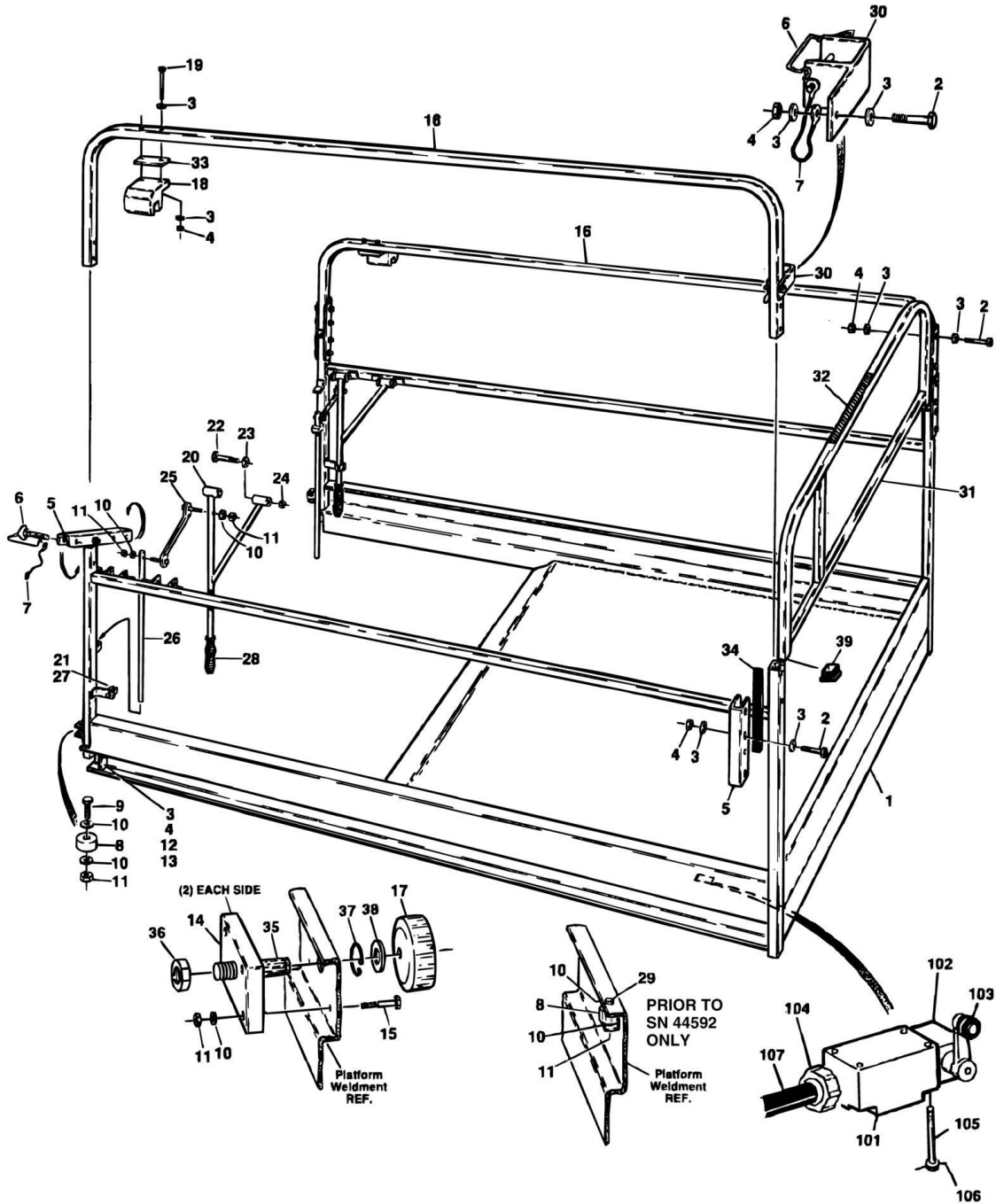
ITEM	PART NUMBER	QTY	DESCRIPTION	REV
102	4460206	2	Terminal, Male	
103	4460185	2	Terminal, Female	
104	1060341	Ref	Cable, Electrical - 16/2	
104	1060341	80 ft/24.4m	Cable, Electrical - 16/2 (25RTS)	
104	1060341	94 ft/28.7m	Cable, Electrical - 16/2 (33RTS)	
104	1060341	100 ft/30.5m	Cable, Electrical - 16/2 (40RTS)	
105	4240033	10	Tie Strap	
106	0901930	2	Bracket, Mounting	
107	0641416	2	Bolt 1/4in-20NC x 2in	
108	4751400	2	Flatwasher 1/4in	
109	4761400	2	Lockwasher 1/4in	
110	3311401	2	Nut 1/4in-20NC	
	0250999	Ref	OPTIONAL WELDED ON ATTACH RINGS INSTALLATION	2
201	3534309	2	Plate (Welded on Parts)	
202	3760274	2	Ring, Swivel	
	0253850	Ref	OPTIONAL BOLT-ON ATTACH RINGS INSTALLATION	A
251	3760321	6	Ring, Swivel	
252	0630476	24	Screw, Button Head 5/16in-18NC x 1 1/4in	
253	4761500	24	Lockwasher 5/16in	
254	0100011	AR	Loctite #242 (Not Shown)	
	0250317	Ref	OPTIONAL CIRCULAR LEVEL INSTALLATION	-
301	4842981	1	Mounting Weldment	
302	2420038	1	Level, Circular	
303	3910610	3	Screw, Machine #6-32NC x 5/8in	
304	4770600	3	Starwasher #6	
305	0641406	4	Bolt 1/4in-20NC x 3/4in	
306	3311401	4	Nut 1/4in-20NC	
307	4761400	4	Lockwasher 1/4in	
		Ref	OPTIONAL RECEPTACLE INSTALLATION	
	0253913	Ref	110V All Models	5
	0254380	Ref	220V (25RTS)	3
	0254381	Ref	220V (33RTS)	3
	0254382	Ref	220V (40RTS)	3
401	0860038	1	Box, Receptacle	
402		Ref	Receptacle	
402	4460190	1	110V	
402	Not Available		220V	
403	4060092	1	Shield, Cover	
404	3900256	4	Screw, Self-Tapping #10-16NC x 1 1/4in	
405	4761000	4	Lockwasher #10	
406		Ref	Reducer, Bushing	
406	0960407	1	110V (Prior to October 1995)	
406	4460051	1	110V (October 1995 to Present)	
406	Not Required	0	220V	
407		Ref	Connector, Strain Relief	
407	4460051	1	110V (was p/n 4460049) (Prior to SN 44684)	
407	4460051	1	110V (SN 44684 to Present)	
407	4460049	1	220V	
412		Ref	Connector, Plug	

SECTION 4 - PLATFORM

ITEM	PART NUMBER	QTY	DESCRIPTION	REV
412	4460138	1	110V	
412	Not Available		220V	
413	1700598	2	Decal - Ground (Prior to SN 55984)	
414	1700599	2	Decal - Neutral (Prior to SN 55984)	
415	0641507	AR	Bolt 5/16in-18NC x 7/8ft	
416	4711500	AR	Flatwasher 5/16in Narrow	
417	4761500	AR	Lockwasher 5/16in	
418	3311501	AR	Nut 5/16in-18NC	
419	1320061	AR	Clamp	
420	4711000	4	Flatwasher #10	
421	1060308	Ref	Cable, Electrical 12/3	
421	1060308	60 ft/18.3m	Cable, Electrical 12/3 (110V) (25RTS)	
421	1060308	55 ft/16.8m	Cable, Electrical 12/3 (220V) (25RTS)	
421	1060308	70 ft/21.3m	Cable, Electrical 12/3 (110V) (33RTS)	
421	1060308	65 ft/19.8m	Cable, Electrical 12/3 (220V) (33RTS)	
421	1060308	80 ft/24.4m	Cable, Electrical 12/3 (110V) (40RTS)	

SECTION 4 - PLATFORM

FIGURE 4-2. EXTENDABLE PLATFORM INSTALLATIONS (Prior to SN 50308)



SECTION 4 - PLATFORM

FIGURE 4-2. EXTENDABLE PLATFORM INSTALLATIONS (Prior to SN 50308)

ITEM	PART NUMBER	QTY	DESCRIPTION	REV
		Ref	EXTENDABLE PLATFORM INSTALLATIONS	
	0253033	Ref	Standard Flooring (Prior to SN 12925)	B
	0254881	Ref	Standard Flooring (SN 12925 through 50308)	B
	0253803	Ref	Optional Tread Grip Flooring	3
		Ref	Note: Replacement Decals Must Be Ordered Separately - See DECALS SECTION for Breakdown.	
1		Ref	Platform Extension Weldments	
1	3510382	1	Standard Flooring (Prior to SN 12925)	
1	3510478	1	Standard Flooring (SN 12925 through 50308)	
1	3510408	1	Optional Tread Grip Flooring	
2	0641416	12	Bolt 1/4in-20NC x 2in	
3	4751400	40	Flatwasher 1/4in	
4	3311405	22	Locknut 1/4in-20NC	
5	4200004	4	Channel, Hinge	
6	3421453	5	Pin, Spring	
7	1060379	5	Cable, Lanyard	
8	3860057	AR	Roller	
9	0641514	AR	Bolt 5/16in-18NC x 1 3/4in	
10	4751500	AR	Flatwasher 5/16in	
11	3311505	AR	Locknut 5/16in-18NC	
12		Ref	Angle, Stop	
12	0181684	2	Angle, Stop (Prior to July 1995) (was p/n 0181586)	
12	0181684	2	Angle, Stop (July 1995 to Present)	
13	0641408	4	Bolt 1/4in-20NC x 1in	
14		Ref	Extension, Roller Mount	
14	4843706	4	Extension, Roller Mount (Prior to February 1994) (Adjusts by using washers)	
14	3537619	4	Extension, Roller Mount (February 1994 through SN 50308) (Has adjusting screw)	
15	0641511	16	Bolt 5/16in-18NC x 1 3/8in	
16	4565790	2	Tube, Side	
17	3860059	4	Roller, Extension	
18	3340653	2	Pad, Slide	
19	0641420	4	Bolt 1/4in-20NC x 2 1/2in	
20	4843336	2	Handle Weldment	
21	3941004	2	Screw, Self-Tapping #10 x 1/2in	
22	0641620	4	Bolt 3/8in-16NC x 2 1/2in	
23	4751600	4	Flatwasher 3/8in	
24	3311605	4	Locknut 3/8in-16NC	
25	0200409	2	Arm, Latch	
26	3841180	2	Rod, Latch	
27	1380132	2	Clip, Gripper	
28	2560088	2	Grip, Handle	
29	0641516	2	Bolt 5/16in-18NC x 2in	
30	0901916	1	Bracket - Front Handrail	
31	3640846	1	Handrail - Front	
32	3252235	1	Decal - Capacity (Prior to SN 44593)	
33	4070829	AR	Shim	
34	4280284	12	Strip, Rubber (Prior to SN 27422)	

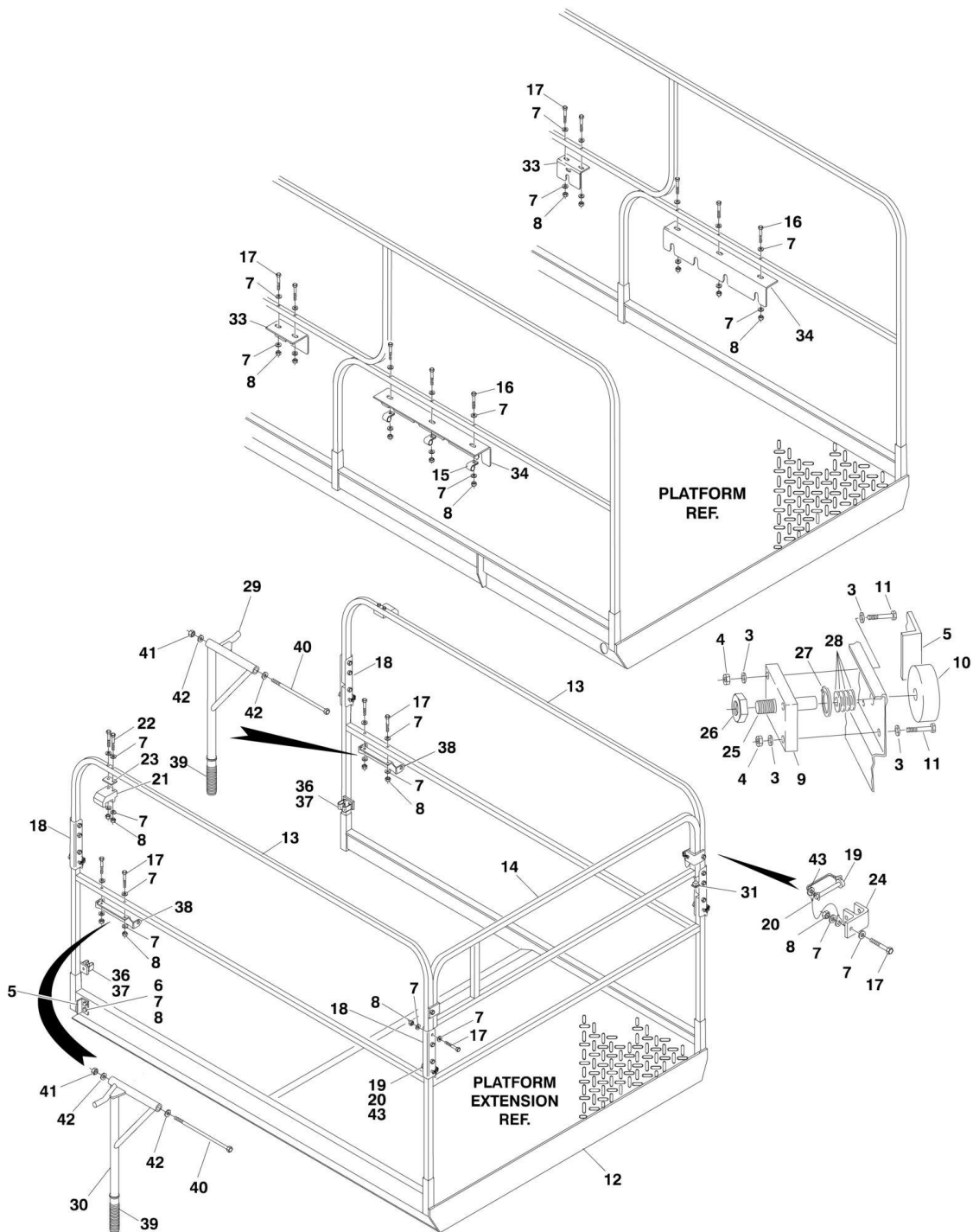
in/30.5cm

SECTION 4 - PLATFORM

ITEM	PART NUMBER	QTY	DESCRIPTION	REV
35	3841233	4	Rod, Roller Support (February 1994 through SN 50308)	
36	3312202	4	Nut, Jam 3/4in-10NC	
37	3760348	4	Ring, Retaining	
38	4752200	4	Flatwasher 3/4in	
39	3520072	2	Plug, Cap (Prior to SN 44592)	
		Ref	LIMIT SWITCH INSTALLATION	
	0251704	Ref	Limit Switch Installation (Prior to June 1994)	A
	0254979	Ref	Limit Switch Installation (June 1994 through 1996)	-
101	4360277	1	Switch, Limit	
102	4360236	1	Head, Switch	
103	4360278	1	Arm and Roller	
104	4460052	1	Connector, Strain Relief	
105	3900168	2	Screw, Fillister #10-24NC	
106	4920140	2	Lockwire	
107	1060341	91	Cable, Electrical 16/2	
		ft/36.7m		

SECTION 4 - PLATFORM

FIGURE 4-3. EXTENDABLE PLATFORM INSTALLATIONS (SN 50308 to Present)



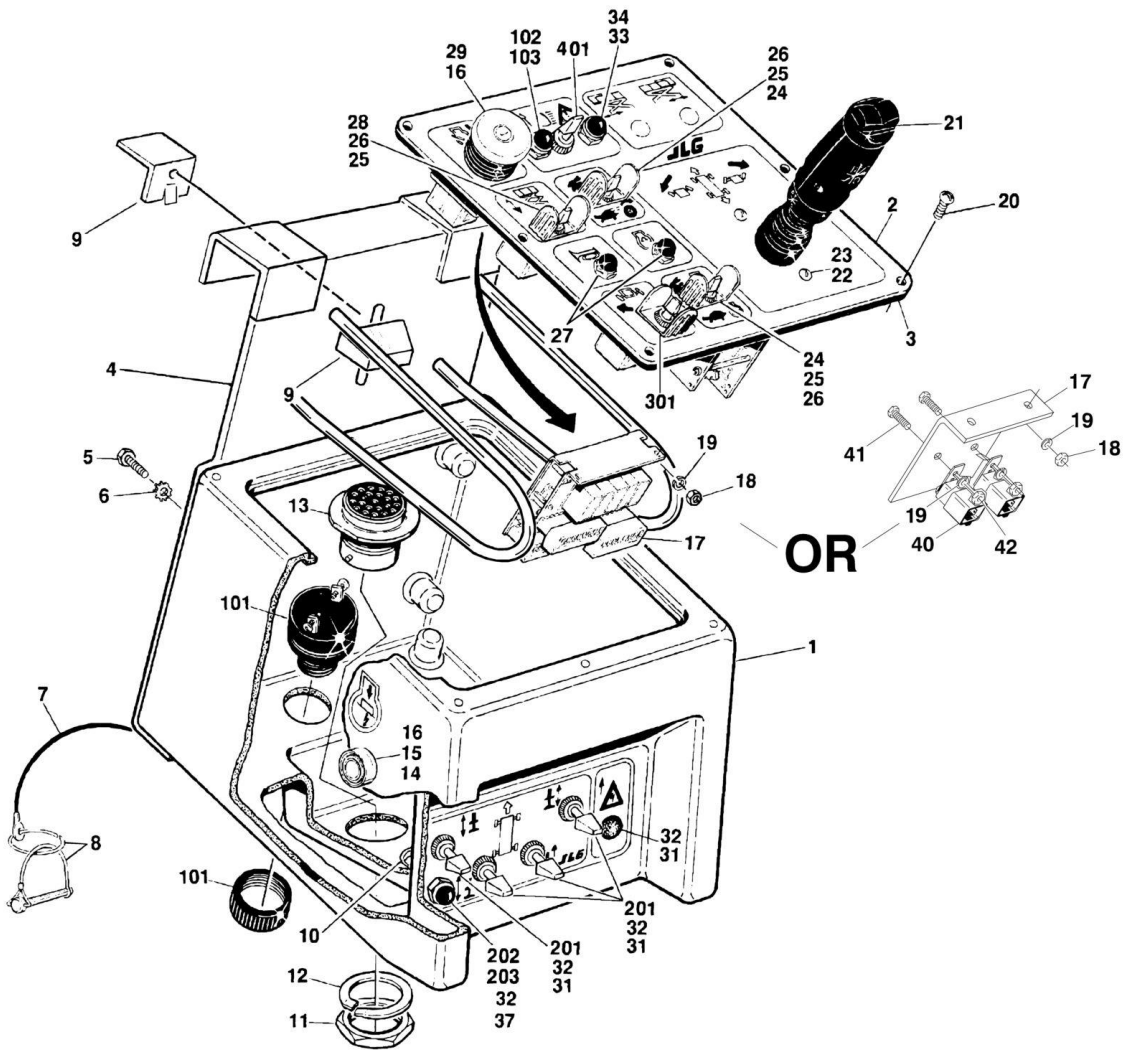
SECTION 4 - PLATFORM

FIGURE 4-3. EXTENDABLE PLATFORM INSTALLATIONS (SN 50308 to Present)

ITEM	PART NUMBER	QTY	DESCRIPTION	REV
		Ref	EXTENDABLE PLATFORM INSTALLATIONS	
	0258697	Ref	Standard Flooring	6
	0258719	Ref	Optional Tread Grip Flooring	6
3	4711500	16	Flatwasher 5/16in	
4	3311505	16	Locknut 5/16in-18NC	
5	0181684	2	Angle, Stop	
6	0641408	4	Bolt 1/4in-20NC x 1in	
7	4751400	64	Flatwasher 1/4in	
8	3311405	32	Locknut 1/4in-20NC	
9	3537619	4	Extension, Roller Mount	
10	3860059	4	Roller, Extension	
11	0641511	16	Bolt 5/16in-18NC x 1 3/8in	
12		Ref	Platform Extension Weldment Options:	
12	3510700	1	Standard Flooring	
12	3510701	1	Optional Tread Grip Flooring	
13	4565790	2	Tube, Side	
14	3640846	1	Handrail - Front	
15	1320061	3	Clamp	
16	0641418	3	Bolt 1/4in-20NC x 2 1/4in	
17	0641416	26	Bolt 1/4in-20NC x 2in	
18	4200004	4	Channel, Hinge	
19	3421453	5	Pin, Spring	
20	1060379	5	Cable, Lanyard	
21	3340653	2	Pad, Slide	
22	0641420	4	Bolt 1/4in-20NC x 2 1/2in	
23	4070829	4	Shim	
24	0901916	1	Bracket - Front Handrail	
25	3841233	4	Rod, Roller Support	
26	3322202	4	Nut, Jam 3/4in-16NF	
27	3760348	4	Ring, Retaining	
28	4752200	4	Flatwasher 3/4in	
29	4845854	1	Handle Weldment	
30	4845855	1	Handle Weldment	
31	3520072	2	Plug, Cap	
33	3571078	2	Latch Plate - Rear	
34	3571077	2	Latch Plate - Front	
36	1380132	2	Clip, Gripper	
37	3820020	2	Pop Rivet	
38	3537609	2	Plate, Pivot	
39	2560088	2	Grip, Handle	
40	0641676	2	Bolt 3/8in-16NC x 9 1/2in	
41	3311605	2	Locknut 3/8in-16NC	
42	4751600	4	Flatwasher 3/8in	
43	3760170	5	Ring	

SECTION 4 - PLATFORM

FIGURE 4-4. PLATFORM CONSOLE BOX INSTALLATION



SECTION 4 - PLATFORM

FIGURE 4-4. PLATFORM CONSOLE BOX INSTALLATION

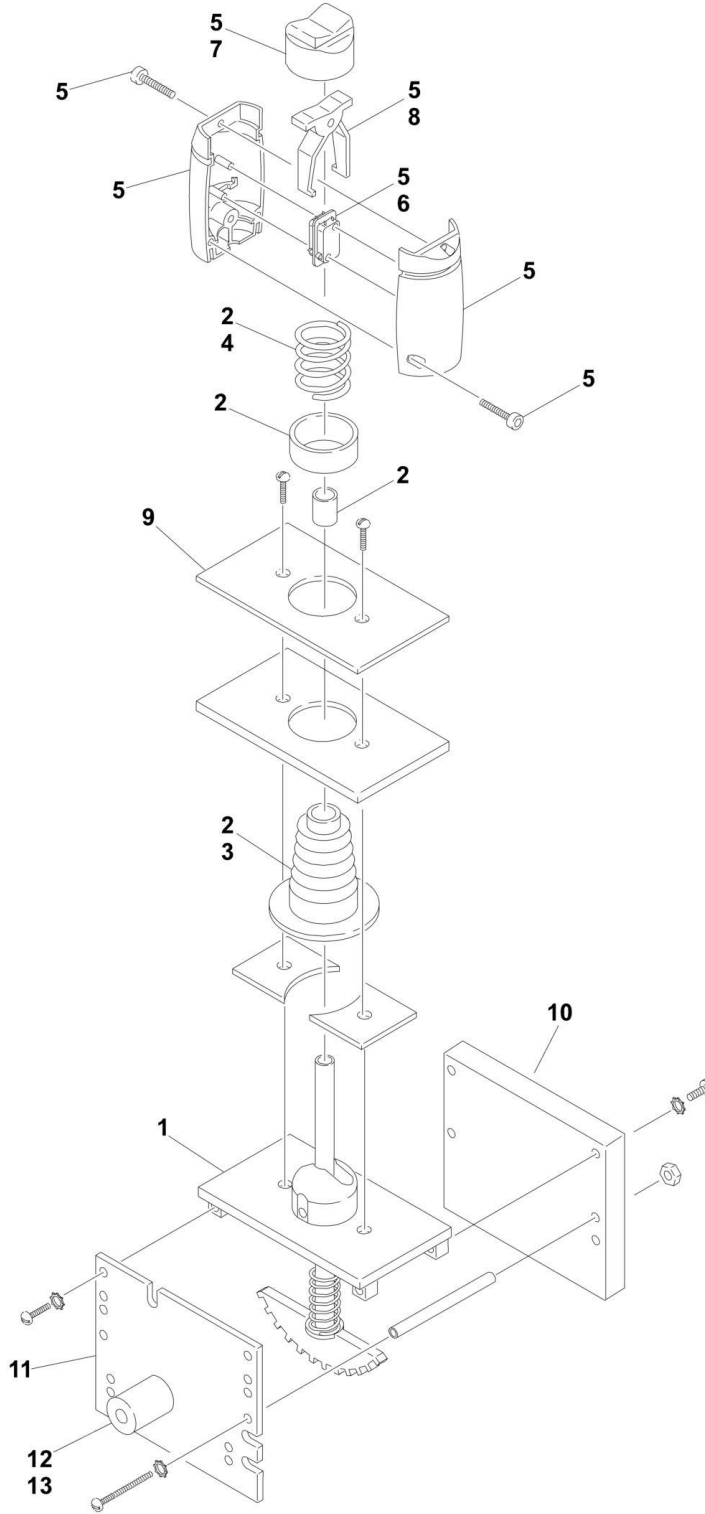
ITEM	PART NUMBER	QTY	DESCRIPTION	REV
		Ref	PLATFORM CONSOLE BOX INSTALLATION	
		Ref	CONSOLE BOX INSTALLATIONS	
	0253702	Ref	All Machines (Prior to SN 46645)	13
	0253702	Ref	CE Spec Machines (SN 46645 to Present)	13
	0258642	Ref	Australian Spec Machines (SN 46645 to Present)	9
1		Ref	Box, Control Options:	
1	0860799	1	Box, Control (Prior to SN 80670)	
1	0861377	1	Box, Control (SN 80670 to Present)	
2		Ref	Nameplate, Lid	
2	3252310	1	Nameplate, Lid (Prior to July 1993) (Was P/N 3252229)	
2	3252310	1	Nameplate, Lid (July 1993 through SN 57701) (Was P/N 3252310)	
2	3252620	1	Nameplate, Lid (July 1993 to Present)	
3	4420008	38	Tape, Insulation	
		in/96.5cm		
4		Ref	Bracket, Hanger	
4	0901897	2	Bracket, Hanger (Prior to SN 46418)	
4	0902456	2	Bracket, Hanger (SN 46418 through 57700)	
4	4845938	2	Bracket, Hanger (SN 57701 to Present)	
5	0641404	AR	Bolt 1/4in-20NC x 1/2in	
6	4791400	AR	Starwasher 1/4in	
7	1060380	1	Lanyard - 10in (Prior to SN 46418)	
8	3760170	1	Ring (Prior to SN 46418)	
8	3421453	1	Pin, Snap (Prior to SN 46418)	
9	2560141	1	Thumbscrew (SN 46418 to Present)	
9	0181847	1	Angle (SN 46418 to Present)	
10	3520082	1	Plug, Hole	
11	4460470	1	Nut, Conduit	
12	4460471	1	Lockwasher, Conduit	
13	4460463	1	Receptacle	
14	4360339	1	Switch, Push Button (Enable)	
14	7012593	1	Cap, Rubber	
15	4360267	1	Block, Contact - N.O.	
16	0100035	AR	Loctite #222	
17		Ref	Circuit Card Assembly	
17	0610114	1	Circuit Card Assembly (Prior to February 1995) (was p/n 0610103)	
17	0610114	1	Circuit Card Assembly (February 1995 through SN 57700)	
17	7012658	1	Fuse - 7.5 Amp	
17	0610110	1	Bracket Replacement Kit	
17	0902514	1	Bracket, Relay (SN 57701 to Present)	
18		Ref	Nut Options:	
18	3310601	2	Nut #6-32NC (Prior to SN 57701)	
18	3311001	2	Nut #10-24NC (SN 57701 to Present)	
19		Ref	Lockwasher Options:	
19	4770600	2	Lockwasher #6 (Prior to SN 57701)	
19	4761000	4	Lockwasher #10 (SN 57701 to Present)	
20	3900177	8	Screw, Machine #8 x 1/2in	
21		Ref	Controller, PQ (Drive/Steer) Options:	

SECTION 4 - PLATFORM

ITEM	PART NUMBER	QTY	DESCRIPTION	REV
21	1600157	1	Controller, PQ (Drive/Steer) (See DRIVE/LIFT CONTROLLER ASSEMBLY of Breakdown) (Prior to SN 57701)	
21	1600290	1	Controller, PQ (Drive/Steer) (See DRIVE/LIFT CONTROLLER ASSEMBLY for Breakdown) (SN 57701 to Present)	
22	4740120	4	Washer, Nylon	
23	3900178	4	Screw, Machine #10-32NC x 3/4in	
24	4360336	2	Switch, Toggle (Drive Speed and Engine Speed)	
25	4060802	3	Shield, Switch	
26	3790012	3	O-Ring	
27	4360274	2	Switch, Push Button (Horn)	
28	4360314	1	Switch, Toggle (Lift)	
29		Ref	Switch, Emergency Stop Options:	
29	4360289	1	Switch, Emergency Stop (Prior to SN 65031)	
29	4360475	1	Switch, Emergency Stop (SN 65031 to Present)	
29		Ref	Cap Options:	
29	7012611	1	Cap, Mushroom Head (Used on Switch p/n 4360289)	
29	7012612	1	Boot (Used on Switch p/n 4360289)	
29	7020175	1	Cap, Red (Used on Switch p/n 4360475)	
29	7020176	1	Contact Block (Used on Switch p/n 4360475)	
31	3520079	5	Plug, Hole	
32	0100009	AR	Sealant, Silicon	
33	2920029	1	Bulb, Light	
34	2920026	1	Lamp, Indicator - Red	
37	3520081	1	Plug, Hole	
38		Ref	Block, Contact Options: (Not Shown)	
38	4360282	1	Block, Contact (Prior to SN 47996)	
38	4360476	1	Block, Contact (SN 47996 to Present)	
40	3740049	4	Relay (SN 57701 to Present)	
41	3911008	2	Screw Machine #10-24NC x 1/2in (SN 57701 to Present)	
42	3321001	2	Nut #10-24NC (SN 57701 to Present)	
45	4750600	2	Flatwasher (Not Shown)	
		Ref	TILT ALARM INSTALLATIONS	
	0253702	Ref	All Machines (Prior to SN 46645)	12
	0253702	Ref	CE Spec Machines (SN 46645 to Present)	12
	0258642	Ref	Australian Spec Machines (SN 46645 to Present)	8
101	0140011	1	Alarm	
102	2920026	1	Lamp, Indicator - Red	
103	2920029	1	Bulb, Light	
	0254076	Ref	OPTIONAL LEVELING JACK CONTROLS INSTALLATION	8
201	4360314	4	Switch, Toggle	
201	3790012	4	O-Ring	
202	2920026	1	Lamp, Indicator - Red	
203	2920029	1	Bulb, Light	
	0252532	Ref	OPTIONAL 4WS CONTROLS INSTALLATION	7
301	4360314	1	Switch, Toggle (Rear Steer)	
301	3790012	1	O-Ring	
301	4060802	1	Guard, Switch	
	0253821	Ref	OPTIONAL LIGHTS INSTALLATION	3
401	4360329	1	Switch, Toggle	
401	3790042	1	O-Ring	

SECTION 4 - PLATFORM

FIGURE 4-5. DRIVE/LIFT CONTROLLER ASSEMBLY (Prior to SN 57701)



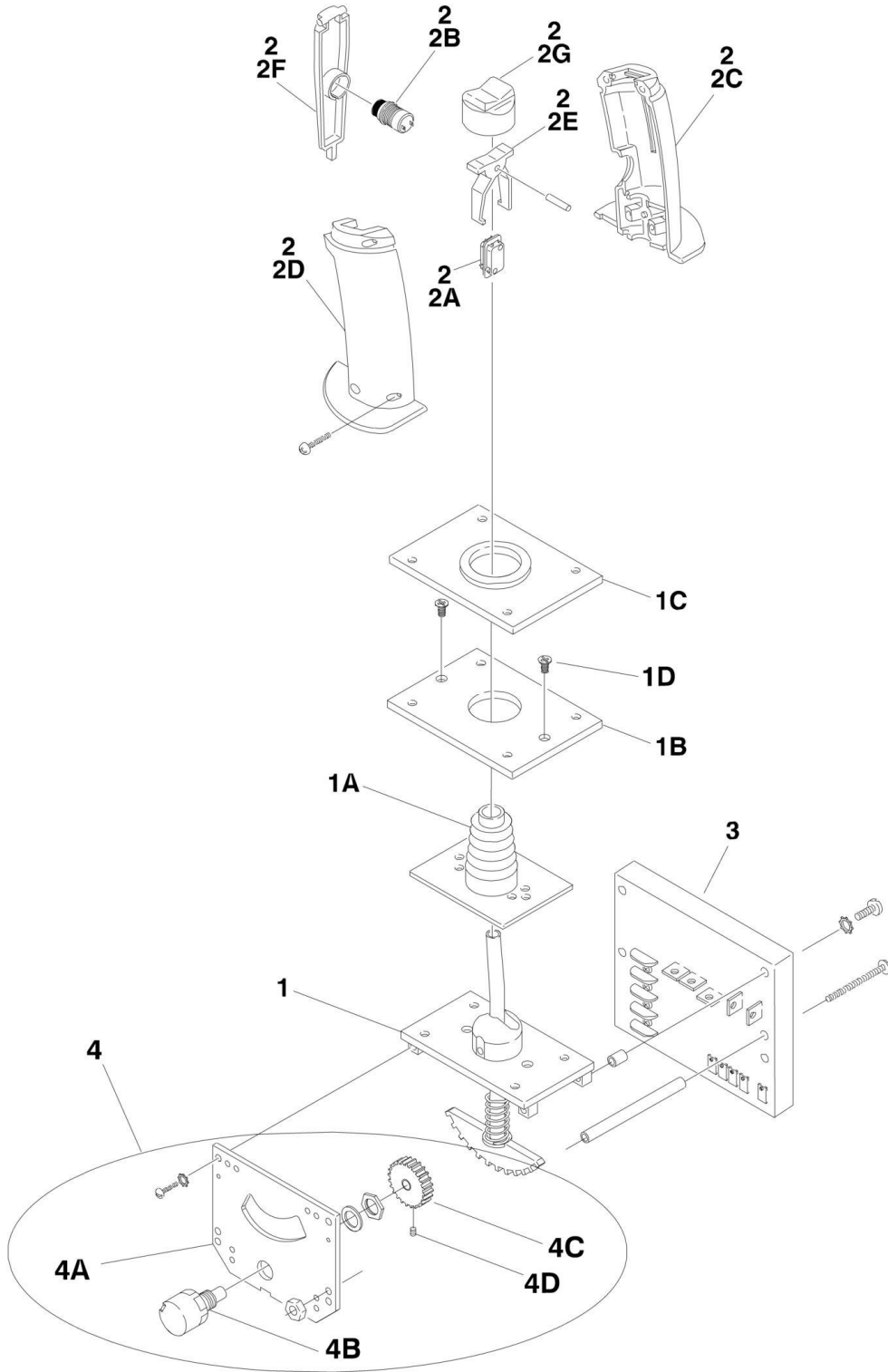
SECTION 4 - PLATFORM

FIGURE 4-5. DRIVE/LIFT CONTROLLER ASSEMBLY (Prior to SN 57701)

ITEM	PART NUMBER	QTY	DESCRIPTION	REV
	1600157	Ref	CONTROLLER ASSEMBLY	B
	7011931	1	Handle/Stem Assembly (Includes Items 1-9)	
1	7011932	1	Stem Assembly	
2	7011933	1	Slidelock Assembly (Includes Items 3 & 4)	
3	7003772	1	Boot	
4	7011934	1	Spring	
5	7011935	1	Handle Assembly (Includes Items 6-8)	
6	7003789	1	Switch, Rocker	
7	7003790	1	Cap, Rubber	
8	7003791	1	Actuator, Switch	
9	7011936	1	Gasket	
10	7011938	1	Electrical Assembly	
10	Not Serviced	1	Harness Assembly (Not Shown)	
10	4460367	1	Connector - 12 Position	
10	4460226	12	Socket, Female	
10	4460343	1	Connector - 12 Position (Part of Platform Console Box Wiring Harness)	
10	4460227	12	Pin, Male	
11	7011923	1	Electrical Assembly (Includes Items 12-13)	
12	7011940	1	Gear, Pinion	
13	7003751	1	Potentiometer	

SECTION 4 - PLATFORM

FIGURE 4-6. DRIVE/LIFT CONTROLLER ASSEMBLY (SN 57701 to Present)



SECTION 4 - PLATFORM

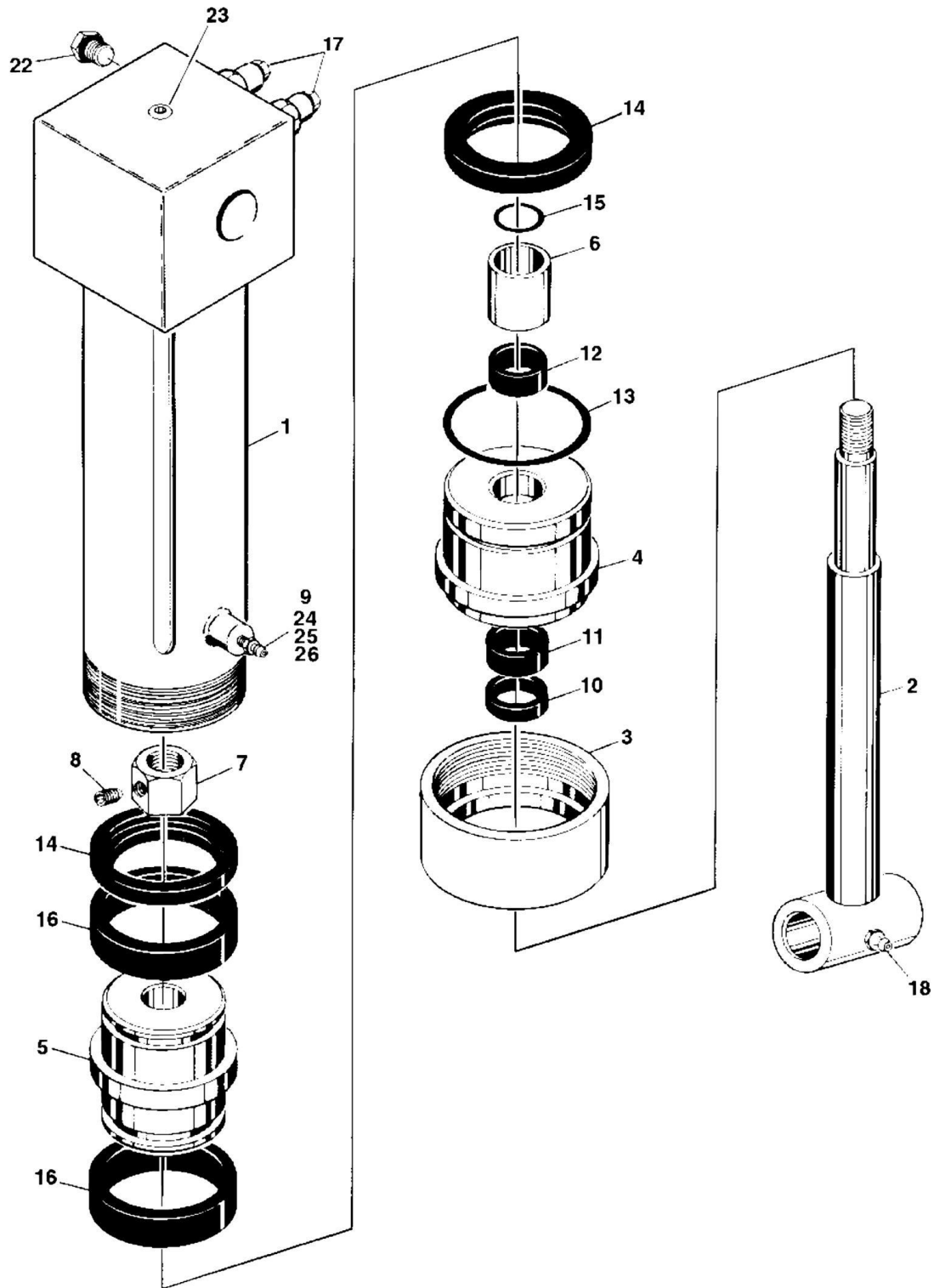
FIGURE 4-6. DRIVE/LIFT CONTROLLER ASSEMBLY (SN 57701 to Present)

ITEM	PART NUMBER	QTY	DESCRIPTION	REV
	1600290	Ref	CONTROLLER ASSEMBLY (SN 59220 to Present)	B
	7020503	1	Mechanical Assembly	
1	Not Serviced	1	Handle Assembly	
1A	7020520	1	Boot	
1B	7020504	1	Mounting Plate	
1C	7020502	1	Gasket	
1D	7020528	1	Setscrew #10-32NC x 3/8in	
2	7011991	1	Grip Assembly	
2A	7020500	2	Switch, Rocker	
2B	7020501	1	Switch, Push Button - Red	
2C	7020541	1	Grip - Right Half (was p/n 7020531)	
2D	7020541	1	Grip - Left Half (was p/n 7020532)	
		Ref	Note: Right Handle Half and Left Handle Half Can No Longer Be Purchase Separately. Must Purchase p/n 7020541 You Will Receive Both Right and Left Handle Half's.	
2E	7003791	1	Actuator, Switch	
2F	7011997	1	Trigger	
2G	7003790	1	Cap, Rubber	
3	7011938	1	Electrical Assembly	
3	4460367	1	Connector -12 Pin (Not Shown)	
3	4460226	12	Socket, Female (Not Shown)	
3	4460343	1	Connector - 12 Position (Not Shown)	
3	4460227	12	Pin, Male (Not Shown)	
4	7011923	1	Electrical Assembly	
4A	7020509	1	Potentiometer, Mounting Plate	
4B	7003751	1	Potentiometer	
4C	7011940	1	Gear, Pinion	
4D	7020511	1	Setscrew #6-32NC x 1/8in	
4E	7011982	1	Board, Circuit (Not Shown)	

SECTION 5 - CYLINDERS

SECTION 5 - CYLINDERS

FIGURE 5-1. AXLE LOCKOUT CYLINDER ASSEMBLY (OSCILLATING AXLE OPTION)



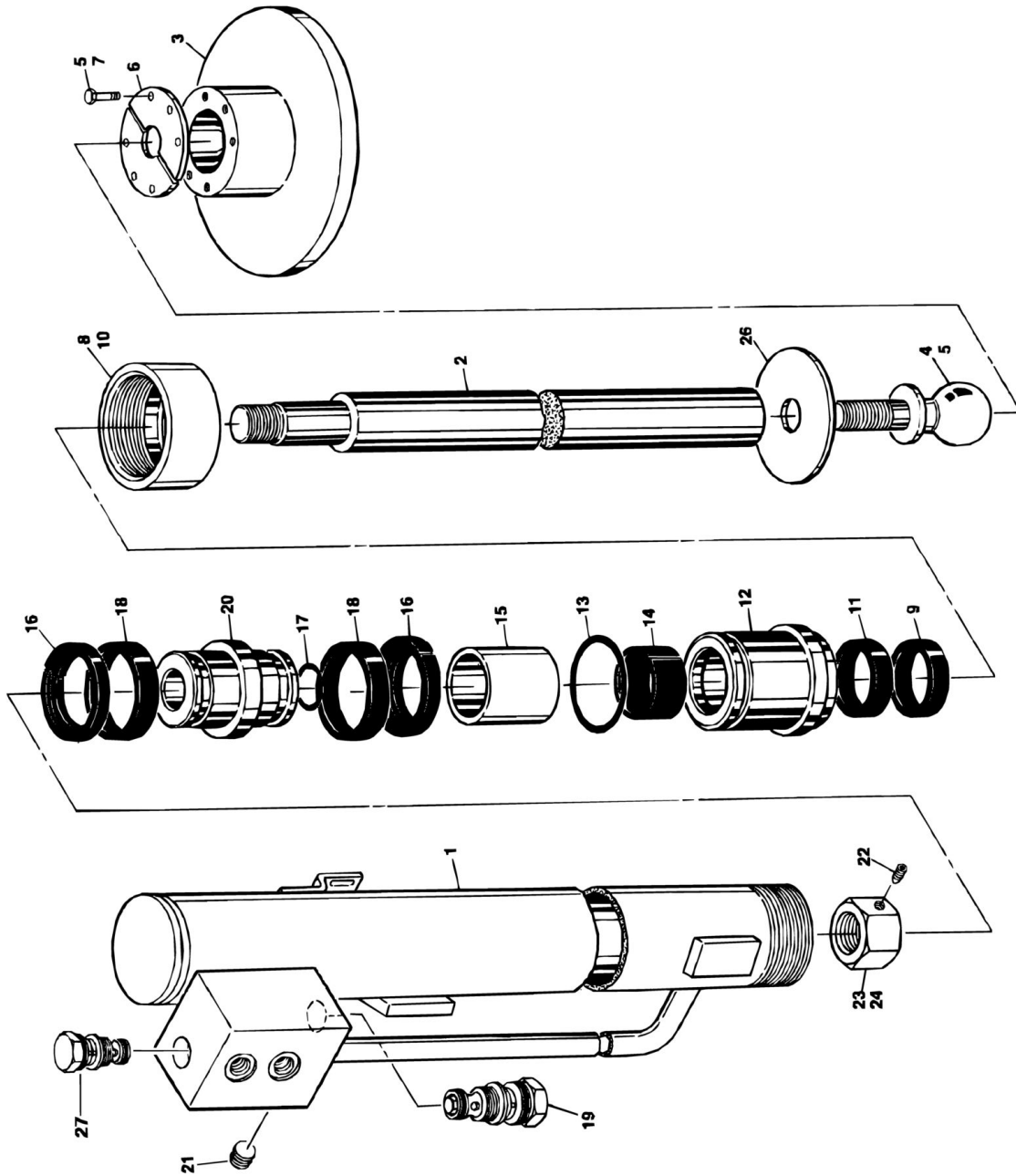
SECTION 5 - CYLINDERS

FIGURE 5-1. AXLE LOCKOUT CYLINDER ASSEMBLY (OSCILLATING AXLE OPTION)

ITEM	PART NUMBER	QTY	DESCRIPTION	REV
	1682427	Ref	AXLE LOCKOUT CYLINDER ASSEMBLY (OSCILLATING AXLE OPTION)	8
1	1682428	1	Barrel Weldment	
2	1681609	1	Rod Weldment	
3	1120108	1	Retainer, Head	
4	1681322	1	Head	
5	3480116	1	Piston	
6		Ref	Tube, Spacer	
6	4564606	1	Tube, Spacer (Prior to SN 23500)	
6	4563647	1	Tube, Spacer (SN 23500 to Present)	
7	3300273	1	Nut	
8	3900170	1	Setscrew 3/8in-16NC x 3/8in	
9	4640273	1	Bleeder (Prior to July 1994 Only) (Note: Use items 24-26 as Replacement)	
10	Kit	1	Wiper, Rod	
11	Kit	1	Seal, Rod	
12	Kit	1	Ring, Wear	
13	Kit	1	O-Ring	
14	Kit	2	Ring, Lock	
15	Kit	1	O-Ring	
16	Kit	2	Seal	
17		Ref	Cartridge, Valve Options:	
17	4640525	2	Cartridge, Valve (Prior to SN 85376)	
17	2900770	2	Seal Kit - 4640525 Valve (1 Per Assembly)	
17	4641162	2	Cartridge, Valve (SN 85376 to Present)	
17	2900770	2	Seal Kit - 4641162 Valve (1 Per Assembly)	
18	2160002	1	Fitting, Grease	
19	0100035	AR	Loctite #222 (Not Shown)	
20	0100011	AR	Loctite #242 (Not Shown)	
22	2220237	1	Fitting	
23	2200221	1	Plug, Bleeder	
24	3321401	1	Nut (July 1994 to Present)	
25	3900175	1	Plug (July 1994 to Present)	
26	3960416	1	Washer (July 1994 to Present)	
	2900379	1	Seal Kit (Includes Items 10-16)	

SECTION 5 - CYLINDERS

FIGURE 5-2. LEVELING JACK CYLINDER ASSEMBLY (HYDRAULIC JACK OPTION - PRODUCTION CYLINDERS)



SECTION 5 - CYLINDERS

FIGURE 5-2. LEVELING JACK CYLINDER ASSEMBLY (HYDRAULIC JACK OPTION - PRODUCTION CYLINDERS)

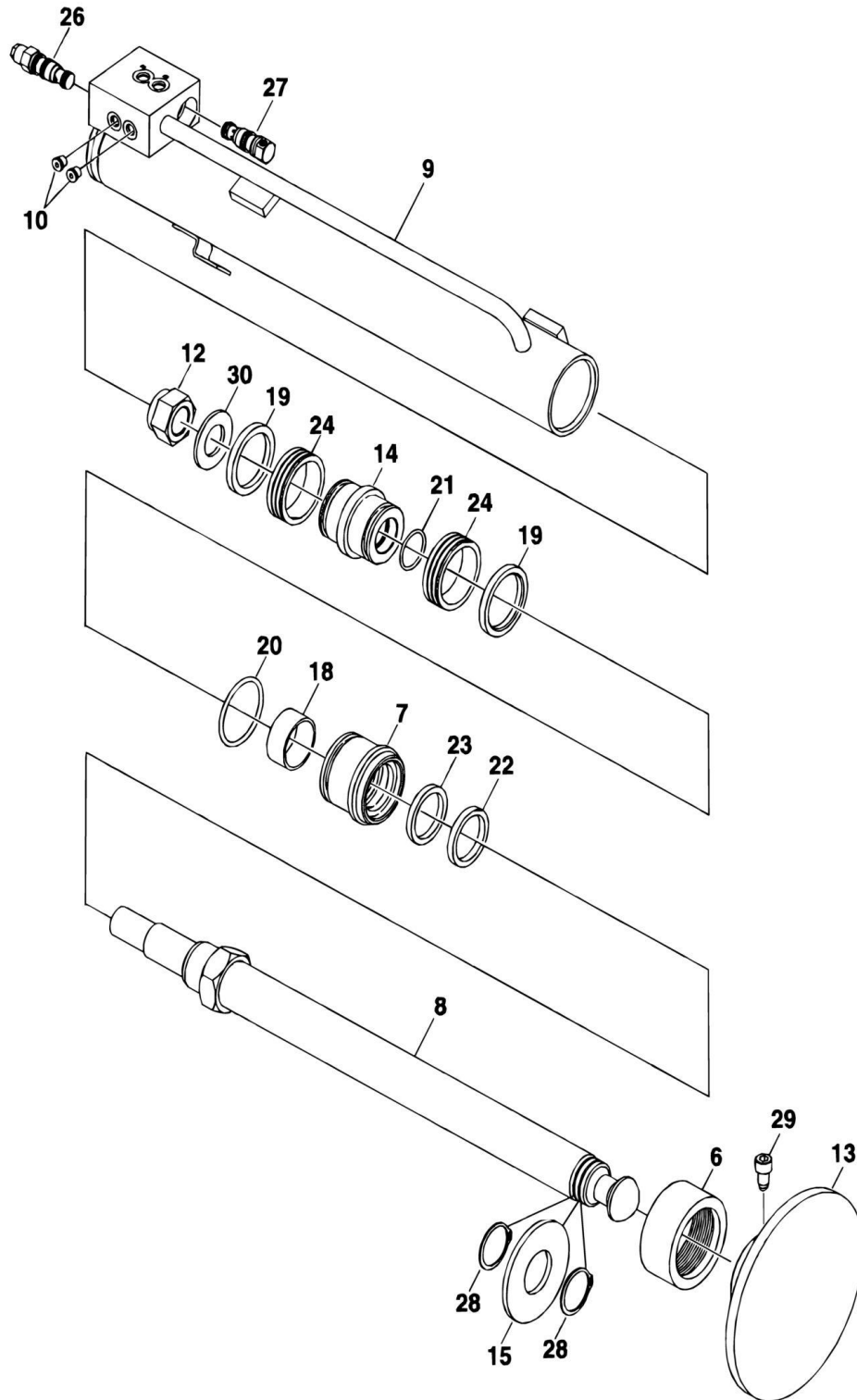
ITEM	PART NUMBER	QTY	DESCRIPTION	REV
		Ref	LEVELING JACK CYLINDER ASSEMBLY (HYDRAULIC JACK OPTION - PRODUCTION CYLINDERS)	
	1682720	Ref	Leveling Jack Cylinder Assembly (Production) (Prior to SN 101615)	3
	1683966	Ref	Leveling Jack Cylinder Assembly (Production) (SN 101615 to Present)	G
		Ref	Note: Leveling Jack Cylinders p/n 1682720 & 1683966 with screw-in pad pivot ball were used in regular production.	
		Ref	In place of the production cylinders, JLG recommends using p/n 1684216 for machines built Prior to SN 101615 and 1684217 for machines built SN 101615 to Present when replacing a complete cylinder.	
		Ref	Replacement cylinders have the pad pivot ball welded to the cylinder rod. Parts for both the production and the recommended replacement cylinders are shown in CYLINDERS SECTION. Identify your cylinder before ordering parts.	
1		Ref	Barrel Weldment Options:	
1	1682721	1	Barrel Weldment (Prior to SN 101615)	
1	1683967	1	Barrel Weldment (SN 101615 to Present)	
2	1682723	1	Rod, Cylinder	
3		Ref	Pad, Jack Options:	
3	2902023	1	Pad, Jack (was p/n 3340650) (Prior to SN 91552)	
3	2902023	1	Pad, Jack (was p/n 3340904) (SN 91552 to Present)	
4	0320015	1	Ball, Pivot	
5	0100011	AR	Loctite #242	
6		Ref	Ring, Retainer Options:	
6	3760261	1	Ring, Retainer (Prior to SN 91552)	
6	3760453	1	Ring, Retainer (SN 91552 to Present)	
7		Ref	Bolt Options:	
7	0681506	6	Bolt (5/16-18NCx3/4) (Prior to SN 91552)	
7	0681606	6	Bolt (3/8-16NCx3/4) (SN 91552 to Present)	
8	0100035	AR	Loctite #222	
9	Kit	1	Wiper, Rod	
10	1120108	1	Retainer	
11	Kit	1	Seal, Rod	
12	1681283	1	Head	
13	Kit	1	O-Ring	
14	Kit	1	Ring, Wear	
15	4565647	1	Spacer	
16	Kit	2	Ring, Guidelock	
17	Kit	1	O-Ring	
18	Kit	2	Seal	
19		Ref	Cartridge, Pilot Operated Check Valve Options:	
19	4640613	1	Cartridge, Pilot Operated Check Valve (Prior to SN 101615)	
19	2900770	1	Seal Kit	
19	4641156	1	Cartridge, Pilot Operated Check Valve (SN 101615 to Present)	
19	2900770	1	Seal Kit	
20	3480092	1	Piston	
21		Ref	Plug Options:	
21	2220885	1	Plug (Prior to SN 101615)	

SECTION 5 - CYLINDERS

ITEM	PART NUMBER	QTY	DESCRIPTION	REV
21	2220883	1	Plug (SN 101615 to Present)	
22	3900170	1	Setscrew	
23	3300281	1	Nut	
24	0100038	AR	Primer, Loctite	
26	3536708	1	Plate, Actuator	
27		Ref	Valve, Counter Balance Options:	
27	Not Required	0	Valve, Counter Balance (Prior to SN 101615)	
27	4640495	1	Valve, Counter Balance (SN 101615 to Present)	
27	2900770	1	Seal Kit - 4640495 Valve	
	2901941	1	Seal Kit (Includes Items 9, 11,13, 14 & 16-18)	

SECTION 5 - CYLINDERS

FIGURE 5-3. LEVELING JACK CYLINDER ASSEMBLY (HYDRAULIC JACK OPTION - RECOMMENDED SERVICE REPLACEMENT CYLINDERS)



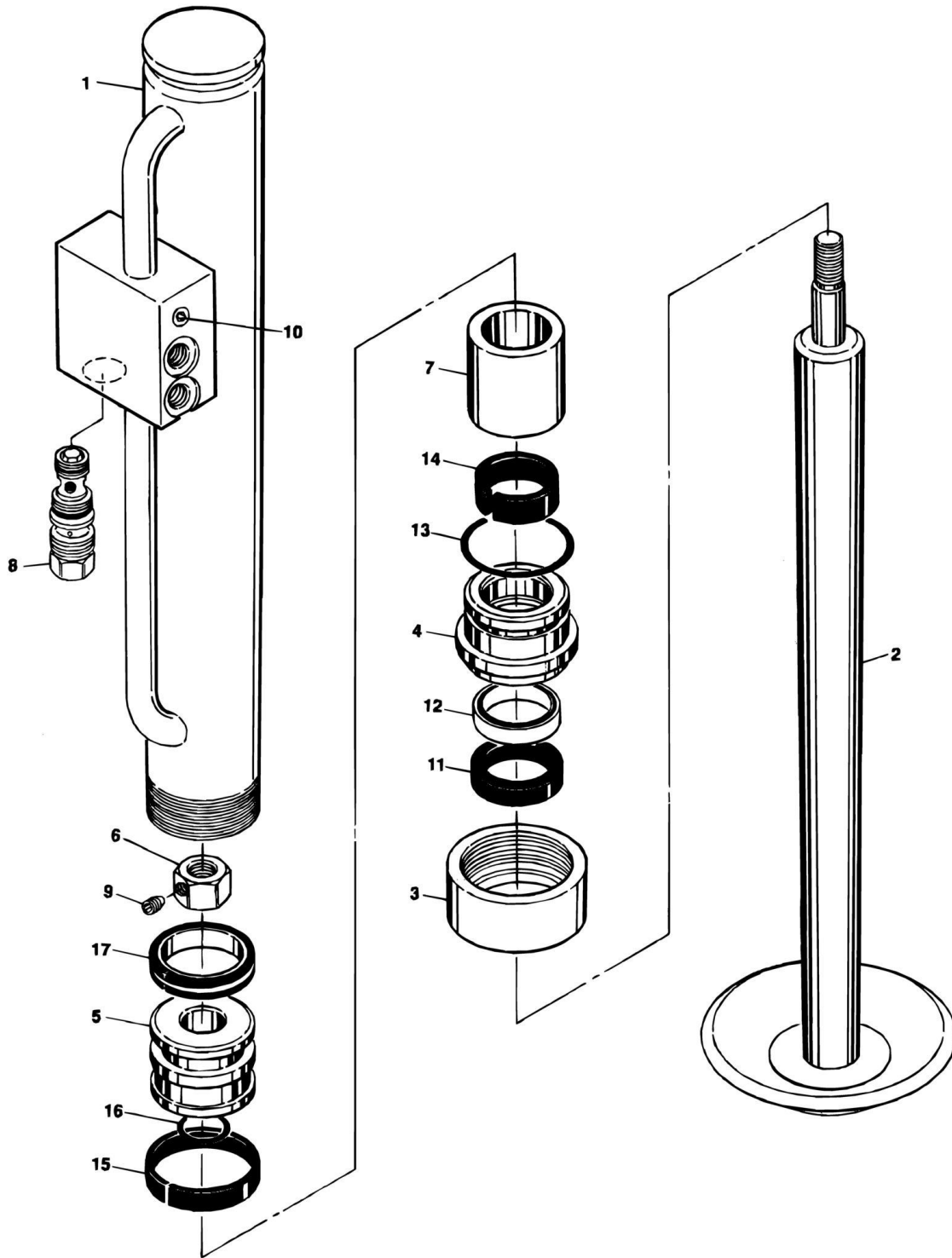
SECTION 5 - CYLINDERS

FIGURE 5-3. LEVELING JACK CYLINDER ASSEMBLY (HYDRAULIC JACK OPTION - RECOMMENDED SERVICE REPLACEMENT CYLINDERS)

ITEM	PART NUMBER	QTY	DESCRIPTION	REV
		Ref	LEVELING JACK CYLINDER ASSEMBLY	
	1684216	Ref	Leveling Jack Cylinder Assembly (Service Replacement Cylinder) (Prior to SN 101615)	A
	1684217	Ref	Leveling Jack Cylinder Assembly (Service Replacement Cylinder) (SN 101615 to Present)	A
		Ref	Note: Leveling Jack Cylinders p/n 1682720 & 1683966 with screw-in pad pivot ball were used in regular production.	
		Ref	In place of the production cylinders, JLG recommends using p/n 1684216 for machines built Prior to SN 101615 and 1684217 for machines built SN 101615 to Present when replacing a complete cylinder.	
		Ref	Replacement cylinders have the pad pivot ball welded to the cylinder rod. Parts for both the production and the recommended replacement cylinders are shown in CYLINDERS SECTION. Identify your cylinder before ordering parts.	
1	0100011	AR	Loctite #242 (Not Shown)	
2	0100035	AR	Loctite #222 (Not Shown)	
6	1120108	1	Retainer	
7	1681283	1	Head	
8	1684206	1	Rod, Cylinder	
9	1682721	1	Barrel Weldment (Cylinder p/n 1684216)	
9	1683967	1	Barrel Weldment (Cylinder p/n 1684217)	
10	2220885	1	Plug (Cylinder p/n 1684216)	
10	2220883	2	Plug (Cylinder p/n 1684217)	
12	3300465	1	Locknut	
13	4846584	1	Pad, Jack	
14	3480092	1	Piston	
15	3573513	1	Plate	
18	Kit	1	Ring, Wear	
19	Kit	2	Ring, Guidelock	
20	Kit	1	O-Ring	
21	Kit	1	O-Ring	
22	Kit	1	Wiper, Rod	
23	Kit	1	Seal, Rod	
24	Kit	2	Seal	
26	Not Required	0	Valve, Counter Balance (Cylinder p/n 1684216)	
26	4640495	1	Valve, Counter Balance (Cylinder p/n 1684217)	
27	4640613	1	Valve, Check (Cylinder p/n 1684216)	
27	4641156	1	Valve, Check (Cylinder p/n 1684217)	
27	7011345	1	Cartridge (Cylinder p/n 1684217)	
27	2900770	1	Kit, Seal (Cylinder p/n 1684217)	
28	3760460	2	Ring, Retainer	
29	3900321	3	Screw 1/2in-13NC x 1 1/4in	
30	4713000	1	Washer 1 1/4in	
	2901941	1	Seal Kit (Includes Items 18-24)	

SECTION 5 - CYLINDERS

FIGURE 5-4. LEVELING JACK CYLINDER ASSEMBLY (HYDRAULIC JACK OPTION) (CE AND EN280 SPECS)



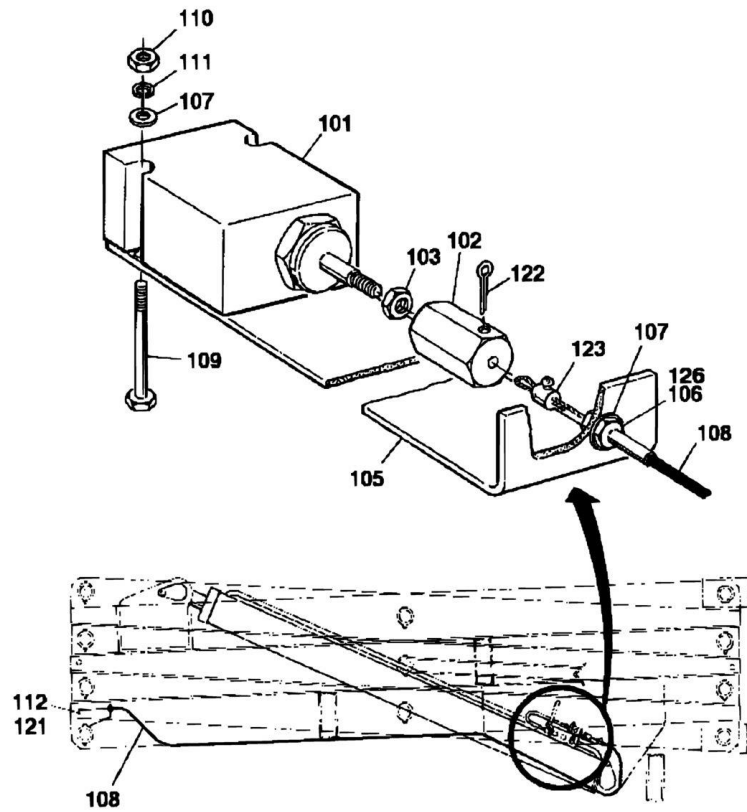
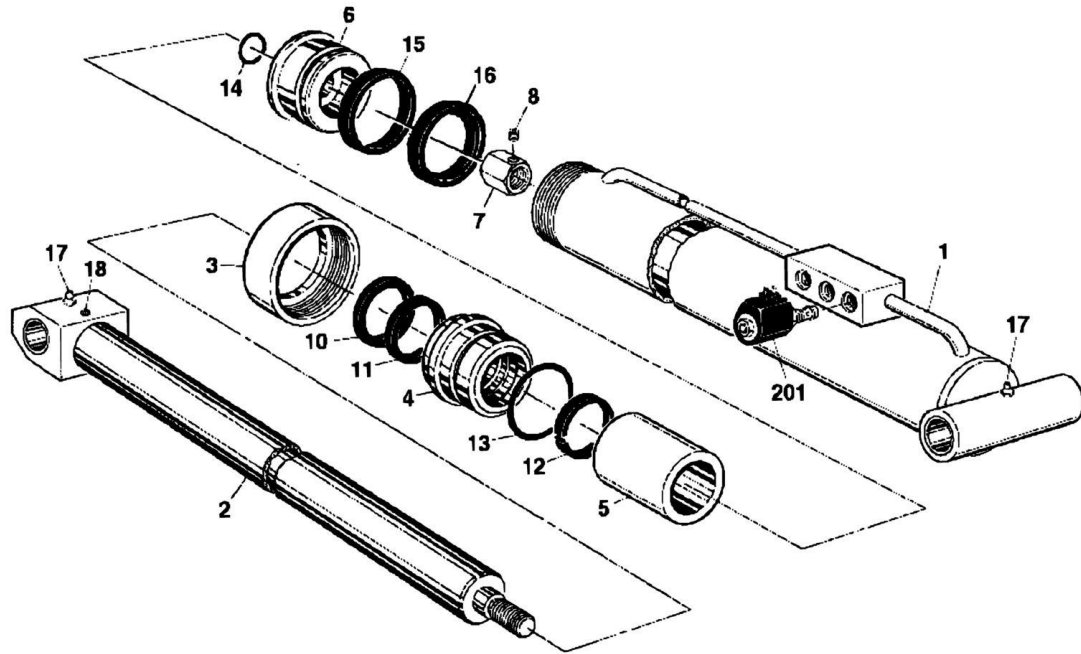
SECTION 5 - CYLINDERS

FIGURE 5-4. LEVELING JACK CYLINDER ASSEMBLY (HYDRAULIC JACK OPTION) (CE AND EN280 SPECS)

ITEM	PART NUMBER	QTY	DESCRIPTION	REV
	1682657	Ref	LEVELING JACK CYLINDER ASSEMBLY (HYDRAULIC JACK OPTION) (CE AND EN280 SPECS)	A
1	1682658	1	Barrel Weldment	
2	1682660	1	Rod Weldment	
3	1120387	1	Retainer, Head	
4	1682364	1	Head	
5	3480123	1	Piston	
6	3300270	1	Nut	
7	4565686	1	Tube, Spacer	
8	4640438	1	Valve, Cartridge Check	
8	2900770	1	Seal Kit - 4640438 Valve	
9	3900170	1	Setscrew 3/8in-16NC x 3/8in	
10	2200221	1	Plug, Pipe - 1/8in NPT	
11	Kit	1	Wiper, Rod	
12	Kit	1	Seal, Rod	
13	Kit	1	O-Ring	
14	Kit	1	Ring, Wear	
15	Kit	1	Ring, Wear	
16	Kit	1	O-Ring	
17	Kit	1	T-Seal	
18	0100011	AR	Loctite #242 (Not Shown)	
19	0100038	AR	Primer, Locking (Not Shown)	
20	0100035	AR	Loctite #222 (Not Shown)	
21	0100020	AR	Sealant, Pipe (Not Shown)	
	2901208	1	Seal Kit (Includes Items 11-17)	

SECTION 5 - CYLINDERS

FIGURE 5-5. LIFT CYLINDER ASSEMBLIES



SECTION 5 - CYLINDERS

FIGURE 5-5. LIFT CYLINDER ASSEMBLIES

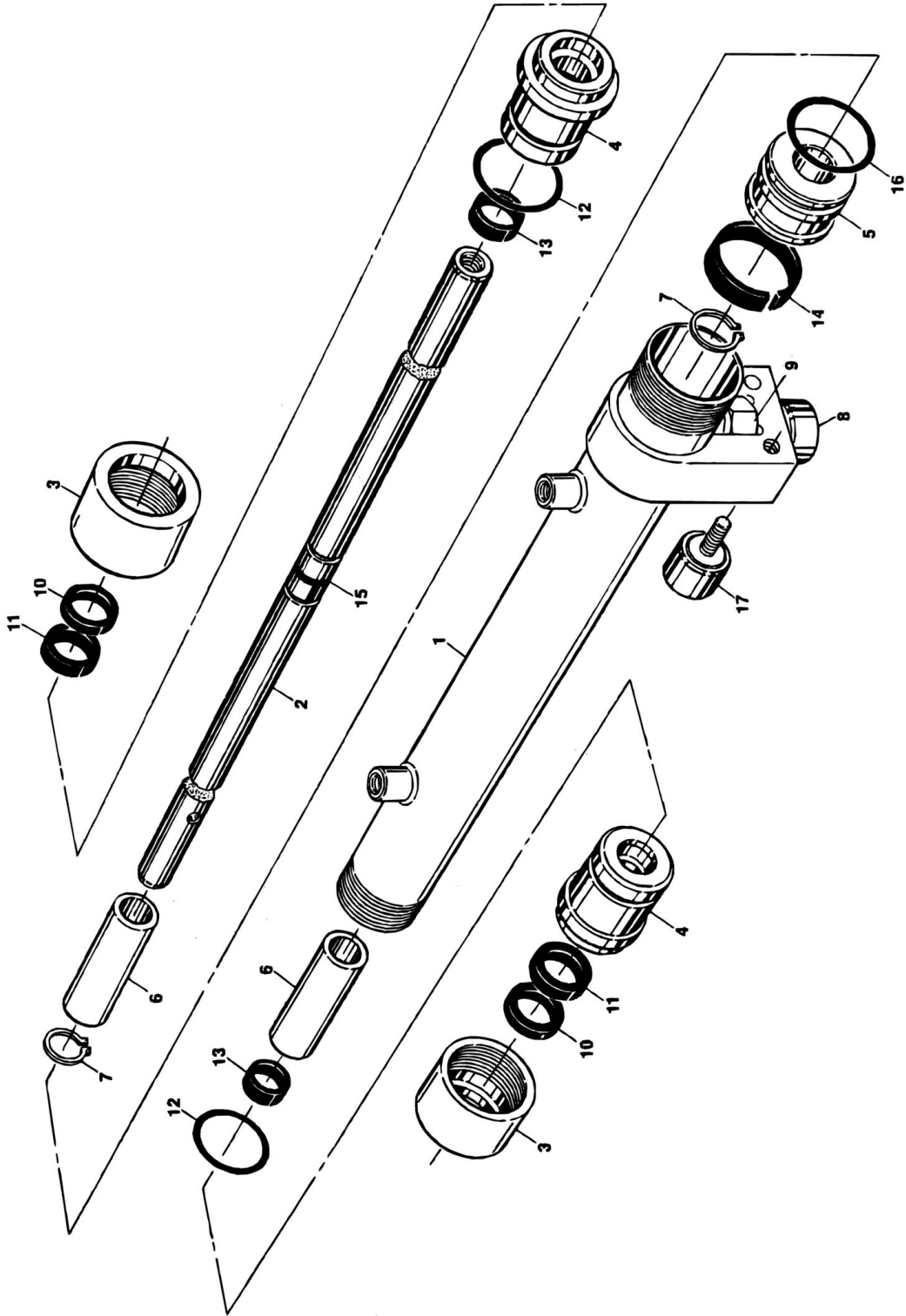
ITEM	PART NUMBER	QTY	DESCRIPTION	REV
		Ref	LIFT CYLINDER ASSEMBLIES	
		Ref	Note: Machines built prior to SN 28190 use cylinders p/n 1682243 or 1682593 which use a T-seal.	
		Ref	When rebuilding these cylinders JLG recommends using the seal kit listed below per specific model and a p/n 3480214 piston in place of the original components.	
		Ref	The p/n 3480214 piston uses 1 lock ring and 1 seal. If the p/n 3480214 piston has already been installed, the new, unused piston can be returned to JLG.	
		Ref	Machines built SN 28190 to present use cylinders p/n 1683465 or 1683466 which already use the p/n 3480214 piston.	
		Ref	LIFT CYLINDER ASSEMBLIES	
	1683466	Ref	Lift Cylinder Assemblies (40RTS)	B
	1683465	Ref	Lift Cylinder Assemblies (25RTS,33RTS)	B
1		Ref	Barrel Weldment	
1	1682080	1	Barrel Weldment (40RTS)	
1	1682594	1	Barrel Weldment (25RTS,33RTS)	
1	0961379	2	Bushing, Bronze	
2		Ref	Rod Weldment	
2	1682100	1	Rod Weldment (40RTS)	
2	1682082	1	Rod Weldment (25RTS,33RTS)	
2	0961380	2	Bushing, Bronze	
3	1120358	1	Retainer, Head	
4		Ref	Head	
4	1682076	1	Head (40RTS)	
4	1682098	1	Head (25RTS,33RTS)	
5		Ref	Tube, Spacer	
5	4564707	1	Tube, Spacer (40RTS)	
5	4565605	1	Tube, Spacer (25RTS,33RTS)	
6	3480214	1	Piston	
7	3300286	1	Nut	
8	3900170	1	Setscrew 3/8in-16NC x 3/8in	
10	Kit	1	Wiper, Rod	
11	Kit	1	Seal, Rod	
12	Kit	1	Ring, Wear	
13	Kit	1	O-Ring	
14	Kit	1	O-Ring	
15	Kit	2	Ring, Lock	
16	Kit	2	Seal, Piston	
17	2160002	2	Fitting, Grease	
18	2180527	1	Plug, Pipe (Located on Rod End)	
19	0100011	AR	Loctite #242	
20	0100020	AR	Sealant, Pipe	
21	0100035	AR	Loctite #222	
22	0100038	AR	Primer, Locking	
	2901442	1	Seal Kit (Includes Items 10-16) (40RTS)	
	2901323	1	Seal Kit (Includes Items 10-16) (25RTS,33RTS)	
	0251791	Ref	MANUAL DESCENT VALVE INSTALLATION (OPTIONAL)	7
101	4640699	1	Valve, Pull	
101	2900503	1	Seal Kit - 4640699 Valve	
102	0080190	1	Adapter	

SECTION 5 - CYLINDERS

ITEM	PART NUMBER	QTY	DESCRIPTION	REV
103	3311402	1	Nut, Jam 1/4in-20NC	
105	0902720	1	Bracket, Cable Mounting	
106	3321402	4	Nut, Jam 1/4in-28NF	
108		Ref	Cable, Manual Descent	
108	1060643	1	Cable, Manual Descent (Was P/N 1060377) (Prior to SN 28149)	
108	1060643	1	Cable, Manual Descent (SN 28149 through 38794)	
108	1060664	1	Cable, Manual Descent (SN 38795 to Present)	
109	0641416	2	Bolt 1/4in-20NC x 2in	
110	3311401	2	Nut 1/4in-20NC	
111	4761400	2	Lockwasher 1/4in	
112	3760170	1	Ring	
120	1701437	1	Decal - Manual Descent (Not Shown)	
121	3841127	1	Rod	
122	3450405	1	Pin, Cotter 1/8in x 1 1/4in	
123	4220044	1	Stop, Throttle	
126	4751000	4	Washer	
		Ref	HOLDING VALVE INSTALLATION	
201	4640382	1	Cartridge, Holding Valve	
201	7009742	1	Coil (Vickers/Modular Controls Version)	
201	2900503	1	Seal Kit (Vickers/Modular Controls Version)	
201	7000645	1	Coil (Hydraforce Version)	
201	2900800	1	Seal Kit (Hydraforce Version)	

SECTION 5 - CYLINDERS

FIGURE 5-6. STEER CYLINDER ASSEMBLY (Prior to SN 9667)



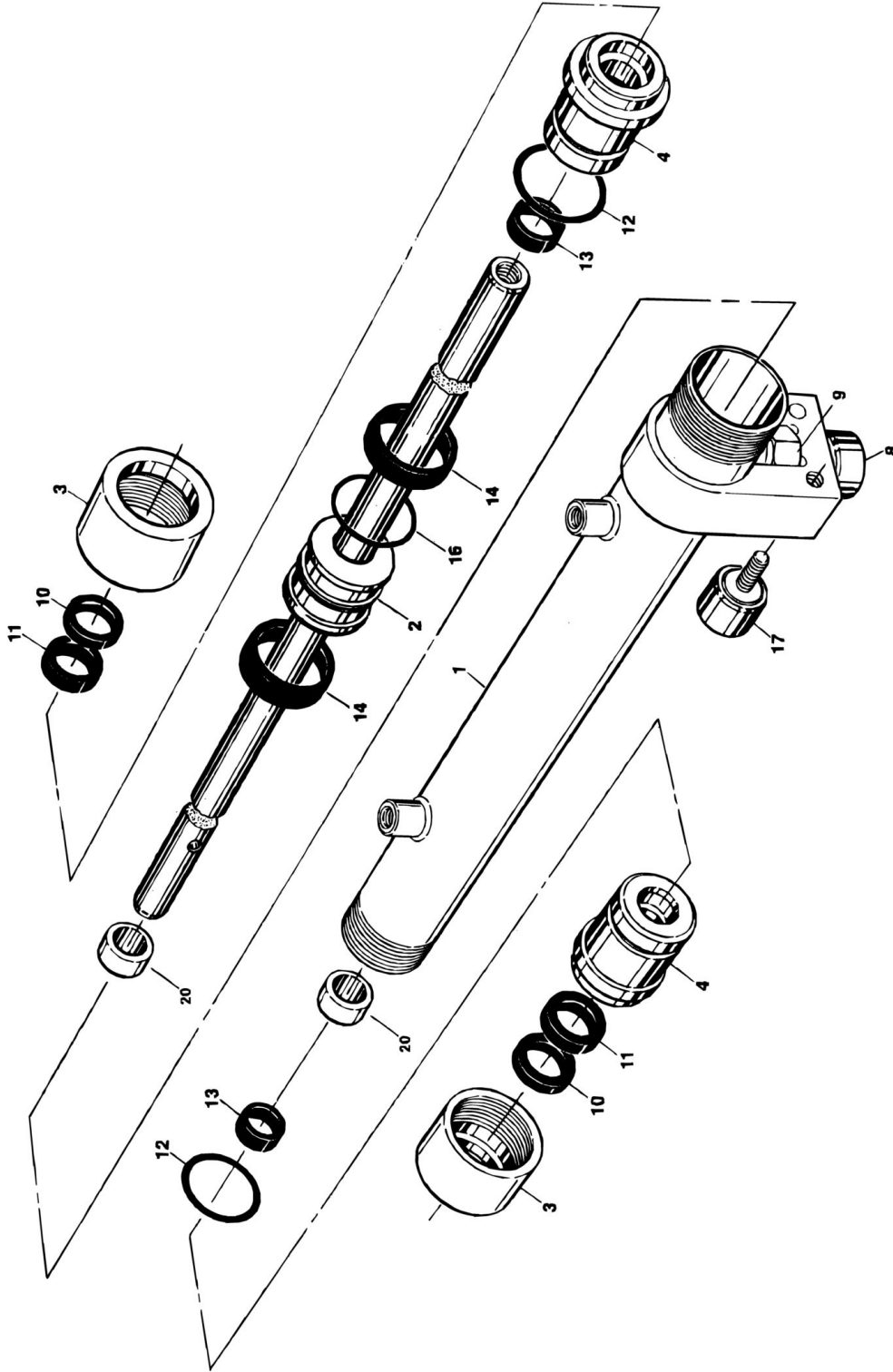
SECTION 5 - CYLINDERS

FIGURE 5-6. STEER CYLINDER ASSEMBLY (Prior to SN 9667)

ITEM	PART NUMBER	QTY	DESCRIPTION	REV
	1682681	Ref	STEER CYLINDER ASSEMBLY (MACHINES BUILT PRIOR TO JUNE 1993)	C
1	1682682	1	Barrel Weldment	
2	1682684	1	Rod Weldment	
3	1120108	2	Retainer, Head	
4	1681344	2	Head	
5	3480164	1	Piston	
6	4565716	2	Tube, Spacer	
7	3760143	2	Ring, Retainer	
8	3860056	1	Follower, Cam	
9	3300357	1	Nut, Special	
10	Kit	2	Wiper, Rod	
11	Kit	2	Seal, Rod	
12	Kit	2	O-Ring	
13	Kit	2	Ring, Wear	
14	Kit	1	Ring, Wear	
15	Kit	1	T-Seal	
16	Kit	1	O-Ring	
17	0440085	2	Bearing	
18	0100011	AR	Loctite #242 (Not Shown)	
19	0100035	AR	Loctite #222 (Not Shown)	
	2901210	1	Seal Kit (Includes Items 10-16)	

SECTION 5 - CYLINDERS

FIGURE 5-7. STEER CYLINDER ASSEMBLY (SN 9667 to Present)



SECTION 5 - CYLINDERS

FIGURE 5-7. STEER CYLINDER ASSEMBLY (SN 9667 to Present)

ITEM	PART NUMBER	QTY	DESCRIPTION	REV
	1682967	Ref	STEER CYLINDER ASSEMBLY (MACHINES BUILT JUNE 1993 TO PRESENT)	5
1	1682682	1	Barrel Weldment	
2	1682987	1	Rod Weldment	
3	1120108	2	Retainer, Head	
4	1681344	2	Head	
8	3860056	1	Follower, Cam	
9	3300357	1	Nut, Special	
10	Kit	2	Wiper, Rod	
11	Kit	2	Seal, Rod	
12	Kit	2	O-Ring	
13	Kit	2	Ring, Wear	
14	Kit	1	Ring, Wear	
16	Kit	1	"T" Seal	
17	0440085	2	Bearing	
18	0100011	AR	Loctite #242 (Not Shown)	
19	0100035	AR	Loctite #222 (Not Shown)	
20	4568055	2	Tube, Spacer	
	2901261	1	Seal Kit (Includes Items 10-14 & 16)	

SECTION 6 - HYDRAULICS

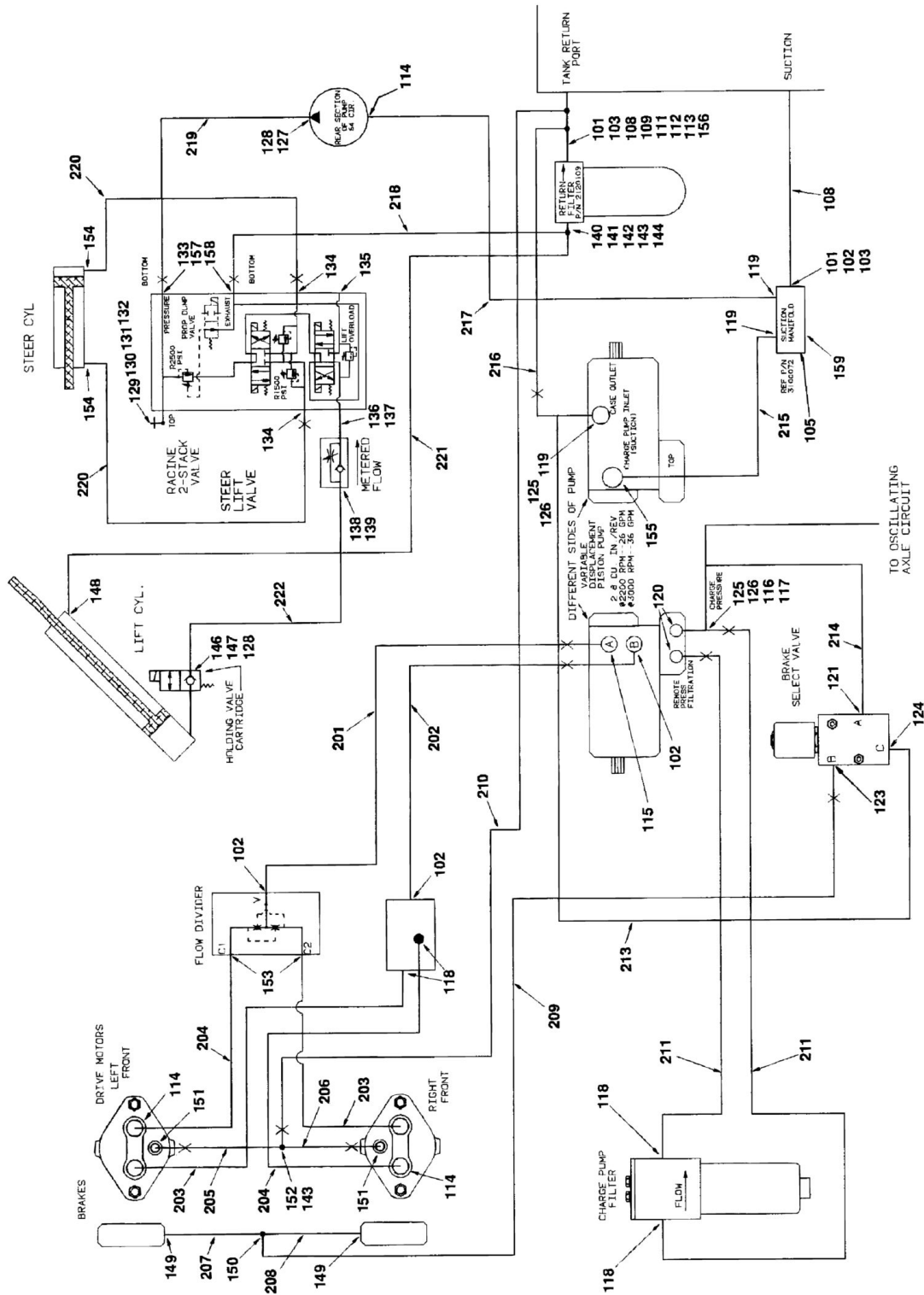
SECTION 6 - HYDRAULICS

FIGURE 6-1. HYDRAULIC DIAGRAM LIST

ITEM	PART NUMBER	QTY	DESCRIPTION	REV
		Ref	Note: Information on Diagrams Not Shown is Available From JLG Service/Parts Departments.	
	0254000		HYDRAULIC DIAGRAM - AUXILIARY LIFT (OPTIONAL)	
		Ref	HYDRAULIC DIAGRAM - LEVELING JACKS (OPTIONAL) (CE EN280 Spec)	
	2792024		Hydraulic Diagram - Leveling Jacks (Optional) (CE EN280 Spec) (Prior to SN 101615)	
	2792538		Hydraulic Diagram - Leveling Jacks (Optional) (CE EN280 Spec) (SN 101615 to Present)	
	2792238		HYDRAULIC DIAGRAM - LEVELING JACKS (OPTIONAL) (Australian Spec)	
	0251791		HYDRAULIC DIAGRAM - MANUAL DESCENT	
	0253569		HYDRAULIC DIAGRAM - OIL COOLER (OPTIONAL)	
		Ref	HYDRAULIC DIAGRAM - OSCILLATING AXLE (OPTIONAL) (See HYDRAULIC DIAGRAM - AXLE (OSCILLATING))	
	2791903		Hydraulic Diagram - Oscillating Axle (Optional) (Prior to SN 97717)	
	2792520		Hydraulic Diagram - Oscillating Axle (Optional) (SN 97717 to Present)	
	2791939		HYDRAULIC DIAGRAM - STANDARD 2WD/2WS (See HYDRAULIC DIAGRAM - 2WD/2WS)	
	2791938		HYDRAULIC DIAGRAM - STANDARD 2WD/4WS	
	2791937		HYDRAULIC DIAGRAM - STANDARD 4WD/2WS (See HYDRAULIC DIAGRAM - 4WD/2WS)	
	2791936		HYDRAULIC DIAGRAM - STANDARD 4WD/4WS (See HYDRAULIC DIAGRAM - 4WD/4WS)	
	2791962		HYDRAULIC DIAGRAM - TOW PACKAGE (OPTIONAL)	
	2792368		HYDRAULIC SCHEMATIC	

SECTION 6 - HYDRAULICS

FIGURE 6-2. HYDRAULIC DIAGRAM - 2WD/2WS



SECTION 6 - HYDRAULICS

FIGURE 6-2. HYDRAULIC DIAGRAM - 2WD/2WS

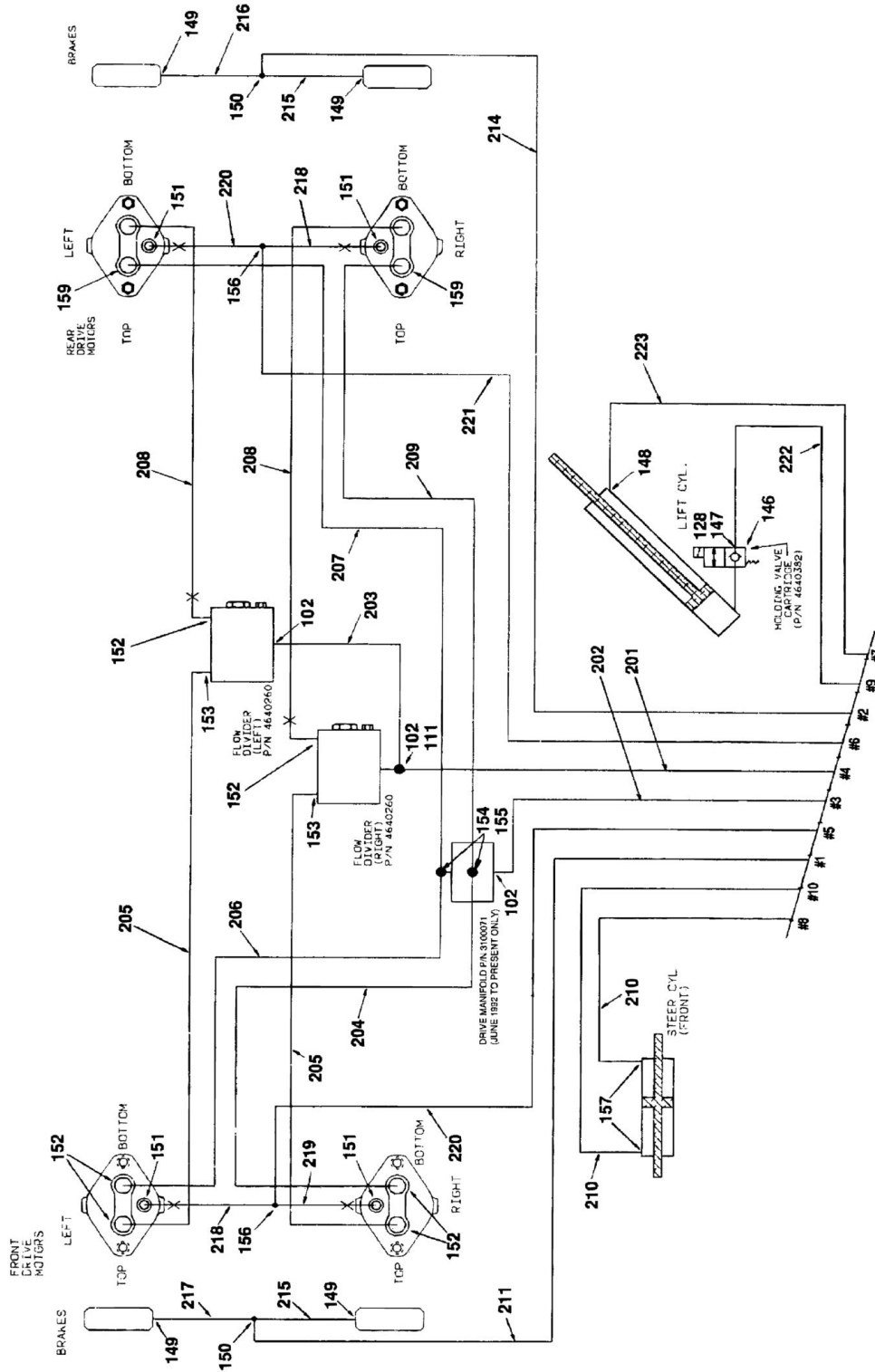
ITEM	PART NUMBER	QTY	DESCRIPTION	REV
	2791939	Ref	HYDRAULIC FITTINGS INSTALLATION	11
101	2210003	3	Fitting, Swivel	
102	2220377	5	Fitting, Straight	
103	1320033	8	Clamp, Hose	
105	3100075	1	Block, Manifold	
108	2720373	2	Hose, Suction 1in (2.54cm) x 8 3/4in (20cm)	
109	2220403		Fitting, 90	
111	2220642	1	Fitting, Tee	
112	2220275	1	Fitting, Reducer	
113	2220710	1	Fitting, Reducer	
114		Ref	Fitting, Straight Options:	
114	2220451	1	Fitting, Straight (Prior to SN 54201)	
114	2220498	4	Fitting, Straight (SN 54201 to Present)	
115	2220646	1	Fitting, 90	
116	2220609	1	Fitting, Reducer	
117	2220635	1	Fitting, Tee	
118	2220578	4	Fitting, 90	
119	2220451	4	Fitting, Straight	
120	2220408	2	Fitting, Straight	
121	2220495	1	Fitting, 90	
123	2220417	1	Fitting, Straight	
124	2220343	1	Fitting, Straight	
125	2220700	1	Fitting, Tee	
126	2220621	1	Fitting, Reducer	
127	2220374	1	Fitting, Straight	
128	2220386	1	Fitting, 90	
129	2220446	1	Fitting, Reducer	
130	2220438	1	Fitting, Nipple	
131	2220428	1	Fitting, Coupling	
132	2220429	1	Cap, Dust	
133	2220758	1	Fitting, Straight	
134	2220468	2	Fitting, Straight	
135	2220238	1	Fitting, Plug	
136	2220113	1	Fitting, 90	
137	2220280	1	Fitting, Nipple	
138	4640216	1	Valve, Adjustable Colorflow	
139	2220580	1	Fitting, 90	
140	2220696	1	Fitting, Reducer	
141	2220282	1	Fitting, Reducer	
142	2220679	1	Fitting, Tee	
143	2220619	3	Fitting, Reducer	
144	2220507	1	Fitting, 90	
146	4640382	1	Valve, Cartridge	
146	7009742	1	Coil (Vickers/Modular Controls Version)	
146	2900503	1	Seal Kit (Vickers/Modular Controls Version)	
146	7000645	1	Coil (Hydraforce Version)	
146	2900800	1	Seal Kit (Hydraforce Version)	
147	2220796	1	Fitting, 90	
148	2220473	1	Fitting, 90	
149	2220466	2	Fitting, 90	

SECTION 6 - HYDRAULICS

ITEM	PART NUMBER	QTY	DESCRIPTION	REV
150	2220504	1	Fitting, Tee	
151	2220371	2	Fitting, Straight	
152	2220362	1	Fitting, Tee	
153	2220435	2	Fitting, Straight	
154	2220472	2	Fitting, 90	
155	2220568	1	Fitting, 45	
156	2220345	1	Fitting, Straight	
157	2220512	1	Fitting, Straight	
158	2220373	1	Fitting, 90	
159	4360449	1	Switch, Temperature	
	2901224	Ref	HYDRAULIC HOSE KIT	E
201	2752340	1	Hose	
202	2752341	1	Hose	
203	2752254	2	Hose	
204	2752255	2	Hose	
205	2750990	1	Hose	
206	2750919	1	Hose	
207	2751021	1	Hose	
208	2751427	1	Hose	
209	2751410	1	Hose	
210	2752491	1	Hose	
211	2752242	2	Hose	
213	2750778	1	Hose	
214	2750918	1	Hose	
215	2752531	1	Hose	
216	2752520	1	Hose	
217	2752532	1	Hose	
218	2750968	1	Hose	
219	2750759	1	Hose	
220	2750896	2	Hose	
221	2752460	1	Hose	
222	2752490	1	Hose	

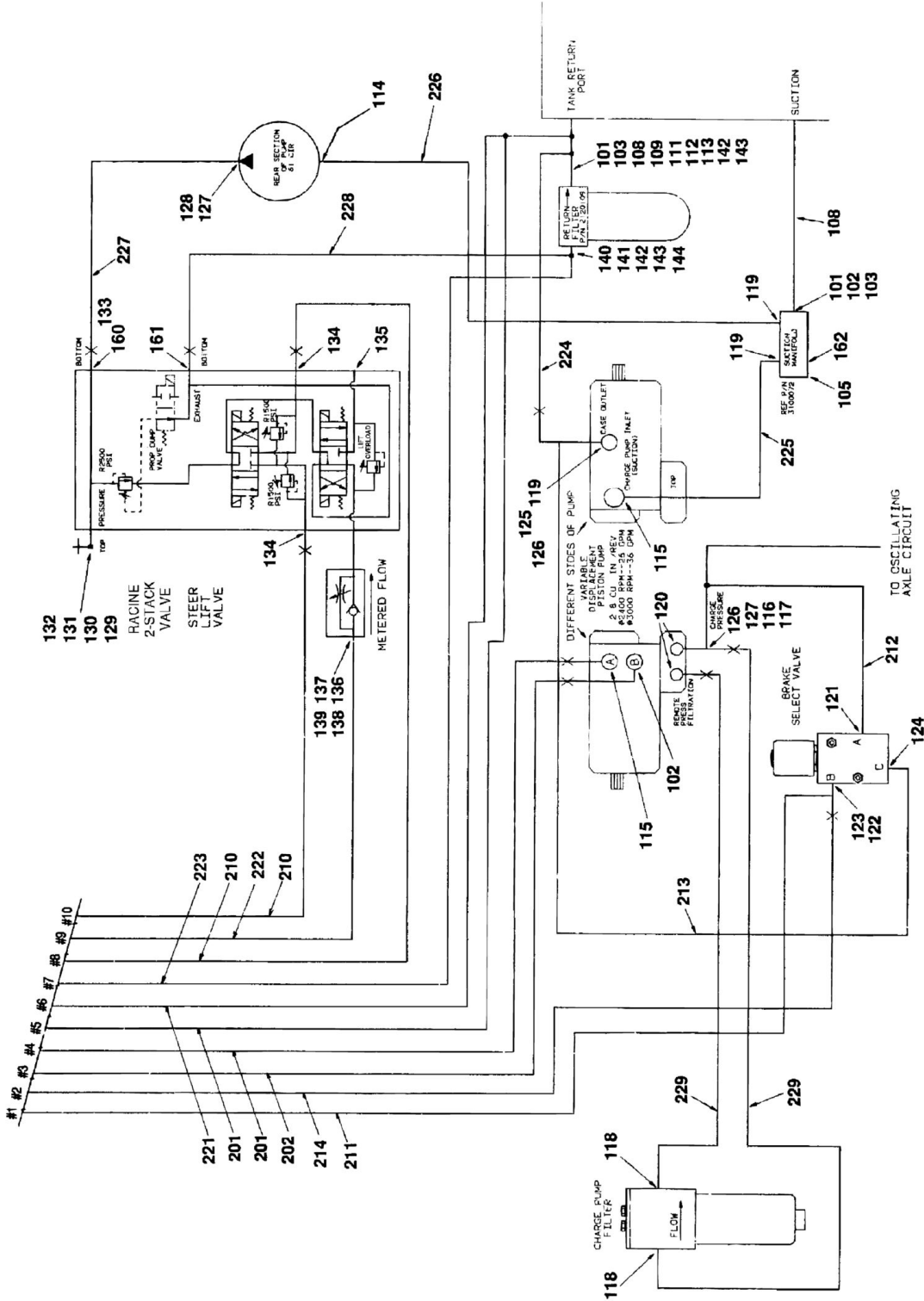
SECTION 6 - HYDRAULICS

FIGURE 6-3. HYDRAULIC DIAGRAM - 4WD/2WS (SHEET 1 OF 2)



SEE PAGE 2 OF 2

SEE PAGE 1 OF 2



SECTION 6 - HYDRAULICS

FIGURE 6-3. HYDRAULIC DIAGRAM - 4WD/2WS (SHEET 2 OF 2)

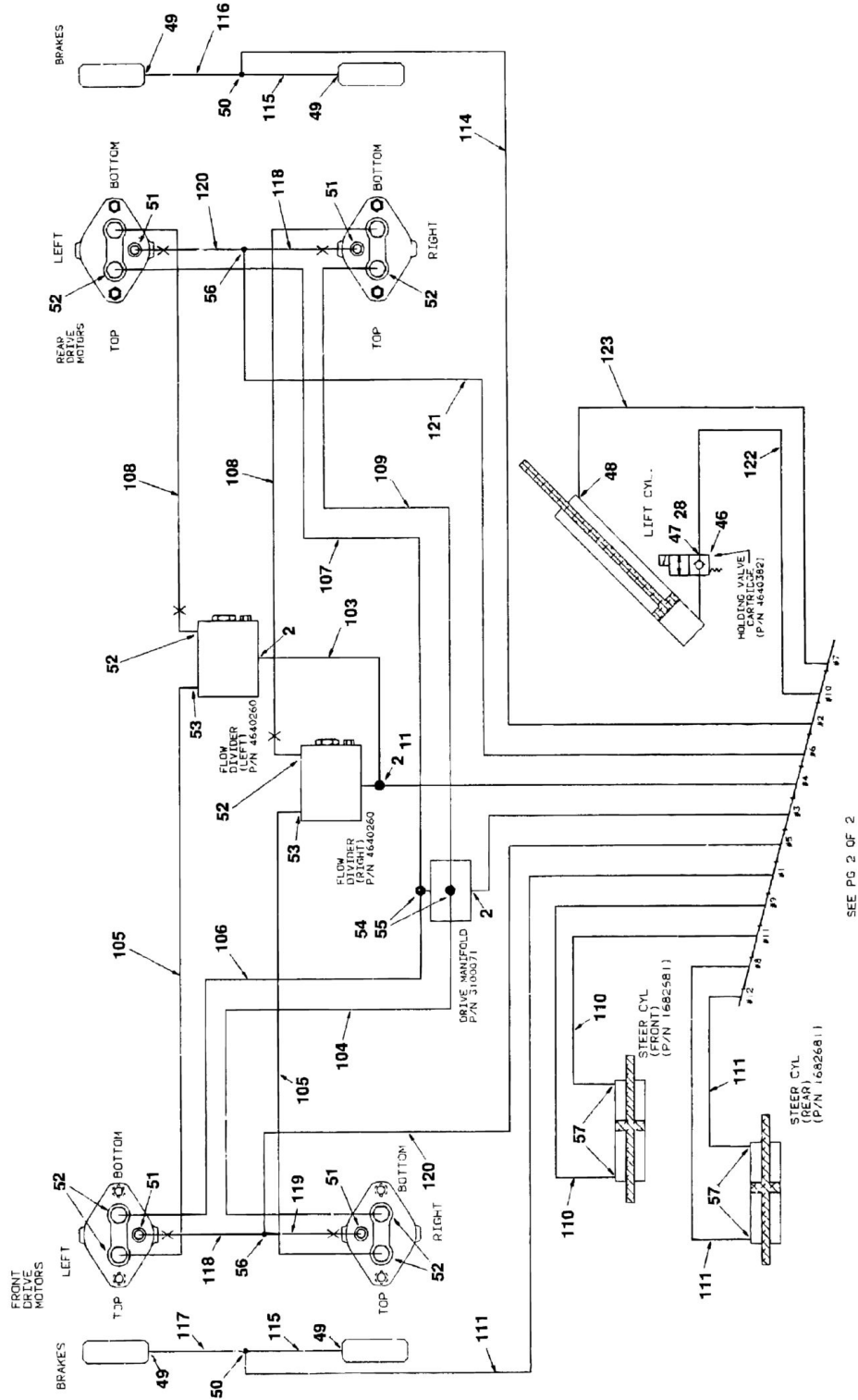
ITEM	PART NUMBER	QTY	DESCRIPTION	REV
	2791937	Ref	HYDRAULIC FITTINGS INSTALLATION	11
101	2210003	3	Fitting, Swivel	
102	2220377	5	Fitting, Straight	
103	1320033	8	Clamp, Hose	
105	3100075	1	Block, Manifold	
108	2720373	2	Hose, Suction 1in (2.54cm) x 8 3/4in (20cm)	
109	2220403	1	Fitting, 90	
111	2220642	1	Fitting, Tee	
112	2220275	1	Fitting, Reducer	
113	2220710	1	Fitting, Reducer	
114	2220451	1	Fitting, Straight	
115	2220646	2	Fitting, 90	
116	2220609	1	Fitting, Reducer	
117	2220635	1	Fitting, Tee	
118	2220578	2	Fitting, 90	
119	2220451	3	Fitting, Straight	
120	2220408	2	Fitting, Straight	
121	2220495	1	Fitting, 90	
122	2220250	1	Fitting, Reducer	
123	2220584	1	Fitting, Tee	
124	2220343	1	Fitting, Straight	
125	2220700	1	Fitting, Tee	
126	2220621	1	Fitting, Reducer	
127	2220374	1	Fitting, Straight	
128	2220386	1	Fitting, 90	
129	2220446	1	Fitting, Reducer	
130	2220438	1	Fitting, Nipple	
131	2220428	1	Fitting, Coupling	
132	2220429	1	Cap, Dust	
133	2220758	1	Fitting, Straight	
134	2220468	2	Fitting, Straight	
135	2220238	1	Fitting, Plug	
136	2220113	1	Fitting, 90	
137	2220280	1	Fitting, Nipple	
138	4640216	1	Valve, Adjustable Colorflow	
139	2220580	1	Fitting, 90	
140	2220696	1	Fitting, Reducer	
141	2220282	1	Fitting, Reducer	
142	2220679	2	Fitting, Tee	
143	2220619	3	Fitting, Reducer	
144	2220507	1	Fitting, 90	
146	4640382	1	Valve, Cartridge	
146	7009742	1	Coil (Vickers/Modular Controls Version)	
146	2900503	1	Seal Kit (Vickers/Modular Controls Version)	
146	7000645	1	Coil (Hydraforce Version)	
146	2900800	1	Seal Kit (Hydraforce Version)	
147	2220796	1	Fitting, 90	
148	2220473	1	Fitting, 90	
149	2220415	4	Fitting, Straight	
150	2220504	2	Fitting, Tee	

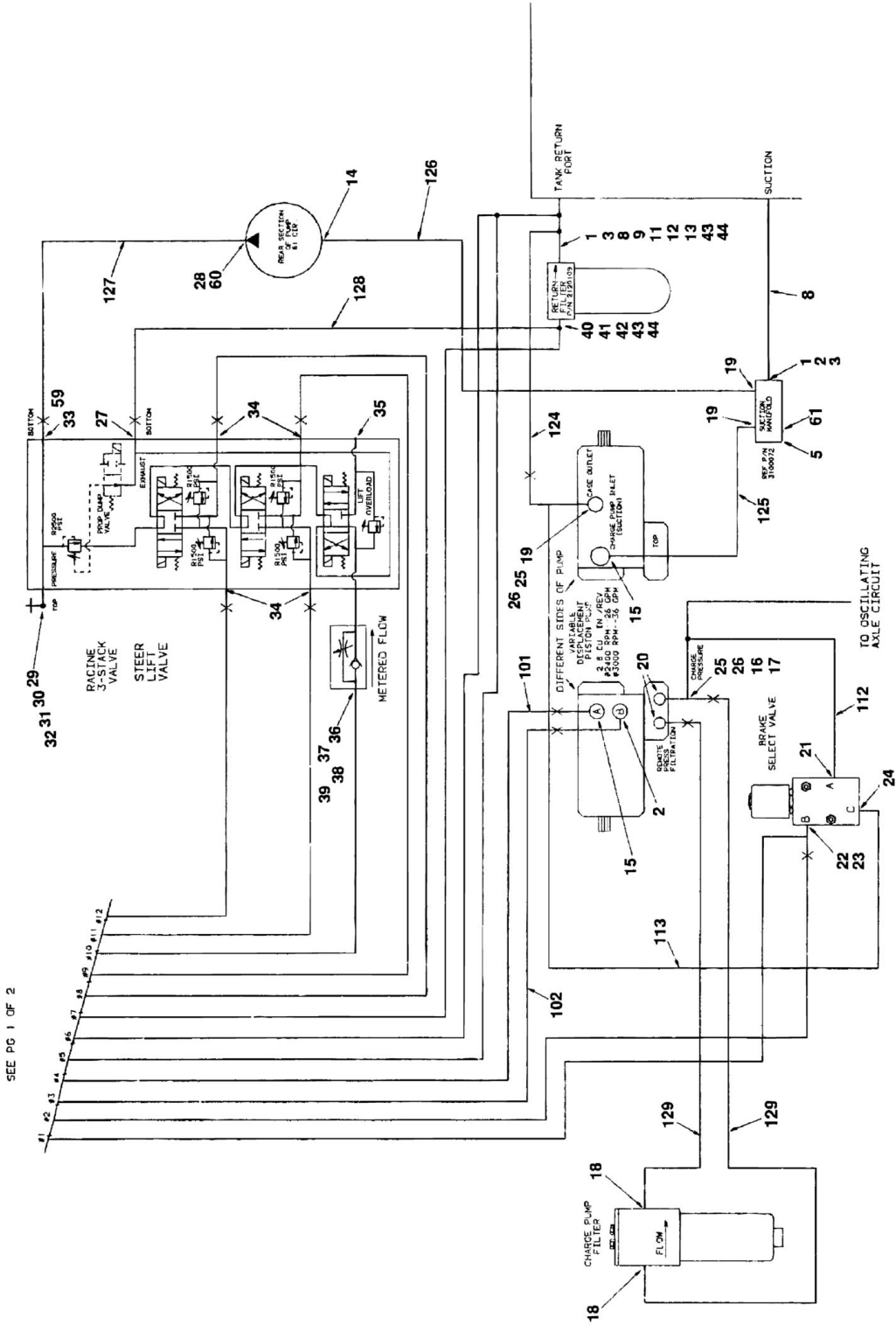
SECTION 6 - HYDRAULICS

ITEM	PART NUMBER	QTY	DESCRIPTION	REV
151	2220371	4	Fitting, Straight	C
152	2220366	8	Fitting, 90	
153	2220375	2	Fitting, Straight	
154	2220622	4	Fitting, Reducer	
155	2220695	2	Fitting, Tee	
156	2220490	2	Fitting, Tee	
157	2220472	2	Fitting, 90	
159	2220375	4	Fitting, Straight	
160	2220512	1	Fitting, Straight	
161	2220373	1	Fitting, 90	
162	4360449	1	Switch, Temperature	
	2901225	Ref	HYDRAULIC HOSE KIT	
201	2752321	1	Hose	
202	2752330	1	Hose	
203	2752339	1	Hose	
204	2752385	1	Hose	
205	2752386	2	Hose	
206	2752388	1	Hose	
207	2752387	1	Hose	
208	2752390	2	Hose	
209	2752389	1	Hose	
210	2750896	2	Hose	
211	2750894	1	Hose	
212	2750918	1	Hose	
213	2750778	1	Hose	
214	2751398	1	Hose	
215	2752430	2	Hose	
216	2752432	1	Hose	
217	2752431	1	Hose	
218	2750910	2	Hose	
219	2751006	1	Hose	
220	2751110	2	Hose	
221	2751111	1	Hose	
222	2752490	1	Hose	
223	2752460	1	Hose	
224	2752520	1	Hose	
225	2752531	1	Hose	
226	2752532	1	Hose	
227	2750759	1	Hose	
228	2750968	1	Hose	
229	2752523	2	Hose	

SECTION 6 - HYDRAULICS

FIGURE 6-4. HYDRAULIC DIAGRAM - 4WD/4WS (SHEET 1 OF 2)





SECTION 6 - HYDRAULICS

FIGURE 6-4. HYDRAULIC DIAGRAM - 4WD/4WS (SHEET 2 OF 2)

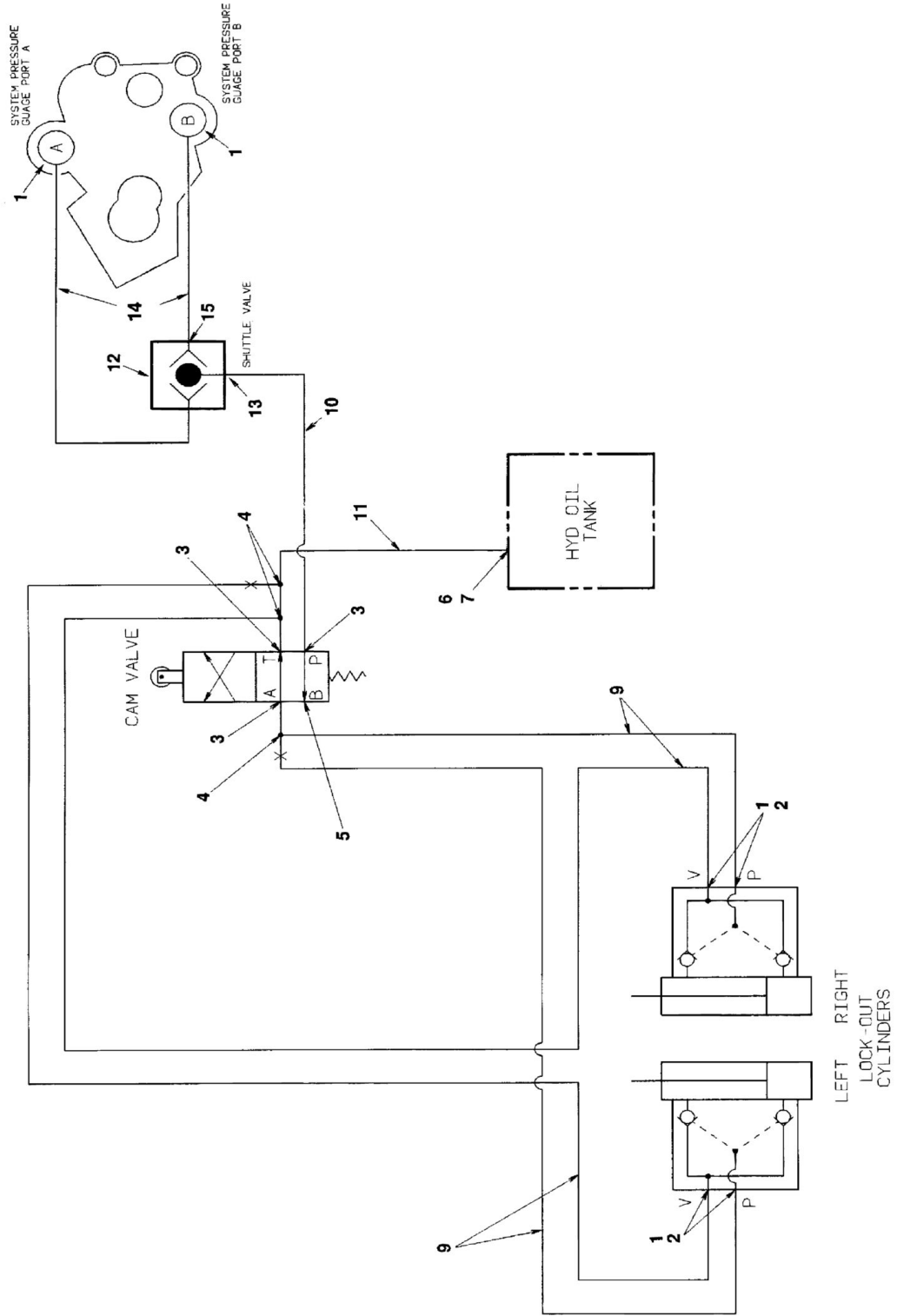
ITEM	PART NUMBER	QTY	DESCRIPTION	REV
	2791936	Ref	HYDRAULIC FITTINGS INSTALLATION	9
1	2210003	3	Fitting, Swivel	
2	2220377	5	Fitting, Straight	
3	1320033	8	Clamp, Hose	
5	3100075	1	Block, Manifold	
6	0100020	AR	Sealant, Pipe (Not Shown)	
8	2720373	2	Hose, Suction 1in (2.54cm) x 8 3/4in (20cm)	
9	2220403	1	Fitting, 90	
11	2220642	1	Fitting, Tee	
12	2220275	1	Fitting, Reducer	
13	2220710	1	Fitting, Reducer	
14	2220498	1	Fitting, 45	
15	2220646	2	Fitting, 90	
16	2220609	1	Fitting, Reducer	
17	2220635	1	Fitting, Tee	
18	2220578	2	Fitting, 90	
19	2220451	3	Fitting, Straight	
20	2220408	2	Fitting, Straight	
21	2220495	1	Fitting, 90	
22	2220250	1	Fitting, Reducer	
23	2220584	1	Fitting, Tee	
24	2220343	1	Fitting, Straight	
25	2220700	1	Fitting, Tee	
26	2220621	1	Fitting, Reducer	
27	2220373	1	Fitting, Straight	
28	2220386	1	Fitting, 90	
29	2220446	1	Fitting, Reducer	
30	2220438	1	Fitting, Nipple	
31	2220428	1	Fitting, Coupling	
32	2220429	1	Cap, Dust	
33	2220758	1	Fitting, Straight	
34	2220468	4	Fitting, Straight	
35	2220238	1	Fitting, Plug	
36	2220113	1	Fitting, 90	
37	2220280	1	Fitting, Nipple	
38	4640216	1	Valve, Adjustable Colorflow	
39	2220580	1	Fitting, 90	
40	2220696	1	Fitting, Reducer	
41	2220282	1	Fitting, Reducer	
42	2220679	2	Fitting, Tee	
43	2220619	3	Fitting, Reducer	
44	2220507	1	Fitting, 90	
46	4640382	1	Valve, Cartridge	
46	7009742	1	Coil (Vickers/Modular Controls Version)	
46	2900503	1	Seal Kit (Vickers/Modular Controls Version)	
46	7000645	1	Coil (Hydraforce Version)	
46	2900800	1	Seal Kit (Hydraforce Version)	
47	2220796	1	Fitting, 90	
48	2220473	1	Fitting, 90	
49	2220415	4	Fitting, Straight	

SECTION 6 - HYDRAULICS

ITEM	PART NUMBER	QTY	DESCRIPTION	REV
50	2220504	2	Fitting, Tee	B
51	2220371	4	Fitting, Straight	
52	2220366	10	Fitting, 90	
53	2220375	2	Fitting, Straight	
54	2220622	4	Fitting, Reducer	
55	2220695	2	Fitting, Tee	
56	2220490	2	Fitting, Tee	
57	2220472	2	Fitting, 90	
59	2220512	1	Fitting, Straight	
60	2220373	1	Fitting, 90	
61	4360449	1	Switch, Temperature	
	2901222	Ref	HYDRAULIC HOSE KIT	
101	2752321	1	Hose	
102	2752330	1	Hose	
103	2752339	1	Hose	
104	2752385	1	Hose	
105	2752386	2	Hose	
106	2752388	1	Hose	
107	2752387	1	Hose	
108	2752390	2	Hose	
109	2752389	1	Hose	
110	2750896	2	Hose	
111	2750894	3	Hose	
112	2750918	1	Hose	
113	2750778	1	Hose	
114	2751398	1	Hose	
115	2752430	2	Hose	
116	2752432	1	Hose	
117	2752431	1	Hose	
118	2750910	2	Hose	
119	2751006	1	Hose	
120	2751110	2	Hose	
121	2751111	1	Hose	
122	2752490	1	Hose	
123	2752460	1	Hose	
124	2752520	1	Hose	
125	2752531	1	Hose	
126	2752532	1	Hose	
127	2750759	1	Hose	
128	2750968	1	Hose	
129	2752242	2	Hose	

SECTION 6 - HYDRAULICS

FIGURE 6-5. HYDRAULIC DIAGRAM - AXLE (OSCILLATING)



SECTION 6 - HYDRAULICS

FIGURE 6-5. HYDRAULIC DIAGRAM - AXLE (OSCILLATING)

ITEM	PART NUMBER	QTY	DESCRIPTION	REV
		Ref	HYDRAULIC DIAGRAM - AXLE (OSCILLATING)	
	2791903	Ref	Hydraulic Diagram - Axle (Oscillating) (Prior to SN 97717)	5-C
	2792520	Ref	Hydraulic Diagram - Axle (Oscillating) (SN 97717 to Present)	1
1	2220582	6	Fitting, Straight	
2	2220462	4	Fitting, 90	
3	2220466	3	Fitting, 90	
4	2220605	3	Fitting, Tee	
5	2220235	1	Plug	
6	2220635	1	Fitting, Tee	
7		Ref	Fitting, Reducer Options:	
7	2220618	1	Fitting, Reducer (Prior to SN 63539)	
7	2220609	1	Fitting, Reducer (SN 63539 to Present)	
9	2751396	4	Hose	
10		Ref	Hose Options:	
10	2750897	2	Hose (Prior to SN 97717)	
10	2750895	2	Hose (SN 97717 to Present)	
11	2751027	1	Hose (Prior to SN 97717)	
12	4640013	1	Valve, Shuttle	
13	2220414	1	Fitting, Straight	
14		Ref	Hose Options:	
14	2751424	2	Hose (Prior to SN 97717)	
14	2750900	2	Hose (SN 97717 to Present)	
15	2220416	2	Fitting, 90	
16	0100020	AR	Sealant, Pipe (Not Shown)	

SECTION 7 - ELECTRICAL

SECTION 7 - ELECTRICAL

FIGURE 7-1. ELECTRICAL DIAGRAMS AND COMPONENTS LIST

ITEM	PART NUMBER	QTY	DESCRIPTION	REV
		Ref	Note: Electrical Diagrams are available through the JLG Service Department.	
	1282015	Ref	ALARMS ELECTRICAL DIAGRAMS (DWG ONLY)	C
	0253727	Ref	Descent Alarm (B/M Only)	B
	0253728	Ref	Motion Alarm (B/M Only)	A
	0253446	Ref	Travel Alarm (B/M Only)	A
	0140032	1	Alarm, Horn	
	3990010	AR	Diode - 6 Amp	
	3740049	1	Relay (Located in Ground Control Box)	
	1540002	1	Capacitor	
	0254000	Ref	AUXILIARY LIFT ELECTRICAL DIAGRAM (OPTIONAL)	B
		Ref	CABLES AND HARNESSSES	
		Ref	Lift Cylinder to Ground Control Box	
	1060341	25 ft/7.6m	Lift Cylinder to Ground Control Box (16/2) (33RTS)	
	1060016	24 ft/7.3m	Lift Cylinder to Ground Control Box (16/3) (25RTS,40RTS) (Prior to SN 70343)	
	1281978	Ref	Platform to Ground Control Box Harnesses	
		Ref	Machines without Jacks and Drive Lights Options: (40RTS)	
	4921556	1	without Jacks and Drive Lights (40RTS) (Prior to SN 58038)	2
	4922255	1	without Jacks and Drive Lights (40RTS) (SN 58038 to Present)	2
		Ref	Machines without Jacks and Drive Lights Options: (33RTS)	
	4921558	1	without Jacks and Drive Lights (33RTS) (Prior to SN 58038)	2
	4922254	1	without Jacks and Drive Lights (33RTS) (SN 58038 to Present)	2
		Ref	Machines without Jacks and Drive Lights Options: (25RTS)	
	4921560	1	without Jacks and Drive Lights (25RTS) (Prior to SN 58038)	2
	4922253	1	without Jacks and Drive Lights (25RTS) (SN 58038 to Present)	2
		Ref	Cable, Electrical - 16/24 Options:	
	1060458	AR	Cable, Electrical - 16/24 (Prior to SN 75287)	
	1060826	Ref	Cable, Electrical - 16/24 (SN 75287 to Present)	
	1060826	96	Cable, Electrical - 16/24 (40RTS)	
		ft/29.3m		
	1060826	86	Cable, Electrical - 16/24 (33RTS)	
		ft/26.2m		
	1060826	75	Cable, Electrical - 16/24 (25RTS)	
		ft/22.9m		
	4460473	1	Clamp, Cable	
	4460468	1	Cap, Dust	
	4460462	1	Plug, Socket - 23 Position	
	4460465	23	Socket, Female	
		Ref	Machines with Jacks and Drive Lights (40RTS)	
	4921557	1	Jacks and Drive Lights (40RTS) (Prior to SN 58038)	3
	4922250	1	Jacks and Drive Lights (40RTS) (SN 58038 to Present)	2
		Ref	Machines with Jacks and Drive Lights (33RTS)	
	4921559	1	Jacks and Drive Lights (33RTS) (Prior to SN 58038)	3
	4922249	1	Jacks and Drive Lights (33RTS) (SN 58038 to Present)	2
		Ref	Machines with Jacks and Drive Lights (25RTS)	
	4921561	1	Jacks and Drive Lights (25RTS) (Prior to SN 58038)	3

SECTION 7 - ELECTRICAL

ITEM	PART NUMBER	QTY	DESCRIPTION	REV
	4922248	1	Jacks and Drive Lights (25RTS) (SN 58038 to Present)	2
		Ref	Cable, Electrical - 16/20	
	1060459	AR	Cable, Electrical - 16/20 (Prior to SN 75287)	
	1060825	AR	Cable, Electrical - 16/20 (SN 75287 to Present)	
	1060825	96 ft/29.3m	Cable, Electrical - 16/20 (40RTS)	
	1060825	86 ft/26.2m	Cable, Electrical - 16/20 (33RTS)	
	1060825	75 ft/22.9m	Cable, Electrical - 16/20 (25RTS)	
	4460473	1	Clamp, Cable	
	4460468	1	Cap, Dust	
	4460481	1	Plug, Socket - 23 Position	
	4460464	20	Pin, Male	
	4460466	3	Seal, Plug	
	1060308	Ref	Receptacle 110V Platform to Ground - 12/3 Cable	
	1060308	75 ft/22.9m	Receptacle 110V Platform to Ground - 12/3 Cable (40RTS) (Prior to SN 70343)	
	1060308	80 ft/24.4m	Receptacle 110V Platform to Ground - 12/3 Cable (40RTS) (SN 70343 to Present)	
	1060308	65 ft/19.8m	Receptacle 110V Platform to Ground - 12/3 Cable (33RTS) (Prior to SN 70343)	
	1060308	70 ft/21.3m	Receptacle 110V Platform to Ground - 12/3 Cable (33RTS) (SN 70343 to Present)	
	1060308	55 ft/16.8m	Receptacle 110V Platform to Ground - 12/3 Cable (25RTS) (Prior to SN 70343)	
	1060308	60 ft/18.3m	Receptacle 110V Platform to Ground - 12/3 Cable (25RTS) (SN 70343 to Present)	
		Ref	CIRCUIT CARD ELECTRICAL DIAGRAM	
	0610103	Ref	Circuit Card Electrical Diagram (Prior to February 1995)	
	0610114	Ref	Circuit Card Electrical Diagram (February 1995 to Present)	
	4932451	Ref	DUAL FUEL ELECTRICAL DIAGRAM (OPTIONAL ON FORD ENGINES)	-
	1281738	Ref	DUAL FUEL ELECTRICAL DIAGRAM (OPTIONAL ON FORD ENGINES)	H
	0258686	Ref	ENGINE SHUTDOWN ELECTRICAL DIAGRAM (DEUTZ ENGINE MACHINES) (OPTIONAL)	A
		Ref	GENERATOR ELECTRICAL DIAGRAM (OPTIONAL)	
	4932387	Ref	110V and Deutz Engines (Prior to August 1994)	-
	4932734	Ref	110V and Deutz Engines (August 1994 to Present)	3
	4932041	Ref	110V and Ford Engines (Prior to August 1994)	B
	4932735	Ref	110V and Ford Engines (August 1994 to Present)	5
	3990010	1	Diode 6 Amp	
	3740049	2	Relay (Located in Ground Control Box)	
	0254736	Ref	HIGH TEMPERATURE WARNING ELECTRICAL DIAGRAM	-
		Ref	LEVELING JACKS ELECTRICAL DIAGRAM (OPTIONAL)	
	0254076	Ref	With Interlock (CE Spec)	C
	1282105	Ref	With Interlock (CE Spec)	D
	4932810	Ref	Without Interlock (Australian Spec) (Prior to SN 76327)	4-D
	4933144	Ref	Without Interlock (Australian Spec) (SN 76372 to Present)	E
		Ref	LIGHTS ELECTRICAL DIAGRAM (OPTIONAL)	
	0253821	Ref	Headlights and Taillights	3
	1282038	Ref	Headlights and Taillights	E
	0253818	Ref	Headlights, Taillights, Brake Lights and Signal Lights	3

SECTION 7 - ELECTRICAL

ITEM	PART NUMBER	QTY	DESCRIPTION	REV
	1282038	Ref	Headlights, Taillights, Brake Lights and Signal Lights	E
	4932624	Ref	Panel Lights - Ground Control Box	-
	4932623	Ref	Panel Lights - Platform Console Box	-
	0253792	Ref	Platform Worklights with 2 Lights (25RTS)	-
	1282033	Ref	Platform Worklights with 2 Lights (25RTS)	B
	0253793	Ref	Platform Worklights with 2 Lights (33RTS)	-
	1282033	Ref	Platform Worklights with 2 Lights (33RTS)	B
	0253794	Ref	Platform Worklights with 2 Lights (40RTS)	-
	1282033	Ref	Platform Worklights with 2 Lights (40RTS)	B
	0257913	Ref	Platform Worklights with 4 Lights	1
	0253852	Ref	Platform Worklights with Cable Reels	B
	0253569	Ref	OIL COOLER ELECTRICAL DIAGRAM	A
		Ref	OVERLOAD PROTECTION INSTALLATION (CE SPECS)	
	0257772	Ref	Overload Protection Installation (CE Specs) (Prior to SN 83966)	A
	0270785	Ref	Overload Protection Installation (CE Specs) (SN 83966 to Present)	E
		Ref	PLATFORM ELECTRICAL DIAGRAMS	
	4932602	Ref	Deutz Engine Machines (All Specs) (Prior to SN 46645)	B
	1282009	Ref	Deutz Engine Machines (All Specs) (Prior to SN 46645)	N
	4932602	Ref	Deutz Engine Machines (CE Spec) (SN 46645 through 57700)	B
	1282009	Ref	Deutz Engine Machines (CE Spec) (SN 46645 through 57700)	N
	4933095	Ref	Deutz Engine Machines (CE Spec) (SN 57701 to Present)	2
	1283063	Ref	Deutz Engine Machines (CE Spec) (SN 57701 to Present)	F
	4933049	Ref	Deutz Engine Machines (Australian Spec) (SN 46645 through 61096)	1
	1282961	Ref	Deutz Engine Machines (Australian Spec) (SN 46645 through 61096)	F
	4933094	Ref	Deutz Engine Machines(Australian Spec) (SN 61097 to Present)	3
	1283061	Ref	Deutz Engine Machines(Australian Spec) (SN 61097 to Present)	H
	4932602	Ref	Ford Engine Machines (All Specs) (Prior to SN 46645)	B
	1282008	Ref	Ford Engine Machines (All Specs) (Prior to SN 46645)	N
	4932602	Ref	Ford Engine Machines (CE Spec) (SN 46645 through 57700)	B
	1282008	Ref	Ford Engine Machines (CE Spec) (SN 46645 through 57700)	N
	4933095	Ref	Ford Engine Machines (CE Spec) (SN 57701 to Present)	2
	1283062	Ref	Ford Engine Machines (CE Spec) (SN 57701 to Present)	F
	4933049	Ref	Ford Engine Machines (Australian Spec) (SN 46645 through 61096)	1
	1282960	Ref	Ford Engine Machines (Australian Spec) (SN 46645 through 61096)	A
	4933094	Ref	Ford Engine Machines (Australian Spec) (SN 61097 to Present)	3
	1283061	Ref	Ford Engine Machines (Australian Spec) (SN 61097 to Present)	H
	3990010	6	Diode - 6 Amp	
		Ref	PLATFORM EXTENSION LIMIT SWITCH ELECTRICAL DIAGRAM	
	0251704	Ref	Platform Extension Limit Switch Electrical Diagram (Prior to June 1994)	A
	0254979	Ref	Platform Extension Limit Switch Electrical Diagram (June 1994 to Present)	-

SECTION 7 - ELECTRICAL

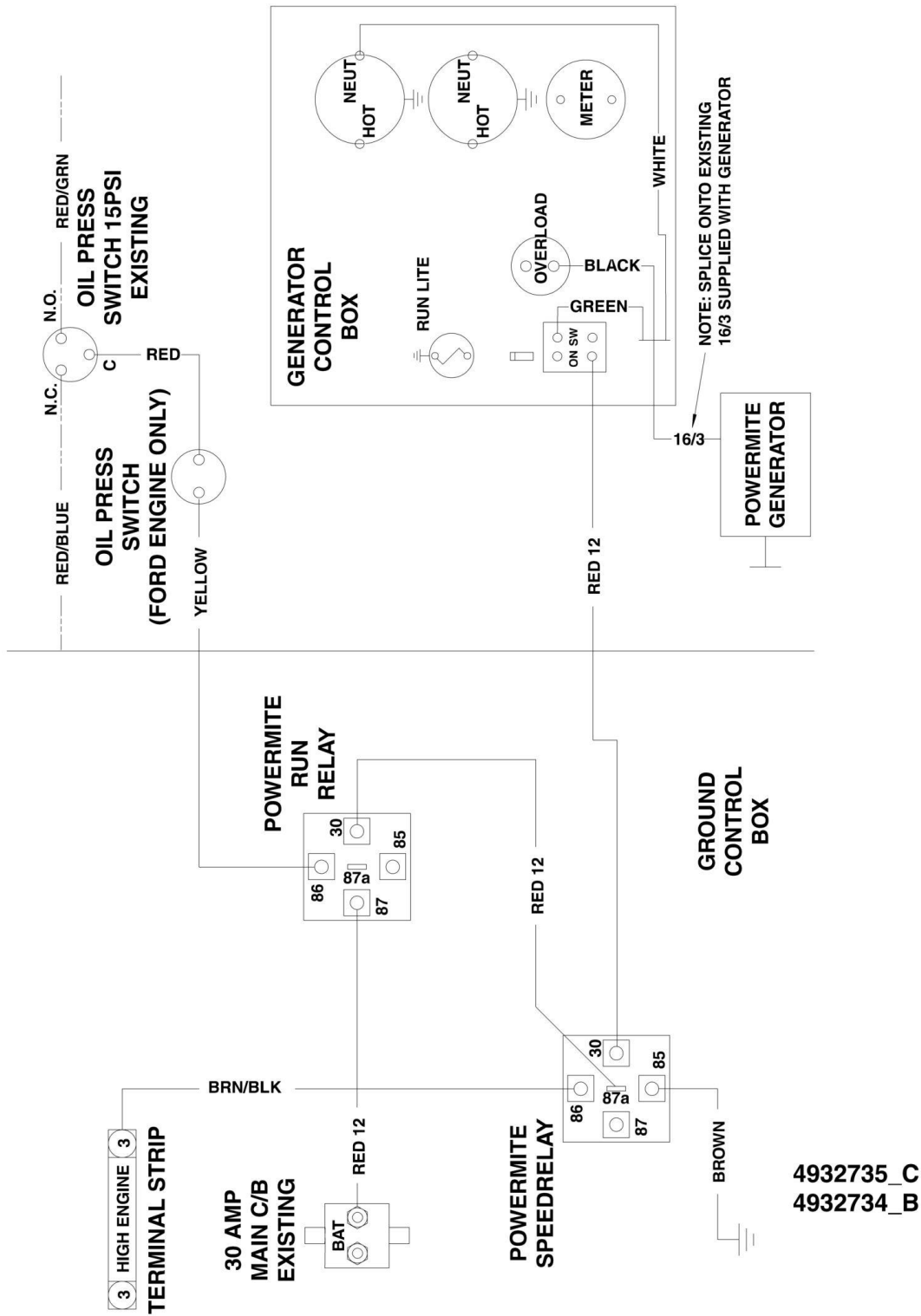
ITEM	PART NUMBER	QTY	DESCRIPTION	REV
	1282311	Ref	Platform Extension Limit Switch Electrical Diagram (June 1994 to Present)	A
	0254112	Ref	PROXIMITY SWITCHES ELECTRICAL DIAGRAM	B
		Ref	STANDARD ELECTRICAL DIAGRAM	
	4932604	Ref	Deutz Engine Machines (All Machines) (Prior to SN 30660)	6
	1282009	Ref	Deutz Engine Machines (All Machines) (Prior to SN 30660)	N
	4932956	Ref	Deutz Engine Machines (All Machines) (SN 30660 through 50052)	1
	1282009	Ref	Deutz Engine Machines (All Machines) (SN 30660 through 50052)	N
	4932956	Ref	Deutz Engine Machines (CE Spec Machines) (SN 50053 to Present)	4
	1282009	Ref	Deutz Engine Machines (CE Spec Machines) (SN 50053 to Present)	N
	4933051	Ref	Deutz Engine Machines (Australian Spec Machines) (SN 50053 to Present)	4
	1282961	Ref	Deutz Engine Machines (Australian Spec Machines) (SN 50053 to Present)	A
	3990010	5	Diode - 6 Amp	
	4921562	1	Harness (Valves to Ground Control Box)	A
		Ref	Harness (Engine to Ground Control Box)	
	4921564	1	Harness (Prior to August 1995)	A
	4921787	1	Harness (August 1995 to Present)	7-E
	4460457	4	Socket, Female	
	4460460	1	Connector - 4 Position	
	1060341	64 ft/19.5m	Cable, Electrical - 16/2 (To Limit Switches and Lift Down Coil)	
	3730003	1	Resistor - 20 ohm	
	4920946	1	Harness, Fuse (CE Spec Only)	
	4932603	Ref	Ford VSG-411 Engine Machines (Prior to January 1995)	E
	1282008	Ref	Ford VSG-411 Engine Machines (Prior to January 1995)	N
	4932758	Ref	Ford VSG-411 Engine Machines (Jan 1995 through SN 61096)	6
	1282348	Ref	Ford VSG-411 Engine Machines (Jan 1995 through SN 61096)	D
	4932758	Ref	Ford VSG-411 Engine Machines (SN 61097 to Present)	6
	1283062	Ref	Ford VSG-411 Engine Machines (SN 61097 to Present)	F
	3990010	5	Diode - 6 Amp	
	4921562	1	Harness (Valves to Ground Control Box)	A
		Ref	Harness (Engine to Ground Control Box)	4
	4921563	1	Harness (Prior to January 1995)	A
	4921718	1	Harness (January 1995 to Present)	
	4460457	4	Socket, Female	
	4460460	1	Connector - 4 Position	
	1060341	64 ft/19.5m	Cable, Electrical - 16/2 (To Limit Switches and Lift Down Coil)	
	4932758	Ref	Ford VSG-413 Engine Machines (Prior to SN 61097)	6
	1282348	Ref	Ford VSG-413 Engine Machines (Prior to SN 61097)	D
	4932758	Ref	Ford VSG-413 Engine Machines (SN 61097 to Present)	6
	1283062	Ref	Ford VSG-413 Engine Machines (SN 61097 to Present)	F
	3990010	5	Diode - 6 Amp	
	4921562	1	Harness (Valves to Ground Control Box)	A
		Ref	Harness (Engine to Ground Control Box)	
	4921718	1	Harness (Prior to SN 44593)	-

SECTION 7 - ELECTRICAL

ITEM	PART NUMBER	QTY	DESCRIPTION	REV
	4922044	1	Harness (SN 44593 to Present)	5-D
	3990010	1	Diode - 6 Amp	
	4460457	4	Socket, Female	
	4460460	1	Connector - 4 Position	
	4460589	7	Socket, Female	
	4460608	7	Seal, Pin	
	4460587	1	Connector - 8 Position	
	4460588	1	Lock, Terminal	
	1060341	64 ft/19.5m	Cable, Electrical - 16/2 (To Limit Switches and Lift Down Coil)	
	4933042	Ref	STATIC STEER ELECTRICAL DIAGRAM (4WD/2WS)	1
	1282951	Ref	STATIC STEER ELECTRICAL DIAGRAM (4WD/2WS)	A
	4933043	Ref	STATIC STEER ELECTRICAL DIAGRAM (4WD/4WS)	2
	1282951	Ref	STATIC STEER ELECTRICAL DIAGRAM (4WD/4WS)	A

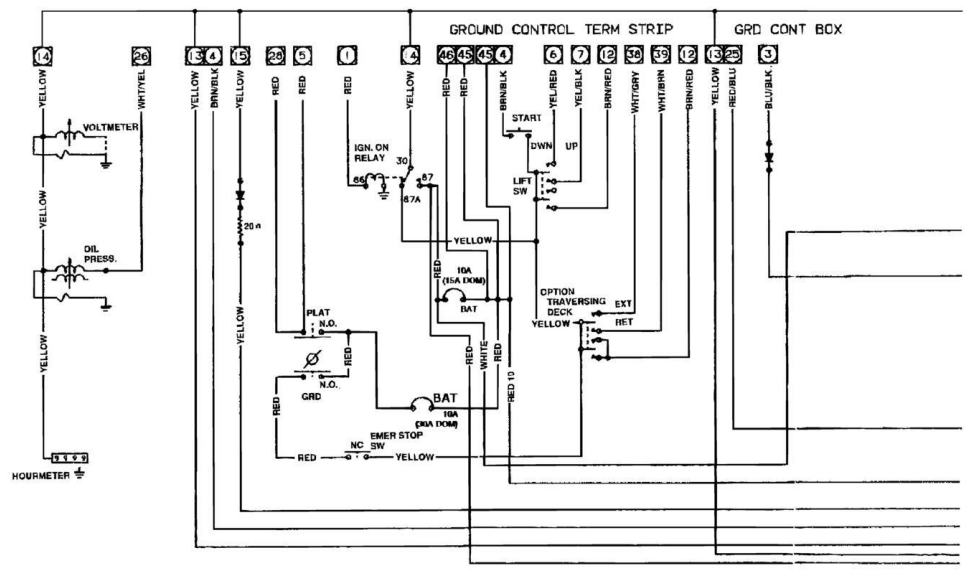
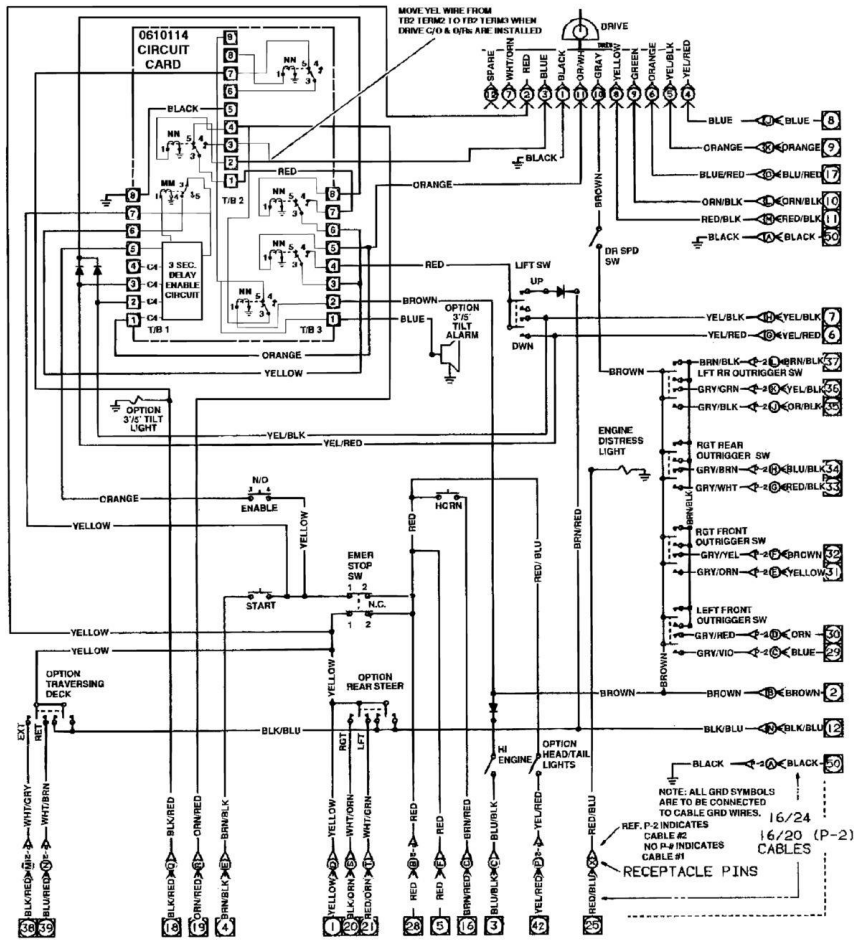
SECTION 7 - ELECTRICAL

FIGURE 7-2. ELECTRICAL DIAGRAM - 110V GENERATOR



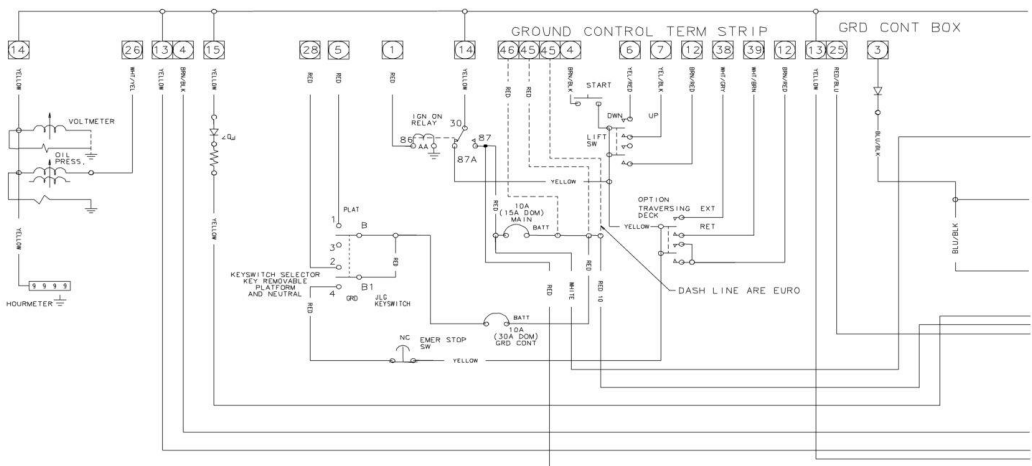
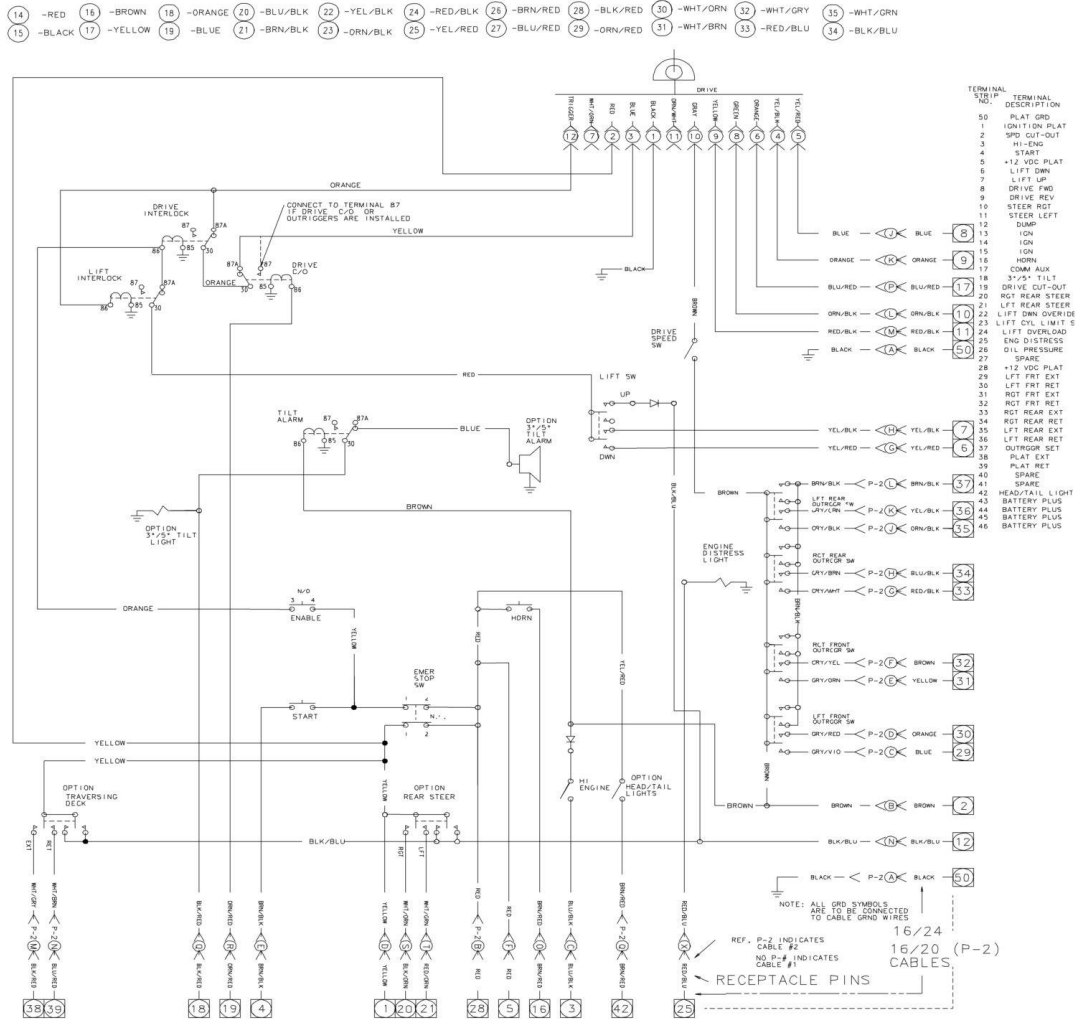
SECTION 7 - ELECTRICAL

FIGURE 7-3. ELECTRICAL DIAGRAM - DEUTZ ENGINE/ CE SPEC MACHINES (Prior to SN 61097)



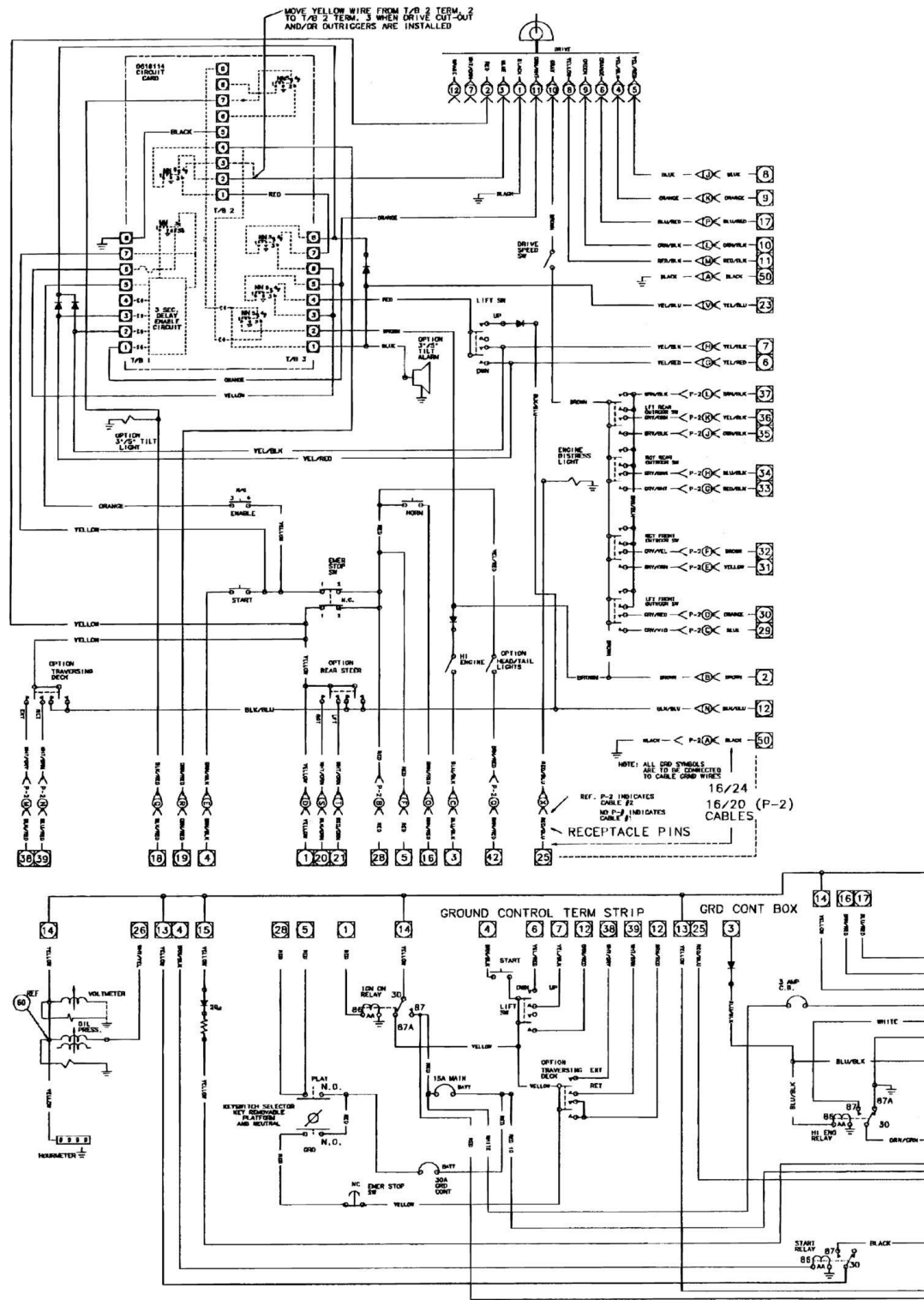
SECTION 7 - ELECTRICAL

FIGURE 7-4. ELECTRICAL DIAGRAM - DEUTZ ENGINE/ CE SPEC MACHINES (SN 61097 to Present)

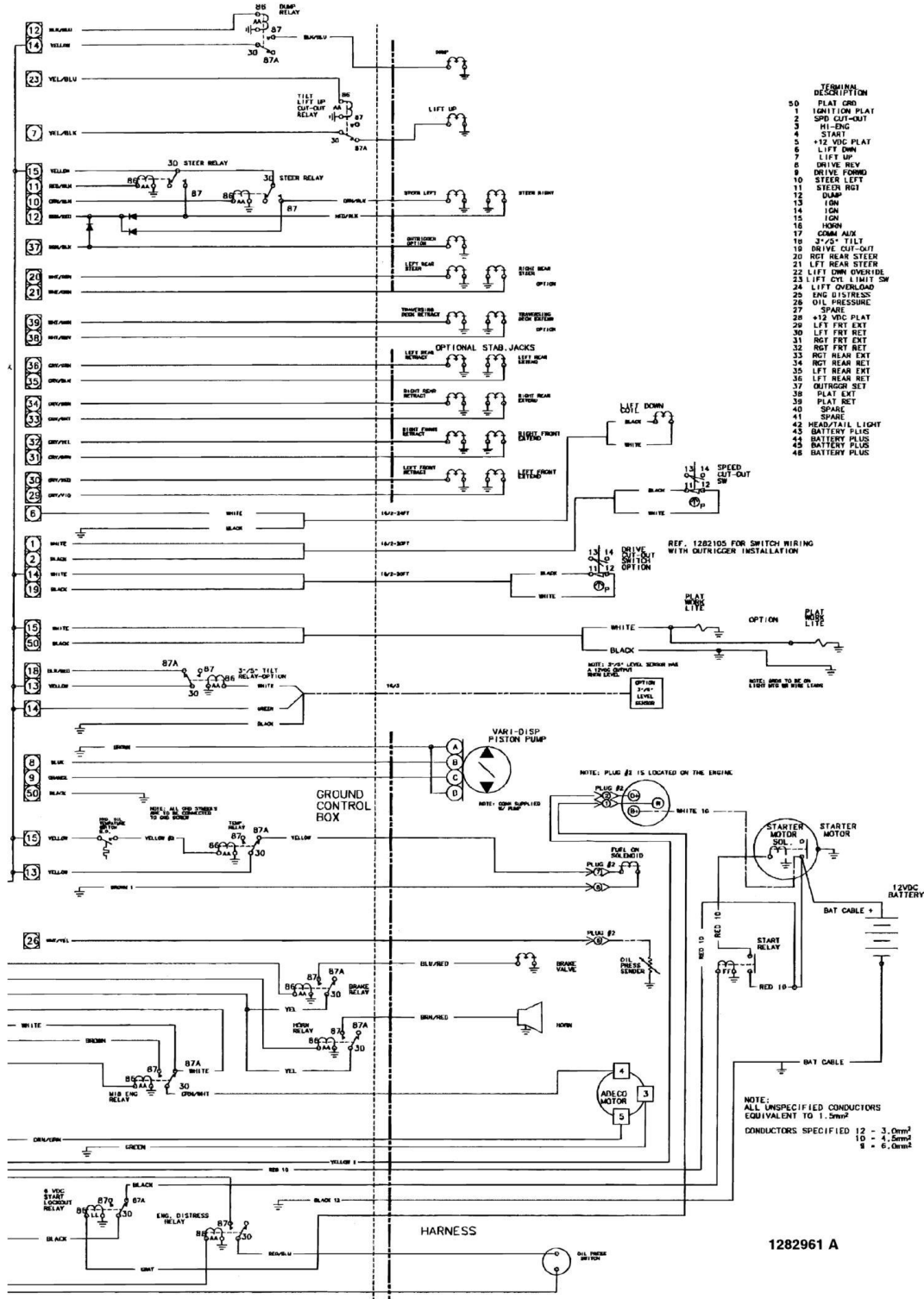


SECTION 7 - ELECTRICAL

FIGURE 7-5. ELECTRICAL DIAGRAM - DEUTZ ENGINE/ AUSTRALIAN SPEC MACHINES



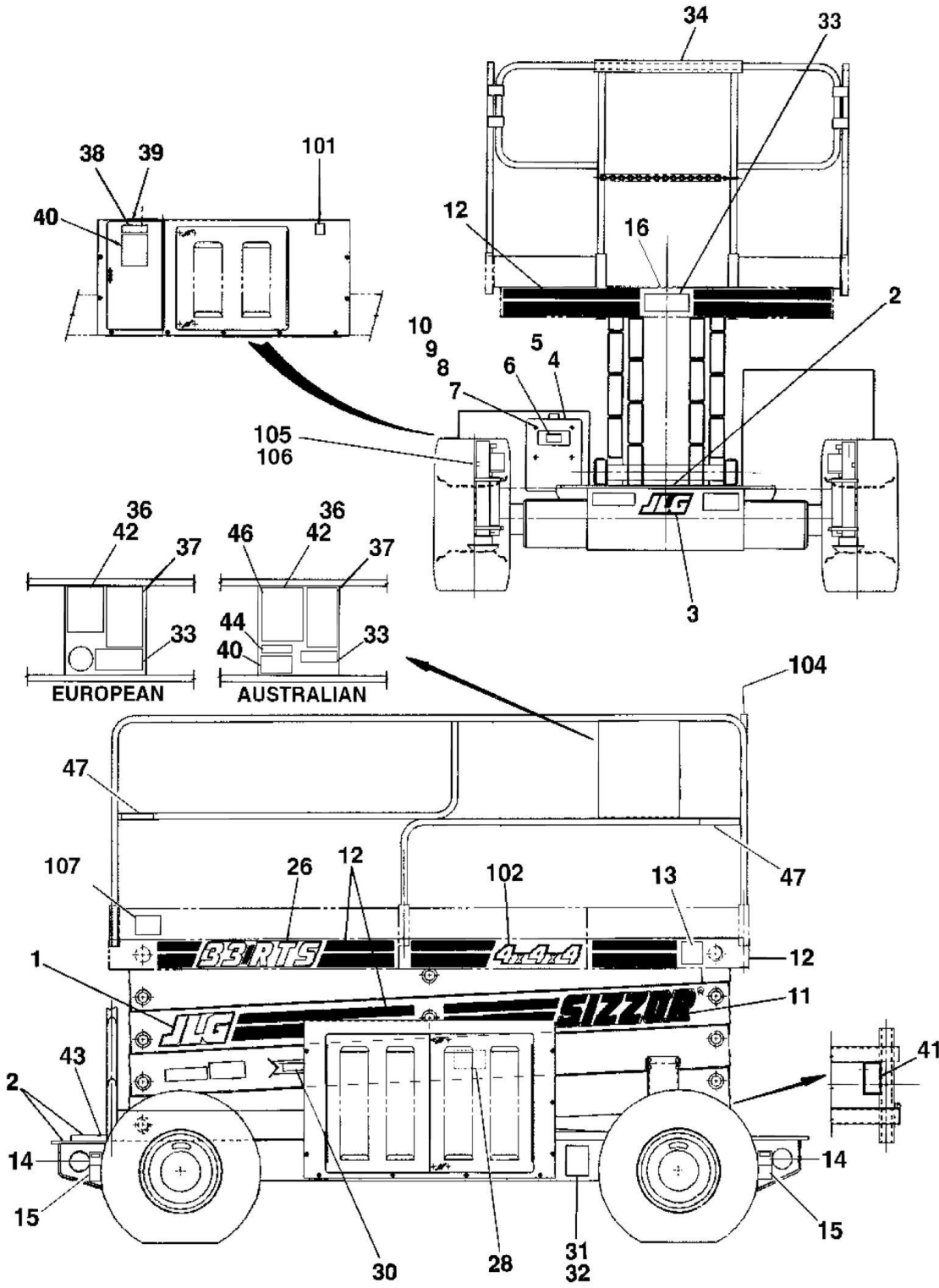
SECTION 7 - ELECTRICAL



SECTION 8 - DECALS

SECTION 8 - DECALS

FIGURE 8-1. DECALS INSTALLATIONS.



SECTION 8 - DECALS

FIGURE 8-1. DECALS INSTALLATIONS.

ITEM	PART NUMBER	QTY	DESCRIPTION	REV
		Ref	DECALS INSTALLATION	
	0253661	Ref	Decal Installation - Common Parts	9
	0271148	Ref	Decal Installation - JLG	1
1		Ref	Decal - JLG Options:	
1	1701832	2	Decal - JLG (Prior to SN 81608)	
1	1701871	2	Decal - JLG (SN 81608 to Present)	
2	4420039	3 ft/.9m	Tape, Safety Tread (Prior to SN 65031)	
3	1701871	3	Decal - JLG (Prior to SN 81608)	
4	0860520	1	Box, Manual Storage	
5	1060279	1	Cable, Lanyard	
6		Ref	Decal - Manual Options:	
6	1701509	1	Decal - Manual (was p/n 1703788) (Prior to SN 102555)	
6	1701509	1	Decal - Manual (SN 102555 to Present)	
7	0641405	4	Bolt 1/4in-20NC x 5/8in	
8	4751400	4	Flatwasher 1/4in	
9	4761400	4	Lockwasher 1/4in (Prior to SN 71528)	
10	3311405	4	Locknut 1/4in-20NC	
11	1701843	2	Decal - Sizzor (Prior to SN 81608)	
12	1701837	30 ft/9m	Decal - Stripe (Black) (Prior to SN 67941)	
13	Not Available	1	Decal - Bar Code	
14		Ref	Decal - Tie Down Options:	
14	1703814	4	Decal - Tie Down (was p/n 1702300) (SN 45396 through 71527)	
14	1703814	4	Decal - Tie Down (SN 71528 to Present)	
15	1703811	4	Decal - Lifting Lug (SN 71528 to Present)	
16	4420067	2 ft/.6m	Tape, Safety Tread (SN 71528 to Present)	
	2902075	1	Kit, Decal (Includes Items 6,14 & 15)	
		Ref	DECAL INSTALLATIONS - MODEL SPECIFIC	
	0257583	Ref	Australian (25RTS)	4
	0257584	Ref	Australian (33RTS)	4
	0257585	Ref	Australian (40RTS)	4
	0253667	Ref	Dutch (25RTS)	4
	0253674	Ref	Dutch (33RTS)	4
	0253681	Ref	Dutch (40RTS)	4
	0253663	Ref	Euro English (25RTS)	5
	0253670	Ref	Euro English (33RTS)	4
	0253677	Ref	Euro English (40RTS)	4
	0253664	Ref	French (25RTS)	4
	0253671	Ref	French (33RTS)	4
	0253745	Ref	French (40RTS)	4
	0253665	Ref	German (25RTS)	4
	0253672	Ref	German (33RTS)	4
	0253679	Ref	German (40RTS)	4
	0253666	Ref	Italian (25RTS)	4
	0253673	Ref	Italian (33RTS)	4
	0253680	Ref	Italian (40RTS)	4
	0253668	Ref	Spanish (25RTS)	4
	0253675	Ref	Spanish (33RTS)	4
	0253682	Ref	Spanish (40RTS)	4
26		Ref	Decal - Model Designation Options:	

SECTION 8 - DECALS

ITEM	PART NUMBER	QTY	DESCRIPTION	REV
26	1701885	2	Decal - Model Designation (25RTS)	
26	1701886	2	Decal - Model Designation (33RTS)	
26	1701887	2	Decal - Model Designation (40RTS)	
28		Ref	Decal - Crushing Options:	
28	Not Required	0	Australian (Prior to SN 49963)	
28	1703158	2	Australian (SN 49963 to Present)	
28	Not Required	0	Dutch/Euro English/German/Italian/Spanish	
30		Ref	Decal - Safety Prop Options:	
30	1701839	2	Australian	
30	1701615	2	Dutch	
30	1701839	2	Euro English	
30	1701512	2	French	
30	1701519	2	German	
30	1701524	2	Italian	
30	1701856	2	Spanish	
31	Not Available	1	Nameplate - Serial Number	
32	2080057	4	Amtak (Was 3820001)	
33		Ref	Decal - Capacity Options:	
33	3252548	1	Decal - Capacity with Fixed Deck (25RTS)	
33	3252549	1	Decal - Capacity with Extendable Deck (25RTS)	
33	3252550	1	Decal - Capacity with Fixed Deck (33RTS)	
33	3252551	1	Decal - Capacity with Extendable Deck (33RTS)	
33	3252552	1	Decal - Capacity with Fixed Deck (40RTS)	
33	3252553	1	Decal - Capacity with Extendable Deck (40RTS)	
34	3340564	1	Pad	
36		Ref	Nameplate - Billboard Options:	
36	3252609	1	Australian was p/n 3252230 (Prior to SN 49963)	
36	3252609	1	Australian (SN 49963 to Present)	
36	3252230	1	Dutch/Euro English/German/Italian/Spanish	
37		Ref	Nameplate - Caution Options:	
37	1701523	1	Australian	
37	1701617	1	Dutch	
37	1701523	1	Euro English	
37	1701511	1	French	
37	1701516	1	German	
37	1701520	1	Italian	
37	1701860	1	Spanish	
38		Ref	Decal - Ground/Emergency Controls Options:	
38	1701840	1	Australian	
38	1701616	1	Dutch	
38	1701840	1	Euro English	
38	1701515	1	French	
38	1701525	1	German	
38	1701535	1	Italian	
38	1701858	1	Spanish	
39	1701504	1	Decal - Hydraulic Fluid	
40		Ref	Nameplate - Electrocution Hazard Options:	
40	Not Required	0	Australian (Prior to SN 49963)	
40	1703665	3	Australian (SN 49963 to Present)	
40	Not Required	0	Dutch/Euro English/German/Italian/Spanish	
41	1701510	1	Decal - Manual Lowering	

SECTION 8 - DECALS

ITEM	PART NUMBER	QTY	DESCRIPTION	REV
42	3820019	4	Rivet	
44		Ref	Decal - Maintenance Options:	
44	Not Required	0	Australian (Prior to SN 49963)	
44	1703663	1	Australian (SN 49963 to Present)	
44	Not Required	0	Dutch/Euro English/German/Italian/Spanish	
45		Ref	Decal -Caution Options:	
45	Not Required	0	Australian (Prior to SN 49963)	
45	1703662	2	Australian (SN 49963 to Present)	
45	Not Required	0	Dutch/Euro English/German/Italian/Spanish	
46		Ref	Decal - Caution Options:	
46	Not Required	0	Australian (Prior to SN 49963)	
46	1703921	1	Australian (SN 49963 to Present)	
46	Not Required	0	Dutch/Euro English/German/Italian/Spanish	
		Ref	DECAL INSTALLATION - OPTIONAL	
101		Ref	Decal - Fuel Options:	
101	1701542	1	Gas Machines	
101	1701505	1	Diesel Machines	
102		Ref	Decal - Drive/Steer Designation Options:	
102	1701833	2	Decal - 4x2x2 (2WD/2WS Machines)	
102	1701834	2	Decal - 4x2x4 (2WD/4WS Machines)	
102	1701835	2	Decal - 4x4x2 (4WD/2WS Machines)	
102	1701836	2	Decal - 4x4x4 (4WD/4WS Machines)	
104	1703793	1	Decal - Platform Extension Capacity	
105		Ref	Decal - Leveling Jack Maximum Load Options:	
105	1703875	4	Decal - Leveling Jack Maximum Load (25RTS)	
105	1703874	4	Decal - Leveling Jack Maximum Load (33RTS,40RTS)	
106	1701785	4	Decal - Outrigger Warning	
107		Ref	Decal Options:	
107	1702928	1	CE (Prior to SN 103475)	
107	1705084	1	Sound Power Level (SN 103475 to Present)	
	0251642	Ref	CORNER WARNING STRIPES INSTALLATION (NOT SHOWN)	-
	4420052	4 ft/1.22m	Tape, Safety (Yellow/Black)	

SECTION 9 - RECOMMENDED SERVICE PARTS STOCK

SECTION 9 - RECOMMENDED SERVICE PARTS STOCK

SECTION 9 - RECOMMENDED SERVICE PARTS STOCK

FIGURE 9-1. STANDARD PARTS

ITEM	PART NUMBER	QTY	DESCRIPTION	REV
	Note	Ref	The following list will service fleets of machines (built to current production per date on the front cover) with emergency repair parts which can be installed in the field. Parts from the list should be replaced when inventory is depleted to keep service parts stock supplied. For further information, contact your JLG dealer or the JLG Industries Parts Department.	
		Ref	STANDARD PARTS	
	1340062	1	Breather, (for fleets of 1 to 4)	
	1340062	1	Breather, (for fleets of 5 to 9)	
	1340062	1	Breather, (for fleets of 10 or more)	
	7000645	1	Coil (Hydraforce Version), (for fleets of 1 to 4)	
	7000645	1	Coil (Hydraforce Version), (for fleets of 5 to 9)	
	7000645	1	Coil (Hydraforce Version), (for fleets of 10 or more)	
	7000418	1	Coil, (for fleets of 1 to 4)	
	7000418	1	Coil, (for fleets of 5 to 9)	
	7000418	1	Coil, (for fleets of 10 or more)	
	7000645	1	Coil, (for fleets of 1 to 4)	
	7000645	1	Coil, (for fleets of 5 to 9)	
	7000645	1	Coil, (for fleets of 10 or more)	
	2120136	1	Element, Pressure Filter, (for fleets of 1 to 4)	
	2120136	1	Element, Pressure Filter, (for fleets of 5 to 9)	
	2120136	1	Element, Pressure Filter, (for fleets of 10 or more)	
	7004214	4	Element, Air Filter, (for fleets of 1 to 4)	
	7004214	8	Element, Air Filter, (for fleets of 5 to 9)	
	7004214	12	Element, Air Filter, (for fleets of 10 or more)	
	7007496	1	Coil Assembly, (for fleets of 1 to 4)	
	7007496	1	Coil Assembly, (for fleets of 5 to 9)	
	7007496	1	Coil Assembly, (for fleets of 10 or more)	
	3740049	1	Relay, (for fleets of 1 to 4)	
	3740049	1	Relay, (for fleets of 5 to 9)	
	3740049	1	Relay, (for fleets of 10 or more)	
	4360216	1	Breaker, Circuit 30-Amp, (for fleets of 1 to 4)	
	4360216	1	Breaker, Circuit 30-Amp, (for fleets of 5 to 9)	
	4360216	1	Breaker, Circuit 30-Amp, (for fleets of 10 or more)	
	4360232	1	Breaker, Circuit 10-Amp, (for fleets of 1 to 4)	
	4360232	1	Breaker, Circuit 10-Amp, (for fleets of 5 to 9)	
	4360232	1	Breaker, Circuit 10-Amp, (for fleets of 10 or more)	
	4360274	1	Switch, Push Button, (for fleets of 1 to 4)	
	4360274	1	Switch, Push Button, (for fleets of 5 to 9)	
	4360274	1	Switch, Push Button, (for fleets of 10 or more)	
	4360469	1	Switch, Key, (for fleets of 1 to 4)	
	4360469	1	Switch, Key, (for fleets of 5 to 9)	
	4360469	1	Switch, Key, (for fleets of 10 or more)	
	2860030	1	Key, Replacement, (for fleets of 1 to 4)	
	2860030	1	Key, Replacement, (for fleets of 5 to 9)	
	2860030	1	Key, Replacement, (for fleets of 10 or more)	
	4360475	1	Switch, Push/Pull (Emergency Stop), (for fleets of 1 to 4)	
	4360475	1	Switch, Push/Pull (Emergency Stop), (for fleets of 5 to 9)	
	4360475	1	Switch, Push/Pull (Emergency Stop), (for fleets of 10 or more)	

SECTION 9 - RECOMMENDED SERVICE PARTS STOCK

ITEM	PART NUMBER	QTY	DESCRIPTION	REV
	4360314	1	Switch, Toggle (Lift), (for fleets of 1 to 4)	
	4360314	1	Switch, Toggle (Lift), (for fleets of 5 to 9)	
	4360314	1	Switch, Toggle (Lift), (for fleets of 10 or more)	
	4360339	1	Switch, Push Button (Enable), (for fleets of 1 to 4)	
	4360339	1	Switch, Push Button (Enable), (for fleets of 5 to 9)	
	4360339	1	Switch, Push Button (Enable), (for fleets of 10 or more)	
	7012658	2	Fuse 7.5-Amp, (for fleets of 1 to 4)	
	7012658	2	Fuse 7.5-Amp, (for fleets of 5 to 9)	
	7012658	2	Fuse 7.5-Amp, (for fleets of 10 or more)	
	1600290	1	Controller, PQ, (for fleets of 1 to 4)	
	1600290	1	Controller, PQ, (for fleets of 5 to 9)	
	1600290	1	Controller, PQ, (for fleets of 10 or more)	
	4360336	1	Switch, Toggle, (for fleets of 1 to 4)	
	4360336	1	Switch, Toggle, (for fleets of 5 to 9)	
	4360336	1	Switch, Toggle, (for fleets of 10 or more)	
	4360329	1	Switch, Toggle, (for fleets of 1 to 4)	
	4360329	1	Switch, Toggle, (for fleets of 5 to 9)	
	4360329	1	Switch, Toggle, (for fleets of 10 or more)	
	7003791	1	Switch, Actuator, (for fleets of 1 to 4)	
	7003791	1	Switch, Actuator, (for fleets of 5 to 9)	
	7003791	1	Switch, Actuator, (for fleets of 10 or more)	
	7003751	1	Potentiometer, (for fleets of 1 to 4)	
	7003751	1	Potentiometer, (for fleets of 5 to 9)	
	7003751	1	Potentiometer, (for fleets of 10 or more)	
	7020500	1	Switch, Rocker, (for fleets of 1 to 4)	
	7020500	1	Switch, Rocker, (for fleets of 5 to 9)	
	7020500	1	Switch, Rocker, (for fleets of 10 or more)	
	7009742	1	Coil (Vickers/Modular Controls Version), (for fleets of 1 to 4)	
	7009742	1	Coil (Vickers/Modular Controls Version), (for fleets of 5 to 9)	
	7009742	1	Coil (Vickers/Modular Controls Version), (for fleets of 10 or more)	
	3990010	2	Diode 6-Amp, (for fleets of 1 to 4)	
	3990010	2	Diode 6-Amp, (for fleets of 5 to 9)	
	3990010	2	Diode 6-Amp, (for fleets of 10 or more)	
	7014676	1	U.S. Standards Tool Kit, (for fleets of 1 to 2)	
	7014676	1	U.S. Standards Tool Kit, (for fleets of 5 to 9)	
	7014676	1	U.S. Standards Tool Kit, (for fleets of 10 or more)	
	2900838	1	U.S. Standard Hardware Kit, (for fleets of 1 to 4)	
	2900838	1	U.S. Standard Hardware Kit, (for fleets of 5 to 9)	
	2900838	1	U.S. Standard Hardware Kit, (for fleets of 10 or more)	

SECTION 9 - RECOMMENDED SERVICE PARTS STOCK

FIGURE 9-2. VARIABLE PARTS

ITEM	PART NUMBER	QTY	DESCRIPTION	REV
	Note	Ref	The following list will service fleets of machines (built to current production per date on the front cover) with emergency repair parts which can be installed in the field. Parts from the list should be replaced when inventory is depleted to keep service parts stock supplied. For further information, contact your JLG dealer or the JLG Industries Parts Department.	
		Ref	VARIABLE PARTS	
	4360300	1	Switch, Limit, (for fleets of 1 to 4)	
	4360300	1	Switch, Limit, (for fleets of 5 to 9)	
	4360300	1	Switch, Limit, (for fleets of 10 or more)	
	4360548	1	Switch, Limit, (for fleets of 1 to 4)	
	4360548	1	Switch, Limit, (for fleets of 5 to 9)	
	4360548	1	Switch, Limit, (for fleets of 10 or more)	
	7004368	1	Coil - 4640123 Valve (Hydraforce Version), (for fleets of 1 to 4)	
	7004368	1	Coil - 4640123 Valve (Hydraforce Version), (for fleets of 5 to 9)	
	7004368	1	Coil - 4640123 Valve (Hydraforce Version), (for fleets of 10 or more)	
	7000558	1	Coil - 4640123 Valve (FPS Version), (for fleets of 1 to 4)	
	7000558	1	Coil - 4640123 Valve (FPS Version), (for fleets of 5 to 9)	
	7000558	1	Coil - 4640123 Valve (FPS Version), (for fleets of 10 or more)	
	2120110	4	Element, Hydraulic - 25 Micron, (for fleets of 1 to 4)	
	2120110	8	Element, Hydraulic - 25 Micron, (for fleets of 5 to 9)	
	2120110	12	Element, Hydraulic - 25 Micron, (for fleets of 10 or more)	
	2120129	4	Element, Hydraulic - 10 Micron, (for fleets of 1 to 4)	
	2120129	8	Element, Hydraulic - 10 Micron, (for fleets of 5 to 9)	
	2120129	12	Element, Hydraulic - 10 Micron, (for fleets of 10 or more)	
	4640049	1	Coil (Machines with Leveling Jacks), (for fleets of 1 to 4)	
	4640049	1	Coil (Machines with Leveling Jacks), (for fleets of 5 to 9)	
	4640049	1	Coil (Machines with Leveling Jacks), (for fleets of 10 or more)	
	7014500	12	Filter, Oil (1 Dozen) (Ford Engine Machines), (for fleets of 1 to 4)	
	7014500	12	Filter, Oil (1 Dozen) (Ford Engine Machines), (for fleets of 5 to 9)	
	7014500	12	Filter, Oil (1 Dozen) (Ford Engine Machines), (for fleets of 10 or more)	
	7022174	4	Filter, Fuel (VSG- 413 Ford Engine Machines), (for fleets of 1 to 4)	
	7022174	8	Filter, Fuel (VSG- 413 Ford Engine Machines), (for fleets of 5 to 9)	
	7022174	12	Filter, Fuel (VSG- 413 Ford Engine Machines), (for fleets of 10 or more)	
	3740067	1	Relay (Deutz Engine Machines), (for fleets of 1 to 4)	
	3740067	1	Relay (Deutz Engine Machines), (for fleets of 5 to 9)	
	3740067	1	Relay (Deutz Engine Machines), (for fleets of 10 or more)	
	7016331	12	Filter, Oil (Deutz Engine Machines), (for fleets of 1 to 4)	
	7016331	12	Filter, Oil (Deutz Engine Machines), (for fleets of 5 to 9)	
	7016331	12	Filter, Oil (Deutz Engine Machines), (for fleets of 10 or more)	
	8320270	4	Filter, Fuel, (for fleets of 1 to 4)	
	8320270	8	Filter, Fuel, (for fleets of 5 to 9)	
	8320270	12	Filter, Fuel, (for fleets of 10 or more)	
	4360212	1	Breaker, Circuit (Deutz Engine Machines Only), (for fleets of 1 to 4)	
	4360212	1	Breaker, Circuit (Deutz Engine Machines Only), (for fleets of 5 to 9)	
	4360212	1	Breaker, Circuit (Deutz Engine Machines Only), (for fleets of 10 or more)	
	3740077	1	Relay (Deutz Engine Machines Only), (for fleets of 1 to 4)	

SECTION 9 - RECOMMENDED SERVICE PARTS STOCK

ITEM	PART NUMBER	QTY	DESCRIPTION	REV
	3740077	1	Relay (Deutz Engine Machines Only), (for fleets of 5 to 9)	
	3740077	1	Relay (Deutz Engine Machines Only), (for fleets of 10 or more)	

SECTION 10 - SPECIAL OPTIONS LIST

SECTION 10 - SPECIAL OPTIONS LIST

FIGURE 10-1. SPECIAL OPTIONS LIST

ITEM	PART NUMBER	QTY	DESCRIPTION	REV
		Ref	SPECIAL OPTIONS LIST	
		Ref	Note: This list is to accommodate machines ordered with special equipment. Options may not be applicable to all models. For more specific parts information contact the JLG Parts Department.	
	0254242	Ref	Airline to Platform Installation - 1/2in (25RTS)	
	0250914	Ref	Airline to Platform Installation - 1/2in (33RTS)	
	0256425	Ref	Airline to Platform Installation - 1/2in (40RTS)	
	0251798	Ref	Arm Stops Installation	
	0254000	Ref	Auxiliary Lift Installation	
		Ref	Cylinder Bellows Installation Options	
	0460068	Ref	Lift Cylinder (25RTS,33RTS)	
	0253787	Ref	Steer Cylinders - 2WS	
	1282031	Ref	Steer Cylinders - 2WS	
	0253790	Ref	Steer Cylinders - 4WS	
	1282031	Ref	Steer Cylinders - 4WS	
		Ref	Decal Options	
	1702788	Ref	Decal - Biodegradable Oil Use	
		Ref	Electrical Connector Kits	
	1001148902	Ref	Amp Connector Kit	
	1001148903	Ref	Deutsch DT Connector Kit	
	1001148904	Ref	Deutsch HD Connector Kit	
	1001148905	Ref	Packard Connector Kit	
	1001148906	Ref	Various Connector Kit	
	0250815	Ref	Engine Heater Installation (Ford Engine Machines)	
	0254131	Ref	Fan Guard Installation (Ford Engine Machines)	
		Ref	Filter Kits:	
		Ref	Deutz F2L1011 Engine	
	1001111693	1	Combined Filter Kit (Hydraulic/Air and Fuel/Engine Oil)	
	1001111668	1	Hydraulic/Air Filter	
	1001111686	1	Fuel/Engine Oil Filter	
		Ref	Deutz F2L1011 Engine (Piston Pump)	
	1001111692	1	Combined Filter Kit (Hydraulic/Air and Fuel/Engine Oil)	
	1001111667	1	Hydraulic/Air Filter	
	1001111684	1	Fuel/Engine Oil Filter	
		Ref	Ford VSG-411 Engine	
	2910472	NLA	Combined Filter Kit (Hydraulic/Air and Fuel/Engine Oil) (Use p/n 2910943)	
	2910943	1	Combined Filter Kit (Hydraulic/Air and Fuel/Engine Oil)	
		Ref	Ford VSG-413 Engine	
	2910471	NLA	Combined Filter Kit (Hydraulic/Air and Fuel/Engine Oil) (Use p/n 2910943)	
	2910943	1	Combined Filter Kit (Hydraulic/Air and Fuel/Engine Oil)	
		Ref	Fluids	
	2300014	AR	Mobil 424	
	2300027	AR	Mobil 224H Bio	
	2300016	AR	Mobil DTE 13M	
	2300021	AR	Union Carbide Ucon HP5046 Fire Resistant	
	0253902	Ref	Fuel Filter Installation (Spin-On Type)	

SECTION 10 - SPECIAL OPTIONS LIST

ITEM	PART NUMBER	QTY	DESCRIPTION	REV
	0253818	Ref	Headlights/Taillights at Both Front and Rear of Machine	
	1282038	Ref	Headlights/Taillights at Both Front and Rear of Machine	
	0259219	Ref	Hose Shield Installation (4WD/2WS)	
	0259220	Ref	Hose Shield Installation (4WD/4WS)	
	0271957	Ref	Material Rack	
	0253569	Ref	Oil Cooler Installation	
		Ref	Overload Protection Installation (CE Specs)	
	0257772	Ref	Overload Protection Installation (Prior to SN 83966)	A
	0270785	Ref	Overload Protection Installation (SN 83966 to Present)	E
	0256972	Ref	Pipe Rack Installation (25RTS,33RTS) (Prior to SN 39634)	
	0257728	Ref	Pipe Rack Installation (25RTS,33RTS) (SN 39634 to Present)	
	Not Available	Ref	Pipe Rack Installation (40RTS)	
	0253826	Ref	Platform Bumpers Installation - Extendable Platform Machines	
	0257380	Ref	Platform Door Return Spring Installation	
	0254110	Ref	Platform Handrails with Inner Rails Installation	
	0254112	Ref	Platform Proximity Switches Installation	
	0253852	Ref	Platform Worklights with Automatic Retract Cords Installation	
	0257913	Ref	Platform Worklights with Four Worklights Installation	
	0254925	Ref	Terminal Boots Installation	
	2901813	Ref	Tie Strap Kit	
		Ref	Tools for Service	
	7002820	1	Arbor Set (For Installation of Bushings)	
	7002821	1	Crimper, Wire	
	7002823	1	Extractor, Pin - Universal	
	4460467	AR	Extractor, Pin #16 Gauge	
	4460510	AR	Extractor, Pin #12 Gauge	
	7004275	1	Installer, Cylinder Seal - 1in	
	7004276	1	Installer, Cylinder Seal - 1 1/2in	
	7002826	1	Installer, Cylinder Seal - 2in	
	7016654	1	Screwdriver, Magnetic	
	7002822	1	Screwdriver, Potentiometer	
	7002828	1	Stripper, Wire	

PART NUMBER INDEX

SECTION 10 - SPECIAL OPTIONS LIST

0060023.....81	0250815 206	0253674 195	0255785.....41
0080039.....63, 71, 82	0250914 206	0253675 195	0256425.....206
0080046.....82	0250999 122	0253677 195	0256848.....83
0080092.....62, 70, 77	0251548 84	0253678 41	0256898.....84
0080163.....64, 72, 83	0251642 197	0253679 195	0256925.....33
0080167.....77	0251660 16	0253680 195	0256972.....207
0080172.....81	0251661 15	0253681 195	0257246.....81
0080175.....62, 70	0251704 126, 180	0253682 195	0257380.....207
0080177.....81	0251791 151, 160	0253688 61	0257412.....50
0080190.....151	0251798 206	0253689 63	0257413.....50
0080200.....65, 73	0251801 84, 87	0253690 61	0257583.....195
0100009.....61, 69, 132	0251945 65, 73	0253691 63	0257584.....195
0100011.....10, 11, 15, 16, 83, 87, 101, 102, 106, 109, 122, 141, 143, 147, 149, 151, 155, 157	0251978 101	0253702 131, 132	0257585.....195
01000199, 10, 11, 12, 33, 63, 71	0252484 15	0253721 99	0257728.....207
0100020..49, 63, 71, 149, 151, 172, 175	0252532 10, 132	0253722 99	0257772.....180, 207
0100035.....97, 131, 141, 143, 147, 149, 151, 155, 157	0252586 106	0253725 97	0257872.....69
0100038.....144, 149, 151	0252587 110	0253726 97	0257873.....71
0100043.....82	0252588 114	0253727 34, 178	0257910.....101
0100048.....71	0252740 33	0253728 34, 178	0257911.....69
0140001.....62, 70, 81	0252741 33	0253732 49	0257912.....71
0140011.....132	0252742 33	0253745 195	0257913.....180, 207
0140032.....34, 178	0252790 9	0253787 206	0258290.....41
0181637.....101	0252808 64	0253790 206	0258576.....105
0181684.....125, 129	0252955 105	0253792 121, 180	0258639.....99
0181847.....131	0252956 109	0253793 121, 180	0258641.....97
0200368.....109	0252957 113	0253794 121, 180	0258642.....131, 132
0200372.....105, 110	0253033 125	0253803 125	0258686.....84, 179
0200373.....105, 109	0253059 9, 10	0253818 179, 207	0258697.....129
0200402.....113	0253061 47	0253821 37, 99, 132, 179	0258719.....129
0200403.....113	0253063 47	0253826 207	0258967.....106
0200404.....113	0253069 47	0253850 122	0258968.....110
0200409.....125	0253070 47	0253852 180, 207	0259219.....207
0200452.....109, 113	0253078 10	0253875 65, 73, 84	0259220.....207
0200454.....105, 109, 113	0253079 43	0253902 206	0259488.....84
0200455.....105	0253081 33	0253913 122	0270365.....102
0200456.....109	0253087 16	0254000 160, 178, 206	0270492.....50
0200457.....109	0253088 16	0254076 37, 99, 132, 179	0270785.....180, 207
0200458.....105, 109, 113	0253089 16	0254086 105	0271148.....195
0200459.....106	0253171 11	0254088 109	0271469.....11
0200460.....106	0253172 11	0254091 113	0271470.....11
0200461.....113	0253195 49	0254103 97	0271499.....43
0200462.....113	0253299 101	0254104 97	0271581.....41
0200463.....113	0253361 81	0254107 99	0271582.....49
0200464.....105, 109, 113	0253366 117	0254108 99	0271583.....41
0200465.....106, 113	0253375 117	0254110 207	0271957.....207
0200519.....105, 110	0253380 11	0254112 181, 207	0320015.....143
0200520.....105, 109	0253381 11	0254131 206	0340002.....63, 71, 82
0200556.....105, 109, 113	0253445 102	0254153 63	0361651.....43
0200557.....109	0253446 34, 178	0254154 63	0361815.....87
0200620.....105	0253447 77	0254242 206	0361817.....81
0200621.....105	0253448 34	0254380 122	0362043.....82
0200628.....113	0253449 34	0254381 122	0362080.....43
0200629.....113	0253545 15	0254382 122	0362100.....102
0200630.....109	0253569 160, 180, 207	0254736 65, 73, 179	0362126.....43
0200631.....105, 109	0253656 121	0254881 125	0362591.....99
0250317.....122	0253657 121	0254925 207	0363019.....43
0250444.....79	0253661 195	0254979 126, 180	0400002.....64, 81
0250597.....83	0253663 195	0255005 9	0400003.....64, 81
0250687.....101	0253664 195	0255006 9, 10	0400075.....72, 81
0250790.....77, 99	0253665 195	0255037 65, 73, 79	0400174.....72, 81
	0253666 195	0255038 84, 87	0440085.....155, 157
	0253667 195	0255103 15	0440161.....10, 11
	0253668 195	0255114 84	0440174.....10
	0253670 195	0255660 16	0440175.....10
	0253671 195	0255661 16	0440183.....10
	0253672 195	0255662 16	0460068.....206
	0253673 195	0255701 49	0480057.....79

SECTION 10 - SPECIAL OPTIONS LIST

0480059.....	87	0642636.....	43	0961247.....	79	1282311.....	181
0480064.....	117	0681506.....	143	0961335.....	106, 110, 114	1282348.....	181
0480065.....	117	0681510.....	87	0961378.....	62, 71	1282951.....	182
0560901.....	11	0681606.....	143	0961379.....	151	1282960.....	180
0610103.....	179	0681610.....	79, 87	0961380.....	151	1282961.....	180, 181
0610110.....	131	0681714.....	105, 110, 113	0961664.....	9, 106, 110, 114	1283061.....	180
0610114.....	131, 179	0700605.....	83	0961783.....	106, 110	1283062.....	180, 181
0630137.....	10	0700808.....	64, 69, 72	0961785.....	114	1283063.....	180
0630327.....	37	0700810.....	83	0961833.....	121	1320014.....	62, 70
0630360.....	63, 71	0700819.....	65, 73	0961938.....	12	1320019.....	82, 84
0630370.....	64, 72, 81	0701010.....	81	1001111667.....	206	1320020.....	64, 72
0630403.....	63, 71	0701012.....	69, 87	1001111668.....	206	1320021.....	84
0630476.....	122	0701013.....	83	1001111684.....	206	1320022.....	63, 71, 77, 82
0641404.....	131	0701014.....	61	1001111686.....	206	1320023.....	77
0641405.....	49, 62, 70, 77, 82, 195	0701015.....	70	1001111692.....	206	1320026.....	63, 64, 71, 72
0641406.....	12, 41, 63, 71, 81, 82, 99, 101, 102, 121, 122	0701016.....	83	1001111693.....	206	1320032.....	62, 70, 77
0641408.....	33, 61, 99, 101, 102, 125, 129	0701414.....	87	1001148902.....	206	1320033.....	163, 168, 172
0641410.....	61, 69, 99, 102	0720603.....	99	1001148903.....	206	1320058.....	62, 63, 70
0641416.....	121, 122, 125, 129, 152	0721004.....	10, 63, 99	1001148904.....	206	1320059.....	82
0641418.....	129	0721006.....	99	1001148905.....	206	1320060.....	83
0641420.....	47, 125, 129	0741008.....	83	1001148906.....	206	1320061.....	106, 110, 113, 123, 129
0641424.....	82	0750806.....	98	1060016.....	178	1320095.....	77
0641506.....	48	0751006.....	101	1060044.....	83	1320176.....	82
0641507.....	43, 69, 79, 87, 123	0840046.....	72, 83	1060093.....	81	1320180.....	71, 82
0641508.....	43, 63, 71, 81, 106, 110, 114	0840047.....	72, 83	1060221.....	61, 69	1320187.....	48
0641510.....	12, 34	0860038.....	122	1060254.....	64, 72, 81	1320188.....	48
0641511.....	48, 79, 125, 129	0860520.....	195	1060279.....	195	1320189.....	48
0641512.....	81	0860799.....	131	1060308.....	123, 179	1320190.....	48
0641514.....	48, 117, 125	0861338.....	97	1060341.....	37, 38, 99, 102, 122, 126, 178, 181, 182	1320192.....	48
0641516.....	125	0861377.....	131	1060360.....	64, 72, 82	1320193.....	48
0641522.....	77	0900479.....	43	1060379.....	121, 125, 129	1320194.....	48
0641526.....	106, 110, 114	0901387.....	63, 71	1060380.....	131	1320195.....	48
0641528.....	106, 109, 113	0901419.....	61, 69	1060406.....	81	1320197.....	48, 49
0641530.....	48	0901609.....	79, 87	1060458.....	178	1320198.....	48, 49
0641608.....	10, 11, 12, 48, 49, 61, 69, 106, 110, 114	0901650.....	79	1060459.....	179	1320199.....	49
0641610.....	11, 12, 34, 62, 63, 64, 70, 71, 72, 77, 81	0901705.....	82	1060515.....	87	1320200.....	48
0641612.....	11, 12, 34, 82	0901778.....	62, 70, 82	1060643.....	152	1320202.....	47
0641614.....	11, 12, 33	0901817.....	81	1060646.....	82	1320237.....	33
0641620.....	125	0901853.....	48	1060664.....	152	1340020.....	63, 71, 82
0641624.....	106, 110, 114	0901855.....	33	1060825.....	179	1340021.....	48
0641626.....	50	0901858.....	62	1060826.....	178	1340062.....	48, 200
0641632.....	62, 70	0901870.....	121	1100062.....	33	1380124.....	10, 11
0641636.....	62, 70	0901897.....	131	1100063.....	33	1380132.....	125, 129
0641676.....	129	0901916.....	125, 129	1100101.....	33	1440227.....	106, 109, 113
0641710.....	63, 71	0901927.....	37	1100102.....	33	1540002.....	34, 178
0641726.....	61, 69	0901928.....	37	1120108.....	141, 143, 147, 155, 157	1600157.....	132, 135
0641810.....	15, 16, 117	0901930.....	122	1120161.....	63, 71	1600269.....	69
0641812.....	61, 69, 82	0902214.....	11, 12	1120311.....	10	1600290.....	132, 137, 201
0641826.....	61, 69	0902215.....	11, 12	1120358.....	151	1600325.....	69
0641828.....	41	0902244.....	81	1120361.....	48	1660114.....	43
0641840.....	81	0902292.....	117	1120362.....	50	1660157.....	62, 70
0642012.....	37	0902293.....	37	1120387.....	149	1660184.....	83
0642014.....	15, 16, 41	0902294.....	117	1120485.....	50	1660204.....	9, 10
0642016.....	37, 41	0902376.....	83	1120486.....	50	1660205.....	9, 10
0642018.....	37, 43	0902377.....	83	1120486.....	50	1660207.....	64
0642622.....	10, 11	0902382.....	63, 71	1140009.....	64, 72	1660234.....	83
0642624.....	9, 43	0902456.....	131	1260017.....	43	1670560.....	101
		0902514.....	131	1281738.....	179	1670680.....	84
		0902720.....	152	1281978.....	178	1670841.....	72, 82
		0902733.....	43	1282008.....	180, 181	1681283.....	143, 147
		0902734.....	43	1282009.....	180, 181	1681322.....	141
		0920084.....	15, 16, 21	1282015.....	178	1681344.....	155, 157
		0920110.....	15, 16, 21	1282031.....	206	1681609.....	141
		0960238.....	97, 99	1282033.....	180	1682076.....	151
		0960407.....	122	1282038.....	179, 180, 207	1682080.....	151
		0960523.....	9	1282105.....	179	1682082.....	151
		0961029.....	9, 11				

SECTION 10 - SPECIAL OPTIONS LIST

1682098.....	151	1703162.....	72	2220273.....	62, 70, 83	2220883.....	144, 147
1682100.....	151	1703476.....	83	2220275	163, 168, 172	2220885.....	143, 147
1682364.....	149	1703662.....	197	2220280	163, 168, 172	2300014.....	206
1682427.....	12, 141	1703663.....	197	2220282	163, 168, 172	2300016.....	206
1682428.....	141	1703665.....	196	2220290.....	77	2300021.....	206
1682594.....	151	1703793.....	197	2220317.....	82	2300027.....	206
1682657.....	37, 149	1703811.....	195	2220343	163, 168, 172	2360347.....	9
1682658.....	149	1703814.....	41, 195	2220345.....	164	2360352.....	9
1682660.....	149	1703874.....	197	2220362.....	164	2360465.....	9
1682681.....	9, 10, 155	1703875.....	41, 197	2220364.....	77	2360466.....	9
1682682.....	155, 157	1703921.....	197	2220366.....	169, 173	2400044.....	83
1682684.....	155	1705084.....	197	2220371	164, 169, 173	2400054.....	83
1682720.....	143	2000106.....	81, 84	2220373 ...	164, 169, 172,	2420009.....	97
1682721.....	143, 147	2000118.....	61	173		2420033.....	62, 70
1682723.....	143	2000130.....	61	2220374.....	163, 168	2420038.....	122
1682967.....	9, 10, 157	2000133.....	61	2220375.....	169, 173	2420084.....	98, 99
1682987.....	157	2000137.....	81, 84	2220377	163, 168, 172	2420091.....	97
1683465.....	105, 109, 151	2000147.....	61	2220386	163, 168, 172	2420110.....	82
1683466.....	113, 151	2000155.....	69, 72	2220403	163, 168, 172	2420111.....	98
1683966.....	143	2000177.....	69, 72	2220408	163, 168, 172	2420115.....	49
1683967.....	143, 147	2060019.....	62	2220414.....	175	2420118.....	62, 70
1684206.....	147	2060030.....	70	2220415.....	168, 172	2420131.....	65, 73
1684216.....	41, 147	2080057.....	196	2220416.....	175	2420159.....	98
1684217.....	41, 147	2120077.....	77	2220417.....	163	2420164.....	98
1700598.....	123	2120109.....	48	2220428	163, 168, 172	2420183.....	50
1700599.....	123	2120110.....	48, 202	2220429	163, 168, 172	2420203.....	79, 87
1700818.....	77	2120112.....	65, 73	2220435.....	164	2460011.....	79, 87
1701437.....	152	2120129.....	48, 202	2220438	163, 168, 172	2500005.....	61, 69
1701504.....	196	2120135.....	62, 70, 82	2220446	163, 168, 172	2560088.....	125, 129
1701505.....	197	2120136 ...	62, 70, 82, 200	2220451	163, 168, 172	2560141.....	131
1701509.....	195	2160002	9, 11, 12, 43,	2220462.....	175	2600161.....	98
1701510.....	196	141, 151		2220466.....	163, 175	2620037.....	43
1701511.....	196	2160003.....	10, 11	2220468	163, 168, 172	2680387.....	101
1701512.....	196	2180104.....	77	2220472	164, 169, 173	2680395.....	101
1701515.....	196	2180318.....	84	2220473	163, 168, 172	2680396.....	101
1701516.....	196	2180348.....	82	2220490.....	169, 173	2680406.....	101
1701519.....	196	2180360 ...	62, 66, 70, 74,	2220495	163, 168, 172	2720042.....	62, 70, 77
1701520.....	196	77, 84		2220498.....	163, 172	2720058.....	63, 72, 82
1701523.....	196	2180387.....	77	2220504	164, 168, 173	2720112.....	77
1701524.....	196	2180389.....	77	2220507	163, 168, 172	2720118.....	77
1701525.....	196	2180527.....	151	2220512	164, 169, 173	2720271.....	82
1701535.....	196	2180535.....	77	2220568.....	164	2720341.....	62, 70
1701542.....	197	2180536.....	77	2220578	163, 168, 172	2720342.....	82
1701615.....	196	2180537.....	62, 70, 84	2220580	163, 168, 172	2720351.....	82
1701616.....	196	2180623.....	77	2220582.....	175	2720373.....	163, 168, 172
1701617.....	196	2180643.....	84	2220584.....	168, 172	2720437.....	77
1701683.....	98	2180666.....	82	2220605.....	175	2750759.....	164, 169, 173
1701785.....	37, 41, 197	2180730.....	82, 84	2220609 ...	163, 168, 172,	2750778.....	164, 169, 173
1701832.....	195	2180745.....	49	175		2750894.....	169, 173
1701833.....	197	2180749.....	65, 74, 84	2220618.....	175	2750895.....	175
1701834.....	197	2200108.....	50	2220619	163, 168, 172	2750896.....	164, 169, 173
1701835.....	197	2200221.....	141, 149	2220621	163, 168, 172	2750897.....	175
1701836.....	197	2200222.....	48	2220622.....	169, 173	2750900.....	175
1701837.....	195	2200233.....	49	2220635 ...	163, 168, 172,	2750910.....	169, 173
1701839.....	196	2200261.....	62, 84	175		2750918.....	164, 169, 173
1701840.....	196	2200462.....	82	2220642	163, 168, 172	2750919.....	164
1701843.....	195	2210003	163, 168, 172	2220646	163, 168, 172	2750968.....	164, 169, 173
1701856.....	196	2210066.....	49	2220648.....	77	2750990.....	164
1701858.....	196	2220003.....	77	2220675.....	63, 71, 77	2751006.....	169, 173
1701860.....	196	2220113	163, 168, 172	2220679	163, 168, 172	2751021.....	164
1701871.....	195	2220235.....	175	2220695.....	169, 173	2751027.....	175
1701885.....	196	2220237.....	54, 57, 141	2220696	163, 168, 172	2751110.....	169, 173
1701886.....	196	2220238 54, 57, 163, 168,		2220700	163, 168, 172	2751111.....	169, 173
1701887.....	196	172		2220710	163, 168, 172	2751396.....	175
1702788.....	206	2220240.....	49	2220758	163, 168, 172	2751398.....	169, 173
1702928.....	197	2220242.....	49	2220796	163, 168, 172	2751410.....	164
1703158.....	196	2220250.....	168, 172	2220805.....	77, 82	2751424.....	175

SECTION 10 - SPECIAL OPTIONS LIST

2751427	164	2901222	173	3300281	144	3422272	106, 109, 113
2752242	164, 173	2901224	164	3300286	151	3422401	11, 12
2752254	164	2901225	169	3300353	101, 102	3422735	105, 109, 113
2752255	164	2901261	157	3300357	155, 157	3422738	105, 109, 113
2752321	169, 173	2901323	151	3300396	98	3440410	33
2752330	169, 173	2901330	110	3300465	147	3440413	33
2752339	169, 173	2901331	114	3310601	97, 131	3440420	33, 37, 41
2752340	164	2901332	106	3310805	41	3440616	11, 12
2752341	164	2901442	151	3311001	12, 33, 38, 61, 69, 79, 87, 97, 131	3450202	81
2752385	169, 173	2901541	62	3311005	37, 83, 121	3450405	152
2752386	169, 173	2901648	106	3311401	37, 61, 63, 69, 97, 99, 101, 122, 152	3450610	10
2752387	169, 173	2901813	207	3311402	152	3451012	10
2752388	169, 173	2901941	144, 147	3311405	47, 49, 62, 70, 71, 81, 83, 101, 102, 121, 125, 129, 195	3480092	143, 147
2752389	169, 173	2902023	143	3311501	33, 34, 63, 71, 77, 79, 81, 87, 117, 123	3480116	141
2752390	169, 173	2902028	121	3311505	12, 47, 106, 109, 113, 125, 129	3480123	149
2752430	169, 173	2902029	121	3311601	12, 61, 63, 69, 71, 77, 79, 82	3480164	155
2752431	169, 173	2902049	117	3311605	11, 12, 33, 34, 47, 49, 50, 62, 70, 106, 110, 114, 125, 129	3480214	151
2752432	169, 173	2902064	61	3311701	63, 71	3510381	121
2752460	164, 169, 173	2902075	195	3311705	61, 63, 69, 71, 105, 110, 113	3510382	125
2752490	164, 169, 173	2910471	206	3311801	15, 16, 117	3510407	121
2752491	164	2910472	206	3311805	37, 61, 69, 81, 117	3510408	125
2752520	164, 169, 173	2910943	206	3312001	37, 41	3510478	125
2752523	169	2920026	132	3312005	41, 43	3510653	121
2752531	164, 169, 173	2920029	132	3312202	126	3510700	129
2752532	164, 169, 173	2920105	102	3321001	132	3510701	129
2780167	15, 25	2920110	37	3321401	141	3520022	49
2780169	15, 25	2920111	121	3321402	62, 70, 152	3520028	79, 87, 97
2780175	16, 25	2920113	37	3321501	62, 70	3520046	62, 70
2780177	10	2920162	79, 87	3322202	129	3520070	98, 121
2780191	15, 16, 29	2940042	101, 102	3322602	9, 10	3520071	34
2780193	16, 29	3010099	48	3322603	10	3520072	126, 129
2780195	15, 29	3020021	64, 72, 84	3323002	43	3520078	84
2791903	160, 175	3100071	48	3323403	10	3520079	132
2791936	160, 172	3100075	163, 168, 172	3340564	196	3520081	132
2791937	160, 168	3160158	15, 16, 19	3340579	106, 110, 113	3520082	41, 131
2791938	160	3200201	61, 69	3340653	125, 129	3533291	61, 69
2791939	160, 163	3200202	61, 69	3340674	106, 110, 114	3533445	61, 69
2791962	160	3220036	84	3340841	43, 99, 106, 110, 114, 117	3533663	63, 71
2792024	160	3220083	65, 73, 84	3340848	106, 110, 114	3533664	63, 71
2792238	160	3220084	63, 71	3420158	43	3534073	101
2792368	160	3220086	84	3420292	43	3534074	101
2792520	160, 175	3220118	84	3420352	43	3534089	101
2792538	160	3250872	43	3420372	43	3534309	122
2820047	101	3251476	87	3421190	10, 11	3534805	12
2860012	79, 87	3252230	196	3421243	9	3535348	101
2860030	98, 200	3252235	125	3421335	12	3535350	101
2900034	26	3252252	97	3421453	125, 129, 131	3535352	101
2900379	141	3252308	97	3422091	43	3535353	101
2900503	151, 152, 163, 168, 172	3252310	131	3422137	12	3535551	82
2900714	19	3252356	72	3422219	121	3536092	34
2900745	47	3252548	196	3422267	106, 109, 113	3536144	64, 82
2900752	92	3252549	196	3422268	106, 109, 113	3536151	63, 71
2900756	49	3252550	196	3422269	106, 109, 113	3536156	43
2900766	21	3252551	196	3422270	106, 109, 113	3536157	43
2900767	21	3252552	196	3422271	106, 109, 113	3536299	121
2900767	21	3252553	196			3536349	101
2900768	21	3252609	196			3536350	102
2900770	141, 143, 144, 147, 149	3252620	131			3536351	102
2900800	152, 163, 168, 172	3252635	97			3536481	62, 70
2900816	31	3290607	63, 71			3536622	102
2900826	92	3300012	10, 15, 16			3536708	144
2900827	92	3300029	64, 72, 81			3536984	121
2900838	201	3300048	97, 99			3537609	129
2901208	149	3300177	98			3537619	125, 129
2901210	155	3300228	9, 10, 11			3537973	43
		3300270	149			3570420	102
		3300273	141			3570421	101

SECTION 10 - SPECIAL OPTIONS LIST

3571077.....	129	3911008.....	98, 132	4360278.....	126	4460309.....	97
3571078.....	129	3911012.....	61, 69	4360281.....	98	4460343.....	135, 137
3573513.....	147	3911014.....	12, 62, 70	4360282.....	132	4460367.....	135, 137
3580134.....	79, 87	3911020.....	37	4360284.....	97	4460428.....	37, 41
3580158.....	87	3911024.....	71	4360289.....	98, 132	4460457.....	181, 182
3600164.....	61, 81, 91	3911036.....	121	4360290.....	98	4460460.....	181, 182
3600206.....	61, 69, 82, 95	3911040.....	37	4360300.....	33, 202	4460462.....	178
3600213.....	84	3921008.....	72	4360314.....	98, 132, 201	4460463.....	131
3600260.....	61, 69, 81, 91	3930820.....	41	4360329.....	132, 201	4460464.....	179
3620027.....	64, 72	3931032.....	33	4360331.....	99	4460465.....	99, 178
3640621.....	97	3941004.....	125	4360336.....	132, 201	4460466.....	179
3640810.....	121	3941404.....	102	4360339.....	131, 201	4460467.....	207
3640811.....	121	3951003.....	81	4360348.....	49	4460468.....	178, 179
3640833.....	121	3960353.....	10	4360354.....	49	4460470.....	99, 131
3640846.....	125, 129	3960407.....	82	4360357.....	62, 70	4460471.....	99, 131
3640850.....	121	3960416.....	141	4360358.....	84	4460473.....	178, 179
3640865.....	97	3960423.....	65, 73	4360449.....	164, 169, 173	4460480.....	99
3720011.....	77	3980003.....	64, 81	4360468.....	97	4460481.....	179
3730003.....	181	3980007.....	72, 81	4360469.....	98, 200	4460510.....	207
3740049.....	34, 38, 97, 99, 132, 178, 179, 200	3990010.....	34, 178, 179, 180, 181, 182, 201	4360475.....	98, 132, 200	4460587.....	182
3740067.....	83, 202	4031709.....	63	4360476.....	132	4460588.....	182
3740077.....	98, 202, 203	4060092.....	122	4360478.....	98	4460589.....	182
3760143.....	155	4060713.....	63, 71	4360542.....	79, 87	4460608.....	182
3760170.....	121, 129, 131, 152	4060802.....	132	4360548.....	37, 41, 202	4460660.....	63, 71
3760261.....	143	4060807.....	49, 121	4400040.....	77	4460663.....	63, 71
3760274.....	122	4060829.....	102	4400273.....	48	4460968.....	37, 41
3760321.....	122	4060848.....	41	4400274.....	49	4520123.....	16
3760348.....	126, 129	4060969.....	101	4400275.....	77	4520129.....	16
3760453.....	143	4070829.....	125, 129	4400281.....	77	4563647.....	141
3760460.....	147	4070987.....	99	4400282.....	48, 49	4564606.....	141
3780183.....	11, 12	4130279.....	10	4400402.....	48	4564707.....	151
3790012.....	97, 99, 132	4130280.....	10	4400420.....	77	4565347.....	82
3790042.....	132	4130287.....	9	4400421.....	77	4565348.....	82
3790152.....	62, 70, 82	4130288.....	9	4400430.....	48	4565605.....	151
3820001.....	43	4130289.....	9	4400431.....	49	4565647.....	143
3820019.....	101, 197	4130316.....	9	4400432.....	48, 49	4565686.....	149
3820020.....	129	4130317.....	9	4420008.....	131	4565716.....	155
3820030.....	11, 12	4160116.....	37, 41	4420037.....	97	4565790.....	125, 129
3840979.....	77	4160135.....	117	4420039.....	195	4565830.....	63, 71
3841049.....	62, 70	4200004.....	125, 129	4420052.....	37, 41, 197	4565956.....	63, 71
3841127.....	152	4220044.....	152	4420055.....	121	4566617.....	84
3841143.....	12, 43	4240033.....	117, 122	4420067.....	195	4567159.....	84
3841144.....	106, 110, 114	4280280.....	82	4460035.....	99, 102	4567910.....	71
3841180.....	125	4280284.....	125	4460043.....	102	4568055.....	157
3841184.....	43	4280298.....	11, 12	4460049.....	33, 122	4640013.....	175
3841203.....	106, 110, 114	4300032.....	37	4460051.....	97, 99, 122	4640049.....	59, 202
3841208.....	41	4300038.....	33, 34	4460052.....	126	4640123.....	47
3841221.....	37	4300048.....	117	4460071.....	97	4640216.....	163, 168, 172
3841233.....	126, 129	4300056.....	62, 70	4460138.....	123	4640260.....	47
3841326.....	41	4300090.....	62, 70	4460185.....	122	4640261.....	43
3860056.....	155, 157	4300092.....	15, 16	4460190.....	79, 87, 122	4640273.....	12, 141
3860057.....	125	4340569.....	79	4460206.....	122	4640352.....	49, 59
3860059.....	125, 129	4340611.....	117	4460226.....	135, 137	4640382.....	152, 163, 168, 172
3900168.....	126	4340648.....	117	4460227.....	135, 137	4640391.....	77
3900170.....	141, 144, 149, 151	4360037.....	65, 74, 84	4460259.....	99	4640438.....	149
3900175.....	141	4360065.....	84	4460260.....	99	4640443.....	47
3900177.....	131	4360069.....	98	4460267.....	98	4640495.....	144, 147
3900178.....	132	4360155.....	83	4460298.....	97, 99	4640525.....	141
3900256.....	122	4360157.....	65, 73	4460299.....	97	4640578.....	47, 53
3900275.....	71	4360188.....	77	4460300.....	97	4640613.....	143, 147
3900321.....	147	4360212.....	98, 202	4460301.....	97, 99	4640629.....	47
3910610.....	122	4360216.....	97, 200	4460302.....	81	4640668.....	12
3910804.....	99	4360232.....	97, 200	4460303.....	98	4640699.....	151
3911004.....	79, 87	4360236.....	126	4460305.....	97	4640767.....	47, 53
		4360267.....	98, 131	4460306.....	97	4640812.....	11, 12
		4360274.....	97, 132, 200	4460307.....	97	4640841.....	47
		4360277.....	126	4460308.....	98		

SECTION 10 - SPECIAL OPTIONS LIST

4640844	47, 53	4831900 ...	64, 65, 70, 72, 73, 83	4922250.....	178	7000600.....	59
4640845	48, 53	4832000 ...	61, 69, 81, 83, 84	4922253.....	178	7000645 50, 57, 152, 163, 168, 172, 200	
4640847	47	4842621	11, 12	4922254.....	178	7000693.....	84, 85
4640943	47, 57	4842981	122	4922584.....	41	7000699.....	84, 85
4640944	48, 57	4843248	106, 109, 113	4932041.....	179	7000731.....	29
4641156	143, 147	4843336	125	4932387.....	179	7000884.....	64, 72
4641162	141	4843375	97	4932451.....	179	7000892.....	64, 72
4641191	49	4843410	87	4932602.....	180	7000893.....	64
4711000	123	4843497	61, 69	4932603.....	181	7000894.....	64, 72
4711400 .	33, 81, 83, 101, 121	4843513	82	4932604.....	181	7001438.....	91
4711500 69, 71, 117, 123, 129		4843533	63	4932623.....	180	7001498.....	92
4711600	49, 50	4843706	125	4932624.....	180	7001909.....	26, 30
4711800	15, 16, 117	4843706	125	4932734.....	179	7001911.....	26, 30
4712000	37, 41	4843800	117	4932735.....	179	7001912.....	26, 30
4712600	9, 10, 11, 43	4843934	81	4932758.....	181	7001913.....	26, 30
4713000	147	4843936	117	4932810.....	179	7001922.....	29
4740034	10	4843937	117	4932956.....	181	7001931.....	26, 30
4740066	99	4843938	117	4933042.....	182	7001985.....	26, 30
4740120	98, 132	4844024	101	4933043.....	182	7001997.....	25
4740185 ...	11, 12, 62, 70, 82	4844035	117	4933049.....	180	7002229.....	53
4740229	106, 110, 114	4844059	11	4933051.....	181	7002294.....	53
4740273	61, 69	4844120	33	4933094.....	180	7002304.....	53
4740274	61, 69	4844121	34	4933095.....	180	7002315.....	53, 57
4740308	12, 83	4844122	34	4933144.....	179	7002320.....	53
4740401	106, 110, 114	4844129	11	70000163.....	64, 72	7002321.....	53
4740415	37, 41	4844185	77	70000929.....	65, 73	7002322.....	53
4750600	132	4844186	34	70001111...26, 27, 30, 31		7002323.....	53
4750800	41	4844192	121	70001136.....	85	7002324.....	53
4751000 ...	12, 33, 37, 38, 61, 69, 83, 99, 121, 152	4844346	41	70001137.....	85	7002326.....	53
4751400 ...	37, 41, 47, 49, 61, 69, 71, 83, 99, 101, 102, 122, 125, 129, 195	4844457	117	70001138.....	85	7002328.....	53
4751500 ...	12, 33, 34, 43, 47, 63, 70, 79, 87, 125	4844554	37	70001349...26, 27, 30, 31		7002329.....	53
4751600 ...	10, 11, 12, 33, 34, 47, 62, 63, 70, 71, 77, 79, 81, 88, 106, 110, 114, 125, 129	4844562	97	70001940.....	31	7002333.....	54, 57
4751700 ...	37, 61, 63, 69, 71, 105, 110, 113	4844596	117	7000202.....	25	7002334.....	53, 54, 57
4751800	61, 69, 81	4844597	117	7000206.....	25	7002335.....	54, 57
4752000	37, 43	4844598	117	7000214.....	25, 29	7002336.....	54, 57
4752200	126, 129	4844599	117	7000217.....	25, 29	7002338.....	53, 54, 57
4761000 ...	10, 12, 33, 61, 69, 79, 87, 97, 122, 131	4844600	117	7000220.....	25	7002339.....	54, 57
4761400 ...	12, 33, 37, 41, 61, 63, 69, 77, 83, 97, 99, 101, 102, 122, 152, 195	4844867	11	7000230.....	25	7002340.....	53, 54, 57
4761500 ...	33, 34, 48, 63, 70, 71, 77, 79, 81, 87, 117, 122, 123	4844868	11	7000241.....	30	7002341.....	54, 57
4761600 ...	12, 33, 43, 48, 49, 61, 63, 64, 69, 71, 72, 77, 79, 87	4845246	62, 69	7000242.....	25, 30	7002344.....	54, 57
4761700	63, 71	4845246	62, 69	7000246.....	25	7002344.....	54, 57
4761800 ...	15, 16, 41, 61, 69, 82, 117	4845649	71	700024725, 26, 29, 30		7002345.....	54, 57
4762000	15, 16, 37, 41	4845854	129	7000248.....	25, 29	7002346.....	53, 54, 57
4770600	97, 122, 131	4845855	129	7000248.....	25, 29	7002348.....	54, 57
4771000	38	4845938	131	7000250.....	25, 26, 29, 31	7002348.....	54, 57
4791400	131	4846047	33, 34	7000251.....	25, 29	7002444.....	53, 57
4812000	87	4846048	34	7000252.....	25, 29	7002447.....	57
		4846584	147	7000253.....	25, 29	7002448.....	57
		4920140	126	7000257.....	25	7002449.....	57
		4920385	10, 11	7000258.....	25	7002451.....	57
		4920946	181	7000260.....	26, 31	7002820.....	207
		4921380	117	7000261.....	26, 31	7002821.....	207
		4921556	178	7000262.....	26, 31	7002822.....	207
		4921557	178	7000263.....	26, 30, 31	7002823.....	207
		4921558	178	70003160.....	85	7002826.....	207
		4921559	178	70003161.....	85	7002828.....	207
		4921560	178	70003162.....	85	7003657.....	79, 87
		4921561	178	7000413.....	54	7003751	135, 137, 201
		4921562	181	7000414.....	54, 57	7003772.....	135
		4921563	181	7000417.....	53	7003789.....	135
		4921564	181	7000418.....	54, 57, 200	7003790.....	135, 137
		4921586	37, 41	7000448.....	57	7003791	135, 137, 201
		4921718	181	7000468.....	53, 57	7003825.....	54, 57
		4921787	181	7000470.....	54, 57	7004214 ..63, 71, 82, 200	
		4922044	182	7000549.....	59	7004275.....	207
		4922248	179	7000558.....	47, 202	7004276.....	207
		4922249	178	7000585.....	59	7004368.....	47, 202
				7000586.....	59	7004821.....	54, 57

SECTION 10 - SPECIAL OPTIONS LIST

7004822.....	53	7007478.....	92	7010474.....	30	7014681.....	65
7004823.....	53	7007482.....	92	7010475.....	31	7014683.....	85
7004834.....	53	7007483.....	92	7010476.....	31	7014687.....	64
7004835.....	53	7007484.....	92	7010477.....	31	7016308.....	85
7004836.....	53	7007485.....	92	7010478.....	31	7016309.....	85
7004837.....	53	7007486.....	92	7010698.....	98	7016331.....	84, 85, 202
7004838.....	53	7007487.....	92	7010953.....	95	7016332.....	85
7004839.....	53	7007488.....	92	7010956.....	95	7016602.....	65, 73
7004841.....	53	7007490.....	92	7010957.....	95	7016627.....	121
7004859.....	53, 57	7007491.....	92	7010959.....	95	7016628.....	37
7004894.....	53	7007492.....	92	7010960.....	95	7016649.....	50
7004906.....	19	7007494.....	92	7010961.....	95	7016654.....	207
7004907.....	19	7007496.....	92, 200	7010963.....	95	7016661.....	64, 65, 72
7004908.....	19	7007497.....	92	7010973.....	95	7017067.....	25, 29
7004910.....	19	7007498.....	92	7010982.....	95	7017080.....	25, 29
7004917.....	19	7007499.....	92	7011118.....	57	7017096.....	25, 29
7006002.....	59	7007601.....	25	7011161.....	57	7017454.....	49
7006033.....	59	7007603.....	25, 29	7011345.....	147	7017516.....	77
7006034.....	59	7007617.....	30	7011712.....	21	7018602.....	21
7006036.....	59	7007634.....	25	7011713.....	21	7018603.....	21
7006037.....	59	7007643.....	26, 30	7011714.....	21	7018605.....	21
7006039.....	59	7007650.....	25, 26, 29, 31	7011715.....	21	7018606.....	21
7006041.....	59	7007651.....	26, 31	7011716.....	21	7018607.....	21
7006053.....	59	7007652.....	25, 29	7011717.....	21	7018608.....	22
7006056.....	59	7007653.....	25, 29	7011923.....	135, 137	7018609.....	21
7006062.....	59	7007654.....	25, 29	7011931.....	135	7019607.....	85
7006075.....	47	7007683.....	29	7011932.....	135	7019666.....	65, 73
7007208.....	91	7007684.....	29	7011933.....	135	7019667.....	65, 73
7007321.....	47	7007685.....	30	7011934.....	135	7019668.....	65, 73
7007412.....	92	7007686.....	30	7011935.....	135	7019670.....	64, 72
7007413.....	91	7007687.....	30	7011936.....	135	7019917.....	65, 73
7007414.....	91	7007688.....	30	7011938.....	135, 137	7019919.....	65, 73
7007416.....	91	7007689.....	30	7011940.....	135, 137	7019933.....	64, 72
7007417.....	91	7007690.....	30	7011982.....	137	7019934.....	64, 72
7007419.....	91	7007691.....	29	7011991.....	137	7019935.....	64, 72
7007420.....	91	7007697.....	25	7011997.....	137	7019936.....	65, 73
7007421.....	91	7007874.....	19	7012513.....	79, 87	7019937.....	65, 73
7007422.....	91	7007875.....	19	7012514.....	79, 87	7019938.....	65, 73
7007423.....	91	7007876.....	19	7012516.....	12	7019939.....	65
7007424.....	91	7007878.....	19	7012518.....	47	7019941.....	65, 73
7007425.....	91	7007879.....	19	7012558.....	79, 87	7019942.....	65, 73
7007435.....	91	7007880.....	19	7012564.....	65, 72	7019943.....	65, 73
7007436.....	91	7007914.....	21	7012575.....	85	7019944.....	65, 73
7007437.....	91	7007923.....	21	7012577.....	64, 72	7019945.....	65, 73
7007438.....	91	7007924.....	21	7012578.....	64, 72	7019946.....	65, 73
7007439.....	91	7007933.....	21	7012593.....	131	7019947.....	65, 73
7007440.....	91	7007970.....	21	7012598.....	84	7019948.....	65, 73
7007441.....	91	7007977.....	21	7012599.....	84, 85	7019949.....	65
7007442.....	91	7007979.....	21	7012611.....	132	7019950.....	65, 73
7007444.....	91	7007980.....	21	7012612.....	132	7019951.....	65, 73
7007445.....	91	7007983.....	21	7012626.....	84	7019954.....	65, 73
7007449.....	91	7007985.....	21	7012653.....	64	7019959.....	65, 73
7007453.....	91	7007986.....	21	7012658.....	131, 201	7019960.....	65, 73
7007454.....	91	7007987.....	21	7012698.....	84	7019987.....	65, 73
7007456.....	91	7008828.....	81	7012903.....	49	7019989.....	65, 73
7007458.....	92	7009739.....	47	7014100.....	31	7019998.....	73
7007461.....	92	7009742.....	152, 163, 168, 172, 201	7014101.....	31	7019999.....	73
7007466.....	92	7010120.....	92	7014102.....	31	7020027.....	85
7007468.....	92	7010121.....	92	7014103.....	31	7020108.....	79, 87
7007469.....	92	7010122.....	92	7014108.....	31	7020109.....	79, 87
7007470.....	92	7010428.....	25	7014109.....	31	7020110.....	79, 87
7007471.....	92	7010429.....	26	7014110.....	31	7020111.....	79, 87
7007472.....	92	7010459.....	29	7014112.....	31	7020115.....	65
7007474.....	92	7010469.....	29, 31	7014113.....	31	7020116.....	65
7007475.....	92	7010470.....	29	7014500.....	64, 73, 202	7020119.....	65
7007476.....	92	7010473.....	29, 31	7014676.....	201	7020121.....	65
7007477.....	92, 95			7014680.....	64	7020175.....	132

SECTION 10 - SPECIAL OPTIONS LIST

7020176	132	7020429	85	7020509.....	137	7023668	64
7020190	79, 87	7020434	85	7020511.....	137	7023670	64, 72
7020191	79, 87	7020437	85	7020520.....	137	7023676	63
7020193	79, 87	7020456	85	7020528.....	137	7023937	49
7020257	50	7020465	84, 85	7020541.....	137	7024321	64, 72
7020404	85	7020467	85	7021869.....	73	7024413	85
7020406	85	7020477	85	7022100.....	73	7025153	65, 73
7020411	85	7020496	85	7022172.....	73	7026199	79, 87
7020414	85	7020500	137, 201	7022174.....	72, 202	7027607	64, 72
7020417	85	7020501	137	7022180.....	65	8320270	85, 202
7020424	85	7020502	137	7023471.....	64, 72		
7020425	85	7020503	137	7023650.....	72		
7020426	85	7020504	137	7023651.....	73		



**Corporate Office
JLG Industries, Inc.
1 JLG Drive
McConnellsburg, PA 17233-9533 USA
☎ (717) 485-5161 (Corporate)
☎ (877) 554-5438 (Customer Support)
📠 (717) 485-6417**

**Visit our website for JLG Worldwide Locations.
www.jlg.com**



OSHKOSH™