



# Illustrated Parts Manual

## **Model LIFTLUX 245-12**

3121314

October 12, 2012



An Oshkosh Truck Corporation Company



## REVISION LOG

March 31, 2006 - Original Issue of Manual (Edited to B/M 0010658 Revision 2)

December 15, 2006 - Revised (Edited to B/M 0010658 Revision 6)

June 15, 2007 - Revised (Edited to B/M 0010658 Revision 10)

October 15, 2007 - Revised (Edited to B/M 0010658 Revision 10)

March 15, 2008 - Revised (Edited to B/M 0010658 Revision 10)

June 8, 2009 - Revised (Edited to B/M 0010658 Revision 10)

October 12, 2010 - Revised Manual

October 12, 2012 - Revised Manual





# TABLE OF CONTENTS

SECTION 1 - FRAME.....	7
FIGURE 1-1. STEERING INSTALLATION .....	8
FIGURE 1-2. DRIVE MOTOR ASSEMBLY .....	12
FIGURE 1-3. DRIVE HUB ASSEMBLY .....	14
FIGURE 1-4. POTHOLE PROTECTION INSTALLATION .....	18
FIGURE 1-5. LEVELING CYLINDER AND LADDER INSTALLATIONS.....	22
SECTION 2 - GROUND CONTROLS .....	25
FIGURE 2-1. LEFT SIDE COMPONENTS INSTALLATION.....	26
FIGURE 2-2. RIGHT SIDE COMPONENTS INSTALLATION .....	30
FIGURE 2-3. GROUND CONTROL BOX COMPONENTS .....	34
FIGURE 2-4. MAIN VALVE ASSEMBLY .....	36
FIGURE 2-5. HAND PUMP ASSEMBLY .....	38
FIGURE 2-6. DRIVE VALVE ASSEMBLY .....	40
FIGURE 2-7. ENGINE COMPONENTS INSTALLATION .....	42
FIGURE 2-8. VARIABLE PUMP ASSEMBLY .....	46
FIGURE 2-9. HOOD COMPONENTS.....	48
SECTION 3 - SCISSORS ARMS .....	51
FIGURE 3-1. SCISSORS ARMS INSTALLATION.....	52
FIGURE 3-2. SCISSORS ARM GUARD PROTECTION INSTALLATION.....	58
SECTION 4 - PLATFORM.....	61
FIGURE 4-1. PLATFORM INSTALLATION .....	62
FIGURE 4-2. PLATFORM CONSOLE COMPONENTS .....	66
SECTION 5 - CYLINDER.....	69
FIGURE 5-1. LEVELING CYLINDER ASSEMBLY (Prior to SN 1200009743) .....	70
FIGURE 5-2. LEVELING CYLINDER ASSEMBLY (SN 1200009743 to Present).....	72
FIGURE 5-3. LIFT CYLINDER ASSEMBLY .....	74
FIGURE 5-4. POTHOLE PROTECTION CYLINDER ASSEMBLY .....	76
FIGURE 5-5. STEER CYLINDER ASSEMBLY (Prior to SN 1200009743).....	78
FIGURE 5-6. STEER CYLINDER ASSEMBLY (SN 1200009743 to Present) .....	80
SECTION 6 - HYDRAULIC .....	83
FIGURE 6-1. HYDRAULIC DIAGRAM (Prior to SN 1200013124) .....	84
FIGURE 6-2. HYDRAULIC DIAGRAM (SN 1200013124 to Present) .....	90
SECTION 7 - ELECTRICAL .....	95
FIGURE 7-1. ELECTRICAL DIAGRAMS.....	96
FIGURE 7-2. HARNESS COMPONENTS INSTALLATION.....	114
SECTION 8 - DECALS.....	117
FIGURE 8-1. DECAL INSTALLATION.....	118
SECTION 9 - RECOMMENDED SERVICE PARTS STOCK .....	121
FIGURE 9-1. MODEL LIFTLUX 245-12 STANDARD PARTS .....	122

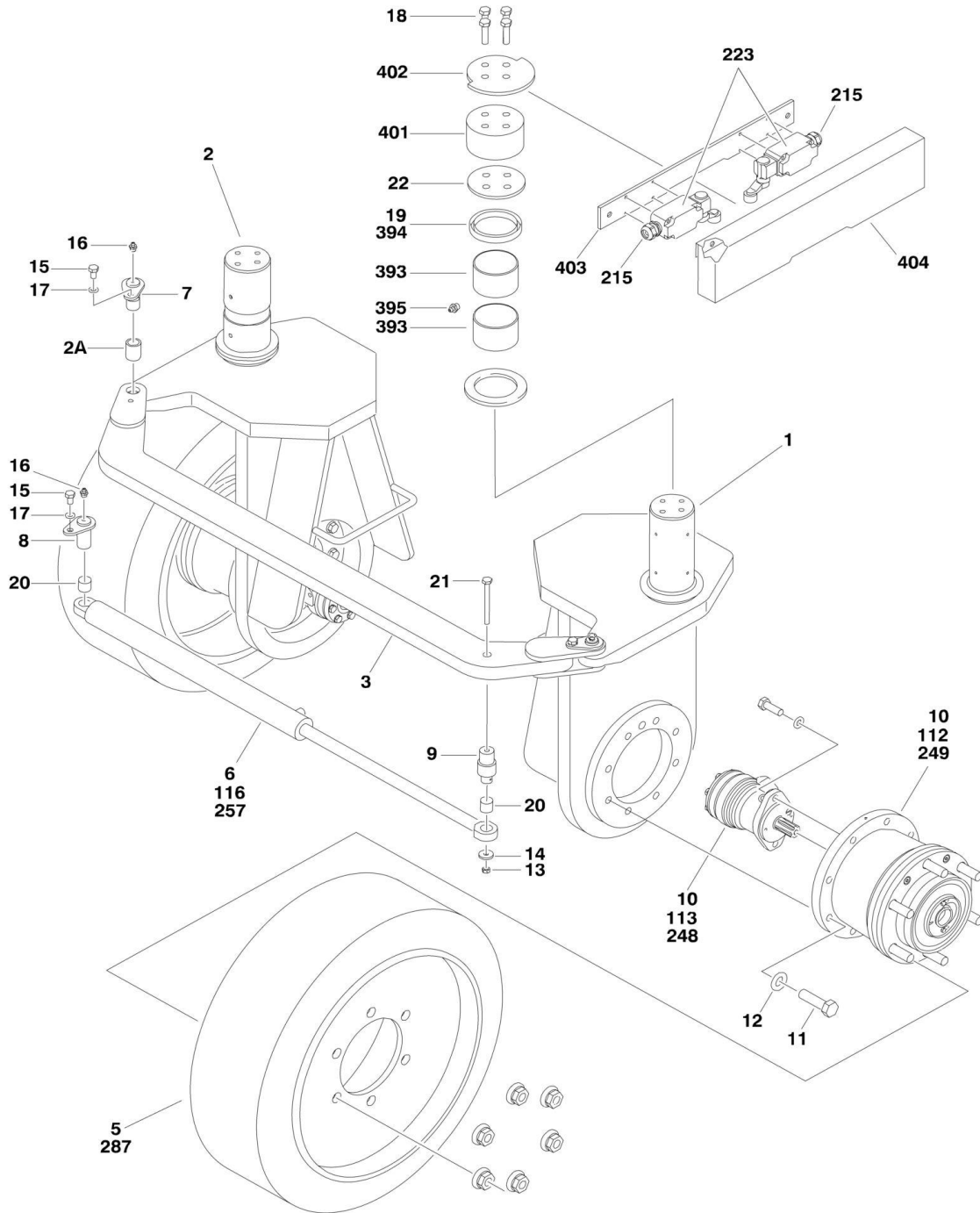
# TABLE OF CONTENTS

FIGURE 9-2. MODEL LIFTLUX 245-12 VARIABLE PARTS .....	124
SECTION 10 - SPECIAL OPTIONS .....	125
FIGURE 10-1. SPECIAL OPTIONS .....	126
SECTION 11 - REAR COVER .....	127
FIGURE 11-1. REAR COVER.....	128
PART NUMBER INDEX.....	129

**SECTION 1 - FRAME**

# SECTION 1 - FRAME

## FIGURE 1-1. STEERING INSTALLATION



# SECTION 1 - FRAME

## FIGURE 1-1. STEERING INSTALLATION

ITEM	PART NUMBER	QTY	DESCRIPTION	REV
	SL245-12.120.00	Ref	<b>FRONT AND REAR STEER COMPONENTS</b>	B
1	S200913	2	Spindle	
1A		Ref	Bushing (Not Shown)	
2	S200912	2	Spindle	
2A		Ref	Bushing	
3	S200914	2	Tie-Rod	
5	S000153	4	Tire and Wheel Assembly	
6		Ref	Steer Cylinder Assembly Options (See CYLINDER SECTION for Breakdown):	
6	H000299	2	Steer Cylinder Assembly <b>(Prior to SN 1200009743)</b>	
6	H900007	2	Steer Cylinder Assembly <b>(SN 1200009743 to Present)</b>	
7	S200916	4	Pin	
8	S200920	2	Pin	
9	70000225	2	Pin	
10	H000193	4	Drive Motor Assembly (See DRIVE MOTOR ASSEMBLY for Breakdown)	
10	H000218	4	Drive Hub Assembly (See DRIVE HUB ASSEMBLY for Breakdown)	
11	0711618	32	Bolt M16 x 50mm	
12	5241200	32	Washer	
13	3291201	2	Nut M12	
14	Not Available	2	Bushing	
15	0761212	6	Bolt M12 x 25mm	
16	S000141	10	Fitting, Grease	
17	4812100	6	Washer A13	
18		Ref	Bolt M12 Options:	
18	0761216	8	RH (40mm Length)	
18	0701227	8	LH (100mm Length)	
19	H003011	4	Seal	
20	S001551	4	Bushing, Wear	
21	0701029	2	Bolt M16x120	
22	S200915	4	Cap	
	H24512-G-0-1-1 AND	Ref	<b>HYDRAULIC DIAGRAM COMPONENTS</b>	0
	H24512-RP-A-1-1	Ref	<b>HYDRAULIC DIAGRAM COMPONENTS</b>	A
112	H000218	4	Drive Hub Assembly (See DRIVE HUB ASSEMBLY for Breakdown)	
113	H000193	4	Drive Motor Assembly (See DRIVE MOTOR ASSEMBLY for Breakdown)	
116		Ref	Steer Cylinder Assembly Options (See CYLINDER SECTION for Breakdown):	
116	H000299	2	Steer Cylinder Assembly <b>(Prior to SN 1200009743)</b>	
116	H900007	2	Steer Cylinder Assembly <b>(SN 1200009743 to Present)</b>	
	0010658	Ref	<b>FINAL ASSEMBLY LIST COMPONENTS</b>	10
215	E000269	4	Connector, Strain Relief	
223	E000376	4	Switch, Limit	
248	H000193	4	Drive Motor Assembly (See DRIVE MOTOR ASSEMBLY for Breakdown)	
249	H000218	4	Drive Hub Assembly (See DRIVE HUB ASSEMBLY for Breakdown)	
257		Ref	Steer Cylinder Assembly Options (See CYLINDER SECTION for Breakdown):	

## SECTION 1 - FRAME

ITEM	PART NUMBER	QTY	DESCRIPTION	REV
257	H000299	2	Steer Cylinder Assembly (Prior to SN 120009743)	
257	H900007	2	Steer Cylinder Assembly (SN 120009743 to Present)	
287	S000153	4	Tire and Wheel Assembly	
	SL245-12.110.00	Ref	<b>FRAME COMPONENTS</b>	B
393	S200911	8	Bushing	
394	H003011	4	Seal	
395	S000141	4	Fitting, Grease	
	SL210-12.110.90.0	Ref	<b>AXLE LIMIT SWITCH COMPONENTS (LEFT FRONT AND LEFT REAR ONLY)</b>	C
401	S200918	2	Spacer	
402	S200919	2	Cam	
403	S200917	2	Bracket, Limit Switch Mounting	
404	70000226	2	Cover	



# SECTION 1 - FRAME

## FIGURE 1-2. DRIVE MOTOR ASSEMBLY

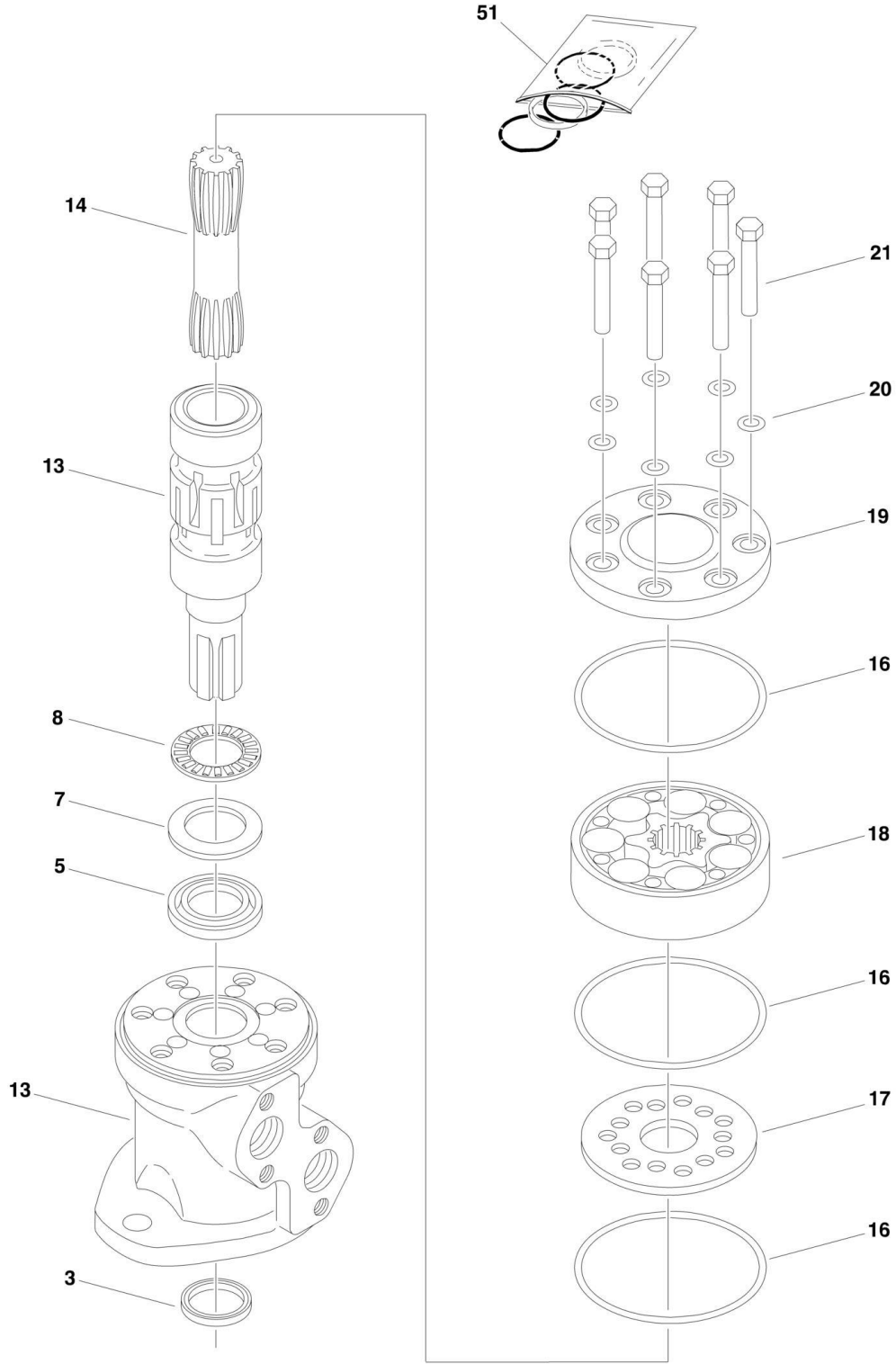


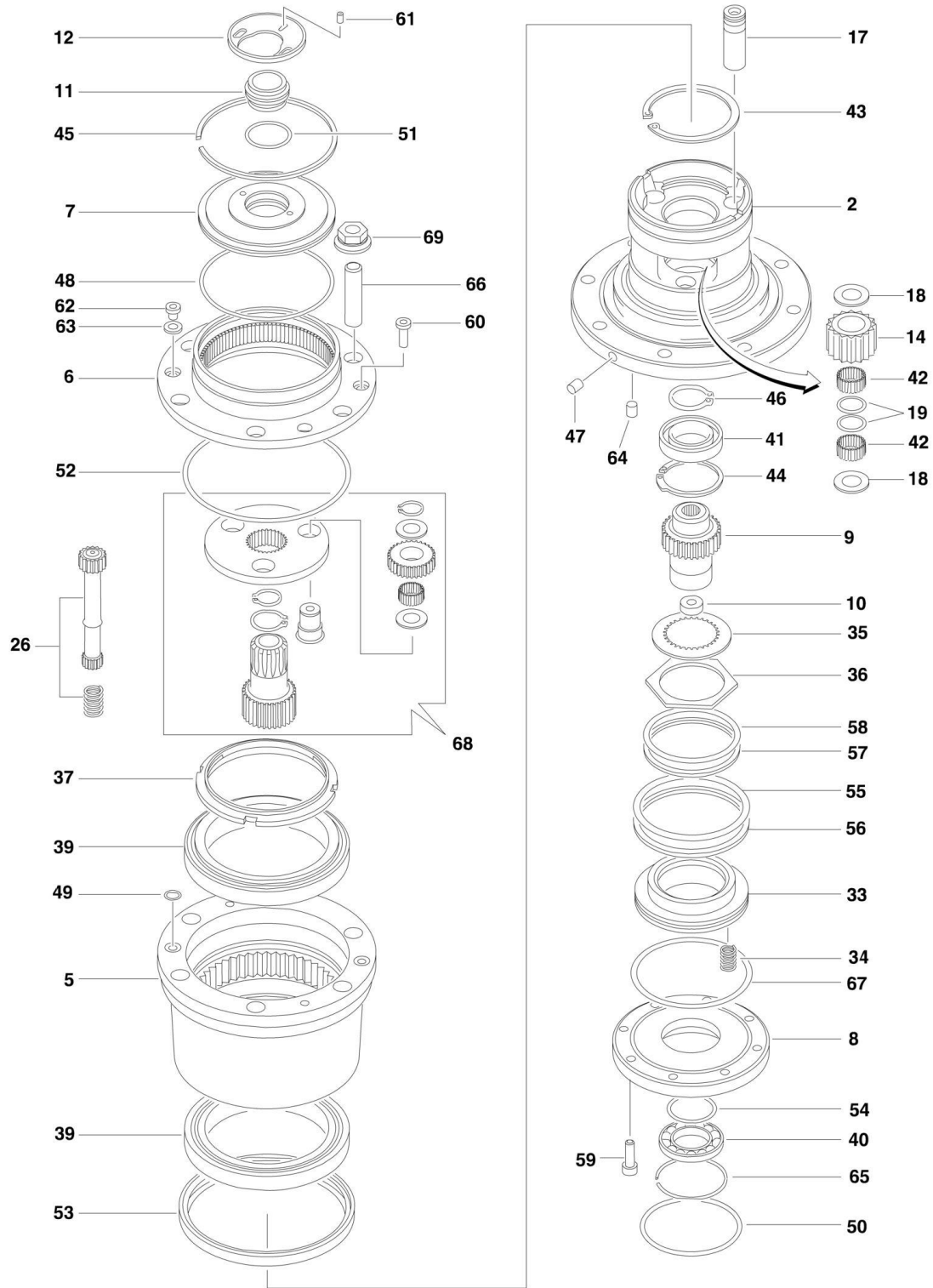


FIGURE 1-2. DRIVE MOTOR ASSEMBLY

ITEM	PART NUMBER	QTY	DESCRIPTION	REV
	H000193	Ref	<b>DRIVE MOTOR ASSEMBLY</b>	E
3	7027861	1	Seal, Dust	
5	Item 51	1	Seal, Shaft	
7	7020128	1	Race, Bearing	
8	7020129	1	Bearing, Needle	
13	Not Available	1	Shaft and Housing	
14	7027938	1	Shaft, Cardan	
16	Item 51	3	O-Ring	
17	7027939	1	Plate, Distributor	
18	Not Available	1	Gear Set	
19	7027940	1	Cover, End	
20	Item 51	7	Washer	
21	Not Available	7	Screw M8 x 45mm	
51	7020127	1	Seal Kit - H000193 Motor (Includes Items 3, 5, 16 & 20)	

# SECTION 1 - FRAME

## FIGURE 1-3. DRIVE HUB ASSEMBLY



# SECTION 1 - FRAME

## FIGURE 1-3. DRIVE HUB ASSEMBLY

ITEM	PART NUMBER	QTY	DESCRIPTION	REV
	H000218	Ref	<b>DRIVE HUB ASSEMBLY</b>	F
2	Not Available	1	Spindle	
5	Not Available	1	Hub	
6	70000239	1	Gear Ring	
7	Not Available	1	Cover	
8	Not Available	1	Flange	
9	Not Available	1	Coupling	
10	Not Available	1	Thrust Washer	
11	70002703	1	Thrust Washer	
12	Not Available	1	Circlip	
14	Not Available	3	Planetary Gear	
17	Not Available	3	Pin	
18	Not Available	6	Thrust Washer	
19	Not Available	6	Spacer	
26	70000240	1	Sun Pinion	
33	Not Available	1	Piston	
34	70000241	16	Spring	
35	70000242	5	Disc	
36	70000243	6	Disc	
37	70000244	1	Lock Nut	
39	70000245	2	Bearing	
40	70000246	1	Bearing	
41	70000247	1	Bearing	
42	Not Available	6	Bearing	
43	Not Available	1	Circlip	
44	Not Available	1	Circlip	
45	Not Available	1	Disc	
46	Not Available	1	Circlip	
47	Not Available	1	Plug	
48	70000248	1	O-Ring	
49	70000249	2	O-Ring	
50	70000250	1	O-Ring	
51	70000251	1	O-Ring	
52	70000252	1	O-Ring	
53	70000253	1	Oil Seal	
54	70000254	1	Gasket	
55	70000255	1	O-Ring	
56	70000256	1	Blocking Ring	
57	70000257	1	O-Ring	
58	70000258	1	Blocking Ring	
59	Not Available	8	Screw	
60	Not Available	2	Screw	
61	Not Available	2	Screw	
62	Not Available	2	Plug	
63	Not Available	2	Washer	
64	Not Available	1	Plug	
65	Not Available	1	Disc	
66	70000259	6	Threaded Stud	
67	70000260	1	O-Ring	
68	70000261	1	Reduction Gear Kit	

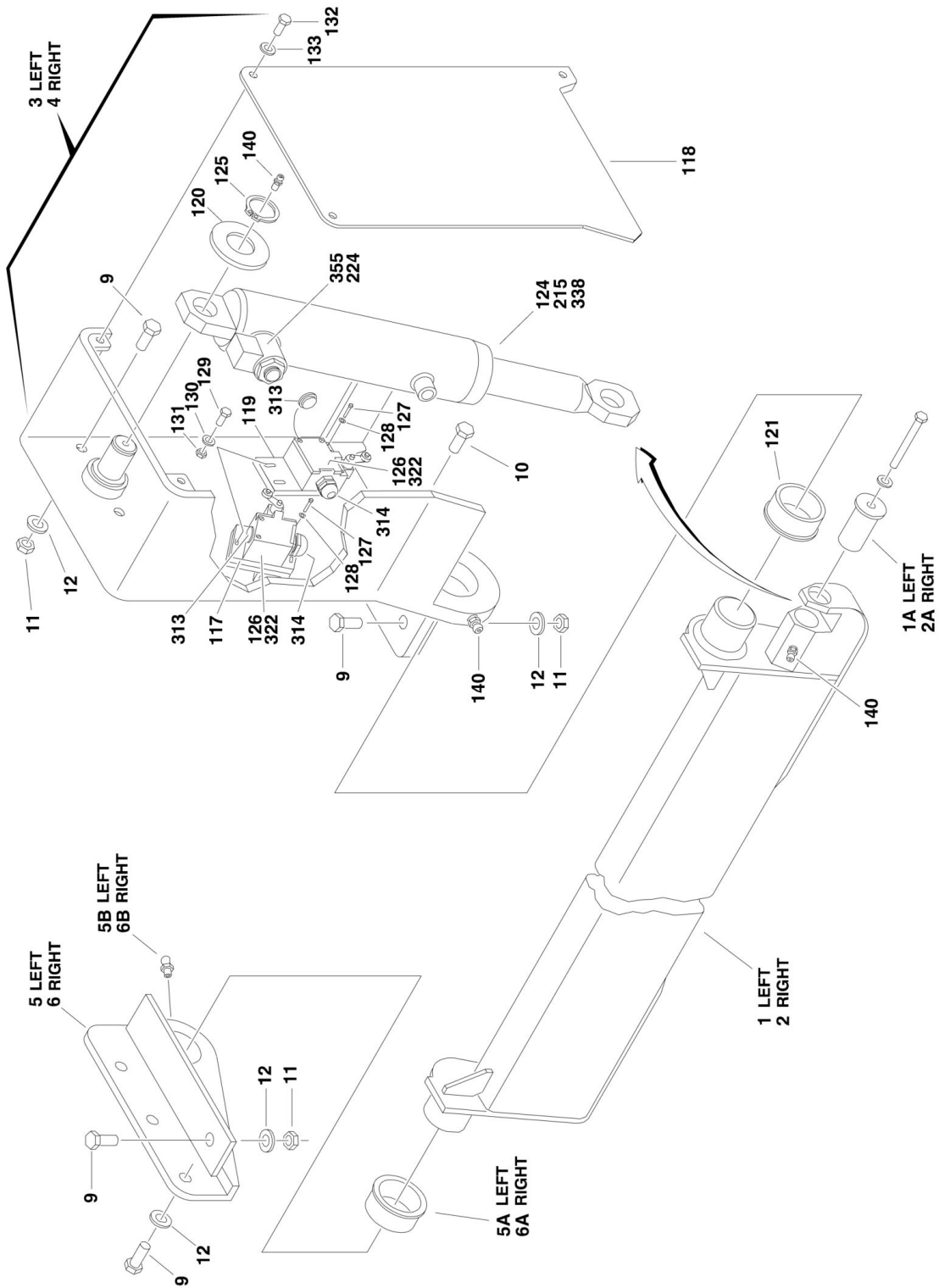
## SECTION 1 - FRAME

ITEM	PART NUMBER	QTY	DESCRIPTION	REV
69	S003991	6	Nut, Wheel	



# SECTION 1 - FRAME

## FIGURE 1-4. POTHOLE PROTECTION INSTALLATION



# SECTION 1 - FRAME

## FIGURE 1-4. POTHOLE PROTECTION INSTALLATION

ITEM	PART NUMBER	QTY	DESCRIPTION	REV
	SL245-12-D-140.00.0	Ref	<b>POTHOLE PROTECTION INSTALLATION</b>	0
1	S201274	1	Bar (Left Side)	
1A	S200987	1	Pin	
2	S201273	1	Bar (Right Side)	
2A	S200987	1	Pin	
3	70000227	1	Activator Assembly (Left Side) (See Items 101 to 140 for Breakdown)	
4	70000228	1	Activator Assembly (Right Side) (See Items 101 to 140 for Breakdown)	
5	S200990	1	Pivot, Bar (Left Side)	
5A	S200991	1	Bushing	
5B	S000141	1	Fitting, Grease	
6	S200989	1	Pivot, Bar (Right Side)	
6A	S200991	1	Bushing	
6B	S000141	1	Fitting, Grease	
9	0711618	16	Bolt M16x50mm	
10	0711620	2	Bolt M16x60mm	
11	3331615	10	Nut M16	
12	5241600	36	Washer	
		Ref	<b>ACTIVATOR ASSEMBLY</b>	
	70000227	Ref	<b>Activator Assembly (Left Side)</b>	0
	70000228	Ref	<b>Activator Assembly (Right Side) (Note: Qty Listed is for One Side.)</b>	0
117	S200978	1	Plate, Limit Switch	
118	S200988	1	Cover	
119	S201271	1	Plate, Limit Switch	
120	70000229	1	Washer	
121	S200991	1	Bushing	
124	H000037	1	Pothole Protection Cylinder Assembly (See CYLINDER SECTION for Breakdown)	
125	3760501	1	Ring, Retaining	
126	E000359	2	Switch, Limit	
127	4031509	8	Bolt M4x25mm	
128	4740552	8	Lockwasher A4	
129	0700614	8	Bolt M6x30mm	
130	4811700	8	Washer 6.4	
131	3290605	8	Nut M6	
132	0761010	3	Bolt M10x20mm	
133	4832000	3	Lockwasher A10	
140	S000141	2	Fitting, Grease	
	H24512-G-0-1-1 AND	Ref	<b>HYDRAULIC DIAGRAM COMPONENTS</b>	0
	H24512-RP-A-1-1	Ref	<b>HYDRAULIC DIAGRAM COMPONENTS</b>	A
215	H000037	2	Pothole Protection Cylinder Assembly (See CYLINDER SECTION for Breakdown)	
224	H000280	2	Solenoid Valve Assembly	
224	7024897	2	Cartridge Less Coil (1 per Assembly)	
224	7012972	2	Seal Kit - 7024897 Valve (1 per Assembly)	
224	7012986	2	Coil (1 per Assembly)	
	0010658	Ref	<b>FINAL ASSEMBLY LIST COMPONENTS</b>	10

## SECTION 1 - FRAME

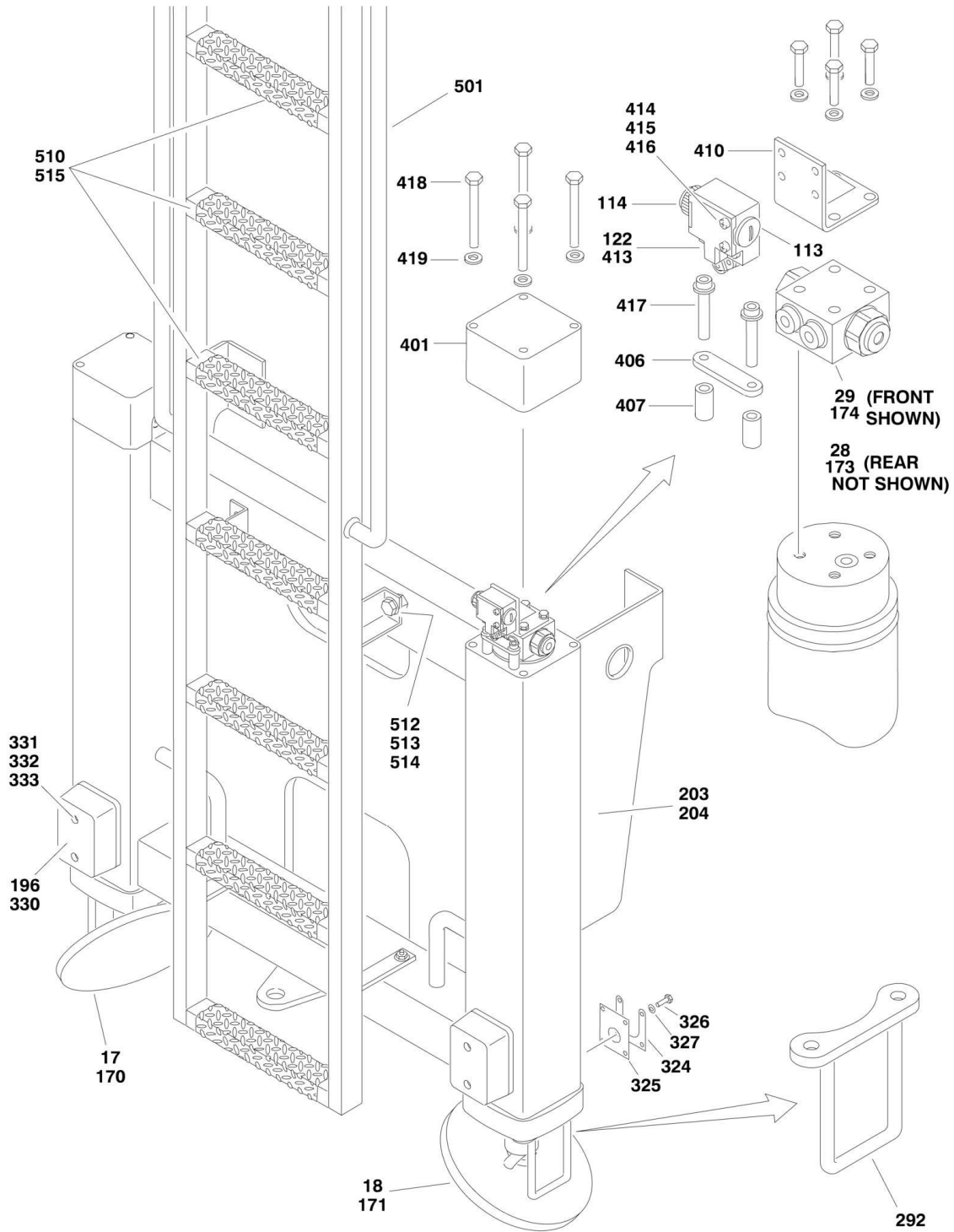
ITEM	PART NUMBER	QTY	DESCRIPTION	REV
313	E000230	4	Plug	
314	E000231	4	Connector, Strain Relief	
322	E000359	4	Switch, Limit	
338	H000037	2	Pothole Protection Cylinder Assembly (See CYLINDER SECTION for Breakdown)	
355	H000280	2	Solenoid Valve Assembly	
355	7024897	2	Cartridge Less Coil (1 per Assembly)	
355	7012972	2	Seal Kit - 7024897 Valve (1 per Assembly)	
355	7012986	2	Coil (1 per Assembly)	





# SECTION 1 - FRAME

## FIGURE 1-5. LEVELING CYLINDER AND LADDER INSTALLATIONS



# SECTION 1 - FRAME

## FIGURE 1-5. LEVELING CYLINDER AND LADDER INSTALLATIONS

ITEM	PART NUMBER	QTY	DESCRIPTION	REV
	H24512-G-0-1-1 AND	Ref	<b>HYDRAULIC DIAGRAM COMPONENTS</b>	0
	H24512-RP-A-1-1	Ref	<b>HYDRAULIC DIAGRAM COMPONENTS</b>	A
17	H000610	2	Leveling Cylinder Assembly (Right Front and Left Rear) (See CYLINDER SECTION for Breakdown)	
18	H000611	2	Leveling Cylinder Assembly (Left Front and Rear Right) (See CYLINDER SECTION for Breakdown)	
28	H000558	2	Leveling Valve Assembly (Front) (No Service Parts Available - Purchase Complete Assembly)	
29	H000559	2	Leveling Valve Assembly (Rear) (No Service Parts Available - Purchase Complete Assembly)	
	0010658	Ref	<b>FINAL ASSEMBLY LIST COMPONENTS</b>	10
113	E000230	4	Plug	
114	E000231	4	Connector, Strain Relief	
122	E000359	4	Switch, Limit	
170		Ref	Cylinder Assembly, Leveling Options (RF, LR - See CYLINDER SECTION for Breakdown):	
170	H000610	2	Cylinder Assembly, Leveling ( <b>Prior to SN 120009743</b> )	
170	H900011	2	Cylinder Assembly, Leveling ( <b>SN 120009743 to Present</b> )	
171		Ref	Cylinder Assembly, Leveling Options (LF, RR - See CYLINDER SECTION for Breakdown):	
171	H000611	2	Cylinder Assembly, Leveling ( <b>Prior to SN 120009743</b> )	
171	H900012	2	Cylinder Assembly, Leveling ( <b>SN 120009743 to Present</b> )	
173	H000558	2	Valve Assembly, Leveling Cylinder (Front) (No Service Parts Available - Purchase Complete Assembly)	
174	H000559	2	Valve Assembly, Leveling Cylinder (Rear) (No Service Parts Available - Purchase Complete Assembly)	
196	S001640	4	Bumper, Rubber	
	SL245-12-D-110.00.0	Ref	<b>FRAME COMPONENTS</b>	B
292	70000230	4	Stop, Jack Pad	
	SL245-12-D-110.03.0	Ref	<b>LEVELING CYLINDER FRAME SUB-ASSEMBLY COMPONENTS</b>	B
324	S900002	4	Cover	
325	S900003	4	Seal	
326	0760606	16	Bolt M6 x 12mm	
327	4830600	16	Lockwasher M6	
330	S001640	4	Bumper, Rubber	
331	0761018	8	Bolt M10 x 50mm	
332	4811000	8	Flatwasher M10	
333	4832000	8	Lockwasher M10	
	SL110-20-D-190.00.0	Ref	<b>LEVELING CYLINDER LIMIT SWITCH COMPONENTS</b>	D
401	S004039	4	Cover	
406	S900013	4	Plate	
407	S900014	4	Tube Spacer	
410	S900021	4	Bracket	
413	E000359	4	Switch, Limit	
414	4810400	16	Flatwasher M4	
415	0760414	16	Bolt M4 x 30mm	
416	3290400	16	Nut M4	
417	0770810	8	Bolt M8 x 40mm	

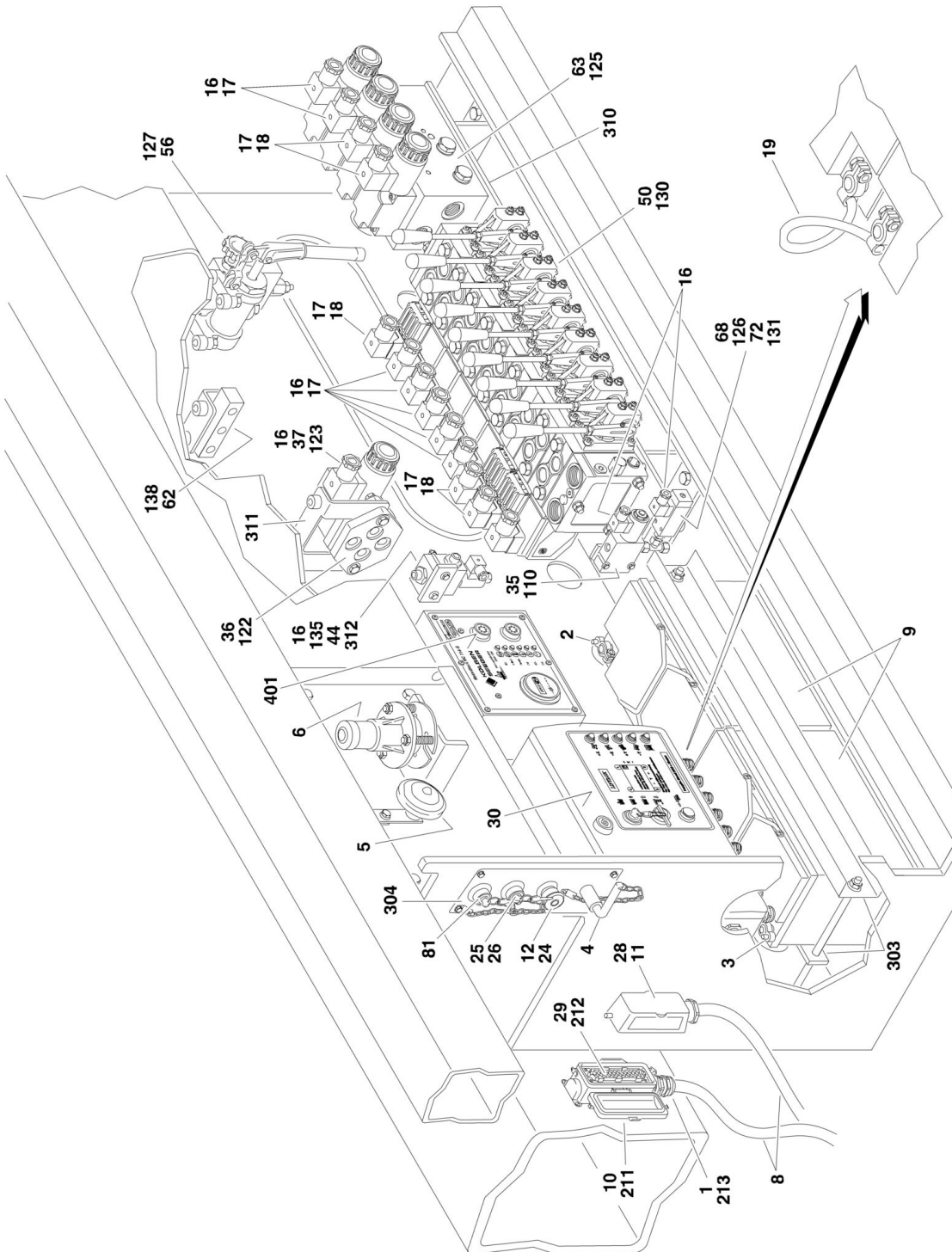
## SECTION 1 - FRAME

ITEM	PART NUMBER	QTY	DESCRIPTION	REV
418	0760432	16	Bolt M4 x 150mm	A
419	4810800	16	Flatwasher M8	
	SL245-12-D-180.00.0	Ref	<b>LADDER COMPONENTS</b>	
501	70000231	1	Ladder Weldment	
510	S004014	10	Grip, Tread	
512	0761012	4	Bolt M10 x 25mm	
513	4811000	4	Flatwasher M10	
514	4831000	4	Lockwasher M10	
515	Not Available	30	Rivet	

**SECTION 2 - GROUND CONTROLS**

# SECTION 2 - GROUND CONTROLS

## FIGURE 2-1. LEFT SIDE COMPONENTS INSTALLATION



## SECTION 2 - GROUND CONTROLS

### FIGURE 2-1. LEFT SIDE COMPONENTS INSTALLATION

ITEM	PART NUMBER	QTY	DESCRIPTION	REV
	0010658	Ref	<b>FINAL ASSEMBLY LIST COMPONENTS</b>	10
1	E000045	1	Connector, Strain Relief (PG21)	
2	E000057	1	Terminal, Negative Battery	
3	E000058	1	Terminal, Positive Battery Connector	
4	E000059	1	Switch, Battery Disconnect	
4	70001114	1	Handle	
5	E000063	1	Horn	
6		Ref	Switch, Tilt Options:	
6	E000069	1	Switch, Tilt <b>(Prior to SN 1200009743)</b>	
6	E000121	1	Switch, Tilt <b>(SN 1200009743 to Present)</b>	
8	E000083	AR	Cable, Electrical - 25 x 1mm <sup>2</sup>	
9	8008750	2	Battery	
10	E000102	1	Housing, Bottom	
11	E000103	1	Housing, Top	
12	E000113	1	Contactora	
16	E000270	9	DIN Connector (Black - See MAIN VALVE ASSEMBLY for Later Usage) <b>(Prior to SN 1200010868)</b>	
17	E000271	13	Seal, DIN Connector <b>(Prior to SN 1200010868)</b>	
18	E000270	4	DIN Connector (Black - See MAIN VALVE ASSEMBLY for Later Usage) <b>(Prior to SN 1200010868)</b>	
19	E000275	1	Cable, Battery Jumper	
24	E000377	1	Switch, Emergency	
25	E000390	1	Switch, On/Off/Leveling Jacks Key	
25	7027962	1	Replacement Key	
26	E000391	3	Contactora	
28	E000481	4	Connector, Female	
29	E000482	1	Connector, Male - 24 Position	
30	Not Available	1	Ground Control Assembly (See GROUND CONTROL BOX COMPONENTS (CONTINUED) for Breakdown))	
35	H000019	1	Solenoid Valve Assembly	
35	7012941	1	Cartridge Less Coil	
35	7010543	1	Seal Kit - 70129414 Cartridge	
35	7012986	1	Coil	
36	H000020	1	Plate, Connection	
37	H000021	1	Valve Assembly	
37	70000440	4	O-Ring (Valve Mounting Face)	
37	70000449	2	O-Ring (Solenoid Pole Tube Seal)	
37	70000443	1	O-Ring (Solenoid Retaining Nut)	
37	70000450	1	Coil	
37	70000442	1	Nut, Coil Retaining	
44	H000077	1	Solenoid Valve Assembly	
44	7017414	1	Cartridge Less Coil	
44	2900708	1	Seal Kit - 7017414 Cartridge	
44	7017444	1	Coil	
50	H000222	1	Main Valve Assembly (See MAIN VALVE ASSEMBLY for Breakdown)	
56	H000285	1	Hand Pump Assembly (See HAND PUMP ASSEMBLY for Breakdown)	
62	H000381	1	Manifold, Pressure Distributing	
63	H000414	1	Drive Valve Assembly (See DRIVE VALVE ASSEMBLY for Breakdown)	

## SECTION 2 - GROUND CONTROLS

ITEM	PART NUMBER	QTY	DESCRIPTION	REV
68	H000536	1	Switch, Pressure	
72	H000570	1	Plate, Mounting - see Item 131 for Later Usage <b>(Prior to SN 1200010868)</b>	
81	E900071	1	Switch, Indoor/Outdoor Key <b>(SN 1200009743 to Present)</b>	
	H24512-G-0-1-1 AND	Ref	<b>HYDRAULIC DIAGRAM COMPONENTS</b>	0
	H24512-RP-A-1-1	Ref	<b>HYDRAULIC DIAGRAM COMPONENTS</b>	A
110	H000019	1	Solenoid Valve Assembly	
110	7012941	1	Cartridge Less Coil	
110	7010543	1	Seal Kit - 70129414 Cartridge	
110	7012986	1	Coil	
122	H000020	1	Plate, Connection	
123	H000021	1	Valve Assembly	
123	70000440	4	O-Ring (Valve Mounting Face)	
123	70000449	2	O-Ring (Solenoid Pole Tube Seal)	
123	70000443	1	O-Ring (Solenoid Retaining Nut)	
123	70000450	1	Coil	
123	70000442	1	Nut, Coil Retaining	
125	H000414	1	Drive Valve Assembly (See DRIVE VALVE ASSEMBLY for Breakdown)	
126	H000536	1	Switch, Pressure	
127	H000285	1	Hand Pump Assembly (See HAND PUMP ASSEMBLY for Breakdown)	
130	H000222	1	Main Valve Assembly (See MAIN VALVE ASSEMBLY for Breakdown)	
131	H000570	1	Plate, Mounting	
135	H000077	1	Solenoid Valve Assembly	
135	7017414	1	Cartridge Less Coil	
135	2900708	1	Seal Kit - 7017414 Cartridge	
135	7017444	1	Coil	
138	H000381	1	Manifold, Pressure Distributing	
	E000492	Ref	<b>ELECTRICAL COMPONENTS</b>	B-2
211	E000102	1	Housing, Bottom	
212	E000482	1	Connector, Male - 24 Position	
213	E000045	1	Connector, Strain Relief	
	SL245-12-D-162.00	Ref	<b>VALVE BRACKETS AND HYDRAULIC TANK AND TRAY COMPONENTS</b>	
303	70000453	1	Battery Bracket Kit (Includes Front and Rear Brackets and 2 Studs)	
304		Ref	Plate, Switch Mounting Options:	
304	S200263	1	Plate, Switch Mounting <b>(Prior to SN 1200009743)</b>	
304	S900287	1	Plate, Switch Mounting <b>(SN 1200009743 to Present)</b>	
310	S201340	1	Bracket, Main Valve Mounting	
311	S201341	1	Bracket, Valve Mounting	
312	S201342	1	Bracket, Valve Mounting	
	SL245-12-D-161.00	Ref	<b>ENGINE COMPONENTS</b>	
401		Ref	Control Box, Deutz Engine Options:	
401	H005559	1	Control Box, Deutz Engine <b>(Prior to SN 1200016720)</b>	
401	1001094781	1	Control Box, Deutz Engine <b>(SN 1200016720 to Present)</b>	
401	70001352	1	PC Board with LEDs (was p/n 70000633)	
401	70000634	1	Hourmeter	
401	70000635	2	Switch, Pushbutton	

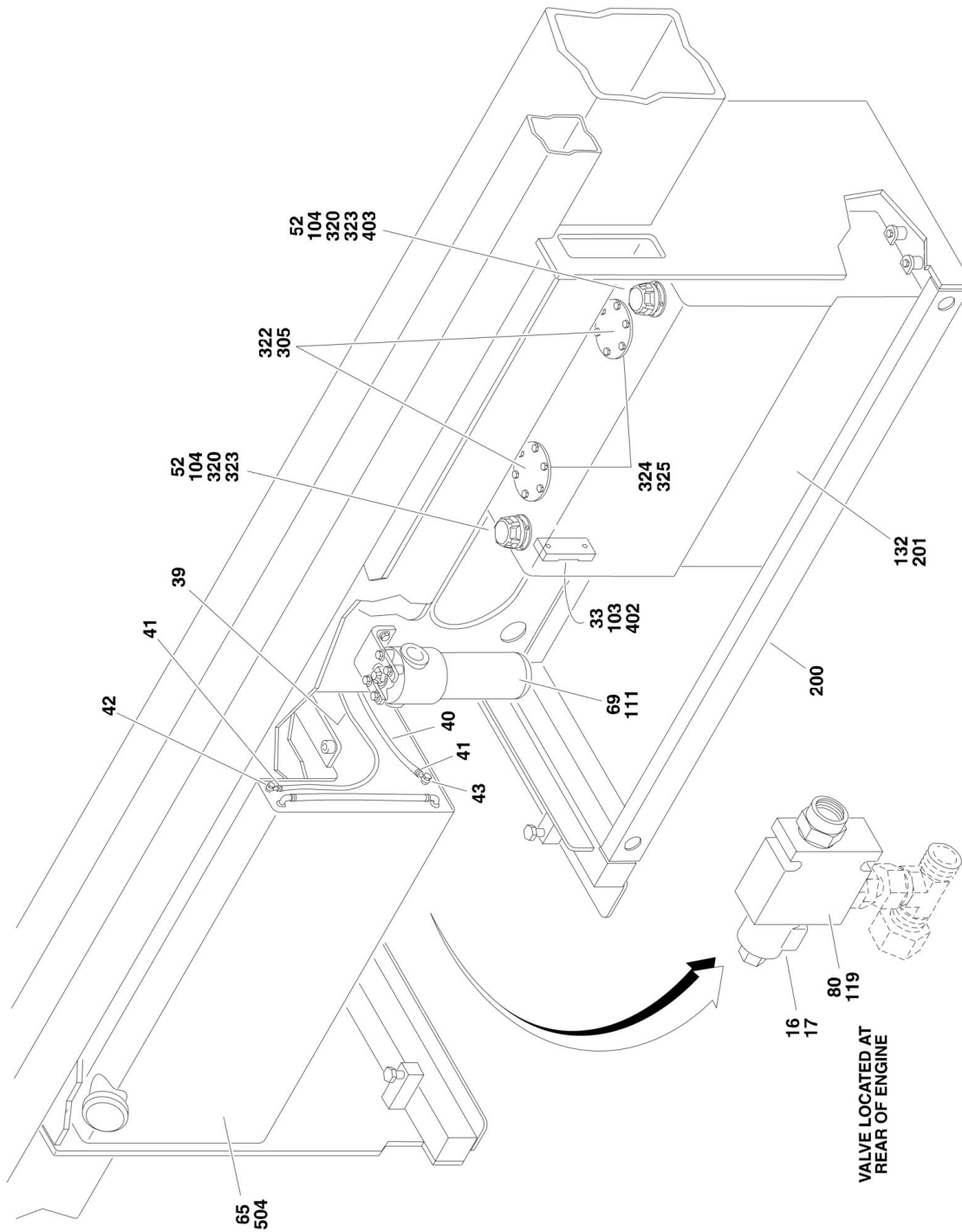


## SECTION 2 - GROUND CONTROLS

ITEM	PART NUMBER	QTY	DESCRIPTION	REV
401	70001353	1	E-Prom w/Software	
401	70001355	1	Diode	
401	70001122	4	Mount, Vibration	

# SECTION 2 - GROUND CONTROLS

## FIGURE 2-2. RIGHT SIDE COMPONENTS INSTALLATION



## SECTION 2 - GROUND CONTROLS

### FIGURE 2-2. RIGHT SIDE COMPONENTS INSTALLATION

ITEM	PART NUMBER	QTY	DESCRIPTION	REV
	0010658	Ref	<b>FINAL ASSEMBLY LIST COMPONENTS</b>	10
16	E000270	1	DIN Connector (Black) <b>(Prior to SN 1200010868)</b>	
17	E000271	1	Seal, DIN Connector <b>(Prior to SN 1200010868)</b>	
33	H000013	1	Gauge, Oil Level <b>(Prior to SN 1200016072)</b>	
39	H000038	AR	Hose, Return	
40	H000039	AR	Hose, Supply	
41	E000040	4	Clamp	
42	E000048	1	Fitting	
43	E000049	1	Fitting	
52	H000241	2	Breather, Hydraulic Oil Tank <b>(Prior to SN 1200016072)</b>	
65	H000450	1	Tank, Fuel	
65	Not Available	1	Cap	
65	Not Available	1	Tube, Sight (Purchase Locally)	
65	Not Available	2	Clamp (Purchase Locally)	
69	H000540	1	Filter, Hydraulic Oil	
69	70000023	1	Element, Filter	
80	H005529	1	Solenoid Valve Assembly	
80	7024895	1	Cartridge Less Coil	
80	7024896	1	Seal Kit - 7024895 Cartridge	
80	7017444	1	Coil	
	H24512-G-0-1-1 AND	Ref	<b>HYDRAULIC DIAGRAM COMPONENTS</b>	0
	H24512-RP-A-1-1	Ref	<b>HYDRAULIC DIAGRAM COMPONENTS</b>	A
103	H000013	1	Gauge, Oil Level <b>(Prior to SN 1200016072)</b>	
104	H000241	2	Breather, Hydraulic Oil Tank <b>(Prior to SN 1200016072)</b>	
111	H000540	1	Filter, Hydraulic Oil	
111	70000023	1	Element, Filter	
119	H005529	1	Solenoid Valve Assembly	
119	7024895	1	Cartridge Less Coil	
119	7024896	1	Seal Kit - 7024895 Cartridge	
119	7017444	1	Coil	
132		Ref	Hydraulic Oil Tank Assembly Options:	
132	H005464	1	Hydraulic Oil Tank Assembly (See Items 301-325 for Breakdown) <b>(Prior to SN 1200016072)</b>	
132	1001094129	1	Hydraulic Oil Tank Assembly (See Items 401-403 for Breakdown) <b>(SN 1200016072 to Present)</b>	
	SL245-12-D- 162.00	Ref	<b>BRACKETS AND HYDRAULIC TANK COMPONENTS</b>	
200	70000452	1	Tray, Hydraulic Tank	
201		Ref	Hydraulic Oil Tank Assembly Options:	
201	H005464	1	Hydraulic Oil Tank Assembly (See Items 301-325 for Breakdown) <b>(Prior to SN 1200016072)</b>	
201	1001094129	1	Hydraulic Oil Tank Assembly (See Items 401-403 for Breakdown) <b>(SN 1200016072 to Present)</b>	
	H005464	Ref	<b>HYDRAULIC OIL TANK ASSEMBLY (Prior to SN 1200016072)</b>	B
305	Not Available	2	Cover	
320	H000241	2	Breather, Hydraulic Oil Tank	
322	H003010	2	O-Ring	
323	0760406	6	Bolt M4 x 12mm	
324	0760810	12	Bolt M8 x 20mm	
325	4740322	12	Washer, Sealing	

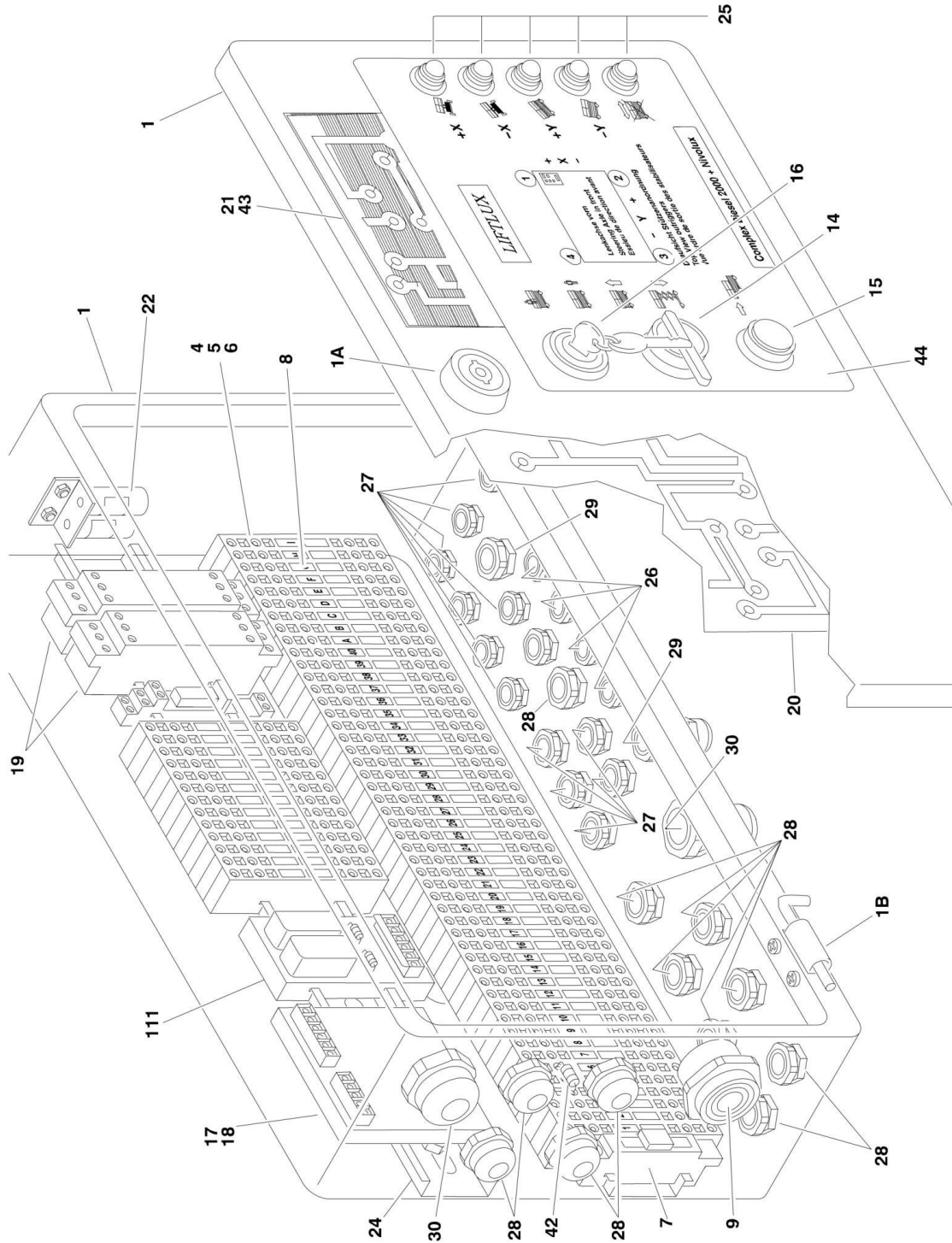
## SECTION 2 - GROUND CONTROLS

ITEM	PART NUMBER	QTY	DESCRIPTION	REV
	1001094129	Ref	<b>HYDRAULIC OIL TANK ASSEMBLY (SN 1200016072 to Present)</b>	B
402	H000013	1	Gauge, Oil Level	
403	H000241	1	Breather, Hydraulic Oil Tank	
	SL245-12-D-161.00	Ref	<b>ENGINE COMPONENTS</b>	
504	H000450	1	Tank, Fuel	
504	Not Available	1	Cap	
504	Not Available	1	Tube, Sight (Purchase Locally)	
504	Not Available	2	Clamp (Purchase Locally)	



# SECTION 2 - GROUND CONTROLS

## FIGURE 2-3. GROUND CONTROL BOX COMPONENTS



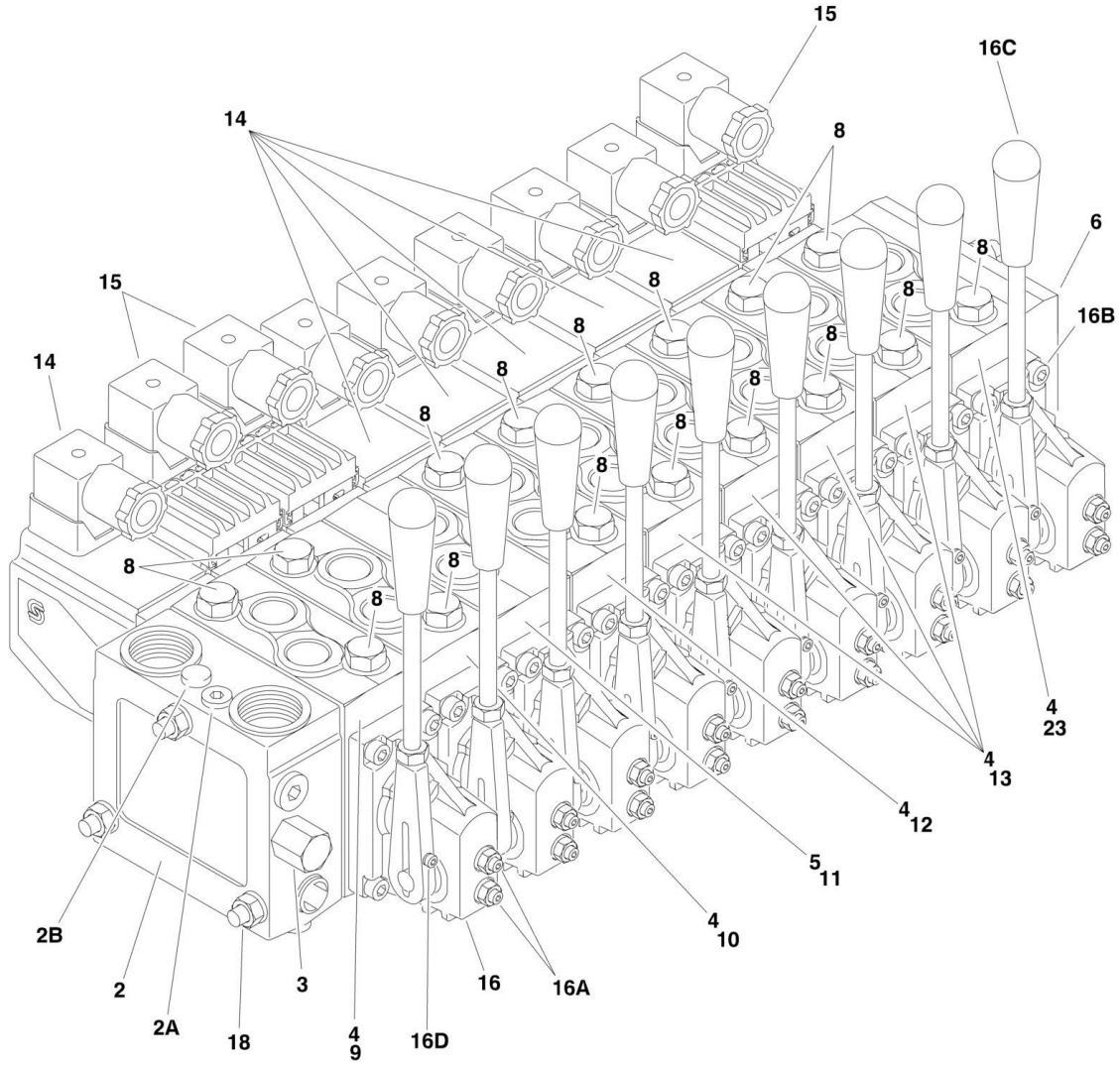
## SECTION 2 - GROUND CONTROLS

### FIGURE 2-3. GROUND CONTROL BOX COMPONENTS

ITEM	PART NUMBER	QTY	DESCRIPTION	REV
	E000492	Ref	<b>ELECTRICAL COMPONENTS</b>	B-2
1	E001194	1	Box, Terminal	
1A	Not Available	1	Latch	
1B	Not Available	2	Hinge	
2	Not Available	1	Fuseholder (Not Shown)	
3	Not Available	1	Fuse, 10A (Not Shown)	
4	Not Available	AR	Wedge, Clamp	
5	Not Available	1	Holder, Clamp	
6	Not Available	AR	Plug, Link	
7	Not Available	1	Plate, Terminal Stop End	
8	Not Available	AR	Marker, Terminal Number	
9	E000407	1	Alarm	
14	E000436	1	Switch, Lift Up/Down	
15	E000412	1	Switch, Deck Extend/Retract	
16	E000378	1	Switch, Key Select	
16	Not Available	1	Key, Replacement	
17	E000189	1	Control, Pump Delay	
18	Not Available	1	Holder for Pump Delay Control	
19	E000457	2	Relay	
20	E000218	1	PC Board - Complex	
21	E000214	1	PC Board - Nivolux	
22	E001206	2	Inklinometer Control	
24	Not Available	1	Rail, Mounting	
25	E001185	5	LED with Mounting Bracket	
26		Ref	Connector, Strain Relief (PG7)	
27	E000018	6	Connector, Strain Relief (PG9)	
28	E000015	9	Connector, Strain Relief (PG13.5)	
29	E000303 AND E000292	28	Connector, Strain Relief (PG16)	
30	E000304	2	Connector, Strain Relief (PG21)	
31	E000353	55 m	Cable, Electrical - 2-1mm <sup>2</sup> (Not Shown)	
32	E000331	50 m	Cable, Electrical - 4-1mm <sup>2</sup> (Not Shown)	
33	E000364	15 m	Cable, Electrical - 3-1mm <sup>2</sup> (Not Shown)	
34	E001184	5 m	Cable, Electrical - 10-1mm <sup>2</sup> (Not Shown)	
35	E000083	2 m	Cable, Electrical - 25-1mm <sup>2</sup> (Not Shown)	
36	E000458	35 m	Cable, Electrical - 4-0.5mm <sup>2</sup> (Not Shown)	
37	70000952	1	Connector (2 Pin for Nivolux Board - Not Shown)	
38	70000953	2	Connector (3 Pin for Nivolux Board - Not Shown)	
39	70000954	1	Connector (4 Pin for Nivolux Board - Not Shown)	
39	70003616	1	Connector (6 Pin for Nivolux Board - Not Shown)	
40	70000955	1	Connector (8 Pin for Complex Board - Not Shown)	
41	70000956	4	Connector (12 Pin for Nivolux and Complex Board - Not Shown)	
42	Not Available	10	Diode (BY255)	
42	Not Available	4	Diode (N4004)	
43	Not Available	1	Decal - Nivolux	
44	Not Available	1	Decal - Switch	
	0010658	Ref	<b>FINAL ASSEMBLY LIST COMPONENTS</b>	10
111	E700100	1	Maximum Load Module (LSS)	

# SECTION 2 - GROUND CONTROLS

## FIGURE 2-4. MAIN VALVE ASSEMBLY





## SECTION 2 - GROUND CONTROLS

### FIGURE 2-4. MAIN VALVE ASSEMBLY

ITEM	PART NUMBER	QTY	DESCRIPTION	REV
	H000222	Ref	<b>VALVE ASSEMBLY - COMPLETE</b>	
2	H000116	1	Section, Pump (Left Side)	
2	8007939	1	Seal Kit - H000116 Section	
2A	8007944	1	Pilot Supply Assembly	
2B	7027912	1	Relief Assembly	
3	H000352	1	External Pilot Supply	
4	7028847	8	Valve Section (With Relief Valve) (All Functions Except Lift) (Was p/n H000188)	
4	8007935	8	Seal Kit - 7028847 Section (Was p/n H000031)	
5	H000542	1	Valve Section (Without Relief Valve) (Lift Functions Only)	
5	8007935	1	Seal Kit - H000542 Section (Was p/n H000031)	
6	H000580	1	End Plate	
6	See Item 18	1	Seal Kit - H000580 Section	
8	H005250	16	Valve, Relief (All Functions Except Lift Function)	
9	H000390	1	Spool (Pot-Hole)	
10	H000514	1	Spool (Drive 1)	
11	7027914	1	Spool (Lift)	
12	H000207	1	Spool (Steer)	
13	H000207	4	Spool (Outrigger)	
14	H000191	6	Electrical Activator (on-off) (All Functions Except Lift, Drive 1 and Drive 2)	
14	8007954	6	Seal Kit - H000191 Electrical Activator (Was p/n H000032)	
14	7028846	24	Screw, Mounting	
14	7028849	6	DIN Connector (Black)	
15	H000206	3	Electrical Activator (Proportional High) (Lift, Drive 1 and Drive 2 Functions)	
15	8007954	3	Seal Kit - H000206 Electrical Activator (Was p/n H000032)	
15	7028846	12	Screw, Mounting	
15	8007953	3	DIN Connector (White)	
16	7028893	8	Mechanical Activation Assembly (Was p/n H000187)	
16	8007894	8	Seal Kit - 7028893 Mechanical Activator (Was p/n H005248)	
16A	1003107	16	Nut, Seal (2 per Assembly)	
16A	8007915	16	Pin, Threaded (2 per Assembly)	
16B	0318854	32	Screw (4 per Assembly)	
16C	H005247	8	Base and Lever Assembly (1 per Assembly)	
16D	0307544	8	Screw (1 per Assembly)	
16D	0893076	8	Washer (1 Per Assembly)	
18	H000397	1	Assembly Kit (Includes Hardware and Seals for Between Valve Sections)	
18	7028848	9	Seal Kit for Between Valve Sections (Was p/n H005249) Note: One Seal Kit does both sides of section.	
23	7027913	1	Spool (Drive 2)	



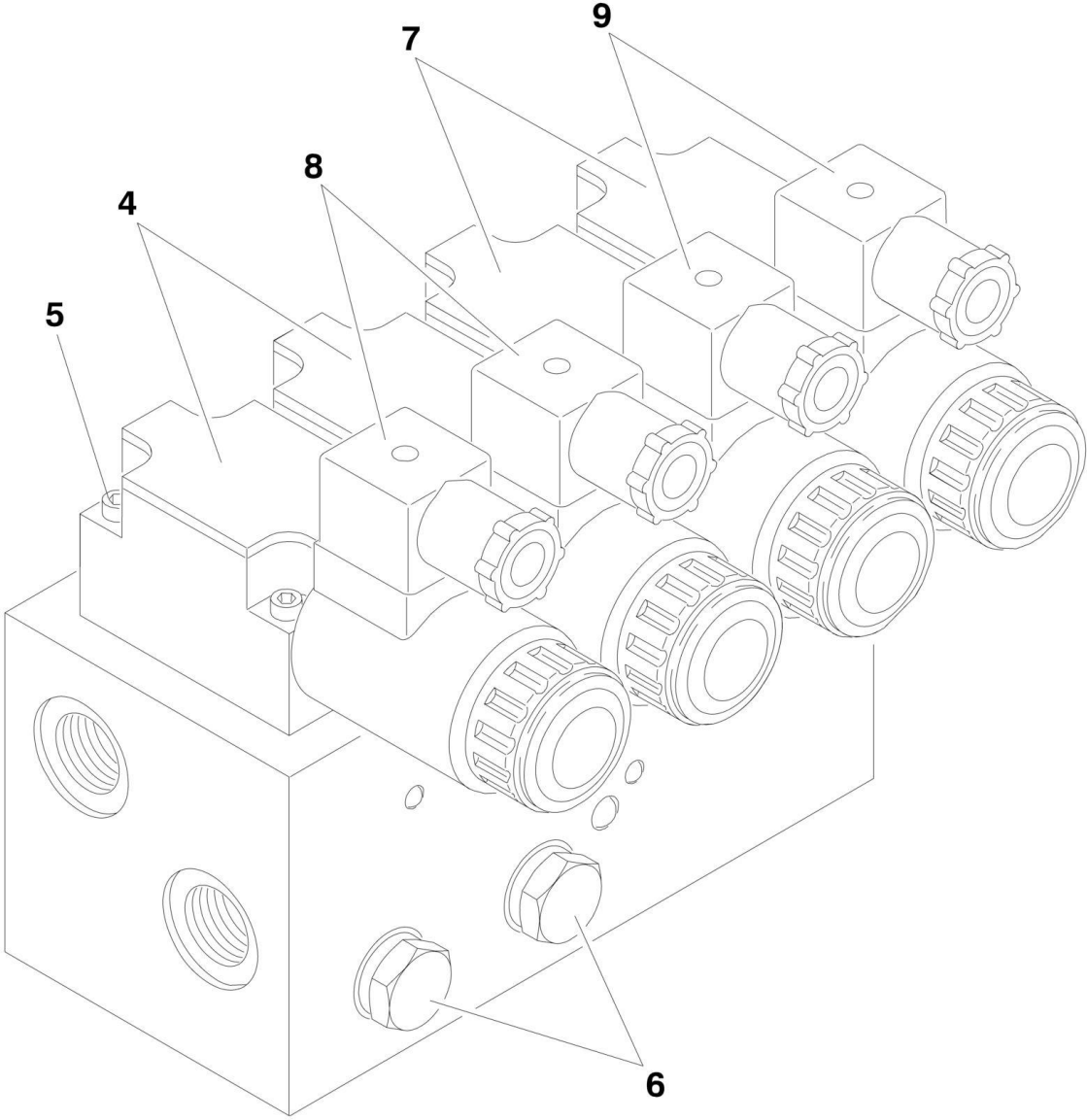
## SECTION 2 - GROUND CONTROLS

### FIGURE 2-5. HAND PUMP ASSEMBLY

ITEM	PART NUMBER	QTY	DESCRIPTION	REV
	H000285	Ref	<b>HAND PUMP ASSEMBLY</b>	D
1	70000513	1	Pump Assembly (See Items 101-117 for Breakdown)	
2	70000528	1	Valve Assembly (See Items 201-220 for breakdown)	
	70000513	Ref	<b>PUMP ASSEMBLY</b>	
101	70000514	1	Valve, Suction	
102	Not Available	1	Plug	
103	Not Available	1	Plug	
104	Not Available	1	Body	
105	70000515	1	Rod, Connecting	
106	70000516	1	Lever	
107	70000517	1	Piston	
108	70000518	1	Seal	
109	70000519	2	Seal	
110	70000520	2	Pin	
111	70000521	6	Ring, Retaining	
112	70000522	2	Ball	
113	70000523	1	Ring	
114	70000524	1	Washer	
115	70000525	1	Ring, Internal Retaining	
116	70000526	2	Seal	
117	70000527	2	Spring	
	70000528	Ref	<b>VALVE ASSEMBLY</b>	
201	Not Available	1	Body	
202	70000529	3	Ball	
203	70000530	8	Ring	
204	Not Available	2	Bolt M8 x 8mm	
205	70000531	1	Spinner (Not Shown)	
206	70000532	1	Spring	
207	Not Available	1	Plug	
208	70000533	1	Screw	
209	70000534	1	Fitting, Straight	
210	70000535	2	Seal	
211	70000536	1	Spring	
212	Not Available	1	Nut M10	
213	70000537	1	Seal	
214	Not Available	1	Setscrew	
215	70000538	1	Relief, Valve	
216	70000539	1	Pin, Ball Driving	
217	70000540	1	Plate, Seal	
218	70000541	1	Valve Body	
219	70000542	1	Knob Assembly	
220	70000543	1	Valve Body	

**SECTION 2 - GROUND CONTROLS**

**FIGURE 2-6. DRIVE VALVE ASSEMBLY**



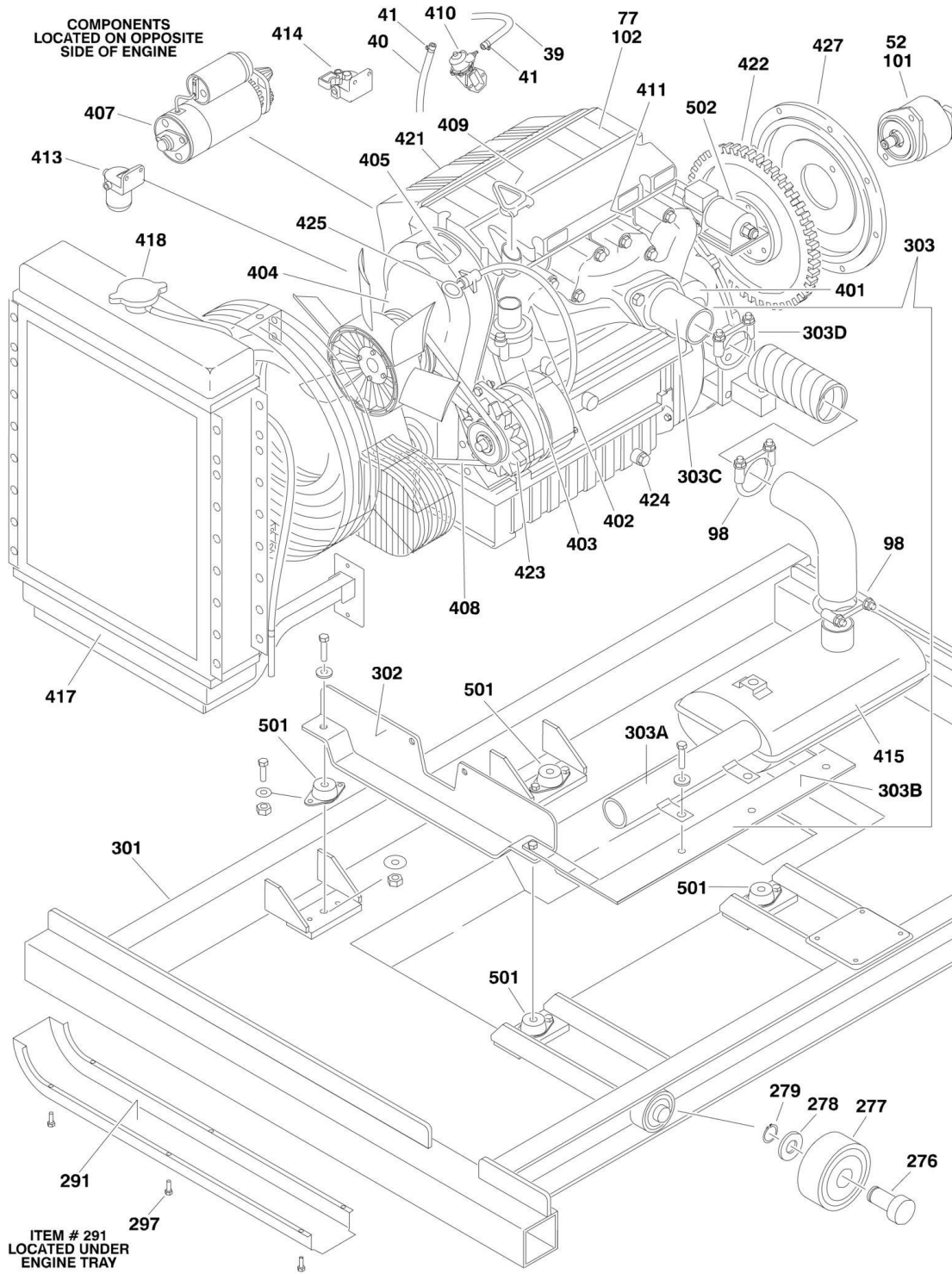
## SECTION 2 - GROUND CONTROLS

### FIGURE 2-6. DRIVE VALVE ASSEMBLY

ITEM	PART NUMBER	QTY	DESCRIPTION	REV
	H000414	Ref	<b>DRIVE VALVE ASSEMBLY</b>	B
4	70000265	2	Valve Assembly	
4	70000331	AR	Coil (Note: Coil Nut, and Seal Kit Not Currently Available)	
5	70000266	16	Screw	
6	70000267	2	Cartridge, Flow Divider	
7	70000268	2	Valve Assembly	
7	70000331	AR	Coil (Note: Coil Nut, and Seal Kit Not Currently Available)	
8	70000333	2	DIN Connector (Gray)	
9	70000332	2	DIN Connector (Black)	

# SECTION 2 - GROUND CONTROLS

## FIGURE 2-7. ENGINE COMPONENTS INSTALLATION



## SECTION 2 - GROUND CONTROLS

**FIGURE 2-7. ENGINE COMPONENTS INSTALLATION**

ITEM	PART NUMBER	QTY	DESCRIPTION	REV
	0010658	Ref	<b>FINAL ASSEMBLY LIST COMPONENTS</b>	10
39	H000038	AR	Hose, Return	
40	H000039	AR	Hose, Supply	
41	E000040	4	Clamp	
52	H000223	1	Variable Pump Assembly (See VARIABLE PUMP ASSEMBLY for Breakdown)	
77		Ref	Deutz Engine Options (See Items 401-427 for Breakdown):	
77	1001093294	1	Deutz Engine (was p/n H005461) <b>(Prior to SN 1200010868)</b>	
77	1001093294	1	Deutz Engine <b>(SN 1200010868 to Present)</b>	
98	S005172	2	Clamp, Muffler	
	H24512-G-0-1-1 AND	Ref	<b>HYDRAULIC DIAGRAM COMPONENTS</b>	0
	H24512-RP-A-1-1	Ref	<b>HYDRAULIC DIAGRAM COMPONENTS</b>	A
101	H000223	1	Variable Pump Assembly (See VARIABLE PUMP ASSEMBLY for Breakdown)	
102		Ref	Deutz Engine Options (See Items 401-427 for Breakdown):	
102	1001093294	1	Deutz Engine (was p/n H005461) <b>(Prior to SN 1200010868)</b>	
102	1001093294	1	Deutz Engine <b>(SN 1200010868 to Present)</b>	
	SL245-12-D- 110.00.0	Ref	<b>FRAME COMPONENTS</b>	B
276	70000436	4	Pin	
277	70000437	4	Roller	
278	70000438	4	Washer	
279	70000439	4	Ring, Retaining	
291	Not Available	1	Cover	
297	0760605	4	Bolt, M6x10	
	SL245-12-D- 161.00	Ref	<b>ENGINE ASSEMBLY</b>	
301	70000454	1	Tray, Engine	
302	70000455	1	Bracket, Engine Mounting	
303		Ref	Exhaust Components:	
303A	70000456	1	Collar, Exhaust Pipe	
303B	70000457	1	Bracket, Exhaust Mounting	
303C	70000458	1	Pipe, Exhaust	
303D	Not Available	1	Clamp, Muffler (Purchase Locally)	
		Ref	<b>ENGINE COMPONENTS</b>	
	H005461	Ref	<b>Engine Components (Prior to SN 1200010868)</b>	A
	1001093294	Ref	<b>Engine Components (SN 1200010868 to Present)</b>	A
401	70000347	1	Filter, Oil	
402	70000349	1	Thermostat (Upper)	
402	70000348	1	O-Ring (Used with Upper Thermostat)	
403	70000351	1	Thermostat (Lower)	
403	70000350	1	Ring, Seal (Used with Lower Thermostat)	
404	70000353	1	Water Pump	
404	70000352	1	Gasket (Pump to Block)	
404	70000358	1	Gasket (Pump to Inlet)	
405	70000354	1	Belt, Timing	
406	70000355	4	Fuel Injection Pump (Not Shown)	
407	70000357	1	Starter	
408	70000359	1	V-Belt	
409	70000360	1	Cap, Filler	

## SECTION 2 - GROUND CONTROLS

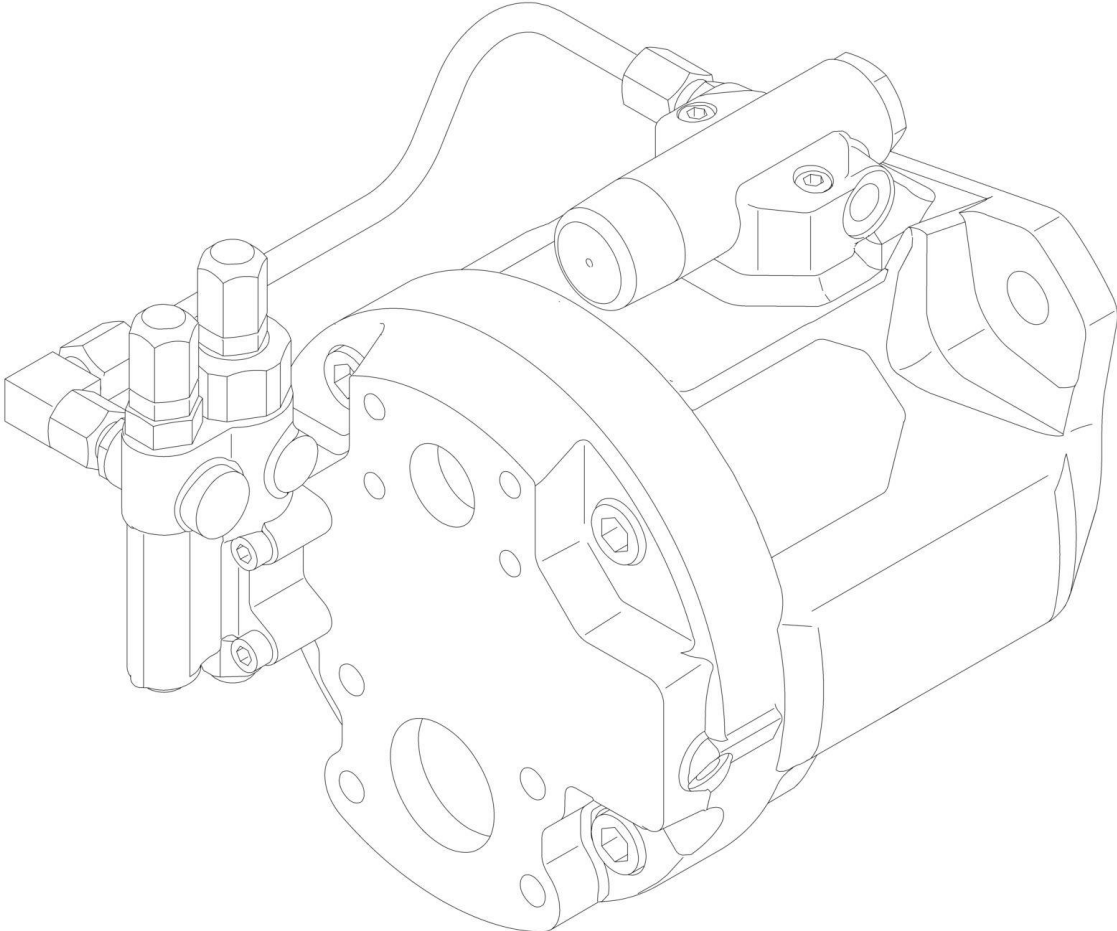
ITEM	PART NUMBER	QTY	DESCRIPTION	REV
410	70000362	1	Fuel Supply Pump	
410	70000361	1	O-Ring (Used with Fuel Supply Pump)	
411	70000363	4	Gasket, Exhaust	
412		Ref	Sensor, Temperature Options (Not Shown):	
412	70000364	1	Sensor, Temperature <b>(Prior to SN 1200010868)</b>	
412	70001151	1	Sensor, Temperature <b>(SN 1200010868 to Present)</b>	
413		Ref	Filter, Fuel Options:	
413	70000365	1	Filter, Fuel <b>(Prior to SN 1200010868)</b>	
413	7025518	1	Filter, Fuel <b>(SN 1200010868 to Present)</b>	
414	70000366	1	Solenoid, Fuel	
415	70000367	1	Muffler	
416	70000369	1	Switch, Oil Pressure (Not Shown)	
416	70000368	1	Ring, Sealing (Used with Oil Pressure Switch) (Not Shown)	
417	70000379	1	Radiator	
418	70000380	1	Cap, Radiator	
419	70000370	1	Control, Glow Plug Timing (Not Shown)	
420	70000371	4	Plug, Glow (Not Shown)	
421	Not Available	1	Air Cleaner Assembly	
421	70000372	1	Element, Air Filter	
422	70000373	1	Flywheel	
422	70000374	1	Ring Gear	
423	70000375	1	Generator/Alternator	
424	Not Available	1	Plug, Drain	
425	70000376	1	Dipstick	
425	70000377	1	O-Ring (Used with Dipstick)	
426		Ref	Coupling, Pump Options (Not Shown):	
426	H004084	1	Coupling, Pump <b>(Prior to SN 1200010868)</b>	
426	1001093292	1	Coupling, Pump <b>(SN 1200010868 to Present)</b>	
427		Ref	Flange, Pump Mounting Options:	
427		Ref	Flange, Pump Mounting <b>(Prior to SN 1200010868)</b>	
427	1001093291	1	Flange, Pump Mounting <b>(SN 1200010868 to Present)</b>	
		Ref	<b>MISCELLANEOUS COMPONENTS</b>	
501	Not Available	4	Mount, Motor	
502	Not Available	1	Actuator, Throttle	





**SECTION 2 - GROUND CONTROLS**

**FIGURE 2-8. VARIABLE PUMP ASSEMBLY**



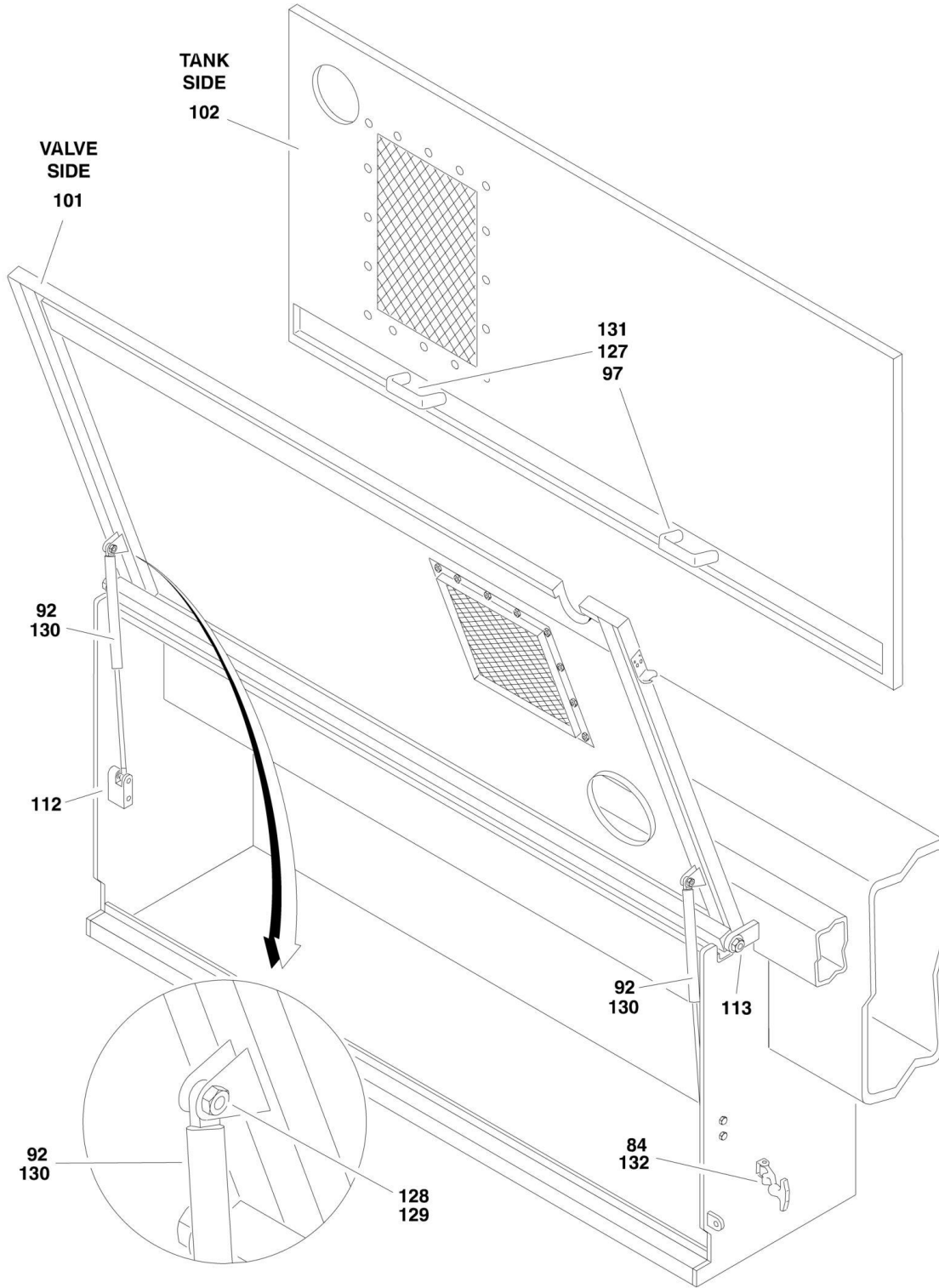
## SECTION 2 - GROUND CONTROLS

FIGURE 2-8. VARIABLE PUMP ASSEMBLY

ITEM	PART NUMBER	QTY	DESCRIPTION	REV
	H000223	Ref Ref	VARIABLE PUMP ASSEMBLY NOT AVAILABLE AT TIME OF PRINTING	B

# SECTION 2 - GROUND CONTROLS

## FIGURE 2-9. HOOD COMPONENTS



## SECTION 2 - GROUND CONTROLS

### FIGURE 2-9. HOOD COMPONENTS

ITEM	PART NUMBER	QTY	DESCRIPTION	REV
	0010658	Ref	<b>FINAL ASSEMBLY LIST COMPONENTS</b>	10
84	S000056	4	Fastener	
92	S001514	4	Gas Spring	
97	S001676	2	Handle	
	SL245-12-D-150.00	Ref	<b>HOOD COMPONENTS</b>	
		Ref	<b>Note: Replacement decals must be ordered separately - See DECALS SECTION for Breakdown.</b>	
101	70000593	1	Hood, Valve Side	
102	70000594	1	Hood, Tank Side	
112	Not Available	4	Bracket (Attaches Gas Spring to Frame)	
113	4032108	4	Bolt M12x20	
127	0700606	4	Bolt M6x12mm	
128	0760814	4	Bolt M8x30mm	
129	3290801	4	Nut M8	
130	S001514	4	Gas Spring (Was p/n S000246)	
131	S001676	2	Handle	
132	S000056	2	Fastener	

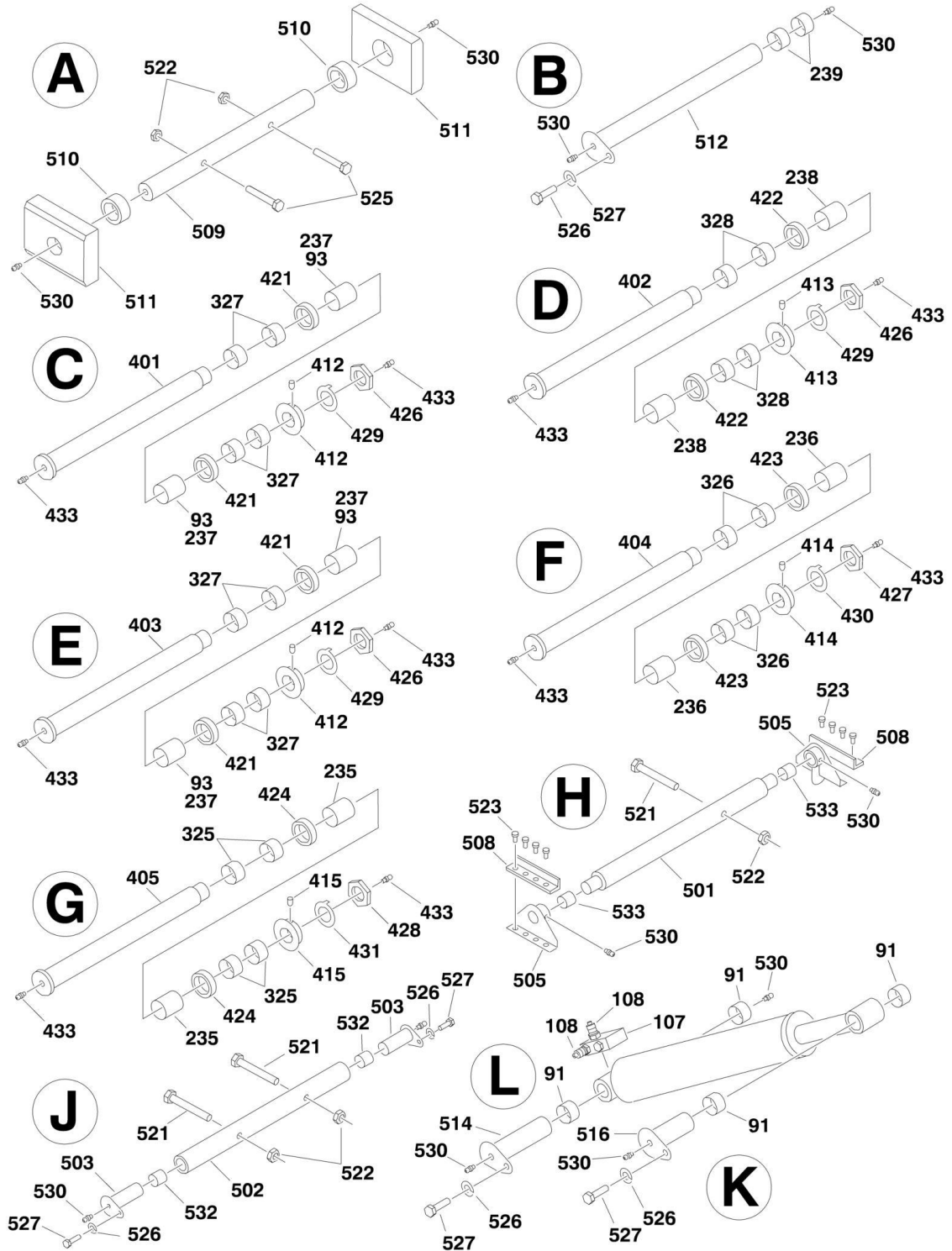


**SECTION 3 - SCISSORS ARMS**





# SECTION 3 - SCISSORS ARMS



# SECTION 3 - SCISSORS ARMS

## FIGURE 3-1. SCISSORS ARMS INSTALLATION

ITEM	PART NUMBER	QTY	DESCRIPTION	REV
	0010658	Ref	<b>FINAL ASSEMBLY LIST COMPONENTS</b>	10
1	E000045	12	Connector, Strain Relief PG21	
8	E000083	13.7 ft/45m	Cable, Electrical 25x1mm2 Numbered	
20	E000301	12	Plug, PG16	
21	E000302	24	Plug, PG21	
32	H000008	1	Lift Cylinder Assembly (See CYLINDER SECTION for Breakdown)	
91	S001496	4	Bushing, Wear - See CYLINDER SECTION Lift Cylinder Assembly for Later Usage ( <b>Prior to SN 1200010868</b> )	
93	S001556	6	Bushing, Wear	
107	H705721	1	Manifold, Pressure Sensor	
108	H705722	2	Sensor, Pressure	
109	H705723	2	Harness, Pressure Sensor (Not Shown)	
110	H705724	2	Cap, Pressure Sensor (Not Shown)	
115	E000269	5	Connector, Strain Relief	
123	E000376	5	Switch, Limit	
	H245-12-200.00.0	Ref	<b>SCISSOR ARMS INSTALLATION</b>	A
	H245-12-210.00.0	Ref	<b>Inner Scissor Arms Components</b>	A
201	S200952	1	Scissor Beam Center (#6 of 6)	
202	S200949	1	Scissor Beam Center (#5 of 6)	
203	S201324	1	Scissor Beam Center (#4 of 6)	
204	S200946	1	Scissor Beam Center (#3 of 6)	
205	S200943	1	Scissor Beam Center (#2 of 6)	
206	S200940	1	Scissor Beam Center (#1 of 6)	
235	S000188	6	Bushing	
236	S000117	14	Bushing	
237	S001595	10	Bushing	
238	S001498	2	Bushing	
239	S001496	2	Bushing	
	H245-12-220.00.0	Ref	<b>Outer Scissor Arms Components</b>	A
301	S200953	1	Scissor Beam Right (#6 of 6)	
301	S200954	1	Scissor Beam Left (#6 of 6)	
302	S200950	1	Scissor Beam Right (#5 of 6)	
302	S200951	1	Scissor Beam Left (#5 of 6)	
303	S201325	1	Scissor Beam Right (#4 of 6)	
303	S201326	1	Scissor Beam Left (#4 of 6)	
304	S200947	1	Scissor Beam Right (#3 of 6)	
304	S200948	1	Scissor Beam Left (#3 of 6)	
305	S200944	1	Scissor Beam Right (#2 of 6)	
305	S200945	1	Scissor Beam Left (#2 of 6)	
306	S200941	1	Scissor Beam Right (#1 of 6)	
306	S200942	1	Scissor Beam Left (#1 of 6)	
325	S000116	12	Bushing	
326	S000118	28	Bushing	
327	S001496	20	Bushing	
328	S001497	4	Bushing	
	H245-12-230.00.0	Ref	<b>Scissor Pin Components (Arms)</b>	A
401	S200955	4	Pin 110 mm	
402	S200956	1	Pin 130 mm	
403	S200957	1	Pin 110 mm	

## SECTION 3 - SCISSORS ARMS

ITEM	PART NUMBER	QTY	DESCRIPTION	REV
404	S200959	7	Pin 90 mm	
405	S200958	3	Pin 75 mm	
412	S200091	5	Washer + Fixing Pin (For 110mm Pivot Pin)	
413	S200093	1	Washer + Fixing Pin (For 130mm Pivot Pin)	
414	S200092	7	Washer + Fixing Pin (For 90mm Pivot Pin)	
415	S200090	3	Washer + Fixing Pin (For 75mm Pivot Pin)	
421	S001491	10	Deep Groove Ball Thrust Bearing 51122	
422	S001492	2	Deep Groove Ball Thrust Bearing 51126	
423	S000124	14	Deep Groove Ball Thrust Bearing 51118	
424	S000123	6	Deep Groove Ball Thrust Bearing 51115	
426	S001241	6	Nut KM 20	
427	S001240	7	Nut KM 16	
428	S000191	3	Nut KM 12	
429	S001238	6	Retaining Washer MB 20	
430	S000234	7	Retaining Washer MB 16	
431	S000233	3	Retaining Washer MB 12	
433	S000141	32	Fitting, Grease	
	H245-12-240.00.0	Ref	<b>Scissor Pin Components (Frame and Platform Attach)</b>	C
501	S201327	1	Pin 75 mm	
502	S201328	1	Pin 75 mm	
503	S201329	2	Pin 45 mm	
505	S201330	1	Bracket, Wear Block (Right)	
505	S201331	1	Bracket, Wear Block (Left)	
508	S201332	2	Plate, Slip	
509	S200963	1	Pin 90 mm	
510	S200100	2	Spacer	
511	S200098	1	Wear Block Right	
511	S200099	1	Wear Block Left	
512	S200960	1	Pin 110 mm	
514	S200961	1	Pin 110 mm	
516	S200962	1	Pin 110 mm	
521	0701629	3	Bolt M16 x 120mm	
522	3291615	3	Nut M16	
523	0761012	8	Bolt M10 x 25mm	
525	0701631	2	Bolt M16 x 140mm	
526	0701616	3	Bolt M16 x 4mm	
527	4832200	3	Lockwasher M16	
530	S000141	11	Fitting, Grease	
532	S001499	2	Bushing	
533	S000010	2	Bushing	
	H245-12-250.00.0	Ref	<b>Scissor Arms Electrical Components</b>	
601	E000045	12	Connector, Strain Relief PG21	
602	E000083	13.7 ft/45m	Cable, Electrical 25x1mm2 Numbered	
603	E000301	12	Plug PG16	
604	E000302	24	Plug PG21	
	H245-12-260.00.0	Ref	<b>Scissor Arms Limit Switches Installation</b>	
702	70000451	1	Plate, Limit Switch Mounting	
704	S200132	5	Cam	
705	0761012	8	Bolt M10 x 50mm	
706	0761414	2	Bolt M14 x 50mm	
707	4811400	2	Flatwasher M14	

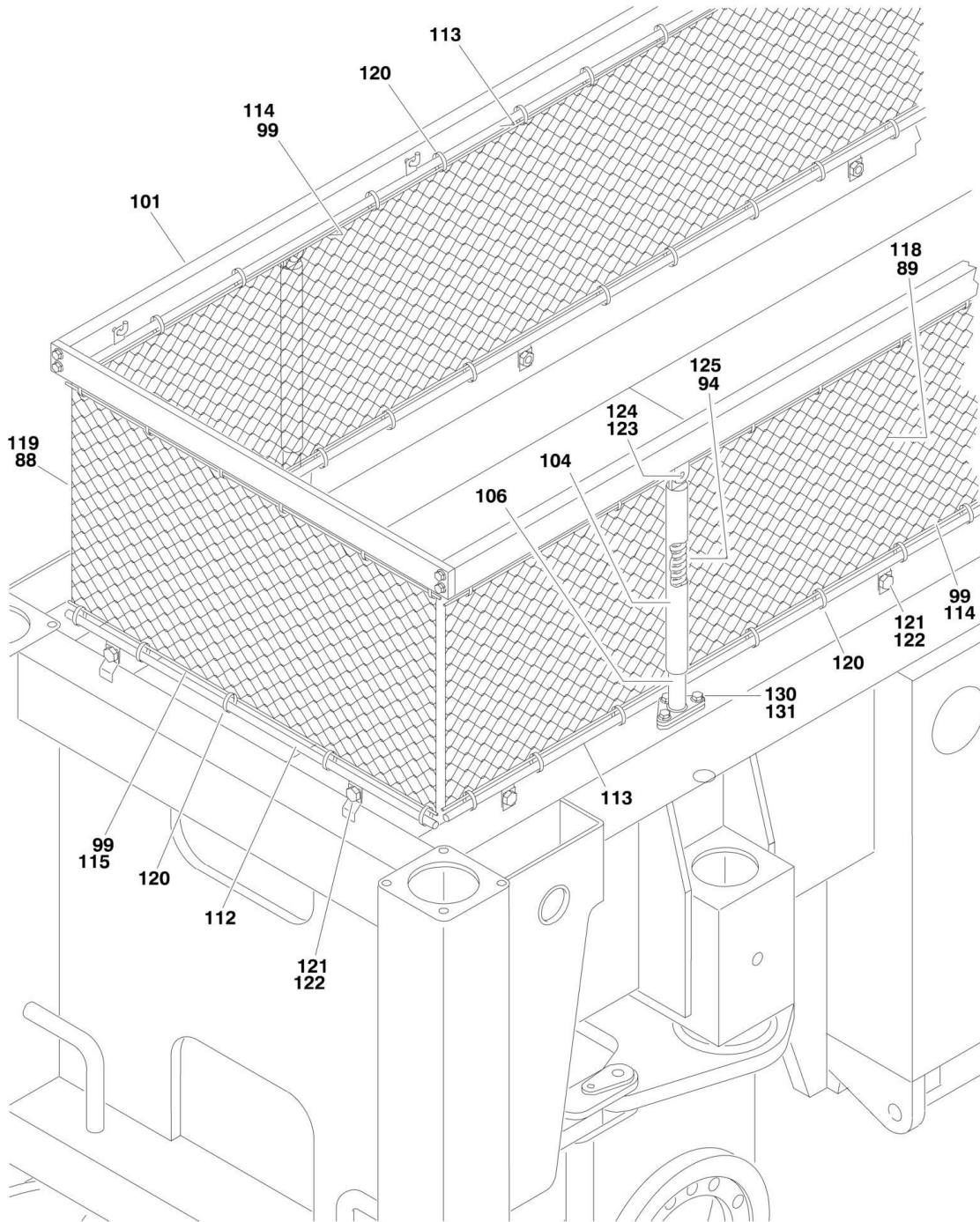
## SECTION 3 - SCISSORS ARMS

ITEM	PART NUMBER	QTY	DESCRIPTION	REV
708	4832000	8	Lockwasher M10	
709	3291400	2	Nut M14	
710	3371708	4	Rollpin	
	H24512-G-0-1-1 AND	Ref	<b>HYDRAULIC DIAGRAM COMPONENTS</b>	0
	H24512-RP-A-1-1	Ref	<b>HYDRAULIC DIAGRAM COMPONENTS</b>	A
814	H000008	1	Lift Cylinder Assembly (See CYLINDER SECTION for Breakdown)	



# SECTION 3 - SCISSORS ARMS

## FIGURE 3-2. SCISSORS ARM GUARD PROTECTION INSTALLATION



## SECTION 3 - SCISSORS ARMS

**FIGURE 3-2. SCISSORS ARM GUARD PROTECTION INSTALLATION**

ITEM	PART NUMBER	QTY	DESCRIPTION	REV
	0010658	Ref	<b>FINAL ASSEMBLY LIST COMPONENTS</b>	10
88	S000248	2	Screen (Short)	
89	S000249	2	Screen (Long)	
94	S001596	4	Spring, Compression	
99	S005042	AR	Bar, Steel (Note: Comes in bulk length. Cut to required length.)	
	SL210-12-170.00	Ref	<b>SCISSOR PROTECTION INSTALLATION</b>	A
101	S200969	1	Frame	
104	S200970	4	Sleeve, Guide	
106	S200975	4	Rod, Guide	
112	S200973	2	Arm Guard Upper Bar (Short) (Front/Rear)	
112	S200974	2	Arm Guard Lower Bar (Short) (Front/Rear)	
113	S200971	2	Arm Guard Upper Bar (Long) (Right/Left)	
113	S200972	2	Arm Guard Lower Bar (Long) (Right/Left)	
114	S005042	AR	Bar, Steel (Note: Comes in bulk length. Cut to required length.)	
115	S005042	AR	Bar, Steel (Note: Comes in bulk length. Cut to required length.)	
118	S000249	2	Screen (Long)	
119	S000248	2	Screen (Short)	
120	Not Available	50	Tie-Straps	
121	0760810	16	Bolt M8x20	
122	3290801	16	Nut M8	
123	0761015	4	Bolt M10x35	
124	3291005	4	Nut M10	
125	S001596	4	Spring, Compression	
130	0761010	20	Bolt M10x20	
131	4832000	20	Lockwasher M10	

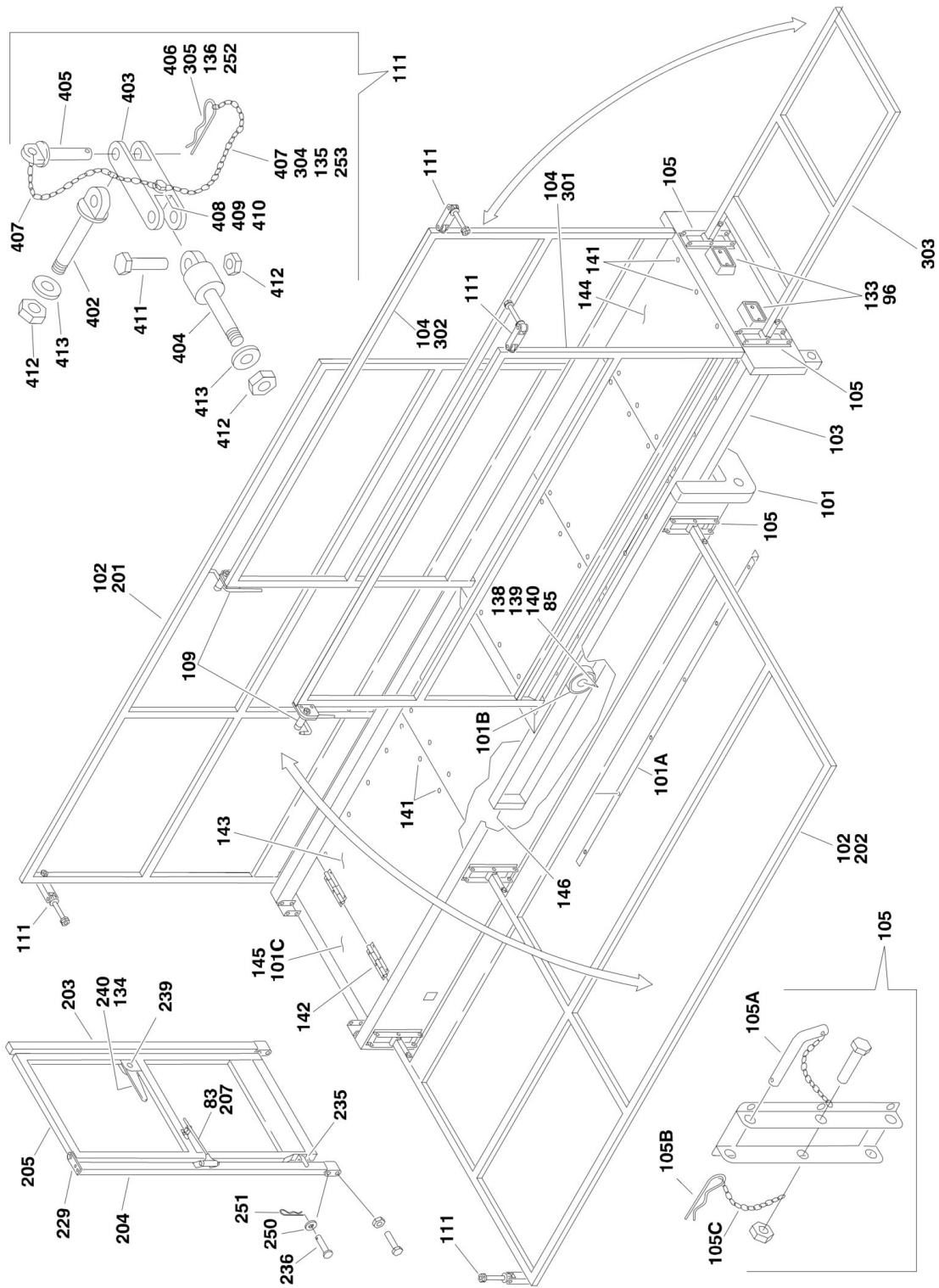




**SECTION 4 - PLATFORM**

# SECTION 4 - PLATFORM

## FIGURE 4-1. PLATFORM INSTALLATION



# SECTION 4 - PLATFORM

## FIGURE 4-1. PLATFORM INSTALLATION

ITEM	PART NUMBER	QTY	DESCRIPTION	REV
	0010658	Ref	<b>FINAL ASSEMBLY LIST COMPONENTS</b>	10
83	S000030	1	Closer, Gate	
85	S000069	4	Disc, Support	
86	S000108	1	Bracket, Roller - Not Shown <b>(Prior to SN 1200009743)</b>	
96	S001640	2	Bumper	
	SL245-12.300.00	Ref	<b>PLATFORM COMPONENTS INSTALLATION</b>	
		Ref	<b>NOTE: REPLACEMENT DECALS MUST BE ORDERED SEPARATELY - See DECALS SECTION for Breakdown.</b>	
101	S201306	1	Platform Deck (Ref Dwg SL245-12.310.00)	
101A	S201309	2	Shield, Cable	
101B	S201323	4	Roller Extension Deck	
101C	S201320	1	Toolbox	
102		Ref	Platform Railing Components (See Items 201-253 for Breakdown)	
103	S201310	1	Extension Deck (Ref Dwg SL245-12.320.00)	
104		Ref	Extension Railing Components (See Items 301-330 for Breakdown)	
105	S200539	8	Bracket Assembly, Rail Mounting (Ref Dwg SL320-30.411.01.3)	B
105A	S200538	8	Pin, Adjustment	
105A	S200538	8	Pin, Adjustment	
105B	S000145	8	Pin, Spring	
105C	S001443	AR	Chain	
109		Ref	Locking Device Options:	
109	S201318	1	Right	
109	S201319	1	Left	
111		Ref	Corner Connector Assembly (See Items 401-413 for Breakdown)	
133	S001640	2	Bumper (Was p/n S000055)	
134		Ref	Contact, Door	
135	S001443	AR	Chain	
135	S001677	8	Ring	
136	S000145	4	Pin, Spring	
137		Ref	Pin, Spring	
138	S000069	4	Disc, Support	
139	Not Available	4	Ring, Retaining	
140	S000141	4	Fitting, Grease	
141	Not Available	AR	Screw, Flooring	
142	Not Available	2	Hinge	
143		Ref	Floor, Platform	
144		Ref	Floor, Extension	
145	Not Available	1	Flap, Platform	
146	S201321	2	Stop, Extension	
	SL245-12.311.00	Ref	<b>PLATFORM RAILING COMPONENTS</b>	0
201	S201307	1	Rail, Side (Right)	
202	S201308	1	Rail, Side (Left)	
203	S201314	1	Post, Gate (Right)	
204	S201315	1	Post, Gate (Left)	
205	S201316	1	Gate, Platform	
207	S000030	1	Gate Closer (Was p/n S000194)	
229	S201317	1	Pin, Door Adjustment	
235	S200934	1	Pin	
236	S200538	1	Pin	

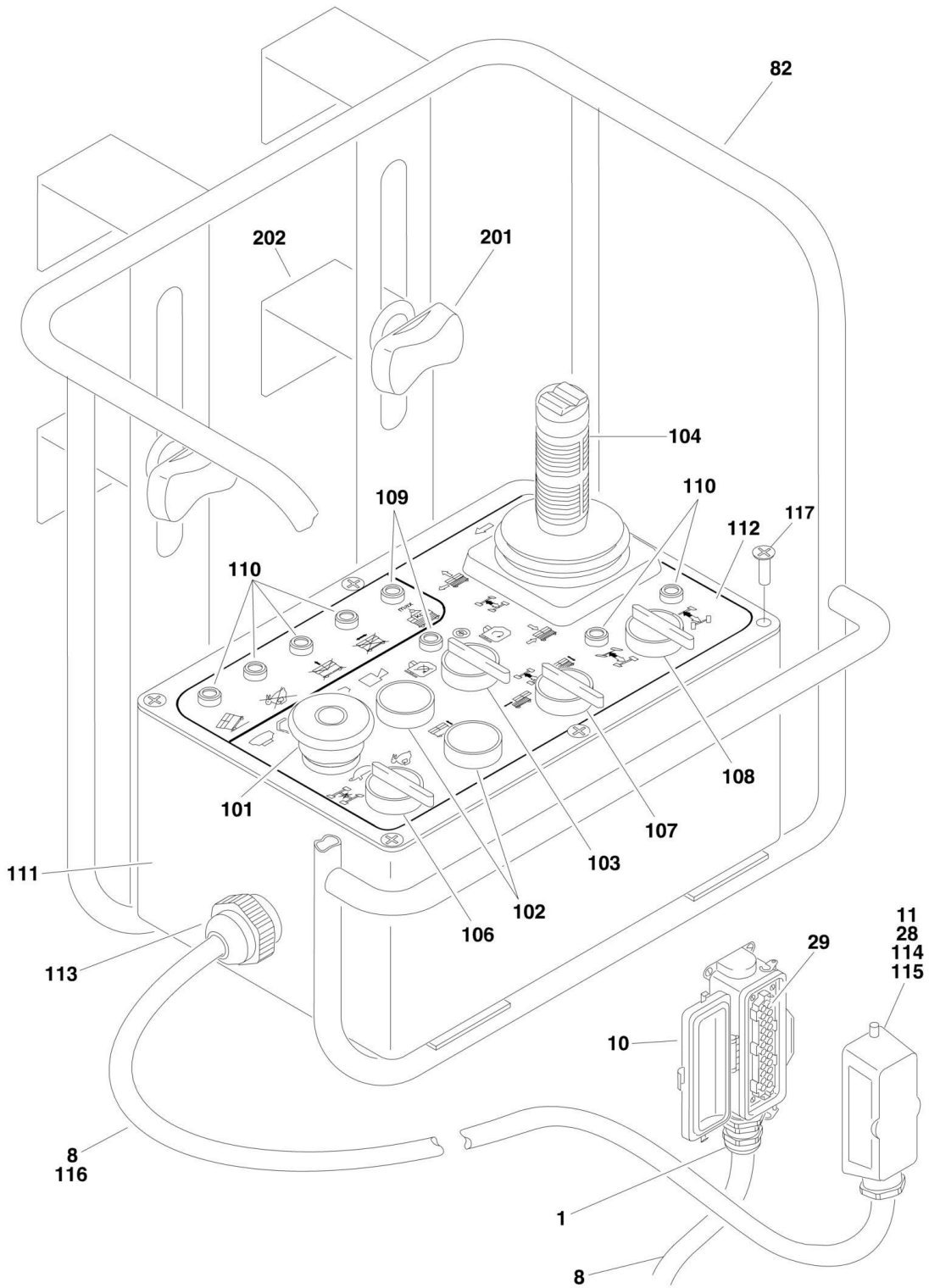
## SECTION 4 - PLATFORM

ITEM	PART NUMBER	QTY	DESCRIPTION	REV
239	Not Available	1	Pin	
240	S200932	1	Lock, Door	
250	4812100	8	Flatwasher M12	
251	Not Available	5	Pin, Split	
252	S000145	4	Pin, Spring	
253	S001443	AR	Chain	
253	S001677	AR	Ring	
	SL245-12.321.00	Ref	<b>EXTENSION RAILING COMPONENTS</b>	0
301	S201311	1	Rail, Side (Right)	
302	S201312	1	Rail, Side (Left)	
303	S201313	1	Rail, End (Back)	
304	S001443	2	Chain	
304	S001677	2	Ring	
305	S000145	2	Pin, Spring	
	SL245-12.300.11.0	Ref	<b>CORNER CONNECTOR ASSEMBLY (Note: Qty shown is per assembly.)</b>	A
402	S900118	1	Bracket, Short Mounting (was p/n S200541)	
403	S201322	1	Connector	
404	S900200	1	Bracket, Long Mounting	
405	S200535	1	Pin, Rail Connector	
406	S000145	1	Pin, Spring	
407	S001443	2	Chain	
407	S001677	2	Ring	
408	0760606	1	Bolt M6 x 12mm	
409	4810600	1	Flatwasher M6	
410	4830600	1	Lockwasher M6	
411	0761217	1	Bolt M12 x 45mm	
412	3291201	3	Nut M12	
413	4812100	2	Flatwasher M12	



# SECTION 4 - PLATFORM

## FIGURE 4-2. PLATFORM CONSOLE COMPONENTS



## SECTION 4 - PLATFORM

**FIGURE 4-2. PLATFORM CONSOLE COMPONENTS**

ITEM	PART NUMBER	QTY	DESCRIPTION	REV
	0010658	Ref	<b>FINAL ASSEMBLY LIST COMPONENTS</b>	10
1	E000045	AR	Connector, Strain Relief	
8	E000083	AR	Cable, Electrical - 25 x 1mm2	
10	E000102	1	Housing, Bottom	
11	E000103	1	Housing, Top	
12	E000113	1	Contactora	
28	E000481	1	Connector, Female	
29	E000482	1	Connector, Male - 24 Position	
82	S000009	1	Bracket, Console	
	E900068	Ref	<b>PLATFORM CONSOLE BOX ASSEMBLY</b>	
101	E000377	1	Emergency Stop Switch	
102	E000412	2	Push Button (Horn and Lift)	
103	E000439		Switch, Selector (Start)	
104	E000136	1	Drive Joystick Assembly	
106	E000439		Switch, Selector (Speed)	
107	E000436	1	Switch, Selector (Drive/Lift/Extend)	
108	E000511	1	Switch, Selector (Steer)	
109	E000419	2	LED, Red Complete	
110	E900049	6	LED, Green Complete	
111	E001336	1	Box, Control	
112	E001337	1	Lid, Control Box	
112	E900069	1	Decal	
113	E000303	1	Connector, Strain Relief	
113	E000292		Connector, Strain Relief	
114	E000108	1	Connector Housing, Male 24-Pin	
115	E000482	1	Connector Insert, Male 24-Pin	
116	E000083	8 m	Cable, Electrical - 25 x 1mm2	
117	1001109990	6	Screw M3 x 30mm	
		Ref	<b>MISCELLANEOUS CONSOLE COMPONENTS</b>	
201	2560141	2	Screw, Thumb	
202	0181847	2	Clamp, Console Bracket	

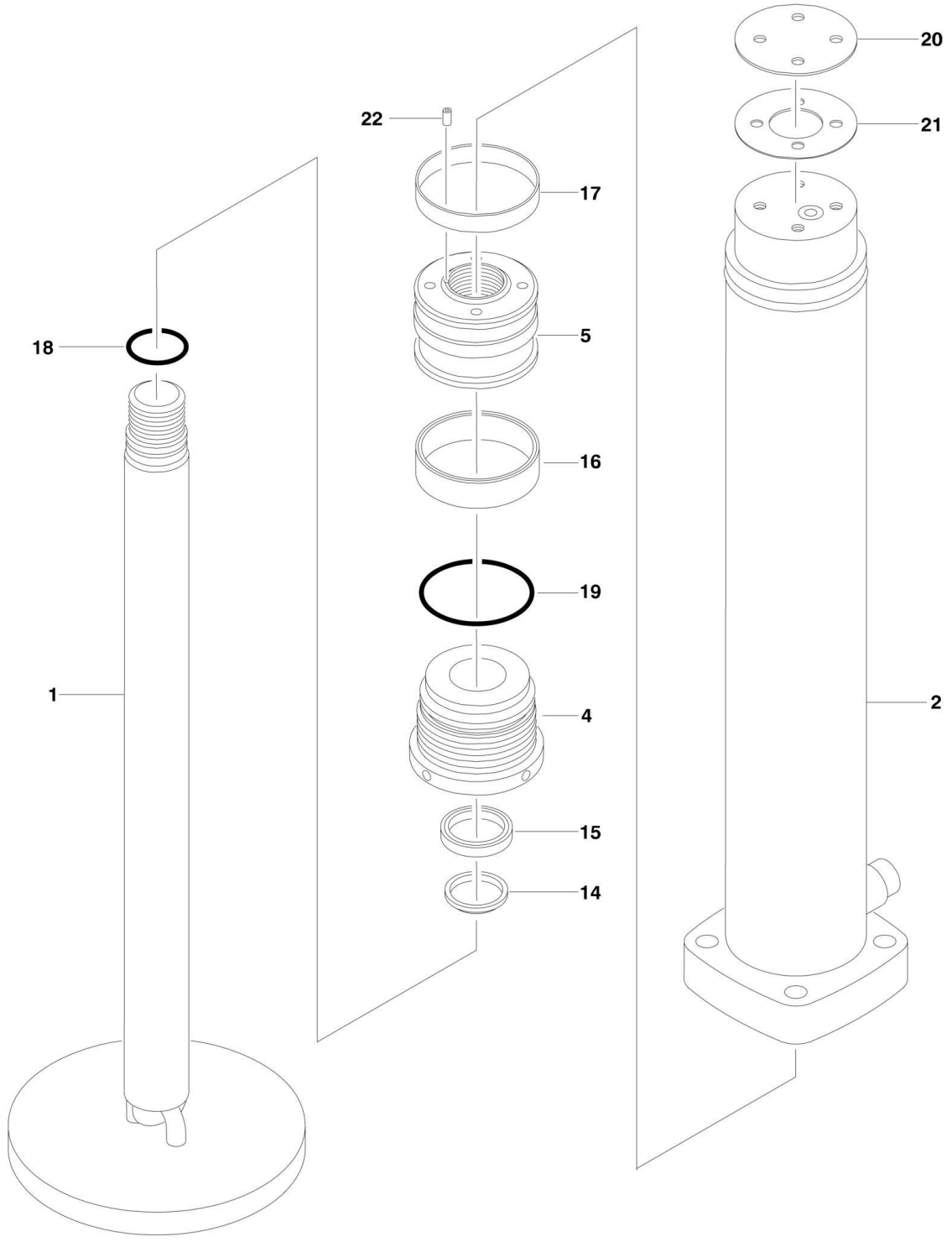




**SECTION 5 - CYLINDER**

# SECTION 5 - CYLINDER

FIGURE 5-1. LEVELING CYLINDER ASSEMBLY (Prior to SN 1200009743)



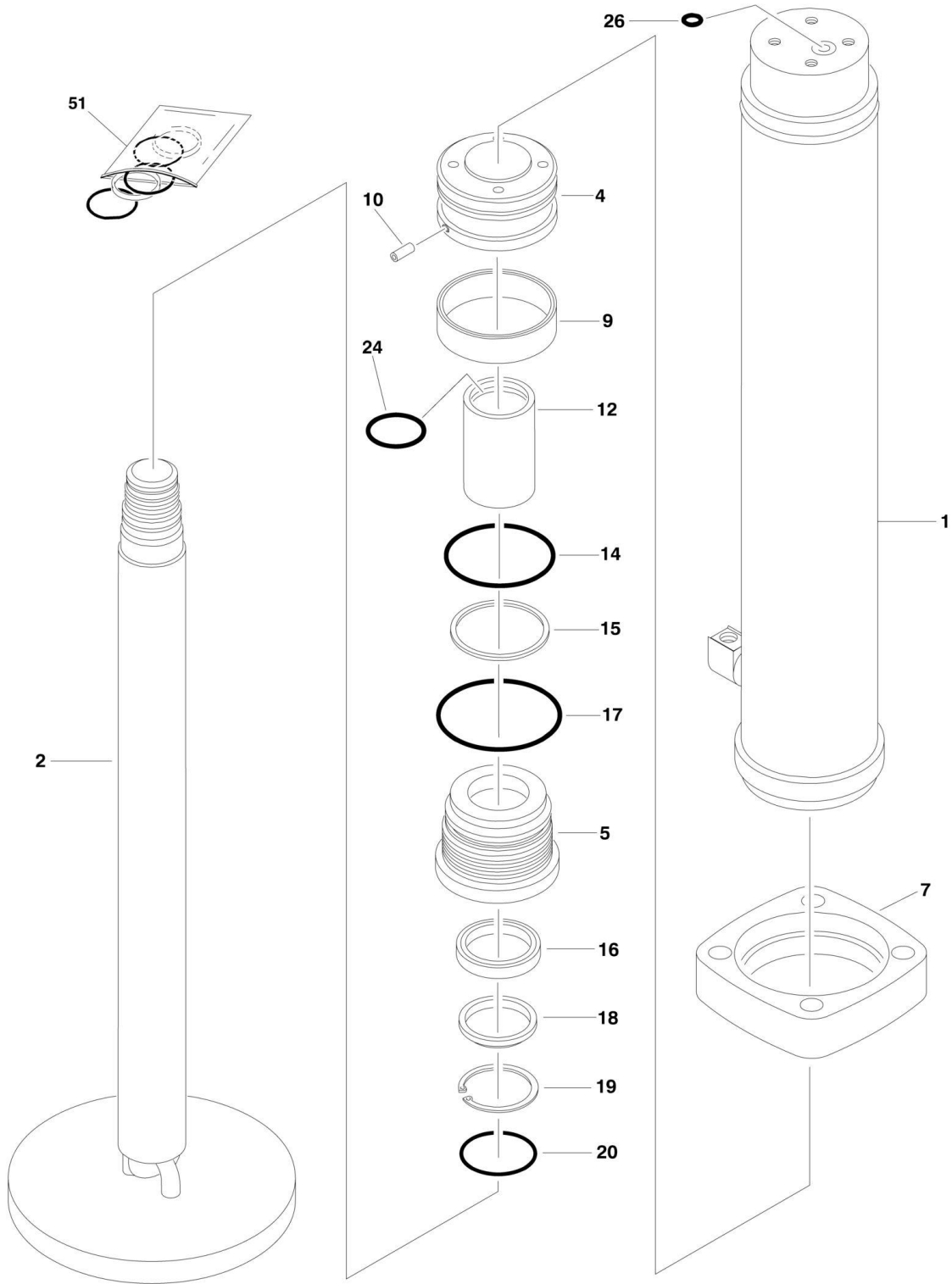
## SECTION 5 - CYLINDER

**FIGURE 5-1. LEVELING CYLINDER ASSEMBLY (Prior to SN 1200009743)**

ITEM	PART NUMBER	QTY	DESCRIPTION	REV
		Ref	<b>LEVELING CYLINDER ASSEMBLY</b>	
	H000610	Ref	<b>Right Front and Left Rear Cylinder</b>	
	H000611	Ref	<b>Left Front and Right Rear Cylinder</b>	
1	S200305	1	Piston Rod (Barnier)	
2		Ref	Barrel Options:	
2	70000223	1	Right Front and Left Rear Cylinder	
2	70000224	1	Left Front and Right Rear Cylinder	
4	S200307	1	Head	
5	S200308	1	Piston	
14	H003082	1	Wiper	
15	H003088	1	Seal	
16	H003094	1	Piston Seal	
17	H003103	1	Wear Ring	
18	H003106	1	O-Ring	
19	H003108	1	O-Ring	
20	70000221	1	Cover Plate	
21	70000204	1	Gasket	
22	70000222	1	Setscrew	
		Ref	<b>Notes: No Seal Kit available. Purchase individual seals.</b>	

# SECTION 5 - CYLINDER

FIGURE 5-2. LEVELING CYLINDER ASSEMBLY (SN 1200009743 to Present)



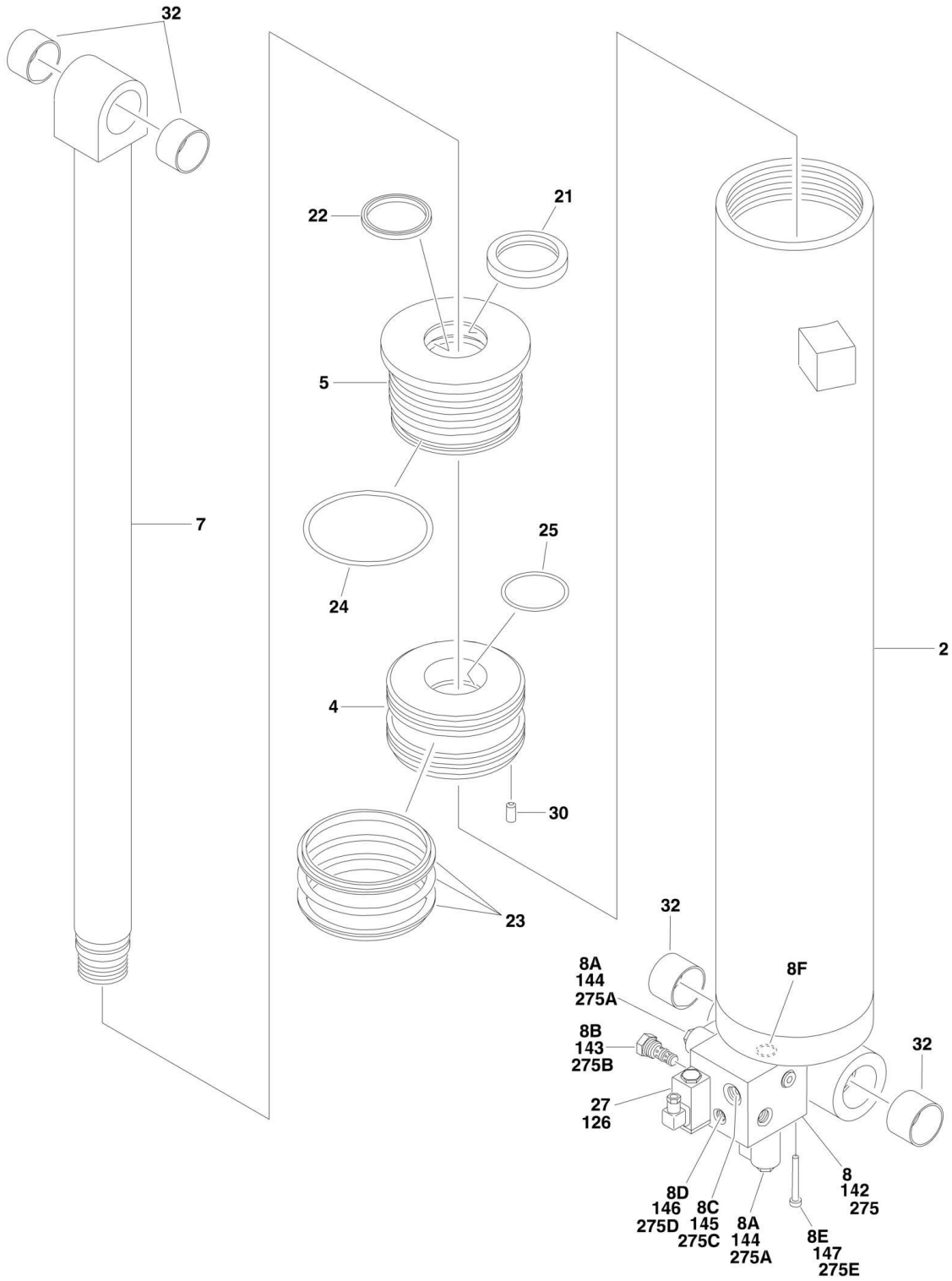
## SECTION 5 - CYLINDER

**FIGURE 5-2. LEVELING CYLINDER ASSEMBLY (SN 120009743 to Present)**

ITEM	PART NUMBER	QTY	DESCRIPTION	REV
		Ref	<b>LEVELING CYLINDER ASSEMBLY</b>	
	H900011	Ref	<b>Right Front, Left Rear</b>	D
	H900012	Ref	<b>Left Front, Right Rear</b>	D
1		Ref	Barrel Options:	
1	70000775	1	H900011 Cylinder	
1	70000776	1	H900012 Cylinder	
2	70000774	1	Rod	
4	70000764	1	Piston	
5	70000765	1	Head	
7	70000766	1	Plate, Mounting	
9	Item 51	1	Seal, Piston	
10	Not Available	1	Setscrew	
12	70000773	1	Spacer	
14	Item 51	1	Seal, Head	
15	Item 51	1	Ring, Backup	
16	Item 51	1	Seal, Rod	
17	Item 51	1	O-Ring	
18	Item 51	1	Wiper	
19	70000768	1	Ring, Snap	
20	Item 51	1	O-Ring	
24	Item 51	1	O-Ring	
26	70000700	1	O-Ring	
51	70000771	1	Seal Kit (Includes Items 9, 14, 15, 16, 17, 18, 20 & 24)	

# SECTION 5 - CYLINDER

## FIGURE 5-3. LIFT CYLINDER ASSEMBLY



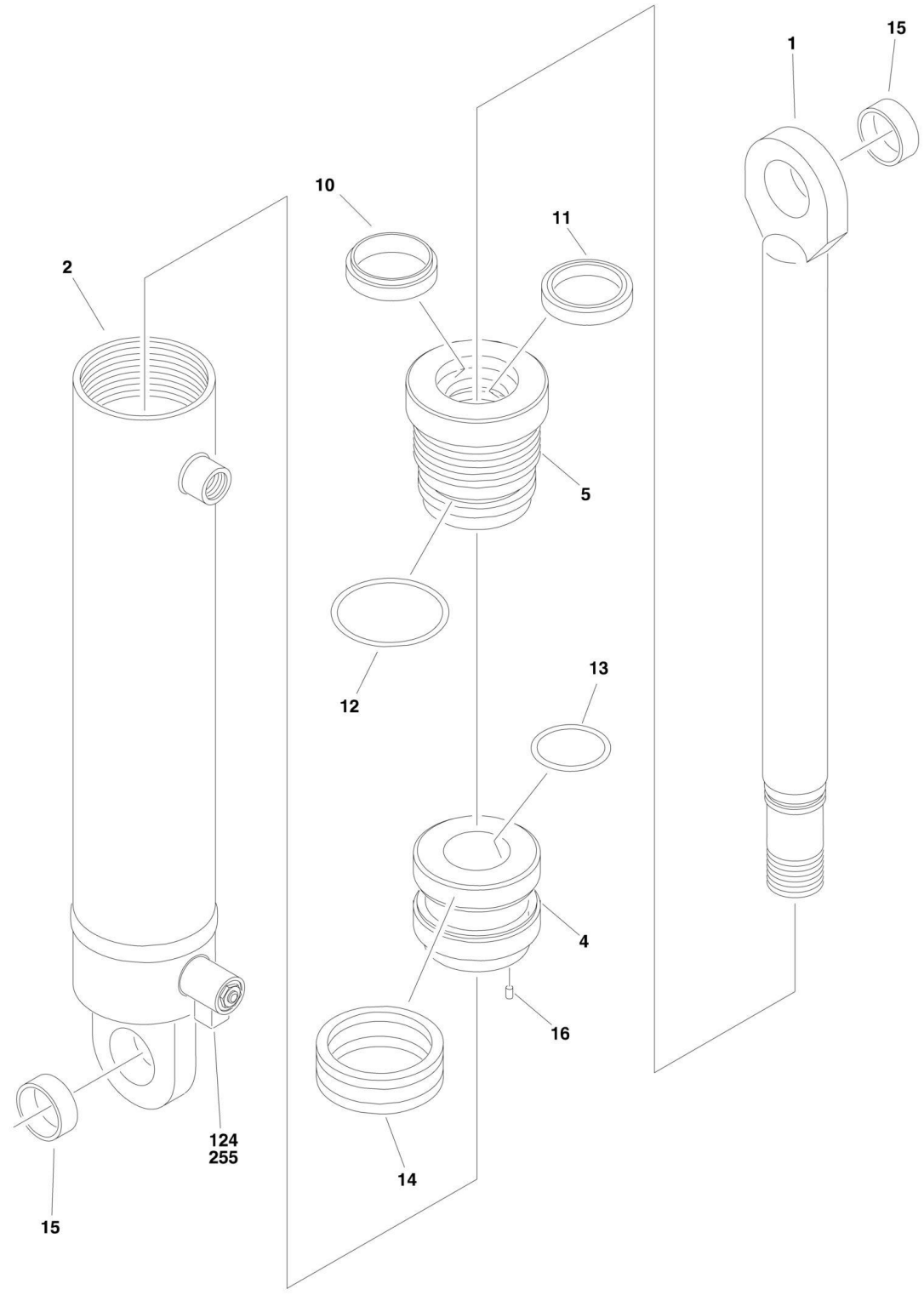
## SECTION 5 - CYLINDER

### FIGURE 5-3. LIFT CYLINDER ASSEMBLY

ITEM	PART NUMBER	QTY	DESCRIPTION	REV
	H000008	Ref	<b>LIFT CYLINDER ASSEMBLY</b>	
2	S200907	1	Barrel Weldment	
4	S201640	1	Piston (Was p/n S200908)	
5	S200909	1	Cylinder Head	
7	S200906	1	Piston Rod	
8	H000713	1	Valve Assembly	B
8A	70000219	2	Cartridge, Solenoid Valve (Less Coil)	
8A	7023919	2	Seal Kit - 70000219 Cartridge	
8A	7017444	2	Coil	
8B	70000220	1	Check Valve Cartridge Less Coil	
8B	7021632	1	Seal Kit - 70000220 Cartridge	
8C	Not Available	1	Orifice	
8D	Not Available	1	Orifice	
8E	4031925	4	Capscrew M8 x 120mm	
8F	70000150	1	O-Ring	
21	H003085	1	Wiper	
22	H003091	1	Rod Seal	
23	H000532	1	Piston Seal	
24	H003115	1	O-Ring	
25	H003108	1	O-Ring	
27	70000184	1	O-Ring	
30	S200910	1	Setscrew	
32	S001496	4	Bronze Bushing (Note: No seal kit available. Purchase individual seals.)	
	H24512-G-0-1-1 AND	Ref	<b>HYDRAULIC DIAGRAM COMPONENTS</b>	0
	H24512-RP-A-1-1	Ref	<b>HYDRAULIC DIAGRAM COMPONENTS</b>	A
126	H000536	1	Switch, Pressure	
142	H000713	1	Valve Assembly	B
143	70000220	1	Check Valve Cartridge Less Coil	
143	7021632	1	Seal Kit - 70000220 Cartridge	
144	70000219	2	Cartridge, Solenoid Valve (Less Coil)	
144	7023919	2	Seal Kit - 70000219 Cartridge	
144	7017444	2	Coil	
145	Not Available	1	Orifice	
146	Not Available	1	Orifice	
147	4031925	4	Capscrew M8 x 120mm	
	0010658	Ref	<b>FINAL ASSEMBLY LIST COMPONENTS</b>	10
275	H000713	1	Valve Assembly	B
275A	70000219	2	Cartridge, Solenoid Valve (Less Coil)	
275A	7023919	2	Seal Kit - 70000219 Cartridge	
275A	7017444	2	Coil	
275B	70000220	1	Check Valve Cartridge Less Coil	
275B	7021632	1	Seal Kit - 70000220 Cartridge	
275C	Not Available	1	Orifice	
275D	Not Available	1	Orifice	
275E	4031925	4	Capscrew M8 x 120mm	

# SECTION 5 - CYLINDER

## FIGURE 5-4. POTHOLE PROTECTION CYLINDER ASSEMBLY





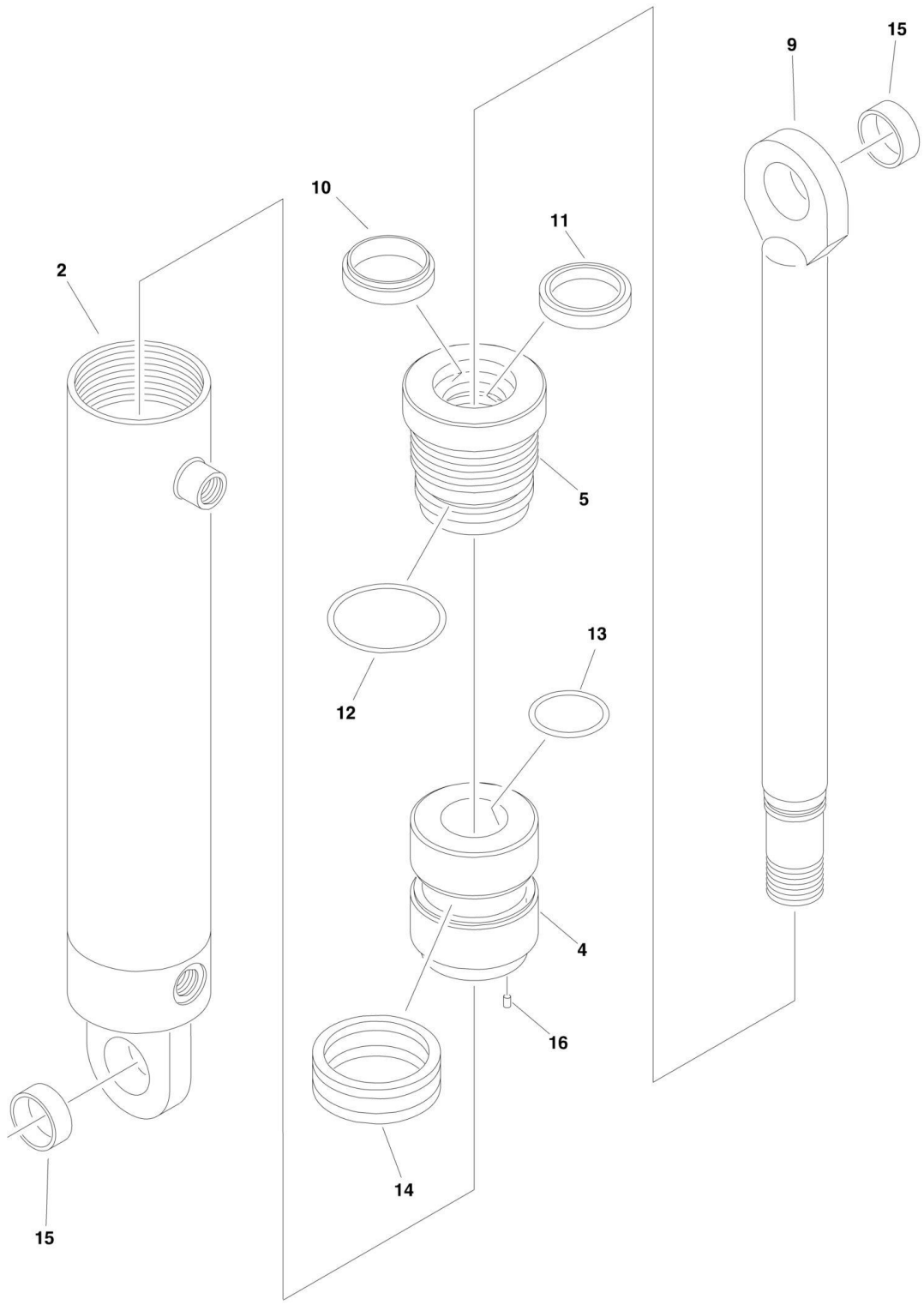
## SECTION 5 - CYLINDER

**FIGURE 5-4. POTHOLE PROTECTION CYLINDER ASSEMBLY**

ITEM	PART NUMBER	QTY	DESCRIPTION	REV
	H000037	Ref	<b>POTHOLE PROTECTION CYLINDER ASSEMBLY</b>	
1	S200901	1	Rod	
2	S200902	1	Barrel	
4	S200903	1	Piston	
5	S200437	1	Cylinder Head	
10	H003064	1	Wiper	
11	H003066	1	Rod Seal	
12	H003080	1	O-Ring	
13	H003075	1	O-Ring	
14	H003068	1	O-Ring	
15	S001556	2	Bronze Bushing	
16	Not Available	1	Setscrew	
		Ref	<b>Note: No seal kit available. Purchase individual seals.</b>	
	H24512-G-0-1-1 AND	Ref	<b>HYDRAULIC DIAGRAM COMPONENTS</b>	0
	H24512-RP-A-1-1	Ref	<b>HYDRAULIC DIAGRAM COMPONENTS</b>	A
124	H000280	2	Solenoid Valve Assembly	
124	7024897	2	Cartridge Less Coil (1 per Assembly)	
124	7012972	2	Seal Kit - 7024897 Valve (1 per Assembly)	
124	7012986	2	Coil (1 per Assembly)	
	0010658	Ref	<b>FINAL ASSEMBLY LIST COMPONENTS</b>	10
255	H000280	2	Solenoid Valve Assembly	
255	7024897	2	Cartridge Less Coil (1 per Assembly)	
255	7012972	2	Seal Kit - 7024897 Valve (1 per Assembly)	
255	7012986	2	Coil (1 per Assembly)	

# SECTION 5 - CYLINDER

FIGURE 5-5. STEER CYLINDER ASSEMBLY (Prior to SN 120009743)



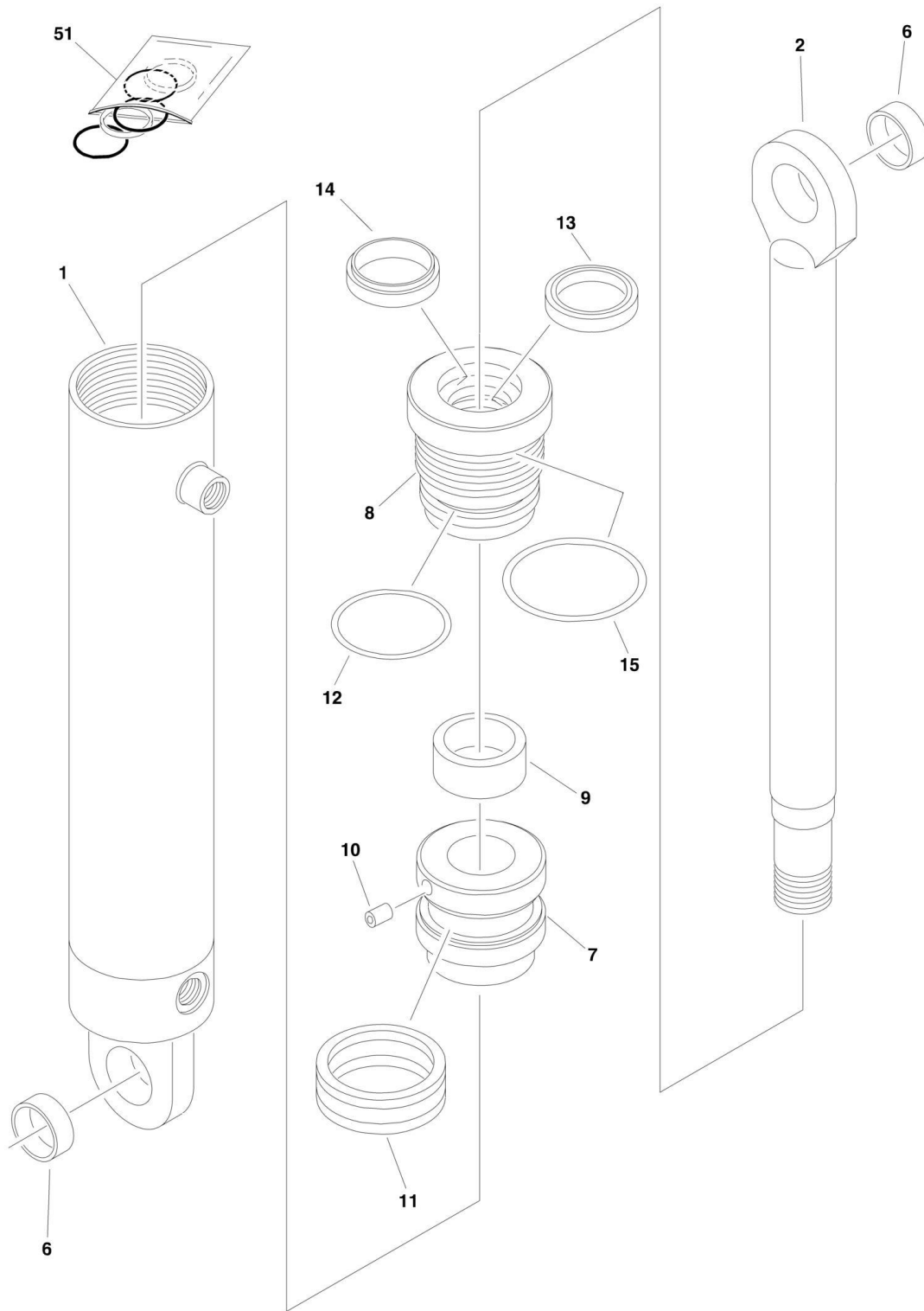
## SECTION 5 - CYLINDER

**FIGURE 5-5. STEER CYLINDER ASSEMBLY (Prior to SN 1200009743)**

ITEM	PART NUMBER	QTY	DESCRIPTION	REV
	H000299	Ref	<b>STEER CYLINDER ASSEMBLY</b>	
2	S200188	1	Barrel	
4	S200189	1	Piston	
5	S200437	1	Cylinder Head	
9	S200187	1	Rod Weldment	
10	H003064	1	Wiper	
11	H003066	1	Rod Seal	
12	H003080	1	O-Ring	
13	H003075	1	O-Ring	
14	H003068	1	Piston Seal	
15	S000263	2	Bronze Bushing	
16	Not Available	1	Setscrew	
		Ref	<b>Note: No seal kit available. Purchase individual seals.</b>	

# SECTION 5 - CYLINDER

## FIGURE 5-6. STEER CYLINDER ASSEMBLY (SN 120009743 to Present)



## SECTION 5 - CYLINDER

**FIGURE 5-6. STEER CYLINDER ASSEMBLY (SN 1200009743 to Present)**

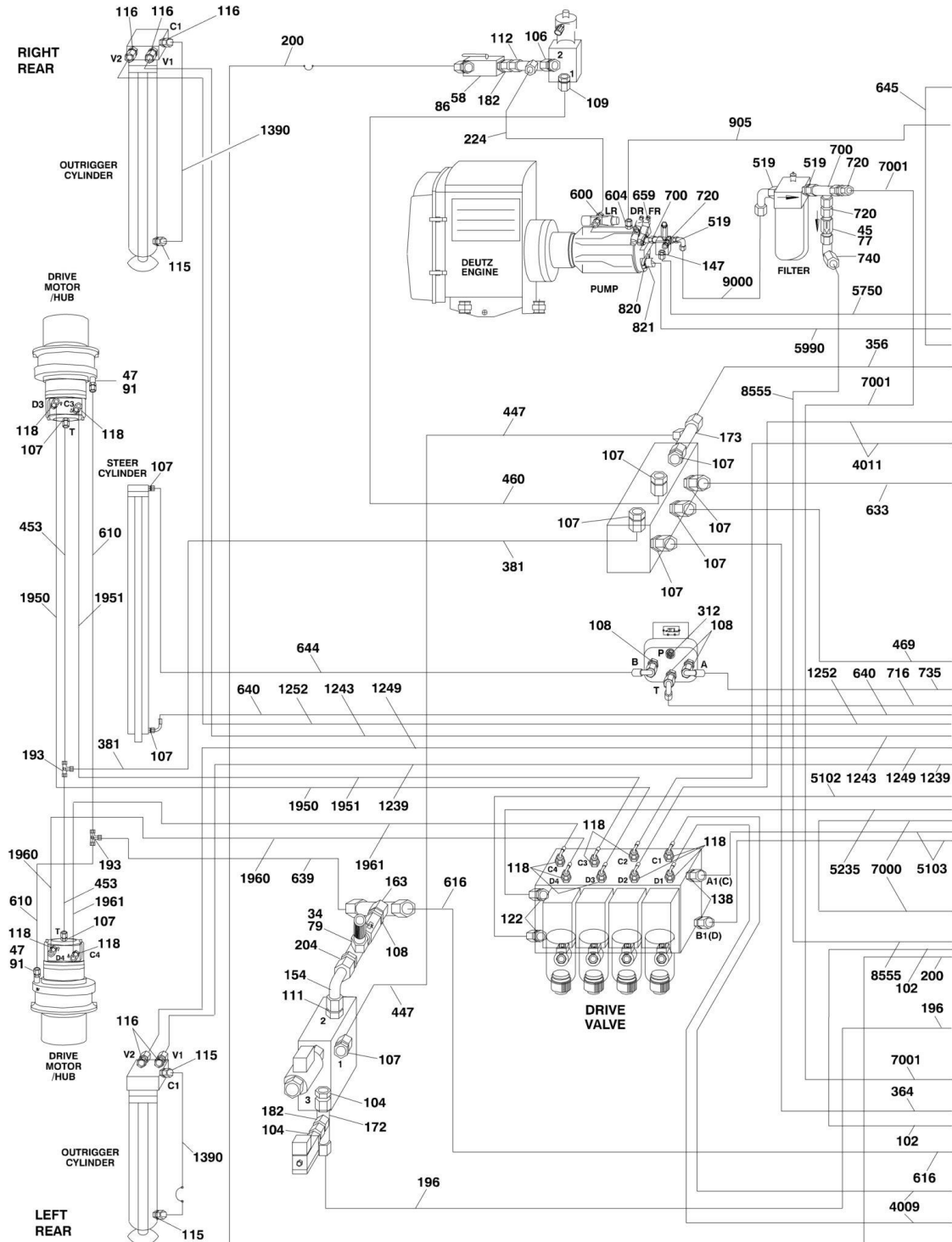
ITEM	PART NUMBER	QTY	DESCRIPTION	REV
	H900007	Ref	<b>STEER CYLINDER ASSEMBLY</b>	C
1	70000763	1	Barrel	
2	70000762	1	Rod	
6	70000749	2	Bushing	
7	70000750	1	Piston	
8	70000751	1	Head	
9	70000752	1	Spacer	
10	Not Available	1	Setscrew	
11	Item 51	1	Seal, Piston	
12	Item 51	1	Seal, Head	
13	Item 51	1	Seal, Rod	
14	Item 51	1	Wiper	
15	Item 51	1	O-Ring	
51	70000755	1	Seal Kit (Includes Items 11,12,13,14 & 15)	



**SECTION 6 - HYDRAULIC**

# SECTION 6 - HYDRAULIC

## FIGURE 6-1. HYDRAULIC DIAGRAM (Prior to SN 1200013124)







# SECTION 6 - HYDRAULIC

## FIGURE 6-1. HYDRAULIC DIAGRAM (Prior to SN 1200013124)

ITEM	PART NUMBER	QTY	DESCRIPTION	REV
	0010658	Ref	<b>FINAL ASSEMBLY LIST COMPONENTS</b>	10
34	H000018	1	Valve, Inline Flow Control	
45	H000123	1	Valve, Inline Check	
47	H000148	4	Fitting, Straight	
53	H000273	1	Valve, Inline Check	
54	H000278	1	Valve, Shut-Off	
58	H000306	2	Valve, Shut-Off	
59	H000351	3	Valve, Check	
61	H000371	6 pr	Jaws, Clamping (Not Shown)	
64	H000430	12 pr	Jaws, Clamping (Not Shown)	
67	H000524	1	Throttle Check Valve DRV 12G1/2in 350bar (Not Shown)	
	H24512-G-0-1-1 AND	Ref	<b>HYDRAULIC DIAGRAM COMPONENTS</b>	0
	H24512-RP-A-1-1	Ref	<b>HYDRAULIC DIAGRAM COMPONENTS</b>	A
76	H000351	3	Valve, Inline Check	
77	H000123	1	Valve, Inline Check	
78	H000273	1	Valve, Inline Check	
79	H000018	1	Valve, Inline Flow Control	
83	H000278	1	Valve, Shut-Off	
86	H000306	2	Valve, Shut-Off	
90	H000524	1	Valve, Inline Check (Not Shown)	
91	H000148	1	Fitting, Adapter	
	H005465	Ref	<b>FITTING KIT</b>	4
	H005466	Ref	<b>HOSE KIT</b>	2
102	2754363	1	Hose 2 SN 06 DKOL90 DKOL - 430	
104	2142706	4	Fitting, Male Adapter 8-1/4-10-19-L	
105	2142707	2	Fitting, Male Adapter 8-3/8-11.5-22-L	
106	2142743	1	Fitting, Male Adapter 8-1/2-12-27-L	
107	2142708	AR	Fitting, Male Adapter 10-1/4-11-19-L	
108	2142709	6	Fitting, Male Adapter 10-3/8-12.5-22-L	
109	2142710	6	Fitting, Male Adapter 10-1/2-13-27-L	
111	2142711	1	Fitting, Male Adapter 12-1/4-12-19-L	
112	2142712	2	Fitting, Male Adapter 12-3/8-12.5-22-L	
114	2142746	4	Fitting, Male Adapter 12-3/4-14-32-L	
115	2142714	4	Fitting, Male Adapter 15-3/8-13.5-24-L	
116	2142715	20	Fitting, Male Adapter 15-1/2-14-27-L	
118	2142716	AR	Fitting, Male Adapter GE 18-PLR-ED	
119	2142717	1	Fitting, Male Adapter 18-3/4-14.5-32-L (Prior to SN 1200009743)	
122	2142718	AR	Fitting, Male Adapter 22-3/4-16.5-32-L	
127	2142742	1	Fitting, Male Adapter 35-11/2-19.5-55-L	
128	2142721	3	Fitting, Male Adapter 42-11/2-19-55-L	
138	2142747	4	Fitting, Male Adapter 22-1/2-16-32-L	
141	2142753	2	Fitting, Male Adapter SPL 22-1/2-16.5-32-L	
146	2142744	1	Fitting, Male Adapter 28-3/4-17.5-41-L	
147	2142741	1	Fitting, Male Adapter 35-1-17.5-46-L	
152	2143402	2	Fitting, Adjustable Angle 8-14x1.5-14-27.5-12-L (Not Shown) (Prior to SN 1200009743)	
153	2143403	AR	Fitting, Adjustable Angle 10-16x1.5-15-29-14-L	
154	2143404	1	Fitting, Adjustable Angle 12-18x1.5-17-29.5-17-L	
156	2143406	AR	Fitting, Adjustable Angle 18-26x1.5-23.5-35.5-24-L	

## SECTION 6 - HYDRAULIC

ITEM	PART NUMBER	QTY	DESCRIPTION	REV
159	2143409	2	Fitting, Adjustable Angle 35-45x2-34.5-51-41-L	
162	2142102	1	Fitting, Adjustable Tee 8-8-14x1.5-14-27.5-12-L	
163	2142103	1	Fitting, Adjustable Tee 10-10-16x1.5-15-29-14-L	
172	2142202	3	Fitting, Adjustable 90, 8-8-14x1.5-14-27.5-12-L	
173	2142203	AR	Fitting, Adjustable 90, 10-10-16x1.5-15-29-14-L	
176	2142206	1	Fitting, Adjustable 90, 18-18-26x1.5-23.5-35.5-24-L (Not Shown) <b>(Prior to SN 1200009743)</b>	
179	2142209	1	Fitting, Adjustable 90, 35-35-45x2-34.5-51-41-L	
182	2143602	AR	Fitting, Connector 8-14x1.5-14x1.5-32-L	
183	2143603	1	Fitting, Connector 10-16x1.5-16x1.5-33-L (Not Shown) <b>(Prior to SN 1200009743)</b>	
186	2143606	1	Fitting, Connector 18-26x1.5-26x1.5-36-L	
188	2143608	1	Fitting, Connector 28-36x2-36x2-46-L	
189	2143609	1	Fitting, Connector 35-45x2-45x2-48-L	
190	2143610	1	Fitting, Connector 42-52x2-52x2-52-L	
193	2141908	3	Fitting, Tee 10-10-10-15-14-14-L	
196	2141911	AR	Fitting, Tee 18-18-18-23.5-24-24-L	
196	2754880	1	Hose 2 SN 06 DKOL90 DKOL90 (180grd) - 530	
200	2754881	1	Hose 2 SN 06 DKOL90 DKOL90 (180grd) - 600	
203	2754882	1	Hose 2 SN 06 DKOL90 DKOL90 (180grd) - 750) <b>(Prior to SN 1200009743)</b>	
204	2142804	1	Fitting, Male Adapter 12-3/8-18x1.5-34-22-L	
217	2143507	3	Fitting, Reducer 12-10-18x1.5-26-L	
219	2754883	1	Hose 2 SN 06 DKOL90 DKOL90 (180grd) - 2800	
223	2143513	1	Fitting, Reducer 18-8-26x1.5-28-24-L	
224	2754884	1	Hose 2 SN 06 DKOL90 DKOL90 (180grd) - 3700	
243	2141503	8	Fitting, Bulkhead 10-10-16x1.5-10-28-22-22-L	
246	2141506	8	Fitting, Bulkhead 18-18-26x1.5-13.5-32.5-32-36L	
296	2144105	1	Fitting, Pressure Gauge M22x1.5 VKA 3/15LA3C	
312	2143804	1	Plug, Threaded VSTI R 3/8-ED M16x1.5 G3/8-22-17-12-8	
313	2143807	8	Plug, Threaded VSTI R 1/2-ED	
314	2143809	1	Plug, Threaded VSTI R 3/4-ED G3/4A-32-21-16-12	
320	2221214	1	Plug, Magnetic Oil Drain (3/4in with copper sealing ring)	
356		Ref	Hose Options:	
356	2754350	1	Hose <b>(Prior to SN 1200009743)</b>	
356	2754419	1	Hose <b>(SN 1200009743 to Present)</b>	
357	2143534	1	Fitting, Reducer 35-28-45x2-40.5-L	
364		Ref	Hose Options:	
364	2754885	1	Hose <b>(Prior to SN 1200009743)</b>	
364	2754521	1	Hose <b>(SN 1200009743 to Present)</b>	
365	2754886	1	Hose 1 SN 08 DKOL90 DKOL - 2100	
381		Ref	Hose Options:	
381	2754887	1	Hose <b>(Prior to SN 1200009743)</b>	
381	2754474	1	Hose <b>(SN 1200009743 to Present)</b>	
400	2140105	8	Union Nut M10-L (Not Shown)	
406	2144108	8	Union Nut M18-L (Not Shown)	
423	2144105	8	Progressive Ring DPR 10-L (Not Shown)	
426	2144108	8	Progressive Ring DPR 18-L (Not Shown)	
447		Ref	Hose Options:	
447	2754888	1	Hose <b>(Prior to SN 1200009743)</b>	
447	2754474	1	Hose <b>(SN 1200009743 to Present)</b>	
451	2221286	1	Pipe 10x1,5 A3C Left	

## SECTION 6 - HYDRAULIC

ITEM	PART NUMBER	QTY	DESCRIPTION	REV
452	2221264	1	Pipe 10x1,5 A3C Right	
453	2221287	1	Pipe 10x1,5 A3C Left	
453		Ref	Hose Options:	
453	2754889	2	Hose <b>(Prior to SN 1200009743)</b>	
453	2754354	2	Hose <b>(SN 1200009743 to Present)</b>	
454	2221265	1	Pipe 10x1,5 A3C Right	
460	2754890	1	Hose 1 SN 08 DKOL90 DKOL 90 (180grd) - 1600	
461	2221288	1	Pipe 18x2,0 A3C Left	
462	2754891	1	Hose 1 SN 08 DKOL90 DKOL 90 (180grd) - 1800	
462	2221266	1	Pipe 18x2,0 A3C Right	
463	2221289	1	Pipe 18x2,0 A3C Left	
464	2221267	1	Pipe 18x2,0 A3C Right	
466	2754893	1	Hose 1 SN 08 DKOL90 DKOL 90 (180grd) - 2700 <b>(Prior to SN 1200009743)</b>	
469	2754893	1	Hose 1 SN 08 DKOL90 DKOL 90 (180grd) - 2700	
512		Ref	Hose Options:	
512	2754894	1	Hose <b>(Prior to SN 1200009743)</b>	
512	2754494	1	Hose <b>(SN 1200009743 to Present)</b>	
519	2142749	3	Fitting, Male Adapter 30-1-23.5-46-S	
530	2142750	1	Fitting, Male Adapter 25-3/4-16-41-S	
555	2754895	2	Hose 2 SN 08 DKOL45 DKOL - 1350	
600	2144801	1	Fitting, Male Adapter 8L 7-16 UNF	
604	2144805	1	Fitting, Male Adapter 12L 7/8 UNF	
610	2754896	2	Hose 2 SN 08 DKOL90 DKOL - 1100	
616		Ref	Hose Options:	
616	2754897	1	Hose <b>(Prior to SN 1200009743)</b>	
616	2754442	1	Hose <b>(SN 1200009743 to Present)</b>	
631	2754373	1	Hose 2 SN 08 DKOL90 DKOL - 3100 <b>(Prior to SN 1200009743)</b>	
633		Ref	Hose Options:	
633	2754898	1	Hose <b>(Prior to SN 1200009743)</b>	
633	2754377	1	Hose <b>(SN 1200009743 to Present)</b>	
637	2754566	1	Hose 2 SN 08 DKOL90 DKOL - 3000	
639	2754373	1	Hose 2 SN 08 DKOL90 DKOL - 3100	
640		Ref	Hose Options:	
640	2754899	2	Hose <b>(Prior to SN 1200009743)</b>	
640	2754482	2	Hose <b>(SN 1200009743 to Present)</b>	
644	2754900	1	Hose 2 SN 08 DKOL90 DKOL - 4300	
645	2754901	1	Hose 2 SN 08 DKOL90 DKOL - 4400	
659	2144801	1	Connector, Flange WFS 34/30PS 1-30S-44.5-50-36	
670	2754902	2	Hose 2 SN 08 DKOL90 DKOL - 1310	
700	2142219	1	Fitting, Adjustable 90, 30-M42x2-35.5-55-41-S	
701	2142218	1	Fitting, Adjustable 90, 25-M36x2-30-50-36-S	
704	2142215	1	Fitting, Adjustable 90, 14-M22x1.5-22-35-19-S	
716	2754572	1	Hose 2 SN 08 DKOL90 DKOL90 (180grd) - 1400	
720	2143619	1	Fitting, Connector 30-42x2-42x2-52-S	
724		Ref	Hose Options:	
724	2754442	1	Hose <b>(Prior to SN 1200009743)</b>	
724	2754437	1	Hose <b>(SN 1200009743 to Present)</b>	
730	2143568	1	Fitting, Reducer 30-10-42x2-43.5-41-S	
730	2754903	1	Hose 2 SN 08 DKOL90 DKOL90 (180grd) - 2800	
731	2143564	1	Fitting, Reducer 25-14-36x2-39.5-32-S	
732	2143547	1	Fitting, Reducer 14-10-22x1.5-31-19-S	

## SECTION 6 - HYDRAULIC

ITEM	PART NUMBER	QTY	DESCRIPTION	REV
732	2754904	1	Hose 2 SN 08 DKOL90 DKOL90 (180grd) - 3000	
735	2754378	1	Hose 2 SN 08 DKOL90 DKOL90 (180grd) - 3300	
740	2143419	1	Fitting, Adjustable Angle 25-36x2-30-50-36-S	
760	2144005	1	Fitting, Swivel Joint WH-LR KD-15 <b>(Prior to SN 1200009743)</b>	
820	2171824	1	Flange Kit (Includes Qty 1 O-Ring, Qty 4 Capscrews and Qty 4 Lockwashers)	
821	2144224	1	Connector, Flange (36/42-PL) 11/2-42L-60.3-64-46-L	
900	2221268	1	Pipe DKO28-L/CE35-L 90	
905		Ref	Hose Options:	
905	2754905	1	Hose <b>(Prior to SN 1200009743)</b>	
905	2754445	1	Hose <b>(SN 1200009743 to Present)</b>	
1239	2754906	1	Hose 2 SN 12 DKOL DKOL90-H60 - 4600	
1241	2754907	1	Hose 2 SN 12 DKOL DKOL90-H60 - 4700	
1242	2754908	1	Hose 2 SN 12 DKOL DKOL90-H60 - 5200	
1243	2754447	1	Hose 2 SN 12 DKOL DKOL90-H60 - 5300	
1249	2754909	2	Hose 2 SN 12 DKOL DKOL90-H90 - 4700	
1252	2754910	2	Hose 2 SN 12 DKOL DKOL90-H90 - 5200	
1382	2754911	2	Hose 2 SN 12 DKOL90 DKOL45 (180grd) - 2000	
1390	2754912	2	Hose 2 SN 12 DKOL90 DKOL45 (180grd) - 4000	
1462	2754913	2	Hose 2 SN 12 DKOL90 DKOL90 (180grd) - 4000) <b>(Prior to SN 1200009743)</b>	
1850	2754914	2	Hose 2 SN 16x1280 DKOL	
1860	2754915	2	Hose 2 SN 16x1280 DKOL	
1950	2754916	1	Hose 2 SN 16 DKOL45 DKOL -4200	
1951	2754917	1	Hose 2 SN 16 DKOL45 DKOL -4200	
1960	2754918	1	Hose 2 SN 16 DKOL45 DKOL -3600	
1961	2754919	1	Hose 2 SN 16 DKOL45 DKOL -3600	
3050	2754920	1	Hose 2 SN 16 DKOL90 DKOL90 (180grd) - 2300	
4009	2754921	2	Hose 2 SN 16 DKOL90 DKOL45 (180grd) - 2100	
4011	2754922	2	Hose 2 SN 16 DKOL90 DKOL45 (180grd) - 2700	
5102	2754923	1	Hose 2 SN 20 DKOL90 DKOL - 900	
5103	2754924	2	Hose 2 SN 20 DKOL90 DKOL - 950	
5235	2754925	1	Hose 2 SN 20 DKOL90 DKOL45 (180grd) - 900	
5695	2754926	1	Hose 1 SN 32 DKOL90 DKOL - 900 <b>(Prior to SN 1200009743)</b>	
5743	2754927	1	Hose 1 SN 32 DKOL90 DKOL45 (180grd) - 1500	
5750		Ref	Hose Options:	
5750	2754928	1	Hose <b>(Prior to SN 1200009743)</b>	
5750	2754926	1	Hose <b>(SN 1200009743 to Present)</b>	
5990	2754929	1	Hose 1 SN 40 DKOL90 DKOL45 - 1100	
7000	2754930	1	Hose 4 SP 06 DKOS90 DKOL90 (180grd) - 1180	
7001	2754931	1	Hose 4 SP 06 DKOS90 DKOL90 (180grd) - 1900	
8555	2754932	1	Hose 4 SP 25 DKOS45 (25:20) DKOS90 (180grd) - 1850	
9000	2754933	1	Hose 4 SP 25 DKOS90 DKOS45 (180grd) - 1600	





# SECTION 6 - HYDRAULIC

## FIGURE 6-2. HYDRAULIC DIAGRAM (SN 1200013124 to Present)

ITEM	PART NUMBER	QTY	DESCRIPTION	REV
	H900041	Ref	<b>HYDRAULIC COMPONENTS INSTALLATION</b>	2
6	H000351	3	Valve, Inline Check	
7	H000123	1	Valve, Inline Check	
8	H000273	1	Valve, Inline Check	
9	H000018	1	Valve, Inline Flow Control	
33	H000278	1	Valve, Shut-Off	
36	H000306	2	Valve, Shut-Off	
40	H000524	1	Throttle Check Valve DRV 12G 1/2in 350bar	
41	H000148	4	Fitting, Straight	
	H005465	Ref	<b>FITTING KIT</b>	5
	H005466	Ref	<b>HOSE KIT</b>	3
101	2754363	1	Hose 2SN 06DKOL 90 DKOL - 430	
104	2142706	4	Fitting, Male Adapter 8-1/4-10-19-L	
105	2142707	2	Fitting, Male Adapter 8-3/8-11.5-22-L	
106	2142743	1	Fitting, Male Adapter 8-1/2-12-27-L	
107	2142708	19	Fitting, Male Adapter 10-1/4-11-19-L	
108	2142709	6	Fitting, Male Adapter 10-3/8-12.5-22-L	
109	2142710	6	Fitting, Male Adapter 10-1/2-13-27-L	
111	2142711	1	Fitting, Male Adapter 12-1/4-12-19-L	
112	2142712	1	Fitting, Male Adapter 12-3/8-12.5-22-L	
114	2142746	4	Fitting, Male Adapter 12-3/4-14-32-L	
115	2142714	4	Fitting, Male Adapter 15-3/8-13.5-24-L	
116	2142715	20	Fitting, Male Adapter 15-1/2-14-27-L	
118	2142716	20	Fitting, Male Adapter 18-1/2-14.5-27-L	
122	2142718	2	Fitting, Male Adapter 22-3/4-16.5-32-L	
127	2142742	1	Fitting, Male Adapter 35-11/2-19.5-55-L	
128	2142721	3	Fitting, Male Adapter 42-11/2-19-55-L	
138	2142747	4	Fitting, Male Adapter 22-1/2-16-32-L	
141	2142753	2	Fitting, Male Adapter SPL 22-1/2-16.5-32-L	
146	2142744	1	Fitting, Male Adapter 28-3/4-17.5-41-L	
147	2142741	1	Fitting, Male Adapter 35-1-17.5-46L	
151	2221222	1	Fitting, Test Port EMA 3/1/4ED M16x2	
153	2143403	7	Fitting, Adjustable Angle 10-16x1.5-15-29-14-L	
154	2143404	1	Fitting, Adjustable Angle 12-18x1.5-17-29.5-17-L	
156	2143406	2	Fitting, Adjustable Angle 18-26x1.5-23.5-35.5-24-L	
159	2143409	2	Fitting, Adjustable Angle 35-45x2-34.5-51-41-L	
162	2142102	1	Fitting, Adjustable Tee 8-8-14x1.5-14-27.5-12-L	
163	2142103	1	Fitting, Adjustable Tee 10-10-16x1.5-15-29-14-L	
172	2142202	4	Fitting, Adjustable 90, 8-8-14x1.5-14-27.5-12-L	
173	2142203	6	Fitting, Adjustable 90, 10-10-16x1.5-15-29-14-L	
179	2142209	1	Fitting, Adjustable 90, 35-35-45x2-34.5-51-41-L	
182	2143602	6	Fitting, Connector 8-14x1.5-14x1.5-32-L	
186	2143606	2	Fitting, Connector 18-26x1.5-26x1.5-36-L	
189	2143609	1	Fitting, Connector 35-45x2-45x2-48-L	
190	2143610	1	Fitting, Connector 42-52x2-52x2-52-L	
193	2141908	2	Fitting, Tee 10-10-10-15-14-14-L	
196	2141911	1	Fitting, Tee 18-18-18-23.5-24-24-L	
197	2754880	1	Hose 2 SN 06 DKOL90 DKOL90 (180grd) - 530	
200	2754881	1	Hose 2 SN 06 DKOL90 DKOL90 (180grd) - 600	
204	2142804	1	Fitting, Adjustable Male 12-3/8-18x1.5-34-22-L	



## SECTION 6 - HYDRAULIC

ITEM	PART NUMBER	QTY	DESCRIPTION	REV
217	2143507	3	Fitting, Reducer 12-10-18x1.5-26-L	
219	2754883	1	Hose 2 SN 06 DKOL90 DKOL90 (180grd) - 2800	
223	2143513	1	Fitting, Reducer 18-8-26x1.5-28-24-L	
224	2754884	1	Hose 2 SN 06 DKOL90 DKOL90 (180grd) - 3700	
243	2141503	8	Fitting, Bulkhead 10-10-16x1.5-10-28-22-22-L	
246	2141506	8	Fitting, Bulkhead 18-18-26x1.5-13.5-32.5-32-36-L	
296	2144105	1	Fitting, Pressure Gauge M22x1.5 VKA 3/15LA3C	
312	2143804	1	Plug, Threaded VSTI R 3/8-ED M16x1.5 G3/8-22-17-12-8	
313	2143807	9	Plug, Threaded VSTI R 1/2-ED	
314	2143809	1	Plug, Threaded VSTI R 3/4-ED G3/4A-32-21-16-12	
320	2221214	1	Plug, Magnetic Oil Drain (3/4in with copper sealing ring)	
356	2754419	1	Hose 1 SN 08 DKOL90 DKOL90 (180grd) - 1200	
357	Not Available	1	Fitting, Reducer RED 35/28 -PL/OMD	
364	2754521	1	Hose 1 SN 08 DKOL90 DKOL90 (180grd) - 2250	
365	2754886	1	Hose 1 SN 08 DKOL90 DKOL - 2100	
381	2754474	1	Hose 1 SN 08 DKOL90 DKOL - 1600	
447	2754474	1	Hose 1 SN 08 DKOL90 DKOL - 1600	
450	1001093847	2	Hose 10/L Semi Rigid	
451	1001093848	2	Hose 10/L Semi Rigid	
452	1001093849	2	Hose 18/L Semi Rigid	
453	2754354	2	Hose 1 SN 08 DKOL90 DKOL90 (180grd) - 1000	
454	2221267	2	Pipe 18x2,0 A3C	
460	2754890	1	Hose 1 SN 08 DKOL90 DKOL90 (180grd) - 1600	
462	2754891	1	Hose 1 SN 08 DKOL90 DKOL90 (180grd) - 1800	
469	2754893	1	Hose 1 SN 08 DKOL90 DKOL90 (180grd) - 2700	
512	2754494	1	Hose 2 SN 08 DKOL DKOL - 2700	
519	2142749	3	Fitting, Male Adapter 30-1-23.5-46-S	
530	2142750	1	Fitting, Male Adapter 25-3/4-16-41-S	
555	2754895	2	Hose 2 SN 08 DKOL45 DKOL - 1350	
600	2144801	1	Fitting, Male Adapter 8L 7/16 UNF	
604	2144805	1	Fitting, Male Adapter 12L 7/8 UNF	
610	2754896	2	Hose 2 SN 08 DKOL90 DKOL - 1100	
616	2754442	1	Hose 2 SN 08 DKOL90 DKOL90 - 2100	
633	2754377	1	Hose 2 SN 08 DKOL90 DKOL90 (180grd) - 3200	
637	2754566	1	Hose 2 SN 08 DKOL90 DKOL - 3000	
639	2754373	1	Hose 2 SN 08 DKOL90 DKOL - 3100	
640	2754482	2	Hose 2 SN 08 DKOL90 DKOL90 (180 grd) - 3600	
644	2754900	1	Hose 2 SN 08 DKOL90 DKOL - 4300	
645	2754901	1	Hose 2 SN 08 DKOL90 DKOL - 4400	
659	2144518	1	Connector, Flange WFS 34/30PS 1-30S-44.5-50-36	
670	2754902	2	Hose 2 SN 08 DKOL90 DKOL - 1310	
700	2142219	2	Fitting, Adjustable 90, 30-M42x2-35.5-55-41-S	
701	2142218	1	Fitting, Adjustable 90, 25-M36x2-30-50-36-S	
704	2142215	1	Fitting, Adjustable 90, 14-M22x1.5-22-35-19-S	
716	2754572	1	Hose 2 SN 08 DKOL90 DKOL90 (180grd) - 1400	
720	2143619	2	Fitting, Connector 30-42x2-42x2-52-S	
724	2754437	1	Hose 2 SN 08 DKOL90 DKOL - 2100	
729	2754903	1	Hose 2 SN 08 DKOL90 DKOL90 (180grd) - 2800	
730	2143568	1	Fitting, Reducer 30-10-42x2-43.5-41-S	
731	2143564	1	Fitting, Reducer 25-14-36x2-39.5-32-S	
732	2143546	1	Fitting, Reducer 14-8-22x1.5-31-19-S	

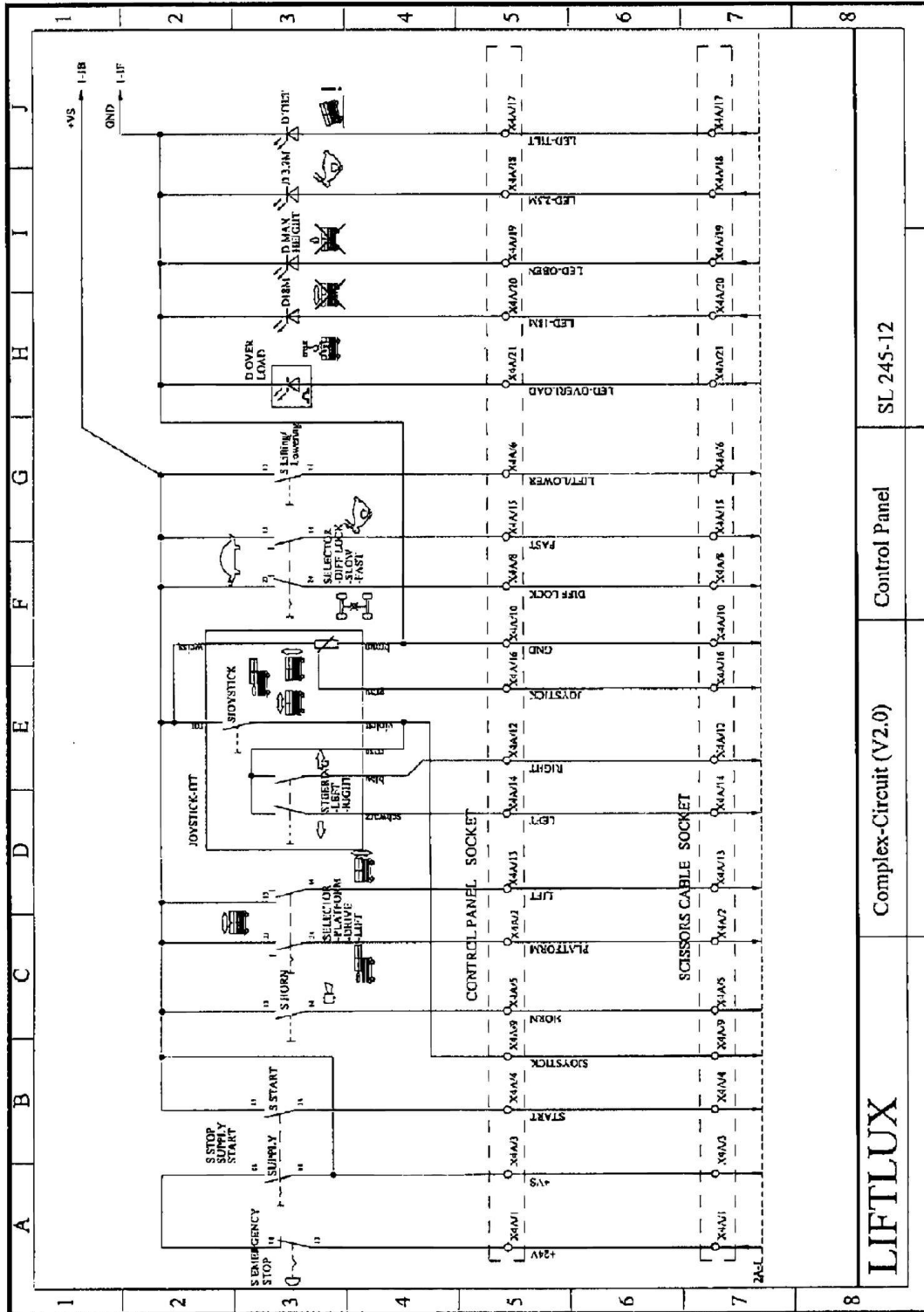
## SECTION 6 - HYDRAULIC

ITEM	PART NUMBER	QTY	DESCRIPTION	REV
733	2754904	1	Hose 2 SN 08 DKOL90 DKOL90 (180grd) - 3000	
735	2754378	1	Hose 2 SN 08 DKOL90 DKOL90 (180grd) - 3300	
740	2143419	1	Fitting, Adjustable Angle 25-36x2-30-50-36-S	
820	2171824	1	Flange Kit (Includes Qty 1 O-Ring, Qty 4 Capscrews and Qty 4 Lockwashers)	
821	2144224	1	Connector, GFS Flange (36/42-PL) 11/2 - 42L-60.3-64-46-L	
900	2221268	1	Pipe DKO28-L/CE35-L 90grd	
905	2754445	1	Hose 2 SN 10 DKOL90 DKOL - 3400	
1239	2754906	1	Hose 2 SN 12 DKOL DKOL90-H60 - 4600	
1241	2754907	1	Hose 2 SN 12 DKOL DKOL90-H60 - 4700	
1242	2754908	1	Hose 2 SN 12 DKOL DKOL90-H60 - 5200	
1243	2754447	1	Hose 2 SN 12 DKOL DKOL90-H60 - 5300	
1249	2754909	2	Hose 2 SN 12 DKOL DKOL90-H90 - 4700	
1252	2754910	2	Hose 2 SN 12 DKOL DKOL90-H90 - 5200	
1382	2754911	2	Hose 2 SN 12 DKOL90 DKOL45 (180grd) - 2000	
1390	2754912	2	Hose 2 SN 12 DKOL90 DKOL45 (180grd) - 4000	
1850	2754914	2	Hose 2 SN 16x1280 DKOL	
1860	2754915	2	Hose 2 SN 16x1280 DKOL	
1950	2754916	1	Hose 2 SN 16 DKOL45-4200	
1951	2754917	1	Hose 2 SN 16 DKOL45-4200	
1960	2754918	1	Hose 2 SN 16 DKOL45-3600	
1961	2754919	1	Hose 2 SN 16 DKOL45-3600	
3050	2754920	1	Hose 2 SN 16 DKOL90 DKOL90 (180grd) - 2300	
4009	2754921	2	Hose 2 SN 16 DKOL90 DKOL45 (180grd) - 2100	
4011	2754922	2	Hose 2 SN 16 DKOL90 DKOL45 (180grd) - 2700	
5102	2754923	1	Hose 2 SN 20 DKOL90 DKOL - 900	
5103	2754924	2	Hose 2 SN 20 DKOL90 DKOL - 950	
5235	2754925	1	Hose 2 SN 20 DKOL90 DKOL45 (180grd) - 900	
5743	2754927	1	Hose 1 SN 32 DKOL90 DKOL45 (180grd) - 1500	
5750	2754926	1	Hose 1 SN 32 DKOL90 DKOL -900	
5990	2754929	1	Hose 1 SN 40 DKOL90 DKOL - 1100	
7000	2754930	1	Hose 4 SP 06 DKOS90 DKOL90 (180grd) - 1180	
7001	2754931	1	Hose 4 SP 06 DKOS90 DKOL90 (180grd) - 1900	
8555	2754932	1	Hose 4 SP 25 DKOS45 (25:20) DKOS90 (180grd) - 1850	
9000	2754933	1	Hose 4 SP 25 DKOS90 DKOS45 (180grd) - 1600	

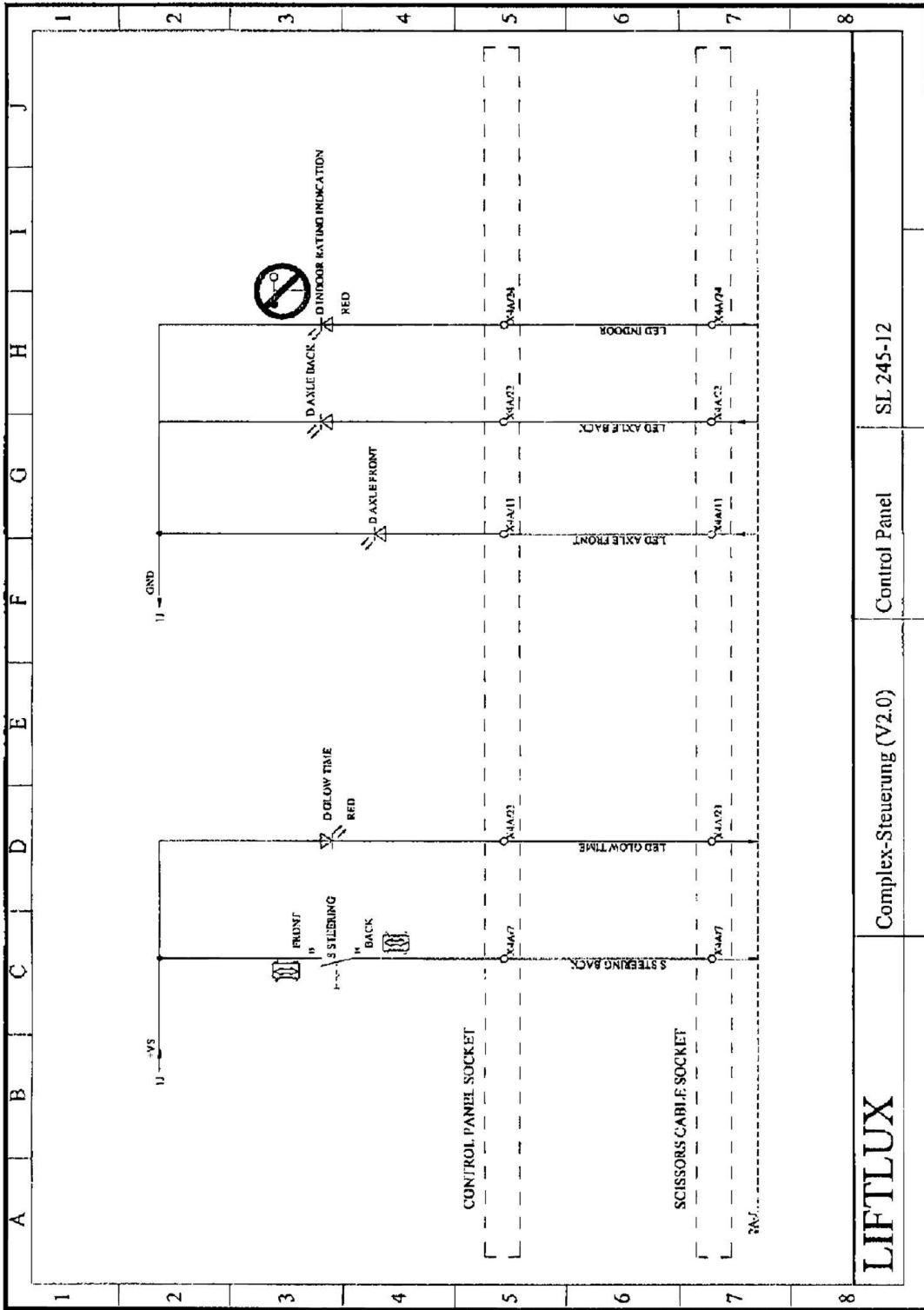
**SECTION 7 - ELECTRICAL**

# SECTION 7 - ELECTRICAL

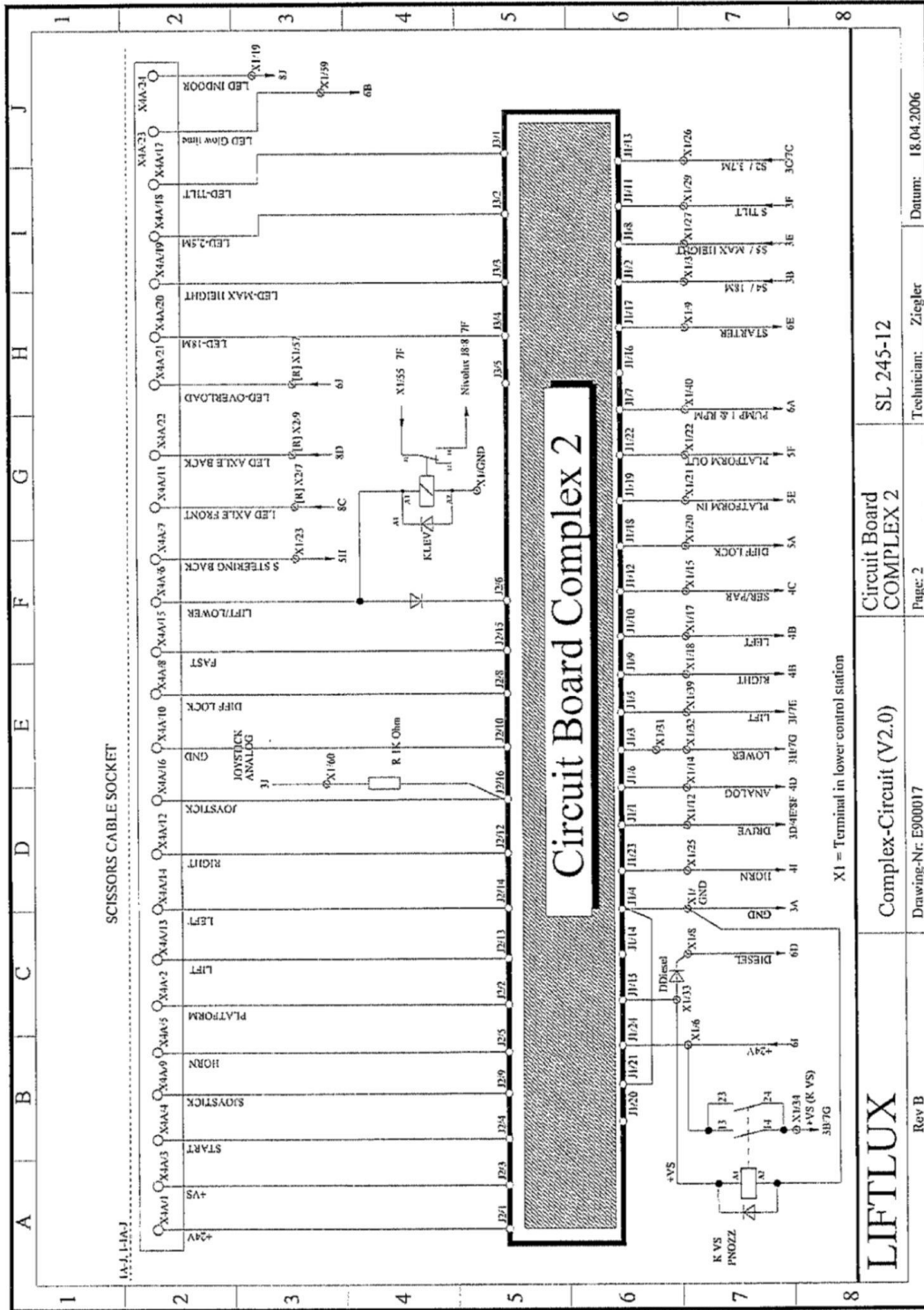
## FIGURE 7-1. ELECTRICAL DIAGRAMS



# SECTION 7 - ELECTRICAL



# SECTION 7 - ELECTRICAL

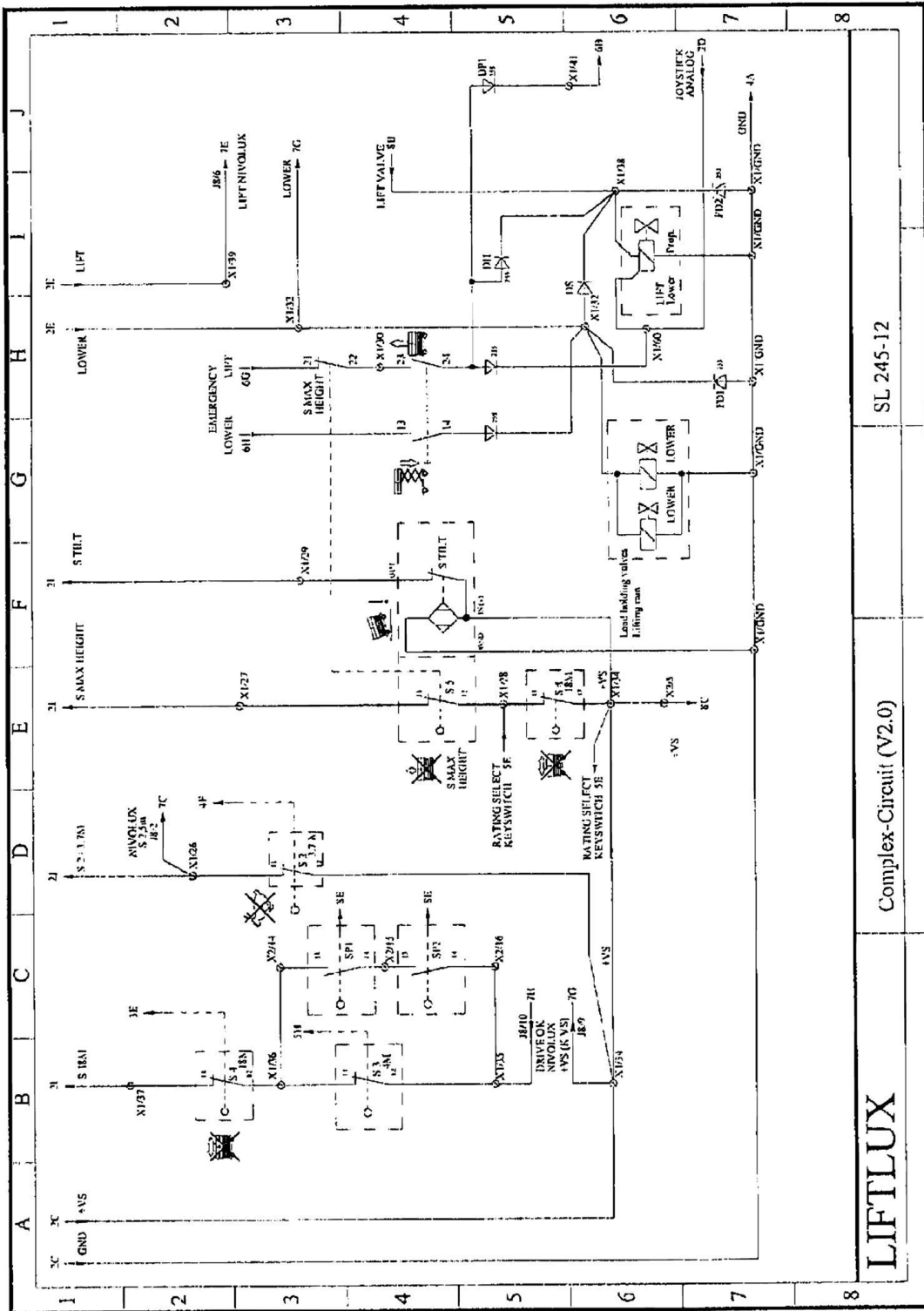


**Circuit Board Complex 2**

X1 = Terminal in lower control station

**LIFTLUX**  
 Rev B  
 Drawing-Nr: E900017  
 Page: 2  
 Technician: Ziegler  
 Datum: 18.04.2006

# SECTION 7 - ELECTRICAL



LIFTLUX

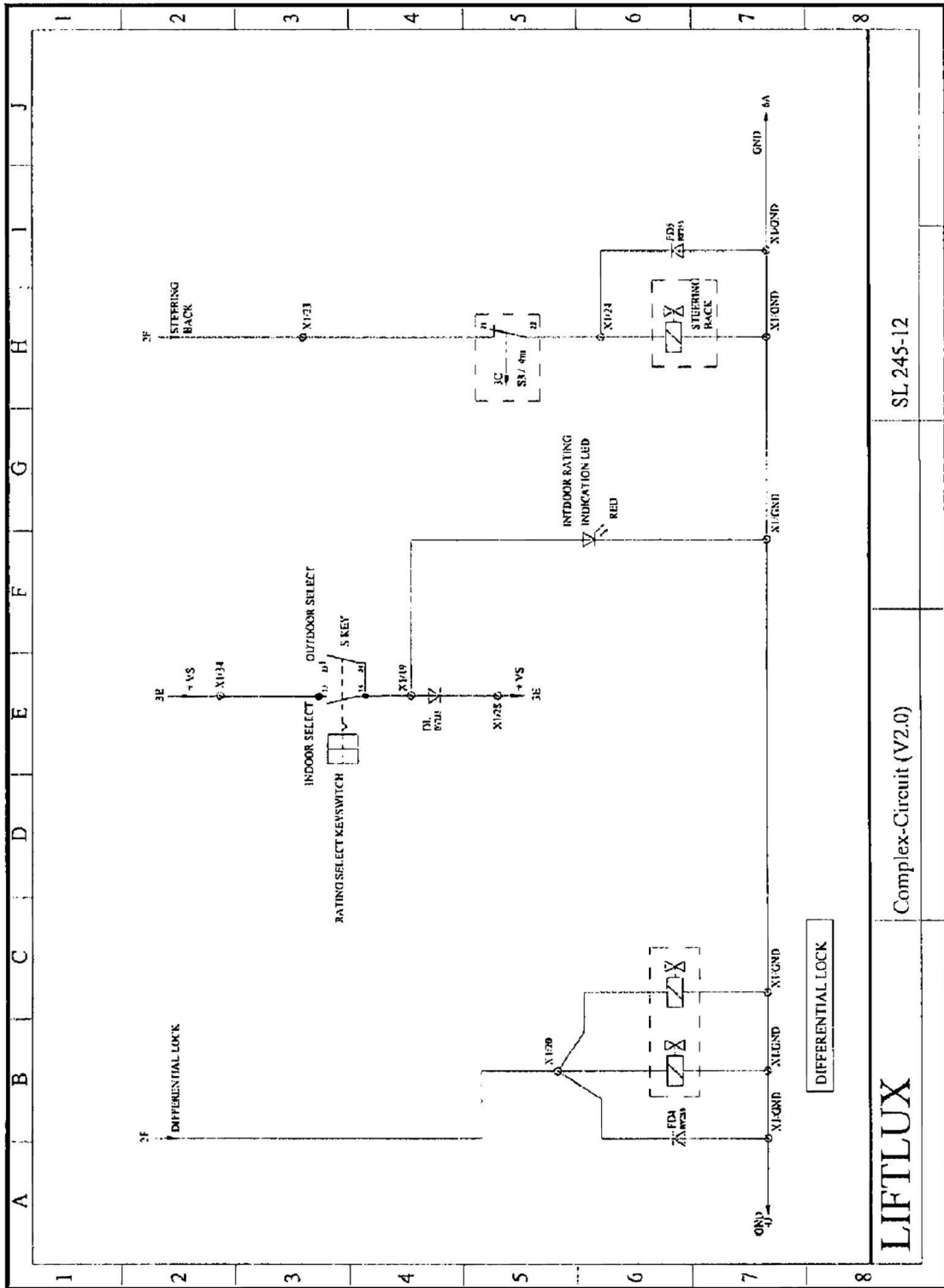
Complex-Circuit (V2.0)

SL 245-12

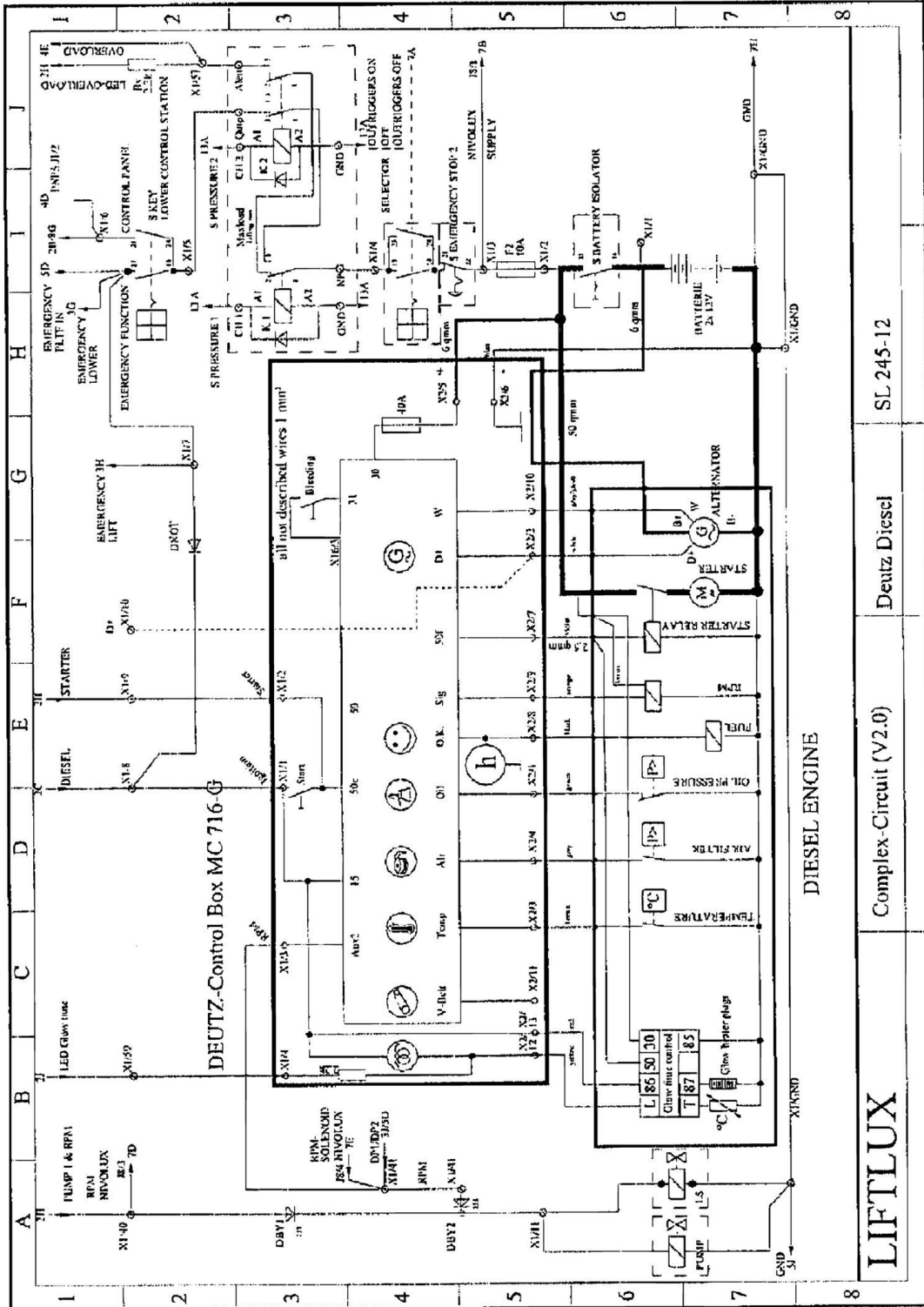




# SECTION 7 - ELECTRICAL



# SECTION 7 - ELECTRICAL

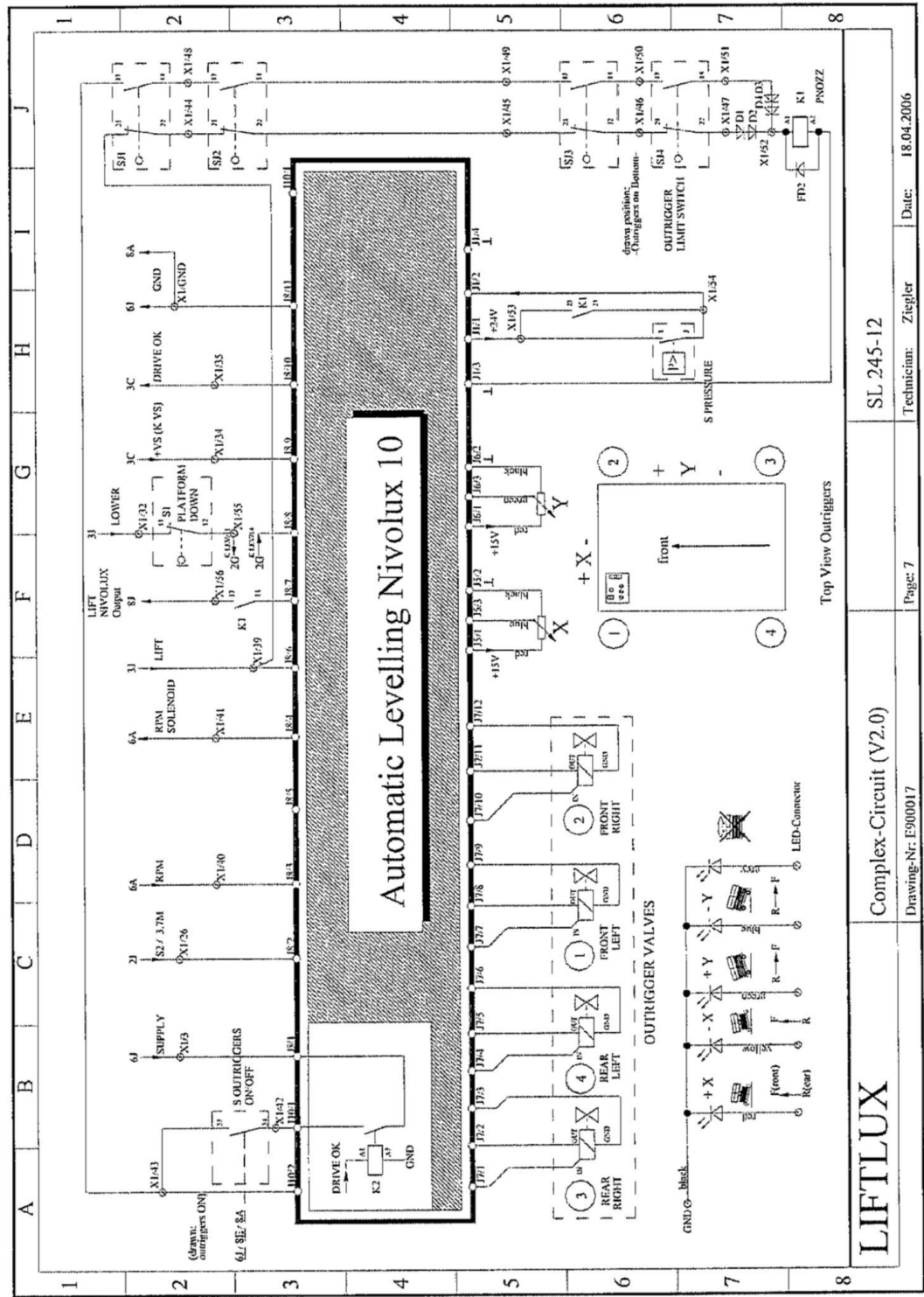


LIFTLUX

Complex-Circuit (V2.0)

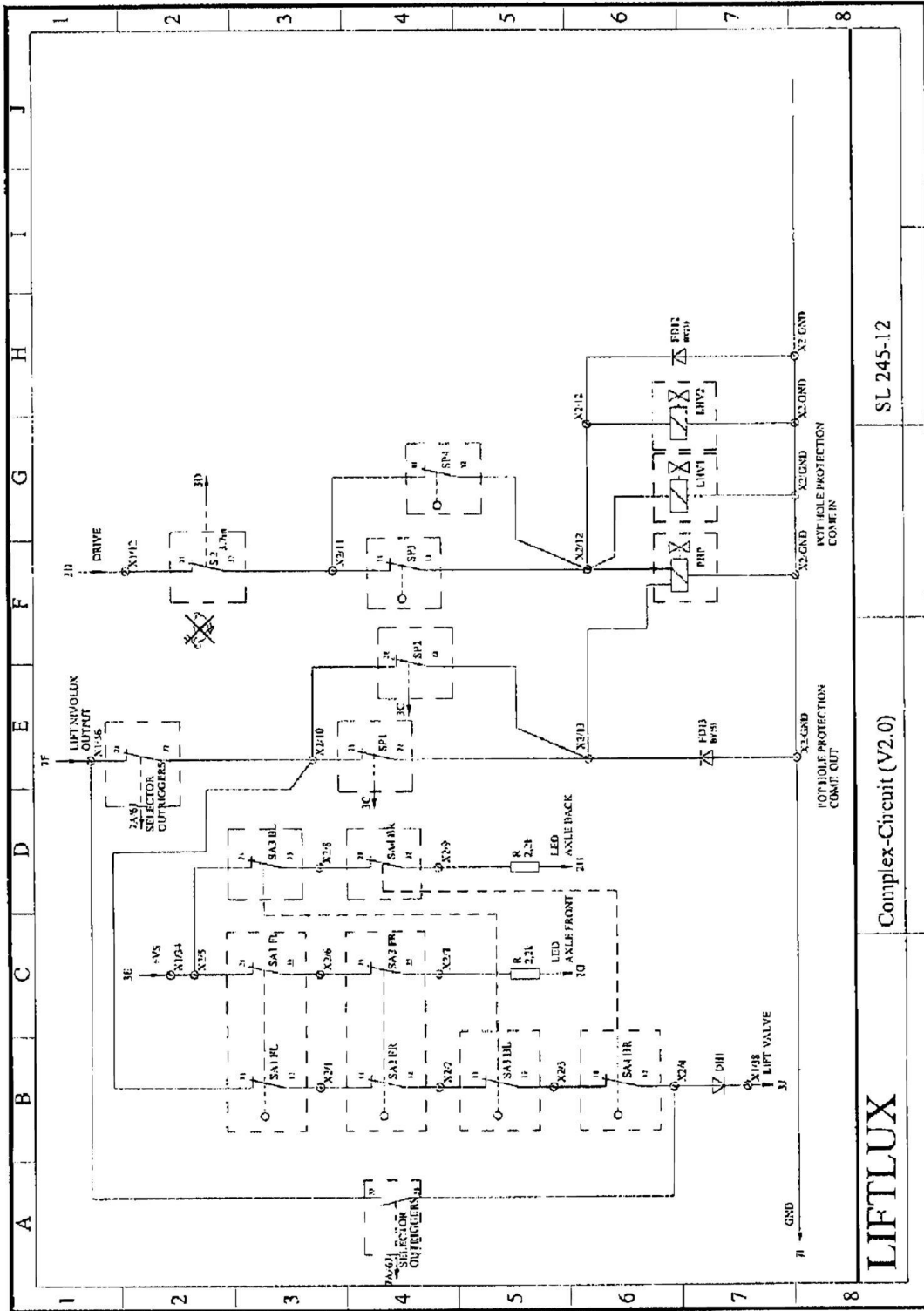
Deutz Diesel

SL 245-12



<b>LIFTLUX</b>	Complex-Circuit (V2.0)	SL 245-12
	Drawing-Nr: E900017	Page: 7
		Date: 18.04.2006

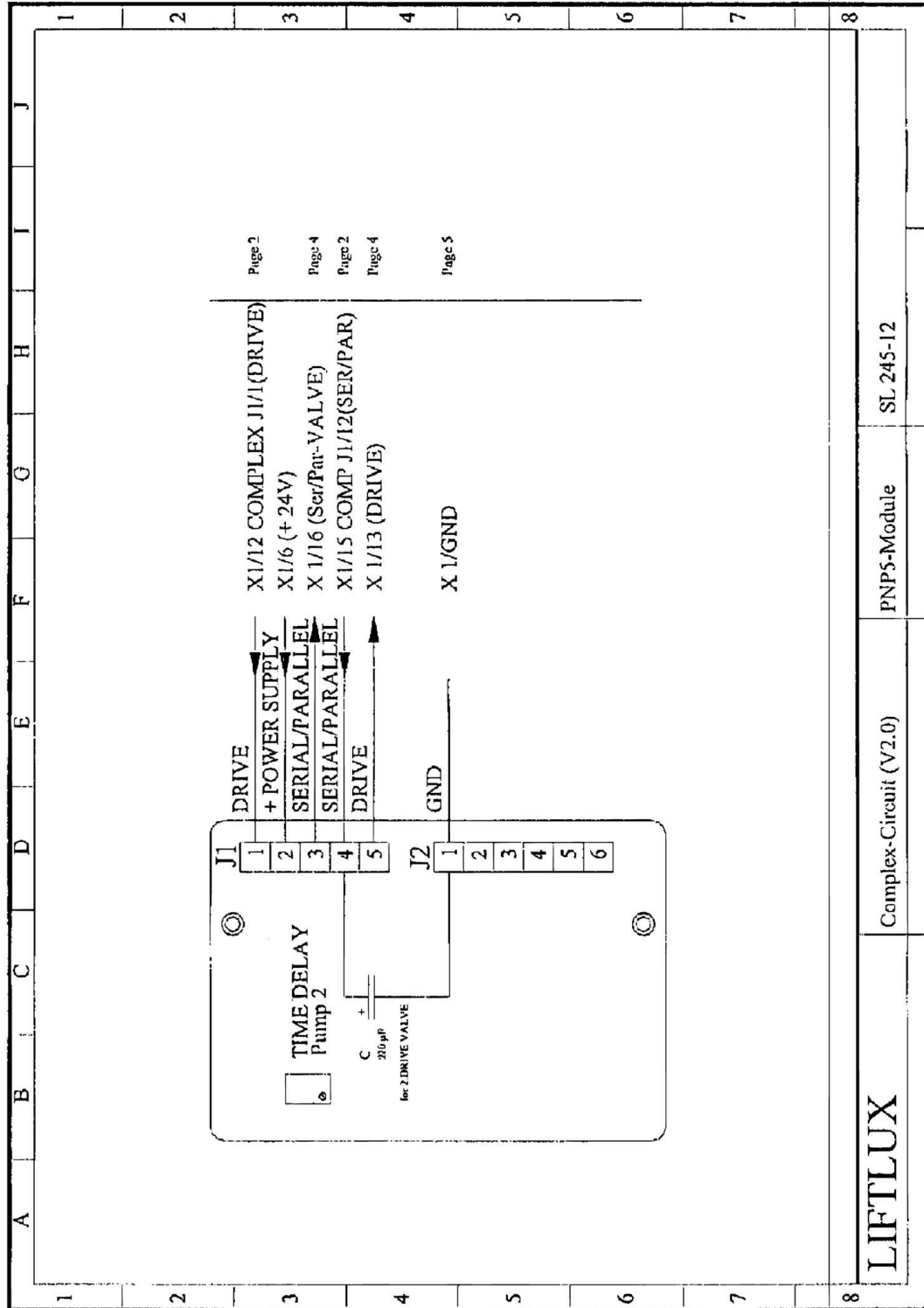
# SECTION 7 - ELECTRICAL



**LIFTLUX**

Complex-Circuit (V2.0)

SL 245-12



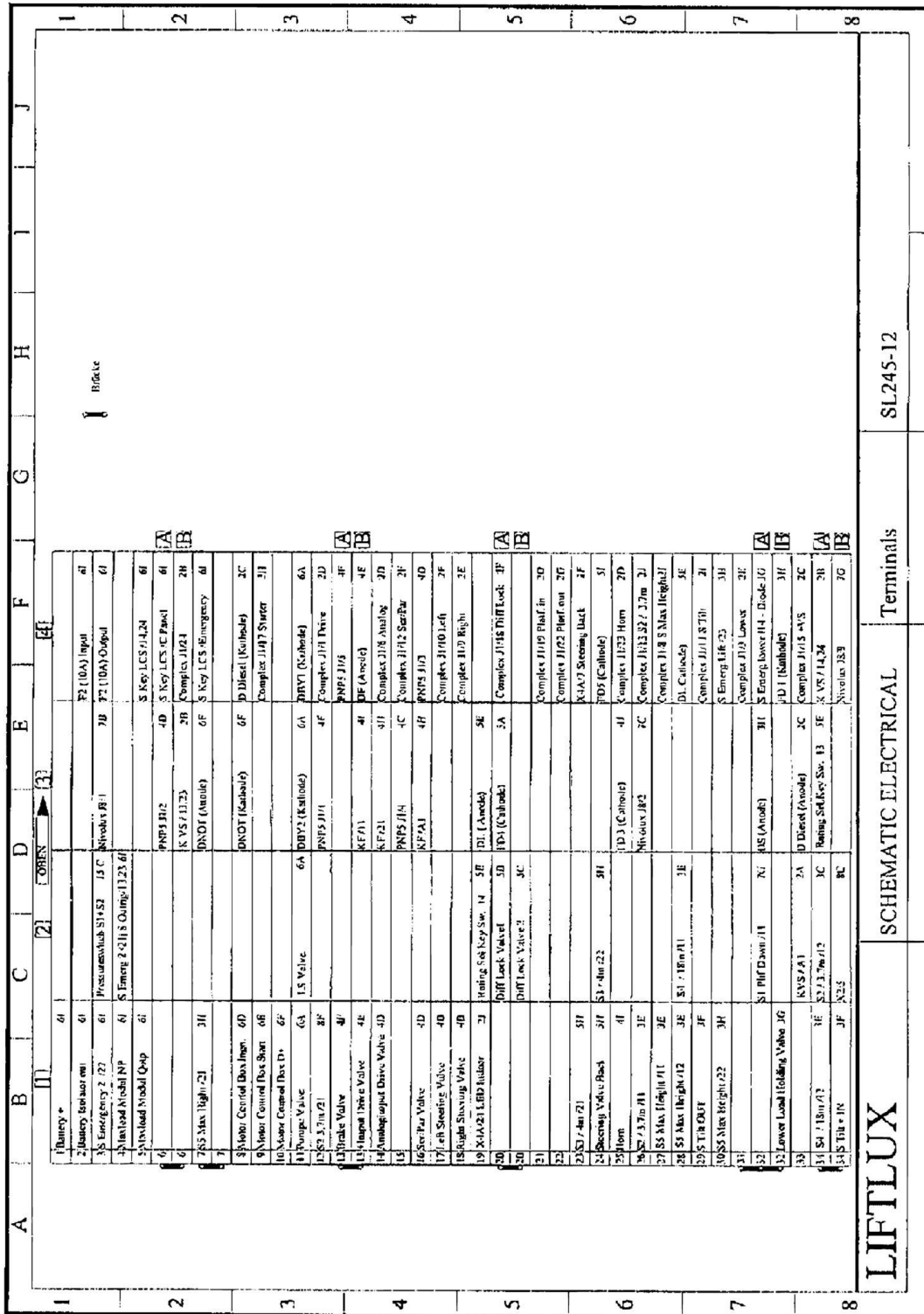
LIFTLUX

SL 245-12

PNP5-Module

Complex-Circuit (V2.0)

SECTION 7 - ELECTRICAL



LIFTLUX

SCHEMATIC ELECTRICAL

Terminals

SL245-12

A	B	C	D	E	F	G	H	I	J
33	33	33	33	33	33	33	33	33	33
34	34	34	34	34	34	34	34	34	34
35	35	35	35	35	35	35	35	35	35
36	36	36	36	36	36	36	36	36	36
37	37	37	37	37	37	37	37	37	37
38	38	38	38	38	38	38	38	38	38
39	39	39	39	39	39	39	39	39	39
40	40	40	40	40	40	40	40	40	40
41	41	41	41	41	41	41	41	41	41
42	42	42	42	42	42	42	42	42	42
43	43	43	43	43	43	43	43	43	43
44	44	44	44	44	44	44	44	44	44
45	45	45	45	45	45	45	45	45	45
46	46	46	46	46	46	46	46	46	46
47	47	47	47	47	47	47	47	47	47
48	48	48	48	48	48	48	48	48	48
49	49	49	49	49	49	49	49	49	49
50	50	50	50	50	50	50	50	50	50
51	51	51	51	51	51	51	51	51	51
52	52	52	52	52	52	52	52	52	52
53	53	53	53	53	53	53	53	53	53
54	54	54	54	54	54	54	54	54	54
55	55	55	55	55	55	55	55	55	55
56	56	56	56	56	56	56	56	56	56
57	57	57	57	57	57	57	57	57	57
58	58	58	58	58	58	58	58	58	58
59	59	59	59	59	59	59	59	59	59
60	60	60	60	60	60	60	60	60	60
61	61	61	61	61	61	61	61	61	61
62	62	62	62	62	62	62	62	62	62
63	63	63	63	63	63	63	63	63	63
64	64	64	64	64	64	64	64	64	64
65	65	65	65	65	65	65	65	65	65
66	66	66	66	66	66	66	66	66	66
67	67	67	67	67	67	67	67	67	67
68	68	68	68	68	68	68	68	68	68
69	69	69	69	69	69	69	69	69	69
70	70	70	70	70	70	70	70	70	70
71	71	71	71	71	71	71	71	71	71
72	72	72	72	72	72	72	72	72	72
73	73	73	73	73	73	73	73	73	73
74	74	74	74	74	74	74	74	74	74
75	75	75	75	75	75	75	75	75	75
76	76	76	76	76	76	76	76	76	76
77	77	77	77	77	77	77	77	77	77
78	78	78	78	78	78	78	78	78	78
79	79	79	79	79	79	79	79	79	79
80	80	80	80	80	80	80	80	80	80

Deck

LIFTLUX

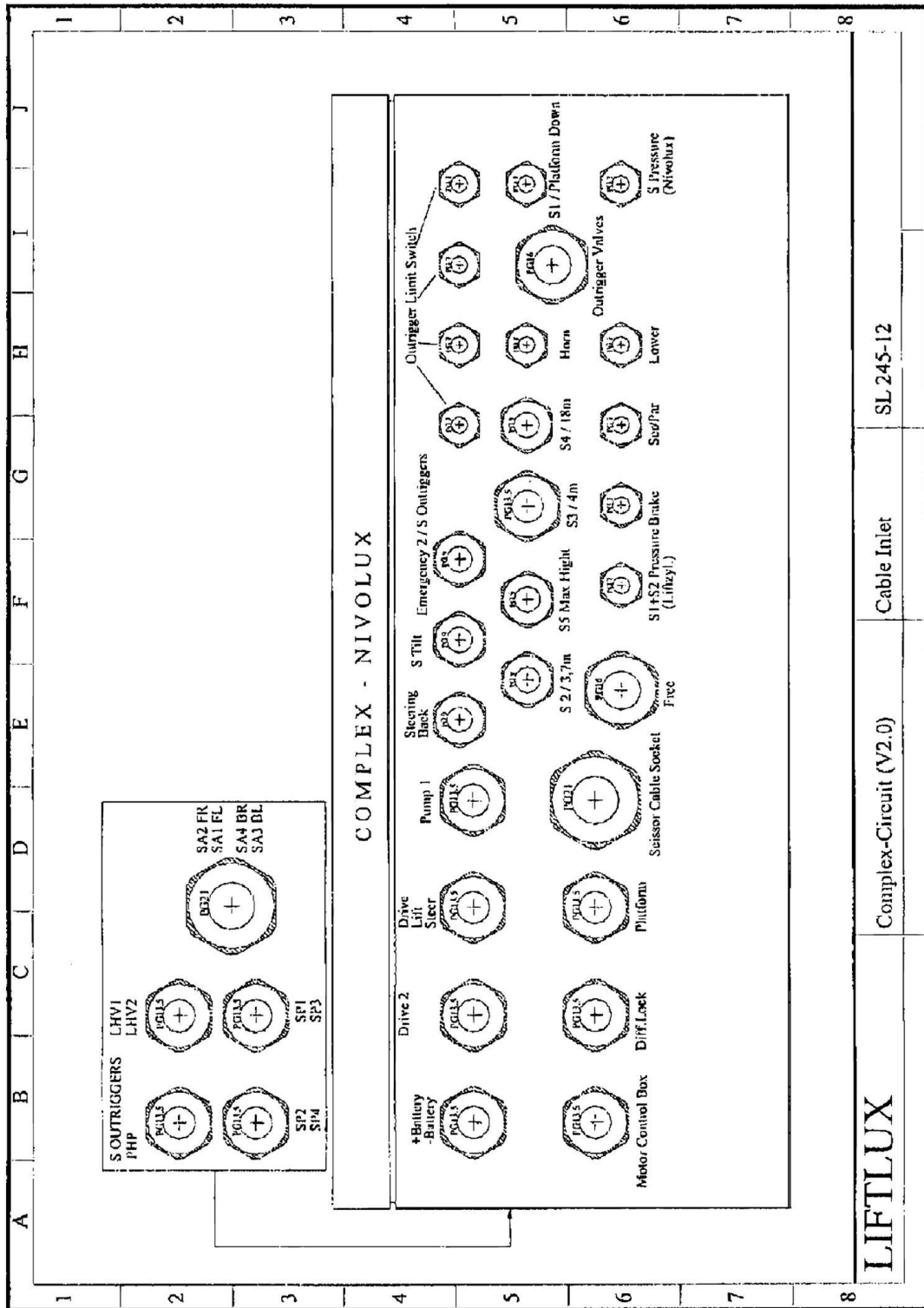
SL245-12

Terminal

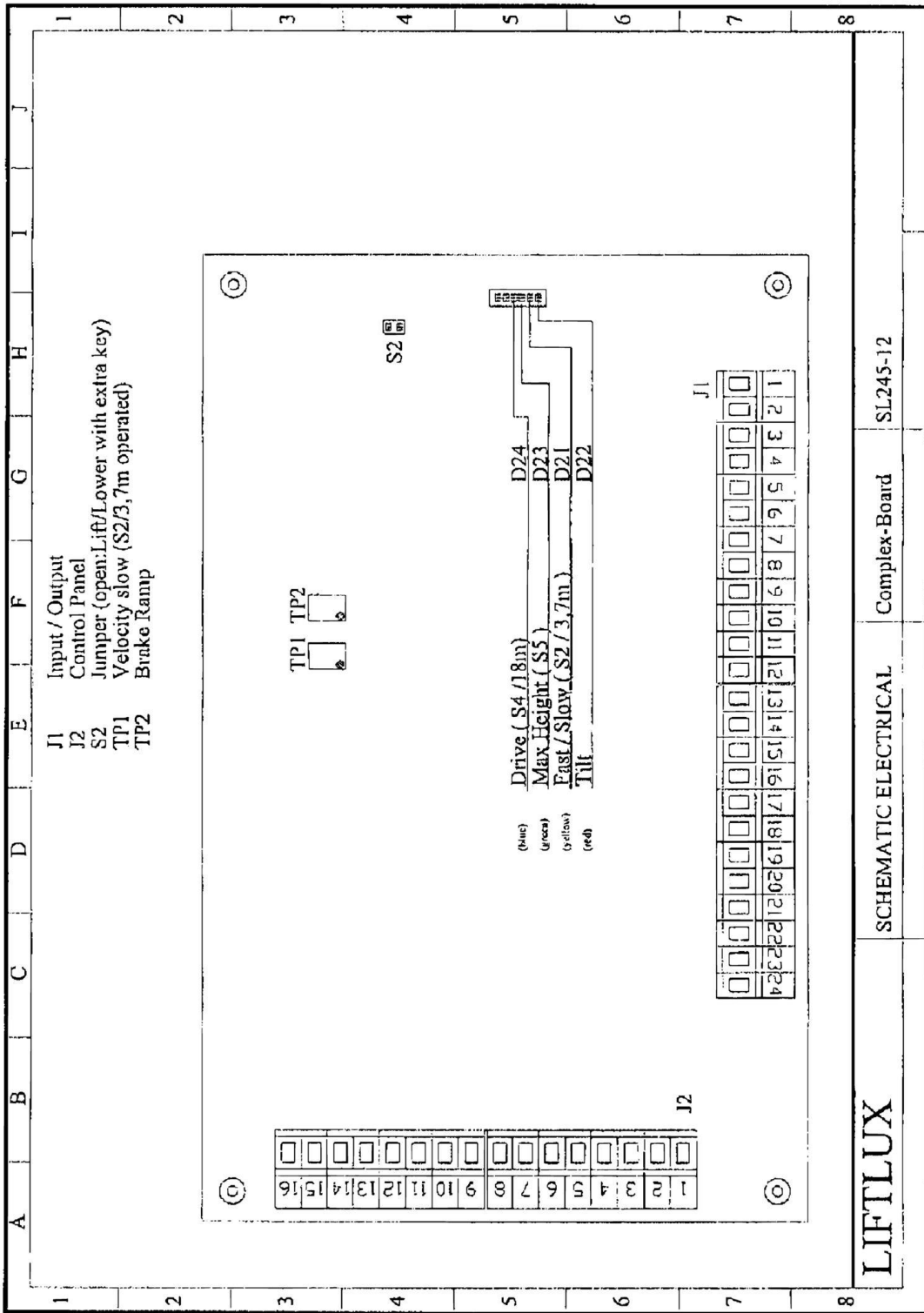
SCHEMATIC ELECTRICAL







# SECTION 7 - ELECTRICAL

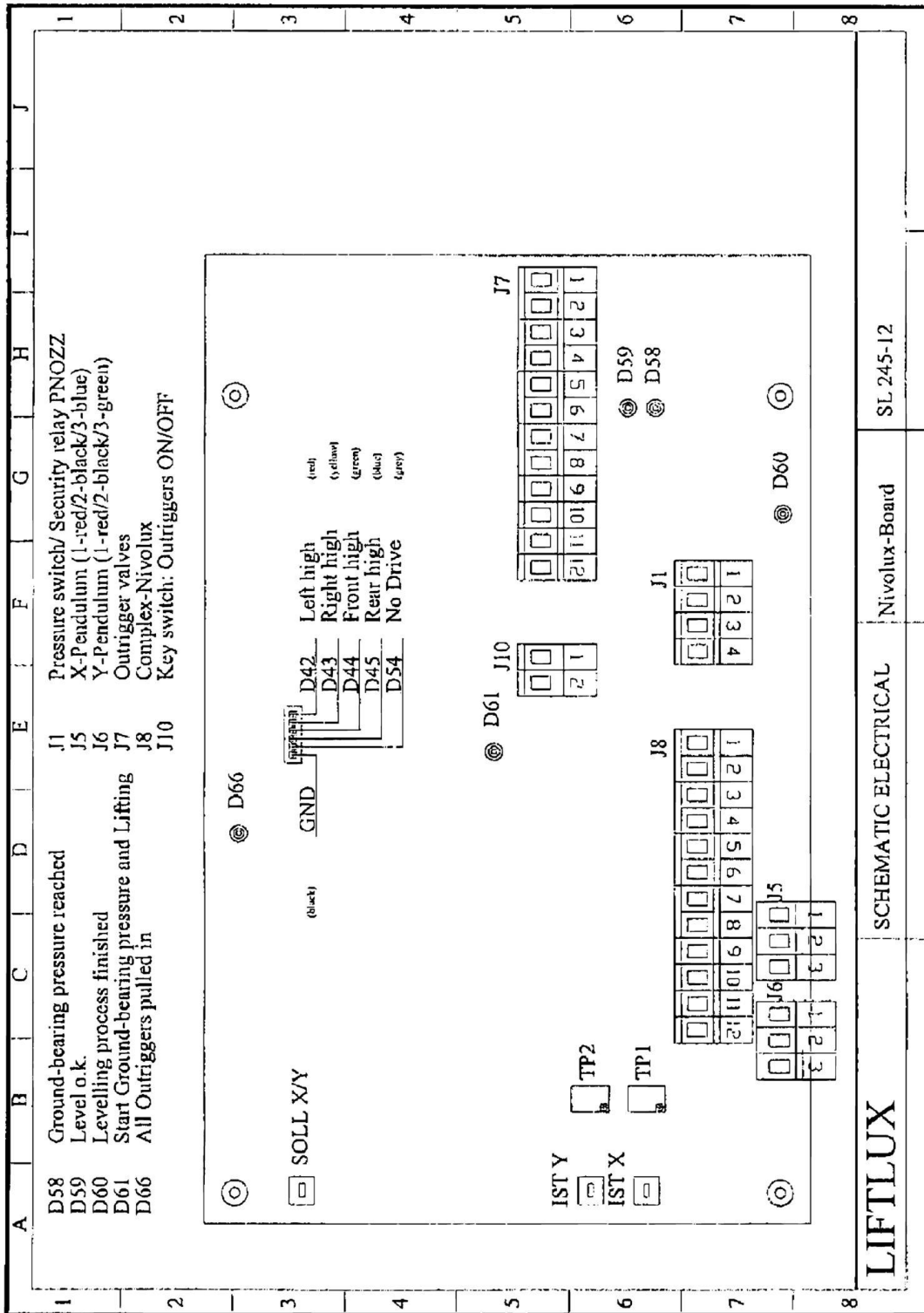


LIFTLUX

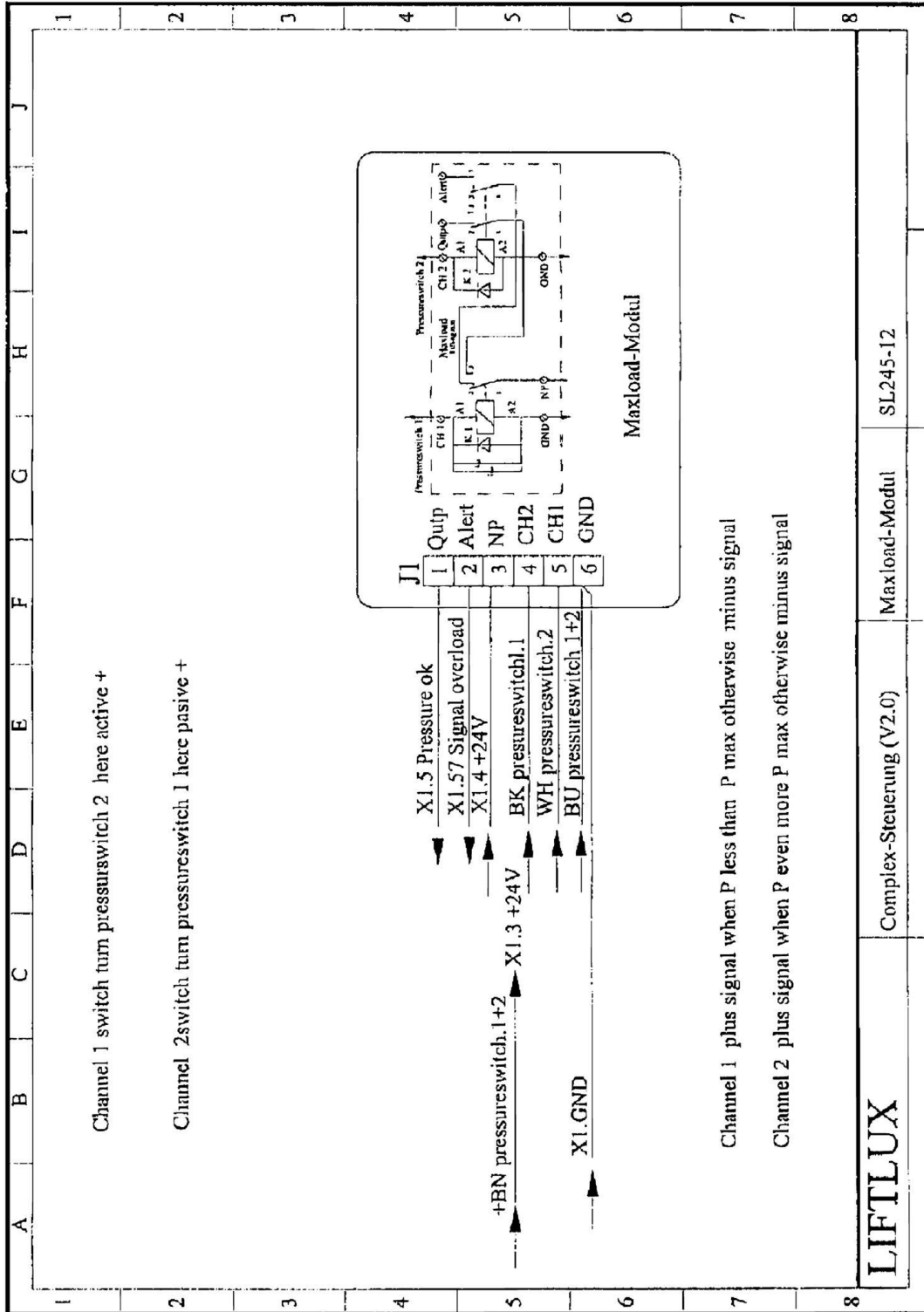
SCHEMATIC ELECTRICAL

Complex-Board

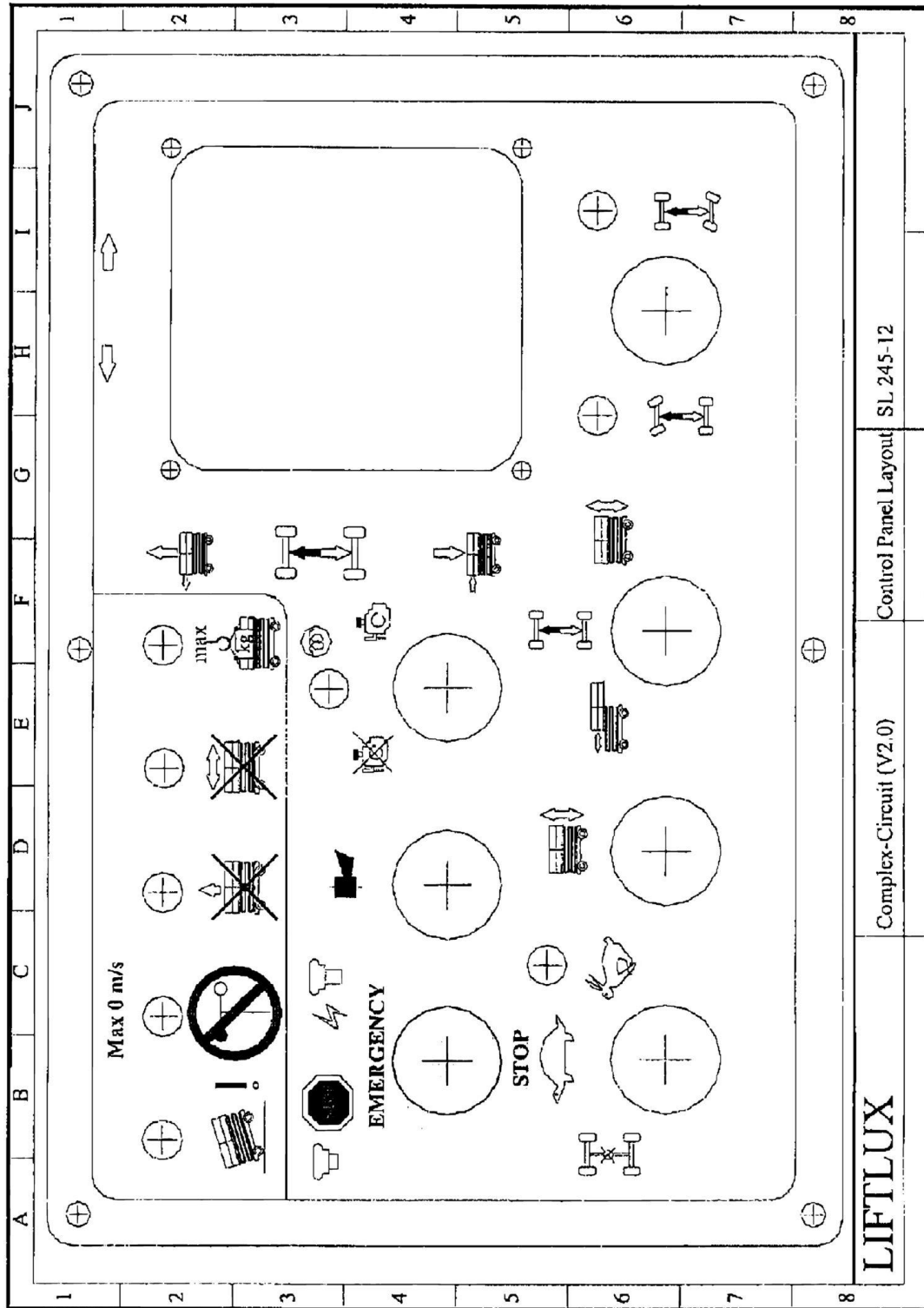
SL245-12



# SECTION 7 - ELECTRICAL

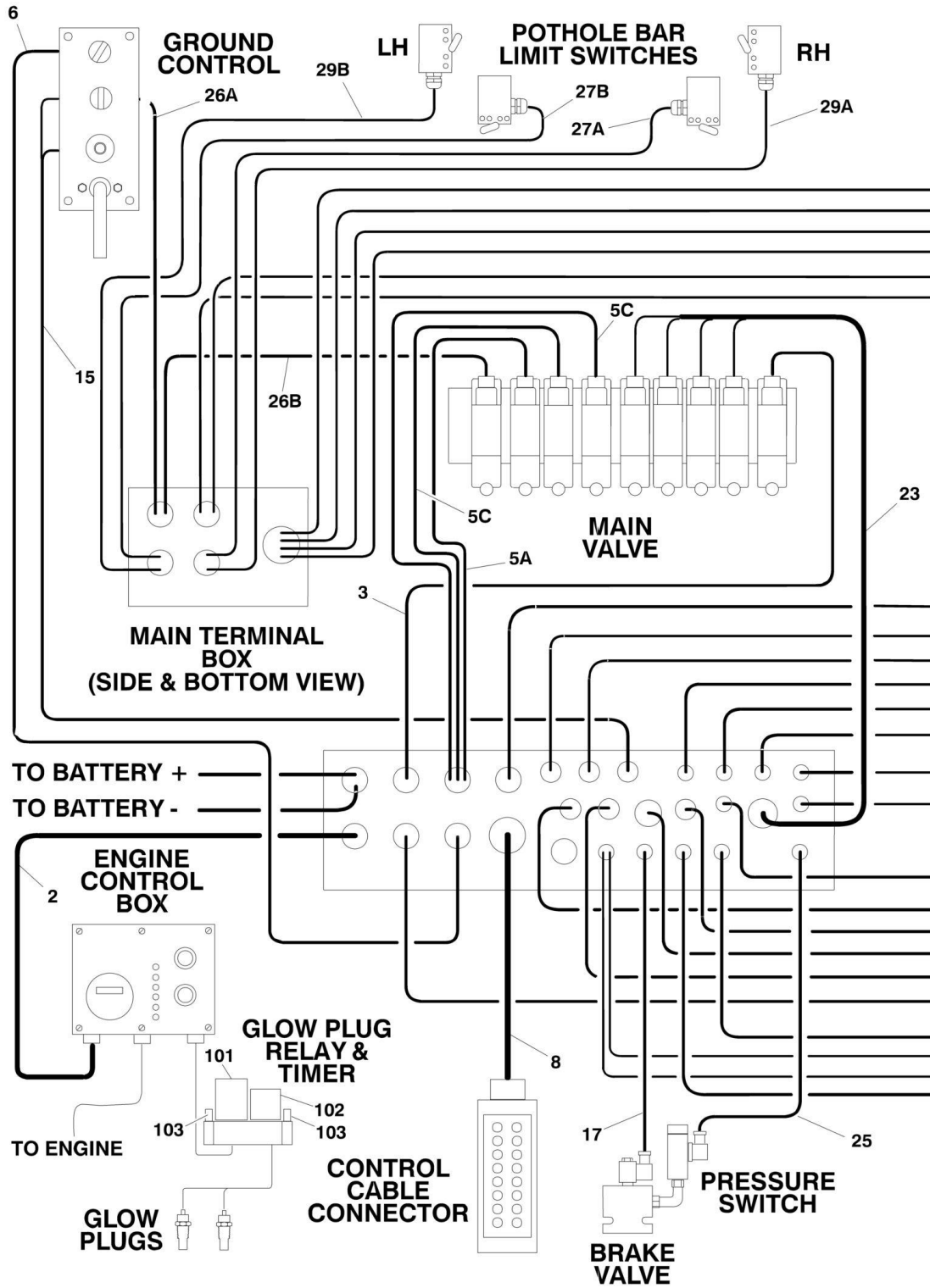


SECTION 7 - ELECTRICAL

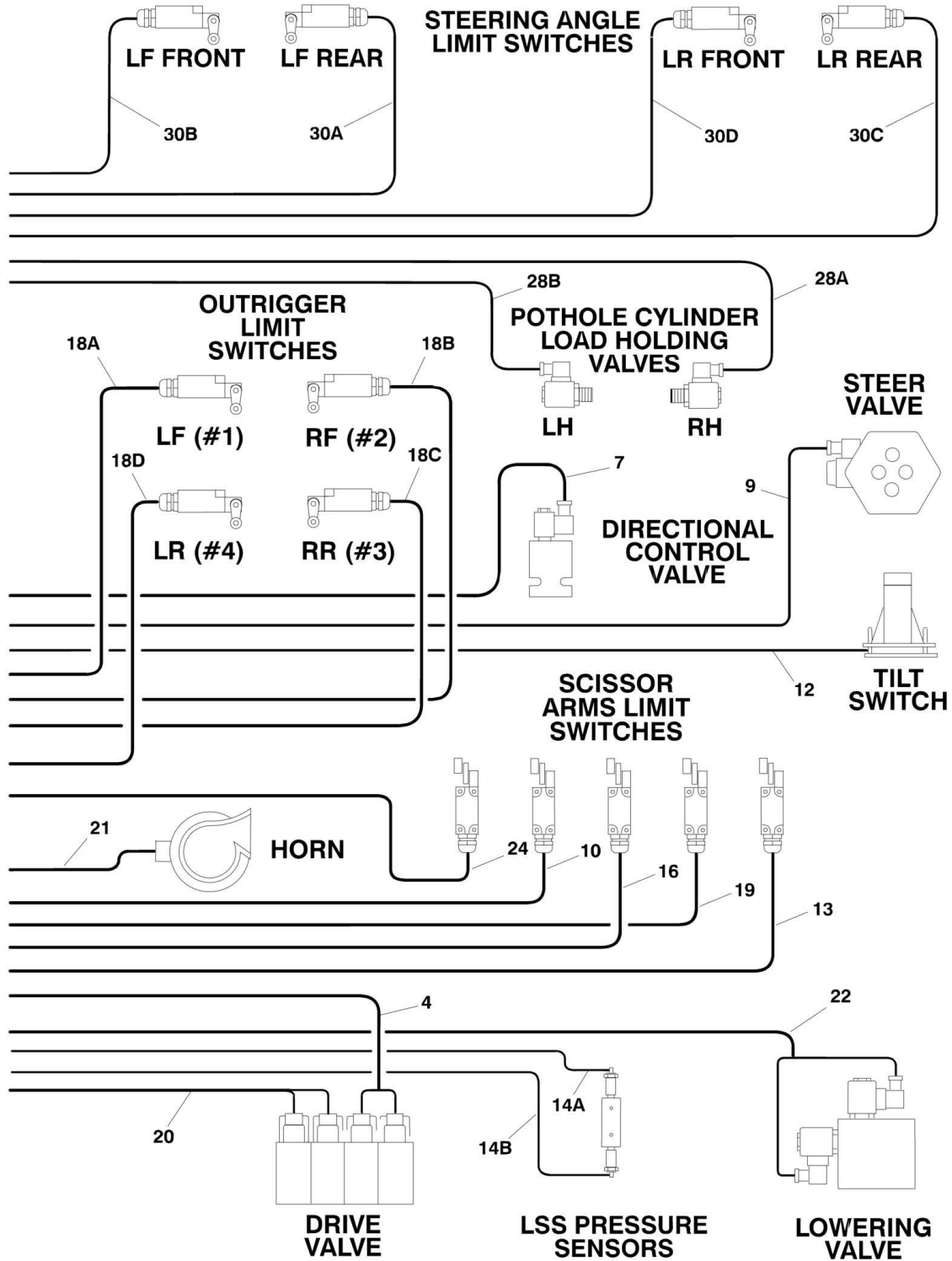


# SECTION 7 - ELECTRICAL

## FIGURE 7-2. HARNESS COMPONENTS INSTALLATION



# SECTION 7 - ELECTRICAL



## SECTION 7 - ELECTRICAL

**FIGURE 7-2. HARNESS COMPONENTS INSTALLATION**

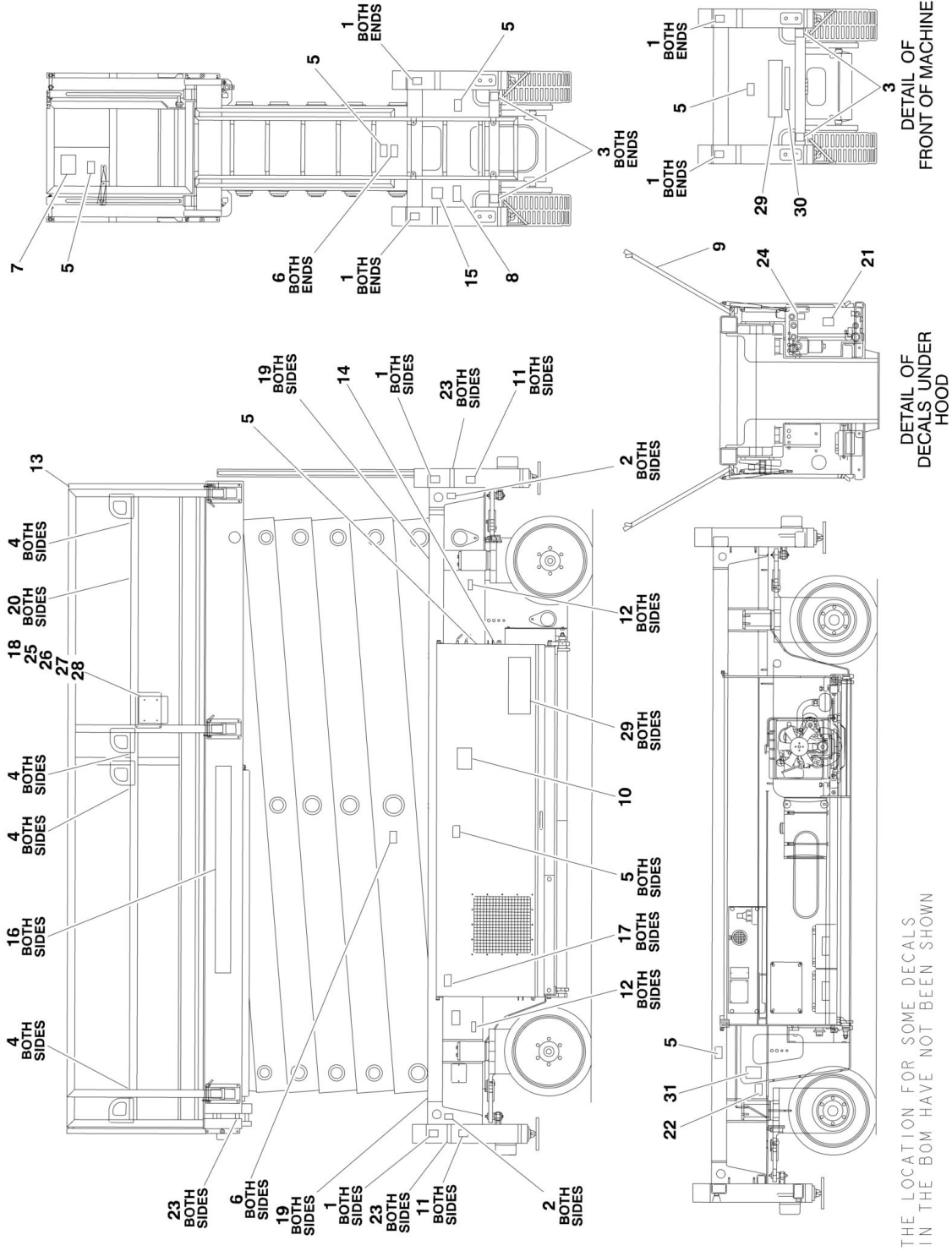
ITEM	PART NUMBER	QTY	DESCRIPTION	REV
	E900019	Ref	<b>MAIN TERMINAL BOX HARNESS KIT INSTALLATION</b>	B
2	70001457	1	Harness, Engine Control Box	
3	70001458	1	Harness, Drive #2 Valve	
4	70001459	1	Harness, Differential Lock	
5A	70001460	1	Harness, Drive #1 Valve	
5B	70001461	1	Harness, Lift Valve	
5C	70001462	1	Harness, Steer Valve	
6	70001463	1	Harness, Indoor / Outdoor Keyswitch	
7	70001464	1	Harness, Directional Control Valve	
8	70001465	1	Harness, Remote Control Box Connector	
9	70001466	1	Harness, Rear Steer Valve	
10	70001467	1	Harness, High Drive Cutout Limit Switch	
12	70001468	1	Harness, Tilt Switch	
13	70001469	1	Harness, Max Height Indoors Limit Switch	
14A	70001470	1	Harness, #1 LSS Pressure Sensor	
14B	70001471	1	Harness, #2 LSS Pressure Sensor	
15	70001472	1	Harness, Emergency Stop Switch at Ground / Outrigger Keyswitch	
16	70001473	1	Harness, Pothole Protection Activation Limit Switch	
17	70001474	1	Harness, Brake Valve	
18A	70001475	1	Harness, LF (#1) Outrigger Limit Switch	
18B	70001476	1	Harness, RF (#2) Outrigger Limit Switch	
18C	70001477	1	Harness, RR (#3) Outrigger Limit Switch	
18D	70001478	1	Harness, LR (#4) Outrigger Limit Switch	
19	70001479	1	Harness, Max Height Outdoors / Drive Cutout Limit Switch	
20	70001480	1	Harness, Drive Speed Valve	
21	70001481	1	Harness, Horn	
22	70001482	1	Harness, Lowering Valve	
23	70001483	1	Harness Assembly, Outrigger Valves	
24	70001484	1	Harness, Platform Down Limit Switch	
25	70001485	1	Harness, Pressure Switch	
26A	70001486	1	Harness, Outrigger Keyswitch	
26B	70001487	1	Harness, Pothole Protection Valve	
27A	70001488	1	Harness, RH Pothole Bar Retract Limit Switch	
27B	70001489	1	Harness, LH Pothole Bar Retract Limit Switch	
28A	70001490	1	Harness, RH Pothole Bar Load Holding Valve	
28B	70001491	1	Harness, LH Pothole Bar Load Holding Valve	
29A	70001492	1	Harness, RH Pothole Bar Down Limit Switch	
29B	70001493	1	Harness, LH Pothole Bar Down Limit Switch	
30A	70001494	1	Harness, LF Steering Angle Rear Limit Switch	
30B	70001495	1	Harness, LF Steering Angle Front Limit Switch	
30C	70001496	1	Harness, LR Steering Angle Rear Limit Switch	
30D	70001497	1	Harness, LR Steering Angle Front Limit Switch	
	70001947	Ref	<b>ENGINE HARNESSES INSTALLATION</b>	A
101	See Note	NLA	Relay, Glow Plug Timer (Note: Relay was p/n 70000924 - no longer available. Purchase qty 1 each of Relay p/n 70003647 and Base p/n 70003648.)	
102	70000925	1	Relay	
102	70000926	1	Base	
103	8229236	2	Fuse, 30A	



**SECTION 8 - DECALS**

# SECTION 8 - DECALS

## FIGURE 8-1. DECAL INSTALLATION



THE LOCATION FOR SOME DECALS IN THE BOM HAVE NOT BEEN SHOWN

## SECTION 8 - DECALS

### FIGURE 8-1. DECAL INSTALLATION

ITEM	PART NUMBER	QTY	DESCRIPTION	REV
	0275451	Ref	<b>DECAL INSTALLATION</b>	D
1	1701785	8	Decal, Crushing	
2	1703811	4	Decal, Lifting Lug	
3	1703814	4	Decal, Tie Down	
4	1704277	AR	Decal, Lanyard Attach	
5	1705671	AR	Decal, Electrocution	
6	1705673	4	Decal, Crushing	
7	1706900	1	Decal, Capacity	
8	1706472	1	Decal, Hazard	
9	1706954	1	Decal, Manual Descent	
10	1706482	1	Decal, Manual Descent Inside	
11	1706901	4	Decal, Load Pad	
12	1706902	4	Decal, Wheel Load	
13	1706485	1	Decal, Control Box Location	
14		Ref	Decal, Ground Control Options:	
14	1706512	1	Decal, Ground Control <b>(Prior to SN 1200009743)</b>	
14	1707050	1	Decal, Ground Control <b>(SN 1200009743 to Present)</b>	
15	1705515	1	Decal, Sound Power	
16	1706903	2	Decal, 245-12 Liftlux	
17	1701505	AR	Decal, Diesel Fuel	
18	1701509	1	Decal, Manual	
19	1703687	4	Decal, Directional Arrow	
20	1703819	3	Decal, Directional Arrow	
21	1704412	1	Decal, Hydraulic Oil	
22	Not Available	1	Nameplate, Serial Number	
23	4420051	1.2 m	Tape, Safety	
24	1703812	1	Decal, Hydraulic Oil	
25	0860520	1	Box, Manual Storage	
26	1060279	1	Lanyard	
27	2080040	7	Fastener, Huck	
28	S900129	1	Plate, Manual Storage Box	
29		Ref	Decal, JLG Options:	
29	1702773	3	Decal, JLG <b>(Prior to SN 1200009743)</b>	
29	1705864	3	Decal, JLG <b>(SN 1200009743 to Present)</b>	
30	1704885	1	Decal, Website	
31	1707027	1	Decal, 600KG Capacity	



## **SECTION 9 - RECOMMENDED SERVICE PARTS STOCK**

## **SECTION 9 - RECOMMENDED SERVICE PARTS STOCK**

## SECTION 9 - RECOMMENDED SERVICE PARTS STOCK

FIGURE 9-1. MODEL LIFTLUX 245-12 STANDARD PARTS

ITEM	PART NUMBER	QTY	DESCRIPTION	REV
	Note	Ref	<b>Note: The following list will service one machine (built to current production per date on the front cover) with emergency repair parts which can be installed in the field. Parts from the list should be replaced when inventory is depleted to keep service parts stock supplied. For further information, contact your JLG dealer or the JLG Industries Parts Department.</b>	
		Ref	<b>STANDARD PARTS</b>	
	7012986	1	Coil	
	E000121	1	Switch, Tilt	
	E000377	1	Switch, Emergency Stop	
	E000390	1	Switch, Key	
	E000391	1	Contactactor	
	70000450	1	Coil	
	7017444	1	Coil	
	E900071		Switch, Indoor/Outdoor	
	70000023	1	Filter, Hydraulic Oil	
	H000241	12	Breather	
	E000436	1	Switch	
	E000412	1	Switch	
	E000378	1	Switch, Key Select	
	E000457	1	Relay	
	70000331	1	Coil	
	70000347	1	Filter, Engine Oil	
	7025518	1	Filter, Engine Fuel	
	70000372	12	Element, Engine Air Filter	
	H705722	1	Sensor, Pressure	
	E000136	1	Joystick	
	E000511	1	Switch, Engine On/Off	
	E000439	1	Switch, Selector	
	70000925	1	Relay	
	8229236	2	Fuse	



## SECTION 9 - RECOMMENDED SERVICE PARTS STOCK

FIGURE 9-2. MODEL LIFTLUX 245-12 VARIABLE PARTS

ITEM	PART NUMBER	QTY	DESCRIPTION	REV
	Note	Ref	<b>Note: The following list will service one machine (built to current production per date on the front cover) with emergency repair parts which can be installed in the field. Parts from the list should be replaced when inventory is depleted to keep service parts stock supplied. For further information, contact your JLG dealer or the JLG Industries Parts Department.</b>	
		Ref	<b>VARIABLE PARTS</b>	
	E000376	1	Switch, Limit	
	E000359	1	Switch, Limit	
	E000189	1	Control, Pump Delay	
	E001206	1	Control, Inclinometer	
	E000218	1	PC Board - Complex	
	E000214	1	PC Board - Nivelux	
	E700100	1	Module	



**SECTION 10 - SPECIAL OPTIONS**

## SECTION 10 - SPECIAL OPTIONS

FIGURE 10-1. SPECIAL OPTIONS

ITEM	PART NUMBER	QTY	DESCRIPTION	REV
	Note	Ref	<b>Note: This list is to accommodate machines ordered with special equipment. Options may not be applicable to all models. For more specific parts information contact JLG Parts Department.</b>	
		Ref	<b>MISCELLANEOUS SPECIAL OPTIONS</b>	
	0256789	Ref	<b>Camera Mount Assembly</b>	
		Ref	<b>Filter Kits</b>	
	1001111689	Ref	Engine Oil/Fuel Filter Kit	
	1001111711	Ref	Combined Filter Kit (Includes Engine Oil, Engine Fuel, Engine Air and Hydraulic Oil Filter)	
		Ref	<b>Fluids</b>	
	3020016	Ref	Oil, Motor Mobil Delvac 15W-40	
	3020008	Ref	Gear Lube (Exxon GX 80W-90)	
	2300014	Ref	Hydraulic Oil (Mobil Fluid 424)	
		Ref	<b>Tools For Service:</b>	
	7002828	1	Wire Stripper	
	7002821	1	Wire Crimper (To Install Wire Ends to Wires)	
	7002823	1	Pin/Socket Extractor - Universal (To Remove Pins/Sockets from Connectors)	
	4460467	1	Extractor - 16-18 Gauge (For Removal of Pins/Sockets for Deutsch Connectors)	
	4460510	1	Extractor - 12-14 Gauge (For Removal of Pins/Sockets for Deutsch Connectors)	
	7002822	1	Screwdriver, Potentiometer (To Adjust Drive Controller)	
	7016654	1	Screwdriver, Magnetic	
	7004275	1	Seal Installation Tool - 1in	
	7004276	1	Seal Installation Tool - 1-1/2in	
	7002826	1	Seal Installation Tool - 2in	

**SECTION 11 - REAR COVER**

# SECTION 11 - REAR COVER

## FIGURE 11-1. REAR COVER



An Oshkosh Corporation Company

*JLG Industries, Inc.*  
*1 JLG Drive*  
*McConnellsburg PA. 17233-9533*  
*USA*  
*Phone: +1-717-485-5161*  
*Customer Support Toll Free: 1-877-554-5438*  
*Fax: +1-717-485-6417*

### ***JLG Worldwide Locations***

---

JLG Industries (Australia)  
P.O. Box 5119  
11 Bolwarra Road  
Port Macquarie  
N.S.W. 2444  
Australia  
Phone: +61 2 65811111  
Fax: +61 2 65813058

JLG Latino Americana Ltd.  
Rua Antonia Martins Luiz, 580  
Distrito Industrial João Narezzi  
13347-404 Indaiatuba - SP  
Brazil  
Phone: +55 19 3936 8870  
Fax: +55 19 3935 2312

JLG Industries (UK) Ltd  
Bentley House  
Bentley Avenue  
Middleton  
Greater Manchester  
M24 2GP  
England  
Phone: +44 (0)161 654 1000  
Fax: +44 (0)161 654 1001

JLG France SAS  
Z.I. de Baulieu  
47400 Fauillet  
France  
Phone: +33 (0)5 53 88 31 70  
Fax: +33 (0)5 53 88 31 79

JLG Deutschland GmbH  
Max-Planck-Str. 21  
D - 27721 Ritterhude-Ihlpohl  
Germany  
Phone: +49 (0)421 69 350 20  
Fax: +49 (0)421 69 350 45

JLG Equipment Services Ltd.  
Rm 1107 Landmark North  
39 Lung Sum Avenue  
Sheung Shui N.T.  
Hong Kong  
Phone: +852 2639 5783  
Fax: +852 2639 5797

JLG Industries (Italia) s.r.l.  
Via Po. 22  
20010 Pregnana Milanese - MI  
Italy  
Phone: +39 029 359 5210  
Fax: +39 029 359 5845

JLG Europe B.V.  
Polaris Avenue 63  
2132 JH Hoofddorp  
The Netherlands  
Phone: +31 (0)23 565 5665  
Fax: +31 (0)23 557 2493

JLG Polska  
Ul. Krolewska  
00-060 Warszawa  
Poland  
Phone: +48 (0)914 320 245  
Fax: +48 (0)914 358 200

Plataformas Elevadoras  
JLG Iberica, S.L.  
Trapadella, 2  
P.I. Castellbisbal Sur  
08755Castellbisbal, Barcelona  
Spain  
Phone: +34 93 772 4 700  
Fax: +34 93 771 1762

JLG Sverige AB  
Enkopingsvagen 150  
Box 704  
SE - 176 27 Jarfalla  
Sweden  
Phone: +46 (0)850 659 500  
Fax: +46 (0)850 659 534

---

[www.jlg.com](http://www.jlg.com)

**PART NUMBER INDEX**

# PART NUMBER INDEX

00106589, 19, 23, 27, 31, 35, 43, 49, 54, 59, 63, 67, 75, 77, 86	1706512 ..... 119	2143807 ..... 87, 93	2754908 ..... 89, 94
0181847 ..... 67	1706900 ..... 119	2143809 ..... 87, 93	2754909 ..... 89, 94
0256789 ..... 126	1706901 ..... 119	2144005 ..... 89	2754910 ..... 89, 94
0275451 ..... 119	1706902 ..... 119	2144105 ..... 87, 93	2754911 ..... 89, 94
0307544 ..... 37	1706903 ..... 119	2144108 ..... 87	2754912 ..... 89, 94
0318854 ..... 37	1706954 ..... 119	2144224 ..... 89, 94	2754913 ..... 89
0700606 ..... 49	1707027 ..... 119	2144518 ..... 93	2754914 ..... 89, 94
0700614 ..... 19	1707050 ..... 119	2144801 ..... 88, 93	2754915 ..... 89, 94
0701029 ..... 9	2080040 ..... 119	2144805 ..... 88, 93	2754916 ..... 89, 94
0701227 ..... 9	2140105 ..... 87	2171824 ..... 89, 94	2754917 ..... 89, 94
0701616 ..... 55	2141503 ..... 87, 93	2221214 ..... 87, 93	2754918 ..... 89, 94
0701629 ..... 55	2141506 ..... 87, 93	2221222 ..... 92	2754919 ..... 89, 94
0701631 ..... 55	2141908 ..... 87, 92	2221264 ..... 88	2754920 ..... 89, 94
0711618 ..... 9, 19	2141911 ..... 87, 92	2221265 ..... 88	2754921 ..... 89, 94
0711620 ..... 19	2142102 ..... 87, 92	2221266 ..... 88	2754922 ..... 89, 94
0760406 ..... 31	2142103 ..... 87, 92	2221267 ..... 88, 93	2754923 ..... 89, 94
0760414 ..... 23	2142202 ..... 87, 92	2221268 ..... 89, 94	2754924 ..... 89, 94
0760432 ..... 24	2142203 ..... 87, 92	2221286 ..... 87	2754925 ..... 89, 94
0760605 ..... 43	2142206 ..... 87	2221287 ..... 88	2754926 ..... 89, 94
0760606 ..... 23, 64	2142209 ..... 87, 92	2221288 ..... 88	2754927 ..... 89, 94
0760810 ..... 31, 59	2142215 ..... 88, 93	2221289 ..... 88	2754928 ..... 89
0760814 ..... 49	2142218 ..... 88, 93	2300014 ..... 126	2754929 ..... 89, 94
0761010 ..... 19, 59	2142219 ..... 88, 93	2560141 ..... 67	2754930 ..... 89, 94
0761012 ..... 24, 55	2142706 ..... 86, 92	2754350 ..... 87	2754931 ..... 89, 94
0761015 ..... 59	2142707 ..... 86, 92	2754354 ..... 88, 93	2754932 ..... 89, 94
0761018 ..... 23	2142708 ..... 86, 92	2754363 ..... 86, 92	2754933 ..... 89, 94
0761212 ..... 9	2142709 ..... 86, 92	2754373 ..... 88, 93	2900708 ..... 27, 28
0761216 ..... 9	2142710 ..... 86, 92	2754377 ..... 88, 93	3020008 ..... 126
0761217 ..... 64	2142711 ..... 86, 92	2754378 ..... 89, 94	3020016 ..... 126
0761414 ..... 55	2142712 ..... 86, 92	2754419 ..... 87, 93	3290400 ..... 23
0770810 ..... 23	2142714 ..... 86, 92	2754437 ..... 88, 93	3290605 ..... 19
0860520 ..... 119	2142715 ..... 86, 92	2754442 ..... 88, 93	3290801 ..... 49, 59
0893076 ..... 37	2142716 ..... 86, 92	2754445 ..... 89, 94	3291005 ..... 59
1001093291 ..... 44	2142717 ..... 86	2754447 ..... 89, 94	3291201 ..... 9, 64
1001093292 ..... 44	2142718 ..... 86, 92	2754474 ..... 87, 93	3291400 ..... 56
1001093294 ..... 43	2142721 ..... 86, 92	2754482 ..... 88, 93	3291615 ..... 55
1001093847 ..... 93	2142741 ..... 86, 92	2754494 ..... 88, 93	3331615 ..... 19
1001093848 ..... 93	2142742 ..... 86, 92	2754521 ..... 87, 93	3371708 ..... 56
1001093849 ..... 93	2142743 ..... 86, 92	2754566 ..... 88, 93	3760501 ..... 19
1001094129 ..... 31, 32	2142744 ..... 86, 92	2754572 ..... 88, 93	4031509 ..... 19
1001094781 ..... 28	2142746 ..... 86, 92	2754880 ..... 87, 92	4031925 ..... 75
1001109990 ..... 67	2142747 ..... 86, 92	2754881 ..... 87, 92	4032108 ..... 49
1001111689 ..... 126	2142749 ..... 88, 93	2754882 ..... 87	4420051 ..... 119
1001111711 ..... 126	2142750 ..... 88, 93	2754883 ..... 87, 93	4460467 ..... 126
1003107 ..... 37	2142753 ..... 86, 92	2754884 ..... 87, 93	4460510 ..... 126
1060279 ..... 119	2142804 ..... 87, 92	2754885 ..... 87	4740322 ..... 31
1701505 ..... 119	2143402 ..... 86	2754886 ..... 87, 93	4740552 ..... 19
1701509 ..... 119	2143403 ..... 86, 92	2754887 ..... 87	4810400 ..... 23
1701785 ..... 119	2143404 ..... 86, 92	2754888 ..... 87	4810600 ..... 64
1702773 ..... 119	2143406 ..... 86, 92	2754889 ..... 88	4810800 ..... 24
1703687 ..... 119	2143409 ..... 87, 92	2754890 ..... 88, 93	4811000 ..... 23, 24
1703811 ..... 119	2143419 ..... 89, 94	2754891 ..... 88, 93	4811400 ..... 55
1703812 ..... 119	2143507 ..... 87, 93	2754893 ..... 88, 93	4811700 ..... 19
1703814 ..... 119	2143513 ..... 87, 93	2754894 ..... 88	4812100 ..... 9, 64
1703819 ..... 119	2143534 ..... 87	2754895 ..... 88, 93	4830600 ..... 23, 64
1704277 ..... 119	2143546 ..... 93	2754896 ..... 88, 93	4831000 ..... 24
1704412 ..... 119	2143547 ..... 88	2754897 ..... 88	4832000 ..... 19, 23, 56, 59
1704885 ..... 119	2143564 ..... 88, 93	2754898 ..... 88	4832200 ..... 55
1705515 ..... 119	2143568 ..... 88, 93	2754899 ..... 88	5241200 ..... 9
1705671 ..... 119	2143602 ..... 87, 92	2754900 ..... 88, 93	5241600 ..... 19
1705673 ..... 119	2143603 ..... 87	2754901 ..... 88, 93	7000023 ..... 31, 122
1705864 ..... 119	2143606 ..... 87, 92	2754902 ..... 88, 93	70000150 ..... 75
1706472 ..... 119	2143608 ..... 87	2754903 ..... 88, 93	70000184 ..... 75
1706482 ..... 119	2143609 ..... 87, 92	2754904 ..... 89, 94	70000204 ..... 71
1706485 ..... 119	2143610 ..... 87, 92	2754905 ..... 89	70000219 ..... 75
	2143619 ..... 88, 93	2754906 ..... 89, 94	70000220 ..... 75
	2143804 ..... 87, 93	2754907 ..... 89, 94	70000221 ..... 71

## PART NUMBER INDEX

70000222	71	70000375	44	70000766	73	7002826	126
70000223	71	70000376	44	70000768	73	7002828	126
70000224	71	70000377	44	70000771	73	7004275	126
70000225	9	70000379	44	70000773	73	7004276	126
70000226	10	70000380	44	70000774	73	7010543	27, 28
70000227	19	70000436	43	70000775	73	7012941	27, 28
70000228	19	70000437	43	70000776	73	7012972	19, 20, 77
70000229	19	70000438	43	70000925	116, 122	7012986	19, 20, 27, 28, 77, 122
70000230	23	70000439	43	70000926	116	7016654	126
70000231	24	70000440	27, 28	70000952	35	7017414	27, 28
70000239	15	70000442	27, 28	70000953	35	7017444	27, 28, 31, 75, 122
70000240	15	70000443	27, 28	70000954	35	7020127	13
70000241	15	70000449	27, 28	70000955	35	7020128	13
70000242	15	70000450	27, 28, 122	70000956	35	7020129	13
70000243	15	70000451	55	70001114	27	7021632	75
70000244	15	70000452	31	70001122	29	7023919	75
70000245	15	70000453	28	70001151	44	7024895	31
70000246	15	70000454	43	70001352	28	7024896	31
70000247	15	70000455	43	70001353	29	7024897	19, 20, 77
70000248	15	70000456	43	70001355	29	7025518	44, 122
70000249	15	70000457	43	70001457	116	7027861	13
70000250	15	70000458	43	70001458	116	7027912	37
70000251	15	70000513	39	70001459	116	7027913	37
70000252	15	70000514	39	70001460	116	7027914	37
70000253	15	70000515	39	70001461	116	7027938	13
70000254	15	70000516	39	70001462	116	7027939	13
70000255	15	70000517	39	70001463	116	7027940	13
70000256	15	70000518	39	70001464	116	7027962	27
70000257	15	70000519	39	70001465	116	7028846	37
70000258	15	70000520	39	70001466	116	7028847	37
70000259	15	70000521	39	70001467	116	7028848	37
70000260	15	70000522	39	70001468	116	7028849	37
70000261	15	70000523	39	70001469	116	7028893	37
70000265	41	70000524	39	70001470	116	8007894	37
70000266	41	70000525	39	70001471	116	8007915	37
70000267	41	70000526	39	70001472	116	8007935	37
70000268	41	70000527	39	70001473	116	8007939	37
70000331	41, 122	70000528	39	70001474	116	8007944	37
70000332	41	70000529	39	70001475	116	8007953	37
70000333	41	70000530	39	70001476	116	8007954	37
70000347	43, 122	70000531	39	70001477	116	8008750	27
70000348	43	70000532	39	70001478	116	8229236	116, 122
70000349	43	70000533	39	70001479	116	E000015	35
70000350	43	70000534	39	70001480	116	E000018	35
70000351	43	70000535	39	70001481	116	E000040	31, 43
70000352	43	70000536	39	70001482	116	E000045	27, 28, 54, 55, 67
70000353	43	70000537	39	70001483	116	E000048	31
70000354	43	70000538	39	70001484	116	E000049	31
70000355	43	70000539	39	70001485	116	E000057	27
70000357	43	70000540	39	70001486	116	E000058	27
70000358	43	70000541	39	70001487	116	E000059	27
70000359	43	70000542	39	70001488	116	E000063	27
70000360	43	70000543	39	70001489	116	E000069	27
70000361	44	70000593	49	70001490	116	E000083	27, 35, 54, 55, 67
70000362	44	70000594	49	70001491	116	E000102	27, 28, 67
70000363	44	70000634	28	70001492	116	E000103	27, 67
70000364	44	70000635	28	70001493	116	E000108	67
70000365	44	70000700	73	70001494	116	E000113	27, 67
70000366	44	70000749	81	70001495	116	E000121	27, 122
70000367	44	70000750	81	70001496	116	E000136	67, 122
70000368	44	70000751	81	70001497	116	E000189	35, 124
70000369	44	70000752	81	70001947	116	E000214	35, 124
70000370	44	70000755	81	70002703	15	E000218	35, 124
70000371	44	70000762	81	70003616	35		
70000372	44, 122	70000763	81	7002821	126		
70000373	44	70000764	73	7002822	126		
70000374	44	70000765	73	7002823	126		

# PART NUMBER INDEX

E000230 .....	20, 23	H000285 .....	27, 28, 39	H900041 .....	92	S200906 .....	75
E000231 .....	20, 23	H000299 .....	9, 10, 79	S000009 .....	67	S200907 .....	75
E000269 .....	9, 54	H000306 .....	86, 92	S000010 .....	55	S200909 .....	75
E000270 .....	27, 31	H000351 .....	86, 92	S000030 .....	63	S200910 .....	75
E000271 .....	27, 31	H000352 .....	37	S000056 .....	49	S200911 .....	10
E000275 .....	27	H000371 .....	86	S000069 .....	63	S200912 .....	9
E000292 .....	67	H000381 .....	27, 28	S000108 .....	63	S200913 .....	9
E000301 .....	54, 55	H000390 .....	37	S000116 .....	54	S200914 .....	9
E000302 .....	54, 55	H000397 .....	37	S000117 .....	54	S200915 .....	9
E000303 .....	67	H000414 .....	27, 28, 41	S000118 .....	54	S200916 .....	9
E000304 .....	35	H000430 .....	86	S000123 .....	55	S200917 .....	10
E000331 .....	35	H000450 .....	31, 32	S000124 .....	55	S200918 .....	10
E000353 .....	35	H000514 .....	37	S000141 9, 10, 19, 55, 63		S200919 .....	10
E000359 .....	19, 20, 23, 124	H000524 .....	86, 92	S000145 .....	63, 64	S200920 .....	9
E000364 .....	35	H000532 .....	75	S000153 .....	9, 10	S200932 .....	64
E000376 .....	9, 54, 124	H000536 .....	28, 75	S000188 .....	54	S200934 .....	63
E000377 .....	27, 67, 122	H000540 .....	31	S000191 .....	55	S200940 .....	54
E000378 .....	35, 122	H000542 .....	37	S000233 .....	55	S200941 .....	54
E000390 .....	27, 122	H000558 .....	23	S000234 .....	55	S200942 .....	54
E000391 .....	27, 122	H000559 .....	23	S000248 .....	59	S200943 .....	54
E000407 .....	35	H000570 .....	28	S000249 .....	59	S200944 .....	54
E000412 .....	35, 67, 122	H000580 .....	37	S000263 .....	79	S200945 .....	54
E000419 .....	67	H000610 .....	23, 71	S001238 .....	55	S200946 .....	54
E000436 .....	35, 67, 122	H000611 .....	23, 71	S001240 .....	55	S200947 .....	54
E000439 .....	67, 122	H000713 .....	75	S001241 .....	55	S200948 .....	54
E000457 .....	35, 122	H003010 .....	31	S001443 .....	63, 64	S200949 .....	54
E000458 .....	35	H003011 .....	9, 10	S001491 .....	55	S200950 .....	54
E000481 .....	27, 67	H003064 .....	77, 79	S001492 .....	55	S200951 .....	54
E000482 .....	27, 28, 67	H003066 .....	77, 79	S001496 .....	54, 75	S200952 .....	54
E000492 .....	28, 35	H003068 .....	77, 79	S001497 .....	54	S200953 .....	54
E000511 .....	67, 122	H003075 .....	77, 79	S001498 .....	54	S200954 .....	54
E001184 .....	35	H003080 .....	77, 79	S001499 .....	55	S200955 .....	54
E001185 .....	35	H003082 .....	71	S001514 .....	49	S200956 .....	54
E001194 .....	35	H003085 .....	75	S001551 .....	9	S200957 .....	54
E001206 .....	35, 124	H003088 .....	71	S001556 .....	54, 77	S200958 .....	55
E001336 .....	67	H003091 .....	75	S001595 .....	54	S200959 .....	55
E001337 .....	67	H003094 .....	71	S001596 .....	59	S200960 .....	55
E700100 .....	35, 124	H003103 .....	71	S001640 .....	23, 63	S200961 .....	55
E900019 .....	116	H003106 .....	71	S001676 .....	49	S200962 .....	55
E900049 .....	67	H003108 .....	71, 75	S001677 .....	63, 64	S200963 .....	55
E900068 .....	67	H003115 .....	75	S003991 .....	16	S200969 .....	59
E900069 .....	67	H004084 .....	44	S004014 .....	24	S200970 .....	59
E900071 .....	28, 122	H005247 .....	37	S004039 .....	23	S200971 .....	59
H000008 .....	54, 56, 75	H005250 .....	37	S005042 .....	59	S200972 .....	59
H000013 .....	31, 32	H005461 .....	43	S005172 .....	43	S200973 .....	59
H000018 .....	86, 92	H005464 .....	31	S200090 .....	55	S200974 .....	59
H000019 .....	27, 28	H005465 .....	86, 92	S200091 .....	55	S200975 .....	59
H000020 .....	27, 28	H005466 .....	86, 92	S200092 .....	55	S200978 .....	19
H000021 .....	27, 28	H005529 .....	31	S200093 .....	55	S200987 .....	19
H000037 .....	19, 20, 77	H005559 .....	28	S200098 .....	55	S200988 .....	19
H000038 .....	31, 43	H245-12-200.00.0 .....	54	S200099 .....	55	S200989 .....	19
H000039 .....	31, 43	H245-12-210.00.0 .....	54	S200100 .....	55	S200990 .....	19
H000077 .....	27, 28	H245-12-220.00.0 .....	54	S200132 .....	55	S200991 .....	19
H000116 .....	37	H245-12-230.00.0 .....	54	S200187 .....	79	S201271 .....	19
H000123 .....	86, 92	H245-12-240.00.0 .....	55	S200188 .....	79	S201273 .....	19
H000148 .....	86, 92	H245-12-250.00.0 .....	55	S200189 .....	79	S201274 .....	19
H000191 .....	37	H245-12-260.00.0 .....	55	S200263 .....	28	S201306 .....	63
H000193 .....	9, 13	H24512-RP-A-1-1 .....	9, 19,	S200305 .....	71	S201307 .....	63
H000206 .....	37		23, 28, 31, 43, 56, 75,	S200307 .....	71	S201308 .....	63
H000207 .....	37		77, 86	S200308 .....	71	S201309 .....	63
H000218 .....	9, 15	H705721 .....	54	S200437 .....	77, 79	S201310 .....	63
H000222 .....	27, 28, 37	H705722 .....	54, 122	S200535 .....	64	S201311 .....	64
H000223 .....	43, 47	H705723 .....	54	S200538 .....	63	S201312 .....	64
H000241 .....	31, 32, 122	H705724 .....	54	S200539 .....	63	S201313 .....	64
H000273 .....	86, 92	H900007 .....	9, 10, 81	S200901 .....	77	S201314 .....	63
H000278 .....	86, 92	H900011 .....	23, 73	S200902 .....	77	S201315 .....	63
H000280 .....	19, 20, 77	H900012 .....	23, 73	S200903 .....	77	S201316 .....	63



## PART NUMBER INDEX

S201317.....	63	S201329.....	55	S900021.....	23	SL245-12.311.00.....	63
S201318.....	63	S201330.....	55	S900118.....	64	SL245-12.321.00.....	64
S201319.....	63	S201331.....	55	S900129.....	119	SL245-12-D-110.00.0..	23,
S201320.....	63	S201332.....	55	S900200.....	64	43	
S201321.....	63	S201340.....	28	S900287.....	28	SL245-12-D-110.03.0..	23
S201322.....	64	S201341.....	28	SL110-20-D-190.00.0..	23	SL245-12-D-140.00.0..	19
S201323.....	63	S201342.....	28	SL210-12.110.90.0.....	10	SL245-12-D-150.00.....	49
S201324.....	54	S201640.....	75	SL210-12-170.00.....	59	SL245-12-D-161.00....	28,
S201325.....	54	S900002.....	23	SL245-12.110.00.....	10	32, 43	
S201326.....	54	S900003.....	23	SL245-12.120.00.....	9	SL245-12-D-162.0028,	31
S201327.....	55	S900013.....	23	SL245-12.300.00.....	63	SL245-12-D-180.00.0..	24
S201328.....	55	S900014.....	23	SL245-12.300.11.0.....	64		