

OPERATORS & SAFETY SERVICE & MAINTENANCE ILLUSTRATED PARTS

**Models
CM1432
CM1432 PLUS
CM1732**

3120579
October 2, 1995



AUSTRALIAN OFFICE

*JLG INDUSTRIES, INC.
P.O. Box 5119
11 Bolwarra Road
Port Macquarie, Australia
Telephone: 065 811111
Fax: 065 810122*

EUROPEAN OFFICE

*JLG INDUSTRIES (EUROPE)
Kilmarting Place,
Tannochside Park
Uddingston, Scotland, G71 5PH
Telephone: 01698 811005
Main Fax: 01698 811055
Parts Fax: 01698 811455*

WORLD HEADQUARTERS

*JLG INDUSTRIES, INC.
1 JLG Drive
McConnellsburg, PA.
17233-9533
USA
Telephone: (717) 485-5161
Fax: (717) 485-6417*

TABLE OF CONTENTS

SECTION 1 - FRAME.....	5
FIGURE 1-1. FRAME, STEERING AND DRIVE INSTALLATIONS	6
FIGURE 1-2. DRIVE MOTOR ASSEMBLIES	10
FIGURE 1-3. REAR AXLE AND BRAKE INSTALLATIONS	12
FIGURE 1-4. FRAME MOUNTED COMPONENTS INSTALLATION	14
FIGURE 1-5. BATTERY CHARGER ASSEMBLY	18
SECTION 2 - GROUND COMPONENTS CM1432/CM1432 PLUS/CM1732.....	21
FIGURE 2-1. ELECTRICAL COMPONENTS INSTALLATION.....	22
FIGURE 2-2. HYDRAULIC COMPONENTS AND COVERS INSTALLATION.....	26
FIGURE 2-3. CONTROL VALVE ASSEMBLY - HYDRO-AIR	30
FIGURE 2-4. UL LISTED COMPONENTS INSTALLATION - GROUND COMPONENTS	32
SECTION 3 - SIZZOR ARMS CM1432/CM1432 PLUS/CM1732.....	35
FIGURE 3-1. SIZZOR ARMS INSTALLATION - CM1432 AND CM1432 PLUS.....	36
FIGURE 3-2. SIZZOR ARMS INSTALLATION - CM1732	38
SECTION 4 - PLATFORM CM1432/CM1432 PLUS/CM1732.....	41
FIGURE 4-1. PLATFORM AND HANDRAIL INSTALLATION	42
FIGURE 4-2. OPTIONAL PLATFORM EXTENSION INSTALLATION	46
FIGURE 4-3. OPTIONAL EXTENDABLE DECK INSTALLATION WITH FOLD-DOWN HANDRAILS	50
FIGURE 4-4. STEEL PLATFORM CONSOLE BOX ASSEMBLY.....	52
FIGURE 4-5. MOLDED PLATFORM CONSOLE BOX ASSEMBLY	56
SECTION 5 - CYLINDERS CM1432/CM1432 PLUS/CM1732.....	59
FIGURE 5-1. BRAKE CYLINDER ASSEMBLY.....	60
FIGURE 5-2. LIFT CYLINDER SUB-ASSEMBLY.....	62
FIGURE 5-3. STEER CYLINDER ASSEMBLY.....	66
SECTION 6 - HYDRAULICS CM1432/CM1432 PLUS/CM1732	69
FIGURE 6-1. HYDRAULIC DIAGRAM - (STANDARD PARTS)	70
SECTION 7 - ELECTRICAL CM1432/CM1432 PLUS/CM1732	73
FIGURE 7-1. ELECTRICAL DIAGRAMS AND COMPONENTS CHART	74
FIGURE 7-2. ELECTRICAL DIAGRAM - TOGGLE SWITCH DRIVE	78
FIGURE 7-3. ELECTRICAL DIAGRAM - PQ CONTROLLER BANG-BANG DRIVE	80
FIGURE 7-4. ELECTRICAL DIAGRAM - CIRCUIT CARDS	82
FIGURE 7-5. MAIN ELECTRICAL CONNECTOR AND TOOLS	84
SECTION 8 - DECALS CM1432/CM1432 PLUS/CM1732.....	87
FIGURE 8-1. DECALS INSTALLATION - CM1432/CM1432 PLUS.....	88
FIGURE 8-2. DECALS INSTALLATION - CM1732.....	92
SECTION 9 - SPECIAL OPTIONS LIST CM1432/CM1432 PLUS/CM1732.....	95
FIGURE 9-1. SPECIAL OPTIONS LIST	96
SECTION 10 - RECOMMENDED SERVICE PARTS STOCK	99

TABLE OF CONTENTS

FIGURE 10-1. CM1432/ CM1432 PLUS/ CM1732 STANDARD PARTS	100
FIGURE 10-2. CM1432/ CM1432 PLUS/ CM1732 VARIABLE PARTS	102
PART NUMBER INDEX.....	103

SECTION 1 - FRAME

SECTION 1 - FRAME

FIGURE 1-1. FRAME, STEERING AND DRIVE INSTALLATIONS

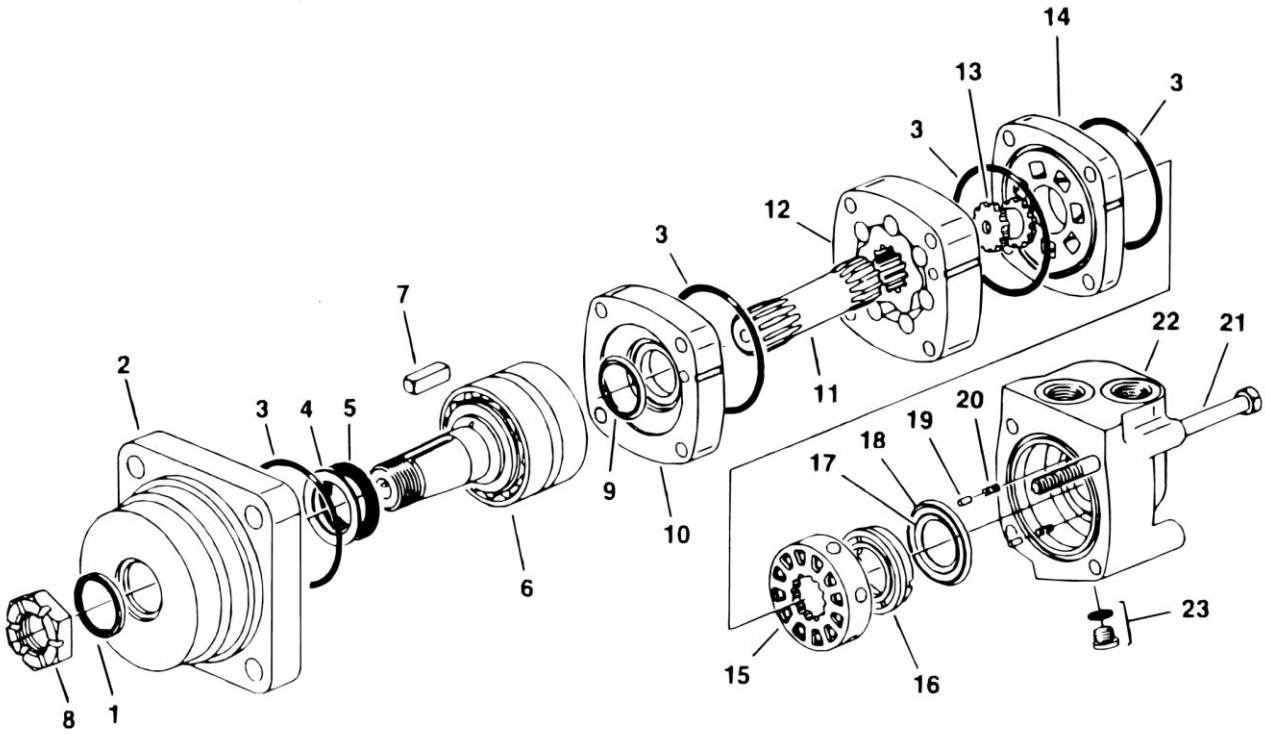
ITEM	PART NUMBER	QTY	DESCRIPTION	REV
		Ref	FRAME, STEERING AND DRIVE INSTALLATION	
		Ref	FRAME OPTIONS:	
1	2360338	1	Frame (Standard)	-
1	2360360	1	Frame (Optional Lifting Lugs/Standard 1432 Plus)	
2	0961626	4	Bushing, Superoilite	
	0251922	Ref	STEERING AND DRIVE INSTALLATION (STANDARD PARTS)	
		Ref	Note: SN12406-12415, 12684-12692 & 12694-12698 Machines Built Between May - July 1994 Equipped with 1360260 Clevis/0961931 Bushing and 4130257 Spindle.	
3	1682996	1	Steer Cylinder Assembly (Prior to August 1995) (See CYLINDERS SECTION for Breakdown)	
3	1683408	1	Steer Cylinder Assembly (August 1995 to Present) (See CYLINDERS SECTION for Breakdown)	
4	0641616	4	Bolt 3/8in-16NC x 2in	
5	4711600	4	Flatwasher 3/8in Narrow	
6	4070769	2	Shim	
6		Ref	Loctite #242	
7	3322202	2	Nut, Jam 3/4in -16NF	
8	0361928	2	Bar, Adjustment	
10	3430612	1	Pin, Clevis - 3/8in x 1 1/2in	
11	3450404	1	Pin, Cotter - 1/8in x 1in	
13	3311605	1	Locknut 3/8in - 16NC	
14	4751600	1	Flatwasher 5/8in	
15	4740419	1	Washer, Thrust	
16	4300093	1	Stud	
16	0100011	1	Loctite #242	
17	3160173	2	Drive Motor Assembly (See DRIVE MOTOR ASSEMBLIES for Breakdown)	
18	0641816	4	Bolt 1/2in-13NC x 2in	
19	4761800	4	Lockwasher 1/2in	
20	3311801	4	Nut 1/2in-13NC	
20	0100011	AR	Loctite #242	
21	2780165	2	Hub, Wheel	
22	3450406	2	Pin, Cotter 1/8in x 1 1/2in	
23	0630305	10	Bolt, Wheel	
24	3311601	4	Nut 3/8in-16NC	
25	1120417	2	Cap, Plastic	
	0251922	Ref	STEERING AND DRIVE INSTALLATION - (PRIOR TO AUGUST 1994) (VARIABLE PARTS)	G
51	4130257	2	Spindle	
52	1360235	2	Clevis, Steer (use 1360260 Clevis and 0961931 Bushing as Replacement)	
53 to 55	Not Required	0	Not Required	
	0255020	Ref	STEERING AND DRIVE INSTALLATION - (AUGUST 1994 TO PRESENT) (VARIABLE PARTS)	A
51	4130320	2	Spindle	
52	1360260	2	Clevis, Steer	
53	0961931	2	Bushing, Fiberglide	
54	2160006	2	Fitting, Grease	
55	3780166	2	O-Ring	
		Ref	TIRE AND WHEEL ASSEMBLIES	

SECTION 1 - FRAME

ITEM	PART NUMBER	QTY	DESCRIPTION	REV
100	4520140	4	Tire/Wheel Assembly (Solid) (Standard)	
100	4520165	4	Tire/Wheel Assembly (Non-Marking) (Optional)	

SECTION 1 - FRAME

FIGURE 1-2. DRIVE MOTOR ASSEMBLIES



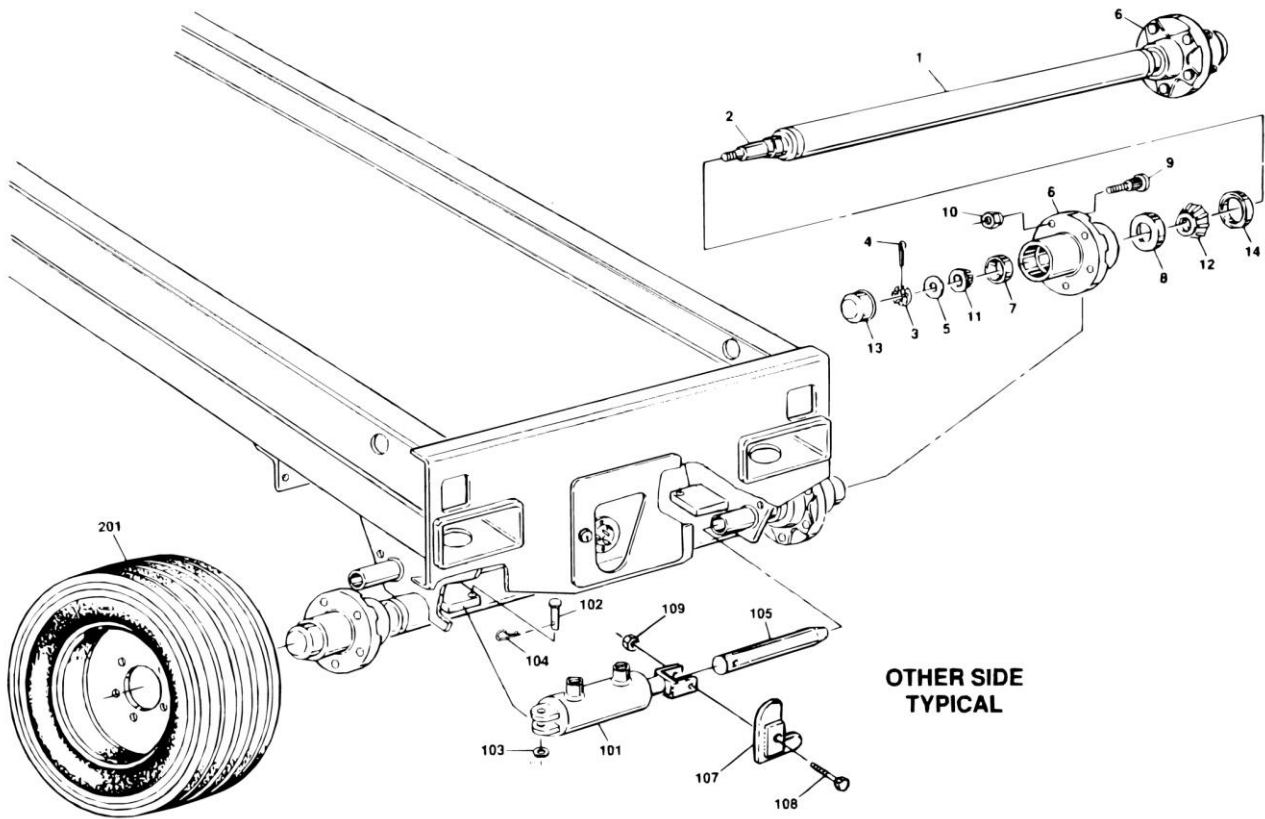
SECTION 1 - FRAME

FIGURE 1-2. DRIVE MOTOR ASSEMBLIES

ITEM	PART NUMBER	QTY	DESCRIPTION	REV
		Ref	DRIVE MOTOR ASSEMBLIES	
	3160173	Ref	DRIVE MOTOR ASSEMBLIES (STANDARD PARTS)	
1	Kit	1	Seal, Dust	
2	7009931	1	Housing, Bearing	
3	Kit	4	Seal	
4	Kit	1	Ring, Back-up	
5	Kit	1	Seal, Shaft	
6	7009932	1	Shaft and Bearing	
7	7009933	1	Key	
8	7009934	1	Nut, Castle	
9	Kit	1	Seal, Shaft Face	
10	7009982	1	Plate, Wear	
11	7009979	1	Drive	
12	7009980	1	Geroler	
13	7009905	1	Drive, Valve	
14	7009983	1	Plate, Valve	
15	7009927	1	Valve	
16	7009909	1	Ring, Balance	
17	Kit	1	Seal, Face - Inner	
18	Kit	1	Seal, Face - Outer	
19	7009912	2	Pin	
20	7009913	2	Spring	
21	7009929	4	Bolt	
22	7009930	1	Housing, Valve	
23	7002157	1	Plug Assembly	
	2900699	1	Seal Kit (Includes Items 1,3,4,5,9,17 & 18)	

SECTION 1 - FRAME

FIGURE 1-3. REAR AXLE AND BRAKE INSTALLATIONS



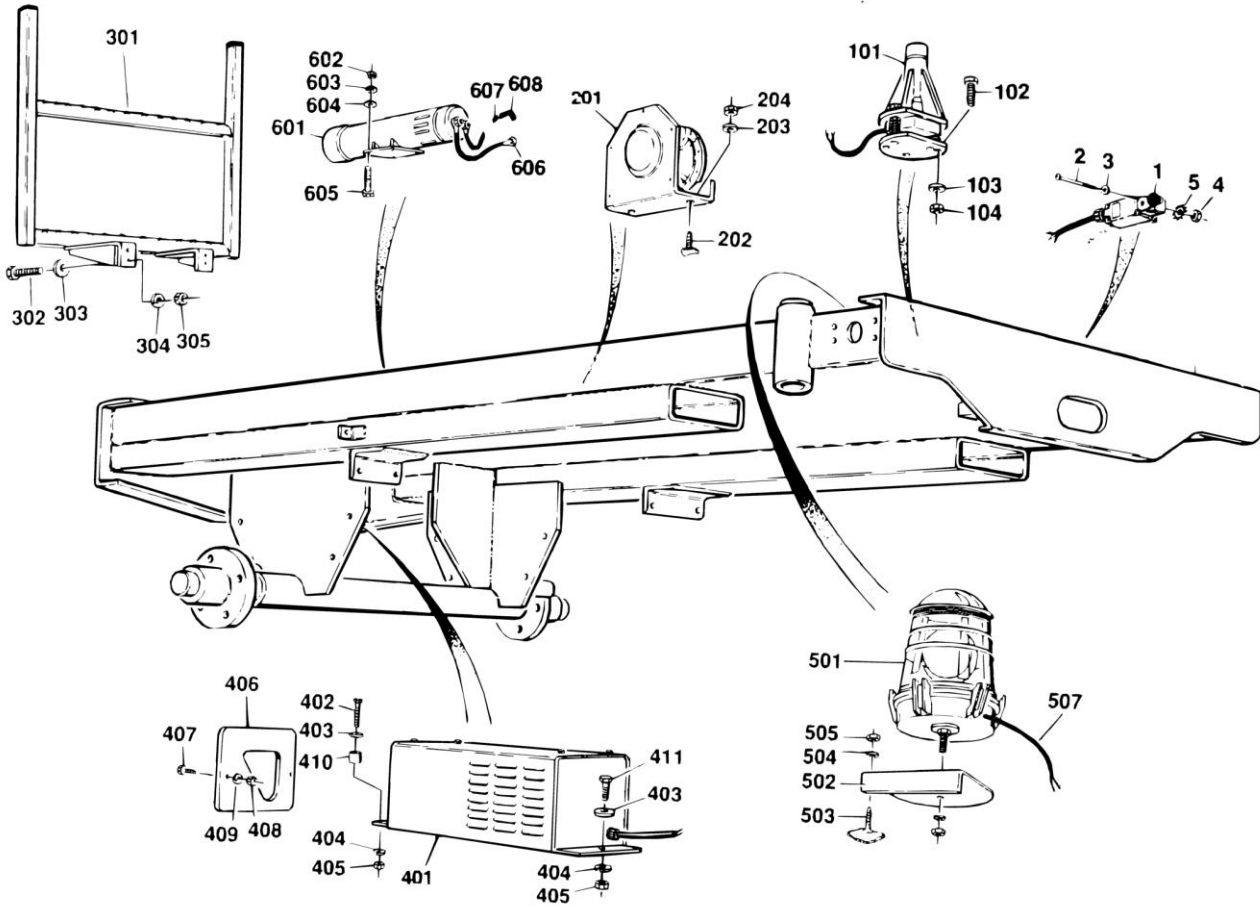
SECTION 1 - FRAME

FIGURE 1-3. REAR AXLE AND BRAKE INSTALLATIONS

ITEM	PART NUMBER	QTY	DESCRIPTION	REV
		Ref	REAR AXLE AND BRAKE INSTALLATIONS	
	0280120	Ref	AXLE ASSEMBLY	A
1	Not Serviced	1	Tube, Axle	
2	Not Serviced	2	Spindle	
3	7010641	2	Nut, Spindle	
4	7010642	2	Pin, Cotter	
5	7010643	2	Washer	
6	7010644	2	Hub Assembly	
7	Kit	2	Cup, Bearing (Outer) (1 Per Hub)	
8	Kit	2	Cup, Bearing (Inner) (1 Per Hub)	
9	7012613	10	Stud, Wheel 1/2in-20NF	
10	7010645	10	Lugnut 1/2in-20NF	
11	Kit	2	Cone, Bearing (Outer)	
12	Kit	2	Cone, Bearing (Inner)	
13	7003902	2	Cap, Dust	
14	Kit	2	Seal, Hub	
	2900778	2	Bearing Kit (Includes Qty. 1 of Items 7, 8, 11, 12 & 14)	
	0251923	Ref	BRAKE INSTALLATION - CM1432	B
	0252111	Ref	BRAKE INSTALLATION - CM1432 PLUS/CM1732	C
	Note	Ref	NOTE: CM1432 Requires Qty. 1 each of Item 101-109. CM1432 Plus and CM1732 Requires Qty. 2 each of 101-109.	
101	1683098	AR	Brake Cylinder Assembly (See CYLINDERS SECTION for Breakdown)	
102	3430616	AR	Pin, Clevis 3/8in x 2in	
103	4711600	AR	Flatwasher 3/8in Narrow	
104	3450404	AR	Pin, Cotter	
105	3841129	AR	Rod, Brake	
107	4844188	AR	Cam Weldment	
108	0641624	AR	Bolt 3/8in-16NC x 3in	
109	3311605	AR	Locknut 3/8in-16NC	
	0010439	Ref	TIRE AND WHEEL ASSEMBLY OPTIONS	A
201	4520140	2	Tire and Wheel Assembly (Solid) (Standard)	
201	4520116	2	Tire and Wheel Assembly (Non-Marking) (Optional)	

SECTION 1 - FRAME

FIGURE 1-4. FRAME MOUNTED COMPONENTS INSTALLATION



SECTION 1 - FRAME

FIGURE 1-4. FRAME MOUNTED COMPONENTS INSTALLATION

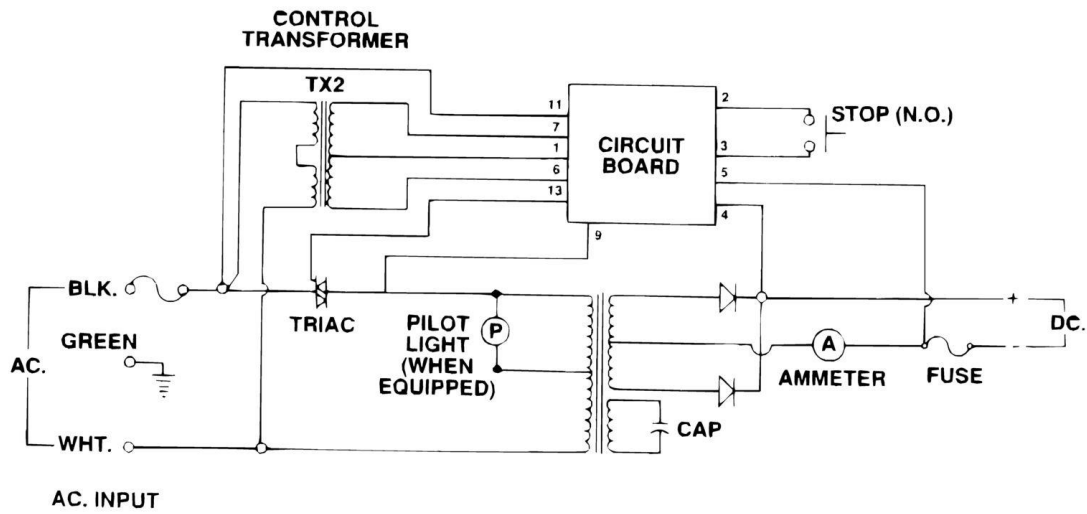
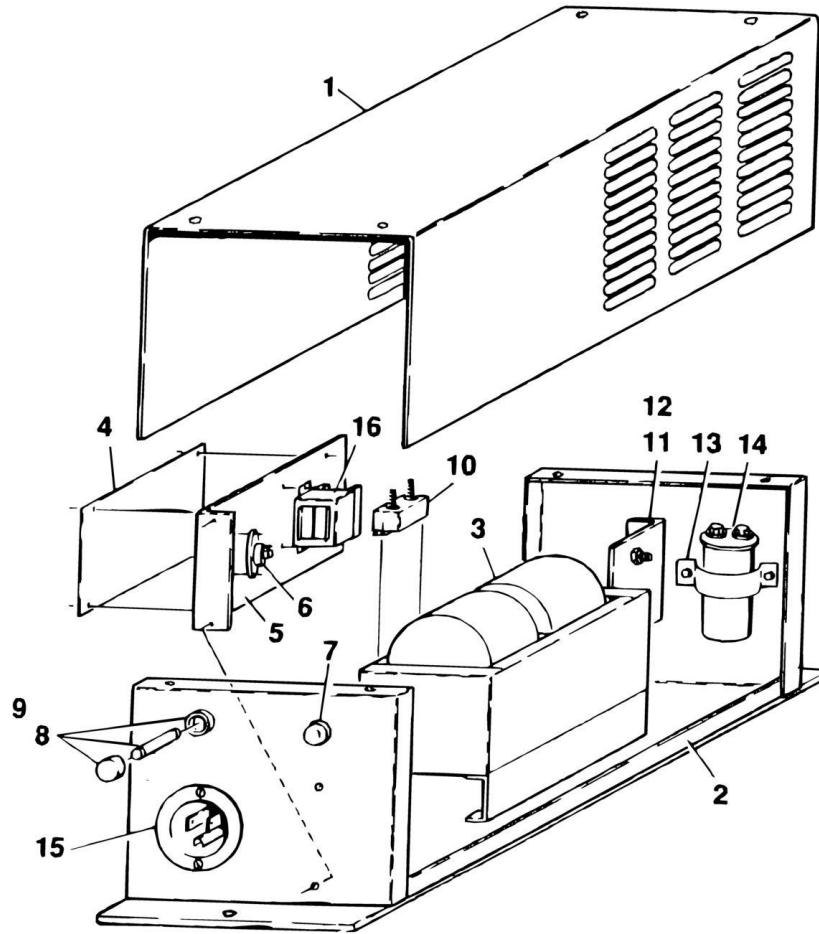
ITEM	PART NUMBER	QTY	DESCRIPTION	REV
		Ref	FRAME MOUNTED COMPONENTS INSTALLATION	
		Ref	LIMIT SWITCH INSTALLATION (STANDARD PARTS)	
1	4360322	1	Switch, Limit	
2	3930828	2	Bolt, Socket Head #8-32 x 1 3/4in	
3	4750800	2	Flatwasher #8	
4	4770800	2	Starwasher #6	
5	3310801	2	Nut #8-32	
	0252664	Ref	LIMIT SWITCH INSTALLATION (PRIOR TO OCTOBER 1992) (VARIABLE PARTS)	-
51	4070802	2	Shim	
	0253635	Ref	LIMIT SWITCH INSTALLATION (OCTOBER 1992 TO PRESENT) (VARIABLE PARTS)	-
51	Not Required	0	Shim	
	0253485	Ref	OPTIONAL TILT INDICATOR INSTALLATION	B
101	4360303	1	Switch/Harness Assembly	
101	4360171	1	Sensor	
101	1060300	9 ft/2.7m	Cable, Electrical 16/3	
102	0641407	2	Bolt 1/4in-20NC x 7/8in	
103	4761400	2	Lockwasher 1/4in	
104	3311401	2	Nut 1/4in-20NC	
	0251762	Ref	ALARM INSTALLATION - DESCENT (OPTIONAL)	B
	0251761	Ref	ALARM INSTALLATION - MOTION (OPTIONAL)	B
	0251760	Ref	ALARM INSTALLATION - TRAVEL (OPTIONAL)	B
	0254287	Ref	ALARM INSTALLATION - DESCENT (UL) (OPTIONAL)	A
	0254285	Ref	ALARM INSTALLATION - MOTION (UL) (OPTIONAL)	B
	0254286	Ref	ALARM INSTALLATION - TRAVEL (UL) (OPTIONAL)	A
201		Ref	Alarm Options:	
201	0140025	NLA	Alarm, Horn (No Longer Available - Use 0140033)	
201	0140033	1	Alarm, Horn (August 1993 to Present)	
202	4300038	2	Stud (Welded on Part)	
203	4761500	2	Lockwasher 5/16in	
204	3311501	2	Nut 5/16in-18NC	
	0252853	Ref	LADDER INSTALLATION (OPTIONAL)	A
301	4844049	1	Ladder Weldment	
301	3520071	2	Cap, Plastic	
302	0641610	4	Bolt 3/8in-16 NC x 1 1/4in	
303	4761600	4	Lockwasher 3/8in	
304	4751600	4	Flatwasher 3/8in	
305	3311601	4	Nut 3/8in-16NC	
	0252182	Ref	BATTERY CHARGER INSTALLATION (STANDARD)	F
401	0400093	1	Battery Charger Assembly	
402	0641512	1	Bolt 5/16in-18NC x 1 1/2in	
403	4751500	2	Flatwasher 5/16in	
404	4761500	2	Lockwasher 5/16in	
405	3311501	2	Nut 5/16in-18NC	
406	3535688	1	Plate, Cover	
407	0641406	2	Bolt 1/4in-20NC x 3/4in	
407	4751400	2	Flatwasher 1/4in (Not Shown)	
408	3311401	2	Nut 1/4in-20NC	
409	4761400	2	Lockwasher 1/4in	

SECTION 1 - FRAME

ITEM	PART NUMBER	QTY	DESCRIPTION	REV
410	0960807	1	Bushing, Spacer	
411	0641508	1	Bolt 5/16in-18NC x 1in	
	0252274	Ref	BEACON LIGHT INSTALLATION (OPTIONAL)	C
501	2920087	1	Light, Beacon	
502	0901546	1	Bracket, Mounted	
503	4300032	2	Stud (Welded on Part)	
504	4761400	2	Lockwasher 1/4in	
505	3311401		Nut 1/4in-20NC	
507	1060341	6 ft/1.8m	Cable, Electrical - 16/2	
	0252376	Ref	GENERATOR INSTALLATION - 110V (REDI-LINE) (OPTIONAL)	A
601	2460022	1	Generator	
602	3311501	4	Nut 5/16in-18NC	
603	4761500	4	Lockwasher 5/16in	
604	4751500	4	Flatwasher 5/16in	
605	0641508	4	Bolt 5/16in-18NC x 1in	
606	1060045	1	Cable (Ground)	
607	1060436	1	Cable (Power)	
608	0840027	1	Boot, Cable	

SECTION 1 - FRAME

FIGURE 1-5. BATTERY CHARGER ASSEMBLY



SECTION 1 - FRAME

FIGURE 1-5. BATTERY CHARGER ASSEMBLY

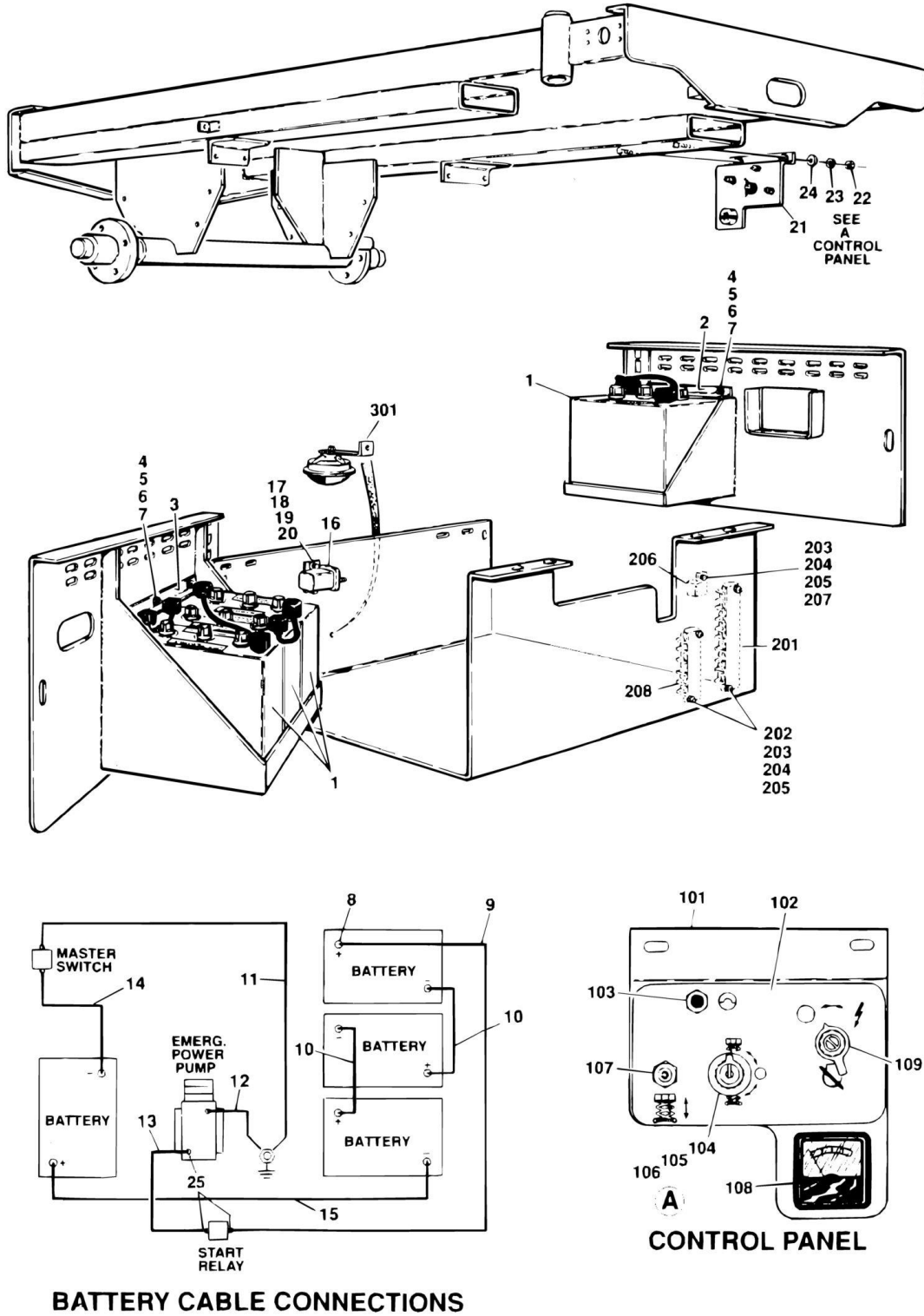
ITEM	PART NUMBER	QTY	DESCRIPTION	REV
	0400093	Ref	BATTERY CHARGER ASSEMBLY	B
1	Not Serviced	1	Cover, Case	
2	Not Serviced	1	Case, Main	
3	7011556	1	Transformer	
4		Ref	Circuit Board Options:	
4	7011557	1	Board, Circuit - Use 70116653 as Replacement (Without LED Lights) (Prior to Nov. 1992)	
4	7011653	1	Board, Circuit - Use 70116653 as Replacement (With LED Lights) (Nov. 1992 to January 1995)	
4	7011665	1	Board, Circuit (With LED Lights) (January 1995 to Present)	
5	7011516	1	Bracket, Mounting - Circuit Board	
6	7011517	1	Triac	
7	7011506	1	Light, Pilot (When Equipped)	
8	7011507	1	Holder, Fuse	
9		Ref	Fuse Options:	
9	7011548	1	Fuse - 10 Amp (Standard Machines)	
9	7011654	1	Fuse - 10 Amp (UL Machines)	
10	7011509	1	Breaker, Circuit	
11		Ref	Heatsink Options:	
11	7011558	1	Heat Sink (Prior to October 1991)	
11	7011615	1	Heat Sink (October 1991 to Present)	
12		Ref	Diode Options:	
12	7011559	2	Diode (Prior to October 1991)	
12	7011576	2	Diode (October 1991 to Present)	
13	7011560	1	Strap, Mounting - Condenser	
14	7011523	1	Condense 4 mfd	
15	7011513	1	Receptacle - AC	
16	7011518	1	Control	
17		Ref	Note: See Serial Number Nameplate located on Charger. First line is the Charger Spec and Date Code. Example: BA515 (Spec) AP (Date Code). First Letter in the Date Code Indicates Month (A-January/B-February/C-March/etc. with exception of Letter "I" which is not used). Second Letter Indicates Year (N-1992/O-1993/P-1994/S-1995/etc.)	

SECTION 2 - GROUND COMPONENTS CM1432/CM1432 PLUS/CM1732

**SECTION 2 - GROUND COMPONENTS CM1432/CM1432
PLUS/CM1732**

SECTION 2 - GROUND COMPONENTS CM1432/CM1432 PLUS/CM1732

FIGURE 2-1. ELECTRICAL COMPONENTS INSTALLATION



BATTERY CABLE CONNECTIONS

CONTROL PANEL

SECTION 2 - GROUND COMPONENTS CM1432/CM1432 PLUS/CM1732

FIGURE 2-1. ELECTRICAL COMPONENTS INSTALLATION

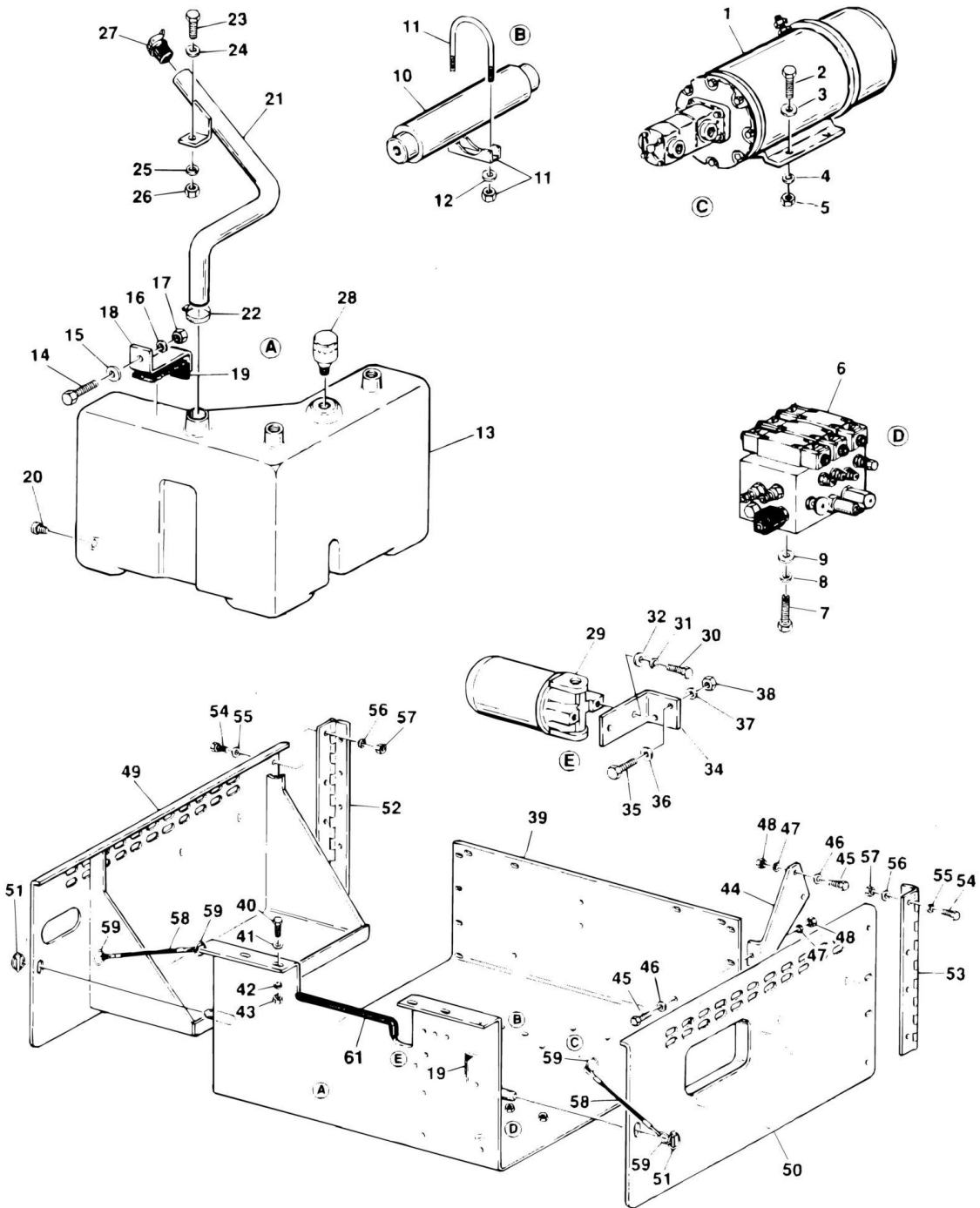
ITEM	PART NUMBER	QTY	DESCRIPTION	REV
		Ref	ELECTRICAL COMPONENTS INSTALLATION	
	0252627	Ref	ELECTRICAL COMPONENTS INSTALLATION (STANDARD)	G
1	0400067	4	Battery (Wet)	
1	0400113	4	Battery (Dry)	
2	0181623	1	Angle - Left Side	
3	0181622	1	Angle - Right Side	
4	0641407	5	Bolt 1/4in-20NC x 7/8in	
5	4751400	5	Flatwasher 1/4in	
6	4761400	5	Lockwasher 1/4in	
7	3311401	5	Nut 1/4in-20NC	
8	0840031	8	Boot, Terminal	
9	1060400	1	Cable, Battery (Battery Positive to Starter Relay)	
10	1060221	2	Cable, Battery (Battery Positive to Battery Negative)	
11	1060080	1	Cable, Battery (Master Switch to Ground)	
12	1060221	1	Cable, Battery (Motor to Ground)	
13	1060221	1	Cable, Battery (Motor to Starter Relay)	
14	1060401	1	Cable, Battery (Battery Negative to Master Switch)	
15	1060401	1	Cable, Battery (Left Side Battery Positive to Right Side Battery Negative)	
16	3740068	1	Relay (Start)	
17	0641407	2	Bolt 1/4in-20NC x 7/8in	
18	4751400	2	Flatwasher 1/4in	
19	4761400	2	Lockwasher 1/4in	
20	3311401	2	Nut 1/4in-20NC	
21	0252630	1	Control Panel Assembly (Includes Items 101-109)	-
22	3311401	2	Nut 1/4in-20NC	
23	4761400	2	Lockwasher 1/4in	
24	4751400	2	Flatwasher 1/4in	
25	0840025	3	Boot, Terminal	
26	0100048	AR	Compound, Silicone (Not Shown)	
	0252630	Ref	CONTROL PANEL ASSEMBLY	A
101	3535820	1	Panel, Control	
102	3252174	1	Nameplate - Ground Control	
103	4360070	1	Breaker, Circuit - 15 Amp	
104	4360290	1	Switch, Key (Select)	
104	7010698	1 st	Key, Replacement	
105	4360267	1	Block, Contact	
106	4360281	1	Block, Contact	
107	4360202	1	Switch, Toggle - DPDT/MC/MO (Lift)	
108	2420116	1	Ammeter	
109	4360155	1	Switch, Master (On/Off)	
		Ref	ELECTRICAL DIAGRAM	
201	4460277	1	Strip, Terminal - 14 Position	
202	3911016	4	Screw, Machine #10-24NC x 1in	
203	4751000	5	Flatwasher #10	
204	4761000	5	Lockwasher #10	
205	3311001	5	Nut #10-24NC	
206	3740069	1	Relay	
207	0751006	1	Screw, Machines #10-24NC x 3/4in	
207	4761000	1	Lockwasher #10	

SECTION 2 - GROUND COMPONENTS CM1432/CM1432 PLUS/CM1732

ITEM	PART NUMBER	QTY	DESCRIPTION	REV
207	3311101	1	Nut #10-24NC	
208	4460007	1	Strip, Terminal - 6 Position	
		Ref	HORN INSTALLATION (OPTIONAL)	
301	0140022	1	Horn	
	0254884	Ref	HOURLMETER AT GROUND INSTALLATION (NOT SHOWN)	A
	2900864	1	Hourmeter At Ground Kit	
	0902060	1	Bracket	
	4921665	1	Harness	
	2420106	1	Gauge, Hourmeter	

SECTION 2 - GROUND COMPONENTS CM1432/CM1432 PLUS/CM1732

FIGURE 2-2. HYDRAULIC COMPONENTS AND COVERS INSTALLATION



SECTION 2 - GROUND COMPONENTS CM1432/CM1432 PLUS/CM1732

FIGURE 2-2. HYDRAULIC COMPONENTS AND COVERS INSTALLATION

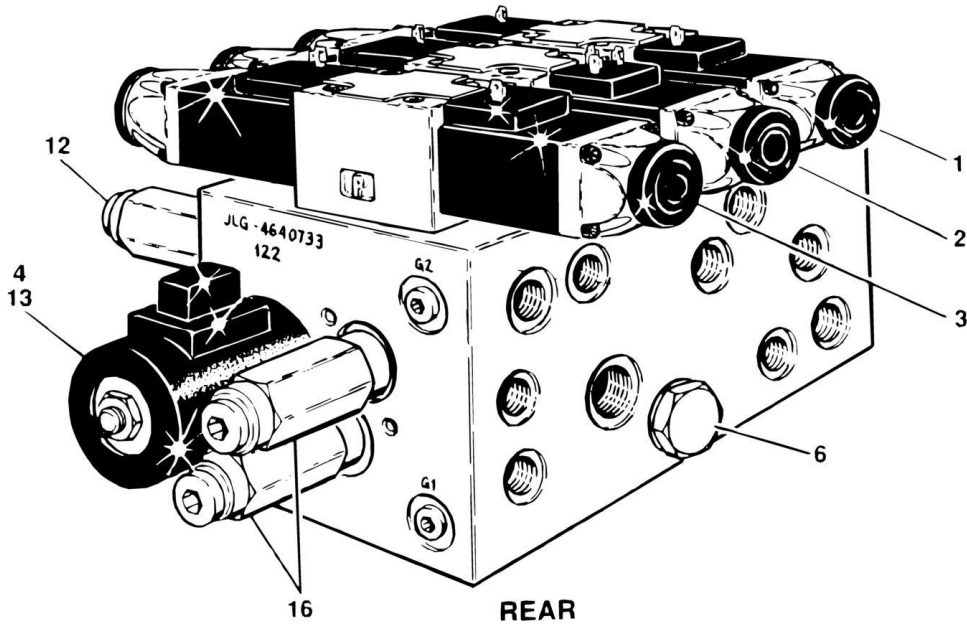
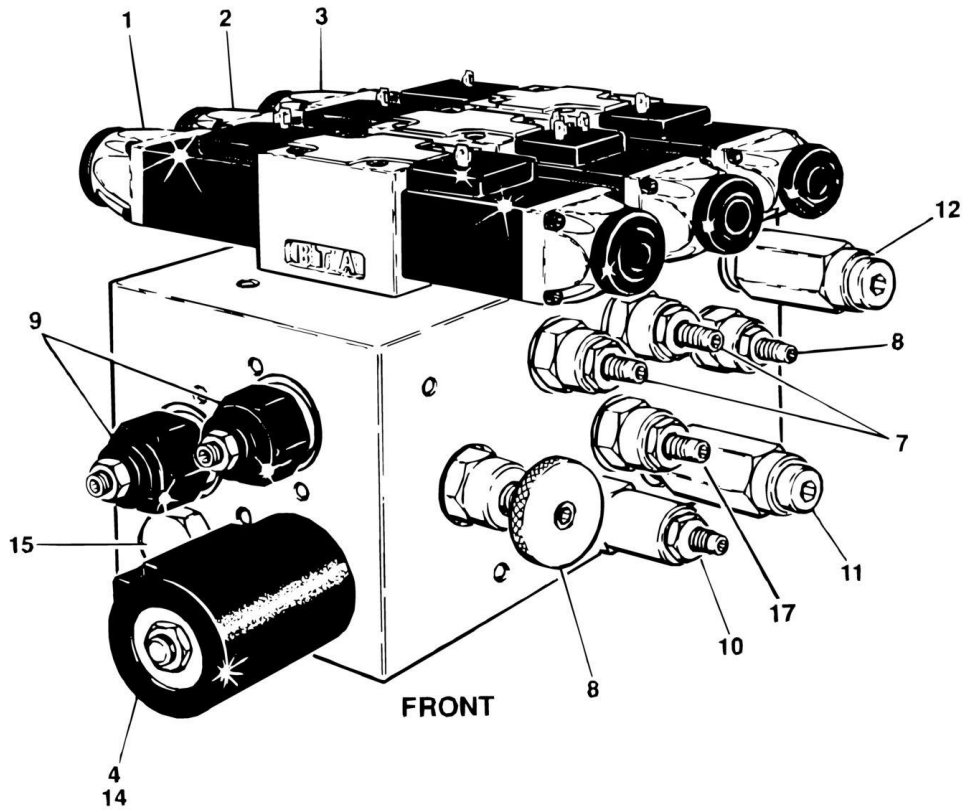
ITEM	PART NUMBER	QTY	DESCRIPTION	REV
		Ref	HYDRAULIC COMPONENTS AND COVERS INSTALLATION	
	0252627	Ref	MOTOR AND HYDRAULIC COMPONENTS INSTALLATION	G
1	3600184	1	Pump/Motor Assembly	
1	7010943	1	Electric Motor Assembly	
1	7010640	8	Spring, Brush	
1	7010639	2	Brush Set	
1	7010951	1	Pump Assembly	
1	7010944	1	Flex Coupling Kit	
2	0641609	4	Bolt 3/8in-16NC x 1 1/8in	
3	4751600	4	Flatwasher 3/8in	
4	4761600	4	Lockwasher 3/8in	
5	3311601	4	Nut 3/8in-16NC	
6	4640733	1	Control Valve Assembly (See CONTROL VALVE ASSEMBLY for Breakdown)	
7	0641508	3	Bolt 5/16in-18NC x 1in	
8	4761500	3	Lockwasher 5/16in	
9	4751500	3	Flatwasher 5/16in	
10	1682664	1	Cylinder, Cushion	
11	1320185	1	Clamp, Muffler	
12	4751500	2	Flatwasher 5/16in	
13	4400337	1	Tank Hydraulic	
14	0641508	1	Bolt 5/16in-18NC x 1in	
15	4751500	1	Flatwasher 5/16in	
16	4761500	1	Lockwasher 5/16in	
17	3311501	1	Nut 5/16in-18NC	
18	0901792	1	Bracket, Mounting	
19	4420038	1	Tape, Seal	
		ft/30.5cm		
20	3520076	1	Plug, Magnetic	
20	0100020	AR	Sealant	
21	4565623	1	Tube, Filter	
22	1320033	1	Clamp	
27	3520077	1	Plug, Reducer	
28	1340052	1	Breather	
28	0100020	AR	Sealant	
29	2120105	1	Filter, Hydraulic	
29	2120072	1	Element, Filter - 20 Micron (Standard)	
29	2120148	1	Element, Filter - 10 Micron (Optional)	
30	0641406	2	Bolt 1/4in-20NC x 3/4in	
31	4761400	2	Lockwasher 1/4in	
32	4751400	2	Flatwasher 1/4in	
34	0901831	1	Bracket, Filter	
35	0641406	2	Bolt 1/4in-20NC x 3/4in	
36	4751400	2	Flatwasher 1/4in	
37	4761400	2	Lockwasher 1/4in	
38	3311401	2	Nut 1/4in-20NC	
39	4843909	1	Tray	
40	0641609	8	Bolt 3/8in-16NC x 1 1/8in	
41	4751600	8	Flatwasher 3/8in	
42	4761600	8	Lockwasher 3/8in	

SECTION 2 - GROUND COMPONENTS CM1432/CM1432 PLUS/CM1732

ITEM	PART NUMBER	QTY	DESCRIPTION	REV
43	3311601	8	Nut 3/8in-16NC	
44	3535680	2	Plate, Support	
45	0641609	3	Bolt 3/8in-16NC x 1 1/8in	
46	0641600	3	Flatwasher 3/8in	
47	4761600	3	Lockwasher 3/8in	
48	3311601	3	Nut 3/8in-16NC	
49	4843910	1	Door - Right Side	
50	4843911	1	Door - Left Side	
51	3421970	2	Pin, Clip	
52	2600175	1	Hinge - Right Side	
53	2600176	1	Hinge - Left Side	
54	0641508	8	Bolt 5/16in-18NC x 1in	
55	4751500	8	Flatwasher 5/16in	
56	4761500	8	Lockwasher 5/16in	
57	3311501	8	Nut 5/16in-18NC	
58	1060380	2	Cable, Lanyard	
59	3760170	4	Ring	
61	4060804	13	Flex-Trim	
		in/33cm		
62	1320095	2	Clamp (Not Shown)	
63	4280289	1	Strip, Cover (Located on Top of Frame)	
64	4060853	1	Cover, Frame Tray (Located on Top of Frame)	

SECTION 2 - GROUND COMPONENTS CM1432/CM1432 PLUS/CM1732

FIGURE 2-3. CONTROL VALVE ASSEMBLY - HYDRO-AIR



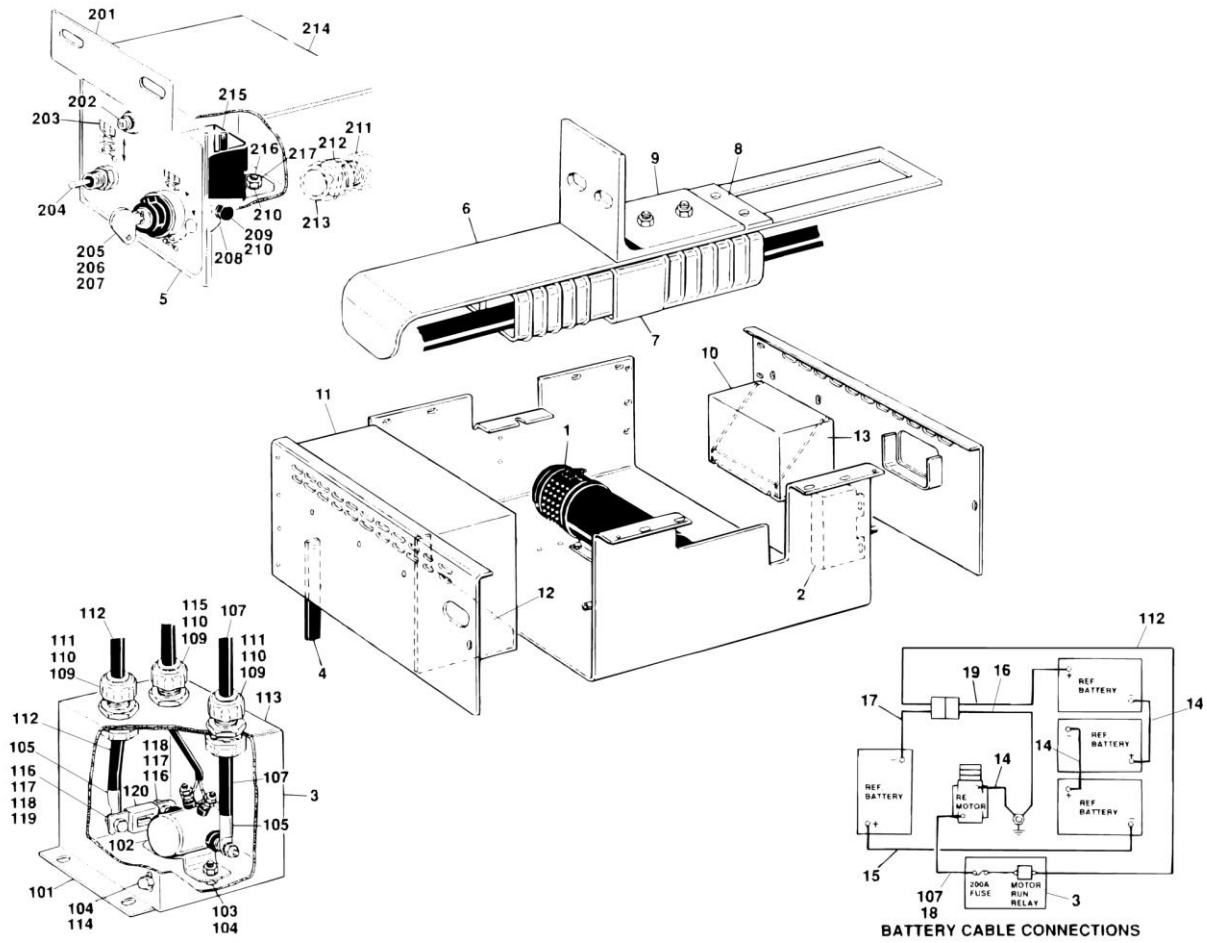
SECTION 2 - GROUND COMPONENTS CM1432/CM1432 PLUS/CM1732

FIGURE 2-3. CONTROL VALVE ASSEMBLY - HYDRO-AIR

ITEM	PART NUMBER	QTY	DESCRIPTION	REV
	4640733	Ref	CONTROL VALVE ASSEMBLY - HYDRO-AIR (MACHINES WITH BANG-BANG DRIVE)	A
1	4640737	1	Rexroth Directional Valve Assembly (Drive)	
1	7012726	2	Coil (Rexroth)	
1	7012725	1	Seal Kit (Rexroth)	
2	4640745	1	Rexroth Directional Valve Assembly (Lift/Hi-Drive)	
2	7012726	1	Coil - 1 Prong (Rexroth)	
2	7012732	1	Coil - 3 Prong (Rexroth)	
2	7012725	1	Seal Kit (Rexroth)	
3	4640740	1	Rexroth Directional Valve Assembly (Steer)	
3	7012727	2	Coil (Rexroth)	
3	7012725	1	Seal Kit (Rexroth)	
4	7012900	2	Coil - 20 Volt (Hydraforce)	
6	7012930	1	Valve, Check	
6	2900756	1	Seal Kit (Hydraforce CV10-20-0-N-5)	
7	7010544	2	Valve, Flow Control (Brake Speed and Lift/Lower Speed Adjustments)	
7	7012901	2	Seal Kit (Hydraforce FC10-20A-0-N) (1 Per Cartridge)	
8	7012933	2	Valve, Needle (Tow and Creep Adjustments)	
8	7012901	2	Seal Kit (Hydraforce NV10-20A-0-N) (1 Per Cartridge)	
9	7004361	2	Valve, Load Control (Drive Motion Adjustments)	
9	2900706	2	Seal Kit (1 Per Cartridge)	
10	7012934	1	Valve, Sequence (Hi-Drive Kickout Adjustment)	
10	2900707	1	Seal Kit (Hydraforce PS10-32A-0-N-15/11)	
11	7012932	1	Valve, Relief (P1 Relief Pressure Adjustment) (Hydraforce Version)	
11	2900708	1	Seal Kit (Hydraforce RV10-20H-0-N-33/27)	
12	7012932	1	Valve, Relief (P2 Relief Pressure Adjustment)	
12	2900708	1	Seal Kit (Hydraforce RV10-20H-0-N-33/27)	
13	7012920	1	Valve, Solenoid - Less Coil (Mid-Drive) (Hydraforce SV10-25-0-N-00) (Order Coil Separately)	
13	2900708	1	Seal Kit	
14	7012919	1	Valve, Solenoid - Less Coil (Positive Traction) (Hydraforce SV10-42-0-N-00) (Order Coil Separately)	
14	7012903	1	Seal Kit	
15	7012929	1	Valve, Flow Divider	
15	7012904	1	Seal Kit (Hydraforce FD10-40-0-N-44)	
16	7012931	2	Valve, Relief (Steer Relief Adjustments)	
16	2900708	2	Seal Kit (Hydraforce RV10-20H-N-33/15 and RV10-26H-N-30/15) (1 Per Cartridge)	
17	7012912	1	Valve, Relief (Lift Relief Pressure) (Machines Built June 1993 to Present Only)	
17	7010541	1	Seal Kit (Hydraforce RV08-20A-0-N-33)	

SECTION 2 - GROUND COMPONENTS CM1432/CM1432 PLUS/CM1732

FIGURE 2-4. UL LISTED COMPONENTS INSTALLATION - GROUND COMPONENTS



SECTION 2 - GROUND COMPONENTS CM1432/CM1432 PLUS/CM1732

FIGURE 2-4. UL LISTED COMPONENTS INSTALLATION - GROUND COMPONENTS

ITEM	PART NUMBER	QTY	DESCRIPTION	REV
		Ref	UL LISTED COMPONENTS INSTALLATION - GROUND COMPONENTS	
		Ref	Note: Shown here are non-standard components used only on UL listed machines. Loss of UL approval will result if unapproved parts are used as replacements.	
	0253989	Ref	ELECTRICAL/HYDRAULIC TRAY INSTALLATION	B
1	2901207	1	Motor Band Kit	
2	3536983	1	Plate, Terminal Cover	
3	0860858	1	Fuse Box Assembly (See Items 101-120 for Breakdown)	
4	4240084	1	Strap, Anti-Static	
5	0860859	1	Ground Control Box Assembly (See Items 201-217 for Breakdown)	
6	3536915	1	Handle, Disconnect	
7	4460490	2	Connector	
8	0362205	1	Bar	
9	0181702	1	Angle	
10	0253927	1	Battery Cover Assembly - LH	
11	0253936	1	Battery Cover Assembly - RH	
12	3536938	4	Plate, Battery Divider	
13	3536937	2	Plate, Battery Divider	
14	1060221	3	Cable, Battery - 12 in Length (Motor to Ground) and (Battery to Battery)	
15	1060401	1	Cable, Battery - 56 in Length (Battery to Battery)	
16	1060483	1	Cable, Battery - 24 in Length (Connector to Ground)	
17		Ref	Cable, Battery - 36 in Length (Battery to Connector)	
17	1060482	1	Cable, Battery (Prior to August 1995)	
17	1060600	1	Cable, Battery (August 1995 to Present)	
18	See Item 107	1	Cable, Battery	
19		Ref	Cable, Battery (Connector to Battery)	
19	1060483	1	Cable, Battery (Prior to August 1995)	
19	1060601	1	Cable, Battery (August 1995 to Present)	
	0860858	Ref	FUSE BOX ASSEMBLY	A
101	0860857	1	Box	
102	3740073	1	Relay	
103	3311401	2	Nut 1/4in-20NC	
104	4761400	5	Lockwasher 1/4in	
105	4460199	2	Ring, Terminal	
107	1060484	1	Cable, Battery (Fuse to Motor) (Prior to August 1995)	
107	1060599	1	Cable, Battery (Fuse to Motor) (August 1995 to Present)	
109	3300047	3	Locknut, Conduit	
110	0960239	3	Bushing	
111	4460071	2	Connector	
112		Ref	Cable, Battery (Relay to Connector)	
112	1060485	1	Cable, Battery (Prior to August 1995)	
112	1060482	1	Cable, Battery (August 1995 to Present)	
113	3536982	1	Cover, Box	
114	3941404	3	Screw, Self-Tapping 1/4in x 1/2in	
115	4460049	1	Connector	
116	4761600	3	Lockwasher 3/8in	
117	3321601	3	Nut, Jam 3/8in-16NC	
118	4740087	4	Flatwasher, Copper	

SECTION 2 - GROUND COMPONENTS CM1432/CM1432 PLUS/CM1732

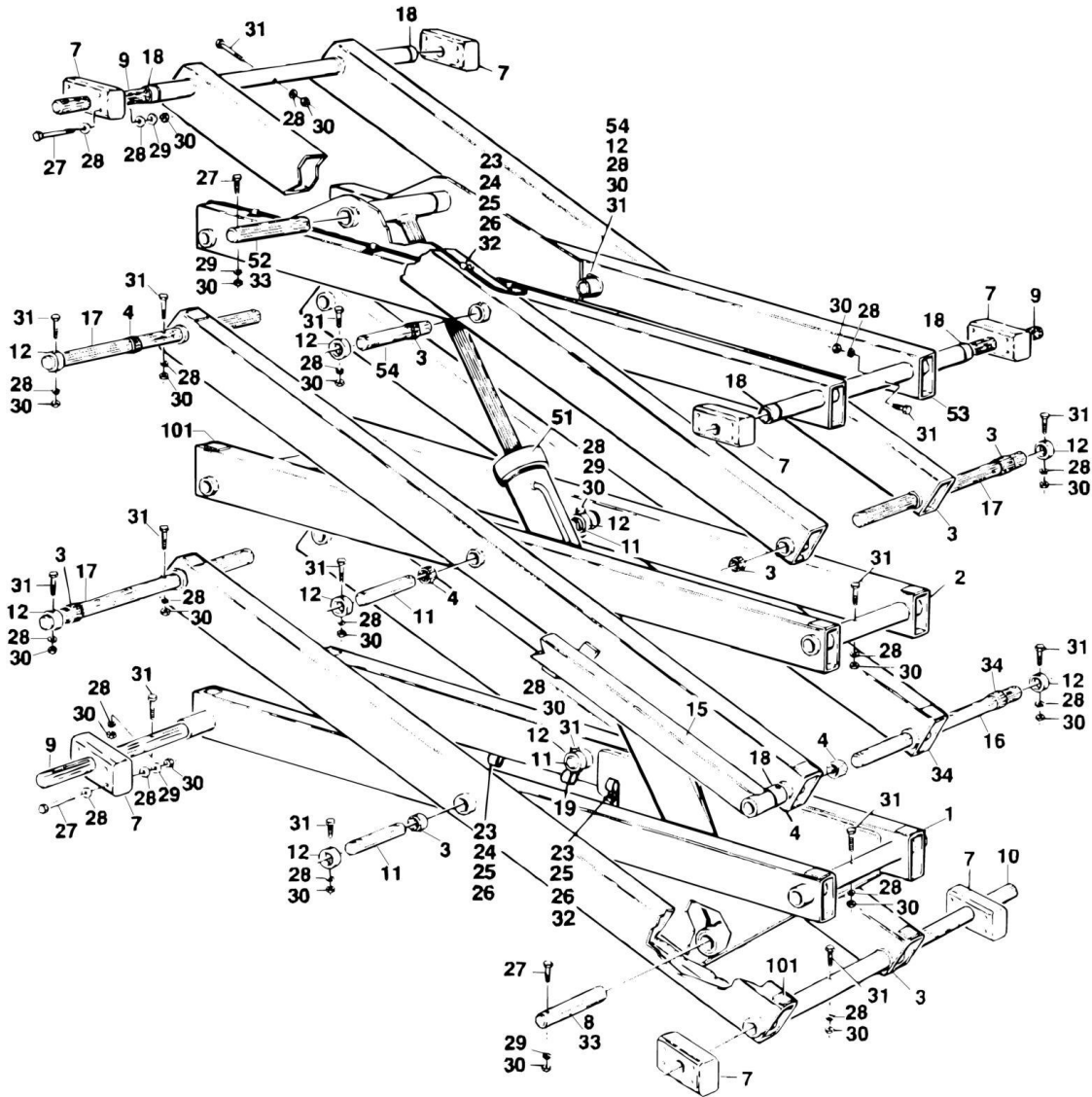
ITEM	PART NUMBER	QTY	DESCRIPTION	REV
119	0641608	1	Bolt 3/8in-16NC x 1in	
120	2400041	1	Fuse - 200 Amp	
	0860859	Ref	GROUND CONTROL BOX ASSEMBLY	-
201	3536939	1	Box	
202	4360070	1	Breaker, Circuit	
203	3252276	1	Nameplate - Ground Control	
204	4360202	1	Switch, Toggle	
205	4360290	1	Switch, Key	
205	7010698	1 st	Key, Replacement	
206	4360267	1	Block, Contact	
207	4360281	1	Block, Contact	
208	3300181	4	Nut, Retainer	
209	0641406	4	Bolt 1/4in-20NC x 3/4in	
210	4761400	5	Lockwasher 1/4in	
211	4460051	1	Connector	
212	0960239	1	Bushing	
213	3300047	1	Locknut, Conduit	
214	3536940	1	Cover	
215	3710069	1	Relay	
216	4300068	1	Stud (Welded on Part)	
217	3311401	1	Nut 1/4in-20NC	

SECTION 3 - SIZZOR ARMS CM1432/CM1432 PLUS/CM1732

SECTION 3 - SIZZOR ARMS CM1432/CM1432 PLUS/CM1732

SECTION 3 - SIZZOR ARMS CM1432/CM1432 PLUS/CM1732

FIGURE 3-1. SIZZOR ARMS INSTALLATION - CM1432 AND CM1432 PLUS



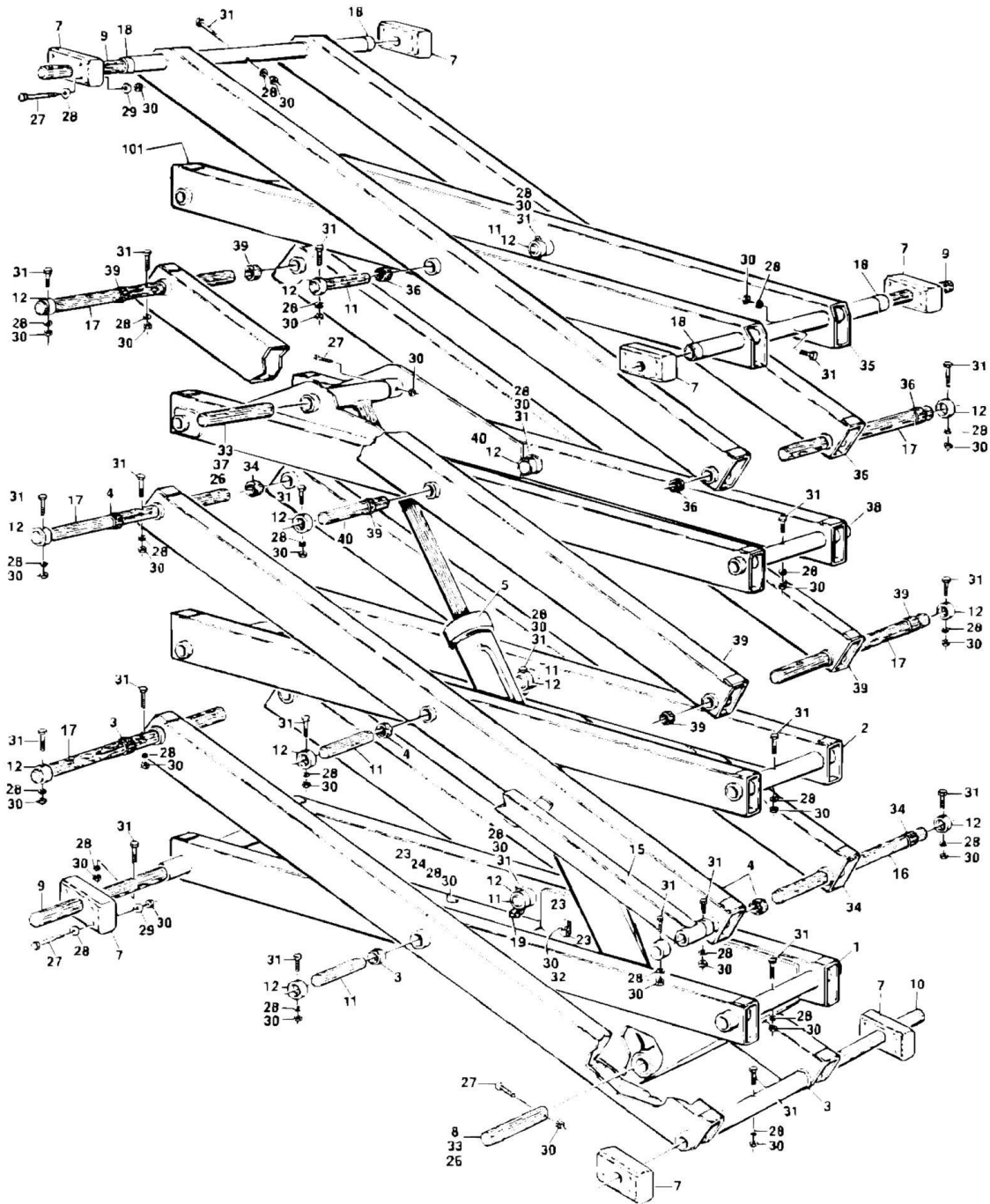
SECTION 3 - SIZZOR ARMS CM1432/CM1432 PLUS/CM1732

FIGURE 3-1. SIZZOR ARMS INSTALLATION - CM1432 AND CM1432 PLUS

ITEM	PART NUMBER	QTY	DESCRIPTION	REV
		Ref	SIZZOR ARMS INSTALLATION - CM1432 & CM1432 PLUS	
	1282051	Ref	SIZZOR ARMS INSTALLATION (STANDARD PARTS)	I
	2901374	1	Arms Kits	-
	2901372	1	Arms Kits	-
1	0200510	1	Arm Weldment (Bottom Inboard)	
2	0200438	1	Arm Weldment (Mid Inboard)	
3	0200514	2	Arm Weldment (Top and Bottom Outboard)	
3	0961560	8	Bushing, Excellite (4 Per arm Weldment)	
4	0200440	1	Arm Weldment (Mid Outboard - Left Side)	
4	0961560	3	Bushing, Excellite	
7	3340629	8	Pad, Slide Block	
8	3421894	1	Pin, Cylinder Attach (Bottom)	
9	3421895	3	Pin, Attach	
10	3421896	1	Pin, Attach	
11	3421897	4	Pin, Attach	
12	1440231	14	Collar	
15	4565700	1	Prop, Safety	
16	3421975	1	Pin, Attach	
17	3421976	3	Pin, Attach	
18	0961566	5	Bushing Spacer	
19	1320041	1	Clamp	
23	1320061	10	Clamp	
24	4300038	7	Stud (Welded on Part)	
25	4761500	10	Lockwasher 5/16in	
26	3311501	8	Nut 5/16in-18NC	
27	0641522	34	Bolt 5/16in-18NC x 2 3/4in	
28	4751500	64	Flatwasher 5/16in	
29	4711500	32	Flatwasher 5/16 Narrow	
30	3311505	45	Locknut 5/16in-18NC	
31	0641520	28	Bolt 5/16in-18NC x 2 1/2in	
32	0641506	3	Bolt 5/16in-18NC x 3/4in	
33	3020022	AR	Grease	
34	0200446	1	Arm Weldment (Mid Outboard - Right Side) (Part of Kit)	
34	0961560	3	Bushing, Excellite	
	0251834	Ref	SIZZOR ARMS INSTALLATION - CM1432 (VARIABLE PARTS)	I
51	1682505	1	Lift Cylinder Assembly (See CYLINDERS SECTION for Breakdown)	
52	3421894	1	Pin, Cylinder Attach (Top)	
53	0200510	1	Arm Weldment (Top Inboard) (Part of Kit)	
54	3421897	2	Pin, Attach	
	0253874	Ref	SIZZOR ARMS INSTALLATION - CM1432 PLUS (VARIABLE PARTS)	C
51	1682907	1	Lift Cylinder Assembly (See CYLINDERS SECTION for Breakdown)	
52	3422216	1	Pin, Cylinder Attach (Top)	
53	0200511	1	Arm Weldment (Top Inboard) (Part of Kit)	
54	3422284	2	Pin, Attach	
	0252586	Ref	PAD INSTALLATION	-
101	3340645	16	Pad	

SECTION 3 - SIZZOR ARMS CM1432/CM1432 PLUS/CM1732

FIGURE 3-2. SIZZOR ARMS INSTALLATION - CM1732



SECTION 3 - SIZZOR ARMS CM1432/CM1432 PLUS/CM1732

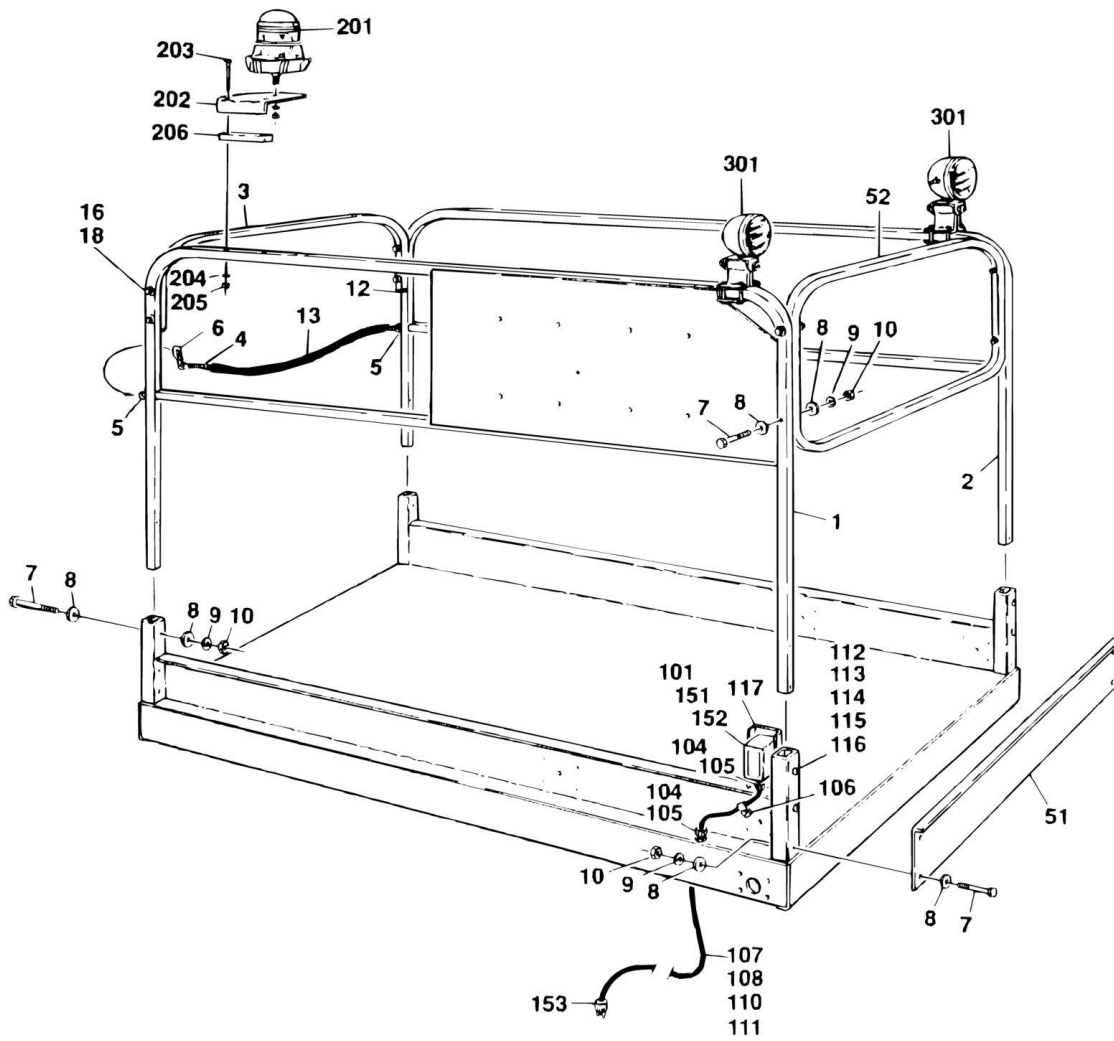
FIGURE 3-2. SIZZOR ARMS INSTALLATION - CM1732

ITEM	PART NUMBER	QTY	DESCRIPTION	REV
		Ref	SIZZOR ARMS INSTALLATION - CM1732	
	0253843	Ref	SIZZOR ARMS INSTALLATION (STANDARD PARTS)	E
	2901370	1	Arms Kit	-
1	0200510	1	Arm Weldment (Bottom Inboard)	
2	0200438	1	Arm Weldment (Lower Mid Inboard)	
3	0200514	1	Arm Weldment (Bottom Outboard)	
3	0961560	4	Bushing, Escellite	
4	0200440	1	Arm Weldment (Lower Mid Outboard - Left Side)	
4	0961560	3	Bushing, Excellite	
5	1682907	1	Lift Cylinder Assembly (See CYLINDERS SECTION for Breakdown)	
7	3340673	8	Pad, Slide Block	
8	3421894	1	Pin, Cylinder Attach (Bottom)	
9	3421895	3	Pin, Attach	
10	3421896	1	Pin, Attach	
11	3421897	6	Pin, Attach	
12	1440231	21	Collar	
15	4565700	1	Prop, Safety	
16	3421975	1	Pin, Attach	
17	3421976	5	Pin, Attach	
18	0961566	5	Bushing Spacer	
19	1320041	1	Clamp	
23	1320061	4	Clamp	
24	4300038	1	Stud (Welded on Part)	
26	2160002	2	Fitting, Grease	
27	0641522	18	Bolt 5-16in-18NC x 2 3/4in	
28	4751500	64	Flatwasher 5/16in	
29	4711500	32	Flatwasher 5/16in Narrow	
30	3311505	59	Locknut 5/16in - 18NC	
31	0641520	38	Bolt 5/16in-18NC x 2 1/2in	
32	0641506	3	Bolt 5/16in-18NC x 3/4in	
33	3020022	AR	Grease	
34	0200446	1	Arm Weldment (Lower Mid Outboard-Right Side) (Part of Kit)	
34	0961560	3	Bushing, Excellite	
35	0200512	1	Arm Weldment (Top Inboard) (Part of Kit)	
36	0200513	1	Arm Weldment (Top Outboard) (Part of Kit)	
36	0961560	4	Bushing, Excellite	
37	3422216	1	Pin, Cylinder Attach (Top)	
38	0200509	1	Arm Weldment (Upper Mid Inboard) (Part of Kit)	
39	0200446	2	Arm Weldment (Upper Mid Outboard) (Part of Kit)	
39	0961560	6	Bushing, Excellite (3 Per Arm)	
40	3422284	2	Pin	
	1281758	Ref	PAD INSTALLATION	
101	3340645	22	Pad	

SECTION 4 - PLATFORM CM1432/CM1432 PLUS/CM1732

SECTION 4 - PLATFORM CM1432/CM1432 PLUS/CM1732

FIGURE 4-1. PLATFORM AND HANDRAIL INSTALLATION



SECTION 4 - PLATFORM CM1432/CM1432 PLUS/CM1732

FIGURE 4-1. PLATFORM AND HANDRAIL INSTALLATION

ITEM	PART NUMBER	QTY	DESCRIPTION	REV
		Ref	PLATFORM AND HANDRAIL INSTALLATIONS	
	3510338	1	Platform Weldment (CM1432 Built Prior to May 1993)	
	3510412	1	Platform Weldment - Fixed (CM1432 Built May 1993 to Present/CM1432 Plus/CM1732)	
	3510413	1	Platform Weldment - With Extension (CM1432 Built May 1993 to Present/CM1432 Plus/CM1732)	
	1281599	Ref	HANDRAILS INSTALLATION (STANDARD PARTS)	D
1	3640750	1	Handrail Weldment - Right Side	
2	3640751	1	Handrail Weldment - Left Side	
3	4565201	1	Tube - Rear	
4	1260136	2 ft/.6m	Chain	
5	3010088	2	Link	
6	2940064	1	Snap-Hook	
7	0641424	AR	Bolt 1/4in - 20NC x 3	
8	4711400	AR	Flatwasher 1/4in Narrow	
9	4761400	AR	Lockwasher 1/4in	
10	3311401	AR	Nut 1/4in - 20NC	
12	3520072	2	Plug, Cap	
13	2820024	2 ft/.6m	Tubing, Vinyl	
16	3900184	4	Screw, Button Head #10-24NC x 5/8in	
18	3300375	4	Nut, Joint Connector	
	0251878	Ref	HANDRAILS INSTALLATION - FIXED PLATFORM (VARIABLE PARTS)	E
51	3534682	1	Kickplate - Front	
52	3640796	1	Handrail - Front	
	0251879	Ref	HANDRAILS INSTALLATION - FIXED PLATFORM (VARIABLE PARTS)	D
51	Not Required	0	Not Required	
52	Not Required	0	Not Required	
	1281713	Ref	OPTIONAL 110 VOLT RECEPTACLE INSTALLATION (STANDARD PARTS WHEN EQUIPPED)	A
	1282155	Ref	OPTIONAL 220 VOLT RECEPTACLE INSTALLATION (STANDARD PARTS WHEN EQUIPPED)	-
101	0860038	1	Box, Receptacle	
104	4460049	2	Connector, Strain Relief	
105	0960407	2	Bushing, Reducer	
106	1320061	2	Clamp	
107	1060308	AR	Cable, Electrical - 12/3	
108	4240033	10	Tie-Strap	
110	1700598	2	Decal - Ground (Wire Marker)	
111	1700599	2	Decal - Neutral (Wire Marker)	
112	0641420	1	Bolt 1/4in - 20NC x 2 1/2in	
113	4751400	3	Flatwasher 1/4in	
114	4761400	3	Lockwasher 1/4in	
115	3311401	3	Nut 1/4in - 20NC	
116	0641406	2	Bolt 1/4in - 20NC x 3/4in	
117	3535681	1	Plate, Mounting - Receptacle Box	
	0252372	Ref	OPTIONAL 110 VOLT RECEPTACLE INSTALLATION - STANDARD RECEPTACLE (CM1432) (VARIABLE PARTS)	D
	0254035	Ref	OPTIONAL 110 VOLT RECEPTACLE INSTALLATION - STANDARD RECEPTACLE (CM1732) (VARIABLE PARTS)	A

SECTION 4 - PLATFORM CM1432/CM1432 PLUS/CM1732

ITEM	PART NUMBER	QTY	DESCRIPTION	REV
151	4460190	1	Receptacle, Electrical	
152	4060092	1	Cover, Weather-proof	
153	4460138	1	Plug, Connector	
	0252373	Ref	OPTIONAL 110 VOLT RECEPTACLE INSTALLATION - GROUND FAULT INTERRUPT RECEPTACLE (CM1432) (VARIABLE PARTS)	C
	0254036	Ref	OPTIONAL 110 VOLT RECEPTACLE INSTALLATION - GROUND FAULT INTERRUPT RECEPTACLE (CM1732) (VARIABLE PARTS)	A
151	4460346	1	Receptacle, Electrical (With Ground Fault Interrupt)	
152	4060700	1	Cover, Weatherproof	
153	4460205	1	Plug, Connector	
	0254376	Ref	OPTIONAL 220 VOLT RECEPTACLE INSTALLATION - STANDARD RECEPTACLE (CM1432) (VARIABLE PARTS)	-
	0254377	Ref	OPTIONAL 220 VOLT RECEPTACLE INSTALLATION - STANDARD RECEPTACLE (CM1732) (VARIABLE PARTS)	-
151	Supply Locally	1	Receptacle, Electrical	
152	4060092	1	Cover, Weather-proof	
153	4460138	1	Plug, Connector	
	0253502	Ref	OPTIONAL BEACON LIGHT INSTALLATION (CM1432)	-
	0253503	Ref	OPTIONAL BEACON LIGHT INSTALLATION (CM1432) (UL)	-
	0254038	Ref	OPTIONAL BEACON LIGHT INSTALLATION (CM1732)	-
	0254039	Ref	OPTIONAL BEACON LIGHT INSTALLATION (CM1732) (UL)	-
201	2920087	1	Light, Beacon (Amber)	
202	0901546	1	Bracket, Mounting	
203	0641418	2	Bolt 1/4in - 20NC x 2 1/4in	
204	4761400	2	Lockwasher 1/4in	
205	3311401	2	Nut 1/4in - 20NC	
206	0362063	1	Bar, Spacer	
	1060300	AR	Cable, Electrical - 16/3	
	0253474	Ref	OPTIONAL WORKLIGHTS INSTALLATION (CM1432)	-
	0253475	Ref	OPTIONAL WORKLIGHTS INSTALLATION (CM1432) (U/L)	-
	0254032	Ref	OPTIONAL WORKLIGHTS INSTALLATION (CM1732)	-
	0254033	Ref	OPTIONAL WORKLIGHTS INSTALLATION (CM1732) (U/L)	-
301	2920093	2	Lamp	
301	1060341	AR	Cable, Electrical - 16/2	
	0252973	Ref	OPTIONAL PLATFORM ACCESS GATE INSTALLATION (NOT SHOWN)	A
	4844100	1	Door, Platform Access	
	4844104	1	Rail, Latching Side	
	4160028	1	Spring	

SECTION 4 - PLATFORM CM1432/CM1432 PLUS/CM1732

FIGURE 4-2. OPTIONAL PLATFORM EXTENSION INSTALLATION

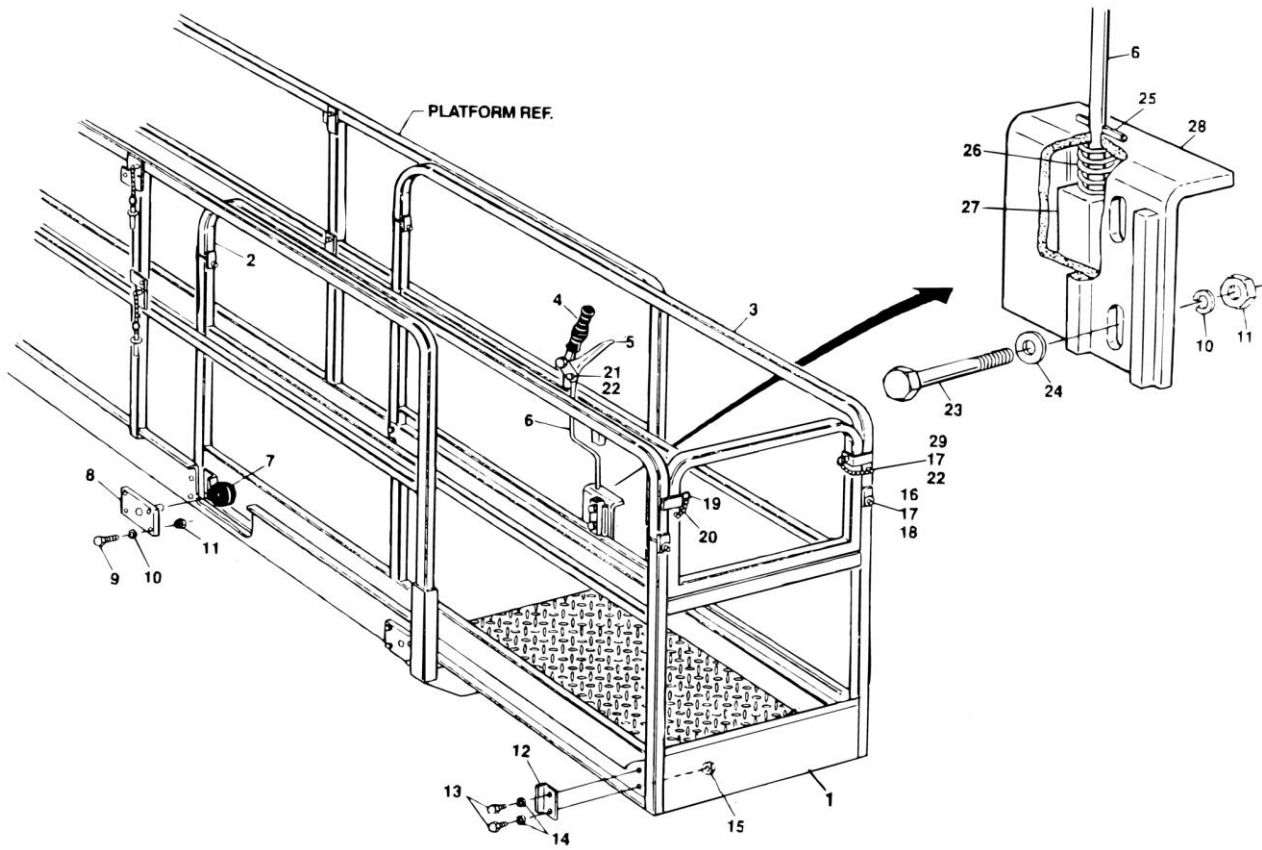
ITEM	PART NUMBER	QTY	DESCRIPTION	REV
		Ref	OPTIONAL PLATFORM EXTENSION INSTALLATION WITH STANDARD HANDRAILS	
	0252737	Ref	OPTIONAL PLATFORM EXTENSION INSTALLATION (STANDARD PARTS)	C
1	3510492	1	Extension Weldment	
2	4843706	4	Mount, Roller	
3	0641508	16	Bolt 5/16in - 18NC x 1in	
4	4751500	18	Flatwasher 5/16in	
5	3311501	18	Nut 5/16in - 18NC	
6	3860052	4	Roller	
6	4712200	AR	Shim, Flatwasher (Steel)	
6	4740066	AR	Shim, Flatwasher (Thin Bronze)	
7	0181684	4	Stop, Angle	
8	0641408	8	Bolt 1/4in - 20NC x 1in	
9	4761400	12	Lockwasher 1/4in	
10	3311401	12	Nut 1/4in - 20NC	
11	3841074	1	Rod, Release	
12	2980113	1	Lever, Release	
13	2560088	1	Grip, Handle	
14	0641406	5	Bolt 1/4in - 20NC x 3/4in	
15	3311405	3	Locknut 1/4in - 20NC	
16	3440413	2	Rollpin 1/8in x 13/16in	
17	4160078	1	Spring	
18	0361912	1	Block, Latch	
19	2940061	1	Latch, Weldment	
20	3251852	1	Nameplate - Capacity	
21	3820001	2	Rivet	
22	4751500	4	Flatwasher 5/16in	
23	0641516	2	Bolt 5/16in - 18NC x 2in	
24	3252136	1	Nameplate - Control Box Location	
25	4711400	4	Flatwasher 1/4in Narrow	
26	4791400	4	Starwasher 1/4in	
27	0901830	2	Bracket, Latch	
28	0901906	2	Bracket, Retaining	
29	0641416	2	Bolt 1/4in - 20NC x 2in	
30	4751400	4	Flatwasher 1/4in	
		Ref	OPTIONAL PLATFORM EXTENSION LIMIT SWITCHES INSTALLATION	
101	4360277	1	Switch, Limit	
102	4360236	1	Actuator, Switch	
103	4360278	1	Roller and Arm	
104	4460052	1	Connector, Strain Relief	
105	3900168	2	Screw, Special	
106	4920140	2	Lockwire	
108	3534995	1	Plate, Mounting	
109	3931416	2	Bolt, Socket Head 1/4in - 20NC x 1in	
110	3311401	2	Nut 1/4in - 20NC	
111	4761400	2	Lockwasher 1/4in	
112	3520072	1	Plug, Cap	
113	1060341	AR	Cable, Electrical - 16/2	

SECTION 4 - PLATFORM CM1432/CM1432 PLUS/CM1732

ITEM	PART NUMBER	QTY	DESCRIPTION	REV
114	3300047	1	Locknut, Conduit	
115	0960239	1	Bushing	
	0251705	Ref	OPTIONAL PLATFORM EXTENSION LIMIT SWITCH INSTALLATION (PRIOR TO AUGUST 1993) (VARIABLE PARTS REQUIRED WITH STEEL CONSOLE BOX)	B
151	4460049	1	Connector, Strain Relief	
	0254319	Ref	OPTIONAL PLATFORM EXTENSION LIMIT SWITCH INSTALLATION (PRIOR TO AUGUST 1993) (VARIABLE PARTS REQUIRED WITH MOLDED CONSOLE BOX)	A
	0254368	Ref	OPTIONAL PLATFORM EXTENSION LIMIT SWITCH INSTALLATION (PRIOR TO AUGUST 1993) (VARIABLE PARTS REQUIRED WITH MOLDED CONSOLE BOX)	A
	0253616	Ref	OPTIONAL PLATFORM EXTENSION LIMIT SWITCH INSTALLATION (AUGUST 1993 TO PRESENT) (VARIABLE PARTS REQUIRED WITH MOLDED CONSOLE BOX)	B
	0254367	Ref	OPTIONAL PLATFORM EXTENSION LIMIT SWITCH INSTALLATION (AUGUST 1993 TO PRESENT) (VARIABLE PARTS REQUIRED WITH MOLDED CONSOLE BOX)	-
151	4460052	1	Connector, Strain Relief	

SECTION 4 - PLATFORM CM1432/CM1432 PLUS/CM1732

FIGURE 4-3. OPTIONAL EXTENDABLE DECK INSTALLATION WITH FOLD-DOWN HANDRAILS



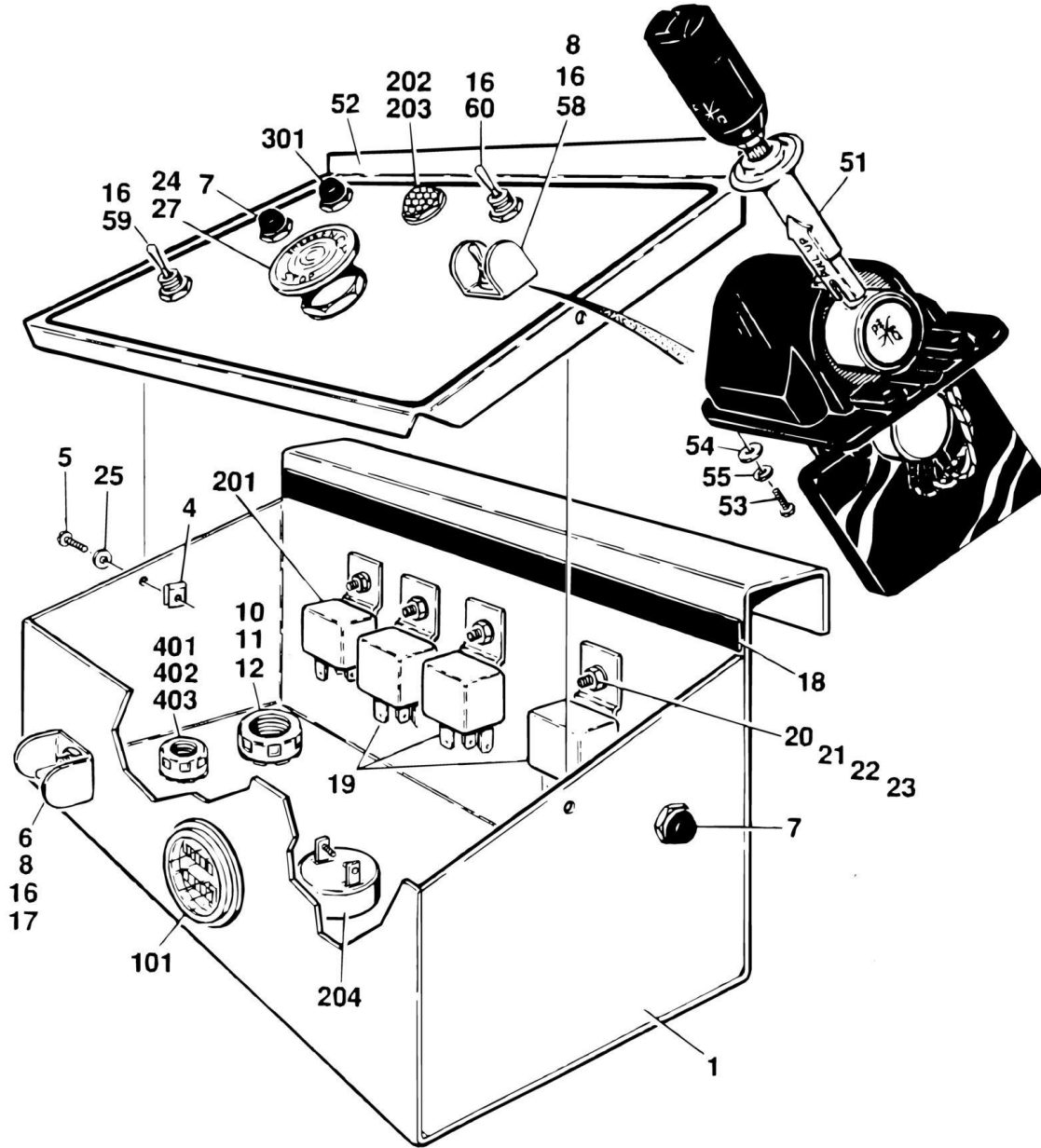
SECTION 4 - PLATFORM CM1432/CM1432 PLUS/CM1732

FIGURE 4-3. OPTIONAL EXTENDABLE DECK INSTALLATION WITH FOLD-DOWN HANDRAILS

ITEM	PART NUMBER	QTY	DESCRIPTION	REV
		Ref	OPTIONAL EXTENDABLE DECK INSTALLATION WITH FOLD-DOWN HANDRAILS	
	0254237	Ref	EXTENDABLE DECK INSTALLATION	B
1	3510495	1	Platform Deck Weldment	
2	3640888	1	Handrail - Right Side	
3	3640887	1	Handrail - Left Side	
4	2560088	1	Grip, Handle	
5	2980113	1	Release Lever Assembly	
6	3841201	1	Rod, Release	
7	3860052	4	Roller	
7	4712200	AR	Shim, Flatwasher (Steel)	
7	4740066	AR	Shim, Flatwasher (Thin Bronze)	
8	4843706	4	Mounting Weldment - Roller	
9	0641510	16	Bolt 5/16in - 18NC x 1 1/4in	
10	4761500	18	Lockwasher 5/16in	
11	3311501	18	Nut 5/16in - 18NC	
12	0181684	4	Angle	
13	0641406	8	Bolt 1/4in - 20NC x 3/4in	
14	4761400	12	Lockwasher 1/4in	
15	3311401	8	Nut 1/4in - 20NC	
16	3430416	4	Pin, Clevis 1/4in x 2in	
17	4711400	12	Flatwasher 1/4in Narrow	
18	3450203	4	Pin, Cotter 1/16in x 3/4in	
19	3421913	2	Pin, Quick Release	
20	1260017	14 in/35.6c	Chain (2 Lengths 7 in/17.8 Each)	
21	0641406	1	Bolt 1/4in - 20NC x 3/4in	
22	3311405	3	Locknut 1/4in - 20NC	
23	0641516	2	Bolt 5/16in - 18NC x 2in	
24	4751500	4	Flatwasher 5/16in	
25	3440413	2	Rollpin 1/8in x 13/16in	
26	4160078	1	Spring	
27	0361912	1	Bar, Latch	
28	2940061	1	Latch, Weldment	
29	0641416	2	Bolt 1/4in - 20NC x 2in	

SECTION 4 - PLATFORM CM1432/CM1432 PLUS/CM1732

FIGURE 4-4. STEEL PLATFORM CONSOLE BOX ASSEMBLY



SECTION 4 - PLATFORM CM1432/CM1432 PLUS/CM1732

FIGURE 4-4. STEEL PLATFORM CONSOLE BOX ASSEMBLY

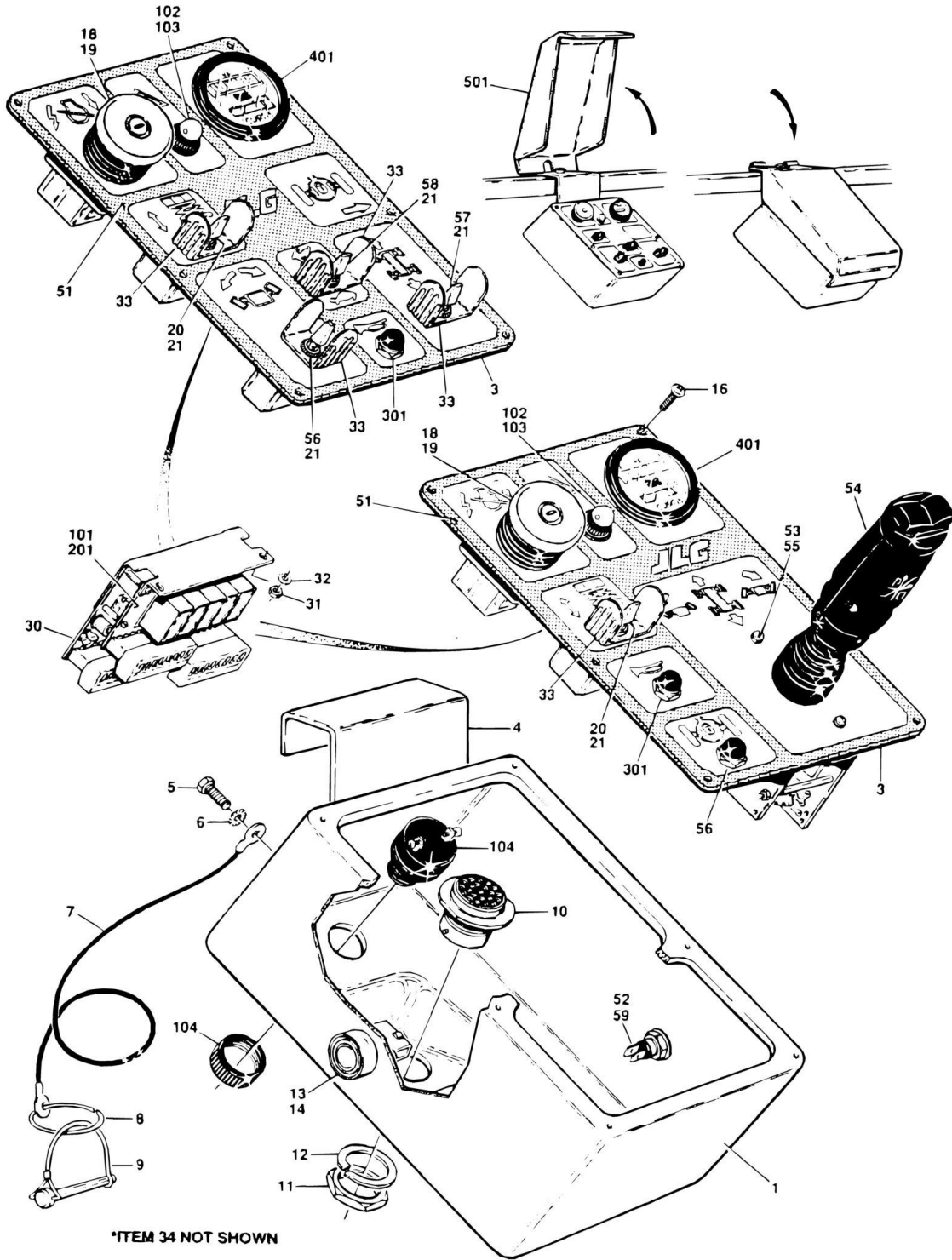
ITEM	PART NUMBER	QTY	DESCRIPTION	REV
		Ref	STEEL PLATFORM CONSOLE BOX ASSEMBLY	
		Ref	CONSOLE BOX ASSEMBLY (STANDARD PARTS)	
1	3534838	1	Box	
4	3300177	2	Nut, Tinnerman	
5	0751006	2	Screw, Machine #10 x 3/4in	
6	4360202	1	Switch, Toggle - DPDT/MC/CO (Lift)	
7	4360274	1	Switch, Push Button - SPST (Posi Trac)	
8	4060229	AR	Shield, Switch	
10	4460051	1	Connector, Strain Relief	
11	3300048	1	Locknut, Conduit	
12	0960238	1	Bushing	
16	3790012	AR	O-Ring	
17	3251860	1	Nametag - Lift	
18	4420008	32 in/.8m	Tape, Insulation	
19	3740069	AR	Relay, Power	
20	3910608	AR	Screw, Machines #6 x 1/2in	
21	4760600	AR	Lockwasher #6	
22	4750600	AR	Flatwasher #6	
23	3310601	2	Nut #6-32NC	
24	4360289	1	Switch, Push-Pull (Emergency Stop)	
25	4740120	2	Washer, Nylon	
27	0100035	AR	Loctite #222	
	0251505	Ref	CONSOLE BOX ASSEMBLY (WITH TOGGLE SWITCH DRIVE-STANDARD) (VARIABLE PARTS)	A
51	Not Required	0	Not Required	
52	3252065	1	Lid, Control Box	
53	Not Required	0	Not Required	
54	Not Required	0	Not Required	
55	Not Required	0	Not Required	
58	4360202	1	Switch, Toggle - DPDT/MC/CO (Drive)	
59	4360198	1	Switch, Toggle - SPDT/MC/CO (Steer)	
60	4360092	1	Switch, Toggle - (Drive Speed)	
	0253076	Ref	CONSOLE BOX ASSEMBLY (WITH PQ CONTROLLER/BANG-BANG DRIVE - STANDARD) (VARIABLE PARTS)	-
51	1600132	1	Controller, PQ	
52	3252067	1	Lid, Control Box	
53	0720803	4	Screw, Machine #8 x 3/8in	
54	4750800	4	Flatwasher #8	
55	4760800	4	Lockwasher #8	
58	Not Required	0	Not Required	
59	Not Required	0	Not Required	
60	Not Required	0	Not Required	
	0251758	Ref	OPTIONAL BATTERY/HOUR GAUGE INSTALLATION	B
101	2420106	1	Gauge, Battery/Hour	
		Ref	OPTIONAL TILT INDICATOR INSTALLATION	
201	3740069	1	Relay, Power	
202	2920026	1	Light, Indicator - Red	
203	2920094	1	Bulb, Light	
204	0140011	1	Alarm, Sonalert	
	0251788	Ref	OPTIONAL HORN INSTALLATION	B

SECTION 4 - PLATFORM CM1432/CM1432 PLUS/CM1732

ITEM	PART NUMBER	QTY	DESCRIPTION	REV
301	4360274	1	Switch, Push Button	A
	1281952	Ref	OPTIONAL BEACON LIGHT INSTALLATION	
401	4460049	1	Connector, Strain Relief	
402	0960239	1	Bushing	
403	3300047	1	Locknut, Conduit	

SECTION 4 - PLATFORM CM1432/CM1432 PLUS/CM1732

FIGURE 4-5. MOLDED PLATFORM CONSOLE BOX ASSEMBLY



SECTION 4 - PLATFORM CM1432/CM1432 PLUS/CM1732

FIGURE 4-5. MOLDED PLATFORM CONSOLE BOX ASSEMBLY

ITEM	PART NUMBER	QTY	DESCRIPTION	REV
		Ref	MOLDED PLATFORM CONSOLE BOX ASSEMBLY	
		Ref	CONSOLE BOX ASSEMBLY (STANDARD PARTS)	
1	0860784	1	Box, Console	
3	4420008	32 in/.8m	Tape, Insulation	
4	0901859	1	Bracket, Hanger	
5	0641404	4	Bolt 1/4in - 20NC x 1/2in	
6	4791400	4	Starwasher 1/4in	
7	1060380	1	Lanyard - 10in/25.4cm	
9	3421453	1	Pin, Spacer	
10	4460463	1	Receptacle, Terminal	
11	4460470	1	Nut, Panel	
12	4460471	1	Lockwasher	
13	4360339	1	Switch, Push Button	
13	7012593	1	Boot, Green Rubber	
14	4360267	1	Switch, Contact - N.O.	
16	3900177	6	Screw	
18	4360289	1	Switch, Push/Pull (Emergency Stop)	
18	7012611	1	Lens	
18	7012612	1	Boot	
19	0100035	AR	Loctite #222	
20	4360318	1	Switch, Toggle - DPDT/MC	
21	3790012	AR	O-Ring	
30	0610101	1	Card, Circuit (RAM) (Prior to January 1995)	
30	0610113	1	Card, Circuit (Jenesco) (January 1995 to Present)	
30	0610110	1	Bracket, Mounting	
30	7012658	1	Fuse - 7.5 Amp	
31	3310601	2	Nut #6-32NC	
32	4770600	AR	Starwasher #6	
33	4060802	1	Shield, Switch	
34	1701827	1	Decal - Legend	
36	4740066	2	Washer, Thrust (Not Shown)	
	0253098	Ref	CONSOLE BOX ASSEMBLY - STANDARD (WITH TOGGLE SWITCH DRIVE) (VARIABLE PARTS)	E
	0253400	Ref	CONSOLE BOX ASSEMBLY - U/L APPROVED (WITH TOGGLE SWITCH DRIVE) (VARIABLE PARTS)	D
51	3252196	1	Lid, Control Box (Prior to January 1993)	
51	3252253	1	Lid, Control Box (January 1993 to Present)	
52	4360274	1	Switch, Push Button - SPST (Posi Trac)	
53	Not Required	0	Not Required	
54	Not Required	0	Not Required	
55	Not Required	0	Not Required	
56	4360328	1	Switch, Toggle - SPST/MC/CO (Steer)	
57	4360314	1	Switch, Toggle - DPDT/MC/CO (Drive)	
58	4360345	1	Switch, Toggle - SPDT (Drive Speed)(2SPD - Prior to January 1993)	
58	4360355	1	Switch, Toggle - DPDT (Drive Speed) (3SPD - January 1993 to Present)	
59	Not Required	0	Not Required	
	0253100	Ref	CONSOLE BOX ASSEMBLY - STANDARD (WITH PQ CONTROLLER/BANG-BANG DRIVE) (VARIABLE PARTS)	E

SECTION 4 - PLATFORM CM1432/CM1432 PLUS/CM1732

ITEM	PART NUMBER	QTY	DESCRIPTION	REV
	0253403	Ref	CONSOLE BOX ASSEMBLY U/L APPROVED (WITH PQ CONTROLLER/BANG-BANG DRIVE) (VARIABLE PARTS)	C
51	3252194	1	Lid, Control Box	
52	3520026	1	Plug, Hole	
53	4740120	2	Washer, Nylon	
54	1600156	1	Controller, PQ	
55	3900178	2	Screw, Machine #10-32NF x 3/4in	
56	4360274	1	Switch, Push Button - SPST (Posi-Trac)	
57	Not Required	0	Not Required	
58	Not Required	0	Not Required	
59	0100009	AR	Sealant, Silicon	
	2400021	1	FuseHolder (U/L Only) (Not Shown)	
	2400026	1	Fuse - 5Amp (U/L Only) (Not Shown)	
	0253404	Ref	CONSOLE BOX ASSEMBLY - STANDARD (WITH PQ CONTROLLER/PROPORTIONAL DRIVE)	E
	0253408	Ref	CONSOLE BOX ASSEMBLY - U/L APPROVED (WITH PQ CONTROLLER/PROPORTIONAL DRIVE) (VARIABLE PARTS)	C
51	3252194	1	Lid, Control Box	
52	3520026	1	Plug, Hole	
53	4740120	1	Washer, Nylon	
54	1600160	1	Controller, PQ	
55	3900178	2	Screw, Machine #1 0-32NF x 3/4in	
56	4360274	1	Switch, Push Button- SPST (Posi-Trac)	
57	Not Required	0	Not Required	
58	Not Required	0	Not Required	
59	0100009	AR	Sealant, Silicon	
	2400021	1	FuseHolder (U/L Only) (Not Shown)	
	2400026	1	Fuse - 5Amp (U/L Only) (Not Shown)	
	0253485	Ref	TILT INDICATOR INSTALLATION	B
101	0610105	1	Card, Circuit - Relay	
101	0610110	1	Bracket, Mounting	
102	2920094	1	Bulb, Light	
103	2920026	1	Light, Indicator - Red	
104	0140011	1	Alarm, Sonalert	
	0253491	Ref	OPTIONAL DRIVE CUT-OUT INSTALLATION	A
201	0610105	1	Card, Circuit - Relay	
201	0610110	1	Bracket, Mounting	
	0253465	Ref	OPTIONAL HORN INSTALLATION	-
301	4360274	1	Switch, Push Button	
301	4921537	1	Harness, Switch	
	0253499	Ref	OPTIONAL BATTERY/HOUR GAUGE INSTALLATION	A
401	2420106	1	Gauge, Battery/Hour	
	0254158	Ref	OPTIONAL BATTERY GAUGE INSTALLATION	-
401	2420152	1	Gauge, Battery	
	0253548	Ref	OPTIONAL CONSOLE BOX INSTALLATION	-
501	4844327	1	Cover	

SECTION 5 - CYLINDERS CM1432/CM1432 PLUS/CM1732

SECTION 5 - CYLINDERS CM1432/CM1432 PLUS/CM1732

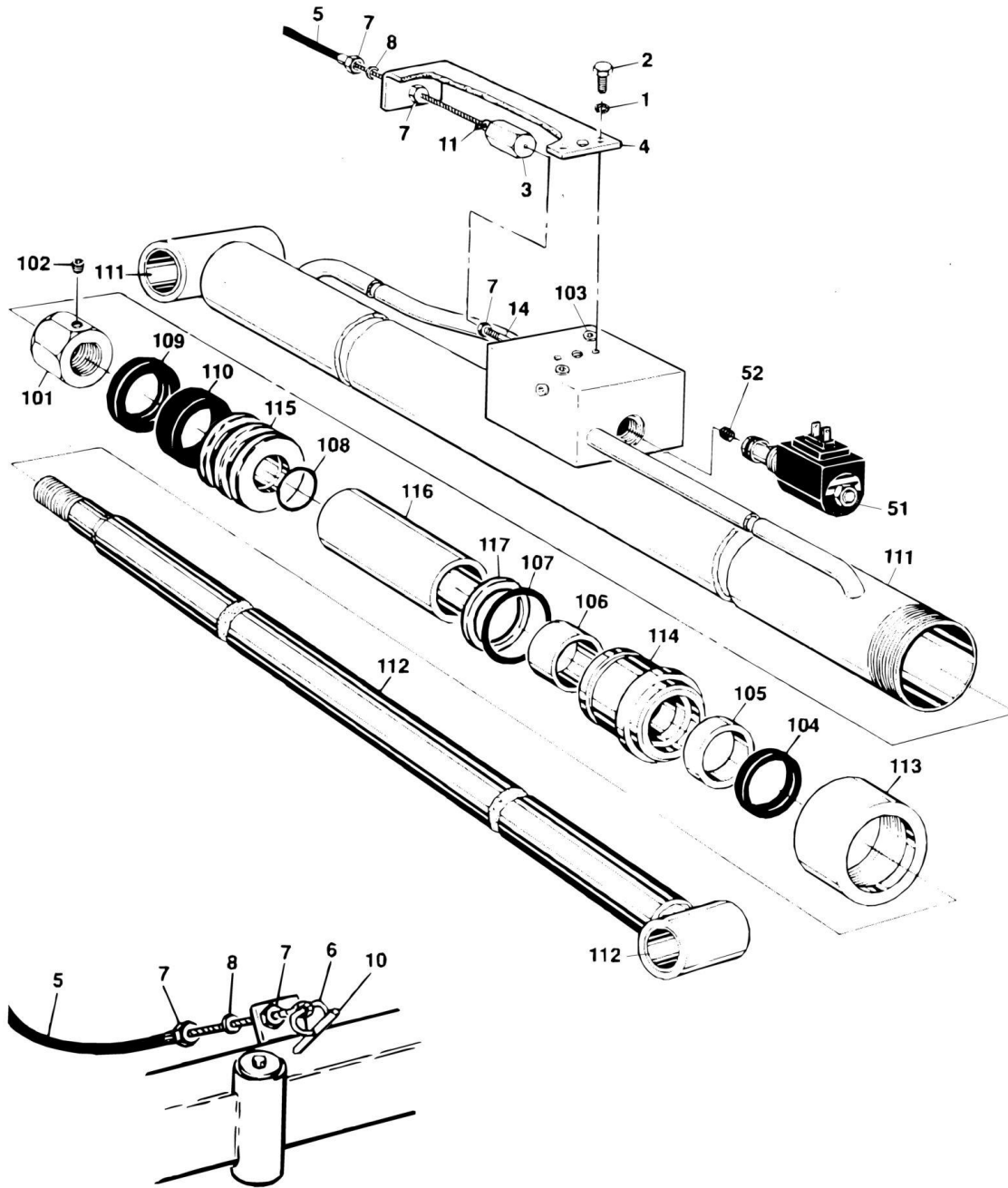
SECTION 5 - CYLINDERS CM1432/CM1432 PLUS/CM1732

FIGURE 5-1. BRAKE CYLINDER ASSEMBLY

ITEM	PART NUMBER	QTY	DESCRIPTION	REV
	1682277	Ref	BRAKE CYLINDER ASSEMBLY (MARCH 1992 TO DECEMBER 1993)	-
	Note	Ref	Note: When replacing complete 1682277 cylinder recommend using 1683098 cylinder.	
	1683098	Ref	BRAKE CYLINDER ASSEMBLY (DECEMBER 1993 TO PRESENT)	
1	7001093	1	Spring, Compression (1682277 Cylinder)	
1	7001618	1	Spring, Compression (1683098 Cylinder)	
2	Not Available	1	Barrel, Cylinder	
3	7001094	1	Spacer (1682277 Cylinder)	
3	7001620	1	Spacer (1683098 Cylinder)	
4	7001095	1	Bolt, Socket Head	
5	Kit	1	O-Ring	
6	Kit	1	Ring, Piston	
7	Kit	1	O-Ring	
8	7001096	1	Piston	
9	Kit	1	O-Ring	
10	Kit	1	Ring, Back-up	
11	Kit	1	Seal	
12	7001097	1	Head	
13	Kit	1	Ring, Wiper	
14	7001098	1	Ring, Retaining	
15	7001099	1	Rod Weldment (1682277 Cylinder)	
15	7001621	1	Rod Weldment (1683098 Cylinder)	
	7001092	1	Seal Kit (Includes Items 5,6,7,9,10,11 & 13)	
	1682277	Ref	BRAKE CYLINDER ASSEMBLY (PRIOR TO MARCH 1992)	-
	Note	1	Note: When replacing complete 1682277 cylinder recommend using 1683098 cylinder.	
101	1682278	1	Barrel Weldment	
102	3931512	1	Bolt, Socket Head 5/16in - 18NC x 3/4in	
102	0100011	AR	Loctite #242	
102	0100038	AR	Primer, Loctite	
103	0361905	1	Bar, Stop	
104	4160100	1	Spring, Compression	
105	4740215	1	Washer, Special	
106	Kit	1	O-Ring	
107	Kit	1	T-Seal	
108	3480145	1	Piston	
109	Kit	1	O-Ring	
110	Kit	2	Ring, Wear	
111	1682276	1	Head	
112	Kit	1	Seal, Rod	
113	Kit	1	Wiper, Rod	
114	3760278	1	Ring, Retainer	
115	1682515	1	Rod Weldment	
	2901160	1	Seal Kit (Includes Items 106, 107, 109, 110, 112 & 113)	

SECTION 5 - CYLINDERS CM1432/CM1432 PLUS/CM1732

FIGURE 5-2. LIFT CYLINDER SUB-ASSEMBLY



SECTION 5 - CYLINDERS CM1432/CM1432 PLUS/CM1732

FIGURE 5-2. LIFT CYLINDER SUB-ASSEMBLY

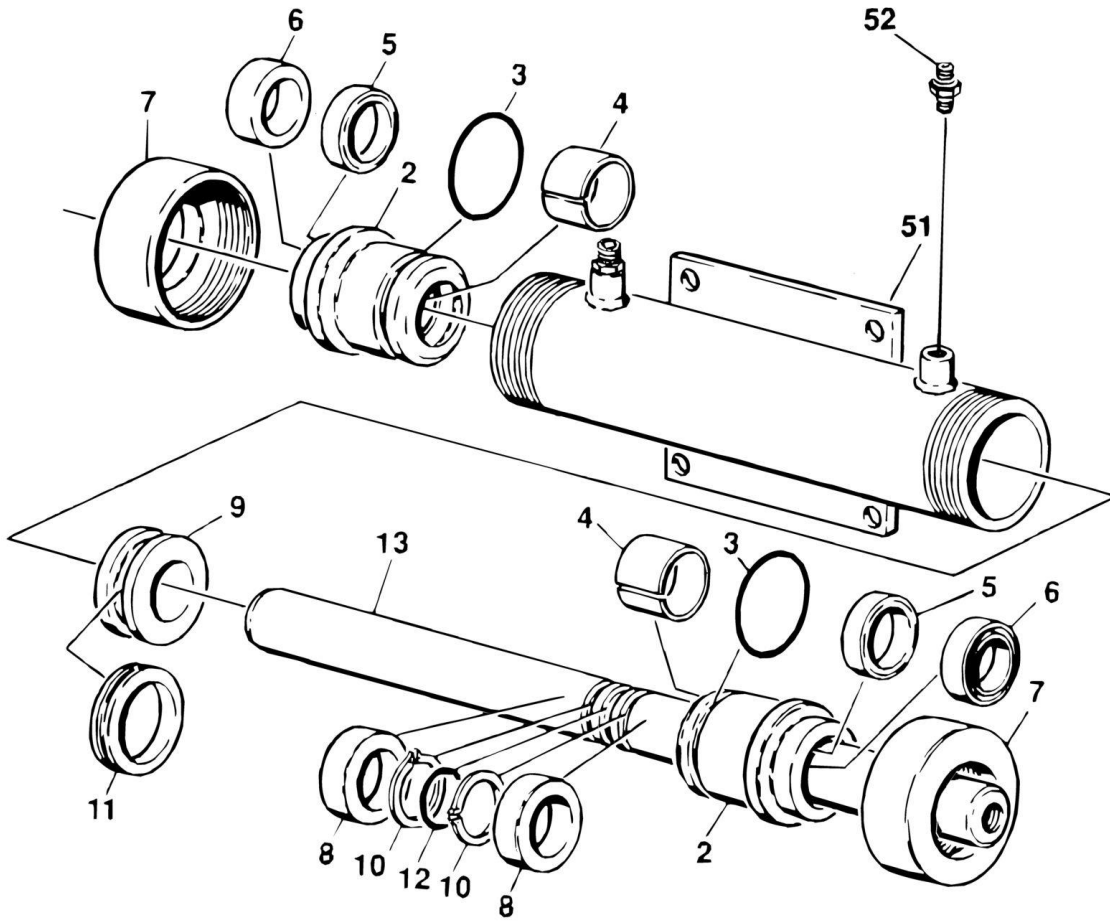
ITEM	PART NUMBER	QTY	DESCRIPTION	REV
	0251834	Ref	VALVES AND CONTROLS INSTALLATION - CM1432 (STANDARD PARTS)	H
	0253874	Ref	VALVES AND CONTROLS INSTALLATION - CM1432PLUS (STANDARD PARTS)	A
	0253843	Ref	VALVES AND CONTROLS INSTALLATION - CM1732 (STANDARD PARTS)	A
1	4761500	2	Lockwasher 5/16in	
2	0641506	2	Bolt 5/16in - 18NC x 3/4in	
3	0080190	1	Adapter	
4	0901757	1	Bracket, Cable	
5	1060403	1	Cable Assembly	
6	3760170	1	D-Ring	
7	3311402	5	Nut, Jam 1/4in - 20NC	
8	4751400	2	Flatwasher 1/4in	
10	3841127	1	Rod, Handle	
11	3450405	1	Pin, Cotter	
14	4640717	1	Cartridge, Valve - Manual Pull Control	
		Ref	VALVES AND CONTROLS INSTALLATION - STANDARD MACHINES (VARIABLE PARTS)	
51	4640381	1	Cartridge, Valve - Solenoid Holding	
51	7004334	1	Coil - 24VDC (Modular Controls Version)	
51	7000644	1	Coil - 24VDC (Hydroforce Version)	
51	2900503	1	Seal Kit (Modular Controls Version)	
51	2900756	1	Seal Kit (Hydroforce Version)	
52	2220894	1	Fitting, Orifice (CM1432 Only) (Not Required on CM1432 Plus & CM1732)	
	1682505	Ref	LIFT CYLINDER ASSEMBLY - CM1432 (STANDARD PARTS)	B
101	3300281	1	Nut, Hex	
102	3900170	1	Setscrew 3/8in - 16NC x 3/8in	
103	2200221	5	Plug, Pipe	
104	Kit	1	Seal, Wiper	
105	Kit	1	Seal, Rod	
106	Kit	1	Ring, Wear	
107	Kit	1	O-Ring	
108	Kit	1	O-Ring	
109	Kit	1	T-Seal	
110	Kit	1	Ring, Wear	
111	1682506	1	Barrel Weldment	
111	0961616	1	Bushing, Bronze	
112	1682508	1	Rod Weldment	
112	0961616	1	Bushing Bronze	
113	1120119	1	Cap, End	
114	1682510	1	Head	
115	3480120	1	Piston	
116	4565208	1	Tube, Spacer	
117	Kit	1	Ring, Back-up	
	0100011	AR	Loctite #242	
	0100020	AR	Sealant, Pipe	
	0100035	AR	Loctite #222	
	0100038	AR	Primer, Locking	
	2901192	1	Seal Kit (Includes Items 104-110 & 117)	

SECTION 5 - CYLINDERS CM1432/CM1432 PLUS/CM1732

ITEM	PART NUMBER	QTY	DESCRIPTION	REV
	1682907	Ref	LIFT CYLINDER ASSEMBLY - CM1432 PLUS & CM1732	B
101	3300281	1	Nut, Hex	
102	3900170	1	Setscrew 3/8in - 16NC x 3/8in	
103	2200221	4	Plug, Pipe	
104	Kit	1	Seal, Wiper	
105	Kit	1	Seal, Rod	
106	Kit	1	Ring, Wear	
107	Kit	1	O-Ring	
108	Kit	1	O-Ring	
109	Kit	1	Ring, Lock	
110	Kit	1	Seal	
111	1682908	1	Barrel Weldment	
111	0961616	1	Bushing, Bronze	
112	1682909	1	Rod Weldment	
112	0961616	1	Bushing, Bronze	
113	1120108	1	Cap, End	
114	1681283	1	Head	
115	3480147	1	Piston	
116	4564885	1	Tube, Spacer	
117	Not Required	0	Not Required	
	0100011	AR	Loctite #242	
	0100020	AR	Sealant, Pipe	
	0100035	AR	Loctite #222	
	0100038	AR	Primer, Locking	
	2901165	1	Seal Kit (Includes Items 104-110)	

SECTION 5 - CYLINDERS CM1432/CM1432 PLUS/CM1732

FIGURE 5-3. STEER CYLINDER ASSEMBLY



SECTION 5 - CYLINDERS CM1432/CM1432 PLUS/CM1732

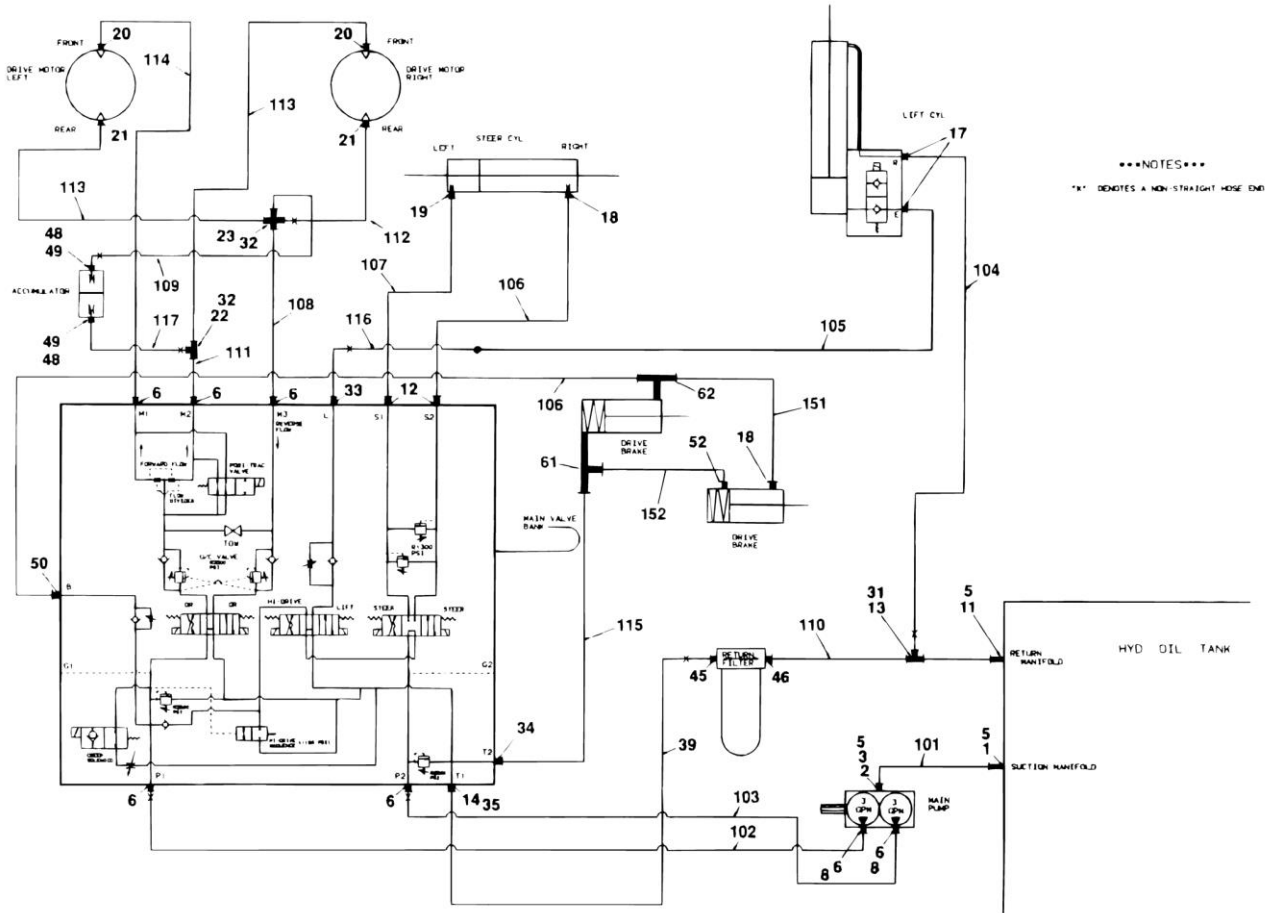
FIGURE 5-3. STEER CYLINDER ASSEMBLY

ITEM	PART NUMBER	QTY	DESCRIPTION	REV
		Ref	STEER CYLINDER ASSEMBLY (STANDARD PARTS)	
2	1682364	2	Head	
3	Kit	2	O-Ring	
4	Kit	2	Ring, Wear	
5	Kit	2	Seal, Rod	
6	Kit	2	Wiper	
7	1120387	2	Retainer	
7	0100035	AR	Loctite	
8	4564976	2	Spacer, Tube	
9	3480153	1	Piston	
10	3760141	2	Ring, Retaining	
11	Kit	1	T-Seal	
12	Kit	1	O-Ring	
13	1682382	1	Rod	
	2901178	1	Seal Kit (Includes Items 3,4,5,6,11 & 12)	
	1682379	Ref	STEER CYLINDER ASSEMBLY - MACHINES BUILT PRIOR TO JULY 1993 (VARIABLE PARTS)	A
51	1682380	1	Barrel	
52	2220414	2	Fitting, Straight	
	1682996	Ref	STEER CYLINDER ASSEMBLY - MACHINES BUILT JULY 1993 TO SEPTEMBER 1995 (VARIABLES PARTS)	A
51	1682994	1	Barrel	
52	2180803	2	Fitting	
52	2180421	2	Orifice (.040) (July 1993 to June 1995)	
52	2180804	2	Orifice (.040) (June 1995 to September 1995)	
	1683408	Ref	STEER CYLINDER ASSEMBLY - MACHINES BUILT SEPTEMBER 1995 TO PRESENT (VARIABLE PARTS)	-
51	1682994	1	Barrel	
52	2180803	2	Fitting	
52	2180804	2	Orifice (.062)	

SECTION 6 - HYDRAULICS CM1432/CM1432 PLUS/CM1732

SECTION 6 - HYDRAULICS CM1432/CM1432 PLUS/CM1732

FIGURE 6-1. HYDRAULIC DIAGRAM - (STANDARD PARTS)



SECTION 6 - HYDRAULICS CM1432/CM1432 PLUS/CM1732

FIGURE 6-1. HYDRAULIC DIAGRAM - (STANDARD PARTS)

ITEM	PART NUMBER	QTY	DESCRIPTION	REV
	1281808	Ref	HYDRAULIC DIAGRAM - (STANDARD PARTS)	D
1	4565540	1	Tube	
2	2210008	1	Fitting, 90	
3	2220593	1	Fitting, Straight	
5	1320030	6	Clamp	
6	2220600	7	Fitting, Straight	
8	2220386	2	Fitting, 90	
11	4565541	1	Tube, Return	
12	2220415	2	Fitting, Straight	
13	2220620	1	Fitting, Reducer	
14	2220471	1	Fitting, 90	
17	2220343	2	Fitting, Straight	
18	2220416	3	Fitting, 90	
19	2220414	1	Fitting, Straight	
20	2220850	2	Fitting, 90	
21	2220851	2	Fitting, 90	
22	2220362	1	Fitting, Tee	
23	2220469	1	Fitting, Union	
31	2220849	1	Fitting, Tee	
32	2220618	2	Fitting, Reducer	
33	2220371	1	Fitting, Straight	
34	2220603	1	Fitting, Straight	
35	2220373	1	Fitting, Straight	
45	2220470	1	Fitting, 40	
46	2220346	1	Fitting, Straight	
48	2180699	2	Fitting	
49	2180422	2	Fitting, Modified	
50	2220587	1	Fitting, Straight	
52	2220773	1	Fitting, 90	
	2791847	Ref	HYDRAULIC DIAGRAM - SINGLE BRAKE CYLINDER	G
61	2220773	1	Fitting, 90	
62	2220416	1	Fitting, 90	
	2791927	Ref	HYDRAULIC DIAGRAM - DUAL BRAKE CYLINDER	D
61	2220702	1	Fitting, Tee	
62	2220584	1	Fitting, Tee	
	1281808	Ref	HYDRAULIC HOSE KIT (STANDARD PARTS)	D
101	2720370	1	Hose, Suction 3/4in x 6 1/2in/16.5cm	
102	2751488	1	Hose	
103	2750968	2	Hose	
104	2751129	1	Hose	
105	2751128	1	Hose	
106	2751021	2	Hose	
107	2751396	1	Hose	
108	2750976	1	Hose	
109	2751412	1	Hose	
110	2751523	1	Hose	
111	2750929	1	Hose	
112	2751533	1	Hose	
113	2751534	2	Hose	
114	2750934	1	Hose	

SECTION 6 - HYDRAULICS CM1432/CM1432 PLUS/CM1732

ITEM	PART NUMBER	QTY	DESCRIPTION	REV
115	2751005	1	Hose	
116	2751158	1	Hose	
117	2750902	1	Hose	
	2901279	Ref	HYDRAULIC HOSE KIT - SINGLE BRAKE CYLINDER (VARIABLE PARTS)	A
151	Not Required	0	Not Required	
152	Not Required	0	Not Required	
	2901281	Ref	HYDRAULIC HOSE KIT - DUAL BRAKE CYLINDER (VARIABLE PARTS)	A
151	2750902	1	Hose	
152	2750919	1	Hose	

SECTION 7 - ELECTRICAL CM1432/CM1432 PLUS/CM1732

SECTION 7 - ELECTRICAL CM1432/CM1432 PLUS/CM1732

FIGURE 7-1. ELECTRICAL DIAGRAMS AND COMPONENTS CHART

ITEM	PART NUMBER	QTY	DESCRIPTION	REV
		Ref	ELECTRICAL DIAGRAMS AND COMPONENTS CHART	
		Ref	(Note: Diagrams not shown are available from JLG Service Department upon request.)	
	1281570	Ref	ALARMS ELECTRICAL DIAGRAM STANDARD (DWG ONLY)	E
	0251762	Ref	ALARM ELECTRICAL DIAGRAM - DESCENT (B/M ONLY)	B
	0251761	Ref	ALARM ELECTRICAL DIAGRAM- MOTION (TOGGLE SWITCH DRIVE) (B/M ONLY)	B
	0254268	Ref	ALLARM ELECTRICAL DIAGRAM - MOTION (PQ BANG-BANG DRIVE) (B/M ONLY)	-
	0251760	Ref	ALARM ELECTRICAL DIAGRAM - TRAVEL (TOGGLE SWITCH DRIVE) (B/M ONLY)	B
	0254267	Ref	ALARM ELECTRICAL DIAGRAM - TRAVEL (PQ BANG-BANG DRIVE) (B/M ONLY)	-
	0140033	1	Alarm (Motion)	-
	3990010	AR	Diode - 6 Amp	-
	1281570	Ref	ALARMS ELECTRICAL DIAGRAM UL LISTED (DWG ONLY)	E
	0254287	Ref	ALARM ELECTRICAL DIAGRAM - DESCENT (B/M ONLY)	A
	0254285	Ref	ALARM ELECTRICAL DIAGRAM - MOTION (TOGGLE SWITCH DRIVE) (B/M ONLY)	B
	0254288	Ref	ALARM ELECTRICAL DIAGRAM - MOTION (PQ BANG-BANG DRIVE) (B/M ONLY)	-
	0254286	Ref	ALARM ELECTRICAL DIAGRAM - TRAVEL (TOGGLE SWITCH DRIVE) (B/M ONLY)	B
	0254289	Ref	ALARM ELECTRICAL DIAGRAM - TRAVEL (PQ BANG-BANG DRIVE) (B/M ONLY)	-
	0140033	1	Alarm (Motion)	-
	3990010	AR	Diode - 6 Amp	-
	0251758	Ref	BATTERY/HOUR GAUGE ELECTRICAL DIAGRAM (STEEL CONSOLE BOX)	B
	0253499	Ref	BATTERY/HOUR GAUGE ELECTRICAL DIAGRAM (MOLDED CONSOLE BOX)	A
	2420106	1	Gauge, Battery/Hour	-
	0252274	Ref	BEACON LIGHT ELECTRICAL DIAGRAM (FRAME MOUNTED)	A
	2920087	1	Light Beacon	-
	1060341	6 ft/1.8m	Cable, Electrical - 16/2	-
	0251870	Ref	BEACON LIGHT ELECTRICAL DIAGRAM (PLATFORM MOUNTED LIGHT/STEEL CONSOLE BOX)	B
	2920092	1	Light Beacon	-
	1060341	16 ft/5m	Cable, Electrical	-
	4460049	1	Connector, Strain Relief (Located at Console Box)	-
	3300047	1	Locknut, Conduit (Located at Console Box)	-
	0960239	1	Bushing (Located at Console Box)	-
	1281952	Ref	BEACON LIGHT ELECTRICAL DIAGRAM (PLATFORM MOUNTED LIGHT/MOLDED CONSOLE BOX) (DWG ONLY)	A
	0253474	Ref	BEACON LIGHT ELECTRICAL DIAGRAM - CM1432/CM1432 PLUS (B/M ONLY)	-
	0253475	Ref	BEACON LIGHT ELECTRICAL DIAGRAM - CM1432/CM1432 U/L APPROVAL (B/M ONLY)	-
	0254032	Ref	BEACON LIGHT ELECTRICAL DIAGRAM - CM1732 (B/M ONLY)	-
	0254033	Ref	BEACON LIGHT ELECTRICAL DIAGRAM - CM1732 U/L APPROVAL (B/M ONLY)	-

SECTION 7 - ELECTRICAL CM1432/CM1432 PLUS/CM1732

ITEM	PART NUMBER	QTY	DESCRIPTION	REV
	2920087	1	Light, Beacon - Standard	
	2920092	1	Light, Beacon - U/L Approved	
	1060341	AR	Cable, Electrical- 16/2	
		Ref	ELECTRICAL DIAGRAM - CIRCUIT CARD (ENABLE)	-
	0610101	Ref	Electrical Diagram (Circuit Card (Prior to January 1995))	-
	0610113	Ref	Electrical Diagram (Circuit Card (January 1995 to Present))	-
	0610103	Ref	ELECTRICAL DIAGRAM - CIRCUIT CARD (RELAY)	-
	0255703	Ref	HIGH SPEED DISCONNECT ELECTRICAL DIAGRAM	-
	0251788	Ref	HORN ELECTRICAL DIAGRAM (STEEL CONSOLE BOX)	B
	0253465	Ref	HORN ELECTRICAL DIAGRAM (MOLDED CONSOLE BOX)	A
	0140022	1	Horn	
	4360274	1	Switch, Push Button	
	1060341	8 ft/2.4m	Cable, Electrical - 16/2	
	1282224	Ref	HOURMETER AT GROUND CONTROL ELECTRICAL DIAGRAM	-
	0239707	Ref	PLATFORM WORKLIGHTS ELECTRICAL DIAGRAM (WITH STEEL CONSOLE BOX)	-
	1281951	Ref	PLATFORM WORKLIGHTS ELECTRICAL DIAGRAM (MOLDED CONSOLE BOX) (DWG ONLY)	A
	0253502	Ref	PLATFORM WORKLIGHTS ELECTRICAL DIAGRAM - CM1432/CM1432 PLUS (WITH MOLDED CONSOLE BOX) (B/M ONLY)	-
	0253503	Ref	PLATFORM WORKLIGHTS ELECTRICAL DIAGRAM - CM1432/CM1432 PLUS U/L APPROVED (WITH MOLDED CONSOLE BOX) (B/M ONLY)	-
	0254038	Ref	PLATFORM WORKLIGHTS ELECTRICAL DIAGRAM - CM1732 (WITH MOLDED CONSOLE BOX) (B/M ONLY)	-
	0254039	Ref	PLATFORM WORKLIGHTS ELECTRICAL DIAGRAM - CM1732 U/L APPROVED (WITH MOLDED CONSOLE BOX) (B/M ONLY)	-
	2920088	2	Worklight (Machines with Steel Console Box)	
	2920093	2	Worklight (Machines with Molded Console Boxes)	
	1060341	AR	Cable, Electrical - 16/2 (Molded Console Box Only)	
		Ref	STANDARD "GROUND TO PLATFORM" CABLE/HARNESS WITH STEEL CONSOLE BOX:	
		Ref	WITH MOLDED CONSOLE BOX:	
	1060039	32 ft/9.8m	Cable, Electrical - 16/24	
		Ref	WITH MOLDED CONSOLE BOX:	
	4921513	1	Harness Assembly - CM1432/CM1432 Plus (Standard)	
	4921550	1	Harness Assembly - CM1432/CM1432 Plus (U/L Approved)	
	4921588	1	Harness Assembly - CM1732 (Standard)	
	4921587	1	Harness Assembly - CM1732 (U/L Approved)	
	1281557	Ref	STANDARD ELECTRICAL DIAGRAM - TOGGLE SWITCH DRIVE/STEEL CONSOLE BOX/STANDARD MACHINE (DWG ONLY)	D
	4932421	Ref	Ground Components (B/M Only)	A
	4932369	Ref	Platform Components (B/M Only)	B
	4921383	1	Valve and Ground Control Harness	-
	4460277	1	Strip, Terminal - 14 Position	
	4460007	1	Strip, Terminal - 6 Position	
	3990010	7	Diode - 6 Amp	
	1060341	23 ft/4m	Cable, Electrical - 16/2 (To Cutout Switch/To Lift Down Solenoid)	
	1281879	Ref	STANDARD ELECTRICAL DIAGRAM - TOGGLE SWITCH DRIVE/MOLDED CONSOLE BOX/STANDARD MACHINE (DWG ONLY)	B

SECTION 7 - ELECTRICAL CM1432/CM1432 PLUS/CM1732

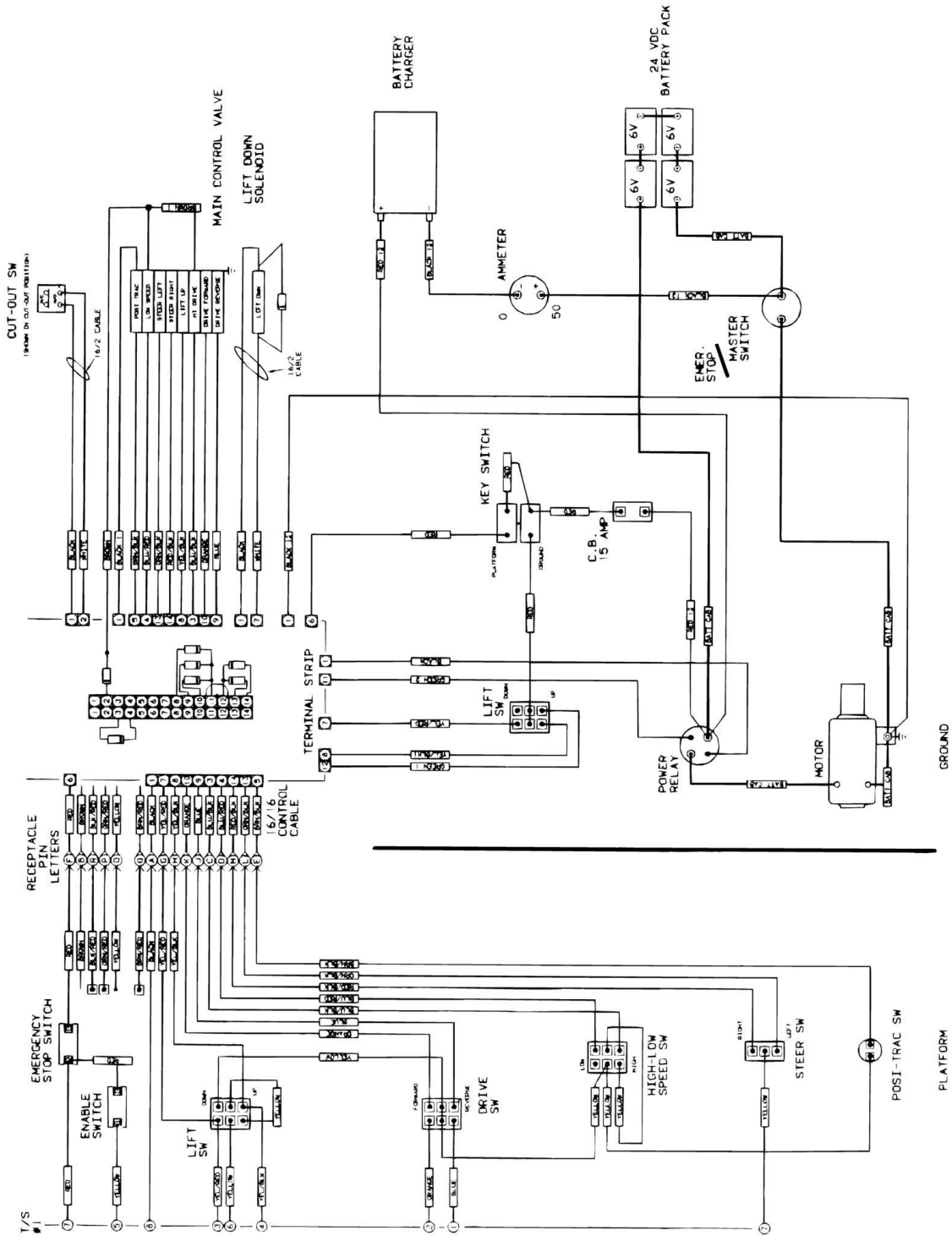
ITEM	PART NUMBER	QTY	DESCRIPTION	REV
	4932519	Ref	Ground Components (B/M Only)	A
	4932518	Ref	Platform Components (B/M Only)	A
	4921473	1	Valve and Ground Control Harness	-
	4460277	1	Strip, Terminal - 14 Position	-
	3990010	7	Diode - 6 Amp	-
	1060341	30 ft/9m	Cable, Electrical - 16/2 (To Cutout Switch/To Lift Down Solenoid)	-
	1281891	Ref	STANDARD ELECTRICAL DIAGRAM - TOGGLE SWITCH DRIVE/MOLDED CONSOLE BOX/UL APPROVED MACHINE (DWG ONLY)	C
	4932555	Ref	Ground Components (B/M Only)	A
	4932554	Ref	Platform Components (B/M Only)	A
	4921479	1	Valve and Ground Control Harness	-
	4460277	1	Strip, Terminal - 14 Position	-
	3990010	7	Diode - 6 Amp	-
	1060341	23 ft/4m	Cable, Electrical - 16/2 (To Cutout Switch/To Lift Down Solenoid)	-
	1281558	Ref	STANDARD ELECTRICAL DIAGRAM - PQ BANG-BANG DRIVE/STEEL CONSOLE BOX/STANDARD MACHINE (DWG ONLY)	C
	4932422	Ref	Ground Components (B/M Only)	A
	4932371	Ref	Platform Components (B/M Only)	A
	4921383	1	Valve and Ground Control Harness	C
	4460277	1	Strip Terminal - 14 Position	-
	3990010	7	Diode -6 Amp	-
	1060341	38 ft/11.6m	Cable, Electrical - 16/2 (To Cutout Switch/To Lift Down Solenoid)	-
	4921308	1	PQ Controller Harness	-
	1281880	Ref	STANDARD ELECTRICAL DIAGRAM PQ BANG-BANG DRIVE/MOLDED CONSOLE BOX/STANDARD MACHINE (DWG ONLY)	B
	4932522	Ref	Ground Components (B/M Only)	A
	4932521	Ref	Platform Components (B/M Only)	-
	4921475	1	Valve and Ground Control Harness	-
	4460277	1	Strip, Terminal - 14 Position	-
	3990010	7	Diode - 6 Amp	-
	1060341	23 ft/4m	Cable, Electrical - 16/2 (To Cutout Switch/To Lift Down Solenoid)	-
	1281892	Ref	STANDARD ELECTRICAL DIAGRAM - PQ PROPORTIONAL DRIVE/MOLDED CONSOLE BOX/UL APPROVED (DWG ONLY)	B
	4932558	Ref	Ground Components (B/M Only)	A
	4932557	Ref	Platform Components (B/M Only)	-
	4921481	1	Valve and Ground Control Harness	-
	4460277	1	Strip, Terminal - 14 Position	-
	3990010	7	Diode - 6 Amp	-
	1060341	23 ft/4m	Cable, Electrical - 16/2 (To Cutout Switch/To Lift Down Solenoid)	-
	1281881	Ref	STANDARD ELECTRICAL DIAGRAM - PQ PROPORTIONAL DRIVE/MOLDED CONSOLE BOX/STANDARD MACHINE (DWG ONLY)	D
	4932525	Ref	Ground Components (B/M Only)	B
	4932524	Ref	Platform Components (B/M Only)	-
	4921479	1	Valve and Ground Control Harness	A
	4460277	1	Strip, Terminal - 14 Position	-

SECTION 7 - ELECTRICAL CM1432/CM1432 PLUS/CM1732

ITEM	PART NUMBER	QTY	DESCRIPTION	REV
	3990010	5	Diode - 6 Amp	
	1060341	23/4m	Cable, Electrical - 16/2 (To Cutout Switch/To Lift Down Solenoid)	
	3990010	1	Diode - 6 Amp	
	1281893	Ref	STANDARD ELECTRICAL DIAGRAM - PQ PROPORTIONAL DRIVE/MOLDED CONSOLE BOX/STANDARD MACHINE (DWG ONLY)	D
	4932561	Ref	Ground Components (B/M Only)	B
	4932560	Ref	Platform Components (B/M Only)	-
	4921483	1	Valve and Ground Control Harness	A
	4460277	1	Strip, Terminal - 14 Position	
	3990010	5	Diode - 6 Amp	
	1060341	23 ft/4m	Cable, Electrical - 16/2 (To Cutout Switch/To Lift Down Solenoid)	
	3990010	1	Diode - 6 Amp	
	0251724	Ref	TILT INDICATOR ELECTRICAL DIAGRAM (STEEL CONSOLE BOX/STANDARD MACHINES)	A
	1281949	Ref	TILT INDICATOR ELECTRICAL DIAGRAM (MOLDED CONSOLE BOX) (DWG ONLY)	F
	0253485	Ref	TILT INDICATOR ELECTRICAL DIAGRAM (B/M ONLY)	-
	4360303	1	Switch, Tilt (Steel Console Box/Toggle Switch Drive)	
	2920026	1	Light, Indicator - Red (Located on Console Box)	
	2920094	1	Bulb, Lamp (Located on Console Box)	
	1060330	10 ft/3m	Cable, Electrical - 16/3 (To Cutout Switch)	
	0140011	1	Alarm, Sonalert	

SECTION 7 - ELECTRICAL CM1432/CM1432 PLUS/CM1732

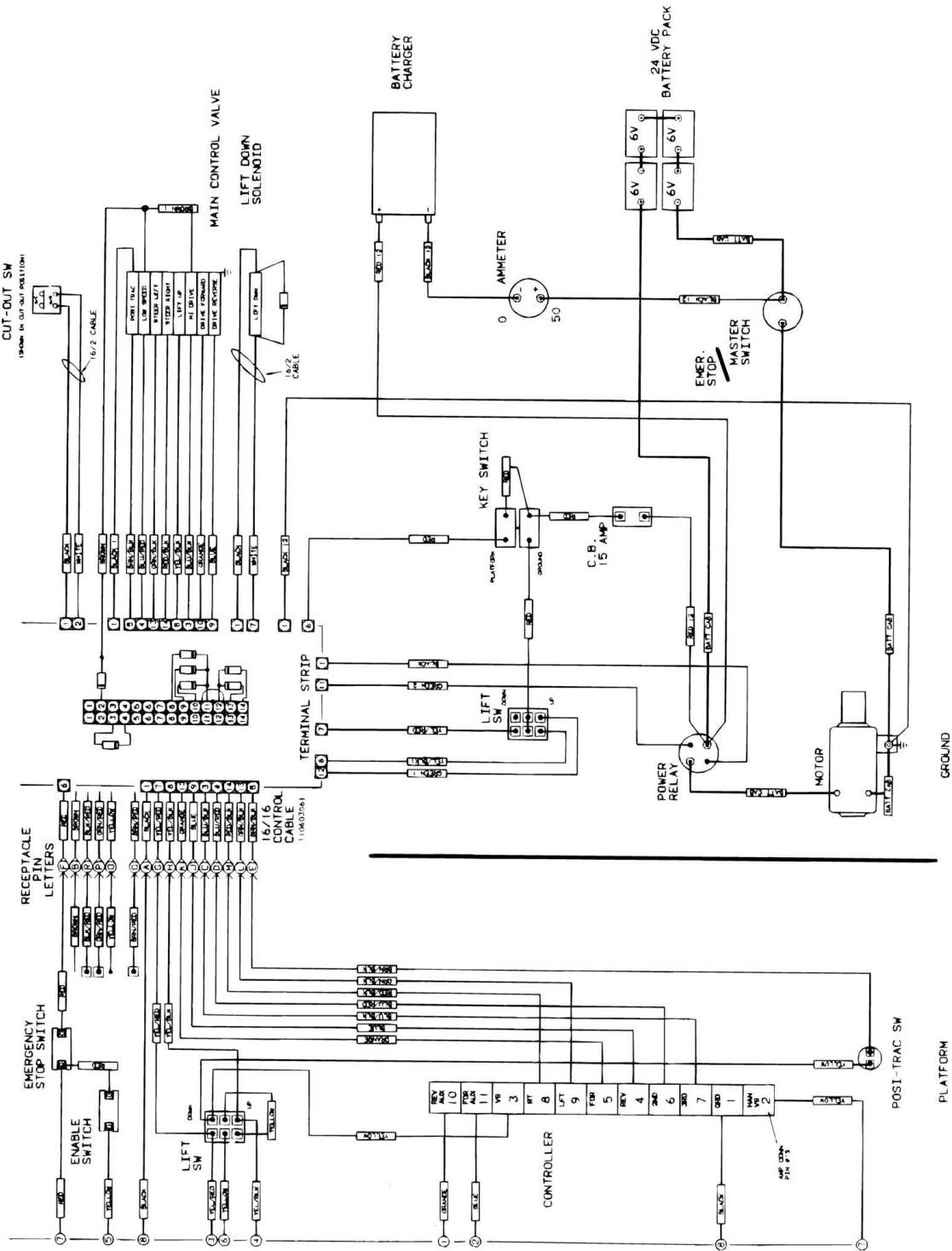
FIGURE 7-2. ELECTRICAL DIAGRAM - TOGGLE SWITCH DRIVE



1281879 B

SECTION 7 - ELECTRICAL CM1432/CM1432 PLUS/CM1732

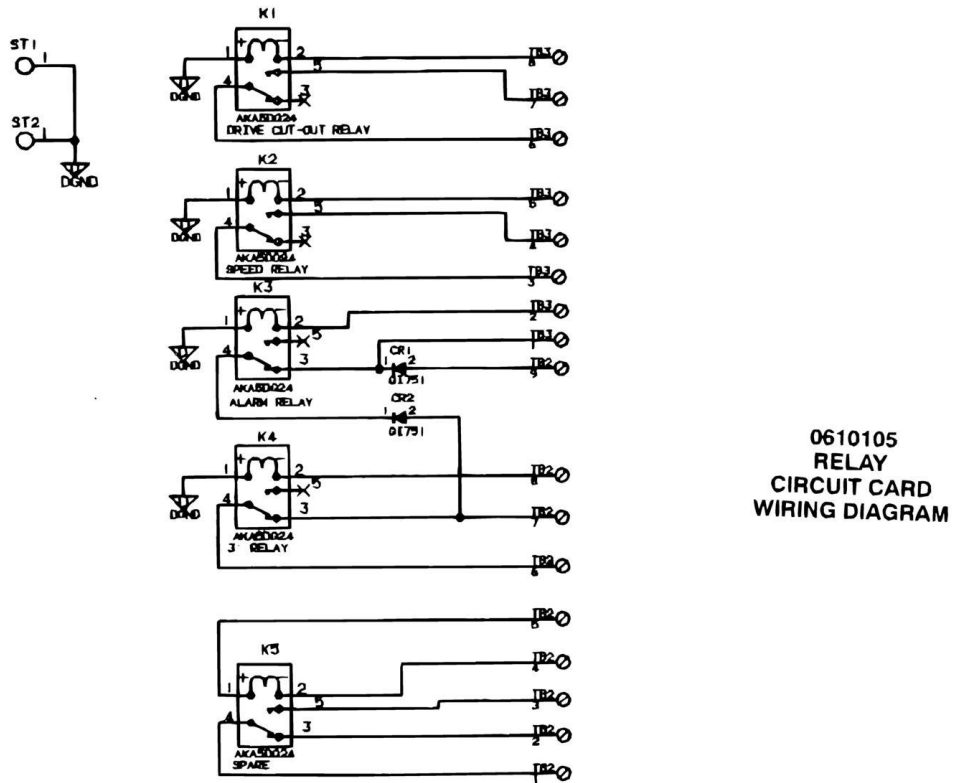
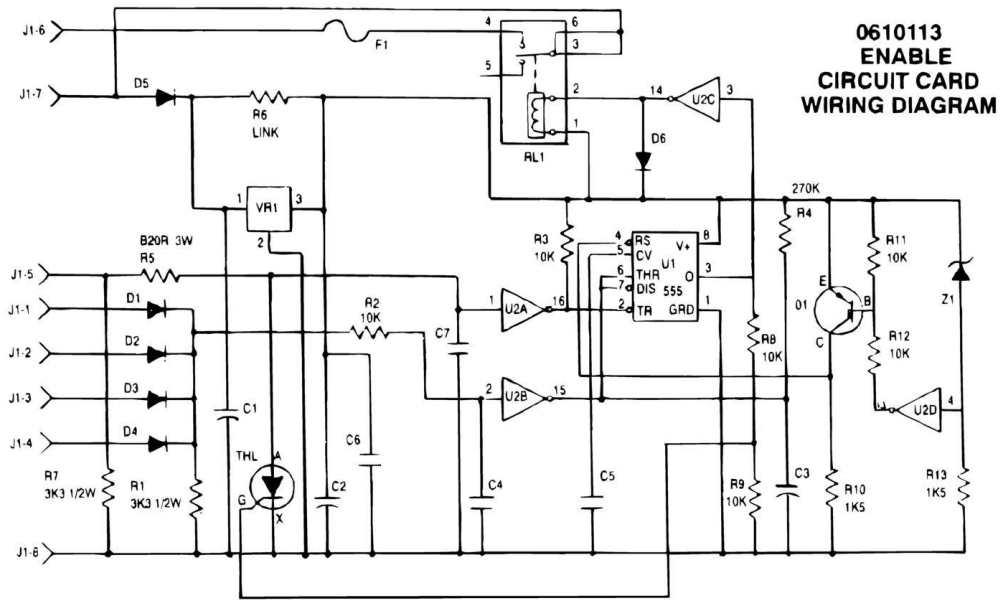
FIGURE 7-3. ELECTRICAL DIAGRAM - PQ CONTROLLER BANG-BANG DRIVE



1281880 B

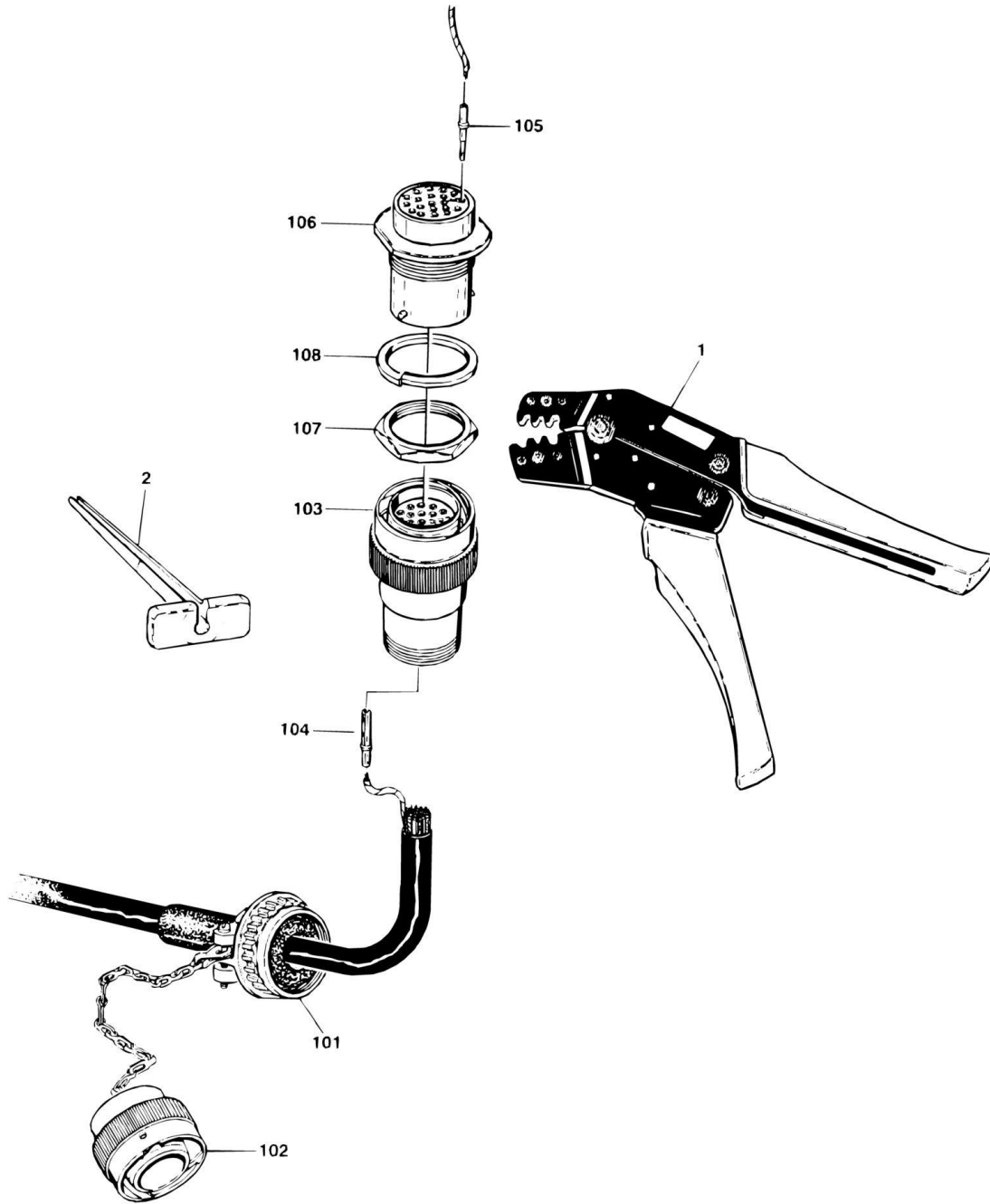
SECTION 7 - ELECTRICAL CM1432/CM1432 PLUS/CM1732

FIGURE 7-4. ELECTRICAL DIAGRAM - CIRCUIT CARDS



SECTION 7 - ELECTRICAL CM1432/CM1432 PLUS/CM1732

FIGURE 7-5. MAIN ELECTRICAL CONNECTOR AND TOOLS



SECTION 7 - ELECTRICAL CM1432/CM1432 PLUS/CM1732

FIGURE 7-5. MAIN ELECTRICAL CONNECTOR AND TOOLS

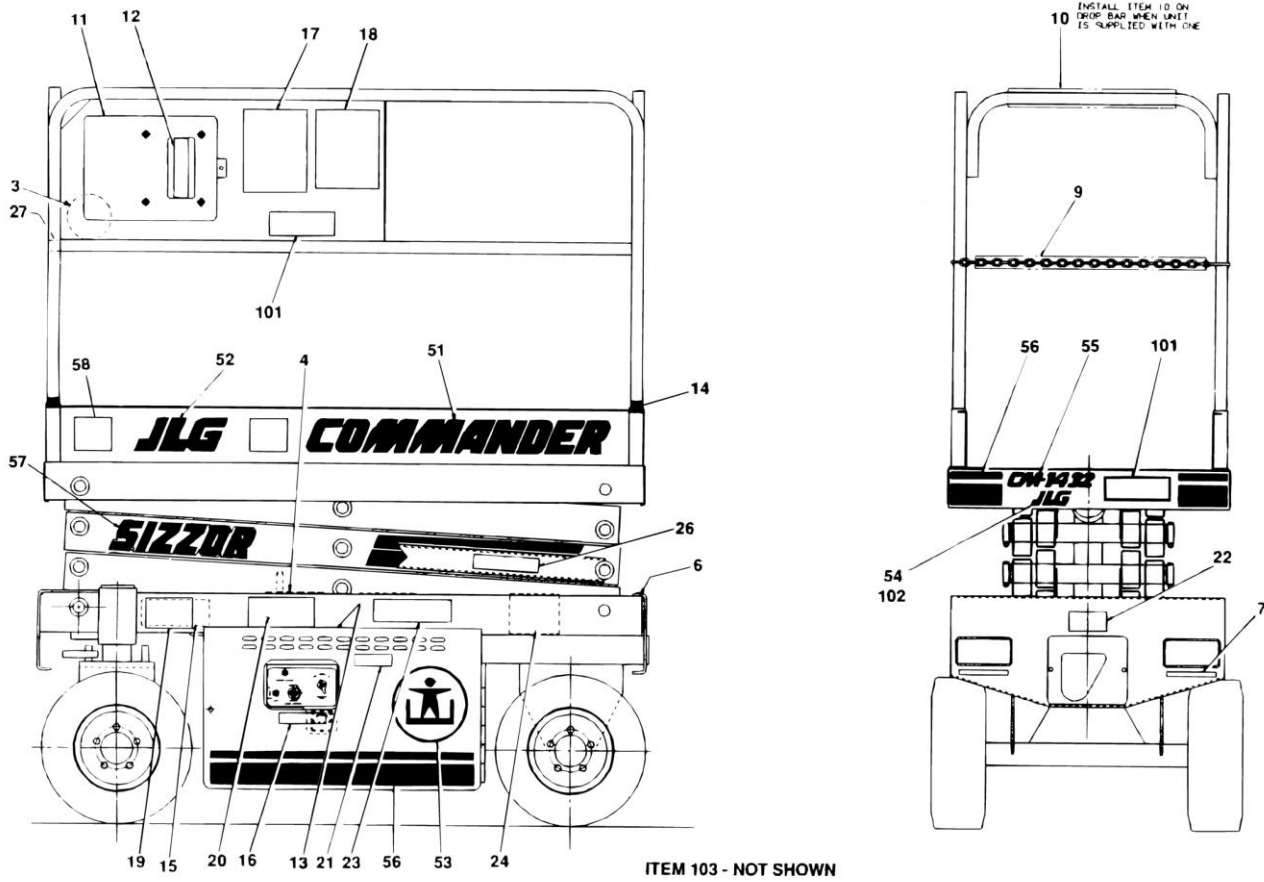
ITEM	PART NUMBER	QTY	DESCRIPTION	REV
		Ref	MAIN ELECTRICAL CONNECTOR AND TOOLS	
		Ref	Tools:	
1	7002818	1	Crimper (For Wire to Pin/Socket Connections)	
2	4460467	1	Extractor (For Removal of Pins/Socket from Connectors)	
		Ref	Connector Components:	
101	4460473	1	Clamp, Cable	
102	4460468	1	Cap, Dust	
103	4460462	1	Plug, Connector - 23 Pin (Female)	
104	4460465	AR	Socket, Female	
105	4460464	AR	Pin Male	
106	4460463	1	Receptacle, Connector - 23 Pin (Male)	
107	4460470	1	Nut, Receptacle	
108	4460471	1	Lockwasher, Receptacle	

SECTION 8 - DECALS CM1432/CM1432 PLUS/CM1732

SECTION 8 - DECALS CM1432/CM1432 PLUS/CM1732

SECTION 8 - DECALS CM1432/CM1432 PLUS/CM1732

FIGURE 8-1. DECALS INSTALLATION - CM1432/CM1432 PLUS



SECTION 8 - DECALS CM1432/CM1432 PLUS/CM1732

FIGURE 8-1. DECALS INSTALLATION - CM1432/CM1432 PLUS

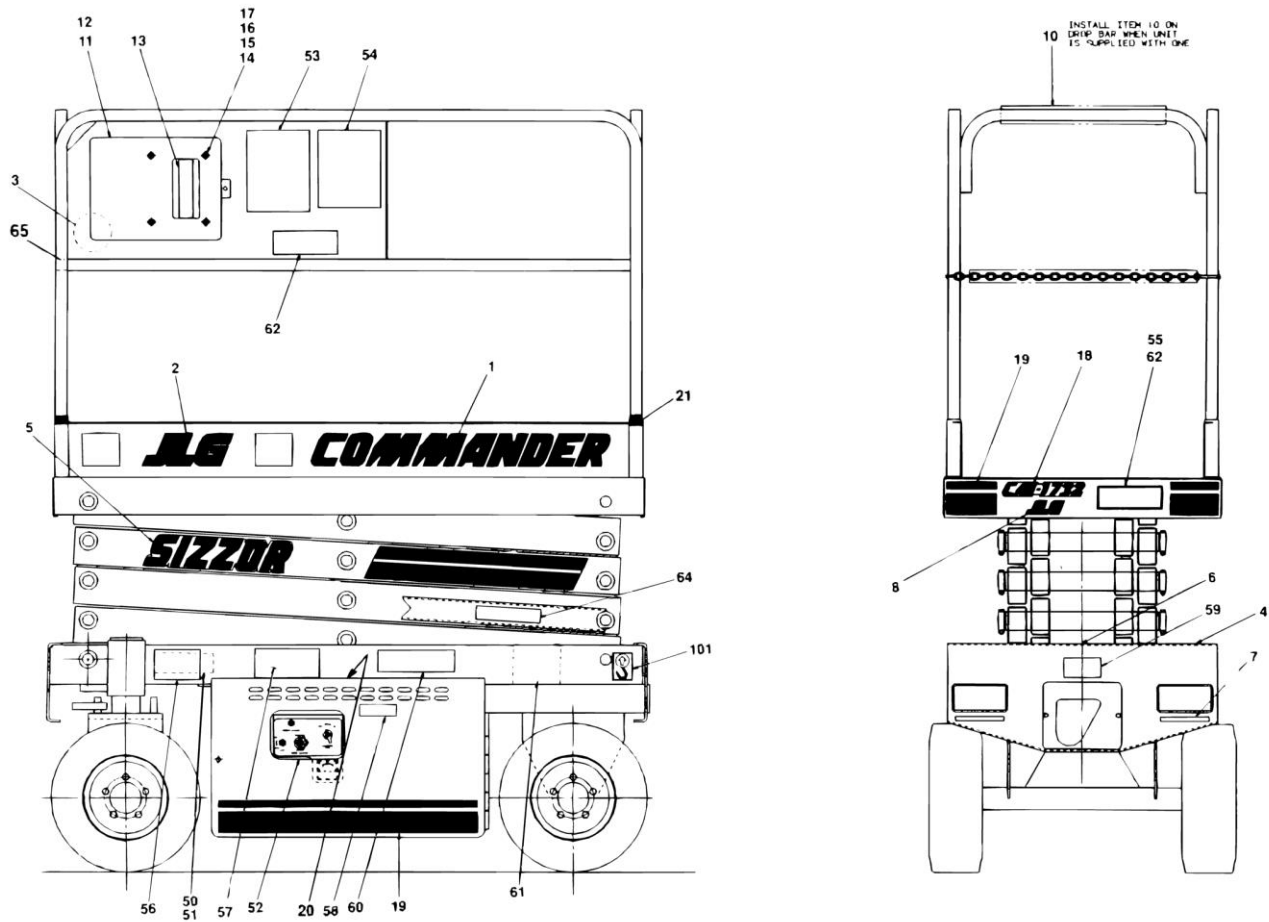
ITEM	PART NUMBER	QTY	DESCRIPTION	REV
	1281641	Ref	DECALS INSTALLATION - CM1432 & CM1432 PLUS (STANDARD PARTS)	R
3	3251813	1	Decal - USA (Opposite Side)	
4	1701504_SCRAP1	1	Decal - Hydraulic Fluid (Opposite Side)	
6	4420039	2 ft/.6m	Tape, Safety Tread	
7	1701508	2	Decal - Fork Lift Area	
10	3340612	2 ft/.6m	Padding	
11	0860520	1	Box, Manual Storage	
11	0641405	4	Bolt 1/4in-20NC x 5/8in	
11	4751400	4	Flatwasher 1/4in	
11	4761400	4	Lockwasher 1/4in	
11	3311401	4	Nut 1/4in-20NC	
11	1060279	1	Cable, Lanyard (Not Shown)	
12	1701509	1	Decal, Manual	
13	3960389	5 ft/1.5m	Seal, Rubber	
14	0840035	4	Boot, Handrail	
	0252092	Ref	DECALS INSTALLATION - DOMESTIC (VARIABLE PARTS)	D
15	Consult Factory	1	Nameplate - Serial Number (Opposite Side)	
15	3820014	4	Rivet, Pop	
16	1701122	1	Decal - Ground Control	
17	3252061	1	Nameplate - Caution	
18	3251308	1	Nameplate - Danger	
19	1701553	1	Decal - Manual Lowering	
20	1701250	2	Decal - Crushing Hazard	
21	1700719	2	Decal - Battery Compartment	
22	1701411	1	Decal - Battery Charger	
23	3250873	1	Nameplate - Moving Machinery/Electrocution	
24	1700593	1	Decal - Inspection (Opposite Side)	
26	1700713	1	Decal - Safety Prop	
27	Not Required	0	Not Required	
	0255608	Ref	DECALS INSTALLATION - LATIN AMERICAN (VARIABLE PARTS)	-
15	CONSULT FACTORY	1	Nameplate - Serial Number (Opposite Side)	
15	3820014	1	Rivet, Pop	
16	1701858	1	Decal - Ground Control	
17	1701861	1	Nameplate - Caution	
18	1702556	1	Nameplate - Danger	
19	1701510	1	Decal - Manual Lowering	
20	1702559	2	Decal - Crushing Hazard	
21	1702560	2	Decal - Battery Compartment	
22	1702553	1	Decal - Battery Charger	
23	1702554	1	Nameplate - Moving Machinery/Electrocution	
24	1702552	1	Decal - Inspection (Opposite Side)	
26	1701856	1	Decal - Safety Prop	
27	3252452	1	Nameplate - Platform Extension Capacity	
	0252091	Ref	DECALS INSTALLATION - COMMON (BROWN) (VARIABLE PARTS)	A
51	1701069	2	Decal - Commander	
52	1701110	3	Decal - JLG	

SECTION 8 - DECALS CM1432/CM1432 PLUS/CM1732

ITEM	PART NUMBER	QTY	DESCRIPTION	REV
53	1701408	1	Decal - Logo	
54	1701409	1	Decal - JLG	
55	1701552	2	Decal - CM1432	
56	1700431	8.3 ft./2.5m	Decal - Brown/Orange Stripe	
57	Not Required	0	Not Required	
	2900807	1	Decal Kit - Brown (Includes Items with	
	0252867	Ref	DECALS INSTALLATION - COMMON (BACK) (VARIABLE PARTS)	F
51	1701613	2	Decal - Commander (Prior to April 1993)	
51	1702011	2	Decal - Commander (April 1993 to Present)	
52	1701435	3	Decal - JLG (Prior to April 1993)	
52	1702009	3	Decal - JLG (April 1993 to Present)	
53	Not Required	0	Not Required	
54	1701612	1	Decal - JLG (Prior to April 1993)	
54	1702010	2	Decal - JLG (April 1993 to Present)	
55	1701727	2	Decal - CM1432 (Prior to April 1993)	
55	1702017	2	Decal - CM1432 (April 1993 to Present)	
56	1701334	8.3 ft/2.5m	Decal - Black Stripe (Prior to April 1993)	
56	1702015	12 ft/3.7m	Decal - Black Stripe (April 1993 to Present)	
57	1702029	2	Decal - Sizzor (April 1993 to Present Only)	
58	1702631	1	Decal - Bar Code (June 1995 to Present)	
	2900843	1	Decal Kit - Black (Includes Items with #)	
	0010439	Ref	DECAL INSTALLATION - (VARIABLE PARTS)	B
101		Ref	Capacity Decal Options:	
101	3252130	2	Decal - 500 Lb (CM1432)	
101	3252273	2	Decal - 600 Lb (CM1432 Plus)	
102	1702028	2	Decal - Plus (CM1432 Plus Only)	
103	1701500	4	Decal - Lifting Lug (CM1432 Plus Only)	

SECTION 8 - DECALS CM1432/CM1432 PLUS/CM1732

FIGURE 8-2. DECALS INSTALLATION - CM1732



SECTION 8 - DECALS CM1432/CM1432 PLUS/CM1732

FIGURE 8-2. DECALS INSTALLATION - CM1732

ITEM	PART NUMBER	QTY	DESCRIPTION	REV
		Ref	DECALS INSTALLATION - CM1732	
	0254008	Ref	DECAL INSTALLATION - COMMON PARTS	D
1	1702011	2	Decal - Commander	
2	1702009	3	Decal - JLG	
3	3251813	1	Decal - USA	
4	1701504	1	Decal - Hydraulic Fluid	
5	1702029	2	Decal - Sizzor	
6	4420039	2 ft/.6m	Tape - Safety Tread	
7	1701508	2	Decal - Forklift Area	
8	1702010	2	Decal - JLG	
10	3340612	2 ft/.6m	Pad	
11	0860520	1	Box, Manual Storage	
12	1060279	1	Cable, Lanyard	
13	1701509	1	Decal - Manual	
14	0641405	4	Bolt 1/4in-20NC x 5/8in	
15	4751400	4	Flatwasher 1/4in	
16	4761400	4	Lockwasher 1/4in	
17	3311401	4	Nut 1/4in-20NC	
18	1702013	2	Decal - CM1732	
19	1702015	12 ft/3.7m	Decal - Stripe (Black)	
20	3960389	5 ft./1.5m	Seal, Rubber	
21	0840035	4	Boot, Handrail	
	0254009	Ref	DECALS INSTALLATION - DOMESTIC (VARIABLE PARTS)	-
50	Consult Factory	1	Nameplate - Serial Number	
51	3820014	4	Rivet 1/8inx5/16in	
52	1701122	1	Decal - Ground Control	
53	3252061	1	Nameplate - Caution	
54	3251308	1	Nameplate - Danger	
55	3820011	4	Rivet 1/8in x 1/8in	
56	1701553	1	Decal - Manual Lowering	
57	1701250	2	Decal - Crushing Hazard	
58	1700719	2	Decal - Battery Compartment	
59	1701411	1	Decal - Battery Charger	
60	3250873	2	Nameplate - Moving Machinery	
61	1700593	1	Decal - Inspection	
62	3252130	2	Nameplate - Capacity	
64	1700713	1	Decal- Safety Prop	
65	Not Required	0	Not Required	
	2900844	1	Decal Kit - 1732 Domestic (Includes Items 1-8, 13, 18, 19, 52-54, 56-62 & 64)	
	0255609	Ref	DECALS INSTALLATION - LATIN AMERICAN (VARIABLE PARTS)	-
50	CONSULT FACTORY	1	Nameplate- Serial Number	
51	3820014	4	Rivet 1/8inx5/16in	
52	1701858	1	Decal - Ground Control	
53	1701861	1	Nameplate - Caution	
54	1702556	1	Nameplate - Danger	
55	3820011	4	Rivet 1/8inx1/8in	
56	1701510	1	Decal - Manual Lowering	

SECTION 8 - DECALS CM1432/CM1432 PLUS/CM1732

ITEM	PART NUMBER	QTY	DESCRIPTION	REV
57	1702559	2	Decal - Crushing Hazard	
58	1702560	2	Decal - Battery Compartment	
59	1702553	1	Decal - Battery Charger	
60	1702554	2	Nameplate - Moving Machinery	
61	1702552	1	Decal - Inspection	
62	3252452	2	Nameplate - Capacity	
64	1701856	1	Decal- Safety Prop	
65	3252454	1	Nameplate - Platform Extension Capacity	
	0010484	Ref	DECALS INSTALLATION - OPTIONAL	-
101	1701500	4	Decal - Lifting Lug	

SECTION 9 - SPECIAL OPTIONS LIST CM1432/CM1432 PLUS/CM1732

SECTION 9 - SPECIAL OPTIONS LIST CM1432/CM1432 PLUS/CM1732

FIGURE 9-1. SPECIAL OPTIONS LIST

ITEM	PART NUMBER	QTY	DESCRIPTION	REV
		Ref	SPECIAL OPTIONS LIST	
		Ref	Note: This list is to accommodate machines ordered with special equipment. Options may not be applicable to all models. For more specific parts information contact the JLG Parts Department.	
	0254478	Ref	Airline Installation - 1/2in (CM1432)	-
	3680040	1	Reel, Hose	
	0254156	Ref	Arms Installation - 10 Ft height Limit (Different than Standard Items Listed - Refer to SIZZOR ARMS SECTION for Standard Items)	A
	1682986	1	Lift Cylinder Assembly	
	2901192	1	Seal Kit - 1682986 Cylinder	
	0255888	Ref	Arms Installation - 11 Ft height Limit (Different than Standard Items Listed - Refer to SIZZOR ARMS SECTION for Standard Items)	-
	1683405	1	Lift Cylinder Assembly	
	2901192	1	Seal Kit - 1682986 Cylinder	
	0252972	Ref	Decals Installation - CSA	-
	3252191	1	Nameplate - CSA	
	0254172	Ref	Decals Installation - United Airlines (Different than Standard - Refer to Section 11-8 for Standard Parts)	B
	3252314	1	Decal - U.A.L Work Area	
	1702405	Ref	Decal - UCON Hydrolube MP-5046 Hydraulic Oil (Including 11524)	-
	0254048	Ref	Decals Installation - U/L	A
	1701865	1	Decal - Emergency Disconnect	
	3251503	1	Nameplate - Battery Information	
	3251899	2	Nameplate - EE	
	3251960	1	Nameplate - Replaceable Fuse	
	3252302	1	Nameplate - U/L Danger	
	3251921	1	Nameplate - U/L (Prior to August 1995)	
	3252474	1	Nameplate - U/L (August 1995 to Present)	
	1282131	Ref	Fold-Down Handrails Installation	B
	0254884	Ref	Hourmeter at Ground Control Installation	-
	1282224	Ref	Hourmeter at Ground Control Installation	-
	0902060	1	Bracket	
	2420152	1	Gauge, Hourmeter/Battery Condition	
	4921665	1	Harness, Wiring	
	2792076	Ref	Hydraulic Diagram - Prop Drive (Single Brake Cylinder)	C
	1282130	Ref	Hydraulic Diagram - Prop Drive (Single Brake Cylinder)	B
	2792077	Ref	Hydraulic Diagram - Prop Drive (Dual Brake Cylinder)	B
	1282130	Ref	Hydraulic Diagram - Prop Drive (Dual Brake Cylinder)	B
	0254223	Ref	Hydraulic/Electrical Components Installation - Ground Components (Proportional Controls)	B
	1281766	Ref	Hydraulic/Electrical Components Installation - Ground Components (Proportional Controls)	K
	0254735	Ref	Hydraulic/Electrical Components Installation - Ground Components (United Airlines)	C
	1281766	Ref	Hydraulic/Electrical Components Installation - Ground Components (United Airlines)	N

SECTION 9 - SPECIAL OPTIONS LIST CM1432/CM1432 PLUS/CM1732

ITEM	PART NUMBER	QTY	DESCRIPTION	REV
	0255955	Ref	Hydraulic/Electrical Components Installation - Ground Components With Counterweight (United Airlines)	-
	1281766	Ref	Hydraulic/Electrical Components Installation - Ground Components With Counterweight (United Airlines)	N
	0254962	Ref	Key Attach Lanyard Installation	-
	1060380	1	Lanyard	
	3760170	1	Pin, Quick Release	
	0252979	Ref	Platform Access Gate Installation	
	4844104	1	Gate Weldment	
	0253900	Ref	Platform Access Gate Interlock Installation	-
	4360321	1	Switch, Limit	
	1060341	54 ft/16.5m	Cable, Electrical - 16/2	
	0254171	Ref	Platform Bumpers Installation	A
	0940060	2	Pad, Bumper (Side)	
	4844586	2	Bar, Bumper (Side)	
	0362273	2	Bar, Bumper (Side)	
	0940061	1	Pad, Bumper (Front)	
	0940065	2	Pad, Bumper (Rear)	
		Ref	Platform Extension Installation - With Fold Down Handrails	-
	0254169	Ref	Platform Extension Installation - With Tread Grip Flooring (Different than Standard Items Listed - Refer to SIZZOR ARMS SECTION for Standard Items)	-
	3510426	1	Extension Weldment	
	3510428	Ref	Platform Weldment - With Tread Grip Flooring and O-Rings	-
	0255053	Ref	Tie Down Rings Installation	
	3760365	2	Tie Down Assembly	

SECTION 10 - RECOMMENDED SERVICE PARTS STOCK

SECTION 10 - RECOMMENDED SERVICE PARTS STOCK

SECTION 10 - RECOMMENDED SERVICE PARTS STOCK

FIGURE 10-1. CM1432/ CM1432 PLUS/ CM1732 STANDARD PARTS

ITEM	PART NUMBER	QTY	DESCRIPTION	REV
	Note	Ref	Note: The following one year list will service each CM1432/CM1432 Plus/CM1732 Sizzor (built to current production as of printing date) with the most commonly used parts. For further information, contact the JLG Parts Department at (717) 485-5104.	
		Ref	STANDARD	
	0961626	4	Bushing, Bronze	
	0961931	2	Bushing, Figerglide	
	2900699	2	Seal Kit - Drive Motor	
	2900778	2	Bearing Kit - Rear Axle	
	4360303	1	Limit Switch	
	4360348	1	Sensor, Level	
	7011548	1	Fuse - 10 Amp	
	7011509	1	Breaker, Circuit	
	7011552	1	Switch, Toggle	
	7011518	1	Controller	
	3740068	1	Relay	
	7010639	2	Brush Set	
	7010944	1	Flex Coupling Kit	
	4360202	1	Switch, Toggle	
	4360290	1	Switch, Key	
	4360267	1	Block, Contact	
	4360281	1	Block, Contact	
	4360070	1	Breaker, Circuit	
	4360155	1	Switch, Master	
	3740069	4	Relay	
	2120072	4	Element, Filter	
	1340052	1	Breather, Air	
	7012726	1	Coil - Rexroth	
	7012732	1	Coil - Rexroth	
	7012725	2	Seal Kit - Rexroth Valve	
	7012900	1	Coil - 20 Volt	
	7009798	1	Check Valve Cartridge	
	7009795	1	Flow Control Valve Cartridge	
	7010522	1	Needle Valve Cartridge	
	7004361	1	Load Control Valve Cartridge	
	7009791	1	Sequence Valve Cartridge	
	7009789	1	Relief Valve Cartridge	
	7012920	1	Solenoid Valve Cartridge	
	7012919	1	Solenoid Valve Cartridge	
	7009799	1	Flow Divider Valve Cartridge	
	0961560	20	Bushing, Bronze	
	4360339	1	Switch, Push Button	
	4360289	1	Switch, Push/Pull	
	4360318	1	Switch, Toggle	
	4360274	1	Switch, Push Button	
	7001092	1	Seal Kit - Breaker Cylinder	
	1060403	1	Cable, Pull	
	4640381	1	Solenoid Holding Cartridge	

SECTION 10 - RECOMMENDED SERVICE PARTS STOCK

ITEM	PART NUMBER	QTY	DESCRIPTION	REV
	4640717	1	Pull Control Cartridge	
	0961616	1	Bushing, Bronze - Lift Cylinder Rod	
	0961616	1	Bushing, Bronze - Lift Cylinder Barrel	
	2901178	1	Seal Kit - Steer Cylinder	
	3990010	3	Diode - 6 Amp	

SECTION 10 - RECOMMENDED SERVICE PARTS STOCK

FIGURE 10-2. CM1432/ CM1432 PLUS/ CM1732 VARIABLE PARTS

ITEM	PART NUMBER	QTY	DESCRIPTION	REV
	Note	Ref	Note: The following one year list will service each CM1432/CM1432 Plus/CM1732 Sizzor (built to current production as of printing date) with the most commonly used parts. For further information, contact the JLG Parts Department at (717) 485-5104.	
		Ref	VARIABLE	
	3860052	1	Roller - Platform Extension	
	4360328	1	Switch, Toggle (Toggle Switch Drive)	
	4360314	1	Switch, Toggle (Toggle Switch Drive)	
	4360345	1	Switch, Toggle (Toggle Switch Drive)	
	1600156	1	PQ Controller (PQ Bang-Bang Drive)	
	2901192	1	Seal Kit - Lift Cylinder - CM1432	
	2901165	1	Seal Kit - Lift Cylinder - CM1432 Plus & CM1732	

SECTION 10 - RECOMMENDED SERVICE PARTS STOCK

PART NUMBER INDEX

SECTION 10 - RECOMMENDED SERVICE PARTS STOCK

0010439.....	13, 90	0253465.....	58, 75	0610103.....	75	1060300.....	15, 44
0010484.....	94	0253474.....	44, 74	0610105.....	58	1060308.....	43
0080190.....	63	0253475.....	44, 74	0610110.....	57, 58	1060330.....	77
0100009.....	58	0253485.....	15, 58, 77	0610113.....	57, 75	1060341....	16, 44, 47, 74, 75, 76, 77, 97
0100011.....	7, 61, 63, 64	0253491.....	58	0630305.....	7	1060380.....	28, 57, 97
0100020.....	27, 63, 64	0253499.....	58, 74	0641404.....	57	1060400.....	23
0100035....	53, 57, 63, 64, 67	0253502.....	44, 75	0641405.....	89, 93	1060401.....	23, 33
0100038.....	61, 63, 64	0253503.....	44, 75	0641406 ...	15, 27, 34, 43, 47, 51	1060403.....	63, 100
0100048.....	23	0253548.....	58	0641407.....	15, 23	1060436.....	16
0140011.....	53, 58, 77	0253616.....	48	0641408.....	47	1060482.....	33
0140022.....	24, 75	0253635.....	15	0641408.....	47	1060483.....	33
0140025.....	15	0253843.....	39, 63	0641416.....	47, 51	1060484.....	33
0140033.....	15, 74	0253874.....	37, 63	0641418.....	44	1060485.....	33
0181622.....	23	0253900.....	97	0641420.....	43	1060599.....	33
0181623.....	23	0253927.....	33	0641424.....	43	1060600.....	33
0181684.....	47, 51	0253936.....	33	0641506.....	37, 39, 63	1060601.....	33
0181702.....	33	0253989.....	33	0641508	16, 27, 28, 47	1120108.....	64
0200438.....	37, 39	0254008.....	93	0641510.....	51	1120119.....	63
0200440.....	37, 39	0254009.....	93	0641512.....	15	1120387.....	67
0200446.....	37, 39	0254032.....	44, 74	0641516.....	47, 51	1120417.....	7
0200509.....	39	0254033.....	44, 74	0641520.....	37, 39	1260017.....	51
0200510.....	37, 39	0254035.....	43	0641522.....	37, 39	1260136.....	43
0200511.....	37	0254036.....	44	0641600.....	28	1281557.....	75
0200512.....	39	0254038.....	44, 75	0641608.....	34	1281558.....	76
0200513.....	39	0254039.....	44, 75	0641609.....	27, 28	1281570.....	74
0200514.....	37, 39	0254048.....	96	0641610.....	15	1281599.....	43
0239707.....	75	0254048.....	96	0641616.....	7	1281641.....	89
0251505.....	53	0254156.....	96	0641624.....	13	1281713.....	43
0251705.....	48	0254158.....	58	0641816.....	7	1281758.....	39
0251724.....	77	0254169.....	97	0641816.....	7	1281766.....	96, 97
0251758.....	53, 74	0254171.....	97	0720803.....	53	1281808.....	71
0251760.....	15, 74	0254172.....	96	0751006.....	23, 53	1281879.....	75
0251761.....	15, 74	0254223.....	96	0840025.....	23	1281880.....	76
0251762.....	15, 74	0254237.....	51	0840027.....	16	1281881.....	76
0251788.....	53, 75	0254267.....	74	0840031.....	23	1281891.....	76
0251834.....	37, 63	0254268.....	74	0840035.....	89, 93	1281892.....	76
0251870.....	74	0254285.....	15, 74	0860038.....	43	1281893.....	77
0251878.....	43	0254286.....	15, 74	0860520.....	89, 93	1281949.....	77
0251879.....	43	0254287.....	15, 74	0860784.....	57	1281951.....	75
0251922.....	7	0254288.....	74	0860857.....	33	1281952.....	54, 74
0251923.....	13	0254289.....	74	0860858.....	33	1282051.....	37
0252091.....	89	0254319.....	48	0860859.....	33, 34	1282130.....	96
0252092.....	89	0254319.....	48	0901546.....	16, 44	1282131.....	96
0252111.....	13	0254367.....	48	0901757.....	63	1282155.....	43
0252182.....	15	0254368.....	48	0901792.....	27	1282224.....	75, 96
0252274.....	16, 74	0254376.....	44	0901830.....	47	1320030.....	71
0252372.....	43	0254377.....	44	0901831.....	27	1320033.....	27
0252373.....	44	0254478.....	96	0901859.....	57	1320041.....	37, 39
0252376.....	16	0254735.....	96	0901906.....	47	1320061.....	37, 39, 43
0252586.....	37	0254884.....	24, 96	0902060.....	24, 96	1320095.....	28
0252627.....	23, 27	0254962.....	97	0940060.....	97	1320185.....	27
0252630.....	23	0255020.....	7	0940061.....	97	1340052.....	27, 100
0252664.....	15	0255053.....	97	0940065.....	97	1360235.....	7
0252737.....	47	0255608.....	89	0960238.....	53	1360260.....	7
0252853.....	15	0255609.....	93	0960239 ...	33, 34, 48, 54, 74	1440231.....	37, 39
0252867.....	90	0255703.....	75	0960407.....	43	1600132.....	53
0252972.....	96	0255888.....	96	0960807.....	16	1600156.....	58, 102
0252973.....	44	0255955.....	97	0961560.....	37, 39, 100	1600160.....	58
0252979.....	97	0280120.....	13	0961566.....	37, 39	1681283.....	64
0253076.....	53	0361905.....	61	0961616.....	63, 64, 101	1682276.....	61
0253098.....	57	0361912.....	47, 51	0961626.....	7, 100	1682277.....	61
0253100.....	57	0361928.....	7	0961931.....	7, 100	1682278.....	61
0253400.....	57	0362063.....	44	1060039.....	75	1682364.....	67
0253403.....	58	0362205.....	33	1060045.....	16	1682379.....	67
0253404.....	58	0362273.....	97	1060080.....	23	1682380.....	67
0253408.....	58	0400067.....	23	1060221.....	23, 33	1682382.....	67
		0400093.....	15, 19	1060279.....	89, 93		
		0400113.....	23				
		0610101.....	57, 75				

SECTION 10 - RECOMMENDED SERVICE PARTS STOCK

1682505	37, 63	2180421	67	2820024	43	3310601	53, 57
1682506	63	2180422	71	2900503	63	3310801	15
1682508	63	2180699	71	2900699	11, 100	3311001	23
1682510	63	2180803	67	2900706	31	3311101	24
1682515	61	2180804	67	2900707	31	3311401	15, 16, 23, 27,
1682664	27	2200221	63, 64	2900708	31	33, 34, 43, 44, 47, 51,	
1682907	37, 39, 64	2210008	71	2900756	31, 63	89, 93	
1682908	64	2220343	71	2900778	13, 100	3311402	63
1682909	64	2220346	71	2900807	90	3311405	47, 51
1682986	96	2220362	71	2900843	90	3311501	15, 16, 27, 28,
1682994	67	2220371	71	2900844	93	37, 47, 51	
1682996	7, 67	2220373	71	2900864	24	3311505	37, 39
1683098	13, 61	2220386	71	2901160	61	3311601	7, 15, 27, 28
1683405	96	2220414	67, 71	2901165	64, 102	3311605	7, 13
1683408	7, 67	2220415	71	2901178	67, 101	3311801	7
1700431	90	2220416	71	2901192	63, 96, 102	3321601	33
1700593	89, 93	2220469	71	2901207	33	3322202	7
1700598	43	2220470	71	2901279	72	3340612	89, 93
1700599	43	2220471	71	2901281	72	3340629	37
1700713	89, 93	2220584	71	2901370	39	3340645	37, 39
1700719	89, 93	2220587	71	2901372	37	3340673	39
1701069	89	2220593	71	2901374	37	3421453	57
1701110	89	2220600	71	2920026	53, 58, 77	3421894	37, 39
1701122	89, 93	2220603	71	2920087	16, 44, 74, 75	3421895	37, 39
1701250	89, 93	2220618	71	2920088	75	3421896	37, 39
1701334	90	2220620	71	2920092	74, 75	3421897	37, 39
1701408	90	2220702	71	2920093	44, 75	3421913	51
1701409	90	2220773	71	2920094	53, 58, 77	3421970	28
1701411	89, 93	2220849	71	2940061	47, 51	3421975	37, 39
1701435	90	2220850	71	2940064	43	3421976	37, 39
1701500	90, 94	2220851	71	2980113	47, 51	3422216	37, 39
1701504	93	2220894	63	3010088	43	3422284	37, 39
1701504_SCRAP1	89	2360338	7	3020022	37, 39	3430416	51
1701508	93	2360360	7	3160173	7, 11	3430612	7
1701509	93	2400021	58	3250873	89, 93	3430616	13
1701510	89, 93	2400026	58	3251308	89, 93	3440413	47, 51
1701552	90	2400041	34	3251503	96	3450203	51
1701553	89, 93	2420106	24, 53, 58, 74	3251813	93	3450404	7, 13
1701612	90	2420116	23	3251852	47	3450405	63
1701613	90	2420152	58, 96	3251860	53	3450406	7
1701727	90	2460022	16	3251899	96	3480120	63
1701827	57	2560088	47, 51	3251921	96	3480145	61
1701856	89, 94	2600175	28	3251960	96	3480147	64
1701858	89, 93	2600176	28	3252061	89, 93	3480153	67
1701861	89, 93	2720370	71	3252065	53	3510338	43
1701865	96	2750902	72	3252067	53	3510412	43
1702009	90, 93	2750919	72	3252130	90, 93	3510413	43
1702010	90, 93	2750929	71	3252136	47	3510426	97
1702011	90, 93	2750934	71	3252174	23	3510428	97
1702013	93	2750968	71	3252191	96	3510492	47
1702015	90, 93	2750976	71	3252194	58	3510495	51
1702017	90	2751005	72	3252196	57	3520026	58
1702028	90	2751021	71	3252253	57	3520071	15
1702029	90, 93	2751128	71	3252273	90	3520072	43, 47
1702405	96	2751129	71	3252276	34	3520076	27
1702552	89, 94	2751158	72	3252302	96	3520077	27
1702553	89, 94	2751396	71	3252314	96	3534682	43
1702554	89, 94	2751412	71	3252452	89, 94	3534838	53
1702556	89, 93	2751488	71	3252454	94	3534995	47
1702559	89, 94	2751523	71	3252474	96	3535680	28
1702560	89, 94	2751533	71	3300047	33, 34, 48, 54,		
1702631	90	2751534	71	74	3535681	43	
2120072	27, 100	2780165	7	3300048	53	3535688	15
2120105	27	2791847	71	3300177	53	3535820	23
2120148	27	2791927	71	3300181	34	3536915	33
2160002	39	2792076	96	3300281	63, 64	3536937	33
2160006	7	2792077	96	3300375	43	3536938	33
						3536939	34

SECTION 10 - RECOMMENDED SERVICE PARTS STOCK

3536940.....34	4360202...23, 34, 53, 100	4740066 47, 51, 57	7001092.....61, 100
3536982.....33	4360236..... 47	4740087 33	7001093.....61
3536983.....33	4360267...23, 34, 57, 100	4740120 53, 58	7001094.....61
3600184.....27	4360274... 53, 54, 57, 58, 75, 100	4740215 61	7001095.....61
3640750.....43		4740419 7	7001096.....61
3640751.....43	4360277 47	4750600 53	7001097.....61
3640796.....43	4360278 47	4750800 15, 53	7001098.....61
3640887.....51	4360281 23, 34, 100	4751000 23	7001099.....61
3640888.....51	4360289 53, 57, 100	4751400... 15, 23, 27, 43, 47, 63, 89, 93	7001618.....61
3680040.....96	4360290 23, 34, 100	4751500... 15, 16, 27, 28, 37, 39, 47, 51	7001620.....61
3710069.....34	4360303 15, 77, 100	4751600 7, 15, 27	7001621.....61
3740068.....23, 100	4360314 57, 102	4760600 53	7002157.....11
3740069.....23, 53, 100	4360318 57, 100	4760800 53	7002818.....85
3740073.....33	4360321 97	4761000 23	7003902.....13
3760141.....67	4360322 15	4761400... 15, 16, 23, 27, 33, 34, 43, 44, 47, 51, 89, 93	7004334.....63
3760170.....28, 63, 97	4360328 57, 102	4761500... 15, 16, 27, 28, 37, 51, 63	7004361.....31, 100
3760278.....61	4360339 57, 100	4761600 15, 27, 28, 33	7009789.....100
3760365.....97	4360345 57, 102	4761800 7	7009791.....100
3780166.....7	4360348 100	4770600 57	7009795.....100
3790012.....53, 57	4360355 57	4770800 15	7009798.....100
3820001.....47	4400337 27	4791400 47, 57	7009799.....100
3820011.....93	4420008 53, 57	4843706 47, 51	7009905.....11
3820014.....89, 93	4420038 27	4843909 27	7009909.....11
3841074.....47	4420039 89, 93	4843910 28	7009912.....11
3841127.....63	4460007 24, 75	4843911 28	7009913.....11
3841129.....13	4460049... 33, 43, 48, 54, 74	4844049 15	7009927.....11
3841201.....51		4844100 44	7009929.....11
3860052.....47, 51, 102	4460051 34, 53	4844104 44, 97	7009930.....11
3900168.....47	4460052 47, 48	4844188 13	7009931.....11
3900170.....63, 64	4460071 33	4844327 58	7009932.....11
3900177.....57	4460138 44	4844586 97	7009933.....11
3900178.....58	4460190 44	4920140 47	7009934.....11
3900184.....43	4460199 33	4921308 76	7009979.....11
3910608.....53	4460205 44	4921383 75, 76	7009980.....11
3911016.....23	4460277... 23, 75, 76, 77	4921473 76	7009982.....11
3930828.....15	4460346 44	4921475 76	7009983.....11
3931416.....47	4460462 85	4921479 76	7010522.....100
3931512.....61	4460463 57, 85	4921481 76	7010541.....31
3941404.....33	4460464 85	4921483 77	7010544.....31
3960389.....89, 93	4460465 85	4921513 75	7010639.....27, 100
3990010...74, 75, 76, 77, 101	4460467 85	4921537 58	7010640.....27
	4460468 85	4921550 75	7010641.....13
4060092.....44	4460470 57, 85	4921587 75	7010642.....13
4060229.....53	4460471 57, 85	4921588 75	7010643.....13
4060700.....44	4460473 85	4921665 24, 96	7010644.....13
4060802.....57	4460490 33	4932369 75	7010645.....13
4060804.....28	4520116 13	4932371 76	7010698.....23, 34
4060853.....28	4520140 8, 13	4932421 75	7010943.....27
4070769.....7	4520165 8	4932422 76	7010944.....27, 100
4070802.....15	4564885 64	4932518 76	7010951.....27
4130257.....7	4564976 67	4932519 76	7011506.....19
4130320.....7	4565201 43	4932521 76	7011507.....19
4160028.....44	4565208 63	4932522 76	7011509.....19, 100
4160078.....47, 51	4565540 71	4932524 76	7011513.....19
4160100.....61	4565541 71	4932525 76	7011516.....19
4240033.....43	4565623 27	4932554 76	7011517.....19
4240084.....33	4565700 37, 39	4932555 76	7011518.....19, 100
4280289.....28	4640381 63, 100	4932557 76	7011523.....19
4300032.....16	4640717 63, 101	4932558 76	7011524.....19, 100
4300038.....15, 37, 39	4640733 27, 31	4932560 77	7011552.....100
4300068.....34	4640737 31	4932561 77	7011556.....19
4300093.....7	4640740 31	7000644 63	7011557.....19
4360070.....23, 34, 100	4640745 31		7011558.....19
4360092.....53	4711400 43, 47, 51		7011559.....19
4360155.....23, 100	4711500 37, 39		7011560.....19
4360171.....15	4711600 7, 13		7011576.....19
4360198.....53	4712200 47, 51		7011615.....19

SECTION 10 - RECOMMENDED SERVICE PARTS STOCK

7011653	19	7012658	57	7012903.....	31	7012931	31
7011654	19	7012725	31, 100	7012904.....	31	7012932	31
7011665	19	7012726	31, 100	7012912.....	31	7012933	31
7012593	57	7012727	31	7012919.....	31, 100	7012934	31
7012611	57	7012732	31, 100	7012920.....	31, 100	CONSULT FACTORY 89,	
7012612	57	7012900	31, 100	7012929.....	31	93	
7012613	13	7012901	31	7012930.....	31		



**Corporate Office
JLG Industries, Inc.
1 JLG Drive
McConnellsburg, PA 17233-9533 USA**
☎ (717) 485-5161 (Corporate)
☎ (877) 554-5438 (Customer Support)
📠 (717) 485-6417

**Visit our website for JLG Worldwide Locations.
www.jlg.com**



OSHKOSH™