



# Illustrated Parts Manual

**Models**  
**330CRT**  
**400CRT**

P/N  
3121112

October 16, 2013

**ANSI**



An Oshkosh Corporation Company



## REVISION LOG

March 20, 2000 - Original Issue Of Manual (Edited to 0010562 Revision 3)  
August 7, 2000 - Revised Manual (Revised to B/M 0010562 Revision 8)  
December 18, 2000 - Revised Manual (Revised to B/M 0010562 Revision 14)  
March 31, 2002 - Revised Manual (Revised to B/M 0010562 Revision 22)  
August 1, 2002 - Revised Manual (Revised to B/M 0010562 Revision 22)  
April 15, 2003 - Revised Manual (Revised to B/M 0010562 Revision 25)  
August 1, 2003 - Revised Manual (Revised to B/M 0010562 Revision 25)  
December 7, 2006 - Revised Manual  
May 2, 2011 - Revised Manual  
October 16, 2013 - Revised Manual



# TABLE OF CONTENTS

SECTION 1 - FRAME.....	7
FIGURE 1-1. FRAME AND STEERING INSTALLATION .....	8
FIGURE 1-2. OSCILLATING REAR AXLE INSTALLATION.....	10
FIGURE 1-3. WHEEL DRIVE INSTALLATION.....	12
FIGURE 1-4. FRONT DRIVE MOTOR ASSEMBLY - 330CRT.....	14
FIGURE 1-5. FRONT DRIVE MOTOR ASSEMBLY - 400CRT.....	16
FIGURE 1-6. REAR DRIVE MOTOR WITH BRAKE ASSEMBLY - 330CRT (Prior to SN 82626).....	18
FIGURE 1-7. REAR DRIVE MOTOR WITH BRAKE ASSEMBLY - 300CRT AND ALL 400CRT (SN 82626 to Present).....	20
FIGURE 1-8. DIESEL ENGINE INSTALLATION - KUBOTA .....	24
FIGURE 1-9. GAS DUAL FUEL ENGINE INSTALLATION - KUBOTA.....	28
FIGURE 1-10. PISTON PUMP ASSEMBLY (PRODUCTION).....	32
FIGURE 1-11. PISTON PUMP ASSEMBLY (POST PRODUCTION).....	36
FIGURE 1-12. FRAME MOUNTED COMPONENTS INSTALLATION .....	40
FIGURE 1-13. FRAME COVERS AND LADDERS INSTALLATION.....	42
FIGURE 1-14. LEVELING JACKS INSTALLATION.....	44
FIGURE 1-15. GENERATOR INSTALLATION - 110V (OPTIONAL).....	48
SECTION 2 - GROUND COMPONENTS.....	51
FIGURE 2-1. RIGHT SIDE COMPARTMENT INSTALLATIONS.....	52
FIGURE 2-2. MAIN CONTROL VALVE ASSEMBLY.....	56
FIGURE 2-3. FLOW DIVIDER VALVE ASSEMBLY .....	58
FIGURE 2-4. GROUND CONTROL BOX ASSEMBLY.....	60
FIGURE 2-5. FUEL COMPARTMENT INSTALLATION .....	62
SECTION 3 - SCISSOR ARMS.....	65
FIGURE 3-1. SCISSOR ARMS INSTALLATION - 330CRT.....	66
FIGURE 3-2. SCISSOR ARMS INSTALLATION - 400CRT.....	70
SECTION 4 - PLATFORM.....	73
FIGURE 4-1. PLATFORM AND ACCESSORIES INSTALLATION.....	74
FIGURE 4-2. FOLDDOWN HANDRAILS AND EXTENSION INSTALLATION (MANUALLY OPERATED PLATFORM) .....	76
FIGURE 4-3. PLATFORM CONSOLE BOX ASSEMBLY .....	80
FIGURE 4-4. DRIVE/STEER CONTROLLER ASSEMBLY (PRODUCTION).....	84
FIGURE 4-5. DRIVE/STEER J.R. MERRITT CONTROLLER ASSEMBLY (POST PRODUCTION) .....	86
SECTION 5 - CYLINDERS.....	89
FIGURE 5-1. AXLE LOCKOUT CYLINDER ASSEMBLY .....	90
FIGURE 5-2. LEVELING JACK CYLINDERS ASSEMBLY (Prior to SN 104829).....	92
FIGURE 5-3. LEVELING JACK CYLINDER ASSEMBLY (SN 104829 to Present) .....	94
FIGURE 5-4. LIFT CYLINDER COMPONENTS ASSEMBLY - 330CRT .....	96
FIGURE 5-5. LIFT CYLINDER COMPONENTS ASSEMBLY - 400CRT .....	98
FIGURE 5-6. STEER CYLINDER ASSEMBLY.....	102
SECTION 6 - HYDRAULIC .....	105
FIGURE 6-1. HYDRAULIC DIAGRAM - 330CRT OSCILLATING AXLE MACHINES.....	106
FIGURE 6-2. HYDRAULIC DIAGRAM - 400CRT OSCILLATING AXLE MACHINES.....	110

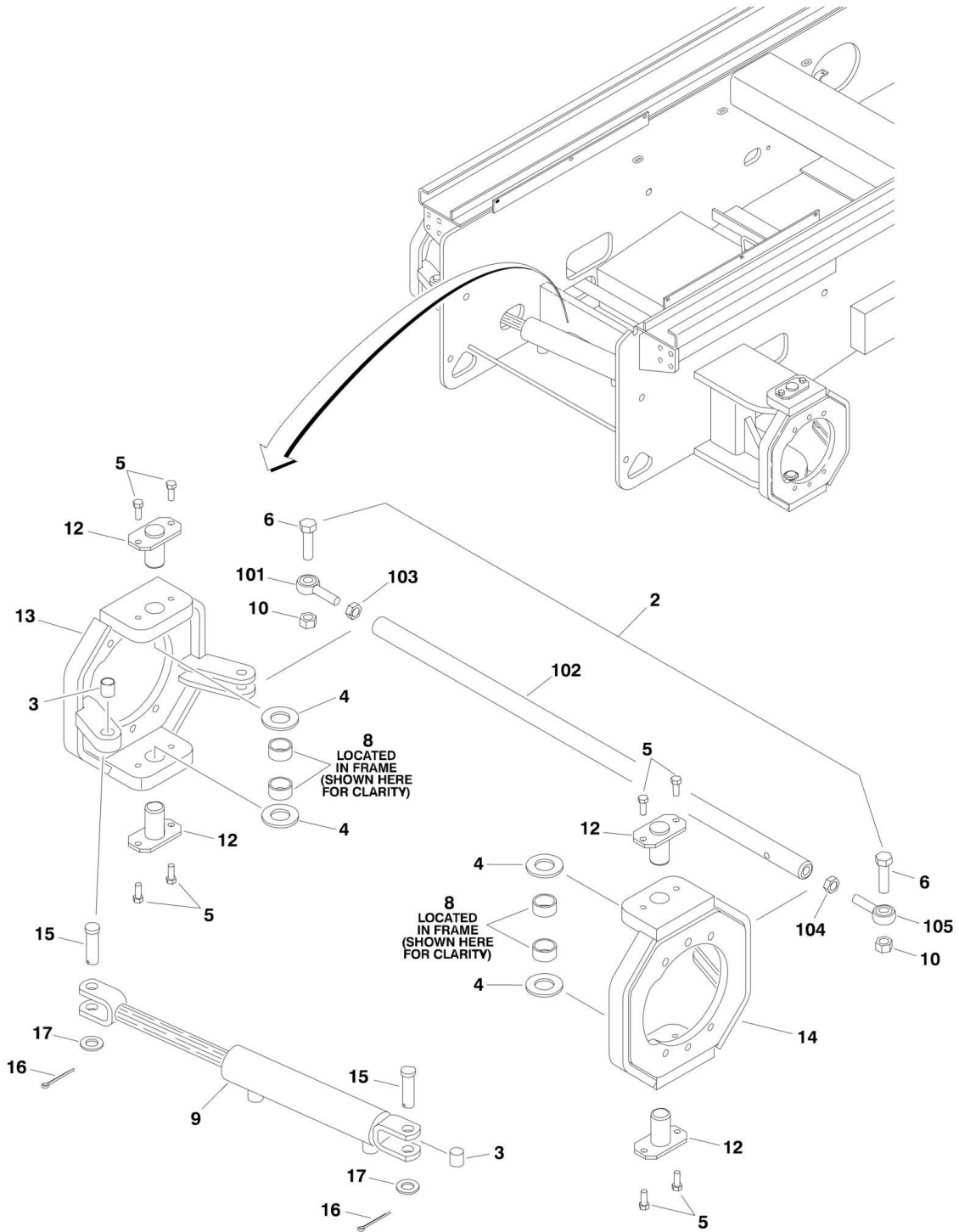
# TABLE OF CONTENTS

FIGURE 6-3. HYDRAULIC DIAGRAM - LEVELING JACKS .....	114
FIGURE 6-4. HYDRAULIC DIAGRAM - 110V GENERATOR (OPTIONAL).....	116
FIGURE 6-5. HYDRAULIC DIAGRAM LIST.....	118
SECTION 7 - ELECTRICAL.....	119
FIGURE 7-1. ELECTRICAL SCHEMATIC - STANDARD.....	120
FIGURE 7-2. ELECTRICAL SCHEMATIC - MACHINES WITH GENERATOR.....	122
FIGURE 7-3. ELECTRICAL SCHEMATIC - DUAL FUEL.....	124
FIGURE 7-4. ELECTRICAL COMPONENTS INSTALLATION .....	126
SECTION 8 - DECALS .....	133
FIGURE 8-1. DECALS INSTALLATION - ANSI .....	134
FIGURE 8-2. DECALS INSTALLATION - ANSI EXPORT.....	138
SECTION 9 - RECOMMENDED SERVICE PARTS STOCK.....	143
FIGURE 9-1. MODEL 330/400CRT STANDARD PARTS .....	144
FIGURE 9-2. MODEL 330/400CRT VARIABLE PARTS .....	146
SECTION 10 - SPECIAL OPTIONS .....	147
FIGURE 10-1. SPECIAL OPTIONS .....	148
PART NUMBER INDEX.....	151

**SECTION 1 - FRAME**

# SECTION 1 - FRAME

## FIGURE 1-1. FRAME AND STEERING INSTALLATION





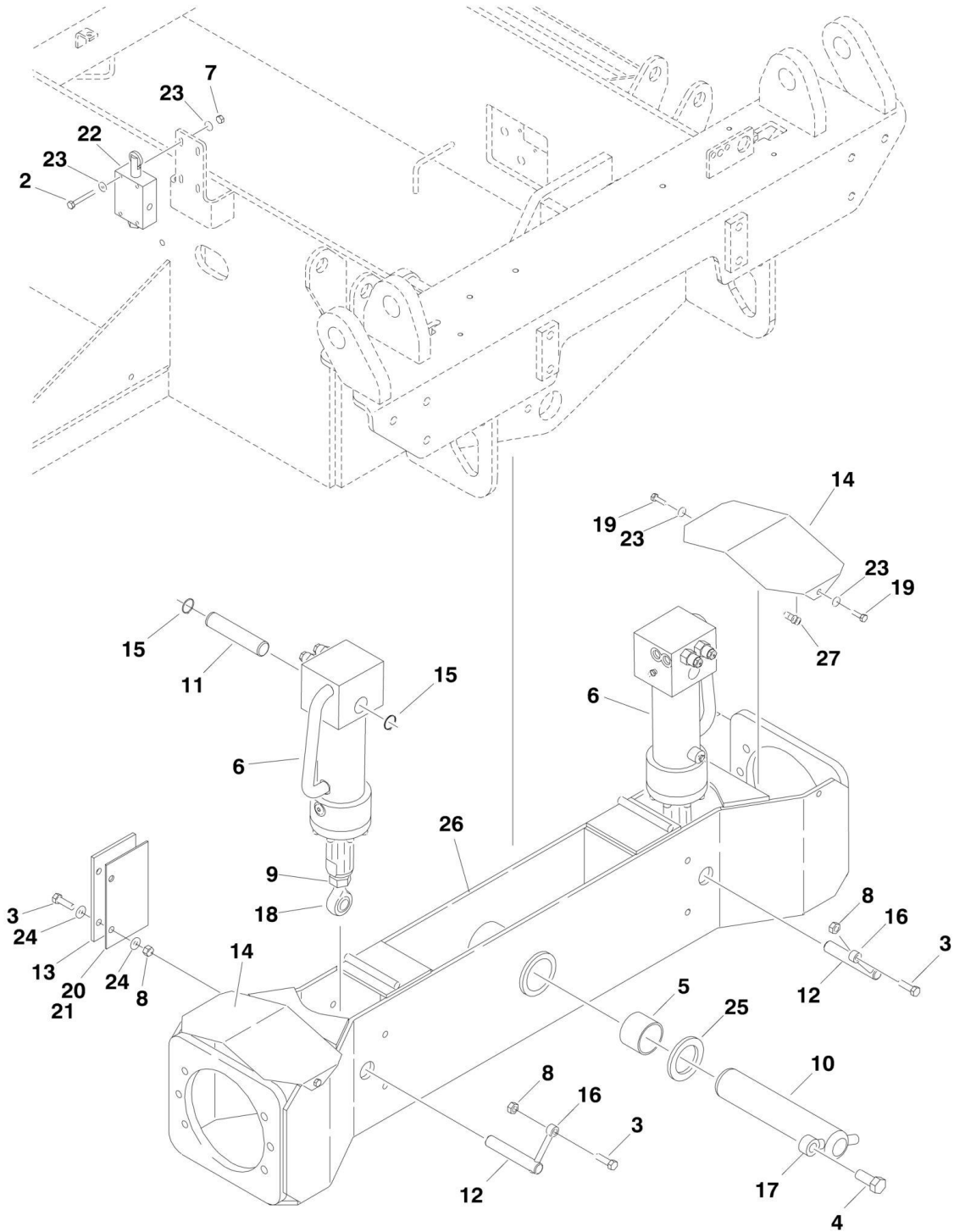
# SECTION 1 - FRAME

## FIGURE 1-1. FRAME AND STEERING INSTALLATION

ITEM	PART NUMBER	QTY	DESCRIPTION	REV
		Ref	<b>FRAME WELDMENT OPTIONS:</b>	
	2360525	1	Frame Weldment 330/400CRT - 4WD with Oscillating Rear Axle	
	0259337	Ref	<b>STEERING INSTALLATION (2WS)</b>	E
1	0100011	AR	Loctite #242 (Not Shown)	
2	0259336	1	Tie-Rod Assembly (See Items 101-105 for Breakdown)	
3	0440228	2	Bearing	
4	4740501	4	Bearing, Thrust	
5	0641608	8	Bolt 3/8in-16NC x 1in	
6	0642018	2	Bolt 5/8in-11NC x 2 1/4in	
8	0962257	4	Bushing	
9	1683807	1	Steer Cylinder Assembly (See CYLINDER SECTION for Breakdown)	
10	3312005	2	Locknut 5/8in-11NC	
12	3422803	4	Kingpin	
13	4130367	1	Spindle (Right Side)	
14	4130372	1	Spindle (Left Side)	
15	3431220	2	Pin, Clevis	
16	3450406	2	Pin, Cotter 1/8in x 1 1/2in	
17	4712200	2	Flatwasher 3/4in Narrow	
	0259336	Ref	<b>TIE-ROD ASSEMBLY</b>	C
101	3841146	1	End, Rod (Right Side)	
102	3841432	1	Tie-Rod	
103	3322002	1	Nut, Jam 5/8in- 18NF (Right Hand Thread)	
104	3300409	1	Nut, Jam 5/8in- 18NF (Left Hand Thread)	
105	3841469	1	End, Rod (Left Side)	

# SECTION 1 - FRAME

## FIGURE 1-2. OSCILLATING REAR AXLE INSTALLATION



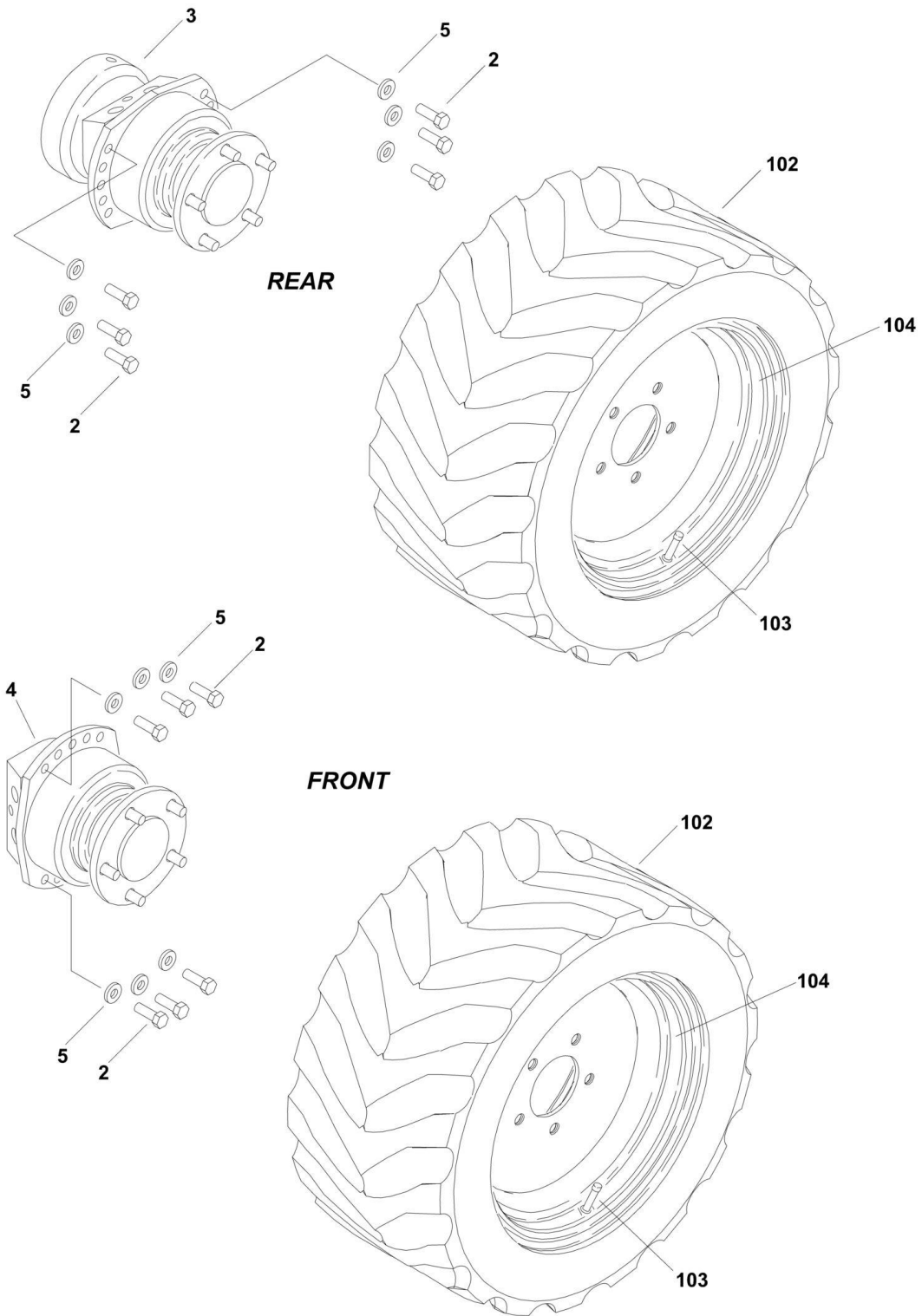
## SECTION 1 - FRAME

### FIGURE 1-2. OSCILLATING REAR AXLE INSTALLATION

ITEM	PART NUMBER	QTY	DESCRIPTION	REV
	0259649	Ref	<b>OSCILLATING AXLE INSTALLATION</b>	F
1	0100011	AR	Loctite #242 (Not Shown)	
2	0641416	4	Bolt 1/4in-20NC x 2in	
3	0641610	6	Bolt 3/8in-16NC x 1 1/4in	
4	0642012	1	Bolt 5/8in-11NC x 1 1/2in	
5	0961950	2	Bushing	
6	1683978	2	Oscillating Axle Cylinder Assembly (See CYLINDER SECTION for Breakdown)	
7	3311405	4	Locknut 1/4in-20NC	
8	3311605	6	Locknut 3/8in-16NC	
9	3322201	2	Nut 3/4in-16NF	
10	3422592	1	Pin, Axle Pivot	
11	3422745	2	Pin, Cylinder (Top)	
12	3422828	2	Pin, Cylinder (Bottom)	
13	3538047	2	Shim	
14	3572029	2	Cover, Axle	
15	3760115	4	Ring, Retaining	
16	3841143	2	Keeper, Pin	
17	3841258	1	Keeper, Pin	
18	3841367	2	End, Rod with Grease Fitting	
19	0641407	4	Bolt 1/4in-20NC x 7/8in	
20	4070878	AR	Shim (.06)	
21	4070879	AR	Shim (.12)	
22	4641143	1	Valve Assembly	
22	7012693	1	Seal Kit - 4641143 Valve	
22	7002840	1	Pin Removal Tool - 4641143 Valve	
23	4711400	12	Flatwasher 1/4in Narrow	
24	4711600	8	Flatwasher 3/8in	
25	4740158	1	Thrustwasher	
26	4846156	1	Axle Weldment	
27	2080059	4	Fastener 1/4in	
28	0100019	AR	Loctite #271 (Not Shown)	

# SECTION 1 - FRAME

## FIGURE 1-3. WHEEL DRIVE INSTALLATION



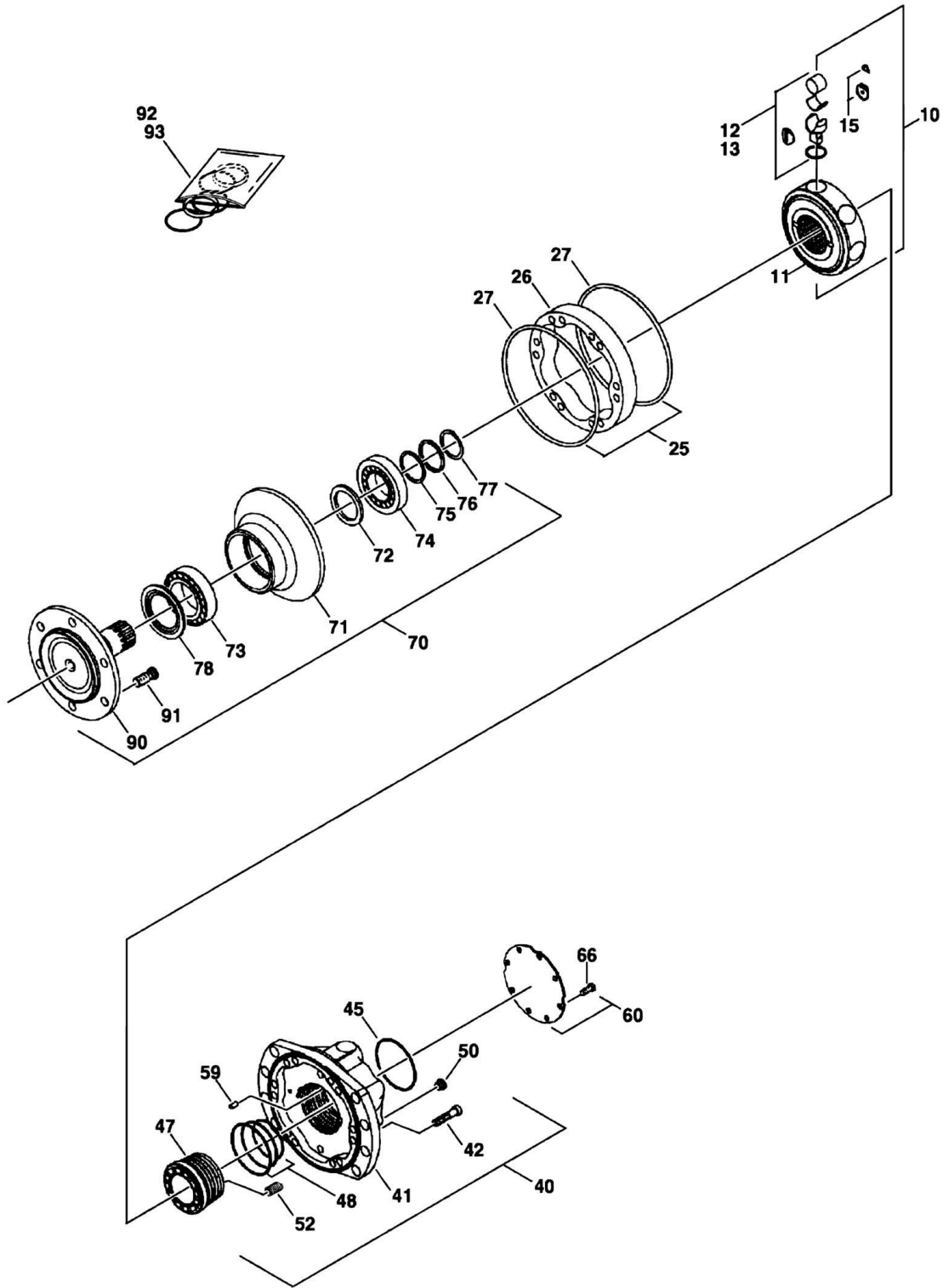
# SECTION 1 - FRAME

## FIGURE 1-3. WHEEL DRIVE INSTALLATION

ITEM	PART NUMBER	QTY	DESCRIPTION	REV
		Ref	<b>WHEEL DRIVE INSTALLATION</b>	
	0259460	Ref	<b>Wheel Drive Installation 330CRT</b>	C
	0270679	Ref	<b>Wheel Drive Installation 400CRT</b>	A
1	0100011	AR	Loctite #242 (Not Shown)	
2	0681812	24	Bolt 1/2in-13NC x 1 1/2in (Grade 8)	
3		Ref	Drive Motor with Brake Assembly Options: (Rear)	
3	3160254	2	Drive Motor with Brake Assembly - Rear 330CRT (See REAR DRIVE MOTOR WITH BRAKE ASSEMBLY for Breakdown) <b>(Prior to SN 82626)</b>	
3	3160244	2	Drive Motor with Brake Assembly - Rear 330CRT (See REAR DRIVE MOTOR WITH BRAKE ASSEMBLY for Breakdown) <b>(SN 82626 to Present)</b>	
3	3160244	2	Drive Motor with Brake Assembly - Rear 400CRT (See REAR DRIVE MOTOR WITH BRAKE ASSEMBLY for Breakdown)	
4		Ref	Drive Motor Assembly Options: (Front)	
4	3160255	2	Drive Motor Assembly - Front 330CRT (See FRONT DRIVE MOTOR ASSEMBLY for Breakdown)	
4	3160245	2	Drive Motor Assembly - Front 400CRT (See FRONT DRIVE MOTOR ASSEMBLY for Breakdown)	
5	4891800	24	Washer, Hardened 1/2in	
		Ref	<b>TIRE AND WHEEL INSTALLATIONS OPTIONS:</b>	
	0259652	Ref	<b>Standard Foam Filled (30.4 x 10.4)</b>	D
		Ref	Tire and Wheel Assembly Options:	
	0270251	AR	30.4 x 10.4 NHS (Right Side) (Foam Filled)	
	0270252	AR	30.4 x 10.4 NHS (Left Side) (Foam Filled)	
102	4520238	AR	Tire - 30.4 x 10.4 NHS	
103	4640113	AR	Valve	
104	4860217	AR	Rim	

# SECTION 1 - FRAME

## FIGURE 1-4. FRONT DRIVE MOTOR ASSEMBLY - 330CRT



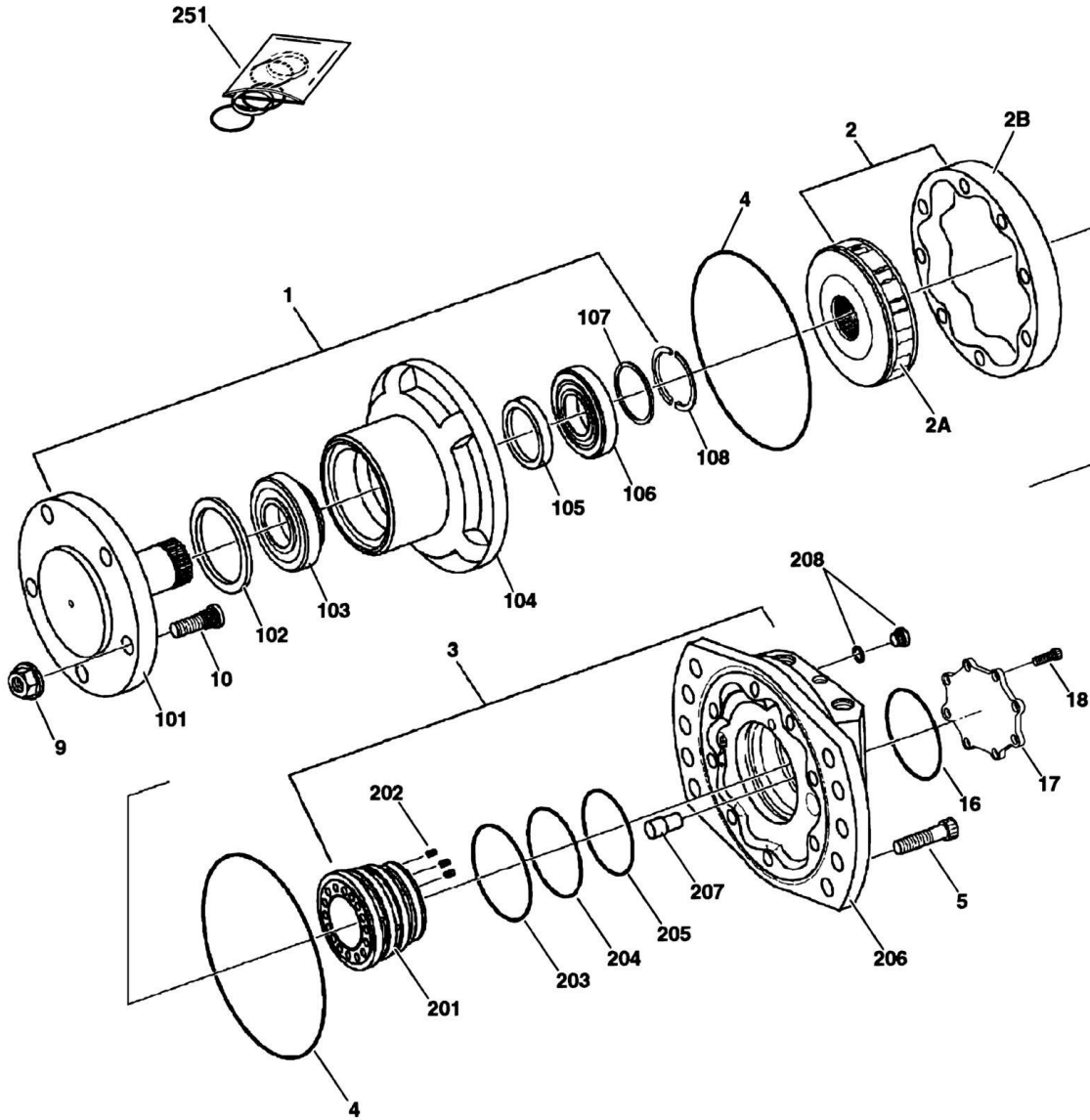
## SECTION 1 - FRAME

**FIGURE 1-4. FRONT DRIVE MOTOR ASSEMBLY - 330CRT**

ITEM	PART NUMBER	QTY	DESCRIPTION	REV
	3160255	Ref	<b>DRIVE MOTOR ASSEMBLY - 330CRT</b>	B
10	7023279	1	Cylinder Block Assembly	
11	Not Serviced	1	Block, Cylinder	
12	7023276	1	Piston	
15	7023278	1	Guide and Keeper Kit	
25	7023280	1	Cam Assembly	
26	Not Serviced	1	Cam	
27	7027888	2	O-Ring (Note: Use Item 92 or 93)	
40	7023281	1	Valving Cover Assembly	
41	Not Serviced	1	Cover, Valving	
42	7023282	6	Bolt	
45	See Note	1	O-Ring (Note: Use Item 92 or 93)	
47	7023283	1	Distributor	
48	Item 93	1	Seal Kit	
50	7023284	1	Plug	
52	7018411	4	Spring	
59	7023286	1	Pin, Split	
60	7023285	1	Back Plate Assembly	
66	7018435	8	Bolt	
70	7023287	1	Support Assembly	
71	Not Serviced	1	Support, Bearing	
72	See Note	1	Seal (Note: Use Item 92 or 93)	
73	7023288	1	Bearing	
74	7023289	1	Bearing	
75	7023302	1	Shim Set	
76	7023290	1	Ring	
77	7023291	1	Ring, Snap	
78	See Note	1	Seal (Note: Use Item 92 or 93)	
90	7023292	1	Shaft	
91	7023303	1	Stud Set (1 Set of 5)	
91	7018436	1	Nut, Wheel (1 Set of 5)	
92	7023300	1	Seal Kit - (Includes Items - 27, 45, 72 & 78)	
93	7023301	1	Seal Kit - (Includes Items - 27, 45, 48, 72 & 78)	

# SECTION 1 - FRAME

## FIGURE 1-5. FRONT DRIVE MOTOR ASSEMBLY - 400CRT





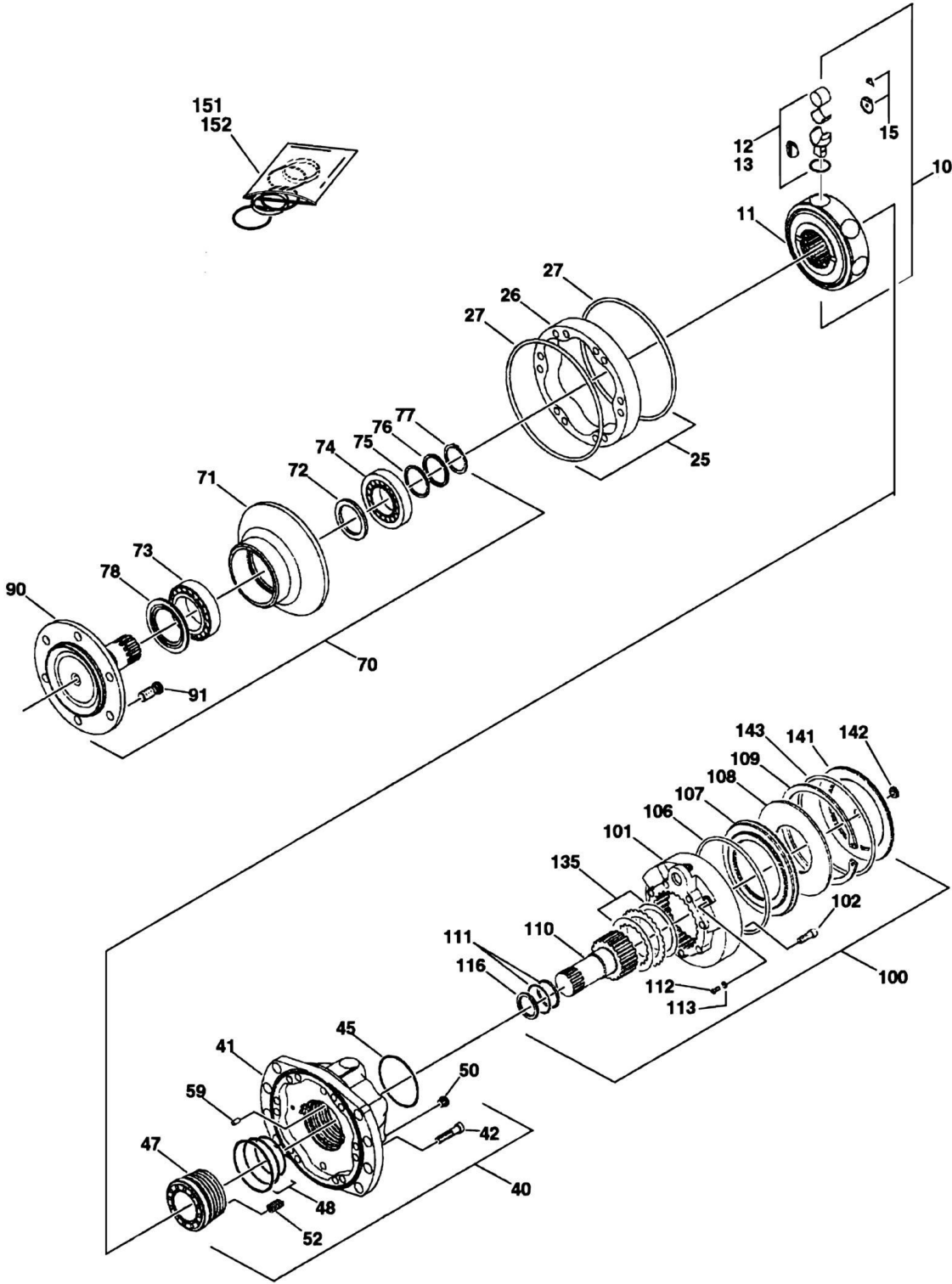
# SECTION 1 - FRAME

## FIGURE 1-5. FRONT DRIVE MOTOR ASSEMBLY - 400CRT

ITEM	PART NUMBER	QTY	DESCRIPTION	REV
	3160245	Ref	<b>DRIVE MOTOR ASSEMBLY - 400CRT</b>	D
1	Not Available	1	Front Housing Assembly (See 101 to 108 for Breakdown)	
2	Not Available	1	Rotary Assembly	
2A	Not Available	1	Rotary without Cam	
2B	Not Available	1	Cam	
3	Not Available	1	Rear Housing Assembly (See 201 to 208 for Breakdown)	
4	Item 251	2	Seal, Square	
5	Not Available	6	Screw, Cap	
9	7023806	5	Lugnut	
10	7023807	5	Stud, Wheel	
16	7024008	1	Seal, Square	
17	7024007	1	Plate, Rear Cover	
18	7024009	8	Screw, Cap	
		Ref	<b>FRONT HOUSING ASSEMBLY</b>	
101	7022586	1	Shaft	
102	Item 251	1	Seal, Face	
103	7022587	1	Bearing, Front	
104	Not Available	1	Casting, Front	
105	Item 251	1	Seal, Shaft	
106	7022588	1	Bearing, Rear	
107	Not Available	1	Washer	
108	7022589	1	Ring, Split	
		Ref	<b>REAR HOUSING ASSEMBLY</b>	
201	Not Available	1	Ring, Distributor	
202	Not Available	9	Spring	
203	Item 251	1	Seal, Nylon	
204	Item 251	1	Seal, Nylon	
205	Item 251	1	Seal, Nylon	
206	Not Available	1	Housing, Rear	
207	7022590	1	Pin, Stop	
208	7022591	1	Plug (O-Ring Supplied with Plug)	
251	7023801	1	Seal Kit (Includes Items - 4, 102, 105 & 203-205)	

# SECTION 1 - FRAME

FIGURE 1-6. REAR DRIVE MOTOR WITH BRAKE ASSEMBLY - 330CRT (Prior to SN 82626)



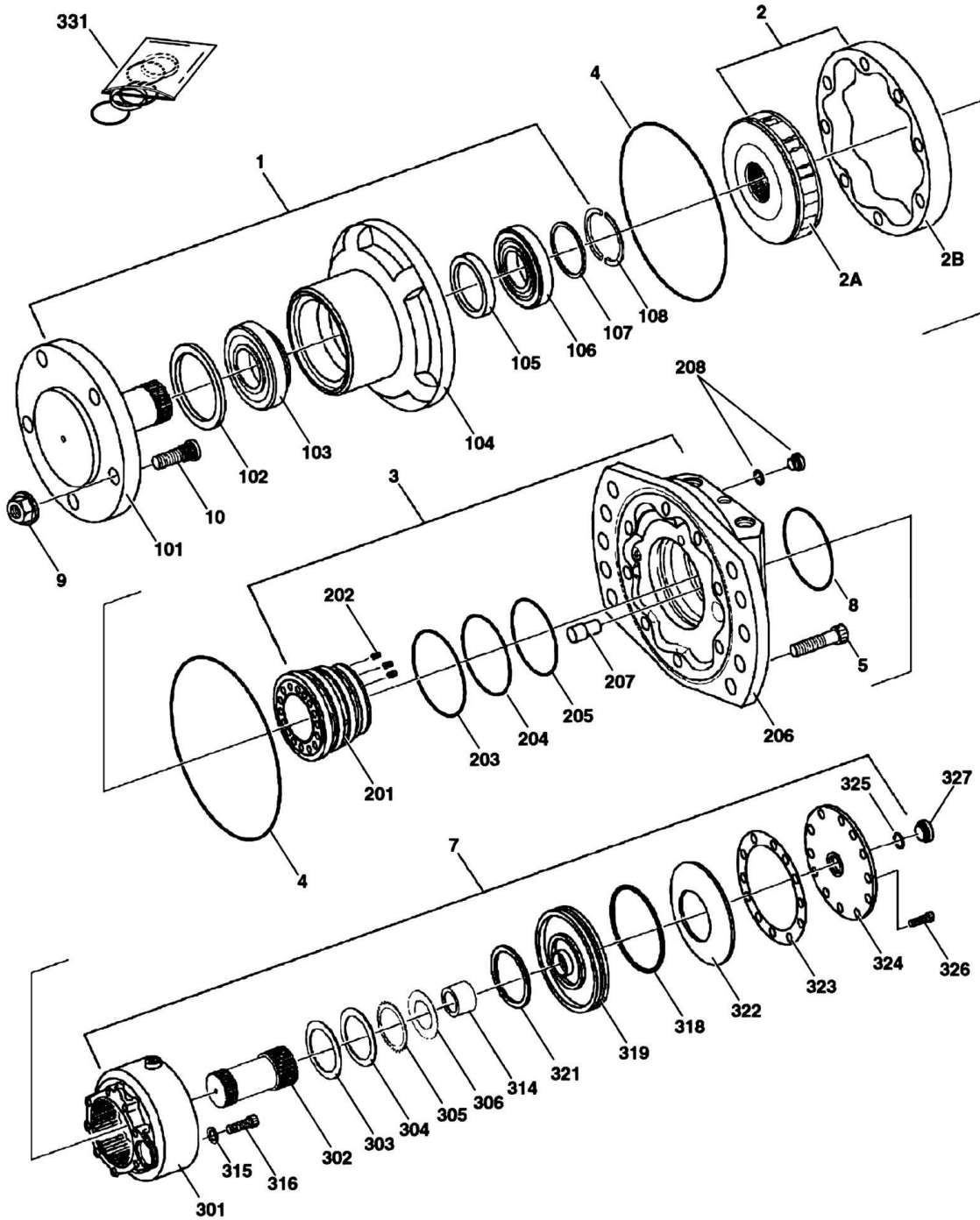
## SECTION 1 - FRAME

**FIGURE 1-6. REAR DRIVE MOTOR WITH BRAKE ASSEMBLY - 330CRT (Prior to SN 82626)**

ITEM	PART NUMBER	QTY	DESCRIPTION	REV
	3160254	Ref	<b>DRIVE MOTOR ASSEMBLY - 330CRT</b>	C
10	7023279	1	Cylinder Block Assembly	
11	Not Serviced	1	Block, Cylinder	
12	7023276	1	Piston	
15	7023278	1	Guide and Keeper Kit	
25	7023280	1	Cam Assembly	
26	Not Serviced	1	Cam	
27	7027888	2	O-Ring	
40	7023281	1	Valving Cover Assembly	
41	Not Serviced	1	Cover, Valving	
42	7023282	6	Bolt	
45	See Note	1	O-Ring (Note: Use Item 151 or 152)	
47	7023283	1	Distributor	
48	Item 152	1	Seal Kit	
50	7023284	1	Plug	
52	7018411	4	Spring	
59	7023286	1	Pin, Split	
70	7023287	1	Support Assembly	
71	Not Serviced	1	Support, Bearing	
72	See Note	1	Seal (Note: Use Item 151 or 152)	
73	7023288	1	Bearing	
74	7023289	1	Bearing	
75	7023302	1	Shim Set	
76	7023290	1	Ring	
77	7023291	1	Ring, Snap	
78	See Note	1	Seal (Note: Use Item 151 or 152)	
90	7023292	1	Shaft	
91	7023303	1	Stud Set (1 Set of 5)	
91	7018436	1	Nut, Wheel (1 Set of 5)	
100	7023293	1	Disc Brake Assembly	
101	Not Serviced	1	Body, Brake	
102	7023294	8	Bolt	
106	See Note	1	O-Ring (Note: Use Item 151 or 152)	
107	7023295	1	Piston, Brake	
108	7023296	1	Washer, Spring	
109	7023297	1	Ring, Snap	
110	7023298	1	Shaft	
111	Item 152	1	Seal	
112	7018408	1	Bolt	
113	See Note	1	Gasket (Note: Use Item 151 or 152)	
116	7023305	1	Shim	
135	7023304	1	Brake Disc Kit (Includes Shim Kit)	
135	7026191	1	Brake Shim Kit	
141	Item 152	1	Protector	
142	Item 152	1	Plug, Dust	
143	Item 152	1	O-Ring	
151	7023300	1	Seal Kit - (Includes Items - 27, 45, 72, 78, 106 & 113)	
152	7023301	1	Seal Kit - (Includes Items - 27, 45, 48, 72, 78, 106, 111, 113, 141, 142 & 143)	

# SECTION 1 - FRAME

FIGURE 1-7. REAR DRIVE MOTOR WITH BRAKE ASSEMBLY - 300CRT AND ALL 400CRT (SN 82626 to Present)



## SECTION 1 - FRAME

**FIGURE 1-7. REAR DRIVE MOTOR WITH BRAKE ASSEMBLY - 300CRT AND ALL 400CRT (SN 82626 to Present)**

ITEM	PART NUMBER	QTY	DESCRIPTION	REV
	3160244	Ref	<b>DRIVE MOTOR ASSEMBLY</b>	D
1	7024963	1	Front Housing Assembly (See Items 101 to 108 for Breakdown)	
2	7023866	1	Rotary Assembly	
2A	Not Available	1	Rotary without Cam	
2B	Not Available	1	Cam	
3	7024964	1	Rear Housing Assembly (See Items 201 to 208 for Breakdown)	
4	Item 331	2	Seal, Square	
5	Not Available	6	Screw, Cap	
7	7024965	1	Brake Assembly (See Items 301 to 327 for Breakdown)	
8	Item 331	1	Seal, Square	
9	7023806	5	Lugnut	
10	7023807	5	Stud, Wheel	
		Ref	<b>FRONT HOUSING ASSEMBLY</b>	
101	7022586	1	Shaft	
102	Item 331	1	Seal, Face	
103	7022587	1	Bearing, Front	
104	Not Available	1	Casting, Front	
105	Item 331	1	Seal, Shaft	
106	7022588	1	Bearing, Rear	
107	Not Available	1	Washer	
108	7022589	1	Ring, Split	
		Ref	<b>REAR HOUSING ASSEMBLY</b>	
201	Not Available	1	Ring, Distributor	
202	Not Available	9	Spring	
203	Item 331	1	Seal, Nylon	
204	Item 331	1	Seal, Nylon	
205	Item 331	1	Seal, Nylon	
206	Not Available	1	Housing, Rear	
207	7022590	1	Pin, Stop	
208	7022591	1	Plug (O-Ring Supplied with Plug)	
		Ref	<b>BRAKE ASSEMBLY</b>	
301	Not Available	1	Housing, Brake	
302	7022592	1	Shaft	
303	7022593	1	Shim	
304	7022594	1	Shim	
305	7022595	15	Disc, Outer Brake	
306	7022596	13	Disc, Inner Brake	
314	7022597	1	Bushing	
315	Not Available	8	Washer	
316	Not Available	8	Screw, Cap	
318	Item 331	1	Ring, Square	
319	7022598	1	Piston, Brake	
321	Item 331	1	Seal, Outer	
322	7022599	1	Washer, Bellville	
323	Item 331	1	Gasket	
324	Not Available	1	Cover, End	
325	Item 331	1	O-Ring	
326	Not Available	12	Screw, Cap	
327	7023800	1	Plug	

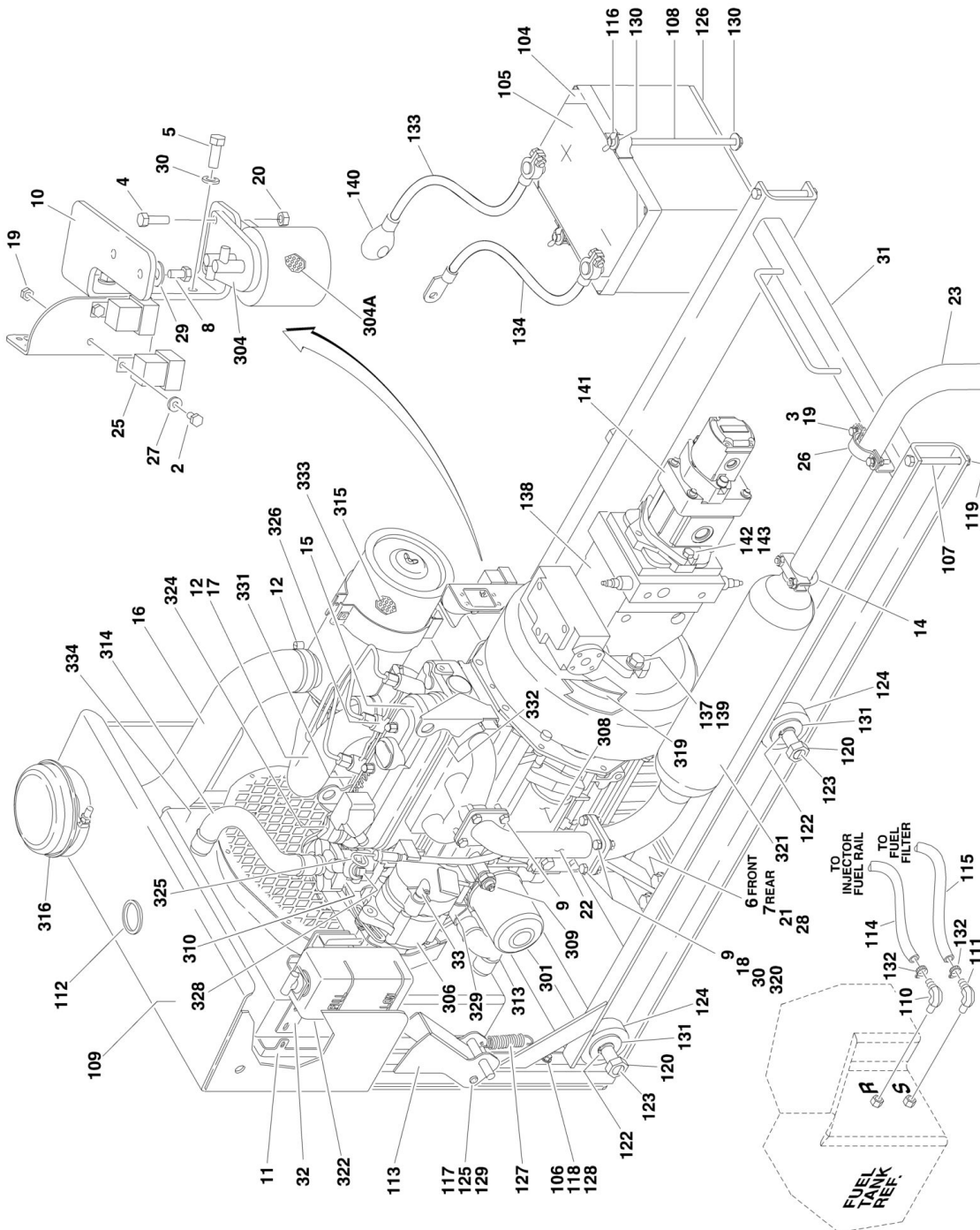
## SECTION 1 - FRAME

ITEM	PART NUMBER	QTY	DESCRIPTION	REV
331	7022585	1	Seal Kit - (Includes Items 4, 8, 102, 105, 203-205, 318, 321, 323 & 325)	



# SECTION 1 - FRAME

## FIGURE 1-8. DIESEL ENGINE INSTALLATION - KUBOTA





# SECTION 1 - FRAME

## FIGURE 1-8. DIESEL ENGINE INSTALLATION - KUBOTA

ITEM	PART NUMBER	QTY	DESCRIPTION	REV
	0259851	Ref	<b>DIESEL ENGINE ASSEMBLY</b>	D
2	0641404	2	Bolt 1/4in-20NC x 1/2in	
3	0641410	2	Bolt 1/4in-20NC x 1 1/4in	
4	0641508	2	Bolt 5/16in-18NC x 1in	
5	0641608	2	Bolt 3/8in-16NC x 1in	
6	0641812	4	Bolt 1/2in-13NC x 1 1/2in	
7	0641814	2	Bolt 1/2in-13NC x 1 3/4in	
8	0700808	2	Bolt, Metric M8 x 16mm	
9	0760812	8	Bolt, Metric M8 x 25mm	
10	0902613	1	Bracket, Air Cleaner	
11	0902624	1	Bracket, Radiator Seal	
12	1320016	4	Clamp	
14	1320274	1	Clamp, Exhaust	
15	2000169	1	Engine, Kubota Diesel	
16	2720456	1	Hose, Air Intake	
17	2720457	1	Hose, Air Intake	
18	3290801	4	Nut, Metric M8	
19	3311405	4	Locknut 1/4in-20NC	
20	3311505	2	Locknut 5/16in-18NC	
21	3311805	6	Locknut 1/2in-13NC	
22	3460314	1	Pipe, Exhaust	
23	3460316	1	Pipe, Exhaust	
25	3740049	2	Relay	
26	4240143	1	Strap, Exhaust	
27	4711400	4	Flatwasher 1/4in Narrow	
28	4711800	12	Flatwasher 1/2in Narrow	
29	4751600	2	Flatwasher 3/8in	
30	4761600	6	Lockwasher 3/8in	
31	4846036	1	Engine Tray Weldment	
32	4846221	1	Reserve Tank Mounting Weldment	
33	0840026	1	Boot, Terminal	
	0259381	Ref	<b>DIESEL ENGINE INSTALLATION</b>	J
101	0100011	AR	Loctite #242 (Not Shown)	
102	0100020	AR	Sealant, Pipe (Not Shown)	
104	0400002	1	Hold-Down, Battery	
104	2910479	1	Clip Repair Kit	
105	0400003	1	Battery	
106	0641418	4	Bolt 1/4in-20NC x 2 1/4in	
107	0641632	2	Bolt 3/8in-16NC x 4in	
108	0641672	2	Bolt 3/8in-16NC x 9in	
109	1670945	1	Cover, Engine - Front	
110	2221046	1	Fitting, 90	
111	2221047	1	Fitting, 90	
112	2540036	1	Grommet	
113	2560163	1	Handle	
114		Ref	Hose, Fuel Line Options:	
114	2720339	9 ft/2.75m	Production	
114	2720058	9 ft/2.75m	Post Production	
115	2720271	9 ft/2.75m	Hose, Low Pressure	
116	3300029	2	Wingnut 3/8in-16NC	

# SECTION 1 - FRAME

ITEM	PART NUMBER	QTY	DESCRIPTION	REV
117	3300374	1	Nut, Post Binding	
118	3311405	4	Locknut 1/4in-20NC	
119	3311605	2	Locknut 3/8in-16NC	
120	3322202	4	Nut, Jam 3/4in-16NF	
122	3760348	4	Ring, Retaining	
123	3841233	4	Rod, Roller Mount	
124	3860059	4	Roller, Extension	
125	3900184	1	Screw, Button Head #10-24NC x 5/8in	
126	3980003	1	Seat, Battery	
127	4160189	1	Spring, Extension	
128	4711400	8	Flatwasher 1/4in Narrow	
129	4740493	2	Washer, Nylon Insert	
130	4751600	4	Flatwasher 3/8in	
131	4752200	4	Flatwasher 3/4in	
132	1320022	6	Clamp	
133	1060823	1	Cable, Battery (Positive)	
134	1060824	1	Cable, Battery (Negative)	
137	0641812	2	Bolt 1/2in-13NC x 1 1/2in	
138		Ref	Piston Pump Assembly Options:	
138	3600300	1	Production (See PISTON PUMP ASSEMBLY (PRODUCTION) for Breakdown)	
138	3600414	1	Post Production (See PISTON PUMP ASSEMBLY (POST PRODUCTION) for Breakdown)	
139	4711800	2	Flatwasher 1/2in Narrow	
140	0840025	1	Boot, Cable	
141	3600313	1	Gear Pump Assembly	
141	7022389	1	Seal Kit - 3600313 Front Pump	
141	70002861	1	Seal Kit - 3600313 Rear Pump (was p/n 7022388)	
142	0641608	2	Bolt 3-8in-16NC x 1in	
143	4711600	2	Flatwasher 3/8in (Narrow)	
	2000169	Ref	<b>ENGINE COMPONENTS</b>	A
301	7017923	1	Filter, Oil	
302	7023177	1	Solenoid, Fuel Shutdown (Not Shown)	
302	7023134	1	Gasket (Not Shown)	
303	7023137	3	Plug, Glow (Not Shown)	
304	7023199	1	Filter Cover Assembly	
304A	7023138	1	Element, Fuel Filter	
305	7017995	1	Gasket, Fuel Pump (Not Shown)	
306	7023169	1	Alternator	
306	7023142	2	Brush	
306	7023143	2	Spring, Brush	
307	7023141	1	V-Belt (Not Shown)	
308	7023144	1	Starter	
308	7023186	1	Relay, Starter	
308	7023187	1	Connector, Starter Relay	
309	7017901	1	Switch, Oil	
310	7023170	1	Thermostat	
311	7017924	1	Pump, Water (Not Shown)	
312	7017967	1	Cap, Radiator (Not Shown)	
313	7017968	1	Hose, Radiator (Bottom)	
314	7017969	1	Hose, Radiator (Top)	
315	7017938	1	Element, Air Cleaner	

## SECTION 1 - FRAME

ITEM	PART NUMBER	QTY	DESCRIPTION	REV
316	7017942	1	Cap, Air Cleaner	
318	7023173	1	Sensor, Speed (Not Shown)	
319	7023196	1	Coupling, Pump	
320	7023124	2	Gasket, Exhaust	
321	7023172	1	Muffler	
322	7023126	1	Tank, Reservoir	
323	7017908	1	Plug, Drain Oil Pan (Not Shown)	
323	7017904	1	Gasket, Drain Plug (Not Shown)	
324	7023133	1	Cap, Oil Filler	
325	7023160	1	Dipstick	
326	7023166	3	Nozzle Holder Assembly	
326	7023167	3	Gasket (1 per holder)	
326	7023168	3	Seal, Heat (1 per holder)	
327	7026205	1	Pump, Fuel (Electric) (Not Shown)	
328	7026211	1	Thermoswitch	
329	7017963	1	Pipe, Water	
330	7017964	1	Hose, Water (Not Shown - Located from Water Pipe to Bottom of Water Pump)	
331	7023149	1	Gasket, Intake Manifold	
332	7023148	1	Gasket, Exhaust Manifold	
333	7026202	1	Band, Air Cleaner	
333	7026203	1	Cushion	
334	7026207	1	Radiator Assembly	
335	7023164	1	Pump, Injection (Not Shown)	
336	7023188	1	Harness, Engine (Not Shown)	
337	70001140	1	Gear, Ring (Flywheel) (Not Shown)	
338	70001865	1	Fan, Cooling (Not Shown)	



## SECTION 1 - FRAME

**FIGURE 1-9. GAS DUAL FUEL ENGINE INSTALLATION - KUBOTA**

ITEM	PART NUMBER	QTY	DESCRIPTION	REV
	0259850	Ref	<b>GAS DUAL FUEL ENGINE ASSEMBLY</b>	H
1	0641410	2	Bolt 1/4in-20NC x 1 1/4in	
2	0641508	1	Bolt 5/16in-18NC x 1in	
3	0641812	4	Bolt 1/2in-13NC x 1 1/2in	
4	0641814	2	Bolt 1/2in-13NC x 1 3/4in	
5	0760812	8	Bolt, Metric M8 x 25mm	
6	0902614	1	Bracket, Air Cleaner	
7	0902639	1	Bracket, Reserve Tank	
8	0902623	1	Bracket, Radiator Seal	
9	1320016	4	Clamp	
10	1320274	1	Clamp, Exhaust	
11	2000170	1	Engine, Kubota WG-750 Gas Dual Fuel	
12	2720458	1	Hose, Air Intake	
13	2720459	1	Hose, Air Intake	
14	3290801	4	Nut, Metric M8	
15	3311405	2	Locknut 1/4in-20NC	
16	3311505	1	Locknut 5/16in-18NC	
17	3311805	6	Locknut 1/2in-13NC	
18	3460314	1	Pipe, Exhaust	
19	3460315	1	Pipe, Exhaust	
21	4240143	1	Strap, Exhaust	
22	4711400	4	Flatwasher 1/4in Narrow	
23	4711500	2	Flatwasher 5/16in	
24	4711800	12	Flatwasher 1/2in Narrow	
25	4740495	1	Washer, Special	
26	4761600	4	Lockwasher 3/8in	
28	4846036	1	Engine Tray Weldment	
29	1320265	1	Clamp, Loop	
30	0840026	1	Boot, Terminal (Not Shown - Located at Positive Post of Alternator)	
31	2120077	1	Filter-Lock, LP Gas	
	0259380	Ref	<b>GAS DUAL FUEL ENGINE INSTALLATION</b>	J
100	4400275	1	Tank, LP	
101	0100020	AR	Sealant, Pipe (Not Shown)	
103	0400002	1	Hold-Down, Battery	
103	2910479	1	Clip Repair Kit	
104	0400003	1	Battery	
105	0641418	4	Bolt 1/4in-20NC x 2 1/4in	
106	0641612	4	Bolt 3/8in-16NC x 1 1/2in	
107	0641632	2	Bolt 3/8in-16NC x 4in	
108	0641672	2	Bolt 3/8in-16NC x 9in	
109	1320022	4	Clamp	
110	1320220	1	Clamp Kit - LP	
111	1670944	1	Cover, Engine - Front	
115	2180387	1	Fitting, LP	
116	2180389	1	Fitting, Relief Valve	
117	2200222	1	Fitting, Pipe Plug (Not Shown - Located on Fuel Tank)	
121	2221046	1	Fitting, 90	
122	2540036	1	Grommet	
123	2560163	1	Handle	

# SECTION 1 - FRAME

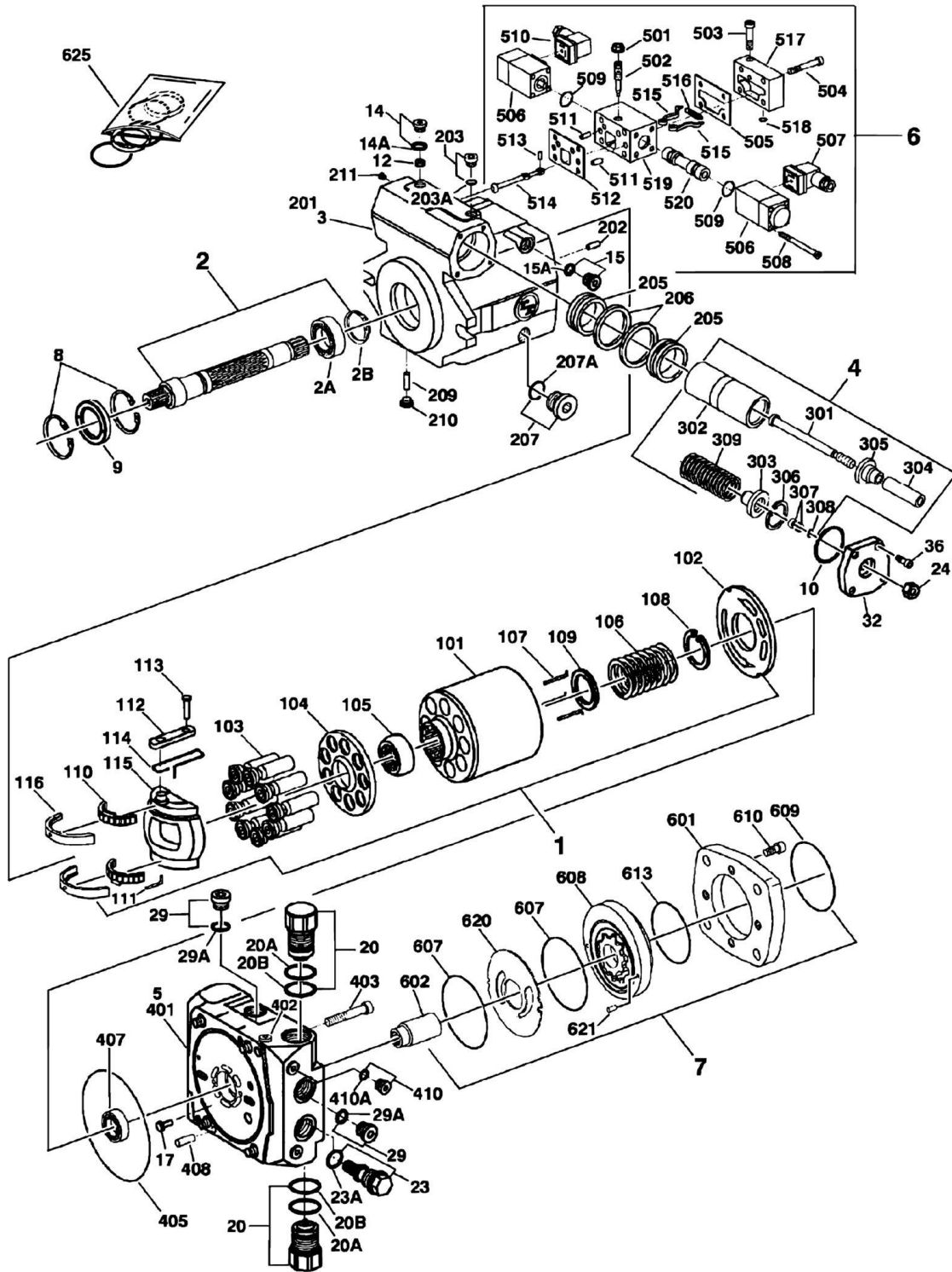
ITEM	PART NUMBER	QTY	DESCRIPTION	REV
124	2720339	9 ft/2.75m	Hose, Fuel Line	
125	2720463	1	Hose, LP	
126	3300029	2	Wingnut 3/8in-16NC	
127	3300374	1	Nut, Post Binding	
128	3311405	6	Locknut 1/4in-20NC	
129	3311605	6	Locknut 3/8in-16NC	
130	3322202	4	Nut, Jam 3/4in-16NF	
131	3760348	4	Ring, Retaining	
132	3841233	4	Rod, Roller Mount	
133	3860059	4	Roller, Extension	
134	3900184	1	Screw, Button Head #10-24NC x 5/8in	
135	3980003	1	Seat, Battery	
136	4160189	1	Spring, Extension	
137	4711400	12	Flatwasher 1/4in Narrow	
139	4751600	12	Flatwasher 3/8in	
140	4752200	4	Flatwasher 3/4in	
141	1060823	1	Cable, Battery (Positive)	
142	1060824	1	Cable, Battery (Negative)	
148	0100011	AR	Loctite #242 (Not Shown)	
149	0641812	2	Bolt 1/2in-13NC x 1 1/2in	
150		Ref	Piston Pump Assembly Options:	
150	3600300	1	Production (See PISTON PUMP ASSEMBLY (PRODUCTION) for Breakdown)	
150	3600414	1	Post Production (See PISTON PUMP ASSEMBLY (POST PRODUCTION) for Breakdown)	
151	4711800	2	Flatwasher 1/2in Narrow	
153	0641608	2	Bolt 3/8in-16NC x 1in	
154	3600313	1	Gear Pump Assembly	
154	7022389	1	Seal Kit - 3600313 Front Pump	
154	70002861	1	Seal Kit - 3600313 Rear Pump (was p/n 7022388)	
155	4711600	2	Flatwasher 3/8in (Narrow)	
156	2220399	1	Fitting	
157	0641406	2	Bolt 1/4in-20NC x 3/4in	
158	2220290	1	Fitting, Tee	
159	2220773	1	Fitting, 90	
	2000170	Ref	<b>ENGINE COMPONENTS</b>	
301	7017901	1	Switch, Oil	
302	7023174	1	Air Cleaner Assembly	
302A	7023153	1	Element, Breather	
303	7017980	1	Filter, Oil	
304	7017985	1	Flywheel	
305	7017992	1	Filter, Fuel	
305	7022169	1	Shutoff, Fuel Filter (Not Shown)	
306	7017998	1	Vaporizer	
307	7023105	1	Coil, Ignition (Not Shown)	
308	7023169	1	Alternator	
309	7023107	1	V-Belt	
310	7023108	1	Regulator (Not Shown)	
311	7023109	1	Connector, Electrical (Not Shown)	
312	7023110	1	Connector, Electrical (Not Shown)	
313	7023111	1	Starter	
314	7023113	1	Thermostat	

## SECTION 1 - FRAME

ITEM	PART NUMBER	QTY	DESCRIPTION	REV
315	7023115	1	Pump, Water	
316	7023124	2	Gasket, Muffler	
317	7017981	1	Dipstick (Not Shown)	
318	7017942	1	Cover, Air Cleaner	
319	7017978	1	Tube, Breather	
320	7023104	1	Air Distributor	
321	7023120	1	Fan	
322	7023126	1	Tank, Overflow	
323	7023128	1	Radiator	
324	7023125	1	Shroud, Fan	
325	7023127	1	Muffler	
326	7023175	1	Coupling, Pump	
327	7023190	1	Pump, Fuel (Not Shown)	
328		Ref	Carburetor Assembly Options:	
328	7023197	1	With Automatic Choke	
328	7023176	1	Without Automatic Choke	
328	Not Available	1	Valve, LP Lockout Solenoid (Not Sold Separately)	
328	7023184	1	Choke Assembly	
328	7023191	1	Coupling, Bronze	
328	7023193	1	Base, Choke	
328	7023192	1	Bushing (Fits Between Choke and Carb)	
328	7023194	1	Washer (Fits Between Choke and Carb)	
328	7023195	1	Rod, Choke	
328	7026209	1	Bracket, Choke Support	
328	7023198	1	Horn, Air	
329	7023173	1	Sensor, Speed (Not Shown)	
330	70001439	1	Bracket, Adjusting	
	0270199	Ref	<b>SPARK ARRESTOR INSTALLATION (DUAL FUEL)</b>	A
401	3220083	1	Muffler, Spark Arrestor	
402	3460325	1	Pipe, Exhaust	

# SECTION 1 - FRAME

## FIGURE 1-10. PISTON PUMP ASSEMBLY (PRODUCTION)





# SECTION 1 - FRAME

## FIGURE 1-10. PISTON PUMP ASSEMBLY (PRODUCTION)

ITEM	PART NUMBER	QTY	DESCRIPTION	REV
	3600300	Ref	<b>PISTON PUMP ASSEMBLY</b>	D
1	Not Available	1	Rotary Group Assembly (Includes Items 101-116)	
2	Not Available	1	Shaft Assembly	
2	7023887	1	Shaft	
2A	7023888	1	Bearing, Roller	
2B	7023889	1	Ring, Retaining	
3	Not Available	1	Housing Assembly (Includes Items 201-211)	
4	Not Available	1	Stroking Piston Assembly (Includes Items 301-309)	
5	Not Available	1	Port Block Assembly (Includes Items 401-410)	
6	7023877	1	Control Valve Assembly (Includes Items 501-520)	
7	Not Available	1	Thru Drive Assembly (Includes Items 601-621)	
8	7023878	2	Ring, Retaining	
9	7024070	1	Seal, Shaft	
10	Item 625	1	O-Ring	
12	Not Available	2	Orifice (1.0)	
14	Not Serviced	3	Plug, O-Ring	
14A	Item 625	3	O-Ring	
15	Not Serviced	3	Plug, O-Ring	
15A	Item 625	3	O-Ring	
17	7023879	1	Pin, Lens	
20	7022380	2	Relief Valve Assembly	
20A	Item 625	2	Ring, Back-Up	
20B	Item 625	2	O-Ring	
23	7023881	1	Charge Pressure Relief Valve Kit	
23A	Item 625	1	O-Ring	
24	Item 625	1	Nut, Jam	
29	Not Serviced	1	Plug, O-Ring	
29A	Item 625	2	O-Ring	
32	Not Available	1	Cover, Stroking Piston	
36	7023882	4	Capscrew M6 x 12	
		Ref	<b>ROTARY GROUP ASSEMBLY</b>	
101	Not Available	1	Barrel	
102	Not Available	1	Plate, Lens	
103	Not Available	9	Piston	
104	Not Available	1	Plate, Retaining	
105	Not Available	1	Coupling, Ball	
106	7023883	1	Spring	
107	Not Available	3	Pin, Pressure	
108	7023884	1	Ring, Retaining	
109	Not Available	1	Disk	
110	7023885	1	Cradle Bearing Set	
111	7023834	1	Wire	
112	Not Available	1	Lever	
113	Not Available	1	Pin	
114	Not Available	1	Wire	
115	Not Available	1	Plate, Swash	
116	7023886	1 pr	Race, Bearing	
		Ref	<b>HOUSING ASSEMBLY</b>	
201	Not Available	1	Housing	
202	Not Available	2	Rollpin	

# SECTION 1 - FRAME

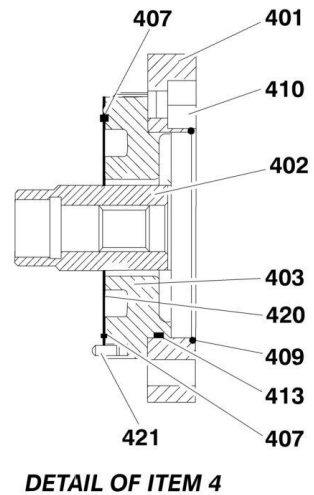
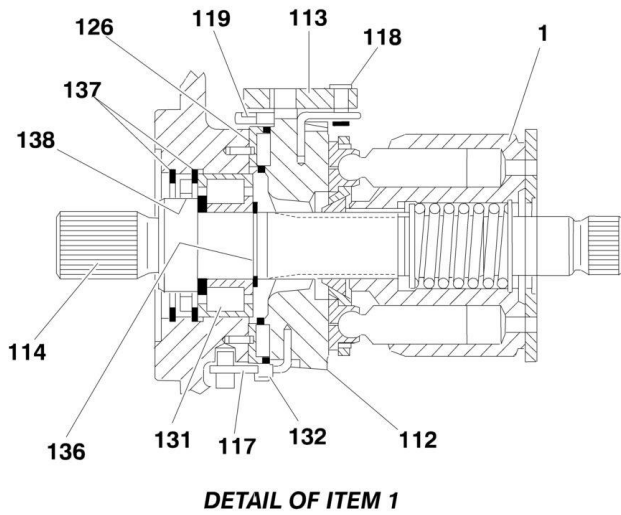
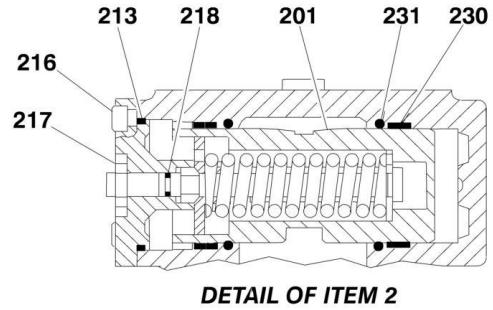
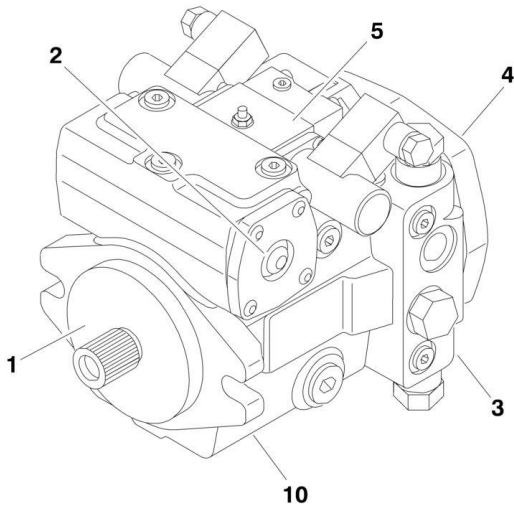
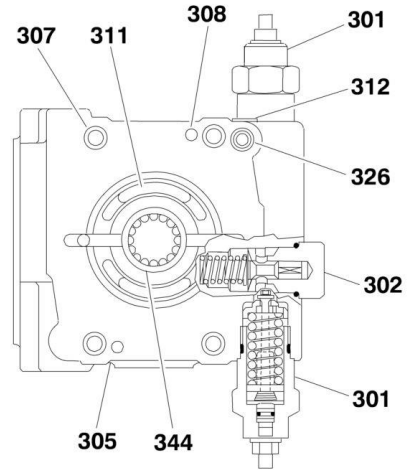
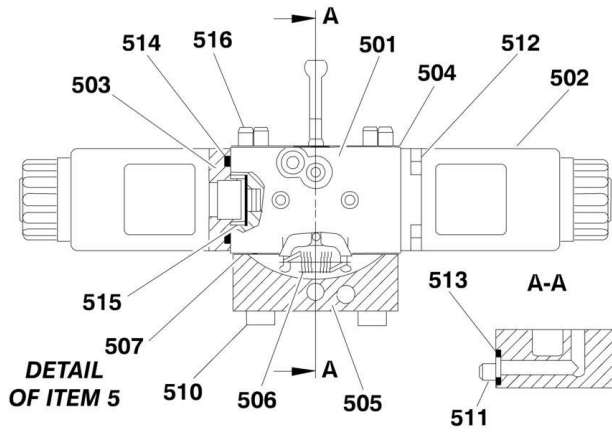
ITEM	PART NUMBER	QTY	DESCRIPTION	REV
203	Not Available	3	Plug, O-Ring	
203A	Item 625	3	O-Ring	
205	7023890	2	Bushing	
206	Item 625	2	Glyd-Ring	
207	Not Available	1	Plug, O-Ring	
207A	Item 625	1	O-Ring	
209	Not Available	1	Pin	
210	Item 625	1	Plug	
211	Not Available	1	Plug, Breakoff	
		Ref	<b>STROKING PISTON ASSEMBLY</b>	
301	7023891	1	Bolt, Centering	
302	Not Available	1	Piston, Center	
303	7023892	1	Collar, Spring	
304	7023893	1	Spacer	
305	7023894	1	Collar, Spring	
306	7023895	1	Ring, Retaining	
307	7023896	1	Ring	
308	Item 625	1	O-Ring	
309	7023897	1	Spring	
		Ref	<b>PORT BLOCK ASSEMBLY</b>	
401	Not Available	1	Block, Port	
402	Item 625	1	Plug	
403	7023898	4	Capscrew M12 x 70	
405	Item 625	1	O-Ring	
407	7023899	1	Bearing, Roller	
408	Not Available	2	Pin, Dowel	
410	Not Available	2	Plug, O-Ring	
410A	Item 625	2	O-Ring	
		Ref	<b>CONTROL VALVE ASSEMBLY</b>	
501	Item 625	1	Nut, Seal	
502	Not Available	1	Eccentric	
503	7024000	1	Capscrew M6 x 45	
504	7024001	4	Capscrew M6 x 70	
505	Item 625	1	Gasket	
506	7023854	2	Solenoid	
507	7023855	1	Connector, Electrical (Gray)	
508	Not Available	8	Capscrew M4 x 50	
509	Item 625	2	O-Ring	
510	7023856	1	Connector, Electrical (Black)	
511	Not Available	2	Pin, Dowel	
512	Item 625	1	Gasket	
513	Not Available	1	Pin	
514	7024002	1	Lever, Feedback	
515	7024003	2	Lever	
516	7023859	1	Spring	
517	Not Available	1	Cover	
518	Item 625	1	O-Ring	
519	Not Available	1	Block	
520	Not Available	1	Piston	
		Ref	<b>THRU DRIVE ASSEMBLY</b>	
601	Not Available	1	Plate	

**SECTION 1 - FRAME**

ITEM	PART NUMBER	QTY	DESCRIPTION	REV
602	7024004	1	Coupling, Shaft	
607	Item 625	2	O-Ring	
608	Not Available	1	Gear	
609	Item 625	1	O-Ring	
610	Not Available	4	Capscrew M10 x 20	
613	Item 625	1	O-Ring	
620	7024005	1	Plate, Wear	
621	Not Available		Pin	
625	7024006	1	Seal Kit (Includes Items 9, 10, 14A, 15A, 20A, 20B, 23A, 24, 29A, 203A, 206, 207A, 210, 308, 402, 405, 410A, 501, 505, 509, 512, 518, 607, 609 & 613)	

# SECTION 1 - FRAME

FIGURE 1-11. PISTON PUMP ASSEMBLY (POST PRODUCTION)



## SECTION 1 - FRAME

### FIGURE 1-11. PISTON PUMP ASSEMBLY (POST PRODUCTION)

ITEM	PART NUMBER	QTY	DESCRIPTION	REV
	3600414	Ref	<b>PISTON PUMP ASSEMBLY</b>	B
1	7024064	1	Rotary Group (See Items 101-138 for Breakdown)	
2	7024065	1	Control Assembly (See Items 201-231 for Breakdown)	
3	Not Available	1	Valve Plate Assembly (See Items 301-344 for Breakdown)	
4	Not Available	1	Internal Pump Assembly (See Items 401-421 for Breakdown)	
5	7024068	1	Module Assembly (See Items 501-516 for Breakdown)	
10	Not Available	1	Housing	
13	80934596	1	Joint, Pin (Not Shown)	
14	Not Available	1	Pin, Dowel (Not Shown)	
20	Not Available	1	Screw, Locking (Not Shown)	
22	Not Available	3	Screw, Locking (Not Shown)	
23	Not Available	1	Screw, Locking (Not Shown)	
24	Not Available	1	Screw, Locking (Not Shown)	
27	Not Available	1	Pin, Breakoff (Not Shown)	
28	7018936	2	Orifice (Not Shown)	
31	7028877	2	Pin, Clamping (Not Shown)	
41	7024069	1	O-Ring (Not Shown)	
49	Not Available	1	Plug (Not Shown)	
	7024064	Ref	<b>ROTARY GROUP</b>	
112	Not Available	1	Cradle (Purchase Assembly p/n 7024064)	
113	Not Available	1	Ring, Slide (Purchase Assembly p/n 7024064)	
114	7023887	1	Driveshaft	
117	Not Available	1	Wire (Purchase Assembly p/n 7024064)	
118	Not Available	1	Joint, Pin (Purchase Assembly p/n 7024064)	
119	Not Available	1	Wire (Purchase Assembly p/n 7024064)	
126	Not Available	1 pr	Liner, Bearing (Purchase Assembly p/n 7024064)	
131	7023888	1	Bearing, Roller	
132	7023885	1 Set	Cradle Bearing Assembly (Purchase Assembly p/n 7024064)	
136	Not Available	1	Ring, Retaining (Purchase Assembly p/n 7024064)	
137	70001968	2	Ring, Retaining (Purchase Assembly p/n 7024064)	
138	7024070	1	Seal, Shaft Ring	
	7024065	Ref	<b>CONTROL ASSEMBLY</b>	
201	Not Available	1	Piston, Positioning - Complete (Purchase Assembly p/n 7024065) (Includes Items 213 & 218)	
213	7024071	1	O-Ring, Outer Seal	
216	Not Available	4	Capscrew, Socket Head (Purchase Assembly p/n 7024065)	
217	Not Available	1	Nut, Hex (Purchase Assembly p/n 7024065)	
218	7024072	1	O-Ring, Stem	
230	Not Available	2	Ring, Guide (Purchase Assembly p/n 7024065)	
231	Not Available	2	Ring, Glide (Purchase Assembly p/n 7024065)	
3	Not Available	Ref	<b>VALVE PLATE ASSEMBLY</b>	
301	7024073	2	Cartridge, Relief Valve	
		Ref	<b>Note: Sold as an Assembly Except O-Ring and Back-up Ring.</b>	
301	7024075	2	O-Ring (1 Per Assembly)	
301	7024076	2	Ring, Back-up (1 Per Assembly)	
302	7023881	1	Cartridge, Relief Valve	
		Ref	<b>Note: Sold as an Assembly Except O-Ring.</b>	
302	7024077	1	O-Ring	
305	70003339	1	Plate, Port	
307	Not Available	4	Capscrew	

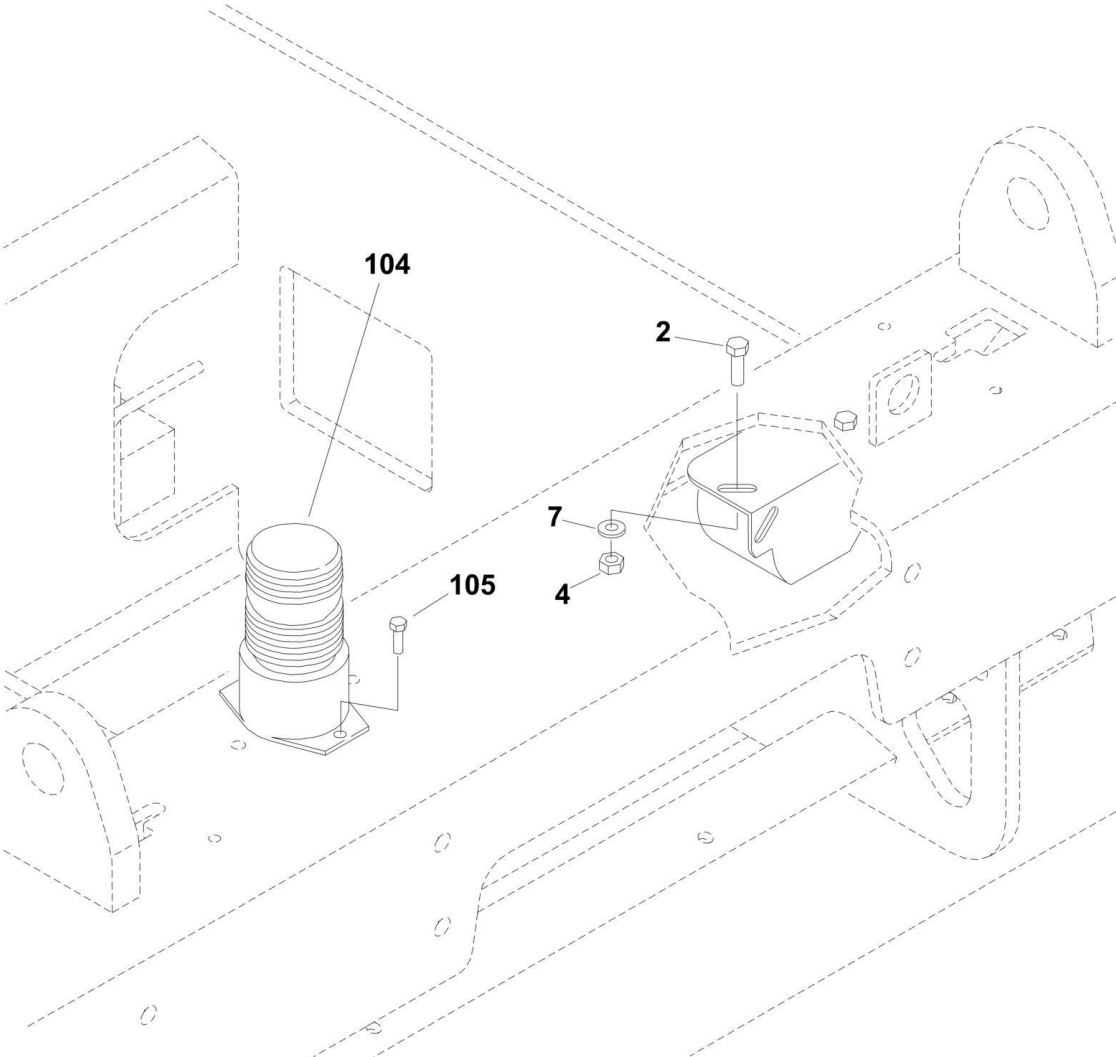
## SECTION 1 - FRAME

ITEM	PART NUMBER	QTY	DESCRIPTION	REV
308	Not Available	2	Pin, Dowel	
311	70003340	1	Pin, Breakoff	
312	Not Available	1	Screw, Locking	
326	7024908	1	O-Ring	
335	Not Available	2	Screw, Locking (Not Shown)	
344	Not Available	1	Bearing, Roller	
	Not Available	Ref	<b>INTERNAL PUMP ASSEMBLY</b>	
401	Not Available	1	Plate, Sandwich	
402	7024004	1	Coupling, Shaft	
403	Not Available	1	Seal, Ring	
407	Not Available	2	Seal	
409	7024082	1	O-Ring	
410	Not Available	4	Capscrew	
413	7024081	1	O-Ring	
420	7024005	1	Plate, Wear	
421	Not Available	1	Pin, Dowel	
	7024068	Ref	<b>MODULE ASSEMBLY</b>	
501	7024084	1	Module, Control (Valve Block) Less Coils (Note: No Internal Replacement Parts Available. Sold as an Assembly Only.)	
502	7024083	2	Coil, Solenoid	
503	Not Available	2	Adapter, Valve Block to Coil (Purchase Assembly p/n 7024068)	
504	7024085	1	Gasket	
505	Not Available	1	Cover (Purchase Assembly p/n 7024068)	
506	Not Available	1	Spring, Draw (Purchase Assembly p/n 7024068)	
507	7024086	1	Gasket	
510	80934644	4	Capscrew (Purchase Assembly p/n 7024068)	
511	Not Available	1	Capscrew (Purchase Assembly p/n 7024068)	
512	Not Available	8	Capscrew (Purchase Assembly p/n 7024068)	
513	7024087	1	O-Ring	
514	7024088	2	O-Ring	
515	7024089	2	Cup, Spring	
516	Not Available	2	Pin, Dowel (Purchase Assembly p/n 7024068)	
	Not Available	1	Seal Kit - Complete	



**SECTION 1 - FRAME**

**FIGURE 1-12. FRAME MOUNTED COMPONENTS INSTALLATION**





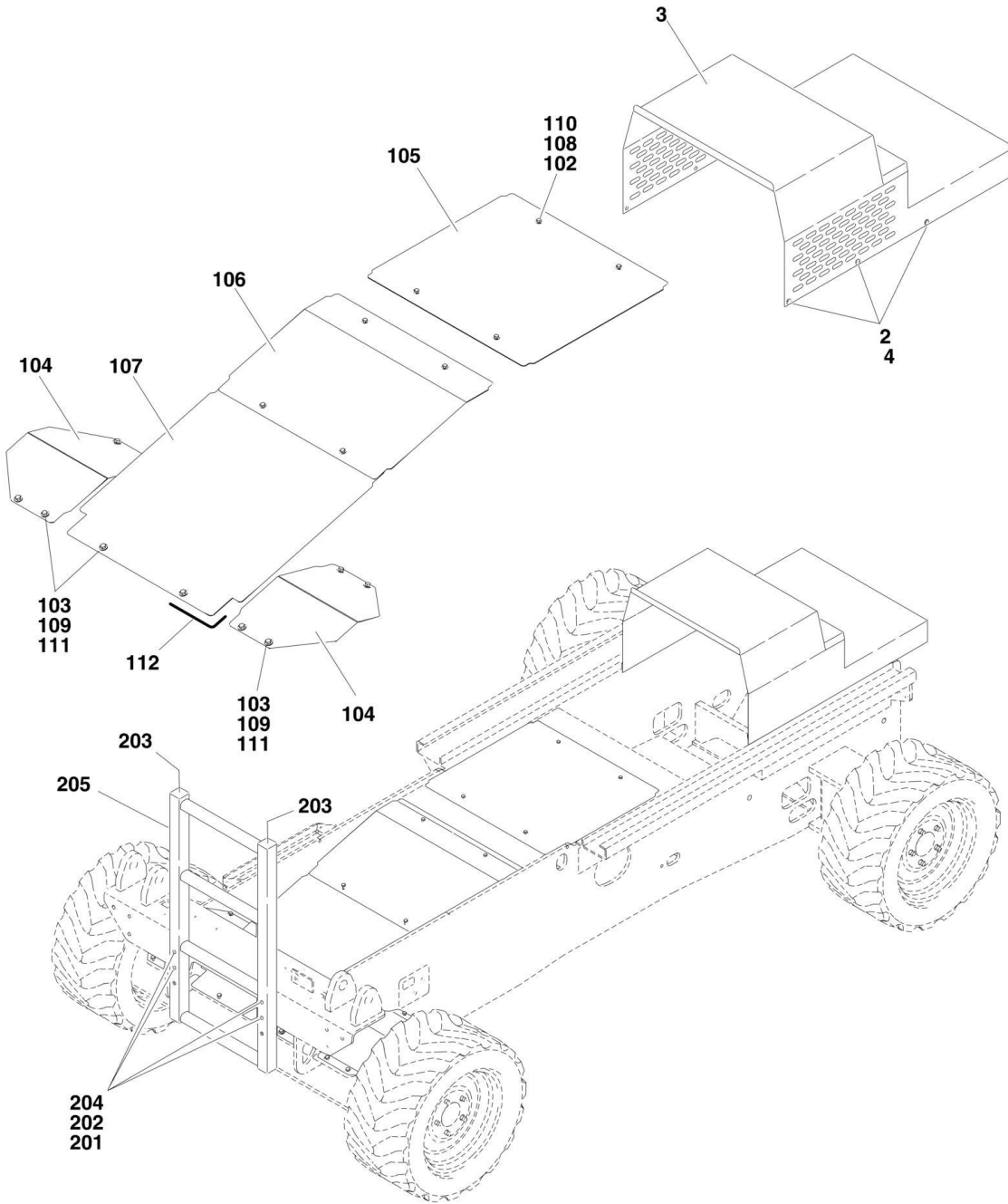
## SECTION 1 - FRAME

**FIGURE 1-12. FRAME MOUNTED COMPONENTS INSTALLATION**

ITEM	PART NUMBER	QTY	DESCRIPTION	REV
		Ref	<b>ALARM INSTALLATIONS (OPTIONAL)</b>	
	0259591	Ref	<b>Descent</b>	D
	0259592	Ref	<b>Motion</b>	D
2	0641508	2	Bolt 5/16in-18NC x 1in	
4	3311505	2	Locknut 5/16in-18NC	
7	4711500	2	Flatwasher 5/16in Narrow	
8	4922425	1	Harness, Alarm (Not Shown - See ELECTRICAL SECTION for Breakdown)	
	0259593	Ref	<b>BEACON LIGHT INSTALLATION (OPTIONAL)</b>	B
103	2820018	AR	Tube, Heat Shrink (Not Shown)	
104	2920146	1	Beacon Light Assembly	
104	7016319	1	Tube, Flash	
104	7016372	1	Lens, Replacement Amber	
105	3941004	2	Screw, Self-Tapping #10-24NC x 1/2in	
111	4922426	1	Harness, Beacon (Not Shown - See ELECTRICAL SECTION for Breakdown)	

# SECTION 1 - FRAME

## FIGURE 1-13. FRAME COVERS AND LADDERS INSTALLATION



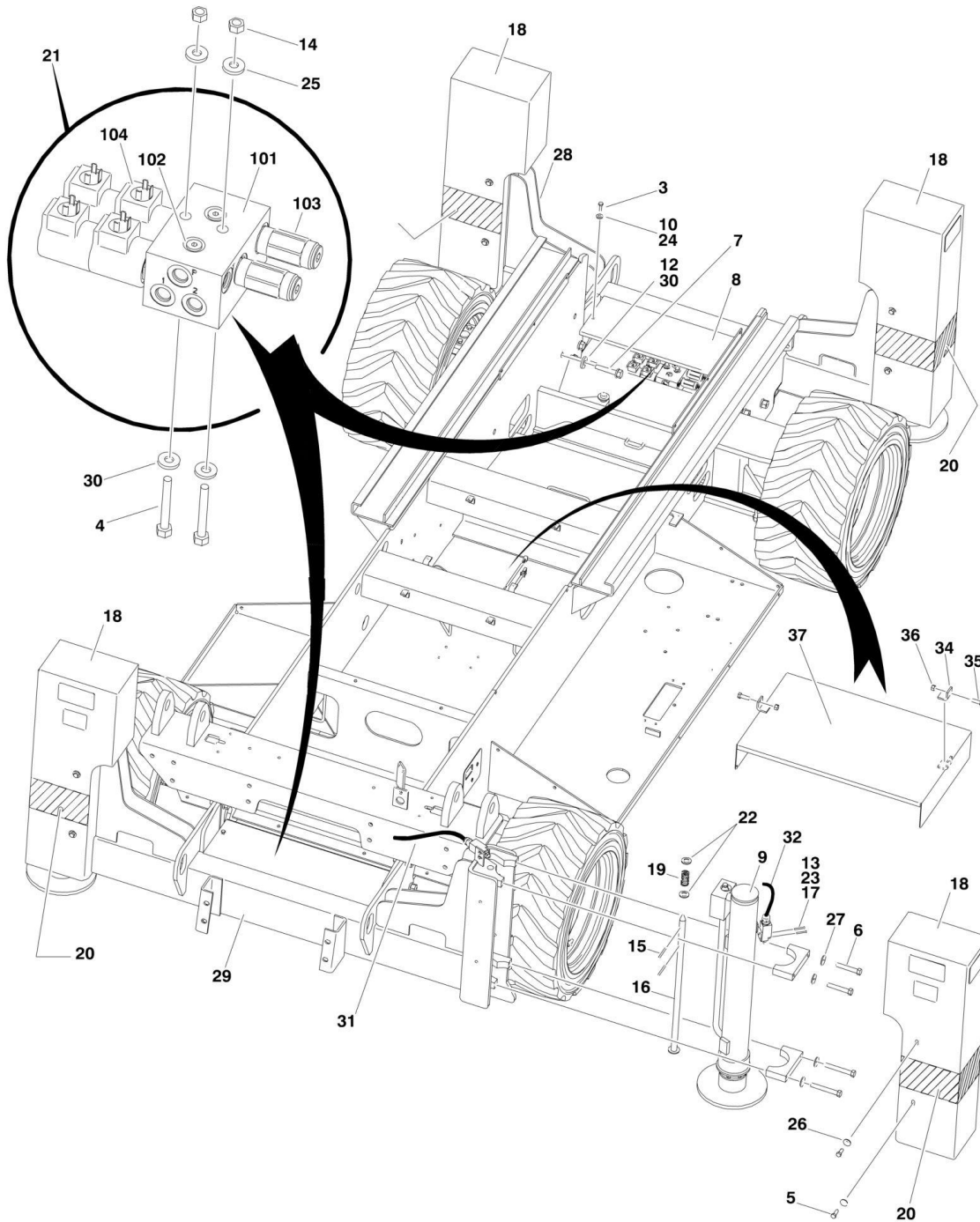
## SECTION 1 - FRAME

### FIGURE 1-13. FRAME COVERS AND LADDERS INSTALLATION

ITEM	PART NUMBER	QTY	DESCRIPTION	REV
	0259562	Ref	<b>ENGINE COVER INSTALLATION</b>	C
1	0100019	AR	Loctite #271 (Not Shown)	
2	0641405	6	Bolt 1/4in-20NC x 5/8in	
3	1670943	1	Cover, Engine	
4	4711400	6	Flatwasher 1/4in (Narrow)	
		Ref	<b>FRAME COVERS INSTALLATION OPTIONS:</b>	
	0259947	Ref	<b>Fixed Rear Axle Machines (Prior to SN 71310)</b>	B
	0259948	Ref	<b>Oscillating and Fixed Rear Axle Machines (SN 71310 to Present)</b>	C
101	0100011	AR	Loctite #242 (Not Shown)	
102	0641406	AR	Bolt 1/4in-20NC x 3/4in	
103		Ref	Bolt Options:	
103	0641506	10	Bolt 5/16in-18NC x 3/4in (Fixed Rear Axle-Prior to SN 71310)	
103	0641405	2	Bolt 1/4in-20NC x 5/8in (Oscillating/Fixed Rear Axle - SN 71310 to Present)	
103	0641407	4	Bolt 1/4in-20NC x 7/8in (Oscillating/Fixed Rear Axle - Use on Axle Covers) <b>(SN 71310 to Present)</b>	
104		Ref	Cover, Axle Options:	
104	1670933	2	Fixed Rear Axle <b>(Prior to SN 71310)</b>	
104	3572029	2	Oscillating/Fixed Rear Axle <b>(SN 71310 to Present)</b>	
105	1670934	1	Cover, Frame - Front	
106		Ref	Cover, Frame - Center Options:	
106	1670935	1	Fixed Rear Axle <b>(Prior to SN 71310)</b>	
106	1670937	1	Oscillating/Fixed Rear Axle (Not Shown - Items 106 & 107 are 1 piece) <b>(SN 71310 to Present)</b>	
107		Ref	Cover, Frame - Rear Options:	
107	1670936	1	Fixed Rear Axle <b>(Prior to SN 71310)</b>	
107	1670937	1	Oscillating/Fixed Rear Axle (Not Shown - Items 106 & 107 are 1 piece) <b>(SN 71310 to Present)</b>	
108	2080052	AR	Fastener 1/4in-20NC	
109		Ref	Nut Options:	
109	0641506	10	Nut 5/16in-18NC (Fixed Rear Axle) <b>(Prior to SN 71310)</b>	
109	0641405	2	Nut 1/4in-20NC (Oscillating/Fixed Rear Axle) <b>(SN 71310 to Present)</b>	
110	4751400	8	Flatwasher 1/4in	
111	4751500	AR	Flatwasher 5/16in	
112	4060803	4.5	Flex-Trim	
		in/11cm		
		Ref	<b>LADDER INSTALLATIONS</b>	
	0259576	Ref	<b>Ladder Installations 330CRT</b>	D
	0259577	Ref	<b>Ladder Installations 400CRT</b>	D
	0270514	Ref	<b>Ladder Installations 330/400CRT with Leveling Jacks</b>	A
201	0641828	4	Bolt 1/2in-13NC x 3 1/2in	
202	3311805	4	Locknut 1/2in-13NC	
203	3520071	2	Cap-Plug	
204	4751800	8	Flatwasher 1/2in	
205		Ref	Ladder Weldment Options:	
205	4846159	1	Ladder Weldment 330/400CRT without Leveling Jacks	
205	4846282	1	Ladder Weldment 330/400CRT with Leveling Jacks	

# SECTION 1 - FRAME

## FIGURE 1-14. LEVELING JACKS INSTALLATION



# SECTION 1 - FRAME

## FIGURE 1-14. LEVELING JACKS INSTALLATION

ITEM	PART NUMBER	QTY	DESCRIPTION	REV
	0259611	Ref	<b>LEVELING JACKS INSTALLATION</b>	E
1	0100011	AR	Loctite, #242 (Not Shown)	
2	0100019	AR	Loctite, #271 (Not Shown)	
3	0641406	4	Bolt 1/4in-20NC x 3/4in	
4	0641528	4	Bolt 5/16in-18NC x 3 1/2in	
5	0641608	16	Bolt 3/8in-16NC x 1in	
6	0641830	16	Bolt 1/2in-13NC x 3 3/4in	
7	0682016	12	Bolt 5/8in-11NC x 2in	
8	1670971	2	Cover, Valve	
9		Ref	Jack Cylinder Assembly Options (See CYLINDERS SECTION for Breakdown):	
9	1684217	4	Jack Cylinder Assembly (p/n was 1683966) <b>(Prior to SN 104829)</b>	
9	1684217	4	Jack Cylinder Assembly <b>(SN 104829 to Present)</b>	
10	2080052	4	Fastener, Insert	
12	3272001	12	Nut 5/8in-11NC	
13	3310805	16	Locknut #8-32NC	
14	3311505	4	Locknut 5/16in-18NC	
15	3440420	8	Pin, Roll	
16	3841326	4	Rod	
17	3930820	16	Bolt #8-32NC x 1 1/4in	
18	4061003	4	Cover	
19	4160116	4	Spring	
20	4420052	8.3 ft/2.5m	Tape, Safety	
21	4641150	2	Leveling Jack Control Valve Assembly (See 101-104 for Breakdown)	
22	4740415	4	Washer	
23	4750800	16	Flatwasher #8 (Wide)	
24	4751400	4	Flatwasher 1/4in (Wide)	
25	4751500	4	Flatwasher 5/16in (Wide)	
26	4751600	16	Flatwasher 3/8in (Wide)	
27	4711800	16	Flatwasher 1/2in (Wide)	
28	4846224	1	Weldment, Leveling Jack (Front)	
29	4846225	1	Weldment, Leveling Jack (Rear)	
30	4892000	28	Flatwasher 5/8in (Hardened)	
31	4922454	2	Harness (See ELECTRICAL SECTION for Breakdown)	
32	4922455	2	Harness (See ELECTRICAL SECTION for Breakdown)	
33	4922456	1	Harness (Not Shown - See ELECTRICAL SECTION for Breakdown)	
34	0182005	2	Angle, Hold-down	
35	0641609	2	Bolt 3/8in-16NC x 1 1/8in	
36	3311605	2	Locknut 3/8in-16NC	
37	3572782	1	Plate, Hose Support	
	4641150	Ref	<b>LEVELING JACK CONTROL VALVE ASSEMBLY</b>	B
101	0561407	1	Valve, Jack Control	
102	2220883	2	Plug	
103	4641151	2	Cartridge, Relief Valve	
103	7021653	2	Seal Kit - 4641151 Valve (1 Per Cartridge)	
104	4641152	2	Valve, 4-Way	
104	7012903	2	Seal Kit - 4641152 Valve (1 Per Cartridge)	

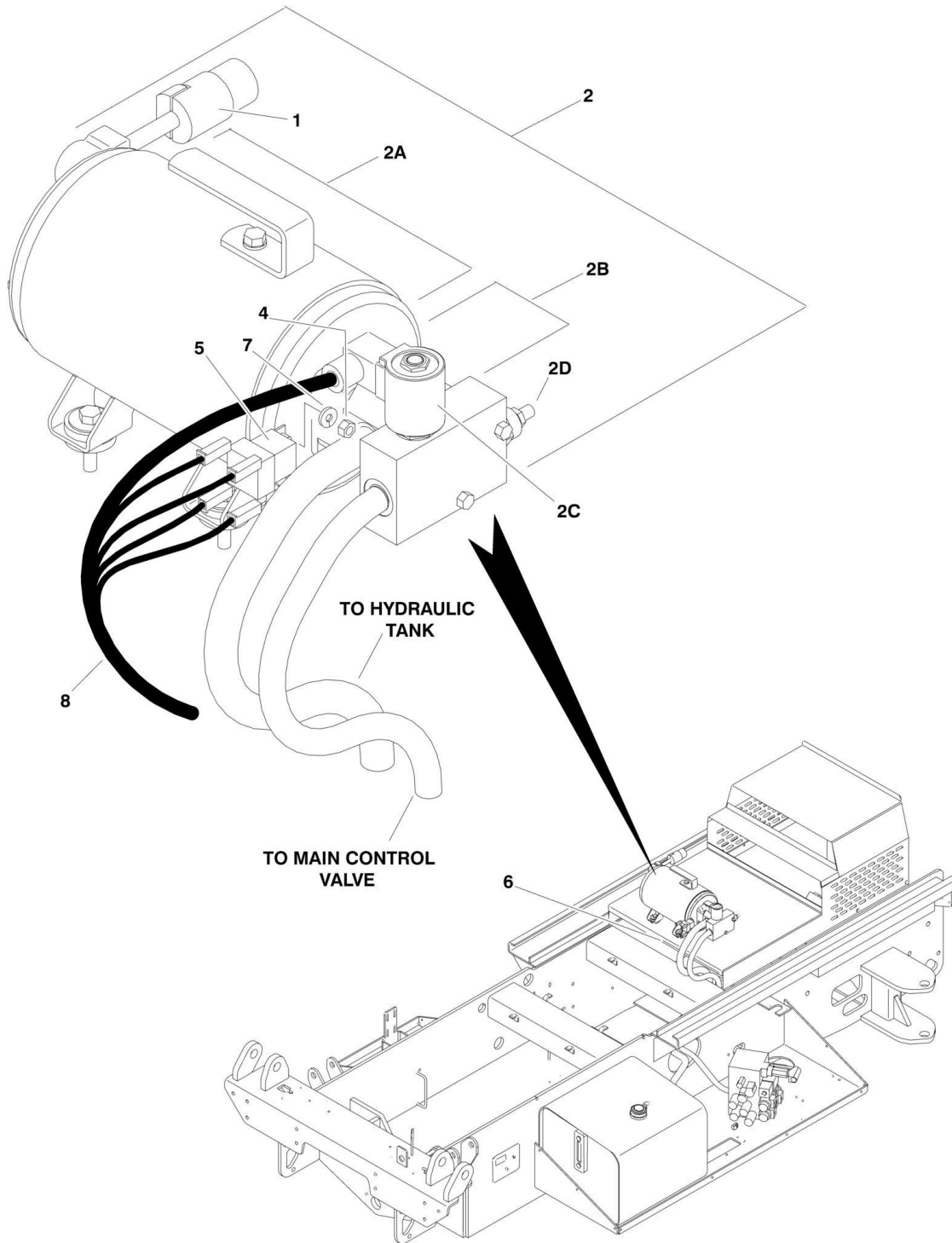
## SECTION 1 - FRAME

ITEM	PART NUMBER	QTY	DESCRIPTION	REV
104	7012943	4	Coil (2 Per Cartridge)	



# SECTION 1 - FRAME

## FIGURE 1-15. GENERATOR INSTALLATION - 110V (OPTIONAL)





## SECTION 1 - FRAME

**FIGURE 1-15. GENERATOR INSTALLATION - 110V (OPTIONAL)**

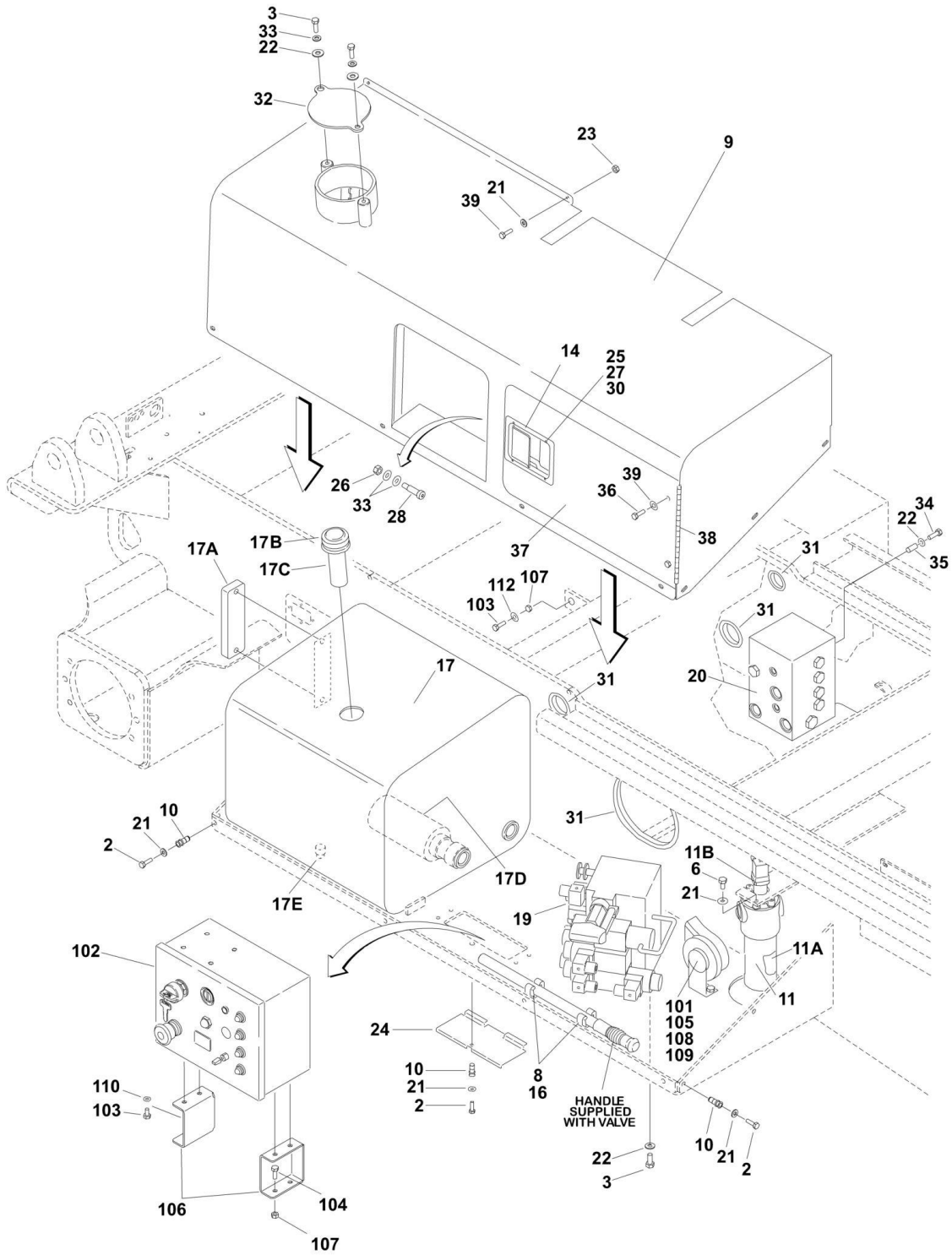
ITEM	PART NUMBER	QTY	DESCRIPTION	REV
	0259696	Ref	<b>GENERATOR INSTALLATION - 110V</b>	A
		Ref	<b>Note: Mounting Hardware Supplied with Generator Assembly</b>	
1	1060882	1	Cable, AC (See ELECTRICAL SECTION for Breakdown)	
2	2460036	1	110V Generator Assembly (Hydraulic)	
2A	7023232	1	Generator Only	
2A	7023233	1	Brush Assembly	
2B	7023235	1	Motor Assembly Only	
2C	7010635	1	Cartridge	
2C	2900708	1	Seal Kit - 7010635 Cartridge	
2C	7012943	1	Coil	
2D	7023234	1	Cartridge	
2E	7023247	1	Receptacle (Not Shown)	
4	3311401	1	Nut 1/4-20NC	
5	3740049	1	Relay, Skirted	
6	4060803	1 ft/.3m	Shield, Flex Trim	
7	4761400	1	Lockwasher 1/4in	
8	4922452	1	Harness, Generator (See ELECTRICAL SECTION for Breakdown)	



**SECTION 2 - GROUND COMPONENTS**

# SECTION 2 - GROUND COMPONENTS

## FIGURE 2-1. RIGHT SIDE COMPARTMENT INSTALLATIONS



## SECTION 2 - GROUND COMPONENTS

### FIGURE 2-1. RIGHT SIDE COMPARTMENT INSTALLATIONS

ITEM	PART NUMBER	QTY	DESCRIPTION	REV
	0259559	Ref	<b>HYDRAULIC COMPONENTS INSTALLATION</b>	K
		Ref	<b>Note: Replacement Decals must be Purchased Separately - See DECALS SECTION for Breakdown.</b>	
1	0100011	AR	Loctite #242 (Not Shown)	
2	0641407	AR	Bolt 1/4in-20NC x 7/8in	
3	0641506	5	Bolt 5/16in-18NC x 3/4in	
6	0651404	2	Bolt 1/4in-48NF x 1/2in	
8	1380136	2	Clip, Gripper	
9	1670926	1	Cover, Hydraulic Tray	
10	2080052	8	Fastener 1/4in-20NC	
11		Ref	Pressure Filter Assembly Options:	
11	2120146	1	With Electrical Clog Indicator	
11	2120209	1	With Manual Clog Indicator (Note: All machines equipped with 2120146 filter from the factory. However, if the filter was replaced after leaving the factory, it may have been replaced with a 2120209 filter. Check clog indicator to determine which filter is on the machine.)	
11	7023206	1	O-Ring	
11A		Ref	Element, Filter Options:	
11A	2120150	1	Element, Filter - p/n 2120146	
11A	2120210	1	Element, Filter - p/n 2120209	
11B		Ref	Indicator, Clog Options:	
11B	7016312	1	Electrical Indicator - p/n 2120146	
11B	7020020	1	Manual Indicator - p/n 2120209	
14	2940126	1	Latch	
16	3820019	2	Rivet	
17	4400426	1	Hydraulic Tank Assembly	L
17A	7014802	1	Gauge, Sight	
17B	7014811	1	Cap, Breather	
17C	7014816	1	Screen	
17C	7020256		Neck	
17D	7020253	1	Strainer	
17E	7014813	1	Plug, Magnetic	
17E	7014812	1	Magnet	
19	4641157	1	Main Control Valve Assembly (See MAIN CONTROL VALVE ASSEMBLY for Breakdown)	
20	4641147	1	Flow Divider Assembly (See FLOW DIVIDER VALVE ASSEMBLY for Breakdown)	
21	4711400	AR	Flatwasher 1/4in Narrow	
22	4711500	11	Flatwasher 5/16in Narrow	
23	3311405	AR	Locknut 1/4in-20NC	
24	3572229	1	Plate, Splash	
25	3310805	4	Locknut #8-32NC	
26	3311505	1	Locknut 5/16in-18NC	
27	3900289	4	Screw, Phillips Head #8-32NC	
28	3900208	1	Screw 3/8in-16NC x 1in	
30	4750800	4	Flatwasher #8	
31	4060808	6 ft/1.8m	Flex-Trim	
32	3572362	1	Plate, Cover	
33	4761500	1	Lockwasher 5/16in	
34	0641524	4	Bolt 5/16in-18NC x 3in	

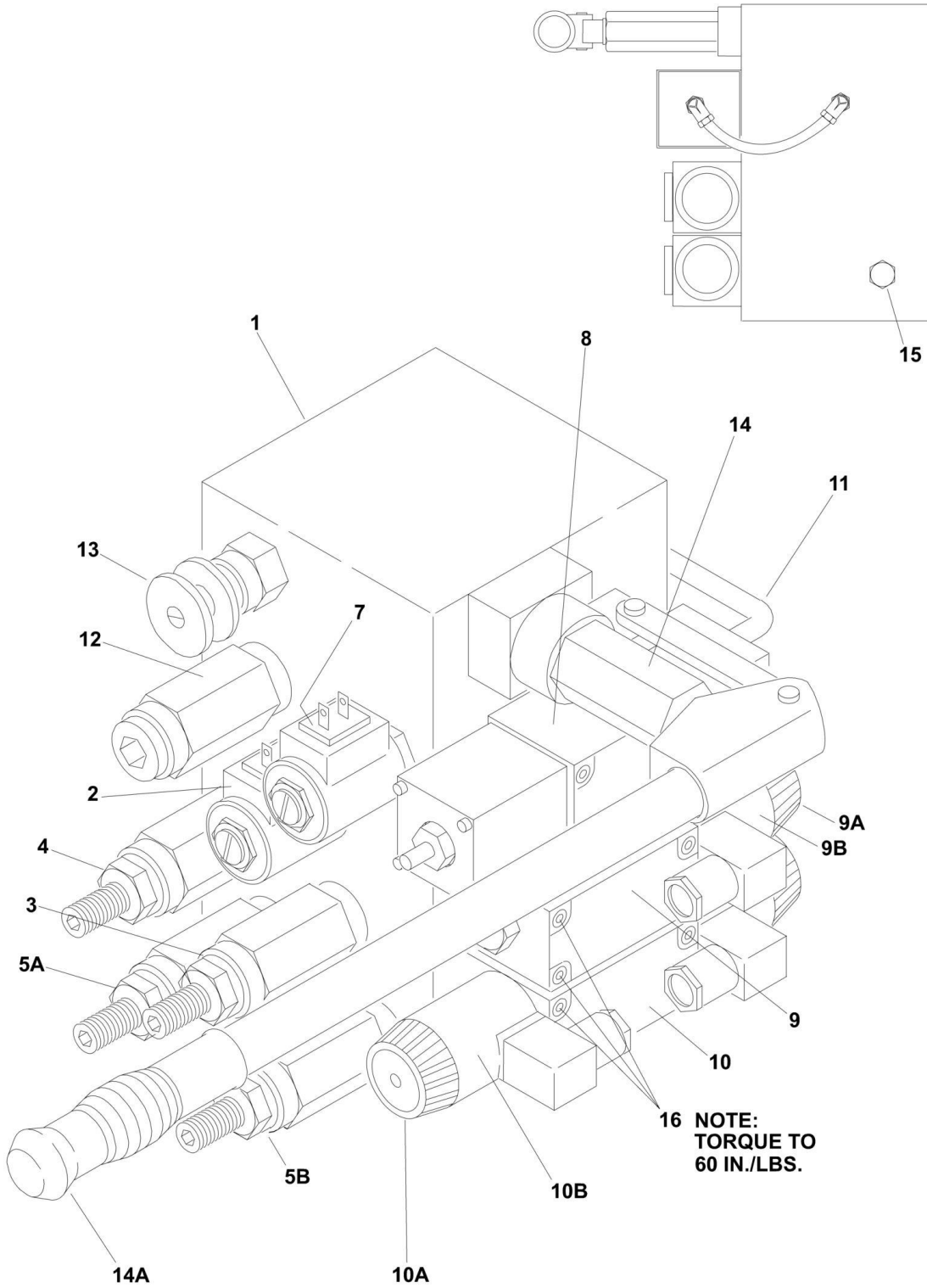
## SECTION 2 - GROUND COMPONENTS

ITEM	PART NUMBER	QTY	DESCRIPTION	REV
35	4568114	4	Tube, Spacer	
36	0641405	4	Bolt 1/4in-20NC x 5/8in	
37	1780317	1	Door	
38	2600147	1	Hinge, Door	
39	0641410	8	Bolt 1/4in-20NC x 1 1/4in	
		Ref	<b>ELECTRICAL COMPONENTS INSTALLATIONS</b>	
	0259580	Ref	<b>Dual Fuel Gas Machines</b>	D
	0259583	Ref	<b>Diesel Machines</b>	D
	0259582	Ref	<b>Dual Fuel Gas Machines with Leveling Jacks</b>	B
	0259581	Ref	<b>Diesel Machines with Leveling Jacks</b>	C
101	0140001	1	Horn	
102		Ref	Ground Control Box Assembly Options (See GROUND CONTROL BOX ASSEMBLY for Breakdown)	
102	0259645		Dual Fuel Gas Machines (Production)	
102	0259864		Dual Fuel Gas Machines (Post Production)	
102	0259829		Diesel Machines (Production)	
102	0270423		Diesel Machines (Post Production)	
102	0259864		Dual Fuel Gas Machines with Leveling Jacks	
102	0270423		Diesel Machines with Leveling Jacks	
103	0641404	AR	Bolt 1/4in-20NC x 1/2in	
104	0641406	4	Bolt 1/4in-20NC x 3/4in	
105	0641506	1	Bolt 5/16in-18NC x 3/4in	
106	0902590	2	Bracket, Ground Control Box	
107	3311405	AR	Locknut 1/4in-20NC	
108	3311505	1	Locknut 5/16in-18NC	
109	4751500	2	Flatwasher 5/16in	
110	4761400	4	Lockwasher 1/4in	
111		Ref	Harness, Engine and Valve Options (Not Shown - See ELECTRICAL SECTION for Breakdown):	
111	4922343	1	Machines without Leveling Jacks	
111	4922441	1	Machines with Leveling Jacks	
112	4711400	1	Flatwasher 1/4in (Narrow)	



# SECTION 2 - GROUND COMPONENTS

## FIGURE 2-2. MAIN CONTROL VALVE ASSEMBLY





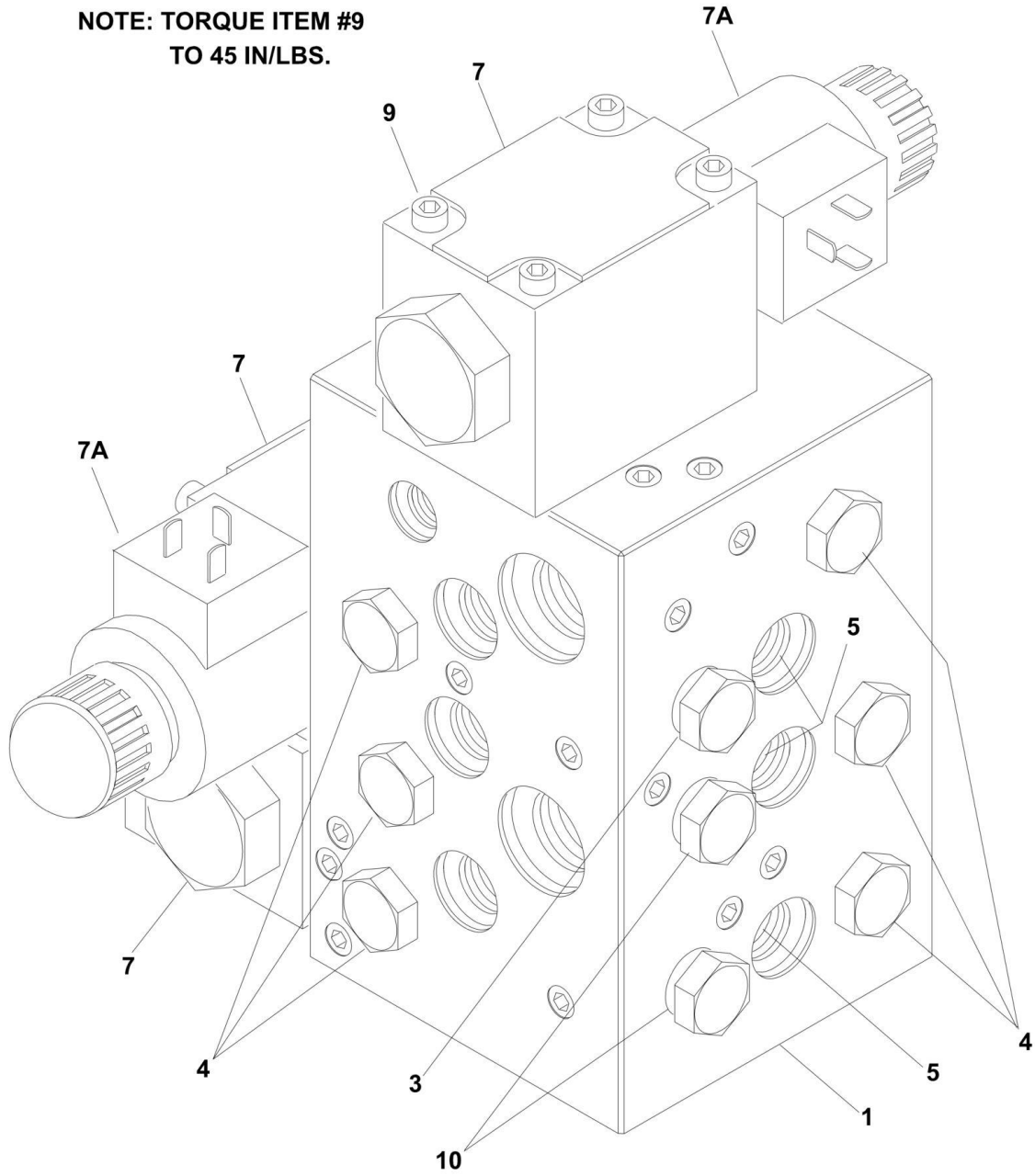
## SECTION 2 - GROUND COMPONENTS

### FIGURE 2-2. MAIN CONTROL VALVE ASSEMBLY

ITEM	PART NUMBER	QTY	DESCRIPTION	REV
	4641157	Ref	<b>MAIN CONTROL VALVE ASSEMBLY</b>	D
1	Not Serviced	1	Manifold	
2	7017410	1	Cartridge Less Coil (Dump)	
2	7012967	1	Seal Kit - 7017410 Cartridge	
2	7012944	1	Coil	
3	7017418	1	Cartridge, Relief (Lift Up)	
3	7012998	1	Seal Kit - 7017418 Cartridge	
4	7017418	1	Cartridge, Relief (Main)	
4	7012998	1	Seal Kit - 7017418 Cartridge	
5A	7021649	2	Cartridge, Relief (Steer Right)	
5A	7021651	2	Seal Kit - 7021649 Cartridge (1 Per Cartridge)	
5B	7021650	2	Cartridge, Relief (Steer Left)	
5B	7021651	2	Seal Kit - 7021650 Cartridge (1 Per Cartridge)	
6	7022527	1	Orifice 1/16in/2.0mm (Not Shown - Located on Back of Valve at Port L)	
7	7012941	1	Cartridge Less Coil (Brake Release)	
7	7010543	1	Seal Kit - 7012941 Cartridge	
7	7012944	1	Coil	
8	7018901	1	Valve Assembly	
8	7022531	1	Seal Kit	
9	7022529	1	Valve Assembly (Lift)	
9	7012773	1	Seal Kit	
9A	7021375	1	Nut	
9B	7021376	1	Coil	
10	7022530	1	Valve Assembly (Steer)	
10	7012773	2	Seal Kit	
10A	7021375	2	Nut	
10B	7021376	2	Coil	
11	7018903	1	Tube Assembly	
11	7018904	1	Fitting, Straight	
12	7021646	1	Cartridge, Check	
12	7012998	1	Seal Kit - 7021646 Cartridge	
13	7021629	1	Cartridge, Needle Valve	
13	7012953	1	Seal Kit - 7021629 Cartridge	
14	7023208	1	Valve Assembly (Manual Descent)	
14	7023209	1	Seal Kit - 7023208 Cartridge	
14A	7023210	1	Handle	
15	7010542	1	Cartridge	
15	7010543	1	Seal Kit - 7010542 Cartridge	
16	7018942	12	Capscrew, Socket Head #10-24NC x 2in	

# SECTION 2 - GROUND COMPONENTS

## FIGURE 2-3. FLOW DIVIDER VALVE ASSEMBLY



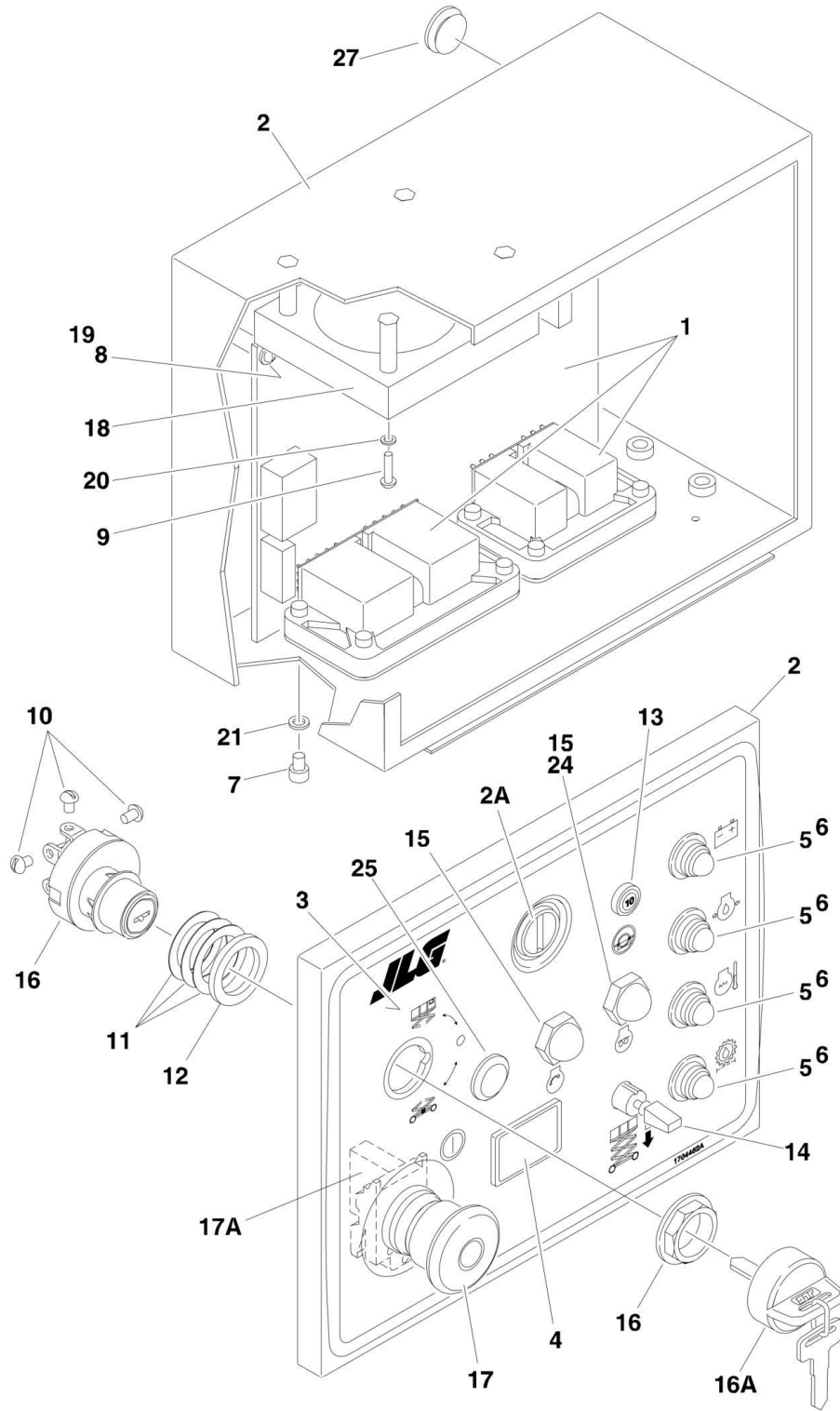
## SECTION 2 - GROUND COMPONENTS

**FIGURE 2-3. FLOW DIVIDER VALVE ASSEMBLY**

ITEM	PART NUMBER	QTY	DESCRIPTION	REV
	4641147	Ref	<b>FLOW DIVIDER VALVE ASSEMBLY</b>	C
1	Not Serviced	1	Block	
3	7023810	1	Cartridge (Reverse)	
3	7011344	1	Seal Kit - 7023810 Cartridge	
4	7012975	6	Cartridge	
4	7012967	6	Seal Kit - 7012975 Cartridge	
5	7022524	3	Orifice (.5mm)	
7	7022528	3	Valve Assembly	
7	7012773	3	Seal Kit - Valve Assembly	
7A	7021376	3	Coil	
9	7018942	12	Capscrew, Socket Head #10-24NC x 2in	
10	7023809	2	Cartridge (Forward)	
10	7011344	2	Seal Kit - 7023809 Cartridge	

# SECTION 2 - GROUND COMPONENTS

## FIGURE 2-4. GROUND CONTROL BOX ASSEMBLY



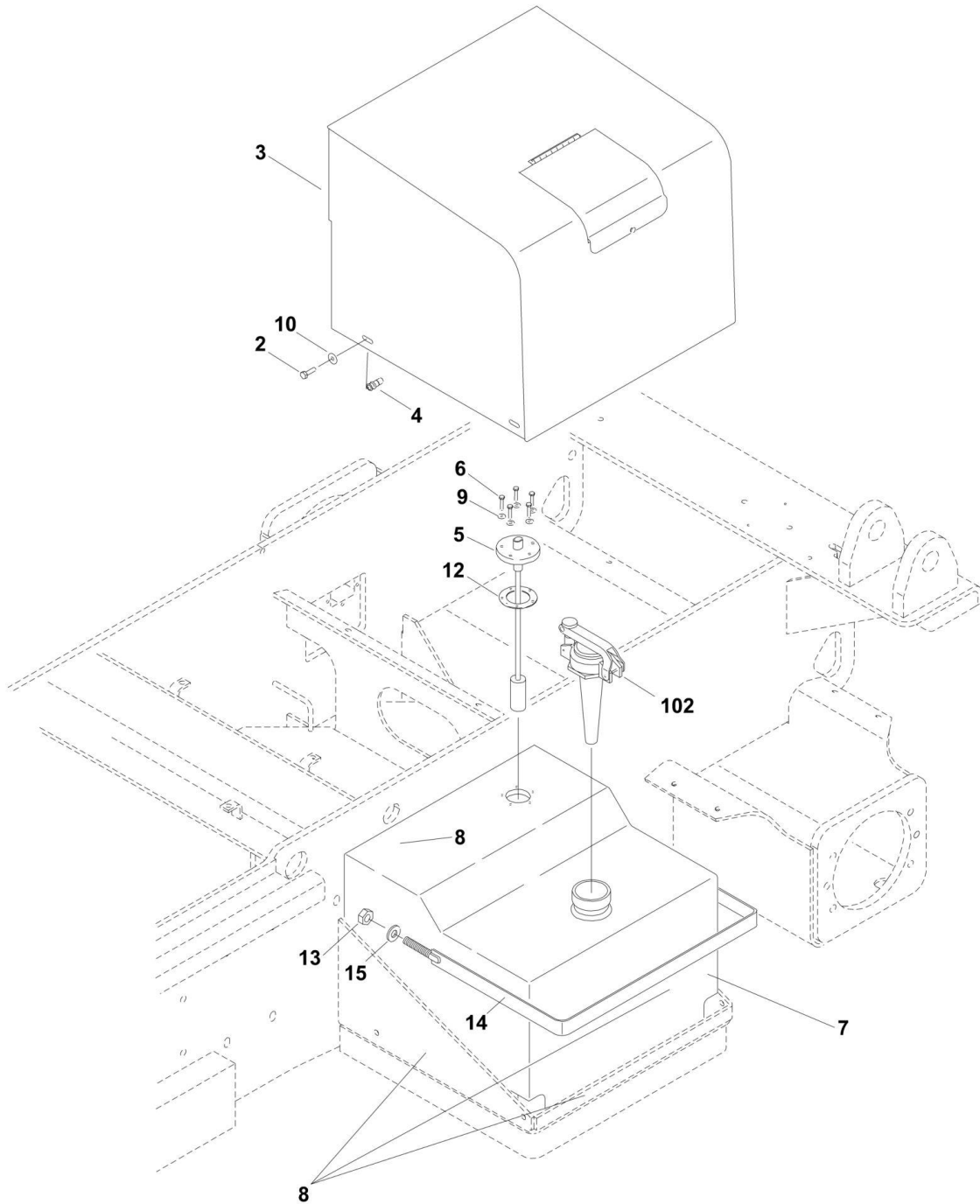
## SECTION 2 - GROUND COMPONENTS

### FIGURE 2-4. GROUND CONTROL BOX ASSEMBLY

ITEM	PART NUMBER	QTY	DESCRIPTION	REV
		Ref	<b>GROUND CONTROL BOX ASSEMBLY OPTIONS:</b>	
	0259829	Ref	<b>Diesel Machines</b>	K
	0270423	Ref	<b>Diesel Machines</b>	K
	0259645	Ref	<b>Dual Fuel Gas Machines (Production)</b>	L
	0259864	Ref	<b>Dual Fuel Gas Machines (Post Production)</b>	K
	0270423	Ref	<b>Diesel Machines with Leveling Jacks</b>	K
	0259864	Ref	<b>Dual Fuel Gas Machines with Leveling Jacks</b>	K
1		Ref	Circuit Board Options:	
1	0610140	1	Machines without Leveling Jacks (Production)	
1	0610134	1	Machines without Leveling Jacks (Post Production)	
1	0610134	1	Machines with Leveling Jacks	
2	0861315	1	Box Assembly	
2A	Not Available	1	Latch	
3		Ref	Decal Options:	
3	1704462	1	Decal <b>(Prior to SN 112399)</b>	
3	1705729	1	Decal <b>(SN 112399 to Present)</b>	
4	2420172	1	Gauge, Hourmeter	
5	2920026	4	Holder, Bulb	
6	2920029	4	Bulb, Light	
7	3900281	8	Screw, Socket Head	
8	3910606	3	Screw #6-32NC x 3/8	
9	3910616	4	Screw #6-32NC x 1in	
10	3910804	3	Screw #8 x 1/4in	
11	4070987	3	Shim (.015)	
12	4070991	1	Shim (.125)	
13	4360070	1	Breaker, Circuit - 15Amp	
14	4360328	1	Switch, Toggle	
15	4360387	2	Switch, Push Button	
16	4360469	1	Switch, Key	
16A	2860030	1	Key, Replacement (Set of 2)	
17	4360475	1	Switch, Mushroom	
17	7020175	1	Ring, Sealing	
17A	7020176	1	Block, Contact	
18	4360481	1	Block, Switch - Dual Axis	
19	4750600	3	Flatwasher #6	
20	4760600	4	Lockwasher #6	
21	4761000	8	Lockwasher #10	
22		Ref	Harness, Ground Control Box (Not Shown - See ELECTRICAL SECTION for Breakdown)	
22	4922378	1	Diesel Machines	
22	4922336	1	Gas/Dual Fuel Machines	
23	4922339	1	Harness, Tilt (Not Shown - See ELECTRICAL SECTION for Breakdown)	
24	3520026	1	Plug (Dual Fuel Machines Only)	
25	3520193	1	Plug <b>(SN 112399 to Present)</b>	
27	3520030	1	Plug, Hole (Post Production)	

## SECTION 2 - GROUND COMPONENTS

FIGURE 2-5. FUEL COMPARTMENT INSTALLATION



## SECTION 2 - GROUND COMPONENTS

### FIGURE 2-5. FUEL COMPARTMENT INSTALLATION

ITEM	PART NUMBER	QTY	DESCRIPTION	REV
	0259560	Ref	<b>FUEL TANK INSTALLATION</b>	F
1	0100011	AR	Loctite #242 (Not Shown)	
2	0641407	4	Bolt 1/4in-20NC x 7/8in	
3	1670931	1	Cover, Fuel Tank	
4	2080052	4	Fastener 1/4in-20NC	
5	2420191	1	Gauge/Sender, Fuel Level	
6	3900128	5	Screw, Round Head	
7	4400427	1	Fuel Tank Assembly	
7	See Item 102	1	Cap, Tank	
8	4420037	52 in/1.3m	Tape, Padded	
9	4751000	5	Flatwasher #10	
10	4751400	4	Flatwasher 1/4in	
12	3960525	1	Gasket, Fuel Gauge	
13	3311601	2	Nut 3/8in-16NC	
14	4240139	1	Strap, Tank Mounting	
15	4711600	2	Flatwasher 3/8in (Narrow)	
		Ref	<b>FUEL TANK CAP OPTIONS:</b>	
	4400427	Ref	<b>Standard Tank Cap</b>	D
	0259613	Ref	<b>Optional Locking Tank Cap</b>	B
101	0100020	AR	Sealant, Pipe (Not Shown - Locking Cap only)	
102		Ref	Cap Options:	
102	7020257	1	Standard Cap	
102	1120485	1	Locking Cap	

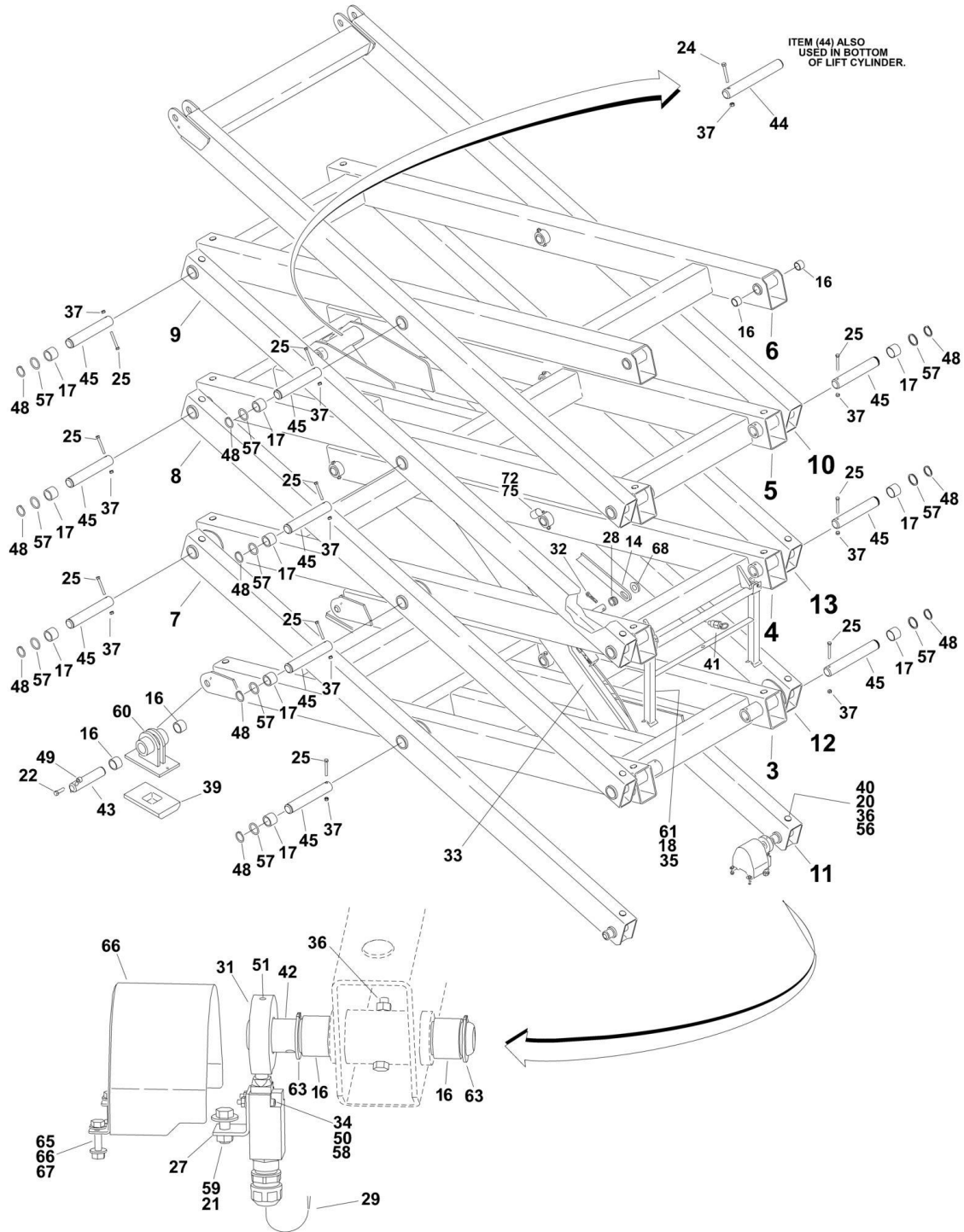




**SECTION 3 - SCISSOR ARMS**

# SECTION 3 - SCISSOR ARMS

## FIGURE 3-1. SCISSOR ARMS INSTALLATION - 330CRT



## SECTION 3 - SCISSOR ARMS

### FIGURE 3-1. SCISSOR ARMS INSTALLATION - 330CRT

ITEM	PART NUMBER	QTY	DESCRIPTION	REV
	0259105	Ref	<b>SCISSOR ARMS INSTALLATION - 330CRT</b>	K
2	0100011	AR	Loctite #242 (Not Shown)	
3	0200654	1	Arm Weldment (Bottom Inboard)	
4	0200655	1	Arm Weldment (Lower Mid Inboard)	
5	0200656	1	Arm Weldment (Upper Mid Inboard)	
6	0200657	1	Arm Weldment (Top Inboard)	
7	0200658	1	Arm Weldment (Bottom Left Side Outboard)	
8	0200659	1	Arm Weldment (Lower Mid Left Side Outboard)	
9	0200660	1	Arm Weldment (Upper Mid Left Side Outboard)	
10	0200661	1	Arm Weldment (Top Outboard)	
11	0200667	1	Arm Weldment (Bottom Right Side Outboard)	
12	0200668	1	Arm Weldment (Lower Mid Right Side Outboard)	
13	0200669	1	Arm Weldment (Upper Mid Right Side Outboard)	
14	0362840	1	Bar, Cable Carrier	
15	0362841	1	Bar, Cable Carrier	
16	0440234	AR	Bushing	
17	0440236	AR	Bushing	
18	0641418	2	Bolt 1/4in-20NC x 2 1/4in	
20	0641510	AR	Bolt 5/16in-18NC x 1 1/4in	
21	0641608	1	Bolt 3/8in-16NC x 1in	
22	0641610	2	Bolt 3/8in-16NC x 1 1/4in	
23	0681520	2	Bolt 5/16in-18NC x 2 1/2in (Grade 8)	
24	0681622	2	Bolt 3/8in-16NC x 2 3/4in (Grade 8)	
25	0681624	20	Bolt 3/8in-16NC x 3in (Grade 8)	
27	0902540	1	Bracket, Limit Switch	
28	4740480	4	Washer, Plastic Insert	
29		Ref	Harness, Limit Switch Options: (See ELECTRICAL SECTION for Breakdown)	
29	4922630	1	Harness, Limit Switch (Was p/n 1060868) <b>(Prior to SN 101118)</b>	
29	4922630	1	Harness, Limit Switch <b>(SN 101118 to Present)</b>	
31	1100110	1	Cam, Activator	
32	3450304	4	Pin, Cotter	
33	1683858	1	Lift Cylinder Assembly (See CYLINDERS SECTION for Breakdown)	
34	3311805	2	Locknut #8-32NC	
35	3300151	2	Nut, Acorn 1/4in-20NC	
36	3311505	AR	Locknut 5/16in-18NC	
37	3311605	25	Locknut 3/8in-16NC	
39	3340856	2	Pad, Slide	
40	3340866	AR	Pad, Arm	
41	3422369	1	Pin, Plunger	
42	3422821	2	Pin, Pivot	
43	3422822	2	Pin, Pivot	
44	3422778	2	Pin, Pivot	
45	3422825	16	Pin, Pivot	
46	3422826	4	Pin, Pivot	
48	3760420	20	Ring, Retaining	
49	3841143	2	Keeper, Pin	
50	3930820	2	Screw, Socket Head #8-32NC x 1 1/4in	
51	3951603	2	Setscrew, Socket Head 3/8in-16NC x 3/8in	

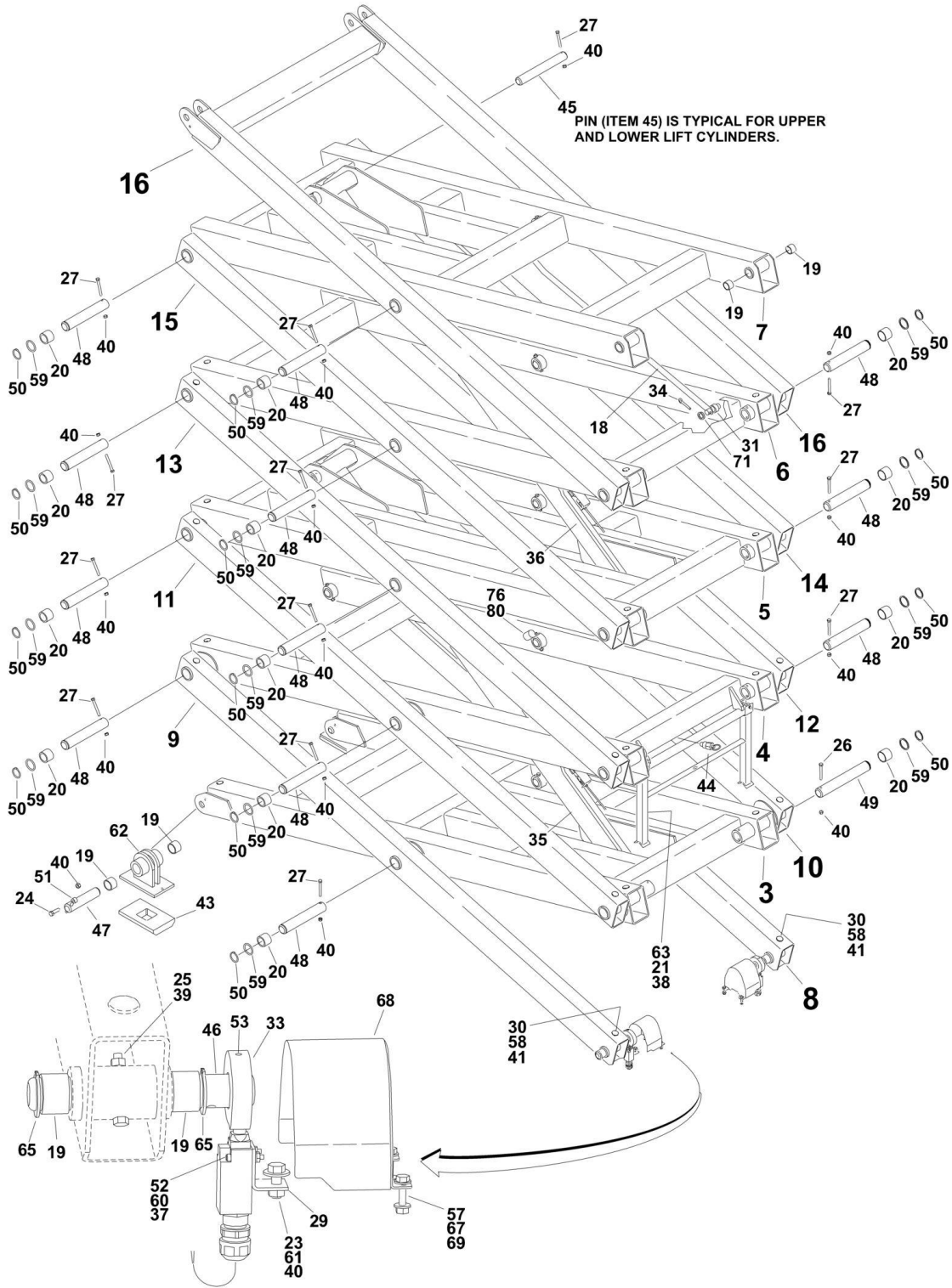
## SECTION 3 - SCISSOR ARMS

ITEM	PART NUMBER	QTY	DESCRIPTION	REV
56	4711500	AR	Flatwasher 5/16in Narrow	
57	4740332	20	Washer, Special	
58	4750800	2	Flatwasher #8	
59	4751600	1	Flatwasher 3/8in	
60	4845986	2	Slider Weldment (Bottom)	
61	4846020	1	Prop, Safety	
62	4922321	1	Harness, Lift Down (Not Shown - See ELECTRICAL SECTION for Breakdown)	
63	3760387	4	Ring, Retaining	
65	0641408	2	Bolt 1/4in-20NC x 1in	
66	1670965	1	Cover, Limit Switch	
67	3311405	2	Locknut 1/4in-20NC	
68	4751500	4	Flatwasher 5/16in	
70	3020022	AR	Grease, Lithium (Not Shown)	
72	1320110	1	Clamp	
75	4711600	1	Flatwasher 3/8in	
	2901930	1	Arm Kit - (Includes Items - 3 thru 13, 16, 17, 20, 36, 40 & 56)	



# SECTION 3 - SCISSOR ARMS

## FIGURE 3-2. SCISSOR ARMS INSTALLATION - 400CRT



## SECTION 3 - SCISSOR ARMS

### FIGURE 3-2. SCISSOR ARMS INSTALLATION - 400CRT

ITEM	PART NUMBER	QTY	DESCRIPTION	REV
	0259561	Ref	<b>SCISSOR ARMS INSTALLATION - 400CRT</b>	J
2	0100011	AR	Loctite #242 (Not Shown)	
3	0200683	1	Arm Weldment (Bottom Inboard)	
4	0200684	1	Arm Weldment (Lower Mid Inboard)	
5	0200685	1	Arm Weldment (Center Mid Inboard)	
6	0200686	1	Arm Weldment (Upper Mid Inboard)	
7	0200687	1	Arm Weldment (Top Inboard)	
8	0200688	1	Arm Weldment (Bottom Right Side Outboard)	
9	0200689	1	Arm Weldment (Bottom Left Side Outboard)	
10	0200690	1	Arm Weldment (Lower Mid Right Side Outboard)	
11	0200691	1	Arm Weldment (Lower Mid Left Side Outboard)	
12	0200692	1	Arm Weldment (Center Mid Right Side Outboard)	
13	0200693	1	Arm Weldment (Center Mid Left Side Outboard)	
14	0200694	1	Arm Weldment (Upper Mid Right Side Outboard)	
15	0200695	1	Arm Weldment (Upper Mid Left Side Outboard)	
16	0200696	1	Arm Weldment (Top Outboard)	
18	0362841	1	Bar, Cable Carrier	
19	0440234	AR	Bushing	
20	0440236	AR	Bushing	
21	0641418	2	Bolt 1/4in-20NC x 2 1/4in	
23	0641608	2	Bolt 3/8in-16NC x 1in	
24	0641610	2	Bolt 3/8in-16NC x 1 1/4in	
25	0681520	2	Bolt 5/16in-18NC x 2 1/2in (Grade 8)	
26	0681622	4	Bolt 3/8in-16NC x 2 3/4in (Grade 8)	
27	0681624	26	Bolt 3/8in-16NC x 3in (Grade 8)	
29	0902540	2	Bracket, Limit Switch	
30	0940090	AR	Bumper, Arm Spacer	
31	4740480	4	Washer, Plastic Insert	
32		Ref	Harness, Limit Switch Options: (Right Side) (Not Shown -See ELECTRICAL SECTION for Breakdown)	
32	4922630	1	Harness, Limit Switch (Was p/n 1060868) <b>(Prior to SN 101118)</b>	
32	4922630	1	Harness, Limit Switch <b>(SN 101118 to Present)</b>	
33	1100110	2	Cam, Activator	
34	3450304	4	Pin, Cotter	
35	1683891	1	Lift Cylinder Assembly - Lower (See CYLINDERS SECTION for Breakdown)	
36	1683892	1	Lift Cylinder Assembly - Upper (See CYLINDERS SECTION for Breakdown)	
37	3311805	4	Locknut #8-32NC	
38	3300151	2	Nut, Acorn 1/4in-20NC	
39	3311505	2	Locknut 5/16in-18NC	
40	3311605	34	Locknut 3/8in-16NC	
41	3311401	AR	Nut 1/4in-20NC	
43	3340856	2	Pad, Slide	
44	3422369	1	Pin, Plunger	
45	3422778	4	Pin, Pivot	
46	3422821	2	Pin, Pivot	
47	3422822	2	Pin, Pivot	
48	3422825	24	Pin, Pivot	
49	3422826	2	Pin, Pivot	

## SECTION 3 - SCISSOR ARMS

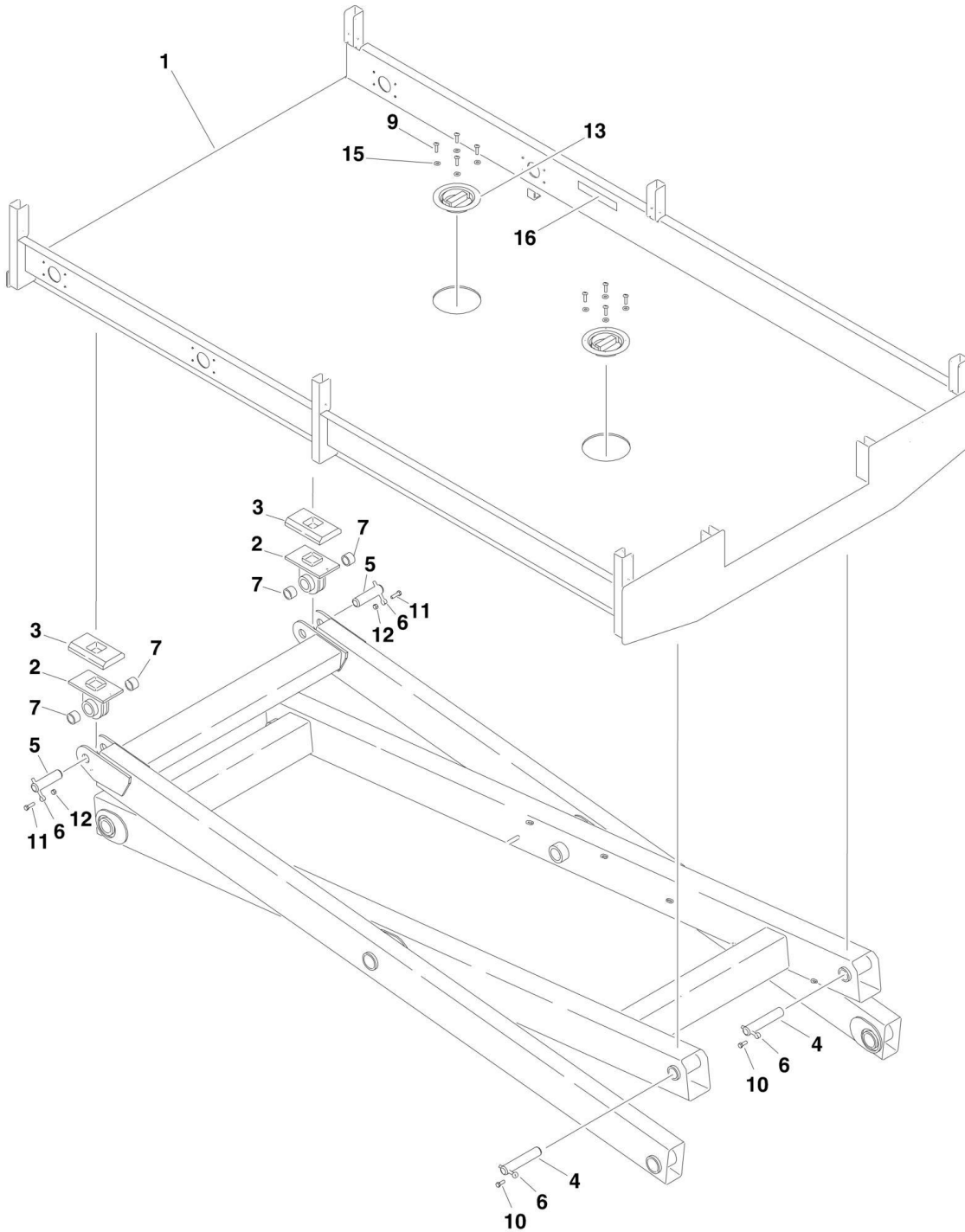
ITEM	PART NUMBER	QTY	DESCRIPTION	REV
50	3760420	26	Ring, Retaining	
51	3841143	2	Keeper, Pin	
52	3930820	4	Screw, Socket Head #8-32NC x 1 1/4in	
53	3951603	4	Setscrew, Socket Head 3/8in-16NC x 3/8in	
57	4711400	8	Flatwasher 1/4in Narrow	
58	4711500	AR	Flatwasher 5/16in Narrow	
59	4740332	26	Washer, Special	
60	4750800	4	Flatwasher #8	
61	4751600	2	Flatwasher 3/8in	
62	4845986	2	Slider Weldment (Bottom)	
63	4846020	1	Prop, Safety	
64	4922345	1	Harness, Lift Down (Not Shown - See ELECTRICAL SECTION for Breakdown)	
65	3760387	4	Ring, Retaining	
67	0641408	4	Bolt 1/4in-20NC x 1in	
68	1670965	2	Cover, Limit Switch	
69	3311405	4	Locknut 1/4in-20NC	
71	4751500	4	Flatwasher 5/16in (Wide)	
73	3020022	AR	Lube, Lithium Grease (Not Shown)	
74		Ref	Harness, Limit Switch Option: (Left Side) (Not Shown - See ELECTRICAL SECTION for Breakdown)	
74	4922630	1	Harness, Limit Switch (Was p/n 1060869) <b>(Prior to SN 101118)</b>	
74	4922630	1	Harness, Limit Switch <b>(SN 101118 to Present)</b>	
76	1320110	1	Clamp	
80	4711600	1	Flatwasher 3/8in	
	2901931	1	Arm Kit - (Includes Items - 3 thru 16, 19, 20, 30, 41 & 58)	



**SECTION 4 - PLATFORM**

# SECTION 4 - PLATFORM

## FIGURE 4-1. PLATFORM AND ACCESSORIES INSTALLATION



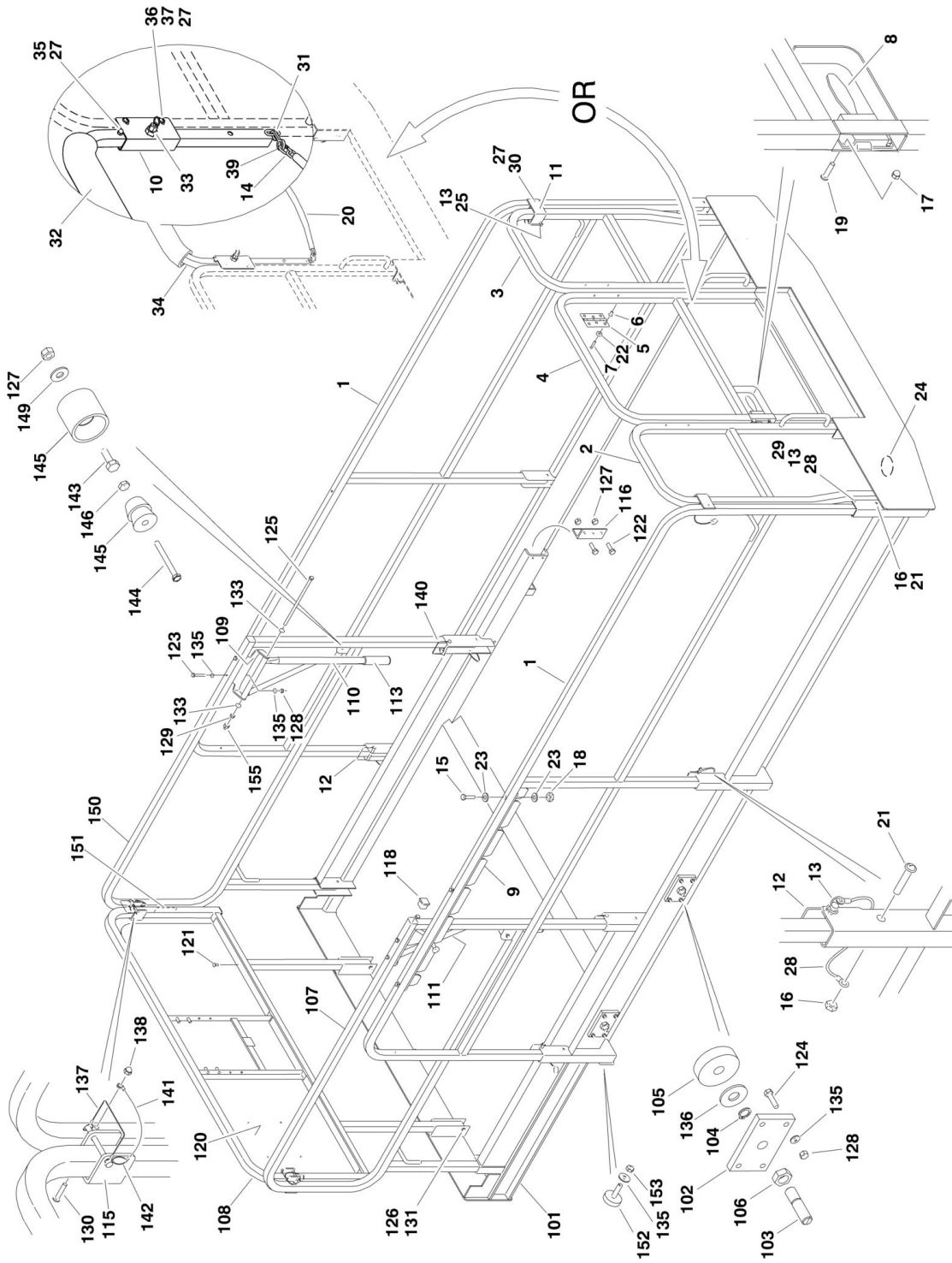
## SECTION 4 - PLATFORM

**FIGURE 4-1. PLATFORM AND ACCESSORIES INSTALLATION**

ITEM	PART NUMBER	QTY	DESCRIPTION	REV
		Ref	<b>PLATFORM INSTALLATION OPTIONS:</b>	
	0259563	Ref	<b>Platform without D-Rings</b>	B
	0259564	Ref	<b>Platform with D-Rings</b>	C
		Ref	<b>Note: Replacement Decals must be Purchased Separately - See DECALS SECTION for Breakdown.</b>	
1		Ref	Platform Weldment Options:	
1	3510723	1	Platform without D-Rings	
1	3510734	1	Platform with D-Rings	
2	4845987	2	Slider Weldment	
3	3340856	2	Block, Slide Pad	
4	3422823	2	Pin, Pivot	
5	3422824	2	Pin, Slider	
6	3841143	4	Keeper, Pin	
7	0440234	4	Bearing	
8	0100011	AR	Loctite #242 (Not Shown)	
9	0630476	AR	Screw, Button Head	
10	0641608	2	Bolt 3/8in-16NC x 1in	
11	0641610	2	Bolt 3/8in-16NC x 1in	
12	3311605	2	Locknut 3/8in-16NC	
13	3760321	2	D-Ring, Swivel (Platforms with D-Rings Only)	
15	4711500	AR	Flatwasher 5/16in	
16	1703175	2	Decal - Lanyard (Platforms with D-Rings Only)	

# SECTION 4 - PLATFORM

## FIGURE 4-2. FOLDDOWN HANDRAILS AND EXTENSION INSTALLATION (MANUALLY OPERATED PLATFORM)



## SECTION 4 - PLATFORM

**FIGURE 4-2. FOLDDOWN HANDRAILS AND EXTENSION INSTALLATION (MANUALLY OPERATED PLATFORM)**

ITEM	PART NUMBER	QTY	DESCRIPTION	REV
		Ref	<b>FOLDDOWN HANDRAILS INSTALLATIONS OPTIONS:</b>	
	0259566	Ref	<b>Chain Gate</b>	F
	0259568	Ref	<b>Self-Closing Welded Gate</b>	H
		Ref	<b>Note: Replacement Decals must be Purchased Separately - See DECALS SECTION for Breakdown.</b>	
1	4846123	2	Side Rail Weldment	
2	4846125	1	Rear Rail Weldment (Right Side)	
3	4846124	1	Rear Rail Weldment (Left Side)	
4	4846122	1	Gate Weldment (Self-Closing Gate Only)	
5	2600253	2	Hinge (Self-Closing Gate Only)	
6	2080069	12	Fastener #10-32NF (Self-Closing Gate Only)	
7	3900267	12	Screw, Socket Head (Self-Closing Gate Only)	
8	2940074	1	Latch (Self-Closing Gate Only)	
9	3571829	1	Plate, Latch	
10	4845829	18	Retainer, Rail (Chain Gate Only)	
11	0901870	2	Bracket	
12	3421565	AR	Pin, Snap	
13	3760170	AR	Ring, Split	
14	1260136	2 ft/61cm	Chain (Chain Gate Only)	
15	0641516	3	Bolt 5/16in-18NC x 2in	
16	3300356	10	Nut, Acorn 5/16in-18NC	
17	3300432	4	Nut, Acorn #10-24NC (Self-Closing Gate Only)	
18	3311505	3	Locknut 5/16in-18NC	
19	3911008	4	Screw #10-24NC x 1/2in (Self-Closing Gate Only)	
20	2820097	2 ft/.6m	Tubing, Mesh	
21	3911532	AR	Screw 5/16in-18NC x 2in	
22	4751000	12	Flatwasher #10 (Self-Closing Gate Only)	
23	4751500	6	Flatwasher 5/16in	
24	2540020	1	Grommet	
25	3422219	2	Pin, Snap	
26	0100011	AR	Loctite #242 (Not Shown)	
27	3300151	AR	Nut, Acorn 1/4in-20NC	
28	1060808	AR	Lanyard	
29	3911536	1	Screw 5/16in-18NC x 2 1/4in	
30	3911428	2	Screw 1/4in-20NC x 1 3/4in	
31	1001101076	1	Snap-Hook (Includes Item 39) (Chain Gate Only) (was p/n 2940064)	
32	3340612	AR	Pad (Chain Gate Only)	
33	3422369	2	Pin, Plunger (Chain Gate Only)	
34	3641310	1	Rail Weldment (Chain Gate Only)	
35	3911424	2	Screw 1/4in-20NC x 1 1/2in (Chain Gate Only)	
36	3911432	4	Screw 1/4in-20NC x 2in (Chain Gate Only)	
37	4711400	AR	Flatwasher 1/4in Narrow (Chain Gate Only)	
38	1320061	1	Clamp, Hose (Not Shown)	
39	3010088	2	Link (Chain Gate Only)	
	0259565	Ref	<b>PLATFORM EXTENSION INSTALLATION</b>	H
		Ref	<b>Note: Replacement Decals must be Purchased Separately - See DECALS SECTION for Breakdown.</b>	
101	4846117	1	Extension Weldment	

## SECTION 4 - PLATFORM

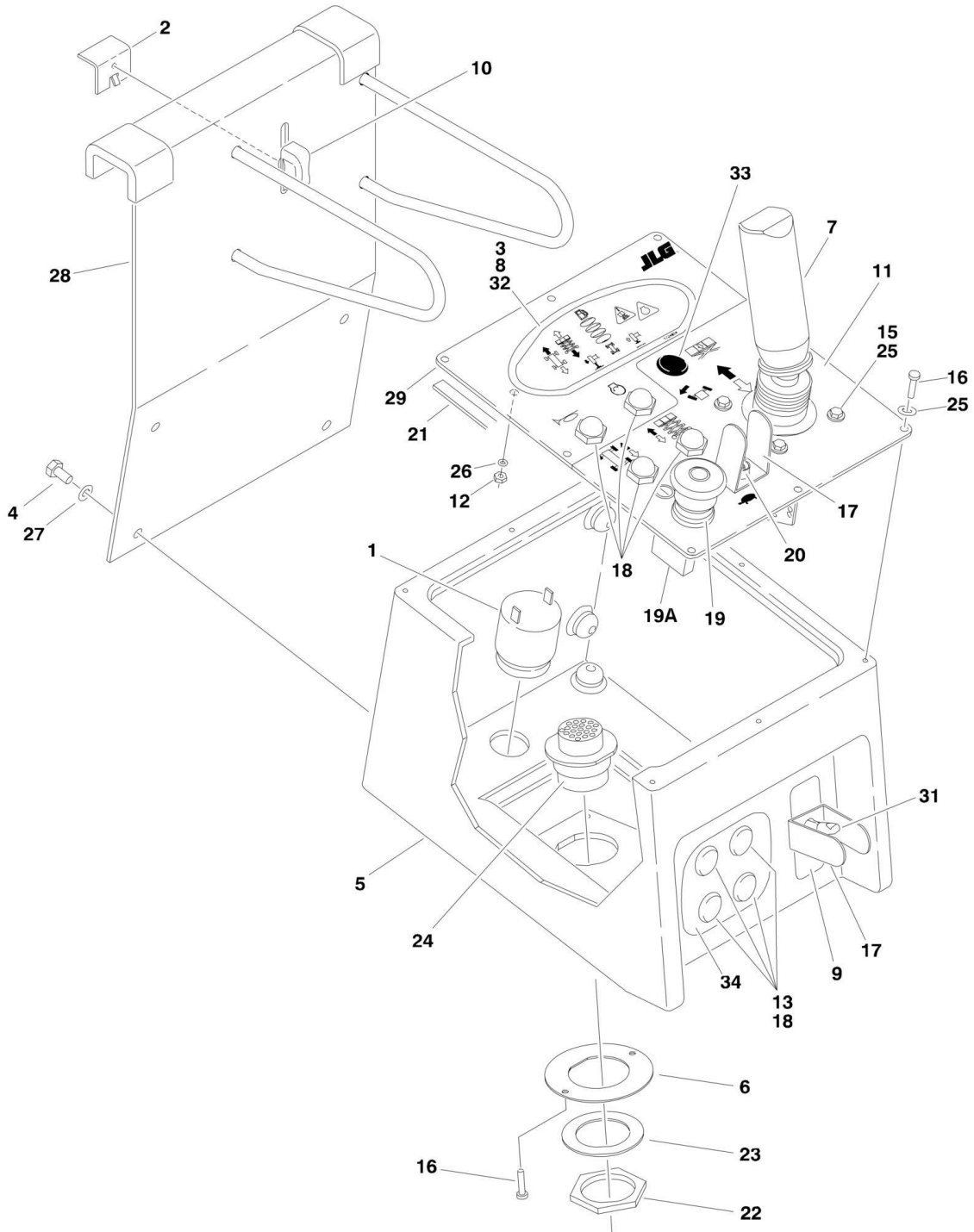
ITEM	PART NUMBER	QTY	DESCRIPTION	REV
102	3537619	4	Mounting Weldment - Roller	
103	3841233	4	Rod, Roller	
104	3760348	4	Ring, Retaining	
105	3860059	4	Roller, Extension	
106	3322202	4	Nut, Jam 3/4in	
107	4846121	1	Side Rail Weldment (Left Side)	
108	4846120	1	Front Rail Weldment	
109	3537609	2	Plate, Pivot	
110	4846191	1	Handle Weldment (Right Side)	
111	4846181	1	Handle Weldment (Left Side)	
113	2560088	2	Handle	
115	0901870	2	Bracket	
116		Ref	Angle, Extension Stop Options:	
116	0181684	2	Angle, Extension Stop <b>(Prior to SN 106729)</b>	
116	0182035	2	Angle, Extension Stop <b>(SN 106729 to Present)</b>	
117	3020022	AR	Grease, Lithium (Not Shown)	
118	3520072	4	Cap-Plug	
120	3571862	1	Plate, Placard	
121	3820020	7	Rivet	
122		Ref	Bolt Options:	
122	0641407	4	Bolt (Bolt 1/4in-20NC x 7/8in) <b>(Prior to SN 106729)</b>	
122	0681508	4	Bolt (Bolt 5/16-18NC x 1in) <b>(SN 106729 to Present)</b>	
123	0641516	4	Bolt 5/16in-18NC x 2in	
124	0641510	16	Bolt 5/16in-18NC x 1 1/4in	
125	0641676	2	Bolt 3/8in-16NC x 9 1/2in	
126	3300356	6	Nut, Acorn 5/16in-18NC	
127		Ref	Nut Options:	
127	3311405	6	Nut (Locknut 1/4in-20NC) <b>(Prior to SN 106729)</b>	
127	3311405	2	Nut (Locknut 1/4in-20NC) <b>(SN 106729 to Present)</b>	
127	3271505	4	Nut (Nut 5/16-18NC x 1in) <b>(SN 106729 to Present)</b>	
128	3311505	20	Locknut 5/16in-18NC	
129	3311605	2	Locknut 3/8in-16NC	
130	3911428	2	Screw 1/4in-20NC x 1 3/4in	
131	3911532	6	Screw 5/16in-18NC x 2in	
133	4711600	4	Flatwasher 3/8in Narrow	
135	4711500	26	Flatwasher 5/16in Narrow	
136	4752200	4	Flatwasher 3/4in	
137	3422219	2	Pin, Snap	
138	3300151	2	Nut, Acorn 1/4in-20NC	
139	0100011	AR	Loctite #242 (Not Shown)	
140	3421565	2	Pin, Snap	
141	1060808	4	Lanyard	
142	3760170	4	Ring, Split	
143	0641406	2	Bolt 1/4in-20NC x 3/4in	
144	0700619	2	Bolt, 6mm	
145	2940127	2	Latch, Rubber	
146	3290601	2	Nut, 6mm	
149	4751400	2	Flatwasher 1/4in	
150	4846256	1	Side Rail Weldment (Right Side)	
151	4420055	10 in/25cm	Tape	
152	0940090	2	Bumper	

## SECTION 4 - PLATFORM

ITEM	PART NUMBER	QTY	DESCRIPTION	REV
153	3311401	2	Nut 1/4in-20NC	
154	0100048	AR	Grease (Not Shown)	
155	3300420	2	Acorn Nut 3/8in-16NC (Nylon)	

# SECTION 4 - PLATFORM

## FIGURE 4-3. PLATFORM CONSOLE BOX ASSEMBLY





## SECTION 4 - PLATFORM

**FIGURE 4-3. PLATFORM CONSOLE BOX ASSEMBLY**

ITEM	PART NUMBER	QTY	DESCRIPTION	REV
		Ref	<b>CONSOLE BOX ASSEMBLY OPTIONS:</b>	
	0270198	Ref	<b>Diesel Machines</b>	J
	0270451	Ref	<b>Diesel Machines with Leveling Jacks</b>	E
	0270537	Ref	<b>Diesel Machines with Generator</b>	E
	0270539	Ref	<b>Diesel Machines with Leveling Jacks and Generator</b>	E
	0270128	Ref	<b>Gas Dual Fuel Machines</b>	I
	0270450	Ref	<b>Gas Dual Fuel Machines with Leveling Jacks</b>	E
	0270536	Ref	<b>Gas Dual Fuel Machines with Generator</b>	E
	0270538	Ref	<b>Gas Dual Fuel Machines with Leveling Jacks and Generator</b>	E
1	0140011	1	Alarm	
2	0181847	1	Angle, Latch	
3	0610135	1	Board, P/C Display	
4	0641404	4	Bolt 1/4in-20NC x 1/2in	
5	0861357	1	Box, Console	
6	0902499	1	Bracket, D-Ring	
7		Ref	Drive/Steer Controller Assembly Options:	
7	1600308	1	Production (See DRIVE/STEER CONTROLLER ASSEMBLY for Breakdown)	
7	1600403	1	Post Production (See DRIVE/STEER J.R. MERRITT CONTROLLER ASSEMBLY for Breakdown)	
8		Ref	Decal - Display Board Options:	
8	1704624	1	Production	
8	1705947	1	Post Production	
8	1706130	1	Machines With Generator Only (Post Production)	
9		Ref	Decal - Toggle Switch Function Options:	
9	1704589	1	Glow Plug (Diesel Machines)	
9	1704588	1	Fuel Select (Gas Dual Fuel Machines)	
10	2560141	1	Thumbscrew	
11		Ref	Nameplate Options:	
11	3252695	1	Machines without Generator ( <b>Prior to SN 112399</b> )	
11	3252746	1	Machines with Generator ( <b>Prior to SN 112399</b> )	
11	1705711	1	Machines without Generator ( <b>SN 112399 to Present</b> )	
11	1705948	1	Machines without Generator (Post Production Replacement)	
11	1705712	1	Machines with Generator ( <b>SN 112399 to Present</b> )	
11	1705976	1	Machines with Generator (Post Production Replacement)	
12	3310601	4	Nut #6-32NC	
13		Ref	Component Options:	
13	3520080	4	Machines without Leveling Jacks or Generator (Plug)	
13	4360387	4	Machines with Leveling Jacks and Generator (Toggle Switch)	
13	4360387	4	Machines with Leveling Jacks Only (Toggle Switch)	
13	3520080	4	Machines with Generator Only (Plug)	
15	3900178	4	Screw, Plastite #10-32NC x 1/2in	
16	3900265	10	Screw, Self-Tapping #8-18 x 3/4in	
17	4060802	2	Guard, Switch	
18	4360387	4	Switch, Push Button	
19	4360475	1	Switch, Emergency Stop	
19	7020175	1	Ring, Sealing	
19A	7020176	1	Block, Contact	
20		Ref	Toggle Switch Options:	
20	4360482	1	Machines without Leveling Jacks or Generator	

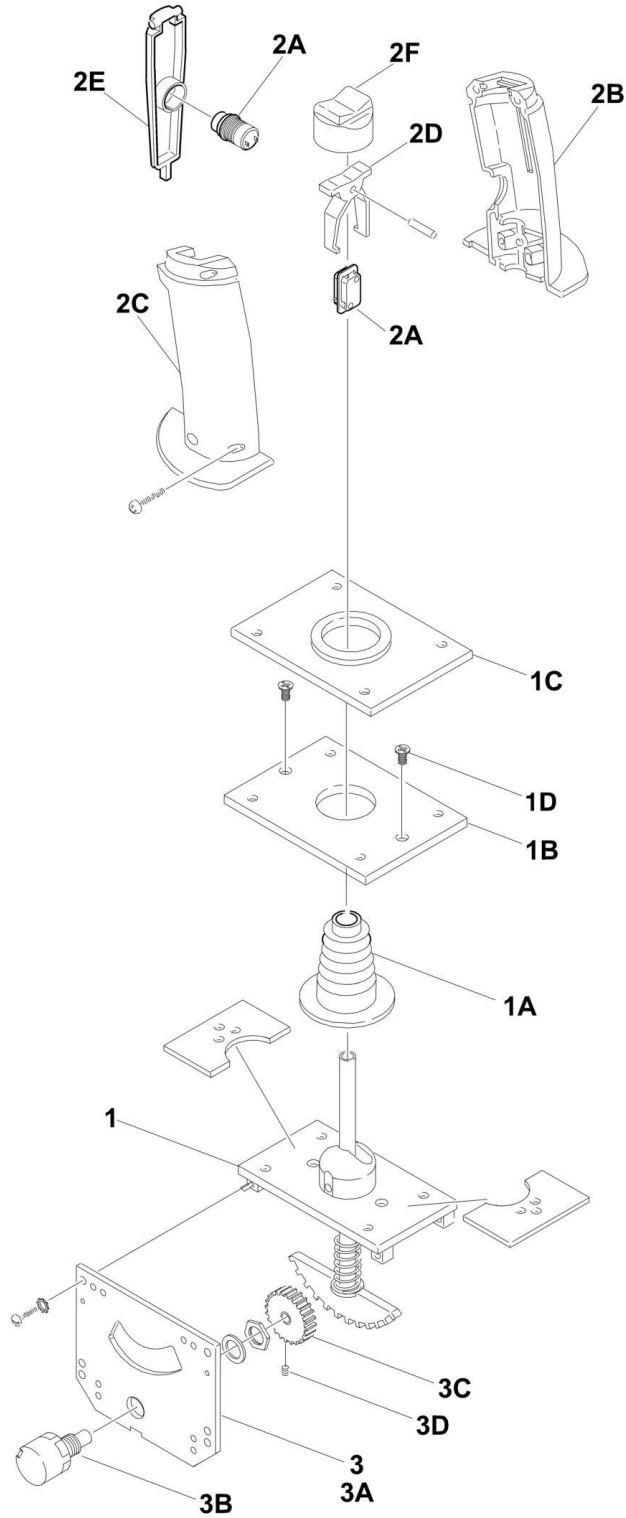
## SECTION 4 - PLATFORM

ITEM	PART NUMBER	QTY	DESCRIPTION	REV
20	4360331	1	Machines with Leveling Jacks and Generator	
20	4360482	1	Machines with Leveling Jacks Only	
20	4360331	1	Machines with Generator Only	
21	4420008	38 in/1m	Tape, Insulation	
22	4460470	1	Nut, Terminal	
23	4460471	1	Lockwasher, Terminal	
24	4460480	1	Connector, Terminal	
25	4740120	12	Washer, Nylon	
26	4760600	4	Lockwasher #6	
27	4791400	4	Starwasher 1/4in	
28	4845938	1	Bracket, Box Mounting	
29	4846249	1	Lid, Box	
30		Ref	Platform Console Box Harness Options: (Not Shown - See ELECTRICAL SECTION for Breakdown)	
30	4922391	1	Diesel/Gas Dual Fuel without Leveling Jacks and Generator	
30	4922437	1	Diesel/Gas Dual Fuel with Leveling Jacks Only	
30	4922447	1	Diesel/Gas Dual Fuel with Generator Only	
30	4922446	1	Diesel/Gas Dual Fuel with Leveling Jacks and Generator	
31		Ref	Switch, Toggle Options:	
31	4360483	1	Diesel Machines	
31	4360482	1	Gas Dual Fuel Machines	
32	3340895	1	Pad, Spacer (Production Only)	
33		Ref	Components Options <b>(SN 112399 to Present)</b>	
33	3520193	1	Plug <b>(SN 112399 to Present)</b>	
33	2920026	1	Lamp, Indicator	
33	2920029	1	Bulb, Light	
34	1704574	1	Decal - Outrigger Select (Machines with Leveling Jacks Only)	



# SECTION 4 - PLATFORM

## FIGURE 4-4. DRIVE/STEER CONTROLLER ASSEMBLY (PRODUCTION)



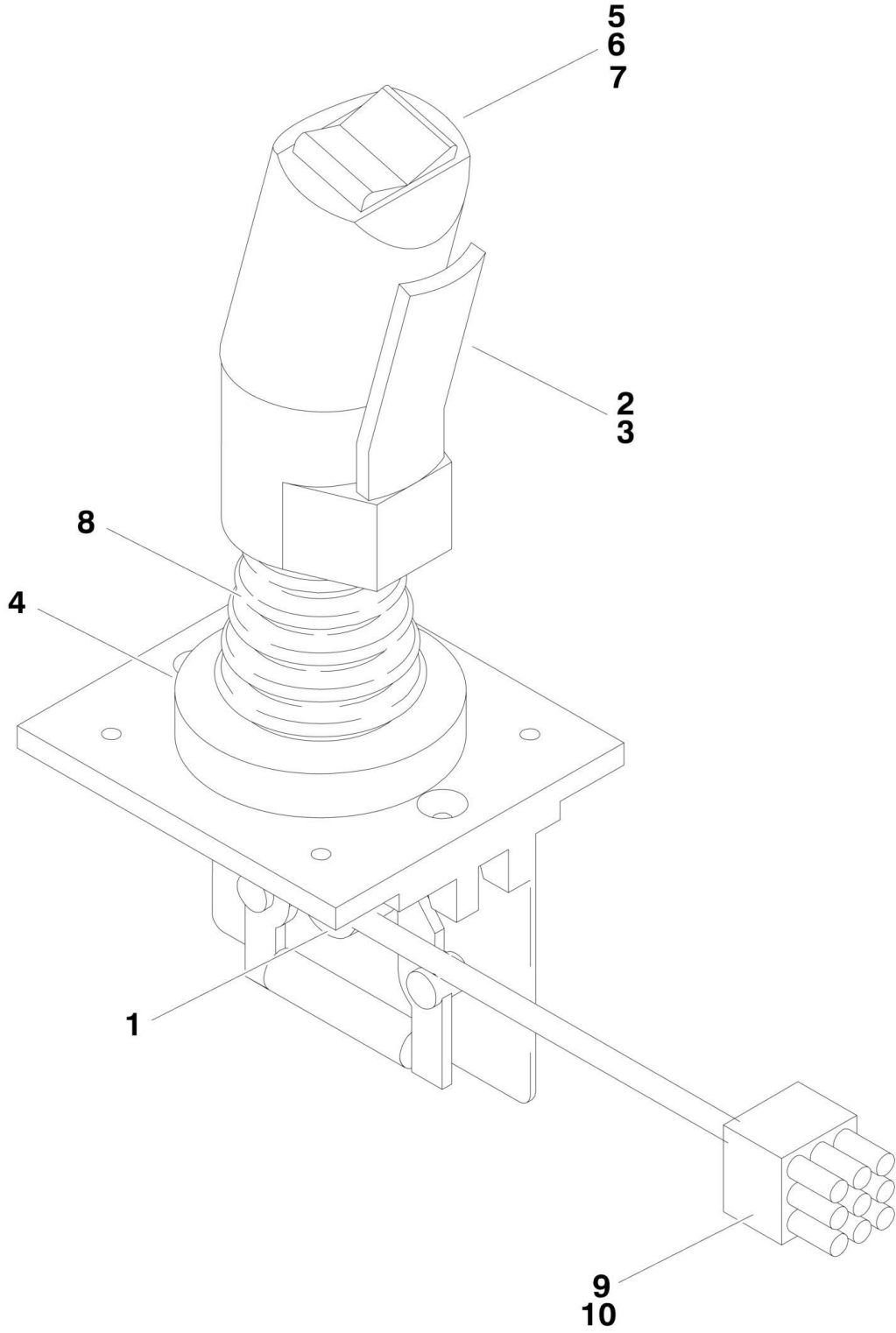
## SECTION 4 - PLATFORM

**FIGURE 4-4. DRIVE/STEER CONTROLLER ASSEMBLY (PRODUCTION)**

ITEM	PART NUMBER	QTY	DESCRIPTION	REV
	1600308	Ref	<b>CONTROLLER ASSEMBLY</b>	D
	7020527	1	Mechanical Assembly	
1	7020503	1	Handle/Housing Assembly	
1A	7020520	1	Housing	
1B	7020504	1	Plate, Mounting	
1C	7020502	1	Gasket	
1D	7020528	2	Screw #10-32NF x 3/8in	
2	7020529	1	Grip Assembly	
2A	7020501	1	Push Button	
2A	7020530	1	Push Button w/Wires	
2A	7020500	1	Micro Switch	
2B	7020541	1	Grip - Right Half (was p/n 7020531)	
2C	7020541	1	Grip - Left Half (was p/n 7020532)	
2D	7003791	1	Actuator, Switch	
2E	7011997	1	Trigger	
2F	7003790	1	Cap, Rubber	
3	7020533	1	Electrical Assembly	
3	7020535	2	Resistor	
3A	7020509	1	Plate, Mounting - Potentiometer	
3B	7020534	1	Potentiometer	
3C	7011940	1	Gear, Pinion	
3D	7020511	1	Setscrew #6-32 x 1/8in	
	4460265	1	Plug, Male - 9 Pin (Not Shown)	
	4460268	8	Socket, Female (Not Shown)	
	4460266	1	Connector, Receptacle - 9 Pin (Not Shown - Part of Console Harness)	
	4460267	8	Pin, Male (Not Shown - Part of Console Harness)	

# SECTION 4 - PLATFORM

FIGURE 4-5. DRIVE/STEER J.R. MERRITT CONTROLLER ASSEMBLY (POST PRODUCTION)



## SECTION 4 - PLATFORM

**FIGURE 4-5. DRIVE/STEER J.R. MERRITT CONTROLLER ASSEMBLY (POST PRODUCTION)**

ITEM	PART NUMBER	QTY	DESCRIPTION	REV
	1600403	Ref	<b>CONTROLLER ASSEMBLY</b> <b>Note: If your machine was equipped with a 1600403 J.R. Merritt controller in ordering a replacement controller you must order a 1600403 J.R. Merritt controller. You can not replace the 1600403 J.R. Merritt controller with the 1600308 P/Q controller.</b>	E
		Ref		
1	70000081	1	Potentiometer	
2	7027367	1	Switch, Push button	
3	7027765	1	Lever, Enabler	
4	7027766	1	Ring, Retaining	
5	70000082	1	Microswitch	
6	70000083	1	Coupler, Microswitch	
7	70000084	1	Cap, Rubber	
8	70000085	1	Boot, Rubber	
9	4460265	1	Plug, Male - 9 Pin	
10	4460226	8	Socket, Female	
11	70000685	AR	Washer, Plastic (Not Shown)	
12	70000684	AR	Screw, Handle (Not Shown)	
13	Not Available	AR	Nut, Handle (Not Shown)	
14	70000683	AR	Washer, Neoprene (Not Shown)	
15	70000686	AR	Screw, Handle (Not Shown)	
16	4460266	1	Connector, Receptacle - 9 Pin (Not Shown - Part of Console Harness)	
17	4460267	8	Pin, Male (Not Shown - Part of Console Harness)	

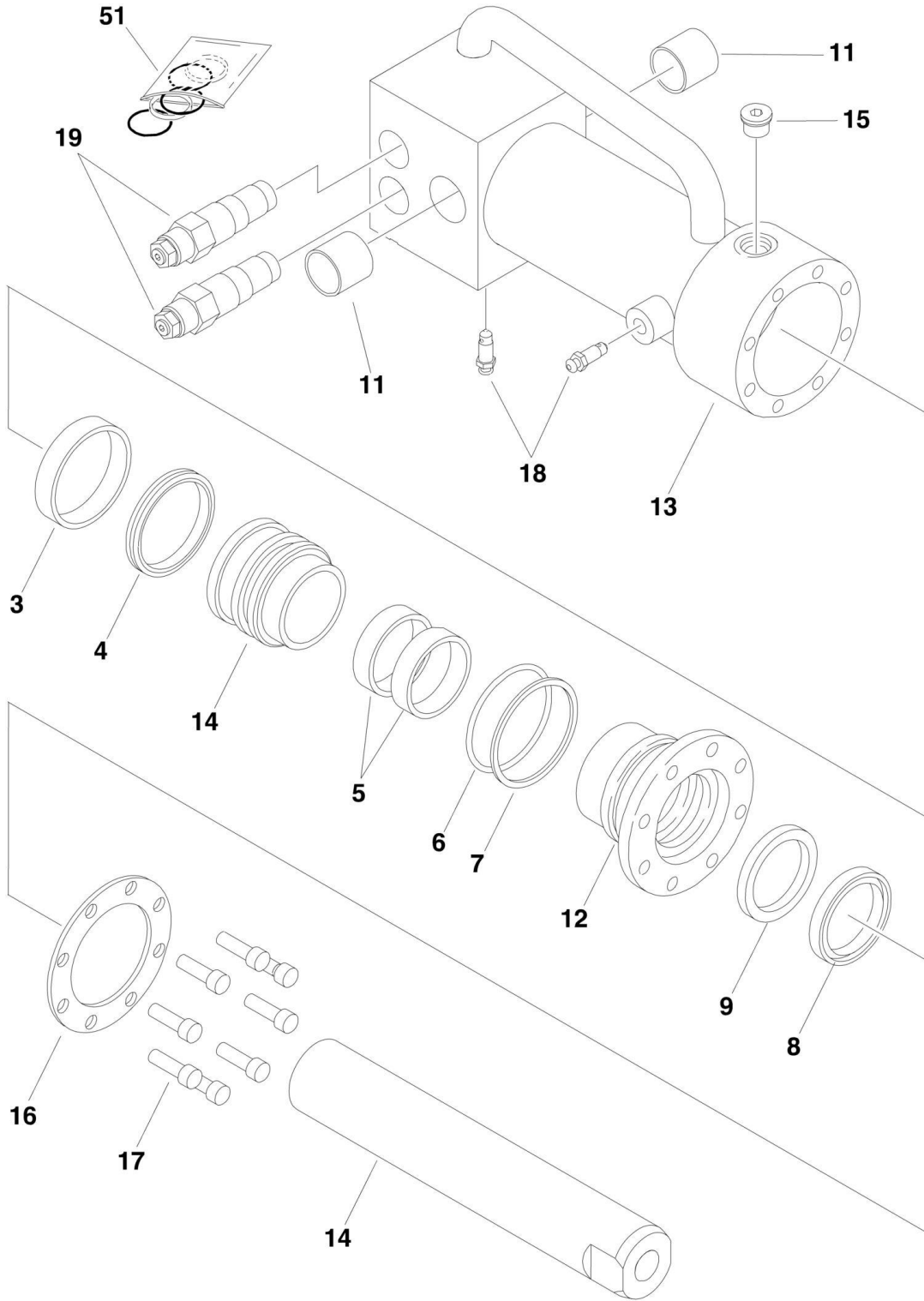




**SECTION 5 - CYLINDERS**

# SECTION 5 - CYLINDERS

## FIGURE 5-1. AXLE LOCKOUT CYLINDER ASSEMBLY



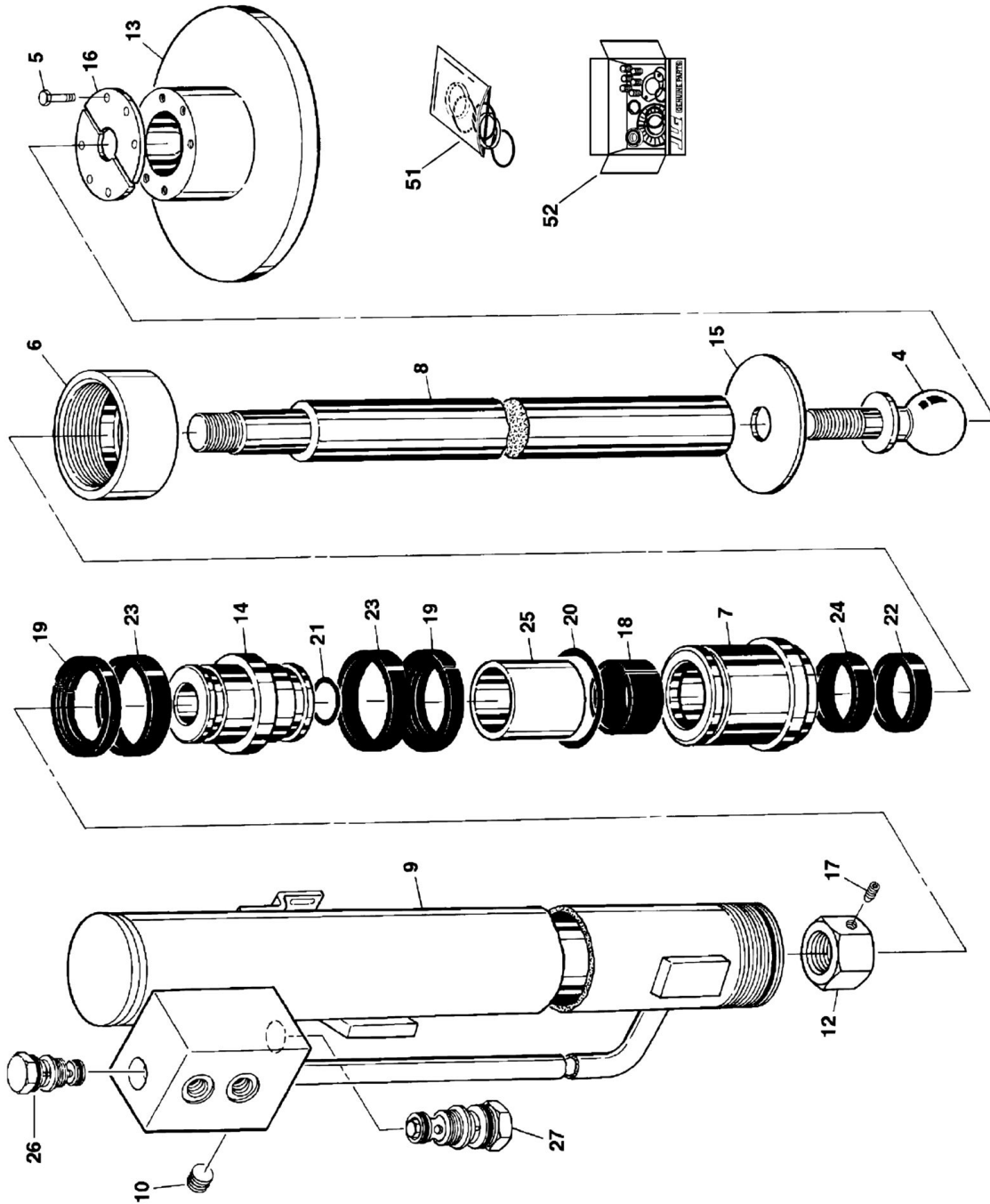
## SECTION 5 - CYLINDERS

**FIGURE 5-1. AXLE LOCKOUT CYLINDER ASSEMBLY**

ITEM	PART NUMBER	QTY	DESCRIPTION	REV
	1683978	Ref	<b>AXLE LOCKOUT CYLINDER ASSEMBLY</b>	C
1	0100011	AR	Loctite #242 (Not Shown)	
2	0100038	AR	Primer, Locking (Not Shown)	
3	Item 51	1	Ring, Wear	
4	Item 51	1	T-Seal	
5	Item 51	2	Ring, Wear	
6	Item 51	1	O-Ring	
7	Item 51	1	Ring, Back-Up	
8	Item 51	1	Seal, Wiper	
9	Item 51	1	Seal, Rod	
11	0962474	2	Bushing (Was P/N 0961890)	
12	1683076	1	Head	
13	1683572	1	Barrel Weldment	
14	1683574	1	Rod/Piston	
15	2220885	1	Plug, O-Ring	
16	3760367	1	Ring, Washer	
17	3931516	8	Capscrew, Socket Head 5/16in-18NC x1in	
18	4640858	2	Valve, Bleeder	
19	4641163	2	Valve, Counter Balance	
19	2900770	2	Seal Kit - 4641163 Valve	
51	2901548	1	Seal Kit (Includes Items 3 to 9)	

# SECTION 5 - CYLINDERS

FIGURE 5-2. LEVELING JACK CYLINDERS ASSEMBLY (Prior to SN 104829)



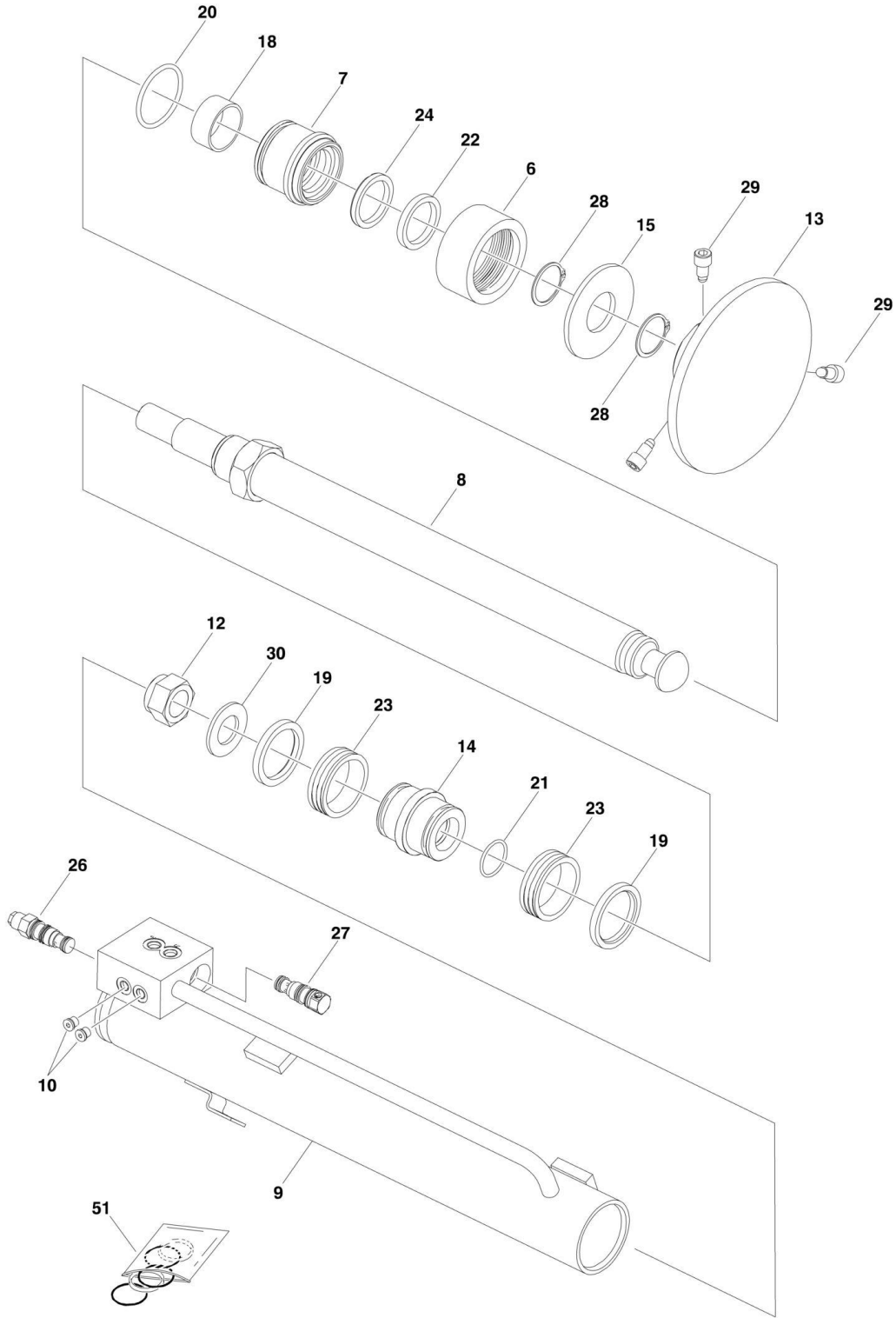
## SECTION 5 - CYLINDERS

**FIGURE 5-2. LEVELING JACK CYLINDERS ASSEMBLY (Prior to SN 104829)**

ITEM	PART NUMBER	QTY	DESCRIPTION	REV
	1683966	Ref	<b>LEVELING JACK CYLINDER ASSEMBLY</b>	G
1	0100011	AR	Loctite #242 (Not Shown)	
2	0100035	AR	Loctite #222 (Not Shown)	
3	0100038	AR	Primer #7471 (Not Shown)	
4	0320015	1	Ball, Trailer	
5		Ref	Bolt Options:	
5	0681506	6	Bolt 5/16in-18NC x 3/4in <b>(Prior to SN 90659)</b>	
5	0681606	6	Bolt 3/8in-16NC x 3/4in <b>(SN 90659 through 104829)</b>	
6	1120108	1	Cap	
7	1681283	1	Head	
8	1682723	1	Rod	
9	1683967	1	Barrel	
10	2220883	2	Plug	
12	3300281	1	Nut	
13		Ref	Pad, Jack Options:	
13	2902023	1	Pad, Jack (was p/n 3340650) <b>(Prior to SN 90659)</b>	
13	2902023	1	Pad, Jack (was p/n 3340904) <b>(SN 90659 through 104829)</b>	
14	3480092	1	Piston	
15	3536708	1	Plate	
16		Ref	Ring, Retainer Options:	
16	3760261	1	Ring, Retainer <b>(Prior to SN 90659)</b>	
16	3760453	1	Ring, Retainer <b>(SN 90659 through 104829)</b>	
17	3900170	1	Screw, Locking	
18	Item 51	1	Ring, Wear	
19	Item 51	2	Guidelock	
20	Item 51	1	O-Ring	
21	Item 51	1	O-Ring	
22	Item 51	1	Seal, Wiper	
23	Item 51	2	Polyseal	
24	Item 51	1	Hydrolock	
25	4565647	1	Tube, Spacer	
26	4640495	1	Valve, Counter Balance	
27	4641156	1	Valve, Check	
51	2901941	1	Seal Kit (Includes Items 18-24)	
52	2902023	1	Jack Pad Kit (Includes Items 5, 13 & 16)	

# SECTION 5 - CYLINDERS

FIGURE 5-3. LEVELING JACK CYLINDER ASSEMBLY (SN 104829 to Present)



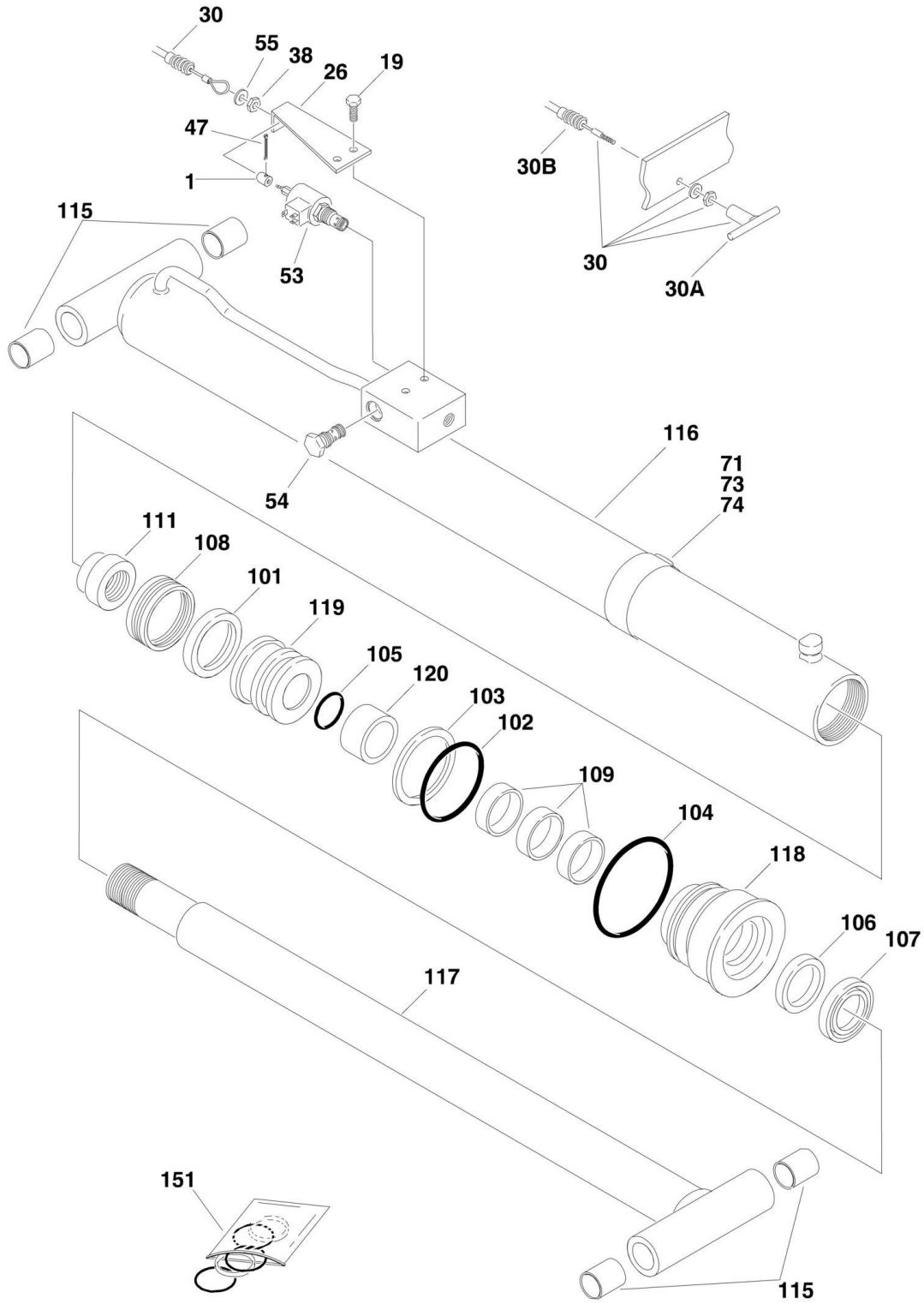
## SECTION 5 - CYLINDERS

**FIGURE 5-3. LEVELING JACK CYLINDER ASSEMBLY (SN 104829 to Present)**

ITEM	PART NUMBER	QTY	DESCRIPTION	REV
	1684217	Ref	<b>LEVELING JACK CYLINDER ASSEMBLY</b>	A
1	0100011	AR	Loctite #242 (Not Shown)	
2	0100035	AR	Loctite #222 (Not Shown)	
6	1120108	1	Cap, End	
7	1681283	1	Head	
8	1684206	1	Rod, Cylinder	
9	1683967	1	Barrel, Cylinder	
10	2220883	2	Plug	
12	3300465	1	Locknut 1 1/4in-12NC	
13	4846584	1	Pad, Jack	
14	3480092	1	Piston	
15	3573513	1	Plate	
18	Item 51	1	Ring, Wear	
19	Item 51	2	Guidelock	
20	Item 51	1	O-Ring	
21	Item 51	1	O-Ring	
22	Item 51	1	Seal, Wiper	
23	Item 51	2	Polyseal	
24	Item 51	1	Hydrolock	
26	4640495	1	Valve, Counter Balance	
26	2900770	1	Seal Kit - 4640495 Valve	
27	4641156	1	Valve, Check	
27	2900770	1	Seal Kit - 4641156 Valve	
28	3760460	2	Ring, Retaining	
29	3900321	3	Screw, Special 1/2in-13NC x 1 1/4	
30	4713000	1	Flatwasher 1 1/4in	
51	2901941	1	Seal Kit (Includes Items 18-24)	

# SECTION 5 - CYLINDERS

## FIGURE 5-4. LIFT CYLINDER COMPONENTS ASSEMBLY - 330CRT





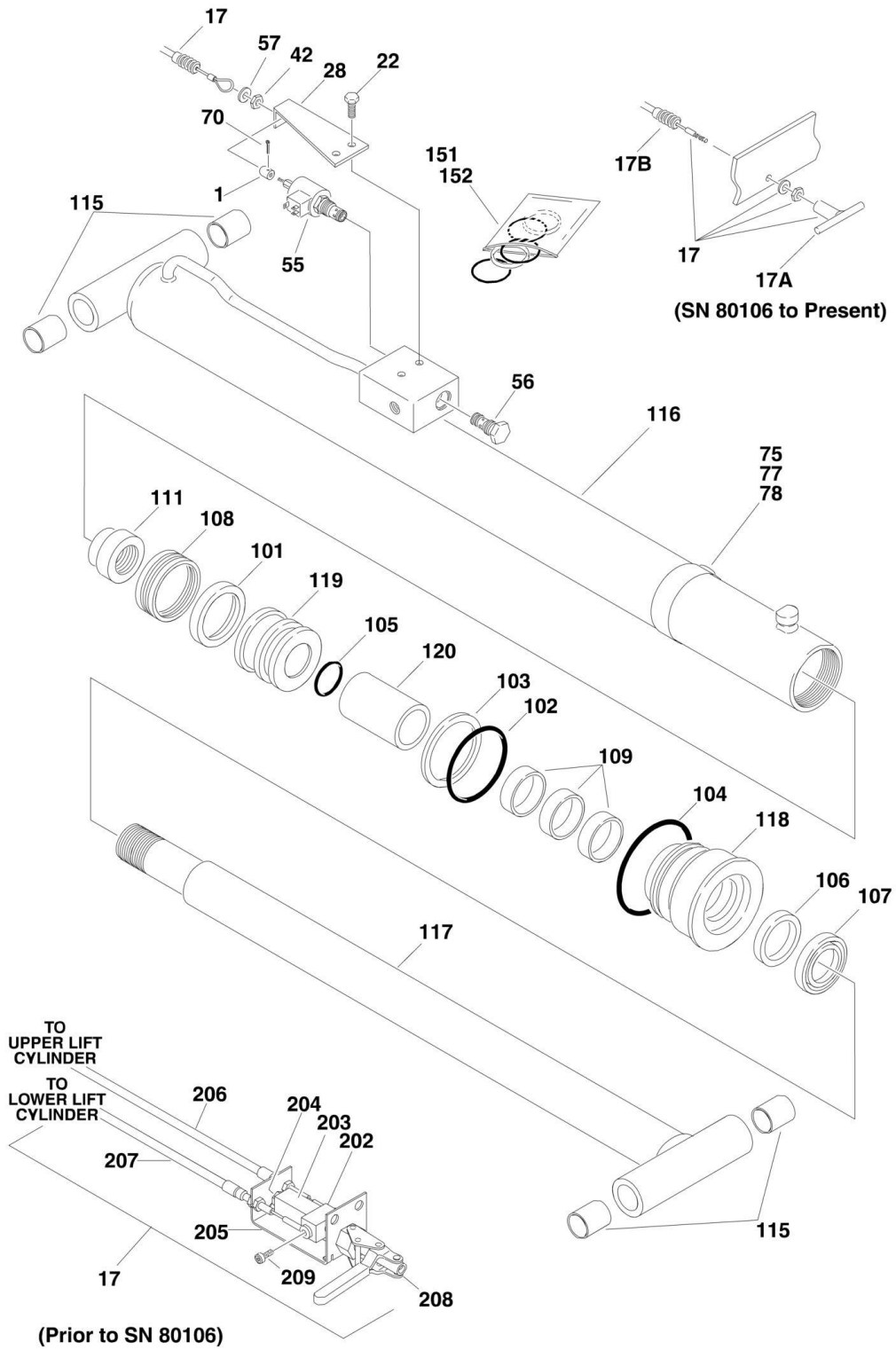
## SECTION 5 - CYLINDERS

**FIGURE 5-4. LIFT CYLINDER COMPONENTS ASSEMBLY - 330CRT**

ITEM	PART NUMBER	QTY	DESCRIPTION	REV
	0259105	Ref	<b>LIFT CYLINDER SUB-ASSEMBLY - 330CRT</b>	K
1	0080228	1	Adapter	
2	0100011	AR	Loctite #242 (Not Shown)	
19	0641506	2	Bolt 5/16in-18NC x 3/4in	
26	0902421	1	Bracket	
30	1060846	1	Manual Descent Cable Assembly	
30A	7020218	1	T-Handle	
30B	7019602	1	Bellows	
38	3321402	2	Nut, Jam 1/4in-28NF	
47	3450405	1	Pin, Cotter	
53		Ref	Cartridge, Valve (Manual Descent) Options:	
53	4641001	1	Cartridge, Valve <b>(Prior to SN 80106)</b>	
53	4641172	1	Cartridge, Valve <b>(SN 80106 to Present)</b>	
53	7017445	1	Cartridge Only - 4641001 & 4641172 Valve	
53	7012998	1	Seal Kit - 4641001 & 4641172 Valve (was p/n 7012967)	
53		Ref	Coil Options:	
53	7017444	1	4641001 Valve	
53	7012943	1	4641172 Valve	
54	4641002	1	Valve, Check/Restrictor	
54	7012953	1	Seal Kit - 4641002 Valve	
55	4711400	2	Flatwasher 1/4in Narrow	
	1683858	Ref	<b>LIFT CYLINDER ASSEMBLY</b>	C
101	Item 151	1	Seal	
102	Item 151	1	O-Ring	
103	Item 151	1	Ring, Back-up	
104	Item 151	1	O-Ring	
105	Item 151	1	O-Ring	
106	Item 151	1	Seal	
107	Item 151	1	Wiper	
108	Item 151	1	Ring, Wear	
109	Item 151	3	Ring, Wear	
111	7003226	1	Locknut	
115	7019889	4	Bushing, Garmax	
116	7019898	1	Barrel Weldment	
117	7019897	1	Rod Weldment	
118	7019886	1	Head	
119	7019880	1	Piston	
120	7019896	1	Spacer	
151	7019884	1	Seal Kit (Includes Items 101 to 109)	

# SECTION 5 - CYLINDERS

FIGURE 5-5. LIFT CYLINDER COMPONENTS ASSEMBLY - 400CRT



## SECTION 5 - CYLINDERS

**FIGURE 5-5. LIFT CYLINDER COMPONENTS ASSEMBLY - 400CRT**

ITEM	PART NUMBER	QTY	DESCRIPTION	REV
	0259561	Ref	<b>LIFT CYLINDER SUB-ASSEMBLY - 400CRT</b>	J
1	0080228	2	Adapter	
2	0100011	AR	Loctite #242 (Not Shown)	
17		Ref	Manual Descent Cable Assembly Options:	
17	0259859	1	Manual Descent Cable Assembly (See Items 201-209 for Breakdown) <b>(Prior to SN 80106)</b>	
17	1060846	1	Manual Descent Cable Assembly (See Items 17A & 17B) <b>(SN 80106 to Present)</b>	
17A	7020218	1	T-Handle	
17B	7019602	1	Bellows	
22	0641506	4	Bolt 5/16in-18NC x 3/4in	
28	0902421	2	Bracket	
42	3321402	4	Nut, Jam 1/4in-28NF	
55		Ref	Cartridge Valve Options: (Manual Descent)	
55		Ref	Cartridge Valve (Lower Lift Cylinder)	
55	4641001	1	Cartridge Valve (Lower Lift Cylinder) <b>(Prior to SN 80106)</b>	
55	4641172	1	Cartridge Valve (Lower Lift Cylinder) <b>(SN 80106 to Present)</b>	
55		Ref	Cartridge Valve (Upper Lift Cylinder)	
55	4641001	1	Cartridge Valve (Upper Lift Cylinder) <b>(Prior to SN 80106)</b>	
55	4641168	1	Cartridge Valve (Upper Lift Cylinder) <b>(SN 80106 to Present)</b>	
55		Ref	Cartridge Only Options:	
55	7017445	1	4641001/4641172 Valve	J
55	7017467	1	4641168 Valve	
55	7012998	1	Seal Kit - 4641001, 4641172 & 4641168 Valve (was p/n 7012967)	
55		Ref	Coil Options:	
55	7017444	1	4641001 Valve	
55	7012943	1	4641172 Valve	
55	7012944	1	4641168 Valve	
56	4641118	2	Valve, Thermal Relief	
56	7012998	2	Seal Kit - 4641118 Valve (1 Per Valve)	
57	4711400	4	Flatwasher 1/4in Narrow	
70	3450405	2	Pin, Cotter	
75	1320122	1	Clamp	
77	1670995	1	Cover, Cable (Not Shown)	
78	4280295	AR	Strip, Protector (Not Shown)	
		Ref	<b>LIFT CYLINDER ASSEMBLY</b>	
	1683891	Ref	<b>Lower Cylinder</b>	C
	1683892	Ref	<b>Upper Cylinder</b>	C
101	See Note	1	Seal (Note: Use Item 151 or 152)	
102	See Note	1	O-Ring (Note: Use Item 151 or 152)	
103	See Note	1	Ring, Back-up (Note: Use Item 151 or 152)	
104	See Note	1	O-Ring (Note: Use Item 151 or 152)	
105	See Note	1	O-Ring (Note: Use Item 151 or 152)	
106	See Note	1	Seal (Note: Use Item 151 or 152)	
107	See Note	1	Wiper (Note: Use Item 151 or 152)	
108	See Note	1	Ring, Wear (Note: Use Item 151 or 152)	
109	See Note	3	Ring, Wear (Note: Use Item 151 or 152)	
111		Ref	Locknut Options:	
111	7003226	1	1683891 Cylinder	

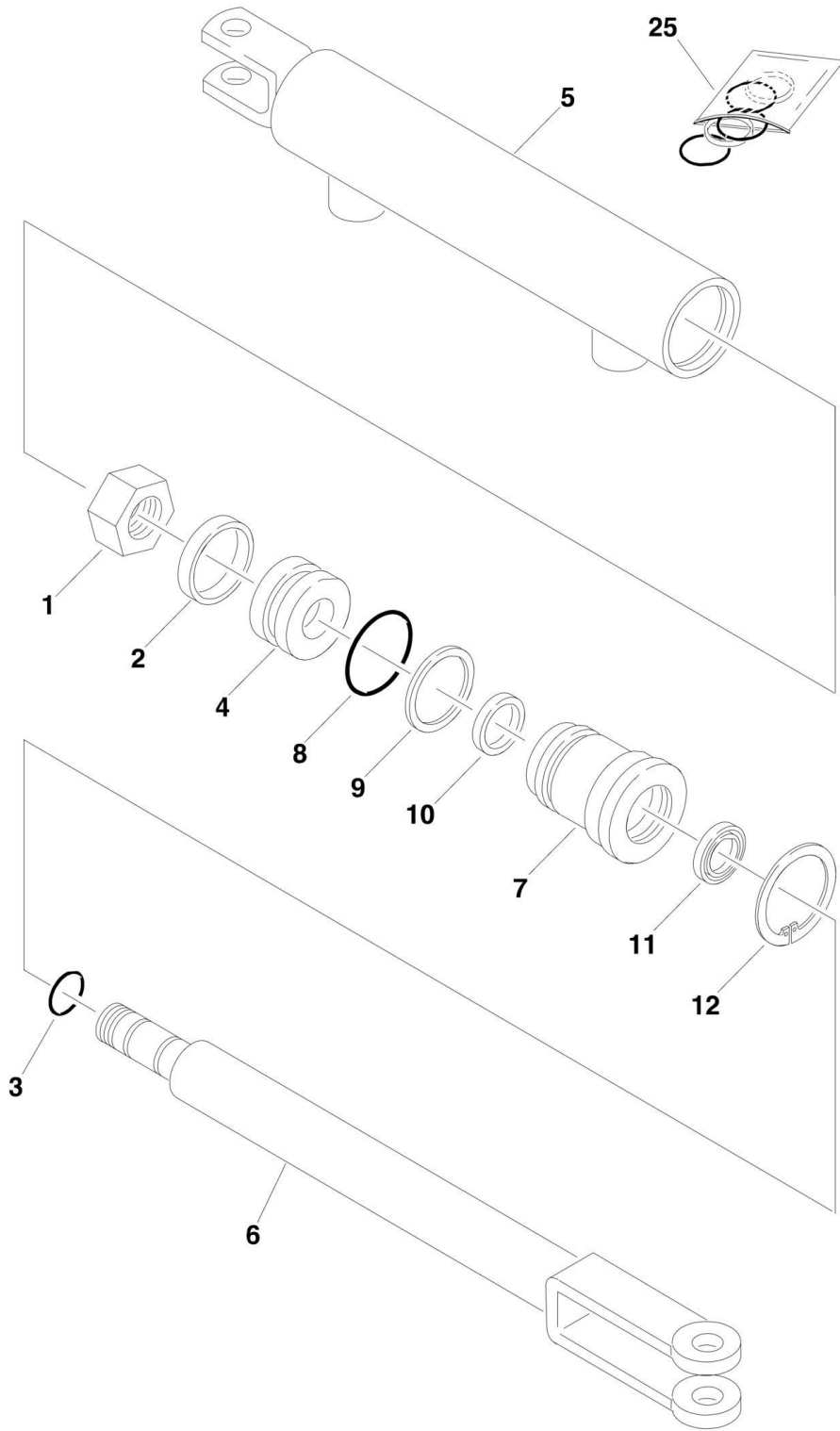
## SECTION 5 - CYLINDERS

ITEM	PART NUMBER	QTY	DESCRIPTION	REV
111	7003212	1	1683892 Cylinder	
115	7019889	4	Bushing, Garmax	
116		Ref	Barrel Weldment Options:	
116	7019888	1	1683891 Cylinder	
116	7019895	1	1683892 Cylinder	
117		Ref	Rod Weldment Options:	
117	7019887	1	1683891 Cylinder	
117	7019894	1	1683892 Cylinder	
118		Ref	Head Options:	
118	7019886	1	1683891 Cylinder	
118	7019893	1	1683892 Cylinder	
119		Ref	Piston Options:	
119	7019880	1	1683891 Cylinder	
119	7019892	1	1683892 Cylinder	
120		Ref	Spacer Options:	
120	7019885	1	1683891 Cylinder	
120	7019891	1	1683892 Cylinder	
		Ref	Seal Kit Options (Includes Items 101 to 109):	
151	7019884	1	1683891 Cylinder	
152	7019890	1	1683892 Cylinder	
	0259859	Ref	<b>MANUAL DESCENT CABLE ASSEMBLY (Prior to SN 80106)</b>	B
201	0100011	AR	Loctite #242 (Not Shown)	
202	0561373	1	Block, Cable Attach	
203	0561374	1	Block, Spacer	
204	0641526	1	Bolt 5/16in-18NC x 3 1/4in	
205	0902573	1	Bracket, Cable	
206	1060797	1	Cable Assembly - Upper Lift Cylinder (Includes Attaching Hardware)	
207	1060798	1	Cable Assembly - Lower Lift Cylinder (Includes Attaching Hardware)	
208	2560150	1	Handle Assembly	
209	3900248	2	Screw, Shoulder #10-24NC x 1/4in	



# SECTION 5 - CYLINDERS

## FIGURE 5-6. STEER CYLINDER ASSEMBLY



## SECTION 5 - CYLINDERS

**FIGURE 5-6. STEER CYLINDER ASSEMBLY**

ITEM	PART NUMBER	QTY	DESCRIPTION	REV
	1683807	Ref	<b>STEER CYLINDER ASSEMBLY</b>	D
1	7017226	1	Locknut	
2	Item 25	1	Seal, Piston	
3	Item 25	1	O-Ring	
4	7017291	1	Piston	
5	7023009	1	Barrel	
6	7023010	1	Rod	
7	7017294	1	Guide	
8	Item 25	1	O-Ring	
9	Item 25	1	Ring, Back-Up	
10	Item 25	1	Seal	
11	Item 25	1	Wiper	
12	Item 25	1	Ring, Retainer	
25	7017290	1	Seal Kit - (Includes Items 2, 3 & 8-12)	

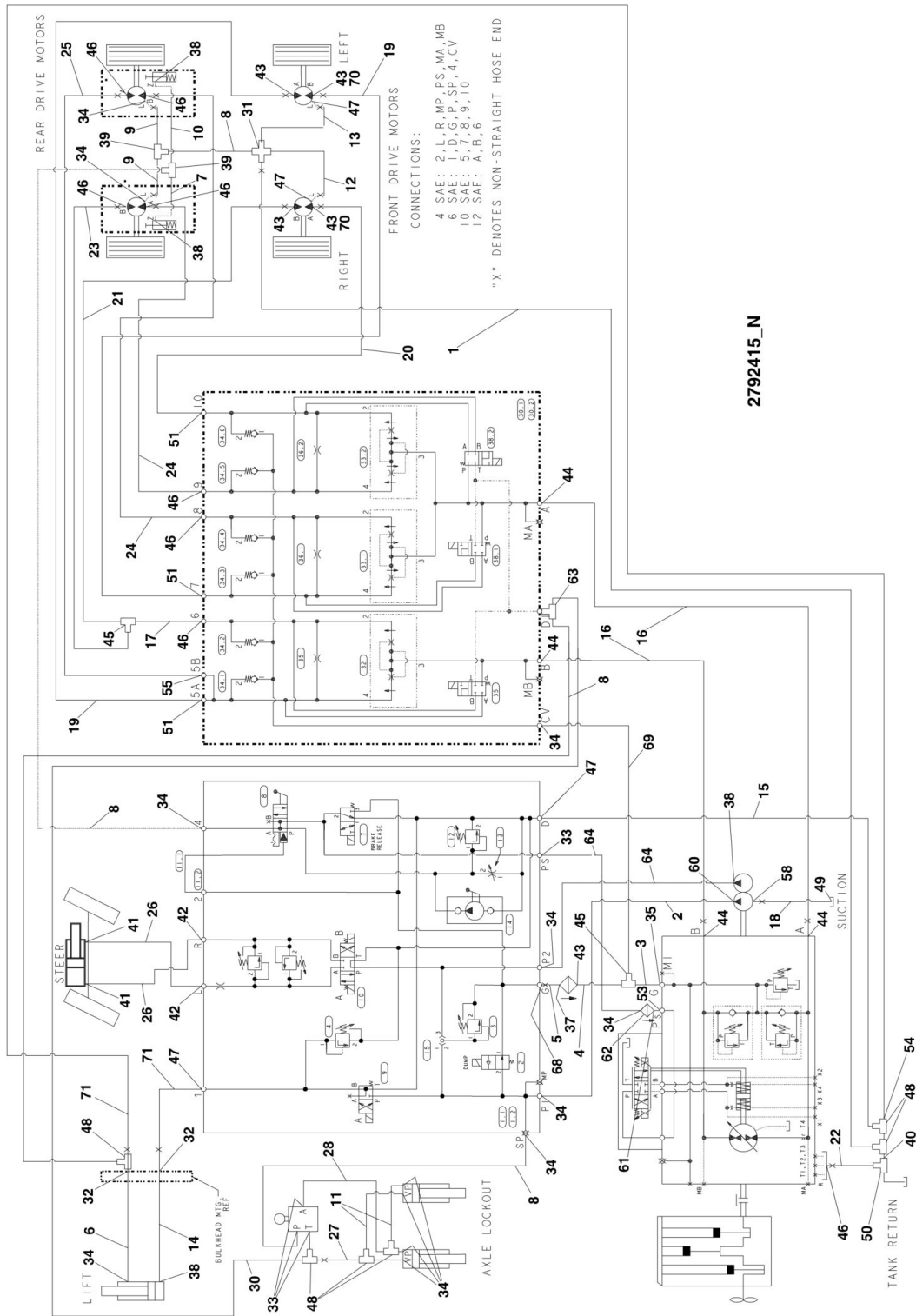




**SECTION 6 - HYDRAULIC**

# SECTION 6 - HYDRAULIC

## FIGURE 6-1. HYDRAULIC DIAGRAM - 330CRT OSCILLATING AXLE MACHINES



## SECTION 6 - HYDRAULIC

### FIGURE 6-1. HYDRAULIC DIAGRAM - 330CRT OSCILLATING AXLE MACHINES

ITEM	PART NUMBER	QTY	DESCRIPTION	REV
	2792415	Ref	<b>HYDRAULIC DIAGRAM - 330CRT</b>	N
1	2752471	1	Hose	
2	2753399	1	Hose	
3	2753506	1	Hose	
4	2753507	1	Hose	
5	2752493	1	Hose	
6	2753400	1	Hose	
7	2752632	1	Hose	
8	2753120	AR	Hose	
9	2752643	2	Hose	
10	2752478	1	Hose	
11	2752469	2	Hose	
12	2752484	AR	Hose	
13	2753476	1	Hose	
14	2752622	1	Hose	
15	2753118	1	Hose	
16	2753402	2	Hose	
17	2753401	1	Hose	
18	2753418	1	Hose	
19	2753404	2	Hose	
20	2753405	1	Hose	
21	2753406	1	Hose	
22	2753407	1	Hose	
23	2753411	1	Hose	
24	2753412	2	Hose	
25	2753413	1	Hose	
26	2753410	2	Hose	
27	2752463	1	Hose	
28	2752479	1	Hose	
30	2753473	1	Hose	
31	2220827	1	Fitting, 4-Way	
32		Ref	Fitting, Bulkhead Options:	
32	2230043	2	Fitting, Bulkhead ( <b>Prior to SN 96519</b> )	
32	2230024	2	Fitting, Bulkhead ( <b>SN 96519 to Present</b> )	
33	2220603	4	Fitting, Straight	
34	2220371	13	Fitting, Straight	
35	2221042	1	Fitting, 90	
37	2220366	1	Fitting, 90	
38	2220473	4	Fitting, 90	
39	2220490	2	Fitting, Tee	
40	2220621	1	Fitting, Straight Reducer	
41	2220472	2	Fitting, 90	
42	2220502	2	Fitting, 45	
43	2220906	5	Fitting, 90	
44	2220451	4	Fitting, Straight	
45	2220849	2	Fitting, Tee	
46	2220947	8	Fitting, Straight	
47	2220501	4	Fitting, 45	
48	2220635	6	Fitting, Tee	
49	2221070	1	Fitting, 45	

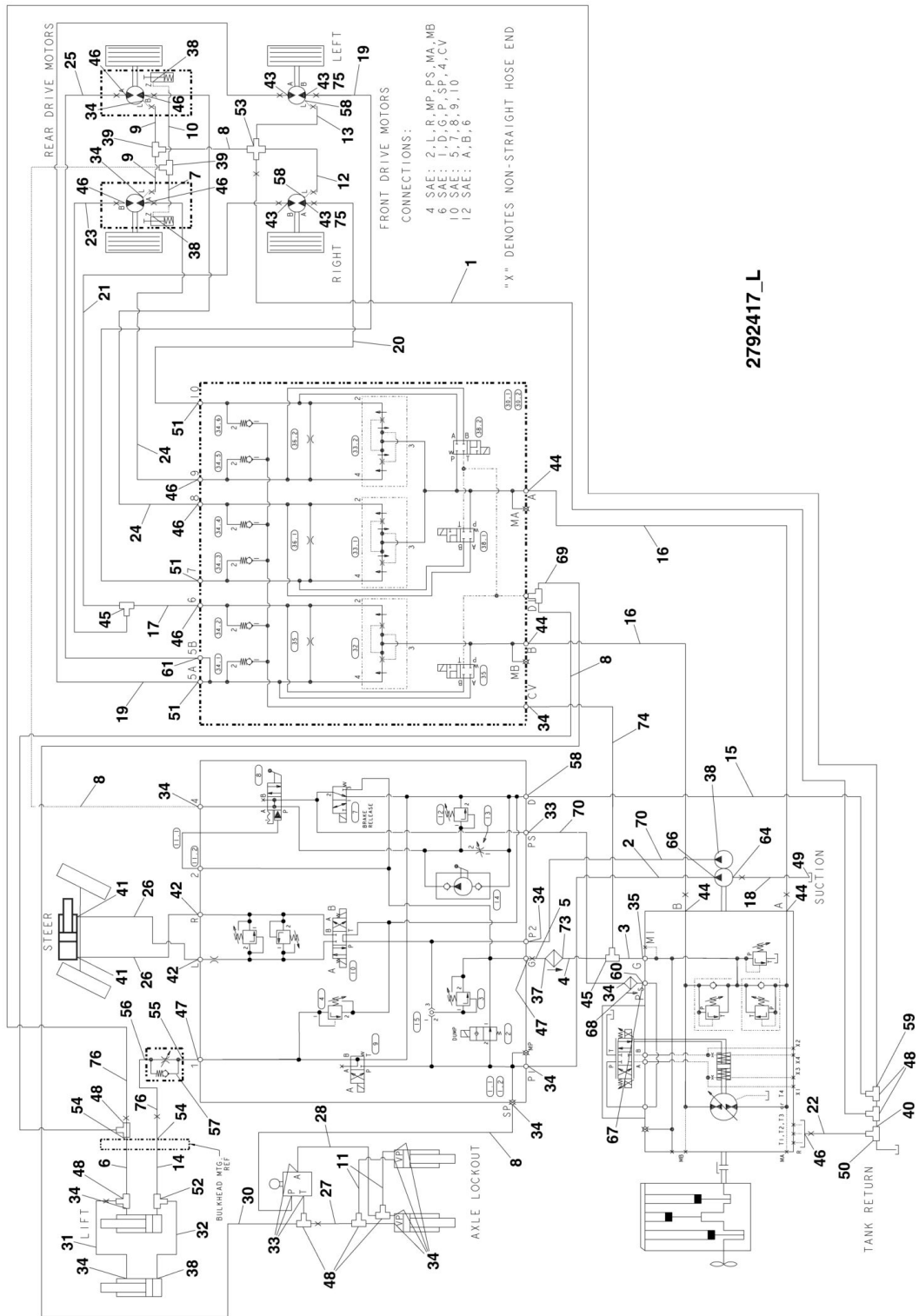
## SECTION 6 - HYDRAULIC

ITEM	PART NUMBER	QTY	DESCRIPTION	REV
50	2220738	1	Fitting, Tee	
51	2221050	3	Fitting, 45	
53	2220819	1	Fitting, 90 Long	
54	2220507	1	Fitting, 90	
55	2221069	1	Fitting, 90 Long	
58	2220376	1	Fitting, Straight	
60	2220828	1	Fitting, 90	
61	2220919	1	Fitting, Straight	
62	2120172	1	Filter, In-Line	
63	2220899	1	Fitting, Tee	
64	2751852	2	Hose	
66	2752480	1	Hose <b>(Prior to SN 96519)</b>	
68	2220600	1	Fitting, Straight	
69	2753508	1	Hose	
70	0100075	AR	Loctite #545 (Not Shown)	
71	2753059	2	Hose <b>(SN 96519 to Present)</b>	



# SECTION 6 - HYDRAULIC

## FIGURE 6-2. HYDRAULIC DIAGRAM - 400CRT OSCILLATING AXLE MACHINES



## SECTION 6 - HYDRAULIC

**FIGURE 6-2. HYDRAULIC DIAGRAM - 400CRT OSCILLATING AXLE MACHINES**

ITEM	PART NUMBER	QTY	DESCRIPTION	REV
	2792417	Ref	<b>HYDRAULIC DIAGRAM - 400CRT</b>	L
1	2752471	1	Hose	
2	2753399	1	Hose	
3	2753506	1	Hose	
4	2753507	1	Hose	
5	2752493	1	Hose	
6	2753400	1	Hose	
7	2752632	1	Hose	
8	2753120	AR	Hose	
9	2752643	2	Hose	
10	2752478	1	Hose	
11	2752469	2	Hose	
12	2752484	AR	Hose	
13	2753476	1	Hose	
14	2752622	1	Hose	
15	2753118	1	Hose	
16	2753402	2	Hose	
17	2753401	1	Hose	
18	2753418	1	Hose	
19	2753404	2	Hose	
20	2753405	1	Hose	
21	2753406	1	Hose	
22	2753407	1	Hose	
23	2753411	1	Hose	
24	2753412	2	Hose	
25	2753413	1	Hose	
26	2753410	2	Hose	
27	2752463	1	Hose	
28	2752479	1	Hose	
30	2753473	1	Hose	
31	2753414	1	Hose	
32	2753415	1	Hose	
33	2220603	4	Fitting, Straight	
34	2220371	15	Fitting, Straight	
35	2221042	1	Fitting, 90	
37	2220366	1	Fitting, 90	
38	2220473	4	Fitting, 90	
39	2220490	2	Fitting, Tee	
40	2220621	1	Fitting, Straight Reducer	
41	2220472	2	Fitting, 90	
42	2220502	2	Fitting, 45	
43	2221036	4	Fitting, 90	
44	2220451	4	Fitting, Straight	
45	2220849	2	Fitting, Tee	
46	2220947	8	Fitting, Straight	
47	2220600	1	Fitting, Straight	
48	2220635	7	Fitting, Tee	
49	2221070	1	Fitting, 45	
50	2220738	1	Fitting, Tee	
51	2221050	3	Fitting, 45	

## SECTION 6 - HYDRAULIC

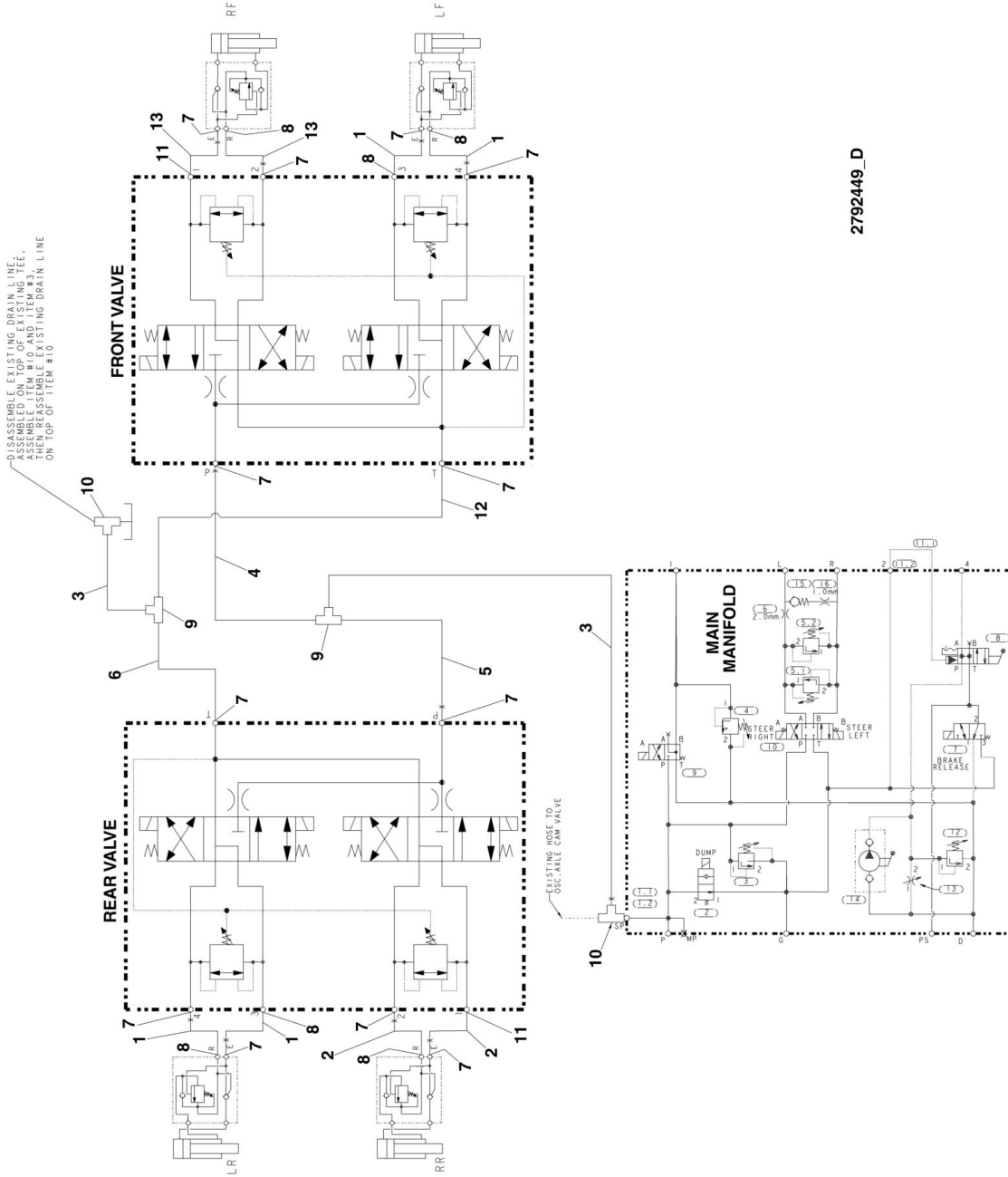
ITEM	PART NUMBER	QTY	DESCRIPTION	REV
52	2220899	1	Fitting, Tee	
53	2220827	1	Fitting, 4-Way	
54		Ref	Fitting, Bulkhead Options:	
54	2230043	2	Fitting, Bulkhead <b>(Prior to SN 96519)</b>	
54	2230024	2	Fitting, Bulkhead <b>(SN 96519 to Present)</b>	
55	2220651	1	Fitting, Straight	
56	2220628	1	Fitting, 90	
57	4640757	1	Valve, Flow Control	
58	2220501	3	Fitting, 45	
59	2220507	1	Fitting, 90	
60	2220819	1	Fitting, 90 Long	
61	2221069	1	Fitting, 90 Long	
64	2220376	1	Fitting, Straight	
66	2220828	1	Fitting, 90	
67	2220919	1	Fitting, Straight	
68	2120172	1	Filter, In-Line	
69	2220899	1	Fitting, Tee	
70	2751852	2	Hose	
72	2752480	1	Hose <b>(Prior to SN 96519)</b>	
73	2220906	1	Fitting, 90	
74	2753508	1	Hose	
75	0100075	AR	Loctite #545 (Not Shown)	
76	2753059	2	Hose <b>(SN 96519 to Present)</b>	





# SECTION 6 - HYDRAULIC

## FIGURE 6-3. HYDRAULIC DIAGRAM - LEVELING JACKS



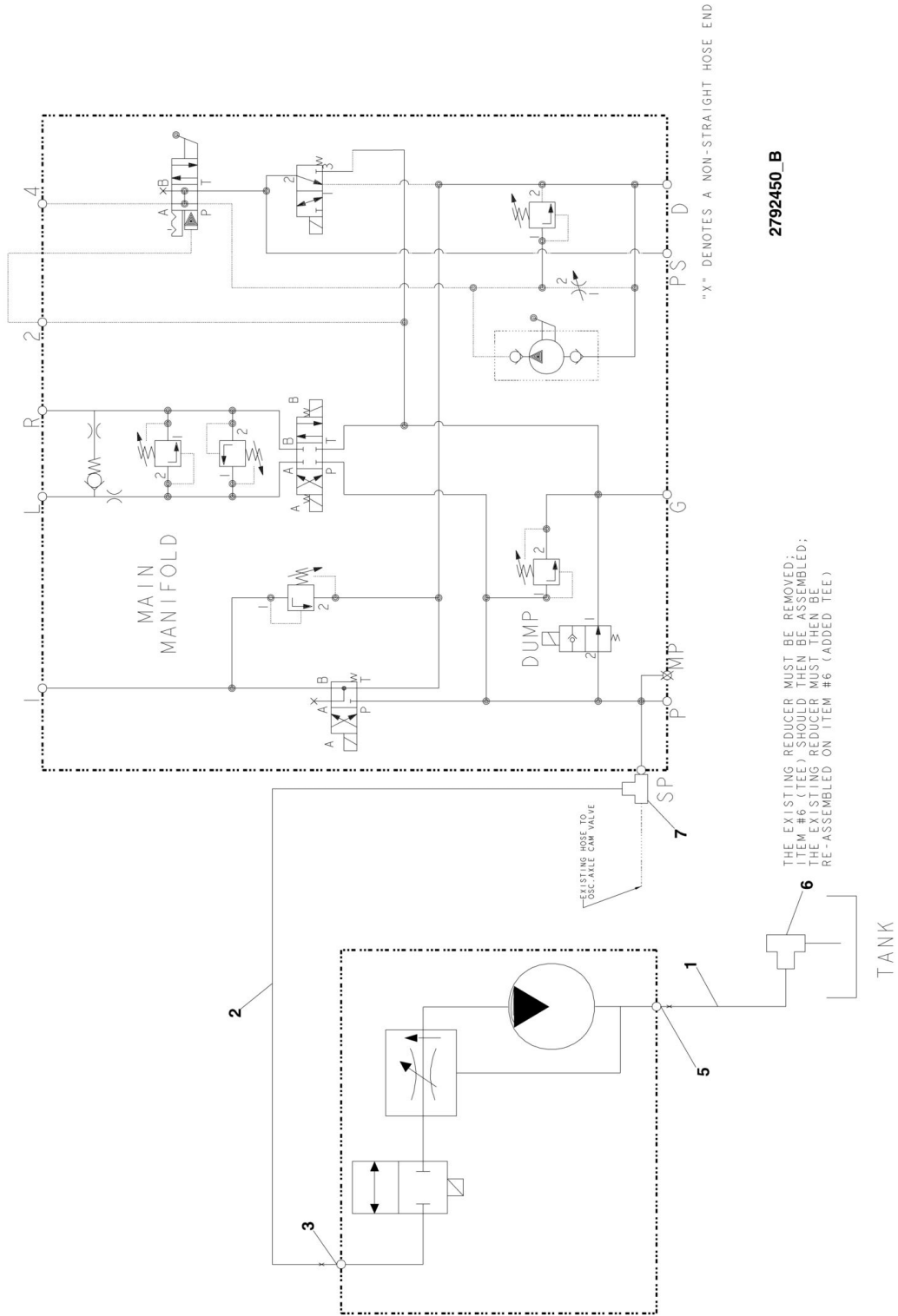
## SECTION 6 - HYDRAULIC

**FIGURE 6-3. HYDRAULIC DIAGRAM - LEVELING JACKS**

ITEM	PART NUMBER	QTY	DESCRIPTION	REV
	2792449	Ref	<b>HYDRAULIC DIAGRAM</b>	D
1	2750991	4	Hose	
2	2753327	2	Hose	
3	2752472	2	Hose	
4	2753059	1	Hose	
5	2750909	1	Hose	
6	2750916	1	Hose	
7	2220371	12	Fitting, Straight	
8	2220473	6	Fitting, 90	
9	2220490	2	Fitting, Tee	
10	2220635	2	Fitting	
11	2220819	2	Fitting, Long 90	
12	2753120	1	Hose	
13	2752476	2	Hose	

# SECTION 6 - HYDRAULIC

## FIGURE 6-4. HYDRAULIC DIAGRAM - 110V GENERATOR (OPTIONAL)



## SECTION 6 - HYDRAULIC

**FIGURE 6-4. HYDRAULIC DIAGRAM - 110V GENERATOR (OPTIONAL)**

ITEM	PART NUMBER	QTY	DESCRIPTION	REV
	2792450	Ref	<b>HYDRAULIC DIAGRAM</b>	B
1	2753500	1	Hose, Return	
2	2753501	1	Hose, Pressure	
3	2220373	1	Fitting	
5	2220852	1	Fitting	
6	2220700	1	Fitting, Swivel	
7	2220635	1	Fitting, Swivel	

## SECTION 6 - HYDRAULIC

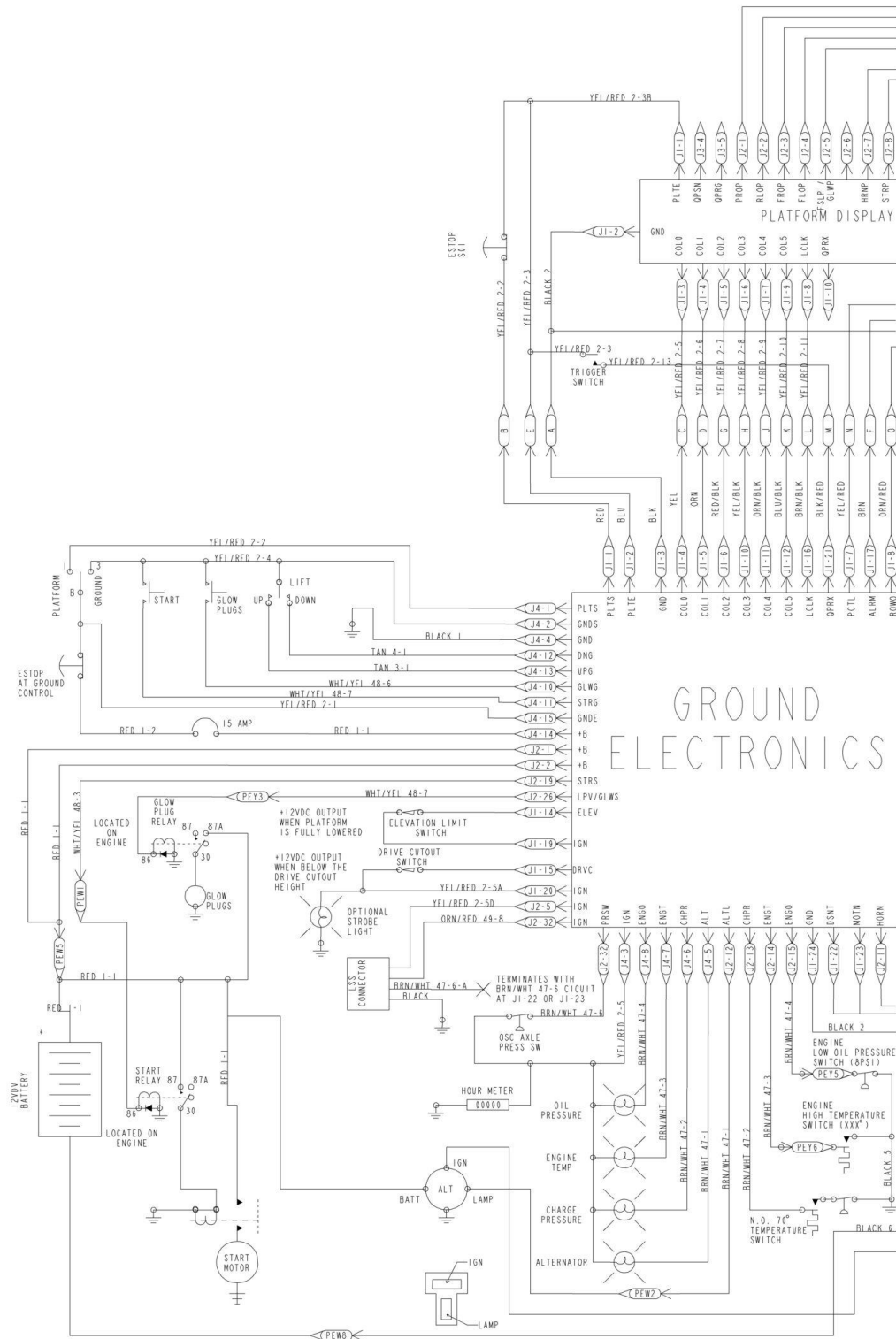
FIGURE 6-5. HYDRAULIC DIAGRAM LIST

ITEM	PART NUMBER	QTY	DESCRIPTION	REV
		Ref	<b>Note: Information on diagrams not shown is available from JLG Service /Parts Department.</b>	
		Ref	Hydraulic Diagram - Standard	
	2792396	Ref	Hydraulic Diagram - Standard 330CRT 4WD with Fixed Axle	
	2792415	Ref	Hydraulic Diagram - Standard 330CRT 4WD with Oscillating Axle	
	2792416	Ref	Hydraulic Diagram - Standard 400CRT 4WD with Fixed Axle	
	2792417	Ref	Hydraulic Diagram - Standard 400CRT 4WD with Oscillating Axle	
	2792449	Ref	Leveling Jacks (Optional)	
	2792450	Ref	110V Generator (Optional)	
	2792397	Ref	Hydraulic Schematic	

**SECTION 7 - ELECTRICAL**

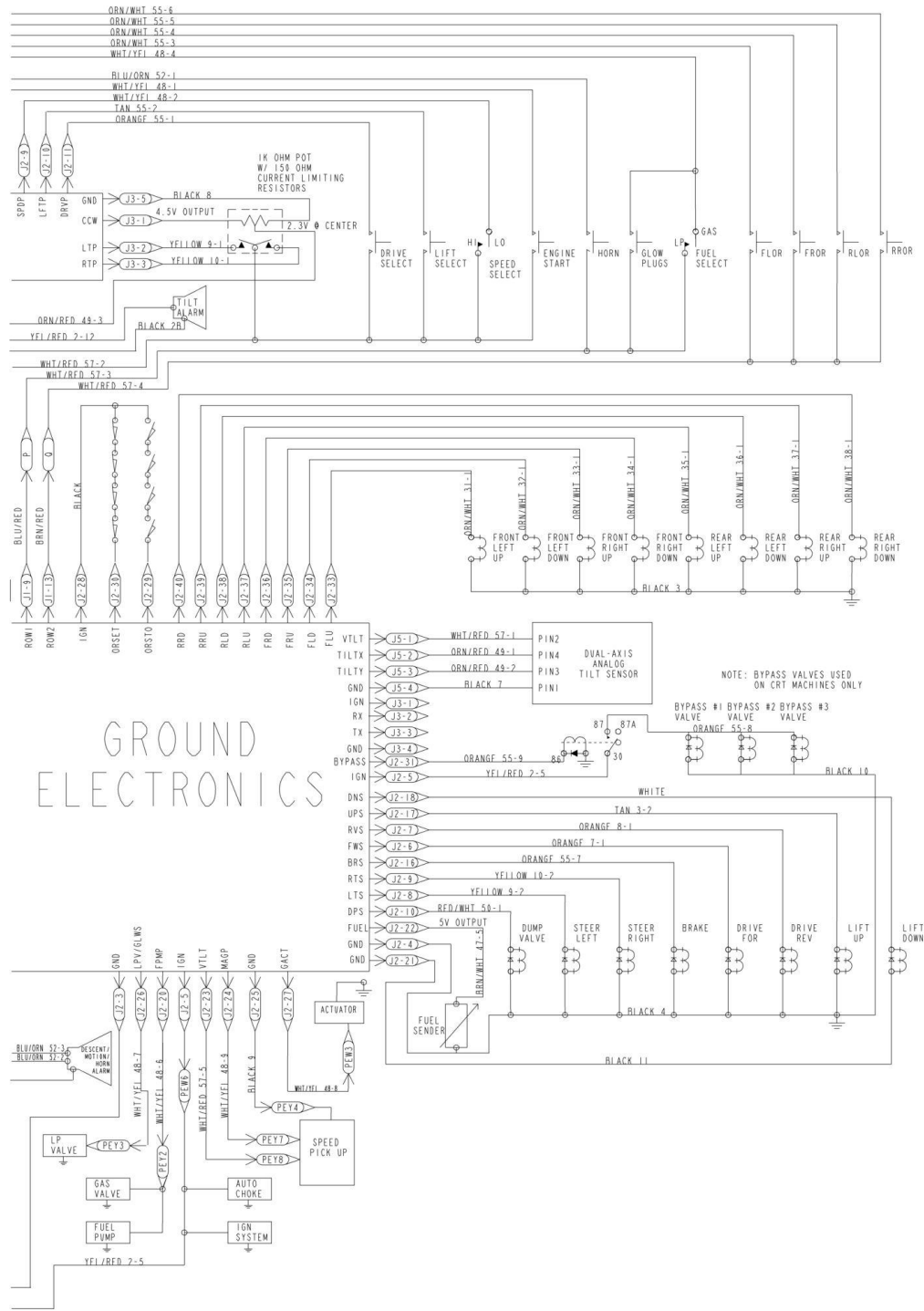
# SECTION 7 - ELECTRICAL

## FIGURE 7-1. ELECTRICAL SCHEMATIC - STANDARD





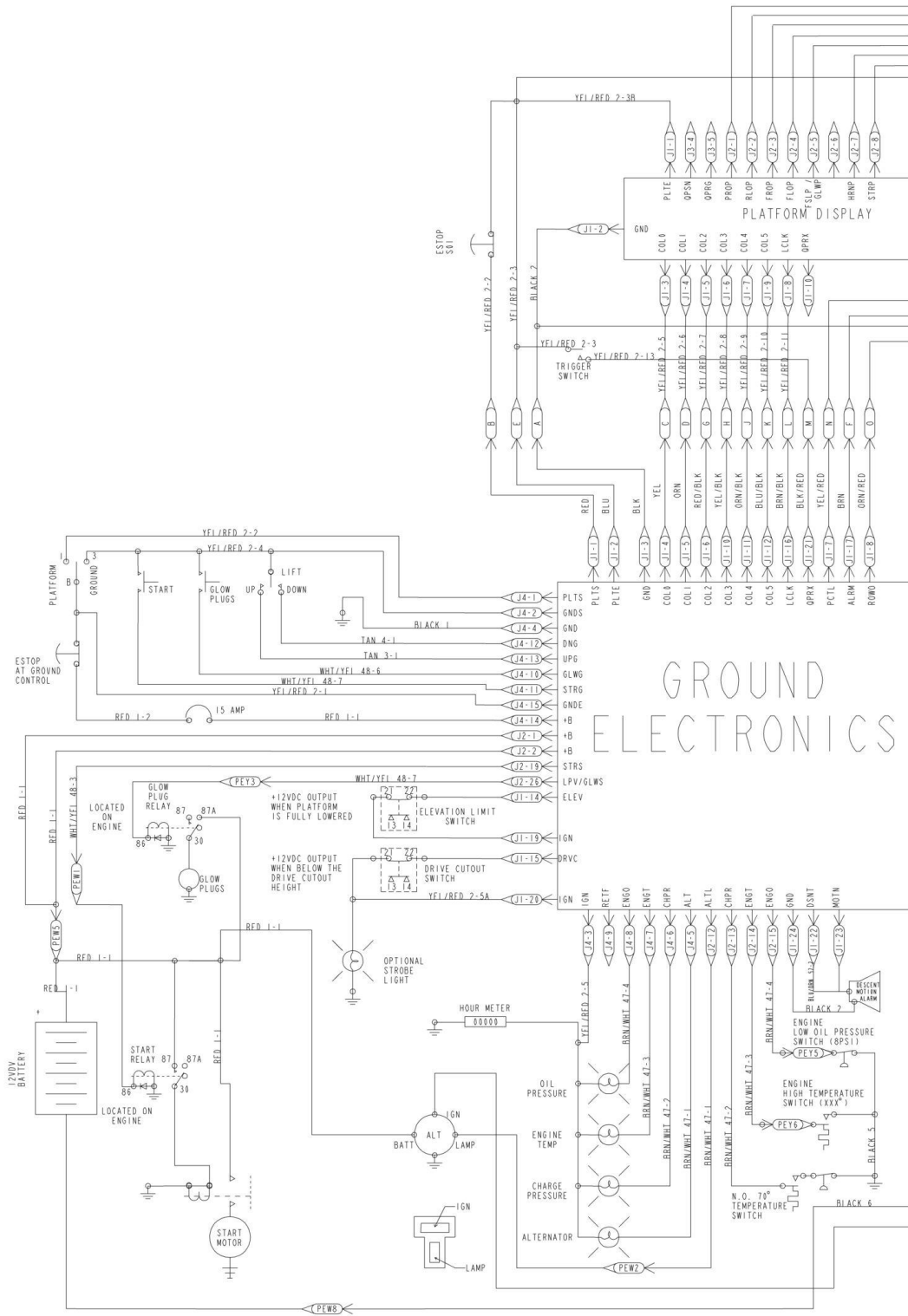
# SECTION 7 - ELECTRICAL



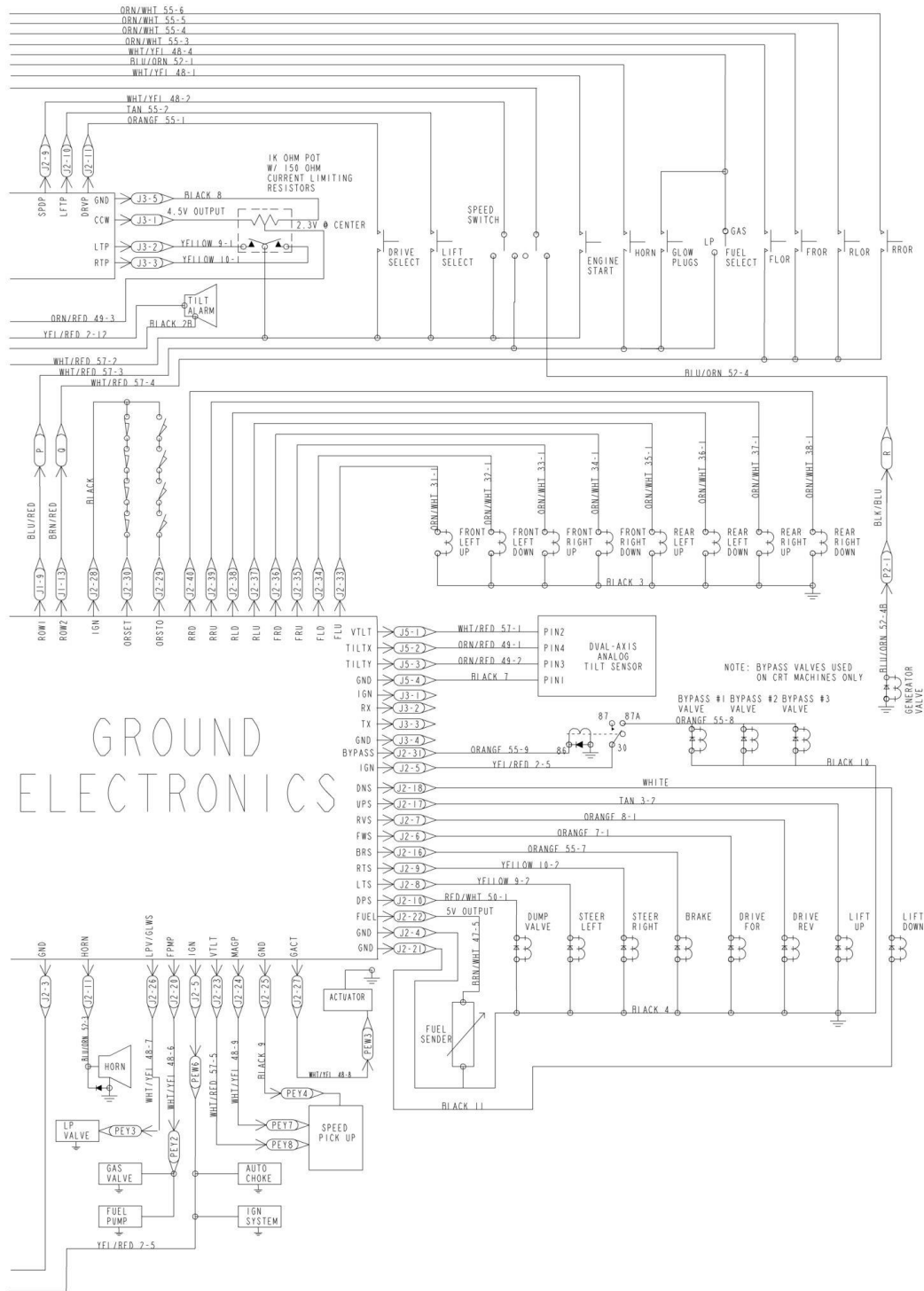
1870118 I

# SECTION 7 - ELECTRICAL

## FIGURE 7-2. ELECTRICAL SCHEMATIC - MACHINES WITH GENERATOR



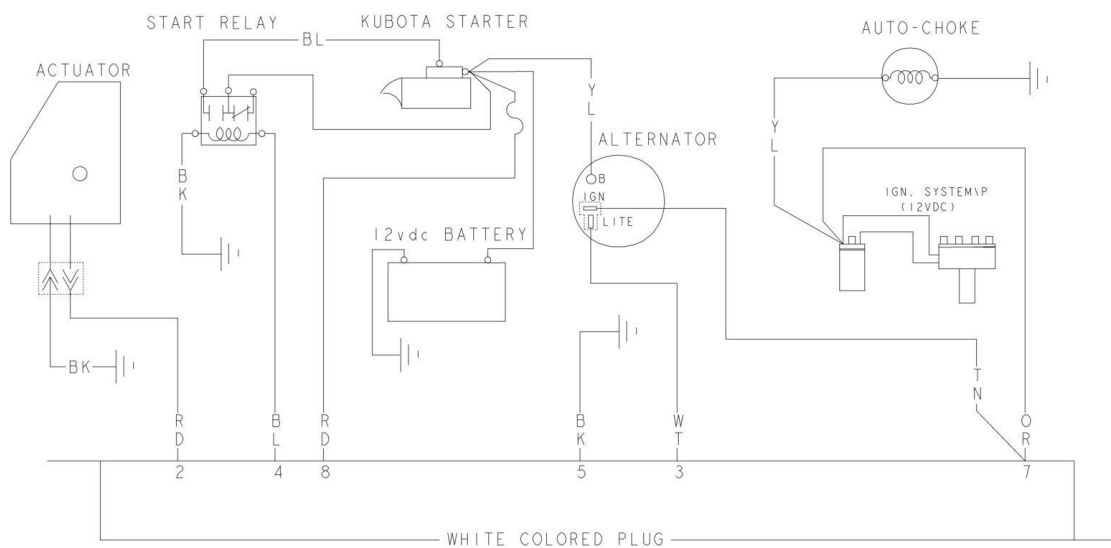
# SECTION 7 - ELECTRICAL



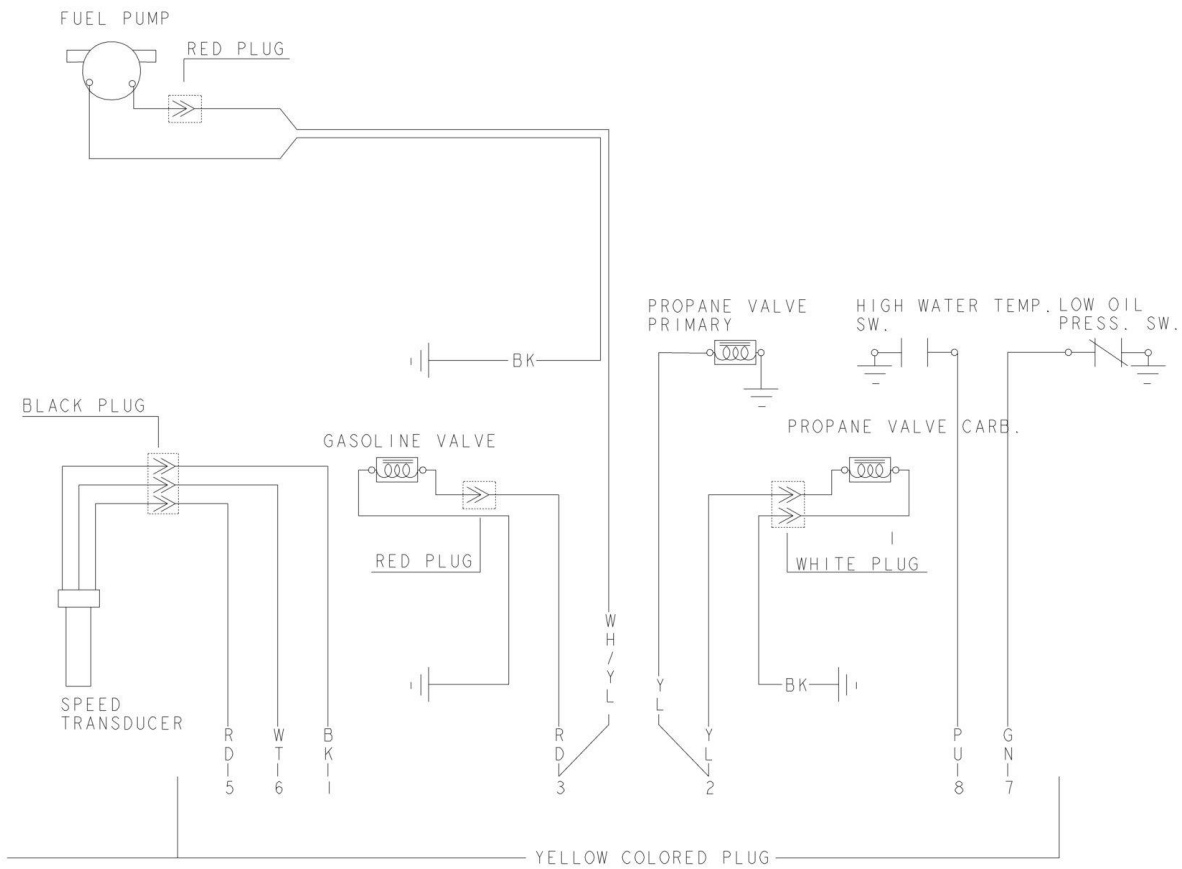
1870129 A

# SECTION 7 - ELECTRICAL

## FIGURE 7-3. ELECTRICAL SCHEMATIC - DUAL FUEL



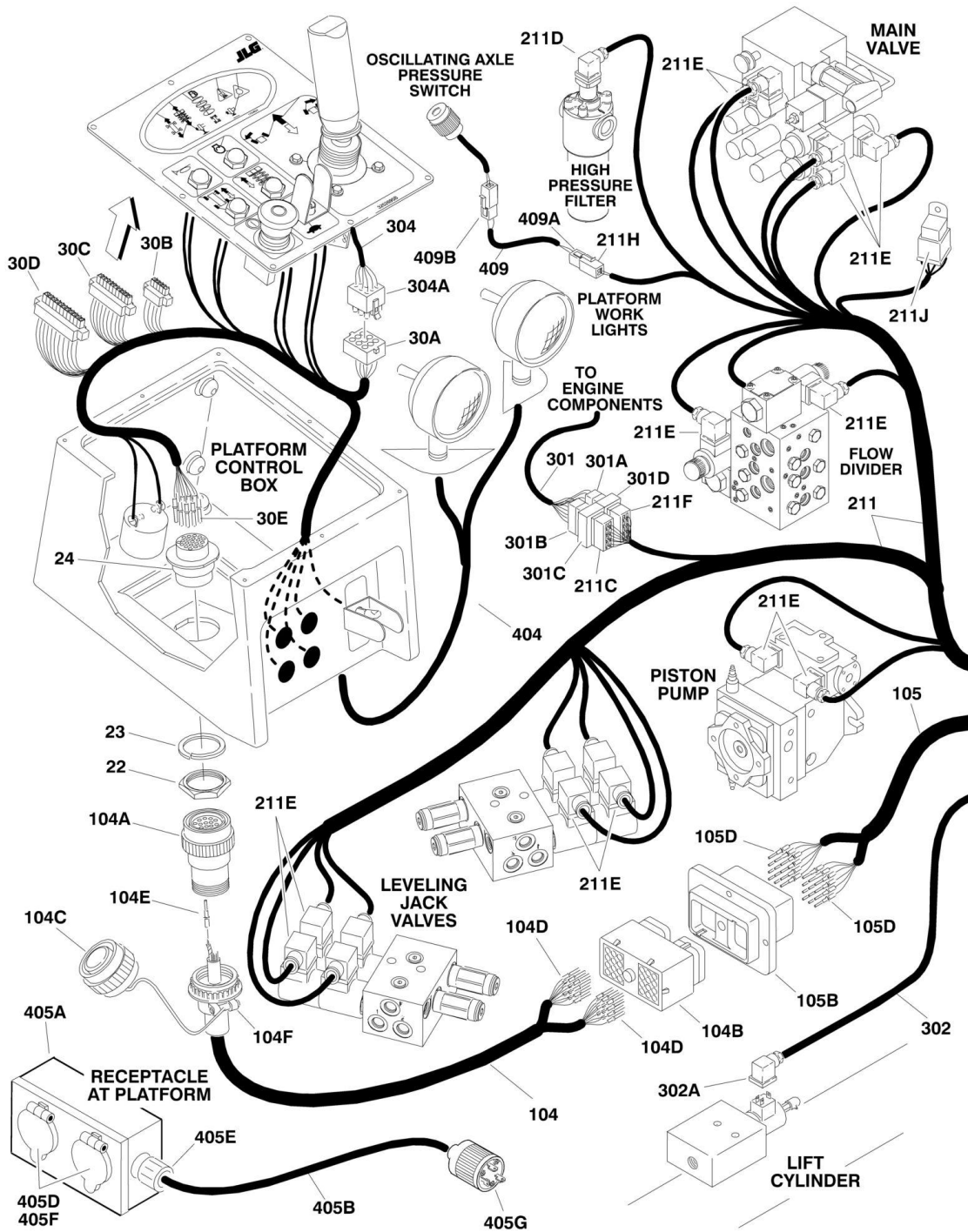
# SECTION 7 - ELECTRICAL



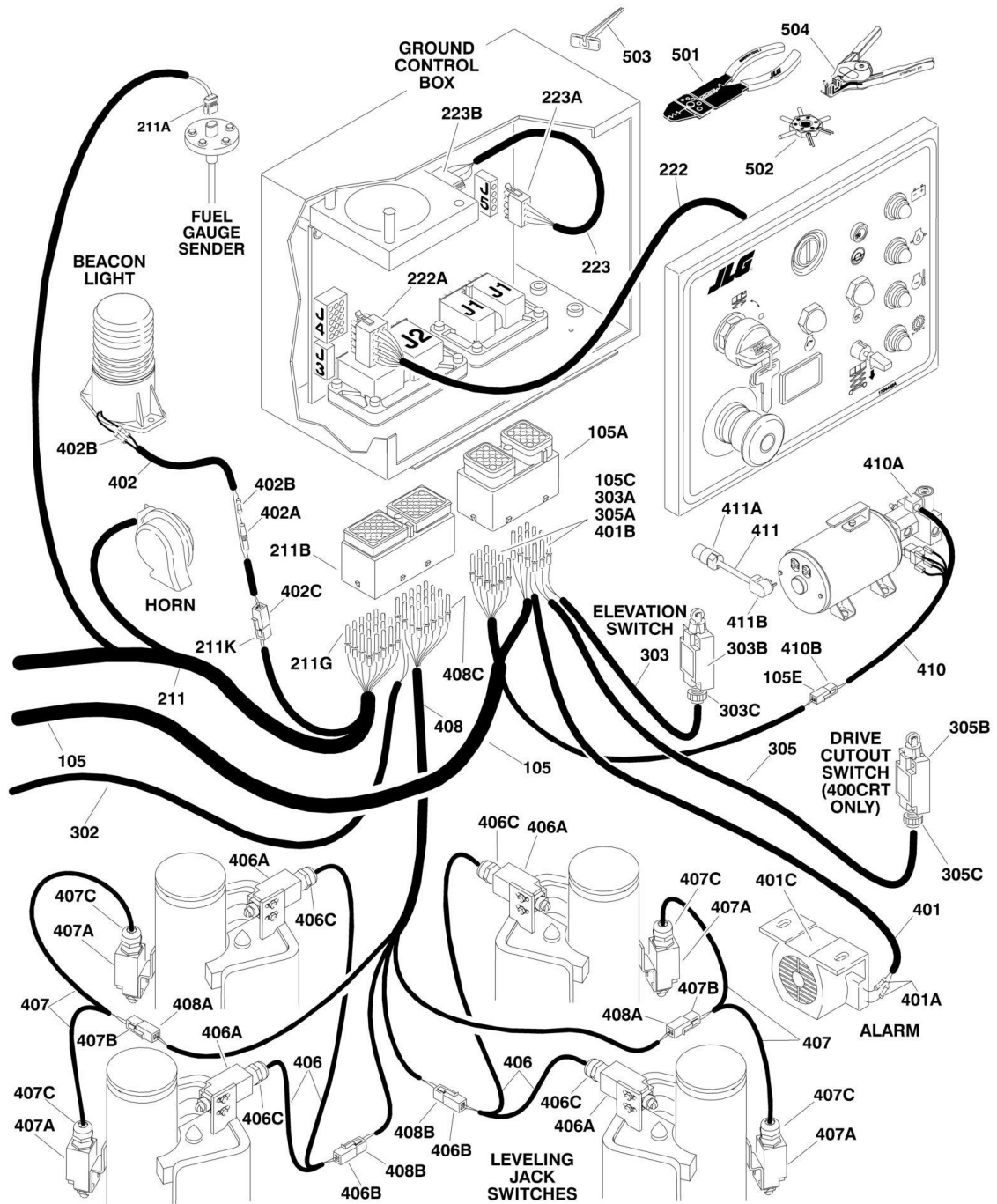
**1870138\_A**

# SECTION 7 - ELECTRICAL

## FIGURE 7-4. ELECTRICAL COMPONENTS INSTALLATION



# SECTION 7 - ELECTRICAL



# SECTION 7 - ELECTRICAL

## FIGURE 7-4. ELECTRICAL COMPONENTS INSTALLATION

ITEM	PART NUMBER	QTY	DESCRIPTION	REV
		Ref	<b>CONSOLE BOX COMPONENTS</b>	
22	4460470	1	Nut, Terminal	
23	4460471	1	Lockwasher, Terminal	
24	4460480	1	Connector, Terminal	
30		Ref	Harness, Console Box Options:	
30	4922391	1	Without Leveling Jacks and Generator	A
30	4922437	1	With Leveling Jacks Only	A
30	4922447	1	With Generator Only	B
30	4922446	1	With Leveling Jacks and Generator	A
30A	4460266	1	Connector - 9 Pin	
30A	4460267	8	Pin, Male	
30B	4460817	1	Connector - 5 Position	
30C	4460818	1	Connector - 10 Position	
30D	4460819	1	Connector - 11 Position	
30E	4460465	15	Socket, Female	
		Ref	<b>PLATFORM CABLES INSTALLATION</b>	
	0270102	Ref	<b>Platform Cables Installation 330CRT</b>	C
	0270105	Ref	<b>Platform Cables Installation 400CRT</b>	C
104		Ref	Harness Assembly (Routed Through Scissor Arms)	
104	4922383	1	Harness Assembly (Routed Through Scissor Arms) 330CRT	C
104	4922392	1	Harness Assembly (Routed Through Scissor Arms) 400CRT	C
104	1060815	Ref	Cable, Electrical - 16/18	
104	1060815	73.8 ft/22.5m	Cable, Electrical 330CRT	
104	1060815	88.5 ft/27m	Cable, Electrical 400CRT	
104A	4460481	1	Connector	
104B	4460812	1	Connector - 24 Position	
104C	4460468	1	Cap, Dust	
104D	4460465	33	Socket, Female	
104E	4460464	15	Pin, Male	
104F	4460473	1	Clamp	
105	4922384	1	Harness Assembly (Ground Control Box to Item 104)	B
105	1060815	6.8 ft/2.07m	Cable, Electrical - 16/18	
105A	4460812	1	Connector - 24 Position	
105B	4460846	1	Connector - 24 Position	
105C	4460465	16	Socket, Female	
105D	4460464	AR	Pin, Male	
105E	4460424	1	Connector - 2 Position	
105E	4460267	2	Pin, Male	
		Ref	<b>GROUND CONTROL BOX ASSEMBLY AND INSTALLATIONS</b>	
211		Ref	Harness, Engine and Valve	
211	4922343	1	Without Leveling Jacks	F
211	4922441	1	With Leveling Jacks	C
211	3990010	1	Diode 6A 600V	
211A	4460834	1	Connector - 2 Position	
211A	4460845	2	Terminal	
211B	4460814	1	Connector, Female - 40 Position	
211C	4460828	1	Connector, Female - 8 Position (White)	



## SECTION 7 - ELECTRICAL

ITEM	PART NUMBER	QTY	DESCRIPTION	REV
211C	4460829	7	Terminal, Female	
211D	4460449	1	Connector, DIN without Diode	
211E	4460499	Ref	Connector, DIN with Diode Options:	
211E	4460499	10	Without Leveling Jacks	
	4460499	18	With Leveling Jacks	
211F	4460827	1	Connector, Female - 8 Position (Yellow)	
211F	4460829	7	Terminal, Female	
211G	4460465	AR	Socket, Female	
211G	3730117	1	Resistor - 4.7OHM 1/4Watt	
211H	4460320	1	Connector - 2 Position	
211H	4460268	2	Socket, Female	
211J	3740049	1	Relay	
211J	4460260	4	Terminal	
211J	4460259	4	Cover, Terminal	
211K	4460424	1	Connector - 2 Position	
211K	4460267	2	Pin, Male	
222		Ref	Harness, Ground Control Box Options:	
222	4922378	1	Diesel Machines	A
222	4922336	1	Gas Dual Fuel Machines	C
222A	4460434	1	Connector - 15 Position	
222A	4460268	13	Socket, Female	
223	4922339	1	Harness, Tilt	C
223A	4460321	1	Connector - 4 Position	
223A	4460267	4	Pin, Male	
223B	4460824	1	Connector, Female - 6 Position	
223B	4460825	4	Socket, Female	
		Ref	<b>STANDARD HARNESS COMPONENTS</b>	
301	7023183	1	Harness, Engine	
301A	7023179	1	Connector - 8 Position (Yellow)	
301A	7023182	8	Pin, Male	
301B	7023178	1	Connector - 8 Position (White)	
301B	7023182	8	Pin, Male	
301C	7023180	1	Bulkhead, Electrical Connector (White)	
301D	7023181	1	Bulkhead, Electrical Connector (Yellow)	
302		Ref	Harness, Lift Down Options:	
302	4922321	1	Harness, Lift Down 330CRT	C
302	4922345	1	Harness, Lift Down 400CRT	C
302	1060680	Ref	Cable, Electrical - 18/2	
302	1060680	21 ft/6.4m	Cable, Electrical - 18/2 330CRT	
302	1060680	45 ft/13.7m	Cable, Electrical - 18/2 400CRT	
302A	4460499	Ref	Connector, DIN	
302A	4460499	1	Connector, DIN 330CRT	
302A	4460499	2	Connector, DIN 400CRT	
302A	4460465	2	Socket, Female	
303		Ref	Elevation Switch Harness Options:	
303	4922630	1	Elevation Switch Harness (Was p/n 1060868) <b>(Prior to SN 101118)</b>	
303	4922630	1	Elevation Switch Harness <b>(SN 101118 to Present)</b>	
303	1060680	9 ft/2.75m	Cable, Electrical - 18/2	
303A	4460465	2	Socket, Female	
303B		Ref	Switch, Limit Options:	

## SECTION 7 - ELECTRICAL

ITEM	PART NUMBER	QTY	DESCRIPTION	REV
303B	4360321	1	Production	
303B	4360548	1	Post Production	
303C		Ref	Connector, Strain Relief Options:	
303C	4460662	1	Connector, Strain Relief (Use with 1060868 Harness) <b>(Prior to SN 101118)</b>	
303C	4460428	1	Connector, Strain Relief (Use with 4922630 Harness) (Production) <b>(SN 101118 to Present)</b>	
303C	4460968	1	Post Production	
304	Not Available	1	Harness, Controller (Part of Electrical Assembly)	
304A	4460265	1	Connector - 9 Position	
304A	4460268	8	Socket, Female	
305		Ref	Drive Cutout Switch Harness Options: (400CRT Only)	
305	4922630	1	Drive Cutout Switch Harness (Was p/n 1060869) <b>(Prior to SN 101118)</b>	
305	4922630	1	Drive Cutout Switch Harness <b>(SN 101118 to Present)</b>	
305	1060680	11 ft/3.4m	Cable, Electrical - 18/2	
305A	4460465	2	Socket, Female	
305B		Ref	Switch, Limit Options:	
305B	4360321	1	Production	
305B	4360548	1	Post Production	
305C		Ref	Connector, Strain Relief Options:	
305C	4460662	1	Connector, Strain Relief (Use with 1060869 Harness) <b>(Prior to SN 101118)</b>	
305C	4460428	1	Connector, Strain Relief (Use with 4922630 Harness) (Production) <b>(SN 101118 to Present)</b>	
305C	4460968	1	Post Production	
		Ref	<b>OPTIONAL HARNESS COMPONENTS</b>	
401	4922425	1	Alarm Harness	B
401	1060680	7 ft/2.2m	Cable, Electrical - 18/2	
401A	4460248	2	Terminal	
401B	4460465	2	Socket, Female	
401C	0140032	1	Alarm	
402	4922426	1	Beacon Harness	A
402	1060680	8 ft/2.5m	Cable, Electrical - 18/2	
402A	2400056	1	Fuse - 5 Amp	
402A	4460044	1	Fuseholder	
402B	4460248	3	Terminal, Butt	
402C	4460268	2	Socket, Female	
402C	4460320	1	Connector - 2 Position	
404	Not Available	1	Harness - Worklight	
404	1060680	AR	Cable, Electrical - 18/2	
405		Ref	AC to Platform Receptacle Components Options:	
405	0259586	Ref	110V Receptacle (ANSI 330CRT)	E
405	0270108	Ref	110V Receptacle (ANSI 400CRT)	D
405	0259587	Ref	110V GFI Receptacle (ANSI 330CRT)	F
405	0270109	Ref	110V GFI Receptacle (ANSI 400CRT)	E
405	0259588	Ref	220V Receptacle (ANSI 330CRT)	F
405	0270110	Ref	220V Receptacle (ANSI 400CRT)	D
405	0259589	Ref	220V Receptacle (ANSI Export 330CRT)	E
405	0270111	Ref	220V Receptacle (ANSI Export 400CRT)	D
405A	0860038	1	Box, Switch	
405B		Ref	Cable, Electrical - 12/3	

## SECTION 7 - ELECTRICAL

ITEM	PART NUMBER	QTY	DESCRIPTION	REV
405B	4922592	1	110Volt (330CRT)	B
405B	1060308	50 ft/15.2m	Cable, Electrical - 12/3 (Production)	
405B	1060908	50 ft/15.2m	Cable, Electrical - 12/3 (Post Production)	
405B	4922593	1	110Volt (400CRT)	B
405B	1060308	60 ft/18.3m	Cable, Electrical - 12/3 (Production)	
405B	1060908	60 ft/18.3m	Cable, Electrical - 12/3 (Post Production)	
405B	1060866	1	220Volt (330CRT)	C
405B	1060461	51 ft/15.5m	Cable, Electrical - 12/3 (Production)	
405B	1060908	51 ft/15.5m	Cable, Electrical - 12/3 (Post Production)	
405B	1060867	1	220Volt (400CRT)	C
405B	1060461	61 ft/18.6m	Cable, Electrical - 12/3 (Production)	
405B	1060908	61 ft/18.6m	Cable, Electrical - 12/3 (Post Production)	
405C		Ref	Decal - AC Power Options: (Not Shown)	
405C	1703464	1	110V	
405C	3252507	1	220V	
405D		Ref	Shield, Cover Options:	
405D	4060092	1	110V	
405D	4060700	1	110V with GFI Receptacle	
405D	Not Available		220V GFI	
405E		Ref	Connector, Strain Relief Options:	
405E	4460051	1	110V	
405E	4460328	1	220V (330CRT) <b>(Prior to SN 110801)</b>	
405E	4460071	1	220V (330CRT) <b>(SN 110801 to Present)</b>	
405E	4460328	1	220V (400CRT)	
405F	Not Available	1	Receptacle	
405G		Ref	Connector Options:	
405G	4460138	1	110V	
405G	Not Available		220V	
406	4922454	2	Harness - Leveling Jacks (N.O. Limit Switches)	D
406	1060680	8.5 ft/2.6m	Cable, Electrical - 18/2	
406A		Ref	Switch, Limit Options:	
406A	4360321	2	Production	
406A	4360548	2	Post Production	
406B	4460424	1	Connector, Female - 2 Position	
406B	4460267	2	Pin, Male	
406C		Ref	Connector, Strain Relief Options:	
406C	4460428	2	Production	
406C	4460968	2	Post Production	
407	4922455	2	Harness - Leveling Jacks (N.C. Limit Switches)	D
407	1060680	9.9 ft/3m	Cable, Electrical - 18/2	
407A		Ref	Switch, Limit Options:	
407A	4360321	2	Production	
407A	4360548	2	Post Production	
407B	4460320	1	Connector - 2 Position	

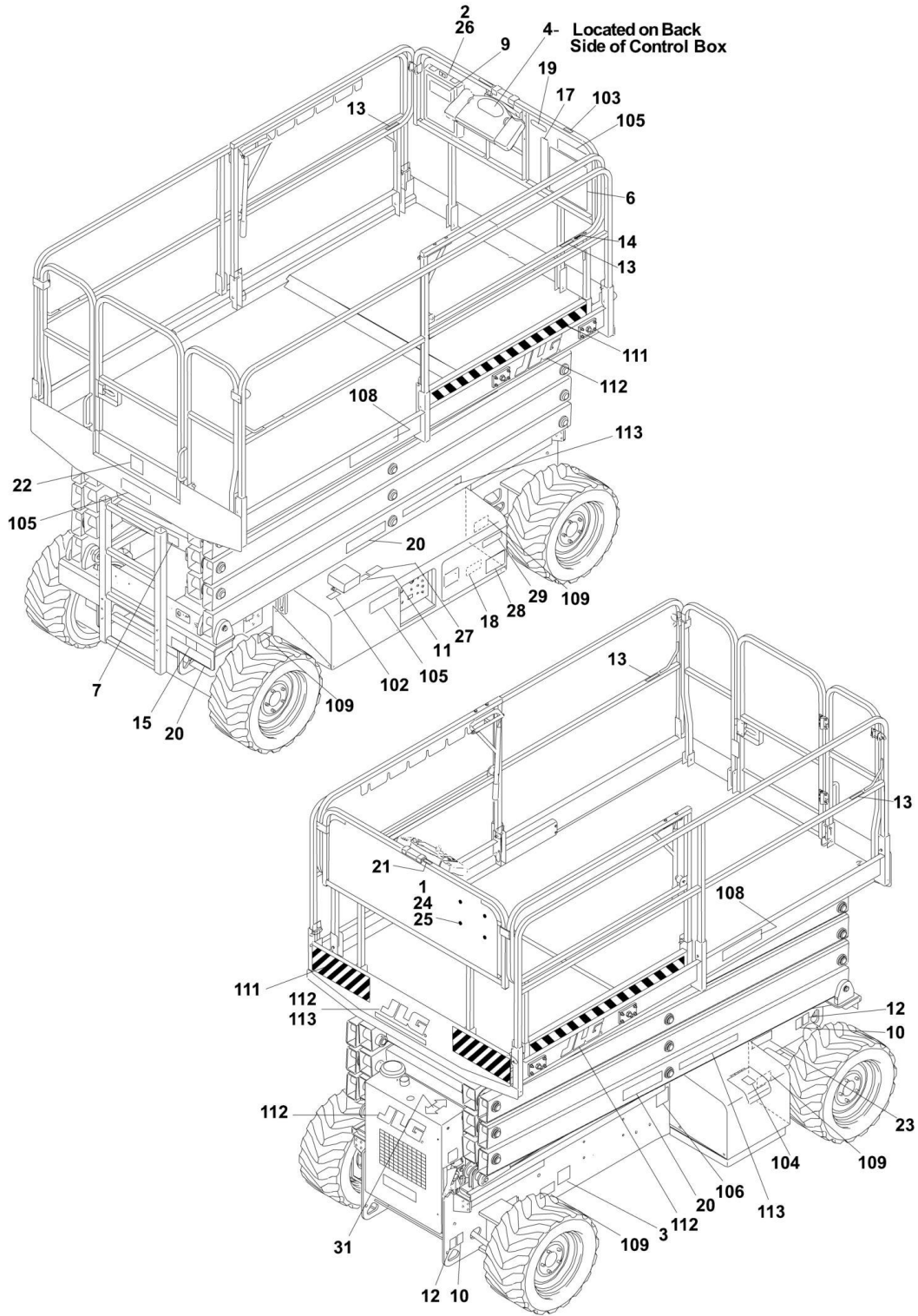
## SECTION 7 - ELECTRICAL

ITEM	PART NUMBER	QTY	DESCRIPTION	REV
407B	4460268	2	Socket, Female	
407C		Ref	Connector, Strain Relief Options:	
407C	4460428	2	Production	
407C	4460968	2	Post Production	
408	4922456	1	Harness, Connecting - Leveling Jacks	B
408	1060680	28 ft/8.5m	Cable, Electrical - 18/2	
408A	4460424	2	Connector, Female - 2 Position	
408A	4460267	4	Pin, Male	
408B	4460320	2	Connector - 2 Position	
408B	4460268	4	Socket, Female	
408C	4460465	3	Socket, Female	
409 to 409	Not Required	0	Not Required	
410	4922452	1	Harness, Generator	A
410A	4460449	1	Connector, Din	
410B	4460320	1	Connector - 2 Position	
410B	4460268	2	Socket, Female	
411	1060882	1	Cord, AC	A
411A	4460779	1	Receptacle, Male	
411B	4460858	1	Receptacle, Female	
		Ref	<b>TOOLS</b>	
501	7002821	1	Crimper (For Wire to Pin/Socket Connections)	
502	7002823	1	Extractor (For Removal of Pin/Socket from Connectors)	
503	4460467	1	Extractor, Pin (Blue 16-18 Gauge) (For Removal of Pin/Socket from Connectors)	
503	4460510	1	Extractor, Pin (Yellow 12-14 Gauge) (For Removal of Pin/Socket from Connectors)	
504	7002828	1	Stripper, Wire	
505	2901443	1	Analyzer, Machine (Not Shown)	

**SECTION 8 - DECALS**

# SECTION 8 - DECALS

## FIGURE 8-1. DECALS INSTALLATION - ANSI



## SECTION 8 - DECALS

**FIGURE 8-1. DECALS INSTALLATION - ANSI**

ITEM	PART NUMBER	QTY	DESCRIPTION	REV
	0259598	Ref	<b>DECAL INSTALLATION</b>	8
1	0641405	4	Bolt 1/4in-20NC x 5/8in	
2	0860520	1	Box, Manual Storage	
3	1702153	1	Decal - Inspection	
4	Not Available	1	Decal - Bar Code	
6	1703816	1	Decal - Danger/Warning	
7	1704211	1	Decal - Safety Prop	
9	1701509	1	Decal - Manual Reference (Was p/n 1703788)	
10	1703811	4	Decal - Lifting Lugs	
11	1703812	1	Decal - Hydraulic Oil	
12	1703814	4	Decal - Tie Down	
13	1704277	8	Decal - Attach Lanyard Here	
14	1703819	1	Decal - Directional Arrow	
15		Ref	Decal - Manual Descent Options ( <b>Prior to SN 88958</b> )	
15	1703822	1	Decal - Manual Descent 330CRT	
15	Not Available		Decal - Manual Descent 400CRT	
17	1704480	1	Decal - Legend	
18	1704556	1	Decal - Towing/Winching/Tow Speed	
19	1703696	1	Decal - Gradeability	
20	1703818	4	Decal - Warning Crushing Hazard/Danger Electrocutation	
21	1703821	1	Decal - Control Box Location	
22	3251813	1	Decal - USA	
23	Not Available	1	Nameplate - Serial Number	
24	3311405	4	Locknut 1/4in-20NC	
25	4711400	8	Flatwasher 1/4in Narrow	
26	1060279	1	Cable, Lanyard	
27	1704412	1	Decal - Hydraulic Oil	
28	1700584	1	Decal - Patent	
29	1704479	1	Decal - Battery Warning	
30	2080057	4	Fastener (Not Shown)	
31	1703687	1	Decal - Directional Arrow	
		Ref	Decal Kit Options:	
	2901912	1	Master Kit (Includes Items 9-15)	5
	2901914	1	Multi-Color Kit (Includes Items 17-21)	
		Ref	<b>OPTIONAL DECAL INSTALLATIONS</b>	
101	1701214	8	Decal - Outrigger Warning (Optional - Not Shown)	
102	1702788	1	Decal - Biodegradable Oil (Optional)	
103		Ref	Decal - Warning Prop. 65 Options (ANSI California Spec Only):	
103	1702961	1	Dual Fuel Machines	
103	1702962	1	Diesel Machines	
104		Ref	Decal - Fuel Options:	
104	1701542	1	Dual Fuel Machines	
104	1701505	1	Diesel Machines	
105		Ref	Decal - Capacity Options:	
105	3252591	3	Decal - Capacity 330CRT (1000lbs)	
105	3252694	3	Decal - Capacity 400CRT (800lbs)	
106	1700818	1	Decal - LP Gas (Dual Fuel Machines Only)	
108		Ref	Decal - Model Options:	
108	1704545	2	Decal - Model 330CRT	
108	1704546	2	Decal - Model 400CRT	

## SECTION 8 - DECALS

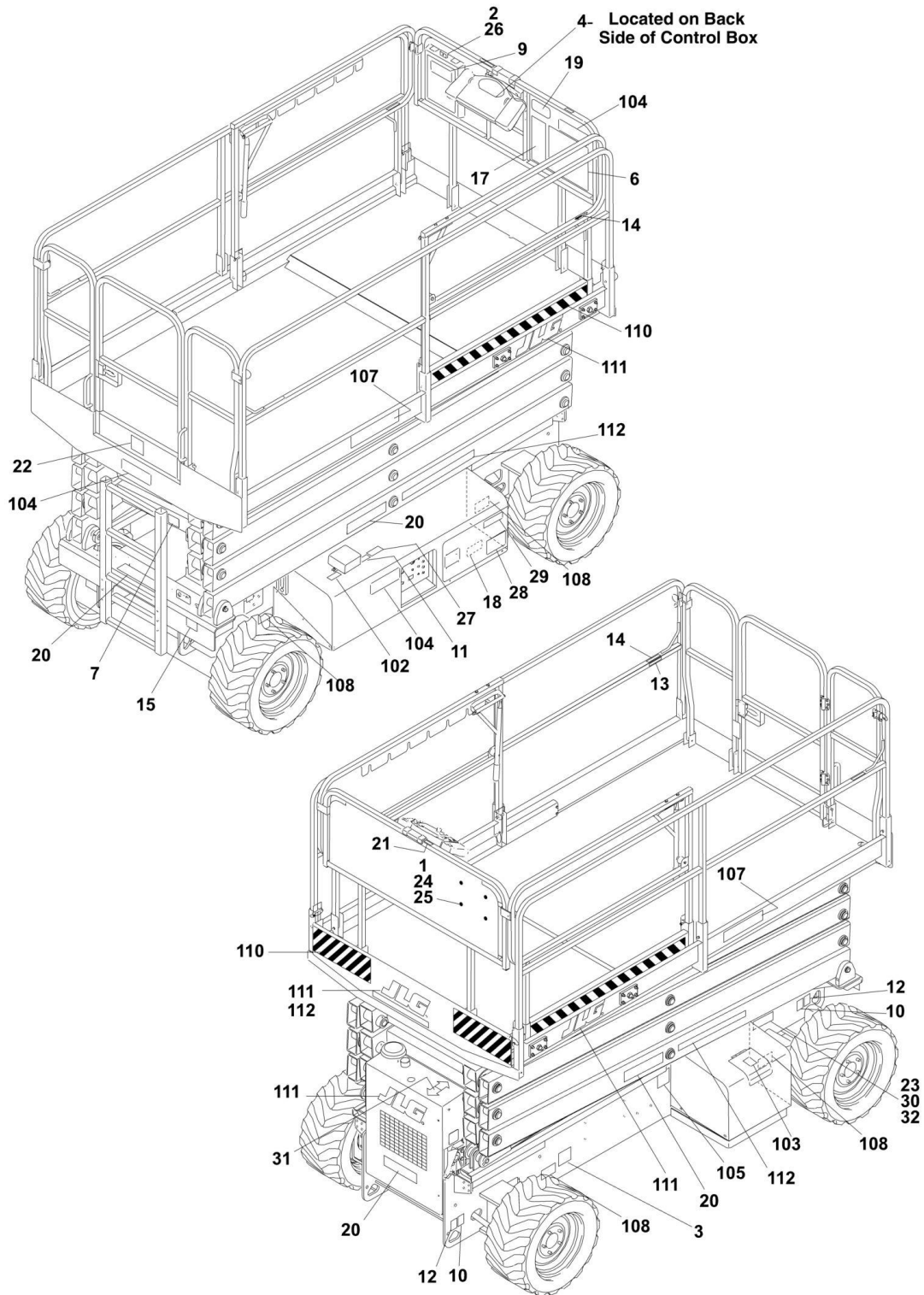
ITEM	PART NUMBER	QTY	DESCRIPTION	REV
109		Ref	Decal - Maximum Tire Load Options:	
109	1704426	4	Decal - Maximum Tire Load 330CRT	
109	1704427	4	Decal - Maximum Tire Load 400CRT	
110		Ref	Decal - Maximum Load Options: (Not Shown - Machines with Leveling Jacks Only)	
110	1704746	4	Decal - Maximum Load 330CRT	
110	1704747	4	Decal - Maximum Load 400CRT	
111	0251642	AR	Decal - Warning Stripe	
	0270263	Ref	JLG Decals Installation	
112	1702773	4	Decal - JLG	
113	1704885	3	Decal - Website	





# SECTION 8 - DECALS

## FIGURE 8-2. DECALS INSTALLATION - ANSI EXPORT



## SECTION 8 - DECALS

### FIGURE 8-2. DECALS INSTALLATION - ANSI EXPORT

ITEM	PART NUMBER	QTY	DESCRIPTION	REV
		Ref	<b>DECAL INSTALLATIONS</b>	
	0259608	Ref	<b>Brazilian Spec (Dual Language - Portuguese/Spanish)</b>	7
	0259601	Ref	<b>CSA Spec (Dual Language - English/French) (Prior to SN 104715)</b>	8
	0272256	Ref	<b>CSA Spec (Dual Language - English/French) (SN 104715 to Present)</b>	1
	0259607	Ref	<b>Latin American Spec (Dual Language - English/Spanish)</b>	7
	0270531	Ref	<b>Chinese Spec (Dual Language - Chinese/English)</b>	3
1	0641405	4	Bolt 1/4in-20NC x 5/8in	
2	0860520	1	Box, Manual Storage	
3		Ref	Decal - Inspection Options:	
3	1704008	1	Brazilian Spec	
3	1704006	1	CSA Spec	
3	1704007	1	Latin American Spec	
3	1704607	1	Chinese Spec	
4	Not Available	1	Decal - Bar Code	
6		Ref	Decal - Danger/Warning Options:	
6	1704699	1	Brazilian Spec	
6	1704684	1	CSA Spec	
6	1704691	1	Latin American Spec	
6	1704616	1	Chinese Spec	
7	1704211	1	Decal - Safety Prop	
9		Ref	Decal - Manual Reference Options:	
9	1703788	1	Decal - Manual Reference <b>(Prior to SN 102557)</b>	
9	1701509	1	Decal - Manual Reference <b>(SN 102557 to Present)</b>	
10	1703811	4	Decal - Lifting Lugs	
11	1703812	1	Decal - Hydraulic Oil	
12	1703814	4	Decal - Tie Down	
13	1704277	8	Decal - Attach Lanyard Here	
14	1703819	1	Decal - Directional Arrow	
15		Ref	Decal - Manual Descent Options:	
15	1703822	1	Decal - Manual Reference 330CRT	
15	Not Available		Decal - Manual Reference 400CRT	
17		Ref	Decal - Legend Options:	
17	1704700	1	Brazilian Spec	
17	1704685	1	CSA Spec	
17	1704692	1	Latin American Spec	
17	1704910	1	Chinese Spec	
18		Ref	Decal - Towing/Winching/Tow Speed Options:	
18	1704623	1	Brazilian Spec	
18	1704688	1	CSA Spec	
18	1704695	1	Latin American Spec	
18	1705009	1	Chinese Spec	
19		Ref	Decal - Gradability Options:	
19	1704748	1	Brazilian Spec	
19	1704597	1	CSA Spec	
19	1704598	1	Latin American Spec	
19	1705010	1	Chinese Spec	
20		Ref	Decal - Warning Crushing Hazard/Danger Electrocutation Options:	
20	1704701	4	Brazilian Spec	

## SECTION 8 - DECALS

ITEM	PART NUMBER	QTY	DESCRIPTION	REV
20	1704686	4	CSA Spec	
20	1704693	4	Latin American Spec	
20	1704611	4	Chinese Spec	
21		Ref	Decal - Control Box Location Options:	
21	1704702	1	Brazilian Spec	
21	1704687	1	CSA Spec	
21	1704694	1	Latin American Spec	
21	1704610	1	Chinese Spec	
22	3251813	1	Decal - USA	
23	Not Available	1	Nameplate - Serial Number	
24	3311405	4	Locknut 1/4in-20NC	
25	4711400	8	Flatwasher 1/4in Narrow	
26	1060279	1	Cable, Lanyard	
27	1704412	1	Decal - Hydraulic Oil	
28		Ref	Decal - Patent Options:	
28	1702573	1	Brazilian Spec	
28	1700584	1	CSA Spec	
28	1700584	1	Latin American Spec	
28	1700584	1	Chinese Spec	
29		Ref	Decal - Battery Warning Options:	
29	1704703	1	Brazilian Spec	
29	1704689	1	CSA Spec	
29	1704696	1	Latin American Spec	
29	1705011	1	Chinese Spec	
30	2080057	4	Fastener (Not Shown)	
31	1703687	1	Decal - Directional Arrow	
32		Ref	Decal - CSA Options: (CSA Spec Only)	
32	3252191	1	Decal - CSA <b>(Prior to SN 104715)</b>	
32	1705303	1	Decal - CSA <b>(SN 104715 to Present)</b>	
		Ref	Decal Kit Options:	
	2901912	1	Master Kit (Includes Items 9-15)	5
		Ref	Multi-Color Kit Options (Includes Items 17-21):	
	2901926	1	Brazilian Spec	
	2901938	1	CSA Spec	
	2901939	1	Latin American Spec	
	2902080	1	Chinese Spec	
		Ref	<b>OPTIONAL DECAL INSTALLATIONS</b>	
101		Ref	Decal - Outrigger Warning Options (Optional - Not Shown):	
101	1704698	8	Brazilian Spec	
101	1704690	8	CSA Spec	
101	1704697	8	Latin American Spec	
102	1702788	1	Decal - Biodegradable Oil (Optional)	
103		Ref	Decal - Fuel Options:	
103	1701542	1	Dual Fuel Machines	
103	1701505	1	Diesel Machines	
104		Ref	Decal - Capacity Options:	
104	3252591	3	Decal - Capacity 330CRT (1000lbs)	
104	3252694	3	Decal - Capacity 400CRT (800lbs)	
105		Ref	Decal - LP Gas Options (Dual Fuel Machines Only):	
105	1700818	1	English Language	
105	1702720	1	Spanish Language	

## SECTION 8 - DECALS

ITEM	PART NUMBER	QTY	DESCRIPTION	REV
107		Ref	Decal - Model Options:	
107	1704545	2	Decal - Model 330CRT	
107	1704546	2	Decal - Model 400CRT	
108		Ref	Decal - Maximum Tire Load Options:	
108	1704426	4	Decal - Maximum Tire Load 330CRT	
108	1704427	4	Decal - Maximum Tire Load 400CRT	
109		Ref	Decal - Maximum Load Options: (Not Shown - Machines with Leveling Jacks Only)	
109	1704746	4	Decal - Maximum Load 330CRT	
109	1704747	4	Decal - Maximum Load 400CRT	
110	0251642	AR	Decal - Warning Stripe	
	0270263	Ref	JLG Decals Installation	
111	1702773	4	Decal - JLG	
112	1704885	3	Decal - Website	



## **SECTION 9 - RECOMMENDED SERVICE PARTS STOCK**

## **SECTION 9 - RECOMMENDED SERVICE PARTS STOCK**

# SECTION 9 - RECOMMENDED SERVICE PARTS STOCK

## FIGURE 9-1. MODEL 330/400CRT STANDARD PARTS

ITEM	PART NUMBER	QTY	DESCRIPTION	REV
	Note	Ref	<b>Note: The following list will service fleets of machines (built to current production per date on the front cover) with emergency repair parts which can be installed in the field. Parts from the list should be replaced when inventory is depleted to keep service parts stock supplied. For further information, contact your JLG dealer or the JLG Industries Parts Department.</b>	
		Ref	<b>STANDARD PARTS</b>	
	2120210	4	Element, Pressure Filter (for fleets of 1 to 4)	
	2120210	8	Element, Pressure Filter (for fleets of 5 to 9)	
	2120210	12	Element, Pressure Filter (for fleets of 10 or more)	
	7014811	1	Breather, Hydraulic (for fleets of 1 to 4)	
	7014811	1	Breather, Hydraulic (for fleets of 5 to 9)	
	7014811	1	Breather, Hydraulic (for fleets of 10 or more)	
	7012944	1	Coil (for fleets of 1 to 4)	
	7012944	1	Coil (for fleets of 5 to 9)	
	7012944	1	Coil (for fleets of 10 or more)	
	7011376	1	Coil (for fleets of 1 to 4)	
	7011376	1	Coil (for fleets of 5 to 9)	
	7011376	1	Coil (for fleets of 10 or more)	
	4360070	1	Breaker, Circuit (for fleets of 1 to 4)	
	4360070	1	Breaker, Circuit (for fleets of 5 to 9)	
	4360070	1	Breaker, Circuit (for fleets of 10 or more)	
	4360328	1	Switch, Toggle (for fleets of 1 to 4)	
	4360328	1	Switch, Toggle (for fleets of 5 to 9)	
	4360328	1	Switch, Toggle (for fleets of 10 or more)	
	4360387	1	Switch, Push Button (for fleets of 1 to 4)	
	4360387	1	Switch, Push Button (for fleets of 5 to 9)	
	4360387	1	Switch, Push Button (for fleets of 10 or more)	
	4360469	1	Switch, Key (for fleets of 1 to 4)	
	4360469	1	Switch, Key (for fleets of 5 to 9)	
	4360469	1	Switch, Key (for fleets of 10 or more)	
	2860030	1	Key, Replacement (Set of 2) (for fleets of 1 to 4)	
	2860030	1	Key, Replacement (Set of 2) (for fleets of 5 to 9)	
	2860030	1	Key, Replacement (Set of 2) (for fleets of 10 or more)	
	4360475	1	Switch, Mushroom (for fleets of 1 to 4)	
	4360475	1	Switch, Mushroom (for fleets of 5 to 9)	
	4360475	1	Switch, Mushroom (for fleets of 10 or more)	
	4360481	1	Block, Switch (for fleets of 1 to 4)	
	4360481	1	Block, Switch (for fleets of 5 to 9)	
	4360481	1	Block, Switch (for fleets of 10 or more)	
	4360482	1	Switch, Toggle (for fleets of 1 to 4)	
	4360482	1	Switch, Toggle (for fleets of 5 to 9)	
	4360482	1	Switch, Toggle (for fleets of 10 or more)	
	7027367	1	Switch, Push Button (for fleets of 1 to 4)	
	7027367	1	Switch, Push Button (for fleets of 5 to 9)	
	7027367	1	Switch, Push Button (for fleets of 10 or more)	
	70000081	1	Potentiometer (for fleets of 1 to 4)	
	70000081	1	Potentiometer (for fleets of 5 to 9)	
	70000081	1	Potentiometer (for fleets of 10 or more)	



# SECTION 9 - RECOMMENDED SERVICE PARTS STOCK

ITEM	PART NUMBER	QTY	DESCRIPTION	REV
	3990010	2	Diode 6A 600V (for fleets of 1 to 4)	
	3990010	2	Diode 6A 600V (for fleets of 5 to 9)	
	3990010	2	Diode 6A 600V (for fleets of 10 or more)	

## SECTION 9 - RECOMMENDED SERVICE PARTS STOCK

FIGURE 9-2. MODEL 330/400CRT VARIABLE PARTS

ITEM	PART NUMBER	QTY	DESCRIPTION	REV
	Note	Ref	<b>Note: The following list will service fleets of machines (built to current production per date on the front cover) with emergency repair parts which can be installed in the field. Parts from the list should be replaced when inventory is depleted to keep service parts stock supplied. For further information, contact your JLG dealer or the JLG Industries Parts Department.</b>	
		Ref	<b>VARIABLE PARTS</b>	
	3740049	1	Relay (Diesel Machines) (for fleets of 1 to 4)	
	3740049	1	Relay (Diesel Machines) (for fleets of 5 to 9)	
	3740049	1	Relay (Diesel Machines) (for fleets of 10 or more)	
	7017923	12	Filter, Engine Oil (Diesel Machines) (for fleets of 1 to 4)	
	7017923	12	Filter, Engine Oil (Diesel Machines) (for fleets of 5 to 9)	
	7017923	12	Filter, Engine Oil (Diesel Machines) (for fleets of 10 or more)	
	7023138	4	Filter, Engine Fuel (Diesel Machines) (for fleets of 1 to 4)	
	7023138	8	Filter, Engine Fuel (Diesel Machines) (for fleets of 5 to 9)	
	7023138	12	Filter, Engine Fuel (Diesel Machines) (for fleets of 10 or more)	
	7017938	4	Element, Air Filter (Diesel Machines) (for fleets of 1 to 4)	
	7017938	8	Element, Air Filter (Diesel Machines) (for fleets of 5 to 9)	
	7017938	12	Element, Air Filter (Diesel Machines) (for fleets of 10 or more)	
	7017980	12	Filter, Engine Oil (Dual Fuel Machines) (for fleets of 1 to 4)	
	7017980	12	Filter, Engine Oil (Dual Fuel Machines) (for fleets of 5 to 9)	
	7017980	12	Filter, Engine Oil (Dual Fuel Machines) (for fleets of 10 or more)	
	7017992	4	Filter, Engine Fuel (Dual Fuel Machines) (for fleets of 1 to 4)	
	7017992	8	Filter, Engine Fuel (Dual Fuel Machines) (for fleets of 5 to 9)	
	7017992	12	Filter, Engine Fuel (Dual Fuel Machines) (for fleets of 10 or more)	
	7023153	4	Element, Air Filter (Dual Fuel Machines) (for fleets of 1 to 4)	
	7023153	8	Element, Air Filter (Dual Fuel Machines) (for fleets of 5 to 9)	
	7023153	12	Element, Air Filter (Dual Fuel Machines) (for fleets of 10 or more)	
	7023105	1	Coil, Ignition (Dual Fuel Machines) (for fleets of 1 to 4)	
	7023105	1	Coil, Ignition (Dual Fuel Machines) (for fleets of 5 to 9)	
	7023105	1	Coil, Ignition (Dual Fuel Machines) (for fleets of 10 or more)	
	2940064	1	Snap-Hook (Chain Gate Platform Entry) (for fleets of 1 to 4)	
	2940064	1	Snap-Hook (Chain Gate Platform Entry) (for fleets of 5 to 9)	
	2940064	1	Snap-Hook (Chain Gate Platform Entry) (for fleets of 10 or more)	
	2940074	1	Latch (Door Platform Entry) (for fleets of 1 to 4)	
	2940074	1	Latch (Door Platform Entry) (for fleets of 5 to 9)	
	2940074	1	Latch (Door Platform Entry) (for fleets of 10 or more)	
	4360482	1	Switch, Toggle (for fleets of 1 to 4)	
	4360482	1	Switch, Toggle (for fleets of 5 to 9)	
	4360482	1	Switch, Toggle (for fleets of 10 or more)	
	4360331	1	Switch, Toggle (for fleets of 1 to 4)	
	4360331	1	Switch, Toggle (for fleets of 5 to 9)	
	4360331	1	Switch, Toggle (for fleets of 10 or more)	
	2400056	2	Fuse 5 Amp (Beacon Light Option) (for fleets of 1 to 4)	
	2400056	2	Fuse 5 Amp (Beacon Light Option) (for fleets of 5 to 9)	
	2400056	2	Fuse 5 Amp (Beacon Light Option) (for fleets of 10 or more)	
	4360548	1	Switch, Limit (for fleets of 1 to 4)	
	4360548	1	Switch, Limit (for fleets of 5 to 9)	
	4360548	1	Switch, Limit (for fleets of 10 or more)	

**SECTION 10 - SPECIAL OPTIONS**

## SECTION 10 - SPECIAL OPTIONS

FIGURE 10-1. SPECIAL OPTIONS

ITEM	PART NUMBER	QTY	DESCRIPTION	REV
	Note	Ref	<b>Note: This list is to accomodate machines ordered with special equipment. Options may not be applicable to all models. For more specific parts information contact JLG Parts Department.</b>	
		Ref	<b>MISCELLANEOUS SPECIAL OPTIONS</b>	
	0270095	Ref	<b>AIR LINE INSTALLATION</b>	
	0270543	Ref	<b>BUBBLE LEVEL INSTALLATION</b>	
	0270546	Ref	<b>DECAL INSTALLATION - SUNBELT</b>	
	1704735	4	Decal - Sunbelt	
	0270951	Ref	<b>DECAL INSTALLATION - UNITED RENTALS (Prior to SN 109236)</b>	
	1704744	4	Decal - United Rentals (UR10)	
	1704741	1	Decal - United Rentals (UR5)	
	1702773	3	Decal - JLG	
	0271666	Ref	<b>DECAL INSTALLATION - UNITED RENTALS (SN 109236 to Present)</b>	
		Ref	<b>DECAL INSTALLATION - PROP 65 WARNING</b>	
	1702962	1	Decal - Diesel Machines	
	1702961	1	Decal - Gas Machines	
		Ref	<b>Filter Kits:</b>	
	1001111691	1	Combined Filter Kit (Hydraulic/Air and Fuel/Engine Oil) (was p/n 2910494)	
	1001111666	1	Hydraulic/Air Filter	
	1001111681	1	Fuel/Engine Oil Filter	
	1702788	Ref	<b>DECAL - BIODEGRADABLE OIL</b>	
		Ref	<b>ELECTRICAL CONNECTOR KITS</b>	
	1001148902	Ref	Amp/Tyco Electrical Connector Kit	
	1001148903	Ref	Deutsch DT Electrical Connector Kit	
	1001148904	Ref	Deutsch HD Electrical Connector Kit	
	1001148905	Ref	Packard Electrical Connector Kit	
	1001148906	Ref	Various Electrical Connectors Kit	
		Ref	<b>FRAME WELDMENT OPTION:</b>	
	2360509	Ref	4WD with Fixed Rear Axle	
		Ref	<b>HYDRAULIC FLUIDS OPTIONS:</b>	
	2300014	Ref	Mobil 424	
	2300027	Ref	Mobil 224H Bio	
	2300016	Ref	Mobil DTE 13M	
	2300021	Ref	Union Carbide Ucon HP5046 Fire Resistant	
		Ref	<b>KIT OPTIONS: - TIE-STRAPS</b>	
	0270494	1	Kit 330CRT	
	0270495	1	Kit 400CRT	
	0257049	Ref	<b>PIPE RACKS INSTALLATION</b>	
	0100040	Ref	<b>SEALANT</b>	
		Ref	<b>WORKLIGHTS INSTALLATION</b>	
	0259596	1	Worklights Installation 330CRT	
	0270410	1	Worklights Installation 400CRT	
		Ref	<b>TOOLS FOR SERVICE</b>	
	7002818	1	Crimper (For Wire to Pin/Socket Connections)	
	7002840	1	Extractor, Anti-Rotation Pin (Used on Axle Lockout Valve)	
	7002823	1	Extractor (For Removal of Pin/Socket from Connectors)	

**SECTION 10 - SPECIAL OPTIONS**

<b>ITEM</b>	<b>PART NUMBER</b>	<b>QTY</b>	<b>DESCRIPTION</b>	<b>REV</b>
	4460467	1	Extractor, Pin (Blue 16-18 Gauge) (For Removal of Pin/Socket from Connectors)	
	4460510	1	Extractor, Pin (Yellow 12-14 Gauge) (For Removal of Pin/Socket from Connectors)	
	7004275	1	Seal Tool (For 1in Diameter Seals)	
	7004276	1	Seal Tool (For 1 1/2in Diameter Seals)	
	7002826	1	Seal Tool (For 2in Diameter Seals)	
	7002820	1	Arbor Set	
	1001137005	1	Software USB Cable Kit	



**PART NUMBER INDEX**

## SECTION 10 - SPECIAL OPTIONS

0080228.....	97, 99	0259586.....	130	0610134.....	61	0962257.....	9
01000119, 11, 13, 25, 30,		0259587.....	130	0610135.....	81	0962474.....	91
43, 45, 53, 63, 67, 71,		0259588.....	130	0610140.....	61	1001101076.....	77
75, 77, 78, 91, 93, 95,		0259589.....	130	0630476.....	75	1001111666.....	148
97, 99, 100		0259591.....	41	0641404.....	25, 54, 81	1001111681.....	148
0100019.....	11, 43, 45	0259592.....	41	0641405.....	43, 54, 135, 139	1001111691.....	148
0100020.....	25, 29, 63	0259593.....	41	0641406 ...	30, 43, 45, 54,	1001137005.....	149
0100035.....	93, 95	0259596.....	148	78		1001148902.....	148
0100038.....	91, 93	0259598.....	135	0641407 ...	11, 43, 53, 63,	1001148903.....	148
0100040.....	148	0259601.....	139	78		1001148904.....	148
0100048.....	79	0259607.....	139	0641408.....	68, 72	1001148905.....	148
0100075.....	108, 112	0259608.....	139	0641410.....	25, 29, 54	1001148906.....	148
0140001.....	54	0259611.....	45	0641416.....	11	1060279.....	135, 140
0140011.....	81	0259613.....	63	0641418.....	25, 29, 67, 71	1060308.....	131
0140032.....	130	0259645.....	54, 61	0641506 ...	43, 53, 54, 97,	1060461.....	131
0181684.....	78	0259649.....	11	99		1060680....	129, 130, 131,
0181847.....	81	0259652.....	13	0641508.....	25, 29, 41	132	
0182005.....	45	0259696.....	49	0641510.....	67, 78	1060797.....	100
0182035.....	78	0259829.....	54, 61	0641516.....	77, 78	1060798.....	100
0200654.....	67	0259850.....	29	0641524.....	53	1060808.....	77, 78
0200655.....	67	0259851.....	25	0641526.....	100	1060815.....	128
0200656.....	67	0259859.....	99, 100	0641528.....	45	1060823.....	26, 30
0200657.....	67	0259864.....	54, 61	06416089, 25, 26, 30, 45,		1060824.....	26, 30
0200658.....	67	0259947.....	43	67, 71, 75		1060846.....	97, 99
0200659.....	67	0259948.....	43	0641609.....	45	1060866.....	131
0200660.....	67	0270095.....	148	0641610....	11, 67, 71, 75	1060867.....	131
0200661.....	67	0270102.....	128	0641612.....	29	1060882.....	49, 132
0200667.....	67	0270105.....	128	0641632.....	25, 29	1060908.....	131
0200668.....	67	0270108.....	130	0641672.....	25, 29	1100110.....	67, 71
0200669.....	67	0270109.....	130	0641676.....	78	1120108.....	93, 95
0200683.....	71	0270110.....	130	0641812 ...	25, 26, 29, 30	1120485.....	63
0200684.....	71	0270111.....	130	0641814.....	25, 29	1260136.....	77
0200685.....	71	0270128.....	81	0641828.....	43	1320016.....	25, 29
0200686.....	71	0270198.....	81	0641830.....	45	1320022.....	26, 29
0200687.....	71	0270199.....	31	0642012.....	11	1320061.....	77
0200688.....	71	0270251.....	13	0642018.....	9	1320110.....	68, 72
0200689.....	71	0270252.....	13	0651404.....	53	1320122.....	99
0200690.....	71	0270263.....	136, 141	0681506.....	93	1320220.....	29
0200691.....	71	0270410.....	148	0681508.....	78	1320265.....	29
0200692.....	71	0270423.....	54, 61	0681520.....	67, 71	1320274.....	25, 29
0200693.....	71	0270450.....	81	0681606.....	93	1380136.....	53
0200694.....	71	0270451.....	81	0681622.....	67, 71	1600308.....	81, 85
0200695.....	71	0270494.....	148	0681624.....	67, 71	1600403.....	81, 87
0200696.....	71	0270495.....	148	0681812.....	13	1670926.....	53
0251642.....	136, 141	0270514.....	43	0682016.....	45	1670931.....	63
0257049.....	148	0270531.....	139	0700619.....	78	1670933.....	43
0259105.....	67, 97	0270536.....	81	0700808.....	25	1670934.....	43
0259336.....	9	0270537.....	81	0760812.....	25, 29	1670935.....	43
0259337.....	9	0270538.....	81	0840025.....	26	1670936.....	43
0259380.....	29	0270539.....	81	0840026.....	25, 29	1670937.....	43
0259381.....	25	0270543.....	148	0860038.....	130	1670943.....	43
0259460.....	13	0270546.....	148	0860520.....	135, 139	1670944.....	29
0259559.....	53	0270679.....	13	0861315.....	61	1670945.....	25
0259560.....	63	0270951.....	148	0861357.....	81	1670965.....	68, 72
0259561.....	71, 99	0271666.....	148	0901870.....	77, 78	1670971.....	45
0259562.....	43	0272256.....	139	0902421.....	97, 99	1670995.....	99
0259563.....	75	0320015.....	93	0902499.....	81	1681283.....	93, 95
0259564.....	75	0362840.....	67	0902540.....	67, 71	1682723.....	93
0259565.....	77	0362841.....	67, 71	0902573.....	100	1683076.....	91
0259566.....	77	0400002.....	25, 29	0902590.....	54	1683572.....	91
0259568.....	77	0400003.....	25, 29	0902613.....	25	1683574.....	91
0259576.....	43	0440228.....	9	0902614.....	29	1683807.....	9, 103
0259577.....	43	0440234.....	67, 71, 75	0902623.....	29	1683858.....	67, 97
0259580.....	54	0440236.....	67, 71	0902624.....	25	1683891.....	71, 99
0259581.....	54	0561373.....	100	0902639.....	29	1683892.....	71, 99
0259582.....	54	0561374.....	100	0940090.....	71, 78	1683966.....	93
0259583.....	54	0561407.....	45	0961950.....	11	1683967.....	93, 95



## SECTION 10 - SPECIAL OPTIONS

1683978	11, 91	1704697	140	2220828	108, 112	2753401	107, 111
1684206	95	1704698	140	2220849	107, 111	2753402	107, 111
1684217	45, 95	1704699	139	2220852	117	2753404	107, 111
1700584	135, 140	1704700	139	2220883	45, 93, 95	2753405	107, 111
1700818	135, 140	1704701	139	2220885	91	2753406	107, 111
1701214	135	1704702	140	2220899	108, 112	2753407	107, 111
1701505	135, 140	1704703	140	2220906	107, 112	2753410	107, 111
1701509	135, 139	1704735	148	2220919	108, 112	2753411	107, 111
1701542	135, 140	1704741	148	2220947	107, 111	2753412	107, 111
1702153	135	1704744	148	2221036	111	2753413	107, 111
1702573	140	1704746	136, 141	2221042	107, 111	2753414	111
1702720	140	1704747	136, 141	2221046	25, 29	2753415	111
1702773	136, 141, 148	1704748	139	2221047	25	2753418	107, 111
1702788	135, 140, 148	1704885	136, 141	2221050	108, 111	2753473	107, 111
1702961	135, 148	1704910	139	2221069	108, 112	2753476	107, 111
1702962	135, 148	1705009	139	2221070	107, 111	2753500	117
1703175	75	1705010	139	2230024	107, 112	2753501	117
1703464	131	1705011	140	2230043	107, 112	2753506	107, 111
1703687	135, 140	1705303	140	2300014	148	2753507	107, 111
1703696	135	1705711	81	2300016	148	2753508	108, 112
1703788	139	1705712	81	2300021	148	2792396	118
1703811	135, 139	1705729	61	2300027	148	2792397	118
1703812	135, 139	1705947	81	2360509	148	2792415	107, 118
1703814	135, 139	1705948	81	2360525	9	2792416	118
1703816	135	1705976	81	2400056	130, 146	2792417	111, 118
1703818	135	1706130	81	2420172	61	2792449	115, 118
1703819	135, 139	1780317	54	2420191	63	2792450	117, 118
1703821	135	2000169	25, 26	2460036	49	2820018	41
1703822	135, 139	2000170	29, 30	2540020	77	2820097	77
1704006	139	2080052	43, 45, 53, 63	2540036	25, 29	2860030	61, 144
1704007	139	2080057	135, 140	2560088	78	2900708	49
1704008	139	2080059	11	2560141	81	2900770	91, 95
1704211	135, 139	2080069	77	2560150	100	2901443	132
1704277	135, 139	2120077	29	2560163	25, 29	2901548	91
1704412	135, 140	2120146	53	2600147	54	2901912	135, 140
1704426	136, 141	2120150	53	2600253	77	2901914	135
1704427	136, 141	2120172	108, 112	2720058	25	2901926	140
1704462	61	2120209	53	2720271	25	2901930	68
1704479	135	2120210	53, 144	2720339	25, 30	2901931	72
1704480	135	2180387	29	2720456	25	2901938	140
1704545	135, 141	2180389	29	2720457	25	2901939	140
1704546	135, 141	2200222	29	2720458	29	2901941	93, 95
1704556	135	2220290	30	2720459	29	2902023	93
1704574	82	2220366	107, 111	2720463	30	2902080	140
1704588	81	2220371	107, 111, 115	2750909	115	2910479	25, 29
1704589	81	2220373	117	2750916	115	2920026	61, 82
1704597	139	2220376	108, 112	2750991	115	2920029	61, 82
1704598	139	2220399	30	2751852	108, 112	2920146	41
1704607	139	2220451	107, 111	2752463	107, 111	2940064	146
1704610	140	2220472	107, 111	2752469	107, 111	2940074	77, 146
1704611	140	2220473	107, 111, 115	2752471	107, 111	2940126	53
1704616	139	2220490	107, 111, 115	2752472	115	2940127	78
1704623	139	2220501	107, 112	2752476	115	3010088	77
1704624	81	2220502	107, 111	2752478	107, 111	3020022	68, 72, 78
1704684	139	2220507	108, 112	2752479	107, 111	3160244	13, 21
1704685	139	2220600	108, 111	2752480	108, 112	3160245	13, 17
1704686	140	2220603	107, 111	2752484	107, 111	3160254	13, 19
1704687	140	2220621	107, 111	2752493	107, 111	3160255	13, 15
1704688	139	2220628	112	2752622	107, 111	3220083	31
1704689	140	2220635	107, 111, 115, 117	2752632	107, 111	3251813	135, 140
1704690	140	2220651	112	2752643	107, 111	3252191	140
1704691	139	2220700	117	2753059	108, 112, 115	3252507	131
1704692	139	2220738	108, 111	2753118	107, 111	3252591	135, 140
1704693	140	2220773	30	2753120	107, 111, 115	3252694	135, 140
1704694	140	2220819	108, 112, 115	2753327	115	3252695	81
1704695	139	2220827	107, 112	2753399	107, 111	3252746	81
1704696	140			2753400	107, 111	3271505	78

## SECTION 10 - SPECIAL OPTIONS

3272001.....	45	3537609.....	78	4060803.....	43, 49	4460662.....	130
3290601.....	78	3537619.....	78	4060808.....	53	4460779.....	132
3290801.....	25, 29	3538047.....	11	4061003.....	45	4460812.....	128
3300029.....	25, 30	3571829.....	77	4070878.....	11	4460814.....	128
3300151.....	67, 71, 77, 78	3571862.....	78	4070879.....	11	4460817.....	128
3300281.....	93	3572029.....	11, 43	4070987.....	61	4460818.....	128
3300356.....	77, 78	3572229.....	53	4070991.....	61	4460819.....	128
3300374.....	26, 30	3572362.....	53	4130367.....	9	4460824.....	129
3300409.....	9	3572782.....	45	4130372.....	9	4460825.....	129
3300420.....	79	3573513.....	95	4160116.....	45	4460827.....	129
3300432.....	77	3600300.....	26, 30, 33	4160189.....	26, 30	4460828.....	128
3300465.....	95	3600313.....	26, 30	4240139.....	63	4460829.....	129
3310601.....	81	3600414.....	26, 30, 37	4240143.....	25, 29	4460834.....	128
3310805.....	45, 53	3641310.....	77	4280295.....	99	4460845.....	128
3311401.....	49, 71, 79	3730117.....	129	4360070.....	61, 144	4460846.....	128
3311405.....	11, 25, 26, 29, 30, 53, 54, 68, 72, 78, 135, 140	3740049.....	25, 49, 129, 146	4360321.....	130, 131	4460858.....	132
3311505.....	25, 29, 41, 45, 53, 54, 67, 71, 77, 78	3760115.....	11	4360328.....	61, 144	4460968.....	130, 131, 132
3311601.....	63	3760170.....	77, 78	4360331.....	82, 146	4520238.....	13
3311605.....	11, 26, 30, 45, 67, 71, 75, 78	3760261.....	93	4360387.....	61, 81, 144	4565647.....	93
3311805.....	25, 29, 43, 67, 71	3760321.....	75	4360469.....	61, 144	4568114.....	54
3312005.....	9	3760348.....	26, 30, 78	4360475.....	61, 81, 144	4640113.....	13
3321402.....	97, 99	3760367.....	91	4360481.....	61, 144	4640495.....	93, 95
3322002.....	9	3760387.....	68, 72	4360482.....	81, 82, 144, 146	4640757.....	112
3322201.....	11	3760420.....	67, 72	4360483.....	82	4640858.....	91
3322202.....	26, 30, 78	3760453.....	93	4360548.....	130, 131, 146	4641001.....	97, 99
3340612.....	77	3760460.....	95	4400275.....	29	4641002.....	97
3340856.....	67, 71, 75	3820019.....	53	4400426.....	53	4641118.....	99
3340866.....	67	3820020.....	78	4400427.....	63	4641143.....	11
3340895.....	82	3841143.....	11, 67, 72, 75	4420008.....	82	4641147.....	53, 59
3421565.....	77, 78	3841146.....	9	4420037.....	63	4641150.....	45
3422219.....	77, 78	3841233.....	26, 30, 78	4420052.....	45	4641151.....	45
3422369.....	67, 71, 77	3841258.....	11	4420055.....	78	4641152.....	45
3422592.....	11	3841326.....	45	4460044.....	130	4641156.....	93, 95
3422745.....	11	3841367.....	11	4460051.....	131	4641157.....	53, 57
3422778.....	67, 71	3841432.....	9	4460071.....	131	4641163.....	91
3422803.....	9	3841469.....	9	4460138.....	131	4641168.....	99
3422821.....	67, 71	3860059.....	26, 30, 78	4460226.....	87	4641172.....	97, 99
3422822.....	67, 71	3900128.....	63	4460248.....	130	4711400.....	11, 25, 26, 29, 30, 43, 53, 54, 72, 77, 97, 99, 135, 140
3422823.....	75	3900170.....	93	4460259.....	129	4711500.....	29, 41, 53, 68, 72, 75, 78
3422824.....	75	3900178.....	81	4460260.....	129	4711600.....	11, 26, 30, 63, 68, 72, 78
3422825.....	67, 71	3900184.....	26, 30	4460265.....	85, 87, 130	4711800.....	25, 26, 29, 30, 45
3422826.....	67, 71	3900208.....	53	4460266.....	85, 87, 128	4712200.....	9
3422828.....	11	3900248.....	100	4460267.....	85, 87, 128, 129, 131, 132	4713000.....	95
3431220.....	9	3900265.....	81	4460268.....	85, 129, 130, 132	4740120.....	82
3440420.....	45	3900267.....	77	4460320.....	129, 130, 131, 132	4740158.....	11
3450304.....	67, 71	3900281.....	61	4460321.....	129	4740332.....	68, 72
3450405.....	97, 99	3900289.....	53	4460322.....	131	4740415.....	45
3450406.....	9	3900321.....	95	4460328.....	131	4740480.....	67, 71
3460314.....	25, 29	3910606.....	61	4460424.....	128, 129, 131, 132	4740493.....	26
3460315.....	29	3910616.....	61	4460428.....	130, 131, 132	4740495.....	29
3460316.....	25	3910804.....	61	4460434.....	129	4740501.....	9
3460325.....	31	3911424.....	77	4460449.....	129, 132	4750600.....	61
3480092.....	93, 95	3911428.....	77, 78	4460464.....	128	4750800.....	45, 53, 68, 72
3510723.....	75	3911432.....	77	4460465.....	128, 129, 130, 132	4751000.....	63, 77
3510734.....	75	3911532.....	77, 78	4460467.....	132, 149	4751400.....	43, 45, 63, 78
3520026.....	61	3911536.....	77	4460468.....	128	4751500.....	43, 45, 54, 68, 72, 77
3520030.....	61	3930820.....	45, 67, 72	4460470.....	82, 128	4751600.....	25, 26, 30, 45, 68, 72
3520071.....	43	3931516.....	91	4460471.....	82, 128	4751800.....	43
3520072.....	78	3941004.....	41	4460473.....	128	4752200.....	26, 30, 78
3520080.....	81	3951603.....	67, 72	4460480.....	82, 128	4760600.....	61, 82
3520193.....	61, 82	3960525.....	63	4460481.....	128		
3536708.....	93	3980003.....	26, 30	4460488.....	82, 128		
		3990010.....	128, 145	4460489.....	82, 128		
		4060092.....	131	4460499.....	129		
		4060700.....	131	4460510.....	132, 149		
		4060802.....	81				

## SECTION 10 - SPECIAL OPTIONS

4761000.....	61	70001865.....	27	7017985.....	30	7022529.....	57
4761400.....	49, 54	70001968.....	37	7017992.....	30, 146	7022530.....	57
4761500.....	53	70002861.....	26, 30	7017995.....	26	7022531.....	57
4761600.....	25, 29	70003339.....	37	7017998.....	30	7022585.....	22
4791400.....	82	70003340.....	38	7018408.....	19	7022586.....	17, 21
4845829.....	77	7002818.....	148	7018411.....	15, 19	7022587.....	17, 21
4845938.....	82	7002820.....	149	7018435.....	15	7022588.....	17, 21
4845986.....	68, 72	7002821.....	132	7018436.....	15, 19	7022589.....	17, 21
4845987.....	75	7002823.....	132, 148	7018901.....	57	7022590.....	17, 21
4846020.....	68, 72	7002826.....	149	7018903.....	57	7022591.....	17, 21
4846036.....	25, 29	7002828.....	132	7018904.....	57	7022592.....	21
4846117.....	77	7002840.....	11, 148	7018936.....	37	7022593.....	21
4846120.....	78	7003212.....	100	7018942.....	57, 59	7022594.....	21
4846121.....	78	7003226.....	97, 99	7019602.....	97, 99	7022595.....	21
4846122.....	77	7003790.....	85	7019880.....	97, 100	7022596.....	21
4846123.....	77	7003791.....	85	7019884.....	97, 100	7022597.....	21
4846124.....	77	7004275.....	149	7019885.....	100	7022598.....	21
4846125.....	77	7004276.....	149	7019886.....	97, 100	7022599.....	21
4846156.....	11	7010542.....	57	7019887.....	100	7023009.....	103
4846159.....	43	7010543.....	57	7019888.....	100	7023010.....	103
4846181.....	78	7010635.....	49	7019889.....	97, 100	7023104.....	31
4846191.....	78	7011344.....	59	7019890.....	100	7023105.....	30, 146
4846221.....	25	7011376.....	144	7019891.....	100	7023107.....	30
4846224.....	45	7011940.....	85	7019892.....	100	7023108.....	30
4846225.....	45	7011997.....	85	7019893.....	100	7023109.....	30
4846249.....	82	7012693.....	11	7019894.....	100	7023110.....	30
4846256.....	78	7012773.....	57, 59	7019895.....	100	7023111.....	30
4846282.....	43	7012903.....	45	7019896.....	97	7023113.....	30
4846584.....	95	7012941.....	57	7019897.....	97	7023115.....	31
4860217.....	13	7012943.....	46, 49, 97, 99	7019898.....	97	7023120.....	31
4891800.....	13	7012944.....	57, 99, 144	7020020.....	53	7023124.....	27, 31
4892000.....	45	7012953.....	57, 97	7020175.....	61, 81	7023125.....	31
4922321.....	68, 129	7012967.....	57, 59	7020176.....	61, 81	7023126.....	27, 31
4922336.....	61, 129	7012975.....	59	7020218.....	97, 99	7023127.....	31
4922339.....	61, 129	7012998.....	57, 97, 99	7020253.....	53	7023128.....	31
4922343.....	54, 128	7014802.....	53	7020256.....	53	7023133.....	27
4922345.....	72, 129	7014811.....	53, 144	7020257.....	63	7023134.....	26
4922378.....	61, 129	7014812.....	53	7020500.....	85	7023137.....	26
4922383.....	128	7014813.....	53	7020501.....	85	7023138.....	26, 146
4922384.....	128	7014816.....	53	7020502.....	85	7023141.....	26
4922391.....	82, 128	7016312.....	53	7020503.....	85	7023142.....	26
4922392.....	128	7016319.....	41	7020504.....	85	7023143.....	26
4922425.....	41, 130	7016372.....	41	7020509.....	85	7023144.....	26
4922426.....	41, 130	7017226.....	103	7020511.....	85	7023148.....	27
4922437.....	82, 128	7017290.....	103	7020520.....	85	7023149.....	27
4922441.....	54, 128	7017291.....	103	7020527.....	85	7023153.....	30, 146
4922446.....	82, 128	7017294.....	103	7020528.....	85	7023160.....	27
4922447.....	82, 128	7017410.....	57	7020529.....	85	7023164.....	27
4922452.....	49, 132	7017418.....	57	7020530.....	85	7023166.....	27
4922454.....	45, 131	7017444.....	97, 99	7020533.....	85	7023167.....	27
4922455.....	45, 131	7017445.....	97, 99	7020534.....	85	7023168.....	27
4922456.....	45, 132	7017467.....	99	7020535.....	85	7023169.....	26, 30
4922592.....	131	7017901.....	26, 30	7020541.....	85	7023170.....	26
4922593.....	131	7017904.....	27	7021375.....	57	7023172.....	27
4922630.....	67, 71, 72, 129, 130	7017908.....	27	7021376.....	57, 59	7023173.....	27, 31
70000081.....	87, 144	7017923.....	26, 146	7021629.....	57	7023174.....	30
70000082.....	87	7017924.....	26	7021646.....	57	7023175.....	31
70000083.....	87	7017938.....	26, 146	7021649.....	57	7023176.....	31
70000084.....	87	7017942.....	27, 31	7021650.....	57	7023177.....	26
70000085.....	87	7017963.....	27	7021651.....	57	7023178.....	129
70000683.....	87	7017964.....	27	7021653.....	45	7023179.....	129
70000684.....	87	7017967.....	26	7022169.....	30	7023180.....	129
70000685.....	87	7017968.....	26	7022380.....	33	7023181.....	129
70000686.....	87	7017969.....	26	7022389.....	26, 30	7023182.....	129
70001140.....	27	7017978.....	31	7022524.....	59	7023183.....	129
70001439.....	31	7017980.....	30, 146	7022527.....	57	7023184.....	31
		7017981.....	31	7022528.....	59	7023186.....	26

## SECTION 10 - SPECIAL OPTIONS

7023187.....	26	7023289.....	15, 19	7023883.....	33	7024072.....	37
7023188.....	27	7023290.....	15, 19	7023884.....	33	7024073.....	37
7023190.....	31	7023291.....	15, 19	7023885.....	33, 37	7024075.....	37
7023191.....	31	7023292.....	15, 19	7023886.....	33	7024076.....	37
7023192.....	31	7023293.....	19	7023887.....	33, 37	7024077.....	37
7023193.....	31	7023294.....	19	7023888.....	33, 37	7024081.....	38
7023194.....	31	7023295.....	19	7023889.....	33	7024082.....	38
7023195.....	31	7023296.....	19	7023890.....	34	7024083.....	38
7023196.....	27	7023297.....	19	7023891.....	34	7024084.....	38
7023197.....	31	7023298.....	19	7023892.....	34	7024085.....	38
7023198.....	31	7023300.....	15, 19	7023893.....	34	7024086.....	38
7023199.....	26	7023301.....	15, 19	7023894.....	34	7024087.....	38
7023206.....	53	7023302.....	15, 19	7023895.....	34	7024088.....	38
7023208.....	57	7023303.....	15, 19	7023896.....	34	7024089.....	38
7023209.....	57	7023304.....	19	7023897.....	34	7024908.....	38
7023210.....	57	7023305.....	19	7023898.....	34	7024963.....	21
7023232.....	49	7023800.....	21	7023899.....	34	7024964.....	21
7023233.....	49	7023801.....	17	7024000.....	34	7024965.....	21
7023234.....	49	7023806.....	17, 21	7024001.....	34	7026191.....	19
7023235.....	49	7023807.....	17, 21	7024002.....	34	7026202.....	27
7023247.....	49	7023809.....	59	7024003.....	34	7026203.....	27
7023276.....	15, 19	7023810.....	59	7024004.....	35, 38	7026205.....	27
7023278.....	15, 19	7023834.....	33	7024005.....	35, 38	7026207.....	27
7023279.....	15, 19	7023854.....	34	7024006.....	35	7026209.....	31
7023280.....	15, 19	7023855.....	34	7024007.....	17	7026211.....	27
7023281.....	15, 19	7023856.....	34	7024008.....	17	7027367.....	87, 144
7023282.....	15, 19	7023859.....	34	7024009.....	17	7027765.....	87
7023283.....	15, 19	7023866.....	21	7024064.....	37	7027766.....	87
7023284.....	15, 19	7023877.....	33	7024065.....	37	7027888.....	15, 19
7023285.....	15	7023878.....	33	7024068.....	37, 38	7028877.....	37
7023286.....	15, 19	7023879.....	33	7024069.....	37	80934596.....	37
7023287.....	15, 19	7023881.....	33, 37	7024070.....	33, 37	80934644.....	38
7023288.....	15, 19	7023882.....	33	7024071.....	37		





**Corporate Office  
JLG Industries, Inc.  
1 JLG Drive  
McConnellsburg, PA 17233-9533 USA  
☎ (717) 485-5161 (Corporate)  
☎ (877) 554-5438 (Customer Support)  
📠 (717) 485-6417**

**Visit our website for JLG Worldwide Locations.  
[www.jlg.com](http://www.jlg.com)**



**OSHKOSH™**